



757 MANUAL SUPPLEMENT - ATP.2860

SECTION 2 CHAPTER 49

CONTROL PAGE INITIAL ISSUE

- A. File the attached Temporary Revisions/Alerts in the Manual supplement in ATA Chapter/Section/Subject/Page sequence.
- B. File this control page in front of the chapter TRs/Alerts.
- C. The following list shows active TRs/Alerts together with TRs/Alerts added by this control page.

Chapter Section Subject	Page	TR/Alert No.	Distribution (Ref.P.TEC.01.02 Para 5)
49-11-01-01	0	* BA. 49-502	ATP
49-52-01-01	3	* BA. 49-501	ATP

- D Remove and Destroy the following TR's/Alerts:

\* - TR's/Alerts issued with this control page

**ATP  
TEMPORARY  
REVISION**

NA351, NA352

TR Page 1 of 1  
20 July 1993

B.757  
ILLUSTRATED PARTS CATALOGUE

THIS TEMPORARY REVISION IS ISSUED BY BRITISH AIRWAYS TECHNICAL SERVICES AND COMPLIES WITH BCAR'S CHAPTER A5-3, B5-3 AND/OR TSS No. 0-2 AS REQUIRED. CAA DESIGN APPROVAL No. DAI/8566/78.



FOR CHIEF ENGINEER TECHNICAL SERVICES

TEMPORARY REVISION NO. 49-502

Manual Reference 49-11-01-01 Page 0

REASON FOR REVISION

To highlight ETOPS significant component

ACTION

Figure 1

Add the following to the Nomenclature of items 170 P/N 3800298:

(All APU mods for ETOPS must be embodied on APU change)

Originator: T BERTRAND  
(Ref): EPI 6279 TB  
Work Record: 49-142

49-11-01-01

**ATP  
TEMPORARY  
REVISION**

**NA351, NA352**

TR Page 1 of 1  
July 1993

ILLUSTRATED PARTS CATALOGUE

THIS TEMPORARY REVISION IS ISSUED BY BRITISH AIRWAYS TECHNICAL SERVICES AND COMPLIES WITH BCAR'S CHAPTER A5-3, B5-3 AND/OR TSS No. 0-2 AS REQUIRED. CAA DESIGN APPROVAL No. DAI/8566/78.



FOR CHIEF ENGINEER TECHNICAL SERVICES

TEMPORARY REVISION 49-501

Manual Reference 49-52-01-01 Page 3

REASON FOR REVISION

To detail ETOPS significant parts

ACTION

Figure 1

Add the following to the nomenclature of items 80 P/N.3826165-1 & -2:-

(Temporarily approved for ETOPS until Garrett SB49-5977 is incorporated)

Add the following to the nomenclature of item 82 P/N.3826383-1:-

(Temporarily approved for ETOPS until Garrett SB49-5977 Rev.8 is incorporated)

Add the following to the nomenclature of item 82 P/N.3826383-2:-

(Approved for ETOPS)

Add the following to the nomenclature of item 84 P/N.3826381-2:

(Temporarily approved for ETOPS until Garrett SB49-5977 Rev.8 is incorporated)

Add the following to the nomenclature of item 84 P/N.3826381-3:

(Approved for ETOPS)

Originator: T. BERTRAND  
Ref: EPD.6277 TB  
Work Record: 49-134

49-52-01-01  
Page 3

**B757 MANUAL SUPPLEMENT - ATP 3510  
SECTION 2 CHAPTER 49  
CONTROL PAGE INITIAL ISSUE**

- A. File the attached Temporary Revision/Alerts in the Manual Supplement in ATA Chapter/Section/Subject/Page sequence
- B. File this Control Page in front of the Chapter TRs/Alerts.
- C. The following list shows active TRs/Alerts together with TRs/Alerts added by this control page.

Chapter Section Subject	Page	TR/Alert No.
49-94-01	3	* BA 49-523

- D. Remove and Destroy the following TRs/Alerts:

\* Indicates TRs/Alerts issued with this control page

**ATP  
TEMPORARY  
REVISION**

**AIRPLANE**  
NB322

TR Page 1 of 1  
5 December, 1997

757 ILLUSTRATED PARTS CATALOG

TEMPORARY REVISION No. 49-523

THIS TEMPORARY REVISION IS ISSUED BY BRITISH AIRWAYS ENGINEERING (TECHNICAL INFORMATION SERVICES, G2, TBA, S401, P. O. BOX 10, HEATHROW AIRPORT, HOUNSLOW, MIDDLESEX TW6 2JA) AND COMPLIES WITH BCAR'S CHAPTER A5-3, B5-3 AND/OR TSS No. 0-2 AS REQUIRED. CAA DESIGN APPROVAL No. DA1/8566/78.

*G Littlefield*  
For CHIEF ENGINEER QUALITY AND TRAINING

Manual Reference 49-94-01 Page 3

REASON FOR REVISION

To advise commonality of BA fleet.

ACTION

Post Mod EOC-757-049G278

FIG ITEM	PART NUMBER	NOMENCLATURE	EFFECT	UPA
1				
5	8TJ99GGE1	.INDICATOR-OIL QTY	002002	1
10	MS28775-128	.PACKING	002002	1
72	3876059-2	.DELETED	002002	1
75	S9413-128	.DELETED	002002	1

Originator: M.HANIM  
Reference: EOC-757-049G278  
Workbook: 49-165

49-94-01  
Page 3



**757**  
**PARTS CATALOG (MAINTENANCE)**

CH-SECT-UNIT-FIG	PAGE NO.	DATE	CH-SECT-UNIT-FIG	PAGE NO.	DATE
*49	1	MAY 20/09	49-11-01-50	4	JAN 20/09
*49	2	MAY 20/09	49-11-01-50	5	JAN 20/09
*49	3	MAY 20/09	49-11-01-50	6	JAN 20/09
*49	4	MAY 20/09	49-11-01-50	7	JAN 20/09
*49	5	MAY 20/09	49-11-01-50	8	JAN 20/09
*49	6	MAY 20/09	49-11-01-50	9	JAN 20/09
*49	7	MAY 20/09	49-11-01-50	10	JAN 20/09
*49	8	MAY 20/09	49-11-01-50	11	JAN 20/09
*49	9	MAY 20/09	49-11-01-50	12	JAN 20/09
*49	10	MAY 20/09	49-11-01-50	13	JAN 20/09
*49	11	MAY 20/09	49-11-01-50	14	JAN 20/09
*49	12	MAY 20/09	49-11-01-50	15	JAN 20/09
*49	13	MAY 20/09	49-11-01-50	16	JAN 20/09
49-00-00	1	MAY 28/07	49-11-01-50	17	JAN 20/09
49-00-00- 1	0	MAY 28/07	49-11-01-50	18	JAN 20/09
49-00-00- 1	1	JAN 20/09	49-11-01-50	19	JAN 20/09
49-00-00- 1	2	JAN 20/09	49-11-01-50	20	JAN 20/09
49-00-00- 1	3	JAN 20/09	49-11-01-50	21	JAN 20/09
49-00-00- 1	4	JAN 20/09	49-11-03- 1	0	MAY 28/07
49-00-51- 1	0	MAY 28/07	49-11-03- 1	0A	MAY 28/07
49-00-51- 1	1	JAN 20/09	49-11-03- 1	1	JAN 20/09
49-00-51- 1	2	JAN 20/09	49-11-03- 1	2	JAN 20/09
49-00-51- 1	3	JAN 20/09	49-11-03- 1	3	JAN 20/09
49-11-00	1	MAY 28/07	49-11-03- 1	4	JAN 20/09
49-11-01- 1	0	MAY 28/07	49-11-03- 1	5	JAN 20/09
49-11-01- 1	0A	MAY 28/07	49-11-03- 1	6	JAN 20/09
49-11-01- 1	0B	MAY 28/07	49-11-03- 1	7	JAN 20/09
49-11-01- 1	1	JAN 20/09	49-11-03- 2	0	MAY 28/07
49-11-01- 1	2	JAN 20/09	49-11-03- 2	1	JAN 20/09
49-11-01- 1	3	JAN 20/09	49-11-03- 2	2	JAN 20/09
49-11-01- 1	4	JAN 20/09	49-11-03- 2	3	JAN 20/09
49-11-01- 1	5	JAN 20/09	49-11-03- 2	4	JAN 20/09
49-11-01- 1	6	JAN 20/09	49-11-03- 2	5	JAN 20/09
49-11-01- 1	7	JAN 20/09	49-11-03- 2	6	JAN 20/09
49-11-01- 1	8	JAN 20/09	49-11-03- 2	7	JAN 20/09
49-11-01- 1	9	JAN 20/09	49-11-03-10	0	MAY 28/07
49-11-01- 1	10	JAN 20/09	49-11-03-10	0A	MAY 28/07
49-11-01- 1	11	JAN 20/09	49-11-03-10	0B	MAY 28/07
49-11-01- 1	12	JAN 20/09	49-11-03-10	0C	MAY 28/07
49-11-01- 1	13	JAN 20/09	49-11-03-10	1	JAN 20/09
49-11-01- 2	0	MAY 28/07	49-11-03-10	2	JAN 20/09
49-11-01- 2	0A	MAY 28/07	49-11-03-10	3	JAN 20/09
49-11-01- 2	1	JAN 20/09	49-11-03-10	4	JAN 20/09
49-11-01- 2	2	JAN 20/09	49-11-03-10	5	JAN 20/09
49-11-01-50	0	MAY 28/07	49-11-03-10	6	SEP 20/08
49-11-01-50	0A	MAY 28/07	49-11-03-10	7	SEP 20/08
49-11-01-50	0B	MAY 28/07	49-11-03-10	8	SEP 20/08
49-11-01-50	0C	MAY 28/07	49-11-03-10	9	SEP 20/08
49-11-01-50	1	JAN 20/09	49-11-03-10	10	SEP 20/08
49-11-01-50	2	JAN 20/09	49-11-03-10	11	SEP 20/08
49-11-01-50	3	JAN 20/09	49-11-03-10	12	SEP 20/08

\* THE ASTERISK INDICATES PAGES CHANGED OR ADDED BY THE CURRENT REVISION



**757**  
**PARTS CATALOG (MAINTENANCE)**

CH-SECT-UNIT-FIG	PAGE NO.	DATE	CH-SECT-UNIT-FIG	PAGE NO.	DATE
49-11-03-10	13	SEP 20/08	49-14-00- 1	9	SEP 20/08
49-11-03-10	14	SEP 20/08	49-14-00- 1	10	SEP 20/08
49-11-03-10	15	SEP 20/08	49-14-00- 1	11	SEP 20/08
49-11-03-10	16	SEP 20/08	49-14-00- 1	12	SEP 20/08
49-11-03-10	17	SEP 20/08	49-14-00- 1	13	SEP 20/08
49-11-03-10	18	SEP 20/08	49-14-00- 1	14	SEP 20/08
49-11-03-10	19	SEP 20/08	49-14-00- 1	15	SEP 20/08
49-11-03-10	20	SEP 20/08	49-14-00- 1	16	SEP 20/08
49-11-03-10	21	SEP 20/08	49-14-00- 1	17	SEP 20/08
49-11-03-10	22	SEP 20/08	49-14-00- 1	18	SEP 20/08
49-11-03-10	23	SEP 20/08	49-14-00- 1	19	JAN 20/09
49-11-03-10	24	SEP 20/08	49-14-00- 1	20	JAN 20/09
49-11-03-10	25	SEP 20/08	49-14-00- 1	21	JAN 20/09
49-11-03-10	26	SEP 20/08	49-14-00- 1	22	SEP 20/08
49-11-03-10	27	SEP 20/08	49-14-00- 1	23	JAN 20/09
49-11-03-10	28	SEP 20/08	49-14-00- 1	24	SEP 20/08
49-11-03-10	29	SEP 20/08	49-14-00- 1	25	SEP 20/08
49-11-03-10	30	SEP 20/08	49-14-00- 1	26	SEP 20/08
49-11-03-10	31	SEP 20/08	49-14-00- 1	27	JAN 20/09
49-11-03-10	32	SEP 20/08	49-14-00- 1	28	SEP 20/08
49-11-03-10	33	SEP 20/08	49-14-00- 1	29	SEP 20/08
49-11-03-10	34	SEP 20/08	49-15-00	1	MAY 28/07
49-11-03-10	35	SEP 20/08	49-15-01- 1	0	MAY 28/07
49-11-03-10	36	SEP 20/08	49-15-01- 1	1	JAN 20/09
49-11-03-10	37	SEP 20/08	49-15-01- 1	2	JAN 20/09
49-13-00	1	MAY 28/07	49-15-01- 2	0	MAY 28/07
49-13-03- 1	0	MAY 28/07	49-15-01- 2	1	JAN 20/09
49-13-03- 1	0A	MAY 28/07	49-15-01- 2	2	JAN 20/09
49-13-03- 1	0B	MAY 28/07	49-15-01- 2	3	JAN 20/09
49-13-03- 1	1	JAN 20/09	49-15-01- 2	4	JAN 20/09
49-13-03- 1	2	SEP 20/08	49-15-01- 2	5	JAN 20/09
49-13-03- 1	3	SEP 20/08	49-15-02- 1	0	MAY 28/07
49-13-03- 1	4	SEP 20/08	49-15-02- 1	1	JAN 20/09
49-14-00	1	MAY 28/07	49-15-02- 1	2	JAN 20/09
49-14-00- 1	0	MAY 28/07	49-15-02- 1	3	JAN 20/09
49-14-00- 1	0A	MAY 28/07	49-15-02- 1	4	JAN 20/09
49-14-00- 1	0B	MAY 28/07	49-15-03- 1	0	MAY 28/07
49-14-00- 1	0C	MAY 28/07	49-15-03- 1	0A	MAY 28/07
49-14-00- 1	0D	MAY 28/07	49-15-03- 1	0B	MAY 28/07
49-14-00- 1	0E	MAY 28/07	49-15-03- 1	0C	MAY 28/07
49-14-00- 1	0F	MAY 28/07	49-15-03- 1	0D	MAY 28/07
49-14-00- 1	0G	MAY 28/07	49-15-03- 1	1	JAN 20/09
49-14-00- 1	0H	MAY 28/07	49-15-03- 1	2	JAN 20/09
49-14-00- 1	1	JAN 20/09	49-15-03- 1	3	JAN 20/09
49-14-00- 1	2	JAN 20/09	*49-15-03- 1	4	MAY 20/09
49-14-00- 1	3	JAN 20/09	49-15-03- 1	5	JAN 20/09
49-14-00- 1	4	JAN 20/09	49-15-03- 1	6	JAN 20/09
49-14-00- 1	5	JAN 20/09	*49-15-03- 1	7	MAY 20/09
49-14-00- 1	6	SEP 20/08	49-15-03- 1	8	JAN 20/09
49-14-00- 1	7	SEP 20/08	49-15-03- 1	9	JAN 20/09
49-14-00- 1	8	SEP 20/08	49-15-03- 1	10	JAN 20/09

\* THE ASTERISK INDICATES PAGES CHANGED OR ADDED BY THE CURRENT REVISION





**757**  
**PARTS CATALOG (MAINTENANCE)**

CH-SECT-UNIT-FIG	PAGE NO.	DATE	CH-SECT-UNIT-FIG	PAGE NO.	DATE
49-15-03- 1	11	JAN 20/09	49-15-03-10	0B	MAY 28/07
49-15-03- 1	12	JAN 20/09	49-15-03-10	0C	MAY 28/07
49-15-03- 1	13	JAN 20/09	49-15-03-10	0D	MAY 28/07
49-15-03- 1	14	JAN 20/09	49-15-03-10	0E	MAY 28/07
*49-15-03- 1	15	MAY 20/09	49-15-03-10	1	JAN 20/09
49-15-03- 1	16	JAN 20/09	49-15-03-10	2	JAN 20/09
*49-15-03- 1	17	MAY 20/09	49-15-03-10	3	JAN 20/09
49-15-03- 1	18	JAN 20/09	49-15-03-10	4	JAN 20/09
49-15-03- 1	19	JAN 20/09	49-15-03-10	5	JAN 20/09
49-15-03- 1	20	JAN 20/09	49-15-03-10	6	SEP 20/08
49-15-03- 1	21	JAN 20/09	49-15-03-10	7	SEP 20/08
49-15-03- 1A	0	MAY 28/07	49-15-03-10	8	SEP 20/08
49-15-03- 1A	0A	MAY 28/07	49-15-03-10	9	SEP 20/08
49-15-03- 1A	0B	MAY 28/07	49-15-03-10	10	SEP 20/08
49-15-03- 1A	0C	MAY 28/07	49-15-03-10	11	SEP 20/08
49-15-03- 1A	1	JAN 20/09	49-15-03-10	12	SEP 20/08
49-15-03- 1A	2	JAN 20/09	49-15-03-10	13	SEP 20/08
49-15-03- 1A	3	JAN 20/09	49-15-03-10	14	SEP 20/08
*49-15-03- 1A	4	MAY 20/09	49-15-03-10	15	SEP 20/08
49-15-03- 1A	5	JAN 20/09	49-15-03-10	16	SEP 20/08
49-15-03- 1A	6	JAN 20/09	49-15-05- 1	0	MAY 28/07
*49-15-03- 1A	7	MAY 20/09	49-15-05- 1	0A	MAY 28/07
49-15-03- 1A	8	JAN 20/09	49-15-05- 1	1	JAN 20/09
49-15-03- 1A	9	JAN 20/09	49-15-05- 1	2	JAN 20/09
49-15-03- 1A	10	JAN 20/09	49-15-05- 1	3	JAN 20/09
49-15-03- 1A	11	JAN 20/09	49-15-05- 1	4	JAN 20/09
49-15-03- 1A	12	JAN 20/09	49-15-05- 1	5	JAN 20/09
49-15-03- 1A	13	JAN 20/09	49-15-05- 1	6	JAN 20/09
*49-15-03- 1A	14	MAY 20/09	49-15-05- 2A	0	MAY 28/07
49-15-03- 1A	15	JAN 20/09	49-15-05- 2A	1	JAN 20/09
*49-15-03- 1A	16	MAY 20/09	49-15-06- 1	0	MAY 28/07
49-15-03- 1A	17	JAN 20/09	49-15-06- 1	0A	MAY 28/07
49-15-03- 1A	18	JAN 20/09	49-15-06- 1	0B	MAY 20/08
49-15-03- 1A	19	JAN 20/09	49-15-06- 1	1	JAN 20/09
49-15-03- 2	0	JAN 20/09	49-15-06- 1	2	JAN 20/09
49-15-03- 2	0A	JAN 20/09	49-15-06- 1	3	JAN 20/09
49-15-03- 2	0B	JAN 20/09	49-15-06- 1	4	JAN 20/09
49-15-03- 2	0C	JAN 20/09	49-15-06- 1	5	JAN 20/09
49-15-03- 2	1	JAN 20/09	49-15-06- 1	6	JAN 20/09
49-15-03- 2	2	JAN 20/09	49-15-06- 1	7	JAN 20/09
*49-15-03- 2	3	MAY 20/09	49-15-06- 1	8	JAN 20/09
49-15-03- 2	4	JAN 20/09	49-15-06- 1	9	JAN 20/09
*49-15-03- 2	5	MAY 20/09	49-15-06- 1	10	JAN 20/09
49-15-03- 2	6	JAN 20/09	49-15-06- 1	11	JAN 20/09
*49-15-03- 2	7	MAY 20/09	49-15-06- 1	12	JAN 20/09
49-15-03- 2	8	JAN 20/09	49-15-07- 1	0	MAY 28/07
*49-15-03- 2	9	MAY 20/09	49-15-07- 1	0A	MAY 28/07
49-15-03- 2	10	JAN 20/09	49-15-07- 1	1	JAN 20/09
49-15-03- 2	11	JAN 20/09	49-15-07- 1	2	JAN 20/09
49-15-03-10	0	MAY 28/07	49-15-07- 1	3	JAN 20/09
49-15-03-10	0A	MAY 28/07	49-15-07- 1	4	JAN 20/09

\* THE ASTERISK INDICATES PAGES CHANGED OR ADDED BY THE CURRENT REVISION

BRI  
MAY 20/09

49 - LIST OF EFFECTIVE PAGES  
PAGE 3



**757**  
**PARTS CATALOG (MAINTENANCE)**

CH-SECT-UNIT-FIG	PAGE NO.	DATE	CH-SECT-UNIT-FIG	PAGE NO.	DATE
49-15-07- 1	5	JAN 20/09	49-21-00- 2	3	JAN 20/09
49-15-07- 1	6	JAN 20/09	49-21-00- 2	4	JAN 20/09
49-15-07- 1	7	JAN 20/09	49-21-00- 2	5	JAN 20/09
49-15-07- 1	8	JAN 20/09	49-21-00- 2	6	JAN 20/09
49-15-08- 1	0	MAY 28/07	49-21-00- 2	7	JAN 20/09
49-15-08- 1	0A	MAY 28/07	49-21-00- 2	8	JAN 20/09
49-15-08- 1	0B	MAY 28/07	49-21-00- 2	9	JAN 20/09
49-15-08- 1	1	JAN 20/09	49-21-51- 1	0	MAY 28/07
49-15-08- 1	2	JAN 20/09	49-21-51- 1	0A	MAY 28/07
49-15-08- 1	3	JAN 20/09	49-21-51- 1	0B	MAY 28/07
49-15-08- 1	4	JAN 20/09	49-21-51- 1	0C	MAY 20/08
49-15-08- 1	5	JAN 20/09	49-21-51- 1	0D	MAY 28/07
49-15-08- 1	6	JAN 20/09	49-21-51- 1	0E	MAY 28/07
49-15-08- 1	7	JAN 20/09	49-21-51- 1	1	JAN 20/09
49-15-08- 1	8	JAN 20/09	49-21-51- 1	2	JAN 20/09
49-15-08- 1	9	JAN 20/09	49-21-51- 1	3	JAN 20/09
49-15-08- 1	10	JAN 20/09	49-21-51- 1	4	JAN 20/09
49-15-08- 1	11	JAN 20/09	49-21-51- 1	5	JAN 20/09
49-15-51- 1	0	MAY 28/07	49-21-51- 1	6	SEP 20/08
49-15-51- 1	1	JAN 20/09	49-21-51- 1	7	SEP 20/08
49-15-51- 1	2	JAN 20/09	49-21-51- 1	8	SEP 20/08
49-15-51- 1	3	JAN 20/09	49-21-51- 1	9	SEP 20/08
49-15-51- 1	4	JAN 20/09	49-21-51- 1	10	SEP 20/08
49-15-51- 1	5	SEP 20/08	49-21-51- 1	11	SEP 20/08
49-16-00	1	MAY 28/07	49-21-51- 1	12	JAN 20/09
49-16-01- 1	0	MAY 28/07	49-21-51- 1	13	JAN 20/09
49-16-01- 1	1	JAN 20/09	49-21-51- 1	14	SEP 20/08
49-16-01- 1	2	JAN 20/09	49-21-51- 1	15	SEP 20/08
49-16-01- 1	3	JAN 20/09	49-21-51- 1	16	SEP 20/08
49-16-01- 1	4	JAN 20/09	49-21-51- 1	17	SEP 20/08
49-16-01- 1	5	JAN 20/09	49-21-51- 1	18	SEP 20/08
49-16-01- 1	6	SEP 20/08	49-21-51- 1	19	SEP 20/08
49-16-01- 1	7	SEP 20/08	49-21-51- 1	20	SEP 20/08
49-16-01- 1	8	SEP 20/08	49-21-51- 1	21	SEP 20/08
49-16-01- 1	9	SEP 20/08	49-21-51- 1	22	SEP 20/08
49-16-02- 1	0	MAY 28/07	49-21-51- 1	23	SEP 20/08
49-16-02- 1	1	JAN 20/09	49-21-51- 1	24	SEP 20/08
49-16-02- 1	2	JAN 20/09	49-21-51- 1	25	SEP 20/08
49-16-02- 1	3	JAN 20/09	49-21-51- 1	26	SEP 20/08
49-16-02- 1	4	JAN 20/09	49-21-51- 1	27	SEP 20/08
49-16-02- 1	5	JAN 20/09	49-21-51- 1	28	SEP 20/08
49-16-02- 1	6	JAN 20/09	49-21-51- 1	29	SEP 20/08
49-16-02- 1	7	JAN 20/09	49-21-51- 1	30	SEP 20/08
49-16-02- 1	8	JAN 20/09	49-21-51- 1	31	SEP 20/08
49-21-00	1	MAY 28/07	49-21-51- 1	32	SEP 20/08
49-21-00- 2	0	MAY 28/07	49-21-51- 1	33	SEP 20/08
49-21-00- 2	0A	MAY 28/07	49-21-51- 1	34	SEP 20/08
49-21-00- 2	0B	MAY 28/07	49-21-51- 1	35	SEP 20/08
49-21-00- 2	0C	MAY 28/07	49-21-51- 1	36	SEP 20/08
49-21-00- 2	1	JAN 20/09	49-21-51- 1	37	SEP 20/08
49-21-00- 2	2	JAN 20/09	49-21-51- 1	38	SEP 20/08

\* THE ASTERISK INDICATES PAGES CHANGED OR ADDED BY THE CURRENT REVISION

BRI  
MAY 20/09

49 - LIST OF EFFECTIVE PAGES  
PAGE 4



757

PARTS CATALOG (MAINTENANCE)

CH-SECT-UNIT-FIG	PAGE NO.	DATE	CH-SECT-UNIT-FIG	PAGE NO.	DATE
49-21-51- 1	39	SEP 20/08	49-27-02- 1	9	SEP 20/08
49-21-51- 1	40	SEP 20/08	49-27-02- 1	10	SEP 20/08
49-21-51- 1	41	SEP 20/08	49-27-03- 1	0	MAY 28/07
49-21-51- 1	42	SEP 20/08	49-27-03- 1	0A	MAY 28/07
49-21-51- 1	43	JAN 20/09	49-27-03- 1	0B	MAY 28/07
49-21-51- 1	44	JAN 20/09	49-27-03- 1	1	JAN 20/09
49-21-51-50	0	MAY 28/07	49-27-03- 1	2	JAN 20/09
49-21-51-50	0A	MAY 28/07	49-27-03- 1	3	JAN 20/09
49-21-51-50	1	JAN 20/09	49-27-03- 1	4	JAN 20/09
49-21-51-50	2	JAN 20/09	49-27-03- 1	5	JAN 20/09
49-21-51-50	3	JAN 20/09	49-27-03- 1	6	SEP 20/08
49-21-51-50	4	JAN 20/09	49-27-03- 1	7	SEP 20/08
49-21-51-50	5	JAN 20/09	49-27-03- 1	8	SEP 20/08
49-21-51-50	6	SEP 20/08	49-27-03- 1	9	SEP 20/08
49-21-51-50	7	SEP 20/08	49-27-03- 1	10	JAN 20/09
49-21-51-50	8	SEP 20/08	49-27-03- 1	11	SEP 20/08
49-21-51-50	9	SEP 20/08	49-27-03- 1	12	JAN 20/09
49-21-51-50	10	JAN 20/09	49-27-04- 1	0	MAY 28/07
49-21-51-50	11	SEP 20/08	49-27-04- 1	0A	MAY 28/07
49-21-51-50	12	SEP 20/08	49-27-04- 1	0B	MAY 28/07
49-21-51-50	13	SEP 20/08	49-27-04- 1	0C	MAY 28/07
49-21-51-50	14	SEP 20/08	49-27-04- 1	1	JAN 20/09
49-21-51-50	15	SEP 20/08	49-27-04- 1	2	JAN 20/09
49-21-51-50	16	SEP 20/08	49-27-04- 1	3	JAN 20/09
49-21-51-50	17	SEP 20/08	49-27-04- 1	4	JAN 20/09
49-27-00	1	MAY 28/07	49-27-04- 1	5	JAN 20/09
49-27-01- 1	0	MAY 28/07	49-27-04- 1	6	SEP 20/08
49-27-01- 1	0A	MAY 28/07	49-27-04- 1	7	SEP 20/08
49-27-01- 1	1	JAN 20/09	49-27-04- 1	8	SEP 20/08
49-27-01- 1	2	JAN 20/09	*49-27-04- 1	9	MAY 20/09
49-27-01- 1	3	JAN 20/09	*49-27-04- 1	10	MAY 20/09
49-27-01- 1	4	JAN 20/09	*49-27-04- 1	11	MAY 20/09
49-27-01- 1	5	JAN 20/09	*49-27-04- 1	12	MAY 20/09
49-27-01- 1	6	SEP 20/08	*49-27-04- 1	13	MAY 20/09
49-27-01- 1	7	SEP 20/08	*49-27-04- 1	14	MAY 20/09
49-27-01- 1	8	SEP 20/08	*49-27-04- 1	15	MAY 20/09
49-27-01- 1	9	JAN 20/09	*49-27-04- 1	16	MAY 20/09
49-27-01- 1	10	SEP 20/08	*49-27-04- 1	17	MAY 20/09
49-27-01- 1	11	JAN 20/09	*49-27-04- 1	18	MAY 20/09
49-27-01- 1	12	JAN 20/09	*49-27-04- 1	19	MAY 20/09
49-27-01- 1	13	JAN 20/09	49-27-05- 1	0	MAY 28/07
49-27-01- 1	14	SEP 20/08	49-27-05- 1	1	JAN 20/09
49-27-02- 1	0	MAY 28/07	49-27-05- 1	2	JAN 20/09
49-27-02- 1	1	JAN 20/09	49-27-05- 1	3	JAN 20/09
49-27-02- 1	2	JAN 20/09	49-27-05- 1	4	JAN 20/09
49-27-02- 1	3	JAN 20/09	49-27-05- 1	5	JAN 20/09
49-27-02- 1	4	JAN 20/09	49-27-05- 1	6	SEP 20/08
49-27-02- 1	5	JAN 20/09	49-27-05- 1	7	SEP 20/08
49-27-02- 1	6	SEP 20/08	49-27-05- 1	8	SEP 20/08
49-27-02- 1	7	SEP 20/08	49-27-05- 1	9	SEP 20/08
49-27-02- 1	8	SEP 20/08	49-27-05- 1	10	SEP 20/08

\* THE ASTERISK INDICATES PAGES CHANGED OR ADDED BY THE CURRENT REVISION



757

PARTS CATALOG (MAINTENANCE)

CH-SECT-UNIT-FIG	PAGE NO.	DATE	CH-SECT-UNIT-FIG	PAGE NO.	DATE
49-27-06- 1	0	MAY 28/07	49-27-09- 1	9	SEP 20/08
49-27-06- 1	1	JAN 20/09	49-27-10- 1	0	MAY 28/07
49-27-06- 1	2	JAN 20/09	49-27-10- 1	0A	MAY 28/07
49-27-06- 1	3	JAN 20/09	49-27-10- 1	1	JAN 20/09
49-27-06- 1	4	JAN 20/09	49-27-10- 1	2	JAN 20/09
49-27-06- 1	5	JAN 20/09	49-27-10- 1	3	JAN 20/09
49-27-06- 1	6	SEP 20/08	49-27-10- 1	4	JAN 20/09
49-27-06- 1	7	SEP 20/08	49-27-10- 1	5	JAN 20/09
49-27-06- 1	8	SEP 20/08	49-27-10- 1	6	SEP 20/08
49-27-06- 1	9	SEP 20/08	49-27-10- 1	7	SEP 20/08
49-27-07- 1	0	MAY 28/07	49-27-10- 1	8	SEP 20/08
49-27-07- 1	1	JAN 20/09	49-27-10- 1	9	SEP 20/08
49-27-07- 1	2	JAN 20/09	49-27-10- 1	10	SEP 20/08
49-27-07- 1	3	JAN 20/09	49-27-10- 1	11	SEP 20/08
49-27-07- 1	4	JAN 20/09	49-27-10- 1	12	SEP 20/08
49-27-07- 1	5	JAN 20/09	49-27-10- 1	13	SEP 20/08
49-27-07- 1	6	SEP 20/08	49-27-10- 1	14	JAN 20/09
49-27-07- 1	7	SEP 20/08	49-27-10- 1	15	JAN 20/09
49-27-07- 1	8	SEP 20/08	49-27-11- 1	0	MAY 28/07
49-27-07- 1	9	SEP 20/08	49-27-11- 1	0A	MAY 28/07
49-27-07- 1	10	SEP 20/08	49-27-11- 1	0B	MAY 28/07
49-27-08- 1	0	MAY 28/07	49-27-11- 1	1	JAN 20/09
49-27-08- 1	0A	MAY 28/07	49-27-11- 1	2	JAN 20/09
49-27-08- 1	0B	MAY 28/07	49-27-11- 1	3	JAN 20/09
49-27-08- 1	1	JAN 20/09	49-27-11- 1	4	JAN 20/09
49-27-08- 1	2	JAN 20/09	49-27-11- 1	5	JAN 20/09
49-27-08- 1	3	JAN 20/09	49-27-11- 1	6	SEP 20/08
49-27-08- 1	4	JAN 20/09	49-27-11- 1	7	SEP 20/08
49-27-08- 1	5	JAN 20/09	49-27-11- 1	8	SEP 20/08
49-27-08- 1	6	SEP 20/08	49-27-11- 1	9	SEP 20/08
49-27-08- 1	7	SEP 20/08	49-27-11- 1	10	SEP 20/08
49-27-08- 1	8	SEP 20/08	49-27-11- 1	11	SEP 20/08
49-27-08- 1	9	SEP 20/08	49-27-11- 1	12	JAN 20/09
49-27-08- 1	10	SEP 20/08	49-27-11- 1	13	JAN 20/09
49-27-08- 1	11	SEP 20/08	49-27-11- 1	14	JAN 20/09
49-27-08- 1	12	SEP 20/08	49-27-11- 1	15	SEP 20/08
49-27-08- 1	13	SEP 20/08	49-27-11- 1	16	SEP 20/08
49-27-08- 1	14	SEP 20/08	49-27-11- 1	17	SEP 20/08
49-27-08- 1	15	SEP 20/08	49-27-12- 1	0	MAY 28/07
49-27-08- 1	16	SEP 20/08	49-27-12- 1	0A	MAY 28/07
49-27-08- 1	17	SEP 20/08	49-27-12- 1	1	JAN 20/09
49-27-08- 1	18	SEP 20/08	49-27-12- 1	2	JAN 20/09
49-27-09- 1	0	MAY 28/07	49-27-12- 1	3	JAN 20/09
49-27-09- 1	1	JAN 20/09	49-27-12- 1	4	JAN 20/09
49-27-09- 1	2	JAN 20/09	49-27-12- 1	5	JAN 20/09
49-27-09- 1	3	JAN 20/09	49-27-12- 1	6	SEP 20/08
49-27-09- 1	4	JAN 20/09	49-27-12- 1	7	SEP 20/08
49-27-09- 1	5	JAN 20/09	49-27-12- 1	8	SEP 20/08
49-27-09- 1	6	SEP 20/08	49-27-12- 1	9	JAN 20/09
49-27-09- 1	7	SEP 20/08	49-27-12- 1	10	JAN 20/09
49-27-09- 1	8	SEP 20/08	49-27-12- 1	11	JAN 20/09

\* THE ASTERISK INDICATES PAGES CHANGED OR ADDED BY THE CURRENT REVISION



757

PARTS CATALOG (MAINTENANCE)

CH-SECT-UNIT-FIG	PAGE NO.	DATE	CH-SECT-UNIT-FIG	PAGE NO.	DATE
49-27-12- 1	12	JAN 20/09	49-27-15- 1	15	SEP 20/08
49-27-12- 1	13	JAN 20/09	49-27-16- 1	0	MAY 28/07
49-27-13- 1	0	MAY 28/07	49-27-16- 1	1	JAN 20/09
49-27-13- 1	0A	MAY 28/07	49-27-16- 1	2	JAN 20/09
49-27-13- 1	1	JAN 20/09	49-27-16- 1	3	JAN 20/09
49-27-13- 1	2	JAN 20/09	49-27-16- 1	4	JAN 20/09
49-27-13- 1	3	JAN 20/09	49-27-16- 1	5	JAN 20/09
49-27-13- 1	4	JAN 20/09	49-27-16- 1	6	SEP 20/08
49-27-13- 1	5	JAN 20/09	49-27-16- 1	7	SEP 20/08
49-27-13- 1	6	SEP 20/08	49-27-16- 1	8	SEP 20/08
49-27-13- 1	7	SEP 20/08	49-27-16- 1	9	SEP 20/08
49-27-13- 1	8	SEP 20/08	49-27-51- 1	0	MAY 28/07
49-27-13- 1	9	SEP 20/08	49-27-51- 1	1	JAN 20/09
49-27-13- 1	10	SEP 20/08	49-27-51- 1	2	JAN 20/09
49-27-13- 1	11	SEP 20/08	49-27-51- 1	3	JAN 20/09
49-27-13- 1	12	SEP 20/08	49-27-51- 1	4	JAN 20/09
49-27-13- 1	13	SEP 20/08	49-27-51-50	0	MAY 28/07
49-27-13- 1	14	SEP 20/08	49-27-51-50	0A	MAY 28/07
49-27-13- 1	15	SEP 20/08	49-27-51-50	1	JAN 20/09
49-27-13- 1	16	SEP 20/08	49-27-51-50	2	JAN 20/09
49-27-14- 1	0	MAY 28/07	49-27-51-50	3	JAN 20/09
49-27-14- 1	0A	MAY 28/07	49-27-51-50	4	JAN 20/09
49-27-14- 1	0B	MAY 28/07	49-27-51-50	5	JAN 20/09
49-27-14- 1	1	JAN 20/09	49-27-51-50	6	SEP 20/08
49-27-14- 1	2	JAN 20/09	49-27-51-50	7	SEP 20/08
49-27-14- 1	3	JAN 20/09	49-27-51-50	8	SEP 20/08
49-27-14- 1	4	JAN 20/09	49-27-51-50	9	SEP 20/08
49-27-14- 1	5	JAN 20/09	49-27-51-50	10	SEP 20/08
49-27-14- 1	6	SEP 20/08	49-27-51-50	11	SEP 20/08
49-27-14- 1	7	SEP 20/08	49-27-51-50	12	SEP 20/08
49-27-14- 1	8	SEP 20/08	49-27-51-50	13	SEP 20/08
49-27-14- 1	9	SEP 20/08	49-31-00	1	MAY 28/07
49-27-14- 1	10	SEP 20/08	49-31-01- 1	0	MAY 28/07
49-27-14- 1	11	SEP 20/08	49-31-01- 1	0A	MAY 28/07
49-27-14- 1	12	SEP 20/08	49-31-01- 1	1	JAN 20/09
49-27-14- 1	13	SEP 20/08	49-31-01- 1	2	JAN 20/09
49-27-15- 1	0	MAY 28/07	49-31-01- 1	3	JAN 20/09
49-27-15- 1	1	JAN 20/09	49-31-01- 1	4	JAN 20/09
49-27-15- 1	2	JAN 20/09	49-31-01- 1	5	JAN 20/09
49-27-15- 1	3	JAN 20/09	49-31-01- 1	6	SEP 20/08
49-27-15- 1	4	JAN 20/09	49-31-01- 1	7	SEP 20/08
49-27-15- 1	5	JAN 20/09	49-31-01- 1	8	SEP 20/08
49-27-15- 1	6	JAN 20/09	49-31-01- 1	9	SEP 20/08
49-27-15- 1	7	JAN 20/09	49-31-01- 1	10	SEP 20/08
49-27-15- 1	8	JAN 20/09	49-31-01- 1	11	SEP 20/08
49-27-15- 1	9	JAN 20/09	49-31-01- 1	12	SEP 20/08
49-27-15- 1	10	JAN 20/09	49-31-01- 1	13	SEP 20/08
49-27-15- 1	11	JAN 20/09	49-31-01- 1	14	SEP 20/08
49-27-15- 1	12	JAN 20/09	49-31-01- 1	15	SEP 20/08
49-27-15- 1	13	SEP 20/08	49-31-01- 1	16	JAN 20/09
49-27-15- 1	14	SEP 20/08	49-31-01- 1	17	JAN 20/09

\* THE ASTERISK INDICATES PAGES CHANGED OR ADDED BY THE CURRENT REVISION


**BOEING**  
 757  
**PARTS CATALOG (MAINTENANCE)**

CH-SECT-UNIT-FIG	PAGE NO.	DATE	CH-SECT-UNIT-FIG	PAGE NO.	DATE
49-31-01- 1	18	JAN 20/09	49-31-03- 1	19	SEP 20/08
49-31-01- 1	19	JAN 20/09	49-31-03- 1	20	SEP 20/08
49-31-01- 1	20	SEP 20/08	49-31-04- 1	0	MAY 28/07
49-31-01- 1	21	SEP 20/08	49-31-04- 1	1	JAN 20/09
49-31-01- 1	22	SEP 20/08	49-31-04- 1	2	JAN 20/09
49-31-01- 1	23	SEP 20/08	49-31-04- 1	3	JAN 20/09
49-31-01- 2A	0	MAY 28/07	49-31-04- 1	4	JAN 20/09
49-31-01- 2A	1	JAN 20/09	49-31-04- 1	5	JAN 20/09
49-31-02- 1	0	MAY 28/07	49-31-04- 1	6	SEP 20/08
49-31-02- 1	0A	MAY 28/07	49-31-04- 1	7	SEP 20/08
49-31-02- 1	0B	MAY 28/07	49-31-04- 1	8	SEP 20/08
49-31-02- 1	1	JAN 20/09	49-31-04- 1	9	SEP 20/08
49-31-02- 1	2	JAN 20/09	49-31-04- 1	10	SEP 20/08
49-31-02- 1	3	JAN 20/09	49-31-04- 1	11	SEP 20/08
49-31-02- 1	4	JAN 20/09	49-31-04- 1	12	SEP 20/08
49-31-02- 1	5	JAN 20/09	49-31-04- 1	13	SEP 20/08
49-31-02- 1	6	SEP 20/08	49-31-05- 1	0	MAY 28/07
49-31-02- 1	7	SEP 20/08	49-31-05- 1	1	JAN 20/09
49-31-02- 1	8	SEP 20/08	49-31-05- 1	2	JAN 20/09
49-31-02- 1	9	SEP 20/08	49-31-05- 1	3	JAN 20/09
49-31-02- 1	10	SEP 20/08	49-31-05- 1	4	JAN 20/09
49-31-02- 1	11	SEP 20/08	49-31-05- 1	5	JAN 20/09
49-31-02- 1	12	SEP 20/08	49-31-05- 1	6	SEP 20/08
49-31-02- 1	13	SEP 20/08	49-31-05- 1	7	SEP 20/08
49-31-02- 1	14	SEP 20/08	49-31-05- 1	8	SEP 20/08
49-31-02- 1	15	JAN 20/09	49-31-05- 1	9	SEP 20/08
49-31-02- 1	16	JAN 20/09	49-31-05- 1	10	SEP 20/08
49-31-02- 1	17	SEP 20/08	49-31-05- 1	11	SEP 20/08
49-31-02- 1	18	SEP 20/08	49-31-05- 1	12	SEP 20/08
49-31-02- 1	19	SEP 20/08	49-31-06- 1	0	MAY 28/07
49-31-02- 1	20	SEP 20/08	49-31-06- 1	1	JAN 20/09
49-31-03- 1	0	MAY 28/07	49-31-06- 1	2	JAN 20/09
49-31-03- 1	0A	MAY 28/07	49-31-06- 1	3	JAN 20/09
49-31-03- 1	1	JAN 20/09	49-31-06- 1	4	JAN 20/09
49-31-03- 1	2	JAN 20/09	49-31-06- 1	5	JAN 20/09
49-31-03- 1	3	JAN 20/09	49-31-06- 1	6	SEP 20/08
49-31-03- 1	4	JAN 20/09	49-31-06- 1	7	SEP 20/08
49-31-03- 1	5	JAN 20/09	49-31-06- 1	8	SEP 20/08
49-31-03- 1	6	SEP 20/08	49-31-06- 1	9	SEP 20/08
49-31-03- 1	7	SEP 20/08	49-31-06- 1	10	SEP 20/08
49-31-03- 1	8	SEP 20/08	49-31-06- 1	11	SEP 20/08
49-31-03- 1	9	SEP 20/08	49-31-06- 1	12	SEP 20/08
49-31-03- 1	10	SEP 20/08	49-31-06- 1	13	SEP 20/08
49-31-03- 1	11	SEP 20/08	49-31-07- 1	0	MAY 28/07
49-31-03- 1	12	SEP 20/08	49-31-07- 1	1	JAN 20/09
49-31-03- 1	13	SEP 20/08	49-31-07- 1	2	JAN 20/09
49-31-03- 1	14	SEP 20/08	49-31-07- 1	3	JAN 20/09
49-31-03- 1	15	JAN 20/09	49-31-07- 1	4	JAN 20/09
49-31-03- 1	16	JAN 20/09	49-31-07- 1	5	JAN 20/09
49-31-03- 1	17	SEP 20/08	49-31-07- 1	6	JAN 20/09
49-31-03- 1	18	SEP 20/08	49-31-07- 1	7	JAN 20/09

\* THE ASTERISK INDICATES PAGES CHANGED OR ADDED BY THE CURRENT REVISION



757

PARTS CATALOG (MAINTENANCE)

CH-SECT-UNIT-FIG	PAGE NO.	DATE	CH-SECT-UNIT-FIG	PAGE NO.	DATE
49-31-07- 1	8	JAN 20/09	49-41-00- 2	1	JAN 20/09
49-31-07- 1	9	JAN 20/09	49-41-00- 2	2	JAN 20/09
49-31-07- 1	10	JAN 20/09	49-41-00- 2	3	JAN 20/09
49-31-07- 1	11	JAN 20/09	49-41-00- 2	4	JAN 20/09
49-31-07- 1	12	SEP 20/08	49-41-00- 2	5	JAN 20/09
49-31-08- 1	0	MAY 28/07	49-41-00- 2	6	JAN 20/09
49-31-08- 1	1	JAN 20/09	49-41-00- 2	7	JAN 20/09
49-31-08- 1	2	JAN 20/09	49-41-00- 2	8	JAN 20/09
49-31-08- 1	3	JAN 20/09	49-41-00- 2	9	JAN 20/09
49-31-08- 1	4	JAN 20/09	49-41-00- 2	10	JAN 20/09
49-31-08- 1	5	JAN 20/09	49-41-00- 2	11	JAN 20/09
49-31-08- 1	6	SEP 20/08	49-41-00- 3	0	MAY 28/07
49-31-08- 1	7	SEP 20/08	49-41-00- 3	1	JAN 20/09
49-31-08- 1	8	SEP 20/08	49-41-00- 3	2	JAN 20/09
49-31-08- 1	9	SEP 20/08	*49-41-00- 3	3	MAY 20/09
49-31-08- 1	10	SEP 20/08	49-41-00- 3	4	JAN 20/09
49-31-09- 1	0	MAY 28/07	49-41-00- 3	5	JAN 20/09
49-31-09- 1	1	JAN 20/09	49-41-00- 4	0	MAY 28/07
49-31-09- 1	2	JAN 20/09	49-41-00- 4	0A	MAY 28/07
49-31-09- 1	3	JAN 20/09	*49-41-00- 4	1	MAY 20/09
49-31-09- 1	4	JAN 20/09	*49-41-00- 4	2	MAY 20/09
49-31-09- 1	5	JAN 20/09	*49-41-00- 4	3	MAY 20/09
49-31-09- 1	6	SEP 20/08	49-41-01- 1	0	MAY 28/07
49-31-09- 1	7	SEP 20/08	49-41-01- 1	0A	MAY 28/07
49-31-09- 1	8	SEP 20/08	49-41-01- 1	0B	MAY 28/07
49-31-09- 1	9	SEP 20/08	49-41-01- 1	0C	MAY 28/07
49-31-10- 1	0	MAY 28/07	49-41-01- 1	0D	MAY 28/07
49-31-10- 1	1	JAN 20/09	49-41-01- 1	0E	MAY 28/07
49-31-10- 1	2	JAN 20/09	49-41-01- 1	1	JAN 20/09
49-31-10- 1	3	JAN 20/09	49-41-01- 1	2	JAN 20/09
49-31-10- 1	4	JAN 20/09	49-41-01- 1	3	JAN 20/09
49-31-10- 1	5	JAN 20/09	49-41-01- 1	4	JAN 20/09
49-31-10- 1	6	SEP 20/08	49-41-01- 1	5	JAN 20/09
49-31-10- 1	7	SEP 20/08	49-41-01- 1	6	JAN 20/09
49-31-10- 1	8	SEP 20/08	49-41-01- 1	7	JAN 20/09
49-31-10- 1	9	SEP 20/08	49-41-01- 1	8	JAN 20/09
49-31-10- 1	10	SEP 20/08	49-41-01- 1	9	SEP 20/08
49-31-10- 1	11	SEP 20/08	49-41-01- 1	10	JAN 20/09
49-31-10- 1	12	SEP 20/08	49-41-01- 1	11	JAN 20/09
49-31-10- 1	13	SEP 20/08	49-41-01- 1	12	JAN 20/09
49-31-51- 5	0	JAN 20/09	49-41-01- 1	13	JAN 20/09
49-31-51- 5	1	JAN 20/09	49-41-01- 1	14	JAN 20/09
49-31-51- 5	2	JAN 20/09	49-41-01- 1	15	JAN 20/09
49-31-51- 5	3	JAN 20/09	49-41-01- 1	16	JAN 20/09
49-31-71- 1	0	JAN 20/09	49-41-01- 1	17	JAN 20/09
49-31-71- 1	1	JAN 20/09	49-41-01- 1	18	JAN 20/09
49-31-71- 2	0	JAN 20/09	49-41-01- 1	19	JAN 20/09
49-31-71- 2	1	JAN 20/09	49-41-01- 1	20	JAN 20/09
49-41-00	1	MAY 28/07	49-41-01- 1	21	JAN 20/09
49-41-00- 2	0	MAY 28/07	49-41-01- 1	22	JAN 20/09
49-41-00- 2	0A	MAY 28/07	49-41-01- 1	23	JAN 20/09

\* THE ASTERISK INDICATES PAGES CHANGED OR ADDED BY THE CURRENT REVISION



**757**  
**PARTS CATALOG (MAINTENANCE)**

CH-SECT-UNIT-FIG	PAGE NO.	DATE
49-41-02- 1	0	MAY 28/07
49-41-02- 1	1	JAN 20/09
49-41-02- 1	2	JAN 20/09
49-41-02- 1	3	JAN 20/09
49-41-02- 1	4	JAN 20/09
49-41-02- 1	5	JAN 20/09
49-41-02- 1	6	SEP 20/08
49-41-02- 1	7	SEP 20/08
49-41-02- 1	8	SEP 20/08
49-41-02- 1	9	JAN 20/09
49-41-02- 1	10	JAN 20/09
49-41-03- 1	0	MAY 28/07
49-41-03- 1	1	JAN 20/09
49-41-03- 1	2	JAN 20/09
49-41-03- 1	3	JAN 20/09
49-41-03- 1	4	JAN 20/09
49-41-03- 1	5	JAN 20/09
49-41-03- 1	6	SEP 20/08
49-41-03- 1	7	SEP 20/08
49-41-03- 1	8	SEP 20/08
49-41-03- 1	9	SEP 20/08
49-41-03- 1	10	SEP 20/08
49-41-03- 1	11	JAN 20/09
49-41-03- 1	12	JAN 20/09
49-41-03- 1	13	SEP 20/08
49-41-03- 1	14	SEP 20/08
49-41-03- 1	15	SEP 20/08
49-41-03- 1	16	SEP 20/08
49-41-04- 1	0	MAY 28/07
49-41-04- 1	1	JAN 20/09
49-41-04- 1	2	JAN 20/09
49-41-04- 1	3	JAN 20/09
49-41-04- 1	4	JAN 20/09
49-41-04- 1	5	JAN 20/09
49-41-04- 1	6	SEP 20/08
49-41-04- 1	7	SEP 20/08
49-41-04- 1	8	SEP 20/08
49-41-04- 1	9	SEP 20/08
49-41-06- 1	0	MAY 28/07
49-41-06- 1	0A	MAY 28/07
49-41-06- 1	1	JAN 20/09
49-41-06- 1	2	JAN 20/09
49-41-06- 1	3	JAN 20/09
49-41-06- 1	4	JAN 20/09
49-41-06- 1	5	JAN 20/09
49-41-06- 1	6	SEP 20/08
49-41-06- 1	7	SEP 20/08
49-41-06- 1	8	SEP 20/08
49-41-06- 1	9	SEP 20/08
49-41-06- 1	10	SEP 20/08
49-41-06- 1	11	SEP 20/08

CH-SECT-UNIT-FIG	PAGE NO.	DATE
49-41-06- 1	12	SEP 20/08
49-41-06- 1	13	SEP 20/08
49-41-71- 2	0	MAY 28/07
49-41-71- 2	0A	MAY 28/07
49-41-71- 2	1	JAN 20/09
49-41-71- 2	2	JAN 20/09
49-41-71- 2	3	JAN 20/09
49-41-71- 2	4	JAN 20/09
49-41-71- 3	0	MAY 28/07
49-41-71- 3	0A	MAY 28/07
49-41-71- 3	1	JAN 20/09
49-41-71- 3	2	JAN 20/09
49-41-71- 3	3	JAN 20/09
49-41-71- 3	4	JAN 20/09
49-41-71- 3	5	JAN 20/09
49-41-71- 3A	0	MAY 28/07
49-41-71- 3A	0A	MAY 28/07
49-41-71- 3A	1	JAN 20/09
49-41-71- 3A	2	JAN 20/09
49-41-71- 3A	3	JAN 20/09
49-41-71- 3A	4	JAN 20/09
49-41-71- 4	0	JAN 20/09
49-41-71- 4	0A	JAN 20/09
49-41-71- 4	0B	JAN 20/09
49-41-71- 4	0C	JAN 20/09
49-41-71- 4	0D	JAN 20/09
49-41-71- 4	1	JAN 20/09
49-41-71- 4	2	JAN 20/09
49-41-71- 4	3	JAN 20/09
49-41-71- 4	4	JAN 20/09
49-41-71- 4	5	JAN 20/09
49-41-71- 4	6	JAN 20/09
49-41-71- 5	0	JAN 20/09
49-41-71- 5	0A	JAN 20/09
49-41-71- 5	0B	JAN 20/09
49-41-71- 5	0C	JAN 20/09
49-41-71- 5	0D	JAN 20/09
49-41-71- 5	1	JAN 20/09
49-41-71- 5	2	JAN 20/09
49-41-71- 5	3	JAN 20/09
49-41-71- 5	4	JAN 20/09
49-41-71- 5	5	JAN 20/09
49-51-00	1	MAY 28/07
49-51-01- 1	0	MAY 28/07
49-51-01- 1	1	JAN 20/09
49-51-01- 1	2	JAN 20/09
49-51-01- 1	3	JAN 20/09
49-51-01- 2	0	MAY 28/07
49-51-01- 2	1	JAN 20/09
49-51-01- 2	2	JAN 20/09
49-51-01- 2	3	JAN 20/09

\* THE ASTERISK INDICATES PAGES CHANGED OR ADDED BY THE CURRENT REVISION




**BOEING**  
 757  
**PARTS CATALOG (MAINTENANCE)**

CH-SECT-UNIT-FIG	PAGE NO.	DATE	CH-SECT-UNIT-FIG	PAGE NO.	DATE
49-51-01- 2	4	JAN 20/09	49-52-00- 1	6	JAN 20/09
49-51-01- 2	5	JAN 20/09	49-52-00- 1	7	JAN 20/09
49-51-01- 2	6	SEP 20/08	49-52-00- 1	8	JAN 20/09
49-51-01- 2	7	SEP 20/08	49-52-00- 1	9	JAN 20/09
49-51-01- 2	8	SEP 20/08	49-52-00- 1	10	JAN 20/09
49-51-01- 2	9	SEP 20/08	49-52-00- 1	11	JAN 20/09
49-51-01- 2	10	SEP 20/08	49-52-00- 2	0	MAY 28/07
49-51-02- 1	0	MAY 28/07	49-52-00- 2	1	JAN 20/09
49-51-02- 1	0A	MAY 28/07	49-52-00- 2	2	JAN 20/09
49-51-02- 1	1	JAN 20/09	49-52-00- 2	3	JAN 20/09
49-51-02- 1	2	JAN 20/09	49-52-00- 2	4	JAN 20/09
49-51-02- 1	3	JAN 20/09	49-52-00- 2	5	JAN 20/09
49-51-02- 1	4	JAN 20/09	49-52-00- 3	0	MAY 28/07
49-51-02- 1	5	JAN 20/09	49-52-00- 3	1	JAN 20/09
49-51-02- 1	6	SEP 20/08	49-52-00- 3	2	JAN 20/09
49-51-02- 1	7	SEP 20/08	49-52-00- 3	3	JAN 20/09
49-51-02- 1	8	SEP 20/08	49-52-00- 3	4	JAN 20/09
*49-51-02- 1	9	MAY 20/09	49-52-01- 1	0	MAY 28/07
49-51-02- 1	10	JAN 20/09	49-52-01- 1	0A	MAY 28/07
49-51-02- 1	11	JAN 20/09	49-52-01- 1	1	JAN 20/09
49-51-02- 1	12	SEP 20/08	49-52-01- 1	2	JAN 20/09
49-51-02- 1	13	JAN 20/09	49-52-01- 1	3	JAN 20/09
49-51-02- 1	14	JAN 20/09	49-52-01- 1	4	JAN 20/09
49-51-02- 1	15	SEP 20/08	49-52-01- 1	5	JAN 20/09
49-51-02- 1	16	JAN 20/09	49-52-01- 1	6	SEP 20/08
49-51-02- 1	17	SEP 20/08	49-52-01- 1	7	SEP 20/08
49-51-02- 1	18	SEP 20/08	49-52-01- 1	8	SEP 20/08
49-51-03- 2	0	MAY 28/07	49-52-01- 1	9	SEP 20/08
49-51-03- 2	0A	MAY 28/07	49-52-01- 1	10	SEP 20/08
49-51-03- 2	1	JAN 20/09	49-52-01- 1	11	SEP 20/08
49-51-03- 2	2	JAN 20/09	49-52-01- 1	12	SEP 20/08
49-51-03- 2	3	JAN 20/09	49-52-01- 1	13	SEP 20/08
49-51-03- 2	4	JAN 20/09	49-52-01- 1	14	SEP 20/08
49-51-03- 2	5	JAN 20/09	49-52-02- 1	0	MAY 28/07
49-51-03- 2	6	SEP 20/08	49-52-02- 1	0A	MAY 28/07
49-51-03- 2	7	SEP 20/08	49-52-02- 1	0B	MAY 28/07
49-51-03- 2	8	SEP 20/08	49-52-02- 1	1	JAN 20/09
49-51-03- 2	9	JAN 20/09	49-52-02- 1	2	JAN 20/09
49-51-03- 2	10	JAN 20/09	49-52-02- 1	3	JAN 20/09
49-51-03- 2	11	JAN 20/09	49-52-02- 1	4	JAN 20/09
49-51-03- 2	12	JAN 20/09	49-52-02- 1	5	JAN 20/09
49-51-03- 2	13	JAN 20/09	49-52-02- 1	6	SEP 20/08
49-51-51- 1	0	MAY 28/07	49-52-02- 1	7	SEP 20/08
49-51-51- 1	1	JAN 20/09	49-52-02- 1	8	SEP 20/08
49-52-00	1	MAY 28/07	49-52-02- 1	9	SEP 20/08
49-52-00- 1	0	MAY 28/07	49-52-02- 1	10	SEP 20/08
49-52-00- 1	1	JAN 20/09	49-52-02- 1	11	SEP 20/08
49-52-00- 1	2	JAN 20/09	49-52-02- 1	12	SEP 20/08
49-52-00- 1	3	JAN 20/09	49-52-02- 1	13	SEP 20/08
49-52-00- 1	4	JAN 20/09	49-52-02- 1	14	SEP 20/08
49-52-00- 1	5	JAN 20/09	49-52-02- 1	15	SEP 20/08

\* THE ASTERISK INDICATES PAGES CHANGED OR ADDED BY THE CURRENT REVISION



757

PARTS CATALOG (MAINTENANCE)

CH-SECT-UNIT-FIG	PAGE NO.	DATE	CH-SECT-UNIT-FIG	PAGE NO.	DATE
49-52-02- 1	16	SEP 20/08	49-53-02- 1	0	MAY 28/07
49-52-02- 1	17	SEP 20/08	49-53-02- 1	0A	MAY 28/07
49-52-02- 1	18	SEP 20/08	49-53-02- 1	1	JAN 20/09
49-52-02- 1	19	JAN 20/09	49-53-02- 1	2	JAN 20/09
49-52-02- 1	20	JAN 20/09	49-53-02- 1	3	JAN 20/09
49-52-02- 1	21	SEP 20/08	49-53-02- 1	4	JAN 20/09
49-52-02- 1	22	SEP 20/08	49-53-02- 1	5	JAN 20/09
49-52-02- 1	23	SEP 20/08	49-53-02- 1	6	SEP 20/08
49-52-02- 1	24	SEP 20/08	49-53-02- 1	7	SEP 20/08
49-52-02- 1	25	SEP 20/08	49-53-02- 1	8	SEP 20/08
49-52-03- 1	0	MAY 28/07	49-53-02- 1	9	SEP 20/08
49-52-03- 1	1	JAN 20/09	49-53-02- 1	10	SEP 20/08
49-52-03- 1	2	JAN 20/09	49-53-02- 1	11	JAN 20/09
49-52-03- 1	3	JAN 20/09	49-53-02- 1	12	JAN 20/09
49-52-03- 1	4	JAN 20/09	49-53-02- 1	13	SEP 20/08
49-52-03- 1	5	JAN 20/09	49-53-02- 1	14	SEP 20/08
49-52-03- 1	6	SEP 20/08	49-53-02- 1	15	SEP 20/08
49-52-03- 1	7	SEP 20/08	49-53-02- 1A	0	MAY 28/07
49-52-03- 1	8	SEP 20/08	49-53-02- 1A	1	SEP 20/08
49-52-03- 1	9	SEP 20/08	49-53-02- 1A	2	SEP 20/08
49-52-03- 1	10	SEP 20/08	49-53-02- 1A	3	SEP 20/08
49-52-03- 1	11	SEP 20/08	49-53-03- 1	0	MAY 28/07
49-53-00	1	MAY 28/07	49-53-03- 1	0A	MAY 28/07
49-53-01- 1	0	MAY 28/07	49-53-03- 1	1	JAN 20/09
49-53-01- 1	0A	MAY 28/07	49-53-03- 1	2	JAN 20/09
49-53-01- 1	0B	MAY 28/07	49-53-03- 1	3	JAN 20/09
49-53-01- 1	0C	MAY 28/07	49-53-03- 1	4	JAN 20/09
49-53-01- 1	0D	MAY 28/07	49-53-03- 1	5	JAN 20/09
49-53-01- 1	1	JAN 20/09	49-53-03- 1	6	SEP 20/08
49-53-01- 1	2	JAN 20/09	49-53-03- 1	7	SEP 20/08
49-53-01- 1	3	JAN 20/09	49-53-03- 1	8	SEP 20/08
49-53-01- 1	4	JAN 20/09	49-53-03- 1	9	SEP 20/08
49-53-01- 1	5	JAN 20/09	49-53-03- 1	10	SEP 20/08
49-53-01- 1	6	SEP 20/08	49-53-03- 1A	0	MAY 28/07
49-53-01- 1	7	SEP 20/08	49-53-03- 1A	0A	MAY 28/07
49-53-01- 1	8	SEP 20/08	49-53-03- 1A	0B	MAY 28/07
49-53-01- 1	9	SEP 20/08	49-53-03- 1A	0C	MAY 28/07
49-53-01- 1	10	SEP 20/08	49-53-03- 1A	1	SEP 20/08
49-53-01- 1	11	MAY 28/07	49-53-03- 1A	2	SEP 20/08
49-53-01- 1	12	JAN 20/09	49-53-03- 1A	3	SEP 20/08
49-53-01- 1	13	JAN 20/09	49-53-03- 1A	4	SEP 20/08
49-53-01- 1	14	SEP 20/08	49-53-04- 1	0	MAY 28/07
49-53-01- 1	15	SEP 20/08	49-53-04- 1	1	JAN 20/09
49-53-01- 1	16	SEP 20/08	49-53-04- 1	2	JAN 20/09
49-53-01- 1	17	SEP 20/08	49-53-04- 1	3	JAN 20/09
49-53-01- 1	18	SEP 20/08	49-53-04- 1	4	JAN 20/09
49-53-01- 1	19	SEP 20/08	49-53-04- 1	5	JAN 20/09
49-53-01- 1	20	JAN 20/09	49-53-04- 1	6	SEP 20/08
49-53-01- 1	21	JAN 20/09	49-53-04- 1	7	SEP 20/08
49-53-01- 1	22	SEP 20/08	49-53-04- 1	8	SEP 20/08
49-53-01- 1	23	SEP 20/08	49-53-04- 1	9	JAN 20/09

\* THE ASTERISK INDICATES PAGES CHANGED OR ADDED BY THE CURRENT REVISION


**BOEING**  
 757  
**PARTS CATALOG (MAINTENANCE)**

CH-SECT-UNIT-FIG	PAGE NO.	DATE	CH-SECT-UNIT-FIG	PAGE NO.	DATE
49-53-04- 1	10	JAN 20/09	49-53-07- 1A	1	SEP 20/08
49-53-04- 1	11	JAN 20/09	49-53-07- 1A	2	SEP 20/08
49-53-04- 1	12	SEP 20/08	49-53-07- 1A	3	SEP 20/08
49-53-04- 1	13	SEP 20/08	49-53-07- 1A	4	SEP 20/08
49-53-04- 1	14	SEP 20/08	49-53-08- 1	0	MAY 28/07
49-53-04- 1A	0	MAY 28/07	49-53-08- 1	0A	MAY 28/07
49-53-04- 1A	1	SEP 20/08	49-53-08- 1	0B	MAY 28/07
49-53-04- 1A	2	SEP 20/08	49-53-08- 1	0C	MAY 28/07
49-53-04- 1A	3	SEP 20/08	49-53-08- 1	0D	MAY 28/07
49-53-04- 1A	4	SEP 20/08	49-53-08- 1	0E	MAY 28/07
49-53-05- 1	0	MAY 28/07	49-53-08- 1	1	JAN 20/09
49-53-05- 1	1	JAN 20/09	49-53-08- 1	2	JAN 20/09
49-53-05- 1	2	JAN 20/09	49-53-08- 1	3	JAN 20/09
49-53-05- 1	3	JAN 20/09	49-53-08- 1	4	JAN 20/09
49-53-05- 1	4	JAN 20/09	49-53-08- 1	5	JAN 20/09
49-53-05- 1	5	JAN 20/09	49-53-08- 1	6	SEP 20/08
49-53-05- 1	6	SEP 20/08	49-53-08- 1	7	SEP 20/08
49-53-05- 1	7	SEP 20/08	49-53-08- 1	8	SEP 20/08
49-53-05- 1	8	SEP 20/08	49-53-08- 1	9	SEP 20/08
49-53-05- 1	9	SEP 20/08	49-53-08- 1	10	SEP 20/08
49-53-05- 1	10	SEP 20/08	49-53-08- 1	11	SEP 20/08
49-53-06- 1	0	MAY 28/07	49-53-08- 1	12	SEP 20/08
49-53-06- 1	1	JAN 20/09	49-53-08- 1	13	SEP 20/08
49-53-06- 1	2	JAN 20/09	49-53-08- 1	14	SEP 20/08
49-53-06- 1	3	JAN 20/09	49-53-08- 1	15	SEP 20/08
49-53-06- 1	4	JAN 20/09	49-53-08- 1	16	SEP 20/08
49-53-06- 1	5	JAN 20/09	49-53-08- 1	17	JAN 20/09
49-53-06- 1	6	SEP 20/08	49-53-08- 1	18	JAN 20/09
49-53-06- 1	7	SEP 20/08	49-53-08- 1	19	SEP 20/08
49-53-06- 1	8	SEP 20/08	49-53-08- 1	20	SEP 20/08
49-53-06- 1	9	SEP 20/08	49-53-08- 1	21	SEP 20/08
49-53-06- 1	10	SEP 20/08	49-53-08- 1	22	SEP 20/08
49-53-06- 1	11	SEP 20/08	49-61-00	1	MAY 28/07
49-53-06- 1	12	SEP 20/08	49-61-02- 1	0	MAY 28/07
49-53-06- 1	13	SEP 20/08	49-61-02- 1	0A	MAY 28/07
49-53-06- 1	14	SEP 20/08	49-61-02- 1	1	JAN 20/09
49-53-07- 1	0	MAY 28/07	49-61-02- 1	2	JAN 20/09
49-53-07- 1	0A	MAY 28/07	49-61-02- 1	3	JAN 20/09
49-53-07- 1	1	JAN 20/09	49-61-02- 1	4	JAN 20/09
49-53-07- 1	2	JAN 20/09	49-61-02- 1	5	JAN 20/09
49-53-07- 1	3	JAN 20/09	49-61-02- 1	6	SEP 20/08
49-53-07- 1	4	JAN 20/09	49-61-02- 1	7	SEP 20/08
49-53-07- 1	5	JAN 20/09	49-61-02- 1	8	SEP 20/08
49-53-07- 1	6	SEP 20/08	49-61-02- 1	9	SEP 20/08
49-53-07- 1	7	SEP 20/08	49-61-02- 1	10	SEP 20/08
49-53-07- 1	8	SEP 20/08	49-61-02- 1	11	JAN 20/09
49-53-07- 1	9	JAN 20/09	49-61-02- 1	12	JAN 20/09
49-53-07- 1	10	JAN 20/09	49-61-02- 1	13	JAN 20/09
49-53-07- 1A	0	MAY 28/07	49-61-02- 1	14	SEP 20/08
49-53-07- 1A	0A	MAY 28/07	49-61-02- 1	15	SEP 20/08
49-53-07- 1A	0B	MAY 28/07	49-61-02- 1	16	SEP 20/08

\* THE ASTERISK INDICATES PAGES CHANGED OR ADDED BY THE CURRENT REVISION



757

PARTS CATALOG (MAINTENANCE)

CH-SECT-UNIT-FIG	PAGE NO.	DATE	CH-SECT-UNIT-FIG	PAGE NO.	DATE
49-61-02- 1	17	SEP 20/08	49-61-05- 1	21	JAN 20/09
49-61-03- 1	0	MAY 28/07	49-61-05- 1	22	JAN 20/09
49-61-03- 1	1	JAN 20/09	49-61-05- 3	0	MAY 28/07
49-61-03- 1	2	JAN 20/09	49-61-05- 3	0A	MAY 28/07
49-61-03- 1	3	JAN 20/09	49-61-05- 3	1	JAN 20/09
49-61-03- 1	4	JAN 20/09	49-61-05- 3	2	JAN 20/09
49-61-03- 1	5	JAN 20/09	49-61-05- 3	3	JAN 20/09
49-61-03- 1	6	SEP 20/08	49-61-05- 3	4	JAN 20/09
49-61-03- 1	7	SEP 20/08	49-61-05- 3	5	JAN 20/09
49-61-03- 1	8	SEP 20/08	49-61-05- 3	6	SEP 20/08
49-61-03- 1	9	SEP 20/08	49-61-05- 3	7	SEP 20/08
49-61-03- 1	10	SEP 20/08	49-61-05- 3	8	SEP 20/08
49-61-03- 1	11	SEP 20/08	49-61-05- 3	9	JAN 20/09
49-61-04- 1	0	MAY 28/07	49-61-05- 3	10	JAN 20/09
49-61-04- 1	1	JAN 20/09	49-61-05- 3	11	JAN 20/09
49-61-04- 1	2	JAN 20/09	49-61-05- 3	12	JAN 20/09
49-61-04- 1	3	JAN 20/09	49-61-05- 3	13	JAN 20/09
49-61-04- 1	4	JAN 20/09	49-61-05- 3	14	JAN 20/09
49-61-04- 1	5	JAN 20/09	49-61-05- 3	15	JAN 20/09
49-61-04- 1	6	SEP 20/08	49-61-05- 3	16	JAN 20/09
49-61-04- 1	7	SEP 20/08	49-61-05- 3	17	JAN 20/09
49-61-04- 1	8	SEP 20/08	49-61-05- 3	18	SEP 20/08
49-61-04- 1	9	SEP 20/08	49-61-05- 3	19	JAN 20/09
49-61-04- 1	10	JAN 20/09	49-61-05- 3	20	SEP 20/08
49-61-04- 1	11	JAN 20/09	49-61-05- 4	0	JAN 20/09
49-61-04- 1	12	SEP 20/08	49-61-05- 4	0A	JAN 20/09
49-61-04- 1	13	SEP 20/08	49-61-05- 4	1	JAN 20/09
49-61-04- 1	14	SEP 20/08	49-61-05- 4	2	JAN 20/09
49-61-04- 1	15	SEP 20/08	49-61-05- 4	3	JAN 20/09
49-61-05- 1	0	MAY 28/07	49-61-05- 4	4	JAN 20/09
49-61-05- 1	0A	MAY 28/07	49-61-05- 6	0	JAN 20/09
49-61-05- 1	1	JAN 20/09	49-61-05- 6	0A	JAN 20/09
49-61-05- 1	2	JAN 20/09	49-61-05- 6	1	JAN 20/09
49-61-05- 1	3	JAN 20/09	49-61-05- 6	2	JAN 20/09
49-61-05- 1	4	JAN 20/09	49-61-05- 6	3	JAN 20/09
49-61-05- 1	5	JAN 20/09	49-61-05- 6	4	JAN 20/09
49-61-05- 1	6	JAN 20/09	49-61-71- 2	0	MAY 28/07
49-61-05- 1	7	JAN 20/09	49-61-71- 2	1	JAN 20/09
49-61-05- 1	8	JAN 20/09	49-61-71- 2	2	JAN 20/09
49-61-05- 1	9	JAN 20/09	49-61-71- 2	3	JAN 20/09
49-61-05- 1	10	JAN 20/09	49-61-71- 2	4	JAN 20/09
49-61-05- 1	11	JAN 20/09	49-61-71- 3	0	MAY 28/07
49-61-05- 1	12	JAN 20/09	49-61-71- 3	1	JAN 20/09
49-61-05- 1	13	JAN 20/09	49-61-71- 3	2	JAN 20/09
49-61-05- 1	14	JAN 20/09	49-61-71- 3	3	JAN 20/09
49-61-05- 1	15	JAN 20/09	49-61-71- 3	4	JAN 20/09
49-61-05- 1	16	JAN 20/09	49-61-71- 3A	0	MAY 28/07
49-61-05- 1	17	JAN 20/09	49-61-71- 3A	1	JAN 20/09
49-61-05- 1	18	JAN 20/09	49-61-71- 4	0	JAN 20/09
49-61-05- 1	19	JAN 20/09	49-61-71- 4	1	JAN 20/09
49-61-05- 1	20	JAN 20/09	49-61-71- 4	2	JAN 20/09

\* THE ASTERISK INDICATES PAGES CHANGED OR ADDED BY THE CURRENT REVISION



757

PARTS CATALOG (MAINTENANCE)

CH-SECT-UNIT-FIG	PAGE NO.	DATE
49-61-71- 5	0	JAN 20/09
49-61-71- 5	1	JAN 20/09
49-61-71- 5	2	JAN 20/09
49-70-00	1	MAY 28/07
49-70-00- 1	0	MAY 28/07
49-70-00- 1	1	JAN 20/09
49-70-00- 1	2	JAN 20/09
49-70-00- 1	3	JAN 20/09
49-70-00- 1	4	JAN 20/09
49-70-00- 1	5	JAN 20/09
49-70-00- 1	6	JAN 20/09
49-70-00- 1	7	JAN 20/09
49-70-00- 1	8	JAN 20/09
49-70-00- 1	9	JAN 20/09
49-70-00- 2	0	MAY 28/07
49-70-00- 2	1	JAN 20/09
49-70-00- 2	2	JAN 20/09
49-70-00- 2	3	JAN 20/09
49-70-00- 2	4	JAN 20/09
49-70-00- 3	0	MAY 28/07
*49-70-00- 3	1	MAY 20/09
*49-70-00- 3	2	MAY 20/09
49-71-00	1	MAY 28/07
49-71-01- 1	0	MAY 28/07
49-71-01- 1	0A	MAY 28/07
49-71-01- 1	0B	MAY 28/07
49-71-01- 1	1	JAN 20/09
49-71-01- 1	2	JAN 20/09
49-71-01- 1	3	JAN 20/09
49-71-01- 1	4	JAN 20/09
49-71-01- 1	5	SEP 20/08
49-71-01- 1	6	SEP 20/08
49-71-01- 1	7	JAN 20/09
49-71-01- 1	8	SEP 20/08
49-71-01- 1	9	SEP 20/08
49-71-01- 1	10	JAN 20/09
49-71-01- 1	11	JAN 20/09
49-71-01- 1	12	JAN 20/09
49-71-01- 1	13	SEP 20/08
49-71-01- 1	14	SEP 20/08
49-71-01- 1	15	SEP 20/08
49-71-01- 1	16	SEP 20/08
49-71-01- 1	17	SEP 20/08
49-72-00	1	MAY 28/07
49-72-00- 2	0	JAN 20/09
49-72-00- 2	1	JAN 20/09
49-72-51- 1	0	MAY 28/07
49-72-51- 1	1	JAN 20/09
49-72-51- 1	2	JAN 20/09
49-72-51- 1A	0	MAY 28/07
49-72-51- 1A	1	JAN 20/09

CH-SECT-UNIT-FIG	PAGE NO.	DATE
49-72-51- 1A	2	JAN 20/09
49-72-51- 1C	0	MAY 28/07
49-72-51- 1C	1	JAN 20/09
49-72-51- 1C	2	JAN 20/09
49-72-51-50	0	MAY 28/07
49-72-51-50	1	JAN 20/09
49-72-51-50	2	JAN 20/09
49-72-51-50	3	JAN 20/09
49-72-51-50	4	JAN 20/09
49-72-51-50	5	JAN 20/09
49-72-51-50	6	SEP 20/08
49-72-51-50	7	SEP 20/08
49-72-51-50	8	SEP 20/08
49-72-51-50	9	SEP 20/08
49-81-00	1	MAY 28/07
49-81-01- 1	0	MAY 28/07
49-81-01- 1	1	JAN 20/09
49-81-01- 1	2	JAN 20/09
49-81-01- 1	3	JAN 20/09
49-81-01- 1	4	JAN 20/09
49-81-01-50	0	MAY 28/07
49-81-01-50	1	JAN 20/09
49-81-01-50	2	JAN 20/09
49-81-01-50	3	JAN 20/09
49-81-01-50	4	JAN 20/09
49-81-01-50	5	JAN 20/09
49-81-01-50	6	JAN 20/09
49-81-01-50	7	JAN 20/09
49-81-01-50	8	JAN 20/09
49-81-01-50	9	JAN 20/09
49-94-00	1	MAY 28/07
49-94-01- 2	0	MAY 28/07
49-94-01- 2	0A	MAY 28/07
49-94-01- 2	1	JAN 20/09
49-94-01- 2	2	JAN 20/09
49-94-01- 2	3	JAN 20/09
49-94-01- 2	4	JAN 20/09
49-94-01- 2	5	JAN 20/09
49-94-01- 2	6	SEP 20/08
49-94-01- 2	7	SEP 20/08
49-94-01- 2	8	SEP 20/08
49-94-01- 2	9	SEP 20/08
49-94-01- 2	10	SEP 20/08
49-94-01- 2	11	SEP 20/08
49-94-02- 1	0	MAY 28/07
49-94-02- 1	0A	MAY 28/07
49-94-02- 1	1	JAN 20/09
49-94-02- 1	2	JAN 20/09
49-94-02- 1	3	JAN 20/09
49-94-02- 1	4	JAN 20/09
49-94-02- 1	5	JAN 20/09

\* THE ASTERISK INDICATES PAGES CHANGED OR ADDED BY THE CURRENT REVISION



 **BOEING**  
757  
**PARTS CATALOG (MAINTENANCE)**

**CHAPTER 49 — AIRBORNE AUXILIARY POWER**

**TABLE OF CONTENTS**

<b>SUBJECT</b>	<b>CC-SS-UU</b>	<b>FIGURE</b>	<b>EFFECT</b>
AIRBORNE AUXILIARY POWER - GENERAL	49-00-00		
COLLECTOR-AUX PWR SYSTEM	49-00-00	01	101102 108120 504903
SYSTEM INSTL-AUX PWR	49-00-51	01	002004 006100 107107 121503 904999



**BOEING**  
757  
PARTS CATALOG (MAINTENANCE)

CHAPTER 49 — AIRBORNE AUXILIARY POWER

TABLE OF CONTENTS

SUBJECT	CC-SS-UU	FIGURE	EFFECT
AUXILIARY POWER UNIT (APU)	49-11-00		
ACCESSORY INSTL-757 APU FUEL MANIFOLD DRAIN TANK	49-11-03	02	101106 108120
ENGINE ASSY-GAS TURB (AUXILIARY POWER UNIT DRAIN TANK AND TUBE ASSEMBLIES ONLY)	49-11-03	10	002004 006999
UNIT ASSY-AUX PWR SYS (APU DRAIN TANK AND TUBE ASSY ONLY)	49-11-03	01	002004 006100 107107 121503 904999
UNIT ASSY-AUX PWR SYS (APU ENGINE ONLY)	49-11-01	50	002004 006100 107107 121503 904999
UNIT INSTL-AUX PWR SYS (APU ONLY)	49-11-01	02	101106 108120 504903
UNIT INSTL-AUX PWR SYS AND WIRE PROVISIONS	49-11-01	01	002004 006999
APU MOUNTS	49-13-00		
SUPPORT INSTL-AUX PWR SYS	49-13-03	01	002004 006999
APU HARNESS	49-14-00		
ENGINE ASSY-GAS TURB (APU HARNESS ONLY)	49-14-00	01	002004 006999
APU AIR INLET	49-15-00		
COVER ASSY-AUX PWR SYS INTAKE DOOR HSG	49-15-51	01	002004 006999
DIFFUSER INSTL-AUX PWR SYS INTAKE DUCT INLET	49-15-01	01	002004 006999
ENGINE ASSY-GAS TURB (APU AIR INTAKE PLENUM ONLY)	49-15-03	10	002004 006999
EQUIPMENT ASSY-E6 AFT EQPT CTR RELAY PNL OPTION PKG (APU INLET DOOR ONLY)	49-15-05	02A	101102 504903
HOUSING ASSY (APU AIR INTAKE DOOR OPEN SWITCH ONLY)	49-15-02	01	002004 006999
HOUSING ASSY (APU AIR INTAKE DOOR SEAL ONLY)	49-15-07	01	002004 006999




**BOEING**  
 757  
**PARTS CATALOG (MAINTENANCE)**

**CHAPTER 49 — AIRBORNE AUXILIARY POWER**

**TABLE OF CONTENTS**

SUBJECT	CC-SS-UU	FIGURE	EFFECT
PLENUM ASSY-AUX PWR SYS	49-15-03	02	103106
PLENUM INSTL-AUX PWR SYS INLET	49-15-03	01	002004 006100 107107 121503 904999
PLENUM INSTL-AUX PWR SYS INLET	49-15-03	01A	101102 108120 504903
PORT AND DOOR INSTL-AUX PWR SYS AIR INTAKE (APU AIR DOOR HOUSING ONLY)	49-15-08	01	002004 006999
PORT AND DOOR INSTL-AUX PWR SYS AIR INTAKE (APU AIR INTAKE DOOR ACTUATOR ONLY)	49-15-06	01	002004 006999
PORT AND DOOR INSTL-AUX PWR SYS AIR INTAKE (APU AIR INTAKE DUCT ONLY)	49-15-01	02	002004 006999
PORT AND DOOR INSTL-AUX PWR SYS INTAKE (APU AIR INTAKE DOOR ONLY)	49-15-05	01	002004 006999
APU DRAINS AND VENTS	49-16-00		
DRAINS INSTL-AUX PWR SYS	49-16-02	01	002004 006999
ENGINE ASSY-GAS TURB (PRESSURE RELIEF VALVE, COMBUSTER DRAIN ONLY)	49-16-01	01	002004 006999

 **BOEING**  
757  
**PARTS CATALOG (MAINTENANCE)**

**CHAPTER 49 — AIRBORNE AUXILIARY POWER**

**TABLE OF CONTENTS**

SUBJECT	CC-SS-UU	FIGURE	EFFECT
APU ENGINE	49-21-00		
ENGINE ASSY-GAS TURB (APU ENGINE ONLY)	49-21-51	01	002004 006999
ENGINE ASSY-GAS TURB (APU ENGINE ONLY)	49-21-51	50	002004 006999
UNIT INSTL-AUX PWR SYS (APU ENGINE ONLY)	49-21-00	02	101106 108120 504903
APU AND GENERATOR LUBRICATION SYSTEM	49-27-00		
ACCESSORY INSTL-AUX PWR SYS PRESSURE OIL SVCE FTGS AND SYS	49-27-51	01	101106 108120 504903
ENGINE ASSY-GAS TURB (APU AND GENERATOR LUBRICATION SYSTEM ONLY)	49-27-51	50	002004 006999
ENGINE ASSY-GAS TURB (APU GENERATOR SEAL PLATE ONLY)	49-27-06	01	002004 006999
ENGINE ASSY-GAS TURB (DE-OIL SOLENOID VALVE ONLY)	49-27-08	01	002004 006999
ENGINE ASSY-GAS TURB (GEARBOX PRESSURE REGULATING VALVE ONLY)	49-27-12	01	002004 006999
ENGINE ASSY-GAS TURB (GEARBOX SHUTOFF VALVE ONLY)	49-27-11	01	002004 006999
ENGINE ASSY-GAS TURB (GENERATOR OIL FILTER DIFFERENTIAL PRESSURE INDICATOR ONLY)	49-27-16	01	002004 006999
ENGINE ASSY-GAS TURB (GENERATOR OIL FILTER DIFFERENTIAL PRESSURE SWITCH ONLY)	49-27-15	01	002004 006999
ENGINE ASSY-GAS TURB (GENERATOR SCAVANGE OIL PUMP ONLY)	49-27-02	01	002004 006999
ENGINE ASSY-GAS TURB (LOW OIL TEMPERATURE SWITCH)	49-27-14	01	002004 006999
ENGINE ASSY-GAS TURB (MAGNETIC CHIP DETECTORS AND DRAIN PLUGS ONLY)	49-27-04	01	002004 006999
ENGINE ASSY-GAS TURB (OIL COOLER BYPASS VALVE)	49-27-10	01	002004 006999
ENGINE ASSY-GAS TURB (OIL COOLER ONLY)	49-27-09	01	002004 006999
ENGINE ASSY-GAS TURB (OIL FILTER PRESSURE DIFFERENTIAL INDICATOR)	49-27-07	01	002004 006999

 **BOEING**  
757  
**PARTS CATALOG (MAINTENANCE)**

**CHAPTER 49 — AIRBORNE AUXILIARY POWER**

**TABLE OF CONTENTS**

<b>SUBJECT</b>	<b>CC-SS-UU</b>	<b>FIGURE</b>	<b>EFFECT</b>
ENGINE ASSY-GAS TURB (OIL PRESSURE AND GENERATOR SCAVENGE FILTER ELEMENTS ONLY)	49-27-03	01	002004 006999
ENGINE ASSY-GAS TURB (OIL PRESSURE REGULATOR ONLY)	49-27-05	01	002004 006999
ENGINE ASSY-GAS TURB (OIL PUMP ONLY)	49-27-01	01	002004 006999
ENGINE ASSY-GAS TURB (SHUTTLE VALVE ONLY)	49-27-13	01	002004 006999



**BOEING**  
757  
PARTS CATALOG (MAINTENANCE)

CHAPTER 49 — AIRBORNE AUXILIARY POWER

TABLE OF CONTENTS

SUBJECT	CC-SS-UU	FIGURE	EFFECT
APU ENGINE FUEL SYSTEM	49-31-00		
ACCESSORY INSTL-757 NO APU FUEL MANIFOLD DRAIN TANK	49-31-51	05	504903
ENGINE ASSY-AUX PWR SYS (FUEL FILTER DIFFERENTIAL PRESSURE INDICATOR ONLY)	49-31-10	01	002004 006999
ENGINE ASSY-GAS TURB (FUEL CONTROL SOLENOID VALVE)	49-31-02	01	002004 006999
ENGINE ASSY-GAS TURB (FUEL CONTROL UNIT ONLY)	49-31-01	01	002004 006999
ENGINE ASSY-GAS TURB (FUEL DIVIDER AND SOLENOID VALVE ONLY)	49-31-03	01	002004 006999
ENGINE ASSY-GAS TURB (FUEL FILTER BYPASS VALVE ONLY)	49-31-05	01	002004 006999
ENGINE ASSY-GAS TURB (FUEL FILTER ELEMENT ONLY)	49-31-04	01	002004 006999
ENGINE ASSY-GAS TURB (FUEL FLOW DIVIDER FILTER ELEMENTS ONLY)	49-31-08	01	002004 006999
ENGINE ASSY-GAS TURB (FUEL HIGH PRESSURE FILTER ONLY)	49-31-07	01	002004 006999
ENGINE ASSY-GAS TURB (FUEL MANIFOLD HOSES ONLY)	49-31-09	01	002004 006999
ENGINE ASSY-GAS TURB (FUEL MANIFOLDS AND NOZZLES ONLY)	49-31-06	01	002004 006999
EQUIPMENT ASSY-E6 AFT EQPT CTR RELAY PNL OPTION PKG (APU FUEL CONTROL ONLY)	49-31-01	02A	101102 504903
EQUIPMENT ASSY-E6 RELAY PNL AFT EQPT CTR (APU ENGINE FUEL SYSTEM ONLY)	49-31-71	01	108120
EQUIPMENT ASSY-E6 RELAY PNL AFT EQPT CTR (APU ENGINE FUEL SYSTEM ONLY)	49-31-71	02	103106

 **BOEING**  
757  
**PARTS CATALOG (MAINTENANCE)**

**CHAPTER 49 — AIRBORNE AUXILIARY POWER**

**TABLE OF CONTENTS**

SUBJECT	CC-SS-UU	FIGURE	EFFECT
APU IGNITION / STARTING SYSTEM	49-41-00		
ENGINE ASSY-AUX PWR SYS (STARTER CLUTCH ONLY)	49-41-06	01	002004 006999
ENGINE ASSY-GAS TURB (IGNITER PLUG ONLY)	49-41-02	01	002004 006999
ENGINE ASSY-GAS TURB (IGNITION LEAD ONLY)	49-41-04	01	002004 006999
ENGINE ASSY-GAS TURB (IGNITION UNIT ONLY)	49-41-03	01	002004 006999
ENGINE ASSY-GAS TURB (STARTER MOTOR ONLY)	49-41-01	01	002004 006999
EQUIPMENT ASSY-AFT EQPT CTR E6 RELAY (APU IGNITION/ STARTING SYSTEM ONLY)	49-41-71	03	002004 006100 107107 950999
EQUIPMENT ASSY-AFT EQPT CTR E6 RELAY AND CONTACTOR PNL (APU IGNITION/ STARTING SYSTEM ONLY)	49-41-71	02	121503 904949
EQUIPMENT ASSY-E6 AFT EQPT CTR RELAY PNL OPTION PKG (APU STARTING AND IGNITION SYSTEM ONLY)	49-41-71	03A	101102 504903
EQUIPMENT ASSY-E6 RELAY PNL AFT EQPT CTR (APU IGNITION/STARTING SYSTEM ONLY)	49-41-71	04	108120
EQUIPMENT ASSY-E6 RELAY PNL AFT EQPT CTR (APU IGNITION/STARTING SYSTEM ONLY)	49-41-71	05	103106
PANEL INSTL-P5 OVHD (APU IGNITION/STARTING SYSTEM ONLY)	49-41-00	02	101106 108120 504903
PANEL INSTL-P5 OVHD (APU IGNITION/STARTING SYSTEM ONLY)	49-41-00	03	002004 006010 107107 121503 904999
PANEL INSTL-P5 OVHD (APU IGNITION/STARTING SYSTEM ONLY)	49-41-00	04	011100



**BOEING**  
757  
PARTS CATALOG (MAINTENANCE)

CHAPTER 49 — AIRBORNE AUXILIARY POWER

TABLE OF CONTENTS

SUBJECT	CC-SS-UU	FIGURE	EFFECT
APU COOLING AIR SYSTEM	49-51-00		
DUCT INSTL-AUX PWR SYS ENVIRONMENTAL	49-51-51	01	002004
CONT SYS PNEU FWD			006999
DUCT INSTL-AUX PWR SYS OIL COOLER AIR	49-51-01	01	002004
DISCH			006999
ENGINE ASSY-AUX PWR SYS (OIL COOLING	49-51-01	02	002004
AIR DUCT ONLY)			006999
ENGINE ASSY-GAS TURB (COOLING FAN ONLY)	49-51-03	02	002004
			006999
ENGINE ASSY-GAS TURB (FAN ISOLATION	49-51-02	01	002004
VALVE ONLY)			006999
APU BLEED AIR SYSTEM	49-52-00		
ENGINE ASSY-GAS TURB (INLET GUIDE VANE	49-52-02	01	002004
(IGV) ACTUATOR ONLY)			006999
ENGINE ASSY-GAS TURB (INLET GUIDE VANE	49-52-03	01	002004
(IGV) LINKAGE BELLCRANK ONLY)			006999
ENGINE ASSY-GAS TURB (INLET GUIDE VANE	49-52-01	01	002004
LINKAGE ROD END BEARING ONLY)			006999
PANEL INSTL-P5 OVHD (AIR ONLY)	49-52-00	01	101106
			108120
			504903
PANEL INSTL-P5 OVHD (AIR ONLY)	49-52-00	02	002004
			006010
			107107
			121503
			904999
PANEL INSTL-P5 OVHD (AIR ONLY)	49-52-00	03	011100
APU SURGE BLEED SYSTEM	49-53-00		
ENGINE ASSY-AUX PWR SYS (APU FLOW	49-53-08	01	002004
SENSING MODULE ONLY)			006999
ENGINE ASSY-AUX PWR SYS (DIFFERENTIAL	49-53-04	01	002004
PRESSURE TRANSDUCER ONLY)			006999
ENGINE ASSY-AUX PWR SYS (STATIC	49-53-05	01	002004
PRESSURE SENSOR ONLY)			006999
ENGINE ASSY-AUX PWR SYS (TOTAL	49-53-03	01	002004
PRESSURE SENSOR ONLY)			006999
ENGINE ASSY-GAS TURB (SURGE VALVE	49-53-06	01	002004
FILTER ELEMENTS ONLY)			006999
ENGINE ASSY-GAS TURB (SURGE VALVE ONLY)	49-53-01	01	002004
			006999



**BOEING**  
757  
PARTS CATALOG (MAINTENANCE)

CHAPTER 49 — AIRBORNE AUXILIARY POWER

TABLE OF CONTENTS

SUBJECT	CC-SS-UU	FIGURE	EFFECT
ENGINE ASSY-GAS TURB (TOTAL PRESSURE TRANSDUCER ONLY)	49-53-02	01	002004 006999
ENGINE ASSY-GAS TURB (VARIABLE VOLUME CHAMBER ONLY)	49-53-07	01	002004 006999
MODULE ASSY-FLOW SENSING (DIFFERENTIAL PRESSURE TRANSDUCER ONLY)	49-53-04	01A	002004 006999
MODULE ASSY-FLOW SENSING (TOTAL PRESSURE SENSOR ONLY)	49-53-03	01A	002004 006999
MODULE ASSY-FLOW SENSING (TOTAL PRESSURE TRANSDUCER ONLY)	49-53-02	01A	002004 006999
MODULE ASSY-FLOW SENSING (VARIABLE VOLUME CHAMBER ONLY)	49-53-07	01A	002004 006999


**BOEING**  
 757  
**PARTS CATALOG (MAINTENANCE)**

**CHAPTER 49 — AIRBORNE AUXILIARY POWER**

**TABLE OF CONTENTS**

SUBJECT	CC-SS-UU	FIGURE	EFFECT
APU CONTROL SYSTEM	49-61-00		
ENGINE ASSY-AUX PWR SYS (APU INLET PRESSURE SENSOR ONLY)	49-61-04	01	002004 006999
ENGINE ASSY-GAS TURB (APU CONTROL UNIT (ECU) ONLY)	49-61-05	03	002004 006999
ENGINE ASSY-GAS TURB (APU INLET TEMPERATURE SENSOR ONLY)	49-61-03	01	002004 006999
ENGINE ASSY-GAS TURB (APU MONOPOLES(APM)ONLY)	49-61-02	01	002004 006999
EQUIPMENT ASSY-AFT EQPT CTR E6 RELAY (APU CONTROL SYSTEM ONLY)	49-61-71	02	121503 904949
EQUIPMENT ASSY-AFT EQPT CTR E6 RELAY (APU CONTROL SYSTEM ONLY)	49-61-71	03	002004 006100 107107 950999
EQUIPMENT ASSY-E6 AFT EQPT CTR RELAY PNL OPTION PKG (APU CONTROL SYSTEM ONLY)	49-61-71	03A	101102 504903
EQUIPMENT ASSY-E6 RELAY PNL AFT EQPT CTR (APU CONTROL SYSTEM ONLY)	49-61-71	04	108120
EQUIPMENT ASSY-E6 RELAY PNL AFT EQPT CTR (APU CONTROL SYSTEM ONLY)	49-61-71	05	103106
EQUIPMENT INSTL-E6 AFT EQPT CTR (AIRBORNE AUXILIARY POWER ONLY)	49-61-05	01	002004 006102 107107 121999
EQUIPMENT INSTL-E6 AFT EQPT CTR APU BATTERY EXTENDED RACK (APU CONTROL SYSTEM ONLY)	49-61-05	04	103106
EQUIPMENT INSTL-E6 AFT EQPT CTR APU BATTERY SMALL RACK (APU CONTROL SYSTEM ONLY)	49-61-05	06	108120



 **BOEING**  
757  
**PARTS CATALOG (MAINTENANCE)**

**CHAPTER 49 — AIRBORNE AUXILIARY POWER**

**TABLE OF CONTENTS**

SUBJECT	CC-SS-UU	FIGURE	EFFECT
INDICATING	49-70-00		
PANEL INSTL-P5 OVHD (INDICATING ONLY)	49-70-00	01	101106 108120 504903
PANEL INSTL-P5 OVHD (INDICATING ONLY)	49-70-00	02	002004 006010 107107 121503 904999
PANEL INSTL-P5 OVHD (INDICATING ONLY)	49-70-00	03	011100
APU EXHAUST GAS TEMPERATURE INDICATING SYSTEM	49-71-00		
ENGINE ASSY-GAS TURB (APU EGT THERMOCOUPLES ONLY)	49-71-01	01	002004 006999
APU TIME TOTALIZER	49-72-00		
ENGINE ASSY-GAS TURB (APU TIME TOTALIZER ONLY)	49-72-51	50	002004 006999
EQUIPMENT ASSY-E6 AFT EQPT CTR CB METER PNL (AIRBORNE AUXILIARY POWER ONLY)	49-72-51	01	121503 904949
EQUIPMENT ASSY-E6 AFT EQPT CTR CB METER PNL (AIRBORNE AUXILIARY POWER ONLY)	49-72-51	01C	002004 006100 107107 950999
EQUIPMENT ASSY-E6 AFT EQPT CTR CB PNL OPTION PKG (AIRBORNE AUXILIARY POWER ONLY)	49-72-51	01A	101102 108120 504903
EQUIPMENT INSTL-CB PNL EQPT CTR AFT (AIRBORNE/AUXILIARY POWER ONLY)	49-72-00	02	103106

 **BOEING**  
757  
**PARTS CATALOG (MAINTENANCE)**

**CHAPTER 49 — AIRBORNE AUXILIARY POWER**

**TABLE OF CONTENTS**

<b>SUBJECT</b>	<b>CC-SS-UU</b>	<b>FIGURE</b>	<b>EFFECT</b>
APU EXHAUST SYSTEM	49-81-00		
DUCT INSTL-AUX PWR SYS EXH	49-81-01	01	002004 006999
ENGINE ASSY-GAS TURB (APU EXHAUST DUCT ONLY)	49-81-01	50	002004 006999


**BOEING**  
 757  
**PARTS CATALOG (MAINTENANCE)**

**CHAPTER 49 — AIRBORNE AUXILIARY POWER**

**TABLE OF CONTENTS**

SUBJECT	CC-SS-UU	FIGURE	EFFECT
APU OIL INDICATING SYSTEM	49-94-00		
ACCESSORY INSTL-OIL QTY TRANSMITTER	49-94-04	01	103106 108120 504903
ENGINE ASSY-AUX PWR SYS (LOW OIL LEVEL SWITCH ONLY)	49-94-03	01	002004 006999
ENGINE ASSY-GAS TURB (LOW OIL PRESSURE SWITCH ONLY)	49-94-02	01	002004 006999
ENGINE ASSY-GAS TURB (OIL QTY XMTR ONLY)	49-94-04	50	103951
ENGINE ASSY-GAS TURB (OIL TEMP SENSOR ONLY)	49-94-01	02	002004 006999
UNIT ASSY-AUX PWR SYS (OIL QUANTITY TRANSMITTER ONLY)	49-94-04	02	107107 121503 904951

## AIRBORNE AUXILIARY POWER - GENERAL

BRI  
MAY 28/07

49-00-00  
SECTION TITLE  
PAGE 1

 **BOEING**  
757  
PARTS CATALOG (MAINTENANCE)

NON-ILLUSTRATED FIGURE

THE ITEMS REFLECTED IN THIS FIGURE ARE INTENTIONALLY  
NON-ILLUSTRATED. THEY ARE REFERENCED TO EITHER A  
NEXT HIGHER OR NEXT LOWER ASSEMBLY/INSTALLATION FIGURE.

COLLECTOR-AUX PWR SYSTEM  
FIGURE 1

**49-00-00-01**

BRI  
MAY 28/07

49-00-00-01  
PAGE 0



757

PARTS CATALOG (MAINTENANCE)

FIG ITEM	PART NUMBER	1 2 3 4 5 6 7	NOMENCLATURE	EFFECT FROM TO	UNITS PER ASSY
1			COLLECTOR-AUX PWR SYSTEM	101102 108120 504903	
- 1	350N0002-1		COLLECTOR-AUX PWR SYSTEM BASIC	101102 108120 504903	1
- 5	351N1001-11		.UNIT INSTL-AUX PWR SYS AUX PWR FOR DETAILS SEE: 49-11-01-01	101102 108120 504903	1
- 10	351T0350-3		.ACCESSORY INSTL-PRESSURE OIL SVCE FTG FOR DETAILS SEE: 49-27-51-01	101102 108120 504903	1
- 15	352N0100-1		.SUPPORT INSTL-AUX PWR SYS FOR DETAILS SEE: 49-13-03-01	101102 108120 504903	1
- 20	353N1001-15		.PORT AND DOOR INSTL-AUX PWR SYS INTAKE FUNCTIONAL REFERENCE: AIRBORNE AUXILIARY POWER FOR DETAILS SEE 49-15-01-02 49-15-05-01 49-15-06-01 49-15-08-01 PLACARDS AND MARKINGS FOR DETAILS SEE 11-23-01-01	101102 108120 504903	1
- 20	353N1001-17		.PORT AND DOOR INSTL-AUX PWR SYS INTAKE FUNCTIONAL REFERENCE: AIRBORNE AUXILIARY POWER FOR DETAILS SEE 49-15-01-02 49-15-05-01 49-15-06-01 49-15-08-01 PLACARDS AND MARKINGS FOR DETAILS SEE 11-23-01-01	108120	1
- 25	353N2001-3		.DIFFUSER INSTL-AUX PWR SYS INTAKE DUCT INLET FOR DETAILS SEE: 49-15-01-01	101102 504903	1
- 25	353N2001-6		.DIFFUSER INSTL-INLET INTAKE DUCT FOR DETAILS SEE: 49-15-01-01	108120	1

MISSING ITEM NUMBERS NOT APPLICABLE

- ITEM NOT ILLUSTRATED

49-00-00-01

49-00-00  
FIG. 01  
PAGE 1  
JAN 20/09

BRI



757

PARTS CATALOG (MAINTENANCE)

FIG ITEM	PART NUMBER	1 2 3 4 5 6 7	NOMENCLATURE	EFFECT FROM TO	UNITS PER ASSY
1					
- 30	353N4001-4		.PLENUM INSTL-AUX PWR SYS INLET FOR DETAILS SEE: 49-15-03-01A	101102 108120 504903	1
- 35	354N2101-2		.DUCT INSTL-AUX PWR SYS EXH FOR DETAILS SEE: 49-81-01-01	101102 108120 504903	1
- 40	355N1101-2		.DUCT INSTL-AUX PWR SYS OIL COOLER AIR DISCH FOR DETAILS SEE: 49-51-01-01	101102 108120 504903	1
- 45	355N3201-1		.DUCT INSTL-AUX PWR SYS ENVIRONMENTAL CONT SYS PNEU POSITION DATA: FWD FOR DETAILS SEE: 49-51-51-01	101102 108120 504903	1
- 50	355N4001-1		.LINE INSTL-AUX PWR SYS FUEL FOR DETAILS SEE: 28-25-05-01	101102 108120 504903	1
- 55	356N0001-22		.DRAINS INSTL-TBS 1 FOR DETAILS SEE: 49-16-02-01	101102 108120 504903	1
- 60	351N1101-58		.UNIT INSTL-AUX PWR SYS COMPONENT MAINT MANUAL REF: 49-11-13 FUNCTIONAL REFERENCE: PLACARDS AND MARKINGS FOR DETAILS SEE 11-21-15-01 ELECTRICAL POWER FOR DETAILS SEE 24-21-01-01 AIRBORNE AUXILIARY POWER FOR DETAILS SEE 49-11-01-02 49-21-00-02	101102 108120 504903	1
- 100	302N3096-123		COLLECTOR-APU (ILF)	108120	1
- 100	302N3096-162		COLLECTOR-APU (BAB)	504903	1
- 105	351N1005-3		.OIL AND MARKER INSTL-AUX PWR SYS FOR DETAILS SEE: 11-23-05-01	108120	1

MISSING ITEM NUMBERS NOT APPLICABLE

- ITEM NOT ILLUSTRATED

49-00-00-01

49-00-00  
FIG. 01  
PAGE 2  
JAN 20/09

BRI



757

PARTS CATALOG (MAINTENANCE)

FIG ITEM	PART NUMBER	1 2 3 4 5 6 7	NOMENCLATURE	EFFECT FROM TO	UNITS PER ASSY
1					
- 150	926N1001-01		COLLECTOR-AVAILABLE OPTION COLLECTOR WHITTAKER SAFETY (SYSTRON DONNER) FIRE DETECTION SYSTEM SCREW-IN CONNECTORS	101102 108120	1
- 150	926N1003-01		COLLECTOR-AVAILABLE OPTION	504903	1
- 155	355N5101-1		.DETECTOR INSTL-AUX PWR SYS SYSTRON DONNER FIRE FOR DETAILS SEE: 26-15-02-01	101102 108120	1
- 155	355N5101-2		.DETECTOR INSTL-AUX PWR SYS GRAVINER FIRE FOR DETAILS SEE: 26-15-02-01	504903	1
- 200	949N3002-01		TANK INSTL-DRAIN	101102 108120	1
- 200	949N3001-02		TANK INSTL-NO APU FUEL MANIFOLD DRAIN	504903	1
- 205	351T0350-6		.ACCESSORY INSTL- FOR DETAILS SEE: 49-11-03-02	101102 108120	1
- 205	351T0350-15		.ACCESSORY INSTL-NO APU FUEL MANIFOLD DRAIN TANK FOR DETAILS SEE: 49-31-51-05	504903	1
- 210	356N0001-23		.DRAINS INSTL-APU FUEL MANIFOLD DRAIN TANK FOR DETAILS SEE: 49-16-02-01	101102 108120	1
- 300	979N0002-01		COLLECTOR-ENG OIL (ESSO/ EXXON 2380)	101102 504903	1
- 305	351N1005-2		.OIL AND MARKER INSTL-AUX PWR SYS FOR DETAILS SEE: 11-23-05-01	101102 504903	1
- 350	926N2001-01		COLLECTOR-OPTION	101101	1
- 350	926N2001-02		COLLECTOR-OPTION	102102 108120 504903	1
- 365	355N5201-16		.FIRE EXTINGUISHER INSTL- ROLLS ROYCE ENG COMMON BOTTLE FOR DETAILS SEE: 26-22-00-06	101101	1

MISSING ITEM NUMBERS NOT APPLICABLE

- ITEM NOT ILLUSTRATED

49-00-00-01

49-00-00  
FIG. 01  
PAGE 3  
JAN 20/09

BRI





757

PARTS CATALOG (MAINTENANCE)

FIG ITEM	PART NUMBER	1 2 3 4 5 6 7	NOMENCLATURE	EFFECT FROM TO	UNITS PER ASSY
1					
- 365	355N5201-21		.FIRE EXTINGUISHER INSTL- ROLLS ROYCE ENG COMMON BOTTLE WITH BONDING JUMPER FOR DETAILS SEE: 26-22-00-06	102102 108120 504903	1
- 370	355N5201-20		.FIRE EXTINGUISHER INSTL- STRUCTURE, SUPPORT FOR DETAILS SEE: 26-22-00-06	101102 108120 504903	1
- 425	931N4108-1		COLLECTOR-OPTION	108120 504903	1
- 430	351T0350-2		.ACCESSORY INSTL-OIL QTY TRANSMITTER FOR DETAILS SEE: 49-94-04-01	108120 504903	1

MISSING ITEM NUMBERS NOT APPLICABLE

- ITEM NOT ILLUSTRATED

49-00-00-01

49-00-00  
FIG. 01  
PAGE 4  
JAN 20/09

BRI

 **BOEING**  
757  
PARTS CATALOG (MAINTENANCE)

NON-ILLUSTRATED FIGURE

THE ITEMS REFLECTED IN THIS FIGURE ARE INTENTIONALLY  
NON-ILLUSTRATED. THEY ARE REFERENCED TO EITHER A  
NEXT HIGHER OR NEXT LOWER ASSEMBLY/INSTALLATION FIGURE.

Y 49005101 SHT 1 REV 085

SYSTEM INSTL-AUX PWR  
FIGURE 1

**49-00-51-01**

BRI  
MAY 28/07

49-00-51-01  
PAGE 0



757

PARTS CATALOG (MAINTENANCE)

FIG ITEM	PART NUMBER	1 2 3 4 5 6 7	NOMENCLATURE	EFFECT FROM TO	UNITS PER ASSY
1			SYSTEM INSTL-AUX PWR	002004 006100 107107 121503 904999	
- 1	350N0001-10		SYSTEM INSTL-AUX PWR VARIABLE DRAWING REF: 350N0901-103 350N0901-123 350N0901-143 350N0901-144 350N0901-147	002004 006100 107107 121503 904999	1
- 5	351N1001-1		.UNIT INSTL- VARIABLE DRAWING REF: 351N1001-5 351N1001-8 FOR DETAILS SEE: 49-11-01-01	002004 006100 107107 121503 904999	1
- 10	352N0100-1		.SUPPORT INSTL- FOR DETAILS SEE: 49-13-03-01	002004 006100 107107 121503 904999	1
- 15	353N1001-1		.PORT AND DOOR INSTL-INTAKE FUNCTIONAL REFERENCE: AIRBORNE AUXILIARY POWER FOR DETAILS SEE 49-15-01-02 49-15-05-01 49-15-06-01 49-15-08-01 PLACARDS AND MARKINGS FOR DETAILS SEE 11-23-01-01	002004 006100 107107 121503 904999	1
- 20	353N2001-1		.DIFFUSER INSTL-INTAKE DUCT INLET FOR DETAILS SEE: 49-15-01-01	002004 006100 107107 121503 904999	1
- 25	353N4001-1		.PLENUM INSTL-INLET FOR DETAILS SEE: 49-15-03-01	002004 006100 107107 121503 904999	1
- 30	354N2101-1		.DUCT INSTL-EXH FOR DETAILS SEE: 49-81-01-01	002004 006100 107107 121503 904999	1

MISSING ITEM NUMBERS NOT APPLICABLE

- ITEM NOT ILLUSTRATED

49-00-51-01

49-00-51  
FIG. 01  
PAGE 1  
JAN 20/09

BRI



757

PARTS CATALOG (MAINTENANCE)

FIG ITEM	PART NUMBER	1 2 3 4 5 6 7	NOMENCLATURE	EFFECT FROM TO	UNITS PER ASSY
1					
- 35	355N1101-1		. DUCT INSTL-OIL COOLER AIR DISCH FOR DETAILS SEE: 49-51-01-01	002004 006100 107107 121503 904999	1
- 40	355N3201-1		. DUCT INSTL-ENVIRONMENTAL CONT SYS PNEU POSITION DATA: FWD FOR DETAILS SEE: 49-51-51-01	002004 006100 107107 121503 904999	1
- 45	355N4001-1		. LINE INSTL-FUEL FOR DETAILS SEE: 28-25-05-01	002004 006100 107107 121503 904999	1
- 50	356N0001-1		. DRAINS INSTL- FOR DETAILS SEE: 49-16-02-01	002004 006100 107107 121503 904999	1
- 52	356N0001-15		. DRAINS INSTL- FOR DETAILS SEE: 49-16-02-01	002004 006100 107107 121503 904999	1
- 55	355N5201-3		. FIRE EXTINGUISHER INSTL-AUX PWR SYS FOR DETAILS SEE: 26-22-00-04	002004 006100 107107 121503 904999	1
- 57	355N5201-4		. FIRE EXTINGUISHER INSTL-AUX PWR SYS FOR DETAILS SEE: 26-22-00-04	107107	1
- 57	355N5201-9		. FIRE EXTINGUISHER INSTL-AUX PWR SYS FOR DETAILS SEE: 26-22-00-04	002004 006100 121503 904949 952999	1
- 57	355N5201-13		. FIRE EXTINGUISHER INSTL-AUX PWR SYS FOR DETAILS SEE: 26-22-00-04	950951	1
- 60	355N5101-1		. DETECTOR INSTL-FIRE FOR DETAILS SEE: 26-15-02-01	002004 006100 950951	1

MISSING ITEM NUMBERS NOT APPLICABLE

- ITEM NOT ILLUSTRATED

49-00-51-01

49-00-51  
FIG. 01  
PAGE 2  
JAN 20/09

BRI



757

PARTS CATALOG (MAINTENANCE)

FIG ITEM	PART NUMBER	1 2 3 4 5 6 7	NOMENCLATURE	EFFECT FROM TO	UNITS PER ASSY
1					
- 60	355N5101-2		.DETECTOR INSTL-FIRE FOR DETAILS SEE: 26-15-02-01	107107 121503 904949 952999	1
- 65	351N1005-1		.OIL AND MARKER INSTL- FOR DETAILS SEE: 11-23-05-01	121503 904999	1
- 65	351N1005-2		.OIL AND MARKER INSTL- FOR DETAILS SEE: 11-23-05-01	002004 006100 950951	1
- 65	351N1005-3		.OIL AND MARKER INSTL- FOR DETAILS SEE: 11-23-05-01	107107	1

MISSING ITEM NUMBERS NOT APPLICABLE

- ITEM NOT ILLUSTRATED

BRI

49-00-51-01

BOEING PROPRIETARY - Copyright © - Unpublished Work - See title page for details.

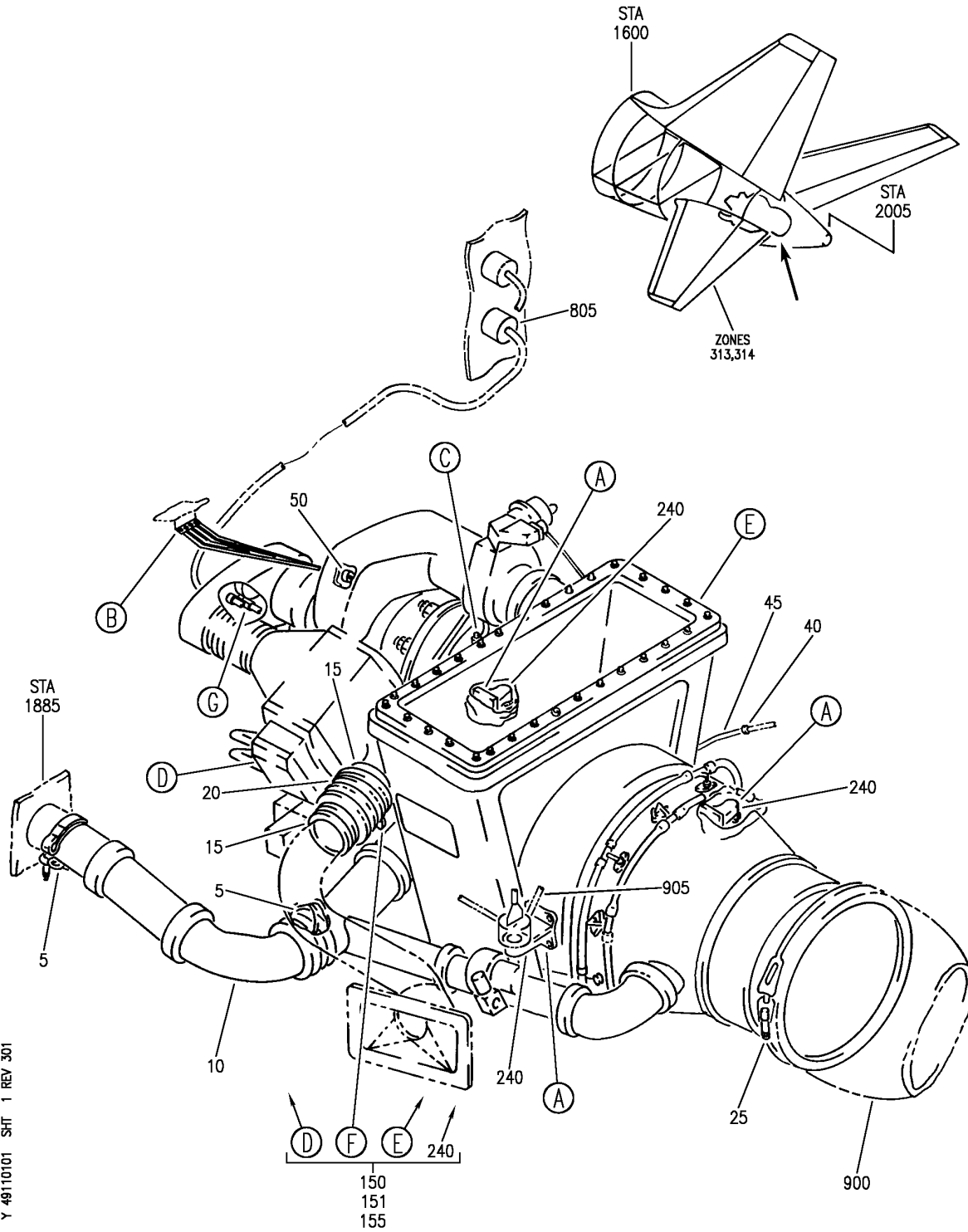
49-00-51  
FIG. 01  
PAGE 3  
JAN 20/09

## AUXILIARY POWER UNIT (APU)

BRI  
MAY 28/07

49-11-00  
SECTION TITLE  
PAGE 1

**BOEING**  
757  
PARTS CATALOG (MAINTENANCE)



Y 49110101 SHT 1 REV 301

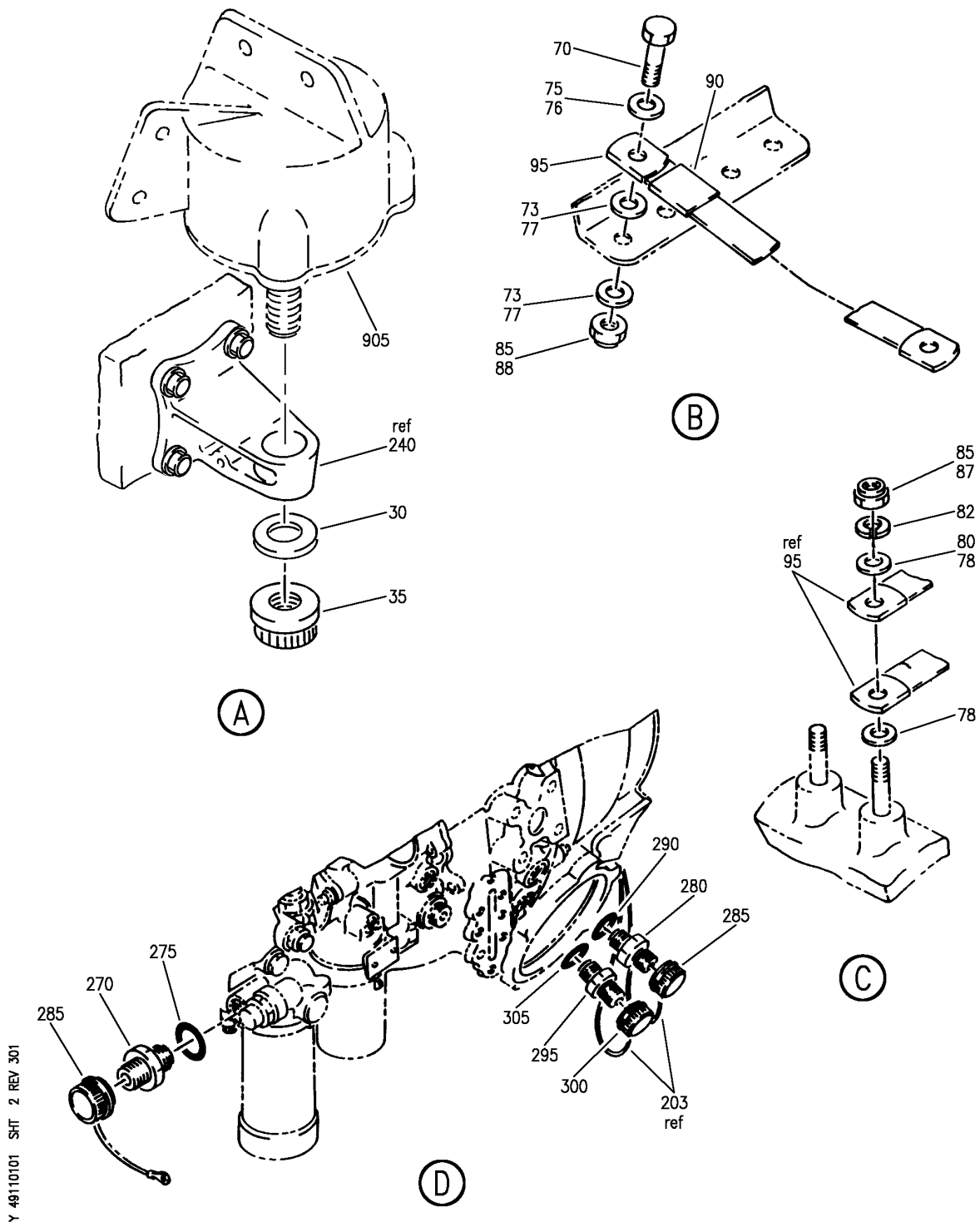
UNIT INSTL-AUX PWR SYS AND WIRE PROVISIONS  
FIGURE 1 (SHEET 1)

**49-11-01-01**

BRI  
MAY 28/07

49-11-01-01  
PAGE 0

**BOEING**  
757  
PARTS CATALOG (MAINTENANCE)



Y 49110101 SHT 2 REV 301

UNIT INSTL-AUX PWR SYS AND WIRE PROVISIONS  
FIGURE 1 (SHEET 2)

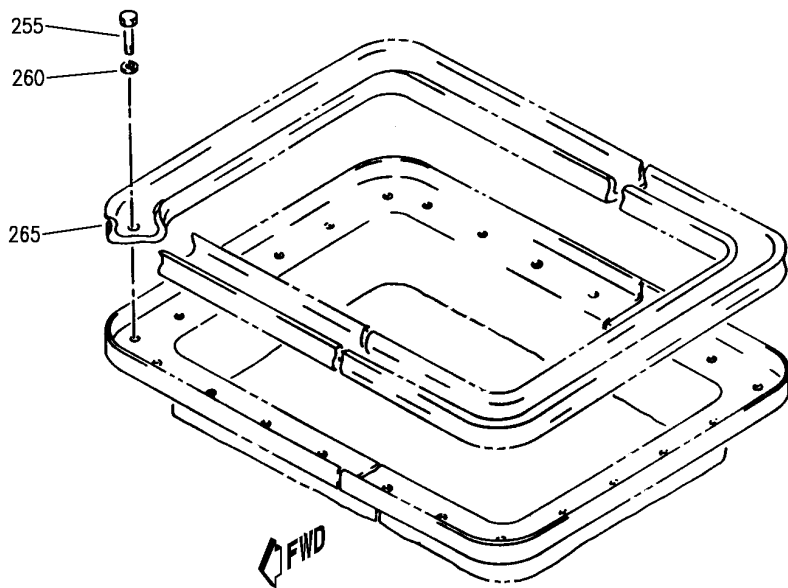
**49-11-01-01**

BRI  
MAY 28/07

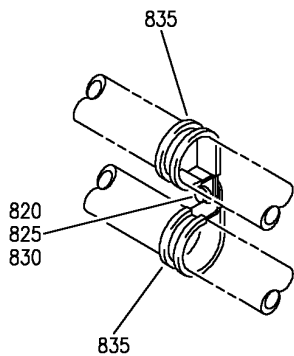
49-11-01-01  
PAGE 0A



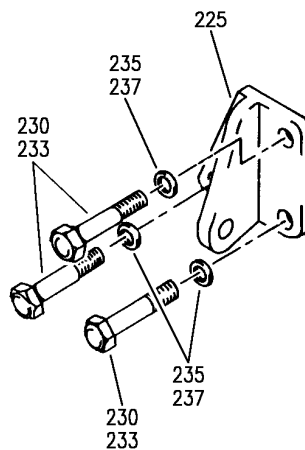

**BOEING**  
 757  
**PARTS CATALOG (MAINTENANCE)**



E



G



F

Y 49110101 SH1 3 REV 301

UNIT INSTL-AUX PWR SYS AND WIRE PROVISIONS  
FIGURE 1 (SHEET 3)

**49-11-01-01**

BRI  
MAY 28/07

49-11-01-01  
PAGE 0B



757

PARTS CATALOG (MAINTENANCE)

FIG ITEM	PART NUMBER	1 2 3 4 5 6 7	NOMENCLATURE	EFFECT FROM TO	UNITS PER ASSY
1			UNIT INSTL-AUX PWR SYS AND WIRE PROVISIONS	002004 006999	
- 1	351N1001-1		UNIT INSTL-AUX PWR SYS AUX PWR VARIABLE DRAWING REF: 351N1001-5 351N1001-8 FOR NHA SEE: 49-00-51-01	002004 006100 107107 121503 904999	RF
- 1	351N1001-11		UNIT INSTL-AUX PWR SYS AUX PWR FOR NHA SEE: 49-00-00-01	101102 108120 504903	RF
- 1	MODREF23533		UNIT INSTL-AUX PWR SYS AUX PWR MODULE NUMBER: 351N1001-11 REV B	103106	1
5	14J29450		.CLAMP- SUPPLIER CODE: V5T400 SPECIFICATION NUMBER: BACC10GY450 OPTIONAL PART: 4385AF450 V94581 PDVC1137450 V14242 NM102701450 V8W928	002004 006100 107107 121503 904999	2
5	14J29450E		.CLAMP- SUPPLIER CODE: V5T400 SPECIFICATION NUMBER: BACC10GY450E OPTIONAL PART: NM102701450E V8W928 4385AF450E V94581 PDVC1137450E V14242	101106 108120 504903	2
10	14J81-1		.DUCT ASSY- SUPPLIER CODE: V89513 SPECIFICATION NUMBER: S355T310-6 COMPONENT MAINT MANUAL REF: 36-11-10	002004 006100 107107 121503 904999	1

MISSING ITEM NUMBERS NOT APPLICABLE

- ITEM NOT ILLUSTRATED

49-11-01-01

49-11-01  
FIG. 01  
PAGE 1  
JAN 20/09

BRI



757

PARTS CATALOG (MAINTENANCE)

FIG ITEM	PART NUMBER	1 2 3 4 5 6 7	NOMENCLATURE	EFFECT FROM TO	UNITS PER ASSY
1					
10	14J81-2		. DUCT ASSY- SUPPLIER CODE: V89513 SPECIFICATION NUMBER: S355T310-9 COMPONENT MAINT MANUAL REF: 36-11-10	002004 006100 107107 121503 904999	1
10	14J81-2		. DUCT ASSY- SUPPLIER CODE: V89513 SPECIFICATION NUMBER: S355T310-9 COMPONENT MAINT MANUAL REF: 36-11-10	101106 108120 504903	1
15	BACC10BN400LR		. CLAMP- MISCELLANEOUS DATA: MAY USE BACC10BN400L5ME	002004 006100 107107 121503 904999	2
15	BACC10BN400L5ME		. CLAMP-	101106 108120 504903 107107	2
20	BCREF6028		. DUCT- OVERLENGTH PART NUMBER: BACD40B16-12-3-11 OPTIONAL PART: BCREF7005		1
20	BCREF7005		. DUCT- OVERLENGTH PART NUMBER: BACD40B16-16-3-11 OPTIONAL PART: BCREF6028	107107	1
20	BCREF1319		. DUCT- OVERLENGTH PART NUMBER: BACD40B16-12-6-11	002004 006100 121503 904999	1
20	BCREF111714		. DUCT- OVERLENGTH PART NUMBER: BACD40B016-012-6-11	101106 108120 504903	1
25	14J75-1		. CLAMP ASSY- SUPPLIER CODE: V89513 SPECIFICATION NUMBER: S351T010-1	002004 006999	1
30	BACW10BP7APU		. WASHER-	002004 006999	3
35	NAS1805-7P		. NUT-	002004 006999	3

MISSING ITEM NUMBERS NOT APPLICABLE

- ITEM NOT ILLUSTRATED

49-11-01-01

49-11-01  
FIG. 01  
PAGE 2  
JAN 20/09

BRI

BOEING PROPRIETARY - Copyright © - Unpublished Work - See title page for details.



757

PARTS CATALOG (MAINTENANCE)

FIG ITEM	PART NUMBER	1 2 3 4 5 6 7	NOMENCLATURE	EFFECT FROM TO	UNITS PER ASSY
1	40 MS21902-6S	.	UNION-	002004 006100 107107 121503 904999	1
	45 BACH7C0166CC	.	HOSE ASSY-	002004 006100 107107 121503 904999	1
	50 BACC10EP20	.	CLAMP-	002004 006100 107107 121503 904999	1
-	55 BACB30LM3-4	.	ATTACHING PARTS BOLT	002004 006100 107107 121503 904999	1
-	60 AN960C10L	.	WASHER	002004 006100 107107 121503 904999	1
-	65 BRH10A3	.	NUT SUPPLIER CODE: V52828 SPECIFICATION NUMBER: BACN10JC3 OPTIONAL PART: H10-3BAC V15653 NS202101-02 V80539 RMLH9075-3W V72962 VN303A02 V92215 96-02 V80539 T6S1032J V11815 -----*-----	002004 006100 107107 121503 904999	1
	70 BACB30LJ6-5	.	BOLT-	002004 006999	4

MISSING ITEM NUMBERS NOT APPLICABLE

- ITEM NOT ILLUSTRATED

BRI

49-11-01-01

49-11-01  
FIG. 01  
PAGE 3  
JAN 20/09



757

PARTS CATALOG (MAINTENANCE)

FIG ITEM	PART NUMBER	1 2 3 4 5 6 7	NOMENCLATURE	EFFECT FROM TO	UNITS PER ASSY
1	73 BACW10P125CC	.	WASHER	101106 108120 504903	8
	75 BACW10BP6P	.	WASHER-	002004 006100 107107 121503 904999	8
-	76 BACW10BP6P	.	WASHER	101106 108120 504903	4
	77 BACW10P125C	.	WASHER-	002004 006100 107107 121503 904999	4
	78 AN960D616	.	WASHER	002004 006100 107107 121503 904999	4
	82 MS35338-141	.	WASHER	002004 006100 107107 121503 904999	2
	87 MS35650-3384	.	NUT-	002004 006100 107107 121503 904999	2
	88 BRH10C6M	.	NUT- SUPPLIER CODE: V52828 SPECIFICATION NUMBER: BACN10JC6CM OPTIONAL PART: 97E064 V80539 102LH9075-6 V72962 H01-6BAC V15653	002004 006999	4
	90 351N1001-9	.	SLEEVE-	002004 006100 107107 121503 904999	4

MISSING ITEM NUMBERS NOT APPLICABLE

- ITEM NOT ILLUSTRATED

49-11-01-01

49-11-01  
FIG. 01  
PAGE 4  
JAN 20/09

BRI



757

PARTS CATALOG (MAINTENANCE)

FIG ITEM	PART NUMBER	1 2 3 4 5 6 7	NOMENCLATURE	EFFECT FROM TO	UNITS PER ASSY
1					
95	351N1003-1		. JUMPER ASSY- OPTIONAL PART: 740E40-112 V91812	002004 006100 107107 121503 904999	4
95	740E40-112		. JUMPER ASSY- SUPPLIER CODE: V91812 OPTIONAL PART: 351N1003-1 BACJ400112 BACJ40E40-112	002004 006100 107107 121503 904999	4
95	BACJ400112		. JUMPER ASSY- OPTIONAL PART: 740E40-112 V91812	002004 006100 107107 121503 904999	4
95	BACJ40E40-112		. JUMPER ASSY- OPTIONAL PART: 740E40-112 V91812	002004 006100 107107 121503 904999	4
150	351N1101-34		. UNIT ASSY-(APU ONLY) COMPONENT MAINT MANUAL REF: 49-11-13 FUNCTIONAL REFERENCE: PLACARDS AND MARKINGS FOR DETAILS SEE 11-36-58-01 ELECTRICAL POWER FOR DETAILS SEE 24-22-03-01 AIRBORNE AUXILIARY POWER FOR DETAILS SEE 49-11-03-01 49-11-01-50 49-94-04-02	107107 904949	1

MISSING ITEM NUMBERS NOT APPLICABLE

- ITEM NOT ILLUSTRATED

49-11-01-01

49-11-01  
FIG. 01  
PAGE 5  
JAN 20/09

BRI



757

PARTS CATALOG (MAINTENANCE)

FIG ITEM	PART NUMBER	1 2 3 4 5 6 7	NOMENCLATURE	EFFECT FROM TO	UNITS PER ASSY
1 150	351N1101-38		.UNIT ASSY-(APU ONLY) COMPONENT MAINT MANUAL REF: 49-11-13 FUNCTIONAL REFERENCE: PLACARDS AND MARKINGS FOR DETAILS SEE 11-36-58-01 ELECTRICAL POWER FOR DETAILS SEE 24-22-03-01 AIRBORNE AUXILIARY POWER FOR DETAILS SEE 49-11-03-01 49-11-01-50 49-94-04-02	107107 121503 904951	1
150	351N1101-40		.UNIT ASSY-(APU ONLY) COMPONENT MAINT MANUAL REF: 49-11-13 FUNCTIONAL REFERENCE: PLACARDS AND MARKINGS FOR DETAILS SEE 11-36-58-01 ELECTRICAL POWER FOR DETAILS SEE 24-22-03-01 AIRBORNE AUXILIARY POWER FOR DETAILS SEE 49-11-03-01 49-11-01-50	002004 006017 952999	1
150	351N1101-42		.UNIT ASSY-(APU ONLY) COMPONENT MAINT MANUAL REF: 49-11-13 FUNCTIONAL REFERENCE: PLACARDS AND MARKINGS FOR DETAILS SEE 11-36-58-01 ELECTRICAL POWER FOR DETAILS SEE 24-22-03-01 AIRBORNE AUXILIARY POWER FOR DETAILS SEE 49-11-03-01 49-11-01-50 49-94-04-02	107107 121503 904951	1

MISSING ITEM NUMBERS NOT APPLICABLE

- ITEM NOT ILLUSTRATED

49-11-01-01

49-11-01  
FIG. 01  
PAGE 6  
JAN 20/09

BRI



757

PARTS CATALOG (MAINTENANCE)

FIG ITEM	PART NUMBER	1 2 3 4 5 6 7	NOMENCLATURE	EFFECT FROM TO	UNITS PER ASSY
1 150	351N1101-45	.	UNIT ASSY-(APU ONLY) COMPONENT MAINT MANUAL REF: 49-11-13 FUNCTIONAL REFERENCE: PLACARDS AND MARKINGS FOR DETAILS SEE 11-36-58-01 ELECTRICAL POWER FOR DETAILS SEE 24-22-03-01 AIRBORNE AUXILIARY POWER FOR DETAILS SEE 49-11-03-01 49-11-01-50 49-94-04-02	107107 121503 904951	1
150	351N1101-46	.	UNIT ASSY-(APU ONLY) COMPONENT MAINT MANUAL REF: 49-11-13 FUNCTIONAL REFERENCE: PLACARDS AND MARKINGS FOR DETAILS SEE 11-36-58-01 ELECTRICAL POWER FOR DETAILS SEE 24-22-03-01 AIRBORNE AUXILIARY POWER FOR DETAILS SEE 49-11-03-01 49-11-01-50	002004 006017 952999	1
150	351N1101-49	.	UNIT ASSY-(APU ONLY) COMPONENT MAINT MANUAL REF: 49-11-13 FUNCTIONAL REFERENCE: PLACARDS AND MARKINGS FOR DETAILS SEE 11-36-58-01 ELECTRICAL POWER FOR DETAILS SEE 24-22-03-01 AIRBORNE AUXILIARY POWER FOR DETAILS SEE 49-11-03-01 49-11-01-50 49-94-04-02	107107 121503 904951	1

MISSING ITEM NUMBERS NOT APPLICABLE

- ITEM NOT ILLUSTRATED

49-11-01-01

49-11-01  
FIG. 01  
PAGE 7  
JAN 20/09

BRI





757

PARTS CATALOG (MAINTENANCE)

FIG ITEM	PART NUMBER	1 2 3 4 5 6 7	NOMENCLATURE	EFFECT FROM TO	UNITS PER ASSY
1 151	351N1101-51		.UNIT ASSY-(APU ONLY) COMPONENT MAINT MANUAL REF: 49-11-13 FUNCTIONAL REFERENCE: PLACARDS AND MARKINGS FOR DETAILS SEE 11-36-58-01 ELECTRICAL POWER FOR DETAILS SEE 24-22-03-01 AIRBORNE AUXILIARY POWER FOR DETAILS SEE 49-11-03-01 49-11-01-50 49-94-04-02	107107 121503 904951	1
151	351N1101-53		.UNIT ASSY-(APU ONLY) COMPONENT MAINT MANUAL REF: 49-11-13 FUNCTIONAL REFERENCE: PLACARDS AND MARKINGS FOR DETAILS SEE 11-36-58-01 ELECTRICAL POWER FOR DETAILS SEE 24-22-03-01 AIRBORNE AUXILIARY POWER FOR DETAILS SEE 49-11-03-01 49-11-01-50	002004 006100 952999	1
155	351N1101-27		.UNIT ASSY-(APU ONLY) COMPONENT MAINT MANUAL REF: 49-11-13 FUNCTIONAL REFERENCE: PLACARDS AND MARKINGS FOR DETAILS SEE 11-36-58-01 ELECTRICAL POWER FOR DETAILS SEE 24-22-03-01 AIRBORNE AUXILIARY POWER FOR DETAILS SEE 49-11-03-01 49-11-01-50 49-94-04-02	107107 904949	1

MISSING ITEM NUMBERS NOT APPLICABLE

- ITEM NOT ILLUSTRATED

49-11-01-01

49-11-01  
FIG. 01  
PAGE 8  
JAN 20/09

BRI



757

PARTS CATALOG (MAINTENANCE)

FIG ITEM	PART NUMBER	1 2 3 4 5 6 7	NOMENCLATURE	EFFECT FROM TO	UNITS PER ASSY
1 155	351N1101-29		.UNIT ASSY-(APU ONLY) COMPONENT MAINT MANUAL REF: 49-11-13 FUNCTIONAL REFERENCE: PLACARDS AND MARKINGS FOR DETAILS SEE 11-36-58-01 ELECTRICAL POWER FOR DETAILS SEE 24-22-03-01 AIRBORNE AUXILIARY POWER FOR DETAILS SEE 49-11-03-01 49-11-01-50 49-94-04-02	107107 904949	1
225	351T0302-1		..PAD-LIFTING	002004 006100 107107 121503 904999	1
230	NAS6706HU3		ATTACHING PARTS ..BOLT-GSE	002004 006100 950999	3
233	NAS6706HU3		..BOLT-GSE QUALIFIED OPTIONAL DATA: (NAS6706HU4 WITH AN960C616L UNDER BACW10BP6AC OPTIONAL TO NAS6706HU3)	107107 121503 904949	3
233	NAS6706HU4		..BOLT-GSE QUALIFIED OPTIONAL DATA: (NAS6706HU4 WITH AN960C616L UNDER UNDER BACW10BP6AC OPTIONAL TO NAS6706HU3)	107107 121503 904949	3
235	BACW10BP6AC		..WASHER-GSE	002004 006100 107107 121503 904999	3
237	AN960C616L		..WASHER-GSE QUALIFIED OPTIONAL DATA: (NAS6706HU4 WITH AN960C616L UNDER BACW10BP6AC OPTIONAL TO NAS6706HU3) -----*-----	107107 121503 904949	3

MISSING ITEM NUMBERS NOT APPLICABLE

- ITEM NOT ILLUSTRATED

49-11-01-01

49-11-01  
FIG. 01  
PAGE 9  
JAN 20/09

BRI

 **BOEING**  
757  
**PARTS CATALOG (MAINTENANCE)**

FIG ITEM	PART NUMBER	1 2 3 4 5 6 7	NOMENCLATURE	EFFECT FROM TO	UNITS PER ASSY
1 240	351T0301-1		.. BRACKET-SPRT	002004 006100 107107 121503 904999	3
- 245	NAS6706HU4		ATTACHING PARTS .. BOLT-	002004 006100 107107 121503 904999	12
- 250	BACW10BP6AC		.. WASHER-	002004 006100 107107 121503 904999	12
255	NAS6703U3		-----*----- .. BOLT	002004 006100 107107 121503 904999	34
260	AN960C10L		.. WASHER-	002004 006100 107107 121503 904999	34
265	BOE2036-0004		.. SEAL-AIR INLET SUPPLIER CODE: V16632 SPECIFICATION NUMBER: S351T030-1	002004 006100 107107 121503 904999	1
270	MS21902J8		.. UNION-	002004 006100 107107 121503 904999	1
275	M83248-1-908		.. PACKING-	002004 006100 107107 121503 904999	1
280	OMP2505-2		.. COUPLING- SUPPLIER CODE: VK0667 OPTIONAL PART: 87-5023-1 V99321	002004 006100 107107 121503 904999	1

MISSING ITEM NUMBERS NOT APPLICABLE

- ITEM NOT ILLUSTRATED

BRI

# 49-11-01-01

BOEING PROPRIETARY - Copyright © - Unpublished Work - See title page for details.

49-11-01  
FIG. 01  
PAGE 10  
JAN 20/09



757

PARTS CATALOG (MAINTENANCE)

FIG ITEM	PART NUMBER	1 2 3 4 5 6 7	NOMENCLATURE	EFFECT FROM TO	UNITS PER ASSY
1					
280	87-5023-1	..	COUPLING- SUPPLIER CODE: V99321 OPTIONAL PART: OMP2505-2 VK0667	002004 006100 107107 121503 904999	1
285	OMP2505-13S	..	COVER- SUPPLIER CODE: VK0667 OPTIONAL PART: 93-7766 V99321	002004 006100 107107 121503 904999	1
285	93-7766	..	COVER-DUST SUPPLIER CODE: V99321 OPTIONAL PART: OMP2505-13S VK0667	002004 006100 107107 121503 904999	1
290	MS28778-6	..	PACKING	002004 006100 107107 121503 904999	1
295	OMP2506-2	..	FITTING- SUPPLIER CODE: VK0667 OPTIONAL PART: 86-4252-1-1 V99321	002004 006100 107107 121503 904999	1
295	86-4252-1-1	..	COUPLING- SUPPLIER CODE: V99321 OPTIONAL PART: OMP2506-2 VK0667	002004 006100 107107 121503 904999	1
300	OMP2506-13S	..	CAP- SUPPLIER CODE: VK0667 OPTIONAL PART: 93-7764 V99321	002004 006100 107107 121503 904999	1
300	93-7764	..	CAP- SUPPLIER CODE: V99321 OPTIONAL PART: OMP2506-13S VK0667	002004 006100 107107 121503 904999	1

MISSING ITEM NUMBERS NOT APPLICABLE

- ITEM NOT ILLUSTRATED

49-11-01-01

49-11-01  
FIG. 01  
PAGE 11  
JAN 20/09

BRI

BOEING PROPRIETARY - Copyright © - Unpublished Work - See title page for details.

 **BOEING**  
757  
**PARTS CATALOG (MAINTENANCE)**

FIG ITEM	PART NUMBER	1 2 3 4 5 6 7	NOMENCLATURE	EFFECT FROM TO	UNITS PER ASSY
1 305	MS28778-8		. . PACKING	002004 006100 107107 121503 904999	1
- 800	286N2810-002		WIRE BUNDLE ASSY- REWORK DRAWING REF: 280N3148-1 REWORKED BY SB: 49-0015	002004 006100 107107 121503 904999	RF
- 800	286N2810-302		WIRE BUNDLE ASSY-	101102 108120	RF
- 800 805	286N2810-304 BCREF104711		WIRE BUNDLE ASSY- .PLUG- OVERLENGTH PART NUMBER: FRF6-36-5P01-747 ELECTRICAL EQUIP NUMBER: D40222P WIRING DIAGRAM REF: 494111 REWORKED BY SB: 49-0015	504903 002004 006102 107999	RF 1
- 810	G6652-36		.CLAMP- SUPPLIER CODE: V06324 ELECTRICAL EQUIP NUMBER: D40222PQ WIRING DIAGRAM REF: 494111	002004 006102 107999	1
- 815	287N1480-1		WIRE PROVISIONS INSTL-KIT POST SERVICE BULLETIN: 49-0015	904949	1
820	NAS1801-3-7		.SCREW	904949	1
825	AN960PD10L		.WASHER	904949	2
830	MS21042L3		.NUT	904949	1
835	JM44LC13WS13R		.CLAMP SUPPLIER CODE: V22175 SPECIFICATION NUMBER: BACC10GE13 OPTIONAL PART: S369WH13 V18076 TA12C32WS13 V84971 509S13 V83930	904949	2

MISSING ITEM NUMBERS NOT APPLICABLE

- ITEM NOT ILLUSTRATED

BRI

# 49-11-01-01

49-11-01  
FIG. 01  
PAGE 12  
JAN 20/09



757

PARTS CATALOG (MAINTENANCE)

FIG ITEM	PART NUMBER	1 2 3 4 5 6 7	NOMENCLATURE	EFFECT FROM TO	UNITS PER ASSY
1 900			ILLUSTRATION REFERENCE: DUCT INSTL-AUX PWR SYS OIL COOLER AIR DISCH 49-51-01-01	002004 006100 107107 121503 904999	RF
905			ILLUSTRATION REFERENCE: SUPPORT INSTL-AUX PWR SYS 49-13-03-01	002004 006999	RF

MISSING ITEM NUMBERS NOT APPLICABLE

- ITEM NOT ILLUSTRATED

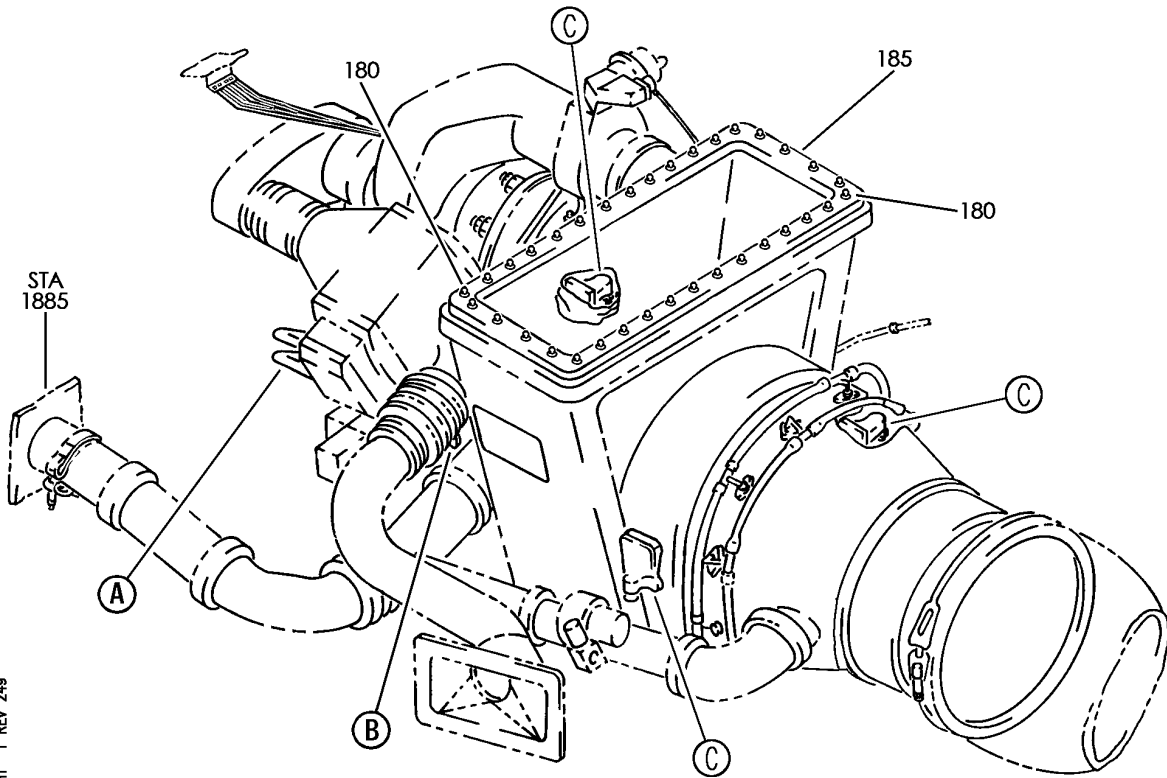
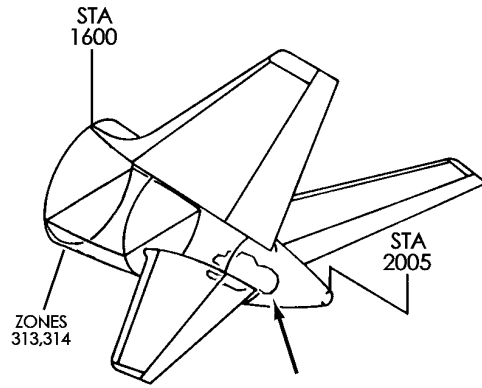
BRI

49-11-01-01

BOEING PROPRIETARY - Copyright © - Unpublished Work - See title page for details.

49-11-01  
FIG. 01  
PAGE 13  
JAN 20/09

**BOEING**  
757  
PARTS CATALOG (MAINTENANCE)



Y 49110102 SHT 1 REV 249

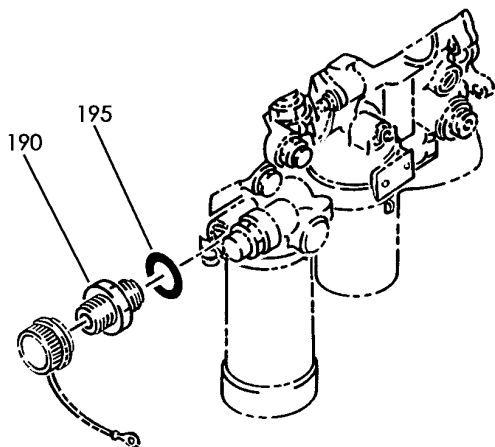
UNIT INSTL-AUX PWR SYS (APU ONLY)  
FIGURE 2 (SHEET 1)

**49-11-01-02**

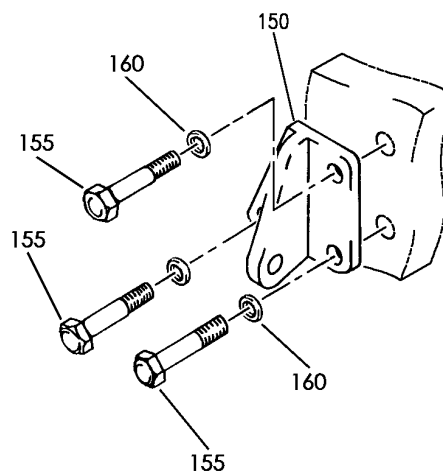
BRI  
MAY 28/07

49-11-01-02  
PAGE 0

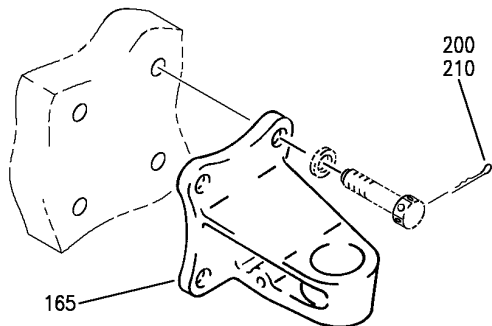
**BOEING**  
757  
PARTS CATALOG (MAINTENANCE)



(A)



(B)



(C)

Y 49110102 SH1 2 REV 249

UNIT INSTL-AUX PWR SYS (APU ONLY)  
FIGURE 2 (SHEET 2)

**49-11-01-02**

BRI  
MAY 28/07

49-11-01-02  
PAGE 0A





757

PARTS CATALOG (MAINTENANCE)

FIG ITEM	PART NUMBER	1 2 3 4 5 6 7	NOMENCLATURE	EFFECT FROM TO	UNITS PER ASSY
2			UNIT INSTL-AUX PWR SYS (APU ONLY)	101106 108120 504903	
- 1	351N1101-58		UNIT INSTL-AUX PWR SYS (APU ONLY) COMPONENT MAINT MANUAL REF: 49-11-13 FOR NHA/OTHER SYS DET SEE: 49-00-00-01	101102 108120 504903	RF
- 1	MODREF33416		UNIT INSTL-AUX PWR SYS (APU ONLY) MODULE NUMBER: 351N1101-64 REV C FOR OTHER SYS DETAILS SEE: 11-21-15-01 24-21-01-01 49-21-00-02	103106	1
150	351T0302-1		.PAD-LIFTING	101106 108120 504903	1
155	NAS6706HU3		ATTACHING PARTS .BOLT-GSE OPTIONAL PART: BACB30LM6HU3	101106 108120 504903	3
155	BACB30LM6HU3		.BOLT-GSE OPTIONAL PART: NAS6706HU3	103106	3
160	BACW10BP6AC		.WASHER-GSE	101106 108120 504903	3
165	351T0301-1		-----*----- .BRACKET-SPRT	101106 108120 504903	3
- 170	NAS6706HU4		ATTACHING PARTS .BOLT- OPTIONAL PART: BACB30LM6HU4	101106 108120 504903	12
- 170	BACB30LM6HU4		.BOLT- OPTIONAL PART: NAS6706HU4	103106	12
- 175	BACW10BP6AC		.WASHER-	101106 108120 504903	12
180	NAS6703U3		-----*----- .BOLT- OPTIONAL PART: BACB30LK3U2	101106 108120 504903	34

MISSING ITEM NUMBERS NOT APPLICABLE

- ITEM NOT ILLUSTRATED

49-11-01-02

49-11-01  
FIG. 02  
PAGE 1  
JAN 20/09

BRI



757

PARTS CATALOG (MAINTENANCE)

FIG ITEM	PART NUMBER	1 2 3 4 5 6 7	NOMENCLATURE	EFFECT FROM TO	UNITS PER ASSY
2					
180	BACB30LK3U2		.BOLT- OPTIONAL PART: NAS6703U3	101106 108120 504903	34
185	BOE2036-0004		.SEAL-AIR INLET SUPPLIER CODE: V16632 SPECIFICATION NUMBER: S351T030-1	101106 108120 504903	1
190	MS21902J8		.UNION-	101106 108120 504903	1
195	M83248-1-908		.PACKING-	101106 108120 504903	1
200	MS20995C32		.WIRE- OPTIONAL PART: 351N1101-62 USED ON: 351N1101-58	101102 108120 504903	AR
- 205	351N1101-62		.KIT ASSY- OPTIONAL PART: MS20995C32 USED ON: 351N1101-58	101102 108120 504903	1
210	AS3510-0218K		..SAFETY CABLE	101102 108120 504903	12

MISSING ITEM NUMBERS NOT APPLICABLE

- ITEM NOT ILLUSTRATED

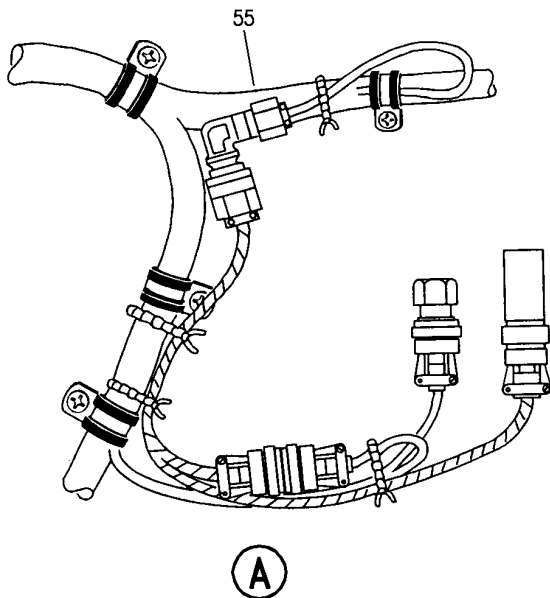
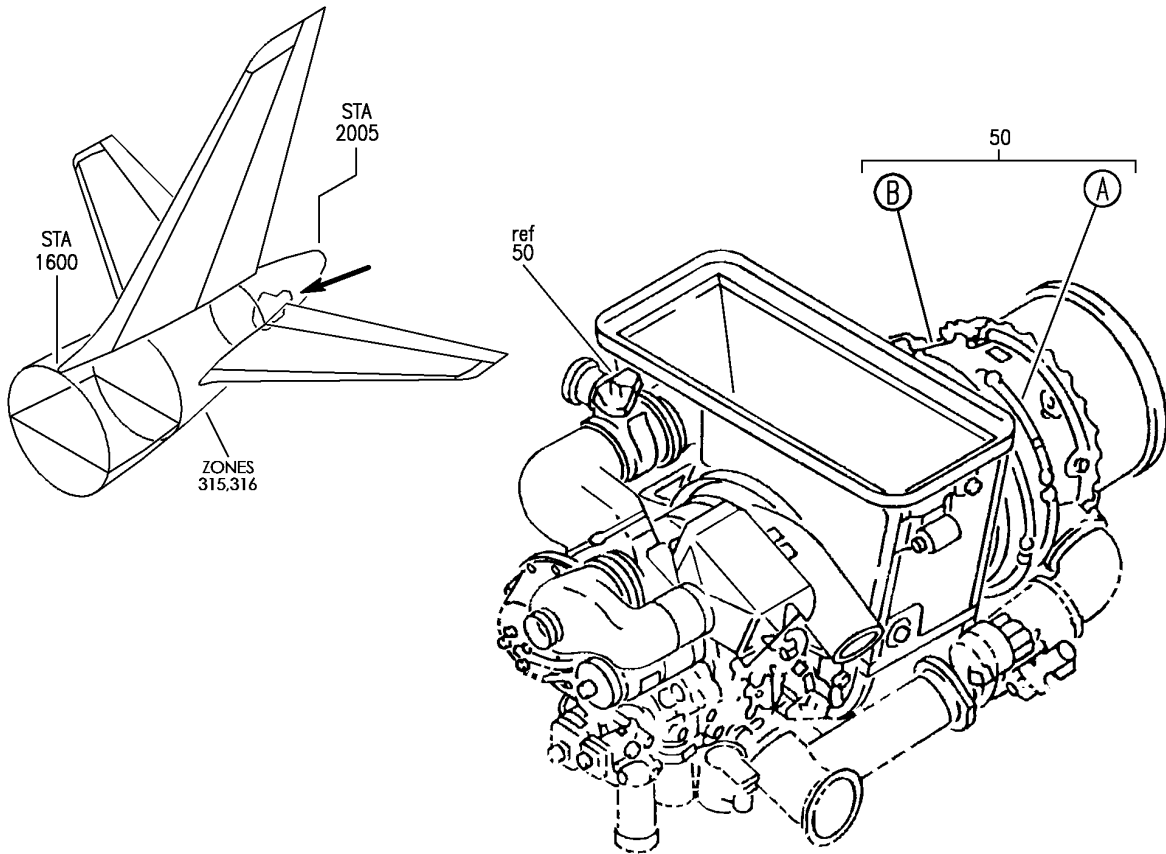
BRI

49-11-01-02

BOEING PROPRIETARY - Copyright © - Unpublished Work - See title page for details.

49-11-01  
FIG. 02  
PAGE 2  
JAN 20/09

**BOEING**  
757  
PARTS CATALOG (MAINTENANCE)



Y 49110150 SHT 1 REV 255

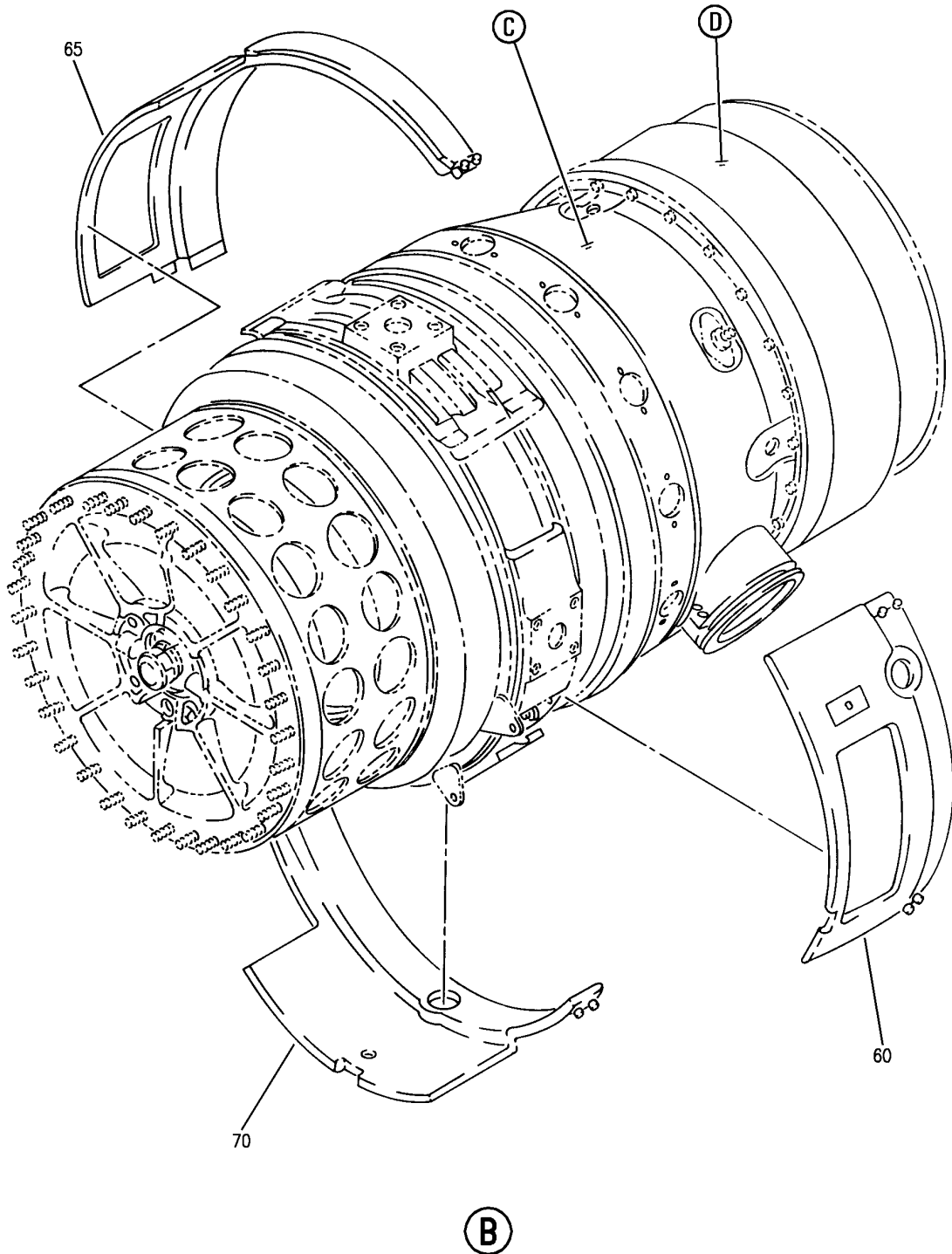
UNIT ASSY-AUX PWR SYS (APU ENGINE ONLY)  
FIGURE 50 (SHEET 1)

BRI  
MAY 28/07

**49-11-01-50**

49-11-01-50  
PAGE 0

**BOEING**  
757  
PARTS CATALOG (MAINTENANCE)



Y 49110150 SHT 2 REV 255

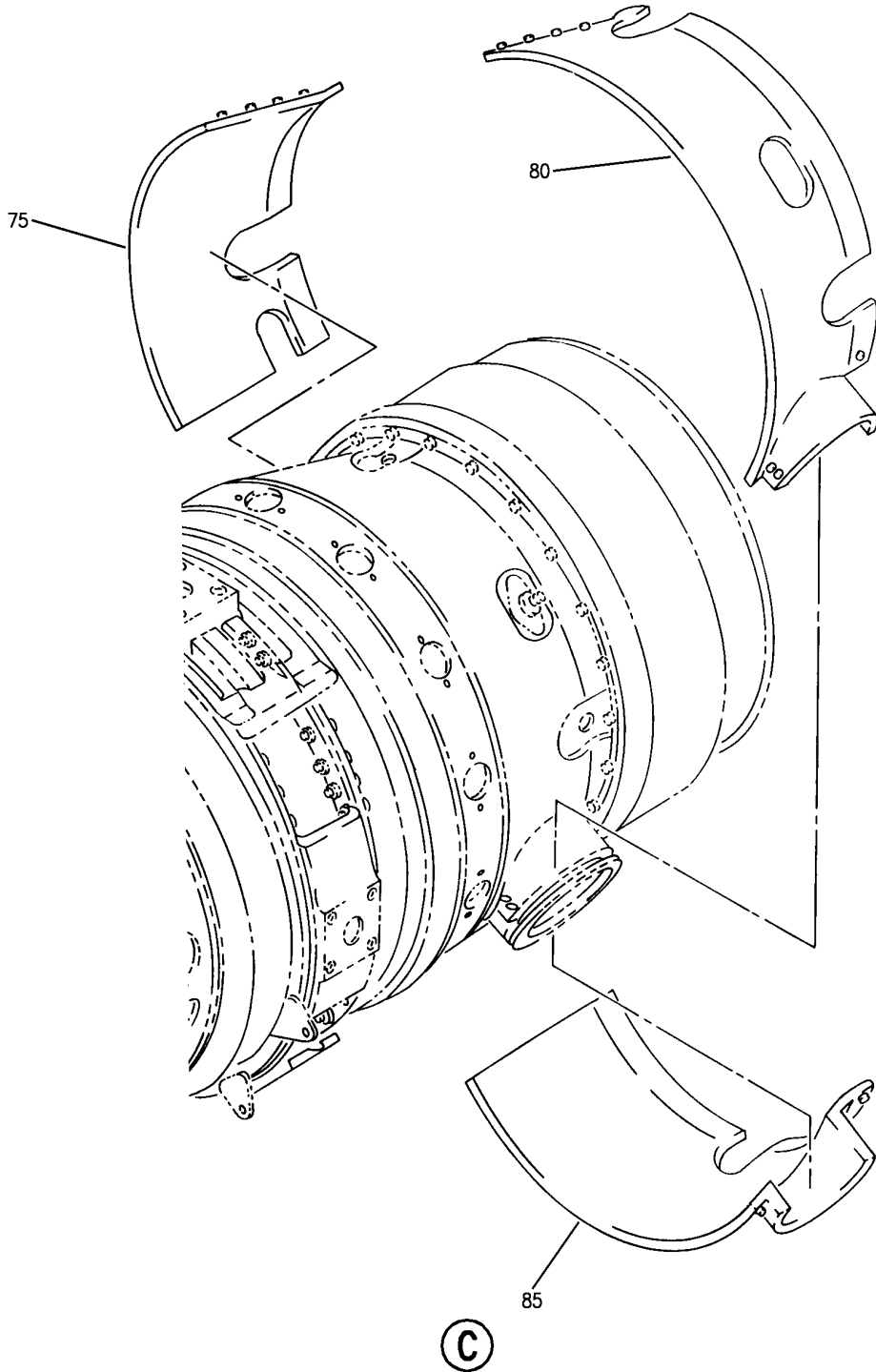
UNIT ASSY-AUX PWR SYS (APU ENGINE ONLY)  
FIGURE 50 (SHEET 2)

**49-11-01-50**

BRI  
MAY 28/07

49-11-01-50  
PAGE 0A

**BOEING**  
757  
PARTS CATALOG (MAINTENANCE)



Y 49110150 SHT 3 REV 255

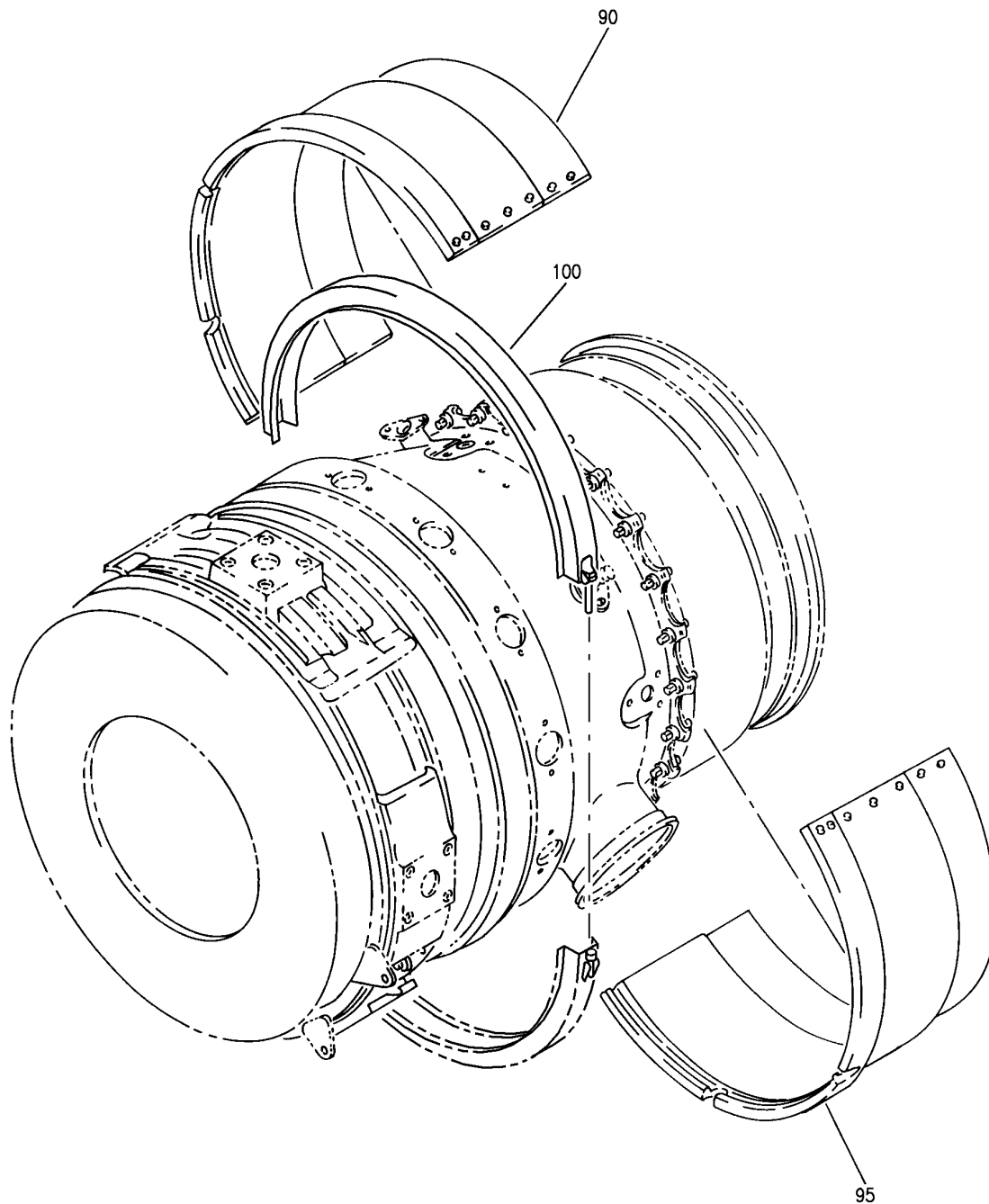
UNIT ASSY-AUX PWR SYS (APU ENGINE ONLY)  
FIGURE 50 (SHEET 3)

**49-11-01-50**

BRI  
MAY 28/07

49-11-01-50  
PAGE 0B

**BOEING**  
757  
PARTS CATALOG (MAINTENANCE)



(D)

Y 49110150 SHT 4 REV 255

UNIT ASSY-AUX PWR SYS (APU ENGINE ONLY)  
FIGURE 50 (SHEET 4)

**49-11-01-50**

BRI  
MAY 28/07

49-11-01-50  
PAGE 0C



757

PARTS CATALOG (MAINTENANCE)

FIG ITEM	PART NUMBER	1 2 3 4 5 6 7	NOMENCLATURE	EFFECT FROM TO	UNITS PER ASSY
50			UNIT ASSY-AUX PWR SYS (APU ENGINE ONLY)	002004 006100 107107 121503 904999	
- 1	351N1101-27		UNIT ASSY-AUX PWR SYS ENGINE ONLY) COMPONENT MAINT MANUAL REF: 49-11-13 FOR NHA/OTHER SYS DET SEE: 49-11-01-01	107107 904949	RF
- 1	351N1101-29		UNIT ASSY-AUX PWR SYS ENGINE ONLY) COMPONENT MAINT MANUAL REF: 49-11-13 FOR NHA/OTHER SYS DET SEE: 49-11-01-01	107107 904949	RF
- 2	351N1101-34		UNIT ASSY-AUX PWR SYS ENGINE ONLY) COMPONENT MAINT MANUAL REF: 49-11-13 FOR NHA/OTHER SYS DET SEE: 49-11-01-01	107107 904949	RF
- 2	351N1101-38		UNIT ASSY-AUX PWR SYS ENGINE ONLY) COMPONENT MAINT MANUAL REF: 49-11-13 FOR NHA/OTHER SYS DET SEE: 49-11-01-01	107107 121503 904951	RF
- 2	351N1101-40		UNIT ASSY-AUX PWR SYS ENGINE ONLY) COMPONENT MAINT MANUAL REF: 49-11-13 FOR NHA/OTHER SYS DET SEE: 49-11-01-01	002004 006017 952999	RF
- 2	351N1101-42		UNIT ASSY-AUX PWR SYS ENGINE ONLY) COMPONENT MAINT MANUAL REF: 49-11-13 FOR NHA/OTHER SYS DET SEE: 49-11-01-01	107107 121503 904951	RF
- 2	351N1101-45		UNIT ASSY-AUX PWR SYS ENGINE ONLY) COMPONENT MAINT MANUAL REF: 49-11-13 FOR NHA/OTHER SYS DET SEE: 49-11-01-01	107107 121503 904951	RF

MISSING ITEM NUMBERS NOT APPLICABLE

- ITEM NOT ILLUSTRATED

49-11-01-50

49-11-01  
FIG. 50  
PAGE 1  
JAN 20/09

BRI



757

PARTS CATALOG (MAINTENANCE)

FIG ITEM	PART NUMBER	1 2 3 4 5 6 7	NOMENCLATURE	EFFECT FROM TO	UNITS PER ASSY
50					
- 2	351N1101-46		UNIT ASSY-AUX PWR SYS ENGINE ONLY) COMPONENT MAINT MANUAL REF: 49-11-13 FOR NHA/OTHER SYS DET SEE: 49-11-01-01	002004 006017 952999	RF
- 2	351N1101-49		UNIT ASSY-AUX PWR SYS ENGINE ONLY) COMPONENT MAINT MANUAL REF: 49-11-13 FOR NHA/OTHER SYS DET SEE: 49-11-01-01	107107 121503 904951	RF
- 3	351N1101-51		UNIT ASSY-AUX PWR SYS ENGINE ONLY) COMPONENT MAINT MANUAL REF: 49-11-13 FOR NHA/OTHER SYS DET SEE: 49-11-01-01	107107 121503 904951	RF
- 3	351N1101-53		UNIT ASSY-AUX PWR SYS ENGINE ONLY) COMPONENT MAINT MANUAL REF: 49-11-13 FOR NHA/OTHER SYS DET SEE: 49-11-01-01	002004 006100 952999	RF
50	3800298-1-2		.ENGINE ASSY-GAS TURB GTCP331-200ER SUPPLIER CODE: V99193 SPECIFICATION NUMBER: S351T020-201 CONFIG CHG DATA FROM A CMM: REPLACES 3800298-1-1 COMPONENT MAINT MANUAL REF: 49-22-11 QUALIFIED I/W DATA: S351T020-201 (3800298-1-2) AND S351T020-205 (3800298-1-6) ARE INTERCHANGEABLE WITH THE INCORPORATION OF ALLIED SIGNAL S/B GTCP331-49-7081. S351T020-201 (3800298-1-2) AND S351T020-206 (3800298-1-7/3800298-1) ARE INTERCHANGEABLE WITH THE INCORPORATION	002004 006100 107107 121503 904999	1
MISSING ITEM NUMBERS NOT APPLICABLE					

- ITEM NOT ILLUSTRATED

49-11-01-50

49-11-01  
FIG. 50  
PAGE 2  
JAN 20/09

BRI





757

PARTS CATALOG (MAINTENANCE)

FIG ITEM	PART NUMBER	1 2 3 4 5 6 7 NOMENCLATURE	EFFECT FROM TO	UNITS PER ASSY
50		<p>OF ALLIED SIGNAL S/B GTCP331-49-7081.</p> <p>USED ON:</p> <p>351N1101-26 351N1101-27 351N1101-31 351N1101-32 351N1101-33 351N1101-34 351N1101-35 351N1101-36</p> <p>FOR DETAILS SEE:</p> <p>49-11-03-10 49-14-00-01 49-15-03-10 49-16-01-01 49-21-51-01 49-21-51-50 49-27-01-01 49-27-02-01 49-27-03-01 49-27-04-01 49-27-05-01 49-27-06-01 49-27-07-01 49-27-08-01 49-27-09-01 49-27-10-01 49-27-11-01 49-27-12-01 49-27-13-01 49-27-14-01 49-27-15-01 49-27-16-01 49-27-51-50 49-31-01-01 49-31-02-01 49-31-03-01 49-31-04-01 49-31-05-01 49-31-06-01 49-31-07-01 49-31-08-01 49-31-09-01 49-31-10-01 49-41-01-01 49-41-02-01 49-41-03-01 49-41-06-01</p>		

MISSING ITEM NUMBERS NOT APPLICABLE

- ITEM NOT ILLUSTRATED

# 49-11-01-50

49-11-01  
FIG. 50  
PAGE 3  
JAN 20/09

BRI



757

PARTS CATALOG (MAINTENANCE)

FIG ITEM	PART NUMBER	1 2 3 4 5 6 7 NOMENCLATURE	EFFECT FROM TO	UNITS PER ASSY
50		49-51-01-02 49-51-02-01 49-51-03-02 49-52-01-01 49-52-02-01 49-52-03-01 49-53-01-01 49-53-02-01 49-53-03-01 49-53-04-01 49-53-05-01 49-53-06-01 49-53-07-01 49-53-08-01 49-61-02-01 49-61-03-01 49-61-04-01 49-61-05-03 49-71-01-01 49-81-01-50 49-94-01-02 49-94-02-01 49-94-03-01 49-94-04-50		
50	3800298-1-1	.ENGINE ASSY-GAS TURB GTCP331-200ER SUPPLIER CODE: V99193 SPECIFICATION NUMBER: S351T020-200 COMPONENT MAINT MANUAL REF: 49-22-11 QUALIFIED I/W DATA: S351T020-200 (3800298-1-1) AND S351T020-205 (3800298-1-6) ARE INTERCHANGEABLE WITH THE INCORPORATION OF ALLIED SIGNAL S/B GTCP331-49-7081. S351T020-200 (3800298-1-1) AND S351T020-206 (3800298-1-7/3800298-1) ARE INTERCHANGEABLE WITH THE INCORPORATION OF ALLIED SIGNAL S/B GTCP331-49-7081.  MISSING ITEM NUMBERS NOT APPLICABLE	002004 006100 107107 121503 904999	1

- ITEM NOT ILLUSTRATED

49-11-01-50

49-11-01  
 FIG. 50  
 PAGE 4  
 JAN 20/09

BRI



757

PARTS CATALOG (MAINTENANCE)

FIG ITEM	PART NUMBER	1 2 3 4 5 6 7 NOMENCLATURE	EFFECT FROM TO	UNITS PER ASSY
50		<p>USED ON:  351N1101-28  351N1101-29  FOR DETAILS SEE:  49-11-03-10  49-14-00-01  49-15-03-10  49-16-01-01  49-21-51-01  49-21-51-50  49-27-01-01  49-27-02-01  49-27-03-01  49-27-04-01  49-27-05-01  49-27-06-01  49-27-07-01  49-27-08-01  49-27-09-01  49-27-10-01  49-27-11-01  49-27-12-01  49-27-13-01  49-27-14-01  49-27-15-01  49-27-16-01  49-27-51-50  49-31-01-01  49-31-02-01  49-31-03-01  49-31-04-01  49-31-05-01  49-31-06-01  49-31-07-01  49-31-08-01  49-31-09-01  49-31-10-01  49-41-01-01  49-41-02-01  49-41-03-01  49-41-04-01  49-41-06-01  49-51-01-02  49-51-02-01  49-51-03-02  49-52-01-01  49-52-02-01  49-52-03-01  49-53-01-01</p>		

MISSING ITEM NUMBERS NOT APPLICABLE

- ITEM NOT ILLUSTRATED

49-11-01-50

49-11-01  
FIG. 50  
PAGE 5  
JAN 20/09

BRI



757

PARTS CATALOG (MAINTENANCE)

FIG ITEM	PART NUMBER	1 2 3 4 5 6 7	NOMENCLATURE	EFFECT FROM TO	UNITS PER ASSY
50			49-53-02-01 49-53-03-01 49-53-04-01 49-53-05-01 49-53-06-01 49-53-07-01 49-53-08-01 49-61-02-01 49-61-03-01 49-61-04-01 49-61-05-03 49-71-01-01 49-81-01-50 49-94-01-02 49-94-02-01 49-94-03-01 49-94-04-50		
50	3800298-1-3		.ENGINE ASSY-GAS TURB GTCP331-200ER SUPPLIER CODE: V99193 SPECIFICATION NUMBER: S351T020-202 CONFIG CHG DATA FROM A CMM: REPLACES 3800298-1-2 COMPONENT MAINT MANUAL REF: 49-22-11 QUALIFIED I/W DATA: S351T020-202 (3800298-1-3) AND S351T020-205 (3800298-1-6) ARE INTERCHANGEABLE WITH THE INCORPORATION OF ALLIED SIGNAL S/B GTCP331-49-7081. S351T020-202 (3800298-1-3) AND S351T020-206 (3800298-1-7/3800298-1) ARE INTERCHANGEABLE WITH THE INCORPORATION OF ALLIED SIGNAL S/B GTCP331-49-7081. USED ON: 351N1101-37 351N1101-38 FOR DETAILS SEE: 49-11-03-10	002004 006100 107107 121503 904999	1

MISSING ITEM NUMBERS NOT APPLICABLE

- ITEM NOT ILLUSTRATED

49-11-01-50

49-11-01  
 FIG. 50  
 PAGE 6  
 JAN 20/09

BRI



757

PARTS CATALOG (MAINTENANCE)

FIG ITEM	PART NUMBER	1 2 3 4 5 6 7	NOMENCLATURE	EFFECT FROM TO	UNITS PER ASSY
50			49-14-00-01 49-15-03-10 49-16-01-01 49-21-51-01 49-21-51-50 49-27-01-01 49-27-02-01 49-27-03-01 49-27-04-01 49-27-05-01 49-27-06-01 49-27-07-01 49-27-08-01 49-27-09-01 49-27-10-01 49-27-11-01 49-27-12-01 49-27-13-01 49-27-14-01 49-27-15-01 49-27-16-01 49-27-51-50 49-31-01-01 49-31-02-01 49-31-03-01 49-31-04-01 49-31-05-01 49-31-06-01 49-31-07-01 49-31-08-01 49-31-09-01 49-31-10-01 49-41-01-01 49-41-02-01 49-41-03-01 49-41-04-01 49-41-06-01 49-51-01-02 49-51-02-01 49-51-03-02 49-52-01-01 49-52-02-01 49-52-03-01 49-53-01-01 49-53-02-01 49-53-03-01 49-53-04-01 49-53-05-01 49-53-06-01		
MISSING ITEM NUMBERS NOT APPLICABLE					

- ITEM NOT ILLUSTRATED

# 49-11-01-50

49-11-01  
FIG. 50  
PAGE 7  
JAN 20/09

BRI



757

PARTS CATALOG (MAINTENANCE)

FIG ITEM	PART NUMBER	1 2 3 4 5 6 7	NOMENCLATURE	EFFECT FROM TO	UNITS PER ASSY
50			49-53-07-01 49-53-08-01 49-61-02-01 49-61-03-01 49-61-04-01 49-61-05-03 49-71-01-01 49-81-01-50 49-94-01-02 49-94-02-01 49-94-03-01 49-94-04-50		
50	3800298-1-4		.ENGINE ASSY-GAS TURB GTCP331-200ER SUPPLIER CODE: V99193 SPECIFICATION NUMBER: S351T020-203 CONFIG CHG DATA FROM A CMM: REPLACES 3800298-1-3 COMPONENT MAINT MANUAL REF: 49-22-11 QUALIFIED I/W DATA: 3800298-1-4/S351T020-203 AND 3800298-1-6/S351T020-205 ARE INTERCHANGEABLE WITH THE INCORPORATION OF ALLIED SIGNAL S/B GTCP331-49-7081. 3800298-1-4/S351T020-203 AND 3800298-1-7/S351T020-206 /3800298-1 ARE INTERCHANGEABLE WITH THE INCORPORATION OF ALLIED SIGNAL S/B GTCP331-49-7081. USED ON: 351N1101-39 351N1101-41 351N1101-42 FOR DETAILS SEE: 49-11-03-10 49-14-00-01 49-15-03-10 49-16-01-01 49-21-51-01 49-21-51-50	002004 006100 107107 121503 904999	1

MISSING ITEM NUMBERS NOT APPLICABLE

- ITEM NOT ILLUSTRATED

49-11-01-50

49-11-01  
 FIG. 50  
 PAGE 8  
 JAN 20/09

BRI



757

PARTS CATALOG (MAINTENANCE)

FIG ITEM	PART NUMBER	1 2 3 4 5 6 7	NOMENCLATURE	EFFECT FROM TO	UNITS PER ASSY
50			49-27-01-01 49-27-02-01 49-27-03-01 49-27-04-01 49-27-05-01 49-27-06-01 49-27-07-01 49-27-08-01 49-27-09-01 49-27-10-01 49-27-11-01 49-27-12-01 49-27-13-01 49-27-14-01 49-27-15-01 49-27-16-01 49-27-51-50 49-31-01-01 49-31-02-01 49-31-03-01 49-31-04-01 49-31-05-01 49-31-06-01 49-31-07-01 49-31-08-01 49-31-09-01 49-31-10-01 49-41-01-01 49-41-02-01 49-41-03-01 49-41-04-01 49-41-06-01 49-51-01-02 49-51-02-01 49-51-03-02 49-52-01-01 49-52-02-01 49-52-03-01 49-53-01-01 49-53-02-01 49-53-03-01 49-53-04-01 49-53-05-01 49-53-06-01 49-53-07-01 49-53-08-01 49-61-02-01 49-61-03-01 49-61-04-01		

MISSING ITEM NUMBERS NOT APPLICABLE

- ITEM NOT ILLUSTRATED

49-11-01-50

49-11-01  
FIG. 50  
PAGE 9  
JAN 20/09

BRI



757

PARTS CATALOG (MAINTENANCE)

FIG ITEM	PART NUMBER	1 2 3 4 5 6 7	NOMENCLATURE	EFFECT FROM TO	UNITS PER ASSY
50			49-61-05-03 49-71-01-01 49-81-01-50 49-94-01-02 49-94-02-01 49-94-03-01 49-94-04-50		
50	3800298-1-5		.ENGINE ASSY-GAS TURB GTCP331-200ER SUPPLIER CODE: V99193 SPECIFICATION NUMBER: S351T020-204 CONFIG CHG DATA FROM A CMM: REPLACES 3800298-1-4 COMPONENT MAINT MANUAL REF: 49-22-11 QUALIFIED I/W DATA: 3800298-1-5/S351T020-204 AND 3800298-1-6/S351T020-205 ARE INTERCHANGEABLE WITH THE INCORPORATION OF ALLIED SIGNAL S/B GTCP331-49-7081. S351T020-204 (3800298-1-5) AND S351T020-206(3800298-1-7 /3800298-1) ARE INTERCHANGEABLE WITH THE INCORPORATION OF ALLIED SIGNAL S/B GTCP331-49-7081. USED ON: 351N1101-40 351N1101-43 351N1101-44 351N1101-45 351N1101-46 351N1101-47 351N1101-48 351N1101-49 FOR DETAILS SEE: 49-11-03-10 49-14-00-01 49-15-03-10 49-16-01-01 49-21-51-01 49-21-51-50	002004 006100 107107 121503 904999	1
MISSING ITEM NUMBERS NOT APPLICABLE					

- ITEM NOT ILLUSTRATED

49-11-01-50

49-11-01  
FIG. 50  
PAGE 10  
JAN 20/09

BRI





**757  
PARTS CATALOG (MAINTENANCE)**

FIG ITEM	PART NUMBER	1 2 3 4 5 6 7 NOMENCLATURE	EFFECT FROM TO	UNITS PER ASSY
50		49-27-01-01 49-27-02-01 49-27-03-01 49-27-04-01 49-27-05-01 49-27-06-01 49-27-07-01 49-27-08-01 49-27-09-01 49-27-10-01 49-27-11-01 49-27-12-01 49-27-13-01 49-27-14-01 49-27-15-01 49-27-16-01 49-27-51-50 49-31-01-01 49-31-02-01 49-31-03-01 49-31-04-01 49-31-05-01 49-31-06-01 49-31-07-01 49-31-08-01 49-31-09-01 49-31-10-01 49-41-01-01 49-41-02-01 49-41-03-01 49-41-04-01 49-41-06-01 49-51-01-02 49-51-02-01 49-51-03-02 49-52-01-01 49-52-02-01 49-52-03-01 49-53-01-01 49-53-02-01 49-53-03-01 49-53-04-01 49-53-05-01 49-53-06-01 49-53-07-01 49-53-08-01 49-61-02-01 49-61-03-01 49-61-04-01		
MISSING ITEM NUMBERS NOT APPLICABLE				

— ITEM NOT ILLUSTRATED

# 49-11-01-50

49-11-01  
FIG. 50  
PAGE 11  
JAN 20/09

BRI



757

PARTS CATALOG (MAINTENANCE)

FIG ITEM	PART NUMBER	1 2 3 4 5 6 7	NOMENCLATURE	EFFECT FROM TO	UNITS PER ASSY
50			49-61-05-03 49-71-01-01 49-81-01-50 49-94-01-02 49-94-02-01 49-94-03-01 49-94-04-50		
50	3800298-1-6		.ENGINE ASSY-GAS TURB GTCP331-200ER SUPPLIER CODE: V99193 SPECIFICATION NUMBER: S351T020-205 CONFIG CHG DATA FROM A CMM: REPLACES 3800298-1-5 COMPONENT MAINT MANUAL REF: 49-22-11 QUALIFIED I/W DATA: 3800298-1-5/S351T020-204 AND 3800298-1-6/S351T020-205 ARE INTERCHANGEABLE WITH THE INCORPORATION OF ALLIED SIGNAL S/B GTCP331-49-7081. S351T020-203(3800298-1-4 ) AND S351T020-205(3800298-1-6 ) ARE INTERCHANGEABLE WITH THE INCORPORATION OF ALLIED SIGNAL S/B GTCP331-49-7081. S351T020-202 (3800298-1-3) AND S351T020-205 (3800298-1-6) ARE INTERCHANGEABLE WITH THE INCORPORATION OF ALLIED SIGNAL S/B GTCP331-49-7081. S351T020-201 (3800298-1-2) AND S351T020-205 (3800298-1-6) ARE INTERCHANGEABLE WITH THE INCORPORATION OF ALLIED SIGNAL S/B GTCP331-49-7081. S351T020-200	002004 006100 107107 121503 904999	1
MISSING ITEM NUMBERS NOT APPLICABLE					

- ITEM NOT ILLUSTRATED

49-11-01-50

49-11-01  
FIG. 50  
PAGE 12  
JAN 20/09

BRI



757

PARTS CATALOG (MAINTENANCE)

FIG ITEM	PART NUMBER	1 2 3 4 5 6 7 NOMENCLATURE	EFFECT FROM TO	UNITS PER ASSY
50		<p>(3800298-1-1) AND S351T020-205 (3800298-1-6) ARE INTERCHANGEABLE WITH THE INCORPORATION OF ALLIED SIGNAL S/B GTCP331-49-7081. USED ON: 351N1101-50 351N1101-51 351N1101-52 351N1101-53 FOR DETAILS SEE: 49-11-03-10 49-14-00-01 49-15-03-10 49-16-01-01 49-21-51-01 49-21-51-50 49-27-01-01 49-27-02-01 49-27-03-01 49-27-04-01 49-27-05-01 49-27-06-01 49-27-07-01 49-27-08-01 49-27-09-01 49-27-10-01 49-27-11-01 49-27-12-01 49-27-13-01 49-27-14-01 49-27-15-01 49-27-16-01 49-27-51-50 49-31-01-01 49-31-02-01 49-31-03-01 49-31-04-01 49-31-05-01 49-31-06-01 49-31-07-01 49-31-08-01 49-31-09-01 49-31-10-01 49-41-01-01 49-41-02-01 49-41-03-01</p>		

MISSING ITEM NUMBERS NOT APPLICABLE

- ITEM NOT ILLUSTRATED

# 49-11-01-50

49-11-01  
FIG. 50  
PAGE 13  
JAN 20/09

BRI



**757  
PARTS CATALOG (MAINTENANCE)**

FIG ITEM	PART NUMBER	1 2 3 4 5 6 7	NOMENCLATURE	EFFECT FROM TO	UNITS PER ASSY
50			49-41-04-01 49-41-06-01 49-51-01-02 49-51-02-01 49-51-03-02 49-52-01-01 49-52-02-01 49-52-03-01 49-53-01-01 49-53-02-01 49-53-03-01 49-53-04-01 49-53-05-01 49-53-06-01 49-53-07-01 49-53-08-01 49-61-02-01 49-61-03-01 49-61-04-01 49-61-05-03 49-71-01-01 49-81-01-50 49-94-01-02 49-94-02-01 49-94-03-01 49-94-04-50		
50	3800298-1-7		.ENGINE ASSY-GAS TURB GTCP331-200ER SUPPLIER CODE: V99193 SPECIFICATION NUMBER: S351T020-206 CONFIG CHG DATA FROM A CMM: REPLACES 3800298-1-6 COMPONENT MAINT MANUAL REF: 49-22-11 QUALIFIED I/W DATA: 3800298-1-5/S351T020-204 AND S351T020-206 3800298-1-7/3800298-1 ARE INTERCHANGEABLE WITH THE INCORPORATION OF ALLIED SIGNAL S/B GTCP331-49-7081. S351T020-203(3800298-1-4 ) AND S351T020-206(3800298-1-7 /3800298-1) ARE INTERCHANGEABLE WITH THE	002004 006100 107107 121503 904999	1
MISSING ITEM NUMBERS NOT APPLICABLE					

— ITEM NOT ILLUSTRATED

# 49-11-01-50

49-11-01  
FIG. 50  
PAGE 14  
JAN 20/09

BRI



757

PARTS CATALOG (MAINTENANCE)

FIG ITEM	PART NUMBER	1 2 3 4 5 6 7 NOMENCLATURE	EFFECT FROM TO	UNITS PER ASSY
50		<p>INCORPORATION OF ALLIED SIGNAL S/B GTCP331-49-7081. S351T020-202 (3800298-1-3) AND S351T020-206 (3800298-1-7/3800298-1) ARE INTERCHANGEABLE WITH THE INCORPORATION OF ALLIED SIGNAL S/B GTCP331-49-7081. S351T020-201 (3800298-1-2) AND S351T020-206 (3800298-1-7/3800298-1) ARE INTERCHANGEABLE WITH THE INCORPORATION OF ALLIED SIGNAL S/B GTCP331-49-7081. S351T020-200 (3800298-1-1) AND S351T020-206 (3800298-1-7/3800298-1) ARE INTERCHANGEABLE WITH THE INCORPORATION OF ALLIED SIGNAL S/B GTCP331-49-7081. OPTIONAL PART: 3800298-1 V99193 FOR DETAILS SEE: 49-11-03-10 49-14-00-01 49-15-03-10 49-16-01-01 49-21-51-01 49-21-51-50 49-27-01-01 49-27-02-01 49-27-03-01 49-27-04-01 49-27-05-01 49-27-06-01 49-27-07-01 49-27-08-01 49-27-09-01 49-27-10-01 49-27-11-01 49-27-12-01</p>		

MISSING ITEM NUMBERS NOT APPLICABLE

- ITEM NOT ILLUSTRATED

49-11-01-50

49-11-01  
FIG. 50  
PAGE 15  
JAN 20/09

BRI



757

PARTS CATALOG (MAINTENANCE)

FIG ITEM	PART NUMBER	1 2 3 4 5 6 7	NOMENCLATURE	EFFECT FROM TO	UNITS PER ASSY
50			49-27-13-01 49-27-14-01 49-27-15-01 49-27-16-01 49-27-51-50 49-31-01-01 49-31-02-01 49-31-03-01 49-31-04-01 49-31-05-01 49-31-06-01 49-31-07-01 49-31-08-01 49-31-09-01 49-31-10-01 49-41-01-01 49-41-02-01 49-41-03-01 49-41-04-01 49-41-06-01 49-51-01-02 49-51-02-01 49-51-03-02 49-52-01-01 49-52-02-01 49-52-03-01 49-53-01-01 49-53-02-01 49-53-03-01 49-53-04-01 49-53-05-01 49-53-06-01 49-53-07-01 49-53-08-01 49-61-02-01 49-61-03-01 49-61-04-01 49-61-05-03 49-71-01-01 49-81-01-50 49-94-01-02 49-94-02-01 49-94-03-01 49-94-04-50		
50	3800298-1		.ENGINE ASSY-GAS TURB SUPPLIER CODE: V99193 SPECIFICATION NUMBER: S351T020-206	002004 006100 107107 121503 904999	1
MISSING ITEM NUMBERS NOT APPLICABLE					

- ITEM NOT ILLUSTRATED

# 49-11-01-50

49-11-01  
 FIG. 50  
 PAGE 16  
 JAN 20/09

BRI



757

PARTS CATALOG (MAINTENANCE)

FIG ITEM	PART NUMBER	1 2 3 4 5 6 7 NOMENCLATURE	EFFECT FROM TO	UNITS PER ASSY
50		<p>COMPONENT MAINT MANUAL REF: 49-22-11 QUALIFIED I/W DATA: 3800298-1-5/S351T020-204 AND 3800298-1-7/S351T020-206 /3800298-1 ARE INTERCHANGEABLE WITH THE INCORPORATION OF ALLIED SIGNAL S/B GTCP331-49-7081. S351T020-203 (3800298-1-4) AND S351T020-206(3800298-1-7 /3800298-1) ARE INTERCHANGEABLE WITH THE INCORPORATION OF ALLIED SIGNAL S/B GTCP331-49-7081. S351T020-202 (3800298-1-3) AND S351T020-206 (3800298-1-7/3800298-1) ARE INTERCHANGEABLE WITH THE INCORPORATION OF ALLIED SIGNAL S/B GTCP331-49-7081. S351T020-201 (3800298-1-2) AND S351T020-206 (3800298-1-7/3800298-1) ARE INTERCHANGEABLE WITH THE INCORPORATION OF ALLIED SIGNAL S/B TCP331-49-7081. S351T020-200 (3800298-1-1) AND S351T020-206 (3800298-1-7/3800298-1) ARE INTERCHANGEABLE WITH THE INCORPORATION OF ALLIED SIGNAL S/B GTCP331-49-7081. OPTIONAL PART: 3800298-1-7 V99193 FOR DETAILS SEE: 49-11-03-10 49-14-00-01</p>		

MISSING ITEM NUMBERS NOT APPLICABLE

- ITEM NOT ILLUSTRATED

49-11-01-50

49-11-01  
FIG. 50  
PAGE 17  
JAN 20/09

BRI



757  
PARTS CATALOG (MAINTENANCE)

FIG ITEM	PART NUMBER	1 2 3 4 5 6 7	NOMENCLATURE	EFFECT FROM TO	UNITS PER ASSY
50			49-15-03-10 49-16-01-01 49-21-51-01 49-21-51-50 49-27-01-01 49-27-02-01 49-27-03-01 49-27-04-01 49-27-05-01 49-27-06-01 49-27-07-01 49-27-08-01 49-27-09-01 49-27-10-01 49-27-11-01 49-27-12-01 49-27-13-01 49-27-14-01 49-27-15-01 49-27-16-01 49-27-51-50 49-31-01-01 49-31-02-01 49-31-03-01 49-31-04-01 49-31-05-01 49-31-06-01 49-31-07-01 49-31-08-01 49-31-09-01 49-31-10-01 49-41-01-01 49-41-02-01 49-41-03-01 49-41-04-01 49-41-06-01 49-51-01-02 49-51-02-01 49-51-03-02 49-52-01-01 49-52-02-01 49-52-03-01 49-53-01-01 49-53-02-01 49-53-03-01 49-53-04-01 49-53-05-01 49-53-06-01 49-53-07-01		
MISSING ITEM NUMBERS NOT APPLICABLE					

— ITEM NOT ILLUSTRATED

# 49-11-01-50

BRI

BOEING PROPRIETARY - Copyright © - Unpublished Work - See title page for details.

49-11-01  
FIG. 50  
PAGE 18  
JAN 20/09





757

PARTS CATALOG (MAINTENANCE)

FIG ITEM	PART NUMBER	1 2 3 4 5 6 7	NOMENCLATURE	EFFECT FROM TO	UNITS PER ASSY
50			49-53-08-01 49-61-02-01 49-61-03-01 49-61-04-01 49-61-05-03 49-71-01-01 49-81-01-50 49-94-01-02 49-94-02-01 49-94-03-01 49-94-04-50		
60	3826184-3		.. INSULATION-BLANKET SEGMENT SUPPLIER CODE: V99193 POSITION DATA: SIDE SB DATA FROM A CMM: PRE SB 49-7341 CONFIG CHG DATA FROM A CMM: REPL BY 3826184-5 POST AIRLINE MOD: PCR15 VALP	950951	1
60	3826184-5		.. INSULATION-BLANKET SEGMENT SUPPLIER CODE: V99193 POSITION DATA: SIDE SB DATA FROM A CMM: POST SB 49-7341 CONFIG CHG DATA FROM A CMM: REPLS 3826184-3	950951	1
65	3826185-3		.. INSULATION-BLANKET SEGMENT SUPPLIER CODE: V99193 POSITION DATA: TOP SB DATA FROM A CMM: PRE SB 49-7341 CONFIG CHG DATA FROM A CMM: REPL BY 3826185-4 POST AIRLINE MOD: PCR15 VALP	950951	1

MISSING ITEM NUMBERS NOT APPLICABLE

- ITEM NOT ILLUSTRATED

49-11-01-50

49-11-01  
 FIG. 50  
 PAGE 19  
 JAN 20/09

BRI



757

PARTS CATALOG (MAINTENANCE)

FIG ITEM	PART NUMBER	1 2 3 4 5 6 7	NOMENCLATURE	EFFECT FROM TO	UNITS PER ASSY
50 65	3826185-4		.. INSULATION-BLANKET SEGMENT SUPPLIER CODE: V99193 POSITION DATA: TOP SB DATA FROM A CMM: POST SB 49-7341 CONFIG CHG DATA FROM A CMM: REPLS 3826185-3	002004 006100 107107 121503 904999	1
70	3826186-3		.. INSULATION-BLANKET SEGMENT SUPPLIER CODE: V99193 POSITION DATA: BOTTOM SB DATA FROM A CMM: PRE SB 49-7341 CONFIG CHG DATA FROM A CMM: REPL BY 3826186-5 POST AIRLINE MOD: PCR15 VALP	002004 006100 107107 121503 904999	1
70	3826186-5		.. INSULATION-BLANKET SEGMENT SUPPLIER CODE: V99193 POSITION DATA: BOTTOM SB DATA FROM A CMM: POST 49-7341 CONFIG CHG DATA FROM A CMM: REPLS 3826186-5	002004 006100 107107 121503 904999	1
75	3844083-1		.. INSULATION-BLANKET SEGMENT SUPPLIER CODE: V99193 POST AIRLINE MOD: PCR15 VALP	002004 006100 107107 121503 904999	1
80	3844082-1		.. INSULATION-BLANKET SEGMENT SUPPLIER CODE: V99193 POST AIRLINE MOD: PCR15 VALP	002004 006100 107107 121503 904999	1

MISSING ITEM NUMBERS NOT APPLICABLE

- ITEM NOT ILLUSTRATED

49-11-01-50

49-11-01  
FIG. 50  
PAGE 20  
JAN 20/09

BRI



757

PARTS CATALOG (MAINTENANCE)

FIG ITEM	PART NUMBER	1 2 3 4 5 6 7	NOMENCLATURE	EFFECT FROM TO	UNITS PER ASSY
50					
85	3844084-1		.. INSULATION-BLANKET SEGMENT SUPPLIER CODE: V99193 POST AIRLINE MOD: PCR15 VALP	002004 006100 107107 121503 904999	1
90	3844086-1		.. INSULATION-BLANKET SEGMENT SUPPLIER CODE: V99193 POST AIRLINE MOD: PCR15 VALP	002004 006100 107107 121503 904999	1
95	3844085-1		.. INSULATION-HLANKET SEGMENT SUPPLIER CODE: V99193 POST AIRLINE MOD: PCR15 VALP	002004 006100 107107 121503 904999	1
100	3616847-1		.. RETAINER-SEAL SUPPLIER CODE: V99193 SB DATA FROM A CMM: POST SB 49-7082	002004 006100 107107 121503 904999	1

MISSING ITEM NUMBERS NOT APPLICABLE

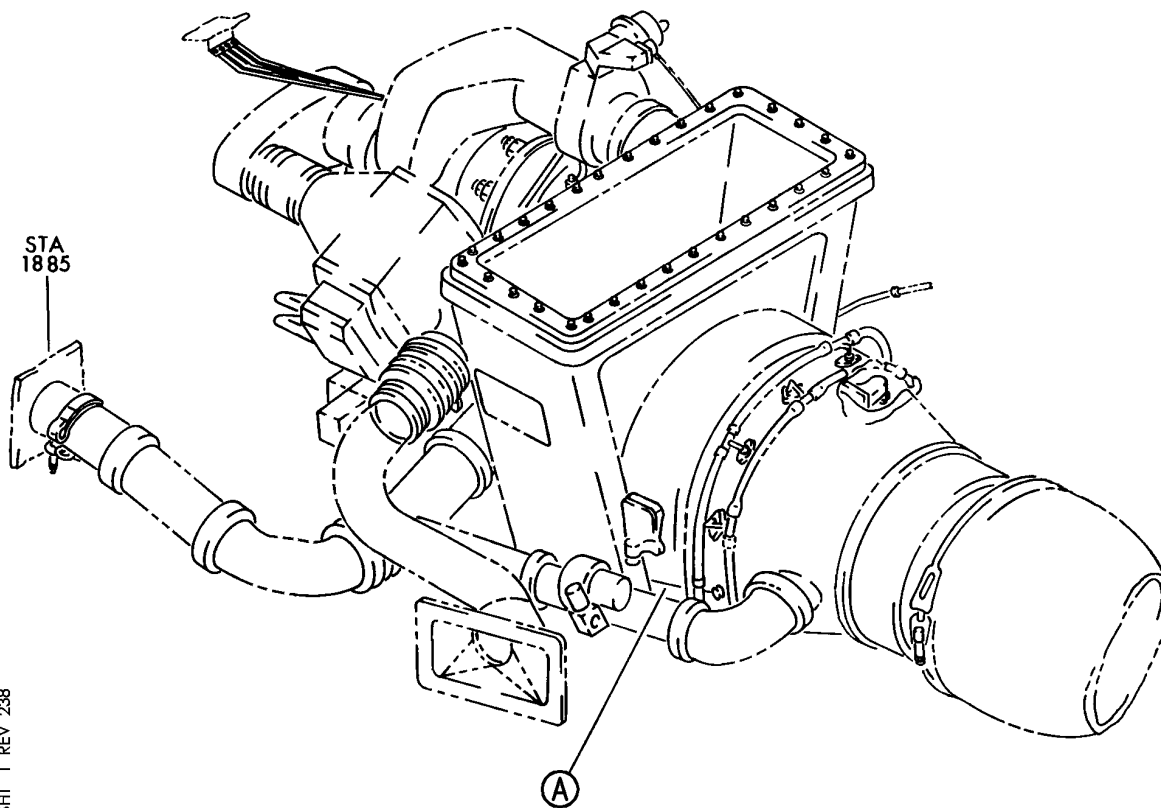
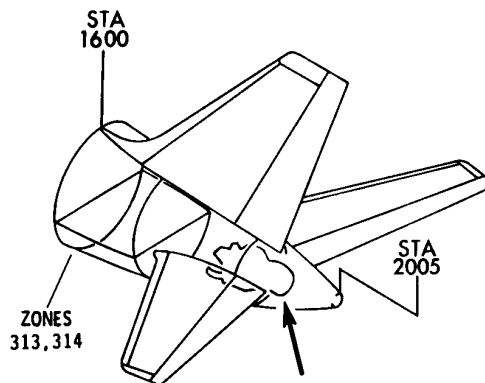
- ITEM NOT ILLUSTRATED

49-11-01-50

49-11-01  
FIG. 50  
PAGE 21  
JAN 20/09

BRI

**BOEING**  
757  
PARTS CATALOG (MAINTENANCE)



Y 49110301 SHT 1 REV 238

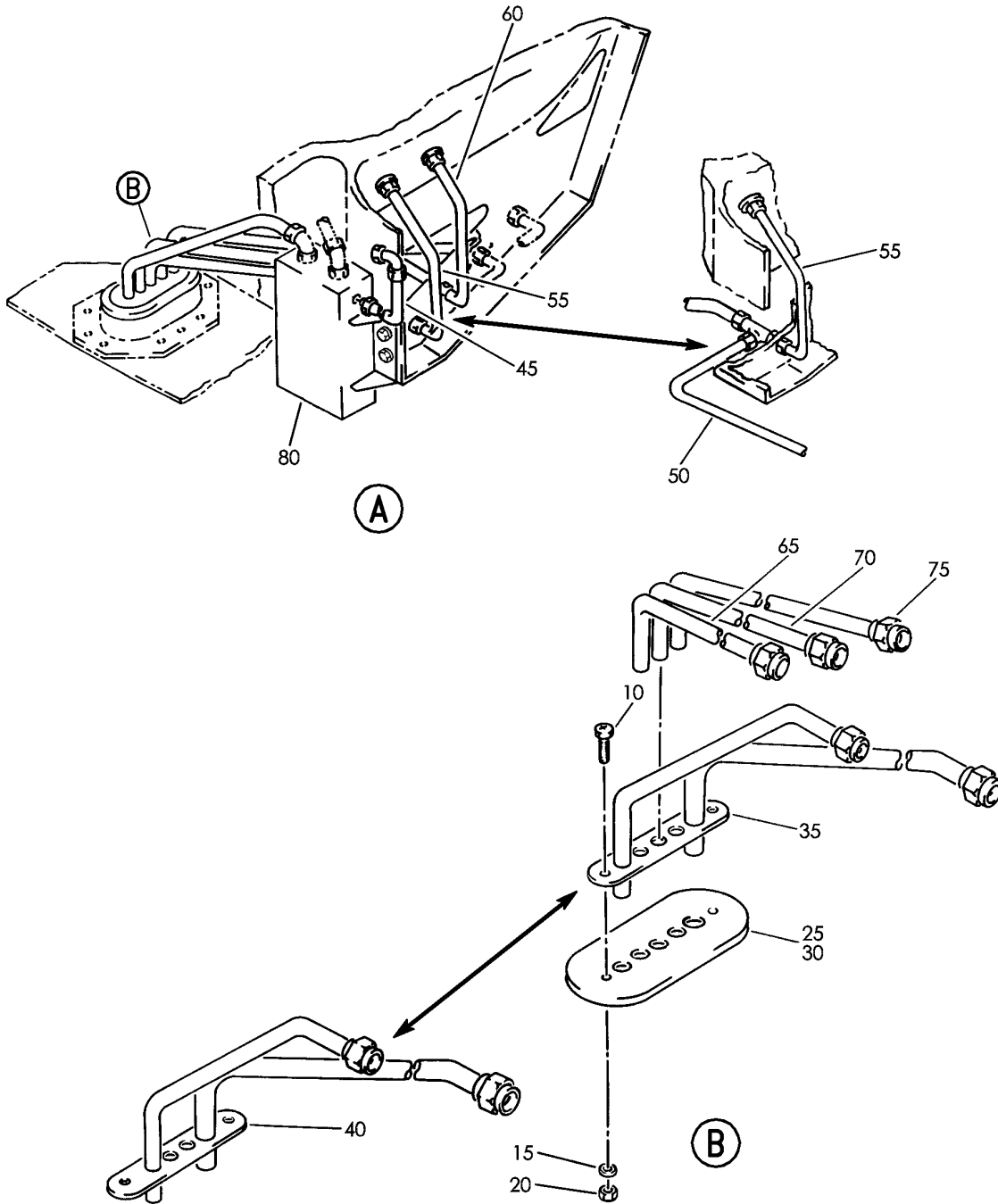
UNIT ASSY-AUX PWR SYS (APU DRAIN TANK AND TUBE ASSY ONLY)  
FIGURE 1 (SHEET 1)

**49-11-03-01**

BRI  
MAY 28/07

49-11-03-01  
PAGE 0

**BOEING**  
757  
PARTS CATALOG (MAINTENANCE)



Y 49110301 SHT 2 REV 238

UNIT ASSY-AUX PWR SYS (APU DRAIN TANK AND TUBE ASSY ONLY)  
FIGURE 1 (SHEET 2)

**49-11-03-01**

BRI  
MAY 28/07

49-11-03-01  
PAGE 0A



757

PARTS CATALOG (MAINTENANCE)

FIG ITEM	PART NUMBER	1 2 3 4 5 6 7	NOMENCLATURE	EFFECT FROM TO	UNITS PER ASSY
1			UNIT ASSY-AUX PWR SYS (APU DRAIN TANK AND TUBE ASSY ONLY)	002004 006100 107107 121503 904999	
- 1	351N1101-27		UNIT ASSY-AUX PWR SYS DRAIN TANK AND TUBE ASSY ONLY) COMPONENT MAINT MANUAL REF: 49-11-13 FOR NHA/OTHER SYS DET SEE: 49-11-01-01	107107 904949	RF
- 1	351N1101-29		UNIT ASSY-AUX PWR SYS DRAIN TANK AND TUBE ASSY ONLY) COMPONENT MAINT MANUAL REF: 49-11-13 FOR NHA/OTHER SYS DET SEE: 49-11-01-01	107107 904949	RF
- 2	351N1101-34		UNIT ASSY-AUX PWR SYS DRAIN TANK AND TUBE ASSY ONLY) COMPONENT MAINT MANUAL REF: 49-11-13 FOR NHA/OTHER SYS DET SEE: 49-11-01-01	107107 904949	RF
- 2	351N1101-38		UNIT ASSY-AUX PWR SYS DRAIN TANK AND TUBE ASSY ONLY) COMPONENT MAINT MANUAL REF: 49-11-13 FOR NHA/OTHER SYS DET SEE: 49-11-01-01	107107 121503 904951	RF
- 2	351N1101-40		UNIT ASSY-AUX PWR SYS DRAIN TANK AND TUBE ASSY ONLY) COMPONENT MAINT MANUAL REF: 49-11-13 FOR NHA/OTHER SYS DET SEE: 49-11-01-01	002004 006017 952999	RF
- 2	351N1101-42		UNIT ASSY-AUX PWR SYS DRAIN TANK AND TUBE ASSY ONLY) COMPONENT MAINT MANUAL REF: 49-11-13 FOR NHA/OTHER SYS DET SEE: 49-11-01-01	107107 121503 904951	RF

MISSING ITEM NUMBERS NOT APPLICABLE

- ITEM NOT ILLUSTRATED

49-11-03-01

49-11-03  
FIG. 01  
PAGE 1  
JAN 20/09

BRI



757

PARTS CATALOG (MAINTENANCE)

FIG ITEM	PART NUMBER	1 2 3 4 5 6 7	NOMENCLATURE	EFFECT FROM TO	UNITS PER ASSY
1					
- 2	351N1101-45		UNIT ASSY-AUX PWR SYS DRAIN TANK AND TUBE ASSY ONLY) COMPONENT MAINT MANUAL REF: 49-11-13 FOR NHA/OTHER SYS DET SEE: 49-11-01-01	107107 121503 904951	RF
- 2	351N1101-46		UNIT ASSY-AUX PWR SYS DRAIN TANK AND TUBE ASSY ONLY) COMPONENT MAINT MANUAL REF: 49-11-13 FOR NHA/OTHER SYS DET SEE: 49-11-01-01	002004 006017 952999	RF
- 2	351N1101-49		UNIT ASSY-AUX PWR SYS DRAIN TANK AND TUBE ASSY ONLY) COMPONENT MAINT MANUAL REF: 49-11-13 FOR NHA/OTHER SYS DET SEE: 49-11-01-01	107107 121503 904951	RF
- 3	351N1101-51		UNIT ASSY-AUX PWR SYS DRAIN TANK AND TUBE ASSY ONLY) COMPONENT MAINT MANUAL REF: 49-11-13 FOR NHA/OTHER SYS DET SEE: 49-11-01-01	107107 121503 904951	RF
- 3	351N1101-53		UNIT ASSY-AUX PWR SYS DRAIN TANK AND TUBE ASSY ONLY) COMPONENT MAINT MANUAL REF: 49-11-13 FOR NHA/OTHER SYS DET SEE: 49-11-01-01	002004 006100 952999	RF
10	NAS1801-3-9		.SCREW	002004 006100 107107 121503 904999	2
15	AN960C10L		.WASHER	002004 006100 107107 121503 904999	2

MISSING ITEM NUMBERS NOT APPLICABLE

- ITEM NOT ILLUSTRATED

49-11-03-01

49-11-03  
FIG. 01  
PAGE 2  
JAN 20/09

BRI



757

PARTS CATALOG (MAINTENANCE)

FIG ITEM	PART NUMBER	1 2 3 4 5 6 7	NOMENCLATURE	EFFECT FROM TO	UNITS PER ASSY
1	20 BRH10C3	.	NUT SUPPLIER CODE: V52828 SPECIFICATION NUMBER: BACN10JC3C OPTIONAL PART: T6C1032J V11815 97-02 V80539 101LH9075-3W V72962 VN303B02 V92215 NS202101S02 V80539 H31-3BAC V15653	002004 006100 107107 121503 904999	2
	25 356N1002-1	.	GROMMET	107107 121503 904949	1
	25 356N1002-2	.	SEAL	002004 006100 950999	1
	30 356N1006-1	.	STIFFENER	107107 121503 904949	1
	30 356N1006-2	.	STIFFENER	002004 006017 950999	1
	35 356N1010-11	.	DRAIN ASSY-MAST	002004 006100 107107 121503 904999	1
	40 356N1010-16	.	COVER ASSY	002004 006100 950999	1

MISSING ITEM NUMBERS NOT APPLICABLE

- ITEM NOT ILLUSTRATED

49-11-03-01

49-11-03  
FIG. 01  
PAGE 3  
JAN 20/09

BRI

BOEING PROPRIETARY - Copyright © - Unpublished Work - See title page for details.





757

PARTS CATALOG (MAINTENANCE)

FIG ITEM	PART NUMBER	1 2 3 4 5 6 7	NOMENCLATURE	EFFECT FROM TO	UNITS PER ASSY
1					
45	351N1101-6		.TUBE ASSY- TUBING MATERIAL: .375 IN OD .028 IN. WALL 15.8 IN. LG STANLESS STEEL TUBING .375 IN OD .02 IN. WALL 15.8 IN. LG MIL-T-8808 347 ANNEALED TUBING 375 IN OD .02 IN. WALL 15.8 IN. LG MIL-T-8808 321 ANNEALED TUBING	002004 006100 107107 121503 904999	1
50	351N1101-17		.TUBE	002004 006100 950999	1
55	351N1101-13		.TUBE ASSY- TUBING MATERIAL: .375 IN. OD .028 IN. WALL 8.0 IN. LG MIL-T-8808-321 ANNEALED TUBING .375 IN. OD .028 IN. WALL 8.0 IN. LG MIL-T-8808-347 ANNEALED TUBING .375 IN. OD .02 IN. WALL 8.0 IN. LG STAINLESS STEEL TUBING	002004 006017 107107 121503 904999	1
60	351N1101-14		.TUBE ASSY- TUBING MATERIAL: .375 IN OD .028 IN. WALL 4.9 IN. LG 321 OR 347 CRES TUBING PER MIL-T-8808	002004 006100 107107 121503 904999	1
- 62	AP2097H06		..SLEEVE SUPPLIER CODE: V01673 SPECIFICATION NUMBER: BACS13BX06H OPTIONAL PART: 2-02903-06H V11328 35235V06 V08199 AFP175V06 V30974 DBOS13BX06H V14798	018100	2

MISSING ITEM NUMBERS NOT APPLICABLE

- ITEM NOT ILLUSTRATED

49-11-03-01

49-11-03  
FIG. 01  
PAGE 4  
JAN 20/09

BRI



757

PARTS CATALOG (MAINTENANCE)

FIG ITEM	PART NUMBER	1 2 3 4 5 6 7	NOMENCLATURE	EFFECT FROM TO	UNITS PER ASSY
1					
- 62	AP2097H06	..	SLEEVE SUPPLIER CODE: V01673 SPECIFICATION NUMBER: BACS13BX06H OPTIONAL PART: 2-02903-06H V11328 35235V06 V08199 AFP175V06 V30974 DBOS13BX06H V14798	002004 006017 107107 121503 904999	2
- 64	BACN10YE6	..	NUT	018100	2
- 64	BACN10YE6	..	NUT	002004 006017 107107 121503 904999	2
65	351N1101-3	.TUBE ASSY-	TUBING MATERIAL: .375 IN OD .028 IN. WALL 10.2 IN. LG MIL-T-8808 321 OR 347 ANNEALED TUBING	002004 006100 107107 121503 904999	1
- 67	AP2097H06	..	SLEEVE SUPPLIER CODE: V01673 SPECIFICATION NUMBER: BACS13BX06H OPTIONAL PART: 2-02903-06H V11328 35235V06 V08199 AFP175V06 V30974 DBOS13BX06H V14798	002004 006100 107107 121503 904999	1
- 69	MS21921-6S	..	NUT	002004 006100 107107 121503 904999	1

MISSING ITEM NUMBERS NOT APPLICABLE

- ITEM NOT ILLUSTRATED

49-11-03-01

49-11-03  
FIG. 01  
PAGE 5  
JAN 20/09

BRI

BOEING PROPRIETARY - Copyright © - Unpublished Work - See title page for details.



**757  
PARTS CATALOG (MAINTENANCE)**

FIG ITEM	PART NUMBER	1 2 3 4 5 6 7	NOMENCLATURE	EFFECT FROM TO	UNITS PER ASSY
1	70	351N1101-4	.TUBE ASSY- TUBING MATERIAL: .375 IN OD .028 IN. WALL 12.25 IN. LG 321 OR 347 CRES TUBING PER MIL-T-8808	002004 006100 107107 121503 904999	1
	75	351N1101-5	.TUBE ASSY- TUBING MATERIAL: .375 IN OD .028 IN. WALL 12.5 IN. LG 321 OR 347 CRES TUBING PER MIL-T-8808	002004 006100 107107 121503 904999	1
-	76	BACT11SD2F	..MARKER	002004 006100 107107 121503 904999	1
-	77	AP2097H06	..SLEEVE SUPPLIER CODE: V01673 SPECIFICATION NUMBER: BACS13BX06H OPTIONAL PART: 2-02903-06H V11328 35235V06 V08199 AFP175V06 V30974 DBOS13BX06H V14798	002004 006100 107107 121503 904999	1
-	78	MS21921-6S	..NUT	002004 006100 107107 121503 904999	1
	80	356N1003-1	.TANK ASSY-DRAIN	002004 006100 107107 121503 904999	1
-	85	NAS1801-3-8	ATTACHING PARTS .SCREW	002004 006100 107107 121503 904999	2

MISSING ITEM NUMBERS NOT APPLICABLE

- ITEM NOT ILLUSTRATED

# 49-11-03-01

49-11-03  
FIG. 01  
PAGE 6  
JAN 20/09

BRI

BOEING PROPRIETARY - Copyright © - Unpublished Work - See title page for details.



757

PARTS CATALOG (MAINTENANCE)

FIG ITEM	PART NUMBER	1 2 3 4 5 6 7	NOMENCLATURE	EFFECT FROM TO	UNITS PER ASSY
1					
- 90	AN960C10L	.	WASHER	002004 006100 107107 121503 904999	2
- 95	BRH10C3	.	NUT	002004 006100 107107 121503 904999	2
			SUPPLIER CODE: V52828		
			SPECIFICATION NUMBER: BACN10JC3C		
			OPTIONAL PART: T6C1032J		
			V11815		
			97-02		
			V80539		
			101LH9075-3W		
			V72962		
			VN303B02		
			V92215		
			NS202101S02		
			V80539		
			H31-3BAC		
			V15653		
			-----*		

MISSING ITEM NUMBERS NOT APPLICABLE

- ITEM NOT ILLUSTRATED

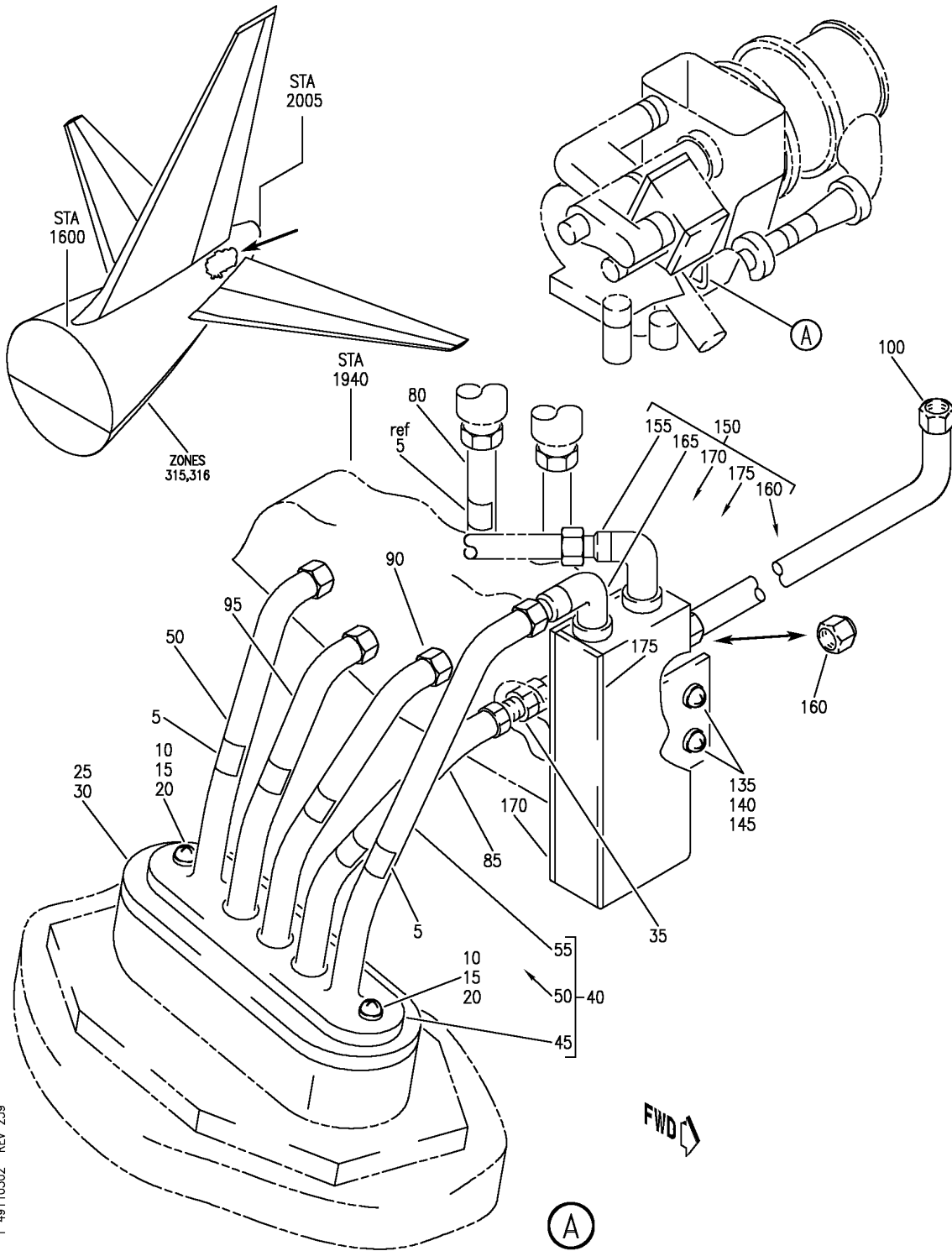
BRI

49-11-03-01

BOEING PROPRIETARY - Copyright © - Unpublished Work - See title page for details.

49-11-03  
FIG. 01  
PAGE 7  
JAN 20/09

**BOEING**  
757  
PARTS CATALOG (MAINTENANCE)



Y 49110302 REV 259

ACCESSORY INSTL-757 APU FUEL MANIFOLD DRAIN TANK  
FIGURE 2

**49-11-03-02**

BRI  
MAY 28/07

49-11-03-02  
PAGE 0



757

PARTS CATALOG (MAINTENANCE)

FIG ITEM	PART NUMBER	1 2 3 4 5 6 7	NOMENCLATURE	EFFECT FROM TO	UNITS PER ASSY
2			ACCESSORY INSTL-757 APU FUEL MANIFOLD DRAIN TANK	101106 108120	
- 1	351T0350-6		ACCESSORY INSTL-757 APU FUEL MANIFOLD DRAIN TANK	101102 108120	RF
- 1	MODREF34033		FOR NHA SEE: 49-00-00-01 ACCESSORY INSTL-757 APU FUEL MANIFOLD DRAIN TANK	103106	1
	5 BACT11SD2F		MODULE NUMBER: 351T0350-6 REV C .MARKER	101106 108120	AR
	10 NAS1802-3-8		.SCREW- OPTIONAL PART: NAS1801-3-9	101102 108120	2
	10 NAS1801-3-9		.SCREW- OPTIONAL PART: NAS1802-3-8	101102 108120	2
	10 BACS12GU3K8		.SCREW-	103106	2
	15 NAS1149C0332R		.WASHER	101106 108120	2
	20 BRH10C3D		.NUT- SUPPLIER CODE: V52828 SPECIFICATION NUMBER: BACN10JC3CD OPTIONAL PART: T6C1032JCD V11815 NS202486-02 V80539 102LH9075-3W V72962 H51650-3BAC V15653 MS21042L3	101102 108120	2
	20 MS21042L3		.NUT- OPTIONAL PART: BACN10JC3CD	101102 108120	2
	20 PLH53CM		.NUT- SUPPLIER CODE: VF0224 SPECIFICATION NUMBER: BACN10YR3CM OPTIONAL PART: H52732-3CM V15653	103106	2
	25 356N1002-1		.GROMMET	101106 108120	1

MISSING ITEM NUMBERS NOT APPLICABLE

- ITEM NOT ILLUSTRATED

49-11-03-02

49-11-03  
FIG. 02  
PAGE 1  
JAN 20/09

BRI



757

PARTS CATALOG (MAINTENANCE)

FIG ITEM	PART NUMBER	1 2 3 4 5 6 7	NOMENCLATURE	EFFECT FROM TO	UNITS PER ASSY
2					
30	356N1006-1	.	STIFFENER	101106 108120	1
35	MS21924J6	.	UNION- OPTIONAL PART: MS21924-6S MS21924-6R	101106 108120	1
35	MS21924-6S	.	UNION- OPTIONAL PART: MS21924J6	101102 108120	1
35	MS21924-6R	.	UNION- OPTIONAL PART: MS21924J6	103106	1
40	356N1010-11	.	DRAIN ASSY-MAST	101102 108120	1
40	356N1010-24	.	COVER ASSY-DRAIN MAST	103106	1
45	356N1006-1	..	STIFFENER	101106 108120	1
50	356N1010-12	..	TUBE ASSY- TUBING MATERIAL: .500 IN OD ,028 IN. WALL 15.0 IN. LG 321 OR 347 CRES TUBING PER MIL-T-8808	101102 108120	1
50	356N1010-25	..	TUBE ASSY- TUBING MATERIAL: .500 IN OD ,028 IN. WALL 12.5 IN. LG 321 OR 347 MIL-T-8808 ANNEALED TUBING	103106	1
55	356N1010-13	..	TUBE ASSY- TUBING MATERIAL: .375 IN OD ,028 IN. WALL 15.0 IN. LG 321 OR 347 CRES TUBING PER MIL-T-8808	101102 108120	1
55	356N1010-26	..	TUBE ASSY- TUBING MATERIAL: .375 IN OD ,028 IN. WALL 10.0 IN. LG 321 OR 347 MIL-T-8808 ANNEALED TUBING	103106	1
- 60	BACN10YE8L	...	NUT- OPTIONAL PART: MS21921-8S USED ON: 356N1010-12	101102 108120	1

MISSING ITEM NUMBERS NOT APPLICABLE

- ITEM NOT ILLUSTRATED

49-11-03-02

49-11-03  
FIG. 02  
PAGE 2  
JAN 20/09

BRI

BOEING PROPRIETARY - Copyright © - Unpublished Work - See title page for details.



757

PARTS CATALOG (MAINTENANCE)

FIG ITEM	PART NUMBER	1 2 3 4 5 6 7	NOMENCLATURE	EFFECT FROM TO	UNITS PER ASSY
2					
- 60	MS21921-8S	...	NUT- OPTIONAL PART: BACN10YE8L USED ON: 356N1010-12	101102 108120	1
- 60	BACN10YE8	...	NUT- USED ON: 356N1010-25	103106	1
- 65	BACN10YE6L	...	NUT- OPTIONAL PART: MS21921-6S USED ON: 356N1010-13	101102 108120	1
- 65	MS21921-6S	...	NUT- OPTIONAL PART: BACN10YE6L USED ON: 356N1010-13	101102 108120	1
- 65	BACN10YE6	...	NUT- USED ON: 356N1010-26	103106	1
- 70	AP2097H08	...	SLEEVE- SUPPLIER CODE: V01673 SPECIFICATION NUMBER: BACS13BX08H OPTIONAL PART: 2-02903-08H V11328 35235V08 V08199 AFP175V08 V30974 DB0S13BX08H V14798 USED ON: 356N1010-12 356N1010-25	101106 108120	1

MISSING ITEM NUMBERS NOT APPLICABLE

- ITEM NOT ILLUSTRATED

49-11-03-02

49-11-03  
FIG. 02  
PAGE 3  
JAN 20/09

BRI





757

PARTS CATALOG (MAINTENANCE)

FIG ITEM	PART NUMBER	1 2 3 4 5 6 7	NOMENCLATURE	EFFECT FROM TO	UNITS PER ASSY
2 - 75	AP2097H06		...SLEEVE- SUPPLIER CODE: V01673 SPECIFICATION NUMBER: BACS13BX06H OPTIONAL PART: 2-02903-06H V11328 35235V06 V08199 AFP175V06 V30974 DBOS13BX06H V14798 USED ON: 356N1010-13 356N1010-26	101106 108120	1
80	351N1101-14		.TUBE ASSY- TUBING MATERIAL: .375 IN OD .028 IN. WALL 4.9 IN. LG 321 OR 347 CRES TUBING PER MIL-T-8808	101106 108120	1
85	351N1101-3		.TUBE ASSY- TUBING MATERIAL: .375 IN OD .028 IN. WALL 10.2 IN. LG MIL-T-8808 321 OR 347 ANNEALED TUBING	101102 108120	1
85	356N1012-3		.TUBE ASSY- TUBING MATERIAL: .375 IN OD ,028 IN. WALL 11.0 IN. LG 321 OR 347 MIL-T-8808 ANNEALED TUBING	103106	1
90	351N1101-4		.TUBE ASSY- TUBING MATERIAL: .375 IN OD .028 IN. WALL 12.25 IN. LG 321 OR 347 CRES TUBING PER MIL-T-8808	101102 108120	1
90	356N1012-2		.TUBE ASSY- TUBING MATERIAL: .375 IN OD ,028 IN. WALL 11.5 IN. LG 321 OR 347 MIL-T-8808 ANNEALED TUBING	103106	1

MISSING ITEM NUMBERS NOT APPLICABLE

- ITEM NOT ILLUSTRATED

49-11-03-02

49-11-03  
FIG. 02  
PAGE 4  
JAN 20/09

BRI



757

PARTS CATALOG (MAINTENANCE)

FIG ITEM	PART NUMBER	1 2 3 4 5 6 7	NOMENCLATURE	EFFECT FROM TO	UNITS PER ASSY
2					
95	351N1101-5		.TUBE ASSY- TUBING MATERIAL: .375 IN OD .028 IN. WALL 12.5 IN. LG 321 OR 347 CRES TUBING PER MIL-T-8808	101102 108120	1
95	356N1012-1		.TUBE ASSY- TUBING MATERIAL: .375 IN OD .028 IN. WALL 11.5 IN. LG 321 OR 347 MIL-T-8808 ANNEALED TUBING	103106	1
100	351N1101-6		.TUBE ASSY- TUBING MATERIAL: .375 IN OD .028 IN. WALL 15.8 IN. LG STANLESS STEEL TUBING .375 IN OD .02 IN. WALL 15.8 IN. LG MIL-T-8808 347 ANNEALED TUBING 375 IN OD .02 IN. WALL 15.8 IN. LG MIL-T-8808 321 ANNEALED TUBING	101106 108120	1
- 105	BACT11SD2F		..MARKER	101102 108120	1
- 110	BACT11SD2F		..MARKER- USED ON: 351N1101-14 351N1101-4 351N1101-5	103106	1

MISSING ITEM NUMBERS NOT APPLICABLE

- ITEM NOT ILLUSTRATED

49-11-03-02

49-11-03  
FIG. 02  
PAGE 5  
JAN 20/09

BRI

BOEING PROPRIETARY - Copyright © - Unpublished Work - See title page for details.



757

PARTS CATALOG (MAINTENANCE)

FIG ITEM	PART NUMBER	1 2 3 4 5 6 7	NOMENCLATURE	EFFECT FROM TO	UNITS PER ASSY
2 - 115	AP2097H06		.. SLEEVE- SUPPLIER CODE: V01673 SPECIFICATION NUMBER: BACS13BX06H OPTIONAL PART: 2-02903-06H V11328 35235V06 V08199 AFP175V06 V30974 DBOS13BX06H V14798 USED ON: 351N1101-3 351N1101-4 351N1101-5	103106	1
- 120	AP2097H06		.. SLEEVE- SUPPLIER CODE: V01673 SPECIFICATION NUMBER: BACS13BX06H OPTIONAL PART: 2-02903-06H V11328 35235V06 V08199 AFP175V06 V30974 DBOS13BX06H V14798 USED ON: 351N1101-6 351N1101-14	101106 108120	2
- 125	MS21921-6S		.. NUT- USED ON: 351N1101-3 351N1101-4 351N1101-5	103106	1
- 130	MS21921-6S		.. NUT- USED ON: 351N1101-6 351N1101-14	101106 108120	2
135	NAS1802-3-8		. SCREW- OPTIONAL PART: NAS1801-3-9	101102 108120	2

MISSING ITEM NUMBERS NOT APPLICABLE

- ITEM NOT ILLUSTRATED

49-11-03-02

49-11-03  
FIG. 02  
PAGE 6  
JAN 20/09

BRI



757

PARTS CATALOG (MAINTENANCE)

FIG ITEM	PART NUMBER	1 2 3 4 5 6 7	NOMENCLATURE	EFFECT FROM TO	UNITS PER ASSY
2					
135	NAS1801-3-9	.SCREW-		101102	2
		OPTIONAL PART:		108120	
		NAS1802-3-8			
135	BACS12GU3K8	.SCREW-		103106	2
140	NAS1149C0332R	.WASHER		101106	2
				108120	
145	BRH10C3D	.NUT-		101102	2
		SUPPLIER CODE:		108120	
		V52828			
		SPECIFICATION NUMBER:			
		BACN10JC3CD			
		OPTIONAL PART:			
		T6C1032JCD			
		V11815			
		NS202486-02			
		V80539			
		102LH9075-3W			
		V72962			
		H51650-3BAC			
		V15653			
		MS21042L3			
145	MS21042L3	.NUT-		101102	2
		OPTIONAL PART:		108120	
		BACN10JC3CD			
145	PLH53CM	.NUT-		103106	2
		SUPPLIER CODE:			
		VF0224			
		SPECIFICATION NUMBER:			
		BACN10YR3CM			
		OPTIONAL PART:			
		H52732-3CM			
		V15653			
150	356N1003-1	.TANK ASSY-DRAIN		101106	1
				108120	
155	356N1005-3	..ELBOW-NINETY DEGREE		101106	1
				108120	
160	356N1005-5	..PLUG		101106	1
				108120	
165	356N1005-1	..FITTING ASSY		101106	1
				108120	
170	356N1004-2	..PANEL		101106	1
				108120	
175	356N1004-1	..PANEL		101106	1
				108120	

MISSING ITEM NUMBERS NOT APPLICABLE

- ITEM NOT ILLUSTRATED

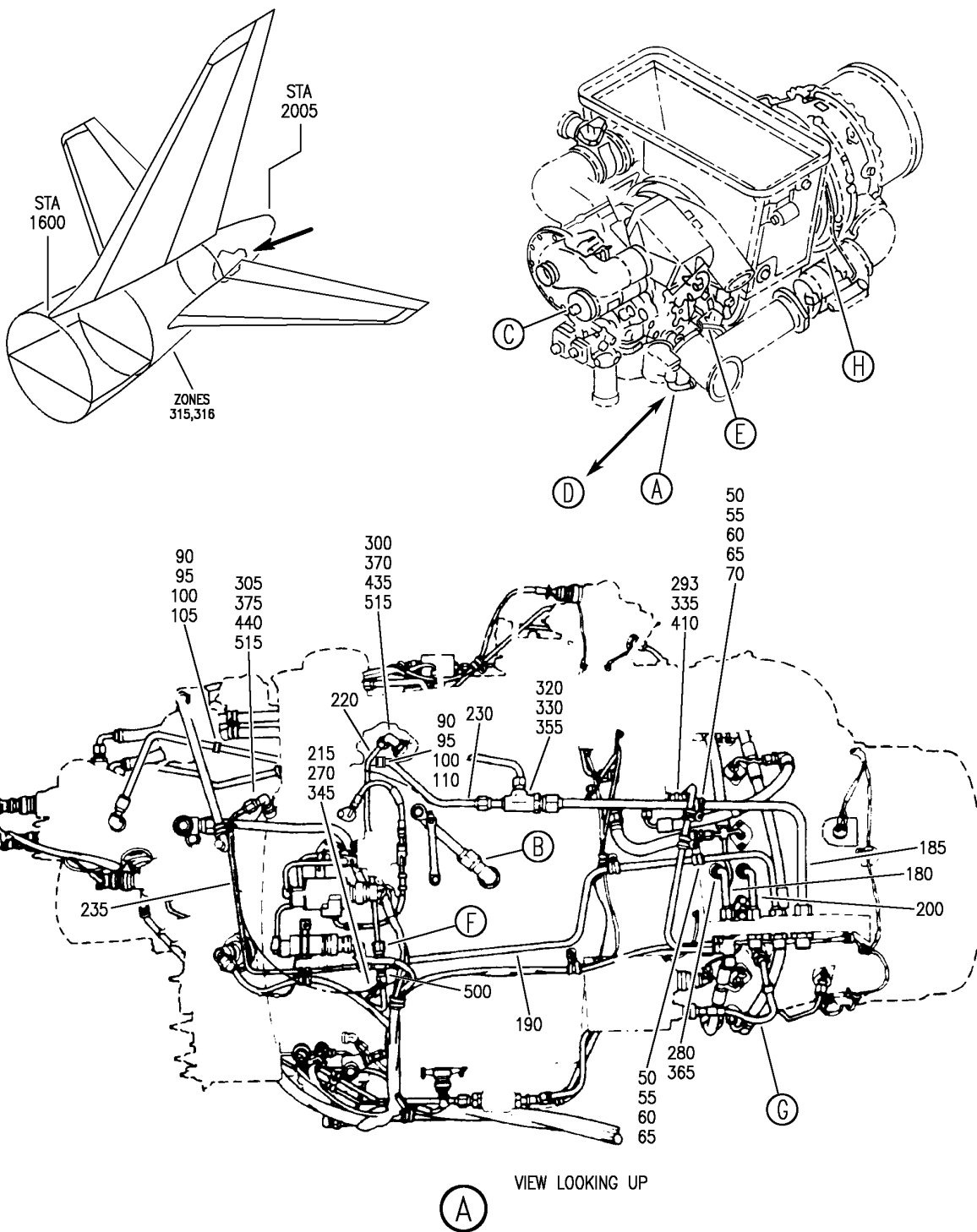
49-11-03-02

49-11-03  
FIG. 02  
PAGE 7  
JAN 20/09

BRI

BOEING PROPRIETARY - Copyright © - Unpublished Work - See title page for details.

**BOEING**  
757  
PARTS CATALOG (MAINTENANCE)



Y 49110310 SHT 1 REV 252

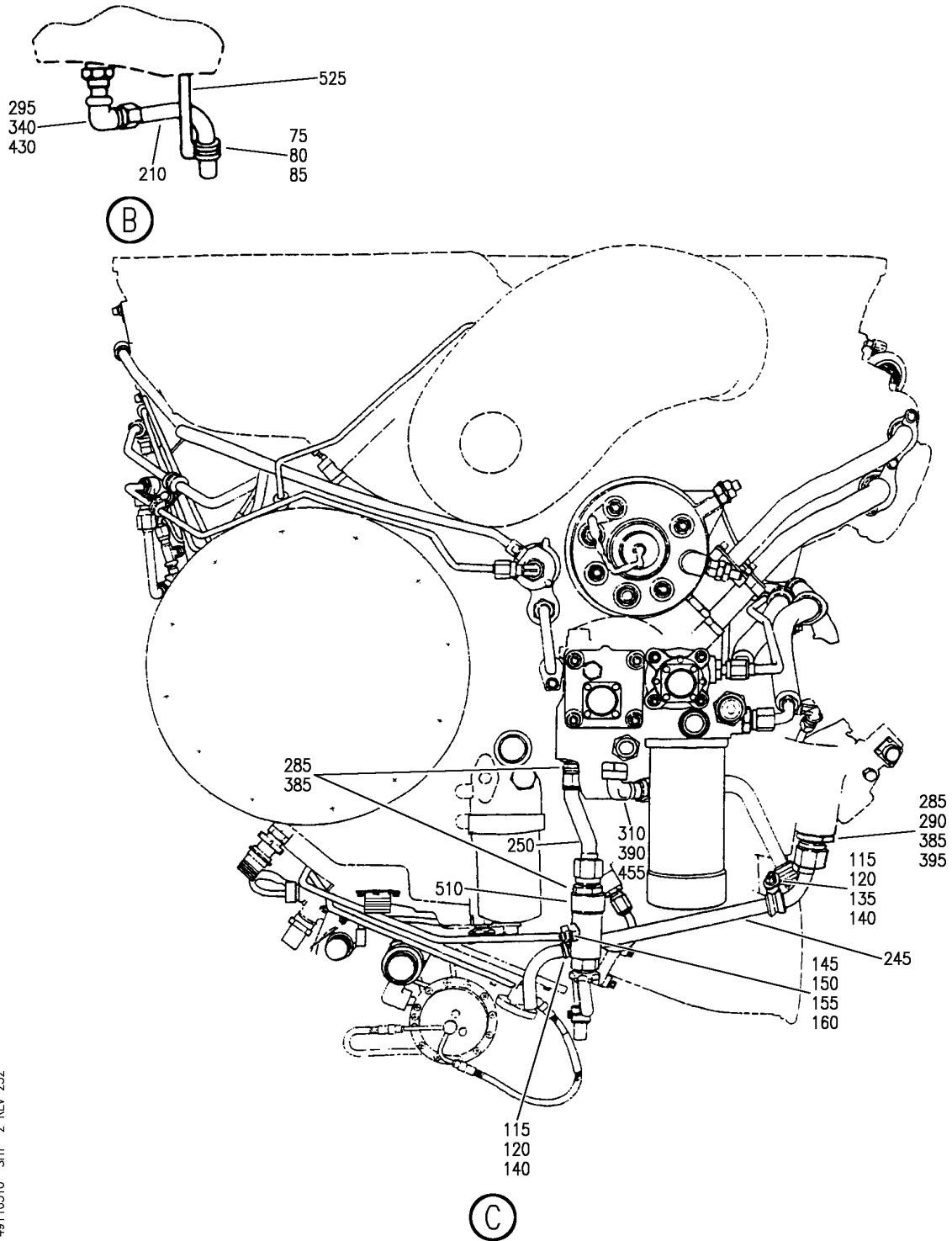
ENGINE ASSY-GAS TURB (AUXILIARY POWER UNIT DRAIN TANK AND TUBE ASSEMBLIES ONLY)  
FIGURE 10 (SHEET 1)

**49-11-03-10**

BRI  
MAY 28/07

49-11-03-10  
PAGE 0

**BOEING**  
757  
PARTS CATALOG (MAINTENANCE)



Y 49110310 SHT 2 REV 252

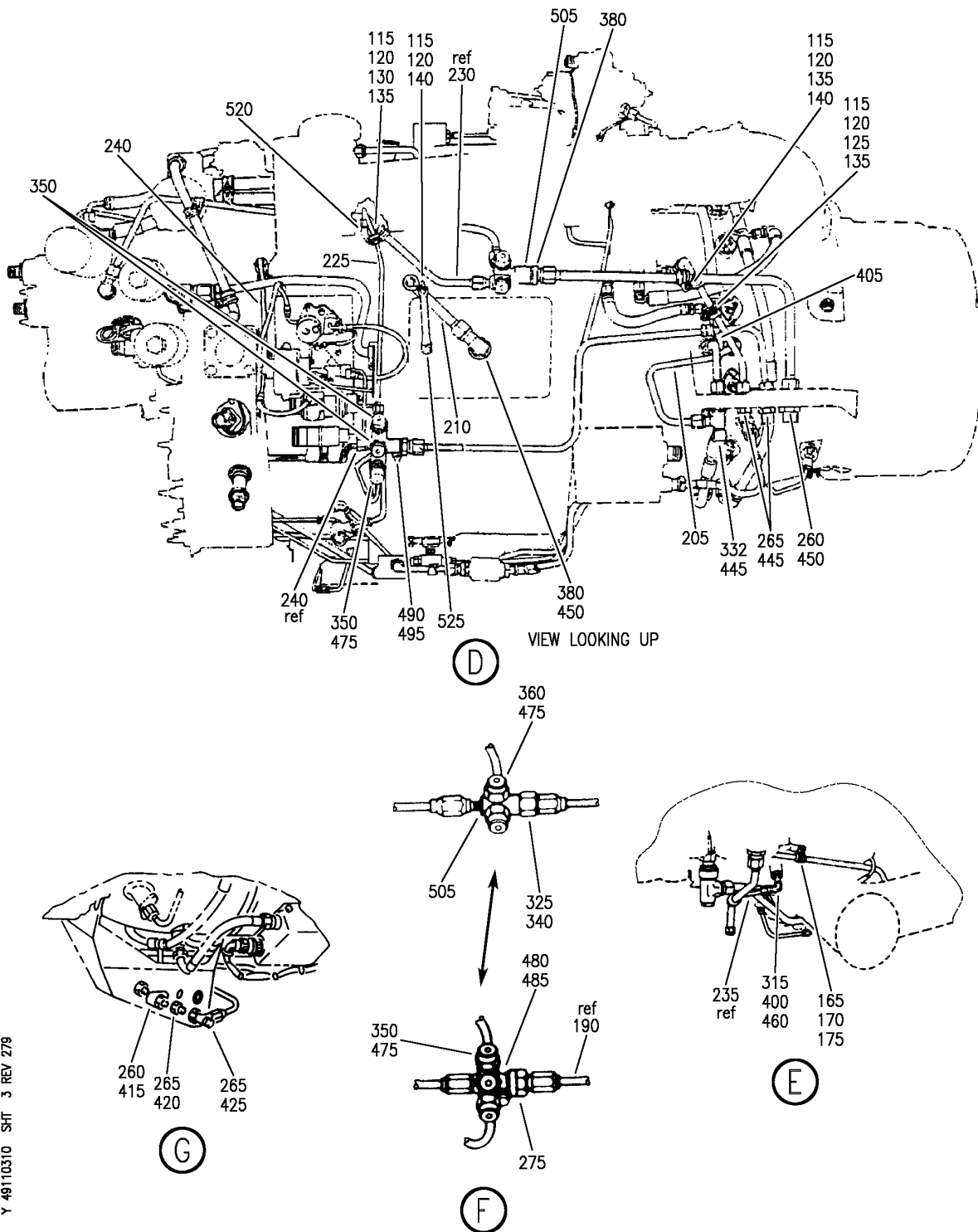
ENGINE ASSY-GAS TURB (AUXILIARY POWER UNIT DRAIN TANK AND TUBE ASSEMBLIES ONLY)  
FIGURE 10 (SHEET 2)

BRI  
MAY 28/07

**49-11-03-10**

49-11-03-10  
PAGE 0A

**BOEING**  
757  
**PARTS CATALOG (MAINTENANCE)**



Y 49110310 SH1 3 REV 279

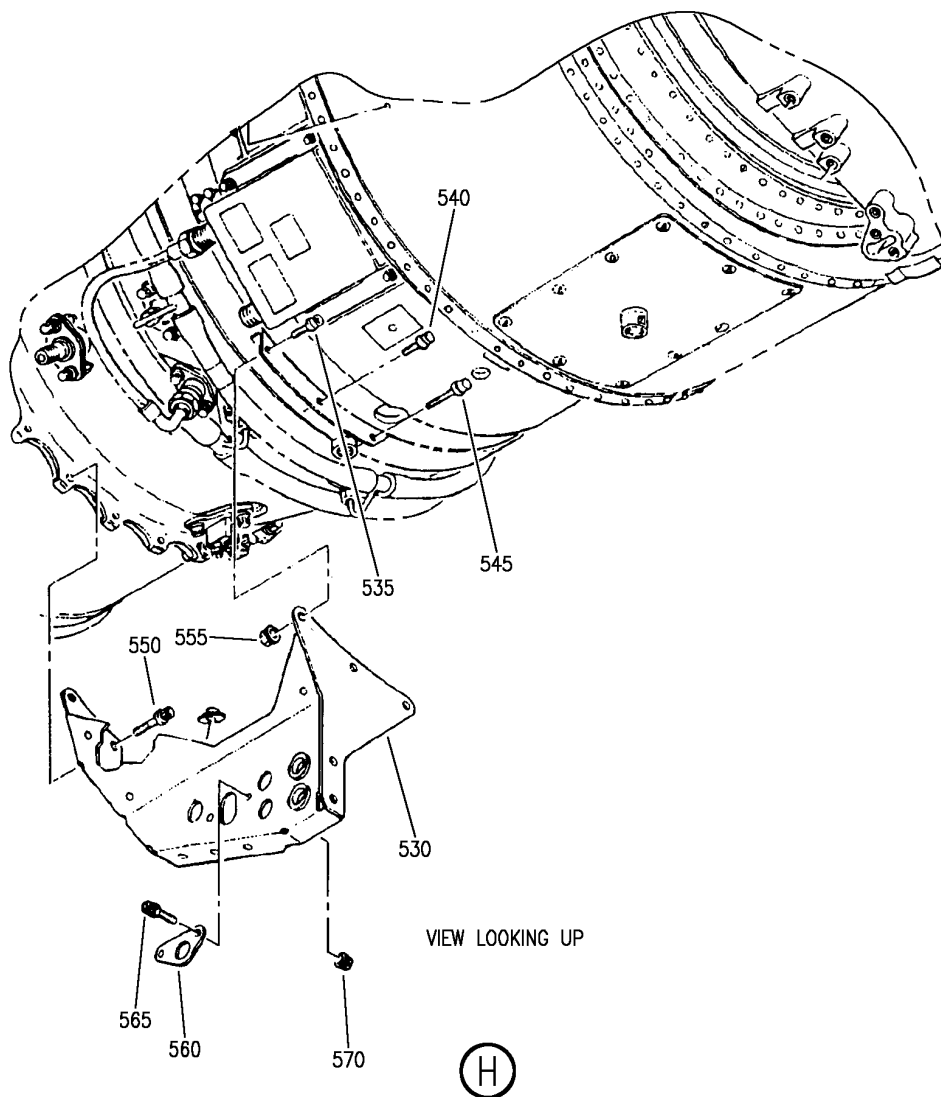
ENGINE ASSY-GAS TURB (AUXILIARY POWER UNIT DRAIN TANK AND TUBE ASSEMBLIES ONLY)  
FIGURE 10 (SHEET 3)

BRI  
MAY 28/07

**49-11-03-10**

49-11-03-10  
PAGE 0B

**BOEING**  
757  
PARTS CATALOG (MAINTENANCE)



Y 49110310 SHT 4 REV 252

ENGINE ASSY-GAS TURB (AUXILIARY POWER UNIT DRAIN TANK AND TUBE ASSEMBLIES ONLY)  
FIGURE 10 (SHEET 4)

BRI  
MAY 28/07

**49-11-03-10**

49-11-03-10  
PAGE 0C





**757  
PARTS CATALOG (MAINTENANCE)**

FIG ITEM	PART NUMBER	1 2 3 4 5 6 7	NOMENCLATURE	EFFECT FROM TO	UNITS PER ASSY
10			ENGINE ASSY-GAS TURB (AUXILIARY POWER UNIT DRAIN TANK AND TUBE ASSEMBLIES ONLY)	002004 006999	
- 1	3800298-1-1		ENGINE ASSY-GAS TURB GTCP331-200ER (AUXILIARY POWER UNIT DRAIN TANK AND TUBE ASSEMBLIES ONLY) SUPPLIER CODE: V99193 SPECIFICATION NUMBER: S351T020-200 COMPONENT MAINT MANUAL REF: 49-22-11 QUALIFIED I/W DATA: S351T020-200 (3800298-1-1) AND S351T020-205 (3800298-1-6) ARE INTERCHANGEABLE WITH THE INCORPORATION OF ALLIED SIGNAL S/B GTCP331-49-7081. S351T020-200 (3800298-1-1) AND S351T020-206 (3800298-1-7/3800298-1) ARE INTERCHANGEABLE WITH THE INCORPORATION OF ALLIED SIGNAL S/B GTCP331-49-7081. FOR NHA/ADDITIONAL DET SEE: 49-11-01-50	002004 006100 107107 121503 904999	RF

MISSING ITEM NUMBERS NOT APPLICABLE

- ITEM NOT ILLUSTRATED

BRI

# 49-11-03-10

BOEING PROPRIETARY - Copyright © - Unpublished Work - See title page for details.

49-11-03  
FIG. 10  
PAGE 1  
JAN 20/09



757

PARTS CATALOG (MAINTENANCE)

FIG ITEM	PART NUMBER	1 2 3 4 5 6 7	NOMENCLATURE	EFFECT FROM TO	UNITS PER ASSY
10 - 1	3800298-1-2		ENGINE ASSY-GAS TURB GTCP331-200ER (AUXILIARY POWER UNIT DRAIN TANK AND TUBE ASSEMBLIES ONLY) SUPPLIER CODE: V99193 SPECIFICATION NUMBER: S351T020-201 CONFIG CHG DATA FROM A CMM: REPLACES 3800298-1-1 COMPONENT MAINT MANUAL REF: 49-22-11 QUALIFIED I/W DATA: S351T020-201 (3800298-1-2) AND S351T020-205 (3800298-1-6) ARE INTERCHANGEABLE WITH THE INCORPORATION OF ALLIED SIGNAL S/B GTCP331-49-7081. S351T020-201 (3800298-1-2) AND S351T020-206 (3800298-1-7/3800298-1) ARE INTERCHANGEABLE WITH THE INCORPORATION OF ALLIED SIGNAL S/B GTCP331-49-7081. FOR NHA/ADDITIONAL DET SEE: 49-11-01-50	002004 006100 107107 121503 904999	RF

MISSING ITEM NUMBERS NOT APPLICABLE

- ITEM NOT ILLUSTRATED

BRI

49-11-03-10

BOEING PROPRIETARY - Copyright © - Unpublished Work - See title page for details.

49-11-03  
 FIG. 10  
 PAGE 2  
 JAN 20/09



757

PARTS CATALOG (MAINTENANCE)

FIG ITEM	PART NUMBER	1 2 3 4 5 6 7 NOMENCLATURE	EFFECT FROM TO	UNITS PER ASSY
10 - 1	3800298-1-3	ENGINE ASSY-GAS TURB GTCP331-200ER (AUXILIARY POWER UNIT DRAIN TANK AND TUBE ASSEMBLIES ONLY) SUPPLIER CODE: V99193 SPECIFICATION NUMBER: S351T020-202 CONFIG CHG DATA FROM A CMM: REPLACES 3800298-1-2 COMPONENT MAINT MANUAL REF: 49-22-11 QUALIFIED I/W DATA: S351T020-202 (3800298-1-3) AND S351T020-205 (3800298-1-6) ARE INTERCHANGEABLE WITH THE INCORPORATION OF ALLIED SIGNAL S/B GTCP331-49-7081. S351T020-202 (3800298-1-3) AND S351T020-206 (3800298-1-7/3800298-1) ARE INTERCHANGEABLE WITH THE INCORPORATION OF ALLIED SIGNAL S/B GTCP331-49-7081. FOR NHA/OTHER SYS DET SEE: 49-11-01-50	002004 006100 107107 121503 904999	RF

MISSING ITEM NUMBERS NOT APPLICABLE

- ITEM NOT ILLUSTRATED

49-11-03-10

49-11-03  
FIG. 10  
PAGE 3  
JAN 20/09

BRI



757

PARTS CATALOG (MAINTENANCE)

FIG ITEM	PART NUMBER	1 2 3 4 5 6 7	NOMENCLATURE	EFFECT FROM TO	UNITS PER ASSY
10 - 1	3800298-1-4		ENGINE ASSY-GAS TURB GTCP331-200ER (AUXILIARY POWER UNIT DRAIN TANK AND TUBE ASSEMBLIES ONLY) SUPPLIER CODE: V99193 SPECIFICATION NUMBER: S351T020-203 CONFIG CHG DATA FROM A CMM: REPLACES 3800298-1-3 COMPONENT MAINT MANUAL REF: 49-22-11 QUALIFIED I/W DATA: 3800298-1-4/S351T020-203 AND 3800298-1-6/S351T020-205 ARE INTERCHANGEABLE WITH THE INCORPORATION OF ALLIED SIGNAL S/B GTCP331-49-7081 S351T020-203 (3800298-1-4) AND S351T020-206 (3800298-1-7/3800298-1) ARE INTERCHANGEABLE WITH THE INCORPORATION OF ALLIED SIGNAL S/B GTCP331-49-7081 FOR NHA/ADDITIONAL DET SEE: 49-11-01-50	002004 006100 107107 121503 904999	RF

MISSING ITEM NUMBERS NOT APPLICABLE

- ITEM NOT ILLUSTRATED

BRI

49-11-03-10

BOEING PROPRIETARY - Copyright © - Unpublished Work - See title page for details.

49-11-03  
 FIG. 10  
 PAGE 4  
 JAN 20/09

 **BOEING**  
757  
**PARTS CATALOG (MAINTENANCE)**

FIG ITEM	PART NUMBER	1 2 3 4 5 6 7	NOMENCLATURE	EFFECT FROM TO	UNITS PER ASSY
10 - 1	3800298-1-5		ENGINE ASSY-GAS TURB GTCP331-200ER (AUXILIARY POWER UNIT DRAIN TANK AND TUBE ASSEMBLIES ONLY) SUPPLIER CODE: V99193 SPECIFICATION NUMBER: S351T020-204 CONFIG CHG DATA FROM A CMM: REPLACES 3800298-1-4 COMPONENT MAINT MANUAL REF: 49-22-11 QUALIFIED I/W DATA: S351T020-204 (3800298-1-5) AND S351T020-205 (3800298-1-6) ARE INTERCHANGEABLE WITH THE INCORPORATION OF ALLIED SIGNAL S/B GTCP331-49-7081 S351T020-204 (3800298-1-5) AND S351T020-206(3800298-1-7 /3800298-1) ARE INTERCHANGEABLE WITH THE INCORPORATION OF ALLIED SIGNAL S/B GTCP331-49-7081 FOR NHA/ADDITIONAL DET SEE: 49-11-01-50	002004 006100 107107 121503 904999	RF
- 1	3800298-1-6		ENGINE ASSY-GAS TURB GTCP331-200ER (AUXILIARY POWER UNIT DRAIN TANK AND TUBE ASSEMBLIES ONLY) SUPPLIER CODE: V99193 SPECIFICATION NUMBER: S351T020-205 CONFIG CHG DATA FROM A CMM: REPLACES 3800298-1-5 COMPONENT MAINT MANUAL REF: 49-22-11 QUALIFIED I/W DATA: S351T020-203/3800298-1-4 AND S351T020-205/3800298-1-6 ARE INTERCHANGEABLE WITH THE INCORPORATION OF	002004 006999	RF

MISSING ITEM NUMBERS NOT APPLICABLE

- ITEM NOT ILLUSTRATED

BRI

# 49-11-03-10

BOEING PROPRIETARY - Copyright © - Unpublished Work - See title page for details.

49-11-03  
FIG. 10  
PAGE 5  
JAN 20/09



757

PARTS CATALOG (MAINTENANCE)

FIG ITEM	PART NUMBER	1 2 3 4 5 6 7	NOMENCLATURE	EFFECT FROM TO	UNITS PER ASSY
10			<p>ALLIED SIGNAL S/B  GTCP331-49-7081  S351T020-204/3800298-1-5  AND  S351T020-205/3800298-1-6  ARE INTERCHANGEABLE WITH  THE INCORPORATION OF  ALLIED SIGNAL S/B  GTCP331-49-7081  S351T020-202  (3800298-1-3)  AND S351T020-205  (3800298-1-6) ARE  INTERCHANGEABLE  WITH THE INCORPORATION  OF ALLIED SIGNAL S/B  GTCP331-49-7081.  S351T020-201  (3800298-1-2)  AND S351T020-205  (3800298-1-6) ARE  INTERCHANGEABLE  WITH THE INCORPORATION  OF ALLIED SIGNAL S/B  GTCP331-49-7081.  S351T020-200  (3800298-1-1)  AND S351T020-205  (3800298-1-6) ARE  INTERCHANGEABLE  WITH THE INCORPORATION  OF ALLIED SIGNAL S/B  GTCP331-49-7081.  FOR NHA/ADDITIONAL DET SEE:  49-11-01-50  49-21-00-02</p>		
- 1	3800298-1-7		<p>ENGINE ASSY-GAS TURB  GTCP331-200ER (AUXILIARY  POWER UNIT DRAIN TANK AND  TUBE ASSEMBLIES ONLY)  SUPPLIER CODE:  V99193  SPECIFICATION NUMBER:  S351T020-206  CONFIG CHG DATA FROM A CMM:  REPLACES 3800298-1-6  COMPONENT MAINT MANUAL REF:  49-22-11  QUALIFIED I/W DATA:</p>	002004 006999	RF

MISSING ITEM NUMBERS NOT APPLICABLE

- ITEM NOT ILLUSTRATED

49-11-03-10

49-11-03  
FIG. 10  
PAGE 6  
SEP 20/08

BRI



757

PARTS CATALOG (MAINTENANCE)

FIG ITEM	PART NUMBER	1 2 3 4 5 6 7 NOMENCLATURE	EFFECT FROM TO	UNITS PER ASSY
10		<p>S351T020-203/3800298-1-4 AND S351T020-206 (3800298-1-7/3800298-1) ARE INTERCHANGEABLE WITH THE INCORPORATION OF ALLIED SIGNAL S/B GTCP331-49-7081. S351T020-204/3800298-1-5 AND S351T020-206(3800298-1-7 /3800298-1) ARE INTERCHANGEABLE WITH THE INCORPORATION OF ALLIED SIGNAL S/B GTCP331-49-7081. S351T020-202 (3800298-1-3) AND S351T020-206 (3800298-1-7/3800298-1) ARE INTERCHANGEABLE WITH THE INCORPORATION OF ALLIED SIGNAL S/B GTCP331-49-7081. S351T020-201 (3800298-1-2) AND S351T020-206 (3800298-1-7/3800298-1) ARE INTERCHANGEABLE WITH THE INCORPORATION OF ALLIED SIGNAL S/B GTCP331-49-7081. S351T020-200 (3800298-1-1) AND S351T020-206 (3800298-1-7/3800298-1) ARE INTERCHANGEABLE WITH THE INCORPORATION OF ALLIED SIGNAL S/B GTCP331-49-7081. OPTIONAL PART: 3800298-1 V99193 FOR NHA/ADDITIONAL DET SEE: 49-11-01-50 49-21-00-02</p>		
-	1 3800298-1	<p>ENGINE ASSY-GAS TURB GTCP331-200ER (AUXILIARY POWER UNIT DRAIN TANK AND TUBE ASSEMBLIES ONLY)</p>	002004 006999	RF

MISSING ITEM NUMBERS NOT APPLICABLE

- ITEM NOT ILLUSTRATED

49-11-03-10

49-11-03  
FIG. 10  
PAGE 7  
SEP 20/08

BRI



757

PARTS CATALOG (MAINTENANCE)

FIG ITEM	PART NUMBER	1 2 3 4 5 6 7 NOMENCLATURE	EFFECT FROM TO	UNITS PER ASSY
10		<p>SUPPLIER CODE: V99193</p> <p>SPECIFICATION NUMBER: S351T020-206</p> <p>COMPONENT MAINT MANUAL REF: 49-22-11</p> <p>QUALIFIED I/W DATA: S351T020-203/3800298-1-4 AND S351T020-206(3800298-1-7 /3800298-1) ARE INTERCHANGEABLE WITH THE INCORPORATION OF ALLIED SIGNAL S/B GTCP331-49-7081 S351T020-204/3800298-1-5 AND S351T020-206(3800298-1-7 /3800298-1) ARE INTERCHANGEABLE WITH THE INCORPORATION OF ALLIED SIGNAL S/B GTCP331-49-7081 S351T020-202 (3800298-1-3) AND S351T020-206 (3800298-1-7/3800298-1) ARE INTERCHANGEABLE WITH THE INCORPORATION OF ALLIED SIGNAL S/B GTCP331-49-7081. S351T020-201 (3800298-1-2) AND S351T020-206 (3800298-1-7/3800298-1) ARE INTERCHANGEABLE WITH THE INCORPORATION OF ALLIED SIGNAL S/B GTCP331-49-7081. S351T020-200 (3800298-1-1) AND S351T020-206 (3800298-1-7/3800298-1) ARE INTERCHANGEABLE WITH THE INCORPORATION OF ALLIED SIGNAL S/B GTCP331-49-7081. OPTIONAL PART: 3800298-1-7</p>		

MISSING ITEM NUMBERS NOT APPLICABLE

- ITEM NOT ILLUSTRATED

49-11-03-10

49-11-03  
FIG. 10  
PAGE 8  
SEP 20/08

BRI





757

PARTS CATALOG (MAINTENANCE)

FIG ITEM	PART NUMBER	1 2 3 4 5 6 7	NOMENCLATURE	EFFECT FROM TO	UNITS PER ASSY
10			V99193 FOR NHA/ADDITIONAL DET SEE: 49-11-01-50 49-21-00-02		
50	MS21279-05		.BOLT- SB DATA FROM A CMM: PRE SPB GTE0252 CONFIG CHG DATA FROM A CMM: REPLD BY MS21279-15 OPTIONAL PART: MS9556-15	002004 006999	2
50	MS21279-15		.BOLT- SB DATA FROM A CMM: POST SPB GTE0252 CONFIG CHG DATA FROM A CMM: REPLACES MS21279-05 REPLD BY MS9556-05 OPTIONAL PART: MS9556-15	002004 006999	2
50	MS9556-15		.BOLT- SB DATA FROM A CMM: POST SPB GTE0292 PRE SB 49-7081 CONFIG CHG DATA FROM A CMM: REPLD BY MS9556-05 OPTIONAL PART: MS21279-05 MS21279-15	002004 006999	2
50	MS9556-05		.BOLT- SB DATA FROM A CMM: POST SB 49-7081 CONFIG CHG DATA FROM A CMM: REPLACES MS9556-15	002004 006999	2
55	NAS43DD3-40		.SPACER- SB DATA FROM A CMM: DELTD BY 49-7081	002004 006999	RF
60	MS21043-3		.NUT	002004 006999	2
65	TA12C59WTH6HB		.CLAMP- SUPPLIER CODE: V84971 OPTIONAL PART: JM44LC43H6WC V22175	002004 006999	2

MISSING ITEM NUMBERS NOT APPLICABLE

- ITEM NOT ILLUSTRATED

49-11-03-10

49-11-03  
FIG. 10  
PAGE 9  
SEP 20/08

BRI



757

PARTS CATALOG (MAINTENANCE)

FIG ITEM	PART NUMBER	1 2 3 4 5 6 7	NOMENCLATURE	EFFECT FROM TO	UNITS PER ASSY
10					
65	JM44LC43H6WC	.CLAMP-	SUPPLIER CODE: V22175 SB DATA FROM A CMM: POST SPB GTE1046 OPTIONAL PART: TA12C59WTH6HB V84971	002004 006999	2
70	TA12C59WTH8HB	.CLAMP-	SUPPLIER CODE: V84971 OPTIONAL PART: JM44LC43H8WC V22175	002004 006999	1
70	JM44LC43H8WC	.CLAMP-	SUPPLIER CODE: V22175 SB DATA FROM A CMM: POST SPB GTE1046 OPTIONAL PART: TA12C59WTH8HB V84971	002004 006999	1
70	JM44LC28WH8GF	.CLAMP-	SUPPLIER CODE: V22175 USED ON: 3800298-1-1 3800298-1-2 3800298-1-3 3800298-1-4 3800298-1-5 3800298-1-6 3800298-1-7	002004 006999	1
75	MS21279-05	.BOLT-	OPTIONAL PART: MS9556-05	002004 006999	1
75	MS9556-05	.BOLT-	SB DATA FROM A CMM: POST SPB GTE0292 OPTIONAL PART: MS21279-05	002004 006999	1
80	MS21043-3	.NUT		002004 006999	1
85	TA12C59WTH8HB	.CLAMP-	SUPPLIER CODE: V84971 OPTIONAL PART: JM44LC43H8WC V22175	002004 006999	1

MISSING ITEM NUMBERS NOT APPLICABLE

- ITEM NOT ILLUSTRATED

49-11-03-10

49-11-03  
FIG. 10  
PAGE 10  
SEP 20/08

BRI

BOEING PROPRIETARY - Copyright © - Unpublished Work - See title page for details.



757

PARTS CATALOG (MAINTENANCE)

FIG ITEM	PART NUMBER	1 2 3 4 5 6 7	NOMENCLATURE	EFFECT FROM TO	UNITS PER ASSY
10					
85	JM44LC43H8WC	.CLAMP-	SUPPLIER CODE: V22175 SB DATA FROM A CMM: POST SPB GTE1046 OPTIONAL PART: TA12C59WTH8HB V84971	002004 006999	1
85	JM44LC28WH8GF	.CLAMP-	SUPPLIER CODE: V22175 USED ON: 3800298-1-1 3800298-1-2 3800298-1-3 3800298-1-4 3800298-1-5 3800298-1-6 3800298-1-7 3800298-1	002004 006999	1
90	MS9556-05	.BOLT-	SB DATA FROM A CMM: POST SB 49-6797 USED ON: 3800298-1-1 3800298-1-2 3800298-1-3 3800298-1-4 3800298-1-5 3800298-1-6 3800298-1-7 3800298-1	002004 006999	2
95	MS21043-3	.NUT-	SB DATA FROM A CMM: POST SB 49-6797 USED ON: 3800298-1-1 3800298-1-2 3800298-1-3 3800298-1-4 3800298-1-5 3800298-1-6 3800298-1-7 3800298-1	002004 006999	2

MISSING ITEM NUMBERS NOT APPLICABLE

- ITEM NOT ILLUSTRATED

49-11-03-10

49-11-03  
FIG. 10  
PAGE 11  
SEP 20/08

BRI



757

PARTS CATALOG (MAINTENANCE)

FIG ITEM	PART NUMBER	1 2 3 4 5 6 7	NOMENCLATURE	EFFECT FROM TO	UNITS PER ASSY
10 100	JM44LC28WH6GF		.CLAMP- SUPPLIER CODE: V22175 SB DATA FROM A CMM: POST 49-6797 USED ON: 3800298-1-1 3800298-1-2 3800298-1-3 3800298-1-4 3800298-1-5 3800298-1-6 3800298-1-7 3800298-1	002004 006999	2
105	JM44LC28WH8GF		.CLAMP- SUPPLIER CODE: V22175 SB DATA FROM A CMM: POST 49-6797 USED ON: 3800298-1-1 3800298-1-2 3800298-1-3 3800298-1-4 3800298-1-5 3800298-1-6 3800298-1-7 3800298-1	002004 006999	1
110	JM44LC28WH4GF		.CLAMP- SUPPLIER CODE: V22175 SB DATA FROM A CMM: POST 49-6797 OPTIONAL PART: 211-501-9754 V99193 USED ON: 3800298-1-1 3800298-1-2 3800298-1-3 3800298-1-4 3800298-1-5 3800298-1-6 3800298-1-7 3800298-1	002004 006999	1

MISSING ITEM NUMBERS NOT APPLICABLE

- ITEM NOT ILLUSTRATED

49-11-03-10

49-11-03  
FIG. 10  
PAGE 12  
SEP 20/08

BRI



757

PARTS CATALOG (MAINTENANCE)

FIG ITEM	PART NUMBER	1 2 3 4 5 6 7	NOMENCLATURE	EFFECT FROM TO	UNITS PER ASSY
10 115	MS9556-05		.BOLT- USED ON: 3800298-1-1 3800298-1-2 3800298-1-3 3800298-1-4 3800298-1-5 3800298-1-6 3800298-1-7 3800298-1	002004 006999	5
120	MS21043-3		.NUT- USED ON: 3800298-1-1 3800298-1-2 3800298-1-3 3800298-1-4 3800298-1-5 3800298-1-6 3800298-1-7 3800298-1	002004 006999	5
125	JM44LC43H6WC		.CLAMP- SUPPLIER CODE: V22175 USED ON: 3800298-1-1 3800298-1-2 3800298-1-3 3800298-1-4 3800298-1-5 3800298-1-6 3800298-1-7 3800298-1	002004 006999	1
130	JM44LC28WH4GF		.CLAMP- SUPPLIER CODE: V22175 OPTIONAL PART: 211-501-9754 V99193 USED ON: 3800298-1-1 3800298-1-2 3800298-1-3 3800298-1-4 3800298-1-5 3800298-1-6 3800298-1-7 3800298-1	002004 006999	1

MISSING ITEM NUMBERS NOT APPLICABLE

- ITEM NOT ILLUSTRATED

49-11-03-10

49-11-03  
FIG. 10  
PAGE 13  
SEP 20/08

BRI



757

PARTS CATALOG (MAINTENANCE)

FIG ITEM	PART NUMBER	1 2 3 4 5 6 7	NOMENCLATURE	EFFECT FROM TO	UNITS PER ASSY
10 135	JM44LC28WH6GF		.CLAMP- SUPPLIER CODE: V22175 USED ON: 3800298-1-1 3800298-1-2 3800298-1-3 3800298-1-4 3800298-1-5 3800298-1-6 3800298-1-7 3800298-1	002004 006999	3
140	JM44LC28WH8GF		.CLAMP- SUPPLIER CODE: V22175 USED ON: 3800298-1-1 3800298-1-2 3800298-1-3 3800298-1-4 3800298-1-5 3800298-1-6 3800298-1-7 3800298-1	002004 006999	4
145	MS21279-05		.BOLT- OPTIONAL PART: MS9556-05	002004 006999	1
145	MS9556-05		.BOLT- SB DATA FROM A CMM: POST SPB GTE0292 OPTIONAL PART: MS21279-05	002004 006999	1
150	MS21043-3		.NUT	002004 006999	1
155	TA12C59WTH8HB		.CLAMP- SUPPLIER CODE: V84971 OPTIONAL PART: JM44LC43H4WC V22175	002004 006999	1
155	JM44LC43H4WC		.CLAMP- SUPPLIER CODE: V22175 SB DATA FROM A CMM: POST SPB GTE1046 OPTIONAL PART: TA12C59WTH8HB V84971	002004 006999	1

MISSING ITEM NUMBERS NOT APPLICABLE

- ITEM NOT ILLUSTRATED

49-11-03-10

49-11-03  
FIG. 10  
PAGE 14  
SEP 20/08

BRI



757

PARTS CATALOG (MAINTENANCE)

FIG ITEM	PART NUMBER	1 2 3 4 5 6 7	NOMENCLATURE	EFFECT FROM TO	UNITS PER ASSY
10 155	JM44LC28WH8GF	.CLAMP-	SUPPLIER CODE: V22175 USED ON: 3800298-1-1 3800298-1-2 3800298-1-3 3800298-1-4 3800298-1-5 3800298-1-6 3800298-1-7 3800298-1	002004 006999	1
160	TA12C59TH4HB	.CLAMP-	SUPPLIER CODE: V84971 OPTIONAL PART: JM44LC43H8WC V22175	002004 006999	1
160	JM44LC43H8WC	.CLAMP-	SUPPLIER CODE: V22175 SB DATA FROM A CMM: POST SPB GTE1046 OPTIONAL PART: TA12C59TH4HB V84971	002004 006999	1
165	MS21279-05	.BOLT-	OPTIONAL PART: MS9556-05	002004 006999	1
165	MS9556-05	.BOLT-	SB DATA FROM A CMM: POST SPB GTE0292 OPTIONAL PART: MS21279-05	002004 006999	1
170	MS21043-3	.NUT		002004 006999	1
175	TA12C59WTH6HB	.CLAMP-	SUPPLIER CODE: V84971 OPTIONAL PART: JM44LC43H6WC V22175	002004 006999	1

MISSING ITEM NUMBERS NOT APPLICABLE

- ITEM NOT ILLUSTRATED

49-11-03-10

49-11-03  
FIG. 10  
PAGE 15  
SEP 20/08

BRI

BOEING PROPRIETARY - Copyright © - Unpublished Work - See title page for details.



757

## PARTS CATALOG (MAINTENANCE)

FIG ITEM	PART NUMBER	1 2 3 4 5 6 7	NOMENCLATURE	EFFECT FROM TO	UNITS PER ASSY
10 175	JM44LC43H6WC	.CLAMP-	SUPPLIER CODE: V22175 SB DATA FROM A CMM: POST SPB GTE1046 OPTIONAL PART: TA12C59WTH6HB V84971	002004 006999	1
180	3882530-1	.TUBE-HEAT SHLD DRAIN	SUPPLIER CODE: V99193 SB DATA FROM A CMM: POST SPB GTE0252 CONFIG CHG DATA FROM A CMM: REPLACES 3882703-1 REPLD BY 3883859-1	002004 006999	1
180	3882703-1	.TUBE-HEAT SHLD DRAIN	SUPPLIER CODE: V99193 SB DATA FROM A CMM: PRE SPB GTE0252 PRE SB 49-7091 CONFIG CHG DATA FROM A CMM: REPLD BY 3882530-1 REPLD BY 3883859-1	002004 006999	1
180	3883859-1	.TUBE-HEAT SHLD DRAIN	SUPPLIER CODE: V99193 SB DATA FROM A CMM: POST SB 49-7081 CONFIG CHG DATA FROM A CMM: REPLACES 3882530-1 REPLACES 3882703-1	002004 006999	1
185	3882533-1	.TUBE-FUEL CONT ACTR DR	SUPPLIER CODE: V99193	002004 006999	1
190	3880460-1	.TUBE-CROSS TO VENT BRACKET	SUPPLIER CODE: V99193 SB DATA FROM A CMM: PRE SB 49-5634 PRE SB 49-5793 CONFIG CHG DATA FROM A CMM: REPLD BY 3880648-1	002004 006999	1

MISSING ITEM NUMBERS NOT APPLICABLE

- ITEM NOT ILLUSTRATED

BRI

49-11-03-10

BOEING PROPRIETARY - Copyright © - Unpublished Work - See title page for details.

49-11-03  
FIG. 10  
PAGE 16  
SEP 20/08





757

PARTS CATALOG (MAINTENANCE)

FIG ITEM	PART NUMBER	1 2 3 4 5 6 7	NOMENCLATURE	EFFECT FROM TO	UNITS PER ASSY
10 190	3880648-1		.TUBE-CROSS TO VENT SUPPLIER CODE: V99193 SB DATA FROM A CMM: POST SB 49-5634 POST SB 49-5793 POST SB 49-5840 CONFIG CHG DATA FROM A CMM: REPLACES 3880262-1 REPLACES 3880460-1	002004 006999	1
200	3882529-1		.TUBE-TURB PLENUM DRAIN SUPPLIER CODE: V99193 SB DATA FROM A CMM: PRE SB 49-7081 CONFIG CHG DATA FROM A CMM: REPLD BY 3883860-1	002004 006999	1
200	351N1101-14		.TUBE ASSY-TURB PLENUM DRAIN TUBING MATERIAL: .375 IN OD .028 IN. WALL 4.9 IN. LG 321 OR 347 CRES TUBING PER MIL-T-8808 POST AIRLINE MOD: TPCR5-49-IPC-93-0128 VUPS	002004 006999	1
- 201	AP2097H06		..SLEEVE- SUPPLIER CODE: V01673 SPECIFICATION NUMBER: BACS13BX06H OPTIONAL PART: 2-02903-06H V11328 35235V06 V08199 AFP175V06 V30974 DBOS13BX06H V14798 USED ON: 351N1101-14	002004 006999	2
- 202	MS21921-6S		..NUT- USED ON: 351N1101-14	002004 006999	2

MISSING ITEM NUMBERS NOT APPLICABLE

- ITEM NOT ILLUSTRATED

49-11-03-10

49-11-03  
FIG. 10  
PAGE 17  
SEP 20/08

BRI



757

PARTS CATALOG (MAINTENANCE)

FIG ITEM	PART NUMBER	1 2 3 4 5 6 7	NOMENCLATURE	EFFECT FROM TO	UNITS PER ASSY
10 205	3883860-1		.TUBE-TURB PLENUM DRAIN SUPPLIER CODE: V99193 SB DATA FROM A CMM: POST SB 49-7081 CONFIG CHG DATA FROM A CMM: REPLACES 3882529-1	002004 006999	1
210	3882531-1		.TUBE-INL PLENUM DRAIN SUPPLIER CODE: V99193 SB DATA FROM A CMM: PRE SB 49-5634 PRE SB 49-5765 PRE SB 49-5793 CONFIG CHG DATA FROM A CMM: REPLD BY 3882513-1	002004 006999	1
210	3882513-1		.TUBE-INL PLENUM DRAIN SUPPLIER CODE: V99193 SB DATA FROM A CMM: POST SB 49-5634 POST SB 49-5765 POST SB 49-5793 CONFIG CHG DATA FROM A CMM: REPLD BY 3882531-1	002004 006999	1
215	3880258-1		.TUBE-MID BRG VENT SUPPLIER CODE: V99193 SB DATA FROM A CMM: PRE SB 49-5840 CONFIG CHG DATA FROM A CMM: REPLD BY 3880568-1	002004 006999	1
215	3880364-1		.TUBE-MID BRG VENT SUPPLIER CODE: V99193 SB DATA FROM A CMM: PRE SB 49-5634 PRE SB 49-5793 CONFIG CHG DATA FROM A CMM: REPLD BY 3880568-1	002004 006999	1

MISSING ITEM NUMBERS NOT APPLICABLE

- ITEM NOT ILLUSTRATED

49-11-03-10

49-11-03  
FIG. 10  
PAGE 18  
SEP 20/08

BRI



757

PARTS CATALOG (MAINTENANCE)

FIG ITEM	PART NUMBER	1 2 3 4 5 6 7	NOMENCLATURE	EFFECT FROM TO	UNITS PER ASSY
10 215	3880568-1		.TUBE-MID BRG VENT SUPPLIER CODE: V99193 SB DATA FROM A CMM: POST SB 49-5634 POST SB 49-5793 POST SB 49-5840 CONFIG CHG DATA FROM A CMM: REPLACES 3880258-1 REPLACES 3880364-1	002004 006999	1
220	3880257-1		.TUBE-MID BRG VENT SUPPLIER CODE: V99193 SB DATA FROM A CMM: PRE SB 49-5840 CONFIG CHG DATA FROM A CMM: REPLD BY 3880438-1	002004 006999	1
220	3880363-1		.TUBE-MID BRG VENT SUPPLIER CODE: V99193 SB DATA FROM A CMM: PRE SB 49-5634 PRE SB 49-5793 CONFIG CHG DATA FROM A CMM: REPLD BY 3880438-1	002004 006999	1
225	3880438-1		.TUBE-MID BRG VENT SUPPLIER CODE: V99193 SB DATA FROM A CMM: POST SB 49-5634 POST SB 49-5793 POST SB 49-5840 CONFIG CHG DATA FROM A CMM: REPLACES 3880257-1 REPLACES 3880363-1	002004 006999	1

MISSING ITEM NUMBERS NOT APPLICABLE

- ITEM NOT ILLUSTRATED

49-11-03-10

49-11-03  
FIG. 10  
PAGE 19  
SEP 20/08

BRI



757

PARTS CATALOG (MAINTENANCE)

FIG ITEM	PART NUMBER	1 2 3 4 5 6 7	NOMENCLATURE	EFFECT FROM TO	UNITS PER ASSY
10 230	3882559-1		.TUBE-FUEL CONT DRAIN SUPPLIER CODE: V99193 SB DATA FROM A CMM: PRE SB 49-6797 CONFIG CHG DATA FROM A CMM: REPLD BY 3883728-1 USED ON: 3800298-1-1 3800298-1-2 3800298-1-3 3800298-1-4 3800298-1-5 3800298-1-6 3800298-1-7 3800298-1	002004 006999	1
230	3883728-1		.TUBE-FUEL CONT DRAIN SUPPLIER CODE: V99193 SB DATA FROM A CMM: POST SB 49-6797 CONFIG CHG DATA FROM A CMM: REPLACES 3882559-1 USED ON: 3800298-1-1 3800298-1-2 3800298-1-3 3800298-1-4 3800298-1-5 3800298-1-6 3800298-1-7 3800298-1	002004 006999	1
235	3880658-1		.TUBE-LOAD CPRSR SUPPLIER CODE: V99193 SB DATA FROM A CMM: PRE SB 49-5634 CONFIG CHG DATA FROM A CMM: REPLD BY 3611159-1	002004 006999	1
235	3611159-1		.TUBE-LOAD CPRSR SUPPLIER CODE: V99193 SB DATA FROM A CMM: POST SB 49-5634 PRE SB 49-5840 CONFIG CHG DATA FROM A CMM: REPLD BY 3614747-1 REPLACES 3880658-1	002004 006999	1

MISSING ITEM NUMBERS NOT APPLICABLE

- ITEM NOT ILLUSTRATED

49-11-03-10

49-11-03  
FIG. 10  
PAGE 20  
SEP 20/08

BRI



757

PARTS CATALOG (MAINTENANCE)

FIG ITEM	PART NUMBER	1 2 3 4 5 6 7	NOMENCLATURE	EFFECT FROM TO	UNITS PER ASSY
10 235	3880365-1		.TUBE-FWD BRG VENT SUPPLIER CODE: V99193 SB DATA FROM A CMM: POST SBP GTE0252 CONFIG CHG DATA FROM A CMM: REPLACES 3880259-1	002004 006999	1
240	3614747-1		.TUBE-FWD BRG VENT SUPPLIER CODE: V99193 SB DATA FROM A CMM: POST SB 49-5840 CONFIG CHG DATA FROM A CMM: REPLACES 3611159-1	002004 006999	1
245	3880569-1		.TUBE-OIL FILL SCUPPER SUPPLIER CODE: V99193 SB DATA FROM A CMM: POST SB 49-5634 POST SB 49-5765 POST SB 49-5793 CONFIG CHG DATA FROM A CMM: REPLACES 3880368-1	002004 006999	1
245	3880368-1		.TUBE-OIL FILL SCUPPER SUPPLIER CODE: V99193 SB DATA FROM A CMM: PRE SB 49-5634 PRE SB 49-5765 PRE SB 49-5793 POST SPB GTE0252 CONFIG CHG DATA FROM A CMM: REPLACES 3880261-1 REPLD BY 3880569-1	002004 006999	1
245	3880261-1		.TUBE-OIL FILL SCUPPER SUPPLIER CODE: V99193 SB DATA FROM A CMM: PRE SPB GTE0252 CONFIG CHG DATA FROM A CMM: REPLD BY 3880368-1	002004 006999	1

MISSING ITEM NUMBERS NOT APPLICABLE

- ITEM NOT ILLUSTRATED

49-11-03-10

49-11-03  
FIG. 10  
PAGE 21  
SEP 20/08

BRI



757

PARTS CATALOG (MAINTENANCE)

FIG ITEM	PART NUMBER	1 2 3 4 5 6 7	NOMENCLATURE	EFFECT FROM TO	UNITS PER ASSY
10 250	3880646-1		.TUBE-MID BRG SCAVENGE SUPPLIER CODE: V99193 USED ON: 3800298-1-1 3800298-1-2 3800298-1-3 3800298-1-4 3800298-1-5 3800298-1-6 3800298-1-7 3800298-1	002004 006999	1
260	MS21924J8		.UNION- SB DATA FROM A CMM: PRE SPB GTE0252 CONFIG CHG DATA FROM A CMM: REPLD BY MS21924J6	002004 006999	1
260	MS21924J6		.UNION- SB DATA FROM A CMM: POST SPB GTE0252 CONFIG CHG DATA FROM A CMM: REPLACES MS21924J8	002004 006999	1
265	MS21924J6		.UNION	002004 006999	2
270	MS21902W4		.UNION- SB DATA FROM A CMM: PRE SB 49-5634 PRE SB 49-5765 PRE SB 49-5793 CONFIG CHG DATA FROM A CMM: REPLD BY MS21902J4	002004 006999	1
270	MS21902J4		.UNION- SB DATA FROM A CMM: POST SB 49-5634 POST SB 49-5765 POST SB 49-5793 CONFIG CHG DATA FROM A CMM: REPLACES MS21902W4	002004 006999	1
275	MS21902W8		.UNION- SB DATA FROM A CMM: PRE SB 49-5634 PRE SB 49-5765 PRE SB 49-5793 CONFIG CHG DATA FROM A CMM: REPLD BY MS21902J8	002004 006999	1

MISSING ITEM NUMBERS NOT APPLICABLE

- ITEM NOT ILLUSTRATED

49-11-03-10

49-11-03  
FIG. 10  
PAGE 22  
SEP 20/08

BRI



757

PARTS CATALOG (MAINTENANCE)

FIG ITEM	PART NUMBER	1 2 3 4 5 6 7	NOMENCLATURE	EFFECT FROM TO	UNITS PER ASSY
10 275	MS21902J8	.	UNION- SB DATA FROM A CMM: POST SB 49-5634 POST SB 49-5765 POST SB 49-5793 CONFIG CHG DATA FROM A CMM: REPLACES MS21902W8	002004 006999	1
280	MS21902J6	.	UNION	002004 006999	1
285	MS21902J8	.	UNION	002004 006999	3
290	MS21902W8	.	UNION- SB DATA FROM A CMM: PRE SB 49-5634 PRE SB 49-5765 PRE SB 49-5793 CONFIG CHG DATA FROM A CMM: REPLD BY MS21902J8	002004 006999	1
290	MS21902J8	.	UNION- SB DATA FROM A CMM: POST SB 49-5634 POST SB 49-5765 POST SB 49-5793 CONFIG CHG DATA FROM A CMM: REPLACES MS21902W8	002004 006999	1
293	MS21908J6	.	ELBOW	002004 006999	1
295	MS21908J8	.	ELBOW	002004 006999	1
300	MS21908W4	.	ELBOW- SB DATA FROM A CMM: PRE SPB GTE0252 PRE SB 49-5765 CONFIG CHG DATA FROM A CMM: REPLD BY MS21907W4 REPLD BY MS21902J4	002004 006999	1
300	MS21907W4	.	ELBOW- SB DATA FROM A CMM: POST SPB GTE0252 PRE SB 49-5634 PRE SB 49-5765 PRE SB 49-5793 CONFIG CHG DATA FROM A CMM: REPLACES MS21908W4 REPLD BY MS21907J4	002004 006999	1

MISSING ITEM NUMBERS NOT APPLICABLE

- ITEM NOT ILLUSTRATED

49-11-03-10

49-11-03  
FIG. 10  
PAGE 23  
SEP 20/08

BRI

BOEING PROPRIETARY - Copyright © - Unpublished Work - See title page for details.



757

PARTS CATALOG (MAINTENANCE)

FIG ITEM	PART NUMBER	1 2 3 4 5 6 7	NOMENCLATURE	EFFECT FROM TO	UNITS PER ASSY
10 300	MS21907J4		.ELBOW- SB DATA FROM A CMM: POST SB 49-5634 POST SB 49-5765 POST SB 49-5793 CONFIG CHG DATA FROM A CMM: REPLACES MS21907W4	002004 006999	1
305	MS21907J4		.ELBOW- SB DATA FROM A CMM: POST SB 49-5634 POST SB 49-5793 CONFIG CHG DATA FROM A CMM: REPLACES MS21907W4 USED ON: 3800298-1-1 3800298-1-2 3800298-1-3 3800298-1-4 3800298-1-5 3800298-1-6 3800298-1-7 3800298-1	002004 006999	1
310	MS21908J6		.ELBOW	002004 006999	1
315	MS21908W4		.ELBOW- SB DATA FROM A CMM: PRE SB 49-5634 PRE SB 49-5765 PRE SB 49-5793 CONFIG CHG DATA FROM A CMM: REPLD BY MS21908J4	002004 006999	1
315	MS21908J4		.ELBOW- SB DATA FROM A CMM: POST SB 49-5634 POST SB 49-5765 POST SB 49-5793 CONFIG CHG DATA FROM A CMM: REPLACES MS21908W4	002004 006999	1
325	MS21916J8-6		.REDUCER- USED ON: 3800298-1-1 3800298-1-2 3800298-1-3 3800298-1-4 3800298-1-5 3800298-1-6 3800298-1-7 3800298-1	002004 006999	1

MISSING ITEM NUMBERS NOT APPLICABLE

- ITEM NOT ILLUSTRATED

49-11-03-10

49-11-03  
FIG. 10  
PAGE 24  
SEP 20/08

BRI





757

PARTS CATALOG (MAINTENANCE)

FIG ITEM	PART NUMBER	1 2 3 4 5 6 7	NOMENCLATURE	EFFECT FROM TO	UNITS PER ASSY
10 330	MS21911J6		. TEE- USED ON: 3800298-1-1 3800298-1-2 3800298-1-3 3800298-1-4 3800298-1-5 3800298-1-6 3800298-1-7 3800298-1	002004 006999	1
332	MS21912J6		. TEE- USED ON: 3800298-1-1 3800298-1-2 3800298-1-3 3800298-1-4 3800298-1-5 3800298-1-6 3800298-1-7 3800298-1	002004 006999	1
335	S9412-556		. PACKING- SUPPLIER CODE: V99193 OPTIONAL PART: M25988-2-906	002004 006999	1
335	M25988-2-906		. PACKING- OPTIONAL PART: S9412-556 V99193	002004 006999	1
340	S9412-558		. PACKING- SUPPLIER CODE: V99193 OPTIONAL PART: M25988-2-908 V81349 OPTIONAL PART: M25988-2-908	002004 006999	2
340	M25988-2-908		. PACKING- OPTIONAL PART: S9412-558 V99193	002004 006999	2
345	S9413-554		. PACKING- SUPPLIER CODE: V99193 OPTIONAL PART: M83248-1-904	002004 006999	1

MISSING ITEM NUMBERS NOT APPLICABLE

- ITEM NOT ILLUSTRATED

49-11-03-10

49-11-03  
FIG. 10  
PAGE 25  
SEP 20/08

BRI

BOEING PROPRIETARY - Copyright © - Unpublished Work - See title page for details.



757

PARTS CATALOG (MAINTENANCE)

FIG ITEM	PART NUMBER	1 2 3 4 5 6 7	NOMENCLATURE	EFFECT FROM TO	UNITS PER ASSY
10 345	S9413-556		.PACKING- SUPPLIER CODE: V99193 OPTIONAL PART: M83248-1-906 USED ON: 3800298-1-1 3800298-1-2 3800298-1-3 3800298-1-4 3800298-1-5 3800298-1-6 3800298-1-7 3800298-1	002004 006999	1
345	M83248-1-904		.PACKING- OPTIONAL PART: S9413-554 V99193	002004 006999	1
345	M83248-1-906		.PACKING- OPTIONAL PART: S9413-556 V99193 USED ON: 3800298-1-1 3800298-1-2 3800298-1-3 3800298-1-4 3800298-1-5 3800298-1-6 3800298-1-7 3800298-1	002004 006999	1
350	S9412-556		.PACKING- SUPPLIER CODE: V99193 OPTIONAL PART: M25988-2-906 USED ON: 3800298-1-1 3800298-1-2 3800298-1-3 3800298-1-4 3800298-1-5 3800298-1-6 3800298-1-7 3800298-1	002004 006999	3

MISSING ITEM NUMBERS NOT APPLICABLE

- ITEM NOT ILLUSTRATED

49-11-03-10

49-11-03  
FIG. 10  
PAGE 26  
SEP 20/08

BRI



757

PARTS CATALOG (MAINTENANCE)

FIG ITEM	PART NUMBER	1 2 3 4 5 6 7	NOMENCLATURE	EFFECT FROM TO	UNITS PER ASSY
10 350	M25988-2-906		.PACKING- OPTIONAL PART: S9412-556 V99193 USED ON: 3800298-1-1 3800298-1-2 3800298-1-3 3800298-1-4 3800298-1-5 3800298-1-6 3800298-1-7 3800298-1	002004 006999	3
360	S9412-556		.PACKING- SUPPLIER CODE: V99193 OPTIONAL PART: M25988-2-906 USED ON: 3800298-1-1 3800298-1-2 3800298-1-3 3800298-1-4 3800298-1-5 3800298-1-6 3800298-1-7 3800298-1	002004 006999	2
360	M25988-2-906		.PACKING- OPTIONAL PART: S9412-556 V99193 USED ON: 3800298-1-1 3800298-1-2 3800298-1-3 3800298-1-4 3800298-1-5 3800298-1-6 3800298-1-7 3800298-1	002004 006999	2
365	S9412-556		.PACKING- SUPPLIER CODE: V99193 SB DATA FROM A CMM: PRE SPB GTE0252 CONFIG CHG DATA FROM A CMM: REPLD BY MS35796-11 OPTIONAL PART: M25988-2-906	002004 006999	1

MISSING ITEM NUMBERS NOT APPLICABLE

- ITEM NOT ILLUSTRATED

49-11-03-10

49-11-03  
FIG. 10  
PAGE 27  
SEP 20/08

BRI



757

PARTS CATALOG (MAINTENANCE)

FIG ITEM	PART NUMBER	1 2 3 4 5 6 7	NOMENCLATURE	EFFECT FROM TO	UNITS PER ASSY
10 365	M25988-2-906		.PACKING- OPTIONAL PART: S9412-556 V99193	002004 006999	1
370	S9413-554		.PACKING- SUPPLIER CODE: V99193 OPTIONAL PART: M83248-1-904	002004 006999	1
370	M83248-1-904		.PACKING- OPTIONAL PART: S9413-554 V99193	002004 006999	1
375	S8990-604		.PACKING- SUPPLIER CODE: V59364 OPTIONAL PART: MS9385-04	002004 006999	1
375	MS9385-04		.PACKING- OPTIONAL PART: S8990-604 V99193	002004 006999	1
380	S9412-558		.PACKING- SUPPLIER CODE: V99193 OPTIONAL PART: M25988-2-908 V81349 OPTIONAL PART: M25988-2-908 USED ON: 3800298-1-1 3800298-1-2 3800298-1-3 3800298-1-4 3800298-1-5 3800298-1-6 3800298-1-7	002004 006999	2

MISSING ITEM NUMBERS NOT APPLICABLE

- ITEM NOT ILLUSTRATED

BRI

49-11-03-10

BOEING PROPRIETARY - Copyright © - Unpublished Work - See title page for details.

49-11-03  
FIG. 10  
PAGE 28  
SEP 20/08



757

PARTS CATALOG (MAINTENANCE)

FIG ITEM	PART NUMBER	1 2 3 4 5 6 7	NOMENCLATURE	EFFECT FROM TO	UNITS PER ASSY
10 380	M25988-2-908		.PACKING- OPTIONAL PART: S9412-558 V99193 USED ON: 3800298-1-1 3800298-1-2 3800298-1-3 3800298-1-4 3800298-1-5 3800298-1-6 3800298-1-7 3800298-1	002004 006999	2
385	S9412-558		.PACKING- SUPPLIER CODE: V99193 OPTIONAL PART: M25988-2-908 V81349 OPTIONAL PART: M83248-1-908 USED ON: 3800298-1-1 3800298-1-2 3800298-1-3 3800298-1-4 3800298-1-5 3800298-1-6 3800298-1-7 3800298-1	002004 006999	3
385	M83248-1-908		.PACKING- OPTIONAL PART: S9412-558 V99193 USED ON: 3800298-1-1 3800298-1-2 3800298-1-3 3800298-1-4 3800298-1-5 3800298-1-6 3800298-1-7 3800298-1	002004 006999	3
390	S9413-556		.PACKING- SUPPLIER CODE: V99193 OPTIONAL PART: M83248-1-906	002004 006999	1

MISSING ITEM NUMBERS NOT APPLICABLE

- ITEM NOT ILLUSTRATED

49-11-03-10

49-11-03  
FIG. 10  
PAGE 29  
SEP 20/08

BRI

BOEING PROPRIETARY - Copyright © - Unpublished Work - See title page for details.



757

PARTS CATALOG (MAINTENANCE)

FIG ITEM	PART NUMBER	1 2 3 4 5 6 7	NOMENCLATURE	EFFECT FROM TO	UNITS PER ASSY
10 390	M83248-1-906		.PACKING- OPTIONAL PART: S9413-556 V99193	002004 006999	1
395	S9413-558		.PACKING- SUPPLIER CODE: V99193 OPTIONAL PART: M83248-1-908 V81349 OPTIONAL PART: M83248-1-908	002004 006999	1
395	M83248-1-908		.PACKING- OPTIONAL PART: S9413-558 V99193	002004 006999	1
405	MS35769-10		.GASKET- SB DATA FROM A CMM: POST SPB GTE0576 CONFIG CHG DATA FROM A CMM: REPLACES MS35796-11	002004 006999	1
405	MS35769-11		.GASKET- SB DATA FROM A CMM: POST SPB GTE0252 PRE SPB GTE0576 CONFIG CHG DATA FROM A CMM: REPLACES S9412-556 REPLD BY MS35769-10	002004 006999	1
410	AN6289D6		.NUT- SB DATA FROM A CMM: PRE SB 49-5634 PRE SB 49-5765 PRE SB 49-5793 CONFIG CHG DATA FROM A CMM: REPLD BY AN6289J6	002004 006999	1
410	AN6289J6		.NUT- SB DATA FROM A CMM: POST SB 49-5634 POST SB 49-5765 POST SB 49-5793 CONFIG CHG DATA FROM A CMM: REPLACES AN6289D6	002004 006999	1
415	AN924-8D		.NUT- SB DATA FROM A CMM: PRE SPB GTE0252 PRE SB 49-5765 CONFIG CHG DATA FROM A CMM: REPLD BY AN924-6D REPLD BY AN924-8J	002004 006999	1

MISSING ITEM NUMBERS NOT APPLICABLE

- ITEM NOT ILLUSTRATED

49-11-03-10

49-11-03  
FIG. 10  
PAGE 30  
SEP 20/08

BRI

 **BOEING**  
757  
**PARTS CATALOG (MAINTENANCE)**

FIG ITEM	PART NUMBER	1 2 3 4 5 6 7	NOMENCLATURE	EFFECT FROM TO	UNITS PER ASSY
10 415	AN924-6D	.NUT-	SB DATA FROM A CMM: POST SPB GTE0252 PRE SB 49-5634 PRE SB 49-5793 CONFIG CHG DATA FROM A CMM: REPLACES AN924-8D REPLD BY AN924-6J	002004 006999	1
415	AN924-6J	.NUT-	SB DATA FROM A CMM: POST SB 49-5634 POST SB 49-5793 CONFIG CHG DATA FROM A CMM: REPLACES AN924-6D USED ON: 3800298-1-1 3800298-1-2 3800298-1-3 3800298-1-4 3800298-1-5 3800298-1-6 3800298-1-7 3800298-1	002004 006999	1
420	AN924-6D	.NUT-	SB DATA FROM A CMM: PRE SB 49-5634 PRE SB 49-5765 PRE SB 49-5793 CONFIG CHG DATA FROM A CMM: REPLD BY AN924-6J	002004 006999	1
420	AN924-6J	.NUT-	SB DATA FROM A CMM: POST SB 49-5634 POST SB 49-5765 POST SB 49-5793 CONFIG CHG DATA FROM A CMM: REPLACES AN924-6D	002004 006999	1
425	AN924-60	.NUT-	CONFIG CHG DATA FROM A CMM: REPLD BY AN924-6D	002004 006999	1
425	AN924-6D	.NUT-	SB DATA FROM A CMM: PRE SB 49-5634 PRE SB 49-5765 PRE SB 49-5793 CONFIG CHG DATA FROM A CMM: REPLD BY AN924-6J REPLACES AN924-60	002004 006999	1

MISSING ITEM NUMBERS NOT APPLICABLE

— ITEM NOT ILLUSTRATED

BRI

# 49-11-03-10

49-11-03  
FIG. 10  
PAGE 31  
SEP 20/08



757

PARTS CATALOG (MAINTENANCE)

FIG ITEM	PART NUMBER	1 2 3 4 5 6 7	NOMENCLATURE	EFFECT FROM TO	UNITS PER ASSY
10 425	AN924-6J	.NUT-	SB DATA FROM A CMM: POST SB 49-5634 POST SB 49-5765 POST SB 49-5793 CONFIG CHG DATA FROM A CMM: REPLACES AN924-6D	002004 006999	1
430	AN924-8D	.NUT-	SB DATA FROM A CMM: PRE SB 49-5634 PRE SB 49-5765 PRE SB 49-5793 CONFIG CHG DATA FROM A CMM: REPLD BY AN924-8J	002004 006999	1
430	AN924-8J	.NUT-	SB DATA FROM A CMM: POST SB 49-5634 POST SB 49-5765 POST SB 49-5793 CONFIG CHG DATA FROM A CMM: REPLACES AN924-8D	002004 006999	1
435	AN6289D4	.NUT-	SB DATA FROM A CMM: PRE SB 49-5634 PRE SB 49-5765 PRE SB 49-5793 CONFIG CHG DATA FROM A CMM: REPLD BY AN6289J4	002004 006999	1
435	AN6289J4	.NUT-	SB DATA FROM A CMM: POST SB 49-5634 POST SB 49-5765 POST SB 49-5793 CONFIG CHG DATA FROM A CMM: REPLACES AN6289D4	002004 006999	1

MISSING ITEM NUMBERS NOT APPLICABLE

- ITEM NOT ILLUSTRATED

49-11-03-10

49-11-03  
FIG. 10  
PAGE 32  
SEP 20/08

BRI





757

PARTS CATALOG (MAINTENANCE)

FIG ITEM	PART NUMBER	1 2 3 4 5 6 7	NOMENCLATURE	EFFECT FROM TO	UNITS PER ASSY
10 440	AN6289J4		.NUT- SB DATA FROM A CMM: POST SB 49-5634 POST SB 49-5765 POST SB 49-5793 CONFIG CHG DATA FROM A CMM: REPLACES AN6289D4 USED ON: 3800298-1-1 3800298-1-2 3800298-1-3 3800298-1-4 3800298-1-5 3800298-1-6 3800298-1-7 3800298-1	002004 006999	1
445	AN924-6J		.NUT- USED ON: 3800298-1-1 3800298-1-2 3800298-1-3 3800298-1-4 3800298-1-5 3800298-1-6 3800298-1-7 3800298-1	002004 006999	3
450	AN924-8J		.NUT- USED ON: 3800298-1-1 3800298-1-2 3800298-1-3 3800298-1-4 3800298-1-5 3800298-1-6 3800298-1-7 3800298-1	002004 006999	2
455	AN6289D6		.NUT- SB DATA FROM A CMM: PRE SB 49-5634 PRE SB 49-5765 PRE SB 49-5793 CONFIG CHG DATA FROM A CMM: REPLD BY AN6289J6	002004 006999	1

MISSING ITEM NUMBERS NOT APPLICABLE

- ITEM NOT ILLUSTRATED

BRI

49-11-03-10

BOEING PROPRIETARY - Copyright © - Unpublished Work - See title page for details.

49-11-03  
FIG. 10  
PAGE 33  
SEP 20/08



757

PARTS CATALOG (MAINTENANCE)

FIG ITEM	PART NUMBER	1 2 3 4 5 6 7	NOMENCLATURE	EFFECT FROM TO	UNITS PER ASSY
10 455	AN6289J6		.NUT- SB DATA FROM A CMM: POST SB 49-5634 POST SB 49-5765 POST SB 49-5793 CONFIG CHG DATA FROM A CMM: REPLACES AN6289D6	002004 006999	1
460	AN6289D4		.NUT- SB DATA FROM A CMM: PRE SB 49-5634 PRE SB 49-5765 PRE SB 49-5793 CONFIG CHG DATA FROM A CMM: REPLD BY AN6289J4	002004 006999	1
460	AN6289J4		.NUT- SB DATA FROM A CMM: POST SB 49-5634 POST SB 49-5765 POST SB 49-5793 CONFIG CHG DATA FROM A CMM: REPLACES AN6289D4	002004 006999	1
475	A161A		.VALVE- SUPPLIER CODE: V97484 MISCELLANEOUS DATA: 771-549-9202 USED ON: 3800298-1-1 3800298-1-2 3800298-1-3 3800298-1-4 3800298-1-5 3800298-1-6 3800298-1-7 3800298-1	002004 006999	5
485	MS21279-20		ATTACHING PARTS .BOLT- OPTIONAL PART: MS9556-20 USED ON: 3800298-1-1 3800298-1-2 3800298-1-3 3800298-1-4 3800298-1-5 3800298-1-6 3800298-1-7 3800298-1	002004 006999	1

MISSING ITEM NUMBERS NOT APPLICABLE

- ITEM NOT ILLUSTRATED

49-11-03-10

49-11-03  
FIG. 10  
PAGE 34  
SEP 20/08

BRI



757

PARTS CATALOG (MAINTENANCE)

FIG ITEM	PART NUMBER	1 2 3 4 5 6 7	NOMENCLATURE	EFFECT FROM TO	UNITS PER ASSY
10 485	MS9556-20		.BOLT- OPTIONAL PART: MS21279-20 USED ON: 3800298-1-1 3800298-1-2 3800298-1-3 3800298-1-4 3800298-1-5 3800298-1-6 3800298-1-7 3800298-1 -----*-----	002004 006999	1
490	3880360-2		.FITTING-DRAIN SUPPLIER CODE: V99193 USED ON: 3800298-1-1 3800298-1-2 3800298-1-3 3800298-1-4 3800298-1-5 3800298-1-6 3800298-1-7 3800298-1 ATTACHING PARTS	002004 006999	1
495	MS9556-21		.BOLT- USED ON: 3800298-1-1 3800298-1-2 3800298-1-3 3800298-1-4 3800298-1-5 3800298-1-6 3800298-1-7 3800298-1 -----*-----	002004 006999	1
505	3882695-1		.FITTING-DRAIN SUPPLIER CODE: V99193 USED ON: 3800298-1-1 3800298-1-2 3800298-1-3 3800298-1-4 3800298-1-5 3800298-1-6 3800298-1-7 3800298-1	002004 006999	1

MISSING ITEM NUMBERS NOT APPLICABLE

- ITEM NOT ILLUSTRATED

49-11-03-10

49-11-03  
FIG. 10  
PAGE 35  
SEP 20/08

BRI



757

PARTS CATALOG (MAINTENANCE)

FIG ITEM	PART NUMBER	1 2 3 4 5 6 7	NOMENCLATURE	EFFECT FROM TO	UNITS PER ASSY
10 510	3880437-1		.FITTING-CHIP DETECTOR SUPPLIER CODE: V99193 USED ON: 3800298-1-1 3800298-1-2 3800298-1-3 3800298-1-4 3800298-1-5 3800298-1-6 3800298-1-7 3800298-1	002004 006999	RF
515	MS28773-04		.RETAINER	002004 006999	2
520	MS28773-04		.RETAINER- USED ON: 3800298-1-1 3800298-1-2 3800298-1-3 3800298-1-4 3800298-1-5 3800298-1-6 3800298-1-7 3800298-1	002004 006999	1
525	3882704-1		.SUPPORT- SUPPLIER CODE: V99193	002004 006999	1
530	3844078-1		.BRACKET-DRAIN SUPPLIER CODE: V99193	002004 006999	1
535	MS21279-03		ATTACHING PARTS .BOLT- OPTIONAL PART: MS9556-03	002004 006999	1
535	MS9556-03		.BOLT- SB DATA FROM A CMM: POST SPB GTE0293 OPTIONAL PART: MS21279-03	002004 006999	1
540	MS21279-04		.BOLT- OPTIONAL PART: MS9556-04	002004 006999	1
540	MS9556-04		.BOLT- SB DATA FROM A CMM: POST SPB GTE0293 OPTIONAL PART: MS21279-04	002004 006999	1
545	MS9565-03		.BOLT	002004 006999	1

MISSING ITEM NUMBERS NOT APPLICABLE

- ITEM NOT ILLUSTRATED

49-11-03-10

49-11-03  
FIG. 10  
PAGE 36  
SEP 20/08

BRI

**BOEING**  
757  
**PARTS CATALOG (MAINTENANCE)**

FIG ITEM	PART NUMBER	1 2 3 4 5 6 7	NOMENCLATURE	EFFECT FROM TO	UNITS PER ASSY
10					
550	MS21279-06		.BOLT- OPTIONAL PART: MS9556-06	002004 006999	RF
550	MS9556-06		.BOLT- NOT APPROVED FOR ETOPS. SB DATA FROM A CMM: POST SPB GTE0293 OPTIONAL PART: MS21279-06	002004 006999	RF
555	MS21043-3		.NUT	002004 006999	3
			-----*-----		
560	3844079-1		.PLATE-DRAIN BRACKET SUPPLIER CODE: V99193 ATTACHING PARTS	002004 006999	1
565	MS21279-03		.BOLT- OPTIONAL PART: MS9556-03	002004 006999	2
570	MS21043-3		.NUT	002004 006999	2
			-----*-----		

MISSING ITEM NUMBERS NOT APPLICABLE

— ITEM NOT ILLUSTRATED

BRI

# 49-11-03-10

BOEING PROPRIETARY - Copyright © - Unpublished Work - See title page for details.

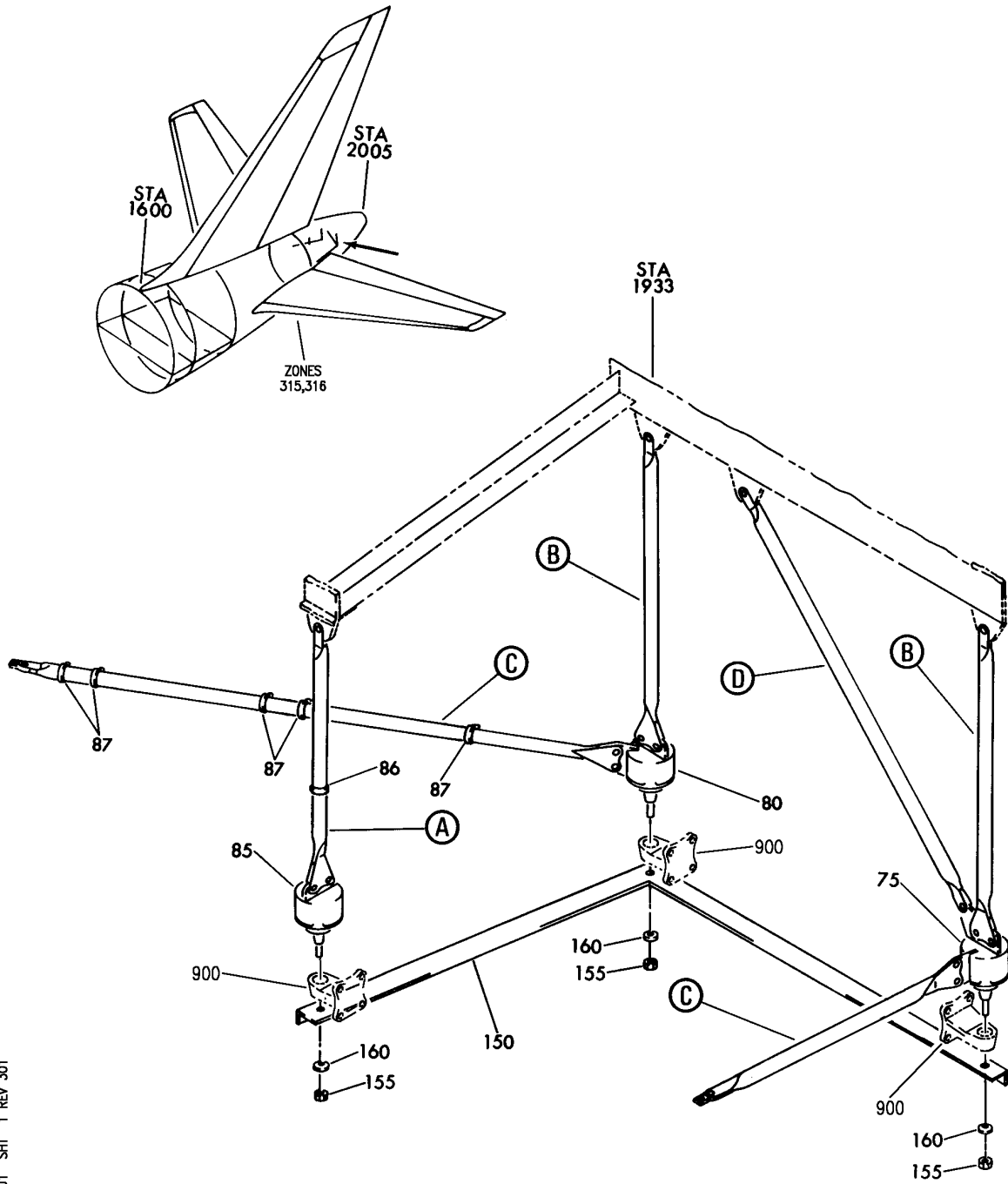
49-11-03  
FIG. 10  
PAGE 37  
SEP 20/08

## APU MOUNTS

BRI  
MAY 28/07

49-13-00  
SECTION TITLE  
PAGE 1

**BOEING**  
757  
PARTS CATALOG (MAINTENANCE)



Y 49130301 SH1 1 REV 301

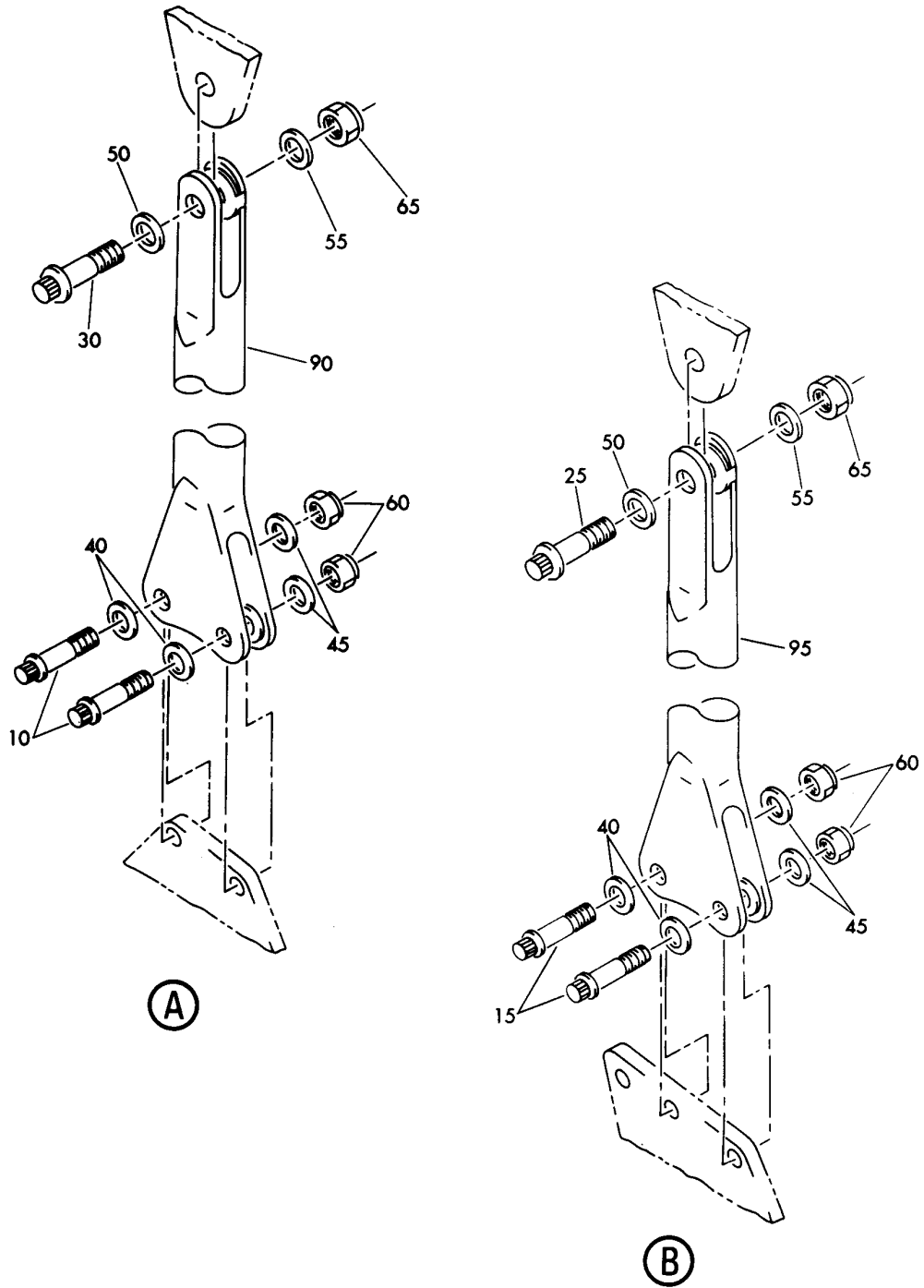
SUPPORT INSTL-AUX PWR SYS  
FIGURE 1 (SHEET 1)

**49-13-03-01**

BRI  
MAY 28/07

49-13-03-01  
PAGE 0

**BOEING**  
757  
PARTS CATALOG (MAINTENANCE)



Y 49130301 SH1 2 REV 038

SUPPORT INSTL-AUX PWR SYS  
FIGURE 1 (SHEET 2)

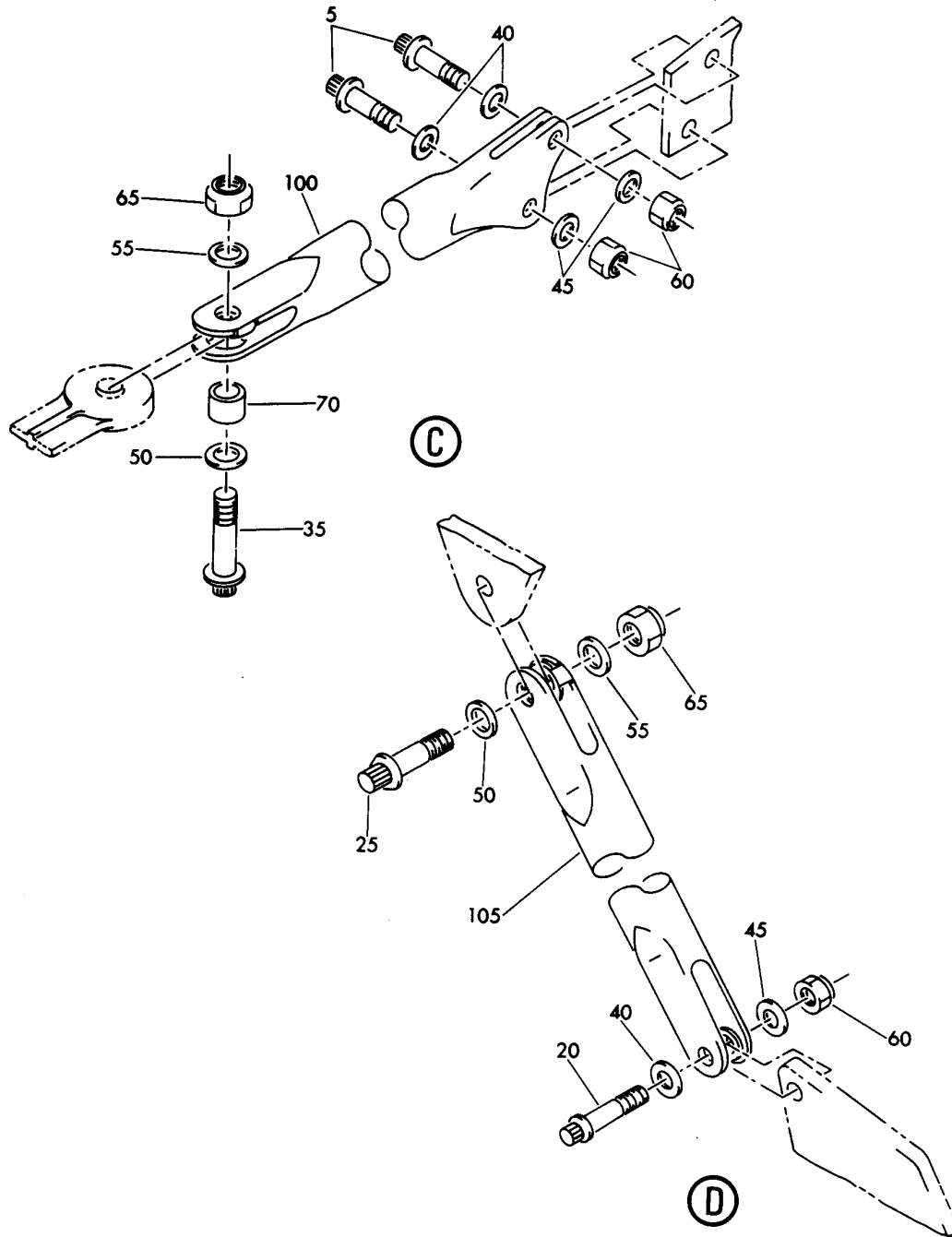
**49-13-03-01**

BRI  
MAY 28/07

49-13-03-01  
PAGE 0A



**BOEING**  
757  
PARTS CATALOG (MAINTENANCE)



Y 49130301 SHT 3 REV 038

SUPPORT INSTL-AUX PWR SYS  
FIGURE 1 (SHEET 3)

**49-13-03-01**

BRI  
MAY 28/07

49-13-03-01  
PAGE 0B



757

PARTS CATALOG (MAINTENANCE)

FIG ITEM	PART NUMBER	1 2 3 4 5 6 7	NOMENCLATURE	EFFECT FROM TO	UNITS PER ASSY
1			SUPPORT INSTL-AUX PWR SYS	002004 006999	
- 1	352N0100-1		SUPPORT INSTL-AUX PWR SYS FOR NHA SEE: 49-00-51-01 49-00-00-01	002004 006102 107999	RF
- 1	MODREF13828		SUPPORT INSTL-AUX PWR SYS MODULE NUMBER: 352N0100-1 REV A	103106	1
5	BACB30LE4U9		.BOLT-	002004 006999	4
10	BACB30LE4U12		.BOLT-	002004 006999	2
15	BACB30LE4U13		.BOLT-	002004 006999	4
20	BACB30LE4U14		.BOLT-	002004 006999	1
25	BACB30LE5U14		.BOLT-	002004 006999	3
30	BACB30LE5U15		.BOLT-	002004 006999	1
35	BACB30LE5U16		.BOLT-	002004 006999	2
40	BACW10BP4ACU		.WASHER-	002004 006999	11
45	BACW10BP4APU		.WASHER-	002004 006999	11
50	BACW10BP5ACU		.WASHER-	002004 006999	6
55	BACW10BP5APU		.WASHER-	002004 006999	6

MISSING ITEM NUMBERS NOT APPLICABLE

- ITEM NOT ILLUSTRATED

49-13-03-01

49-13-03  
FIG. 01  
PAGE 1  
JAN 20/09

BRI



757

PARTS CATALOG (MAINTENANCE)

FIG ITEM	PART NUMBER	1 2 3 4 5 6 7	NOMENCLATURE	EFFECT FROM TO	UNITS PER ASSY
1 60	BMM10HRCPD3-4	.NUT-	SUPPLIER CODE: V97928 SPECIFICATION NUMBER: BACN10HR4CS OPTIONAL PART: H39953-4 V15653 109LH9031-4 V72962 67832AS428 V56878 BH00303-4 V27238 SL7059C428 V11815 BH003034 V27238 BMN5024CPD34 V97928 CR59084 V62554 109LH90314 V72962 67832AS4 V56878 BMN10HRCPD3-4 V97928 SL705094 V11815	002004 006999	11

MISSING ITEM NUMBERS NOT APPLICABLE

- ITEM NOT ILLUSTRATED

BRI

49-13-03-01

BOEING PROPRIETARY - Copyright © - Unpublished Work - See title page for details.

49-13-03  
FIG. 01  
PAGE 2  
SEP 20/08



757

PARTS CATALOG (MAINTENANCE)

FIG ITEM	PART NUMBER	1 2 3 4 5 6 7	NOMENCLATURE	EFFECT FROM TO	UNITS PER ASSY
1 65	BH003035	.NUT-	SUPPLIER CODE: V27238 SPECIFICATION NUMBER: BACN10HR5CS OPTIONAL PART: H39953-5 V15653 109LH9031-5 V72962 67832AS524 V56878 BH00303-5 V27238 SL7059C524 V11815 BMN5024CPD35 V97928 CR59085 V62554 SL705095 V11815 109LH90315 V72962 67832AS5 V56878 BMN10HRRCPD3-5 V97928	002004 006999	6
70	BACB28AK05-030	.BUSHING-		002004 006999	2
75	93560-07	.ISOLATOR-VIBRATION	SUPPLIER CODE: V13636 SPECIFICATION NUMBER: S352T010-7 COMPONENT MAINT MANUAL REF: 49-13-02	002004 006999	1
80	93560-08	.ISOLATOR-VIBRATION	SUPPLIER CODE: V13636 SPECIFICATION NUMBER: S352T010-8 COMPONENT MAINT MANUAL REF: 49-13-02	002004 006999	1

MISSING ITEM NUMBERS NOT APPLICABLE

- ITEM NOT ILLUSTRATED

49-13-03-01

49-13-03  
FIG. 01  
PAGE 3  
SEP 20/08

BRI



757

PARTS CATALOG (MAINTENANCE)

FIG ITEM	PART NUMBER	1 2 3 4 5 6 7	NOMENCLATURE	EFFECT FROM TO	UNITS PER ASSY
1					
85	93560-09		. ISOLATOR-VIBRATION SUPPLIER CODE: V13636 FUNCTIONAL DESCRIPTION: PROVIDES VIBRATION ISOLATION FOR THE APU SPECIFICATION NUMBER: S352T010-9 COMPONENT MAINT MANUAL REF: 49-13-02	002004 006999	1
86	AN735-16		. CLAMP- OPTIONAL PART: BACC10HR16	002004 006999	1
86	BACC10HR16		. CLAMP- OPTIONAL PART: AN735-16	002004 006999	1
87	AN735-20		. CLAMP- OPTIONAL PART: BACC10HR20	002004 006999	5
87	BACC10HR20		. CLAMP- OPTIONAL PART: AN735-20	002004 006999	5
- 88	BACS12CK3U12		. SCREW	002004 006999	5
- 89	AN960C10L		. WASHER	002004 006999	AR
- 89D	MS25082C3		. NUT	002004 006999	12
			-----*-----		
90	352T0102-1		. SUPPORT ASSY- COMPONENT MAINT MANUAL REF: 49-13-11	002004 006999	1
95	352T0103-1		. SUPPORT ASSY- COMPONENT MAINT MANUAL REF: 49-13-11	002004 006999	2
100	352T0104-1		. SUPPORT ASSY- COMPONENT MAINT MANUAL REF: 49-13-11	002004 006999	2
105	352T0105-1		. SUPPORT ASSY- COMPONENT MAINT MANUAL REF: 49-13-11	002004 006999	1
900			ILLUSTRATION REFERENCE: UNIT INSTL-AUX PWR SYS AND WIRE PROVISIONS 49-11-01-01	002004 006999	RF

MISSING ITEM NUMBERS NOT APPLICABLE

- ITEM NOT ILLUSTRATED

49-13-03-01

49-13-03  
FIG. 01  
PAGE 4  
SEP 20/08

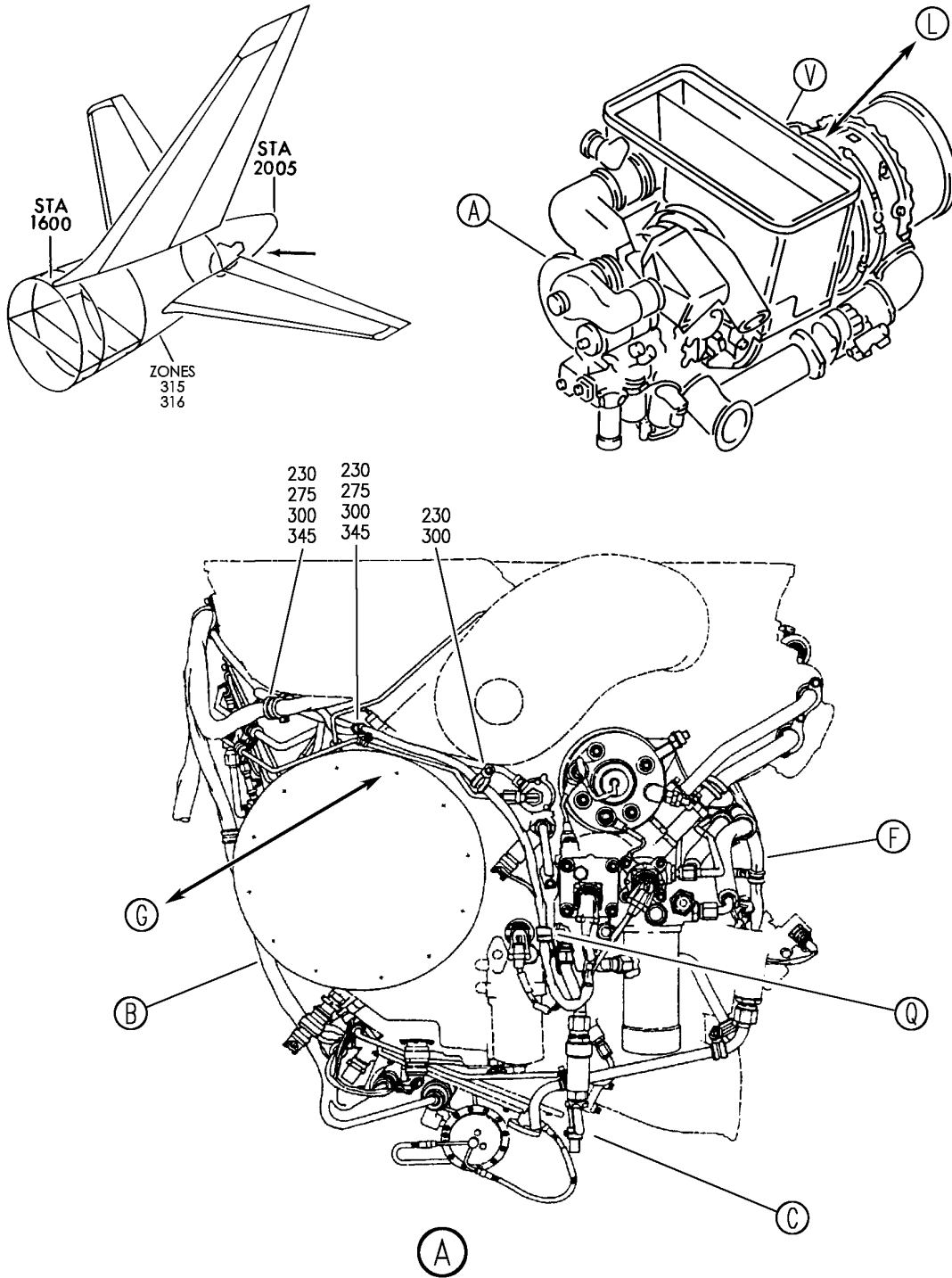
BRI

## APU HARNESS

BRI  
MAY 28/07

49-14-00  
SECTION TITLE  
PAGE 1

**BOEING**  
757  
PARTS CATALOG (MAINTENANCE)



Y 49140001 SH1 1 REV 255

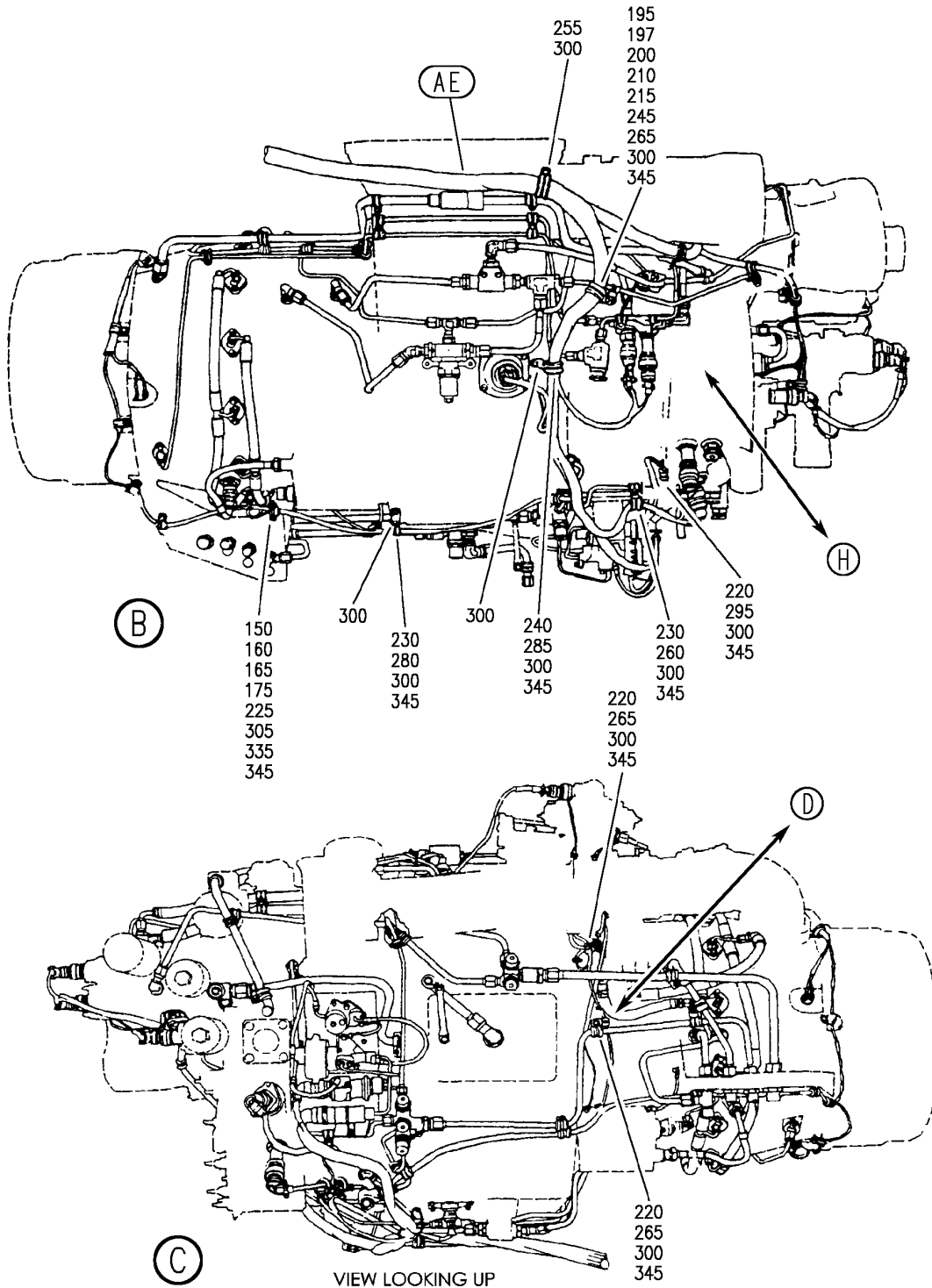
ENGINE ASSY-GAS TURB (APU HARNESS ONLY)  
FIGURE 1 (SHEET 1)

BRI  
MAY 28/07

**49-14-00-01**

49-14-00-01  
PAGE 0

**BOEING**  
757  
PARTS CATALOG (MAINTENANCE)



Y 49140001 SH1 2 REV 268

ENGINE ASSY-GAS TURB (APU HARNESS ONLY)  
FIGURE 1 (SHEET 2)

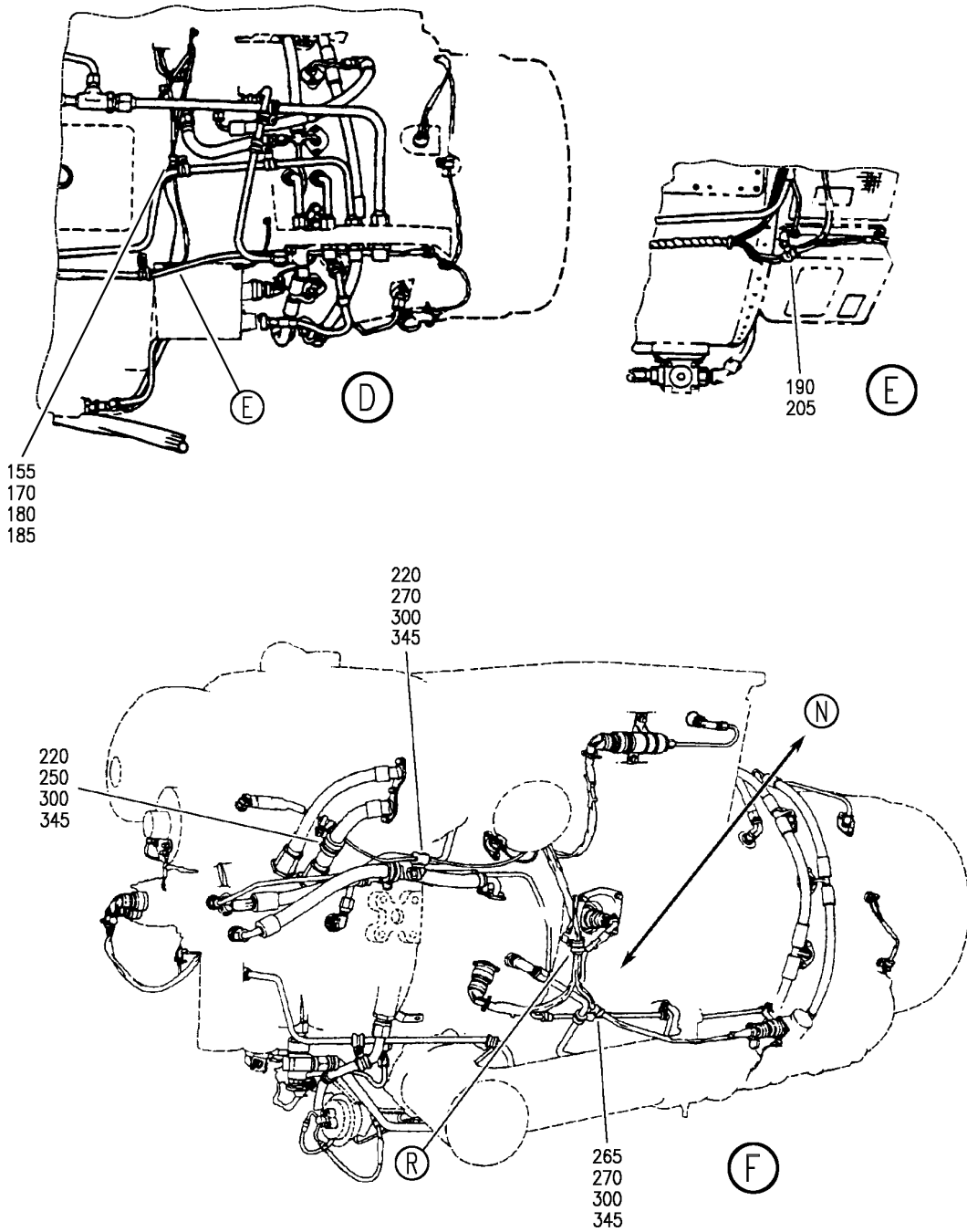
**49-14-00-01**

BRI  
MAY 28/07

49-14-00-01  
PAGE 0A



**BOEING**  
757  
PARTS CATALOG (MAINTENANCE)



Y 49140001 SHT 3 REV 255

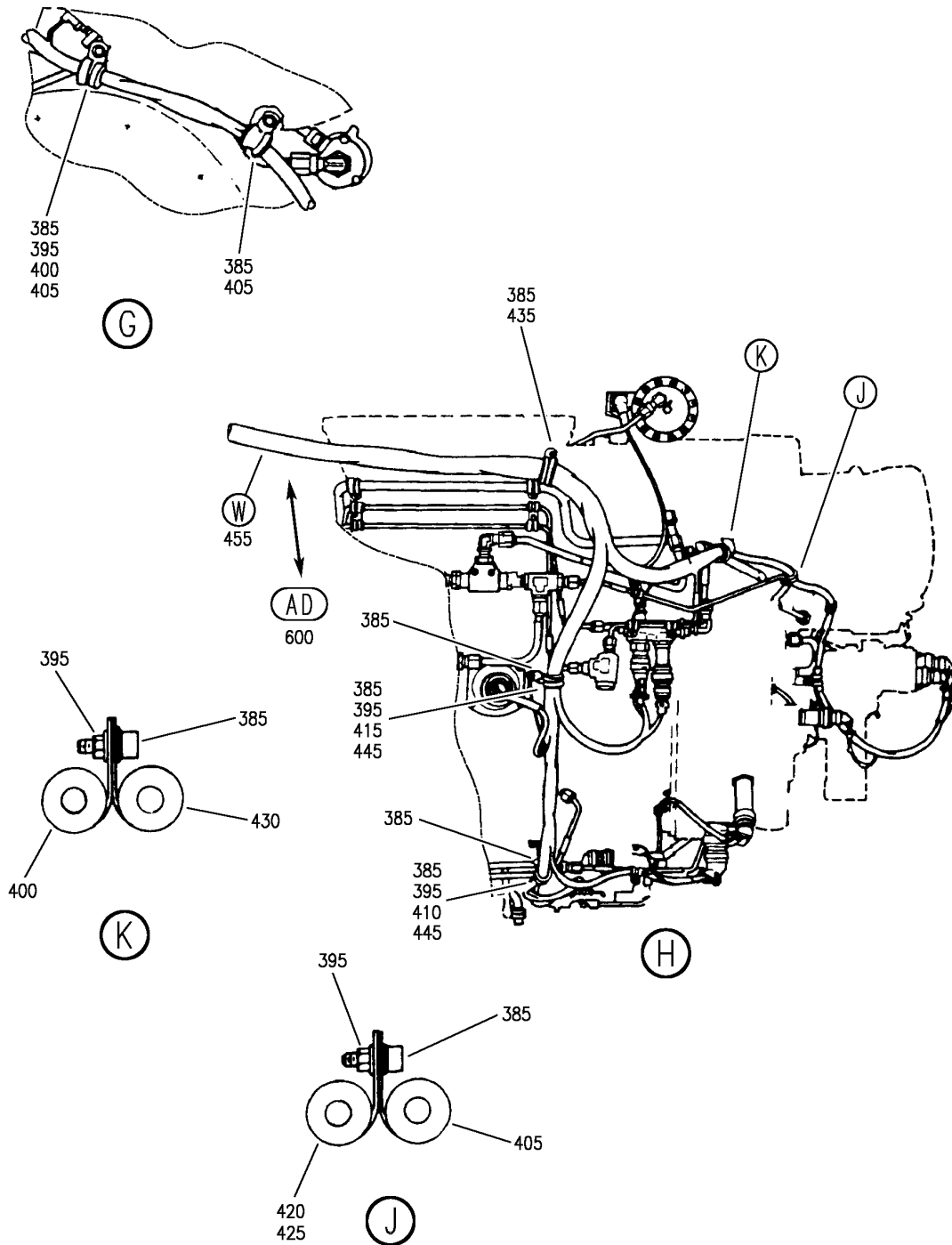
ENGINE ASSY-GAS TURB (APU HARNESS ONLY)  
FIGURE 1 (SHEET 3)

**49-14-00-01**

BRI  
MAY 28/07

49-14-00-01  
PAGE 0B

**BOEING**  
757  
PARTS CATALOG (MAINTENANCE)



Y 49140001 SH-T 4 REV 255

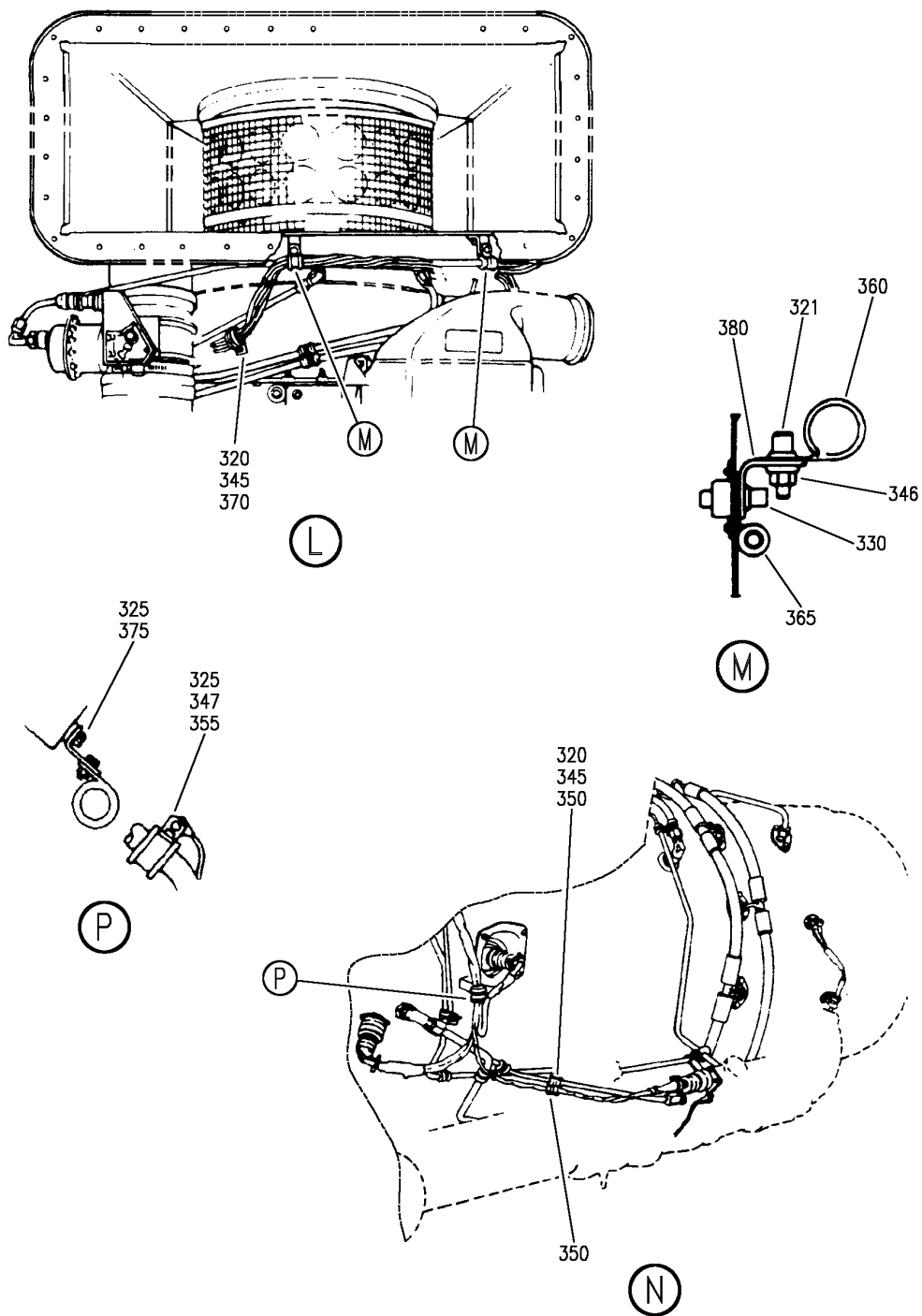
ENGINE ASSY-GAS TURB (APU HARNESS ONLY)  
FIGURE 1 (SHEET 4)

**49-14-00-01**

BRI  
MAY 28/07

49-14-00-01  
PAGE 0C

**BOEING**  
757  
PARTS CATALOG (MAINTENANCE)



Y 49140001 SH-T 5 REV 268

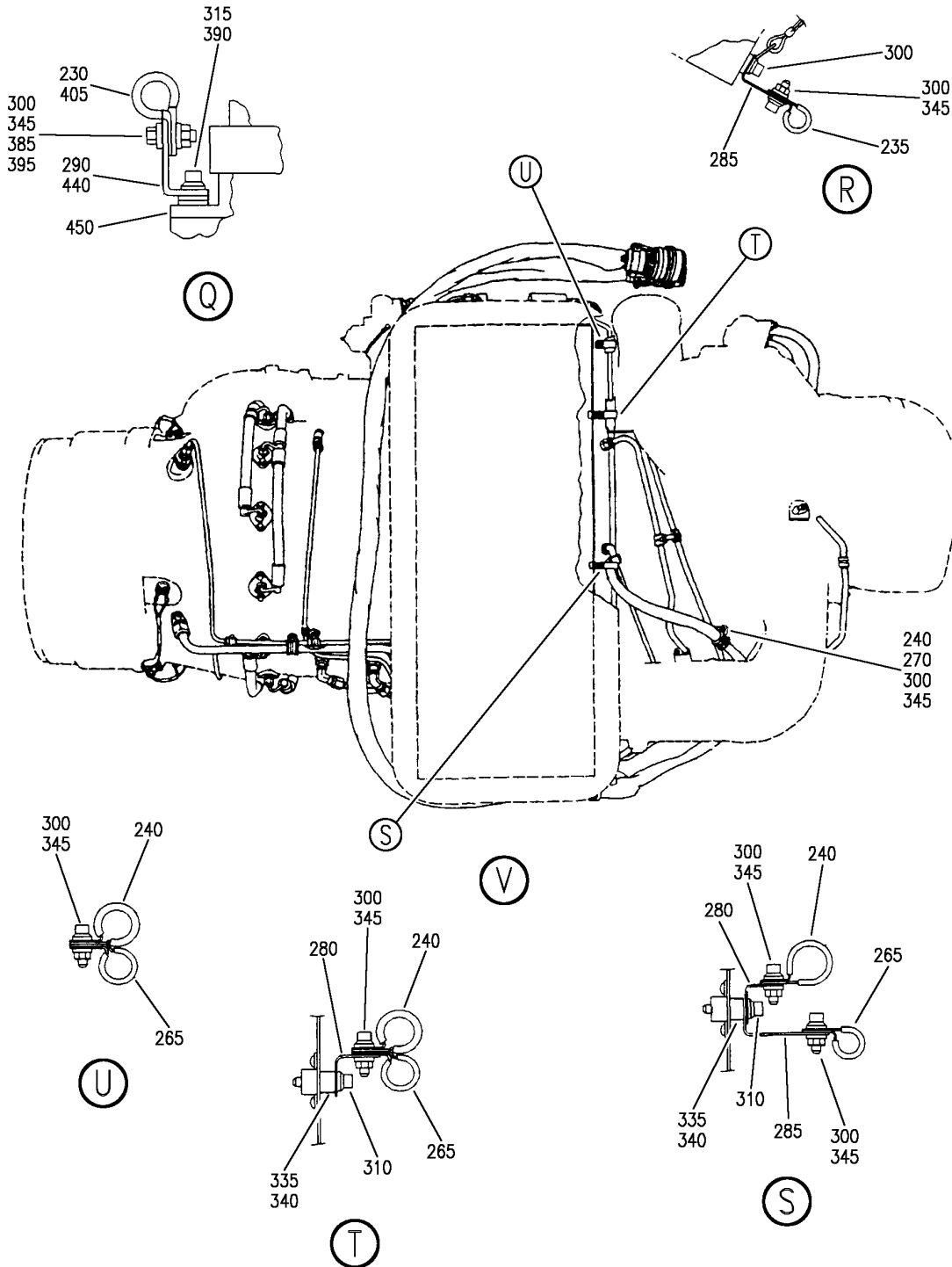
ENGINE ASSY-GAS TURB (APU HARNESS ONLY)  
FIGURE 1 (SHEET 5)

**49-14-00-01**

BRI  
MAY 28/07

49-14-00-01  
PAGE 0D

**BOEING**  
757  
PARTS CATALOG (MAINTENANCE)



Y 49140001 SH-T 6 REV 255

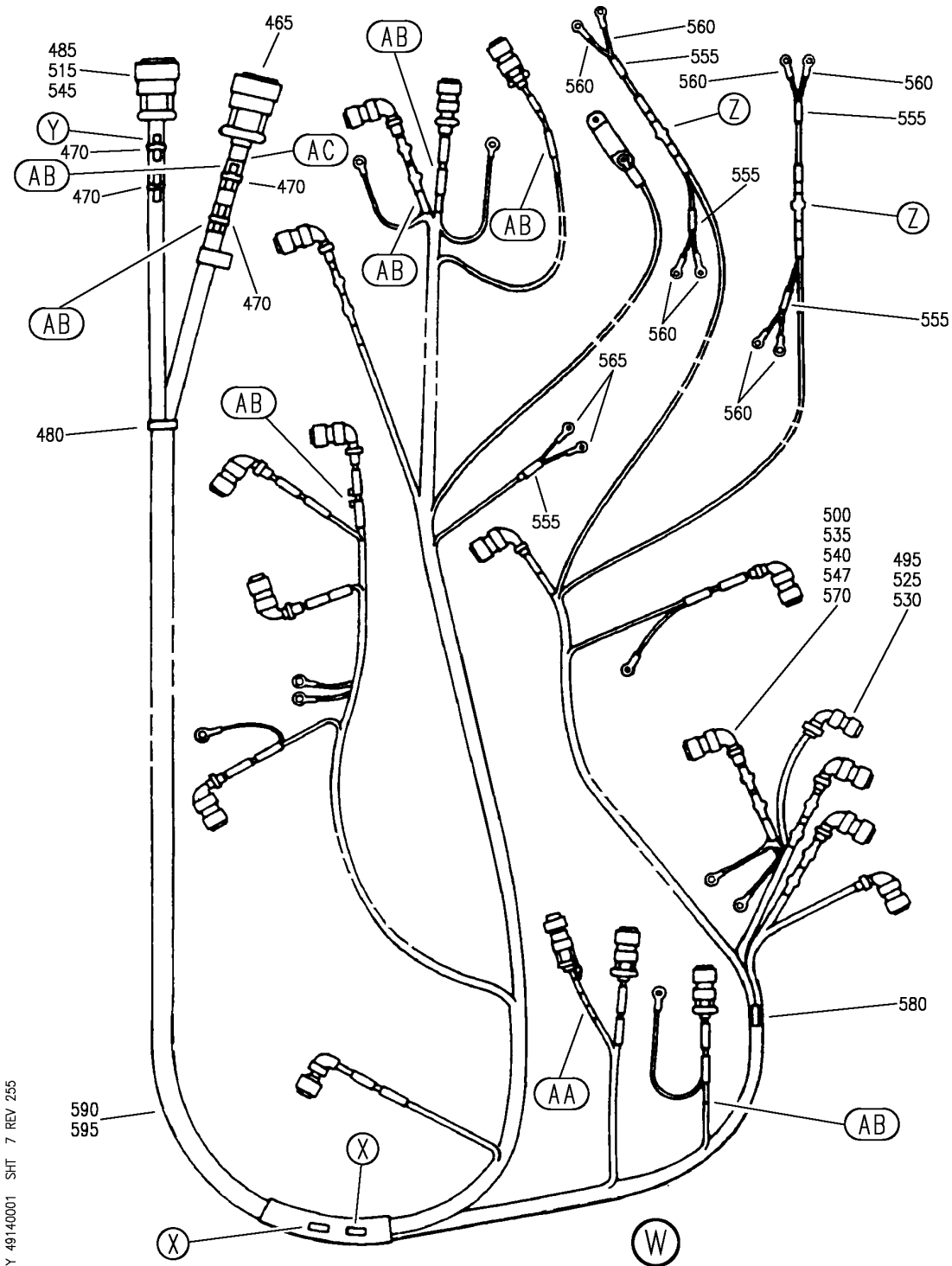
ENGINE ASSY-GAS TURB (APU HARNESS ONLY)  
FIGURE 1 (SHEET 6)

**49-14-00-01**

BRI  
MAY 28/07

49-14-00-01  
PAGE 0E


**BOEING**  
 757  
**PARTS CATALOG (MAINTENANCE)**



Y 49140001 SHT 7 REV 255

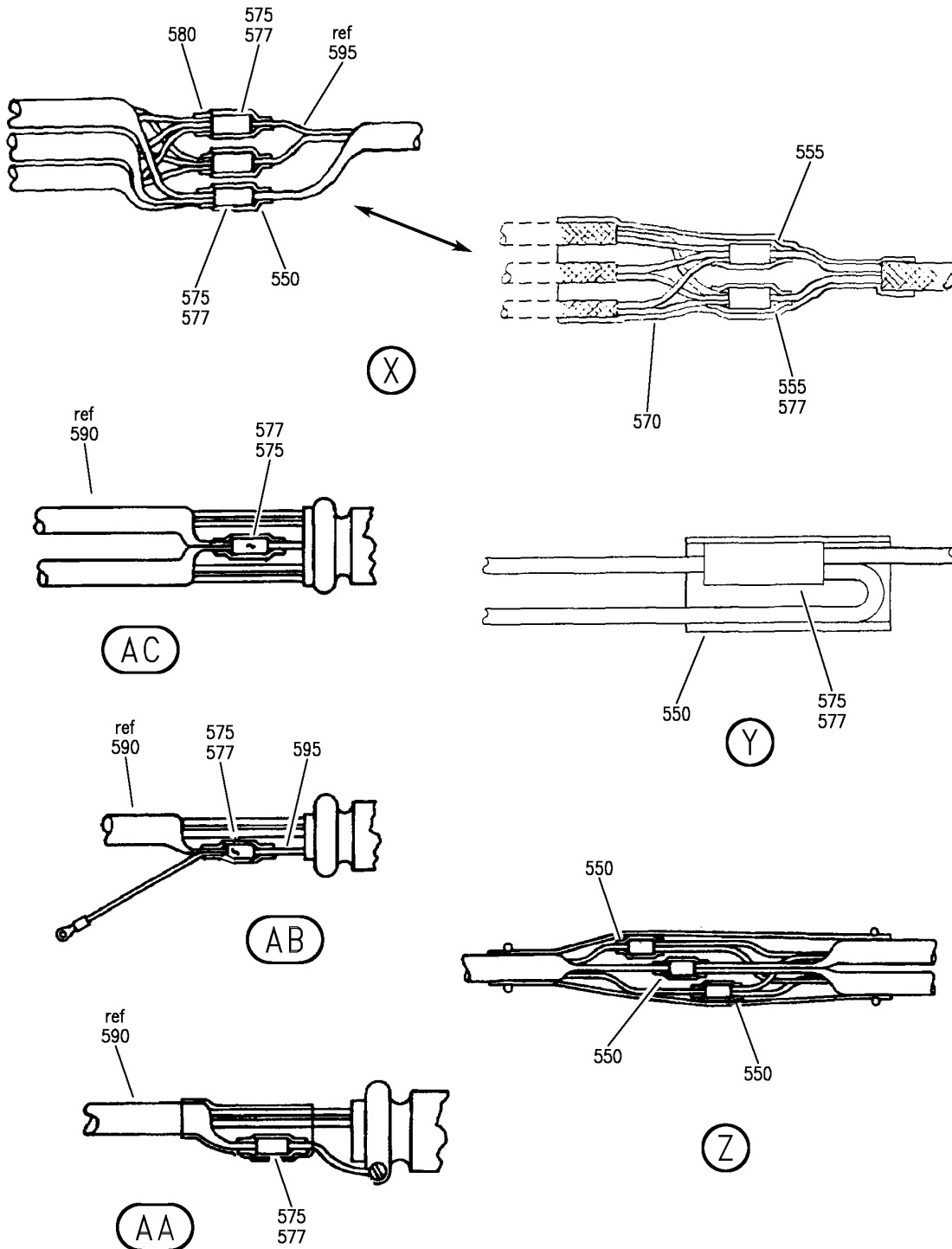
ENGINE ASSY-GAS TURB (APU HARNESS ONLY)  
FIGURE 1 (SHEET 7)

**49-14-00-01**

BRI  
MAY 28/07

49-14-00-01  
PAGE OF

**BOEING**  
757  
**PARTS CATALOG (MAINTENANCE)**



Y 49140001 SH-T 8 REV 255

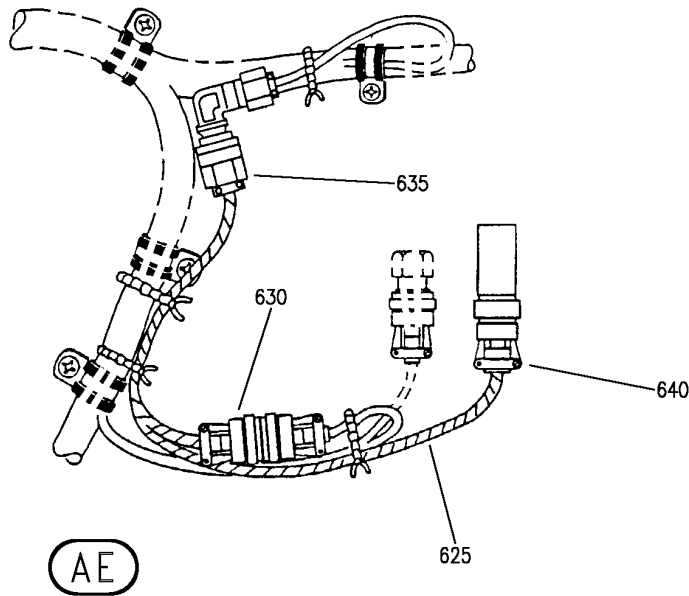
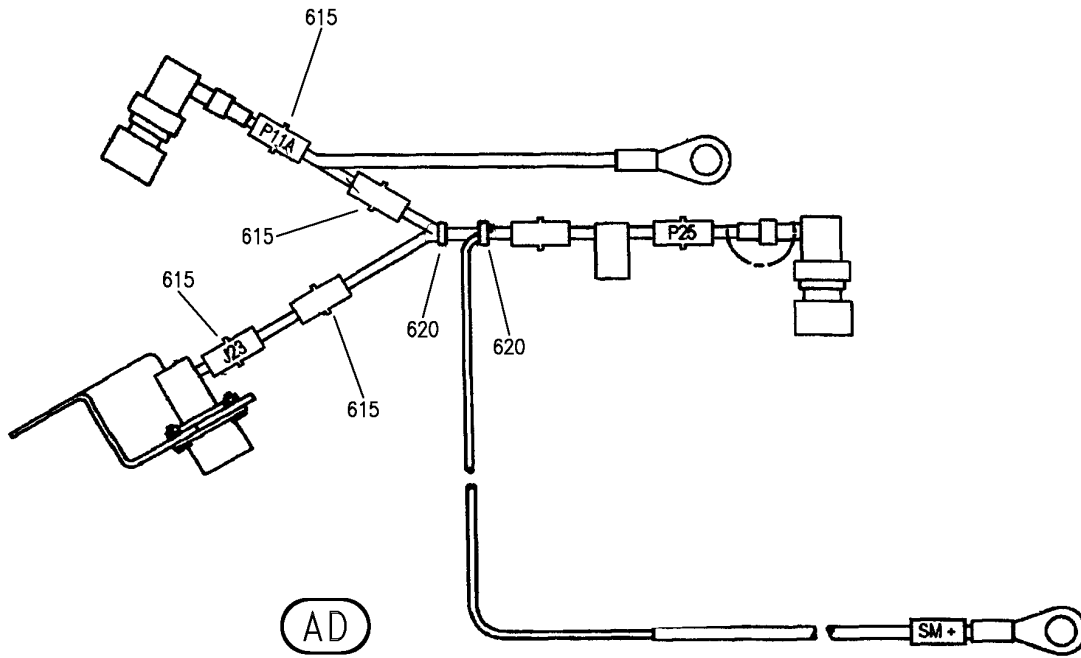
ENGINE ASSY-GAS TURB (APU HARNESS ONLY)  
FIGURE 1 (SHEET 8)

**49-14-00-01**

BRI  
MAY 28/07

49-14-00-01  
PAGE 06

**BOEING**  
757  
PARTS CATALOG (MAINTENANCE)



Y 49140001 SH 9 REV 255

ENGINE ASSY-GAS TURB (APU HARNESS ONLY)  
FIGURE 1 (SHEET 9)

**49-14-00-01**

BRI  
MAY 28/07

49-14-00-01  
PAGE 0H



757

PARTS CATALOG (MAINTENANCE)

FIG ITEM	PART NUMBER	1 2 3 4 5 6 7	NOMENCLATURE	EFFECT FROM TO	UNITS PER ASSY
1			ENGINE ASSY-GAS TURB (APU HARNESS ONLY)	002004 006999	
- 1	3800298-1-2		ENGINE ASSY-GAS TURB GTCP331-200ER (APU HARNESS ONLY) SUPPLIER CODE: V99193 SPECIFICATION NUMBER: S351T020-201 CONFIG CHG DATA FROM A CMM: REPLACES 3800298-1-1 COMPONENT MAINT MANUAL REF: 49-22-11 QUALIFIED I/W DATA: S351T020-201 (3800298-1-2) AND S351T020-205 (3800298-1-6) ARE INTERCHANGEABLE WITH THE INCORPORATION OF ALLIED SIGNAL S/B GTCP331-49-7081. S351T020-201 (3800298-1-2) AND S351T020-206 (3800298-1-7/3800298-1) ARE INTERCHANGEABLE WITH THE INCORPORATION OF ALLIED SIGNAL S/B GTCP331-49-7081. FOR NHA/ADDITIONAL DET SEE: 49-11-01-50	002004 006100 107107 121503 904999	RF

MISSING ITEM NUMBERS NOT APPLICABLE

- ITEM NOT ILLUSTRATED

49-14-00-01

49-14-00  
FIG. 01  
PAGE 1  
JAN 20/09

BRI





757

PARTS CATALOG (MAINTENANCE)

FIG ITEM	PART NUMBER	1 2 3 4 5 6 7	NOMENCLATURE	EFFECT FROM TO	UNITS PER ASSY
1 - 1	3800298-1-1		ENGINE ASSY-GAS TURB GTCP331-200ER (APU HARNESS ONLY) SUPPLIER CODE: V99193 SPECIFICATION NUMBER: S351T020-200 COMPONENT MAINT MANUAL REF: 49-22-11 QUALIFIED I/W DATA: S351T020-200 (3800298-1-1) AND S351T020-205 (3800298-1-6) ARE INTERCHANGEABLE WITH THE INCORPORATION OF ALLIED SIGNAL S/B GTCP331-49-7081. S351T020-200 (3800298-1-1) AND S351T020-206 (3800298-1-7/3800298-1) ARE INTERCHANGEABLE WITH THE INCORPORATION OF ALLIED SIGNAL S/B GTCP331-49-7081. FOR NHA/ADDITIONAL DET SEE: 49-11-01-50	002004 006100 107107 121503 904999	RF

MISSING ITEM NUMBERS NOT APPLICABLE

- ITEM NOT ILLUSTRATED

49-14-00-01

49-14-00  
FIG. 01  
PAGE 2  
JAN 20/09

BRI



757

PARTS CATALOG (MAINTENANCE)

FIG ITEM	PART NUMBER	1 2 3 4 5 6 7 NOMENCLATURE	EFFECT FROM TO	UNITS PER ASSY
1 - 1	3800298-1-3	ENGINE ASSY-GAS TURB GTCP-200ER (APU HARNESS ONLY) SUPPLIER CODE: V99193 SPECIFICATION NUMBER: S351T020-202 CONFIG CHG DATA FROM A CMM: REPLACES 3800298-1-2 COMPONENT MAINT MANUAL REF: 49-22-11 QUALIFIED I/W DATA: S351T020-202 (3800298-1-3) AND S351T020-205 (3800298-1-6) ARE INTERCHANGEABLE WITH THE INCORPORATION OF ALLIED SIGNAL S/B GTCP331-49-7081. S351T020-202 (3800298-1-3) AND S351T020-206 (3800298-1-7/3800298-1) ARE INTERCHANGEABLE WITH THE INCORPORATION OF ALLIED SIGNAL S/B GTCP331-49-7081. FOR NHA/ADDITIONAL DET SEE: 49-11-01-50	002004 006100 107107 121503 904999	RF

MISSING ITEM NUMBERS NOT APPLICABLE

- ITEM NOT ILLUSTRATED

BRI

49-14-00-01

BOEING PROPRIETARY - Copyright © - Unpublished Work - See title page for details.

49-14-00  
FIG. 01  
PAGE 3  
JAN 20/09



757

PARTS CATALOG (MAINTENANCE)

FIG ITEM	PART NUMBER	1 2 3 4 5 6 7	NOMENCLATURE	EFFECT FROM TO	UNITS PER ASSY
1 - 1	3800298-1-4		ENGINE ASSY-GAS TURB GTCP331-200ER (APU HARNESS ONLY) SUPPLIER CODE: V99193 SPECIFICATION NUMBER: S351T020-203 CONFIG CHG DATA FROM A CMM: REPLACES 3800298-1-3 COMPONENT MAINT MANUAL REF: 49-22-11 QUALIFIED I/W DATA: 3800298-1-4/S351T020-203 AND 3800298-1-6/S351T020-205 ARE INTERCHANGEABLE WITH THE INCORPORATION OF ALLIED SIGNAL S/B GTCP331-49-7081. S351T020-203(3800298-1-4 AND S351T020-206(3800298-1-7 /3800298-1) ARE INTERCHANGEABLE WITH THE INCORPORATION OF ALLIED SIGNAL S/B GTCP331-49-7081. FOR NHA/ADDITIONAL DET SEE: 49-11-01-50	002004 006100 107107 121503 904999	RF

MISSING ITEM NUMBERS NOT APPLICABLE

- ITEM NOT ILLUSTRATED

49-14-00-01

49-14-00  
 FIG. 01  
 PAGE 4  
 JAN 20/09

BRI



757

PARTS CATALOG (MAINTENANCE)

FIG ITEM	PART NUMBER	1 2 3 4 5 6 7	NOMENCLATURE	EFFECT FROM TO	UNITS PER ASSY
1 -	1 3800298-1-5		ENGINE ASSY-GAS TURB (HARNESS ONLY) SUPPLIER CODE: V99193 SPECIFICATION NUMBER: S351T020-204 COMPONENT MAINT MANUAL REF: 49-22-11 QUALIFIED I/W DATA: 3800298-1-5/S351T020-204 AND 3800298-1-6/S351T020-205 ARE INTERCHANGEABLE WITH THE INCORPORATION OF ALLIED SIGNAL S/B GTCP331-49-7081. S351T020-204 (3800298-1-5) AND S351T020-206(3800298-1-7 /3800298-1) ARE INTERCHANGEABLE WITH THE INCORPORATION OF ALLIED SIGNAL S/B GTCP331-49-7081. FOR NHA/ADDITIONAL DET SEE: 49-11-01-50	002004 006100 107107 121503 904999	RF
-	1 3800298-1-6		ENGINE ASSY-GAS TURB (HARNESS ONLY) SUPPLIER CODE: V99193 SPECIFICATION NUMBER: S351T020-205 COMPONENT MAINT MANUAL REF: 49-22-11 QUALIFIED I/W DATA: 3800298-1-5/S351T020-204 AND 3800298-1-6/S351T020-205 ARE INTERCHANGEABLE WITH THE INCORPORATION OF ALLIED SIGNAL S/B GTCP331-49-7081. S351T020-203 (3800298-1-4) AND S351T020-205 (3800298-1-6) ARE INTERCHANGEABLE WITH THE INCORPORATION OF ALLIED SIGNAL S/B	002004 006999	RF

MISSING ITEM NUMBERS NOT APPLICABLE

- ITEM NOT ILLUSTRATED

49-14-00-01

49-14-00  
FIG. 01  
PAGE 5  
JAN 20/09

BRI



757

PARTS CATALOG (MAINTENANCE)

FIG ITEM	PART NUMBER	1 2 3 4 5 6 7 NOMENCLATURE	EFFECT FROM TO	UNITS PER ASSY
1		GTCP331-49-7081. S351T020-202 (3800298-1-3) AND S351T020-205 (3800298-1-6) ARE INTERCHANGEABLE WITH THE INCORPORATION OF ALLIED SIGNAL S/B GTCP331-49-7081. S351T020-201 (3800298-1-2) AND S351T020-205 (3800298-1-6) ARE INTERCHANGEABLE WITH THE INCORPORATION OF ALLIED SIGNAL S/B GTCP331-49-7081. S351T020-200 (3800298-1-1) AND S351T020-205 (3800298-1-6) ARE INTERCHANGEABLE WITH THE INCORPORATION OF ALLIED SIGNAL S/B GTCP331-49-7081. FOR NHA/ADDITIONAL DET SEE: 49-11-01-50 49-21-00-02		
-	1 3800298-1-7	ENGINE ASSY-GAS TURB (HARNESS ONLY) SUPPLIER CODE: V99193 SPECIFICATION NUMBER: S351T020-206 COMPONENT MAINT MANUAL REF: 49-22-11 QUALIFIED I/W DATA: 3800298-1-5/S351T020-204 AND 3800298-1-7/S351T020-206 /3800298-1 ARE INTERCHANGEABLE WITH THE INCORPORATION OF ALLIED SIGNAL S/B GTCP331-49-7081. S351T020-203 (3800298-1-4) AND S351T020-206(3800298-1-7 /3800298-1) ARE	002004 006999	RF

MISSING ITEM NUMBERS NOT APPLICABLE

- ITEM NOT ILLUSTRATED

49-14-00-01

BRI

BOEING PROPRIETARY - Copyright © - Unpublished Work - See title page for details.

49-14-00  
FIG. 01  
PAGE 6  
SEP 20/08



757

PARTS CATALOG (MAINTENANCE)

FIG ITEM	PART NUMBER	1 2 3 4 5 6 7 NOMENCLATURE	EFFECT FROM TO	UNITS PER ASSY
1		<p>INTERCHANGEABLE WITH THE INCORPORATION OF ALLIED SIGNAL S/B GTCP331-49-7081. S351T020-202 (3800298-1-3) AND S351T020-206 (3800298-1-7/3800298-1) ARE INTERCHANGEABLE WITH THE INCORPORATION OF ALLIED SIGNAL S/B GTCP331-49-7081. S351T020-201 (3800298-1-2) AND S351T020-206 (3800298-1-7/3800298-1) ARE INTERCHANGEABLE WITH THE INCORPORATION OF ALLIED SIGNAL S/B GTCP331-49-7081. S351T020-200 (3800298-1-1) AND S351T020-206 (3800298-1-7/3800298-1) ARE INTERCHANGEABLE WITH THE INCORPORATION OF ALLIED SIGNAL S/B GTCP331-49-7081. OPTIONAL PART: 3800298-1 V99193 FOR NHA/ADDITIONAL DET SEE: 49-11-01-50 49-21-00-02 ENGINE ASSY-GAS TURB (HARNESS ONLY) SUPPLIER CODE: V99193 SPECIFICATION NUMBER: S351T020-206 COMPONENT MAINT MANUAL REF: 49-22-11 QUALIFIED I/W DATA: 3800298-1-5/S351T020-204 AND 3800298-1-7/S351T020-206 3800298-1 ARE INTERCHANGEABLE WITH THE INCORPORATION OF</p>		
-	1 3800298-1	<p>OPTIONAL PART: 3800298-1 V99193 FOR NHA/ADDITIONAL DET SEE: 49-11-01-50 49-21-00-02 ENGINE ASSY-GAS TURB (HARNESS ONLY) SUPPLIER CODE: V99193 SPECIFICATION NUMBER: S351T020-206 COMPONENT MAINT MANUAL REF: 49-22-11 QUALIFIED I/W DATA: 3800298-1-5/S351T020-204 AND 3800298-1-7/S351T020-206 3800298-1 ARE INTERCHANGEABLE WITH THE INCORPORATION OF</p>	002004 006999	RF

MISSING ITEM NUMBERS NOT APPLICABLE

- ITEM NOT ILLUSTRATED

49-14-00-01

BRI

BOEING PROPRIETARY - Copyright © - Unpublished Work - See title page for details.

49-14-00  
FIG. 01  
PAGE 7  
SEP 20/08



757

PARTS CATALOG (MAINTENANCE)

FIG ITEM	PART NUMBER	1 2 3 4 5 6 7 NOMENCLATURE	EFFECT FROM TO	UNITS PER ASSY
1		<p>ALLIED SIGNAL S/B            GTCP331-49-7081.            S351T020-203            (3800298-1-4) AND            S351T020-206(3800298-1-7            /3800298-1)            ARE INTERCHANGEABLE WITH            THE INCORPORATION OF            ALLIED SIGNAL            S/B GTCP331-49-7081.            S351T020-202            (3800298-1-3)            AND S351T020-206            (3800298-1-7/3800298-1)            ARE INTERCHANGEABLE            WITH THE INCORPORATION            OF ALLIED SIGNAL S/B            GTCP331-49-7081.            S351T020-201            (3800298-1-2)            AND S351T020-206            ARE INTERCHANGEABLE            WITH THE INCORPORATION            OF ALLIED SIGNAL S/B            GTCP331-49-7081.            S351T020-200            (3800298-1-1)            AND S351T020-206            (3800298-1-7/3800298-1)            ARE INTERCHANGEABLE            WITH THE INCORPORATION            OF ALLIED SIGNAL S/B            GTCP331-49-7081.            OPTIONAL PART:            3800298-1-7            V99193            FOR NHA/ADDITIONAL DET SEE:            49-11-01-50            49-21-00-02            .BOLT-            SB DATA FROM A CMM:            PRE GTE0252            OPTIONAL PART:            MS21279-09            MS9556-09</p>	002004 006999	1

MISSING ITEM NUMBERS NOT APPLICABLE

- ITEM NOT ILLUSTRATED

49-14-00-01

49-14-00  
 FIG. 01  
 PAGE 8  
 SEP 20/08

BRI



757

PARTS CATALOG (MAINTENANCE)

FIG ITEM	PART NUMBER	1 2 3 4 5 6 7	NOMENCLATURE	EFFECT FROM TO	UNITS PER ASSY
1					
150	MS21279-09	.BOLT-	SB DATA FROM A CMM: PRE GTE0292 POST GTE0252 OPTIONAL PART: MS21279-05 MS9556-09	002004 006999	1
150	MS9556-09	.BOLT-	SB DATA FROM A CMM: POST GTE0292 OPTIONAL PART: MS21279-05 MS21279-09	002004 006999	1
155	MS9556-05	.BOLT		002004 006999	1
160	NAS43DD3-14	.SPACER-	SB DATA FROM A CMM: POST 49-5372	002004 006999	1
165	NAS43DD3-14	.SPACER-	SB DATA FROM A CMM: POST 49-5372	002004 006999	1
170	MS21044C3	.NUT		002004 006999	1
175	TA12C59TH3HB	.CLAMP-	SUPPLIER CODE: V84971 SB DATA FROM A CMM: PRE GTE1046 OPTIONAL PART: JM44LC43H3WC V22175	002004 006999	1
175	JM44LC43H3WC	.CLAMP-	SUPPLIER CODE: V22175 SB DATA FROM A CMM: POST GTE1046 OPTIONAL PART: TA12C59TH3HB V84971	002004 006999	1
180	TA12C59TH3HB	.CLAMP-	SUPPLIER CODE: V84971 OPTIONAL PART: JM44LC43H3WC V22175	002004 006999	1

MISSING ITEM NUMBERS NOT APPLICABLE

- ITEM NOT ILLUSTRATED

49-14-00-01

49-14-00  
FIG. 01  
PAGE 9  
SEP 20/08

BRI

BOEING PROPRIETARY - Copyright © - Unpublished Work - See title page for details.





757

PARTS CATALOG (MAINTENANCE)

FIG ITEM	PART NUMBER	1 2 3 4 5 6 7	NOMENCLATURE	EFFECT FROM TO	UNITS PER ASSY
1 180	JM44LC43H3WC	.CLAMP-	SUPPLIER CODE: V22175 SB DATA FROM A CMM: POST SPB GTE1046 OPTIONAL PART: TA12C59TH3HB V84971	002004 006999	1
185	TA12C59WTH6HB	.CLAMP-	SUPPLIER CODE: V84971 OPTIONAL PART: JM44LC43H6WC V22175	002004 006999	1
185	JM44LC43H6WC	.CLAMP-	SUPPLIER CODE: V22175 SB DATA FROM A CMM: POST SPB GTE1046 OPTIONAL PART: TA12C59WTH6HB V84971	002004 006999	1
190	MS21279-09	.BOLT-	OPTIONAL PART: MS9556-09	002004 006999	1
190	MS9556-09	.BOLT-	SB DATA FROM A CMM: POST GTE0292 OPTIONAL PART: MS21279-09	002004 006999	1
195	MS9556-05	.BOLT-	USED ON: 3800298-1 3800298-1-1 3800298-1-2 3800298-1-3 3800298-1-4 3800298-1-5 3800298-1-6 3800298-1-7	002004 006999	1
- 197	AN960C10L	.WASHER-	USED ON: 3800298-1-1 3800298-1-2 3800298-1-3 3800298-1-4 3800298-1-5 3800298-1-6	002004 006999	1

MISSING ITEM NUMBERS NOT APPLICABLE

- ITEM NOT ILLUSTRATED

49-14-00-01

49-14-00  
FIG. 01  
PAGE 10  
SEP 20/08

BRI



757

PARTS CATALOG (MAINTENANCE)

FIG ITEM	PART NUMBER	1 2 3 4 5 6 7	NOMENCLATURE	EFFECT FROM TO	UNITS PER ASSY
1 200	MS21043-3		.NUT- USED ON: 3800298-1 3800298-1-1 3800298-1-2 3800298-1-3 3800298-1-4 3800298-1-5 3800298-1-6 3800298-1-7	002004 006999	1
205	TA12C59TH3HB		.CLAMP- SUPPLIER CODE: V84971 SB DATA FROM A CMM: PRE GTE1046 OPTIONAL PART: JM44LC43H3WC V22175	002004 006999	1
205	JM44LC43H3WC		.CLAMP- SUPPLIER CODE: V22175 SB DATA FROM A CMM: POST GTE1046 OPTIONAL PART: TA12C59TH3HB V84971	002004 006999	1
210	JM44LC28WH4GF		.CLAMP- SUPPLIER CODE: V22175 SB DATA FROM A CMM: PRE 49-7192 OPTIONAL PART: 211-501-9754 V99193 USED ON: 3800298-1 3800298-1-1 3800298-1-2 3800298-1-3 3800298-1-4 3800298-1-5 3800298-1-6 3800298-1-7	002004 006999	1

MISSING ITEM NUMBERS NOT APPLICABLE

- ITEM NOT ILLUSTRATED

49-14-00-01

49-14-00  
FIG. 01  
PAGE 11  
SEP 20/08

BRI



757

PARTS CATALOG (MAINTENANCE)

FIG ITEM	PART NUMBER	1 2 3 4 5 6 7	NOMENCLATURE	EFFECT FROM TO	UNITS PER ASSY
1					
215	JM44CL43H10WC		.CLAMP- SUPPLIER CODE: V22175 USED ON: 3800298-1 3800298-1-1 3800298-1-2 3800298-1-3 3800298-1-4 3800298-1-5 3800298-1-6 3800298-1-7	002004 006999	1
220	JM44LC43H3WC		.CLAMP- SUPPLIER CODE: V22175	002004 006999	5
225	JM44LC43H5WC		.CLAMP- SUPPLIER CODE: V22175	002004 006999	1
230	JM44LC43H6WC		.CLAMP- SUPPLIER CODE: V22175	002004 006999	4
235	JM44LC43H8WC		.CLAMP- SUPPLIER CODE: V22175	002004 006999	1
240	JM44LC43H10WC		.CLAMP- SUPPLIER CODE: V22175	002004 006999	4
245	JM44LC43H11WC		.CLAMP- SUPPLIER CODE: V22175	002004 006999	1
250	JM44LC43H12WC		.CLAMP- SUPPLIER CODE: V22175	002004 006999	1
255	JM44LC43H16WC		.CLAMP- SUPPLIER CODE: V22175	002004 006999	1
260	JM44LC28WH3GF		.CLAMP- SUPPLIER CODE: V22175	002004 006999	1
265	JM44LC28WH4GF		.CLAMP- SUPPLIER CODE: V22175 OPTIONAL PART: 211-501-9754 V99193	002004 006999	6
270	JM44LC28WH6GF		.CLAMP- SUPPLIER CODE: V22175	002004 006999	5

MISSING ITEM NUMBERS NOT APPLICABLE

- ITEM NOT ILLUSTRATED

49-14-00-01

49-14-00  
FIG. 01  
PAGE 12  
SEP 20/08

BRI

BOEING PROPRIETARY - Copyright © - Unpublished Work - See title page for details.



757

PARTS CATALOG (MAINTENANCE)

FIG ITEM	PART NUMBER	1 2 3 4 5 6 7	NOMENCLATURE	EFFECT FROM TO	UNITS PER ASSY
1					
275	JM44LC28WH8GF	.	CLAMP- SUPPLIER CODE: V22175	002004 006999	1
280	MS9592-010	.	BRACKET	002004 006999	3
285	MS9592-018	.	BRACKET	002004 006999	3
290	MS9593-010	.	BRACKET	002004 006999	1
295	MS9593-216	.	BRACKET	002004 006999	1
300	MS9556-05	.	BOLT	002004 006999	21
305	MS9556-09	.	BOLT	002004 006999	1
310	MS9556-10	.	BOLT	002004 006999	2
315	MS9557-09	.	BOLT	002004 006999	1
320	MS21279-05	.	BOLT- OPTIONAL PART: MS9556-05	002004 006999	2
320	MS9556-05	.	BOLT- SB DATA FROM A CMM: POST GTE0292 OPTIONAL PART: MS21279-05	002004 006999	2
321	MS21279-05	.	BOLT- OPTIONAL PART: MS9556-05 PRE SERVICE BULLETIN: GTCP331-49-7496R3 V59364	002004 006999	2
321	MS9556-05	.	BOLT- OPTIONAL PART: MS21279-05 PRE SERVICE BULLETIN: GTCP331-49-7496R3 V59364	002004 006999	2
325	MS21279-05	.	BOLT- SB DATA FROM A CMM: PRE GTE0292 OPTIONAL PART: MS9556-05	002004 006999	2
325	MS9556-05	.	BOLT- SB DATA FROM A CMM: POST GTE0292 OPTIONAL PART: MS21279-05	002004 006999	2

MISSING ITEM NUMBERS NOT APPLICABLE

- ITEM NOT ILLUSTRATED

49-14-00-01

49-14-00  
FIG. 01  
PAGE 13  
SEP 20/08

BRI



757

PARTS CATALOG (MAINTENANCE)

FIG ITEM	PART NUMBER	1 2 3 4 5 6 7	NOMENCLATURE	EFFECT FROM TO	UNITS PER ASSY
1					
330	MS21279-06	.BOLT-	OPTIONAL PART: MS9556-06 PRE SERVICE BULLETIN: GTCP331-49-7496R3 V59364	002004 006999	2
330	MS9556-06	.BOLT-	SB DATA FROM A CMM: POST SPB GTE0292 OPTIONAL PART: MS21279-06	002004 006999	2
335	NAS43DD3-14	.SPACER		002004 006999	3
340	NAS43DD3-14FC	.SPACER		002004 006999	2
345	MS21043-3	.NUT		002004 006999	21
346	MS21043-3	.NUT-	PRE SERVICE BULLETIN: GTCP331-49-7496R3 V59346	002004 006999	2
347	MS21043-3	.NUT-	PRE SERVICE BULLETIN: GTCP331-49-7391R1 V99193	002004 006999	1
350	TA12C59TH4HB	.CLAMP-	SUPPLIER CODE: V84971 SB DATA FROM A CMM: PRE GTE1046 OPTIONAL PART: JM44LC43H4WC V22175	002004 006999	2
350	JM44LC43H4WC	.CLAMP-	SUPPLIER CODE: V22175 SB DATA FROM A CMM: POST GTE1046 OPTIONAL PART: TA12C59TH4HB V84971	002004 006999	2
355	TA12C59WTH8HB	.CLAMP-	SUPPLIER CODE: V84971 SB DATA FROM A CMM: PRE GTE1046 OPTIONAL PART: JM44LC43H8WC V22175	002004 006999	1

MISSING ITEM NUMBERS NOT APPLICABLE

- ITEM NOT ILLUSTRATED

49-14-00-01

49-14-00  
FIG. 01  
PAGE 14  
SEP 20/08

BRI



757

PARTS CATALOG (MAINTENANCE)

FIG ITEM	PART NUMBER	1 2 3 4 5 6 7	NOMENCLATURE	EFFECT FROM TO	UNITS PER ASSY
1 355	JM44LC43H8WC	.CLAMP-	SUPPLIER CODE: V22175 SB DATA FROM A CMM: POST SPB GTE1046 OPTIONAL PART: TA12C59WTH8HB V84971	002004 006999	1
360	TA12C59WTH10HB	.CLAMP-	SUPPLIER CODE: V84971 OPTIONAL PART: JM44LC43H10WC V22175 PRE SERVICE BULLETIN: GTCP331-49-7496R3 V59364	002004 006999	2
360	JM44LC43H10WC	.CLAMP-	SUPPLIER CODE: V22175 SB DATA FROM A CMM: POST GTE1046 OPTIONAL PART: TA12C59WTH10HB V84971 PRE SERVICE BULLETIN: GTCP331-49-7496R3 V59364	002004 006999	2
365	TA12C59TH4HB	.CLAMP-	SUPPLIER CODE: V84971 OPTIONAL PART: JM44LC43H4WC V22175 PRE SERVICE BULLETIN: GTCP331-49-7496R3 V59364	002004 006999	2

MISSING ITEM NUMBERS NOT APPLICABLE

- ITEM NOT ILLUSTRATED

49-14-00-01

49-14-00  
FIG. 01  
PAGE 15  
SEP 20/08

BRI



757

PARTS CATALOG (MAINTENANCE)

FIG ITEM	PART NUMBER	1 2 3 4 5 6 7	NOMENCLATURE	EFFECT FROM TO	UNITS PER ASSY
1 365	JM44LC43H4WC		.CLAMP- SUPPLIER CODE: V22175 SB DATA FROM A CMM: POST GTE1046 PRE 49-7192 PRE 49-7391 OPTIONAL PART: TA12C59TH4HB V84971 PRE SERVICE BULLETIN: GTCP331-49-7496R3 V59346	002004 006999	2
370	TA12C59TH4HB		.CLAMP- SUPPLIER CODE: V84971 OPTIONAL PART: JM44LC43H4WC V22175	002004 006999	1
370	JM44LC43H4WC		.CLAMP- SUPPLIER CODE: V22175 SB DATA FROM A CMM: POST GTE1046 OPTIONAL PART: TA12C59TH4HB V84971	002004 006999	1
375	MS9592-018		.BRACKET	002004 006999	1
380	MS9592-006		.BRACKET- PRE SERVICE BULLETIN: GTCP331-49-7496R3 V59364	002004 006999	2
385	MS21279-05		.BOLT- OPTIONAL PART: MS9556-05	002004 006999	10
385	MS9556-05		.BOLT- SB DATA FROM A CMM: POST GTE0292 OPTIONAL PART: MS21279-05	002004 006999	10
390	MS21279-06		.BOLT- SB DATA FROM A CMM: PRE 49-5533 CONFIG CHG DATA FROM A CMM: REPLD BY MS9556-06 OPTIONAL PART: MS9556-06 MS9557-09	002004 006999	1

MISSING ITEM NUMBERS NOT APPLICABLE

- ITEM NOT ILLUSTRATED

49-14-00-01

49-14-00  
FIG. 01  
PAGE 16  
SEP 20/08

BRI



757

PARTS CATALOG (MAINTENANCE)

FIG ITEM	PART NUMBER	1 2 3 4 5 6 7	NOMENCLATURE	EFFECT FROM TO	UNITS PER ASSY
1					
390	MS9556-06		.BOLT- SB DATA FROM A CMM: POST GTE0292 PRE 49-5533 CONFIG CHG DATA FROM A CMM: REPLD BY MS9557-09 OPTIONAL PART: MS21279-06 MS9557-09	002004 006999	1
390	MS9557-09		.BOLT- SB DATA FROM A CMM: POST 49-5533 CONFIG CHG DATA FROM A CMM: REPLACES MS21279-06 AND MS9556-06 OPTIONAL PART: MS21279-06 MS9556-06	002004 006999	1
395	MS21043-3		.NUT	002004 006999	6
400	TA12C59WTH8HB		.CLAMP- SUPPLIER CODE: V84971 OPTIONAL PART: JM44LC43H8WC V22175	002004 006999	2
400	JM44LC28WH8GF		.CLAMP- SUPPLIER CODE: V22175 OPTIONAL PART: TA12C59WTH8HB V84971 JM44LC43H8WC V22175 USED ON: 3800298-1 3800298-1-1 3800298-1-2 3800298-1-3 3800298-1-4 3800298-1-5 3800298-1-6 3800298-1-7	002004 006999	2
405	TA12C59WTH6HB		.CLAMP- SUPPLIER CODE: V84971 OPTIONAL PART: JM44LC43H6WC V22175	002004 006999	4

MISSING ITEM NUMBERS NOT APPLICABLE

- ITEM NOT ILLUSTRATED

49-14-00-01

49-14-00  
FIG. 01  
PAGE 17  
SEP 20/08

BRI





757

PARTS CATALOG (MAINTENANCE)

FIG ITEM	PART NUMBER	1 2 3 4 5 6 7	NOMENCLATURE	EFFECT FROM TO	UNITS PER ASSY
1 405	JM44LC43H6WC		.CLAMP- SUPPLIER CODE: V22175 SB DATA FROM A CMM: POST GTE1046 OPTIONAL PART: TA12C59WTH6HB V84971	002004 006999	4
410	TA12C59WTH9HB		.CLAMP- SUPPLIER CODE: V84971 OPTIONAL PART: JM44LC43H9WC V22175	002004 006999	1
410	JM44LC43H9WC		.CLAMP- SUPPLIER CODE: V22175 SB DATA FROM A CMM: POST GTE1046 OPTIONAL PART: TA12C59WTH9HB V84971	002004 006999	1
415	TA12C59WTH10HB		.CLAMP- SUPPLIER CODE: V84971	002004 006999	1
420	TA12C59WTH8HB		.CLAMP- SUPPLIER CODE: V84971	002004 006999	1
425	JM44LC28WH8GF		.CLAMP- SUPPLIER CODE: V22175 USED ON: 3800298-1 3800298-1-1 3800298-1-2 3800298-1-3 3800298-1-4 3800298-1-5 3800298-1-6 3800298-1-7	002004 006999	1
430	TA12C59WTH12HB		.CLAMP- SUPPLIER CODE: V84971 OPTIONAL PART: JM44LC43H12WC V22175	002004 006999	1

MISSING ITEM NUMBERS NOT APPLICABLE

- ITEM NOT ILLUSTRATED

49-14-00-01

49-14-00  
FIG. 01  
PAGE 18  
SEP 20/08

BRI



757

PARTS CATALOG (MAINTENANCE)

FIG ITEM	PART NUMBER	1 2 3 4 5 6 7	NOMENCLATURE	EFFECT FROM TO	UNITS PER ASSY
1 430	JM44LC43H12WC		.CLAMP- SUPPLIER CODE: V22175 SB DATA FROM A CMM: POST GTE1046 OPTIONAL PART: TA12C59WTH12HB V84971	002004 006999	1
435	TA12C59WH16HB		.CLAMP- SUPPLIER CODE: V84971 OPTIONAL PART: T1718D07T V84971	002004 006999	1
435	T1718D07T		.CLAMP- SUPPLIER CODE: V84971 SB DATA FROM A CMM: POST GTE1046 OPTIONAL PART: TA12C59WH16HB V84971	002004 006999	1
440	MS9592-010		.BRACKET- SB DATA FROM A CMM: PRE 49-5533 OPTIONAL PART: MS9593-010	002004 006999	1
440	MS9593-010		.BRACKET- SB DATA FROM A CMM: POST 49-5533 OPTIONAL PART: MS9592-010	002004 006999	1
445	MS9592-018		.BRACKET	002004 006999	2
450	3880327-1		.TUBE-DE-OIL SUPPLIER CODE: V99193 NOT APPROVED FOR ETOPS AFTER INCORP OF SB: GTCP331495645	002004 006999	RF
455	3888123-4		.WIRING HARNESS ASSY- SUPPLIER CODE: V99193 SB DATA FROM A CMM: POST SB 49-5533 PRE SB 49-5794	002004 006102 107999	1

MISSING ITEM NUMBERS NOT APPLICABLE

- ITEM NOT ILLUSTRATED

49-14-00-01

49-14-00  
FIG. 01  
PAGE 19  
JAN 20/09

BRI



757

PARTS CATALOG (MAINTENANCE)

FIG ITEM	PART NUMBER	1 2 3 4 5 6 7	NOMENCLATURE	EFFECT FROM TO	UNITS PER ASSY
1 455	3888123-5		.WIRING HARNESS ASSY- SUPPLIER CODE: V99193 USED ON: 3800298-1-1 3800298-1-2 3800298-1-3 3800298-1-4 3800298-1-5 3800298-1-6 3800298-1-7 3800298-1	002004 006999	1
455	3888123-6		.WIRING HARNESS ASSY- SUPPLIER CODE: V99193 SB DATA FROM A CMM: POST SB 49-5794 PRE SB 49-5840 CONFIG CHG DATA FROM A CMM: REWORKED FROM PN 3888123-4 QUALIFIED OPTIONAL DATA: 3888123-8 USED WITH: 3888450-1 QUALIFIED SB I/W DATA: 3617394-1 USED WITH 3888123-8 OR 3888123-9 OPT TO 3617394-1 USED WITH 3888123-6 OR 3888123-7 AND 3888450-1 OPT TO 3614759-1 USED WITH 3888123-8 OR 3888123-9 OPT TO 3617459-1 USED WITH 3888123-6 OR 3888123-7 AND 3888450-1	002004 006102 107999	1

MISSING ITEM NUMBERS NOT APPLICABLE

- ITEM NOT ILLUSTRATED

BRI

49-14-00-01

BOEING PROPRIETARY - Copyright © - Unpublished Work - See title page for details.

49-14-00  
FIG. 01  
PAGE 20  
JAN 20/09



757

PARTS CATALOG (MAINTENANCE)

FIG ITEM	PART NUMBER	1 2 3 4 5 6 7	NOMENCLATURE	EFFECT FROM TO	UNITS PER ASSY
1 455	3888123-7		.WIRING HARNESS ASSY- SUPPLIER CODE: V99193 SB DATA FROM A CMM: POST SB 49-5840 CONFIG CHG DATA FROM A CMM: REWORKED FROM PN 3888123-6 QUALIFIED SB I/W DATA: 3617394-1 USED WITH 3888123-8 OR 3888123-9 OPT TO 3617394-1 USED WITH 3888123-6 OR 3888123-7 AND 3888450-1 OPT TO 3614759-1 USED WITH 3888123-8 OR 3888123-9 OPT TO 3617459-1 USED WITH 3888123-6 OR 3888123-7 AND 3888450-1	002004 006102 107999	1
455	3888123-8		.WIRING HARNESS ASSY- SUPPLIER CODE: V99193 SB DATA FROM A CMM: POST SB 49-7391 CONFIG CHG DATA FROM A CMM: REPLD BY 3888465-1 QUALIFIED OPTIONAL DATA: 3888123-6 QUALIFIED SB I/W DATA: 3617394-1 USED WITH 3888123-8 OR 3888123-9 OPT TO 3617394-1 USED WITH 3888123-6 OR 3888123-7 AND 3888450-1 OPT TO 3614759-1 USED WITH 3888123-8 OR 3888123-9 OPT TO 3617459-1 USED WITH 3888123-6 OR 3888123-7 AND 3888450-1	002004 006999	1

MISSING ITEM NUMBERS NOT APPLICABLE

- ITEM NOT ILLUSTRATED

49-14-00-01

49-14-00  
FIG. 01  
PAGE 21  
JAN 20/09

BRI



757

PARTS CATALOG (MAINTENANCE)

FIG ITEM	PART NUMBER	1 2 3 4 5 6 7	NOMENCLATURE	EFFECT FROM TO	UNITS PER ASSY
1 455	3888123-9		.WIRING HARNESS ASSY- SUPPLIER CODE: V99193 SB DATA FROM A CMM: POST SB 49-7391 CONFIG CHG DATA FROM A CMM: REPLD BY 3888465-1 QUALIFIED SB I/W DATA: 3617394-1 USED WITH 3888123-8 OR 3888123-9 OPT TO 3617394-1 USED WITH 3888123-6 OR 3888123-7 AND 3888450-1 OPT TO 3614759-1 USED WITH 3888123-8 OR 3888123-9 OPT TO 3617459-1 USED WITH 3888123-6 OR 3888123-7 AND 3888450-1 POST SERVICE BULLETIN: GTCP331-49-7391R1 V55284	002004 006999	1
455	3888465-1		.WIRING HARNESS ASSY- SUPPLIER CODE: V99193 SB DATA FROM A CMM: POST 49-7618 CONFIG CHG DATA FROM A CMM: REPLACES 3888123-8 REPLACES 3888123-9	002004 006999	1
- 460	E125-10		..TAPE-INSULATION SUPPLIER CODE: V07512 MISCELLANEOUS DATA: (USE ON CONN. P21)	002004 006999	AR
465	S9851-015-100		..TAPE-INSULATION SUPPLIER CODE: V99193 MISCELLANEOUS DATA: USE ON CONN. P2	002004 006999	AR
470	MS3368-5-9E		..STRAP	002004 006999	43
480	S8999		..TIE-STRAP SUPPLIER CODE: V99193	002004 006999	AR

MISSING ITEM NUMBERS NOT APPLICABLE

- ITEM NOT ILLUSTRATED

49-14-00-01

49-14-00  
FIG. 01  
PAGE 22  
SEP 20/08

BRI



757

PARTS CATALOG (MAINTENANCE)

FIG ITEM	PART NUMBER	1 2 3 4 5 6 7	NOMENCLATURE	EFFECT FROM TO	UNITS PER ASSY
1 485	MS3417-24N	..	CLAMP- SB DATA FROM A CMM: PRE GTE0679 OPTIONAL PART: M8504952-1-24N	002004 006999	1
485	M8504952-1-24N	..	CLAMP- SB DATA FROM A CMM: POST GTE0679 OPTIONAL PART: MS3417-24N	002004 006999	1
495	GS3418-12CD	..	CLAMP- SUPPLIER CODE: V06324	002004 006999	1
500	GS3418-12CD	..	CLAMP- SUPPLIER CODE: V06324 USED ON: 3888114-1	002004 006999	1
- 510	MS27488-16	..	PLUG-	002004 006102 107999	AR
515	MT37K2430P	..	CONNECTOR-P3 SUPPLIER CODE: V14283	002004 006999	1
520	ZZYAO-12D14-07S	..	CONNECTOR-P14 SUPPLIER CODE: V14283 OPTIONAL PART: BCREF12085 V13556	002004 006999	1
520	BCREF12085	..	CONNECTOR-P14 SUPPLIER CODE: V13556 OVERLENGTH PART NUMBER: CN0966-14A07SN000 OPTIONAL PART: ZZYAO-12D14-07S V49367	002004 006999	1
525	ZZYAO-12D12-03S	..	CONNECTOR-P25 SUPPLIER CODE: V14283 SB DATA FROM A CMM: POST 49-5533 OPTIONAL PART: BCREF8105 V13556	002004 006999	1

MISSING ITEM NUMBERS NOT APPLICABLE

- ITEM NOT ILLUSTRATED

49-14-00-01

49-14-00  
FIG. 01  
PAGE 23  
JAN 20/09

BRI



757

## PARTS CATALOG (MAINTENANCE)

FIG ITEM	PART NUMBER	1 2 3 4 5 6 7	NOMENCLATURE	EFFECT FROM TO	UNITS PER ASSY
1					
525	BCREF8105	..	PLUG-P25 SUPPLIER CODE: V13556 OVERLENGTH PART NUMBER: CN0966-12A03SN000 OPTIONAL PART: ZZYA0-12D12-03S V49367	002004 006999	1
530	LRC20W15DJ5	..	CONTACT- SUPPLIER CODE: V09922 SB DATA FROM A CMM: POST 49-5533	002004 006999	3
535	BCREF13895	..	CONNECTOR-P26 SUPPLIER CODE: V13556 OVERLENGTH PART NUMBER: CN0996-12A03S6-000 OPTIONAL PART: BCREF13892 V49367 USED ON: 3888114-1	002004 006999	1
535	BCREF13892	..	CONNECTOR-P26 SUPPLIER CODE: V49367 OVERLENGTH PART NUMBER: ZZYA0-12D12-03S06 OPTIONAL PART: BCREF13895 V13556 USED ON: 3888114-1	002004 006999	1
540	LRC20W15DJ5	..	CONTACT- SUPPLIER CODE: V09922 USED ON: 3888114-1	002004 006999	3
545	10-230935-232	..	GROMMET- SUPPLIER CODE: V77820 CONFIG CHG DATA FROM A CMM: REPLD BY 10-230935-143	002004 006999	1
545	10-230935-143	..	GROMMET- SUPPLIER CODE: V77820 CONFIG CHG DATA FROM A CMM: REPLACES 10-230935-232	002004 006999	1

MISSING ITEM NUMBERS NOT APPLICABLE

- ITEM NOT ILLUSTRATED

BRI

49-14-00-01

BOEING PROPRIETARY - Copyright © - Unpublished Work - See title page for details.

49-14-00  
FIG. 01  
PAGE 24  
SEP 20/08



757

PARTS CATALOG (MAINTENANCE)

FIG ITEM	PART NUMBER	1 2 3 4 5 6 7	NOMENCLATURE	EFFECT FROM TO	UNITS PER ASSY
1					
547	10-230935-142	..	GROMMET- SUPPLIER CODE: V77820 USED ON: 3888114-1	002004 006999	1
550	S9055L9-100	..	SLEEVE- SUPPLIER CODE: V99193 SB DATA FROM A CMM: POST SB 49-5399	002004 006999	4
550	BCREF13896	..	SLEEVE- OVERLENGTH PART NUMBER: M23053-5-107-9-46 SB DATA FROM A CMM: PRE 49-5399	002004 006999	4
555	BCREF13862	..	SLEEVING- OVERLENGTH PART NUMBER: M23053-5-106-9-10	002004 006999	40
560	S9055L11-112	..	SLEEVE- SUPPLIER CODE: V99193 SB DATA FROM A CMM: POST SB 49-5399	002004 006999	8
560	S9055L9-104	..	SLEEVE- SUPPLIER CODE: V99193 SB DATA FROM A CMM: PRE SB 49-5399	002004 006999	8
565	S9046-10-9-112	..	SLEEVE- SUPPLIER CODE: V99193	002004 006999	2
570	S9352-07-9-100	..	SLEEVE- SUPPLIER CODE: V99193	002004 006999	AR
575	34138	..	SPLICE- SUPPLIER CODE: V00779	002004 006999	19
577	34138	..	SPLICE- SUPPLIER CODE: V00779 SB DATA FROM A CMM: POST 49-7403	002004 006999	20
580	34138	..	SPLICE- SUPPLIER CODE: V00779	002004 006999	18

MISSING ITEM NUMBERS NOT APPLICABLE

- ITEM NOT ILLUSTRATED

49-14-00-01

49-14-00  
FIG. 01  
PAGE 25  
SEP 20/08

BRI

BOEING PROPRIETARY - Copyright © - Unpublished Work - See title page for details.





757

PARTS CATALOG (MAINTENANCE)

FIG ITEM	PART NUMBER	1 2 3 4 5 6 7	NOMENCLATURE	EFFECT FROM TO	UNITS PER ASSY
1 - 585	234-106546		.. CABLE-TC SUPPLIER CODE: V28719 OPTIONAL SUPPLIER CODE: 26046	002004 006999	AR
590	M27500-18TA2N06		.. CABLE- OPTIONAL PART: 18699-70T2 V92607 75908-18-2NSTJ V12515 61-0244 V05973	002004 006999	AR
590	18699-70T2		.. CABLE-SHIELDED SUPPLIER CODE: V92607 OPTIONAL PART: 75908-18-2NSTJ V12515 61-0244 V05973 M27500-18TA2N06	002004 006999	AR
590	61-0244		.. CABLE-SHIELDED SUPPLIER CODE: V05973 OPTIONAL PART: 18699-70T2 V92607 75908-18-2NSTJ V12515 M27500-18TA2N06	002004 006999	AR
590	75908-18-2NSTJ		.. CABLE-SHIELDED SUPPLIER CODE: V12515 OPTIONAL PART: 61-0244 V05973 M27500-18TA2N06 18699-70T2 V92607	002004 006999	AR

MISSING ITEM NUMBERS NOT APPLICABLE

- ITEM NOT ILLUSTRATED

49-14-00-01

49-14-00  
FIG. 01  
PAGE 26  
SEP 20/08

BRI

BOEING PROPRIETARY - Copyright © - Unpublished Work - See title page for details.



757

PARTS CATALOG (MAINTENANCE)

FIG ITEM	PART NUMBER	1 2 3 4 5 6 7	NOMENCLATURE	EFFECT FROM TO	UNITS PER ASSY
1 595	M22759-8-18-8		..WIRE- OPTIONAL PART: 18699-69A1 V92607 75908E18 V12515 18AF2XTN1930 V12814 BATATE1930N1CE V90484 11-00821 V05973	002004 006102 107999	AR
595	18699-69A1		..WIRE- SUPPLIER CODE: V92607 OPTIONAL PART: 75908E18 V12515 M22759-8-18-8 18AF2XTN1930 V12814 BATATE1930N1CE V90484 11-00821 V05973 POST SERVICE BULLETIN: GTCP331-49-7403 V55284	002004 006102 107999	AR
595	75908E18		..WIRE- SUPPLIER CODE: V12515 OPTIONAL PART: 18699-69A1 V92607 M22759-8-18-8 18AF2XTN1930 V12814 BATATE1930N1CE V90484 11-00821 V05973	002004 006102 107999	AR

MISSING ITEM NUMBERS NOT APPLICABLE

- ITEM NOT ILLUSTRATED

BRI

49-14-00-01

BOEING PROPRIETARY - Copyright © - Unpublished Work - See title page for details.

49-14-00  
FIG. 01  
PAGE 27  
JAN 20/09



757

PARTS CATALOG (MAINTENANCE)

FIG ITEM	PART NUMBER	1 2 3 4 5 6 7	NOMENCLATURE	EFFECT FROM TO	UNITS PER ASSY
1 595	18AF2XTN1930		.. WIRE-ELECTRICAL SUPPLIER CODE: V12814 OPTIONAL PART: BATATE1930N1CE V90484 11-00821 V05973 18699-69A1 V92607 75908E18 V12515 M22759-8-18-8	002004 006999	AR
595	BATATE1930N1CE		.. WIRE-ELECTRICAL SUPPLIER CODE: V90484 OPTIONAL PART: 11-00821 V05973 18699-69A1 V92607 75908E18 V12515 M22759-8-18-8 18AF2XTN1930 V12814	002004 006999	AR
595	11-00821		.. WIRE-ELECTRICAL SUPPLIER CODE: V05973 OPTIONAL PART: BATATE1930N1CE V90484 18699-69A1 V92607 75908E18 V12515 M22759-8-18-8 18AF2XTN1930 V12814	002004 006999	AR
625	3888450-1		. ADAPTER CABLE-FAN VALVE SUPPLIER CODE: V99193 SB DATA FROM A CMM: POST 49-7391	002004 006999	1
630	M83723-95A1203N		. CONNECTOR-ELECTRICAL	002004 006999	1
635	M83723-95A1005N		. CONNECTOR-J21	002004 006999	1

MISSING ITEM NUMBERS NOT APPLICABLE

- ITEM NOT ILLUSTRATED

49-14-00-01

49-14-00  
FIG. 01  
PAGE 28  
SEP 20/08

BRI



757

PARTS CATALOG (MAINTENANCE)

FIG ITEM	PART NUMBER	1 2 3 4 5 6 7	NOMENCLATURE	EFFECT FROM TO	UNITS PER ASSY
1 640	M83723-83A1203N	.	CONNECTOR-ELECTRICAL	002004 006999	1

MISSING ITEM NUMBERS NOT APPLICABLE

- ITEM NOT ILLUSTRATED

BRI

49-14-00-01

BOEING PROPRIETARY - Copyright © - Unpublished Work - See title page for details.

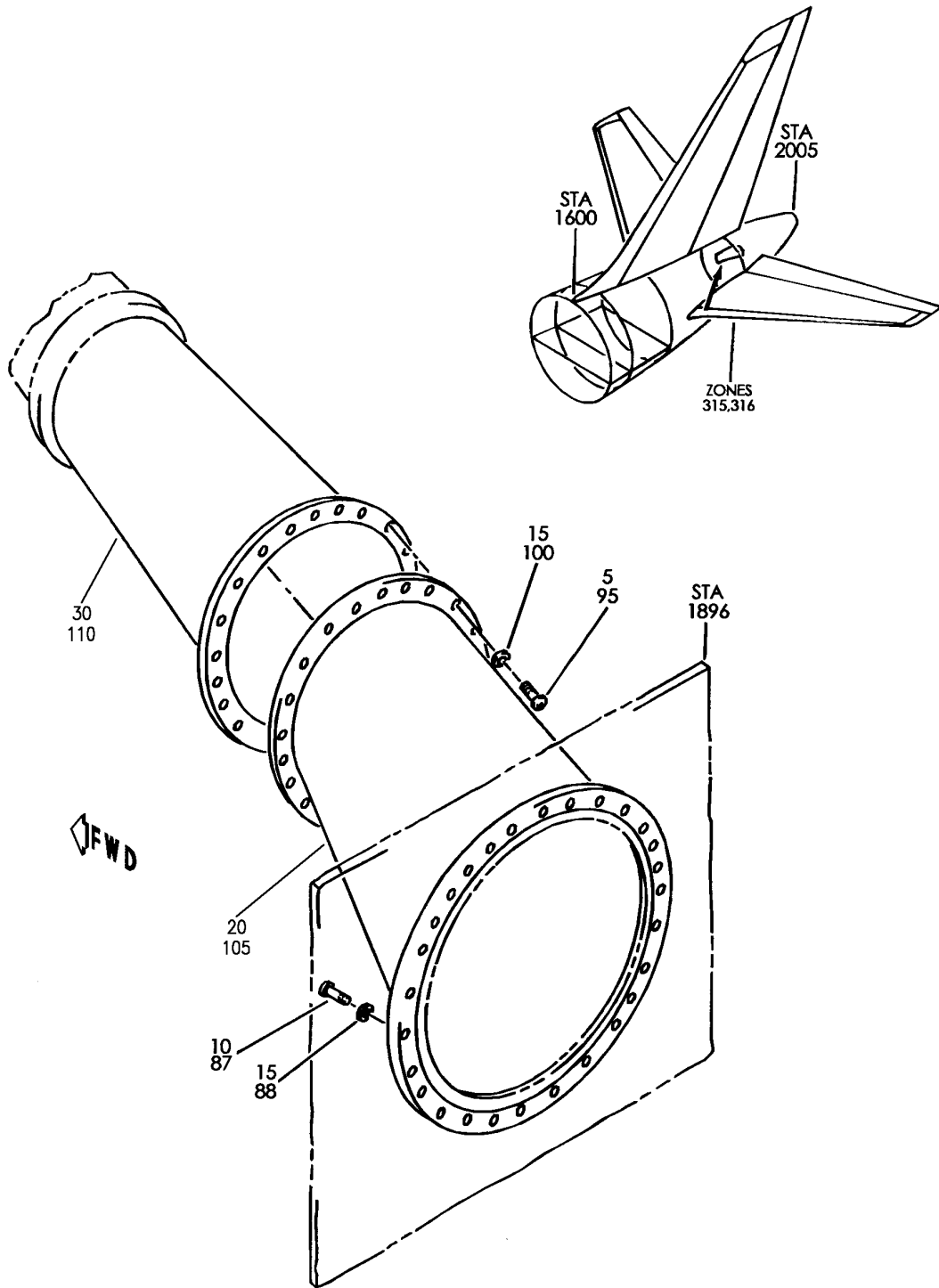
49-14-00  
FIG. 01  
PAGE 29  
SEP 20/08

## APU AIR INLET

BRI  
MAY 28/07

49-15-00  
SECTION TITLE  
PAGE 1

**BOEING**  
757  
PARTS CATALOG (MAINTENANCE)



Y 49150101 REV 309

DIFFUSER INSTL-AUX PWR SYS INTAKE DUCT INLET  
FIGURE 1

**49-15-01-01**

BRI  
MAY 28/07

49-15-01-01  
PAGE 0



757

PARTS CATALOG (MAINTENANCE)

FIG ITEM	PART NUMBER	1 2 3 4 5 6 7	NOMENCLATURE	EFFECT FROM TO	UNITS PER ASSY
1			DIFFUSER INSTL-AUX PWR SYS INTAKE DUCT INLET	002004 006999	
- 1	353N2001-1		DIFFUSER INSTL-AUX PWR SYS INTAKE DUCT INLET FOR NHA SEE: 49-00-51-01	002004 006100 107107 121503 904999	RF
	5 BACB30NT3K4		.BOLT-	002004 006102 107999	24
	10 BACB30NT3K5		.BOLT-	002004 006102 107999	28
	15 AN960C10L		.WASHER-	002004 006100 107107 121503 904999	52
	20 353N2002-2		.DUCT ASSY-	002004 006102 107999	1
	30 353N2002-5		.DUCT ASSY-	002004 006102 107999	1
- 50	353N2001-3		DIFFUSER INSTL-AUX PWR SYS INTAKE DUCT INLET FOR NHA SEE: 49-00-00-01	101102 504903	RF
- 50	353N2001-6		DIFFUSER INSTL-AUX PWR SYS INTAKE DUCT INLET FOR NHA SEE: 49-00-00-01	108120	RF
- 50	MODREF13830		DIFFUSER INSTL-AUX PWR SYS INTAKE DUCT INLET MODULE NUMBER: 353N2001-6 REV A	103106	1
- 55	353N2001-4		.KIT-SUBSTITUTION OPTIONAL PART: 353N2001-5	101102 504903	1
- 55	353N2001-8		.KIT-SUBSTITUTION OPTIONAL PART: 353N2001-7	103106 108120	1
- 60	353N2002-2		..DUCT ASSY- OPTIONAL PART: 353N2002-6	101106 108120 504903	1
- 60	353N2002-6		..DUCT ASSY- OPTIONAL PART: 353N2002-2	103106 108120	1

MISSING ITEM NUMBERS NOT APPLICABLE

- ITEM NOT ILLUSTRATED

49-15-01-01

49-15-01  
FIG. 01  
PAGE 1  
JAN 20/09

BRI



757

PARTS CATALOG (MAINTENANCE)

FIG ITEM	PART NUMBER	1 2 3 4 5 6 7	NOMENCLATURE	EFFECT FROM TO	UNITS PER ASSY
1					
- 65	353N2002-8	..	SHIM-	101106 108120 504903	1
- 65	353N2002-11	..	SHIM-	101106 108120 504903	1
- 70	BACB30NT3K6	..	BOLT	101106 108120 504903	4
- 75	BACB30NT3K7	..	BOLT	101106 108120 504903	4
- 80	BACB30NT3K8	..	BOLT	101106 108120 504903	10
- 85	BACB30NT3K9	..	BOLT	101106 108120 504903	6
	87	.	BOLT	101106 108120 504903	28
	88	.	WASHER	101106 108120 504903	28
- 90	353N2001-5	.	KIT-SUBSTITUTION OPTIONAL PART: 353N2001-4	101102 504903	1
- 90	353N2001-7	.	KIT-SUBSTITUTION OPTIONAL PART: 353N2001-8	103106 108120	1
	95	..	BOLT	101106 108120 504903	24
	100	..	WASHER	101106 108120 504903	24
	105	..	DUCT ASSY	101102 504903	1
	105	..	DUCT ASSY	103106 108120	1
	110	.	DUCT ASSY-SUBSTITUTION	101106 108120 504903	1

MISSING ITEM NUMBERS NOT APPLICABLE

- ITEM NOT ILLUSTRATED

49-15-01-01

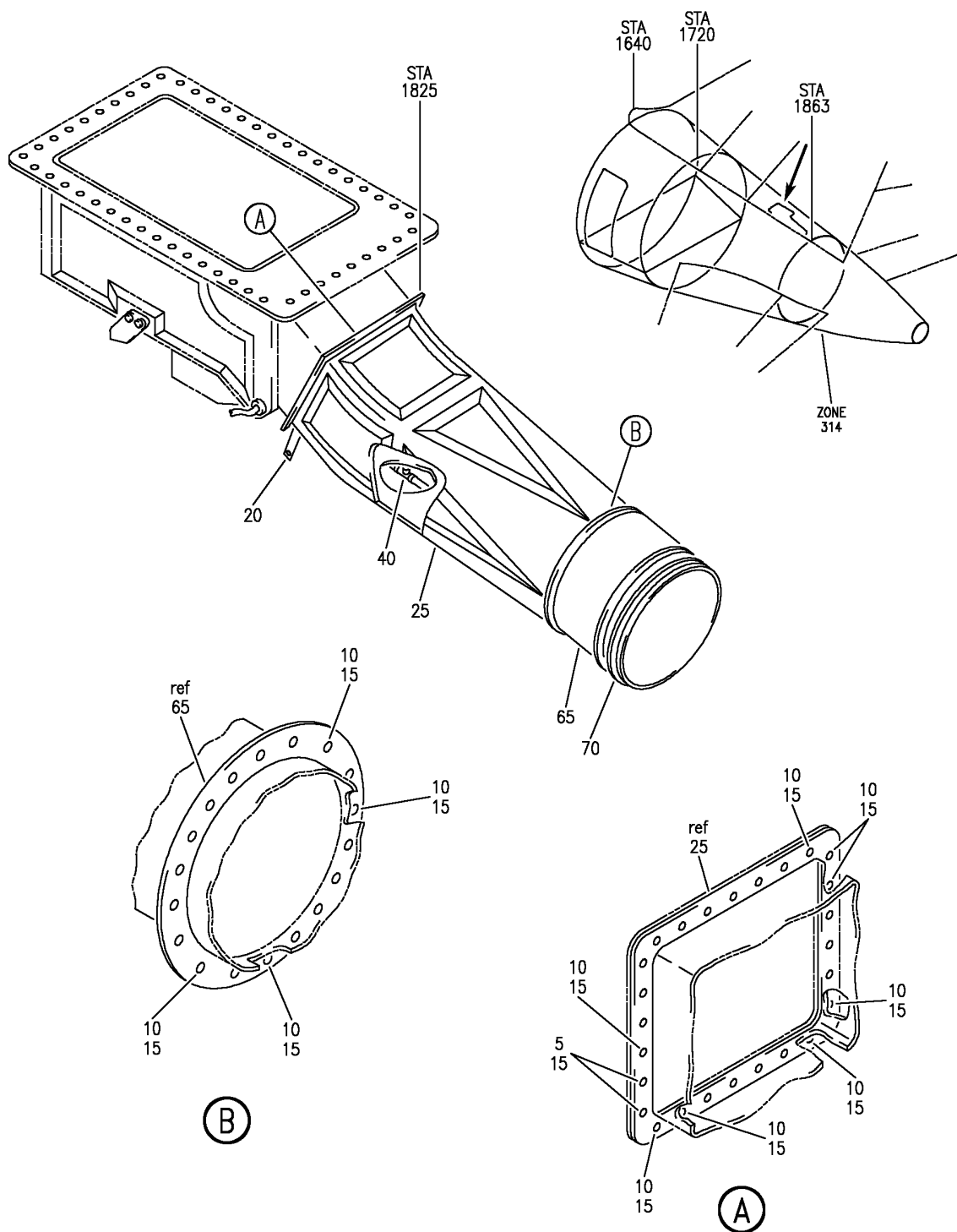
49-15-01  
FIG. 01  
PAGE 2  
JAN 20/09

BRI

BOEING PROPRIETARY - Copyright © - Unpublished Work - See title page for details.



**BOEING**  
757  
PARTS CATALOG (MAINTENANCE)



Y 49150102 REV 264

PORT AND DOOR INSTL-AUX PWR SYS AIR INTAKE (APU AIR INTAKE DUCT ONLY)  
FIGURE 2

**49-15-01-02**

BRI  
MAY 28/07

49-15-01-02  
PAGE 0



757

PARTS CATALOG (MAINTENANCE)

FIG ITEM	PART NUMBER	1 2 3 4 5 6 7	NOMENCLATURE	EFFECT FROM TO	UNITS PER ASSY
2			PORT AND DOOR INSTL-AUX PWR SYS AIR INTAKE (APU AIR INTAKE DUCT ONLY)	002004 006999	
- 1	353N1001-1		PORT AND DOOR INSTL-AUX PWR SYS AIR INTAKE (APU AIR INTAKE DUCT ONLY) FOR NHA/OTHER SYS DET SEE: 49-00-51-01	002004 006100 107107 121503 904999	RF
- 1	353N1001-15		PORT AND DOOR INSTL-AUX PWR SYS AIR INTAKE (APU AIR INTAKE DUCT ONLY) FOR NHA/OTHER SYS DET SEE: 49-00-00-01	101102 504903	RF
- 1	353N1001-17		PORT AND DOOR INSTL-AUX PWR SYS AIR INTAKE (APU AIR INTAKE DUCT ONLY) FOR NHA/OTHER SYS DET SEE: 49-00-00-01	108120	RF
- 1	MODREF13829		PORT AND DOOR INSTL-AUX PWR SYS AIR INTAKE (APU AIR INTAKE DUCT ONLY) MODULE NUMBER: 353N1001-17 REV A FOR OTHER SYS DETAILS SEE: 49-15-05-01 49-15-06-01 49-15-08-01 FOR ADDITIONAL DETAILS SEE: 11-23-01-01	103105	1
- 1	MODREF20542		PORT AND DOOR INSTL-AUX PWR SYS AIR INTAKE (APU AIR INTAKE DUCT ONLY) MODULE NUMBER: 353N1001-18 REV A FOR OTHER SYS DETAILS SEE: 49-15-05-01 49-15-06-01 49-15-08-01 FOR ADDITIONAL DETAILS SEE: 11-23-01-01	106106	1
5	BACB30NT3K6		.BOLT	002004 006999	2

MISSING ITEM NUMBERS NOT APPLICABLE

- ITEM NOT ILLUSTRATED

49-15-01-02

49-15-01  
FIG. 02  
PAGE 1  
JAN 20/09

BRI



757

PARTS CATALOG (MAINTENANCE)

FIG ITEM	PART NUMBER	1 2 3 4 5 6 7	NOMENCLATURE	EFFECT FROM TO	UNITS PER ASSY
2					
10	BACB30NT3K5	.	BOLT	002004 006999	42
15	NAS1149C0363R	.	WASHER	002004 006999	44
20	356N1011-1	.	BRACKET-SPRT	002004 006999	1
25	353N1040-8	.	DUCT ASSY-TRANSITION	002004 006100 107107 121503 904999	1
25	353N1040-9	.	DUCT ASSY-TRANSITION	101106 108120 504903	1
			ATTACHING PARTS		
- 30	BACB30NT3K5	.	BOLT	002004 006999	18
- 35	AN960C10	.	WASHER	002004 006100 107107 121503 904999	18
- 35	NAS1149C0363R	.	WASHER	101106 108120 504903	18
40	353N1030-11	-----*	.. FITTING ASSY-DRAIN	002004 006999	1

MISSING ITEM NUMBERS NOT APPLICABLE

- ITEM NOT ILLUSTRATED

BRI

49-15-01-02

BOEING PROPRIETARY - Copyright © - Unpublished Work - See title page for details.

49-15-01  
FIG. 02  
PAGE 2  
JAN 20/09



757

PARTS CATALOG (MAINTENANCE)

FIG ITEM	PART NUMBER	1 2 3 4 5 6 7	NOMENCLATURE	EFFECT FROM TO	UNITS PER ASSY
2			ATTACHING PARTS		
- 45	HL1012AZ6-1	..	BOLT	002004	4
			SUPPLIER CODE:	006999	
			V97928		
			SPECIFICATION NUMBER:		
			BACB30NX6K1		
			OPTIONAL PART:		
			HL12VAZ6-1		
			V73197		
			HL12VAZ6-1		
			V92215		
			HL12VAZ6-1		
			V97928		
			L802-6K1		
			V06725		
			HL12VAZ6-1		
			V56878		
			HL1012AZ6-1		
			V0PTK6		
			HL1012AZ6-1		
			V06725		
			HL1012AZ6-1		
			V06950		
			HL1012AZ6-1		
			V17446		
			HL1012AZ6-1		
			V56878		
			HL1012AZ6-1		
			V60516		
			HL1012AZ6-1		
			V73197		

MISSING ITEM NUMBERS NOT APPLICABLE

- ITEM NOT ILLUSTRATED

49-15-01-02

49-15-01  
FIG. 02  
PAGE 3  
JAN 20/09

BRI

 **BOEING**  
757  
**PARTS CATALOG (MAINTENANCE)**

FIG ITEM	PART NUMBER	1 2 3 4 5 6 7	NOMENCLATURE	EFFECT FROM TO	UNITS PER ASSY
2 - 50	HL1187DU6		.. COLLAR SUPPLIER CODE: V5M902 SPECIFICATION NUMBER: BACC30X6S OPTIONAL PART: HL87DU6 V92215 HL87DU6 V73197 HL1187DU6 V56878 HL1187DU6 V92215 HL87DU6 V56878 HL1187DU6 V73197 -----*-----	002004 006999	4
- 55	AP2097H06		... SLEEVE- SUPPLIER CODE: V01673 SPECIFICATION NUMBER: BACS13BX06H OPTIONAL PART: 2-02903-06H V11328 35235V06 V08199 AFP175V06 V30974 DB0S13BX06H V14798 BACS13AP6W BACS13BX06HP	002004 006999	1
- 55	AFP1646W		... SLEEVE- SUPPLIER CODE: V30974 SPECIFICATION NUMBER: BACS13AP6W OPTIONAL PART: 2-010336W V11328 BACS13BX06H BACS13BX06HP	002004 006999	1

MISSING ITEM NUMBERS NOT APPLICABLE

- ITEM NOT ILLUSTRATED

BRI

# 49-15-01-02

BOEING PROPRIETARY - Copyright © - Unpublished Work - See title page for details.

49-15-01  
FIG. 02  
PAGE 4  
JAN 20/09



757

PARTS CATALOG (MAINTENANCE)

FIG ITEM	PART NUMBER	1 2 3 4 5 6 7	NOMENCLATURE	EFFECT FROM TO	UNITS PER ASSY
2 - 55	AP2097HP06		. . . SLEEVE- SUPPLIER CODE: V01673 SPECIFICATION NUMBER: BACS13BX06HP OPTIONAL PART: 2-02903-06HP V11328 35235VN06 V08199 AFP175V06P V30974 DB0S13BX06HP V14798 BACS13BX06H BACS13AP6W	002004 006999	1
- 60	MS21921-6S		. . . NUT	002004 006999	1
65	353N1041-3		. DUCT ASSY-ELBOW	002004 006999	1
70	494-1160		. SEAL- SUPPLIER CODE: V14711	002004 006999	1

MISSING ITEM NUMBERS NOT APPLICABLE

- ITEM NOT ILLUSTRATED

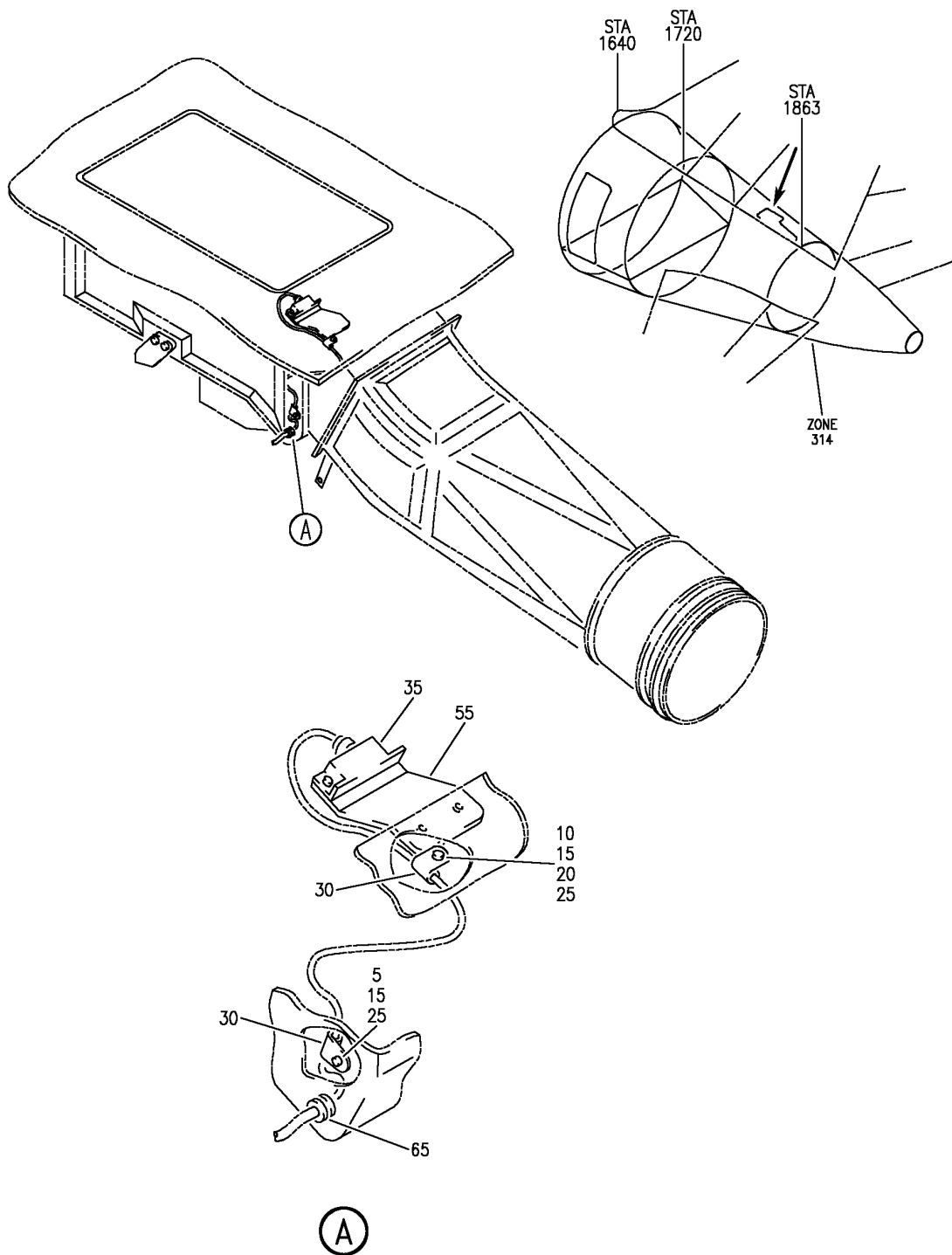
BRI

49-15-01-02

BOEING PROPRIETARY - Copyright © - Unpublished Work - See title page for details.

49-15-01  
FIG. 02  
PAGE 5  
JAN 20/09

**BOEING**  
757  
PARTS CATALOG (MAINTENANCE)



Y 49150201 REV 264

HOUSING ASSY (APU AIR INTAKE DOOR OPEN SWITCH ONLY)  
FIGURE 1

**49-15-02-01**

BRI  
MAY 28/07

49-15-02-01  
PAGE 0



757

PARTS CATALOG (MAINTENANCE)

FIG ITEM	PART NUMBER	1 2 3 4 5 6 7	NOMENCLATURE	EFFECT FROM TO	UNITS PER ASSY
1			HOUSING ASSY (APU AIR INTAKE DOOR OPEN SWITCH ONLY)	002004 006999	
- 1	353N1020-5		HOUSING ASSY- (APU AIR INTAKE DOOR OPEN SWITCH ONLY) OPTIONAL PART: 353N1020-12 PRE SERVICE BULLETIN: 49-0017 FOR NHA/ADDITIONAL DET SEE: 49-15-08-01	002004 107107 121503 904949 952952	RF
- 1	353N1020-12		HOUSING ASSY- (APU AIR INTAKE DOOR OPEN SWITCH ONLY) OPTIONAL PART: 353N1020-5 PRE SERVICE BULLETIN: 49-0017 FOR NHA/ADDITIONAL DET SEE: 49-15-08-01	002004 107107 121503 904949 952952	RF
- 1	353N1020-13		HOUSING ASSY- (APU AIR INTAKE DOOR OPEN SWITCH ONLY) PRE SERVICE BULLETIN: 49-0017 FOR NHA/ADDITIONAL DET SEE: 49-15-08-01	006008 953999	RF
- 1	353N1020-18		HOUSING ASSY- (APU AIR INTAKE DOOR OPEN SWITCH ONLY) POST SERVICE BULLETIN: 49-0017 FOR NHA/ADDITIONAL DET SEE: 49-15-08-01	002004 006100 904949	RF
- 1	353N1020-15		HOUSING ASSY- (APU AIR INTAKE DOOR OPEN SWITCH ONLY) PRE SERVICE BULLETIN: 49-0017 FOR NHA/ADDITIONAL DET SEE: 49-15-08-01	009010 950951	RF
- 1	353N1020-21		HOUSING ASSY- (APU AIR INTAKE DOOR OPEN SWITCH ONLY) FOR NHA/ADDITIONAL DET SEE: 49-15-08-01	101102 504903	RF

MISSING ITEM NUMBERS NOT APPLICABLE

- ITEM NOT ILLUSTRATED

49-15-02-01

49-15-02  
FIG. 01  
PAGE 1  
JAN 20/09

BRI





757

PARTS CATALOG (MAINTENANCE)

FIG ITEM	PART NUMBER	1 2 3 4 5 6 7	NOMENCLATURE	EFFECT FROM TO	UNITS PER ASSY
1					
- 1	353N1020-32		HOUSING ASSY- (APU AIR INTAKE DOOR OPEN SWITCH ONLY) FOR NHA/ADDITIONAL DET SEE: 49-15-08-01	103106 108120	RF
5	BACS12CK3-12		.SCREW	101106 108120 504903	1
5	BACS12CK3-7		.SCREW	002004 006100 107107 121503 904999	1
10	BACS12CK3-11		.SCREW	002004 006999	1
15	NAS1149C0332R		.WASHER	101106 108120 504903	2
15	AN960C10L		.WASHER	002004 006100 107107 121503 904999	2
20	NAS1056E6-025		.SPACER	002004 006999	1
25	BRH10C3D		.NUT SUPPLIER CODE: V52828 SPECIFICATION NUMBER: BACN10JC3CD OPTIONAL PART: T6C1032JCD V11815 NS202486-02 V80539 102LH9075-3W V72962 H51650-3BAC V15653	002004 006999	2
30	BACC10DK3		.CLAMP- POST SERVICE BULLETIN: 49-0017	002004 006106 108120 504951	2
30	BACC10DK2		.CLAMP- PRE SERVICE BULLETIN: 49-0017	002004 006008 107107 121503 904949 952999	2

MISSING ITEM NUMBERS NOT APPLICABLE

- ITEM NOT ILLUSTRATED

49-15-02-01

49-15-02  
FIG. 01  
PAGE 2  
JAN 20/09

BRI

**BOEING**  
757  
**PARTS CATALOG (MAINTENANCE)**

FIG ITEM	PART NUMBER	1 2 3 4 5 6 7	NOMENCLATURE	EFFECT FROM TO	UNITS PER ASSY
1	35 8102-0401		.SENSOR- SUPPLIER CODE: V99564 SPECIFICATION NUMBER: 60B40018-42 ATTACHING PARTS	002004 006999	1
-	40 BACS12CK06-5		.SCREW	002004 006999	2
-	45 AN960C6L		.WASHER	002004 006100 107107 121503 904999	2
-	45 NAS1149CN616R		.WASHER	101106 108120 504903	2
-	50 BRH10C06D		.NUT SUPPLIER CODE: V52828 SPECIFICATION NUMBER: BACN10JC06CD OPTIONAL PART: T6C632JCD V11815 NS202486-62 V80539 102LH9075-62W V72962 H51650-06BAC V15653	002004 006999	2
	55 353N1043-6		-----*----- .BRACKET-SPRT PRE SERVICE BULLETIN: 49-0017	002004 006008 107107 121503 904949 952999	1
	55 353N1043-9		.BRACKET-SPRT PRE SERVICE BULLETIN: 49-0017	009010 950951	1
	55 353N1043-11		.BRACKET-SPRT	009010 950951	1
	55 353N1043-15		.BRACKET-SPRT	101102 504903	1
	55 353N1043-13		.BRACKET-SPRT POST SERVICE BULLETIN: 49-0017	002004 006102 504951	1

MISSING ITEM NUMBERS NOT APPLICABLE

- ITEM NOT ILLUSTRATED

BRI

# 49-15-02-01

BOEING PROPRIETARY - Copyright © - Unpublished Work - See title page for details.

49-15-02  
FIG. 01  
PAGE 3  
JAN 20/09



757

PARTS CATALOG (MAINTENANCE)

FIG ITEM	PART NUMBER	1 2 3 4 5 6 7	NOMENCLATURE	EFFECT FROM TO	UNITS PER ASSY
1	55 353N1043-17		.BRACKET-SPRT	002004 006106 108120 504951	1
- 60	PLT270-5-3		ATTACHING PARTS .RIVET-	002004 006999	2
			SUPPLIER CODE: V92215		
			-----*-----		
65	RR2002-2B1		.GROMMET	002004 006999	1
			SUPPLIER CODE: V57268		
			SPECIFICATION NUMBER: BACG20AF2B1		
			OPTIONAL PART: SZ6924-2B1		
			V95272		
			701-2B1		
			V07096		
			E2B1		
			V60980		
			H2B1		
			V60980		
			G6940-2B1		
			V75345		

MISSING ITEM NUMBERS NOT APPLICABLE

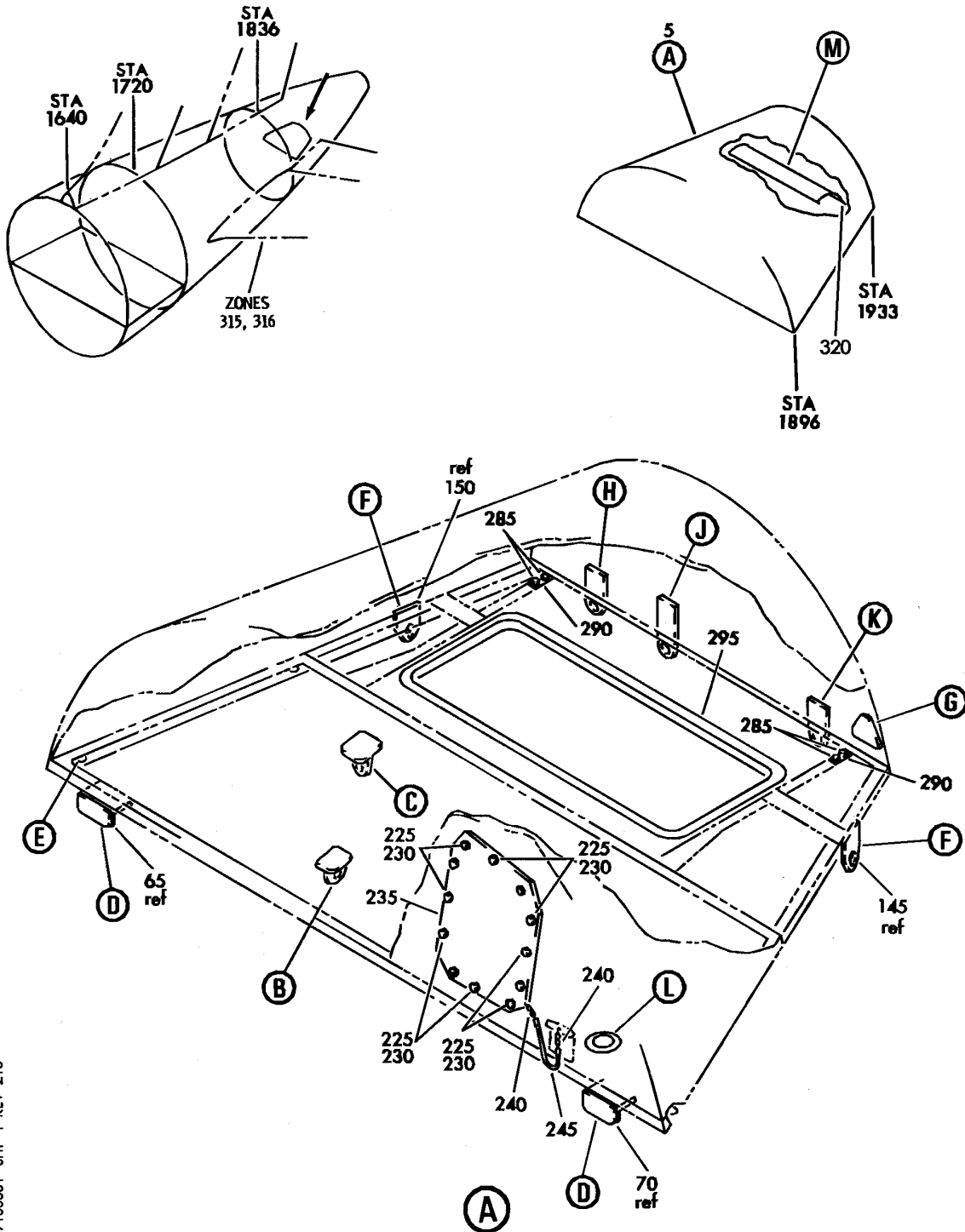
- ITEM NOT ILLUSTRATED

49-15-02-01

49-15-02  
FIG. 01  
PAGE 4  
JAN 20/09

BRI

**BOEING**  
757  
PARTS CATALOG (MAINTENANCE)



Y 49150301 SHT 1 REV 213

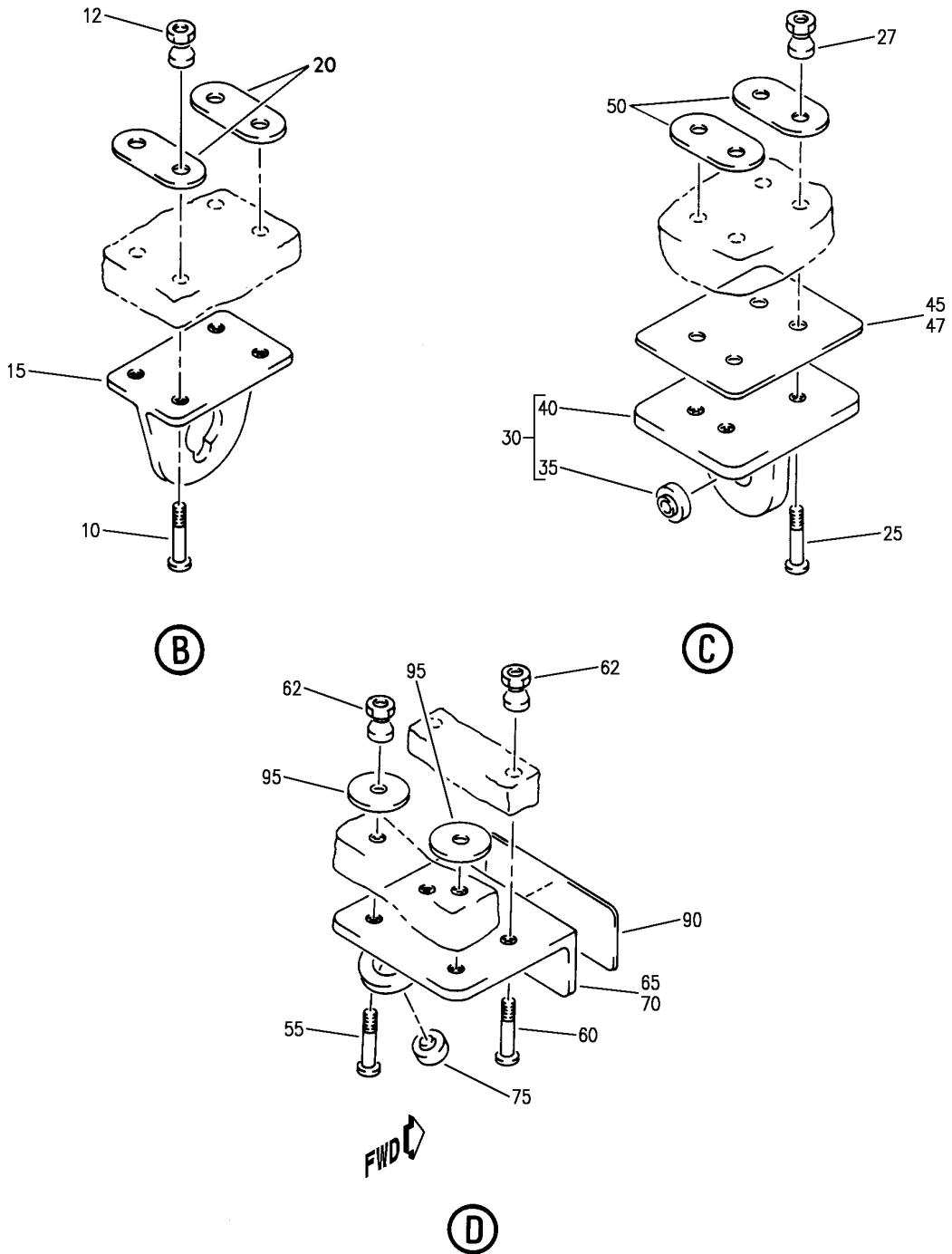
PLENUM INSTL-AUX PWR SYS INLET  
FIGURE 1 (SHEET 1)

**49-15-03-01**

BRI  
MAY 28/07

49-15-03-01  
PAGE 0

**BOEING**  
757  
PARTS CATALOG (MAINTENANCE)



Y 49150301 SH1 2 REV 288

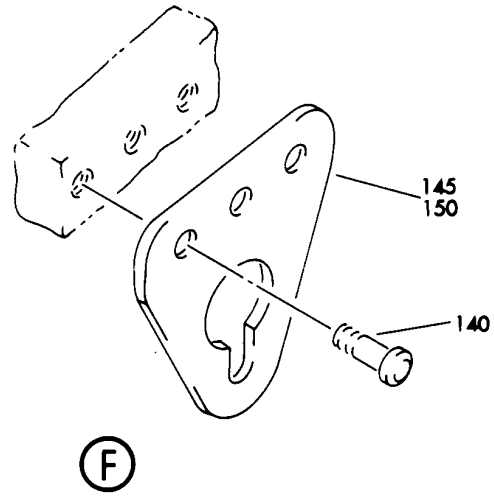
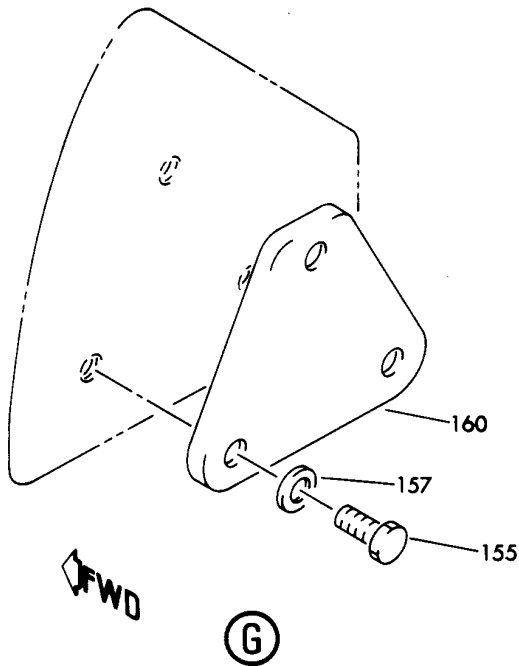
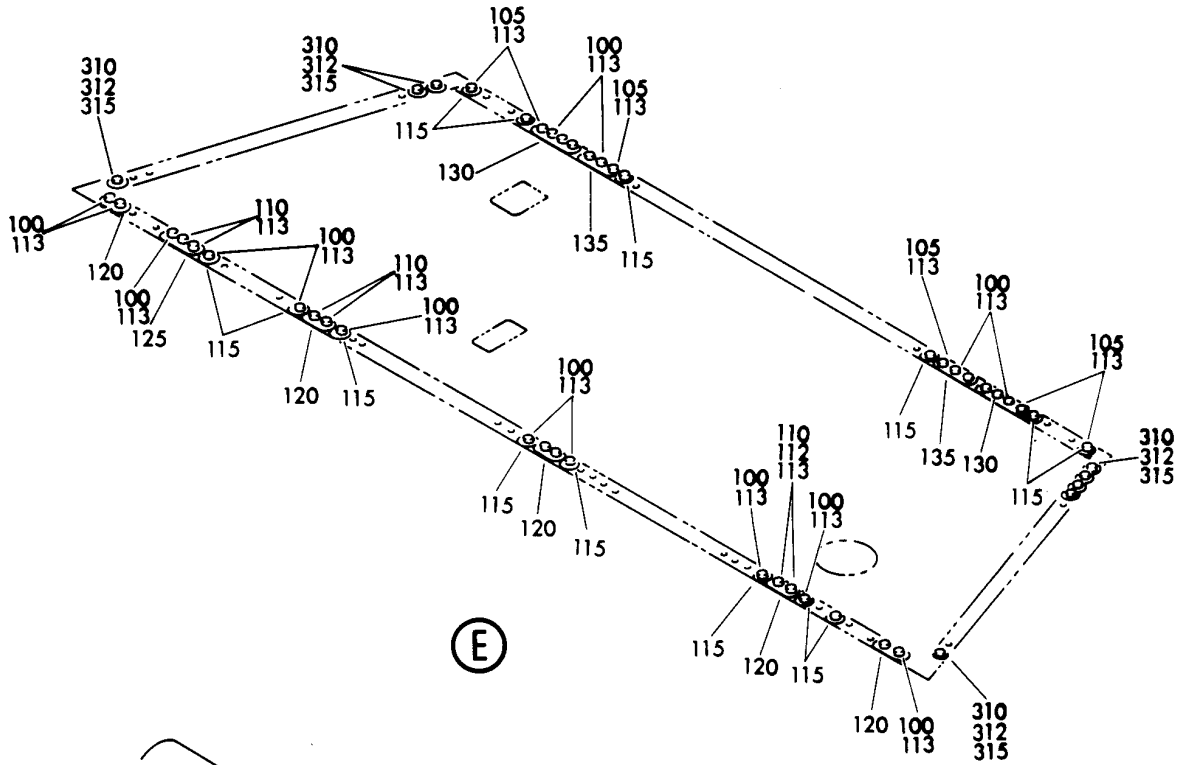
PLENUM INSTL-AUX PWR SYS INLET  
FIGURE 1 (SHEET 2)

**49-15-03-01**

BRI  
MAY 28/07

49-15-03-01  
PAGE 0A

**BOEING**  
757  
PARTS CATALOG (MAINTENANCE)



Y 49150301 SHT 3 REV 080

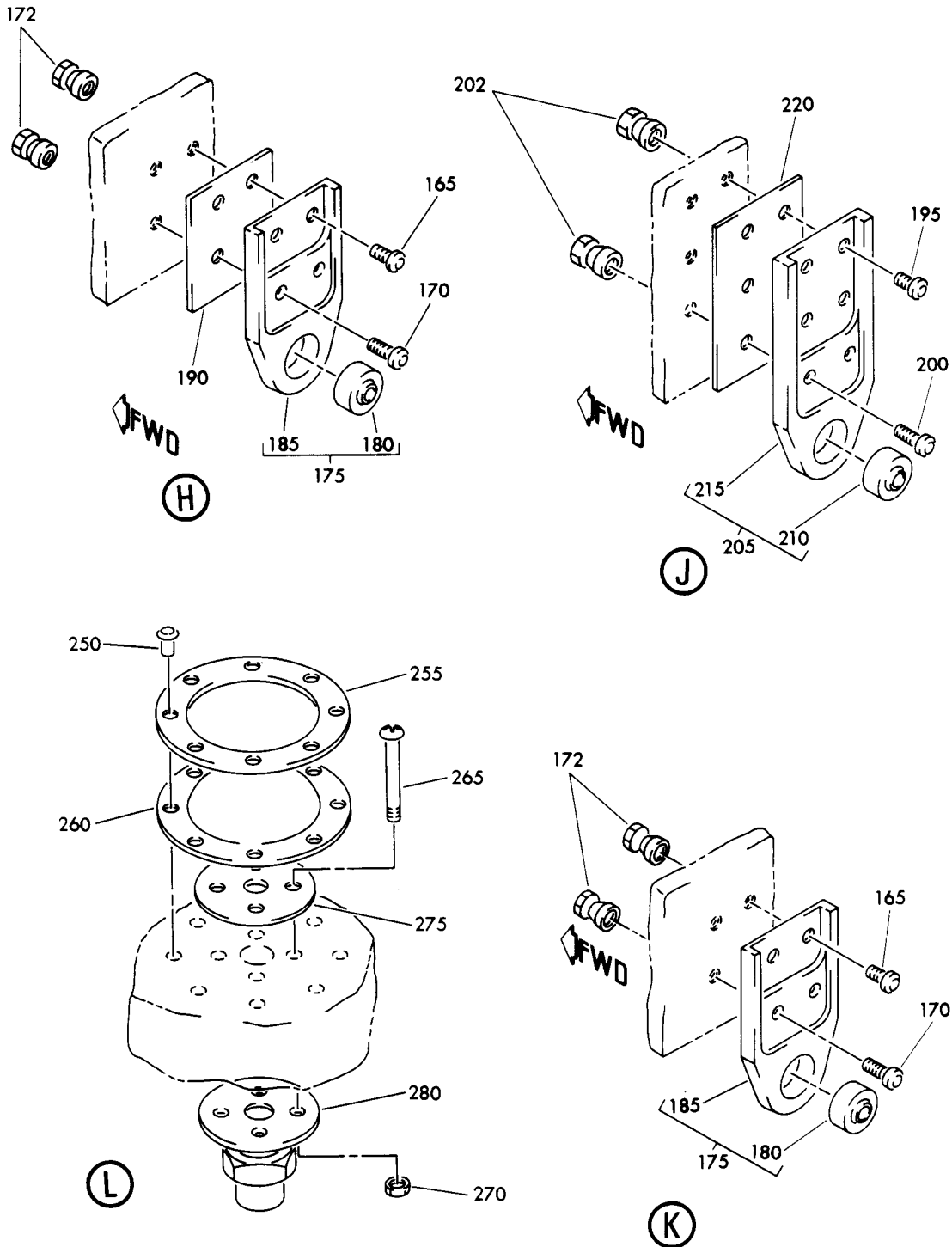
PLENUM INSTL-AUX PWR SYS INLET  
FIGURE 1 (SHEET 3)

**49-15-03-01**

BRI  
MAY 28/07

49-15-03-01  
PAGE 0B

**BOEING**  
757  
PARTS CATALOG (MAINTENANCE)



Y 49150301 SHT 4 REV 063

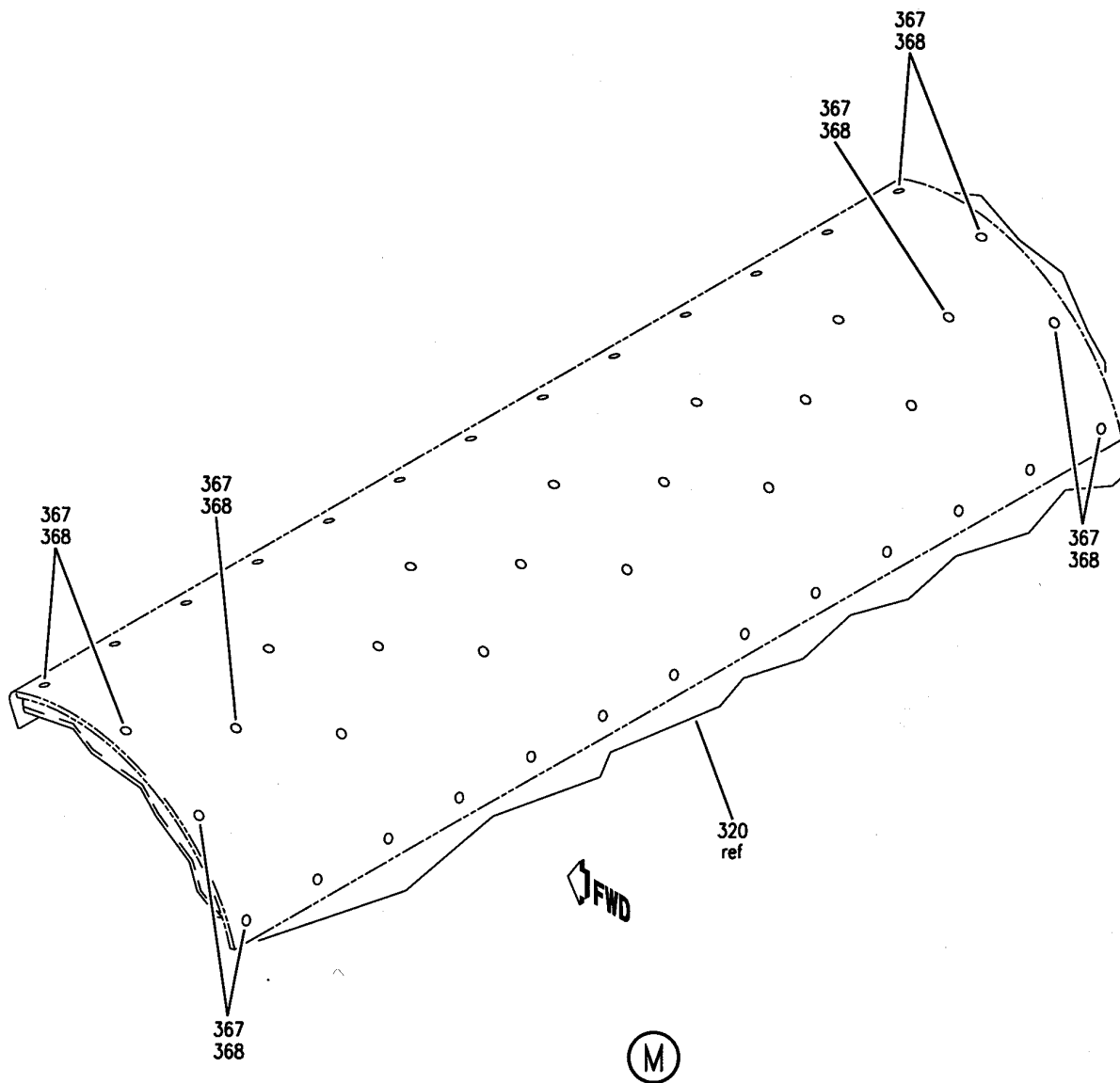
PLENUM INSTL-AUX PWR SYS INLET  
FIGURE 1 (SHEET 4)

**49-15-03-01**

BRI  
MAY 28/07

49-15-03-01  
PAGE 0C

**BOEING**  
757  
PARTS CATALOG (MAINTENANCE)



Y 49150301 SH1 5 REV 213

PLENUM INSTL-AUX PWR SYS INLET  
FIGURE 1 (SHEET 5)

**49-15-03-01**

BRI  
MAY 28/07

49-15-03-01  
PAGE 00





757

PARTS CATALOG (MAINTENANCE)

FIG ITEM	PART NUMBER	1 2 3 4 5 6 7	NOMENCLATURE	EFFECT FROM TO	UNITS PER ASSY
1			PLENUM INSTL-AUX PWR SYS INLET	002004 006100 107107 121503 904999	
- 1	353N4001-1		PLENUM INSTL-AUX PWR SYS INLET FOR NHA SEE: 49-00-51-01	002004 006100 107107 121503 904999	RF
5	353N4010-177		.PLENUM ASSY-	107107	1
5	353N4010-182		.PLENUM ASSY- OPTIONAL PART: 353N4010-187	002004 006100 121503 904999	1
5	353N4010-187		.PLENUM ASSY- OPTIONAL PART: 353N4010-182	015100	1
10	HL1012AZ6-18		..BOLT- SUPPLIER CODE: V97928 SPECIFICATION NUMBER: BACB30NX6K18 OPTIONAL PART: HL12VAZ6-18 V73197 HL12VAZ6-18 V92215 HL12VAZ6-18 V97928 L802-6K18 V06725 HL12VAZ6-18 V56878 HL1012AZ6-18 V0PTK6 HL1012AZ6-18 V06725 HL1012AZ6-18 V06950 HL1012AZ6-18 V17446 HL1012AZ6-18 V56878 HL1012AZ6-18 V60516 HL1012AZ6-18 V73197	002004 006100 107107 121503 904999	4

MISSING ITEM NUMBERS NOT APPLICABLE

- ITEM NOT ILLUSTRATED

49-15-03-01

49-15-03  
FIG. 01  
PAGE 1  
JAN 20/09

BRI



757

PARTS CATALOG (MAINTENANCE)

FIG ITEM	PART NUMBER	1 2 3 4 5 6 7	NOMENCLATURE	EFFECT FROM TO	UNITS PER ASSY
1	12 HL1187DU6		.. COLLAR SUPPLIER CODE: V5M902 SPECIFICATION NUMBER: BACC30X6S OPTIONAL PART: HL87DU6 V92215 HL87DU6 V73197 HL1187DU6 V56878 HL1187DU6 V92215 HL87DU6 V56878 HL1187DU6 V73197	002004 006100 107107 121503 904999	4
	15 353N4021-1		.. FITTING-GEN HOIST	002004 006100 107107 121503 904999	1
	20 353N4010-92		.. WASHER	002004 006100 107107 121503 904999	2

MISSING ITEM NUMBERS NOT APPLICABLE

- ITEM NOT ILLUSTRATED

49-15-03-01

49-15-03  
FIG. 01  
PAGE 2  
JAN 20/09

BRI

BOEING PROPRIETARY - Copyright © - Unpublished Work - See title page for details.



757

PARTS CATALOG (MAINTENANCE)

FIG ITEM	PART NUMBER	1 2 3 4 5 6 7	NOMENCLATURE	EFFECT FROM TO	UNITS PER ASSY
1 25	HL1012AZ6-20	..	BOLT SUPPLIER CODE: V97928 SPECIFICATION NUMBER: BACB30NX6K20 OPTIONAL PART: HL12VAZ6-20 V73197 HL12VAZ6-20 V92215 HL12VAZ6-20 V97928 L802-6K20 V06725 HL12VAZ6-20 V56878 HL1012AZ6-20 V0PTK6 HL1012AZ6-20 V06725 HL1012AZ6-20 V06950 HL1012AZ6-20 V17446 HL1012AZ6-20 V56878 HL1012AZ6-20 V60516 HL1012AZ6-20 V73197	002004 006100 107107 121503 904999	4
27	HL1187DU6	..	COLLAR SUPPLIER CODE: V5M902 SPECIFICATION NUMBER: BACC30X6S OPTIONAL PART: HL87DU6 V92215 HL87DU6 V73197 HL1187DU6 V56878 HL1187DU6 V92215 HL87DU6 V56878 HL1187DU6 V73197	002004 006100 107107 121503 904999	4

MISSING ITEM NUMBERS NOT APPLICABLE

- ITEM NOT ILLUSTRATED

49-15-03-01

49-15-03  
FIG. 01  
PAGE 3  
JAN 20/09

BRI

**BOEING**  
757  
**PARTS CATALOG (MAINTENANCE)**

FIG ITEM	PART NUMBER	1 2 3 4 5 6 7	NOMENCLATURE	EFFECT FROM TO	UNITS PER ASSY
1	30 353N4013-1		.. BRACKET ASSY-SPRT	002004 006100 107107 121503 904999	1
R	35 AG5VCR12		... BEARING	002004	1
R			SUPPLIER CODE:	006100	
R			V15860	107107	
R			SPECIFICATION NUMBER:	121503	
R			BACB10AG5M	904999	
R			OPTIONAL PART:		
R			BSSN5422SM2		
R			V81376		
R			HSBG5-117M		
R			V02758		
R			KSBG5-25CRD5		
R			V97613		
R			NG5FM		
R			V73134		
R			NC5G2DM		
R			V56644		
R			03-505-05E035		
R			V09455		
R			BNG5ME111		
R			V16746		
R			ABG5V5-12		
R			VS0352		
40	353N4013-2		... BRACKET	002004 006100 107107 121503 904999	1
45	BACS40R20T25		.. SHIM	002004 006100 107107 121503 904999	AR
50	353N4010-53		.. WASHER	002004 006100 107107 121503 904999	2

MISSING ITEM NUMBERS NOT APPLICABLE

— ITEM NOT ILLUSTRATED

BRI

# 49-15-03-01

BOEING PROPRIETARY - Copyright © - Unpublished Work - See title page for details.

49-15-03  
FIG. 01  
PAGE 4  
MAY 20/09



757

PARTS CATALOG (MAINTENANCE)

FIG ITEM	PART NUMBER	1 2 3 4 5 6 7	NOMENCLATURE	EFFECT FROM TO	UNITS PER ASSY
1 55	HL1012AZ6-19		..BOLT- SUPPLIER CODE: V97928 SPECIFICATION NUMBER: BACB30NX6K19 OPTIONAL PART: HL12VAZ6-19 V73197 HL12VAZ6-19 V92215 HL12VAZ6-19 V97928 L802-6K19 V06725 HL12VAZ6-19 V56878 HL1012AZ6-19 V0PTK6 HL1012AZ6-19 V06725 HL1012AZ6-19 V06950 HL1012AZ6-19 V17446 HL1012AZ6-19 V56878 HL1012AZ6-19 V60516 HL1012AZ6-19 V73197	002004 006100 107107 121503 904999	4

MISSING ITEM NUMBERS NOT APPLICABLE

- ITEM NOT ILLUSTRATED

BRI

49-15-03-01

BOEING PROPRIETARY - Copyright © - Unpublished Work - See title page for details.

49-15-03  
 FIG. 01  
 PAGE 5  
 JAN 20/09



757

PARTS CATALOG (MAINTENANCE)

FIG ITEM	PART NUMBER	1 2 3 4 5 6 7	NOMENCLATURE	EFFECT FROM TO	UNITS PER ASSY
1 60	HL1012AZ6-20	..	BOLT SUPPLIER CODE: V97928 SPECIFICATION NUMBER: BACB30NX6K20 OPTIONAL PART: HL12VAZ6-20 V73197 HL12VAZ6-20 V92215 HL12VAZ6-20 V97928 L802-6K20 V06725 HL12VAZ6-20 V56878 HL1012AZ6-20 V0PTK6 HL1012AZ6-20 V06725 HL1012AZ6-20 V06950 HL1012AZ6-20 V17446 HL1012AZ6-20 V56878 HL1012AZ6-20 V60516 HL1012AZ6-20 V73197	002004 006100 107107 121503 904999	4
62	HL1187-6	..	COLLAR SUPPLIER CODE: V5M902 SPECIFICATION NUMBER: BACC30X6 OPTIONAL PART: HL87-6 V92215 HL87-6 V73197 HL1187-6 V56878 HL1187-6 V92215 HL87-6 V56878 HL1187-6 V73197	002004 006100 107107 121503 904999	8

MISSING ITEM NUMBERS NOT APPLICABLE

- ITEM NOT ILLUSTRATED

49-15-03-01

49-15-03  
FIG. 01  
PAGE 6  
JAN 20/09

BRI

 **BOEING**  
757  
**PARTS CATALOG (MAINTENANCE)**

FIG ITEM	PART NUMBER	1 2 3 4 5 6 7	NOMENCLATURE	EFFECT FROM TO	UNITS PER ASSY
1					
65	353N4011-7	..	BRACKET ASSY-SPRT	002004 006100 107107 121503 904999	1
70	353N4011-8	..	BRACKET ASSY-SPRT	002004 006100 107107 121503 904999	1
75	AG5VCR12	...	BEARING SUPPLIER CODE: V15860 SPECIFICATION NUMBER: BACB10AG5M OPTIONAL PART: BSSN5422SM2 V81376 HSBG5-117M V02758 KSBG5-25CRD5 V97613 NG5FM V73134 NC5G2DM V56644 03-505-05E035 V09455 BNG5ME111 V16746 ABG5V5-12 VS0352	002004 006100 107107 121503 904999	1
90	353N4010-51	..	SHIM-FIREWALL	002004 006100 107107 121503 904999	2
95	353N4010-79	..	WASHER	002004 006100 107107 121503 904999	4

R  
R  
R  
R  
R  
R  
R  
R  
R  
R  
R  
R  
R  
R  
R  
R  
R  
R  
R  
R  
R  
R

MISSING ITEM NUMBERS NOT APPLICABLE

- ITEM NOT ILLUSTRATED

49-15-03-01

49-15-03  
FIG. 01  
PAGE 7  
MAY 20/09

BRI



757

PARTS CATALOG (MAINTENANCE)

FIG ITEM	PART NUMBER	1 2 3 4 5 6 7 NOMENCLATURE	EFFECT FROM TO	UNITS PER ASSY
1 100	HL1012AZ6-19	..BOLT- SUPPLIER CODE: V97928 SPECIFICATION NUMBER: BACB30NX6K19 OPTIONAL PART: HL12VAZ6-19 V73197 HL12VAZ6-19 V92215 HL12VAZ6-19 V97928 L802-6K19 V06725 HL12VAZ6-19 V56878 HL1012AZ6-19 V0PTK6 HL1012AZ6-19 V06725 HL1012AZ6-19 V06950 HL1012AZ6-19 V17446 HL1012AZ6-19 V56878 HL1012AZ6-19 V60516 HL1012AZ6-19 V73197	002004 006100 107107 121503 904999	25

MISSING ITEM NUMBERS NOT APPLICABLE

- ITEM NOT ILLUSTRATED

BRI

49-15-03-01

BOEING PROPRIETARY - Copyright © - Unpublished Work - See title page for details.

49-15-03  
FIG. 01  
PAGE 8  
JAN 20/09





757

PARTS CATALOG (MAINTENANCE)

FIG ITEM	PART NUMBER	1 2 3 4 5 6 7	NOMENCLATURE	EFFECT FROM TO	UNITS PER ASSY
1 105	HL1012AZ6-18		..BOLT- SUPPLIER CODE: V97928 SPECIFICATION NUMBER: BACB30NX6K18 OPTIONAL PART: HL12VAZ6-18 V73197 HL12VAZ6-18 V92215 HL12VAZ6-18 V97928 L802-6K18 V06725 HL12VAZ6-18 V56878 HL1012AZ6-18 V0PTK6 HL1012AZ6-18 V06725 HL1012AZ6-18 V06950 HL1012AZ6-18 V17446 HL1012AZ6-18 V56878 HL1012AZ6-18 V60516 HL1012AZ6-18 V73197	002004 006100 107107 121503 904999	10

MISSING ITEM NUMBERS NOT APPLICABLE

- ITEM NOT ILLUSTRATED

BRI

49-15-03-01

BOEING PROPRIETARY - Copyright © - Unpublished Work - See title page for details.

49-15-03  
FIG. 01  
PAGE 9  
JAN 20/09



757

PARTS CATALOG (MAINTENANCE)

FIG ITEM	PART NUMBER	1 2 3 4 5 6 7 NOMENCLATURE	EFFECT FROM TO	UNITS PER ASSY
1 110	HL1012AZ6-20	..BOLT- SUPPLIER CODE: V97928 SPECIFICATION NUMBER: BACB30NX6K20 OPTIONAL PART: HL12VAZ6-20 V73197 HL12VAZ6-20 V92215 HL12VAZ6-20 V97928 L802-6K20 V06725 HL12VAZ6-20 V56878 HL1012AZ6-20 V0PTK6 HL1012AZ6-20 V06725 HL1012AZ6-20 V06950 HL1012AZ6-20 V17446 HL1012AZ6-20 V56878 HL1012AZ6-20 V60516 HL1012AZ6-20 V73197	002004 006100 107107 121503 904999	4

MISSING ITEM NUMBERS NOT APPLICABLE

- ITEM NOT ILLUSTRATED

BRI

49-15-03-01

BOEING PROPRIETARY - Copyright © - Unpublished Work - See title page for details.

49-15-03  
FIG. 01  
PAGE 10  
JAN 20/09



757

PARTS CATALOG (MAINTENANCE)

FIG ITEM	PART NUMBER	1 2 3 4 5 6 7	NOMENCLATURE	EFFECT FROM TO	UNITS PER ASSY
1 112	HL1012AZ6-21		.. BOLT- SUPPLIER CODE: V97928 SPECIFICATION NUMBER: BACB30NX6K21 OPTIONAL PART: HL12VAZ6-21 V73197 HL12VAZ6-21 V92215 HL12VAZ6-21 V97928 L802-6K21 V06725 HL12VAZ6-21 V56878 HL1012AZ6-21 V0PTK6 HL1012AZ6-21 V06725 HL1012AZ6-21 V06950 HL1012AZ6-21 V17446 HL1012AZ6-21 V56878 HL1012AZ6-21 V60516 HL1012AZ6-21 V73197	002004 006100 107107 121503 904999	2
113	HL1187DU6		.. COLLAR SUPPLIER CODE: V5M902 SPECIFICATION NUMBER: BACC30X6S OPTIONAL PART: HL87DU6 V92215 HL87DU6 V73197 HL1187DU6 V56878 HL1187DU6 V92215 HL87DU6 V56878 HL1187DU6 V73197	002004 006100 107107 121503 904999	41

MISSING ITEM NUMBERS NOT APPLICABLE

- ITEM NOT ILLUSTRATED

49-15-03-01

49-15-03  
 FIG. 01  
 PAGE 11  
 JAN 20/09

BRI



757

PARTS CATALOG (MAINTENANCE)

FIG ITEM	PART NUMBER	1 2 3 4 5 6 7	NOMENCLATURE	EFFECT FROM TO	UNITS PER ASSY
1					
115	353N4010-79	..	WASHER	002004 006100 107107 121503 904999	14
120	353N4010-53	..	WASHER	002004 006100 107107 121503 904999	5
125	353N4010-111	..	WASHER	002004 006100 107107 121503 904999	1
130	353N4010-103	..	WASHER	002004 006100 107107 121503 904999	2
135	353N4010-104	..	WASHER	002004 006100 107107 121503 904999	2
140	NAS1198-5-4	..	RIVET-	002004 006100 107107 121503 904999	6
145	353N4010-183	..	SUPPORT-LIFT POST SERVICE BULLETIN: 49-0013	002004 006100 107107 121503 904999	1
150	353N4010-184	..	SUPPORT-LIFT POST SERVICE BULLETIN: 49-0013	002004 006100 107107 121503 904999	1
155	NAS6703-2	..	BOLT	002004 006100 107107 121503 904999	3

MISSING ITEM NUMBERS NOT APPLICABLE

- ITEM NOT ILLUSTRATED

49-15-03-01

49-15-03  
FIG. 01  
PAGE 12  
JAN 20/09

BRI

BOEING PROPRIETARY - Copyright © - Unpublished Work - See title page for details.



757

PARTS CATALOG (MAINTENANCE)

FIG ITEM	PART NUMBER	1 2 3 4 5 6 7	NOMENCLATURE	EFFECT FROM TO	UNITS PER ASSY
1 157	AN960XC10		.. WASHER	002004 006100 107107 121503 904999	3
160	353N4010-17		.. COVER-TRAILING CONE	002004 006011 107107 121503 904999	1
165	HL40-6-2		.. BOLT- SUPPLIER CODE: V97928 SPECIFICATION NUMBER: BACB30FM6A2U OPTIONAL PART: 67067-6A2U V56878 HL40-6-2 V56878 HL40-6-2 V73197 HL40-6-2 V80539 HL40-6-2 V92215 HL40-6-2 V08524 L8056A2U V06725	002004 006100 107107 121503 904999	4

MISSING ITEM NUMBERS NOT APPLICABLE

- ITEM NOT ILLUSTRATED

49-15-03-01

49-15-03  
FIG. 01  
PAGE 13  
JAN 20/09

BRI



757

PARTS CATALOG (MAINTENANCE)

FIG ITEM	PART NUMBER	1 2 3 4 5 6 7	NOMENCLATURE	EFFECT FROM TO	UNITS PER ASSY
1 170	HL40-6-4		..BOLT- SUPPLIER CODE: V97928 SPECIFICATION NUMBER: BACB30FM6A4U OPTIONAL PART: 67067-6A4U V56878 HL40-6-4 V56878 HL40-6-4 V73197 HL40-6-4 V80539 HL40-6-4 V92215 HL40-6-4 V08524 L8056A4U V06725	002004 006100 107107 121503 904999	4
172	HL97DU6		..COLLAR SUPPLIER CODE: V73197 SPECIFICATION NUMBER: BACC30AB6S OPTIONAL PART: HL97DU6 V56878 HL97DU6 V5M902	002004 006100 107107 121503 904999	8
175	353T0401-1		..BRACKET ASSY	002004 006100 107107 121503 904999	2

MISSING ITEM NUMBERS NOT APPLICABLE

- ITEM NOT ILLUSTRATED

49-15-03-01

49-15-03  
 FIG. 01  
 PAGE 14  
 JAN 20/09

BRI



757

PARTS CATALOG (MAINTENANCE)

FIG ITEM	PART NUMBER	1 2 3 4 5 6 7	NOMENCLATURE	EFFECT FROM TO	UNITS PER ASSY
R R R R R R R R R R R R R R R	1 180	AG5VCR12	... BEARING SUPPLIER CODE: V15860 SPECIFICATION NUMBER: BACB10AG5M OPTIONAL PART: BSSN5422SM2 V81376 HSBG5-117M V02758 KSBG5-25CRD5 V97613 NG5FM V73134 NC5G2DM V56644 03-505-05E035 V09455 BNG5ME111 V16746 ABG5V5-12 VS0352	002004 006100 107107 121503 904999	1
	185	353T0401-2	... BRACKET	002004 006100 107107 121503 904999	1
	190	BACS40R18T18	.. SHIM	002004 006100 107107 121503 904999	1

MISSING ITEM NUMBERS NOT APPLICABLE

- ITEM NOT ILLUSTRATED

49-15-03-01

49-15-03  
FIG. 01  
PAGE 15  
MAY 20/09

BRI



757

PARTS CATALOG (MAINTENANCE)

FIG ITEM	PART NUMBER	1 2 3 4 5 6 7	NOMENCLATURE	EFFECT FROM TO	UNITS PER ASSY
1 195	HL40-6-2		..BOLT- SUPPLIER CODE: V97928 SPECIFICATION NUMBER: BACB30FM6A2U OPTIONAL PART: 67067-6A2U V56878 HL40-6-2 V56878 HL40-6-2 V73197 HL40-6-2 V80539 HL40-6-2 V92215 HL40-6-2 V08524 L8056A2U V06725	002004 006100 107107 121503 904999	4
200	HL40-6-4		..BOLT- SUPPLIER CODE: V97928 SPECIFICATION NUMBER: BACB30FM6A4U OPTIONAL PART: 67067-6A4U V56878 HL40-6-4 V56878 HL40-6-4 V73197 HL40-6-4 V80539 HL40-6-4 V92215 HL40-6-4 V08524 L8056A4U V06725	002004 006100 107107 121503 904999	2

MISSING ITEM NUMBERS NOT APPLICABLE

- ITEM NOT ILLUSTRATED

49-15-03-01

49-15-03  
 FIG. 01  
 PAGE 16  
 JAN 20/09

BRI



 **BOEING**  
757  
**PARTS CATALOG (MAINTENANCE)**

FIG ITEM	PART NUMBER	1 2 3 4 5 6 7	NOMENCLATURE	EFFECT FROM TO	UNITS PER ASSY
1 202	HL97DU6	..	COLLAR SUPPLIER CODE: V73197 SPECIFICATION NUMBER: BACC30AB6S OPTIONAL PART: HL97DU6 V56878 HL97DU6 V5M902	002004 006100 107107 121503 904999	6
205	353T0405-1	..	BRACKET ASSY	002004 006100 107107 121503 904999	1
210	AG5VCR12	...	BEARING SUPPLIER CODE: V15860 SPECIFICATION NUMBER: BACB10AG5M OPTIONAL PART: BSSN5422SM2 V81376 HSBG5-117M V02758 KSBG5-25CRD5 V97613 NG5FM V73134 NC5G2DM V56644 03-505-05E035 V09455 BNG5ME111 V16746 ABG5V5-12 VS0352	002004 006100 107107 121503 904999	1
215	353T0405-2	...	BRACKET	002004 006100 107107 121503 904999	1
220	BACS40R18T28	..	SHIM	002004 006100 107107 121503 904999	1

R  
R  
R  
R  
R  
R  
R  
R  
R  
R  
R  
R  
R  
R  
R  
R  
R  
R  
R  
R  
R  
R

MISSING ITEM NUMBERS NOT APPLICABLE

- ITEM NOT ILLUSTRATED

# 49-15-03-01

49-15-03  
FIG. 01  
PAGE 17  
MAY 20/09

BRI



757

PARTS CATALOG (MAINTENANCE)

FIG ITEM	PART NUMBER	1 2 3 4 5 6 7	NOMENCLATURE	EFFECT FROM TO	UNITS PER ASSY
1					
225	BACB30LJ3U4	..	BOLT	002004 006100 107107 121503 904999	12
230	AN960C10L	..	WASHER	002004 006100 107107 121503 904999	12
235	353N4010-178	..	DOOR-ACCESS	002004 006100 107107 121503 904999	1
240	NAS1090-1	..	HOOK	002004 006100 107107 121503 904999	2
245	CL100-3-60	..	CABLE ASSY SUPPLIER CODE: V99862 SPECIFICATION NUMBER: BACC13Y3-60	002004 006100 107107 121503 904999	1
250	NAS1398M4-2	..	RIVET	002004 006100 107107 121503 904999	8
255	353N4010-89	..	WASHER	002004 006100 107107 121503 904999	1
260	353N4020-2	..	STRAINER	002004 006100 107107 121503 904999	1
265	BACB30NT3-19	..	BOLT	002004 006100 107107 121503 904999	4

MISSING ITEM NUMBERS NOT APPLICABLE

- ITEM NOT ILLUSTRATED

49-15-03-01

49-15-03  
FIG. 01  
PAGE 18  
JAN 20/09

BRI

BOEING PROPRIETARY - Copyright © - Unpublished Work - See title page for details.



757

PARTS CATALOG (MAINTENANCE)

FIG ITEM	PART NUMBER	1 2 3 4 5 6 7	NOMENCLATURE	EFFECT FROM TO	UNITS PER ASSY
1 270	BRH10A3	..	NUT SUPPLIER CODE: V52828 SPECIFICATION NUMBER: BACN10JC3 OPTIONAL PART: H10-3BAC V15653 NS202101-02 V80539 RMLH9075-3W V72962 VN303A02 V92215 96-02 V80539 T6S1032J V11815	002004 006100 107107 121503 904999	4
275	353N4010-88	..	WASHER	002004 006100 107107 121503 904999	1
280	356T0350-2	..	FITTING-DRAIN	002004 006100 107107 121503 904999	1
285	BACB30NX6	..	BOLT- SIZE DETERMINED ON INSTL.	002004 006100 107107 121503 904999	4
290	353N4010-91	..	SPACER	002004 006100 107107 121503 904999	2
295	353N4019-1	..	DUCT- POSITION DATA: LWR	002004 006100 107107 121503 904999	1
- 300	NAS6703-3	..	ATTACHING PARTS BOLT-	002004 006100 107107 121503 904999	44

MISSING ITEM NUMBERS NOT APPLICABLE

- ITEM NOT ILLUSTRATED

49-15-03-01

49-15-03  
FIG. 01  
PAGE 19  
JAN 20/09

BRI

BOEING PROPRIETARY - Copyright © - Unpublished Work - See title page for details.



757

PARTS CATALOG (MAINTENANCE)

FIG ITEM	PART NUMBER	1 2 3 4 5 6 7	NOMENCLATURE	EFFECT FROM TO	UNITS PER ASSY
1 - 305	AN960C10L		.. WASHER	002004 006100 107107 121503 904999	44
310	HL1012AZ6-18		-----*----- .. BOLT- SUPPLIER CODE: V97928 SPECIFICATION NUMBER: BACB30NX6K18 OPTIONAL PART: HL12VAZ6-18 V73197 HL12VAZ6-18 V92215 HL12VAZ6-18 V97928 L802-6K18 V06725 HL12VAZ6-18 V56878 HL1012AZ6-18 V0PTK6 HL1012AZ6-18 V06725 HL1012AZ6-18 V06950 HL1012AZ6-18 V17446 HL1012AZ6-18 V56878 HL1012AZ6-18 V60516 HL1012AZ6-18 V73197	002004 006100 107107 121503 904999	8

MISSING ITEM NUMBERS NOT APPLICABLE

- ITEM NOT ILLUSTRATED

49-15-03-01

49-15-03  
FIG. 01  
PAGE 20  
JAN 20/09

BRI



757

PARTS CATALOG (MAINTENANCE)

FIG ITEM	PART NUMBER	1 2 3 4 5 6 7	NOMENCLATURE	EFFECT FROM TO	UNITS PER ASSY
1 312	HL1187DU6		.. COLLAR SUPPLIER CODE: V5M902 SPECIFICATION NUMBER: BACC30X6S OPTIONAL PART: HL87DU6 V92215 HL87DU6 V73197 HL1187DU6 V56878 HL1187DU6 V92215 HL87DU6 V56878 HL1187DU6 V73197	002004 006100 107107 121503 904999	8
315	353N4010-79		.. WASHER	002004 006100 107107 121503 904999	8
320	353N4014-1		.BELLMOUTH- NOT APPROVED FOR ETOPS WITHOUT INCORP OF SB: 49-0011 49-0011 REWORKED BY SB: 49-0011	107107	1

MISSING ITEM NUMBERS NOT APPLICABLE

- ITEM NOT ILLUSTRATED

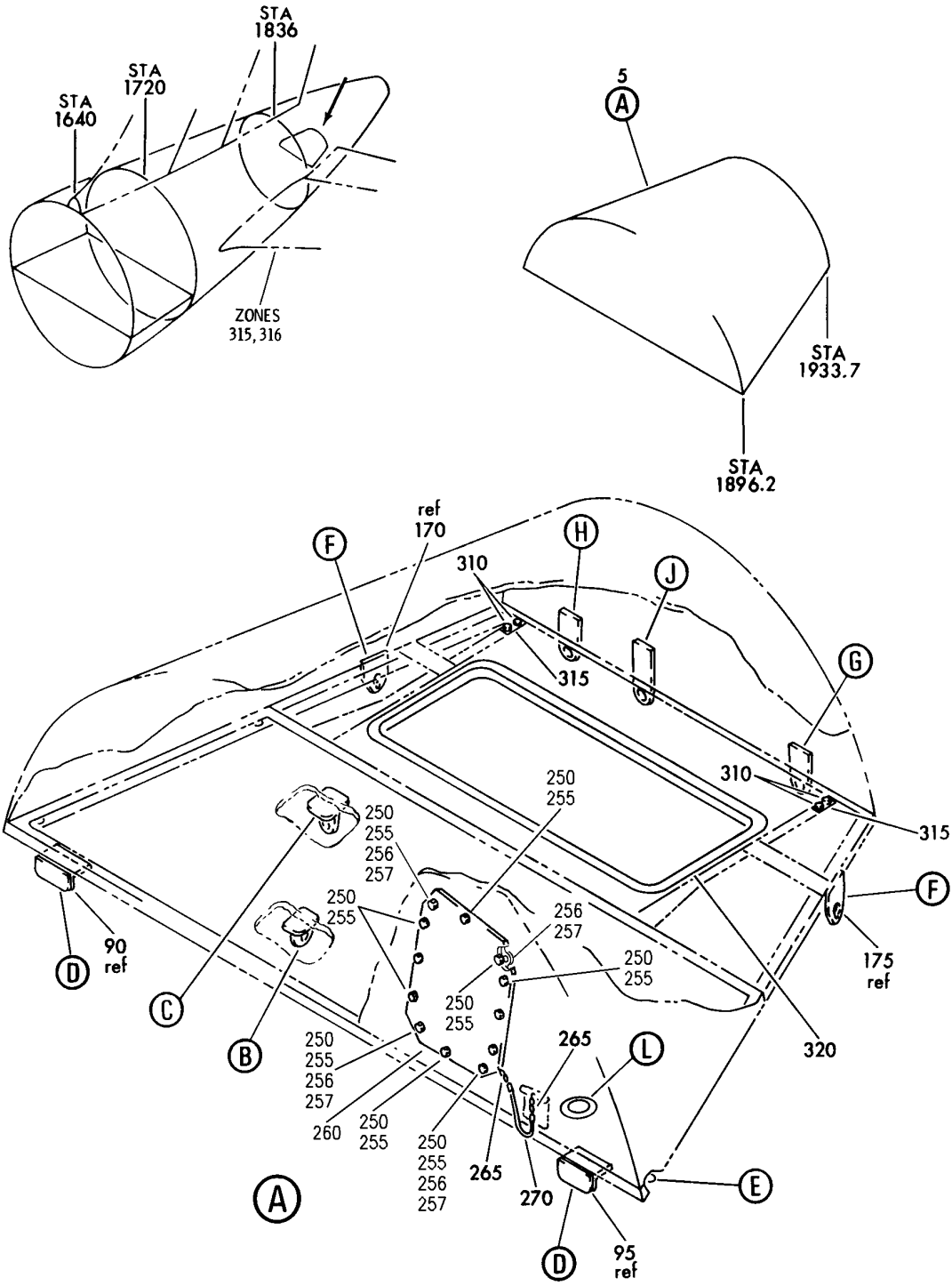
BRI

49-15-03-01

BOEING PROPRIETARY - Copyright © - Unpublished Work - See title page for details.

49-15-03  
 FIG. 01  
 PAGE 21  
 JAN 20/09

**BOEING**  
757  
PARTS CATALOG (MAINTENANCE)



Y 49150301A SHT 1 REV 239

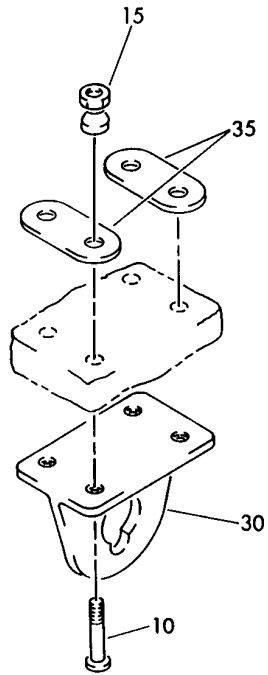
PLENUM INSTL-AUX PWR SYS INLET  
FIGURE 1A (SHEET 1)

BRI  
MAY 28/07

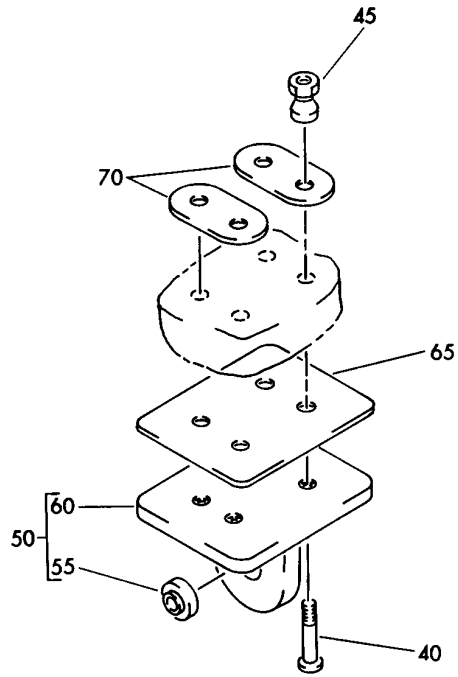
**49-15-03-01A**

49-15-03-01A  
PAGE 0

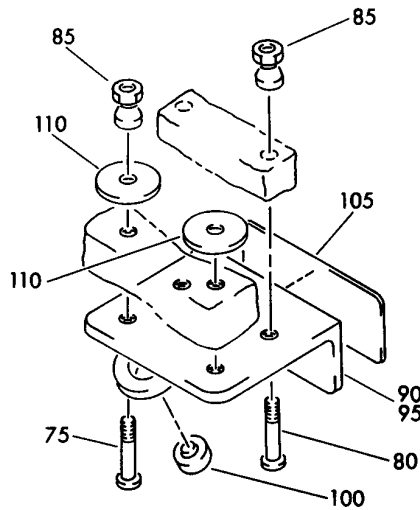
**BOEING**  
757  
PARTS CATALOG (MAINTENANCE)



(B)



(C)



(D)

**FWD**

Y 49150301A SHT 2 REV 176

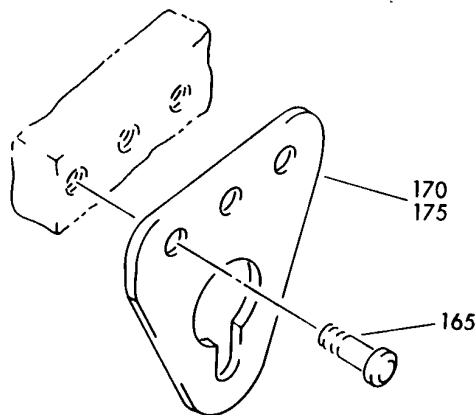
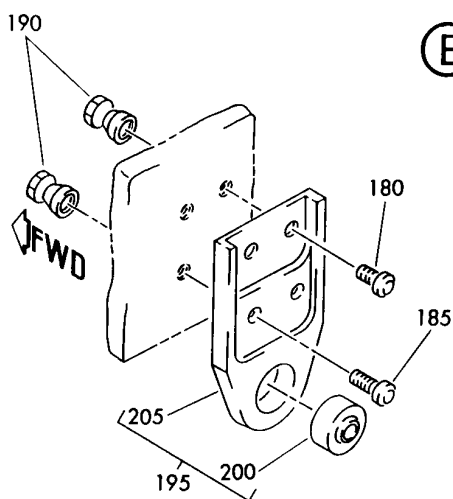
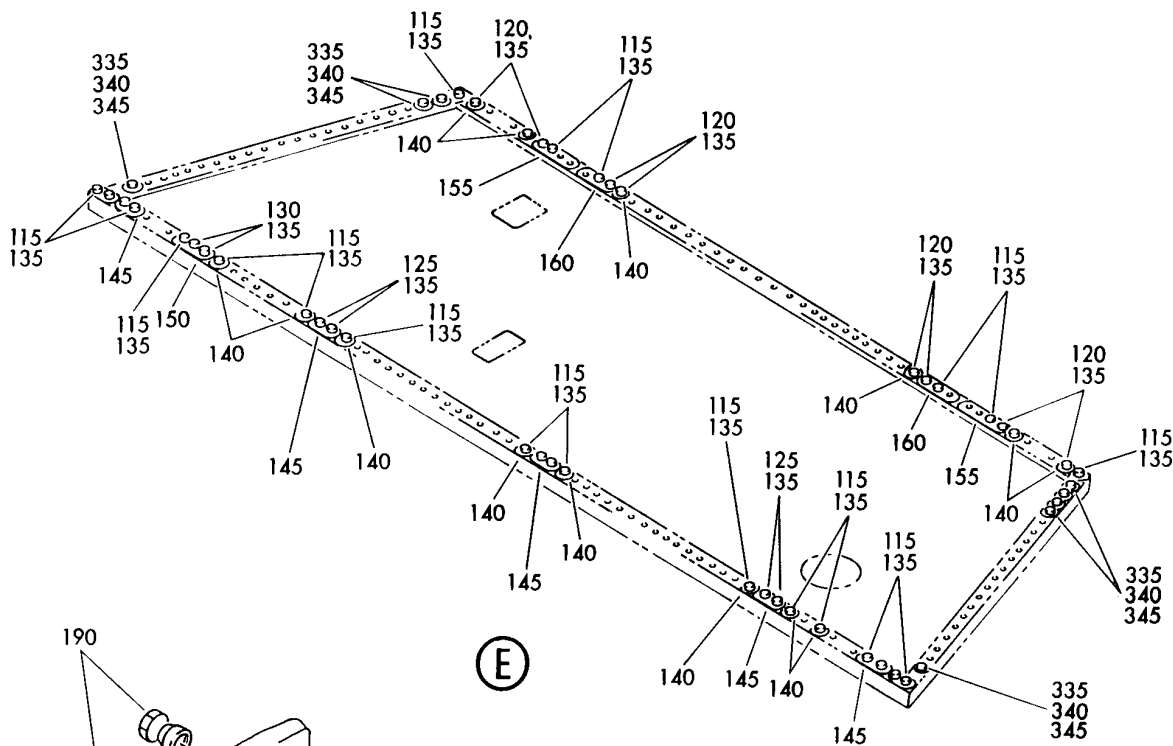
PLENUM INSTL-AUX PWR SYS INLET  
FIGURE 1A (SHEET 2)

**49-15-03-01A**

BRI  
MAY 28/07

49-15-03-01A  
PAGE 0A

**BOEING**  
757  
PARTS CATALOG (MAINTENANCE)



Y 49150301A SHT 3 REV 176

PLENUM INSTL-AUX PWR SYS INLET  
FIGURE 1A (SHEET 3)

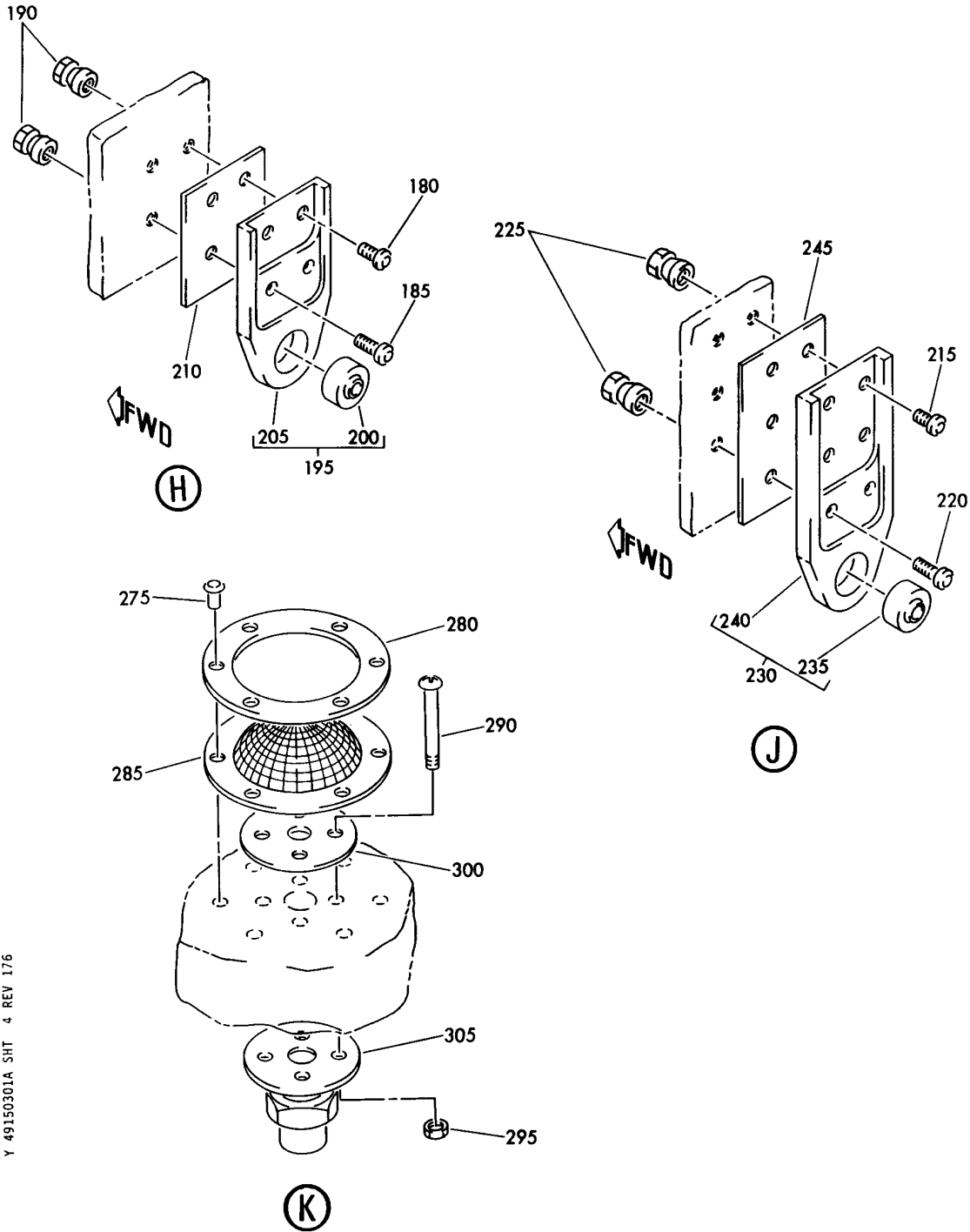
**49-15-03-01A**

BRI  
MAY 28/07

49-15-03-01A  
PAGE 0B



**BOEING**  
757  
PARTS CATALOG (MAINTENANCE)



Y 49150301A SHT 4 REV 176

PLENUM INSTL-AUX PWR SYS INLET  
FIGURE 1A (SHEET 4)

**49-15-03-01A**

BRI  
MAY 28/07

49-15-03-01A  
PAGE 0C



757

PARTS CATALOG (MAINTENANCE)

FIG ITEM	PART NUMBER	1 2 3 4 5 6 7	NOMENCLATURE	EFFECT FROM TO	UNITS PER ASSY
1 A			PLENUM INSTL-AUX PWR SYS INLET	101102 108120 504903	
- 1	353N4001-4		PLENUM INSTL-AUX PWR SYS INLET FOR NHA SEE: 49-00-00-01	101102 108120 504903	RF
5	353N4010-204		.PLENUM ASSY-	101102 108120 504903	1
10	HL1012AZ6-18		..BOLT SUPPLIER CODE: V97928 SPECIFICATION NUMBER: BACB30NX6K18 OPTIONAL PART: HL12VAZ6-18 V73197 HL12VAZ6-18 V92215 HL12VAZ6-18 V97928 L802-6K18 V06725 HL12VAZ6-18 V56878 HL1012AZ6-18 V0PTK6 HL1012AZ6-18 V06725 HL1012AZ6-18 V06950 HL1012AZ6-18 V17446 HL1012AZ6-18 V56878 HL1012AZ6-18 V60516 HL1012AZ6-18 V73197	101102 108120 504903	4

MISSING ITEM NUMBERS NOT APPLICABLE

- ITEM NOT ILLUSTRATED

BRI

49-15-03-01A

BOEING PROPRIETARY - Copyright © - Unpublished Work - See title page for details.

49-15-03  
FIG. 01A  
PAGE 1  
JAN 20/09



757

PARTS CATALOG (MAINTENANCE)

FIG ITEM	PART NUMBER	1 2 3 4 5 6 7	NOMENCLATURE	EFFECT FROM TO	UNITS PER ASSY
1 A 15	HL1187DU6	..	COLLAR SUPPLIER CODE: V5M902 SPECIFICATION NUMBER: BACC30X6S OPTIONAL PART: HL87DU6 V92215 HL87DU6 V73197 HL1187DU6 V56878 HL1187DU6 V92215 HL87DU6 V56878 HL1187DU6 V73197	101102 108120 504903	4
- 20	353N4010-156	..	PLATE	101102 108120 504903	1
- 25	353N4010-153	..	PLATE	101102 108120 504903	1
30	353N4021-1	..	FITTING-GEN HOIST	101102 108120 504903	1
35	353N4010-92	..	WASHER	101102 108120 504903	2

MISSING ITEM NUMBERS NOT APPLICABLE

- ITEM NOT ILLUSTRATED

BRI

49-15-03-01A

BOEING PROPRIETARY - Copyright © - Unpublished Work - See title page for details.

49-15-03  
FIG. 01A  
PAGE 2  
JAN 20/09



757

PARTS CATALOG (MAINTENANCE)

FIG ITEM	PART NUMBER	1 2 3 4 5 6 7	NOMENCLATURE	EFFECT FROM TO	UNITS PER ASSY
1 A 40	HL1012AZ6-20		.. BOLT SUPPLIER CODE: V97928 SPECIFICATION NUMBER: BACB30NX6K20 OPTIONAL PART: HL12VAZ6-20 V73197 HL12VAZ6-20 V92215 HL12VAZ6-20 V97928 L802-6K20 V06725 HL12VAZ6-20 V56878 HL1012AZ6-20 V0PTK6 HL1012AZ6-20 V06725 HL1012AZ6-20 V06950 HL1012AZ6-20 V17446 HL1012AZ6-20 V56878 HL1012AZ6-20 V60516 HL1012AZ6-20 V73197	101102 108120 504903	4
45	HL1187DU6		.. COLLAR SUPPLIER CODE: V5M902 SPECIFICATION NUMBER: BACC30X6S OPTIONAL PART: HL87DU6 V92215 HL87DU6 V73197 HL1187DU6 V56878 HL1187DU6 V92215 HL87DU6 V56878 HL1187DU6 V73197	101102 108120 504903	4

MISSING ITEM NUMBERS NOT APPLICABLE

- ITEM NOT ILLUSTRATED

BRI

49-15-03-01A

BOEING PROPRIETARY - Copyright © - Unpublished Work - See title page for details.

49-15-03  
 FIG. 01A  
 PAGE 3  
 JAN 20/09

 **BOEING**  
757  
**PARTS CATALOG (MAINTENANCE)**

FIG ITEM	PART NUMBER	1 2 3 4 5 6 7	NOMENCLATURE	EFFECT FROM TO	UNITS PER ASSY
1 A					
50	353N4013-1	..	BRACKET ASSY-SPRT	101102 108120 504903	1
55	AG5VCR12	...	BEARING SUPPLIER CODE: V15860 SPECIFICATION NUMBER: BACB10AG5M OPTIONAL PART: BSSN5422SM2 V81376 HSBG5-117M V02758 KSBG5-25CRD5 V97613 NG5FM V73134 NC5G2DM V56644 03-505-05E035 V09455 BNG5ME111 V16746 ABG5V5-12 VS0352	101102 108120 504903	1
60	353N4013-2	...	BRACKET	101102 108120 504903	1
65	BACS40R020T25	..	SHIM	101102 108120 504903	AR
70	353N4010-53	..	WASHER	101102 108120 504903	2

R  
R  
R  
R  
R  
R  
R  
R  
R  
R  
R  
R  
R  
R  
R  
R  
R  
R  
R  
R  
R  
R

MISSING ITEM NUMBERS NOT APPLICABLE

- ITEM NOT ILLUSTRATED

BRI

# 49-15-03-01A

BOEING PROPRIETARY - Copyright © - Unpublished Work - See title page for details.

49-15-03  
FIG. 01A  
PAGE 4  
MAY 20/09



757

PARTS CATALOG (MAINTENANCE)

FIG ITEM	PART NUMBER	1 2 3 4 5 6 7 NOMENCLATURE	EFFECT FROM TO	UNITS PER ASSY
1 A 75	HL1012AZ6-19	.. BOLT SUPPLIER CODE: V97928 SPECIFICATION NUMBER: BACB30NX6K19 OPTIONAL PART: HL12VAZ6-19 V73197 HL12VAZ6-19 V92215 HL12VAZ6-19 V97928 L802-6K19 V06725 HL12VAZ6-19 V56878 HL1012AZ6-19 V0PTK6 HL1012AZ6-19 V06725 HL1012AZ6-19 V06950 HL1012AZ6-19 V17446 HL1012AZ6-19 V56878 HL1012AZ6-19 V60516 HL1012AZ6-19 V73197	101102 108120 504903	4

MISSING ITEM NUMBERS NOT APPLICABLE

- ITEM NOT ILLUSTRATED

BRI

**49-15-03-01A**

BOEING PROPRIETARY - Copyright © - Unpublished Work - See title page for details.

49-15-03  
FIG. 01A  
PAGE 5  
JAN 20/09



757

PARTS CATALOG (MAINTENANCE)

FIG ITEM	PART NUMBER	1 2 3 4 5 6 7	NOMENCLATURE	EFFECT FROM TO	UNITS PER ASSY
1 A 80	HL1012AZ6-20	..	BOLT SUPPLIER CODE: V97928 SPECIFICATION NUMBER: BACB30NX6K20 OPTIONAL PART: HL12VAZ6-20 V73197 HL12VAZ6-20 V92215 HL12VAZ6-20 V97928 L802-6K20 V06725 HL12VAZ6-20 V56878 HL1012AZ6-20 V0PTK6 HL1012AZ6-20 V06725 HL1012AZ6-20 V06950 HL1012AZ6-20 V17446 HL1012AZ6-20 V56878 HL1012AZ6-20 V60516 HL1012AZ6-20 V73197	101102 108120 504903	4
85	HL1187-6	..	COLLAR SUPPLIER CODE: V5M902 SPECIFICATION NUMBER: BACC30X6 OPTIONAL PART: HL87-6 V92215 HL87-6 V73197 HL1187-6 V56878 HL1187-6 V92215 HL87-6 V56878 HL1187-6 V73197	101102 108120 504903	8

MISSING ITEM NUMBERS NOT APPLICABLE

- ITEM NOT ILLUSTRATED

BRI

49-15-03-01A

BOEING PROPRIETARY - Copyright © - Unpublished Work - See title page for details.

49-15-03  
FIG. 01A  
PAGE 6  
JAN 20/09



757

PARTS CATALOG (MAINTENANCE)

FIG ITEM	PART NUMBER	1 2 3 4 5 6 7	NOMENCLATURE	EFFECT FROM TO	UNITS PER ASSY
1A					
90	353N4011-7	..	BRACKET ASSY-SPRT	101102 108120 504903	1
95	353N4011-8	..	BRACKET ASSY-SPRT	101102 108120 504903	1
100	AG5VCR12	...	BEARING SUPPLIER CODE: V15860 SPECIFICATION NUMBER: BACB10AG5M OPTIONAL PART: BSSN5422SM2 V81376 HSBG5-117M V02758 KSBG5-25CRD5 V97613 NG5FM V73134 NC5G2DM V56644 03-505-05E035 V09455 BNG5ME111 V16746 ABG5V5-12 VS0352	101102 108120 504903	1
105	353N4010-51	..	SHIM-FIREWALL	101102 108120 504903	2
110	353N4010-79	..	WASHER	101102 108120 504903	4

R  
R  
R  
R  
R  
R  
R  
R  
R  
R  
R  
R  
R  
R  
R  
R  
R  
R  
R  
R  
R  
R

MISSING ITEM NUMBERS NOT APPLICABLE

- ITEM NOT ILLUSTRATED

49-15-03-01A

49-15-03  
FIG. 01A  
PAGE 7  
MAY 20/09

BRI





757

PARTS CATALOG (MAINTENANCE)

FIG ITEM	PART NUMBER	1 2 3 4 5 6 7	NOMENCLATURE	EFFECT FROM TO	UNITS PER ASSY
1 A 115	HL1012AZ6-19		. . BOLT SUPPLIER CODE: V97928 SPECIFICATION NUMBER: BACB30NX6K19 OPTIONAL PART: HL12VAZ6-19 V73197 HL12VAZ6-19 V92215 HL12VAZ6-19 V97928 L802-6K19 V06725 HL12VAZ6-19 V56878 HL1012AZ6-19 V0PTK6 HL1012AZ6-19 V06725 HL1012AZ6-19 V06950 HL1012AZ6-19 V17446 HL1012AZ6-19 V56878 HL1012AZ6-19 V60516 HL1012AZ6-19 V73197	101102 108120 504903	25

MISSING ITEM NUMBERS NOT APPLICABLE

- ITEM NOT ILLUSTRATED

BRI

49-15-03-01A

BOEING PROPRIETARY - Copyright © - Unpublished Work - See title page for details.

49-15-03  
FIG. 01A  
PAGE 8  
JAN 20/09



757

PARTS CATALOG (MAINTENANCE)

FIG ITEM	PART NUMBER	1 2 3 4 5 6 7	NOMENCLATURE	EFFECT FROM TO	UNITS PER ASSY
1 A 120	HL1012AZ6-18		. . BOLT SUPPLIER CODE: V97928 SPECIFICATION NUMBER: BACB30NX6K18 OPTIONAL PART: HL12VAZ6-18 V73197 HL12VAZ6-18 V92215 HL12VAZ6-18 V97928 L802-6K18 V06725 HL12VAZ6-18 V56878 HL1012AZ6-18 V0PTK6 HL1012AZ6-18 V06725 HL1012AZ6-18 V06950 HL1012AZ6-18 V17446 HL1012AZ6-18 V56878 HL1012AZ6-18 V60516 HL1012AZ6-18 V73197	101102 108120 504903	10

MISSING ITEM NUMBERS NOT APPLICABLE

- ITEM NOT ILLUSTRATED

BRI

49-15-03-01A

BOEING PROPRIETARY - Copyright © - Unpublished Work - See title page for details.

49-15-03  
FIG. 01A  
PAGE 9  
JAN 20/09



757

PARTS CATALOG (MAINTENANCE)

FIG ITEM	PART NUMBER	1 2 3 4 5 6 7 NOMENCLATURE	EFFECT FROM TO	UNITS PER ASSY
1 A 125	HL1012AZ6-20	.. BOLT SUPPLIER CODE: V97928 SPECIFICATION NUMBER: BACB30NX6K20 OPTIONAL PART: HL12VAZ6-20 V73197 HL12VAZ6-20 V92215 HL12VAZ6-20 V97928 L802-6K20 V06725 HL12VAZ6-20 V56878 HL1012AZ6-20 V0PTK6 HL1012AZ6-20 V06725 HL1012AZ6-20 V06950 HL1012AZ6-20 V17446 HL1012AZ6-20 V56878 HL1012AZ6-20 V60516 HL1012AZ6-20 V73197	101102 108120 504903	4

MISSING ITEM NUMBERS NOT APPLICABLE

- ITEM NOT ILLUSTRATED

BRI

49-15-03-01A

BOEING PROPRIETARY - Copyright © - Unpublished Work - See title page for details.

49-15-03  
FIG. 01A  
PAGE 10  
JAN 20/09



757

PARTS CATALOG (MAINTENANCE)

FIG ITEM	PART NUMBER	1 2 3 4 5 6 7	NOMENCLATURE	EFFECT FROM TO	UNITS PER ASSY
1 A 130	HL1012AZ6-21	..	BOLT SUPPLIER CODE: V97928 SPECIFICATION NUMBER: BACB30NX6K21 OPTIONAL PART: HL12VAZ6-21 V73197 HL12VAZ6-21 V92215 HL12VAZ6-21 V97928 L802-6K21 V06725 HL12VAZ6-21 V56878 HL1012AZ6-21 V0PTK6 HL1012AZ6-21 V06725 HL1012AZ6-21 V06950 HL1012AZ6-21 V17446 HL1012AZ6-21 V56878 HL1012AZ6-21 V60516 HL1012AZ6-21 V73197	101102 108120 504903	2
135	HL1187DU6	..	COLLAR SUPPLIER CODE: V5M902 SPECIFICATION NUMBER: BACC30X6S OPTIONAL PART: HL87DU6 V92215 HL87DU6 V73197 HL1187DU6 V56878 HL1187DU6 V92215 HL87DU6 V56878 HL1187DU6 V73197	101102 108120 504903	41

MISSING ITEM NUMBERS NOT APPLICABLE

- ITEM NOT ILLUSTRATED

BRI

49-15-03-01A

BOEING PROPRIETARY - Copyright © - Unpublished Work - See title page for details.

49-15-03  
FIG. 01A  
PAGE 11  
JAN 20/09



757

PARTS CATALOG (MAINTENANCE)

FIG ITEM	PART NUMBER	1 2 3 4 5 6 7	NOMENCLATURE	EFFECT FROM TO	UNITS PER ASSY
1 A					
140	353N4010-79	..	WASHER	101102 108120 504903	14
145	353N4010-53	..	WASHER	101102 108120 504903	5
150	353N4010-111	..	WASHER	101102 108120 504903	1
155	353N4010-103	..	WASHER	101102 108120 504903	2
160	353N4010-104	..	WASHER	101102 108120 504903	2
165	NAS1198-5-4	..	RIVET	101102 108120 504903	6
170	353N4010-183	..	SUPPORT-LIFT	101102 108120 504903	1
175	353N4010-184	..	SUPPORT-LIFT	101102 108120 504903	1
180	HL40-6-2	..	BOLT SUPPLIER CODE: V97928 SPECIFICATION NUMBER: BACB30FM6A2U OPTIONAL PART: 67067-6A2U V56878 HL40-6-2 V56878 HL40-6-2 V73197 HL40-6-2 V80539 HL40-6-2 V92215 HL40-6-2 V08524 L8056A2U V06725	101102 108120 504903	4

MISSING ITEM NUMBERS NOT APPLICABLE

- ITEM NOT ILLUSTRATED

BRI

49-15-03-01A

BOEING PROPRIETARY - Copyright © - Unpublished Work - See title page for details.

49-15-03  
FIG. 01A  
PAGE 12  
JAN 20/09



757

PARTS CATALOG (MAINTENANCE)

FIG ITEM	PART NUMBER	1 2 3 4 5 6 7	NOMENCLATURE	EFFECT FROM TO	UNITS PER ASSY
1 A 185	HL40-6-4		..BOLT SUPPLIER CODE: V97928 SPECIFICATION NUMBER: BACB30FM6A4U OPTIONAL PART: 67067-6A4U V56878 HL40-6-4 V56878 HL40-6-4 V73197 HL40-6-4 V80539 HL40-6-4 V92215 HL40-6-4 V08524 L8056A4U V06725	101102 108120 504903	4
190	HL97DU6		..COLLAR SUPPLIER CODE: V73197 SPECIFICATION NUMBER: BACC30AB6S OPTIONAL PART: HL97DU6 V56878 HL97DU6 V5M902	101102 108120 504903	8
195	353T0401-1		..BRACKET ASSY	101102 108120 504903	2

MISSING ITEM NUMBERS NOT APPLICABLE

- ITEM NOT ILLUSTRATED

BRI

49-15-03-01A

BOEING PROPRIETARY - Copyright © - Unpublished Work - See title page for details.

49-15-03  
FIG. 01A  
PAGE 13  
JAN 20/09

 **BOEING**  
757  
**PARTS CATALOG (MAINTENANCE)**

FIG ITEM	PART NUMBER	1 2 3 4 5 6 7	NOMENCLATURE	EFFECT FROM TO	UNITS PER ASSY
R R R R R R R R R R R R R R R R R R R R R R	1A 200		AG5VCR12 ... BEARING SUPPLIER CODE: V15860 SPECIFICATION NUMBER: BACB10AG5M OPTIONAL PART: BSSN5422SM2 V81376 HSBG5-117M V02758 KSBG5-25CRD5 V97613 NG5FM V73134 NC5G2DM V56644 03-505-05E035 V09455 BNG5ME111 V16746 ABG5V5-12 VS0352	101102 108120 504903	1
	205	353T0401-2	... BRACKET	101102 108120 504903	1
	210	BACS40R18T18	.. SHIM	101102 108120 504903	1
	215	HL40-6-2	.. BOLT SUPPLIER CODE: V97928 SPECIFICATION NUMBER: BACB30FM6A2U OPTIONAL PART: 67067-6A2U V56878 HL40-6-2 V56878 HL40-6-2 V73197 HL40-6-2 V80539 HL40-6-2 V92215 HL40-6-2 V08524 L8056A2U V06725	101102 108120 504903	4
	MISSING ITEM NUMBERS NOT APPLICABLE				

— ITEM NOT ILLUSTRATED

BRI

# 49-15-03-01A

BOEING PROPRIETARY - Copyright © - Unpublished Work - See title page for details.

49-15-03  
FIG. 01A  
PAGE 14  
MAY 20/09



757

PARTS CATALOG (MAINTENANCE)

FIG ITEM	PART NUMBER	1 2 3 4 5 6 7	NOMENCLATURE	EFFECT FROM TO	UNITS PER ASSY
1 A 220	HL40-6-4		..BOLT SUPPLIER CODE: V97928 SPECIFICATION NUMBER: BACB30FM6A4U OPTIONAL PART: 67067-6A4U V56878 HL40-6-4 V56878 HL40-6-4 V73197 HL40-6-4 V80539 HL40-6-4 V92215 HL40-6-4 V08524 L8056A4U V06725	101102 108120 504903	2
225	HL97DU6		..COLLAR SUPPLIER CODE: V73197 SPECIFICATION NUMBER: BACC30AB6S OPTIONAL PART: HL97DU6 V56878 HL97DU6 V5M902	101102 108120 504903	6
230	353T0405-1		..BRACKET ASSY	101102 108120 504903	1

MISSING ITEM NUMBERS NOT APPLICABLE

- ITEM NOT ILLUSTRATED

BRI

49-15-03-01A

BOEING PROPRIETARY - Copyright © - Unpublished Work - See title page for details.

49-15-03  
FIG. 01A  
PAGE 15  
JAN 20/09



 **BOEING**  
757  
**PARTS CATALOG (MAINTENANCE)**

FIG ITEM	PART NUMBER	1 2 3 4 5 6 7	NOMENCLATURE	EFFECT FROM TO	UNITS PER ASSY	
R R R R R R R R R R R	1A 235	AG5VCR12	... BEARING SUPPLIER CODE: V15860 SPECIFICATION NUMBER: BACB10AG5M OPTIONAL PART: BSSN5422SM2 V81376 HSBG5-117M V02758 KSBG5-25CRD5 V97613 NG5FM V73134 NC5G2DM V56644 03-505-05E035 V09455 BNG5ME111 V16746 ABG5V5-12 VS0352	101102 108120 504903	1	
	240	353T0405-2	... BRACKET	101102 108120 504903	1	
	245	BACS40R18T28	.. SHIM	101102 108120 504903	1	
	250	NAS6703UA	.. BOLT-	101102 108120 504903	12	
	255	NAS1149C0332R	.. WASHER	101102 108120 504903	12	
	256	NAS463FC10	.. NUT	101102 108120 504903	4	
	257	F51753-3DL	.. NUTPLATE SUPPLIER CODE: V15653 SPECIFICATION NUMBER: BACN10KE3DCM OPTIONAL PART: NS103193SE02 V80539	101102 108120 504903	4	
	260	353N4010-178	.. DOOR-ACCESS	101102 108120 504903	1	
	MISSING ITEM NUMBERS NOT APPLICABLE					

- ITEM NOT ILLUSTRATED

BRI

# 49-15-03-01A

BOEING PROPRIETARY - Copyright © - Unpublished Work - See title page for details.

49-15-03  
FIG. 01A  
PAGE 16  
MAY 20/09



757

PARTS CATALOG (MAINTENANCE)

FIG ITEM	PART NUMBER	1 2 3 4 5 6 7	NOMENCLATURE	EFFECT FROM TO	UNITS PER ASSY
1A					
265	NAS1090-1	..	H00K	101102 108120 504903	2
270	CL100-3-60	..	CABLE ASSY SUPPLIER CODE: V99862 SPECIFICATION NUMBER: BACC13Y3-60	101102 108120 504903	1
275	NAS1398M4-2	..	RIVET	101102 108120 504903	6
280	353N4010-89	..	WASHER	101102 108120 504903	1
285	353N4020-2	..	STRAINER	101102 108120 504903	1
290	BACB30NT3-19	..	BOLT	101102 108120 504903	4
295	BRH10A3	..	NUT SUPPLIER CODE: V52828 SPECIFICATION NUMBER: BACN10JC3 OPTIONAL PART: H10-3BAC V15653 NS202101-02 V80539 RMLH9075-3W V72962 VN303A02 V92215 96-02 V80539 T6S1032J V11815	101102 108120 504903	4
300	353N4010-88	..	WASHER	101102 108120 504903	1
305	356T0350-2	..	FITTING-DRAIN	101102 108120 504903	1
310	BACB30NX6	..	BOLT- SIZE DETERMINED ON INSTL.	101102 108120 504903	4

MISSING ITEM NUMBERS NOT APPLICABLE

- ITEM NOT ILLUSTRATED

49-15-03-01A

49-15-03  
FIG. 01A  
PAGE 17  
JAN 20/09

BRI

BOEING PROPRIETARY - Copyright © - Unpublished Work - See title page for details.



757

PARTS CATALOG (MAINTENANCE)

FIG ITEM	PART NUMBER	1 2 3 4 5 6 7	NOMENCLATURE	EFFECT FROM TO	UNITS PER ASSY
1A					
315	353N4010-91	..	SPACER	101102 108120 504903	2
320	353N4019-36	..	DUCT- POSITION DATA: LWR ATTACHING PARTS	101102 108120 504903	1
- 325	NAS6703-3	..	BOLT	101102 108120 504903	44
- 330	NAS1149C0332R	..	WASHER	101102 108120 504903	44
			-----*-----		
335	HL1012AZ6-18	..	BOLT SUPPLIER CODE: V97928 SPECIFICATION NUMBER: BACB30NX6K18 OPTIONAL PART: HL12VAZ6-18 V73197 HL12VAZ6-18 V92215 HL12VAZ6-18 V97928 L802-6K18 V06725 HL12VAZ6-18 V56878 HL1012AZ6-18 V0PTK6 HL1012AZ6-18 V06725 HL1012AZ6-18 V06950 HL1012AZ6-18 V17446 HL1012AZ6-18 V56878 HL1012AZ6-18 V60516 HL1012AZ6-18 V73197	101102 108120 504903	8

MISSING ITEM NUMBERS NOT APPLICABLE

- ITEM NOT ILLUSTRATED

BRI

49-15-03-01A

BOEING PROPRIETARY - Copyright © - Unpublished Work - See title page for details.

49-15-03  
FIG. 01A  
PAGE 18  
JAN 20/09



757

PARTS CATALOG (MAINTENANCE)

FIG ITEM	PART NUMBER	1 2 3 4 5 6 7	NOMENCLATURE	EFFECT FROM TO	UNITS PER ASSY
1 A 340	HL1187DU6		.. COLLAR SUPPLIER CODE: V5M902 SPECIFICATION NUMBER: BACC30X6S OPTIONAL PART: HL87DU6 V92215 HL87DU6 V73197 HL1187DU6 V56878 HL1187DU6 V92215 HL87DU6 V56878 HL1187DU6 V73197	101102 108120 504903	8
345	353N4010-79		.. WASHER	101102 108120 504903	8

MISSING ITEM NUMBERS NOT APPLICABLE

- ITEM NOT ILLUSTRATED

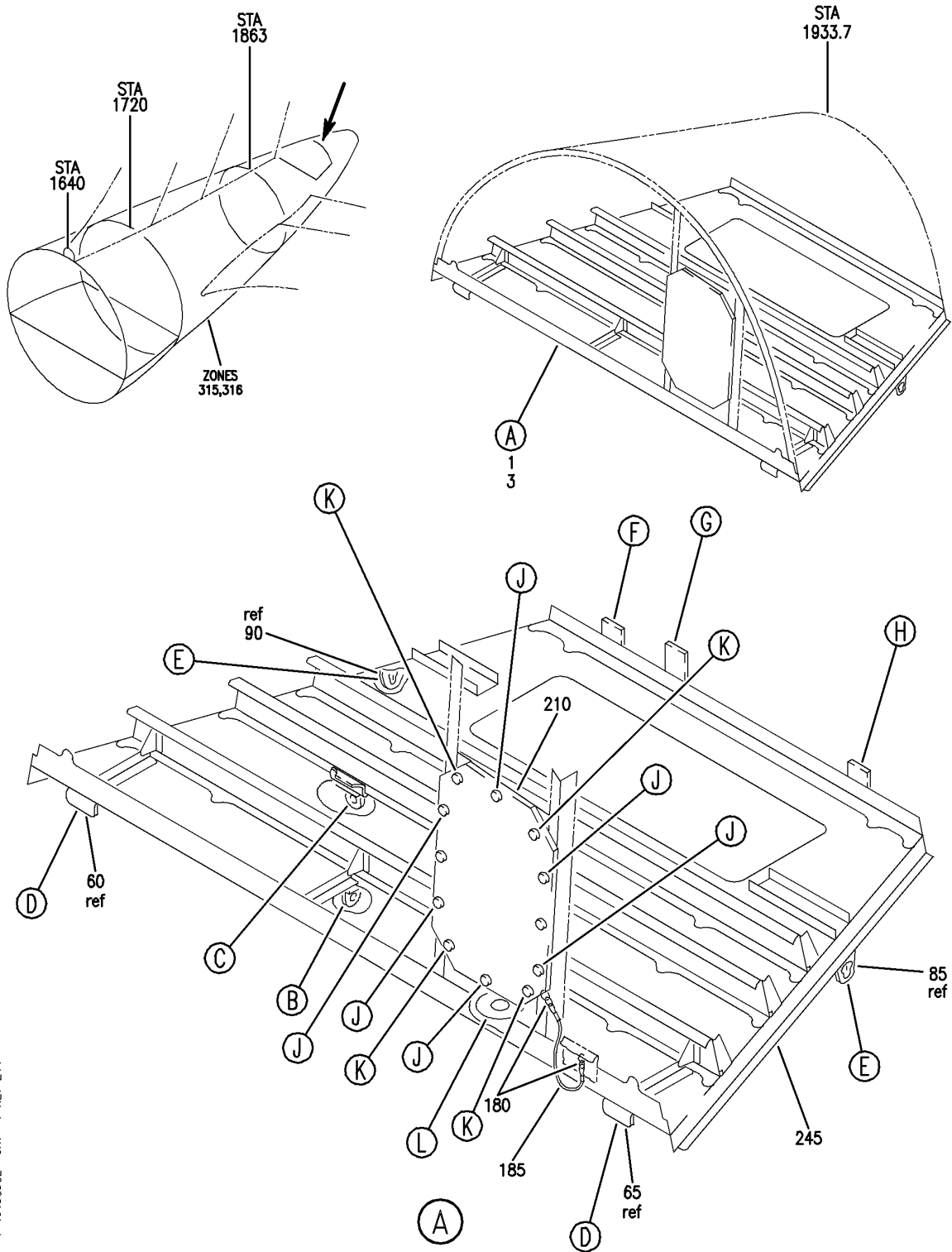
BRI

**49-15-03-01A**

BOEING PROPRIETARY - Copyright © - Unpublished Work - See title page for details.

49-15-03  
 FIG. 01A  
 PAGE 19  
 JAN 20/09


**BOEING**  
 757  
**PARTS CATALOG (MAINTENANCE)**



Y 49150302 SH1 1 REV 244

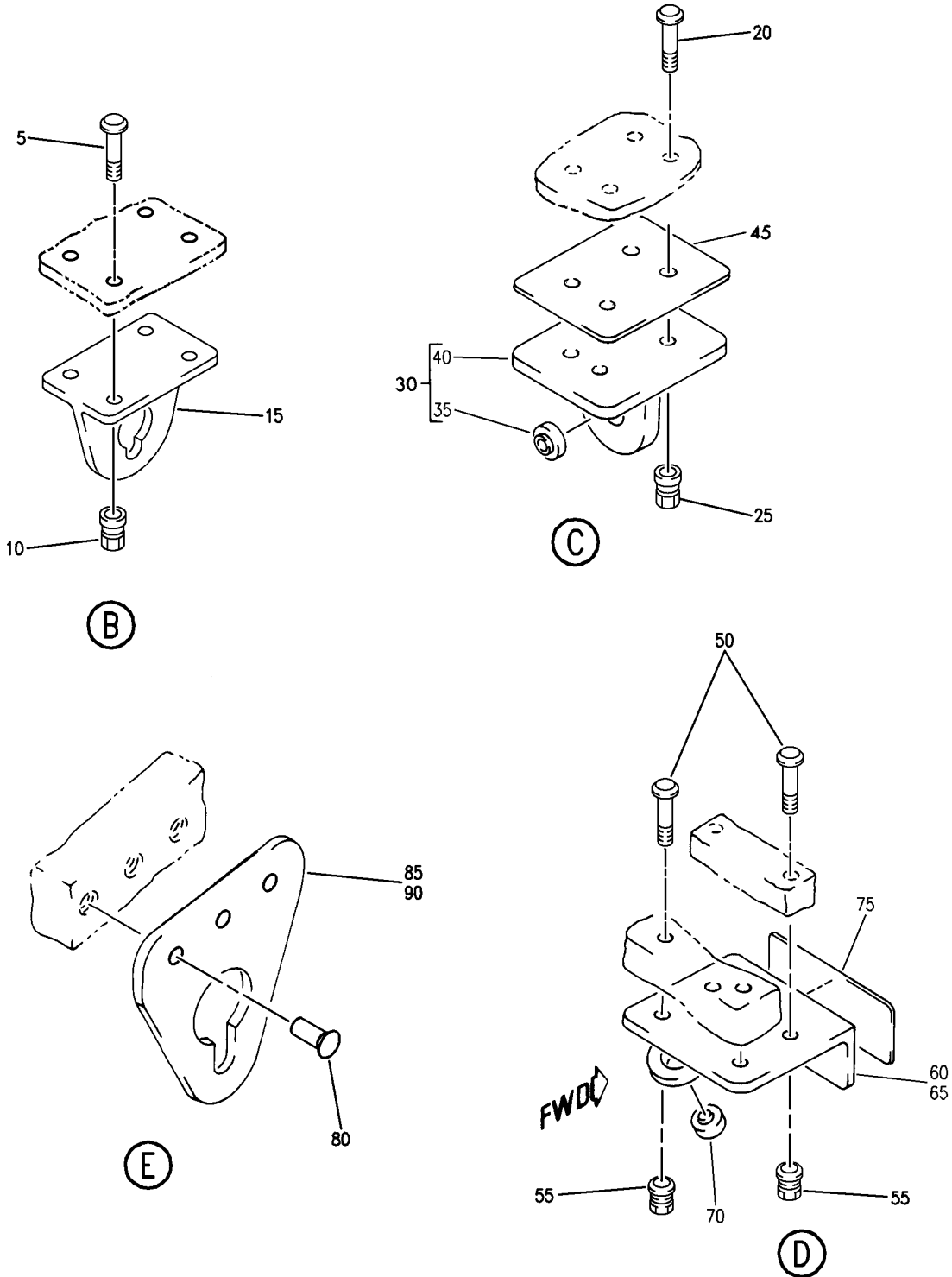
PLENUM ASSY-AUX PWR SYS  
 FIGURE 2 (SHEET 1)

**49-15-03-02**

BRI  
JAN 20/09

49-15-03-02  
 PAGE 0

**BOEING**  
757  
PARTS CATALOG (MAINTENANCE)



Y 49150302 SHT 2 REV 241

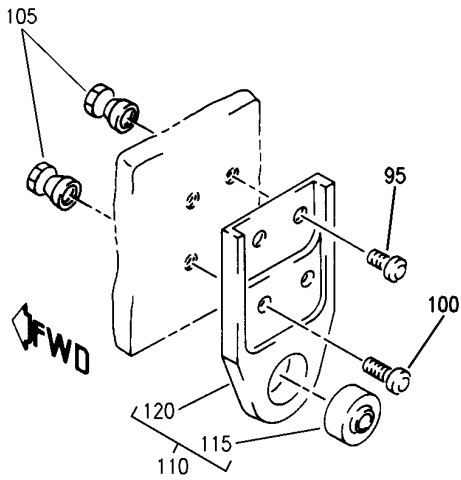
PLENUM ASSY-AUX PWR SYS  
FIGURE 2 (SHEET 2)

**49-15-03-02**

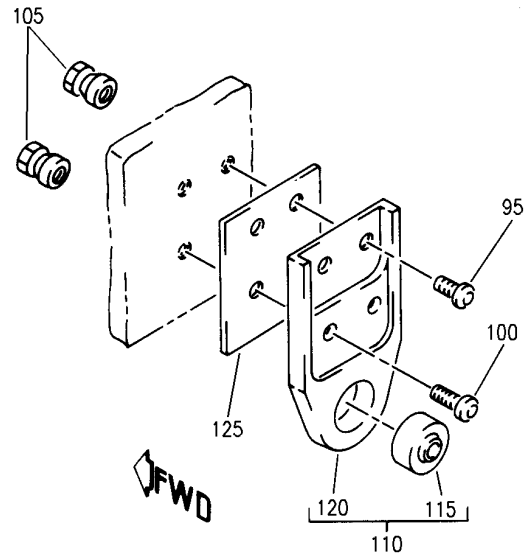
BRI  
JAN 20/09

49-15-03-02  
PAGE 0A

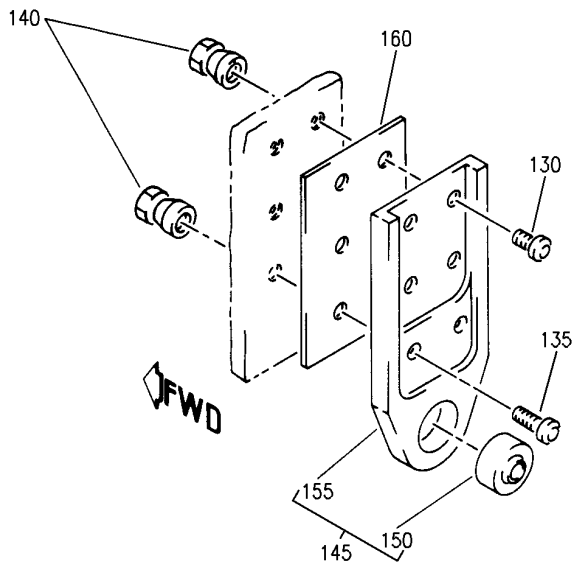
**BOEING**  
757  
PARTS CATALOG (MAINTENANCE)



(F)



(G)



(H)

Y 49150302 SHT 3 REV 241

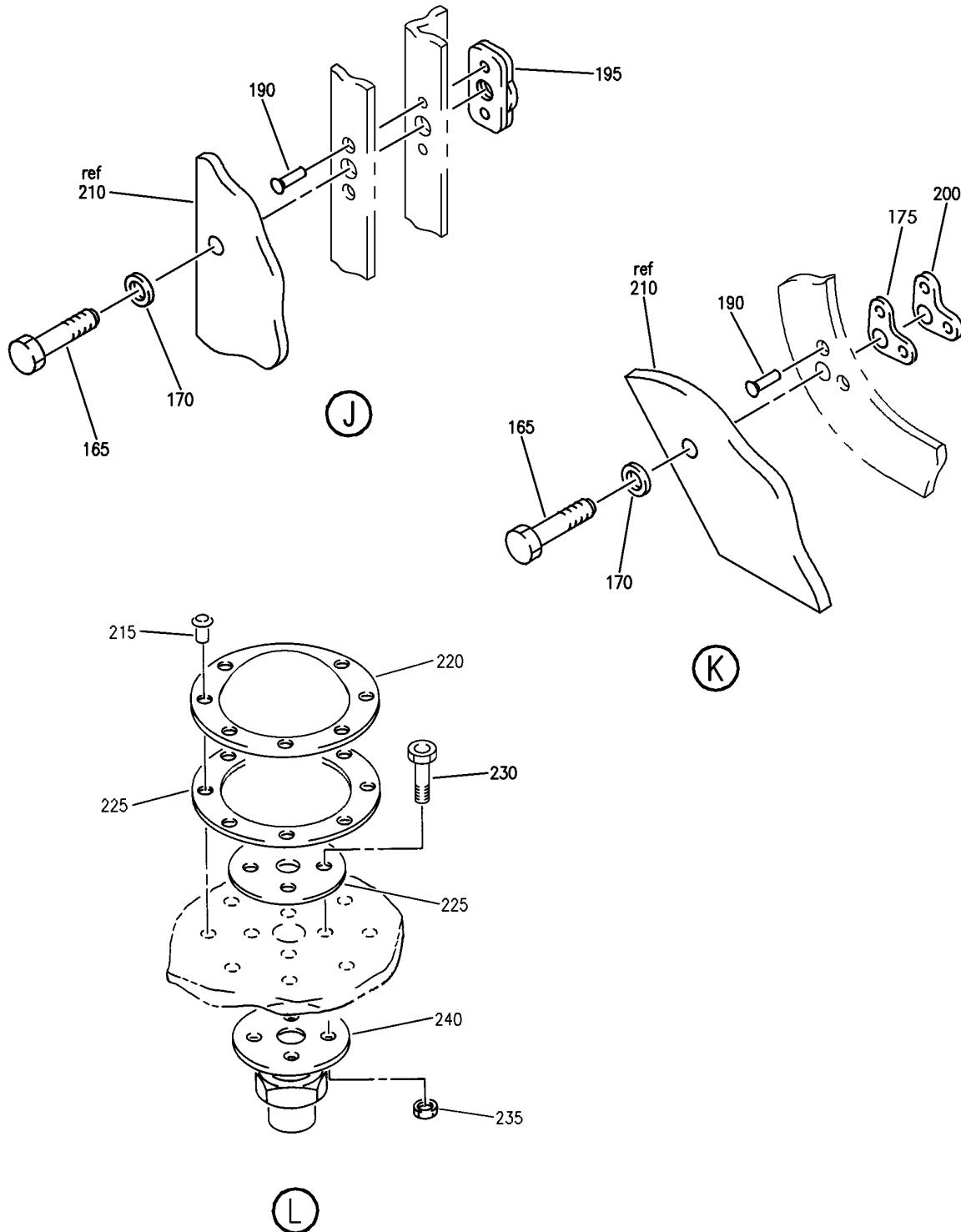
PLENUM ASSY-AUX PWR SYS  
FIGURE 2 (SHEET 3)

**49-15-03-02**

BRI  
JAN 20/09

49-15-03-02  
PAGE 0B

**BOEING**  
757  
PARTS CATALOG (MAINTENANCE)



Y 49150302 SHT 4 REV 241

PLENUM ASSY-AUX PWR SYS  
FIGURE 2 (SHEET 4)

**49-15-03-02**

BRI  
JAN 20/09

49-15-03-02  
PAGE 0C





757

PARTS CATALOG (MAINTENANCE)

FIG ITEM	PART NUMBER	1 2 3 4 5 6 7	NOMENCLATURE	EFFECT FROM TO	UNITS PER ASSY
2					
- 1	MODREF13832		PLENUM ASSY-AUX PWR SYS PLENUM INSTL-AUX PWR SYS INLET MODULE NUMBER: 353N4001-5 REV A	103106 103106	1
3	353N4010-210		.PLENUM ASSY-AUX PWR SYS	103106	1
5	HL1012AZ6-3		..BOLT SUPPLIER CODE: V97928 SPECIFICATION NUMBER: BACB30NX6K3 OPTIONAL PART: HL12VAZ6-3 V73197 HL12VAZ6-3 V92215 HL12VAZ6-3 V97928 L802-6K3 V06725 HL12VAZ6-3 V56878 HL1012AZ6-3 V0PTK6 HL1012AZ6-3 V06725 HL1012AZ6-3 V06950 HL1012AZ6-3 V17446 HL1012AZ6-3 V56878 HL1012AZ6-3 V60516 HL1012AZ6-3 V73197	103106 103106	4
10	HL1087DU6		..COLLAR SUPPLIER CODE: V9N513 SPECIFICATION NUMBER: BACC30BH6S OPTIONAL PART: HL1087DU6 V92215 HL1087DU6 V73197 HL1087DU6 V56878	103106	4
15	353N4021-1		..FITTING-GEN HOIST	103106	1

MISSING ITEM NUMBERS NOT APPLICABLE

- ITEM NOT ILLUSTRATED

49-15-03-02

49-15-03  
FIG. 02  
PAGE 1  
JAN 20/09

BRI



757

PARTS CATALOG (MAINTENANCE)

FIG ITEM	PART NUMBER	1 2 3 4 5 6 7	NOMENCLATURE	EFFECT FROM TO	UNITS PER ASSY
2 20	HL1012AZ6-7	..	BOLT SUPPLIER CODE: V97928 SPECIFICATION NUMBER: BACB30NX6K7 OPTIONAL PART: HL12VAZ6-7 V73197 HL12VAZ6-7 V92215 HL12VAZ6-7 V97928 L802-6K7 V06725 HL12VAZ6-7 V56878 HL1012AZ6-7 V0PTK6 HL1012AZ6-7 V06725 HL1012AZ6-7 V06950 HL1012AZ6-7 V17446 HL1012AZ6-7 V56878 HL1012AZ6-7 V60516 HL1012AZ6-7 V73197	103106	4
25	HL1087DU6	..	COLLAR SUPPLIER CODE: V9N513 SPECIFICATION NUMBER: BACC30BH6S OPTIONAL PART: HL1087DU6 V92215 HL1087DU6 V73197 HL1087DU6 V56878	103106	4
30	353N4013-1	..	BRACKET ASSY	103106	1

MISSING ITEM NUMBERS NOT APPLICABLE

- ITEM NOT ILLUSTRATED

49-15-03-02

49-15-03  
FIG. 02  
PAGE 2  
JAN 20/09

BRI

BOEING PROPRIETARY - Copyright © - Unpublished Work - See title page for details.



757

PARTS CATALOG (MAINTENANCE)

FIG ITEM	PART NUMBER	1 2 3 4 5 6 7	NOMENCLATURE	EFFECT FROM TO	UNITS PER ASSY
2 R R R R R R R R R R R R R R R R R R R R R	35	AG5VCR12	... BEARING SUPPLIER CODE: V15860 SPECIFICATION NUMBER: BACB10AG5M OPTIONAL PART: BSSN5422SM2 V81376 HSBG5-117M V02758 KSBG5-25CRD5 V97613 NG5FM V73134 NC5G2DM V56644 03-505-05E035 V09455 BNG5ME111 V16746 ABG5V5-12 VS0352	103106	1
	40	353N4013-2	... BRACKET	103106	1
	45	BACS40R20T25	.. SHIM	103106	AR

MISSING ITEM NUMBERS NOT APPLICABLE

- ITEM NOT ILLUSTRATED

49-15-03-02

49-15-03  
FIG. 02  
PAGE 3  
MAY 20/09

BRI



757

PARTS CATALOG (MAINTENANCE)

FIG ITEM	PART NUMBER	1 2 3 4 5 6 7	NOMENCLATURE	EFFECT FROM TO	UNITS PER ASSY
2 50	HL1012AZ6-4	..	BOLT SUPPLIER CODE: V97928 SPECIFICATION NUMBER: BACB30NX6K4 OPTIONAL PART: HL12VAZ6-4 V73197 HL12VAZ6-4 V92215 HL12VAZ6-4 V97928 L802-6K4 V06725 HL12VAZ6-4 V56878 HL1012AZ6-4 V0PTK6 HL1012AZ6-4 V06725 HL1012AZ6-4 V06950 HL1012AZ6-4 V17446 HL1012AZ6-4 V56878 HL1012AZ6-4 V60516 HL1012AZ6-4 V73197	103106	8
55	BACC30BM6S	..	COLLAR	103106	8
60	353N4011-7	..	BRACKET ASSY-SPRT	103106	1
65	353N4011-8	..	BRACKET ASSY-SPRT	103106	1

MISSING ITEM NUMBERS NOT APPLICABLE

- ITEM NOT ILLUSTRATED

49-15-03-02

49-15-03  
FIG. 02  
PAGE 4  
JAN 20/09

BRI



757

PARTS CATALOG (MAINTENANCE)

FIG ITEM	PART NUMBER	1 2 3 4 5 6 7	NOMENCLATURE	EFFECT FROM TO	UNITS PER ASSY	
R R R R R R R R R R	2 70	AG5VCR12	... BEARING SUPPLIER CODE: V15860 SPECIFICATION NUMBER: BACB10AG5M OPTIONAL PART: BSSN5422SM2 V81376 HSBG5-117M V02758 KSBG5-25CRD5 V97613 NG5FM V73134 NC5G2DM V56644 03-505-05E035 V09455 BNG5ME111 V16746 ABG5V5-12 VS0352	103106	1	
	75	353N4010-51	.. SHIM-FIREWALL	103106	2	
	80	NAS1198-5-4	.. RIVET	103106	4	
	85	353N4010-183	.. SUPPORT-LIFT	103106	1	
	90	353N4010-184	.. SUPPORT-LIFT	103106	1	
	95	HL40-6-2	.. BOLT SUPPLIER CODE: V97928 SPECIFICATION NUMBER: BACB30FM6A2U OPTIONAL PART: 67067-6A2U V56878 HL40-6-2 V56878 HL40-6-2 V73197 HL40-6-2 V80539 HL40-6-2 V92215 HL40-6-2 V08524 L8056A2U V06725	103106	4	
	MISSING ITEM NUMBERS NOT APPLICABLE					

- ITEM NOT ILLUSTRATED

49-15-03-02

49-15-03  
FIG. 02  
PAGE 5  
MAY 20/09

BRI



757

PARTS CATALOG (MAINTENANCE)

FIG ITEM	PART NUMBER	1 2 3 4 5 6 7	NOMENCLATURE	EFFECT FROM TO	UNITS PER ASSY
2 100	HL40-6-4		.. BOLT SUPPLIER CODE: V97928 SPECIFICATION NUMBER: BACB30FM6A4U OPTIONAL PART: 67067-6A4U V56878 HL40-6-4 V56878 HL40-6-4 V73197 HL40-6-4 V80539 HL40-6-4 V92215 HL40-6-4 V08524 L8056A4U V06725	103106	4
105	HL97DU6		.. COLLAR SUPPLIER CODE: V73197 SPECIFICATION NUMBER: BACC30AB6S OPTIONAL PART: HL97DU6 V56878 HL97DU6 V5M902	103106	8
110	353T0401-1		... BRACKET ASSY	103106	2

MISSING ITEM NUMBERS NOT APPLICABLE

- ITEM NOT ILLUSTRATED

49-15-03-02

49-15-03  
 FIG. 02  
 PAGE 6  
 JAN 20/09

BRI

BOEING PROPRIETARY - Copyright © - Unpublished Work - See title page for details.

 **BOEING**  
757  
**PARTS CATALOG (MAINTENANCE)**

FIG ITEM	PART NUMBER	1 2 3 4 5 6 7	NOMENCLATURE	EFFECT FROM TO	UNITS PER ASSY
R R R R R R R R R R R R R R R R R	2 115	AG5VCR12	... BEARING SUPPLIER CODE: V15860 SPECIFICATION NUMBER: BACB10AG5M OPTIONAL PART: BSSN5422SM2 V81376 HSBG5-117M V02758 KSBG5-25CRD5 V97613 NG5FM V73134 NC5G2DM V56644 03-505-05E035 V09455 BNG5ME111 V16746 ABG5V5-12 VS0352	103106	1
	120	353T0401-2	... BRACKET	103106	1
	125	BACS40R18T18	.. SHIM	103106	1
	130	HL40-6-2	.. BOLT SUPPLIER CODE: V97928 SPECIFICATION NUMBER: BACB30FM6A2U OPTIONAL PART: 67067-6A2U V56878 HL40-6-2 V56878 HL40-6-2 V73197 HL40-6-2 V80539 HL40-6-2 V92215 HL40-6-2 V08524 L8056A2U V06725	103106	4

MISSING ITEM NUMBERS NOT APPLICABLE

— ITEM NOT ILLUSTRATED

BRI

# 49-15-03-02

BOEING PROPRIETARY - Copyright © - Unpublished Work - See title page for details.

49-15-03  
FIG. 02  
PAGE 7  
MAY 20/09



757

PARTS CATALOG (MAINTENANCE)

FIG ITEM	PART NUMBER	1 2 3 4 5 6 7	NOMENCLATURE	EFFECT FROM TO	UNITS PER ASSY
2 135	HL40-6-4		..BOLT SUPPLIER CODE: V97928 SPECIFICATION NUMBER: BACB30FM6A4U OPTIONAL PART: 67067-6A4U V56878 HL40-6-4 V56878 HL40-6-4 V73197 HL40-6-4 V80539 HL40-6-4 V92215 HL40-6-4 V08524 L8056A4U V06725	103106	2
140	HL97DU6		..COLLAR SUPPLIER CODE: V73197 SPECIFICATION NUMBER: BACC30AB6S OPTIONAL PART: HL97DU6 V56878 HL97DU6 V5M902	103106	6
145	353T0405-1		..BRACKET ASSY	103106	1

MISSING ITEM NUMBERS NOT APPLICABLE

- ITEM NOT ILLUSTRATED

49-15-03-02

49-15-03  
 FIG. 02  
 PAGE 8  
 JAN 20/09

BRI





757

PARTS CATALOG (MAINTENANCE)

FIG ITEM	PART NUMBER	1 2 3 4 5 6 7	NOMENCLATURE	EFFECT FROM TO	UNITS PER ASSY
R R R R R R R R R R	2 150	AG5VCR12	... BEARING SUPPLIER CODE: V15860 SPECIFICATION NUMBER: BACB10AG5M OPTIONAL PART: BSSN5422SM2 V81376 HSBG5-117M V02758 KSBG5-25CRD5 V97613 NG5FM V73134 NC5G2DM V56644 03-505-05E035 V09455 BNG5ME111 V16746 ABG5V5-12 VS0352	103106	1
	155	353T0405-2	... BRACKET	103106	1
	160	BACS40R18T025	.. SHIM	103106	1
	165	NAS6703U4	.. BOLT	103106	12
	170	NAS1149C0332R	.. WASHER	103106	12
	175	NAS463FC10	.. NUT	103106	4
	180	NAS1090-1	.. HOOK	103106	2
	185	CL100-3-60	.. CABLE ASSY SUPPLIER CODE: V99862 SPECIFICATION NUMBER: BACC13Y3-60	103106	1
	190	NAS12003	.. RIVET- SIZE DETERMINED ON INSTL.	103106	24

MISSING ITEM NUMBERS NOT APPLICABLE

- ITEM NOT ILLUSTRATED

49-15-03-02

49-15-03  
FIG. 02  
PAGE 9  
MAY 20/09

BRI



757

PARTS CATALOG (MAINTENANCE)

FIG ITEM	PART NUMBER	1 2 3 4 5 6 7	NOMENCLATURE	EFFECT FROM TO	UNITS PER ASSY
2 195	MF53050-3DL	..	NUTPLATE SUPPLIER CODE: V15653 SPECIFICATION NUMBER: BACN10JN3CM OPTIONAL PART: BRFM20C3M V52828 MF1001-3BAC V15653 NS103218SE02 V80539 VN252D02 V92215 109F9201M3 V72962 T8125C3C V11815	103106	8
200	F51753-3DL	..	NUTPLATE SUPPLIER CODE: V15653 SPECIFICATION NUMBER: BACN10KE3DCM OPTIONAL PART: NS103193SE02 V80539	103106	4
205	NAS1195C3XH	..	SHIM	103106	1
210	353N4010-178	..	DOOR-ACCESS	103106	1
215	CR3553-4-2	..	RIVET SUPPLIER CODE: V11815 SPECIFICATION NUMBER: BACR15FR4M2R OPTIONAL PART: AF3553-4-2B V53551	103106	6
220	353N4020-2	..	STRAINER	103106	1
225	353N4010-89	..	WASHER	103106	1
230	BACB30LM3U4	..	BOLT	103106	4
235	PLH53CM	..	NUT SUPPLIER CODE: VF0224 SPECIFICATION NUMBER: BACN10YR3CM OPTIONAL PART: H52732-3CM V15653	103106	4
240	356T0350-2	..	FITTING-DRAIN	103106	1

MISSING ITEM NUMBERS NOT APPLICABLE

- ITEM NOT ILLUSTRATED

49-15-03-02

49-15-03  
FIG. 02  
PAGE 10  
JAN 20/09

BRI

BOEING PROPRIETARY - Copyright © - Unpublished Work - See title page for details.



757

PARTS CATALOG (MAINTENANCE)

FIG ITEM	PART NUMBER	1 2 3 4 5 6 7	NOMENCLATURE	EFFECT FROM TO	UNITS PER ASSY
2 245	353N4050-1		.. FLOOR ASSY-PLENUM INLET SYS, APU	103106	1

MISSING ITEM NUMBERS NOT APPLICABLE

- ITEM NOT ILLUSTRATED

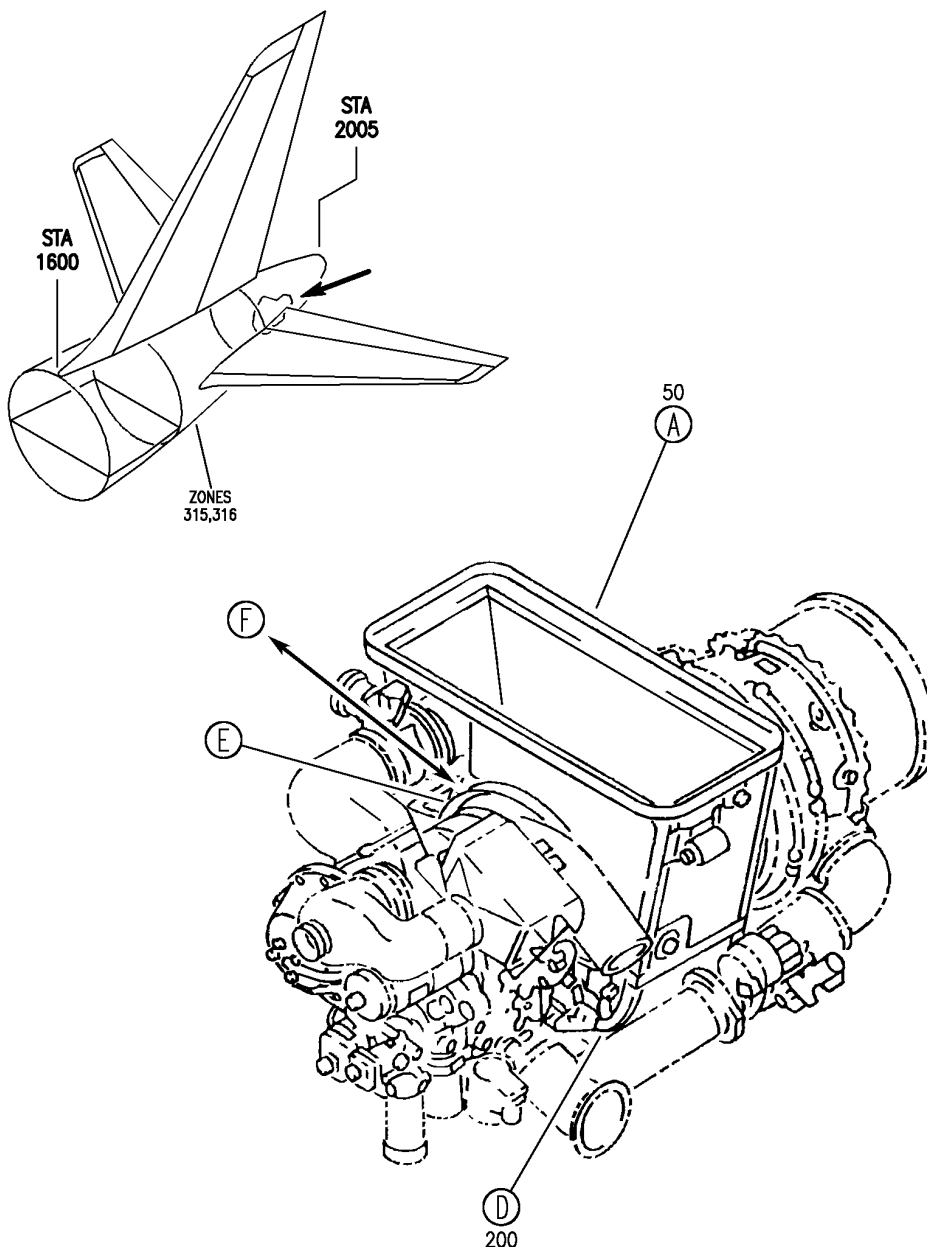
BRI

49-15-03-02

BOEING PROPRIETARY - Copyright © - Unpublished Work - See title page for details.

49-15-03  
FIG. 02  
PAGE 11  
JAN 20/09

**BOEING**  
757  
PARTS CATALOG (MAINTENANCE)



Y 49150310 SH1 1 REV 252

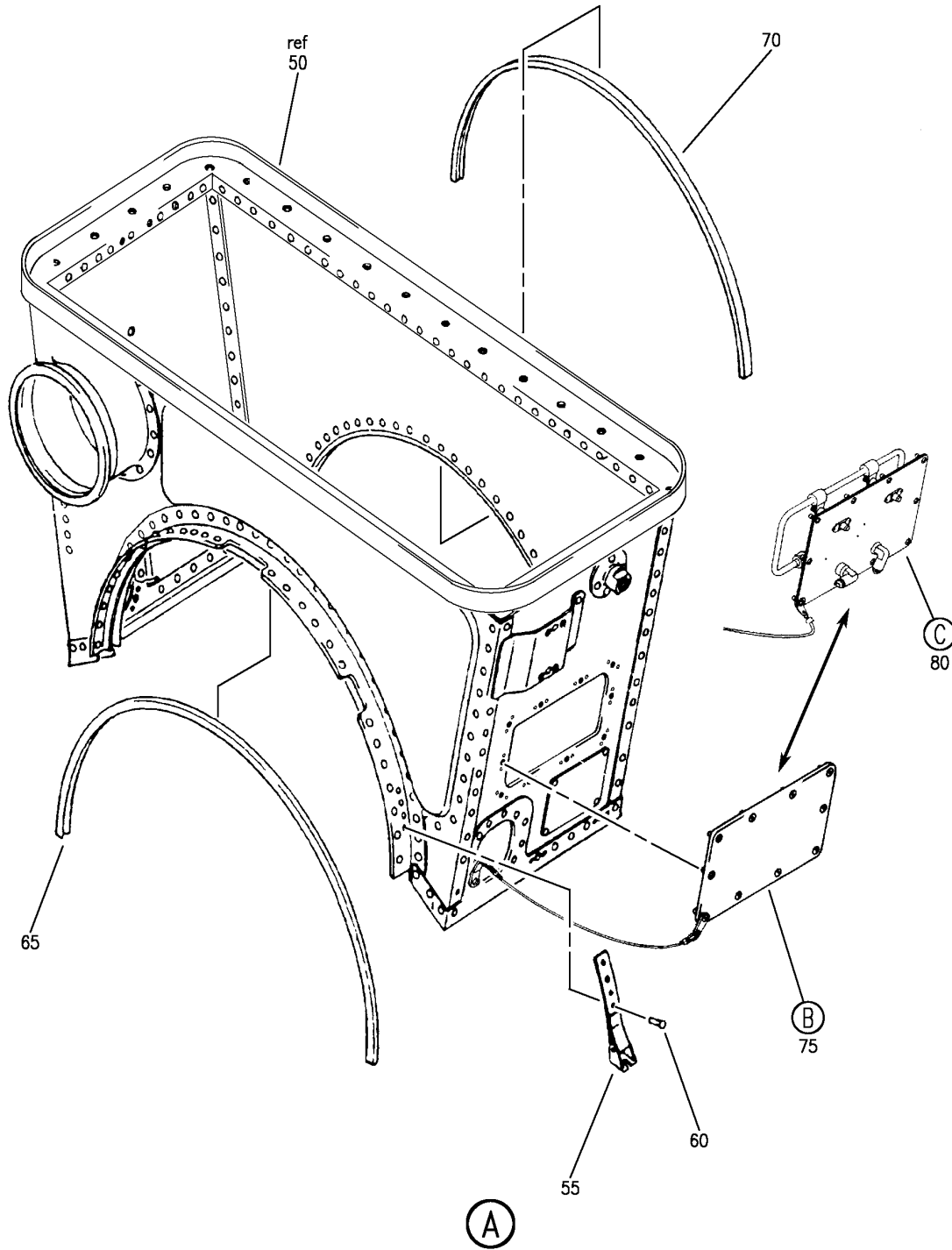
ENGINE ASSY-GAS TURB (APU AIR INTAKE PLENUM ONLY)  
FIGURE 10 (SHEET 1)

**49-15-03-10**

BRI  
MAY 28/07

49-15-03-10  
PAGE 0

**BOEING**  
757  
PARTS CATALOG (MAINTENANCE)



Y 49150310 SHT 2 REV 252

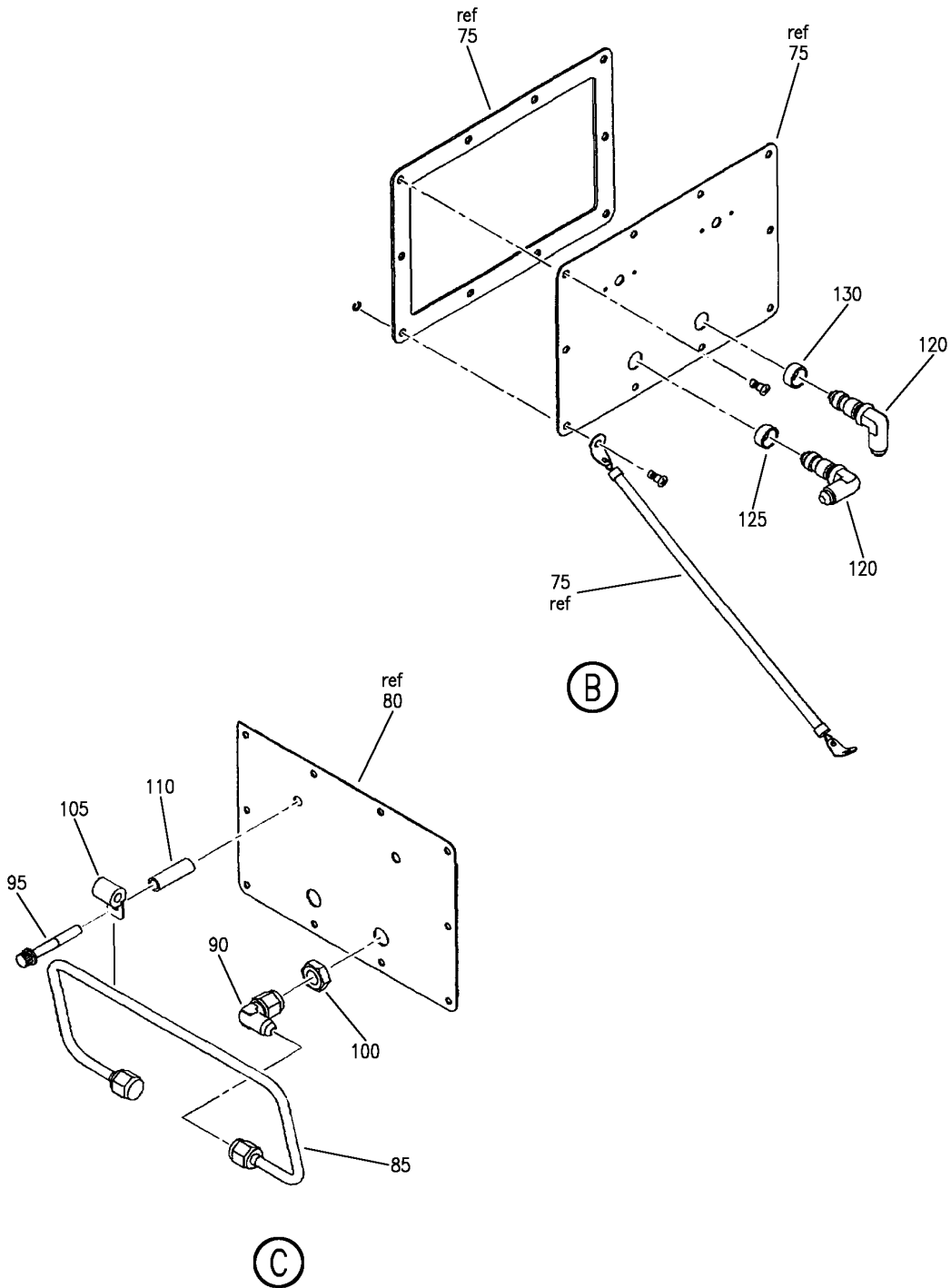
ENGINE ASSY-GAS TURB (APU AIR INTAKE PLENUM ONLY)  
FIGURE 10 (SHEET 2)

**49-15-03-10**

BRI  
MAY 28/07

49-15-03-10  
PAGE 0A

**BOEING**  
757  
PARTS CATALOG (MAINTENANCE)



Y 49150310 SH1 3 REV 252

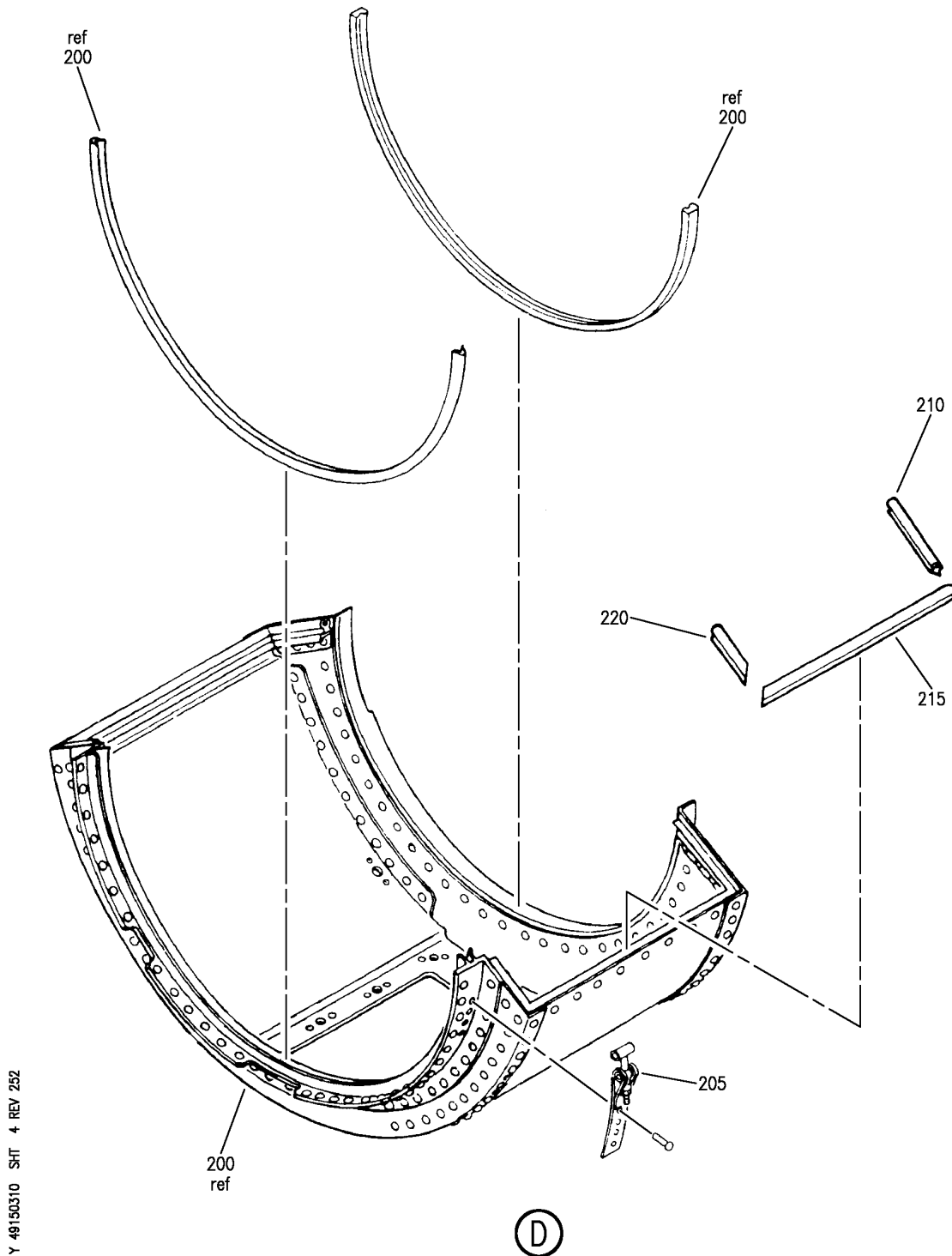
ENGINE ASSY-GAS TURB (APU AIR INTAKE PLENUM ONLY)  
FIGURE 10 (SHEET 3)

**49-15-03-10**

BRI  
MAY 28/07

49-15-03-10  
PAGE 0B

**BOEING**  
757  
PARTS CATALOG (MAINTENANCE)



Y 49150310 SH1 4 REV 252

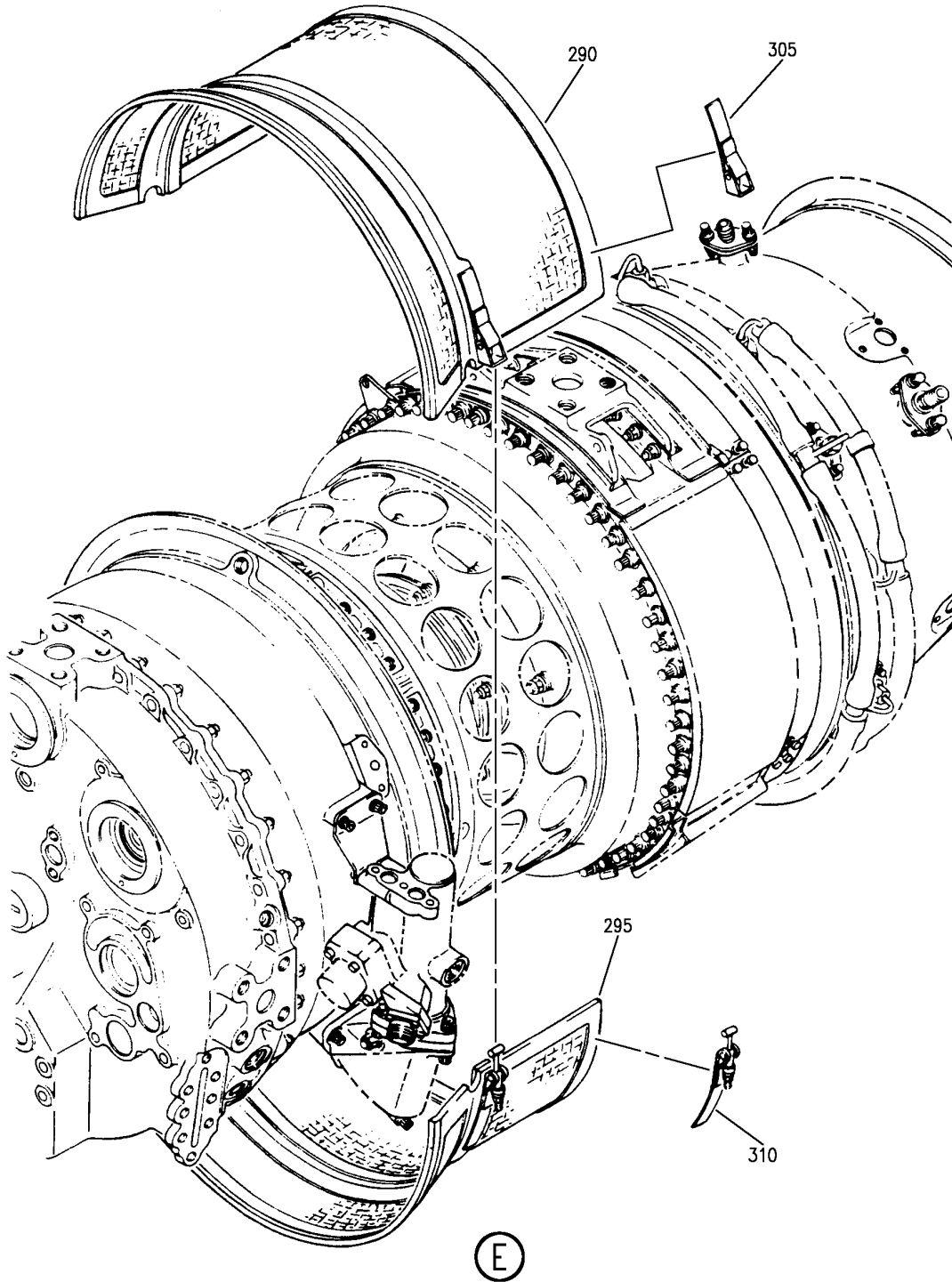
ENGINE ASSY-GAS TURB (APU AIR INTAKE PLENUM ONLY)  
FIGURE 10 (SHEET 4)

**49-15-03-10**

BRI  
MAY 28/07

49-15-03-10  
PAGE 0C

**BOEING**  
757  
PARTS CATALOG (MAINTENANCE)



Y 49150310 SHT 5 REV 252

ENGINE ASSY-GAS TURB (APU AIR INTAKE PLENUM ONLY)  
FIGURE 10 (SHEET 5)

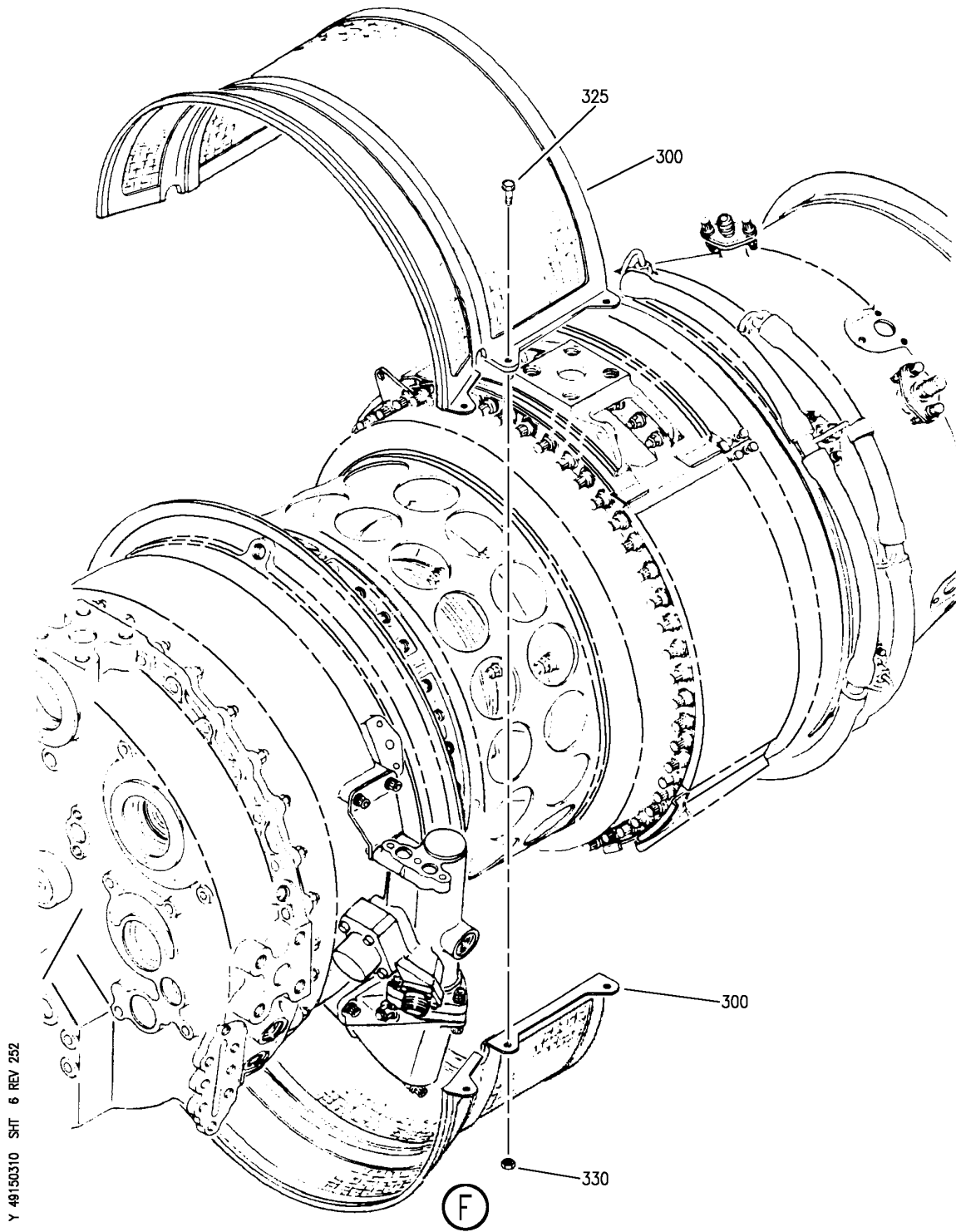
**49-15-03-10**

BRI  
MAY 28/07

49-15-03-10  
PAGE 0D



**BOEING**  
757  
PARTS CATALOG (MAINTENANCE)



ENGINE ASSY-GAS TURB (APU AIR INTAKE PLENUM ONLY)  
FIGURE 10 (SHEET 6)

**49-15-03-10**

BRI  
MAY 28/07

49-15-03-10  
PAGE 0E



757

PARTS CATALOG (MAINTENANCE)

FIG ITEM	PART NUMBER	1 2 3 4 5 6 7	NOMENCLATURE	EFFECT FROM TO	UNITS PER ASSY
10			ENGINE ASSY-GAS TURB (APU AIR INTAKE PLENUM ONLY)	002004 006999	
- 1	3800298-1-1		ENGINE ASSY-GAS TURB GTCP331-200ER (APU AIR INTAKE PLENUM ONLY) SUPPLIER CODE: V99193 SPECIFICATION NUMBER: S351T020-200 COMPONENT MAINT MANUAL REF: 49-22-11 QUALIFIED I/W DATA: S351T020-200 (3800298-1-1) AND S351T020-205 (3800298-1-6) ARE INTERCHANGEABLE WITH THE INCORPORATION OF ALLIED SIGNAL S/B GTCP331-49-7081. S351T020-200 (3800298-1-1) AND S351T020-206 (3800298-1-7/3800298-1) ARE INTERCHANGEABLE WITH THE INCORPORATION OF ALLIED SIGNAL S/B GTCP331-49-7081. FOR NHA/ADDITIONAL DET SEE: 49-11-01-50	002004 006100 107107 121503 904999	RF

MISSING ITEM NUMBERS NOT APPLICABLE

- ITEM NOT ILLUSTRATED

BRI

49-15-03-10

BOEING PROPRIETARY - Copyright © - Unpublished Work - See title page for details.

49-15-03  
FIG. 10  
PAGE 1  
JAN 20/09



757

PARTS CATALOG (MAINTENANCE)

FIG ITEM	PART NUMBER	1 2 3 4 5 6 7	NOMENCLATURE	EFFECT FROM TO	UNITS PER ASSY
10 - 1	3800298-1-2		ENGINE ASSY-GAS TURB GTCP331-200ER (APU AIR INTAKE PLENUM ONLY) SUPPLIER CODE: V99193 SPECIFICATION NUMBER: S351T020-201 CONFIG CHG DATA FROM A CMM: REPLACES 3800298-1-1 COMPONENT MAINT MANUAL REF: 49-22-11 QUALIFIED I/W DATA: S351T020-201 (3800298-1-2) AND S351T020-205 (3800298-1-6) ARE INTERCHANGEABLE WITH THE INCORPORATION OF ALLIED SIGNAL S/B GTCP331-49-7081. S351T020-201 (3800298-1-2) AND S351T020-206 (3800298-1-7/3800298-1) ARE INTERCHANGEABLE WITH THE INCORPORATION OF ALLIED SIGNAL S/B GTCP331-49-7081. FOR NHA/ADDITIONAL DET SEE: 49-11-01-50	002004 006100 107107 121503 904999	RF

MISSING ITEM NUMBERS NOT APPLICABLE

- ITEM NOT ILLUSTRATED

BRI

49-15-03-10

BOEING PROPRIETARY - Copyright © - Unpublished Work - See title page for details.

49-15-03  
 FIG. 10  
 PAGE 2  
 JAN 20/09



757

PARTS CATALOG (MAINTENANCE)

FIG ITEM	PART NUMBER	1 2 3 4 5 6 7	NOMENCLATURE	EFFECT FROM TO	UNITS PER ASSY
10 - 1	3800298-1-3		ENGINE ASSY-GAS TURB GTCP331-200ER (APU AIR INTAKE PLENUM ONLY) SUPPLIER CODE: V99193 SPECIFICATION NUMBER: S351T020-202 CONFIG CHG DATA FROM A CMM: REPLACES 3800298-1-2 COMPONENT MAINT MANUAL REF: 49-22-11 QUALIFIED I/W DATA: S351T020-202 (3800298-1-3) AND S351T020-205 (3800298-1-6) ARE INTERCHANGEABLE WITH THE INCORPORATION OF ALLIED SIGNAL S/B GTCP331-49-7081. S351T020-202 (3800298-1-3) AND S351T020-206 (3800298-1-7/3800298-1) ARE INTERCHANGEABLE WITH THE INCORPORATION OF ALLIED SIGNAL S/B GTCP331-49-7081. FOR NHA/ADDITIONAL DET SEE: 49-11-01-50	002004 006100 107107 121503 904999	RF

MISSING ITEM NUMBERS NOT APPLICABLE

- ITEM NOT ILLUSTRATED

BRI

49-15-03-10

BOEING PROPRIETARY - Copyright © - Unpublished Work - See title page for details.

49-15-03  
FIG. 10  
PAGE 3  
JAN 20/09



757

PARTS CATALOG (MAINTENANCE)

FIG ITEM	PART NUMBER	1 2 3 4 5 6 7	NOMENCLATURE	EFFECT FROM TO	UNITS PER ASSY
10 - 1	3800298-1-4		ENGINE ASSY-GAS TURB GTCP331-200ER (APU AIR INTAKE PLENUM ONLY) SUPPLIER CODE: V99193 SPECIFICATION NUMBER: S351T020-203 CONFIG CHG DATA FROM A CMM: REPLACES 3800298-1-3 COMPONENT MAINT MANUAL REF: 49-22-11 QUALIFIED I/W DATA: 3800298-1-4/S351T020-203 AND 3800298-1-6/S351T020-205 ARE INTERCHANGEABLE WITH THE INCORPORATION OF ALLIED SIGNAL S/B GTCP331-49-7081. 3800298-1-4/S351T020-203 AND S351T020-206 3800298-1-7/3800298-1 ARE INTERCHANGEABLE WITH THE INCORPORATION OF ALLIED SIGNAL S/B GTCP331-49-7081. FOR NHA/ADDITIONAL DET SEE: 49-11-01-50	002004 006100 107107 121503 904999	RF

MISSING ITEM NUMBERS NOT APPLICABLE

- ITEM NOT ILLUSTRATED

49-15-03-10

49-15-03  
 FIG. 10  
 PAGE 4  
 JAN 20/09

BRI



757

PARTS CATALOG (MAINTENANCE)

FIG ITEM	PART NUMBER	1 2 3 4 5 6 7	NOMENCLATURE	EFFECT FROM TO	UNITS PER ASSY
10 - 1	3800298-1-5		ENGINE ASSY-GAS TURB GTCP331-200ER (APU AIR INTAKE PLENUM ONLY) SUPPLIER CODE: V99193 SPECIFICATION NUMBER: S351T020-204 CONFIG CHG DATA FROM A CMM: REPLACES 3800298-1-4 COMPONENT MAINT MANUAL REF: 49-22-11 QUALIFIED I/W DATA: 3800298-1-5/S351T020-204 AND 3800298-1-6/S351T020-205 ARE INTERCHANGEABLE WITH THE INCORPORATION OF ALLIED SIGNAL S/B GTCP331-49-7081. S351T020-204 (3800298-1-5) AND S351T020-206(3800298-1-7 /3800298-1) ARE INTERCHANGEABLE WITH THE INCORPORATION OF ALLIED SIGNAL S/B GTCP331-49-7081. FOR NHA/ADDITIONAL DET SEE: 49-11-01-50	002004 006100 107107 121503 904999	RF
- 1	3800298-1-6		ENGINE ASSY-GAS TURB GTCP331-200ER (APU AIR INTAKE PLENUM ONLY) SUPPLIER CODE: V99193 SPECIFICATION NUMBER: S351T020-205 CONFIG CHG DATA FROM A CMM: REPLACES 3800298-1-5 COMPONENT MAINT MANUAL REF: 49-22-11 QUALIFIED I/W DATA: 3800298-1-4/S351T020-203 AND 3800298-1-6/S351T020-205 ARE INTERCHANGEABLE WITH THE INCORPORATION OF ALLIED SIGNAL S/B GTCP331-49-7081. S351T020-203(3800298-1-4	002004 006999	RF

MISSING ITEM NUMBERS NOT APPLICABLE

- ITEM NOT ILLUSTRATED

49-15-03-10

49-15-03  
FIG. 10  
PAGE 5  
JAN 20/09

BRI



757

PARTS CATALOG (MAINTENANCE)

FIG ITEM	PART NUMBER	1 2 3 4 5 6 7	NOMENCLATURE	EFFECT FROM TO	UNITS PER ASSY
10			<p>) AND            S351T020-205(3800298-1-6            ) ARE INTERCHANGEABLE            WITH THE INCORPORATION            OF ALLIED SIGNAL S/B            GTCP331-49-7081.            S351T020-202            (3800298-1-3)            AND S351T020-205            (3800298-1-6) ARE            INTERCHANGEABLE            WITH THE INCORPORATION            OF ALLIED SIGNAL S/B            GTCP331-49-7081.            S351T020-201            (3800298-1-2)            AND S351T020-205            (3800298-1-6) ARE            INTERCHANGEABLE            WITH THE INCORPORATION            OF ALLIED SIGNAL S/B            GTCP331-49-7081.            S351T020-200            (3800298-1-1)            AND S351T020-205            (3800298-1-6) ARE            INTERCHANGEABLE            WITH THE INCORPORATION            OF ALLIED SIGNAL S/B            GTCP331-49-7081.            FOR NHA/ADDITIONAL DET SEE:            49-11-01-50            49-21-00-02</p>		
- 1	3800298-1-7		<p>ENGINE ASSY-GAS TURB            GTCP331-200ER (APU            AIR INTAKE PLENUM ONLY)            SUPPLIER CODE:            V99193            SPECIFICATION NUMBER:            S351T020-206            CONFIG CHG DATA FROM A CMM:            REPLACES 3800298-1-6            COMPONENT MAINT MANUAL REF:            49-22-11            QUALIFIED I/W DATA:            3800298-1-4/S351T020-203            AND S351T020-206            3800298-1-7/3800298-1            ARE INTERCHANGEABLE WITH</p>	002004 006999	RF

MISSING ITEM NUMBERS NOT APPLICABLE

- ITEM NOT ILLUSTRATED

49-15-03-10

49-15-03  
 FIG. 10  
 PAGE 6  
 SEP 20/08

BRI



757

PARTS CATALOG (MAINTENANCE)

FIG ITEM	PART NUMBER	1 2 3 4 5 6 7 NOMENCLATURE	EFFECT FROM TO	UNITS PER ASSY
10		<p>THE INCORPORATION OF ALLIED SIGNAL S/B GTCP331-49-7081. S351T020-204/3800298-1-5 AND S351T020-206 3800298-1-7/3800298-1 ARE INTERCHANGEABLE WITH THE INCORPORATION OF ALLIED SIGNAL S/B GTCP331-49-7081. S351T020-202 (3800298-1-3) AND S351T020-206 (3800298-1-7/3800298-1) ARE INTERCHANGEABLE WITH THE INCORPORATION OF ALLIED SIGNAL S/B GTCP331-49-7081. S351T020-201 (3800298-1-2) AND S351T020-206 (3800298-1-7/3800298-1) ARE INTERCHANGEABLE WITH THE INCORPORATION OF ALLIED SIGNAL S/B GTCP331-49-7081. S351T020-200 (3800298-1-1) AND S351T020-206 (3800298-1-7/3800298-1) ARE INTERCHANGEABLE WITH THE INCORPORATION OF ALLIED SIGNAL S/B GTCP331-49-7081.</p> <p>OPTIONAL PART: 3800298-1 V99193</p> <p>FOR NHA/ADDITIONAL DET SEE: 49-11-01-50 49-21-00-02</p> <p>ENGINE ASSY-GAS TURB GTCP331-200ER (APU AIR INTAKE PLENUM ONLY) SUPPLIER CODE: V99193 SPECIFICATION NUMBER: S351T020-206 COMPONENT MAINT MANUAL REF: 49-22-11</p>		
-	1 3800298-1	<p>ENGINE ASSY-GAS TURB GTCP331-200ER (APU AIR INTAKE PLENUM ONLY) SUPPLIER CODE: V99193 SPECIFICATION NUMBER: S351T020-206 COMPONENT MAINT MANUAL REF: 49-22-11</p>	002004 006999	RF

MISSING ITEM NUMBERS NOT APPLICABLE

- ITEM NOT ILLUSTRATED

49-15-03-10

49-15-03  
FIG. 10  
PAGE 7  
SEP 20/08

BRI





757

PARTS CATALOG (MAINTENANCE)

FIG ITEM	PART NUMBER	1 2 3 4 5 6 7 NOMENCLATURE	EFFECT FROM TO	UNITS PER ASSY
10		<p>QUALIFIED I/W DATA:  3800298-1-4/S351T020-203  AND S351T020-206  3800298-1-7/3800298-1  ARE INTERCHANGEABLE WITH  THE INCORPORATION OF  ALLIED SIGNAL S/B  GTCP331-49-7081.  S351T020-204/3800298-1-5  AND S351T020-206  3800298-1-7/3800298-1  INTERCHANGEABLE WITH THE  INCORPORATION OF ALLIED  SIGNAL S/B  GTCP331-49-7081.  S351T020-202  (3800298-1-3)  AND S351T020-206  (3800298-1-7/3800298-1)  ARE INTERCHANGEABLE  WITH THE INCORPORATION  OF ALLIED SIGNAL S/B  GTCP331-49-7081.  S351T020-201  (3800298-1-2)  AND S351T020-206  (3800298-1-7/3800298-1)  ARE INTERCHANGEABLE  WITH THE INCORPORATION  OF ALLIED SIGNAL S/B  GTCP331-49-7081.  S351T020-200  (3800298-1-1)  AND S351T020-206  (3800298-1-7/3800298-1)  ARE INTERCHANGEABLE  WITH THE INCORPORATION  OF ALLIED SIGNAL S/B  GTCP331-49-7081.</p> <p>OPTIONAL PART:  3800298-1-7  V99193</p> <p>FOR NHA/ADDITIONAL DET SEE:  49-11-01-50  49-21-00-02</p>		

MISSING ITEM NUMBERS NOT APPLICABLE

- ITEM NOT ILLUSTRATED

49-15-03-10

49-15-03  
FIG. 10  
PAGE 8  
SEP 20/08

BRI



757

PARTS CATALOG (MAINTENANCE)

FIG ITEM	PART NUMBER	1 2 3 4 5 6 7	NOMENCLATURE	EFFECT FROM TO	UNITS PER ASSY
10 50	3810213-5		.PLENUM-INLET SUPPLIER CODE: V99193 POSITION DATA: UPR HALF SB DATA FROM A CMM: POST 49-5490 PRE 49-7496 CONFIG CHG DATA FROM A CMM: REPLS 3810213-2 REPLS 3810213-3 REPLS 3810213-4 REPLD BY 3810213-6 REPLD BY 3810213-7 REPLD BY 3810213-8 USED ON: 3800298-1-1 3800298-1-2 3800298-1-3 3800298-1-4 3800298-1-5 3800298-1-6 3800298-1-7 3800298-1 PRE SERVICE BULLETIN: GTCP331-49-7496R3 V59364	002004 006999	1
50	3810213-6		.PLENUM-INLET SUPPLIER CODE: V99193 POSITION DATA: UPR HALF SB DATA FROM A CMM: PRE 49-7496 CONFIG CHG DATA FROM A CMM: REPLS 3810213-5 REPLD BY 3810213-7 REPLD BY 3810213-8 PRE SERVICE BULLETIN: GTCP331-49-7496R3 V59364	002004 006999	1

MISSING ITEM NUMBERS NOT APPLICABLE

- ITEM NOT ILLUSTRATED

BRI

49-15-03-10

BOEING PROPRIETARY - Copyright © - Unpublished Work - See title page for details.

49-15-03  
FIG. 10  
PAGE 9  
SEP 20/08



757

PARTS CATALOG (MAINTENANCE)

FIG ITEM	PART NUMBER	1 2 3 4 5 6 7	NOMENCLATURE	EFFECT FROM TO	UNITS PER ASSY
10 50	3810213-7		.PLENUM-INLET SUPPLIER CODE: V99193 POSITION DATA: UPR HALF SB DATA FROM A CMM: POST 49-5784 PRE 49-7496 CONFIG CHG DATA FROM A CMM: REPLS 3810213-5 REPLS 3810213-6 REPLD BY 3810213-8 PRE SERVICE BULLETIN: GTCP331-49-7496R3 V59364	002004 006999	1
50	3810213-8		.PLENUM-INLET SUPPLIER CODE: V99193 POSITION DATA: UPR HALF SB DATA FROM A CMM: POST 49-7391 PRE 49-7496 CONFIG CHG DATA FROM A CMM: REPLS 3810213-7 REPLD BY 3810213-9 PRE SERVICE BULLETIN: GTCP331-49-7496R3 V59364	002004 006999	1
50	3810213-9		.PLENUM-INLET SUPPLIER CODE: V99193 POSITION DATA: UPR HALF SB DATA FROM A CMM: POST 49-7496 CONFIG CHG DATA FROM A CMM: REPLS 3810213-8 POST SERVICE BULLETIN: GTCP331-49-7496R3 V59364	002004 006999	1

MISSING ITEM NUMBERS NOT APPLICABLE

- ITEM NOT ILLUSTRATED

49-15-03-10

49-15-03  
FIG. 10  
PAGE 10  
SEP 20/08

BRI



757

PARTS CATALOG (MAINTENANCE)

FIG ITEM	PART NUMBER	1 2 3 4 5 6 7	NOMENCLATURE	EFFECT FROM TO	UNITS PER ASSY
10 50	3810213-10		. PLENUM-INLET SUPPLIER CODE: V99193 POSITION DATA: UPR HALF SB DATA FROM A CMM: POST 49-7496 CONFIG CHG DATA FROM A CMM: REPLS 3810213-5 REPLS 3810213-6 REPLS 3810213-7 USED ON: 3800298-1-1 3800298-1-2 3800298-1-3 3800298-1-4 3800298-1-5 3800298-1-6 3800298-1-7 3800298-1 POST SERVICE BULLETIN: GTCP331-49-7496R3 V59364	002004 006999	1
55	MB5317S52N325		.. STRAP- SUPPLIER CODE: V98625 ATTACHING PARTS	002004 006999	4
60	MS20615-4M4		.. RIVET	002004 006999	16
65	3810143-1		-----*----- .. SEAL- SUPPLIER CODE: V99193	002004 006999	1
70	3844056-1		.. SEAL- SUPPLIER CODE: V99193 OPTIONAL PART: 3844037-1 V99193 3844056-2 V99193	002004 006999	1
70	3844037-1		.. SEAL- SUPPLIER CODE: V99193 OPTIONAL PART: 3844056-1 V99193 3844056-2 V99193	002004 006999	1

MISSING ITEM NUMBERS NOT APPLICABLE

- ITEM NOT ILLUSTRATED

49-15-03-10

49-15-03  
FIG. 10  
PAGE 11  
SEP 20/08

BRI



757

PARTS CATALOG (MAINTENANCE)

FIG ITEM	PART NUMBER	1 2 3 4 5 6 7	NOMENCLATURE	EFFECT FROM TO	UNITS PER ASSY
10					
70	3844056-2	..	SEAL- SUPPLIER CODE: V99193 OPTIONAL PART: 3844056-1 V99193 3844037-1 V99193	002004 006999	1
75	3613831-1	..	COVER ASSY- SUPPLIER CODE: V99193 SB DATA FROM A CMM: POST 49-5784 USED ON: 3810213-7 3810213-8 PRE SERVICE BULLETIN: GTCP331-49-7496R3 V59364	002004 006999	1
80	3617816-3	..	COVER ASSY- SUPPLIER CODE: V99193 SB DATA FROM A CMM: POST 49-7496 USED ON: 3810213-9 3810213-10 POST SERVICE BULLETIN: GTCP331-49-7496R3 V59364	002004 006999	1
85	3617802-2	...	TUBE-COOLING SUPPLIER CODE: V99193	002004 006999	1
90	MS51521B4S	...	ELBOW-SWIVEL	002004 006999	2
95	MS9557-24	...	BOLT	002004 006999	2
100	AN924-4S	...	NUT	002004 006999	2
105	JM44LC86WH4GF	...	CLAMP- SUPPLIER CODE: V22175	002004 006999	2
110	NAS43HT7-16	...	SPACER	002004 006999	2
120	AN833-4J	...	ELBOW	002004 006999	2
125	NAS43HT7-16	...	SPACER	002004 006999	1

MISSING ITEM NUMBERS NOT APPLICABLE

- ITEM NOT ILLUSTRATED

49-15-03-10

49-15-03  
FIG. 10  
PAGE 12  
SEP 20/08

BRI



757

PARTS CATALOG (MAINTENANCE)

FIG ITEM	PART NUMBER	1 2 3 4 5 6 7	NOMENCLATURE	EFFECT FROM TO	UNITS PER ASSY
10					
130	NAS43HT7-8		... SPACER	002004 006999	1
200	3810214-3		. PLENUM-INLET SUPPLIER CODE: V99193 POSITION DATA: LWR HALF SB DATA FROM A CMM: PRE SB 49-5601 POST SPB GTE0252 CONFIG CHG DATA FROM A CMM: REPLS 3810214-2 USED ON: 3800298-1-1 3800298-1-2 3800298-1-3 3800298-1-4 3800298-1-5 3800298-1-6 3800298-1-7 3800298-1	002004 006999	1
200	3810214-4		. PLENUM-INLET SUPPLIER CODE: V99193 POSITION DATA: LWR HALF SB DATA FROM A CMM: PRE SB 49-5966 POST SB 49-5601 CONFIG CHG DATA FROM A CMM: REPLD BY 3810214-5	002004 006999	1
200	3810214-5		. PLENUM-INLET SUPPLIER CODE: V99193 POSITION DATA: LWR HALF SB DATA FROM A CMM: POST SB 49-5966 CONFIG CHG DATA FROM A CMM: REPLS 3810214-4	002004 006999	1
205	MB5319S52N325V		.. STRAP- SUPPLIER CODE: V98625	002004 006999	4
210	S9082-11L0034		.. SEAL- SUPPLIER CODE: V99193	002004 006999	2
215	S9082-11L0100		.. SEAL- SUPPLIER CODE: V99193	002004 006999	2

MISSING ITEM NUMBERS NOT APPLICABLE

- ITEM NOT ILLUSTRATED

49-15-03-10

49-15-03  
FIG. 10  
PAGE 13  
SEP 20/08

BRI



757

PARTS CATALOG (MAINTENANCE)

FIG ITEM	PART NUMBER	1 2 3 4 5 6 7	NOMENCLATURE	EFFECT FROM TO	UNITS PER ASSY
10					
220	S9082-11L0023	..	SEAL- SUPPLIER CODE: V99193	002004 006999	2
290	3810198-2	.S	SCREEN ASSY-CPRSR INLET SUPPLIER CODE: V99193 POSITION DATA: TOP SB DATA FROM A CMM: POST SPB GTE0252 PRE49-5605 CONFIG CHG DATA FROM A CMM: REPL BY 3810198-4	002004 006999	1
290	3810198-4	.S	SCREEN ASSY-CPRSR INLET SUPPLIER CODE: V99193 POSITION DATA: TOP SB DATA FROM A CMM: PRE SPB GTE0672 POST 49-5605 PRE SB 49-6953 CONFIG CHG DATA FROM A CMM: REPLS 3810198-2 REPLD BY 3615139-1 OPTIONAL PART: 3810198-5 V99193	002004 006999	1
290	3810198-5	.S	SCREEN ASSY-CPRSR INLET SUPPLIER CODE: V99193 POSITION DATA: TOP SB DATA FROM A CMM: POST SPB GTE0672 PRE SB 49-6953 CONFIG CHG DATA FROM A CMM: REPLD BY 3615139-1 OPTIONAL PART: 3810198-4 V99193	002004 006999	1

MISSING ITEM NUMBERS NOT APPLICABLE

- ITEM NOT ILLUSTRATED

49-15-03-10

49-15-03  
FIG. 10  
PAGE 14  
SEP 20/08

BRI



757

PARTS CATALOG (MAINTENANCE)

FIG ITEM	PART NUMBER	1 2 3 4 5 6 7	NOMENCLATURE	EFFECT FROM TO	UNITS PER ASSY
10 295	3810198-1		.SCREEN ASSY-CPRSR INLET SUPPLIER CODE: V99193 POSITION DATA: BOTTOM SB DATA FROM A CMM: PRE SPB GTE0252 PRE49-5605 CONFIG CHG DATA FROM A CMM: REPL BY 3810198-3	002004 006999	1
295	3810198-3		.SCREEN ASSY-CPRSR INLET SUPPLIER CODE: V99193 POSITION DATA: BOTTOM SB DATA FROM A CMM: POST SPB GTE0252 PRE SB 49-5605 CONFIG CHG DATA FROM A CMM: REPLS 3810198-1 REPLD BY 3615139-1	002004 006999	1
300	3615139-1		.SCREEN ASSY-CPRSR INLET SUPPLIER CODE: V99193 SB DATA FROM A CMM: POST SB 49-6953 CONFIG CHG DATA FROM A CMM: REPLS 3810198-3 REPLS 3810198-4 REPLS 3810198-5	002004 006999	2
305	MB5317S52N325V		..STRAP- SUPPLIER CODE: V98625 CONFIG CHG DATA FROM A CMM: REPLD BY NA102988-0325 PRE SB 49-5605	002004 006999	2
305	NA102988-0325		..STRAP- SUPPLIER CODE: V00624 SB DATA FROM A CMM: POST SB 49-5605 CONFIG CHG DATA FROM A CMM: REPLS MB5317S52N325V	002004 006999	2
310	MB5319S52N325V		..STRAP- SUPPLIER CODE: V98625 CONFIG CHG DATA FROM A CMM: REPLD BY NA102987-0325 PRE SB 49-5605	002004 006999	2

MISSING ITEM NUMBERS NOT APPLICABLE

- ITEM NOT ILLUSTRATED

49-15-03-10

49-15-03  
FIG. 10  
PAGE 15  
SEP 20/08

BRI





757

PARTS CATALOG (MAINTENANCE)

FIG ITEM	PART NUMBER	1 2 3 4 5 6 7	NOMENCLATURE	EFFECT FROM TO	UNITS PER ASSY
10					
310	NA102987-0325	..	STRAP- SUPPLIER CODE: V00624 CONFIG CHG DATA FROM A CMM: REPLS MB5319S52N325V POST SB 49-5605	002004 006999	2
- 315	200BS22S	...	BOLT- SUPPLIER CODE: V94581 OPTIONAL PART: 19496-50-225 V00624	002004 006999	2
- 315	19496-50-225	...	BOLT- SUPPLIER CODE: V00624 OPTIONAL PART: 200BS22S V94581	002004 006999	2
- 320	206SS3	...	NUT- SUPPLIER CODE: V94581 OPTIONAL PART: 57979-3 V00624	002004 006999	2
- 320	57979-3	...	NUT- SUPPLIER CODE: V00624 OPTIONAL PART: 206SS3 V94581	002004 006999	2
325	MS9556-04	.BOLT-	SB DATA FROM A CMM: POST 49-6953 USED WITH: 3615139-1	002004 006999	6
330	59FT1032	.NUT-	SUPPLIER CODE: V56878 SB DATA FROM A CMM: POST 49-6953 USED WITH: 3615139-1	002004 006999	6

MISSING ITEM NUMBERS NOT APPLICABLE

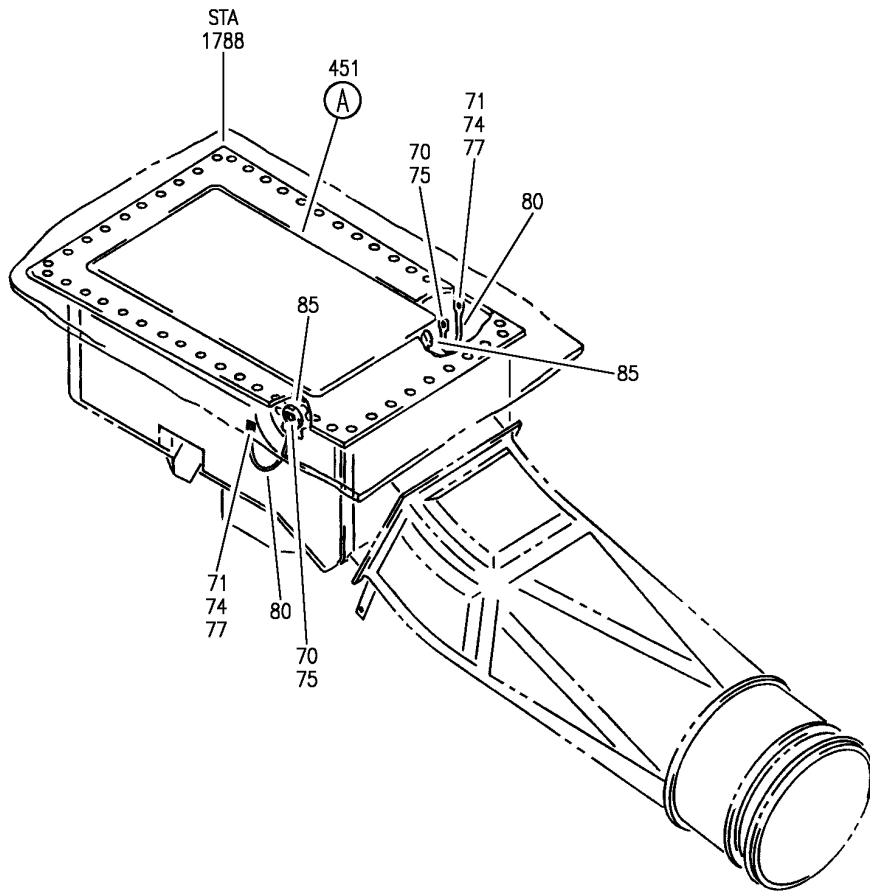
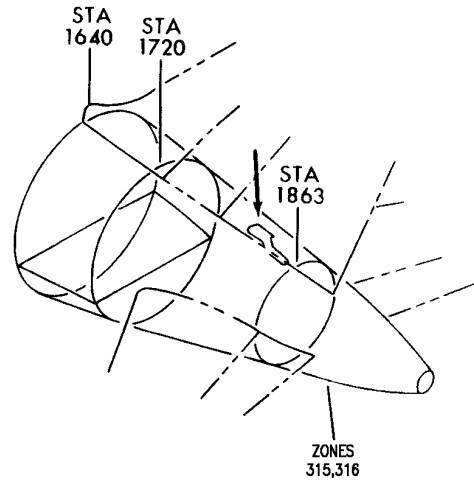
- ITEM NOT ILLUSTRATED

49-15-03-10

49-15-03  
FIG. 10  
PAGE 16  
SEP 20/08

BRI

**BOEING**  
757  
PARTS CATALOG (MAINTENANCE)



Y 49150501 SH1 1 REV 264

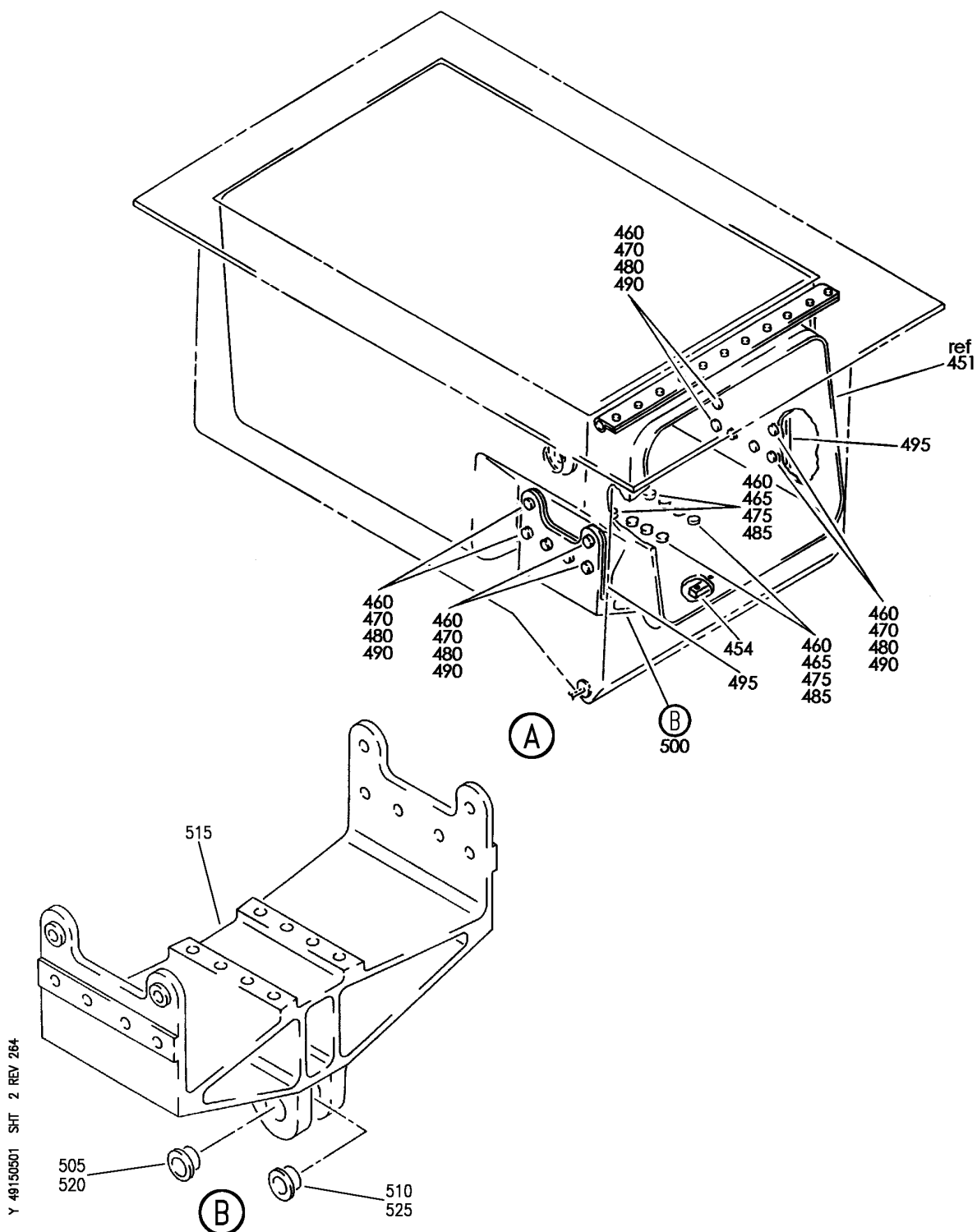
PORT AND DOOR INSTL-AUX PWR SYS INTAKE (APU AIR INTAKE DOOR ONLY)  
FIGURE 1 (SHEET 1)

**49-15-05-01**

BRI  
MAY 28/07

49-15-05-01  
PAGE 0

**BOEING**  
757  
PARTS CATALOG (MAINTENANCE)



PORT AND DOOR INSTL-AUX PWR SYS INTAKE(APU AIR INTAKE DOOR ONLY)  
FIGURE 1 (SHEET 2)

**49-15-05-01**

BRI  
MAY 28/07

49-15-05-01  
PAGE 0A



757

PARTS CATALOG (MAINTENANCE)

FIG ITEM	PART NUMBER	1 2 3 4 5 6 7	NOMENCLATURE	EFFECT FROM TO	UNITS PER ASSY
1			PORT AND DOOR INSTL-AUX PWR SYS INTAKE (APU AIR INTAKE DOOR ONLY)	002004 006999	
- 1	353N1001-1		PORT AND DOOR INSTL-AUX PWR SYS INTAKE (APU AIR INTAKE DOOR ONLY) FOR NHA/OTHER SYS DET SEE: 49-00-51-01	002004 006100 107107 121503 904999	RF
- 1	353N1001-15		PORT AND DOOR INSTL-AUX PWR SYS INTAKE (APU AIR INTAKE DOOR ONLY) FOR NHA/OTHER SYS DET SEE: 49-00-00-01	101102 504903	RF
- 1	353N1001-17		PORT AND DOOR INSTL-AUX PWR SYS INTAKE (APU AIR INTAKE DOOR ONLY) FOR NHA/OTHER SYS DET SEE: 49-00-00-01	108120	RF
- 1	MODREF20542		PORT AND DOOR INSTL-AUX PWR SYS INTAKE (APU AIR INTAKE DOOR ONLY) MODULE NUMBER: 353N1001-18 REV A FOR OTHER SYS DETAILS SEE: 11-23-01-01 FOR ADDITIONAL DETAILS SEE: 49-15-01-02 49-15-06-01 49-15-08-01	106106	1
- 1	MODREF13829		PORT AND DOOR INSTL-AUX PWR SYS INTAKE (APU AIR INTAKE DOOR ONLY) MODULE NUMBER: 353N1001-17 REV A FOR OTHER SYS DETAILS SEE: 11-23-01-01 FOR ADDITIONAL DETAILS SEE: 49-15-01-02 49-15-06-01 49-15-08-01	103105	1
70	NAS6603-1		.BOLT-	002004 006999	2
71	BACB30LK3-4		.BOLT-	002004 006999	2
74	NAS1149D0363J		.WASHER-	002004 006999	2
75	MS35333-39		.WASHER-	002004 006999	2

MISSING ITEM NUMBERS NOT APPLICABLE

- ITEM NOT ILLUSTRATED

49-15-05-01

49-15-05  
FIG. 01  
PAGE 1  
JAN 20/09

BRI



757

PARTS CATALOG (MAINTENANCE)

FIG ITEM	PART NUMBER	1 2 3 4 5 6 7	NOMENCLATURE	EFFECT FROM TO	UNITS PER ASSY
1 77	BRH10C3D	.NUT-	SUPPLIER CODE: V52828 SPECIFICATION NUMBER: BACN10JC3CD OPTIONAL PART: T6C1032JCD V11815 NS202486-02 V80539 102LH9075-3W V72962 H51650-3BAC V15653	002004 006999	2
80	940CW20-6	.JUMPER ASSY-	SUPPLIER CODE: V91812 SPECIFICATION NUMBER: BACJ40AB20-6 OPTIONAL PART: 100220-6 V1FF12 RBEJ40AB20-6 V1GK47	002004 006999	2
85	353N1002-1	.BOLT-HINGE		002004 006999	2
451	353N1010-1	.DOOR ASSY-	COMPONENT MAINT MANUAL REF: 49-15-15 QUALIFIED I/W DATA: 353N1010-3/-4/-5 CAN REPLACE 353N1010-1/-2 WITH THE INCORPORATION OF S/B 757-49-0017 PRE SERVICE BULLETIN: 49-0017	002004 006010 107107 121503 904999	1
451	353N1010-2	.DOOR ASSY-	COMPONENT MAINT MANUAL REF: 49-15-15 QUALIFIED I/W DATA: 353N1010-3/-4/-5 CAN REPLACE 353N1010-1/-2 WITH THE INCORPORATION OF S/B 757-49-0017 PRE SERVICE BULLETIN: 49-0017	002004 006010 107107 121503 904999	1

MISSING ITEM NUMBERS NOT APPLICABLE

- ITEM NOT ILLUSTRATED

49-15-05-01

49-15-05  
FIG. 01  
PAGE 2  
JAN 20/09

BRI

 **BOEING**  
757  
**PARTS CATALOG (MAINTENANCE)**

FIG ITEM	PART NUMBER	1 2 3 4 5 6 7	NOMENCLATURE	EFFECT FROM TO	UNITS PER ASSY
1					
451	353N1010-4		.DOOR ASSY- QUALIFIED I/W DATA: 353N1010-3/-4/-5 CAN REPLACE 353N1010-1/-2 WITH THE INCORPORATION OF S/B 757-49-0017 POST SERVICE BULLETIN: 49-0017	002004 006106 108120 504949	1
451	353N1010-5		.DOOR ASSY- QUALIFIED I/W DATA: 353N1010-3/-4/-5 CAN REPLACE 353N1010-1/-2 WITH THE INCORPORATION OF S/B 757-49-0017	002004 006106 108120 504949	1
454	8112-0401		..ACTUATOR-MAGNETIC SUPPLIER CODE: V99564 SPECIFICATION NUMBER: 60B40018-32 ATTACHING PARTS	002004 006999	1
- 455	BACS12ER06K6		..SCREW	002004 006999	2
- 456	NAS620-6L		..WASHER	002004 006999	2
- 457	MS21042-06		..NUT	002004 006999	2
			-----*-----		
460	MS24665-191		..PIN-	002004 006999	20
465	BACB30LR4D14		..BOLT- OPTIONAL PART: BACB30NN4K14	002004 006999	8
465	BACB30NN4K14		..BOLT- OPTIONAL PART: BACB30LR4D14	002004 006999	8
470	BACB30LR5D9		..BOLT- OPTIONAL PART: BACB30NN5K9	002004 006999	12
470	BACB30NN5K9		..BOLT- OPTIONAL PART: BACB30LR5D9	002004 006999	12
475	NAS1149D0463J		..WASHER-	002004 006999	8
480	NAS1149D0563J		..WASHER-	002004 006999	12
485	BACN10JD4		..NUT-	002004 006999	8
490	BACN10JD5		..NUT-	002004 006999	12

MISSING ITEM NUMBERS NOT APPLICABLE

- ITEM NOT ILLUSTRATED

BRI

# 49-15-05-01

49-15-05  
FIG. 01  
PAGE 3  
JAN 20/09



757

PARTS CATALOG (MAINTENANCE)

FIG ITEM	PART NUMBER	1 2 3 4 5 6 7	NOMENCLATURE	EFFECT FROM TO	UNITS PER ASSY
1					
495	353N1032-1	..	SHIM-	002004 006999	2
500	353N1011-4	..	FITTING ASSY- OPTIONAL PART: 353N1011-9 SERVICE BULLETIN OPT DATA: 353N1011-9 USED ON: 353N1001-4 353N1010-3 353N1010-4 POST SERVICE BULLETIN: 49-0017	002004 006999	1
500	353N1011-9	..	FITTING ASSY-DOOR OPTIONAL PART: 353N1011-4 SERVICE BULLETIN OPT DATA: 353N1011-4 USED ON: 353N1010-3 353N1010-4 353N1010-5	002004 006106 108120 504949	1
500	353N1011-1	..	FITTING ASSY-DOOR USED ON: 353N1010-1 353N1010-2 PRE SERVICE BULLETIN: 49-0017	002004 006010 107107 121503 904999	1
515	353N1011-7	...	FITTING- OPTIONAL PART: 353N1011-5 SERVICE BULLETIN OPT DATA: 353N1011-5 USED ON: 353N1011-4 POST SERVICE BULLETIN: 49-0017	002004 006106 108120 504949	1
515	353N1011-10	...	FITTING- USED ON: 353N1011-9 USED ON: 353N1011-9	002004 006106 108120 504949	1
515	353N1011-2	...	FITTING- USED ON: 353N1011-1 PRE SERVICE BULLETIN: 49-0017	002004 006010 107107 121503 904999	1

MISSING ITEM NUMBERS NOT APPLICABLE

- ITEM NOT ILLUSTRATED

49-15-05-01

49-15-05  
FIG. 01  
PAGE 4  
JAN 20/09

BRI



757

PARTS CATALOG (MAINTENANCE)

FIG ITEM	PART NUMBER	1 2 3 4 5 6 7	NOMENCLATURE	EFFECT FROM TO	UNITS PER ASSY
1 515	353N1011-5		... FITTING- OPTIONAL PART: 353N1011-7 SERVICE BULLETIN OPT DATA: 353N1011-7 USED ON: 353N1011-4 POST SERVICE BULLETIN: 49-0017	002004 006106 108120 504949	1
520	353N1011-11		... BUSHING- OPTIONAL PART: BACB28AK08-63 SERVICE BULLETIN OPT DATA: BACB28AK08-63 USED ON: 353N1011-4 USED ON: 353N1011-4 POST SERVICE BULLETIN: 49-0017	002004 006106 108120 504949	1
520	NAS74A5E010P		... BUSHING- USED ON: 353N1011-1 PRE SERVICE BULLETIN: 49-0017	002004 006010 107107 121503 904999	1
520	NAS76A8-020P		... BUSHING- OPTIONAL PART: BACB28AK08-63 SERVICE BULLETIN OPT DATA: BACB28AK08-63 USED ON: 353N1011-9 USED ON: 353N1011-9	002004 006106 108120 504949	1
520	BACB28AK08-63		... BUSHING- OPTIONAL PART: 353N1011-11 NAS76A8-020P SERVICE BULLETIN OPT DATA: 353N1011-11 NAS76A8-020P USED ON: 353N1011-4 353N1011-9 USED ON: 353N1011-4 353N1011-9	002004 006999	1

MISSING ITEM NUMBERS NOT APPLICABLE

- ITEM NOT ILLUSTRATED

49-15-05-01

49-15-05  
FIG. 01  
PAGE 5  
JAN 20/09

BRI





757

PARTS CATALOG (MAINTENANCE)

FIG ITEM	PART NUMBER	1 2 3 4 5 6 7	NOMENCLATURE	EFFECT FROM TO	UNITS PER ASSY
1 525	NAS77A5-42P		...BUSHING- USED ON: 353N1011-1 PRE SERVICE BULLETIN: 49-0017	002004 006010 107107 121503 904999	1
525	NAS77A8-047P		...BUSHING- USED ON: 353N1011-9 POST SERVICE BULLETIN: 49-0017	002004 006106 108120 504903	1

MISSING ITEM NUMBERS NOT APPLICABLE

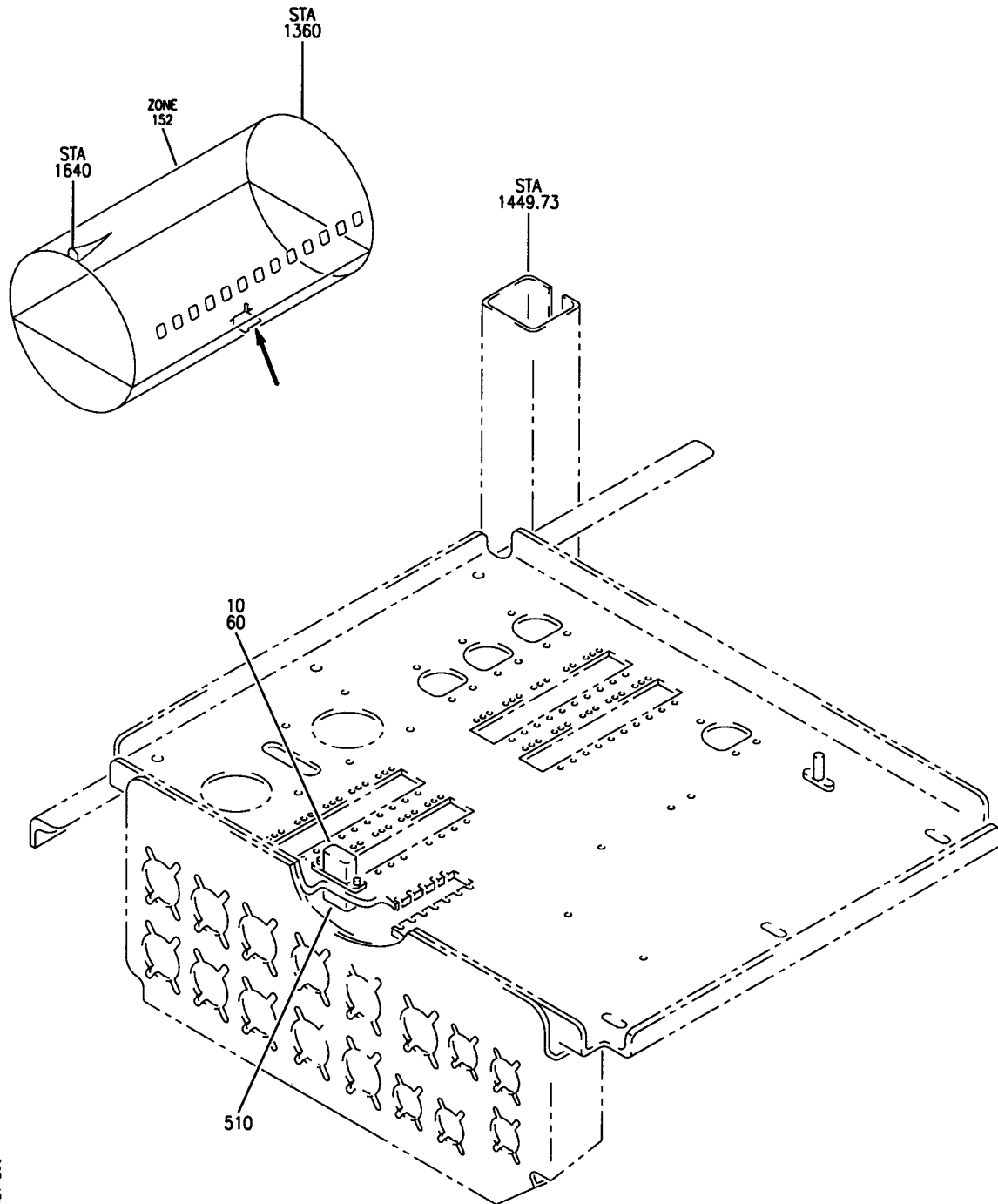
- ITEM NOT ILLUSTRATED

49-15-05-01

49-15-05  
FIG. 01  
PAGE 6  
JAN 20/09

BRI

**BOEING**  
757  
PARTS CATALOG (MAINTENANCE)



Y 49150502A REV 206

EQUIPMENT ASSY-E6 AFT EQPT CTR RELAY PNL OPTION PKG (APU INLET DOOR ONLY)  
FIGURE 2A

BRI  
MAY 28/07

**49-15-05-02A**

49-15-05-02A  
PAGE 0



757

PARTS CATALOG (MAINTENANCE)

FIG ITEM	PART NUMBER	1 2 3 4 5 6 7	NOMENCLATURE	EFFECT FROM TO	UNITS PER ASSY
2A			EQUIPMENT ASSY-E6 AFT EQPT CTR RELAY PNL OPTION PKG (APU INLET DOOR ONLY)	101102 504903	
- 1	284N1554-1000		EQUIPMENT ASSY-E6 EQPT CTR RELAY PNL OPTION PKG (APU INLET DOOR ONLY)	101102 504903	RF
10	E210-1631		POSITION DATA: AFT MISCELLANEOUS DATA: MINOR MODEL 757-200 FOR NHA/OTHER SYS DET SEE: 31-01-86-02 .RELAY- SUPPLIER CODE: V99699 SPECIFICATION NUMBER: BACR13CF2A OPTIONAL PART: BR246S0112 V56623 FCA210-70 V78290 E215-1050 V99699 JD4A017 V35344 BR64S104 V56623 61GB19-1A320 V98927 ELECTRICAL EQUIP NUMBER: K00176	101102 504903	1
- 501	286N1024-325		WIRE BUNDLE ASSY	504903	RF
- 501	286N1024-327		WIRE BUNDLE ASSY	101102	RF
510	RSF116200		.SOCKET- SUPPLIER CODE: V58982 SPECIFICATION NUMBER: BACS16X1A OPTIONAL PART: 102-006-1 V09922 000300-1538 V05574 ELECTRICAL EQUIP NUMBER: D02380 WIRING DIAGRAM REF: 496111	101102 504903	1

MISSING ITEM NUMBERS NOT APPLICABLE

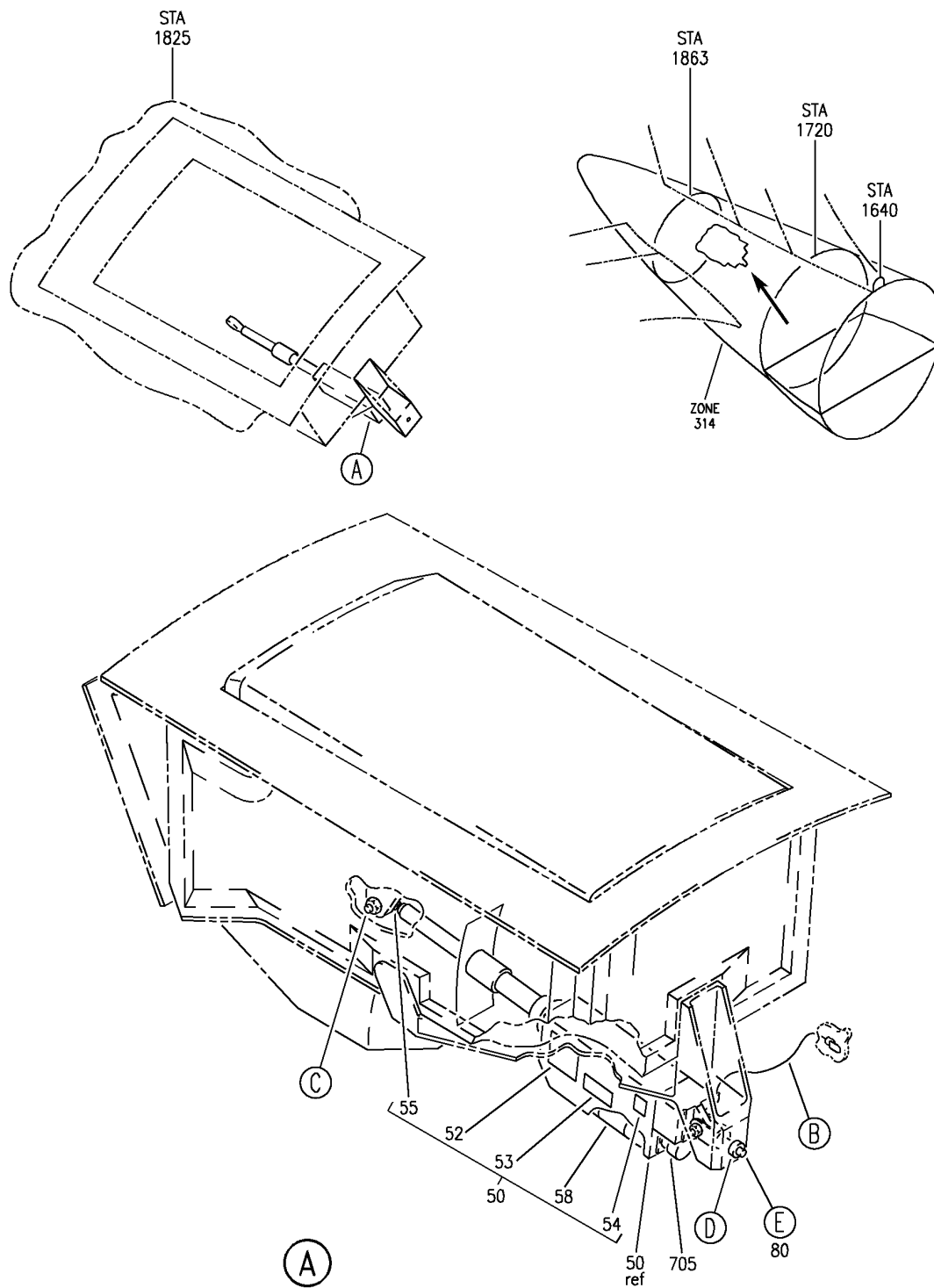
- ITEM NOT ILLUSTRATED

49-15-05-02A

49-15-05  
FIG. 02A  
PAGE 1  
JAN 20/09

BRI

**BOEING**  
757  
PARTS CATALOG (MAINTENANCE)



Y 49150601 SHT 1 REV 295

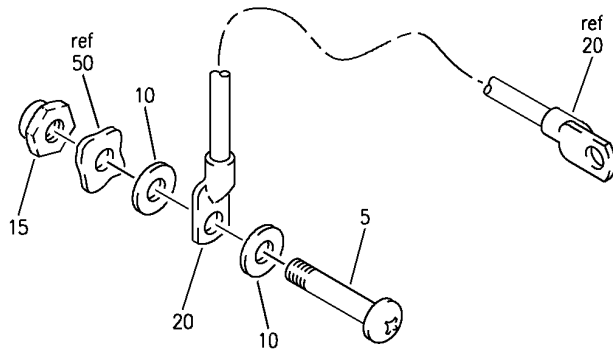
PORT AND DOOR INSTL-AUX PWR SYS AIR INTAKE (APU AIR INTAKE DOOR ACTUATOR ONLY)  
FIGURE 1 (SHEET 1)

BRI  
MAY 28/07

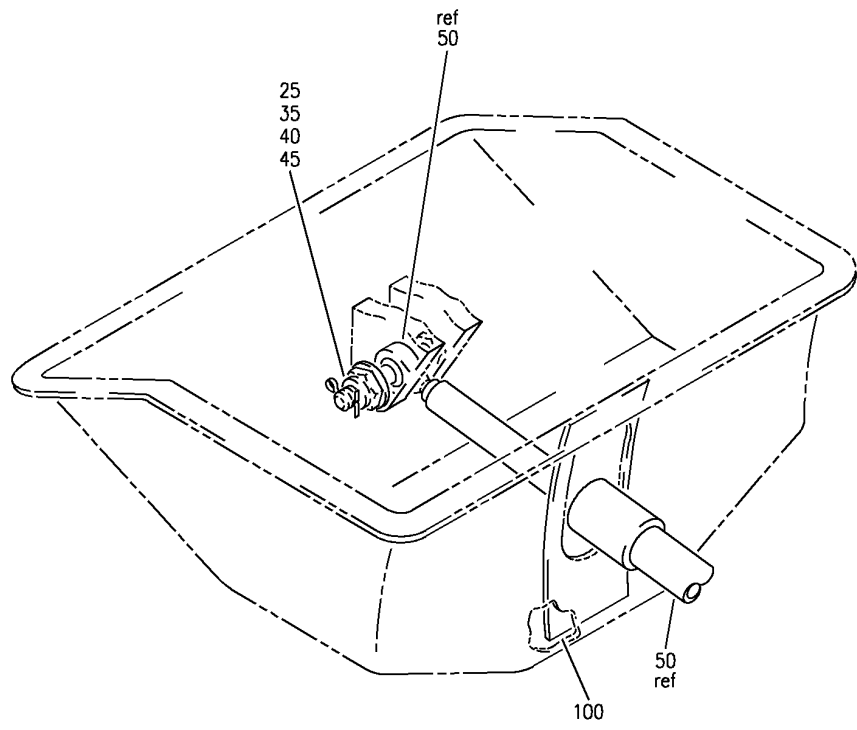
**49-15-06-01**

49-15-06-01  
PAGE 0

**BOEING**  
757  
PARTS CATALOG (MAINTENANCE)



(B)



(C)

Y 49150601 SHT 2 REV 295

PORT AND DOOR INSTL-AUX PWR SYS AIR INTAKE (APU AIR INTAKE DOOR ACTUATOR ONLY)  
FIGURE 1 (SHEET 2)

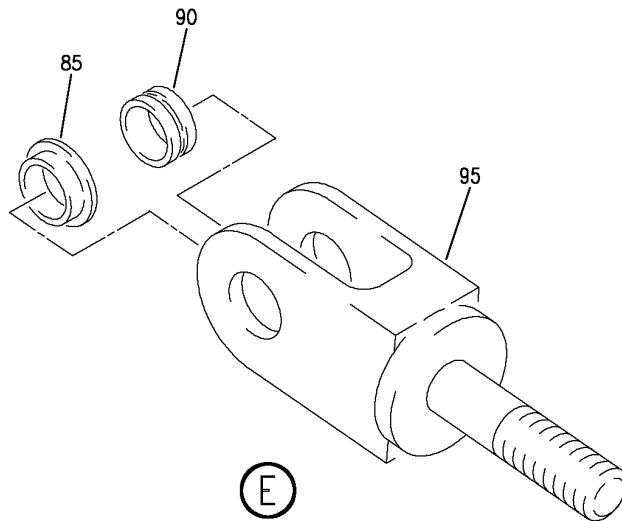
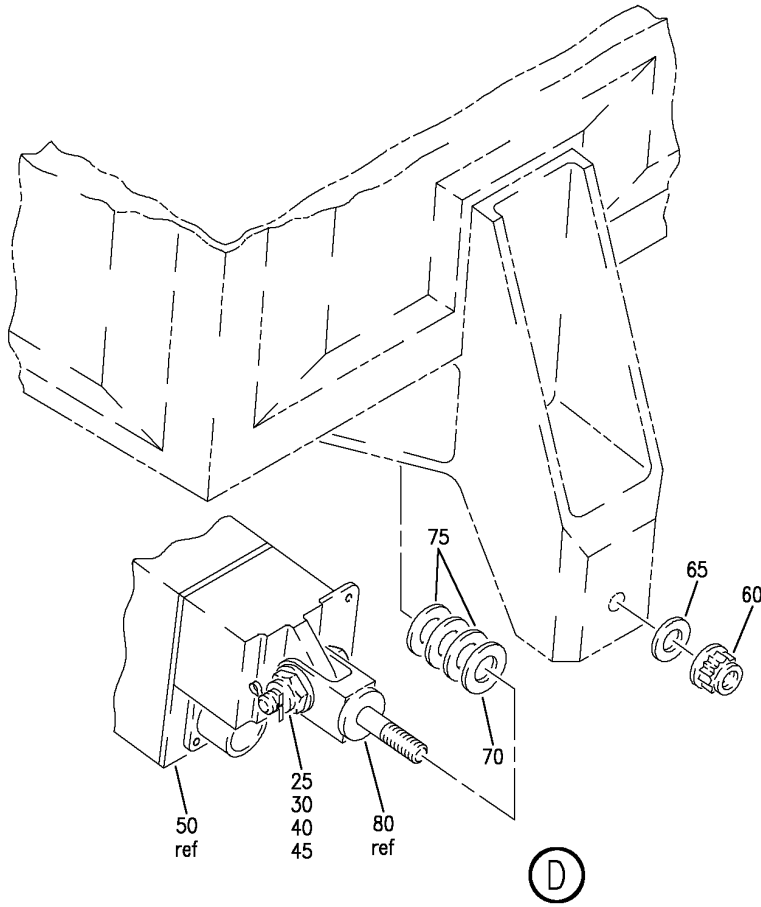
**49-15-06-01**

BRI  
MAY 28/07

49-15-06-01  
PAGE 0A

BOEING PROPRIETARY - Copyright © - Unpublished Work - See title page for details.

**BOEING**  
757  
PARTS CATALOG (MAINTENANCE)



Y 49150601 SH1 3 REV 323

PORT AND DOOR INSTL-AUX PWR SYS AIR INTAKE (APU AIR INTAKE DOOR ACTUATOR ONLY)  
FIGURE 1 (SHEET 3)

BRI  
MAY 20/08

**49-15-06-01**

49-15-06-01  
PAGE 08



757

PARTS CATALOG (MAINTENANCE)

FIG ITEM	PART NUMBER	1 2 3 4 5 6 7	NOMENCLATURE	EFFECT FROM TO	UNITS PER ASSY
1			PORT AND DOOR INSTL-AUX PWR SYS AIR INTAKE (APU AIR INTAKE DOOR ACTUATOR ONLY)	002004 006999	
- 1	353N1001-1		PORT AND DOOR INSTL-AUX PWR SYS AIR INTAKE (APU AIR INTAKE DOOR ACTUATOR ONLY)	002004 006100 107107 121503 904999	RF
- 1	353N1001-15		PORT AND DOOR INSTL-AUX PWR SYS AIR INTAKE (APU AIR INTAKE DOOR ACTUATOR ONLY)	101102 504903	RF
- 1	353N1001-17		PORT AND DOOR INSTL-AUX PWR SYS AIR INTAKE (APU AIR INTAKE DOOR ACTUATOR ONLY)	108120	RF
- 1	MODREF13829		PORT AND DOOR INSTL-AUX PWR SYS AIR INTAKE (APU AIR INTAKE DOOR ACTUATOR ONLY)	103105	1
- 1	MODREF20542		MODULE NUMBER: 353N1001-17 REV A FOR OTHER SYS DETAILS SEE: 11-23-01-01 FOR ADDITIONAL DETAILS SEE: 49-15-01-02 49-15-05-01 49-15-08-01	106106	1
5	BACB30LK3-4		.BOLT	002004 006999	1

MISSING ITEM NUMBERS NOT APPLICABLE

- ITEM NOT ILLUSTRATED

49-15-06-01

49-15-06  
FIG. 01  
PAGE 1  
JAN 20/09

BRI

 **BOEING**  
757  
**PARTS CATALOG (MAINTENANCE)**

FIG ITEM	PART NUMBER	1 2 3 4 5 6 7	NOMENCLATURE	EFFECT FROM TO	UNITS PER ASSY
1					
10	NAS1149D0316H	.	WASHER-	002004 006999	2
15	BRH10C3	.	NUT SUPPLIER CODE: V52828 SPECIFICATION NUMBER: BACN10JC3C OPTIONAL PART: T6C1032J V11815 97-02 V80539 101LH9075-3W V72962 VN303B02 V92215 NS202101S02 V80539 H31-3BAC V15653	002004 006999	1
20	740A20-14	.	JUMPER ASSY SUPPLIER CODE: V91812 SPECIFICATION NUMBER: BACJ40A20-14 OPTIONAL PART: TJEJ40A20-14 V33483 RBEJ20-14 V1GK47	002004 006999	1
25	MS24665-336	.	PIN- SERVICE BULLETIN OPT DATA: BACP18BC03B08P POST SERVICE BULLETIN: 49-0017	002004 006106 108120 504949	2
25	MS24665-191	.	PIN- PRE SERVICE BULLETIN: 49-0017	002004 006010 107107 121503 904999	2
25	BACP18BC03B08P	.	PIN- SERVICE BULLETIN OPT DATA: MS24665-336 POST SERVICE BULLETIN: 49-0017	002004 006100 904949	2

MISSING ITEM NUMBERS NOT APPLICABLE

— ITEM NOT ILLUSTRATED

BRI

# 49-15-06-01

BOEING PROPRIETARY - Copyright © - Unpublished Work - See title page for details.

49-15-06  
FIG. 01  
PAGE 2  
JAN 20/09





757

PARTS CATALOG (MAINTENANCE)

FIG ITEM	PART NUMBER	1 2 3 4 5 6 7	NOMENCLATURE	EFFECT FROM TO	UNITS PER ASSY
1	30	NAS6705D12	.BOLT- PRE SERVICE BULLETIN: 49-0017	002004 006010 107107 121503 904999	1
	30	NAS6708D14	.BOLT- POST SERVICE BULLETIN: 49-0017	002004 006106 108120 504949	1
	35	NAS6705D24	.BOLT- PRE SERVICE BULLETIN: 49-0017	002004 006010 107107 121503 904999	1
	35	NAS6708D26	.BOLT- POST SERVICE BULLETIN: 49-0017	002004 006106 108120 504949	1
	40	NAS1149C0832R	.WASHER- POST SERVICE BULLETIN: 49-0017	002004 006106 108120 504949	2
	40	NAS1149C0532R	.WASHER- PRE SERVICE BULLETIN: 49-0017	002004 006010 107107 121503 904999	2
	45	BACN10JD5	.NUT- PRE SERVICE BULLETIN: 49-0017	002004 006010 107107 121503 904999	2
	45	BACN10JD8	.NUT- POST SERVICE BULLETIN: 49-0017	002004 006106 108120 504949	2

MISSING ITEM NUMBERS NOT APPLICABLE

- ITEM NOT ILLUSTRATED

49-15-06-01

49-15-06  
FIG. 01  
PAGE 3  
JAN 20/09

BRI



757

PARTS CATALOG (MAINTENANCE)

FIG ITEM	PART NUMBER	1 2 3 4 5 6 7 NOMENCLATURE	EFFECT FROM TO	UNITS PER ASSY
1 50	732-13870-05	.ACTUATOR ASSY- SUPPLIER CODE: VS4096 SPECIFICATION NUMBER: S353T010-5 NOT APPROVED FOR ETOPS WITHOUT INCORP OF SB: 49-0005 ELECTRICAL EQUIP NUMBER: M00406 COMPONENT MAINT MANUAL REF: 49-15-05 QUALIFIED I/W DATA: S353T010-2,-3,-5 ARE INTERCHANGEABLE EXCEPT FOR ETOPS WHERE SERVICE BULLETIN 757-49-0005 IS REQUIRED PRE SERVICE BULLETIN: 49-0017 PRE SERVICE BULLETIN: 732-13870-49-5R1 VS4096	002004 006010 107107 121503 904999	1

MISSING ITEM NUMBERS NOT APPLICABLE

- ITEM NOT ILLUSTRATED

# 49-15-06-01

49-15-06  
FIG. 01  
PAGE 4  
JAN 20/09

BRI



757

PARTS CATALOG (MAINTENANCE)

FIG ITEM	PART NUMBER	1 2 3 4 5 6 7	NOMENCLATURE	EFFECT FROM TO	UNITS PER ASSY
1 50	732-13870-02		.ACTUATOR ASSY- SUPPLIER CODE: VS4096 SPECIFICATION NUMBER: S353T010-2 NOT APPROVED FOR ETOPS WITHOUT INCORP OF SB: 49-0005 SB DATA FROM A CMM: PRE 732-13870-49-2 ELECTRICAL EQUIP NUMBER: M00406 COMPONENT MAINT MANUAL REF: 49-15-05 QUALIFIED I/W DATA: S353T010-2,-3,-5 ARE INTERCHANGEABLE EXCEPT FOR ETOPS WHERE SERVICE BULLETIN 757-49-0005 IS REQUIRED OPTIONAL PART: 732-13870-03 VS4096 PRE SERVICE BULLETIN: 49-0017 PRE SERVICE BULLETIN: 732-13870-49-5R1 VS4096	002004 006010 107107 121503 904999	1

MISSING ITEM NUMBERS NOT APPLICABLE

- ITEM NOT ILLUSTRATED

**49-15-06-01**

49-15-06  
FIG. 01  
PAGE 5  
JAN 20/09

BRI



757

PARTS CATALOG (MAINTENANCE)

FIG ITEM	PART NUMBER	1 2 3 4 5 6 7	NOMENCLATURE	EFFECT FROM TO	UNITS PER ASSY
1 50	732-13870-03		.ACTUATOR ASSY- MOD 1-3 SUPPLIER CODE: VS4096 SPECIFICATION NUMBER: S353T010-3 NOT APPROVED FOR ETOPS WITHOUT INCORP OF SB: 49-0005 SB DATA FROM A CMM: POST 732-13870-49-2 POST 732-13870-49-4 ELECTRICAL EQUIP NUMBER: M00406 COMPONENT MAINT MANUAL REF: 49-15-05 QUALIFIED I/W DATA: S353T010-2,-3,-5 ARE INTERCHANGEABLE EXCEPT FOR ETOPS WHERE SERVICE BULLETIN 757-49-0005 IS REQUIRED OPTIONAL PART: 732-13870-02 VS4096 PRE SERVICE BULLETIN: 49-0017 PRE SERVICE BULLETIN: 732-13870-49-5R1 VS4096	002004 006010 107107 121503 904999	1
50	732-13870-07		.ACTUATOR ASSY- SUPPLIER CODE: VS4096 SPECIFICATION NUMBER: S353T010-7 SB DATA FROM A CMM: POST 732-13870-49-4 COMPONENT MAINT MANUAL REF: 49-15-05 OPTIONAL PART: 732-13870-09 VS4096 PRE SERVICE BULLETIN: 49-0017 PRE SERVICE BULLETIN: 732-13870-49-5R1 VS4096	002004 006010 107107 121503 904999	1

MISSING ITEM NUMBERS NOT APPLICABLE

- ITEM NOT ILLUSTRATED

49-15-06-01

49-15-06  
FIG. 01  
PAGE 6  
JAN 20/09

BRI



757

PARTS CATALOG (MAINTENANCE)

FIG ITEM	PART NUMBER	1 2 3 4 5 6 7	NOMENCLATURE	EFFECT FROM TO	UNITS PER ASSY
1 50	732-13870-09	.	ACTUATOR ASSY- SUPPLIER CODE: VS4096 SPECIFICATION NUMBER: S353T010-7 COMPONENT MAINT MANUAL REF: 49-15-05 OPTIONAL PART: 732-13870-07 VS4096 PRE SERVICE BULLETIN: 49-0017 PRE SERVICE BULLETIN: 732-13870-49-5R1 VS4096	002004 006010 107107 121503 904999	1
50	732-13870-12	.	ACTUATOR ASSY- SUPPLIER CODE: VS4096 SPECIFICATION NUMBER: S353N101-2 POST SERVICE BULLETIN: 49-0017 POST SERVICE BULLETIN: 732-13870-49-5R1 VS4096	002004 006106 108120 504949	1
50	732-13870-14	.	ACTUATOR ASSY- SUPPLIER CODE: VS4096 SPECIFICATION NUMBER: S353T010-10 SB DATA FROM A CMM: POST 732-13870-49-7	002004 006010 107107 121503 904999	1
50	732-13870-16	.	ACTUATOR ASSY- SUPPLIER CODE: VS4096 SPECIFICATION NUMBER: S353N101-3  TEMPORARY BREAKDOWN FOR: 732-13870-12 732-13870-16	002004 006106 108120 504949  002004 006106 108120 504949	1

MISSING ITEM NUMBERS NOT APPLICABLE

- ITEM NOT ILLUSTRATED

49-15-06-01

49-15-06  
FIG. 01  
PAGE 7  
JAN 20/09

BRI



757

PARTS CATALOG (MAINTENANCE)

FIG ITEM	PART NUMBER	1 2 3 4 5 6 7	NOMENCLATURE	EFFECT FROM TO	UNITS PER ASSY
1	52 732-18076		.. LABEL-WIRING SUPPLIER CODE: VS4096 USED ON: 732-13870-02 732-13870-03 732-13870-05 732-13870-07 732-13870-09 732-13870-11 732-13870-12 732-13870-14	002004 006999	1
	53 734-15698-03		.. NAMEPLATE- SUPPLIER CODE: VS4096 USED ON: 732-13870-12	002004 006106 108120 504949	1
	53 733-71460-02		.. NAMEPLATE- SUPPLIER CODE: VS4096 USED ON: 732-13870-05	002004 006010 107107 121503 904999	1
	53 733-71460-04		.. NAMEPLATE- SUPPLIER CODE: VS4096 USED ON: 732-13870-07	002004 006010 107107 121503 904999	1
	53 733-71460-06		.. NAMEPLATE- SUPPLIER CODE: VS4096 USED ON: 732-13870-09	002004 006010 107107 121503 904999	1
	53 734-15698-05		.. NAMEPLATE- SUPPLIER CODE: VS4096 USED ON: 732-13870-14	002004 006010 107107 121503 904999	1
	53 732-16836-10		.. NAMEPLATE- SUPPLIER CODE: VS4096 USED ON: 732-13870-02	002004 006010 107107 121503 904999	1
	53 732-17381-03		.. NAMEPLATE- SUPPLIER CODE: VS4096 USED ON: 732-13870-03	002004 006010 107107 121503 904999	1

MISSING ITEM NUMBERS NOT APPLICABLE

- ITEM NOT ILLUSTRATED

49-15-06-01

49-15-06  
FIG. 01  
PAGE 8  
JAN 20/09

BRI



757

PARTS CATALOG (MAINTENANCE)

FIG ITEM	PART NUMBER	1 2 3 4 5 6 7	NOMENCLATURE	EFFECT FROM TO	UNITS PER ASSY
1					
54	732-16992		.. PLATE-TRANSFER SUPPLIER CODE: VS4096 USED ON: 732-13870-02 732-13870-03 732-13870-05 732-13870-07 732-13870-09 732-13870-11 732-13870-12	002004 006999	1
55	732-18062-01		.. ROD END ACTUATOR- SUPPLIER CODE: VS4096 USED ON: 732-13870-09 732-13870-14	002004 006011 016017 107107 121503 904999	1
55	732-18062		.. ROD END-ACTUATOR SUPPLIER CODE: VS4096 USED ON: 732-13870-02 732-13870-03 732-13870-05 732-13870-07 732-13870-09	002004 006010 107107 121503 904999	1
55	ARNM8CRW		.. ROD END-ACTUATOR SUPPLIER CODE: VD3663 OPTIONAL PART: ASMK8T25 V56644 USED ON: 732-13870-11 732-13870-12	002004 006106 108120 504949	1
55	ASMK8T25		.. ROD END-ACTUATOR SUPPLIER CODE: V56644 OPTIONAL PART: ARNM8CRW VD3663 USED ON: 732-13870-11 732-13870-12	002004 006106 108120 504949	1

MISSING ITEM NUMBERS NOT APPLICABLE

- ITEM NOT ILLUSTRATED

49-15-06-01

49-15-06  
FIG. 01  
PAGE 9  
JAN 20/09

BRI



757

PARTS CATALOG (MAINTENANCE)

FIG ITEM	PART NUMBER	1 2 3 4 5 6 7	NOMENCLATURE	EFFECT FROM TO	UNITS PER ASSY
1					
- 57	734-18377		.. PLATE-MOD RECORD SUPPLIER CODE: VS4096 USED ON: 732-13870-02 732-13870-03 732-13870-05 732-13870-07 732-13870-09 732-13870-14	002004 006999	1
58	R3100014-1		.. NAMEPLATE- SUPPLIER CODE: VS4096	002004 006010 107107 121503 904999	1
58	R3100014-3		.. NAMEPLATE- SUPPLIER CODE: VS4096	002004 006010 107107 121503 904999	1
58	R3100014-5		.. NAMEPLATE- SUPPLIER CODE: VS4096	002004 006010 107107 121503 904999	1
60	BACN10GW6		.NUT- PRE SERVICE BULLETIN: 49-0017	002004 006010 107107 121503 904999	1
60	BACN10GW8		.NUT-	101106 108120 504903	1
60	NAS1805-8		.NUT- POST SERVICE BULLETIN: 49-0017	002004 006100 904949	1
65	NAS1149F0832P		.WASHER-	101106 108120 504903	1
65	NAS1149E0832P		.WASHER- POST SERVICE BULLETIN: 49-0017	002004 006100 904949	1
65	NAS1149F0632P		.WASHER- PRE SERVICE BULLETIN: 49-0017	002004 006010 107107 121503 904999	1

MISSING ITEM NUMBERS NOT APPLICABLE

- ITEM NOT ILLUSTRATED

49-15-06-01

49-15-06  
FIG. 01  
PAGE 10  
JAN 20/09

BRI

BOEING PROPRIETARY - Copyright © - Unpublished Work - See title page for details.



 **BOEING**  
757  
**PARTS CATALOG (MAINTENANCE)**

FIG ITEM	PART NUMBER	1 2 3 4 5 6 7	NOMENCLATURE	EFFECT FROM TO	UNITS PER ASSY
1					
70	353N1032-4	.SHIM-	PRE SERVICE BULLETIN: 49-0017	002004 006010 107107 121503 904999	1
70	353N1032-8	.SHIM-		002004 006010 107107 121503 904999	1
75	353N1032-8	.SHIM-	POST SERVICE BULLETIN: 49-0017	002004 006100 904949	AR
80	353N1025-1	.FORK ASSY-	PRE SERVICE BULLETIN: 49-0017	002004 006010 107107 121503 904999	1
80	353N1025-4	.FORK ASSY-	POST SERVICE BULLETIN: 49-0017	002004 006106 108120 504949	1
85	NAS77A5-10P	..BUSHING-	USED ON: 353N1025-1	002004 006010 107107 121503 904999	1
85	BACB28AP08A011C	..BUSHING-	USED ON: 353N1025-4	002004 006106 108120 504949	1
90	NAS74A5-003P	..BUSHING-	USED ON: 353N1025-1	002004 006010 107107 121503 904999	1
90	BACB28AK08-024	..BUSHING-	USED ON: 353N1025-4	002004 006106 108120 504949	1
95	353N1025-2	..FORK-	USED ON: 353N1025-1	002004 006010 107107 121503 904999	1
95	353N1025-5	..FORK-	USED ON: 353N1025-4	002004 006106 108120 504949	1

MISSING ITEM NUMBERS NOT APPLICABLE

— ITEM NOT ILLUSTRATED

BRI

# 49-15-06-01

49-15-06  
FIG. 01  
PAGE 11  
JAN 20/09



757

PARTS CATALOG (MAINTENANCE)

FIG ITEM	PART NUMBER	1 2 3 4 5 6 7	NOMENCLATURE	EFFECT FROM TO	UNITS PER ASSY
1					
100	353N1034-1		.SEAL-ACTR SHAFT PRE SERVICE BULLETIN: 49-0017	002004 006010 107107 121503 904999	1
100	353N1034-2		.SEAL-ACTR SHAFT POST SERVICE BULLETIN: 49-0017	002004 006999	1
- 700	286N2614-751		WIRE BUNDLE ASSY	103106	RF
- 700	286N2654-005		WIRE BUNDLE ASSY	107107	RF
- 700	286N2654-002		WIRE BUNDLE ASSY	121503 904949	RF
- 700	286N2654-007		WIRE BUNDLE ASSY	002004 006100 950999	RF
- 701	286N2654-304		WIRE BUNDLE ASSY	101102	RF
- 701	286N2654-325		WIRE BUNDLE ASSY	108120	RF
- 702	286N2654-314		WIRE BUNDLE ASSY	002004 107107 121503 904949 952952	RF
705	BACC45FS18B14S		.CONNECTOR- ELECTRICAL EQUIP NUMBER: D02618 WIRING DIAGRAM REF: 496114	002004 006999	1

MISSING ITEM NUMBERS NOT APPLICABLE

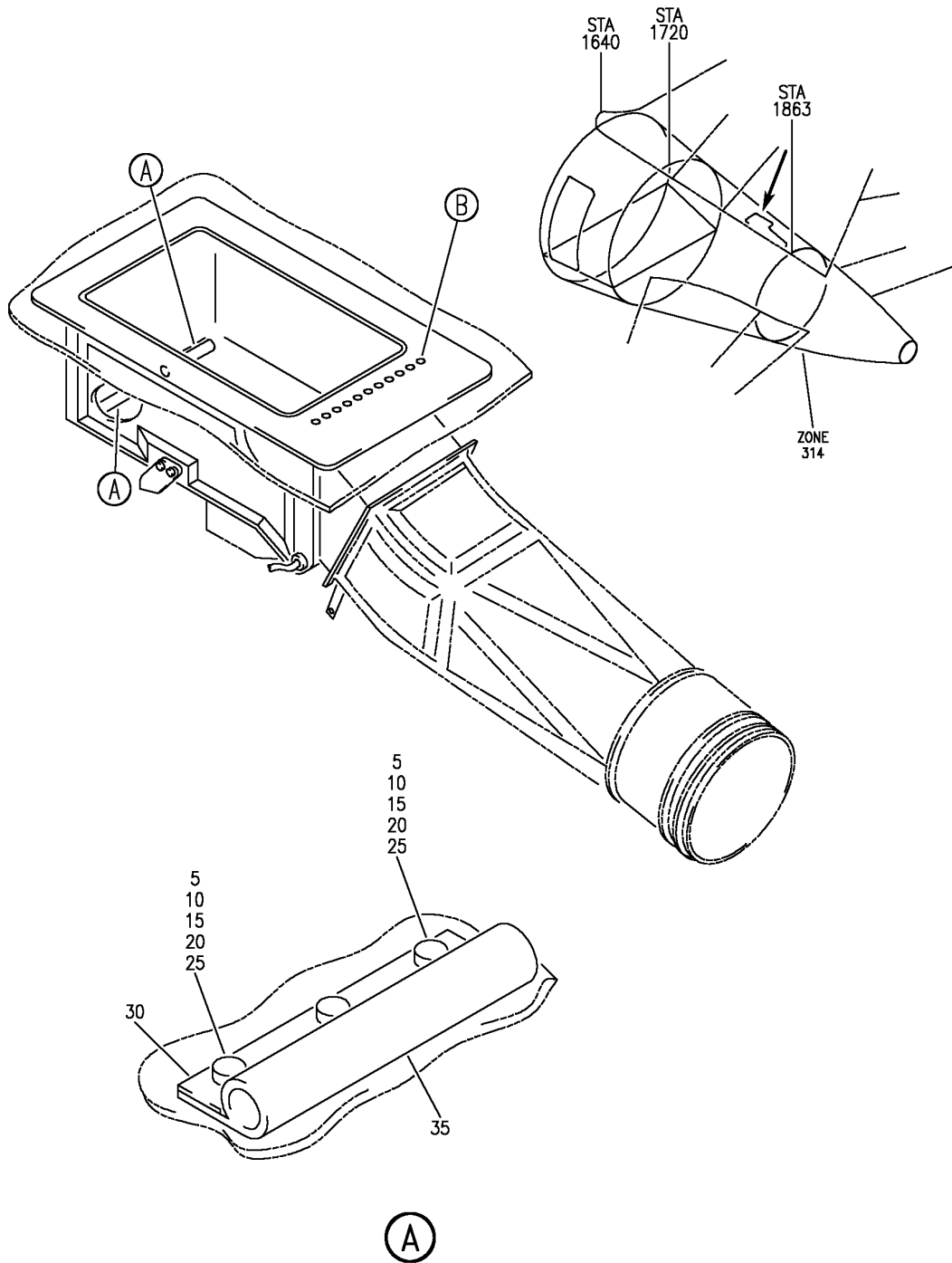
- ITEM NOT ILLUSTRATED

49-15-06-01

49-15-06  
FIG. 01  
PAGE 12  
JAN 20/09

BRI

**BOEING**  
757  
PARTS CATALOG (MAINTENANCE)



Y 49150701 SH1 1 REV 264

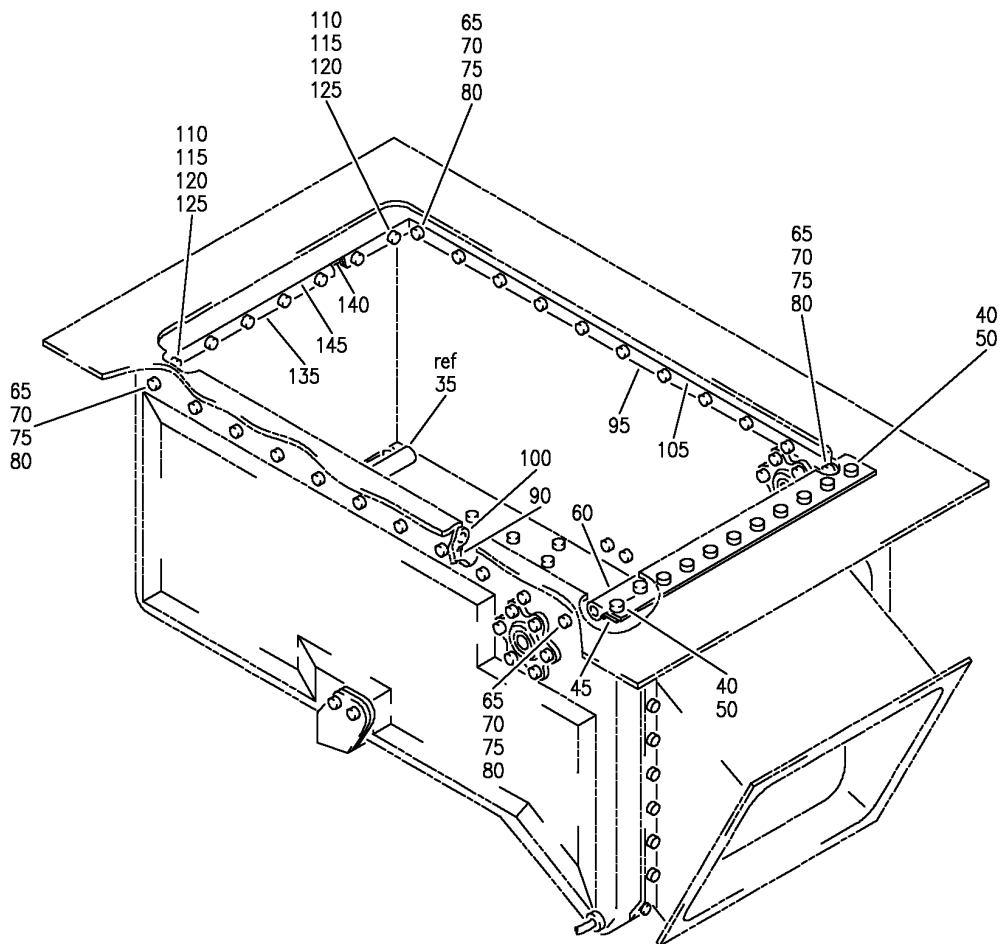
HOUSING ASSY (APU AIR INTAKE DOOR SEAL ONLY)  
FIGURE 1 (SHEET 1)

**49-15-07-01**

BRI  
MAY 28/07

49-15-07-01  
PAGE 0

**BOEING**  
757  
PARTS CATALOG (MAINTENANCE)



(B)

Y 49150701 SH1 2 REV 264

HOUSING ASSY (APU AIR INTAKE DOOR SEAL ONLY)  
FIGURE 1 (SHEET 2)

**49-15-07-01**

BRI  
MAY 28/07

49-15-07-01  
PAGE 0A



757

PARTS CATALOG (MAINTENANCE)

FIG ITEM	PART NUMBER	1 2 3 4 5 6 7	NOMENCLATURE	EFFECT FROM TO	UNITS PER ASSY
1			HOUSING ASSY (APU AIR INTAKE DOOR SEAL ONLY)	002004 006999	
- 1	353N1020-5		HOUSING ASSY- (APU AIR INTAKE DOOR SEAL ONLY) OPTIONAL PART: 353N1020-12 PRE SERVICE BULLETIN: 49-0017 PRE AIRLINE MOD: E.O.B757-4910-7752-A VUPS FOR NHA/ADDITIONAL DET SEE: 49-15-08-01	002004 107107 121503 904949 952952	RF
- 1	353N1020-12		HOUSING ASSY- (APU AIR INTAKE DOOR SEAL ONLY) OPTIONAL PART: 353N1020-5 PRE SERVICE BULLETIN: 49-0017 FOR NHA/ADDITIONAL DET SEE: 49-15-08-01	002004 107107 121503 904949 952952	RF
- 1	353N1020-13		HOUSING ASSY- (APU AIR INTAKE DOOR SEAL ONLY) PRE SERVICE BULLETIN: 49-0017 FOR NHA/ADDITIONAL DET SEE: 49-15-08-01	006008 953999	RF
- 1	353N1020-18		HOUSING ASSY- (APU AIR INTAKE DOOR SEAL ONLY) POST SERVICE BULLETIN: 49-0017 FOR NHA/ADDITIONAL DET SEE: 49-15-08-01	002004 006100 904949	RF
- 1	353N1020-15		HOUSING ASSY- (APU AIR INTAKE DOOR SEAL ONLY) PRE SERVICE BULLETIN: 49-0017 FOR NHA/ADDITIONAL DET SEE: 49-15-08-01	009010 950951	RF

MISSING ITEM NUMBERS NOT APPLICABLE

- ITEM NOT ILLUSTRATED

49-15-07-01

49-15-07  
FIG. 01  
PAGE 1  
JAN 20/09

BRI



757

PARTS CATALOG (MAINTENANCE)

FIG ITEM	PART NUMBER	1 2 3 4 5 6 7	NOMENCLATURE	EFFECT FROM TO	UNITS PER ASSY
1					
- 1	353N1020-21		HOUSING ASSY- (APU AIR INTAKE DOOR SEAL ONLY) FOR NHA/ADDITIONAL DET SEE: 49-15-08-01	101102 504903	RF
- 1	353N1020-32		HOUSING ASSY- (APU AIR INTAKE DOOR SEAL ONLY) FOR NHA/ADDITIONAL DET SEE: 49-15-08-01	103106 108120	RF
5	PLT270-5-3		.RIVET- SUPPLIER CODE: V92215 QUALIFIED OPTIONAL DATA: BACB30MY5K3 WITH BACW10BP5P AND BACC30AB5C OPT TO PLT270-5-3 WITH AN960C8 PRE SERVICE BULLETIN: 49-0017	002004 006008 107107 121503 904949 952999	6
5	PLT270-5-3		.RIVET- SUPPLIER CODE: V92215 QUALIFIED OPTIONAL DATA: BACB30VT5K3 WITH BACC30BL5 OPT TO PLT270-5-3 WITH NAS1149CN832R POST SERVICE BULLETIN: 49-0017	002004 006100 904951	6
5	PLT270-5-3		.RIVET- SUPPLIER CODE: V92215	101106 108120 504903	6
10	AN960C8		.WASHER- QUALIFIED OPTIONAL DATA: BACB30MY5K3 WITH BACW10BP5P AND BACC30AB5C OPT TO PLT270-5-3 WITH AN960C8 PRE SERVICE BULLETIN: 49-0017	002004 006008 107107 121503 904949 952999	6
10	NAS1149CN832R		.WASHER- QUALIFIED OPTIONAL DATA: BACB30VT5K3 WITH BACC30BL5 OPT TO PLT270-5-3 WITH NAS1149CN832R POST SERVICE BULLETIN: 49-0017	002004 006100 904951	6

MISSING ITEM NUMBERS NOT APPLICABLE

- ITEM NOT ILLUSTRATED

49-15-07-01

49-15-07  
FIG. 01  
PAGE 2  
JAN 20/09

BRI



757

PARTS CATALOG (MAINTENANCE)

FIG ITEM	PART NUMBER	1 2 3 4 5 6 7	NOMENCLATURE	EFFECT FROM TO	UNITS PER ASSY
1	10 NAS1149CN832R	.	WASHER	101106 108120 504903	6
	15 L8005K3	.	BOLT- SUPPLIER CODE: V06725 SPECIFICATION NUMBER: BACB30MY5K3 QUALIFIED OPTIONAL DATA: BACB30MY5K3 WITH BACW10BP5P AND BACC30AB5C OPT TO PLT270-5-3 WITH AN960C8 PRE SERVICE BULLETIN: 49-0017	002004 006008 107107 121503 904949 952999	6
	15 HST10AG5-3	.	BOLT- SUPPLIER CODE: VOPTK6 SPECIFICATION NUMBER: BACB30VT5K3 OPTIONAL PART: HST10AG5-3 V06725 HST10AG5-3 V56878 HST10AG5-3 V73197 QUALIFIED OPTIONAL DATA: BACB30VT5K3 WITH BACC30BL5 OPT TO PLT270-5-3 WITH NAS1149CN832R POST SERVICE BULLETIN: 49-0017	002004 006100 904951	6
	20 BACW10BP5P	.	WASHER- QUALIFIED OPTIONAL DATA: BACB30MY5K3 WITH BACW10BP5P AND BACC30AB5C OPT TO PLT270-5-3 WITH AN960C8 PRE SERVICE BULLETIN: 49-0017	002004 006008 107107 121503 904949 952999	6

MISSING ITEM NUMBERS NOT APPLICABLE

- ITEM NOT ILLUSTRATED

49-15-07-01

49-15-07  
FIG. 01  
PAGE 3  
JAN 20/09

BRI



757

PARTS CATALOG (MAINTENANCE)

FIG ITEM	PART NUMBER	1 2 3 4 5 6 7	NOMENCLATURE	EFFECT FROM TO	UNITS PER ASSY
1	25 HL97KG5		.COLLAR- SUPPLIER CODE: V5M902 SPECIFICATION NUMBER: BACC30AB5C OPTIONAL PART: HL97PB5 V5M902 HL97PB5 V56878 HL97KG5 V73197 HL97KG5 V56878 HL97PB V73197 QUALIFIED OPTIONAL DATA: BACB30MY5K3 WITH BACW10BP5P AND BACC30AB5C OPT TO PLT270-5-3 WITH AN960C8 PRE SERVICE BULLETIN: 49-0017	002004 006008 107107 121503 904949 952999	6
	25 BACC30BL5		.COLLAR- SUPPLIER CODE: V73197 SPECIFICATION NUMBER: BACC30BL5 OPTIONAL PART: HST79-5 V92215 HST79CY5 V56878 HST79CY5 V5M902 QUALIFIED OPTIONAL DATA: BACB30VT5K3 WITH BACC30BL5 OPT TO PLT270-5-3 WITH NAS1149CN832R POST SERVICE BULLETIN: 49-0017	002004 006100 904951	6
	30 353N1020-11		.STRIP	002004 006999	2
	35 353N1029-4		.SEAL	002004 006999	2
	40 BACB30NN3K5		.BOLT	002004 006999	11

MISSING ITEM NUMBERS NOT APPLICABLE

- ITEM NOT ILLUSTRATED

49-15-07-01

49-15-07  
FIG. 01  
PAGE 4  
JAN 20/09

BRI



**BOEING**  
757  
**PARTS CATALOG (MAINTENANCE)**

FIG ITEM	PART NUMBER	1 2 3 4 5 6 7	NOMENCLATURE	EFFECT FROM TO	UNITS PER ASSY
1					
45	353N1026-1	.	ANGLE ASSY	002004 006999	1
50	T8076S1032	..	NUTPLATE SUPPLIER CODE: V11815 SPECIFICATION NUMBER: BACN10JP3A OPTIONAL PART: MK1000-3BAC V15653 NS103197-02 V80539 RMA9201M3 V72962 VN202A1-02 V92215 BRM200A3 V52828	002004 006999	11
- 55	AF5141-3-2	..	ATTACHING PARTS RIVET SUPPLIER CODE: V53551 SPECIFICATION NUMBER: BACR15DR3A2 OPTIONAL PART: RV541A3-2 V98996 CCR264CS3-2TT V11815 -----*-----	002004 006999	22
60	353N1029-5	.	SEAL-	002004 006999	1
60	353N1029-12	.	SEAL-	002004 006999	1
60	353N1029-16	.	SEAL-	002004 006999	1
65	BACB30NT3K6	.	BOLT	002004 006999	22
70	AN960C10L	.	WASHER- PRE SERVICE BULLETIN: 49-0017	002004 006008 107107 121503 904949 952999	22
70	NAS1149C0332R	.	WASHER- POST SERVICE BULLETIN: 49-0017	002004 006106 108120 504951	22

MISSING ITEM NUMBERS NOT APPLICABLE

- ITEM NOT ILLUSTRATED

BRI

# 49-15-07-01

BOEING PROPRIETARY - Copyright © - Unpublished Work - See title page for details.

49-15-07  
FIG. 01  
PAGE 5  
JAN 20/09



757

PARTS CATALOG (MAINTENANCE)

FIG ITEM	PART NUMBER	1 2 3 4 5 6 7	NOMENCLATURE	EFFECT FROM TO	UNITS PER ASSY
1 75	109F171-3		.NUTPLATE SUPPLIER CODE: V72962 SPECIFICATION NUMBER: BACN10JB3CM OPTIONAL PART: BRF270C3M V52828 43700E02 V80539 BRF210C3M V52828	002004 006999	22
- 85	AF5141-3-4		ATTACHING PARTS .RIVET SUPPLIER CODE: V53551 SPECIFICATION NUMBER: BACR15DR3A4 OPTIONAL PART: RV541A3-4 V98996 CCR264CS3-4TT V11815 -----*-----	002004 006999	44
90	353N1026-3		.ANGLE- PRE SERVICE BULLETIN: 49-0017	002004 107107 121503 904949 952952	1
90	353N1026-8		.ANGLE- PRE SERVICE BULLETIN: 49-0017	006008 953999	1
90	353N1026-11		.ANGLE- POST SERVICE BULLETIN: 49-0017	002004 006106 108120 504951	1
95	353N1026-4		.ANGLE- PRE SERVICE BULLETIN: 49-0017	002004 107107 121503 904949 952952	1
95	353N1026-9		.ANGLE- POST SERVICE BULLETIN: 49-0017	002004 006106 108120 504951 953999	1
100	353N1029-13		.SEAL-	002004 006999	1

MISSING ITEM NUMBERS NOT APPLICABLE

- ITEM NOT ILLUSTRATED

49-15-07-01

49-15-07  
FIG. 01  
PAGE 6  
JAN 20/09

BRI



757

PARTS CATALOG (MAINTENANCE)

FIG ITEM	PART NUMBER	1 2 3 4 5 6 7	NOMENCLATURE	EFFECT FROM TO	UNITS PER ASSY
1					
100	353N1029-9	.	SEAL-	002004 006999	1
100	353N1029-17	.	SEAL-	002004 006999	1
105	353N1029-10	..	SEAL-	002004 006999	1
105	353N1029-14	.	SEAL-	002004 006999	1
105	353N1029-18	.	SEAL-	002004 006999	1
110	BACB30NN3K13	.	BOLT-	002004 006999	7
115	BACW10BP31C	.	WASHER- POST SERVICE BULLETIN: 49-0017	002004 006106 108120 504951	7
115	BACW10BN31C	.	WASHER- PRE SERVICE BULLETIN: 49-0017	002004 006008 107107 121503 904949 952999	7
120	NAS1057W3-042	.	SPACER- PRE SERVICE BULLETIN: 49-0017	002004 107107 121503 904949 952952	7
120	NAS1057W3-030	.	SPACER- POST SERVICE BULLETIN: 49-0017	002004 006106 108120 504951 953999	7
125	109F171-3	.	NUTPLATE SUPPLIER CODE: V72962 SPECIFICATION NUMBER: BACN10JB3CM OPTIONAL PART: BRF270C3M V52828 43700E02 V80539 BRF210C3M V52828	002004 006999	7

MISSING ITEM NUMBERS NOT APPLICABLE

- ITEM NOT ILLUSTRATED

49-15-07-01

49-15-07  
FIG. 01  
PAGE 7  
JAN 20/09

BRI

**BOEING**  
757  
**PARTS CATALOG (MAINTENANCE)**

FIG ITEM	PART NUMBER	1 2 3 4 5 6 7	NOMENCLATURE	EFFECT FROM TO	UNITS PER ASSY
1			ATTACHING PARTS		
- 130	AF5141-3-4		.RIVET SUPPLIER CODE: V53551 SPECIFICATION NUMBER: BACR15DR3A4 OPTIONAL PART: RV541A3-4 V98996 CCR264CS3-4TT V11815 -----*-----	002004 006999	14
135	353N1026-6		.ANGLE- PRE SERVICE BULLETIN: 49-0017	002004 107107 121503 904949 952952	1
135	353N1026-7		.ANGLE- POST SERVICE BULLETIN: 49-0017	002004 006106 108120 504951 953999	1
140	353N1026-5		.ANGLE- PRE SERVICE BULLETIN: 49-0017	002004 107107 121503 904949 952952	1
140	353N1026-10		.ANGLE- POST SERVICE BULLETIN: 49-0017	002004 006106 108120 504951 953999	1
145	353N1029-11		.SEAL-	002004 006999	1
145	353N1029-6		.SEAL-	002004 006999	1
145	353N1029-15		.SEAL-	002004 006999	1

MISSING ITEM NUMBERS NOT APPLICABLE

- ITEM NOT ILLUSTRATED

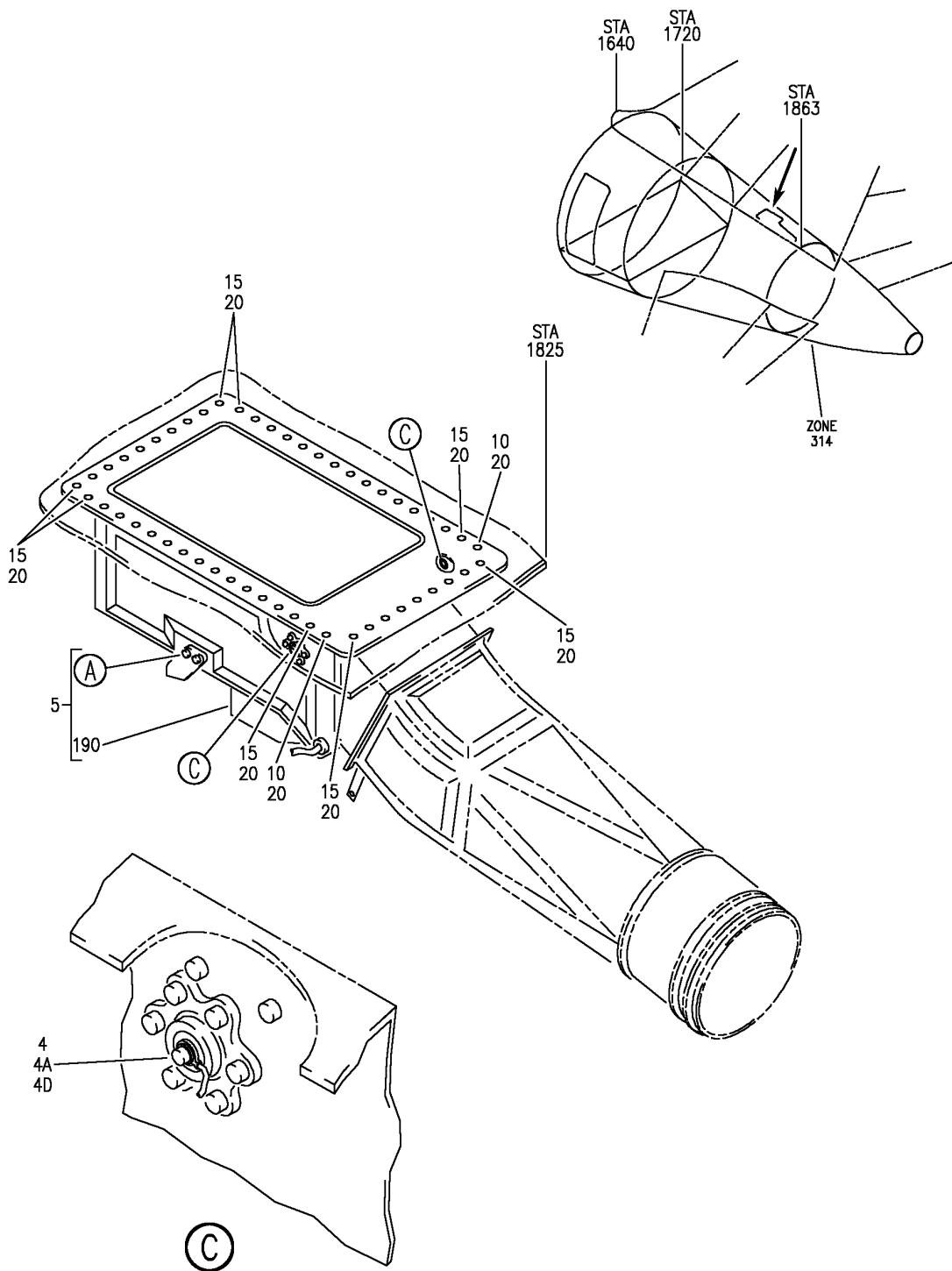
BRI

# 49-15-07-01

BOEING PROPRIETARY - Copyright © - Unpublished Work - See title page for details.

49-15-07  
FIG. 01  
PAGE 8  
JAN 20/09

**BOEING**  
757  
PARTS CATALOG (MAINTENANCE)



Y 49150801 SH1 1 REV 269

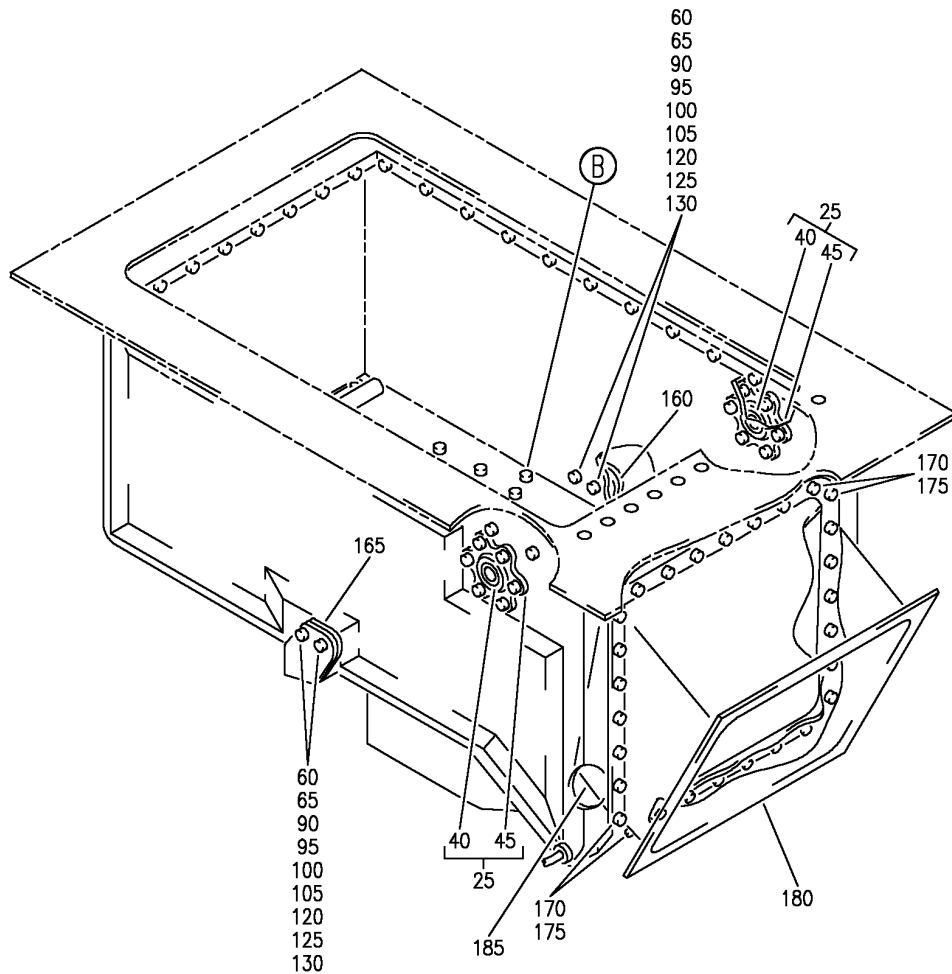
PORT AND DOOR INSTL-AUX PWR SYS AIR INTAKE (APU AIR DOOR HOUSING ONLY)  
FIGURE 1 (SHEET 1)

**49-15-08-01**

BRI  
MAY 28/07

49-15-08-01  
PAGE 0

**BOEING**  
757  
PARTS CATALOG (MAINTENANCE)



Y 49150801 SH1 2 REV 269

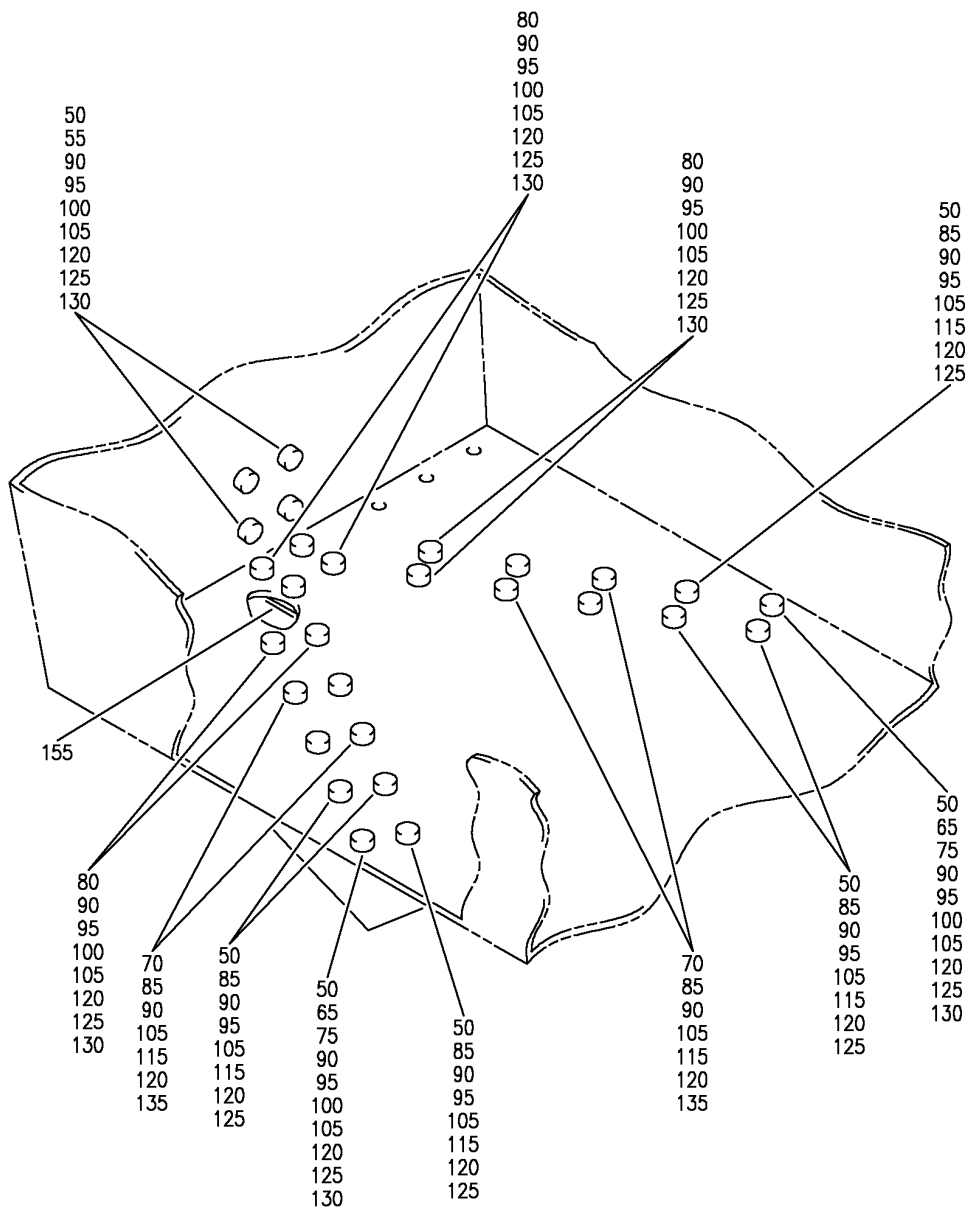
PORT AND DOOR INSTL-AUX PWR SYS AIR INTAKE (APU AIR DOOR HOUSING ONLY)  
FIGURE 1 (SHEET 2)

**49-15-08-01**

BRI  
MAY 28/07

49-15-08-01  
PAGE 0A

**BOEING**  
757  
**PARTS CATALOG (MAINTENANCE)**



(B)

Y 49150801 SH1 3 REV 275

PORT AND DOOR INSTL-AUX PWR SYS AIR INTAKE (APU AIR DOOR HOUSING ONLY)  
FIGURE 1 (SHEET 3)

**49-15-08-01**

BRI  
MAY 28/07

49-15-08-01  
PAGE 0B



757

PARTS CATALOG (MAINTENANCE)

FIG ITEM	PART NUMBER	1 2 3 4 5 6 7	NOMENCLATURE	EFFECT FROM TO	UNITS PER ASSY
1			PORT AND DOOR INSTL-AUX PWR SYS AIR INTAKE (APU AIR DOOR HOUSING ONLY)	002004 006999	
- 1	353N1001-1		PORT AND DOOR INSTL-AUX PWR SYS AIR INTAKE (APU AIR DOOR HOUSING ONLY) FOR NHA/OTHER SYS DET SEE: 49-00-51-01	002004 006100 107107 121503 904999	RF
- 1	353N1001-15		PORT AND DOOR INSTL-AUX PWR SYS AIR INTAKE (APU AIR DOOR HOUSING ONLY) FOR NHA/OTHER SYS DET SEE: 49-00-00-01	101102 504903	RF
- 1	353N1001-17		PORT AND DOOR INSTL-AUX PWR SYS AIR INTAKE (APU AIR DOOR HOUSING ONLY) FOR NHA/OTHER SYS DET SEE: 49-00-00-01	108120	RF
- 1	MODREF13829		PORT AND DOOR INSTL-AUX PWR SYS AIR INTAKE (APU AIR DOOR HOUSING ONLY) MODULE NUMBER: 353N1001-17 REV A FOR OTHER SYS DETAILS SEE: 49-15-01-02 49-15-05-01 49-15-06-01 FOR ADDITIONAL DETAILS SEE: 11-23-01-01	103105	1
- 1	MODREF20542		PORT AND DOOR INSTL-AUX PWR SYS AIR INTAKE (APU AIR DOOR HOUSING ONLY) MODULE NUMBER: 353N1001-18 REV A FOR OTHER SYS DETAILS SEE: 11-23-01-01 FOR ADDITIONAL DETAILS SEE: 49-15-01-02 49-15-05-01 49-15-06-01	106106	1

MISSING ITEM NUMBERS NOT APPLICABLE

- ITEM NOT ILLUSTRATED

49-15-08-01

49-15-08  
FIG. 01  
PAGE 1  
JAN 20/09

BRI





**757  
PARTS CATALOG (MAINTENANCE)**

FIG ITEM	PART NUMBER	1 2 3 4 5 6 7	NOMENCLATURE	EFFECT FROM TO	UNITS PER ASSY
1	5	353N1020-5	.HOUSING ASSY- OPTIONAL PART: 353N1020-12 PRE SERVICE BULLETIN: 49-0017 FOR DETAILS SEE: 49-15-02-01 49-15-07-01	002004 107107 121503 904949 952952	1
	5	353N1020-12	.HOUSING ASSY- OPTIONAL PART: 353N1020-5 PRE SERVICE BULLETIN: 49-0017 FOR DETAILS SEE: 49-15-02-01 49-15-07-01	002004 107107 121503 904949 952952	1
	5	353N1020-13	.HOUSING ASSY- PRE SERVICE BULLETIN: 49-0017 FOR DETAILS SEE: 49-15-02-01 49-15-07-01	006008 953999	1
	5	353N1020-18	.HOUSING ASSY- POST SERVICE BULLETIN: 49-0017 FOR DETAILS SEE: 49-15-02-01 49-15-07-01	002004 006100 904949	1
	5	353N1020-15	.HOUSING ASSY- PRE SERVICE BULLETIN: 49-0017 FOR DETAILS SEE: 49-15-02-01 49-15-07-01	009010 950951	1
	5	353N1020-21	.HOUSING ASSY- FOR DETAILS SEE: 49-15-02-01 49-15-07-01	101102 504903	1
	5	353N1020-32	.HOUSING ASSY- FOR DETAILS SEE: 49-15-02-01 49-15-07-01	103106 108120	1
	10	BACB30LR3U4	.BOLT	002004 006999	2
15	BACB30NN3K4	.BOLT	002004 006999	49	

MISSING ITEM NUMBERS NOT APPLICABLE

— ITEM NOT ILLUSTRATED

# 49-15-08-01

49-15-08  
FIG. 01  
PAGE 2  
JAN 20/09

BRI



757

PARTS CATALOG (MAINTENANCE)

FIG ITEM	PART NUMBER	1 2 3 4 5 6 7	NOMENCLATURE	EFFECT FROM TO	UNITS PER ASSY
1	20 BACW10UC10	.	WASHER	002004 006999	51
			-----*-----		
	25 353N1022-1	..	FITTING ASSY-HINGE PRE SERVICE BULLETIN: 49-0017	002004 006010 107107 121503 904999	2
	25 353N1022-4	..	FITTING ASSY-HINGE POST SERVICE BULLETIN: 49-0017 POST SERVICE BULLETIN: 732-13870-49-5R1 VS4096 ATTACHING PARTS	002004 006106 108120 504949	2
-	30 BACB30NR4K7	..	BOLT	002004 006999	12
-	35 AN960C416	..	WASHER- PRE SERVICE BULLETIN: 49-0017	002004 006008 107107 121503 904949 952999	12
-	35 NAS1149C0463R	..	WASHER- POST SERVICE BULLETIN: 49-0017	002004 006106 108120 504951	12
			-----*-----		
	40 MS14104-12C	...	BEARING- POST SERVICE BULLETIN: 49-0017	002004 006106 108120 504949	1
	40 MS14104-12	...	BEARING- PRE SERVICE BULLETIN: 49-0017	002004 006010 107107 121503 904999	1
	45 353N1022-2	...	FITTING	002004 006999	1
	50 BACB30NR4K6	..	BOLT- PRE SERVICE BULLETIN: 49-0017	002004 107107 121503 904949 952952	12
	55 BACB30NR4K6	..	BOLT- POST SERVICE BULLETIN: 49-0017	002004 006106 108120 504951 953999	4

MISSING ITEM NUMBERS NOT APPLICABLE

- ITEM NOT ILLUSTRATED

49-15-08-01

49-15-08  
FIG. 01  
PAGE 3  
JAN 20/09

BRI



757

PARTS CATALOG (MAINTENANCE)

FIG ITEM	PART NUMBER	1 2 3 4 5 6 7	NOMENCLATURE	EFFECT FROM TO	UNITS PER ASSY
1					
60	BACB30NR4K7	..	BOLT- PRE SERVICE BULLETIN: 49-0017	002004 006010 101999	4
65	BACB30NR4K7	..	BOLT- POST SERVICE BULLETIN: 49-0017	002004 006100 904949	6
70	BACB30NR4K5	..	BOLT- USED ON: 353N1020-12 353N1020-13 353N1020-14 PRE SERVICE BULLETIN: 49-0017	002004 107107 121503 904949 952952	8
70	BACB30NR4K7	..	BOLT- PRE SERVICE BULLETIN: 49-0017	002004 107107 121503 904949 952952	8
75	BACB30NR4K7	..	BOLT- PRE SERVICE BULLETIN: 49-0017	006010 101106 108120 504903 950951 953999	2
80	BACB30NR4K9	..	BOLT	002004 006999	8
85	BACB30VF4K5	..	BOLT- PRE SERVICE BULLETIN: 49-0017	006008 953999	14
85	BACB30NR4K5	..	BOLT- POST SERVICE BULLETIN: 49-0017	002004 006106 108120 504951	14
90	NAS463WC416H	..	SPACER- PRE SERVICE BULLETIN: 49-0017	002004 107107 121503 904949 952952	32
95	NAS463WC416H	..	SPACER- PRE SERVICE BULLETIN: 49-0017	002004 107107 121503 904949 952952	24
100	NAS463WC416H	..	SPACER- POST SERVICE BULLETIN: 49-0017	002004 006106 108120 504951 953999	18

MISSING ITEM NUMBERS NOT APPLICABLE

- ITEM NOT ILLUSTRATED

49-15-08-01

49-15-08  
FIG. 01  
PAGE 4  
JAN 20/09

BRI



757

PARTS CATALOG (MAINTENANCE)

FIG ITEM	PART NUMBER	1 2 3 4 5 6 7	NOMENCLATURE	EFFECT FROM TO	UNITS PER ASSY
1 105	NAS1149D0463J		.. WASHER- POST SERVICE BULLETIN: 49-0017	002004 006106 108120 504951	32
105	AN960PD416		.. WASHER- PRE SERVICE BULLETIN: 49-0017	002004 006008 107107 121503 904949 952999	32
115	BRH10C4D		.. NUT- SUPPLIER CODE: V52828 SPECIFICATION NUMBER: BACN10JC4CD OPTIONAL PART: T6C428JCD V11815 NS202486-048 V80539 102LH9075-4W V72962 H51650-4BAC V15653 POST SERVICE BULLETIN: 49-0017	002004 006010 101106 108120 504903 950951	14

MISSING ITEM NUMBERS NOT APPLICABLE

- ITEM NOT ILLUSTRATED

49-15-08-01

49-15-08  
FIG. 01  
PAGE 5  
JAN 20/09

BRI



757

PARTS CATALOG (MAINTENANCE)

FIG ITEM	PART NUMBER	1 2 3 4 5 6 7	NOMENCLATURE	EFFECT FROM TO	UNITS PER ASSY
1 115	KFN600-4	..	NUT- SUPPLIER CODE: V56878 SPECIFICATION NUMBER: BACN10XJ4 OPTIONAL PART: KFN600-4 V92215 KFN600-4S V15653 KFN600-4S V92215 BH00309-4 V27238 BH00309-4S V27238 KFN600-4 V15653 KFN600-4 V06950 KFN600-4 V9N513 PRE SERVICE BULLETIN: 49-0017	006008 953999	14
120	109F171-4	..	NUT- SUPPLIER CODE: V72962 SPECIFICATION NUMBER: BACN10JB4CM OPTIONAL PART: 43700E048 V80539 BRF210C4M V52828 BRF270C4M V52828 PRE SERVICE BULLETIN: 49-0017	002004 107107 121503 904949 952952	32

MISSING ITEM NUMBERS NOT APPLICABLE

- ITEM NOT ILLUSTRATED

BRI

49-15-08-01

BOEING PROPRIETARY - Copyright © - Unpublished Work - See title page for details.

49-15-08  
FIG. 01  
PAGE 6  
JAN 20/09



757

PARTS CATALOG (MAINTENANCE)

FIG ITEM	PART NUMBER	1 2 3 4 5 6 7	NOMENCLATURE	EFFECT FROM TO	UNITS PER ASSY
1 125	109F171-4		..NUT- SUPPLIER CODE: V72962 SPECIFICATION NUMBER: BACN10JB4CM OPTIONAL PART: 43700E048 V80539 BRF210C4M V52828 BRF270C4M V52828 PRE SERVICE BULLETIN: 49-0017	002004 107107 121503 904949 952952	24
130	109F171-4		..NUT- SUPPLIER CODE: V72962 SPECIFICATION NUMBER: BACN10JB4CM OPTIONAL PART: 43700E048 V80539 BRF210C4M V52828 BRF270C4M V52828 POST SERVICE BULLETIN: 49-0017	002004 006106 108120 504951 953999	18
135	BRF200A4		..NUTPLATE- SUPPLIER CODE: V52828 SPECIFICATION NUMBER: BACN10JR4F OPTIONAL PART: NS103203-048 V80539 RMF9201-4 V72962 VN152A1-048 V92215 T8091S428 V11815 F5000-4BAC V15653 PRE SERVICE BULLETIN: 49-0017	002004 107107 121503 904949 952952	8

MISSING ITEM NUMBERS NOT APPLICABLE

- ITEM NOT ILLUSTRATED

49-15-08-01

49-15-08  
FIG. 01  
PAGE 7  
JAN 20/09

BRI



757

PARTS CATALOG (MAINTENANCE)

FIG ITEM	PART NUMBER	1 2 3 4 5 6 7	NOMENCLATURE	EFFECT FROM TO	UNITS PER ASSY
1			ATTACHING PARTS		
- 140	AF5141-3-5		..RIVET- SUPPLIER CODE: V53551 SPECIFICATION NUMBER: BACR15DR3A5 OPTIONAL PART: RV541A3-5 V98996 CCR264CS3-5TT V11815 PRE SERVICE BULLETIN: 49-0017 -----*-----	002004 107107 121503 904949 952952	56
- 145	AF5141-3-5		..RIVET- SUPPLIER CODE: V53551 SPECIFICATION NUMBER: BACR15DR3A5 OPTIONAL PART: RV541A3-5 V98996 CCR264CS3-5TT V11815 POST SERVICE BULLETIN: 49-0017	002004 006106 108120 504951 953999	28
- 150	AF5141-3-4		ATTACHING PARTS ..RIVET SUPPLIER CODE: V53551 SPECIFICATION NUMBER: BACR15DR3A4 OPTIONAL PART: RV541A3-4 V98996 CCR264CS3-4TT V11815 -----*-----	002004 006999	8
155	353N1032-7		..SHIM	002004 006999	2
160	353N1032-6		..SHIM	002004 006999	2

MISSING ITEM NUMBERS NOT APPLICABLE

- ITEM NOT ILLUSTRATED

49-15-08-01

49-15-08  
FIG. 01  
PAGE 8  
JAN 20/09

BRI



757

PARTS CATALOG (MAINTENANCE)

FIG ITEM	PART NUMBER	1 2 3 4 5 6 7	NOMENCLATURE	EFFECT FROM TO	UNITS PER ASSY
1 165	353N1021-3	..	FITTING-ACTR USED ON: 353N1020-3 USED ON: 353N1020-5 353N1020-12 353N1020-13 353N1020-14 PRE SERVICE BULLETIN: 49-0017	002004 006010 107107 121503 904999	1
165	353N1021-9	..	FITTING-ACTR OPTIONAL PART: 353N1021-11 SERVICE BULLETIN OPT DATA: 353N1021-11 POST SERVICE BULLETIN: 49-0017	002004 006106 108120 504949	1
165	353N1021-11	..	FITTING-ACTR OPTIONAL PART: 353N1021-9 SERVICE BULLETIN OPT DATA: 353N1021-9 POST SERVICE BULLETIN: 49-0017	002004 006106 108120 504949	1
170	BACB30NT3K4	..	BOLT	002004 006999	28
175	AN960C10L	..	WASHER- PRE SERVICE BULLETIN: 49-0017	002004 006008 107107 121503 904949 952999	28
175	NAS1149C0332R	..	WASHER- POST SERVICE BULLETIN: 49-0017	002004 006106 108120 504951	28
180	353N1031-2	..	ADAPTER ASSY-DUCT	002004 006999	1
180	353N1031-12	..	ADAPTER ASSY-DUCT OPTIONAL PART: 353N1031-2 POST SERVICE BULLETIN: 49-0017	002004 006106 108120 504949	1
185	353N1031-11	..	ADAPTER ASSY-HSG	101106 108120 504903	1

MISSING ITEM NUMBERS NOT APPLICABLE

- ITEM NOT ILLUSTRATED

49-15-08-01

49-15-08  
FIG. 01  
PAGE 9  
JAN 20/09

BRI





757

PARTS CATALOG (MAINTENANCE)

FIG ITEM	PART NUMBER	1 2 3 4 5 6 7	NOMENCLATURE	EFFECT FROM TO	UNITS PER ASSY
1 185	353N1031-5	..	ADAPTER ASSY-HSG	002004 006100 107107 121503 904999	1
190	353N1033-5	..	COVER ASSY- USED ON: 353N1020-5 353N1020-12 353N1020-13 353N1020-14 PRE SERVICE BULLETIN: 49-0017 FOR DETAILS SEE: 49-15-51-01	002004 006010 107107 121503 904999	1
190	353N1033-9	..	COVER ASSY- POST SERVICE BULLETIN: 49-0017 FOR DETAILS SEE: 49-15-51-01	002004 006100 904949	1
190	353N1033-12	..	COVER ASSY- FOR DETAILS SEE: 49-15-51-01 ATTACHING PARTS	101106 108120 504903	1
- 195	PLT270-5-2	..	RIVET- SUPPLIER CODE: V92215 QUALIFIED OPTIONAL DATA: (OPT BACB30MY5K2 USED WITH BACW10BP5P, BACC30AB5C) USED WITH: AN960C8 PRE SERVICE BULLETIN: 49-0017	002004 006008 107107 121503 904949 952999	50
- 195	PLT270-5-2	..	RIVET- SUPPLIER CODE: V92215 USED WITH: NAS1149CN832R POST SERVICE BULLETIN: 49-0017	002004 006106 108120 504951	50
- 200	AN960C8	..	WASHER- USED WITH: PLT270-5-2 PRE SERVICE BULLETIN: 49-0017	002004 006008 107107 121503 904949 952999	50

MISSING ITEM NUMBERS NOT APPLICABLE

- ITEM NOT ILLUSTRATED

49-15-08-01

49-15-08  
FIG. 01  
PAGE 10  
JAN 20/09

BRI



757

PARTS CATALOG (MAINTENANCE)

FIG ITEM	PART NUMBER	1 2 3 4 5 6 7	NOMENCLATURE	EFFECT FROM TO	UNITS PER ASSY
1					
- 200	NAS1149CN832R		.. WASHER- USED WITH: PLT270-5-2 POST SERVICE BULLETIN: 49-0017	002004 006106 108120 504951	50
- 205	L8005K2		.. BOLT- SUPPLIER CODE: V06725 SPECIFICATION NUMBER: BACB30MY5K2 QUALIFIED OPTIONAL DATA: (OPT PLT270-5-2 USED WITH: BACW10BP5P BACC30AB5C PRE SERVICE BULLETIN: 49-0017	002004 006008 107107 121503 904949 952999	50
- 210	BACW10BP5P		.. WASHER- USED WITH: BACB30MY5K2 BACC30AB5C PRE SERVICE BULLETIN: 49-0017	002004 006008 107107 121503 904949 952999	50
- 215	HL97KG5		.. COLLAR- SUPPLIER CODE: V5M902 SPECIFICATION NUMBER: BACC30AB5C OPTIONAL PART: HL97PB5 V5M902 HL97PB5 V56878 HL97KG5 V73197 HL97KG5 V56878 HL97PB V73197 USED WITH: BACB30MY5K2 BACN10BP5P -----*-----	002004 006008 107107 121503 904949 952999	50

MISSING ITEM NUMBERS NOT APPLICABLE

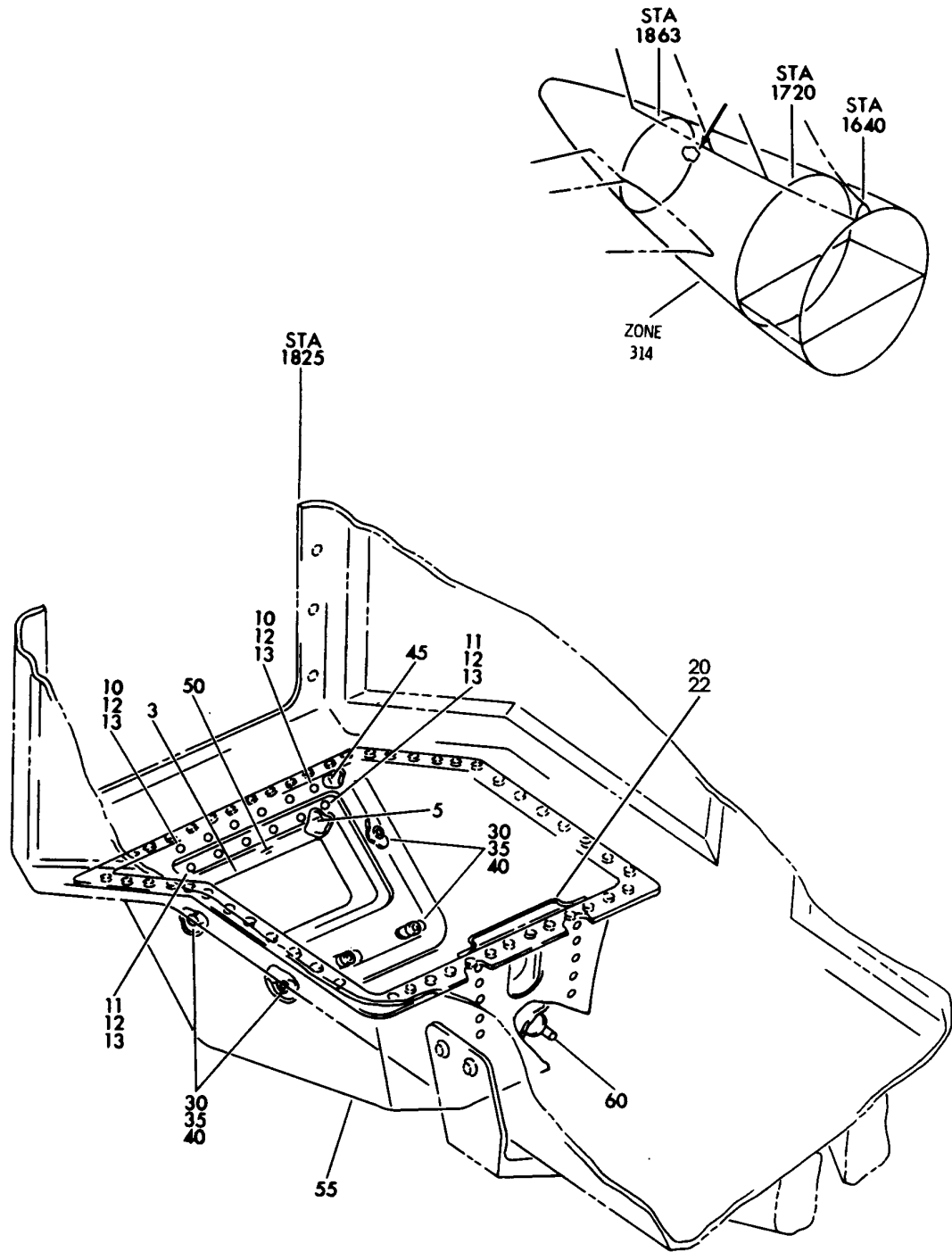
- ITEM NOT ILLUSTRATED

49-15-08-01

49-15-08  
FIG. 01  
PAGE 11  
JAN 20/09

BRI

**BOEING**  
757  
PARTS CATALOG (MAINTENANCE)



Y 49155101 REV 207

COVER ASSY-AUX PWR SYS INTAKE DOOR HSG  
FIGURE 1

**49-15-51-01**

BRI  
MAY 28/07

49-15-51-01  
PAGE 0



757

PARTS CATALOG (MAINTENANCE)

FIG ITEM	PART NUMBER	1 2 3 4 5 6 7	NOMENCLATURE	EFFECT FROM TO	UNITS PER ASSY
1			COVER ASSY-AUX PWR SYS INTAKE DOOR HSG	002004 006999	
- 1	353N1033-5		COVER ASSY-AUX PWR SYS INTAKE DOOR HSG PRE SERVICE BULLETIN: 49-0017 FOR NHA SEE: 49-15-08-01	002004 006010 107107 121503 904999	RF
- 1	353N1033-9		COVER ASSY-AUX PWR SYS INTAKE DOOR HSG POST SERVICE BULLETIN: 49-0017 FOR NHA SEE: 49-15-08-01	002004 006100 904949	RF
- 1	353N1033-12		COVER ASSY-AUX PWR SYS INTAKE DOOR HSG FOR NHA SEE: 49-15-08-01	101106 108120 504903	RF
3	BAC27NAP0007		.DECAL-APU INLET DOOR ACTUATOR DISCONNECT AND PROXIMITY SWITCH ACCESS	002004 006999	1
5	MS20257C3-600		.HINGE	002004 006999	1
10	L8005K2		ATTACHING PARTS .BOLT SUPPLIER CODE: V06725 SPECIFICATION NUMBER: BACB30MY5K2	002004 006999	6
11	HL11VAZ5-2		.BOLT SUPPLIER CODE: V60516 SPECIFICATION NUMBER: BACB30NW5K2 OPTIONAL PART: B30NW5K2 V97928 HL11VAZ5-2 V73197 HL11VAZ5-2 V92215 HL11VAZ5-2 V97928 L803-5K2 V06725 HL11VAZ5-2 VOPTK6 HL11VAZ5-2 V56878	002004 006999	6

MISSING ITEM NUMBERS NOT APPLICABLE

- ITEM NOT ILLUSTRATED

49-15-51-01

49-15-51  
FIG. 01  
PAGE 1  
JAN 20/09

BRI



757

PARTS CATALOG (MAINTENANCE)

FIG ITEM	PART NUMBER	1 2 3 4 5 6 7	NOMENCLATURE	EFFECT FROM TO	UNITS PER ASSY
1					
12	BACW10BP2NDP	.	WASHER-	002004 006999	12
13	HL97KG5	.	COLLAR- SUPPLIER CODE: V5M902 SPECIFICATION NUMBER: BACC30AB5C OPTIONAL PART: HL97PB5 V5M902 HL97PB5 V56878 HL97KG5 V73197 HL97KG5 V56878 HL97PB V73197 -----*	002004 006999	12
20	353N1028-4	.	GUIDE-SEAL USED ON: 353N1033-5 PRE SERVICE BULLETIN: 49-0017	002004 006010 107107 121503 904999	1
20	353N1028-11	.	GUIDE-SEAL OPTIONAL PART: 353N1028-13 SERVICE BULLETIN OPT DATA: 353N1028-9 USED ON: 353N1033-9 353N1033-12 POST SERVICE BULLETIN: 49-0017	002004 006106 108120 504949	1
20	353N1028-9	.	GUIDE-SEAL SERVICE BULLETIN OPT DATA: 353N1028-11 USED ON: 353N1033-9 POST SERVICE BULLETIN: 49-0017	002004 006100 904949	1
22	353N1028-13	.	SUBSTITUTION KIT- OPTIONAL PART: 353N1028-11 USED ON: 353N1033-12	101106 108120 504903	1

MISSING ITEM NUMBERS NOT APPLICABLE

- ITEM NOT ILLUSTRATED

49-15-51-01

49-15-51  
FIG. 01  
PAGE 2  
JAN 20/09

BRI

BOEING PROPRIETARY - Copyright © - Unpublished Work - See title page for details.



757

PARTS CATALOG (MAINTENANCE)

FIG ITEM	PART NUMBER	1 2 3 4 5 6 7	NOMENCLATURE	EFFECT FROM TO	UNITS PER ASSY
1			ATTACHING PARTS		
- 26	L8005K2		.BOLT SUPPLIER CODE: V06725 SPECIFICATION NUMBER: BACB30MY5K2	002004 006999	10
- 27	BACW10BP2NDP		.WASHER-	002004 006999	10
- 28	HL97KG5		.COLLAR- SUPPLIER CODE: V5M902 SPECIFICATION NUMBER: BACC30AB5C OPTIONAL PART: HL97PB5 V5M902 HL97PB5 V56878 HL97KG5 V73197 HL97KG5 V56878 HL97PB V73197	002004 006999	10
			-----*-----		
30	BACCS21Y4W		.STUD ASSY-	002004 006999	5
35	1127722		.WASHER SUPPLIER CODE: V60119 SPECIFICATION NUMBER: BACW10X2 OPTIONAL PART: 2600SW V71286	002004 006999	5
40	BACG20AA1		.GROMMET-	002004 006999	5
45	353N1033-4		.SHIM	002004 006999	1
50	353N1033-3		.DOOR	002004 006999	1
55	353N1033-6		.COVER- USED ON: 353N1033-5 PRE SERVICE BULLETIN: 49-0017	002004 006010 107107 121503 904999	1

MISSING ITEM NUMBERS NOT APPLICABLE

- ITEM NOT ILLUSTRATED

49-15-51-01

49-15-51  
FIG. 01  
PAGE 3  
JAN 20/09

BRI



757

PARTS CATALOG (MAINTENANCE)

FIG ITEM	PART NUMBER	1 2 3 4 5 6 7	NOMENCLATURE	EFFECT FROM TO	UNITS PER ASSY
1	55 353N1033-10		.COVER- SERVICE BULLETIN OPT DATA: 353N1033-11 USED ON: 353N1033-9 POST SERVICE BULLETIN: 49-0017	002004 006100 904949	1
	55 353N1033-11		.COVER- SB DATA FROM A CMM: REWORKED SERVICE BULLETIN OPT DATA: 353N1033-10 USED ON: 353N1033-9 353N1033-12 POST SERVICE BULLETIN: 49-0017	002004 006106 108120 504949	1
	60 353N1030-10		.FITTING ASSY-DRAIN  ATTACHING PARTS	002004 006999	1
-	65 L8006K2		.BOLT- SUPPLIER CODE: V06725 SPECIFICATION NUMBER: BACB30MY6K2 -----*-----	002004 006999	6
-	70 AP2097H06		..SLEEVE- SUPPLIER CODE: V01673 SPECIFICATION NUMBER: BACS13BX06H OPTIONAL PART: 2-02903-06H V11328 35235V06 V08199 AFP175V06 V30974 DBOS13BX06H V14798 BACS13AP6W BACS13BX06HP	002004 006999	1

MISSING ITEM NUMBERS NOT APPLICABLE

- ITEM NOT ILLUSTRATED

49-15-51-01

49-15-51  
FIG. 01  
PAGE 4  
JAN 20/09

BRI



757

PARTS CATALOG (MAINTENANCE)

FIG ITEM	PART NUMBER	1 2 3 4 5 6 7	NOMENCLATURE	EFFECT FROM TO	UNITS PER ASSY
1					
- 70	AFP1646W		.. SLEEVE- SUPPLIER CODE: V30974 SPECIFICATION NUMBER: BACS13AP6W OPTIONAL PART: 2-010336W V11328 BACS13BX06H BACS13BX06HP	002004 006999	1
- 70	AP2097HP06		.. SLEEVE- SUPPLIER CODE: V01673 SPECIFICATION NUMBER: BACS13BX06HP OPTIONAL PART: 2-02903-06HP V11328 35235VN06 V08199 AFP175V06P V30974 DB0S13BX06HP V14798 BACS13BX06H BACS13AP6W	002004 006999	1
- 75	MS21921-6S		.. NUT	002004 006999	1

MISSING ITEM NUMBERS NOT APPLICABLE

- ITEM NOT ILLUSTRATED

BRI

49-15-51-01

BOEING PROPRIETARY - Copyright © - Unpublished Work - See title page for details.

49-15-51  
FIG. 01  
PAGE 5  
SEP 20/08

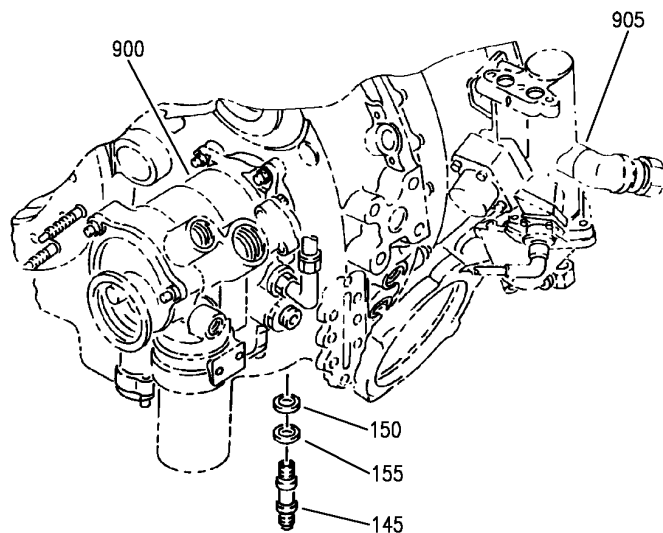
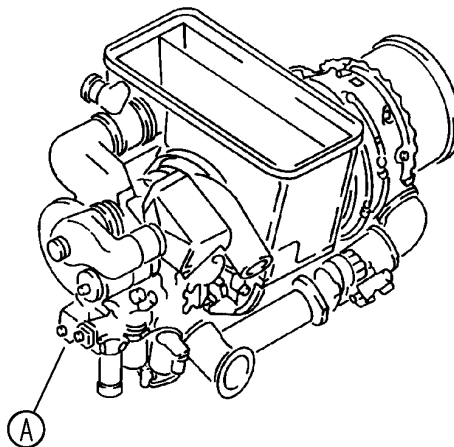
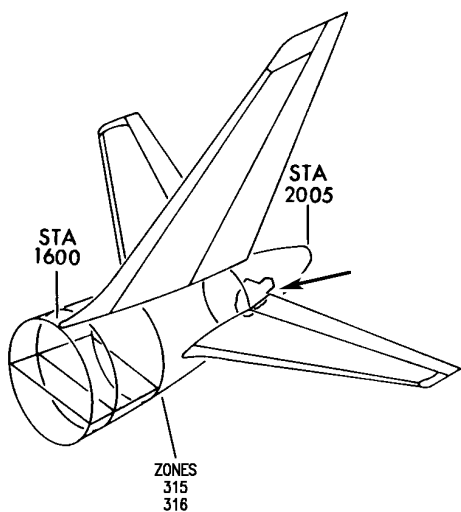


## APU DRAINS AND VENTS

BRI  
MAY 28/07

49-16-00  
SECTION TITLE  
PAGE 1

**BOEING**  
757  
PARTS CATALOG (MAINTENANCE)



A

Y 49160101 REV 279

ENGINE ASSY-GAS TURB (PRESSURE RELIEF VALVE, COMBUSTER DRAIN ONLY)

FIGURE 1

**49-16-01-01**

BRI  
MAY 28/07

49-16-01-01  
PAGE 0



757

PARTS CATALOG (MAINTENANCE)

FIG ITEM	PART NUMBER	1 2 3 4 5 6 7	NOMENCLATURE	EFFECT FROM TO	UNITS PER ASSY
1			ENGINE ASSY-GAS TURB (PRESSURE RELIEF VALVE, COMBUSTER DRAIN ONLY)	002004 006999	
- 1	3800298-1-2		ENGINE ASSY-GAS TURB GTCP331-200ER (PRESSURE RELIEF VALVE, COMBUSTER DRAIN ONLY) SUPPLIER CODE: V99193 SPECIFICATION NUMBER: S351T020-201 CONFIG CHG DATA FROM A CMM: REPLACES 3800298-1-1 COMPONENT MAINT MANUAL REF: 49-22-11 QUALIFIED I/W DATA: S351T020-201 (3800298-1-2) AND S351T020-205 (3800298-1-6) ARE INTERCHANGEABLE WITH THE INCORPORATION OF ALLIED SIGNAL S/B GTCP331-49-7081. S351T020-201 (3800298-1-2) AND S351T020-206 (3800298-1-7/3800298-1) ARE INTERCHANGEABLE WITH THE INCORPORATION OF ALLIED SIGNAL S/B GTCP331-49-7081. FOR NHA/ADDITIONAL DET SEE: 49-11-01-50	002004 006100 107107 121503 904999	RF

MISSING ITEM NUMBERS NOT APPLICABLE

- ITEM NOT ILLUSTRATED

BRI

49-16-01-01

49-16-01  
FIG. 01  
PAGE 1  
JAN 20/09



757

PARTS CATALOG (MAINTENANCE)

FIG ITEM	PART NUMBER	1 2 3 4 5 6 7	NOMENCLATURE	EFFECT FROM TO	UNITS PER ASSY
1 - 1	3800298-1-1		ENGINE ASSY-GAS TURB GTCP331-200ER (PRESSURE RELIEF VALVE, COMBUSTER DRAIN ONLY) SUPPLIER CODE: V99193 SPECIFICATION NUMBER: S351T020-200 COMPONENT MAINT MANUAL REF: 49-22-11 QUALIFIED I/W DATA: S351T020-200 (3800298-1-1) AND S351T020-205 (3800298-1-6) ARE INTERCHANGEABLE WITH THE INCORPORATION OF ALLIED SIGNAL S/B GTCP331-49-7081. S351T020-200 (3800298-1-1) AND S351T020-206 (3800298-1-7/3800298-1) ARE INTERCHANGEABLE WITH THE INCORPORATION OF ALLIED SIGNAL S/B GTCP331-49-7081. FOR NHA/ADDITIONAL DET SEE: 49-11-01-50	002004 006100 107107 121503 904999	RF

MISSING ITEM NUMBERS NOT APPLICABLE

- ITEM NOT ILLUSTRATED

BRI

# 49-16-01-01

BOEING PROPRIETARY - Copyright © - Unpublished Work - See title page for details.

49-16-01  
FIG. 01  
PAGE 2  
JAN 20/09



757

PARTS CATALOG (MAINTENANCE)

FIG ITEM	PART NUMBER	1 2 3 4 5 6 7	NOMENCLATURE	EFFECT FROM TO	UNITS PER ASSY
1 - 1	3800298-1-3		ENGINE ASSY-GAS TURB GTCP331-200ER (PRESSURE RELIEF VALVE, COMBUSTER DRAIN ONLY) SUPPLIER CODE: V99193 SPECIFICATION NUMBER: S351T020-202 CONFIG CHG DATA FROM A CMM: REPLACES 3800298-1-2 COMPONENT MAINT MANUAL REF: 49-22-11 QUALIFIED I/W DATA: S351T020-202 (3800298-1-3) AND S351T020-205 (3800298-1-6) ARE INTERCHANGEABLE WITH THE INCORPORATION OF ALLIED SIGNAL S/B GTCP331-49-7081. S351T020-202 (3800298-1-3) AND S351T020-206 (3800298-1-7/3800298-1) ARE INTERCHANGEABLE WITH THE INCORPORATION OF ALLIED SIGNAL S/B GTCP331-49-7081. FOR NHA/ADDITIONAL DET SEE: 49-11-01-50	002004 006100 107107 121503 904999	RF

MISSING ITEM NUMBERS NOT APPLICABLE

- ITEM NOT ILLUSTRATED

BRI

49-16-01-01

BOEING PROPRIETARY - Copyright © - Unpublished Work - See title page for details.

49-16-01  
 FIG. 01  
 PAGE 3  
 JAN 20/09



757

PARTS CATALOG (MAINTENANCE)

FIG ITEM	PART NUMBER	1 2 3 4 5 6 7	NOMENCLATURE	EFFECT FROM TO	UNITS PER ASSY
1 - 1	3800298-1-4		ENGINE ASSY-GAS TURB GTCP331-200ER (PRESSURE RELIEF VALVE, COMBUSTER DRAIN ONLY) SUPPLIER CODE: V99193 SPECIFICATION NUMBER: S351T020-203 CONFIG CHG DATA FROM A CMM: REPLACES 3800298-1-3 COMPONENT MAINT MANUAL REF: 49-22-11 QUALIFIED I/W DATA: 3800298-1-4/S351T020-203 AND 3800298-1-6/S351T020-205 ARE INTERCHANGEABLE WITH THE INCORPORATION OF ALLIED SIGNAL S/B GTCP331-49-7081. 3800298-1-4/S351T020-203 AND 3800298-1-7/S351T020-206 /3800298-1 ARE INTERCHANGEABLE WITH THE INCORPORATION OF ALLIED SIGNAL S/B GTCP331-49-7081. FOR NHA/ADDITIONAL DET SEE: 49-11-01-50	002004 006100 107107 121503 904999	RF

MISSING ITEM NUMBERS NOT APPLICABLE

- ITEM NOT ILLUSTRATED

BRI

49-16-01-01

BOEING PROPRIETARY - Copyright © - Unpublished Work - See title page for details.

49-16-01  
 FIG. 01  
 PAGE 4  
 JAN 20/09



757

PARTS CATALOG (MAINTENANCE)

FIG ITEM	PART NUMBER	1 2 3 4 5 6 7	NOMENCLATURE	EFFECT FROM TO	UNITS PER ASSY
1	3800298-1-5		ENGINE ASSY-GAS TURB GTCP331-200ER (PRESSURE RELIEF VALVE, COMBUSTER DRAIN ONLY) SUPPLIER CODE: V99193 SPECIFICATION NUMBER: S351T020-204 CONFIG CHG DATA FROM A CMM: REPLACES 3800298-1-4 COMPONENT MAINT MANUAL REF: 49-22-11 QUALIFIED I/W DATA: 3800298-1-5/S351T020-204 AND 3800298-1-6/S351T020-205 ARE INTERCHANGEABLE WITH THE INCORPORATION OF ALLIED SIGNAL S/B GTCP331-49-7081. S351T020-204 (3800298-1-5) AND S351T020-206(3800298-1-7 /3800298-1) ARE INTERCHANGEABLE WITH THE INCORPORATION OF ALLIED SIGNAL S/B GTCP331-49-7081. FOR NHA/ADDITIONAL DET SEE: 49-11-01-50	002004 006100 107107 121503 904999	RF
1	3800298-1-6		ENGINE ASSY-GAS TURB GTCP331-200ER (PRESSURE RELIEF VALVE, COMBUSTER DRAIN ONLY) SUPPLIER CODE: V99193 SPECIFICATION NUMBER: S351T020-205 CONFIG CHG DATA FROM A CMM: REPLACES 3800298-1-5 COMPONENT MAINT MANUAL REF: 49-22-11 QUALIFIED I/W DATA: 3800298-1-4/S351T020-203 AND 3800298-1-6/S351T020-205 ARE INTERCHANGEABLE WITH THE INCORPORATION OF ALLIED SIGNAL S/B	002004 006999	RF

MISSING ITEM NUMBERS NOT APPLICABLE

- ITEM NOT ILLUSTRATED

49-16-01-01

49-16-01  
FIG. 01  
PAGE 5  
JAN 20/09

BRI



757

PARTS CATALOG (MAINTENANCE)

FIG ITEM	PART NUMBER	1 2 3 4 5 6 7 NOMENCLATURE	EFFECT FROM TO	UNITS PER ASSY
1		<p>GTCP331-49-7081. S351T020-204 (3800298-1-5) AND S351T020-205 (3800298-1-6) ARE INTERCHANGEABLE WITH THE INCORPORATION OF ALLIED SIGNAL S/B GTCP331-49-7081 S351T020-202 (3800298-1-3) AND S351T020-205 (3800298-1-6) ARE INTERCHANGEABLE WITH THE INCORPORATION OF ALLIED SIGNAL S/B GTCP331-49-7081. S351T020-201 (3800298-1-2) AND S351T020-205 (3800298-1-6) ARE INTERCHANGEABLE WITH THE INCORPORATION OF ALLIED SIGNAL S/B GTCP331-49-7081. S351T020-200 (3800298-1-1) AND S351T020-205 (3800298-1-6) ARE INTERCHANGEABLE WITH THE INCORPORATION OF ALLIED SIGNAL S/B GTCP331-49-7081. FOR NHA/ADDITIONAL DET SEE: 49-11-01-50 49-21-00-02</p>		
-	1 3800298-1-7	<p>ENGINE ASSY-GAS TURB GTCP331-200ER (PRESSURE RELIEF VALVE, COMBUSTER DRAIN ONLY) SUPPLIER CODE: V99193 SPECIFICATION NUMBER: S351T020-206 CONFIG CHG DATA FROM A CMM: REPLACES 3800298-1-6 COMPONENT MAINT MANUAL REF: 49-22-11 QUALIFIED I/W DATA:</p>	002004 006999	RF

MISSING ITEM NUMBERS NOT APPLICABLE

- ITEM NOT ILLUSTRATED

49-16-01-01

49-16-01  
FIG. 01  
PAGE 6  
SEP 20/08

BRI





757

PARTS CATALOG (MAINTENANCE)

FIG ITEM	PART NUMBER	1 2 3 4 5 6 7 NOMENCLATURE	EFFECT FROM TO	UNITS PER ASSY
1		<p>3800298-1-4/S351T020-203 AND 3800298-1/ 3800298-1-7/S351T020-206 ARE INTERCHANGEABLE WITH THE INCORPORATION OF ALLIED SIGNAL S/B GTCP331-49-7081. S351T020-204 (3800298-1-5) AND S351T020-206(3800298-1-7 /3800298-1) ARE INTERCHANGEABLE WITH THE INCORPORATION OF ALLIED SIGNAL S/B GTCP331-49-7081. S351T020-202 (3800298-1-3) AND S351T020-206 (3800298-1-7/3800298-1) ARE INTERCHANGEABLE WITH THE INCORPORATION OF ALLIED SIGNAL S/B GTCP331-49-7081. S351T020-201 (3800298-1-2) AND S351T020-206 (3800298-1-7/3800298-1) ARE INTERCHANGEABLE WITH THE INCORPORATION OF ALLIED SIGNAL S/B GTCP331-49-7081. S351T020-200 (3800298-1-1) AND S351T020-206 (3800298-1-7/3800298-1) ARE INTERCHANGEABLE WITH THE INCORPORATION OF ALLIED SIGNAL S/B GTCP331-49-7081. OPTIONAL PART: 3800298-1 V99193 FOR NHA/ADDITIONAL DET SEE: 49-11-01-50 49-21-00-02</p>		
-	1 3800298-1	<p>ENGINE ASSY-GAS TURB GTCP331-200ER (PRESSURE RELIEF VALVE, COMBUSTER DRAIN ONLY)</p>	002004 006999	RF

MISSING ITEM NUMBERS NOT APPLICABLE

- ITEM NOT ILLUSTRATED

49-16-01-01

49-16-01  
FIG. 01  
PAGE 7  
SEP 20/08

BRI



757

PARTS CATALOG (MAINTENANCE)

FIG ITEM	PART NUMBER	1 2 3 4 5 6 7	NOMENCLATURE	EFFECT FROM TO	UNITS PER ASSY
1			<p>SUPPLIER CODE: V99193 SPECIFICATION NUMBER: S351T020-206 COMPONENT MAINT MANUAL REF: 49-22-11 QUALIFIED I/W DATA: 3800298-1-4/S351T020-203 AND 3800298-1-7/S351T020-206 3800298-1 ARE INTERCHANGEABLE WITH THE INCORPORATION OF ALLIED SIGNAL S/B GTCP331-49-7081. S351T020-204 (3800298-1-3) AND S351T020-206(3800298-1-7 /3800298-1) ARE INTERCHANGEABLE WITH THE INCORPORATION OF ALLIED SIGNAL S/B GTCP331-49-7081. S351T020-202 (3800298-1-3) AND S351T020-206 (3800298-1-7/3800298-1) ARE INTERCHANGEABLE WITH THE INCORPORATION OF ALLIED SIGNAL S/B GTCP331-49-7081. S351T020-201 (3800298-1-2) AND S351T020-206 (3800298-1-7/3800298-1) ARE INTERCHANGEABLE WITH THE INCORPORATION OF ALLIED SIGNAL S/B GTCP331-49-7081. S351T020-200 (3800298-1-1) AND S351T020-206 (3800298-1-7/3800298-1) ARE INTERCHANGEABLE WITH THE INCORPORATION OF ALLIED SIGNAL S/B GTCP331-49-7081. OPTIONAL PART: 3800298-1-7</p>		

MISSING ITEM NUMBERS NOT APPLICABLE

- ITEM NOT ILLUSTRATED

49-16-01-01

49-16-01  
FIG. 01  
PAGE 8  
SEP 20/08

BRI



757

PARTS CATALOG (MAINTENANCE)

FIG ITEM	PART NUMBER	1 2 3 4 5 6 7	NOMENCLATURE	EFFECT FROM TO	UNITS PER ASSY
1			V99193 FOR NHA/ADDITIONAL DET SEE: 49-11-01-50 49-21-00-02		
145	968214-6		.VALVE-PRESSURE RELIEF SUPPLIER CODE: V99193 COMPONENT MAINT MANUAL REF: 49-31-09	002004 006999	1
150	3888052-2		.GASKET- SUPPLIER CODE: V99193 NOT APPROVED FOR ETOPS. SB DATA FROM A CMM: PRE SPB GTE0574 CONFIG CHG DATA FROM A CMM: REPLD BY 3612628-2	002004 006999	1
150	3612628-2		.GASKET- SUPPLIER CODE: V99193 NOT APPROVED FOR ETOPS AFTER INCORP OF SB: GTCP331495863 SB DATA FROM A CMM: POST SPB GTE0574 CONFIG CHG DATA FROM A CMM: REPLS 3888052-2	002004 006999	1
155	AN960C916L		.WASHER-	002004 006999	1
900			ILLUSTRATION REFERENCE: ENGINE ASSY-GAS TURB (FUEL CONTROL UNIT ONLY) 49-31-01-01	002004 006999	RF
905			ILLUSTRATION REFERENCE: ENGINE ASSY-GAS TURB (INLET GUIDE VANE LINKAGE ROD END BEARING ONLY) 49-52-01-01	002004 006999	RF

MISSING ITEM NUMBERS NOT APPLICABLE

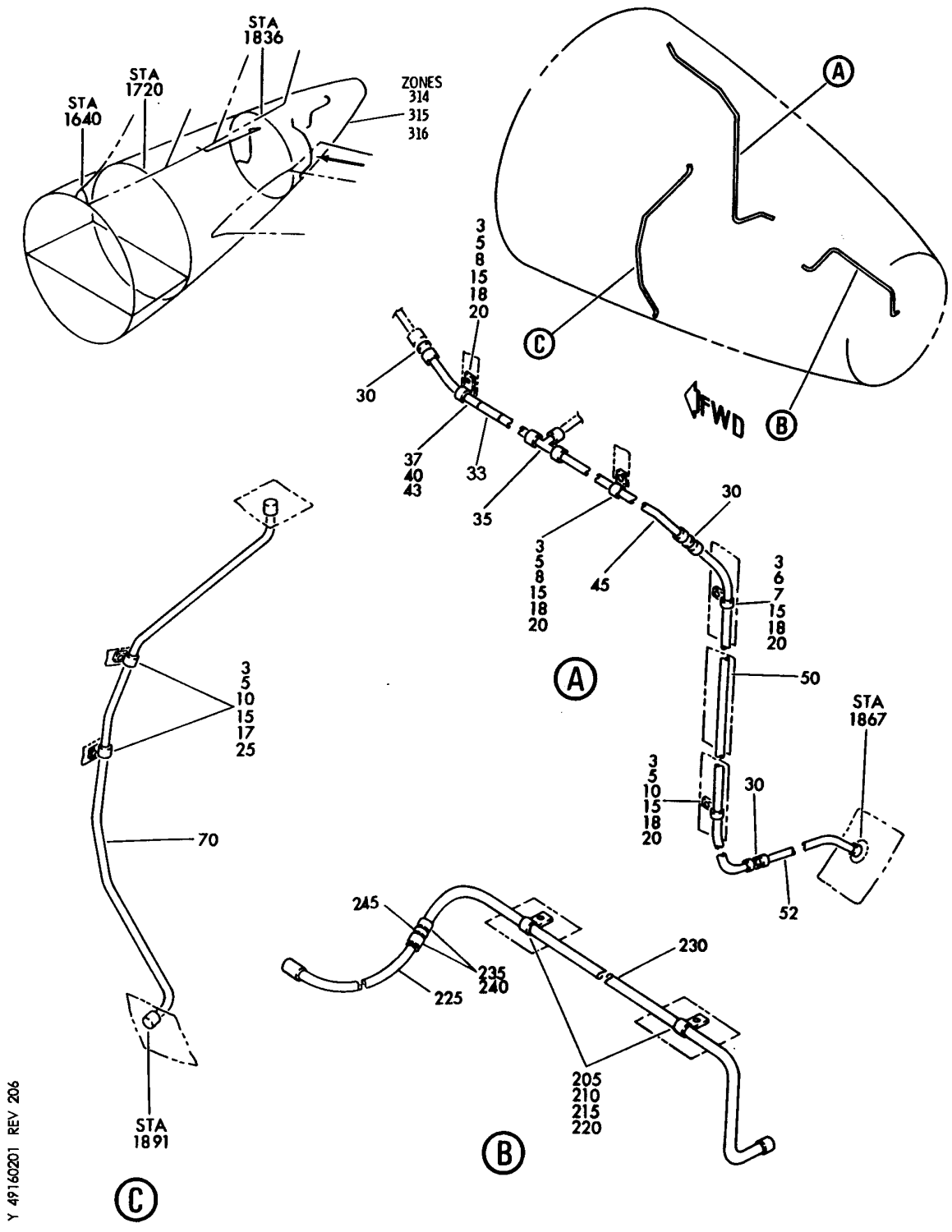
- ITEM NOT ILLUSTRATED

BRI

49-16-01-01

49-16-01  
FIG. 01  
PAGE 9  
SEP 20/08

**BOEING**  
757  
PARTS CATALOG (MAINTENANCE)



Y 49160201 REV 206

DRAINS INSTL-AUX PWR SYS  
FIGURE 1

**49-16-02-01**

BRI  
MAY 28/07

49-16-02-01  
PAGE 0



757

PARTS CATALOG (MAINTENANCE)

FIG ITEM	PART NUMBER	1 2 3 4 5 6 7	NOMENCLATURE	EFFECT FROM TO	UNITS PER ASSY
1			DRAINS INSTL-AUX PWR SYS	002004 006999	
- 1	356N0001-1		DRAINS INSTL-AUX PWR SYS FOR NHA SEE: 49-00-51-01	002004 006100 107107 121503 904999	RF
- 1	356N0001-22		DRAINS INSTL-TBS 1 DRAINS FOR NHA SEE: 49-00-00-01	101102 108120 504903	RF
- 1	MODREF20543		DRAINS INSTL-TBS 1 DRAINS MODULE NUMBER: 356N0001-25 REV A	103106	1
3	NAS1801-3-8		.SCREW-	002004 006999	6
8	AN960D10L		.WASHER	002004 006100 107107 121503 904999	2
8	NAS1149D0316H		.WASHER	101106 108120 504903	2
10	AN960C10L		.WASHER	002004 006100 107107 121503 904999	4
10	NAS1149C0332R		.WASHER	101106 108120 504903	4
15	BRH10A3		.NUT SUPPLIER CODE: V52828 SPECIFICATION NUMBER: BACN10JC3 OPTIONAL PART: H10-3BAC V15653 NS202101-02 V80539 RMLH9075-3W V72962 VN303A02 V92215 96-02 V80539 T6S1032J V11815	002004 006100 107107 121503 904999	6

MISSING ITEM NUMBERS NOT APPLICABLE

- ITEM NOT ILLUSTRATED

49-16-02-01

49-16-02  
FIG. 01  
PAGE 1  
JAN 20/09

BRI

 **BOEING**  
757  
**PARTS CATALOG (MAINTENANCE)**

FIG ITEM	PART NUMBER	1 2 3 4 5 6 7	NOMENCLATURE	EFFECT FROM TO	UNITS PER ASSY
1	17 BRH10C3	.NUT	SUPPLIER CODE: V52828 SPECIFICATION NUMBER: BACN10JC3C OPTIONAL PART: T6C1032J V11815 97-02 V80539 101LH9075-3W V72962 VN303B02 V92215 NS202101S02 V80539 H31-3BAC V15653	101106 108120 504903	2
	18 BRH10C3D	.NUT	SUPPLIER CODE: V52828 SPECIFICATION NUMBER: BACN10JC3CD OPTIONAL PART: T6C1032JCD V11815 NS202486-02 V80539 102LH9075-3W V72962 H51650-3BAC V15653	101106 108120 504903	4
	20 S258T6	.CLAMP	SUPPLIER CODE: V18076 SPECIFICATION NUMBER: BACC10DW6S OPTIONAL PART: TA4C44S6T V84971 475CS6 V83930 8084C6T V72285	002004 006999	4

MISSING ITEM NUMBERS NOT APPLICABLE

— ITEM NOT ILLUSTRATED

BRI

# 49-16-02-01

BOEING PROPRIETARY - Copyright © - Unpublished Work - See title page for details.

49-16-02  
FIG. 01  
PAGE 2  
JAN 20/09



757

PARTS CATALOG (MAINTENANCE)

FIG ITEM	PART NUMBER	1 2 3 4 5 6 7	NOMENCLATURE	EFFECT FROM TO	UNITS PER ASSY
1	25 S258T8		.CLAMP SUPPLIER CODE: V18076 SPECIFICATION NUMBER: BACC10DW8S OPTIONAL PART: TA4C44S8T V84971 475CS8 V83930 8084C8T V72285	002004 006999	2
	30 MS21902-6S		.UNION	002004 006100 107107 121503 904999	3
	30 MS21902-6R		.UNION	101106 108120 504903	3
	33 D10282-06		.UNION- SUPPLIER CODE: V14798 OPTIONAL PART: D10036-06 V14798	002004 006999	1
	33 D10036-06		.UNION- SUPPLIER CODE: V14798 OPTIONAL PART: D10282-06 V14798	002004 006999	1
	35 MS21905-6S		.TEE	002004 006100 107107 121503 904999	1
	35 MS21905-6R		.TEE	101106 108120 504903	1
	37 356N0001-18		.TUBE ASSY- TUBING MATERIAL: .375 IN. OD X .028 IN. WALL X 16.7 IN. LG MIL-T-8808 321 ANNEALED TUBING MIL-T-8808 347 ANNEALED TUBING	002004 006999	1

MISSING ITEM NUMBERS NOT APPLICABLE

- ITEM NOT ILLUSTRATED

49-16-02-01

49-16-02  
FIG. 01  
PAGE 3  
JAN 20/09

BRI

BOEING PROPRIETARY - Copyright © - Unpublished Work - See title page for details.



757

PARTS CATALOG (MAINTENANCE)

FIG ITEM	PART NUMBER	1 2 3 4 5 6 7	NOMENCLATURE	EFFECT FROM TO	UNITS PER ASSY
1					
43	356N0001-19		.TUBE ASSY- TUBING MATERIAL: .375 IN. OD X .028 IN. WALL X 8.0 IN. LG 321 CRES ANNEALED TUBING PER MIL-T-8808	002004 006100 107107 121503 904999	1
43	356N0001-21		.TUBE ASSY- TUBING MATERIAL: .375 IN. OD X .028 IN. WALL X 5.0 IN. LG MIL-T-8808 321 ANNEALED TUBING MIL-T-8808 347 ANNEALED TUBING	101106 108120 504903	1
45	356N0001-16		.TUBE ASSY- TUBING MATERIAL: .375 IN. OD X .028 IN. WALL X 23.4 IN. LG MIL-T-8808 321 ANNEALED TUBING MIL-T-8808 347 ANNEALED TUBING	002004 006999	1
50	356N0001-17		.TUBE ASSY- TUBING MATERIAL: .375 IN. OD X .028 IN. WALL X 39.0 IN. LG MIL-T-8808 321 ANNEALED TUBING MIL-T-8808 347 ANNEALED TUBING	002004 006999	1
52	356N0001-14		.TUBE ASSY-INTAKE TUBING MATERIAL: .375 IN. OD X .028 IN. WALL X 21.8 IN. LG MIL-T-8808 321 ANNEALED TUBING MIL-T-8808 347 ANNEALED TUBING	002004 006999	1

MISSING ITEM NUMBERS NOT APPLICABLE

- ITEM NOT ILLUSTRATED

49-16-02-01

49-16-02  
FIG. 01  
PAGE 4  
JAN 20/09

BRI

BOEING PROPRIETARY - Copyright © - Unpublished Work - See title page for details.





757

PARTS CATALOG (MAINTENANCE)

FIG ITEM	PART NUMBER	1 2 3 4 5 6 7	NOMENCLATURE	EFFECT FROM TO	UNITS PER ASSY
1					
- 60	AP2097HP06	..	SLEEVE SUPPLIER CODE: V01673 SPECIFICATION NUMBER: BACS13BX06HP OPTIONAL PART: 2-02903-06HP V11328 35235VN06 V08199 AFP175V06P V30974 DBOS13BX06HP V14798	002004 006999	2
- 65	MS21921-6S	..	NUT	002004 006999	2
70	356N0001-5	.TUBE ASSY-PLENUM DRAIN TUBING MATERIAL: .50 IN. OD X .028 IN. WALL X 45.0 IN. LG 321 CRES, ANNEALED TUBING PER MIL-T-8808.		002004 006102 107999	1
70	356N0001-24	.TUBE ASSY-PLENUM DRAIN TUBING MATERIAL: .5 IN. OD X .028 IN. WALL X 50.7 IN. LG MIL-T-8808 321 ANNEALED TUBING		103106	1
- 75	AP2097HP08	..	SLEEVE SUPPLIER CODE: V01673 SPECIFICATION NUMBER: BACS13BX08HP OPTIONAL PART: 2-02903-08HP V11328 35235VN08 V08199 AFP175V08P V30974 DBOS13BX08HP V14798	002004 006999	2
- 80	MS21921-8S	..	NUT	002004 006999	2
- 80	BACN10YE8	..	NUT	103106	2

MISSING ITEM NUMBERS NOT APPLICABLE

- ITEM NOT ILLUSTRATED

49-16-02-01

49-16-02  
FIG. 01  
PAGE 5  
JAN 20/09

BRI



757

PARTS CATALOG (MAINTENANCE)

FIG ITEM	PART NUMBER	1 2 3 4 5 6 7	NOMENCLATURE	EFFECT FROM TO	UNITS PER ASSY
1					
- 200	356N0001-15		DRAINS INSTL-AUX PWR SYS FOR NHA SEE: 49-00-51-01	002004 006100 107107 121503 904999	RF
- 200	356N0001-23		DRAINS INSTL-APU FUEL MANIFOLD DRAIN TANK FOR NHA SEE: 49-00-00-01	101102 108120	RF
- 200	MODREF13922		DRAINS INSTL-APU FUEL MANIFOLD DRAIN TANK MODULE NUMBER: 356N0001-23 REV A	103106	1
205	NAS1801-3-6		.SCREW	002004 006503 904999	2
210	AN960C10L		.WASHER	002004 006100 107107 121503 904999	2
210	NAS1149C0332R		.WASHER	101106 108120	2
215	BRH10A3		.NUT SUPPLIER CODE: V52828 SPECIFICATION NUMBER: BACN10JC3 OPTIONAL PART: H10-3BAC V15653 NS202101-02 V80539 RMLH9075-3W V72962 VN303A02 V92215 96-02 V80539 T6S1032J V11815	002004 006100 107107 121503 904999	2

MISSING ITEM NUMBERS NOT APPLICABLE

- ITEM NOT ILLUSTRATED

49-16-02-01

49-16-02  
FIG. 01  
PAGE 6  
JAN 20/09

BRI



757

PARTS CATALOG (MAINTENANCE)

FIG ITEM	PART NUMBER	1 2 3 4 5 6 7	NOMENCLATURE	EFFECT FROM TO	UNITS PER ASSY
1 215	BRH10C3	.	NUT SUPPLIER CODE: V52828 SPECIFICATION NUMBER: BACN10JC3C OPTIONAL PART: T6C1032J V11815 97-02 V80539 101LH9075-3W V72962 VN303B02 V92215 NS202101S02 V80539 H31-3BAC V15653	101106 108120	2
220	S258T6	.	CLAMP SUPPLIER CODE: V18076 SPECIFICATION NUMBER: BACC10DW6S OPTIONAL PART: TA4C44S6T V84971 475CS6 V83930 8084C6T V72285	002004 006503 904999	2
225	BACH7C0166CC	.	HOSE ASSY	002004 006503 904999	1
230	356N0001-3	.	TUBE ASSY-DRAIN TANK TUBING MATERIAL: .375 IN. OD X .028 IN. WALL X 25.4 IN. LG 321 CRES, ANNEALED TUBING PER MIL-T-8808.	002004 006503 904999	1

MISSING ITEM NUMBERS NOT APPLICABLE

- ITEM NOT ILLUSTRATED

BRI

49-16-02-01

BOEING PROPRIETARY - Copyright © - Unpublished Work - See title page for details.

49-16-02  
FIG. 01  
PAGE 7  
JAN 20/09



757

PARTS CATALOG (MAINTENANCE)

FIG ITEM	PART NUMBER	1 2 3 4 5 6 7	NOMENCLATURE	EFFECT FROM TO	UNITS PER ASSY
1					
- 235	AP2097HP06	..	SLEEVE SUPPLIER CODE: V01673 SPECIFICATION NUMBER: BACS13BX06HP OPTIONAL PART: 2-02903-06HP V11328 35235VN06 V08199 AFP175V06P V30974 DBOS13BX06HP V14798	002004 006503 904999	2
- 240	MS21921-6S	..	NUT	002004 006503 904999	2
245	MS21902-6S	.	UNION	002004 006100 107107 121503 904999	1
245	MS21902-6R	.	UNION	101106 108120	1

MISSING ITEM NUMBERS NOT APPLICABLE

- ITEM NOT ILLUSTRATED

49-16-02-01

49-16-02  
FIG. 01  
PAGE 8  
JAN 20/09

BRI

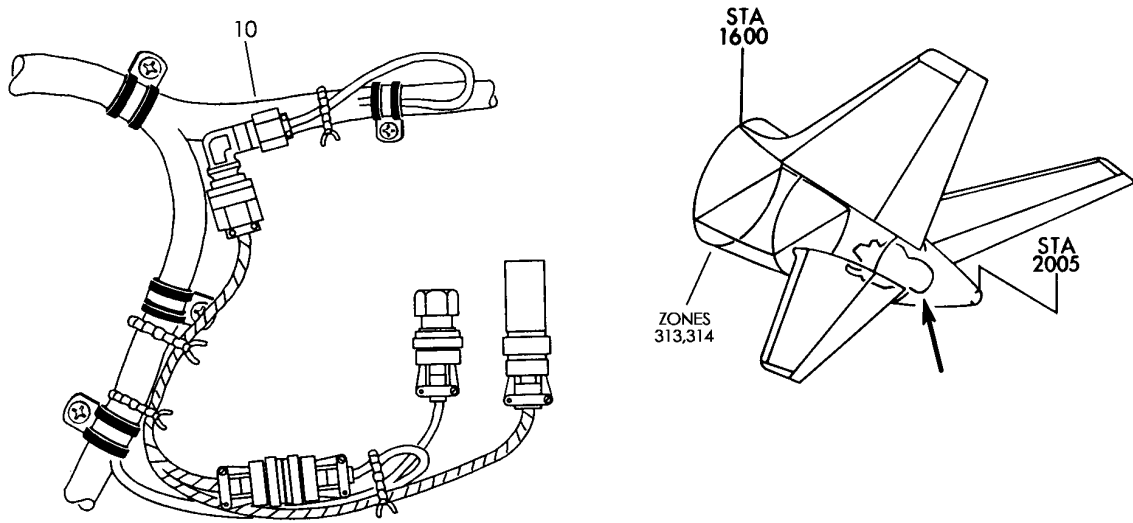
BOEING PROPRIETARY - Copyright © - Unpublished Work - See title page for details.

## APU ENGINE

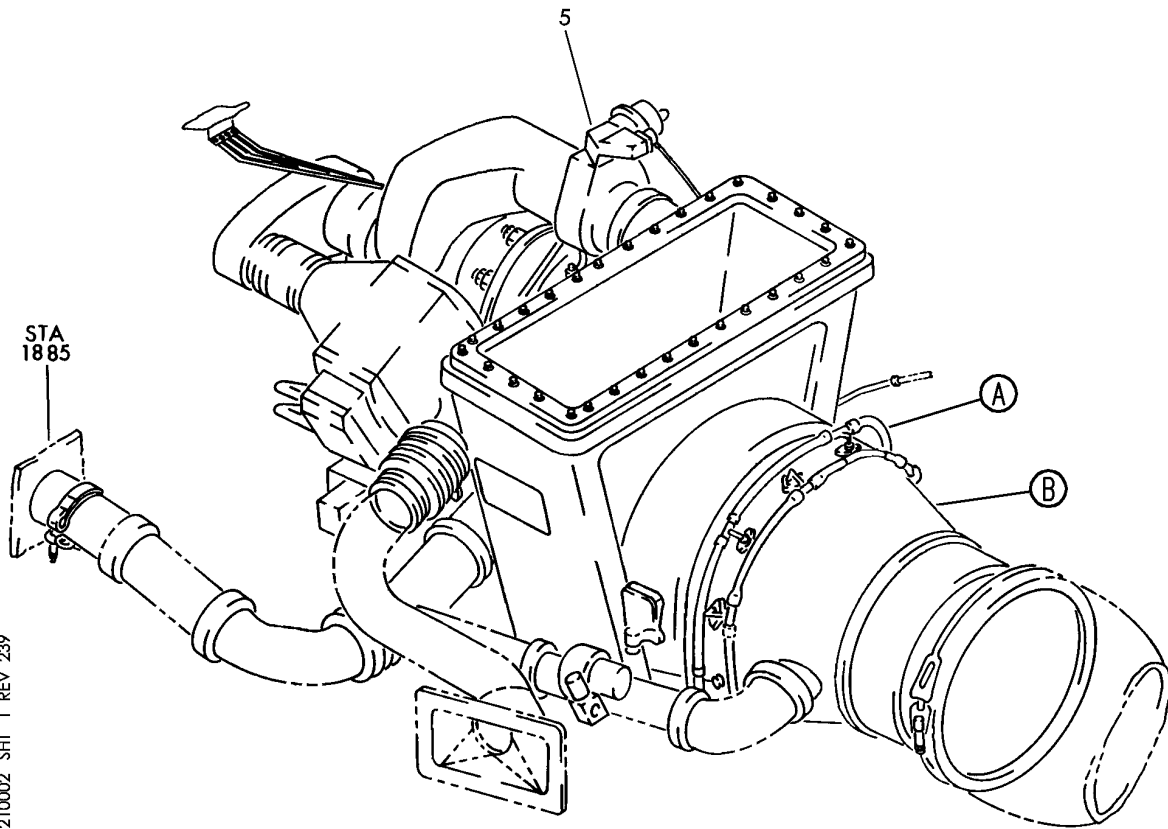
BRI  
MAY 28/07

49-21-00  
SECTION TITLE  
PAGE 1

**BOEING**  
757  
PARTS CATALOG (MAINTENANCE)



(A)



Y 49210002 SHT 1 REV 239

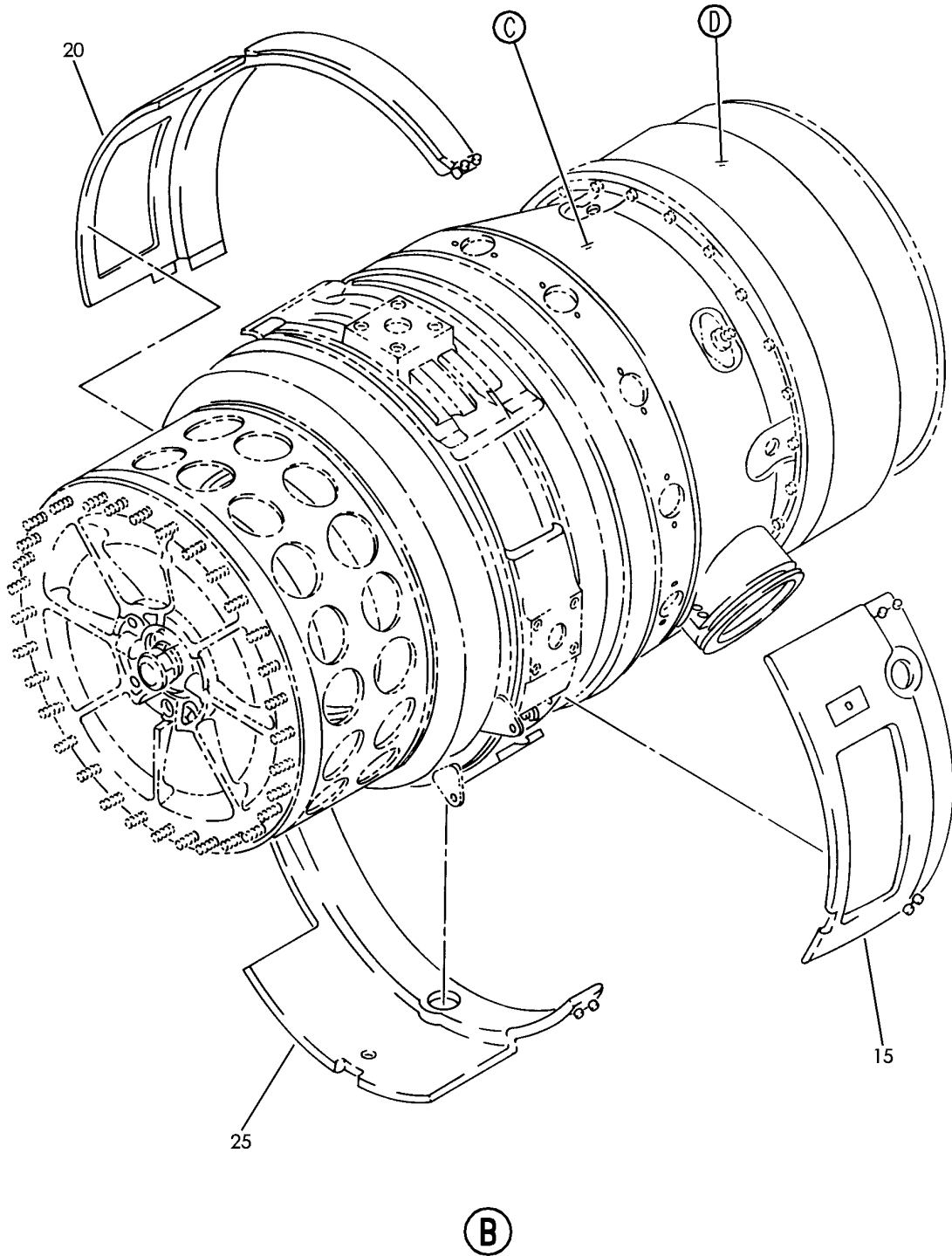
UNIT INSTL-AUX PWR SYS (APU ENGINE ONLY)  
FIGURE 2 (SHEET 1)

**49-21-00-02**

BRI  
MAY 28/07

49-21-00-02  
PAGE 0

**BOEING**  
757  
PARTS CATALOG (MAINTENANCE)



Y 49210002 SHT 2 REV 239

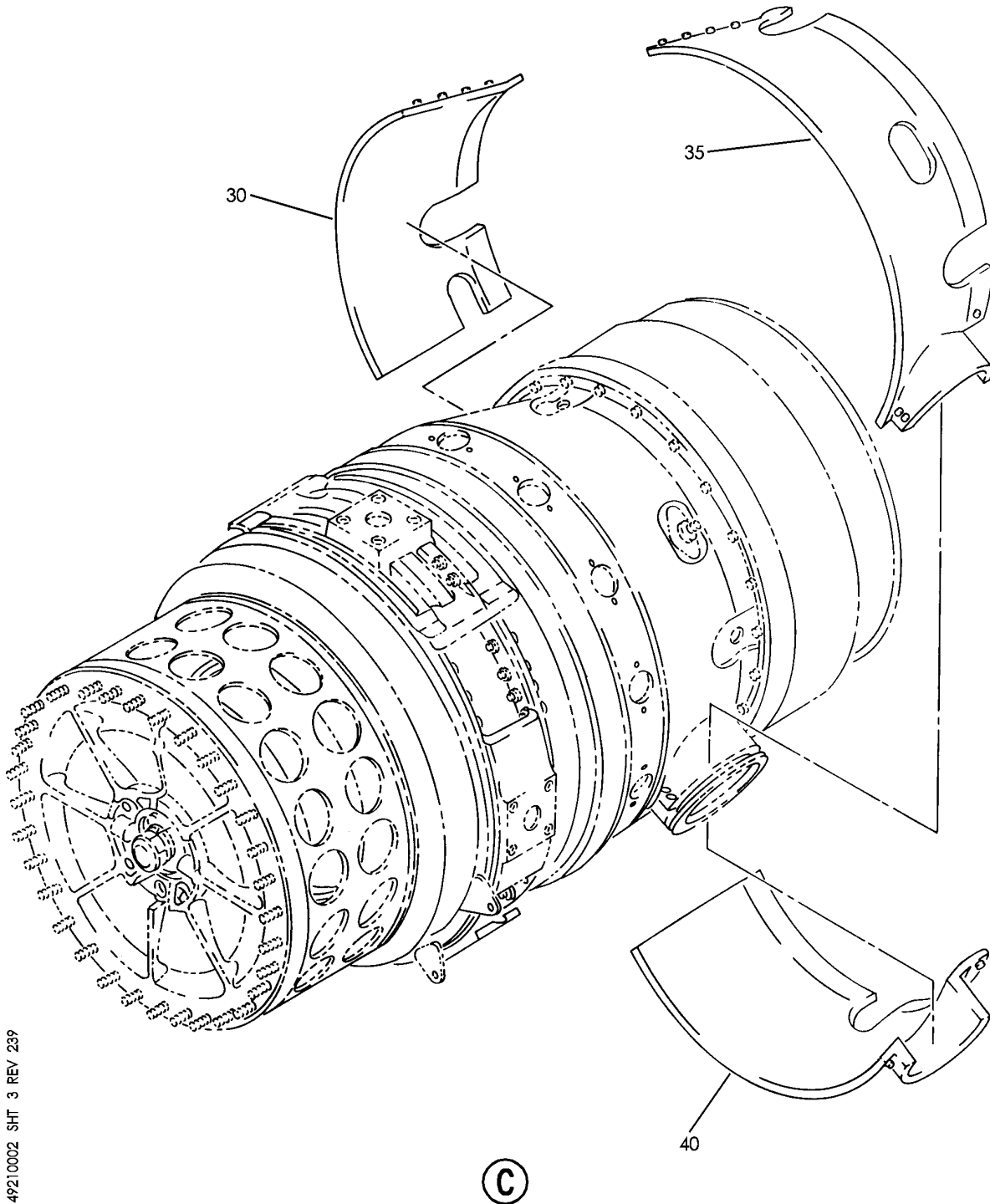
UNIT INSTL-AUX PWR SYS (APU ENGINE ONLY)  
FIGURE 2 (SHEET 2)

**49-21-00-02**

BRI  
MAY 28/07

49-21-00-02  
PAGE 0A

**BOEING**  
757  
PARTS CATALOG (MAINTENANCE)



Y 49210002 SHT 3 REV 239

UNIT INSTL-AUX PWR SYS (APU ENGINE ONLY)  
FIGURE 2 (SHEET 3)

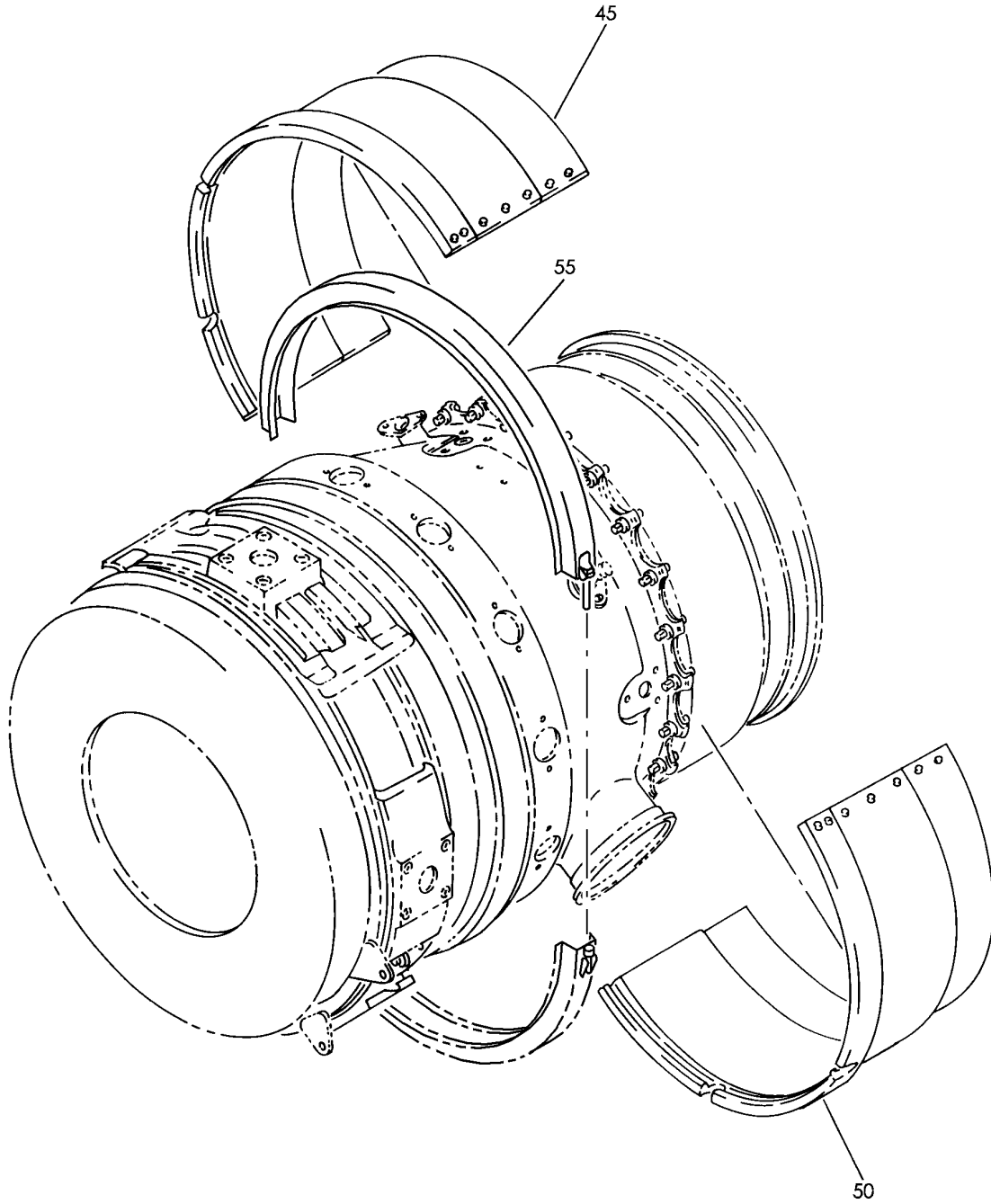
**49-21-00-02**

BRI  
MAY 28/07

49-21-00-02  
PAGE 0B



**BOEING**  
757  
PARTS CATALOG (MAINTENANCE)



Y 49210002 SHT 4 REV 239

(D)

UNIT INSTL-AUX PWR SYS (APU ENGINE ONLY)  
FIGURE 2 (SHEET 4)

**49-21-00-02**

BRI  
MAY 28/07

49-21-00-02  
PAGE 0C



757

PARTS CATALOG (MAINTENANCE)

FIG ITEM	PART NUMBER	1 2 3 4 5 6 7	NOMENCLATURE	EFFECT FROM TO	UNITS PER ASSY
2			UNIT INSTL-AUX PWR SYS (APU ENGINE ONLY)	101106 108120 504903	
- 1	351N1101-58		UNIT INSTL-AUX PWR SYS (ENGINE ONLY) COMPONENT MAINT MANUAL REF: 49-11-13 FOR NHA/OTHER SYS DET SEE: 49-00-00-01	101102 108120 504903	RF
- 1	MODREF33416		UNIT INSTL-AUX PWR SYS (ENGINE ONLY) MODULE NUMBER: 351N1101-64 REV C FOR OTHER SYS DETAILS SEE: 11-21-15-01 24-21-01-01 49-11-01-02	103106	1
5	3800298-1-6		.ENGINE ASSY-GAS TURB SUPPLIER CODE: V99193 SPECIFICATION NUMBER: S351T020-205 COMPONENT MAINT MANUAL REF: 49-22-11 QUALIFIED I/W DATA: 3800298-1-5/S351T020-204 AND 3800298-1-6/S351T020-205 ARE INTERCHANGEABLE WITH THE INCORPORATION OF ALLIED SIGNAL S/B GTCP331-49-7081. S351T020-202 (3800298-1-3) AND S351T020-205 (3800298-1-6) ARE INTERCHANGEABLE WITH THE INCORPORATION OF ALLIED SIGNAL S/B GTCP331-49-7081. S351T020-201 (3800298-1-2) AND S351T020-205 (3800298-1-6) ARE INTERCHANGEABLE WITH THE INCORPORATION OF ALLIED SIGNAL S/B GTCP331-49-7081. S351T020-203	101106 108120 504903	1

MISSING ITEM NUMBERS NOT APPLICABLE

- ITEM NOT ILLUSTRATED

49-21-00-02

49-21-00  
FIG. 02  
PAGE 1  
JAN 20/09

BRI



757

PARTS CATALOG (MAINTENANCE)

FIG ITEM	PART NUMBER	1 2 3 4 5 6 7 NOMENCLATURE	EFFECT FROM TO	UNITS PER ASSY
2		<p>(3800298-1-4) AND S351T020-205 (3800298-1-6) ARE INTERCHANGEABLE WITH THE INCORPORATION OF ALLIED SIGNAL S/B GTCP331-49-7081. S351T020-200 (3800298-1-1) AND S351T020-205 (3800298-1-6) ARE INTERCHANGEABLE WITH THE INCORPORATION OF ALLIED SIGNAL S/B GTCP331-49-7081.</p> <p>USED ON: 351N1101-55</p> <p>FOR DETAILS SEE: 49-14-00-01 49-16-01-01 49-21-51-50 49-27-01-01 49-27-02-01 49-27-03-01 49-27-04-01 49-27-05-01 49-27-07-01 49-27-08-01 49-27-11-01 49-27-12-01 49-27-15-01 49-27-16-01 49-31-01-01 49-31-02-01 49-31-03-01 49-31-04-01 49-31-05-01 49-31-06-01 49-31-07-01 49-31-08-01 49-31-09-01 49-31-10-01 49-41-01-01 49-41-02-01 49-41-03-01 49-41-04-01 49-41-06-01 49-51-01-02 49-51-02-01</p>		

MISSING ITEM NUMBERS NOT APPLICABLE

- ITEM NOT ILLUSTRATED

49-21-00-02

49-21-00  
FIG. 02  
PAGE 2  
JAN 20/09

BRI



**757  
PARTS CATALOG (MAINTENANCE)**

FIG ITEM	PART NUMBER	1 2 3 4 5 6 7	NOMENCLATURE	EFFECT FROM TO	UNITS PER ASSY
2			49-51-03-02 49-52-01-01 49-52-02-01 49-52-03-01 49-53-01-01 49-53-02-01 49-53-03-01 49-53-04-01 49-53-05-01 49-53-06-01 49-53-07-01 49-53-08-01 49-61-02-01 49-61-03-01 49-61-04-01 49-61-05-03 49-71-01-01 49-94-01-02 49-94-02-01 49-94-04-50		
5	3800298-1-7		.ENGINE ASSY-GAS TURB SUPPLIER CODE: V99193 SPECIFICATION NUMBER: S351T020-206 COMPONENT MAINT MANUAL REF: 49-22-11 QUALIFIED I/W DATA: S351T020-202 (3800298-1-3) AND S351T020-206 (3800298-1-7/3800298-1) ARE INTERCHANGEABLE WITH THE INCORPORATION OF ALLIED SIGNAL S/B GTCP331-49-7081. S351T020-201 (3800298-1-2) AND S351T020-206 (3800298-1-7/3800298-1) ARE INTERCHANGEABLE WITH THE INCORPORATION OF ALLIED SIGNAL S/B GTCP331-49-7081. S351T020-200 (3800298-1-1) AND S351T020-206 (3800298-1-7/3800298-1) ARE INTERCHANGEABLE	101106 108120 504903	1
MISSING ITEM NUMBERS NOT APPLICABLE					

— ITEM NOT ILLUSTRATED

# 49-21-00-02

49-21-00  
FIG. 02  
PAGE 3  
JAN 20/09

BRI



757

PARTS CATALOG (MAINTENANCE)

FIG ITEM	PART NUMBER	1 2 3 4 5 6 7 NOMENCLATURE	EFFECT FROM TO	UNITS PER ASSY
2		<p>WITH THE INCORPORATION OF ALLIED SIGNAL S/B GTCP331-49-7081. S351T020-203 (3800298-1-4) AND S351T020-206 (3800298-1-7/3800298-1) ARE INTERCHANGEABLE WITH THE INCORPORATION OF ALLIED SIGNAL S/B GTCP331-49-7081. S351T020-204 (3800298-1-5) AND S351T020-206 (3800298-1-7/3800298-1) ARE INTERCHANGEABLE WITH THE INCORPORATION OF ALLIED SIGNAL S/B GTCP331-49-7081. OPTIONAL PART: 3800298-1 V99193 OPTIONAL PART: 3800298-1 V99193 USED ON: 351N1101-58 351N1101-64 MODREF23534 MODREF33416 FOR DETAILS SEE: 49-14-00-01 49-16-01-01 49-21-51-50 49-27-01-01 49-27-02-01 49-27-03-01 49-27-04-01 49-27-05-01 49-27-07-01 49-27-08-01 49-27-09-01 49-27-10-01 49-27-11-01 49-27-12-01 49-27-15-01 49-27-16-01 49-31-01-01 49-31-02-01</p>		

MISSING ITEM NUMBERS NOT APPLICABLE

- ITEM NOT ILLUSTRATED

# 49-21-00-02

49-21-00  
FIG. 02  
PAGE 4  
JAN 20/09

BRI



757

PARTS CATALOG (MAINTENANCE)

FIG ITEM	PART NUMBER	1 2 3 4 5 6 7	NOMENCLATURE	EFFECT FROM TO	UNITS PER ASSY
2			49-31-03-01 49-31-04-01 49-31-05-01 49-31-06-01 49-31-07-01 49-31-08-01 49-31-09-01 49-31-10-01 49-41-01-01 49-41-02-01 49-41-03-01 49-41-04-01 49-41-06-01 49-51-01-02 49-51-02-01 49-51-03-02 49-52-01-01 49-52-02-01 49-52-03-01 49-53-01-01 49-53-02-01 49-53-03-01 49-53-04-01 49-53-05-01 49-53-06-01 49-53-07-01 49-53-08-01 49-61-02-01 49-61-03-01 49-61-04-01 49-61-05-03 49-71-01-01 49-94-01-02 49-94-02-01 49-94-04-50		
5	3800298-1		.ENGINE ASSY-GAS TURB SUPPLIER CODE: V99193 SPECIFICATION NUMBER: S351T020-206 COMPONENT MAINT MANUAL REF: 49-22-11 QUALIFIED I/W DATA: 3800298-1-5/S351T020-204 AND 3800298-1-6/S351T020-205 ARE INTERCHANGEABLE WITH THE INCORPORATION OF ALLIED SIGNAL S/B  MISSING ITEM NUMBERS NOT APPLICABLE	101106 108120 504903	1

- ITEM NOT ILLUSTRATED

49-21-00-02

49-21-00  
 FIG. 02  
 PAGE 5  
 JAN 20/09

BRI



757

PARTS CATALOG (MAINTENANCE)

FIG ITEM	PART NUMBER	1 2 3 4 5 6 7 NOMENCLATURE	EFFECT FROM TO	UNITS PER ASSY
2		<p>GTCP331-49-7081.  S351T020-202  (3800298-1-3)  AND S351T020-206  (3800298-1-7/3800298-1)  ARE INTERCHANGEABLE  WITH THE INCORPORATION  OF ALLIED SIGNAL S/B  GTCP331-49-7081.  S351T020-201  (3800298-1-2)  AND S351T020-206  (3800298-1-7/3800298-1)  ARE INTERCHANGEABLE  WITH THE INCORPORATION  OF ALLIED SIGNAL S/B  GTCP331-49-7081.  S351T020-200  (3800298-1-1)81.  AND S351T020-206  (3800298-1-7/3800298-1)  ARE INTERCHANGEABLE  WITH THE INCORPORATION  OF ALLIED SIGNAL S/B  GTCP331-49-7081.  OPTIONAL PART:  3800298-1-7  V99193  OPTIONAL PART:  3800298-1-7  V99193  USED ON:  351N1101-58  351N1101-64  MODREF23534  MODREF33416  FOR DETAILS SEE:  49-14-00-01  49-16-01-01  49-21-51-50  49-27-01-01  49-27-02-01  49-27-03-01  49-27-04-01  49-27-05-01  49-27-07-01  49-27-08-01  49-27-09-01  49-27-10-01</p>		

MISSING ITEM NUMBERS NOT APPLICABLE

- ITEM NOT ILLUSTRATED

49-21-00-02

49-21-00  
FIG. 02  
PAGE 6  
JAN 20/09

BRI



757

PARTS CATALOG (MAINTENANCE)

FIG ITEM	PART NUMBER	1 2 3 4 5 6 7	NOMENCLATURE	EFFECT FROM TO	UNITS PER ASSY
2			49-27-11-01 49-27-12-01 49-27-15-01 49-27-16-01 49-31-01-01 49-31-02-01 49-31-03-01 49-31-04-01 49-31-05-01 49-31-06-01 49-31-07-01 49-31-08-01 49-31-09-01 49-31-10-01 49-41-01-01 49-41-02-01 49-41-03-01 49-41-04-01 49-41-06-01 49-51-01-02 49-51-02-01 49-51-03-02 49-52-01-01 49-52-02-01 49-52-03-01 49-53-01-01 49-53-02-01 49-53-03-01 49-53-04-01 49-53-05-01 49-53-06-01 49-53-07-01 49-53-08-01 49-61-02-01 49-61-03-01 49-61-04-01 49-61-05-03 49-71-01-01 49-94-01-02 49-94-02-01 49-94-04-50		

MISSING ITEM NUMBERS NOT APPLICABLE

- ITEM NOT ILLUSTRATED

BRI

49-21-00-02

BOEING PROPRIETARY - Copyright © - Unpublished Work - See title page for details.

49-21-00  
FIG. 02  
PAGE 7  
JAN 20/09





757

PARTS CATALOG (MAINTENANCE)

FIG ITEM	PART NUMBER	1 2 3 4 5 6 7	NOMENCLATURE	EFFECT FROM TO	UNITS PER ASSY
2					
15	3826184-3		.. INSULATION-BLANKET SEGMENT SUPPLIER CODE: V99193 POSITION DATA: SIDE SB DATA FROM A CMM: PRE SB 49-7341 CONFIG CHG DATA FROM A CMM: REPL BY 3826184-5	101106 108120 504903	1
15	3826184-5		.. INSULATION-BLANKET SEGMENT SUPPLIER CODE: V99193 POSITION DATA: SIDE SB DATA FROM A CMM: POST SB 49-7341 CONFIG CHG DATA FROM A CMM: REPLS 3826184-3	101106 108120 504903	1
20	3826185-3		.. INSULATION-BLANKET SEGMENT SUPPLIER CODE: V99193 POSITION DATA: TOP SB DATA FROM A CMM: PRE SB 49-7341 CONFIG CHG DATA FROM A CMM: REPL BY 3826185-4	101106 108120 504903	1
20	3826185-4		.. INSULATION-BLANKET SEGMENT SUPPLIER CODE: V99193 POSITION DATA: TOP SB DATA FROM A CMM: POST SB 49-7341 CONFIG CHG DATA FROM A CMM: REPLS 3826185-3	101106 108120 504903	1

MISSING ITEM NUMBERS NOT APPLICABLE

- ITEM NOT ILLUSTRATED

49-21-00-02

49-21-00  
FIG. 02  
PAGE 8  
JAN 20/09

BRI



757

PARTS CATALOG (MAINTENANCE)

FIG ITEM	PART NUMBER	1 2 3 4 5 6 7	NOMENCLATURE	EFFECT FROM TO	UNITS PER ASSY
2					
25	3826186-3	..	INSULATION-BLANKET SEGMENT SUPPLIER CODE: V99193 POSITION DATA: BOTTOM SB DATA FROM A CMM: PRE SB 49-7341 CONFIG CHG DATA FROM A CMM: REPL BY 3826186-5	101106 108120 504903	1
25	3826186-5	..	INSULATION-BLANKET SEGMENT SUPPLIER CODE: V99193 POSITION DATA: BOTTOM SB DATA FROM A CMM: POST 49-7341 CONFIG CHG DATA FROM A CMM: REPLS 3826186-5	101106 108120 504903	1
30	3844083-1	..	INSULATION-BLANKET SEGMENT SUPPLIER CODE: V99193	101106 108120 504903	1
35	3844082-1	..	INSULATION-BLANKET SEGMENT SUPPLIER CODE: V99193	101106 108120 504903	1
40	3844084-1	..	INSULATION-BLANKET SEGMENT SUPPLIER CODE: V99193	101106 108120 504903	1
45	3844086-1	..	INSULATION-BLANKET SEGMENT SUPPLIER CODE: V99193	101106 108120 504903	1
50	3844085-1	..	INSULATION-BLANKET SEGMENT SUPPLIER CODE: V99193	101106 108120 504903	1
55	3616847-1	..	RETAINER-SEAL SUPPLIER CODE: V99193 SB DATA FROM A CMM: POST SB 49-7082	101106 108120 504903	1

MISSING ITEM NUMBERS NOT APPLICABLE

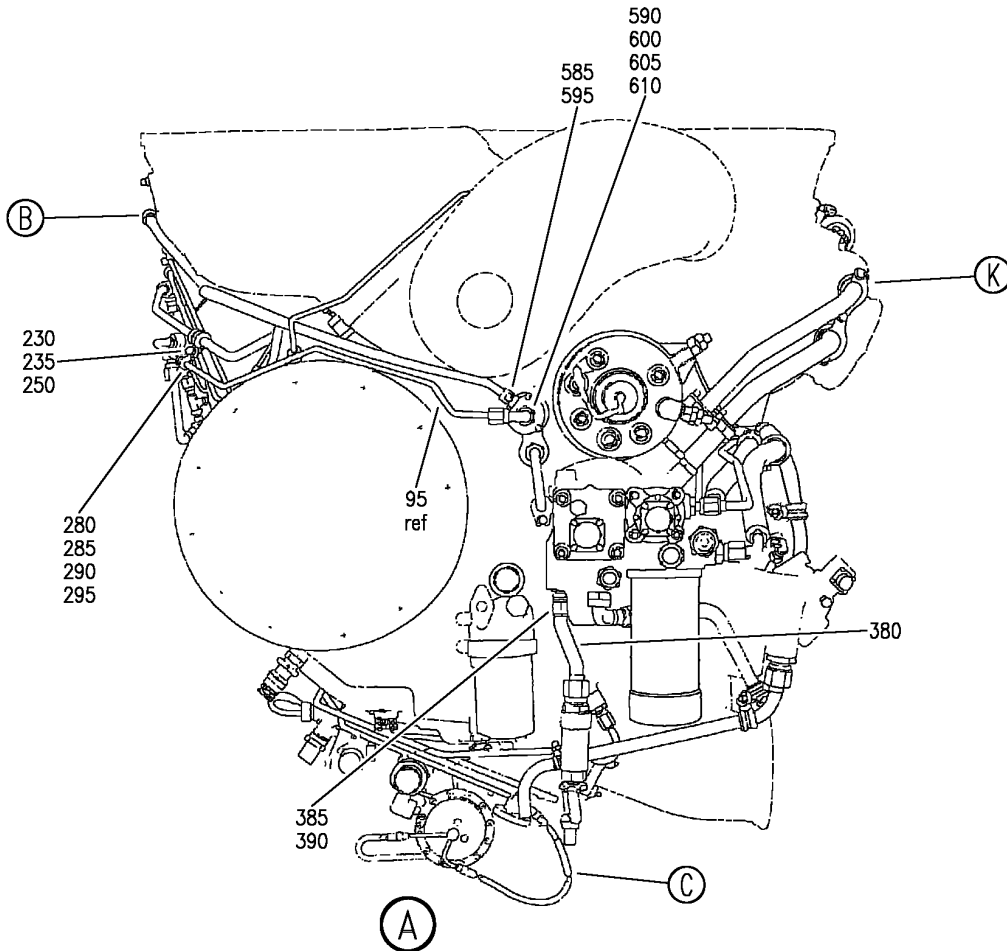
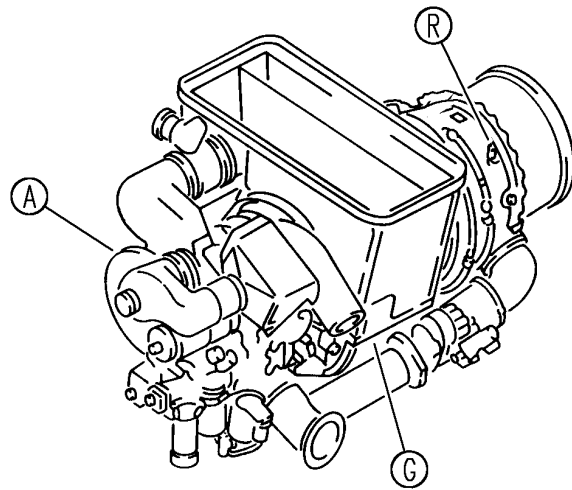
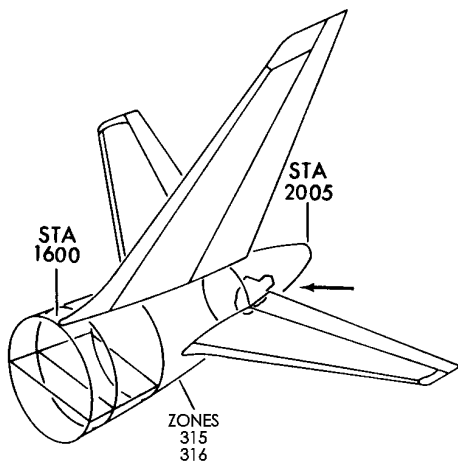
- ITEM NOT ILLUSTRATED

49-21-00-02

49-21-00  
FIG. 02  
PAGE 9  
JAN 20/09

BRI

**BOEING**  
757  
PARTS CATALOG (MAINTENANCE)



Y 49215101 SHT 1 REV 267

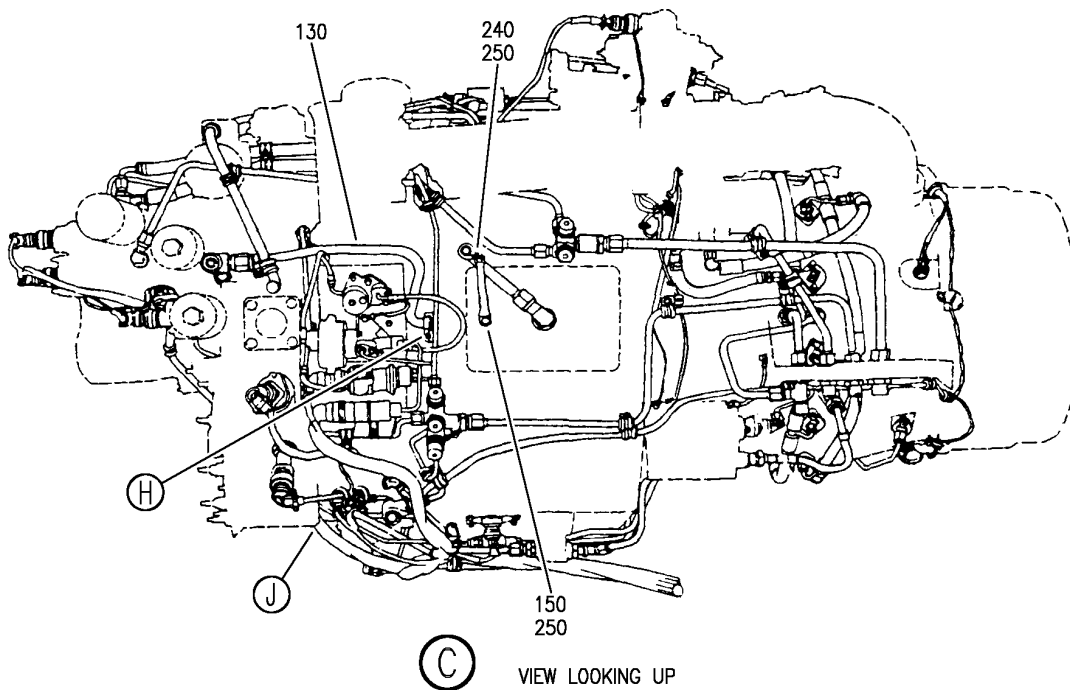
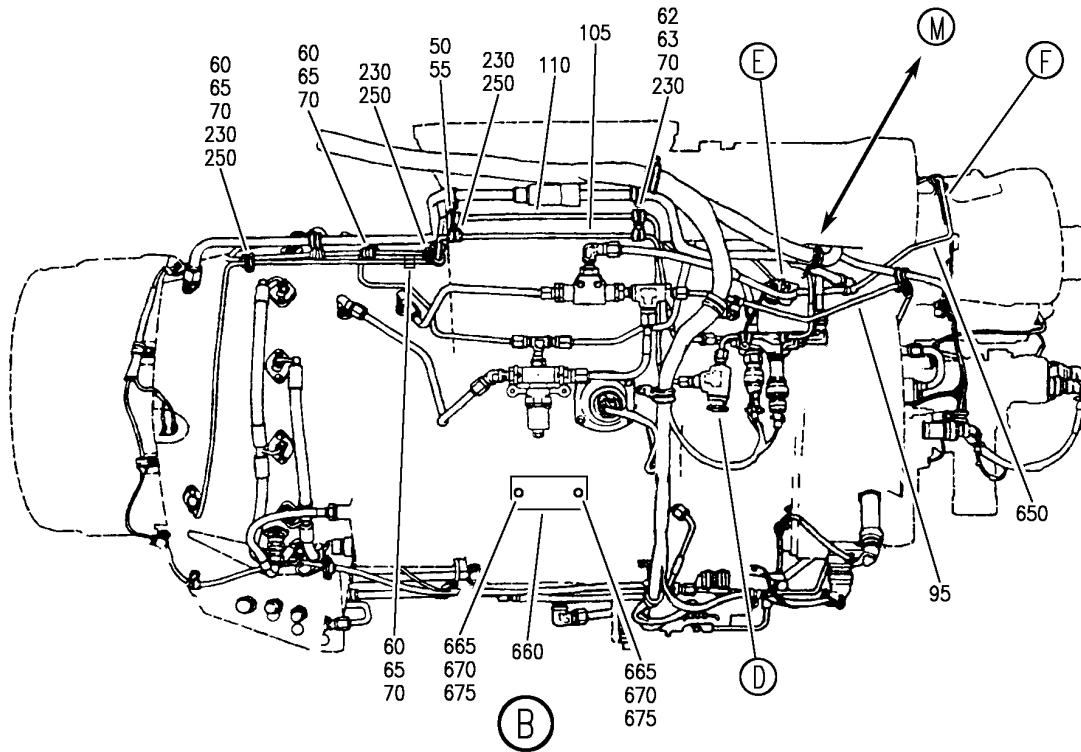
ENGINE ASSY-GAS TURB (APU ENGINE ONLY)  
FIGURE 1 (SHEET 1)

**49-21-51-01**

BRI  
MAY 28/07

49-21-51-01  
PAGE 0

**BOEING**  
757  
PARTS CATALOG (MAINTENANCE)



Y 49215101 SHT 2 REV 267

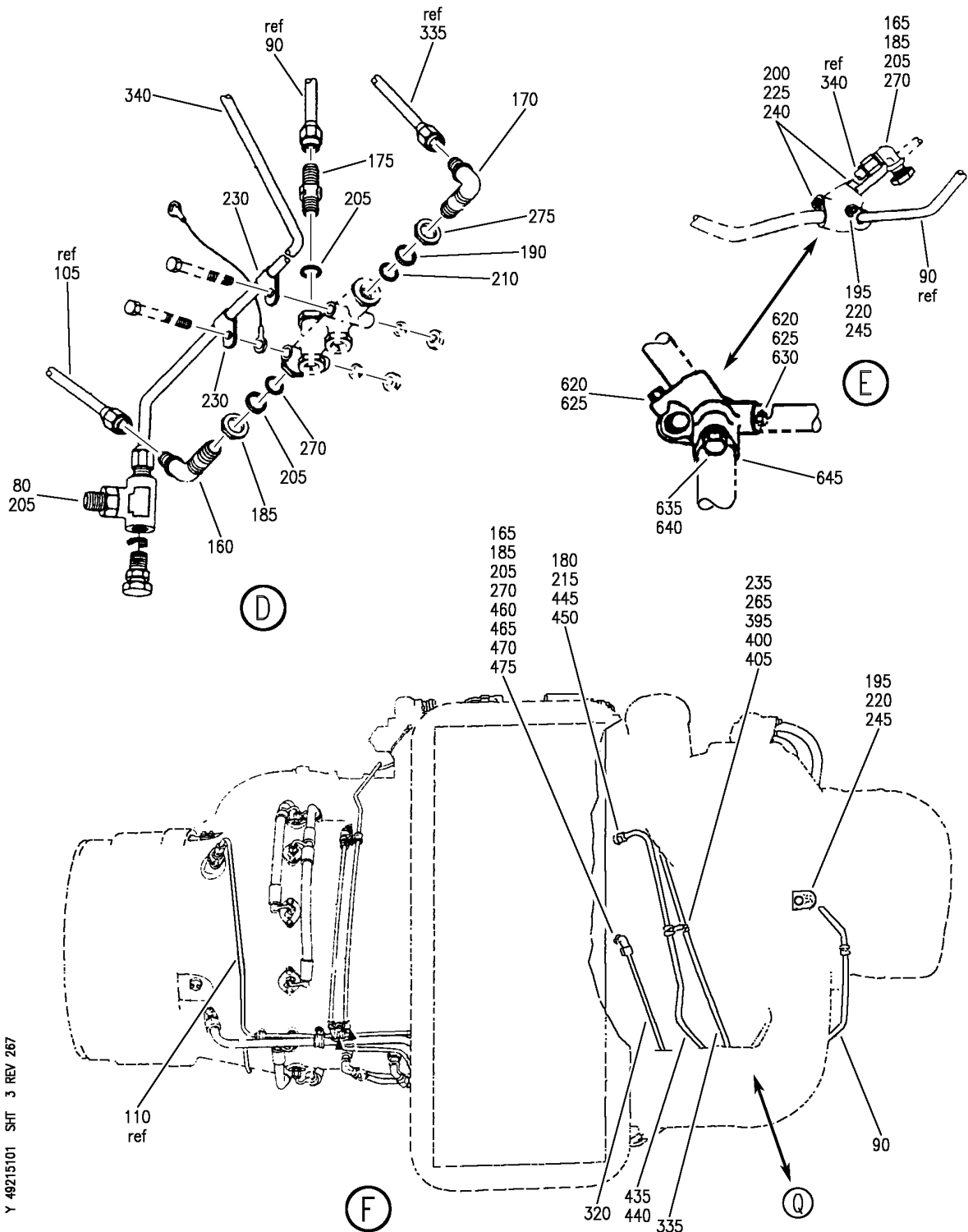
ENGINE ASSY-GAS TURB (APU ENGINE ONLY)  
FIGURE 1 (SHEET 2)

**49-21-51-01**

BRI  
MAY 28/07

49-21-51-01  
PAGE 0A

**BOEING**  
757  
**PARTS CATALOG (MAINTENANCE)**



Y 49215101 SHT 3 REV 267

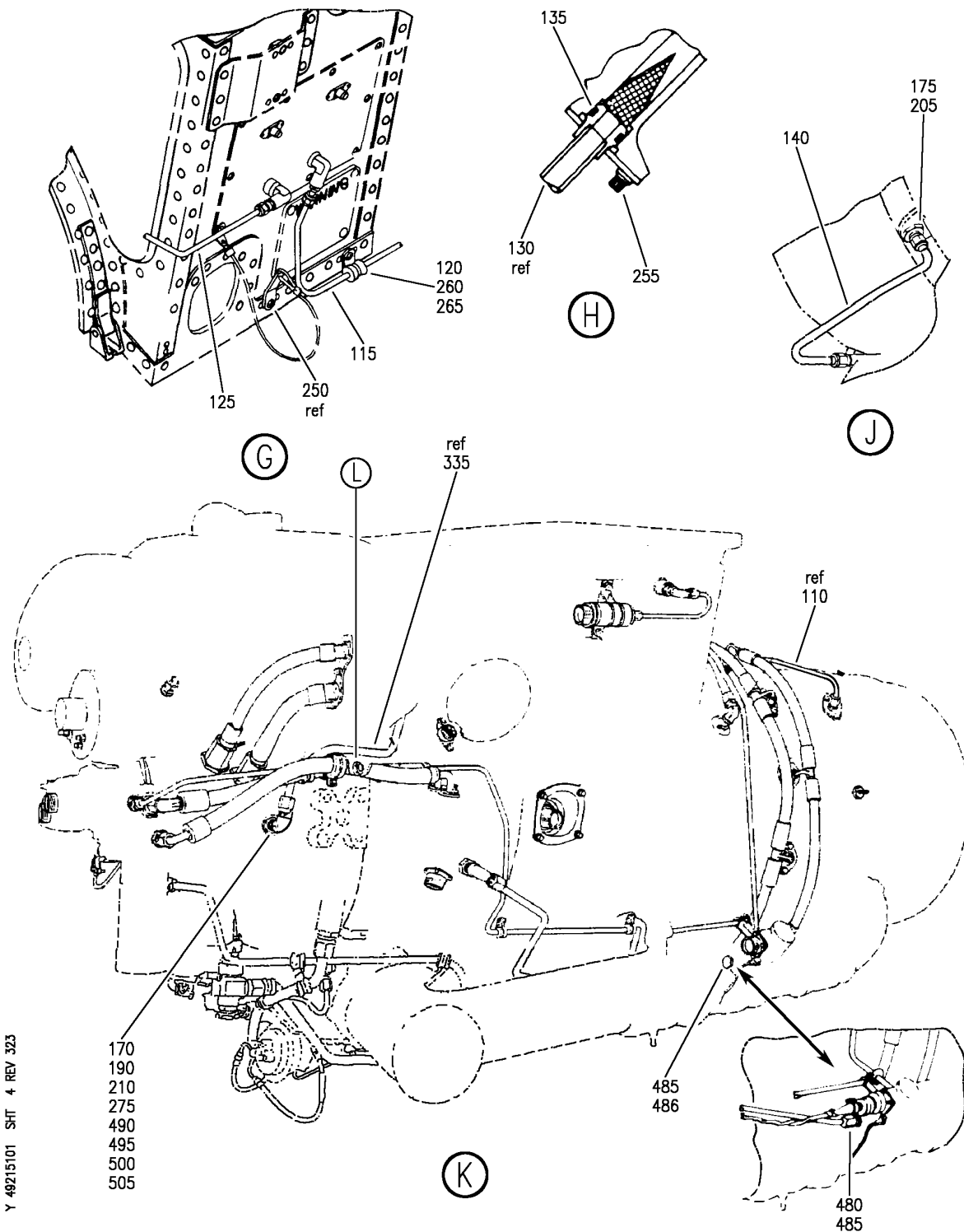
ENGINE ASSY-GAS TURB (APU ENGINE ONLY)  
FIGURE 1 (SHEET 3)

**49-21-51-01**

BRI  
MAY 28/07

49-21-51-01  
PAGE 0B

**BOEING**  
757  
PARTS CATALOG (MAINTENANCE)



Y 49215101 SHT 4 REV 323

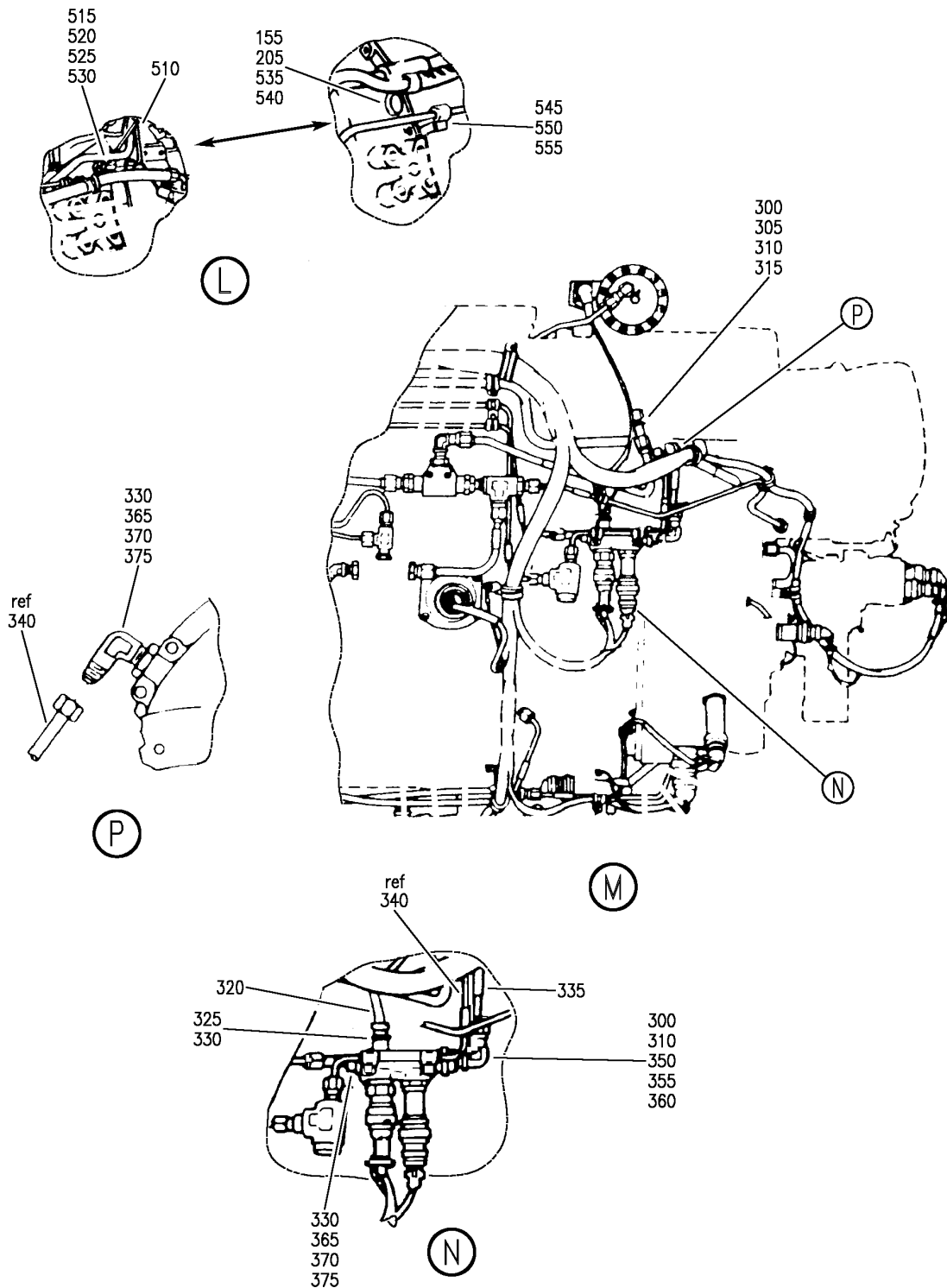
ENGINE ASSY-GAS TURB (APU ENGINE ONLY)  
FIGURE 1 (SHEET 4)

**49-21-51-01**

BRI  
MAY 20/08

49-21-51-01  
PAGE 0C

**BOEING**  
757  
PARTS CATALOG (MAINTENANCE)



Y 49215101 SHT 5 REV 252

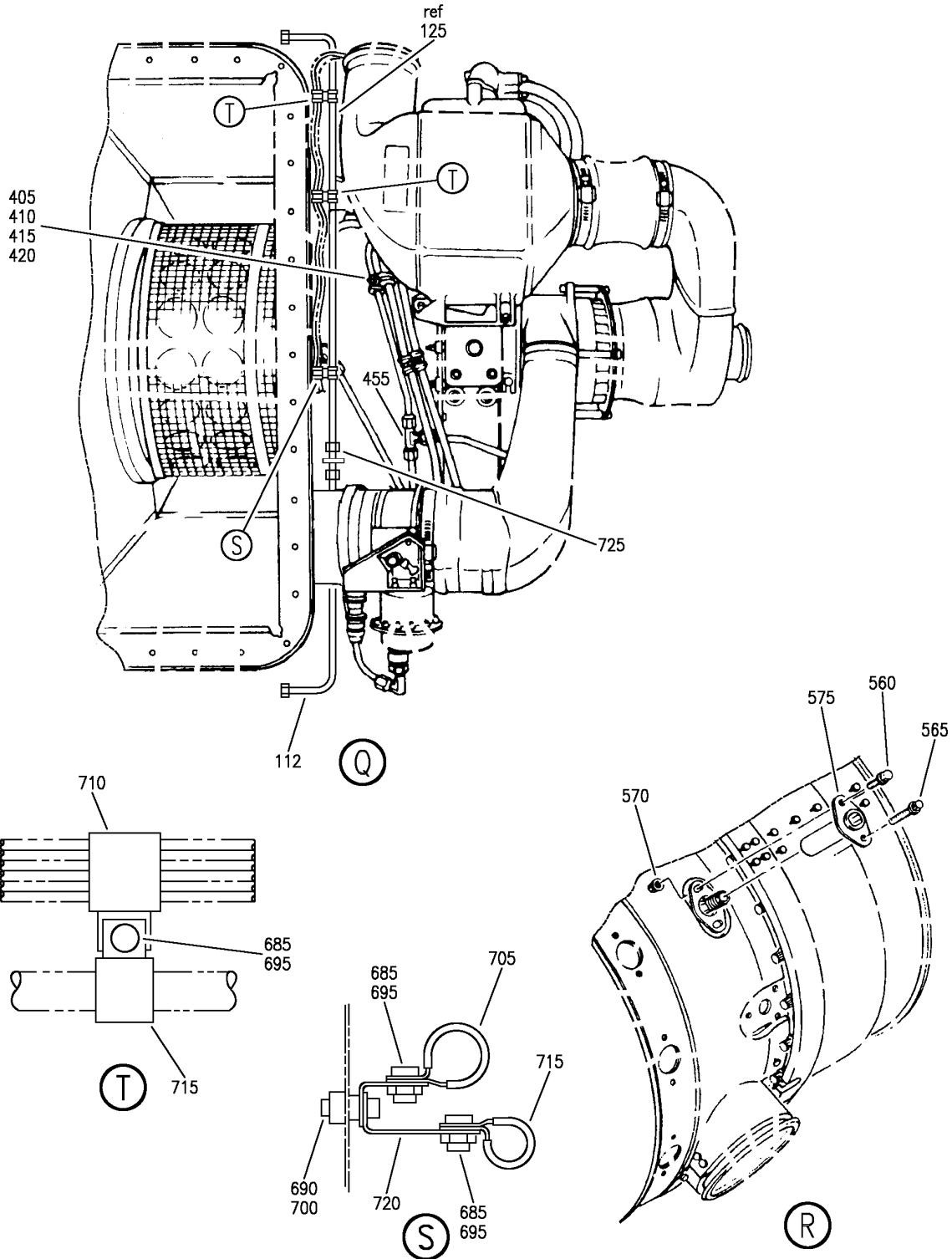
ENGINE ASSY-GAS TURB (APU ENGINE ONLY)  
FIGURE 1 (SHEET 5)

**49-21-51-01**

BRI  
MAY 28/07

49-21-51-01  
PAGE 0D

**BOEING**  
757  
PARTS CATALOG (MAINTENANCE)



Y 49215101 SHT 6 REV 267

ENGINE ASSY-GAS TURB (APU ENGINE ONLY)  
FIGURE 1 (SHEET 6)

**49-21-51-01**

BRI  
MAY 28/07

49-21-51-01  
PAGE 0E





757

PARTS CATALOG (MAINTENANCE)

FIG ITEM	PART NUMBER	1 2 3 4 5 6 7	NOMENCLATURE	EFFECT FROM TO	UNITS PER ASSY
1			ENGINE ASSY-GAS TURB (APU ENGINE ONLY)	002004 006999	
- 1	3800298-1-1		ENGINE ASSY-GAS TURB GTCP331-200ER (APU ENGINE ONLY) SUPPLIER CODE: V99193 SPECIFICATION NUMBER: S351T020-200 COMPONENT MAINT MANUAL REF: 49-22-11 QUALIFIED I/W DATA: S351T020-200 (3800298-1-1) AND S351T020-205 (3800298-1-6) ARE INTERCHANGEABLE WITH THE INCORPORATION OF ALLIED SIGNAL S/B GTCP331-49-7081. S351T020-200 (3800298-1-1) AND S351T020-206 (3800298-1-7/3800298-1) ARE INTERCHANGEABLE WITH THE INCORPORATION OF ALLIED SIGNAL S/B GTCP331-49-7081. FOR NHA/ADDITIONAL DET SEE: 49-11-01-50	002004 006100 107107 121503 904999	RF

MISSING ITEM NUMBERS NOT APPLICABLE

- ITEM NOT ILLUSTRATED

BRI

49-21-51-01

BOEING PROPRIETARY - Copyright © - Unpublished Work - See title page for details.

49-21-51  
FIG. 01  
PAGE 1  
JAN 20/09



757

PARTS CATALOG (MAINTENANCE)

FIG ITEM	PART NUMBER	1 2 3 4 5 6 7	NOMENCLATURE	EFFECT FROM TO	UNITS PER ASSY
1 - 1	3800298-1-2		ENGINE ASSY-GAS TURB GTCP331-200ER (APU ENGINE ONLY) SUPPLIER CODE: V99193 SPECIFICATION NUMBER: S351T020-201 CONFIG CHG DATA FROM A CMM: REPLACES 3800298-1-1 COMPONENT MAINT MANUAL REF: 49-22-11 QUALIFIED I/W DATA: S351T020-201 (3800298-1-2) AND S351T020-205 (3800298-1-6) ARE INTERCHANGEABLE WITH THE INCORPORATION OF ALLIED SIGNAL S/B GTCP331-49-7081. S351T020-201 (3800298-1-2) AND S351T020-206 (3800298-1-7/3800298-1) ARE INTERCHANGEABLE WITH THE INCORPORATION OF ALLIED SIGNAL S/B GTCP331-49-7081. FOR NHA/ADDITIONAL DET SEE: 49-11-01-50	002004 006100 107107 121503 904999	RF

MISSING ITEM NUMBERS NOT APPLICABLE

- ITEM NOT ILLUSTRATED

BRI

49-21-51-01

BOEING PROPRIETARY - Copyright © - Unpublished Work - See title page for details.

49-21-51  
 FIG. 01  
 PAGE 2  
 JAN 20/09



757

PARTS CATALOG (MAINTENANCE)

FIG ITEM	PART NUMBER	1 2 3 4 5 6 7	NOMENCLATURE	EFFECT FROM TO	UNITS PER ASSY
1 - 1	3800298-1-3		ENGINE ASSY-GAS TURB GTCP331-200ER (APU AIR INTAKE PLENUM ONLY) SUPPLIER CODE: V99193 SPECIFICATION NUMBER: S351T020-202 CONFIG CHG DATA FROM A CMM: REPLACES 3800298-1-2 COMPONENT MAINT MANUAL REF: 49-22-11 QUALIFIED I/W DATA: S351T020-202 (3800298-1-3) AND S351T020-205 (3800298-1-6) ARE INTERCHANGEABLE WITH THE INCORPORATION OF ALLIED SIGNAL S/B GTCP331-49-7081. S351T020-202 (3800298-1-3) AND S351T020-206 (3800298-1-7/3800298-1) ARE INTERCHANGEABLE WITH THE INCORPORATION OF ALLIED SIGNAL S/B GTCP331-49-7081. FOR NHA/ADDITIONAL DET SEE: 49-11-01-50	002004 006100 107107 121503 904999	RF

MISSING ITEM NUMBERS NOT APPLICABLE

- ITEM NOT ILLUSTRATED

49-21-51-01

49-21-51  
 FIG. 01  
 PAGE 3  
 JAN 20/09

BRI



757

PARTS CATALOG (MAINTENANCE)

FIG ITEM	PART NUMBER	1 2 3 4 5 6 7 NOMENCLATURE	EFFECT FROM TO	UNITS PER ASSY
1 - 1	3800298-1-4	ENGINE ASSY-GAS TURB GTCP331-200ER (APU ENGINE ONLY) SUPPLIER CODE: V99193 SPECIFICATION NUMBER: S351T020-203 CONFIG CHG DATA FROM A CMM: REPLACES 3800298-1-3 COMPONENT MAINT MANUAL REF: 49-22-11 QUALIFIED I/W DATA: 3800298-1-4/S351T020-203 AND 3800298-1-6/S351T020-205 ARE INTERCHANGEABLE WITH THE INCORPORATION OF ALLIED SIGNAL S/B GTCP331-49-7081. 3800298-1-4/S351T020-203 AND S351T020-206 3800298-1-7/3800298-1 ARE INTERCHANGEABLE WITH THE INCORPORATION OF ALLIED SIGNAL S/B GTCP331-49-7081. FOR NHA/ADDITIONAL DET SEE: 49-11-01-50	002004 006100 107107 121503 904999	RF

MISSING ITEM NUMBERS NOT APPLICABLE

- ITEM NOT ILLUSTRATED

BRI

49-21-51-01

BOEING PROPRIETARY - Copyright © - Unpublished Work - See title page for details.

49-21-51  
 FIG. 01  
 PAGE 4  
 JAN 20/09



757

PARTS CATALOG (MAINTENANCE)

FIG ITEM	PART NUMBER	1 2 3 4 5 6 7	NOMENCLATURE	EFFECT FROM TO	UNITS PER ASSY
1					
- 1	3800298-1-5		ENGINE ASSY-GAS TURB GTCP331-200ER (APU ENGINE ONLY) SUPPLIER CODE: V99193 SPECIFICATION NUMBER: S351T020-204 CONFIG CHG DATA FROM A CMM: REPLACES 3800298-1-4 COMPONENT MAINT MANUAL REF: 49-22-11 QUALIFIED I/W DATA: 3800298-1-5/S351T020-204 AND 3800298-1-6/S351T020-205 ARE INTERCHANGEABLE WITH THE INCORPORATION OF ALLIED SIGNAL S/B GTCP331-49-7081. S351T020-204 (3800298-1-5) AND S351T020-206(3800298-1-7 /3800298-1) ARE INTERCHANGEABLE WITH THE INCORPORATION OF ALLIED SIGNAL S/B GTCP331-49-7081. FOR NHA/ADDITIONAL DET SEE: 49-11-01-50	002004 006100 107107 121503 904999	RF
- 1	3800298-1-6		ENGINE ASSY-GAS TURB GTCP331-200ER (APU ENGINE ONLY) SUPPLIER CODE: V99193 SPECIFICATION NUMBER: S351T020-205 CONFIG CHG DATA FROM A CMM: REPLACES 3800298-1-5 COMPONENT MAINT MANUAL REF: 49-22-11 QUALIFIED I/W DATA: 3800298-1-4/S351T020-203 AND 3800298-1-6/S351T020-205 ARE INTERCHANGEABLE WITH THE INCORPORATION OF ALLIED SIGNAL S/B GTCP331-49-7081. S351T020-203(3800298-1-4	002004 006999	RF

MISSING ITEM NUMBERS NOT APPLICABLE

- ITEM NOT ILLUSTRATED

49-21-51-01

49-21-51  
FIG. 01  
PAGE 5  
JAN 20/09

BRI



757

PARTS CATALOG (MAINTENANCE)

FIG ITEM	PART NUMBER	1 2 3 4 5 6 7 NOMENCLATURE	EFFECT FROM TO	UNITS PER ASSY
1		<p>) AND S351T020-205(3800298-1-6 ) ARE INTERCHANGEABLE WITH THE INCORPORATION OF ALLIED SIGNAL S/B GTCP331-49-7081. S351T020-202 (3800298-1-3) AND S351T020-205 (3800298-1-6) ARE INTERCHANGEABLE WITH THE INCORPORATION OF ALLIED SIGNAL S/B GTCP331-49-7081. S351T020-201 (3800298-1-2) AND S351T020-205 (3800298-1-6) ARE INTERCHANGEABLE WITH THE INCORPORATION OF ALLIED SIGNAL S/B GTCP331-49-7081. S351T020-200 (3800298-1-1) AND S351T020-205 (3800298-1-6) ARE INTERCHANGEABLE WITH THE INCORPORATION OF ALLIED SIGNAL S/B GTCP331-49-7081. FOR NHA/ADDITIONAL DET SEE: 49-11-01-50 49-21-00-02</p>		
-	1 3800298-1-7	<p>ENGINE ASSY-GAS TURB GTCP331-200ER (APU AIR INTAKE PLENUM ONLY) SUPPLIER CODE: V99193 SPECIFICATION NUMBER: S351T020-206 CONFIG CHG DATA FROM A CMM: REPLACES 3800298-1-6 COMPONENT MAINT MANUAL REF: 49-22-11 QUALIFIED I/W DATA: 3800298-1-4/S351T020-203 AND S351T020-206 3800298-1-7/3800298-1 ARE INTERCHANGEABLE WITH</p>	002004 006999	RF

MISSING ITEM NUMBERS NOT APPLICABLE

- ITEM NOT ILLUSTRATED

49-21-51-01

49-21-51  
FIG. 01  
PAGE 6  
SEP 20/08

BRI



757

PARTS CATALOG (MAINTENANCE)

FIG ITEM	PART NUMBER	1 2 3 4 5 6 7 NOMENCLATURE	EFFECT FROM TO	UNITS PER ASSY
1		<p>THE INCORPORATION OF ALLIED SIGNAL S/B GTCP331-49-7081. S351T020-204/3800298-1-5 AND S351T020-206 3800298-1-7/3800298-1 ARE INTERCHANGEABLE WITH THE INCORPORATION OF ALLIED SIGNAL S/B GTCP331-49-7081. S351T020-202 (3800298-1-3) AND S351T020-206 (3800298-1-7/3800298-1) ARE INTERCHANGEABLE WITH THE INCORPORATION OF ALLIED SIGNAL S/B GTCP331-49-7081. S351T020-201 (3800298-1-2) AND S351T020-206 (3800298-1-7/3800298-1) ARE INTERCHANGEABLE WITH THE INCORPORATION OF ALLIED SIGNAL S/B GTCP331-49-7081. S351T020-200 (3800298-1-1) AND S351T020-206 (3800298-1-7/3800298-1) ARE INTERCHANGEABLE WITH THE INCORPORATION OF ALLIED SIGNAL S/B GTCP331-49-7081.</p> <p>OPTIONAL PART: 3800298-1 V99193</p> <p>FOR NHA/ADDITIONAL DET SEE: 49-11-01-50 49-21-00-02</p> <p>ENGINE ASSY-GAS TURB GTCP331-200ER (APU AIR INTAKE PLENUM ONLY) SUPPLIER CODE: V99193 SPECIFICATION NUMBER: S351T020-206 COMPONENT MAINT MANUAL REF: 49-22-11</p>		
-	1 3800298-1	<p>ENGINE ASSY-GAS TURB GTCP331-200ER (APU AIR INTAKE PLENUM ONLY) SUPPLIER CODE: V99193 SPECIFICATION NUMBER: S351T020-206 COMPONENT MAINT MANUAL REF: 49-22-11</p>	002004 006999	RF

MISSING ITEM NUMBERS NOT APPLICABLE

- ITEM NOT ILLUSTRATED

49-21-51-01

49-21-51  
FIG. 01  
PAGE 7  
SEP 20/08

BRI



757

PARTS CATALOG (MAINTENANCE)

FIG ITEM	PART NUMBER	1 2 3 4 5 6 7 NOMENCLATURE	EFFECT FROM TO	UNITS PER ASSY
1		<p>QUALIFIED I/W DATA:            3800298-1-4/S351T020-203            AND S351T020-206            3800298-1-7/3800298-1            ARE INTERCHANGEABLE WITH            THE INCORPORATION OF            ALLIED SIGNAL S/B            GTCP331-49-7081.            S351T020-204/3800298-1-5            AND S351T020-206            3800298-1-7/3800298-1            INTERCHANGEABLE WITH THE            INCORPORATION OF ALLIED            SIGNAL S/B            GTCP331-49-7081.            S351T020-202            (3800298-1-3)            AND S351T020-206            (3800298-1-7/3800298-1)            ARE INTERCHANGEABLE            WITH THE INCORPORATION            OF ALLIED SIGNAL S/B            GTCP331-49-7081.            S351T020-201            (3800298-1-2)            AND S351T020-206            (3800298-1-7/3800298-1)            ARE INTERCHANGEABLE            WITH THE INCORPORATION            OF ALLIED SIGNAL S/B            GTCP331-49-7081.            S351T020-200            (3800298-1-1)            AND S351T020-206            (3800298-1-7/3800298-1)            ARE INTERCHANGEABLE            WITH THE INCORPORATION            OF ALLIED SIGNAL S/B            GTCP331-49-7081.            OPTIONAL PART:            3800298-1-7            V99193            FOR NHA/ADDITIONAL DET SEE:            49-11-01-50            49-21-00-02            .BOLT-            OPTIONAL PART:            MS9556-05</p>	002004 006999	1

MISSING ITEM NUMBERS NOT APPLICABLE

- ITEM NOT ILLUSTRATED

BRI

49-21-51-01

BOEING PROPRIETARY - Copyright © - Unpublished Work - See title page for details.

49-21-51  
 FIG. 01  
 PAGE 8  
 SEP 20/08





757

PARTS CATALOG (MAINTENANCE)

FIG ITEM	PART NUMBER	1 2 3 4 5 6 7	NOMENCLATURE	EFFECT FROM TO	UNITS PER ASSY
1					
50	MS9556-05		.BOLT- SB DATA FROM A CMM: POST SPB GTE0292 OPTIONAL PART: MS21279-05	002004 006999	1
55	TA12C59TH4HB		.CLAMP- SUPPLIER CODE: V84971 OPTIONAL PART: JM44LC43H4WC V22175	002004 006999	2
55	JM44LC43H4WC		.CLAMP- SUPPLIER CODE: V22175 SB DATA FROM A CMM: POST SPB GTE1046 OPTIONAL PART: TA12C59TH4HB V84971	002004 006999	2
60	MS21279-05		.BOLT- OPTIONAL PART: MS9556-05	002004 006999	3
60	MS9556-05		.BOLT- SB DATA FROM A CMM: POST SPB GTE0293 OPTIONAL PART: MS21279-05	002004 006999	3
62	MS21279-05		.BOLT- SB DATA FROM A CMM: PRE SPB GTE0252 OPTIONAL PART: MS21279-09 MS9556-09	002004 006999	1
62	MS21279-09		.BOLT- SB DATA FROM A CMM: POST SPB GTE0252 OPTIONAL PART: MS21279-05 MS9556-09	002004 006999	1
62	MS9556-09		.BOLT- SB DATA FROM A CMM: POST SPB GTE0292 OPTIONAL PART: MS21279-05 MS21279-09	002004 006999	1
63	NAS43DD3-14		.SPACER- SB DATA FROM A CMM: POST 49-5372	002004 006999	1

MISSING ITEM NUMBERS NOT APPLICABLE

- ITEM NOT ILLUSTRATED

49-21-51-01

49-21-51  
FIG. 01  
PAGE 9  
SEP 20/08

BRI

BOEING PROPRIETARY - Copyright © - Unpublished Work - See title page for details.



757

PARTS CATALOG (MAINTENANCE)

FIG ITEM	PART NUMBER	1 2 3 4 5 6 7	NOMENCLATURE	EFFECT FROM TO	UNITS PER ASSY
1					
65	MS21043-3	.	NUT	002004 006999	3
70	TA12C59TH4HB	.	CLAMP- SUPPLIER CODE: V84971 OPTIONAL PART: JM44LC43H4WC V22175	002004 006999	8
70	JM44LC43H4WC	.	CLAMP- SUPPLIER CODE: V22175 SB DATA FROM A CMM: POST SPB GTE1046 OPTIONAL PART: TA12C59TH4HB V84971	002004 006999	8
- 80	MS21900J4	.	ADAPTER- SUPPLIER CODE: V99240 USED ON: 3800298-1 3800298-1-1 3800298-1-2 3800298-1-3 3800298-1-4 3800298-1-5 3800298-1-6 3800298-1-7	002004 006999	1
90	3614793-1	.	TUBE-COOLING FAN BUFFER AIR SUPPLIER CODE: V99193 USED ON: 3800298-1 3800298-1-1 3800298-1-2 3800298-1-3 3800298-1-4 3800298-1-5 3800298-1-6 3800298-1-7	002004 006999	1
95	3884263-1	.	TUBE-GEARBOX PRESSURE REGULATOR SUPPLIER CODE: V99193	002004 006999	1

MISSING ITEM NUMBERS NOT APPLICABLE

- ITEM NOT ILLUSTRATED

49-21-51-01

49-21-51  
FIG. 01  
PAGE 10  
SEP 20/08

BRI



757

PARTS CATALOG (MAINTENANCE)

FIG ITEM	PART NUMBER	1 2 3 4 5 6 7	NOMENCLATURE	EFFECT FROM TO	UNITS PER ASSY
1 95	3884334-1		.TUBE-GEARBOX PRESSURE REGULATOR SUPPLIER CODE: V99193 SB DATA FROM A CMM: PRE SPB GTE0252	002004 006999	1
95	3884384-1		.TUBE-GEARBOX PRESSURE REGULATOR SUPPLIER CODE: V99193 SB DATA FROM A CMM: POST SPB GTE0252 PRE 49-5634 PRE 49-5765 PRE 49-5793 CONFIG CHG DATA FROM A CMM: REPLD BY 3884437-1	002004 006999	1
95	3884437-1		.TUBE-GEARBOX PRESSURE REGULATOR SUPPLIER CODE: V99193 SB DATA FROM A CMM: POST 49-5634 POST 49-5765 POST 49-5793 CONFIG CHG DATA FROM A CMM: REPLACES 3884384-1	002004 006999	1
105	3880434-1		.TUBE-BRG PRESURE SUPPLIER CODE: V99193 POSITION DATA: AFT SB DATA FROM A CMM: POST 49-5634 POST 49-5765 POST 49-5793 CONFIG CHG DATA FROM A CMM: REPLACES 3880254-1	002004 006999	1
105	3880254-1		.TUBE-BRG PRESURE SUPPLIER CODE: V99193 POSITION DATA: AFT SB DATA FROM A CMM: PRE 49-5634 PRE 49-5765 PRE 49-5793 CONFIG CHG DATA FROM A CMM: REPLD BY 3880434-1	002004 006999	1

MISSING ITEM NUMBERS NOT APPLICABLE

- ITEM NOT ILLUSTRATED

49-21-51-01

49-21-51  
FIG. 01  
PAGE 11  
SEP 20/08

BRI



757

PARTS CATALOG (MAINTENANCE)

FIG ITEM	PART NUMBER	1 2 3 4 5 6 7	NOMENCLATURE	EFFECT FROM TO	UNITS PER ASSY
1 110	3880647-1		.TUBE-BRG RETURN SUPPLIER CODE: V99193 POSITION DATA: AFT SB DATA FROM A CMM: POST 49-5634 POST 49-5765 POST 49-5793 CONFIG CHG DATA FROM A CMM: REPLACES 3880401-1	002004 006999	1
110	3880401-1		.TUBE-BRG RETURN SUPPLIER CODE: V99193 POSITION DATA: AFT SB DATA FROM A CMM: PRE 49-5634 PRE 49-5765 PRE 49-5793 CONFIG CHG DATA FROM A CMM: REPLD BY 3880647-1	002004 006999	1
112	3617890-1		.TUBE-PCD SUPPLIER CODE: V59364 POST SERVICE BULLETIN: GTCP331-49-7496R3 V59364	002004 006102	1
115	3617895-2		.TUBE-SURGE CONT VALVE SUPPLIER CODE: V99193 SB DATA FROM A CMM: POST SB 49-7496 CONFIG CHG DATA FROM A CMM: REPLS 3616999-1 USED ON: 3800298-1 3800298-1-1 3800298-1-2 3800298-1-3 3800298-1-4 3800298-1-5 3800298-1-6 3800298-1-7 PRE SERVICE BULLETIN: GTCP331-49-7496R3 V59364 GTPC331-49-7707 V59364	002004 006999	1

MISSING ITEM NUMBERS NOT APPLICABLE

- ITEM NOT ILLUSTRATED

49-21-51-01

49-21-51  
FIG. 01  
PAGE 12  
JAN 20/09

BRI



757

PARTS CATALOG (MAINTENANCE)

FIG ITEM	PART NUMBER	1 2 3 4 5 6 7	NOMENCLATURE	EFFECT FROM TO	UNITS PER ASSY
1 115	3618167-1		.TUBE-SURGE CONT VALVE SUPPLIER CODE: V99193 POST SERVICE BULLETIN: GTCP331-49-7496R3 V59364 GTCP331-49-7707 V59364	002004 006102	1
120	JM44LC86WH4GF		.CLAMP- SUPPLIER CODE: V22175 CONFIG CHG DATA FROM A CMM: POST SB 49-7496 USED ON: 3800298-1 3800298-1-1 3800298-1-2 3800298-1-3 3800298-1-4 3800298-1-5 3800298-1-6 3800298-1-7 PRE SERVICE BULLETIN: GTCP331-49-7496R3 V59364	002004 006999	1
120	211-592-9104		.CLAMP- SUPPLIER CODE: V59364 POST SERVICE BULLETIN: GTCP331-49-7496R3 V59364	002004 006102	1

MISSING ITEM NUMBERS NOT APPLICABLE

- ITEM NOT ILLUSTRATED

BRI

49-21-51-01

BOEING PROPRIETARY - Copyright © - Unpublished Work - See title page for details.

49-21-51  
FIG. 01  
PAGE 13  
JAN 20/09



757

PARTS CATALOG (MAINTENANCE)

FIG ITEM	PART NUMBER	1 2 3 4 5 6 7	NOMENCLATURE	EFFECT FROM TO	UNITS PER ASSY
1 125	3617891-1		.TUBE-COOLING LOOP SUPPLIER CODE: V99193 SB DATA FROM A CMM: POST SB 49-7496 CONFIG CHG DATA FROM A CMM: REPLS 3616999-1 USED ON: 3800298-1 3800298-1-1 3800298-1-2 3800298-1-3 3800298-1-4 3800298-1-5 3800298-1-6 3800298-1-7 USED WITH: 3810213-10 POST SERVICE BULLETIN: GTCP331-49-7496R3 V59364	002004 006999	1
130	3614748-1		.TUBE-BRG SCAVENGE SUPPLIER CODE: V99193 POSITION DATA: MID USED ON: 3800298-1 3800298-1-1 3800298-1-2 3800298-1-3 3800298-1-4 3800298-1-5 3800298-1-6 3800298-1-7	002004 006999	1
135	M83248-1-112		.PACKING- OPTIONAL PART: S9413-112 V59364 USED ON: 3800298-1 3800298-1-1 3800298-1-2 3800298-1-3 3800298-1-4 3800298-1-5 3800298-1-6 3800298-1-7	002004 006999	1

MISSING ITEM NUMBERS NOT APPLICABLE

- ITEM NOT ILLUSTRATED

49-21-51-01

49-21-51  
FIG. 01  
PAGE 14  
SEP 20/08

BRI



757

PARTS CATALOG (MAINTENANCE)

FIG ITEM	PART NUMBER	1 2 3 4 5 6 7	NOMENCLATURE	EFFECT FROM TO	UNITS PER ASSY
1 135	S9413-112		.PACKING- SUPPLIER CODE: V59364 OPTIONAL PART: M83248-1-112 USED ON: 3800298-1 3800298-1-1 3800298-1-2 3800298-1-3 3800298-1-4 3800298-1-5 3800298-1-6 3800298-1-7	002004 006999	1
140	3880568-1		.TUBE- SUPPLIER CODE: V99193 USED ON: 3800298-1 3800298-1-1 3800298-1-2 3800298-1-3 3800298-1-4 3800298-1-5 3800298-1-6 3800298-1-7	002004 006999	1
150	3882704-1		.SUPPORT- SUPPLIER CODE: V99193 USED ON: 3800298-1 3800298-1-1 3800298-1-2 3800298-1-3 3800298-1-4 3800298-1-5 3800298-1-6 3800298-1-7	002004 006999	1
155	AN814-4JL		.PLUG- USED ON: 3800298-1 3800298-1-1 3800298-1-2 3800298-1-3 3800298-1-4 3800298-1-5 3800298-1-6 3800298-1-7	002004 006999	1

MISSING ITEM NUMBERS NOT APPLICABLE

- ITEM NOT ILLUSTRATED

49-21-51-01

49-21-51  
FIG. 01  
PAGE 15  
SEP 20/08

BRI



757

PARTS CATALOG (MAINTENANCE)

FIG ITEM	PART NUMBER	1 2 3 4 5 6 7	NOMENCLATURE	EFFECT FROM TO	UNITS PER ASSY
1 160	MS21907J4		.ELBOW- USED ON: 3800298-1 3800298-1-1 3800298-1-2 3800298-1-3 3800298-1-4 3800298-1-5 3800298-1-6 3800298-1-7	002004 006999	2
165	MS21908J4		.ELBOW- USED ON: 3800298-1 3800298-1-1 3800298-1-2 3800298-1-3 3800298-1-4 3800298-1-5 3800298-1-6 3800298-1-7	002004 006999	3
170	MS21908J6		.ELBOW- USED ON: 3800298-1 3800298-1-1 3800298-1-2 3800298-1-3 3800298-1-4 3800298-1-5 3800298-1-6 3800298-1-7	002004 006999	7
175	MS21902J4		.UNION- USED ON: 3800298-1 3800298-1-1 3800298-1-2 3800298-1-3 3800298-1-4 3800298-1-5 3800298-1-6 3800298-1-7	002004 006999	4

MISSING ITEM NUMBERS NOT APPLICABLE

- ITEM NOT ILLUSTRATED

49-21-51-01

49-21-51  
FIG. 01  
PAGE 16  
SEP 20/08

BRI





757

PARTS CATALOG (MAINTENANCE)

FIG ITEM	PART NUMBER	1 2 3 4 5 6 7	NOMENCLATURE	EFFECT FROM TO	UNITS PER ASSY
1 180	MS21916J6-4		.REDUCER- USED ON: 3800298-1 3800298-1-1 3800298-1-2 3800298-1-3 3800298-1-4 3800298-1-5 3800298-1-6 3800298-1-7	002004 006999	2
185	MS28773-04		.RETAINER- USED ON: 3800298-1 3800298-1-1 3800298-1-2 3800298-1-3 3800298-1-4 3800298-1-5 3800298-1-6 3800298-1-7	002004 006999	6
190	MS28773-06		.RETAINER- USED ON: 3800298-1 3800298-1-1 3800298-1-2 3800298-1-3 3800298-1-4 3800298-1-5 3800298-1-6 3800298-1-7	002004 006999	8
195	886903-1		.RETAINER- SUPPLIER CODE: V59364 USED ON: 3800298-1 3800298-1-1 3800298-1-2 3800298-1-3 3800298-1-4 3800298-1-5 3800298-1-6 3800298-1-7	002004 006999	2

MISSING ITEM NUMBERS NOT APPLICABLE

- ITEM NOT ILLUSTRATED

49-21-51-01

49-21-51  
FIG. 01  
PAGE 17  
SEP 20/08

BRI



757

PARTS CATALOG (MAINTENANCE)

FIG ITEM	PART NUMBER	1 2 3 4 5 6 7	NOMENCLATURE	EFFECT FROM TO	UNITS PER ASSY
1 200	886903-3		.RETAINER- SUPPLIER CODE: V99193 USED ON: 3800298-1 3800298-1-1 3800298-1-2 3800298-1-3 3800298-1-4 3800298-1-5 3800298-1-6 3800298-1-7	002004 006999	2
205	M83248-1-904		.PACKING- OPTIONAL PART: S9413-554 V99193 USED ON: 3800298-1 3800298-1-1 3800298-1-2 3800298-1-3 3800298-1-4 3800298-1-5 3800298-1-6 3800298-1-7	002004 006999	10
205	S9412-554		.PACKING- SUPPLIER CODE: V99193 OPTIONAL PART: M83248-1-904 USED ON: 3800298-1 3800298-1-1 3800298-1-2 3800298-1-3 3800298-1-4 3800298-1-5 3800298-1-6 3800298-1-7	002004 006999	10

MISSING ITEM NUMBERS NOT APPLICABLE

- ITEM NOT ILLUSTRATED

BRI

49-21-51-01

BOEING PROPRIETARY - Copyright © - Unpublished Work - See title page for details.

49-21-51  
FIG. 01  
PAGE 18  
SEP 20/08



757

PARTS CATALOG (MAINTENANCE)

FIG ITEM	PART NUMBER	1 2 3 4 5 6 7	NOMENCLATURE	EFFECT FROM TO	UNITS PER ASSY
1 210	M83248-1-906		.PACKING- OPTIONAL PART: S9413-556 V99193 USED ON: 3800298-1 3800298-1-1 3800298-1-2 3800298-1-3 3800298-1-4 3800298-1-5 3800298-1-6 3800298-1-7	002004 006999	6
210	S9412-556		.PACKING- SUPPLIER CODE: V99193 OPTIONAL PART: M83248-1-906 USED ON: 3800298-1 3800298-1-1 3800298-1-2 3800298-1-3 3800298-1-4 3800298-1-5 3800298-1-6 3800298-1-7	002004 006999	6
215	MS9385-04		.PACKING- OPTIONAL PART: S8990-604 V99193 USED ON: 3800298-1 3800298-1-1 3800298-1-2 3800298-1-3 3800298-1-4 3800298-1-5 3800298-1-6 3800298-1-7	002004 006999	3

MISSING ITEM NUMBERS NOT APPLICABLE

- ITEM NOT ILLUSTRATED

BRI

49-21-51-01

BOEING PROPRIETARY - Copyright © - Unpublished Work - See title page for details.

49-21-51  
FIG. 01  
PAGE 19  
SEP 20/08



757

PARTS CATALOG (MAINTENANCE)

FIG ITEM	PART NUMBER	1 2 3 4 5 6 7	NOMENCLATURE	EFFECT FROM TO	UNITS PER ASSY
1 215	S8990-604		.PACKING- SUPPLIER CODE: V59364 OPTIONAL PART: MS9385-04 USED ON: 3800298-1 3800298-1-1 3800298-1-2 3800298-1-3 3800298-1-4 3800298-1-5 3800298-1-6 3800298-1-7	002004 006999	3
220	MS9385-010		.PACKING- OPTIONAL PART: S8990-010 V99193 USED ON: 3800298-1 3800298-1-1 3800298-1-2 3800298-1-3 3800298-1-4 3800298-1-5 3800298-1-6 3800298-1-7	002004 006999	2
220	S8990-010		.PACKING- SUPPLIER CODE: V59364 OPTIONAL PART: MS9385-010 USED ON: 3800298-1 3800298-1-1 3800298-1-2 3800298-1-3 3800298-1-4 3800298-1-5 3800298-1-6 3800298-1-7	002004 006999	2

MISSING ITEM NUMBERS NOT APPLICABLE

- ITEM NOT ILLUSTRATED

49-21-51-01

49-21-51  
FIG. 01  
PAGE 20  
SEP 20/08

BRI



757

PARTS CATALOG (MAINTENANCE)

FIG ITEM	PART NUMBER	1 2 3 4 5 6 7	NOMENCLATURE	EFFECT FROM TO	UNITS PER ASSY
1 225	MS9386-012		.PACKING- OPTIONAL PART: S8990-012 V99193 USED ON: 3800298-1 3800298-1-1 3800298-1-2 3800298-1-3 3800298-1-4 3800298-1-5 3800298-1-6 3800298-1-7	002004 006999	2
225	S8990-012		.PACKING- SUPPLIER CODE: V59364 OPTIONAL PART: MS9386-012 USED ON: 3800298-1 3800298-1-1 3800298-1-2 3800298-1-3 3800298-1-4 3800298-1-5 3800298-1-6 3800298-1-7	002004 006999	2
230	JM44LC86WH4GF		.CLAMP- SUPPLIER CODE: V22175 USED ON: 3800298-1 3800298-1-1 3800298-1-2 3800298-1-3 3800298-1-4 3800298-1-5 3800298-1-6 3800298-1-7	002004 006999	21

MISSING ITEM NUMBERS NOT APPLICABLE

- ITEM NOT ILLUSTRATED

49-21-51-01

49-21-51  
FIG. 01  
PAGE 21  
SEP 20/08

BRI



757

PARTS CATALOG (MAINTENANCE)

FIG ITEM	PART NUMBER	1 2 3 4 5 6 7	NOMENCLATURE	EFFECT FROM TO	UNITS PER ASSY
1 235	JM44LC86WH6GF		.CLAMP- SUPPLIER CODE: V22175 USED ON: 3800298-1 3800298-1-1 3800298-1-2 3800298-1-3 3800298-1-4 3800298-1-5 3800298-1-6 3800298-1-7	002004 006999	7
240	JM44LC86WH8GF		.CLAMP- SUPPLIER CODE: V22175 USED ON: 3800298-1 3800298-1-1 3800298-1-2 3800298-1-3 3800298-1-4 3800298-1-5 3800298-1-6 3800298-1-7	002004 006999	9
245	MS16995-25		.BOLT- USED ON: 3800298-1 3800298-1-1 3800298-1-2 3800298-1-3 3800298-1-4 3800298-1-5 3800298-1-6 3800298-1-7	002004 006999	4
250	MS9556-05		.BOLT- USED ON: 3800298-1 3800298-1-1 3800298-1-2 3800298-1-3 3800298-1-4 3800298-1-5 3800298-1-6 3800298-1-7	002004 006999	25

MISSING ITEM NUMBERS NOT APPLICABLE

- ITEM NOT ILLUSTRATED

49-21-51-01

49-21-51  
FIG. 01  
PAGE 22  
SEP 20/08

BRI



757

PARTS CATALOG (MAINTENANCE)

FIG ITEM	PART NUMBER	1 2 3 4 5 6 7	NOMENCLATURE	EFFECT FROM TO	UNITS PER ASSY
1 255	MS9556-06		.BOLT- USED ON: 3800298-1 3800298-1-1 3800298-1-2 3800298-1-3 3800298-1-4 3800298-1-5 3800298-1-6 3800298-1-7	002004 006999	3
260	MS9556-10		.BOLT- USED ON: 3800298-1 3800298-1-1 3800298-1-2 3800298-1-3 3800298-1-4 3800298-1-5 3800298-1-6 3800298-1-7	002004 006999	1
265	NAS43DD3-40		.SPACER- USED ON: 3800298-1 3800298-1-1 3800298-1-2 3800298-1-3 3800298-1-4 3800298-1-5 3800298-1-6 3800298-1-7	002004 006999	7
270	AN6289J4		.NUT- USED ON: 3800298-1 3800298-1-1 3800298-1-2 3800298-1-3 3800298-1-4 3800298-1-5 3800298-1-6 3800298-1-7	002004 006999	7

MISSING ITEM NUMBERS NOT APPLICABLE

- ITEM NOT ILLUSTRATED

49-21-51-01

49-21-51  
FIG. 01  
PAGE 23  
SEP 20/08

BRI

**BOEING**  
757  
**PARTS CATALOG (MAINTENANCE)**

FIG ITEM	PART NUMBER	1 2 3 4 5 6 7	NOMENCLATURE	EFFECT FROM TO	UNITS PER ASSY
1 275	AN6289J6		.NUT- USED ON: 3800298-1 3800298-1-1 3800298-1-2 3800298-1-3 3800298-1-4 3800298-1-5 3800298-1-6 3800298-1-7	002004 006999	10
280	MS21279-05		.BOLT- OPTIONAL PART: MS9556-05	002004 006999	3
280	MS9556-05		.BOLT- SB DATA FROM A CMM: POST SPB GTE0292 OPTIONAL PART: MS21279-05	002004 006999	1
285	MS21043-3		.NUT	002004 006999	1
290	TA12C59WTH8HB		.CLAMP- SUPPLIER CODE: V84971 OPTIONAL PART: JM44LC43H8WC V22175	002004 006999	1
290	JM44LC86WH8GF		.CLAMP- SUPPLIER CODE: V22175 USED WITH: 3614773-1	002004 006999	1
290	JM44LC43H8WC		.CLAMP- SUPPLIER CODE: V22175 SB DATA FROM A CMM: POST SPB GTE1046 OPTIONAL PART: TA12C59WTH8HB V84971	002004 006999	1
295	TA12C59TH4HB		.CLAMP- SUPPLIER CODE: V84971 OPTIONAL PART: JM44LC43H4WC V22175	002004 006999	2

MISSING ITEM NUMBERS NOT APPLICABLE

— ITEM NOT ILLUSTRATED

BRI

# 49-21-51-01

BOEING PROPRIETARY - Copyright © - Unpublished Work - See title page for details.

49-21-51  
FIG. 01  
PAGE 24  
SEP 20/08





757

PARTS CATALOG (MAINTENANCE)

FIG ITEM	PART NUMBER	1 2 3 4 5 6 7	NOMENCLATURE	EFFECT FROM TO	UNITS PER ASSY
1 295	JM44LC43H4WC		.CLAMP- SUPPLIER CODE: V22175 SB DATA FROM A CMM: POST SPB GTE1046 OPTIONAL PART: TA12C59TH4HB V84971	002004 006999	2
300	AN6289D6		.NUT- SB DATA FROM A CMM: PRE SB 49-5634 PRE SB 49-5765 PRE SB 49-5841 CONFIG CHG DATA FROM A CMM: REPL BY AN6289J6	002004 006999	2
300	AN6289J6		.NUT- SB DATA FROM A CMM: POST SB 49-5634 POST SB 49-5765 POST SB 49-5841 CONFIG CHG DATA FROM A CMM: REPLS AN6289D6	002004 006999	2
305	MS21909W6		.TEE- SB DATA FROM A CMM: PRE SB 49-5634 PRE SB 49-5765 PRE SB 49-5841 CONFIG CHG DATA FROM A CMM: REPL BY MS21909J6	002004 006999	1
305	MS21909J6		.TEE- SB DATA FROM A CMM: POST SB 49-5634 POST SB 49-5765 POST SB 49-5841 CONFIG CHG DATA FROM A CMM: REPLS MS21909W6	002004 006999	2
310	MS28773-06		.RETAINER- SB DATA FROM A CMM: PRE SB 49-5841	002004 006999	2
315	S8990-606		.PACKING- SUPPLIER CODE: V99193 SB DATA FROM A CMM: PRE SB 49-5841 OPTIONAL PART: MS9385-06	002004 006999	1

MISSING ITEM NUMBERS NOT APPLICABLE

- ITEM NOT ILLUSTRATED

49-21-51-01

49-21-51  
FIG. 01  
PAGE 25  
SEP 20/08

BRI



757

PARTS CATALOG (MAINTENANCE)

FIG ITEM	PART NUMBER	1 2 3 4 5 6 7	NOMENCLATURE	EFFECT FROM TO	UNITS PER ASSY
1					
315	MS9385-06		.PACKING- OPTIONAL PART: S8990-606 V59364	002004 006999	1
320	3880253-1		.TUBE-BRG PRESSURE SUPPLIER CODE: V99193 POSITION DATA: MID SB DATA FROM A CMM: PRE SB 49-5634 PRE SB 49-5765 PRE SB 49-5793 CONFIG CHG DATA FROM A CMM: REPLD BY 3880433-1	002004 006999	1
320	3880433-1		.TUBE-BRG PRESSURE SUPPLIER CODE: V99193 POSITION DATA: MID SB DATA FROM A CMM: POST SB 49-5634 POST SB 49-5765 POST SB 49-5793 CONFIG CHG DATA FROM A CMM: REPLS 3880253-1	002004 006999	1
325	MS21902W4		.UNION- SB DATA FROM A CMM: PRE SB 49-5634 PRE SB 49-5765 PRE SB 49-5793 CONFIG CHG DATA FROM A CMM: REPLD BY MS21902J4	002004 006999	1
325	MS21902J4		.UNION- SB DATA FROM A CMM: POST SB 49-5634 POST SB 49-5765 POST SB 49-5793 CONFIG CHG DATA FROM A CMM: REPLS MS21902W4	002004 006999	1
330	S9413-554		.PACKING- SUPPLIER CODE: V99193 OPTIONAL PART: M83248-1-904	002004 006999	3
330	M83248-1-904		.PACKING- OPTIONAL PART: S9413-554 V99193	002004 006999	1

MISSING ITEM NUMBERS NOT APPLICABLE

- ITEM NOT ILLUSTRATED

49-21-51-01

49-21-51  
FIG. 01  
PAGE 26  
SEP 20/08

BRI

BOEING PROPRIETARY - Copyright © - Unpublished Work - See title page for details.



757

PARTS CATALOG (MAINTENANCE)

FIG ITEM	PART NUMBER	1 2 3 4 5 6 7	NOMENCLATURE	EFFECT FROM TO	UNITS PER ASSY
1 335	3880252-1		.TUBE-OIL PUMP PRESSURE SUPPLIER CODE: V99193 SB DATA FROM A CMM: POST SB 49-5634 POST SB 49-5765 POST SB 49-5793 CONFIG CHG DATA FROM A CMM: REPL BY 3880432-1	002004 006999	1
335	3880432-1		.TUBE-OIL PUMP PRESSURE SUPPLIER CODE: V99193 SB DATA FROM A CMM: POST SB 49-5634 POST SB 49-5765 POST SB 49-5793 CONFIG CHG DATA FROM A CMM: REPL BY 3880432-1	002004 006999	1
340	3880256-1		.TUBE-BRG RETURN SUPPLIER CODE: V99193 POSITION DATA: AFT SB DATA FROM A CMM: PRE SB 49-5634 PRE SB 49-5765 PRE SB 49-5793 CONFIG CHG DATA FROM A CMM: REPLS 3880252-1	002004 006999	1
340	3880435-1		.TUBE-BRG RETURN SUPPLIER CODE: V99193 POSITION DATA: AFT SB DATA FROM A CMM: POST SB 49-5634 POST SB 49-5765 POST SB 49-5793 CONFIG CHG DATA FROM A CMM: REPLD BY 3880435-1	002004 006999	1
350	AN6289D6		.NUT- SB DATA FROM A CMM: PRE SB 49-5634 PRE SB 49-5765 PRE SB 49-5793 CONFIG CHG DATA FROM A CMM: REPLD BY AN6289J6	002004 006999	1

MISSING ITEM NUMBERS NOT APPLICABLE

- ITEM NOT ILLUSTRATED

49-21-51-01

49-21-51  
FIG. 01  
PAGE 27  
SEP 20/08

BRI

BOEING PROPRIETARY - Copyright © - Unpublished Work - See title page for details.



757

PARTS CATALOG (MAINTENANCE)

FIG ITEM	PART NUMBER	1 2 3 4 5 6 7	NOMENCLATURE	EFFECT FROM TO	UNITS PER ASSY
1 350	AN6289J6		.NUT- SB DATA FROM A CMM: POST SB 49-5634 POST SB 49-5765 POST SB 49-5793 CONFIG CHG DATA FROM A CMM: REPLS AN6289D6	002004 006999	1
355	MS21908W6		.ELBOW- SB DATA FROM A CMM: PRE SB 49-5634 PRE SB 49-5765 PRE SB 49-5793 CONFIG CHG DATA FROM A CMM: REPLD BY MS21908J6	002004 006999	1
355	MS21908J6		.ELBOW- SB DATA FROM A CMM: POST SB 49-5634 POST SB 49-5765 POST SB 49-5793 CONFIG CHG DATA FROM A CMM: REPLS MS21908W6	002004 006999	1
360	S9413-556		.PACKING- SUPPLIER CODE: V99193 OPTIONAL PART: M83248-1-906	002004 006999	1
360	M83248-1-906		.PACKING- OPTIONAL PART: S9413-556 V99193	002004 006999	1
365	AN6289D4		.NUT- SB DATA FROM A CMM: PRE SB 49-5634 PRE SB 49-5765 PRE SB 49-5793 CONFIG CHG DATA FROM A CMM: REPLD BY AN6289J4	002004 006999	2
365	AN6289J4		.NUT- SB DATA FROM A CMM: POST SB 49-5765 POST SB 49-5793 POST SB 49-5634 CONFIG CHG DATA FROM A CMM: REPLS AN6289D4	002004 006999	2

MISSING ITEM NUMBERS NOT APPLICABLE

- ITEM NOT ILLUSTRATED

49-21-51-01

49-21-51  
FIG. 01  
PAGE 28  
SEP 20/08

BRI



757

PARTS CATALOG (MAINTENANCE)

FIG ITEM	PART NUMBER	1 2 3 4 5 6 7	NOMENCLATURE	EFFECT FROM TO	UNITS PER ASSY
1 370	MS21908W4		.ELBOW- SB DATA FROM A CMM: PRE SB 49-5634 PRE SB 49-5765 PRE SB 49-5793 CONFIG CHG DATA FROM A CMM: REPLD BY MS21908J4	002004 006999	2
370	MS21908J4		.ELBOW- SB DATA FROM A CMM: POST SB 49-5634 POST SB 49-5765 POST SB 49-5793 CONFIG CHG DATA FROM A CMM: REPLS MS21908W4	002004 006999	2
375	MS28773-04		.RETAINER	002004 006999	2
380	3880394-1		.TUBE-BRG SCAVENGE SUPPLIER CODE: V99193 POSITION DATA: MID SB DATA FROM A CMM: PRE SB 49-5634 PRE SB 49-5765 PRE SB 49-5793 CONFIG CHG DATA FROM A CMM: REPLD BY 3880646-1 USED WITH: 3880190-3	002004 006999	1
380	3880646-1		.TUBE-BRG SCAVENGE SUPPLIER CODE: V99193 POSITION DATA: MID SB DATA FROM A CMM: POST SB 49-5634 POST SB 49-5765 POST SB 49-5793 CONFIG CHG DATA FROM A CMM: REPLS 3880394-1	002004 006999	1
385	MS21902W8		.UNION- SB DATA FROM A CMM: PRE SB 49-5634 PRE SB 49-5765 PRE SB 49-5793 CONFIG CHG DATA FROM A CMM: REPLD BY MS21902J8	002004 006999	1

MISSING ITEM NUMBERS NOT APPLICABLE

- ITEM NOT ILLUSTRATED

49-21-51-01

49-21-51  
FIG. 01  
PAGE 29  
SEP 20/08

BRI



757

PARTS CATALOG (MAINTENANCE)

FIG ITEM	PART NUMBER	1 2 3 4 5 6 7	NOMENCLATURE	EFFECT FROM TO	UNITS PER ASSY
1 385	MS21902J8		.UNION- SB DATA FROM A CMM: POST SB 49-5634 POST SB 49-5765 POST SB 49-5793 CONFIG CHG DATA FROM A CMM: REPLS MS21902W8	002004 006999	1
390	S9413-558		.PACKING- SUPPLIER CODE: V99193 OPTIONAL PART: M83248-1-908 V81349 OPTIONAL PART: M83248-1-908	002004 006999	1
390	M83248-1-908		.PACKING- OPTIONAL PART: S9413-558 V99193	002004 006999	1
395	MS21279-05		.BOLT- OPTIONAL PART: MS9556-05 USED WITH: 3862180-1	002004 006999	1
395	MS9556-05		.BOLT- SB DATA FROM A CMM: POST SPB GTE0292 OPTIONAL PART: MS21279-05	002004 006999	1
400	MS21043-3		.NUT- USED WITH: 3862180-1	002004 006999	1
405	TA12C59WTH6HB		.CLAMP- SUPPLIER CODE: V84971 OPTIONAL PART: JM44LC43H6WC V22175 USED WITH: 3862180-1	002004 006999	3
405	JM44LC43H6WC		.CLAMP- SUPPLIER CODE: V22175 SB DATA FROM A CMM: POST SPB GTE1046 OPTIONAL PART: TA12C59WTH6HB V84971	002004 006999	3

MISSING ITEM NUMBERS NOT APPLICABLE

- ITEM NOT ILLUSTRATED

49-21-51-01

49-21-51  
FIG. 01  
PAGE 30  
SEP 20/08

BRI



757

PARTS CATALOG (MAINTENANCE)

FIG ITEM	PART NUMBER	1 2 3 4 5 6 7	NOMENCLATURE	EFFECT FROM TO	UNITS PER ASSY
1					
410	MS21279-05		.BOLT- OPTIONAL PART: MS9556-09 USED WITH: 3862180-1	002004 006999	1
410	MS21279-09		.BOLT- SB DATA FROM A CMM: POST SPB GTE0292 OPTIONAL PART: MS21279-05	002004 006999	1
415	MS21043-3		.NUT- USED WITH: 3862180-1	002004 006999	1
420	TA12C59TH4HB		ATTACHING PARTS .CLAMP- SUPPLIER CODE: V84971 OPTIONAL PART: JM44LC43H4WC V22175 USED WITH: 3862180-1	002004 006999	1
420	JM44LC43H4WC		.CLAMP- SUPPLIER CODE: V22175 CONFIG CHG DATA FROM A CMM: POST SPB GTE1046 OPTIONAL PART: TA12C59TH4HB V84971 -----*-----	002004 006999	1
- 425	MS16995-25		.BOLT- SB DATA FROM A CMM: POST SB 49-5841	002004 006999	1
- 430	886903-3		.RETAINER- SUPPLIER CODE: V99193 SB DATA FROM A CMM: POST SB 49-5841	002004 006999	1

MISSING ITEM NUMBERS NOT APPLICABLE

- ITEM NOT ILLUSTRATED

49-21-51-01

49-21-51  
FIG. 01  
PAGE 31  
SEP 20/08

BRI

BOEING PROPRIETARY - Copyright © - Unpublished Work - See title page for details.



757

PARTS CATALOG (MAINTENANCE)

FIG ITEM	PART NUMBER	1 2 3 4 5 6 7	NOMENCLATURE	EFFECT FROM TO	UNITS PER ASSY
1 435	3884262-1		.TUBE-BRG BRF SUPPLIER CODE: V99193 POSITION DATA: MID SB DATA FROM A CMM: PRE SB 49-5634 PRE SB 49-5765 PRE SB 49-5793 CONFIG CHG DATA FROM A CMM: REPLD BY 3884434-1	002004 006999	1
435	3884434-1		.TUBE-BRG BUFFER AIR SUPPLIER CODE: V99193 POSITION DATA: FWD SB DATA FROM A CMM: POST SB 49-5634 POST SB 49-5765 POST SB 49-5793 PRE SB 49-5841 CONFIG CHG DATA FROM A CMM: REPLS 3884262-1 REPL BY 3614789-1	002004 006999	1
435	3614789-1		.TUBE-BRG BUFFER AIR SUPPLIER CODE: V99193 POSITION DATA: FWD SB DATA FROM A CMM: POSTSB 49-5841 CONFIG CHG DATA FROM A CMM: REPLS 3884262-1	002004 006999	1
440	S8990-010		.PACKING- SUPPLIER CODE: V59364 SB DATA FROM A CMM: POST SB 49-5841 OPTIONAL PART: MS9386-010	002004 006999	1
440	MS9386-010		.PACKING- OPTIONAL PART: S8990-010 V59364	002004 006999	1

MISSING ITEM NUMBERS NOT APPLICABLE

- ITEM NOT ILLUSTRATED

49-21-51-01

49-21-51  
FIG. 01  
PAGE 32  
SEP 20/08

BRI





757

## PARTS CATALOG (MAINTENANCE)

FIG ITEM	PART NUMBER	1 2 3 4 5 6 7	NOMENCLATURE	EFFECT FROM TO	UNITS PER ASSY
1 445	MS21916W6-4		.REDUCER- SB DATA FROM A CMM: PRE SB 49-5634 PRE SB 49-5765 PRE SB 49-5793 CONFIG CHG DATA FROM A CMM: REPLD BY MS21916J6-4	002004 006999	1
445	MS21916J6-4		.REDUCER- SB DATA FROM A CMM: POST SB 49-5634 POST SB 49-5765 POST SB 49-5793 CONFIG CHG DATA FROM A CMM: REPLS MS21916W6-4	002004 006999	1
450	S8990-604		.PACKING- SUPPLIER CODE: V59364 OPTIONAL PART: MS9385-04	002004 006999	1
450	MS9385-04		.PACKING- OPTIONAL PART: S8990-604 V59364	002004 006999	1
455	MS21905W4		.TEE- USED WITH: 3862180-1	002004 006999	1
460	AN6289D4		.NUT- SB DATA FROM A CMM: PRE SB 49-5634 PRE SB 49-5765 PRE SB 49-5793 CONFIG CHG DATA FROM A CMM: REPLD BY AN6289J4 PRE SERVICE BULLETIN: GTCP331-49-5765 V99193	002004 006999	1
460	AN6289J4		.NUT- SB DATA FROM A CMM: POST SB 49-5634 POST SB 49-5765 POST SB 49-5793 CONFIG CHG DATA FROM A CMM: REPLS AN6289D4 POST SERVICE BULLETIN: GTCP331-49-5765 V99193	002004 006999	1

MISSING ITEM NUMBERS NOT APPLICABLE

- ITEM NOT ILLUSTRATED

BRI

49-21-51-01

BOEING PROPRIETARY - Copyright © - Unpublished Work - See title page for details.

49-21-51  
FIG. 01  
PAGE 33  
SEP 20/08



757

PARTS CATALOG (MAINTENANCE)

FIG ITEM	PART NUMBER	1 2 3 4 5 6 7	NOMENCLATURE	EFFECT FROM TO	UNITS PER ASSY
1 465	MS21908W4		.ELBOW- SB DATA FROM A CMM: PRE SB 49-5634 PRE SB 49-5765 PRE SB 49-5793 CONFIG CHG DATA FROM A CMM: REPLD BY MS21907J4 REPLD BY MS21908J4	002004 006999	1
465	MS21908J4		.ELBOW- SB DATA FROM A CMM: POST SB 49-5634 CONFIG CHG DATA FROM A CMM: REPLS MS21908W4 USED ON: 3800298-1 3800298-1-1 3800298-1-2 3800298-1-3 3800298-1-4 3800298-1-5 3800298-1-6 3800298-1-7	002004 006999	1
470	MS28773-04		.RETAINER	002004 006999	1
475	S9412-554		.PACKING- SUPPLIER CODE: V99193 OPTIONAL PART: M83248-1-904	002004 006999	1
475	M83248-1-904		.PACKING- OPTIONAL PART: S9412-554 V99193	002004 006999	1
480	MS21902W4		.UNION- SB DATA FROM A CMM: PRE SB 49-5634 PRE SB 49-5765 PRE SB 49-5793 CONFIG CHG DATA FROM A CMM: REPLD BY MS21902J4	002004 006999	1
480	MS21902J4		.UNION- SB DATA FROM A CMM: POST SB 49-5634 POST SB 49-5765 POST SB 49-5793 PRE 49-7192 CONFIG CHG DATA FROM A CMM: REPLS MS21902W4	002004 006999	1

MISSING ITEM NUMBERS NOT APPLICABLE

- ITEM NOT ILLUSTRATED

49-21-51-01

49-21-51  
FIG. 01  
PAGE 34  
SEP 20/08

BRI



757

PARTS CATALOG (MAINTENANCE)

FIG ITEM	PART NUMBER	1 2 3 4 5 6 7	NOMENCLATURE	EFFECT FROM TO	UNITS PER ASSY
1 485	S8990-604		.PACKING- SUPPLIER CODE: V59364 OPTIONAL PART: MS9385-04	002004 006999	1
485	MS9385-04		.PACKING- OPTIONAL PART: S8990-604 V59364	002004 006999	1
490	AN6289D6		.NUT- SB DATA FROM A CMM: PRE SB 49-5634 PRE SB 49-5765 PRE SB 49-5793 CONFIG CHG DATA FROM A CMM: REPLD BY AN6289J6	002004 006999	1
490	AN6289J6		.NUT- SB DATA FROM A CMM: POST SB 49-5634 POST SB 49-5765 POST SB 49-5793 CONFIG CHG DATA FROM A CMM: REPLS AN6289D6	002004 006999	1
495	MS21908W6		.ELBOW- SB DATA FROM A CMM: PRE SB 49-5634 PRE SB 49-5765 PRE SB 49-5793 CONFIG CHG DATA FROM A CMM: REPLD BY MS21908J6	002004 006999	1
495	MS21908J6		.ELBOW- SB DATA FROM A CMM: POST SB 49-5634 POST SB 49-5765 POST SB 49-5793 CONFIG CHG DATA FROM A CMM: REPLS BY MS21908W6	002004 006999	1
500	MS28773-06		.RETAINER	002004 006999	1
505	S9413-556		.PACKING- SUPPLIER CODE: V99193 OPTIONAL PART: M83248-1-906	002004 006999	1
505	M83248-1-906		.PACKING- OPTIONAL PART: S9413-556 V99193	002004 006999	1

MISSING ITEM NUMBERS NOT APPLICABLE

- ITEM NOT ILLUSTRATED

49-21-51-01

49-21-51  
FIG. 01  
PAGE 35  
SEP 20/08

BRI



757

PARTS CATALOG (MAINTENANCE)

FIG ITEM	PART NUMBER	1 2 3 4 5 6 7	NOMENCLATURE	EFFECT FROM TO	UNITS PER ASSY
1 510	3884285-1		.TUBE-GRBX SUPPLIER CODE: V99193 SB DATA FROM A CMM: PRE SB 49-5364 USED WITH: 3862180-1	002004 006999	1
515	AN6289D4		.NUT- SB DATA FROM A CMM: PRE SB 49-5364 USED WITH: 3862180-1	002004 006999	1
520	3884284-1		.ELBOW-GRBX PRESS SUPPLIER CODE: V99193 SB DATA FROM A CMM: PRE SB 49-5364 USED WITH: 3862180-1	002004 006999	1
525	MS28773-04		.RETAINER- SB DATA FROM A CMM: PRE SB 49-5364 USED WITH: 3862180-1	002004 006999	1
530	S8990-604		.PACKING- SUPPLIER CODE: V59364 SB DATA FROM A CMM: PRE SB 49-5364 OPTIONAL PART: MS9385-04	002004 006999	1
530	MS9385-04		.PACKING- OPTIONAL PART: S8990-604 V59364	002004 006999	1

MISSING ITEM NUMBERS NOT APPLICABLE

- ITEM NOT ILLUSTRATED

49-21-51-01

49-21-51  
FIG. 01  
PAGE 36  
SEP 20/08

BRI



757

PARTS CATALOG (MAINTENANCE)

FIG ITEM	PART NUMBER	1 2 3 4 5 6 7	NOMENCLATURE	EFFECT FROM TO	UNITS PER ASSY
1 535	MS9902-04		.PLUG- SB DATA FROM A CMM: POST SB 49-5634 CONFIG CHG DATA FROM A CMM: REPLS MS9954-04 OPTIONAL PART: AN814-4JL USED ON: 3800298-1 3800298-1-1 3800298-1-2 3800298-1-3 3800298-1-4 3800298-1-5 3800298-1-6 3800298-1-7	002004 006999	1
535	AN814-4JL		.PLUG- USED ON: 3800298-1 3800298-1-1 3800298-1-2 3800298-1-3 3800298-1-4 3800298-1-5 3800298-1-6 3800298-1-7 USED WITH: 3610683-1	002004 006999	1
540	S8990-604		.PACKING- SUPPLIER CODE: V59364 SB DATA FROM A CMM: POST SB 49-5364 OPTIONAL PART: MS9385-04	002004 006999	1
540	MS9385-04		.PACKING- OPTIONAL PART: S8990-604 V59364	002004 006999	1
545	MS21279-05		.BOLT- OPTIONAL PART: MS9556-05	002004 006999	1
545	MS9556-05		.BOLT- OPTIONAL PART: MS21279-05	002004 006999	1

MISSING ITEM NUMBERS NOT APPLICABLE

- ITEM NOT ILLUSTRATED

49-21-51-01

49-21-51  
FIG. 01  
PAGE 37  
SEP 20/08

BRI

BOEING PROPRIETARY - Copyright © - Unpublished Work - See title page for details.



757

PARTS CATALOG (MAINTENANCE)

FIG ITEM	PART NUMBER	1 2 3 4 5 6 7	NOMENCLATURE	EFFECT FROM TO	UNITS PER ASSY
1 550	TA12C59TH4HB	.CLAMP-	SUPPLIER CODE: V84971 OPTIONAL PART: JM44LC43H4WC V22175	002004 006999	1
550	JM44LC43H4WC	.CLAMP-	SUPPLIER CODE: V22175 CONFIG CHG DATA FROM A CMM: POST SPB GTE1046 OPTIONAL PART: TA12C59TH4HB V84971	002004 006999	4
555	MS9593-010	.BRACKET		002004 006999	1
560	MS21279-06	.BOLT-	OPTIONAL PART: MS9556-06	002004 006999	2
560	MS9556-06	.BOLT-	SB DATA FROM A CMM: POST SPB GTE0306 OPTIONAL PART: MS21279-06 ATTACHING PARTS	002004 006999	2
565	MS9556-07	.BOLT		002004 006999	2
570	MS21043-3	.NUT	-----*-----	002004 006999	4
575	3880170-1	.SHIELD ASSY-OIL RETURN	SUPPLIER CODE: V99193 SB DATA FROM A CMM: PRE SB 49-5366 CONFIG CHG DATA FROM A CMM: SUPSD BY 3880170-3	002004 006999	2
575	3880170-3	.SHIELD ASSY-OIL RETURN	SUPPLIER CODE: V99193 SB DATA FROM A CMM: POST SB 49-5366 CONFIG CHG DATA FROM A CMM: SUPSDS 3880170-1	002004 006999	2
585	MS21279-06	.BOLT-	SB DATA FROM A CMM: PRE SPB GTE0305 CONFIG CHG DATA FROM A CMM: REPLD BY MS9556-05	002004 006999	1

MISSING ITEM NUMBERS NOT APPLICABLE

- ITEM NOT ILLUSTRATED

49-21-51-01

49-21-51  
FIG. 01  
PAGE 38  
SEP 20/08

BRI



757

PARTS CATALOG (MAINTENANCE)

FIG ITEM	PART NUMBER	1 2 3 4 5 6 7	NOMENCLATURE	EFFECT FROM TO	UNITS PER ASSY
1 585	MS9556-05		.BOLT- SB DATA FROM A CMM: POST SPB GTE0305 CONFIG CHG DATA FROM A CMM: REPLACES MS21279-06	002004 006999	1
590	AN6289D4		.NUT- SB DATA FROM A CMM: PRE 49-5634 PRE 49-5765 PRE49-5793 CONFIG CHG DATA FROM A CMM: REPLD BY AN6289J4	002004 006999	1
590	AN6289J4		.NUT- SB DATA FROM A CMM: POST 49-5634 POST 49-5765 POST 49-5793 CONFIG CHG DATA FROM A CMM: REPLACES AN6289D4	002004 006999	1
595	S9413-113		.PACKING- SUPPLIER CODE: V99193 OPTIONAL PART: M83248-1-113	002004 006999	1
595	M83248-1-113		.PACKING- OPTIONAL PART: S9413-113 V99193	002004 006999	1
600	S8990-604		.PACKING- SUPPLIER CODE: V59364 SB DATA FROM A CMM: PRE SPB GTE0252 OPTIONAL PART: S9412-554 V99193 M25988-2-904	002004 006999	1
600	S9412-554		.PACKING- SUPPLIER CODE: V99193 SB DATA FROM A CMM: POST SPB GTE0252 OPTIONAL PART: S8990-604 V59364 M25988-2-904	002004 006999	1

MISSING ITEM NUMBERS NOT APPLICABLE

- ITEM NOT ILLUSTRATED

49-21-51-01

49-21-51  
FIG. 01  
PAGE 39  
SEP 20/08

BRI



757

PARTS CATALOG (MAINTENANCE)

FIG ITEM	PART NUMBER	1 2 3 4 5 6 7	NOMENCLATURE	EFFECT FROM TO	UNITS PER ASSY
1 600	M25988-2-904		.PACKING- OPTIONAL PART: S8990-604 V59364 S9412-554 V99193	002004 006999	1
605	MS21908W4		.ELBOW- SB DATA FROM A CMM: PRE 49-5634 PRE 49-5765 PRE 49-5793 CONFIG CHG DATA FROM A CMM: REPLD BY MS21908J4	002004 006999	1
605	MS21908J4		.ELBOW- SB DATA FROM A CMM: POST 49-5634 POST 49-5765 POST 49-5793 CONFIG CHG DATA FROM A CMM: REPLACES MS21908W4	002004 006999	1
610	MS28773-04		.RETAINER	002004 006999	1
620	MS16995-25		.BOLT- SB DATA FROM A CMM: POST SB 49-5841	002004 006999	2
625	886903-1		.RETAINER- SUPPLIER CODE: V59364 SB DATA FROM A CMM: POST SB 49-5841	002004 006999	2
630	S8990-010		.PACKING- SUPPLIER CODE: V59364 SB DATA FROM A CMM: POST SB 49-5841 OPTIONAL PART: MS9386-010	002004 006999	2
630	MS9386-010		.PACKING- OPTIONAL PART: S8990-010 V59364	002004 006999	2
650	3614792-1		.TUBE-CLG FAN BUFFER AIR SUPPLIER CODE: V99193 SB DATA FROM A CMM: POST SB 49-5841 POST SERVICE BULLETIN: GTCP331-49-5841 V99193	002004 006999	1

MISSING ITEM NUMBERS NOT APPLICABLE

- ITEM NOT ILLUSTRATED

49-21-51-01

49-21-51  
FIG. 01  
PAGE 40  
SEP 20/08

BRI





757

PARTS CATALOG (MAINTENANCE)

FIG ITEM	PART NUMBER	1 2 3 4 5 6 7	NOMENCLATURE	EFFECT FROM TO	UNITS PER ASSY
1 660	S9803-3		.PLATE-IDENT SUPPLIER CODE: V99193 SB DATA FROM A CMM: POST SPB GTE0252 CONFIG CHG DATA FROM A CMM: REPLACES S9017C24P2 OPTIONAL PART: S9803-53 V99193 S20000-1 V99193 USED ON: 3800298-1-1 3800298-1-2 3800298-1-3 3800298-1-4 3800298-1-5 3800298-1-6	002004 006999	1
660	S9803-53		.PLATE-IDENT SUPPLIER CODE: V99193 SB DATA FROM A CMM: PRE SPB GTE1107 OPTIONAL PART: S9803-3 V99193 S20000-1 V99193 USED ON: 3800298-1-1 3800298-1-2 3800298-1-3 3800298-1-4 3800298-1-5 3800298-1-6	002004 006999	1

MISSING ITEM NUMBERS NOT APPLICABLE

- ITEM NOT ILLUSTRATED

49-21-51-01

49-21-51  
FIG. 01  
PAGE 41  
SEP 20/08

BRI

 **BOEING**  
757  
**PARTS CATALOG (MAINTENANCE)**

FIG ITEM	PART NUMBER	1 2 3 4 5 6 7	NOMENCLATURE	EFFECT FROM TO	UNITS PER ASSY
1 660	S20000-1		.PLATE-IDENT SUPPLIER CODE: V99193 SB DATA FROM A CMM: POST SPB GTE1107 OPTIONAL PART: S9803-3 V99193 S9803-53 V99193 USED ON: 3800298-1-1 3800298-1-2 3800298-1-3 3800298-1-4 3800298-1-5 3800298-1-6	002004 006999	1
665	RV540A3-2		ATTACHING PARTS .RIVET- SUPPLIER CODE: V98996 SB DATA FROM A CMM: PRE SPB GTE0252 CONFIG CHG DATA FROM A CMM: REPLD BY AD42H OPTIONAL PART: CCR274CS3-2 V11815	002004 006999	2
665	CCR274CS3-2		.RIVET- SUPPLIER CODE: V11815 SB DATA FROM A CMM: PRE SPB GTE0252 CONFIG CHG DATA FROM A CMM: REPLD BY AD42H OPTIONAL PART: RV540A3-2 V98996	002004 006999	2
665	AD42H		.RIVET-BLIND SUPPLIER CODE: V07707 SB DATA FROM A CMM: POST SPB GTE0252 PRE SPB GTE0294 CONFIG CHG DATA FROM A CMM: REPLS CCR274CS3-2, RV540A3-2 REPLD BY MS51861-12C	002004 006999	2

MISSING ITEM NUMBERS NOT APPLICABLE

— ITEM NOT ILLUSTRATED

BRI

# 49-21-51-01

BOEING PROPRIETARY - Copyright © - Unpublished Work - See title page for details.

49-21-51  
FIG. 01  
PAGE 42  
SEP 20/08



757

PARTS CATALOG (MAINTENANCE)

FIG ITEM	PART NUMBER	1 2 3 4 5 6 7	NOMENCLATURE	EFFECT FROM TO	UNITS PER ASSY
1					
670	MS51861-12C		.SCREW- SB DATA FROM A CMM: POST SPB GTE0294 CONFIG CHG DATA FROM A CMM: REPLD BY MS24630-10	002004 006999	2
670	MS24630-10		.SCREW- SB DATA FROM A CMM: POST SPB GTE0294 CONFIG CHG DATA FROM A CMM: REPLS MS51861-12C	002004 006999	2
675	NAS620C3		.WASHER- SB DATA FROM A CMM: PRE SPB GTE0294 CONFIG CHG DATA FROM A CMM: REPLD BY NAS620C5	002004 006999	2
675	NAS620C5		.WASHER- SB DATA FROM A CMM: POST SPB GTE0294 CONFIG CHG DATA FROM A CMM: REPLS NAS620C3 REPLD BY NAS620C4L	002004 006999	2
675	NAS620C4L		.WASHER- CONFIG CHG DATA FROM A CMM: REPLS NAS620C5 -----*-----	002004 006999	2
685	MS9556-05		.BOLT- POST SERVICE BULLETIN: GTCP331-49-7496R3 V59364	002004 006102	6
690	MS9556-10		.BOLT- POST SERVICE BULLETIN: GTCP331-49-7496R3 V59364	002004 006102	1
695	MS21043-3		.NUT- POST SERVICE BULLETIN: GTCP331-49-7496R3 V59364	002004 006102	6
700	NAS43DD3-14FC		.SPACER- POST SERVICE BULLETIN: GTCP331-49-7496R3 V59364	002004 006102	1
705	211-501-9660		.CLAMP- SUPPLIER CODE: V59364 POST SERVICE BULLETIN: GTCP331-49-7496R3 V59364	002004 006102	1

MISSING ITEM NUMBERS NOT APPLICABLE

- ITEM NOT ILLUSTRATED

49-21-51-01

49-21-51  
FIG. 01  
PAGE 43  
JAN 20/09

BRI



757

PARTS CATALOG (MAINTENANCE)

FIG ITEM	PART NUMBER	1 2 3 4 5 6 7	NOMENCLATURE	EFFECT FROM TO	UNITS PER ASSY
1 710	211-577-9010		.CLAMP- SUPPLIER CODE: V59364 POST SERVICE BULLETIN: GTCP331-49-7496R3 V59364	002004 006102	2
715	211-501-9754		.CLAMP- SUPPLIER CODE: V59364 POST SERVICE BULLETIN: GTCP331-49-7496R3 V59364	002004 006102	3
720	MS9592-018		.BRACKET- POST SERVICE BULLETIN: GTCP331-49-7496R3 V59364	002004 006102	1
725	AN815-4J		.UNION- POST SERVICE BULLETIN: GTCP331-49-7496R3 V59364	002004 006102	1

MISSING ITEM NUMBERS NOT APPLICABLE

- ITEM NOT ILLUSTRATED

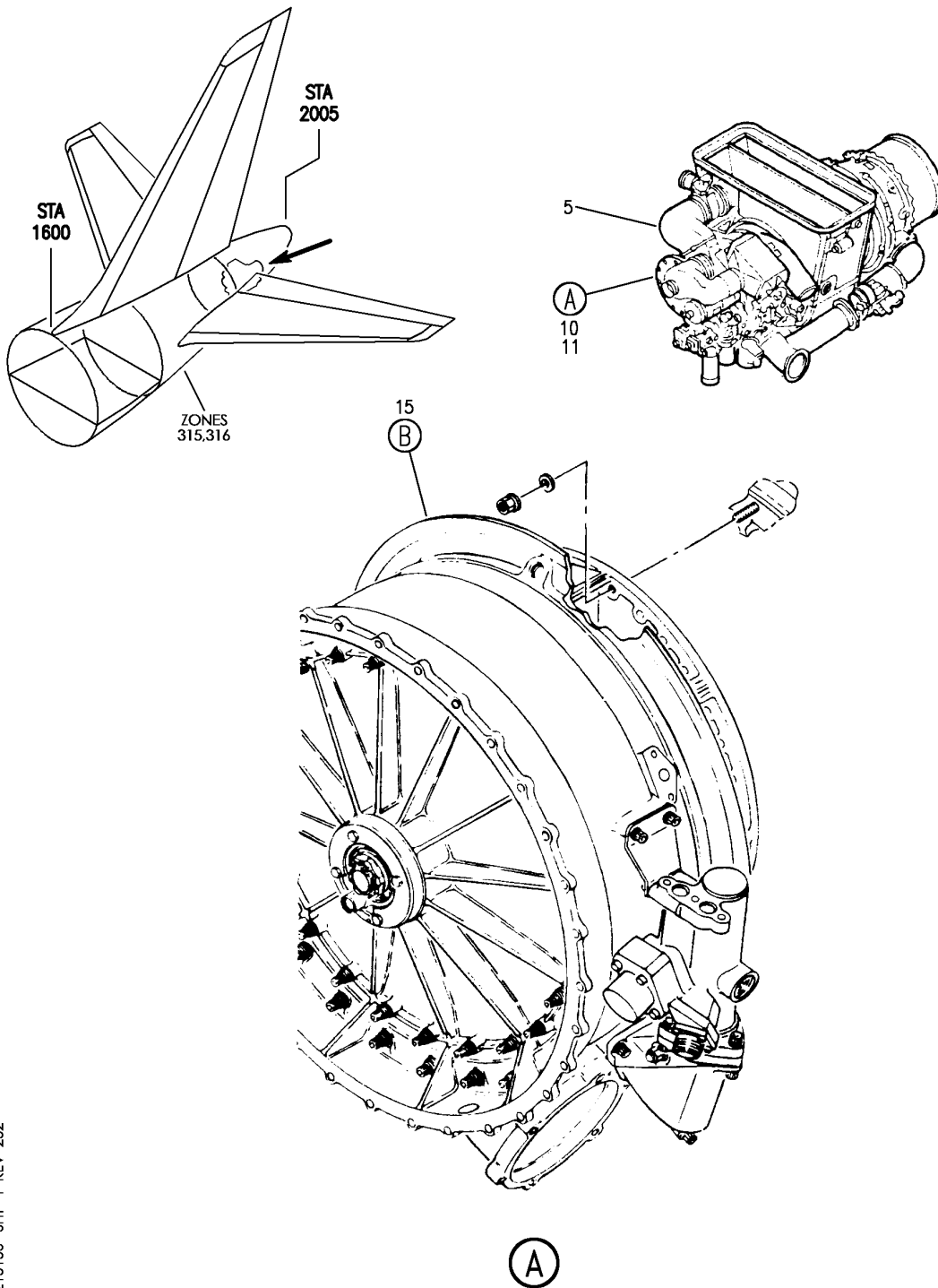
49-21-51-01

49-21-51  
FIG. 01  
PAGE 44  
JAN 20/09

BRI

BOEING PROPRIETARY - Copyright © - Unpublished Work - See title page for details.

**BOEING**  
757  
PARTS CATALOG (MAINTENANCE)



Y 49215150 SHT 1 REV 252

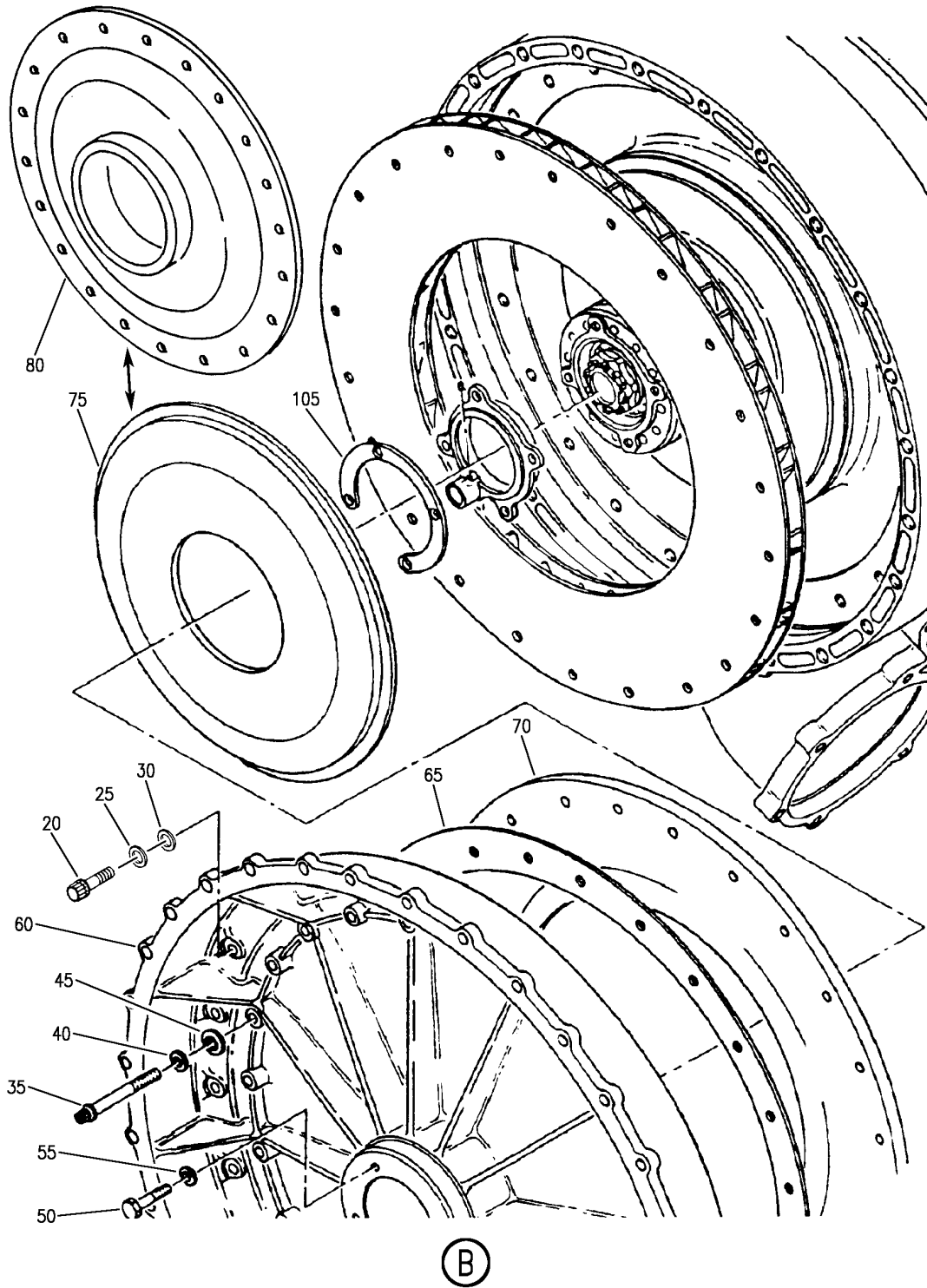
ENGINE ASSY-GAS TURB (APU ENGINE ONLY)  
FIGURE 50 (SHEET 1)

**49-21-51-50**

BRI  
MAY 28/07

49-21-51-50  
PAGE 0

**BOEING**  
757  
PARTS CATALOG (MAINTENANCE)



Y 49215150 SHT 2 REV 246

ENGINE ASSY-GAS TURB (APU ENGINE ONLY)  
FIGURE 50 (SHEET 2)

**49-21-51-50**

BRI  
MAY 28/07

49-21-51-50  
PAGE 0A



757

PARTS CATALOG (MAINTENANCE)

FIG ITEM	PART NUMBER	1 2 3 4 5 6 7 NOMENCLATURE	EFFECT FROM TO	UNITS PER ASSY
50  - 1	3800298-1-2	ENGINE ASSY-GAS TURB (APU ENGINE ONLY) ENGINE ASSY-GAS TURB GTCP331-200ER (APU ENGINE ONLY) SUPPLIER CODE: V99193 SPECIFICATION NUMBER: S351T020-201 CONFIG CHG DATA FROM A CMM: REPLACES 3800298-1-1 COMPONENT MAINT MANUAL REF: 49-22-11 QUALIFIED I/W DATA: S351T020-201 (3800298-1-2) AND S351T020-205 (3800298-1-6) ARE INTERCHANGEABLE WITH THE INCORPORATION OF ALLIED SIGNAL S/B GTCP331-49-7081. S351T020-201 (3800298-1-2) AND S351T020-206 (3800298-1-7/3800298-1) ARE INTERCHANGEABLE WITH THE INCORPORATION OF ALLIED SIGNAL S/B GTCP331-49-7081. FOR NHA/ADDITIONAL DET SEE: 49-11-01-50	002004 006999 002004 006100 107107 121503 904999	RF

MISSING ITEM NUMBERS NOT APPLICABLE

- ITEM NOT ILLUSTRATED

**49-21-51-50**

49-21-51  
 FIG. 50  
 PAGE 1  
 JAN 20/09

BRI



757

PARTS CATALOG (MAINTENANCE)

FIG ITEM	PART NUMBER	1 2 3 4 5 6 7 NOMENCLATURE	EFFECT FROM TO	UNITS PER ASSY
50 - 1	3800298-1-1	ENGINE ASSY-GAS TURB GTCP331-200ER (APU ENGINE ONLY) SUPPLIER CODE: V99193 SPECIFICATION NUMBER: S351T020-200 COMPONENT MAINT MANUAL REF: 49-22-11 QUALIFIED I/W DATA: S351T020-200 (3800298-1-1) AND S351T020-205 (3800298-1-6) ARE INTERCHANGEABLE WITH THE INCORPORATION OF ALLIED SIGNAL S/B GTCP331-49-7081. S351T020-200 (3800298-1-1) AND S351T020-206 (3800298-1-7/3800298-1) ARE INTERCHANGEABLE WITH THE INCORPORATION OF ALLIED SIGNAL S/B GTCP331-49-7081. FOR NHA/ADDITIONAL DET SEE: 49-11-01-50	002004 006100 107107 121503 904999	RF

MISSING ITEM NUMBERS NOT APPLICABLE

- ITEM NOT ILLUSTRATED

49-21-51-50

49-21-51  
FIG. 50  
PAGE 2  
JAN 20/09

BRI





757

PARTS CATALOG (MAINTENANCE)

FIG ITEM	PART NUMBER	1 2 3 4 5 6 7	NOMENCLATURE	EFFECT FROM TO	UNITS PER ASSY
50 - 1	3800298-1-3		ENGINE ASSY-GAS TURB GTCP331-200ER (APU ENGINE ONLY) SUPPLIER CODE: V99193 SPECIFICATION NUMBER: S351T020-202 CONFIG CHG DATA FROM A CMM: REPLACES 3800298-1-2 COMPONENT MAINT MANUAL REF: 49-22-11 QUALIFIED I/W DATA: S351T020-202 (3800298-1-3) AND S351T020-205 (3800298-1-6) ARE INTERCHANGEABLE WITH THE INCORPORATION OF ALLIED SIGNAL S/B GTCP331-49-7081. S351T020-202 (3800298-1-3) AND S351T020-206 (3800298-1-7/3800298-1) ARE INTERCHANGEABLE WITH THE INCORPORATION OF ALLIED SIGNAL S/B GTCP331-49-7081. FOR NHA/ADDITIONAL DET SEE: 49-11-01-50	002004 006100 107107 121503 904999	RF

MISSING ITEM NUMBERS NOT APPLICABLE

- ITEM NOT ILLUSTRATED

49-21-51-50

49-21-51  
 FIG. 50  
 PAGE 3  
 JAN 20/09

BRI



757

PARTS CATALOG (MAINTENANCE)

FIG ITEM	PART NUMBER	1 2 3 4 5 6 7 NOMENCLATURE	EFFECT FROM TO	UNITS PER ASSY
50 - 1	3800298-1-4	ENGINE ASSY-GAS TURB GTCP331-200ER (APU ENGINE ONLY) SUPPLIER CODE: V99193 SPECIFICATION NUMBER: S351T020-203 CONFIG CHG DATA FROM A CMM: REPLACES 3800298-1-3 COMPONENT MAINT MANUAL REF: 49-22-11 QUALIFIED I/W DATA: 3800298-1-4/S351T020-203 AND 3800298-1-6/S351T020-205 ARE INTERCHANGEABLE WITH THE INCORPORATION OF ALLIED SIGNAL S/B GTCP331-49-7081. S351T020-203(3800298-1-4 AND S351T020-206(3800298-1-7 /3800298-1) ARE INTERCHANGEABLE WITH THE INCORPORATION OF ALLIED SIGNAL S/B GTCP331-49-7081. FOR NHA/ADDITIONAL DET SEE: 49-11-01-50	002004 006100 107107 121503 904999	RF

MISSING ITEM NUMBERS NOT APPLICABLE

- ITEM NOT ILLUSTRATED

BRI

49-21-51-50

BOEING PROPRIETARY - Copyright © - Unpublished Work - See title page for details.

49-21-51  
FIG. 50  
PAGE 4  
JAN 20/09



757

PARTS CATALOG (MAINTENANCE)

FIG ITEM	PART NUMBER	1 2 3 4 5 6 7	NOMENCLATURE	EFFECT FROM TO	UNITS PER ASSY
50 - 1	3800298-1-5		ENGINE ASSY-GAS TURB GTCP331-200ER (APU ENGINE ONLY) SUPPLIER CODE: V99193 SPECIFICATION NUMBER: S351T020-204 CONFIG CHG DATA FROM A CMM: REPLACES 3800298-1-4 COMPONENT MAINT MANUAL REF: 49-22-11 QUALIFIED I/W DATA: 3800298-1-5/S351T020-204 AND 3800298-1-6/S351T020-205 ARE INTERCHANGEABLE WITH THE INCORPORATION OF ALLIED SIGNAL S/B GTCP331-49-7081. S351T020-204 (3800298-1-5) AND S351T020-206(3800298-1-7 /3800298-1) ARE INTERCHANGEABLE WITH THE INCORPORATION OF ALLIED SIGNAL S/B GTCP331-49-7081. FOR NHA/ADDITIONAL DET SEE: 49-11-01-50	002004 006100 107107 121503 904999	RF
- 1	3800298-1-6		ENGINE ASSY-GAS TURB GTCP331-200ER (APU ENGINE ONLY) SUPPLIER CODE: V99193 SPECIFICATION NUMBER: S351T020-205 CONFIG CHG DATA FROM A CMM: REPLACES 3800298-1-5 COMPONENT MAINT MANUAL REF: 49-22-11 QUALIFIED I/W DATA: 3800298-1-5/S351T020-204 AND 3800298-1-6/S351T020-205 ARE INTERCHANGEABLE WITH THE INCORPORATION OF ALLIED SIGNAL S/B GTCP331-49-7081. S351T020-203	002004 006999	RF

MISSING ITEM NUMBERS NOT APPLICABLE

- ITEM NOT ILLUSTRATED

49-21-51-50

49-21-51  
FIG. 50  
PAGE 5  
JAN 20/09

BRI



757

PARTS CATALOG (MAINTENANCE)

FIG ITEM	PART NUMBER	1 2 3 4 5 6 7 NOMENCLATURE	EFFECT FROM TO	UNITS PER ASSY
50		<p>(3800298-1-4) AND S351T020-205 (3800298-1-6) ARE INTERCHANGEABLE WITH THE INCORPORATION OF ALLIED SIGNAL S/B GTCP331-49-7081. S351T020-202 (3800298-1-3) AND S351T020-205 (3800298-1-6) ARE INTERCHANGEABLE WITH THE INCORPORATION OF ALLIED SIGNAL S/B GTCP331-49-7081. S351T020-201 (3800298-1-2) AND S351T020-205 (3800298-1-6) ARE INTERCHANGEABLE WITH THE INCORPORATION OF ALLIED SIGNAL S/B GTCP331-49-7081. S351T020-200 (3800298-1-1) AND S351T020-205 (3800298-1-6) ARE INTERCHANGEABLE WITH THE INCORPORATION OF ALLIED SIGNAL S/B GTCP331-49-7081. FOR NHA/ADDITIONAL DET SEE: 49-11-01-50 49-21-00-02</p>		
- 1	3800298-1-7	<p>ENGINE ASSY-GAS TURB GTCP331-200ER (APU ENGINE ONLY) SUPPLIER CODE: V99193 SPECIFICATION NUMBER: S351T020-206 CONFIG CHG DATA FROM A CMM: REPLACES 3800298-1-6 COMPONENT MAINT MANUAL REF: 49-22-11 QUALIFIED I/W DATA: 3800298-1-5/S351T020-204 AND 3800298-1-7/S351T020-206</p>	002004 006999	RF

MISSING ITEM NUMBERS NOT APPLICABLE

- ITEM NOT ILLUSTRATED

49-21-51-50

49-21-51  
FIG. 50  
PAGE 6  
SEP 20/08

BRI



757

PARTS CATALOG (MAINTENANCE)

FIG ITEM	PART NUMBER	1 2 3 4 5 6 7 NOMENCLATURE	EFFECT FROM TO	UNITS PER ASSY
50		<p>/3800298-1            ARE INTERCHANGEABLE WITH            THE INCORPORATION OF            ALLIED SIGNAL S/B            GTCP331-49-7081.            S351T020-203            (3800298-1-4) AND            S351T020-206(3800298-1-7            /3800298-1) ARE            INTERCHANGEABLE WITH THE            INCORPORATION OF ALLIED            SIGNAL S/B            GTCP331-49-7081.            S351T020-202            (3800298-1-3)            AND S351T020-206            (3800298-1-7/3800298-1)            ARE INTERCHANGEABLE            WITH THE INCORPORATION            OF ALLIED SIGNAL S/B            GTCP331-49-7081.            S351T020-201            (3800298-1-2)            AND S351T020-206            (3800298-1-7/3800298-1)            ARE INTERCHANGEABLE            WITH THE INCORPORATION            OF ALLIED SIGNAL S/B            GTCP331-49-7081.            S351T020-200            (3800298-1-1)            AND S351T020-206            (3800298-1-7/3800298-1)            ARE INTERCHANGEABLE            WITH THE INCORPORATION            OF ALLIED SIGNAL S/B            GTCP331-49-7081.            OPTIONAL PART:            3800298-1            V99193            FOR NHA/ADDITIONAL DET SEE:            49-11-01-50            49-21-00-02</p>		
- 1	3800298-1	<p>ENGINE ASSY-GAS TURB            GTCP331-200ER            (APU ENGINE ONLY)            SUPPLIER CODE:            V99193            SPECIFICATION NUMBER:</p>	002004 006999	RF

MISSING ITEM NUMBERS NOT APPLICABLE

- ITEM NOT ILLUSTRATED

49-21-51-50

49-21-51  
 FIG. 50  
 PAGE 7  
 SEP 20/08

BRI



757

PARTS CATALOG (MAINTENANCE)

FIG ITEM	PART NUMBER	1 2 3 4 5 6 7 NOMENCLATURE	EFFECT FROM TO	UNITS PER ASSY
50		<p>S351T020-206            COMPONENT MAINT MANUAL REF:            49-22-11            QUALIFIED I/W DATA:            3800298-1-5/S351T020-204            AND            3800298-1-7/S351T020-206            3800298-1            ARE INTERCHANGEABLE WITH            THE INCORPORATION OF            ALLIED SIGNAL S/B            GTCP331-49-7081.            S351T020-203            (3800298-1-4) AND            S351T020-206(3800298-1-7            /3800298-1)            ARE INTERCHANGEABLE WITH            THE INCORPORATION OF            ALLIED SIGNAL            S/B GTCP331-49-7081.            S351T020-202            (3800298-1-3)            AND S351T020-206            (3800298-1-7/3800298-1)            ARE INTERCHANGEABLE            WITH THE INCORPORATION            OF ALLIED SIGNAL S/B            GTCP331-49-7081.            S351T020-201            (3800298-1-2)            AND S351T020-206            (3800298-1-7/3800298-1)            ARE INTERCHANGEABLE            WITH THE INCORPORATION            OF ALLIED SIGNAL S/B            GTCP331-49-7081.            S351T020-200            (3800298-1-1)            AND S351T020-206            (3800298-1-7/3800298-1)            ARE INTERCHANGEABLE            WITH THE INCORPORATION            OF ALLIED SIGNAL S/B            GTCP331-49-7081.            OPTIONAL PART:            3800298-1-7            V99193            FOR NHA/ADDITIONAL DET SEE:            49-11-01-50</p>		

MISSING ITEM NUMBERS NOT APPLICABLE

- ITEM NOT ILLUSTRATED

49-21-51-50

49-21-51  
 FIG. 50  
 PAGE 8  
 SEP 20/08

BRI



757

PARTS CATALOG (MAINTENANCE)

FIG ITEM	PART NUMBER	1 2 3 4 5 6 7	NOMENCLATURE	EFFECT FROM TO	UNITS PER ASSY
50					
5	3800299-1		49-21-00-02 .ENGINE ASSY-GAS TURBINE CPRSR PWR SUPPLIER CODE: V99193 COMPONENT MAINT MANUAL REF: 49-22-11	002004 006999	RF
10	3862180-8		..GEARBOX ASSY- SUPPLIER CODE: V99193 NOT APPROVED FOR ETOPS. SB DATA FROM A CMM: PRE 49-5565 COMPONENT MAINT MANUAL REF: 49-22-11	002004 006999	1
10	3862180-10		..GEARBOX ASSY- SUPPLIER CODE: V99193 NOT APPROVED FOR ETOPS AFTER INCORP OF SB: GTCP331495734 SB DATA FROM A CMM: POST 49-5565 PRE 49-5734 COMPONENT MAINT MANUAL REF: 49-22-11	002004 006999	1
10	3862180-15		..GEARBOX ASSY- SUPPLIER CODE: V99193 SB DATA FROM A CMM: POST 49-5734 PRE 49-5714 PRE 49-7268 COMPONENT MAINT MANUAL REF: 49-22-11	002004 006999	1
10	3862180-13		..GEARBOX ASSY- SUPPLIER CODE: V99193 SB DATA FROM A CMM: POST 49-5714 PRE 49-7268 COMPONENT MAINT MANUAL REF: 49-22-11	002004 006999	1

MISSING ITEM NUMBERS NOT APPLICABLE

- ITEM NOT ILLUSTRATED

49-21-51-50

49-21-51  
FIG. 50  
PAGE 9  
SEP 20/08

BRI



757

PARTS CATALOG (MAINTENANCE)

FIG ITEM	PART NUMBER	1 2 3 4 5 6 7	NOMENCLATURE	EFFECT FROM TO	UNITS PER ASSY
50					
10	3862180-21	..	GEARBOX ASSY- SUPPLIER CODE: V99193 SB DATA FROM A CMM: POST 49-7268 COMPONENT MAINT MANUAL REF: 49-22-11	002004 006102 107999	1
10	3862180-22	..	GEARBOX ASSY- SUPPLIER CODE: V99193 SB DATA FROM A CMM: POST 49-7268 COMPONENT MAINT MANUAL REF: 49-22-11	002004 006102 107999	1
15	3804002-5	...	COMPRESSOR ASSY-DRIVEN SUPPLIER CODE: V99193 NOT APPROVED FOR ETOPS. CONFIG CHG DATA FROM A CMM: REPL BY 3804002-6 COMPONENT MAINT MANUAL REF: 49-22-11	002004 006999	RF
15	3804002-6	...	COMPRESSOR ASSY-DRIVEN SUPPLIER CODE: V99193 NOT APPROVED FOR ETOPS AFTER INCORP OF SB: GTCP331-49-5599 V99193 SB DATA FROM A CMM: PRE 49-5617 CONFIG CHG DATA FROM A CMM: REPLACES 3804002-5 COMPONENT MAINT MANUAL REF: 49-22-11	002004 006999	RF
15	3804002-8	...	COMPRESSOR ASSY-DRIVEN SUPPLIER CODE: V99193 NOT APPROVED FOR ETOPS AFTER INCORP OF SB: GTCP331-49-5599 V99193 SB DATA FROM A CMM: POST 49-5597 POST 49-5617 PRE 49-5712 COMPONENT MAINT MANUAL REF: 49-22-11	002004 006999	RF

MISSING ITEM NUMBERS NOT APPLICABLE

- ITEM NOT ILLUSTRATED

49-21-51-50

49-21-51  
FIG. 50  
PAGE 10  
JAN 20/09

BRI





757

PARTS CATALOG (MAINTENANCE)

FIG ITEM	PART NUMBER	1 2 3 4 5 6 7	NOMENCLATURE	EFFECT FROM TO	UNITS PER ASSY
50					
15	3804002-11		...COMPRESSOR ASSY-DRIVEN SUPPLIER CODE: V99193 SB DATA FROM A CMM: POST 49-5712 COMPONENT MAINT MANUAL REF: 49-22-11	002004 006999	RF
20	MS21280-09		....BOLT- OPTIONAL PART: MS9557-09	002004 006999	24
20	MS9557-09		....BOLT- SB DATA FROM A CMM: POST GTE0306 PRE 49-7401 CONFIG CHG DATA FROM A CMM: REPL BY MS9557-10 REPL BY 3617762-1 OPTIONAL PART: MS21280-09	002004 006999	24
20	MS9557-10		....BOLT- SB DATA FROM A CMM: POST 49-7401 CONFIG CHG DATA FROM A CMM: REPLACES MS9557-09 REPL BY 3617762-1	002004 006999	24
20	3617762-1		....BOLT- SUPPLIER CODE: V99193 CONFIG CHG DATA FROM A CMM: REPLACES MS9557-09 REPLACES MS9557-10 USED WITH: 988350-1-4	002004 006999	24
25	NAS620C416L		....WASHER- SB DATA FROM A CMM: POST 49-7401 USED WITH: MS9557-10 778060-1-4	002004 006999	24
30	600-3030-1-4		....PACKING- SUPPLIER CODE: V99193 CONFIG CHG DATA FROM A CMM: REPL BY 600-3130-1-4 MISCELLANEOUS DATA: HONEYWELL PART NO. 583-515-9002	002004 006999	24

MISSING ITEM NUMBERS NOT APPLICABLE

- ITEM NOT ILLUSTRATED

49-21-51-50

49-21-51  
FIG. 50  
PAGE 11  
SEP 20/08

BRI



757

PARTS CATALOG (MAINTENANCE)

FIG ITEM	PART NUMBER	1 2 3 4 5 6 7	NOMENCLATURE	EFFECT FROM TO	UNITS PER ASSY
50					
30	600-3130-1-4	.....	PACKING- SUPPLIER CODE: V99193 SB DATA FROM A CMM: PRE 49-7401 CONFIG CHG DATA FROM A CMM: REPLACES 600-3030-1-4 REPL BY 778060-1-4 REPL BY 988350-1-4 MISCELLANEOUS DATA: HONEYWELL PART NO. 583-523-9003	002004 006999	24
30	778060-1-4	.....	PACKING- SUPPLIER CODE: V99193 SB DATA FROM A CMM: POST 49-7401 CONFIG CHG DATA FROM A CMM: REPLACES 600-3130-1-4 REPL BY 988350-1-4 MISCELLANEOUS DATA: HONEYWELL PART NO. 583-522-9404	002004 006999	24
30	988350-1-4	.....	PACKING- SUPPLIER CODE: V99193 CONFIG CHG DATA FROM A CMM: REPLACES 600-3130-1-4 REPLACES 778060-1-4 MISCELLANEOUS DATA: HONEYWELL PART NO. 583-512-9204 USED WITH: 3617762-1	002004 006999	24
35	MS21279-27	.....	BOLT- OPTIONAL PART: MS9556-27	002004 006999	19
35	MS9556-27	.....	BOLT- SB DATA FROM A CMM: POST GTE0306 PRE GTE0342 CONFIG CHG DATA FROM A CMM: REPL BY MS9489-27 OPTIONAL PART: MS21279-27	002004 006999	19

MISSING ITEM NUMBERS NOT APPLICABLE

- ITEM NOT ILLUSTRATED

49-21-51-50

49-21-51  
FIG. 50  
PAGE 12  
SEP 20/08

BRI



757

PARTS CATALOG (MAINTENANCE)

FIG ITEM	PART NUMBER	1 2 3 4 5 6 7	NOMENCLATURE	EFFECT FROM TO	UNITS PER ASSY
50					
35	MS9489-27	....	BOLT- SB DATA FROM A CMM: POST GTE0342 CONFIG CHG DATA FROM A CMM: REPLACES MS9556-27	002004 006999	19
40	AN960C10L	....	WASHER	002004 006999	19
45	600-3030-10-0S	....	PACKING- SUPPLIER CODE: V99193 SB DATA FROM A CMM: PRE GTE0252 CONFIG CHG DATA FROM A CMM: REPL BY 600-3130-10-0S MISCELLANEOUS DATA: HONEYWELL PART NO. 583-515-9002	002004 006999	19
45	600-3130-10-0S	....	PACKING- SUPPLIER CODE: V99193 SB DATA FROM A CMM: POST GTE0252 CONFIG CHG DATA FROM A CMM: REPLACES 600-3030-10-0S MISCELLANEOUS DATA: HONEYWELL PART NO. 583-523-9002	002004 006999	19
50	MS9489-12	....	BOLT	002004 006999	4
55	NAS620C10L	....	WASHER	002004 006999	4
60	3826141-5	....	SHROUD ASSY-BACK SUPPLIER CODE: V99193 SB DATA FROM A CMM: PRE 49-5480 CONFIG CHG DATA FROM A CMM: REPL BY 3826141-7 COMPONENT MAINT MANUAL REF: 49-22-11	002004 006999	1
60	3826141-7	....	SHROUD ASSY-BACK SUPPLIER CODE: V99193 SB DATA FROM A CMM: POST 49-5480 CONFIG CHG DATA FROM A CMM: REPLACES 3826141-5 COMPONENT MAINT MANUAL REF: 49-22-11	002004 006999	1

MISSING ITEM NUMBERS NOT APPLICABLE

- ITEM NOT ILLUSTRATED

49-21-51-50

49-21-51  
FIG. 50  
PAGE 13  
SEP 20/08

BRI



757

PARTS CATALOG (MAINTENANCE)

FIG ITEM	PART NUMBER	1 2 3 4 5 6 7	NOMENCLATURE	EFFECT FROM TO	UNITS PER ASSY
50					
65	3826116-1	.....	SHIM- SUPPLIER CODE: V99193 SB DATA FROM A CMM: PRE 49-5480 CONFIG CHG DATA FROM A CMM: REPL BY 3826116-4	002004 006999	AR
65	3826116-2	.....	SHIM- SUPPLIER CODE: V99193 SB DATA FROM A CMM: PRE 49-5480 CONFIG CHG DATA FROM A CMM: REPL BY 3826116-5	002004 006999	AR
65	3826116-3	.....	SHIM- SUPPLIER CODE: V99193 SB DATA FROM A CMM: PRE 49-5480 CONFIG CHG DATA FROM A CMM: REPL BY 3826116-6	002004 006999	AR
65	3826116-4	.....	SHIM- SUPPLIER CODE: V99193 SB DATA FROM A CMM: POST 49-5480 CONFIG CHG DATA FROM A CMM: REPLACES 3826116-1	002004 006999	AR
65	3826116-5	.....	SHIM- SUPPLIER CODE: V99193 SB DATA FROM A CMM: POST 49-5480 CONFIG CHG DATA FROM A CMM: REPLACES 3826116-2	002004 006999	AR
65	3826116-6	.....	SHIM- SUPPLIER CODE: V99193 SB DATA FROM A CMM: POST 49-5480 CONFIG CHG DATA FROM A CMM: REPLACES 3826116-3	002004 006999	AR

MISSING ITEM NUMBERS NOT APPLICABLE

- ITEM NOT ILLUSTRATED

49-21-51-50

49-21-51  
FIG. 50  
PAGE 14  
SEP 20/08

BRI



757

PARTS CATALOG (MAINTENANCE)

FIG ITEM	PART NUMBER	1 2 3 4 5 6 7	NOMENCLATURE	EFFECT FROM TO	UNITS PER ASSY
50					
70	3826118-2	.....	SHIELD-INSULATED SUPPLIER CODE: V99193 POSITION DATA: OUTER SB DATA FROM A CMM: PRE 49-5480 PRE GTE0252 CONFIG CHG DATA FROM A CMM: REPL BY 3826118-3	002004 006999	1
70	3826118-3	.....	SHIELD-INSULATED SUPPLIER CODE: V99193 POSITION DATA: OUTER SB DATA FROM A CMM: PRE 49-5480 PRE GTE0252 CONFIG CHG DATA FROM A CMM: REPLACES 3826118-2	002004 006999	1
70	3826118-4	.....	SHIELD-INSULATED SUPPLIER CODE: V99193 POSITION DATA: OUTER SB DATA FROM A CMM: POST 49-5480 PRE GTE0252 CONFIG CHG DATA FROM A CMM: REPL BY 3826118-5	002004 006999	1
70	3826118-5	.....	SHIELD-INSULATED SUPPLIER CODE: V99193 POSITION DATA: OUTER SB DATA FROM A CMM: POST 49-5480 POST GTE0252 PRE GTE0507 PRE 49-5890 POST GTE0583 CONFIG CHG DATA FROM A CMM: REPLACES 3826118-4 REPL BY 3826118-6 REPL BY 3826680-1 OPTIONAL PART: 3826118-6 V99193	002004 006999	1

MISSING ITEM NUMBERS NOT APPLICABLE

- ITEM NOT ILLUSTRATED

49-21-51-50

49-21-51  
FIG. 50  
PAGE 15  
SEP 20/08

BRI



757

PARTS CATALOG (MAINTENANCE)

FIG ITEM	PART NUMBER	1 2 3 4 5 6 7	NOMENCLATURE	EFFECT FROM TO	UNITS PER ASSY
50 70	3826118-6	.....	SHIELD-INSULATED SUPPLIER CODE: V99193 POSITION DATA: OUTER SB DATA FROM A CMM: POST GTE0507 PRE GTE0583 PRE 49-5890 CONFIG CHG DATA FROM A CMM: REPLACES 3826118-5 REPL BY 3826680-1	002004 006999	1
75	3826119-3	.....	SHIELD-INSULATED SUPPLIER CODE: V99193 POSITION DATA: INNER SB DATA FROM A CMM: PRE GTE0252 CONFIG CHG DATA FROM A CMM: REPL BY 3826119-4	002004 006999	1
75	3826119-4	.....	SHIELD-INSULATED SUPPLIER CODE: V99193 POSITION DATA: INNER SB DATA FROM A CMM: POST GTE0252 PRE GTE0507 CONFIG CHG DATA FROM A CMM: REPL BY 3826119-5 REPLACES 3826119-3	002004 006999	1
75	3826119-5	.....	SHIELD-INSULATED SUPPLIER CODE: V99193 POSITION DATA: INNER SB DATA FROM A CMM: POST GTE0507 PRE GTE0583 PRE 49-5890 CONFIG CHG DATA FROM A CMM: REPL BY 3826680-1 REPLACES 3826119-4 OPTIONAL PART: 3826119-6 V99193	002004 006999	1

MISSING ITEM NUMBERS NOT APPLICABLE

- ITEM NOT ILLUSTRATED

49-21-51-50

49-21-51  
FIG. 50  
PAGE 16  
SEP 20/08

BRI



757

PARTS CATALOG (MAINTENANCE)

FIG ITEM	PART NUMBER	1 2 3 4 5 6 7	NOMENCLATURE	EFFECT FROM TO	UNITS PER ASSY
50 75	3826119-6	.....	SHIELD-INSULATED SUPPLIER CODE: V99193 POSITION DATA: INNER SB DATA FROM A CMM: POST GTE0583 PRE 49-5890 CONFIG CHG DATA FROM A CMM: REPL BY 3826680-1 OPTIONAL PART: 3826119-5 V99193	002004 006999	1
80	3826680-1	.....	SHIELD-INSULATED SUPPLIER CODE: V99193 SB DATA FROM A CMM: POST 49-5890 CONFIG CHG DATA FROM A CMM: REPLACES 3826118-5 REPLACES 3826118-6 REPLACES 3826119-5 REPLACES 3826119-6	002004 006999	1
80	3826680-2	.....	SHIELD-INSULATED SUPPLIER CODE: V99193 SB DATA FROM A CMM: POST 49-7056 CONFIG CHG DATA FROM A CMM: REPLACES 3826680-1	002004 006999	1
105	3826117-1	.....	SHIM-0.010 IN THICK SUPPLIER CODE: V99193 SELECT FROM ITEM.	002004 006999	AR
105	3826117-2	.....	SHIM-0.020 IN THICK SUPPLIER CODE: V99193 SELECT FROM ITEM.	002004 006999	AR

MISSING ITEM NUMBERS NOT APPLICABLE

- ITEM NOT ILLUSTRATED

49-21-51-50

49-21-51  
FIG. 50  
PAGE 17  
SEP 20/08

BRI

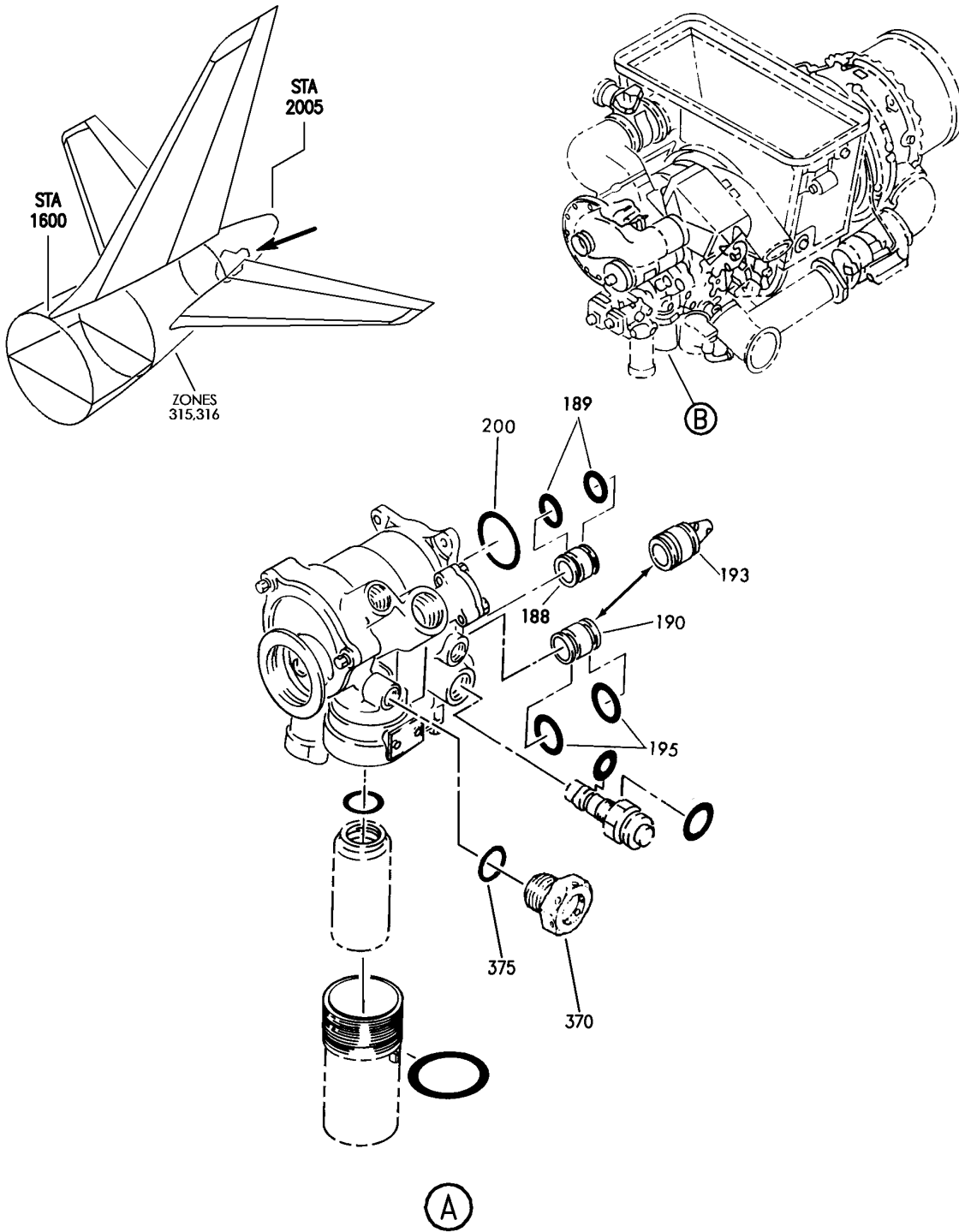
## APU AND GENERATOR LUBRICATION SYSTEM

BRI  
MAY 28/07

49-27-00  
SECTION TITLE  
PAGE 1



**BOEING**  
757  
PARTS CATALOG (MAINTENANCE)



Y 49270101 SHT 1 REV 252

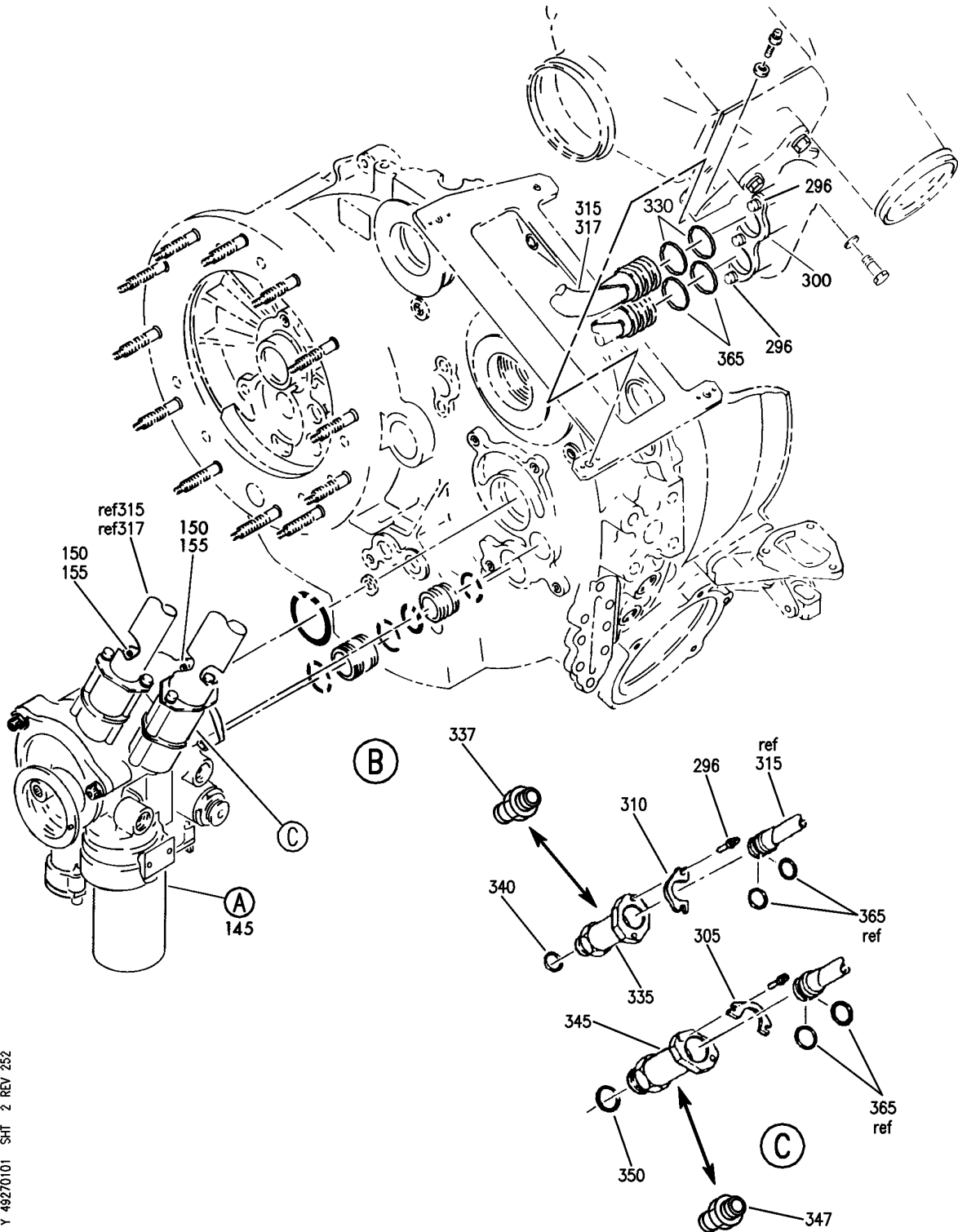
ENGINE ASSY-GAS TURB (OIL PUMP ONLY)  
FIGURE 1 (SHEET 1)

**49-27-01-01**

BRI  
MAY 28/07

49-27-01-01  
PAGE 0

**BOEING**  
757  
PARTS CATALOG (MAINTENANCE)



Y 49270101 SHT 2 REV 252

ENGINE ASSY-GAS TURB (OIL PUMP ONLY)  
FIGURE 1 (SHEET 2)

**49-27-01-01**

BRI  
MAY 28/07

49-27-01-01  
PAGE 0A



757

PARTS CATALOG (MAINTENANCE)

FIG ITEM	PART NUMBER	1 2 3 4 5 6 7	NOMENCLATURE	EFFECT FROM TO	UNITS PER ASSY
1			ENGINE ASSY-GAS TURB (OIL PUMP ONLY)	002004 006999	
- 4	3800298-1-2		ENGINE ASSY-GAS TURB GTCP331-200ER (OIL PUMP ONLY) SUPPLIER CODE: V99193 SPECIFICATION NUMBER: S351T020-201 CONFIG CHG DATA FROM A CMM: REPLACES 3800298-1-1 COMPONENT MAINT MANUAL REF: 49-22-11 QUALIFIED I/W DATA: S351T020-201 (3800298-1-2) AND S351T020-205 (3800298-1-6) ARE INTERCHANGEABLE WITH THE INCORPORATION OF ALLIED SIGNAL S/B GTCP331-49-7081. S351T020-201 (3800298-1-2) AND S351T020-206 (3800298-1-7/3800298-1) ARE INTERCHANGEABLE WITH THE INCORPORATION OF ALLIED SIGNAL S/B GTCP331-49-7081. FOR NHA/ADDITIONAL DET SEE: 49-11-01-50	002004 006100 107107 121503 904999	RF

MISSING ITEM NUMBERS NOT APPLICABLE

- ITEM NOT ILLUSTRATED

BRI

49-27-01-01

49-27-01  
FIG. 01  
PAGE 1  
JAN 20/09



757

PARTS CATALOG (MAINTENANCE)

FIG ITEM	PART NUMBER	1 2 3 4 5 6 7	NOMENCLATURE	EFFECT FROM TO	UNITS PER ASSY
1 - 4	3800298-1-1		ENGINE ASSY-GAS TURB GTCP331-200ER (OIL PUMP ONLY) SUPPLIER CODE: V99193 SPECIFICATION NUMBER: S351T020-200 COMPONENT MAINT MANUAL REF: 49-22-11 QUALIFIED I/W DATA: S351T020-200 (3800298-1-1) AND S351T020-205 (3800298-1-6) ARE INTERCHANGEABLE WITH THE INCORPORATION OF ALLIED SIGNAL S/B GTCP331-49-7081. S351T020-200 (3800298-1-1) AND S351T020-206 (3800298-1-7/3800298-1) ARE INTERCHANGEABLE WITH THE INCORPORATION OF ALLIED SIGNAL S/B GTCP331-49-7081. FOR NHA/ADDITIONAL DET SEE: 49-11-01-50	002004 006100 107107 121503 904999	RF

MISSING ITEM NUMBERS NOT APPLICABLE

- ITEM NOT ILLUSTRATED

BRI

49-27-01-01

BOEING PROPRIETARY - Copyright © - Unpublished Work - See title page for details.

49-27-01  
FIG. 01  
PAGE 2  
JAN 20/09



757

PARTS CATALOG (MAINTENANCE)

FIG ITEM	PART NUMBER	1 2 3 4 5 6 7	NOMENCLATURE	EFFECT FROM TO	UNITS PER ASSY
1 - 4	3800298-1-3		ENGINE ASSY-GAS TURB GTCP331-200ER (OIL PUMP ONLY) SUPPLIER CODE: V99193 SPECIFICATION NUMBER: S351T020-202 CONFIG CHG DATA FROM A CMM: REPLACES 3800298-1-2 COMPONENT MAINT MANUAL REF: 49-22-11 QUALIFIED I/W DATA: S351T020-202 (3800298-1-3) AND S351T020-205 (3800298-1-6) ARE INTERCHANGEABLE WITH THE INCORPORATION OF ALLIED SIGNAL S/B GTCP331-49-7081. S351T020-202 (3800298-1-3) AND S351T020-206 (3800298-1-7/3800298-1) ARE INTERCHANGEABLE WITH THE INCORPORATION OF ALLIED SIGNAL S/B GTCP331-49-7081. FOR NHA/ADDITIONAL DET SEE: 49-11-01-50	002004 006100 107107 121503 904999	RF

MISSING ITEM NUMBERS NOT APPLICABLE

- ITEM NOT ILLUSTRATED

BRI

49-27-01-01

BOEING PROPRIETARY - Copyright © - Unpublished Work - See title page for details.

49-27-01  
 FIG. 01  
 PAGE 3  
 JAN 20/09



757

PARTS CATALOG (MAINTENANCE)

FIG ITEM	PART NUMBER	1 2 3 4 5 6 7	NOMENCLATURE	EFFECT FROM TO	UNITS PER ASSY
1 - 4	3800298-1-4		ENGINE ASSY-GAS TURB GTCP331-200ER (OIL PUMP ONLY) SUPPLIER CODE: V99193 SPECIFICATION NUMBER: S351T020-203 CONFIG CHG DATA FROM A CMM: REPLACES 3800298-1-3 COMPONENT MAINT MANUAL REF: 49-22-11 QUALIFIED I/W DATA: 3800298-1-4/S351T020-203 AND 3800298-1-6/S351T020-205 ARE INTERCHANGEABLE WITH THE INCORPORATION OF ALLIED SIGNAL S/B GTCP331-49-7081. 3800298-1-4/S351T020-203 AND 3800298-1-7/S351T020-206 3800298-1 ARE INTERCHANGEABLE WITH THE INCORPORATION OF ALLIED SIGNAL S/B GTCP331-49-7081. FOR NHA/ADDITIONAL DET SEE: 49-11-01-50	002004 006100 107107 121503 904999	RF

MISSING ITEM NUMBERS NOT APPLICABLE

- ITEM NOT ILLUSTRATED

BRI

49-27-01-01

BOEING PROPRIETARY - Copyright © - Unpublished Work - See title page for details.

49-27-01  
FIG. 01  
PAGE 4  
JAN 20/09



757

PARTS CATALOG (MAINTENANCE)

FIG ITEM	PART NUMBER	1 2 3 4 5 6 7	NOMENCLATURE	EFFECT FROM TO	UNITS PER ASSY
1 - 4	3800298-1-5		ENGINE ASSY-GAS TURB GTCP331-200ER (OIL PUMP ONLY) SUPPLIER CODE: V99193 SPECIFICATION NUMBER: S351T020-204 CONFIG CHG DATA FROM A CMM: REPLACES 3800298-1-4 COMPONENT MAINT MANUAL REF: 49-22-11 QUALIFIED I/W DATA: 3800298-1-5/S351T020-204 AND 3800298-1-6/S351T020-205 ARE INTERCHANGEABLE WITH THE INCORPORATION OF ALLIED SIGNAL S/B GTCP331-49-7081. 3800298-1-5/S351T020-204 AND 3800298-1-7/S351T020-206 3800298-1 ARE INTERCHANGEABLE WITH THE INCORPORATION OF ALLIED SIGNAL S/B GTCP331-49-7081. FOR NHA/ADDITIONAL DET SEE: 49-11-01-50	002004 006100 107107 121503 904999	RF
- 4	3800298-1-6		ENGINE ASSY-GAS TURB GTCP331-200ER (OIL PUMP ONLY) SUPPLIER CODE: V99193 SPECIFICATION NUMBER: S351T020-205 CONFIG CHG DATA FROM A CMM: REPLACES 3800298-1-5 COMPONENT MAINT MANUAL REF: 49-22-11 QUALIFIED I/W DATA: 3800298-1-5/S351T020-204 AND 3800298-1-6/S351T020-205 ARE INTERCHANGEABLE WITH THE INCORPORATION OF ALLIED SIGNAL S/B GTCP331-49-7081. S351T020-203	002004 006999	RF

MISSING ITEM NUMBERS NOT APPLICABLE

- ITEM NOT ILLUSTRATED

49-27-01-01

49-27-01  
FIG. 01  
PAGE 5  
JAN 20/09

BRI



757

PARTS CATALOG (MAINTENANCE)

FIG ITEM	PART NUMBER	1 2 3 4 5 6 7 NOMENCLATURE	EFFECT FROM TO	UNITS PER ASSY
1		<p>(3800298-1-4) AND S351T020-205 (3800298-1-6) ARE INTERCHANGEABLE WITH THE INCORPORATION OF ALLIED SIGNAL S/B GTCP331-49-7081. S351T020-202 (3800298-1-3) AND S351T020-205 (3800298-1-6) ARE INTERCHANGEABLE WITH THE INCORPORATION OF ALLIED SIGNAL S/B GTCP331-49-7081. S351T020-201 (3800298-1-2) AND S351T020-205 (3800298-1-6) ARE INTERCHANGEABLE WITH THE INCORPORATION OF ALLIED SIGNAL S/B GTCP331-49-7081. S351T020-200 (3800298-1-1) AND S351T020-205 (3800298-1-6) ARE INTERCHANGEABLE WITH THE INCORPORATION OF ALLIED SIGNAL S/B GTCP331-49-7081. FOR NHA/ADDITIONAL DET SEE: 49-11-01-50 49-21-00-02</p>		
-	4 3800298-1-7	<p>ENGINE ASSY-GAS TURB GTCP331-200ER (OIL PUMP ONLY) SUPPLIER CODE: V99193 SPECIFICATION NUMBER: S351T020-206 CONFIG CHG DATA FROM A CMM: REPLACES 3800298-1-6 COMPONENT MAINT MANUAL REF: 49-22-11 QUALIFIED I/W DATA: 3800298-1-5/S351T020-204 AND 3800298-1/ 3800298-1-7/S351T020-206</p>	002004 006999	RF

MISSING ITEM NUMBERS NOT APPLICABLE

- ITEM NOT ILLUSTRATED

49-27-01-01

49-27-01  
FIG. 01  
PAGE 6  
SEP 20/08

BRI





757

PARTS CATALOG (MAINTENANCE)

FIG ITEM	PART NUMBER	1 2 3 4 5 6 7 NOMENCLATURE	EFFECT FROM TO	UNITS PER ASSY
1		<p>ARE INTERCHANGEABLE WITH THE INCORPORATION OF ALLIED SIGNAL S/B GTCP331-49-7081. S351T020-203 (3800298-1-4) AND S351T020-206(3800298-1-7 /3800298-1) ARE INTERCHANGEABLE WITH THE INCORPORATION OF ALLIED SIGNAL S/B GTCP331-49-7081. S351T020-202 (3800298-1-3) AND S351T020-206 (3800298-1-7/3800298-1) ARE INTERCHANGEABLE WITH THE INCORPORATION OF ALLIED SIGNAL S/B GTCP331-49-7081. S351T020-201 (3800298-1-2) AND S351T020-206 (3800298-1-7/3800298-1) ARE INTERCHANGEABLE WITH THE INCORPORATION OF ALLIED SIGNAL S/B GTCP331-49-7081. S351T020-200 (3800298-1-1) AND S351T020-206 (3800298-1-7/3800298-1) ARE INTERCHANGEABLE WITH THE INCORPORATION OF ALLIED SIGNAL S/B GTCP331-49-7081.</p> <p>OPTIONAL PART: 3800298-1 V99193</p> <p>FOR NHA/OTHER SYS DET SEE: 49-11-01-50 49-21-00-02</p> <p>FOR NHA/ADDITIONAL DET SEE: 49-21-00-02 49-11-01-50</p>		
- 4	3800298-1	<p>ENGINE ASSY-GAS TURB GTCP331-200ER (OIL PUMP ONLY) SUPPLIER CODE:</p>	002004 006999	RF

MISSING ITEM NUMBERS NOT APPLICABLE

- ITEM NOT ILLUSTRATED

49-27-01-01

49-27-01  
FIG. 01  
PAGE 7  
SEP 20/08

BRI



757

PARTS CATALOG (MAINTENANCE)

FIG ITEM	PART NUMBER	1 2 3 4 5 6 7 NOMENCLATURE	EFFECT FROM TO	UNITS PER ASSY
1		<p>V99193  SPECIFICATION NUMBER:  S351T020-206  COMPONENT MAINT MANUAL REF:  49-22-11  QUALIFIED I/W DATA:  3800298-1-4/S351T020-203  AND  3800298-1-7/S351T020-204  /3800298-1  ARE INTERCHANGEABLE WITH  THE INCORPORATION OF  ALLIED SIGNAL S/B  GTCP331-49-7081.  S351T020-204  (3800298-1-5) AND  S351T020-206(3800298-1-7  /3800298-1) ARE  INTERCHANGEABLE WITH THE  INCORPORATION OF ALLIED  SIGNAL S/B  GTCP331-49-7081.  S351T020-202  (3800298-1-3)  AND S351T020-206  (3800298-1-7/3800298-1)  ARE INTERCHANGEABLE  WITH THE INCORPORATION  OF ALLIED SIGNAL S/B  GTCP331-49-7081.  S351T020-201  (3800298-1-2)  AND S351T020-206  (3800298-1-7/3800298-1)  ARE INTERCHANGEABLE  WITH THE INCORPORATION  OF ALLIED SIGNAL S/B  TCP331-49-7081.  S351T020-200  (3800298-1-1)  AND S351T020-206  (3800298-1-7/3800298-1)  ARE INTERCHANGEABLE  WITH THE INCORPORATION  OF ALLIED SIGNAL S/B  GTCP331-49-7081.  OPTIONAL PART:  3800298-1-7  V99193</p>		

MISSING ITEM NUMBERS NOT APPLICABLE

- ITEM NOT ILLUSTRATED

49-27-01-01

49-27-01  
FIG. 01  
PAGE 8  
SEP 20/08

BRI



757

PARTS CATALOG (MAINTENANCE)

FIG ITEM	PART NUMBER	1 2 3 4 5 6 7	NOMENCLATURE	EFFECT FROM TO	UNITS PER ASSY
1					
145	3880190-3		FOR NHA/OTHER SYS DET SEE: 49-11-01-50 49-21-00-02 .PUMP ASSY-LUBE SUPPLIER CODE: V99193 NOT APPROVED FOR ETOPS AFTER INCORP OF SB: GTCP331495409 SB DATA FROM A CMM: PRE SB 49-5682 CONFIG CHG DATA FROM A CMM: REPLS 3880190-4 REPLD BY 3880190-5 REPLD BY 3880190-8 COMPONENT MAINT MANUAL REF: 49-91-41 USED ON: 381326-2 381326-2-1 381326-2-2 381326-2-3 381326-2-4	121503 904949	1
145	3880190-4		.PUMP ASSY-LUBE SUPPLIER CODE: V99193 NOT APPROVED FOR ETOPS AFTER INCORP OF SB: GTCP331-49-5409 CONFIG CHG DATA FROM A CMM: REPLD BY 3880190-3 REPLD BY 3880190-5 COMPONENT MAINT MANUAL REF: 49-91-41 USED ON: 381326-2 381326-2-1 381326-2-2 381326-2-3 381326-2-4	121503 904949	1

MISSING ITEM NUMBERS NOT APPLICABLE

- ITEM NOT ILLUSTRATED

49-27-01-01

49-27-01  
FIG. 01  
PAGE 9  
JAN 20/09

BRI

**BOEING**  
757  
PARTS CATALOG (MAINTENANCE)

FIG ITEM	PART NUMBER	1 2 3 4 5 6 7	NOMENCLATURE	EFFECT FROM TO	UNITS PER ASSY
1 145	3880190-5		.PUMP ASSY-LUBE SUPPLIER CODE: V99193 SB DATA FROM A CMM: POST SB 49-5566 PRE SB 49-5682 CONFIG CHG DATA FROM A CMM: REPLS 3880190-3, -4 REPLD BY 3880190-8 COMPONENT MAINT MANUAL REF: 49-91-41	002004 006999	1
145	3880190-8		.PUMP ASSY-LUBE SUPPLIER CODE: V99193 SB DATA FROM A CMM: POST SB 49-5682 CONFIG CHG DATA FROM A CMM: REPLS 3880190-3, -5 REPLD BY 3880190-10 COMPONENT MAINT MANUAL REF: 49-91-41	002004 006999	1
145	3880190-10		.PUMP ASSY-LUBE SUPPLIER CODE: V99193 CONFIG CHG DATA FROM A CMM: REPLS 3880190-8 COMPONENT MAINT MANUAL REF: 49-91-41	002004 006999	1
150	MS21280-08		ATTACHING PARTS .BOLT- OPTIONAL PART: MS9557-08	002004 006999	4
150	MS9557-08		.BOLT- SB DATA FROM A CMM: POST SPB GTE0306 OPTIONAL PART: MS21280-08	002004 006999	4
155	NAS620C416L		.WASHER-	002004 006999	4
188	3862149-1		-----*----- .TUBE-OIL TRANSFER SUPPLIER CODE: V99193	002004 006999	1
189	S9413-116		.PACKING- SUPPLIER CODE: V99193 OPTIONAL PART: M83248-1-116	002004 006999	2

MISSING ITEM NUMBERS NOT APPLICABLE

— ITEM NOT ILLUSTRATED

BRI

# 49-27-01-01

BOEING PROPRIETARY - Copyright © - Unpublished Work - See title page for details.

49-27-01  
FIG. 01  
PAGE 10  
SEP 20/08



757

PARTS CATALOG (MAINTENANCE)

FIG ITEM	PART NUMBER	1 2 3 4 5 6 7	NOMENCLATURE	EFFECT FROM TO	UNITS PER ASSY
1					
189	M83248-1-116		.PACKING- OPTIONAL PART: S9413-116 V99193	002004 006999	2
190	3862148-1		.TUBE-OIL TRANSFER SUPPLIER CODE: V99193 NOT APPROVED FOR ETOPS AFTER INCORP OF SB: GTCP331-49-5610 SB DATA FROM A CMM: PRE SB 49-5610 CONFIG CHG DATA FROM A CMM: REPLD BY 3862552-1 USED ON: 381326-2 381326-2-1 381326-2-2 381326-2-3 381326-2-4	121503 904949	1
193	3862552-1		.TUBE-TRANSFER SUPPLIER CODE: V99193 SB DATA FROM A CMM: POST SB 49-5610 CONFIG CHG DATA FROM A CMM: REPLS 3862148-1	002004 006999	1
195	S9413-122		.PACKING- SUPPLIER CODE: V99193 OPTIONAL PART: M83248-1-122	002004 006999	2
195	M83248-1-122		.PACKING- OPTIONAL PART: S9413-122 V99193	002004 006999	2
200	S9413-131		.PACKING- SUPPLIER CODE: V99193 OPTIONAL PART: M83248-1-131	002004 006999	1
200	M83248-1-131		.PACKING- OPTIONAL PART: S9413-131 V99193	002004 006999	1
296	MS21279-05		.BOLT- OPTIONAL PART: MS9556-05	002004 006102 107999	7

MISSING ITEM NUMBERS NOT APPLICABLE

- ITEM NOT ILLUSTRATED

49-27-01-01

49-27-01  
FIG. 01  
PAGE 11  
JAN 20/09

BRI



757

PARTS CATALOG (MAINTENANCE)

FIG ITEM	PART NUMBER	1 2 3 4 5 6 7	NOMENCLATURE	EFFECT FROM TO	UNITS PER ASSY
1 296	MS9556-05		.BOLT- SB DATA FROM A CMM: POST SPB GTE0292/ GTE0293 OPTIONAL PART: MS21279-05	002004 006102 107999	7
300	3880270-1		.RETAINER-OIL CLEAR TUBE SUPPLIER CODE: V99193	002004 006999	1
305	3880269-1		.RETAINER-OIL CLEAR TUBE SUPPLIER CODE: V99193 SB DATA FROM A CMM: PRE SB 49-7091	002004 006102 107999	1
310	3880268-1		.RETAINER-OIL CLEAR TUBE SUPPLIER CODE: V99193	002004 006102 107999	1
315	3880272-1		.TUBE-OIL COOLER PRESSURE SUPPLIER CODE: V99193 SB DATA FROM A CMM: PRE SB 49-7091 CONFIG CHG DATA FROM A CMM: REPLD BY 3881587-1	002004 006999	RF
330	M83248-1-115		.PACKING- OPTIONAL PART: S9413-115 V99193	002004 006999	2
330	S9413-115		.PACKING- SUPPLIER CODE: V99193 OPTIONAL PART: M83248-1-115	002004 006999	2
335	3880232-1		.VALVE-CHK PRESSURE SUPPLIER CODE: V99193 SB DATA FROM A CMM: PRE SB 49-7091 CONFIG CHG DATA FROM A CMM: REPL BY MS21902J10	002004 006102 107999	1
337	MS21902J10		.UNION- SB DATA FROM A CMM: POST SB 49-7091 CONFIG CHG DATA FROM A CMM: REPLS 3880232-1	002004 006102 107999	1

MISSING ITEM NUMBERS NOT APPLICABLE

- ITEM NOT ILLUSTRATED

49-27-01-01

49-27-01  
FIG. 01  
PAGE 12  
JAN 20/09

BRI



757

PARTS CATALOG (MAINTENANCE)

FIG ITEM	PART NUMBER	1 2 3 4 5 6 7	NOMENCLATURE	EFFECT FROM TO	UNITS PER ASSY
1					
340	S9413-560		.PACKING- SUPPLIER CODE: V99193 OPTIONAL PART: M83248-1-910	002004 006999	1
340	M83248-1-910		.PACKING- OPTIONAL PART: S9413-560 V99193	002004 006999	1
345	3880233-1		.VALVE-CHK RETURN SUPPLIER CODE: V99193 SB DATA FROM A CMM: PRE SB 49-7091 CONFIG CHG DATA FROM A CMM: REPL BY MS21902J12	002004 006102 107999	1
347	MS21902J12		.UNION- SB DATA FROM A CMM: POST SB 49-7091 CONFIG CHG DATA FROM A CMM: REPLS 3880233-1	002004 006102 107999	1
350	S9413-562		.PACKING- SUPPLIER CODE: V99193 OPTIONAL PART: M83248-1-912	002004 006999	1
350	M83248-1-912		.PACKING- OPTIONAL PART: S9413-562 V99193	002004 006102 107999	1
350	M83248-1-115		.PACKING- SERVICE BULLETIN OPT DATA: S9413-562 V99093	002004 006999	1
355	3880273-1		.TUBE-OIL COOLER RETURN SUPPLIER CODE: V99193 SB DATA FROM A CMM: PRE SB49-7091 CONFIG CHG DATA FROM A CMM: REPLD BY 3881588-1	002004 006999	RF
360	3881588-1		.HOSE-OIL RETURN SUPPLIER CODE: V99193 SB DATA FROM A CMM: POST SB49-7091 CONFIG CHG DATA FROM A CMM: REPLACES 3880273-1	002004 006999	RF

MISSING ITEM NUMBERS NOT APPLICABLE

- ITEM NOT ILLUSTRATED

49-27-01-01

49-27-01  
FIG. 01  
PAGE 13  
JAN 20/09

BRI



**757  
PARTS CATALOG (MAINTENANCE)**

FIG ITEM	PART NUMBER	1 2 3 4 5 6 7	NOMENCLATURE	EFFECT FROM TO	UNITS PER ASSY
1 365	M83248-1-117		.PACKING- OPTIONAL PART: S9413-117 V99193	002004 006999	2
365	S9413-117		.PACKING- SUPPLIER CODE: V99193 OPTIONAL PART: M83248-1-117	002004 006999	2
370	AN814-4DL		.PLUG	002004 006999	1
375	S9413-554		.PACKING- SUPPLIER CODE: V99193 OPTIONAL PART: M83248-1-904	002004 006999	1
375	M83248-1-904		.PACKING- OPTIONAL PART: S9413-554 V99193	002004 006999	1

MISSING ITEM NUMBERS NOT APPLICABLE

— ITEM NOT ILLUSTRATED

BRI

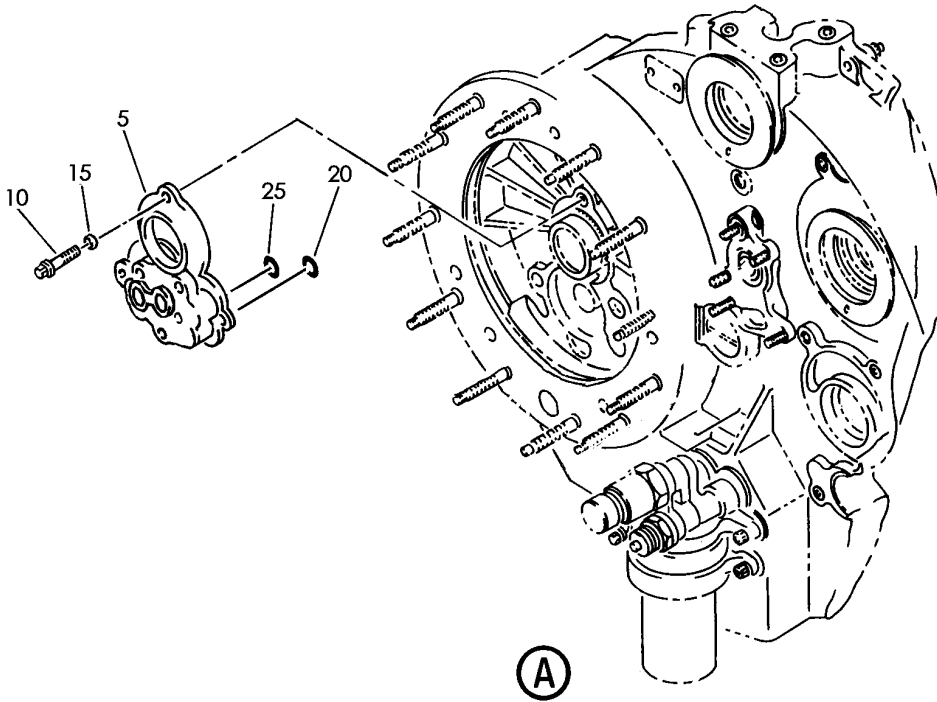
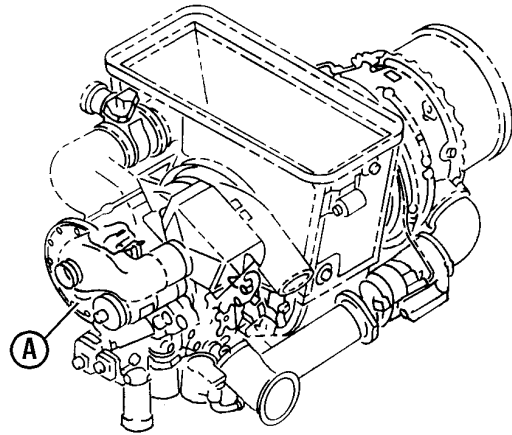
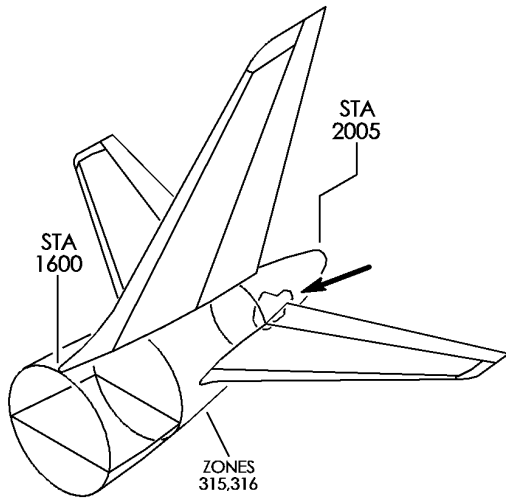
# 49-27-01-01

BOEING PROPRIETARY - Copyright © - Unpublished Work - See title page for details.

49-27-01  
FIG. 01  
PAGE 14  
SEP 20/08



**BOEING**  
757  
PARTS CATALOG (MAINTENANCE)



Y 49270201 REV 238

ENGINE ASSY-GAS TURB (GENERATOR SCAVANGE OIL PUMP ONLY)  
FIGURE 1

**49-27-02-01**

BRI  
MAY 28/07

49-27-02-01  
PAGE 0



757

PARTS CATALOG (MAINTENANCE)

FIG ITEM	PART NUMBER	1 2 3 4 5 6 7	NOMENCLATURE	EFFECT FROM TO	UNITS PER ASSY
1			ENGINE ASSY-GAS TURB (GENERATOR SCAVANGE OIL PUMP ONLY)	002004 006999	
- 1	3800298-1-2		ENGINE ASSY-GAS TURB GTCP331-200ER (GENERATOR SCAVANGE OIL PUMP ONLY) SUPPLIER CODE: V99193 SPECIFICATION NUMBER: S351T020-201 CONFIG CHG DATA FROM A CMM: REPLACES 3800298-1-1 COMPONENT MAINT MANUAL REF: 49-22-11 QUALIFIED I/W DATA: S351T020-201 (3800298-1-2) AND S351T020-205 (3800298-1-6) ARE INTERCHANGEABLE WITH THE INCORPORATION OF ALLIED SIGNAL S/B GTCP331-49-7081. S351T020-201 (3800298-1-2) AND S351T020-206 (3800298-1-7/3800298-1) ARE INTERCHANGEABLE WITH THE INCORPORATION OF ALLIED SIGNAL S/B GTCP331-49-7081. FOR NHA/OTHER SYS DET SEE: 49-11-01-50	002004 006100 107107 121503 904999	RF

MISSING ITEM NUMBERS NOT APPLICABLE

- ITEM NOT ILLUSTRATED

49-27-02-01

49-27-02  
FIG. 01  
PAGE 1  
JAN 20/09

BRI



757

PARTS CATALOG (MAINTENANCE)

FIG ITEM	PART NUMBER	1 2 3 4 5 6 7	NOMENCLATURE	EFFECT FROM TO	UNITS PER ASSY
1 - 1	3800298-1-1		ENGINE ASSY-GAS TURB GTCP331-200ER (GENERATOR SCAVANGE OIL PUMP ONLY) SUPPLIER CODE: V99193 SPECIFICATION NUMBER: S351T020-200 COMPONENT MAINT MANUAL REF: 49-22-11 QUALIFIED I/W DATA: S351T020-200 (3800298-1-1) AND S351T020-205 (3800298-1-6) ARE INTERCHANGEABLE WITH THE INCORPORATION OF ALLIED SIGNAL S/B GTCP331-49-7081. S351T020-200 (3800298-1-1) AND S351T020-206 (3800298-1-7/3800298-1) ARE INTERCHANGEABLE WITH THE INCORPORATION OF ALLIED SIGNAL S/B GTCP331-49-7081. FOR NHA/ADDITIONAL DET SEE: 49-11-01-50	002004 006100 107107 121503 904999	RF

MISSING ITEM NUMBERS NOT APPLICABLE

- ITEM NOT ILLUSTRATED

**49-27-02-01**

49-27-02  
 FIG. 01  
 PAGE 2  
 JAN 20/09

BRI



757

PARTS CATALOG (MAINTENANCE)

FIG ITEM	PART NUMBER	1 2 3 4 5 6 7	NOMENCLATURE	EFFECT FROM TO	UNITS PER ASSY
1 - 1	3800298-1-3		ENGINE ASSY-GAS TURB GTCP331-200ER (GENERATOR SCAVANGE OIL PUMP ONLY) SUPPLIER CODE: V99193 SPECIFICATION NUMBER: S351T020-202 CONFIG CHG DATA FROM A CMM: REPLACES 3800298-1-2 COMPONENT MAINT MANUAL REF: 49-22-11 QUALIFIED I/W DATA: S351T020-202 (3800298-1-3) AND S351T020-205 (3800298-1-6) ARE INTERCHANGEABLE WITH THE INCORPORATION OF ALLIED SIGNAL S/B GTCP331-49-7081. S351T020-202 (3800298-1-3) AND S351T020-206 (3800298-1-7/3800298-1) ARE INTERCHANGEABLE WITH THE INCORPORATION OF ALLIED SIGNAL S/B GTCP331-49-7081. FOR NHA/OTHER SYS DET SEE: 49-11-01-50	002004 006100 107107 121503 904999	RF

MISSING ITEM NUMBERS NOT APPLICABLE

- ITEM NOT ILLUSTRATED

BRI

49-27-02-01

BOEING PROPRIETARY - Copyright © - Unpublished Work - See title page for details.

49-27-02  
 FIG. 01  
 PAGE 3  
 JAN 20/09



757

PARTS CATALOG (MAINTENANCE)

FIG ITEM	PART NUMBER	1 2 3 4 5 6 7 NOMENCLATURE	EFFECT FROM TO	UNITS PER ASSY
1 - 1	3800298-1-4	ENGINE ASSY-GAS TURB GTCP331-200ER (GENERATOR SCAVANGE OIL PUMP ONLY) SUPPLIER CODE: V99193 SPECIFICATION NUMBER: S351T020-203 CONFIG CHG DATA FROM A CMM: REPLACES 3800298-1-3 COMPONENT MAINT MANUAL REF: 49-22-11 QUALIFIED I/W DATA: 3800298-1-4/S351T020-203 AND 3800298-1-6/S351T020-205 ARE INTERCHANGEABLE WITH THE INCORPORATION OF ALLIED SIGNAL S/B GTCP331-49-7081. 3800298-1-4/S351T020-203 AND 3800298-1-7/S351T020-206 /3800298-1 ARE INTERCHANGEABLE WITH THE INCORPORATION OF ALLIED SIGNAL S/B GTCP331-49-7081. FOR NHA/ADDITIONAL DET SEE: 49-11-01-50	002004 006100 107107 121503 904999	RF

MISSING ITEM NUMBERS NOT APPLICABLE

- ITEM NOT ILLUSTRATED

BRI

49-27-02-01

BOEING PROPRIETARY - Copyright © - Unpublished Work - See title page for details.

49-27-02  
 FIG. 01  
 PAGE 4  
 JAN 20/09



757

PARTS CATALOG (MAINTENANCE)

FIG ITEM	PART NUMBER	1 2 3 4 5 6 7	NOMENCLATURE	EFFECT FROM TO	UNITS PER ASSY
1					
- 1	3800298-1-5		ENGINE ASSY-GAS TURB GTCP331-200ER (GENERATOR SCAVANGE OIL PUMP ONLY) SUPPLIER CODE: V99193 SPECIFICATION NUMBER: S351T020-204 CONFIG CHG DATA FROM A CMM: REPLACES 3800298-1-4 COMPONENT MAINT MANUAL REF: 49-22-11 QUALIFIED I/W DATA: 3800298-1-5/S351T020-204 AND 3800298-1-6/S351T020-205 ARE INTERCHANGEABLE WITH THE INCORPORATION OF ALLIED SIGNAL S/B GTCP331-49-7081. S351T020-204 (3800298-1-5) AND S351T020-206(3800298-1-7 /3800298-1) ARE INTERCHANGEABLE WITH THE INCORPORATION OF ALLIED SIGNAL S/B GTCP331-49-7081. FOR NHA/ADDITIONAL DET SEE: 49-11-01-50	002004 006100 107107 121503 904999	RF
- 1	3800298-1-6		ENGINE ASSY-GAS TURB GTCP331-200ER (GENERATOR SCAVANGE OIL PUMP ONLY) SUPPLIER CODE: V99193 SPECIFICATION NUMBER: S351T020-205 CONFIG CHG DATA FROM A CMM: REPLACES 3800298-1-5 COMPONENT MAINT MANUAL REF: 49-22-11 QUALIFIED I/W DATA: 3800298-1-5/S351T020-204 AND 3800298-1-6/S351T020-205 ARE INTERCHANGEABLE WITH THE INCORPORATION OF ALLIED SIGNAL S/B GTCP331-49-7081. S351T020-203	002004 006999	RF

MISSING ITEM NUMBERS NOT APPLICABLE

- ITEM NOT ILLUSTRATED

49-27-02-01

49-27-02  
FIG. 01  
PAGE 5  
JAN 20/09

BRI



757

PARTS CATALOG (MAINTENANCE)

FIG ITEM	PART NUMBER	1 2 3 4 5 6 7 NOMENCLATURE	EFFECT FROM TO	UNITS PER ASSY
1		<p>(3800298-1-4) AND S351T020-205 (3800298-1-6) ARE INTERCHANGEABLE WITH THE INCORPORATION OF ALLIED SIGNAL S/B GTCP331-49-7081. S351T020-202 (3800298-1-3) AND S351T020-205 (3800298-1-6) ARE INTERCHANGEABLE WITH THE INCORPORATION OF ALLIED SIGNAL S/B GTCP331-49-7081. S351T020-201 (3800298-1-2) AND S351T020-205 (3800298-1-6) ARE INTERCHANGEABLE WITH THE INCORPORATION OF ALLIED SIGNAL S/B GTCP331-49-7081. S351T020-200 (3800298-1-1) AND S351T020-205 (3800298-1-6) ARE INTERCHANGEABLE WITH THE INCORPORATION OF ALLIED SIGNAL S/B GTCP331-49-7081. FOR NHA/ADDITIONAL DET SEE: 49-11-01-50 49-21-00-02</p>		
-	1 3800298-1-7	<p>ENGINE ASSY-GAS TURB GTCP331-200ER (GENERATOR SCAVANGE OIL PUMP ONLY) SUPPLIER CODE: V99193 SPECIFICATION NUMBER: S351T020-206 CONFIG CHG DATA FROM A CMM: REPLACES 3800298-1-6 COMPONENT MAINT MANUAL REF: 49-22-11 QUALIFIED I/W DATA: 3800298-1-5/S351T020-204 AND 3800298-1-6/S351T020-205</p>	002004 006999	RF

MISSING ITEM NUMBERS NOT APPLICABLE

- ITEM NOT ILLUSTRATED

49-27-02-01

49-27-02  
FIG. 01  
PAGE 6  
SEP 20/08

BRI



757

PARTS CATALOG (MAINTENANCE)

FIG ITEM	PART NUMBER	1 2 3 4 5 6 7 NOMENCLATURE	EFFECT FROM TO	UNITS PER ASSY
1		<p>ARE INTERCHANGEABLE WITH THE INCORPORATION OF ALLIED SIGNAL S/B GTCP331-49-7081. S351T020-203 (3800298-1-4) AND S351T020-206(3800298-1-7 /3800298-1) ARE INTERCHANGEABLE WITH THE INCORPORATION OF ALLIED SIGNAL S/B GTCP331-49-7081. S351T020-202 (3800298-1-3) AND S351T020-206 (3800298-1-7/3800298-1) ARE INTERCHANGEABLE WITH THE INCORPORATION OF ALLIED SIGNAL S/B GTCP331-49-7081. S351T020-201 (3800298-1-2) AND S351T020-206 (3800298-1-7/3800298-1) ARE INTERCHANGEABLE WITH THE INCORPORATION OF ALLIED SIGNAL S/B GTCP331-49-7081. S351T020-200 (3800298-1-1) AND S351T020-206 (3800298-1-7/3800298-1) ARE INTERCHANGEABLE WITH THE INCORPORATION OF ALLIED SIGNAL S/B GTCP331-49-7081.</p> <p>OPTIONAL PART: 3800298-1 V99193</p> <p>FOR NHA/OTHER SYS DET SEE: 49-11-01-50 49-21-00-02</p> <p>FOR NHA/ADDITIONAL DET SEE: 49-21-00-02 49-11-01-50</p>		
-	1 3800298-1	<p>ENGINE ASSY-GAS TURB GTCP331-200ER (GENERATOR SCAVANGE OIL PUMP ONLY) SUPPLIER CODE:</p>	002004 006999	RF

MISSING ITEM NUMBERS NOT APPLICABLE

- ITEM NOT ILLUSTRATED

49-27-02-01

49-27-02  
FIG. 01  
PAGE 7  
SEP 20/08

BRI





757

PARTS CATALOG (MAINTENANCE)

FIG ITEM	PART NUMBER	1 2 3 4 5 6 7 NOMENCLATURE	EFFECT FROM TO	UNITS PER ASSY
1		<p>V99193  SPECIFICATION NUMBER:  S351T020-206  COMPONENT MAINT MANUAL REF:  49-22-11  QUALIFIED I/W DATA:  3800298-1-5/S351T020-204  AND  3800298-1-7/S351T020-206  3800298-1  ARE INTERCHANGEABLE WITH  THE INCORPORATION OF  ALLIED SIGNAL S/B  GTCP331-49-7081.  S351T020-203  (3800298-1-4) AND  S351T020-206(3800298-1-7  /3800298-1) ARE  INTERCHANGEABLE WITH THE  INCORPORATION OF ALLIED  SIGNAL S/B  GTCP331-49-7081.  S351T020-202  (3800298-1-3)  AND S351T020-206  (3800298-1-7/3800298-1)  ARE INTERCHANGEABLE  WITH THE INCORPORATION  OF ALLIED SIGNAL S/B  GTCP331-49-7081.  S351T020-201  (3800298-1-2)  AND S351T020-206  (3800298-1-7/3800298-1)  ARE INTERCHANGEABLE  WITH THE INCORPORATION  OF ALLIED SIGNAL S/B  GTCP331-49-7081.  S351T020-200  (3800298-1-1)  AND S351T020-206  (3800298-1-7/3800298-1)  ARE INTERCHANGEABLE  WITH THE INCORPORATION  OF ALLIED SIGNAL S/B  GTCP331-49-7081.  OPTIONAL PART:  3800298-1-7  V99193</p>		

MISSING ITEM NUMBERS NOT APPLICABLE

- ITEM NOT ILLUSTRATED

49-27-02-01

49-27-02  
FIG. 01  
PAGE 8  
SEP 20/08

BRI



757

PARTS CATALOG (MAINTENANCE)

FIG ITEM	PART NUMBER	1 2 3 4 5 6 7	NOMENCLATURE	EFFECT FROM TO	UNITS PER ASSY
1			FOR NHA/ADDITIONAL DET SEE: 49-11-01-50 49-21-00-02		
5	3880200-5		.PUMP ASSY-GEN SCAVENGE SUPPLIER CODE: V99193 SB DATA FROM A CMM: POST SB 49-5574 PRE SB 49-5661 POST SB 49-5575 PRE SB 49-5662 CONFIG CHG DATA FROM A CMM: REPLS 3880200-4 REPLD BY 3880200-6 COMPONENT MAINT MANUAL REF: 49-27-15	002004 006999	1
5	3880200-6		.PUMP ASSY-GEN SCAVENGE SUPPLIER CODE: V99193 SB DATA FROM A CMM: POST SB 49-5661 CONFIG CHG DATA FROM A CMM: REPLS 3880200-5 COMPONENT MAINT MANUAL REF: 49-27-15	002004 006999	1
10	MS21280-09		ATTACHING PARTS .BOLT- OPTIONAL PART: MS9557-09	002004 006999	3
10	MS9557-09		.BOLT- SB DATA FROM A CMM: POST SPB GTE0306 OPTIONAL PART: MS21280-09	002004 006999	3
15	NAS620C416L		.WASHER	002004 006999	3
20	S9413-118		-----*----- .PACKING- SUPPLIER CODE: V99193 OPTIONAL PART: M83248-1-118	002004 006999	1
20	M83248-1-118		.PACKING- OPTIONAL PART: S9413-118 V99193	002004 006999	1

MISSING ITEM NUMBERS NOT APPLICABLE

- ITEM NOT ILLUSTRATED

BRI

49-27-02-01

49-27-02  
FIG. 01  
PAGE 9  
SEP 20/08



757

PARTS CATALOG (MAINTENANCE)

FIG ITEM	PART NUMBER	1 2 3 4 5 6 7	NOMENCLATURE	EFFECT FROM TO	UNITS PER ASSY
1					
25	S9413-115		.PACKING- SUPPLIER CODE: V99193 OPTIONAL PART: M83248-1-115	002004 006999	1
25	M83248-1-115		.PACKING- OPTIONAL PART: S9413-115 V99193	002004 006999	1

MISSING ITEM NUMBERS NOT APPLICABLE

- ITEM NOT ILLUSTRATED

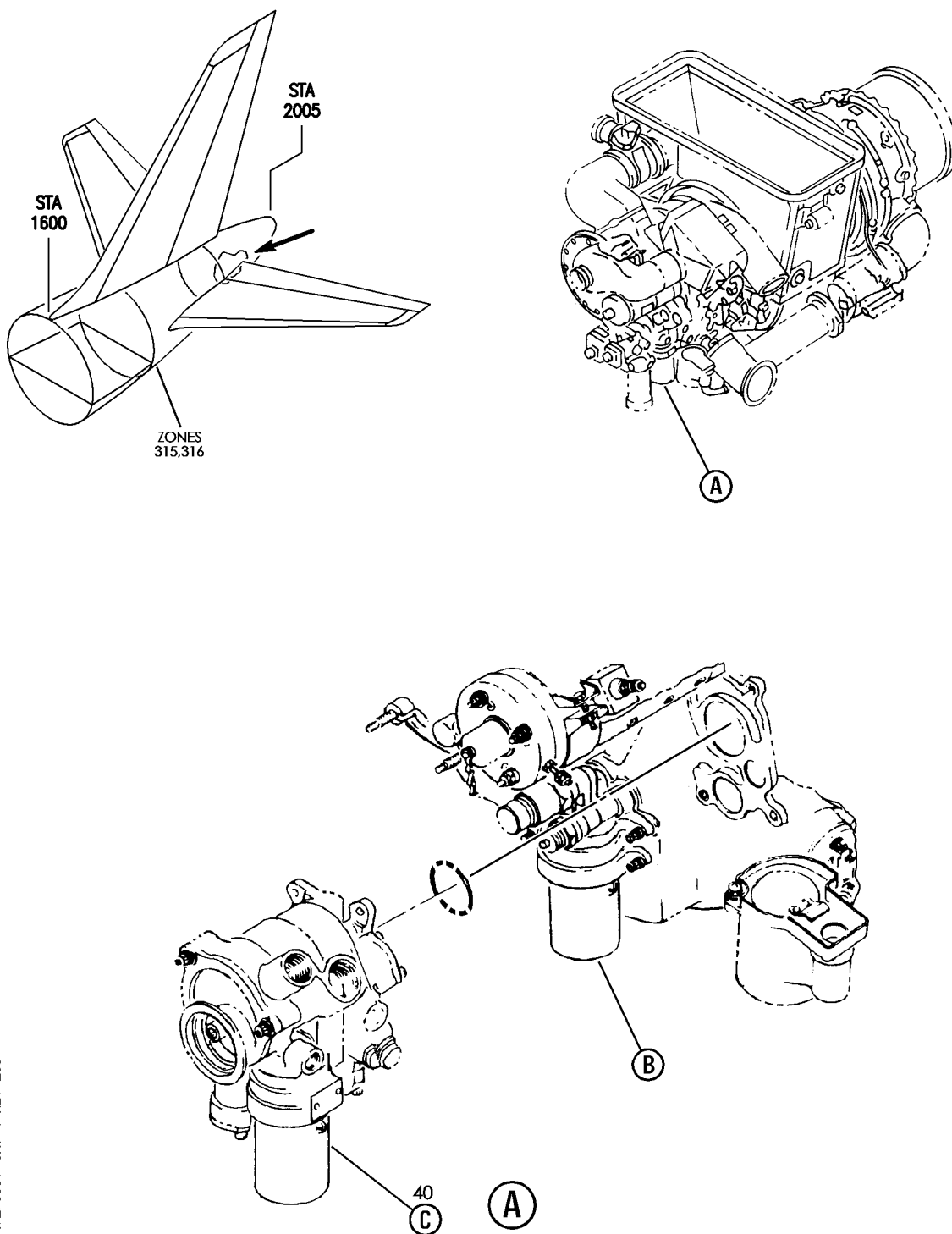
BRI

49-27-02-01

BOEING PROPRIETARY - Copyright © - Unpublished Work - See title page for details.

49-27-02  
FIG. 01  
PAGE 10  
SEP 20/08

**BOEING**  
757  
PARTS CATALOG (MAINTENANCE)



Y 49270301 SHT 1 REV 238

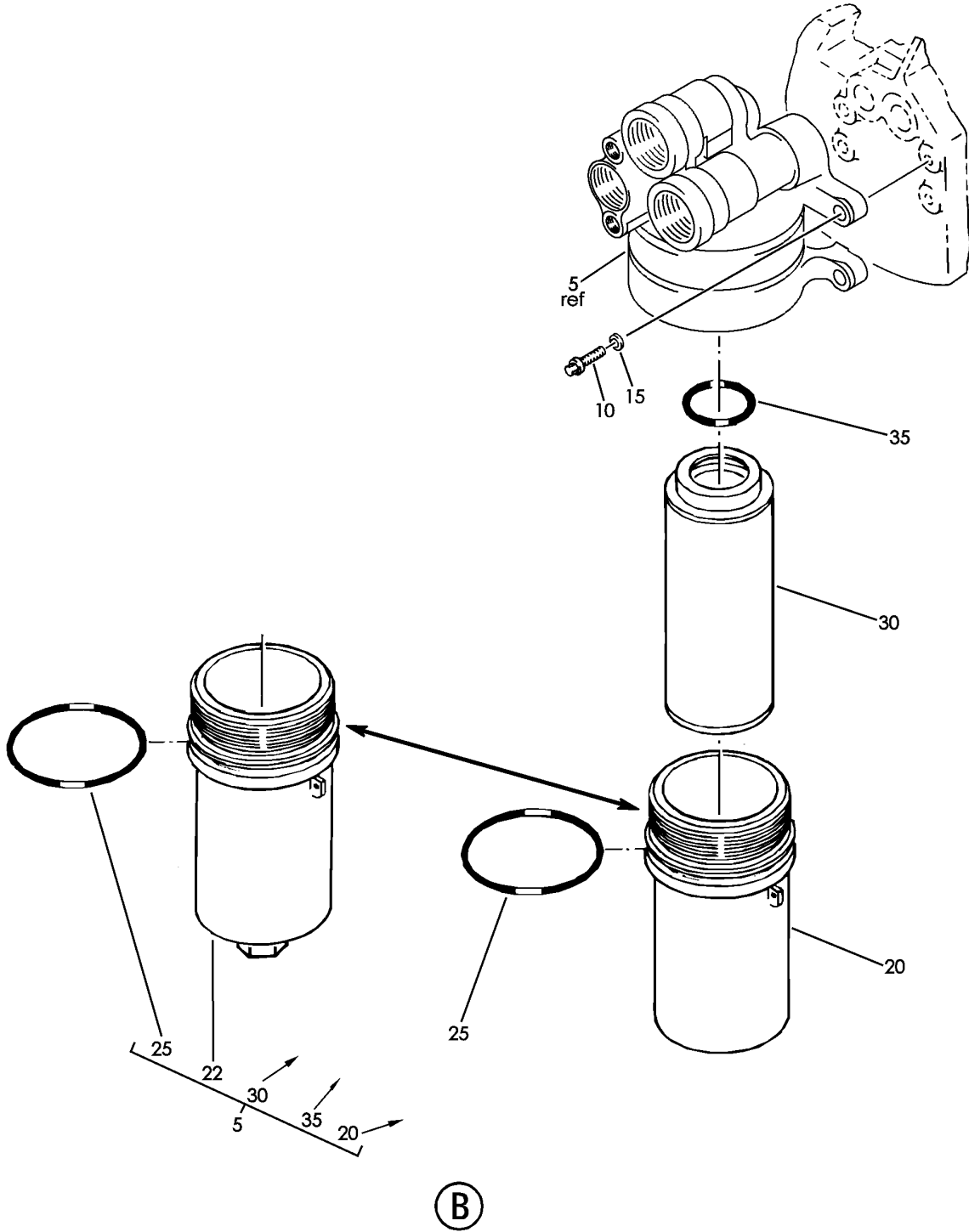
ENGINE ASSY-GAS TURB (OIL PRESSURE AND GENERATOR SCAVENGE FILTER ELEMENTS ONLY)  
FIGURE 1 (SHEET 1)

BRI  
MAY 28/07

**49-27-03-01**

49-27-03-01  
PAGE 0

**BOEING**  
757  
PARTS CATALOG (MAINTENANCE)



Y 49270301 SHT 2 REV 238

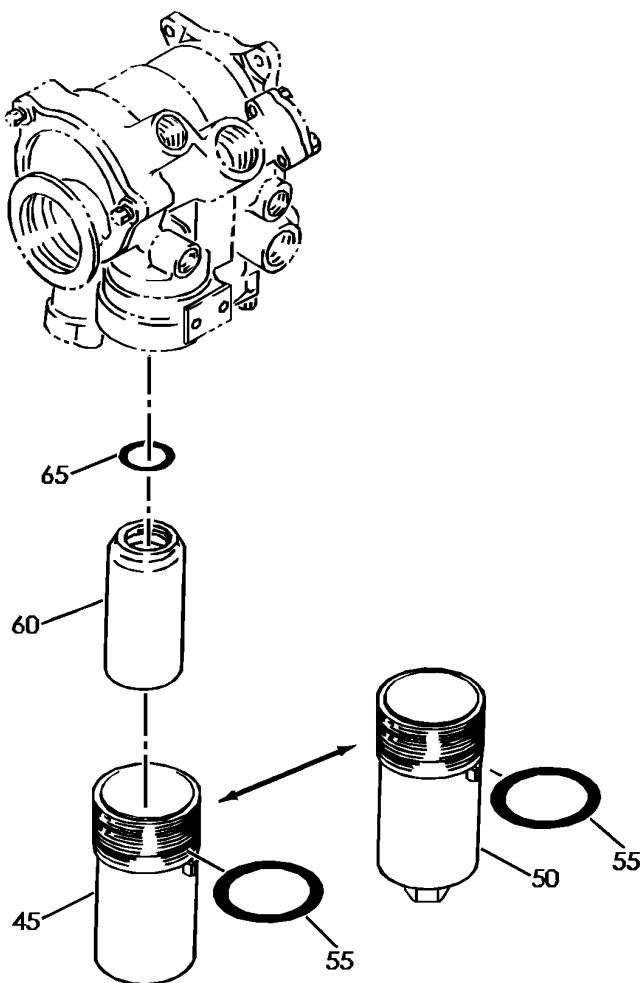
ENGINE ASSY-GAS TURB (OIL PRESSURE AND GENERATOR SCAVENGE FILTER ELEMENTS ONLY)  
FIGURE 1 (SHEET 2)

**49-27-03-01**

BRI  
MAY 28/07

49-27-03-01  
PAGE 0A

**BOEING**  
757  
PARTS CATALOG (MAINTENANCE)



(C)

Y 49270301 SHT 3 REV 238

ENGINE ASSY-GAS TURB (OIL PRESSURE AND GENERATOR SCAVENGE FILTER ELEMENTS ONLY)  
FIGURE 1 (SHEET 3)

**49-27-03-01**

BRI  
MAY 28/07

49-27-03-01  
PAGE 08



757

PARTS CATALOG (MAINTENANCE)

FIG ITEM	PART NUMBER	1 2 3 4 5 6 7	NOMENCLATURE	EFFECT FROM TO	UNITS PER ASSY
1			ENGINE ASSY-GAS TURB (OIL PRESSURE AND GENERATOR SCAVENGE FILTER ELEMENTS ONLY)	002004 006999	
- 1	3800298-1-2		ENGINE ASSY-GAS TURB GTCP331-200ER (OIL PRESSURE AND GENERATOR SCAVENGE FILTER ELEMENTS ONLY) SUPPLIER CODE: V99193 SPECIFICATION NUMBER: S351T020-201 CONFIG CHG DATA FROM A CMM: REPLACES 3800298-1-1 COMPONENT MAINT MANUAL REF: 49-22-11 QUALIFIED I/W DATA: S351T020-201 (3800298-1-2) AND S351T020-205 (3800298-1-6) ARE INTERCHANGEABLE WITH THE INCORPORATION OF ALLIED SIGNAL S/B GTCP331-49-7081. S351T020-201 (3800298-1-2) AND S351T020-206 (3800298-1-7/3800298-1) ARE INTERCHANGEABLE WITH THE INCORPORATION OF ALLIED SIGNAL S/B GTCP331-49-7081. FOR NHA/ADDITIONAL DET SEE: 49-11-01-50	002004 006100 107107 121503 904999	RF

MISSING ITEM NUMBERS NOT APPLICABLE

- ITEM NOT ILLUSTRATED

49-27-03-01

49-27-03  
FIG. 01  
PAGE 1  
JAN 20/09

BRI



757

PARTS CATALOG (MAINTENANCE)

FIG ITEM	PART NUMBER	1 2 3 4 5 6 7	NOMENCLATURE	EFFECT FROM TO	UNITS PER ASSY
1 - 1	3800298-1-1		ENGINE ASSY-GAS TURB GTCP331-200ER (OIL PRESSURE AND GENERATOR SCAVANGE FILTER ELEMENTS ONLY) SUPPLIER CODE: V99193 SPECIFICATION NUMBER: S351T020-200 COMPONENT MAINT MANUAL REF: 49-22-11 QUALIFIED I/W DATA: S351T020-200 (3800298-1-1) AND S351T020-205 (3800298-1-6) ARE INTERCHANGEABLE WITH THE INCORPORATION OF ALLIED SIGNAL S/B GTCP331-49-7081. S351T020-200 (3800298-1-1) AND S351T020-206 (3800298-1-7/3800298-1) ARE INTERCHANGEABLE WITH THE INCORPORATION OF ALLIED SIGNAL S/B GTCP331-49-7081. FOR NHA/ADDITIONAL DET SEE: 49-11-01-50	002004 006100 107107 121503 904999	RF

MISSING ITEM NUMBERS NOT APPLICABLE

- ITEM NOT ILLUSTRATED

49-27-03-01

49-27-03  
 FIG. 01  
 PAGE 2  
 JAN 20/09

BRI





757

PARTS CATALOG (MAINTENANCE)

FIG ITEM	PART NUMBER	1 2 3 4 5 6 7	NOMENCLATURE	EFFECT FROM TO	UNITS PER ASSY
1 - 1	3800298-1-3		ENGINE ASSY-GAS TURB GTCP331-200ER (OIL PRESSURE AND GENERATOR SCAVENGE FILTER ELEMENTS ONLY) SUPPLIER CODE: V99193 SPECIFICATION NUMBER: S351T020-202 CONFIG CHG DATA FROM A CMM: REPLACES 3800298-1-2 COMPONENT MAINT MANUAL REF: 49-22-11 QUALIFIED I/W DATA: S351T020-202 (3800298-1-3) AND S351T020-205 (3800298-1-6) ARE INTERCHANGEABLE WITH THE INCORPORATION OF ALLIED SIGNAL S/B GTCP331-49-7081. S351T020-202 (3800298-1-3) AND S351T020-206 (3800298-1-7/3800298-1) ARE INTERCHANGEABLE WITH THE INCORPORATION OF ALLIED SIGNAL S/B GTCP331-49-7081. FOR NHA/ADDITIONAL DET SEE: 49-11-01-50	002004 006100 107107 121503 904999	RF

MISSING ITEM NUMBERS NOT APPLICABLE

- ITEM NOT ILLUSTRATED

BRI

49-27-03-01

BOEING PROPRIETARY - Copyright © - Unpublished Work - See title page for details.

49-27-03  
 FIG. 01  
 PAGE 3  
 JAN 20/09



757

PARTS CATALOG (MAINTENANCE)

FIG ITEM	PART NUMBER	1 2 3 4 5 6 7 NOMENCLATURE	EFFECT FROM TO	UNITS PER ASSY
1 - 1	3800298-1-4	ENGINE ASSY-GAS TURB GTCP331-200ER (OIL PRESSURE AND GENERATOR SCAVENGE FILTER ELEMENTS ONLY) SUPPLIER CODE: V99193 SPECIFICATION NUMBER: S351T020-203 CONFIG CHG DATA FROM A CMM: REPLACES 3800298-1-3 COMPONENT MAINT MANUAL REF: 49-22-11 QUALIFIED I/W DATA: 3800298-1-4/S351T020-203 AND 3800298-1-6/S351T020-205 ARE INTERCHANGEABLE WITH THE INCORPORATION OF ALLIED SIGNAL S/B GTCP331-49-7081. S351T020-203 (3800298-1-4) AND S351T020-206 (3800298-1-7/3800298-1) ARE INTERCHANGEABLE WITH THE INCORPORATION OF ALLIED SIGNAL S/B GTCP331-49-7081. FOR NHA/ADDITIONAL DET SEE: 49-11-01-50	002004 006100 107107 121503 904999	RF

MISSING ITEM NUMBERS NOT APPLICABLE

- ITEM NOT ILLUSTRATED

BRI

49-27-03-01

BOEING PROPRIETARY - Copyright © - Unpublished Work - See title page for details.

49-27-03  
FIG. 01  
PAGE 4  
JAN 20/09



757

PARTS CATALOG (MAINTENANCE)

FIG ITEM	PART NUMBER	1 2 3 4 5 6 7	NOMENCLATURE	EFFECT FROM TO	UNITS PER ASSY
1					
- 1	3800298-1-5		ENGINE ASSY-GAS TURB GTCP331-200ER (OIL PRESSURE AND GENERATOR SCAVENGE FILTER ELEMENTS ONLY) SUPPLIER CODE: V99193 SPECIFICATION NUMBER: S351T020-204 CONFIG CHG DATA FROM A CMM: REPLACES 3800298-1-4 COMPONENT MAINT MANUAL REF: 49-22-11 QUALIFIED I/W DATA: S351T020-204 (3800298-1-5) AND S351T020-205 (3800298-1-6) ARE INTERCHANGEABLE WITH THE INCORPORATION OF ALLIED SIGNAL S/B GTCP331-49-7081. S351T020-204 (3800298-1-5) AND S351T020-206(3800298-1-7 /3800298-1) ARE INTERCHANGEABLE WITH THE INCORPORATION OF ALLIED SIGNAL S/B GTCP331-49-7081. FOR NHA/ADDITIONAL DET SEE: 49-11-01-50	002004 006100 107107 121503 904999	RF
- 1	3800298-1-6		ENGINE ASSY-GAS TURB GTCP331-200ER (OIL PRESSURE AND GENERATOR SCAVENGE FILTER ELEMENTS ONLY) SUPPLIER CODE: V99193 SPECIFICATION NUMBER: S351T020-205 CONFIG CHG DATA FROM A CMM: REPLACES 3800298-1-5 COMPONENT MAINT MANUAL REF: 49-22-11 QUALIFIED I/W DATA: S351T020-204 (3800298-1-5) AND S351T020-205	002004 006999	RF

MISSING ITEM NUMBERS NOT APPLICABLE

- ITEM NOT ILLUSTRATED

49-27-03-01

49-27-03  
FIG. 01  
PAGE 5  
JAN 20/09

BRI



757

PARTS CATALOG (MAINTENANCE)

FIG ITEM	PART NUMBER	1 2 3 4 5 6 7 NOMENCLATURE	EFFECT FROM TO	UNITS PER ASSY
1		<p>(3800298-1-6)            ARE INTERCHANGEABLE WITH            THE INCORPORATION OF            ALLIED SIGNAL S/B            GTCP331-49-7081.            S351T020-203            (3800298-1-4) AND            S351T020-205            (3800298-1-6) ARE            INTERCHANGEABLE WITH THE            INCORPORATION OF ALLIED            SIGNAL S/B            GTCP331-49-7081.            S351T020-202            (3800298-1-3)            AND S351T020-205            (3800298-1-6) ARE            INTERCHANGEABLE            WITH THE INCORPORATION            OF ALLIED SIGNAL S/B            GTCP331-49-7081.            S351T020-201            (3800298-1-2)            AND S351T020-205            (3800298-1-6) ARE            INTERCHANGEABLE            WITH THE INCORPORATION            OF ALLIED SIGNAL S/B            GTCP331-49-7081.            S351T020-200            (3800298-1-1)            AND S351T020-205            (3800298-1-6) ARE            INTERCHANGEABLE            WITH THE INCORPORATION            OF ALLIED SIGNAL S/B            GTCP331-49-7081.            FOR NHA/ADDITIONAL DET SEE:            49-11-01-50            49-21-00-02</p>		
-	1 3800298-1-7	<p>ENGINE ASSY-GAS TURB            GTCP331-200ER (OIL            PRESSURE AND GENERATOR            SCAVENGE FILTER ELEMENTS            ONLY)            SUPPLIER CODE:            V99193            SPECIFICATION NUMBER:            S351T020-206</p>	002004 006999	RF

MISSING ITEM NUMBERS NOT APPLICABLE

- ITEM NOT ILLUSTRATED

49-27-03-01

49-27-03  
 FIG. 01  
 PAGE 6  
 SEP 20/08

BRI



757

PARTS CATALOG (MAINTENANCE)

FIG ITEM	PART NUMBER	1 2 3 4 5 6 7 NOMENCLATURE	EFFECT FROM TO	UNITS PER ASSY
1		<p>CONFIG CHG DATA FROM A CMM:  REPLACES 3800298-1-6  COMPONENT MAINT MANUAL REF:  49-22-11  QUALIFIED I/W DATA:  S351T020-204  (3800298-1-5) AND  S351T020-206(3800298-1-7  /3800298-1)  ARE INTERCHANGEABLE WITH  THE INCORPORATION OF  ALLIED SIGNAL S/B  GTCP331-49-7081.  S351T020-203  (3800298-1-4) AND  S351T020-206(3800298-1-7  /3800298-1) ARE  INTERCHANGEABLE WITH THE  INCORPORATION OF ALLIED  SIGNAL S/B  GTCP331-49-7081.  S351T020-202  (3800298-1-3)  AND S351T020-206  (3800298-1-7/3800298-1)  ARE INTERCHANGEABLE  WITH THE INCORPORATION  OF ALLIED SIGNAL S/B  GTCP331-49-7081.  S351T020-201  (3800298-1-2)  AND S351T020-206  (3800298-1-7/3800298-1)  ARE INTERCHANGEABLE  WITH THE INCORPORATION  OF ALLIED SIGNAL S/B  GTCP331-49-7081.  S351T020-200  (3800298-1-1)  AND S351T020-206  (3800298-1-7/3800298-1)  ARE INTERCHANGEABLE  WITH THE INCORPORATION  OF ALLIED SIGNAL S/B  GTCP331-49-7081.  OPTIONAL PART:  3800298-1  V99193  FOR NHA/ADDITIONAL DET SEE:</p>		

MISSING ITEM NUMBERS NOT APPLICABLE

- ITEM NOT ILLUSTRATED

49-27-03-01

49-27-03  
FIG. 01  
PAGE 7  
SEP 20/08

BRI



757

PARTS CATALOG (MAINTENANCE)

FIG ITEM	PART NUMBER	1 2 3 4 5 6 7	NOMENCLATURE	EFFECT FROM TO	UNITS PER ASSY
1					
- 1	3800298-1		49-11-01-50 49-21-00-02 ENGINE ASSY-GAS TURB GTCP331-200ER (OIL PRESSURE AND GENERATOR SCAVENGE FILTER ELEMENTS ONLY) SUPPLIER CODE: V99193 SPECIFICATION NUMBER: S351T020-206 COMPONENT MAINT MANUAL REF: 49-22-11 QUALIFIED I/W DATA: S351T020-204 (3800298-1-5) AND S351T020-206(3800298-1-7 /3800298-1) ARE INTERCHANGEABLE WITH THE INCORPORATION OF ALLIED SIGNAL S/B GTCP331-49-7081. S351T020-203 (3800298-1-4) AND S351T020-206(3800298-1-7 /3800298-1) ARE INTERCHANGEABLE WITH THE INCORPORATION OF ALLIED SIGNAL S/B GTCP331-49-7081. S351T020-202 (3800298-1-3) AND S351T020-206 (3800298-1-7/3800298-1) ARE INTERCHANGEABLE WITH THE INCORPORATION OF ALLIED SIGNAL S/B GTCP331-49-7081. S351T020-201 (3800298-1-2) AND S351T020-206 (3800298-1-7/3800298-1) ARE INTERCHANGEABLE WITH THE INCORPORATION OF ALLIED SIGNAL S/B GTCP331-49-7081. S351T020-200 (3800298-1-1) AND S351T020-206	002004 006999	RF
MISSING ITEM NUMBERS NOT APPLICABLE					

- ITEM NOT ILLUSTRATED

49-27-03-01

49-27-03  
FIG. 01  
PAGE 8  
SEP 20/08

BRI

**BOEING**  
757  
**PARTS CATALOG (MAINTENANCE)**

FIG ITEM	PART NUMBER	1 2 3 4 5 6 7	NOMENCLATURE	EFFECT FROM TO	UNITS PER ASSY
1			(3800298-1-7/3800298-1) ARE INTERCHANGEABLE WITH THE INCORPORATION OF ALLIED SIGNAL S/B GTCP331-49-7081. OPTIONAL PART: 3800298-1-7 V99193 FOR NHA/ADDITIONAL DET SEE: 49-11-01-50 49-21-00-02		
5	3880210-3		. FILTER ASSY- SUPPLIER CODE: V99193 NOT APPROVED FOR ETOPS AFTER INCORP OF SB: GTCP331495698 SB DATA FROM A CMM: PRE SB 49-5698 CONFIG CHG DATA FROM A CMM: REPLD BY 3880210-5	002004 006999	1
5	3880210-5		. FILTER ASSY- SUPPLIER CODE: V99193 SB DATA FROM A CMM: POST SB 49-5698 CONFIG CHG DATA FROM A CMM: REPLS 3880210-3	002004 006999	1
10	MS21279-09		ATTACHING PARTS . BOLT- OPTIONAL PART: MS9556-09	002004 006999	4
10	MS9556-09		. BOLT- SB DATA FROM A CMM: POST SPB GTE0293 OPTIONAL PART: MS21279-09	002004 006999	4
15	NAS620C10L		. WASHER	002004 006999	4
20	3880208-1		-----*----- .. CONTAINER-FILTER SUPPLIER CODE: V99193 SB DATA FROM A CMM: PRE SPB GTE0510 CONFIG CHG DATA FROM A CMM: REPLD BY 76133	002004 006999	1

MISSING ITEM NUMBERS NOT APPLICABLE

— ITEM NOT ILLUSTRATED

BRI

# 49-27-03-01

BOEING PROPRIETARY - Copyright © - Unpublished Work - See title page for details.

49-27-03  
FIG. 01  
PAGE 9  
SEP 20/08



757

PARTS CATALOG (MAINTENANCE)

FIG ITEM	PART NUMBER	1 2 3 4 5 6 7	NOMENCLATURE	EFFECT FROM TO	UNITS PER ASSY
1					
20	76133		..CASE-OIL FILTER SUPPLIER CODE: V99193 SB DATA FROM A CMM: POST SPB GTE0510 CONFIG CHG DATA FROM A CMM: REPLS 3880208-1	002004 006999	1
25	S9413-227		..PACKING- SUPPLIER CODE: V99193 OPTIONAL PART: M83248-1-227	002004 006999	1
25	M83248-1-227		..PACKING- OPTIONAL PART: S9413-227 V99193	002004 006999	1
30	3001436-1		..ELEMENT ASSY-OIL FILTER SUPPLIER CODE: V59364 FOR ELEMENT MAINTENANCE USE FILTER MAINT KIT DEFINED IN FILTER MAINT KIT LIST. FILTER MAINTENANCE KIT REF: 654T0035-8	002004 006999	1
35	S9413-214		...PACKING- SUPPLIER CODE: V99193 OPTIONAL PART: AN6227-19 M83248-1-214	002004 006999	1
35	AN6227-19		...PACKING- OPTIONAL PART: S9413-214 V99193 M83248-1-214	002004 006999	1
35	M83248-1-214		...PACKING- OPTIONAL PART: S9413-214 V99193 AN6227-19	002004 006999	1

MISSING ITEM NUMBERS NOT APPLICABLE

- ITEM NOT ILLUSTRATED

49-27-03-01

49-27-03  
FIG. 01  
PAGE 10  
JAN 20/09

BRI





757

PARTS CATALOG (MAINTENANCE)

FIG ITEM	PART NUMBER	1 2 3 4 5 6 7	NOMENCLATURE	EFFECT FROM TO	UNITS PER ASSY
1					
40	3880190-5		.PUMP ASSY-LUBE SUPPLIER CODE: V99193 SB DATA FROM A CMM: POST SB 49-5566 PRE SB 49-5682 CONFIG CHG DATA FROM A CMM: REPLS 3880190-3, -4 REPLD BY 3880190-8 COMPONENT MAINT MANUAL REF: 49-91-41	002004 006999	RF
40	3880190-8		.PUMP ASSY-LUBE SUPPLIER CODE: V99193 SB DATA FROM A CMM: POST SB 49-5682 PRE SB 49-5781 POST SB 49-5683 CONFIG CHG DATA FROM A CMM: REPLS 3880190-3, -5 REPLD BY 3880190-10 COMPONENT MAINT MANUAL REF: 49-91-41	002004 006999	RF
40	3880190-10		.PUMP ASSY-LUBE SUPPLIER CODE: V99193 SB DATA FROM A CMM: POST SB 49-5781 CONFIG CHG DATA FROM A CMM: REPLS 3880190-8 COMPONENT MAINT MANUAL REF: 49-91-41	002004 006999	RF
45	3880208-1		..CONTAINER-FILTER SUPPLIER CODE: V99193 SB DATA FROM A CMM: PRE SPB GTE0510 CONFIG CHG DATA FROM A CMM: REPLD BY 76133	002004 006999	1
50	76133		..CASE-FILTER SUPPLIER CODE: V99193 SB DATA FROM A CMM: POST SPB GTE0510 CONFIG CHG DATA FROM A CMM: REPLS 3880208-1	002004 006999	1

MISSING ITEM NUMBERS NOT APPLICABLE

- ITEM NOT ILLUSTRATED

49-27-03-01

49-27-03  
FIG. 01  
PAGE 11  
SEP 20/08

BRI



757

PARTS CATALOG (MAINTENANCE)

FIG ITEM	PART NUMBER	1 2 3 4 5 6 7	NOMENCLATURE	EFFECT FROM TO	UNITS PER ASSY
1					
55	S9413-227	..	PACKING- SUPPLIER CODE: V99193 OPTIONAL PART: M83248-1-227	002004 006999	1
55	M83248-1-227	..	PACKING- OPTIONAL PART: S9413-227 V99193	002004 006999	1
60	3001436-1	..	ELEMENT ASSY-OIL FILTER SUPPLIER CODE: V59364	002004 006999	1
60	3880701-1	..	ELEMENT-FILTER SUPPLIER CODE: V99193	002004 006999	1
65	AN6227-19	...	PACKING- OPTIONAL PART: S9413-214 V99193 M83248-1-214	002004 006999	1
65	S9413-214	...	PACKING- SUPPLIER CODE: V99193 OPTIONAL PART: M83248-1-214 AN6227-19	002004 006999	1
65	M83248-1-214	...	PACKING- OPTIONAL PART: S9413-214 V99193 AN6227-19	002004 006999	1

MISSING ITEM NUMBERS NOT APPLICABLE

- ITEM NOT ILLUSTRATED

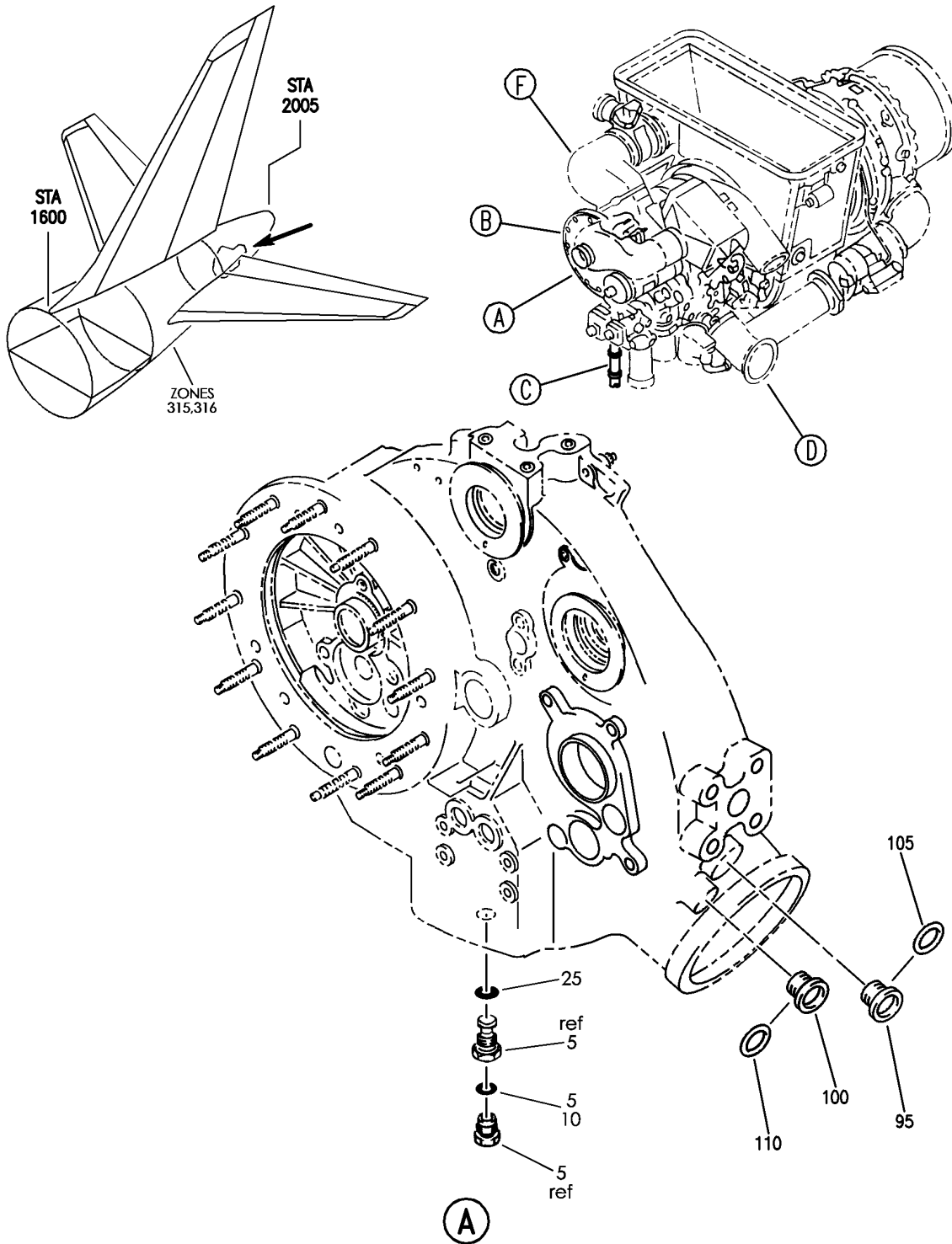
BRI

49-27-03-01

BOEING PROPRIETARY - Copyright © - Unpublished Work - See title page for details.

49-27-03  
FIG. 01  
PAGE 12  
JAN 20/09

**BOEING**  
757  
PARTS CATALOG (MAINTENANCE)



Y 49270401 SHT 1 REV 252

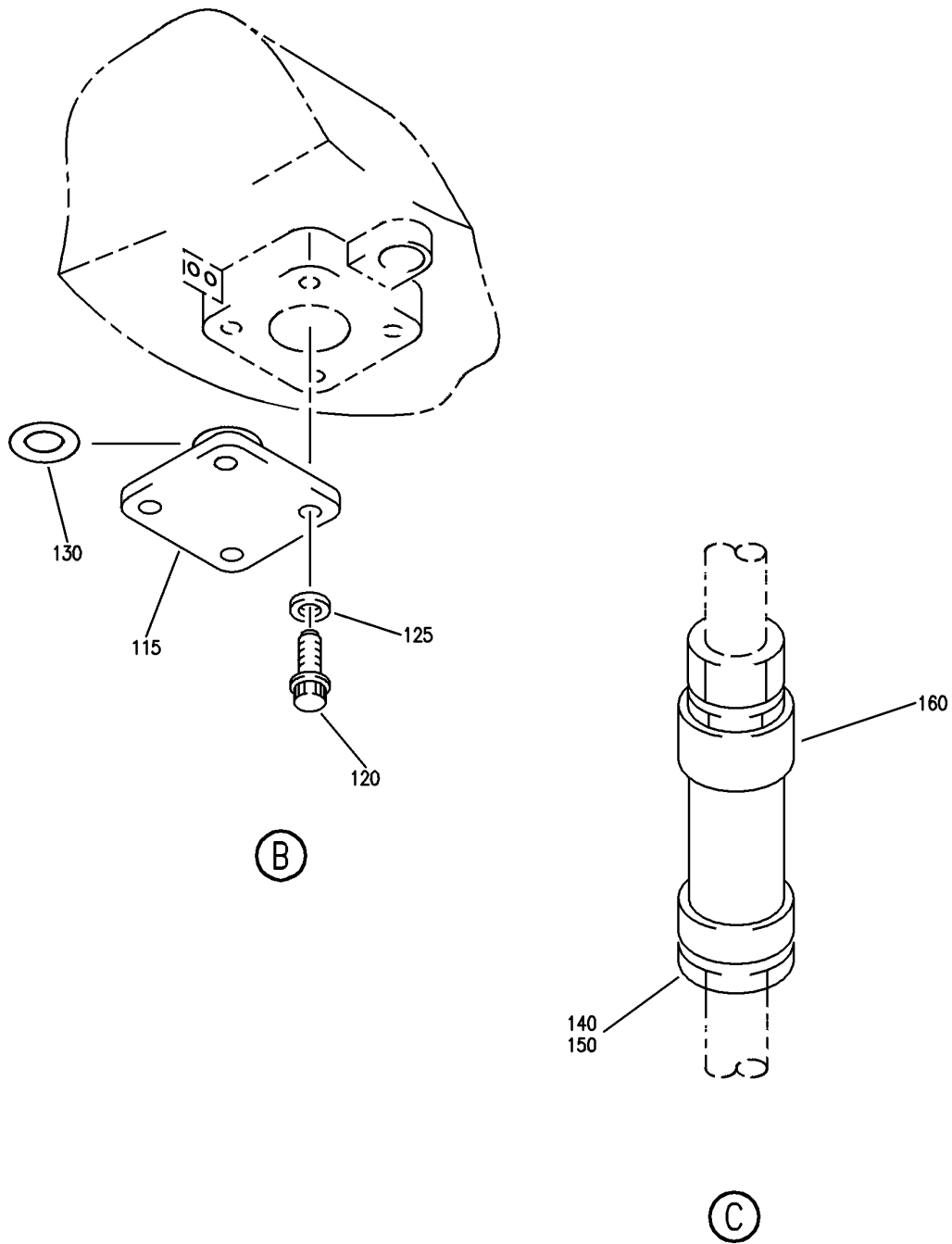
ENGINE ASSY-GAS TURB (MAGNETIC CHIP DETECTORS AND DRAIN PLUGS ONLY)  
FIGURE 1 (SHEET 1)

**49-27-04-01**

BRI  
MAY 28/07

49-27-04-01  
PAGE 0

**BOEING**  
757  
PARTS CATALOG (MAINTENANCE)



Y 49270401 SHT 2 REV 252

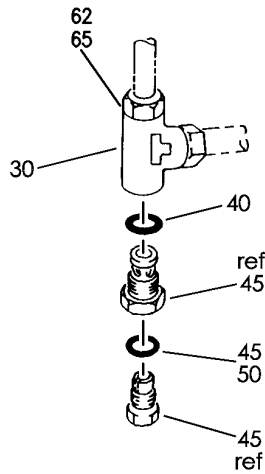
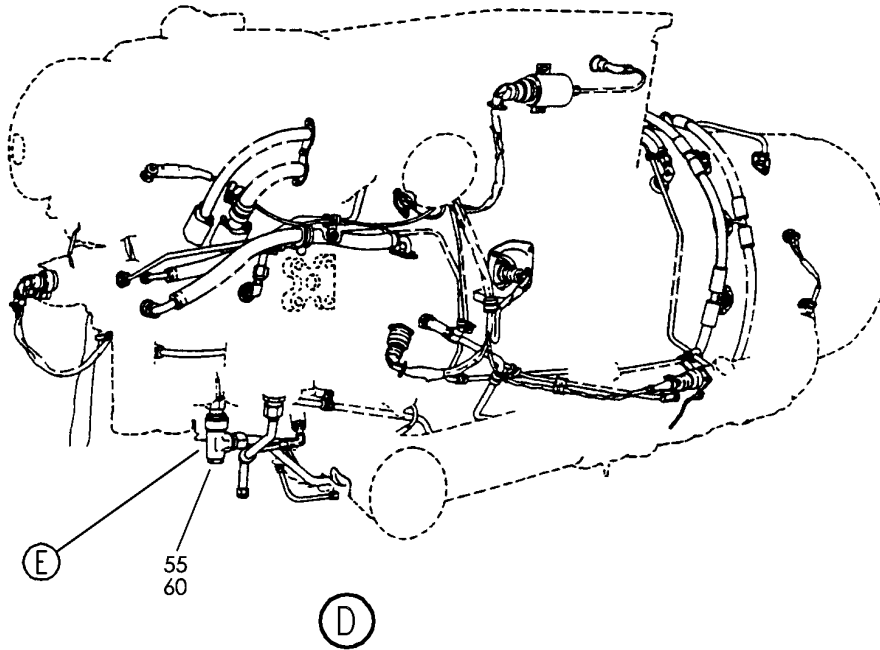
ENGINE ASSY-GAS TURB (MAGNETIC CHIP DETECTORS AND DRAIN PLUGS ONLY)  
FIGURE 1 (SHEET 2)

**49-27-04-01**

BRI  
MAY 28/07

49-27-04-01  
PAGE 0A

**BOEING**  
757  
PARTS CATALOG (MAINTENANCE)



(E)

Y 49270401 SHT 3 REV 252

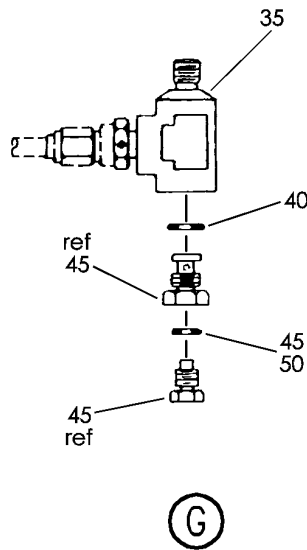
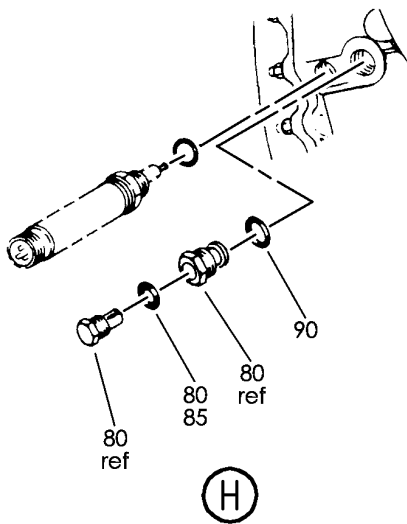
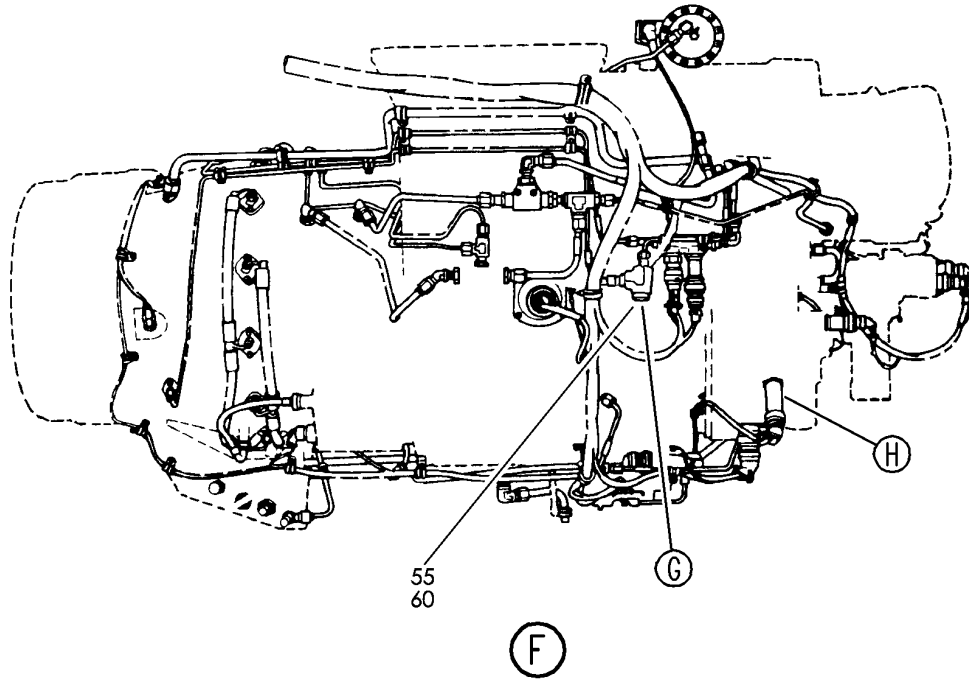
ENGINE ASSY-GAS TURB (MAGNETIC CHIP DETECTORS AND DRAIN PLUGS ONLY)  
FIGURE 1 (SHEET 3)

BRI  
MAY 28/07

**49-27-04-01**

49-27-04-01  
PAGE 0B

**BOEING**  
757  
PARTS CATALOG (MAINTENANCE)



Y 49270401 SHT 4 REV 252

ENGINE ASSY-GAS TURB (MAGNETIC CHIP DETECTORS AND DRAIN PLUGS ONLY)  
FIGURE 1 (SHEET 4)

**49-27-04-01**

BRI  
MAY 28/07

49-27-04-01  
PAGE 0C



757

PARTS CATALOG (MAINTENANCE)

FIG ITEM	PART NUMBER	1 2 3 4 5 6 7	NOMENCLATURE	EFFECT FROM TO	UNITS PER ASSY
1			ENGINE ASSY-GAS TURB (MAGNETIC CHIP DETECTORS AND DRAIN PLUGS ONLY)	002004 006999	
- 1	3800298-1-2		ENGINE ASSY-GAS TURB GTCP331-200ER (MAGNETIC CHIP DETECTORS AND DRAIN PLUGS ONLY) SUPPLIER CODE: V99193 SPECIFICATION NUMBER: S351T020-201 CONFIG CHG DATA FROM A CMM: REPLACES 3800298-1-1 COMPONENT MAINT MANUAL REF: 49-22-11 QUALIFIED I/W DATA: S351T020-201 (3800298-1-2) AND S351T020-205 (3800298-1-6) ARE INTERCHANGEABLE WITH THE INCORPORATION OF ALLIED SIGNAL S/B GTCP331-49-7081. S351T020-201 (3800298-1-2) AND S351T020-206 (3800298-1-7/3800298-1) ARE INTERCHANGEABLE WITH THE INCORPORATION OF ALLIED SIGNAL S/B GTCP331-49-7081. FOR NHA/ADDITIONAL DET SEE: 49-11-01-50	002004 006100 107107 121503 904999	RF

MISSING ITEM NUMBERS NOT APPLICABLE

- ITEM NOT ILLUSTRATED

BRI

49-27-04-01

49-27-04  
FIG. 01  
PAGE 1  
JAN 20/09



757

PARTS CATALOG (MAINTENANCE)

FIG ITEM	PART NUMBER	1 2 3 4 5 6 7	NOMENCLATURE	EFFECT FROM TO	UNITS PER ASSY
1 - 1	3800298-1-1		ENGINE ASSY-GAS TURB GTCP331-200ER (MAGNETIC CHIP DETECTORS AND DRAIN PLUGS ONLY) SUPPLIER CODE: V99193 SPECIFICATION NUMBER: S351T020-200 COMPONENT MAINT MANUAL REF: 49-22-11 QUALIFIED I/W DATA: S351T020-200 (3800298-1-1) AND S351T020-205 (3800298-1-6) ARE INTERCHANGEABLE WITH THE INCORPORATION OF ALLIED SIGNAL S/B GTCP331-49-7081. S351T020-200 (3800298-1-1) AND S351T020-206 (3800298-1-7/3800298-1) ARE INTERCHANGEABLE WITH THE INCORPORATION OF ALLIED SIGNAL S/B GTCP331-49-7081. FOR NHA/ADDITIONAL DET SEE: 49-11-01-50	002004 006100 107107 121503 904999	RF

MISSING ITEM NUMBERS NOT APPLICABLE

- ITEM NOT ILLUSTRATED

BRI

49-27-04-01

BOEING PROPRIETARY - Copyright © - Unpublished Work - See title page for details.

49-27-04  
FIG. 01  
PAGE 2  
JAN 20/09





757

PARTS CATALOG (MAINTENANCE)

FIG ITEM	PART NUMBER	1 2 3 4 5 6 7	NOMENCLATURE	EFFECT FROM TO	UNITS PER ASSY
1 - 1	3800298-1-3		ENGINE ASSY-GAS TURB GTCP331-200ER (MAGNETIC CHIP DETECTORS AND DRAIN PLUGS ONLY) SUPPLIER CODE: V99193 SPECIFICATION NUMBER: S351T020-202 CONFIG CHG DATA FROM A CMM: REPLACES 3800298-1-2 COMPONENT MAINT MANUAL REF: 49-22-11 QUALIFIED I/W DATA: S351T020-202 (3800298-1-3) AND S351T020-205 (3800298-1-6) ARE INTERCHANGEABLE WITH THE INCORPORATION OF ALLIED SIGNAL S/B GTCP331-49-7081. S351T020-202 (3800298-1-3) AND S351T020-206 (3800298-1-7/3800298-1) ARE INTERCHANGEABLE WITH THE INCORPORATION OF ALLIED SIGNAL S/B GTCP331-49-7081. FOR NHA/ADDITIONAL DET SEE: 49-11-01-50	002004 006100 107107 121503 904999	RF

MISSING ITEM NUMBERS NOT APPLICABLE

- ITEM NOT ILLUSTRATED

BRI

49-27-04-01

BOEING PROPRIETARY - Copyright © - Unpublished Work - See title page for details.

49-27-04  
FIG. 01  
PAGE 3  
JAN 20/09



757

PARTS CATALOG (MAINTENANCE)

FIG ITEM	PART NUMBER	1 2 3 4 5 6 7	NOMENCLATURE	EFFECT FROM TO	UNITS PER ASSY
1 - 1	3800298-1-4		ENGINE ASSY-GAS TURB GTCP331-200ER (MAGNETIC CHIP DETECTORS AND DRAIN PLUGS ONLY) SUPPLIER CODE: V99193 SPECIFICATION NUMBER: S351T020-203 CONFIG CHG DATA FROM A CMM: REPLACES 3800298-1-3 COMPONENT MAINT MANUAL REF: 49-22-11 QUALIFIED I/W DATA: 3800298-1-4/S351T020-203 AND 3800298-1-6/S351T020-205 ARE INTERCHANGEABLE WITH THE INCORPORATION OF ALLIED SIGNAL S/B GTCP331-49-7081. 3800298-1-4/S351T020-203 AND 3800298-1-7/S351T020-206 /3800298-1 ARE INTERCHANGEABLE WITH THE INCORPORATION OF ALLIED SIGNAL S/B GTCP331-49-7081. FOR NHA/ADDITIONAL DET SEE: 49-11-01-50	002004 006100 107107 121503 904999	RF

MISSING ITEM NUMBERS NOT APPLICABLE

- ITEM NOT ILLUSTRATED

BRI

49-27-04-01

BOEING PROPRIETARY - Copyright © - Unpublished Work - See title page for details.

49-27-04  
FIG. 01  
PAGE 4  
JAN 20/09



757

PARTS CATALOG (MAINTENANCE)

FIG ITEM	PART NUMBER	1 2 3 4 5 6 7	NOMENCLATURE	EFFECT FROM TO	UNITS PER ASSY
1	3800298-1-5		ENGINE ASSY-GAS TURB GTCP331-200ER (MAGNETIC CHIP DETECTORS AND DRAIN PLUGS ONLY) SUPPLIER CODE: V99193 SPECIFICATION NUMBER: S351T020-204 CONFIG CHG DATA FROM A CMM: REPLACES 3800298-1-4 COMPONENT MAINT MANUAL REF: 49-22-11 QUALIFIED I/W DATA: 3800298-1-5/S351T020-204 AND 3800298-1-6/S351T020-205 ARE INTERCHANGEABLE WITH THE INCORPORATION OF ALLIED SIGNAL S/B GTCP331-49-7081. S351T020-204 (3800298-1-5) AND S351T020-206(3800298-1-7 /3800298-1) ARE INTERCHANGEABLE WITH THE INCORPORATION OF ALLIED SIGNAL S/B GTCP331-49-7081. FOR NHA/ADDITIONAL DET SEE: 49-11-01-50	002004 006100 107107 121503 904999	RF
1	3800298-1-6		ENGINE ASSY-GAS TURB GTCP331-200ER (MAGNETIC CHIP DETECTORS AND DRAIN PLUGS ONLY) SUPPLIER CODE: V99193 SPECIFICATION NUMBER: S351T020-205 CONFIG CHG DATA FROM A CMM: REPLACES 3800298-1-5 COMPONENT MAINT MANUAL REF: 49-22-11 QUALIFIED I/W DATA: 3800298-1-5/S351T020-204 AND 3800298-1-6/S351T020-205 ARE INTERCHANGEABLE WITH THE INCORPORATION OF ALLIED SIGNAL S/B	002004 006999	RF

MISSING ITEM NUMBERS NOT APPLICABLE

- ITEM NOT ILLUSTRATED

49-27-04-01

49-27-04  
FIG. 01  
PAGE 5  
JAN 20/09

BRI



757

PARTS CATALOG (MAINTENANCE)

FIG ITEM	PART NUMBER	1 2 3 4 5 6 7 NOMENCLATURE	EFFECT FROM TO	UNITS PER ASSY
1		GTCP331-49-7081. S351T020-203 (3800298-1-4) AND S351T020-205 (3800298-1-6) ARE INTERCHANGEABLE WITH THE INCORPORATION OF ALLIED SIGNAL S/B GTCP331-49-7081. S351T020-202 (3800298-1-3) AND S351T020-205 (3800298-1-6) ARE INTERCHANGEABLE WITH THE INCORPORATION OF ALLIED SIGNAL S/B GTCP331-49-7081. S351T020-201 (3800298-1-2) AND S351T020-205 (3800298-1-6) ARE INTERCHANGEABLE WITH THE INCORPORATION OF ALLIED SIGNAL S/B GTCP331-49-7081. S351T020-200 (3800298-1-1) AND S351T020-205 (3800298-1-6) ARE INTERCHANGEABLE WITH THE INCORPORATION OF ALLIED SIGNAL S/B GTCP331-49-7081. FOR NHA/ADDITIONAL DET SEE: 49-11-01-50 49-21-00-02		
-	1 3800298-1-7	ENGINE ASSY-GAS TURB GTCP331-200ER (MAGNETIC CHIP DETECTORS AND DRAIN PLUGS ONLY) SUPPLIER CODE: V99193 SPECIFICATION NUMBER: S351T020-206 CONFIG CHG DATA FROM A CMM: REPLACES 3800298-1-6 COMPONENT MAINT MANUAL REF: 49-22-11 QUALIFIED I/W DATA:  MISSING ITEM NUMBERS NOT APPLICABLE	002004 006999	RF

- ITEM NOT ILLUSTRATED

49-27-04-01

49-27-04  
FIG. 01  
PAGE 6  
SEP 20/08

BRI



757

PARTS CATALOG (MAINTENANCE)

FIG ITEM	PART NUMBER	1 2 3 4 5 6 7 NOMENCLATURE	EFFECT FROM TO	UNITS PER ASSY
1		<p>3800298-1-5/S351T020-204 AND 3800298-1/ 3800298-1-7/S351T020-206 ARE INTERCHANGEABLE WITH THE INCORPORATION OF ALLIED SIGNAL S/B GTCP331-49-7081. S351T020-203 (3800298-1-4) AND S351T020-206(3800298-1-7 /3800298-1) ARE INTERCHANGEABLE WITH THE INCORPORATION OF ALLIED SIGNAL S/B GTCP331-49-7081. S351T020-202 (3800298-1-3) AND S351T020-206 (3800298-1-7/3800298-1) ARE INTERCHANGEABLE WITH THE INCORPORATION OF ALLIED SIGNAL S/B GTCP331-49-7081. S351T020-201 (3800298-1-2) AND S351T020-206 (3800298-1-7/3800298-1) ARE INTERCHANGEABLE WITH THE INCORPORATION OF ALLIED SIGNAL S/B GTCP331-49-7081. S351T020-200 (3800298-1-1) AND S351T020-206 (3800298-1-7/3800298-1) ARE INTERCHANGEABLE WITH THE INCORPORATION OF ALLIED SIGNAL S/B GTCP331-49-7081. OPTIONAL PART: 3800298-1 V99193 FOR NHA/ADDITIONAL DET SEE: 49-11-01-50 49-21-00-02</p>		
-	1 3800298-1	<p>ENGINE ASSY-GAS TURB GTCP331-200ER (MAGNETIC CHIP DETECTORS AND DRAIN PLUGS ONLY)</p>	002004 006999	RF

MISSING ITEM NUMBERS NOT APPLICABLE

- ITEM NOT ILLUSTRATED

49-27-04-01

49-27-04  
FIG. 01  
PAGE 7  
SEP 20/08

BRI



757

PARTS CATALOG (MAINTENANCE)

FIG ITEM	PART NUMBER	1 2 3 4 5 6 7 NOMENCLATURE	EFFECT FROM TO	UNITS PER ASSY
1		<p>SUPPLIER CODE: V99193</p> <p>SPECIFICATION NUMBER: S351T020-206</p> <p>COMPONENT MAINT MANUAL REF: 49-22-11</p> <p>QUALIFIED I/W DATA: 3800298-1-5/S351T020-204 AND 3800298-1-7/S351T020-206 /3800298-1</p> <p>ARE INTERCHANGEABLE WITH THE INCORPORATION OF ALLIED SIGNAL S/B GTCP331-49-7081. S351T020-203 (3800298-1-4) AND S351T020-206(3800298-1-7 /3800298-1) ARE INTERCHANGEABLE WITH THE INCORPORATION OF ALLIED SIGNAL S/B GTCP331-49-7081. S351T020-202 (3800298-1-3) AND S351T020-206 (3800298-1-7/3800298-1) ARE INTERCHANGEABLE WITH THE INCORPORATION OF ALLIED SIGNAL S/B GTCP331-49-7081. S351T020-201 (3800298-1-2) AND S351T020-206 (3800298-1-7/3800298-1) ARE INTERCHANGEABLE WITH THE INCORPORATION OF ALLIED SIGNAL S/B GTCP331-49-7081. S351T020-200 (3800298-1-1) AND S351T020-206 (3800298-1-7/3800298-1) ARE INTERCHANGEABLE WITH THE INCORPORATION OF ALLIED SIGNAL S/B GTCP331-49-7081.</p> <p>OPTIONAL PART: 3800298-1-7</p>		

MISSING ITEM NUMBERS NOT APPLICABLE

- ITEM NOT ILLUSTRATED

49-27-04-01

49-27-04  
FIG. 01  
PAGE 8  
SEP 20/08

BRI



757

PARTS CATALOG (MAINTENANCE)

FIG ITEM	PART NUMBER	1 2 3 4 5 6 7	NOMENCLATURE	EFFECT FROM TO	UNITS PER ASSY
1			V99193 FOR NHA/ADDITIONAL DET SEE: 49-11-01-50 49-21-00-02		
- 1	3800298-1-2		ENGINE ASSY-GAS TURB GTCP331-200ER (MAGNETIC CHIP DETECTORS AND DRAIN PLUGS ONLY) SUPPLIER CODE: V99193 SPECIFICATION NUMBER: S351T020-201 CONFIG CHG DATA FROM A CMM: REPLACES 3800298-1-1 COMPONENT MAINT MANUAL REF: 49-22-11 QUALIFIED I/W DATA: S351T020-201 (3800298-1-2) AND S351T020-205 (3800298-1-6) ARE INTERCHANGEABLE WITH THE INCORPORATION OF ALLIED SIGNAL S/B GTCP331-49-7081. S351T020-201 (3800298-1-2) AND S351T020-206 (3800298-1-7/3800298-1) ARE INTERCHANGEABLE WITH THE INCORPORATION OF ALLIED SIGNAL S/B GTCP331-49-7081. FOR NHA/ADDITIONAL DET SEE: 49-11-01-50	002004 006100 107107 121503 904999	RF
5	P203		. PLUG-MAG DRAIN SUPPLIER CODE: V97484 SB DATA FROM A CMM: POST SPB GTE0399 MISCELLANEOUS DATA: HONEYWELL PART NO. 572-514-9202 OPTIONAL PART: 4-1059-100 VOK232	002004 006999	1

MISSING ITEM NUMBERS NOT APPLICABLE

- ITEM NOT ILLUSTRATED

49-27-04-01

49-27-04  
FIG. 01  
PAGE 9  
MAY 20/09

BRI



757

PARTS CATALOG (MAINTENANCE)

FIG ITEM	PART NUMBER	1 2 3 4 5 6 7	NOMENCLATURE	EFFECT FROM TO	UNITS PER ASSY
1	5 4-1059-100		. PLUG-MAG DRAIN SUPPLIER CODE: VOK232 MISCELLANEOUS DATA: HONEYWELL PART NO. 572-514-9202 OPTIONAL PART: P203 V97484	002004 006999	1
	10 M83248-1-011		.. PACKING- OPTIONAL PART: NAS1593-011 S9413-011 V99193 USED ON: P203	002004 006999	1
	10 NAS1593-014		.. PACKING- CONFIG CHG DATA FROM A CMM: REPLD BY NAS1593-011 OPTIONAL PART: S9413-014 V99193 USED ON: P203	002004 006999	1
	10 S9413-014		.. PACKING- SUPPLIER CODE: V99193 CONFIG CHG DATA FROM A CMM: REPLD BY NAS1593-011 OPTIONAL PART: NAS1593-014	002004 006999	1
	10 NAS1593-011		.. PACKING- CONFIG CHG DATA FROM A CMM: REPLACES NAS1593-014 REPLACES S9413-014 OPTIONAL PART: S9413-011 V99193 M83248-1-011 USED ON: P203	002004 006999	1
	10 S9413-011		.. PACKING- SUPPLIER CODE: V99193 OPTIONAL PART: M83248-1-011 NAS1593-011 USED ON: P203	002004 006999	1

MISSING ITEM NUMBERS NOT APPLICABLE

- ITEM NOT ILLUSTRATED

49-27-04-01

49-27-04  
FIG. 01  
PAGE 10  
MAY 20/09

BRI





757

PARTS CATALOG (MAINTENANCE)

FIG ITEM	PART NUMBER	1 2 3 4 5 6 7	NOMENCLATURE	EFFECT FROM TO	UNITS PER ASSY
1	10 S9413-009		.. PACKING- SUPPLIER CODE: V99193 OPTIONAL PART: M83248-1-009 V97484 USED ON: 4-1059-100	002004 006999	1
	10 M83248-1-009		.. PACKING- USED ON: 4-1059-100	002004 006999	1
-	15 1A145		. PLUG- SUPPLIER CODE: V97484 MISCELLANEOUS DATA: 572-510-9160 OPTIONAL PART: P203 V97484 USED WITH: 1A146	002004 006999	1
-	16 1A146		. PLUG- SUPPLIER CODE: V97484 MISCELLANEOUS DATA: 572-510-9161 OPTIONAL PART: P203 V97484 USED WITH: 1A145	002004 006999	1
	25 S9413-557		. PACKING- SUPPLIER CODE: V99193 OPTIONAL PART: M83248-1-907	002004 006999	1
	25 M83248-1-907		. PACKING- OPTIONAL PART: S9413-557 V99193	002004 006999	1
	30 3880437-1		. FITTING-CHIP DETECTOR SUPPLIER CODE: V99193 SB DATA FROM A CMM: POST SB 49-5634 POST SB 49-5765 POST SB 49-5793 CONFIG CHG DATA FROM A CMM: REPLS 3880274-1	002004 006999	1

MISSING ITEM NUMBERS NOT APPLICABLE

- ITEM NOT ILLUSTRATED

49-27-04-01

49-27-04  
FIG. 01  
PAGE 11  
MAY 20/09

BRI



757

PARTS CATALOG (MAINTENANCE)

FIG ITEM	PART NUMBER	1 2 3 4 5 6 7	NOMENCLATURE	EFFECT FROM TO	UNITS PER ASSY
1 30	3880274-1		.FITTING-CHIP DETECTOR SUPPLIER CODE: V99193 SB DATA FROM A CMM: PRE SB 49-5634 PRE SB 49-5765 PRE SB 49-5793 CONFIG CHG DATA FROM A CMM: REPLD BY 3880437-1	002004 006999	1
35	3880649-2		.FITTING-CHIP DETECTOR SUPPLIER CODE: V99193 SB DATA FROM A CMM: POST SB 49-5634 POST SB 49-5765 POST SB 49-5793 CONFIG CHG DATA FROM A CMM: REPLS 3880289-1	002004 006999	1
35	3880289-1		.FITTING-CHIP DETECTOR SUPPLIER CODE: V99193 SB DATA FROM A CMM: PRE SB 49-5634 PRE SB 49-5765 PRE SB 49-5793 CONFIG CHG DATA FROM A CMM: REPLD BY 3880649-2	002004 006999	1
40	S9413-557		.PACKING- SUPPLIER CODE: V99193 OPTIONAL PART: M83248-1-907 USED ON: 3800298-1-1 3800298-1-2 3800298-1-3 3800298-1-4 3800298-1-5 3800298-1-6 3800298-1-7	002004 006999	2
40	M83248-1-907		.PACKING- OPTIONAL PART: S9413-557 V99193	002004 006999	2

MISSING ITEM NUMBERS NOT APPLICABLE

- ITEM NOT ILLUSTRATED

49-27-04-01

49-27-04  
FIG. 01  
PAGE 12  
MAY 20/09

BRI



**757  
PARTS CATALOG (MAINTENANCE)**

FIG ITEM	PART NUMBER	1 2 3 4 5 6 7	NOMENCLATURE	EFFECT FROM TO	UNITS PER ASSY
1					
45	P203		. PLUG-MAG DRAIN SUPPLIER CODE: V97484 MISCELLANEOUS DATA: (572-514-9202) OPTIONAL PART: 4-1059-100 VOK232 USED ON: 3800298-1-1 3800298-1-2 3800298-1-3 3800298-1-4 3800298-1-5 3800298-1-6 3800298-1-7	002004 006999	2
45	4-1059-100		. PLUG-MAG DRAIN SUPPLIER CODE: VOK232 MISCELLANEOUS DATA: (572-514-9202) USED ON: 3800298-1-1 3800298-1-2 3800298-1-3 3800298-1-4 3800298-1-5 3800298-1-6 3800298-1-7	002004 006999	2
50	NAS1593-011		.. PACKING- OPTIONAL PART: S9413-011 V99193 USED ON: P203	002004 006999	1
50	S9413-011		.. PACKING- SUPPLIER CODE: V99193 OPTIONAL PART: NAS1593-011 USED ON: P203	002004 006999	1

MISSING ITEM NUMBERS NOT APPLICABLE

— ITEM NOT ILLUSTRATED

BRI

# 49-27-04-01

BOEING PROPRIETARY - Copyright © - Unpublished Work - See title page for details.

49-27-04  
FIG. 01  
PAGE 13  
MAY 20/09



757

PARTS CATALOG (MAINTENANCE)

FIG ITEM	PART NUMBER	1 2 3 4 5 6 7	NOMENCLATURE	EFFECT FROM TO	UNITS PER ASSY
1	50 S9413-009		.. PACKING- SUPPLIER CODE: V99193 OPTIONAL PART: M83248-1-009 V97484 USED ON: 4-1059-100	002004 006999	1
	50 M83248-1-009		.. PACKING- USED ON: 4-1059-100	002004 006999	1
	62 MS21902W8		.UNION- SB DATA FROM A CMM: PRE SB 49-5634 PRE SB 49-5765 PRE SB 49-5793 CONFIG CHG DATA FROM A CMM: REPLD BY MS21902J8	002004 006999	1
	62 MS21902J8		.UNION- SB DATA FROM A CMM: POST SB 49-5634 POST SB 49-5765 POST SB 49-5793 CONFIG CHG DATA FROM A CMM: REPLACES MS21902W8	002004 006999	1
	65 S9413-558		.PACKING- SUPPLIER CODE: V99193 OPTIONAL PART: M83248-1-908 V81349 OPTIONAL PART: M83248-1-908	002004 006999	1
	65 M83248-1-908		.PACKING- OPTIONAL PART: S9413-558 V99193	002004 006999	1
-	70 1A146		.PLUG- SUPPLIER CODE: V97484 MISCELLANEOUS DATA: 572-510-9161 OPTIONAL PART: P203 V97484 USED WITH: 1A145	002004 006999	1

MISSING ITEM NUMBERS NOT APPLICABLE

- ITEM NOT ILLUSTRATED

49-27-04-01

49-27-04  
FIG. 01  
PAGE 14  
MAY 20/09

BRI



757

PARTS CATALOG (MAINTENANCE)

FIG ITEM	PART NUMBER	1 2 3 4 5 6 7	NOMENCLATURE	EFFECT FROM TO	UNITS PER ASSY
1 - 75	1A145		.PLUG- SUPPLIER CODE: V97484 MISCELLANEOUS DATA: 572-510-9160 OPTIONAL PART: P203 V97484 USED WITH: 1A146	002004 006999	1
80	P203		.PLUG-MAGNETIC DRAIN 572-514-9202 SUPPLIER CODE: V97484 OPTIONAL PART: 4-1059-100 VOK232	002004 006999	1
80	4-1059-100		.PLUG-MAGNETIC DRAIN SUPPLIER CODE: VOK232 OPTIONAL PART: P203 V97484 USED ON: 3800298-1-1 3800298-1-2 3800298-1-3 3800298-1-4 3800298-1-5 3800298-1-6 3800298-1-7	002004 006999	1
85	NAS1593-011		..PACKING- OPTIONAL PART: S9413-011 V99193 M83248-1-011 USED ON: P203	002004 006999	1
85	S9413-011		..PACKING- SUPPLIER CODE: V99193 OPTIONAL PART: NAS1593-011 M83248-1-011 USED ON: P203	002004 006999	1

MISSING ITEM NUMBERS NOT APPLICABLE

- ITEM NOT ILLUSTRATED

49-27-04-01

49-27-04  
FIG. 01  
PAGE 15  
MAY 20/09

BRI



757

PARTS CATALOG (MAINTENANCE)

FIG ITEM	PART NUMBER	1 2 3 4 5 6 7	NOMENCLATURE	EFFECT FROM TO	UNITS PER ASSY
1					
85	S9413-009		.. PACKING- SUPPLIER CODE: V99193 OPTIONAL PART: M83248-1-009 USED ON: 4-1059-100	002004 006999	1
85	M83248-1-009		.. PACKING- OPTIONAL PART: S9413-009 V99193 USED ON: 4-1059-100	002004 006999	1
85	M83248-1-011		.. PACKING- OPTIONAL PART: S9413-011 V99193 NAS1593-011 USED ON: P203	002004 006999	1
90	S9413-557		. PACKING- SUPPLIER CODE: V99193 OPTIONAL PART: M83248-1-907 USED ON: 3800298-1-1 3800298-1-2 3800298-1-3 3800298-1-4 3800298-1-5 3800298-1-6 3800298-1-7	002004 006999	1
90	M83248-1-907		. PACKING- OPTIONAL PART: S9413-557 V99193 USED ON: 3800298-1-1 3800298-1-2 3800298-1-3 3800298-1-4 3800298-1-5 3800298-1-6 3800298-1-7	002004 006999	1
95	MS9954-08		. PLUG	002004 006999	1
100	MS9954-06		. PLUG	002004 006999	1

MISSING ITEM NUMBERS NOT APPLICABLE

- ITEM NOT ILLUSTRATED

49-27-04-01

49-27-04  
FIG. 01  
PAGE 16  
MAY 20/09

BRI



757

PARTS CATALOG (MAINTENANCE)

FIG ITEM	PART NUMBER	1 2 3 4 5 6 7	NOMENCLATURE	EFFECT FROM TO	UNITS PER ASSY
1					
105	S9413-558		.PACKING- SUPPLIER CODE: V99193 OPTIONAL PART: M83248-1-908 V81349 OPTIONAL PART: M83248-1-908	002004 006999	1
105	M83248-1-908		.PACKING- OPTIONAL PART: S9413-558 V99193	002004 006999	1
110	S9413-556		.PACKING- SUPPLIER CODE: V99193 OPTIONAL PART: M83248-1-909	002004 006999	1
110	M83248-1-906		.PACKING- OPTIONAL PART: S9413-556 V99193	002004 006999	1
115	3611674-1		.PLUG- SUPPLIER CODE: V99193 USED ON: 3800298-1-1 3800298-1-2 3800298-1-3 3800298-1-4 3800298-1-5 3800298-1-6 ATTACHING PARTS	002004 006999	1
120	MS9559-05		.BOLT	002004 006999	4
125	AN960C616		.WASHER  -----*-----	002004 006999	4

MISSING ITEM NUMBERS NOT APPLICABLE

- ITEM NOT ILLUSTRATED

49-27-04-01

49-27-04  
FIG. 01  
PAGE 17  
MAY 20/09

BRI

BOEING PROPRIETARY - Copyright © - Unpublished Work - See title page for details.

 **BOEING**  
757  
**PARTS CATALOG (MAINTENANCE)**

FIG ITEM	PART NUMBER	1 2 3 4 5 6 7	NOMENCLATURE	EFFECT FROM TO	UNITS PER ASSY
1 130	S9413-132		.PACKING- SUPPLIER CODE: V99193 OPTIONAL PART: M83248-1-132 USED ON: 3800298-1-1 3800298-1-2 3800298-1-3 3800298-1-4 3800298-1-5 3800298-1-6 3800298-1-7	002004 006999	1
130	M83248-1-132		.PACKING- OPTIONAL PART: S9413-132 V99193 USED ON: 3800298-1-1 3800298-1-2 3800298-1-3 3800298-1-4 3800298-1-5 3800298-1-6 3800298-1-7	002004 006999	1
- 135	3617323-1		.PLUMBING ASSY- SUPPLIER CODE: V99193 USED ON: 3800298-1-1 3800298-1-2 3800298-1-3 3800298-1-4 3800298-1-5 3800298-1-6 3800298-1-7	002004 006999	RF
- 135	3617820-1		.PLUMBING ASSY- SUPPLIER CODE: V99193 USED ON: 3800298-1-1 3800298-1-2 3800298-1-3 3800298-1-4 3800298-1-5 3800298-1-6 3800298-1-7	002004 006999	RF

MISSING ITEM NUMBERS NOT APPLICABLE

- ITEM NOT ILLUSTRATED

BRI

# 49-27-04-01

BOEING PROPRIETARY - Copyright © - Unpublished Work - See title page for details.

49-27-04  
FIG. 01  
PAGE 18  
MAY 20/09





757

PARTS CATALOG (MAINTENANCE)

FIG ITEM	PART NUMBER	1 2 3 4 5 6 7	NOMENCLATURE	EFFECT FROM TO	UNITS PER ASSY
1					
140	P203	..	PLUG-MAG DRAIN SUPPLIER CODE: V97484 USED ON: 3617323-1	002004 006999	2
140	4-1059-100	..	PLUG-MAG DRAIN SUPPLIER CODE: V0K232 USED ON: 3617820-1	002004 006999	2
- 145	M83248-1-011	...	PACKING- USED ON: P203	002004 006999	1
- 145	M83248-1-009	...	PACKING- USED ON: 4-1059-100	002004 006999	1
150	M25988-2-907	..	PACKING- OPTIONAL PART: S9412-557 V99193	002004 006999	2
150	S9412-557	..	PACKING- SUPPLIER CODE: V99193 OPTIONAL PART: M25988-2-907	002004 006999	2
155	3880437-1	..	FITTING-CHIP DETECTOR SUPPLIER CODE: V99193	002004 006999	1
160	3880649-2	..	FITTING-CHIP DETECTOR SUPPLIER CODE: V99193	002004 006999	1

MISSING ITEM NUMBERS NOT APPLICABLE

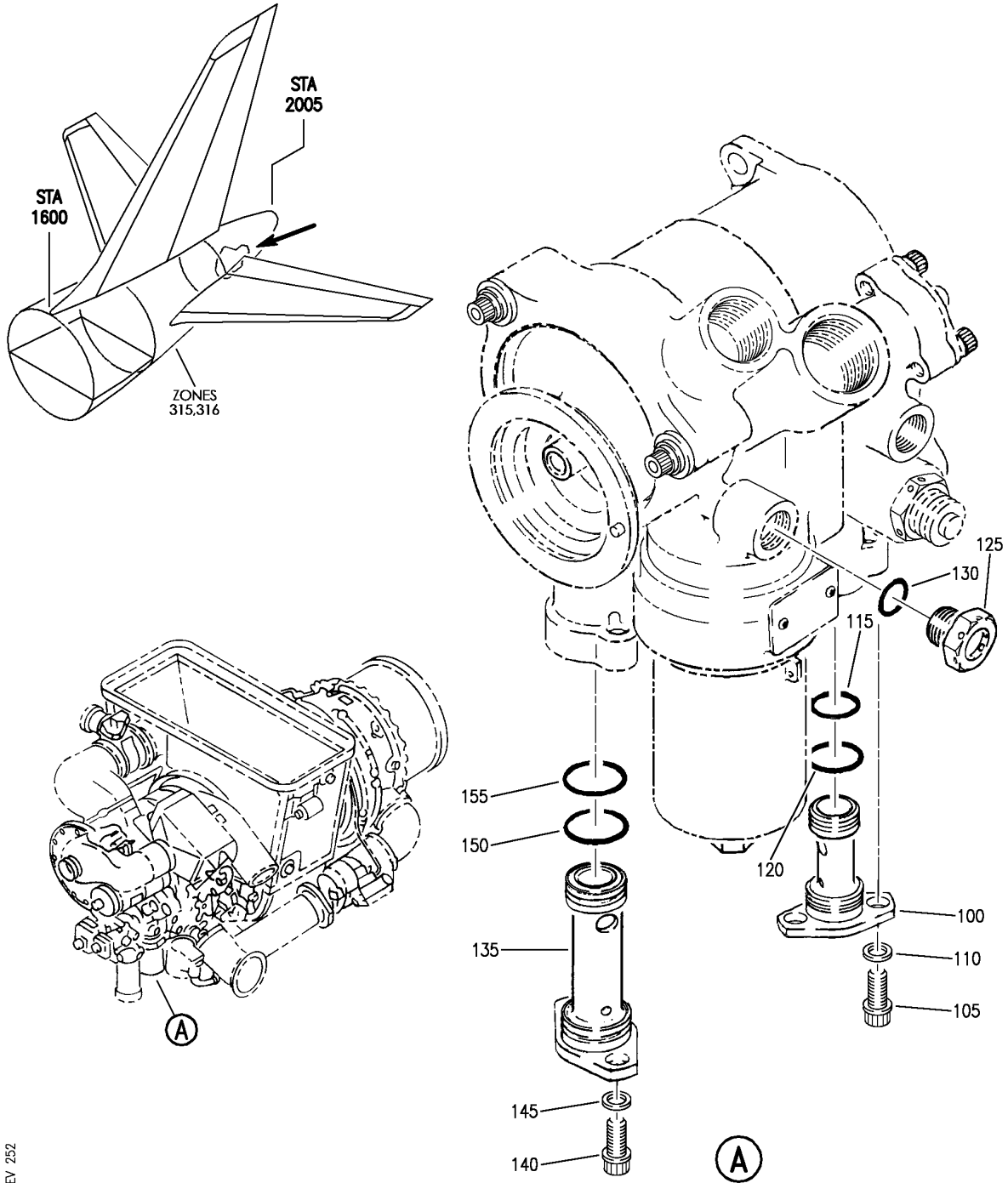
- ITEM NOT ILLUSTRATED

BRI

49-27-04-01

49-27-04  
FIG. 01  
PAGE 19  
MAY 20/09

**BOEING**  
757  
PARTS CATALOG (MAINTENANCE)



Y 49270501 REV 252

ENGINE ASSY-GAS TURB (OIL PRESSURE REGULATOR ONLY)  
FIGURE 1

**49-27-05-01**

BRI  
MAY 28/07

49-27-05-01  
PAGE 0



757

PARTS CATALOG (MAINTENANCE)

FIG ITEM	PART NUMBER	1 2 3 4 5 6 7	NOMENCLATURE	EFFECT FROM TO	UNITS PER ASSY
1			ENGINE ASSY-GAS TURB (OIL PRESSURE REGULATOR ONLY)	002004 006999	
- 1	3800298-1-2		ENGINE ASSY-GAS TURB GTCP331-200ER (OIL PRESSURE REGULATOR ONLY) SUPPLIER CODE: V99193 SPECIFICATION NUMBER: S351T020-201 CONFIG CHG DATA FROM A CMM: REPLACES 3800298-1-1 COMPONENT MAINT MANUAL REF: 49-22-11 QUALIFIED I/W DATA: S351T020-201 (3800298-1-2) AND S351T020-205 (3800298-1-6) ARE INTERCHANGEABLE WITH THE INCORPORATION OF ALLIED SIGNAL S/B GTCP331-49-7081. S351T020-201 (3800298-1-2) AND S351T020-206 (3800298-1-7/3800298-1) ARE INTERCHANGEABLE WITH THE INCORPORATION OF ALLIED SIGNAL S/B GTCP331-49-7081. FOR NHA/ADDITIONAL DET SEE: 49-11-01-50	002004 006100 107107 121503 904999	RF

MISSING ITEM NUMBERS NOT APPLICABLE

- ITEM NOT ILLUSTRATED

BRI

49-27-05-01

BOEING PROPRIETARY - Copyright © - Unpublished Work - See title page for details.

49-27-05  
FIG. 01  
PAGE 1  
JAN 20/09



757

PARTS CATALOG (MAINTENANCE)

FIG ITEM	PART NUMBER	1 2 3 4 5 6 7	NOMENCLATURE	EFFECT FROM TO	UNITS PER ASSY
1 - 1	3800298-1-1		ENGINE ASSY-GAS TURB GTCP331-200ER (OIL PRESSURE REGULATOR ONLY) SUPPLIER CODE: V99193 SPECIFICATION NUMBER: S351T020-200 COMPONENT MAINT MANUAL REF: 49-22-11 QUALIFIED I/W DATA: S351T020-200 (3800298-1-1) AND S351T020-205 (3800298-1-6) ARE INTERCHANGEABLE WITH THE INCORPORATION OF ALLIED SIGNAL S/B GTCP331-49-7081. S351T020-200 (3800298-1-1) AND S351T020-206 (3800298-1-7/3800298-1) ARE INTERCHANGEABLE WITH THE INCORPORATION OF ALLIED SIGNAL S/B GTCP331-49-7081. FOR NHA/ADDITIONAL DET SEE: 49-11-01-50	002004 006100 107107 121503 904999	RF

MISSING ITEM NUMBERS NOT APPLICABLE

- ITEM NOT ILLUSTRATED

BRI

49-27-05-01

BOEING PROPRIETARY - Copyright © - Unpublished Work - See title page for details.

49-27-05  
FIG. 01  
PAGE 2  
JAN 20/09



757

PARTS CATALOG (MAINTENANCE)

FIG ITEM	PART NUMBER	1 2 3 4 5 6 7	NOMENCLATURE	EFFECT FROM TO	UNITS PER ASSY
1 - 1	3800298-1-3		ENGINE ASSY-GAS TURB GTCP331-200ER (OIL PRESSURE REGULATOR ONLY) SUPPLIER CODE: V99193 SPECIFICATION NUMBER: S351T020-202 CONFIG CHG DATA FROM A CMM: REPLACES 3800298-1-2 COMPONENT MAINT MANUAL REF: 49-22-11 QUALIFIED I/W DATA: S351T020-202 (3800298-1-3) AND S351T020-205 (3800298-1-6) ARE INTERCHANGEABLE WITH THE INCORPORATION OF ALLIED SIGNAL S/B GTCP331-49-7081. S351T020-202 (3800298-1-3) AND S351T020-206 (3800298-1-7/3800298-1) ARE INTERCHANGEABLE WITH THE INCORPORATION OF ALLIED SIGNAL S/B GTCP331-49-7081. FOR NHA/OTHER SYS DET SEE: 49-11-01-50	002004 006100 107107 121503 904999	RF

MISSING ITEM NUMBERS NOT APPLICABLE

- ITEM NOT ILLUSTRATED

BRI

49-27-05-01

BOEING PROPRIETARY - Copyright © - Unpublished Work - See title page for details.

49-27-05  
FIG. 01  
PAGE 3  
JAN 20/09



757

PARTS CATALOG (MAINTENANCE)

FIG ITEM	PART NUMBER	1 2 3 4 5 6 7	NOMENCLATURE	EFFECT FROM TO	UNITS PER ASSY
1 - 1	3800298-1-4		ENGINE ASSY-GAS TURB GTCP331-200ER (OIL PRESSURE REGULATOR ONLY) SUPPLIER CODE: V99193 SPECIFICATION NUMBER: S351T020-203 CONFIG CHG DATA FROM A CMM: REPLACES 3800298-1-3 COMPONENT MAINT MANUAL REF: 49-22-11 QUALIFIED I/W DATA: 3800298-1-4/S351T020-203 AND 3800298-1-6/S351T020-205 ARE INTERCHANGEABLE WITH THE INCORPORATION OF ALLIED SIGNAL S/B GTCP331-49-7081. 3800298-1-4/S351T020-203 AND 3800298-1-7/S351T020-206 3800298-1 ARE INTERCHANGEABLE WITH THE INCORPORATION OF ALLIED SIGNAL S/B GTCP331-49-7081. FOR NHA/ADDITIONAL DET SEE: 49-11-01-50	002004 006100 107107 121503 904999	RF

MISSING ITEM NUMBERS NOT APPLICABLE

- ITEM NOT ILLUSTRATED

BRI

49-27-05-01

BOEING PROPRIETARY - Copyright © - Unpublished Work - See title page for details.

49-27-05  
 FIG. 01  
 PAGE 4  
 JAN 20/09



757

PARTS CATALOG (MAINTENANCE)

FIG ITEM	PART NUMBER	1 2 3 4 5 6 7	NOMENCLATURE	EFFECT FROM TO	UNITS PER ASSY
1	3800298-1-5		ENGINE ASSY-GAS TURB GTCP331-200ER (OIL PRESSURE REGULATOR ONLY) SUPPLIER CODE: V99193 SPECIFICATION NUMBER: S351T020-204 CONFIG CHG DATA FROM A CMM: REPLACES 3800298-1-4 COMPONENT MAINT MANUAL REF: 49-22-11 QUALIFIED I/W DATA: 3800298-1-5/S351T020-204 AND 3800298-1-6/S351T020-205 ARE INTERCHANGEABLE WITH THE INCORPORATION OF ALLIED SIGNAL S/B GTCP331-49-7081. S351T020-204 (3800298-1-5) AND S351T020-206(3800298-1-7 /3800298-1) ARE INTERCHANGEABLE WITH THE INCORPORATION OF ALLIED SIGNAL S/B GTCP331-49-7081. FOR NHA/ADDITIONAL DET SEE: 49-11-01-50	002004 006100 107107 121503 904999	RF
1	3800298-1-6		ENGINE ASSY-GAS TURB GTCP331-200ER (OIL PRESSURE REGULATOR ONLY) SUPPLIER CODE: V99193 SPECIFICATION NUMBER: S351T020-205 CONFIG CHG DATA FROM A CMM: REPLACES 3800298-1-5 COMPONENT MAINT MANUAL REF: 49-22-11 QUALIFIED I/W DATA: 3800298-1-5/S351T020-204 AND 3800298-1-6/S351T020-205 ARE INTERCHANGEABLE WITH THE INCORPORATION OF ALLIED SIGNAL S/B	002004 006999	RF

MISSING ITEM NUMBERS NOT APPLICABLE

- ITEM NOT ILLUSTRATED

49-27-05-01

49-27-05  
FIG. 01  
PAGE 5  
JAN 20/09

BRI



757

PARTS CATALOG (MAINTENANCE)

FIG ITEM	PART NUMBER	1 2 3 4 5 6 7 NOMENCLATURE	EFFECT FROM TO	UNITS PER ASSY
1		GTCP331-49-7081. S351T020-203 (3800298-1-4) AND S351T020-205 (3800298-1-6) ARE INTERCHANGEABLE WITH THE INCORPORATION OF ALLIED SIGNAL S/B GTCP331-49-7081. S351T020-202 (3800298-1-3) AND S351T020-205 (3800298-1-6) ARE INTERCHANGEABLE WITH THE INCORPORATION OF ALLIED SIGNAL S/B GTCP331-49-7081. S351T020-201 (3800298-1-2) AND S351T020-205 (3800298-1-6) ARE INTERCHANGEABLE WITH THE INCORPORATION OF ALLIED SIGNAL S/B GTCP331-49-7081. S351T020-200 (3800298-1-1) AND S351T020-205 (3800298-1-6) ARE INTERCHANGEABLE WITH THE INCORPORATION OF ALLIED SIGNAL S/B GTCP331-49-7081. FOR NHA/ADDITIONAL DET SEE: 49-11-01-50 49-21-00-02		
-	1 3800298-1-7	ENGINE ASSY-GAS TURB GTCP331-200ER (OIL PRESSURE REGULATOR ONLY) SUPPLIER CODE: V99193 SPECIFICATION NUMBER: S351T020-206 CONFIG CHG DATA FROM A CMM: REPLACES 3800298-1-6 COMPONENT MAINT MANUAL REF: 49-22-11 QUALIFIED I/W DATA:  MISSING ITEM NUMBERS NOT APPLICABLE	002004 006999	RF

- ITEM NOT ILLUSTRATED

49-27-05-01

49-27-05  
FIG. 01  
PAGE 6  
SEP 20/08

BRI





757

PARTS CATALOG (MAINTENANCE)

FIG ITEM	PART NUMBER	1 2 3 4 5 6 7 NOMENCLATURE	EFFECT FROM TO	UNITS PER ASSY
1		<p>3800298-1-5/S351T020-204 AND 3800298-1/ 3800298-1-7/S351T020-206 ARE INTERCHANGEABLE WITH THE INCORPORATION OF ALLIED SIGNAL S/B GTCP331-49-7081. S351T020-203 (3800298-1-4) AND S351T020-206(3800298-1-7 /3800298-1) ARE INTERCHANGEABLE WITH THE INCORPORATION OF ALLIED SIGNAL S/B GTCP331-49-7081. S351T020-202 (3800298-1-3) AND S351T020-206 (3800298-1-7/3800298-1) ARE INTERCHANGEABLE WITH THE INCORPORATION OF ALLIED SIGNAL S/B GTCP331-49-7081. S351T020-201 (3800298-1-2) AND S351T020-206 (3800298-1-7/3800298-1) ARE INTERCHANGEABLE WITH THE INCORPORATION OF ALLIED SIGNAL S/B GTCP331-49-7081. S351T020-200 (3800298-1-1) AND S351T020-206 (3800298-1-7/3800298-1) ARE INTERCHANGEABLE WITH THE INCORPORATION OF ALLIED SIGNAL S/B GTCP331-49-7081. OPTIONAL PART: 3800298-1 V99193 FOR NHA/ADDITIONAL DET SEE: 49-11-01-50 49-21-00-02</p>		
-	1 3800298-1	<p>ENGINE ASSY-GAS TURB (OIL PRESSURE REGULATOR ONLY) SUPPLIER CODE:</p>	002004 006999	RF

MISSING ITEM NUMBERS NOT APPLICABLE

- ITEM NOT ILLUSTRATED

49-27-05-01

49-27-05  
FIG. 01  
PAGE 7  
SEP 20/08

BRI



757

PARTS CATALOG (MAINTENANCE)

FIG ITEM	PART NUMBER	1 2 3 4 5 6 7 NOMENCLATURE	EFFECT FROM TO	UNITS PER ASSY
1		<p>V99193  SPECIFICATION NUMBER:  S351T020-206  COMPONENT MAINT MANUAL REF:  49-22-11  QUALIFIED I/W DATA:  3800298-1-5/S351T020-204  AND  3800298-1-7/S351T020-206  /3800298-1  ARE INTERCHANGEABLE WITH  THE INCORPORATION OF  ALLIED SIGNAL S/B  GTCP331-49-7081.  S351T020-203(3800298-1-4  ) AND  S351T020-206(3800298-1-7  /3800298-1) ARE  INTERCHANGEABLE WITH THE  INCORPORATION OF ALLIED  SIGNAL S/B  GTCP331-49-7081.  S351T020-202  (3800298-1-3)  AND S351T020-206  (3800298-1-7/3800298-1)  ARE INTERCHANGEABLE  WITH THE INCORPORATION  OF ALLIED SIGNAL S/B  GTCP331-49-7081.  S351T020-201  (3800298-1-2)  AND S351T020-206  (3800298-1-7/3800298-1)  ARE INTERCHANGEABLE  WITH THE INCORPORATION  OF ALLIED SIGNAL S/B  GTCP331-49-7081.  S351T020-200  (3800298-1-1)  AND S351T020-206  (3800298-1-7/3800298-1)  ARE INTERCHANGEABLE  WITH THE INCORPORATION  OF ALLIED SIGNAL S/B  GTCP331-49-7081.  OPTIONAL PART:  3800298-1-7  V99193</p>		

MISSING ITEM NUMBERS NOT APPLICABLE

- ITEM NOT ILLUSTRATED

49-27-05-01

49-27-05  
FIG. 01  
PAGE 8  
SEP 20/08

BRI



757

PARTS CATALOG (MAINTENANCE)

FIG ITEM	PART NUMBER	1 2 3 4 5 6 7	NOMENCLATURE	EFFECT FROM TO	UNITS PER ASSY
1			FOR NHA/ADDITIONAL DET SEE: 49-11-01-50 49-21-00-02		
100	3880140-1		. VALVE ASSY-PRESSURE REGULATOR SUPPLIER CODE: V99193 COMPONENT MAINT MANUAL REF: 49-91-43	002004 006999	1
105	MS9556-07		. BOLT-	002004 006999	2
110	NAS620C10L		. WASHER	002004 006999	2
115	M83248-1-113		-----*----- . PACKING-	002004 006999	1
115	S9413-113		OPTIONAL PART: S9413-113 V99193 . PACKING-	002004 006999	1
120	M83248-1-114		SUPPLIER CODE: V99193 OPTIONAL PART: M83248-1-113 . PACKING-	002004 006999	1
120	S9413-114		OPTIONAL PART: S9413-114 V99193 . PACKING-	002004 006999	1
125	AN814-4DL		SUPPLIER CODE: V99193 OPTIONAL PART: M83248-1-114 . PLUG	002004 006999	1
130	M83248-1-904		. PACKING-	002004 006999	1
130	S9413-554		OPTIONAL PART: S9413-554 V99193 . PACKING-	002004 006999	1
			SUPPLIER CODE: V99193 OPTIONAL PART: M83248-1-904		

MISSING ITEM NUMBERS NOT APPLICABLE

- ITEM NOT ILLUSTRATED

49-27-05-01

49-27-05  
FIG. 01  
PAGE 9  
SEP 20/08

BRI



757

PARTS CATALOG (MAINTENANCE)

FIG ITEM	PART NUMBER	1 2 3 4 5 6 7	NOMENCLATURE	EFFECT FROM TO	UNITS PER ASSY
1 135	3880140-3		. VALVE ASSY-PRESSURE RELIEF SUPPLIER CODE: V99193 COMPONENT MAINT MANUAL REF: 49-91-43 ATTACHING PARTS	002004 006999	1
140	MS9556-07		. BOLT-	002004	2
145	NAS620C10L		. WASHER	006999	2
			-----*-----		
150	M83248-1-116		. PACKING-	002004	1
			OPTIONAL PART: S9413-116 V99193	006999	
150	S9413-116		. PACKING-	002004	1
			SUPPLIER CODE: V99193 OPTIONAL PART: M83248-1-116	006999	
155	M83248-1-115		. PACKING-	002004	1
			OPTIONAL PART: S9413-115 V99193	006999	
155	S9413-115		. PACKING-	002004	1
			SUPPLIER CODE: V99193 OPTIONAL PART: M83248-1-115	006999	

MISSING ITEM NUMBERS NOT APPLICABLE

- ITEM NOT ILLUSTRATED

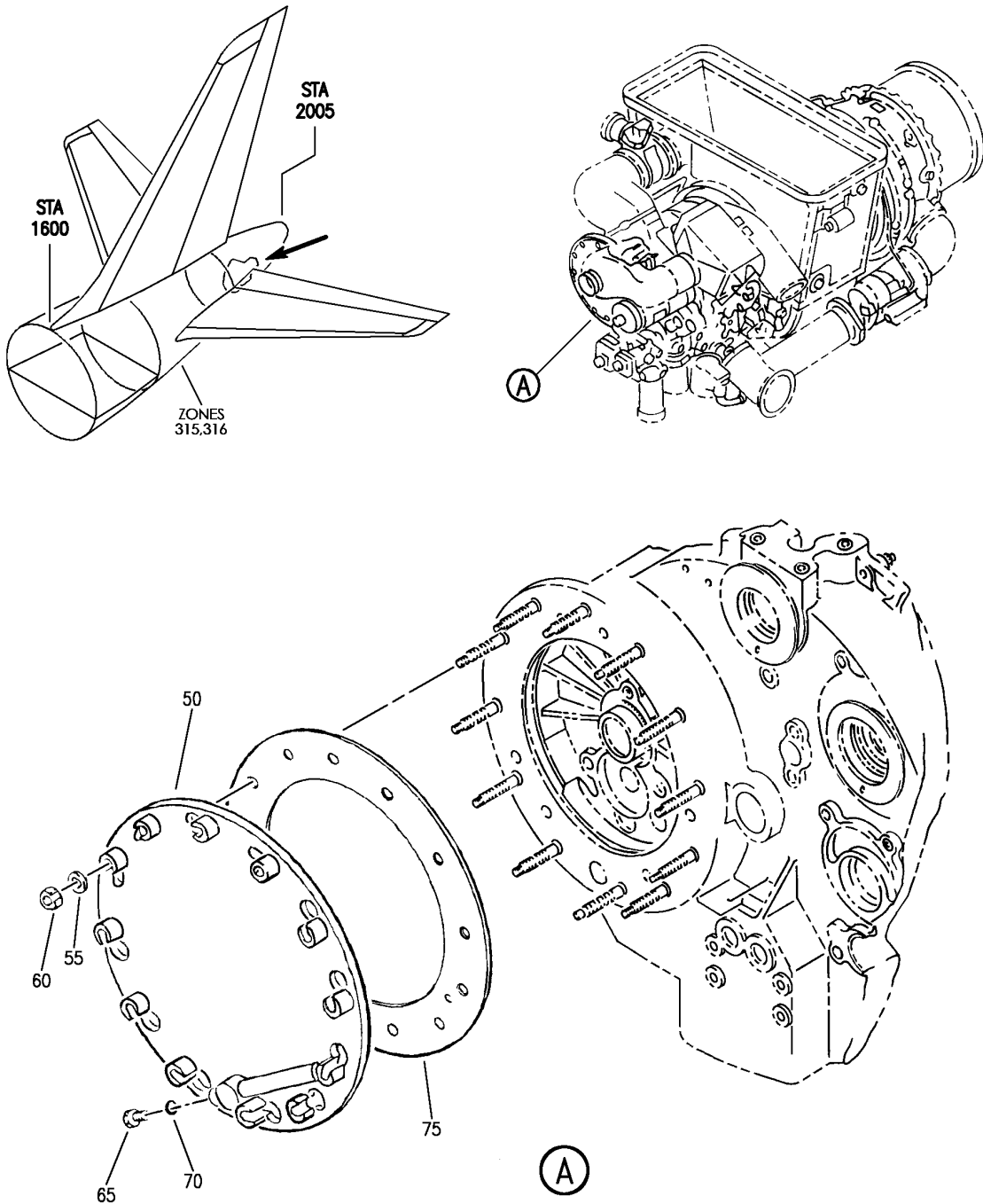
49-27-05-01

49-27-05  
FIG. 01  
PAGE 10  
SEP 20/08

BRI

BOEING PROPRIETARY - Copyright © - Unpublished Work - See title page for details.

**BOEING**  
757  
PARTS CATALOG (MAINTENANCE)



Y 49270601 REV 250

ENGINE ASSY-GAS TURB (APU GENERATOR SEAL PLATE ONLY)  
FIGURE 1

**49-27-06-01**

BRI  
MAY 28/07

49-27-06-01  
PAGE 0



757

PARTS CATALOG (MAINTENANCE)

FIG ITEM	PART NUMBER	1 2 3 4 5 6 7	NOMENCLATURE	EFFECT FROM TO	UNITS PER ASSY
1			ENGINE ASSY-GAS TURB (APU GENERATOR SEAL PLATE ONLY)	002004 006999	
- 1	3800298-1-1		ENGINE ASSY-GAS TURB GTCP331-200ER (APU GENERATOR SEAL PLATE ONLY) SUPPLIER CODE: V99193 SPECIFICATION NUMBER: S351T020-200 COMPONENT MAINT MANUAL REF: 49-22-11 QUALIFIED I/W DATA: S351T020-200 (3800298-1-1) AND S351T020-205 (3800298-1-6) ARE INTERCHANGEABLE WITH THE INCORPORATION OF ALLIED SIGNAL S/B GTCP331-49-7081. S351T020-200 (3800298-1-1) AND S351T020-206 (3800298-1-7/3800298-1) ARE INTERCHANGEABLE WITH THE INCORPORATION OF ALLIED SIGNAL S/B GTCP331-49-7081. FOR NHA/ADDITIONAL DET SEE: 49-11-01-50	002004 006100 107107 121503 904999	RF

MISSING ITEM NUMBERS NOT APPLICABLE

- ITEM NOT ILLUSTRATED

BRI

49-27-06-01

BOEING PROPRIETARY - Copyright © - Unpublished Work - See title page for details.

49-27-06  
FIG. 01  
PAGE 1  
JAN 20/09



757

PARTS CATALOG (MAINTENANCE)

FIG ITEM	PART NUMBER	1 2 3 4 5 6 7 NOMENCLATURE	EFFECT FROM TO	UNITS PER ASSY
1 - 1	3800298-1-2	ENGINE ASSY-GAS TURB GTCP331-200ER (APU GENERATOR SEAL PLATE ONLY) SUPPLIER CODE: V99193 SPECIFICATION NUMBER: S351T020-201 CONFIG CHG DATA FROM A CMM: REPLACES 3800298-1-1 COMPONENT MAINT MANUAL REF: 49-22-11 QUALIFIED I/W DATA: S351T020-201 (3800298-1-2) AND S351T020-205 (3800298-1-6) ARE INTERCHANGEABLE WITH THE INCORPORATION OF ALLIED SIGNAL S/B GTCP331-49-7081. S351T020-201 (3800298-1-2) AND S351T020-206 (3800298-1-7/3800298-1) ARE INTERCHANGEABLE WITH THE INCORPORATION OF ALLIED SIGNAL S/B GTCP331-49-7081. FOR NHA/ADDITIONAL DET SEE: 49-11-01-50	002004 006100 107107 121503 904999	RF

MISSING ITEM NUMBERS NOT APPLICABLE

- ITEM NOT ILLUSTRATED

BRI

49-27-06-01

BOEING PROPRIETARY - Copyright © - Unpublished Work - See title page for details.

49-27-06  
FIG. 01  
PAGE 2  
JAN 20/09



757

PARTS CATALOG (MAINTENANCE)

FIG ITEM	PART NUMBER	1 2 3 4 5 6 7	NOMENCLATURE	EFFECT FROM TO	UNITS PER ASSY
1 - 1	3800298-1-3		ENGINE ASSY-GAS TURB GTCP331-200ER (APU GENERATOR SEAL PLATE ONLY) SUPPLIER CODE: V99193 SPECIFICATION NUMBER: S351T020-202 CONFIG CHG DATA FROM A CMM: REPLACES 3800298-1-2 COMPONENT MAINT MANUAL REF: 49-22-11 QUALIFIED I/W DATA: S351T020-202 (3800298-1-3) AND S351T020-205 (3800298-1-6) ARE INTERCHANGEABLE WITH THE INCORPORATION OF ALLIED SIGNAL S/B GTCP331-49-7081. S351T020-202 (3800298-1-3) AND S351T020-206 (3800298-1-7/3800298-1) ARE INTERCHANGEABLE WITH THE INCORPORATION OF ALLIED SIGNAL S/B GTCP331-49-7081. FOR NHA/OTHER SYS DET SEE: 49-11-01-50	002004 006100 107107 121503 904999	RF

MISSING ITEM NUMBERS NOT APPLICABLE

- ITEM NOT ILLUSTRATED

BRI

49-27-06-01

BOEING PROPRIETARY - Copyright © - Unpublished Work - See title page for details.

49-27-06  
 FIG. 01  
 PAGE 3  
 JAN 20/09





757

PARTS CATALOG (MAINTENANCE)

FIG ITEM	PART NUMBER	1 2 3 4 5 6 7	NOMENCLATURE	EFFECT FROM TO	UNITS PER ASSY
1 - 1	3800298-1-4		ENGINE ASSY-GAS TURB GTCP331-200ER (APU GENERATOR SEAL PLATE ONLY) SUPPLIER CODE: V99193 SPECIFICATION NUMBER: S351T020-203 CONFIG CHG DATA FROM A CMM: REPLACES 3800298-1-3 COMPONENT MAINT MANUAL REF: 49-22-11 QUALIFIED I/W DATA: 3800298-1-4/S351T020-203 AND 3800298-1-6/S351T020-205 ARE INTERCHANGEABLE WITH THE INCORPORATION OF ALLIED SIGNAL S/B GTCP331-49-7081 S351T020-203 (3800298-1-4) AND S351T020-206 (3800298-1-7/3800298-1) ARE INTERCHANGEABLE WITH THE INCORPORATION OF ALLIED SIGNAL S/B GTCP331-49-7081 FOR NHA/ADDITIONAL DET SEE: 49-11-01-50	002004 006100 107107 121503 904999	RF

MISSING ITEM NUMBERS NOT APPLICABLE

- ITEM NOT ILLUSTRATED

BRI

49-27-06-01

BOEING PROPRIETARY - Copyright © - Unpublished Work - See title page for details.

49-27-06  
FIG. 01  
PAGE 4  
JAN 20/09



757

PARTS CATALOG (MAINTENANCE)

FIG ITEM	PART NUMBER	1 2 3 4 5 6 7	NOMENCLATURE	EFFECT FROM TO	UNITS PER ASSY
1					
- 1	3800298-1-5		ENGINE ASSY-GAS TURB GTCP331-200ER (APU GENERATOR SEAL PLATE ONLY) SUPPLIER CODE: V99193 SPECIFICATION NUMBER: S351T020-204 CONFIG CHG DATA FROM A CMM: REPLACES 3800298-1-4 COMPONENT MAINT MANUAL REF: 49-22-11 QUALIFIED I/W DATA: S351T020-204 (3800298-1-5) AND S351T020-205 (3800298-1-6) ARE INTERCHANGEABLE WITH THE INCORPORATION OF ALLIED SIGNAL S/B GTCP331-49-7081 S351T020-204 (3800298-1-5) AND S351T020-206 (3800298-1-7/3800298-1) ARE INTERCHANGEABLE WITH THE INCORPORATION OF ALLIED SIGNAL S/B GTCP331-49-7081 FOR NHA/ADDITIONAL DET SEE: 49-11-01-50	002004 006100 107107 121503 904999	RF
- 1	3800298-1-6		ENGINE ASSY-GAS TURB GTCP331-200ER (APU GENERATOR SEAL PLATE ONLY) SUPPLIER CODE: V99193 SPECIFICATION NUMBER: S351T020-205 CONFIG CHG DATA FROM A CMM: REPLACES 3800298-1-5 COMPONENT MAINT MANUAL REF: 49-22-11 QUALIFIED I/W DATA: S351T020-203 (3800298-1-4) AND S351T020-205 (3800298-1-6)	002004 006999	RF

MISSING ITEM NUMBERS NOT APPLICABLE

- ITEM NOT ILLUSTRATED

49-27-06-01

49-27-06  
FIG. 01  
PAGE 5  
JAN 20/09

BRI



757

PARTS CATALOG (MAINTENANCE)

FIG ITEM	PART NUMBER	1 2 3 4 5 6 7 NOMENCLATURE	EFFECT FROM TO	UNITS PER ASSY
1		<p>ARE INTERCHANGEABLE WITH THE INCORPORATION OF ALLIED SIGNAL S/B GTCP331-49-7081 S351T020-204 (3800298-1-5) AND S351T020-205 (3800298-1-6) ARE INTERCHANGEABLE WITH THE INCORPORATION OF ALLIED SIGNAL S/B GTCP331-49-7081 S351T020-202 (3800298-1-3) AND S351T020-205 (3800298-1-6) ARE INTERCHANGEABLE WITH THE INCORPORATION OF ALLIED SIGNAL S/B GTCP331-49-7081. S351T020-201 (3800298-1-2) AND S351T020-205 (3800298-1-6) ARE INTERCHANGEABLE WITH THE INCORPORATION OF ALLIED SIGNAL S/B GTCP331-49-7081. S351T020-200 (3800298-1-1) AND S351T020-205 (3800298-1-6) ARE INTERCHANGEABLE WITH THE INCORPORATION OF ALLIED SIGNAL S/B GTCP331-49-7081. FOR NHA/ADDITIONAL DET SEE: 49-11-01-50 49-21-00-02</p>		
-	1 3800298-1-7	<p>ENGINE ASSY-GAS TURB GTCP331-200ER (APU GENERATOR SEAL PLATE ONLY) SUPPLIER CODE: V99193 SPECIFICATION NUMBER: S351T020-206 CONFIG CHG DATA FROM A CMM:</p>	002004 006999	RF

MISSING ITEM NUMBERS NOT APPLICABLE

- ITEM NOT ILLUSTRATED

49-27-06-01

BRI

BOEING PROPRIETARY - Copyright © - Unpublished Work - See title page for details.

49-27-06  
FIG. 01  
PAGE 6  
SEP 20/08



757

PARTS CATALOG (MAINTENANCE)

FIG ITEM	PART NUMBER	1 2 3 4 5 6 7 NOMENCLATURE	EFFECT FROM TO	UNITS PER ASSY
1		REPLACES 3800298-1-6 COMPONENT MAINT MANUAL REF: 49-22-11 QUALIFIED I/W DATA: S351T020-203 (3800298-1-4) AND S351T020-206 (3800298-1-7/3800298-1) ARE INTERCHANGEABLE WITH THE INCORPORATION OF ALLIED SIGNAL S/B GTCP331-49-7081 S351T020-204 (3800298-1-5) AND S351T020-206 (3800298-1-7/3800298-1) ARE INTERCHANGEABLE WITH THE INCORPORATION OF ALLIED SIGNAL S/B GTCP331-49-7081 S351T020-202 (3800298-1-3) AND S351T020-206 (3800298-1-7/3800298-1) ARE INTERCHANGEABLE WITH THE INCORPORATION OF ALLIED SIGNAL S/B GTCP331-49-7081. S351T020-201 (3800298-1-2) AND S351T020-206 (3800298-1-7/3800298-1) ARE INTERCHANGEABLE WITH THE INCORPORATION OF ALLIED SIGNAL S/B GTCP331-49-7081. S351T020-200 (3800298-1-1) AND S351T020-206 (3800298-1-7/3800298-1) ARE INTERCHANGEABLE WITH THE INCORPORATION OF ALLIED SIGNAL S/B GTCP331-49-7081. OPTIONAL PART: 3800298-1 V99193 FOR NHA/ADDITIONAL DET SEE: 49-11-01-50  MISSING ITEM NUMBERS NOT APPLICABLE		

- ITEM NOT ILLUSTRATED

49-27-06-01

49-27-06  
FIG. 01  
PAGE 7  
SEP 20/08

BRI



757

PARTS CATALOG (MAINTENANCE)

FIG ITEM	PART NUMBER	1 2 3 4 5 6 7	NOMENCLATURE	EFFECT FROM TO	UNITS PER ASSY
1					
- 1	3800298-1		<p>49-21-00-02  ENGINE ASSY-GAS TURB  GTCP331-200ER  (APU GENERATOR SEAL PLATE ONLY)  SUPPLIER CODE:  V99193  SPECIFICATION NUMBER:  S351T020-206  COMPONENT MAINT MANUAL REF:  49-22-11  QUALIFIED I/W DATA:  S351T020-203  (3800298-1-4)  AND S351T020-206  (3800298-1-7/3800298-1)  ARE INTERCHANGEABLE WITH  THE INCORPORATION OF  ALLIED SIGNAL S/B  GTCP331-49-7081  S351T020-204  (3800298-1-5)  AND S351T020-206  (3800298-1-7/3800298-1)  ARE INTERCHANGEABLE WITH  THE INCORPORATION OF  ALLIED SIGNAL S/B  GTCP331-49-7081  S351T020-202  (3800298-1-3)  AND S351T020-206  (3800298-1-7/3800298-1)  ARE INTERCHANGEABLE  WITH THE INCORPORATION  OF ALLIED SIGNAL S/B  GTCP331-49-7081.  S351T020-201  (3800298-1-2)  AND S351T020-206  (3800298-1-7/3800298-1)  ARE INTERCHANGEABLE  WITH THE INCORPORATION  OF ALLIED SIGNAL S/B  GTCP331-49-7081.  S351T020-200  (3800298-1-1)  AND S351T020-206  (3800298-1-7/3800298-1)  ARE INTERCHANGEABLE</p>	002004 006999	RF
MISSING ITEM NUMBERS NOT APPLICABLE					

- ITEM NOT ILLUSTRATED

49-27-06-01

49-27-06  
FIG. 01  
PAGE 8  
SEP 20/08

BRI



757

PARTS CATALOG (MAINTENANCE)

FIG ITEM	PART NUMBER	1 2 3 4 5 6 7	NOMENCLATURE	EFFECT FROM TO	UNITS PER ASSY
1			WITH THE INCORPORATION OF ALLIED SIGNAL S/B GTCP331-49-7081. OPTIONAL PART: 3800298-1-7 V99193 FOR NHA/ADDITIONAL DET SEE: 49-11-01-50 49-21-00-02		
50	3862212-3		.COVER ASSY-GENERATOR PAD SUPPLIER CODE: V99193	002004 006999	1
55	AN960C616		ATTACHING PARTS .WASHER	002004 006999	6
60	AN315C6R		.NUT- OPTIONAL PART: AN315-6R	002004 006999	6
60	AN315-6R		.NUT- OPTIONAL PART: AN315C6R	002004 006999	6
65	MS9954-04		-----*----- ..PLUG	002004 006999	1
70	S9413-554		..PACKING- SUPPLIER CODE: V99193 OPTIONAL PART: M83248-1-904	002004 006999	1
70	M83248-1-904		..PACKING- OPTIONAL PART: S9413-554 V99193	002004 006999	1
75	3862285-1		.GASKET-GENERATOR PAD SUPPLIER CODE: V99193	002004 006999	1

MISSING ITEM NUMBERS NOT APPLICABLE

- ITEM NOT ILLUSTRATED

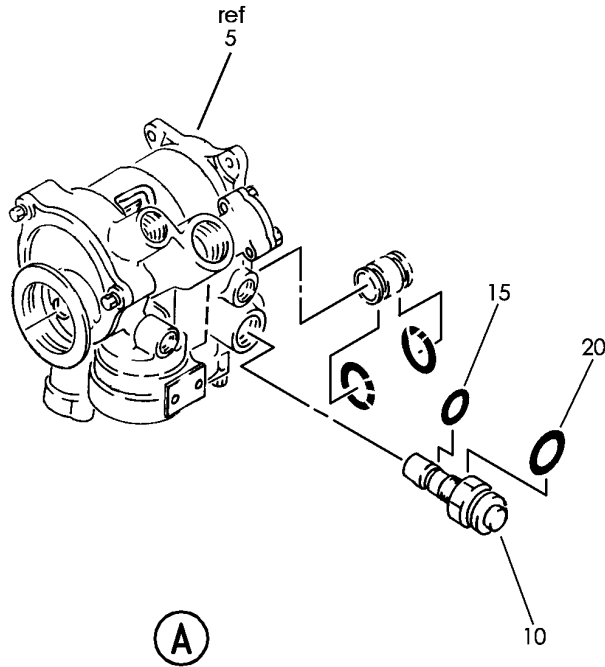
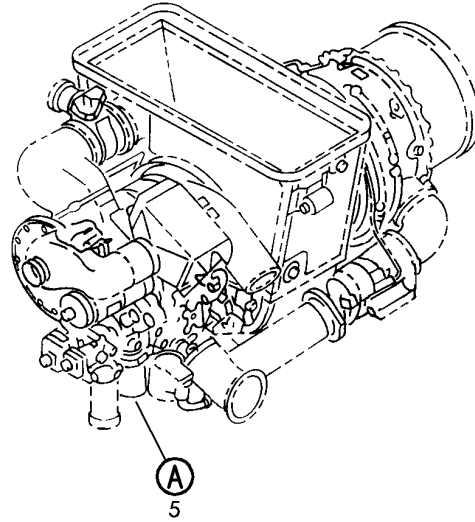
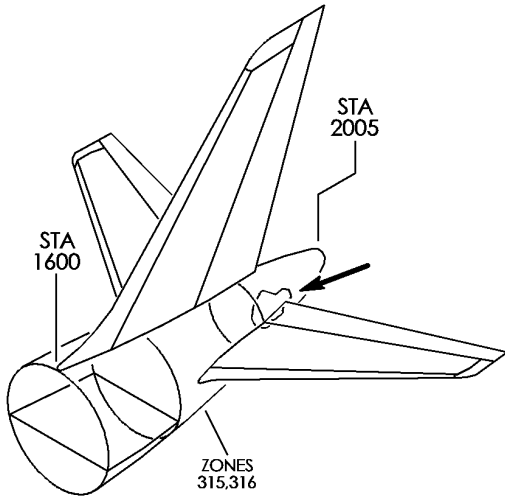
BRI

49-27-06-01

BOEING PROPRIETARY - Copyright © - Unpublished Work - See title page for details.

49-27-06  
FIG. 01  
PAGE 9  
SEP 20/08

**BOEING**  
757  
PARTS CATALOG (MAINTENANCE)



Y 49270701 REV 238

ENGINE ASSY-GAS TURB (OIL FILTER PRESSURE DIFFERENTIAL INDICATOR)  
FIGURE 1

**49-27-07-01**

BRI  
MAY 28/07

49-27-07-01  
PAGE 0



757

PARTS CATALOG (MAINTENANCE)

FIG ITEM	PART NUMBER	1 2 3 4 5 6 7	NOMENCLATURE	EFFECT FROM TO	UNITS PER ASSY
1			ENGINE ASSY-GAS TURB (OIL FILTER PRESSURE DIFFERENTIAL INDICATOR)	002004 006999	
- 1	3800298-1-2		ENGINE ASSY-GAS TURB GTCP331-200ER (OIL FILTER PRESSURE DIFFERENTIAL INDICATOR) SUPPLIER CODE: V99193 SPECIFICATION NUMBER: S351T020-201 CONFIG CHG DATA FROM A CMM: REPLACES 3800298-1-1 COMPONENT MAINT MANUAL REF: 49-22-11 QUALIFIED I/W DATA: S351T020-201 (3800298-1-2) AND S351T020-205 (3800298-1-6) ARE INTERCHANGEABLE WITH THE INCORPORATION OF ALLIED SIGNAL S/B GTCP331-49-7081. S351T020-201 (3800298-1-2) AND S351T020-206 (3800298-1-7/3800298-1) ARE INTERCHANGEABLE WITH THE INCORPORATION OF ALLIED SIGNAL S/B GTCP331-49-7081. FOR NHA/ADDITIONAL DET SEE: 49-11-01-50	002004 006100 107107 121503 904999	RF

MISSING ITEM NUMBERS NOT APPLICABLE

- ITEM NOT ILLUSTRATED

BRI

49-27-07-01

49-27-07  
FIG. 01  
PAGE 1  
JAN 20/09





757

PARTS CATALOG (MAINTENANCE)

FIG ITEM	PART NUMBER	1 2 3 4 5 6 7	NOMENCLATURE	EFFECT FROM TO	UNITS PER ASSY
1 - 1	3800298-1-1		ENGINE ASSY-GAS TURB GTCP331-200ER (OIL FILTER PRESSURE DIFFERENTIAL INDICATOR) SUPPLIER CODE: V99193 SPECIFICATION NUMBER: S351T020-200 COMPONENT MAINT MANUAL REF: 49-22-11 QUALIFIED I/W DATA: S351T020-200 (3800298-1-1) AND S351T020-205 (3800298-1-6) ARE INTERCHANGEABLE WITH THE INCORPORATION OF ALLIED SIGNAL S/B GTCP331-49-7081. S351T020-200 (3800298-1-1) AND S351T020-206 (3800298-1-7/3800298-1) ARE INTERCHANGEABLE WITH THE INCORPORATION OF ALLIED SIGNAL S/B GTCP331-49-7081. FOR NHA/ADDITIONAL DET SEE: 49-11-01-50	002004 006100 107107 121503 904999	RF

MISSING ITEM NUMBERS NOT APPLICABLE

- ITEM NOT ILLUSTRATED

BRI

49-27-07-01

BOEING PROPRIETARY - Copyright © - Unpublished Work - See title page for details.

49-27-07  
FIG. 01  
PAGE 2  
JAN 20/09



757

PARTS CATALOG (MAINTENANCE)

FIG ITEM	PART NUMBER	1 2 3 4 5 6 7	NOMENCLATURE	EFFECT FROM TO	UNITS PER ASSY
1 - 1	3800298-1-3		ENGINE ASSY-GAS TURB GTCP331-200ER (OIL FILTER PRESSURE DIFFERENTIAL INDICATOR) SUPPLIER CODE: V99193 SPECIFICATION NUMBER: S351T020-202 CONFIG CHG DATA FROM A CMM: REPLACES 3800298-1-2 COMPONENT MAINT MANUAL REF: 49-22-11 QUALIFIED I/W DATA: S351T020-202 (3800298-1-3) AND S351T020-205 (3800298-1-6) ARE INTERCHANGEABLE WITH THE INCORPORATION OF ALLIED SIGNAL S/B GTCP331-49-7081. S351T020-202 (3800298-1-3) AND S351T020-206 (3800298-1-7/3800298-1) ARE INTERCHANGEABLE WITH THE INCORPORATION OF ALLIED SIGNAL S/B GTCP331-49-7081. FOR NHA/ADDITIONAL DET SEE: 49-11-01-50	002004 006100 107107 121503 904999	RF

MISSING ITEM NUMBERS NOT APPLICABLE

- ITEM NOT ILLUSTRATED

BRI

49-27-07-01

BOEING PROPRIETARY - Copyright © - Unpublished Work - See title page for details.

49-27-07  
FIG. 01  
PAGE 3  
JAN 20/09



757

PARTS CATALOG (MAINTENANCE)

FIG ITEM	PART NUMBER	1 2 3 4 5 6 7	NOMENCLATURE	EFFECT FROM TO	UNITS PER ASSY
1 - 1	3800298-1-4		ENGINE ASSY-GAS TURB GTCP331-200ER (OIL FILTER PRESSURE DIFFERENTIAL INDICATOR) SUPPLIER CODE: V99193 SPECIFICATION NUMBER: S351T020-203 CONFIG CHG DATA FROM A CMM: REPLACECS 3800298-1-3 COMPONENT MAINT MANUAL REF: 49-22-11 QUALIFIED I/W DATA: 3800298-1-4/S351T020-203 AND 3800298-1-6/S351T020-205 ARE INTERCHANGEABLE WITH THE INCORPORATION OF ALLIED SIGNAL S/B GTCP331-49-7081. 3800298-1-4/S351T020-203 AND 3800298-1-7/S351T020-206 /3800298-1 ARE INTERCHANGEABLE WITH THE INCORPORATION OF ALLIED SIGNAL S/B GTCP331-49-7081. FOR NHA/ADDITIONAL DET SEE: 49-11-01-50	002004 006100 107107 121503 904999	RF

MISSING ITEM NUMBERS NOT APPLICABLE

- ITEM NOT ILLUSTRATED

BRI

49-27-07-01

BOEING PROPRIETARY - Copyright © - Unpublished Work - See title page for details.

49-27-07  
FIG. 01  
PAGE 4  
JAN 20/09



757

PARTS CATALOG (MAINTENANCE)

FIG ITEM	PART NUMBER	1 2 3 4 5 6 7	NOMENCLATURE	EFFECT FROM TO	UNITS PER ASSY
1 - 1	3800298-1-5		ENGINE ASSY-GAS TURB GTCP331-200ER (OIL FILTER PRESSURE DIFFERENTIAL INDICATOR) SUPPLIER CODE: V99193 SPECIFICATION NUMBER: S351T020-204 CONFIG CHG DATA FROM A CMM: REPLACES 3800298-1-4 COMPONENT MAINT MANUAL REF: 49-22-11 QUALIFIED I/W DATA: 3800298-1-5/S351T020-204 AND 3800298-1-6/S351T020-205 ARE INTERCHANGEABLE WITH THE INCORPORATION OF ALLIED SIGNAL S/B GTCP331-49-7081. S351T020-204 (3800298-1-5) AND S351T020-206(3800298-1-7 /3800298-1) ARE INTERCHANGEABLE WITH THE INCORPORATION OF ALLIED SIGNAL S/B GTCP331-49-7081. FOR NHA/ADDITIONAL DET SEE: 49-11-01-50	002004 006100 107107 121503 904999	RF
- 1	3800298-1-6		ENGINE ASSY-GAS TURB GTCP331-200ER (OIL FILTER PRESSURE DIFFERENTIAL INDICATOR) SUPPLIER CODE: V99193 SPECIFICATION NUMBER: S351T020-205 CONFIG CHG DATA FROM A CMM: REPLACES 3800298-1-5 COMPONENT MAINT MANUAL REF: 49-22-11 QUALIFIED I/W DATA: 3800298-1-5/S351T020-204 AND 3800298-1-6/S351T020-205 ARE INTERCHANGEABLE WITH THE INCORPORATION OF ALLIED SIGNAL S/B	002004 006999	RF

MISSING ITEM NUMBERS NOT APPLICABLE

- ITEM NOT ILLUSTRATED

49-27-07-01

49-27-07  
FIG. 01  
PAGE 5  
JAN 20/09

BRI



757

PARTS CATALOG (MAINTENANCE)

FIG ITEM	PART NUMBER	1 2 3 4 5 6 7 NOMENCLATURE	EFFECT FROM TO	UNITS PER ASSY
1		GTCP331-49-7081. S351T020-203 (3800298-1-4) AND S351T020-205 (3800298-1-6) ARE INTERCHANGEABLE WITH THE INCORPORATION OF ALLIED SIGNAL S/B GTCP331-49-7081. S351T020-202 (3800298-1-3) AND S351T020-205 (3800298-1-6) ARE INTERCHANGEABLE WITH THE INCORPORATION OF ALLIED SIGNAL S/B GTCP331-49-7081. S351T020-201 (3800298-1-2) AND S351T020-205 (3800298-1-6) ARE INTERCHANGEABLE WITH THE INCORPORATION OF ALLIED SIGNAL S/B GTCP331-49-7081. S351T020-200 (3800298-1-1) AND S351T020-205 (3800298-1-6) ARE INTERCHANGEABLE WITH THE INCORPORATION OF ALLIED SIGNAL S/B GTCP331-49-7081. FOR NHA/ADDITIONAL DET SEE: 49-11-01-50 49-21-00-02		
-	1 3800298-1-7	ENGINE ASSY-GAS TURB GTCP331-200ER (OIL FILTER PRESSURE DIFFERENTIAL INDICATOR) SUPPLIER CODE: V99193 SPECIFICATION NUMBER: S351T020-206 CONFIG CHG DATA FROM A CMM: REPLACES 3800298-1-6 COMPONENT MAINT MANUAL REF: 49-22-11 QUALIFIED I/W DATA:  MISSING ITEM NUMBERS NOT APPLICABLE	002004 006999	RF

- ITEM NOT ILLUSTRATED

49-27-07-01

49-27-07  
FIG. 01  
PAGE 6  
SEP 20/08

BRI



757

PARTS CATALOG (MAINTENANCE)

FIG ITEM	PART NUMBER	1 2 3 4 5 6 7 NOMENCLATURE	EFFECT FROM TO	UNITS PER ASSY
1		<p>3800298-1-5/S351T020-204 AND 3800298-1/ 3800298-1-7/S351T020-206 ARE INTERCHANGEABLE WITH THE INCORPORATION OF ALLIED SIGNAL S/B GTCP331-49-7081. S351T020-203/3800298-1-4 AND S351T020-206(3800298-1-7 /3800298-1) ARE INTERCHANGEABLE WITH THE INCORPORATION OF ALLIED SIGNAL S/B GTCP331-49-7081. S351T020-202 (3800298-1-3) AND S351T020-206 (3800298-1-7/3800298-1) ARE INTERCHANGEABLE WITH THE INCORPORATION OF ALLIED SIGNAL S/B GTCP331-49-7081. S351T020-201 (3800298-1-2) AND S351T020-206 (3800298-1-7/3800298-1) ARE INTERCHANGEABLE WITH THE INCORPORATION OF ALLIED SIGNAL S/B GTCP331-49-7081. S351T020-200 (3800298-1-1) AND S351T020-206 (3800298-1-7/3800298-1) ARE INTERCHANGEABLE WITH THE INCORPORATION OF ALLIED SIGNAL S/B GTCP331-49-7081. OPTIONAL PART: 3800298-1 V99193 FOR NHA/ADDITIONAL DET SEE: 49-11-01-50 49-21-00-02</p>		
-	1 3800298-1	<p>ENGINE ASSY-GAS TURB GTCP331-200ER (OIL FILTER PRESSURE DIFFERENTIAL INDICATOR)</p>	002004 006999	RF

MISSING ITEM NUMBERS NOT APPLICABLE

- ITEM NOT ILLUSTRATED

49-27-07-01

49-27-07  
FIG. 01  
PAGE 7  
SEP 20/08

BRI



757

PARTS CATALOG (MAINTENANCE)

FIG ITEM	PART NUMBER	1 2 3 4 5 6 7 NOMENCLATURE	EFFECT FROM TO	UNITS PER ASSY
1		<p>SUPPLIER CODE: V99193</p> <p>SPECIFICATION NUMBER: S351T020-206</p> <p>COMPONENT MAINT MANUAL REF: 49-22-11</p> <p>QUALIFIED I/W DATA: 3800298-1-5/S351T020-204 AND 3800298-1-7/S351T020-206 /3800298-1</p> <p>ARE INTERCHANGEABLE WITH THE INCORPORATION OF ALLIED SIGNAL S/B GTCP331-49-7081. S351T020-203/3800298-1-4 AND S351T020-206(3800298-1-7 /3800298-1) ARE INTERCHANGEABLE WITH THE INCORPORATION OF ALLIED SIGNAL S/B GTCP331-49-7081. S351T020-202 (3800298-1-3) AND S351T020-206 (3800298-1-7/3800298-1) ARE INTERCHANGEABLE WITH THE INCORPORATION OF ALLIED SIGNAL S/B GTCP331-49-7081. S351T020-201 (3800298-1-2) AND S351T020-206 (3800298-1-7/3800298-1) ARE INTERCHANGEABLE WITH THE INCORPORATION OF ALLIED SIGNAL S/B GTCP331-49-7081. S351T020-200 (3800298-1-1) AND S351T020-206 (3800298-1-7/3800298-1) ARE INTERCHANGEABLE WITH THE INCORPORATION OF ALLIED SIGNAL S/B GTCP331-49-7081.</p> <p>OPTIONAL PART: 3800298-1-7</p>		

MISSING ITEM NUMBERS NOT APPLICABLE

- ITEM NOT ILLUSTRATED

49-27-07-01

49-27-07  
FIG. 01  
PAGE 8  
SEP 20/08

BRI



757

PARTS CATALOG (MAINTENANCE)

FIG ITEM	PART NUMBER	1 2 3 4 5 6 7	NOMENCLATURE	EFFECT FROM TO	UNITS PER ASSY
1			V99193 FOR NHA/ADDITIONAL DET SEE: 49-11-01-50 49-21-00-02		
5	3880190-5	.	PUMP ASSY-LUBE SUPPLIER CODE: V99193 SB DATA FROM A CMM: POST SB 49-5566 PRE SB 49-5682 CONFIG CHG DATA FROM A CMM: REPLS 3880190-3, -4 REPLD BY 3880190-8 COMPONENT MAINT MANUAL REF: 49-91-41	002004 006999	RF
5	3880190-8	.	PUMP ASSY-LUBE SUPPLIER CODE: V99193 SB DATA FROM A CMM: POST SB 49-5682 PRE SB 49-5781 CONFIG CHG DATA FROM A CMM: REPLS 3880190-3, -5 REPLD BY 3880190-10 COMPONENT MAINT MANUAL REF: 49-91-41	002004 006999	RF
5	3880190-10	.	PUMP ASSY-LUBE SUPPLIER CODE: V99193 SB DATA FROM A CMM: POST SB 49-5781 CONFIG CHG DATA FROM A CMM: REPLS 3880190-8 COMPONENT MAINT MANUAL REF: 49-91-41	002004 006999	RF
10	3880271-1	..	INDICATOR-DIFF PRESSURE SUPPLIER CODE: V99193	002004 006999	1
15	M83248-1-014	..	PACKING- OPTIONAL PART: S9413-014 V99193	002004 006999	1
15	S9413-014	..	PACKING- SUPPLIER CODE: V99193 OPTIONAL PART: M83248-1-014	002004 006999	1

MISSING ITEM NUMBERS NOT APPLICABLE

- ITEM NOT ILLUSTRATED

49-27-07-01

49-27-07  
FIG. 01  
PAGE 9  
SEP 20/08

BRI





757

PARTS CATALOG (MAINTENANCE)

FIG ITEM	PART NUMBER	1 2 3 4 5 6 7	NOMENCLATURE	EFFECT FROM TO	UNITS PER ASSY
1 20	S9413-558		.. PACKING- SUPPLIER CODE: V99193 OPTIONAL PART: M83248-1-908 V81349 OPTIONAL PART: M83248-1-908	002004 006999	1
20	M83248-1-908		.. PACKING- OPTIONAL PART: S9413-558 V99193	002004 006999	1

MISSING ITEM NUMBERS NOT APPLICABLE

- ITEM NOT ILLUSTRATED

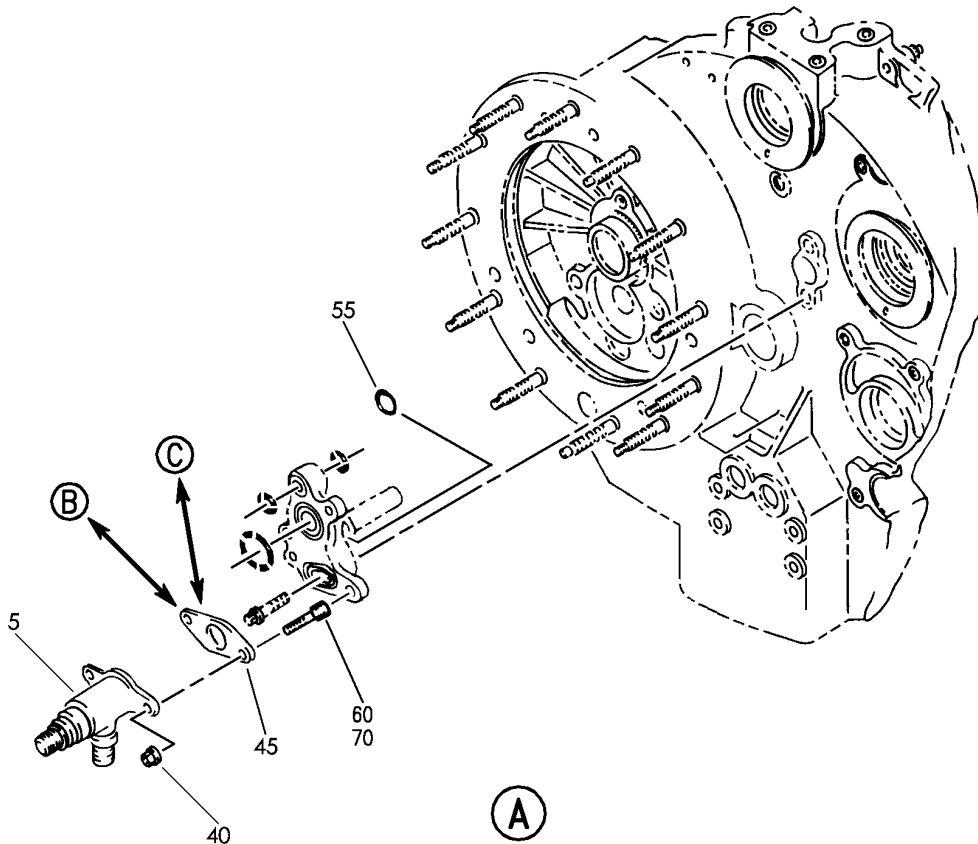
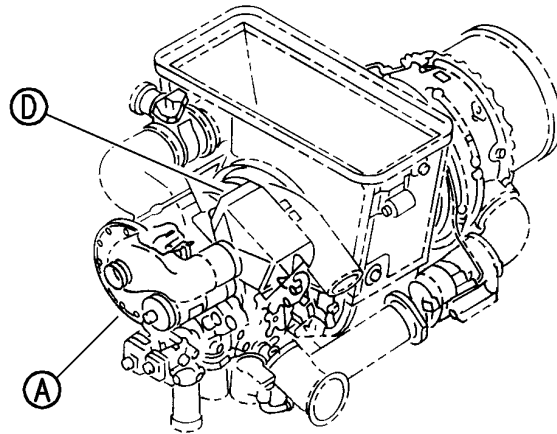
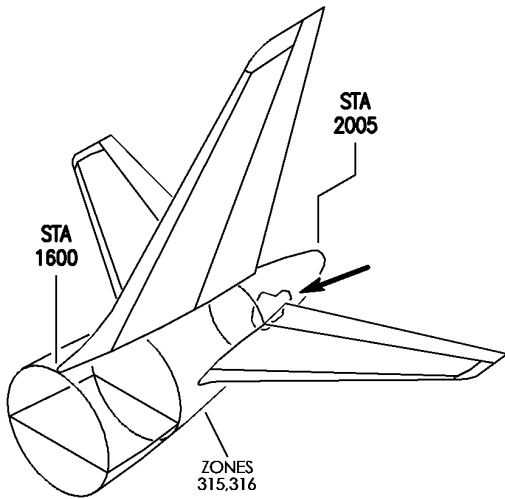
BRI

49-27-07-01

BOEING PROPRIETARY - Copyright © - Unpublished Work - See title page for details.

49-27-07  
FIG. 01  
PAGE 10  
SEP 20/08

**BOEING**  
757  
PARTS CATALOG (MAINTENANCE)



Y 49270801 SHT 1 REV 255

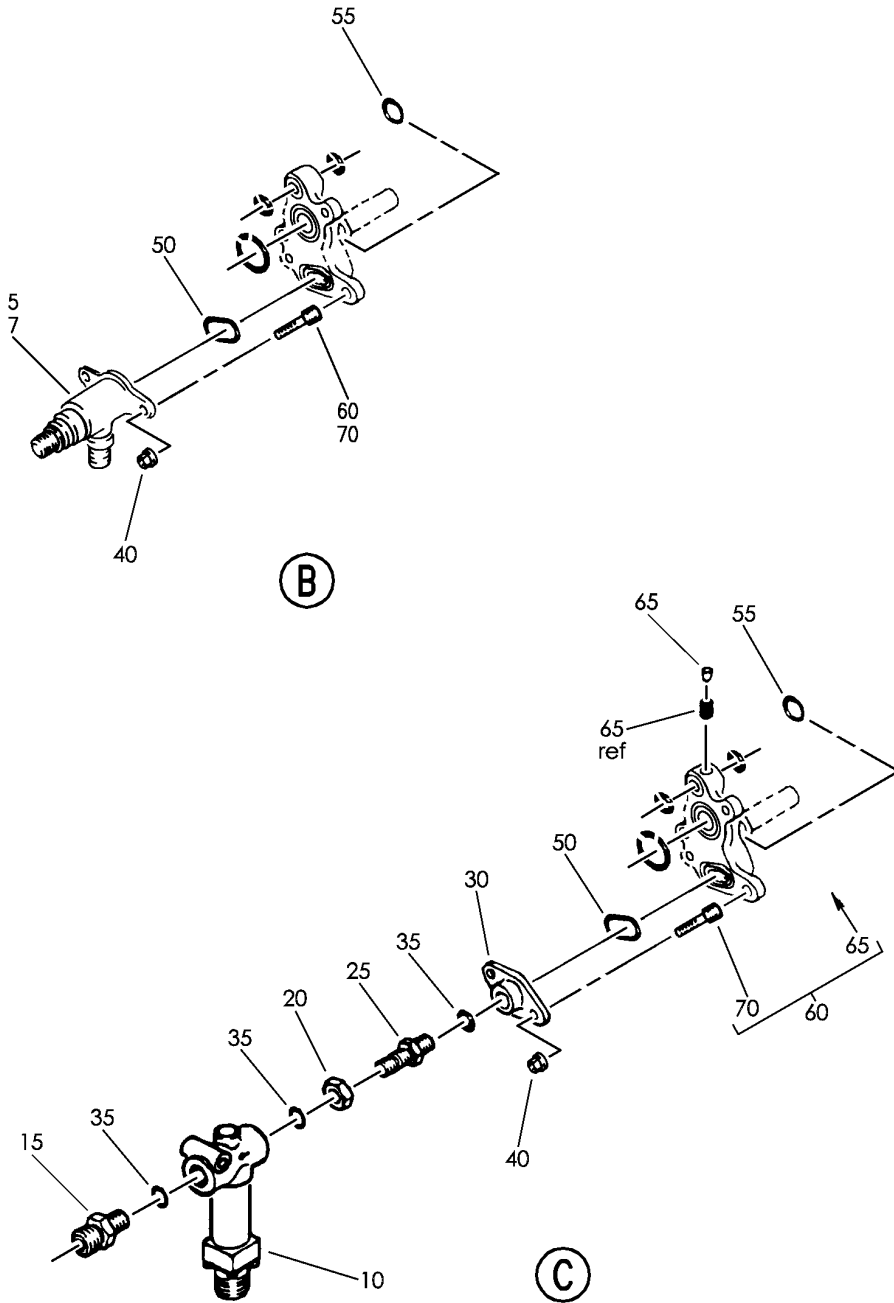
ENGINE ASSY-GAS TURB (DE-OIL SOLENOID VALVE ONLY)  
FIGURE 1 (SHEET 1)

**49-27-08-01**

BRI  
MAY 28/07

49-27-08-01  
PAGE 0

**BOEING**  
757  
PARTS CATALOG (MAINTENANCE)



Y 49270801 SH1 2 REV 255

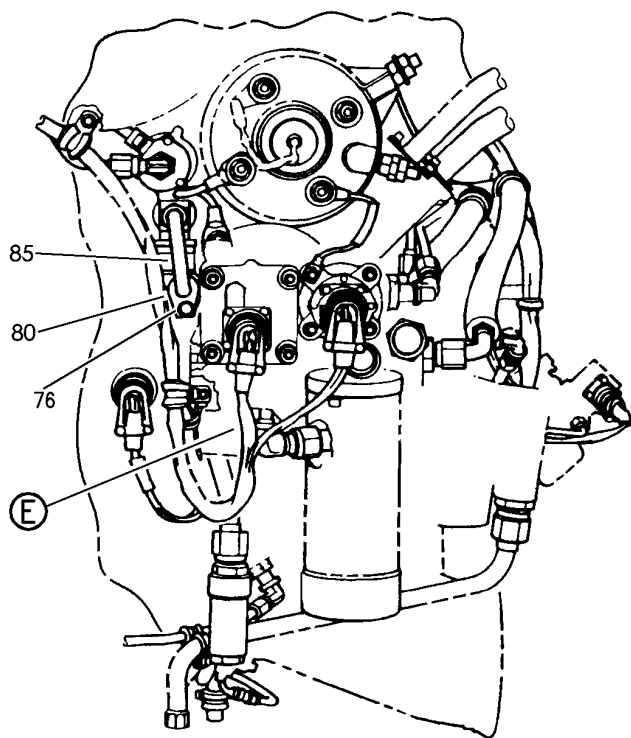
ENGINE ASSY-GAS TURB (DE-OIL SOLENOID VALVE ONLY)  
FIGURE 1 (SHEET 2)

**49-27-08-01**

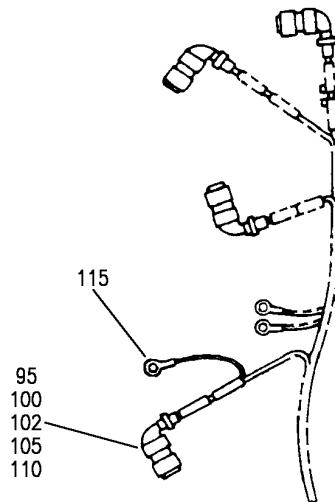
BRI  
MAY 28/07

49-27-08-01  
PAGE 0A

**BOEING**  
757  
PARTS CATALOG (MAINTENANCE)



(D)



(E)

Y 49270801 SHT 3 REV 255

ENGINE ASSY-GAS TURB (DE-OIL SOLENOID VALVE ONLY)  
FIGURE 1 (SHEET 3)

**49-27-08-01**

BRI  
MAY 28/07

49-27-08-01  
PAGE 0B



757

PARTS CATALOG (MAINTENANCE)

FIG ITEM	PART NUMBER	1 2 3 4 5 6 7	NOMENCLATURE	EFFECT FROM TO	UNITS PER ASSY
1			ENGINE ASSY-GAS TURB (DE-OIL SOLENOID VALVE ONLY)	002004 006999	
- 1	3800298-1-2		ENGINE ASSY-GAS TURB GTCP331-200ER (DE-OIL SOLENOID VALVE ONLY) SUPPLIER CODE: V99193 SPECIFICATION NUMBER: S351T020-201 CONFIG CHG DATA FROM A CMM: REPLACES 3800298-1-1 COMPONENT MAINT MANUAL REF: 49-22-11 QUALIFIED I/W DATA: S351T020-201 (3800298-1-2) AND S351T020-205 (3800298-1-6) ARE INTERCHANGEABLE WITH THE INCORPORATION OF ALLIED SIGNAL S/B GTCP331-49-7081. S351T020-201 (3800298-1-2) AND S351T020-206 (3800298-1-7/3800298-1) ARE INTERCHANGEABLE WITH THE INCORPORATION OF ALLIED SIGNAL S/B GTCP331-49-7081. FOR NHA/ADDITIONAL DET SEE: 49-11-01-50	002004 006100 107107 121503 904999	RF

MISSING ITEM NUMBERS NOT APPLICABLE

- ITEM NOT ILLUSTRATED

BRI

49-27-08-01

BOEING PROPRIETARY - Copyright © - Unpublished Work - See title page for details.

49-27-08  
FIG. 01  
PAGE 1  
JAN 20/09



757

PARTS CATALOG (MAINTENANCE)

FIG ITEM	PART NUMBER	1 2 3 4 5 6 7	NOMENCLATURE	EFFECT FROM TO	UNITS PER ASSY
1 - 1	3800298-1-1		ENGINE ASSY-GAS TURB GTCP331-200ER (DE-OIL SOLENOID VALVE ONLY) SUPPLIER CODE: V99193 SPECIFICATION NUMBER: S351T020-200 COMPONENT MAINT MANUAL REF: 49-22-11 QUALIFIED I/W DATA: S351T020-200 (3800298-1-1) AND S351T020-205 (3800298-1-6) ARE INTERCHANGEABLE WITH THE INCORPORATION OF ALLIED SIGNAL S/B GTCP331-49-7081. S351T020-200 (3800298-1-1) AND S351T020-206 (3800298-1-7/3800298-1) ARE INTERCHANGEABLE WITH THE INCORPORATION OF ALLIED SIGNAL S/B GTCP331-49-7081. FOR NHA/ADDITIONAL DET SEE: 49-11-01-50	002004 006100 107107 121503 904999	RF

MISSING ITEM NUMBERS NOT APPLICABLE

- ITEM NOT ILLUSTRATED

BRI

49-27-08-01

BOEING PROPRIETARY - Copyright © - Unpublished Work - See title page for details.

49-27-08  
FIG. 01  
PAGE 2  
JAN 20/09



757

PARTS CATALOG (MAINTENANCE)

FIG ITEM	PART NUMBER	1 2 3 4 5 6 7	NOMENCLATURE	EFFECT FROM TO	UNITS PER ASSY
1 - 1	3800298-1-3		ENGINE ASSY-GAS TURB GTCP331-200ER (DE-OIL SOLENOID VALVE ONLY) SUPPLIER CODE: V99193 SPECIFICATION NUMBER: S351T020-202 CONFIG CHG DATA FROM A CMM: REPLACES 3800298-1-2 COMPONENT MAINT MANUAL REF: 49-22-11 QUALIFIED I/W DATA: S351T020-202 (3800298-1-3) AND S351T020-205 (3800298-1-6) ARE INTERCHANGEABLE WITH THE INCORPORATION OF ALLIED SIGNAL S/B GTCP331-49-7081. S351T020-202 (3800298-1-3) AND S351T020-206 (3800298-1-7/3800298-1) ARE INTERCHANGEABLE WITH THE INCORPORATION OF ALLIED SIGNAL S/B GTCP331-49-7081. FOR NHA/ADDITIONAL DET SEE: 49-11-01-50	002004 006100 107107 121503 904999	RF

MISSING ITEM NUMBERS NOT APPLICABLE

- ITEM NOT ILLUSTRATED

BRI

49-27-08-01

BOEING PROPRIETARY - Copyright © - Unpublished Work - See title page for details.

49-27-08  
FIG. 01  
PAGE 3  
JAN 20/09



757

PARTS CATALOG (MAINTENANCE)

FIG ITEM	PART NUMBER	1 2 3 4 5 6 7	NOMENCLATURE	EFFECT FROM TO	UNITS PER ASSY
1 - 1	3800298-1-4		ENGINE ASSY-GAS TURB GTCP331-2000ER (DE-OIL SOLENOID VALVE ONLY) SUPPLIER CODE: V99193 SPECIFICATION NUMBER: S351T020-203 CONFIG CHG DATA FROM A CMM: REPLACES 3800298-1-3 COMPONENT MAINT MANUAL REF: 49-22-11 QUALIFIED I/W DATA: 3800298-1-4/S351T020-203 AND 3800298-1-6/S351T020-205 ARE INTERCHANGEABLE WITH THE INCORPORATION OF ALLIED SIGNAL S/B GTCP331-49-7081. 3800298-1-4/S351T020-203 AND 3800298-1-7/S351T020-206 ARE INTERCHANGEABLE WITH THE INCORPORATION OF ALLIED SIGNAL S/B GTCP331-49-7081. FOR NHA/ADDITIONAL DET SEE: 49-11-01-50	002004 006100 107107 121503 904999	RF

MISSING ITEM NUMBERS NOT APPLICABLE

- ITEM NOT ILLUSTRATED

BRI

49-27-08-01

BOEING PROPRIETARY - Copyright © - Unpublished Work - See title page for details.

49-27-08  
 FIG. 01  
 PAGE 4  
 JAN 20/09





757

PARTS CATALOG (MAINTENANCE)

FIG ITEM	PART NUMBER	1 2 3 4 5 6 7	NOMENCLATURE	EFFECT FROM TO	UNITS PER ASSY
1	3800298-1-5		ENGINE ASSY-GAS TURB GTCP331-200ER (DE-OIL SOLENOID VALVE ONLY) SUPPLIER CODE: V99193 SPECIFICATION NUMBER: S351T020-204 CONFIG CHG DATA FROM A CMM: REPLACES 3800298-1-4 COMPONENT MAINT MANUAL REF: 49-22-11 QUALIFIED I/W DATA: 3800298-1-5/S351T020-204 AND 3800298-1-6/S351T020-205 ARE INTERCHANGEABLE WITH THE INCORPORATION OF ALLIED SIGNAL S/B GTCP331-49-7081. S351T020-204 (3800298-1-5) AND S351T020-206(3800298-1-7 /3800298-1) ARE INTERCHANGEABLE WITH THE INCORPORATION OF ALLIED SIGNAL S/B GTCP331-49-7081. FOR NHA/ADDITIONAL DET SEE: 49-11-01-50	002004 006100 107107 121503 904999	RF
1	3800298-1-6		ENGINE ASSY-GAS TURB GTCP331-200ER (DE-OIL SOLENOID VALVE ONLY) SUPPLIER CODE: V99193 SPECIFICATION NUMBER: S351T020-205 CONFIG CHG DATA FROM A CMM: REPLACES 3800298-1-5 COMPONENT MAINT MANUAL REF: 49-22-11 QUALIFIED I/W DATA: 3800298-1-5/S351T020-204 AND 3800298-1-6/S351T020-205 ARE INTERCHANGEABLE WITH THE INCORPORATION OF ALLIED SIGNAL S/B GTCP331-49-7081. S351T020-203	002004 006999	RF

MISSING ITEM NUMBERS NOT APPLICABLE

- ITEM NOT ILLUSTRATED

49-27-08-01

49-27-08  
FIG. 01  
PAGE 5  
JAN 20/09

BRI



757

PARTS CATALOG (MAINTENANCE)

FIG ITEM	PART NUMBER	1 2 3 4 5 6 7 NOMENCLATURE	EFFECT FROM TO	UNITS PER ASSY
1		<p>(3800298-1-4) AND S351T020-205 (3800298-1-6) ARE INTERCHANGEABLE WITH THE INCORPORATION OF ALLIED SIGNAL S/B GTCP331-49-7081. S351T020-202 (3800298-1-3) AND S351T020-205 (3800298-1-6) ARE INTERCHANGEABLE WITH THE INCORPORATION OF ALLIED SIGNAL S/B GTCP331-49-7081. S351T020-201 (3800298-1-2) AND S351T020-205 (3800298-1-6) ARE INTERCHANGEABLE WITH THE INCORPORATION OF ALLIED SIGNAL S/B GTCP331-49-7081. S351T020-200 (3800298-1-1) AND S351T020-205 (3800298-1-6) ARE INTERCHANGEABLE WITH THE INCORPORATION OF ALLIED SIGNAL S/B GTCP331-49-7081. FOR NHA/ADDITIONAL DET SEE: 49-11-01-50 49-21-00-02</p>		
-	1 3800298-1-7	<p>ENGINE ASSY-GAS TURB GTCP331-200ER (DE-OIL SOLENOID VALVE ONLY) SUPPLIER CODE: V99193 SPECIFICATION NUMBER: S351T020-206 CONFIG CHG DATA FROM A CMM: REPLACES 3800298-1-6 COMPONENT MAINT MANUAL REF: 49-22-11 QUALIFIED I/W DATA: 3800298-1-5/S351T020-204 AND 3800298-1-6/S351T020-205</p>	002004 006999	RF

MISSING ITEM NUMBERS NOT APPLICABLE

- ITEM NOT ILLUSTRATED

49-27-08-01

49-27-08  
FIG. 01  
PAGE 6  
SEP 20/08

BRI



757

PARTS CATALOG (MAINTENANCE)

FIG ITEM	PART NUMBER	1 2 3 4 5 6 7 NOMENCLATURE	EFFECT FROM TO	UNITS PER ASSY
1		<p>ARE INTERCHANGEABLE WITH THE INCORPORATION OF ALLIED SIGNAL S/B GTCP331-49-7081. S351T020-203 (3800298-1-4) AND S351T020-206(3800298-1-7 /3800298-1) ARE INTERCHANGEABLE WITH THE INCORPORATION OF ALLIED SIGNAL S/B GTCP331-49-7081. S351T020-202 (3800298-1-3) AND S351T020-206 (3800298-1-7/3800298-1) ARE INTERCHANGEABLE WITH THE INCORPORATION OF ALLIED SIGNAL S/B GTCP331-49-7081. S351T020-201 (3800298-1-2) AND S351T020-206 (3800298-1-7/3800298-1) ARE INTERCHANGEABLE WITH THE INCORPORATION OF ALLIED SIGNAL S/B GTCP331-49-7081. S351T020-200 (3800298-1-1) AND S351T020-206 (3800298-1-7/3800298-1) ARE INTERCHANGEABLE WITH THE INCORPORATION OF ALLIED SIGNAL S/B GTCP331-49-7081.</p> <p>OPTIONAL PART: 3800298-1 V99193</p> <p>FOR NHA/ADDITIONAL DET SEE: 49-11-01-50 49-21-00-02</p>		
-	1 3800298-1	<p>ENGINE ASSY-GAS TURB GTCP331-200ER (DE-OIL SOLENOID VALVE ONLY) SUPPLIER CODE: V99193 SPECIFICATION NUMBER: S351T020-206</p>	002004 006999	RF

MISSING ITEM NUMBERS NOT APPLICABLE

- ITEM NOT ILLUSTRATED

49-27-08-01

49-27-08  
FIG. 01  
PAGE 7  
SEP 20/08

BRI



757

PARTS CATALOG (MAINTENANCE)

FIG ITEM	PART NUMBER	1 2 3 4 5 6 7 NOMENCLATURE	EFFECT FROM TO	UNITS PER ASSY
1		<p>COMPONENT MAINT MANUAL REF: 49-22-11</p> <p>QUALIFIED I/W DATA: 3800298-1-5/S351T020-204 AND 3800298-1-7/S351T020-206 3800298-1 ARE INTERCHANGEABLE WITH THE INCORPORATION OF ALLIED SIGNAL S/B GTCP331-49-7081. S351T020-203(3800298-1-4 ) AND S351T020-206(3800298-1-7 /3800298-1) ARE INTERCHANGEABLE WITH THE INCORPORATION OF ALLIED SIGNAL S/B GTPC331-49-7081. S351T020-202 (3800298-1-3) AND S351T020-206 (3800298-1-7/3800298-1) ARE INTERCHANGEABLE WITH THE INCORPORATION OF ALLIED SIGNAL S/B GTCP331-49-7081. S351T020-201 (3800298-1-2) AND S351T020-206 (3800298-1-7/3800298-1) ARE INTERCHANGEABLE WITH THE INCORPORATION OF ALLIED SIGNAL S/B GTCP331-49-7081. S351T020-200 (3800298-1-1) AND S351T020-206 (3800298-1-7/3800298-1) ARE INTERCHANGEABLE WITH THE INCORPORATION OF ALLIED SIGNAL S/B GTCP331-49-7081.</p> <p>OPTIONAL PART: 3800298-1-7 V99193</p> <p>OPTIONAL PART: 3800298-1-7 V99193</p>		

MISSING ITEM NUMBERS NOT APPLICABLE

- ITEM NOT ILLUSTRATED

49-27-08-01

49-27-08  
FIG. 01  
PAGE 8  
SEP 20/08

BRI



757

PARTS CATALOG (MAINTENANCE)

FIG ITEM	PART NUMBER	1 2 3 4 5 6 7	NOMENCLATURE	EFFECT FROM TO	UNITS PER ASSY
1			REWORKED BY SB: GTCP331-49-7426R1 V99193		
5	3876047-2		FOR NHA/ADDITIONAL DET SEE: 49-11-01-50 49-21-00-02 .VALVE-DE-OIL SOL. SUPPLIER CODE: V99193 NOT APPROVED FOR ETOPS AFTER INCORP OF SB: GTCP331-49-5645 SB DATA FROM A CMM: PRE SB 49-5364 PRE SB 49-5645 CONFIG CHG DATA FROM A CMM: REPLD BY 3876047-4 REPLD BY 3876166-1	002004 006999	1
7	3876047-4		.VALVE-DE-OIL SOL. SUPPLIER CODE: V99193 NOT APPROVED FOR ETOPS AFTER INCORP OF SB: GTCP331-49-5645 SB DATA FROM A CMM: POST SB 49-5364 PRE SB 49-5645 CONFIG CHG DATA FROM A CMM: REPLS 3876047-2 REPLD BY 3876166-1 COMPONENT MAINT MANUAL REF: 49-91-45	002004 006999	1
10	3876166-1		.VALVE-DE-OIL SOL. SUPPLIER CODE: V99193 SB DATA FROM A CMM: POST SB 49-5645 CONFIG CHG DATA FROM A CMM: REPLS 3876047-4 COMPONENT MAINT MANUAL REF: 49-91-47 POST SERVICE BULLETIN: GTCP331-49-5645 V99193	002004 006999	1
15	MS21916-6-4		.REDUCER- SB DATA FROM A CMM: POST SB 49-5645	002004 006999	1

MISSING ITEM NUMBERS NOT APPLICABLE

- ITEM NOT ILLUSTRATED

49-27-08-01

49-27-08  
FIG. 01  
PAGE 9  
SEP 20/08

BRI



757

PARTS CATALOG (MAINTENANCE)

FIG ITEM	PART NUMBER	1 2 3 4 5 6 7	NOMENCLATURE	EFFECT FROM TO	UNITS PER ASSY
1 - 20	AN924-4J		.NUT- CONFIG CHG DATA FROM A CMM: REPLS AN924-4 USED ON: 3800298-1-1 3800298-1-2 3800298-1-3 3800298-1-4 3800298-1-5 3800298-1-6 3800298-1-7 3800298-1	002004 006999	2
22	AN924-4		.NUT- SB DATA FROM A CMM: POST SB 49-5645 CONFIG CHG DATA FROM A CMM: (REPLD BY AN924-4J)	002004 006999	1
25	MS21924-4		.UNION- SB DATA FROM A CMM: POST SB 49-5645	002004 006999	1
30	3611372-1		.ADAPTER- SUPPLIER CODE: V99193 SB DATA FROM A CMM: POST SB 49-5645	002004 006999	1
35	M83248-1-904		.PACKING- OPTIONAL PART: S9413-554 V99193	002004 006999	3
35	S9413-554		.PACKING- SUPPLIER CODE: V99193 SB DATA FROM A CMM: (POST SB 49-5645) OPTIONAL PART: M83248-1-904 ATTACHING PARTS	002004 006999	3
40	MS21043-3		.NUT	002004 006999	2
45	3862278-1		-----*----- .GASKET-SOL. VALVE SUPPLIER CODE: V99193 SB DATA FROM A CMM: PRE SB 49-5364 CONFIG CHG DATA FROM A CMM: REPLD BY S9413-020	002004 006999	1

MISSING ITEM NUMBERS NOT APPLICABLE

- ITEM NOT ILLUSTRATED

49-27-08-01

49-27-08  
FIG. 01  
PAGE 10  
SEP 20/08

BRI



757

PARTS CATALOG (MAINTENANCE)

FIG ITEM	PART NUMBER	1 2 3 4 5 6 7	NOMENCLATURE	EFFECT FROM TO	UNITS PER ASSY
1					
50	S9413-020		.PACKING- SUPPLIER CODE: V99193 SB DATA FROM A CMM: POST SB 49-5364 CONFIG CHG DATA FROM A CMM: REPLS 3862278-1 OPTIONAL PART: M83248-1-020	002004 006999	1
50	M83248-1-020		.PACKING- OPTIONAL PART: S9413-020 V99193	002004 006999	1
55	S9413-113		.PACKING- SUPPLIER CODE: V99193 OPTIONAL PART: M83248-1-113	002004 006999	1
55	M83248-1-113		.PACKING- OPTIONAL PART: S9413-113 V99193	002004 006999	1
60	3862277-1		.ADAPTER ASSY-PRESSURE REGULATOR SUPPLIER CODE: V99193 NOT APPROVED FOR ETOPS AFTER INCORP OF SB: GTCP331-49-5565 SB DATA FROM A CMM: PRE SB 49-5364 CONFIG CHG DATA FROM A CMM: REPLD BY 3862284-2	002004 006999	1
60	3862284-5		.ADAPTER ASSY-PRESSURE REGULATOR SUPPLIER CODE: V99193 NOT APPROVED FOR ETOPS AFTER INCORP OF SB: GTCP331-49-5565 SB DATA FROM A CMM: PRE SB 49-5565 CONFIG CHG DATA FROM A CMM: REPLD BY 3862284-6	002004 006999	1

MISSING ITEM NUMBERS NOT APPLICABLE

- ITEM NOT ILLUSTRATED

BRI

49-27-08-01

BOEING PROPRIETARY - Copyright © - Unpublished Work - See title page for details.

49-27-08  
FIG. 01  
PAGE 11  
SEP 20/08



757

PARTS CATALOG (MAINTENANCE)

FIG ITEM	PART NUMBER	1 2 3 4 5 6 7	NOMENCLATURE	EFFECT FROM TO	UNITS PER ASSY
1					
60	3862284-6		.ADAPTER ASSY-PRESSURE REGULATOR SUPPLIER CODE: V99193 SB DATA FROM A CMM: POST SB 49-5565 CONFIG CHG DATA FROM A CMM: REPLS 3862284-2 REPLS 3862284-5	002004 006999	1
65	187001		..PLUG- SUPPLIER CODE: V92555	002004 006999	1
70	MS51833A201-7		..STUD	002004 006999	4
76	MS21279-06		.BOLT	002004 006999	1
76	MS9556-06		.BOLT- NOT APPROVED FOR ETOPS. CONFIG CHG DATA FROM A CMM: POST SPB GTE0292	002004 006999	1
80	3880327-2		.TUBE-DE-OIL SUPPLIER CODE: V99193 NOT APPROVED FOR ETOPS AFTER INCORP OF SB: GTCP331495645 SB DATA FROM A CMM: POST SB 49-5634 PRE SB 49-5645 CONFIG CHG DATA FROM A CMM: REPLS 3880327-1 REPLD BY 3880327-3 USED ON: 3800298-1-1 3800298-1-2 3800298-1-3 3800298-1-4 3800298-1-5 3800298-1-6 3800298-1-7 3800298-1	002004 006999	1
80	3880327-3		.TUBE-DE-OIL SUPPLIER CODE: V99193 SB DATA FROM A CMM: POST SB 49-5645 CONFIG CHG DATA FROM A CMM: REPLS 3880327-1 REPLS 3880327-2	002004 006999	1

MISSING ITEM NUMBERS NOT APPLICABLE

- ITEM NOT ILLUSTRATED

49-27-08-01

49-27-08  
FIG. 01  
PAGE 12  
SEP 20/08

BRI

BOEING PROPRIETARY - Copyright © - Unpublished Work - See title page for details.



 **BOEING**  
757  
**PARTS CATALOG (MAINTENANCE)**

FIG ITEM	PART NUMBER	1 2 3 4 5 6 7	NOMENCLATURE	EFFECT FROM TO	UNITS PER ASSY
1 80	3880327-1		.TUBE-DE-OIL SUPPLIER CODE: V99193 NOT APPROVED FOR ETOPS AFTER INCORP OF SB: GTCP331495645 SB DATA FROM A CMM: PRE SB 49-5634 PRE SB 49-5645 CONFIG CHG DATA FROM A CMM: REPLD BY 3880327-2 REPLD BY 3880327-3	002004 006999	1
85	S9413-111		.PACKING- SUPPLIER CODE: V59364 OPTIONAL PART: M83248-1-111	002004 006999	1
85	M83248-1-111		.PACKING- OPTIONAL PART: S9413-111 V59364	002004 006999	1
- 87	3888123-4		.WIRING HARNESS ASSY- SUPPLIER CODE: V99193 SB DATA FROM A CMM: POST 49-5533 PRE 49-5794	002004 006999	1
- 87	3888123-5		.WIRING HARNESS ASSY- SUPPLIER CODE: V99193 USED ON: 3800298-1 3800298-1-1 3800298-1-2 3800298-1-3 3800298-1-4 3800298-1-5 3800298-1-6 3800298-1-7	002004 006999	1

MISSING ITEM NUMBERS NOT APPLICABLE

- ITEM NOT ILLUSTRATED

BRI

# 49-27-08-01

BOEING PROPRIETARY - Copyright © - Unpublished Work - See title page for details.

49-27-08  
FIG. 01  
PAGE 13  
SEP 20/08



757

PARTS CATALOG (MAINTENANCE)

FIG ITEM	PART NUMBER	1 2 3 4 5 6 7	NOMENCLATURE	EFFECT FROM TO	UNITS PER ASSY
1 - 87	3888123-6		.WIRING HARNESS ASSY- SUPPLIER CODE: V99193 SB DATA FROM A CMM: POST 49-5794 PRE 49-5840 PRE 49-7403 CONFIG CHG DATA FROM A CMM: REPLD BY 3888123-8 REWORKED FROM 3888123-4 QUALIFIED OPTIONAL DATA: 3888123-8 QUALIFIED SB I/W DATA: 3617394-1 USED WITH 3888123-8 OR 3888123-9 OPT TO 3617394-1 USED WITH 3888123-6 OR 3888123-7 AND 3888450-1 OPT TO 3614759-1 USED WITH 3888123-8 OR 3888123-9 OPT TO 3617459-1 USED WITH 3888123-6 OR 3888123-7 AND 3888450-1	002004 006999	1
- 87	3888123-7		.WIRING HARNESS ASSY- SUPPLIER CODE: V99193 SB DATA FROM A CMM: POST 49-5840 PRE 49-7403 CONFIG CHG DATA FROM A CMM: REPLD BY 3888123-9 REWORKED FROM 3888123-6 QUALIFIED SB I/W DATA: 3617394-1 USED WITH 3888123-8 OR 3888123-9 OPT TO 3617394-1 USED WITH 3888123-6 OR 3888123-7 AND 3888450-1 OPT TO 3614759-1 USED WITH 3888123-8 OR 3888123-9 OPT TO 3617459-1 USED WITH 3888123-6 OR 3888123-7 AND 3888450-1	002004 006999	1

MISSING ITEM NUMBERS NOT APPLICABLE

- ITEM NOT ILLUSTRATED

49-27-08-01

49-27-08  
FIG. 01  
PAGE 14  
SEP 20/08

BRI



757

PARTS CATALOG (MAINTENANCE)

FIG ITEM	PART NUMBER	1 2 3 4 5 6 7	NOMENCLATURE	EFFECT FROM TO	UNITS PER ASSY
1 - 87	3888123-8		.WIRING HARNESS ASSY- SUPPLIER CODE: V99193 SB DATA FROM A CMM: POST 49-7391 POST 49-7403 CONFIG CHG DATA FROM A CMM: REPLACES 3888123-6 REPLD BY 3888465-1 QUALIFIED OPTIONAL DATA: 3888123-6 QUALIFIED SB I/W DATA: 3617394-1 USED WITH 3888123-8 OR 3888123-9 OPT TO 3617394-1 USED WITH 3888123-6 OR 3888123-7 AND 3888450-1 OPT TO 3614759-1 USED WITH 3888123-8 OR 3888123-9 OPT TO 3617459-1 USED WITH 3888123-6 OR 3888123-7 AND 3888450-1	002004 006999	1
- 87	3888123-9		.WIRING HARNESS ASSY- SUPPLIER CODE: V99193 SB DATA FROM A CMM: POST 49-7403 POST 49-7391 CONFIG CHG DATA FROM A CMM: REPLACES 3888123-7 REPLD BY 3888465-1 QUALIFIED SB I/W DATA: 3617394-1 USED WITH 3888123-8 OR 3888123-9 OPT TO 3617394-1 USED WITH 3888123-6 OR 3888123-7 AND 3888450-1 OPT TO 3614759-1 USED WITH 3888123-8 OR 3888123-9 OPT TO 3617459-1 USED WITH 3888123-6 OR 3888123-7 AND 3888450-1	002004 006999	1

MISSING ITEM NUMBERS NOT APPLICABLE

- ITEM NOT ILLUSTRATED

49-27-08-01

49-27-08  
FIG. 01  
PAGE 15  
SEP 20/08

BRI



757

PARTS CATALOG (MAINTENANCE)

FIG ITEM	PART NUMBER	1 2 3 4 5 6 7	NOMENCLATURE	EFFECT FROM TO	UNITS PER ASSY
1					
- 87	3888465-1		.WIRING HARNESS ASSY- SUPPLIER CODE: V99193 SB DATA FROM A CMM: POST 49-7618 CONFIG CHG DATA FROM A CMM: REPLACES 3888123-8 REPLACES 3888123-9	002004 006999	1
95	GS3418-12CD		..CLAMP- SUPPLIER CODE: V06324	002004 006999	1
100	ZZYA0-12D12-03S		..CONNECTOR-P11 SUPPLIER CODE: V14283 OPTIONAL PART: BCREF8105 V13556	002004 006999	1
102	BCREF8105		..PLUG-P11 SUPPLIER CODE: V13556 OVERLENGTH PART NUMBER: CN0966-12A03SN000 OPTIONAL PART: ZZYA0-12D12-03S V49367	002004 006999	1
105	LRC20W15DJ5		..CONTACT- SUPPLIER CODE: V09922	002004 006999	3
110	10-230935-142		..GROMMET- SUPPLIER CODE: V77820 CONFIG CHG DATA FROM A CMM: REPLD BY 10-230935-143	002004 006999	1
110	10-230935-143		..GROMMET- SUPPLIER CODE: V77820 CONFIG CHG DATA FROM A CMM: REPLACES 10-230935-142	002004 006999	1
115	31892		..TERMINAL- SUPPLIER CODE: V00779	002004 006999	1

MISSING ITEM NUMBERS NOT APPLICABLE

- ITEM NOT ILLUSTRATED

49-27-08-01

49-27-08  
FIG. 01  
PAGE 16  
SEP 20/08

BRI



757

PARTS CATALOG (MAINTENANCE)

FIG ITEM	PART NUMBER	1 2 3 4 5 6 7	NOMENCLATURE	EFFECT FROM TO	UNITS PER ASSY
1					
- 120	M22759-8-18-8		.. WIRE-ELECTRICAL OPTIONAL PART: 18699-69A1 V92607 75908E18 V12515 18AF2XTN1930 V12814 BATATE1930NICE V90484 11-00821 V05973	002004 006999	AR
- 120	18699-69A1		.. WIRE-ELECTRICAL SUPPLIER CODE: V92607 OPTIONAL PART: M22759-8-18-8 75908E18 V12515 18AF2XTN1930 V12814 BATATE1930NICE V90484 11-00821 V05973	002004 006999	AR
- 120	75908E18		.. WIRE-ELECTRICAL SUPPLIER CODE: V12515 OPTIONAL PART: M22759-8-18-8 18699-69A1 V92607 18AF2XTN1930 V12814 BATATE1930NICE V90484 11-00821 V05973	002004 006999	AR

MISSING ITEM NUMBERS NOT APPLICABLE

- ITEM NOT ILLUSTRATED

BRI

49-27-08-01

BOEING PROPRIETARY - Copyright © - Unpublished Work - See title page for details.

49-27-08  
FIG. 01  
PAGE 17  
SEP 20/08



757

PARTS CATALOG (MAINTENANCE)

FIG ITEM	PART NUMBER	1 2 3 4 5 6 7	NOMENCLATURE	EFFECT FROM TO	UNITS PER ASSY
1					
- 120	18AF2XTN1930		.. WIRE-ELECTRICAL SUPPLIER CODE: V12814 OPTIONAL PART: M22759-8-18-8 18699-69A1 V92607 75908E18 V12515 BATATE193ONICE V90484 11-00821 V05973	002004 006999	AR
- 120	BATATE193ONICE		.. WIRE-ELECTRICAL SUPPLIER CODE: V90484 OPTIONAL PART: M22759-8-18-8 18699-69A1 V92607 75908E18 V12515 18AF2XTN1930 V12814 11-00821 V05973	002004 006999	AR
- 120	11-00821		.. WIRE-ELECTRICAL SUPPLIER CODE: V05973 OPTIONAL PART: M22759-8-18-8 18699-69A1 V92607 75908E18 V12515 18AF2XTN1930 V12814 BATATE193ONICE V90484	002004 006999	AR

MISSING ITEM NUMBERS NOT APPLICABLE

- ITEM NOT ILLUSTRATED

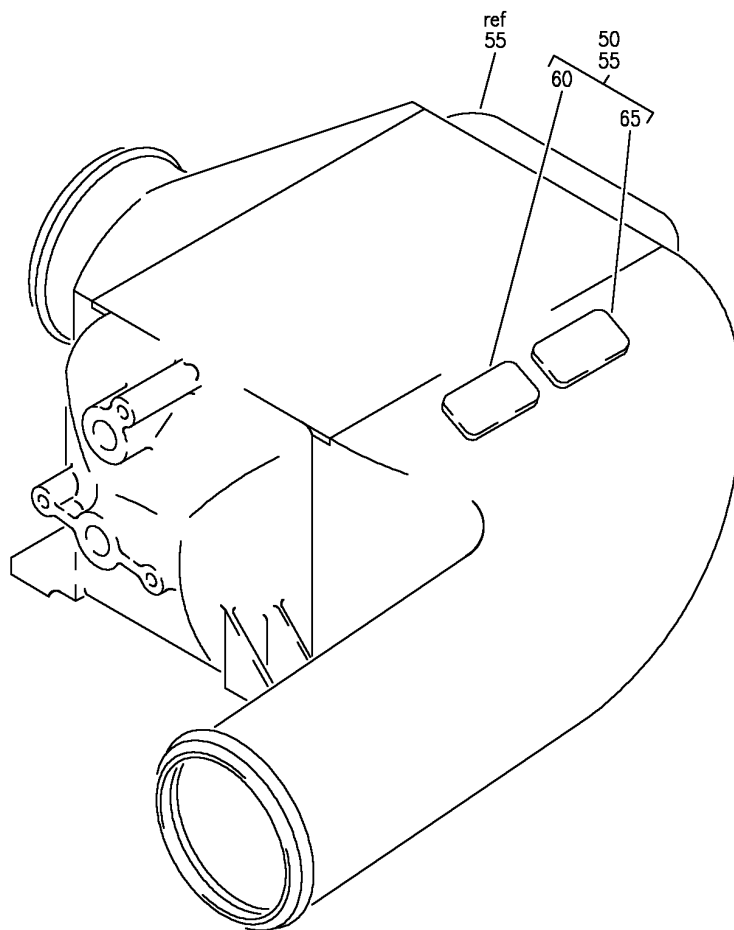
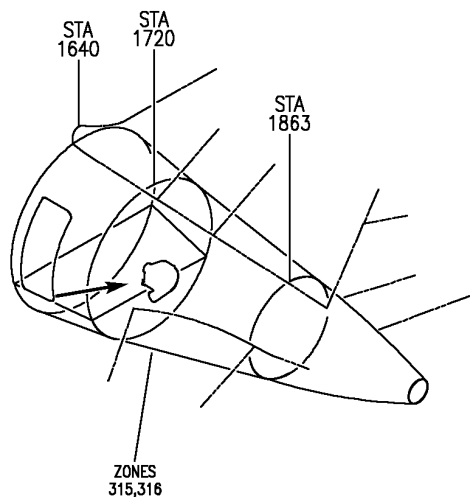
BRI

49-27-08-01

BOEING PROPRIETARY - Copyright © - Unpublished Work - See title page for details.

49-27-08  
FIG. 01  
PAGE 18  
SEP 20/08

**BOEING**  
757  
PARTS CATALOG (MAINTENANCE)



Y 49270901 REV 275

ENGINE ASSY-GAS TURB (OIL COOLER ONLY)

FIGURE 1

**49-27-09-01**

BRI  
MAY 28/07

49-27-09-01  
PAGE 0



757

PARTS CATALOG (MAINTENANCE)

FIG ITEM	PART NUMBER	1 2 3 4 5 6 7	NOMENCLATURE	EFFECT FROM TO	UNITS PER ASSY
1			ENGINE ASSY-GAS TURB (OIL COOLER ONLY)	002004 006999	
- 1	3800298-1-1		ENGINE ASSY-GAS TURB (OIL COOLER ONLY) GTCP331-200ER SUPPLIER CODE: V99193 SPECIFICATION NUMBER: S351T020-200 COMPONENT MAINT MANUAL REF: 49-22-11 QUALIFIED I/W DATA: S351T020-200 (3800298-1-1) AND S351T020-205 (3800298-1-6) ARE INTERCHANGEABLE WITH THE INCORPORATION OF ALLIED SIGNAL S/B GTCP331-49-7081. S351T020-200 (3800298-1-1) AND S351T020-206 (3800298-1-7/3800298-1) ARE INTERCHANGEABLE WITH THE INCORPORATION OF ALLIED SIGNAL S/B GTCP331-49-7081. FOR NHA/ADDITIONAL DET SEE: 49-11-01-50	002004 006100 107107 121503 904999	RF

MISSING ITEM NUMBERS NOT APPLICABLE

- ITEM NOT ILLUSTRATED

BRI

49-27-09-01

49-27-09  
FIG. 01  
PAGE 1  
JAN 20/09





757

PARTS CATALOG (MAINTENANCE)

FIG ITEM	PART NUMBER	1 2 3 4 5 6 7	NOMENCLATURE	EFFECT FROM TO	UNITS PER ASSY
1 - 1	3800298-1-2		ENGINE ASSY-GAS TURB (OIL COOLER ONLY) GTCP331-200ER SUPPLIER CODE: V99193 SPECIFICATION NUMBER: S351T020-201 CONFIG CHG DATA FROM A CMM: REPLACES 3800298-1-1 COMPONENT MAINT MANUAL REF: 49-22-11 QUALIFIED I/W DATA: S351T020-201 (3800298-1-2) AND S351T020-205 (3800298-1-6) ARE INTERCHANGEABLE WITH THE INCORPORATION OF ALLIED SIGNAL S/B GTCP331-49-7081. S351T020-201 (3800298-1-2) AND S351T020-206 (3800298-1-7/3800298-1) ARE INTERCHANGEABLE WITH THE INCORPORATION OF ALLIED SIGNAL S/B GTCP331-49-7081. FOR NHA/ADDITIONAL DET SEE: 49-11-01-50	002004 006100 107107 121503 904999	RF

MISSING ITEM NUMBERS NOT APPLICABLE

- ITEM NOT ILLUSTRATED

BRI

49-27-09-01

BOEING PROPRIETARY - Copyright © - Unpublished Work - See title page for details.

49-27-09  
FIG. 01  
PAGE 2  
JAN 20/09



757

PARTS CATALOG (MAINTENANCE)

FIG ITEM	PART NUMBER	1 2 3 4 5 6 7 NOMENCLATURE	EFFECT FROM TO	UNITS PER ASSY
1 - 1	3800298-1-3	ENGINE ASSY-GAS TURB (OIL COOLER ONLY) GTCP331-200ER SUPPLIER CODE: V99193 SPECIFICATION NUMBER: S351T020-202 CONFIG CHG DATA FROM A CMM: REPLACES 3800298-1-2 COMPONENT MAINT MANUAL REF: 49-22-11 QUALIFIED I/W DATA: S351T020-202 (3800298-1-3) AND S351T020-205 (3800298-1-6) ARE INTERCHANGEABLE WITH THE INCORPORATION OF ALLIED SIGNAL S/B GTCP331-49-7081. S351T020-202 (3800298-1-3) AND S351T020-206 (3800298-1-7/3800298-1) ARE INTERCHANGEABLE WITH THE INCORPORATION OF ALLIED SIGNAL S/B GTCP331-49-7081. FOR NHA/ADDITIONAL DET SEE: 49-11-01-50	002004 006100 107107 121503 904999	RF

MISSING ITEM NUMBERS NOT APPLICABLE

- ITEM NOT ILLUSTRATED

BRI

49-27-09-01

BOEING PROPRIETARY - Copyright © - Unpublished Work - See title page for details.

49-27-09  
FIG. 01  
PAGE 3  
JAN 20/09



757

PARTS CATALOG (MAINTENANCE)

FIG ITEM	PART NUMBER	1 2 3 4 5 6 7	NOMENCLATURE	EFFECT FROM TO	UNITS PER ASSY
1 - 1	3800298-1-4		ENGINE ASSY-GAS TURB (OIL COOLER ONLY) GTCP331-200ER SUPPLIER CODE: V99193 SPECIFICATION NUMBER: S351T020-203 CONFIG CHG DATA FROM A CMM: REPLACES 3800298-1-3 COMPONENT MAINT MANUAL REF: 49-22-11 QUALIFIED I/W DATA: 3800298-1-4/S351T020-203 AND 3800298-1-6/S351T020-205 ARE INTERCHANGEABLE WITH THE INCORPORATION OF ALLIED SIGNAL S/B GTCP331-49-7081 S351T020-203 (3800298-1-4) AND S351T020-206 (3800298-1-7/3800298-1) ARE INTERCHANGEABLE WITH THE INCORPORATION OF ALLIED SIGNAL S/B GTCP331-49-7081. FOR NHA/ADDITIONAL DET SEE: 49-11-01-50	002004 006100 107107 121503 904999	RF

MISSING ITEM NUMBERS NOT APPLICABLE

- ITEM NOT ILLUSTRATED

BRI

49-27-09-01

BOEING PROPRIETARY - Copyright © - Unpublished Work - See title page for details.

49-27-09  
FIG. 01  
PAGE 4  
JAN 20/09



757

PARTS CATALOG (MAINTENANCE)

FIG ITEM	PART NUMBER	1 2 3 4 5 6 7	NOMENCLATURE	EFFECT FROM TO	UNITS PER ASSY
1					
- 1	3800298-1-5		ENGINE ASSY-GAS TURB (OIL COOLER ONLY) GTCP331-200ER SUPPLIER CODE: V99193 SPECIFICATION NUMBER: S351T020-204 CONFIG CHG DATA FROM A CMM: REPLACES 3800298-1-4 COMPONENT MAINT MANUAL REF: 49-22-11 QUALIFIED I/W DATA: S351T020-204 (3800298-1-5) AND S351T020-205 (3800298-1-6) ARE INTERCHANGEABLE WITH THE INCORPORATION OF ALLIED SIGNAL S/B GTCP331-49-7081. S351T020-204 (3800298-1-5) AND S351T020-206 (3800298-1-7/3800298-1) ARE INTERCHANGEABLE WITH THE INCORPORATION OF ALLIED SIGNAL S/B GTCP331-49-7081. FOR NHA/ADDITIONAL DET SEE: 49-11-01-50	002004 006100 107107 121503 904999	RF
- 1	3800298-1-6		ENGINE ASSY-GAS TURB (OIL COOLER ONLY) GTCP331-200ER SUPPLIER CODE: V99193 SPECIFICATION NUMBER: S351T020-205 CONFIG CHG DATA FROM A CMM: REPLACES 3800298-1-5 COMPONENT MAINT MANUAL REF: 49-22-11 QUALIFIED I/W DATA: S351T020-203 (3800298-1-4) AND S351T020-205 (3800298-1-6) ARE INTERCHANGEABLE WITH THE INCORPORATION OF ALLIED SIGNAL S/B	002004 006999	RF

MISSING ITEM NUMBERS NOT APPLICABLE

- ITEM NOT ILLUSTRATED

49-27-09-01

49-27-09  
FIG. 01  
PAGE 5  
JAN 20/09

BRI



757

PARTS CATALOG (MAINTENANCE)

FIG ITEM	PART NUMBER	1 2 3 4 5 6 7 NOMENCLATURE	EFFECT FROM TO	UNITS PER ASSY
1		GTCP331-49-7081. S351T020-204 (3800298-1-5) AND S351T020-205 (3800298-1-6) ARE INTERCHANGEABLE WITH THE INCORPORATION OF ALLIED SIGNAL S/B GTCP331-49-7081. S351T020-202 (3800298-1-3) AND S351T020-205 (3800298-1-6) ARE INTERCHANGEABLE WITH THE INCORPORATION OF ALLIED SIGNAL S/B GTCP331-49-7081. S351T020-201 (3800298-1-2) AND S351T020-205 (3800298-1-6) ARE INTERCHANGEABLE WITH THE INCORPORATION OF ALLIED SIGNAL S/B GTCP331-49-7081. S351T020-200 (3800298-1-1) AND S351T020-205 (3800298-1-6) ARE INTERCHANGEABLE WITH THE INCORPORATION OF ALLIED SIGNAL S/B GTCP331-49-7081. FOR NHA/ADDITIONAL DET SEE: 49-11-01-50 49-21-00-02		
-	1 3800298-1-7	ENGINE ASSY-GAS TURB (OIL COOLER ONLY) GTCP331-200ER SUPPLIER CODE: V99193 SPECIFICATION NUMBER: S351T020-206 CONFIG CHG DATA FROM A CMM: REPLACES 3800298-1-6 COMPONENT MAINT MANUAL REF: 49-22-11 QUALIFIED I/W DATA:  MISSING ITEM NUMBERS NOT APPLICABLE	002004 006999	RF

- ITEM NOT ILLUSTRATED

49-27-09-01

49-27-09  
FIG. 01  
PAGE 6  
SEP 20/08

BRI



757

PARTS CATALOG (MAINTENANCE)

FIG ITEM	PART NUMBER	1 2 3 4 5 6 7 NOMENCLATURE	EFFECT FROM TO	UNITS PER ASSY
1		<p>S351T020-203            (3800298-1-4)            AND S351T020-206            (3800298-1-7/3800298-1)            ARE INTERCHANGEABLE WITH            THE INCORPORATION OF            ALLIED SIGNAL S/B            GTCP331-49-7081.            S351T020-204            (3800298-1-5)            AND S351T020-206            (3800298-1-7/3800298-1)            ARE INTERCHANGEABLE WITH            THE INCORPORATION OF            ALLIED SIGNAL S/B            GTCP331-49-7081.            S351T020-202            (3800298-1-3)            AND S351T020-206            (3800298-1-7/3800298-1)            ARE INTERCHANGEABLE            WITH THE INCORPORATION            OF ALLIED SIGNAL S/B            GTCP331-49-7081.            S351T020-201            (3800298-1-2)            AND S351T020-206            (3800298-1-7/3800298-1)            ARE INTERCHANGEABLE            WITH THE INCORPORATION            OF ALLIED SIGNAL S/B            GTCP331-49-7081.            S351T020-200            (3800298-1-1)            AND S351T020-206            (3800298-1-7/3800298-1)            ARE INTERCHANGEABLE            WITH THE INCORPORATION            OF ALLIED SIGNAL S/B            GTCP331-49-7081.            OPTIONAL PART:            3800298-1            V99193            FOR NHA/ADDITIONAL DET SEE:            49-11-01-50            49-21-00-02</p>		
-	1 3800298-1	<p>ENGINE ASSY-GAS TURB            (OIL COOLER ONLY)            GTCP331-200ER</p>	002004 006999	RF

MISSING ITEM NUMBERS NOT APPLICABLE

- ITEM NOT ILLUSTRATED

49-27-09-01

49-27-09  
 FIG. 01  
 PAGE 7  
 SEP 20/08

BRI



757

PARTS CATALOG (MAINTENANCE)

FIG ITEM	PART NUMBER	1 2 3 4 5 6 7 NOMENCLATURE	EFFECT FROM TO	UNITS PER ASSY
1		<p>SUPPLIER CODE: V99193</p> <p>SPECIFICATION NUMBER: S351T020-206</p> <p>COMPONENT MAINT MANUAL REF: 49-22-11</p> <p>QUALIFIED I/W DATA: S351T020-203 (3800298-1-4) AND S351T020-206 (3800298-1-7/3800298-1) ARE INTERCHANGEABLE WITH THE INCORPORATION OF ALLIED SIGNAL S/B GTCP331-49-7081. S351T020-204 (3800298-1-5) AND S351T020-206 (3800298-1-7/3800298-1) ARE INTERCHANGEABLE WITH THE INCORPORATION OF ALLIED SIGNAL S/B GTCP331-49-7081. S351T020-202 (3800298-1-3) AND S351T020-206 (3800298-1-7/3800298-1) ARE INTERCHANGEABLE WITH THE INCORPORATION OF ALLIED SIGNAL S/B GTCP331-49-7081. S351T020-201 (3800298-1-2) AND S351T020-206 (3800298-1-7/3800298-1) ARE INTERCHANGEABLE WITH THE INCORPORATION OF ALLIED SIGNAL S/B GTCP331-49-7081. S351T020-200 (3800298-1-1) AND S351T020-206 (3800298-1-7/3800298-1) ARE INTERCHANGEABLE WITH THE INCORPORATION OF ALLIED SIGNAL S/B GTCP331-49-7081.</p> <p>OPTIONAL PART: 3800298-1-7</p>		

MISSING ITEM NUMBERS NOT APPLICABLE

- ITEM NOT ILLUSTRATED

49-27-09-01

49-27-09  
FIG. 01  
PAGE 8  
SEP 20/08

BRI



757

PARTS CATALOG (MAINTENANCE)

FIG ITEM	PART NUMBER	1 2 3 4 5 6 7	NOMENCLATURE	EFFECT FROM TO	UNITS PER ASSY
1			V99193 FOR NHA/ADDITIONAL DET SEE: 49-11-01-50 49-21-00-02		
50	160126-2	.	REGULATOR ASSY-OIL TEMP SUPPLIER CODE: V70210 COMPONENT MAINT MANUAL REF: 49-94-02	002004 006999	1
55	160176-1	..	COOLER-AIR TO OIL(SERIES #1,2) SUPPLIER CODE: V70210 COMPONENT MAINT MANUAL REF: 49-94-04	002004 006999	1
60	158887-1	...	PLATE-ID (USED ON SERIES #1) SUPPLIER CODE: V70210 OPTIONAL PART: 158887-2 V70210	002004 006999	1
60	158887-2	...	PLATE-ID (USED ON SERIES #2) SUPPLIER CODE: V70210 OPTIONAL PART: 158887-1 V70210	002004 006999	1
65	158793-2	...	PLATE-ID (USED ON SERIES #1) SUPPLIER CODE: V70210	002004 006999	1
65	158793-3	...	PLATE-ID (USED ON SERIES #2) SUPPLIER CODE: V70210	002004 006999	1

MISSING ITEM NUMBERS NOT APPLICABLE

- ITEM NOT ILLUSTRATED

BRI

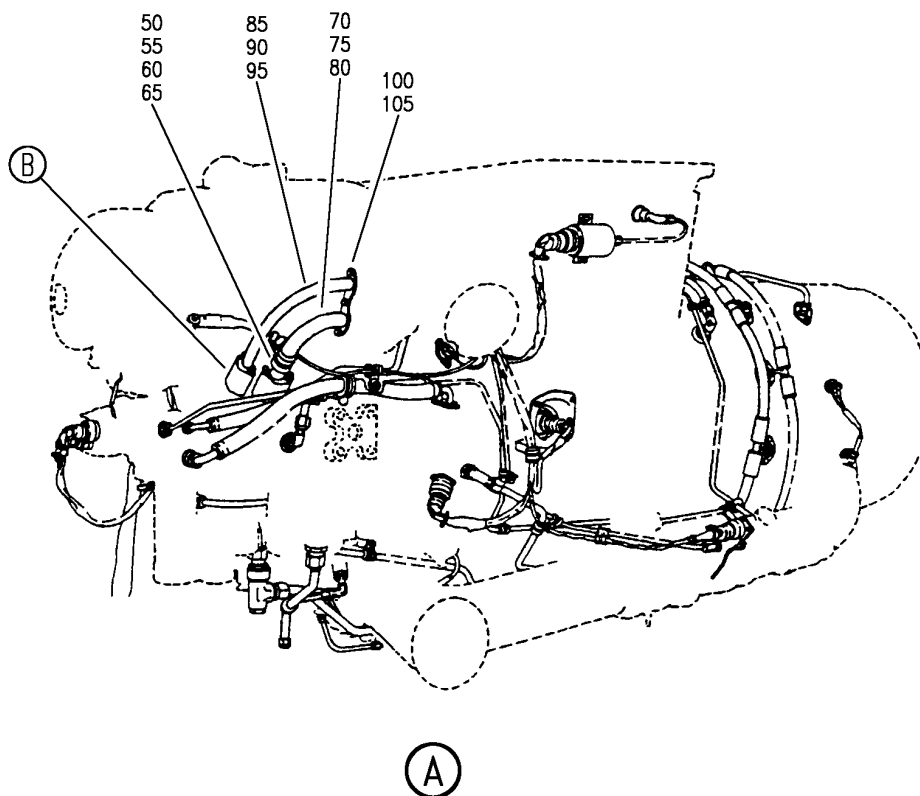
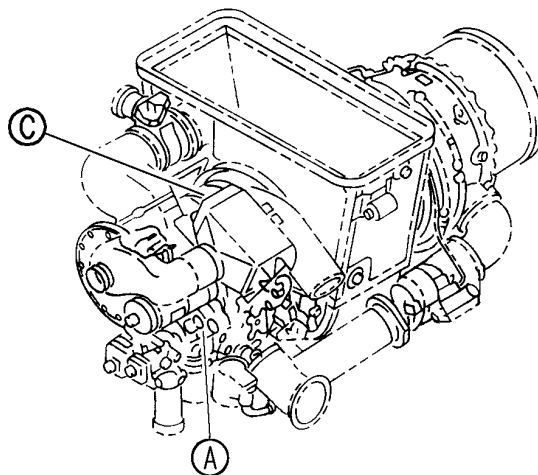
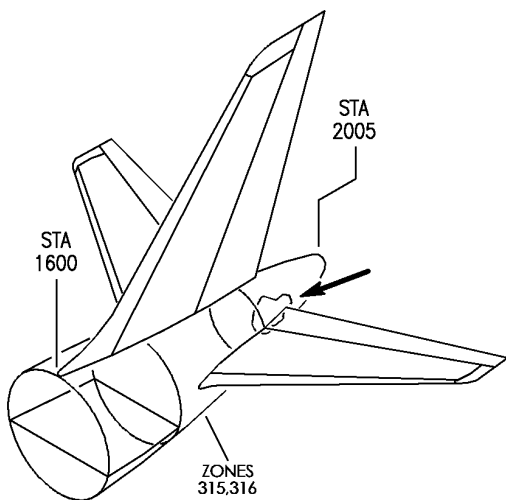
49-27-09-01

BOEING PROPRIETARY - Copyright © - Unpublished Work - See title page for details.

49-27-09  
FIG. 01  
PAGE 9  
SEP 20/08



**BOEING**  
757  
PARTS CATALOG (MAINTENANCE)



Y 49271001 SH1 1 REV 252

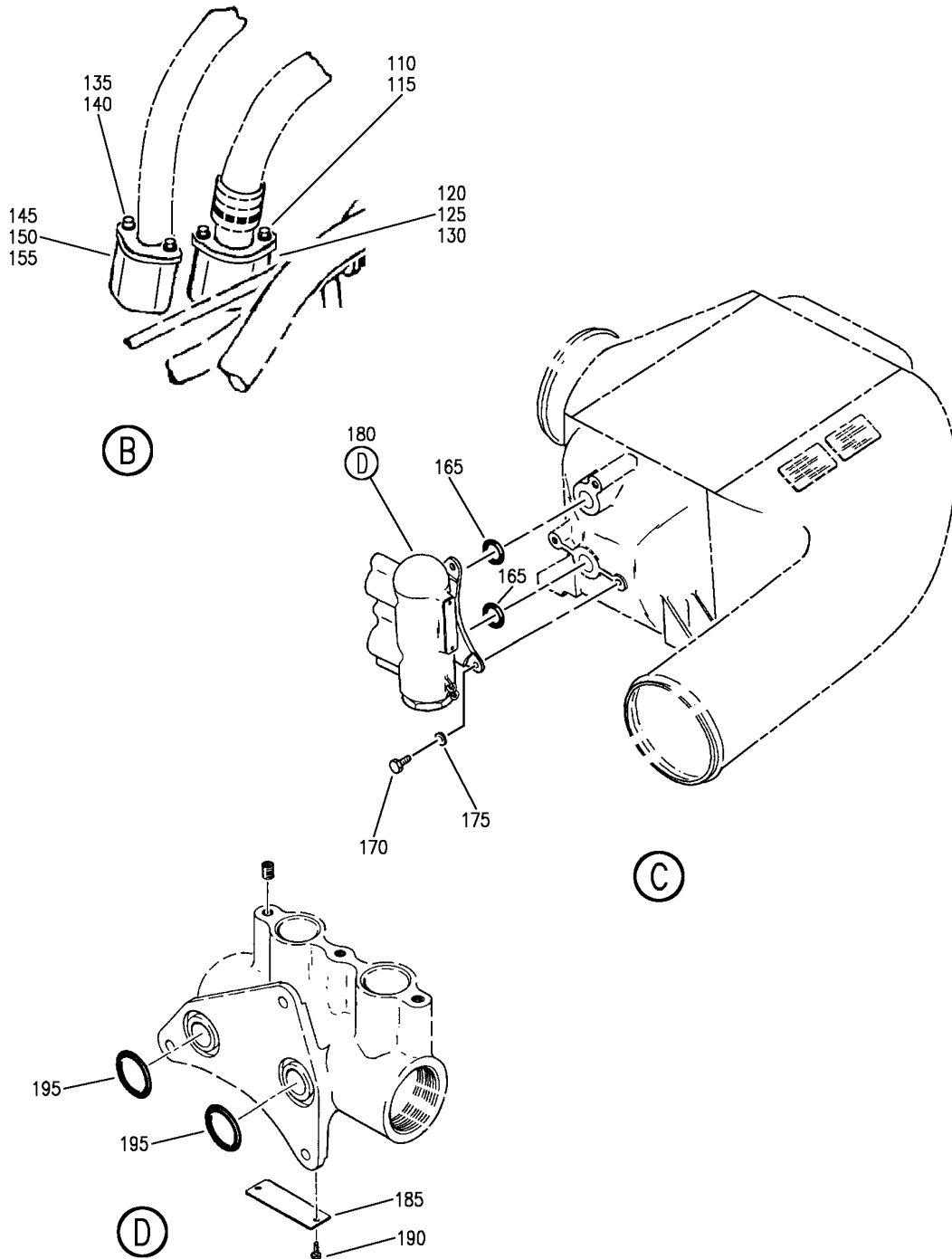
ENGINE ASSY-GAS TURB (OIL COOLER BYPASS VALVE)  
FIGURE 1 (SHEET 1)

**49-27-10-01**

BRI  
MAY 28/07

49-27-10-01  
PAGE 0

**BOEING**  
757  
PARTS CATALOG (MAINTENANCE)



Y 49271001 SH1 2 REV 252

ENGINE ASSY-GAS TURB (OIL COOLER BYPASS VALVE)  
FIGURE 1 (SHEET 2)

**49-27-10-01**

BRI  
MAY 28/07

49-27-10-01  
PAGE 0A



757

PARTS CATALOG (MAINTENANCE)

FIG ITEM	PART NUMBER	1 2 3 4 5 6 7	NOMENCLATURE	EFFECT FROM TO	UNITS PER ASSY
1			ENGINE ASSY-GAS TURB (OIL COOLER BYPASS VALVE)	002004 006999	
- 1	3800298-1-1		ENGINE ASSY-GAS TURB GTCP331-200ER (OIL COOLER BYPASS VAVLE) SUPPLIER CODE: V99193 SPECIFICATION NUMBER: S351T020-200 COMPONENT MAINT MANUAL REF: 49-22-11 QUALIFIED I/W DATA: S351T020-200 (3800298-1-1) AND S351T020-205 (3800298-1-6) ARE INTERCHANGEABLE WITH THE INCORPORATION OF ALLIED SIGNAL S/B GTCP331-49-7081. S351T020-200 (3800298-1-1) AND S351T020-206 (3800298-1-7/3800298-1) ARE INTERCHANGEABLE WITH THE INCORPORATION OF ALLIED SIGNAL S/B GTCP331-49-7081. FOR NHA/ADDITIONAL DET SEE: 49-11-01-50	002004 006100 107107 121503 904999	RF

MISSING ITEM NUMBERS NOT APPLICABLE

- ITEM NOT ILLUSTRATED

BRI

49-27-10-01

BOEING PROPRIETARY - Copyright © - Unpublished Work - See title page for details.

49-27-10  
FIG. 01  
PAGE 1  
JAN 20/09



757

PARTS CATALOG (MAINTENANCE)

FIG ITEM	PART NUMBER	1 2 3 4 5 6 7 NOMENCLATURE	EFFECT FROM TO	UNITS PER ASSY
1 - 1	3800298-1-2	ENGINE ASSY-GAS TURB GTCP331-200ER (OIL COOLER BYPASS VALVE) SUPPLIER CODE: V99193 SPECIFICATION NUMBER: S351T020-201 CONFIG CHG DATA FROM A CMM: REPLACES 3800298-1-1 COMPONENT MAINT MANUAL REF: 49-22-11 QUALIFIED I/W DATA: S351T020-201 (3800298-1-2) AND S351T020-205 (3800298-1-6) ARE INTERCHANGEABLE WITH THE INCORPORATION OF ALLIED SIGNAL S/B GTCP331-49-7081. S351T020-201 (3800298-1-2) AND S351T020-206 (3800298-1-7/3800298-1) ARE INTERCHANGEABLE WITH THE INCORPORATION OF ALLIED SIGNAL S/B GTCP331-49-7081. FOR NHA/ADDITIONAL DET SEE: 49-11-01-50	002004 006100 107107 121503 904999	RF

MISSING ITEM NUMBERS NOT APPLICABLE

- ITEM NOT ILLUSTRATED

BRI

49-27-10-01

49-27-10  
FIG. 01  
PAGE 2  
JAN 20/09



757

PARTS CATALOG (MAINTENANCE)

FIG ITEM	PART NUMBER	1 2 3 4 5 6 7	NOMENCLATURE	EFFECT FROM TO	UNITS PER ASSY
1 - 1	3800298-1-3		ENGINE ASSY-GAS TURB GTCP331-200ER (OIL COOLER BYPASS VAVLE) SUPPLIER CODE: V99193 SPECIFICATION NUMBER: S351T020-202 CONFIG CHG DATA FROM A CMM: REPLACES 3800298-1-2 COMPONENT MAINT MANUAL REF: 49-22-11 QUALIFIED I/W DATA: S351T020-202 (3800298-1-3) AND S351T020-205 (3800298-1-6) ARE INTERCHANGEABLE WITH THE INCORPORATION OF ALLIED SIGNAL S/B GTCP331-49-7081. S351T020-202 (3800298-1-3) AND S351T020-206 (3800298-1-7/3800298-1) ARE INTERCHANGEABLE WITH THE INCORPORATION OF ALLIED SIGNAL S/B GTCP331-49-7081. FOR NHA/OTHER SYS DET SEE: 49-11-01-50	002004 006100 107107 121503 904999	RF

MISSING ITEM NUMBERS NOT APPLICABLE

- ITEM NOT ILLUSTRATED

BRI

49-27-10-01

BOEING PROPRIETARY - Copyright © - Unpublished Work - See title page for details.

49-27-10  
 FIG. 01  
 PAGE 3  
 JAN 20/09



757

PARTS CATALOG (MAINTENANCE)

FIG ITEM	PART NUMBER	1 2 3 4 5 6 7	NOMENCLATURE	EFFECT FROM TO	UNITS PER ASSY
1 - 1	3800298-1-4		ENGINE ASSY-GAS TURB GTCP331-200ER (OIL COOLER BYPASS VAVLE) SUPPLIER CODE: V99193 SPECIFICATION NUMBER: S351T020-203 CONFIG CHG DATA FROM A CMM: REPLACES 3800298-1-3 COMPONENT MAINT MANUAL REF: 49-22-11 QUALIFIED I/W DATA: 3800298-1-4/S351T020-203 AND 3800298-1-6/S351T020-205 ARE INTERCHANGEABLE WITH THE INCORPORATION OF ALLIED SIGNAL S/B GTCP331-49-7081 S351T020-203 (3800298-1-4) AND S351T020-206 (3800298-1-7/3800298-1) ARE INTERCHANGEABLE WITH THE INCORPORATION OF ALLIED SIGNAL S/B GTCP331-49-7081 FOR NHA/ADDITIONAL DET SEE: 49-11-01-50	002004 006100 107107 121503 904999	RF

MISSING ITEM NUMBERS NOT APPLICABLE

- ITEM NOT ILLUSTRATED

BRI

49-27-10-01

BOEING PROPRIETARY - Copyright © - Unpublished Work - See title page for details.

49-27-10  
FIG. 01  
PAGE 4  
JAN 20/09



757

PARTS CATALOG (MAINTENANCE)

FIG ITEM	PART NUMBER	1 2 3 4 5 6 7	NOMENCLATURE	EFFECT FROM TO	UNITS PER ASSY
1					
- 1	3800298-1-5		ENGINE ASSY-GAS TURB GTCP331-200ER (OIL COOLER BYPASS VAVLE) SUPPLIER CODE: V99193 SPECIFICATION NUMBER: S351T020-204 CONFIG CHG DATA FROM A CMM: REPLACES 3800298-1-4 COMPONENT MAINT MANUAL REF: 49-22-11 QUALIFIED I/W DATA: S351T020-204 (3800298-1-5) AND S351T020-205 (3800298-1-6) ARE INTERCHANGEABLE WITH THE INCORPORATION OF ALLIED SIGNAL S/B GTCP331-49-7081 S351T020-204 (3800298-1-5) AND S351T020-206(3800298-1-7 /3800298-1) ARE INTERCHANGEABLE WITH THE INCORPORATION OF ALLIED SIGNAL S/B GTCP331-49-7081 FOR NHA/ADDITIONAL DET SEE: 49-11-01-50	002004 006100 107107 121503 904999	RF
- 1	3800298-1-6		ENGINE ASSY-GAS TURB GTCP331-200ER (OIL COOLER BYPASS VALVE) SUPPLIER CODE: V99193 SPECIFICATION NUMBER: S351T020-205 CONFIG CHG DATA FROM A CMM: REPLACES 3800298-1-5 COMPONENT MAINT MANUAL REF: 49-22-11 QUALIFIED I/W DATA: S351T020-203/3800298-1-4 AND S351T020-205/3800298-1-6 ARE INTERCHANGEABLE WITH THE INCORPORATION OF ALLIED SIGNAL S/B GTCP331-49-7081	002004 006999	RF

MISSING ITEM NUMBERS NOT APPLICABLE

- ITEM NOT ILLUSTRATED

49-27-10-01

49-27-10  
FIG. 01  
PAGE 5  
JAN 20/09

BRI



757

PARTS CATALOG (MAINTENANCE)

FIG ITEM	PART NUMBER	1 2 3 4 5 6 7 NOMENCLATURE	EFFECT FROM TO	UNITS PER ASSY
1		<p>S351T020-204/3800298-1-5 AND S351T020-205/3800298-1-6 ARE INTERCHANGEABLE WITH THE INCORPORATION OF ALLIED SIGNAL S/B GTCP331-49-7081 S351T020-202 (3800298-1-3) AND S351T020-205 (3800298-1-6) ARE INTERCHANGEABLE WITH THE INCORPORATION OF ALLIED SIGNAL S/B GTCP331-49-7081. S351T020-201 (3800298-1-2) AND S351T020-205 (3800298-1-6) ARE INTERCHANGEABLE WITH THE INCORPORATION OF ALLIED SIGNAL S/B GTCP331-49-7081. S351T020-200 (3800298-1-1) AND S351T020-205 (3800298-1-6) ARE INTERCHANGEABLE WITH THE INCORPORATION OF ALLIED SIGNAL S/B GTCP331-49-7081. FOR NHA/ADDITIONAL DET SEE: 49-11-01-50 49-21-00-02</p>		
-	1 3800298-1-7	<p>ENGINE ASSY-GAS TURB GTCP331-200ER (OIL COOLER BYPASS VAVLE) SUPPLIER CODE: V99193 SPECIFICATION NUMBER: S351T020-206 CONFIG CHG DATA FROM A CMM: REPLACES 3800298-1-6 COMPONENT MAINT MANUAL REF: 49-22-11 QUALIFIED I/W DATA: S351T020-203/3800298-1-4 AND S351T020-206 (3800298-1-7/3800298-1)</p>	002004 006999	RF

MISSING ITEM NUMBERS NOT APPLICABLE

- ITEM NOT ILLUSTRATED

49-27-10-01

49-27-10  
FIG. 01  
PAGE 6  
SEP 20/08

BRI





757

PARTS CATALOG (MAINTENANCE)

FIG ITEM	PART NUMBER	1 2 3 4 5 6 7 NOMENCLATURE	EFFECT FROM TO	UNITS PER ASSY
1		<p>ARE INTERCHANGEABLE WITH THE INCORPORATION OF ALLIED SIGNAL S/B GTCP331-49-7081. S351T020-204/3800298-1-5 AND S351T020-206(3800298-1-7 /3800298-1) ARE INTERCHANGEABLE WITH THE INCORPORATION OF ALLIED SIGNAL S/B GTCP331-49-7081. S351T020-202 (3800298-1-3) AND S351T020-206 (3800298-1-7/3800298-1) ARE INTERCHANGEABLE WITH THE INCORPORATION OF ALLIED SIGNAL S/B GTCP331-49-7081. S351T020-201 (3800298-1-2) AND S351T020-206 (3800298-1-7/3800298-1) ARE INTERCHANGEABLE WITH THE INCORPORATION OF ALLIED SIGNAL S/B GTCP331-49-7081. S351T020-200 (3800298-1-1) AND S351T020-206 (3800298-1-7/3800298-1) ARE INTERCHANGEABLE WITH THE INCORPORATION OF ALLIED SIGNAL S/B GTCP331-49-7081.</p> <p>OPTIONAL PART: 3800298-1 V99193</p> <p>FOR NHA/ADDITIONAL DET SEE: 49-11-01-50 49-21-00-02</p> <p>ENGINE ASSY-GAS TURB GTCP331-200ER (OIL COOLER BYPASS VAVLE)</p> <p>SUPPLIER CODE: V99193</p> <p>SPECIFICATION NUMBER: S351T020-206</p>		
-	1 3800298-1	<p>ENGINE ASSY-GAS TURB GTCP331-200ER (OIL COOLER BYPASS VAVLE)</p>	002004 006999	RF

MISSING ITEM NUMBERS NOT APPLICABLE

- ITEM NOT ILLUSTRATED

49-27-10-01

49-27-10  
FIG. 01  
PAGE 7  
SEP 20/08

BRI



757

PARTS CATALOG (MAINTENANCE)

FIG ITEM	PART NUMBER	1 2 3 4 5 6 7 NOMENCLATURE	EFFECT FROM TO	UNITS PER ASSY
1		<p>COMPONENT MAINT MANUAL REF: 49-22-11</p> <p>QUALIFIED I/W DATA: S351T020-203/3800298-1-4 AND S351T020-206(3800298-1-7 /3800298-1) ARE INTERCHANGEABLE WITH THE INCORPORATION OF ALLIED SIGNAL S/B GTCP331-49-7081 S351T020-204/3800298-1-5 AND S351T020-206(3800298-1-7 /3800298-1) ARE INTERCHANGEABLE WITH THE INCORPORATION OF ALLIED SIGNAL S/B GTCP331-49-7081 S351T020-202 (3800298-1-3) AND S351T020-206 (3800298-1-7/3800298-1) ARE INTERCHANGEABLE WITH THE INCORPORATION OF ALLIED SIGNAL S/B GTCP331-49-7081. S351T020-201 (3800298-1-2) AND S351T020-206 (3800298-1-7/3800298-1) ARE INTERCHANGEABLE WITH THE INCORPORATION OF ALLIED SIGNAL S/B GTCP331-49-7081. S351T020-200 (3800298-1-1) AND S351T020-206 (3800298-1-7/3800298-1) ARE INTERCHANGEABLE WITH THE INCORPORATION OF ALLIED SIGNAL S/B GTCP331-49-7081.</p> <p>OPTIONAL PART: 3800298-1-7 V99193</p> <p>FOR NHA/ADDITIONAL DET SEE: 49-11-01-50 49-21-00-02</p>		

MISSING ITEM NUMBERS NOT APPLICABLE

- ITEM NOT ILLUSTRATED

**49-27-10-01**

49-27-10  
FIG. 01  
PAGE 8  
SEP 20/08

BRI



757

PARTS CATALOG (MAINTENANCE)

FIG ITEM	PART NUMBER	1 2 3 4 5 6 7	NOMENCLATURE	EFFECT FROM TO	UNITS PER ASSY
1					
50	JM44LC43H3WC	.CLAMP-	SUPPLIER CODE: V22175	002004 006999	1
55	JM44LC43H12WC	.CLAMP-	SUPPLIER CODE: V22175	002004 006999	1
60	MS9556-05	.BOLT	ATTACHING PARTS	002004 006999	1
65	MS21043-3	.NUT		002004 006999	1
			-----*-----		
70	3880273-1	.TUBE-OIL COOLER RETURN	SUPPLIER CODE: V99193 SB DATA FROM A CMM: PRE SB 49-7091 CONFIG CHG DATA FROM A CMM: REPLD BY 3881588-1	002004 006999	1
75	3881588-1	.HOSE-OIL COOLER RETURN	SUPPLIER CODE: V99193 SB DATA FROM A CMM: POST SB 49-7091 CONFIG CHG DATA FROM A CMM: REPLACES 3880273-1	002004 006999	1
80	M83248-1-115	.PACKING-	SUPPLIER CODE: V99193 SB DATA FROM A CMM: PRE SB 49-7391 OPTIONAL PART: S9413-115	002004 006999	2
80	S9413-115	.PACKING-	SUPPLIER CODE: V99193 SB DATA FROM A CMM: PRE SB 49-7391 OPTIONAL PART: M83248-1-115	002004 006999	2

MISSING ITEM NUMBERS NOT APPLICABLE

- ITEM NOT ILLUSTRATED

49-27-10-01

49-27-10  
FIG. 01  
PAGE 9  
SEP 20/08

BRI



757

PARTS CATALOG (MAINTENANCE)

FIG ITEM	PART NUMBER	1 2 3 4 5 6 7	NOMENCLATURE	EFFECT FROM TO	UNITS PER ASSY
1					
80	M83248-1-117		.PACKING- SB DATA FROM A CMM: POST SB 49-7391 OPTIONAL PART: S9413-117 V99193 USED ON: 3800298-1-1 3800298-1-2 3800298-1-3 3800298-1-4 3800298-1-5 3800298-1-6 3800298-1-7	002004 006999	2
80	S9413-117		.PACKING- SUPPLIER CODE: V99193 SB DATA FROM A CMM: POST SB 49-7391 OPTIONAL PART: M83248-1-117 USED ON: 3800298-1-1 3800298-1-2 3800298-1-3 3800298-1-4 3800298-1-5 3800298-1-6 3800298-1-7	002004 006999	2
85	3880272-1		.TUBE-OIL COOLER PRESSURE SUPPLIER CODE: V99193 SB DATA FROM A CMM: PRE SB 49-7391 PRE SB 49-7091 CONFIG CHG DATA FROM A CMM: REPLD BY 3881587-1	002004 006999	1

MISSING ITEM NUMBERS NOT APPLICABLE

- ITEM NOT ILLUSTRATED

49-27-10-01

49-27-10  
FIG. 01  
PAGE 10  
SEP 20/08

BRI



757

PARTS CATALOG (MAINTENANCE)

FIG ITEM	PART NUMBER	1 2 3 4 5 6 7	NOMENCLATURE	EFFECT FROM TO	UNITS PER ASSY
1 90	3881587-1		.HOSE-OIL SUPPLY SUPPLIER CODE: V99193 SB DATA FROM A CMM: POST SB 49-7391 POST SB 49-7091 CONFIG CHG DATA FROM A CMM: REPLS 3880272-1 USED ON: 3800298-1-1 3800298-1-2 3800298-1-3 3800298-1-4 3800298-1-5 3800298-1-6 3800298-1-7	002004 006999	1
95	M83248-1-117		.PACKING- SB DATA FROM A CMM: PRE SB 49-7391 OPTIONAL PART: S9413-117 V99193	002004 006999	2
95	S9413-117		.PACKING- SUPPLIER CODE: V99193 SB DATA FROM A CMM: PRE SB 49-7391 OPTIONAL PART: M83248-1-117	002004 006999	2
95	M83248-1-115		.PACKING- SB DATA FROM A CMM: POST SB 49-7391 OPTIONAL PART: S9413-115 V99193 USED ON: 3800298-1-1 3800298-1-2 3800298-1-3 3800298-1-4 3800298-1-5 3800298-1-6 3800298-1-7	002004 006999	2

MISSING ITEM NUMBERS NOT APPLICABLE

- ITEM NOT ILLUSTRATED

BRI

49-27-10-01

BOEING PROPRIETARY - Copyright © - Unpublished Work - See title page for details.

49-27-10  
FIG. 01  
PAGE 11  
SEP 20/08



757

PARTS CATALOG (MAINTENANCE)

FIG ITEM	PART NUMBER	1 2 3 4 5 6 7	NOMENCLATURE	EFFECT FROM TO	UNITS PER ASSY
1					
95	S9413-115		.PACKING- SUPPLIER CODE: V99193 SB DATA FROM A CMM: POST SB 49-7391 OPTIONAL PART: M83248-1-115 USED ON: 3800298-1-1 3800298-1-2 3800298-1-3 3800298-1-4 3800298-1-5 3800298-1-6 3800298-1-7	002004 006999	2
100	MS21279-05		.BOLT	002004 006999	3
100	MS9556-05		.BOLT- SB DATA FROM A CMM: POST SPB GTE0292	002004 006999	3
105	3880270-1		.RETAINER-OIL COOLER TUBE SUPPLIER CODE: V99193	002004 006999	1
110	MS21279-05		.BOLT- OPTIONAL PART: MS9556-05	002004 006999	2
110	MS9556-05		.BOLT- SB DATA FROM A CMM: POST SPB GTE0292 PRE SB 49-7391 OPTIONAL PART: MS21279-05	002004 006999	2
115	3880269-1		.RETAINER-OIL COOLER TUBE SUPPLIER CODE: V99193 SB DATA FROM A CMM: PRE SB 49-7091	002004 006999	1
120	3880233-1		.VALVE-CHK RETURN SUPPLIER CODE: V99193 SB DATA FROM A CMM: PRE SB 49-7091 CONFIG CHG DATA FROM A CMM: REPLD BY MS21902J12	002004 006999	1
125	MS21902J12		.UNION- SB DATA FROM A CMM: POST SB 49-7091 CONFIG CHG DATA FROM A CMM: REPLACES 3880233-1	002004 006999	1

MISSING ITEM NUMBERS NOT APPLICABLE

- ITEM NOT ILLUSTRATED

49-27-10-01

49-27-10  
FIG. 01  
PAGE 12  
SEP 20/08

BRI



757

PARTS CATALOG (MAINTENANCE)

FIG ITEM	PART NUMBER	1 2 3 4 5 6 7	NOMENCLATURE	EFFECT FROM TO	UNITS PER ASSY
1					
130	M83248-1-912		.PACKING- OPTIONAL PART: S9413-562 V99193	002004 006999	1
130	S9413-562		.PACKING- SUPPLIER CODE: V99193 OPTIONAL PART: M83248-1-912	002004 006999	1
135	MS21279-05		.BOLT- OPTIONAL PART: MS9556-05	002004 006999	2
135	MS9556-05		.BOLT- SB DATA FROM A CMM: POST SPB GTE0292 PRE SB 49-7391 OPTIONAL PART: MS21279-05	002004 006999	2
140	3880268-1		.RETAINER-OIL COOLER TUBE SUPPLIER CODE: V99193 SB DATA FROM A CMM: PRE SB 49-7391	002004 006999	1
145	3880232-1		.VALVE-CHK PRESSURE SUPPLIER CODE: V99193 SB DATA FROM A CMM: PRE SB 49-7091 CONFIG CHG DATA FROM A CMM: REPLD BY MS21902J10	002004 006999	1
150	MS21902J10		.UNION- SB DATA FROM A CMM: POST SB 49-7091 CONFIG CHG DATA FROM A CMM: REPLACES 3880232-1	002004 006999	1
155	M83248-1-910		.PACKING- OPTIONAL PART: S9413-560 V99193	002004 006999	1
155	S9413-560		.PACKING- SUPPLIER CODE: V99193 OPTIONAL PART: M83248-1-910	002004 006999	1
- 160	160126-2		.REGULATOR ASSY-OIL TEMP SUPPLIER CODE: V70210 COMPONENT MAINT MANUAL REF: 49-94-02	002004 006999	RF

MISSING ITEM NUMBERS NOT APPLICABLE

- ITEM NOT ILLUSTRATED

49-27-10-01

49-27-10  
FIG. 01  
PAGE 13  
SEP 20/08

BRI



757

PARTS CATALOG (MAINTENANCE)

FIG ITEM	PART NUMBER	1 2 3 4 5 6 7	NOMENCLATURE	EFFECT FROM TO	UNITS PER ASSY
1					
165	MS29561-118	..	PACKING- OPTIONAL PART: M83248-1-118 S9413-118 V99193	002004 006999	2
165	M83248-1-118	..	PACKING- OPTIONAL PART: MS29561-118 S9413-118 V99193	002004 006999	2
165	S9413-118	..	PACKING- SUPPLIER CODE: V99193 OPTIONAL PART: MS29561-118 M83248-1-118	002004 006999	2
170	AN4C5A	..	BOLT	002004 006999	3
175	AN960C416L	..	WASHER	002004 006999	3
180	158935-1	..	VALVE ASSY-OIL TEMP CONT SUPPLIER CODE: V70210 COMPONENT MAINT MANUAL REF: 49-94-06	002004 006102 904949	1
180	158935-2	..	VALVE ASSY-OIL TEMP CONT SUPPLIER CODE: V70210 MISCELLANEOUS DATA: POST HONEYWELL SERVICE BULLETIN 158935-49-2142 1985 COMPONENT MAINT MANUAL REF: 49-94-06 POST SERVICE BULLETIN: 158935-49-2142	103903 950999	1
185	158891-1	...	PLATE-ID SUPPLIER CODE: V70210 USED ON: 158935-1	002004 006102 904949	1
185	158891-2	...	PLATE-ID SUPPLIER CODE: V70210 USED ON: 158935-2	103903 950999	1

MISSING ITEM NUMBERS NOT APPLICABLE

- ITEM NOT ILLUSTRATED

49-27-10-01

49-27-10  
FIG. 01  
PAGE 14  
JAN 20/09

BRI

BOEING PROPRIETARY - Copyright © - Unpublished Work - See title page for details.





757

PARTS CATALOG (MAINTENANCE)

FIG ITEM	PART NUMBER	1 2 3 4 5 6 7	NOMENCLATURE	EFFECT FROM TO	UNITS PER ASSY
1			ATTACHING PARTS		
190	MS51861-1	...	SCREW	002004 006999	2
195	M83248-1-118	.....*	PACKING	002004 006999	2

MISSING ITEM NUMBERS NOT APPLICABLE

- ITEM NOT ILLUSTRATED

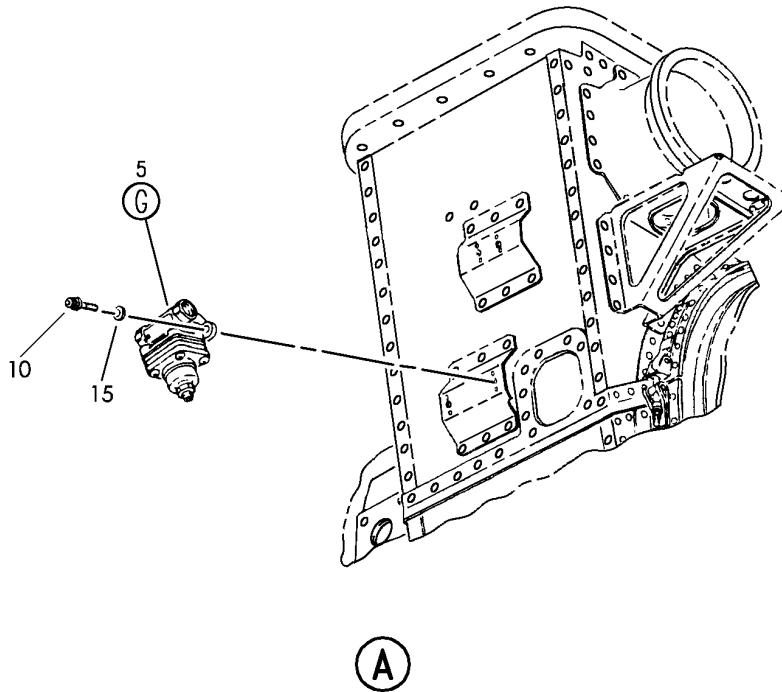
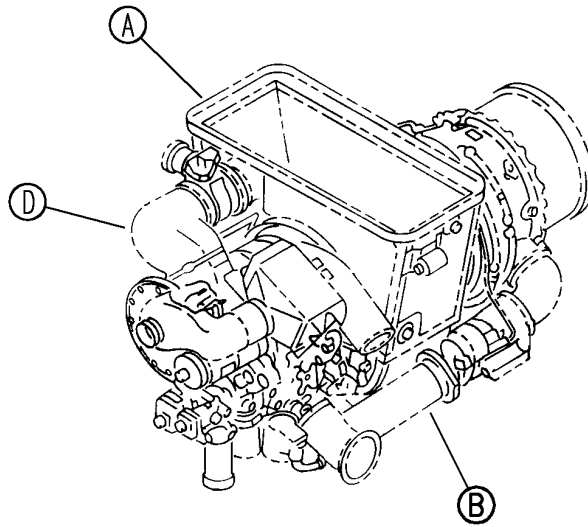
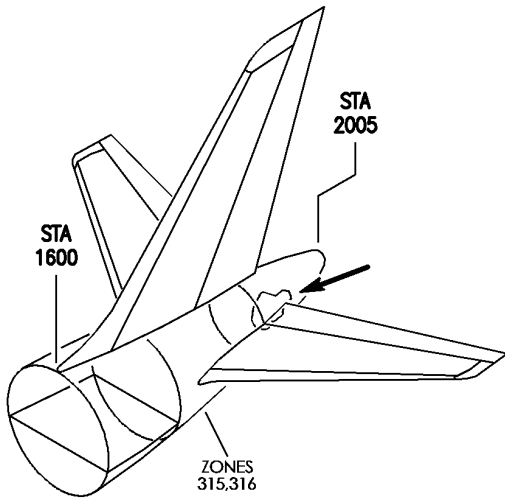
BRI

49-27-10-01

BOEING PROPRIETARY - Copyright © - Unpublished Work - See title page for details.

49-27-10  
FIG. 01  
PAGE 15  
JAN 20/09

**BOEING**  
757  
PARTS CATALOG (MAINTENANCE)



Y 49271101 SHT 1 REV 289

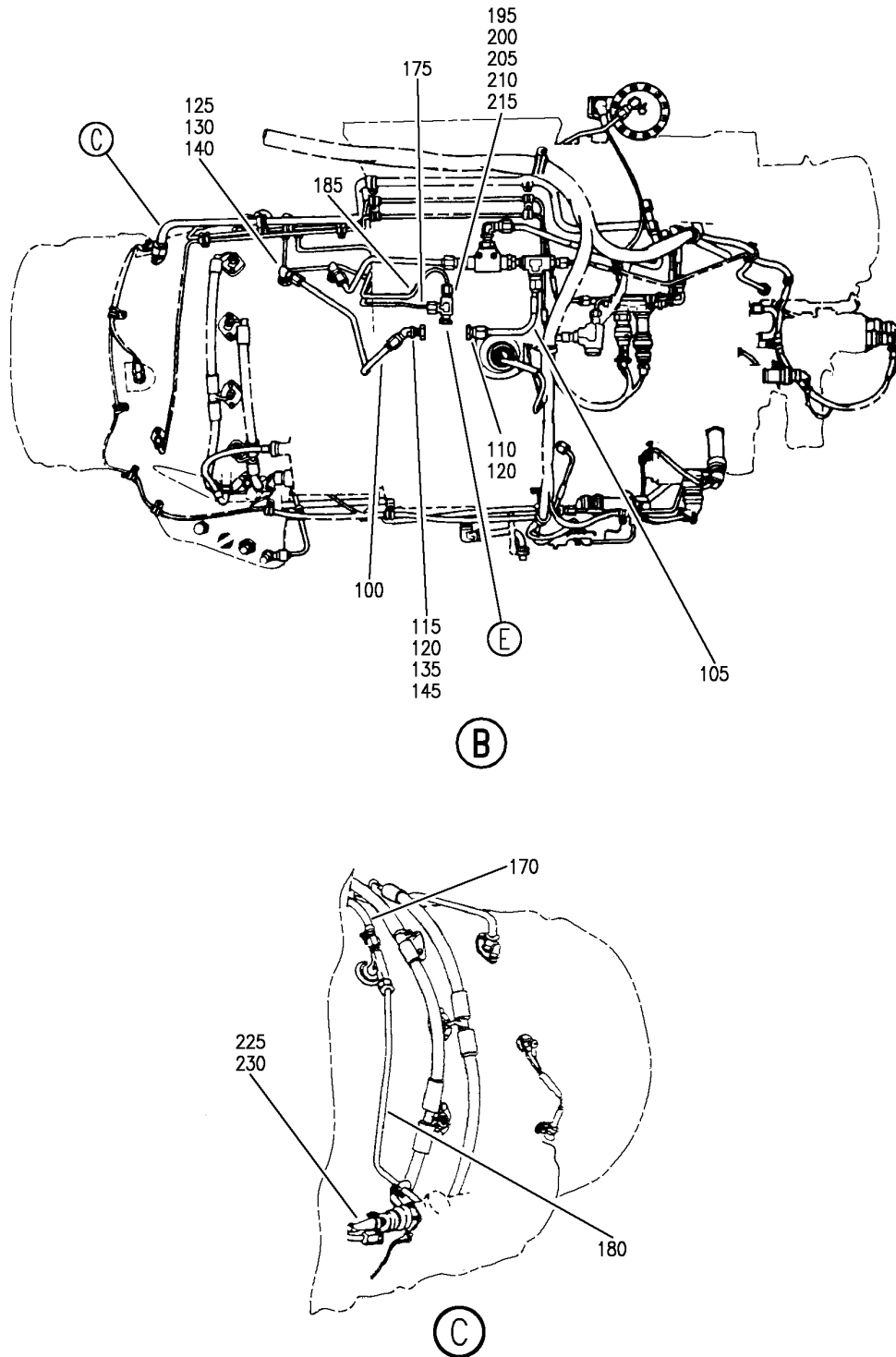
ENGINE ASSY-GAS TURB (GEARBOX SHUTOFF VALVE ONLY)  
FIGURE 1 (SHEET 1)

**49-27-11-01**

BRI  
MAY 28/07

49-27-11-01  
PAGE 0

**BOEING**  
757  
PARTS CATALOG (MAINTENANCE)



Y 49271101 SH1 2 REV 267

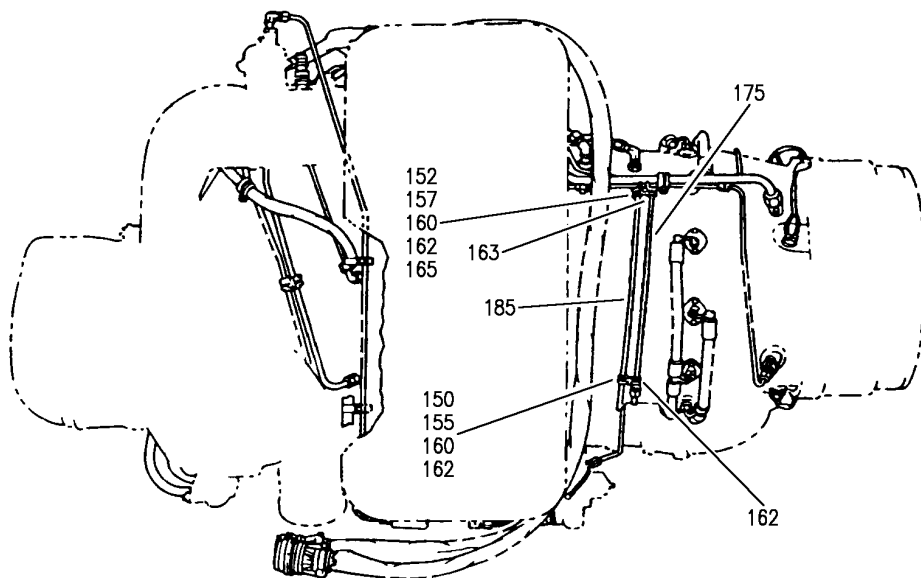
ENGINE ASSY-GAS TURB (GEARBOX SHUTOFF VALVE ONLY)  
FIGURE 1 (SHEET 2)

**49-27-11-01**

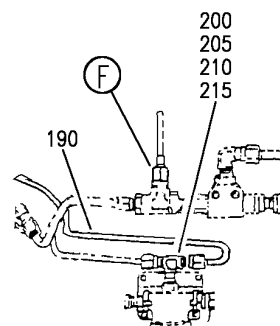
BRI  
MAY 28/07

49-27-11-01  
PAGE 0A

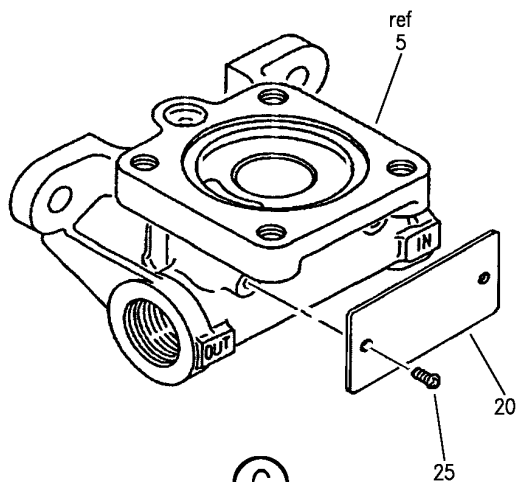
**BOEING**  
757  
PARTS CATALOG (MAINTENANCE)



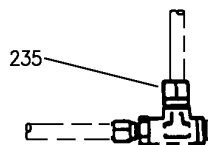
(D)



(E)



(G)



(F)

Y 49271101 SHT 3 REV 289

ENGINE ASSY-GAS TURB (GEARBOX SHUTOFF VALVE ONLY)  
FIGURE 1 (SHEET 3)

**49-27-11-01**

BRI  
MAY 28/07

49-27-11-01  
PAGE 0B



757

PARTS CATALOG (MAINTENANCE)

FIG ITEM	PART NUMBER	1 2 3 4 5 6 7	NOMENCLATURE	EFFECT FROM TO	UNITS PER ASSY
1			ENGINE ASSY-GAS TURB (GEARBOX SHUTOFF VALVE ONLY)	002004 006999	
- 1	3800298-1-2		ENGINE ASSY-GAS TURB GTCP331-200ER (GEARBOX SHUTOFF VALVE ONLY) SUPPLIER CODE: V99193 SPECIFICATION NUMBER: S351T020-201 CONFIG CHG DATA FROM A CMM: REPLS 3800298-1-1 COMPONENT MAINT MANUAL REF: 49-22-11 QUALIFIED I/W DATA: S351T020-201 (3800298-1-2) AND S351T020-205 (3800298-1-6) ARE INTERCHANGEABLE WITH THE INCORPORATION OF ALLIED SIGNAL S/B GTCP331-49-7081. S351T020-201 (3800298-1-2) AND S351T020-206 (3800298-1-7/3800298-1) ARE INTERCHANGEABLE WITH THE INCORPORATION OF ALLIED SIGNAL S/B GTCP331-49-7081. FOR NHA/ADDITIONAL DET SEE: 49-11-01-50	002004 006100 107107 121503 904999	RF

MISSING ITEM NUMBERS NOT APPLICABLE

- ITEM NOT ILLUSTRATED

BRI

49-27-11-01

BOEING PROPRIETARY - Copyright © - Unpublished Work - See title page for details.

49-27-11  
FIG. 01  
PAGE 1  
JAN 20/09



757

PARTS CATALOG (MAINTENANCE)

FIG ITEM	PART NUMBER	1 2 3 4 5 6 7	NOMENCLATURE	EFFECT FROM TO	UNITS PER ASSY
1 - 1	3800298-1-1		ENGINE ASSY-GAS TURB GTCP331-200ER (GEARBOX SHUTOFF VALVE ONLY) SUPPLIER CODE: V99193 SPECIFICATION NUMBER: S351T020-200 COMPONENT MAINT MANUAL REF: 49-22-11 QUALIFIED I/W DATA: S351T020-200 (3800298-1-1) AND S351T020-205 (3800298-1-6) ARE INTERCHANGEABLE WITH THE INCORPORATION OF ALLIED SIGNAL S/B GTCP331-49-7081. S351T020-200 (3800298-1-1) AND S351T020-206 (3800298-1-7/3800298-1) ARE INTERCHANGEABLE WITH THE INCORPORATION OF ALLIED SIGNAL S/B GTCP331-49-7081. FOR NHA/ADDITIONAL DET SEE: 49-11-01-50	002004 006100 107107 121503 904999	RF

MISSING ITEM NUMBERS NOT APPLICABLE

- ITEM NOT ILLUSTRATED

BRI

49-27-11-01

BOEING PROPRIETARY - Copyright © - Unpublished Work - See title page for details.

49-27-11  
 FIG. 01  
 PAGE 2  
 JAN 20/09



757

PARTS CATALOG (MAINTENANCE)

FIG ITEM	PART NUMBER	1 2 3 4 5 6 7	NOMENCLATURE	EFFECT FROM TO	UNITS PER ASSY
1 - 1	3800298-1-3		ENGINE ASSY-GAS TURB GTCP331-200ER (GEARBOX SHUTOFF VALVE ONLY) SUPPLIER CODE: V99193 SPECIFICATION NUMBER: S351T020-202 CONFIG CHG DATA FROM A CMM: REPLS 3800298-1-2 COMPONENT MAINT MANUAL REF: 49-22-11 QUALIFIED I/W DATA: S351T020-202 (3800298-1-3) AND S351T020-205 (3800298-1-6) ARE INTERCHANGEABLE WITH THE INCORPORATION OF ALLIED SIGNAL S/B GTCP331-49-7081. S351T020-202 (3800298-1-3) AND S351T020-206 (3800298-1-7/3800298-1) ARE INTERCHANGEABLE WITH THE INCORPORATION OF ALLIED SIGNAL S/B GTCP331-49-7081. FOR NHA/OTHER SYS DET SEE: 49-11-01-50	002004 006100 107107 121503 904999	RF

MISSING ITEM NUMBERS NOT APPLICABLE

- ITEM NOT ILLUSTRATED

BRI

49-27-11-01

49-27-11  
 FIG. 01  
 PAGE 3  
 JAN 20/09



757

PARTS CATALOG (MAINTENANCE)

FIG ITEM	PART NUMBER	1 2 3 4 5 6 7	NOMENCLATURE	EFFECT FROM TO	UNITS PER ASSY
1 - 1	3800298-1-4		ENGINE ASSY-GAS TURB GTCP331-200ER (GEARBOX SHUTOFF VALVE ONLY) SUPPLIER CODE: V99193 SPECIFICATION NUMBER: S351T020-203 CONFIG CHG DATA FROM A CMM: REPLS 3800298-1-3 COMPONENT MAINT MANUAL REF: 49-22-11 QUALIFIED I/W DATA: 3800298-1-4/S351T020-203 AND 3800298-1-6/S351T020-205 ARE INTERCHANGEABLE WITH THE INCORPORATION OF ALLIED SIGNAL S/B GTCP331-49-7081. S351T020-203 (3800298-1-4) AND S351T020-206 (3800298-1-7/3800298-1) ARE INTERCHANGEABLE WITH THE INCORPORATION OF ALLIED SIGNAL S/B GTCP331-49-7081. FOR NHA/ADDITIONAL DET SEE: 49-11-01-50	002004 006100 107107 121503 904999	RF

MISSING ITEM NUMBERS NOT APPLICABLE

- ITEM NOT ILLUSTRATED

BRI

49-27-11-01

49-27-11  
FIG. 01  
PAGE 4  
JAN 20/09





757

PARTS CATALOG (MAINTENANCE)

FIG ITEM	PART NUMBER	1 2 3 4 5 6 7	NOMENCLATURE	EFFECT FROM TO	UNITS PER ASSY
1					
- 1	3800298-1-5		ENGINE ASSY-GAS TURB GTCP331-200ER (GEARBOX SHUTOFF VALVE ONLY) SUPPLIER CODE: V99193 SPECIFICATION NUMBER: S351T020-204 CONFIG CHG DATA FROM A CMM: REPLS 3800298-1-4 COMPONENT MAINT MANUAL REF: 49-22-11 QUALIFIED I/W DATA: S351T020-204 (3800298-1-5) AND S351T020-205 (3800298-1-6) ARE INTERCHANGEABLE WITH THE INCORPORATION OF ALLIED SIGNAL S/B GTCP331-49-7081. S351T020-204 (3800298-1-5) AND S351T020-206(3800298-1-7 /3800298-1) ARE INTERCHANGEABLE WITH THE INCORPORATION OF ALLIED SIGNAL S/B GTCP331-49-7081. FOR NHA/ADDITIONAL DET SEE: 49-11-01-50	002004 006100 107107 121503 904999	RF
- 1	3800298-1-6		ENGINE ASSY-GAS TURB GTCP331-200ER (GEARBOX SHUTOFF VALVE ONLY) SUPPLIER CODE: V99193 SPECIFICATION NUMBER: S351T020-205 CONFIG CHG DATA FROM A CMM: REPLS 3800298-1-5 COMPONENT MAINT MANUAL REF: 49-22-11 QUALIFIED I/W DATA: S351T020-204 (3800298-1-5) AND S351T020-205 (3800298-1-6) ARE INTERCHANGEABLE WITH THE INCORPORATION OF ALLIED SIGNAL S/B	002004 006999	RF

MISSING ITEM NUMBERS NOT APPLICABLE

- ITEM NOT ILLUSTRATED

49-27-11-01

49-27-11  
FIG. 01  
PAGE 5  
JAN 20/09

BRI



757

PARTS CATALOG (MAINTENANCE)

FIG ITEM	PART NUMBER	1 2 3 4 5 6 7 NOMENCLATURE	EFFECT FROM TO	UNITS PER ASSY
1		GTCP331-49-7081. S351T020-203 (3800298-1-4) AND S351T020-205 (3800298-1-6) ARE INTERCHANGEABLE WITH THE INCORPORATION OF ALLIED SIGNAL S/B GTCP331-49-7081. S351T020-202 (3800298-1-3) AND S351T020-205 (3800298-1-6) ARE INTERCHANGEABLE WITH THE INCORPORATION OF ALLIED SIGNAL S/B GTCP331-49-7081. S351T020-201 (3800298-1-2) AND S351T020-205 (3800298-1-6) ARE INTERCHANGEABLE WITH THE INCORPORATION OF ALLIED SIGNAL S/B GTCP331-49-7081. S351T020-200 (3800298-1-1) AND S351T020-205 (3800298-1-6) ARE INTERCHANGEABLE WITH THE INCORPORATION OF ALLIED SIGNAL S/B GTCP331-49-7081. FOR NHA/ADDITIONAL DET SEE: 49-11-01-50 49-21-00-02		
-	1 3800298-1-7	ENGINE ASSY-GAS TURB GTCP331-200ER (GEARBOX SHUTOFF VALVE ONLY) SUPPLIER CODE: V99193 SPECIFICATION NUMBER: S351T020-206 CONFIG CHG DATA FROM A CMM: REPLS 3800298-1-6 COMPONENT MAINT MANUAL REF: 49-22-11 QUALIFIED I/W DATA: S351T020-204  MISSING ITEM NUMBERS NOT APPLICABLE	002004 006999	RF

- ITEM NOT ILLUSTRATED

49-27-11-01

49-27-11  
FIG. 01  
PAGE 6  
SEP 20/08

BRI



757

PARTS CATALOG (MAINTENANCE)

FIG ITEM	PART NUMBER	1 2 3 4 5 6 7 NOMENCLATURE	EFFECT FROM TO	UNITS PER ASSY
1		<p>(3800298-1-5) AND S351T020-206 (3800298-1-7/3800298-1) ARE INTERCHANGEABLE WITH THE INCORPORATION OF ALLIED SIGNAL S/B GTCP331-49-7081. S351T020-203 (3800298-1-4) AND S351T020-206(3800298-1-7 /3800298-1) ARE INTERCHANGEABLE WITH THE INCORPORATION OF ALLIED SIGNAL S/B GTCP331-49-7081. S351T020-202 (3800298-1-3) AND S351T020-206 (3800298-1-7/3800298-1) ARE INTERCHANGEABLE WITH THE INCORPORATION OF ALLIED SIGNAL S/B GTCP331-49-7081. S351T020-201 (3800298-1-2) AND S351T020-206 (3800298-1-7/3800298-1) ARE INTERCHANGEABLE WITH THE INCORPORATION OF ALLIED SIGNAL S/B GTCP331-49-7081. S351T020-200 (3800298-1-1) AND S351T020-206 (3800298-1-7/3800298-1) ARE INTERCHANGEABLE WITH THE INCORPORATION OF ALLIED SIGNAL S/B GTCP331-49-7081. OPTIONAL PART: 3800298-1 V99193 FOR NHA/OTHER SYS DET SEE: 49-11-01-50 49-21-00-02</p>		
-	1 3800298-1	<p>ENGINE ASSY-GAS TURB GTCP331-200ER (GEARBOX SHUTOFF VALVE ONLY) SUPPLIER CODE:</p>	002004 006999	RF

MISSING ITEM NUMBERS NOT APPLICABLE

- ITEM NOT ILLUSTRATED

49-27-11-01

49-27-11  
FIG. 01  
PAGE 7  
SEP 20/08

BRI



757

PARTS CATALOG (MAINTENANCE)

FIG ITEM	PART NUMBER	1 2 3 4 5 6 7 NOMENCLATURE	EFFECT FROM TO	UNITS PER ASSY
1		<p>V99193  SPECIFICATION NUMBER:  S351T020-206  COMPONENT MAINT MANUAL REF:  49-22-11  QUALIFIED I/W DATA:  S351T020-204  (3800298-1-5) AND  S351T020-206  (3800298-1-7/3800298-1)  ARE INTERCHANGEABLE WITH  THE INCORPORATION OF  ALLIED SIGNAL S/B  GTCP331-49-7081.  S351T020-203  (3800298-1-4) AND  S351T020-206  (3800298-1-7/3800298-1)  ARE INTERCHANGEABLE WITH  THE INCORPORATION OF  ALLIED SIGNAL S/B  GTCP331-49-7081.  S351T020-202  (3800298-1-3)  AND S351T020-206  (3800298-1-7/3800298-1)  ARE INTERCHANGEABLE  WITH THE INCORPORATION  OF ALLIED SIGNAL S/B  GTCP331-49-7081.  S351T020-201  (3800298-1-2)  AND S351T020-206  (3800298-1-7/3800298-1)  ARE INTERCHANGEABLE  WITH THE INCORPORATION  OF ALLIED SIGNAL S/B  GTCP331-49-7081.  S351T020-200  (3800298-1-1)  AND S351T020-206  (3800298-1-7/3800298-1)  ARE INTERCHANGEABLE  WITH THE INCORPORATION  OF ALLIED SIGNAL S/B  GTCP331-49-7081.  OPTIONAL PART:  3800298-1-7  V99193</p>		

MISSING ITEM NUMBERS NOT APPLICABLE

- ITEM NOT ILLUSTRATED

49-27-11-01

49-27-11  
FIG. 01  
PAGE 8  
SEP 20/08

BRI



757

PARTS CATALOG (MAINTENANCE)

FIG ITEM	PART NUMBER	1 2 3 4 5 6 7	NOMENCLATURE	EFFECT FROM TO	UNITS PER ASSY
1			FOR NHA/OTHER SYS DET SEE: 49-11-01-50 49-21-00-02		
5	3289514-1		.VALVE-GEARBOX SHUTOFF SUPPLIER CODE: V59364 SB DATA FROM A CMM: PRE SB 49-7147 PRE SB 49-7380 CONFIG CHG DATA FROM A CMM: REPLD BY 3616848-1 COMPONENT MAINT MANUAL REF: 49-27-11	002004 006999	1
5	3616848-1		.VALVE-GEARBOX SHUTOFF SUPPLIER CODE: V99193 SB DATA FROM A CMM: POST SB 49-7147 PRE SB 49-A7263 CONFIG CHG DATA FROM A CMM: REPLS 3289514-1 REPLD BY 3616848-2 COMPONENT MAINT MANUAL REF: 49-20-01	002004 006999	1
5	3616848-2		.VALVE-GEARBOX SHUTOFF SUPPLIER CODE: V59364 SB DATA FROM A CMM: POST SB 49-A7263 CONFIG CHG DATA FROM A CMM: REPLS 3616848-1 COMPONENT MAINT MANUAL REF: 49-20-01	002004 006999	1
10	MS21279-08		ATTACHING PARTS .BOLT- OPTIONAL PART: MS9556-08	002004 006999	2
10	MS9556-08		.BOLT- SB DATA FROM A CMM: POST SPB GTE0293 OPTIONAL PART: MS21279-08	002004 006999	2
15	NAS620C10L		.WASHER  -----*-----	002004 006999	2

MISSING ITEM NUMBERS NOT APPLICABLE

- ITEM NOT ILLUSTRATED

49-27-11-01

49-27-11  
FIG. 01  
PAGE 9  
SEP 20/08

BRI



757

PARTS CATALOG (MAINTENANCE)

FIG ITEM	PART NUMBER	1 2 3 4 5 6 7	NOMENCLATURE	EFFECT FROM TO	UNITS PER ASSY
1					
20	S8842B1P1A	..	PLATE-IDENT SUPPLIER CODE: V59364 CONFIG CHG DATA FROM A CMM: REPLD BY S3005-1	002004 006999	1
20	S3005-1	..	PLATE-IDENT SUPPLIER CODE: V59364 CONFIG CHG DATA FROM A CMM: REPLD BY S3033-1 REPLACES S8842B1P1A	002004 006999	1
20	S3033-1	..	PLATE-IDENT SUPPLIER CODE: V59364 CONFIG CHG DATA FROM A CMM: REPLACES S3005-1	002004 006999	1
25	MS51861-1C	..	SCREW  -----*-----	002004 006999	2
100	3884258-1	.TUBE-PCD 2	SUPPLIER CODE: V99193	002004 006999	1
105	3884333-1	.TUBE-BUFFER AIR GEARBOX	PRESSURE SUPPLIER CODE: V99193	002004 006999	1
110	MS21902W6	.UNION-	SB DATA FROM A CMM: PRE 49-5634 PRE 49-5765 PRE 49-5793 CONFIG CHG DATA FROM A CMM: REPLD BY MS21902J6 PRE SERVICE BULLETIN: GTCP331-49-5765 V99193	002004 006999	1
110	MS21902J6	.UNION-	SB DATA FROM A CMM: POST 49-5634 POST 49-5765 POST 49-5793 CONFIG CHG DATA FROM A CMM: REPLS MS21902W6	002004 006999	1

MISSING ITEM NUMBERS NOT APPLICABLE

- ITEM NOT ILLUSTRATED

49-27-11-01

49-27-11  
FIG. 01  
PAGE 10  
SEP 20/08

BRI



757

PARTS CATALOG (MAINTENANCE)

FIG ITEM	PART NUMBER	1 2 3 4 5 6 7	NOMENCLATURE	EFFECT FROM TO	UNITS PER ASSY
1					
115	MS21907W6		.ELBOW- SB DATA FROM A CMM: PRE 49-5634 PRE 49-5765 PRE 49-5793 CONFIG CHG DATA FROM A CMM: REPLD BY MS21907J6	002004 006999	1
115	MS21907J6		.ELBOW- SB DATA FROM A CMM: POST 49-5634 POST 49-5765 POST 49-5793 CONFIG CHG DATA FROM A CMM: REPLS MS21907W6	002004 006999	1
120	S8990-606		.PACKING- SUPPLIER CODE: V99193 SB DATA FROM A CMM: PRE 49-5841 OPTIONAL PART: MS9385-06	002004 006999	2
120	MS9385-06		.PACKING- OPTIONAL PART: S8990-606 V99193	002004 006999	2
125	VD261-0006-0006		.GASKET- SUPPLIER CODE: V50398	002004 006999	1
130	AN6289J6		.NUT	002004 006999	1
135	AN6289D6		.NUT- SB DATA FROM A CMM: PRE 49-5634 PRE 49-5765 PRE 49-5793 CONFIG CHG DATA FROM A CMM: REPLD BY AN6289J6	002004 006999	1
135	AN6289J6		.NUT- SB DATA FROM A CMM: POST 49-5634 POST 49-5765 POST 49-5793 CONFIG CHG DATA FROM A CMM: REPLS AN6289-D6	002004 006999	1
140	3884281-3		.FITTING-AIR SURGE CONT SUPPLIER CODE: V99193	002004 006999	1
145	MS28773-06		.RETAINER	002004 006999	1

MISSING ITEM NUMBERS NOT APPLICABLE

- ITEM NOT ILLUSTRATED

49-27-11-01

49-27-11  
FIG. 01  
PAGE 11  
SEP 20/08

BRI



757

PARTS CATALOG (MAINTENANCE)

FIG ITEM	PART NUMBER	1 2 3 4 5 6 7	NOMENCLATURE	EFFECT FROM TO	UNITS PER ASSY
1					
150	MS9556-05	.BOLT-	SB DATA FROM A CMM: POST 49-5463 PRE SERVICE BULLETIN: GTCP331-49-7496R3 V59364	002004 006102	1
152	MS9556-05	.BOLT-	SB DATA FROM A CMM: POST SB 49-5463	103999	1
155	MS21043-3	.NUT-	SB DATA FROM A CMM: POST 49-5463 PRE SERVICE BULLETIN: GTCP331-49-7496R3 V59364	002004 006102	1
157	MS21043-3	.NUT-	SB DATA FROM A CMM: POST SB 49-5463	103999	1
160	TA12C59TH4HB	.CLAMP-	SUPPLIER CODE: V84971 SB DATA FROM A CMM: PRE 49-5463 CONFIG CHG DATA FROM A CMM: REPLD BY TA1718SS04X OPTIONAL PART: JM44LC43H4WC V22175	103999	4
160	TA1718SS04X	.CLAMP-	SUPPLIER CODE: V84971 SB DATA FROM A CMM: POST 49-5463 CONFIG CHG DATA FROM A CMM: REPLS TA12C59TH4HB	103999	4
160	JM44LC43H4WC	.CLAMP-	SUPPLIER CODE: V22175 CONFIG CHG DATA FROM A CMM: POST SPB GTE1046 OPTIONAL PART: TA12C59TH4HB V84971	103999	4

MISSING ITEM NUMBERS NOT APPLICABLE

- ITEM NOT ILLUSTRATED

49-27-11-01

49-27-11  
FIG. 01  
PAGE 12  
JAN 20/09

BRI





757

PARTS CATALOG (MAINTENANCE)

FIG ITEM	PART NUMBER	1 2 3 4 5 6 7	NOMENCLATURE	EFFECT FROM TO	UNITS PER ASSY
1 162	TA12C59TH4HB	.CLAMP-	SUPPLIER CODE: V84971 CONFIG CHG DATA FROM A CMM: REPLD BY TA1718SS04X PRE SB 49-5463 OPTIONAL PART: JM44LC43H4WC V22175 PRE SERVICE BULLETIN: GTCP331-49-7496R3 V59364	002004 006102	3
162	JM44LC43H4WC	.CLAMP-	SUPPLIER CODE: V22175 CONFIG CHG DATA FROM A CMM: POST SPB GTE1046 OPTIONAL PART: TA12C59TH4HB V84971 PRE SERVICE BULLETIN: GTCP331-49-7496R3 V59364	002004 006102	3
162	TA1718SS04X	.CLAMP-	SUPPLIER CODE: V84971 SB DATA FROM A CMM: POST 49-5463 CONFIG CHG DATA FROM A CMM: REPLS TA12C59TH4HB PRE SERVICE BULLETIN: GTCP331-49-7496R3 V59364	002004 006102	3
163	TA12C59TH4HB	.CLAMP-	SUPPLIER CODE: V84971 CONFIG CHG DATA FROM A CMM: REPLD BY TA1718SS04X PRE SB 49-5463 OPTIONAL PART: JM44LC43H4WC V22175	002004 006102	1

MISSING ITEM NUMBERS NOT APPLICABLE

- ITEM NOT ILLUSTRATED

49-27-11-01

49-27-11  
FIG. 01  
PAGE 13  
JAN 20/09

BRI



757

PARTS CATALOG (MAINTENANCE)

FIG ITEM	PART NUMBER	1 2 3 4 5 6 7	NOMENCLATURE	EFFECT FROM TO	UNITS PER ASSY
1 163	JM44LC43H4WC	.CLAMP-	SUPPLIER CODE: V22175 CONFIG CHG DATA FROM A CMM: POST SPB GTE1046 OPTIONAL PART: TA12C59TH4HB V84971	002004 006102	1
163	TA1718SS04X	.CLAMP-	SUPPLIER CODE: V84971 SB DATA FROM A CMM: POST 49-5463 CONFIG CHG DATA FROM A CMM: REPLS TA12C59TH4HB PRE SERVICE BULLETIN: GTCP331-49-7496R3 V59364	002004 006102	1
165	TA12C59TH4HB	.CLAMP-	SUPPLIER CODE: V84971 SB DATA FROM A CMM: POST 49-5463 OPTIONAL PART: JM44LC43H4WC V22175	002004 006999	1
165	JM44LC43H4WC	.CLAMP-	SUPPLIER CODE: V22175 SB DATA FROM A CMM: POST SPB GTE1046 OPTIONAL PART: TA12C59TH4HB V84971	002004 006999	1
175	3884413-1	.TUBE-PCD 2	SUPPLIER CODE: V99193 SB DATA FROM A CMM: POST 49-5463 USED ON: 3800298-1-1 3800298-1-2 3800298-1-3 3800298-1-4 3800298-1-5 3800298-1-6 3800298-1-7	002004 006999	RF

MISSING ITEM NUMBERS NOT APPLICABLE

- ITEM NOT ILLUSTRATED

49-27-11-01

49-27-11  
FIG. 01  
PAGE 14  
JAN 20/09

BRI



757

PARTS CATALOG (MAINTENANCE)

FIG ITEM	PART NUMBER	1 2 3 4 5 6 7	NOMENCLATURE	EFFECT FROM TO	UNITS PER ASSY
1 175	3884258-1		.TUBE-PCD 2 SUPPLIER CODE: V99193 USED ON: 3800298-1-1 3800298-1-2 3800298-1-3 3800298-1-4 3800298-1-5 3800298-1-6 3800298-1-7	002004 006999	RF
180	3884353-1		.TUBE-PCD-SURGE VALVE SUPPLIER CODE: V99193 SB DATA FROM A CMM: PRE 49-5463	002004 006999	RF
185	3884407-1		.TUBE-PCD-SURGE VALVE SUPPLIER CODE: V99193 SB DATA FROM A CMM: PRE 49-5634 PRE 49-5765 PRE 49-5793 POST 49-5463 CONFIG CHG DATA FROM A CMM: REPLD BY 3611354-1 PRE SERVICE BULLETIN: GTCP331-49-7496R3 V59364	002004 006999	RF
185	3611354-1		.TUBE-PCD-SURGE VALVE SUPPLIER CODE: V99193 SB DATA FROM A CMM: PRE 49-7192 POST 49-5634 POST 49-5765 POST 49-5793 CONFIG CHG DATA FROM A CMM: REPLS 3884407-1 PRE SERVICE BULLETIN: GTCP331-49-7496R3 V59364	002004 006999	RF

MISSING ITEM NUMBERS NOT APPLICABLE

- ITEM NOT ILLUSTRATED

49-27-11-01

49-27-11  
FIG. 01  
PAGE 15  
SEP 20/08

BRI



757

PARTS CATALOG (MAINTENANCE)

FIG ITEM	PART NUMBER	1 2 3 4 5 6 7	NOMENCLATURE	EFFECT FROM TO	UNITS PER ASSY
1 190	3616999-1		.TUBE-SURGE VALVE SUPPLIER CODE: V99193 SB DATA FROM A CMM: PRE 49-7391 POST 49-7192 PRE SERVICE BULLETIN: GTCP331-49-7496R3 V59364	002004 006999	RF
195	MS21902W4		.UNION- SB DATA FROM A CMM: PRE 49-5463 PRE 49-5765 CONFIG CHG DATA FROM A CMM: REPLD BY MS21902J4	002004 006999	1
200	MS21912W4		.TEE- SB DATA FROM A CMM: PRE 49-5634 PRE 49-5793 POST 49-5463 CONFIG CHG DATA FROM A CMM: REPLD BY MS21912J4	002004 006999	1
200	MS21912J4		.TEE- SB DATA FROM A CMM: POST 49-5634 POST 49-5793 PRE 49-7192 CONFIG CHG DATA FROM A CMM: REPLS MS21912W4 MISCELLANEOUS DATA: OPTIONAL PART NUMBER: BACT16BN040404J (81205)	002004 006999	1
205	S8990-604		.PACKING- SUPPLIER CODE: V59364 SB DATA FROM A CMM: PRE 49-7192 OPTIONAL PART: MS9385-04	002004 006999	1
205	MS9385-04		.PACKING- SB DATA FROM A CMM: PRE 49-7192 OPTIONAL PART: S8990-604 V59364	002004 006999	1

MISSING ITEM NUMBERS NOT APPLICABLE

- ITEM NOT ILLUSTRATED

49-27-11-01

49-27-11  
FIG. 01  
PAGE 16  
SEP 20/08

BRI



757

PARTS CATALOG (MAINTENANCE)

FIG ITEM	PART NUMBER	1 2 3 4 5 6 7	NOMENCLATURE	EFFECT FROM TO	UNITS PER ASSY
1 210	AN6289D4	.NUT-	SB DATA FROM A CMM: PRE 49-5634 PRE 49-5765 PRE 49-5793 POST 49-5463 CONFIG CHG DATA FROM A CMM: REPLD BY AN6289J4	002004 006999	1
210	AN6289J4	.NUT-	SB DATA FROM A CMM: PRE 49-7192 POST 49-5634 POST 49-5765 POST 49-5793 CONFIG CHG DATA FROM A CMM: REPLS AN6289D4	002004 006999	1
215	MS28773-04	.RETAINER-	SB DATA FROM A CMM: PRE 49-7192 POST 49-5463 POST SERVICE BULLETIN: GTCP331-49-7192R1 V99193	002004 006999	1
- 240	MS21909J4	.TEE-	SB DATA FROM A CMM: POST 49-7192 SERVICE BULLETIN OPT DATA: MS21912J4 POST SERVICE BULLETIN: GTCP331-49-7192R1 V99193	002004 006999	1

MISSING ITEM NUMBERS NOT APPLICABLE

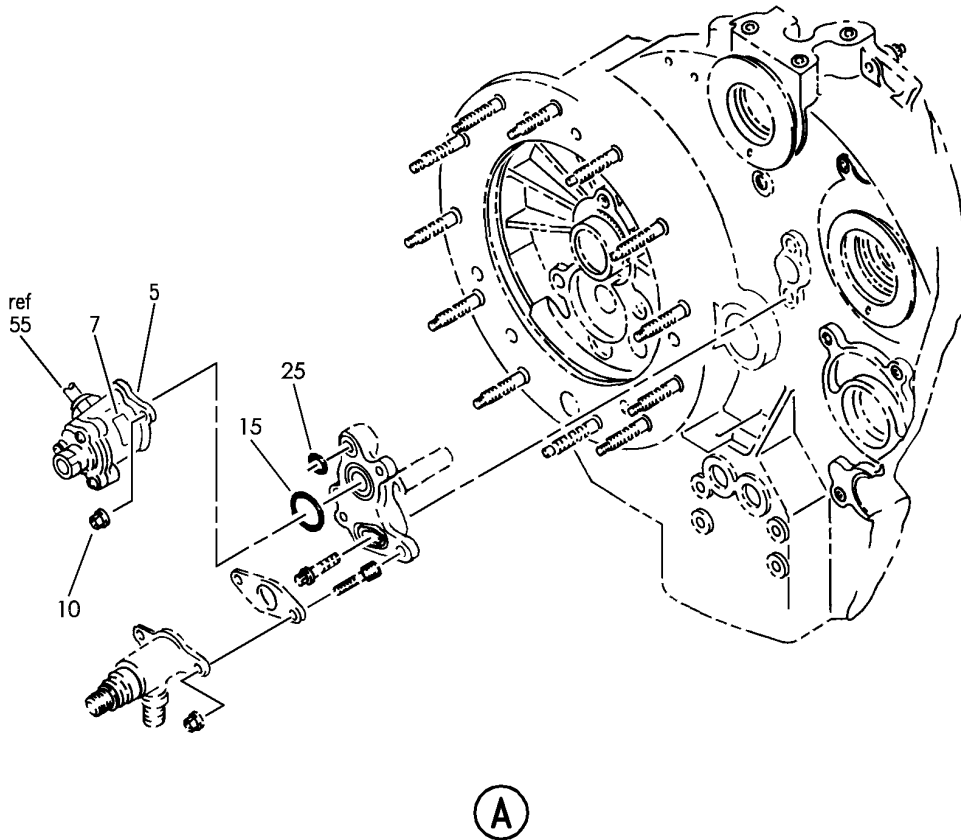
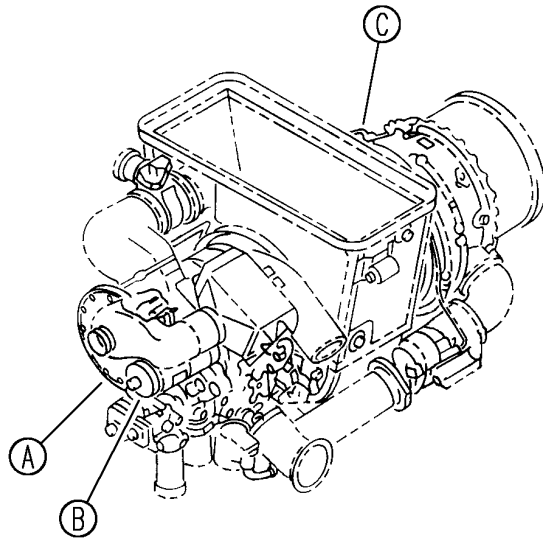
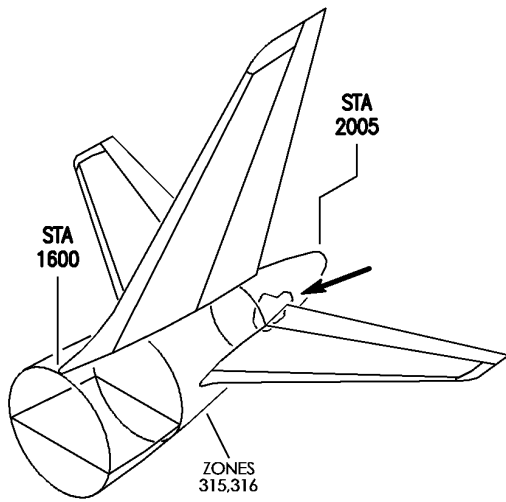
- ITEM NOT ILLUSTRATED

49-27-11-01

49-27-11  
FIG. 01  
PAGE 17  
SEP 20/08

BRI

**BOEING**  
757  
PARTS CATALOG (MAINTENANCE)



Y 49271201 SHT 1 REV 288

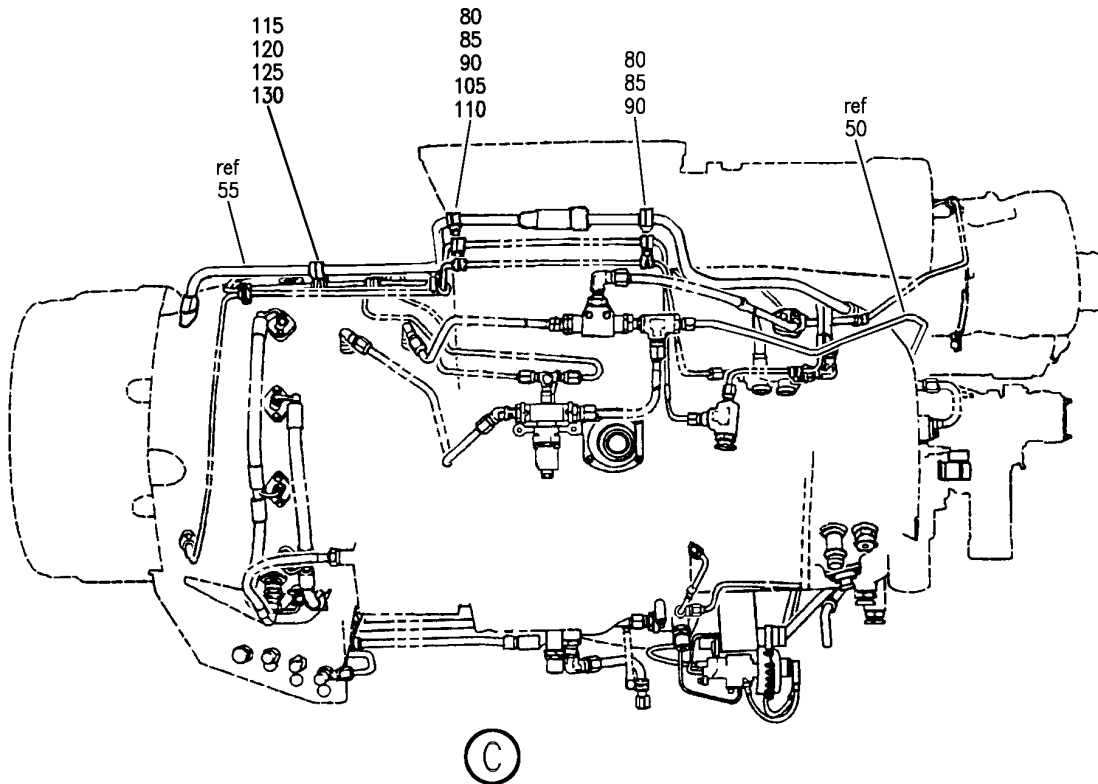
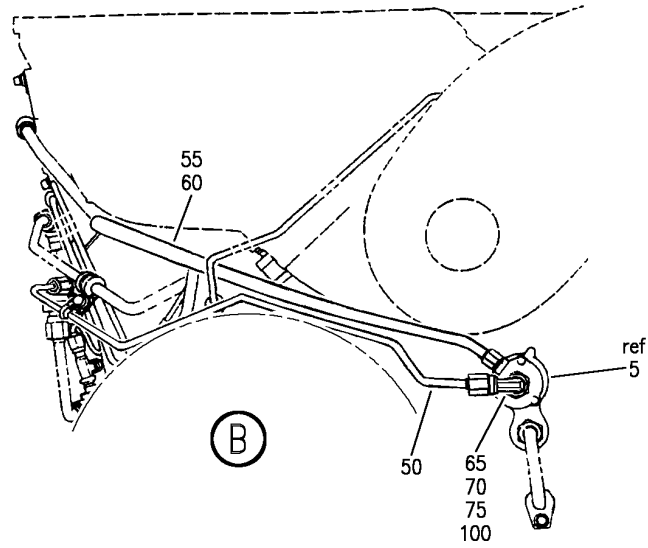
ENGINE ASSY-GAS TURB (GEARBOX PRESSURE REGULATING VALVE ONLY)  
FIGURE 1 (SHEET 1)

**49-27-12-01**

BRI  
MAY 28/07

49-27-12-01  
PAGE 0

**BOEING**  
757  
PARTS CATALOG (MAINTENANCE)



Y 49271201 SHT 2 REV 252

ENGINE ASSY-GAS TURB (GEARBOX PRESSURE REGULATING VALVE ONLY)  
FIGURE 1 (SHEET 2)

**49-27-12-01**

BRI  
MAY 28/07

49-27-12-01  
PAGE 0A



757

PARTS CATALOG (MAINTENANCE)

FIG ITEM	PART NUMBER	1 2 3 4 5 6 7	NOMENCLATURE	EFFECT FROM TO	UNITS PER ASSY
1			ENGINE ASSY-GAS TURB (GEARBOX PRESSURE REGULATING VALVE ONLY)	002004 006999	
- 1	3800298-1-2		ENGINE ASSY-GAS TURB GTCP331-200A (GEARBOX PRESSURE REGULATING VALVE ONLY) SUPPLIER CODE: V99193 SPECIFICATION NUMBER: S351T020-201 CONFIG CHG DATA FROM A CMM: REPLACES 3800298-1-1 COMPONENT MAINT MANUAL REF: 49-22-11 QUALIFIED I/W DATA: S351T020-201 (3800298-1-2) AND S351T020-205 (3800298-1-6) ARE INTERCHANGEABLE WITH THE INCORPORATION OF ALLIED SIGNAL S/B GTCP331-49-7081. S351T020-201 (3800298-1-2) AND S351T020-206 (3800298-1-7/3800298-1) ARE INTERCHANGEABLE WITH THE INCORPORATION OF ALLIED SIGNAL S/B GTCP331-49-7081. FOR NHA/ADDITIONAL DET SEE: 49-11-01-50	002004 006100 107107 121503 904999	RF

MISSING ITEM NUMBERS NOT APPLICABLE

- ITEM NOT ILLUSTRATED

BRI

49-27-12-01

49-27-12  
FIG. 01  
PAGE 1  
JAN 20/09





757

PARTS CATALOG (MAINTENANCE)

FIG ITEM	PART NUMBER	1 2 3 4 5 6 7	NOMENCLATURE	EFFECT FROM TO	UNITS PER ASSY
1 - 1	3800298-1-1		ENGINE ASSY-GAS TURB GTCP331-200ER (GEARBOX PRESSURE REGULATING VALVE ONLY) SUPPLIER CODE: V99193 SPECIFICATION NUMBER: S351T020-200 COMPONENT MAINT MANUAL REF: 49-22-11 QUALIFIED I/W DATA: S351T020-200 (3800298-1-1) AND S351T020-205 (3800298-1-6) ARE INTERCHANGEABLE WITH THE INCORPORATION OF ALLIED SIGNAL S/B GTCP331-49-7081. S351T020-200 (3800298-1-1) AND S351T020-206 (3800298-1-7/3800298-1) ARE INTERCHANGEABLE WITH THE INCORPORATION OF ALLIED SIGNAL S/B GTCP331-49-7081. FOR NHA/ADDITIONAL DET SEE: 49-11-01-50	002004 006100 107107 121503 904999	RF

MISSING ITEM NUMBERS NOT APPLICABLE

- ITEM NOT ILLUSTRATED

BRI

49-27-12-01

BOEING PROPRIETARY - Copyright © - Unpublished Work - See title page for details.

49-27-12  
 FIG. 01  
 PAGE 2  
 JAN 20/09



757

PARTS CATALOG (MAINTENANCE)

FIG ITEM	PART NUMBER	1 2 3 4 5 6 7	NOMENCLATURE	EFFECT FROM TO	UNITS PER ASSY
1 - 1	3800298-1-3		ENGINE ASSY-GAS TURB GTCP331-200ER (GEARBOX PRESSURE REGULATING VALVE ONLY) SUPPLIER CODE: V99193 SPECIFICATION NUMBER: S351T020-202 CONFIG CHG DATA FROM A CMM: REPLACES 3800298-1-2 COMPONENT MAINT MANUAL REF: 49-22-11 QUALIFIED I/W DATA: S351T020-202 (3800298-1-3) AND S351T020-205 (3800298-1-6) ARE INTERCHANGEABLE WITH THE INCORPORATION OF ALLIED SIGNAL S/B GTCP331-49-7081. S351T020-202 (3800298-1-3) AND S351T020-206 (3800298-1-7/3800298-1) ARE INTERCHANGEABLE WITH THE INCORPORATION OF ALLIED SIGNAL S/B GTCP331-49-7081. FOR NHA/OTHER SYS DET SEE: 49-11-01-50	002004 006100 107107 121503 904999	RF

MISSING ITEM NUMBERS NOT APPLICABLE

- ITEM NOT ILLUSTRATED

BRI

49-27-12-01

BOEING PROPRIETARY - Copyright © - Unpublished Work - See title page for details.

49-27-12  
 FIG. 01  
 PAGE 3  
 JAN 20/09



757

PARTS CATALOG (MAINTENANCE)

FIG ITEM	PART NUMBER	1 2 3 4 5 6 7	NOMENCLATURE	EFFECT FROM TO	UNITS PER ASSY
1 - 1	3800298-1-4		ENGINE ASSY-GAS TURB GTCP331-200ER (GEARBOX PRESSURE REGULATING VALVE ONLY) SUPPLIER CODE: V99193 SPECIFICATION NUMBER: S351T020-203 CONFIG CHG DATA FROM A CMM: REPLACES 3800298-1-3 COMPONENT MAINT MANUAL REF: 49-22-11 QUALIFIED I/W DATA: 3800298-1-4/S351T020-203 AND 3800298-1-6/S351T020-205 ARE INTERCHANGEABLE WITH THE INCORPORATION OF ALLIED SIGNAL S/B GTCP331-49-7081. 3800298-1-4/S351T020-203 AND 3800298-1/ 3800298-1-7/S351T020-206 ARE INTERCHANGEABLE WITH THE INCORPORATION OF ALLIED SIGNAL S/B GTCP331-49-7081. FOR NHA/ADDITIONAL DET SEE: 49-11-01-50	002004 006100 107107 121503 904999	RF

MISSING ITEM NUMBERS NOT APPLICABLE

- ITEM NOT ILLUSTRATED

BRI

# 49-27-12-01

BOEING PROPRIETARY - Copyright © - Unpublished Work - See title page for details.

49-27-12  
FIG. 01  
PAGE 4  
JAN 20/09

 **BOEING**  
757  
**PARTS CATALOG (MAINTENANCE)**

FIG ITEM	PART NUMBER	1 2 3 4 5 6 7	NOMENCLATURE	EFFECT FROM TO	UNITS PER ASSY
1 -	1 3800298-1-5		ENGINE ASSY-GAS TURB GTCP331-200ER (GEARBOX PRESSURE REGULATING VALVE ONLY) SUPPLIER CODE: V99193 SPECIFICATION NUMBER: S351T020-204 CONFIG CHG DATA FROM A CMM: REPLACES 3800298-1-4 COMPONENT MAINT MANUAL REF: 49-22-11 QUALIFIED I/W DATA: 3800298-1-5/S351T020-204 AND 3800298-1-6/S351T020-205 ARE INTERCHANGEABLE WITH THE INCORPORATION OF ALLIED SIGNAL S/B GTCP331-49-7081. S351T020-204 (3800298-1-5) AND S351T020-206(3800298-1-7 /3800298-1) ARE INTERCHANGEABLE WITH THE INCORPORATION OF ALLIED SIGNAL S/B GTCP331-49-7081. FOR NHA/ADDITIONAL DET SEE: 49-11-01-50	002004 006100 107107 121503 904999	RF
-	1 3800298-1-6		ENGINE ASSY-GAS TURB GTCP331-200ER (GEARBOX PRESSURE REGULATING VALVE ONLY) SUPPLIER CODE: V99193 SPECIFICATION NUMBER: S351T020-205 CONFIG CHG DATA FROM A CMM: REPLACES 3800298-1-5 COMPONENT MAINT MANUAL REF: 49-22-11 QUALIFIED I/W DATA: 3800298-1-5/S351T020-204 AND 3800298-1-6/S351T020-205 ARE INTERCHANGEABLE WITH THE INCORPORATION OF ALLIED SIGNAL S/B	002004 006999	RF

MISSING ITEM NUMBERS NOT APPLICABLE

- ITEM NOT ILLUSTRATED

BRI

# 49-27-12-01

BOEING PROPRIETARY - Copyright © - Unpublished Work - See title page for details.

49-27-12  
FIG. 01  
PAGE 5  
JAN 20/09



757

PARTS CATALOG (MAINTENANCE)

FIG ITEM	PART NUMBER	1 2 3 4 5 6 7 NOMENCLATURE	EFFECT FROM TO	UNITS PER ASSY
1		GTCP331-49-7081. S351T020-203 (3800298-1-4) AND S351T020-205 (3800298-1-6) ARE INTERCHANGEABLE WITH THE INCORPORATION OF ALLIED SIGNAL S/B GTCP331-49-7081. S351T020-202 (3800298-1-3) AND S351T020-205 (3800298-1-6) ARE INTERCHANGEABLE WITH THE INCORPORATION OF ALLIED SIGNAL S/B GTCP331-49-7081. S351T020-201 (3800298-1-2) AND S351T020-205 (3800298-1-6) ARE INTERCHANGEABLE WITH THE INCORPORATION OF ALLIED SIGNAL S/B GTCP331-49-7081. S351T020-200 (3800298-1-1) AND S351T020-205 (3800298-1-6) ARE INTERCHANGEABLE WITH THE INCORPORATION OF ALLIED SIGNAL S/B GTCP331-49-7081. FOR NHA/ADDITIONAL DET SEE: 49-11-01-50 49-21-00-02		
-	1 3800298-1-7	ENGINE ASSY-GAS TURB GTCP331-200ER (GEARBOX PRESSURE REGULATING VALVE ONLY) SUPPLIER CODE: V99193 SPECIFICATION NUMBER: S351T020-206 CONFIG CHG DATA FROM A CMM: REPLACES 380298-1-6 COMPONENT MAINT MANUAL REF: 49-22-11 QUALIFIED I/W DATA:  MISSING ITEM NUMBERS NOT APPLICABLE	002004 006999	RF

- ITEM NOT ILLUSTRATED

49-27-12-01

49-27-12  
FIG. 01  
PAGE 6  
SEP 20/08

BRI



757

PARTS CATALOG (MAINTENANCE)

FIG ITEM	PART NUMBER	1 2 3 4 5 6 7 NOMENCLATURE	EFFECT FROM TO	UNITS PER ASSY
1		<p>3800298-1-5/S351T020-204 AND 3800298-1/ 3800298-1-7/S351T020-206 ARE INTERCHANGEABLE WITH THE INCORPORATION OF ALLIED SIGNAL S/B GTCP331-49-7081. S351T020-203 (3800298-1-4) AND S351T020-206(3800298-1-7 /3800298-1) ARE INTERCHANGEABLE WITH THE INCORPORATION OF ALLIED SIGNAL S/B GTCP331-49-7081. S351T020-202 (3800298-1-3) AND S351T020-206 (3800298-1-7/3800298-1) ARE INTERCHANGEABLE WITH THE INCORPORATION OF ALLIED SIGNAL S/B GTCP331-49-7081. S351T020-201 (3800298-1-2) AND S351T020-206 (3800298-1-7/3800298-1) ARE INTERCHANGEABLE WITH THE INCORPORATION OF ALLIED SIGNAL S/B GTCP331-49-7081. S351T020-200 (3800298-1-1) AND S351T020-206 (3800298-1-7/3800298-1) ARE INTERCHANGEABLE WITH THE INCORPORATION OF ALLIED SIGNAL S/B GTCP331-49-7081. OPTIONAL PART: 3800298-1 V99193 FOR NHA/ADDITIONAL DET SEE: 49-11-01-50 49-21-00-02</p>		
-	1 3800298-1	<p>ENGINE ASSY-GAS TURB GTCP331-200ER (GEARBOX PRESSURE REGULATING VALVE ONLY)</p>	002004 006999	RF

MISSING ITEM NUMBERS NOT APPLICABLE

- ITEM NOT ILLUSTRATED

49-27-12-01

49-27-12  
FIG. 01  
PAGE 7  
SEP 20/08

BRI



757

PARTS CATALOG (MAINTENANCE)

FIG ITEM	PART NUMBER	1 2 3 4 5 6 7 NOMENCLATURE	EFFECT FROM TO	UNITS PER ASSY
1		<p>SUPPLIER CODE: V99193</p> <p>SPECIFICATION NUMBER: S351T020-206</p> <p>COMPONENT MAINT MANUAL REF: 49-22-11</p> <p>QUALIFIED I/W DATA: 3800298-1-4/S351T020-203 AND 3800298-1/ 3800298-1-7/S351T020-206 /3800298-1</p> <p>ARE INTERCHANGEABLE WITH THE INCORPORATION OF ALLIED SIGNAL S/B GTCP331-49-7081. S351T020-204/3800298-1-5 AND S351T020-206(3800298-1-7 /3800298-1) ARE INTERCHANGEABLE WITH THE INCORPORATION OF ALLIED SIGNAL S/B GTCP331-49-7801 S351T020-202 (3800298-1-3) AND S351T020-206 (3800298-1-7/3800298-1) ARE INTERCHANGEABLE WITH THE INCORPORATION OF ALLIED SIGNAL S/B GTCP331-49-7081. S351T020-201 (3800298-1-2) AND S351T020-206 (3800298-1-7/3800298-1) ARE INTERCHANGEABLE WITH THE INCORPORATION OF ALLIED SIGNAL S/B GTCP331-49-7081. S351T020-200 (3800298-1-1) AND S351T020-206 (3800298-1-7/3800298-1) ARE INTERCHANGEABLE WITH THE INCORPORATION OF ALLIED SIGNAL S/B GTCP331-49-7081.</p> <p>OPTIONAL PART: 3800298-1-7</p>		

MISSING ITEM NUMBERS NOT APPLICABLE

- ITEM NOT ILLUSTRATED

49-27-12-01

49-27-12  
FIG. 01  
PAGE 8  
SEP 20/08

BRI



**757  
PARTS CATALOG (MAINTENANCE)**

FIG ITEM	PART NUMBER	1 2 3 4 5 6 7	NOMENCLATURE	EFFECT FROM TO	UNITS PER ASSY
1			V99193 FOR NHA/ADDITIONAL DET SEE: 49-11-01-50 49-21-00-02		
5	3289504-2		. VALVE-GEARBOX REGULATING SUPPLIER CODE: V59364 SB DATA FROM A CMM: POST 49-5591 CONFIG CHG DATA FROM A CMM: REPLS 3289504-1 COMPONENT MAINT MANUAL REF: 49-27-13 POST SERVICE BULLETIN: 49-5579	002004 006999	1
7	S8843M2P3A		.. PLATE-IDENT SUPPLIER CODE: V59364 CONFIG CHG DATA FROM A CMM: REPLD BY S8843M2P3P	002004 006999	1
7	S8843M2P3P		.. PLATE-IDENT SUPPLIER CODE: V59364 CONFIG CHG DATA FROM A CMM: REPLS S8843M2P3A REPLD BY S3032-42	002004 006999	1
7	S3032-42		.. PLATE-IDENT SUPPLIER CODE: V59364 CONFIG CHG DATA FROM A CMM: REPLS S8843M2P3P SUPSD BY S3042-2	002004 006999	1
7	S3042-2		.. PLATE-IDENT SUPPLIER CODE: V59364 CONFIG CHG DATA FROM A CMM: SUPERSEDES S3032-42	002004 006999	1
10	MS21043-3		ATTACHING PARTS . NUT	002004 006999	2
15	S9413-117		-----*----- . PACKING- SUPPLIER CODE: V99193 OPTIONAL PART: M83248-1-117	002004 006999	1

MISSING ITEM NUMBERS NOT APPLICABLE

— ITEM NOT ILLUSTRATED

# 49-27-12-01

49-27-12  
FIG. 01  
PAGE 9  
JAN 20/09

BRI

BOEING PROPRIETARY - Copyright © - Unpublished Work - See title page for details.





757

PARTS CATALOG (MAINTENANCE)

FIG ITEM	PART NUMBER	1 2 3 4 5 6 7	NOMENCLATURE	EFFECT FROM TO	UNITS PER ASSY
1					
15	M83248-1-117		.PACKING- OPTIONAL PART: S9413-117 V99193	002004 006999	1
25	S9413-110		.PACKING- SUPPLIER CODE: V99193 OPTIONAL PART: M83248-1-110 PRE SERVICE BULLETIN: 49-5364	002004 006999	1
25	M83248-1-110		.PACKING- OPTIONAL PART: S9413-110 V99193	002004 006999	1
50	3884437-1		.TUBE-GEARBOX PRESSURE REGULATOR SUPPLIER CODE: V99193	002004 006999	1
55	3880328-1		.TUBE-GEARBOX VENT SUPPLIER CODE: V99193	002004 006999	1
60	M83248-1-113		.PACKING- OPTIONAL PART: S9413-113 V99193	002004 006999	1
60	S9413-113		.PACKING- SUPPLIER CODE: V99193 OPTIONAL PART: M83248-1-113	002004 006999	1
65	MS21908J4		.ELBOW	002004 006999	1
70	MS28773-04		.RETAINER	002004 006999	1
75	M83248-1-904		.PACKING- OPTIONAL PART: S9412-554 V99193	002004 006999	1
75	S9412-554		.PACKING- SUPPLIER CODE: V99193 OPTIONAL PART: M83248-1-904	002004 006999	1
80	JM44LC28WH8GF		.CLAMP- SUPPLIER CODE: V22175	002004 006999	2

MISSING ITEM NUMBERS NOT APPLICABLE

- ITEM NOT ILLUSTRATED

49-27-12-01

49-27-12  
FIG. 01  
PAGE 10  
JAN 20/09

BRI

BOEING PROPRIETARY - Copyright © - Unpublished Work - See title page for details.



**757  
PARTS CATALOG (MAINTENANCE)**

FIG ITEM	PART NUMBER	1 2 3 4 5 6 7	NOMENCLATURE	EFFECT FROM TO	UNITS PER ASSY
1			ATTACHING PARTS		
85	MS9556-09	.BOLT		002004 006999	2
90	NAS43DD3-14	.SPACER		002004 006999	2
			-----*-----		
95	MS9556-06	.BOLT-		002004 006999	1
			NOT APPROVED FOR ETOPS.		
100	AN6289J4	.NUT		002004 006999	1
105	MS21279-05	.BOLT-		002004 006999	1
			OPTIONAL PART: MS9556-05		
105	MS9556-05	.BOLT-		002004 006999	1
			SB DATA FROM A CMM: POST SPB GTE0292		
			OPTIONAL PART: MS21279-05		
110	TA12C59WTH8HB	.CLAMP-		002004 006999	1
			SUPPLIER CODE: V84971		
			MISCELLANEOUS DATA: 211-577-9008		
			OPTIONAL PART: JM44LC43H8WC V22175		
110	JM44LC28WH8GF	.CLAMP-		002004 006999	1
			SUPPLIER CODE: V22175		
			MISCELLANEOUS DATA: 211-501-9758		
			USED ON: 3800298-1-1 3800298-1-2 3800298-1-3 3800298-1-4 3800298-1-5 3800298-1-6 3800298-1-7 3800298-1		

MISSING ITEM NUMBERS NOT APPLICABLE

— ITEM NOT ILLUSTRATED

BRI

# 49-27-12-01

BOEING PROPRIETARY - Copyright © - Unpublished Work - See title page for details.

49-27-12  
FIG. 01  
PAGE 11  
JAN 20/09



757

PARTS CATALOG (MAINTENANCE)

FIG ITEM	PART NUMBER	1 2 3 4 5 6 7	NOMENCLATURE	EFFECT FROM TO	UNITS PER ASSY
1					
110	JM44LC43H8WC	.CLAMP-	SUPPLIER CODE: V22175 SB DATA FROM A CMM: POST SPB GTE1046 MISCELLANEOUS DATA: 211-501-9658 OPTIONAL PART: TA12C59WTH8HB V84971	002004 006999	1
115	MS21279-05	.BOLT-	OPTIONAL PART: MS9556-05	002004 006999	1
115	MS9556-05	.BOLT-	SB DATA FROM A CMM: POST SPB GTE0292 OPTIONAL PART: MS21279-05	002004 006999	1
120	MS21043-3	.NUT		002004 006999	1
125	TA12C59WTH8HB	.CLAMP-	SUPPLIER CODE: V84971 MISCELLANEOUS DATA: 211-577-9008 OPTIONAL PART: JM44LC43H8WC V22175	002004 006999	1
125	JM44LC28WH8GF	.CLAMP-	SUPPLIER CODE: V22175 MISCELLANEOUS DATA: 211-501-9758 USED ON: 3800298-1-1 3800298-1-2 3800298-1-3 3800298-1-4 3800298-1-5 3800298-1-6 3800298-1-7 3800298-1	002004 006999	1

MISSING ITEM NUMBERS NOT APPLICABLE

- ITEM NOT ILLUSTRATED

BRI

49-27-12-01

BOEING PROPRIETARY - Copyright © - Unpublished Work - See title page for details.

49-27-12  
FIG. 01  
PAGE 12  
JAN 20/09



757

PARTS CATALOG (MAINTENANCE)

FIG ITEM	PART NUMBER	1 2 3 4 5 6 7	NOMENCLATURE	EFFECT FROM TO	UNITS PER ASSY
1 125	JM44LC43H8WC		.CLAMP- SUPPLIER CODE: V22175 SB DATA FROM A CMM: POST SPB GTE1046 MISCELLANEOUS DATA: 211-501-9658 OPTIONAL PART: TA12C59WTH8HB V84971	002004 006999	1
130	TA12C59TH4HB		.CLAMP- SUPPLIER CODE: V84971 MISCELLANEOUS DATA: 211-577-9004 OPTIONAL PART: JM44LC43H4WC V22175	002004 006999	1
130	JM44LC43H4WC		.CLAMP- SUPPLIER CODE: V22175 SB DATA FROM A CMM: POST SPB GTE1046 MISCELLANEOUS DATA: 211-501-9645 OPTIONAL PART: TA12C59TH4HB V84971	002004 006999	1

MISSING ITEM NUMBERS NOT APPLICABLE

- ITEM NOT ILLUSTRATED

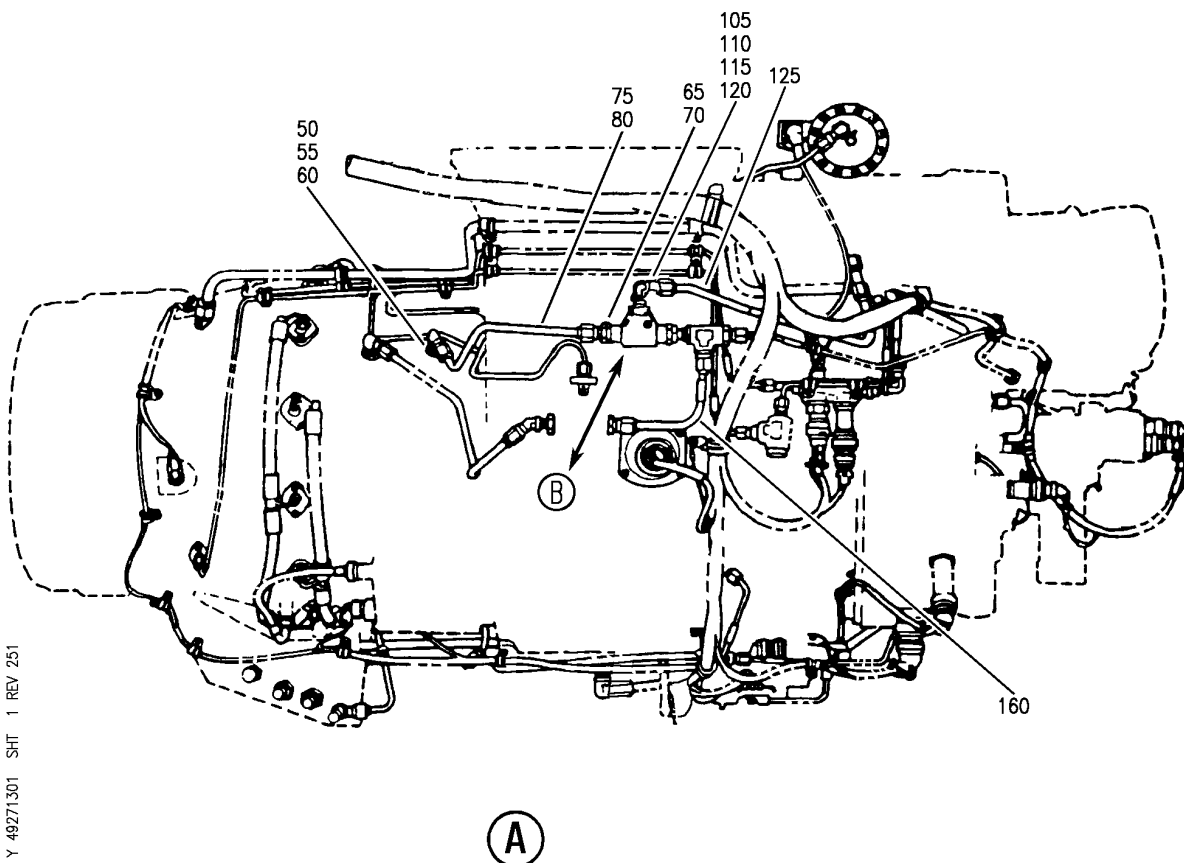
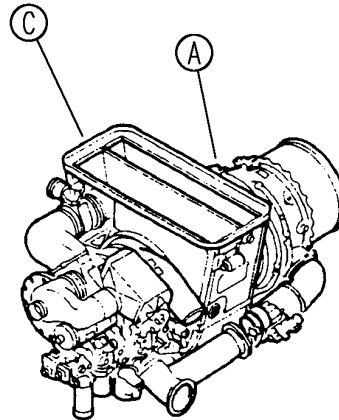
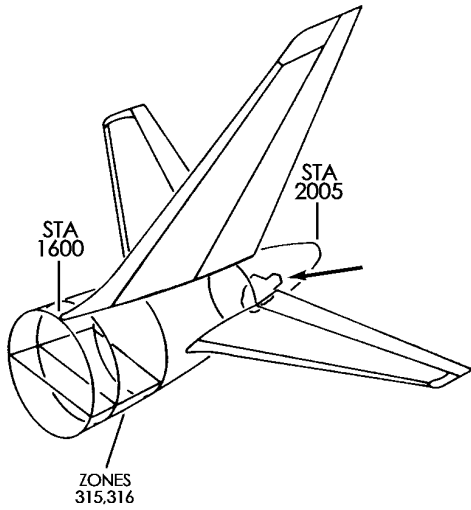
BRI

49-27-12-01

BOEING PROPRIETARY - Copyright © - Unpublished Work - See title page for details.

49-27-12  
FIG. 01  
PAGE 13  
JAN 20/09

**BOEING**  
757  
PARTS CATALOG (MAINTENANCE)



Y 49271301 SHT 1 REV 251

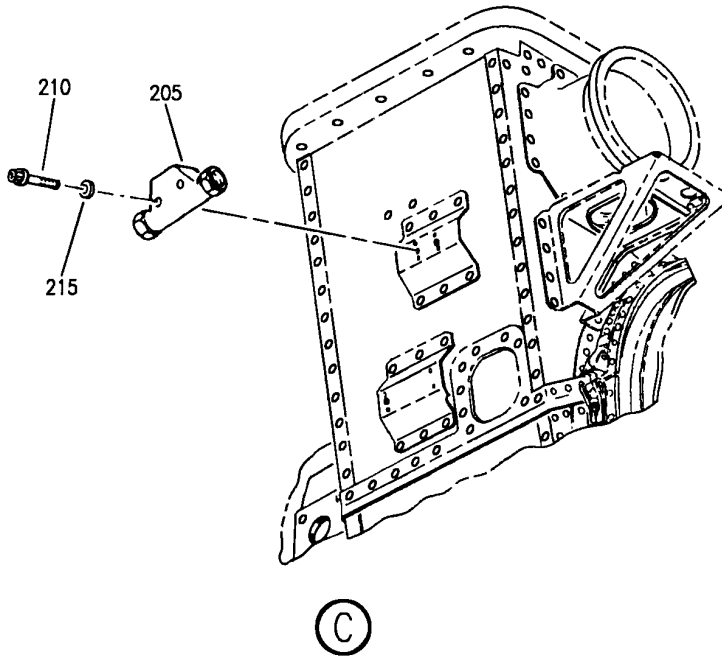
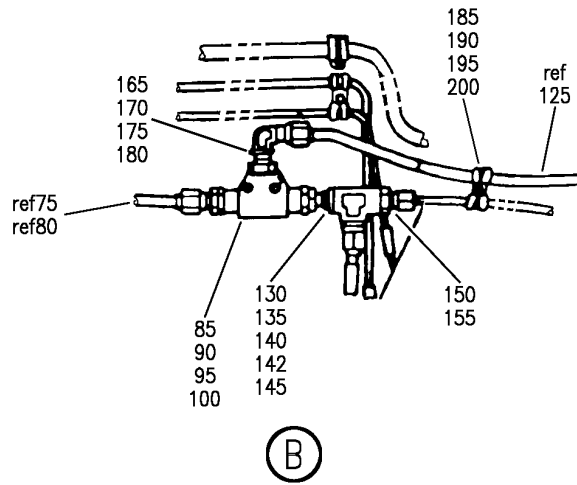
ENGINE ASSY-GAS TURB (SHUTTLE VALVE ONLY)  
FIGURE 1 (SHEET 1)

**49-27-13-01**

BRI  
MAY 28/07

49-27-13-01  
PAGE 0

**BOEING**  
757  
PARTS CATALOG (MAINTENANCE)



Y 49271301 SHT 2 REV 251

ENGINE ASSY-GAS TURB (SHUTTLE VALVE ONLY)  
FIGURE 1 (SHEET 2)

**49-27-13-01**

BRI  
MAY 28/07

49-27-13-01  
PAGE 0A



757

PARTS CATALOG (MAINTENANCE)

FIG ITEM	PART NUMBER	1 2 3 4 5 6 7	NOMENCLATURE	EFFECT FROM TO	UNITS PER ASSY
1			ENGINE ASSY-GAS TURB (SHUTTLE VALVE ONLY)	002004 006999	
- 1	3800298-1-1		ENGINE ASSY-GAS TURB GTCP331-200ER (SHUTTLE VALVE ONLY) SUPPLIER CODE: V99193 SPECIFICATION NUMBER: S351T020-200 COMPONENT MAINT MANUAL REF: 49-22-11 QUALIFIED I/W DATA: S351T020-200 (3800298-1-1) AND S351T020-205 (3800298-1-6) ARE INTERCHANGEABLE WITH THE INCORPORATION OF ALLIED SIGNAL S/B GTCP331-49-7081. S351T020-200 (3800298-1-1) AND S351T020-206 (3800298-1-7/3800298-1) ARE INTERCHANGEABLE WITH THE INCORPORATION OF ALLIED SIGNAL S/B GTCP331-49-7081. FOR NHA/ADDITIONAL DET SEE: 49-11-01-50	002004 006100 107107 121503 904999	RF

MISSING ITEM NUMBERS NOT APPLICABLE

- ITEM NOT ILLUSTRATED

BRI

49-27-13-01

BOEING PROPRIETARY - Copyright © - Unpublished Work - See title page for details.

49-27-13  
FIG. 01  
PAGE 1  
JAN 20/09



757

PARTS CATALOG (MAINTENANCE)

FIG ITEM	PART NUMBER	1 2 3 4 5 6 7	NOMENCLATURE	EFFECT FROM TO	UNITS PER ASSY
1 - 1	3800298-1-2		ENGINE ASSY-GAS TURB GTCP331-200ER (SHUTTLE VALVE ONLY) SUPPLIER CODE: V99193 SPECIFICATION NUMBER: S351T020-201 CONFIG CHG DATA FROM A CMM: REPLACES 3800298-1-1 COMPONENT MAINT MANUAL REF: 49-22-11 QUALIFIED I/W DATA: S351T020-201 (3800298-1-2) AND S351T020-205 (3800298-1-6) ARE INTERCHANGEABLE WITH THE INCORPORATION OF ALLIED SIGNAL S/B GTCP331-49-7081. S351T020-201 (3800298-1-2) AND S351T020-206 (3800298-1-7/3800298-1) ARE INTERCHANGEABLE WITH THE INCORPORATION OF ALLIED SIGNAL S/B GTCP331-49-7081. FOR NHA/ADDITIONAL DET SEE: 49-11-01-50	002004 006100 107107 121503 904999	RF

MISSING ITEM NUMBERS NOT APPLICABLE

- ITEM NOT ILLUSTRATED

BRI

49-27-13-01

49-27-13  
 FIG. 01  
 PAGE 2  
 JAN 20/09





757

PARTS CATALOG (MAINTENANCE)

FIG ITEM	PART NUMBER	1 2 3 4 5 6 7	NOMENCLATURE	EFFECT FROM TO	UNITS PER ASSY
1 - 1	3800298-1-3		ENGINE ASSY-GAS TURB GTCP331-200ER (SHUTTLE VALVE ONLY) SUPPLIER CODE: V99193 SPECIFICATION NUMBER: S351T020-202 CONFIG CHG DATA FROM A CMM: REPLACES 3800298-1-2 COMPONENT MAINT MANUAL REF: 49-22-11 QUALIFIED I/W DATA: S351T020-202 (3800298-1-3) AND S351T020-205 (3800298-1-6) ARE INTERCHANGEABLE WITH THE INCORPORATION OF ALLIED SIGNAL S/B GTCP331-49-7081. S351T020-202 (3800298-1-3) AND S351T020-206 (3800298-1-7/3800298-1) ARE INTERCHANGEABLE WITH THE INCORPORATION OF ALLIED SIGNAL S/B GTCP331-49-7081. FOR NHA/OTHER SYS DET SEE: 49-11-01-50	002004 006100 107107 121503 904999	RF

MISSING ITEM NUMBERS NOT APPLICABLE

- ITEM NOT ILLUSTRATED

BRI

49-27-13-01

BOEING PROPRIETARY - Copyright © - Unpublished Work - See title page for details.

49-27-13  
FIG. 01  
PAGE 3  
JAN 20/09



757

PARTS CATALOG (MAINTENANCE)

FIG ITEM	PART NUMBER	1 2 3 4 5 6 7	NOMENCLATURE	EFFECT FROM TO	UNITS PER ASSY
1 - 1	3800298-1-4		ENGINE ASSY-GAS TURB GTCP331-200ER (SHUTTLE VALVE ONLY) SUPPLIER CODE: V99193 SPECIFICATION NUMBER: S351T020-203 CONFIG CHG DATA FROM A CMM: REPLACES 3800298-1-3 COMPONENT MAINT MANUAL REF: 49-22-11 QUALIFIED I/W DATA: 3800298-1-4/S351T020-203 AND 3800298-1-6/S351T020-205 ARE INTERCHANGEABLE WITH THE INCORPORATION OF ALLIED SIGNAL S/B GTCP331-49-7081 S351T020-203 (3800298-1-4) AND S351T020-206 (3800298-1-7/3800298-1) ARE INTERCHANGEABLE WITH THE INCORPORATION OF ALLIED SIGNAL S/B GTCP331-49-7081 FOR NHA/ADDITIONAL DET SEE: 49-11-01-50	002004 006100 107107 121503 904999	RF

MISSING ITEM NUMBERS NOT APPLICABLE

- ITEM NOT ILLUSTRATED

BRI

49-27-13-01

BOEING PROPRIETARY - Copyright © - Unpublished Work - See title page for details.

49-27-13  
 FIG. 01  
 PAGE 4  
 JAN 20/09



757

PARTS CATALOG (MAINTENANCE)

FIG ITEM	PART NUMBER	1 2 3 4 5 6 7	NOMENCLATURE	EFFECT FROM TO	UNITS PER ASSY
1					
- 1	3800298-1-5		ENGINE ASSY-GAS TURB GTCP331-200ER (SHUTTLE VALVE ONLY) SUPPLIER CODE: V99193 SPECIFICATION NUMBER: S351T020-204 CONFIG CHG DATA FROM A CMM: REPLACES 3800298-1-4 COMPONENT MAINT MANUAL REF: 49-22-11 QUALIFIED I/W DATA: S351T020-204 (3800298-1-5) AND S351T020-205 (3800298-1-6) ARE INTERCHANGEABLE WITH THE INCORPORATION OF ALLIED SIGNAL S/B GTCP331-49-7081 S351T020-204 (3800298-1-5) AND S351T020-206(3800298-1-7 /3800298-1) ARE INTERCHANGEABLE WITH THE INCORPORATION OF ALLIED SIGNAL S/B GTCP331-49-7081 FOR NHA/ADDITIONAL DET SEE: 49-11-01-50	002004 006100 107107 121503 904999	RF
- 1	3800298-1-6		ENGINE ASSY-GAS TURB GTCP331-200ER (SHUTTLE VALVE ONLY) SUPPLIER CODE: V99193 SPECIFICATION NUMBER: S351T020-205 CONFIG CHG DATA FROM A CMM: REPLACES 3800298-1-5 COMPONENT MAINT MANUAL REF: 49-22-11 QUALIFIED I/W DATA: S351T020-203/3800298-1-4 AND S351T020-205/3800298-1-6 ARE INTERCHANGEABLE WITH THE INCORPORATION OF ALLIED SIGNAL S/B GTCP331-49-7081	002004 006999	RF

MISSING ITEM NUMBERS NOT APPLICABLE

- ITEM NOT ILLUSTRATED

49-27-13-01

49-27-13  
FIG. 01  
PAGE 5  
JAN 20/09

BRI



757

PARTS CATALOG (MAINTENANCE)

FIG ITEM	PART NUMBER	1 2 3 4 5 6 7 NOMENCLATURE	EFFECT FROM TO	UNITS PER ASSY
1		<p>S351T020-204/3800298-1-5 AND S351T020-205/3800298-1-6 ARE INTERCHANGEABLE WITH THE INCORPORATION OF ALLIED SIGNAL S/B GTCP331-49-7081 S351T020-202 (3800298-1-3) AND S351T020-205 (3800298-1-6) ARE INTERCHANGEABLE WITH THE INCORPORATION OF ALLIED SIGNAL S/B GTCP331-49-7081. S351T020-201 (3800298-1-2) AND S351T020-205 (3800298-1-6) ARE INTERCHANGEABLE WITH THE INCORPORATION OF ALLIED SIGNAL S/B GTCP331-49-7081. S351T020-200 (3800298-1-1) AND S351T020-205 (3800298-1-6) ARE INTERCHANGEABLE WITH THE INCORPORATION OF ALLIED SIGNAL S/B GTCP331-49-7081. FOR NHA/ADDITIONAL DET SEE: 49-11-01-50 49-21-00-02</p>		
-	1 3800298-1-7	<p>ENGINE ASSY-GAS TURB GTCP331-200ER (SHUTTLE VALVE ONLY) SUPPLIER CODE: V99193 SPECIFICATION NUMBER: S351T020-206 CONFIG CHG DATA FROM A CMM: REPLACES 3800298-1-6 COMPONENT MAINT MANUAL REF: 49-22-11 QUALIFIED I/W DATA: S351T020-203/3800298-1-4 AND S351T020-206 (3800298-1-7/3800298-1)</p>	002004 006999	RF

MISSING ITEM NUMBERS NOT APPLICABLE

- ITEM NOT ILLUSTRATED

49-27-13-01

49-27-13  
FIG. 01  
PAGE 6  
SEP 20/08

BRI



757

PARTS CATALOG (MAINTENANCE)

FIG ITEM	PART NUMBER	1 2 3 4 5 6 7 NOMENCLATURE	EFFECT FROM TO	UNITS PER ASSY
1		<p>ARE INTERCHANGEABLE WITH THE INCORPORATION OF ALLIED SIGNAL S/B GTCP331-49-7081. S351T020-204/3800298-1-5 AND S351T020-206(3800298-1-7 /3800298-1) ARE INTERCHANGEABLE WITH THE INCORPORATION OF ALLIED SIGNAL S/B GTCP331-49-7081. S351T020-202 (3800298-1-3) AND S351T020-206 (3800298-1-7/3800298-1) ARE INTERCHANGEABLE WITH THE INCORPORATION OF ALLIED SIGNAL S/B GTCP331-49-7081. S351T020-201 (3800298-1-2) AND S351T020-206 (3800298-1-7/3800298-1) ARE INTERCHANGEABLE WITH THE INCORPORATION OF ALLIED SIGNAL S/B GTCP331-49-7081. S351T020-200 (3800298-1-1) AND S351T020-206 (3800298-1-7/3800298-1) ARE INTERCHANGEABLE WITH THE INCORPORATION OF ALLIED SIGNAL S/B GTCP331-49-7081.</p> <p>OPTIONAL PART: 3800298-1 V99193</p> <p>FOR NHA/ADDITIONAL DET SEE: 49-11-01-50 49-21-00-02</p> <p>ENGINE ASSY-GAS TURB GTCP331-200ER (SHUTTLE VALVE ONLY)</p> <p>SUPPLIER CODE: V99193</p> <p>SPECIFICATION NUMBER: S351T020-206</p>		
-	1 3800298-1	<p>ENGINE ASSY-GAS TURB GTCP331-200ER (SHUTTLE VALVE ONLY)</p> <p>SUPPLIER CODE: V99193</p> <p>SPECIFICATION NUMBER: S351T020-206</p>	002004 006999	RF

MISSING ITEM NUMBERS NOT APPLICABLE

- ITEM NOT ILLUSTRATED

49-27-13-01

49-27-13  
FIG. 01  
PAGE 7  
SEP 20/08

BRI



757

PARTS CATALOG (MAINTENANCE)

FIG ITEM	PART NUMBER	1 2 3 4 5 6 7 NOMENCLATURE	EFFECT FROM TO	UNITS PER ASSY
1		<p>COMPONENT MAINT MANUAL REF: 49-22-11</p> <p>QUALIFIED I/W DATA: S351T020-203/3800298-1-4 AND S351T020-206(3800298-1-7 /3800298-1) ARE INTERCHANGEABLE WITH THE INCORPORATION OF ALLIED SIGNAL S/B GTCP331-49-7081 S351T020-204/3800298-1-5 AND S351T020-206(3800298-1-7 /3800298-1) ARE INTERCHANGEABLE WITH THE INCORPORATION OF ALLIED SIGNAL S/B GTCP331-49-7081 S351T020-202 (3800298-1-3) AND S351T020-206 (3800298-1-7/3800298-1) ARE INTERCHANGEABLE WITH THE INCORPORATION OF ALLIED SIGNAL S/B GTCP331-49-7081. S351T020-201 (3800298-1-2) AND S351T020-206 (3800298-1-7/3800298-1) ARE INTERCHANGEABLE WITH THE INCORPORATION OF ALLIED SIGNAL S/B GTCP331-49-7081. S351T020-200 (3800298-1-1) AND S351T020-206 (3800298-1-7/3800298-1) ARE INTERCHANGEABLE WITH THE INCORPORATION OF ALLIED SIGNAL S/B GTCP331-49-7081.</p> <p>OPTIONAL PART: 3800298-1-7 V99193</p> <p>FOR NHA/ADDITIONAL DET SEE: 49-11-01-50 49-21-00-02</p>		

MISSING ITEM NUMBERS NOT APPLICABLE

- ITEM NOT ILLUSTRATED

49-27-13-01

49-27-13  
FIG. 01  
PAGE 8  
SEP 20/08

BRI



757

PARTS CATALOG (MAINTENANCE)

FIG ITEM	PART NUMBER	1 2 3 4 5 6 7	NOMENCLATURE	EFFECT FROM TO	UNITS PER ASSY
1					
50	AN6289J6	.	NUT	002004 006999	1
55	MS21908J6	.	ELBOW	002004 006999	1
60	VD261-0006-0006	.	GASKET- SUPPLIER CODE: V50398	002004 006999	1
65	MS21902W6	.	UNION- SB DATA FROM A CMM: PRE SB 49-5634 PRE SB 49-5765 PRE SB 49-5793 CONFIG CHG DATA FROM A CMM: REPLD BY MS21902J6	002004 006999	1
65	MS21902J6	.	UNION- SB DATA FROM A CMM: POST SB 49-5634 POST SB 49-5765 POST SB 49-5793 CONFIG CHG DATA FROM A CMM: REPLS MS21902W6	002004 006999	1
70	S8990-606	.	PACKING- SUPPLIER CODE: V99193 OPTIONAL PART: MS9385-06	002004 006999	1
70	MS9385-06	.	PACKING- OPTIONAL PART: S8990-606 V99193	002004 006999	1
75	3884332-1	.	TUBE-PCD 1 SUPPLIER CODE: V99193 SB DATA FROM A CMM: PRE SB 49-5634 PRE SB 49-5765 PRE SB 49-5793 CONFIG CHG DATA FROM A CMM: REPLD BY 3884435-1	002004 006999	1
75	3884435-1	.	TUBE-PCD 1 SUPPLIER CODE: V99193 SB DATA FROM A CMM: POST SB 49-5634 POST SB 49-5765 POST SB 49-5793 PRE SB 49-7192 CONFIG CHG DATA FROM A CMM: REPLS 3884332-1	002004 006999	1

MISSING ITEM NUMBERS NOT APPLICABLE

- ITEM NOT ILLUSTRATED

49-27-13-01

49-27-13  
FIG. 01  
PAGE 9  
SEP 20/08

BRI



757

PARTS CATALOG (MAINTENANCE)

FIG ITEM	PART NUMBER	1 2 3 4 5 6 7	NOMENCLATURE	EFFECT FROM TO	UNITS PER ASSY
1					
75	3617531-1		.TUBE-PCD 1 SUPPLIER CODE: V99193 SB DATA FROM A CMM: POST SB 49-7191 USED ON: 3800298-1-1 3800298-1-2 3800298-1-3 3800298-1-4 3800298-1-5 3800298-1-6 3800298-1-7 3800298-1	002004 006999	1
80	3616998-1		.TUBE-PCD 1 SUPPLIER CODE: V99193 SB DATA FROM A CMM: POST SB 49-7192 PRE SB 49-7391	002004 006999	1
85	AN6289J6		.NUT- SB DATA FROM A CMM: POST SB 49-7192 PRE SB 49-7391	002004 006999	1
90	MS21912J6		.TEE- SB DATA FROM A CMM: POST SB 49-7192	002004 006999	1
95	MS28773-06		.RETAINER- SB DATA FROM A CMM: POST SB 49-7192 PRE SB 49-7391	002004 006999	1
100	S8990-606		.PACKING- SUPPLIER CODE: V99193 SB DATA FROM A CMM: PRE SB 49-7391	002004 006999	1
105	MS21908J6		.ELBOW- USED ON: 3800298-1-1 3800298-1-2 3800298-1-3 3800298-1-4 3800298-1-5 3800298-1-6 3800298-1-7 3800298-1	002004 006999	1

MISSING ITEM NUMBERS NOT APPLICABLE

- ITEM NOT ILLUSTRATED

49-27-13-01

49-27-13  
FIG. 01  
PAGE 10  
SEP 20/08

BRI





757

PARTS CATALOG (MAINTENANCE)

FIG ITEM	PART NUMBER	1 2 3 4 5 6 7	NOMENCLATURE	EFFECT FROM TO	UNITS PER ASSY
1 110	MS28773-06		.RETAINER- USED ON: 3800298-1-1 3800298-1-2 3800298-1-3 3800298-1-4 3800298-1-5 3800298-1-6 3800298-1-7 3800298-1	002004 006999	1
115	S8990-606		.PACKING- SUPPLIER CODE: V99193 OPTIONAL PART: MS9385-06 USED ON: 3800298-1-1 3800298-1-2 3800298-1-3 3800298-1-4 3800298-1-5 3800298-1-6 3800298-1-7 3800298-1	002004 006999	1
115	MS9385-06		.PACKING- OPTIONAL PART: S8990-606 V99193 USED ON: 3800298-1-1 3800298-1-2 3800298-1-3 3800298-1-4 3800298-1-5 3800298-1-6 3800298-1-7 3800298-1	002004 006999	1
120	AN6289J6		.NUT- USED ON: 3800298-1-1 3800298-1-2 3800298-1-3 3800298-1-4 3800298-1-5 3800298-1-6 3800298-1-7 3800298-1	002004 006999	1

MISSING ITEM NUMBERS NOT APPLICABLE

- ITEM NOT ILLUSTRATED

49-27-13-01

49-27-13  
FIG. 01  
PAGE 11  
SEP 20/08

BRI



757

PARTS CATALOG (MAINTENANCE)

FIG ITEM	PART NUMBER	1 2 3 4 5 6 7	NOMENCLATURE	EFFECT FROM TO	UNITS PER ASSY
1 125	3614788-1		.TUBE-BUFFER AIR SUPPLIER CODE: V99193 SB DATA FROM A CMM: POST 49-5841 CONFIG CHG DATA FROM A CMM: REPLACES 3884436-1	002004 006999	1
125	3884335-1		.TUBE-BUFFER AIR SUPPLIER CODE: V99193 SB DATA FROM A CMM: PRE 49-5634 PRE 49-5765 PRE 49-5793 CONFIG CHG DATA FROM A CMM: REPLD BY 3884436-1	002004 006999	1
125	3884436-1		.TUBE-BUFFER AIR SUPPLIER CODE: V99193 SB DATA FROM A CMM: POST 49-5634 POST 49-5765 POST 49-5793 CONFIG CHG DATA FROM A CMM: REPLACES 3884335-1 REPLD BY 3614788-1	002004 006999	1
130	MS21911J6		.TEE- SB DATA FROM A CMM: POST SB 49-5634 POST SB 49-5765 POST SB 49-5793 CONFIG CHG DATA FROM A CMM: REPLS MS21911W6	002004 006999	1
130	MS21911W6		.TEE- SB DATA FROM A CMM: PRE SB 49-5634 PRE SB 49-5765 PRE SB 49-5793 CONFIG CHG DATA FROM A CMM: REPLD BY MS21911J6	002004 006999	1
135	MS28773-06		.RETAINER	002004 006999	1

MISSING ITEM NUMBERS NOT APPLICABLE

- ITEM NOT ILLUSTRATED

49-27-13-01

49-27-13  
FIG. 01  
PAGE 12  
SEP 20/08

BRI



757

PARTS CATALOG (MAINTENANCE)

FIG ITEM	PART NUMBER	1 2 3 4 5 6 7	NOMENCLATURE	EFFECT FROM TO	UNITS PER ASSY
1					
140	NAS43DD3-14		.SPACER- USED ON: 3800298-1-1 3800298-1-2 3800298-1-3 3800298-1-4 3800298-1-5 3800298-1-6 3800298-1-7 3800298-1	002004 006999	1
142	S8990-606		.PACKING- SUPPLIER CODE: V99193 OPTIONAL PART: MS9385-06	002004 006999	1
142	MS9385-06		.PACKING- OPTIONAL PART: S8990-606 V99193	002004 006999	1
145	AN6289J6		.NUT- SB DATA FROM A CMM: POST SB 49-5634 POST SB 49-5765 POST SB 49-5793 CONFIG CHG DATA FROM A CMM: REPLS AN6289D6	002004 006999	1
145	AN6289D6		.NUT- SB DATA FROM A CMM: PRE SB 49-5634 PRE SB 49-5765 PRE SB 49-5793 CONFIG CHG DATA FROM A CMM: REPLD BY AN6289J6	002004 006999	1
150	MS21916W6-4		.REDUCER- SB DATA FROM A CMM: PRE SB 49-5634 PRE SB 49-5765 PRE SB 49-5793 CONFIG CHG DATA FROM A CMM: REPLD BY MS21916J6-4	002004 006999	1
150	MS21916J6-4		.REDUCER- SB DATA FROM A CMM: POST SB 49-5634 POST SB 49-5765 POST SB 49-5793 CONFIG CHG DATA FROM A CMM: REPLS MS21916W6-4	002004 006999	1

MISSING ITEM NUMBERS NOT APPLICABLE

- ITEM NOT ILLUSTRATED

49-27-13-01

49-27-13  
FIG. 01  
PAGE 13  
SEP 20/08

BRI



757

PARTS CATALOG (MAINTENANCE)

FIG ITEM	PART NUMBER	1 2 3 4 5 6 7	NOMENCLATURE	EFFECT FROM TO	UNITS PER ASSY
1					
155	S8990-606		.PACKING- SUPPLIER CODE: V99193 OPTIONAL PART: MS9385-06	002004 006999	1
155	MS9385-06		.PACKING- OPTIONAL PART: S8990-606 V99193	002004 006999	1
160	3884333-1		.TUBE-BUFFER AIR GEARBOX PRESSURE SUPPLIER CODE: V99193	002004 006999	RF
165	AN6289D6		.NUT- SB DATA FROM A CMM: PRE SB 49-5634 PRE SB 49-5765 PRE SB 49-5793 CONFIG CHG DATA FROM A CMM: REPLD BY AN6289J6	002004 006999	1
165	AN6289J6		.NUT- SB DATA FROM A CMM: POST SB 49-5634 POST SB 49-5765 POST SB 49-5793 CONFIG CHG DATA FROM A CMM: REPLS AN6289D6	002004 006999	1
170	MS21908W6		.ELBOW- SB DATA FROM A CMM: PRE SB 49-5634 PRE SB 49-5765 PRE SB 49-5793 CONFIG CHG DATA FROM A CMM: REPLD BY MS21908J6	002004 006999	1
170	MS21908J6		.ELBOW- SB DATA FROM A CMM: POST SB 49-5634 POST SB 49-5765 POST SB 49-5793 CONFIG CHG DATA FROM A CMM: REPLS MS21908W6	002004 006999	1
175	MS28773-06		.RETAINER	002004 006999	1
180	S8990-606		.PACKING- SUPPLIER CODE: V99193 OPTIONAL PART: MS9385-06	002004 006999	1

MISSING ITEM NUMBERS NOT APPLICABLE

- ITEM NOT ILLUSTRATED

49-27-13-01

49-27-13  
FIG. 01  
PAGE 14  
SEP 20/08

BRI



757

PARTS CATALOG (MAINTENANCE)

FIG ITEM	PART NUMBER	1 2 3 4 5 6 7	NOMENCLATURE	EFFECT FROM TO	UNITS PER ASSY
1					
180	MS9385-06		.PACKING- OPTIONAL PART: S8990-606 V99193	002004 006999	1
185	MS21043-3		.NUT	002004 006999	1
			ATTACHING PARTS		
190	MS9556-05		.BOLT- SB DATA FROM A CMM: POST SPB GTE0305 CONFIG CHG DATA FROM A CMM: REPLACES MS21279-06	002004 006999	1
190	MS21279-06		.BOLT- SB DATA FROM A CMM: PRE SPB GTE0305 CONFIG CHG DATA FROM A CMM: REPLD BY MS9556-05	002004 006999	1
			-----*-----		
195	TA12C59WTH6HB		.CLAMP- SUPPLIER CODE: V84971 OPTIONAL PART: JM44LC43H6WC V22175	002004 006999	1
195	JM44LC43H6WC		.CLAMP- SUPPLIER CODE: V22175 SB DATA FROM A CMM: POST SPB GTE1046 OPTIONAL PART: TA12C59WTH6HB V84971	002004 006999	1
200	TA12C59TH4HB		.CLAMP- SUPPLIER CODE: V84971 OPTIONAL PART: JM44LC43H4WC V22175	002004 006999	1
200	JM44LC43H4WC		.CLAMP- SUPPLIER CODE: V22175 SB DATA FROM A CMM: POST SPB GTE1046 OPTIONAL PART: TA12C59TH4HB V84971	002004 006999	1

MISSING ITEM NUMBERS NOT APPLICABLE

- ITEM NOT ILLUSTRATED

49-27-13-01

49-27-13  
FIG. 01  
PAGE 15  
SEP 20/08

BRI



757

PARTS CATALOG (MAINTENANCE)

FIG ITEM	PART NUMBER	1 2 3 4 5 6 7	NOMENCLATURE	EFFECT FROM TO	UNITS PER ASSY
1 205	420-44A6BBB		.VALVE- SUPPLIER CODE: V91816 COMPONENT MAINT MANUAL REF: 39-27-01	002004 006999	1
210	MS21279-20		.BOLT- OPTIONAL PART: MS9556-20	002004 006999	2
210	MS9556-20		.BOLT- SB DATA FROM A CMM: POST SPB GTE0293 OPTIONAL PART: MS21279-20	002004 006999	2
215	NAS620C10L		.WASHER	002004 006999	2

MISSING ITEM NUMBERS NOT APPLICABLE

- ITEM NOT ILLUSTRATED

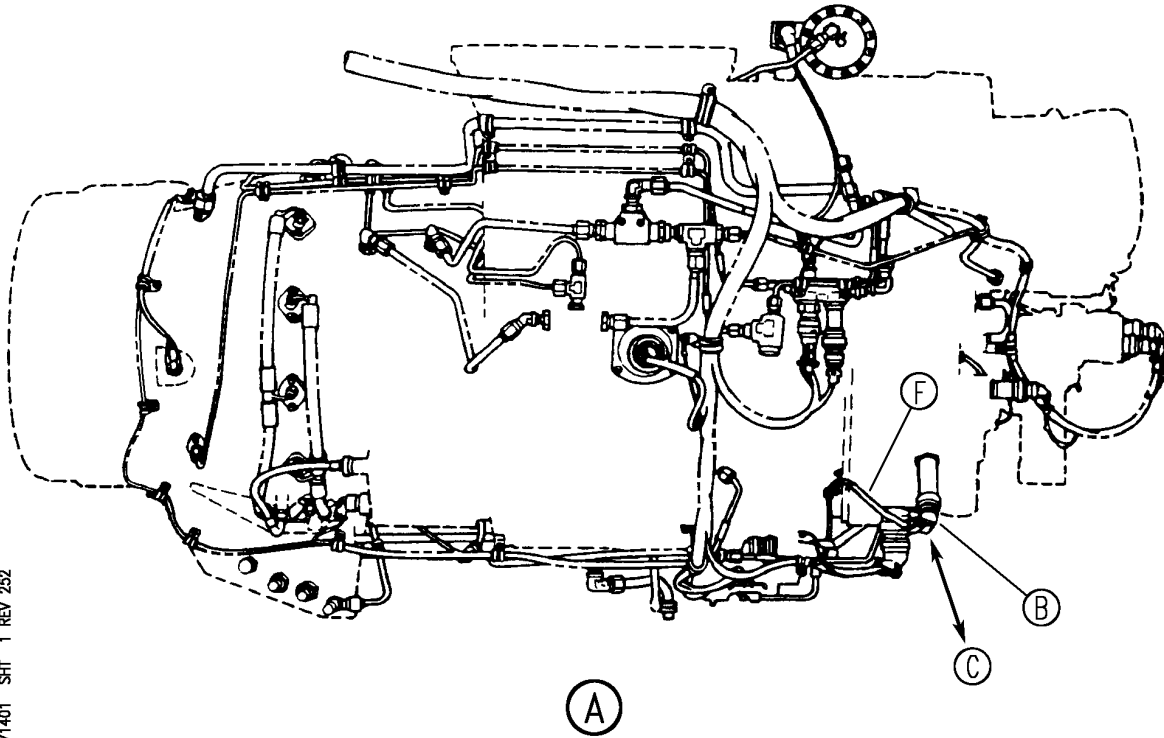
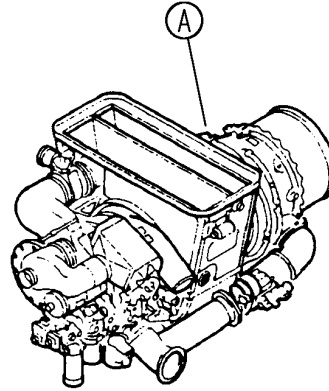
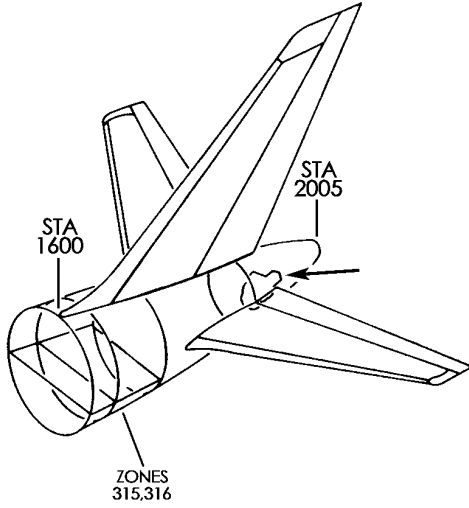
BRI

49-27-13-01

BOEING PROPRIETARY - Copyright © - Unpublished Work - See title page for details.

49-27-13  
FIG. 01  
PAGE 16  
SEP 20/08

**BOEING**  
757  
PARTS CATALOG (MAINTENANCE)



Y 49271401 SHT 1 REV 252

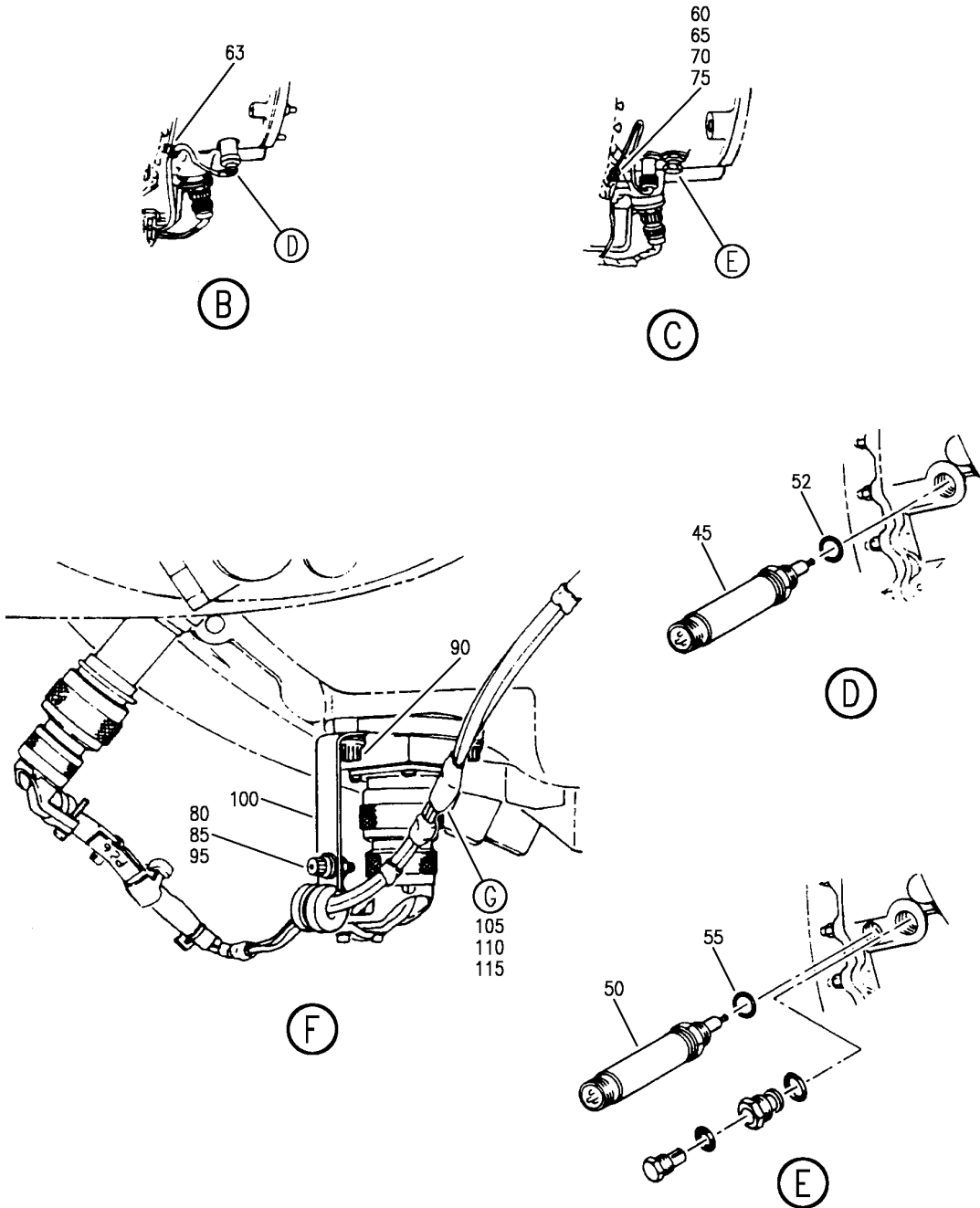
ENGINE ASSY-GAS TURB (LOW OIL TEMPERATURE SWITCH)  
FIGURE 1 (SHEET 1)

**49-27-14-01**

BRI  
MAY 28/07

49-27-14-01  
PAGE 0

**BOEING**  
757  
PARTS CATALOG (MAINTENANCE)



Y 49271401 SH1 2 REV 252

ENGINE ASSY-GAS TURB (LOW OIL TEMPERATURE SWITCH)  
FIGURE 1 (SHEET 2)

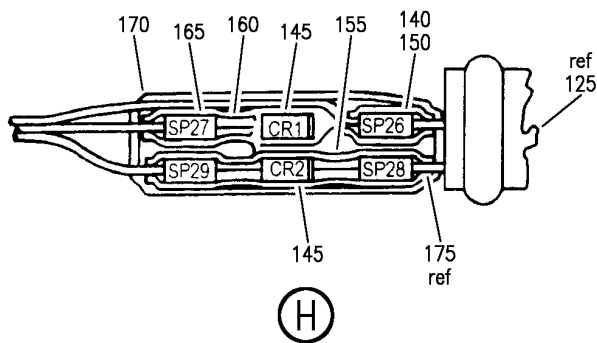
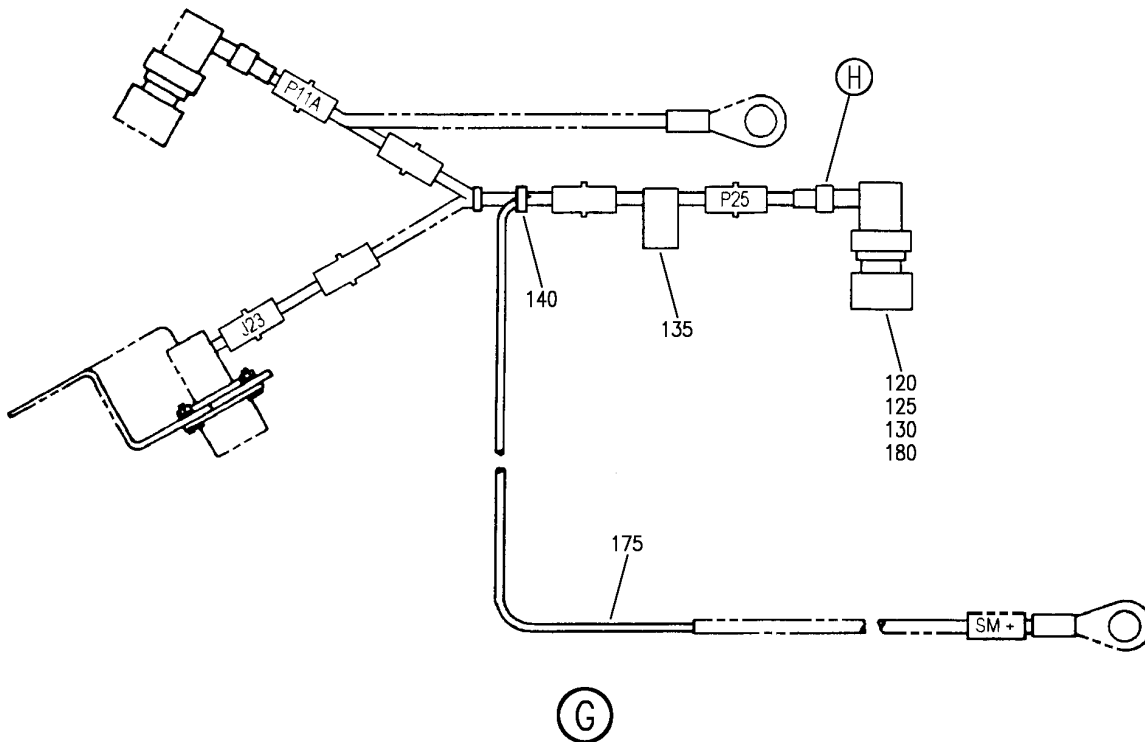
**49-27-14-01**

BRI  
MAY 28/07

49-27-14-01  
PAGE 0A



**BOEING**  
757  
PARTS CATALOG (MAINTENANCE)



Y 49271401 SH1 3 REV 252

ENGINE ASSY-GAS TURB (LOW OIL TEMPERATURE SWITCH)  
FIGURE 1 (SHEET 3)

**49-27-14-01**

BRI  
MAY 28/07

49-27-14-01  
PAGE 0B



757

PARTS CATALOG (MAINTENANCE)

FIG ITEM	PART NUMBER	1 2 3 4 5 6 7	NOMENCLATURE	EFFECT FROM TO	UNITS PER ASSY
1			ENGINE ASSY-GAS TURB (LOW OIL TEMPERATURE SWITCH)	002004 006999	
- 1	3800298-1-1		ENGINE ASSY-GAS TURB GTCP331-200ER (LOW OIL TEMPERATURE SWITCH) SUPPLIER CODE: V99193 SPECIFICATION NUMBER: S351T020-200 COMPONENT MAINT MANUAL REF: 49-22-11 QUALIFIED I/W DATA: S351T020-200 (3800298-1-1) AND S351T020-205 (3800298-1-6) ARE INTERCHANGEABLE WITH THE INCORPORATION OF ALLIED SIGNAL S/B GTCP331-49-7081. S351T020-200 (3800298-1-1) AND S351T020-206 (3800298-1-7/3800298-1) ARE INTERCHANGEABLE WITH THE INCORPORATION OF ALLIED SIGNAL S/B GTCP331-49-7081. FOR NHA/ADDITIONAL DET SEE: 49-11-01-50	002004 006100 107107 121503 904999	RF

MISSING ITEM NUMBERS NOT APPLICABLE

- ITEM NOT ILLUSTRATED

BRI

49-27-14-01

BOEING PROPRIETARY - Copyright © - Unpublished Work - See title page for details.

49-27-14  
FIG. 01  
PAGE 1  
JAN 20/09



757

PARTS CATALOG (MAINTENANCE)

FIG ITEM	PART NUMBER	1 2 3 4 5 6 7	NOMENCLATURE	EFFECT FROM TO	UNITS PER ASSY
1 - 1	3800298-1-2		ENGINE ASSY-GAS TURB GTCP331-200ER (LOW OIL TEMPERATURE SWITCH) SUPPLIER CODE: V99193 SPECIFICATION NUMBER: S351T020-201 CONFIG CHG DATA FROM A CMM: REPLACES 3800298-1-1 COMPONENT MAINT MANUAL REF: 49-22-11 QUALIFIED I/W DATA: S351T020-201 (3800298-1-2) AND S351T020-205 (3800298-1-6) ARE INTERCHANGEABLE WITH THE INCORPORATION OF ALLIED SIGNAL S/B GTCP331-49-7081. S351T020-201 (3800298-1-2) AND S351T020-206 (3800298-1-7/3800298-1) ARE INTERCHANGEABLE WITH THE INCORPORATION OF ALLIED SIGNAL S/B GTCP331-49-7081. FOR NHA/ADDITIONAL DET SEE: 49-11-01-50	002004 006100 107107 121503 904999	RF

MISSING ITEM NUMBERS NOT APPLICABLE

- ITEM NOT ILLUSTRATED

BRI

49-27-14-01

BOEING PROPRIETARY - Copyright © - Unpublished Work - See title page for details.

49-27-14  
 FIG. 01  
 PAGE 2  
 JAN 20/09



757

PARTS CATALOG (MAINTENANCE)

FIG ITEM	PART NUMBER	1 2 3 4 5 6 7	NOMENCLATURE	EFFECT FROM TO	UNITS PER ASSY
1 - 1	3800298-1-3		ENGINE ASSY-GAS TURB GTCP331-200ER (LOW OIL TEMPERATURE SWITCH) SUPPLIER CODE: V99193 SPECIFICATION NUMBER: S351T020-202 CONFIG CHG DATA FROM A CMM: REPLACES 3800298-1-2 COMPONENT MAINT MANUAL REF: 49-22-11 QUALIFIED I/W DATA: S351T020-202 (3800298-1-3) AND S351T020-205 (3800298-1-6) ARE INTERCHANGEABLE WITH THE INCORPORATION OF ALLIED SIGNAL S/B GTCP331-49-7081. S351T020-202 (3800298-1-3) AND S351T020-206 (3800298-1-7/3800298-1) ARE INTERCHANGEABLE WITH THE INCORPORATION OF ALLIED SIGNAL S/B GTCP331-49-7081. FOR NHA/OTHER SYS DET SEE: 49-11-01-50	002004 006100 107107 121503 904999	RF

MISSING ITEM NUMBERS NOT APPLICABLE

- ITEM NOT ILLUSTRATED

BRI

49-27-14-01

BOEING PROPRIETARY - Copyright © - Unpublished Work - See title page for details.

49-27-14  
FIG. 01  
PAGE 3  
JAN 20/09



757

PARTS CATALOG (MAINTENANCE)

FIG ITEM	PART NUMBER	1 2 3 4 5 6 7	NOMENCLATURE	EFFECT FROM TO	UNITS PER ASSY
1 - 1	3800298-1-4		ENGINE ASSY-GAS TURB GTCP331-200ER (LOW OIL TEMPERATURE SWITCH) SUPPLIER CODE: V99193 SPECIFICATION NUMBER: S351T020-203 CONFIG CHG DATA FROM A CMM: REPLACES 3800298-1-3 COMPONENT MAINT MANUAL REF: 49-22-11 QUALIFIED I/W DATA: 3800298-1-4/S351T020-203 AND 3800298-1-6/S351T020-205 ARE INTERCHANGEABLE WITH THE INCORPORATION OF ALLIED SIGNAL S/B GTCP331-49-7081 S351T020-203 (3800298-1-4) AND S351T020-206 (3800298-1-7/3800298-1) ARE INTERCHANGEABLE WITH THE INCORPORATION OF ALLIED SIGNAL S/B GTCP331-49-7081 FOR NHA/ADDITIONAL DET SEE: 49-11-01-50	002004 006100 107107 121503 904999	RF

MISSING ITEM NUMBERS NOT APPLICABLE

- ITEM NOT ILLUSTRATED

BRI

49-27-14-01

49-27-14  
FIG. 01  
PAGE 4  
JAN 20/09



757

PARTS CATALOG (MAINTENANCE)

FIG ITEM	PART NUMBER	1 2 3 4 5 6 7	NOMENCLATURE	EFFECT FROM TO	UNITS PER ASSY
1					
- 1	3800298-1-5		ENGINE ASSY-GAS TURB GTCP331-200ER (LOW OIL TEMPERATURE SWITCH) SUPPLIER CODE: V99193 SPECIFICATION NUMBER: S351T020-204 CONFIG CHG DATA FROM A CMM: REPLACES 3800298-1-4 COMPONENT MAINT MANUAL REF: 49-22-11 QUALIFIED I/W DATA: S351T020-204 (3800298-1-5) AND S351T020-205 (3800298-1-6) ARE INTERCHANGEABLE WITH THE INCORPORATION OF ALLIED SIGNAL S/B GTCP331-49-7081 S351T020-204 (3800298-1-5) AND S351T020-206(3800298-1-7 /3800298-1) ARE INTERCHANGEABLE WITH THE INCORPORATION OF ALLIED SIGNAL S/B GTCP331-49-7081 FOR NHA/ADDITIONAL DET SEE: 49-11-01-50	002004 006100 107107 121503 904999	RF
- 1	3800298-1-6		ENGINE ASSY-GAS TURB GTCP331-200ER (LOW OIL TEMPERATURE SWITCH) SUPPLIER CODE: V99193 SPECIFICATION NUMBER: S351T020-205 CONFIG CHG DATA FROM A CMM: REPLACES 3800298-1-5 COMPONENT MAINT MANUAL REF: 49-22-11 QUALIFIED I/W DATA: S351T020-203/3800298-1-4 AND S351T020-205/3800298-1-6 ARE INTERCHANGEABLE WITH THE INCORPORATION OF	002004 006999	RF

MISSING ITEM NUMBERS NOT APPLICABLE

- ITEM NOT ILLUSTRATED

49-27-14-01

49-27-14  
FIG. 01  
PAGE 5  
JAN 20/09

BRI



757

PARTS CATALOG (MAINTENANCE)

FIG ITEM	PART NUMBER	1 2 3 4 5 6 7 NOMENCLATURE	EFFECT FROM TO	UNITS PER ASSY
1		ALLIED SIGNAL S/B GTCP331-49-7081 S351T020-204/3800298-1-5 AND S351T020-205/3800298-1-6 ARE INTERCHANGEABLE WITH THE INCORPORATION OF ALLIED SIGNAL S/B GTCP331-49-7081 S351T020-202 (3800298-1-3) AND S351T020-205 (3800298-1-6) ARE INTERCHANGEABLE WITH THE INCORPORATION OF ALLIED SIGNAL S/B GTCP331-49-7081. S351T020-201 (3800298-1-2) AND S351T020-205 (3800298-1-6) ARE INTERCHANGEABLE WITH THE INCORPORATION OF ALLIED SIGNAL S/B GTCP331-49-7081. S351T020-200 (3800298-1-1) AND S351T020-205 (3800298-1-6) ARE INTERCHANGEABLE WITH THE INCORPORATION OF ALLIED SIGNAL S/B GTCP331-49-7081. FOR NHA/ADDITIONAL DET SEE: 49-11-01-50 49-21-00-02		
-	1 3800298-1-7	ENGINE ASSY-GAS TURB GTCP331-200ER (LOW OIL TEMPERATURE SWITCH) SUPPLIER CODE: V99193 SPECIFICATION NUMBER: S351T020-206 CONFIG CHG DATA FROM A CMM: REPLACES 3800298-1-6 COMPONENT MAINT MANUAL REF: 49-22-11 QUALIFIED I/W DATA:  MISSING ITEM NUMBERS NOT APPLICABLE	002004 006999	RF

- ITEM NOT ILLUSTRATED

49-27-14-01

49-27-14  
FIG. 01  
PAGE 6  
SEP 20/08

BRI



757

PARTS CATALOG (MAINTENANCE)

FIG ITEM	PART NUMBER	1 2 3 4 5 6 7 NOMENCLATURE	EFFECT FROM TO	UNITS PER ASSY
1		<p>S351T020-203/3800298-1-4 AND S351T020-206 (3800298-1-7/3800298-1) ARE INTERCHANGEABLE WITH THE INCORPORATION OF ALLIED SIGNAL S/B GTCP331-49-7081. S351T020-204/3800298-1-5 AND S351T020-206(3800298-1-7 /3800298-1) ARE INTERCHANGEABLE WITH THE INCORPORATION OF ALLIED SIGNAL S/B GTCP331-49-7081. S351T020-202 (3800298-1-3) AND S351T020-206 (3800298-1-7/3800298-1) ARE INTERCHANGEABLE WITH THE INCORPORATION OF ALLIED SIGNAL S/B GTCP331-49-7081. S351T020-201 (3800298-1-2) AND S351T020-206 (3800298-1-7/3800298-1) ARE INTERCHANGEABLE WITH THE INCORPORATION OF ALLIED SIGNAL S/B GTCP331-49-7081. S351T020-200 (3800298-1-1) AND S351T020-206 (3800298-1-7/3800298-1) ARE INTERCHANGEABLE WITH THE INCORPORATION OF ALLIED SIGNAL S/B GTCP331-49-7081. OPTIONAL PART: 3800298-1 V99193 FOR NHA/ADDITIONAL DET SEE: 49-11-01-50 49-21-00-02</p>		
-	1 3800298-1	<p>ENGINE ASSY-GAS TURB GTCP331-200ER (LOW OIL TEMPERATURE SWITCH)</p>	002004 006999	RF

MISSING ITEM NUMBERS NOT APPLICABLE

- ITEM NOT ILLUSTRATED

49-27-14-01

49-27-14  
FIG. 01  
PAGE 7  
SEP 20/08

BRI





757

PARTS CATALOG (MAINTENANCE)

FIG ITEM	PART NUMBER	1 2 3 4 5 6 7 NOMENCLATURE	EFFECT FROM TO	UNITS PER ASSY
1		<p>SUPPLIER CODE: V99193</p> <p>SPECIFICATION NUMBER: S351T020-206</p> <p>COMPONENT MAINT MANUAL REF: 49-22-11</p> <p>QUALIFIED I/W DATA: S351T020-203/3800298-1-4 AND S351T020-206(3800298-1-7 /3800298-1) ARE INTERCHANGEABLE WITH THE INCORPORATION OF ALLIED SIGNAL S/B GTCP331-49-7081 S351T020-204/3800298-1-5 AND S351T020-206(3800298-1-7 /3800298-1) ARE INTERCHANGEABLE WITH THE INCORPORATION OF ALLIED SIGNAL S/B GTCP331-49-7081 S351T020-202 (3800298-1-3) AND S351T020-206 (3800298-1-7/3800298-1) ARE INTERCHANGEABLE WITH THE INCORPORATION OF ALLIED SIGNAL S/B GTCP331-49-7081. S351T020-201 (3800298-1-2) AND S351T020-206 (3800298-1-7/3800298-1) ARE INTERCHANGEABLE WITH THE INCORPORATION OF ALLIED SIGNAL S/B GTCP331-49-7081. S351T020-200 (3800298-1-1) AND S351T020-206 (3800298-1-7/3800298-1) ARE INTERCHANGEABLE WITH THE INCORPORATION OF ALLIED SIGNAL S/B GTCP331-49-7081. OPTIONAL PART: 3800298-1-7</p>		

MISSING ITEM NUMBERS NOT APPLICABLE

— ITEM NOT ILLUSTRATED

49-27-14-01

49-27-14  
FIG. 01  
PAGE 8  
SEP 20/08

BRI



757

PARTS CATALOG (MAINTENANCE)

FIG ITEM	PART NUMBER	1 2 3 4 5 6 7	NOMENCLATURE	EFFECT FROM TO	UNITS PER ASSY
1			V99193 FOR NHA/ADDITIONAL DET SEE: 49-11-01-50 49-21-00-02		
50	3876023-2		.SWITCH- SUPPLIER CODE: V99193 SB DATA FROM A CMM: POST 49-5438	002004 006999	1
55	S9413-557		.PACKING- SUPPLIER CODE: V99193 SB DATA FROM A CMM: POST 49-5438 OPTIONAL PART: M83248-1-907	002004 006999	1
55	M83248-1-907		.PACKING- OPTIONAL PART: S9413-557 V99193	002004 006999	1
60	TA12C59TH3HB		.CLAMP- SUPPLIER CODE: V84971 SB DATA FROM A CMM: POST 49-5533 OPTIONAL PART: JM44LC43H3WC V22175 USED ON: 3800298-1-1 3800298-1-2 3800298-1-3 3800298-1-4 3800298-1-5 3800298-1-6 3800298-1-7 3800298-1	002004 006999	1
60	JM44LC43H3WC		.CLAMP- SUPPLIER CODE: V22175 SB DATA FROM A CMM: POST SPB GTE 1046 OPTIONAL PART: TA12C59TH3HB V84971	002004 006999	1

MISSING ITEM NUMBERS NOT APPLICABLE

- ITEM NOT ILLUSTRATED

49-27-14-01

49-27-14  
FIG. 01  
PAGE 9  
SEP 20/08

BRI

BOEING PROPRIETARY - Copyright © - Unpublished Work - See title page for details.



757

PARTS CATALOG (MAINTENANCE)

FIG ITEM	PART NUMBER	1 2 3 4 5 6 7	NOMENCLATURE	EFFECT FROM TO	UNITS PER ASSY
1 65	MS9593-216		.BRACKET- SB DATA FROM A CMM: POST 49-5533 USED ON: 3800298-1-1 3800298-1-2 3800298-1-3 3800298-1-4 3800298-1-5 3800298-1-6 3800298-1-7 3800298-1	002004 006999	1
70	MS21043-3		.NUT- SB DATA FROM A CMM: POST 49-5533 USED ON: 3800298-1-1 3800298-1-2 3800298-1-3 3800298-1-4 3800298-1-5 3800298-1-6 3800298-1-7 3800298-1	002004 006999	1
75	MS9556-05		.BOLT- SB DATA FROM A CMM: POST 49-5533 USED ON: 3800298-1-1 3800298-1-2 3800298-1-3 3800298-1-4 3800298-1-5 3800298-1-6 3800298-1-7 3800298-1	002004 006999	1
80	TA12C59TH3HB		.CLAMP- SUPPLIER CODE: V84971 OPTIONAL PART: JM44LC43H3WC V22175	002004 006999	6

MISSING ITEM NUMBERS NOT APPLICABLE

- ITEM NOT ILLUSTRATED

BRI

49-27-14-01

BOEING PROPRIETARY - Copyright © - Unpublished Work - See title page for details.

49-27-14  
FIG. 01  
PAGE 10  
SEP 20/08



757

PARTS CATALOG (MAINTENANCE)

FIG ITEM	PART NUMBER	1 2 3 4 5 6 7	NOMENCLATURE	EFFECT FROM TO	UNITS PER ASSY
1					
80	JM44LCH3WC	.	CLAMP- SUPPLIER CODE: V22175 SB DATA FROM A CMM: POST SPB GTE1046 OPTIONAL PART: TA12C59TH3HB V84971	002004 006999	6
85	MS9556-04	.	BOLT	002004 006999	6
90	MS9556-05	.	BOLT	002004 006999	RF
95	MS21043-3	.	NUT	002004 006999	6
100	MS9593-665	.	BRACKET	002004 006999	1
115	3888139-3	.	WIRING HARNESS ASSY- SUPPLIER CODE: V99193	002004 006999	1
120	ZZYZ0-12D12-03S	..	CONNECTOR-P26 SUPPLIER CODE: V49367	002004 006999	1
125	GS3418-12CD	..	CLAMP- SUPPLIER CODE: V06324	002004 006999	1
130	418-1616-902	..	CONTACT- SUPPLIER CODE: V55104	002004 006999	3
135	MS3368-1-9B	..	STRAP-IDENT	002004 006999	1
140	S8999	..	TIE-STRAP SUPPLIER CODE: V99193	002004 006999	AR
145	JAN1N5552	..	DIODE	002004 006999	2
150	34070	..	SPLICE- SUPPLIER CODE: V00779	002004 006999	1
155	M23053-5-106-9	..	SLEEVE	002004 006999	1
160	M23053-5-106-9	..	SLEEVE-	002004 006999	1
165	34137	..	SPLICE- SUPPLIER CODE: V00779 OPTIONAL PART: M81824-1-3	002004 006999	3

MISSING ITEM NUMBERS NOT APPLICABLE

- ITEM NOT ILLUSTRATED

49-27-14-01

49-27-14  
FIG. 01  
PAGE 11  
SEP 20/08

BRI

 **BOEING**  
757  
**PARTS CATALOG (MAINTENANCE)**

FIG ITEM	PART NUMBER	1 2 3 4 5 6 7	NOMENCLATURE	EFFECT FROM TO	UNITS PER ASSY
1					
165	M81824-1-3	..	SPLICE- OPTIONAL PART: 34137 V00779	002004 006999	3
170	M23053-5-108-9	..	SLEEVE	002004 006999	1
175	M22759-8-18-8	..	WIRE-ELECTRICAL OPTIONAL PART: 18AF2XTN1930 V12814 18699-69A1 V92607 BATATE1930N1CE V90484 11-00821 V12525 75908E18 V12515	002004 006999	AR
175	18AF2XTN1930	..	WIRE-ELECTRICAL SUPPLIER CODE: V12814 OPTIONAL PART: M22759-8-18-8 18699-69A1 V92607 BATATE1930N1CE V90484 11-00821 V05973 75908E18 V12515	002004 006999	AR
175	18699-69A1	..	WIRE-ELECTRICAL SUPPLIER CODE: V92607 OPTIONAL PART: M22759-8-18-8 18AF2XTN1930 V12814 BATATE1930N1CE V90484 11-00821 V05973 75908E18 V12515	002004 006999	AR

MISSING ITEM NUMBERS NOT APPLICABLE

— ITEM NOT ILLUSTRATED

BRI

# 49-27-14-01

BOEING PROPRIETARY - Copyright © - Unpublished Work - See title page for details.

49-27-14  
FIG. 01  
PAGE 12  
SEP 20/08



757

PARTS CATALOG (MAINTENANCE)

FIG ITEM	PART NUMBER	1 2 3 4 5 6 7	NOMENCLATURE	EFFECT FROM TO	UNITS PER ASSY
1 175	BATATE1930N1CE		.. WIRE-ELECTRICAL SUPPLIER CODE: V90484 OPTIONAL PART: M22759-8-18-8 18AF2XTN1930 V12814 18699-69A1 V92607 11-00821 V05973 75908E18 V12515	002004 006999	AR
175	75908E18		.. WIRE-ELECTRICAL SUPPLIER CODE: V12515 OPTIONAL PART: M22759-8-18-8 18AF2XTN1930 V12814 18699-69A1 V92607 BATATE1930N1CE V90484 11-00821 V05973	002004 006999	AR
175	11-00821		.. WIRE-ELECTRICAL SUPPLIER CODE: V05973 OPTIONAL PART: M22759-8-18-8 18AF2XTN1930 V12814 18699-69A1 V92607 BATATE1930N1CE V90484 75908E18 V12515	002004 006999	AR
180	10-23095-142		.. GROMMET- SUPPLIER CODE: V77820	002004 006999	1

MISSING ITEM NUMBERS NOT APPLICABLE

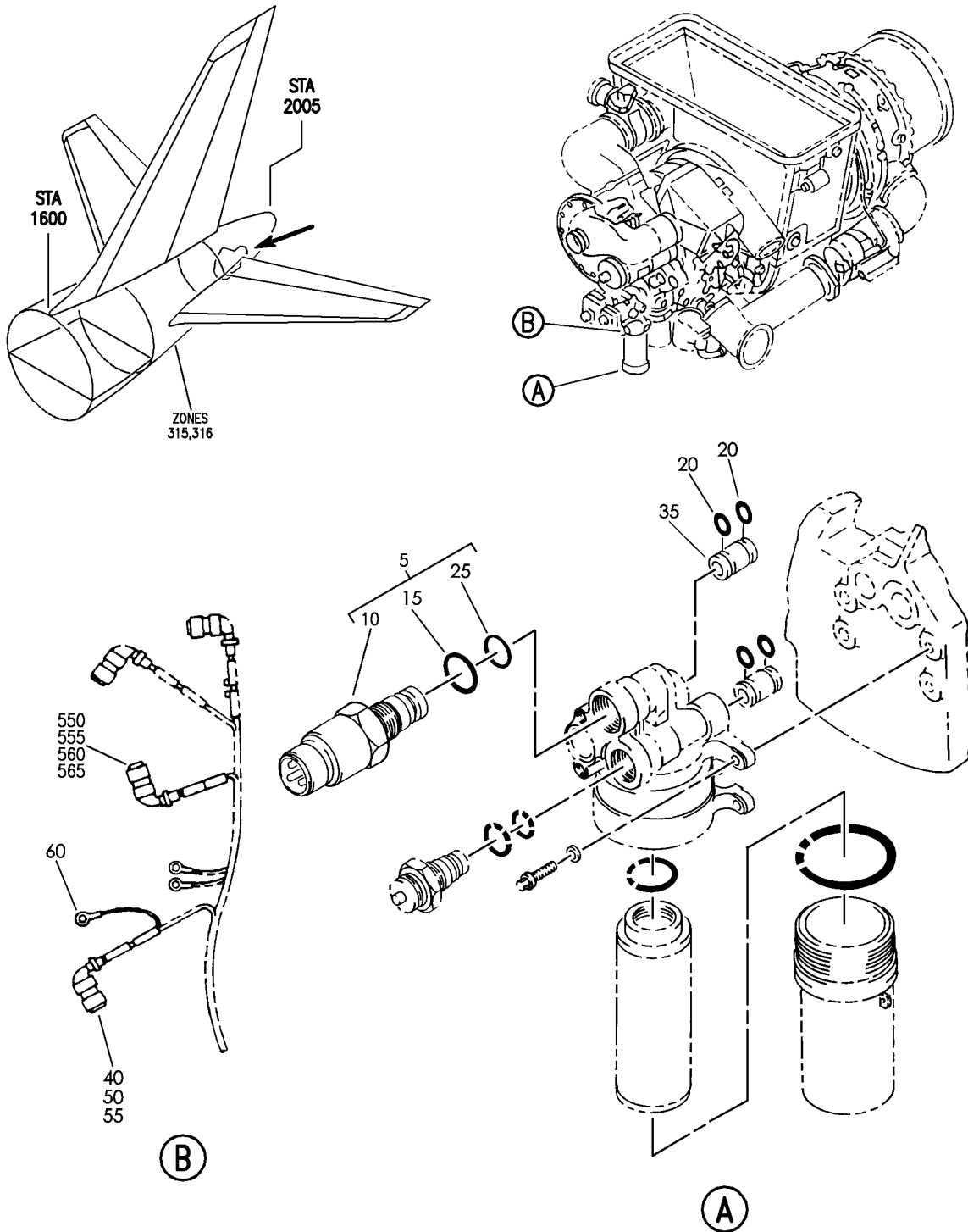
- ITEM NOT ILLUSTRATED

49-27-14-01

49-27-14  
FIG. 01  
PAGE 13  
SEP 20/08

BRI

**BOEING**  
757  
PARTS CATALOG (MAINTENANCE)



Y 49271501 REV 251

ENGINE ASSY-GAS TURB (GENERATOR OIL FILTER DIFFERENTIAL PRESSURE SWITCH ONLY)

FIGURE 1

**49-27-15-01**

BRI  
MAY 28/07

49-27-15-01  
PAGE 0



757

PARTS CATALOG (MAINTENANCE)

FIG ITEM	PART NUMBER	1 2 3 4 5 6 7	NOMENCLATURE	EFFECT FROM TO	UNITS PER ASSY
1			ENGINE ASSY-GAS TURB (GENERATOR OIL FILTER DIFFERENTIAL PRESSURE SWITCH ONLY)	002004 006999	
- 1	3800298-1-2		ENGINE ASSY-GAS TURB GTCP331-200ER (GENERATOR OIL FILTER DIFFERENTIAL PRESSURE SWITCH ONLY) SUPPLIER CODE: V99193 SPECIFICATION NUMBER: S351T020-201 CONFIG CHG DATA FROM A CMM: REPLS 3800298-1-1 COMPONENT MAINT MANUAL REF: 49-22-11 QUALIFIED I/W DATA: S351T020-201 (3800298-1-2) AND S351T020-205 (3800298-1-6) ARE INTERCHANGEABLE WITH THE INCORPORATION OF ALLIED SIGNAL S/B GTCP331-49-7081. S351T020-201 (3800298-1-2) AND S351T020-206 (3800298-1-7/3800298-1) ARE INTERCHANGEABLE WITH THE INCORPORATION OF ALLIED SIGNAL S/B GTCP331-49-7081. FOR NHA/ADDITIONAL DET SEE: 49-11-01-50	002004 006100 107107 121503 904999	RF

MISSING ITEM NUMBERS NOT APPLICABLE

- ITEM NOT ILLUSTRATED

BRI

49-27-15-01

BOEING PROPRIETARY - Copyright © - Unpublished Work - See title page for details.

49-27-15  
FIG. 01  
PAGE 1  
JAN 20/09





757  
PARTS CATALOG (MAINTENANCE)

FIG ITEM	PART NUMBER	1 2 3 4 5 6 7	NOMENCLATURE	EFFECT FROM TO	UNITS PER ASSY
1 - 1	3800298-1-1		ENGINE ASSY-GAS TURB GTCP331-200ER (GENERATOR OIL FILTER DIFFERENTIAL PRESSURE SWITCH ONLY) SUPPLIER CODE: V99193 SPECIFICATION NUMBER: S351T020-200 COMPONENT MAINT MANUAL REF: 49-22-11 QUALIFIED I/W DATA: S351T020-200 (3800298-1-1) AND S351T020-205 (3800298-1-6) ARE INTERCHANGEABLE WITH THE INCORPORATION OF ALLIED SIGNAL S/B GTCP331-49-7081. S351T020-200 (3800298-1-1) AND S351T020-206 (3800298-1-7/3800298-1) ARE INTERCHANGEABLE WITH THE INCORPORATION OF ALLIED SIGNAL S/B GTCP331-49-7081. FOR NHA/ADDITIONAL DET SEE: 49-11-01-50	002004 006100 107107 121503 904999	RF

MISSING ITEM NUMBERS NOT APPLICABLE

- ITEM NOT ILLUSTRATED

BRI

49-27-15-01

BOEING PROPRIETARY - Copyright © - Unpublished Work - See title page for details.

49-27-15  
FIG. 01  
PAGE 2  
JAN 20/09



757

PARTS CATALOG (MAINTENANCE)

FIG ITEM	PART NUMBER	1 2 3 4 5 6 7	NOMENCLATURE	EFFECT FROM TO	UNITS PER ASSY
1 - 1	3800298-1-3		ENGINE ASSY-GAS TURB GTCP331-200ER (GENERATOR OIL FILTER DIFFERENTIAL PRESSURE SWITCH ONLY) SUPPLIER CODE: V99193 SPECIFICATION NUMBER: S351T020-202 CONFIG CHG DATA FROM A CMM: REPLS 3800298-1-2 COMPONENT MAINT MANUAL REF: 49-22-11 QUALIFIED I/W DATA: S351T020-202 (3800298-1-3) AND S351T020-205 (3800298-1-6) ARE INTERCHANGEABLE WITH THE INCORPORATION OF ALLIED SIGNAL S/B GTCP331-49-7081. S351T020-202 (3800298-1-3) AND S351T020-206 (3800298-1-7/3800298-1) ARE INTERCHANGEABLE WITH THE INCORPORATION OF ALLIED SIGNAL S/B GTCP331-49-7081. FOR NHA/OTHER SYS DET SEE: 49-11-01-50	002004 006100 107107 121503 904999	RF

MISSING ITEM NUMBERS NOT APPLICABLE

- ITEM NOT ILLUSTRATED

BRI

49-27-15-01

BOEING PROPRIETARY - Copyright © - Unpublished Work - See title page for details.

49-27-15  
FIG. 01  
PAGE 3  
JAN 20/09



757

PARTS CATALOG (MAINTENANCE)

FIG ITEM	PART NUMBER	1 2 3 4 5 6 7	NOMENCLATURE	EFFECT FROM TO	UNITS PER ASSY
1 - 1	3800298-1-4		ENGINE ASSY-GAS TURB GTCP331-200ER (GENERATOR OIL FILTER DIFFERENTIAL PRESSURE SWITCH ONLY) SUPPLIER CODE: V99193 SPECIFICATION NUMBER: S351T020-203 CONFIG CHG DATA FROM A CMM: REPLS 3800298-1-3 COMPONENT MAINT MANUAL REF: 49-22-11 QUALIFIED I/W DATA: 3800298-1-4/S351T020-203 AND 3800298-1-6/S351T020-205 ARE INTERCHANGEABLE WITH THE INCORPORATION OF ALLIED SIGNAL S/B GTCP331-49-7081. S351T020-203 (3800298-1-4) AND S351T020-206 (3800298-1-7/3800298-1) ARE INTERCHANGEABLE WITH THE INCORPORATION OF ALLIED SIGNAL S/B GTCP331-49-7081. FOR NHA/ADDITIONAL DET SEE: 49-11-01-50	002004 006100 107107 121503 904999	RF

MISSING ITEM NUMBERS NOT APPLICABLE

- ITEM NOT ILLUSTRATED

BRI

49-27-15-01

BOEING PROPRIETARY - Copyright © - Unpublished Work - See title page for details.

49-27-15  
 FIG. 01  
 PAGE 4  
 JAN 20/09



757

PARTS CATALOG (MAINTENANCE)

FIG ITEM	PART NUMBER	1 2 3 4 5 6 7	NOMENCLATURE	EFFECT FROM TO	UNITS PER ASSY
1					
- 1	3800298-1-5		ENGINE ASSY-GAS TURB GTCP331-200ER (GENERATOR OIL FILTER DIFFERENTIAL PRESSURE SWITCH ONLY) SUPPLIER CODE: V99193 SPECIFICATION NUMBER: S351T020-204 CONFIG CHG DATA FROM A CMM: REPLS 3800298-1-4 COMPONENT MAINT MANUAL REF: 49-22-11 QUALIFIED I/W DATA: S351T020-204 (3800298-1-5) AND S351T020-205(3800298-1-6 ARE INTERCHANGEABLE WITH THE INCORPORATION OF ALLIED SIGNAL S/B GTCP331-49-7081. S351T020-204 (3800298-1-5) AND S351T020-206(3800298-1-7 /3800298-1) ARE INTERCHANGEABLE WITH THE INCORPORATION OF ALLIED SIGNAL S/B GTCP331-49-7081. FOR NHA/ADDITIONAL DET SEE: 49-11-01-50	002004 006100 107107 121503 904999	RF
- 1	3800298-1-6		ENGINE ASSY-GAS TURB GTCP331-200ER (GENERATOR OIL FILTER DIFFERENTIAL PRESSURE SWITCH ONLY) SUPPLIER CODE: V99193 SPECIFICATION NUMBER: S351T020-205 CONFIG CHG DATA FROM A CMM: REPLS 3800298-1-5 COMPONENT MAINT MANUAL REF: 49-22-11 QUALIFIED I/W DATA: S351T020-204 (3800298-1-5) AND S351T020-205 (3800298-1-6) ARE INTERCHANGEABLE WITH THE INCORPORATION OF	018106 108120 504903	RF

MISSING ITEM NUMBERS NOT APPLICABLE

- ITEM NOT ILLUSTRATED

49-27-15-01

49-27-15  
FIG. 01  
PAGE 5  
JAN 20/09

BRI



757

PARTS CATALOG (MAINTENANCE)

FIG ITEM	PART NUMBER	1 2 3 4 5 6 7 NOMENCLATURE	EFFECT FROM TO	UNITS PER ASSY
1		ALLIED SIGNAL S/B GTCP331-49-7081. S351T020-203 (3800298-1-4) AND S351T020-205 (3800298-1-6) ARE INTERCHANGEABLE WITH THE INCORPORATION OF ALLIED SIGNAL S/B GTCP331-49-7081. S351T020-202 (3800298-1-3) AND S351T020-205 (3800298-1-6) ARE INTERCHANGEABLE WITH THE INCORPORATION OF ALLIED SIGNAL S/B GTCP331-49-7081. S351T020-201 (3800298-1-2) AND S351T020-205 (3800298-1-6) ARE INTERCHANGEABLE WITH THE INCORPORATION OF ALLIED SIGNAL S/B GTCP331-49-7081. S351T020-200 (3800298-1-1) AND S351T020-205 (3800298-1-6) ARE INTERCHANGEABLE WITH THE INCORPORATION OF ALLIED SIGNAL S/B GTCP331-49-7081. FOR NHA/ADDITIONAL DET SEE: 49-11-01-50 49-21-00-02		
-	1 3800298-1-7	ENGINE ASSY-GAS TURB GTCP331-200ER (GENERATOR OIL FILTER DIFFERENTIAL PRESSURE SWITCH ONLY) SUPPLIER CODE: V99193 SPECIFICATION NUMBER: S351T020-206 CONFIG CHG DATA FROM A CMM: REPLS 3800298-1-6 COMPONENT MAINT MANUAL REF: 49-22-11	018106 108120 504903	RF

MISSING ITEM NUMBERS NOT APPLICABLE

- ITEM NOT ILLUSTRATED

49-27-15-01

49-27-15  
FIG. 01  
PAGE 6  
JAN 20/09

BRI



757

PARTS CATALOG (MAINTENANCE)

FIG ITEM	PART NUMBER	1 2 3 4 5 6 7 NOMENCLATURE	EFFECT FROM TO	UNITS PER ASSY
1		QUALIFIED I/W DATA: S351T020-204 (3800298-1-5) AND S351T020-206 (3800298-1-7/3800298-1) ARE INTERCHANGEABLE WITH THE INCORPORATION OF ALLIED SIGNAL S/B GTCP331-49-7081. S351T020-203 (3800298-1-4) AND S351T020-206(3800298-1-7 /3800298-1) ARE INTERCHANGEABLE WITH THE INCORPORATION OF ALLIED SIGNAL S/B GTCP331-49-7081. S351T020-202 (3800298-1-3) AND S351T020-206 (3800298-1-7/3800298-1) ARE INTERCHANGEABLE WITH THE INCORPORATION OF ALLIED SIGNAL S/B GTCP331-49-7081. S351T020-201 (3800298-1-2) AND S351T020-206 (3800298-1-7/3800298-1) ARE INTERCHANGEABLE WITH THE INCORPORATION OF ALLIED SIGNAL S/B GTCP331-49-7081. S351T020-200 (3800298-1-1) AND S351T020-206 (3800298-1-7/3800298-1) ARE INTERCHANGEABLE WITH THE INCORPORATION OF ALLIED SIGNAL S/B GTCP331-49-7081. OPTIONAL PART: 3800298-1 V99193 FOR NHA/ADDITIONAL DET SEE: 49-11-01-50 49-21-00-02		
-	1 3800298-1	ENGINE ASSY-GAS TURB GTCP331-200ER (GENERATOR	018106 108120	RF

MISSING ITEM NUMBERS NOT APPLICABLE

- ITEM NOT ILLUSTRATED

49-27-15-01

49-27-15  
FIG. 01  
PAGE 7  
JAN 20/09

BRI



757

PARTS CATALOG (MAINTENANCE)

FIG ITEM	PART NUMBER	1 2 3 4 5 6 7	NOMENCLATURE	EFFECT FROM TO	UNITS PER ASSY
1			<p>OIL FILTER DIFFERENTIAL PRESSURE SWITCH ONLY) SUPPLIER CODE: V99193 SPECIFICATION NUMBER: S351T020-206 COMPONENT MAINT MANUAL REF: 49-22-11 QUALIFIED I/W DATA: S351T020-204 (3800298-1-5) AND S351T020-206 (3800298-1-7/3800298-1) ARE INTERCHANGEABLE WITH THE INCORPORATION OF ALLIED SIGNAL S/B GTCP331-49-7081. S351T020-203 (3800298-1-4) AND S351T020-206(3800298-1-7 /3800298-1) ARE INTERCHANGEABLE WITH THE INCORPORATION OF ALLIED SIGNAL S/B GTCP331-49-7081. S351T020-202 (3800298-1-3) AND S351T020-206 (3800298-1-7/3800298-1) ARE INTERCHANGEABLE WITH THE INCORPORATION OF ALLIED SIGNAL S/B GTCP331-49-7081. S351T020-201 (3800298-1-2) AND S351T020-206 (3800298-1-7/3800298-1) ARE INTERCHANGEABLE WITH THE INCORPORATION OF ALLIED SIGNAL S/B GTCP331-49-7081. S351T020-200 (3800298-1-1) AND S351T020-206 (3800298-1-7/3800298-1) ARE INTERCHANGEABLE WITH THE INCORPORATION OF ALLIED SIGNAL S/B GTCP331-49-7081.</p>	504903	

MISSING ITEM NUMBERS NOT APPLICABLE

- ITEM NOT ILLUSTRATED

49-27-15-01

49-27-15  
FIG. 01  
PAGE 8  
JAN 20/09

BRI



757

PARTS CATALOG (MAINTENANCE)

FIG ITEM	PART NUMBER	1 2 3 4 5 6 7	NOMENCLATURE	EFFECT FROM TO	UNITS PER ASSY
1			OPTIONAL PART: 3800298-1-7 V99193 FOR NHA/ADDITIONAL DET SEE: 49-11-01-50 49-21-00-02		
5	3880210-3	.	FILTER ASSY- SUPPLIER CODE: V99193 NOT APPROVED FOR ETOPS AFTER INCORP OF SB: GTCP331495698 SB DATA FROM A CMM: PRE SB 49-5698 CONFIG CHG DATA FROM A CMM: REPLD BY 3880210-5	002004 006999	RF
5	3880210-5	.	FILTER ASSY- SUPPLIER CODE: V99193 SB DATA FROM A CMM: POST SB 49-5698 CONFIG CHG DATA FROM A CMM: REPLS 3880210-3	002004 006999	RF
10	3876048-1	..	SWITCH-DIFF PRESSURE GEN-OIL FILTER SUPPLIER CODE: V99193 NOT APPROVED FOR ETOPS AFTER INCORP OF SB: GTCP331495698 SB DATA FROM A CMM: PRE SPB GTE0252 CONFIG CHG DATA FROM A CMM: SUPSD BY 3876048-2	002004 006999	1
10	3876048-2	..	SWITCH-DIFF PRESSURE GEN-OIL FILTER SUPPLIER CODE: V99193 NOT APPROVED FOR ETOPS AFTER INCORP OF SB: GTCP331495698 SB DATA FROM A CMM: POST SPB GTE0252 PRE SB 49-5698 CONFIG CHG DATA FROM A CMM: SUPERSEDES 3876048-1 REPLD BY 3876048-3	002004 006999	1

MISSING ITEM NUMBERS NOT APPLICABLE

- ITEM NOT ILLUSTRATED

49-27-15-01

49-27-15  
FIG. 01  
PAGE 9  
JAN 20/09

BRI





757

PARTS CATALOG (MAINTENANCE)

FIG ITEM	PART NUMBER	1 2 3 4 5 6 7	NOMENCLATURE	EFFECT FROM TO	UNITS PER ASSY
1					
10	3876048-3		..SWITCH-DIFF PRESSURE GEN OIL FILTER SUPPLIER CODE: V99193 SB DATA FROM A CMM: POST SB 49-5698 CONFIG CHG DATA FROM A CMM: REPLACES 3876048-2	002004 006999	1
15	S9413-560		..PACKING- SUPPLIER CODE: V99193 OPTIONAL PART: M83248-1-910	002004 006999	1
15	M83248-1-910		..PACKING- OPTIONAL PART: S9413-560 V99193	002004 006999	1
20	S9413-112		..PACKING- SUPPLIER CODE: V59364 OPTIONAL PART: M83248-1-112	002004 006999	4
25	S9413-016		..PACKING- SUPPLIER CODE: V99193 OPTIONAL PART: M83248-1-016	002004 006999	1
25	M83248-1-016		..PACKING- OPTIONAL PART: S9413-016 V99193	002004 006999	1
35	3862189-1		..TUBE-XFR SUPPLIER CODE: V99193	002004 006999	2
- 500	3888123-4		.WIRING HARNESS ASSY- SUPPLIER CODE: V99193 SB DATA FROM A CMM: PRE 49-5794 POST 49-5533	002004 006102 107999	RF

MISSING ITEM NUMBERS NOT APPLICABLE

- ITEM NOT ILLUSTRATED

49-27-15-01

49-27-15  
FIG. 01  
PAGE 10  
JAN 20/09

BRI



757

PARTS CATALOG (MAINTENANCE)

FIG ITEM	PART NUMBER	1 2 3 4 5 6 7	NOMENCLATURE	EFFECT FROM TO	UNITS PER ASSY
1 - 500	3888123-5		.WIRING HARNESS ASSY- SUPPLIER CODE: V99193 USED ON: 3800298-1-1 3800298-1-2 3800298-1-3 3800298-1-4 3800298-1-5 3800298-1-6 USED ON: 3800298-1 3800298-1-7	002004 006999	RF
- 500	3888123-6		.WIRING HARNESS ASSY- SUPPLIER CODE: V99193 SB DATA FROM A CMM: PRE 49-5840 PRE 49-7403 POST 49-5794 CONFIG CHG DATA FROM A CMM: REPLD BY 3888123-8 REWORKED FROM 3888123-4 QUALIFIED OPTIONAL DATA: 3888123-8 QUALIFIED SB I/W DATA: 3617394-1 USED WITH 3888123-8 OR 3888123-9 OPT TO 3617394-1 USED WITH 3888123-6 OR 3888123-7 AND 3888450-1 OPT TO 3614759-1 USED WITH 3888123-8 OR 3888123-9 OPT TO 3617459-1 USED WITH 3888123-6 OR 3888123-7 AND 3888450-1	002004 006102 107999	RF

MISSING ITEM NUMBERS NOT APPLICABLE

- ITEM NOT ILLUSTRATED

49-27-15-01

49-27-15  
FIG. 01  
PAGE 11  
JAN 20/09

BRI



757

PARTS CATALOG (MAINTENANCE)

FIG ITEM	PART NUMBER	1 2 3 4 5 6 7	NOMENCLATURE	EFFECT FROM TO	UNITS PER ASSY
1 - 500	3888123-7		.WIRING HARNESS ASSY- SUPPLIER CODE: V99193 SB DATA FROM A CMM: PRE 49-7403 POST 49-5840 CONFIG CHG DATA FROM A CMM: REPLD BY 3888123-9 REWORKED FROM 3888123-6 QUALIFIED SB I/W DATA: 3617394-1 USED WITH 3888123-8 OR 3888123-9 OPT TO 3617394-1 USED WITH 3888123-6 OR 3888123-7 AND 3888450-1 OPT TO 3614759-1 USED WITH 3888123-8 OR 3888123-9 OPT TO 3617459-1 USED WITH 3888123-6 OR 3888123-7 AND 3888450-1	002004 006102 107999	RF
- 500	3888123-8		.WIRING HARNESS ASSY- SUPPLIER CODE: V99193 SB DATA FROM A CMM: POST 49-7391 POST 49-7402 CONFIG CHG DATA FROM A CMM: REPLS 3888123-6 REPLD BY 3888465-1 QUALIFIED SB I/W DATA: 3617394-1 USED WITH 3888123-8 OR 3888123-9 OPT TO 3617394-1 USED WITH 3888123-6 OR 3888123-7 AND 3888450-1 OPT TO 3614759-1 USED WITH 3888123-8 OR 3888123-9 OPT TO 3617459-1 USED WITH 3888123-6 OR 3888123-7 AND 3888450-1	002004 006999	RF

MISSING ITEM NUMBERS NOT APPLICABLE

- ITEM NOT ILLUSTRATED

BRI

49-27-15-01

49-27-15  
FIG. 01  
PAGE 12  
JAN 20/09



757

PARTS CATALOG (MAINTENANCE)

FIG ITEM	PART NUMBER	1 2 3 4 5 6 7	NOMENCLATURE	EFFECT FROM TO	UNITS PER ASSY
1 - 500	3888123-9		.WIRING HARNESS ASSY- SUPPLIER CODE: V99193 SB DATA FROM A CMM: POST 49-7403 POST 49-7391 CONFIG CHG DATA FROM A CMM: REPLS 3888123-7 REPLD BY 3888465-1 QUALIFIED SB I/W DATA: 3617394-1 USED WITH 3888123-8 OR 3888123-9 OPT TO 3617394-1 USED WITH 3888123-6 OR 3888123-7 AND 3888450-1 OPT TO 3614759-1 USED WITH 3888123-8 OR 3888123-9 OPT TO 3617459-1 USED WITH 3888123-6 OR 3888123-7 AND 3888450-1	002004 006999	RF
- 500	3888465-1		.WIRING HARNESS ASSY- SUPPLIER CODE: V99193 SB DATA FROM A CMM: POST 49-7618 CONFIG CHG DATA FROM A CMM: REPLS 3888123-8 REPLS 3888123-9	002004 006999	RF
550	GS3418-12CD		..CLAMP- SUPPLIER CODE: V06324	002004 006999	1
555	ZZYA0-12D12-03S		..CONNECTOR-P20 SUPPLIER CODE: V14283 OPTIONAL PART: BCREF8105 V13556	002004 006999	1
555	BCREF8105		..PLUG-P20 SUPPLIER CODE: V13556 OVERLENGTH PART NUMBER: CN0966-12A03SN000 OPTIONAL PART: ZZYA0-12D12-03S V49367	002004 006999	1
560	LRC20W15DJ5		..CONTACT- SUPPLIER CODE: V09922	002004 006999	3

MISSING ITEM NUMBERS NOT APPLICABLE

- ITEM NOT ILLUSTRATED

49-27-15-01

49-27-15  
FIG. 01  
PAGE 13  
SEP 20/08

BRI



757

PARTS CATALOG (MAINTENANCE)

FIG ITEM	PART NUMBER	1 2 3 4 5 6 7	NOMENCLATURE	EFFECT FROM TO	UNITS PER ASSY
1					
565	10-230935-142		.. GROMMET-RUBBER SUPPLIER CODE: V77820	002004 006999	1
- 570	M22759-8-18-8		.. WIRE-ELECTRICAL OPTIONAL PART: 18699-69A1 V92607 75908E18 V12515 18AF2XTN1930 V12814 BATATE1930NICE V90484 11-00821 V05973	002004 006999	AR
- 570	18699-69A1		.. WIRE-ELECTRICAL SUPPLIER CODE: V92607 OPTIONAL PART: 75908E18 V12515 18AF2XTN1930 V12814 BATATE1930NICE V90484 11-00821 V05973	002004 006999	AR
- 570	75908E18		M22759-8-18-8 .. WIRE-ELECTRICAL SUPPLIER CODE: V12515 OPTIONAL PART: 18699-69A1 V92607 18AF2XTN1930 V12814 BATATE1930NICE V90484 11-00821 V05973 M22759-8-18-8	002004 006999	AR

MISSING ITEM NUMBERS NOT APPLICABLE

- ITEM NOT ILLUSTRATED

BRI

49-27-15-01

49-27-15  
FIG. 01  
PAGE 14  
SEP 20/08



757

PARTS CATALOG (MAINTENANCE)

FIG ITEM	PART NUMBER	1 2 3 4 5 6 7	NOMENCLATURE	EFFECT FROM TO	UNITS PER ASSY
1					
- 570	18AF2XTN1930		.. WIRE-ELECTRICAL SUPPLIER CODE: V12814 OPTIONAL PART: 18699-69A1 V92607 75908E18 V12515 BATATE193ONICE V90484 11-00821 V05973 M22759-8-18-8	002004 006999	AR
- 570	BATATE193ONICE		.. WIRE-ELECTRICAL SUPPLIER CODE: V90484 OPTIONAL PART: 18699-69A1 V92607 75908E18 V12515 18AF2XTN1930 V12814 11-00821 V05973 M22759-8-18-8	002004 006999	AR
- 570	11-00821		.. WIRE-ELECTRICAL SUPPLIER CODE: V05973 OPTIONAL PART: 18699-69A1 V92607 75908E18 V12515 18AF2XTN1930 V12814 BATATE193ONICE V12814 M22759-8-18-8	002004 006999	AR

MISSING ITEM NUMBERS NOT APPLICABLE

- ITEM NOT ILLUSTRATED

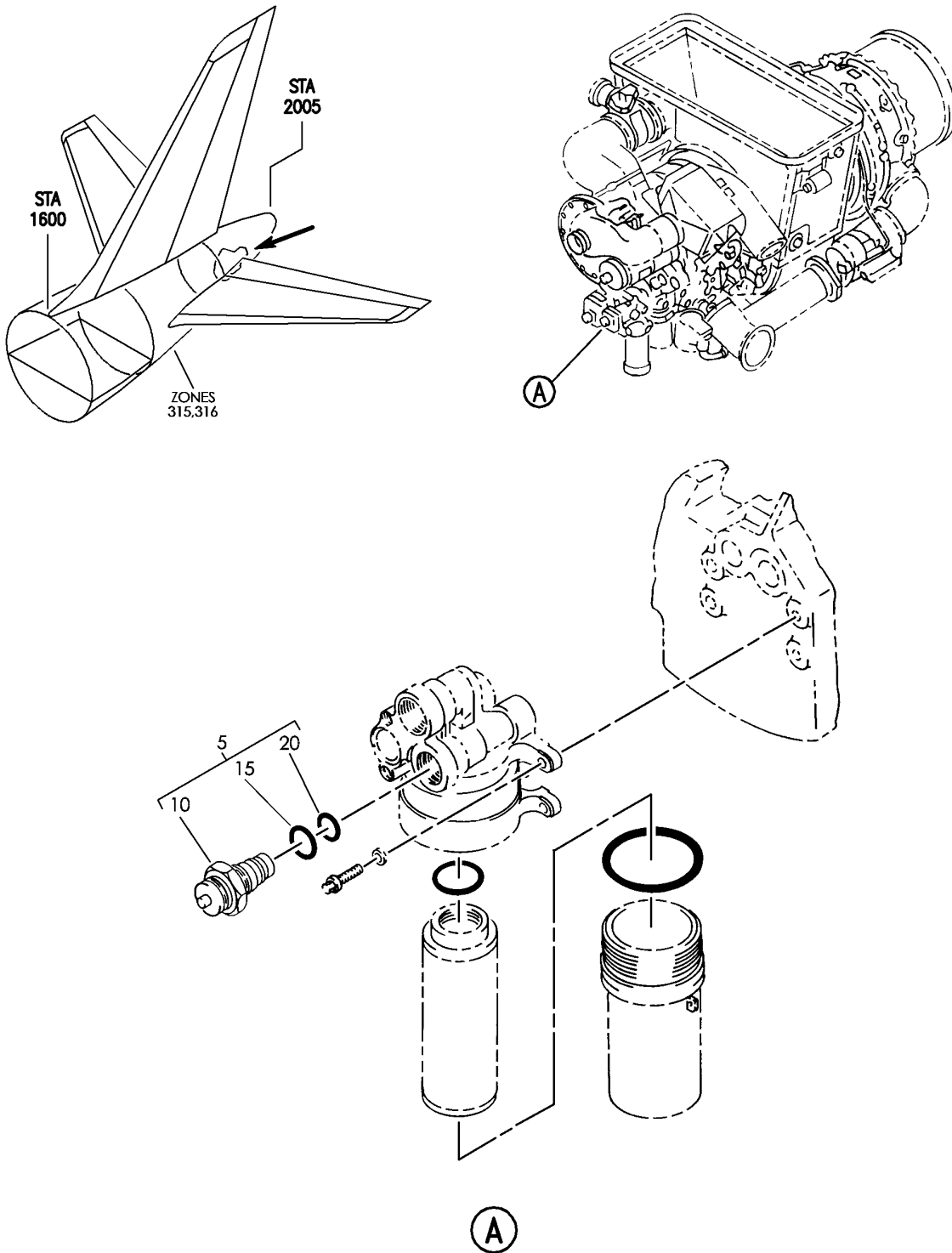
BRI

49-27-15-01

BOEING PROPRIETARY - Copyright © - Unpublished Work - See title page for details.

49-27-15  
FIG. 01  
PAGE 15  
SEP 20/08

**BOEING**  
757  
PARTS CATALOG (MAINTENANCE)



Y 49271601 REV 251

ENGINE ASSY-GAS TURB (GENERATOR OIL FILTER DIFFERENTIAL PRESSURE INDICATOR ONLY)  
FIGURE 1

BRI  
MAY 28/07

**49-27-16-01**

49-27-16-01  
PAGE 0



757

PARTS CATALOG (MAINTENANCE)

FIG ITEM	PART NUMBER	1 2 3 4 5 6 7	NOMENCLATURE	EFFECT FROM TO	UNITS PER ASSY
1			ENGINE ASSY-GAS TURB (GENERATOR OIL FILTER DIFFERENTIAL PRESSURE INDICATOR ONLY)	002004 006999	
- 1	3800298-1-2		ENGINE ASSY-GAS TURB GTCP331-200ER (GENERATOR OIL FILTER DIFFERENTIAL PRESSURE INDICATOR ONLY) SUPPLIER CODE: V99193 SPECIFICATION NUMBER: S351T020-201 CONFIG CHG DATA FROM A CMM: REPLACES 3800298-1-1 COMPONENT MAINT MANUAL REF: 49-22-11 QUALIFIED I/W DATA: S351T020-201 (3800298-1-2) AND S351T020-205 (3800298-1-6) ARE INTERCHANGEABLE WITH THE INCORPORATION OF ALLIED SIGNAL S/B GTCP331-49-7081. S351T020-201 (3800298-1-2) AND S351T020-206 (3800298-1-7/3800298-1) ARE INTERCHANGEABLE WITH THE INCORPORATION OF ALLIED SIGNAL S/B GTCP331-49-7081. FOR NHA/ADDITIONAL DET SEE: 49-11-01-50	002004 006100 107107 121503 904999	RF

MISSING ITEM NUMBERS NOT APPLICABLE

- ITEM NOT ILLUSTRATED

BRI

49-27-16-01

BOEING PROPRIETARY - Copyright © - Unpublished Work - See title page for details.

49-27-16  
FIG. 01  
PAGE 1  
JAN 20/09





757

PARTS CATALOG (MAINTENANCE)

FIG ITEM	PART NUMBER	1 2 3 4 5 6 7	NOMENCLATURE	EFFECT FROM TO	UNITS PER ASSY
1 - 1	3800298-1-1		ENGINE ASSY-GAS TURB GTCP331-200ER (GENERATOR OIL FILTER DIFFERENTIAL PRESSURE INDICATOR ONLY) SUPPLIER CODE: V99193 SPECIFICATION NUMBER: S351T020-200 COMPONENT MAINT MANUAL REF: 49-22-11 QUALIFIED I/W DATA: S351T020-200 (3800298-1-1) AND S351T020-205 (3800298-1-6) ARE INTERCHANGEABLE WITH THE INCORPORATION OF ALLIED SIGNAL S/B GTCP331-49-7081. S351T020-200 (3800298-1-1) AND S351T020-206 (3800298-1-7/3800298-1) ARE INTERCHANGEABLE WITH THE INCORPORATION OF ALLIED SIGNAL S/B GTCP331-49-7081. FOR NHA/ADDITIONAL DET SEE: 49-11-01-50	002004 006100 107107 121503 904999	RF

MISSING ITEM NUMBERS NOT APPLICABLE

- ITEM NOT ILLUSTRATED

BRI

49-27-16-01

BOEING PROPRIETARY - Copyright © - Unpublished Work - See title page for details.

49-27-16  
 FIG. 01  
 PAGE 2  
 JAN 20/09



757

PARTS CATALOG (MAINTENANCE)

FIG ITEM	PART NUMBER	1 2 3 4 5 6 7 NOMENCLATURE	EFFECT FROM TO	UNITS PER ASSY
1 - 1	3800298-1-3	ENGINE ASSY-GAS TURB GTCP331-200ER (GENERATOR OIL FILTER DIFFERENTIAL PRESSURE INDICATOR ONLY) SUPPLIER CODE: V99193 SPECIFICATION NUMBER: S351T020-202 CONFIG CHG DATA FROM A CMM: REPLACES 3800298-1-2 COMPONENT MAINT MANUAL REF: 49-22-11 QUALIFIED I/W DATA: S351T020-202 (3800298-1-3) AND S351T020-205 (3800298-1-6) ARE INTERCHANGEABLE WITH THE INCORPORATION OF ALLIED SIGNAL S/B GTCP331-49-7081. S351T020-202 (3800298-1-3) AND S351T020-206 (3800298-1-7/3800298-1) ARE INTERCHANGEABLE WITH THE INCORPORATION OF ALLIED SIGNAL S/B GTCP331-49-7081. FOR NHA/OTHER SYS DET SEE: 49-11-01-50	002004 006100 107107 121503 904999	RF

MISSING ITEM NUMBERS NOT APPLICABLE

- ITEM NOT ILLUSTRATED

BRI

49-27-16-01

BOEING PROPRIETARY - Copyright © - Unpublished Work - See title page for details.

49-27-16  
FIG. 01  
PAGE 3  
JAN 20/09



757

PARTS CATALOG (MAINTENANCE)

FIG ITEM	PART NUMBER	1 2 3 4 5 6 7	NOMENCLATURE	EFFECT FROM TO	UNITS PER ASSY
1 - 1	3800298-1-4		ENGINE ASSY-GAS TURB GTCP331-200 (GENERATOR OIL FILTER DIFFERENTIAL PRESSURE INDICATOR ONLY) SUPPLIER CODE: V99193 SPECIFICATION NUMBER: S351T020-203 CONFIG CHG DATA FROM A CMM: REPLACES 3800298-1-3 COMPONENT MAINT MANUAL REF: 49-22-11 QUALIFIED I/W DATA: 3800298-1-4/S351T020-203 AND 3800298-1-6/S351T020-205 ARE INTERCHANGEABLE WITH THE INCORPORATION OF ALLIED SIGNAL S/B GTCP331-49-7081. 3800298-1-4/S351T020-203 AND 3800298-1-7/S351T020-206 /3800298-1 ARE INTERCHANGEABLE WITH THE INCORPORATION OF ALLIED SIGNAL S/B GTCP331-49-7081. FOR NHA/ADDITIONAL DET SEE: 49-11-01-50	002004 006100 107107 121503 904999	RF

MISSING ITEM NUMBERS NOT APPLICABLE

- ITEM NOT ILLUSTRATED

BRI

49-27-16-01

BOEING PROPRIETARY - Copyright © - Unpublished Work - See title page for details.

49-27-16  
FIG. 01  
PAGE 4  
JAN 20/09



757

PARTS CATALOG (MAINTENANCE)

FIG ITEM	PART NUMBER	1 2 3 4 5 6 7	NOMENCLATURE	EFFECT FROM TO	UNITS PER ASSY
1	3800298-1-5		ENGINE ASSY-GAS TURB GTCP331-200ER (GENERATOR OIL FILTER DIFFERENTIAL PRESSURE INDICATOR ONLY) SUPPLIER CODE: V99193 SPECIFICATION NUMBER: S351T020-204 CONFIG CHG DATA FROM A CMM: REPLACES 3800298-1-4 COMPONENT MAINT MANUAL REF: 49-22-11 QUALIFIED I/W DATA: 3800298-1-5/S351T020-204 AND 3800298-1-6/S351T020-205 ARE INTERCHANGEABLE WITH THE INCORPORATION OF ALLIED SIGNAL S/B GTCP331-49-7081. S351T020-204 (3800298-1-5) AND S351T020-206(3800298-1-7 /3800298-1) ARE INTERCHANGEABLE WITH THE INCORPORATION OF ALLIED SIGNAL S/B GTCP331-49-7081. FOR NHA/ADDITIONAL DET SEE: 49-11-01-50	002004 006100 107107 121503 904999	RF
1	3800298-1-6		ENGINE ASSY-GAS TURB GTCP331-200ER (GENERATOR OIL FILTER DIFFERENTIAL PRESSURE INDICATOR ONLY) SUPPLIER CODE: V99193 SPECIFICATION NUMBER: S351T020-205 CONFIG CHG DATA FROM A CMM: REPLACES 3800298-1-5 COMPONENT MAINT MANUAL REF: 49-22-11 QUALIFIED I/W DATA: 3800298-1-5/S351T020-204 AND 3800298-1-6/S351T020-205 ARE INTERCHANGEABLE WITH	002004 006999	RF

MISSING ITEM NUMBERS NOT APPLICABLE

- ITEM NOT ILLUSTRATED

49-27-16-01

49-27-16  
FIG. 01  
PAGE 5  
JAN 20/09

BRI



757

PARTS CATALOG (MAINTENANCE)

FIG ITEM	PART NUMBER	1 2 3 4 5 6 7 NOMENCLATURE	EFFECT FROM TO	UNITS PER ASSY
1		<p>THE INCORPORATION OF ALLIED SIGNAL S/B GTCP331-49-7081. S351T020-203 (3800298-1-4) AND S351T020-205 (3800298-1-6) ARE INTERCHANGEABLE WITH THE INCORPORATION OF ALLIED SIGNAL S/B GTCP331-49-7081. S351T020-202 (3800298-1-3) AND S351T020-205 (3800298-1-6) ARE INTERCHANGEABLE WITH THE INCORPORATION OF ALLIED SIGNAL S/B GTCP331-49-7081. S351T020-201 (3800298-1-2) AND S351T020-205 (3800298-1-6) ARE INTERCHANGEABLE WITH THE INCORPORATION OF ALLIED SIGNAL S/B GTCP331-49-7081. S351T020-200 (3800298-1-1) AND S351T020-205 (3800298-1-6) ARE INTERCHANGEABLE WITH THE INCORPORATION OF ALLIED SIGNAL S/B GTCP331-49-7081.</p> <p>FOR NHA/ADDITIONAL DET SEE: 49-11-01-50 49-21-00-02</p>		
-	1 3800298-1-7	<p>ENGINE ASSY-GAS TURB GTCP331-200ER (GENERATOR OIL FILTER DIFFERENTIAL PRESSURE INDICATOR ONLY) SUPPLIER CODE: V99193 SPECIFICATION NUMBER: S351T020-206 CONFIG CHG DATA FROM A CMM: REPLACES 3800298-1-6</p>	002004 006999	RF

MISSING ITEM NUMBERS NOT APPLICABLE

- ITEM NOT ILLUSTRATED

49-27-16-01

49-27-16  
FIG. 01  
PAGE 6  
SEP 20/08

BRI



757

PARTS CATALOG (MAINTENANCE)

FIG ITEM	PART NUMBER	1 2 3 4 5 6 7 NOMENCLATURE	EFFECT FROM TO	UNITS PER ASSY
1		COMPONENT MAINT MANUAL REF: 49-22-11 QUALIFIED I/W DATA: 3800298-1-5/S351T020-204 AND 3800298-1/ 3800298-1-7/S351T020-206 ARE INTERCHANGEABLE WITH THE INCORPORATION OF ALLIED SIGNAL S/B GTCP331-49-7081. S351T020-203 (3800298-1-4) AND S351T020-206(3800298-1-7 /3800298-1) ARE INTERCHANGEABLE WITH THE INCORPORATION OF ALLIED SIGNAL S/B GTCP331-49-7081. S351T020-202 (3800298-1-3) AND S351T020-206 (3800298-1-7/3800298-1) ARE INTERCHANGEABLE WITH THE INCORPORATION OF ALLIED SIGNAL S/B GTCP331-49-7081. S351T020-201 (3800298-1-2) AND S351T020-206 (3800298-1-7/3800298-1) ARE INTERCHANGEABLE WITH THE INCORPORATION OF ALLIED SIGNAL S/B GTCP331-49-7081. S351T020-200 (3800298-1-1) AND S351T020-206 (3800298-1-7/3800298-1) ARE INTERCHANGEABLE WITH THE INCORPORATION OF ALLIED SIGNAL S/B GTCP331-49-7081. OPTIONAL PART: 3800298-1 V99193 FOR NHA/ADDITIONAL DET SEE: 49-11-01-50 49-21-00-02 ENGINE ASSY-GAS TURB		
-	1 3800298-1	ENGINE ASSY-GAS TURB	002004	RF

MISSING ITEM NUMBERS NOT APPLICABLE

- ITEM NOT ILLUSTRATED

49-27-16-01

49-27-16  
 FIG. 01  
 PAGE 7  
 SEP 20/08

BRI



757

PARTS CATALOG (MAINTENANCE)

FIG ITEM	PART NUMBER	1 2 3 4 5 6 7 NOMENCLATURE	EFFECT FROM TO	UNITS PER ASSY
1		<p>GTCP331-200ER            (GENERATOR OIL FILTER            DIFFERENTIAL PRESSURE            INDICATOR ONLY)            SUPPLIER CODE:            V99193            SPECIFICATION NUMBER:            S351T020-206            COMPONENT MAINT MANUAL REF:            49-22-11            QUALIFIED I/W DATA:            3800298-1-5/S351T020-204            AND            3800298-1-7/S351T020-206            /3800298-1            ARE INTERCHANGEABLE WITH            THE INCORPORATION OF            ALLIED SIGNAL S/B            GTCP331-49-7081.            S351T020-203/3800298-1-4            AND            S351T020-206(3800298-1-7            /3800298-1) ARE            INTERCHANGEABLE WITH THE            INCORPORATION OF ALLIED            SIGNAL S/B            GTCP331-49-7081.            S351T020-202            (3800298-1-3)            AND S351T020-206            (3800298-1-7/3800298-1)            ARE INTERCHANGEABLE            WITH THE INCORPORATION            OF ALLIED SIGNAL S/B            GTCP331-49-7081.            S351T020-201            (3800298-1-2)            AND S351T020-206            (3800298-1-7/3800298-1)            ARE INTERCHANGEABLE            WITH THE INCORPORATION            OF ALLIED SIGNAL S/B            GTCP331-49-7081.            S351T020-200            (3800298-1-1)            AND S351T020-206            (3800298-1-7/3800298-1)            ARE INTERCHANGEABLE            WITH THE INCORPORATION</p>	006999	

MISSING ITEM NUMBERS NOT APPLICABLE

- ITEM NOT ILLUSTRATED

49-27-16-01

49-27-16  
FIG. 01  
PAGE 8  
SEP 20/08

BRI



757

PARTS CATALOG (MAINTENANCE)

FIG ITEM	PART NUMBER	1 2 3 4 5 6 7	NOMENCLATURE	EFFECT FROM TO	UNITS PER ASSY
1			OF ALLIED SIGNAL S/B GTCP331-49-7081. OPTIONAL PART: 3800298-1-7 V99193 FOR NHA/ADDITIONAL DET SEE: 49-11-01-50 49-21-00-02		
5	3880210-3	.	FILTER ASSY- SUPPLIER CODE: V99193 NOT APPROVED FOR ETOPS AFTER INCORP OF SB: GTCP331495698 CONFIG CHG DATA FROM A CMM: REPLD BY 3880210-5	002004 006999	RF
5	3880210-5	.	FILTER ASSY- SUPPLIER CODE: V99193 CONFIG CHG DATA FROM A CMM: REPLS 3880210-3	002004 006999	RF
10	3880271-1	..	INDICATOR-DIFF PRESSURE SUPPLIER CODE: V99193	002004 006999	1
15	S9413-558	..	PACKING- SUPPLIER CODE: V99193 OPTIONAL PART: M83248-1-908 V81349 OPTIONAL PART: M83248-1-908	002004 006999	1
15	M83248-1-908	..	PACKING- OPTIONAL PART: S9413-558 V99193	002004 006999	1
20	S9413-014	..	PACKING- SUPPLIER CODE: V99193 OPTIONAL PART: M83248-1-014	002004 006999	1
20	M83248-1-014	..	PACKING- OPTIONAL PART: S9413-014 V99193	002004 006999	1

MISSING ITEM NUMBERS NOT APPLICABLE

- ITEM NOT ILLUSTRATED

49-27-16-01

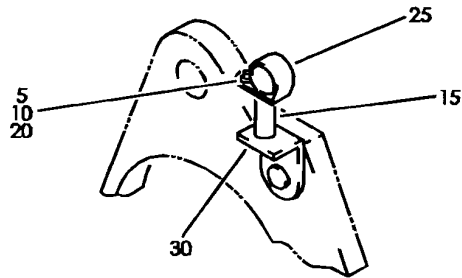
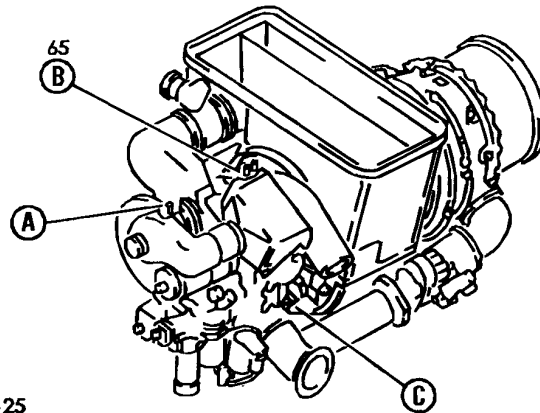
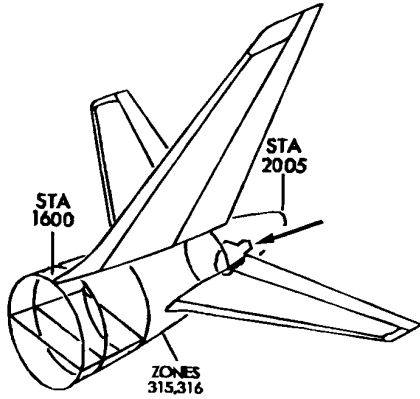
49-27-16  
FIG. 01  
PAGE 9  
SEP 20/08

BRI

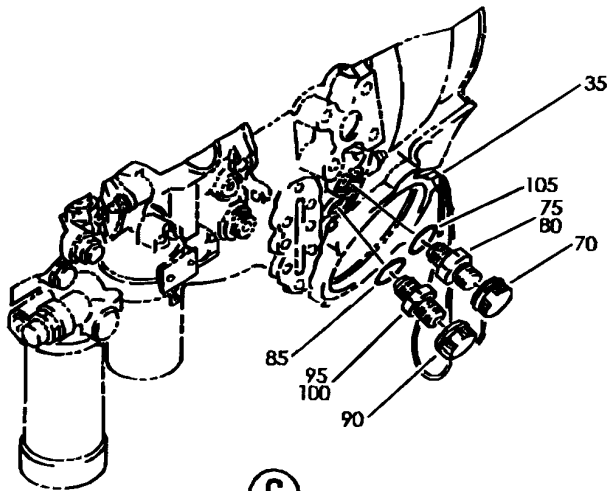
BOEING PROPRIETARY - Copyright © - Unpublished Work - See title page for details.



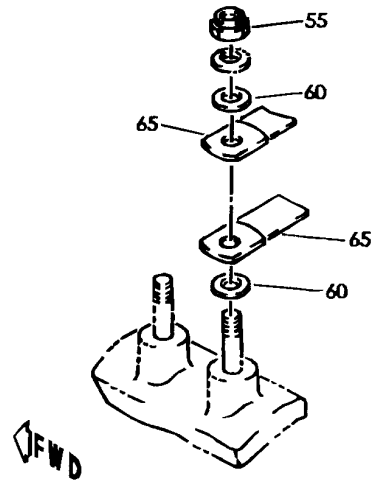
**BOEING**  
757  
PARTS CATALOG (MAINTENANCE)



(A)



(C)



(B)

Y 49275101 REV 201

ACCESSORY INSTL-AUX PWR SYS PRESSURE OIL SVCE FTGS AND SYS  
FIGURE 1

**49-27-51-01**

BRI  
MAY 28/07

49-27-51-01  
PAGE 0

BOEING PROPRIETARY - Copyright © - Unpublished Work - See title page for details.



757

PARTS CATALOG (MAINTENANCE)

FIG ITEM	PART NUMBER	1 2 3 4 5 6 7	NOMENCLATURE	EFFECT FROM TO	UNITS PER ASSY
1			ACCESSORY INSTL-AUX PWR SYS PRESSURE OIL SVCE FTGS AND SYS	101106 108120 504903	
- 1	351T0350-3		ACCESSORY INSTL-AUX PWR SYS PRESSURE OIL SVCE FTGS AND SYSTEMS	101102 108120 504903	RF
- 1	MODREF33382		FOR NHA SEE: 49-00-00-01 ACCESSORY INSTL-AUX PWR SYS PRESSURE OIL SVCE FTGS AND SYSTEMS	103106	1
5	NAS6603-24		.BOLT- OPTIONAL PART: BACB30LM3-24	101106 108120 504903	1
5	BACB30LM3-24		.BOLT- OPTIONAL PART: NAS6603-24	103106	1
10	NAS1149C0332R		.WASHER	101106 108120 504903	1
15	NAS43DD3-91FC		.SPACER	101106 108120 504903	1
20	BRH10C3D		.NUT SUPPLIER CODE: V52828 SPECIFICATION NUMBER: BACN10JC3CD OPTIONAL PART: T6C1032JCD V11815 NS202486-02 V80539 102LH9075-3W V72962 H51650-3BAC V15653	101106 108120 504903	1

MISSING ITEM NUMBERS NOT APPLICABLE

- ITEM NOT ILLUSTRATED

49-27-51-01

49-27-51  
FIG. 01  
PAGE 1  
JAN 20/09

BRI



757

PARTS CATALOG (MAINTENANCE)

FIG ITEM	PART NUMBER	1 2 3 4 5 6 7	NOMENCLATURE	EFFECT FROM TO	UNITS PER ASSY
1					
25	025029-20	.	CLAMP SUPPLIER CODE: V84971 SPECIFICATION NUMBER: BACC10HS20 OPTIONAL PART: 44LC17H20PB V22175 S500-20 V18076 490-20RPB V83930	101106 108120 504903	1
30	AN743C12	.	CLIP	101106 108120 504903	1
35	351N1102-1	.	CLIP	101106 108120 504903	1
-	40	NAS6703U2	ATTACHING PARTS .BOLT- OPTIONAL PART: BACB30LM3U2	101106 108120 504903	1
-	40	BACB30LM3U2	.BOLT- OPTIONAL PART: NAS6703U2	103106	1
-	45	NAS1149C0332R	.WASHER-	101102 108120 504903	1
-	45	BACW10EC6C	.WASHER- OPTIONAL PART: MS35338-141	103106	1
-	45	MS35338-141	.WASHER- OPTIONAL PART: BACW10EC6C	103106	1
-	50	MS21042L3	.NUT- OPTIONAL PART: BACN10YR3CM	101106 108120 504903	1
-	50	PLH53CM	..NUT- SUPPLIER CODE: VFO224 SPECIFICATION NUMBER: BACN10YR3CM OPTIONAL PART: H52732-3CM V15653 MS21042L3 -----*-----	103106	1

MISSING ITEM NUMBERS NOT APPLICABLE

- ITEM NOT ILLUSTRATED

BRI

49-27-51-01

49-27-51  
FIG. 01  
PAGE 2  
JAN 20/09



757

PARTS CATALOG (MAINTENANCE)

FIG ITEM	PART NUMBER	1 2 3 4 5 6 7	NOMENCLATURE	EFFECT FROM TO	UNITS PER ASSY
1					
55	MS35650-3384	.	NUT	101106 108120 504903	2
60	NAS1149D0663H	.	WASHER	101106 108120 504903	4
65	351N1003-1	.	JUMPER ASSY- OPTIONAL PART: 740E40-112 V91812 BACJ40E40-112	101106 108120 504903	4
65	740E40-112	.	JUMPER ASSY- SUPPLIER CODE: V91812 OPTIONAL PART: 351N1003-1 BACJ400112 BACJ40E40-112	101106 108120 504903	4
65	BACJ400112	.	JUMPER ASSY- OPTIONAL PART: 740E40-112 V91812	101102 108120 504903	4
65	BACJ40E40-112	.	JUMPER ASSY- OPTIONAL PART: 740E40-112 V91812 351N1003-1	101106 108120 504903	4
70	OMP2505-13S	.	COVER-DUST SUPPLIER CODE: VK0667 OPTIONAL PART: 93-7766 V99321	101106 108120 504903	1
70	93-7766	.	COVER-DUST SUPPLIER CODE: V99321 OPTIONAL PART: OMP2505-13S VK0667	101106 108120 504903	1
75	OMP2505-2	.	COUPLING- SUPPLIER CODE: VK0667 OPTIONAL PART: 87-5023-1 V99321	101106 108120 504903	1

MISSING ITEM NUMBERS NOT APPLICABLE

- ITEM NOT ILLUSTRATED

49-27-51-01

49-27-51  
FIG. 01  
PAGE 3  
JAN 20/09

BRI

BOEING PROPRIETARY - Copyright © - Unpublished Work - See title page for details.



757

PARTS CATALOG (MAINTENANCE)

FIG ITEM	PART NUMBER	1 2 3 4 5 6 7	NOMENCLATURE	EFFECT FROM TO	UNITS PER ASSY
1					
80	87-5023-1		. COUPLING- SUPPLIER CODE: V99321 OPTIONAL PART: OMP2505-2 VK0667	101106 108120 504903	1
85	MS28778-8		. PACKING	101106 108120 504903	1
90	OMP2506-13S		. CAP-DUST SUPPLIER CODE: VK0667 OPTIONAL PART: 93-7764 V99321	101106 108120 504903	1
90	93-7764		. CAP-DUST SUPPLIER CODE: V99321 OPTIONAL PART: OMP2506-13S VK0667	101106 108120 504903	1
95	OMP2506-2		. FITTING- SUPPLIER CODE: VK0667 OPTIONAL PART: 86-4252-1-1 V99321	101106 108120 504903	1
100	86-4252-1-1		. COUPLING- SUPPLIER CODE: V99321 OPTIONAL PART: OMP2506-2 VK0667	101106 108120 504903	1
105	MS28778-6		. PACKING	101106 108120 504903	1

MISSING ITEM NUMBERS NOT APPLICABLE

- ITEM NOT ILLUSTRATED

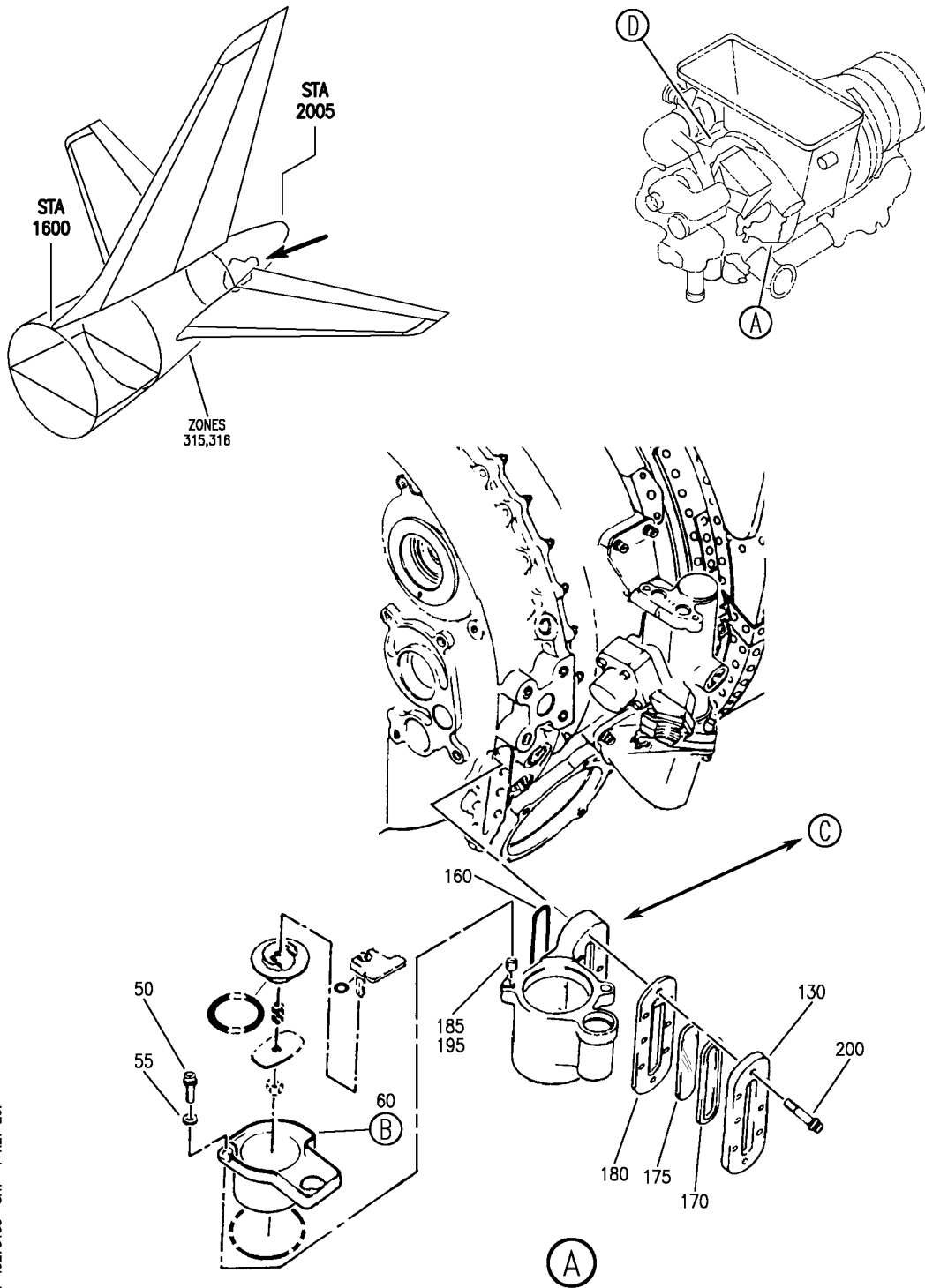
49-27-51-01

49-27-51  
FIG. 01  
PAGE 4  
JAN 20/09

BRI

BOEING PROPRIETARY - Copyright © - Unpublished Work - See title page for details.

**BOEING**  
757  
PARTS CATALOG (MAINTENANCE)



Y 49275150 SHT 1 REV 267

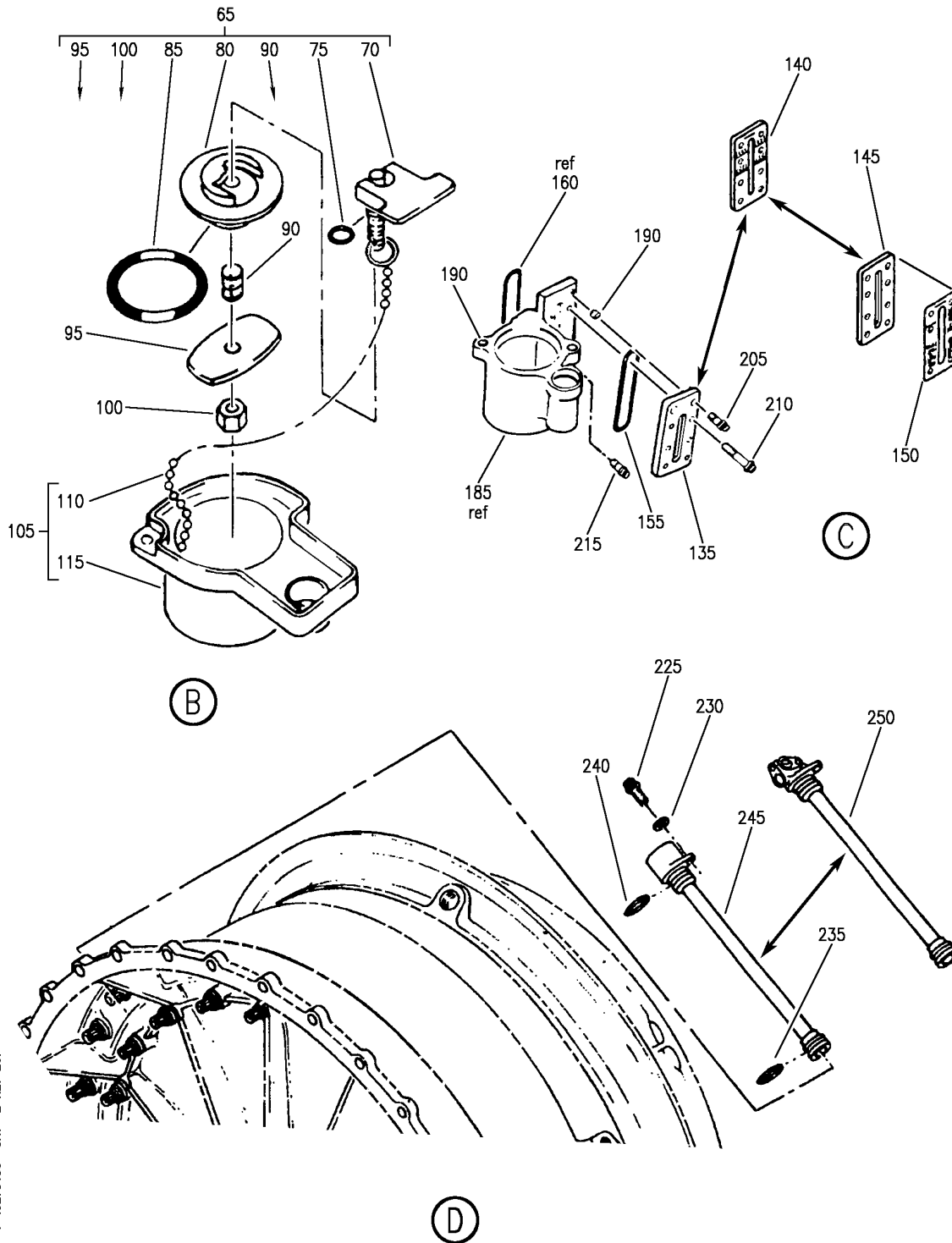
ENGINE ASSY-GAS TURB (APU AND GENERATOR LUBRICATION SYSTEM ONLY)  
FIGURE 50 (SHEET 1)

**49-27-51-50**

BRI  
MAY 28/07

49-27-51-50  
PAGE 0

**BOEING**  
757  
PARTS CATALOG (MAINTENANCE)



Y 49275150 SHT 2 REV 267

ENGINE ASSY-GAS TURB (APU AND GENERATOR LUBRICATION SYSTEM ONLY)  
FIGURE 50 (SHEET 2)

**49-27-51-50**

BRI  
MAY 28/07

49-27-51-50  
PAGE 0A



757

PARTS CATALOG (MAINTENANCE)

FIG ITEM	PART NUMBER	1 2 3 4 5 6 7	NOMENCLATURE	EFFECT FROM TO	UNITS PER ASSY
50			ENGINE ASSY-GAS TURB (APU AND GENERATOR LUBRICATION SYSTEM ONLY)	002004 006999	
- 1	3800298-1-1		ENGINE ASSY-GAS TURB GTCP331-200ER SUPPLIER CODE: V99193 SPECIFICATION NUMBER: S351T020-200 COMPONENT MAINT MANUAL REF: 49-22-11 QUALIFIED I/W DATA: S351T020-200 (3800298-1-1) AND S351T020-205 (3800298-1-6) ARE INTERCHANGEABLE WITH THE INCORPORATION OF ALLIED SIGNAL S/B GTCP331-49-7081. S351T020-200 (3800298-1-1) AND S351T020-206 (3800298-1-7/3800298-1) ARE INTERCHANGEABLE WITH THE INCORPORATION OF ALLIED SIGNAL S/B GTCP331-49-7081. FOR NHA/ADDITIONAL DET SEE: 49-11-01-50	002004 006100 107107 121503 904999	RF

MISSING ITEM NUMBERS NOT APPLICABLE

- ITEM NOT ILLUSTRATED

BRI

49-27-51-50

49-27-51  
FIG. 50  
PAGE 1  
JAN 20/09





757  
PARTS CATALOG (MAINTENANCE)

FIG ITEM	PART NUMBER	1 2 3 4 5 6 7	NOMENCLATURE	EFFECT FROM TO	UNITS PER ASSY
50 - 1	3800298-1-2		ENGINE ASSY-GAS TURB GTCP331-200ER SUPPLIER CODE: V99193 SPECIFICATION NUMBER: S351T020-201 CONFIG CHG DATA FROM A CMM: REPLACES 3800298-1-1 COMPONENT MAINT MANUAL REF: 49-22-11 QUALIFIED I/W DATA: S351T020-201 (3800298-1-2) AND S351T020-205 (3800298-1-6) ARE INTERCHANGEABLE WITH THE INCORPORATION OF ALLIED SIGNAL S/B GTCP331-49-7081. S351T020-201 (3800298-1-2) AND S351T020-206 (3800298-1-7/3800298-1) ARE INTERCHANGEABLE WITH THE INCORPORATION OF ALLIED SIGNAL S/B GTCP331-49-7081. FOR NHA/ADDITIONAL DET SEE: 49-11-01-50	002004 006100 107107 121503 904999	RF

MISSING ITEM NUMBERS NOT APPLICABLE

- ITEM NOT ILLUSTRATED

BRI

49-27-51-50

BOEING PROPRIETARY - Copyright © - Unpublished Work - See title page for details.

49-27-51  
FIG. 50  
PAGE 2  
JAN 20/09



757

PARTS CATALOG (MAINTENANCE)

FIG ITEM	PART NUMBER	1 2 3 4 5 6 7	NOMENCLATURE	EFFECT FROM TO	UNITS PER ASSY
50 - 1	3800298-1-3		ENGINE ASSY-GAS TURB GTCP331-200ER SUPPLIER CODE: V99193 SPECIFICATION NUMBER: S351T020-202 CONFIG CHG DATA FROM A CMM: REPLACES 3800298-1-2 COMPONENT MAINT MANUAL REF: 49-22-11 QUALIFIED I/W DATA: S351T020-202 (3800298-1-3) AND S351T020-205 (3800298-1-6) ARE INTERCHANGEABLE WITH THE INCORPORATION OF ALLIED SIGNAL S/B GTCP331-49-7081. S351T020-202 (3800298-1-3) AND S351T020-206 (3800298-1-7/3800298-1) ARE INTERCHANGEABLE WITH THE INCORPORATION OF ALLIED SIGNAL S/B GTCP331-49-7081. FOR NHA/OTHER SYS DET SEE: 49-11-01-50	002004 006100 107107 121503 904999	RF

MISSING ITEM NUMBERS NOT APPLICABLE

- ITEM NOT ILLUSTRATED

BRI

49-27-51-50

BOEING PROPRIETARY - Copyright © - Unpublished Work - See title page for details.

49-27-51  
FIG. 50  
PAGE 3  
JAN 20/09



757

PARTS CATALOG (MAINTENANCE)

FIG ITEM	PART NUMBER	1 2 3 4 5 6 7	NOMENCLATURE	EFFECT FROM TO	UNITS PER ASSY
50 - 1	3800298-1-4		ENGINE ASSY-GAS TURB GTCP331-200ER SUPPLIER CODE: V99193 SPECIFICATION NUMBER: S351T020-203 CONFIG CHG DATA FROM A CMM: REPLACES 3800298-1-3 COMPONENT MAINT MANUAL REF: 49-22-11 QUALIFIED I/W DATA: 3800298-1-4/ S351T020-203 AND 3800298-1-6/ S351T020-205 ARE INTERCHANGEABLE WITH THE INCORPORATION OF ALLIED SIGNAL S/B GTCP331-49-7081 S351T020-203 (3800298-1-4)AND S351T020-206 (3800298-1-7/ 3800298-1) ARE INTERCHANGEABLE WITH THE INCORPORATION OF ALLIED SIGNAL S/B GTCP331-49-7081 FOR NHA/ADDITIONAL DET SEE: 49-11-01-50	002004 006100 107107 121503 904999	RF

MISSING ITEM NUMBERS NOT APPLICABLE

- ITEM NOT ILLUSTRATED

49-27-51-50

49-27-51  
FIG. 50  
PAGE 4  
JAN 20/09

BRI



757

PARTS CATALOG (MAINTENANCE)

FIG ITEM	PART NUMBER	1 2 3 4 5 6 7	NOMENCLATURE	EFFECT FROM TO	UNITS PER ASSY
50 - 1	3800298-1-5		ENGINE ASSY-GAS TURB GTCP331-200ER SUPPLIER CODE: V99193 SPECIFICATION NUMBER: S351T020-204 CONFIG CHG DATA FROM A CMM: REPLACES 3800298-1-4 COMPONENT MAINT MANUAL REF: 49-22-11 QUALIFIED I/W DATA: S351T020-204 (3800298-1-5) AND S351T020-205 (3800298-1-6) ARE INTERCHANGEABLE WITH THE INCORPORATION OF ALLIED SIGNAL S/B GTCP331-49-7081 S351T020-204 (3800298-1-5) AND S351T020-206 (3800298-1-7/ 3800298-1) ARE INTERCHANGEABLE WITH THE INCORPORATION OF ALLIED SIGNAL S/B GTCP331-49-7081 REWORKED BY SB: GTCP331-49-5884 V59364 GTCP331-49-5887 V59364 GTCP331-49-5890 V59364 FOR NHA/ADDITIONAL DET SEE: 49-11-01-50	002004 006100 107107 121503 904999	RF
- 1	3800298-1-6		ENGINE ASSY-GAS TURB GTCP331-200ER SUPPLIER CODE: V99193 SPECIFICATION NUMBER: S351T020-205 CONFIG CHG DATA FROM A CMM: REPLACES 3800298-1-5 COMPONENT MAINT MANUAL REF: 49-22-11 QUALIFIED I/W DATA: S351T020-203	002004 006999	RF

MISSING ITEM NUMBERS NOT APPLICABLE

- ITEM NOT ILLUSTRATED

49-27-51-50

49-27-51  
FIG. 50  
PAGE 5  
JAN 20/09

BRI



757

PARTS CATALOG (MAINTENANCE)

FIG ITEM	PART NUMBER	1 2 3 4 5 6 7 NOMENCLATURE	EFFECT FROM TO	UNITS PER ASSY
50		<p>(3800298-1-4) AND S351T020-205 (3800298-1-6) ARE INTERCHANGEABLE WITH THE INCORPORATION OF ALLIED SIGNAL S/B GTCP331-49-7081 S351T020-204 (3800298-1-5) AND S351T020-205 (3800298-1-6) ARE INTERCHANGEABLE WITH THE INCORPORATION OF ALLIED SIGNAL S/B GTCP331-49-7081 S351T020-202 (3800298-1-3) AND S351T020-205 (3800298-1-6) ARE INTERCHANGEABLE WITH THE INCORPORATION OF ALLIED SIGNAL S/B GTCP331-49-7081. S351T020-201 (3800298-1-2) AND S351T020-205 (3800298-1-6) ARE INTERCHANGEABLE WITH THE INCORPORATION OF ALLIED SIGNAL S/B GTCP331-49-7081. S351T020-200 (3800298-1-1) AND S351T020-205 (3800298-1-6) ARE INTERCHANGEABLE WITH THE INCORPORATION OF ALLIED SIGNAL S/B GTCP331-49-7081. FOR NHA/ADDITIONAL DET SEE: 49-11-01-50 49-21-00-02</p>		
-	1 3800298-1-7	<p>ENGINE ASSY-GAS TURB GTCP331-200ER SUPPLIER CODE: V99193 SPECIFICATION NUMBER: S351T020-206 CONFIG CHG DATA FROM A CMM:</p>	002004 006999	RF

MISSING ITEM NUMBERS NOT APPLICABLE

- ITEM NOT ILLUSTRATED

49-27-51-50

49-27-51  
FIG. 50  
PAGE 6  
SEP 20/08

BRI



757

PARTS CATALOG (MAINTENANCE)

FIG ITEM	PART NUMBER	1 2 3 4 5 6 7 NOMENCLATURE	EFFECT FROM TO	UNITS PER ASSY
50		<p>REPLACES 3800298-1-6            COMPONENT MAINT MANUAL REF:            49-22-11            QUALIFIED I/W DATA:            S351T020-203            (3800298-1-4) AND            S351T020-206            (3800298-1-7/            3800298-1) ARE            INTERCHANGEABLE WITH            THE INCORPORATION OF            ALLIED SIGNAL S/B            GTCP331-49-7081            S351T020-204            (3800298-1-5) AND            S351T020-206            (3800298-1-7/            3800298-1) ARE            INTERCHANGEABLE WITH            THE INCORPORATION OF            ALLIED SIGNAL S/B            GTCP331-49-7081            S351T020-202            (3800298-1-3)            AND S351T020-206            (3800298-1-7/3800298-1)            ARE INTERCHANGEABLE            WITH THE INCORPORATION            OF ALLIED SIGNAL S/B            GTCP331-49-7081.            S351T020-201            (3800298-1-2)            AND S351T020-206            (3800298-1-7/3800298-1)            ARE INTERCHANGEABLE            WITH THE INCORPORATION            OF ALLIED SIGNAL S/B            GTCP331-49-7081.            S351T020-200            (3800298-1-1)            AND S351T020-206            (3800298-1-7/3800298-1)            ARE INTERCHANGEABLE            WITH THE INCORPORATION            OF ALLIED SIGNAL S/B            GTCP331-49-7081.            OPTIONAL PART:            3800298-1            V99193</p>		

MISSING ITEM NUMBERS NOT APPLICABLE

- ITEM NOT ILLUSTRATED

49-27-51-50

49-27-51  
 FIG. 50  
 PAGE 7  
 SEP 20/08

BRI



757

PARTS CATALOG (MAINTENANCE)

FIG ITEM	PART NUMBER	1 2 3 4 5 6 7 NOMENCLATURE	EFFECT FROM TO	UNITS PER ASSY
50  - 1	3800298-1	<p>FOR NHA/ADDITIONAL DET SEE:            49-11-01-50            49-21-00-02            ENGINE ASSY-GAS TURB            GTCP331-200ER            SUPPLIER CODE:            V99193            SPECIFICATION NUMBER:            S351T020-206            COMPONENT MAINT MANUAL REF:            49-22-11            QUALIFIED I/W DATA:            S351T020-203            (3800298-1-4) AND            S351T020-206            (3800298-1-7/            3800298-1) ARE            INTERCHANGEABLE WITH            THE INCORPORATION OF            ALLIED SIGNAL S/B            GTCP331-49-7081            S351T020-204            (3800298-1-5) AND            S351T020-206            (3800298-1-7/            3800298-1) ARE            INTERCHANGEABLE WITH            THE INCORPORATION OF            ALLIED SIGNAL S/B            GTCP331-49-7081            S351T020-202            (3800298-1-3)            AND S351T020-206            (3800298-1-7/3800298-1)            ARE INTERCHANGEABLE            WITH THE INCORPORATION            OF ALLIED SIGNAL S/B            GTCP331-49-7081.            S351T020-201            (3800298-1-2)            AND S351T020-206            (3800298-1-7/3800298-1)            ARE INTERCHANGEABLE            WITH THE INCORPORATION            OF ALLIED SIGNAL S/B            GTCP331-49-7081.            S351T020-200            (3800298-1-1)            AND S351T020-206</p>	002004 006999	RF

MISSING ITEM NUMBERS NOT APPLICABLE

- ITEM NOT ILLUSTRATED

49-27-51-50

49-27-51  
FIG. 50  
PAGE 8  
SEP 20/08

BRI



757

PARTS CATALOG (MAINTENANCE)

FIG ITEM	PART NUMBER	1 2 3 4 5 6 7	NOMENCLATURE	EFFECT FROM TO	UNITS PER ASSY
50			(3800298-1-7/3800298-1) ARE INTERCHANGEABLE WITH THE INCORPORATION OF ALLIED SIGNAL S/B GTCP331-49-7081. OPTIONAL PART: 3800298-1-7 V99193 FOR NHA/ADDITIONAL DET SEE: 49-11-01-50 49-21-00-02		
50	MS21279-08	.BOLT		002004 006999	2
50	MS9556-08	.BOLT-	SB DATA FROM A CMM: POST SPB GTE0306	002004 006999	2
55	NAS620C10L	.WASHER		002004 006999	2
60	3862211-1	.CAP AND ADAPTER ASSY-	SUPPLIER CODE: V99193	002004 006999	1
65	436-184	..CAP ASSY-	SUPPLIER CODE: V99321	002004 006999	1
70	436-3-21	...HANDLE-	SUPPLIER CODE: V99321	002004 006999	1
75	432-9-1	...PACKING-	SUPPLIER CODE: V99321 OPTIONAL PART: M83248-1-010	002004 006999	1
75	M83248-1-010	...PACKING-	OPTIONAL PART: 432-9-1 V99321	002004 006999	1
80	436-182	...BASE-	SUPPLIER CODE: V99321	002004 006999	1
85	432-9-6	...PACKING-	SUPPLIER CODE: V99321 OPTIONAL PART: M83248-1-226	002004 006999	1
85	M83248-1-226	...PACKING-	OPTIONAL PART: 432-9-6 V99321	002004 006999	1

MISSING ITEM NUMBERS NOT APPLICABLE

- ITEM NOT ILLUSTRATED

49-27-51-50

49-27-51  
FIG. 50  
PAGE 9  
SEP 20/08

BRI





757

PARTS CATALOG (MAINTENANCE)

FIG ITEM	PART NUMBER	1 2 3 4 5 6 7	NOMENCLATURE	EFFECT FROM TO	UNITS PER ASSY
50					
90	417-23	...	SPRING- SUPPLIER CODE: V99321	002004 006999	1
95	436-5-1	...	PAWL- SUPPLIER CODE: V99321	002004 006999	1
100	AN363C1032	...	NUT	002004 006999	1
105	436-186	..	ADAPTER ASSY- SUPPLIER CODE: V99321	002004 006999	1
110	436-192	...	CHAIN- SUPPLIER CODE: V99321	002004 006999	1
115	436-185	...	ADAPTER- SUPPLIER CODE: V99321	002004 006999	1
- 120	S9413-147	.	PACKING- SUPPLIER CODE: V99193	002004 006999	1
135	S407	.	GLASS-PRISMATIC SIGHT SUPPLIER CODE: V97484 SB DATA FROM A CMM: POST SB 49-5528 PRE SB 49-5887 CONFIG CHG DATA FROM A CMM: REPLD BY 2D2598 MISCELLANEOUS DATA: (421-517-9607) USED ON: 3800298-1-7	002004 006999	1
140	2D2598	.	GLASS-PRISMATIC SIGHT SUPPLIER CODE: V97484 SB DATA FROM A CMM: POST SB 49-5887 CONFIG CHG DATA FROM A CMM: REPLS S407 MISCELLANEOUS DATA: (421-517-9619) OPTIONAL PART: 3614599-1 V97484	002004 006999	1

MISSING ITEM NUMBERS NOT APPLICABLE

- ITEM NOT ILLUSTRATED

49-27-51-50

49-27-51  
FIG. 50  
PAGE 10  
SEP 20/08

BRI



757

PARTS CATALOG (MAINTENANCE)

FIG ITEM	PART NUMBER	1 2 3 4 5 6 7	NOMENCLATURE	EFFECT FROM TO	UNITS PER ASSY
50 145	3614599-1		.GLASS-PRISMATIC SIGHT SUPPLIER CODE: V97484 SB DATA FROM A CMM: POST SB 49-5887 OPTIONAL PART: 2D2598 V97484	002004 006999	1
150	3614598-1		.DECAL-OIL LEVEL SUPPLIER CODE: V97484 SB DATA FROM A CMM: POST 49-5887	002004 006999	1
155	S9413-143		.PACKING- SUPPLIER CODE: V99193 SB DATA FROM A CMM: POST SB 49-5528 OPTIONAL PART: M83248-1-143	002004 006999	1
155	M83248-1-143		.PACKING- OPTIONAL PART: S9413-143 V99193	002004 006999	1
160	S9413-036		.PACKING- SUPPLIER CODE: V99193 SB DATA FROM A CMM: PRE SB 49-5528 OPTIONAL PART: M83248-1-036	002004 006999	1
160	M83248-1-036		.PACKING- OPTIONAL PART: S9413-036 V99193	002004 006999	1
- 165	S9413-039		.PACKING- SUPPLIER CODE: V99193 SB DATA FROM A CMM: POST SB 49-5528 OPTIONAL PART: M83248-1-039	002004 006999	2
- 165	M83248-1-039		.PACKING- OPTIONAL PART: S9413-039 V99193	002004 006999	2

MISSING ITEM NUMBERS NOT APPLICABLE

- ITEM NOT ILLUSTRATED

49-27-51-50

49-27-51  
FIG. 50  
PAGE 11  
SEP 20/08

BRI



757

PARTS CATALOG (MAINTENANCE)

FIG ITEM	PART NUMBER	1 2 3 4 5 6 7	NOMENCLATURE	EFFECT FROM TO	UNITS PER ASSY
50 185	3862385-1		.HOUSING ASSY- SUPPLIER CODE: V99193 SB DATA FROM A CMM: POST SB 49-5528 PRE SPB GTE 1238 CONFIG CHG DATA FROM A CMM: REPLD BY 3862385-2	002004 006999	1
185	3862385-2		.HOUSING ASSY- SUPPLIER CODE: V99193 SB DATA FROM A CMM: POST SPB GTE 1238 CONFIG CHG DATA FROM A CMM: REPLACES 3862385-1	002004 006999	1
190	MS51830-201L		..INSERT	002004 006999	4
200	MS21279-26		.BOLT- SB DATA FROM A CMM: PRE 49-5528	002004 006999	8
200	MS9556-26		.BOLT- SB DATA FROM A CMM: PRE 49-5528 POST SPB GTE0293	002004 006999	8
205	MS21279-13		.BOLT- SB DATA FROM A CMM: POST SB 49-5528	002004 006999	2
210	MS21279-26		.BOLT- SB DATA FROM A CMM: POST SB 49-5528	002004 006999	6
215	MS21279-10		.BOLT- SB DATA FROM A CMM: POST SB 49-5528	002004 006999	1
225	MS21279-07		.BOLT- SB DATA FROM A CMM: PRE 49-5867 CONFIG CHG DATA FROM A CMM: REPLD BY NAS1216-3E18 OPTIONAL PART: MS9556-16	002004 006999	1
225	NAS1216-3E18		.BOLT- SB DATA FROM A CMM: POST 49-5867 CONFIG CHG DATA FROM A CMM: REPLACES MS21279-07	002004 006999	1
235	M83248-1-110		.PACKING- OPTIONAL PART: S9413-110 V99193	002004 006999	1

MISSING ITEM NUMBERS NOT APPLICABLE

- ITEM NOT ILLUSTRATED

49-27-51-50

49-27-51  
FIG. 50  
PAGE 12  
SEP 20/08

BRI



757

PARTS CATALOG (MAINTENANCE)

FIG ITEM	PART NUMBER	1 2 3 4 5 6 7	NOMENCLATURE	EFFECT FROM TO	UNITS PER ASSY
50					
240	M83248-1-111		.PACKING- OPTIONAL PART: S9413-111 V59364	002004 006999	1
245	3880303-1		.TUBE-OIL TRANSFER SUPPLIER CODE: V99193 SB DATA FROM A CMM: PRE SB 49-5841 CONFIG CHG DATA FROM A CMM: REPLD BY 3881051-1	002004 006999	1
250	3881051-1		.TUBE-OIL TRANSFER SUPPLIER CODE: V99193 SB DATA FROM A CMM: POST SB 49-5841 CONFIG CHG DATA FROM A CMM: REPLS 3880303-1 POST SERVICE BULLETIN: GTCP331-49-5841 V99193	002004 006999	1

MISSING ITEM NUMBERS NOT APPLICABLE

- ITEM NOT ILLUSTRATED

BRI

49-27-51-50

BOEING PROPRIETARY - Copyright © - Unpublished Work - See title page for details.

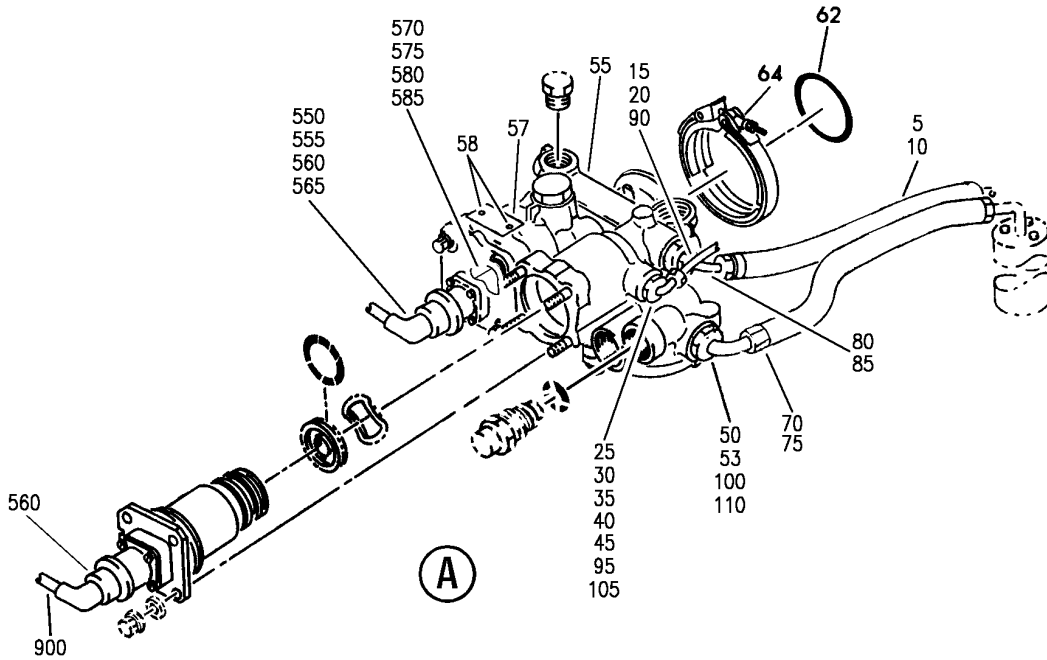
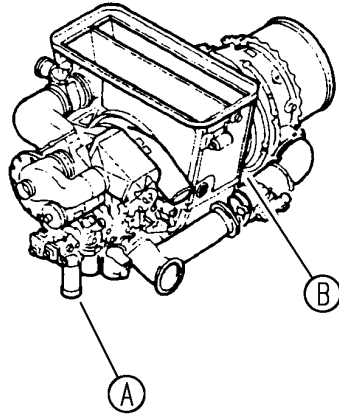
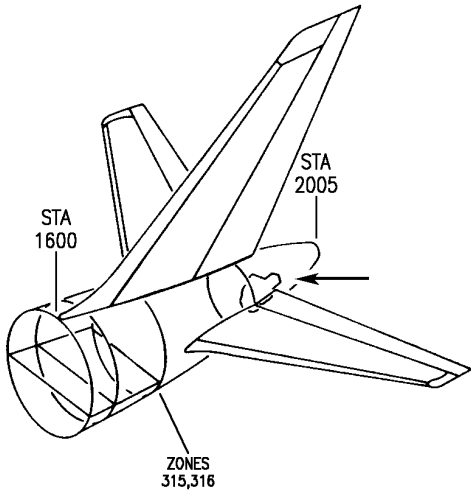
49-27-51  
FIG. 50  
PAGE 13  
SEP 20/08

## **APU ENGINE FUEL SYSTEM**

**BRI**  
**MAY 28/07**

**49-31-00**  
**SECTION TITLE**  
**PAGE 1**

**BOEING**  
757  
PARTS CATALOG (MAINTENANCE)



Y 49310101 SHT 1 REV 287

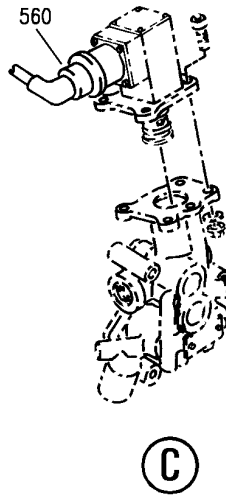
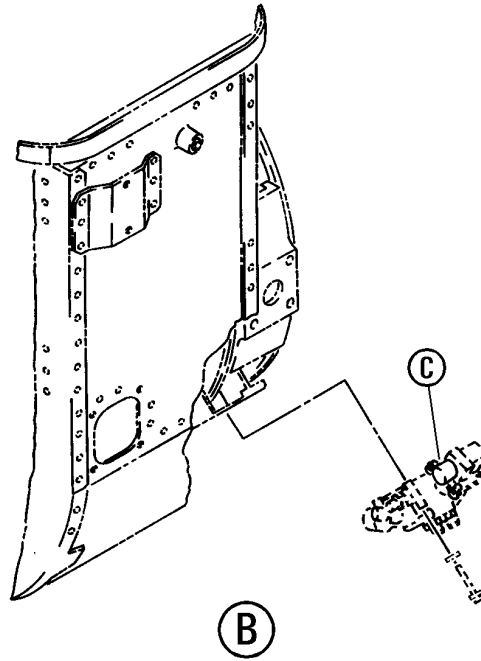
ENGINE ASSY-GAS TURB (FUEL CONTROL UNIT ONLY)  
FIGURE 1 (SHEET 1)

**49-31-01-01**

BRI  
MAY 28/07

49-31-01-01  
PAGE 0

**BOEING**  
757  
PARTS CATALOG (MAINTENANCE)



Y 49310101 SH1 2 REV 251

ENGINE ASSY-GAS TURB (FUEL CONTROL UNIT ONLY)  
FIGURE 1 (SHEET 2)

**49-31-01-01**

BRI  
MAY 28/07

49-31-01-01  
PAGE 0A



757

PARTS CATALOG (MAINTENANCE)

FIG ITEM	PART NUMBER	1 2 3 4 5 6 7	NOMENCLATURE	EFFECT FROM TO	UNITS PER ASSY
1			ENGINE ASSY-GAS TURB (FUEL CONTROL UNIT ONLY)	002004 006999	
- 1	3800298-1-2		ENGINE ASSY-GAS TURB GTCP331-200ER (FUEL CONTROL UNIT ONLY) SUPPLIER CODE: V99193 SPECIFICATION NUMBER: S351T020-201 CONFIG CHG DATA FROM A CMM: REPLACES 3800298-1-1 COMPONENT MAINT MANUAL REF: 49-22-11 QUALIFIED I/W DATA: S351T020-201 (3800298-1-2) AND S351T020-205 (3800298-1-6) ARE INTERCHANGEABLE WITH THE INCORPORATION OF ALLIED SIGNAL S/B GTCP331-49-7081. S351T020-201 (3800298-1-2) AND S351T020-206 (3800298-1-7/3800298-1) ARE INTERCHANGEABLE WITH THE INCORPORATION OF ALLIED SIGNAL S/B GTCP331-49-7081. FOR NHA/ADDITIONAL DET SEE: 49-11-01-50	002004 006100 107107 121503 904999	RF

MISSING ITEM NUMBERS NOT APPLICABLE

- ITEM NOT ILLUSTRATED

49-31-01-01

49-31-01  
FIG. 01  
PAGE 1  
JAN 20/09

BRI





757

PARTS CATALOG (MAINTENANCE)

FIG ITEM	PART NUMBER	1 2 3 4 5 6 7	NOMENCLATURE	EFFECT FROM TO	UNITS PER ASSY
1 - 1	3800298-1-1		ENGINE ASSY-GAS TURB GTCP331-200ER (FUEL CONTROL UNIT ONLY) SUPPLIER CODE: V99193 SPECIFICATION NUMBER: S351T020-200 COMPONENT MAINT MANUAL REF: 49-22-11 QUALIFIED I/W DATA: S351T020-200 (3800298-1-1) AND S351T020-205 (3800298-1-6) ARE INTERCHANGEABLE WITH THE INCORPORATION OF ALLIED SIGNAL S/B GTCP331-49-7081. S351T020-200 (3800298-1-1) AND S351T020-206 (3800298-1-7/3800298-1) ARE INTERCHANGEABLE WITH THE INCORPORATION OF ALLIED SIGNAL S/B GTCP331-49-7081. FOR NHA/ADDITIONAL DET SEE: 49-11-01-50	002004 006100 107107 121503 904999	RF

MISSING ITEM NUMBERS NOT APPLICABLE

- ITEM NOT ILLUSTRATED

49-31-01-01

49-31-01  
FIG. 01  
PAGE 2  
JAN 20/09

BRI



757

PARTS CATALOG (MAINTENANCE)

FIG ITEM	PART NUMBER	1 2 3 4 5 6 7	NOMENCLATURE	EFFECT FROM TO	UNITS PER ASSY
1 - 1	3800298-1-3		ENGINE ASSY-GAS TURB GTCP331-200ER (FUEL CONTROL UNIT ONLY) SUPPLIER CODE: V99193 SPECIFICATION NUMBER: S351T020-202 CONFIG CHG DATA FROM A CMM: REPLACES 3800298-1-2 COMPONENT MAINT MANUAL REF: 49-22-11 QUALIFIED I/W DATA: S351T020-202 (3800298-1-3) AND S351T020-205 (3800298-1-6) ARE INTERCHANGEABLE WITH THE INCORPORATION OF ALLIED SIGNAL S/B GTCP331-49-7081. S351T020-202 (3800298-1-3) AND S351T020-206 (3800298-1-7/3800298-1) ARE INTERCHANGEABLE WITH THE INCORPORATION OF ALLIED SIGNAL S/B GTCP331-49-7081. FOR NHA/OTHER SYS DET SEE: 49-11-01-50	002004 006100 107107 121503 904999	RF

MISSING ITEM NUMBERS NOT APPLICABLE

- ITEM NOT ILLUSTRATED

49-31-01-01

49-31-01  
 FIG. 01  
 PAGE 3  
 JAN 20/09

BRI



757

PARTS CATALOG (MAINTENANCE)

FIG ITEM	PART NUMBER	1 2 3 4 5 6 7	NOMENCLATURE	EFFECT FROM TO	UNITS PER ASSY
1 - 1	3800298-1-4		ENGINE ASSY-GAS TURB GTCP331-200ER (FUEL CONTROL UNIT ONLY) SUPPLIER CODE: V99193 SPECIFICATION NUMBER: S351T020-203 CONFIG CHG DATA FROM A CMM: REPLACES 3800298-1-3 COMPONENT MAINT MANUAL REF: 49-22-11 QUALIFIED I/W DATA: 3800298-1-4/S351T020-203 AND 3800298-1-6/S351T020-205 ARE INTERCHANGEABLE WITH THE INCORPORATION OF ALLIED SIGNAL S/B GTCP331-49-7081. 3800298-1-4/S351T020-203 AND 3800298-1-7/S351T020-206 /3800298-1 ARE INTERCHANGEABLE WITH THE INCORPORATION OF ALLIED SIGNAL S/B GTCP331-49-7081. FOR NHA/ADDITIONAL DET SEE: 49-11-01-50	002004 006100 107107 121503 904999	RF

MISSING ITEM NUMBERS NOT APPLICABLE

- ITEM NOT ILLUSTRATED

49-31-01-01

49-31-01  
 FIG. 01  
 PAGE 4  
 JAN 20/09

BRI



757

PARTS CATALOG (MAINTENANCE)

FIG ITEM	PART NUMBER	1 2 3 4 5 6 7	NOMENCLATURE	EFFECT FROM TO	UNITS PER ASSY
1					
- 1	3800298-1-5		ENGINE ASSY-GAS TURB GTCP331-200ER (FUEL CONTROL UNIT ONLY) SUPPLIER CODE: V99193 SPECIFICATION NUMBER: S351T020-204 CONFIG CHG DATA FROM A CMM: REPLACES 3800298-1-4 COMPONENT MAINT MANUAL REF: 49-22-11 QUALIFIED I/W DATA: 3800298-1-5/S351T020-204 AND 3800298-1-6/S351T020-205 ARE INTERCHANGEABLE WITH THE INCORPORATION OF ALLIED SIGNAL S/B GTCP331-49-7081. S351T020-204 (3800298-1-5) AND S351T020-206(3800298-1-7 /3800298-1) ARE INTERCHANGEABLE WITH THE INCORPORATION OF ALLIED SIGNAL S/B GTCP331-49-7081. FOR NHA/ADDITIONAL DET SEE: 49-11-01-50	002004 006100 107107 121503 904999	RF
- 1	3800298-1-6		ENGINE ASSY-GAS TURB GTCP331-200ER (FUEL CONTROL UNIT ONLY) SUPPLIER CODE: V99193 SPECIFICATION NUMBER: S351T020-205 CONFIG CHG DATA FROM A CMM: REPALCES 3800298-1-5 COMPONENT MAINT MANUAL REF: 49-22-11 QUALIFIED I/W DATA: 3800298-1-5/S351T020-204 AND 3800298-1-6/S351T020-205 ARE INTERCHANGEABLE WITH THE INCORPORATION OF ALLIED SIGNAL S/B GTCP331-49-7081. S351T020-203	002004 006999	RF

MISSING ITEM NUMBERS NOT APPLICABLE

- ITEM NOT ILLUSTRATED

49-31-01-01

49-31-01  
FIG. 01  
PAGE 5  
JAN 20/09

BRI



757

PARTS CATALOG (MAINTENANCE)

FIG ITEM	PART NUMBER	1 2 3 4 5 6 7 NOMENCLATURE	EFFECT FROM TO	UNITS PER ASSY
1		<p>(3800298-1-4) AND S351T020-205 (3800298-1-6) ARE INTERCHANGEABLE WITH THE INCORPORATION OF ALLIED SIGNAL S/B GTCP331-49-7081. S351T020-202 (3800298-1-3) AND S351T020-205 (3800298-1-6) ARE INTERCHANGEABLE WITH THE INCORPORATION OF ALLIED SIGNAL S/B GTCP331-49-7081. S351T020-201 (3800298-1-2) AND S351T020-205 (3800298-1-6) ARE INTERCHANGEABLE WITH THE INCORPORATION OF ALLIED SIGNAL S/B GTCP331-49-7081. S351T020-200 (3800298-1-1) AND S351T020-205 (3800298-1-6) ARE INTERCHANGEABLE WITH THE INCORPORATION OF ALLIED SIGNAL S/B GTCP331-49-7081. FOR NHA/ADDITIONAL DET SEE: 49-11-01-50 49-21-00-02</p>		
-	1 3800298-1-7	<p>ENGINE ASSY-GAS TURB GTCP331-200ER (FUEL CONTROL UNIT ONLY) SUPPLIER CODE: V99193 SPECIFICATION NUMBER: S351T020-206 CONFIG CHG DATA FROM A CMM: REPLACES 3880298-1-6 COMPONENT MAINT MANUAL REF: 49-22-11 QUALIFIED I/W DATA: 3800298-1-5/S351T020-204 AND 3800298-1 3800298-1-7/S351T020-206</p>	002004 006999	RF

MISSING ITEM NUMBERS NOT APPLICABLE

- ITEM NOT ILLUSTRATED

49-31-01-01

49-31-01  
FIG. 01  
PAGE 6  
SEP 20/08

BRI



757

PARTS CATALOG (MAINTENANCE)

FIG ITEM	PART NUMBER	1 2 3 4 5 6 7 NOMENCLATURE	EFFECT FROM TO	UNITS PER ASSY
1		<p>ARE INTERCHANGEABLE WITH THE INCORPORATION OF ALLIED SIGNAL S/B GTCP331-49-7081. S351T020-203 (3800298-1-4) AND S351T020-206(3800298-1-7 /3800298-1) ARE INTERCHANGEABLE WITH THE INCORPORATION OF ALLIED SIGNAL S/B GTCP331-49-7081. S351T020-202 (3800298-1-3) AND S351T020-206 (3800298-1-7/3800298-1) ARE INTERCHANGEABLE WITH THE INCORPORATION OF ALLIED SIGNAL S/B GTCP331-49-7081. S351T020-201 (3800298-1-2) AND S351T020-206 (3800298-1-7/3800298-1) ARE INTERCHANGEABLE WITH THE INCORPORATION OF ALLIED SIGNAL S/B GTCP331-49-7081. S351T020-200 (3800298-1-1) AND S351T020-206 (3800298-1-7/3800298-1) ARE INTERCHANGEABLE WITH THE INCORPORATION OF ALLIED SIGNAL S/B GTCP331-49-7081.</p> <p>OPTIONAL PART: 3800298-1 V99193</p> <p>FOR NHA/ADDITIONAL DET SEE: 49-11-01-50 49-21-00-02</p>		
-	1 3800298-1	<p>ENGINE ASSY-GAS TURB GTCP331-200ER (FUEL CONTROL UNIT ONLY) SUPPLIER CODE: V99193 SPECIFICATION NUMBER: S351T020-206</p>	002004 006999	RF

MISSING ITEM NUMBERS NOT APPLICABLE

- ITEM NOT ILLUSTRATED

49-31-01-01

49-31-01  
FIG. 01  
PAGE 7  
SEP 20/08

BRI



757

PARTS CATALOG (MAINTENANCE)

FIG ITEM	PART NUMBER	1 2 3 4 5 6 7 NOMENCLATURE	EFFECT FROM TO	UNITS PER ASSY
1		<p>COMPONENT MAINT MANUAL REF: 49-22-11</p> <p>QUALIFIED I/W DATA: 3800298-1-4/S351T020-203 AND 3800298-1 3800298-1-7/S351T020-206 ARE INTERCHANGEABLE WITH THE INCORPORATION OF ALLIED SIGNAL S/B GTCP331-49-7081. S351T020-204/3800298-1-5 AND S351T020-206(3800298-1-7 /3800298-1) ARE INTERCHANGEABLE WITH THE INCORPORATION OF ALLIED SIGNAL S/B GTCP331-49-7081 S351T020-202 (3800298-1-3) AND S351T020-206 (3800298-1-7/3800298-1) ARE INTERCHANGEABLE WITH THE INCORPORATION OF ALLIED SIGNAL S/B GTCP331-49-7081. S351T020-201 (3800298-1-2) AND S351T020-206 (3800298-1-7/3800298-1) ARE INTERCHANGEABLE WITH THE INCORPORATION OF ALLIED SIGNAL S/B GTCP331-49-7081. S351T020-200 (3800298-1-1) AND S351T020-206 (3800298-1-7/3800298-1) ARE INTERCHANGEABLE WITH THE INCORPORATION OF ALLIED SIGNAL S/B GTCP331-49-7081.</p> <p>OPTIONAL PART: 3800298-1-7 V99193</p> <p>FOR NHA/OTHER SYS DET SEE: 49-11-01-50 49-21-00-02</p> <p>FOR NHA/ADDITIONAL DET SEE:</p>		

MISSING ITEM NUMBERS NOT APPLICABLE

- ITEM NOT ILLUSTRATED

**49-31-01-01**

49-31-01  
FIG. 01  
PAGE 8  
SEP 20/08

BRI



757

PARTS CATALOG (MAINTENANCE)

FIG ITEM	PART NUMBER	1 2 3 4 5 6 7	NOMENCLATURE	EFFECT FROM TO	UNITS PER ASSY
1			49-11-01-50 49-21-00-02		
5	3882518-1		.HOSE-INLET GUIDE VANE ACTR PRESSURE SUPPLIER CODE: V99193	002004 006999	RF
10	S9412-013		.PACKING- SUPPLIER CODE: V99193 CONFIG CHG DATA FROM A CMM: REPLD BY S9412-012	002004 006999	2
10	S9412-012		.PACKING- SUPPLIER CODE: V99193 CONFIG CHG DATA FROM A CMM: REPLS S9412-013 OPTIONAL PART: M25988-2-012	002004 006999	2
10	M25988-2-012		.PACKING- OPTIONAL PART: S9412-012 V99193	002004 006999	2
15	3882526-1		.TUBE-FLOW DIVIDER SUPPLIER CODE: V99193 SB DATA FROM A CMM: PRE SB 49-5498 CONFIG CHG DATA FROM A CMM: REPLD BY 3882720-1	002004 006999	RF
20	3882720-1		.TUBE-FLOW DIVIDER SUPPLIER CODE: V99193 SB DATA FROM A CMM: POST SB 49-5498 CONFIG CHG DATA FROM A CMM: REPLACES 3882526-1	002004 006999	RF
25	AN6289D4		.NUT- SB DATA FROM A CMM: PRE SB 49-5498	002004 006999	1
30	MS21908J4		.ELBOW- SB DATA FROM A CMM: PRE SB 49-5498	002004 006999	1
35	MS21902J4		.UNION- SB DATA FROM A CMM: PRE SB 49-5498	002004 006999	1
40	MS28773-04		.RETAINER- SB DATA FROM A CMM: PRE SB 49-5498	002004 006999	1

MISSING ITEM NUMBERS NOT APPLICABLE

- ITEM NOT ILLUSTRATED

49-31-01-01

49-31-01  
FIG. 01  
PAGE 9  
SEP 20/08

BRI





757

PARTS CATALOG (MAINTENANCE)

FIG ITEM	PART NUMBER	1 2 3 4 5 6 7	NOMENCLATURE	EFFECT FROM TO	UNITS PER ASSY
1					
45	S9412-554		.PACKING- SUPPLIER CODE: V99193 OPTIONAL PART: M25988-2-904	002004 006999	1
45	M25988-2-904		.PACKING- OPTIONAL PART: S9412-554 V99193	002004 006999	1
50	MS21902J6		.UNION	002004 006999	1
53	S9412-556		.PACKING- SUPPLIER CODE: V99193 OPTIONAL PART: M25988-2-906	002004 006999	1
53	M25988-2-906		.PACKING- OPTIONAL PART: S9412-556 V99193	002004 006999	1
55	3882500-11		.CONTROL ASSY-FUEL SUPPLIER CODE: V99193 NOT APPROVED FOR ETOPS. NOT APPROVED FOR ETOPS AFTER INCORP OF SB: GTCP331495569 SB DATA FROM A CMM: POST SB 49-5639 PRE SB 49-5570 PRE SB 49-5672 CONFIG CHG DATA FROM A CMM: REPLD BY 3882500-10 REPLD BY 3882500-13 REWORKED FROM PART NUMBER 3882500-6,-7,-8, PER -9, PER SB49-5640 COMPONENT MAINT MANUAL REF: 49-31-61 PRE SERVICE BULLETIN: GTCP331-49-5570 V99193	002004 006999	1

MISSING ITEM NUMBERS NOT APPLICABLE

- ITEM NOT ILLUSTRATED

49-31-01-01

49-31-01  
FIG. 01  
PAGE 10  
SEP 20/08

BRI



757

PARTS CATALOG (MAINTENANCE)

FIG ITEM	PART NUMBER	1 2 3 4 5 6 7	NOMENCLATURE	EFFECT FROM TO	UNITS PER ASSY
1 55	3882500-10		.CONTROL ASSY-FUEL SUPPLIER CODE: V99193 NOT APPROVED FOR ETOPS AFTER INCORP OF SB: 49-5888 49-5895 GTCP331495569 SB DATA FROM A CMM: POST SB 49-5570 PRE SB 49-5672 CONFIG CHG DATA FROM A CMM: REPLS 3882500-11 REPLD BY 3882500-12 COMPONENT MAINT MANUAL REF: 49-31-61 POST SERVICE BULLETIN: GTCP331-49-5569 V99193 GTCP331-49-5570 V99193	002004 006999	1
55	3882500-9		.CONTROL ASSY-FUEL SUPPLIER CODE: V99193 NOT APPROVED FOR ETOPS AFTER INCORP OF SB: GTCP331495888 SB DATA FROM A CMM: PRE SB 49-5639 PRE SB 49-5640 COMPONENT MAINT MANUAL REF: 49-31-61 USED ON: 3800298-1-1 3800298-1-2 3800298-1-3 3800298-1-4 3800298-1-5 3800298-1-6	002004 006999	1

MISSING ITEM NUMBERS NOT APPLICABLE

- ITEM NOT ILLUSTRATED

49-31-01-01

49-31-01  
FIG. 01  
PAGE 11  
SEP 20/08

BRI



757

PARTS CATALOG (MAINTENANCE)

FIG ITEM	PART NUMBER	1 2 3 4 5 6 7	NOMENCLATURE	EFFECT FROM TO	UNITS PER ASSY
1 55	3882500-12		.CONTROL ASSY-FUEL SUPPLIER CODE: V99193 NOT APPROVED FOR ETOPS. NOT APPROVED FOR ETOPS AFTER INCORP OF SB: GTCP331495888 GTCP331495569 SB DATA FROM A CMM: PRE SB 49-5888 POST SB 49-5672 PRE SB 49-5895 POST SB 49-5570 CONFIG CHG DATA FROM A CMM: REPLS 3882500-10 REPLD BY 3882500-14 REWORKED FROM P/N 3800550-10/-11/-13 PER SB 49-5570 COMPONENT MAINT MANUAL REF: 49-31-61	002004 006999	1
55	3882500-13		.CONTROL ASSY-FUEL SUPPLIER CODE: V99193 NOT APPROVED FOR ETOPS. NOT APPROVED FOR ETOPS AFTER INCORP OF SB: GTCP331495569 GTCP331495888 SB DATA FROM A CMM: PRE SB 49-5888 POST SB 49-5672 PRE SB 49-5895 CONFIG CHG DATA FROM A CMM: REPLS 3882500-11 REPLD BY 3882500-15 REWORKED FROM P/N 3882500-11 COMPONENT MAINT MANUAL REF: 49-31-61	002004 006999	1

MISSING ITEM NUMBERS NOT APPLICABLE

- ITEM NOT ILLUSTRATED

49-31-01-01

49-31-01  
FIG. 01  
PAGE 12  
SEP 20/08

BRI



757

PARTS CATALOG (MAINTENANCE)

FIG ITEM	PART NUMBER	1 2 3 4 5 6 7	NOMENCLATURE	EFFECT FROM TO	UNITS PER ASSY
1 55	3882500-14		.CONTROL ASSY-FUEL SUPPLIER CODE: V99193 SB DATA FROM A CMM: POST SB 49-5888 PRE SB 49-6778 PRE SB 49-7157 POST SB 49-5895 PRE SB 49-6674 CONFIG CHG DATA FROM A CMM: REPLS 3882500-12 REPLD BY 3882500-16 REPLD BY 3882500-17 REWORKED FROM P/N 3882500-12/-13/-15 PER SB 49-4895 COMPONENT MAINT MANUAL REF: 49-31-61	002004 006999	1
55	3882500-15		.CONTROL ASSY-FUEL SUPPLIER CODE: V99193 NOT APPROVED FOR ETOPS AFTER INCORP OF SB: GTCP331485888 SB DATA FROM A CMM: POST SB 49-5888 POST SB 49-5895 CONFIG CHG DATA FROM A CMM: REPLS 3882500-13 REWORKED FROM P/N 3882500-13 COMPONENT MAINT MANUAL REF: 49-31-61	002004 006999	1
55	3882500-16		.CONTROL ASSY-FUEL SUPPLIER CODE: V99193 SB DATA FROM A CMM: POST SB 49-6778 POST SB 49-6674 CONFIG CHG DATA FROM A CMM: REPLS 3882500-14 REPLD BY 3882500-17 REWORKED FROM P/N 3882500-14 COMPONENT MAINT MANUAL REF: 49-31-61	002004 006999	1

MISSING ITEM NUMBERS NOT APPLICABLE

- ITEM NOT ILLUSTRATED

49-31-01-01

49-31-01  
FIG. 01  
PAGE 13  
SEP 20/08

BRI



757

PARTS CATALOG (MAINTENANCE)

FIG ITEM	PART NUMBER	1 2 3 4 5 6 7	NOMENCLATURE	EFFECT FROM TO	UNITS PER ASSY
1	55 3882500-17		.CONTROL ASSY-FUEL SUPPLIER CODE: V99193 SB DATA FROM A CMM: POST SB 49-7156 CONFIG CHG DATA FROM A CMM: POST SB 49-7157 REPLS 3882500-14 REPLS 3882500-16 COMPONENT MAINT MANUAL REF: 49-31-61	002004 006999	1
	57 S8840B7P1A		..PLATE-IDENT SUPPLIER CODE: V99193 SB DATA FROM A CMM: PRE SPB GTE0312 CONFIG CHG DATA FROM A CMM: REPLACED BY 759309-1	002004 006999	1
	57 759309-1		..PLATE-IDENT SUPPLIER CODE: V99193 SB DATA FROM A CMM: POST SPB GTE0312 CONFIG CHG DATA FROM A CMM: REPLACES S8840B7P1A OPTIONAL PART: S20004-4 V99193	002004 006999	1
	57 S20004-4		..PLATE-IDENT SUPPLIER CODE: V99193 SB DATA FROM A CMM: POST SPB GTE1142 OPTIONAL PART: 759309-1 V99193	002004 006999	1
	58 MS51861-1C		..SCREW	002004 006999	2
-	60 S9413-554		.PACKING- SUPPLIER CODE: V99193 OPTIONAL PART: M83248-1-904	002004 006999	1
-	60 M83248-1-904		.PACKING- OPTIONAL PART: S9413-554 V99193	002004 006999	1

MISSING ITEM NUMBERS NOT APPLICABLE

- ITEM NOT ILLUSTRATED

49-31-01-01

49-31-01  
FIG. 01  
PAGE 14  
SEP 20/08

BRI



757

PARTS CATALOG (MAINTENANCE)

FIG ITEM	PART NUMBER	1 2 3 4 5 6 7	NOMENCLATURE	EFFECT FROM TO	UNITS PER ASSY
1					
62	S9413-036		.PACKING- SUPPLIER CODE: V99193 OPTIONAL PART: M83248-1-036	002004 006999	1
62	M83248-1-036		.PACKING- OPTIONAL PART: S9413-036 V99193	002004 006999	1
64	4268C316M		.COUPLING- SUPPLIER CODE: V00624 OPTIONAL PART: 3202AC316 V94581 3132EA316Z V14242	002004 006999	1
64	3202AC316		.COUPLING- SUPPLIER CODE: V94581 OPTIONAL PART: 4268C316M V98625 3132EA316Z V14242	002004 006999	1
64	3132EA316Z		.COUPLING- SUPPLIER CODE: V14242 OPTIONAL PART: 4268C316M V98625 3202AC316 V94581	002004 006999	1
70	3882519-1		.HOSE-IGVA RETURN SUPPLIER CODE: V99193	002004 006999	RF
75	M25988-2-013		.PACKING- OPTIONAL PART: S9412-013 V99193	002004 006999	2
75	S9412-013		.PACKING- SUPPLIER CODE: V99193 OPTIONAL PART: M25988-2-013	002004 006999	2
80	3882518-1		.HOSE-IGVA PRESSURE SUPPLIER CODE: V99193	002004 006999	RF

MISSING ITEM NUMBERS NOT APPLICABLE

- ITEM NOT ILLUSTRATED

49-31-01-01

49-31-01  
FIG. 01  
PAGE 15  
SEP 20/08

BRI



757

PARTS CATALOG (MAINTENANCE)

FIG ITEM	PART NUMBER	1 2 3 4 5 6 7	NOMENCLATURE	EFFECT FROM TO	UNITS PER ASSY
1					
85	M25988-2-012		.PACKING- OPTIONAL PART: S9412-013 V99193	002004 006999	2
85	S9412-012		.PACKING- SUPPLIER CODE: V99193 OPTIONAL PART: M25988-2-012	002004 006999	2
90	3882720-1		.TUBE-FLOW DIVIDER SUPPLIER CODE: V99193	002004 006999	RF
95	MS21902J4		.UNION	002004 006999	1
100	MS21902J6		.UNION	002004 006999	1
105	M25988-2-904		.PACKING- OPTIONAL PART: S9412-554 V99193	002004 006999	1
105	S9412-554		.PACKING- SUPPLIER CODE: V99193 OPTIONAL PART: M25988-2-904	002004 006999	1
110	M25988-2-906		.PACKING- OPTIONAL PART: S9412-556 V99193	002004 006999	1
110	S9412-556		.PACKING- SUPPLIER CODE: V99193 OPTIONAL PART: M25988-2-906	002004 006999	1
- 500	3888123-4		.WIRING HARNESS ASSY- SUPPLIER CODE: V99193 SB DATA FROM A CMM: POST SB 49-5533 PRE SB 49-5794	002004 006102 107999	RF

MISSING ITEM NUMBERS NOT APPLICABLE

- ITEM NOT ILLUSTRATED

49-31-01-01

49-31-01  
FIG. 01  
PAGE 16  
JAN 20/09

BRI



757

PARTS CATALOG (MAINTENANCE)

FIG ITEM	PART NUMBER	1 2 3 4 5 6 7	NOMENCLATURE	EFFECT FROM TO	UNITS PER ASSY
1 - 500	3888123-5		.WIRING HARNESS ASSY- SUPPLIER CODE: V99193 USED ON: 3800298-1-1 3800298-1-2 3800298-1-3 3800298-1-4 3800298-1-5 3800298-1-6 3800298-1-7 3800298-1	002004 006999	RF
- 500	3888123-6		.WIRING HARNESS ASSY- SUPPLIER CODE: V99193 SB DATA FROM A CMM: POST SB 49-5794 PRE SB 49-5840/49-7403 CONFIG CHG DATA FROM A CMM: REPLD BY 3888123-8 REWORKED FROM 3888123-4 QUALIFIED OPTIONAL DATA: 3888123-8 QUALIFIED SB I/W DATA: 3617394-1 USED WITH 3888123-8 OR 3888123-9 OPT TO 3617394-1 USED WITH 3888123-6 OR 3888123-7 AND 3888450-1 OPT TO 3614759-1 USED WITH 3888123-8 OR 3888123-9 OPT TO 3617459-1 USED WITH 3888123-6 OR 3888123-7 AND 3888450-1	002004 006102 107999	RF

MISSING ITEM NUMBERS NOT APPLICABLE

- ITEM NOT ILLUSTRATED

49-31-01-01

49-31-01  
FIG. 01  
PAGE 17  
JAN 20/09

BRI





757

PARTS CATALOG (MAINTENANCE)

FIG ITEM	PART NUMBER	1 2 3 4 5 6 7	NOMENCLATURE	EFFECT FROM TO	UNITS PER ASSY
1 - 500	3888123-7		.WIRING HARNESS ASSY- SUPPLIER CODE: V99193 SB DATA FROM A CMM: POST SB 49-5840 PRE SB 49-7403 CONFIG CHG DATA FROM A CMM: REPLD BY 3888123-9 REWORKED FROM 3888123-6 QUALIFIED SB I/W DATA: 3617394-1 USED WITH 3888123-8 OR 3888123-9 OPT TO 3617394-1 USED WITH 3888123-6 OR 3888123-7 AND 3888450-1 OPT TO 3614759-1 USED WITH 3888123-8 OR 3888123-9 OPT TO 3617459-1 USED WITH 3888123-6 OR 3888123-7 AND 3888450-1	002004 006102 107999	RF
- 500	3888123-8		.WIRING HARNESS ASSY- SUPPLIER CODE: V99193 SB DATA FROM A CMM: POST SB 49-7391/49-7403 CONFIG CHG DATA FROM A CMM: REPLACES 3888123-6 REPLD BY 3888465-1 QUALIFIED OPTIONAL DATA: 3888123-6 QUALIFIED SB I/W DATA: 3617394-1 USED WITH 3888123-8 OR 3888123-9 OPT TO 3617394-1 USED WITH 3888123-6 OR 3888123-7 AND 3888450-1 OPT TO 3614759-1 USED WITH 3888123-8 OR 3888123-9 OPT TO 3617459-1 USED WITH 3888123-6 OR 3888123-7 AND 3888450-1	002004 006999	RF

MISSING ITEM NUMBERS NOT APPLICABLE

- ITEM NOT ILLUSTRATED

49-31-01-01

49-31-01  
FIG. 01  
PAGE 18  
JAN 20/09

BRI



757

PARTS CATALOG (MAINTENANCE)

FIG ITEM	PART NUMBER	1 2 3 4 5 6 7	NOMENCLATURE	EFFECT FROM TO	UNITS PER ASSY
1 - 500	3888123-9		.WIRING HARNESS ASSY- SUPPLIER CODE: V99193 SB DATA FROM A CMM: POST SB 49-7403 CONFIG CHG DATA FROM A CMM: REPLACES 3888123-7 REPLD BY 3888465-1 QUALIFIED SB I/W DATA: 3617394-1 USED WITH 3888123-8 OR 3888123-9 OPT TO 3617394-1 USED WITH 3888123-6 OR 3888123-7 AND 3888450-1 OPT TO 3614759-1 USED WITH 3888123-8 OR 3888123-9 OPT TO 3617459-1 USED WITH 3888123-6 OR 3888123-7 AND 3888450-1 POST SERVICE BULLETIN: GTCP331-49-7391R1 V99193	002004 006999	RF
- 500	3888114-1		.WIRING HARNESS ASSY- SUPPLIER CODE: V99193 NOT APPROVED FOR ETOPS. CONFIG CHG DATA FROM A CMM: REPLD BY 3888114-2 USED ON: 381326-2 381326-2-1 381326-2-2 381326-2-3 381326-2-4	101106 108120 504903	RF
- 500	3888114-1		.WIRING HARNESS ASSY- SUPPLIER CODE: V99193 NOT APPROVED FOR ETOPS. CONFIG CHG DATA FROM A CMM: REPLD BY 3888114-2 USED ON: 381326-2 381326-2-1 381326-2-2 381326-2-3 381326-2-4	002004 006999	RF

MISSING ITEM NUMBERS NOT APPLICABLE

- ITEM NOT ILLUSTRATED

49-31-01-01

49-31-01  
FIG. 01  
PAGE 19  
JAN 20/09

BRI



757

PARTS CATALOG (MAINTENANCE)

FIG ITEM	PART NUMBER	1 2 3 4 5 6 7	NOMENCLATURE	EFFECT FROM TO	UNITS PER ASSY
1 - 500	3888465-1		.WIRING HARNESS ASSY- SUPPLIER CODE: V99193 SB DATA FROM A CMM: POST 49-7618 CONFIG CHG DATA FROM A CMM: REPLACES 3888123-8 REPLACES 3888123-9	002004 006999	RF
550	GS3418-12CD		..CLAMP- SUPPLIER CODE: V06324	002004 006999	1
555	ZZYA0-12D12-03S		..CONNECTOR-P5, P15 SUPPLIER CODE: V14283	002004 006999	1
555	BCREF8105		..PLUG-P15 SUPPLIER CODE: V13556 OVERLENGTH PART NUMBER: CN0966-12A03SN000 OPTIONAL PART: ZZYA0-12D12-03S V49367	002004 006999	1
560	LRC20W15DJ5		..CONTACT- SUPPLIER CODE: V09922	002004 006999	3
565	10-230935-142		..GROMMET-RUBBER SUPPLIER CODE: V77820	002004 006999	1
570	34138		..SPLICE- SUPPLIER CODE: V00779 SB DATA FROM A CMM: PRE SB 49-7403	002004 006999	1
575	S9055L9-100		..SLEEVE- SUPPLIER CODE: V99193 SB DATA FROM A CMM: POST SB 49-5399	002004 006999	1
575	BCREF13896		..SLEEVE- OVERLENGTH PART NUMBER: M23053-5-107-9-46 SB DATA FROM A CMM: PRE 49-5399	002004 006999	1

MISSING ITEM NUMBERS NOT APPLICABLE

- ITEM NOT ILLUSTRATED

49-31-01-01

49-31-01  
FIG. 01  
PAGE 20  
SEP 20/08

BRI



757

PARTS CATALOG (MAINTENANCE)

FIG ITEM	PART NUMBER	1 2 3 4 5 6 7	NOMENCLATURE	EFFECT FROM TO	UNITS PER ASSY
1 580	M27500-18TA2N06	..	CABLE-SHIELDED OPTIONAL PART: 18699-70T2 V92607 75908-18-2NSTJ V12515 61-0244 V05973	002004 006999	AR
580	18699-70T2	..	CABLE-SHIELDED SUPPLIER CODE: V92607 OPTIONAL PART: 75908-18-2NSTJ V12515 61-0244 V05973	002004 006999	AR
580	75908-18-2NSTJ	..	CABLE-SHIELDED SUPPLIER CODE: V12515 OPTIONAL PART: 61-0244 V05973 M27500-18TA2N06 18699-70T2 V92607	002004 006999	AR
580	61-0244	..	CABLE-SHIELDED SUPPLIER CODE: V05973 OPTIONAL PART: 18699-70T2 V92607 75908-18-2NSTJ V12515 M27500-18TA2N06	002004 006999	AR
585	M22759-8-18-8	..	WIRE-ELEC OPTIONAL PART: 18AF2XTN1930 V12814 18699-69A1 V92607 BATATE1930NIC V90484 11-00821 V05973 75908E18 V12515	002004 006999	AR

MISSING ITEM NUMBERS NOT APPLICABLE

- ITEM NOT ILLUSTRATED

49-31-01-01

49-31-01  
FIG. 01  
PAGE 21  
SEP 20/08

BRI



757

PARTS CATALOG (MAINTENANCE)

FIG ITEM	PART NUMBER	1 2 3 4 5 6 7	NOMENCLATURE	EFFECT FROM TO	UNITS PER ASSY
1 585	18699-69A1		..WIRE-ELEC SUPPLIER CODE: V92607 OPTIONAL PART: M22759-8-18-8 75908E18 V12515 18AF2XTN1930 V12814 11-00821 V05973 BATATE1930NIC V90484	002004 006999	AR
585	75908E18		..WIRE-ELEC SUPPLIER CODE: V12515 OPTIONAL PART: M22759-8-18-8 18699-69A1 V92607 18AF2XTN1930 V12814 11-00821 V05973 BATATE1930NIC V90484	002004 006999	AR
585	18AF2XTN1930		..WIRE-ELEC SUPPLIER CODE: V12814 OPTIONAL PART: M22759-8-18-8 18699-69A1 V92607 75908E18 V12515 11-00821 V05973 BATATE1930NIC V90484	002004 006999	AR

MISSING ITEM NUMBERS NOT APPLICABLE

- ITEM NOT ILLUSTRATED

BRI

49-31-01-01

BOEING PROPRIETARY - Copyright © - Unpublished Work - See title page for details.

49-31-01  
FIG. 01  
PAGE 22  
SEP 20/08



757

PARTS CATALOG (MAINTENANCE)

FIG ITEM	PART NUMBER	1 2 3 4 5 6 7	NOMENCLATURE	EFFECT FROM TO	UNITS PER ASSY
1 585	BATATE1930NIC		.. WIRE-ELEC SUPPLIER CODE: V90484 OPTIONAL PART: M22759-8-18-8 75908E18 V12515 11-00821 V05973 18699-69A1 V92607 18AF2XTN1930 V12814	002004 006999	AR
585	11-00821		.. WIRE-ELEC SUPPLIER CODE: V05973 OPTIONAL PART: M22759-8-18-8 18699-69A1 V92607 75908E18 V12515 18AF2XTN1930 V12814 BATATE1930NIC V90484	002004 006999	AR
900			ILLUSTRATION REFERENCE: ENGINE ASSY-GAS TURB (PRESSURE RELIEF VALVE, COMBUSTER DRAIN ONLY) 49-16-01-01	002004 006999	RF

MISSING ITEM NUMBERS NOT APPLICABLE

- ITEM NOT ILLUSTRATED

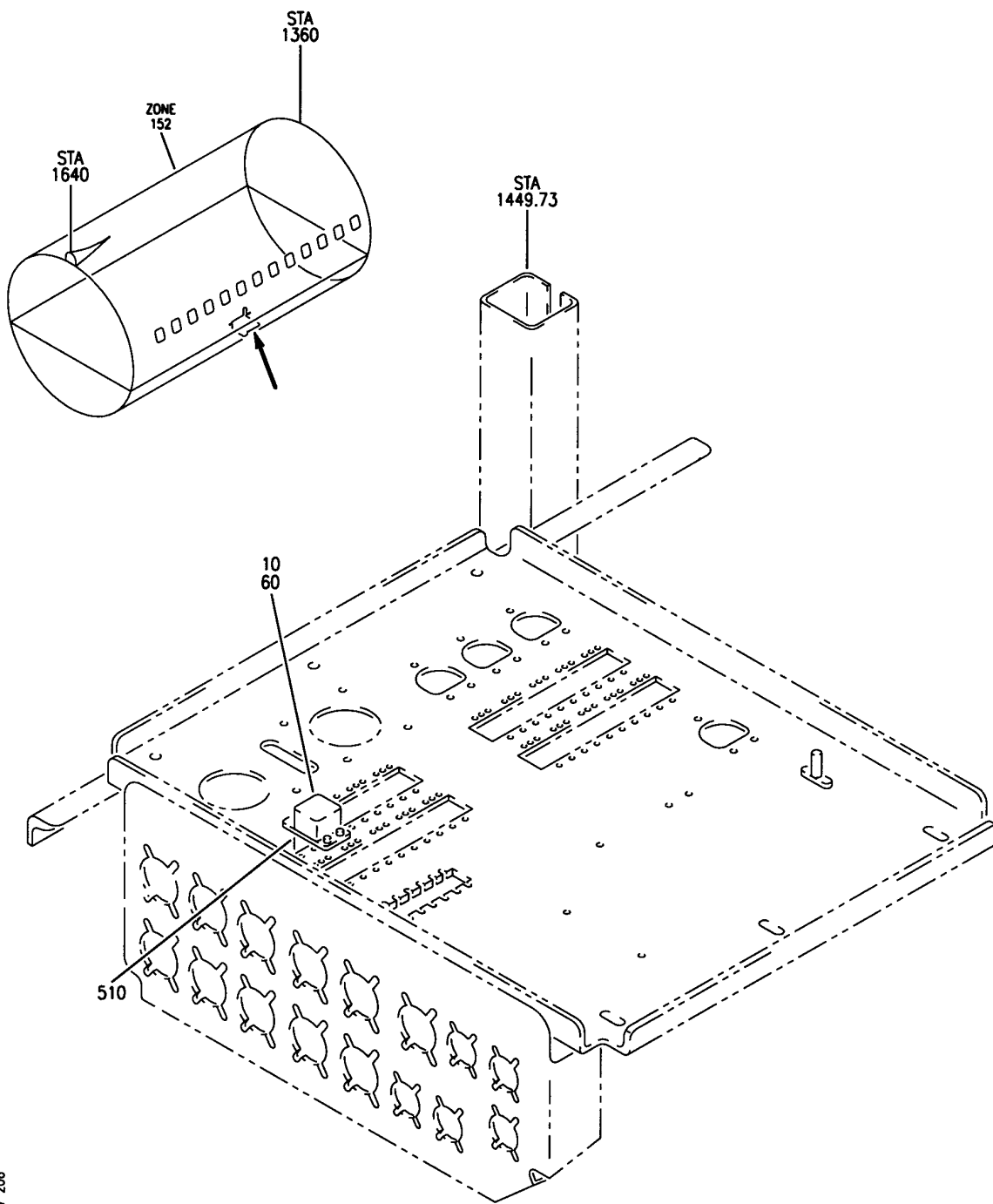
BRI

49-31-01-01

BOEING PROPRIETARY - Copyright © - Unpublished Work - See title page for details.

49-31-01  
FIG. 01  
PAGE 23  
SEP 20/08

**BOEING**  
757  
PARTS CATALOG (MAINTENANCE)



Y 49310102A REV 206

EQUIPMENT ASSY-E6 AFT EQPT CTR RELAY PNL OPTION PKG (APU FUEL CONTROL ONLY)  
FIGURE 2A

BRI  
MAY 28/07

**49-31-01-02A**

49-31-01-02A  
PAGE 0



757

PARTS CATALOG (MAINTENANCE)

FIG ITEM	PART NUMBER	1 2 3 4 5 6 7	NOMENCLATURE	EFFECT FROM TO	UNITS PER ASSY
2A			EQUIPMENT ASSY-E6 AFT EQPT CTR RELAY PNL OPTION PKG (APU FUEL CONTROL ONLY)	101102 504903	
- 1	284N1554-1000		EQUIPMENT ASSY-E6 EQPT CTR RELAY PNL OPTION PKG (APU FUEL CONTROL ONLY)	101102 504903	RF
10	E410-1537		POSITION DATA: AFT MISCELLANEOUS DATA: MINOR MODEL 757-200 FOR NHA/OTHER SYS DET SEE: 31-01-86-02 .RELAY- SUPPLIER CODE: V99699 SPECIFICATION NUMBER: BACR13CG2A OPTIONAL PART: E415-1078 V99699 BR230S0116 V56623 KD4A017 V58687 FCA410-62 V78290 ELECTRICAL EQUIP NUMBER: K00175	101102 504903	1
- 501	286N1024-325		WIRE BUNDLE ASSY	504903	RF
- 501	286N1024-327		WIRE BUNDLE ASSY	101102	RF
510	BACS16W1		.SOCKET- ELECTRICAL EQUIP NUMBER: D02378 WIRING DIAGRAM REF: 496111	101102 504903	1

MISSING ITEM NUMBERS NOT APPLICABLE

- ITEM NOT ILLUSTRATED

BRI

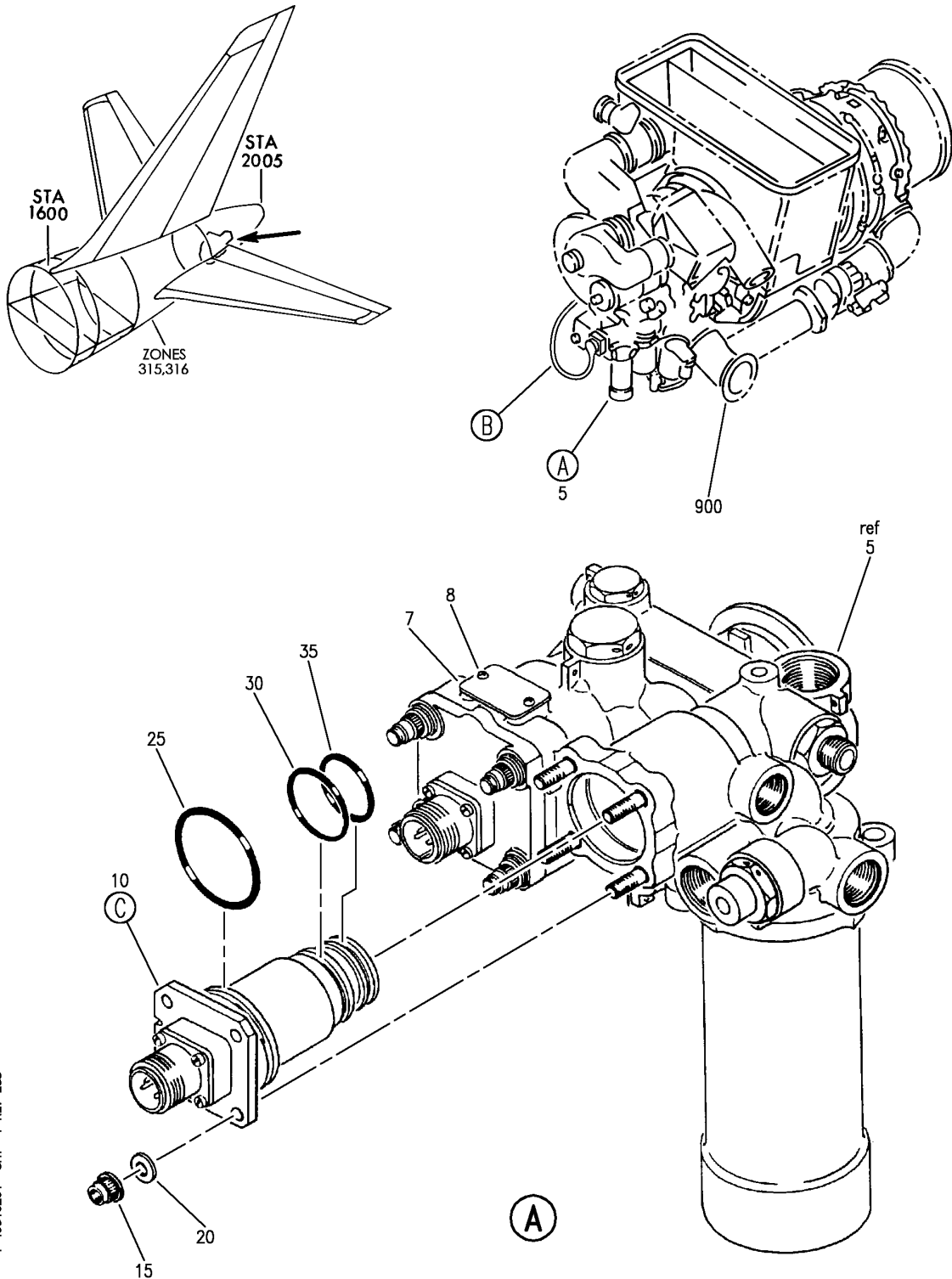
49-31-01-02A

BOEING PROPRIETARY - Copyright © - Unpublished Work - See title page for details.

49-31-01  
FIG. 02A  
PAGE 1  
JAN 20/09



**BOEING**  
757  
PARTS CATALOG (MAINTENANCE)



Y 49310201 SHT 1 REV 288

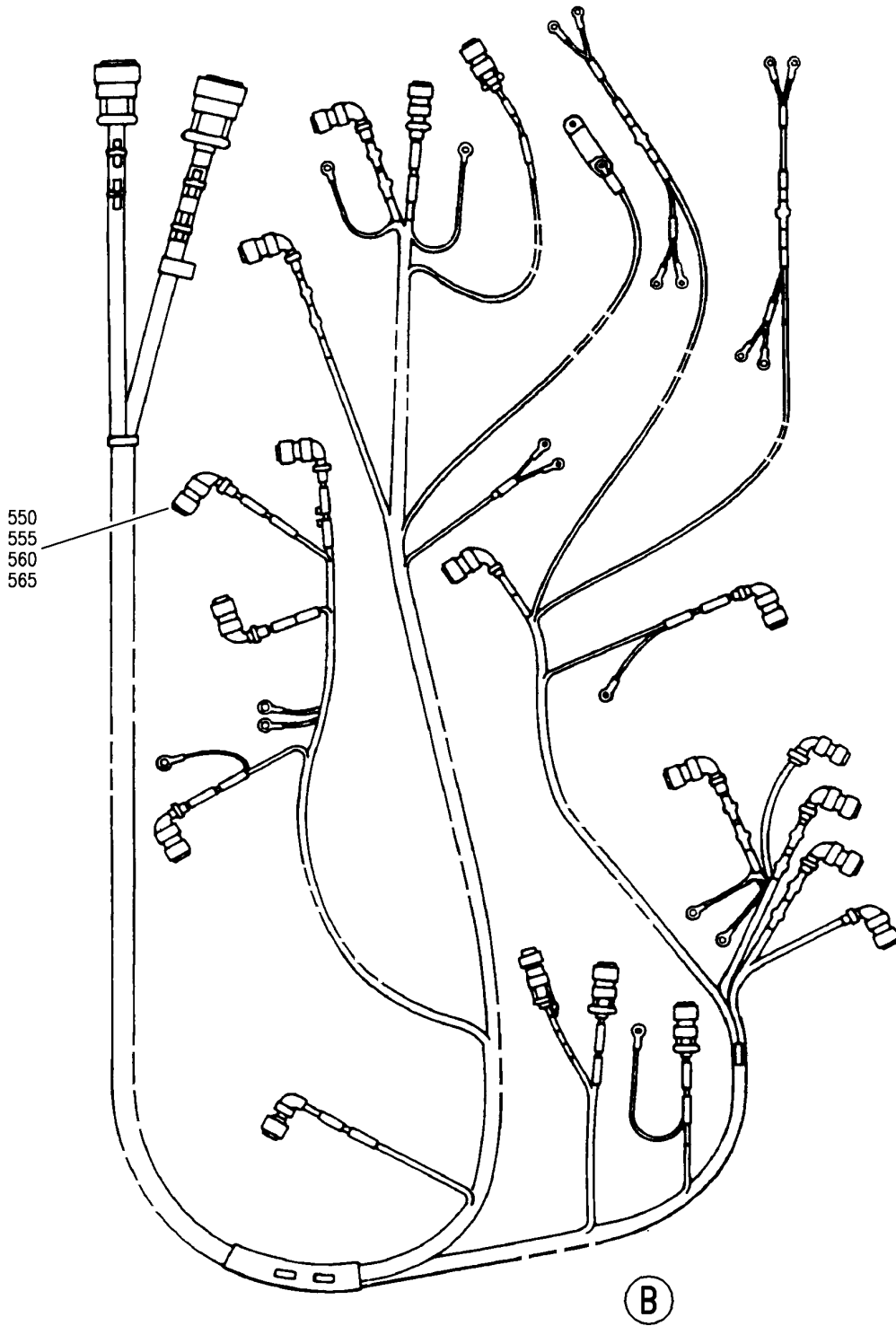
ENGINE ASSY-GAS TURB (FUEL CONTROL SOLENOID VALVE)  
FIGURE 1 (SHEET 1)

**49-31-02-01**

BRI  
MAY 28/07

49-31-02-01  
PAGE 0

**BOEING**  
757  
PARTS CATALOG (MAINTENANCE)



Y 49310201 SHT 2 REV 251

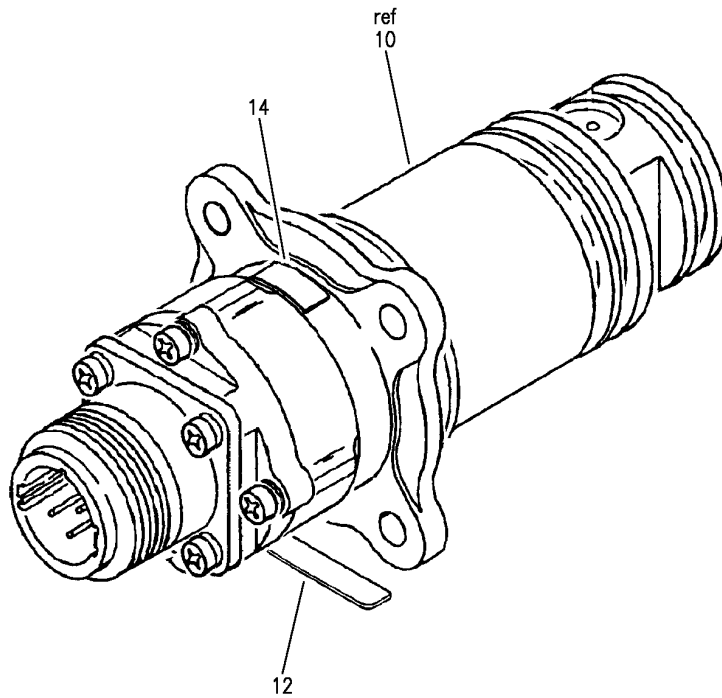
ENGINE ASSY-GAS TURB (FUEL CONTROL SOLENOID VALVE)  
FIGURE 1 (SHEET 2)

**49-31-02-01**

BRI  
MAY 28/07

49-31-02-01  
PAGE 0A

**BOEING**  
757  
PARTS CATALOG (MAINTENANCE)



Ⓒ

Y 49310201 SH1 3 REV 288

ENGINE ASSY-GAS TURB (FUEL CONTROL SOLENOID VALVE)  
FIGURE 1 (SHEET 3)

**49-31-02-01**

BRI  
MAY 28/07

49-31-02-01  
PAGE 0B

BOEING PROPRIETARY - Copyright © - Unpublished Work - See title page for details.



757

PARTS CATALOG (MAINTENANCE)

FIG ITEM	PART NUMBER	1 2 3 4 5 6 7	NOMENCLATURE	EFFECT FROM TO	UNITS PER ASSY
1			ENGINE ASSY-GAS TURB (FUEL CONTROL SOLENOID VALVE)	002004 006999	
- 1	3800298-1-2		ENGINE ASSY-GAS TURB GTCP331-200ER (FUEL CONTROL SOLENOID VALVE) SUPPLIER CODE: V99193 SPECIFICATION NUMBER: S351T020-201 CONFIG CHG DATA FROM A CMM: REPLACES 3800298-1-1 COMPONENT MAINT MANUAL REF: 49-22-11 QUALIFIED I/W DATA: S351T020-201 (3800298-1-2) AND S351T020-205 (3800298-1-6) ARE INTERCHANGEABLE WITH THE INCORPORATION OF ALLIED SIGNAL S/B GTCP331-49-7081. S351T020-201 (3800298-1-2) AND S351T020-206 (3800298-1-7/3800298-1) ARE INTERCHANGEABLE WITH THE INCORPORATION OF ALLIED SIGNAL S/B GTCP331-49-7081. FOR NHA/ADDITIONAL DET SEE: 49-11-01-50	002004 006100 107107 121503 904999	RF

MISSING ITEM NUMBERS NOT APPLICABLE

- ITEM NOT ILLUSTRATED

BRI

49-31-02-01

BOEING PROPRIETARY - Copyright © - Unpublished Work - See title page for details.

49-31-02  
FIG. 01  
PAGE 1  
JAN 20/09



757

PARTS CATALOG (MAINTENANCE)

FIG ITEM	PART NUMBER	1 2 3 4 5 6 7	NOMENCLATURE	EFFECT FROM TO	UNITS PER ASSY
1 - 1	3800298-1-1		ENGINE ASSY-GAS TURB GTCP331-200ER (FUEL CONTROL SOLENOID VALVE) SUPPLIER CODE: V99193 SPECIFICATION NUMBER: S351T020-200 COMPONENT MAINT MANUAL REF: 49-22-11 QUALIFIED I/W DATA: S351T020-200 (3800298-1-1) AND S351T020-205 (3800298-1-6) ARE INTERCHANGEABLE WITH THE INCORPORATION OF ALLIED SIGNAL S/B GTCP331-49-7081. S351T020-200 (3800298-1-1) AND S351T020-206 (3800298-1-7/3800298-1) ARE INTERCHANGEABLE WITH THE INCORPORATION OF ALLIED SIGNAL S/B GTCP331-49-7081. FOR NHA/ADDITIONAL DET SEE: 49-11-01-50	002004 006100 107107 121503 904999	RF

MISSING ITEM NUMBERS NOT APPLICABLE

- ITEM NOT ILLUSTRATED

BRI

49-31-02-01

BOEING PROPRIETARY - Copyright © - Unpublished Work - See title page for details.

49-31-02  
 FIG. 01  
 PAGE 2  
 JAN 20/09



757

PARTS CATALOG (MAINTENANCE)

FIG ITEM	PART NUMBER	1 2 3 4 5 6 7	NOMENCLATURE	EFFECT FROM TO	UNITS PER ASSY
1 - 1	3800298-1-3		ENGINE ASSY-GAS TURB GTCP331-200ER (FUEL CONTROL SOLENOID VALVE) SUPPLIER CODE: V99193 SPECIFICATION NUMBER: S351T020-202 CONFIG CHG DATA FROM A CMM: REPLACES 3800298-1-2 COMPONENT MAINT MANUAL REF: 49-22-11 QUALIFIED I/W DATA: S351T020-202 (3800298-1-3) AND S351T020-205 (3800298-1-6) ARE INTERCHANGEABLE WITH THE INCORPORATION OF ALLIED SIGNAL S/B GTCP331-49-7081. S351T020-202 (3800298-1-3) AND S351T020-206 (3800298-1-7/3800298-1) ARE INTERCHANGEABLE WITH THE INCORPORATION OF ALLIED SIGNAL S/B GTCP331-49-7081. FOR NHA/OTHER SYS DET SEE: 49-11-01-50	002004 006100 107107 121503 904999	RF

MISSING ITEM NUMBERS NOT APPLICABLE

- ITEM NOT ILLUSTRATED

49-31-02-01

49-31-02  
 FIG. 01  
 PAGE 3  
 JAN 20/09

BRI



757

PARTS CATALOG (MAINTENANCE)

FIG ITEM	PART NUMBER	1 2 3 4 5 6 7	NOMENCLATURE	EFFECT FROM TO	UNITS PER ASSY
1 - 1	3800298-1-4		ENGINE ASSY-GAS TURB GTCP331-200ER (FUEL CONTROL SOLENOID VALVE) SUPPLIER CODE: V99193 SPECIFICATION NUMBER: S351T020-203 CONFIG CHG DATA FROM A CMM: REPLACES 3800298-1-3 COMPONENT MAINT MANUAL REF: 49-22-11 QUALIFIED I/W DATA: 3800298-1-4/S351T020-203 AND 3800298-1-6/S351T020-205 ARE INTERCHANGEABLE WITH THE INCORPORATION OF ALLIED SIGNAL S/B GTCP331-49-7081. 3800298-1-4/S351T020-203 AND 3800298-1-7/S351T020-206 /3800298-1 ARE INTERCHANGEABLE WITH THE INCORPORATION OF ALLIED SIGNAL S/B GTCP331-49-7081. FOR NHA/ADDITIONAL DET SEE: 49-11-01-50	002004 006100 107107 121503 904999	RF

MISSING ITEM NUMBERS NOT APPLICABLE

- ITEM NOT ILLUSTRATED

BRI

49-31-02-01

BOEING PROPRIETARY - Copyright © - Unpublished Work - See title page for details.

49-31-02  
FIG. 01  
PAGE 4  
JAN 20/09



757

PARTS CATALOG (MAINTENANCE)

FIG ITEM	PART NUMBER	1 2 3 4 5 6 7	NOMENCLATURE	EFFECT FROM TO	UNITS PER ASSY
1					
- 1	3800298-1-5		ENGINE ASSY-GAS TURB GTCP331-200ER (FUEL CONTROL SOLENOID VALVE) SUPPLIER CODE: V99193 SPECIFICATION NUMBER: S351T020-204 CONFIG CHG DATA FROM A CMM: REPLACES 3800298-1-4 COMPONENT MAINT MANUAL REF: 49-22-11 QUALIFIED I/W DATA: 3800298-1-5/S351T020-204 AND 3800298-1-6/S351T020-205 ARE INTERCHANGEABLE WITH THE INCORPORATION OF ALLIED SIGNAL S/B GTCP331-49-7081. S351T020-204 (3800298-1-5) AND S351T020-206(3800298-1-7 /3800298-1) ARE INTERCHANGEABLE WITH THE INCORPORATION OF ALLIED SIGNAL S/B GTCP331-49-7081. FOR NHA/ADDITIONAL DET SEE: 49-11-01-50	002004 006100 107107 121503 904999	RF
- 1	3800298-1-6		ENGINE ASSY-GAS TURB GTCP331-200ER (FUEL CONTROL SOLENOID VALVE) SUPPLIER CODE: V99193 SPECIFICATION NUMBER: S351T020-205 CONFIG CHG DATA FROM A CMM: REPLACES 3800298-1-5 COMPONENT MAINT MANUAL REF: 49-22-11 QUALIFIED I/W DATA: 3800298-1-5/S351T020-204 AND 3800298-1-6/S351T020-205 ARE INTERCHANGEABLE WITH THE INCORPORATION OF ALLIED SIGNAL S/B	002004 006999	RF

MISSING ITEM NUMBERS NOT APPLICABLE

- ITEM NOT ILLUSTRATED

49-31-02-01

49-31-02  
FIG. 01  
PAGE 5  
JAN 20/09

BRI





757

PARTS CATALOG (MAINTENANCE)

FIG ITEM	PART NUMBER	1 2 3 4 5 6 7 NOMENCLATURE	EFFECT FROM TO	UNITS PER ASSY
1		GTCP331-49-7081. S351T020-203 (3800298-1-4) AND S351T020-205 (3800298-1-6) ARE INTERCHANGEABLE WITH THE INCORPORATION OF ALLIED SIGNAL S/B GTCP331-49-7081 S351T020-202 (3800298-1-3) AND S351T020-205 (3800298-1-6) ARE INTERCHANGEABLE WITH THE INCORPORATION OF ALLIED SIGNAL S/B GTCP331-49-7081. S351T020-201 (3800298-1-2) AND S351T020-205 (3800298-1-6) ARE INTERCHANGEABLE WITH THE INCORPORATION OF ALLIED SIGNAL S/B GTCP331-49-7081. S351T020-200 (3800298-1-1) AND S351T020-205 (3800298-1-6) ARE INTERCHANGEABLE WITH THE INCORPORATION OF ALLIED SIGNAL S/B GTCP331-49-7081. FOR NHA/ADDITIONAL DET SEE: 49-11-01-50 49-21-00-02		
-	1 3800298-1-7	ENGINE ASSY-GAS TURB GTCP331-200ER (FUEL CONTROL SOLENOID VALVE) SUPPLIER CODE: V99193 SPECIFICATION NUMBER: S351T020-206 CONFIG CHG DATA FROM A CMM: REPLACES 3800298-1-6 COMPONENT MAINT MANUAL REF: 49-22-11 QUALIFIED I/W DATA:  MISSING ITEM NUMBERS NOT APPLICABLE	002004 006999	RF

- ITEM NOT ILLUSTRATED

49-31-02-01

49-31-02  
FIG. 01  
PAGE 6  
SEP 20/08

BRI



757

PARTS CATALOG (MAINTENANCE)

FIG ITEM	PART NUMBER	1 2 3 4 5 6 7 NOMENCLATURE	EFFECT FROM TO	UNITS PER ASSY
1		<p>3800298-1-5/S351T020-204 AND 3800298-1/ 3800298-1-7/S351T020-206 ARE INTERCHANGEABLE WITH THE INCORPORATION OF ALLIED SIGNAL S/B GTCP331-49-7081. S351T020-203 (3800298-1-4) AND S351T020-206(3800298-1-7 /3800298-1) ARE INTERCHANGEABLE WITH THE INCORPORATION OF ALLIED SIGNAL S/B GTCP331-49-7081. S351T020-202 (3800298-1-3) AND S351T020-206 (3800298-1-7/3800298-1) ARE INTERCHANGEABLE WITH THE INCORPORATION OF ALLIED SIGNAL S/B GTCP331-49-7081. S351T020-201 (3800298-1-2) AND S351T020-206 (3800298-1-7/3800298-1) ARE INTERCHANGEABLE WITH THE INCORPORATION OF ALLIED SIGNAL S/B GTCP331-49-7081. S351T020-200 (3800298-1-1) AND S351T020-206 (3800298-1-7/3800298-1) ARE INTERCHANGEABLE WITH THE INCORPORATION OF ALLIED SIGNAL S/B GTCP331-49-7081. OPTIONAL PART: 3800298-1 V99193 FOR NHA/ADDITIONAL DET SEE: 49-11-01-50 49-21-00-02</p>		
-	1 3800298-1	<p>ENGINE ASSY-GAS TURB GTCP331-200ER (FUEL CONTROL SOLENOID VALVE)</p>	002004 006999	RF

MISSING ITEM NUMBERS NOT APPLICABLE

- ITEM NOT ILLUSTRATED

49-31-02-01

49-31-02  
FIG. 01  
PAGE 7  
SEP 20/08

BRI



757

PARTS CATALOG (MAINTENANCE)

FIG ITEM	PART NUMBER	1 2 3 4 5 6 7 NOMENCLATURE	EFFECT FROM TO	UNITS PER ASSY
1		<p>SUPPLIER CODE: V99193</p> <p>SPECIFICATION NUMBER: S351T020-206</p> <p>COMPONENT MAINT MANUAL REF: 49-22-11</p> <p>QUALIFIED I/W DATA: 3800298-1-5/S351T020-204 AND 3800298-1/ 3800298-1-7/S351T020-206 ARE INTERCHANGEABLE WITH THE INCORPORATION OF ALLIED SIGNAL S/B GTCP331-49-7081. 3800298-1-4/ S351T020-203 AND S351T020-206(3800298-1-7 /3800298-1) ARE INTERCHANGEABLE WITH THE INCORPORATION OF ALLIED SIGNAL S/B GTCP331-49-7081. S351T020-202 (3800298-1-3) AND S351T020-206 (3800298-1-7/3800298-1) ARE INTERCHANGEABLE WITH THE INCORPORATION OF ALLIED SIGNAL S/B GTCP331-49-7081. S351T020-201 (3800298-1-2) AND S351T020-206 (3800298-1-7/3800298-1) ARE INTERCHANGEABLE WITH THE INCORPORATION OF ALLIED SIGNAL S/B GTCP331-49-7081. S351T020-200 (3800298-1-1) AND S351T020-206 (3800298-1-7/3800298-1) ARE INTERCHANGEABLE WITH THE INCORPORATION OF ALLIED SIGNAL S/B GTCP331-49-7081.</p> <p>OPTIONAL PART: 3800298-1-7 V99193</p>		

MISSING ITEM NUMBERS NOT APPLICABLE

- ITEM NOT ILLUSTRATED

49-31-02-01

49-31-02  
FIG. 01  
PAGE 8  
SEP 20/08

BRI



757

PARTS CATALOG (MAINTENANCE)

FIG ITEM	PART NUMBER	1 2 3 4 5 6 7	NOMENCLATURE	EFFECT FROM TO	UNITS PER ASSY
1					
5	3882500-11		FOR NHA/ADDITIONAL DET SEE: 49-11-01-50 49-21-00-02 .CONTROL ASSY- SUPPLIER CODE: V99193 NOT APPROVED FOR ETOPS. NOT APPROVED FOR ETOPS AFTER INCORP OF SB: GTCP331495569 SB DATA FROM A CMM: POST SB 49-5639 PRE SB 49-5570 PRE SB 49-5672 CONFIG CHG DATA FROM A CMM: REPLD BY 3882500-10 REPLD BY 3882500-13 REWORKED FROM PART NO. 3882500-6/-7/-8/-9 PER SB49-5640 COMPONENT MAINT MANUAL REF: 49-31-61 PRE SERVICE BULLETIN: GTCP331-49-5570 V99193	002004 006999	RF
5	3882500-10		.CONTROL ASSY- SUPPLIER CODE: V99193 NOT APPROVED FOR ETOPS AFTER INCORP OF SB: GTCP331-49-5888,49-5895 GTCP331495569 SB DATA FROM A CMM: POST SB 49-5570 PRE SB 49-5672 CONFIG CHG DATA FROM A CMM: REPLS 3882500-11 REPLD BY 3882500-12 COMPONENT MAINT MANUAL REF: 49-31-61 POST SERVICE BULLETIN: GTCP331-49-5569 V99193 GTCP331-49-5570 V99193	002004 006999	RF

MISSING ITEM NUMBERS NOT APPLICABLE

- ITEM NOT ILLUSTRATED

49-31-02-01

49-31-02  
FIG. 01  
PAGE 9  
SEP 20/08

BRI



757

PARTS CATALOG (MAINTENANCE)

FIG ITEM	PART NUMBER	1 2 3 4 5 6 7	NOMENCLATURE	EFFECT FROM TO	UNITS PER ASSY
1	5 3882500-9		.CONTROL ASSY- SUPPLIER CODE: V99193 NOT APPROVED FOR ETOPS AFTER INCORP OF SB: GTCP331-49-5888,49-5895 SB DATA FROM A CMM: PRE SB 49-5639 PRE SB 49-5640 COMPONENT MAINT MANUAL REF: 49-31-61 USED ON: 3800298-1-1 3800298-1-2 3800298-1-3 3800298-1-4 3800298-1-5 3800298-1-6 3800298-1-7 3800298-1	002004 006999	RF
	5 3882500-12		.CONTROL ASSY- SUPPLIER CODE: V99193 NOT APPROVED FOR ETOPS. NOT APPROVED FOR ETOPS AFTER INCORP OF SB: GTCP331495888 GTCP331495569 SB DATA FROM A CMM: PRE SB 49-5888 POST SB 49-5672 PRE SB 49-5895 POST SB 49-5570 CONFIG CHG DATA FROM A CMM: REPLS 3882500-10 REPLD BY 3882500-14 REWORKED FROM PART NO. 3882500-10/-11/-13 PER SB 49-5570 COMPONENT MAINT MANUAL REF: 49-31-61	002004 006999	RF

MISSING ITEM NUMBERS NOT APPLICABLE

- ITEM NOT ILLUSTRATED

49-31-02-01

49-31-02  
FIG. 01  
PAGE 10  
SEP 20/08

BRI



757

PARTS CATALOG (MAINTENANCE)

FIG ITEM	PART NUMBER	1 2 3 4 5 6 7	NOMENCLATURE	EFFECT FROM TO	UNITS PER ASSY
1 5	3882500-13		.CONTROL ASSY- SUPPLIER CODE: V99193 NOT APPROVED FOR ETOPS. NOT APPROVED FOR ETOPS AFTER INCORP OF SB: GTCP331495569 GTCP331495888 SB DATA FROM A CMM: PRE SB 49-5888 POST SB 49-5672 PRE SB 49-5895 CONFIG CHG DATA FROM A CMM: REPLS 3882500-11 REPLD BY 3882500-15 REWORKED FROM PART NO. 3882500-11 COMPONENT MAINT MANUAL REF: 49-31-61	002004 006999	RF
5	3882500-14		.CONTROL ASSY- SUPPLIER CODE: V99193 SB DATA FROM A CMM: POST SB 49-5888 PRE SB 49-6778 PRE SB 49-7157 POST SB 49-5895 PRE SB 49-6674 CONFIG CHG DATA FROM A CMM: REPLS 3882500-12 REPLD BY 3882500-16 REPLD BY 3882500-17 REWORKED FROM PART NO. 3882500-12/-13/-15 PER SB 49-4895 COMPONENT MAINT MANUAL REF: 49-31-61	002004 006999	RF

MISSING ITEM NUMBERS NOT APPLICABLE

- ITEM NOT ILLUSTRATED

BRI

49-31-02-01

BOEING PROPRIETARY - Copyright © - Unpublished Work - See title page for details.

49-31-02  
FIG. 01  
PAGE 11  
SEP 20/08



757

PARTS CATALOG (MAINTENANCE)

FIG ITEM	PART NUMBER	1 2 3 4 5 6 7	NOMENCLATURE	EFFECT FROM TO	UNITS PER ASSY
1					
5	3882500-15		.CONTROL ASSY- SUPPLIER CODE: V99193 NOT APPROVED FOR ETOPS AFTER INCORP OF SB: GTCP331485888 SB DATA FROM A CMM: POST SB 49-5888 POST SB 49-5895 CONFIG CHG DATA FROM A CMM: REPLS 3882500-13 REWORKED FROM PART NO. 3882500-13 COMPONENT MAINT MANUAL REF: 49-31-61	002004 006999	RF
5	3882500-16		.CONTROL ASSY-FUEL SUPPLIER CODE: V99193 SB DATA FROM A CMM: POST SB 49-6778 POST SB 49-6674 CONFIG CHG DATA FROM A CMM: REPLS 3882500-14 REPLD BY 3882500-17 REWORKED FROM PART NO. 3882500-14 COMPONENT MAINT MANUAL REF: 49-31-61	002004 006999	RF
5	3882500-17		.CONTROL ASSY-FUEL SUPPLIER CODE: V99193 SB DATA FROM A CMM: POST SB 49-7156 CONFIG CHG DATA FROM A CMM: POST SB 49-7157 REPLS 3882500-14 REPLS 3882500-16 COMPONENT MAINT MANUAL REF: 49-31-61	002004 006999	RF
7	S8840B7P1A		..PLATE-IDENT SUPPLIER CODE: V99193 SB DATA FROM A CMM: PRE SPB GTE0312 CONFIG CHG DATA FROM A CMM: REPLACED BY 759309-1	002004 006999	1

MISSING ITEM NUMBERS NOT APPLICABLE

- ITEM NOT ILLUSTRATED

49-31-02-01

49-31-02  
FIG. 01  
PAGE 12  
SEP 20/08

BRI



757

PARTS CATALOG (MAINTENANCE)

FIG ITEM	PART NUMBER	1 2 3 4 5 6 7	NOMENCLATURE	EFFECT FROM TO	UNITS PER ASSY
1	7 759309-1		.. PLATE-IDENT SUPPLIER CODE: V99193 SB DATA FROM A CMM: POST SPB GTE0312 CONFIG CHG DATA FROM A CMM: REPLACES S8840B7P1A OPTIONAL PART: S20004-4 V99193	002004 006999	1
	7 S20004-4		.. PLATE-IDENT SUPPLIER CODE: V99193 SB DATA FROM A CMM: POST SPB GTE1142 OPTIONAL PART: 759309-1 V99193	002004 006999	1
	8 MS51861-1C		.. SCREW	002004 006999	2
	10 3876049-4		.. SOLENOID-FUEL VALVE SUPPLIER CODE: V06848 SB DATA FROM A CMM: POST SB 4140066-49-1 POST SB 49-5386 PRE SPB GTE 1284 COMPONENT MAINT MANUAL REF: 49-31-02 OPTIONAL PART: 4140066-5 V06848 3876049-5 V06848	002004 006999	1
	10 4140066-5		.. SOLENOID-FUEL VALVE SUPPLIER CODE: V34270 OPTIONAL PART: 3876049-4 V34270 USED ON: 3882500-8 3882500-9 3882500-10 3882500-11 3882500-12 3882500-13 3882500-14 3882500-15	002004 006999	1

MISSING ITEM NUMBERS NOT APPLICABLE

- ITEM NOT ILLUSTRATED

49-31-02-01

49-31-02  
FIG. 01  
PAGE 13  
SEP 20/08

BRI





**757  
PARTS CATALOG (MAINTENANCE)**

FIG ITEM	PART NUMBER	1 2 3 4 5 6 7	NOMENCLATURE	EFFECT FROM TO	UNITS PER ASSY
1					
10	3876049-5		..SOLENOID-FUEL VALVE SUPPLIER CODE: V06848 SB DATA FROM A CMM: POST SPB GTE 1284 COMPONENT MAINT MANUAL REF: 49-31-02 OPTIONAL PART: 3876049-4 V06848	002004 006999	1
			TEMPORARY BREAKDOWN FOR: 4140066-5	002004 006999	
12	4140084-1		...PLATE-NAME SUPPLIER CODE: V06848	002004 006999	1
14	S9435M1		...PLATE-WARNING SUPPLIER CODE: V99193	002004 006999	1
			ATTACHING PARTS		
15	S9425-3		..NUT- SUPPLIER CODE: V99193	002004 006999	4
20	NAS620-10L		..WASHER	002004 006999	4
			-----*-----		
25	S9412-125		..PACKING- SUPPLIER CODE: V99193 OPTIONAL PART: M25988-2-125	002004 006999	1
25	M25988-2-125		..PACKING- OPTIONAL PART: S9412-125 V99193	002004 006999	1
30	S9412-122		..PACKING- SUPPLIER CODE: V99193 OPTIONAL PART: M25988-2-125 V99193	002004 006999	1
30	M25988-2-122		..PACKING- SUPPLIER CODE: V99193 OPTIONAL PART: S9412-122 V99193	002004 006999	1

MISSING ITEM NUMBERS NOT APPLICABLE

— ITEM NOT ILLUSTRATED

BRI

# 49-31-02-01

BOEING PROPRIETARY - Copyright © - Unpublished Work - See title page for details.

49-31-02  
FIG. 01  
PAGE 14  
SEP 20/08



**757  
PARTS CATALOG (MAINTENANCE)**

FIG ITEM	PART NUMBER	1 2 3 4 5 6 7	NOMENCLATURE	EFFECT FROM TO	UNITS PER ASSY
1					
35	S9412-120		.. PACKING- SUPPLIER CODE: V99193 OPTIONAL PART: M25988-2-120	002004 006999	1
35	M25988-2-120		.. PACKING- OPTIONAL PART: S9412-120 V99193	002004 006999	1
- 500	3888123-4		. WIRING HARNESS ASSY- SUPPLIER CODE: V99193 SB DATA FROM A CMM: POST SB 49-5533 PRE SB 49-5794	002004 006102 107999	RF
- 500	3888123-5		. WIRING HARNESS ASSY- SUPPLIER CODE: V99193 USED ON: 3800298-1-1 3800298-1-2 3800298-1-3 3800298-1-4 3800298-1-5 3800298-1-6 3800298-1-7	002004 006999	RF
- 500	3888123-6		. WIRING HARNESS ASSY- SUPPLIER CODE: V99193 SB DATA FROM A CMM: POST SB 49-5794 PRE SB 49-5840/49-7403 CONFIG CHG DATA FROM A CMM: REPLD BY 3888123-8 REWORKED FROM 3888123-4 QUALIFIED OPTIONAL DATA: 3888123-8 QUALIFIED SB I/W DATA: 3617394-1 USED WITH 3888123-8 OR 3888123-9 OPT TO 3617394-1 USED WITH 3888123-6 OR 3888123-7 AND 3888450-1 OPT TO 3614759-1 USED WITH 3888123-8 OR 3888123-9 OPT TO 3617459-1 USED WITH 3888123-6 OR 3888123-7 AND 3888450-1	002004 006102 107999	RF

MISSING ITEM NUMBERS NOT APPLICABLE

- ITEM NOT ILLUSTRATED

# 49-31-02-01

49-31-02  
FIG. 01  
PAGE 15  
JAN 20/09

BRI



757

PARTS CATALOG (MAINTENANCE)

FIG ITEM	PART NUMBER	1 2 3 4 5 6 7	NOMENCLATURE	EFFECT FROM TO	UNITS PER ASSY
1 - 500	3888123-7		.WIRING HARNESS ASSY- SUPPLIER CODE: V99193 SB DATA FROM A CMM: POST SB 49-5840 PRE SB 49-7403 CONFIG CHG DATA FROM A CMM: REPLD BY 3888123-9 REWORKED FROM 3888123-6 QUALIFIED SB I/W DATA: 3617394-1 USED WITH 3888123-8 OR 3888123-9 OPT TO 3617394-1 USED WITH 3888123-6 OR 3888123-7 AND 3888450-1 OPT TO 3614759-1 USED WITH 3888123-8 OR 3888123-9 OPT TO 3617459-1 USED WITH 3888123-6 OR 3888123-7 AND 3888450-1	002004 006102 107999	RF
- 500	3888123-8		.WIRING HARNESS ASSY- SUPPLIER CODE: V99193 SB DATA FROM A CMM: POST SB 49-7391/49-7403 CONFIG CHG DATA FROM A CMM: REPLACES 3888123-6 REPLACED BY 3888465-1 QUALIFIED OPTIONAL DATA: 3888123-6 QUALIFIED SB I/W DATA: 3617394-1 USED WITH 3888123-8 OR 3888123-9 OPT TO 3617394-1 USED WITH 3888123-6 OR 3888123-7 AND 3888450-1 OPT TO 3614759-1 USED WITH 3888123-8 OR 3888123-9 OPT TO 3617459-1 USED WITH 3888123-6 OR 3888123-7 AND 3888450-1	002004 006999	RF

MISSING ITEM NUMBERS NOT APPLICABLE

- ITEM NOT ILLUSTRATED

49-31-02-01

49-31-02  
FIG. 01  
PAGE 16  
JAN 20/09

BRI



757

PARTS CATALOG (MAINTENANCE)

FIG ITEM	PART NUMBER	1 2 3 4 5 6 7	NOMENCLATURE	EFFECT FROM TO	UNITS PER ASSY
1 - 500	3888123-9		.WIRING HARNESS ASSY- SUPPLIER CODE: V99193 SB DATA FROM A CMM: POST SB 49-7403 CONFIG CHG DATA FROM A CMM: REPLACES 3888123-7 REPLACED BY 3888465-1 QUALIFIED SB I/W DATA: 3617394-1 USED WITH 3888123-8 OR 3888123-9 OPT TO 3617394-1 USED WITH 3888123-6 OR 3888123-7 AND 3888450-1 OPT TO 3614759-1 USED WITH 3888123-8 OR 3888123-9 OPT TO 3617459-1 USED WITH 3888123-6 OR 3888123-7 AND 3888450-1 POST SERVICE BULLETIN: GTCP331-49-7391R1 V99193	002004 006999	RF
- 500	3888465-1		.WIRING HARNESS ASSY- SUPPLIER CODE: V99193 SB DATA FROM A CMM: POST 49-7618 CONFIG CHG DATA FROM A CMM: REPLACES 3888123-8 REPLACES 3888123-9	002004 006999	RF
550	GS3418-12CD		..CLAMP- SUPPLIER CODE: V06324	002004 006999	1
555	BCREF13892		..CONNECTOR-P9 SUPPLIER CODE: V49367 OVERLENGTH PART NUMBER: ZZYAO-12D12-03S06 OPTIONAL PART: BCREF8218 V13556	002004 006999	1

MISSING ITEM NUMBERS NOT APPLICABLE

- ITEM NOT ILLUSTRATED

49-31-02-01

49-31-02  
FIG. 01  
PAGE 17  
SEP 20/08

BRI



757

PARTS CATALOG (MAINTENANCE)

FIG ITEM	PART NUMBER	1 2 3 4 5 6 7	NOMENCLATURE	EFFECT FROM TO	UNITS PER ASSY
1 555	BCREF8218	..	CONNECTOR-P9 SUPPLIER CODE: V13556 OVERLENGTH PART NUMBER: CN0966-12A03S6-000 OPTIONAL PART: BCREF13892 V49367	002004 006999	1
560	LRC20W15DJ5	..	CONTACT- SUPPLIER CODE: V09922	002004 006999	9
565	10-230935-142	..	GROMMET-RUBBER SUPPLIER CODE: V77820	002004 006999	2
- 570	M22759-8-18-8	..	WIRE-ELECTRICAL OPTIONAL PART: 18699-69A1 V92607 75908E18 V12515 18AF2XTN1930 V12814 11-00821 V05973 BATATE1930NICE V90484	002004 006999	AR
- 570	18699-69A1	..	WIRE-ELECTRICAL SUPPLIER CODE: V92607 OPTIONAL PART: M22759-8-18-8 75908E18 V12515 18AF2XTN1930 V12814 11-00821 V05973 BATATE1930NICE V90484	002004 006999	AR

MISSING ITEM NUMBERS NOT APPLICABLE

- ITEM NOT ILLUSTRATED

BRI

49-31-02-01

BOEING PROPRIETARY - Copyright © - Unpublished Work - See title page for details.

49-31-02  
FIG. 01  
PAGE 18  
SEP 20/08



757

PARTS CATALOG (MAINTENANCE)

FIG ITEM	PART NUMBER	1 2 3 4 5 6 7	NOMENCLATURE	EFFECT FROM TO	UNITS PER ASSY
1					
- 570	75908E18		.. WIRE-ELECTRICAL SUPPLIER CODE: V12515 OPTIONAL PART: M22759-8-18-8 18699-69A1 V92607 18AF2XTN1930 V12814 11-00821 V05973 BATATE193ONICE V90484	002004 006999	AR
- 570	18AF2XTN1930		.. WIRE-ELECTRICAL SUPPLIER CODE: V12814 OPTIONAL PART: M22759-8-18-8 18699-69A1 V92607 75908E18 V12515 11-00821 V05973 BATATE193ONICE V90484	002004 006999	AR
- 570	BATATE193ONICE		.. WIRE-ELECTRICAL SUPPLIER CODE: V90484 OPTIONAL PART: M22759-8-18-8 18699-69A1 V92607 75908E18 V12515 18AF2XTN1930 V12814 11-00821 V05973	002004 006999	AR

MISSING ITEM NUMBERS NOT APPLICABLE

- ITEM NOT ILLUSTRATED

BRI

49-31-02-01

BOEING PROPRIETARY - Copyright © - Unpublished Work - See title page for details.

49-31-02  
FIG. 01  
PAGE 19  
SEP 20/08



757

PARTS CATALOG (MAINTENANCE)

FIG ITEM	PART NUMBER	1 2 3 4 5 6 7	NOMENCLATURE	EFFECT FROM TO	UNITS PER ASSY
1 - 570	11-00821		.. WIRE-ELECTRICAL SUPPLIER CODE: V05973 OPTIONAL PART: M22759-8-18-8 18699-69A1 V92607 75908E18 V12515 18AF2XTN1930 V12814 BATATE1930NICE V90484	002004 006999	AR
900			ILLUSTRATION REFERENCE: ENGINE ASSY-GAS TURB (PRESSURE RELIEF VALVE, COMBUSTER DRAIN ONLY) 49-16-01-01	002004 006999	RF

MISSING ITEM NUMBERS NOT APPLICABLE

- ITEM NOT ILLUSTRATED

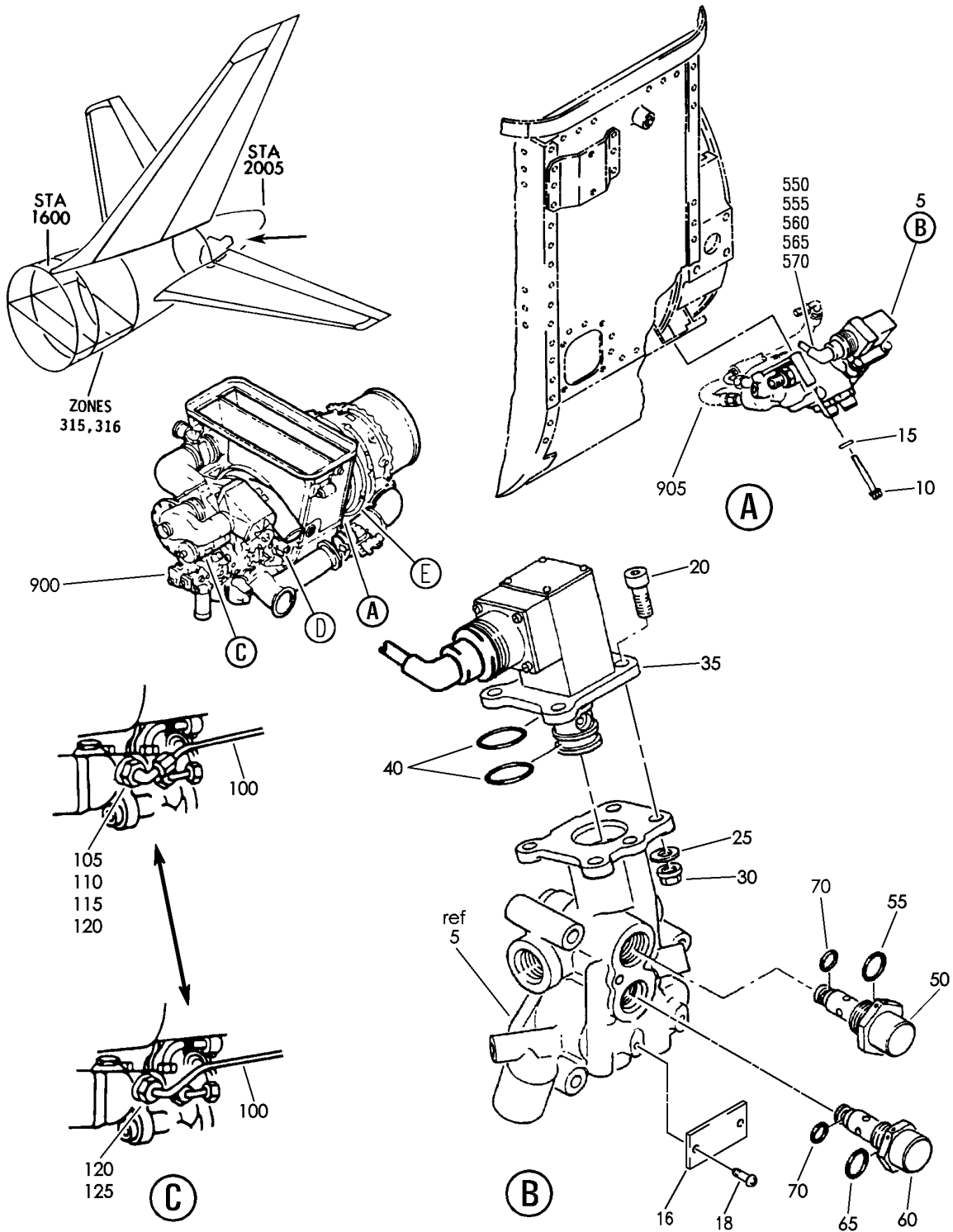
BRI

49-31-02-01

BOEING PROPRIETARY - Copyright © - Unpublished Work - See title page for details.

49-31-02  
FIG. 01  
PAGE 20  
SEP 20/08

**BOEING**  
757  
PARTS CATALOG (MAINTENANCE)



Y 49310301 SHT 1 REV 303

ENGINE ASSY-GAS TURB (FUEL DIVIDER AND SOLENOID VALVE ONLY)  
FIGURE 1 (SHEET 1)

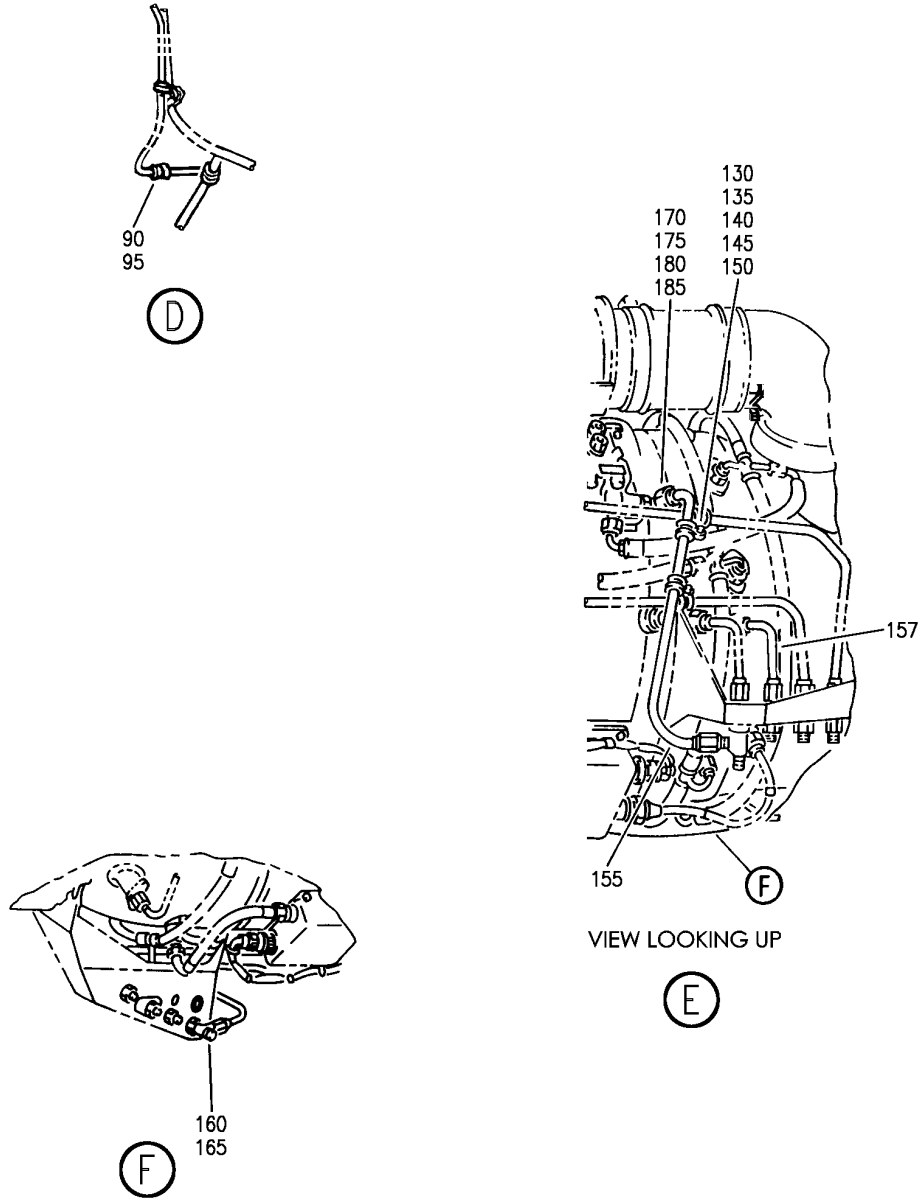
**49-31-03-01**

BRI  
MAY 28/07

49-31-03-01  
PAGE 0



**BOEING**  
757  
PARTS CATALOG (MAINTENANCE)



Y 49310301 SH1 2 REV 279

ENGINE ASSY-GAS TURB (FUEL DIVIDER AND SOLENOID VALVE ONLY)  
FIGURE 1 (SHEET 2)

**49-31-03-01**

BRI  
MAY 28/07

49-31-03-01  
PAGE 0A



757

PARTS CATALOG (MAINTENANCE)

FIG ITEM	PART NUMBER	1 2 3 4 5 6 7	NOMENCLATURE	EFFECT FROM TO	UNITS PER ASSY
1			ENGINE ASSY-GAS TURB (FUEL DIVIDER AND SOLENOID VALVE ONLY)	002004 006999	
- 1	3800298-1-2		ENGINE ASSY-GAS TURB GTCP331-200ER (FUEL DIVIDER AND SOLENOID VALVE ONLY) SUPPLIER CODE: V99193 SPECIFICATION NUMBER: S351T020-201 CONFIG CHG DATA FROM A CMM: REPLACES 3800298-1-1 COMPONENT MAINT MANUAL REF: 49-22-11 QUALIFIED I/W DATA: S351T020-201 (3800298-1-2) AND S351T020-205 (3800298-1-6) ARE INTERCHANGEABLE WITH THE INCORPORATION OF ALLIED SIGNAL S/B GTCP331-49-7081. S351T020-201 (3800298-1-2) AND S351T020-206 (3800298-1-7/3800298-1) ARE INTERCHANGEABLE WITH THE INCORPORATION OF ALLIED SIGNAL S/B GTCP331-49-7081. FOR NHA/ADDITIONAL DET SEE: 49-11-01-50	002004 006100 107107 121503 904999	RF

MISSING ITEM NUMBERS NOT APPLICABLE

- ITEM NOT ILLUSTRATED

49-31-03-01

49-31-03  
FIG. 01  
PAGE 1  
JAN 20/09

BRI



757

PARTS CATALOG (MAINTENANCE)

FIG ITEM	PART NUMBER	1 2 3 4 5 6 7	NOMENCLATURE	EFFECT FROM TO	UNITS PER ASSY
1 - 1	3800298-1-1		ENGINE ASSY-GAS TURB GTCP331-200ER (FUEL DIVIDER AND SOLENOID VALVE ONLY) SUPPLIER CODE: V99193 SPECIFICATION NUMBER: S351T020-200 COMPONENT MAINT MANUAL REF: 49-22-11 QUALIFIED I/W DATA: S351T020-200 (3800298-1-1) AND S351T020-205 (3800298-1-6) ARE INTERCHANGEABLE WITH THE INCORPORATION OF ALLIED SIGNAL S/B GTCP331-49-7081. S351T020-200 (3800298-1-1) AND S351T020-206 (3800298-1-7/3800298-1) ARE INTERCHANGEABLE WITH THE INCORPORATION OF ALLIED SIGNAL S/B GTCP331-49-7081. FOR NHA/ADDITIONAL DET SEE: 49-11-01-50	002004 006100 107107 121503 904999	RF

MISSING ITEM NUMBERS NOT APPLICABLE

- ITEM NOT ILLUSTRATED

BRI

# 49-31-03-01

BOEING PROPRIETARY - Copyright © - Unpublished Work - See title page for details.

49-31-03  
FIG. 01  
PAGE 2  
JAN 20/09



**757  
PARTS CATALOG (MAINTENANCE)**

FIG ITEM	PART NUMBER	1 2 3 4 5 6 7	NOMENCLATURE	EFFECT FROM TO	UNITS PER ASSY
1 - 1	3800298-1-3		ENGINE ASSY-GAS TURB GTCP331-200ER (FUEL DIVIDER AND SOLENOID VALVE ONLY) SUPPLIER CODE: V99193 SPECIFICATION NUMBER: S351T020-202 CONFIG CHG DATA FROM A CMM: REPALCES 3800298-1-2 COMPONENT MAINT MANUAL REF: 49-22-11 QUALIFIED I/W DATA: S351T020-202 (3800298-1-3) AND S351T020-205 (3800298-1-6) ARE INTERCHANGEABLE WITH THE INCORPORATION OF ALLIED SIGNAL S/B GTCP331-49-7081. S351T020-202 (3800298-1-3) AND S351T020-206 (3800298-1-7/3800298-1) ARE INTERCHANGEABLE WITH THE INCORPORATION OF ALLIED SIGNAL S/B GTCP331-49-7081. FOR NHA/OTHER SYS DET SEE: 49-11-01-50	002004 006100 107107 121503 904999	RF

MISSING ITEM NUMBERS NOT APPLICABLE

- ITEM NOT ILLUSTRATED

BRI

# 49-31-03-01

BOEING PROPRIETARY - Copyright © - Unpublished Work - See title page for details.

49-31-03  
 FIG. 01  
 PAGE 3  
 JAN 20/09



757

PARTS CATALOG (MAINTENANCE)

FIG ITEM	PART NUMBER	1 2 3 4 5 6 7 NOMENCLATURE	EFFECT FROM TO	UNITS PER ASSY
1 - 1	3800298-1-4	ENGINE ASSY-GAS TURB GTCP331-200ER (FUEL DIVIDER AND SOLENOID VALVE ONLY) SUPPLIER CODE: V99193 SPECIFICATION NUMBER: S351T020-203 CONFIG CHG DATA FROM A CMM: REPLACES 3800298-1-3 COMPONENT MAINT MANUAL REF: 49-22-11 QUALIFIED I/W DATA: 3800298-1-4/S351T020-203 AND 3800298-1-6/S351T020-205 ARE INTERCHANGEABLE WITH THE INCORPORATION OF ALLIED SIGNAL S/B GTCP331-49-7081. 3800298-1-4/S351T020-203 AND 3800298-1-7/S351T020-206 /3800298-1 ARE INTERCHANGEABLE WITH THE INCORPORATION OF ALLIED SIGNAL S/B GTCP331-49-7081. FOR NHA/ADDITIONAL DET SEE: 49-11-01-50	002004 006100 107107 121503 904999	RF

MISSING ITEM NUMBERS NOT APPLICABLE

- ITEM NOT ILLUSTRATED

49-31-03-01

49-31-03  
FIG. 01  
PAGE 4  
JAN 20/09

BRI



757

PARTS CATALOG (MAINTENANCE)

FIG ITEM	PART NUMBER	1 2 3 4 5 6 7	NOMENCLATURE	EFFECT FROM TO	UNITS PER ASSY
1					
- 1	3800298-1-5		ENGINE ASSY-GAS TURB GTCP331-200ER (FUEL DIVIDER AND SOLENOID VALVE ONLY) SUPPLIER CODE: V99193 SPECIFICATION NUMBER: S351T020-204 CONFIG CHG DATA FROM A CMM: REPLACES 3800298-1-4 COMPONENT MAINT MANUAL REF: 49-22-11 QUALIFIED I/W DATA: 3800298-1-5/S351T020-204 AND 3800298-1-6/S351T020-205 ARE INTERCHANGEABLE WITH THE INCORPORATION OF ALLIED SIGNAL S/B GTCP331-49-7081. S351T020-204 (3800298-1-5) AND S351T020-206(3800298-1-7 /3800298-1) ARE INTERCHANGEABLE WITH THE INCORPORATION OF ALLIED SIGNAL S/B GTCP331-49-7081. FOR NHA/ADDITIONAL DET SEE: 49-11-01-50	002004 006100 107107 121503 904999	RF
- 1	3800298-1-6		ENGINE ASSY-GAS TURB GTCP331-200ER (FUEL DIVIDER AND SOLENOID VALVE ONLY) SUPPLIER CODE: V99193 SPECIFICATION NUMBER: S351T020-205 CONFIG CHG DATA FROM A CMM: REPALCES 3800298-1-5 COMPONENT MAINT MANUAL REF: 49-22-11 QUALIFIED I/W DATA: 3800298-1-5/S351T020-204 AND 3800298-1-6/S351T020-205 ARE INTERCHANGEABLE WITH THE INCORPORATION OF ALLIED SIGNAL S/B	002004 006999	RF

MISSING ITEM NUMBERS NOT APPLICABLE

- ITEM NOT ILLUSTRATED

49-31-03-01

49-31-03  
FIG. 01  
PAGE 5  
JAN 20/09

BRI



757

PARTS CATALOG (MAINTENANCE)

FIG ITEM	PART NUMBER	1 2 3 4 5 6 7 NOMENCLATURE	EFFECT FROM TO	UNITS PER ASSY
1		GTCP331-49-7081. GTCP331-49-7081. S351T020-203 (3800298-1-4) AND S351T020-205 (3800298-1-6) ARE INTERCHANGEABLE WITH THE INCORPORATION OF ALLIED SIGNAL S/B GTCP331-49-7081. S351T020-202 (3800298-1-3) AND S351T020-205 (3800298-1-6) ARE INTERCHANGEABLE WITH THE INCORPORATION OF ALLIED SIGNAL S/B GTCP331-49-7081. S351T020-201 (3800298-1-2) AND S351T020-205 (3800298-1-6) ARE INTERCHANGEABLE WITH THE INCORPORATION OF ALLIED SIGNAL S/B GTCP331-49-7081. S351T020-200 (3800298-1-1) AND S351T020-205 (3800298-1-6) ARE INTERCHANGEABLE WITH THE INCORPORATION OF ALLIED SIGNAL S/B GTCP331-49-7081. FOR NHA/ADDITIONAL DET SEE: 49-11-01-50 49-21-00-02		
-	1 3800298-1-7	ENGINE ASSY-GAS TURB GTCP331-200ER (FUEL DIVIDER AND SOLENOID VALVE ONLY) SUPPLIER CODE: V99193 SPECIFICATION NUMBER: S351T020-206 CONFIG CHG DATA FROM A CMM: REPALCES 3800298-1-6 COMPONENT MAINT MANUAL REF: 49-22-11  MISSING ITEM NUMBERS NOT APPLICABLE	002004 006999	RF

- ITEM NOT ILLUSTRATED

49-31-03-01

BRI

BOEING PROPRIETARY - Copyright © - Unpublished Work - See title page for details.

49-31-03  
FIG. 01  
PAGE 6  
SEP 20/08



757

PARTS CATALOG (MAINTENANCE)

FIG ITEM	PART NUMBER	1 2 3 4 5 6 7 NOMENCLATURE	EFFECT FROM TO	UNITS PER ASSY
1		QUALIFIED I/W DATA: 3800298-1-5/S351T020-204 AND 3800298-1 3800298-1-7/S351T020-206 ARE INTERCHANGEABLE WITH THE INCORPORATION OF ALLIED SIGNAL S/B GTCP331-49-7081. S351T020-203 (3800298-1-4) AND S351T020-206(3800298-1-7 /3800298-1) ARE INTERCHANGEABLE WITH THE INCORPORATION OF ALLIED SIGNAL S/B GTCP331-49-7081. S351T020-202 (3800298-1-3) AND S351T020-206 (3800298-1-7/3800298-1) ARE INTERCHANGEABLE WITH THE INCORPORATION OF ALLIED SIGNAL S/B GTCP331-49-7081. S351T020-201 (3800298-1-2) AND S351T020-206 (3800298-1-7/3800298-1) ARE INTERCHANGEABLE WITH THE INCORPORATION OF ALLIED SIGNAL S/B GTCP331-49-7081. S351T020-200 (3800298-1-1) AND S351T020-206 (3800298-1-7/3800298-1) ARE INTERCHANGEABLE WITH THE INCORPORATION OF ALLIED SIGNAL S/B GTCP331-49-7081. OPTIONAL PART: 3800298-1 V99193 FOR NHA/ADDITIONAL DET SEE: 49-11-01-50 49-21-00-02		
-	1 3800298-1	ENGINE ASSY-GAS TURB GTCP331-200ER (FUEL DIVIDER AND	002004 006999	RF

MISSING ITEM NUMBERS NOT APPLICABLE

- ITEM NOT ILLUSTRATED

49-31-03-01

BRI

BOEING PROPRIETARY - Copyright © - Unpublished Work - See title page for details.

49-31-03  
FIG. 01  
PAGE 7  
SEP 20/08





757

PARTS CATALOG (MAINTENANCE)

FIG ITEM	PART NUMBER	1 2 3 4 5 6 7 NOMENCLATURE	EFFECT FROM TO	UNITS PER ASSY
1		<p>SOLENOID VALVE ONLY)  SUPPLIER CODE:  V99193  SPECIFICATION NUMBER:  S351T020-206  COMPONENT MAINT MANUAL REF:  49-22-11  QUALIFIED I/W DATA:  3800298-1-5/S351T020-204  AND  3800298-1-7/S351T020-206  /380029-1  ARE INTERCHANGEABLE WITH  THE INCORPORATION OF  ALLIED SIGNAL S/B  GTCP331-49-7081.  S351T020-203/3800298-1-4  AND  S351T020-206(3800298-1-7  /3800298-1) ARE  INTERCHANGEABLE WITH THE  INCORPORATION OF ALLIED  SIGNAL S/B  GTCP331-49-7081.  S351T020-202  (3800298-1-3)  AND S351T020-206  (3800298-1-7/3800298-1)  ARE INTERCHANGEABLE  WITH THE INCORPORATION  OF ALLIED SIGNAL S/B  GTCP331-49-7081.  S351T020-201  (3800298-1-2)  AND S351T020-206  (3800298-1-7/3800298-1)  ARE INTERCHANGEABLE  WITH THE INCORPORATION  OF ALLIED SIGNAL S/B  GTCP331-49-7081.  S351T020-200  (3800298-1-1)  AND S351T020-206  (3800298-1-7/3800298-1)  ARE INTERCHANGEABLE  WITH THE INCORPORATION  OF ALLIED SIGNAL S/B  GTCP331-49-7081.  OPTIONAL PART:</p>		

MISSING ITEM NUMBERS NOT APPLICABLE

- ITEM NOT ILLUSTRATED

49-31-03-01

49-31-03  
FIG. 01  
PAGE 8  
SEP 20/08

BRI



757

PARTS CATALOG (MAINTENANCE)

FIG ITEM	PART NUMBER	1 2 3 4 5 6 7	NOMENCLATURE	EFFECT FROM TO	UNITS PER ASSY
1			3800298-1-7 V99193 FOR NHA/ADDITIONAL DET SEE: 49-11-01-50 49-21-00-02		
5	3882550-1		.VALVE ASSY-FLOW DIVIDER AND DRAIN SUPPLIER CODE: V99193 SB DATA FROM A CMM: PRE 49-5485 COMPONENT MAINT MANUAL REF: 49-31-63	002004 006999	1
5	3882550-2		.VALVE ASSY-FLOW DIVIDER AND DRAIN SUPPLIER CODE: V99193 SB DATA FROM A CMM: POST 49-5485 PRE 49-5961 CONFIG CHG DATA FROM A CMM: REPLD BY 3882550-3 COMPONENT MAINT MANUAL REF: 49-31-63	002004 006999	1
5	3882550-3		.VALVE ASSY-FLOW DIVIDER AND DRAIN SUPPLIER CODE: V99193 SB DATA FROM A CMM: POST 49-5961 CONFIG CHG DATA FROM A CMM: REPLS 3882550-2 COMPONENT MAINT MANUAL REF: 49-31-63	002004 006999	1
10	MS21279-23		ATTACHING PARTS .BOLT- OPTIONAL PART: MS9556-23	002004 006999	3
10	MS9556-23		.BOLT- SB DATA FROM A CMM: POST GTE0293 OPTIONAL PART: MS21279-23	002004 006999	3
15	NAS620C10L		.WASHER  -----*-----	002004 006999	3

MISSING ITEM NUMBERS NOT APPLICABLE

- ITEM NOT ILLUSTRATED

49-31-03-01

49-31-03  
FIG. 01  
PAGE 9  
SEP 20/08

BRI

BOEING PROPRIETARY - Copyright © - Unpublished Work - See title page for details.

 **BOEING**  
757  
**PARTS CATALOG (MAINTENANCE)**

FIG ITEM	PART NUMBER	1 2 3 4 5 6 7	NOMENCLATURE	EFFECT FROM TO	UNITS PER ASSY
1					
16	S8843B9P4A	..	PLATE-IDENT SUPPLIER CODE: V99193 SB DATA FROM A CMM: PRE GTE0301	002004 006999	1
16	759309-1	..	PLATE-IDENT SUPPLIER CODE: V99193 SB DATA FROM A CMM: POST GTE0301 ATTACHING PARTS	002004 006999	1
18	MS51861-1C	..	SCREW	002004 006999	2
			-----*-----		
20	MS21279-09	..	BOLT	002004 006999	4
25	AN960C10L	..	WASHER	002004 006999	4
30	MS21043-3	..	NUT	002004 006999	4
35	3876046-1	..	VALVE-NORMALLY CLOSED SOL. SUPPLIER CODE: V99193 SB DATA FROM A CMM: PRE 49-5485 USED ON: 3882550-1	002004 006999	1
35	3876046-4	..	VALVE-NORMALLY CLOSED SOL. SUPPLIER CODE: V06848 SB DATA FROM A CMM: POST 49-5485 COMPONENT MAINT MANUAL REF: 49-31-15 USED ON: 3882550-2 3882550-3	002004 006999	1
40	S9412-016	..	PACKING- SUPPLIER CODE: V99193	002004 006999	2
50	3882639-2	..	VALVE-FUEL CHK RUN SUPPLIER CODE: V99193 COMPONENT MAINT MANUAL REF: 49-31-59	002004 006999	1

MISSING ITEM NUMBERS NOT APPLICABLE

— ITEM NOT ILLUSTRATED

BRI

# 49-31-03-01

BOEING PROPRIETARY - Copyright © - Unpublished Work - See title page for details.

49-31-03  
FIG. 01  
PAGE 10  
SEP 20/08



757

PARTS CATALOG (MAINTENANCE)

FIG ITEM	PART NUMBER	1 2 3 4 5 6 7	NOMENCLATURE	EFFECT FROM TO	UNITS PER ASSY
1					
55	S9412-556	..	PACKING- SUPPLIER CODE: V99193	002004 006999	1
60	3882639-1	..	VALVE-FUEL CHK START SUPPLIER CODE: V99193 COMPONENT MAINT MANUAL REF: 49-31-59	002004 006999	1
65	S9412-557	.	PACKING- SUPPLIER CODE: V99193 OPTIONAL PART: M25988-2-907	002004 006999	1
65	M25988-2-907	.	PACKING- OPTIONAL PART: S9412-557 V99193	002004 006999	1
70	S9412-009	..	PACKING- SUPPLIER CODE: V99193	002004 006999	2
90	MS21279-05	.	BOLT- OPTIONAL PART: MS9556-05	002004 006999	2
90	MS9556-05	.	BOLT- OPTIONAL PART: MS21279-05	002004 006999	2
95	TA12C59TH4HB	.	CLAMP- SUPPLIER CODE: V84971 OPTIONAL PART: JM44LC43H4WC V22175	002004 006999	2
95	JM44LC43H4WC	.	CLAMP- SUPPLIER CODE: V22175 SB DATA FROM A CMM: POST SPB GTE1046 OPTIONAL PART: TA12C59TH4HB V84971	002004 006999	2
100	3882720-1	.	TUBE-FLOW DIVIDER SUPPLIER CODE: V99193 SB DATA FROM A CMM: POST SB 49-5498 CONFIG CHG DATA FROM A CMM: REPLS 3882526-1	002004 006999	1

MISSING ITEM NUMBERS NOT APPLICABLE

- ITEM NOT ILLUSTRATED

49-31-03-01

49-31-03  
FIG. 01  
PAGE 11  
SEP 20/08

BRI



757

PARTS CATALOG (MAINTENANCE)

FIG ITEM	PART NUMBER	1 2 3 4 5 6 7	NOMENCLATURE	EFFECT FROM TO	UNITS PER ASSY
1 100	3882526-1		.TUBE-FLOW DIVIDER SUPPLIER CODE: V99193 SB DATA FROM A CMM: PRE SB 49-5498 CONFIG CHG DATA FROM A CMM: REPLD BY 3882720-1	002004 006999	1
120	S9412-554		.PACKING- SUPPLIER CODE: V99193 OPTIONAL PART: M25988-2-904	002004 006999	1
120	M25988-2-904		.PACKING- OPTIONAL PART: S9412-554 V99193	002004 006999	1
125	MS21902J4		.UNION- SB DATA FROM A CMM: POST SB 49-5498	002004 006999	1
130	MS21279-05		.BOLT- SB DATA FROM A CMM: PRE SPB GTE0252 CONFIG CHG DATA FROM A CMM: REPLD BY MS21279-15 OPTIONAL PART: MS9556-15	002004 006999	2
130	MS21279-15		.BOLT- SB DATA FROM A CMM: POST SPB GTE0252 CONFIG CHG DATA FROM A CMM: REPLACES MS21279-05 OPTIONAL PART: MS9556-15	002004 006999	2
130	MS9556-15		.BOLT- SB DATA FROM A CMM: POST SPB GTE0292 PRE SB 49-7081 CONFIG CHG DATA FROM A CMM: REPLD BY MS9556-05 OPTIONAL PART: MS21279-05 MS21279-15	002004 006999	2
130	MS9556-05		.BOLT- SB DATA FROM A CMM: POST SB 49-7081 CONFIG CHG DATA FROM A CMM: REPLACES MS9556-15	002004 006999	2

MISSING ITEM NUMBERS NOT APPLICABLE

- ITEM NOT ILLUSTRATED

49-31-03-01

49-31-03  
FIG. 01  
PAGE 12  
SEP 20/08

BRI



757

PARTS CATALOG (MAINTENANCE)

FIG ITEM	PART NUMBER	1 2 3 4 5 6 7	NOMENCLATURE	EFFECT FROM TO	UNITS PER ASSY
1					
135	NAS43DD3-40	.	SPACER- SB DATA FROM A CMM: PRE 49-7081	002004 006999	R F
140	MS21043-3	.	NUT	002004 006999	1
145	TA12C59WTH6HB	.	CLAMP- SUPPLIER CODE: V84971 OPTIONAL PART: JM44LC43H6WC V22175	002004 006999	1
145	JM44LC43H6WC	.	CLAMP- SUPPLIER CODE: V22175 SB DATA FROM A CMM: POST SPB GTE1046 OPTIONAL PART: TA12C59WTH6HB V84971	002004 006999	1
150	TA12C59WTH8HB	.	CLAMP- SUPPLIER CODE: V84971 OPTIONAL PART: JM44LC43H8WC V22175	002004 006999	1
150	JM44LC28WH8GF	.	CLAMP- SUPPLIER CODE: V22175	002004 006999	1
150	JM44LC43H8WC	.	CLAMP- SUPPLIER CODE: V22175 SB DATA FROM A CMM: POST SPB GTE1046 OPTIONAL PART: TA12C59WTH8HB V84971	002004 006999	1
155	3882527-1	.	TUBE-FLOW DIVIDER DRAIN SUPPLIER CODE: V99193 SB DATA FROM A CMM: PRE SB 49-7081 CONFIG CHG DATA FROM A CMM: REPLD BY 3883861-1	002004 006999	1

MISSING ITEM NUMBERS NOT APPLICABLE

- ITEM NOT ILLUSTRATED

49-31-03-01

49-31-03  
FIG. 01  
PAGE 13  
SEP 20/08

BRI



757

PARTS CATALOG (MAINTENANCE)

FIG ITEM	PART NUMBER	1 2 3 4 5 6 7	NOMENCLATURE	EFFECT FROM TO	UNITS PER ASSY
1 157	3883861-1		.TUBE-FLOW DIVIDER DRAIN SUPPLIER CODE: V99193 SB DATA FROM A CMM: POST SB 49-7081 CONFIG CHG DATA FROM A CMM: REPLACES 3882527-1	002004 006999	1
160	AN924-6D		.NUT- SB DATA FROM A CMM: PRE SB 49-5634/5765/5793 CONFIG CHG DATA FROM A CMM: REPLD BY AN24-6J	002004 006999	1
160	AN924-6J		.NUT- SB DATA FROM A CMM: POST SB 49-5634/5765/ 5793 CONFIG CHG DATA FROM A CMM: REPLACES AN24-6D	002004 006999	1
165	MS21912J6		.TEE	002004 006999	1
170	AN6289D6		.NUT- SB DATA FROM A CMM: PRE SB 49-5634/5765/5793 CONFIG CHG DATA FROM A CMM: REPLD BY AN6289J6	002004 006999	1
170	AN6289J6		.NUT- SB DATA FROM A CMM: POST SB 49-5634/5765/ 5793 CONFIG CHG DATA FROM A CMM: REPLACES AN6289D6	002004 006999	1
175	MS21908J6		.ELBOW	002004 006999	1
180	MS28773-06		.RETAINER	002004 006999	1
185	S9412-556		.PACKING- SUPPLIER CODE: V99193 OPTIONAL PART: M25988-2-906	002004 006999	1
185	M25988-2-906		.PACKING- OPTIONAL PART: S9412-556 V99193	002004 006999	1

MISSING ITEM NUMBERS NOT APPLICABLE

- ITEM NOT ILLUSTRATED

49-31-03-01

49-31-03  
FIG. 01  
PAGE 14  
SEP 20/08

BRI



757

PARTS CATALOG (MAINTENANCE)

FIG ITEM	PART NUMBER	1 2 3 4 5 6 7	NOMENCLATURE	EFFECT FROM TO	UNITS PER ASSY
1 - 500	3888123-4		.WIRING HARNESS ASSY- SUPPLIER CODE: V99193 SB DATA FROM A CMM: POST SB 49-5533 PRE SB 49-5794	002004 006102 107999	RF
- 500	3888123-5		.WIRING HARNESS ASSY- SUPPLIER CODE: V99193 USED ON: 3800298-1-1 3800298-1-2 3800298-1-3 3800298-1-4 3800298-1-5 3800298-1-6 3800298-1-7	002004 006999	RF
- 500	3888123-6		.WIRING HARNESS ASSY- SUPPLIER CODE: V99193 SB DATA FROM A CMM: POST SB 49-5794 PRE SB 49-5840/49-7403 CONFIG CHG DATA FROM A CMM: REPLD BY 3888123-8 REWORKED FROM 3888123-4 QUALIFIED OPTIONAL DATA: 3888123-8 QUALIFIED SB I/W DATA: 3617394-1 USED WITH 3888123-8 OR 3888123-9 OPT TO 3617394-1 USED WITH 3888123-6 OR 3888123-7 AND 3888450-1 OPT TO 3614759-1 USED WITH 3888123-8 OR 3888123-9 OPT TO 3617459-1 USED WITH 3888123-6 OR 3888123-7 AND 3888450-1	002004 006102 107999	RF

MISSING ITEM NUMBERS NOT APPLICABLE

- ITEM NOT ILLUSTRATED

49-31-03-01

49-31-03  
FIG. 01  
PAGE 15  
JAN 20/09

BRI





757

PARTS CATALOG (MAINTENANCE)

FIG ITEM	PART NUMBER	1 2 3 4 5 6 7	NOMENCLATURE	EFFECT FROM TO	UNITS PER ASSY
1 - 500	3888123-7		.WIRING HARNESS ASSY- SUPPLIER CODE: V99193 SB DATA FROM A CMM: POST SB 49-5840 PRE SB 49-7403 CONFIG CHG DATA FROM A CMM: REPLD BY 3888123-9 REWORKED FROM 388123-6 QUALIFIED SB I/W DATA: 3617394-1 USED WITH 3888123-8 OR 3888123-9 OPT TO 3617394-1 USED WITH 3888123-6 OR 3888123-7 AND 3888450-1 OPT TO 3614759-1 USED WITH 3888123-8 OR 3888123-9 OPT TO 3617459-1 USED WITH 3888123-6 OR 3888123-7 AND 3888450-1	002004 006102 107999	RF
- 500	3888123-8		.WIRING HARNESS ASSY- SUPPLIER CODE: V99193 SB DATA FROM A CMM: POST SB 49-7391/49-7403 CONFIG CHG DATA FROM A CMM: REPLACES 3888123-6 QUALIFIED OPTIONAL DATA: 3888123-6 QUALIFIED SB I/W DATA: 3617394-1 USED WITH 3888123-8 OR 3888123-9 OPT TO 3617394-1 USED WITH 3888123-6 OR 3888123-7 AND 3888450-1 OPT TO 3614759-1 USED WITH 3888123-8 OR 3888123-9 OPT TO 3617459-1 USED WITH 3888123-6 OR 3888123-7 AND 3888450-1	002004 006999	RF

MISSING ITEM NUMBERS NOT APPLICABLE

- ITEM NOT ILLUSTRATED

49-31-03-01

49-31-03  
FIG. 01  
PAGE 16  
JAN 20/09

BRI



757

PARTS CATALOG (MAINTENANCE)

FIG ITEM	PART NUMBER	1 2 3 4 5 6 7	NOMENCLATURE	EFFECT FROM TO	UNITS PER ASSY
1 - 500	3888123-9		.WIRING HARNESS ASSY- SUPPLIER CODE: V99193 SB DATA FROM A CMM: POST SB 49-7403 POST 49-7391 CONFIG CHG DATA FROM A CMM: REPLACES 3888123-7 QUALIFIED SB I/W DATA: 3617394-1 USED WITH 3888123-8 OR 3888123-9 OPT TO 3617394-1 USED WITH 3888123-6 OR 3888123-7 AND 3888450-1 OPT TO 3614759-1 USED WITH 3888123-8 OR 3888123-9 OPT TO 3617459-1 USED WITH 3888123-6 OR 3888123-7 AND 3888450-1 POST SERVICE BULLETIN: GTCP331-49-7391R1 V99193	002004 006999	RF
- 500	3888465-1		.WIRING HARNESS ASSY- SUPPLIER CODE: V99193 SB DATA FROM A CMM: POST 49-7618 CONFIG CHG DATA FROM A CMM: REPLACES 3888123-8 REPLACES 3888123-9	002004 006999	RF
550	GS3418-12CD		..CLAMP- SUPPLIER CODE: V06324	002004 006999	1
555	ZZYA0-12D12-03S		..CONNECTOR-P5, P15 SUPPLIER CODE: V14283 OPTIONAL PART: BCREF8105	002004 006999	1
555	BCREF8105		..PLUG-P5, P15 SUPPLIER CODE: V13556 OVERLENGTH PART NUMBER: CN0966-12A03SN000 OPTIONAL PART: ZZYA0-12D12-03S V49367	002004 006999	1

MISSING ITEM NUMBERS NOT APPLICABLE

- ITEM NOT ILLUSTRATED

49-31-03-01

49-31-03  
FIG. 01  
PAGE 17  
SEP 20/08

BRI



757

PARTS CATALOG (MAINTENANCE)

FIG ITEM	PART NUMBER	1 2 3 4 5 6 7	NOMENCLATURE	EFFECT FROM TO	UNITS PER ASSY
1					
560	LRC20W15DJ5	..	CONTACT- SUPPLIER CODE: V09922	002004 006999	1
565	10-230935-142	..	GROMMET-RUBBER SUPPLIER CODE: V77820 CONFIG CHG DATA FROM A CMM: REPLD BY 10-230935-143	002004 006999	1
565	10-230935-143	..	GROMMET-RUBBER SUPPLIER CODE: V77820 CONFIG CHG DATA FROM A CMM: REPLS 10-230935-142	002004 006999	1
570	36154	..	TERMINAL- SUPPLIER CODE: V00779	002004 006999	1
- 575	M22759-8-18-8	..	WIRE-ELECTRICAL OPTIONAL PART: 18699-69A1 V92607 75908E18 V12515 18AF2XTN1930 V12814 11-00821 V05973 BATATE1930NICE V90484	002004 006999	AR
- 575	18699-69A1	..	WIRE-ELECTRICAL SUPPLIER CODE: V92607 OPTIONAL PART: M22759-8-18-8 75908E18 V12515 18AF2XTN1930 V12814 11-00821 V05973 BATATE1930NICE V90484	002004 006999	AR

MISSING ITEM NUMBERS NOT APPLICABLE

- ITEM NOT ILLUSTRATED

49-31-03-01

49-31-03  
FIG. 01  
PAGE 18  
SEP 20/08

BRI

BOEING PROPRIETARY - Copyright © - Unpublished Work - See title page for details.



757

PARTS CATALOG (MAINTENANCE)

FIG ITEM	PART NUMBER	1 2 3 4 5 6 7	NOMENCLATURE	EFFECT FROM TO	UNITS PER ASSY
1					
- 575	75908E18		.. WIRE-ELECTRICAL SUPPLIER CODE: V12515 OPTIONAL PART: M22759-8-18-8 18699-69A1 V92607 18AF2XTN1930 V12814 11-00821 V05973 BATATE193ONICE V90484	002004 006999	AR
- 575	18AF2XTN1930		.. WIRE-ELECTRICAL SUPPLIER CODE: V12814 OPTIONAL PART: M22759-8-18-8 18699-69A1 V92607 75908E18 V12515 11-00821 V05973 BATATE193ONICE V90484	002004 006999	AR
- 575	BATATE193ONICE		.. WIRE-ELECTRICAL SUPPLIER CODE: V90484 OPTIONAL PART: M22759-8-18-8 18699-69A1 V92607 75908E18 V12515 18AF2XTN1930 V12814 11-00821 V05973	002004 006999	AR

MISSING ITEM NUMBERS NOT APPLICABLE

- ITEM NOT ILLUSTRATED

49-31-03-01

49-31-03  
FIG. 01  
PAGE 19  
SEP 20/08

BRI



757

PARTS CATALOG (MAINTENANCE)

FIG ITEM	PART NUMBER	1 2 3 4 5 6 7	NOMENCLATURE	EFFECT FROM TO	UNITS PER ASSY
1 - 575	11-00821		.. WIRE-ELECTRICAL SUPPLIER CODE: V05973 OPTIONAL PART: M22759-8-18-8 18699-69A1 V92607 75908E18 V12515 18AF2XTN1930 V12814 BATATE1930NICE V90484	002004 006999	AR
900			ILLUSTRATION REFERENCE: ENGINE ASSY-GAS TURB (FUEL CONTROL UNIT ONLY) 49-31-01-01	002004 006999	RF
905			ILLUSTRATION REFERENCE: ENGINE ASSY-GAS TURB (FUEL MANIFOLD HOSES ONLY) 49-31-09-01	002004 006999	RF

MISSING ITEM NUMBERS NOT APPLICABLE

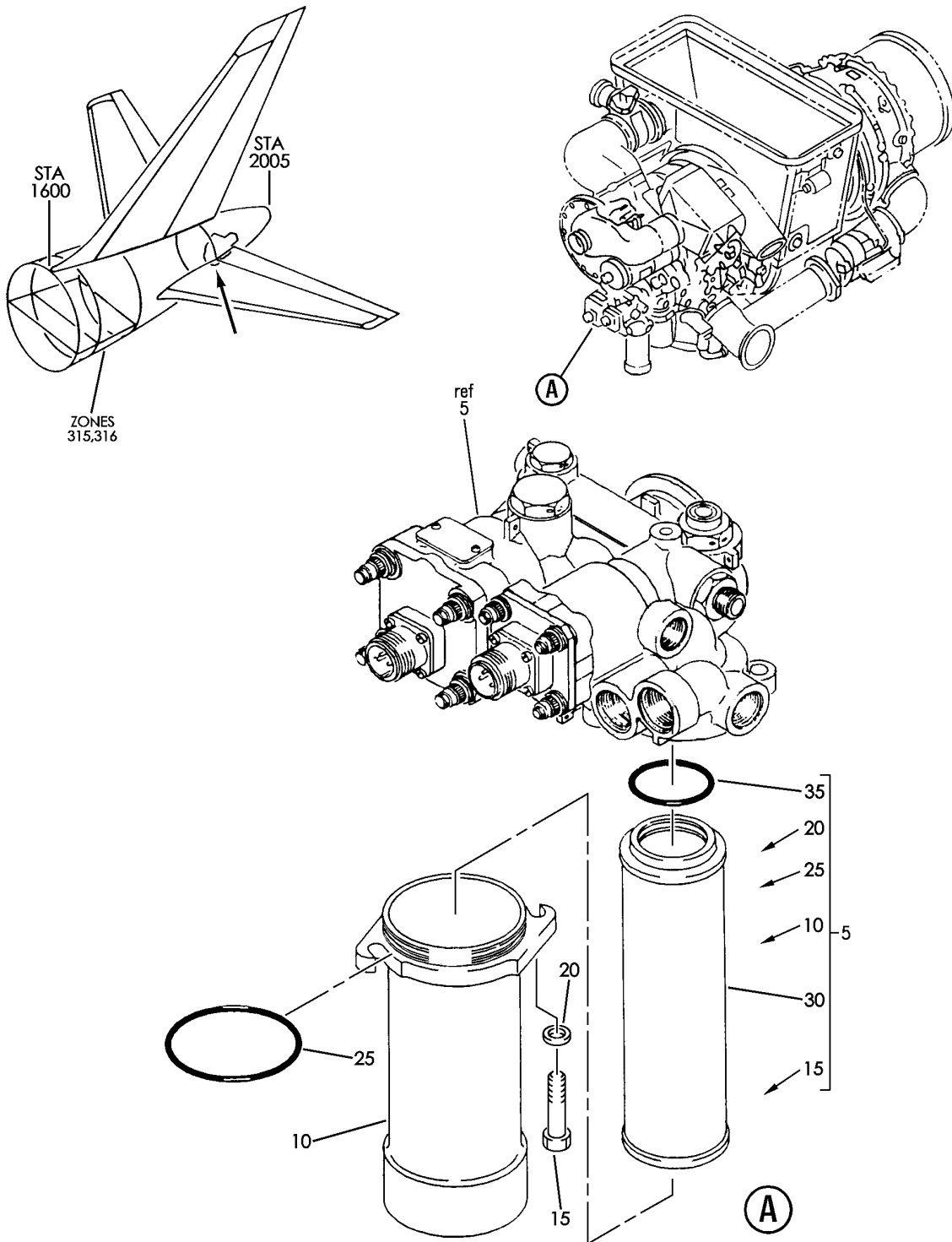
- ITEM NOT ILLUSTRATED

**49-31-03-01**

49-31-03  
FIG. 01  
PAGE 20  
SEP 20/08

BRI

**BOEING**  
757  
PARTS CATALOG (MAINTENANCE)



Y 49310401 REV 251

ENGINE ASSY-GAS TURB (FUEL FILTER ELEMENT ONLY)  
FIGURE 1

**49-31-04-01**

BRI  
MAY 28/07

49-31-04-01  
PAGE 0



757

PARTS CATALOG (MAINTENANCE)

FIG ITEM	PART NUMBER	1 2 3 4 5 6 7	NOMENCLATURE	EFFECT FROM TO	UNITS PER ASSY
1			ENGINE ASSY-GAS TURB (FUEL FILTER ELEMENT ONLY)	002004 006999	
- 1	3800298-1-2		ENGINE ASSY-GAS TURB GTCP331-200ER (FUEL FILTER ELEMENT ONLY) SUPPLIER CODE: V99193 SPECIFICATION NUMBER: S351T020-201 CONFIG CHG DATA FROM A CMM: REPLACES 3800298-1-1 COMPONENT MAINT MANUAL REF: 49-22-11 QUALIFIED I/W DATA: S351T020-201 (3800298-1-2) AND S351T020-205 (3800298-1-6) ARE INTERCHANGEABLE WITH THE INCORPORATION OF ALLIED SIGNAL S/B GTCP331-49-7081. S351T020-201 (3800298-1-2) AND S351T020-206 (3800298-1-7/3800298-1) ARE INTERCHANGEABLE WITH THE INCORPORATION OF ALLIED SIGNAL S/B GTCP331-49-7081. FOR NHA/ADDITIONAL DET SEE: 49-11-01-50	002004 006100 107107 121503 904999	RF

MISSING ITEM NUMBERS NOT APPLICABLE

- ITEM NOT ILLUSTRATED

49-31-04-01

49-31-04  
FIG. 01  
PAGE 1  
JAN 20/09

BRI



757

PARTS CATALOG (MAINTENANCE)

FIG ITEM	PART NUMBER	1 2 3 4 5 6 7	NOMENCLATURE	EFFECT FROM TO	UNITS PER ASSY
1 - 1	3800298-1-1		ENGINE ASSY-GAS TURB GTCP331-200R (FUEL FILTER ELEMENT ONLY) SUPPLIER CODE: V99193 SPECIFICATION NUMBER: S351T020-200 COMPONENT MAINT MANUAL REF: 49-22-11 QUALIFIED I/W DATA: S351T020-200 (3800298-1-1) AND S351T020-205 (3800298-1-6) ARE INTERCHANGEABLE WITH THE INCORPORATION OF ALLIED SIGNAL S/B GTCP331-49-7081. S351T020-200 (3800298-1-1) AND S351T020-206 (3800298-1-7/3800298-1) ARE INTERCHANGEABLE WITH THE INCORPORATION OF ALLIED SIGNAL S/B GTCP331-49-7081. FOR NHA/ADDITIONAL DET SEE: 49-11-01-50	002004 006100 107107 121503 904999	RF

MISSING ITEM NUMBERS NOT APPLICABLE

- ITEM NOT ILLUSTRATED

BRI

49-31-04-01

BOEING PROPRIETARY - Copyright © - Unpublished Work - See title page for details.

49-31-04  
FIG. 01  
PAGE 2  
JAN 20/09





757

PARTS CATALOG (MAINTENANCE)

FIG ITEM	PART NUMBER	1 2 3 4 5 6 7	NOMENCLATURE	EFFECT FROM TO	UNITS PER ASSY
1 - 1	3800298-1-3		ENGINE ASSY-GAS TURB GTCP331-200ER (FUEL FILTER ELEMENT ONLY) SUPPLIER CODE: V99193 SPECIFICATION NUMBER: S351T020-202 CONFIG CHG DATA FROM A CMM: REPALCES 3800298-1-2 COMPONENT MAINT MANUAL REF: 49-22-11 QUALIFIED I/W DATA: S351T020-202 (3800298-1-3) AND S351T020-205 (3800298-1-6) ARE INTERCHANGEABLE WITH THE INCORPORATION OF ALLIED SIGNAL S/B GTCP331-49-7081. S351T020-202 (3800298-1-3) AND S351T020-206 (3800298-1-7/3800298-1) ARE INTERCHANGEABLE WITH THE INCORPORATION OF ALLIED SIGNAL S/B GTCP331-49-7081. FOR NHA/OTHER SYS DET SEE: 49-11-01-50	002004 006100 107107 121503 904999	RF

MISSING ITEM NUMBERS NOT APPLICABLE

- ITEM NOT ILLUSTRATED

BRI

49-31-04-01

BOEING PROPRIETARY - Copyright © - Unpublished Work - See title page for details.

49-31-04  
FIG. 01  
PAGE 3  
JAN 20/09



757

PARTS CATALOG (MAINTENANCE)

FIG ITEM	PART NUMBER	1 2 3 4 5 6 7	NOMENCLATURE	EFFECT FROM TO	UNITS PER ASSY
1 - 1	3800298-1-4		ENGINE ASSY-GAS TURB GTCP331-200ER (FUEL FILTER ELEMENT ONLY) SUPPLIER CODE: V99193 SPECIFICATION NUMBER: S351T020-203 CONFIG CHG DATA FROM A CMM: REPLACES 3800298-1-3 COMPONENT MAINT MANUAL REF: 49-22-11 QUALIFIED I/W DATA: 3800298-1-4/S351T020-203 AND 3800298-1-6/S351T020-205 ARE INTERCHANGEABLE WITH THE INCORPORATION OF ALLIED SIGNAL S/B GTCP331-49-7081. 3800298-1-4/ S351T020-203 AND S351T020-206(3800298-1-7 /3800298-1) ARE INTERCHANGEABLE WITH THE INCORPORATION OF ALLIED SIGNAL S/B GTCP331-49-7081. FOR NHA/ADDITIONAL DET SEE: 49-11-01-50	002004 006100 107107 121503 904999	RF

MISSING ITEM NUMBERS NOT APPLICABLE

- ITEM NOT ILLUSTRATED

BRI

49-31-04-01

BOEING PROPRIETARY - Copyright © - Unpublished Work - See title page for details.

49-31-04  
FIG. 01  
PAGE 4  
JAN 20/09



757

PARTS CATALOG (MAINTENANCE)

FIG ITEM	PART NUMBER	1 2 3 4 5 6 7	NOMENCLATURE	EFFECT FROM TO	UNITS PER ASSY
1	3800298-1-5		ENGINE ASSY-GAS TURB GTCP331-200ER (FUEL FILTER ELEMENT ONLY) SUPPLIER CODE: V99193 SPECIFICATION NUMBER: S351T020-204 CONFIG CHG DATA FROM A CMM: REPLACES 3800298-1-4 COMPONENT MAINT MANUAL REF: 49-22-11 QUALIFIED I/W DATA: 3800298-1-5/S351T020-204 AND 3800298-1-6/S351T020-205 ARE INTERCHANGEABLE WITH THE INCORPORATION OF ALLIED SIGNAL S/B GTCP331-49-7081. S351T020-204 (3800298-1-5) AND S351T020-206(3800298-1-7 /3800298-1) ARE INTERCHANGEABLE WITH THE INCORPORATION OF ALLIED SIGNAL S/B GTCP331-49-7081. FOR NHA/ADDITIONAL DET SEE: 49-11-01-50	002004 006100 107107 121503 904999	RF
1	3800298-1-6		ENGINE ASSY-GAS TURB GTCP331-200ER (FUEL FILTER ELEMENT ONLY) SUPPLIER CODE: V99193 SPECIFICATION NUMBER: S351T020-205 CONFIG CHG DATA FROM A CMM: REPLACES 3800298-1-5 COMPONENT MAINT MANUAL REF: 49-22-11 QUALIFIED I/W DATA: 3800298-1-5/S351T020-204 AND 3800298-1-6/S351T020-205 ARE INTERCHANGEABLE WITH THE INCORPORATION OF ALLIED SIGNAL S/B	002004 006999	RF

MISSING ITEM NUMBERS NOT APPLICABLE

- ITEM NOT ILLUSTRATED

49-31-04-01

49-31-04  
FIG. 01  
PAGE 5  
JAN 20/09

BRI



757

PARTS CATALOG (MAINTENANCE)

FIG ITEM	PART NUMBER	1 2 3 4 5 6 7 NOMENCLATURE	EFFECT FROM TO	UNITS PER ASSY
1		GTCP331-49-7081. S351T020-203 (3800298-1-4) AND S351T020-205 (3800298-1-6) ARE INTERCHANGEABLE WITH THE INCORPORATION OF ALLIED SIGNAL S/B GTCP331-49-7081. S351T020-202 (3800298-1-3) AND S351T020-205 (3800298-1-6) ARE INTERCHANGEABLE WITH THE INCORPORATION OF ALLIED SIGNAL S/B GTCP331-49-7081. S351T020-201 (3800298-1-2) AND S351T020-205 (3800298-1-6) ARE INTERCHANGEABLE WITH THE INCORPORATION OF ALLIED SIGNAL S/B GTCP331-49-7081. S351T020-200 (3800298-1-1) AND S351T020-205 (3800298-1-6) ARE INTERCHANGEABLE WITH THE INCORPORATION OF ALLIED SIGNAL S/B GTCP331-49-7081. FOR NHA/ADDITIONAL DET SEE: 49-11-01-50 49-21-00-02		
-	1 3800298-1-7	ENGINE ASSY-GAS TURB GTCP331-200ER (FUEL FILTER ELEMENT ONLY) SUPPLIER CODE: V99193 SPECIFICATION NUMBER: S351T020-206 CONFIG CHG DATA FROM A CMM: REPLACES 3800298-1-6 COMPONENT MAINT MANUAL REF: 49-22-11 QUALIFIED I/W DATA:  MISSING ITEM NUMBERS NOT APPLICABLE	002004 006999	RF

- ITEM NOT ILLUSTRATED

49-31-04-01

49-31-04  
FIG. 01  
PAGE 6  
SEP 20/08

BRI



757

PARTS CATALOG (MAINTENANCE)

FIG ITEM	PART NUMBER	1 2 3 4 5 6 7 NOMENCLATURE	EFFECT FROM TO	UNITS PER ASSY
1		<p>3800298-1-5/S351T020-204 AND 3800298-1 3800298-1-7/S351T020-206 ARE INTERCHANGEABLE WITH THE INCORPORATION OF ALLIED SIGNAL S/B GTCP331-49-7081. S351T020-203 (3800298-1-4) AND S351T020-206(3800298-1-7 /3800298-1) ARE INTERCHANGEABLE WITH THE INCORPORATION OF ALLIED SIGNAL S/B GTCP331-49-7081. S351T020-202 (3800298-1-3) AND S351T020-206 (3800298-1-7/3800298-1) ARE INTERCHANGEABLE WITH THE INCORPORATION OF ALLIED SIGNAL S/B GTCP331-49-7081. S351T020-201 (3800298-1-2) AND S351T020-206 (3800298-1-7/3800298-1) ARE INTERCHANGEABLE WITH THE INCORPORATION OF ALLIED SIGNAL S/B GTCP331-49-7081. S351T020-200 (3800298-1-1) AND S351T020-206 (3800298-1-7/3800298-1) ARE INTERCHANGEABLE WITH THE INCORPORATION OF ALLIED SIGNAL S/B GTCP331-49-7081.</p> <p>OPTIONAL PART: 3800298-1 V99193 FOR NHA/ADDITIONAL DET SEE: 49-11-01-50 49-21-00-02</p>		
-	1 3800298-1	<p>ENGINE ASSY-GAS TURB GTCP331-200ER (FUEL FILTER ELEMENT ONLY)</p>	002004 006999	RF

MISSING ITEM NUMBERS NOT APPLICABLE

- ITEM NOT ILLUSTRATED

49-31-04-01

49-31-04  
FIG. 01  
PAGE 7  
SEP 20/08

BRI



757

PARTS CATALOG (MAINTENANCE)

FIG ITEM	PART NUMBER	1 2 3 4 5 6 7 NOMENCLATURE	EFFECT FROM TO	UNITS PER ASSY
1		<p>SUPPLIER CODE: V99193</p> <p>SPECIFICATION NUMBER: S351T020-206</p> <p>COMPONENT MAINT MANUAL REF: 49-22-11</p> <p>QUALIFIED I/W DATA: 3800298-1-5/S351T020-204 AND 3800298-1-7/S351T020-206 /3800298-1</p> <p>ARE INTERCHANGEABLE WITH THE INCORPORATION OF ALLIED SIGNAL S/B GTCP331-49-7081. S351T020-203 (3800298-1-4) AND S351T020-206(3800298-1-7 /3800298-1) ARE INTERCHANGEABLE WITH THE INCORPORATION OF ALLIED SIGNAL S/B GTCP331-49-7081. S351T020-202 (3800298-1-3) AND S351T020-206 (3800298-1-7/3800298-1) ARE INTERCHANGEABLE WITH THE INCORPORATION OF ALLIED SIGNAL S/B GTCP331-49-7081. S351T020-201 (3800298-1-2) AND S351T020-206 (3800298-1-7/3800298-1) ARE INTERCHANGEABLE WITH THE INCORPORATION OF ALLIED SIGNAL S/B GTCP331-49-7081. S351T020-200 (3800298-1-1) AND S351T020-206 (3800298-1-7/3800298-1) ARE INTERCHANGEABLE WITH THE INCORPORATION OF ALLIED SIGNAL S/B GTCP331-49-7081.</p> <p>OPTIONAL PART: 3800298-1-7</p>		

MISSING ITEM NUMBERS NOT APPLICABLE

- ITEM NOT ILLUSTRATED

49-31-04-01

49-31-04  
FIG. 01  
PAGE 8  
SEP 20/08

BRI



757

PARTS CATALOG (MAINTENANCE)

FIG ITEM	PART NUMBER	1 2 3 4 5 6 7	NOMENCLATURE	EFFECT FROM TO	UNITS PER ASSY
1			V99193 FOR NHA/ADDITIONAL DET SEE: 49-11-01-50 49-21-00-02		
5	3882500-11		.CONTROL ASSY-FUEL SUPPLIER CODE: V99193 NOT APPROVED FOR ETOPS. NOT APPROVED FOR ETOPS AFTER INCORP OF SB: GTCP331495569 SB DATA FROM A CMM: POST SB 49-5639 CONFIG CHG DATA FROM A CMM: REPLD BY 3882500-10 REPLD BY 3882500-13 REWORKED FROM PART NUMBER 3882500-8, -9 REWORKED FROM PART NO. 3882500-6/-7/-8/-9 PER SB 49-5640 COMPONENT MAINT MANUAL REF: 49-31-61 PRE SERVICE BULLETIN: GTCP331-49-5570 V99193	002004 006999	RF
5	3882500-10		.CONTROL ASSY-FUEL SUPPLIER CODE: V99193 NOT APPROVED FOR ETOPS AFTER INCORP OF SB: GTCP331-49-5888,49-5895 GTCP331495569 CONFIG CHG DATA FROM A CMM: REPLS 3882500-11 REPLD BY 3882500-12 COMPONENT MAINT MANUAL REF: 49-31-61 POST SERVICE BULLETIN: GTCP331-49-5569 V99193 GTCP331-49-5570 V99193	002004 006999	RF

MISSING ITEM NUMBERS NOT APPLICABLE

- ITEM NOT ILLUSTRATED

49-31-04-01

49-31-04  
FIG. 01  
PAGE 9  
SEP 20/08

BRI

 **BOEING**  
757  
**PARTS CATALOG (MAINTENANCE)**

FIG ITEM	PART NUMBER	1 2 3 4 5 6 7	NOMENCLATURE	EFFECT FROM TO	UNITS PER ASSY
1 5	3882500-9		.CONTROL ASSY-FUEL SUPPLIER CODE: V99193 NOT APPROVED FOR ETOPS AFTER INCORP OF SB: GTCP331-49-5888,49-5895 SB DATA FROM A CMM: PRE SB 49-5639 PRE SB 49-5640 COMPONENT MAINT MANUAL REF: 49-31-61 USED ON: 3800298-1-1 3800298-1-2 3800298-1-3 3800298-1-4 3800298-1-5 3800298-1-6 3800298-1-7 3800298-1	002004 006999	RF
5	3882500-12		.CONTROL ASSY-FUEL SUPPLIER CODE: V99193 NOT APPROVED FOR ETOPS. NOT APPROVED FOR ETOPS AFTER INCORP OF SB: GTCP331495888 GTCP331495569 SB DATA FROM A CMM: PRE SB 49-5888 CONFIG CHG DATA FROM A CMM: REPLS 3882500-10 REPLD BY 3882500-14 REWORKED FROM PART NO. 3882500-10/-11/-13 PER SB 49-5570 COMPONENT MAINT MANUAL REF: 49-31-61	002004 006999	RF

MISSING ITEM NUMBERS NOT APPLICABLE

— ITEM NOT ILLUSTRATED

BRI

# 49-31-04-01

BOEING PROPRIETARY - Copyright © - Unpublished Work - See title page for details.

49-31-04  
FIG. 01  
PAGE 10  
SEP 20/08





757

PARTS CATALOG (MAINTENANCE)

FIG ITEM	PART NUMBER	1 2 3 4 5 6 7	NOMENCLATURE	EFFECT FROM TO	UNITS PER ASSY
1 5	3882500-13		.CONTROL ASSY-FUEL SUPPLIER CODE: V99193 NOT APPROVED FOR ETOPS. NOT APPROVED FOR ETOPS AFTER INCORP OF SB: GTCP331495569 GTCP331495888 SB DATA FROM A CMM: PRE SB 49-5888 CONFIG CHG DATA FROM A CMM: REPLS 3882500-11 REPLD BY 3882500-15 REWORKED FROM PART NO. 3882500-11 COMPONENT MAINT MANUAL REF: 49-31-61	002004 006999	RF
	5 3882500-14		.CONTROL ASSY-FUEL SUPPLIER CODE: V99193 SB DATA FROM A CMM: POST SB 49-5888 PRE SB 49-6778 PRE SB 49-7157 CONFIG CHG DATA FROM A CMM: REPLS 3882500-12 REPLD BY 3882500-16 REPLD BY 3882500-17 REWORKED FROM PART NO. 3882500-12/-13/-15 PER SB 49-4895 COMPONENT MAINT MANUAL REF: 49-31-61	002004 006999	RF
	5 3882500-15		.CONTROL ASSY-FUEL SUPPLIER CODE: V99193 NOT APPROVED FOR ETOPS AFTER INCORP OF SB: GTCP331485888 SB DATA FROM A CMM: POST SB 49-5888 CONFIG CHG DATA FROM A CMM: REPLS 3882500-13 REWORKED FROM PART NO. 3882500-1 COMPONENT MAINT MANUAL REF: 49-31-61	002004 006999	RF

MISSING ITEM NUMBERS NOT APPLICABLE

- ITEM NOT ILLUSTRATED

49-31-04-01

49-31-04  
FIG. 01  
PAGE 11  
SEP 20/08

BRI



757

PARTS CATALOG (MAINTENANCE)

FIG ITEM	PART NUMBER	1 2 3 4 5 6 7	NOMENCLATURE	EFFECT FROM TO	UNITS PER ASSY
1					
5	3882500-16	.	CONTROL ASSY-FUEL SUPPLIER CODE: V99193 SB DATA FROM A CMM: POST SB 49-6778 CONFIG CHG DATA FROM A CMM: REPLS 3882500-14 REPLD BY 3882500-17 REWORKED FROM PART NO. 3882500-14 COMPONENT MAINT MANUAL REF: 49-31-61	002004 006999	RF
5	3882500-17	.	CONTROL ASSY-FUEL SUPPLIER CODE: V99193 CONFIG CHG DATA FROM A CMM: POST SB 49-7157 REPLS 3882500-14 REPLS 3882500-16 COMPONENT MAINT MANUAL REF: 49-31-61	002004 006999	RF
10	3600569-2	..	BODY-FLUID FILTER SUPPLIER CODE: V99193 SB DATA FROM A CMM: PRE SPB GTE0312 CONFIG CHG DATA FROM A CMM: REPLACED BY 3600569-1 OPTIONAL PART: 3600569-1 V06848	002004 006999	1
10	3600569-1	..	BODY-FLUID FILTER SUPPLIER CODE: V06848 SB DATA FROM A CMM: POST SPB GTE0312 CONFIG CHG DATA FROM A CMM: REPLACES 3600569-2 OPTIONAL PART: 3600569-2 V99193	002004 006999	1
15	MS9556-10	..	ATTACHING PARTS BOLT	002004 006999	2
20	NAS620-10L	..	WASHER	002004 006999	2
			-----*-----		

MISSING ITEM NUMBERS NOT APPLICABLE

- ITEM NOT ILLUSTRATED

49-31-04-01

49-31-04  
FIG. 01  
PAGE 12  
SEP 20/08

BRI

BOEING PROPRIETARY - Copyright © - Unpublished Work - See title page for details.



757

PARTS CATALOG (MAINTENANCE)

FIG ITEM	PART NUMBER	1 2 3 4 5 6 7	NOMENCLATURE	EFFECT FROM TO	UNITS PER ASSY
1					
25	M25988-2-036	..	PACKING- OPTIONAL PART: S9412-036 V99193	002004 006999	1
25	S9412-036	..	PACKING- SUPPLIER CODE: V99193 OPTIONAL PART: M25988-2-036	002004 006999	1
30	3882496-1	..	ELEMENT-SEDIMENT STRAINER INLET FILTER SUPPLIER CODE: V99193 FOR ELEMENT MAINTENANCE USE FILTER MAINT KIT DEFINED IN FILTER MAINT KIT LIST. FILTER MAINTENANCE KIT REF: 654T0035-9 OPTIONAL PART: 3883143-1 V99193	002004 006999	1
35	S9412-218	..	PACKING- SUPPLIER CODE: V99193 OPTIONAL PART: M25988-2-218 V99193	002004 006999	1
35	M25988-2-218	..	PACKING- SUPPLIER CODE: V99193 OPTIONAL PART: S9412-218 V99193	002004 006999	1

MISSING ITEM NUMBERS NOT APPLICABLE

- ITEM NOT ILLUSTRATED

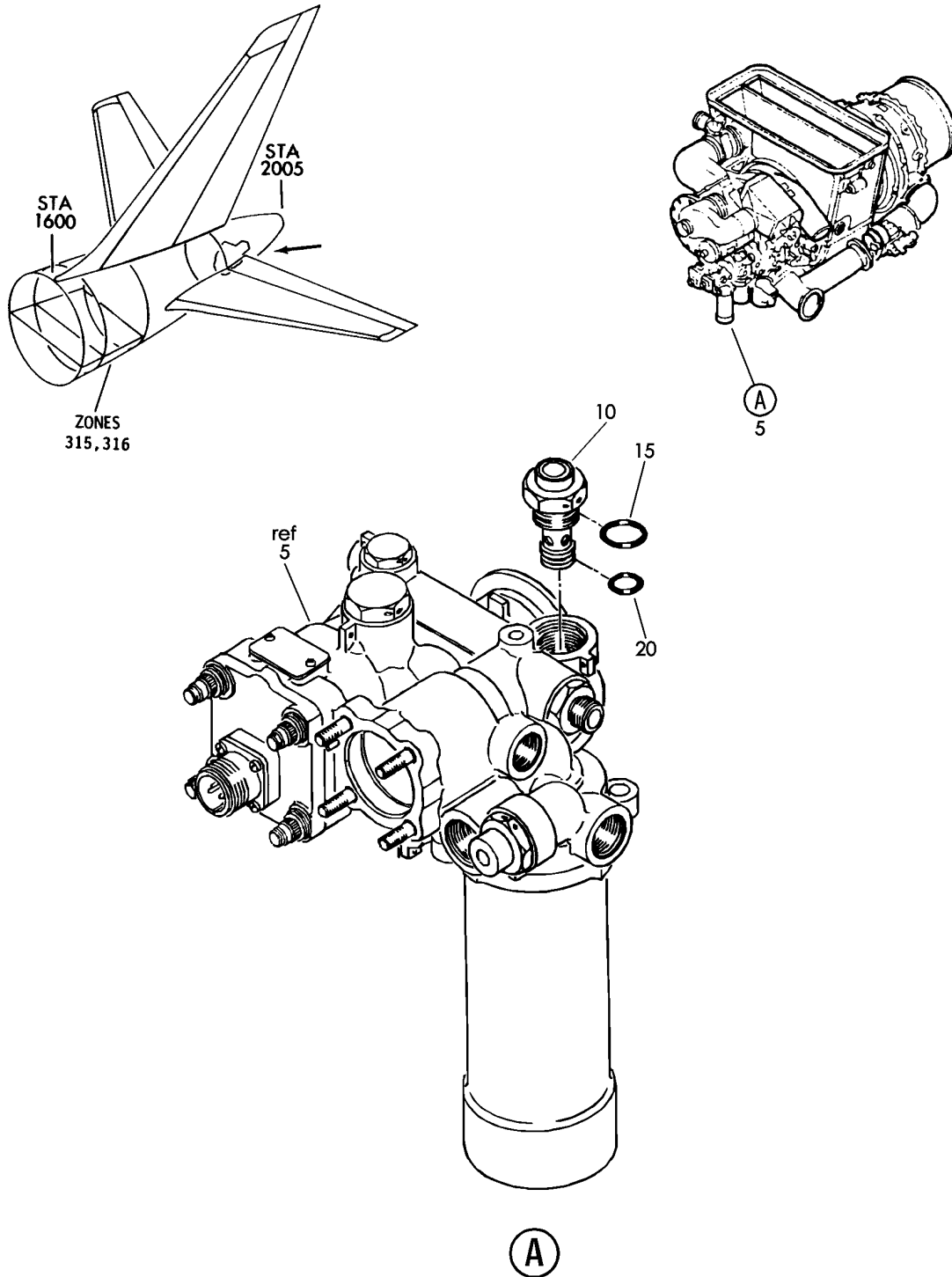
49-31-04-01

49-31-04  
FIG. 01  
PAGE 13  
SEP 20/08

BRI

BOEING PROPRIETARY - Copyright © - Unpublished Work - See title page for details.

**BOEING**  
757  
PARTS CATALOG (MAINTENANCE)



Y 49310501 REV 238

ENGINE ASSY-GAS TURB (FUEL FILTER BYPASS VALVE ONLY)  
FIGURE 1

**49-31-05-01**

BRI  
MAY 28/07

49-31-05-01  
PAGE 0



757

PARTS CATALOG (MAINTENANCE)

FIG ITEM	PART NUMBER	1 2 3 4 5 6 7	NOMENCLATURE	EFFECT FROM TO	UNITS PER ASSY
1			ENGINE ASSY-GAS TURB (FUEL FILTER BYPASS VALVE ONLY)	002004 006999	
- 1	3800298-1-2		ENGINE ASSY-GAS TURB GTCP331-200ER FUEL FILTER BYPASS VALVE ONLY) SUPPLIER CODE: V99193 SPECIFICATION NUMBER: S351T020-201 CONFIG CHG DATA FROM A CMM: REPLACES 3800298-1-1 COMPONENT MAINT MANUAL REF: 49-22-11 QUALIFIED I/W DATA: S351T020-201 (3800298-1-2) AND S351T020-205 (3800298-1-6) ARE INTERCHANGEABLE WITH THE INCORPORATION OF ALLIED SIGNAL S/B GTCP331-49-7081. S351T020-201 (3800298-1-2) AND S351T020-206 (3800298-1-7/3800298-1) ARE INTERCHANGEABLE WITH THE INCORPORATION OF ALLIED SIGNAL S/B GTCP331-49-7081. FOR NHA/ADDITIONAL DET SEE: 49-11-01-50	002004 006100 107107 121503 904999	RF

MISSING ITEM NUMBERS NOT APPLICABLE

- ITEM NOT ILLUSTRATED

49-31-05-01

49-31-05  
FIG. 01  
PAGE 1  
JAN 20/09

BRI



757

PARTS CATALOG (MAINTENANCE)

FIG ITEM	PART NUMBER	1 2 3 4 5 6 7	NOMENCLATURE	EFFECT FROM TO	UNITS PER ASSY
1 - 1	3800298-1-1		ENGINE ASSY-GAS TURB GTCP331-200ER FUEL FILTER BYPASS VALVE ONLY) SUPPLIER CODE: V99193 SPECIFICATION NUMBER: S351T020-200 COMPONENT MAINT MANUAL REF: 49-22-11 QUALIFIED I/W DATA: S351T020-200 (3800298-1-1) AND S351T020-205 (3800298-1-6) ARE INTERCHANGEABLE WITH THE INCORPORATION OF ALLIED SIGNAL S/B GTCP331-49-7081. S351T020-200 (3800298-1-1) AND S351T020-206 (3800298-1-7/3800298-1) ARE INTERCHANGEABLE WITH THE INCORPORATION OF ALLIED SIGNAL S/B GTCP331-49-7081. FOR NHA/ADDITIONAL DET SEE: 49-11-01-50	002004 006100 107107 121503 904999	RF

MISSING ITEM NUMBERS NOT APPLICABLE

- ITEM NOT ILLUSTRATED

49-31-05-01

49-31-05  
FIG. 01  
PAGE 2  
JAN 20/09

BRI



757

PARTS CATALOG (MAINTENANCE)

FIG ITEM	PART NUMBER	1 2 3 4 5 6 7	NOMENCLATURE	EFFECT FROM TO	UNITS PER ASSY
1 - 1	3800298-1-3		ENGINE ASSY-GAS TURB GTCP331-200ER FUEL FILTER BYPASS VALVE ONLY) SUPPLIER CODE: V99193 SPECIFICATION NUMBER: S351T020-202 CONFIG CHG DATA FROM A CMM: REPLACES 3800298-1-2 COMPONENT MAINT MANUAL REF: 49-22-11 QUALIFIED I/W DATA: S351T020-202 (3800298-1-3) AND S351T020-205 (3800298-1-6) ARE INTERCHANGEABLE WITH THE INCORPORATION OF ALLIED SIGNAL S/B GTCP331-49-7081. S351T020-202 (3800298-1-3) AND S351T020-206 (3800298-1-7/3800298-1) ARE INTERCHANGEABLE WITH THE INCORPORATION OF ALLIED SIGNAL S/B GTCP331-49-7081. FOR NHA/OTHER SYS DET SEE: 49-11-01-50	002004 006100 107107 121503 904999	RF

MISSING ITEM NUMBERS NOT APPLICABLE

- ITEM NOT ILLUSTRATED

BRI

49-31-05-01

BOEING PROPRIETARY - Copyright © - Unpublished Work - See title page for details.

49-31-05  
 FIG. 01  
 PAGE 3  
 JAN 20/09



757

PARTS CATALOG (MAINTENANCE)

FIG ITEM	PART NUMBER	1 2 3 4 5 6 7	NOMENCLATURE	EFFECT FROM TO	UNITS PER ASSY
1 - 1	3800298-1-4		ENGINE ASSY-GAS TURB GTCP331-200ER FUEL FILTER BYPASS VALVE ONLY) SUPPLIER CODE: V99193 SPECIFICATION NUMBER: S351T020-203 CONFIG CHG DATA FROM A CMM: REPLACES 3800298-1-3 COMPONENT MAINT MANUAL REF: 49-22-11 QUALIFIED I/W DATA: 3800298-1-4/S351T020-203 AND 3800298-1-6/S351T020-205 ARE INTERCHANGEABLE WITH THE INCORPORATION OF ALLIED SIGNAL S/B GTCP331-49-7081. 3800298-1-4/ S351T020-203 AND S351T020-206(3800298-1-7 /3800298-1) ARE INTERCHANGEABLE WITH THE INCORPORATION OF ALLIED SIGNAL S/B GTCP331-49-7081. FOR NHA/ADDITIONAL DET SEE: 49-11-01-50	002004 006100 107107 121503 904999	RF

MISSING ITEM NUMBERS NOT APPLICABLE

- ITEM NOT ILLUSTRATED

BRI

49-31-05-01

BOEING PROPRIETARY - Copyright © - Unpublished Work - See title page for details.

49-31-05  
 FIG. 01  
 PAGE 4  
 JAN 20/09





757

PARTS CATALOG (MAINTENANCE)

FIG ITEM	PART NUMBER	1 2 3 4 5 6 7	NOMENCLATURE	EFFECT FROM TO	UNITS PER ASSY
1					
- 1	3800298-1-5		ENGINE ASSY-GAS TURB GTCP331-200ER FUEL FILTER BYPASS VALVE ONLY) SUPPLIER CODE: V99193 SPECIFICATION NUMBER: S351T020-204 CONFIG CHG DATA FROM A CMM: REPLACES 3800298-1-4 COMPONENT MAINT MANUAL REF: 49-22-11 QUALIFIED I/W DATA: 3800298-1-5/S351T020-204 AND 3800298-1-6/S351T020-205 ARE INTERCHANGEABLE WITH THE INCORPORATION OF ALLIED SIGNAL S/B GTCP331-49-7081. S351T020-204 (3800298-1-5) AND S351T020-206(3800298-1-7 /3800298-1) ARE INTERCHANGEABLE WITH THE INCORPORATION OF ALLIED SIGNAL S/B GTCP331-49-7081. FOR NHA/ADDITIONAL DET SEE: 49-11-01-50	002004 006100 107107 121503 904999	RF
- 1	3800298-1-6		ENGINE ASSY-GAS TURB GTCP331-200ER FUEL FILTER BYPASS VALVE ONLY) SUPPLIER CODE: V99193 SPECIFICATION NUMBER: S351T020-205 CONFIG CHG DATA FROM A CMM: REPLACES 3800298-1-5 COMPONENT MAINT MANUAL REF: 49-22-11 QUALIFIED I/W DATA: 3800298-1-5/S351T020-204 AND 3800298-1-6/S351T020-205 ARE INTERCHANGEABLE WITH THE INCORPORATION OF ALLIED SIGNAL S/B	002004 006999	RF

MISSING ITEM NUMBERS NOT APPLICABLE

- ITEM NOT ILLUSTRATED

49-31-05-01

49-31-05  
FIG. 01  
PAGE 5  
JAN 20/09

BRI



757

PARTS CATALOG (MAINTENANCE)

FIG ITEM	PART NUMBER	1 2 3 4 5 6 7 NOMENCLATURE	EFFECT FROM TO	UNITS PER ASSY
1		GTCP331-49-7081. S351T020-203 (3800298-1-4) AND S351T020-205 (3800298-1-6) ARE INTERCHANGEABLE WITH THE INCORPORATION OF ALLIED SIGNAL S/B GTCP331-49-7081. S351T020-202 (3800298-1-3) AND S351T020-205 (3800298-1-6) ARE INTERCHANGEABLE WITH THE INCORPORATION OF ALLIED SIGNAL S/B GTCP331-49-7081. S351T020-201 (3800298-1-2) AND S351T020-205 (3800298-1-6) ARE INTERCHANGEABLE WITH THE INCORPORATION OF ALLIED SIGNAL S/B GTCP331-49-7081. S351T020-200 (3800298-1-1) AND S351T020-205 (3800298-1-6) ARE INTERCHANGEABLE WITH THE INCORPORATION OF ALLIED SIGNAL S/B GTCP331-49-7081. FOR NHA/ADDITIONAL DET SEE: 49-11-01-50 49-21-00-02		
-	1 3800298-1-7	ENGINE ASSY-GAS TURB GTCP331-200ER FUEL FILTER BYPASS VALVE ONLY) SUPPLIER CODE: V99193 SPECIFICATION NUMBER: S351T020-206 CONFIG CHG DATA FROM A CMM: REPLACES 3800298-1-6 COMPONENT MAINT MANUAL REF: 49-22-11 QUALIFIED I/W DATA:  MISSING ITEM NUMBERS NOT APPLICABLE	002004 006999	RF

- ITEM NOT ILLUSTRATED

49-31-05-01

49-31-05  
FIG. 01  
PAGE 6  
SEP 20/08

BRI



757

PARTS CATALOG (MAINTENANCE)

FIG ITEM	PART NUMBER	1 2 3 4 5 6 7 NOMENCLATURE	EFFECT FROM TO	UNITS PER ASSY
1		<p>3800298-1-5/S351T020-204 AND 3800298-1 3800298-1-7/S351T020-206 ARE INTERCHANGEABLE WITH THE INCORPORATION OF ALLIED SIGNAL S/B GTCP331-49-7081. S351T020-203 (3800298-1-4) AND S351T020-206(3800298-1-7 /3800298-1) ARE INTERCHANGEABLE WITH THE INCORPORATION OF ALLIED SIGNAL S/B GTCP331-49-7081. S351T020-202 (3800298-1-3) AND S351T020-206 (3800298-1-7/3800298-1) ARE INTERCHANGEABLE WITH THE INCORPORATION OF ALLIED SIGNAL S/B GTCP331-49-7081. S351T020-201 (3800298-1-2) AND S351T020-206 (3800298-1-7/3800298-1) ARE INTERCHANGEABLE WITH THE INCORPORATION OF ALLIED SIGNAL S/B GTCP331-49-7081. S351T020-200 (3800298-1-1) AND S351T020-206 (3800298-1-7/3800298-1) ARE INTERCHANGEABLE WITH THE INCORPORATION OF ALLIED SIGNAL S/B GTCP331-49-7081. OPTIONAL PART: 3800298-1 V99193 FOR NHA/ADDITIONAL DET SEE: 49-11-01-50 49-21-00-02</p>		
-	1 3800298-1	<p>ENGINE ASSY-GAS TURB GTCP331-200ER FUEL FILTER BYPASS VALVE ONLY)</p>	002004 006999	RF

MISSING ITEM NUMBERS NOT APPLICABLE

- ITEM NOT ILLUSTRATED

49-31-05-01

49-31-05  
FIG. 01  
PAGE 7  
SEP 20/08

BRI



757

PARTS CATALOG (MAINTENANCE)

FIG ITEM	PART NUMBER	1 2 3 4 5 6 7 NOMENCLATURE	EFFECT FROM TO	UNITS PER ASSY
1		<p>SUPPLIER CODE: V99193</p> <p>SPECIFICATION NUMBER: S351T020-206</p> <p>COMPONENT MAINT MANUAL REF: 49-22-11</p> <p>QUALIFIED I/W DATA: 3800298-1-5/S351T020-204 AND 3800298-1-7/S351T020-206 /380029-1</p> <p>ARE INTERCHANGEABLE WITH THE INCORPORATION OF ALLIED SIGNAL S/B GTCP331-49-7081. S351T020-203 (3800298-1-4) AND S351T020-206(3800298-1-7 /3800298-1) ARE INTERCHANGEABLE WITH THE INCORPORATION OF ALLIED SIGNAL S/B GTCP331-49-7081. S351T020-202 (3800298-1-3) AND S351T020-206 (3800298-1-7/3800298-1) ARE INTERCHANGEABLE WITH THE INCORPORATION OF ALLIED SIGNAL S/B GTCP331-49-7081. S351T020-201 (3800298-1-2) AND S351T020-206 (3800298-1-7/3800298-1) ARE INTERCHANGEABLE WITH THE INCORPORATION OF ALLIED SIGNAL S/B GTCP331-49-7081. S351T020-200 (3800298-1-1) AND S351T020-206 (3800298-1-7/3800298-1) ARE INTERCHANGEABLE WITH THE INCORPORATION OF ALLIED SIGNAL S/B GTCP331-49-7081.</p> <p>OPTIONAL PART: 3800298-1-7</p>		

MISSING ITEM NUMBERS NOT APPLICABLE

- ITEM NOT ILLUSTRATED

49-31-05-01

49-31-05  
FIG. 01  
PAGE 8  
SEP 20/08

BRI



757

PARTS CATALOG (MAINTENANCE)

FIG ITEM	PART NUMBER	1 2 3 4 5 6 7	NOMENCLATURE	EFFECT FROM TO	UNITS PER ASSY
1			V99193 FOR NHA/ADDITIONAL DET SEE: 49-11-01-50 49-21-00-02		
5	3882500-11		.CONTROL ASSY-FUEL SUPPLIER CODE: V99193 NOT APPROVED FOR ETOPS. NOT APPROVED FOR ETOPS AFTER INCORP OF SB: GTCP331495569 SB DATA FROM A CMM: POST SB 49-5639 CONFIG CHG DATA FROM A CMM: REPLD BY 3882500-10 REPLD BY 3882500-13 REWORKED FROM PART NUMBER 3882500-8, -9 REWORKED FROM PART NO. 3882500-6/-7/-8/-9 PER SB 49-5640 COMPONENT MAINT MANUAL REF: 49-31-61 PRE SERVICE BULLETIN: GTCP331-49-5570 V99193	002004 006999	RF
5	3882500-10		.CONTROL ASSY-FUEL SUPPLIER CODE: V99193 NOT APPROVED FOR ETOPS AFTER INCORP OF SB: GTCP331-49-5888,49-5895 GTCP331495569 CONFIG CHG DATA FROM A CMM: REPLS 3882500-11 REPLD BY 3882500-12 COMPONENT MAINT MANUAL REF: 49-31-61 POST SERVICE BULLETIN: GTCP331-49-5569 V99193 GTCP331-49-5570 V99193	002004 006999	RF

MISSING ITEM NUMBERS NOT APPLICABLE

- ITEM NOT ILLUSTRATED

49-31-05-01

49-31-05  
FIG. 01  
PAGE 9  
SEP 20/08

BRI



757

PARTS CATALOG (MAINTENANCE)

FIG ITEM	PART NUMBER	1 2 3 4 5 6 7	NOMENCLATURE	EFFECT FROM TO	UNITS PER ASSY
1	5 3882500-9		.CONTROL ASSY-FUEL SUPPLIER CODE: V99193 NOT APPROVED FOR ETOPS AFTER INCORP OF SB: GTCP331-49-5888,49-5895 SB DATA FROM A CMM: PRE SB 49-5639 PRE SB 49-5640 COMPONENT MAINT MANUAL REF: 49-31-61 USED ON: 3800298-1-1 3800298-1-2 3800298-1-3 3800298-1-4 3800298-1-5 3800298-1-6	002004 006999	RF
	5 3882500-12		.CONTROL ASSY-FUEL SUPPLIER CODE: V99193 NOT APPROVED FOR ETOPS. NOT APPROVED FOR ETOPS AFTER INCORP OF SB: GTCP331495888 GTCP331495569 SB DATA FROM A CMM: PRE SB 49-5888 CONFIG CHG DATA FROM A CMM: REPLS 3882500-10 REPLD BY 3882500-14 REWORKED FROM PART NO. 3882500-10/-11/-13 PER SB 49-5570 COMPONENT MAINT MANUAL REF: 49-31-61	002004 006999	RF

MISSING ITEM NUMBERS NOT APPLICABLE

- ITEM NOT ILLUSTRATED

BRI

49-31-05-01

BOEING PROPRIETARY - Copyright © - Unpublished Work - See title page for details.

49-31-05  
FIG. 01  
PAGE 10  
SEP 20/08



757

PARTS CATALOG (MAINTENANCE)

FIG ITEM	PART NUMBER	1 2 3 4 5 6 7	NOMENCLATURE	EFFECT FROM TO	UNITS PER ASSY
1 5	3882500-13		.CONTROL ASSY-FUEL SUPPLIER CODE: V99193 NOT APPROVED FOR ETOPS. NOT APPROVED FOR ETOPS AFTER INCORP OF SB: GTCP331495569 GTCP331495888 SB DATA FROM A CMM: PRE SB 49-5888 CONFIG CHG DATA FROM A CMM: REPLS 3882500-11 REPLD BY 3882500-15 REWORKED FROM PART NO. 3882500-11 COMPONENT MAINT MANUAL REF: 49-31-61	002004 006999	RF
5	3882500-14		.CONTROL ASSY-FUEL SUPPLIER CODE: V99193 SB DATA FROM A CMM: POST SB 49-5888 PRE SB 49-6778 PRE SB 49-7157 CONFIG CHG DATA FROM A CMM: REPLS 3882500-12 REPLD BY 3882500-16 REPLD BY 3882500-17 REWORKED FROM PART NO. 3882500-12/-13/-15 PER SB 49-4895 COMPONENT MAINT MANUAL REF: 49-31-61	002004 006999	RF
5	3882500-15		.CONTROL ASSY-FUEL SUPPLIER CODE: V99193 NOT APPROVED FOR ETOPS AFTER INCORP OF SB: GTCP331485888 SB DATA FROM A CMM: POST SB 49-5888 CONFIG CHG DATA FROM A CMM: REPLS 3882500-13 REWORKED FROM PART NO. 3882500-13 COMPONENT MAINT MANUAL REF: 49-31-61	002004 006999	RF

MISSING ITEM NUMBERS NOT APPLICABLE

- ITEM NOT ILLUSTRATED

49-31-05-01

49-31-05  
FIG. 01  
PAGE 11  
SEP 20/08

BRI



757

PARTS CATALOG (MAINTENANCE)

FIG ITEM	PART NUMBER	1 2 3 4 5 6 7	NOMENCLATURE	EFFECT FROM TO	UNITS PER ASSY
1					
5	3882500-16	.	CONTROL ASSY-FUEL SUPPLIER CODE: V99193 SB DATA FROM A CMM: POST SB 49-6778 CONFIG CHG DATA FROM A CMM: REPLS 3882500-14 REPLD BY 3882500-17 REWORKED FROM PART NO. 3882500-14 COMPONENT MAINT MANUAL REF: 49-31-61	002004 006999	RF
5	3882500-17	.	CONTROL ASSY-FUEL SUPPLIER CODE: V99193 CONFIG CHG DATA FROM A CMM: POST SB 49-7157 REPLS 3882500-14 REPLS 3882500-16 COMPONENT MAINT MANUAL REF: 49-31-61	002004 006999	RF
10	3882481-1	..	VALVE-FUEL FILTER BYPASS SUPPLIER CODE: V99193	002004 006999	1
15	S9412-558	..	PACKING- SUPPLIER CODE: V99193 OPTIONAL PART: M25988-2-908 V81349	002004 006999	1
15	M25988-2-908	..	PACKING	002004 006999	1
20	S9412-014	..	PACKING- SUPPLIER CODE: V99193 OPTIONAL PART: M25988-2-014	002004 006999	1
20	M25988-2-014	..	PACKING- OPTIONAL PART: S9412-014 V99193	002004 006999	1

MISSING ITEM NUMBERS NOT APPLICABLE

- ITEM NOT ILLUSTRATED

49-31-05-01

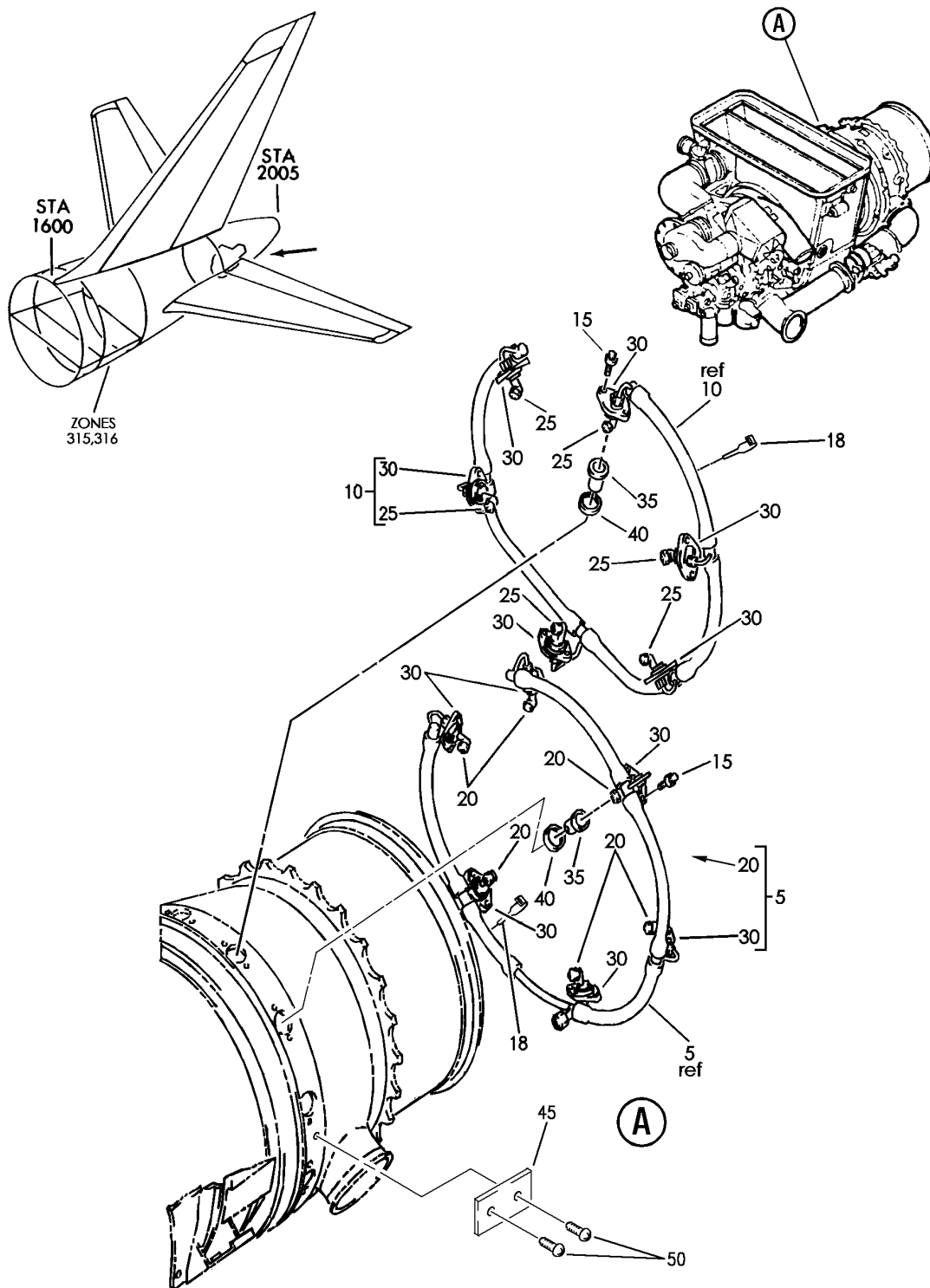
49-31-05  
FIG. 01  
PAGE 12  
SEP 20/08

BRI

BOEING PROPRIETARY - Copyright © - Unpublished Work - See title page for details.



**BOEING**  
757  
PARTS CATALOG (MAINTENANCE)



Y 49310601 REV 251

ENGINE ASSY-GAS TURB (FUEL MANIFOLDS AND NOZZLES ONLY)  
FIGURE 1

**49-31-06-01**

BRI  
MAY 28/07

49-31-06-01  
PAGE 0



757

PARTS CATALOG (MAINTENANCE)

FIG ITEM	PART NUMBER	1 2 3 4 5 6 7	NOMENCLATURE	EFFECT FROM TO	UNITS PER ASSY
1			ENGINE ASSY-GAS TURB (FUEL MANIFOLDS AND NOZZLES ONLY)	002004 006999	
- 1	3800298-1-2		ENGINE ASSY-GAS TURB GTCP331-200ER (FUEL MANIFOLDS AND NOZZLES ONLY) SUPPLIER CODE: V99193 SPECIFICATION NUMBER: S351T020-201 CONFIG CHG DATA FROM A CMM: REPLACES 3800298-1-1 COMPONENT MAINT MANUAL REF: 49-22-11 QUALIFIED I/W DATA: S351T020-201 (3800298-1-2) AND S351T020-205 (3800298-1-6) ARE INTERCHANGEABLE WITH THE INCORPORATION OF ALLIED SIGNAL S/B GTCP331-49-7081. S351T020-201 (3800298-1-2) AND S351T020-206 (3800298-1-7/3800298-1) ARE INTERCHANGEABLE WITH THE INCORPORATION OF ALLIED SIGNAL S/B GTCP331-49-7081. FOR NHA/ADDITIONAL DET SEE: 49-11-01-50	002004 006100 107107 121503 904999	RF

MISSING ITEM NUMBERS NOT APPLICABLE

- ITEM NOT ILLUSTRATED

BRI

49-31-06-01

BOEING PROPRIETARY - Copyright © - Unpublished Work - See title page for details.

49-31-06  
FIG. 01  
PAGE 1  
JAN 20/09



757

PARTS CATALOG (MAINTENANCE)

FIG ITEM	PART NUMBER	1 2 3 4 5 6 7	NOMENCLATURE	EFFECT FROM TO	UNITS PER ASSY
1 - 1	3800298-1-1		ENGINE ASSY-GAS TURB GTCP331-200ER (FUEL MANIFOLDS AND NOZZLES ONLY) SUPPLIER CODE: V99193 SPECIFICATION NUMBER: S351T020-200 COMPONENT MAINT MANUAL REF: 49-22-11 QUALIFIED I/W DATA: S351T020-200 (3800298-1-1) AND S351T020-205 (3800298-1-6) ARE INTERCHANGEABLE WITH THE INCORPORATION OF ALLIED SIGNAL S/B GTCP331-49-7081. S351T020-200 (3800298-1-1) AND S351T020-206 (3800298-1-7/3800298-1) ARE INTERCHANGEABLE WITH THE INCORPORATION OF ALLIED SIGNAL S/B GTCP331-49-7081. FOR NHA/ADDITIONAL DET SEE: 49-11-01-50	002004 006100 107107 121503 904999	RF

MISSING ITEM NUMBERS NOT APPLICABLE

- ITEM NOT ILLUSTRATED

49-31-06-01

49-31-06  
FIG. 01  
PAGE 2  
JAN 20/09

BRI



757

PARTS CATALOG (MAINTENANCE)

FIG ITEM	PART NUMBER	1 2 3 4 5 6 7	NOMENCLATURE	EFFECT FROM TO	UNITS PER ASSY
1 - 1	3800298-1-3		ENGINE ASSY-GAS TURB GTCP331-200ER (FUEL MANIFOLDS AND NOZZLES ONLY) SUPPLIER CODE: V99193 SPECIFICATION NUMBER: S351T020-202 CONFIG CHG DATA FROM A CMM: REPLACES 3800298-1-2 COMPONENT MAINT MANUAL REF: 49-22-11 QUALIFIED I/W DATA: S351T020-202 (3800298-1-3) AND S351T020-205 (3800298-1-6) ARE INTERCHANGEABLE WITH THE INCORPORATION OF ALLIED SIGNAL S/B GTCP331-49-7081. S351T020-202 (3800298-1-3) AND S351T020-206 (3800298-1-7/3800298-1) ARE INTERCHANGEABLE WITH THE INCORPORATION OF ALLIED SIGNAL S/B GTCP331-49-7081. FOR NHA/OTHER SYS DET SEE: 49-11-01-50	002004 006100 107107 121503 904999	RF

MISSING ITEM NUMBERS NOT APPLICABLE

- ITEM NOT ILLUSTRATED

BRI

49-31-06-01

BOEING PROPRIETARY - Copyright © - Unpublished Work - See title page for details.

49-31-06  
FIG. 01  
PAGE 3  
JAN 20/09



757

PARTS CATALOG (MAINTENANCE)

FIG ITEM	PART NUMBER	1 2 3 4 5 6 7	NOMENCLATURE	EFFECT FROM TO	UNITS PER ASSY
1 - 1	3800298-1-4		ENGINE ASSY-GAS TURB GTCP331-200R (FUEL MANIFOLDS AND NOZZLES ONLY) SUPPLIER CODE: V99193 SPECIFICATION NUMBER: S351T020-203 CONFIG CHG DATA FROM A CMM: REPLACES 3800298-1-3 COMPONENT MAINT MANUAL REF: 49-22-11 QUALIFIED I/W DATA: 3800298-1-4/S351T020-203 AND 3800298-1-6/S351T020-205 ARE INTERCHANGEABLE WITH THE INCORPORATION OF ALLIED SIGNAL S/B GTCP331-49-7081. S351T020-203 (3800298-1-4) AND S351T020-206(3800298-1-7 /3800298-1) ARE INTERCHANGEABLE WITH THE INCORPORATION OF ALLIED SIGNAL S/B GTCP331-49-7081. FOR NHA/ADDITIONAL DET SEE: 49-11-01-50	002004 006100 107107 121503 904999	RF

MISSING ITEM NUMBERS NOT APPLICABLE

- ITEM NOT ILLUSTRATED

BRI

49-31-06-01

BOEING PROPRIETARY - Copyright © - Unpublished Work - See title page for details.

49-31-06  
FIG. 01  
PAGE 4  
JAN 20/09



757

PARTS CATALOG (MAINTENANCE)

FIG ITEM	PART NUMBER	1 2 3 4 5 6 7	NOMENCLATURE	EFFECT FROM TO	UNITS PER ASSY
1 - 1	3800298-1-5		ENGINE ASSY-GAS TURB GTCP331-200ER (FUEL MANIFOLDS AND NOZZLES ONLY) SUPPLIER CODE: V99193 SPECIFICATION NUMBER: S351T020-204 CONFIG CHG DATA FROM A CMM: REPLACES 3800298-1-4 COMPONENT MAINT MANUAL REF: 49-22-11 QUALIFIED I/W DATA: S351T020-204 (3800298-1-5) AND S351T020-206(3800298-1-7 /3800298-1) ARE INTERCHANGEABLE WITH THE INCORPORATION OF ALLIED SIGNAL S/B GTCP331-49-7081. S351T020-204 (3800298-1-5) AND S351T020-205 (3800298-1-6) ARE INTERCHANGEABLE WITH THE INCORPORATION OF ALLIED SIGNAL S/B GTCP331-49-7081 FOR NHA/ADDITIONAL DET SEE: 49-11-01-50	002004 006100 107107 121503 904999	RF
- 1	3800298-1-6		ENGINE ASSY-GAS TURB GTCP331-200ER (FUEL MANIFOLDS AND NOZZLES ONLY) SUPPLIER CODE: V99193 SPECIFICATION NUMBER: S351T020-205 CONFIG CHG DATA FROM A CMM: REPLACES 3800298-1-5 COMPONENT MAINT MANUAL REF: 49-22-11 QUALIFIED I/W DATA: S351T020-203 (3800298-1-4) AND S351T020-205 (3800298-1-6) ARE INTERCHANGEABLE WITH THE	002004 006999	RF

MISSING ITEM NUMBERS NOT APPLICABLE

- ITEM NOT ILLUSTRATED

49-31-06-01

49-31-06  
FIG. 01  
PAGE 5  
JAN 20/09

BRI



757

PARTS CATALOG (MAINTENANCE)

FIG ITEM	PART NUMBER	1 2 3 4 5 6 7 NOMENCLATURE	EFFECT FROM TO	UNITS PER ASSY
1		INCORPORATION OF ALLIED SIGNAL S/B GTCP331-49-7081. S351T020-204 (3800298-1-5) AND S351T020-205 (3800298-1-6) ARE INTERCHANGEABLE WITH THE INCORPORATION OF ALLIED SIGNAL S/B GTCP331-49-7081 S351T020-202 (3800298-1-3) AND S351T020-205 (3800298-1-6) ARE INTERCHANGEABLE WITH THE INCORPORATION OF ALLIED SIGNAL S/B GTCP331-49-7081. S351T020-201 (3800298-1-2) AND S351T020-205 (3800298-1-6) ARE INTERCHANGEABLE WITH THE INCORPORATION OF ALLIED SIGNAL S/B GTCP331-49-7081. S351T020-200 (3800298-1-1) AND S351T020-205 (3800298-1-6) ARE INTERCHANGEABLE WITH THE INCORPORATION OF ALLIED SIGNAL S/B GTCP331-49-7081. FOR NHA/ADDITIONAL DET SEE: 49-11-01-50 49-21-00-02		
-	1 3800298-1-7	ENGINE ASSY-GAS TURB GTCP331-200ER (FUEL MANIFOLDS AND NOZZLES ONLY) SUPPLIER CODE: V99193 SPECIFICATION NUMBER: S351T020-206 CONFIG CHG DATA FROM A CMM: REPLACES 3800298-1-6 COMPONENT MAINT MANUAL REF:	002004 006999	RF

MISSING ITEM NUMBERS NOT APPLICABLE

- ITEM NOT ILLUSTRATED

49-31-06-01

49-31-06  
 FIG. 01  
 PAGE 6  
 SEP 20/08

BRI



757

PARTS CATALOG (MAINTENANCE)

FIG ITEM	PART NUMBER	1 2 3 4 5 6 7 NOMENCLATURE	EFFECT FROM TO	UNITS PER ASSY
1		<p>49-22-11            QUALIFIED I/W DATA:            S351T020-203            (3800298-1-4) AND            S351T020-206(3800298-1-7            /3800298-1) ARE            INTERCHANGEABLE WITH THE            INCORPORATION OF ALLIED            SIGNAL S/B            GTCP331-49-7081.            S351T020-204            (3800298-1-5) AND            S351T020-206(3800298-1-7            /3800298-1) ARE            INTERCHANGEABLE WITH THE            INCORPORATION OF ALLIED            SIGNAL S/B            GTCP331-49-7081.            S351T020-202            (3800298-1-3)            AND S351T020-206            (3800298-1-7/3800298-1)            ARE INTERCHANGEABLE            WITH THE INCORPORATION            OF ALLIED SIGNAL S/B            GTCP331-49-7081.            S351T020-201            (3800298-1-2)            AND S351T020-206            (3800298-1-7/3800298-1)            ARE INTERCHANGEABLE            WITH THE INCORPORATION            OF ALLIED SIGNAL S/B            GTCP331-49-7081.            S351T020-200            (3800298-1-1)            AND S351T020-206            (3800298-1-7/3800298-1)            ARE INTERCHANGEABLE            WITH THE INCORPORATION            OF ALLIED SIGNAL S/B            GTCP331-49-7081.            OPTIONAL PART:            3800298-1            V99193            FOR NHA/ADDITIONAL DET SEE:            49-11-01-50            49-21-00-02</p>		
-	1 3800298-1	ENGINE ASSY-GAS TURB	002004	RF

MISSING ITEM NUMBERS NOT APPLICABLE

- ITEM NOT ILLUSTRATED

49-31-06-01

BRI

BOEING PROPRIETARY - Copyright © - Unpublished Work - See title page for details.

49-31-06  
 FIG. 01  
 PAGE 7  
 SEP 20/08





757

PARTS CATALOG (MAINTENANCE)

FIG ITEM	PART NUMBER	1 2 3 4 5 6 7 NOMENCLATURE	EFFECT FROM TO	UNITS PER ASSY
1		<p>GTCP331-200ER            (FUEL MANIFOLDS AND            NOZZLES ONLY)            SUPPLIER CODE:            V99193            SPECIFICATION NUMBER:            S351T020-206            COMPONENT MAINT MANUAL REF:            49-22-11            QUALIFIED I/W DATA:            S351T020-203            (3800298-1-4) AND            S351T020-206(3800298-1-7            /3800298-1) ARE            INTERCHANGEABLE WITH THE            INCORPORATION OF ALLIED            SIGNAL S/B            GTCP331-49-7081.            S351T020-204            (3800298-1-5) AND            S351T020-206(3800298-1-7            /3800298-1) ARE            INTERCHANGEABLE WITH THE            INCORPORATION OF ALLIED            SIGNAL S/B            GTCP331-49-7081.            S351T020-202            (3800298-1-3)            AND S351T020-206            (3800298-1-7/3800298-1)            ARE INTERCHANGEABLE            WITH THE INCORPORATION            OF ALLIED SIGNAL S/B            GTCP331-49-7081.            S351T020-201            (3800298-1-2)            AND S351T020-206            (3800298-1-7/3800298-1)            ARE INTERCHANGEABLE            WITH THE INCORPORATION            OF ALLIED SIGNAL S/B            GTCP331-49-7081.            S351T020-200            (3800298-1-1)            AND S351T020-206            (3800298-1-7/3800298-1)            ARE INTERCHANGEABLE            WITH THE INCORPORATION            OF ALLIED SIGNAL S/B</p>	006999	

MISSING ITEM NUMBERS NOT APPLICABLE

- ITEM NOT ILLUSTRATED

49-31-06-01

49-31-06  
 FIG. 01  
 PAGE 8  
 SEP 20/08

BRI



757

PARTS CATALOG (MAINTENANCE)

FIG ITEM	PART NUMBER	1 2 3 4 5 6 7	NOMENCLATURE	EFFECT FROM TO	UNITS PER ASSY
1			GTCP331-49-7081. OPTIONAL PART: 3800298-1-7 V99193 FOR NHA/ADDITIONAL DET SEE: 49-11-01-50 49-21-00-02		
5	3882491-1		.NOZZLE AND MANIFOLD ASSY- PRIMARY FUEL SUPPLIER CODE: V99193 SB DATA FROM A CMM: PRE SB 49-5625 PRE SB 49-5626 CONFIG CHG DATA FROM A CMM: REPLD BY 3882491-2 COMPONENT MAINT MANUAL REF: 49-31-13	002004 006999	1
5	3882491-2		.NOZZLE AND MANIFOLD ASSY- PRIMARY FUEL SUPPLIER CODE: V99193 SB DATA FROM A CMM: POST SB 49-5625 PRE SB 49-5908 POST SB 49-5626 PRE SB 49-5907 CONFIG CHG DATA FROM A CMM: REPLS 3882491-1 REPLD BY 3882491-3 COMPONENT MAINT MANUAL REF: 49-31-13	002004 006999	1
5	3882491-3		.NOZZLE AND MANIFOLD ASSY- PRIMARY FUEL SUPPLIER CODE: V99193 SB DATA FROM A CMM: POST SB 49-5908 POST SB 49-5907 CONFIG CHG DATA FROM A CMM: REPLS 3882491-2 COMPONENT MAINT MANUAL REF: 49-31-13	002004 006999	1

MISSING ITEM NUMBERS NOT APPLICABLE

- ITEM NOT ILLUSTRATED

49-31-06-01

49-31-06  
 FIG. 01  
 PAGE 9  
 SEP 20/08

BRI



757

PARTS CATALOG (MAINTENANCE)

FIG ITEM	PART NUMBER	1 2 3 4 5 6 7	NOMENCLATURE	EFFECT FROM TO	UNITS PER ASSY
1					
10	3882492-1		.NOZZLE AND MANIFOLD ASSY- SECONDARY FUEL SUPPLIER CODE: V99193 SB DATA FROM A CMM: PRE SB 49-5370 CONFIG CHG DATA FROM A CMM: REPLD BY 3882492-2 COMPONENT MAINT MANUAL REF: 49-31-13	002004 006999	1
10	3882492-2		.NOZZLE AND MANIFOLD ASSY- SECONDARY FUEL SUPPLIER CODE: V99193 SB DATA FROM A CMM: POST SB 49-5370 CONFIG CHG DATA FROM A CMM: REPLS 3882492-1 REPLD BY 3882492-5 COMPONENT MAINT MANUAL REF: 49-31-13	002004 006999	1
10	3882492-5		.NOZZLE AND MANIFOLD ASSY- SECONDARY FUEL SUPPLIER CODE: V99193 SB DATA FROM A CMM: POST SB 49-5908 CONFIG CHG DATA FROM A CMM: REPLS 3882492-2 COMPONENT MAINT MANUAL REF: 49-31-13	002004 006999	1
15	MS21288-08		ATTACHING PARTS .BOLT- OPTIONAL PART: MS9565-08	002004 006999	24
15	MS9565-08		.BOLT- SB DATA FROM A CMM: POST SPB GTE0306 OPTIONAL PART: MS21288-08	002004 006999	24
18	NAS1411C013B010		-----*----- ..MARKER-BAND	002004 006999	1

MISSING ITEM NUMBERS NOT APPLICABLE

- ITEM NOT ILLUSTRATED

49-31-06-01

49-31-06  
FIG. 01  
PAGE 10  
SEP 20/08

BRI



757

PARTS CATALOG (MAINTENANCE)

FIG ITEM	PART NUMBER	1 2 3 4 5 6 7	NOMENCLATURE	EFFECT FROM TO	UNITS PER ASSY
1 20	3830057-1		..NOZZLE ASSY- SUPPLIER CODE: V99193 SB DATA FROM A CMM: PRE SB 49-5626 CONFIG CHG DATA FROM A CMM: REPLD BY 3830057-7 USED ON: 3882491-1	002004 006999	6
20	3830057-7		..NOZZLE ASSY- SUPPLIER CODE: V99193 SB DATA FROM A CMM: POST SB 49-5626 CONFIG CHG DATA FROM A CMM: REPLS 3830057-1 USED ON: 3882491-2 3882491-3	002004 006999	6
25	3830057-2		..NOZZLE ASSY- SUPPLIER CODE: V99193 SB DATA FROM A CMM: PRE SB 49-5370 USED ON: 3882492-1	002004 006999	6
25	3830057-6		..NOZZLE ASSY- SUPPLIER CODE: V99193 SB DATA FROM A CMM: POST SB 49-5370 USED ON: 3882492-2 3882492-5	002004 006999	6
30	3830055-1		..RETAINER- SUPPLIER CODE: V99193 SB DATA FROM A CMM: PRE SB 49-5907 CONFIG CHG DATA FROM A CMM: REPLD BY 3613619-1	002004 006999	6

MISSING ITEM NUMBERS NOT APPLICABLE

- ITEM NOT ILLUSTRATED

49-31-06-01

49-31-06  
FIG. 01  
PAGE 11  
SEP 20/08

BRI



757

PARTS CATALOG (MAINTENANCE)

FIG ITEM	PART NUMBER	1 2 3 4 5 6 7	NOMENCLATURE	EFFECT FROM TO	UNITS PER ASSY
1					
30	3613619-1		..RETAINER- SUPPLIER CODE: V99193 SB DATA FROM A CMM: POST SB 49-5907 CONFIG CHG DATA FROM A CMM: REPLS 3830055-1 USED ON: 3882491-3 3882492-5	002004 006999	6
35	3830054-9		.SHROUD-FUEL NOZ SUPPLIER CODE: V99193 SB DATA FROM A CMM: POST SB 49-5549	002004 006999	12
40	3101768-1		.PACKING-PREFORMED SUPPLIER CODE: V99193 SB DATA FROM A CMM: PRE SPB GTE0777 CONFIG CHG DATA FROM A CMM: REPLD BY 3830351-1	002004 006999	12
40	3830351-1		.GASKET- SUPPLIER CODE: V99193 SB DATA FROM A CMM: POST SPB GTE0777 CONFIG CHG DATA FROM A CMM: REPLS BY 3101768-1	002004 006999	12
45	S8840C7P1A		.PLATE-IDENT SUPPLIER CODE: V99193 ATTACHING PARTS	002004 006999	1
50	MS51861-1C		.SCREW- SB DATA FROM A CMM: PRE SPB GTE0302	002004 006999	2
50	MS24630-2		.SCREW- SB DATA FROM A CMM: POST SPB GTE0302	002004 006999	2
900			-----*----- ILLUSTRATION REFERENCE: ENGINE ASSY-GAS TURB (FUEL MANIFOLD HOSES ONLY) 49-31-09-01	002004 006999	

MISSING ITEM NUMBERS NOT APPLICABLE

- ITEM NOT ILLUSTRATED

49-31-06-01

49-31-06  
FIG. 01  
PAGE 12  
SEP 20/08

BRI



757

PARTS CATALOG (MAINTENANCE)

FIG ITEM	PART NUMBER	1 2 3 4 5 6 7	NOMENCLATURE	EFFECT FROM TO	UNITS PER ASSY
1 905			ILLUSTRATION REFERENCE: ENGINE ASSY-GAS TURB (FUEL MANIFOLD HOSES ONLY) 49-31-09-01	002004 006999	

MISSING ITEM NUMBERS NOT APPLICABLE

- ITEM NOT ILLUSTRATED

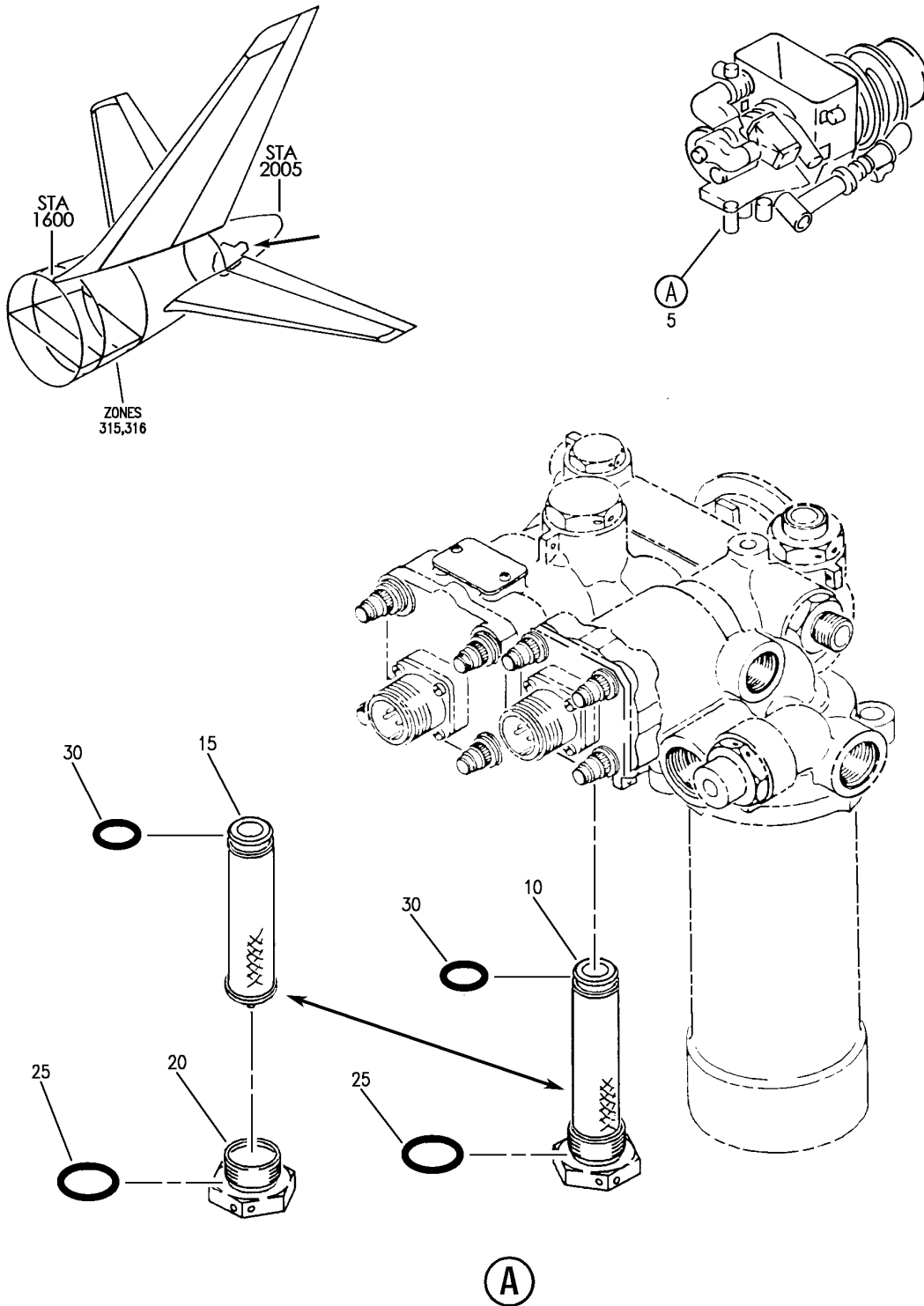
BRI

**49-31-06-01**

BOEING PROPRIETARY - Copyright © - Unpublished Work - See title page for details.

49-31-06  
FIG. 01  
PAGE 13  
SEP 20/08

**BOEING**  
757  
PARTS CATALOG (MAINTENANCE)



Y 49310701 REV 270

ENGINE ASSY-GAS TURB (FUEL HIGH PRESSURE FILTER ONLY)  
FIGURE 1

**49-31-07-01**

BRI  
MAY 28/07

49-31-07-01  
PAGE 0



757

PARTS CATALOG (MAINTENANCE)

FIG ITEM	PART NUMBER	1 2 3 4 5 6 7	NOMENCLATURE	EFFECT FROM TO	UNITS PER ASSY
1			ENGINE ASSY-GAS TURB (FUEL HIGH PRESSURE FILTER ONLY)	002004 006999	
- 1	3800298-1-2		ENGINE ASSY-GAS TURB GTCP331-200ER (FUEL HIGH PRESSURE FILTER ONLY) SUPPLIER CODE: V99193 SPECIFICATION NUMBER: S351T020-201 CONFIG CHG DATA FROM A CMM: REPLACES 3800298-1-1 COMPONENT MAINT MANUAL REF: 49-22-11 QUALIFIED I/W DATA: S351T020-201 (3800298-1-2) AND S351T020-205 (3800298-1-6) ARE INTERCHANGEABLE WITH THE INCORPORATION OF ALLIED SIGNAL S/B GTCP331-49-7081. S351T020-201 (3800298-1-2) AND S351T020-206 (3800298-1-7/3800298-1) ARE INTERCHANGEABLE WITH THE INCORPORATION OF ALLIED SIGNAL S/B GTCP331-49-7081. FOR NHA/ADDITIONAL DET SEE: 49-11-01-50	002004 006100 107107 121503 904999	RF

MISSING ITEM NUMBERS NOT APPLICABLE

- ITEM NOT ILLUSTRATED

BRI

49-31-07-01

49-31-07  
FIG. 01  
PAGE 1  
JAN 20/09





757

PARTS CATALOG (MAINTENANCE)

FIG ITEM	PART NUMBER	1 2 3 4 5 6 7	NOMENCLATURE	EFFECT FROM TO	UNITS PER ASSY
1 - 1	3800298-1-1		ENGINE ASSY-GAS TURB GTCP331-200ER (FUEL HIGH PRESSURE FILTER ONLY) SUPPLIER CODE: V99193 SPECIFICATION NUMBER: S351T020-200 COMPONENT MAINT MANUAL REF: 49-22-11 QUALIFIED I/W DATA: S351T020-200 (3800298-1-1) AND S351T020-205 (3800298-1-6) ARE INTERCHANGEABLE WITH THE INCORPORATION OF ALLIED SIGNAL S/B GTCP331-49-7081. S351T020-200 (3800298-1-1) AND S351T020-206 (3800298-1-7/3800298-1) ARE INTERCHANGEABLE WITH THE INCORPORATION OF ALLIED SIGNAL S/B GTCP331-49-7081. FOR NHA/ADDITIONAL DET SEE: 49-11-01-50	002004 006100 107107 121503 904999	RF

MISSING ITEM NUMBERS NOT APPLICABLE

- ITEM NOT ILLUSTRATED

BRI

49-31-07-01

BOEING PROPRIETARY - Copyright © - Unpublished Work - See title page for details.

49-31-07  
FIG. 01  
PAGE 2  
JAN 20/09



757

PARTS CATALOG (MAINTENANCE)

FIG ITEM	PART NUMBER	1 2 3 4 5 6 7 NOMENCLATURE	EFFECT FROM TO	UNITS PER ASSY
1 - 1	3800298-1-3	ENGINE ASSY-GAS TURB GTCP331-200ER (FUEL HIGH PRESSURE FILTER ONLY) SUPPLIER CODE: V99193 SPECIFICATION NUMBER: S351T020-202 CONFIG CHG DATA FROM A CMM: REPLACES 3800298-1-2 COMPONENT MAINT MANUAL REF: 49-22-11 QUALIFIED I/W DATA: S351T020-202 (3800298-1-3) AND S351T020-205 (3800298-1-6) ARE INTERCHANGEABLE WITH THE INCORPORATION OF ALLIED SIGNAL S/B GTCP331-49-7081. S351T020-202 (3800298-1-3) AND S351T020-206 (3800298-1-7/3800298-1) ARE INTERCHANGEABLE WITH THE INCORPORATION OF ALLIED SIGNAL S/B GTCP331-49-7081. FOR NHA/OTHER SYS DET SEE: 49-11-01-50	002004 006100 107107 121503 904999	RF

MISSING ITEM NUMBERS NOT APPLICABLE

- ITEM NOT ILLUSTRATED

BRI

49-31-07-01

BOEING PROPRIETARY - Copyright © - Unpublished Work - See title page for details.

49-31-07  
FIG. 01  
PAGE 3  
JAN 20/09



757

PARTS CATALOG (MAINTENANCE)

FIG ITEM	PART NUMBER	1 2 3 4 5 6 7 NOMENCLATURE	EFFECT FROM TO	UNITS PER ASSY
1 - 1	3800298-1-4	ENGINE ASSY-GAS TURB GTCP331-200ER (FUEL HIGH PRESSURE FILTER ONLY) SUPPLIER CODE: V99193 SPECIFICATION NUMBER: S351T020-203 CONFIG CHG DATA FROM A CMM: REPLACES 3800298-1-3 COMPONENT MAINT MANUAL REF: 49-22-11 QUALIFIED I/W DATA: 3800298-1-4/S351T020-203 AND 3800298-1-6/S351T020-205 ARE INTERCHANGEABLE WITH THE INCORPORATION OF ALLIED SIGNAL S/B GTCP331-49-7081. (3800298-1-4) S351T020-203 AND S351T020-206(3800298-1-7 /3800298-1) ARE INTERCHANGEABLE WITH THE INCORPORATION OF ALLIED SIGNAL S/B GTCP331-49-7081. FOR NHA/ADDITIONAL DET SEE: 49-11-01-50	002004 006100 107107 121503 904999	RF

MISSING ITEM NUMBERS NOT APPLICABLE

- ITEM NOT ILLUSTRATED

BRI

49-31-07-01

BOEING PROPRIETARY - Copyright © - Unpublished Work - See title page for details.

49-31-07  
FIG. 01  
PAGE 4  
JAN 20/09



757

PARTS CATALOG (MAINTENANCE)

FIG ITEM	PART NUMBER	1 2 3 4 5 6 7	NOMENCLATURE	EFFECT FROM TO	UNITS PER ASSY
1	3800298-1-5		ENGINE ASSY-GAS TURB GTCP331-200ER (FUEL HIGH PRESSURE FILTER ONLY) SUPPLIER CODE: V99193 SPECIFICATION NUMBER: S351T020-204 CONFIG CHG DATA FROM A CMM: REPLACES 3800298-1-4 COMPONENT MAINT MANUAL REF: 49-22-11 QUALIFIED I/W DATA: 3800298-1-5/S351T020-204 AND 3800298-1-6/S351T020-205 ARE INTERCHANGEABLE WITH THE INCORPORATION OF ALLIED SIGNAL S/B GTCP331-49-7081. S351T020-204 (3800298-1-5) AND S351T020-206(3800298-1-7 /3800298-1) ARE INTERCHANGEABLE WITH THE INCORPORATION OF ALLIED SIGNAL S/B GTCP331-49-7081. FOR NHA/ADDITIONAL DET SEE: 49-11-01-50	002004 006100 107107 121503 904999	RF
- 1	3800298-1-6		ENGINE ASSY-GAS TURB GTCP331-200ER (FUEL HIGH PRESSURE FILTER ONLY) SUPPLIER CODE: V99193 SPECIFICATION NUMBER: S351T020-205 CONFIG CHG DATA FROM A CMM: REPLACES 3800298-1-5 COMPONENT MAINT MANUAL REF: 49-22-11 QUALIFIED I/W DATA: 3800298-1-5/S351T020-204 AND 3800298-1-6/S351T020-205 ARE INTERCHANGEABLE WITH THE INCORPORATION OF ALLIED SIGNAL S/B	018106 108120 504903	RF

MISSING ITEM NUMBERS NOT APPLICABLE

- ITEM NOT ILLUSTRATED

49-31-07-01

49-31-07  
FIG. 01  
PAGE 5  
JAN 20/09

BRI



757

PARTS CATALOG (MAINTENANCE)

FIG ITEM	PART NUMBER	1 2 3 4 5 6 7 NOMENCLATURE	EFFECT FROM TO	UNITS PER ASSY
1		<p>GTCP331-49-7081. S351T020-203 (3800298-1-4) AND S351T020-205 (3800298-1-6) ARE INTERCHANGEABLE WITH THE INCORPORATION OF ALLIED SIGNAL S/B GTCP331-49-7081. S351T020-202 (3800298-1-3) AND S351T020-205 (3800298-1-6) ARE INTERCHANGEABLE WITH THE INCORPORATION OF ALLIED SIGNAL S/B GTCP331-49-7081. S351T020-201 (3800298-1-2) AND S351T020-205 (3800298-1-6) ARE INTERCHANGEABLE WITH THE INCORPORATION OF ALLIED SIGNAL S/B GTCP331-49-7081. S351T020-200 (3800298-1-1) AND S351T020-205 (3800298-1-6) ARE INTERCHANGEABLE WITH THE INCORPORATION OF ALLIED SIGNAL S/B GTCP331-49-7081. FOR NHA/ADDITIONAL DET SEE: 49-11-01-50 49-21-00-02</p>		
-	1 3800298-1-7	<p>ENGINE ASSY-GAS TURB GTCP331-200ER (FUEL HIGH PRESSURE FILTER ONLY) SUPPLIER CODE: V99193 SPECIFICATION NUMBER: S351T020-206 CONFIG CHG DATA FROM A CMM: REPLACES 3800298-1-6 COMPONENT MAINT MANUAL REF: 49-22-11 QUALIFIED I/W DATA:</p>	018106 108120 504903	RF

MISSING ITEM NUMBERS NOT APPLICABLE

- ITEM NOT ILLUSTRATED

49-31-07-01

49-31-07  
FIG. 01  
PAGE 6  
JAN 20/09

BRI



757

PARTS CATALOG (MAINTENANCE)

FIG ITEM	PART NUMBER	1 2 3 4 5 6 7 NOMENCLATURE	EFFECT FROM TO	UNITS PER ASSY
1		<p>3800298-1-5/S351T020-204 AND 3800298-1/ 3800298-1-7/S351T020-206 ARE INTERCHANGEABLE WITH THE INCORPORATION OF ALLIED SIGNAL S/B GTCP331-49-7081. S351T020-203 (3800298-1-4) AND S351T020-206(3800298-1-7 /3800298-1) ARE INTERCHANGEABLE WITH THE INCORPORATION OF ALLIED SIGNAL S/B GTCP331-49-7081. S351T020-202 (3800298-1-3) AND S351T020-206 (3800298-1-7/3800298-1) ARE INTERCHANGEABLE WITH THE INCORPORATION OF ALLIED SIGNAL S/B GTCP331-49-7081. S351T020-201 (3800298-1-2) AND S351T020-206 (3800298-1-7/3800298-1) ARE INTERCHANGEABLE WITH THE INCORPORATION OF ALLIED SIGNAL S/B GTCP331-49-7081. S351T020-200 (3800298-1-1) AND S351T020-206 (3800298-1-7/3800298-1) ARE INTERCHANGEABLE WITH THE INCORPORATION OF ALLIED SIGNAL S/B GTCP331-49-7081. OPTIONAL PART: 3800298-1 V99193 FOR NHA/ADDITIONAL DET SEE: 49-11-01-50 49-21-00-02</p>		
-	1 3800298-1	<p>ENGINE ASSY-GAS TURB GTCP331-200ER (FUEL HIGH PRESSURE FILTER ONLY)</p>	018106 108120 504903	RF

MISSING ITEM NUMBERS NOT APPLICABLE

- ITEM NOT ILLUSTRATED

49-31-07-01

49-31-07  
FIG. 01  
PAGE 7  
JAN 20/09

BRI



757

PARTS CATALOG (MAINTENANCE)

FIG ITEM	PART NUMBER	1 2 3 4 5 6 7 NOMENCLATURE	EFFECT FROM TO	UNITS PER ASSY
1		<p>SUPPLIER CODE: V99193</p> <p>SPECIFICATION NUMBER: S351T020-206</p> <p>COMPONENT MAINT MANUAL REF: 49-22-11</p> <p>QUALIFIED I/W DATA: 3800298-1-5/S351T020-204 AND 3800298-1-7/S351T020-206 /380029-1</p> <p>ARE INTERCHANGEABLE WITH THE INCORPORATION OF ALLIED SIGNAL S/B GTCP331-49-7081. S351T020-203 (3800298-1-4) AND S351T020-206(3800298-1-7 /3800298-1) ARE INTERCHANGEABLE WITH THE INCORPORATION OF ALLIED SIGNAL S/B GTCP331-49-7081. S351T020-202 (3800298-1-3) AND S351T020-206 (3800298-1-7/3800298-1) ARE INTERCHANGEABLE WITH THE INCORPORATION OF ALLIED SIGNAL S/B GTCP331-49-7081. S351T020-201 (3800298-1-2) AND S351T020-206 (3800298-1-7/3800298-1) ARE INTERCHANGEABLE WITH THE INCORPORATION OF ALLIED SIGNAL S/B GTCP331-49-7081. S351T020-200 (3800298-1-1) AND S351T020-206 (3800298-1-7/3800298-1) ARE INTERCHANGEABLE WITH THE INCORPORATION OF ALLIED SIGNAL S/B GTCP331-49-7081.</p> <p>OPTIONAL PART: 3800298-1-7</p>		

MISSING ITEM NUMBERS NOT APPLICABLE

- ITEM NOT ILLUSTRATED

49-31-07-01

49-31-07  
FIG. 01  
PAGE 8  
JAN 20/09

BRI



757

PARTS CATALOG (MAINTENANCE)

FIG ITEM	PART NUMBER	1 2 3 4 5 6 7	NOMENCLATURE	EFFECT FROM TO	UNITS PER ASSY
1			V99193 FOR NHA/ADDITIONAL DET SEE: 49-11-01-50 49-21-00-02		
5	3882500-11		.CONTROL ASSY-FUEL SUPPLIER CODE: V99193 NOT APPROVED FOR ETOPS. NOT APPROVED FOR ETOPS AFTER INCORP OF SB: GTCP331495569 SB DATA FROM A CMM: POST SB 49-5639 CONFIG CHG DATA FROM A CMM: REPLD BY 3882500-10 REPLD BY 3882500-13 REWORKED FROM PART NUMBER 3882500-8, -9 REWORKED FROM PART NO. 3882500-6/-7/-8/-9 PER SB 49-5640 COMPONENT MAINT MANUAL REF: 49-31-61 POST SERVICE BULLETIN: 49-5639 PRE SERVICE BULLETIN: GTCP331-49-5570 V99193	002004 006999	RF
5	3882500-10		.CONTROL ASSY-FUEL SUPPLIER CODE: V99193 NOT APPROVED FOR ETOPS AFTER INCORP OF SB: GTCP331-49-5888,49-5895 GTCP331495569 CONFIG CHG DATA FROM A CMM: REPLS 3882500-11 REPLD BY 3882500-12 COMPONENT MAINT MANUAL REF: 49-31-61 POST SERVICE BULLETIN: GTCP331-49-5569 V99193 GTCP331-49-5570 V99193	002004 006999	RF

MISSING ITEM NUMBERS NOT APPLICABLE

- ITEM NOT ILLUSTRATED

49-31-07-01

49-31-07  
FIG. 01  
PAGE 9  
JAN 20/09

BRI





757

PARTS CATALOG (MAINTENANCE)

FIG ITEM	PART NUMBER	1 2 3 4 5 6 7	NOMENCLATURE	EFFECT FROM TO	UNITS PER ASSY
1	5 3882500-9		.CONTROL ASSY-FUEL SUPPLIER CODE: V99193 NOT APPROVED FOR ETOPS AFTER INCORP OF SB: GTCP331-49-5888,49-5895 SB DATA FROM A CMM: PRE SB 49-5639 PRE SB 49-5640 COMPONENT MAINT MANUAL REF: 49-31-61 USED ON: 3800298-1-1 3800298-1-2 3800298-1-3 3800298-1-4 3800298-1-5 3800298-1-6	002004 006999	RF
	5 3882500-14		.CONTROL ASSY-FUEL SUPPLIER CODE: V99193 SB DATA FROM A CMM: POST SB 49-5888 PRE SB 49-6778 PRE SB 49-7157 CONFIG CHG DATA FROM A CMM: REPLS 3882500-12 REPLD BY 3882500-16 REPLD BY 3882500-17 REWORKED FROM PART NO. 3882500-12/-13/-15 PER SB 49-4895 COMPONENT MAINT MANUAL REF: 49-31-61 POST SERVICE BULLETIN: 3882500-49-5895 V99193 PRE SERVICE BULLETIN: 3882500-49-6674 V99193 PRE SERVICE LETTER: 49-015	101949	RF

MISSING ITEM NUMBERS NOT APPLICABLE

- ITEM NOT ILLUSTRATED

BRI

49-31-07-01

BOEING PROPRIETARY - Copyright © - Unpublished Work - See title page for details.

49-31-07  
FIG. 01  
PAGE 10  
JAN 20/09



757

PARTS CATALOG (MAINTENANCE)

FIG ITEM	PART NUMBER	1 2 3 4 5 6 7	NOMENCLATURE	EFFECT FROM TO	UNITS PER ASSY
1	5 3882500-15		.CONTROL ASSY-FUEL SUPPLIER CODE: V99193 NOT APPROVED FOR ETOPS AFTER INCORP OF SB: GCTP331485888 SB DATA FROM A CMM: POST SB 49-5888 CONFIG CHG DATA FROM A CMM: REPLS 3882500-13 REWORKED FROM PART NO. 3882500-13 COMPONENT MAINT MANUAL REF: 49-31-61 POST SERVICE BULLETIN: 3882500-49-5895 V99193	002004 006999	RF
	5 3882500-16		.CONTROL ASSY-FUEL SUPPLIER CODE: V99193 SB DATA FROM A CMM: POST SB 49-6778 CONFIG CHG DATA FROM A CMM: REPLS 3882500-14 REPLD BY 3882500-17 REWORKED FROM PART NO. 3882500-14 COMPONENT MAINT MANUAL REF: 49-31-61 POST SERVICE BULLETIN: 3882500-49-6674 V99193 PRE SERVICE LETTER: 49-015	101949	RF
	5 3882500-17		.CONTROL ASSY-FUEL SUPPLIER CODE: V99193 CONFIG CHG DATA FROM A CMM: POST SB 49-7157 REPLS 3882500-14 REPLS 3882500-16 COMPONENT MAINT MANUAL REF: 49-31-61 POST SERVICE LETTER: 49-015	002004 006999	RF

MISSING ITEM NUMBERS NOT APPLICABLE

- ITEM NOT ILLUSTRATED

49-31-07-01

49-31-07  
FIG. 01  
PAGE 11  
JAN 20/09

BRI



757

PARTS CATALOG (MAINTENANCE)

FIG ITEM	PART NUMBER	1 2 3 4 5 6 7	NOMENCLATURE	EFFECT FROM TO	UNITS PER ASSY
1					
10	977392-5		.. ELEMENT-SEDIMENT STRAINER HIGH PRESSURE FILTER SUPPLIER CODE: V99193 SB DATA FROM A CMM: PRE 49-7156	002004 006999	1
15	3883496-2		.. ELEMENT- SUPPLIER CODE: V99193 SB DATA FROM A CMM: POST SB 49-7156	002004 006999	1
20	AN814-8DL		.. PLUG- SB DATA FROM A CMM: POST SB 49-7156	002004 006999	1
25	S9412-558		.. PACKING- SUPPLIER CODE: V99193 OPTIONAL PART: M25988-2-908 V81349 OPTIONAL PART: M25988-2-908	002004 006999	1
25	M25988-2-908		.. PACKING- OPTIONAL PART: S9412-558 V99193	002004 006999	1
30	S9412-014		.. PACKING- SUPPLIER CODE: V99193 OPTIONAL PART: M25988-2-014	002004 006999	1
30	M25988-2-014		.. PACKING- OPTIONAL PART: S9412-014 V99193	002004 006999	1

MISSING ITEM NUMBERS NOT APPLICABLE

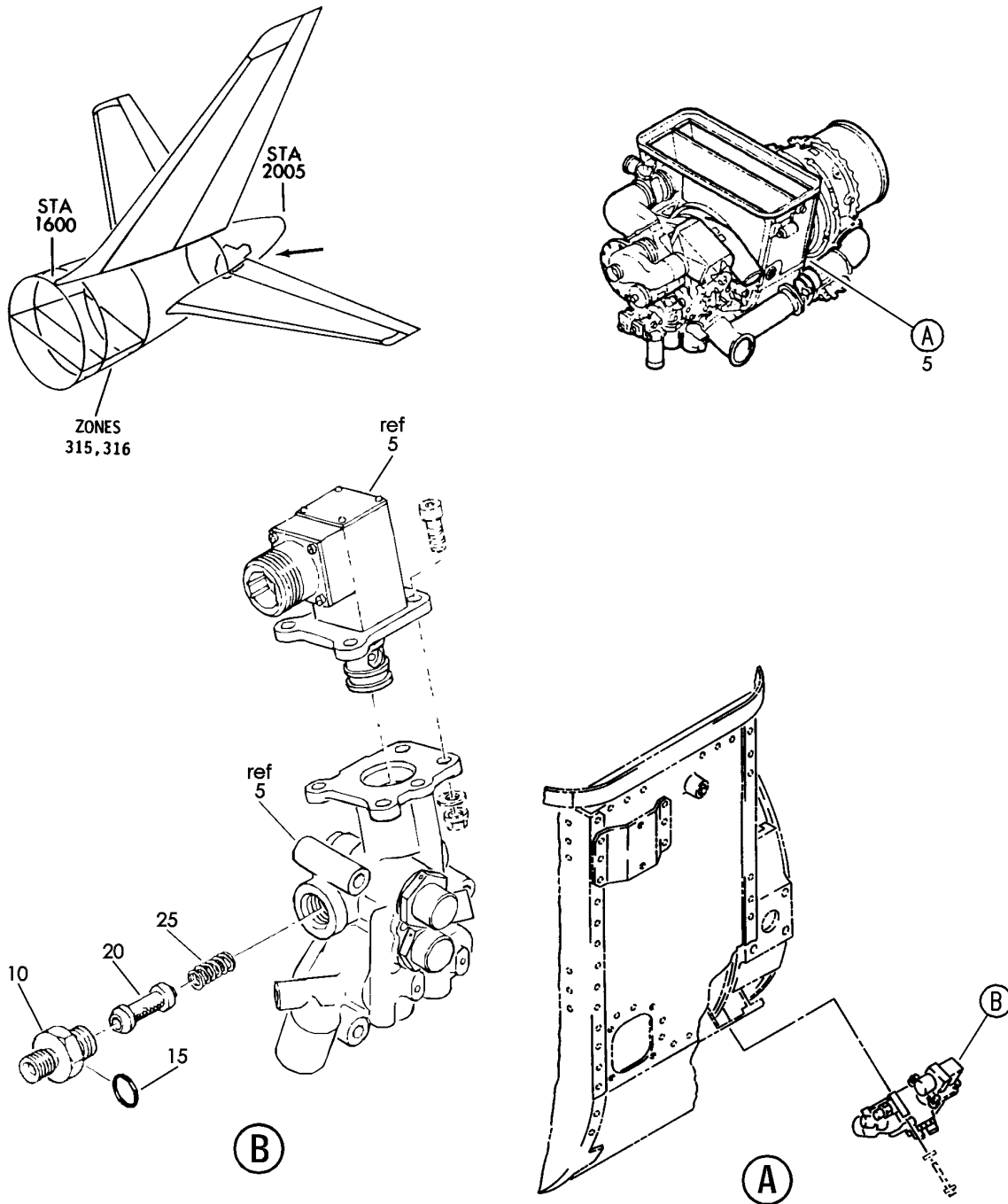
- ITEM NOT ILLUSTRATED

49-31-07-01

49-31-07  
FIG. 01  
PAGE 12  
SEP 20/08

BRI

**BOEING**  
757  
PARTS CATALOG (MAINTENANCE)



Y 49310801 REV 238

ENGINE ASSY-GAS TURB (FUEL FLOW DIVIDER FILTER ELEMENTS ONLY)  
FIGURE 1

**49-31-08-01**

BRI  
MAY 28/07

49-31-08-01  
PAGE 0



757

PARTS CATALOG (MAINTENANCE)

FIG ITEM	PART NUMBER	1 2 3 4 5 6 7	NOMENCLATURE	EFFECT FROM TO	UNITS PER ASSY
1			ENGINE ASSY-GAS TURB (FUEL FLOW DIVIDER FILTER ELEMENTS ONLY)	002004 006999	
- 1	3800298-1-2		ENGINE ASSY-GAS TURB GTCP331-200ER (FUEL FLOW DIVIDER FILTER ELEMENTS ONLY) SUPPLIER CODE: V99193 SPECIFICATION NUMBER: S351T020-201 CONFIG CHG DATA FROM A CMM: REPLACES 3800298-1-1 COMPONENT MAINT MANUAL REF: 49-22-11 QUALIFIED I/W DATA: S351T020-201 (3800298-1-2) AND S351T020-205 (3800298-1-6) ARE INTERCHANGEABLE WITH THE INCORPORATION OF ALLIED SIGNAL S/B GTCP331-49-7081. S351T020-201 (3800298-1-2) AND S351T020-206 (3800298-1-7/3800298-1) ARE INTERCHANGEABLE WITH THE INCORPORATION OF ALLIED SIGNAL S/B GTCP331-49-7081. FOR NHA/ADDITIONAL DET SEE: 49-11-01-50	002004 006100 107107 121503 904999	RF

MISSING ITEM NUMBERS NOT APPLICABLE

- ITEM NOT ILLUSTRATED

49-31-08-01

49-31-08  
FIG. 01  
PAGE 1  
JAN 20/09

BRI



757

PARTS CATALOG (MAINTENANCE)

FIG ITEM	PART NUMBER	1 2 3 4 5 6 7	NOMENCLATURE	EFFECT FROM TO	UNITS PER ASSY
1 - 1	3800298-1-1		ENGINE ASSY-GAS TURB GTCP331-200ER (FUEL FLOW DIVIDER FILTER ELEMENTS ONLY) SUPPLIER CODE: V99193 SPECIFICATION NUMBER: S351T020-200 COMPONENT MAINT MANUAL REF: 49-22-11 QUALIFIED I/W DATA: S351T020-200 (3800298-1-1) AND S351T020-205 (3800298-1-6) ARE INTERCHANGEABLE WITH THE INCORPORATION OF ALLIED SIGNAL S/B GTCP331-49-7081. S351T020-200 (3800298-1-1) AND S351T020-206 (3800298-1-7/3800298-1) ARE INTERCHANGEABLE WITH THE INCORPORATION OF ALLIED SIGNAL S/B GTCP331-49-7081. FOR NHA/ADDITIONAL DET SEE: 49-11-01-50	002004 006100 107107 121503 904999	RF

MISSING ITEM NUMBERS NOT APPLICABLE

- ITEM NOT ILLUSTRATED

49-31-08-01

49-31-08  
 FIG. 01  
 PAGE 2  
 JAN 20/09

BRI



757

PARTS CATALOG (MAINTENANCE)

FIG ITEM	PART NUMBER	1 2 3 4 5 6 7	NOMENCLATURE	EFFECT FROM TO	UNITS PER ASSY
1 - 1	3800298-1-3		ENGINE ASSY-GAS TURB GTCP331-200ER (FUEL FLOW DIVIDER FILTER ELEMENTS ONLY) SUPPLIER CODE: V99193 SPECIFICATION NUMBER: S351T020-202 CONFIG CHG DATA FROM A CMM: REPLACES 3800298-1-2 COMPONENT MAINT MANUAL REF: 49-22-11 QUALIFIED I/W DATA: S351T020-202 (3800298-1-3) AND S351T020-205 (3800298-1-6) ARE INTERCHANGEABLE WITH THE INCORPORATION OF ALLIED SIGNAL S/B GTCP331-49-7081. S351T020-202 (3800298-1-3) AND S351T020-206 (3800298-1-7/3800298-1) ARE INTERCHANGEABLE WITH THE INCORPORATION OF ALLIED SIGNAL S/B GTCP331-49-7081. FOR NHA/OTHER SYS DET SEE: 49-11-01-50	002004 006100 107107 121503 904999	RF

MISSING ITEM NUMBERS NOT APPLICABLE

- ITEM NOT ILLUSTRATED

BRI

49-31-08-01

BOEING PROPRIETARY - Copyright © - Unpublished Work - See title page for details.

49-31-08  
FIG. 01  
PAGE 3  
JAN 20/09



757

PARTS CATALOG (MAINTENANCE)

FIG ITEM	PART NUMBER	1 2 3 4 5 6 7	NOMENCLATURE	EFFECT FROM TO	UNITS PER ASSY
1 - 1	3800298-1-4		ENGINE ASSY-GAS TURB GTCP331-200ER (FUEL FLOW DIVIDER FILTER ELEMENTS ONLY) SUPPLIER CODE: V99193 SPECIFICATION NUMBER: S351T020-203 CONFIG CHG DATA FROM A CMM: REPLACES 3800298-1-3 COMPONENT MAINT MANUAL REF: 49-22-11 QUALIFIED I/W DATA: 3800298-1-4/S351T020-203 AND 3800298-1-6/S351T020-205 ARE INTERCHANGEABLE WITH THE INCORPORATION OF ALLIED SIGNAL S/B GTCP331-49-7081. 3800298-1-4/ S351T020-203 AND S351T020-206(3800298-1-7 /3800298-1) ARE INTERCHANGEABLE WITH THE INCORPORATION OF ALLIED SIGNAL S/B GTCP331-49-7081. FOR NHA/ADDITIONAL DET SEE: 49-11-01-50	002004 006100 107107 121503 904999	RF

MISSING ITEM NUMBERS NOT APPLICABLE

- ITEM NOT ILLUSTRATED

BRI

# 49-31-08-01

BOEING PROPRIETARY - Copyright © - Unpublished Work - See title page for details.

49-31-08  
FIG. 01  
PAGE 4  
JAN 20/09





757

PARTS CATALOG (MAINTENANCE)

FIG ITEM	PART NUMBER	1 2 3 4 5 6 7	NOMENCLATURE	EFFECT FROM TO	UNITS PER ASSY
1	3800298-1-5		ENGINE ASSY-GAS TURB GTCP331-200ER (FUEL FLOW DIVIDER FILTER ELEMENTS ONLY) SUPPLIER CODE: V99193 SPECIFICATION NUMBER: S351T020-204 CONFIG CHG DATA FROM A CMM: REPLACES 3800298-1-4 COMPONENT MAINT MANUAL REF: 49-22-11 QUALIFIED I/W DATA: 3800298-1-5/S351T020-204 AND 3800298-1-6/S351T020-205 ARE INTERCHANGEABLE WITH THE INCORPORATION OF ALLIED SIGNAL S/B GTCP331-49-7081. S351T020-204 (3800298-1-5) AND S351T020-206(3800298-1-7 /3800298-1) ARE INTERCHANGEABLE WITH THE INCORPORATION OF ALLIED SIGNAL S/B GTCP331-49-7081. FOR NHA/ADDITIONAL DET SEE: 49-11-01-50	002004 006100 107107 121503 904999	RF
- 1	3800298-1-6		ENGINE ASSY-GAS TURB GTCP331-200ER (FUEL FLOW DIVIDER FILTER ELEMENTS ONLY) SUPPLIER CODE: V99193 SPECIFICATION NUMBER: S351T020-205 CONFIG CHG DATA FROM A CMM: REPLACES 3800298-1-5 COMPONENT MAINT MANUAL REF: 49-22-11 QUALIFIED I/W DATA: 3800298-1-5/S351T020-204 AND 3800298-1-6/S351T020-205 ARE INTERCHANGEABLE WITH THE INCORPORATION OF ALLIED SIGNAL S/B	002004 006999	RF

MISSING ITEM NUMBERS NOT APPLICABLE

- ITEM NOT ILLUSTRATED

49-31-08-01

49-31-08  
FIG. 01  
PAGE 5  
JAN 20/09

BRI

 **BOEING**  
757  
**PARTS CATALOG (MAINTENANCE)**

FIG ITEM	PART NUMBER	1 2 3 4 5 6 7	NOMENCLATURE	EFFECT FROM TO	UNITS PER ASSY
1			GTCP331-49-7081. S351T020-203 (3800298-1-4) AND S351T020-205 (3800298-1-6) ARE INTERCHANGEABLE WITH THE INCORPORATION OF ALLIED SIGNAL S/B GTCP331-49-7081. S351T020-202 (3800298-1-3) AND S351T020-205 (3800298-1-6) ARE INTERCHANGEABLE WITH THE INCORPORATION OF ALLIED SIGNAL S/B GTCP331-49-7081. S351T020-201 (3800298-1-2) AND S351T020-205 (3800298-1-6) ARE INTERCHANGEABLE WITH THE INCORPORATION OF ALLIED SIGNAL S/B GTCP331-49-7081. S351T020-200 (3800298-1-1) AND S351T020-205 (3800298-1-6) ARE INTERCHANGEABLE WITH THE INCORPORATION OF ALLIED SIGNAL S/B GTCP331-49-7081. FOR NHA/ADDITIONAL DET SEE: 49-11-01-50 49-21-00-02		
-	1 3800298-1-7		ENGINE ASSY-GAS TURB GTCP331-200ER (FUEL FLOW DIVIDER FILTER ELEMENTS ONLY) SUPPLIER CODE: V99193 SPECIFICATION NUMBER: S351T020-206 CONFIG CHG DATA FROM A CMM: REPLACES 3800298-1-6 COMPONENT MAINT MANUAL REF: 49-22-11 QUALIFIED I/W DATA:  MISSING ITEM NUMBERS NOT APPLICABLE	002004 006999	RF

- ITEM NOT ILLUSTRATED

BRI

# 49-31-08-01

BOEING PROPRIETARY - Copyright © - Unpublished Work - See title page for details.

49-31-08  
FIG. 01  
PAGE 6  
SEP 20/08



757

PARTS CATALOG (MAINTENANCE)

FIG ITEM	PART NUMBER	1 2 3 4 5 6 7 NOMENCLATURE	EFFECT FROM TO	UNITS PER ASSY
1		<p>3800298-1-5/S351T020-204 AND 3800298-1 3800298-1-7/S351T020-206 ARE INTERCHANGEABLE WITH THE INCORPORATION OF ALLIED SIGNAL S/B GTCP331-49-7081. S351T020-203 (3800298-1-4) AND S351T020-206(3800298-1-7 /3800298-1) ARE INTERCHANGEABLE WITH THE INCORPORATION OF ALLIED SIGNAL S/B GTCP331-49-7081. S351T020-202 (3800298-1-3) AND S351T020-206 (3800298-1-7/3800298-1) ARE INTERCHANGEABLE WITH THE INCORPORATION OF ALLIED SIGNAL S/B GTCP331-49-7081. S351T020-201 (3800298-1-2) AND S351T020-206 (3800298-1-7/3800298-1) ARE INTERCHANGEABLE WITH THE INCORPORATION OF ALLIED SIGNAL S/B GTCP331-49-7081. S351T020-200 (3800298-1-1) AND S351T020-206 (3800298-1-7/3800298-1) ARE INTERCHANGEABLE WITH THE INCORPORATION OF ALLIED SIGNAL S/B GTCP331-49-7081. OPTIONAL PART: 3800298-1 V99193 FOR NHA/ADDITIONAL DET SEE: 49-11-01-50 49-21-00-02</p>		
-	1 3800298-1	<p>ENGINE ASSY-GAS TURB GTCP331-200ER (FUEL FLOW DIVIDER FILTER ELEMENTS ONLY)</p>	002004 006999	RF

MISSING ITEM NUMBERS NOT APPLICABLE

- ITEM NOT ILLUSTRATED

49-31-08-01

49-31-08  
FIG. 01  
PAGE 7  
SEP 20/08

BRI



757

PARTS CATALOG (MAINTENANCE)

FIG ITEM	PART NUMBER	1 2 3 4 5 6 7 NOMENCLATURE	EFFECT FROM TO	UNITS PER ASSY
1		<p>SUPPLIER CODE: V99193</p> <p>SPECIFICATION NUMBER: S351T020-206</p> <p>COMPONENT MAINT MANUAL REF: 49-22-11</p> <p>QUALIFIED I/W DATA: 3800298-1-5/S351T020-204 AND 3800298-1-7/S351T020-206 /380029-1</p> <p>ARE INTERCHANGEABLE WITH THE INCORPORATION OF ALLIED SIGNAL S/B GTCP331-49-7081. S351T020-203 (3800298-1-4) AND S351T020-206(3800298-1-7 /3800298-1) ARE INTERCHANGEABLE WITH THE INCORPORATION OF ALLIED SIGNAL S/B GTCP331-49-7081. S351T020-202 (3800298-1-3) AND S351T020-206 (3800298-1-7/3800298-1) ARE INTERCHANGEABLE WITH THE INCORPORATION OF ALLIED SIGNAL S/B GTCP331-49-7081. S351T020-201 (3800298-1-2) AND S351T020-206 (3800298-1-7/3800298-1) ARE INTERCHANGEABLE WITH THE INCORPORATION OF ALLIED SIGNAL S/B GTCP331-49-7081. S351T020-200 (3800298-1-1) AND S351T020-206 (3800298-1-7/3800298-1) ARE INTERCHANGEABLE WITH THE INCORPORATION OF ALLIED SIGNAL S/B GTCP331-49-7081.</p> <p>OPTIONAL PART: 3800298-1-7</p>		

MISSING ITEM NUMBERS NOT APPLICABLE

- ITEM NOT ILLUSTRATED

49-31-08-01

49-31-08  
FIG. 01  
PAGE 8  
SEP 20/08

BRI



757

PARTS CATALOG (MAINTENANCE)

FIG ITEM	PART NUMBER	1 2 3 4 5 6 7	NOMENCLATURE	EFFECT FROM TO	UNITS PER ASSY
1			V99193 FOR NHA/ADDITIONAL DET SEE: 49-11-01-50 49-21-00-02		
5	3882550-1	.	VALVE ASSY-FLOW DIVIDER AND DRAIN SUPPLIER CODE: V99193 SB DATA FROM A CMM: PRE 49-5485 COMPONENT MAINT MANUAL REF: 49-31-63	002004 006999	RF
5	3882550-2	.	VALVE ASSY-FLOW DIVIDER AND DRAIN SUPPLIER CODE: V99193 SB DATA FROM A CMM: POST 49-5485 PRE 49-5961 CONFIG CHG DATA FROM A CMM: REPLD BY 3882550-3 COMPONENT MAINT MANUAL REF: 49-31-63	002004 006999	RF
5	3882550-3	.	VALVE ASSY-FLOW DIVIDER AND DRAIN SUPPLIER CODE: V99193 SB DATA FROM A CMM: POST 49-5961 CONFIG CHG DATA FROM A CMM: REPLS 3882550-2 COMPONENT MAINT MANUAL REF: 49-31-63	002004 006999	RF
10	3882541-1	..	REDUCER-SPCL FLARELESS SUPPLIER CODE: V99193	002004 006999	1
15	S9412-555	..	PACKING- SUPPLIER CODE: V99193	002004 006999	1
20	3882892-2	..	ELEMENT-FLUID PRESSURE FILTER SUPPLIER CODE: V99193 SB DATA FROM A CMM: POST 49-5960 USED ON: 3882550-3	002004 006999	1

MISSING ITEM NUMBERS NOT APPLICABLE

- ITEM NOT ILLUSTRATED

49-31-08-01

49-31-08  
FIG. 01  
PAGE 9  
SEP 20/08

BRI



757

PARTS CATALOG (MAINTENANCE)

FIG ITEM	PART NUMBER	1 2 3 4 5 6 7	NOMENCLATURE	EFFECT FROM TO	UNITS PER ASSY
1 20	870886-2		..ELEMENT-FLUID PRESSURE FILTER SUPPLIER CODE: V99193 SB DATA FROM A CMM: PRE 49-5960 USED ON: 3882550-1 3882550-2	002004 006999	1
25	97955		..SPRING-HLCPS SUPPLIER CODE: V99193	002004 006999	1

MISSING ITEM NUMBERS NOT APPLICABLE

- ITEM NOT ILLUSTRATED

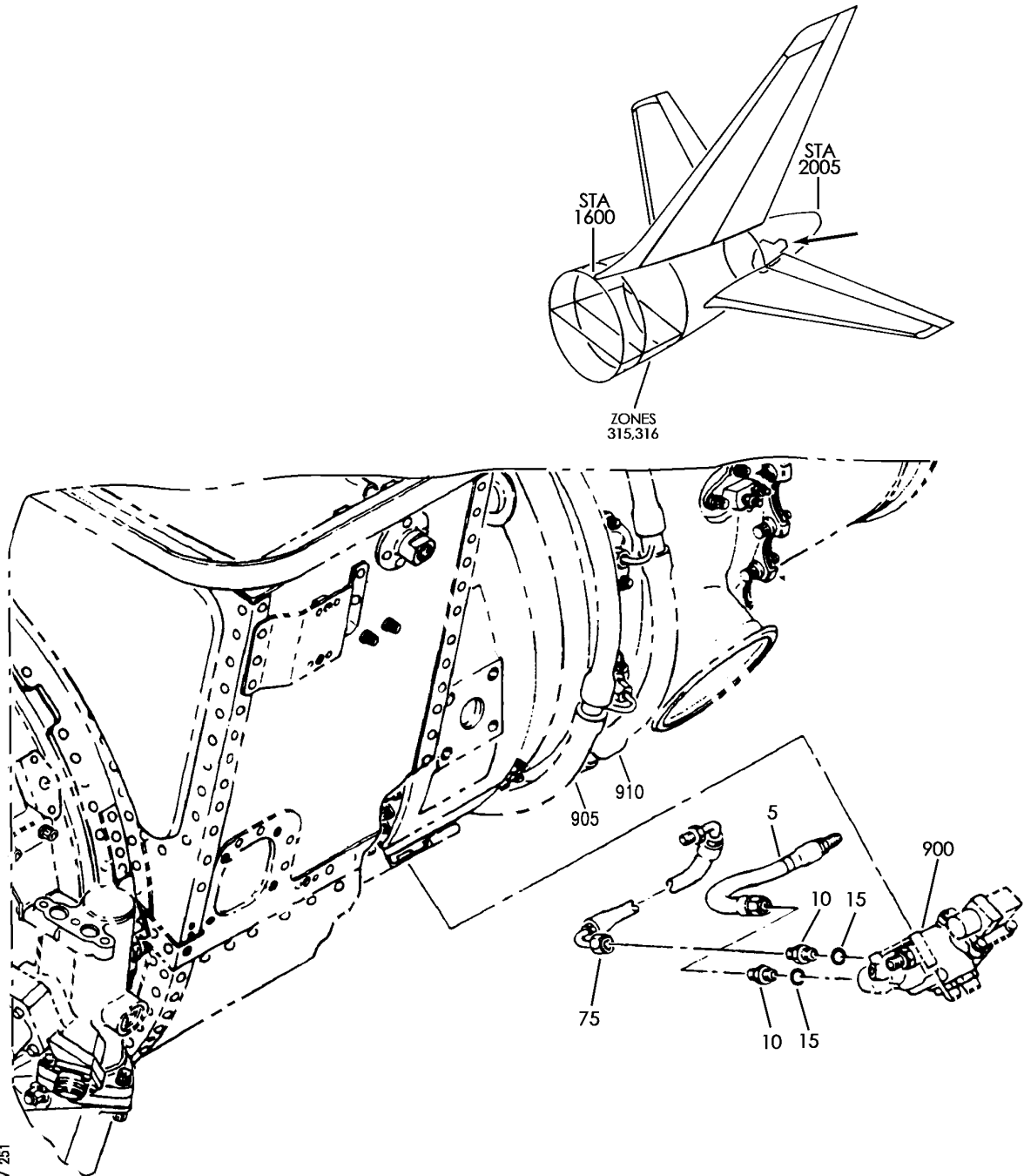
BRI

49-31-08-01

BOEING PROPRIETARY - Copyright © - Unpublished Work - See title page for details.

49-31-08  
FIG. 01  
PAGE 10  
SEP 20/08

**BOEING**  
757  
PARTS CATALOG (MAINTENANCE)



Y 49310901 REV 251

ENGINE ASSY-GAS TURB (FUEL MANIFOLD HOSES ONLY)  
FIGURE 1

**49-31-09-01**

BRI  
MAY 28/07

49-31-09-01  
PAGE 0



757

PARTS CATALOG (MAINTENANCE)

FIG ITEM	PART NUMBER	1 2 3 4 5 6 7	NOMENCLATURE	EFFECT FROM TO	UNITS PER ASSY
1			ENGINE ASSY-GAS TURB (FUEL MANIFOLD HOSES ONLY)	002004 006999	
- 1	3800298-1-2		ENGINE ASSY-GAS TURB GTCP331-200ER (FUEL MANIFOLD HOSES ONLY) SUPPLIER CODE: V99193 SPECIFICATION NUMBER: S351T020-201 CONFIG CHG DATA FROM A CMM: REPLACES 3800298-1-1 COMPONENT MAINT MANUAL REF: 49-22-11 QUALIFIED I/W DATA: S351T020-201 (3800298-1-2) AND S351T020-205 (3800298-1-6) ARE INTERCHANGEABLE WITH THE INCORPORATION OF ALLIED SIGNAL S/B GTCP331-49-7081. S351T020-201 (3800298-1-2) AND S351T020-206 (3800298-1-7/3800298-1) ARE INTERCHANGEABLE WITH THE INCORPORATION OF ALLIED SIGNAL S/B GTCP331-49-7081. FOR NHA/ADDITIONAL DET SEE: 49-11-01-50	002004 006100 107107 121503 904999	RF

MISSING ITEM NUMBERS NOT APPLICABLE

- ITEM NOT ILLUSTRATED

BRI

49-31-09-01

BOEING PROPRIETARY - Copyright © - Unpublished Work - See title page for details.

49-31-09  
FIG. 01  
PAGE 1  
JAN 20/09





757

PARTS CATALOG (MAINTENANCE)

FIG ITEM	PART NUMBER	1 2 3 4 5 6 7	NOMENCLATURE	EFFECT FROM TO	UNITS PER ASSY
1 - 1	3800298-1-1		ENGINE ASSY-GAS TURB GTCP331-200ER (FUEL MANIFOLD HOSES ONLY) SUPPLIER CODE: V99193 SPECIFICATION NUMBER: S351T020-200 COMPONENT MAINT MANUAL REF: 49-22-11 QUALIFIED I/W DATA: S351T020-200 (3800298-1-1) AND S351T020-205 (3800298-1-6) ARE INTERCHANGEABLE WITH THE INCORPORATION OF ALLIED SIGNAL S/B GTCP331-49-7081. S351T020-200 (3800298-1-1) AND S351T020-206 (3800298-1-7/3800298-1) ARE INTERCHANGEABLE WITH THE INCORPORATION OF ALLIED SIGNAL S/B GTCP331-49-7081. FOR NHA/ADDITIONAL DET SEE: 49-11-01-50	002004 006100 107107 121503 904999	RF

MISSING ITEM NUMBERS NOT APPLICABLE

- ITEM NOT ILLUSTRATED

BRI

49-31-09-01

BOEING PROPRIETARY - Copyright © - Unpublished Work - See title page for details.

49-31-09  
 FIG. 01  
 PAGE 2  
 JAN 20/09



757

PARTS CATALOG (MAINTENANCE)

FIG ITEM	PART NUMBER	1 2 3 4 5 6 7	NOMENCLATURE	EFFECT FROM TO	UNITS PER ASSY
1 - 1	3800298-1-3		ENGINE ASSY-GAS TURB GTCP331-200ER (FUEL MANIFOLD HOSES ONLY) SUPPLIER CODE: V99193 SPECIFICATION NUMBER: S351T020-202 CONFIG CHG DATA FROM A CMM: REPLACES 3800298-1-2 COMPONENT MAINT MANUAL REF: 49-22-11 QUALIFIED I/W DATA: S351T020-202 (3800298-1-3) AND S351T020-205 (3800298-1-6) ARE INTERCHANGEABLE WITH THE INCORPORATION OF ALLIED SIGNAL S/B GTCP331-49-7081. S351T020-202 (3800298-1-3) AND S351T020-206 (3800298-1-7/3800298-1) ARE INTERCHANGEABLE WITH THE INCORPORATION OF ALLIED SIGNAL S/B GTCP331-49-7081. FOR NHA/OTHER SYS DET SEE: 49-11-01-50	002004 006100 107107 121503 904999	RF

MISSING ITEM NUMBERS NOT APPLICABLE

- ITEM NOT ILLUSTRATED

49-31-09-01

49-31-09  
FIG. 01  
PAGE 3  
JAN 20/09

BRI



757

PARTS CATALOG (MAINTENANCE)

FIG ITEM	PART NUMBER	1 2 3 4 5 6 7	NOMENCLATURE	EFFECT FROM TO	UNITS PER ASSY
1 - 1	3800298-1-4		ENGINE ASSY-GAS TURB GTCP331-200ER (FUEL MANIFOLD HOSES ONLY) SUPPLIER CODE: V99193 SPECIFICATION NUMBER: S351T020-203 CONFIG CHG DATA FROM A CMM: REPALCES 3800298-1-3 COMPONENT MAINT MANUAL REF: 49-22-11 QUALIFIED I/W DATA: 3800298-1-4/S351T020-203 AND 3800298-1-6/S351T020-205 ARE INTERCHANGEABLE WITH THE INCORPORATION OF ALLIED SIGNAL S/B GTCP331-49-7081. 3800298-1-4/ S351T020-203 AND S351T020-206(3800298-1-7 /3800298-1) ARE INTERCHANGEABLE WITH THE INCORPORATION OF ALLIED SIGNAL S/B GTCP331-49-7081. FOR NHA/ADDITIONAL DET SEE: 49-11-01-50	002004 006100 107107 121503 904999	RF

MISSING ITEM NUMBERS NOT APPLICABLE

- ITEM NOT ILLUSTRATED

BRI

49-31-09-01

BOEING PROPRIETARY - Copyright © - Unpublished Work - See title page for details.

49-31-09  
FIG. 01  
PAGE 4  
JAN 20/09



757

PARTS CATALOG (MAINTENANCE)

FIG ITEM	PART NUMBER	1 2 3 4 5 6 7	NOMENCLATURE	EFFECT FROM TO	UNITS PER ASSY
1	3800298-1-5		ENGINE ASSY-GAS TURB GTCP331-200ER (FUEL MANIFOLD HOSES ONLY) SUPPLIER CODE: V99193 SPECIFICATION NUMBER: S351T020-204 CONFIG CHG DATA FROM A CMM: REPLACES 3800298-1-4 COMPONENT MAINT MANUAL REF: 49-22-11 QUALIFIED I/W DATA: 3800298-1-5/S351T020-204 AND 3800298-1-6/S351T020-205 ARE INTERCHANGEABLE WITH THE INCORPORATION OF ALLIED SIGNAL S/B GTCP331-49-7081. S351T020-204 (3800298-1-5) AND S351T020-206(3800298-1-7 /3800298-1) ARE INTERCHANGEABLE WITH THE INCORPORATION OF ALLIED SIGNAL S/B GTCP331-49-7081. FOR NHA/ADDITIONAL DET SEE: 49-11-01-50	002004 006100 107107 121503 904999	RF
- 1	3800298-1-6		ENGINE ASSY-GAS TURB GTCP331-200ER (FUEL MANIFOLD HOSES ONLY) SUPPLIER CODE: V99193 SPECIFICATION NUMBER: S351T020-205 CONFIG CHG DATA FROM A CMM: REPLACES 3800298-1-5 COMPONENT MAINT MANUAL REF: 49-22-11 QUALIFIED I/W DATA: 3800298-1-5/S351T020-204 AND 3800298-1-6/S351T020-205 ARE INTERCHANGEABLE WITH THE INCORPORATION OF ALLIED SIGNAL S/B	002004 006999	RF

MISSING ITEM NUMBERS NOT APPLICABLE

- ITEM NOT ILLUSTRATED

49-31-09-01

49-31-09  
FIG. 01  
PAGE 5  
JAN 20/09

BRI



757

PARTS CATALOG (MAINTENANCE)

FIG ITEM	PART NUMBER	1 2 3 4 5 6 7 NOMENCLATURE	EFFECT FROM TO	UNITS PER ASSY
1		GTCP331-49-7081. S351T020-203 (3800298-1-4) AND S351T020-205 (3800298-1-6) ARE INTERCHANGEABLE WITH THE INCORPORATION OF ALLIED SIGNAL S/B GTCP331-49-7081. S351T020-202 (3800298-1-3) AND S351T020-205 (3800298-1-6) ARE INTERCHANGEABLE WITH THE INCORPORATION OF ALLIED SIGNAL S/B GTCP331-49-7081. S351T020-201 (3800298-1-2) AND S351T020-205 (3800298-1-6) ARE INTERCHANGEABLE WITH THE INCORPORATION OF ALLIED SIGNAL S/B GTCP331-49-7081. S351T020-200 (3800298-1-1) AND S351T020-205 (3800298-1-6) ARE INTERCHANGEABLE WITH THE INCORPORATION OF ALLIED SIGNAL S/B GTCP331-49-7081. FOR NHA/ADDITIONAL DET SEE: 49-11-01-50 49-21-00-02		
-	1 3800298-1-7	ENGINE ASSY-GAS TURB GTCP331-200ER (FUEL MANIFOLD HOSES ONLY) SUPPLIER CODE: V99193 SPECIFICATION NUMBER: S351T020-206 CONFIG CHG DATA FROM A CMM: REPLACES 3800298-1-6 COMPONENT MAINT MANUAL REF: 49-22-11 QUALIFIED I/W DATA:  MISSING ITEM NUMBERS NOT APPLICABLE	002004 006999	RF

- ITEM NOT ILLUSTRATED

49-31-09-01

49-31-09  
FIG. 01  
PAGE 6  
SEP 20/08

BRI



757

PARTS CATALOG (MAINTENANCE)

FIG ITEM	PART NUMBER	1 2 3 4 5 6 7 NOMENCLATURE	EFFECT FROM TO	UNITS PER ASSY
1		<p>3800298-1-5/S351T020-204 AND 3800298-1 3800298-1-7/S351T020-206 ARE INTERCHANGEABLE WITH THE INCORPORATION OF ALLIED SIGNAL S/B GTCP331-49-7081. S351T020-203 (3800298-1-4) AND S351T020-206(3800298-1-7 /3800298-1) ARE INTERCHANGEABLE WITH THE INCORPORATION OF ALLIED SIGNAL S/B GTCP331-49-7081. S351T020-202 (3800298-1-3) AND S351T020-206 (3800298-1-7/3800298-1) ARE INTERCHANGEABLE WITH THE INCORPORATION OF ALLIED SIGNAL S/B GTCP331-49-7081. S351T020-201 (3800298-1-2) AND S351T020-206 (3800298-1-7/3800298-1) ARE INTERCHANGEABLE WITH THE INCORPORATION OF ALLIED SIGNAL S/B GTCP331-49-7081. S351T020-200 (3800298-1-1) AND S351T020-206 (3800298-1-7/3800298-1) ARE INTERCHANGEABLE WITH THE INCORPORATION OF ALLIED SIGNAL S/B GTCP331-49-7081. OPTIONAL PART: 3800298-1 V99193 FOR NHA/ADDITIONAL DET SEE: 49-11-01-50 49-21-00-02</p>		
-	1 3800298-1	<p>ENGINE ASSY-GAS TURB GTCP331-200ER (FUEL MANIFOLD HOSES ONLY)</p>	002004 006999	RF

MISSING ITEM NUMBERS NOT APPLICABLE

- ITEM NOT ILLUSTRATED

49-31-09-01

BRI

BOEING PROPRIETARY - Copyright © - Unpublished Work - See title page for details.

49-31-09  
FIG. 01  
PAGE 7  
SEP 20/08



757

PARTS CATALOG (MAINTENANCE)

FIG ITEM	PART NUMBER	1 2 3 4 5 6 7 NOMENCLATURE	EFFECT FROM TO	UNITS PER ASSY
1		<p>SUPPLIER CODE: V99193</p> <p>SPECIFICATION NUMBER: S351T020-206</p> <p>COMPONENT MAINT MANUAL REF: 49-22-11</p> <p>QUALIFIED I/W DATA: 3800298-1-5/S351T020-204 AND 3800298-1-7/S351T020-206 /380029-1</p> <p>ARE INTERCHANGEABLE WITH THE INCORPORATION OF ALLIED SIGNAL S/B GTCP331-49-7081. S351T020-203 (3800298-1-4) AND S351T020-206(3800298-1-7 /3800298-1) ARE INTERCHANGEABLE WITH THE INCORPORATION OF ALLIED SIGNAL S/B GTCP331-49-7081. S351T020-202 (3800298-1-3) AND S351T020-206 (3800298-1-7/3800298-1) ARE INTERCHANGEABLE WITH THE INCORPORATION OF ALLIED SIGNAL S/B GTCP331-49-7081. S351T020-201 (3800298-1-2) AND S351T020-206 (3800298-1-7/3800298-1) ARE INTERCHANGEABLE WITH THE INCORPORATION OF ALLIED SIGNAL S/B GTCP331-49-7081. S351T020-200 (3800298-1-1) AND S351T020-206 (3800298-1-7/3800298-1) ARE INTERCHANGEABLE WITH THE INCORPORATION OF ALLIED SIGNAL S/B GTCP331-49-7081.</p> <p>OPTIONAL PART: 3800298-1-7</p>		

MISSING ITEM NUMBERS NOT APPLICABLE

— ITEM NOT ILLUSTRATED

49-31-09-01

49-31-09  
FIG. 01  
PAGE 8  
SEP 20/08

BRI



757

PARTS CATALOG (MAINTENANCE)

FIG ITEM	PART NUMBER	1 2 3 4 5 6 7	NOMENCLATURE	EFFECT FROM TO	UNITS PER ASSY
1			V99193 FOR NHA/ADDITIONAL DET SEE: 49-11-01-50 49-21-00-02		
5	3882432-1		.HOSE-FUEL MANIFOLD PRIMARY SUPPLIER CODE: V99193	002004 006999	1
10	MS21902J4		.UNION- SB DATA FROM A CMM: POST SB 49-5634 CONFIG CHG DATA FROM A CMM: REPLACES MS21902D4 USED ON: 3800298-1-1 3800298-1-2 3800298-1-3 3800298-1-4 3800298-1-5 3800298-1-6	002004 006999	2
15	M25988-2-904		.PACKING- OPTIONAL PART: S9412-554 V99193	002004 006999	2
15	S9412-554		.PACKING- SUPPLIER CODE: V99193 OPTIONAL PART: M25988-2-904	002004 006999	2
75	3882433-1		.HOSE-FUEL MANIFOLD SECONDARY SUPPLIER CODE: V99193	002004 006999	1
905			ILLUSTRATION REFERENCE: ENGINE ASSY-GAS TURB (FUEL MANIFOLDS AND NOZZLES ONLY) 49-31-06-01	002004 006999	RF
910			ILLUSTRATION REFERENCE: ENGINE ASSY-GAS TURB (FUEL MANIFOLDS AND NOZZLES ONLY) 49-31-06-01	002004 006999	RF

MISSING ITEM NUMBERS NOT APPLICABLE

- ITEM NOT ILLUSTRATED

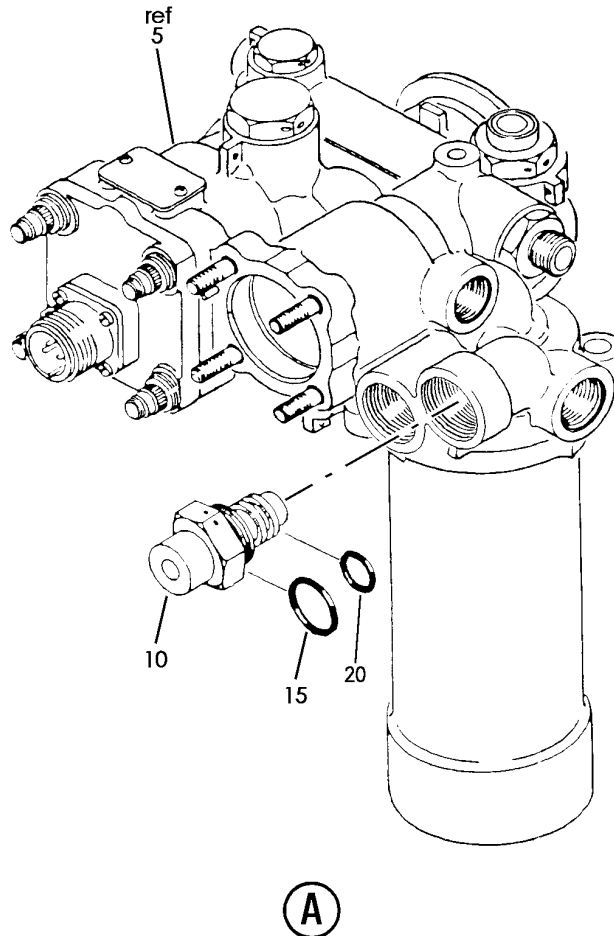
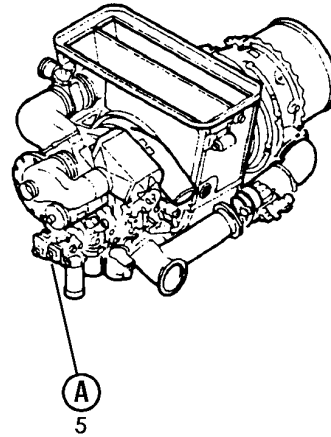
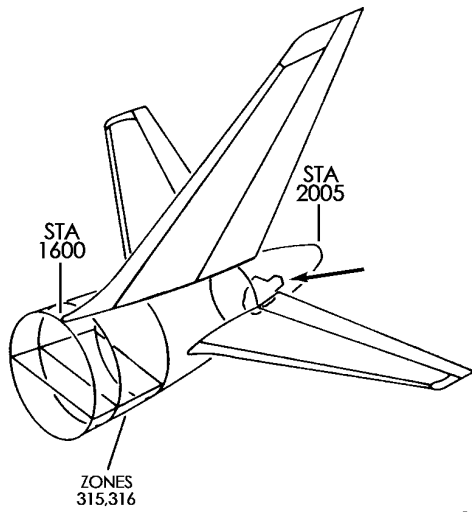
49-31-09-01

49-31-09  
FIG. 01  
PAGE 9  
SEP 20/08

BRI



**BOEING**  
757  
PARTS CATALOG (MAINTENANCE)



Y 49311001 REV 251

ENGINE ASSY-AUX PWR SYS (FUEL FILTER DIFFERENTIAL PRESSURE INDICATOR ONLY)  
FIGURE 1

BRI  
MAY 28/07

**49-31-10-01**

49-31-10-01  
PAGE 0



757

PARTS CATALOG (MAINTENANCE)

FIG ITEM	PART NUMBER	1 2 3 4 5 6 7	NOMENCLATURE	EFFECT FROM TO	UNITS PER ASSY
1			ENGINE ASSY-AUX PWR SYS (FUEL FILTER DIFFERENTIAL PRESSURE INDICATOR ONLY)	002004 006999	
- 1	3800298-1-2		ENGINE ASSY-GAS TURB GTCP331-200ER (FUEL FILTER DIFFERENTIAL PRESSURE INDICATOR) SUPPLIER CODE: V99193 SPECIFICATION NUMBER: S351T020-201 CONFIG CHG DATA FROM A CMM: REPLACES 3800298-1-1 COMPONENT MAINT MANUAL REF: 49-22-11 QUALIFIED I/W DATA: S351T020-201 (3800298-1-2) AND S351T020-205 (3800298-1-6) ARE INTERCHANGEABLE WITH THE INCORPORATION OF ALLIED SIGNAL S/B GTCP331-49-7081. S351T020-201 (3800298-1-2) AND S351T020-206 (3800298-1-7/3800298-1) ARE INTERCHANGEABLE WITH THE INCORPORATION OF ALLIED SIGNAL S/B GTCP331-49-7081. FOR NHA/ADDITIONAL DET SEE: 49-11-01-50	002004 006100 107107 121503 904999	RF

MISSING ITEM NUMBERS NOT APPLICABLE

- ITEM NOT ILLUSTRATED

BRI

49-31-10-01

BOEING PROPRIETARY - Copyright © - Unpublished Work - See title page for details.

49-31-10  
FIG. 01  
PAGE 1  
JAN 20/09



757

PARTS CATALOG (MAINTENANCE)

FIG ITEM	PART NUMBER	1 2 3 4 5 6 7	NOMENCLATURE	EFFECT FROM TO	UNITS PER ASSY
1 - 1	3800298-1-1		ENGINE ASSY-GAS TURB GTCP331-200R (FUEL FILTER DIFFERENTIAL PRESSURE INDICATOR) SUPPLIER CODE: V99193 SPECIFICATION NUMBER: S351T020-200 COMPONENT MAINT MANUAL REF: 49-22-11 QUALIFIED I/W DATA: S351T020-200 (3800298-1-1) AND S351T020-205 (3800298-1-6) ARE INTERCHANGEABLE WITH THE INCORPORATION OF ALLIED SIGNAL S/B GTCP331-49-7081. S351T020-200 (3800298-1-1) AND S351T020-206 (3800298-1-7/3800298-1) ARE INTERCHANGEABLE WITH THE INCORPORATION OF ALLIED SIGNAL S/B GTCP331-49-7081. FOR NHA/ADDITIONAL DET SEE: 49-11-01-50	002004 006100 107107 121503 904999	RF

MISSING ITEM NUMBERS NOT APPLICABLE

- ITEM NOT ILLUSTRATED

BRI

# 49-31-10-01

BOEING PROPRIETARY - Copyright © - Unpublished Work - See title page for details.

49-31-10  
FIG. 01  
PAGE 2  
JAN 20/09



757

PARTS CATALOG (MAINTENANCE)

FIG ITEM	PART NUMBER	1 2 3 4 5 6 7	NOMENCLATURE	EFFECT FROM TO	UNITS PER ASSY
1 - 1	3800298-1-3		ENGINE ASSY-GAS TURB GTCP331-200ER (FUEL FILTER DIFFERENTIAL PRESSURE INDICATOR) SUPPLIER CODE: V99193 SPECIFICATION NUMBER: S351T020-202 CONFIG CHG DATA FROM A CMM: REPLACES 3800298-1-2 COMPONENT MAINT MANUAL REF: 49-22-11 QUALIFIED I/W DATA: S351T020-202 (3800298-1-3) AND S351T020-205 (3800298-1-6) ARE INTERCHANGEABLE WITH THE INCORPORATION OF ALLIED SIGNAL S/B GTCP331-49-7081. S351T020-202 (3800298-1-3) AND S351T020-206 (3800298-1-7/3800298-1) ARE INTERCHANGEABLE WITH THE INCORPORATION OF ALLIED SIGNAL S/B GTCP331-49-7081. FOR NHA/OTHER SYS DET SEE: 49-11-01-50	002004 006100 107107 121503 904999	RF

MISSING ITEM NUMBERS NOT APPLICABLE

- ITEM NOT ILLUSTRATED

BRI

49-31-10-01

BOEING PROPRIETARY - Copyright © - Unpublished Work - See title page for details.

49-31-10  
FIG. 01  
PAGE 3  
JAN 20/09



757

PARTS CATALOG (MAINTENANCE)

FIG ITEM	PART NUMBER	1 2 3 4 5 6 7	NOMENCLATURE	EFFECT FROM TO	UNITS PER ASSY
1 - 1	3800298-1-4		ENGINE ASSY-GAS TURB GTCP331-200ER (FUEL FILTER DIFFERENTIAL PRESSURE INDICATOR) SUPPLIER CODE: V99193 SPECIFICATION NUMBER: S351T020-203 CONFIG CHG DATA FROM A CMM: REPLACES 3800298-1-3 COMPONENT MAINT MANUAL REF: 49-22-11 QUALIFIED I/W DATA: 3800298-1-4/S351T020-203 AND 3800298-1-6/S351T020-205 ARE INTERCHANGEABLE WITH THE INCORPORATION OF ALLIED SIGNAL S/B GTCP331-49-7081. S351T020-203 (3800298-1-4) AND S351T020-206(3800298-1-7 /3800298-1) ARE INTERCHANGEABLE WITH THE INCORPORATION OF ALLIED SIGNAL S/B GTCP331-49-7081. FOR NHA/ADDITIONAL DET SEE: 49-11-01-50	002004 006100 107107 121503 904999	RF

MISSING ITEM NUMBERS NOT APPLICABLE

- ITEM NOT ILLUSTRATED

BRI

49-31-10-01

BOEING PROPRIETARY - Copyright © - Unpublished Work - See title page for details.

49-31-10  
FIG. 01  
PAGE 4  
JAN 20/09



757

PARTS CATALOG (MAINTENANCE)

FIG ITEM	PART NUMBER	1 2 3 4 5 6 7	NOMENCLATURE	EFFECT FROM TO	UNITS PER ASSY
1 -	1 3800298-1-5		ENGINE ASSY-GAS TURB GTCP331-200ER (FUEL FILTER DIFFERENTIAL PRESSURE INDICATOR) SUPPLIER CODE: V99193 SPECIFICATION NUMBER: S351T020-204 CONFIG CHG DATA FROM A CMM: REPLACES 3800298-1-4 COMPONENT MAINT MANUAL REF: 49-22-11 QUALIFIED I/W DATA: S351T020-204 (3800298-1-5) AND S351T020-206(3800298-1-7 /3800298-1) ARE INTERCHANGEABLE WITH THE INCORPORATION OF ALLIED SIGNAL S/B GTCP331-49-7081. S351T020-204 (3800298-1-5) AND S351T020-205(3800298-1-6 ARE INTERCHANGEABLE WITH THE INCORPORATION OF ALLIED SIGNAL S/B GTCP331-49-7081 FOR NHA/ADDITIONAL DET SEE: 49-11-01-50	002004 006100 107107 121503 904999	RF
-	1 3800298-1-6		ENGINE ASSY-GAS TURB GTCP331-200ER (FUEL FILTER DIFFERENTIAL PRESSURE INDICATOR) SUPPLIER CODE: V99193 SPECIFICATION NUMBER: S351T020-205 CONFIG CHG DATA FROM A CMM: REPLACES 3800298-1-5 COMPONENT MAINT MANUAL REF: 49-22-11 QUALIFIED I/W DATA: S351T020-203 (3800298-1-4) AND S351T020-205 (3800298-1-6) ARE INTERCHANGEABLE WITH THE INCORPORATION OF ALLIED	002004 006999	RF

MISSING ITEM NUMBERS NOT APPLICABLE

- ITEM NOT ILLUSTRATED

49-31-10-01

49-31-10  
FIG. 01  
PAGE 5  
JAN 20/09

BRI



757

PARTS CATALOG (MAINTENANCE)

FIG ITEM	PART NUMBER	1 2 3 4 5 6 7 NOMENCLATURE	EFFECT FROM TO	UNITS PER ASSY
1		SIGNAL S/B GTCP331-49-7081. S351T020-204 (3800298-1-5) AND S351T020-205 (3800298-1-6) ARE INTERCHANGEABLE WITH THE INCORPORATION OF ALLIED SIGNAL S/B GTCP331-49-7081 S351T020-202 (3800298-1-3) AND S351T020-205 (3800298-1-6) ARE INTERCHANGEABLE WITH THE INCORPORATION OF ALLIED SIGNAL S/B GTCP331-49-7081. S351T020-201 (3800298-1-2) AND S351T020-205 (3800298-1-6) ARE INTERCHANGEABLE WITH THE INCORPORATION OF ALLIED SIGNAL S/B GTCP331-49-7081. S351T020-200 (3800298-1-1) AND S351T020-205 (3800298-1-6) ARE INTERCHANGEABLE WITH THE INCORPORATION OF ALLIED SIGNAL S/B GTCP331-49-7081. FOR NHA/ADDITIONAL DET SEE: 49-11-01-50 49-21-00-02		
-	1 3800298-1-7	ENGINE ASSY-GAS TURB GTCP331-200ER (FUEL FILTER DIFFERENTIAL PRESSURE INDICATOR) SUPPLIER CODE: V99193 SPECIFICATION NUMBER: S351T020-206 CONFIG CHG DATA FROM A CMM: REPLACES 3800298-1-6 COMPONENT MAINT MANUAL REF: 49-22-11  MISSING ITEM NUMBERS NOT APPLICABLE	002004 006999	RF

- ITEM NOT ILLUSTRATED

49-31-10-01

BRI

BOEING PROPRIETARY - Copyright © - Unpublished Work - See title page for details.

49-31-10  
FIG. 01  
PAGE 6  
SEP 20/08



757

PARTS CATALOG (MAINTENANCE)

FIG ITEM	PART NUMBER	1 2 3 4 5 6 7 NOMENCLATURE	EFFECT FROM TO	UNITS PER ASSY
1		QUALIFIED I/W DATA: S351T020-203 (3800298-1-4) AND S351T020-206(3800298-1-7 /3800298-1) ARE INTERCHANGEABLE WITH THE INCORPORATION OF ALLIED SIGNAL S/B GTCP331-49-7081. S351T020-204 (3800298-1-5) AND S351T020-206(3800298-1-7 /3800298-1) ARE INTERCHANGEABLE WITH THE INCORPORATION OF ALLIED SIGNAL S/B GTCP331-49-7081. S351T020-202 (3800298-1-3) AND S351T020-206 (3800298-1-7/3800298-1) ARE INTERCHANGEABLE WITH THE INCORPORATION OF ALLIED SIGNAL S/B GTCP331-49-7081. S351T020-201 (3800298-1-2) AND S351T020-206 (3800298-1-7/3800298-1) ARE INTERCHANGEABLE WITH THE INCORPORATION OF ALLIED SIGNAL S/B GTCP331-49-7081. S351T020-200 (3800298-1-1) AND S351T020-206 (3800298-1-7/3800298-1) ARE INTERCHANGEABLE WITH THE INCORPORATION OF ALLIED SIGNAL S/B GTCP331-49-7081. OPTIONAL PART: 3800298-1 V99193 FOR NHA/ADDITIONAL DET SEE: 49-11-01-50 49-21-00-02		
-	1 3800298-1	ENGINE ASSY-GAS TURB GTCP331-200ER	002004 006999	RF

MISSING ITEM NUMBERS NOT APPLICABLE

- ITEM NOT ILLUSTRATED

49-31-10-01

49-31-10  
FIG. 01  
PAGE 7  
SEP 20/08

BRI





757

PARTS CATALOG (MAINTENANCE)

FIG ITEM	PART NUMBER	1 2 3 4 5 6 7 NOMENCLATURE	EFFECT FROM TO	UNITS PER ASSY
1		<p>SUPPLIER CODE: V99193</p> <p>SPECIFICATION NUMBER: S351T020-206</p> <p>COMPONENT MAINT MANUAL REF: 49-22-11</p> <p>QUALIFIED I/W DATA: S351T020-203 (3800298-1-4) AND S351T020-206(3800298-1-7 /3800298-1) ARE INTERCHANGEABLE WITH THE INCORPORATION OF ALLIED SIGNAL S/B GTCP331-49-7081. S351T020-204 (3800298-1-5) AND S351T020-206(3800298-1-7 /3800298-1) ARE INTERCHANGEABLE WITH THE INCORPORATION OF ALLIED SIGNAL S/B GTCP331-49-7081. S351T020-202 (3800298-1-3) AND S351T020-206 (3800298-1-7/3800298-1) ARE INTERCHANGEABLE WITH THE INCORPORATION OF ALLIED SIGNAL S/B GTCP331-49-7081. S351T020-201 (3800298-1-2) AND S351T020-206 (3800298-1-7/3800298-1) ARE INTERCHANGEABLE WITH THE INCORPORATION OF ALLIED SIGNAL S/B GTCP331-49-7081. S351T020-200 (3800298-1-1) AND S351T020-206 (3800298-1-7/3800298-1) ARE INTERCHANGEABLE WITH THE INCORPORATION OF ALLIED SIGNAL S/B GTCP331-49-7081.</p> <p>OPTIONAL PART: 3800298-1-7</p>		

MISSING ITEM NUMBERS NOT APPLICABLE

- ITEM NOT ILLUSTRATED

49-31-10-01

49-31-10  
FIG. 01  
PAGE 8  
SEP 20/08

BRI



757

PARTS CATALOG (MAINTENANCE)

FIG ITEM	PART NUMBER	1 2 3 4 5 6 7	NOMENCLATURE	EFFECT FROM TO	UNITS PER ASSY
1			V99193 FOR NHA/ADDITIONAL DET SEE: 49-11-01-50 49-21-00-02		
5	3882500-6		.CONTROL ASSY-FUEL SUPPLIER CODE: V99193 NOT APPROVED FOR ETOPS. NOT APPROVED FOR ETOPS AFTER INCORP OF SB: GTCP331495888 SB DATA FROM A CMM: PRE 49-5386 PRE 49-5387 CONFIG CHG DATA FROM A CMM: REPLACES 3882500-5 COMPONENT MAINT MANUAL REF: 49-31-61	002004 006999	RF
5	3882500-10		.CONTROL ASSY-FUEL SUPPLIER CODE: V99193 NOT APPROVED FOR ETOPS AFTER INCORP OF SB: GTCP331-49-5888,49-5895 GTCP331495569 SB DATA FROM A CMM: POST SB 49-5569 CONFIG CHG DATA FROM A CMM: REPLS 3882500-11 REPLD BY 3882500-12 COMPONENT MAINT MANUAL REF: 49-31-61 POST SERVICE BULLETIN: GTCP331-49-5569 V99193 GTCP331-49-5570 V99193	002004 006999	RF

MISSING ITEM NUMBERS NOT APPLICABLE

- ITEM NOT ILLUSTRATED

49-31-10-01

49-31-10  
FIG. 01  
PAGE 9  
SEP 20/08

BRI



757

PARTS CATALOG (MAINTENANCE)

FIG ITEM	PART NUMBER	1 2 3 4 5 6 7	NOMENCLATURE	EFFECT FROM TO	UNITS PER ASSY
1 5	3882500-9		.CONTROL ASSY-FUEL SUPPLIER CODE: V99193 NOT APPROVED FOR ETOPS AFTER INCORP OF SB: GTCP331-49-5888,49-5895 SB DATA FROM A CMM: PRE SB 49-5639 PRE SB 49-5640 COMPONENT MAINT MANUAL REF: 49-31-61 USED ON: 3800298-1-1 3800298-1-2 3800298-1-3 3800298-1-4 3800298-1-5 3800298-1-6	002004 006999	RF
5	3882500-12		.CONTROL ASSY-FUEL SUPPLIER CODE: V99193 NOT APPROVED FOR ETOPS. NOT APPROVED FOR ETOPS AFTER INCORP OF SB: GTCP331495888 GTCP331495569 SB DATA FROM A CMM: POST SB 49-5688 PRE SB 49-5888 CONFIG CHG DATA FROM A CMM: REPLS 3882500-10 REPLD BY 3882500-14 REWORKED FROM PART NO. 3882500-10/-11/-13 PER SB 49-5570 COMPONENT MAINT MANUAL REF: 49-31-61	002004 006999	RF

MISSING ITEM NUMBERS NOT APPLICABLE

- ITEM NOT ILLUSTRATED

BRI

49-31-10-01

BOEING PROPRIETARY - Copyright © - Unpublished Work - See title page for details.

49-31-10  
FIG. 01  
PAGE 10  
SEP 20/08



757

PARTS CATALOG (MAINTENANCE)

FIG ITEM	PART NUMBER	1 2 3 4 5 6 7	NOMENCLATURE	EFFECT FROM TO	UNITS PER ASSY
1	5 3882500-13		.CONTROL ASSY-FUEL SUPPLIER CODE: V99193 NOT APPROVED FOR ETOPS AFTER INCORP OF SB: GTCP331495888 GTCP331495569 SB DATA FROM A CMM: POST SB 49-5688 PRE SB 49-5888 CONFIG CHG DATA FROM A CMM: REPLS 3882500-11 REWORKED FROM P/N 3882500-11 REPLD BY 3882500-15 COMPONENT MAINT MANUAL REF: 49-31-61	002004 006999	RF
	5 3882500-14		.CONTROL ASSY-FUEL SUPPLIER CODE: V99193 SB DATA FROM A CMM: POST SB 49-5888 PRE SB 49-6778 PRE SB 49-7157 CONFIG CHG DATA FROM A CMM: REPLS 3882500-12 REPLD BY 3882500-16 REPLD BY 3882500-17 REWORKED FROM PART NO. 3882500-12/-13/-15 PER SB 49-4895 COMPONENT MAINT MANUAL REF: 49-31-61	002004 006999	RF
	5 3882500-15		.CONTROL ASSY-FUEL SUPPLIER CODE: V99193 NOT APPROVED FOR ETOPS AFTER INCORP OF SB: GTCP331485888 SB DATA FROM A CMM: POST SB 49-5888 CONFIG CHG DATA FROM A CMM: REPLS 3882500-13 REWORKED FROM PART NO. 3882500-13 COMPONENT MAINT MANUAL REF: 49-31-61	002004 006999	RF

MISSING ITEM NUMBERS NOT APPLICABLE

- ITEM NOT ILLUSTRATED

49-31-10-01

49-31-10  
FIG. 01  
PAGE 11  
SEP 20/08

BRI



757

PARTS CATALOG (MAINTENANCE)

FIG ITEM	PART NUMBER	1 2 3 4 5 6 7	NOMENCLATURE	EFFECT FROM TO	UNITS PER ASSY
1					
5	3882500-16	.	CONTROL ASSY-FUEL SUPPLIER CODE: V99193 SB DATA FROM A CMM: POST SB 49-6778 CONFIG CHG DATA FROM A CMM: REPLS 3882500-14 REPLD BY 3882500-17 REWORKED FROM PART NO. 3882500-14 COMPONENT MAINT MANUAL REF: 49-31-61	002004 006999	RF
5	3882500-17	.	CONTROL ASSY-FUEL SUPPLIER CODE: V99193 SB DATA FROM A CMM: POST SB 49-7156 CONFIG CHG DATA FROM A CMM: POST SB 49-7157 REPLS 3882500-14 REPLS 3882500-16 COMPONENT MAINT MANUAL REF: 49-31-61	002004 006999	RF
5	3882500-11	.	CONTROL ASSY-FUEL SUPPLIER CODE: V99193 NOT APPROVED FOR ETOPS AFTER INCORP OF SB: GTCP331495569 CONFIG CHG DATA FROM A CMM: REWORKED FROM PART NO. 3882500-6/-7/-8/-9 PER SB 49-5640 COMPONENT MAINT MANUAL REF: 49-31-61	002004 006999	RF
10	3882488-1	..	INDICATOR-PRESSURE DIFF SUPPLIER CODE: V99193	002004 006999	1
15	S9412-558	..	PACKING- SUPPLIER CODE: V99193 OPTIONAL PART: M25988-2-908 V81349	002004 006999	1
15	M25988-2-908	..	PACKING- OPTIONAL PART: S9412-558 V99193	002004 006999	1

MISSING ITEM NUMBERS NOT APPLICABLE

- ITEM NOT ILLUSTRATED

49-31-10-01

49-31-10  
FIG. 01  
PAGE 12  
SEP 20/08

BRI



757

PARTS CATALOG (MAINTENANCE)

FIG ITEM	PART NUMBER	1 2 3 4 5 6 7	NOMENCLATURE	EFFECT FROM TO	UNITS PER ASSY
1					
20	S9412-014		.. PACKING- SUPPLIER CODE: V99193	002004 006999	1
20	M25988-2-014		.. PACKING- OPTIONAL PART: S9412-014 V99193	002004 006999	1

MISSING ITEM NUMBERS NOT APPLICABLE

- ITEM NOT ILLUSTRATED

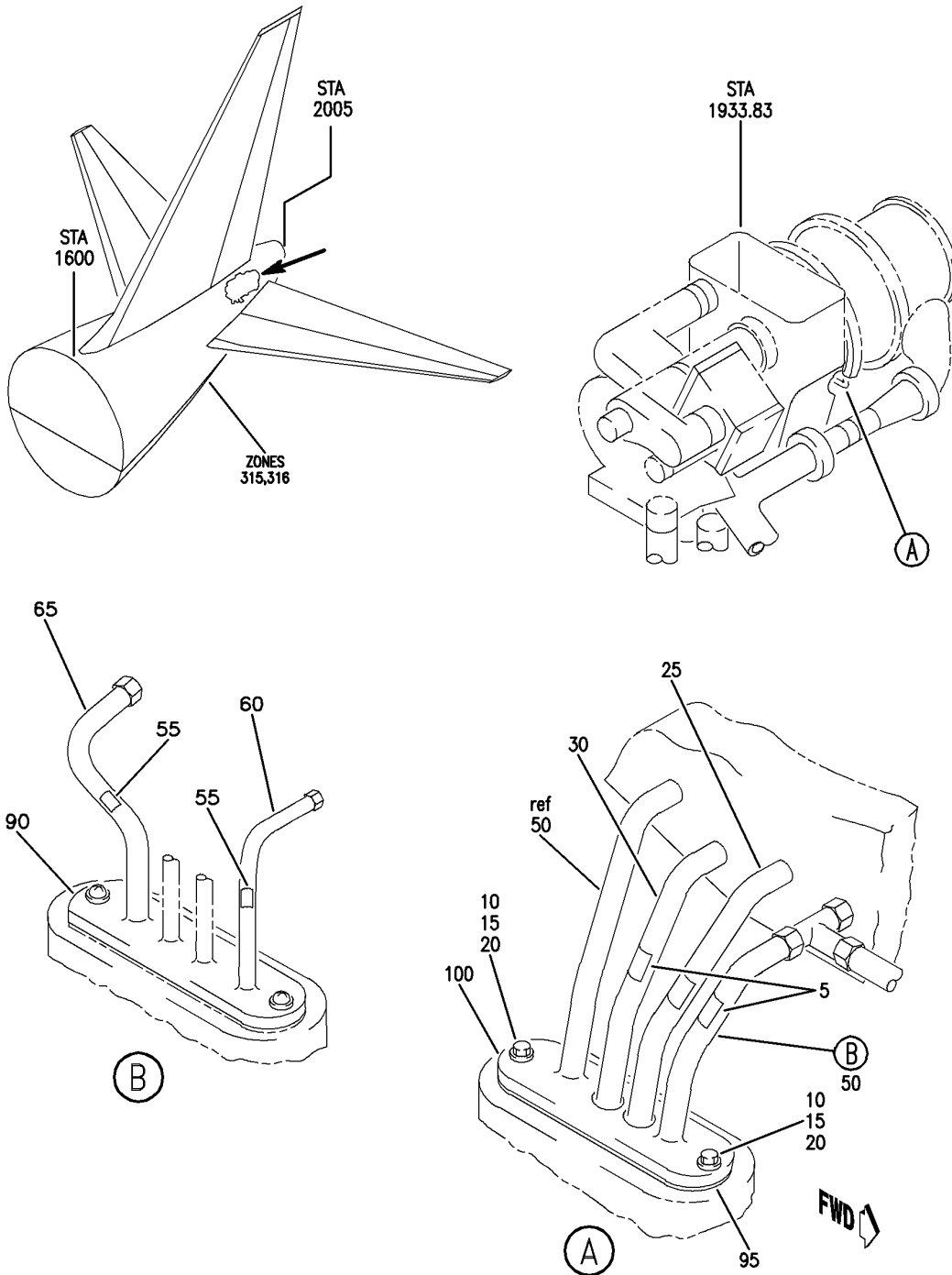
BRI

# 49-31-10-01

BOEING PROPRIETARY - Copyright © - Unpublished Work - See title page for details.

49-31-10  
FIG. 01  
PAGE 13  
SEP 20/08

**BOEING**  
757  
PARTS CATALOG (MAINTENANCE)



Y 49315105 REV 228

ACCESSORY INSTL-757 NO APU FUEL MANIFOLD DRAIN TANK  
FIGURE 5

**49-31-51-05**

BRI  
JAN 20/09

49-31-51-05  
PAGE 0



757

PARTS CATALOG (MAINTENANCE)

FIG ITEM	PART NUMBER	1 2 3 4 5 6 7	NOMENCLATURE	EFFECT FROM TO	UNITS PER ASSY
5			ACCESSORY INSTL-757 NO APU FUEL MANIFOLD DRAIN TANK	504903	
- 1	351T0350-15		ACCESSORY INSTL-757 NO APU FUEL MANIFOLD DRAIN TANK FOR NHA SEE: 49-00-00-01	504903	RF
5	BACT11SD2F		.MARKER	504903	AR
10	NAS1802-3-8		.SCREW- OPTIONAL PART: NAS1801-3-9	504903	2
10	NAS1801-3-9		.SCREW- OPTIONAL PART: NAS1802-3-8	504903	2
15	NAS1149C0332R		.WASHER	504903	2
20	BRH10C3D		.NUT- SUPPLIER CODE: V52828 SPECIFICATION NUMBER: BACN10JC3CD OPTIONAL PART: T6C1032JCD V11815 NS202486-02 V80539 102LH9075-3W V72962 H51650-3BAC V15653 MS21042L3	504903	2
20	MS21042L3		.NUT- OPTIONAL PART: BACN10JC3CD	504903	2
25	351N1101-4		.TUBE ASSY	504903	1
30	351N1101-5		.TUBE ASSY	504903	1
- 35	BACT11SD2F		..MARKER	504903	1
- 40	AP2097H06		..SLEEVE SUPPLIER CODE: V01673 SPECIFICATION NUMBER: BACS13BX06H OPTIONAL PART: 2-02903-06H V11328 35235V06 V08199 AFP175V06 V30974 DBOS13BX06H V14798	504903	1

MISSING ITEM NUMBERS NOT APPLICABLE

- ITEM NOT ILLUSTRATED

49-31-51-05

49-31-51  
FIG. 05  
PAGE 1  
JAN 20/09

BRI





757

PARTS CATALOG (MAINTENANCE)

FIG ITEM	PART NUMBER	1 2 3 4 5 6 7	NOMENCLATURE	EFFECT FROM TO	UNITS PER ASSY
5					
- 45	MS21921-6S	..	NUT	504903	1
50	356N1010-16	.COVER	ASSY-	504903	1
50	356N1010-20	.COVER	ASSY-	504903	1
55	BACT11SD2F	..	MARKER-	504903	2
			USED ON: 356N1010-20		
60	356N1010-12	..	TUBE ASSY	504903	1
65	356N1010-17	..	TUBE ASSY	504903	1
- 70	AP2097H08	...	SLEEVE-	504903	1
			SUPPLIER CODE: V01673		
			SPECIFICATION NUMBER: BACS13BX08H		
			OPTIONAL PART: 2-02903-08H		
			V11328		
			35235V08		
			V08199		
			AFP175V08		
			V30974		
			DB0S13BX08H		
			V14798		
			USED ON: 356N1010-12		
- 75	BACN10YE8L	...	NUT-	504903	1
			OPTIONAL PART: MS21921-8S		
			USED ON: 356N1010-12		
- 75	MS21921-8S	...	NUT-	504903	1
			OPTIONAL PART: BACN10YE8L		
			USED ON: 356N1010-12		

MISSING ITEM NUMBERS NOT APPLICABLE

- ITEM NOT ILLUSTRATED

49-31-51-05

49-31-51  
FIG. 05  
PAGE 2  
JAN 20/09

BRI

BOEING PROPRIETARY - Copyright © - Unpublished Work - See title page for details.



757

PARTS CATALOG (MAINTENANCE)

FIG ITEM	PART NUMBER	1 2 3 4 5 6 7	NOMENCLATURE	EFFECT FROM TO	UNITS PER ASSY
5					
- 80	AP2097H06		... SLEEVE- SUPPLIER CODE: V01673 SPECIFICATION NUMBER: BACS13BX06H OPTIONAL PART: 2-02903-06H V11328 35235V06 V08199 AFP175V06 V30974 DBOS13BX06H V14798 USED ON: 356N1010-17	504903	1
- 80	MS21921-6S		... NUT- OPTIONAL PART: BACN10YE6L USED ON: 356N1010-17	504903	1
- 85	BACN10YE6L		... NUT- OPTIONAL PART: MS21921-6S USED ON: 356N1010-17	504903	1
90	356N1006-2		.. STIFFENER	504903	1
95	356N1002-2		. SEAL	504903	1
100	356N1006-2		. STIFFENER	504903	1

MISSING ITEM NUMBERS NOT APPLICABLE

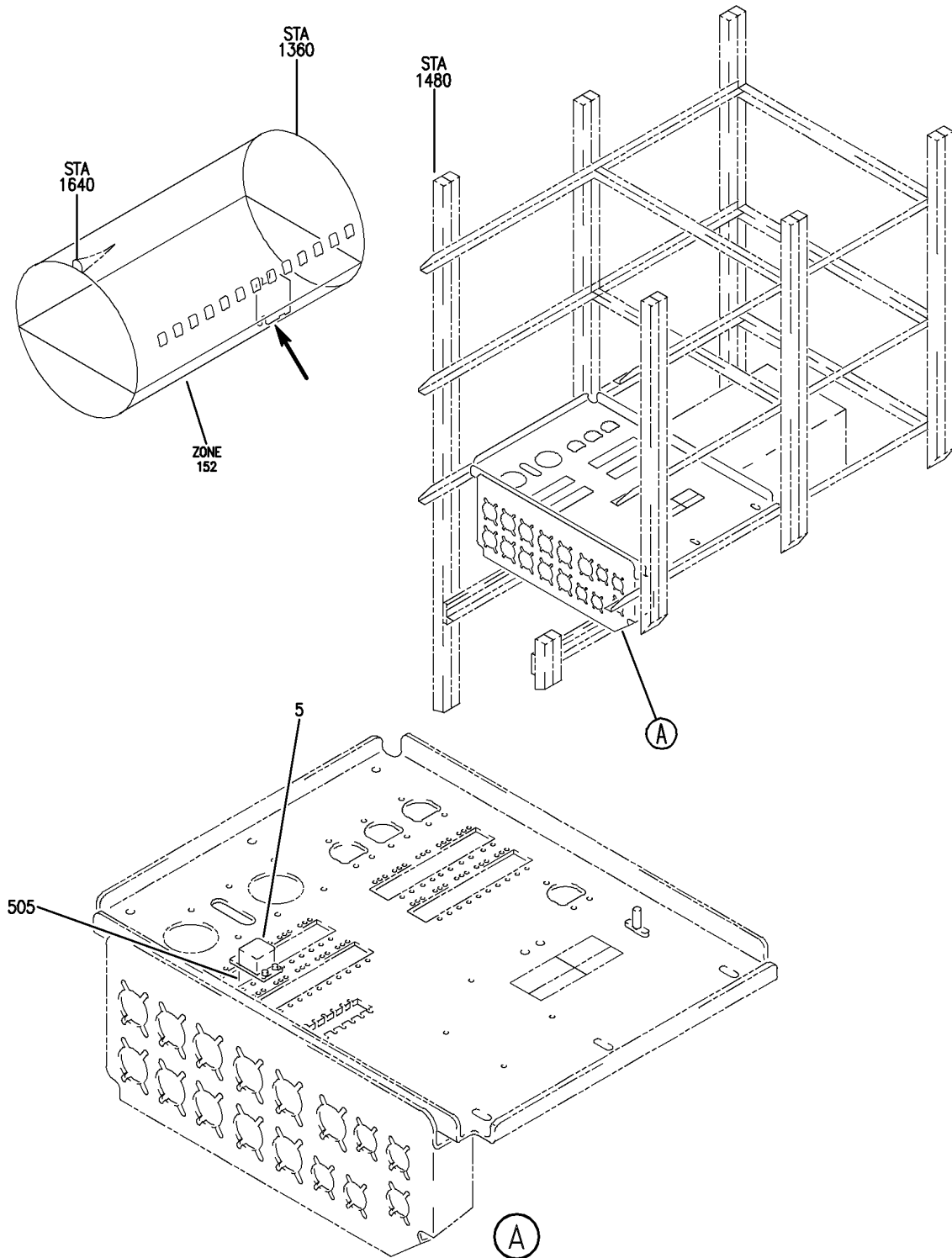
- ITEM NOT ILLUSTRATED

49-31-51-05

49-31-51  
FIG. 05  
PAGE 3  
JAN 20/09

BRI

**BOEING**  
757  
PARTS CATALOG (MAINTENANCE)



Y 49317101 REV 225

EQUIPMENT ASSY-E6 RELAY PNL AFT EQPT CTR (APU ENGINE FUEL SYSTEM ONLY)  
FIGURE 1

**49-31-71-01**

BRI  
JAN 20/09

49-31-71-01  
PAGE 0



757

PARTS CATALOG (MAINTENANCE)

FIG ITEM	PART NUMBER	1 2 3 4 5 6 7	NOMENCLATURE	EFFECT FROM TO	UNITS PER ASSY
1			EQUIPMENT ASSY-E6 RELAY PNL AFT EQPT CTR (APU ENGINE FUEL SYSTEM ONLY)	108120	
- 1	284N1554-123		EQUIPMENT ASSY-E6 RELAY PNL EQPT CTR (APU ENGINE FUEL SYSTEM ONLY)	108120	RF
5	E410-1537		.RELAY- SUPPLIER CODE: V99699 SPECIFICATION NUMBER: BACR13CG2A OPTIONAL PART: E415-1078 V99699 BR230S0116 V56623 KD4A017 V58687 FCA410-62 V78290 ELECTRICAL EQUIP NUMBER: K00175	108120	1
- 501	286N1024-306		WIRE BUNDLE ASSY	108120	RF
505	BACS16W1		.SOCKET- ELECTRICAL EQUIP NUMBER: D02378 WIRING DIAGRAM REF: 496111	108120	1

MISSING ITEM NUMBERS NOT APPLICABLE

- ITEM NOT ILLUSTRATED

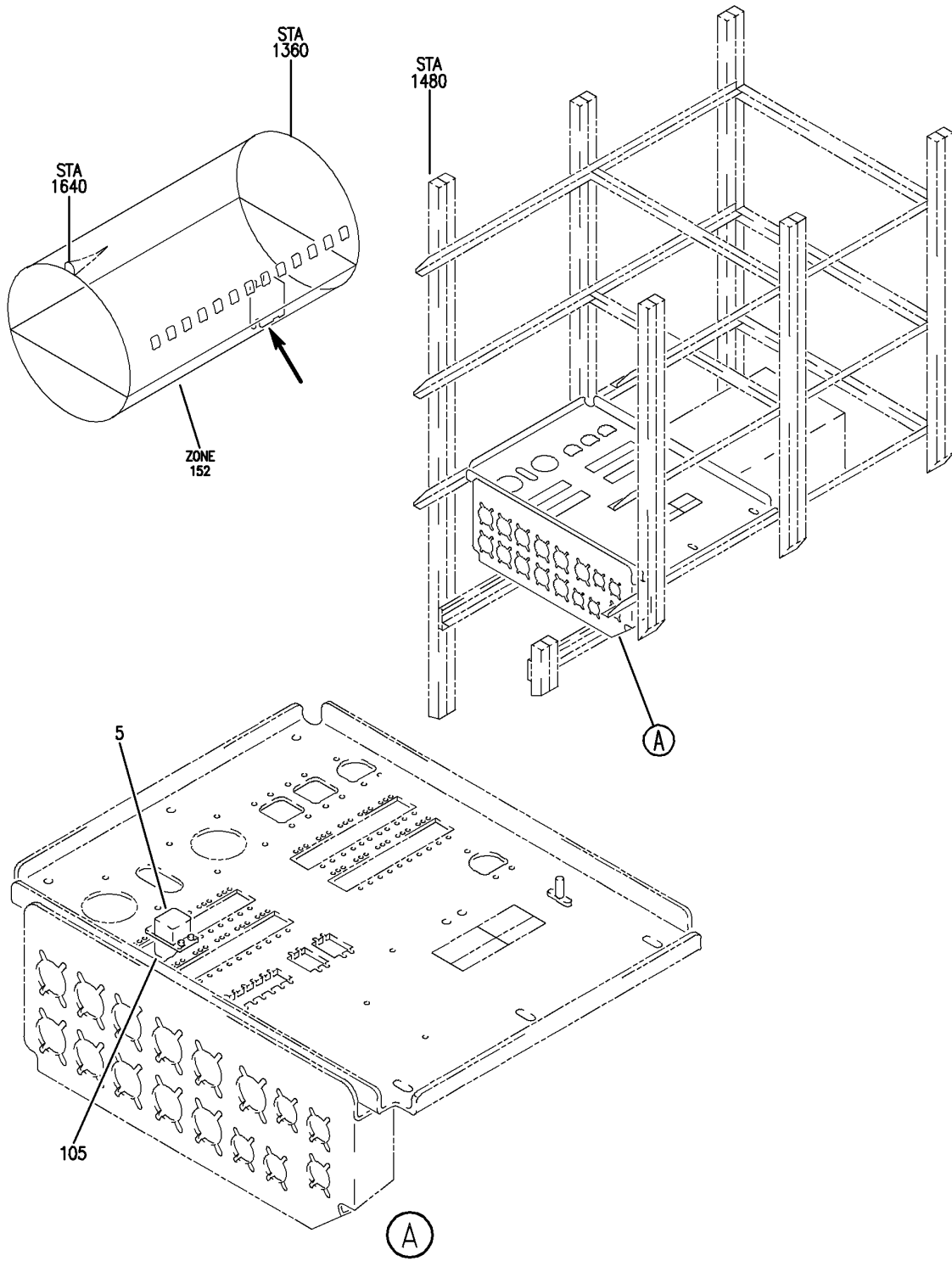
BRI

49-31-71-01

BOEING PROPRIETARY - Copyright © - Unpublished Work - See title page for details.

49-31-71  
FIG. 01  
PAGE 1  
JAN 20/09

**BOEING**  
757  
PARTS CATALOG (MAINTENANCE)



Y 49317102 REV 225

EQUIPMENT ASSY-E6 RELAY PNL AFT EQPT CTR (APU ENGINE FUEL SYSTEM ONLY)  
FIGURE 2

BRI  
JAN 20/09

**49-31-71-02**

49-31-71-02  
PAGE 0



757

PARTS CATALOG (MAINTENANCE)

FIG ITEM	PART NUMBER	1 2 3 4 5 6 7	NOMENCLATURE	EFFECT FROM TO	UNITS PER ASSY
2			EQUIPMENT ASSY-E6 RELAY PNL AFT EQPT CTR (APU ENGINE FUEL SYSTEM ONLY)	103106	
- 1	MODREF11091		EQUIPMENT ASSY-E6 RELAY PNL AFT EQPT CTR (APU ENGINE FUEL SYSTEM ONLY) MODULE NUMBER: 284N1554-308 REV A FOR OTHER SYS DETAILS SEE: 24-31-71-06 24-31-71-07 24-32-05-03 24-32-06-03 24-32-71-06 28-25-71-07 31-01-86-05 33-37-71-02 49-41-71-05 49-61-71-05 52-34-71-02	103106	1
5	E410-1537		.RELAY- SUPPLIER CODE: V99699 SPECIFICATION NUMBER: BACR13CG2A OPTIONAL PART: E415-1078 V99699 BR230S0116 V56623 KD4A017 V58687 FCA410-62 V78290 ELECTRICAL EQUIP NUMBER: K00175	103106	1
- 100	286N1024-602		WIRE BUNDLE ASSY	103106	RF
105	BACS16W1		.SOCKET- ELECTRICAL EQUIP NUMBER: D02378 WIRING DIAGRAM REF: 496111	103106	1

MISSING ITEM NUMBERS NOT APPLICABLE

- ITEM NOT ILLUSTRATED

BRI

49-31-71-02

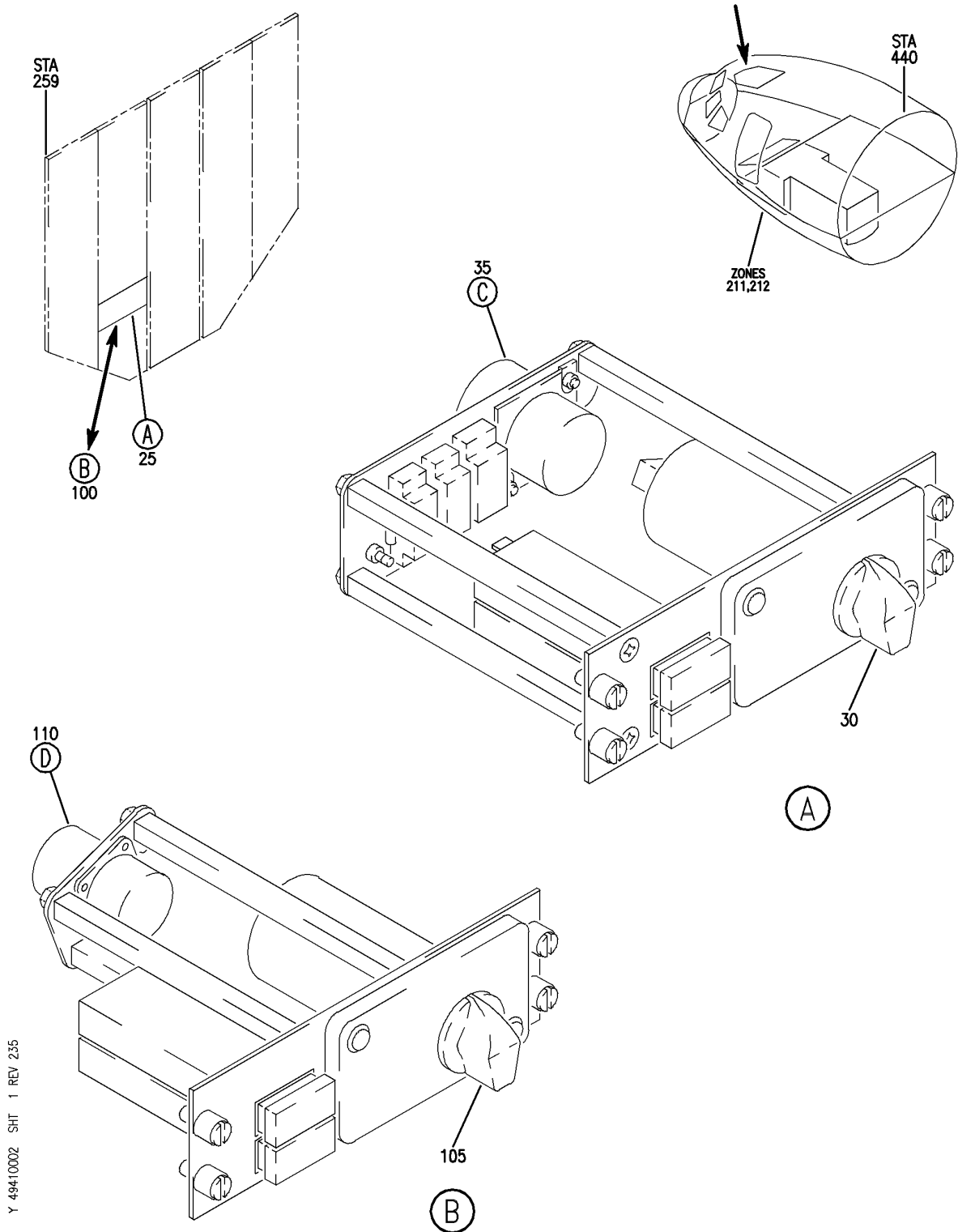
49-31-71  
FIG. 02  
PAGE 1  
JAN 20/09

## APU IGNITION / STARTING SYSTEM

BRI  
MAY 28/07

49-41-00  
SECTION TITLE  
PAGE 1

**BOEING**  
757  
PARTS CATALOG (MAINTENANCE)



Y 49410002 SHT 1 REV 235

PANEL INSTL-P5 OVHD (APU IGNITION/STARTING SYSTEM ONLY)  
FIGURE 2 (SHEET 1)

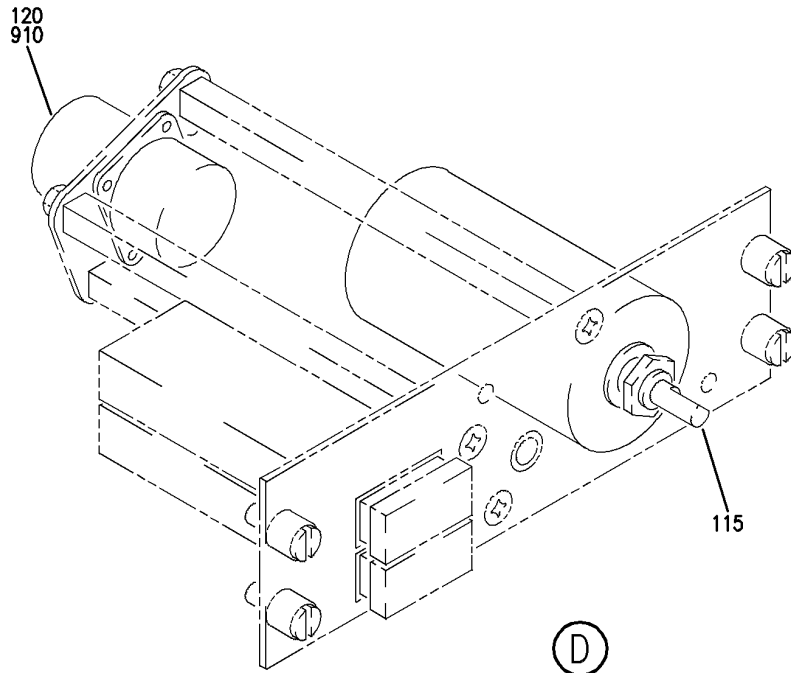
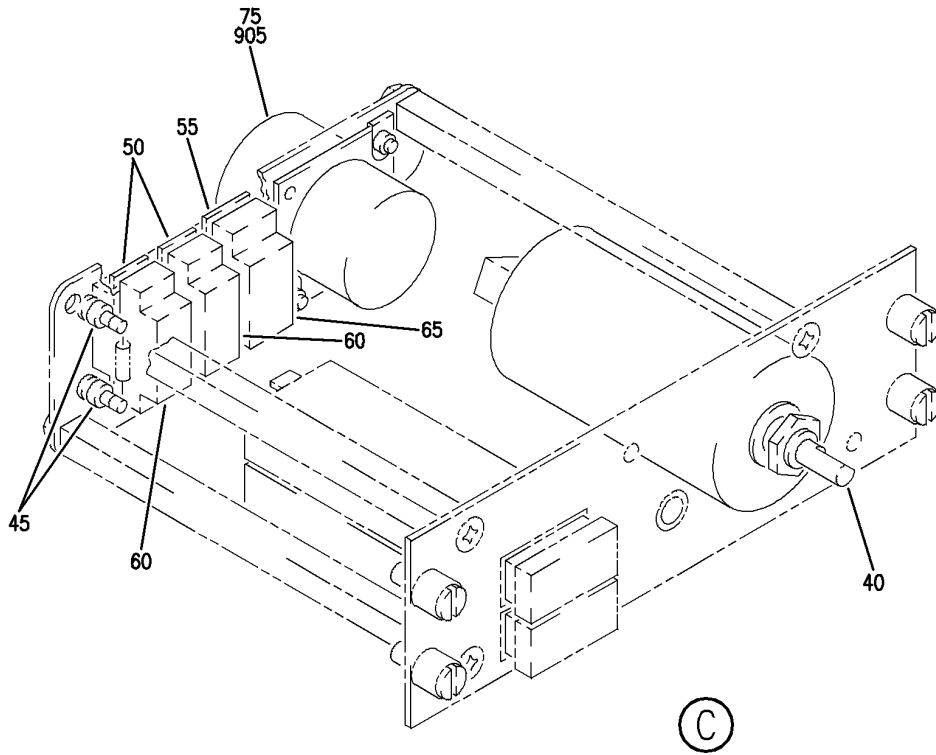
**49-41-00-02**

BRI  
MAY 28/07

49-41-00-02  
PAGE 0



**BOEING**  
757  
PARTS CATALOG (MAINTENANCE)



Y 49410002 SH1 2 REV 235

PANEL INSTL-P5 OVHD (APU IGNITION/STARTING SYSTEM ONLY)  
FIGURE 2 (SHEET 2)

**49-41-00-02**

BRI  
MAY 28/07

49-41-00-02  
PAGE 0A



757

PARTS CATALOG (MAINTENANCE)

FIG ITEM	PART NUMBER	1 2 3 4 5 6 7	NOMENCLATURE	EFFECT FROM TO	UNITS PER ASSY
2			PANEL INSTL-P5 OVHD (APU IGNITION/STARTING SYSTEM ONLY)	101106 108120 504903	
- 3	233N3103-59		PANEL INSTL-P5 OVHD (APU IGNITION/STARTING SYSTEM ONLY) FOR NHA/OTHER SYS DET SEE: 25-10-00-15E	108120	RF
- 5	233N3103-132		PANEL INSTL-P5 OVHD (APU IGNITION/STARTING SYSTEM ONLY) FOR NHA/OTHER SYS DET SEE: 25-10-00-15E	101102	RF
- 5	233N3103-136		PANEL INSTL-P5 OVHD (APU IGNITION/STARTING SYSTEM ONLY) FOR NHA/OTHER SYS DET SEE: 25-10-00-15E	504903	RF
- 8	MODREF33760		PANEL INSTL-P5 OVHD (APU IGNITION/STARTING SYSTEM ONLY) MODULE NUMBER: 233N3103-351 REV C FOR OTHER SYS DETAILS SEE: 11-31-10-12 21-25-55-03 21-31-01-02 21-33-51-03 21-51-54-03 21-58-19-10 21-58-51-03 21-61-04-03 21-65-51-01 22-21-01-04 22-24-51-02 23-24-01-01 23-32-00-11 23-42-02-02 23-71-05-02 24-11-52-05 24-22-01-03 24-31-01-10 24-31-03-09 24-33-04-01 24-41-51-04 24-51-62-01 26-18-51-04 27-21-53-02 27-41-55-01	103103	1

MISSING ITEM NUMBERS NOT APPLICABLE

- ITEM NOT ILLUSTRATED

49-41-00-02

49-41-00  
FIG. 02  
PAGE 1  
JAN 20/09

BRI



757

PARTS CATALOG (MAINTENANCE)

FIG ITEM	PART NUMBER	1 2 3 4 5 6 7	NOMENCLATURE	EFFECT FROM TO	UNITS PER ASSY
2			27-61-51-03 27-62-52-02 28-22-51-02 28-41-04-01 28-41-51-03 29-11-02-03 29-11-05-04 29-11-52-07 29-21-54-03 29-31-00-01 29-32-51-03 29-33-52-03 30-11-51-03 30-21-51-03 30-31-51-02 30-32-51-01 30-33-51-02 30-41-51-03 30-42-51-03 31-12-11-91 31-12-11-91 A 32-42-52-03 33-11-03-03 33-11-51-17 33-13-01-65 33-13-02-03 33-16-51-03 33-24-51-02 33-41-52-04 33-42-01-04 33-42-02-04 33-42-52-04 33-43-51-04 33-44-51-05 33-45-53-03 33-51-08-05 34-21-02-01 35-21-51-04 36-11-04-01 36-21-00-01 36-21-02-05 36-22-51-03 49-52-00-01 49-70-00-01 52-51-51-03 52-71-51-02 73-21-52-02 74-31-51-05 75-32-00-01		

MISSING ITEM NUMBERS NOT APPLICABLE

- ITEM NOT ILLUSTRATED

**49-41-00-02**

49-41-00  
FIG. 02  
PAGE 2  
JAN 20/09

BRI



757

PARTS CATALOG (MAINTENANCE)

FIG ITEM	PART NUMBER	1 2 3 4 5 6 7	NOMENCLATURE	EFFECT FROM TO	UNITS PER ASSY
2					
- 8	MODREF34038		80-11-09-02 PANEL INSTL-P5 OVHD (APU IGNITION/STARTING SYSTEM ONLY) MODULE NUMBER: 233N3103-351 REV D FOR OTHER SYS DETAILS SEE: 11-31-10-12 21-25-55-03 21-31-01-02 21-33-51-03 21-51-54-03 21-58-19-10 21-58-51-03 21-61-04-03 21-65-51-01 22-21-01-04 22-24-51-02 23-24-01-01 23-32-00-11 23-42-02-02 23-71-05-02 24-11-52-05 24-22-01-03 24-31-01-10 24-31-03-09 24-33-04-01 24-41-51-04 24-51-62-01 26-18-51-04 27-21-53-02 27-41-55-01 27-61-51-03 27-62-52-02 28-22-51-02 28-41-04-01 28-41-51-03 29-11-02-03 29-11-05-04 29-11-52-07 29-21-54-03 29-31-00-01 29-32-51-03 29-33-52-03 30-11-51-03 30-21-51-03 30-31-51-02 30-32-51-01 30-33-51-02	104105	1
MISSING ITEM NUMBERS NOT APPLICABLE					

- ITEM NOT ILLUSTRATED

**49-41-00-02**

49-41-00  
 FIG. 02  
 PAGE 3  
 JAN 20/09

BRI



757

PARTS CATALOG (MAINTENANCE)

FIG ITEM	PART NUMBER	1 2 3 4 5 6 7	NOMENCLATURE	EFFECT FROM TO	UNITS PER ASSY
2			30-41-51-03 30-42-51-03 31-12-11-91 31-12-11-91 A 32-42-52-03 33-11-03-03 33-11-51-17 33-13-01-65 33-13-02-03 33-16-51-03 33-24-51-02 33-41-52-04 33-42-01-04 33-42-02-04 33-42-52-04 33-43-51-04 33-44-51-05 33-45-53-03 33-51-08-05 34-21-02-01 35-21-51-04 36-11-04-01 36-21-00-01 36-21-02-05 36-22-51-03 49-52-00-01 49-70-00-01 52-51-51-03 52-71-51-02 73-21-52-02 74-31-51-05 75-32-00-01 80-11-09-02		
-	8 MODREF170180		PANEL INSTL-P5 OVHD (APU IGNITION/STARTING SYSTEM ONLY) MODULE NUMBER: 233N3103-353 REV B FOR OTHER SYS DETAILS SEE: 11-31-10-12 21-25-55-03 21-31-01-02 21-33-51-03 21-51-54-03 21-58-19-10 21-58-51-03 21-61-04-03 21-65-51-01 22-21-01-04	106106	1
MISSING ITEM NUMBERS NOT APPLICABLE					

- ITEM NOT ILLUSTRATED

**49-41-00-02**

49-41-00  
 FIG. 02  
 PAGE 4  
 JAN 20/09

BRI



757

PARTS CATALOG (MAINTENANCE)

FIG ITEM	PART NUMBER	1 2 3 4 5 6 7	NOMENCLATURE	EFFECT FROM TO	UNITS PER ASSY
2			22-24-51-02 23-24-01-01 23-32-00-11 23-42-02-02 23-71-05-02 24-11-52-05 24-22-01-03 24-31-01-10 24-31-03-09 24-33-04-01 24-41-51-04 24-51-62-01 26-18-51-04 27-21-53-02 27-41-55-01 27-61-51-03 27-62-52-02 28-22-51-02 28-41-04-01 28-41-51-03 29-11-02-03 29-11-05-04 29-11-52-07 29-21-54-03 29-31-00-01 29-32-51-03 29-33-52-03 30-11-51-03 30-21-51-03 30-31-51-02 30-32-51-01 30-33-51-02 30-41-51-03 30-42-51-03 31-12-11-84 31-12-11-84 A 32-42-52-03 33-11-03-03 33-11-51-17 33-13-01-65 33-13-02-03 33-16-51-03 33-24-51-02 33-41-52-04 33-42-01-04 33-42-02-04 33-42-52-04 33-43-51-04 33-44-51-05		

MISSING ITEM NUMBERS NOT APPLICABLE

- ITEM NOT ILLUSTRATED

BRI

49-41-00-02

BOEING PROPRIETARY - Copyright © - Unpublished Work - See title page for details.

49-41-00  
FIG. 02  
PAGE 5  
JAN 20/09



757

PARTS CATALOG (MAINTENANCE)

FIG ITEM	PART NUMBER	1 2 3 4 5 6 7	NOMENCLATURE	EFFECT FROM TO	UNITS PER ASSY
2			33-45-53-03 33-51-08-05 34-21-02-01 35-21-51-04 36-11-04-01 36-21-00-01 36-21-02-05 36-22-51-03 49-52-00-01 49-70-00-01 52-51-51-03 52-71-51-02 73-21-52-02 74-31-51-05 75-32-00-01 80-11-09-02		
25	233T3232-300		.PANEL ASSY-APU START SUPPLIER CODE: V89954 ELECTRICAL EQUIP NUMBER: M00001	101102 504903	RF
25	233T3232-302		.PANEL ASSY-APU START SUPPLIER CODE: V89954 ELECTRICAL EQUIP NUMBER: M00001 COMPONENT MAINT MANUAL REF: 49-61-52	101106 504903	RF
25	233T3232-305		.PANEL ASSY-APU START SUPPLIER CODE: V89954 ELECTRICAL EQUIP NUMBER: M00001 COMPONENT MAINT MANUAL REF: 49-61-52	101106 504903	RF
30	BP248-127		..KNOB- SUPPLIER CODE: V81590	101106 504903	1
35	233T3232-12		..PANEL ASSY- SUPPLIER CODE: V89954 COMPONENT MAINT MANUAL REF: 49-61-52 USED ON: 233T3232-300	101102 504903	1

MISSING ITEM NUMBERS NOT APPLICABLE

- ITEM NOT ILLUSTRATED

49-41-00-02

49-41-00  
FIG. 02  
PAGE 6  
JAN 20/09

BRI



757

PARTS CATALOG (MAINTENANCE)

FIG ITEM	PART NUMBER	1 2 3 4 5 6 7	NOMENCLATURE	EFFECT FROM TO	UNITS PER ASSY
2					
35	233T3232-15	..	PANEL ASSY- SUPPLIER CODE: V89954 COMPONENT MAINT MANUAL REF: 49-61-52 USED ON: 233T3232-302	101106 504903	1
35	233T3232-23	..	PANEL ASSY- SUPPLIER CODE: V89954 COMPONENT MAINT MANUAL REF: 49-61-52 USED ON: 233T3232-305	101106 504903	1
40	AC45-0003-3	...	SWITCH-ROTARY SUPPLIER CODE: V91812 OPTIONAL PART: AC45-0003-4 V91812 USED ON: 233T3232-12	101102 504903	1
40	AC45-0003-4	...	SWITCH-ROTARY SUPPLIER CODE: V91812 OPTIONAL PART: AC45-0003-3 V91812 USED ON: 233T3232-12 233T3232-15	101106 504903	1
40	3600-5929	...	SWITCH-ROTARY SUPPLIER CODE: V31946 USED ON: 233T3232-21 233T3232-23	101106 504903	1
45	4443B9	...	TERMINAL- SUPPLIER CODE: V88245 USED ON: 233T3232-12 233T3232-21	101102 504903	2

MISSING ITEM NUMBERS NOT APPLICABLE

- ITEM NOT ILLUSTRATED

49-41-00-02

49-41-00  
FIG. 02  
PAGE 7  
JAN 20/09

BRI

BOEING PROPRIETARY - Copyright © - Unpublished Work - See title page for details.





757

PARTS CATALOG (MAINTENANCE)

FIG ITEM	PART NUMBER	1 2 3 4 5 6 7	NOMENCLATURE	EFFECT FROM TO	UNITS PER ASSY
2					
45	BCREF127088	...	TERMINAL- SUPPLIER CODE: V18310 OVERLENGTH PART NUMBER: 1175-432-0320119 USED ON: 233T3232-15 233T3232-23	101106 504903	2
50	W260F4AM11	...	RELAY SUPPLIER CODE: VF0219 SPECIFICATION NUMBER: BACR13CD2 OPTIONAL PART: BR16S233 V09026 EE4AA005 V35344 3SAV1338A2 V01526 HFW1206K03 V58614 HFW1204K01 V71482	101106 504903	2
55	TDH1798-1000	...	RELAY- SUPPLIER CODE: V58657	101106 504903	1
60	RSE120026	...	SOCKET- SUPPLIER CODE: V58982 SPECIFICATION NUMBER: BACS16AG1 OPTIONAL PART: 451120-026 V58982 HRTS17KM V91663	101106 504903	2
60	HRTS17KM	...	SOCKET-RELAY SUPPLIER CODE: V91663 OPTIONAL PART: BACS16AG1 USED ON: 233T3232-12 233T3232-21	101102 504903	2

MISSING ITEM NUMBERS NOT APPLICABLE

- ITEM NOT ILLUSTRATED

49-41-00-02

49-41-00  
FIG. 02  
PAGE 8  
JAN 20/09

BRI



757

PARTS CATALOG (MAINTENANCE)

FIG ITEM	PART NUMBER	1 2 3 4 5 6 7	NOMENCLATURE	EFFECT FROM TO	UNITS PER ASSY
2	60 HRTS17KJV2		... SOCKET-RELAY SUPPLIER CODE: V91663 USED ON: 233T3232-12 233T3232-21	101102 504903	2
	65 S0-1064-007		... SOCKET- SUPPLIER CODE: V35344	101106 504903	1
-	70 M39029-22-192		... CONTACT- OPTIONAL PART: CTSS20-20 V11139 316-2020-192 V55104	101106 504903	3
-	70 316-2020-192		... CONTACT- SUPPLIER CODE: V55104 OPTIONAL PART: CTSS20-20 V11139 M39029-22-192 USED ON: 233T3232-12 233T3232-21	101102 504903	3
-	70 CTSS20-20		... CONTACT- SUPPLIER CODE: V11139 SPECIFICATION NUMBER: 280-30001-31 OPTIONAL PART: 316-2020-192 V55104 M39029-22-192 USED ON: 233T3232-12 233T3232-21	101102 504903	3
	75 BACC45FN18-31P6		... CONNECTOR	101106 504903	1
-	80 NAS1801-04-5		ATTACHING PARTS ... SCREW- USED ON: 233T3232-12 233T3232-15 233T3232-21	101106 504903	2
-	80 BACS12HN04-5		... SCREW- USED ON: 233T3232-23	101106 504903	2

MISSING ITEM NUMBERS NOT APPLICABLE

- ITEM NOT ILLUSTRATED

49-41-00-02

49-41-00  
FIG. 02  
PAGE 9  
JAN 20/09

BRI



757

PARTS CATALOG (MAINTENANCE)

FIG ITEM	PART NUMBER	1 2 3 4 5 6 7	NOMENCLATURE	EFFECT FROM TO	UNITS PER ASSY
2 - 85	K19798-04		...NUT SUPPLIER CODE: V15653 SPECIFICATION NUMBER: BACN10NW1 OPTIONAL PART: RMA4812-160-40 V72962 293162 V60119 -----*-----	101106 504903	2
100	233N3222-300		.PANEL ASSY-APU START SUPPLIER CODE: V89954 ELECTRICAL EQUIP NUMBER: M10324 QUALIFIED I/W DATA: THE 233N3222-300 PANEL ASSY IS I/W THE 233N3222-8 PANEL ASSY T/W THE S233T100-6025 LIGHTPLATE AND BP248-127 KNOB.	108120	RF
105	BP248-127		..KNOB- SUPPLIER CODE: V81590	108120	1
110	233N3222-8		..PANEL ASSY-APU START SUPPLIER CODE: V89954 COMPONENT MAINT MANUAL REF: 49-61-53 QUALIFIED I/W DATA: THE 233N3222-300 PANEL ASSY IS I/W THE 233N3222-8 PANEL ASSY T/W THE S233T100-6025 LIGHTPLATE AND BP248-127 KNOB.	108120	1
115	AC45-0003-2		...SWITCH-ROTARY SUPPLIER CODE: V91812 OPTIONAL PART: AC45-0003-3 V91812	108120	1

MISSING ITEM NUMBERS NOT APPLICABLE

- ITEM NOT ILLUSTRATED

49-41-00-02

49-41-00  
FIG. 02  
PAGE 10  
JAN 20/09

BRI

 **BOEING**  
757  
**PARTS CATALOG (MAINTENANCE)**

FIG ITEM	PART NUMBER	1 2 3 4 5 6 7	NOMENCLATURE	EFFECT FROM TO	UNITS PER ASSY
2					
115	AC45-0003-3	...	SWITCH-ROTARY SUPPLIER CODE: V91812 OPTIONAL PART: AC45-0003-2 V91812	108120	1
120	BACC45FN12-12P8	...	CONNECTOR ATTACHING PARTS	108120	1
- 125	BACS12CB04-5	...	SCREW	108120	3
- 130	K19798-04	...	NUT SUPPLIER CODE: V15653 SPECIFICATION NUMBER: BACN10NW1 OPTIONAL PART: RMA4812-160-40 V72962 293162 V60119	108120	3
			-----*-----		
- 900	286N2080-301		WIRE BUNDLE ASSY	108120	RF
- 900	286N2080-303		WIRE BUNDLE ASSY	101102	RF
- 900	286N2080-311		WIRE BUNDLE ASSY	504903	RF
- 900	286N2080-701		WIRE BUNDLE ASSY	103106	RF
905	BACC45FT18D31S6	.	CONNECTOR- ELECTRICAL EQUIP NUMBER: D03576 WIRING DIAGRAM REF: 496111 496112	101106 504903	1
910	BACC45FT12D12S8	.	CONNECTOR- ELECTRICAL EQUIP NUMBER: D03576 WIRING DIAGRAM REF: 496111	108120	1

MISSING ITEM NUMBERS NOT APPLICABLE

- ITEM NOT ILLUSTRATED

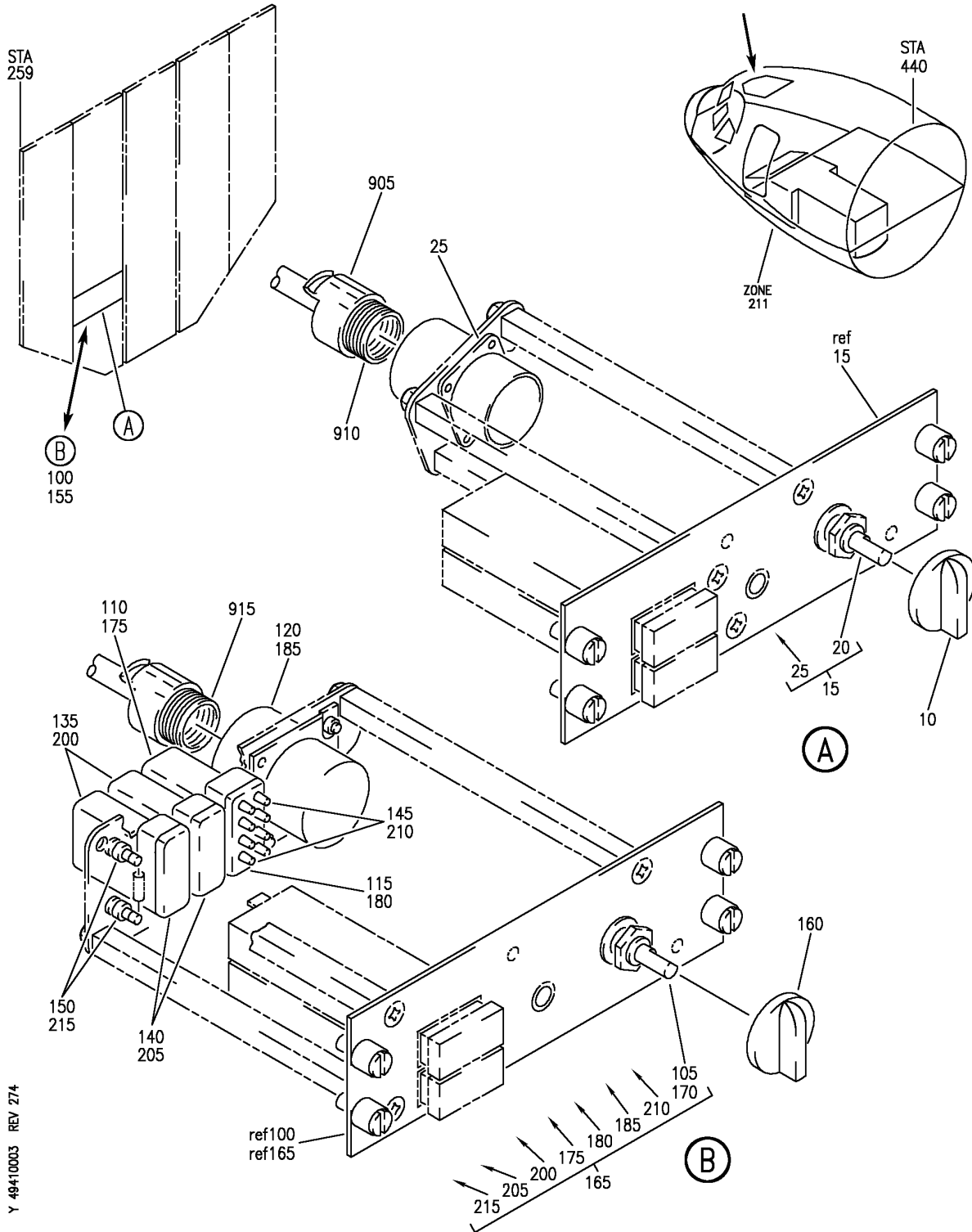
BRI

# 49-41-00-02

BOEING PROPRIETARY - Copyright © - Unpublished Work - See title page for details.

49-41-00  
FIG. 02  
PAGE 11  
JAN 20/09

**BOEING**  
757  
**PARTS CATALOG (MAINTENANCE)**



Y 49410003 REV 274

PANEL INSTL-P5 OVHD (APU IGNITION/STARTING SYSTEM ONLY)  
FIGURE 3

**49-41-00-03**

BRI  
MAY 28/07

49-41-00-03  
PAGE 0



757

PARTS CATALOG (MAINTENANCE)

FIG ITEM	PART NUMBER	1 2 3 4 5 6 7	NOMENCLATURE	EFFECT FROM TO	UNITS PER ASSY
3			PANEL INSTL-P5 OVHD (APU IGNITION/STARTING SYSTEM ONLY)	002004 006010 107107 121503 904999	
- 5	233N3101-1		PANEL INSTL-P5 OVHD (APU IGNITION/STARTING SYSTEM ONLY) VARIABLE DRAWING REF: 233N3101-5005 233N3101-5025 233N3101-5041 233N3101-5042 233N3101-5045 FOR NHA/OTHER SYS DET SEE: 25-10-00-05A	002004 006010 107107 121503 904999	RF
10	BP248-110		.KNOB- SUPPLIER CODE: V81590 SPECIFICATION NUMBER: 452-016-9001	002004 006010 107107 121503 904999	1
10	BP248-127		.KNOB- SUPPLIER CODE: V81590	002004 006010 107107 121503 904999	1
15	233N3222-8		.PANEL ASSY-APU SUPPLIER CODE: V89954 ELECTRICAL EQUIP NUMBER: M10324 COMPONENT MAINT MANUAL REF: 49-61-53 QUALIFIED I/W DATA: THE 233N3222-300 PANEL ASSY IS I/W THE 233N3222-8 PANEL ASSY T/W THE S233T100-6025 LIGHTPLATE AND BP248-127 KNOB.	107107 121503 904949	RF
20	AC45-0003-2		..SWITCH-ROTARY SUPPLIER CODE: V91812 OPTIONAL PART: AC45-0003-3 V91812	107107 121503 904949	1

MISSING ITEM NUMBERS NOT APPLICABLE

- ITEM NOT ILLUSTRATED

49-41-00-03

49-41-00  
FIG. 03  
PAGE 1  
JAN 20/09

BRI



757

PARTS CATALOG (MAINTENANCE)

FIG ITEM	PART NUMBER	1 2 3 4 5 6 7	NOMENCLATURE	EFFECT FROM TO	UNITS PER ASSY
3	20 AC45-0003-3		.. SWITCH-ROTARY SUPPLIER CODE: V91812 OPTIONAL PART: AC45-0003-2 V91812	107107 121503 904949	1
	25 BACC45FN12-12P8		.. CONNECTOR	107107 121503 904949	1
	ATTACHING PARTS				
-	30 BACS12CB04-5		.. SCREW	107107 121503 904949	3
-	35 K19798-04		.. NUT SUPPLIER CODE: V15653 SPECIFICATION NUMBER: BACN10NW1 OPTIONAL PART: RMA4812-160-40 V72962 293162 V60119	107107 121503 904949	3
	100 233T3232-9		-----*----- .PANEL ASSY-APU START SUPPLIER CODE: V89954 ELECTRICAL EQUIP NUMBER: M00001 COMPONENT MAINT MANUAL REF: 49-61-52 OPTIONAL PART: 233T3232-12 V89954	002004 006010 950999	RF
	100 233T3232-12		.PANEL ASSY-APU START SUPPLIER CODE: V89954 ELECTRICAL EQUIP NUMBER: M00001 COMPONENT MAINT MANUAL REF: 49-61-52 OPTIONAL PART: 233T3232-9 V89954	002004 006010 950999	RF

MISSING ITEM NUMBERS NOT APPLICABLE

- ITEM NOT ILLUSTRATED

49-41-00-03

49-41-00  
FIG. 03  
PAGE 2  
JAN 20/09

BRI



757

PARTS CATALOG (MAINTENANCE)

FIG ITEM	PART NUMBER	1 2 3 4 5 6 7	NOMENCLATURE	EFFECT FROM TO	UNITS PER ASSY
R R R R R R R	3 105	AC45-0003-3	.. SWITCH-ROTARY SUPPLIER CODE: V91812 OPTIONAL PART: AC45-0003-4 V91812 USED ON: 233T3232-12	002004 006010 950999	1
	105	AC45-0003-4	.. SWITCH-ROTARY SUPPLIER CODE: V91812 OPTIONAL PART: AC45-0003-3 V91812	002004 006010 950999	1
	110	TDH1798-1000	.. RELAY-TIME DELAY SUPPLIER CODE: V58657	002004 006010 950999	1
	115	S0-1064-007	.. SOCKET- SUPPLIER CODE: V35344	002004 006010 950999	1
	120	BACC45FN18-31P6	.. CONNECTOR	002004 006010 950999	1
	- 125	NAS1801-04-5	ATTACHING PARTS .. SCREW	002004 006010 950999	2
	- 130	K19798-04	.. NUT SUPPLIER CODE: V15653 SPECIFICATION NUMBER: BACN10NW1 OPTIONAL PART: RMA4812-160-40 V72962 293162 V60119 -----*-----	002004 006010 950999	2

MISSING ITEM NUMBERS NOT APPLICABLE

- ITEM NOT ILLUSTRATED

49-41-00-03

49-41-00  
FIG. 03  
PAGE 3  
MAY 20/09

BRI





757

PARTS CATALOG (MAINTENANCE)

FIG ITEM	PART NUMBER	1 2 3 4 5 6 7	NOMENCLATURE	EFFECT FROM TO	UNITS PER ASSY
3					
135	W260F4AM11	..	RELAY SUPPLIER CODE: VF0219 SPECIFICATION NUMBER: BACR13CD2 OPTIONAL PART: BR16S233 V09026 EE4AA005 V35344 3SAV1338A2 V01526 HFW1206K03 V58614 HFW1204K01 V71482	002004 006010 950999	2
140	HRTS17KM	..	SOCKET-RELAY SUPPLIER CODE: V91663	002004 006010 950999	2
140	HRTS17KJV2	..	SOCKET-RELAY SUPPLIER CODE: V91663	002004 006010 950999	2
145	M39029-22-192	..	CONTACT- OPTIONAL PART: CTSS20-20 V11139 316-2020-192 V55104	002004 006010 950999	8
145	316-2020-192	..	CONTACT- SUPPLIER CODE: V55104 OPTIONAL PART: CTSS20-20 V11139 M39029-22-192	002004 006010 950999	8
145	CTSS20-20	..	CONTACT- SUPPLIER CODE: V11139 SPECIFICATION NUMBER: 280-30001-31 OPTIONAL PART: M39029-22-192 316-2020-192 V55104	002004 006010 950999	8
150	4443B9	..	TERMINAL- SUPPLIER CODE: V88245	002004 006010 950999	2
- 900	286N2080-003		WIRE BUNDLE ASSY	121503 904949	RF

MISSING ITEM NUMBERS NOT APPLICABLE

- ITEM NOT ILLUSTRATED

49-41-00-03

49-41-00  
FIG. 03  
PAGE 4  
JAN 20/09

BRI

BOEING PROPRIETARY - Copyright © - Unpublished Work - See title page for details.



757

PARTS CATALOG (MAINTENANCE)

FIG ITEM	PART NUMBER	1 2 3 4 5 6 7	NOMENCLATURE	EFFECT FROM TO	UNITS PER ASSY
3					
- 900	286N2080-004		WIRE BUNDLE ASSY	107107	RF
- 900	286N2080-005		WIRE BUNDLE ASSY	002004	RF
				006010	
				950999	
910	BACC45FT12A12S8		.CONNECTOR-	107107	1
			ELECTRICAL EQUIP NUMBER:	121503	
			D03576	904949	
			WIRING DIAGRAM REF:		
			496111		
915	BACC45FT18A31S6		.CONNECTOR-	002004	1
			ELECTRICAL EQUIP NUMBER:	006010	
			D03576	950999	
			WIRING DIAGRAM REF:		
			496111		

MISSING ITEM NUMBERS NOT APPLICABLE

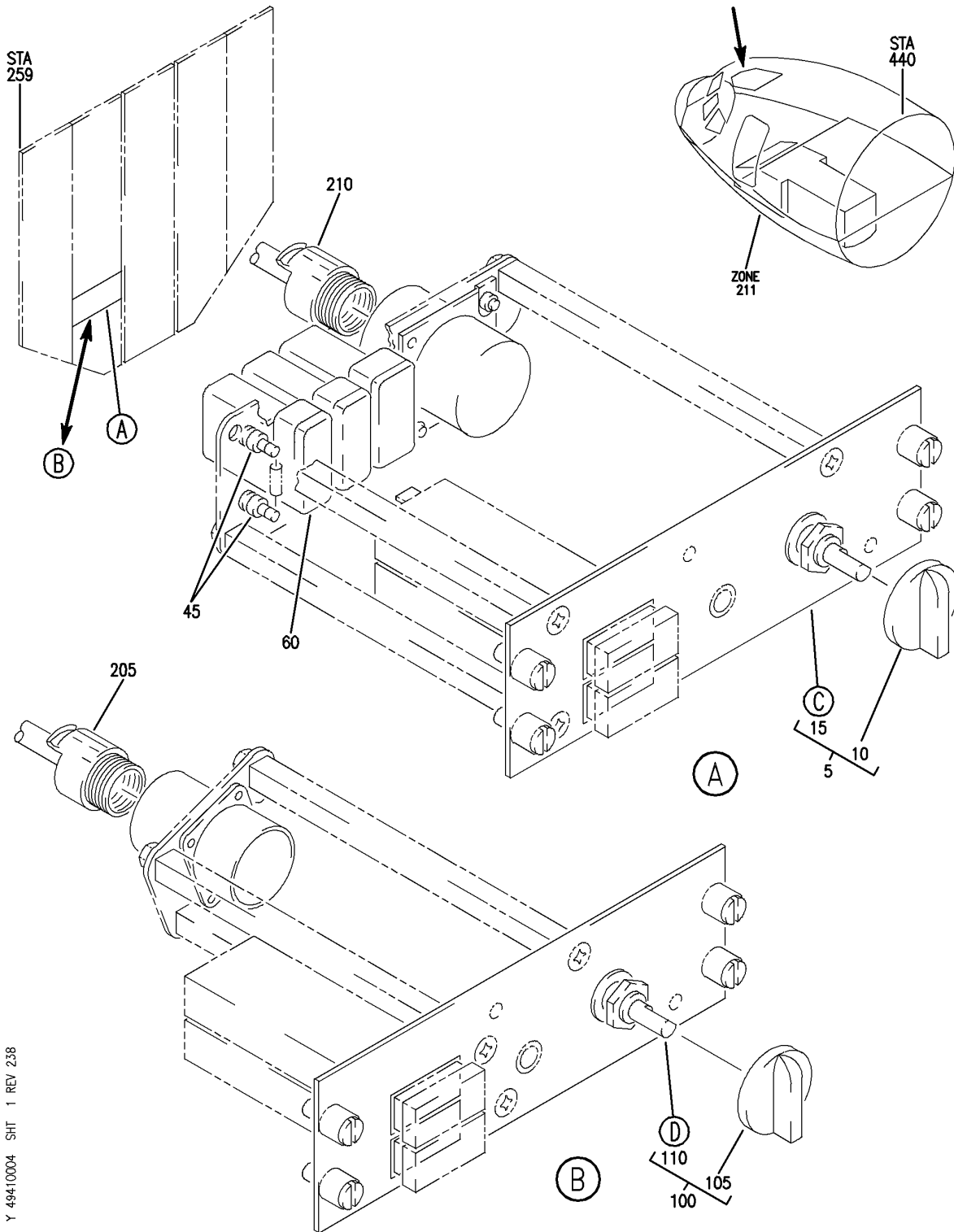
- ITEM NOT ILLUSTRATED

49-41-00-03

49-41-00  
FIG. 03  
PAGE 5  
JAN 20/09

BRI

**BOEING**  
757  
PARTS CATALOG (MAINTENANCE)



Y 49410004 SHT 1 REV 238

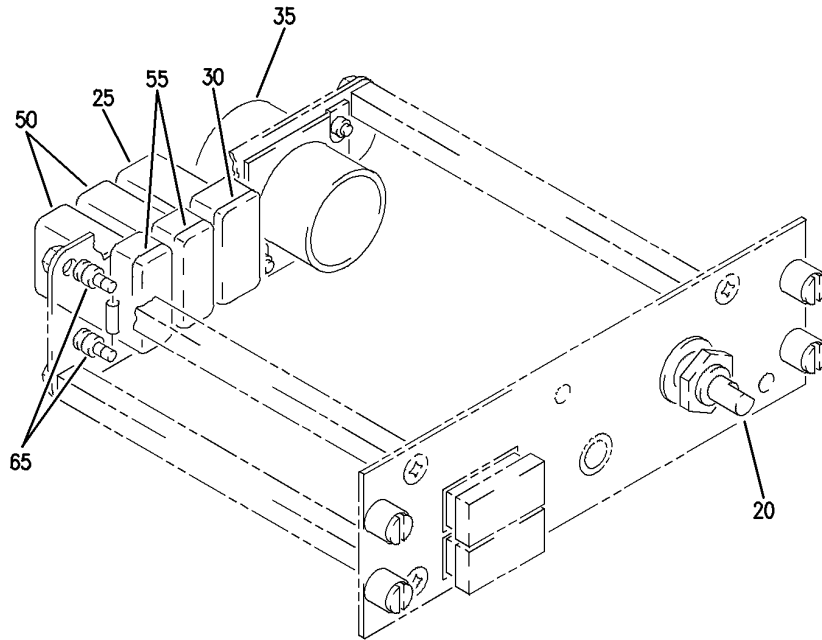
PANEL INSTL-P5 OVHD (APU IGNITION/STARTING SYSTEM ONLY)  
FIGURE 4 (SHEET 1)

**49-41-00-04**

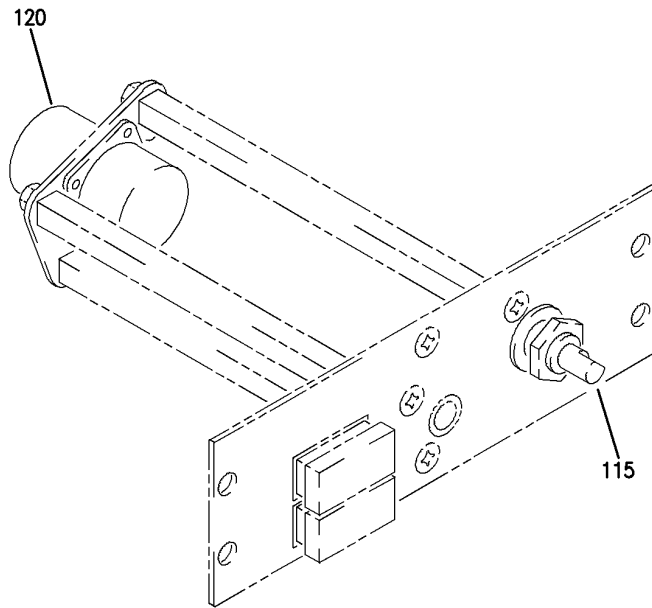
BRI  
MAY 28/07

49-41-00-04  
PAGE 0

**BOEING**  
757  
PARTS CATALOG (MAINTENANCE)



(C)



(D)

Y 49410004 SHT 2 REV 238

PANEL INSTL-P5 OVHD (APU IGNITION/STARTING SYSTEM ONLY)  
FIGURE 4 (SHEET 2)

**49-41-00-04**

BRI  
MAY 28/07

49-41-00-04  
PAGE 0A

BOEING PROPRIETARY - Copyright © - Unpublished Work - See title page for details.

**PARTS CATALOG (MAINTENANCE)**

FIG ITEM	PART NUMBER	1 2 3 4 5 6 7	NOMENCLATURE	EFFECT FROM TO	UNITS PER ASSY
4			PANEL INSTL-P5 OVHD (APU IGNITION/STARTING SYSTEM ONLY)	011100	
- 1	233N3101-1		PANEL INSTL-P5 OVHD (APU IGNITION/STARTING SYSTEM ONLY) VARIABLE DRAWING REF: 233N3101-5142 FOR NHA/OTHER SYS DET SEE: 25-10-00-05A	011100	RF
5	233T3232-300		.PANEL ASSY-APU CONTROL SUPPLIER CODE: V89954 ELECTRICAL EQUIP NUMBER: M00001	011100	RF
5	233T3232-305		.PANEL ASSY-APU CONTROL SUPPLIER CODE: V89954 ELECTRICAL EQUIP NUMBER: M00001	011100	RF
10	BP248-127		..KNOB- SUPPLIER CODE: V81590	011100	1
15	233T3232-12		..PANEL ASSY-APU START SUPPLIER CODE: V89954 ELECTRICAL EQUIP NUMBER: M00001 COMPONENT MAINT MANUAL REF: 49-61-52 USED ON: 233T3232-300	011100	1
15	233T3232-23		..PANEL ASSY-APU START SUPPLIER CODE: V89954 ELECTRICAL EQUIP NUMBER: M00001 COMPONENT MAINT MANUAL REF: 49-61-52 USED ON: 233T3232-305	011100	1
20	AC45-0003-3		...SWITCH-ROTARY SUPPLIER CODE: V91812 OPTIONAL PART: AC45-0003-4 V91812 USED ON: 233T3232-12	011100	1

MISSING ITEM NUMBERS NOT APPLICABLE

- ITEM NOT ILLUSTRATED

# 49-41-00-04

49-41-00  
 FIG. 04  
 PAGE 1  
 MAY 20/09

BRI



757

PARTS CATALOG (MAINTENANCE)

FIG ITEM	PART NUMBER	1 2 3 4 5 6 7	NOMENCLATURE	EFFECT FROM TO	UNITS PER ASSY
R R R R R R R	4 20	AC45-0003-4	... SWITCH-ROTARY SUPPLIER CODE: V91812 OPTIONAL PART: AC45-0003-3 V91812 USED ON: 233T3232-12	011100	1
	25	TDH1798-1000	... RELAY-TIME DELAY SUPPLIER CODE: V58657	011100	1
	30	S0-1064-007	... SOCKET- SUPPLIER CODE: V35344	011100	1
	35	BACC45FN18-31P6	... CONNECTOR ATTACHING PARTS	011100	1
	- 40	NAS1801-04-5	... SCREW	011100	2
	- 45	K19798-04	... NUT SUPPLIER CODE: V15653 SPECIFICATION NUMBER: BACN10NW1 OPTIONAL PART: RMA4812-160-40 V72962 293162 V60119	011100	2
	50	W260F4AM11	-----*----- ... RELAY SUPPLIER CODE: VF0219 SPECIFICATION NUMBER: BACR13CD2 OPTIONAL PART: BR16S233 V09026 EE4AA005 V35344 3SAV1338A2 V01526 HFW1206K03 V58614 HFW1204K01 V71482	011100	2
55	HRTS17KM	... SOCKET-RELAY SUPPLIER CODE: V91663	011100	2	

MISSING ITEM NUMBERS NOT APPLICABLE

- ITEM NOT ILLUSTRATED

49-41-00-04

49-41-00  
FIG. 04  
PAGE 2  
MAY 20/09

BRI



757

PARTS CATALOG (MAINTENANCE)

FIG ITEM	PART NUMBER	1 2 3 4 5 6 7	NOMENCLATURE	EFFECT FROM TO	UNITS PER ASSY
4	55 HRTS17KJV2		... SOCKET-RELAY SUPPLIER CODE: V91663	011100	2
- 60	M39029-22-192		... CONTACT- OPTIONAL PART: CTSS20-20 V11139 316-2020-192 V55104	011100	8
- 60	316-2020-192		... CONTACT- SUPPLIER CODE: V55104 OPTIONAL PART: CTSS20-20 V11139 M39029-22-192	011100	8
- 60	CTSS20-20		... CONTACT- SUPPLIER CODE: V11139 SPECIFICATION NUMBER: 280-30001-31 OPTIONAL PART: M39029-22-192 316-2020-192 V55104	011100	8
65	4443B9		... TERMINAL- SUPPLIER CODE: V88245	011100	2
- 200	286N2080-005		WIRE BUNDLE ASSY	011100	RF
210	BACC45FT18D31S6		.CONNECTOR- ELECTRICAL EQUIP NUMBER: D03576 WIRING DIAGRAM REF: 496111	011100	1

MISSING ITEM NUMBERS NOT APPLICABLE

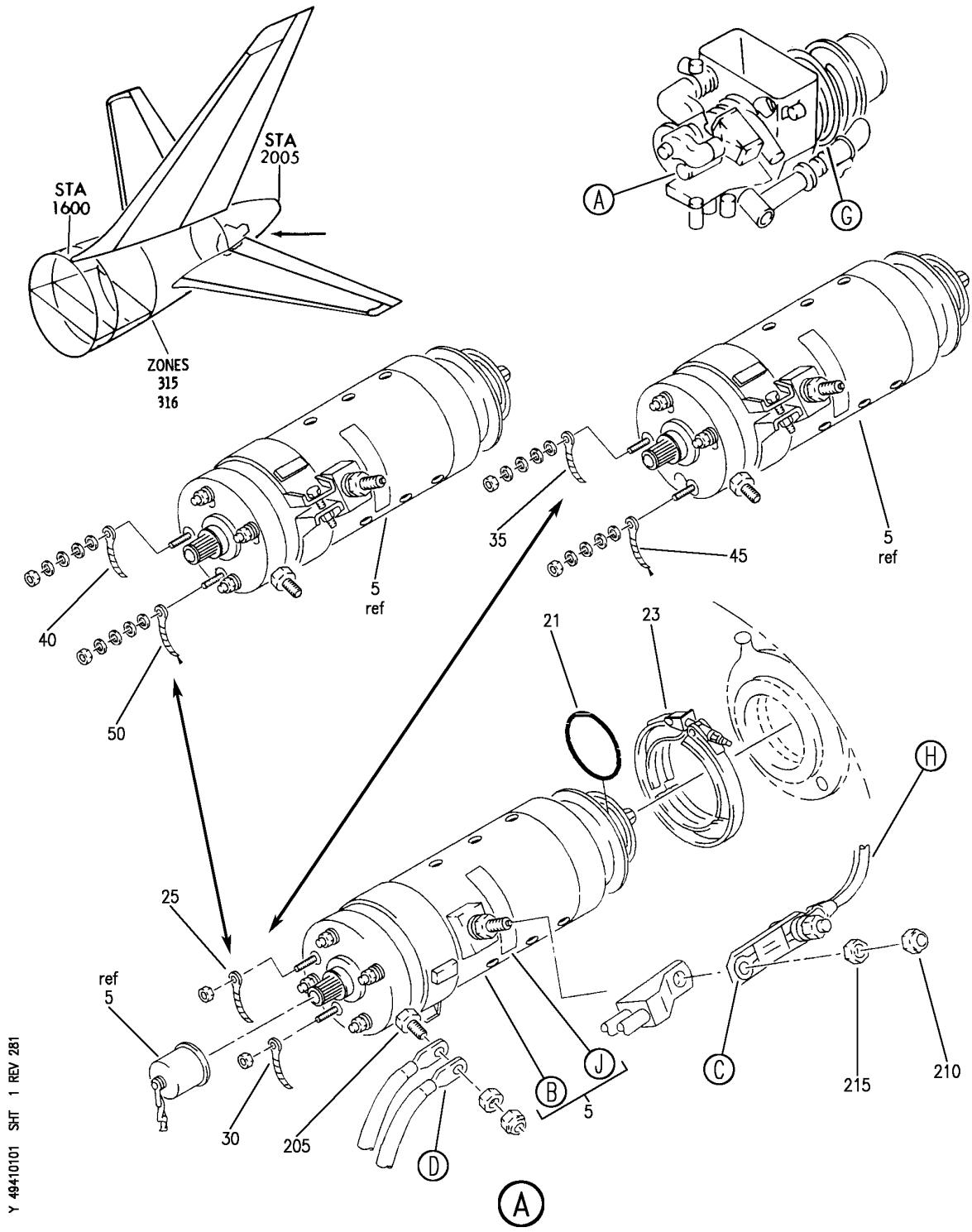
- ITEM NOT ILLUSTRATED

49-41-00-04

49-41-00  
FIG. 04  
PAGE 3  
MAY 20/09

BRI

**BOEING**  
757  
**PARTS CATALOG (MAINTENANCE)**



Y 49410101 SHT 1 REV 281

ENGINE ASSY-GAS TURB (STARTER MOTOR ONLY)  
FIGURE 1 (SHEET 1)

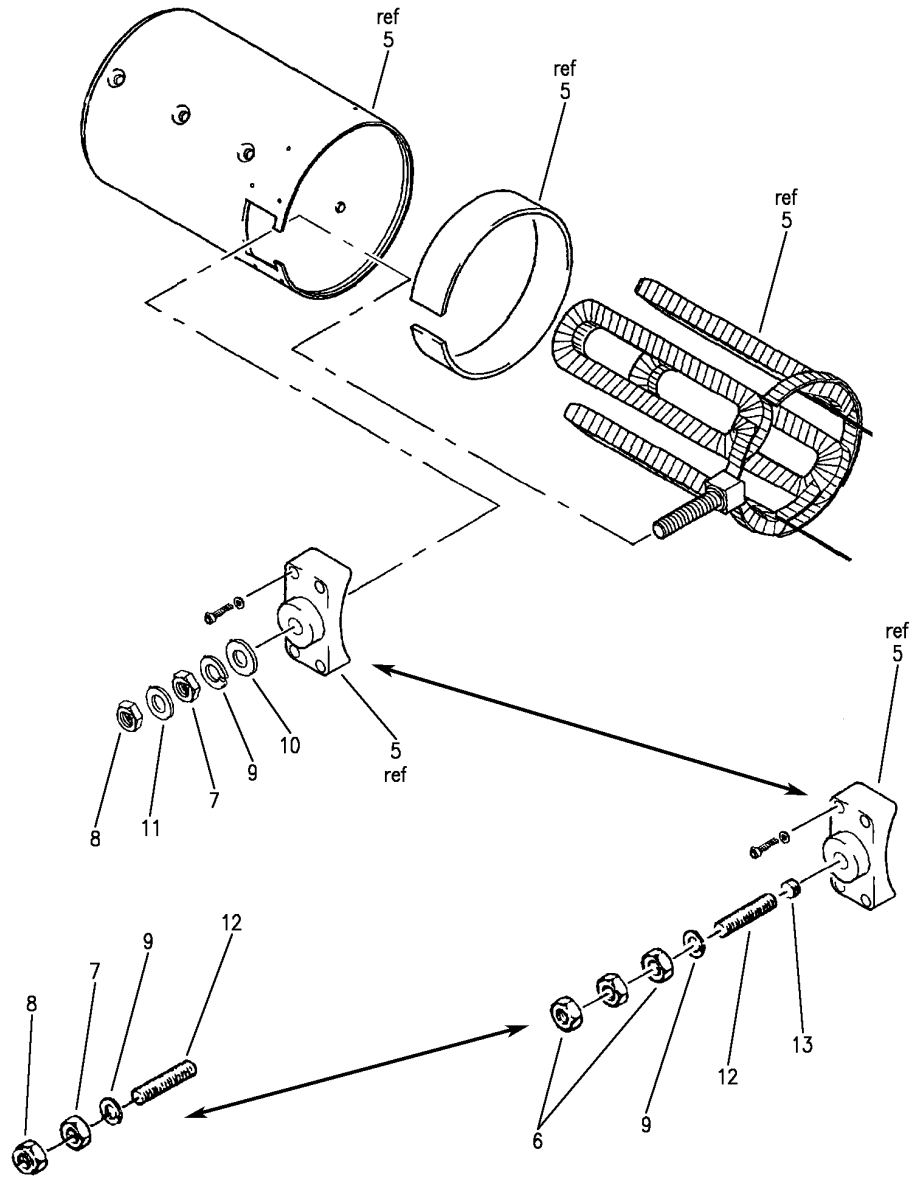
**49-41-01-01**

BRI  
MAY 28/07

49-41-01-01  
PAGE 0



**BOEING**  
757  
PARTS CATALOG (MAINTENANCE)



(B)

Y 49410101 SH1 2 REV 251

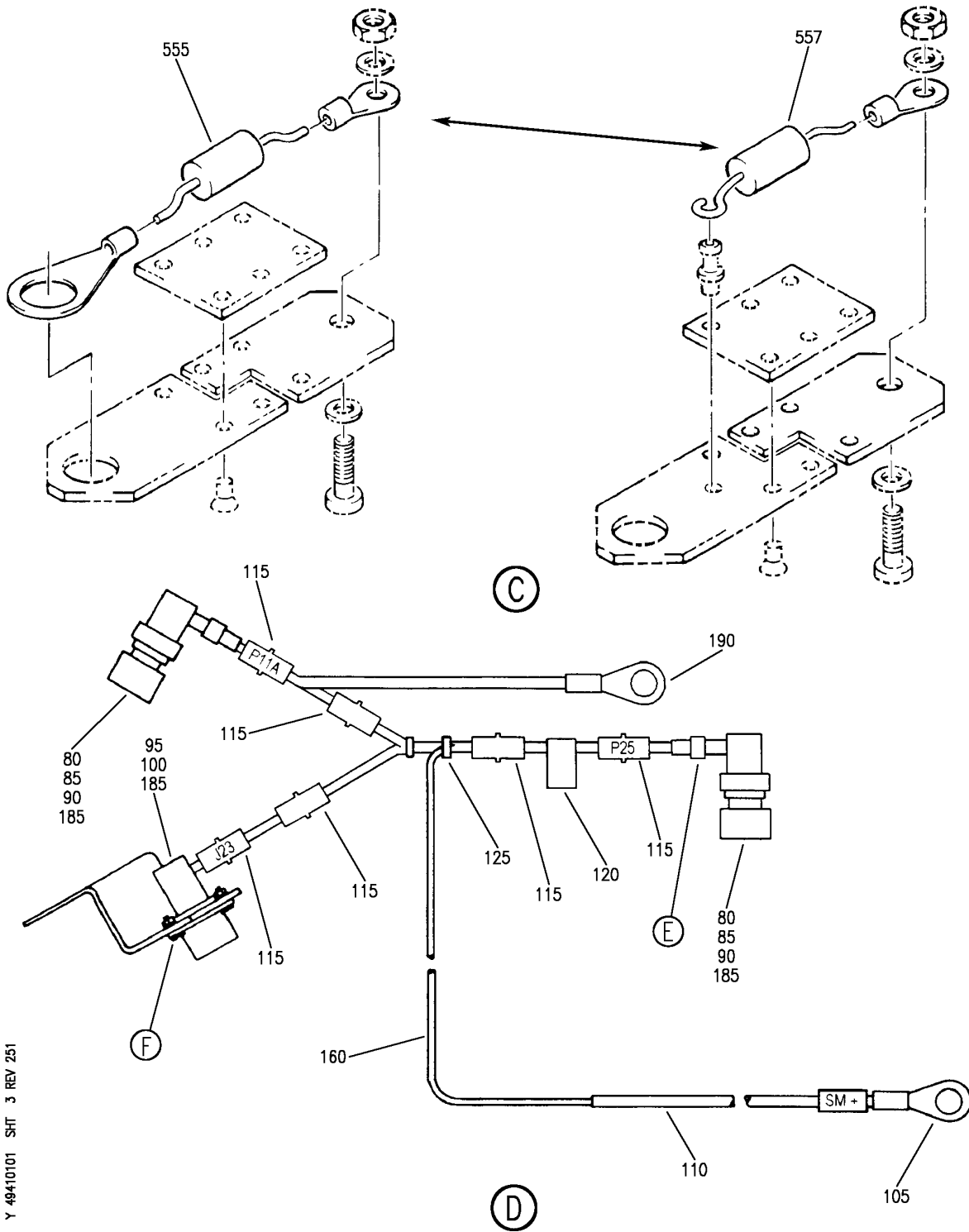
ENGINE ASSY-GAS TURB (STARTER MOTOR ONLY)  
FIGURE 1 (SHEET 2)

**49-41-01-01**

BRI  
MAY 28/07

49-41-01-01  
PAGE 0A

**BOEING**  
757  
PARTS CATALOG (MAINTENANCE)



Y 49410101 SHT 3 REV 251

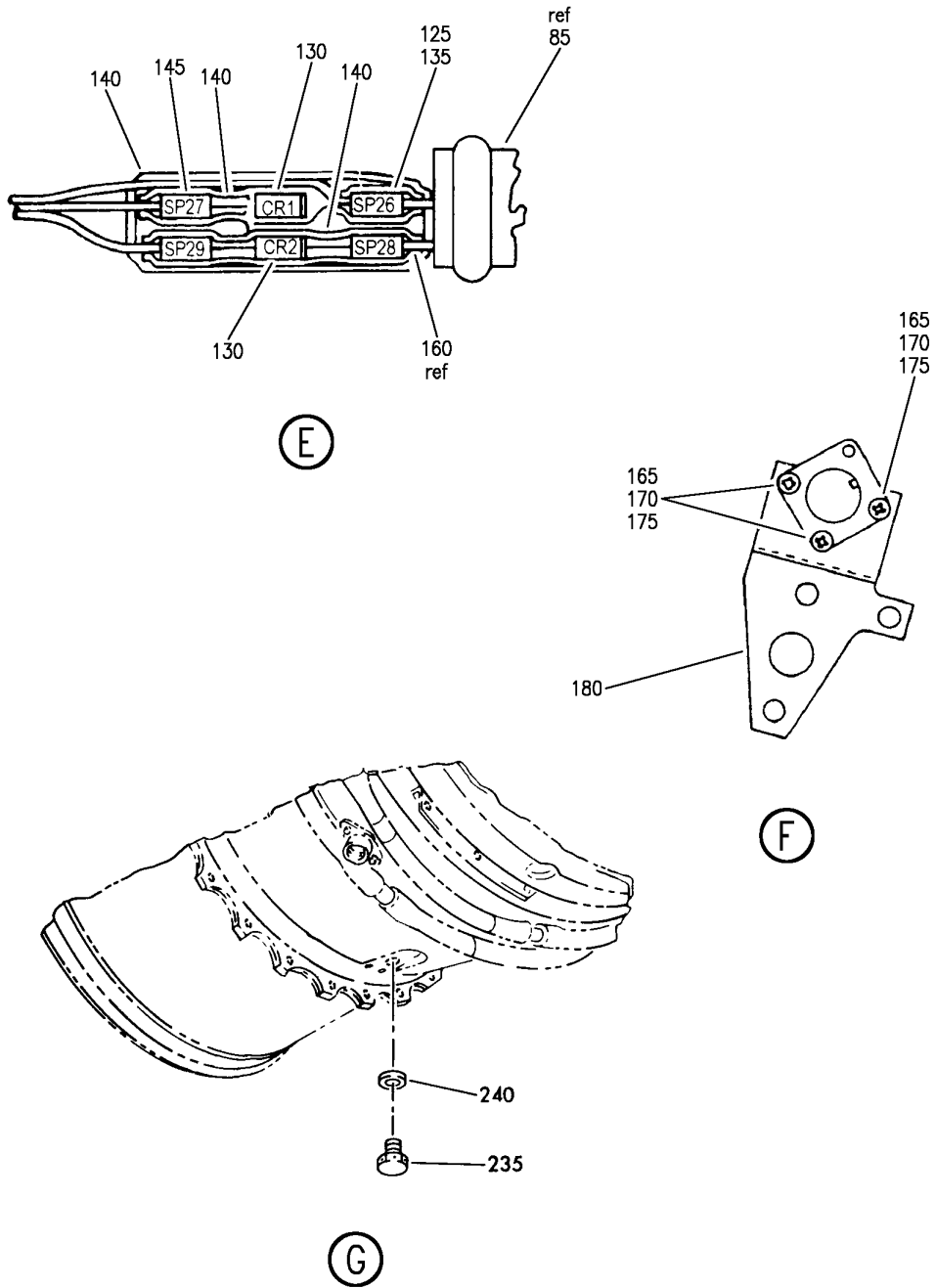
ENGINE ASSY-GAS TURB (STARTER MOTOR ONLY)  
FIGURE 1 (SHEET 3)

**49-41-01-01**

BRI  
MAY 28/07

49-41-01-01  
PAGE 0B

**BOEING**  
757  
PARTS CATALOG (MAINTENANCE)



Y 49410101 SH1 4 REV 251

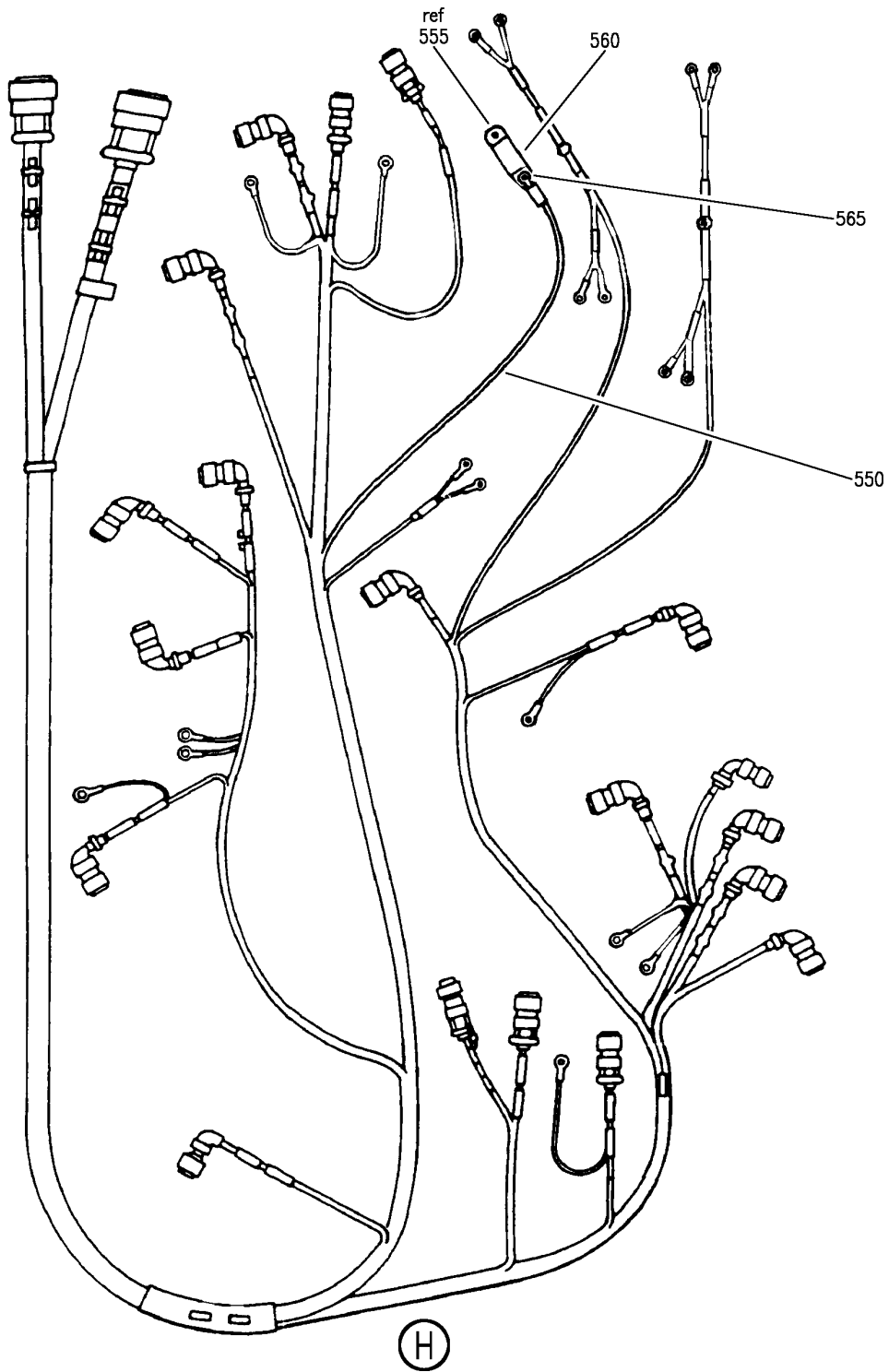
ENGINE ASSY-GAS TURB (STARTER MOTOR ONLY)  
FIGURE 1 (SHEET 4)

**49-41-01-01**

BRI  
MAY 28/07

49-41-01-01  
PAGE 0C

**BOEING**  
757  
PARTS CATALOG (MAINTENANCE)



Y 49410101 SH 5 REV 251

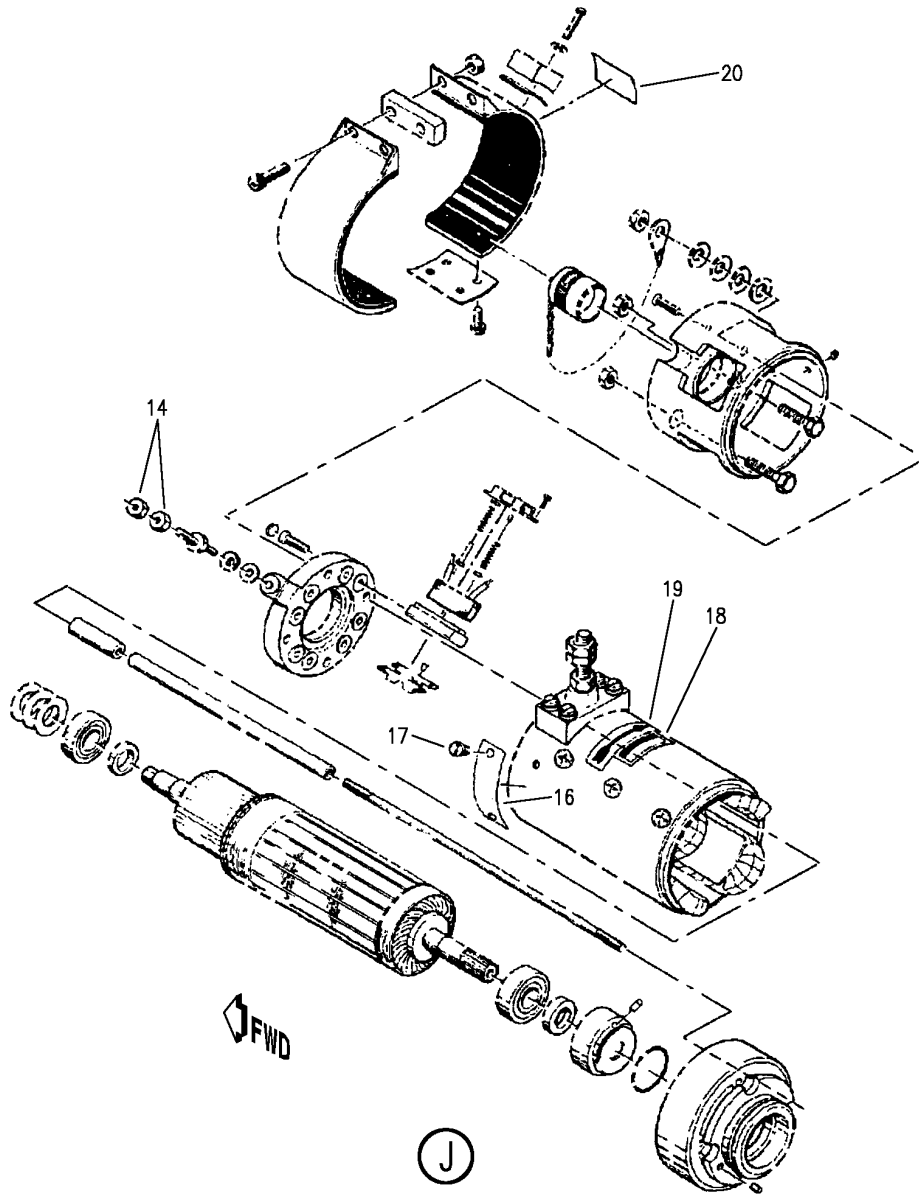
ENGINE ASSY-GAS TURB (STARTER MOTOR ONLY)  
FIGURE 1 (SHEET 5)

**49-41-01-01**

BRI  
MAY 28/07

49-41-01-01  
PAGE 0D

**BOEING**  
757  
PARTS CATALOG (MAINTENANCE)



Y 49410101 SH1 6 REV 281

ENGINE ASSY-GAS TURB (STARTER MOTOR ONLY)  
FIGURE 1 (SHEET 6)

**49-41-01-01**

BRI  
MAY 28/07

49-41-01-01  
PAGE 0E



757

PARTS CATALOG (MAINTENANCE)

FIG ITEM	PART NUMBER	1 2 3 4 5 6 7	NOMENCLATURE	EFFECT FROM TO	UNITS PER ASSY
1			ENGINE ASSY-GAS TURB (STARTER MOTOR ONLY)	002004 006999	
- 1	3800298-1-3		ENGINE ASSY-GAS TURB GTCP331-200ER (STARTER MOTOR ONLY) SUPPLIER CODE: V99193 SPECIFICATION NUMBER: S351T020-202 CONFIG CHG DATA FROM A CMM: REPLACES 3800298-1-2 COMPONENT MAINT MANUAL REF: 49-22-11 QUALIFIED I/W DATA: S351T020-202 (3800298-1-3) AND S351T020-205 (3800298-1-6) ARE INTERCHANGEABLE WITH THE INCORPORATION OF ALLIED SIGNAL S/B GTCP331-49-7081. S351T020-202 (3800298-1-3) AND S351T020-206 (3800298-1-7/3800298-1) ARE INTERCHANGEABLE WITH THE INCORPORATION OF ALLIED SIGNAL S/B GTCP331-49-7081. FOR NHA/OTHER SYS DET SEE: 49-11-01-50	002004 006100 107107 121503 904999	RF

MISSING ITEM NUMBERS NOT APPLICABLE

- ITEM NOT ILLUSTRATED

BRI

49-41-01-01

BOEING PROPRIETARY - Copyright © - Unpublished Work - See title page for details.

49-41-01  
FIG. 01  
PAGE 1  
JAN 20/09



757

PARTS CATALOG (MAINTENANCE)

FIG ITEM	PART NUMBER	1 2 3 4 5 6 7 NOMENCLATURE	EFFECT FROM TO	UNITS PER ASSY
1 - 1	3800298-1-4	ENGINE ASSY-GAS TURB GTCP331-200ER (STARTER MOTOR ONLY) SUPPLIER CODE: V99193 SPECIFICATION NUMBER: S351T020-203 CONFIG CHG DATA FROM A CMM: REPLACES 3800298-1-3 COMPONENT MAINT MANUAL REF: 49-22-11 QUALIFIED I/W DATA: 3800298-1-4/S351T020-203 AND 3800298-1-6/S351T020-205 ARE INTERCHANGEABLE WITH THE INCORPORATION OF ALLIED SIGNAL S/B GTCP331-49-7081. (3800298-1-4) S351T020-203 AND S351T020-206(3800298-1-7 /3800298-1) ARE INTERCHANGEABLE WITH THE INCORPORATION OF ALLIED SIGNAL S/B GTCP331-49-7081. FOR NHA/ADDITIONAL DET SEE: 49-11-01-50	002004 006100 107107 121503 904999	RF

MISSING ITEM NUMBERS NOT APPLICABLE

- ITEM NOT ILLUSTRATED

49-41-01-01

49-41-01  
 FIG. 01  
 PAGE 2  
 JAN 20/09

BRI



757

PARTS CATALOG (MAINTENANCE)

FIG ITEM	PART NUMBER	1 2 3 4 5 6 7	NOMENCLATURE	EFFECT FROM TO	UNITS PER ASSY
1 - 1	3800298-1-2		ENGINE ASSY-GAS TURB GTCP331-200ER (STARTER MOTOR ONLY) SUPPLIER CODE: V99193 SPECIFICATION NUMBER: S351T020-201 CONFIG CHG DATA FROM A CMM: REPLACES 3800298-1-1 COMPONENT MAINT MANUAL REF: 49-22-11 QUALIFIED I/W DATA: S351T020-201 (3800298-1-2) AND S351T020-205 (3800298-1-6) ARE INTERCHANGEABLE WITH THE INCORPORATION OF ALLIED SIGNAL S/B GTCP331-49-7081. S351T020-201 (3800298-1-2) AND S351T020-206 (3800298-1-7/3800298-1) ARE INTERCHANGEABLE WITH THE INCORPORATION OF ALLIED SIGNAL S/B GTCP331-49-7081. FOR NHA/ADDITIONAL DET SEE: 49-11-01-50	002004 006100 107107 121503 904999	RF

MISSING ITEM NUMBERS NOT APPLICABLE

- ITEM NOT ILLUSTRATED

BRI

49-41-01-01

BOEING PROPRIETARY - Copyright © - Unpublished Work - See title page for details.

49-41-01  
 FIG. 01  
 PAGE 3  
 JAN 20/09





757

PARTS CATALOG (MAINTENANCE)

FIG ITEM	PART NUMBER	1 2 3 4 5 6 7	NOMENCLATURE	EFFECT FROM TO	UNITS PER ASSY
1 - 1	3800298-1-1		ENGINE ASSY-GAS TURB GTCP331-200ER (STARTER MOTOR ONLY) SUPPLIER CODE: V99193 SPECIFICATION NUMBER: S351T020-200 COMPONENT MAINT MANUAL REF: 49-22-11 QUALIFIED I/W DATA: S351T020-200 (3800298-1-1) AND S351T020-205 (3800298-1-6) ARE INTERCHANGEABLE WITH THE INCORPORATION OF ALLIED SIGNAL S/B GTCP331-49-7081. S351T020-200 (3800298-1-1) AND S351T020-206 (3800298-1-7/3800298-1) ARE INTERCHANGEABLE WITH THE INCORPORATION OF ALLIED SIGNAL S/B GTCP331-49-7081. FOR NHA/ADDITIONAL DET SEE: 49-11-01-50	002004 006100 107107 121503 904999	RF

MISSING ITEM NUMBERS NOT APPLICABLE

- ITEM NOT ILLUSTRATED

BRI

49-41-01-01

BOEING PROPRIETARY - Copyright © - Unpublished Work - See title page for details.

49-41-01  
FIG. 01  
PAGE 4  
JAN 20/09



757

PARTS CATALOG (MAINTENANCE)

FIG ITEM	PART NUMBER	1 2 3 4 5 6 7	NOMENCLATURE	EFFECT FROM TO	UNITS PER ASSY
1					
- 1	3800298-1-5		ENGINE ASSY-GAS TURB GTCP331-200ER (STARTER MOTOR ONLY) SUPPLIER CODE: V99193 SPECIFICATION NUMBER: S351T020-204 CONFIG CHG DATA FROM A CMM: REPLACES 3800298-1-4 COMPONENT MAINT MANUAL REF: 49-22-11 QUALIFIED I/W DATA: 3800298-1-5/S351T020-204 AND 3800298-1-6/S351T020-205 ARE INTERCHANGEABLE WITH THE INCORPORATION OF ALLIED SIGNAL S/B GTCP331-49-7081. S351T020-204 (3800298-1-5) AND S351T020-206(3800298-1-7 /3800298-1) ARE INTERCHANGEABLE WITH THE INCORPORATION OF ALLIED SIGNAL S/B GTCP331-49-7081. FOR NHA/ADDITIONAL DET SEE: 49-11-01-50	002004 006100 107107 121503 904999	RF
- 1	3800298-1-6		ENGINE ASSY-GAS TURB GTCP331-200ER (STARTER MOTOR ONLY) SUPPLIER CODE: V99193 SPECIFICATION NUMBER: S351T020-205 CONFIG CHG DATA FROM A CMM: REPLACES 3800298-1-5 COMPONENT MAINT MANUAL REF: 49-22-11 QUALIFIED I/W DATA: 3800298-1-4/S351T020-203 AND 3800298-1-6/S351T020-205 ARE INTERCHANGEABLE WITH THE INCORPORATION OF ALLIED SIGNAL S/B GTCP331-49-7081. S351T020-204	018106 108120 504903	RF

MISSING ITEM NUMBERS NOT APPLICABLE

- ITEM NOT ILLUSTRATED

49-41-01-01

49-41-01  
FIG. 01  
PAGE 5  
JAN 20/09

BRI



757

PARTS CATALOG (MAINTENANCE)

FIG ITEM	PART NUMBER	1 2 3 4 5 6 7 NOMENCLATURE	EFFECT FROM TO	UNITS PER ASSY
1		<p>(3800298-1-5) AND S351T020-205 (3800298-1-6) ARE INTERCHANGEABLE WITH THE INCORPORATION OF ALLIED SIGNAL S/B GTCP331-49-7081. S351T020-202 (3800298-1-3) AND S351T020-205 (3800298-1-6) ARE INTERCHANGEABLE WITH THE INCORPORATION OF ALLIED SIGNAL S/B GTCP331-49-7081. S351T020-201 (3800298-1-2) AND S351T020-205 (3800298-1-6) ARE INTERCHANGEABLE WITH THE INCORPORATION OF ALLIED SIGNAL S/B GTCP331-49-7081. S351T020-200 (3800298-1-1) AND S351T020-205 (3800298-1-6) ARE INTERCHANGEABLE WITH THE INCORPORATION OF ALLIED SIGNAL S/B GTCP331-49-7081. FOR NHA/ADDITIONAL DET SEE: 49-11-01-50 49-21-00-02</p>		
-	1 3800298-1-7	<p>ENGINE ASSY-GAS TURB GTCP331-200ER (STARTER MOTOR ONLY) SUPPLIER CODE: V99193 SPECIFICATION NUMBER: S351T020-206 CONFIG CHG DATA FROM A CMM: REPLACES 3800298-1-6 COMPONENT MAINT MANUAL REF: 49-22-11 QUALIFIED I/W DATA: 3800298-1-4/S351T020-203 AND 3800298-1 3800298-1-7/S351T020-206</p>	018106 108120 504903	RF

MISSING ITEM NUMBERS NOT APPLICABLE

- ITEM NOT ILLUSTRATED

49-41-01-01

49-41-01  
FIG. 01  
PAGE 6  
JAN 20/09

BRI



757

PARTS CATALOG (MAINTENANCE)

FIG ITEM	PART NUMBER	1 2 3 4 5 6 7 NOMENCLATURE	EFFECT FROM TO	UNITS PER ASSY
1		<p>ARE INTERCHANGEABLE WITH THE INCORPORATION OF ALLIED SIGNAL S/B GTCP331-49-7081. S351T020-204 (3800298-1-5) AND S351T020-206(3800298-1-7 /3800298-1) ARE INTERCHANGEABLE WITH THE INCORPORATION OF ALLIED SIGNAL S/B GTCP331-49-7081. S351T020-202 (3800298-1-3) AND S351T020-206 (3800298-1-7/3800298-1) ARE INTERCHANGEABLE WITH THE INCORPORATION OF ALLIED SIGNAL S/B GTCP331-49-7081. S351T020-201 (3800298-1-2) AND S351T020-206 (3800298-1-7/3800298-1) ARE INTERCHANGEABLE WITH THE INCORPORATION OF ALLIED SIGNAL S/B GTCP331-49-7081. S351T020-200 (3800298-1-1) AND S351T020-206 (3800298-1-7/3800298-1) ARE INTERCHANGEABLE WITH THE INCORPORATION OF ALLIED SIGNAL S/B GTCP331-49-7081.</p> <p>OPTIONAL PART: 3800298-1 V99193</p> <p>FOR NHA/ADDITIONAL DET SEE: 49-11-01-50 49-21-00-02</p>		
-	1 3800298-1	<p>ENGINE ASSY-GAS TURB GTCP331-200ER (STARTER MOTOR ONLY) SUPPLIER CODE: V99193 SPECIFICATION NUMBER: S351T020-206</p>	018106 108120 504903	RF

MISSING ITEM NUMBERS NOT APPLICABLE

- ITEM NOT ILLUSTRATED

49-41-01-01

49-41-01  
FIG. 01  
PAGE 7  
JAN 20/09

BRI



757

PARTS CATALOG (MAINTENANCE)

FIG ITEM	PART NUMBER	1 2 3 4 5 6 7 NOMENCLATURE	EFFECT FROM TO	UNITS PER ASSY
1		<p>COMPONENT MAINT MANUAL REF: 49-22-11</p> <p>QUALIFIED I/W DATA: 3800298-1-5/S351T020-204 AND 3800298-1-7/S351T020-206 /380029-1</p> <p>ARE INTERCHANGEABLE WITH THE INCORPORATION OF ALLIED SIGNAL S/B GTCP331-49-7081. S351T020-203 (3800298-1-4) AND S351T020-206(3800298-1-7 /3800298-1) ARE INTERCHANGEABLE WITH THE INCORPORATION OF ALLIED SIGNAL S/B GTCP331-49-7081. S351T020-202 (3800298-1-3) AND S351T020-206 (3800298-1-7/3800298-1) ARE INTERCHANGEABLE WITH THE INCORPORATION OF ALLIED SIGNAL S/B GTCP331-49-7081. S351T020-201 (3800298-1-2) AND S351T020-206 (3800298-1-7/3800298-1) ARE INTERCHANGEABLE WITH THE INCORPORATION OF ALLIED SIGNAL S/B GTCP331-49-7081. S351T020-200 (3800298-1-1) AND S351T020-206 (3800298-1-7/3800298-1) ARE INTERCHANGEABLE WITH THE INCORPORATION OF ALLIED SIGNAL S/B GTCP331-49-7081.</p> <p>OPTIONAL PART: 3800298-1-7 V99193</p> <p>FOR NHA/ADDITIONAL DET SEE: 49-11-01-50 49-21-00-02</p>		

MISSING ITEM NUMBERS NOT APPLICABLE

- ITEM NOT ILLUSTRATED

**49-41-01-01**

49-41-01  
FIG. 01  
PAGE 8  
JAN 20/09

BRI



757

PARTS CATALOG (MAINTENANCE)

FIG ITEM	PART NUMBER	1 2 3 4 5 6 7	NOMENCLATURE	EFFECT FROM TO	UNITS PER ASSY
1	5 519858-4		.MOTOR ASSY-ENG STARTER (SERIES 1 AND 2) SUPPLIER CODE: V70210 SB DATA FROM A CMM: POST 49-5390 CONFIG CHG DATA FROM A CMM: SUPERSEDES 519858-1 SUPERSEDES 519858-3 REPLD BY 519858-5 COMPONENT MAINT MANUAL REF: 49-41-02	002004 006999	1
	5 519858-5		.MOTOR ASSY-ENG STARTER (SERIES 1 AND 2) SUPPLIER CODE: V70210 SB DATA FROM A CMM: PRE 49-5730 PRE 49-7500 POST 49-5638 CONFIG CHG DATA FROM A CMM: REPLS 519858-4 REPLD BY 519858-6 REPLD BY 519858-7 REPLD BY 519858-8 COMPONENT MAINT MANUAL REF: 49-41-02	002004 006999	1
	5 519858-6		.MOTOR ASSY-ENG STARTER SUPPLIER CODE: V70210 SB DATA FROM A CMM: POST 49-5730 PRE 49-7500 CONFIG CHG DATA FROM A CMM: REPLS 519858-5 REPLD BY 519858-7 REPLD BY 519858-8 COMPONENT MAINT MANUAL REF: 49-41-02	002004 006999	1

MISSING ITEM NUMBERS NOT APPLICABLE

- ITEM NOT ILLUSTRATED

49-41-01-01

49-41-01  
FIG. 01  
PAGE 9  
SEP 20/08

BRI



757

PARTS CATALOG (MAINTENANCE)

FIG ITEM	PART NUMBER	1 2 3 4 5 6 7	NOMENCLATURE	EFFECT FROM TO	UNITS PER ASSY
1	5 519858-7		.MOTOR ASSY-ENG STARTER SUPPLIER CODE: V99193 SB DATA FROM A CMM: PRE 49-7500 POST 49-7061 CONFIG CHG DATA FROM A CMM: REPLS 519858-5 REPLS 519858-6 REPLD BY 519858-8 COMPONENT MAINT MANUAL REF: 49-41-22	002004 006999	1
	5 519858-8		.MOTOR ASSY-ENG STARTER SUPPLIER CODE: V70210 SB DATA FROM A CMM: POST 49-7500 CONFIG CHG DATA FROM A CMM: REPLACES 519858-5 REPLACES 519858-6 REPLACES 519858-7 COMPONENT MAINT MANUAL REF: 49-41-22	002004 006999	1
	7 MS35650-3385T		..NUT- USED ON: 519858-3 519858-4 519858-5 519858-6 519858-7 519858-8	002004 006999	1
	8 MS21083N6		..NUT- USED ON: 519858-3 519858-4 519858-5 519858-6 519858-7 519858-8	002004 006999	1
	9 MS35338-103		..WASHER- USED ON: 519858-1 519858-7 519858-8	002004 006999	1

MISSING ITEM NUMBERS NOT APPLICABLE

- ITEM NOT ILLUSTRATED

49-41-01-01

49-41-01  
FIG. 01  
PAGE 10  
JAN 20/09

BRI



757

PARTS CATALOG (MAINTENANCE)

FIG ITEM	PART NUMBER	1 2 3 4 5 6 7	NOMENCLATURE	EFFECT FROM TO	UNITS PER ASSY
1	9 S8157D196-030S		.. WASHER- SUPPLIER CODE: V70210 USED ON: 519858-3 519858-4 519858-5 519858-6	002004 006999	1
	10 NAS1149F0663P		.. WASHER- USED ON: 519858-7 519858-8	002004 006999	1
	11 AN961-616T		.. WASHER- USED ON: 519858-7 519858-8	002004 006999	1
	12 48335-4		.. STUD- SUPPLIER CODE: V99193 USED ON: 519858-3 519858-4 519858-5 519858-6	002004 006999	1
	13 NAS1081C6A6P		.. SETSCREW- CONFIG CHG DATA FROM A CMM: REPLD BY AN565AC624H6 USED ON: 519858-1 519858-3 519858-4 519858-5 519858-6	002004 006999	1
	13 AN565AC624H6		.. SETSCREW- CONFIG CHG DATA FROM A CMM: REPLACES NAS1081C6A6P USED ON: 519858-1 519858-3 519858-4 519858-5 519858-6	002004 006999	1

MISSING ITEM NUMBERS NOT APPLICABLE

- ITEM NOT ILLUSTRATED

49-41-01-01

49-41-01  
FIG. 01  
PAGE 11  
JAN 20/09

BRI

BOEING PROPRIETARY - Copyright © - Unpublished Work - See title page for details.





757

PARTS CATALOG (MAINTENANCE)

FIG ITEM	PART NUMBER	1 2 3 4 5 6 7	NOMENCLATURE	EFFECT FROM TO	UNITS PER ASSY
1					
- 15	MS21083N5		..NUT-(USED ON 519858-1 SERIES 2 THRU 519858-6) USED ON: 519858-1 519858-3 519858-4 519858-5 519858-6	002004 006999	2
16	2046084-6		..PLATE-IDENT (USED ON 519858-4 SERIES 1) SUPPLIER CODE: V70210 USED ON: 519858-4	002004 006999	1
16	2046084-7		..PLATE-IDENT (USED ON 519858-4 SERIES 2) SUPPLIER CODE: V70210 USED ON: 519858-4	002004 006999	1
16	2046084-8		..PLATE-IDENT (USED ON 519858-5 SERIES 1) SUPPLIER CODE: V70210 USED ON: 519858-5	002004 006999	1
16	2046084-9		..PLATE-IDENT (USED ON 519858-5 SERIES 2) SUPPLIER CODE: V70210 USED ON: 519858-5	002004 006999	1
16	2046084-10		..PLATE-IDENT SUPPLIER CODE: V70210 USED ON: 519858-6	002004 006999	1
16	2356674-1		..PLATE-IDENT SUPPLIER CODE: V70210 USED ON: 519858-7	002004 006999	1

MISSING ITEM NUMBERS NOT APPLICABLE

- ITEM NOT ILLUSTRATED

49-41-01-01

49-41-01  
FIG. 01  
PAGE 12  
JAN 20/09

BRI



757

PARTS CATALOG (MAINTENANCE)

FIG ITEM	PART NUMBER	1 2 3 4 5 6 7	NOMENCLATURE	EFFECT FROM TO	UNITS PER ASSY
1					
16	2356674-2	..	PLATE-IDENT SUPPLIER CODE: V70210 USED ON: 519858-8 ATTACHING PARTS	002004 006999	1
17	MS24630-1	..	SCREW-	002004 006999	2
18	S8382M23	..	PLATE-INSTRUCTION SUPPLIER CODE: V70210	002004 006999	1
19	S8302M1	..	DECAL- SUPPLIER CODE: V70210	002004 006999	1
20	S8382M39	..	DECAL- SUPPLIER CODE: V70210 USED ON: 519858-1 519858-3 519858-4 519858-5	002004 006999	1
20	S8382M27	..	DECAL- SUPPLIER CODE: V70210 USED ON: 519858-6 519858-7 519858-8	002004 006999	1
21	S9413-135	.PACKING-	SUPPLIER CODE: V99193 OPTIONAL PART: M83248-1-135	002004 006999	1
21	M83248-1-135	.PACKING-	OPTIONAL PART: S9413-135 V99193	002004 006999	1
23	34J34-3-0346-1	.COUPLING-	SUPPLIER CODE: V59364	002004 006999	1
25	MS25083-2CD9	.STRAP		002004 006999	1
30	MS25083-7BD4	.STRAP		002004 006999	1

MISSING ITEM NUMBERS NOT APPLICABLE

- ITEM NOT ILLUSTRATED

49-41-01-01

49-41-01  
FIG. 01  
PAGE 13  
JAN 20/09

BRI

BOEING PROPRIETARY - Copyright © - Unpublished Work - See title page for details.



757

PARTS CATALOG (MAINTENANCE)

FIG ITEM	PART NUMBER	1 2 3 4 5 6 7	NOMENCLATURE	EFFECT FROM TO	UNITS PER ASSY
1					
35	6752-3-8		.LEAD-ELECTRICAL JUMPER SUPPLIER CODE: V91812 SB DATA FROM A CMM: PRE SB 49-5642	002004 006999	1
40	3611660-2		.STRAP-STARTER BONDING SUPPLIER CODE: V99193 SB DATA FROM A CMM: POST SB 49-5642 OPTIONAL PART: MS25083-2CD9	002004 006999	1
40	MS25083-2CD9		.STRAP- OPTIONAL PART: 3611660-2 V99193	002004 006999	1
45	MS25083-7BC4		.JUMPER- SB DATA FROM A CMM: PRE SB 49-5642	002004 006999	1
50	3611660-1		.STRAP-STARTER BONDING SUPPLIER CODE: V99193 SB DATA FROM A CMM: POST SB 49-5642 OPTIONAL PART: MS25083-7BD4	002004 006999	1
50	MS25083-7BD4		.STRAP- OPTIONAL PART: 3611660-1 V99193	002004 006999	1
- 75	3888139-1		.WIRING HARNESS ASSY- SUPPLIER CODE: V99193 NOT APPROVED FOR ETOPS. SB DATA FROM A CMM: POST SB 49-5438	002004 006999	RF
- 75	3888139-2		.WIRING HARNESS ASSY- SUPPLIER CODE: V99193 SB DATA FROM A CMM: POST SB 49-5438	002004 006999	RF
- 75	3888139-3		.WIRING HARNESS ASSY- SUPPLIER CODE: V99193	002004 006999	RF
80	ZZYA0-12D12-03S		..CONNECTOR-P11A, P26 SUPPLIER CODE: V14283	002004 006999	2

MISSING ITEM NUMBERS NOT APPLICABLE

- ITEM NOT ILLUSTRATED

49-41-01-01

49-41-01  
FIG. 01  
PAGE 14  
JAN 20/09

BRI



757

PARTS CATALOG (MAINTENANCE)

FIG ITEM	PART NUMBER	1 2 3 4 5 6 7	NOMENCLATURE	EFFECT FROM TO	UNITS PER ASSY
1					
85	GS3418-12CD	..	CLAMP- SUPPLIER CODE: V06324	002004 006999	2
90	418-1616-902	..	CONTACT- SUPPLIER CODE: V55104	002004 006999	6
95	MS24264R12T3PN	..	RECEPTACLE-J23	002004 006999	1
100	GS3418-12CD	..	CLAMP- SUPPLIER CODE: V06324	002004 006999	1
105	321522	..	TERMINAL-LUG SUPPLIER CODE: V00779 OPTIONAL PART: 34110 V00779 USED ON: 3888139-1	002004 006999	1
105	34110	..	TERMINAL-LUG SUPPLIER CODE: V00779 OPTIONAL PART: 321522 V00779 USED ON: 3888139-2 3888139-3	002004 006999	1
110	IDENTASLEEVE1-8	..	SLEEVE- SUPPLIER CODE: V01656	002004 006999	AR
115	MS3368-5-9E	..	STRAP	002004 006999	6
120	MS3368-1-9B	..	STRAP	002004 006999	1
125	S8999	..	TIE-STRAP SUPPLIER CODE: V99193	002004 006999	AR
130	JAN1N5552	..	DIODE	002004 006999	2
135	34070	..	SPLICE- SUPPLIER CODE: V00779	002004 006999	1
140	M23053-5-106-9	..	SLEEVE-	002004 006999	AR

MISSING ITEM NUMBERS NOT APPLICABLE

- ITEM NOT ILLUSTRATED

49-41-01-01

49-41-01  
FIG. 01  
PAGE 15  
JAN 20/09

BRI

BOEING PROPRIETARY - Copyright © - Unpublished Work - See title page for details.



757

PARTS CATALOG (MAINTENANCE)

FIG ITEM	PART NUMBER	1 2 3 4 5 6 7	NOMENCLATURE	EFFECT FROM TO	UNITS PER ASSY
1					
145	34137	..	SPLICE- SUPPLIER CODE: V00779 OPTIONAL PART: M81824-1-3	002004 006999	3
145	M81824-1-3	..	SPLICE- OPTIONAL PART: 34137 V00779	002004 006999	3
- 150	MS27488-16	..	PLUG	002004 006999	AR
- 155	E125-10	..	TAPE-INSULATION SUPPLIER CODE: V07512	002004 006999	AR
160	M22759-8-18-8	..	WIRE- OPTIONAL PART: 18AF2XTN1930 V12814 18699-69A1 V92607 BATATE1930NIC V90484 11-00821 V05973 75908E18 V12515	002004 006999	AR
160	18AF2XTN1930	..	WIRE-ELEC SUPPLIER CODE: V12814 OPTIONAL PART: M22759-8-18-8 18699-69A1 V92607 75908E18 V12515 11-00821 V05973 BATATE1930NIC V90484	002004 006999	AR

MISSING ITEM NUMBERS NOT APPLICABLE

- ITEM NOT ILLUSTRATED

BRI

49-41-01-01

BOEING PROPRIETARY - Copyright © - Unpublished Work - See title page for details.

49-41-01  
FIG. 01  
PAGE 16  
JAN 20/09



757

PARTS CATALOG (MAINTENANCE)

FIG ITEM	PART NUMBER	1 2 3 4 5 6 7	NOMENCLATURE	EFFECT FROM TO	UNITS PER ASSY
1 160	18699-69A1		.. WIRE-ELEC SUPPLIER CODE: V92607 OPTIONAL PART: M22759-8-18-8 75908E18 V12515 18AF2XTN1930 V12814 11-00821 V05973 BATATE1930NIC V90484	002004 006999	AR
160	BATATE1930NIC		.. WIRE-ELEC SUPPLIER CODE: V90484 OPTIONAL PART: M22759-8-18-8 75908E18 V12515 11-00821 V05973 18699-69A1 V92607 18AF2XTN1930 V12814	002004 006999	AR
160	75908E18		.. WIRE-ELEC SUPPLIER CODE: V12515 OPTIONAL PART: M22759-8-18-8 18699-69A1 V92607 18AF2XTN1930 V12814 11-00821 V05973 BATATE1930NIC V90484	002004 006999	AR

MISSING ITEM NUMBERS NOT APPLICABLE

- ITEM NOT ILLUSTRATED

BRI

49-41-01-01

BOEING PROPRIETARY - Copyright © - Unpublished Work - See title page for details.

49-41-01  
FIG. 01  
PAGE 17  
JAN 20/09



757

PARTS CATALOG (MAINTENANCE)

FIG ITEM	PART NUMBER	1 2 3 4 5 6 7	NOMENCLATURE	EFFECT FROM TO	UNITS PER ASSY
1 160	11-00821		.. WIRE-ELEC SUPPLIER CODE: V05973 OPTIONAL PART: M22759-8-18-8 18699-69A1 V92607 75908E18 V12515 18AF2XTN1930 V12814 BATATE1930NIC V90484	002004 006999	AR
165	MS51957-15		.. SCREW- USED ON: 3888139-2 3888139-3	002004 006999	3
170	NAS620-4L		.. WASHER- USED ON: 3888139-2 3888139-3	002004 006999	3
175	MS21044C04		.. NUT- USED ON: 3888139-2 3888139-3	002004 006999	3
180	3888153-1		.. BRACKET- SUPPLIER CODE: V99193 USED ON: 3888139-2 3888139-3	002004 006999	1
185	10-230935-142		.. GROMMET-RUBBER SUPPLIER CODE: V77820	002004 006999	3
190	31894		.. TERMINAL- SUPPLIER CODE: V00779 USED ON: 3888139-3	002004 006999	1
- 500	3888123-4		. WIRING HARNESS ASSY- SUPPLIER CODE: V99193 SB DATA FROM A CMM: POST SB 49-5533 PRE SB 49-5794	002004 006102 107999	RF

MISSING ITEM NUMBERS NOT APPLICABLE

- ITEM NOT ILLUSTRATED

49-41-01-01

49-41-01  
FIG. 01  
PAGE 18  
JAN 20/09

BRI

BOEING PROPRIETARY - Copyright © - Unpublished Work - See title page for details.



757

PARTS CATALOG (MAINTENANCE)

FIG ITEM	PART NUMBER	1 2 3 4 5 6 7	NOMENCLATURE	EFFECT FROM TO	UNITS PER ASSY
1 - 500	3888123-5		.WIRING HARNESS ASSY- SUPPLIER CODE: V99193 USED ON: 3800298-1-1 3800298-1-2 3800298-1-3 3800298-1-4 3800298-1-5 3800298-1-6 3800298-1-7	002004 006999	RF
- 500	3888123-6		.WIRING HARNESS ASSY- SUPPLIER CODE: V99193 SB DATA FROM A CMM: POST SB 49-5794 PRE SB 49-5840/49-7403 CONFIG CHG DATA FROM A CMM: REPLD BY 3888123-8 REWORKED FROM 3888123-4 QUALIFIED OPTIONAL DATA: 3888123-8 QUALIFIED SB I/W DATA: 3617394-1 USED WITH 3888123-8 OR 3888123-9 OPT TO 3617394-1 USED WITH 3888123-6 OR 3888123-7 AND 3888450-1 OPT TO 3614759-1 USED WITH 3888123-8 OR 3888123-9 OPT TO 3617459-1 USED WITH 3888123-6 OR 3888123-7 AND 3888450-1	002004 006102 107999	RF

MISSING ITEM NUMBERS NOT APPLICABLE

- ITEM NOT ILLUSTRATED

49-41-01-01

49-41-01  
FIG. 01  
PAGE 19  
JAN 20/09

BRI





757

PARTS CATALOG (MAINTENANCE)

FIG ITEM	PART NUMBER	1 2 3 4 5 6 7	NOMENCLATURE	EFFECT FROM TO	UNITS PER ASSY
1 - 500	3888123-7		.WIRING HARNESS ASSY- SUPPLIER CODE: V99193 SB DATA FROM A CMM: POST SB 49-5840 PRE SB 49-7403 CONFIG CHG DATA FROM A CMM: REPLD BY 3888123-9 REWORKED FROM 3888123-6 QUALIFIED SB I/W DATA: 3617394-1 USED WITH 3888123-8 OR 3888123-9 OPT TO 3617394-1 USED WITH 3888123-6 OR 3888123-7 AND 3888450-1 OPT TO 3614759-1 USED WITH 3888123-8 OR 3888123-9 OPT TO 3617459-1 USED WITH 3888123-6 OR 3888123-7 AND 3888450-1	002004 006102 107999	RF
- 500	3888123-8		.WIRING HARNESS ASSY- SUPPLIER CODE: V99193 SB DATA FROM A CMM: POST SB 49-7391/49-7403 CONFIG CHG DATA FROM A CMM: REPLACES 3888123-6 QUALIFIED OPTIONAL DATA: 3888123-6 QUALIFIED SB I/W DATA: 3617394-1 USED WITH 3888123-8 OR 3888123-9 OPT TO 3617394-1 USED WITH 3888123-6 OR 3888123-7 AND 3888450-1 OPT TO 3614759-1 USED WITH 3888123-8 OR 3888123-9 OPT TO 3617459-1 USED WITH 3888123-6 OR 3888123-7 AND 3888450-1	002004 006999	RF

MISSING ITEM NUMBERS NOT APPLICABLE

- ITEM NOT ILLUSTRATED

49-41-01-01

49-41-01  
FIG. 01  
PAGE 20  
JAN 20/09

BRI



757

PARTS CATALOG (MAINTENANCE)

FIG ITEM	PART NUMBER	1 2 3 4 5 6 7	NOMENCLATURE	EFFECT FROM TO	UNITS PER ASSY
1 - 500	3888123-9		.WIRING HARNESS ASSY- SUPPLIER CODE: V99193 SB DATA FROM A CMM: POST SB 49-7403 CONFIG CHG DATA FROM A CMM: REPLACES 3888123-7 QUALIFIED SB I/W DATA: 3617394-1 USED WITH 3888123-8 OR 3888123-9 OPT TO 3617394-1 USED WITH 3888123-6 OR 3888123-7 AND 3888450-1 OPT TO 3614759-1 USED WITH 3888123-8 OR 3888123-9 OPT TO 3617459-1 USED WITH 3888123-6 OR 3888123-7 AND 3888450-1 POST SERVICE BULLETIN: GTCP331-49-7391R1 V99193	002004 006999	RF
550	IDENTASLEEVE1-8		..SLEEVE- SUPPLIER CODE: V01656	002004 006999	AR
555	307668-1		..RESISTOR ASSY-SPCL PRP SUPPLIER CODE: V99193 SB DATA FROM A CMM: PRE SB 49-5438 CONFIG CHG DATA FROM A CMM: REPLD BY 307668-3	002004 006999	1
555	307668-2		..RESISTOR ASSY-SPCL PRP SUPPLIER CODE: V99193 CONFIG CHG DATA FROM A CMM: REPLD BY 307668-3	002004 006999	1
555	307668-3		..RESISTOR ASSY-SPCL PRP SUPPLIER CODE: V99193 CONFIG CHG DATA FROM A CMM: REPLS 307668-1 REPLS 307668-2	002004 006999	1

MISSING ITEM NUMBERS NOT APPLICABLE

- ITEM NOT ILLUSTRATED

49-41-01-01

49-41-01  
FIG. 01  
PAGE 21  
JAN 20/09

BRI



757

PARTS CATALOG (MAINTENANCE)

FIG ITEM	PART NUMBER	1 2 3 4 5 6 7	NOMENCLATURE	EFFECT FROM TO	UNITS PER ASSY
1					
557	FM08A125V5A	...	FUSE- SB DATA FROM A CMM: POST SB 49-5548 OPTIONAL PART: A5XRAD V71400 252005 V75915 USED ON: 307668-2 307668-3	002004 006999	1
557	A5XRAD	...	FUSE- SUPPLIER CODE: V75915 OPTIONAL PART: FM08A125V5A 252005 V75915	002004 006999	1
557	252005	...	FUSE- SUPPLIER CODE: V75915 OPTIONAL PART: FM08A125V5A A5XRAD V71400	002004 006999	1
560	S9352-07-9-300	..	SLEEVE-3 IN. SUPPLIER CODE: V99193	002004 006999	1
560	BCREF14032	..	SLEEVE- SUPPLIER CODE: V99193 OVERLENGTH PART NUMBER: M23053-5-107-9-30 SB DATA FROM A CMM: PRE SB 49-5438	002004 006999	1
565	MS25036-102	..	TERMINAL	002004 006999	1
- 700	288N4890		CABLE INSTL-ELECTRICAL POWER UNIT	002004 006999	RF
705	MS35650-3315T	.	NUT	002004 006999	1
710	NAS102IN6	.	NUT	002004 006999	1
715	BACN10J66	.	NUT	002004 006999	1
720	AN814-3JL	.	PLUG- POST AIRLINE MOD: PCR15 VALP	950951	1

MISSING ITEM NUMBERS NOT APPLICABLE

- ITEM NOT ILLUSTRATED

49-41-01-01

49-41-01  
FIG. 01  
PAGE 22  
JAN 20/09

BRI



757  
PARTS CATALOG (MAINTENANCE)

FIG ITEM	PART NUMBER	1 2 3 4 5 6 7	NOMENCLATURE	EFFECT FROM TO	UNITS PER ASSY
1 725	MS35769-6		. GASKET- POST AIRLINE MOD: PCR15 VALP	002004 006999	1

MISSING ITEM NUMBERS NOT APPLICABLE

- ITEM NOT ILLUSTRATED

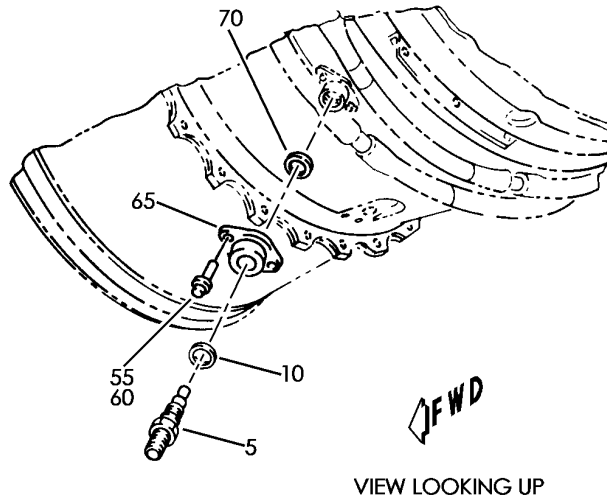
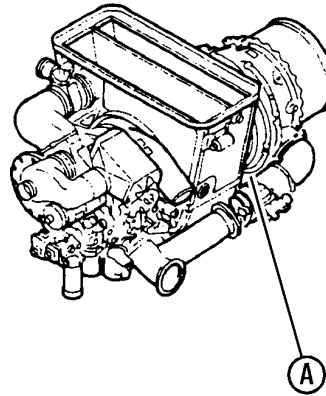
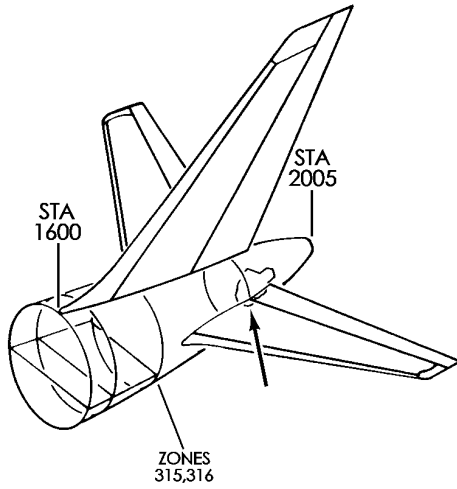
BRI

49-41-01-01

BOEING PROPRIETARY - Copyright © - Unpublished Work - See title page for details.

49-41-01  
FIG. 01  
PAGE 23  
JAN 20/09

**BOEING**  
757  
PARTS CATALOG (MAINTENANCE)



A

Y 49410201 REV 238

ENGINE ASSY-GAS TURB (IGNITER PLUG ONLY)  
FIGURE 1

**49-41-02-01**

BRI  
MAY 28/07

49-41-02-01  
PAGE 0



757

PARTS CATALOG (MAINTENANCE)

FIG ITEM	PART NUMBER	1 2 3 4 5 6 7	NOMENCLATURE	EFFECT FROM TO	UNITS PER ASSY
1			ENGINE ASSY-GAS TURB (IGNITER PLUG ONLY)	002004 006999	
- 1	3800298-1-2		ENGINE ASSY-GAS TURB GTCP331-200ER (IGNITER PLUG ONLY) SUPPLIER CODE: V99193 SPECIFICATION NUMBER: S351T020-201 CONFIG CHG DATA FROM A CMM: REPLACES 3800298-1-1 COMPONENT MAINT MANUAL REF: 49-22-11 QUALIFIED I/W DATA: S351T020-201 (3800298-1-2) AND S351T020-205 (3800298-1-6) ARE INTERCHANGEABLE WITH THE INCORPORATION OF ALLIED SIGNAL S/B GTCP331-49-7081. S351T020-201 (3800298-1-2) AND S351T020-206 (3800298-1-7/3800298-1) ARE INTERCHANGEABLE WITH THE INCORPORATION OF ALLIED SIGNAL S/B GTCP331-49-7081. FOR NHA/ADDITIONAL DET SEE: 49-11-01-50	002004 006100 107107 121503 904999	RF

MISSING ITEM NUMBERS NOT APPLICABLE

- ITEM NOT ILLUSTRATED

BRI

49-41-02-01

BOEING PROPRIETARY - Copyright © - Unpublished Work - See title page for details.

49-41-02  
FIG. 01  
PAGE 1  
JAN 20/09



757

PARTS CATALOG (MAINTENANCE)

FIG ITEM	PART NUMBER	1 2 3 4 5 6 7	NOMENCLATURE	EFFECT FROM TO	UNITS PER ASSY
1 - 1	3800298-1-1		ENGINE ASSY-GAS TURB GTCP331-200ER (IGNITER PLUG ONLY) SUPPLIER CODE: V99193 SPECIFICATION NUMBER: S351T020-200 COMPONENT MAINT MANUAL REF: 49-22-11 QUALIFIED I/W DATA: S351T020-200 (3800298-1-1) AND S351T020-205 (3800298-1-6) ARE INTERCHANGEABLE WITH THE INCORPORATION OF ALLIED SIGNAL S/B GTCP331-49-7081. S351T020-200 (3800298-1-1) AND S351T020-206 (3800298-1-7/3800298-1) ARE INTERCHANGEABLE WITH THE INCORPORATION OF ALLIED SIGNAL S/B GTCP331-49-7081. FOR NHA/ADDITIONAL DET SEE: 49-11-01-50	002004 006100 107107 121503 904999	RF

MISSING ITEM NUMBERS NOT APPLICABLE

- ITEM NOT ILLUSTRATED

BRI

49-41-02-01

BOEING PROPRIETARY - Copyright © - Unpublished Work - See title page for details.

49-41-02  
FIG. 01  
PAGE 2  
JAN 20/09



757

PARTS CATALOG (MAINTENANCE)

FIG ITEM	PART NUMBER	1 2 3 4 5 6 7	NOMENCLATURE	EFFECT FROM TO	UNITS PER ASSY
1 - 1	3800298-1-3		ENGINE ASSY-GAS TURB GTCP331-200ER (IGNITER PLUG ONLY) SUPPLIER CODE: V99193 SPECIFICATION NUMBER: S351T020-202 CONFIG CHG DATA FROM A CMM: REPLACES 3800298-1-2 COMPONENT MAINT MANUAL REF: 49-22-11 QUALIFIED I/W DATA: S351T020-202 (3800298-1-3) AND S351T020-205 (3800298-1-6) ARE INTERCHANGEABLE WITH THE INCORPORATION OF ALLIED SIGNAL S/B GTCP331-49-7081. S351T020-202 (3800298-1-3) AND S351T020-206 (3800298-1-7/3800298-1) ARE INTERCHANGEABLE WITH THE INCORPORATION OF ALLIED SIGNAL S/B GTCP331-49-7081. FOR NHA/OTHER SYS DET SEE: 49-11-01-50	002004 006100 107107 121503 904999	RF

MISSING ITEM NUMBERS NOT APPLICABLE

- ITEM NOT ILLUSTRATED

BRI

49-41-02-01

BOEING PROPRIETARY - Copyright © - Unpublished Work - See title page for details.

49-41-02  
 FIG. 01  
 PAGE 3  
 JAN 20/09





757

PARTS CATALOG (MAINTENANCE)

FIG ITEM	PART NUMBER	1 2 3 4 5 6 7	NOMENCLATURE	EFFECT FROM TO	UNITS PER ASSY
1 - 1	3800298-1-4		ENGINE ASSY-GAS TURB GTCP331-200ER (IGNITER PLUG ONLY) SUPPLIER CODE: V99193 SPECIFICATION NUMBER: S351T020-203 CONFIG CHG DATA FROM A CMM: REPLACES 3800298-1-3 COMPONENT MAINT MANUAL REF: 49-22-11 QUALIFIED I/W DATA: 3800298-1-4/S351T020-203 AND 3800298-1-6/S351T020-205 ARE INTERCHANGEABLE WITH THE INCORPORATION OF ALLIED SIGNAL S/B GTCP331-49-7081. (3800298-1-4) S351Y020-203 AND S351T020-206(3800298-1-7 /3800298-1) ARE INTERCHANGEABLE WITH THE INCORPORATION OF ALLIED SIGNAL S/B GTCP331-49-7081. FOR NHA/ADDITIONAL DET SEE: 49-11-01-50	002004 006100 107107 121503 904999	RF

MISSING ITEM NUMBERS NOT APPLICABLE

- ITEM NOT ILLUSTRATED

49-41-02-01

49-41-02  
 FIG. 01  
 PAGE 4  
 JAN 20/09

BRI



757

PARTS CATALOG (MAINTENANCE)

FIG ITEM	PART NUMBER	1 2 3 4 5 6 7	NOMENCLATURE	EFFECT FROM TO	UNITS PER ASSY
1					
- 1	3800298-1-5		ENGINE ASSY-GAS TURB GTCP331-200ER (IGNITER PLUG ONLY) SUPPLIER CODE: V99193 SPECIFICATION NUMBER: S351T020-204 CONFIG CHG DATA FROM A CMM: REPLACES 3800298-1-4 COMPONENT MAINT MANUAL REF: 49-22-11 QUALIFIED I/W DATA: 3800298-1-5/S351T020-204 AND 3800298-1-6/S351T020-205 ARE INTERCHANGEABLE WITH THE INCORPORATION OF ALLIED SIGNAL S/B GTCP331-49-7081. S351T020-204 (3800298-1-5) AND S351T020-206(3800298-1-7 /3800298-1) ARE INTERCHANGEABLE WITH THE INCORPORATION OF ALLIED SIGNAL S/B GTCP331-49-7081. FOR NHA/ADDITIONAL DET SEE: 49-11-01-50	002004 006100 107107 121503 904999	RF
- 1	3800298-1-6		ENGINE ASSY-GAS TURB GTCP331-200ER (IGNITER PLUG ONLY) SUPPLIER CODE: V99193 SPECIFICATION NUMBER: S351T020-205 CONFIG CHG DATA FROM A CMM: REPLACES 3800298-1-5 COMPONENT MAINT MANUAL REF: 49-22-11 QUALIFIED I/W DATA: 3800298-1-5/S351T020-204 AND 3800298-1-6/S351T020-205 ARE INTERCHANGEABLE WITH THE INCORPORATION OF ALLIED SIGNAL S/B GTCP331-49-7081. S351T020-203	002004 006999	RF

MISSING ITEM NUMBERS NOT APPLICABLE

- ITEM NOT ILLUSTRATED

49-41-02-01

49-41-02  
FIG. 01  
PAGE 5  
JAN 20/09

BRI



757

PARTS CATALOG (MAINTENANCE)

FIG ITEM	PART NUMBER	1 2 3 4 5 6 7 NOMENCLATURE	EFFECT FROM TO	UNITS PER ASSY
1		<p>(3800298-1-4) AND S351T020-205 (3800298-1-6) ARE INTERCHANGEABLE WITH THE INCORPORATION OF ALLIED SIGNAL S/B GTCP331-49-7081. S351T020-202 (3800298-1-3) AND S351T020-205 (3800298-1-6) ARE INTERCHANGEABLE WITH THE INCORPORATION OF ALLIED SIGNAL S/B GTCP331-49-7081. S351T020-201 (3800298-1-2) AND S351T020-205 (3800298-1-6) ARE INTERCHANGEABLE WITH THE INCORPORATION OF ALLIED SIGNAL S/B GTCP331-49-7081. S351T020-200 (3800298-1-1) AND S351T020-205 (3800298-1-6) ARE INTERCHANGEABLE WITH THE INCORPORATION OF ALLIED SIGNAL S/B GTCP331-49-7081. FOR NHA/ADDITIONAL DET SEE: 49-11-01-50 49-21-00-02</p>		
-	1 3800298-1-7	<p>ENGINE ASSY-GAS TURB GTCP331-200ER (IGNITER PLUG ONLY) SUPPLIER CODE: V99193 SPECIFICATION NUMBER: S351T020-206 CONFIG CHG DATA FROM A CMM: REPLACES 3800298-1-6 COMPONENT MAINT MANUAL REF: 49-22-11 QUALIFIED I/W DATA: 3800298-1-5/S351T020-204 AND 3800298-1/ 3800298-1-7/S351T020-206</p>	002004 006999	RF

MISSING ITEM NUMBERS NOT APPLICABLE

- ITEM NOT ILLUSTRATED

49-41-02-01

49-41-02  
FIG. 01  
PAGE 6  
SEP 20/08

BRI



757

PARTS CATALOG (MAINTENANCE)

FIG ITEM	PART NUMBER	1 2 3 4 5 6 7 NOMENCLATURE	EFFECT FROM TO	UNITS PER ASSY
1		<p>ARE INTERCHANGEABLE WITH THE INCORPORATION OF ALLIED SIGNAL S/B GTCP331-49-7081. S351T020-203 (3800298-1-4) AND S351T020-206(3800298-1-7 /3800298-1) ARE INTERCHANGEABLE WITH THE INCORPORATION OF ALLIED SIGNAL S/B GTCP331-49-7081. S351T020-202 (3800298-1-3) AND S351T020-206 (3800298-1-7/3800298-1) ARE INTERCHANGEABLE WITH THE INCORPORATION OF ALLIED SIGNAL S/B GTCP331-49-7081. S351T020-201 (3800298-1-2) AND S351T020-206 (3800298-1-7/3800298-1) ARE INTERCHANGEABLE WITH THE INCORPORATION OF ALLIED SIGNAL S/B GTCP331-49-7081. S351T020-200 (3800298-1-1) AND S351T020-206 (3800298-1-7/3800298-1) ARE INTERCHANGEABLE WITH THE INCORPORATION OF ALLIED SIGNAL S/B GTCP331-49-7081.</p> <p>OPTIONAL PART: 3800298-1 V99193</p> <p>FOR NHA/ADDITIONAL DET SEE: 49-11-01-50 49-21-00-02</p>		
-	1 3800298-1	<p>ENGINE ASSY-GAS TURB GTCP331-200ER (IGNITER PLUG ONLY) SUPPLIER CODE: V99193 SPECIFICATION NUMBER: S351T020-206</p>	002004 006999	RF

MISSING ITEM NUMBERS NOT APPLICABLE

- ITEM NOT ILLUSTRATED

49-41-02-01

BRI

BOEING PROPRIETARY - Copyright © - Unpublished Work - See title page for details.

49-41-02  
FIG. 01  
PAGE 7  
SEP 20/08



757

PARTS CATALOG (MAINTENANCE)

FIG ITEM	PART NUMBER	1 2 3 4 5 6 7 NOMENCLATURE	EFFECT FROM TO	UNITS PER ASSY
1		<p>COMPONENT MAINT MANUAL REF: 49-22-11</p> <p>QUALIFIED I/W DATA: 3800298-1-5/S351T020-204 AND 3800298-1-7/S351T020-206 /380029-1</p> <p>ARE INTERCHANGEABLE WITH THE INCORPORATION OF ALLIED SIGNAL S/B GTCP331-49-7081. S351T020-203 (3800298-1-4) AND S351T020-206(3800298-1-7 /3800298-1) ARE INTERCHANGEABLE WITH THE INCORPORATION OF ALLIED SIGNAL S/B GTCP331-49-7081. S351T020-202 (3800298-1-3) AND S351T020-206 (3800298-1-7/3800298-1) ARE INTERCHANGEABLE WITH THE INCORPORATION OF ALLIED SIGNAL S/B GTCP331-49-7081. S351T020-201 (3800298-1-2) AND S351T020-206 (3800298-1-7/3800298-1) ARE INTERCHANGEABLE WITH THE INCORPORATION OF ALLIED SIGNAL S/B GTCP331-49-7081. S351T020-200 (3800298-1-1) AND S351T020-206 (3800298-1-7/3800298-1) ARE INTERCHANGEABLE WITH THE INCORPORATION OF ALLIED SIGNAL S/B GTCP331-49-7081.</p> <p>OPTIONAL PART: 3800298-1-7 V99193</p> <p>FOR NHA/ADDITIONAL DET SEE: 49-11-01-50 49-21-00-02</p>		

MISSING ITEM NUMBERS NOT APPLICABLE

- ITEM NOT ILLUSTRATED

# 49-41-02-01

49-41-02  
FIG. 01  
PAGE 8  
SEP 20/08

BRI



757

PARTS CATALOG (MAINTENANCE)

FIG ITEM	PART NUMBER	1 2 3 4 5 6 7	NOMENCLATURE	EFFECT FROM TO	UNITS PER ASSY
1					
5	305766-1		.PLUG-IGNITER HIGH VOLTAGE AIR GAP SUPPLIER CODE: V99193 SB DATA FROM A CMM: POST SB 49-5519 CONFIG CHG DATA FROM A CMM: REPLS 369949-3	002004 006999	1
10	A367		.GASKET- SUPPLIER CODE: V84479 CONFIG CHG DATA FROM A CMM: 362-509-9002	002004 006999	1
- 50	288N4890		CABLE INSTL-ELECTRICAL POWER UNIT	002004 006999	RF
55	MS21288-05		.BOLT- OPTIONAL PART: MS9565-05	950951	2
55	MS9565-05		.BOLT- OPTIONAL PART: MS21288-05 POST AIRLINE MOD: E.O.B757-4940-1348 VUPS	950951	2
60	MS21288-05		.BOLT- OPTIONAL PART: MS9565-05	002004 006999	2
60	MS9565-05		.BOLT- SB DATA FROM A CMM: POST SPB GTE0306 OPTIONAL PART: MS21288-05	002004 006999	2
65	3888053-1		.ADAPTER-IGNITER SUPPLIER CODE: V99193 POST AIRLINE MOD: PCR15 VALP	002004 006999	1
70	MS35769-11		.GASKET-METALLIC ENCASED SB DATA FROM A CMM: POST SB 49-5691 POST SB 49-5863 CONFIG CHG DATA FROM A CMM: REPLS 3888052-1 REPL BY 3612628-4 REPLD BY A678	002004 006999	1

MISSING ITEM NUMBERS NOT APPLICABLE

- ITEM NOT ILLUSTRATED

49-41-02-01

49-41-02  
FIG. 01  
PAGE 9  
JAN 20/09

BRI

BOEING PROPRIETARY - Copyright © - Unpublished Work - See title page for details.



757

PARTS CATALOG (MAINTENANCE)

FIG ITEM	PART NUMBER	1 2 3 4 5 6 7	NOMENCLATURE	EFFECT FROM TO	UNITS PER ASSY
1 70	3888052-1		.GASKET- SUPPLIER CODE: V99193 NOT APPROVED FOR ETOPS AFTER INCORP OF SB: GTCP331495863 SB DATA FROM A CMM: PRE SB 49-5691 PRE SB 49-5863 CONFIG CHG DATA FROM A CMM: REPLD BY MS35769-11 COMPONENT MAINT MANUAL REF: 49-22-11	002004 006999	1
70	3612628-4		.GASKET- SUPPLIER CODE: V99193 NOT APPROVED FOR ETOPS AFTER INCORP OF SB: GTCP331495863 SB DATA FROM A CMM: POST SB 49-5691 PRE SB 49-5863 CONFIG CHG DATA FROM A CMM: REPLS 3888052-1 REPLS MS35769-11 REPLD BY A678 COMPONENT MAINT MANUAL REF: 49-22-11	002004 006999	1
70	A678		.GASKET- SUPPLIER CODE: V11583 SB DATA FROM A CMM: POST SB 49-7177 CONFIG CHG DATA FROM A CMM: REPLS MS35769-11 REPLS 3612628-4	002004 006999	1

MISSING ITEM NUMBERS NOT APPLICABLE

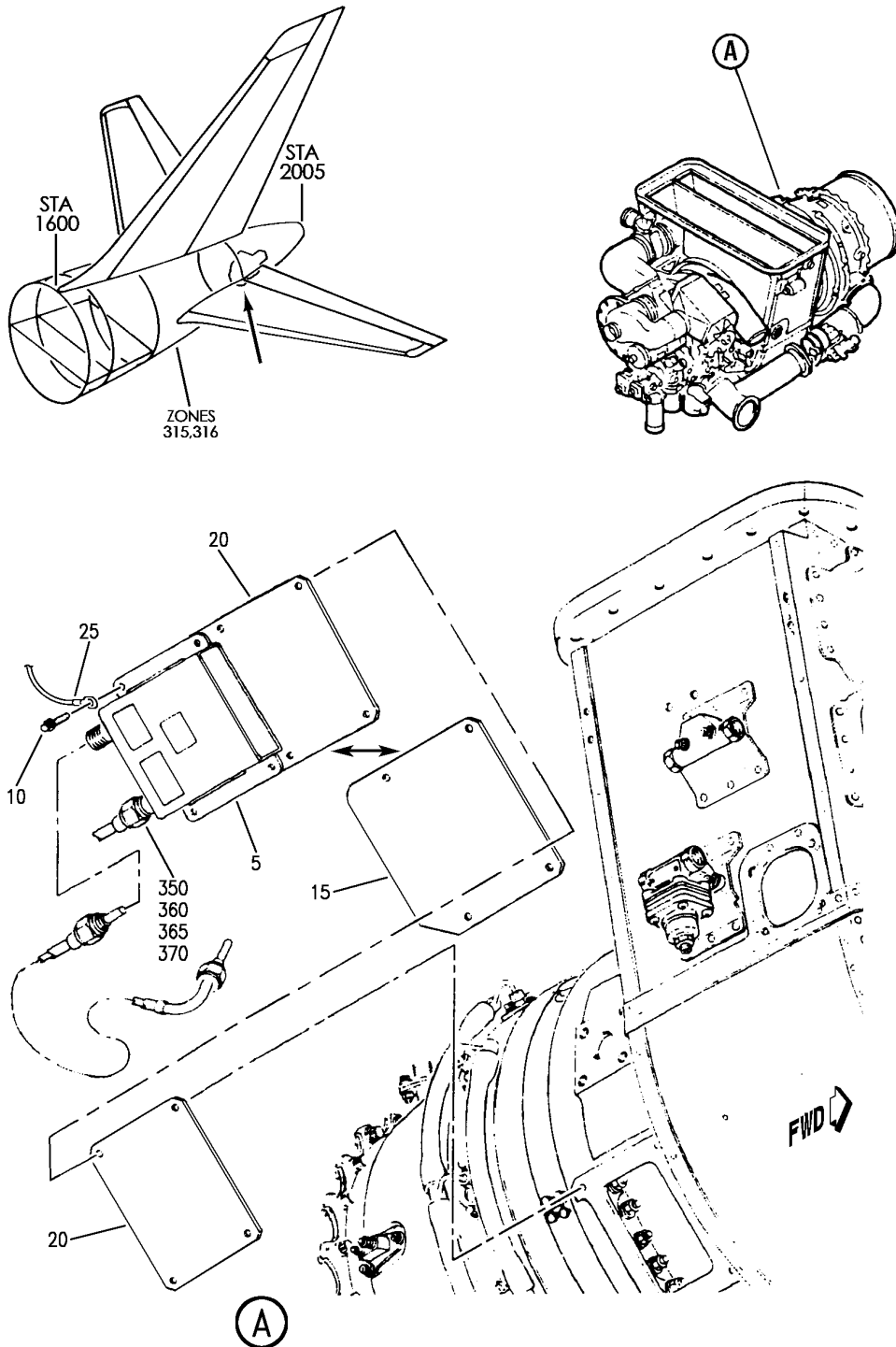
- ITEM NOT ILLUSTRATED

49-41-02-01

49-41-02  
FIG. 01  
PAGE 10  
JAN 20/09

BRI

**BOEING**  
757  
PARTS CATALOG (MAINTENANCE)



Y 49410301 REV 251

ENGINE ASSY-GAS TURB (IGNITION UNIT ONLY)  
FIGURE 1

**49-41-03-01**

BRI  
MAY 28/07

49-41-03-01  
PAGE 0





757

PARTS CATALOG (MAINTENANCE)

FIG ITEM	PART NUMBER	1 2 3 4 5 6 7	NOMENCLATURE	EFFECT FROM TO	UNITS PER ASSY
1			ENGINE ASSY-GAS TURB (IGNITION UNIT ONLY)	002004 006999	
- 1	3800298-1-2		ENGINE ASSY-GAS TURB GTCP331-200ER (IGNITION UNIT ONLY) SUPPLIER CODE: V99193 SPECIFICATION NUMBER: S351T020-201 CONFIG CHG DATA FROM A CMM: REPLACES 3800298-1-1 COMPONENT MAINT MANUAL REF: 49-22-11 QUALIFIED I/W DATA: S351T020-201 (3800298-1-2) AND S351T020-205 (3800298-1-6) ARE INTERCHANGEABLE WITH THE INCORPORATION OF ALLIED SIGNAL S/B GTCP331-49-7081. S351T020-201 (3800298-1-2) AND S351T020-206 (3800298-1-7/3800298-1) ARE INTERCHANGEABLE WITH THE INCORPORATION OF ALLIED SIGNAL S/B GTCP331-49-7081. FOR NHA/ADDITIONAL DET SEE: 49-11-01-50	002004 006100 107107 121503 904999	RF

MISSING ITEM NUMBERS NOT APPLICABLE

- ITEM NOT ILLUSTRATED

49-41-03-01

49-41-03  
FIG. 01  
PAGE 1  
JAN 20/09

BRI



757

PARTS CATALOG (MAINTENANCE)

FIG ITEM	PART NUMBER	1 2 3 4 5 6 7	NOMENCLATURE	EFFECT FROM TO	UNITS PER ASSY
1 - 1	3800298-1-1		ENGINE ASSY-GAS TURB GTCP331-200ER (IGNITION UNIT ONLY) SUPPLIER CODE: V99193 SPECIFICATION NUMBER: S351T020-200 COMPONENT MAINT MANUAL REF: 49-22-11 QUALIFIED I/W DATA: S351T020-200 (3800298-1-1) AND S351T020-205 (3800298-1-6) ARE INTERCHANGEABLE WITH THE INCORPORATION OF ALLIED SIGNAL S/B GTCP331-49-7081. S351T020-200 (3800298-1-1) AND S351T020-206 (3800298-1-7/3800298-1) ARE INTERCHANGEABLE WITH THE INCORPORATION OF ALLIED SIGNAL S/B GTCP331-49-7081. FOR NHA/ADDITIONAL DET SEE: 49-11-01-50	002004 006100 107107 121503 904999	RF

MISSING ITEM NUMBERS NOT APPLICABLE

- ITEM NOT ILLUSTRATED

49-41-03-01

49-41-03  
 FIG. 01  
 PAGE 2  
 JAN 20/09

BRI



757

PARTS CATALOG (MAINTENANCE)

FIG ITEM	PART NUMBER	1 2 3 4 5 6 7 NOMENCLATURE	EFFECT FROM TO	UNITS PER ASSY
1 - 1	3800298-1-3	ENGINE ASSY-GAS TURB GTCP331-200ER (IGNITION UNIT ONLY) SUPPLIER CODE: V99193 SPECIFICATION NUMBER: S351T020-202 CONFIG CHG DATA FROM A CMM: REPLACES 3800298-1-2 COMPONENT MAINT MANUAL REF: 49-22-11 QUALIFIED I/W DATA: S351T020-202 (3800298-1-3) AND S351T020-205 (3800298-1-6) ARE INTERCHANGEABLE WITH THE INCORPORATION OF ALLIED SIGNAL S/B GTCP331-49-7081. S351T020-202 (3800298-1-3) AND S351T020-206 (3800298-1-7/3800298-1) ARE INTERCHANGEABLE WITH THE INCORPORATION OF ALLIED SIGNAL S/B GTCP331-49-7081. FOR NHA/OTHER SYS DET SEE: 49-11-01-50	002004 006100 107107 121503 904999	RF

MISSING ITEM NUMBERS NOT APPLICABLE

- ITEM NOT ILLUSTRATED

BRI

49-41-03-01

BOEING PROPRIETARY - Copyright © - Unpublished Work - See title page for details.

49-41-03  
FIG. 01  
PAGE 3  
JAN 20/09



757

PARTS CATALOG (MAINTENANCE)

FIG ITEM	PART NUMBER	1 2 3 4 5 6 7 NOMENCLATURE	EFFECT FROM TO	UNITS PER ASSY
1 - 1	3800298-1-4	ENGINE ASSY-GAS TURB GTCP331-200ER (IGNITION UNIT ONLY) SUPPLIER CODE: V99193 SPECIFICATION NUMBER: S351T020-203 CONFIG CHG DATA FROM A CMM: REPLACES 3800298-1-3 COMPONENT MAINT MANUAL REF: 49-22-11 QUALIFIED I/W DATA: 3800298-1-4/S351T020-203 AND 3800298-1-6/S351T020-205 ARE INTERCHANGEABLE WITH THE INCORPORATION OF ALLIED SIGNAL S/B GTCP331-49-7081. (3800298-1-4) S351T020-203 AND S351T020-206(3800298-1-7 /3800298-1) ARE INTERCHANGEABLE WITH THE INCORPORATION OF ALLIED SIGNAL S/B GTCP331-49-7081. FOR NHA/ADDITIONAL DET SEE: 49-11-01-50	002004 006100 107107 121503 904999	RF

MISSING ITEM NUMBERS NOT APPLICABLE

- ITEM NOT ILLUSTRATED

49-41-03-01

49-41-03  
FIG. 01  
PAGE 4  
JAN 20/09

BRI



757

PARTS CATALOG (MAINTENANCE)

FIG ITEM	PART NUMBER	1 2 3 4 5 6 7	NOMENCLATURE	EFFECT FROM TO	UNITS PER ASSY
1	3800298-1-5		ENGINE ASSY-GAS TURB GTCP331-200ER (IGNITION UNIT ONLY) SUPPLIER CODE: V99193 SPECIFICATION NUMBER: S351T020-204 CONFIG CHG DATA FROM A CMM: REPLACES 3800298-1-4 COMPONENT MAINT MANUAL REF: 49-22-11 QUALIFIED I/W DATA: 3800298-1-5/S351T020-204 AND 3800298-1-6/S351T020-205 ARE INTERCHANGEABLE WITH THE INCORPORATION OF ALLIED SIGNAL S/B GTCP331-49-7081. S351T020-204 (3800298-1-5) AND S351T020-206(3800298-1-7 /3800298-1) ARE INTERCHANGEABLE WITH THE INCORPORATION OF ALLIED SIGNAL S/B GTCP331-49-7081. FOR NHA/ADDITIONAL DET SEE: 49-11-01-50	002004 006100 107107 121503 904999	RF
1	3800298-1-6		ENGINE ASSY-GAS TURB GTCP331-200ER (IGNITION UNIT ONLY) SUPPLIER CODE: V99193 SPECIFICATION NUMBER: S351T020-205 CONFIG CHG DATA FROM A CMM: REPLACES 3800298-1-5 COMPONENT MAINT MANUAL REF: 49-22-11 QUALIFIED I/W DATA: 3800298-1-5/S351T020-204 AND 3800298-1-6/S351T020-205 ARE INTERCHANGEABLE WITH THE INCORPORATION OF ALLIED SIGNAL S/B GTCP331-49-7081. S351T020-203	002004 006999	RF

MISSING ITEM NUMBERS NOT APPLICABLE

- ITEM NOT ILLUSTRATED

49-41-03-01

49-41-03  
FIG. 01  
PAGE 5  
JAN 20/09

BRI



757

PARTS CATALOG (MAINTENANCE)

FIG ITEM	PART NUMBER	1 2 3 4 5 6 7 NOMENCLATURE	EFFECT FROM TO	UNITS PER ASSY
1		<p>(3800298-1-4) AND S351T020-205 (3800298-1-6) ARE INTERCHANGEABLE WITH THE INCORPORATION OF ALLIED SIGNAL S/B GTCP331-49-7081. S351T020-202 (3800298-1-3) AND S351T020-205 (3800298-1-6) ARE INTERCHANGEABLE WITH THE INCORPORATION OF ALLIED SIGNAL S/B GTCP331-49-7081. S351T020-201 (3800298-1-2) AND S351T020-205 (3800298-1-6) ARE INTERCHANGEABLE WITH THE INCORPORATION OF ALLIED SIGNAL S/B GTCP331-49-7081. S351T020-200 (3800298-1-1) AND S351T020-205 (3800298-1-6) ARE INTERCHANGEABLE WITH THE INCORPORATION OF ALLIED SIGNAL S/B GTCP331-49-7081. FOR NHA/ADDITIONAL DET SEE: 49-11-01-50 49-21-00-02</p>		
-	1 3800298-1-7	<p>ENGINE ASSY-GAS TURB GTCP331-200ER (IGNITION UNIT ONLY) SUPPLIER CODE: V99193 SPECIFICATION NUMBER: S351T020-206 CONFIG CHG DATA FROM A CMM: REPALCES 3800298-1-6 COMPONENT MAINT MANUAL REF: 49-22-11 QUALIFIED I/W DATA: 3800298-1-5/S351T020-204 AND 3800298-1 3800298-1-7/S351T020-206</p>	002004 006999	RF

MISSING ITEM NUMBERS NOT APPLICABLE

- ITEM NOT ILLUSTRATED

49-41-03-01

49-41-03  
FIG. 01  
PAGE 6  
SEP 20/08

BRI



757

PARTS CATALOG (MAINTENANCE)

FIG ITEM	PART NUMBER	1 2 3 4 5 6 7 NOMENCLATURE	EFFECT FROM TO	UNITS PER ASSY
1		<p>ARE INTERCHANGEABLE WITH THE INCORPORATION OF ALLIED SIGNAL S/B GTCP331-49-7081. S351T020-203 (3800298-1-4) AND S351T020-206(3800298-1-7 /3800298-1) ARE INTERCHANGEABLE WITH THE INCORPORATION OF ALLIED SIGNAL S/B GTCP331-49-7081. S351T020-202 (3800298-1-3) AND S351T020-206 (3800298-1-7/3800298-1) ARE INTERCHANGEABLE WITH THE INCORPORATION OF ALLIED SIGNAL S/B GTCP331-49-7081. S351T020-201 (3800298-1-2) AND S351T020-206 (3800298-1-7/3800298-1) ARE INTERCHANGEABLE WITH THE INCORPORATION OF ALLIED SIGNAL S/B GTCP331-49-7081. S351T020-200 (3800298-1-1) AND S351T020-206 (3800298-1-7/3800298-1) ARE INTERCHANGEABLE WITH THE INCORPORATION OF ALLIED SIGNAL S/B GTCP331-49-7081.</p> <p>OPTIONAL PART: 3800298-1 V99193</p> <p>FOR NHA/ADDITIONAL DET SEE: 49-11-01-50 49-21-00-02</p> <p>ENGINE ASSY-GAS TURB GTCP331-200ER (IGNITION UNIT ONLY)</p> <p>SUPPLIER CODE: V99193</p> <p>SPECIFICATION NUMBER: S351T020-206</p>		
-	1 3800298-1	<p>ENGINE ASSY-GAS TURB GTCP331-200ER (IGNITION UNIT ONLY)</p> <p>SUPPLIER CODE: V99193</p> <p>SPECIFICATION NUMBER: S351T020-206</p>	002004 006999	RF

MISSING ITEM NUMBERS NOT APPLICABLE

- ITEM NOT ILLUSTRATED

49-41-03-01

49-41-03  
FIG. 01  
PAGE 7  
SEP 20/08

BRI



757

PARTS CATALOG (MAINTENANCE)

FIG ITEM	PART NUMBER	1 2 3 4 5 6 7 NOMENCLATURE	EFFECT FROM TO	UNITS PER ASSY
1		<p>COMPONENT MAINT MANUAL REF: 49-22-11</p> <p>QUALIFIED I/W DATA: 3800298-1-5/S351T020-204 AND 3800298-1-7/S351T020-206 /380029-1</p> <p>ARE INTERCHANGEABLE WITH THE INCORPORATION OF ALLIED SIGNAL S/B GTCP331-49-7081. S351T020-203 (3800298-1-4) AND S351T020-206(3800298-1-7 /3800298-1) ARE INTERCHANGEABLE WITH THE INCORPORATION OF ALLIED SIGNAL S/B GTCP331-49-7081. S351T020-202 (3800298-1-3) AND S351T020-206 (3800298-1-7/3800298-1) ARE INTERCHANGEABLE WITH THE INCORPORATION OF ALLIED SIGNAL S/B GTCP331-49-7081. S351T020-201 (3800298-1-2) AND S351T020-206 (3800298-1-7/3800298-1) ARE INTERCHANGEABLE WITH THE INCORPORATION OF ALLIED SIGNAL S/B GTCP331-49-7081. S351T020-200 (3800298-1-1) AND S351T020-206 (3800298-1-7/3800298-1) ARE INTERCHANGEABLE WITH THE INCORPORATION OF ALLIED SIGNAL S/B GTCP331-49-7081.</p> <p>OPTIONAL PART: 3800298-1-7 V99193</p> <p>FOR NHA/ADDITIONAL DET SEE: 49-11-01-50 49-21-00-02</p>		

MISSING ITEM NUMBERS NOT APPLICABLE

- ITEM NOT ILLUSTRATED

49-41-03-01

49-41-03  
FIG. 01  
PAGE 8  
SEP 20/08

BRI





757

PARTS CATALOG (MAINTENANCE)

FIG ITEM	PART NUMBER	1 2 3 4 5 6 7	NOMENCLATURE	EFFECT FROM TO	UNITS PER ASSY
1 5	3888058-4	.	EXCITER-IGNITION SUPPLIER CODE: V83311 NOT APPROVED FOR ETOPS AFTER INCORP OF SB: GTCP331-49-5770 SB DATA FROM A CMM: PRE SB 49-5916 CONFIG CHG DATA FROM A CMM: REPLD BY 3888058-5 REPLD BY 3888058-6 MISCELLANEOUS DATA: HONEYWELL SPEC NO. 45259 COMPONENT MAINT MANUAL REF: 74-10-22 OPTIONAL PART: 3888058-3 V99193	002004 006999	1
5	3888058-3	.	EXCITER-IGNITION SUPPLIER CODE: V99193 NOT APPROVED FOR ETOPS AFTER INCORP OF SB: GTCP331-49-5770 SB DATA FROM A CMM: POST SB 49-5551 PRE SB 49-5770 CONFIG CHG DATA FROM A CMM: REPLS 3888058-1 REPLD BY 3888058-5 MISCELLANEOUS DATA: HONEYWELL SPEC NO. 10-67075-1 COMPONENT MAINT MANUAL REF: 49-41-07 OPTIONAL PART: 3888058-4 V99193 10-617075-5 V59501	002004 006999	1

MISSING ITEM NUMBERS NOT APPLICABLE

- ITEM NOT ILLUSTRATED

49-41-03-01

BRI

BOEING PROPRIETARY - Copyright © - Unpublished Work - See title page for details.

49-41-03  
FIG. 01  
PAGE 9  
SEP 20/08

 **BOEING**  
757  
**PARTS CATALOG (MAINTENANCE)**

FIG ITEM	PART NUMBER	1 2 3 4 5 6 7	NOMENCLATURE	EFFECT FROM TO	UNITS PER ASSY
1					
5	3888058-5		.EXCITER-IGNITION SUPPLIER CODE: V99193 SB DATA FROM A CMM: POST SB 49-5770/5916 CONFIG CHG DATA FROM A CMM: REPLS 3888058-3, -4 MISCELLANEOUS DATA: POST FAA PMA LTR 12-15-88 HONEYWELL SEC NO. 10-617075-6 COMPONENT MAINT MANUAL REF: 49-41-09	002004 006999	1
5	3888058-6		.EXCITER-IGNITION SUPPLIER CODE: V83311 SB DATA FROM A CMM: POST SB 49-5916 CONFIG CHG DATA FROM A CMM: REPLS 3888058-4 REWORKED FROM PN 3888058-4 MISCELLANEOUS DATA: HONEYWELL SPEC NO. 46823 COMPONENT MAINT MANUAL REF: 74-10-22	002004 006999	1
5	10-617075-5		.EXCITER-IGNITION SUPPLIER CODE: V59501 NOT APPROVED FOR ETOPS. COMPONENT MAINT MANUAL REF: 49-41-07 OPTIONAL PART: 3888058-3 V99193	002004 006999	1
10	MS21279-07		ATTACHING PARTS .BOLT- OPTIONAL PART: MS9556-07	002004 006999	4
10	MS9556-07		.BOLT- NOT APPROVED FOR ETOPS. SB DATA FROM A CMM: POST SPB GTE0293 OPTIONAL PART: MS21279-07 -----*-----	002004 006999	4

MISSING ITEM NUMBERS NOT APPLICABLE

— ITEM NOT ILLUSTRATED

BRI

# 49-41-03-01

BOEING PROPRIETARY - Copyright © - Unpublished Work - See title page for details.

49-41-03  
FIG. 01  
PAGE 10  
SEP 20/08



757

PARTS CATALOG (MAINTENANCE)

FIG ITEM	PART NUMBER	1 2 3 4 5 6 7	NOMENCLATURE	EFFECT FROM TO	UNITS PER ASSY
1					
15	3826170-2		.INSULATOR-EXCITER SUPPLIER CODE: V99193 CONFIG CHG DATA FROM A CMM: REPLACES 3826170-1 POST SERVICE BULLETIN: 49-7119	002004 006999	1
20	3826170-1		.INSULATOR-EXCITER SUPPLIER CODE: V99193 CONFIG CHG DATA FROM A CMM: REPLD BY 3826170-2 PRE SERVICE BULLETIN: 49-7119	002004 006100 103107 121503 904999	1
25	MS25083-7BB4		.JUMPER	002004 006999	1
- 300	3888123-4		.WIRING HARNESS ASSY- SUPPLIER CODE: V99193 SB DATA FROM A CMM: POST SB 49-5533 PRE SB 49-5794	002004 006102 107999	RF
- 300	3888123-5		.WIRING HARNESS ASSY- SUPPLIER CODE: V99193 USED ON: 3800298-1-1 3800298-1-2 3800298-1-3 3800298-1-4 3800298-1-5 3800298-1-6 3800298-1-7	002004 006999	RF

MISSING ITEM NUMBERS NOT APPLICABLE

- ITEM NOT ILLUSTRATED

49-41-03-01

49-41-03  
FIG. 01  
PAGE 11  
JAN 20/09

BRI



757

PARTS CATALOG (MAINTENANCE)

FIG ITEM	PART NUMBER	1 2 3 4 5 6 7	NOMENCLATURE	EFFECT FROM TO	UNITS PER ASSY
1 - 300	3888123-6		.WIRING HARNESS ASSY- SUPPLIER CODE: V99193 SB DATA FROM A CMM: POST SB 49-5794 PRE SB 49-5840/49-7403 CONFIG CHG DATA FROM A CMM: REPLD BY 3888123-8 REWORKED FROM 3888123-4 QUALIFIED OPTIONAL DATA: 3888123-8 QUALIFIED SB I/W DATA: 3617394-1 USED WITH 3888123-8 OR 3888123-9 OPT TO 3617394-1 USED WITH 3888123-6 OR 3888123-7 AND 3888450-1 OPT TO 3614759-1 USED WITH 3888123-8 OR 3888123-9 OPT TO 3617459-1 USED WITH 3888123-6 OR 3888123-7 AND 3888450-1	002004 006102 107999	RF
- 300	3888123-7		.WIRING HARNESS ASSY- SUPPLIER CODE: V99193 SB DATA FROM A CMM: POST SB 49-5840 PRE SB 49-7403 CONFIG CHG DATA FROM A CMM: REPLD BY 3888123-9 REWORKED FROM 3888123-6 QUALIFIED SB I/W DATA: 3617394-1 USED WITH 3888123-8 OR 3888123-9 OPT TO 3617394-1 USED WITH 3888123-6 OR 3888123-7 AND 3888450-1 OPT TO 3614759-1 USED WITH 3888123-8 OR 3888123-9 OPT TO 3617459-1 USED WITH 3888123-6 OR 3888123-7 AND 3888450-1	002004 006102 107999	RF

MISSING ITEM NUMBERS NOT APPLICABLE

- ITEM NOT ILLUSTRATED

49-41-03-01

49-41-03  
FIG. 01  
PAGE 12  
JAN 20/09

BRI



757

PARTS CATALOG (MAINTENANCE)

FIG ITEM	PART NUMBER	1 2 3 4 5 6 7	NOMENCLATURE	EFFECT FROM TO	UNITS PER ASSY
1 - 300	3888123-8		.WIRING HARNESS ASSY- SUPPLIER CODE: V99193 SB DATA FROM A CMM: POST SB 49-7391/49-7403 CONFIG CHG DATA FROM A CMM: REPLACES 3888123-6 REPLD BY 3888465-1 QUALIFIED OPTIONAL DATA: 3888123-6 QUALIFIED SB I/W DATA: 3617394-1 USED WITH 3888123-8 OR 3888123-9 OPT TO 3617394-1 USED WITH 3888123-6 OR 3888123-7 AND 3888450-1 OPT TO 3614759-1 USED WITH 3888123-8 OR 3888123-9 OPT TO 3617459-1 USED WITH 3888123-6 OR 3888123-7 AND 3888450-1	002004 006999	RF
- 300	3888123-9		.WIRING HARNESS ASSY- SUPPLIER CODE: V99193 SB DATA FROM A CMM: POST SB 49-7403 CONFIG CHG DATA FROM A CMM: REPLACES 3888123-7 REPLD BY 3888465-1 QUALIFIED SB I/W DATA: 3617394-1 USED WITH 3888123-8 OR 3888123-9 OPT TO 3617394-1 USED WITH 3888123-6 OR 3888123-7 AND 3888450-1 OPT TO 3614759-1 USED WITH 3888123-8 OR 3888123-9 OPT TO 3617459-1 USED WITH 3888123-6 OR 3888123-7 AND 3888450-1 POST SERVICE BULLETIN: GTCP331-49-7391R1 V99193	002004 006999	RF

MISSING ITEM NUMBERS NOT APPLICABLE

- ITEM NOT ILLUSTRATED

49-41-03-01

49-41-03  
FIG. 01  
PAGE 13  
SEP 20/08

BRI



757

PARTS CATALOG (MAINTENANCE)

FIG ITEM	PART NUMBER	1 2 3 4 5 6 7	NOMENCLATURE	EFFECT FROM TO	UNITS PER ASSY
1					
- 300	3888465-1		.WIRING HARNESS ASSY- SUPPLIER CODE: V99193 SB DATA FROM A CMM: POST 49-7618 CONFIG CHG DATA FROM A CMM: REPLACES 3888123-8 REPLACES 3888123-9	002004 006999	RF
350	ZZYA0-12D12-03S		..CONNECTOR-P4 SUPPLIER CODE: V14283 OPTIONAL PART: BCREF8105 V13556	002004 006999	1
350	BCREF8105		..PLUG- SUPPLIER CODE: V13556 OVERLENGTH PART NUMBER: CN0966-12A03SN000	002004 006999	1
360	LRC20W15DJ5		..CONTACT- SUPPLIER CODE: V09922	002004 006999	3
365	GS3418-12CD		..CLAMP- SUPPLIER CODE: V06324	002004 006999	1
370	10-230935-142		..GROMMET-RUBBER SUPPLIER CODE: V77820 CONFIG CHG DATA FROM A CMM: REPLD BY 10-230935-143	002004 006999	1
370	10-230935-143		..GROMMET-RUBBER SUPPLIER CODE: V77820 CONFIG CHG DATA FROM A CMM: REPLS 10-230935-142	002004 006999	1
- 380	M22759-8-18-8		..WIRE-ELECTRICAL OPTIONAL PART: 18699-69A1 V92607 75908E18 V12515 18AF2XTN1930 V12814 BATATE193ONICE V90484 11-00821 V05973	002004 006999	AR

MISSING ITEM NUMBERS NOT APPLICABLE

- ITEM NOT ILLUSTRATED

49-41-03-01

49-41-03  
FIG. 01  
PAGE 14  
SEP 20/08

BRI



757

PARTS CATALOG (MAINTENANCE)

FIG ITEM	PART NUMBER	1 2 3 4 5 6 7	NOMENCLATURE	EFFECT FROM TO	UNITS PER ASSY
1					
- 380	18699-69A1		.. WIRE-ELECTRICAL SUPPLIER CODE: V92607 OPTIONAL PART: M22759-8-18-8 75908E18 V12515 18AF2XTN1930 V12814 BATATE1930NICE V90484 11-00821 V05973	002004 006999	AR
- 380	75908E18		.. WIRE-ELECTRICAL SUPPLIER CODE: V12515 OPTIONAL PART: M22759-8-18-8 18699-69A1 V92607 18AF2XTN1930 V12814 BATATE1930NICE V90484 11-00821 V05973	002004 006999	AR
- 380	18AF2XTN1930		.. WIRE-ELECTRICAL SUPPLIER CODE: V12814 OPTIONAL PART: M22759-8-18-8 18699-69A1 V92607 75908E18 V12515 BATATE1930NICE V90484 11-00821 V05973	002004 006999	AR

MISSING ITEM NUMBERS NOT APPLICABLE

- ITEM NOT ILLUSTRATED

49-41-03-01

49-41-03  
FIG. 01  
PAGE 15  
SEP 20/08

BRI



757

PARTS CATALOG (MAINTENANCE)

FIG ITEM	PART NUMBER	1 2 3 4 5 6 7	NOMENCLATURE	EFFECT FROM TO	UNITS PER ASSY
1					
- 380	BATATE1930NICE		.. WIRE-ELECTRICAL SUPPLIER CODE: V90484 OPTIONAL PART: M22759-8-18-8 18699-69A1 V92607 75908E18 V12515 18AF2XTN1930 V12814 11-00821 V05973	002004 006999	AR
- 380	11-00821		.. WIRE-ELECTRICAL SUPPLIER CODE: V05973 OPTIONAL PART: M22759-8-18-8 18699-69A1 V92607 75908E18 V12515 18AF2XTN1930 V12814 BATATE1930NICE V90484	002004 006999	AR

MISSING ITEM NUMBERS NOT APPLICABLE

- ITEM NOT ILLUSTRATED

BRI

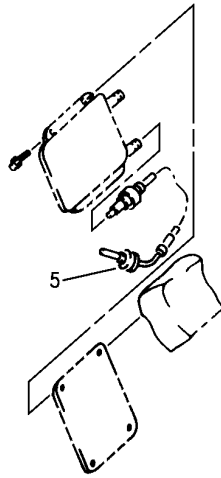
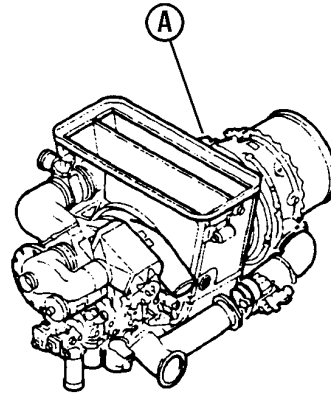
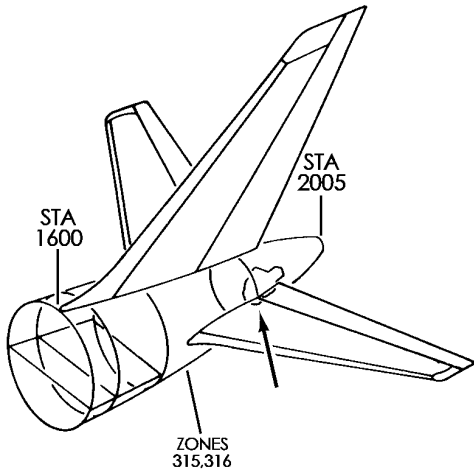
49-41-03-01

BOEING PROPRIETARY - Copyright © - Unpublished Work - See title page for details.

49-41-03  
FIG. 01  
PAGE 16  
SEP 20/08



**BOEING**  
757  
PARTS CATALOG (MAINTENANCE)



A

Y 49410401 REV 251

ENGINE ASSY-GAS TURB (IGNITION LEAD ONLY)

FIGURE 1

**49-41-04-01**

BRI  
MAY 28/07

49-41-04-01  
PAGE 0



757

PARTS CATALOG (MAINTENANCE)

FIG ITEM	PART NUMBER	1 2 3 4 5 6 7	NOMENCLATURE	EFFECT FROM TO	UNITS PER ASSY
1			ENGINE ASSY-GAS TURB (IGNITION LEAD ONLY)	002004 006999	
- 1	3800298-1-2		ENGINE ASSY-GAS TURB GTCP331-200ER (IGNITION LEAD ONLY) SUPPLIER CODE: V99193 SPECIFICATION NUMBER: S351T020-201 CONFIG CHG DATA FROM A CMM: REPLACES 3800298-1-1 COMPONENT MAINT MANUAL REF: 49-22-11 QUALIFIED I/W DATA: S351T020-201 (3800298-1-2) AND S351T020-205 (3800298-1-6) ARE INTERCHANGEABLE WITH THE INCORPORATION OF ALLIED SIGNAL S/B GTCP331-49-7081. S351T020-201 (3800298-1-2) AND S351T020-206 (3800298-1-7/3800298-1) ARE INTERCHANGEABLE WITH THE INCORPORATION OF ALLIED SIGNAL S/B GTCP331-49-7081. FOR NHA/ADDITIONAL DET SEE: 49-11-01-50	002004 006100 107107 121503 904999	RF

MISSING ITEM NUMBERS NOT APPLICABLE

- ITEM NOT ILLUSTRATED

49-41-04-01

49-41-04  
FIG. 01  
PAGE 1  
JAN 20/09

BRI



757

PARTS CATALOG (MAINTENANCE)

FIG ITEM	PART NUMBER	1 2 3 4 5 6 7	NOMENCLATURE	EFFECT FROM TO	UNITS PER ASSY
1 - 1	3800298-1-1		ENGINE ASSY-GAS TURB GTCP331-200ER (IGNITION LEAD ONLY) SUPPLIER CODE: V99193 SPECIFICATION NUMBER: S351T020-200 COMPONENT MAINT MANUAL REF: 49-22-11 QUALIFIED I/W DATA: S351T020-200 (3800298-1-1) AND S351T020-205 (3800298-1-6) ARE INTERCHANGEABLE WITH THE INCORPORATION OF ALLIED SIGNAL S/B GTCP331-49-7081. S351T020-200 (3800298-1-1) AND S351T020-206 (3800298-1-7/3800298-1) ARE INTERCHANGEABLE WITH THE INCORPORATION OF ALLIED SIGNAL S/B GTCP331-49-7081. FOR NHA/ADDITIONAL DET SEE: 49-11-01-50	002004 006100 107107 121503 904999	RF

MISSING ITEM NUMBERS NOT APPLICABLE

- ITEM NOT ILLUSTRATED

BRI

49-41-04-01

BOEING PROPRIETARY - Copyright © - Unpublished Work - See title page for details.

49-41-04  
FIG. 01  
PAGE 2  
JAN 20/09



757

PARTS CATALOG (MAINTENANCE)

FIG ITEM	PART NUMBER	1 2 3 4 5 6 7	NOMENCLATURE	EFFECT FROM TO	UNITS PER ASSY
1 - 1	3800298-1-3		ENGINE ASSY-GAS TURB GTCP331-200ER (IGNITION LEAD ONLY) SUPPLIER CODE: V99193 SPECIFICATION NUMBER: S351T020-202 CONFIG CHG DATA FROM A CMM: REPLACES 3800298-1-2 COMPONENT MAINT MANUAL REF: 49-22-11 QUALIFIED I/W DATA: S351T020-202 (3800298-1-3) AND S351T020-205 (3800298-1-6) ARE INTERCHANGEABLE WITH THE INCORPORATION OF ALLIED SIGNAL S/B GTCP331-49-7081. S351T020-202 (3800298-1-3) AND S351T020-206 (3800298-1-7/3800298-1) ARE INTERCHANGEABLE WITH THE INCORPORATION OF ALLIED SIGNAL S/B GTCP331-49-7081. FOR NHA/OTHER SYS DET SEE: 49-11-01-50	002004 006100 107107 121503 904999	RF

MISSING ITEM NUMBERS NOT APPLICABLE

- ITEM NOT ILLUSTRATED

49-41-04-01

49-41-04  
FIG. 01  
PAGE 3  
JAN 20/09

BRI



757

PARTS CATALOG (MAINTENANCE)

FIG ITEM	PART NUMBER	1 2 3 4 5 6 7 NOMENCLATURE	EFFECT FROM TO	UNITS PER ASSY
1 - 1	3800298-1-4	ENGINE ASSY-GAS TURB GTCP331-200ER (IGNITION LEAD ONLY) SUPPLIER CODE: V99193 SPECIFICATION NUMBER: S351T020-203 CONFIG CHG DATA FROM A CMM: REPLACES 3800298-1-3 COMPONENT MAINT MANUAL REF: 49-22-11 QUALIFIED I/W DATA: 3800298-1-4/S351T020-203 AND 3800298-1-6/S351T020-205 ARE INTERCHANGEABLE WITH THE INCORPORATION OF ALLIED SIGNAL S/B GTCP331-49-7081. 3800298-1-4/ S351T020-203 AND S351T020-206(3800298-1-7 /3800298-1) ARE INTERCHANGEABLE WITH THE INCORPORATION OF ALLIED SIGNAL S/B GTCP331-49-7081. FOR NHA/ADDITIONAL DET SEE: 49-11-01-50	002004 006100 107107 121503 904999	RF

MISSING ITEM NUMBERS NOT APPLICABLE

- ITEM NOT ILLUSTRATED

49-41-04-01

49-41-04  
 FIG. 01  
 PAGE 4  
 JAN 20/09

BRI



757

PARTS CATALOG (MAINTENANCE)

FIG ITEM	PART NUMBER	1 2 3 4 5 6 7	NOMENCLATURE	EFFECT FROM TO	UNITS PER ASSY
1	3800298-1-5		ENGINE ASSY-GAS TURB GTCP331-200ER (IGNITION LEAD ONLY) SUPPLIER CODE: V99193 SPECIFICATION NUMBER: S351T020-204 CONFIG CHG DATA FROM A CMM: REPLACES 3800298-1-4 COMPONENT MAINT MANUAL REF: 49-22-11 QUALIFIED I/W DATA: 3800298-1-5/S351T020-204 AND 3800298-1-6/S351T020-205 ARE INTERCHANGEABLE WITH THE INCORPORATION OF ALLIED SIGNAL S/B GTCP331-49-7081. S351T020-204 (3800298-1-5) AND S351T020-206(3800298-1-7 /3800298-1) ARE INTERCHANGEABLE WITH THE INCORPORATION OF ALLIED SIGNAL S/B GTCP331-49-7081. FOR NHA/ADDITIONAL DET SEE: 49-11-01-50	002004 006100 107107 121503 904999	RF
- 1	3800298-1-6		ENGINE ASSY-GAS TURB GTCP331-200ER (IGNITION LEAD ONLY) SUPPLIER CODE: V99193 SPECIFICATION NUMBER: S351T020-205 CONFIG CHG DATA FROM A CMM: REPLACES 3800298-1-5 COMPONENT MAINT MANUAL REF: 49-22-11 QUALIFIED I/W DATA: 3800298-1-5/S351T020-204 AND 3800298-1-6/S351T020-205 ARE INTERCHANGEABLE WITH THE INCORPORATION OF ALLIED SIGNAL S/B GTCP331-49-7081. S351T020-203	002004 006999	RF

MISSING ITEM NUMBERS NOT APPLICABLE

- ITEM NOT ILLUSTRATED

49-41-04-01

49-41-04  
FIG. 01  
PAGE 5  
JAN 20/09

BRI



757

PARTS CATALOG (MAINTENANCE)

FIG ITEM	PART NUMBER	1 2 3 4 5 6 7 NOMENCLATURE	EFFECT FROM TO	UNITS PER ASSY
1		<p>(3800298-1-4) AND S351T020-205 (3800298-1-6) ARE INTERCHANGEABLE WITH THE INCORPORATION OF ALLIED SIGNAL S/B GTCP331-49-7081. S351T020-202 (3800298-1-3) AND S351T020-205 (3800298-1-6) ARE INTERCHANGEABLE WITH THE INCORPORATION OF ALLIED SIGNAL S/B GTCP331-49-7081. S351T020-201 (3800298-1-2) AND S351T020-205 (3800298-1-6) ARE INTERCHANGEABLE WITH THE INCORPORATION OF ALLIED SIGNAL S/B GTCP331-49-7081. S351T020-200 (3800298-1-1) AND S351T020-205 (3800298-1-6) ARE INTERCHANGEABLE WITH THE INCORPORATION OF ALLIED SIGNAL S/B GTCP331-49-7081. FOR NHA/ADDITIONAL DET SEE: 49-11-01-50 49-21-00-02</p>		
-	1 3800298-1-7	<p>ENGINE ASSY-GAS TURB GTCP331-200ER (IGNITION LEAD ONLY) SUPPLIER CODE: V99193 SPECIFICATION NUMBER: S351T020-206 CONFIG CHG DATA FROM A CMM: REPLACES 3800298-1-6 COMPONENT MAINT MANUAL REF: 49-22-11 QUALIFIED I/W DATA: 3800298-1-5/S351T020-204 AND 3800298-1/ 3800298-1-7/S351T020-206</p>	002004 006999	RF

MISSING ITEM NUMBERS NOT APPLICABLE

- ITEM NOT ILLUSTRATED

49-41-04-01

49-41-04  
FIG. 01  
PAGE 6  
SEP 20/08

BRI



757

PARTS CATALOG (MAINTENANCE)

FIG ITEM	PART NUMBER	1 2 3 4 5 6 7 NOMENCLATURE	EFFECT FROM TO	UNITS PER ASSY
1		<p>ARE INTERCHANGEABLE WITH THE INCORPORATION OF ALLIED SIGNAL S/B GTCP331-49-7081. S351T020-203 (3800298-1-4) AND S351T020-206(3800298-1-7 /3800298-1) ARE INTERCHANGEABLE WITH THE INCORPORATION OF ALLIED SIGNAL S/B GTCP331-49-7081. S351T020-202 (3800298-1-3) AND S351T020-206 (3800298-1-7/3800298-1) ARE INTERCHANGEABLE WITH THE INCORPORATION OF ALLIED SIGNAL S/B GTCP331-49-7081. S351T020-201 (3800298-1-2) AND S351T020-206 (3800298-1-7/3800298-1) ARE INTERCHANGEABLE WITH THE INCORPORATION OF ALLIED SIGNAL S/B GTCP331-49-7081. S351T020-200 (3800298-1-1) AND S351T020-206 (3800298-1-7/3800298-1) ARE INTERCHANGEABLE WITH THE INCORPORATION OF ALLIED SIGNAL S/B GTCP331-49-7081.</p> <p>OPTIONAL PART: 3800298-1 V99193</p> <p>FOR NHA/ADDITIONAL DET SEE: 49-11-01-50 49-21-00-02</p> <p>ENGINE ASSY-GAS TURB GTCP331-200ER (IGNITION LEAD ONLY)</p> <p>SUPPLIER CODE: V99193</p> <p>SPECIFICATION NUMBER: S351T020-206</p>		
-	1 3800298-1	<p>ENGINE ASSY-GAS TURB GTCP331-200ER (IGNITION LEAD ONLY)</p> <p>SUPPLIER CODE: V99193</p> <p>SPECIFICATION NUMBER: S351T020-206</p>	002004 006999	RF

MISSING ITEM NUMBERS NOT APPLICABLE

- ITEM NOT ILLUSTRATED

49-41-04-01

49-41-04  
FIG. 01  
PAGE 7  
SEP 20/08

BRI





757

PARTS CATALOG (MAINTENANCE)

FIG ITEM	PART NUMBER	1 2 3 4 5 6 7 NOMENCLATURE	EFFECT FROM TO	UNITS PER ASSY
1		<p>COMPONENT MAINT MANUAL REF: 49-22-11</p> <p>QUALIFIED I/W DATA: 3800298-1-5/S351T020-204 AND 3800298-1-7/S351T020-206 /380029-1</p> <p>ARE INTERCHANGEABLE WITH THE INCORPORATION OF ALLIED SIGNAL S/B GTCP331-49-7081. S351T020-203 (3800298-1-4) AND S351T020-206(3800298-1-7 /3800298-1) ARE INTERCHANGEABLE WITH THE INCORPORATION OF ALLIED SIGNAL S/B GTCP331-49-7081. S351T020-202 (3800298-1-3) AND S351T020-206 (3800298-1-7/3800298-1) ARE INTERCHANGEABLE WITH THE INCORPORATION OF ALLIED SIGNAL S/B GTCP331-49-7081. S351T020-201 (3800298-1-2) AND S351T020-206 (3800298-1-7/3800298-1) ARE INTERCHANGEABLE WITH THE INCORPORATION OF ALLIED SIGNAL S/B GTCP331-49-7081. S351T020-200 (3800298-1-1) AND S351T020-206 (3800298-1-7/3800298-1) ARE INTERCHANGEABLE WITH THE INCORPORATION OF ALLIED SIGNAL S/B GTCP331-49-7081.</p> <p>OPTIONAL PART: 3800298-1-7 V99193</p> <p>FOR NHA/ADDITIONAL DET SEE: 49-11-01-50 49-21-00-02</p>		

MISSING ITEM NUMBERS NOT APPLICABLE

- ITEM NOT ILLUSTRATED

**49-41-04-01**

49-41-04  
FIG. 01  
PAGE 8  
SEP 20/08

BRI



**757  
PARTS CATALOG (MAINTENANCE)**

FIG ITEM	PART NUMBER	1 2 3 4 5 6 7	NOMENCLATURE	EFFECT FROM TO	UNITS PER ASSY
1	5 3888076-3		.LEAD-ELEC IGNITION PLUG SUPPLIER CODE: V99193 CONFIG CHG DATA FROM A CMM: REPLS 3888076-1 REPLS 3888076-2	002004 006999	1
	5 3888076-2		.LEAD-ELEC IGNITION PLUG SUPPLIER CODE: V99193 CONFIG CHG DATA FROM A CMM: REPLS 3888076-1 REPLD BY 3888076-3 COMPONENT MAINT MANUAL REF: 49-41-05	002004 006999	1

MISSING ITEM NUMBERS NOT APPLICABLE

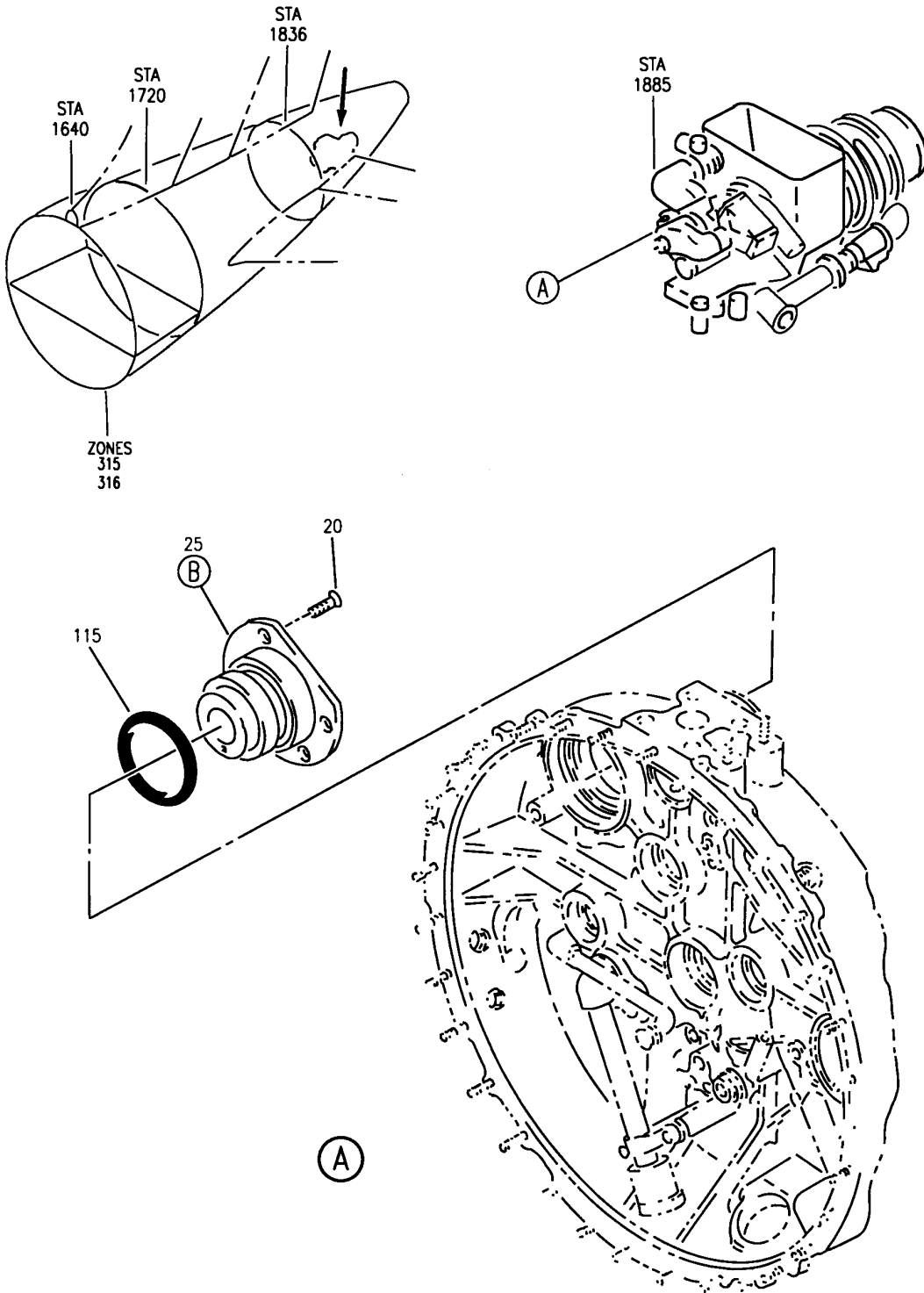
— ITEM NOT ILLUSTRATED

# 49-41-04-01

49-41-04  
FIG. 01  
PAGE 9  
SEP 20/08

BRI

**BOEING**  
757  
PARTS CATALOG (MAINTENANCE)



Y 49410601 SH1 1 REV 186

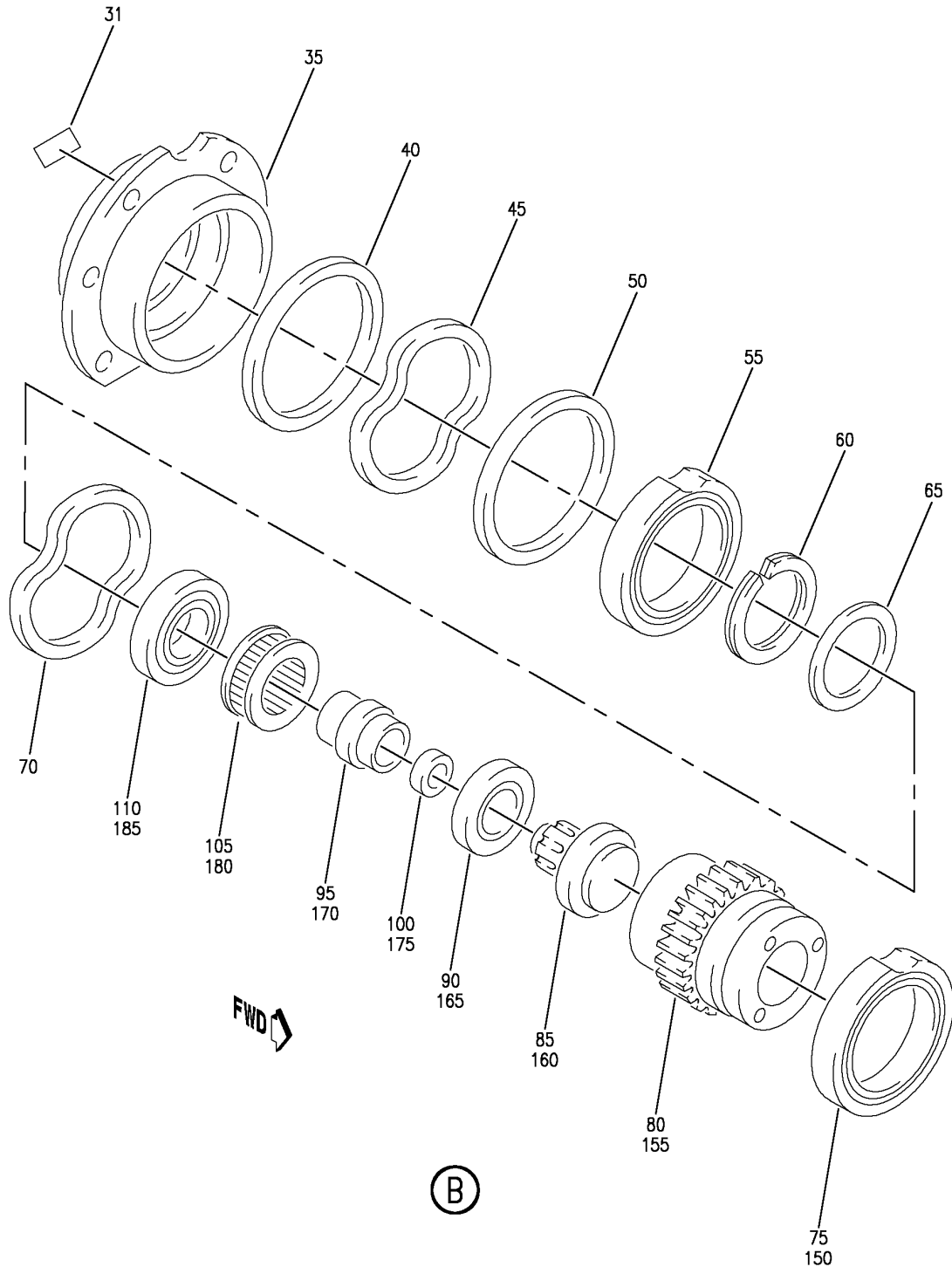
ENGINE ASSY-AUX PWR SYS (STARTER CLUTCH ONLY)  
FIGURE 1 (SHEET 1)

**49-41-06-01**

BRI  
MAY 28/07

49-41-06-01  
PAGE 0

**BOEING**  
757  
PARTS CATALOG (MAINTENANCE)



Y 49410601 SHT 2 REV 252

ENGINE ASSY-AUX PWR SYS (STARTER CLUTCH ONLY)  
FIGURE 1 (SHEET 2)

**49-41-06-01**

BRI  
MAY 28/07

49-41-06-01  
PAGE 0A



757

PARTS CATALOG (MAINTENANCE)

FIG ITEM	PART NUMBER	1 2 3 4 5 6 7	NOMENCLATURE	EFFECT FROM TO	UNITS PER ASSY
1			ENGINE ASSY-AUX PWR SYS (STARTER CLUTCH ONLY)	002004 006999	
- 15	3800298-1-2		ENGINE ASSY-GAS TURB CTCP331-200ER (STARTER CLUTCH ONLY) SUPPLIER CODE: V99193 SPECIFICATION NUMBER: S351T020-201 CONFIG CHG DATA FROM A CMM: REPLACES 3800298-1-1 COMPONENT MAINT MANUAL REF: 49-22-11 QUALIFIED I/W DATA: S351T020-201 (3800298-1-2) AND S351T020-205 (3800298-1-6) ARE INTERCHANGEABLE WITH THE INCORPORATION OF ALLIED SIGNAL S/B GTCP331-49-7081. S351T020-201 (3800298-1-2) AND S351T020-206 (3800298-1-7/3800298-1) ARE INTERCHANGEABLE WITH THE INCORPORATION OF ALLIED SIGNAL S/B GTCP331-49-7081. FOR NHA/ADDITIONAL DET SEE: 49-11-01-50	002004 006100 107107 121503 904999	RF

MISSING ITEM NUMBERS NOT APPLICABLE

- ITEM NOT ILLUSTRATED

49-41-06-01

49-41-06  
FIG. 01  
PAGE 1  
JAN 20/09

BRI



757

PARTS CATALOG (MAINTENANCE)

FIG ITEM	PART NUMBER	1 2 3 4 5 6 7	NOMENCLATURE	EFFECT FROM TO	UNITS PER ASSY
1 - 15	3800298-1-1		ENGINE ASSY-GAS TURB CTCP331-200ER (STARTER CLUTCH ONLY) SUPPLIER CODE: V99193 SPECIFICATION NUMBER: S351T020-200 COMPONENT MAINT MANUAL REF: 49-22-11 QUALIFIED I/W DATA: S351T020-200 (3800298-1-1) AND S351T020-205 (3800298-1-6) ARE INTERCHANGEABLE WITH THE INCORPORATION OF ALLIED SIGNAL S/B GTCP331-49-7081. S351T020-200 (3800298-1-1) AND S351T020-206 (3800298-1-7/3800298-1) ARE INTERCHANGEABLE WITH THE INCORPORATION OF ALLIED SIGNAL S/B GTCP331-49-7081. FOR NHA/ADDITIONAL DET SEE: 49-11-01-50	002004 006100 107107 121503 904999	RF

MISSING ITEM NUMBERS NOT APPLICABLE

- ITEM NOT ILLUSTRATED

BRI

49-41-06-01

BOEING PROPRIETARY - Copyright © - Unpublished Work - See title page for details.

49-41-06  
FIG. 01  
PAGE 2  
JAN 20/09



757

PARTS CATALOG (MAINTENANCE)

FIG ITEM	PART NUMBER	1 2 3 4 5 6 7 NOMENCLATURE	EFFECT FROM TO	UNITS PER ASSY
1 - 15	3800298-1-3	ENGINE ASSY-GAS TURB CTC331-200ER (STARTER CLUTCH ONLY) SUPPLIER CODE: V99193 SPECIFICATION NUMBER: S351T020-202 CONFIG CHG DATA FROM A CMM: REPLACES 3800298-1-2 COMPONENT MAINT MANUAL REF: 49-22-11 QUALIFIED I/W DATA: S351T020-202 (3800298-1-3) AND S351T020-205 (3800298-1-6) ARE INTERCHANGEABLE WITH THE INCORPORATION OF ALLIED SIGNAL S/B GTCP331-49-7081. S351T020-202 (3800298-1-3) AND S351T020-206 (3800298-1-7/3800298-1) ARE INTERCHANGEABLE WITH THE INCORPORATION OF ALLIED SIGNAL S/B GTCP331-49-7081. FOR NHA/OTHER SYS DET SEE: 49-11-01-50	002004 006100 107107 121503 904999	RF

MISSING ITEM NUMBERS NOT APPLICABLE

- ITEM NOT ILLUSTRATED

49-41-06-01

49-41-06  
FIG. 01  
PAGE 3  
JAN 20/09

BRI



757

PARTS CATALOG (MAINTENANCE)

FIG ITEM	PART NUMBER	1 2 3 4 5 6 7	NOMENCLATURE	EFFECT FROM TO	UNITS PER ASSY
1 - 15	3800298-1-4		ENGINE ASSY-GAS TURB CTCP331-200ER (STARTER CLUTCH ONLY) SUPPLIER CODE: V99193 SPECIFICATION NUMBER: S351T020-203 CONFIG CHG DATA FROM A CMM: REPLACES 3800298-1-3 COMPONENT MAINT MANUAL REF: 49-22-11 QUALIFIED I/W DATA: 3800298-1-4/S351T020-203 AND 3800298-1-6/S351T020-205 ARE INTERCHANGEABLE WITH THE INCORPORATION OF ALLIED SIGNAL S/B GTCP331-49-7081. (3800298-1-4) AND S351T020-206(3800298-1-7 /3800298-1) ARE INTERCHANGEABLE WITH THE INCORPORATION OF ALLIED SIGNAL S/B GTCP331-49-7081. FOR NHA/ADDITIONAL DET SEE: 49-11-01-50	002004 006100 107107 121503 904999	RF

MISSING ITEM NUMBERS NOT APPLICABLE

- ITEM NOT ILLUSTRATED

BRI

49-41-06-01

BOEING PROPRIETARY - Copyright © - Unpublished Work - See title page for details.

49-41-06  
FIG. 01  
PAGE 4  
JAN 20/09





757

PARTS CATALOG (MAINTENANCE)

FIG ITEM	PART NUMBER	1 2 3 4 5 6 7	NOMENCLATURE	EFFECT FROM TO	UNITS PER ASSY
1 - 15	3800298-1-5		ENGINE ASSY-GAS TURB CTCP331-200ER (STARTER CLUTCH ONLY) SUPPLIER CODE: V99193 SPECIFICATION NUMBER: S351T020-204 CONFIG CHG DATA FROM A CMM: REPLACES 3800298-1-4 COMPONENT MAINT MANUAL REF: 49-22-11 QUALIFIED I/W DATA: 3800298-1-5/S351T020-204 AND 3800298-1-6/S351T020-205 ARE INTERCHANGEABLE WITH THE INCORPORATION OF ALLIED SIGNAL S/B GTCP331-49-7081. S351T020-204 (3800298-1-5) AND S351T020-206(3800298-1-7 /3800298-1) ARE INTERCHANGEABLE WITH THE INCORPORATION OF ALLIED SIGNAL S/B GTCP331-49-7081. FOR NHA/ADDITIONAL DET SEE: 49-11-01-50	002004 006100 107107 121503 904999	RF
- 15	3800298-1-6		ENGINE ASSY-GAS TURB CTCP331-200ER (STARTER CLUTCH ONLY) SUPPLIER CODE: V99193 SPECIFICATION NUMBER: S351T020-205 CONFIG CHG DATA FROM A CMM: REPLACES 3800298-1-5 COMPONENT MAINT MANUAL REF: 49-22-11 QUALIFIED I/W DATA: 3800298-1-5/S351T020-204 AND 3800298-1-6/S351T020-205 ARE INTERCHANGEABLE WITH THE INCORPORATION OF ALLIED SIGNAL S/B GTCP331-49-7081. S351T020-203	002004 006999	RF

MISSING ITEM NUMBERS NOT APPLICABLE

- ITEM NOT ILLUSTRATED

49-41-06-01

49-41-06  
FIG. 01  
PAGE 5  
JAN 20/09

BRI



757

PARTS CATALOG (MAINTENANCE)

FIG ITEM	PART NUMBER	1 2 3 4 5 6 7 NOMENCLATURE	EFFECT FROM TO	UNITS PER ASSY
1		<p>(3800298-1-4) AND S351T020-205 (3800298-1-6) ARE INTERCHANGEABLE WITH THE INCORPORATION OF ALLIED SIGNAL S/B GTCP331-49-7081. S351T020-202 (3800298-1-3) AND S351T020-205 (3800298-1-6) ARE INTERCHANGEABLE WITH THE INCORPORATION OF ALLIED SIGNAL S/B GTCP331-49-7081. S351T020-201 (3800298-1-2) AND S351T020-205 (3800298-1-6) ARE INTERCHANGEABLE WITH THE INCORPORATION OF ALLIED SIGNAL S/B GTCP331-49-7081. S351T020-200 (3800298-1-1) AND S351T020-205 (3800298-1-6) ARE INTERCHANGEABLE WITH THE INCORPORATION OF ALLIED SIGNAL S/B GTCP331-49-7081. FOR NHA/ADDITIONAL DET SEE: 49-11-01-50 49-21-00-02</p>		
- 15	3800298-1-7	<p>ENGINE ASSY-GAS TURB (STARTER CLUTCH ONLY) CTCP331-200ER SUPPLIER CODE: V99193 SPECIFICATION NUMBER: S351T020-206 CONFIG CHG DATA FROM A CMM: REPLACES 3800298-1-6 COMPONENT MAINT MANUAL REF: 49-22-11 QUALIFIED I/W DATA: 3800298-1-5/S351T020-204 AND 3800298-1-7/3800298-1</p>	002004 006999	RF

MISSING ITEM NUMBERS NOT APPLICABLE

- ITEM NOT ILLUSTRATED

49-41-06-01

49-41-06  
FIG. 01  
PAGE 6  
SEP 20/08

BRI



**757  
PARTS CATALOG (MAINTENANCE)**

FIG ITEM	PART NUMBER	1 2 3 4 5 6 7 NOMENCLATURE	EFFECT FROM TO	UNITS PER ASSY
1		<p>ARE INTERCHANGEABLE WITH THE INCORPORATION OF ALLIED SIGNAL S/B GTCP331-49-7081. S351T020-203 (3800298-1-4) AND S351T020-206(3800298-1-7 /3800298-1) ARE INTERCHANGEABLE WITH THE INCORPORATION OF ALLIED SIGNAL S/B GTCP331-49-7081. S351T020-202 (3800298-1-3) AND S351T020-206 (3800298-1-7/3800298-1) ARE INTERCHANGEABLE WITH THE INCORPORATION OF ALLIED SIGNAL S/B GTCP331-49-7081. S351T020-201 (3800298-1-2) AND S351T020-206 (3800298-1-7/3800298-1) ARE INTERCHANGEABLE WITH THE INCORPORATION OF ALLIED SIGNAL S/B GTCP331-49-7081. S351T020-200 (3800298-1-1) AND S351T020-206 (3800298-1-7/3800298-1) ARE INTERCHANGEABLE WITH THE INCORPORATION OF ALLIED SIGNAL S/B GTCP331-49-7081.</p> <p>OPTIONAL PART: 3800298-1 V99193</p> <p>FOR NHA/ADDITIONAL DET SEE: 49-11-01-50 49-21-00-02</p>		
- 15	3800298-1	<p>ENGINE ASSY-GAS TURB (STARTER CLUTCH ONLY) CTCP331-200ER SUPPLIER CODE: V99193 SPECIFICATION NUMBER: S351T020-206</p>	002004 006999	RF

MISSING ITEM NUMBERS NOT APPLICABLE

- ITEM NOT ILLUSTRATED

# 49-41-06-01

49-41-06  
FIG. 01  
PAGE 7  
SEP 20/08

BRI



757

PARTS CATALOG (MAINTENANCE)

FIG ITEM	PART NUMBER	1 2 3 4 5 6 7 NOMENCLATURE	EFFECT FROM TO	UNITS PER ASSY
1		<p>COMPONENT MAINT MANUAL REF: 49-22-11</p> <p>QUALIFIED I/W DATA: S351T020-203 (3800298-1-4) AND S351T020-206(3800298-1-7 /3800298-1) ARE INTERCHANGEABLE WITH THE INCORPORATION OF ALLIED SIGNAL S/B GTCP331-49-7081 3800298-1-5/S351T020-204 AND 3800298-1-7/S351T020-206 /380029-1 ARE INTERCHANGEABLE WITH THE INCORPORATION OF ALLIED SIGNAL S/B GTCP331-49-7081. S351T020-202 (3800298-1-3) AND S351T020-206 (3800298-1-7/3800298-1) ARE INTERCHANGEABLE WITH THE INCORPORATION OF ALLIED SIGNAL S/B GTCP331-49-7081. S351T020-201 (3800298-1-2) AND S351T020-206 (3800298-1-7/3800298-1) ARE INTERCHANGEABLE WITH THE INCORPORATION OF ALLIED SIGNAL S/B GTCP331-49-7081. S351T020-200 (3800298-1-1) AND S351T020-206 (3800298-1-7/3800298-1) ARE INTERCHANGEABLE WITH THE INCORPORATION OF ALLIED SIGNAL S/B GTCP331-49-7081.</p> <p>OPTIONAL PART: 3800298-1-7 V99193</p> <p>FOR NHA/ADDITIONAL DET SEE: 49-11-01-50 49-21-00-02</p>		

MISSING ITEM NUMBERS NOT APPLICABLE

- ITEM NOT ILLUSTRATED

49-41-06-01

49-41-06  
FIG. 01  
PAGE 8  
SEP 20/08

BRI



757

PARTS CATALOG (MAINTENANCE)

FIG ITEM	PART NUMBER	1 2 3 4 5 6 7	NOMENCLATURE	EFFECT FROM TO	UNITS PER ASSY
1					
20	NAS5704U13	.SCREW-	SB DATA FROM A CMM: POST SB 49-5714 OPTIONAL PART: NAS514P428-13	002004 006999	5
20	NAS514P428-13	.SCREW-	SB DATA FROM A CMM: POST SB 49-5714 OPTIONAL PART: NAS5704U13	002004 006999	5
25	3612844-1	.CLUTCH ASSY-	SUPPLIER CODE: V99193 SB DATA FROM A CMM: POST SB 49-5714	002004 006999	1
31	S9435M2	..PLATE-WARNING	SUPPLIER CODE: V99193	002004 006999	1
35	3612120-1	..ADAPTER-	SUPPLIER CODE: V99193	002004 006999	1
40	S8154-335H005	..WASHER-SPCL-SHIM	SUPPLIER CODE: V99193 OPTIONAL PART: S8154-335H007 V99193 S9154-335H009 V99193 S9154-335H010 V99193 S9154-335H025 V99193	002004 006999	1
40	S8154-335H007	..WASHER-SPCL-SHIM	SUPPLIER CODE: V99193 OPTIONAL PART: S8154-335H005 V99193 S9154-335H009 V99193 S9154-335H010 V99193 S9154-335H025 V99193	002004 006999	1

MISSING ITEM NUMBERS NOT APPLICABLE

- ITEM NOT ILLUSTRATED

49-41-06-01

49-41-06  
FIG. 01  
PAGE 9  
SEP 20/08

BRI



757

PARTS CATALOG (MAINTENANCE)

FIG ITEM	PART NUMBER	1 2 3 4 5 6 7	NOMENCLATURE	EFFECT FROM TO	UNITS PER ASSY
1					
40	S8154-335H009	..	WASHER-SPCL-SHIM SUPPLIER CODE: V99193 OPTIONAL PART: S8154-335H005 V99193 S9154-335H007 V99193 S9154-335H010 V99193 S9154-335H025 V99193	002004 006999	1
40	S8154-335H010	..	WASHER-SPCL-SHIM SUPPLIER CODE: V99193 OPTIONAL PART: S8154-335H005 V99193 S9154-335H007 V99193 S9154-335H009 V99193 S9154-335H025 V99193	002004 006999	1
40	S8154-335H025	..	WASHER-SPCL-SHIM SUPPLIER CODE: V99193 OPTIONAL PART: S8154-335H005 V99193 S9154-335H007 V99193 S9154-335H009 V99193 S9154-335H010 V99193	002004 006999	1
45	3610875-7	..	WASHER-SPR CPRSN SUPPLIER CODE: V99193	002004 006999	1
50	S8154-335H010	..	WASHER-SPCL-SHIM SUPPLIER CODE: V99193	002004 006999	1
55	3860160-1	..	BEARING-BALL ANLR SUPPLIER CODE: V99193	002004 006999	1
60	MS16625-4187	..	RETAINER	002004 006999	1

MISSING ITEM NUMBERS NOT APPLICABLE

- ITEM NOT ILLUSTRATED

49-41-06-01

49-41-06  
FIG. 01  
PAGE 10  
SEP 20/08

BRI

BOEING PROPRIETARY - Copyright © - Unpublished Work - See title page for details.



757

PARTS CATALOG (MAINTENANCE)

FIG ITEM	PART NUMBER	1 2 3 4 5 6 7	NOMENCLATURE	EFFECT FROM TO	UNITS PER ASSY
1					
65	S8154-350H005	..	WASHER-SPCL-SHIM SUPPLIER CODE: V99193 OPTIONAL PART: S8154-350H010 V99193 S8154-350H025 V99193	002004 006999	1
65	S8154-350H010	..	WASHER-SPCL-SHIM SUPPLIER CODE: V99193 OPTIONAL PART: S8154-350H005 V99193 S8154-350H025 V99193	002004 006999	1
65	S8154-350H025	..	WASHER-SPCL-SHIM SUPPLIER CODE: V99193 OPTIONAL PART: S8154-350H005 V99193 S8154-350H010 V99193	002004 006999	1
70	3610875-2	..	WASHER-SPR CPRSN SUPPLIER CODE: V99193	002004 006999	1
75	3860495-1	..	BEARING-BALL ANLR INNER RACE SUPPLIER CODE: V99193	002004 006999	1
80	3860168-2	..	GEAR-STARTER SUPPLIER CODE: V99193	002004 006999	1
85	3600053-1	..	PLUG-STARTER DRIVE SUPPLIER CODE: V99193	002004 006999	1
90	892576-1	..	BEARING-BALL ANLR SUPPLIER CODE: V99193	002004 006999	1
95	3868023-1	..	SHAFT ASSY-SPLINE SUPPLIER CODE: V99193	002004 006999	1
100	3868024-1	...	PLUG Y- SUPPLIER CODE: V99193	002004 006999	1
105	3611304-1	..	CLUTCH-ONE WAY SUPPLIER CODE: V99193	002004 006999	1

MISSING ITEM NUMBERS NOT APPLICABLE

- ITEM NOT ILLUSTRATED

49-41-06-01

49-41-06  
FIG. 01  
PAGE 11  
SEP 20/08

BRI



757

PARTS CATALOG (MAINTENANCE)

FIG ITEM	PART NUMBER	1 2 3 4 5 6 7	NOMENCLATURE	EFFECT FROM TO	UNITS PER ASSY
1					
110	3614423-1		. . BEARING-BALL ANLR SUPPLIER CODE: V99193	002004 006999	1
115	S9413-042		. PACKING- SUPPLIER CODE: V99193 SB DATA FROM A CMM: POST SB 49-5714 OPTIONAL PART: M83248-1-042	002004 006999	1
115	M83248-1-042		. PACKING- OPTIONAL PART: S9413-042 V99193	002004 006999	1
150	3860160-1		. BEARING-BALL ANLR SUPPLIER CODE: V99193	002004 006999	2
155	3860168-1		. GEAR-STARTER SUPPLIER CODE: V99193 NOT APPROVED FOR ETOPS. SB DATA FROM A CMM: PRE SB 49-5464	002004 006999	1
155	3860168-2		. GEAR-STARTER SUPPLIER CODE: V99193 SB DATA FROM A CMM: POST SB 49-5464	002004 006999	1
160	3600053-1		. PLUG-STARTER DRIVE SUPPLIER CODE: V99193	002004 006999	1
165	892576-1		. BEARING-BALL ANLR SUPPLIER CODE: V99193	002004 006999	1
170	3860167-1		. SHAFT-SPLINE SUPPLIER CODE: V99193 NOT APPROVED FOR ETOPS. SB DATA FROM A CMM: PRE SB 49-5464	002004 006999	1
170	3860167-2		. SHAFT-SPLINE SUPPLIER CODE: V99193 SB DATA FROM A CMM: POST SB 49-5464 PRE SB 49-5650 CONFIG CHG DATA FROM A CMM: SUPSD BY 3868023-1	002004 006999	1

MISSING ITEM NUMBERS NOT APPLICABLE

- ITEM NOT ILLUSTRATED

49-41-06-01

49-41-06  
FIG. 01  
PAGE 12  
SEP 20/08

BRI





757

PARTS CATALOG (MAINTENANCE)

FIG ITEM	PART NUMBER	1 2 3 4 5 6 7	NOMENCLATURE	EFFECT FROM TO	UNITS PER ASSY
1 170	3868023-1		.SHAFT ASSY-SPLINE SUPPLIER CODE: V99193 SB DATA FROM A CMM: POST SB 49-5650 CONFIG CHG DATA FROM A CMM: SUPSDS 3860167-2	002004 006999	1
175	3868024-1		..PLUG Y- SUPPLIER CODE: V99193 USED ON: 3868023-1	002004 006999	1
180	892571-6		.CLUTCH-ONE WAY SUPPLIER CODE: V99193 SB DATA FROM A CMM: PRE SB 49-5650 CONFIG CHG DATA FROM A CMM: SUPSD BY 3611304-1	002004 006999	1
180	3611304-1		.CLUTCH-ONE WAY SUPPLIER CODE: V99193 SB DATA FROM A CMM: POST 49-5650 CONFIG CHG DATA FROM A CMM: SUPERSEDES 892571-6	002004 006999	1
185	892575-1		.BEARING-BALL ANLR SUPPLIER CODE: V99193 SB DATA FROM A CMM: PRE SB 49-5854 CONFIG CHG DATA FROM A CMM: REPLD BY 3614423-1	002004 006999	1
185	3614423-1		.BEARING-BALL ANLR SUPPLIER CODE: V99193 SB DATA FROM A CMM: POST SB 49-5854 CONFIG CHG DATA FROM A CMM: REPLS 892575-1	002004 006999	1

MISSING ITEM NUMBERS NOT APPLICABLE

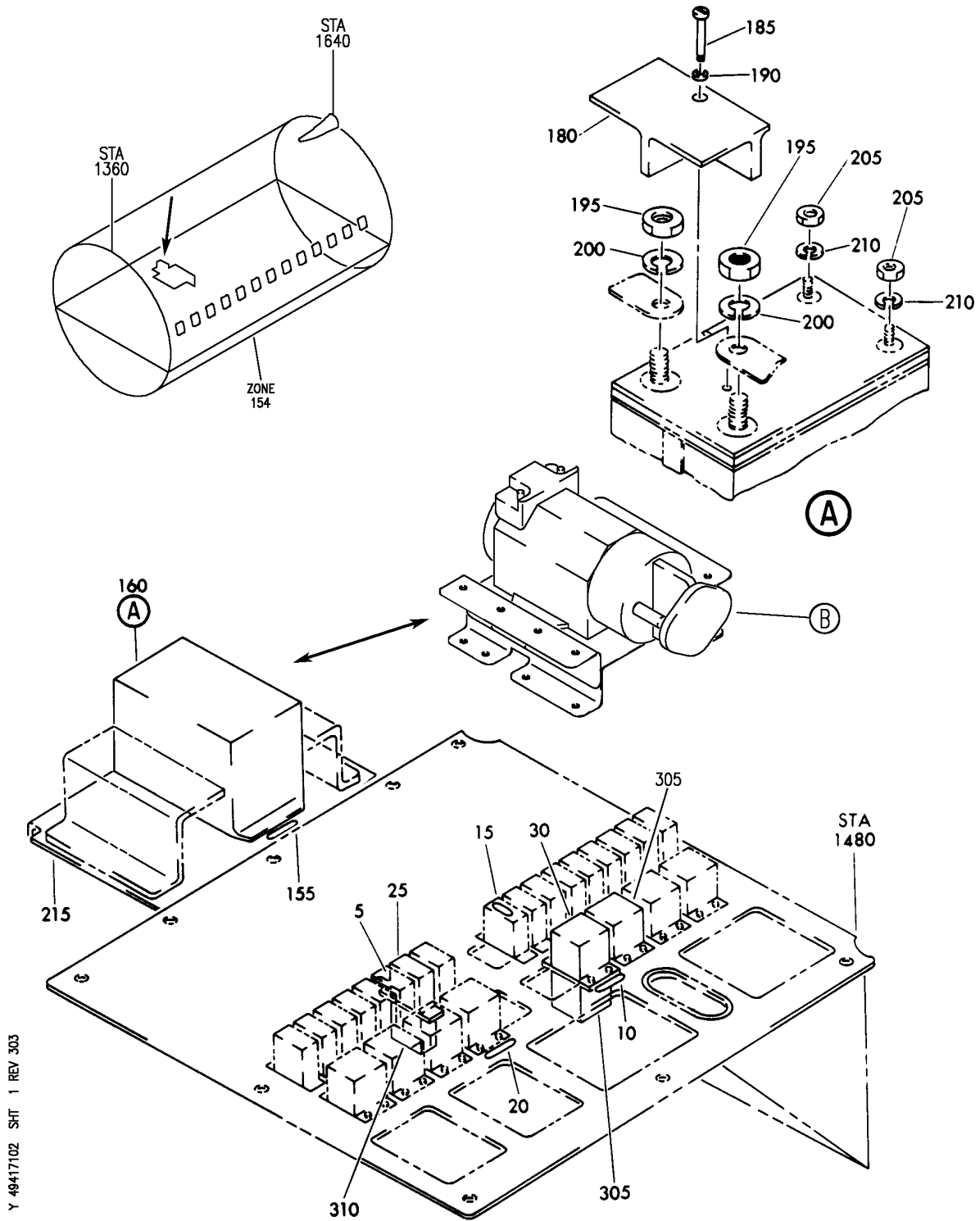
- ITEM NOT ILLUSTRATED

49-41-06-01

49-41-06  
FIG. 01  
PAGE 13  
SEP 20/08

BRI

**BOEING**  
757  
PARTS CATALOG (MAINTENANCE)



Y 49417102 SHT 1 REV 303

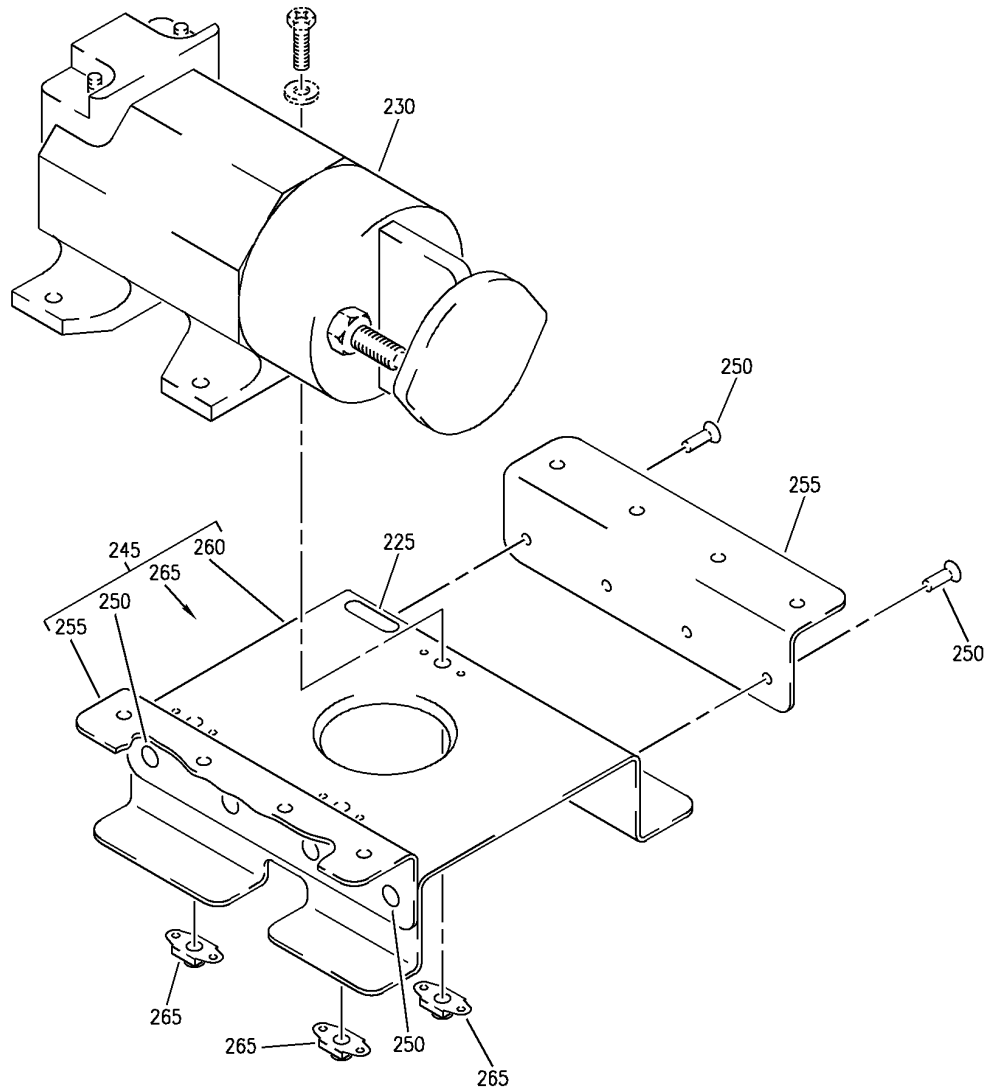
EQUIPMENT ASSY-AFT EQPT CTR E6 RELAY AND CONTACTOR PNL (APU IGNITION/ STARTING SYSTEM ONLY)  
FIGURE 2 (SHEET 1)

BRI  
MAY 28/07

**49-41-71-02**

49-41-71-02  
PAGE 0

**BOEING**  
757  
PARTS CATALOG (MAINTENANCE)



(B)

Y 49417102 SHT 2 REV 303

EQUIPMENT ASSY-AFT EQPT CTR E6 RELAY AND CONTACTOR PNL (APU IGNITION/ STARTING SYSTEM ONLY)  
FIGURE 2 (SHEET 2)

BRI  
MAY 28/07

**49-41-71-02**

49-41-71-02  
PAGE 0A



757

PARTS CATALOG (MAINTENANCE)

FIG ITEM	PART NUMBER	1 2 3 4 5 6 7	NOMENCLATURE	EFFECT FROM TO	UNITS PER ASSY
2			EQUIPMENT ASSY-AFT EQPT CTR E6 RELAY AND CONTACTOR PNL (APU IGNITION/ STARTING SYSTEM ONLY)	121503 904949	
- 1	284N1680-1		EQUIPMENT ASSY-EQPT CTR E6 RELAY (APU IGNITION/ STARTING SYSTEM ONLY) POSITION DATA: AFT VARIABLE DRAWING REF: 284N1680-5009 FOR NHA/OTHER SYS DET SEE: 25-70-51-53	121503 904949	RF
5	BAC27NEX0069		.DECAL- PLACARD CONTENT: K10163	121503 904949	1
10	BAC27TEX0680		.DECAL- PLACARD CONTENT: K197	121503 904949	1
15	BAC27NEX1271		.DECAL- PLACARD CONTENT: D2416	121503 904949	1
20	BAC27NEX1272		.DECAL- PLACARD CONTENT: D3084	121503 904949	1
25	JAD9F007		.RELAY- SUPPLIER CODE: V58657 SPECIFICATION NUMBER: BACR13CJ2 ELECTRICAL EQUIP NUMBER: K10163	121503 904949	1
30	E410-1537		.RELAY- SUPPLIER CODE: V99699 SPECIFICATION NUMBER: BACR13CG2A OPTIONAL PART: E415-1078 V99699 BR230S0116 V56623 KD4A017 V58687 FCA410-62 V78290 ELECTRICAL EQUIP NUMBER: K00197	121503 904949	1

MISSING ITEM NUMBERS NOT APPLICABLE

- ITEM NOT ILLUSTRATED

49-41-71-02

49-41-71  
FIG. 02  
PAGE 1  
JAN 20/09

BRI

 **BOEING**  
757  
**PARTS CATALOG (MAINTENANCE)**

FIG ITEM	PART NUMBER	1 2 3 4 5 6 7	NOMENCLATURE	EFFECT FROM TO	UNITS PER ASSY
2					
- 150	284N1718-2		EQUIPMENT ASSY-EQPT CTR E6 CONTACTOR PNL (APU IGNITION/STARTING SYSTEM ONLY) POSITION DATA: AFT FOR NHA/OTHER SYS DET SEE: 25-70-51-53	121503 904949	RF
155	BAC27TEX0676		.DECAL- PLACARD CONTENT: K117	904949	1
160	A703CD		.RELAY ASSY- SUPPLIER CODE: V74063 FUNCTIONAL DESCRIPTION: APU IGNITION/STARTING SYSTEM ELECTRICAL EQUIP NUMBER: K00117 COMPONENT MAINT MANUAL REF: 49-40-15	904949	1
- 165	NAS1801-4-10		ATTACHING PARTS .SCREW	904949	2
- 170	AN960PD416L		.WASHER	904949	2
- 175	BRH10A4		.NUT SUPPLIER CODE: V52828 SPECIFICATION NUMBER: BACN10JC4 OPTIONAL PART: T6S428J V11815 96-048 V80539 VN303A048 V92215 RMLH9075-4W V72962 NS202101-048 V80539 H10-4BAC V15653	904949	2
180	33603-001		-----*----- ..SHIELD-TERM. SUPPLIER CODE: V74063	904949	1

MISSING ITEM NUMBERS NOT APPLICABLE

- ITEM NOT ILLUSTRATED

BRI

# 49-41-71-02

BOEING PROPRIETARY - Copyright © - Unpublished Work - See title page for details.

49-41-71  
FIG. 02  
PAGE 2  
JAN 20/09

 **BOEING**  
757  
**PARTS CATALOG (MAINTENANCE)**

FIG ITEM	PART NUMBER	1 2 3 4 5 6 7	NOMENCLATURE	EFFECT FROM TO	UNITS PER ASSY
2			ATTACHING PARTS		
185	51206-751		.. SCREW-BINDING HEAD SUPPLIER CODE: V74063	904949	1
190	51806-011		.. WASHER-LOCK SUPPLIER CODE: VK5294	904949	1
195	50407-164		-----*----- .. NUT-HEX SUPPLIER CODE: V74063	904949	2
200	51807-084		.. WASHER-LOCK SUPPLIER CODE: V74063	904949	2
205	50410-084		.. NUT-HEX SUPPLIER CODE: V74063	904949	2
210	51810-054		.. WASHER-LOCK SUPPLIER CODE: V74063	904949	2
215	284N1719-1		. PANEL ASSY	904949	1
- 220	284N1718-3		. EQUIPMENT ASSY-E6 EQPT CTR RELAY PNL POSITION DATA: AFT POST SERVICE BULLETIN: 49-0019	121503	RF
225	TTVF7525WE10		.. TAPE- SUPPLIER CODE: VOKW00 SPECIFICATION NUMBER: BACT19J4 OPTIONAL PART: THT1-437W10 V85480 PLACARD CONTENT: K117	121503	1
230	CC0708IMUA34B		.. RELAY- SUPPLIER CODE: VFO219 FUNCTIONAL DESCRIPTION: APU IGNITION/STARTING SYSTEM ELECTRICAL EQUIP NUMBER: K00117	121503	1
- 235	BACS12HN3-11		ATTACHING PARTS .. SCREW	121503	3
- 240	NAS1149D0363J		.. WASHER -----*-----	121503	3

MISSING ITEM NUMBERS NOT APPLICABLE

- ITEM NOT ILLUSTRATED

BRI

# 49-41-71-02

BOEING PROPRIETARY - Copyright © - Unpublished Work - See title page for details.

49-41-71  
FIG. 02  
PAGE 3  
JAN 20/09



757

PARTS CATALOG (MAINTENANCE)

FIG ITEM	PART NUMBER	1 2 3 4 5 6 7	NOMENCLATURE	EFFECT FROM TO	UNITS PER ASSY
2					
245	284N1720-10	..	SUPPORT ASSY	121503	1
250	BACR15BA5ADC	...	RIVET- SIZE DETERMINED ON INSTL.	121503	8
255	284N1720-7	...	BRACKET	121503	2
260	284N1720-8	...	BRACKET ASSY	121503	1
265	BRF200C3D	....	NUTPLATE SUPPLIER CODE: V52828 SPECIFICATION NUMBER: BACN10JR3CFD OPTIONAL PART: K51602-3BAC V15653 NS202476-02 V80539 102F9201-3 V72962 T8092C1032CD V11815 ATTACHING PARTS	121503	3
- 270	BACR15BA3AD3C	....	RIVET -----*-----	121503	6
- 300	286N1024-002		WIRE BUNDLE ASSY-	121503	RF
305	BACS16W1	.SOCKET-	ELECTRICAL EQUIP NUMBER: D03084 WIRING DIAGRAM REF: 494111	121503 904949	1
310	RSF116208	.SOCKET-	SUPPLIER CODE: V58982 SPECIFICATION NUMBER: BACS16X3A OPTIONAL PART: 102-005-1 V09922 000300-1541 V05574 ELECTRICAL EQUIP NUMBER: D02416 WIRING DIAGRAM REF: 494111	121503 904949	1

MISSING ITEM NUMBERS NOT APPLICABLE

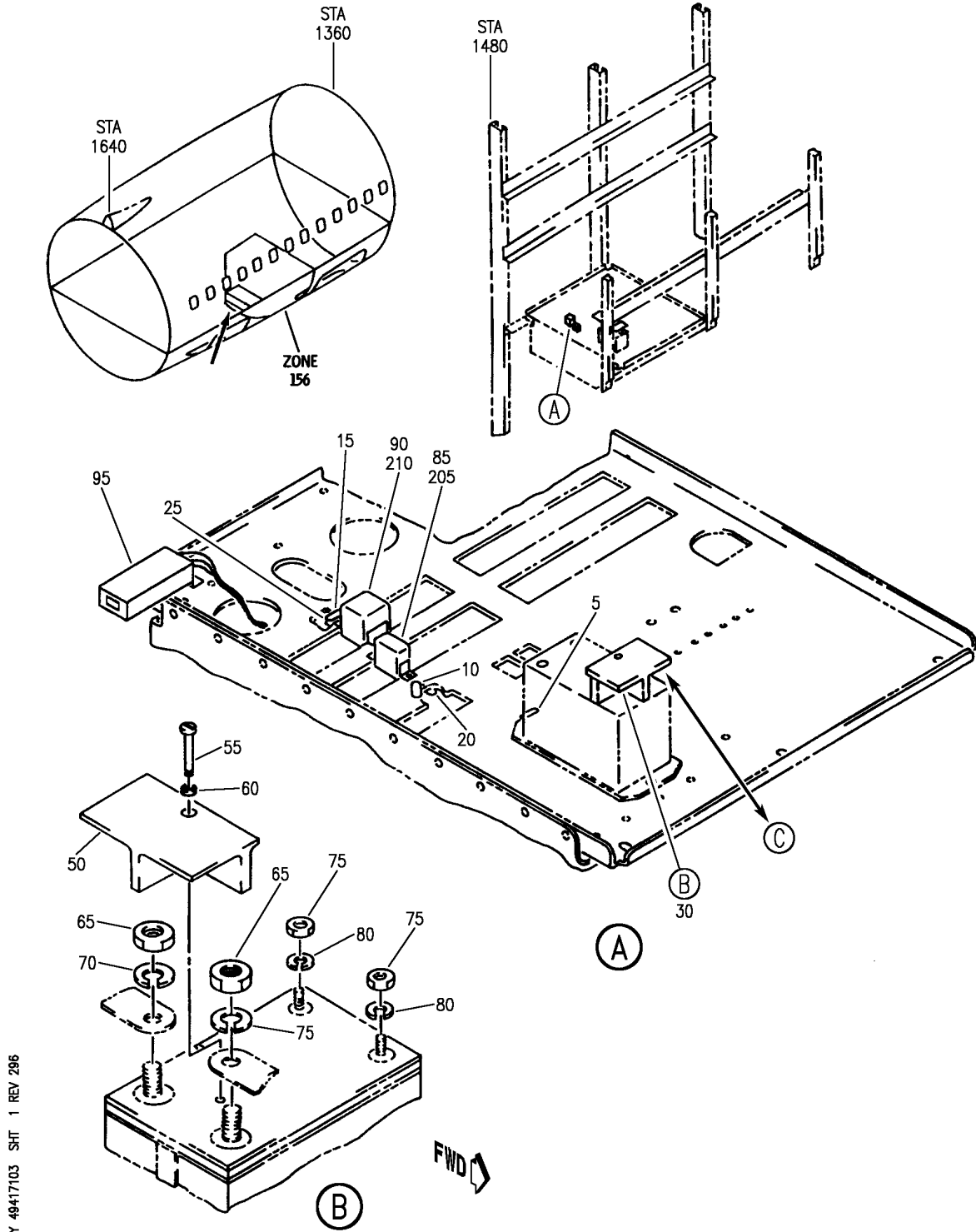
- ITEM NOT ILLUSTRATED

49-41-71-02

49-41-71  
FIG. 02  
PAGE 4  
JAN 20/09

BRI

**BOEING**  
757  
PARTS CATALOG (MAINTENANCE)



Y 49417103 SHT 1 REV 296

EQUIPMENT ASSY-AFT EQPT CTR E6 RELAY (APU IGNITION/ STARTING SYSTEM ONLY)  
FIGURE 3 (SHEET 1)

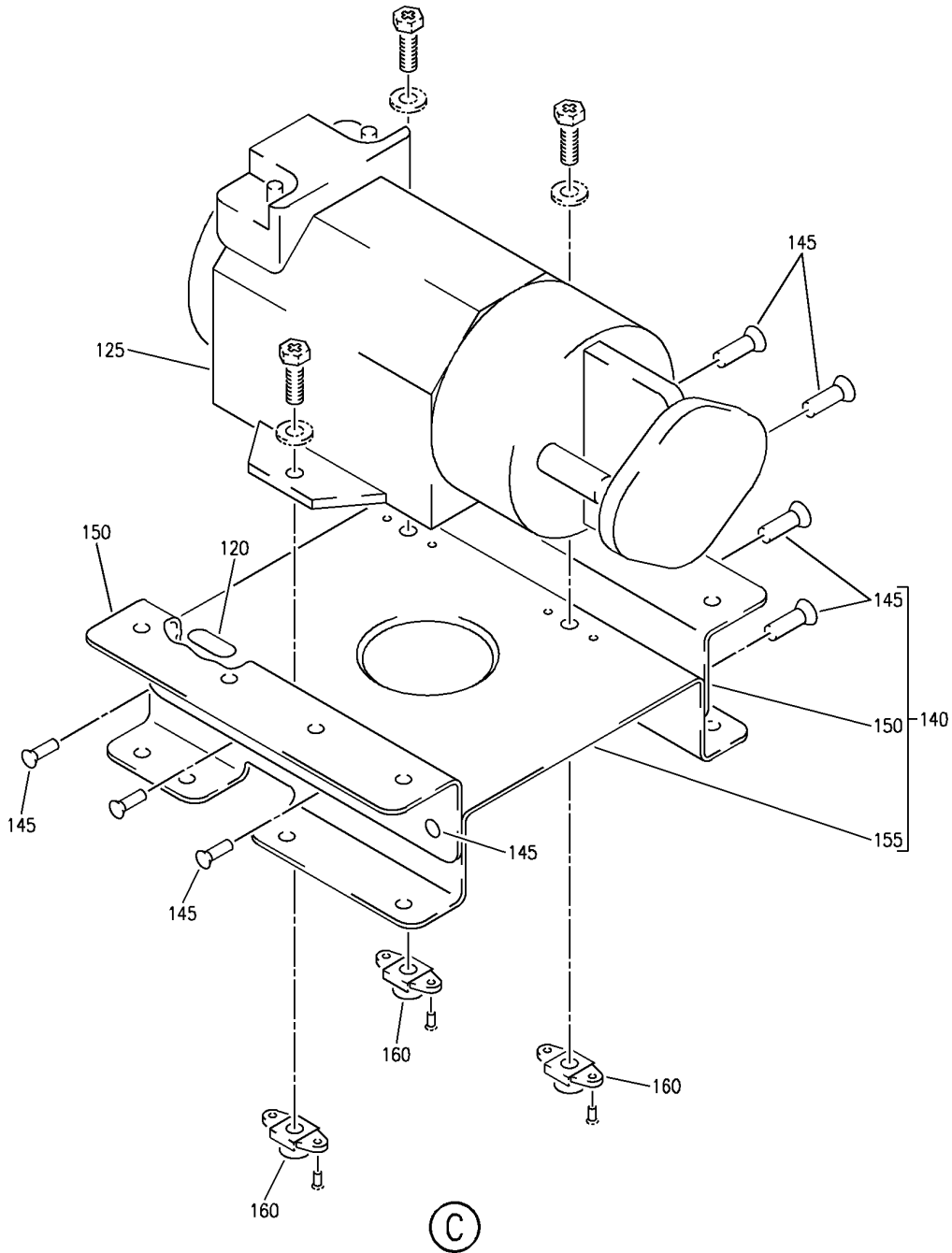
BRI  
MAY 28/07

**49-41-71-03**

49-41-71-03  
PAGE 0



**BOEING**  
757  
PARTS CATALOG (MAINTENANCE)



Y 49417103 SHT 2 REV 236

EQUIPMENT ASSY-AFT EQPT CTR E6 RELAY (APU IGNITION/ STARTING SYSTEM ONLY)  
FIGURE 3 (SHEET 2)

**49-41-71-03**

BRI  
MAY 28/07

49-41-71-03  
PAGE 0A



757

PARTS CATALOG (MAINTENANCE)

FIG ITEM	PART NUMBER	1 2 3 4 5 6 7	NOMENCLATURE	EFFECT FROM TO	UNITS PER ASSY
3			EQUIPMENT ASSY-AFT EQPT CTR E6 RELAY (APU IGNITION/ STARTING SYSTEM ONLY)	002004 006100 107107 950999	
- 1	284N1554-1		EQUIPMENT ASSY-EQPT CTR E6 RELAY (APU IGNITION/ STARTING SYSTEM ONLY) POSITION DATA: AFT VARIABLE DRAWING REF: 284N1554-5004 284N1554-5013 284N1554-5018 284N1554-5027 284N1554-5028 REWORKED BY SB: 33-0035 FOR NHA/OTHER SYS DET SEE: 53-61-51-10	002004 006100 107107 952999	RF
5	BAC27TEX0676		.DECAL- PLACARD CONTENT: K117 PRE SERVICE BULLETIN: 49-0019	002004 006100 107107 950999	1
10	BAC27NEX0069		.DECAL- PLACARD CONTENT: K10163	002004 006100 107107 950999	1
15	BAC27TEX0680		.DECAL- PLACARD CONTENT: K197	002004 006100 107107 950999	1
20	BAC27NEX1271		.DECAL- PLACARD CONTENT: D2416	002004 006100 107107 950999	1
25	BAC27NEX1272		.DECAL- PLACARD CONTENT: D3084	002004 006100 107107 950999	1

MISSING ITEM NUMBERS NOT APPLICABLE

- ITEM NOT ILLUSTRATED

49-41-71-03

49-41-71  
FIG. 03  
PAGE 1  
JAN 20/09

BRI



757

PARTS CATALOG (MAINTENANCE)

FIG ITEM	PART NUMBER	1 2 3 4 5 6 7	NOMENCLATURE	EFFECT FROM TO	UNITS PER ASSY
3					
30	A703CD		.RELAY ASSY- SUPPLIER CODE: V74063 FUNCTIONAL DESCRIPTION: APU IGNITION/STARTING SYSTEM ELECTRICAL EQUIP NUMBER: K00117 COMPONENT MAINT MANUAL REF: 49-40-15 PRE SERVICE BULLETIN: 49-0019 ATTACHING PARTS	002004 006100 107107 950999	1
- 35	NAS1801-4-10		.SCREW	002004 006100 107107 950999	2
- 40	AN960JD416L		.WASHER-	002004 006100 107107 952999	2
- 45	MS21042L4		.NUT	002004 006100 107107 950999	2
50	33603-001		-----*----- ..SHIELD-TERM. SUPPLIER CODE: V74063  ATTACHING PARTS	002004 006100 107107 950999	1
55	51206-751		..SCREW-BINDING HEAD SUPPLIER CODE: V74063	002004 006100 107107 950999	1
60	51806-011		..WASHER-LOCK SUPPLIER CODE: VK5294	002004 006100 107107 950999	1
65	50407-164		-----*----- ..NUT-HEX SUPPLIER CODE: V74063	002004 006100 107107 950999	2
70	51807-084		..WASHER-LOCK SUPPLIER CODE: V74063	002004 006100 107107 950999	2

MISSING ITEM NUMBERS NOT APPLICABLE

- ITEM NOT ILLUSTRATED

49-41-71-03

49-41-71  
FIG. 03  
PAGE 2  
JAN 20/09

BRI



757

PARTS CATALOG (MAINTENANCE)

FIG ITEM	PART NUMBER	1 2 3 4 5 6 7	NOMENCLATURE	EFFECT FROM TO	UNITS PER ASSY
3					
75	50410-084	..	NUT-HEX SUPPLIER CODE: V74063	002004 006100 107107 950999	2
80	51810-054	..	WASHER-LOCK SUPPLIER CODE: V74063	002004 006100 107107 950999	2
85	JAD9F007	.RELAY-	SUPPLIER CODE: V58657 SPECIFICATION NUMBER: BACR13CJ2 ELECTRICAL EQUIP NUMBER: K10163	002004 006100 107107 950999	1
90	E410-1537	.RELAY-	SUPPLIER CODE: V99699 SPECIFICATION NUMBER: BACR13CG2A OPTIONAL PART: E415-1078 V99699 BR230S0116 V56623 KD4A017 V58687 FCA410-62 V78290 ELECTRICAL EQUIP NUMBER: K00197	002004 006100 107107 950999	1
- 115	284N1718-3	.EQUIPMENT ASSY-E6 EQPT CTR	RELAY PNL POSITION DATA: AFT POST SERVICE BULLETIN: 49-0019	950952	RF
120	TTVF7525WE10	..TAPE-	SUPPLIER CODE: VOKW00 SPECIFICATION NUMBER: BACT19J4 OPTIONAL PART: THT1-437W10 V85480 PLACARD CONTENT: K117	950952	1

MISSING ITEM NUMBERS NOT APPLICABLE

- ITEM NOT ILLUSTRATED

49-41-71-03

49-41-71  
FIG. 03  
PAGE 3  
JAN 20/09

BRI



757

PARTS CATALOG (MAINTENANCE)

FIG ITEM	PART NUMBER	1 2 3 4 5 6 7	NOMENCLATURE	EFFECT FROM TO	UNITS PER ASSY
3					
125	CC0708IMUA34B		..RELAY- SUPPLIER CODE: VFO219 FUNCTIONAL DESCRIPTION: APU IGNITION/STARTING SYSTEM ELECTRICAL EQUIP NUMBER: K00117 ATTACHING PARTS	950952	1
- 130	BACS12HN3-11		..SCREW	950952	3
- 135	NAS1149D0363J		..WASHER -----*-----	950952	3
140	284N1720-10		..SUPPORT ASSY	950952	1
145	BACR15BA5ADC		...RIVET- SIZE DETERMINED ON INSTL.	950952	8
150	284N1720-7		...BRACKET	950952	2
155	284N1720-8		...BRACKET ASSY	950952	1
160	BRF200C3D		....NUTPLATE SUPPLIER CODE: V52828 SPECIFICATION NUMBER: BACN10JR3CFD OPTIONAL PART: K51602-3BAC V15653 NS202476-02 V80539 102F9201-3 V72962 T8092C1032CD V11815 ATTACHING PARTS	950952	3
- 165	BACR15BA3AD3C		....RIVET -----*-----	950952	6
- 200	286N1024-007		WIRE BUNDLE ASSY	107107	RF
- 200	286N1024-008		WIRE BUNDLE ASSY	002004	RF
				006100	
				950999	
205	BACS16W1		.SOCKET-RELAY ELECTRICAL EQUIP NUMBER: D03084 WIRING DIAGRAM REF: 494111	002004 006100 107107 950999	1

MISSING ITEM NUMBERS NOT APPLICABLE

- ITEM NOT ILLUSTRATED

49-41-71-03

49-41-71  
FIG. 03  
PAGE 4  
JAN 20/09

BRI

BOEING PROPRIETARY - Copyright © - Unpublished Work - See title page for details.



**757  
PARTS CATALOG (MAINTENANCE)**

FIG ITEM	PART NUMBER	1 2 3 4 5 6 7 NOMENCLATURE	EFFECT FROM TO	UNITS PER ASSY
3 210	RSF116208	. SOCKET-RELAY SUPPLIER CODE: V58982 SPECIFICATION NUMBER: BACS16X3A OPTIONAL PART: 102-005-1 V09922 000300-1541 V05574 ELECTRICAL EQUIP NUMBER: D02416 WIRING DIAGRAM REF: 494111	002004 006100 107107 950999	1

MISSING ITEM NUMBERS NOT APPLICABLE

— ITEM NOT ILLUSTRATED

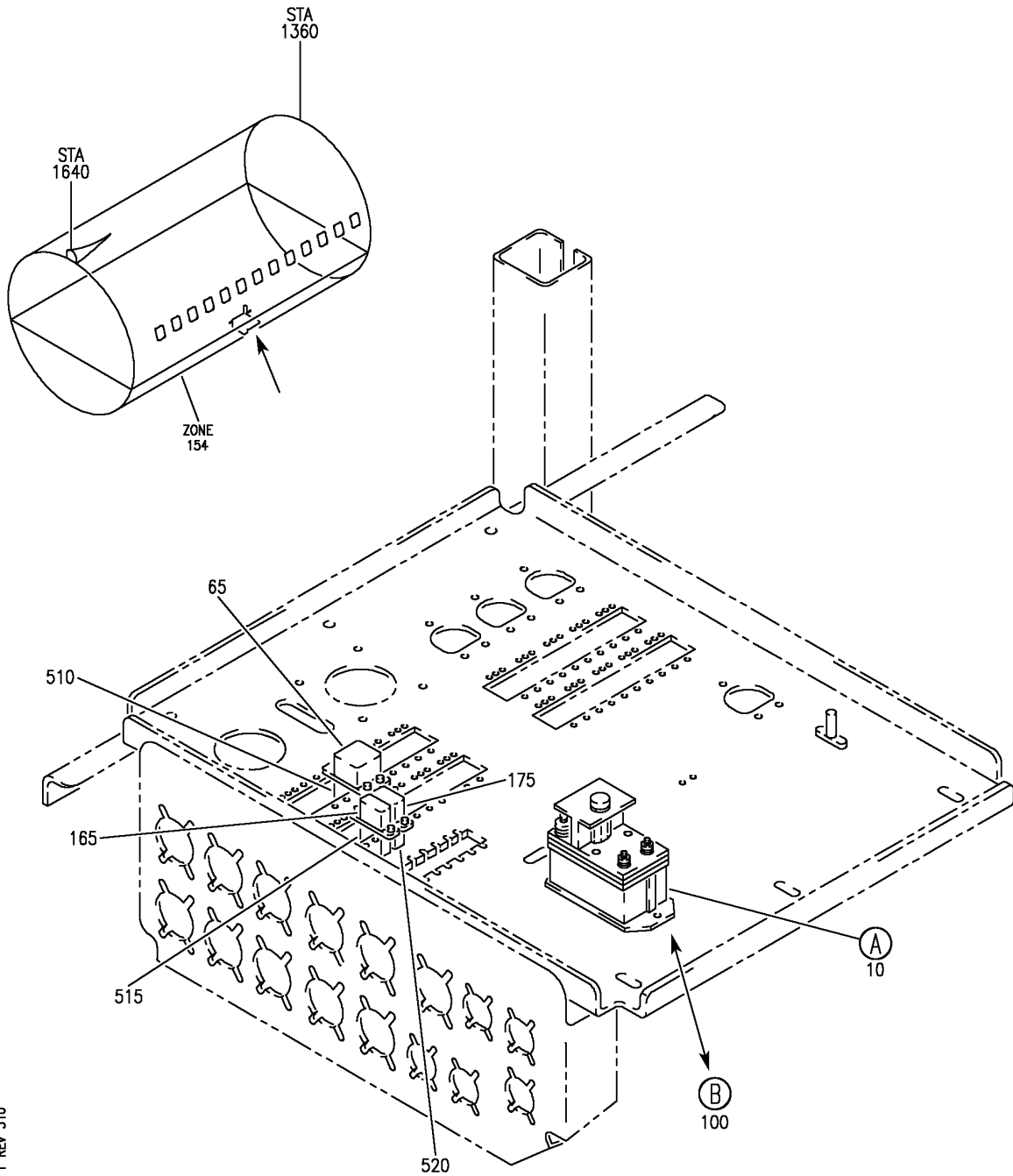
BRI

# 49-41-71-03

BOEING PROPRIETARY - Copyright © - Unpublished Work - See title page for details.

49-41-71  
FIG. 03  
PAGE 5  
JAN 20/09

**BOEING**  
757  
PARTS CATALOG (MAINTENANCE)



Y 49417103A SHT 1 REV 310

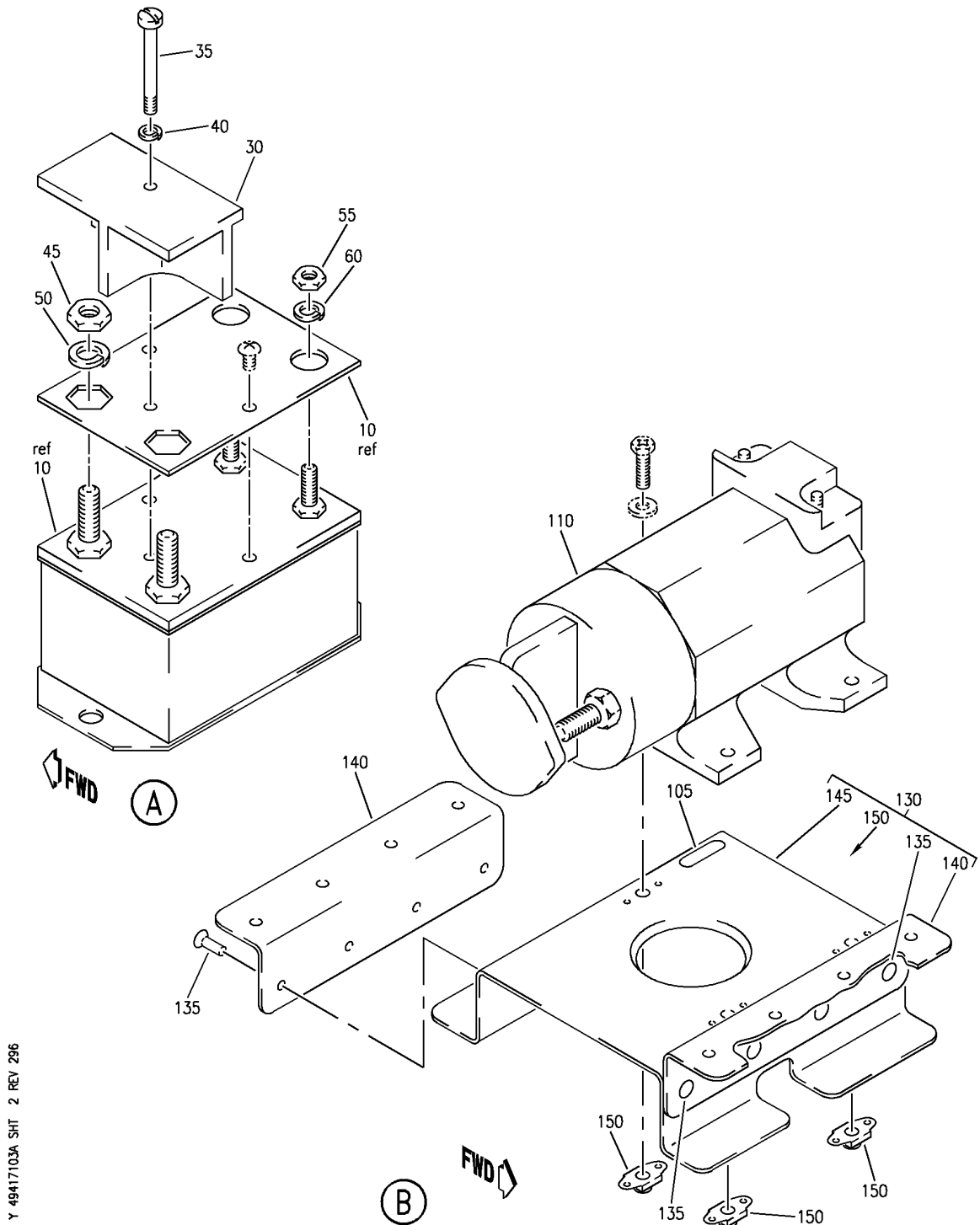
EQUIPMENT ASSY-E6 AFT EQPT CTR RELAY PNL OPTION PKG (APU STARTING AND IGNITION SYSTEM ONLY)  
FIGURE 3A (SHEET 1)

BRI  
MAY 28/07

**49-41-71-03A**

49-41-71-03A  
PAGE 0

**BOEING**  
757  
PARTS CATALOG (MAINTENANCE)



Y 49417103A SHT 2 REV 296

EQUIPMENT ASSY-E6 AFT EQPT CTR RELAY PNL OPTION PKG (APU STARTING AND IGNITION SYSTEM ONLY)  
FIGURE 3A (SHEET 2)

BRI  
MAY 28/07

**49-41-71-03A**

49-41-71-03A  
PAGE 0A

BOEING PROPRIETARY - Copyright © - Unpublished Work - See title page for details.





757

PARTS CATALOG (MAINTENANCE)

FIG ITEM	PART NUMBER	1 2 3 4 5 6 7	NOMENCLATURE	EFFECT FROM TO	UNITS PER ASSY
3A			EQUIPMENT ASSY-E6 AFT EQPT CTR RELAY PNL OPTION PKG (APU STARTING AND IGNITION SYSTEM ONLY)	101102 504903	
- 1	284N1554-1000		EQUIPMENT ASSY-E6 EQPT CTR RELAY PNL OPTION PKG (APU STARTING AND IGNITION SYSTEM ONLY) POSITION DATA: AFT MISCELLANEOUS DATA: MINOR MODEL 757-200 FOR NHA/OTHER SYS DET SEE: 31-01-86-02	101102 504903	RF
10	A703CD		.RELAY ASSY- SUPPLIER CODE: V74063 FUNCTIONAL DESCRIPTION: APU IGNITION/STARTING SYSTEM ELECTRICAL EQUIP NUMBER: K00117 COMPONENT MAINT MANUAL REF: 49-40-15 ATTACHING PARTS	101102 504504	1
- 15	NAS1801-4-10		.SCREW	101102 504504	2
- 20	NAS1149D0416J		.WASHER	101102 504504	2
- 25	PLH54CD		.NUT SUPPLIER CODE: VF0224 SPECIFICATION NUMBER: BACN10YR4CD OPTIONAL PART: H52732-4CD V15653 -----*-----	101102 504504	2
30	33603-001		..SHIELD-TERM. SUPPLIER CODE: V74063 ATTACHING PARTS	101102 504504	1
35	51206-751		..SCREW-BINDING HEAD SUPPLIER CODE: V74063	101102 504504	1
40	51806-011		..WASHER-LOCK SUPPLIER CODE: VK5294 -----*-----	101102 504504	1

MISSING ITEM NUMBERS NOT APPLICABLE

- ITEM NOT ILLUSTRATED

BRI

49-41-71-03A

BOEING PROPRIETARY - Copyright © - Unpublished Work - See title page for details.

49-41-71  
FIG. 03A  
PAGE 1  
JAN 20/09



757

PARTS CATALOG (MAINTENANCE)

FIG ITEM	PART NUMBER	1 2 3 4 5 6 7	NOMENCLATURE	EFFECT FROM TO	UNITS PER ASSY
3A					
45	50407-164	..	NUT-HEX SUPPLIER CODE: V74063 ATTACHING PARTS	101102 504504	2
50	51807-084	..	WASHER-LOCK SUPPLIER CODE: V74063 -----*-----	101102 504504	2
55	50410-084	..	NUT-HEX SUPPLIER CODE: V74063	101102 504504	2
60	51810-054	..	WASHER-LOCK SUPPLIER CODE: V74063	101102 504504	2
65	E410-1537	.RELAY-	SUPPLIER CODE: V99699 SPECIFICATION NUMBER: BACR13CG2A OPTIONAL PART: E415-1078 V99699 BR230S0116 V56623 KD4A017 V58687 FCA410-62 V78290 ELECTRICAL EQUIP NUMBER: K00197	101102 504903	1
100	284N1718-3	.EQUIPMENT ASSY-E6 EQPT CTR	RELAY PNL POSITION DATA: AFT POST SERVICE BULLETIN: 49-0019	505903	RF
105	TTVF7525WE10	..TAPE-	SUPPLIER CODE: VOKW00 SPECIFICATION NUMBER: BACT19J4 OPTIONAL PART: THT1-437W10 V85480 PLACARD CONTENT: K00117	505903	1

MISSING ITEM NUMBERS NOT APPLICABLE

- ITEM NOT ILLUSTRATED

49-41-71-03A

49-41-71  
FIG. 03A  
PAGE 2  
JAN 20/09

BRI

BOEING PROPRIETARY - Copyright © - Unpublished Work - See title page for details.



757

PARTS CATALOG (MAINTENANCE)

FIG ITEM	PART NUMBER	1 2 3 4 5 6 7	NOMENCLATURE	EFFECT FROM TO	UNITS PER ASSY
3A 110	CC0708IMUA34B		..RELAY- SUPPLIER CODE: VF0219 ELECTRICAL EQUIP NUMBER: K00117 ATTACHING PARTS	505903	1
- 115	BACS12HN3-11		..SCREW	505903	3
- 120	NAS1149D0363J		..WASHER -----*-----	505903	3
130	284N1720-10		..SUPPORT ASSY	505903	1
135	BACR15BA5ADC		...RIVET- SIZE DETERMINED ON INSTL.	505903	8
140	284N1720-7		...BRACKET	505903	2
145	284N1720-8		...BRACKET ASSY	505903	1
150	BRF200C3D		....NUTPLATE SUPPLIER CODE: V52828 SPECIFICATION NUMBER: BACN10JR3CFD OPTIONAL PART: K51602-3BAC V15653 NS202476-02 V80539 102F9201-3 V72962 T8092C1032CD V11815 ATTACHING PARTS	505903	3
- 155	BACR15BA3AD3C		....RIVET -----*-----	505903	6
- 160	284N1554-1005		EQUIPMENT ASSY-E6 EQPT CTR RELAY PNL OPTION PKG (APU STARTING AND IGNITION SYSTEM ONLY) POSITION DATA: AFT MISCELLANEOUS DATA: MINOR MODEL 757-200 PASS AND APU ADDITIONAL START OR MINOR MODEL 757-300 PASS AND APU ADDITIONAL START FOR NHA/OTHER SYS DET SEE: 31-01-86-02	101102 504903	RF

MISSING ITEM NUMBERS NOT APPLICABLE

- ITEM NOT ILLUSTRATED

BRI

49-41-71-03A

BOEING PROPRIETARY - Copyright © - Unpublished Work - See title page for details.

49-41-71  
FIG. 03A  
PAGE 3  
JAN 20/09



757

PARTS CATALOG (MAINTENANCE)

FIG ITEM	PART NUMBER	1 2 3 4 5 6 7	NOMENCLATURE	EFFECT FROM TO	UNITS PER ASSY
3A 165	JAD9F007		.RELAY- SUPPLIER CODE: V58657 SPECIFICATION NUMBER: BACR13CJ2 ELECTRICAL EQUIP NUMBER: K10163	101102 504903	1
- 501	286N1024-325		WIRE BUNDLE ASSY	504903	RF
- 501	286N1024-327		WIRE BUNDLE ASSY	101102	RF
510	BACS16W1		.SOCKET- ELECTRICAL EQUIP NUMBER: D03084 WIRING DIAGRAM REF: 494111	101102 504903	1
515	RSF116208		.SOCKET- SUPPLIER CODE: V58982 SPECIFICATION NUMBER: BACS16X3A OPTIONAL PART: 102-005-1 V09922 000300-1541 V05574 ELECTRICAL EQUIP NUMBER: D02416 WIRING DIAGRAM REF: 494111	101102 504903	1

MISSING ITEM NUMBERS NOT APPLICABLE

- ITEM NOT ILLUSTRATED

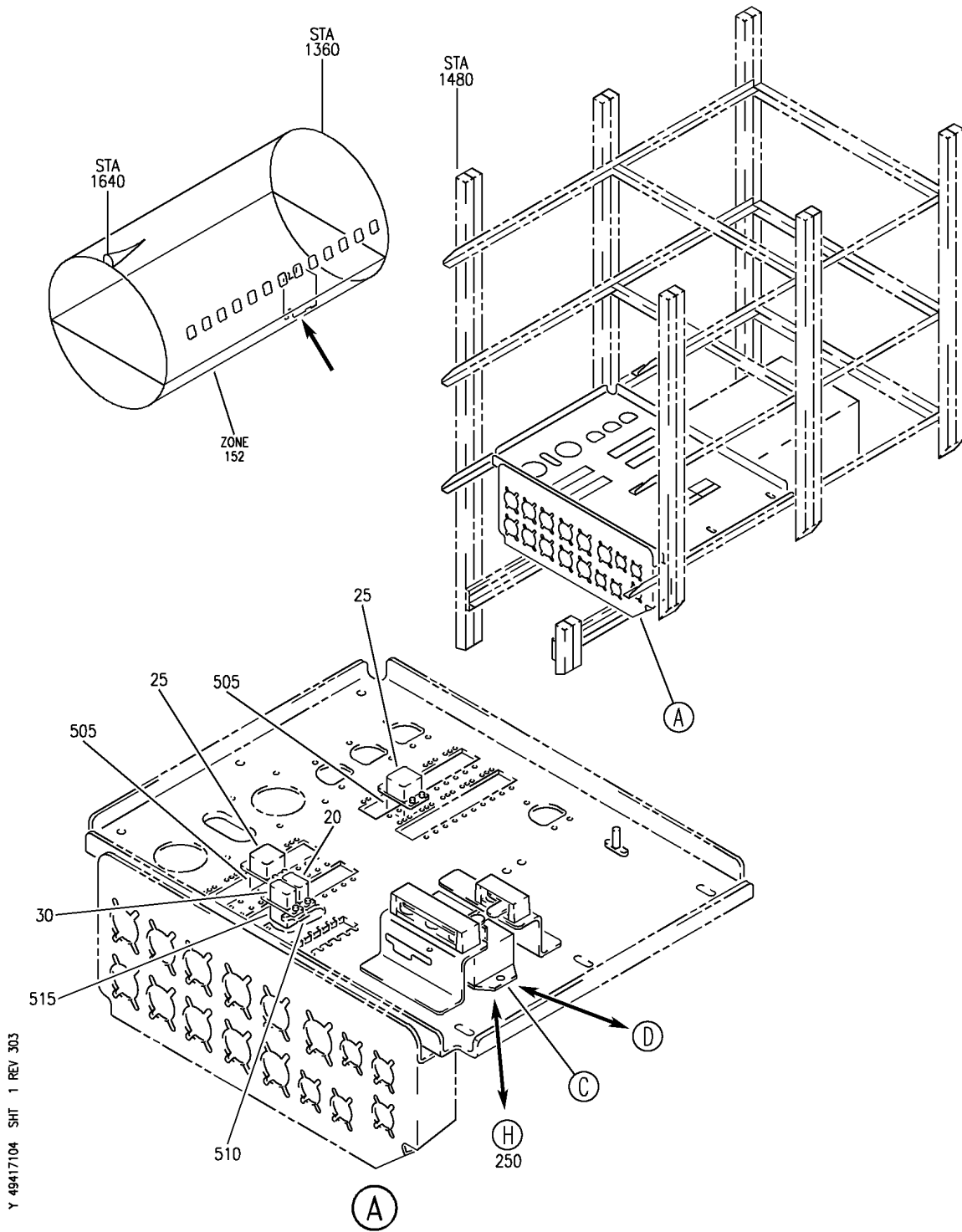
BRI

49-41-71-03A

BOEING PROPRIETARY - Copyright © - Unpublished Work - See title page for details.

49-41-71  
FIG. 03A  
PAGE 4  
JAN 20/09

**BOEING**  
757  
PARTS CATALOG (MAINTENANCE)



Y 49417104 SHT 1 REV 303

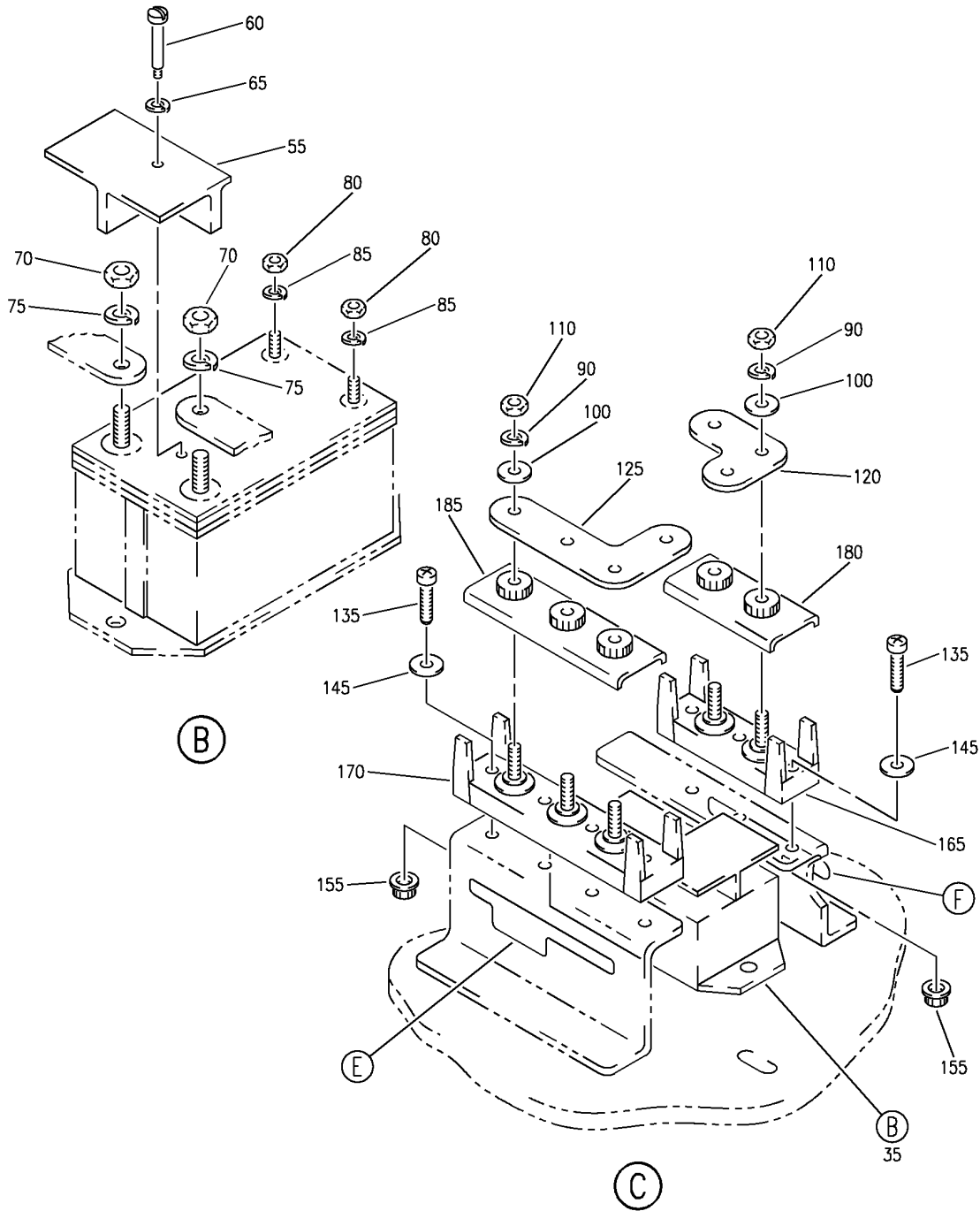
EQUIPMENT ASSY-E6 RELAY PNL AFT EQPT CTR (APU IGNITION/STARTING SYSTEM ONLY)  
FIGURE 4 (SHEET 1)

BRI  
JAN 20/09

**49-41-71-04**

49-41-71-04  
PAGE 0

**BOEING**  
757  
PARTS CATALOG (MAINTENANCE)



Y 49417104 SH1 2 REV 303

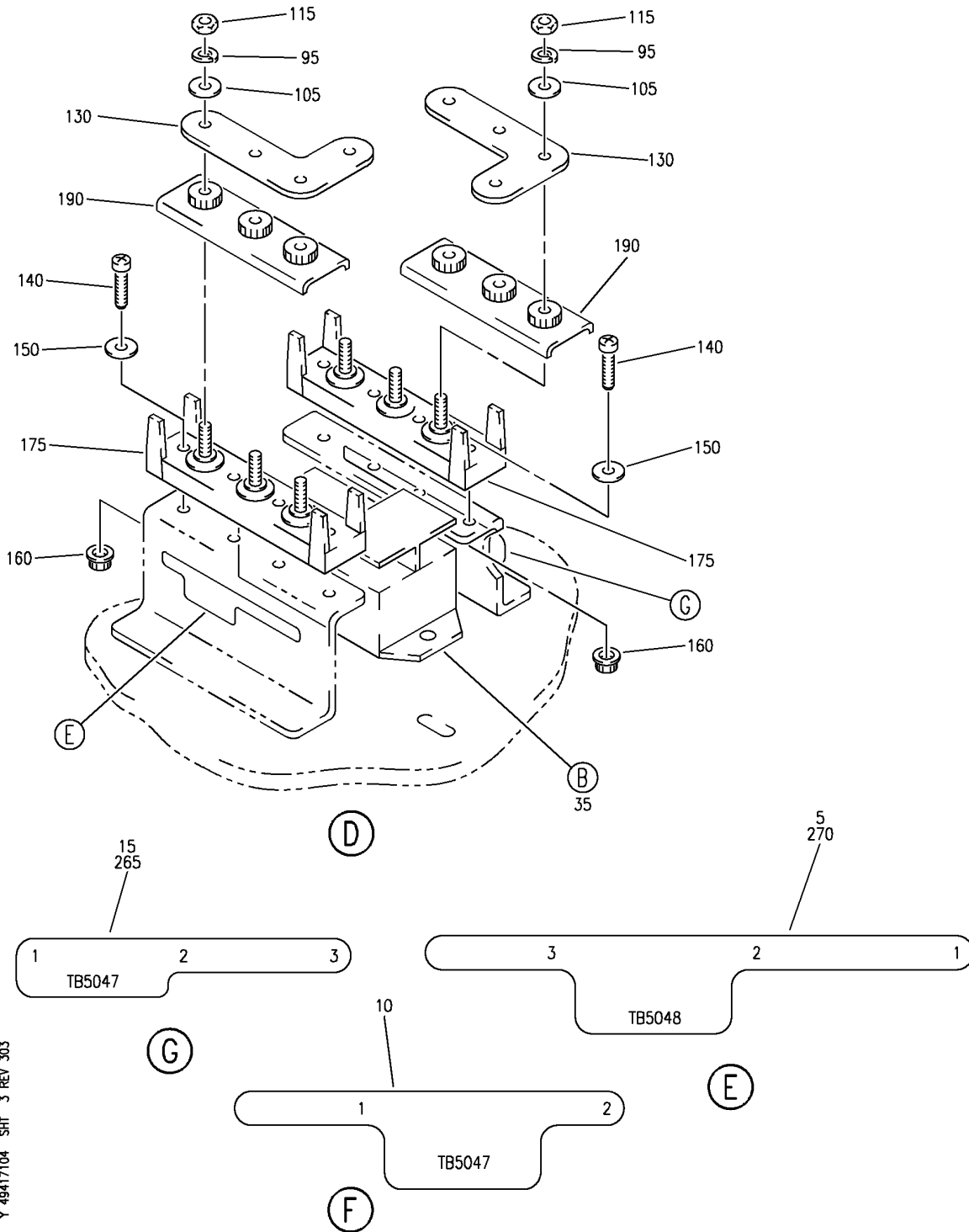
EQUIPMENT ASSY-E6 RELAY PNL AFT EQPT CTR (APU IGNITION/STARTING SYSTEM ONLY)  
FIGURE 4 (SHEET 2)

BRI  
JAN 20/09

**49-41-71-04**

49-41-71-04  
PAGE 0A


**BOEING**  
 757  
**PARTS CATALOG (MAINTENANCE)**



Y 49417104 SHT 3 REV 303

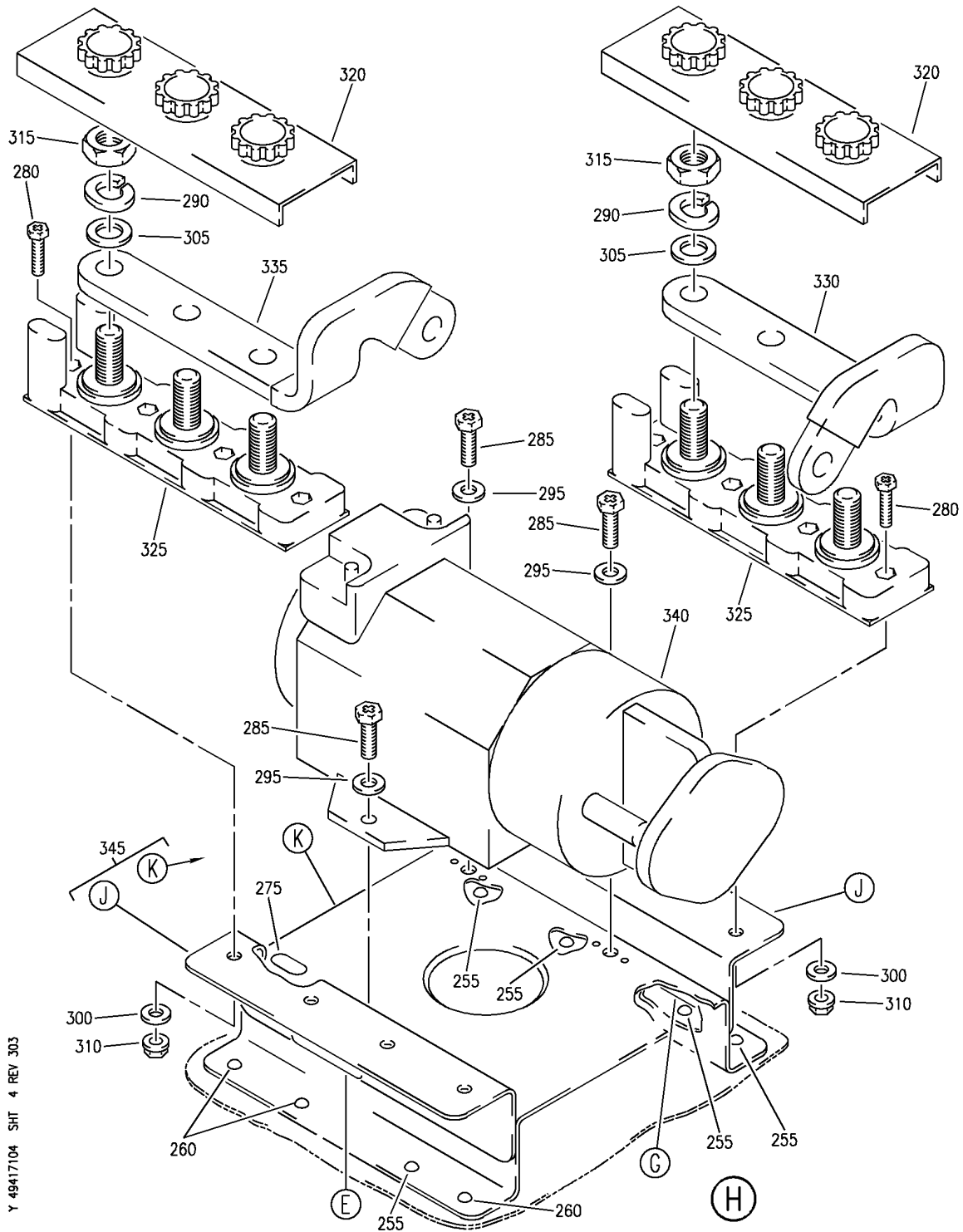
EQUIPMENT ASSY-E6 RELAY PNL AFT EQPT CTR (APU IGNITION/STARTING SYSTEM ONLY)  
 FIGURE 4 (SHEET 3)

BRI  
 JAN 20/09

# 49-41-71-04

49-41-71-04  
 PAGE 0B

**BOEING**  
757  
PARTS CATALOG (MAINTENANCE)



Y 49417104 SHT 4 REV 303

EQUIPMENT ASSY-E6 RELAY PNL AFT EQPT CTR (APU IGNITION/STARTING SYSTEM ONLY)  
FIGURE 4 (SHEET 4)

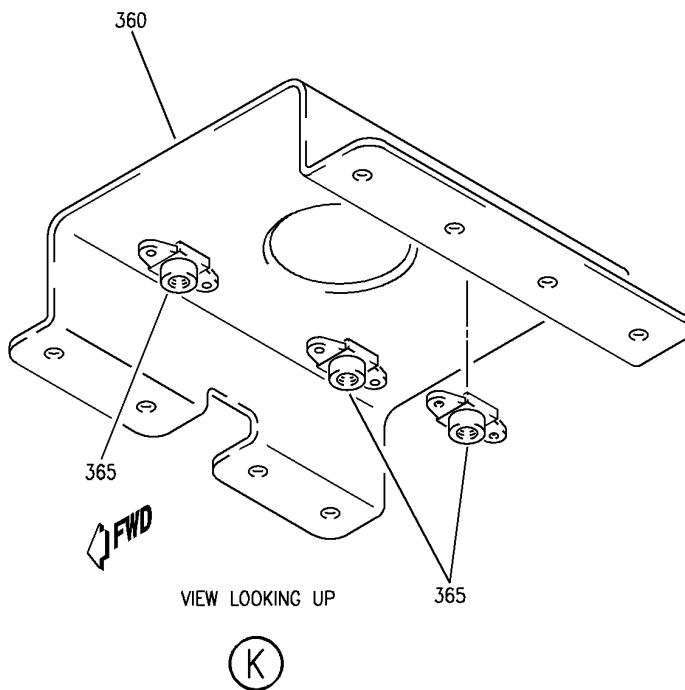
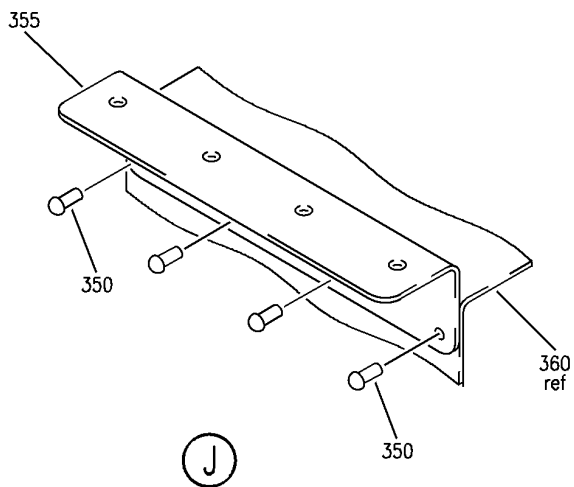
BRI  
JAN 20/09

**49-41-71-04**

49-41-71-04  
PAGE 0C



**BOEING**  
757  
PARTS CATALOG (MAINTENANCE)



Y 49417104 SH1 5 REV 303

EQUIPMENT ASSY-E6 RELAY PNL AFT EQPT CTR (APU IGNITION/STARTING SYSTEM ONLY)  
FIGURE 4 (SHEET 5)

**49-41-71-04**

BRI  
JAN 20/09

49-41-71-04  
PAGE 0D



757

PARTS CATALOG (MAINTENANCE)

FIG ITEM	PART NUMBER	1 2 3 4 5 6 7	NOMENCLATURE	EFFECT FROM TO	UNITS PER ASSY
4			EQUIPMENT ASSY-E6 RELAY PNL AFT EQPT CTR (APU IGNITION/STARTING SYSTEM ONLY)	108120	
- 1	284N1554-123		EQUIPMENT ASSY-E6 RELAY PNL EQPT CTR (APU IGNITION/STARTING SYSTEM ONLY) POSITION DATA: AFT FOR NHA/OTHER SYS DET SEE: 24-00-58-05D	108120	RF
5	BAC27NEX0636		.DECAL- PRE SERVICE BULLETIN: 49-0019	108108	1
15	BAC27NEX1626		.DECAL- PRE SERVICE BULLETIN: 49-0019	108108	1
20	E210-1631		.RELAY- SUPPLIER CODE: V99699 SPECIFICATION NUMBER: BACR13CF2A OPTIONAL PART: BR246S0112 V56623 FCA210-70 V78290 E215-1050 V99699 JD4A017 V35344 BR64S104 V56623 61GB19-1A320 V98927 ELECTRICAL EQUIP NUMBER: K10030	108120	1

MISSING ITEM NUMBERS NOT APPLICABLE

- ITEM NOT ILLUSTRATED

49-41-71-04

49-41-71  
FIG. 04  
PAGE 1  
JAN 20/09

BRI



757

PARTS CATALOG (MAINTENANCE)

FIG ITEM	PART NUMBER	1 2 3 4 5 6 7	NOMENCLATURE	EFFECT FROM TO	UNITS PER ASSY
4 25	E410-1537		.RELAY- SUPPLIER CODE: V99699 SPECIFICATION NUMBER: BACR13CG2A OPTIONAL PART: E415-1078 V99699 BR230S0116 V56623 KD4A017 V58687 FCA410-62 V78290 ELECTRICAL EQUIP NUMBER: K00197 K10033	108120	2
30	JAD9F007		.RELAY- SUPPLIER CODE: V58657 SPECIFICATION NUMBER: BACR13CJ2 ELECTRICAL EQUIP NUMBER: K10163	108120	1
35	A703CD		.RELAY ASSY- SUPPLIER CODE: V74063 FUNCTIONAL DESCRIPTION: APU IGNITION/STARTING SYSTEM ELECTRICAL EQUIP NUMBER: K00117 COMPONENT MAINT MANUAL REF: 49-40-15 PRE SERVICE BULLETIN: 49-0019 ATTACHING PARTS	108108	1
- 40	NAS1801-4-10		.SCREW	108108	2
- 45	NAS1149D0416J		.WASHER	108108	2
- 50	PLH54CD		.NUT SUPPLIER CODE: VF0224 SPECIFICATION NUMBER: BACN10YR4CD OPTIONAL PART: H52732-4CD V15653 -----*-----	108108	2

MISSING ITEM NUMBERS NOT APPLICABLE

- ITEM NOT ILLUSTRATED

49-41-71-04

49-41-71  
FIG. 04  
PAGE 2  
JAN 20/09

BRI



757

PARTS CATALOG (MAINTENANCE)

FIG ITEM	PART NUMBER	1 2 3 4 5 6 7	NOMENCLATURE	EFFECT FROM TO	UNITS PER ASSY
4					
55	33603-001	..	SHIELD-TERM. SUPPLIER CODE: V74063	108108	1
60	51206-751	..	SCREW-BINDING HEAD SUPPLIER CODE: V74063	108108	1
65	51806-011	..	WASHER-LOCK SUPPLIER CODE: VK5294	108108	1
70	50407-164	..	NUT-HEX SUPPLIER CODE: V74063	108108	2
75	51807-084	..	WASHER-LOCK SUPPLIER CODE: V74063	108108	2
80	50410-084	..	NUT-HEX SUPPLIER CODE: V74063	108108	2
85	51810-054	..	WASHER-LOCK SUPPLIER CODE: V74063	108108	2
95	MS35338-46	.	WASHER- PRE SERVICE BULLETIN: 49-0019	108108	6
105	NAS1149D0663J	.	WASHER- PRE SERVICE BULLETIN: 49-0019	108108	6
115	MS35650-3382	.	NUT- PRE SERVICE BULLETIN: 49-0019	108108	6
130	287N1125-2	.	BUS- PRE SERVICE BULLETIN: 49-0019	108108	2
140	NAS1801-06-7	.	SCREW- PRE SERVICE BULLETIN: 49-0019	108108	8
150	NAS1149DN632J	.	WASHER- PRE SERVICE BULLETIN: 49-0019	108108	8
160	PLH506CD	.	NUT- SUPPLIER CODE: VF0224 SPECIFICATION NUMBER: BACN10YR06CD OPTIONAL PART: H52732-06CD V15653 PRE SERVICE BULLETIN: 49-0019	108108	8

MISSING ITEM NUMBERS NOT APPLICABLE

- ITEM NOT ILLUSTRATED

49-41-71-04

49-41-71  
FIG. 04  
PAGE 3  
JAN 20/09

BRI

BOEING PROPRIETARY - Copyright © - Unpublished Work - See title page for details.



757

PARTS CATALOG (MAINTENANCE)

FIG ITEM	PART NUMBER	1 2 3 4 5 6 7	NOMENCLATURE	EFFECT FROM TO	UNITS PER ASSY
4					
175	287N1407-2		.BOARD- PRE SERVICE BULLETIN: 49-0019	108108	2
190	MS18029-5S3		.COVER ASSY- PRE SERVICE BULLETIN: 49-0019	108108	2
250	284N1718-3		.EQUIPMENT ASSY-CONTACTOR PNL POST SERVICE BULLETIN: 49-0019	108120	1
255	BACR15BB5AD5C		ATTACHING PARTS .RIVET- POST SERVICE BULLETIN: 49-0019	108120	5
260	BACR15BB6AD5C		.RIVET- POST SERVICE BULLETIN: 49-0019	108120	3
265	BAC27NEX1626		-----*----- ..DECAL- PLACARD CONTENT: 1 2 3 TB5047	108120	1
270	BAC27NEX0636		..DECAL- PLACARD CONTENT: 3 2 1 TB5048	108120	1
275	TTVF7525WE10		..TAPE-IDENTIFICATION SUPPLIER CODE: VOKWOO SPECIFICATION NUMBER: BACT19J4 OPTIONAL PART: THT1-437W10 V85480	108120	AR
280	BACS12HN06-8		..SCREW	108120	8
285	BACS12HN3-11		..SCREW	108120	3
290	BACW10EC6S		..WASHER	108120	6
295	NAS1149D0363J		..WASHER	108120	3
300	NAS1149DN632J		..WASHER	108120	8
305	NAS1149D0663J		..WASHER	108120	6
310	PLH506CD		..NUT SUPPLIER CODE: VF0224 SPECIFICATION NUMBER: BACN10YR06CD OPTIONAL PART: H52732-06CD V15653	108120	8
315	MS35650-3382		..NUT	108120	6
320	MS18029-5S3		..COVER ASSY	108120	2
325	284N1720-6		..BOARD ASSY-TERM.	108120	2

MISSING ITEM NUMBERS NOT APPLICABLE

- ITEM NOT ILLUSTRATED

49-41-71-04

49-41-71  
FIG. 04  
PAGE 4  
JAN 20/09

BRI

BOEING PROPRIETARY - Copyright © - Unpublished Work - See title page for details.



757

PARTS CATALOG (MAINTENANCE)

FIG ITEM	PART NUMBER	1 2 3 4 5 6 7	NOMENCLATURE	EFFECT FROM TO	UNITS PER ASSY
4					
330	34BG40	..	BUS BAR- SUPPLIER CODE: VF0219	108120	1
335	34BG41	..	BUS BAR- SUPPLIER CODE: VF0219	108120	1
340	CC0708IMUA34B	..	RELAY- SUPPLIER CODE: VF0219 ELECTRICAL EQUIP NUMBER: K00117	108120	1
345	284N1720-10	..	SUPPORT ASSY	108120	1
350	BACR15BA5ADC	...	RIVET- SIZE DETERMINED ON INSTL.	108120	8
355	284N1720-7	...	BRACKET	108120	2
360	284N1720-8	...	BRACKET ASSY	108120	1
365	BRF200C3D	....	NUTPLATE SUPPLIER CODE: V52828 SPECIFICATION NUMBER: BACN10JR3CFD OPTIONAL PART: K51602-3BAC V15653 NS202476-02 V80539 102F9201-3 V72962 T8092C1032CD V11815 ATTACHING PARTS	108120	3
- 370	BACR15BA3AD3C	....	RIVET -----*-----	108120	6
- 501	286N1024-306		WIRE BUNDLE ASSY	108120	RF
505	BACS16W1	.SOCKET-	ELECTRICAL EQUIP NUMBER: D02434 D03084 WIRING DIAGRAM REF: 494111 496111	108120	2

MISSING ITEM NUMBERS NOT APPLICABLE

- ITEM NOT ILLUSTRATED

49-41-71-04

49-41-71  
FIG. 04  
PAGE 5  
JAN 20/09

BRI

BOEING PROPRIETARY - Copyright © - Unpublished Work - See title page for details.



757

PARTS CATALOG (MAINTENANCE)

FIG ITEM	PART NUMBER	1 2 3 4 5 6 7	NOMENCLATURE	EFFECT FROM TO	UNITS PER ASSY
4 510	RSF116200		.SOCKET- SUPPLIER CODE: V58982 SPECIFICATION NUMBER: BACS16X1A OPTIONAL PART: 102-006-1 V09922 000300-1538 V05574 ELECTRICAL EQUIP NUMBER: D02436 WIRING DIAGRAM REF: 496111	108120	1
515	RSF116208		.SOCKET- SUPPLIER CODE: V58982 SPECIFICATION NUMBER: BACS16X3A OPTIONAL PART: 102-005-1 V09922 000300-1541 V05574 ELECTRICAL EQUIP NUMBER: D02416 WIRING DIAGRAM REF: 494111	108120	1

MISSING ITEM NUMBERS NOT APPLICABLE

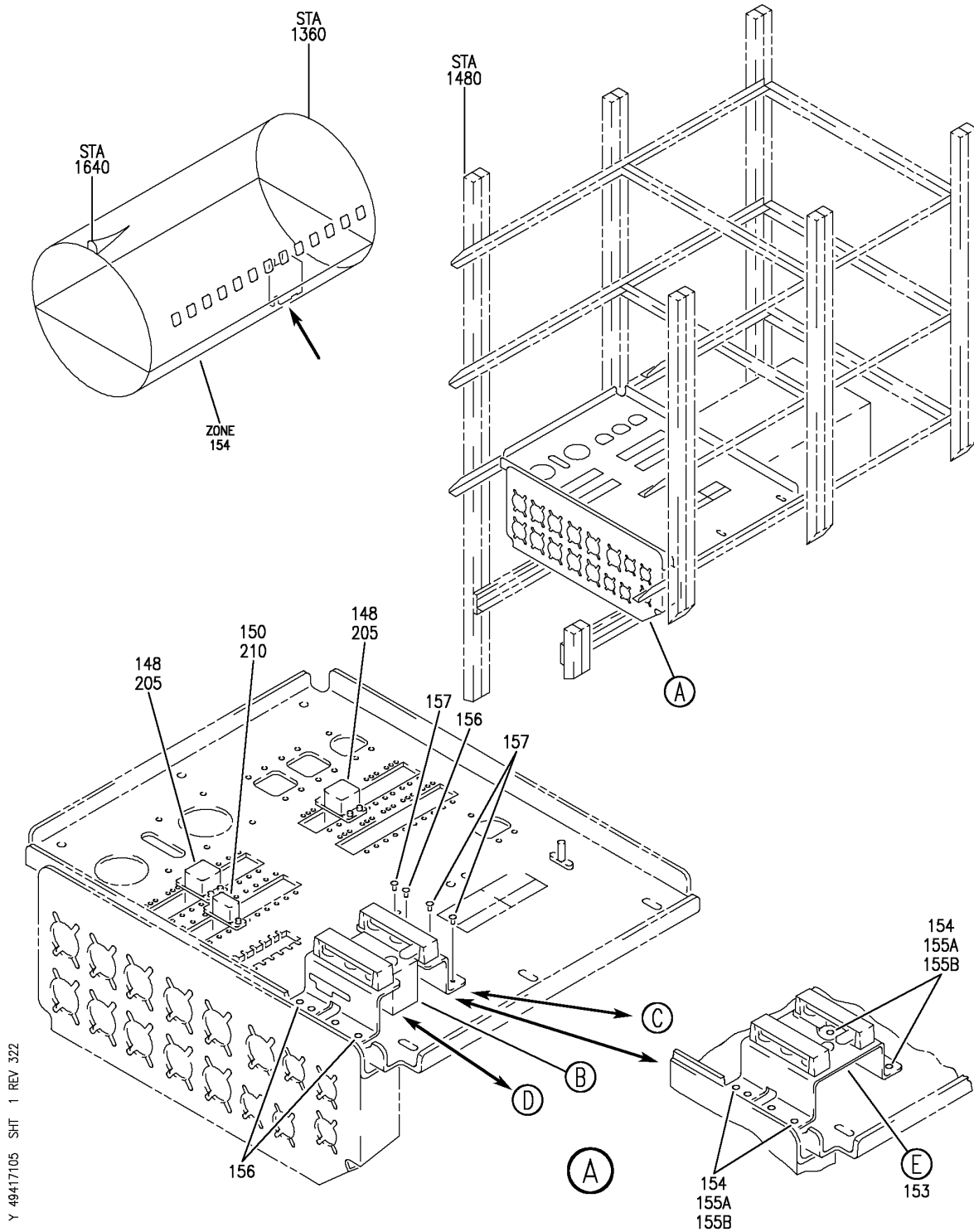
- ITEM NOT ILLUSTRATED

49-41-71-04

49-41-71  
FIG. 04  
PAGE 6  
JAN 20/09

BRI

**BOEING**  
757  
PARTS CATALOG (MAINTENANCE)



Y 49417105 SH1 1 REV 322

EQUIPMENT ASSY-E6 RELAY PNL AFT EQPT CTR (APU IGNITION/STARTING SYSTEM ONLY)  
FIGURE 5 (SHEET 1)

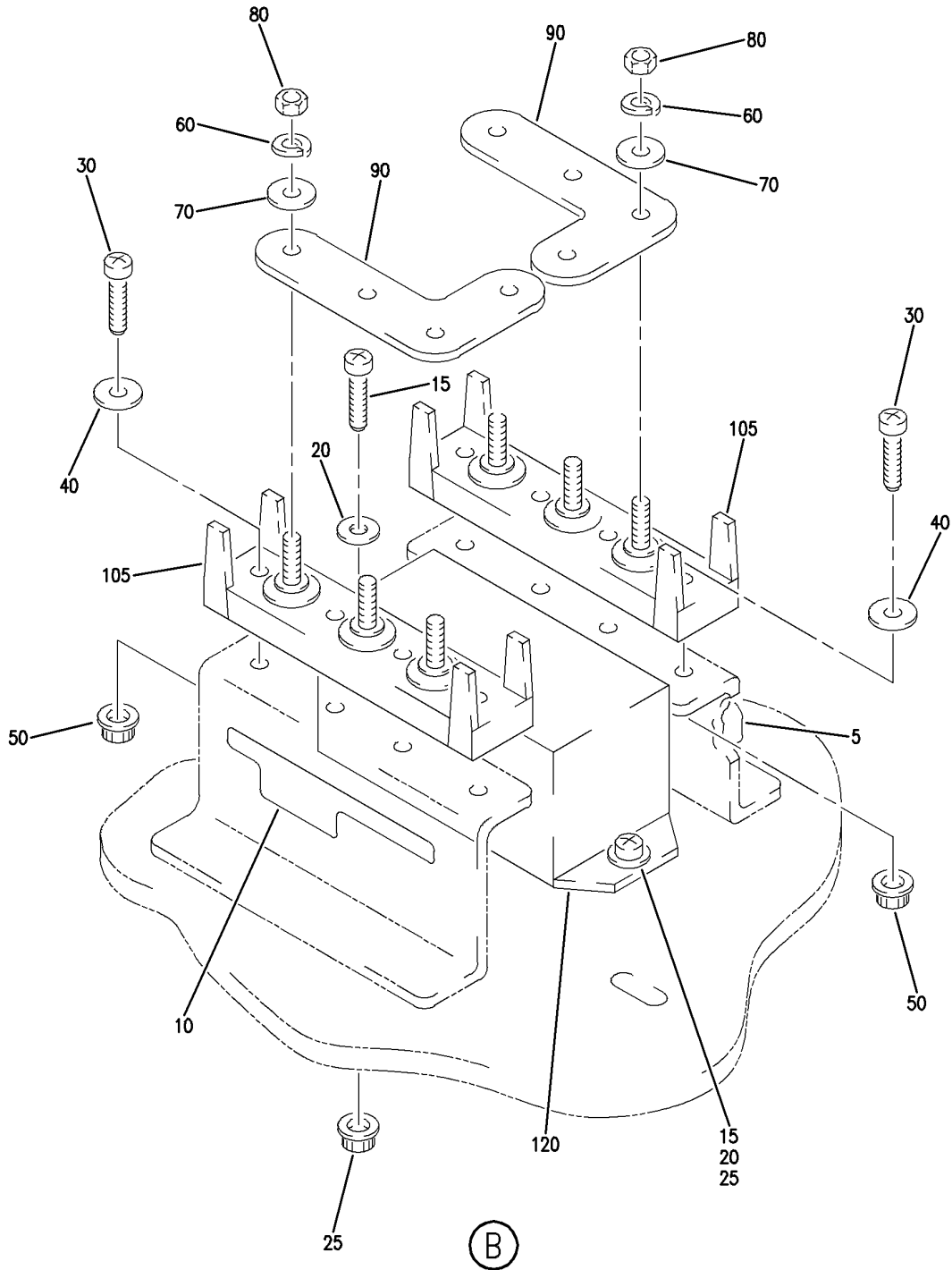
BRI  
JAN 20/09

**49-41-71-05**

49-41-71-05  
PAGE 0



**BOEING**  
757  
PARTS CATALOG (MAINTENANCE)



Y 49417105 SHT 2 REV 226

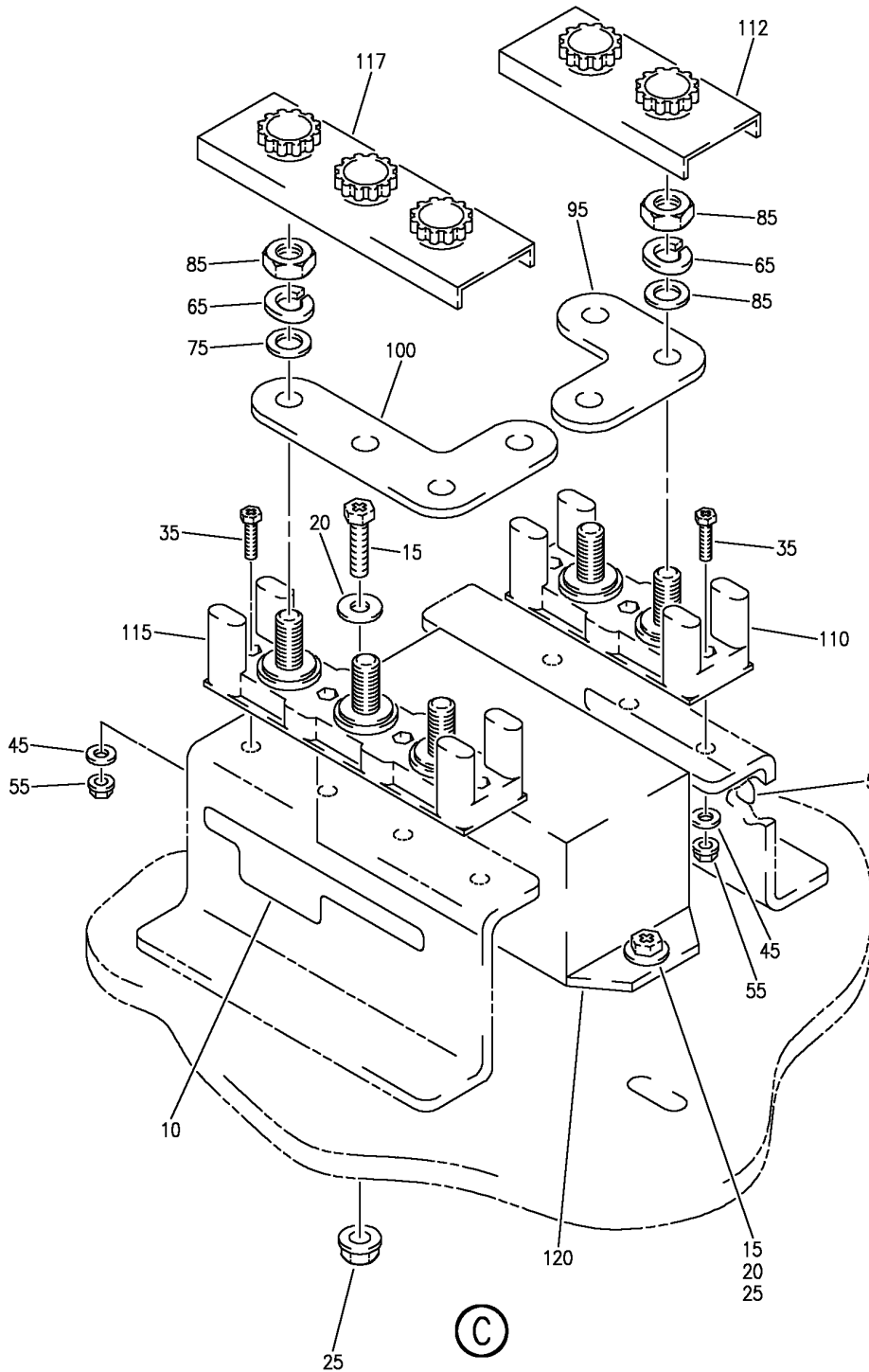
EQUIPMENT ASSY-E6 RELAY PNL AFT EQPT CTR (APU IGNITION/STARTING SYSTEM ONLY)  
FIGURE 5 (SHEET 2)

**49-41-71-05**

BRI  
JAN 20/09

49-41-71-05  
PAGE 0A

**BOEING**  
757  
PARTS CATALOG (MAINTENANCE)



Y 49417105 SHT 3 REV 269

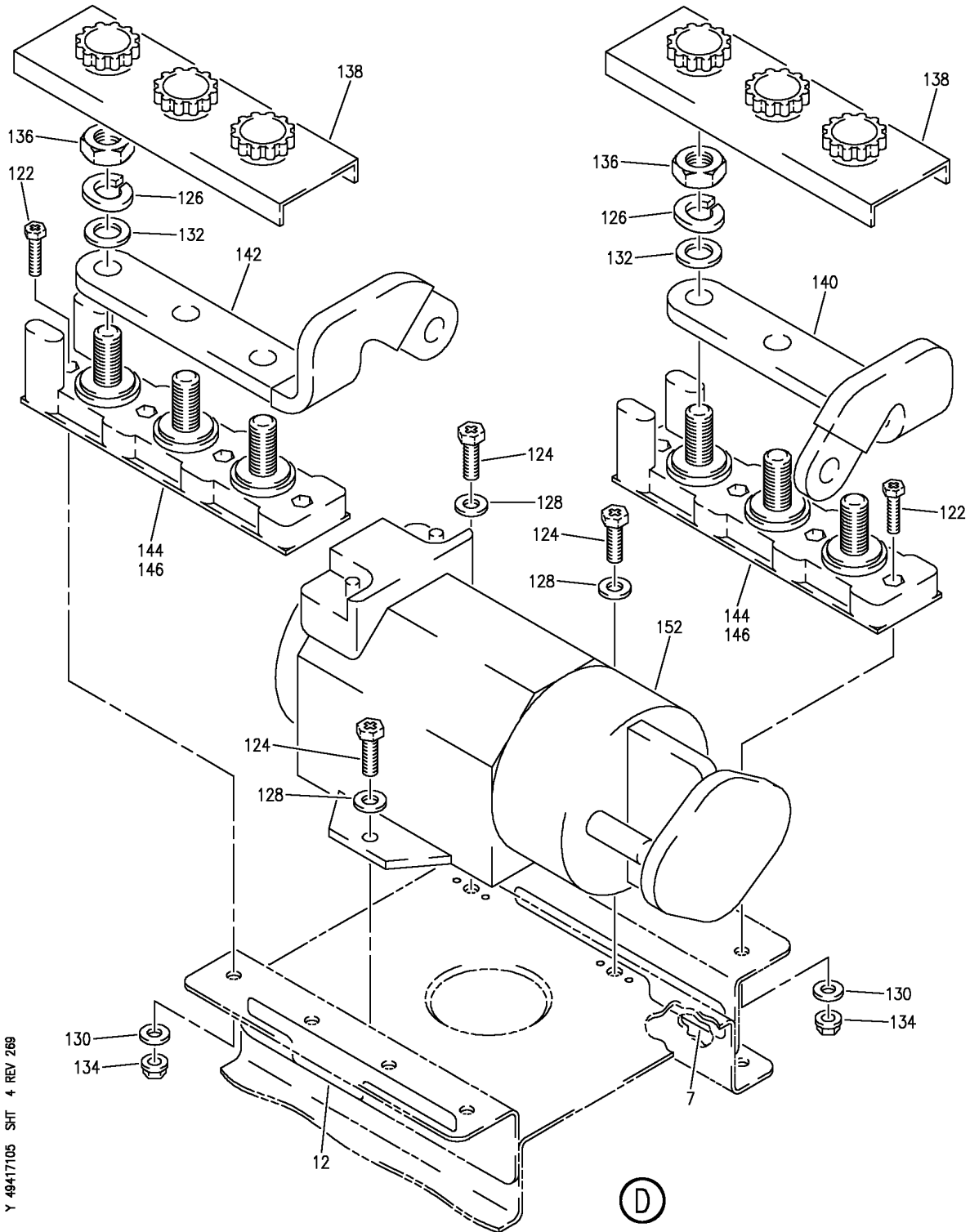
EQUIPMENT ASSY-E6 RELAY PNL AFT EQPT CTR (APU IGNITION/STARTING SYSTEM ONLY)  
FIGURE 5 (SHEET 3)

**49-41-71-05**

BRI  
JAN 20/09

49-41-71-05  
PAGE 0B

**BOEING**  
757  
**PARTS CATALOG (MAINTENANCE)**



Y 49417105 SHT 4 REV 269

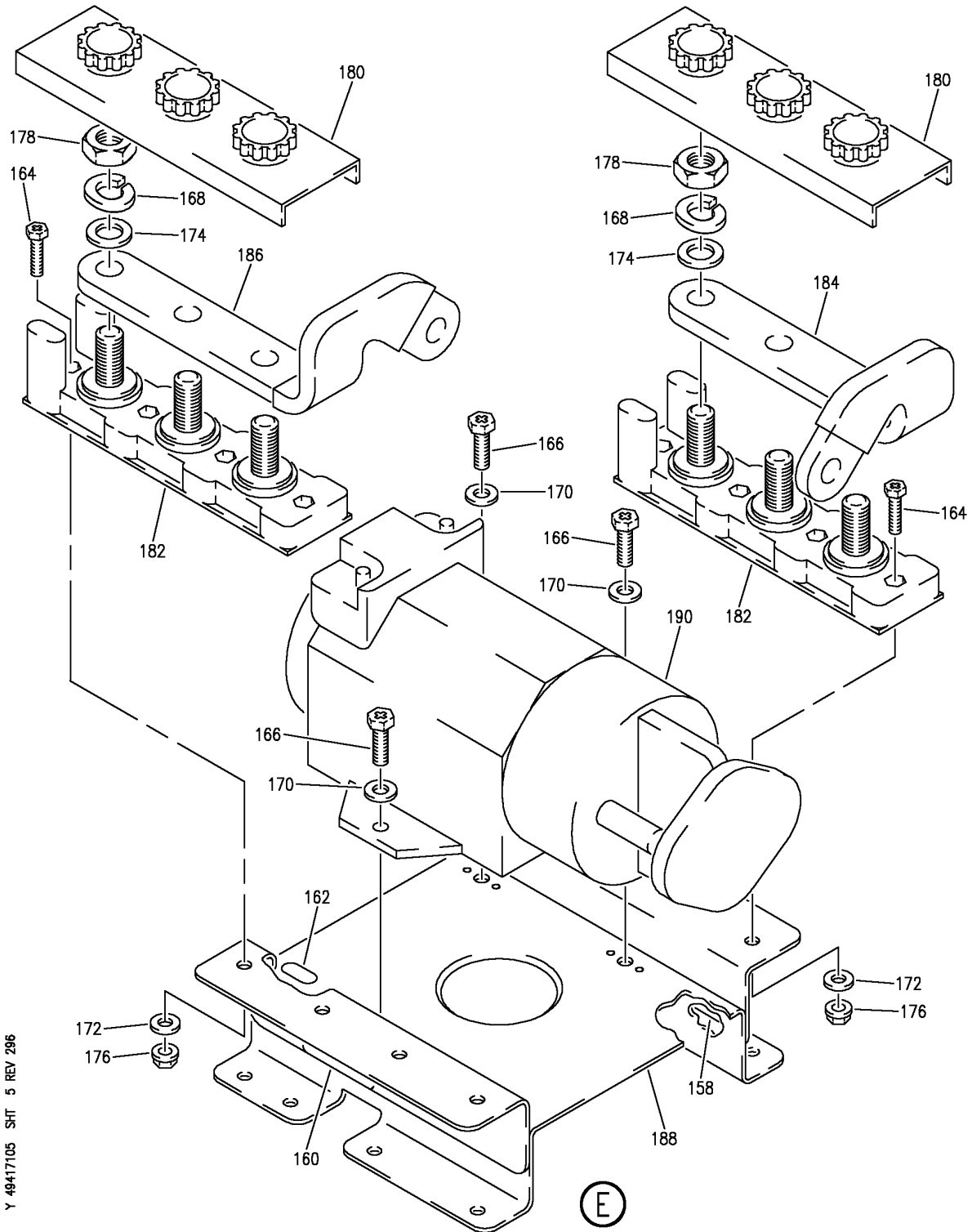
EQUIPMENT ASSY-E6 RELAY PNL AFT EQPT CTR (APU IGNITION/STARTING SYSTEM ONLY)  
FIGURE 5 (SHEET 4)

**49-41-71-05**

BRI  
JAN 20/09

49-41-71-05  
PAGE 0C

**BOEING**  
757  
PARTS CATALOG (MAINTENANCE)



Y 49417105 SHT 5 REV 296

EQUIPMENT ASSY-E6 RELAY PNL AFT EQPT CTR (APU IGNITION/STARTING SYSTEM ONLY)  
FIGURE 5 (SHEET 5)

BRI  
JAN 20/09

**49-41-71-05**

49-41-71-05  
PAGE 0D



757

PARTS CATALOG (MAINTENANCE)

FIG ITEM	PART NUMBER	1 2 3 4 5 6 7	NOMENCLATURE	EFFECT FROM TO	UNITS PER ASSY
5			EQUIPMENT ASSY-E6 RELAY PNL AFT EQPT CTR (APU IGNITION/STARTING SYSTEM ONLY)	103106	
- 1	MODREF11091		EQUIPMENT ASSY-E6 RELAY PNL AFT EQPT CTR (APU IGNITION/STARTING SYSTEM ONLY) MODULE NUMBER: 284N1554-308 REV A FOR OTHER SYS DETAILS SEE: 24-31-71-06 24-31-71-07 24-32-05-03 24-32-06-03 24-32-71-06 28-25-71-07 31-01-86-05 33-37-71-02 49-31-71-02 49-61-71-05 52-34-71-02	103106	1
5	BAC27NEX1626		.DECAL- PLACARD CONTENT: 1 2 3 TB5047 PRE SERVICE BULLETIN: 49-0019	103106	1
10	BAC27NEX0636		.DECAL- PLACARD CONTENT: 3 2 1 TB5048 PRE SERVICE BULLETIN: 49-0019	103106	1
15	NAS1801-4-10		.SCREW- PRE SERVICE BULLETIN: 49-0019	103106	2
20	NAS1149D0416J		.WASHER- PRE SERVICE BULLETIN: 49-0019	103106	2
25	PLH54CD		.NUT- SUPPLIER CODE: VF0224 SPECIFICATION NUMBER: BACN10YR4CD OPTIONAL PART: H52732-4CD V15653 PRE SERVICE BULLETIN: 49-0019	103106	2

MISSING ITEM NUMBERS NOT APPLICABLE

- ITEM NOT ILLUSTRATED

49-41-71-05

49-41-71  
FIG. 05  
PAGE 1  
JAN 20/09

BRI



757

PARTS CATALOG (MAINTENANCE)

FIG ITEM	PART NUMBER	1 2 3 4 5 6 7	NOMENCLATURE	EFFECT FROM TO	UNITS PER ASSY
5					
30	NAS1801-06-7	.	SCREW- PRE SERVICE BULLETIN: 49-0019	103106	8
40	NAS1149DN632J	.	WASHER- PRE SERVICE BULLETIN: 49-0019	103106	8
50	PLH506CD	.	NUT- SUPPLIER CODE: VF0224 SPECIFICATION NUMBER: BACN10YR06CD OPTIONAL PART: H52732-06CD V15653 PRE SERVICE BULLETIN: 49-0019	103106	8
60	MS35338-46	.	WASHER- PRE SERVICE BULLETIN: 49-0019	103106	6
70	NAS1149D0663J	.	WASHER- PRE SERVICE BULLETIN: 49-0019	103106	6
80	MS35650-3382	.	NUT- PRE SERVICE BULLETIN: 49-0019	103106	6
90	287N1125-2	.	BUS- PRE SERVICE BULLETIN: 49-0019	103106	2
105	287N1407-2	.	BOARD-TERM. PRE SERVICE BULLETIN: 49-0019	103106	2
117	MS18029-5S3	.	COVER ASSY- PRE SERVICE BULLETIN: 49-0019	103106	1
120	A703CD	.	RELAY ASSY- SUPPLIER CODE: V74063 FUNCTIONAL DESCRIPTION: APU IGNITION/STARTING SYSTEM ELECTRICAL EQUIP NUMBER: K00117 COMPONENT MAINT MANUAL REF: 49-40-15 PRE SERVICE BULLETIN: 49-0019	103106	1

MISSING ITEM NUMBERS NOT APPLICABLE

- ITEM NOT ILLUSTRATED

49-41-71-05

49-41-71  
FIG. 05  
PAGE 2  
JAN 20/09

BRI



757

PARTS CATALOG (MAINTENANCE)

FIG ITEM	PART NUMBER	1 2 3 4 5 6 7	NOMENCLATURE	EFFECT FROM TO	UNITS PER ASSY
5 148	E410-1537		.RELAY- SUPPLIER CODE: V99699 SPECIFICATION NUMBER: BACR13CG2A OPTIONAL PART: E415-1078 V99699 BR230S0116 V56623 KD4A017 V58687 FCA410-62 V78290 ELECTRICAL EQUIP NUMBER: K00197 K10033	103106	2
150	JAD9F007		.RELAY- SUPPLIER CODE: V58657 SPECIFICATION NUMBER: BACR13CJ2 ELECTRICAL EQUIP NUMBER: K10163	103106	1
153	284N1718-3		.EQUIPMENT ASSY-CONTACTOR PNL POST SERVICE BULLETIN: 49-0019 ATTACHING PARTS	103106	1
156	BACR15BB5AD5C		.RIVET- POST SERVICE BULLETIN: 49-0019	103106	5
157	BACR15BB6AD5C		.RIVET- POST SERVICE BULLETIN: 49-0019	103106	3
158	BAC27NEX1626		-----*----- ..DECAL- PLACARD CONTENT: 1 2 3 TB5047	103106	1
160	BAC27NEX0636		..DECAL- PLACARD CONTENT: 3 2 1 TB5048	103106	1

MISSING ITEM NUMBERS NOT APPLICABLE

- ITEM NOT ILLUSTRATED

49-41-71-05

49-41-71  
FIG. 05  
PAGE 3  
JAN 20/09

BRI

BOEING PROPRIETARY - Copyright © - Unpublished Work - See title page for details.



757

PARTS CATALOG (MAINTENANCE)

FIG ITEM	PART NUMBER	1 2 3 4 5 6 7	NOMENCLATURE	EFFECT FROM TO	UNITS PER ASSY
5 162	TTVF7525WE10		..TAPE-IDENTIFICATION SUPPLIER CODE: VOKWOO SPECIFICATION NUMBER: BACT19J4 OPTIONAL PART: THT1-437W10 V85480	103106	AR
164	BACS12HNO6-8		..SCREW	103106	8
166	BACS12HN3-11		..SCREW	103106	3
168	BACW10EC6S		..WASHER	103106	6
170	NAS1149D0363J		..WASHER	103106	3
172	NAS1149DN632J		..WASHER	103106	8
174	NAS1149D0663J		..WASHER	103106	6
176	PLH506CD		..NUT SUPPLIER CODE: VFO224 SPECIFICATION NUMBER: BACN10YR06CD OPTIONAL PART: H52732-06CD V15653	103106	8
178	MS35650-3382		..NUT	103106	6
180	MS18029-5S3		..COVER ASSY	103106	2
182	284N1720-6		..BOARD ASSY-TERM.	103106	2
184	34BG40		..BUS BAR- SUPPLIER CODE: VFO219	103106	1
186	34BG41		..BUS BAR- SUPPLIER CODE: VFO219	103106	1
188	284N1720-10		..SUPPORT ASSY	103106	1
190	CC0708IMUA34B		..RELAY- SUPPLIER CODE: VFO219 ELECTRICAL EQUIP NUMBER: K00117	103106	1
- 200	286N1024-602		WIRE BUNDLE ASSY	103106	RF
205	BACS16W1		.SOCKET- ELECTRICAL EQUIP NUMBER: D02434 D03084 WIRING DIAGRAM REF: 494111 496111	103106	2

MISSING ITEM NUMBERS NOT APPLICABLE

- ITEM NOT ILLUSTRATED

49-41-71-05

49-41-71  
FIG. 05  
PAGE 4  
JAN 20/09

BRI

BOEING PROPRIETARY - Copyright © - Unpublished Work - See title page for details.





757

PARTS CATALOG (MAINTENANCE)

FIG ITEM	PART NUMBER	1 2 3 4 5 6 7	NOMENCLATURE	EFFECT FROM TO	UNITS PER ASSY
5 210	RSF116208		. SOCKET- SUPPLIER CODE: V58982 SPECIFICATION NUMBER: BACS16X3A OPTIONAL PART: 102-005-1 V09922 000300-1541 V05574 ELECTRICAL EQUIP NUMBER: D02416 WIRING DIAGRAM REF: 494111	103106	1

MISSING ITEM NUMBERS NOT APPLICABLE

- ITEM NOT ILLUSTRATED

BRI

49-41-71-05

BOEING PROPRIETARY - Copyright © - Unpublished Work - See title page for details.

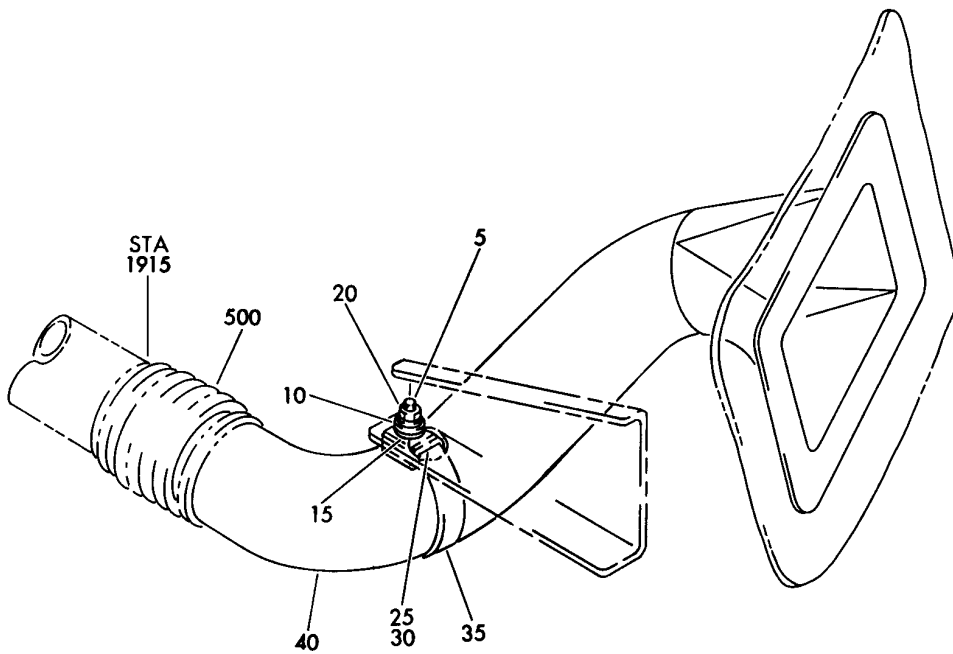
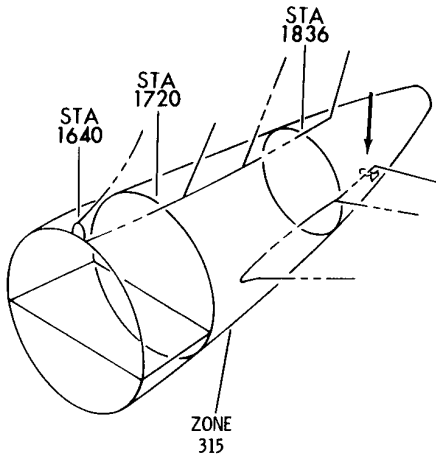
49-41-71  
FIG. 05  
PAGE 5  
JAN 20/09

## APU COOLING AIR SYSTEM

BRI  
MAY 28/07

49-51-00  
SECTION TITLE  
PAGE 1

**BOEING**  
757  
PARTS CATALOG (MAINTENANCE)



Y 49510101 REV 162

DUCT INSTL-AUX PWR SYS OIL COOLER AIR DISCH  
FIGURE 1

**49-51-01-01**

BRI  
MAY 28/07

49-51-01-01  
PAGE 0



757

PARTS CATALOG (MAINTENANCE)

FIG ITEM	PART NUMBER	1 2 3 4 5 6 7	NOMENCLATURE	EFFECT FROM TO	UNITS PER ASSY
1			DUCT INSTL-AUX PWR SYS OIL COOLER AIR DISCH	002004 006999	
- 1	355N1101-1		DUCT INSTL-AUX PWR SYS OIL COOLER AIR DISCH FOR NHA SEE: 49-00-51-01	002004 006100 107107 121503 904999	RF
- 1	355N1101-2		DUCT INSTL-AUX PWR SYS OIL COOLER AIR DISCH FOR NHA SEE: 49-00-00-01	101102 108120 504903	RF
- 1	MODREF13909		DUCT INSTL-AUX PWR SYS OIL COOLER AIR DISCH MODULE NUMBER: 355N1101-2 REV A	103106	1
5	NAS6603-4		.BOLT	002004 006999	1
10	AN960PD10		.WASHER-	002004 006100 107107 121503 904999	1
10	NAS1149D0363J		.WASHER-	101106 108120 504903	1
15	BACW10P44AL		.WASHER-	002004 006999	1
20	NAS1804-3		.NUT-	002004 006100 107107 121503 904999	1
20	NAS1805-3		.NUT-	101106 108120 504903	1
25	BACB19F10S		.BLOCK-	002004 006999	1
30	BACC15AN10		.CLIP	002004 006999	1

MISSING ITEM NUMBERS NOT APPLICABLE

- ITEM NOT ILLUSTRATED

49-51-01-01

49-51-01  
FIG. 01  
PAGE 1  
JAN 20/09

BRI



757

PARTS CATALOG (MAINTENANCE)

FIG ITEM	PART NUMBER	1 2 3 4 5 6 7	NOMENCLATURE	EFFECT FROM TO	UNITS PER ASSY
1					
35	BACC10BN400LM	.CLAMP-	SUPPLIER CODE: V98625 SPECIFICATION NUMBER: BACC10BN400LM OPTIONAL PART: 3078C400LM V94581 1044400LM V94581 BC1080S400LZ V14242 MBC5825400LM V00624 19396N400LM V00624	002004 006100 107107 121503 904999	1
35	BACC10BN400L5ME	.CLAMP-		101106 108120 504903	1
40	355N1102-6	.DUCT ASSY-		002004 006999	1
-	45	NAS603-7	.SCREW-	002004 006100 107107 121503 904999	14
-	45	NAS603-7P	.SCREW-	101106 108120 504903	14
-	50	AN960PD10L	.WASHER-	002004 006100 107107 121503 904999	28
-	50	NAS1149D0316J	.WASHER-	002004 006100 107107 121503 904999	28

MISSING ITEM NUMBERS NOT APPLICABLE

- ITEM NOT ILLUSTRATED

49-51-01-01

49-51-01  
FIG. 01  
PAGE 2  
JAN 20/09

BRI

BOEING PROPRIETARY - Copyright © - Unpublished Work - See title page for details.



757

PARTS CATALOG (MAINTENANCE)

FIG ITEM	PART NUMBER	1 2 3 4 5 6 7	NOMENCLATURE	EFFECT FROM TO	UNITS PER ASSY
1 - 55	BRH10A3	.NUT-	SUPPLIER CODE: V52828 SPECIFICATION NUMBER: BACN10JC3 OPTIONAL PART: H10-3BAC V15653 NS202101-02 V80539 RMLH9075-3W V72962 VN303A02 V92215 96-02 V80539 T6S1032J V11815	002004 006100 107107 121503 904999	14
- 55	BACN10JC3D	.NUT-		101106 108120 504903	14
500		-----*-----	ILLUSTRATION REFERENCE: UNIT INSTL-AUX PWR SYS AND WIRE PROVISIONS 49-11-01-01	002004 006999	RF

MISSING ITEM NUMBERS NOT APPLICABLE

- ITEM NOT ILLUSTRATED

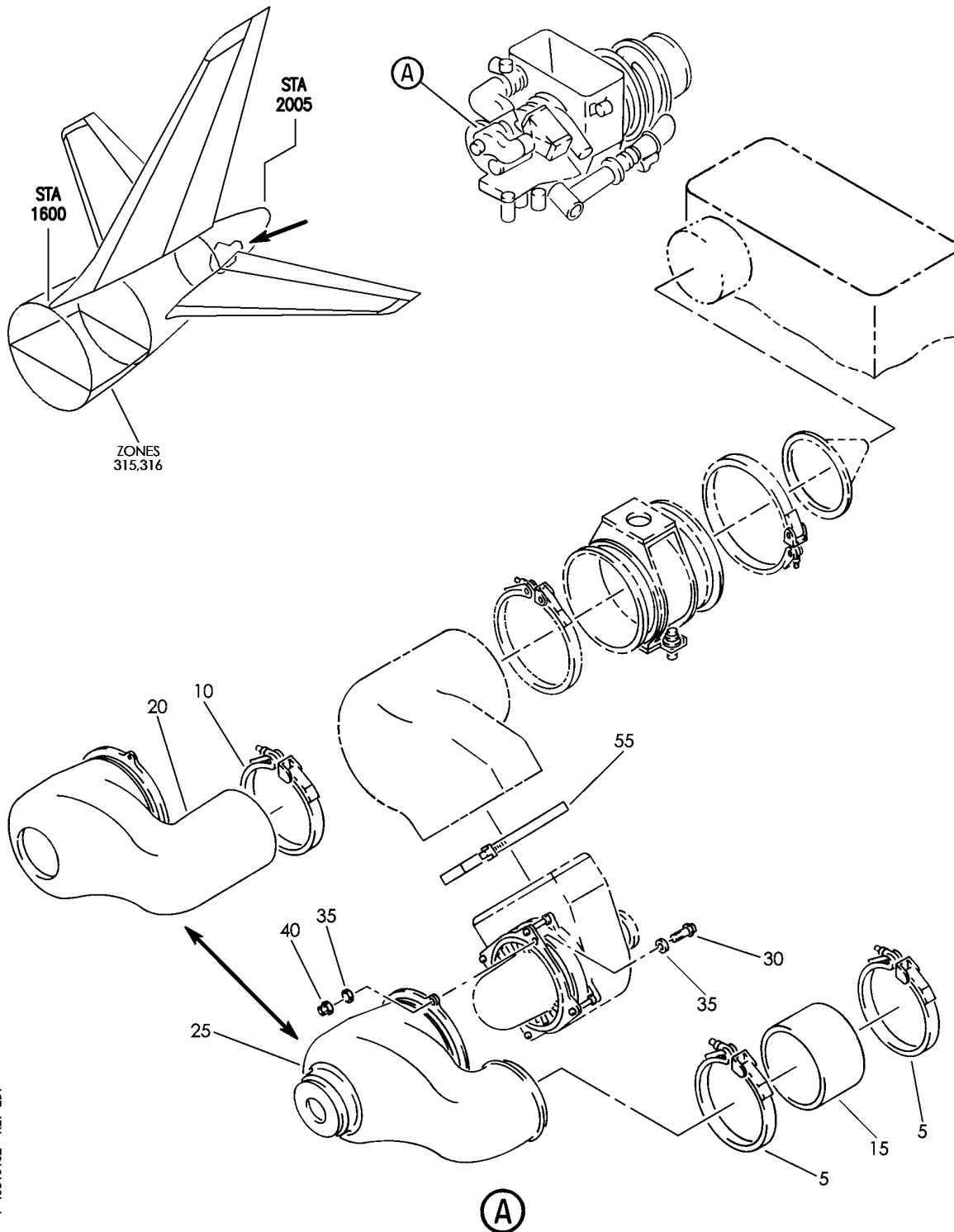
BRI

49-51-01-01

BOEING PROPRIETARY - Copyright © - Unpublished Work - See title page for details.

49-51-01  
FIG. 01  
PAGE 3  
JAN 20/09

**BOEING**  
757  
PARTS CATALOG (MAINTENANCE)



Y 49510102 REV 251

ENGINE ASSY-AUX PWR SYS (OIL COOLING AIR DUCT ONLY)  
FIGURE 2

**49-51-01-02**

BRI  
MAY 28/07

49-51-01-02  
PAGE 0



757

PARTS CATALOG (MAINTENANCE)

FIG ITEM	PART NUMBER	1 2 3 4 5 6 7	NOMENCLATURE	EFFECT FROM TO	UNITS PER ASSY
2			ENGINE ASSY-AUX PWR SYS (OIL COOLING AIR DUCT ONLY)	002004 006999	
- 1	3800298-1-2		ENGINE ASSY-GAS TURB GTCP331-200ER (OIL COOLING AIR DUCT ONLY) SUPPLIER CODE: V99193 SPECIFICATION NUMBER: S351T020-201 CONFIG CHG DATA FROM A CMM: REPLACES 3800298-1-1 COMPONENT MAINT MANUAL REF: 49-22-11 QUALIFIED I/W DATA: S351T020-201 (3800298-1-2) AND S351T020-205 (3800298-1-6) ARE INTERCHANGEABLE WITH THE INCORPORATION OF ALLIED SIGNAL S/B GTCP331-49-7081. S351T020-201 (3800298-1-2) AND S351T020-206 (3800298-1-7/3800298-1) ARE INTERCHANGEABLE WITH THE INCORPORATION OF ALLIED SIGNAL S/B GTCP331-49-7081. FOR NHA/ADDITIONAL DET SEE: 49-11-01-50	002004 006100 107107 121503 904999	RF

MISSING ITEM NUMBERS NOT APPLICABLE

- ITEM NOT ILLUSTRATED

49-51-01-02

49-51-01  
FIG. 02  
PAGE 1  
JAN 20/09

BRI





757

PARTS CATALOG (MAINTENANCE)

FIG ITEM	PART NUMBER	1 2 3 4 5 6 7	NOMENCLATURE	EFFECT FROM TO	UNITS PER ASSY
2 - 1	3800298-1-1		ENGINE ASSY-GAS TURB GTCP331-200ER (OIL COOLING AIR DUCT ONLY) SUPPLIER CODE: V99193 SPECIFICATION NUMBER: S351T020-200 COMPONENT MAINT MANUAL REF: 49-22-11 QUALIFIED I/W DATA: S351T020-200 (3800298-1-1) AND S351T020-205 (3800298-1-6) ARE INTERCHANGEABLE WITH THE INCORPORATION OF ALLIED SIGNAL S/B GTCP331-49-7081. S351T020-200 (3800298-1-1) AND S351T020-206 (3800298-1-7/3800298-1) ARE INTERCHANGEABLE WITH THE INCORPORATION OF ALLIED SIGNAL S/B GTCP331-49-7081. FOR NHA/ADDITIONAL DET SEE: 49-11-01-50	002004 006100 107107 121503 904999	RF

MISSING ITEM NUMBERS NOT APPLICABLE

- ITEM NOT ILLUSTRATED

49-51-01-02

BRI

BOEING PROPRIETARY - Copyright © - Unpublished Work - See title page for details.

49-51-01  
FIG. 02  
PAGE 2  
JAN 20/09



757

PARTS CATALOG (MAINTENANCE)

FIG ITEM	PART NUMBER	1 2 3 4 5 6 7	NOMENCLATURE	EFFECT FROM TO	UNITS PER ASSY
2 - 1	3800298-1-3		ENGINE ASSY-GAS TURB GTCP331-200ER (OIL COOLING AIR DUCT ONLY) SUPPLIER CODE: V99193 SPECIFICATION NUMBER: S351T020-202 CONFIG CHG DATA FROM A CMM: REPLACES 3800298-1-2 COMPONENT MAINT MANUAL REF: 49-22-11 QUALIFIED I/W DATA: S351T020-202 (3800298-1-3) AND S351T020-205 (3800298-1-6) ARE INTERCHANGEABLE WITH THE INCORPORATION OF ALLIED SIGNAL S/B GTCP331-49-7081. S351T020-202 (3800298-1-3) AND S351T020-206 (3800298-1-7/3800298-1) ARE INTERCHANGEABLE WITH THE INCORPORATION OF ALLIED SIGNAL S/B GTCP331-49-7081. FOR NHA/OTHER SYS DET SEE: 49-11-01-50	002004 006100 107107 121503 904999	RF

MISSING ITEM NUMBERS NOT APPLICABLE

- ITEM NOT ILLUSTRATED

BRI

49-51-01-02

BOEING PROPRIETARY - Copyright © - Unpublished Work - See title page for details.

49-51-01  
FIG. 02  
PAGE 3  
JAN 20/09



757

PARTS CATALOG (MAINTENANCE)

FIG ITEM	PART NUMBER	1 2 3 4 5 6 7	NOMENCLATURE	EFFECT FROM TO	UNITS PER ASSY
2 - 1	3800298-1-4		ENGINE ASSY-GAS TURB GTCP331-200ER (OIL COOLING AIR DUCT ONLY) SUPPLIER CODE: V99193 SPECIFICATION NUMBER: S351T020-203 CONFIG CHG DATA FROM A CMM: REPLACES 3800298-1-3 COMPONENT MAINT MANUAL REF: 49-22-11 QUALIFIED I/W DATA: S351T020-203 (3800298-1-4) AND S351T020-205 (3800298-1-6) ARE INTERCHANGEABLE WITH THE INCORPORATION OF ALLIED SIGNAL S/B GTCP331-49-7081. S351T020-203 (3800298-1-4) AND S351T020-206(3800298-1-7 /3800298-1) ARE INTERCHANGEABLE WITH THE INCORPORATION OF ALLIED SIGNAL S/B GTCP331-49-7081. FOR NHA/ADDITIONAL DET SEE: 49-11-01-50	002004 006100 107107 121503 904999	RF

MISSING ITEM NUMBERS NOT APPLICABLE

- ITEM NOT ILLUSTRATED

BRI

49-51-01-02

BOEING PROPRIETARY - Copyright © - Unpublished Work - See title page for details.

49-51-01  
 FIG. 02  
 PAGE 4  
 JAN 20/09



757

PARTS CATALOG (MAINTENANCE)

FIG ITEM	PART NUMBER	1 2 3 4 5 6 7	NOMENCLATURE	EFFECT FROM TO	UNITS PER ASSY
2 - 1	3800298-1-5		ENGINE ASSY-GAS TURB GTCP331-200ER (OIL COOLING AIR DUCT ONLY) SUPPLIER CODE: V99193 SPECIFICATION NUMBER: S351T020-204 CONFIG CHG DATA FROM A CMM: REPLACES 3800298-1-4 COMPONENT MAINT MANUAL REF: 49-22-11 QUALIFIED I/W DATA: S351T020-204 (3800298-1-5) AND S351T020-205-205 (3800298-1-6) THE INCORPORATION OF ALLIED SIGNAL S/B GTCP331-49-7081. S351T020-204 (3800298-1-5) AND S351T020-206(3800298-1-7 /3800298-1) ARE INTERCHANGEABLE WITH THE INCORPORATION OF ALLIED SIGNAL S/B GTCP331-49-7081. FOR NHA/ADDITIONAL DET SEE: 49-11-01-50	002004 006100 107107 121503 904999	RF
- 1	3800298-1-6		ENGINE ASSY-GAS TURB GTCP331-200ER (OIL COOLING AIR DUCT ONLY) SUPPLIER CODE: V99193 SPECIFICATION NUMBER: S351T020-205 CONFIG CHG DATA FROM A CMM: REPLACES 3800298-1-5 COMPONENT MAINT MANUAL REF: 49-22-11 QUALIFIED I/W DATA: S351T020-204 (3800298-1-5) AND S351T020-205 (3800298-1-6) ARE INTERCHANGEABLE WITH THE INCORPORATION OF ALLIED SIGNAL S/B GTCP331-49-7081.	002004 006999	RF

MISSING ITEM NUMBERS NOT APPLICABLE

- ITEM NOT ILLUSTRATED

49-51-01-02

49-51-01  
FIG. 02  
PAGE 5  
JAN 20/09

BRI



757

PARTS CATALOG (MAINTENANCE)

FIG ITEM	PART NUMBER	1 2 3 4 5 6 7 NOMENCLATURE	EFFECT FROM TO	UNITS PER ASSY
2		3800298-1-4/ S351T020-203 AND 3800298-1-6/ S351T020-205 ARE INTERCHANGEABLE WITH THE INCORPORATION OF ALLIED SIGNAL S/B GTCP331-49-7081. S351T020-202 (3800298-1-3) AND S351T020-205 (3800298-1-6) ARE INTERCHANGEABLE WITH THE INCORPORATION OF ALLIED SIGNAL S/B GTCP331-49-7081. S351T020-201 (3800298-1-2) AND S351T020-205 (3800298-1-6) ARE INTERCHANGEABLE WITH THE INCORPORATION OF ALLIED SIGNAL S/B GTCP331-49-7081. S351T020-200 (3800298-1-1) AND S351T020-205 (3800298-1-6) ARE INTERCHANGEABLE WITH THE INCORPORATION OF ALLIED SIGNAL S/B GTCP331-49-7081. FOR NHA/ADDITIONAL DET SEE: 49-11-01-50 49-21-00-02		
-	1 3800298-1-7	ENGINE ASSY-GAS TURB GTCP331-200ER (OIL COOLING AIR DUCT ONLY) SUPPLIER CODE: V99193 SPECIFICATION NUMBER: S351T020-206 CONFIG CHG DATA FROM A CMM: REPLACES 3800298-1-6 COMPONENT MAINT MANUAL REF: 49-22-11 QUALIFIED I/W DATA: S351T020-204 3800298-1-5 AND	002004 006999	RF

MISSING ITEM NUMBERS NOT APPLICABLE

- ITEM NOT ILLUSTRATED

49-51-01-02

49-51-01  
 FIG. 02  
 PAGE 6  
 SEP 20/08

BRI



757

PARTS CATALOG (MAINTENANCE)

FIG ITEM	PART NUMBER	1 2 3 4 5 6 7 NOMENCLATURE	EFFECT FROM TO	UNITS PER ASSY
2		<p>S351T020-206            3800298-1-7/3800298-1            ARE INTERCHANGEABLE WITH            THE INCORPORATION OF            ALLIED SIGNAL S/B            GTCP331-49-7081.            S351T020-203            (3800298-1-4) AND            S351T020-206(3800298-1-7            /3800298-1) ARE            INTERCHANGEABLE WITH THE            INCORPORATION OF ALLIED            SIGNAL S/B            GTCP331-49-7081.            S351T020-202            (3800298-1-3)            AND S351T020-206            (3800298-1-7/3800298-1)            ARE INTERCHANGEABLE            WITH THE INCORPORATION            OF ALLIED SIGNAL S/B            GTCP331-49-7081.            S351T020-201            (3800298-1-2)            AND S351T020-206            (3800298-1-7/3800298-1)            ARE INTERCHANGEABLE            WITH THE INCORPORATION            OF ALLIED SIGNAL S/B            GTCP331-49-7081.            S351T020-200            (3800298-1-1)            AND S351T020-206            (3800298-1-7/3800298-1)            ARE INTERCHANGEABLE            WITH THE INCORPORATION            OF ALLIED SIGNAL S/B            GTCP331-49-7081.            OPTIONAL PART:            3800298-1            V99193            FOR NHA/ADDITIONAL DET SEE:            49-11-01-50            49-21-00-02</p>		
- 1	3800298-1	<p>ENGINE ASSY-GAS TURB            GTCP331-200ER (OIL            COOLING AIR DUCT ONLY)            SUPPLIER CODE:            V99193</p>	002004 006999	RF

MISSING ITEM NUMBERS NOT APPLICABLE

- ITEM NOT ILLUSTRATED

49-51-01-02

49-51-01  
 FIG. 02  
 PAGE 7  
 SEP 20/08

BRI



757

PARTS CATALOG (MAINTENANCE)

FIG ITEM	PART NUMBER	1 2 3 4 5 6 7 NOMENCLATURE	EFFECT FROM TO	UNITS PER ASSY
2		<p>SPECIFICATION NUMBER: S351T020-206 COMPONENT MAINT MANUAL REF: 49-22-11 QUALIFIED I/W DATA: S351T020-204 (3800298-1-5) AND S351T020-206 (3800298-1-7/3800298-1) ARE INTERCHANGEABLE WITH THE INCORPORATION OF ALLIED SIGNAL S/B GTCP331-49-7081. S351T020-203 (3800298-1-4) AND S351T020-206(3800298-1-7 /3800298-1) ARE INTERCHANGEABLE WITH THE INCORPORATION OF ALLIED SIGNAL S/B GTCP331-49-7081. S351T020-202 (3800298-1-3) AND S351T020-206 (3800298-1-7/3800298-1) ARE INTERCHANGEABLE WITH THE INCORPORATION OF ALLIED SIGNAL S/B GTCP331-49-7081. S351T020-201 (3800298-1-2) AND S351T020-206 (3800298-1-7/3800298-1) ARE INTERCHANGEABLE WITH THE INCORPORATION OF ALLIED SIGNAL S/B GTCP331-49-7081. S351T020-200 (3800298-1-1) AND S351T020-206 (3800298-1-7/3800298-1) ARE INTERCHANGEABLE WITH THE INCORPORATION OF ALLIED SIGNAL S/B GTCP331-49-7081. OPTIONAL PART: 3800298-1-7 V99193 FOR NHA/ADDITIONAL DET SEE:</p>		

MISSING ITEM NUMBERS NOT APPLICABLE

- ITEM NOT ILLUSTRATED

49-51-01-02

49-51-01  
FIG. 02  
PAGE 8  
SEP 20/08

BRI



757

PARTS CATALOG (MAINTENANCE)

FIG ITEM	PART NUMBER	1 2 3 4 5 6 7	NOMENCLATURE	EFFECT FROM TO	UNITS PER ASSY
2			49-11-01-50 49-21-00-02		
5	QS200M64S		.CLAMP- SUPPLIER CODE: V08484 SB DATA FROM A CMM: PRE SB 49-5416 USED WITH: 3884213-1	002004 006999	2
10	QS200M64S		.CLAMP- SUPPLIER CODE: V08484 SB DATA FROM A CMM: POST SB 49-5416	002004 006999	1
15	3884213-1		.DUCT-OIL COOLER SUPPLIER CODE: V99193	002004 006999	1
20	3882721-1		.DUCT-FAN DISCH SUPPLIER CODE: V99193 SB DATA FROM A CMM: POST SB 49-5416 PRE SPB GTE0551 CONFIG CHG DATA FROM A CMM: SUPERSEDES 3862203-1 SUPERSEDES 3862203-2 REPLD BY 3882721-3	002004 006999	1
20	3882721-3		.DUCT-FAN DISCH SUPPLIER CODE: V99193 SB DATA FROM A CMM: POST SPB GTE0551 CONFIG CHG DATA FROM A CMM: REPLS 3882721-1	002004 006999	1
25	3862203-2		.DUCT-FAN DISCH SUPPLIER CODE: V99193 SB DATA FROM A CMM: PRE SB 49-5416 CONFIG CHG DATA FROM A CMM: SUPSD BY 3882721-1	002004 006999	1
30	MS21279-07		ATTACHING PARTS .BOLT- OPTIONAL PART: MS9556-07 MS9556-08	002004 006999	4

MISSING ITEM NUMBERS NOT APPLICABLE

- ITEM NOT ILLUSTRATED

49-51-01-02

49-51-01  
FIG. 02  
PAGE 9  
SEP 20/08

BRI





757

PARTS CATALOG (MAINTENANCE)

FIG ITEM	PART NUMBER	1 2 3 4 5 6 7	NOMENCLATURE	EFFECT FROM TO	UNITS PER ASSY
2					
30	MS9556-07		.BOLT- NOT APPROVED FOR ETOPS. SB DATA FROM A CMM: POST SPB GTE0293 PRE SB 49-5416 OPTIONAL PART: MS21279-07 MS9556-08	002004 006999	4
30	MS9556-08		.BOLT- SB DATA FROM A CMM: POST SB 49-5416 OPTIONAL PART: MS21279-07 MS9556-07	002004 006999	4
35	NAS620C10L		.WASHER- SB DATA FROM A CMM: POST SPB GTE0252	002004 006999	8
40	MS21043-3		.NUT	002004 006999	4
55	3862168-1		-----*----- .CLAMP-DR TYPE DUCT WORM SUPPLIER CODE: V99193	002004 006999	1

MISSING ITEM NUMBERS NOT APPLICABLE

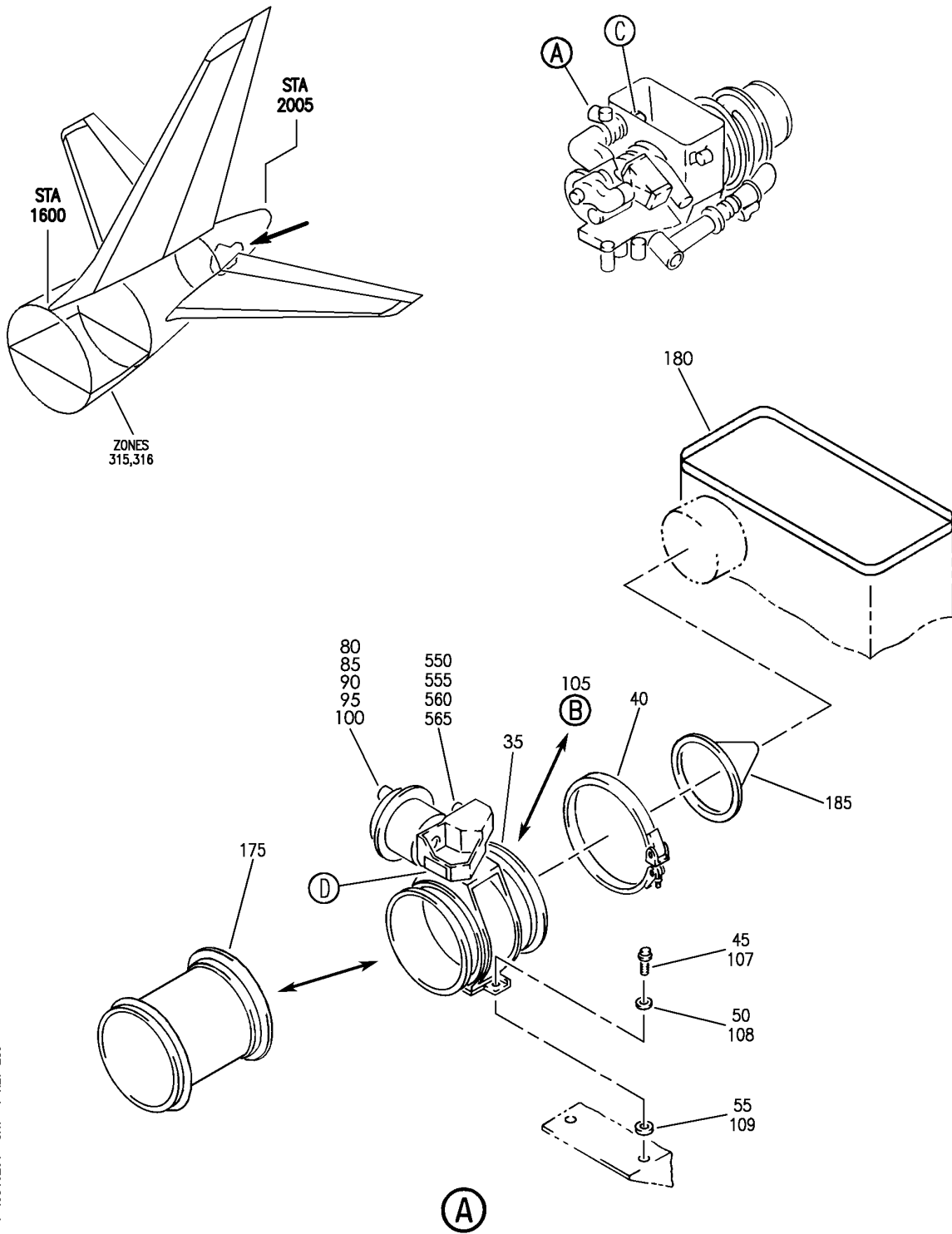
- ITEM NOT ILLUSTRATED

49-51-01-02

49-51-01  
FIG. 02  
PAGE 10  
SEP 20/08

BRI

**BOEING**  
757  
PARTS CATALOG (MAINTENANCE)



Y 49510201 SHT 1 REV 289

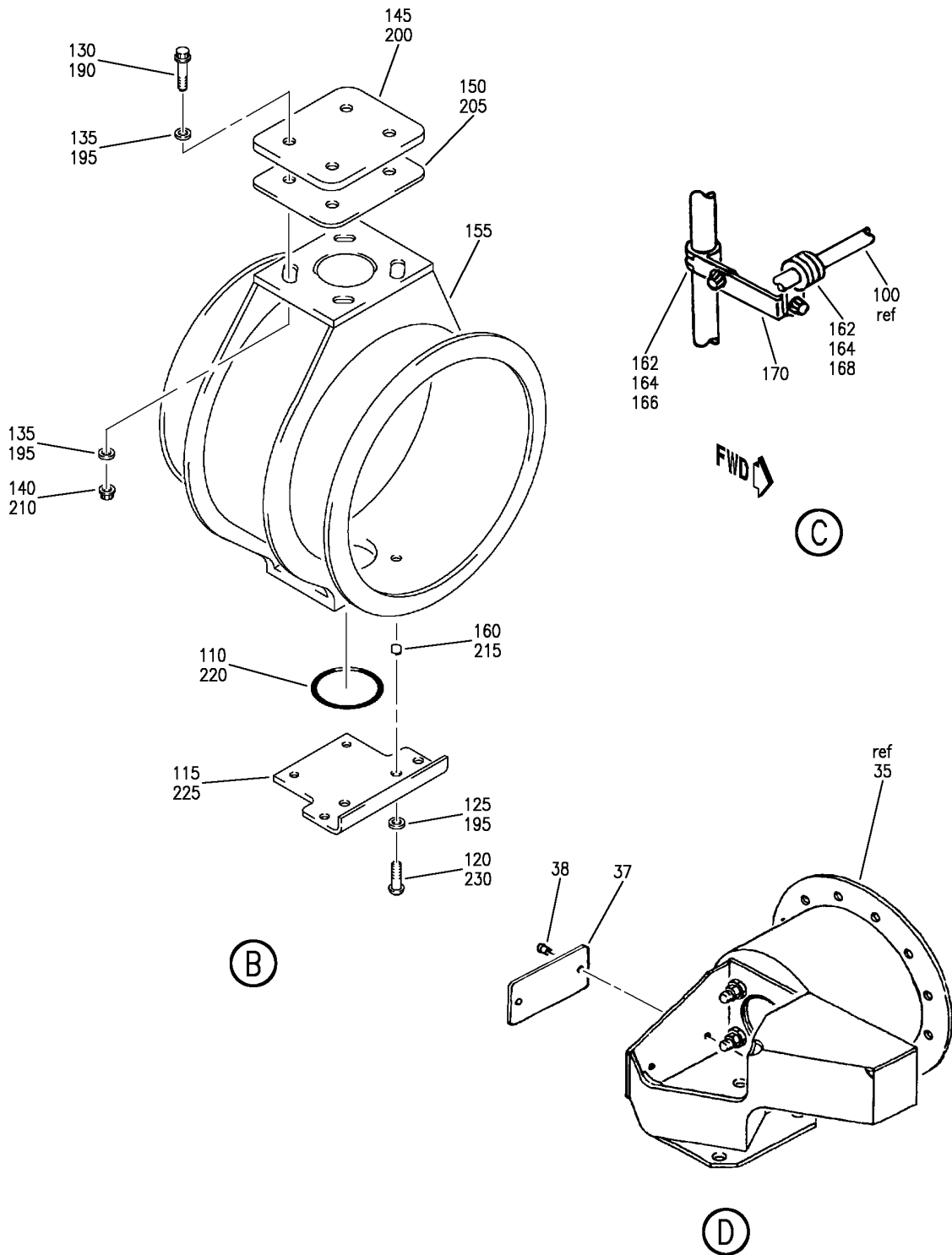
ENGINE ASSY-GAS TURB (FAN ISOLATION VALVE ONLY)  
FIGURE 1 (SHEET 1)

**49-51-02-01**

BRI  
MAY 28/07

49-51-02-01  
PAGE 0

**BOEING**  
757  
PARTS CATALOG (MAINTENANCE)



Y 49510201 SHT 2 REV 289

ENGINE ASSY-GAS TURB (FAN ISOLATION VALVE ONLY)  
FIGURE 1 (SHEET 2)

**49-51-02-01**

BRI  
MAY 28/07

49-51-02-01  
PAGE 0A



757

PARTS CATALOG (MAINTENANCE)

FIG ITEM	PART NUMBER	1 2 3 4 5 6 7	NOMENCLATURE	EFFECT FROM TO	UNITS PER ASSY
1			ENGINE ASSY-GAS TURB (FAN ISOLATION VALVE ONLY)	002004 006999	
- 1	3800298-1-3		ENGINE ASSY-GAS TURB GTCP331-200ER (FAN ISOLATION VALVE ONLY) SUPPLIER CODE: V99193 SPECIFICATION NUMBER: S351T020-202 CONFIG CHG DATA FROM A CMM: REPLACES 3800298-1-2 COMPONENT MAINT MANUAL REF: 49-22-11 QUALIFIED I/W DATA: S351T020-202 (3800298-1-3) AND S351T020-205 (3800298-1-6) ARE INTERCHANGEABLE WITH THE INCORPORATION OF ALLIED SIGNAL S/B GTCP331-49-7081. S351T020-202 (3800298-1-3) AND S351T020-206 (3800298-1-7/3800298-1) ARE INTERCHANGEABLE WITH THE INCORPORATION OF ALLIED SIGNAL S/B GTCP331-49-7081. FOR NHA/OTHER SYS DET SEE: 49-11-01-50	002004 006100 107107 121503 904999	RF

MISSING ITEM NUMBERS NOT APPLICABLE

- ITEM NOT ILLUSTRATED

BRI

49-51-02-01

BOEING PROPRIETARY - Copyright © - Unpublished Work - See title page for details.

49-51-02  
FIG. 01  
PAGE 1  
JAN 20/09



757

PARTS CATALOG (MAINTENANCE)

FIG ITEM	PART NUMBER	1 2 3 4 5 6 7	NOMENCLATURE	EFFECT FROM TO	UNITS PER ASSY
1 - 1	3800298-1-4		ENGINE ASSY-GAS TURB GTCP331-200ER (FAN ISOLATION VALVE ONLY) SUPPLIER CODE: V99193 SPECIFICATION NUMBER: S351T020-203 CONFIG CHG DATA FROM A CMM: REPLACES 388298-1-3 COMPONENT MAINT MANUAL REF: 49-22-11 QUALIFIED I/W DATA: 3800298-1-4/S351T020-203 AND 3800298-1-6/S351T020-205 ARE INTERCHANGEABLE WITH THE INCORPORATION OF ALLIED SIGNAL S/B GTCP331-49-7081. S351T020-203 (3800298-1-4) AND S351T020-206(3800298-1-7 /3800298-1) ARE INTERCHANGEABLE WITH THE INCORPORATION OF ALLIED SIGNAL S/B GTCP331-49-7081. FOR NHA/ADDITIONAL DET SEE: 49-11-01-50	002004 006100 107107 121503 904999	RF

MISSING ITEM NUMBERS NOT APPLICABLE

- ITEM NOT ILLUSTRATED

BRI

49-51-02-01

BOEING PROPRIETARY - Copyright © - Unpublished Work - See title page for details.

49-51-02  
 FIG. 01  
 PAGE 2  
 JAN 20/09



757

PARTS CATALOG (MAINTENANCE)

FIG ITEM	PART NUMBER	1 2 3 4 5 6 7	NOMENCLATURE	EFFECT FROM TO	UNITS PER ASSY
1 - 1	3800298-1-2		ENGINE ASSY-GAS TURB GTCP331-200ER (FAN ISOLATION VALVE ONLY) SUPPLIER CODE: V99193 SPECIFICATION NUMBER: S351T020-201 CONFIG CHG DATA FROM A CMM: REPLACES 3800298-1-1 COMPONENT MAINT MANUAL REF: 49-22-11 QUALIFIED I/W DATA: S351T020-201 (3800298-1-2) AND S351T020-205 (3800298-1-6) ARE INTERCHANGEABLE WITH THE INCORPORATION OF ALLIED SIGNAL S/B GTCP331-49-7081. S351T020-201 (3800298-1-2) AND S351T020-206 (3800298-1-7/3800298-1) ARE INTERCHANGEABLE WITH THE INCORPORATION OF ALLIED SIGNAL S/B GTCP331-49-7081. FOR NHA/ADDITIONAL DET SEE: 49-11-01-50	002004 006100 107107 121503 904999	RF

MISSING ITEM NUMBERS NOT APPLICABLE

- ITEM NOT ILLUSTRATED

49-51-02-01

49-51-02  
 FIG. 01  
 PAGE 3  
 JAN 20/09

BRI



757

PARTS CATALOG (MAINTENANCE)

FIG ITEM	PART NUMBER	1 2 3 4 5 6 7	NOMENCLATURE	EFFECT FROM TO	UNITS PER ASSY
1 - 1	3800298-1-1		ENGINE ASSY-GAS TURB GTCP331-200ER (FAN ISOLATION VALVE ONLY) SUPPLIER CODE: V99193 SPECIFICATION NUMBER: S351T020-200 COMPONENT MAINT MANUAL REF: 49-22-11 QUALIFIED I/W DATA: S351T020-200 (3800298-1-1) AND S351T020-205 (3800298-1-6) ARE INTERCHANGEABLE WITH THE INCORPORATION OF ALLIED SIGNAL S/B GTCP331-49-7081. S351T020-200 (3800298-1-1) AND S351T020-206 (3800298-1-7/3800298-1) ARE INTERCHANGEABLE WITH THE INCORPORATION OF ALLIED SIGNAL S/B GTCP331-49-7081. FOR NHA/ADDITIONAL DET SEE: 49-11-01-50	002004 006100 107107 121503 904999	RF

MISSING ITEM NUMBERS NOT APPLICABLE

- ITEM NOT ILLUSTRATED

49-51-02-01

49-51-02  
FIG. 01  
PAGE 4  
JAN 20/09

BRI



757

PARTS CATALOG (MAINTENANCE)

FIG ITEM	PART NUMBER	1 2 3 4 5 6 7	NOMENCLATURE	EFFECT FROM TO	UNITS PER ASSY
1					
- 1	3800298-1-5		ENGINE ASSY-GAS TURB GTCP331-200ER (FAN ISOLATION VALVE ONLY) SUPPLIER CODE: V99193 SPECIFICATION NUMBER: S351T020-204 CONFIG CHG DATA FROM A CMM: REPLACES 3800298-1-4 COMPONENT MAINT MANUAL REF: 49-22-11 QUALIFIED I/W DATA: 3800298-1-5/S351T020-204 AND 3800298-1-6/S351T020-205 ARE INTERCHANGEABLE WITH THE INCORPORATION OF ALLIED SIGNAL S/B GTCP331-49-7081. S351T020-204 (3800298-1-5) AND S351T020-206(3800298-1-7 /3800298-1) ARE INTERCHANGEABLE WITH THE INCORPORATION OF ALLIED SIGNAL S/B GTCP331-49-7081. FOR NHA/ADDITIONAL DET SEE: 49-11-01-50	002004 006100 107107 121503 904999	RF
- 1	3800298-1-6		ENGINE ASSY-GAS TURB GTCP331-200ER (FAN ISOLATION VALVE ONLY) SUPPLIER CODE: V99193 SPECIFICATION NUMBER: S351T020-205 CONFIG CHG DATA FROM A CMM: REPLACES 3800298-1-5 COMPONENT MAINT MANUAL REF: 49-22-11 QUALIFIED I/W DATA: 3800298-1-4/S351T020-203 AND 3800298-1-6/S351T020-205 ARE INTERCHANGEABLE WITH THE INCORPORATION OF ALLIED SIGNAL S/B	002004 006999	RF

MISSING ITEM NUMBERS NOT APPLICABLE

- ITEM NOT ILLUSTRATED

49-51-02-01

49-51-02  
FIG. 01  
PAGE 5  
JAN 20/09

BRI





757

PARTS CATALOG (MAINTENANCE)

FIG ITEM	PART NUMBER	1 2 3 4 5 6 7 NOMENCLATURE	EFFECT FROM TO	UNITS PER ASSY
1		GTCP331-49-7081. S351T020-204 (3800298-1-5) AND S351T020-205 (3800298-1-6) ARE INTERCHANGEABLE WITH THE INCORPORATION OF ALLIED SIGNAL S/B GTCP331-49-7081. S351T020-202 (3800298-1-3) AND S351T020-205 (3800298-1-6) ARE INTERCHANGEABLE WITH THE INCORPORATION OF ALLIED SIGNAL S/B GTCP331-49-7081. S351T020-201 (3800298-1-2) AND S351T020-205 (3800298-1-6) ARE INTERCHANGEABLE WITH THE INCORPORATION OF ALLIED SIGNAL S/B GTCP331-49-7081. S351T020-200 (3800298-1-1) AND S351T020-205 (3800298-1-6) ARE INTERCHANGEABLE WITH THE INCORPORATION OF ALLIED SIGNAL S/B GTCP331-49-7081. FOR NHA/ADDITIONAL DET SEE: 49-11-01-50 49-21-00-02		
-	1 3800298-1-7	ENGINE ASSY-GAS TURB GTCP331-200ER (FAN ISOLATION VALVE ONLY) SUPPLIER CODE: V99193 SPECIFICATION NUMBER: S351T020-206 CONFIG CHG DATA FROM A CMM: REPLACES 3800298-1-6 COMPONENT MAINT MANUAL REF: 49-22-11 QUALIFIED I/W DATA:  MISSING ITEM NUMBERS NOT APPLICABLE	002004 006999	RF

- ITEM NOT ILLUSTRATED

49-51-02-01

49-51-02  
FIG. 01  
PAGE 6  
SEP 20/08

BRI



757

PARTS CATALOG (MAINTENANCE)

FIG ITEM	PART NUMBER	1 2 3 4 5 6 7 NOMENCLATURE	EFFECT FROM TO	UNITS PER ASSY
1		<p>3800298-1-4/S351T020-203 AND 3800298-1 3800298-1-7/S351T020-206 ARE INTERCHANGEABLE WITH THE INCORPORATION OF ALLIED SIGNAL S/B GTCP331-49-7081. S351T020-204 (3800298-1-5) AND S351T020-206(3800298-1-7 /3800298-1) ARE INTERCHANGEABLE WITH THE INCORPORATION OF ALLIED SIGNAL S/B GTCP331-49-7081. S351T020-202 (3800298-1-3) AND S351T020-206 (3800298-1-7/3800298-1) ARE INTERCHANGEABLE WITH THE INCORPORATION OF ALLIED SIGNAL S/B GTCP331-49-7081. S351T020-201 (3800298-1-2) AND S351T020-206 (3800298-1-7/3800298-1) ARE INTERCHANGEABLE WITH THE INCORPORATION OF ALLIED SIGNAL S/B GTCP331-49-7081. S351T020-200 (3800298-1-1) AND S351T020-206 (3800298-1-7/3800298-1) ARE INTERCHANGEABLE WITH THE INCORPORATION OF ALLIED SIGNAL S/B GTCP331-49-7081. OPTIONAL PART: 3800298-1 V99193 FOR NHA/ADDITIONAL DET SEE: 49-11-01-50 49-21-00-02</p>		
-	1 3800298-1	<p>ENGINE ASSY-GAS TURB GTCP331-200ER (FAN ISOLATION VALVE ONLY)</p>	002004 006999	RF

MISSING ITEM NUMBERS NOT APPLICABLE

- ITEM NOT ILLUSTRATED

49-51-02-01

49-51-02  
FIG. 01  
PAGE 7  
SEP 20/08

BRI



757

PARTS CATALOG (MAINTENANCE)

FIG ITEM	PART NUMBER	1 2 3 4 5 6 7 NOMENCLATURE	EFFECT FROM TO	UNITS PER ASSY
1		<p>SUPPLIER CODE: V99193</p> <p>SPECIFICATION NUMBER: S351T020-206</p> <p>COMPONENT MAINT MANUAL REF: 49-22-11</p> <p>QUALIFIED I/W DATA: S351T020-230 3800291-1-4 AND S351T020-206 (3800298-1-7/3800298-1) ARE INTERCHANGEABLE WITH THE INCOPORATION OF ALLIED SIGNAL S/B GTCP331-49-7081. S351T020-204 3800298-1-5 AND S351T020-206 (3800298-1-7/3800298-1) ARE INTERCHANGEABLE WITH THE INCORPORATION OF ALLIED SIGNAL S/B GTCP331-49-7081. S351T020-202 (3800298-1-3) AND S351T020-206 (3800298-1-7/3800298-1) ARE INTERCHANGEABLE WITH THE INCORPORATION OF ALLIED SIGNAL S/B GTCP331-49-7081. S351T020-201 (3800298-1-2) AND S351T020-206 (3800298-1-7/3800298-1) ARE INTERCHANGEABLE WITH THE INCORPORATION OF ALLIED SIGNAL S/B GTCP331-49-7081. S351T020-200 (3800298-1-1) AND S351T020-206 (3800298-1-7/3800298-1) ARE INTERCHANGEABLE WITH THE INCORPORATION OF ALLIED SIGNAL S/B GTCP331-49-7081.</p> <p>OPTIONAL PART: 3800298-1-7 V99193</p> <p>FOR NHA/ADDITIONAL DET SEE:</p>		

MISSING ITEM NUMBERS NOT APPLICABLE

- ITEM NOT ILLUSTRATED

49-51-02-01

49-51-02  
FIG. 01  
PAGE 8  
SEP 20/08

BRI



757

PARTS CATALOG (MAINTENANCE)

FIG ITEM	PART NUMBER	1 2 3 4 5 6 7	NOMENCLATURE	EFFECT FROM TO	UNITS PER ASSY
1					
35	397728-4-1		49-11-01-50 49-21-00-02 .VALVE ASSY-5 IN. DIA PNEU SHUTOFF BUTTERFLY SUPPLIER CODE: V59364 SB DATA FROM A CMM: PRE SB 49-5526 PRE 49-5494 POST SB 49-5145 COMPONENT MAINT MANUAL REF: 49-51-05	002004 006999	1
35	397728-6-1		.VALVE ASSY-5 IN. DIA PNEU SHUTOFF BUTTERFLY SUPPLIER CODE: V59364 SB DATA FROM A CMM: POST SB 49-5526 POST 49-5494 PRE SB 49-6994 COMPONENT MAINT MANUAL REF: 49-51-05	002004 006999	1
35	397728-8		.VALVE ASSY-5 IN. DIA PNEU SHUTOFF BUTTERFLY SUPPLIER CODE: V59364 SB DATA FROM A CMM: POST SB 49-7181 COMPONENT MAINT MANUAL REF: 49-51-05	002004 006999	1
37	S8842B1P1		..PLATE-IDENT SUPPLIER CODE: V59364 CONFIG CHG DATA FROM A CMM: REPLD BY S3005-1	002004 006999	1
37	S3005-1		..PLATE-IDENT SUPPLIER CODE: V59364 CONFIG CHG DATA FROM A CMM: REPLACES S8842B1P1	002004 006999	1
38	SD32BS		ATTACHING PARTS ..RIVET-POP SUPPLIER CODE: V07707 -----*-----	002004 006999	2

MISSING ITEM NUMBERS NOT APPLICABLE

- ITEM NOT ILLUSTRATED

49-51-02-01

49-51-02  
FIG. 01  
PAGE 9  
MAY 20/09

BRI



757

PARTS CATALOG (MAINTENANCE)

FIG ITEM	PART NUMBER	1 2 3 4 5 6 7	NOMENCLATURE	EFFECT FROM TO	UNITS PER ASSY
1					
40	24540-500		.COUPLING- SUPPLIER CODE: V00624 CONFIG CHG DATA FROM A CMM: 234-538-9500 OPTIONAL PART: U3356S1-500 V00624	002004 006102 107999	1
40	U3356S1-500		.COUPLING- SUPPLIER CODE: V00624 OPTIONAL PART: 24540-500 V98625 ATTACHING PARTS	002004 006102 107999	1
45	MS21279-07		.BOLT- OPTIONAL PART: MS9556-07	002004 006999	2
45	MS9556-07		.BOLT- SB DATA FROM A CMM: POST SPB GTE0293 OPTIONAL PART: MS21279-07	002004 006999	2
50	NAS620C10L		.WASHER-	002004 006999	2
55	NAS620C10L		.WASHER-	002004 006999	AR
			-----*-----		
77	A1REF223		.SLEEVE- SB DATA FROM A CMM: PRE SB 49-5399	002004 006999	1
80	AN6289D4		.NUT- SB DATA FROM A CMM: PRE SB 49-5634 PRE SB 49-5765 PRE SB 49-5793 PRE SB 49-7391 CONFIG CHG DATA FROM A CMM: REPLD BY AN6289J4	002004 006999	1
80	AN6289J4		.NUT- SB DATA FROM A CMM: POST SB 49-5634 POST SB 49-5765 POST SB 49-5793 PRE SB 49-7192 PRE SB 49-7391 CONFIG CHG DATA FROM A CMM: REPLS AN6289D4	002004 006999	1

MISSING ITEM NUMBERS NOT APPLICABLE

- ITEM NOT ILLUSTRATED

49-51-02-01

49-51-02  
FIG. 01  
PAGE 10  
JAN 20/09

BRI



757

PARTS CATALOG (MAINTENANCE)

FIG ITEM	PART NUMBER	1 2 3 4 5 6 7	NOMENCLATURE	EFFECT FROM TO	UNITS PER ASSY
1	85 MS21908W4		.ELBOW- SB DATA FROM A CMM: PRE SB 49-5634 PRE SB 49-5765 PRE SB 49-5793 CONFIG CHG DATA FROM A CMM: REPLD BY MS21908J4	002004 006999	1
	85 MS21908J4		.ELBOW- SB DATA FROM A CMM: POST SB 49-5634 POST SB 49-5765 POST SB 49-5793 PRE SB 49-7192 PRE SB 49-7391 CONFIG CHG DATA FROM A CMM: REPLS MS21908W4	002004 006999	1
	90 MS28773-04		.RETAINER- SB DATA FROM A CMM: PRE SB 49-7192 PRE SB 49-7391	002004 006999	1
	95 S8990-604		.PACKING- SUPPLIER CODE: V59364 SB DATA FROM A CMM: PRE SB 49-7192 PRE SB 49-7391 OPTIONAL PART: MS9385-04	002004 006999	1
	95 MS9385-04		.PACKING- SB DATA FROM A CMM: PRE SB 49-7192 PRE SB 49-7391 OPTIONAL PART: S8990-604 V59364	002004 006999	1
	100 3884227-1		.TUBE-FAN VALVE SUPPLIER CODE: V99193 SB DATA FROM A CMM: PRE SB 49-7192 PRE SB 49-7391	002004 006999	1
	100 3617000-1		.TUBE-FAN VALVE SUPPLIER CODE: V99193 SB DATA FROM A CMM: POST SB 49-7192 PRE SB 49-7391	002004 006102 107999	1

MISSING ITEM NUMBERS NOT APPLICABLE

- ITEM NOT ILLUSTRATED

49-51-02-01

49-51-02  
FIG. 01  
PAGE 11  
JAN 20/09

BRI



757

PARTS CATALOG (MAINTENANCE)

FIG ITEM	PART NUMBER	1 2 3 4 5 6 7	NOMENCLATURE	EFFECT FROM TO	UNITS PER ASSY
1 180	3810213-8		.PLENUM-INLET SUPPLIER CODE: V99193 POSITION DATA: UPR HALF SB DATA FROM A CMM: POST 49-7391 PRE 49-7496 CONFIG CHG DATA FROM A CMM: REPLS 3810213-7 REPLD BY 3810213-9 PRE SERVICE BULLETIN: GTCP331-49-7496R3 V59364	002004 006999	RF
180	3810213-7		.PLENUM-INLET SUPPLIER CODE: V99193 POSITION DATA: UPR HALF SB DATA FROM A CMM: POST 49-5784 PRE 49-7496 CONFIG CHG DATA FROM A CMM: REPLS 3810213-5 REPLS 3810213-6 REPLD BY 3810213-8 PRE SERVICE BULLETIN: GTCP331-49-7496R3 V59364	002004 006999	RF
180	3810213-10		.PLENUM-INLET SUPPLIER CODE: V59364 POSITION DATA: UPR HALF SB DATA FROM A CMM: POST 49-7496 CONFIG CHG DATA FROM A CMM: REPLS 3810213-5 REPLS 3810213-6 REPLS 3810213-7 POST SERVICE BULLETIN: GTCP331-49-7496R3 V59364	002004 006999	RF

MISSING ITEM NUMBERS NOT APPLICABLE

- ITEM NOT ILLUSTRATED

49-51-02-01

BRI

BOEING PROPRIETARY - Copyright © - Unpublished Work - See title page for details.

49-51-02  
FIG. 01  
PAGE 12  
SEP 20/08



757

PARTS CATALOG (MAINTENANCE)

FIG ITEM	PART NUMBER	1 2 3 4 5 6 7	NOMENCLATURE	EFFECT FROM TO	UNITS PER ASSY
1 180	3810213-9		.PLENUM-INLET SUPPLIER CODE: V99193 POSITION DATA: UPR HALF SB DATA FROM A CMM: POST 49-7496 CONFIG CHG DATA FROM A CMM: REPLS 3810213-8 POST SERVICE BULLETIN: GTCP331-49-7496R3 V59364	002004 006999	RF
- 500	3888123-4		.WIRING HARNESS ASSY- SUPPLIER CODE: V99193 SB DATA FROM A CMM: POST SB 49-5533 PRE SB 49-5794	002004 006102 107999	RF
- 500	3888123-5		.WIRING HARNESS ASSY- SUPPLIER CODE: V99193 USED ON: 3800298-1-1 3800298-1-2 3800298-1-3 3800298-1-4 3800298-1-5 3800298-1-6 3800298-1-7	002004 006999	RF

MISSING ITEM NUMBERS NOT APPLICABLE

- ITEM NOT ILLUSTRATED

49-51-02-01

49-51-02  
FIG. 01  
PAGE 13  
JAN 20/09

BRI





757

PARTS CATALOG (MAINTENANCE)

FIG ITEM	PART NUMBER	1 2 3 4 5 6 7	NOMENCLATURE	EFFECT FROM TO	UNITS PER ASSY
1 - 500	3888123-6		.WIRING HARNESS ASSY- SUPPLIER CODE: V99193 SB DATA FROM A CMM: POST SB 49-5794 PRE SB 49-5840/49-7403 CONFIG CHG DATA FROM A CMM: REPLD BY 3888123-8 REWORKED FROM PN 3888123-4 QUALIFIED OPTIONAL DATA: 3888123-8 USED WITH: 3888450-1 QUALIFIED SB I/W DATA: OPT TO 3617394-1 USED WITH 3888123-6 OR 3888123-7 AND 3888450-1 OPT TO 3614759-1 USED WITH 3888123-8 OR 3888123-9 OPT TO 3617459-1 USED WITH 3888123-6 OR 3888123-7 AND 3888450-1	002004 006102 107999	RF
- 500	3888123-7		.WIRING HARNESS ASSY- SUPPLIER CODE: V99193 SB DATA FROM A CMM: POST SB 49-5840 PRE SB 49-7403 CONFIG CHG DATA FROM A CMM: REPLD BY 3888123-9 REWORKED FROM PN 3888123-6 QUALIFIED SB I/W DATA: OPT TO 3617394-1 USED WITH 3888123-6 OR 3888123-7 AND 3888450-1 OPT TO 3614759-1 USED WITH 3888123-8 OR 3888123-9 OPT TO 3617459-1 USED WITH 3888123-6 OR 3888123-7 AND 3888450-1	002004 006102 107999	RF

MISSING ITEM NUMBERS NOT APPLICABLE

- ITEM NOT ILLUSTRATED

BRI

49-51-02-01

BOEING PROPRIETARY - Copyright © - Unpublished Work - See title page for details.

49-51-02  
FIG. 01  
PAGE 14  
JAN 20/09



757

PARTS CATALOG (MAINTENANCE)

FIG ITEM	PART NUMBER	1 2 3 4 5 6 7	NOMENCLATURE	EFFECT FROM TO	UNITS PER ASSY
1 - 500	3888123-8		.WIRING HARNESS ASSY- SUPPLIER CODE: V99193 SB DATA FROM A CMM: POST SB 49-7391 CONFIG CHG DATA FROM A CMM: REPLS 3888123-6 REPLD BY 3888465-1 QUALIFIED OPTIONAL DATA: 3888123-6 QUALIFIED SB I/W DATA: 3617394-1 USED WITH 3888123-8 OR 3888123-9 OPT TO 3617394-1 USED WITH 3888123-6 OR 3888123-7 AND 3888450-1 OPT TO 3614759-1 USED WITH 3888123-8 OR 3888123-9 OPT TO 3617459-1 USED WITH 3888123-6 OR 3888123-7 AND 3888450-1	002004 006999	RF
- 500	3888123-9		.WIRING HARNESS ASSY- SUPPLIER CODE: V99193 SB DATA FROM A CMM: POST SB 49-7391 CONFIG CHG DATA FROM A CMM: REPLS 3888123-7 REPLD BY 3888465-1 QUALIFIED SB I/W DATA: 3617394-1 USED WITH 3888123-8 OR 3888123-9 OPT TO 3617394-1 USED WITH 3888123-6 OR 3888123-7 AND 3888450-1 OPT TO 3614759-1 USED WITH 3888123-8 OR 3888123-9 OPT TO 3617459-1 USED WITH 3888123-6 OR 3888123-7 AND 3888450-1 POST SERVICE BULLETIN: GTCP331-49-7391R1 V99193	002004 006999	RF

MISSING ITEM NUMBERS NOT APPLICABLE

- ITEM NOT ILLUSTRATED

49-51-02-01

BRI

BOEING PROPRIETARY - Copyright © - Unpublished Work - See title page for details.

49-51-02  
FIG. 01  
PAGE 15  
SEP 20/08



757

PARTS CATALOG (MAINTENANCE)

FIG ITEM	PART NUMBER	1 2 3 4 5 6 7	NOMENCLATURE	EFFECT FROM TO	UNITS PER ASSY
1 - 500	3888465-1		.WIRING HARNESS ASSY- SUPPLIER CODE: V99193 SB DATA FROM A CMM: POST 49-7618 CONFIG CHG DATA FROM A CMM: REPLS 3888123-8 REPLS 3888123-9	002004 006999	RF
550	MS27558-2		..CLAMP- SB DATA FROM A CMM: PRE SB 49-7391	002004 006102 107999	1
555	306111-13		..CONNECTOR-P21 PLUG ELEC SUPPLIER CODE: V99193 SB DATA FROM A CMM: PRE SB 49-7391	002004 006102 107999	1
560	43971-1		..CONTACT-SOCKET, SIZE 20 SUPPLIER CODE: V99193 SB DATA FROM A CMM: PRE SB 49-7391	002004 006102 107999	5
565	IDENTASLEEVE1-5		..SLEEVE- SUPPLIER CODE: V01656 SB DATA FROM A CMM: POST SB 49-5399	002004 006102 107999	1
565	BCREF13885		..SLEEVE- OVERLENGTH PART NUMBER: M23053-5-112-9-60 SB DATA FROM A CMM: PRE 49-5399	002004 006999	1
- 570	M22759-8-18-8		..WIRE-ELECTRICAL OPTIONAL PART: 18699-69A1 V92607 75908E18 V12515 18AF2XTN1930 V12814 BATATE1930NICE V90484 11-00821 V05973	002004 006999	AR

MISSING ITEM NUMBERS NOT APPLICABLE

- ITEM NOT ILLUSTRATED

49-51-02-01

49-51-02  
FIG. 01  
PAGE 16  
JAN 20/09

BRI



757

PARTS CATALOG (MAINTENANCE)

FIG ITEM	PART NUMBER	1 2 3 4 5 6 7	NOMENCLATURE	EFFECT FROM TO	UNITS PER ASSY
1					
- 570	18699-69A1		.. WIRE-ELECTRICAL SUPPLIER CODE: V92607 OPTIONAL PART: 75908E18 V12515 18AF2XTN1930 V12814 BATATE1930NICE V90484 11-00821 V05973 M22759-8-18-8	002004 006999	AR
- 570	75908E18		.. WIRE-ELECTRICAL SUPPLIER CODE: V12515 OPTIONAL PART: 18699-69A1 V92607 18AF2XTN1930 V12814 BATATE1930NICE V90484 11-00821 V05973 M22759-8-18-8	002004 006999	AR
- 570	18AF2XTN1930		.. WIRE-ELECTRICAL SUPPLIER CODE: V12814 OPTIONAL PART: 18699-69A1 V92607 75908E18 V12515 BATATE1930NICE V90484 11-00821 V05973 M22759-8-18-8	002004 006999	AR

MISSING ITEM NUMBERS NOT APPLICABLE

- ITEM NOT ILLUSTRATED

BRI

49-51-02-01

BOEING PROPRIETARY - Copyright © - Unpublished Work - See title page for details.

49-51-02  
FIG. 01  
PAGE 17  
SEP 20/08



**757  
PARTS CATALOG (MAINTENANCE)**

FIG ITEM	PART NUMBER	1 2 3 4 5 6 7	NOMENCLATURE	EFFECT FROM TO	UNITS PER ASSY
1					
- 570	BATATE1930NICE		.. WIRE-ELECTRICAL SUPPLIER CODE: V90484 OPTIONAL PART: 18699-69A1 V92607 75908E18 V12515 18AF2XTN1930 V12814 11-00821 V05973 M22759-8-18-8	002004 006999	AR
- 570	11-00821		.. WIRE-ELECTRICAL SUPPLIER CODE: V05973 OPTIONAL PART: 18699-69A1 V92607 75908E18 V12515 18AF2XTN1930 V12814 BATATE1930NICE V90484 M22759-8-18-8	002004 006999	AR

MISSING ITEM NUMBERS NOT APPLICABLE

- ITEM NOT ILLUSTRATED

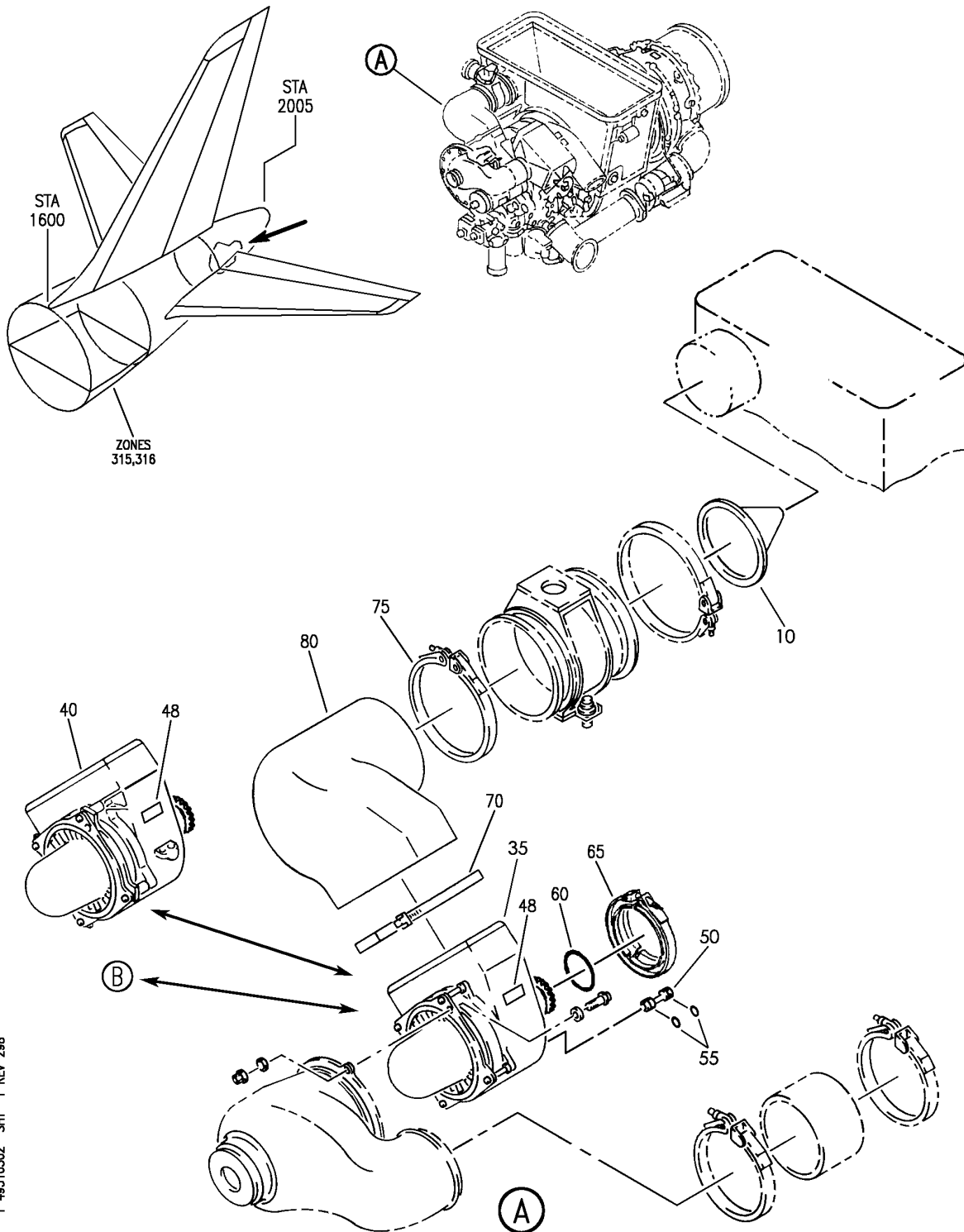
BRI

# 49-51-02-01

BOEING PROPRIETARY - Copyright © - Unpublished Work - See title page for details.

49-51-02  
FIG. 01  
PAGE 18  
SEP 20/08

**BOEING**  
757  
PARTS CATALOG (MAINTENANCE)



Y 49510302 SHT 1 REV 298

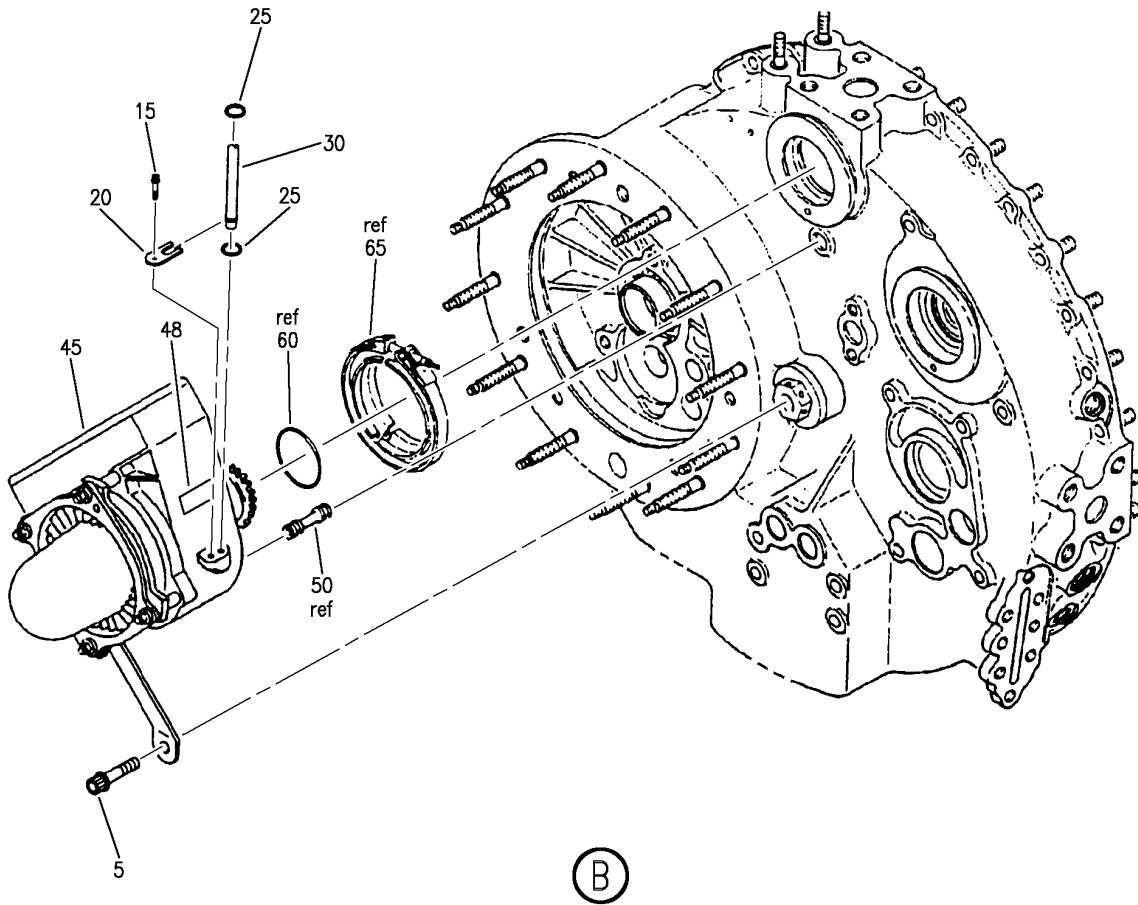
ENGINE ASSY-GAS TURB (COOLING FAN ONLY)  
FIGURE 2 (SHEET 1)

**49-51-03-02**

BRI  
MAY 28/07

49-51-03-02  
PAGE 0

**BOEING**  
757  
PARTS CATALOG (MAINTENANCE)



Y 49510302 SHT 2 REV 298

ENGINE ASSY-GAS TURB (COOLING FAN ONLY)  
FIGURE 2 (SHEET 2)

BRI  
MAY 28/07

**49-51-03-02**

49-51-03-02  
PAGE 0A



757

PARTS CATALOG (MAINTENANCE)

FIG ITEM	PART NUMBER	1 2 3 4 5 6 7	NOMENCLATURE	EFFECT FROM TO	UNITS PER ASSY
2			ENGINE ASSY-GAS TURB (COOLING FAN ONLY)	002004 006999	
- 1	3800298-1-2		ENGINE ASSY-GAS TURB (COOLING FAN ONLY) GTCP331-200ER SUPPLIER CODE: V99193 SPECIFICATION NUMBER: S351T020-201 CONFIG CHG DATA FROM A CMM: REPLACES 3800298-1-1 COMPONENT MAINT MANUAL REF: 49-22-11 QUALIFIED I/W DATA: S351T020-201 (3800298-1-2) AND S351T020-205 (3800298-1-6) ARE INTERCHANGEABLE WITH THE INCORPORATION OF ALLIED SIGNAL S/B GTCP331-49-7081. S351T020-201 (3800298-1-2) AND S351T020-206 (3800298-1-7/3800298-1) ARE INTERCHANGEABLE WITH THE INCORPORATION OF ALLIED SIGNAL S/B GTCP331-49-7081. FOR NHA/ADDITIONAL DET SEE: 49-11-01-50	002004 006100 107107 121503 904999	RF

MISSING ITEM NUMBERS NOT APPLICABLE

- ITEM NOT ILLUSTRATED

49-51-03-02

49-51-03  
FIG. 02  
PAGE 1  
JAN 20/09

BRI





757

PARTS CATALOG (MAINTENANCE)

FIG ITEM	PART NUMBER	1 2 3 4 5 6 7	NOMENCLATURE	EFFECT FROM TO	UNITS PER ASSY
2 - 1	3800298-1-1		ENGINE ASSY-GAS TURB GTCP331-200ER (COOLING FAN ONLY) SUPPLIER CODE: V99193 SPECIFICATION NUMBER: S351T020-200 COMPONENT MAINT MANUAL REF: 49-22-11 QUALIFIED I/W DATA: S351T020-200 (3800298-1-1) AND S351T020-205 (3800298-1-6) ARE INTERCHANGEABLE WITH THE INCORPORATION OF ALLIED SIGNAL S/B GTCP331-49-7081. S351T020-200 (3800298-1-1) AND S351T020-206 (3800298-1-7/3800298-1) ARE INTERCHANGEABLE WITH THE INCORPORATION OF ALLIED SIGNAL S/B GTCP331-49-7081. FOR NHA/ADDITIONAL DET SEE: 49-11-01-50	002004 006100 107107 121503 904999	RF

MISSING ITEM NUMBERS NOT APPLICABLE

- ITEM NOT ILLUSTRATED

BRI

49-51-03-02

BOEING PROPRIETARY - Copyright © - Unpublished Work - See title page for details.

49-51-03  
FIG. 02  
PAGE 2  
JAN 20/09



757

PARTS CATALOG (MAINTENANCE)

FIG ITEM	PART NUMBER	1 2 3 4 5 6 7	NOMENCLATURE	EFFECT FROM TO	UNITS PER ASSY
2 - 1	3800298-1-3		ENGINE ASSY-GAS TURB (COOLING FAN ONLY) GTCP331-200ER SUPPLIER CODE: V99193 SPECIFICATION NUMBER: S351T020-202 CONFIG CHG DATA FROM A CMM: REPLACES 3800298-1-2 COMPONENT MAINT MANUAL REF: 49-22-11 QUALIFIED I/W DATA: S351T020-202 (3800298-1-3) AND S351T020-205 (3800298-1-6) ARE INTERCHANGEABLE WITH THE INCORPORATION OF ALLIED SIGNAL S/B GTCP331-49-7081. S351T020-202 (3800298-1-3) AND S351T020-206 (3800298-1-7/3800298-1) ARE INTERCHANGEABLE WITH THE INCORPORATION OF ALLIED SIGNAL S/B GTCP331-49-7081. FOR NHA/OTHER SYS DET SEE: 49-11-01-50	002004 006100 107107 121503 904999	RF

MISSING ITEM NUMBERS NOT APPLICABLE

- ITEM NOT ILLUSTRATED

BRI

49-51-03-02

BOEING PROPRIETARY - Copyright © - Unpublished Work - See title page for details.

49-51-03  
FIG. 02  
PAGE 3  
JAN 20/09



757

PARTS CATALOG (MAINTENANCE)

FIG ITEM	PART NUMBER	1 2 3 4 5 6 7 NOMENCLATURE	EFFECT FROM TO	UNITS PER ASSY
2 - 1	3800298-1-4	ENGINE ASSY-GAS TURB (COOLING FAN ONLY) GTCP331-200ER SUPPLIER CODE: V99193 SPECIFICATION NUMBER: S351T020-203 CONFIG CHG DATA FROM A CMM: REPLS 3800298-1-3 COMPONENT MAINT MANUAL REF: 49-22-11 QUALIFIED I/W DATA: 3800298-1-4/S351T020-203 AND 3800298-1-6/S351T020-205 ARE INTERCHANGEABLE WITH THE INCORPORATION OF ALLIED SIGNAL S/B GTCP331-49-7081. S351T020-203 (3800298-1-4) AND S351T020-206(3800298-1-7 /3800298-1) ARE INTERCHANGEABLE WITH THE INCORPORATION OF ALLIED SIGNAL S/B GTCP331-49-7081. FOR NHA/ADDITIONAL DET SEE: 49-11-01-50	002004 006100 107107 121503 904999	RF

MISSING ITEM NUMBERS NOT APPLICABLE

- ITEM NOT ILLUSTRATED

BRI

49-51-03-02

BOEING PROPRIETARY - Copyright © - Unpublished Work - See title page for details.

49-51-03  
FIG. 02  
PAGE 4  
JAN 20/09



757

PARTS CATALOG (MAINTENANCE)

FIG ITEM	PART NUMBER	1 2 3 4 5 6 7	NOMENCLATURE	EFFECT FROM TO	UNITS PER ASSY
2 - 1	3800298-1-5		ENGINE ASSY-GAS TURB (COOLING FAN ONLY) GTCP331-200ER SUPPLIER CODE: V99193 SPECIFICATION NUMBER: S351T020-204 CONFIG CHG DATA FROM A CMM: REPLACES 3800298-1-4 COMPONENT MAINT MANUAL REF: 49-22-11 QUALIFIED I/W DATA: S351T020-204 (3800298-1-5) AND S351T020-205 (3800298-6) ARE INTERCHANGEABLE WITH THE INCORPORATION OF ALLIED SIGNAL S/B GTCP331-49-7081. S351T020-204 (3800298-1-5) AND S351T020-206(3800298-1-7 /3800298-1) ARE INTERCHANGEABLE WITH THE INCORPORATION OF ALLIED SIGNAL S/B GTCP331-49-7081. FOR NHA/ADDITIONAL DET SEE: 49-11-01-50	002004 006100 107107 121503 904999	RF
- 1	3800298-1-6		ENGINE ASSY-GAS TURB (COOLING FAN ONLY) GTCP331-200ER SUPPLIER CODE: V99193 SPECIFICATION NUMBER: S351T020-205 CONFIG CHG DATA FROM A CMM: REPLACES 3800298-1-5 COMPONENT MAINT MANUAL REF: 49-22-11 QUALIFIED I/W DATA: S351T020-204 (3800298-1-5) AND S351T020-205 (3800298-1-6) ARE INTERCHANGEABLE WITH THE INCORPORATION OF ALLIED SIGNAL S/B	002004 006999	RF

MISSING ITEM NUMBERS NOT APPLICABLE

- ITEM NOT ILLUSTRATED

49-51-03-02

49-51-03  
FIG. 02  
PAGE 5  
JAN 20/09

BRI



757

PARTS CATALOG (MAINTENANCE)

FIG ITEM	PART NUMBER	1 2 3 4 5 6 7 NOMENCLATURE	EFFECT FROM TO	UNITS PER ASSY
2		GTCP331-49-7081. S351T020-203 (3800298-1-4) AND S351T020-205 (3800298-1-6) ARE INTERCHANGEABLE WITH THE INCORPORATION OF ALLIED SIGNAL S/B GTCP331-49-7081. S351T020-202 (3800298-1-3) AND S351T020-205 (3800298-1-6) ARE INTERCHANGEABLE WITH THE INCORPORATION OF ALLIED SIGNAL S/B GTCP331-49-7081. S351T020-201 (3800298-1-2) AND S351T020-205 (3800298-1-6) ARE INTERCHANGEABLE WITH THE INCORPORATION OF ALLIED SIGNAL S/B GTCP331-49-7081. S351T020-200 (3800298-1-1) AND S351T020-205 (3800298-1-6) ARE INTERCHANGEABLE WITH THE INCORPORATION OF ALLIED SIGNAL S/B GTCP331-49-7081. FOR NHA/ADDITIONAL DET SEE: 49-11-01-50 49-21-00-02		
-	1 3800298-1-7	ENGINE ASSY-GAS TURB (COOLING FAN ONLY) GTCP331-200ER SUPPLIER CODE: V99193 SPECIFICATION NUMBER: S351T020-206 CONFIG CHG DATA FROM A CMM: REPLACES 3800298-1-6 COMPONENT MAINT MANUAL REF: 49-22-11 QUALIFIED I/W DATA: S351T020-204  MISSING ITEM NUMBERS NOT APPLICABLE	002004 006999	RF

- ITEM NOT ILLUSTRATED

49-51-03-02

49-51-03  
FIG. 02  
PAGE 6  
SEP 20/08

BRI



757

PARTS CATALOG (MAINTENANCE)

FIG ITEM	PART NUMBER	1 2 3 4 5 6 7 NOMENCLATURE	EFFECT FROM TO	UNITS PER ASSY
2		<p>(3800298-1-5) AND S351T020-206 (3800298-1-7/3800298-1) ARE INTERCHANGEABLE WITH THE INCORPORATION OF ALLIED SIGNAL S/B GTCP331-49-7081. S351T020-203 (3800298-1-4) AND S351T020-206 (3800298-1-7/3800298-1) ARE INTERCHANGEABLE WITH THE INCORPORATION OF ALLIED SIGNAL S/B GTCP331-49-7081. S351T020-202 (3800298-1-3) AND S351T020-206 (3800298-1-7/3800298-1) ARE INTERCHANGEABLE WITH THE INCORPORATION OF ALLIED SIGNAL S/B GTCP331-49-7081. S351T020-201 (3800298-1-2) AND S351T020-206 (3800298-1-7/3800298-1) ARE INTERCHANGEABLE WITH THE INCORPORATION OF ALLIED SIGNAL S/B GTCP331-49-7081. S351T020-200 (3800298-1-1) AND S351T020-206 (3800298-1-7/3800298-1) ARE INTERCHANGEABLE WITH THE INCORPORATION OF ALLIED SIGNAL S/B GTCP331-49-7081. OPTIONAL PART: 3800298-1 V99193 FOR NHA/ADDITIONAL DET SEE: 49-11-01-50 49-21-00-02</p>		
-	1 3800298-1	<p>ENGINE ASSY-GAS TURB (COOLING FAN ONLY) GTCP331-200ER SUPPLIER CODE:</p>	002004 006999	RF

MISSING ITEM NUMBERS NOT APPLICABLE

- ITEM NOT ILLUSTRATED

49-51-03-02

49-51-03  
FIG. 02  
PAGE 7  
SEP 20/08

BRI



757

PARTS CATALOG (MAINTENANCE)

FIG ITEM	PART NUMBER	1 2 3 4 5 6 7 NOMENCLATURE	EFFECT FROM TO	UNITS PER ASSY
2		<p>V99193            SPECIFICATION NUMBER:            S351T020-206            COMPONENT MAINT MANUAL REF:            49-22-11            QUALIFIED I/W DATA:            S351T020-204            (3800298-1-5) AND            S351T020-206            (3800298-1-7/            3800298-1) ARE            INTERCHANGEABLE WITH            THE INCORPORATION OF            ALLIED SIGNAL S/B            GTCP331-49-7081.            S351T020            (3800298-1-4) AND            S351T020-206            (3800298-1-7/            3800298-1) ARE            INTERCHANGEABLE WITH            THE INCORPORATION OF            ALLIED SIGNAL S/B            GTCP331-49-7081.            S351T020-202            (3800298-1-3)            AND S351T020-206            (3800298-1-7/3800298-1)            ARE INTERCHANGEABLE            WITH THE INCORPORATION            OF ALLIED SIGNAL S/B            GTCP331-49-7081.            S351T020-201            (3800298-1-2)            AND S351T020-206            (3800298-1-7/3800298-1)            ARE INTERCHANGEABLE            WITH THE INCORPORATION            OF ALLIED SIGNAL S/B            GTCP331-49-7081.            S351T020-200            (3800298-1-1)            AND S351T020-206            (3800298-1-7/3800298-1)            ARE INTERCHANGEABLE            WITH THE INCORPORATION            OF ALLIED SIGNAL S/B            GTCP331-49-7081.            OPTIONAL PART:</p>		

MISSING ITEM NUMBERS NOT APPLICABLE

- ITEM NOT ILLUSTRATED

49-51-03-02

49-51-03  
 FIG. 02  
 PAGE 8  
 SEP 20/08

BRI



757

PARTS CATALOG (MAINTENANCE)

FIG ITEM	PART NUMBER	1 2 3 4 5 6 7	NOMENCLATURE	EFFECT FROM TO	UNITS PER ASSY
2			3800298-1-7 V99193 FOR NHA/ADDITIONAL DET SEE: 49-11-01-50 49-21-00-02		
10	3810196-1		.SCREEN-OIL COOLER FAN INLET SUPPLIER CODE: V99193	002004 006999	1
15	MS16995-25		.BOLT-	002004 006100 103107 121503 904999	2
20	886903-1		.RETAINER- SUPPLIER CODE: V59364	002004 006100 103107 121503 904999	2
25	S8990-010		.PACKING- SUPPLIER CODE: V59364	002004 006100 103107 121503 904999	2
30	3614792-1		.TUBE- SUPPLIER CODE: V99193	002004 006100 103107 121503 904999	1
35	3862160-4		.FAN ASSY- SUPPLIER CODE: V99193 NOT APPROVED FOR ETOPS AFTER INCORP OF SB: GTCP331-49-5720 GTCP331-49-5729 SB DATA FROM A CMM: PRE SB 49-5546 CONFIG CHG DATA FROM A CMM: REPLD BY 3862160-5 COMPONENT MAINT MANUAL REF: 49-51-69	002004 006999	1

MISSING ITEM NUMBERS NOT APPLICABLE

- ITEM NOT ILLUSTRATED

49-51-03-02

49-51-03  
FIG. 02  
PAGE 9  
JAN 20/09

BRI





757

PARTS CATALOG (MAINTENANCE)

FIG ITEM	PART NUMBER	1 2 3 4 5 6 7	NOMENCLATURE	EFFECT FROM TO	UNITS PER ASSY
2 35	3862160-3	.	FAN ASSY- SUPPLIER CODE: V99193 NOT APPROVED FOR ETOPS AFTER INCORP OF SB: GTCP331-49-5720 GTCP331-49-5729 SB DATA FROM A CMM: PRE SB 49-5546 CONFIG CHG DATA FROM A CMM: REPLD BY 3862160-5 COMPONENT MAINT MANUAL REF: 49-51-69 PRE SERVICE BULLETIN: 49-5547	002004 006999	1
35	3862160-5	.	FAN ASSY- SUPPLIER CODE: V99193 NOT APPROVED FOR ETOPS AFTER INCORP OF SB: GTCP331-49-5729 SB DATA FROM A CMM: POST SB 49-5546 CONFIG CHG DATA FROM A CMM: REPLD BY 3614416-1 REPLS 3862160-3 REPLS 3862160-4 COMPONENT MAINT MANUAL REF: 49-51-69	002004 006999	1
35	3862160-9	.	FAN ASSY- SUPPLIER CODE: V99193 SB DATA FROM A CMM: POST SB 49-A5715 PRE SB 49-5841 CONFIG CHG DATA FROM A CMM: REPLS 3862160-5 REPLD BY 3614416-1 COMPONENT MAINT MANUAL REF: 49-51-69	002004 006999	1

MISSING ITEM NUMBERS NOT APPLICABLE

- ITEM NOT ILLUSTRATED

49-51-03-02

49-51-03  
FIG. 02  
PAGE 10  
JAN 20/09

BRI



757

PARTS CATALOG (MAINTENANCE)

FIG ITEM	PART NUMBER	1 2 3 4 5 6 7	NOMENCLATURE	EFFECT FROM TO	UNITS PER ASSY
2 35	3862160-10		. FAN ASSY- SUPPLIER CODE: V99193 NOT APPROVED FOR ETOPS AFTER INCORP OF SB: GTCP331495729 SB DATA FROM A CMM: POST SB 49-A5715 PRE SB 49-5841 CONFIG CHG DATA FROM A CMM: REPLD BY 3614416-1 COMPONENT MAINT MANUAL REF: 49-51-69	002004 006999	1
40	3614416-1		. FAN ASSY- SUPPLIER CODE: V99193 CONFIG CHG DATA FROM A CMM: REPLS 3862160-5 REPLS 3862160-9 REPLS 3862160-10 REPLD BY 3614416-2 COMPONENT MAINT MANUAL REF: 49-51-71 USED ON: 381326-2 381326-2-1 381326-2-2 381326-2-3 381326-2-4 PRE SERVICE BULLETIN: V99183	002004 006999	1

MISSING ITEM NUMBERS NOT APPLICABLE

- ITEM NOT ILLUSTRATED

49-51-03-02

49-51-03  
FIG. 02  
PAGE 11  
JAN 20/09

BRI



757

PARTS CATALOG (MAINTENANCE)

FIG ITEM	PART NUMBER	1 2 3 4 5 6 7	NOMENCLATURE	EFFECT FROM TO	UNITS PER ASSY
2 40	3614416-2		.FAN ASSY- SUPPLIER CODE: V99193 SB DATA FROM A CMM: POST SB 49-6938 PRE SB 49-7272 CONFIG CHG DATA FROM A CMM: REPLS 3614416-1 REPLD BY 3616959-6 COMPONENT MAINT MANUAL REF: 49-51-71 USED ON: 3800298-1-2 3800298-1-3 3800298-1-4 3800298-1-5 3800298-1-6 PRE SERVICE BULLETIN: V99183	002004 006999	1
45	3616959-6		.FAN ASSY- SUPPLIER CODE: V99193 SB DATA FROM A CMM: POST SB 49-7272 POST 49-7281 CONFIG CHG DATA FROM A CMM: REPLS 3614416-1 REPLS 3614416-2 COMPONENT MAINT MANUAL REF: 49-52-37	002004 006999	1
48	S9826B3		..PLATE-IDENT SUPPLIER CODE: V99193 USED ON: 3616959-6	002004 006999	1
50	3862165-1		.TUBE-XFR SUPPLIER CODE: V99193	002004 006999	1
55	S9413-012		.PACKING- SUPPLIER CODE: V99193 OPTIONAL PART: M83248-1-012	002004 006999	2
55	M83248-1-012		.PACKING- OPTIONAL PART: S9413-012 V99193	002004 006999	2

MISSING ITEM NUMBERS NOT APPLICABLE

- ITEM NOT ILLUSTRATED

49-51-03-02

49-51-03  
FIG. 02  
PAGE 12  
JAN 20/09

BRI



757

PARTS CATALOG (MAINTENANCE)

FIG ITEM	PART NUMBER	1 2 3 4 5 6 7	NOMENCLATURE	EFFECT FROM TO	UNITS PER ASSY
2					
60	S9413-133		.PACKING- SUPPLIER CODE: V99193 OPTIONAL PART: M83248-1-133	002004 006999	1
60	M83248-1-133		.PACKING- OPTIONAL PART: S9413-133 V99193	002004 006999	1
65	34J34-3-0346-1		.COUPLING- SUPPLIER CODE: V59364	002004 006999	1
70	3862168-1		.CLAMP-DR TYPE DUCT WORM SUPPLIER CODE: V99193	002004 006999	1
75	QS200M80S		.CLAMP- SUPPLIER CODE: V08484 OPTIONAL PART: 528-9019 V99193 211-528-9019 V99193	002004 006999	1
80	3862202-2		.DUCT-FAN INLET SUPPLIER CODE: V99193 SB DATA FROM A CMM: PRE SPB GTE0627 CONFIG CHG DATA FROM A CMM: REPLD BY 3613961-1	002004 006999	1
80	3613961-1		.DUCT-FAN INLET SUPPLIER CODE: V99193 SB DATA FROM A CMM: POST SPB GTE0627 CONFIG CHG DATA FROM A CMM: REPLS 3862202-2	002004 006999	1

MISSING ITEM NUMBERS NOT APPLICABLE

- ITEM NOT ILLUSTRATED

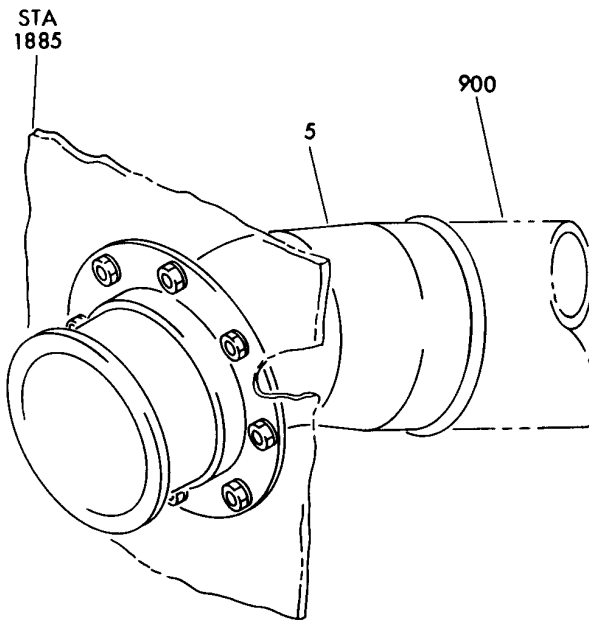
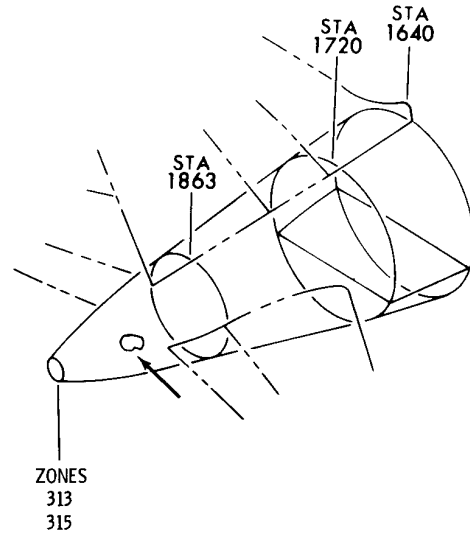
49-51-03-02

49-51-03  
FIG. 02  
PAGE 13  
JAN 20/09

BRI

BOEING PROPRIETARY - Copyright © - Unpublished Work - See title page for details.

**BOEING**  
757  
PARTS CATALOG (MAINTENANCE)



Y 49515101 REV 178

DUCT INSTL-AUX PWR SYS ENVIRONMENTAL CONT SYS PNEU FWD  
FIGURE 1

**49-51-51-01**

BRI  
MAY 28/07

49-51-51-01  
PAGE 0



757

PARTS CATALOG (MAINTENANCE)

FIG ITEM	PART NUMBER	1 2 3 4 5 6 7	NOMENCLATURE	EFFECT FROM TO	UNITS PER ASSY
1			DUCT INSTL-AUX PWR SYS ENVIRONMENTAL CONT SYS PNEU FWD	002004 006999	
- 1	355N3201-1		DUCT INSTL-AUX PWR SYS ENVIRONMENTAL CONT SYS PNEU POSITION DATA: FWD FOR NHA SEE: 49-00-51-01 49-00-00-01	002004 006102 107999	RF
- 1	MODREF13910		DUCT INSTL-AUX PWR SYS ENVIRONMENTAL CONT SYS PNEU MODULE NUMBER: 355N3201-1 REV A POSITION DATA: FWD	103106	1
5	355N3202-1		.DUCT ASSY	002004 006999	1
- 10	BACB30NM3K2		ATTACHING PARTS .BOLT-	002004 006999	8
- 15	NAS1149C0332R		.WASHER-	002004 006999	8
- 20	NAS1805-3L		.NUT-	002004 006999	8
900			-----*----- ILLUSTRATION REFERENCE: DUCT INSTL-SECT. 48 AIR SUPPLY (PNEUMATICS ONLY) 36-11-10-01	002004 006999	RF

MISSING ITEM NUMBERS NOT APPLICABLE

- ITEM NOT ILLUSTRATED

49-51-51-01

49-51-51  
FIG. 01  
PAGE 1  
JAN 20/09

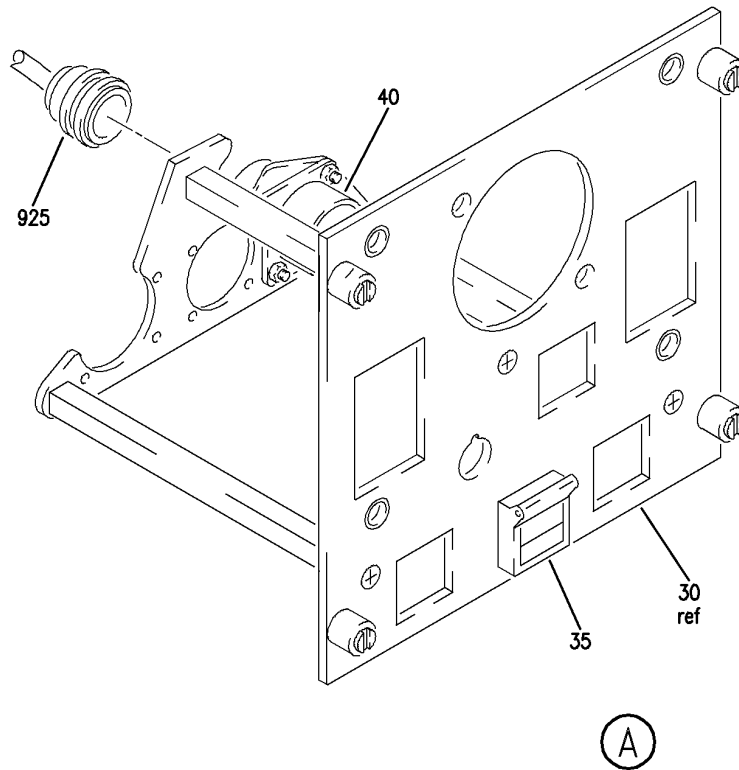
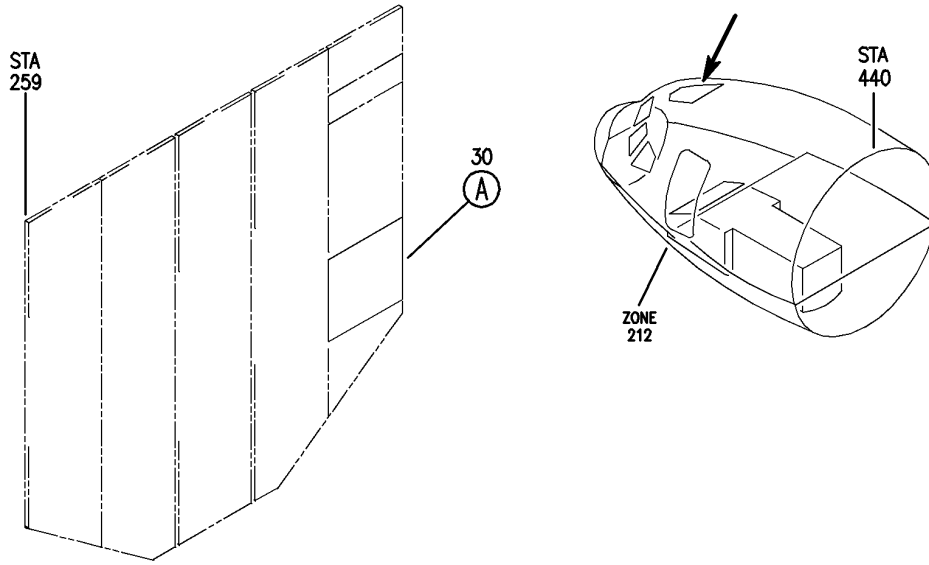
BRI

## APU BLEED AIR SYSTEM

BRI  
MAY 28/07

49-52-00  
SECTION TITLE  
PAGE 1

**BOEING**  
757  
PARTS CATALOG (MAINTENANCE)



Y 49520001 REV 235

PANEL INSTL-P5 OVHD (AIR ONLY)  
FIGURE 1

**49-52-00-01**

BRI  
MAY 28/07

49-52-00-01  
PAGE 0





757

PARTS CATALOG (MAINTENANCE)

FIG ITEM	PART NUMBER	1 2 3 4 5 6 7	NOMENCLATURE	EFFECT FROM TO	UNITS PER ASSY
1			PANEL INSTL-P5 OVHD (AIR ONLY)	101106 108120 504903	
- 3	233N3103-59		PANEL INSTL-P5 OVHD (AIR ONLY) FOR NHA/OTHER SYS DET SEE: 25-10-00-15E	108120	RF
- 5	233N3103-132		PANEL INSTL-P5 OVHD (AIR ONLY) FOR NHA/OTHER SYS DET SEE: 25-10-00-15E	101102	RF
- 5	233N3103-136		PANEL INSTL-P5 OVHD (AIR ONLY) FOR NHA/OTHER SYS DET SEE: 25-10-00-15E	504903	RF
- 8	MODREF170180		PANEL INSTL-P5 OVHD (AIR ONLY) MODULE NUMBER: 233N3103-353 REV B FOR OTHER SYS DETAILS SEE: 11-31-10-12 21-25-55-03 21-31-01-02 21-33-51-03 21-51-54-03 21-58-19-10 21-58-51-03 21-61-04-03 21-65-51-01 22-21-01-04 22-24-51-02 23-24-01-01 23-32-00-11 23-42-02-02 23-71-05-02 24-11-52-05 24-22-01-03 24-31-01-10 24-31-03-09 24-33-04-01 24-41-51-04 24-51-62-01 26-18-51-04 27-21-53-02 27-41-55-01 27-61-51-03 27-62-52-02 28-22-51-02 28-41-04-01	106106	1

MISSING ITEM NUMBERS NOT APPLICABLE

- ITEM NOT ILLUSTRATED

49-52-00-01

49-52-00  
FIG. 01  
PAGE 1  
JAN 20/09

BRI



757

PARTS CATALOG (MAINTENANCE)

FIG ITEM	PART NUMBER	1 2 3 4 5 6 7	NOMENCLATURE	EFFECT FROM TO	UNITS PER ASSY
1			28-41-51-03 29-11-02-03 29-11-05-04 29-11-52-07 29-21-54-03 29-31-00-01 29-32-51-03 29-33-52-03 30-11-51-03 30-21-51-03 30-31-51-02 30-32-51-01 30-33-51-02 30-41-51-03 30-42-51-03 31-12-11-84 31-12-11-84 A 32-42-52-03 33-11-03-03 33-11-51-17 33-13-01-65 33-13-02-03 33-16-51-03 33-24-51-02 33-41-52-04 33-42-01-04 33-42-02-04 33-42-52-04 33-43-51-04 33-44-51-05 33-45-53-03 33-51-08-05 34-21-02-01 35-21-51-04 36-11-04-01 36-21-00-01 36-21-02-05 36-22-51-03 49-41-00-02 49-70-00-01 52-51-51-03 52-71-51-02 73-21-52-02 74-31-51-05 75-32-00-01 80-11-09-02		
- 8	MODREF33760		PANEL INSTL-P5 OVHD (AIR ONLY) MODULE NUMBER:  MISSING ITEM NUMBERS NOT APPLICABLE	103103	1

- ITEM NOT ILLUSTRATED

**49-52-00-01**

49-52-00  
 FIG. 01  
 PAGE 2  
 JAN 20/09

BRI



757

PARTS CATALOG (MAINTENANCE)

FIG ITEM	PART NUMBER	1 2 3 4 5 6 7	NOMENCLATURE	EFFECT FROM TO	UNITS PER ASSY
1			233N3103-351 REV C FOR OTHER SYS DETAILS SEE: 11-31-10-12 21-25-55-03 21-31-01-02 21-33-51-03 21-51-54-03 21-58-19-10 21-58-51-03 21-61-04-03 21-65-51-01 22-21-01-04 22-24-51-02 23-24-01-01 23-32-00-11 23-42-02-02 23-71-05-02 24-11-52-05 24-22-01-03 24-31-01-10 24-31-03-09 24-33-04-01 24-41-51-04 24-51-62-01 26-18-51-04 27-21-53-02 27-41-55-01 27-61-51-03 27-62-52-02 28-22-51-02 28-41-04-01 28-41-51-03 29-11-02-03 29-11-05-04 29-11-52-07 29-21-54-03 29-31-00-01 29-32-51-03 29-33-52-03 30-11-51-03 30-21-51-03 30-31-51-02 30-32-51-01 30-33-51-02 30-41-51-03 30-42-51-03 31-12-11-91 31-12-11-91A 32-42-52-03		
MISSING ITEM NUMBERS NOT APPLICABLE					

- ITEM NOT ILLUSTRATED

# 49-52-00-01

49-52-00  
FIG. 01  
PAGE 3  
JAN 20/09

BRI



757

PARTS CATALOG (MAINTENANCE)

FIG ITEM	PART NUMBER	1 2 3 4 5 6 7	NOMENCLATURE	EFFECT FROM TO	UNITS PER ASSY
1			33-11-03-03 33-11-51-17 33-13-01-65 33-13-02-03 33-16-51-03 33-24-51-02 33-41-52-04 33-42-01-04 33-42-02-04 33-42-52-04 33-43-51-04 33-44-51-05 33-45-53-03 33-51-08-05 34-21-02-01 35-21-51-04 36-11-04-01 36-21-00-01 36-21-02-05 36-22-51-03 49-41-00-02 49-70-00-01 52-51-51-03 52-71-51-02 73-21-52-02 74-31-51-05 75-32-00-01 80-11-09-02		
- 8	MODREF34038		PANEL INSTL-P5 OVHD (AIR ONLY) MODULE NUMBER: 233N3103-351 REV D FOR OTHER SYS DETAILS SEE: 11-31-10-12 21-25-55-03 21-31-01-02 21-33-51-03 21-51-54-03 21-58-19-10 21-58-51-03 21-61-04-03 21-65-51-01 22-21-01-04 22-24-51-02 23-24-01-01 23-32-00-11 23-42-02-02 23-71-05-02 24-11-52-05	104105	1

MISSING ITEM NUMBERS NOT APPLICABLE

- ITEM NOT ILLUSTRATED

**49-52-00-01**

49-52-00  
 FIG. 01  
 PAGE 4  
 JAN 20/09

BRI



757

PARTS CATALOG (MAINTENANCE)

FIG ITEM	PART NUMBER	1 2 3 4 5 6 7 NOMENCLATURE	EFFECT FROM TO	UNITS PER ASSY
1		24-22-01-03 24-31-01-10 24-31-03-09 24-33-04-01 24-41-51-04 24-51-62-01 26-18-51-04 27-21-53-02 27-41-55-01 27-61-51-03 27-62-52-02 28-22-51-02 28-41-04-01 28-41-51-03 29-11-02-03 29-11-05-04 29-11-52-07 29-21-54-03 29-31-00-01 29-32-51-03 29-33-52-03 30-11-51-03 30-21-51-03 30-31-51-02 30-32-51-01 30-33-51-02 30-41-51-03 30-42-51-03 31-12-11-91 31-12-11-91 A 32-42-52-03 33-11-03-03 33-11-51-17 33-13-01-65 33-13-02-03 33-16-51-03 33-24-51-02 33-41-52-04 33-42-01-04 33-42-02-04 33-42-52-04 33-43-51-04 33-44-51-05 33-45-53-03 33-51-08-05 34-21-02-01 35-21-51-04 36-11-04-01 36-21-00-01		

MISSING ITEM NUMBERS NOT APPLICABLE

- ITEM NOT ILLUSTRATED

# 49-52-00-01

49-52-00  
FIG. 01  
PAGE 5  
JAN 20/09

BR I



757

PARTS CATALOG (MAINTENANCE)

FIG ITEM	PART NUMBER	1 2 3 4 5 6 7	NOMENCLATURE	EFFECT FROM TO	UNITS PER ASSY
1			36-21-02-05 36-22-51-03 49-41-00-02 49-70-00-01 52-51-51-03 52-71-51-02 73-21-52-02 74-31-51-05 75-32-00-01 80-11-09-02		
- 25	233N3215-300		.PANEL ASSY-BLEED AIR SUPPLIER CODE: V89954 ELECTRICAL EQUIP NUMBER: M10259 COMPONENT MAINT MANUAL REF: 36-11-71 QUALIFIED I/W DATA: THE 233N3215-300 PANEL ASSY IS I/W THE 233N3215-16 PANEL ASSY T/W THE S233T100-6009 LIGHTPLATE PRE ALERT SB: 33A0044	101102 504903	RF
- 25	233N3215-302		.PANEL ASSY-BLEED AIR SUPPLIER CODE: V89954 ELECTRICAL EQUIP NUMBER: M10259 COMPONENT MAINT MANUAL REF: 36-11-71 QUALIFIED I/W DATA: THE 233N3215-302 PANEL ASSY IS I/W THE 233N3215-20 PANEL ASSY T/W THE S233T100-6009 LIGHTPLATE PRE ALERT SB: 33A0044	108120	RF
- 25	233N3215-1300		.PANEL ASSY-BLEED AIR SUPPLIER CODE: V89954 ELECTRICAL EQUIP NUMBER: M10259 COMPONENT MAINT MANUAL REF: 36-11-71 POST ALERT SB: 33A0044	101102 504903	RF

MISSING ITEM NUMBERS NOT APPLICABLE

- ITEM NOT ILLUSTRATED

49-52-00-01

49-52-00  
FIG. 01  
PAGE 6  
JAN 20/09

BRI



757

PARTS CATALOG (MAINTENANCE)

FIG ITEM	PART NUMBER	1 2 3 4 5 6 7	NOMENCLATURE	EFFECT FROM TO	UNITS PER ASSY
1					
- 25	233N3215-1302		.PANEL ASSY-BLEED AIR SUPPLIER CODE: V89954 ELECTRICAL EQUIP NUMBER: M10259 COMPONENT MAINT MANUAL REF: 36-11-71 POST ALERT SB: 33A0044	108120	RF
- 25	233N3215-303		.PANEL ASSY-BLEED AIR SUPPLIER CODE: V89954 ELECTRICAL EQUIP NUMBER: M10259 COMPONENT MAINT MANUAL REF: 36-11-71	101106 504903	RF
- 25	233N3215-305		.PANEL ASSY-BLEED AIR SUPPLIER CODE: V89954 ELECTRICAL EQUIP NUMBER: M10259	108120	RF
30	233N3215-16		..PANEL ASSY- SUPPLIER CODE: V89954 MISCELLANEOUS DATA: FOR SPARES PROCURE NEXT HIGHER ASSY COMPONENT MAINT MANUAL REF: 36-11-71 QUALIFIED I/W DATA: THE 233N3215-300 PANEL ASSY IS I/W THE 233N3215-16 PANEL ASSY T/W THE S233T100-6009 LIGHTPLATE USED ON: 233N3215-300 PRE ALERT SB: 33A0044	101102 504903	RF

MISSING ITEM NUMBERS NOT APPLICABLE

- ITEM NOT ILLUSTRATED

BRI

49-52-00-01

BOEING PROPRIETARY - Copyright © - Unpublished Work - See title page for details.

49-52-00  
FIG. 01  
PAGE 7  
JAN 20/09



757

PARTS CATALOG (MAINTENANCE)

FIG ITEM	PART NUMBER	1 2 3 4 5 6 7	NOMENCLATURE	EFFECT FROM TO	UNITS PER ASSY
1 30	233N3215-20		..PANEL ASSY- SUPPLIER CODE: V89954 MISCELLANEOUS DATA: FOR SPARES PROCURE NEXT HIGHER ASSY COMPONENT MAINT MANUAL REF: 36-11-71 QUALIFIED I/W DATA: THE 233N3215-302 PANEL ASSY IS I/W THE 233N3215-20 PANEL ASSY T/W THE S233T100-6009 LIGHTPLATE USED ON: 233N3215-302 PRE ALERT SB: 33A0044	108120	RF
30	233N3215-22		..PANEL ASSY- SUPPLIER CODE: V89954 MISCELLANEOUS DATA: FOR SPARES PROCURE NEXT HIGHER ASSY COMPONENT MAINT MANUAL REF: 36-11-71 USED ON: 233N3215-303	101106 504903	RF
30	233N3215-23		..PANEL ASSY- SUPPLIER CODE: V89954 MISCELLANEOUS DATA: FOR SPARES PROCURE NEXT HIGHER ASSY COMPONENT MAINT MANUAL REF: 36-11-71	108120	RF
30	233N3215-1016		..PANEL ASSY- SUPPLIER CODE: V89954 COMPONENT MAINT MANUAL REF: 36-11-71 USED ON: 233N3215-1300 POST ALERT SB: 33A0044	101102 504903	RF

MISSING ITEM NUMBERS NOT APPLICABLE

- ITEM NOT ILLUSTRATED

BRI

49-52-00-01

BOEING PROPRIETARY - Copyright © - Unpublished Work - See title page for details.

49-52-00  
FIG. 01  
PAGE 8  
JAN 20/09





757

PARTS CATALOG (MAINTENANCE)

FIG ITEM	PART NUMBER	1 2 3 4 5 6 7	NOMENCLATURE	EFFECT FROM TO	UNITS PER ASSY
1 30	233N3215-1020		..PANEL ASSY- SUPPLIER CODE: V89954 COMPONENT MAINT MANUAL REF: 36-11-71 QUALIFIED I/W DATA: 233N3215-1009,-1015, -1019 AND -1020 ARE INTERCHANGEABLE PER CUSTOMER PREFERENCE. USED ON: 233N3215-1302 POST ALERT SB: 33A0044	108120	RF
35	BCREFA0530		...SWITCH ASSY-LIGHTED PUSHBUTTON IND SUPPLIER CODE: V81590 OVERLENGTH PART NUMBER: 433-673-1004-4067 SPECIFICATION NUMBER: S231T290-4067 OPTIONAL PART: S231T290-5067 851-35100-5067 V96182 USED ON: 233N3215-16 233N3215-17 233N3215-20 233N3215-1016 233N3215-1017 233N3215-1020 FOR DETAILS SEE: 33-13-00-48	101102 108120 504903	1
35	S231T290-5067		...SWITCH ASSY-LIGHTED PUSHBUTTON IND OPTIONAL PART: BCREFA0530 V81590 851-35100-5067 V96182 USED ON: 233N3215-16 233N3215-20 233N3215-1016 233N3215-1020	101102 108120 504903	1

MISSING ITEM NUMBERS NOT APPLICABLE

- ITEM NOT ILLUSTRATED

49-52-00-01

49-52-00  
FIG. 01  
PAGE 9  
JAN 20/09

BRI



757

PARTS CATALOG (MAINTENANCE)

FIG ITEM	PART NUMBER	1 2 3 4 5 6 7	NOMENCLATURE	EFFECT FROM TO	UNITS PER ASSY
1					
35	851-30768-3067	...	SWITCH ASSY-LIGHTED PUSHBUTTON IND SUPPLIER CODE: V96182 SPECIFICATION NUMBER: S231T290-3067 FOR DETAILS SEE: 33-13-00-38	101102 108120 504903	1
35	851-30768-2067	...	SWITCH ASSY-LIGHTED PUSHBUTTON IND SUPPLIER CODE: V96182 SPECIFICATION NUMBER: S231T290-2067 FOR DETAILS SEE: 33-13-00-28	101102 108120 504903	1
35	851-35100-5067	...	SWITCH ASSY-LIGHTED PUSHBUTTON IND SUPPLIER CODE: V96182 OPTIONAL PART: S231T290-5067 BCREFA0350 V81590 USED ON: 233N3215-16 233N3215-20 233N3215-1016 233N3215-1020	101102 108120 504903	1
35	4336731004-4267	...	SWITCH ASSY-LIGHTED PUSHBUTTON IND SUPPLIER CODE: V81590 USED ON: 233N3215-22 233N3215-23	101106 108120 504903	1
40	BACC45FN12-12P9	...	CONNECTOR	101106 108120 504903	1
- 45	NAS1801-04-5	...	ATTACHING PARTS SCREW- USED ON: 233N3215-16 233N3215-17 233N3215-20 233N3215-1016 233N3215-1017 233N3215-1020	101106 108120 504903	2

MISSING ITEM NUMBERS NOT APPLICABLE

- ITEM NOT ILLUSTRATED

49-52-00-01

49-52-00  
FIG. 01  
PAGE 10  
JAN 20/09

BRI

BOEING PROPRIETARY - Copyright © - Unpublished Work - See title page for details.



757

PARTS CATALOG (MAINTENANCE)

FIG ITEM	PART NUMBER	1 2 3 4 5 6 7	NOMENCLATURE	EFFECT FROM TO	UNITS PER ASSY
1					
- 45	BACS12HN04-5	...	SCREW- OPTIONAL PART: NAS1801-04-5 USED ON: 233N3215-22 233N3215-23	101106 108120 504903	2
- 45	NAS1801-04-5	...	SCREW- OPTIONAL PART: BACS12HN04-5 USED ON: 233N3215-22 233N3215-23	101106 108120 504903	2
- 50	K19798-04	...	NUT- SUPPLIER CODE: V15653 SPECIFICATION NUMBER: BACN10NW1 OPTIONAL PART: RMA4812-160-40 V72962 293162 V60119	101106 108120 504903	2
- 901	286N2078-328		WIRE BUNDLE ASSY	504903	RF
- 901	286N2078-330		WIRE BUNDLE ASSY	101102	RF
- 901	286N2078-331		WIRE BUNDLE ASSY	108120	RF
- 902	286N2078-601		WIRE BUNDLE ASSY	103106	RF
925	BACC45FT12A12S9	.	CONNECTOR- ELECTRICAL EQUIP NUMBER: D03542 WIRING DIAGRAM REF: 361141	101106 108120 504903	1

MISSING ITEM NUMBERS NOT APPLICABLE

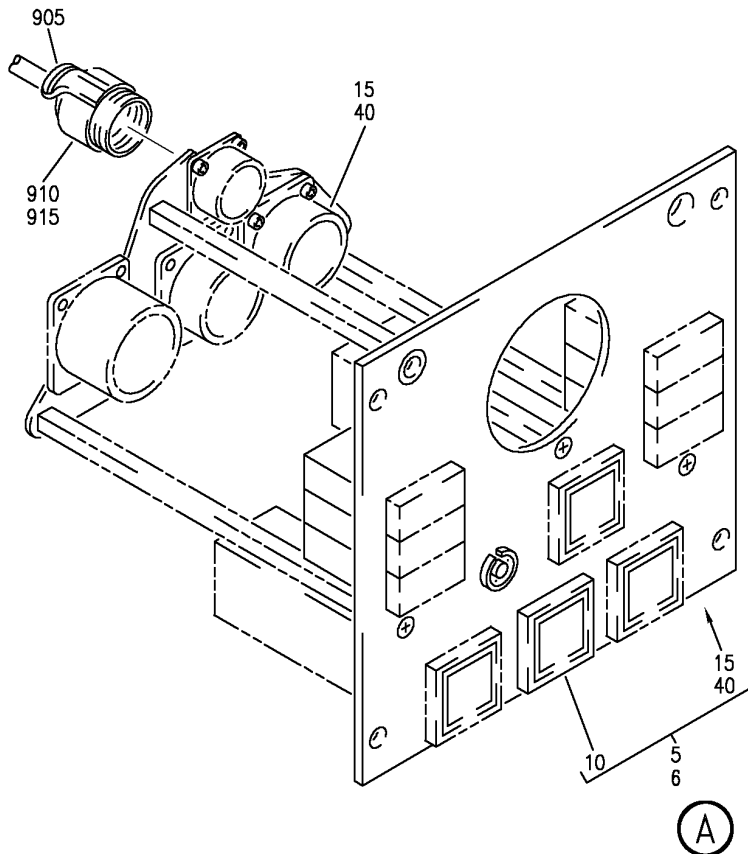
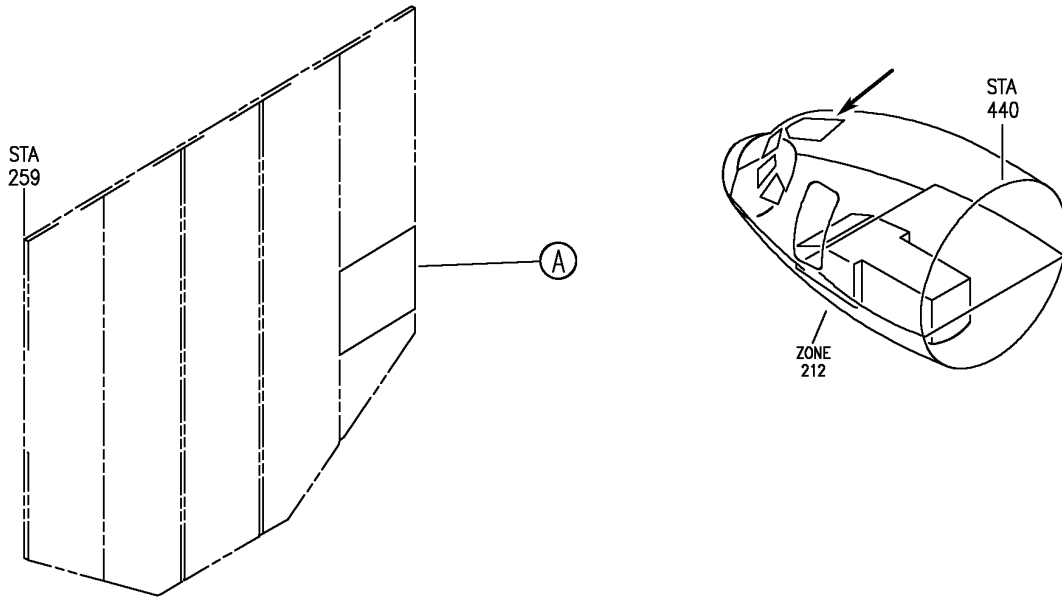
- ITEM NOT ILLUSTRATED

49-52-00-01

49-52-00  
FIG. 01  
PAGE 11  
JAN 20/09

BRI

**BOEING**  
757  
PARTS CATALOG (MAINTENANCE)



Y 49520002 REV 278

PANEL INSTL-P5 OVHD (AIR ONLY)  
FIGURE 2

**49-52-00-02**

BRI  
MAY 28/07

49-52-00-02  
PAGE 0



757

PARTS CATALOG (MAINTENANCE)

FIG ITEM	PART NUMBER	1 2 3 4 5 6 7	NOMENCLATURE	EFFECT FROM TO	UNITS PER ASSY
2			PANEL INSTL-P5 OVHD (AIR ONLY)	002004 006010 107107 121503 904999	
- 1	233N3101-1		PANEL INSTL-P5 OVHD (AIR ONLY) VARIABLE DRAWING REF: 233N3101-5005 233N3101-5025 233N3101-5041 233N3101-5042 233N3101-5045 FOR NHA/OTHER SYS DET SEE: 25-10-00-05A	002004 006010 107107 121503 904999	RF
5	233N3215-15		.PANEL ASSY-BLEED AIR SUPPLIER CODE: V89954 ELECTRICAL EQUIP NUMBER: M10259 COMPONENT MAINT MANUAL REF: 36-11-71 QUALIFIED I/W DATA: 233N3215-9 -15 -19 -20 ARE ALL INTERCHANGEABLE EXCEPT SUBJECT TO CUSTOMER PREFERENCE PRE ALERT SB: 33A0044	107107	RF
5	233N3215-16		.PANEL ASSY-BLEED AIR SUPPLIER CODE: V89954 MISCELLANEOUS DATA: FOR SPARES PROCURE NEXT HIGHER ASSY ELECTRICAL EQUIP NUMBER: M10259 COMPONENT MAINT MANUAL REF: 36-11-71 QUALIFIED I/W DATA: 233N3215-13 -14 -16 -17 ARE ALL INTERCHANGEABLE EXCEPT SUBJECT TO CUSTOMER PREFERENCE PRE ALERT SB: 33A0044	002004 006010 950999	RF

MISSING ITEM NUMBERS NOT APPLICABLE

- ITEM NOT ILLUSTRATED

BRI

49-52-00-02

BOEING PROPRIETARY - Copyright © - Unpublished Work - See title page for details.

49-52-00  
FIG. 02  
PAGE 1  
JAN 20/09



757

PARTS CATALOG (MAINTENANCE)

FIG ITEM	PART NUMBER	1 2 3 4 5 6 7	NOMENCLATURE	EFFECT FROM TO	UNITS PER ASSY
2					
5	233N3215-19		.PANEL ASSY-BLEED AIR SUPPLIER CODE: V89954 ELECTRICAL EQUIP NUMBER: M10259 COMPONENT MAINT MANUAL REF: 36-11-71 QUALIFIED I/W DATA: 233N3215-9 -15 -19 -20 ARE ALL INTERCHANGEABLE EXCEPT SUBJECT TO CUSTOMER PREFERENCE PRE ALERT SB: 33A0044R1	121503 904949	RF
5	233N3215-1016		.PANEL ASSY-BLEED AIR SUPPLIER CODE: V89954 ELECTRICAL EQUIP NUMBER: M10259 COMPONENT MAINT MANUAL REF: 36-11-71 POST ALERT SB: 33A0044	002004 006010 950999	RF
5	233N3215-1015		.PANEL ASSY-BLEED AIR SUPPLIER CODE: V89954 ELECTRICAL EQUIP NUMBER: M10259 COMPONENT MAINT MANUAL REF: 36-11-71 QUALIFIED I/W DATA: 233N3215-1009,-1015, -1019 AND -1020 ARE INTERCHANGEABLE PER CUSTOMER PREFERENCE. POST ALERT SB: 33A0044	107107	RF

MISSING ITEM NUMBERS NOT APPLICABLE

- ITEM NOT ILLUSTRATED

BRI

49-52-00-02

BOEING PROPRIETARY - Copyright © - Unpublished Work - See title page for details.

49-52-00  
FIG. 02  
PAGE 2  
JAN 20/09



757

PARTS CATALOG (MAINTENANCE)

FIG ITEM	PART NUMBER	1 2 3 4 5 6 7	NOMENCLATURE	EFFECT FROM TO	UNITS PER ASSY
2					
6	233N3215-1019		.PANEL ASSY-BLEED AIR SUPPLIER CODE: V89954 ELECTRICAL EQUIP NUMBER: M10259 COMPONENT MAINT MANUAL REF: 36-11-71 QUALIFIED I/W DATA: 233N3215-1009,-1015, -1019 AND -1020 ARE INTERCHANGEABLE PER CUSTOMER PREFERENCE. POST ALERT SB: 33A0044R1	121503 904949	RF
6	233N3215-22		.PANEL ASSY-BLEED AIR SUPPLIER CODE: V89954 ELECTRICAL EQUIP NUMBER: M10259	002004 006010 950999	RF
10	BCREF7624		..SWITCH ASSY-LIGHTED PUSH BUTTON IND VALVE SUPPLIER CODE: V81590 OVERLENGTH PART NUMBER: 433-673-1001-1067 SPECIFICATION NUMBER: S231T290-1067 FOR DETAILS SEE: 33-13-00-18	107107	1
10	BCREFA0530		..SWITCH ASSY-LIGHTED PUSH BUTTON IND SUPPLIER CODE: V81590 OVERLENGTH PART NUMBER: 433-673-1004-4067 SPECIFICATION NUMBER: S231T290-4067 OPTIONAL PART: S231T290-5067 FOR DETAILS SEE: 33-13-00-48	002004 006010 107107 121503 904999	1
10	851-30768-2067		..SWITCH ASSY-LIGHTED PUSH BUTTON IND VALVE SUPPLIER CODE: V96182 SPECIFICATION NUMBER: S231T290-2067 FOR DETAILS SEE: 33-13-00-28	002004 006010 107107 121503 904999	1

MISSING ITEM NUMBERS NOT APPLICABLE

- ITEM NOT ILLUSTRATED

49-52-00-02

49-52-00  
FIG. 02  
PAGE 3  
JAN 20/09

BRI

BOEING PROPRIETARY - Copyright © - Unpublished Work - See title page for details.



757

PARTS CATALOG (MAINTENANCE)

FIG ITEM	PART NUMBER	1 2 3 4 5 6 7	NOMENCLATURE	EFFECT FROM TO	UNITS PER ASSY
2					
10	851-30768-3067	..	SWITCH ASSY-LIGHTED PUSH BUTTON IND VALVE SUPPLIER CODE: V96182 SPECIFICATION NUMBER: S231T290-3067 OPTIONAL PART: S231T290-5067 FOR DETAILS SEE: 33-13-00-38	002004 006010 107107 121503 904999	1
10	S231T290-5067	..	SWITCH ASSY-LIGHTED PUSH BUTTON IND OPTIONAL PART: BCREFA0530 V81590 851-30768-3067 V96182	002004 006010 107107 121503 904999	1
10	4336731004-4267	..	SWITCH ASSY-LIGHTED PUSHBUTTON IND SUPPLIER CODE: V81590	002004 006010 107107 121503 904999	1
15	BACC45FN12-12P9	..	CONNECTOR	002004 006010 107107 121503 904999	1
			ATTACHING PARTS		
- 20	NAS1801-04-5	..	SCREW	002004 006010 121503 904999	2
- 25	BACS12CB04-5	..	SCREW	107107	3
- 30	K19798-04	..	NUT SUPPLIER CODE: V15653 SPECIFICATION NUMBER: BACN10NW1 OPTIONAL PART: RMA4812-160-40 V72962 293162 V60119	002004 006010 121503 904999	2

MISSING ITEM NUMBERS NOT APPLICABLE

- ITEM NOT ILLUSTRATED

49-52-00-02

49-52-00  
FIG. 02  
PAGE 4  
JAN 20/09

BRI





757

PARTS CATALOG (MAINTENANCE)

FIG ITEM	PART NUMBER	1 2 3 4 5 6 7	NOMENCLATURE	EFFECT FROM TO	UNITS PER ASSY
2 - 35	K19798-04	. . NUT	SUPPLIER CODE: V15653 SPECIFICATION NUMBER: BACN10NW1 OPTIONAL PART: RMA4812-160-40 V72962 293162 V60119	107107	3
- 900	286N2078-003	-----*-----	WIRE BUNDLE ASSY-	121503	RF
- 900	286N2078-004		WIRE BUNDLE ASSY	904949	RF
- 900	286N2078-005		WIRE BUNDLE ASSY-	107107	RF
				002004	RF
				006010	
				950999	
915	BACC45FT12A12S9	.CONNECTOR-	ELECTRICAL EQUIP NUMBER: D03542 WIRING DIAGRAM REF: 361141	002004	1
				006010	
				107107	
				121503	
				904999	

MISSING ITEM NUMBERS NOT APPLICABLE

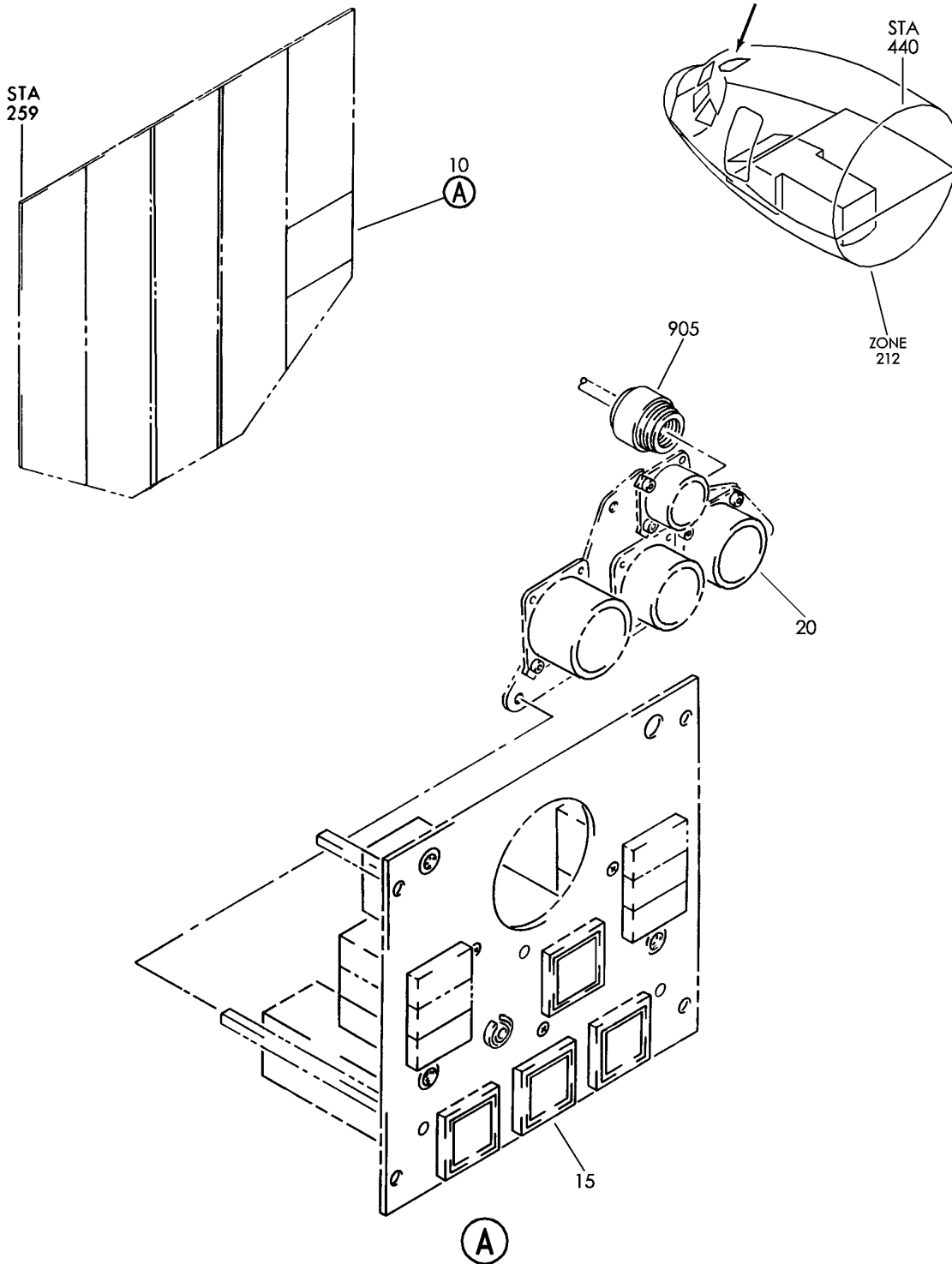
- ITEM NOT ILLUSTRATED

49-52-00-02

49-52-00  
FIG. 02  
PAGE 5  
JAN 20/09

BRI

**BOEING**  
757  
PARTS CATALOG (MAINTENANCE)



Y 49520003 REV 239

PANEL INSTL-P5 OVHD (AIR ONLY)  
FIGURE 3

**49-52-00-03**

BRI  
MAY 28/07

49-52-00-03  
PAGE 0



757

PARTS CATALOG (MAINTENANCE)

FIG ITEM	PART NUMBER	1 2 3 4 5 6 7	NOMENCLATURE	EFFECT FROM TO	UNITS PER ASSY
3			PANEL INSTL-P5 OVHD (AIR ONLY)	011100	
- 1	233N3101-1		PANEL INSTL-P5 OVHD (AIR ONLY)	011100	RF
			VARIABLE DRAWING REF: 233N3101-5142 FOR NHA/OTHER SYS DET SEE: 25-10-00-05A		
- 5	233N3215-300		.PANEL ASSY-BLEED AIR SUPPLIER CODE: V89954 ELECTRICAL EQUIP NUMBER: M10259 COMPONENT MAINT MANUAL REF: 36-11-71 QUALIFIED I/W DATA: THE 233N3215-300 PANEL ASSY IS I/W THE 233N3215-16 PANEL ASSY T/W THE S233T100-6009 LIGHTPLATE PRE ALERT SB: 33A0044	011100	RF
- 5	233N3215-1300		.PANEL ASSY-BLEED AIR SUPPLIER CODE: V89954 ELECTRICAL EQUIP NUMBER: M10259 COMPONENT MAINT MANUAL REF: 36-11-71 POST ALERT SB: 33A0044	011100	RF
- 5	233N3215-303		.PANEL ASSY-BLEED AIR SUPPLIER CODE: V89954 ELECTRICAL EQUIP NUMBER: M10259	011100	RF

MISSING ITEM NUMBERS NOT APPLICABLE

- ITEM NOT ILLUSTRATED

49-52-00-03

49-52-00  
FIG. 03  
PAGE 1  
JAN 20/09

BRI



757

PARTS CATALOG (MAINTENANCE)

FIG ITEM	PART NUMBER	1 2 3 4 5 6 7	NOMENCLATURE	EFFECT FROM TO	UNITS PER ASSY
3					
10	233N3215-16		..PANEL ASSY- SUPPLIER CODE: V89954 MISCELLANEOUS DATA: FOR SPARES PROCURE NEXT HIGHER ASSY COMPONENT MAINT MANUAL REF: 36-11-71 QUALIFIED I/W DATA: 233N3215-13 -14 -16 -17 ARE ALL INTERCHANGEABLE EXCEPT SUBJECT TO CUSTOMER PREFERENCE THE 233N3215-300 PANEL ASSY IS I/W THE 233N3215-16 PANEL ASSY T/W THE S233T100-6009 LIGHTPLATE PRE ALERT SB: 33A0044	011100	RF
10	233N3215-1016		..PANEL ASSY- SUPPLIER CODE: V89954 ELECTRICAL EQUIP NUMBER: M10259 COMPONENT MAINT MANUAL REF: 36-11-71 POST ALERT SB: 33A0044	011100	RF
10	233N3215-22		..PANEL ASSY- SUPPLIER CODE: V89954 MISCELLANEOUS DATA: FOR SPARES PROCURE NEXT HIGHER ASSY ELECTRICAL EQUIP NUMBER: M10259 COMPONENT MAINT MANUAL REF: 36-11-71	011100	RF

MISSING ITEM NUMBERS NOT APPLICABLE

- ITEM NOT ILLUSTRATED

49-52-00-03

49-52-00  
 FIG. 03  
 PAGE 2  
 JAN 20/09

BRI



757

PARTS CATALOG (MAINTENANCE)

FIG ITEM	PART NUMBER	1 2 3 4 5 6 7	NOMENCLATURE	EFFECT FROM TO	UNITS PER ASSY
3 15	BCREFA0530		...SWITCH ASSY-LIGHTED PUSH BUTTON IND SUPPLIER CODE: V81590 OVERLENGTH PART NUMBER: 433-673-1004-4067 SPECIFICATION NUMBER: S231T290-4067 OPTIONAL PART: S231T290-5067 USED ON: 233N3215-16 233N3215-17 233N3215-20 233N3215-1016 233N3215-1017 233N3215-1020 FOR DETAILS SEE: 33-13-00-48	011100	1
15	851-30768-2067		...SWITCH ASSY-LIGHTED PUSH BUTTON IND VALVE SUPPLIER CODE: V96182 SPECIFICATION NUMBER: S231T290-2067 FOR DETAILS SEE: 33-13-00-28	011100	1
15	851-30768-3067		...SWITCH ASSY-LIGHTED PUSH BUTTON IND VALVE SUPPLIER CODE: V96182 SPECIFICATION NUMBER: S231T290-3067 FOR DETAILS SEE: 33-13-00-38	011100	1
15	S231T290-5067		...SWITCH ASSY-LIGHTED PUSH BUTTON IND OPTIONAL PART: BCREFA0530 V81590 USED ON: 233N3215-16 233N3215-20 233N3215-1016 233N3215-1020	011100	1

MISSING ITEM NUMBERS NOT APPLICABLE

- ITEM NOT ILLUSTRATED

49-52-00-03

49-52-00  
FIG. 03  
PAGE 3  
JAN 20/09

BRI



757

PARTS CATALOG (MAINTENANCE)

FIG ITEM	PART NUMBER	1 2 3 4 5 6 7	NOMENCLATURE	EFFECT FROM TO	UNITS PER ASSY
3					
15	4336731004-4267		...SWITCH ASSY-LIGHTED PUSHBUTTON IND SUPPLIER CODE: V81590 USED ON: 233N3215-22 233N3215-23	011100	1
20	BACC45FN12-12P9		...CONNECTOR ATTACHING PARTS	011100	1
- 25	NAS1801-04-5		...SCREW- USED ON: 233N3215-16 233N3215-17 233N3215-20 233N3215-1016 233N3215-1017 233N3215-1020	011100	2
- 25	NAS1801-04-5		...SCREW- OPTIONAL PART: BACS12HN04-5 USED ON: 233N3215-22 233N3215-23	011100	2
- 25	BACS12HN04-5		...SCREW- OPTIONAL PART: NAS1801-04-5 USED ON: 233N3215-22 233N3215-23	011100	2
- 30	K19798-04		...NUT SUPPLIER CODE: V15653 SPECIFICATION NUMBER: BACN10NW1 OPTIONAL PART: RMA4812-160-40 V72962 293162 V60119 -----*-----	011100	2
- 900	286N2078-005		WIRE BUNDLE ASSY	011100	RF
905	BACC45FT12A12S9		.CONNECTOR- ELECTRICAL EQUIP NUMBER: D03542 WIRING DIAGRAM REF: 361141	011100	1

MISSING ITEM NUMBERS NOT APPLICABLE

- ITEM NOT ILLUSTRATED

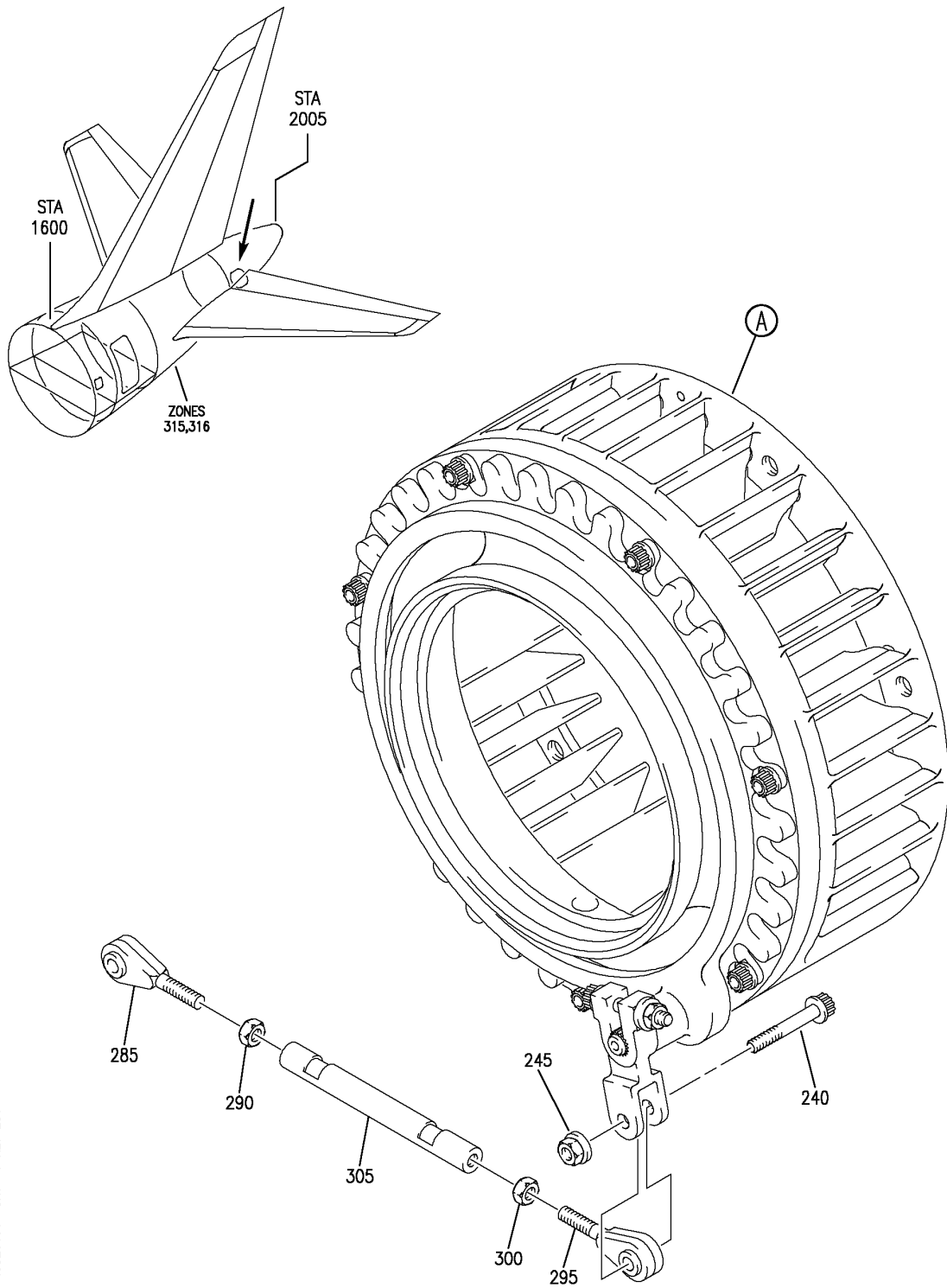
49-52-00-03

49-52-00  
FIG. 03  
PAGE 4  
JAN 20/09

BRI

BOEING PROPRIETARY - Copyright © - Unpublished Work - See title page for details.

**BOEING**  
757  
PARTS CATALOG (MAINTENANCE)



Y 49520101 SHT 1 REV 251

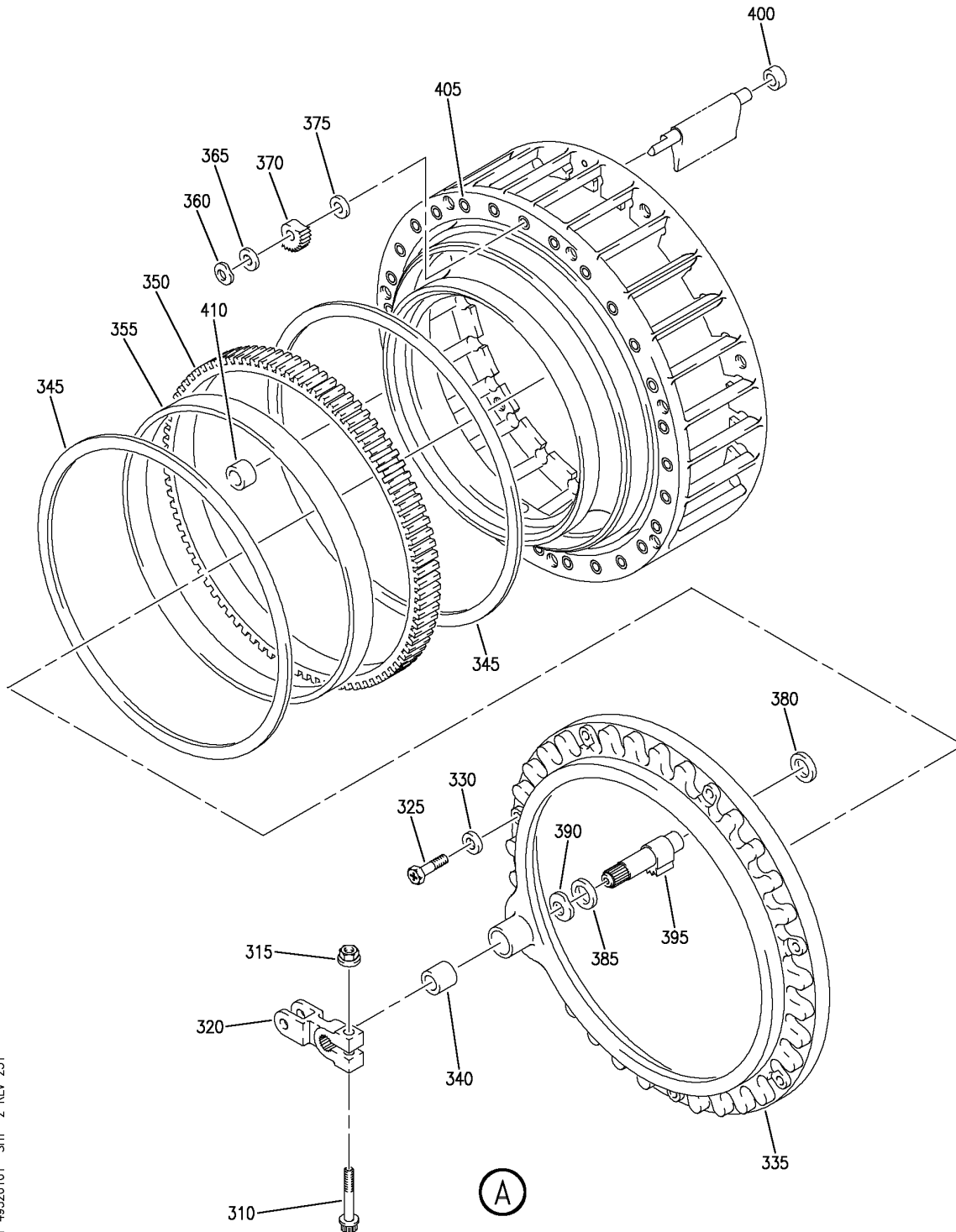
ENGINE ASSY-GAS TURB (INLET GUIDE VANE LINKAGE ROD END BEARING ONLY)  
FIGURE 1 (SHEET 1)

BRI  
MAY 28/07

**49-52-01-01**

49-52-01-01  
PAGE 0

**BOEING**  
757  
PARTS CATALOG (MAINTENANCE)



Y 49520101 SHT 2 REV 251

ENGINE ASSY-GAS TURB (INLET GUIDE VANE LINKAGE ROD END BEARING ONLY)  
FIGURE 1 (SHEET 2)

**49-52-01-01**

BRI  
MAY 28/07

49-52-01-01  
PAGE 0A





757

PARTS CATALOG (MAINTENANCE)

FIG ITEM	PART NUMBER	1 2 3 4 5 6 7	NOMENCLATURE	EFFECT FROM TO	UNITS PER ASSY
1			ENGINE ASSY-GAS TURB (INLET GUIDE VANE LINKAGE ROD END BEARING ONLY)	002004 006999	
- 1	3800298-1-3		ENGINE ASSY-GAS TURB GTCP331-200ER (INLET GUIDE VANE LINKAGE ROD END BEARING ONLY) SUPPLIER CODE: V99193 SPECIFICATION NUMBER: S351T020-202 CONFIG CHG DATA FROM A CMM: REPLACES 3800298-1-2 COMPONENT MAINT MANUAL REF: 49-22-11 QUALIFIED I/W DATA: S351T020-202 (3800298-1-3) AND S351T020-205 (3800298-1-6) ARE INTERCHANGEABLE WITH THE INCORPORATION OF ALLIED SIGNAL S/B GTCP331-49-7081. S351T020-202 (3800298-1-3) AND S351T020-206 (3800298-1-7/3800298-1) ARE INTERCHANGEABLE WITH THE INCORPORATION OF ALLIED SIGNAL S/B GTCP331-49-7081. FOR NHA/OTHER SYS DET SEE: 49-11-01-50	002004 006100 107107 121503 904999	RF

MISSING ITEM NUMBERS NOT APPLICABLE

- ITEM NOT ILLUSTRATED

BRI

49-52-01-01

BOEING PROPRIETARY - Copyright © - Unpublished Work - See title page for details.

49-52-01  
FIG. 01  
PAGE 1  
JAN 20/09



757

PARTS CATALOG (MAINTENANCE)

FIG ITEM	PART NUMBER	1 2 3 4 5 6 7	NOMENCLATURE	EFFECT FROM TO	UNITS PER ASSY
1 - 1	3800298-1-2		ENGINE ASSY-GAS TURB GTCP331-200ER (INLET GUIDE VANE LINKAGE ROD END BEARING ONLY) SUPPLIER CODE: V99193 SPECIFICATION NUMBER: S351T020-201 CONFIG CHG DATA FROM A CMM: REPLACES 3800298-1-1 COMPONENT MAINT MANUAL REF: 49-22-11 QUALIFIED I/W DATA: S351T020-201 (3800298-1-2) AND S351T020-205 (3800298-1-6) ARE INTERCHANGEABLE WITH THE INCORPORATION OF ALLIED SIGNAL S/B GTCP331-49-7081. S351T020-201 (3800298-1-2) AND S351T020-206 (3800298-1-7/3800298-1) ARE INTERCHANGEABLE WITH THE INCORPORATION OF ALLIED SIGNAL S/B GTCP331-49-7081. FOR NHA/ADDITIONAL DET SEE: 49-11-01-50	002004 006100 107107 121503 904999	RF

MISSING ITEM NUMBERS NOT APPLICABLE

- ITEM NOT ILLUSTRATED

BRI

49-52-01-01

BOEING PROPRIETARY - Copyright © - Unpublished Work - See title page for details.

49-52-01  
FIG. 01  
PAGE 2  
JAN 20/09



757

PARTS CATALOG (MAINTENANCE)

FIG ITEM	PART NUMBER	1 2 3 4 5 6 7	NOMENCLATURE	EFFECT FROM TO	UNITS PER ASSY
1 - 1	3800298-1-1		ENGINE ASSY-GAS TURB GTCP331-200ER (INLET GUIDE VANE LINKAGE ROD END BEARING ONLY) SUPPLIER CODE: V99193 SPECIFICATION NUMBER: S351T020-200 COMPONENT MAINT MANUAL REF: 49-22-11 QUALIFIED I/W DATA: S351T020-200 (3800298-1-1) AND S351T020-205 (3800298-1-6) ARE INTERCHANGEABLE WITH THE INCORPORATION OF ALLIED SIGNAL S/B GTCP331-49-7081. S351T020-200 (3800298-1-1) AND S351T020-206 (3800298-1-7/3800298-1) ARE INTERCHANGEABLE WITH THE INCORPORATION OF ALLIED SIGNAL S/B GTCP331-49-7081. FOR NHA/ADDITIONAL DET SEE: 49-11-01-50	002004 006100 107107 121503 904999	RF

MISSING ITEM NUMBERS NOT APPLICABLE

- ITEM NOT ILLUSTRATED

BRI

49-52-01-01

BOEING PROPRIETARY - Copyright © - Unpublished Work - See title page for details.

49-52-01  
FIG. 01  
PAGE 3  
JAN 20/09



757

PARTS CATALOG (MAINTENANCE)

FIG ITEM	PART NUMBER	1 2 3 4 5 6 7	NOMENCLATURE	EFFECT FROM TO	UNITS PER ASSY
1 - 1	3800298-1-4		ENGINE ASSY-GAS TURB GTCP331-200ER (INLET GUIDE VANE LINKAGE ROD END BEARING ONLY) SUPPLIER CODE: V99193 SPECIFICATION NUMBER: S351T020-203 CONFIG CHG DATA FROM A CMM: REPLACES 3800298-1-3 COMPONENT MAINT MANUAL REF: 49-22-11 QUALIFIED I/W DATA: 3800298-1-4/S351T020-203 AND 3800298-1-6/S351T020-205 ARE INTERCHANGEABLE WITH THE INCORPORATION OF ALLIED SIGNAL S/B GTCP331-49-7081. S351T020-203 (3800298-1-4) AND S351T020-206(3800298-1-7 /38000298-1) ARE INTERCHANGEABLE WITH THE INCORPORATION OF ALLIED SIGNAL S/B GTCP331-49-7081 FOR NHA/ADDITIONAL DET SEE: 49-11-01-50	002004 006100 107107 121503 904999	RF

MISSING ITEM NUMBERS NOT APPLICABLE

- ITEM NOT ILLUSTRATED

BRI

49-52-01-01

BOEING PROPRIETARY - Copyright © - Unpublished Work - See title page for details.

49-52-01  
 FIG. 01  
 PAGE 4  
 JAN 20/09



757

PARTS CATALOG (MAINTENANCE)

FIG ITEM	PART NUMBER	1 2 3 4 5 6 7	NOMENCLATURE	EFFECT FROM TO	UNITS PER ASSY
1					
- 1	3800298-1-5		ENGINE ASSY-GAS TURB GTCP331-200ER (INLET GUIDE VANE LINKAGE ROD END BEARING ONLY) SUPPLIER CODE: V99193 SPECIFICATION NUMBER: S351T020-204 CONFIG CHG DATA FROM A CMM: REPLACES 3800298-1-4 COMPONENT MAINT MANUAL REF: 49-22-11 QUALIFIED I/W DATA: S351T020-204 (3800298-1-5) AND S351T020-206(3800298-1-7 /3800298-1) ARE INTERCHANGEABLE WITH THE INCORPORATION OF ALLIED SIGNAL S/B GTCP331-49-7081. S351T020-204 (3800298-1-5) AND S351T020-205(3800298-1-6 ARE INTERCHANGEABLE WITH THE INCORPORATION OF ALLIED SIGNAL S/B GTCP331-49-7081. FOR NHA/ADDITIONAL DET SEE: 49-11-01-50	002004 006100 107107 121503 904999	RF
- 1	3800298-1-6		ENGINE ASSY-GAS TURB GTCP331-200ER (INLET GUIDE VANE LINKAGE ROD END BEARING ONLY) SUPPLIER CODE: V99193 SPECIFICATION NUMBER: S351T020-205 CONFIG CHG DATA FROM A CMM: REPLACES 3800298-1-5 COMPONENT MAINT MANUAL REF: 49-22-11 QUALIFIED I/W DATA: S351T020-203 (3800298-1-4) AND S351T020-205 (3800298-1-6) ARE INTERCHANGEABLE WITH THE INCORPORATION OF ALLIED	002004 006999	RF

MISSING ITEM NUMBERS NOT APPLICABLE

- ITEM NOT ILLUSTRATED

49-52-01-01

49-52-01  
FIG. 01  
PAGE 5  
JAN 20/09

BRI



757

PARTS CATALOG (MAINTENANCE)

FIG ITEM	PART NUMBER	1 2 3 4 5 6 7 NOMENCLATURE	EFFECT FROM TO	UNITS PER ASSY
1		SIGNAL S/B GTCP331-49-7081. S351T020-204 (3800298-1-5) AND S351T020-205 (3800298-1-6) ARE INTERCHANGEABLE WITH THE INCORPORATION OF ALLIED SIGNAL S/B GTCP331-49-7081. S351T020-202 (3800298-1-3) AND S351T020-205 (3800298-1-6) ARE INTERCHANGEABLE WITH THE INCORPORATION OF ALLIED SIGNAL S/B GTCP331-49-7081. S351T020-201 (3800298-1-2) AND S351T020-205 (3800298-1-6) ARE INTERCHANGEABLE WITH THE INCORPORATION OF ALLIED SIGNAL S/B GTCP331-49-7081. S351T020-200 (3800298-1-1) AND S351T020-205 (3800298-1-6) ARE INTERCHANGEABLE WITH THE INCORPORATION OF ALLIED SIGNAL S/B GTCP331-49-7081. FOR NHA/ADDITIONAL DET SEE: 49-11-01-50 49-21-00-02		
-	1 3800298-1-7	ENGINE ASSY-GAS TURB GTCP331-200ER (INLET GUIDE VANE LINKAGE ROD END BEARING ONLY) SUPPLIER CODE: V99193 SPECIFICATION NUMBER: S351T020-206 CONFIG CHG DATA FROM A CMM: REPLACES 3800298-1-6 COMPONENT MAINT MANUAL REF: 49-22-11  MISSING ITEM NUMBERS NOT APPLICABLE	002004 006999	RF

- ITEM NOT ILLUSTRATED

49-52-01-01

BRI

BOEING PROPRIETARY - Copyright © - Unpublished Work - See title page for details.

49-52-01  
FIG. 01  
PAGE 6  
SEP 20/08



757

PARTS CATALOG (MAINTENANCE)

FIG ITEM	PART NUMBER	1 2 3 4 5 6 7 NOMENCLATURE	EFFECT FROM TO	UNITS PER ASSY
1		<p>QUALIFIED I/W DATA:  S351T020-203  (3800298-1-4) AND  S351T020-206(3800298-1-7  /3800298-1) ARE  INTERCHANGEABLE WITH THE  INCORPORATION OF ALLIED  SIGNAL S/B  GTCP331-49-7081.  S351T020-204(3800298-1-5  AND S351T020-206  (3800298-1-7/3800298-1  ARE INTERCHANGEABLE WITH  THE INCORPORATION OF  ALLIED SIGNAL S/B  GTCP331-49-7081  S351T020-202  (3800298-1-3)  AND S351T020-206  (3800298-1-7/3800298-1)  ARE INTERCHANGEABLE  WITH THE INCORPORATION  OF ALLIED SIGNAL S/B  GTCP331-49-7081.  S351T020-201  (3800298-1-2)  AND S351T020-206  (3800298-1-7/3800298-1)  ARE INTERCHANGEABLE  WITH THE INCORPORATION  OF ALLIED SIGNAL S/B  GTCP331-49-7081.  S351T020-200  (3800298-1-1)  AND S351T020-206  (3800298-1-7/3800298-1)  ARE INTERCHANGEABLE  WITH THE INCORPORATION  OF ALLIED SIGNAL S/B  GTCP331-49-7081.  OPTIONAL PART:  3800298-1  V99193  OPTIONAL PART:  3800298-1  V99193  FOR NHA/ADDITIONAL DET SEE:  49-11-01-50  49-21-00-02</p>		

MISSING ITEM NUMBERS NOT APPLICABLE

- ITEM NOT ILLUSTRATED

49-52-01-01

49-52-01  
FIG. 01  
PAGE 7  
SEP 20/08

BRI



757

PARTS CATALOG (MAINTENANCE)

FIG ITEM	PART NUMBER	1 2 3 4 5 6 7	NOMENCLATURE	EFFECT FROM TO	UNITS PER ASSY
1 - 1	3800298-1		ENGINE ASSY-GAS TURB GTCP331-200ER (INLET GUIDE VANE LINKAGE ROD END BEARING ONLY) SUPPLIER CODE: V99193 SPECIFICATION NUMBER: S351T020-206 COMPONENT MAINT MANUAL REF: 49-22-11 QUALIFIED I/W DATA: S351T020-203 (3800298-1-4) AND S351T020-206(3800298-1-7 /3800298-1) ARE INTERCHANGEABLE WITH THE INCORPORATION OF ALLIED SIGNAL S/B GTCP331-49-7081. S351T020-204 (3800298-1-5) AND S351T020-206(3800298-1-7 /3800298-1) ARE INTERCHANGEABLE WITH THE INCORPORATION OF ALLIED SIGNAL S/B GTCP331-49-7081. S351T020-202 (3800298-1-3) AND S351T020-206 (3800298-1-7/3800298-1) ARE INTERCHANGEABLE WITH THE INCORPORATION OF ALLIED SIGNAL S/B GTCP331-49-7081. S351T020-201 (3800298-1-2) AND S351T020-206 (3800298-1-7/3800298-1) ARE INTERCHANGEABLE WITH THE INCORPORATION OF ALLIED SIGNAL S/B GTCP331-49-7081. S351T020-200 (3800298-1-1) AND S351T020-206 (3800298-1-7/3800298-1) ARE INTERCHANGEABLE WITH THE INCORPORATION	002004 006999	RF

MISSING ITEM NUMBERS NOT APPLICABLE

- ITEM NOT ILLUSTRATED

49-52-01-01

49-52-01  
FIG. 01  
PAGE 8  
SEP 20/08

BRI





757

PARTS CATALOG (MAINTENANCE)

FIG ITEM	PART NUMBER	1 2 3 4 5 6 7	NOMENCLATURE	EFFECT FROM TO	UNITS PER ASSY
1			OF ALLIED SIGNAL S/B GTCP331-49-7081. OPTIONAL PART: 3800298-1-7 V99193 OPTIONAL PART: 3800298-1-7 V99193 FOR NHA/ADDITIONAL DET SEE: 49-11-01-50 49-21-00-02		
240	EWB0420-3-8	.BOLT-	SUPPLIER CODE: V56878	002004 006999	1
245	MS21043-3	.NUT		002004 006999	1
285	3826166-1	.BEARING-ACTR ROD END	SUPPLIER CODE: V99193 SB DATA FROM A CMM: PRE SB 49-5577 CONFIG CHG DATA FROM A CMM: REPLD BY HMR3M	002004 006999	1
285	HMR3M	.BEARING-ACTR ROD END	SUPPLIER CODE: V73134 SB DATA FROM A CMM: POST SB 49-5577 PRE SPB GTE0573 CONFIG CHG DATA FROM A CMM: REPLS 3826166-1 REPLD BY MSSR3AR	002004 006999	1
285	MSSR3AR	.BEARING-ACTR ROD END	SUPPLIER CODE: V73134 SB DATA FROM A CMM: POST SB GTE0573 CONFIG CHG DATA FROM A CMM: REPLS HMR3M OPTIONAL PART: 137-542-9501 V99193	002004 006999	1
290	MS9360-09	.NUT-		002004 006999	1

MISSING ITEM NUMBERS NOT APPLICABLE

- ITEM NOT ILLUSTRATED

49-52-01-01

49-52-01  
FIG. 01  
PAGE 9  
SEP 20/08

BRI

BOEING PROPRIETARY - Copyright © - Unpublished Work - See title page for details.



757

PARTS CATALOG (MAINTENANCE)

FIG ITEM	PART NUMBER	1 2 3 4 5 6 7	NOMENCLATURE	EFFECT FROM TO	UNITS PER ASSY
1					
295	3826166-1		.BEARING-ROD END SUPPLIER CODE: V99193 SB DATA FROM A CMM: PRE SB 49-5577 CONFIG CHG DATA FROM A CMM: REPLD BY HMR3M	002004 006999	1
295	HMR3M		.BEARING-ROD END SUPPLIER CODE: V73134 SB DATA FROM A CMM: POST SB 49-5577 CONFIG CHG DATA FROM A CMM: REPLS 3826166-1	002004 006999	1
300	MS9360-09		.NUT-	002004 006999	1
305	3826153-1		.ROD-CONNECTING-IGVA SUPPLIER CODE: V99193 SB DATA FROM A CMM: PRE SB GTE0252 CONFIG CHG DATA FROM A CMM: REPLD BY 3826153-2	002004 006999	1
305	3826153-2		.ROD-CONNECTING-IGVA SUPPLIER CODE: V99193 SB DATA FROM A CMM: POST SB GTE0252 CONFIG CHG DATA FROM A CMM: REPLS 3826153-2	002004 006999	1
310	MS21279-13		.BOLT	002004 006999	1
310	MS9556-13		.BOLT- SB DATA FROM A CMM: POST SPB GTE0306 OPTIONAL PART: MS21279-13	002004 006999	1
315	MS21043-3		.NUT	002004 006999	1
320	3810226-1		.CLEVIS-ROD END SUPPLIER CODE: V59364 SB DATA FROM A CMM: PRE SB 49-5480	002004 006999	1
320	3810226-2		.CLEVIS-ROD END SUPPLIER CODE: V59364 SB DATA FROM A CMM: POST SB 49-5480	002004 006999	1

MISSING ITEM NUMBERS NOT APPLICABLE

- ITEM NOT ILLUSTRATED

49-52-01-01

49-52-01  
FIG. 01  
PAGE 10  
SEP 20/08

BRI



757

PARTS CATALOG (MAINTENANCE)

FIG ITEM	PART NUMBER	1 2 3 4 5 6 7	NOMENCLATURE	EFFECT FROM TO	UNITS PER ASSY
1 320	3810226-3		.CLEVIS-ROD END SUPPLIER CODE: V59364 SB DATA FROM A CMM: POST SPB GTE0646 CONFIG CHG DATA FROM A CMM: REPLS 3810226-2 ATTACHING PARTS	002004 006999	1
325	AN3C7A		.BOLT	002004 006999	7
330	NAS620C10L		.WASHER	002004 006999	7
335	3810123-4		.COVER ASSY-IGV SUPPLIER CODE: V99193 SB DATA FROM A CMM: PRE SB 49-5363 CONFIG CHG DATA FROM A CMM: SUPSD BY 3810123-5	002004 006999	1
335	3810123-5		.COVER ASSY-IGV SUPPLIER CODE: V99193 SB DATA FROM A CMM: POST SB 49-5363 CONFIG CHG DATA FROM A CMM: SUPDS BY 3810123-4	002004 006999	1
335	3810123-6		.COVER ASSY-IGV SUPPLIER CODE: V99193 SB DATA FROM A CMM: POST SB 49-5712 PRE SB 49-6948 CONFIG CHG DATA FROM A CMM: REPL BY 3810123-8 REPLS 3810123-5	002004 006999	1
335	3810123-8		.COVER ASSY-IGV SUPPLIER CODE: V99193 SB DATA FROM A CMM: POST SB 49-6948 CONFIG CHG DATA FROM A CMM: REPLS 3810123-6	002004 006999	1
340	06DU04		..BEARING- SUPPLIER CODE: V99193 SB DATA FROM A CMM: PRE SB 49-5712	002004 006999	1

MISSING ITEM NUMBERS NOT APPLICABLE

- ITEM NOT ILLUSTRATED

49-52-01-01

49-52-01  
FIG. 01  
PAGE 11  
SEP 20/08

BRI



757

PARTS CATALOG (MAINTENANCE)

FIG ITEM	PART NUMBER	1 2 3 4 5 6 7	NOMENCLATURE	EFFECT FROM TO	UNITS PER ASSY
1					
340	3612701-1		.. BEARING- SUPPLIER CODE: V99193 SB DATA FROM A CMM: POST SB 49-5712	002004 006999	1
340	3827221-1		.. BEARING- SUPPLIER CODE: V99193	002004 006999	1
345	S9014K44		. WASHER- SUPPLIER CODE: V99193	002004 006999	2
350	3826102-1		. GEAR-IGV RING SUPPLIER CODE: V99193 SB DATA FROM A CMM: PRE SB 49-5712	002004 006999	1
355	3826136-1		. BEARING-IGV RING GEAR SUPPLIER CODE: V99193 SB DATA FROM A CMM: PRE SB 49-5712	002004 006999	1
355	3612887-1		. RING-GEAR SUPPLIER CODE: V99193 SB DATA FROM A CMM: POST SB 49-5712 CONFIG CHG DATA FROM A CMM: REPLS 3826102-1 AND 3826136-1	002004 006999	1
360	352723-47		. WASHER-SPR CPRSN SUPPLIER CODE: V99193 SB DATA FROM A CMM: PRE SB 49-5480 POST SPB GTE0665 OPTIONAL PART: S9850-5	002004 006999	27
360	S9850-5		. WASHER-SPR CPRSN SUPPLIER CODE: V99193 SB DATA FROM A CMM: PRE SPB GTE0665 POST SB 49-5480	002004 006999	27
365	S8157CJ11-005		. WASHER- SUPPLIER CODE: V70210	002004 006999	27

MISSING ITEM NUMBERS NOT APPLICABLE

- ITEM NOT ILLUSTRATED

49-52-01-01

49-52-01  
FIG. 01  
PAGE 12  
SEP 20/08

BRI

BOEING PROPRIETARY - Copyright © - Unpublished Work - See title page for details.



757

PARTS CATALOG (MAINTENANCE)

FIG ITEM	PART NUMBER	1 2 3 4 5 6 7	NOMENCLATURE	EFFECT FROM TO	UNITS PER ASSY
1					
370	3810119-2		.GEAR-SPUR IGV SUPPLIER CODE: V99193 SB DATA FROM A CMM: POST SB 49-5617	002004 006999	27
375	S8157CJ11-005		.WASHER- SUPPLIER CODE: V70210 SB DATA FROM A CMM: POST SB 49-5617	002004 006999	27
380	S8157CJ58-005		.WASHER- SUPPLIER CODE: V70210 SB DATA FROM A CMM: POST SB 49-5617	002004 006999	1
385	S8157CJ58-005		.WASHER- SUPPLIER CODE: V70210	002004 006999	1
390	352723-51		.WASHER-SPR CPRSN SUPPLIER CODE: V99193	002004 006999	1
395	3810120-1		.GEAR ASSY-IGV SPUR SUPPLIER CODE: V99193	002004 006999	1
400	04DU04		.BEARING- SUPPLIER CODE: V26124 SB DATA FROM A CMM: PRE SB 49-5712	002004 006999	28
400	3612701-2		.BEARING- SUPPLIER CODE: V99193 SB DATA FROM A CMM: POST SB 49-5712 CONFIG CHG DATA FROM A CMM: REPLS 04DU04	002004 006999	28
400	3827211-1		.BEARING- SUPPLIER CODE: V99193 SB DATA FROM A CMM: POST SB 49-6948 CONFIG CHG DATA FROM A CMM: REPLS 3612701-2	002004 006999	28
405	04DU04		.BEARING- SUPPLIER CODE: V26124	002004 006999	27

MISSING ITEM NUMBERS NOT APPLICABLE

- ITEM NOT ILLUSTRATED

49-52-01-01

49-52-01  
FIG. 01  
PAGE 13  
SEP 20/08

BRI

BOEING PROPRIETARY - Copyright © - Unpublished Work - See title page for details.



757

PARTS CATALOG (MAINTENANCE)

FIG ITEM	PART NUMBER	1 2 3 4 5 6 7	NOMENCLATURE	EFFECT FROM TO	UNITS PER ASSY
1					
405	3612701-2		.BEARING- SUPPLIER CODE: V99193 SB DATA FROM A CMM: POST SB 49-5712	002004 006999	27
405	3827221-2		.BEARING- SUPPLIER CODE: V99193 SB DATA FROM A CMM: POST SB 49-6948	002004 006999	27
410	06DU04		.BEARING- SUPPLIER CODE: V26124	002004 006999	1
410	3612701-1		.BEARING- SUPPLIER CODE: V99193 SB DATA FROM A CMM: POST SB 49-5712	002004 006999	1
410	3827221-1		.BEARING- SUPPLIER CODE: V99193 SB DATA FROM A CMM: POST SB 49-6948	002004 006999	1

MISSING ITEM NUMBERS NOT APPLICABLE

- ITEM NOT ILLUSTRATED

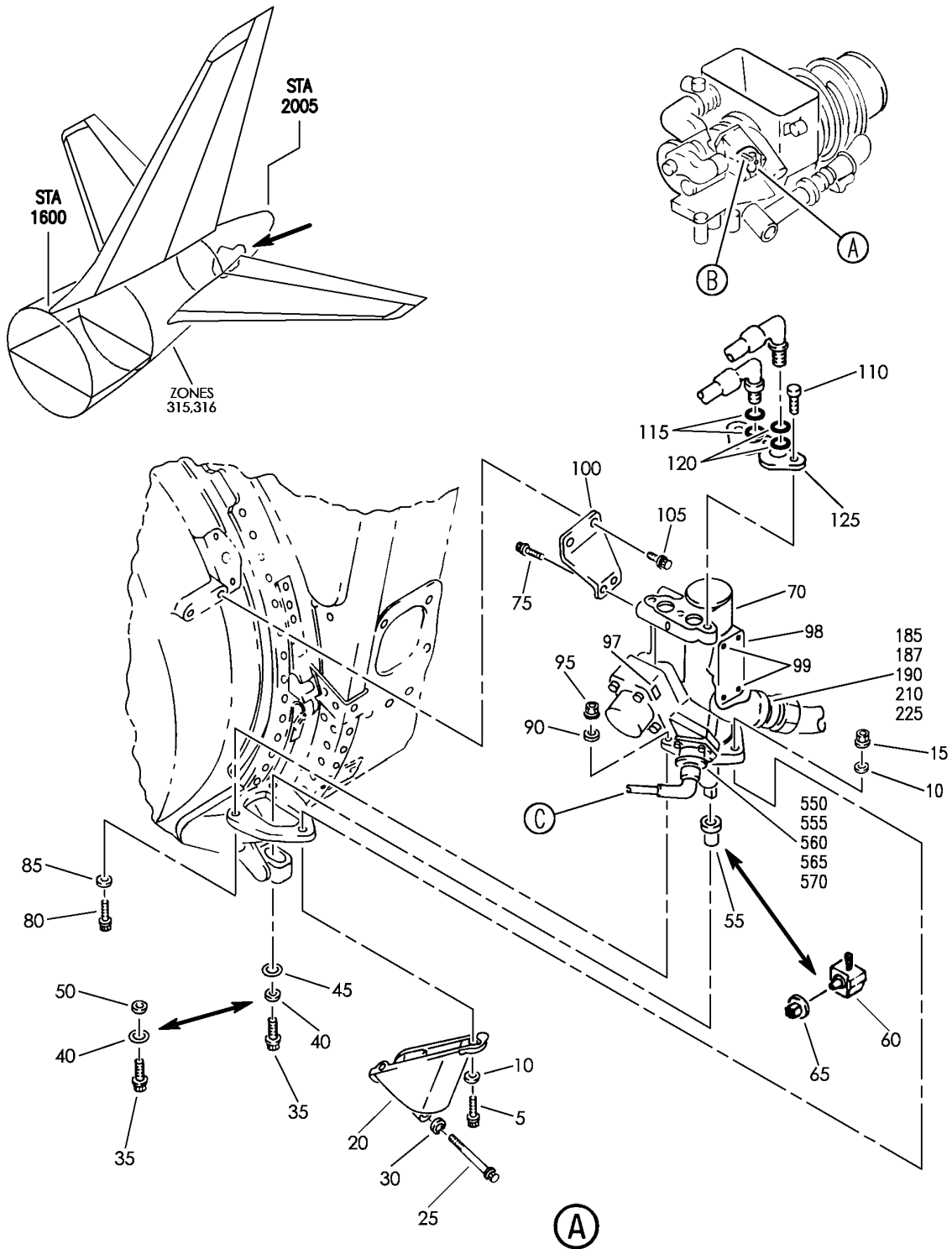
BRI

# 49-52-01-01

BOEING PROPRIETARY - Copyright © - Unpublished Work - See title page for details.

49-52-01  
FIG. 01  
PAGE 14  
SEP 20/08

**BOEING**  
757  
PARTS CATALOG (MAINTENANCE)



Y 49520201 SHT 1 REV 305

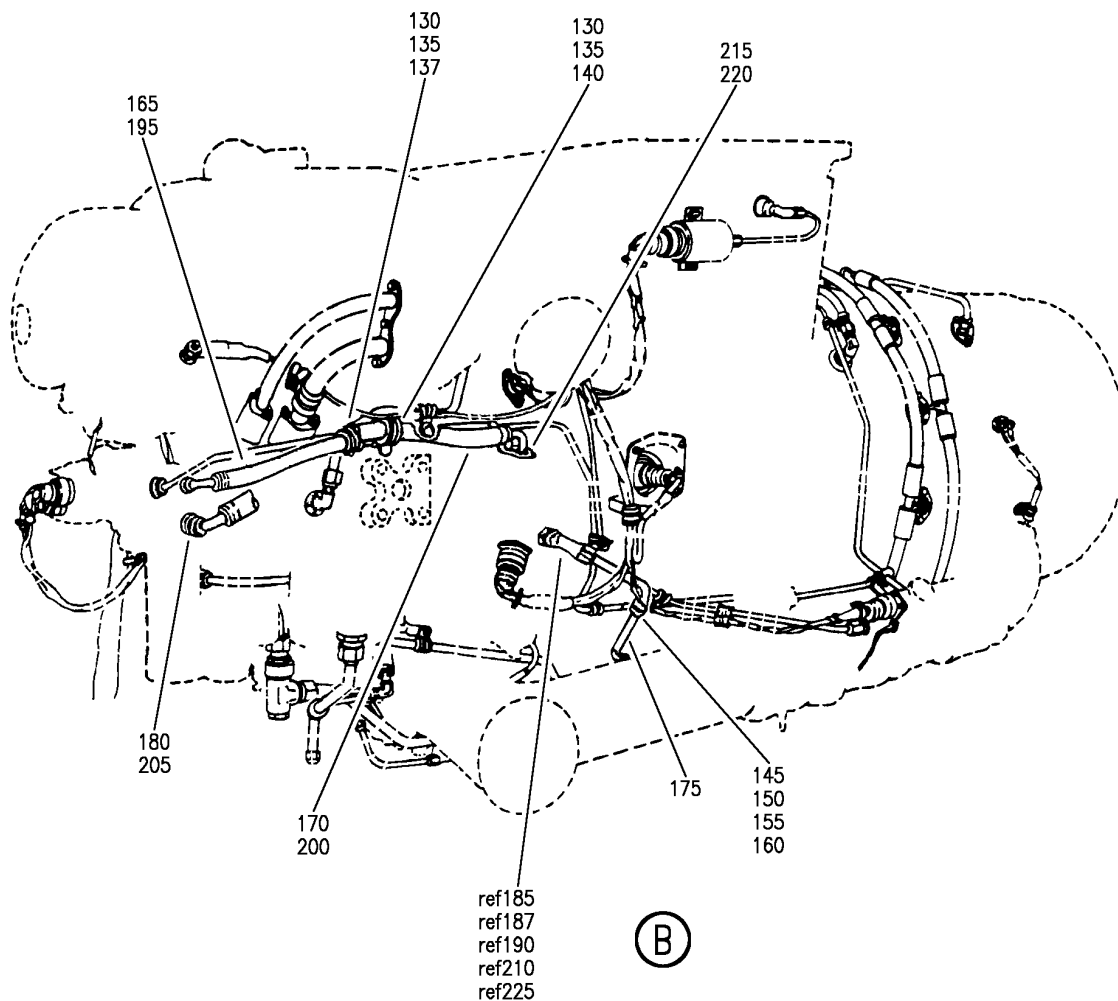
ENGINE ASSY-GAS TURB (INLET GUIDE VANE (IGV) ACTUATOR ONLY)  
FIGURE 1 (SHEET 1)

**49-52-02-01**

BRI  
MAY 28/07

49-52-02-01  
PAGE 0

**BOEING**  
757  
PARTS CATALOG (MAINTENANCE)



Y 49520201 SH1 2 REV 251

ENGINE ASSY-GAS TURB (INLET GUIDE VANE (IGV) ACTUATOR ONLY)  
FIGURE 1 (SHEET 2)

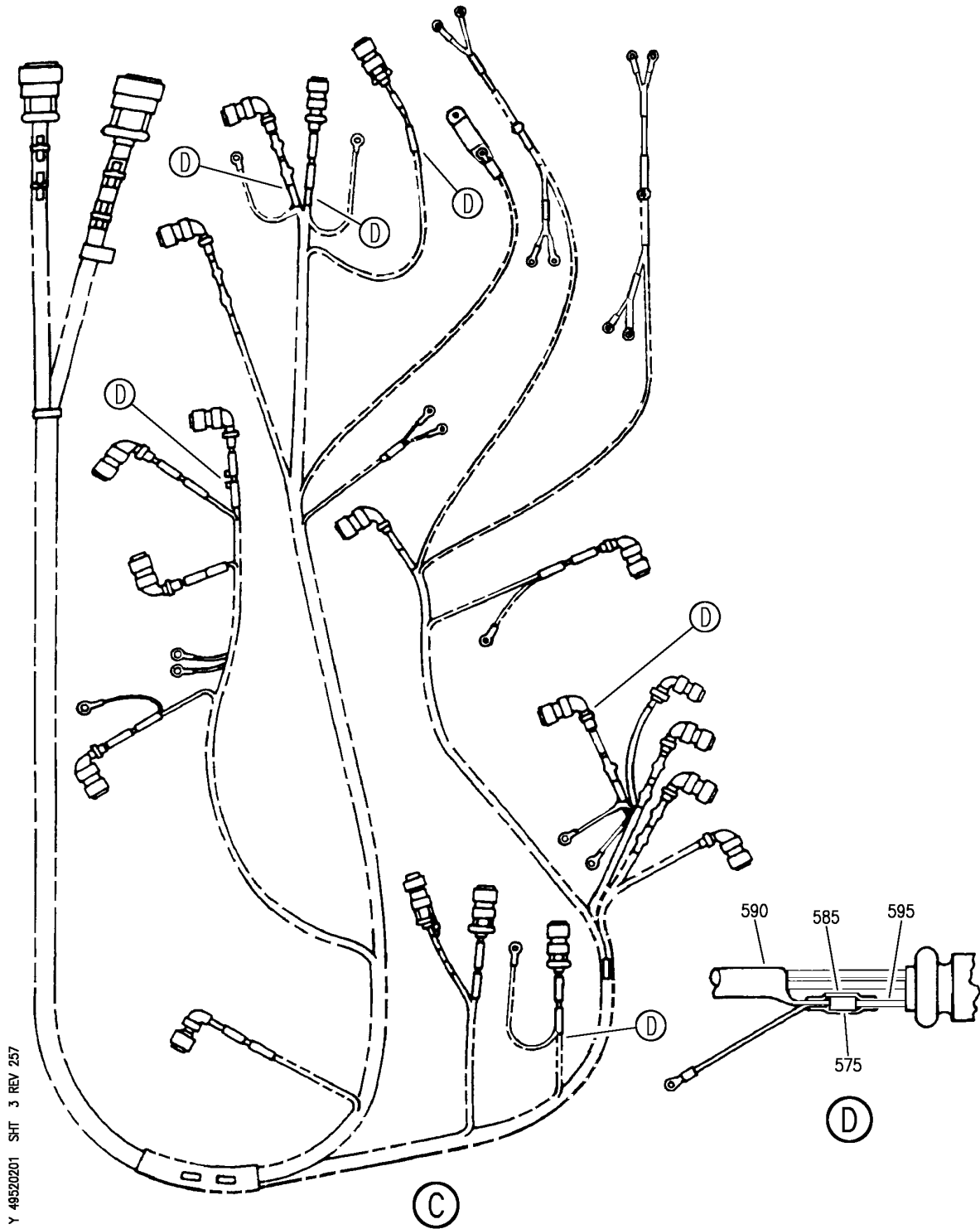
**49-52-02-01**

BRI  
MAY 28/07

49-52-02-01  
PAGE 0A



**BOEING**  
757  
PARTS CATALOG (MAINTENANCE)



Y 49520201 SHT 3 REV 257

ENGINE ASSY-GAS TURB (INLET GUIDE VANE (IGV) ACTUATOR ONLY)  
FIGURE 1 (SHEET 3)

**49-52-02-01**

BRI  
MAY 28/07

49-52-02-01  
PAGE 0B



757

PARTS CATALOG (MAINTENANCE)

FIG ITEM	PART NUMBER	1 2 3 4 5 6 7	NOMENCLATURE	EFFECT FROM TO	UNITS PER ASSY
1			ENGINE ASSY-GAS TURB (INLET GUIDE VANE (IGV) ACTUATOR ONLY)	002004 006999	
- 1	3800298-1-2		ENGINE ASSY-GAS TURB GTCP331-200ER(INLET GUIDE VANE (IGV) ACTUATOR ONLY) SUPPLIER CODE: V99193 SPECIFICATION NUMBER: S351T020-201 CONFIG CHG DATA FROM A CMM: REPLS 3800298-1-1 COMPONENT MAINT MANUAL REF: 49-22-11 QUALIFIED I/W DATA: S351T020-201 (3800298-1-2) AND S351T020-205 (3800298-1-6) ARE INTERCHANGEABLE WITH THE INCORPORATION OF ALLIED SIGNAL S/B GTCP331-49-7081. S351T020-201 (3800298-1-2) AND S351T020-206 (3800298-1-7/3800298-1) ARE INTERCHANGEABLE WITH THE INCORPORATION OF ALLIED SIGNAL S/B GTCP331-49-7081. FOR NHA/ADDITIONAL DET SEE: 49-11-01-50	002004 006100 107107 121503 904999	RF

MISSING ITEM NUMBERS NOT APPLICABLE

- ITEM NOT ILLUSTRATED

49-52-02-01

49-52-02  
FIG. 01  
PAGE 1  
JAN 20/09

BRI



757

PARTS CATALOG (MAINTENANCE)

FIG ITEM	PART NUMBER	1 2 3 4 5 6 7 NOMENCLATURE	EFFECT FROM TO	UNITS PER ASSY
1 - 1	3800298-1-1	ENGINE ASSY-GAS TURB GTCP331-200ER(INLET GUIDE VANE (IGV) ACTUATOR ONLY) SUPPLIER CODE: V99193 SPECIFICATION NUMBER: S351T020-200 COMPONENT MAINT MANUAL REF: 49-22-11 QUALIFIED I/W DATA: S351T020-200 (3800298-1-1) AND S351T020-205 (3800298-1-6) ARE INTERCHANGEABLE WITH THE INCORPORATION OF ALLIED SIGNAL S/B GTCP331-49-7081. S351T020-200 (3800298-1-1) AND S351T020-206 (3800298-1-7/3800298-1) ARE INTERCHANGEABLE WITH THE INCORPORATION OF ALLIED SIGNAL S/B GTCP331-49-7081. FOR NHA/ADDITIONAL DET SEE: 49-11-01-50	002004 006100 107107 121503 904999	RF

MISSING ITEM NUMBERS NOT APPLICABLE

- ITEM NOT ILLUSTRATED

49-52-02-01

49-52-02  
 FIG. 01  
 PAGE 2  
 JAN 20/09

BRI



757

PARTS CATALOG (MAINTENANCE)

FIG ITEM	PART NUMBER	1 2 3 4 5 6 7	NOMENCLATURE	EFFECT FROM TO	UNITS PER ASSY
1 - 1	3800298-1-3		ENGINE ASSY-GAS TURB GTCP331-200ER(INLET GUIDE VANE (IGV) ACTUATOR ONLY) SUPPLIER CODE: V99193 SPECIFICATION NUMBER: S351T020-202 CONFIG CHG DATA FROM A CMM: REPLACES 3800298-1-2 COMPONENT MAINT MANUAL REF: 49-22-11 QUALIFIED I/W DATA: S351T020-202 (3800298-1-3) AND S351T020-205 (3800298-1-6) ARE INTERCHANGEABLE WITH THE INCORPORATION OF ALLIED SIGNAL S/B GTCP331-49-7081. S351T020-202 (3800298-1-3) AND S351T020-206 (3800298-1-7/3800298-1) ARE INTERCHANGEABLE WITH THE INCORPORATION OF ALLIED SIGNAL S/B GTCP331-49-7081. FOR NHA/OTHER SYS DET SEE: 49-11-01-50	002004 006100 107107 121503 904999	RF

MISSING ITEM NUMBERS NOT APPLICABLE

- ITEM NOT ILLUSTRATED

BRI

49-52-02-01

BOEING PROPRIETARY - Copyright © - Unpublished Work - See title page for details.

49-52-02  
 FIG. 01  
 PAGE 3  
 JAN 20/09



757

PARTS CATALOG (MAINTENANCE)

FIG ITEM	PART NUMBER	1 2 3 4 5 6 7	NOMENCLATURE	EFFECT FROM TO	UNITS PER ASSY
1 - 1	3800298-1-4		ENGINE ASSY-GAS TURB GTCP331-200ER(INLET GUIDE VANE (IGV) ACTUATOR ONLY) SUPPLIER CODE: V99193 SPECIFICATION NUMBER: S351T020-203 COMPONENT MAINT MANUAL REF: 49-22-11 QUALIFIED I/W DATA: 3800298-1-4/S351T020-203 AND 3800298-1-6/S351T020-205 ARE INTERCHANGEABLE WITH THE INCORPORATION OF ALLIED SIGNAL S/B GTCP331-49-7081. S351T020-203 (3800298-1-4) AND S351T020-206 (3800298-1-7/3800298-1) ARE INTERCHANGEABLE WITH THE INCORPORATION OF ALLIED SIGNAL S/B GTCP331-49-7081. FOR NHA/ADDITIONAL DET SEE: 49-11-01-50	002004 006100 107107 121503 904999	RF

MISSING ITEM NUMBERS NOT APPLICABLE

- ITEM NOT ILLUSTRATED

BRI

49-52-02-01

BOEING PROPRIETARY - Copyright © - Unpublished Work - See title page for details.

49-52-02  
FIG. 01  
PAGE 4  
JAN 20/09



757

PARTS CATALOG (MAINTENANCE)

FIG ITEM	PART NUMBER	1 2 3 4 5 6 7	NOMENCLATURE	EFFECT FROM TO	UNITS PER ASSY
1					
- 1	3800298-1-5		ENGINE ASSY-GAS TURB GTCP331-200ER(INLET GUIDE VANE (IGV) ACTUATOR ONLY) SUPPLIER CODE: V99193 SPECIFICATION NUMBER: S351T020-204 CONFIG CHG DATA FROM A CMM: REPLS 3800298-1-4 COMPONENT MAINT MANUAL REF: 49-22-11 QUALIFIED I/W DATA: S351T020-204 (3800298-1-5) AND S351T020-205(3800298-1-6 ARE INTERCHANGEABLE WITH THE INCORPORATION OF ALLIED SIGNAL S/B GTCP331-49-7081. S351T020-204 (3800298-1-5) AND S351T020-206 (3800298-1-7/3800298-1) ARE INTERCHANGEABLE WITH THE INCORPORATION OF ALLIED SIGNAL S/B GTCP331-49-7081. FOR NHA/ADDITIONAL DET SEE: 49-11-01-50	002004 006100 107107 121503 904999	RF
- 1	3800298-1-6		ENGINE ASSY-GAS TURB GTCP331-200ER(INLET GUIDE VANE (IGV) ACTUATOR ONLY) SUPPLIER CODE: V99193 SPECIFICATION NUMBER: S351T020-205 CONFIG CHG DATA FROM A CMM: REPLS 3800298-1-5 COMPONENT MAINT MANUAL REF: 49-22-11 QUALIFIED I/W DATA: S351T020-204 (3800298-1-5) AND S351T020-205 (3800298-1-6)ARE INTERCHANGEABLE WITH THE INCORPORATION OF ALLIED SIGNAL S/B GTCP331-49-7081.	002004 006999	RF

MISSING ITEM NUMBERS NOT APPLICABLE

- ITEM NOT ILLUSTRATED

49-52-02-01

49-52-02  
FIG. 01  
PAGE 5  
JAN 20/09

BRI



757

PARTS CATALOG (MAINTENANCE)

FIG ITEM	PART NUMBER	1 2 3 4 5 6 7 NOMENCLATURE	EFFECT FROM TO	UNITS PER ASSY
1		<p>S351T020-203            (3800298-1-4) AND            S351T020-205            (3800298-1-6) ARE            INTERCHANGEABLE WITH THE            INCORPORATION OF ALLIED            SIGNAL S/B            GTCP331-49-7081.            S351T020-202            (3800298-1-3)            AND S351T020-205            (3800298-1-6) ARE            INTERCHANGEABLE            WITH THE INCORPORATION            OF ALLIED SIGNAL S/B            GTCP331-49-7081.            S351T020-201            (3800298-1-2)            AND S351T020-205            (3800298-1-6) ARE            INTERCHANGEABLE            WITH THE INCORPORATION            OF ALLIED SIGNAL S/B            GTCP331-49-7081.            S351T020-200            (3800298-1-1)            AND S351T020-205            (3800298-1-6) ARE            INTERCHANGEABLE            WITH THE INCORPORATION            OF ALLIED SIGNAL S/B            GTCP331-49-7081.            FOR NHA/ADDITIONAL DET SEE:            49-11-01-50            49-21-00-02</p>		
-	1 3800298-1-7	<p>ENGINE ASSY-GAS TURB            GTCP331-200ER(INLET GUIDE            VANE (IGV) ACTUATOR ONLY)            SUPPLIER CODE:            V99193            SPECIFICATION NUMBER:            S351T020-206            CONFIG CHG DATA FROM A CMM:            REPLS 3800298-1-6            COMPONENT MAINT MANUAL REF:            49-22-11            QUALIFIED I/W DATA:            S351T020-204            (3800298-1-5) AND</p>	002004 006999	RF

MISSING ITEM NUMBERS NOT APPLICABLE

- ITEM NOT ILLUSTRATED

49-52-02-01

49-52-02  
 FIG. 01  
 PAGE 6  
 SEP 20/08

BRI



757

PARTS CATALOG (MAINTENANCE)

FIG ITEM	PART NUMBER	1 2 3 4 5 6 7 NOMENCLATURE	EFFECT FROM TO	UNITS PER ASSY
1		<p>S351T020-206            (3800298-1-7/3800298-1)            ARE INTERCHANGEABLE WITH            THE INCORPORATION OF            ALLIED SIGNAL S/B            GTCP331-49-7081.            S351T020-203            (3800298-1-4) AND            S351T020-206(3800298-1-7            /3800298-1) ARE            INTERCHANGEABLE WITH THE            INCORPORATION OF ALLIED            SIGNAL S/B            GTCP331-49-7081.            S351T020-202            (3800298-1-3)            AND S351T020-206            (3800298-1-7/3800298-1)            ARE INTERCHANGEABLE            WITH THE INCORPORATION            OF ALLIED SIGNAL S/B            GTCP331-49-7081.            S351T020-201            (3800298-1-2)            AND S351T020-206            (3800298-1-7/3800298-1)            ARE INTERCHANGEABLE            WITH THE INCORPORATION            OF ALLIED SIGNAL S/B            GTCP331-49-7081.            S351T020-200            (3800298-1-1)            AND S351T020-206            (3800298-1-7/3800298-1)            ARE INTERCHANGEABLE            WITH THE INCORPORATION            OF ALLIED SIGNAL S/B            GTCP331-49-7081.            OPTIONAL PART:            3800298-1            V99193            FOR NHA/ADDITIONAL DET SEE:            49-11-01-50            49-21-00-02</p>		
-	1 3800298-1	<p>ENGINE ASSY-GAS TURB            GTCP331-200ER(INLET GUIDE            VANE (IGV) ACTUATOR ONLY)            SUPPLIER CODE:            V99193</p>	002004 006999	RF

MISSING ITEM NUMBERS NOT APPLICABLE

- ITEM NOT ILLUSTRATED

49-52-02-01

49-52-02  
 FIG. 01  
 PAGE 7  
 SEP 20/08

BRI





757

PARTS CATALOG (MAINTENANCE)

FIG ITEM	PART NUMBER	1 2 3 4 5 6 7 NOMENCLATURE	EFFECT FROM TO	UNITS PER ASSY
1		<p>SPECIFICATION NUMBER: S351T020-206 COMPONENT MAINT MANUAL REF: 49-22-11 QUALIFIED I/W DATA: S351T020-204 (3800298-1-5) AND S351T020-206 (3800298-1-7/3800298-1) ARE INTERCHANGEABLE WITH THE INCORPORATION OF ALLIED SIGNAL S/B GTCP331-49-7081. S351T020-203 (3800298-1-4) AND S351T020-206 (3800298-1-7/380028-1) ARE INTERCHANGEABLE WITH THE INCORPORATION OF ALLIED SIGNAL S/B GTCP331-49-7081. S351T020-202 (3800298-1-3) AND S351T020-206 (3800298-1-7/3800298-1) ARE INTERCHANGEABLE WITH THE INCORPORATION OF ALLIED SIGNAL S/B GTCP331-49-7081. S351T020-201 (3800298-1-2) AND S351T020-206 (3800298-1-7/3800298-1) ARE INTERCHANGEABLE WITH THE INCORPORATION OF ALLIED SIGNAL S/B GTCP331-49-7081. S351T020-200 (3800298-1-1) AND S351T020-206 (3800298-1-7/3800298-1) ARE INTERCHANGEABLE WITH THE INCORPORATION OF ALLIED SIGNAL S/B GTCP331-49-7081. OPTIONAL PART: 3800298-1-7 V99193 FOR NHA/ADDITIONAL DET SEE:</p>		

MISSING ITEM NUMBERS NOT APPLICABLE

- ITEM NOT ILLUSTRATED

49-52-02-01

49-52-02  
FIG. 01  
PAGE 8  
SEP 20/08

BRI



**757  
PARTS CATALOG (MAINTENANCE)**

FIG ITEM	PART NUMBER	1 2 3 4 5 6 7	NOMENCLATURE	EFFECT FROM TO	UNITS PER ASSY
1			49-11-01-50 49-21-00-02		
5	MS21280-19	.BOLT-	OPTIONAL PART: MS9557-19	002004 006999	1
5	MS9557-19	.BOLT-	SB DATA FROM A CMM: POST SPB GTE0306 OPTIONAL PART: MS21280-19	002004 006999	1
10	NAS620C416L	.WASHER		002004 006999	2
15	MS21043-4	.NUT		002004 006999	1
20	3826251-1	.COVER-INLET GUIDE VANE ACTR MTG BRKT SUPPLIER CODE: V99193 SB DATA FROM A CMM: PRE SPB GTE0252 CONFIG CHG DATA FROM A CMM: REPLD BY 3826251-2		002004 006999	1
20	3826251-2	.COVER-INLET GUIDE VANE ACTR MTG BRKT SUPPLIER CODE: V99193 SB DATA FROM A CMM: POST SPB GTE0252 CONFIG CHG DATA FROM A CMM: REPLS 3826251-1 ATTACHING PARTS		002004 006999	1
25	MS21280-37	.BOLT-	OPTIONAL PART: MS9557-37	002004 006999	1
25	MS9557-37	.BOLT-	SB DATA FROM A CMM: POST SPB GTE0306 OPTIONAL PART: MS21280-37	002004 006999	1
30	NAS620C416L	.WASHER		002004 006999	1
35	MS21280-15	-----*----- .BOLT-	SB DATA FROM A CMM: PRE SB 49-5454 PRE SB 49-5597 CONFIG CHG DATA FROM A CMM: SUPSD BY MS9490-15	002004 006999	1

MISSING ITEM NUMBERS NOT APPLICABLE

— ITEM NOT ILLUSTRATED

# 49-52-02-01

49-52-02  
FIG. 01  
PAGE 9  
SEP 20/08

BRI

BOEING PROPRIETARY - Copyright © - Unpublished Work - See title page for details.



757

PARTS CATALOG (MAINTENANCE)

FIG ITEM	PART NUMBER	1 2 3 4 5 6 7	NOMENCLATURE	EFFECT FROM TO	UNITS PER ASSY
1					
35	MS9490-15		.BOLT- SB DATA FROM A CMM: POST SB 49-5454 PRE SB 49-5597 CONFIG CHG DATA FROM A CMM: SUPERSEDES MS21280-15	002004 006999	1
40	AN960C416L		.WASHER- SB DATA FROM A CMM: PRE SB 49-5454 CONFIG CHG DATA FROM A CMM: SUPSD BY S8157BW114-063	002004 006999	1
40	S8157BW114-063		.WASHER- SUPPLIER CODE: V99193 SB DATA FROM A CMM: POST SB 49-5454 PRE SB 49-5597 CONFIG CHG DATA FROM A CMM: SUPERSEDES AN960C416L	002004 006999	1
45	S8154-136H005		.WASHER-SPECIAL SUPPLIER CODE: V99193 SB DATA FROM A CMM: PRE SB 49-5454 PRE SB 49-5597 CONFIG CHG DATA FROM A CMM: SUPSD BY S8154-181C010	002004 006999	AR
50	S8154-136H003		.WASHER-SPECIAL SUPPLIER CODE: V99193 SB DATA FROM A CMM: PRE SB 49-5454 PRE SB 49-5597 CONFIG CHG DATA FROM A CMM: SUPSD BY S8154-181C012	002004 006999	AR
50	S8154-181C010		.WASHER-SPECIAL SUPPLIER CODE: V99193 SB DATA FROM A CMM: POST SB 49-5454 PRE SB 49-5597 CONFIG CHG DATA FROM A CMM: SUPERSEDES S8154-136H005	002004 006999	AR

MISSING ITEM NUMBERS NOT APPLICABLE

- ITEM NOT ILLUSTRATED

49-52-02-01

49-52-02  
FIG. 01  
PAGE 10  
SEP 20/08

BRI



757

PARTS CATALOG (MAINTENANCE)

FIG ITEM	PART NUMBER	1 2 3 4 5 6 7	NOMENCLATURE	EFFECT FROM TO	UNITS PER ASSY
1					
50	S8154-181C016		.WASHER-SPECIAL SUPPLIER CODE: V99193 SB DATA FROM A CMM: POST SB 49-5454 PRE SB 49-5597	002004 006999	AR
50	S8154-181C012		.WASHER-SPECIAL SUPPLIER CODE: V99193 SB DATA FROM A CMM: POST SB 49-5454 CONFIG CHG DATA FROM A CMM: SUPERSEDES S8154-136H003	002004 006999	AR
55	3826165-1		.BUSHING-TRUN SLEEVE SUPPLIER CODE: V99193 SB DATA FROM A CMM: PRE SB 49-5454 PRE SB 49-5597 CONFIG CHG DATA FROM A CMM: SUPSD BY 3826165-2 REPLD BY 3826383-1	002004 006999	1
55	3826165-2		.BUSHING-TRUN SLEEVE SUPPLIER CODE: V99193 SB DATA FROM A CMM: POST SB 49-5454 PRE SB 49-5597 CONFIG CHG DATA FROM A CMM: SUPERSEDES 3826165-1 REPLD BY 3826383-1	002004 006999	1
60	3826383-1		.BLOCK-TRUN SUPPLIER CODE: V99193 NOT APPROVED FOR ETOPS AFTER INCORP OF SB: GTCP331495597 SB DATA FROM A CMM: POST SB 49-5597 CONFIG CHG DATA FROM A CMM: REPLS 3826165-1 REPLS 3826165-2 REPLD BY 3826383-2	002004 006999	1

MISSING ITEM NUMBERS NOT APPLICABLE

- ITEM NOT ILLUSTRATED

49-52-02-01

49-52-02  
FIG. 01  
PAGE 11  
SEP 20/08

BRI



757

PARTS CATALOG (MAINTENANCE)

FIG ITEM	PART NUMBER	1 2 3 4 5 6 7	NOMENCLATURE	EFFECT FROM TO	UNITS PER ASSY
1 60	3826383-2		.BLOCK-TRUN SUPPLIER CODE: V99193 NOT APPROVED FOR ETOPS AFTER INCORP OF SB: GTCP331495597 SB DATA FROM A CMM: POST SB 49-5597 CONFIG CHG DATA FROM A CMM: REPLS 3826383-1	002004 006999	1
60	3826383-3		.BLOCK-TRUN SUPPLIER CODE: V99193 SB DATA FROM A CMM: POST SB 49-5597	002004 006999	1
65	3826381-2		.BUSHING-VESPEL SUPPLIER CODE: V99193 SB DATA FROM A CMM: POST SB 49-5597 CONFIG CHG DATA FROM A CMM: REPLD BY 3826381-3	002004 006999	2
65	3826381-3		.BUSHING-VESPEL SUPPLIER CODE: V99193 SB DATA FROM A CMM: POST SB 49-5597 CONFIG CHG DATA FROM A CMM: REPLS 3826381-2	002004 006999	2
70	3790076-103		.ACTUATOR-INLET GUIDE VANE SUPPLIER CODE: V92003 SB DATA FROM A CMM: PRE SB 49-5971 COMPONENT MAINT MANUAL REF: 49-50-03 OPTIONAL PART: 3886070-2 V92003	002004 006999	1
70	3886070-2		.ACTUATOR-INLET GUIDE VANE SUPPLIER CODE: V92003 COMPONENT MAINT MANUAL REF: 49-50-03 OPTIONAL PART: 3886167-3 V94967 3790076-103 V3H892	002004 006999	1

MISSING ITEM NUMBERS NOT APPLICABLE

- ITEM NOT ILLUSTRATED

49-52-02-01

49-52-02  
FIG. 01  
PAGE 12  
SEP 20/08

BRI



757

PARTS CATALOG (MAINTENANCE)

FIG ITEM	PART NUMBER	1 2 3 4 5 6 7	NOMENCLATURE	EFFECT FROM TO	UNITS PER ASSY
1					
70	3886070-4		.ACTUATOR-INLET GUIDE VANE SUPPLIER CODE: V92003 COMPONENT MAINT MANUAL REF: 49-50-03 OPTIONAL PART: 3886167-3 V94967 3790076-105 V3H892	002004 006999	1
70	3886167-3		.ACTUATOR-INLET GUIDE VANE SUPPLIER CODE: V99193 COMPONENT MAINT MANUAL REF: 49-50-03 OPTIONAL PART: 3886070-2 V92003 3886070-4 V92003 A64847-006 V94697	002004 006999	1
70	3790076-105		.ACTUATOR-INLET GUIDE VANE SUPPLIER CODE: V92003 SB DATA FROM A CMM: PRE 49-5971 POST 3790076-49-04 COMPONENT MAINT MANUAL REF: 49-50-03 OPTIONAL PART: 3886070-4 V92003	002004 006999	1
70	A64847-5		.ACTUATOR-INLET GUIDE VANE SUPPLIER CODE: V94697 SB DATA FROM A CMM: POST SB 49-5971 COMPONENT MAINT MANUAL REF: 49-50-03 OPTIONAL PART: 3886167-3 V94967 PRE SERVICE BULLETIN: 64847-49-04 V94697	002004 006999	1

MISSING ITEM NUMBERS NOT APPLICABLE

- ITEM NOT ILLUSTRATED

49-52-02-01

49-52-02  
FIG. 01  
PAGE 13  
SEP 20/08

BRI



757

PARTS CATALOG (MAINTENANCE)

FIG ITEM	PART NUMBER	1 2 3 4 5 6 7	NOMENCLATURE	EFFECT FROM TO	UNITS PER ASSY
1					
70	A64847-006		.ACTUATOR-INLET GUIDE VANE SUPPLIER CODE: V94697 COMPONENT MAINT MANUAL REF: 49-50-03 OPTIONAL PART: 3886167-3 V94967 POST SERVICE BULLETIN: A64847-49-04 V94697 ATTACHING PARTS	002004 006999	1
75	MS21279-05		.BOLT- OPTIONAL PART: MS9556-05	002004 006999	2
75	MS9556-05		.BOLT- SB DATA FROM A CMM: POST SPB GTE0293 OPTIONAL PART: MS21279-05	002004 006999	2
80	MS21280-16		.BOLT- OPTIONAL PART: MS9557-16	002004 006999	2
80	MS9557-16		.BOLT- SB DATA FROM A CMM: POST SPB GTE0306 OPTIONAL PART: MS21280-16	002004 006999	2
85	NAS620C416L		.WASHER	002004 006999	2
90	NAS620C416L		.WASHER	002004 006999	1
95	MS21043-4		.NUT	002004 006999	2
97	B74055-1		-----*----- ..PLATE-IDENT SUPPLIER CODE: V94697 OPTIONAL PART: B55486-1 V94697	002004 006999	1
97	B55486-1		..PLATE-IDENT SUPPLIER CODE: V94697 OPTIONAL PART: B74055-1 V94697	002004 006999	1

MISSING ITEM NUMBERS NOT APPLICABLE

- ITEM NOT ILLUSTRATED

49-52-02-01

49-52-02  
FIG. 01  
PAGE 14  
SEP 20/08

BRI

BOEING PROPRIETARY - Copyright © - Unpublished Work - See title page for details.



757

PARTS CATALOG (MAINTENANCE)

FIG ITEM	PART NUMBER	1 2 3 4 5 6 7	NOMENCLATURE	EFFECT FROM TO	UNITS PER ASSY
1					
98	3871018-101		..NAMPLATE- SUPPLIER CODE: V3H892 USED ON: 3790076-103 3790076-105 ATTACHING PARTS	002004 006999	1
99	MS35265-13		..SCREW	002004 006999	4
			-----*-----		
100	3826227-1		.BRACKET-INLET GUIDE VANE ACTR MTG SUPPLIER CODE: V99193 ATTACHING PARTS	002004 006999	1
105	MS21279-05		.BOLT- OPTIONAL PART: MS9556-05	002004 006999	2
105	MS9556-05		.BOLT- SB DATA FROM A CMM: POST SPB GTE0293 OPTIONAL PART: MS21279-05	002004 006999	2
			-----*-----		
110	MS9556-05		.BOLT	002004 006999	3
115	S9412-013		.PACKING- SUPPLIER CODE: V99193	002004 006999	2
120	S9412-012		.PACKING- SUPPLIER CODE: V99193	002004 006999	2
125	P882437-1		.RETAINER-INLET GUIDE VANE ACTUATOR SUPPLIER CODE: V99193	002004 006999	1
130	MS21279-05		.BOLT- OPTIONAL PART: MS9556-05	002004 006999	2
130	MS9556-05		.BOLT- SB DATA FROM A CMM: POST SPB GTE0293 OPTIONAL PART: MS21279-05	002004 006999	2
135	MS21043-3		.NUT	002004 006999	2

MISSING ITEM NUMBERS NOT APPLICABLE

- ITEM NOT ILLUSTRATED

49-52-02-01

49-52-02  
FIG. 01  
PAGE 15  
SEP 20/08

BRI

BOEING PROPRIETARY - Copyright © - Unpublished Work - See title page for details.





757

PARTS CATALOG (MAINTENANCE)

FIG ITEM	PART NUMBER	1 2 3 4 5 6 7	NOMENCLATURE	EFFECT FROM TO	UNITS PER ASSY
1 137	TA12C59TH4HB	.CLAMP-	SUPPLIER CODE: V84971 OPTIONAL PART: JM44LC43H4WC V22175	002004 006999	2
137	JM44LC43H4WC	.CLAMP-	SUPPLIER CODE: V22175 SB DATA FROM A CMM: POST SPB GTE1046 OPTIONAL PART: TA12C59TH4HB V84971	002004 006999	2
140	TA12C59WTH11HB	.CLAMP-	SUPPLIER CODE: V84971 OPTIONAL PART: JM44LC43H11WC V22175	002004 006999	2
140	JM44LC43H11WC	.CLAMP-	SUPPLIER CODE: V22175 SB DATA FROM A CMM: POST SPB GTE1046 OPTIONAL PART: TA12C59WTH11HB V84971	002004 006999	2
145	MS21279-05	.BOLT-	OPTIONAL PART: MS9556-05	002004 006999	1
145	MS9556-05	.BOLT-	SB DATA FROM A CMM: POST SPB GTE0292 OPTIONAL PART: MS21279-05	002004 006999	1
150	MS21043-3	.NUT		002004 006999	1
155	TA12C59WTH6HB	.CLAMP-	SUPPLIER CODE: V84971 OPTIONAL PART: JM44LC43H6WC V22175	002004 006999	1

MISSING ITEM NUMBERS NOT APPLICABLE

- ITEM NOT ILLUSTRATED

49-52-02-01

49-52-02  
FIG. 01  
PAGE 16  
SEP 20/08

BRI

BOEING PROPRIETARY - Copyright © - Unpublished Work - See title page for details.



757

PARTS CATALOG (MAINTENANCE)

FIG ITEM	PART NUMBER	1 2 3 4 5 6 7	NOMENCLATURE	EFFECT FROM TO	UNITS PER ASSY
1					
155	JM44LC43H6WC		.CLAMP- SUPPLIER CODE: V22175 SB DATA FROM A CMM: POST SPB GTE1046 OPTIONAL PART: TA12C59WTH6HB V84971	002004 006999	1
160	TA12C59TH4HB		.CLAMP- SUPPLIER CODE: V84971 OPTIONAL PART: JM44LC43H4WC V22175	002004 006999	1
160	JM44LC43H4WC		.CLAMP- SUPPLIER CODE: V22175 SB DATA FROM A CMM: POST SPB GTE1046 OPTIONAL PART: TA12C59TH4HB V84971	002004 006999	1
165	3882518-1		.HOSE-IGV ACTR PRESSURE SUPPLIER CODE: V99193	002004 006999	1
170	3882519-1		.HOSE-IGV ACTR RETURN SUPPLIER CODE: V99193	002004 006999	1
175	3882558-1		.TUBE-ACTR DRAIN SUPPLIER CODE: V99193 USED ON: 3800298-1-1 3800298-1-2 3800298-1-3 3800298-1-4 3800298-1-5 3800298-1-6 USED ON: 3800298-1-7 3800298-1	002004 006999	1
180	MS21902J6		.UNION	002004 006999	1
185	MS21908J6		.ELBOW	002004 006999	1
187	S9412-012		.PACKING- SUPPLIER CODE: V99193	002004 006999	2

MISSING ITEM NUMBERS NOT APPLICABLE

- ITEM NOT ILLUSTRATED

49-52-02-01

49-52-02  
FIG. 01  
PAGE 17  
SEP 20/08

BRI

BOEING PROPRIETARY - Copyright © - Unpublished Work - See title page for details.



757

PARTS CATALOG (MAINTENANCE)

FIG ITEM	PART NUMBER	1 2 3 4 5 6 7	NOMENCLATURE	EFFECT FROM TO	UNITS PER ASSY
1					
190	S9412-556		.PACKING- SUPPLIER CODE: V99193 OPTIONAL PART: M25988-2-906	002004 006999	1
190	M25988-2-906		.PACKING- OPTIONAL PART: S9412-556 V99193	002004 006999	1
195	S9412-013		.PACKING- SUPPLIER CODE: V99193 CONFIG CHG DATA FROM A CMM: REPLD BY S9412-012	002004 006999	2
195	S9412-012		.PACKING- SUPPLIER CODE: V99193 CONFIG CHG DATA FROM A CMM: REPLS S9412-013 OPTIONAL PART: M25988-2-012	002004 006999	2
195	M25988-2-012		.PACKING- OPTIONAL PART: S9412-012 V99193	002004 006999	2
200	S9412-012		.PACKING- SUPPLIER CODE: V99193 CONFIG CHG DATA FROM A CMM: REPLD BY S9412-013	002004 006999	2
200	S9412-013		.PACKING- SUPPLIER CODE: V99193 CONFIG CHG DATA FROM A CMM: REPLS S9412-012 OPTIONAL PART: M25988-2-013	002004 006999	2
200	M25988-2-013		.PACKING- OPTIONAL PART: S9412-013 V99193	002004 006999	2
205	S9412-556		.PACKING- SUPPLIER CODE: V99193	002004 006999	1

MISSING ITEM NUMBERS NOT APPLICABLE

- ITEM NOT ILLUSTRATED

49-52-02-01

49-52-02  
FIG. 01  
PAGE 18  
SEP 20/08

BRI

BOEING PROPRIETARY - Copyright © - Unpublished Work - See title page for details.



757

PARTS CATALOG (MAINTENANCE)

FIG ITEM	PART NUMBER	1 2 3 4 5 6 7	NOMENCLATURE	EFFECT FROM TO	UNITS PER ASSY
1					
210	AN6289D6	.NUT-	SB DATA FROM A CMM: PRE SB 49-5634 PRE SB 49-5765 PRE SB 49-5793 CONFIG CHG DATA FROM A CMM: REPLD BY AN6289J6	002004 006999	1
210	AN6289J6	.NUT-	SB DATA FROM A CMM: POST SB 49-5634 POST SB 49-5765 POST SB 49-5793 CONFIG CHG DATA FROM A CMM: REPLS AN6289D6	002004 006999	1
215	MS21279-05	.BOLT-	OPTIONAL PART: MS9556-05	002004 006999	3
215	MS9556-05	.BOLT-	SB DATA FROM A CMM: POST SPB GTE0292 OPTIONAL PART: MS21279-05	002004 006999	3
220	3882437-1	.RETAINER-IGV ACTR	SUPPLIER CODE: V99193	002004 006999	1
225	MS28773-06	.RETAINER		002004 006999	1
- 500	3888123-4	.WIRING HARNESS ASSY-	SUPPLIER CODE: V99193 SB DATA FROM A CMM: PRE 49-5794 POST 49-5533	002004 006102 107999	RF
- 500	3888123-5	.WIRING HARNESS ASSY-	SUPPLIER CODE: V99193 USED ON: 3800298-1-1 3800298-1-2 3800298-1-3 3800298-1-4 3800298-1-5 3800298-1-6 USED ON: 3800298-1 3800298-1-7	002004 006999	RF

MISSING ITEM NUMBERS NOT APPLICABLE

- ITEM NOT ILLUSTRATED

49-52-02-01

49-52-02  
FIG. 01  
PAGE 19  
JAN 20/09

BRI



757

PARTS CATALOG (MAINTENANCE)

FIG ITEM	PART NUMBER	1 2 3 4 5 6 7	NOMENCLATURE	EFFECT FROM TO	UNITS PER ASSY
1 - 500	3888123-6		.WIRING HARNESS ASSY- SUPPLIER CODE: V99193 SB DATA FROM A CMM: PRE 49-5840 PRE 49-7403 POST 49-5794 CONFIG CHG DATA FROM A CMM: REPLD BY 3888123-8 REWORKED FROM 3888123-4 QUALIFIED OPTIONAL DATA: 3888123-8 QUALIFIED SB I/W DATA: 3617394-1 USED WITH 3888123-8 OR 3888123-9 OPT TO 3617394-1 USED WITH 3888123-6 OR 3888123-7 AND 3888450-1 OPT TO 3614759-1 USED WITH 3888123-8 OR 3888123-9 OPT TO 3617459-1 USED WITH 3888123-6 OR 3888123-7 AND 3888450-1	002004 006102 107999	RF
- 500	3888123-8		.WIRING HARNESS ASSY- SUPPLIER CODE: V99193 SB DATA FROM A CMM: POST 49-7391 POST 49-7402 CONFIG CHG DATA FROM A CMM: REPLS 3888123-6 REPLD BY 3888465-1 QUALIFIED OPTIONAL DATA: 388123-6 QUALIFIED SB I/W DATA: 3617394-1 USED WITH 3888123-8 OR 3888123-9 OPT TO 3617394-1 USED WITH 3888123-6 OR 3888123-7 AND 3888450-1 OPT TO 3614759-1 USED WITH 3888123-8 OR 3888123-9 OPT TO 3617459-1 USED WITH 3888123-6 OR 3888123-7 AND 3888450-1	002004 006999	RF

MISSING ITEM NUMBERS NOT APPLICABLE

- ITEM NOT ILLUSTRATED

49-52-02-01

49-52-02  
FIG. 01  
PAGE 20  
JAN 20/09

BRI



757

PARTS CATALOG (MAINTENANCE)

FIG ITEM	PART NUMBER	1 2 3 4 5 6 7	NOMENCLATURE	EFFECT FROM TO	UNITS PER ASSY
1 - 500	3888123-9		.WIRING HARNESS ASSY- SUPPLIER CODE: V99193 SB DATA FROM A CMM: POST 49-7403 CONFIG CHG DATA FROM A CMM: REPLS 3888123-7 REPLD BY 3888465-1 QUALIFIED SB I/W DATA: 3617394-1 USED WITH 3888123-8 OR 3888123-9 OPT TO 3617394-1 USED WITH 3888123-6 OR 3888123-7 AND 3888450-1 OPT TO 3614759-1 USED WITH 3888123-8 OR 3888123-9 OPT TO 3617459-1 USED WITH 3888123-6 OR 3888123-7 AND 3888450-1 POST SERVICE BULLETIN: GTCP331-49-7391R1 V99193	002004 006999	RF
- 500	3888465-1		.WIRING HARNESS ASSY- SUPPLIER CODE: V99193 SB DATA FROM A CMM: POST 49-7618 CONFIG CHG DATA FROM A CMM: REPLS 3888123-8 REPLS 3888123-9	002004 006999	RF
550	GS3418-14CD		..CLAMP- SUPPLIER CODE: V06324	002004 006999	1
555	ZZYAO-12D14-07S		..CONNECTOR-P16 SUPPLIER CODE: V14283 OPTIONAL PART: BCREF12085 V13556	002004 006999	1
555	BCREF12085		..CONNECTOR-P16 SUPPLIER CODE: V13556 OVERLENGTH PART NUMBER: CN0966-14A07SN000 OPTIONAL PART: ZZYAO-12D14-07S V49367	002004 006999	1

MISSING ITEM NUMBERS NOT APPLICABLE

- ITEM NOT ILLUSTRATED

49-52-02-01

49-52-02  
FIG. 01  
PAGE 21  
SEP 20/08

BRI



757

PARTS CATALOG (MAINTENANCE)

FIG ITEM	PART NUMBER	1 2 3 4 5 6 7	NOMENCLATURE	EFFECT FROM TO	UNITS PER ASSY
1					
560	LRC20W15DJ5	..	CONTACT- SUPPLIER CODE: V09922	002004 006999	7
565	10-230935-143	..	GROMMET-RUBBER SUPPLIER CODE: V77820	002004 006999	1
570	31892	..	TERMINAL- SUPPLIER CODE: V00779	002004 006999	1
575	34138	..	SPLICE- SUPPLIER CODE: V00779 SB DATA FROM A CMM: PRE SB 49-7403	002004 006999	19
- 580	34138	..	SPLICE- SUPPLIER CODE: V00779 SB DATA FROM A CMM: POST SB 49-7403	002004 006999	20
585	S9055L9-100	..	SLEEVE- SUPPLIER CODE: V99193 SB DATA FROM A CMM: POST SB 49-5399	002004 006999	4
585	BCREF13896	..	SLEEVE- OVERLENGTH PART NUMBER: M23053-5-107-9-46 SB DATA FROM A CMM: PRE SB 49-5399	002004 006999	4
590	M27500-18TA2N06	..	CABLE- OPTIONAL PART: 18699-70T2 V92607 75908-18-2NSTJ V12515 61-0244 V05973	002004 006999	AR
590	18699-70T2	..	CABLE- SUPPLIER CODE: V92607 OPTIONAL PART: 75908-18-2NSTJ V12515 61-0244 V05973 M27500-18TA2N06	002004 006999	AR

MISSING ITEM NUMBERS NOT APPLICABLE

- ITEM NOT ILLUSTRATED

49-52-02-01

49-52-02  
FIG. 01  
PAGE 22  
SEP 20/08

BRI

BOEING PROPRIETARY - Copyright © - Unpublished Work - See title page for details.



757

PARTS CATALOG (MAINTENANCE)

FIG ITEM	PART NUMBER	1 2 3 4 5 6 7	NOMENCLATURE	EFFECT FROM TO	UNITS PER ASSY
1 590	75908-18-2NSTJ		.. CABLE- SUPPLIER CODE: V12515 OPTIONAL PART: 18699-70T2 V92607 61-0244 V05973 M27500-18TA2N06	002004 006999	AR
590	61-0244		.. CABLE- SUPPLIER CODE: V05973 OPTIONAL PART: 18699-70T2 V92607 75908-18-2NSTJ V12515 M27500-18TA2N06	002004 006999	AR
- 595	M22759-8-18-8		.. WIRE-ELECTRICAL OPTIONAL PART: 18699-69A1 V92607 75908E18 V12515 18AF2XTN1930 V12814 BATATE193ONICE V90484 11-00821 V05973	002004 006999	AR
- 595	18699-69A1		.. WIRE-ELECTRICAL SUPPLIER CODE: V92607 OPTIONAL PART: 75908E18 V12515 18AF2XTN1930 V12814 BATATE193ONICE V90484 11-00821 V05973 M22759-8-18-8	002004 006999	AR

MISSING ITEM NUMBERS NOT APPLICABLE

- ITEM NOT ILLUSTRATED

49-52-02-01

49-52-02  
FIG. 01  
PAGE 23  
SEP 20/08

BRI





757

PARTS CATALOG (MAINTENANCE)

FIG ITEM	PART NUMBER	1 2 3 4 5 6 7	NOMENCLATURE	EFFECT FROM TO	UNITS PER ASSY
1					
- 595	75908E18		.. WIRE-ELECTRICAL SUPPLIER CODE: V12515 OPTIONAL PART: 18699-69A1 V92607 18AF2XTN1930 V12814 BATATE1930NICE V90484 11-00821 V05973 M22759-8-18-8	002004 006999	AR
- 595	18AF2XTN1930		.. WIRE-ELECTRICAL SUPPLIER CODE: V12814 OPTIONAL PART: 18699-69A1 V92607 75908E18 V12515 BATATE1930NICE V90484 11-00821 V05973 M22759-8-18-8	002004 006999	AR
- 595	BATATE1930NICE		.. WIRE-ELECTRICAL SUPPLIER CODE: V90484 OPTIONAL PART: 18699-69A1 V92607 75908E18 V12515 18AF2XTN1930 V12814 11-00821 V05973 M22759-8-18-8	002004 006999	AR

MISSING ITEM NUMBERS NOT APPLICABLE

- ITEM NOT ILLUSTRATED

49-52-02-01

49-52-02  
FIG. 01  
PAGE 24  
SEP 20/08

BRI



757

PARTS CATALOG (MAINTENANCE)

FIG ITEM	PART NUMBER	1 2 3 4 5 6 7	NOMENCLATURE	EFFECT FROM TO	UNITS PER ASSY
1 - 595	11-00821		. . WIRE-ELECTRICAL SUPPLIER CODE: V05973 OPTIONAL PART: 18699-69A1 V92607 75908E18 V12515 18AF2XTN1930 V12814 BATATE1930NICE V90484 M22759-8-18-8	002004 006999	AR

MISSING ITEM NUMBERS NOT APPLICABLE

- ITEM NOT ILLUSTRATED

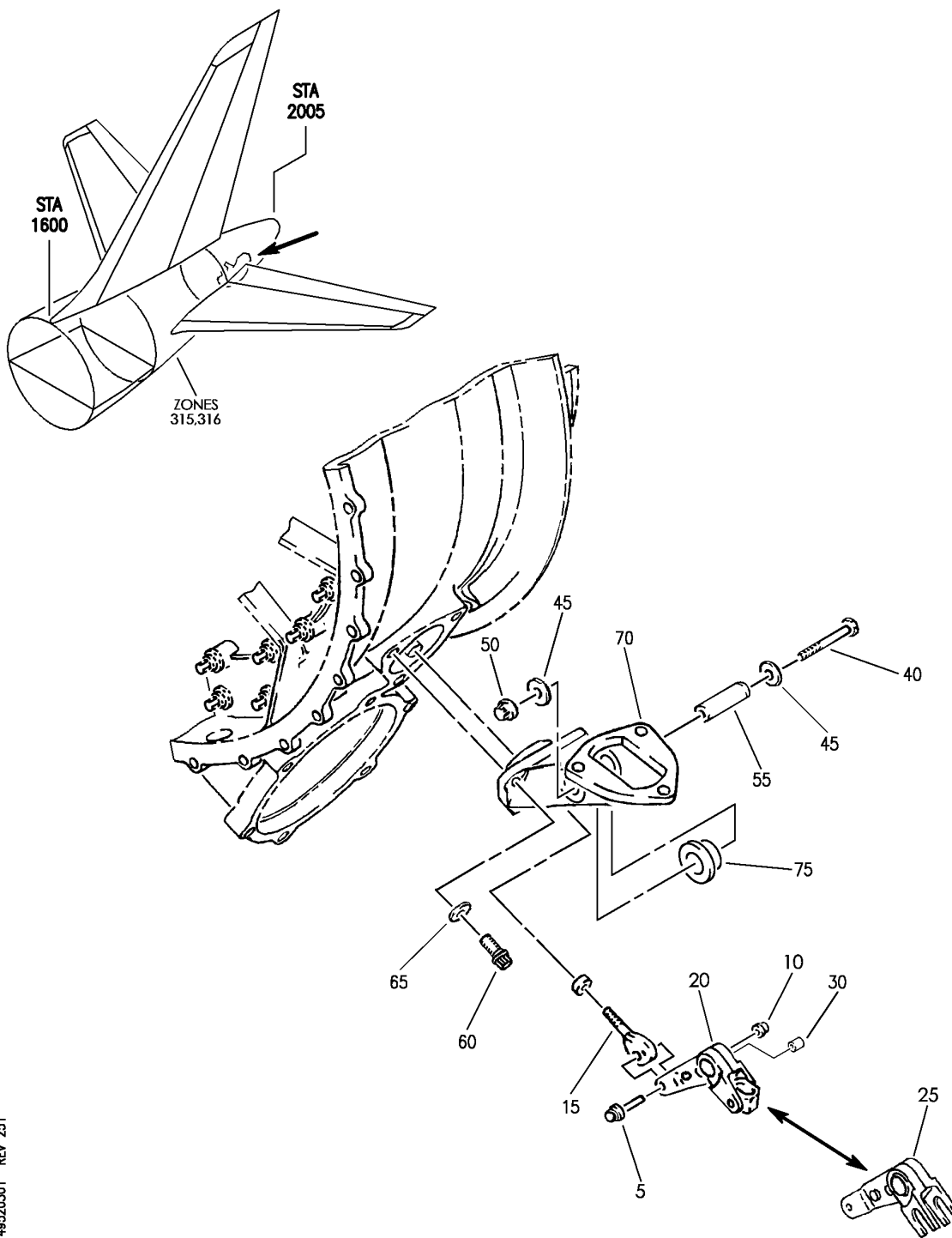
BRI

49-52-02-01

BOEING PROPRIETARY - Copyright © - Unpublished Work - See title page for details.

49-52-02  
FIG. 01  
PAGE 25  
SEP 20/08

**BOEING**  
757  
PARTS CATALOG (MAINTENANCE)



Y 49520301 REV 251

ENGINE ASSY-GAS TURB (INLET GUIDE VANE (IGV) LINKAGE BELLCRANK ONLY)

FIGURE 1

**49-52-03-01**

BRI  
MAY 28/07

49-52-03-01  
PAGE 0



757

PARTS CATALOG (MAINTENANCE)

FIG ITEM	PART NUMBER	1 2 3 4 5 6 7	NOMENCLATURE	EFFECT FROM TO	UNITS PER ASSY
1			ENGINE ASSY-GAS TURB (INLET GUIDE VANE (IGV) LINKAGE BELLCRANK ONLY)	002004 006999	
- 1	3800298-1-2		ENGINE ASSY-GAS TURB GTCP331-200ER (INLET GUIDE VANE (IGV) LINKAGE BELLCRANK ONLY) SUPPLIER CODE: V99193 SPECIFICATION NUMBER: S351T020-201 CONFIG CHG DATA FROM A CMM: REPLS 3800298-1-1 COMPONENT MAINT MANUAL REF: 49-22-11 QUALIFIED I/W DATA: S351T020-201 (3800298-1-2) AND S351T020-205 (3800298-1-6) ARE INTERCHANGEABLE WITH THE INCORPORATION OF ALLIED SIGNAL S/B GTCP331-49-7081. S351T020-201 (3800298-1-2) AND S351T020-206 (3800298-1-7/3800298-1) ARE INTERCHANGEABLE WITH THE INCORPORATION OF ALLIED SIGNAL S/B GTCP331-49-7081. FOR NHA/ADDITIONAL DET SEE: 49-11-01-50	002004 006100 107107 121503 904999	RF

MISSING ITEM NUMBERS NOT APPLICABLE

- ITEM NOT ILLUSTRATED

BRI

49-52-03-01

BOEING PROPRIETARY - Copyright © - Unpublished Work - See title page for details.

49-52-03  
FIG. 01  
PAGE 1  
JAN 20/09



757

PARTS CATALOG (MAINTENANCE)

FIG ITEM	PART NUMBER	1 2 3 4 5 6 7	NOMENCLATURE	EFFECT FROM TO	UNITS PER ASSY
1 - 1	3800298-1-1		ENGINE ASSY-GAS TURB GTCP331-200ER (INLET GUIDE VANE (IGV) LINKAGE BELLCRANK ONLY) SUPPLIER CODE: V99193 SPECIFICATION NUMBER: S351T020-200 COMPONENT MAINT MANUAL REF: 49-22-11 QUALIFIED I/W DATA: S351T020-200 (3800298-1-1) AND S351T020-205 (3800298-1-6) ARE INTERCHANGEABLE WITH THE INCORPORATION OF ALLIED SIGNAL S/B GTCP331-49-7081. S351T020-200 (3800298-1-1) AND S351T020-206 (3800298-1-7/3800298-1) ARE INTERCHANGEABLE WITH THE INCORPORATION OF ALLIED SIGNAL S/B GTCP331-49-7081. FOR NHA/ADDITIONAL DET SEE: 49-11-01-50	002004 006100 107107 121503 904999	RF

MISSING ITEM NUMBERS NOT APPLICABLE

- ITEM NOT ILLUSTRATED

BRI

49-52-03-01

BOEING PROPRIETARY - Copyright © - Unpublished Work - See title page for details.

49-52-03  
FIG. 01  
PAGE 2  
JAN 20/09



757

PARTS CATALOG (MAINTENANCE)

FIG ITEM	PART NUMBER	1 2 3 4 5 6 7	NOMENCLATURE	EFFECT FROM TO	UNITS PER ASSY
1 - 1	3800298-1-3		ENGINE ASSY-GAS TURB GTCP331-200ER (INLET GUIDE VANE (IGV) LINKAGE BELLCRANK ONLY) SUPPLIER CODE: V99193 SPECIFICATION NUMBER: S351T020-202 CONFIG CHG DATA FROM A CMM: REPLS 3800298-1-2 COMPONENT MAINT MANUAL REF: 49-22-11 QUALIFIED I/W DATA: S351T020-202 (3800298-1-3) AND S351T020-205 (3800298-1-6) ARE INTERCHANGEABLE WITH THE INCORPORATION OF ALLIED SIGNAL S/B GTCP331-49-7081. S351T020-202 (3800298-1-3) AND S351T020-206 (3800298-1-7/3800298-1) ARE INTERCHANGEABLE WITH THE INCORPORATION OF ALLIED SIGNAL S/B GTCP331-49-7081. FOR NHA/OTHER SYS DET SEE: 49-11-01-50	002004 006100 107107 121503 904999	RF

MISSING ITEM NUMBERS NOT APPLICABLE

- ITEM NOT ILLUSTRATED

BRI

49-52-03-01

BOEING PROPRIETARY - Copyright © - Unpublished Work - See title page for details.

49-52-03  
 FIG. 01  
 PAGE 3  
 JAN 20/09



757

PARTS CATALOG (MAINTENANCE)

FIG ITEM	PART NUMBER	1 2 3 4 5 6 7	NOMENCLATURE	EFFECT FROM TO	UNITS PER ASSY
1 - 1	3800298-1-4		ENGINE ASSY-GAS TURB GTCP331-200ER (INLET GUIDE VANE (IGV) LINKAGE BELLCRANK ONLY) SUPPLIER CODE: V99193 SPECIFICATION NUMBER: S351T020-203 CONFIG CHG DATA FROM A CMM: REPLS 3800298-1-3 COMPONENT MAINT MANUAL REF: 49-22-11 QUALIFIED I/W DATA: 3800298-1-4/S351T020-203 AND 3800298-1-6/S351T020-205 ARE INTERCHANGEABLE WITH THE INCORPORATION OF ALLIED SIGNAL S/B GTCP331-49-7081. S351T020-203 (3800298-1-4) AND S351T020-206 (3800298-1-7/3800298-1) ARE INTERCHANGEABLE WITH THE INCORPORATION OF ALLIED SIGNAL S/B GTCP331-49-7081. FOR NHA/ADDITIONAL DET SEE: 49-11-01-50	002004 006100 107107 121503 904999	RF

MISSING ITEM NUMBERS NOT APPLICABLE

- ITEM NOT ILLUSTRATED

BRI

49-52-03-01

BOEING PROPRIETARY - Copyright © - Unpublished Work - See title page for details.

49-52-03  
FIG. 01  
PAGE 4  
JAN 20/09



757

PARTS CATALOG (MAINTENANCE)

FIG ITEM	PART NUMBER	1 2 3 4 5 6 7	NOMENCLATURE	EFFECT FROM TO	UNITS PER ASSY
1					
- 1	3800298-1-5		ENGINE ASSY-GAS TURB GTCP331-200ER (INLET GUIDE VANE (IGV) LINKAGE BELLCRANK ONLY) SUPPLIER CODE: V99193 SPECIFICATION NUMBER: S351T020-204 CONFIG CHG DATA FROM A CMM: REPLS 3800298-1-4 COMPONENT MAINT MANUAL REF: 49-22-11 QUALIFIED I/W DATA: S351T020-204 (3800298-1-5) AND S351T020-205 (3800298-1-6) ARE INTERCHANGEABLE WITH THE INCORPORATION OF ALLIED SIGNAL S/B GTCP331-49-7081. S351T020-204 (3800298-1-5) AND S351T020-206 (3800298-1-7/3800298-1) ARE INTERCHANGEABLE WITH THE INCORPORATION OF ALLIED SIGNAL S/B GTCP331-49-7081. FOR NHA/ADDITIONAL DET SEE: 49-11-01-50	002004 006100 107107 121503 904999	RF
- 1	3800298-1-6		ENGINE ASSY-GAS TURB GTCP331-200ER (INLET GUIDE VANE (IGV) LINKAGE BELLCRANK ONLY) SUPPLIER CODE: V99193 SPECIFICATION NUMBER: S351T020-205 CONFIG CHG DATA FROM A CMM: REPLS 3800298-1-5 COMPONENT MAINT MANUAL REF: 49-22-11 QUALIFIED I/W DATA: S351T020-204 (3800298-1-5) AND S351T020-205 (3800298-1-6) ARE INTERCHANGEABLE WITH	002004 006999	RF

MISSING ITEM NUMBERS NOT APPLICABLE

- ITEM NOT ILLUSTRATED

49-52-03-01

49-52-03  
FIG. 01  
PAGE 5  
JAN 20/09

BRI





757

PARTS CATALOG (MAINTENANCE)

FIG ITEM	PART NUMBER	1 2 3 4 5 6 7 NOMENCLATURE	EFFECT FROM TO	UNITS PER ASSY
1		<p>THE INCORPORATION OF ALLIED SIGNAL S/B GTCP331-49-7081. S351T020-203 (3800298-1-4) AND S351T020-205 (3800298-1-6) ARE INTERCHANGEABLE WITH THE INCORPORATION OF ALLIED SIGNAL S/B GTCP331-49-7081. S351T020-202 (3800298-1-3) AND S351T020-205 (3800298-1-6) ARE INTERCHANGEABLE WITH THE INCORPORATION OF ALLIED SIGNAL S/B GTCP331-49-7081. S351T020-201 (3800298-1-2) AND S351T020-205 (3800298-1-6) ARE INTERCHANGEABLE WITH THE INCORPORATION OF ALLIED SIGNAL S/B GTCP331-49-7081. S351T020-200 (3800298-1-1) AND S351T020-205 (3800298-1-6) ARE INTERCHANGEABLE WITH THE INCORPORATION OF ALLIED SIGNAL S/B GTCP331-49-7081.</p> <p>FOR NHA/ADDITIONAL DET SEE: 49-11-01-50 49-21-00-02</p>		
-	1 3800298-1-7	<p>ENGINE ASSY-GAS TURB GTCP331-200ER (INLET GUIDE VANE (IGV)LINKAGE BELLCRANK ONLY) SUPPLIER CODE: V99193 SPECIFICATION NUMBER: S351T020-206 CONFIG CHG DATA FROM A CMM: REPLS 3800298-1-6 COMPONENT MAINT MANUAL REF:</p>	002004 006999	RF

MISSING ITEM NUMBERS NOT APPLICABLE

- ITEM NOT ILLUSTRATED

49-52-03-01

49-52-03  
FIG. 01  
PAGE 6  
SEP 20/08

BRI



757

PARTS CATALOG (MAINTENANCE)

FIG ITEM	PART NUMBER	1 2 3 4 5 6 7 NOMENCLATURE	EFFECT FROM TO	UNITS PER ASSY
1		<p>49-22-11  QUALIFIED I/W DATA:  S351T020-204  (3800298-1-5) AND  S351T020-206  3800298-1-7/3800298-1)  ARE INTERCHANGEABLE WITH  THE INCORPORATION OF  ALLIED SIGNAL S/B  GTCP331-49-7081.  S351T020-203  (3800298-1-4) AND  S351T020-206  (3800298-1-7/3800298-1)  ARE INTERCHANGEABLE WITH  THE INCORPORATION OF ALL  ALLIED SIGNAL S/B  GTCP331-49-7081.  S351T020-202  (3800298-1-3)  AND S351T020-206  (3800298-1-7/3800298-1)  ARE INTERCHANGEABLE  WITH THE INCORPORATION  OF ALLIED SIGNAL S/B  GTCP331-49-7081.  S351T020-201  (3800298-1-2)  AND S351T020-206  (3800298-1-7/3800298-1)  ARE INTERCHANGEABLE  WITH THE INCORPORATION  OF ALLIED SIGNAL S/B  GTCP331-49-7081.  S351T020-200  (3800298-1-1)  AND S351T020-206  (3800298-1-7/3800298-1)  ARE INTERCHANGEABLE  WITH THE INCORPORATION  OF ALLIED SIGNAL S/B  GTCP331-49-7081.  OPTIONAL PART:  3800298-1  V99193  FOR NHA/OTHER SYS DET SEE:  49-21-00-02  49-11-01-50  FOR NHA/ADDITIONAL DET SEE:</p>		

MISSING ITEM NUMBERS NOT APPLICABLE

- ITEM NOT ILLUSTRATED

49-52-03-01

49-52-03  
FIG. 01  
PAGE 7  
SEP 20/08

BRI



757

PARTS CATALOG (MAINTENANCE)

FIG ITEM	PART NUMBER	1 2 3 4 5 6 7	NOMENCLATURE	EFFECT FROM TO	UNITS PER ASSY
1					
- 1	3800298-1		49-11-01-50 49-21-00-02 ENGINE ASSY-GAS TURB GTCP331-200ER (INLET GUIDE VANE (IGV) LINKAGE BELLCRANK ONLY) SUPPLIER CODE: V99193 SPECIFICATION NUMBER: S351T020-206 COMPONENT MAINT MANUAL REF: 49-22-11 QUALIFIED I/W DATA: S351T020-204 (3800298-1-5) AND S351T020-206 (3800298-1-7/3800298-1) ARE INTERCHANGEABLE WITH THE INCORPORATION OF ALLIED SIGNAL S/B GTCP331-49-7081. S351T020-203 (3800298-1-4) AND S351T020-206 (3800298-1-7/380028-1) ARE INTERCHANGEABLE WITH THE INCORPORATION OF ALLIED SIGNAL S/B GTCP331-49-7081. S351T020-202 (3800298-1-3) AND S351T020-206 (3800298-1-7/3800298-1) ARE INTERCHANGEABLE WITH THE INCORPORATION OF ALLIED SIGNAL S/B GTCP331-49-7081. S351T020-201 (3800298-1-2) AND S351T020-206 (3800298-1-7/3800298-1) ARE INTERCHANGEABLE WITH THE INCORPORATION OF ALLIED SIGNAL S/B GTCP331-49-7081. S351T020-200 (3800298-1-1) AND S351T020-206 (3800298-1-7/3800298-1)	002004 006999	RF
MISSING ITEM NUMBERS NOT APPLICABLE					

- ITEM NOT ILLUSTRATED

49-52-03-01

49-52-03  
FIG. 01  
PAGE 8  
SEP 20/08

BRI



757

PARTS CATALOG (MAINTENANCE)

FIG ITEM	PART NUMBER	1 2 3 4 5 6 7	NOMENCLATURE	EFFECT FROM TO	UNITS PER ASSY
1			ARE INTERCHANGEABLE WITH THE INCORPORATION OF ALLIED SIGNAL S/B GTCP331-49-7081. OPTIONAL PART: 3800298-1-7 V99193 FOR NHA/ADDITIONAL DET SEE: 49-11-01-50 49-21-00-02		
5	EWB0420-3-8		.BOLT- SUPPLIER CODE: V56878	002004 006999	1
10	MS21043-3		.NUT	002004 006999	1
15	3826166-1		.BEARING-ACTR ROD END SUPPLIER CODE: V99193 SB DATA FROM A CMM: PRE SB 49-5577 CONFIG CHG DATA FROM A CMM: REPLD BY HMR3M	002004 006999	RF
20	3826150-1		.BELLCRANK-MATCHED INLET GUIDE VANE ACTR SUPPLIER CODE: V99193 NOT APPROVED FOR ETOPS AFTER INCORP OF SB: GTCP331-49-5597 SB DATA FROM A CMM: PRE SB 49-5480 PRE SB 49-5577	002004 006999	1
20	3826150-2		.BELLCRANK-MATCHED INLET GUIDE VANE ACTR SUPPLIER CODE: V99193 NOT APPROVED FOR ETOPS AFTER INCORP OF SB: GTCP331-49-5597 SB DATA FROM A CMM: PRE SB 49-5597 POST SB 49-5480 POST SB 49-5577 CONFIG CHG DATA FROM A CMM: REPLD BY 3826150-3 USED WITH: 3804002-6	002004 006999	1

MISSING ITEM NUMBERS NOT APPLICABLE

- ITEM NOT ILLUSTRATED

49-52-03-01

49-52-03  
FIG. 01  
PAGE 9  
SEP 20/08

BRI



757

PARTS CATALOG (MAINTENANCE)

FIG ITEM	PART NUMBER	1 2 3 4 5 6 7	NOMENCLATURE	EFFECT FROM TO	UNITS PER ASSY
1 25	3826150-3		.BELLCRANK-MATCHED INLET GUIDE VANE ACTR SUPPLIER CODE: V99193 SB DATA FROM A CMM: POST SB 49-5597 PRE SB 49-6530 CONFIG CHG DATA FROM A CMM: REPLS 3826150-2 REPLD BY 3826527-2 OPTIONAL PART: 3826527-1 V99193	002004 006999	1
25	3826527-2		.BELLCRANK-INLET GUIDE VANE SUPPLIER CODE: V99193 SB DATA FROM A CMM: POST SB 49-6530 CONFIG CHG DATA FROM A CMM: REPLS 3826150-3	002004 006999	1
25	3826527-1		.BELLCRANK-INLET GUIDE VANE ACTR SUPPLIER CODE: V99193 SB DATA FROM A CMM: POST SPB GTE0773 OPTIONAL PART: 3826150-3 V99193	002004 006999	1
30	369144		..BEARING- SUPPLIER CODE: V99193 SB DATA FROM A CMM: PRE 49-6530 CONFIG CHG DATA FROM A CMM: REPLD BY 3827098-1	002004 006999	1
30	3827098-1		..BEARING- SUPPLIER CODE: V99193 SB DATA FROM A CMM: POST 49-6530 CONFIG CHG DATA FROM A CMM: REPLS 369144 USED ON: 3826527-2	002004 006999	1

MISSING ITEM NUMBERS NOT APPLICABLE

- ITEM NOT ILLUSTRATED

49-52-03-01

49-52-03  
FIG. 01  
PAGE 10  
SEP 20/08

BRI



757

PARTS CATALOG (MAINTENANCE)

FIG ITEM	PART NUMBER	1 2 3 4 5 6 7	NOMENCLATURE	EFFECT FROM TO	UNITS PER ASSY
1					
- 35	3827098-1		.. BEARING- SUPPLIER CODE: V99193 USED ON: 3826527-1	002004 006999	1
40	MS9489-26		. BOLT	002004 006999	1
45	S9011G67-032		. WASHER- SUPPLIER CODE: V99193	002004 006999	2
50	MS21043-3		. NUT	002004 006999	1
55	3826158-1		. SHAFT-ACTR SUPPLIER CODE: V99193	002004 006999	1
60	MS21280-10		. BOLT- CONFIG CHG DATA FROM A CMM: REPLD BY MS16996-23	002004 006999	2
60	MS16996-23		. BOLT- CONFIG CHG DATA FROM A CMM: REPLS MS21280-10	002004 006999	2
65	NAS620C416L		. WASHER	002004 006999	2
70	3826154-1		. MOUNT-DRIVEN CPRSR-IGVA SUPPLIER CODE: V99193	002004 006999	1
75	3826159-1		.. BUSHING- SUPPLIER CODE: V99193	002004 006999	2

MISSING ITEM NUMBERS NOT APPLICABLE

- ITEM NOT ILLUSTRATED

49-52-03-01

49-52-03  
FIG. 01  
PAGE 11  
SEP 20/08

BRI

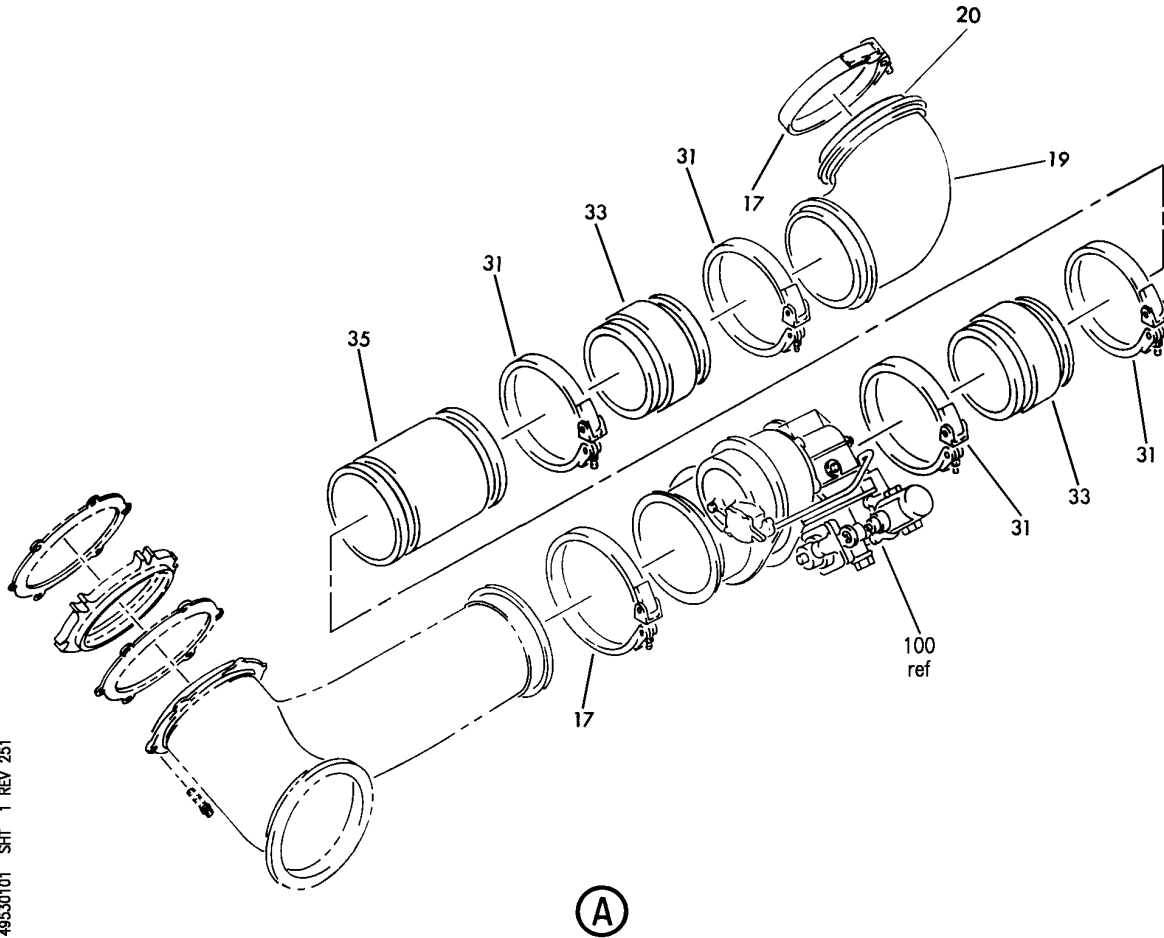
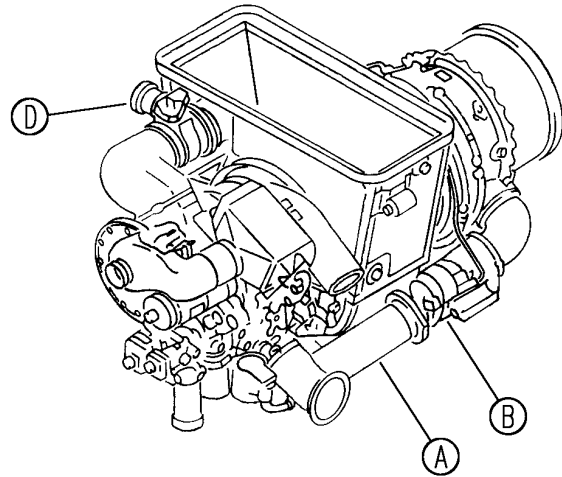
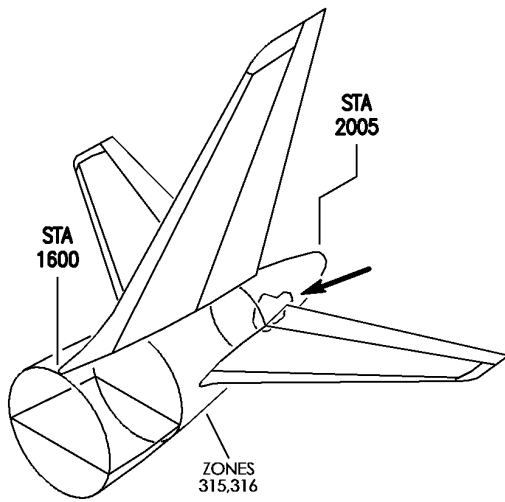
BOEING PROPRIETARY - Copyright © - Unpublished Work - See title page for details.

## APU SURGE BLEED SYSTEM

BRI  
MAY 28/07

49-53-00  
SECTION TITLE  
PAGE 1

**BOEING**  
757  
PARTS CATALOG (MAINTENANCE)



Y 49530101 SHT 1 REV 251

ENGINE ASSY-GAS TURB (SURGE VALVE ONLY)  
FIGURE 1 (SHEET 1)

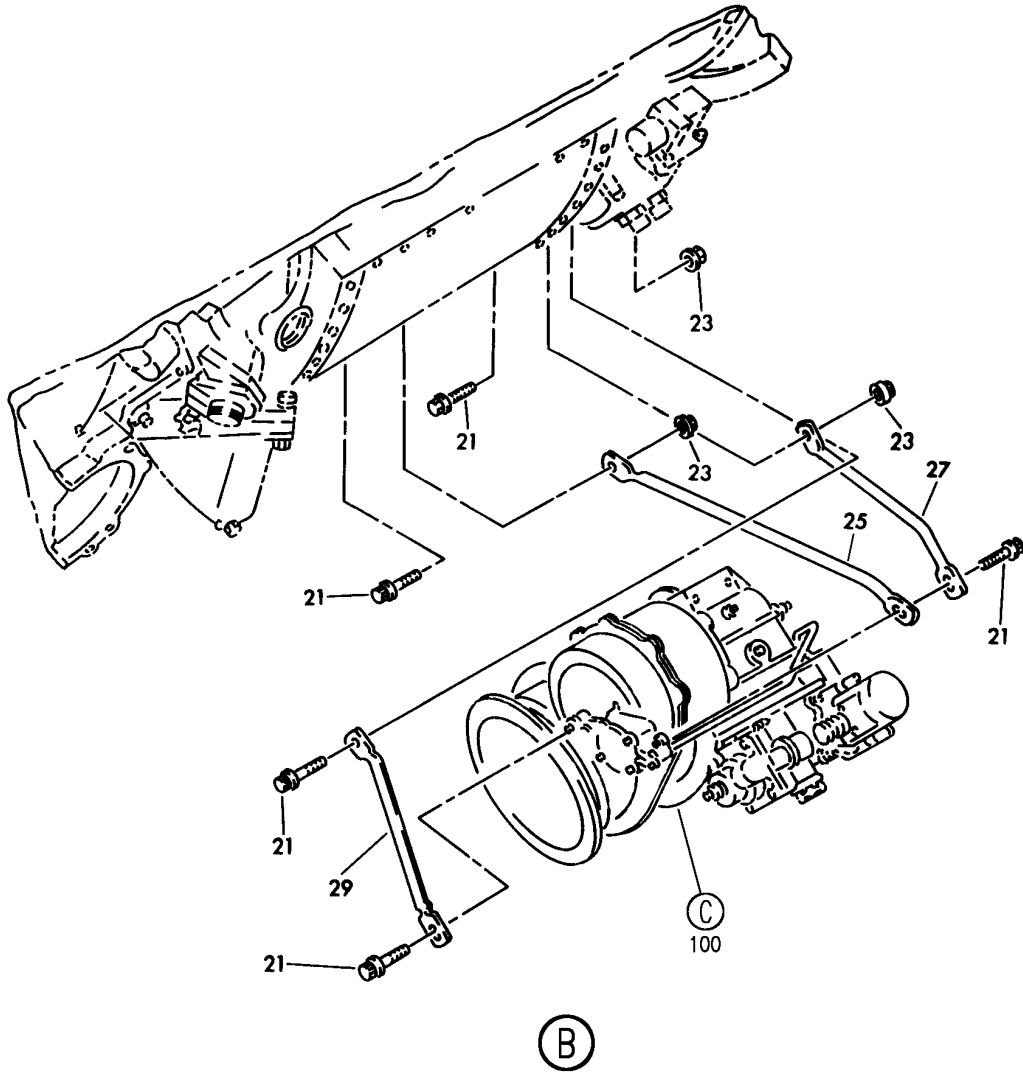
**49-53-01-01**

BRI  
MAY 28/07

49-53-01-01  
PAGE 0



**BOEING**  
757  
PARTS CATALOG (MAINTENANCE)



Y 49530101 SHT 2 REV 251

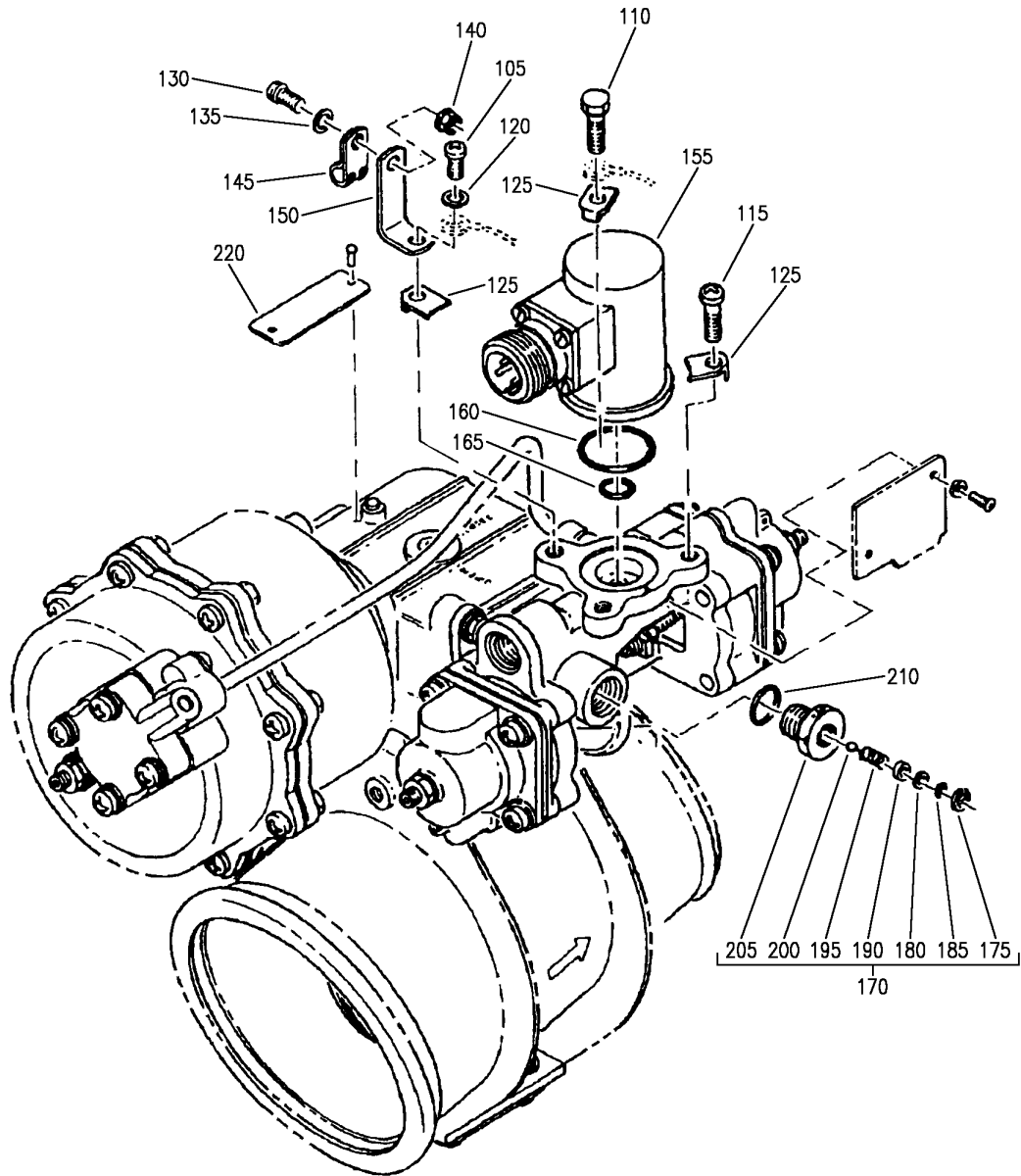
ENGINE ASSY-GAS TURB (SURGE VALVE ONLY)  
FIGURE 1 (SHEET 2)

**49-53-01-01**

BRI  
MAY 28/07

49-53-01-01  
PAGE 0A

**BOEING**  
757  
PARTS CATALOG (MAINTENANCE)



(C)

Y 49530101 SH1 3 REV 251

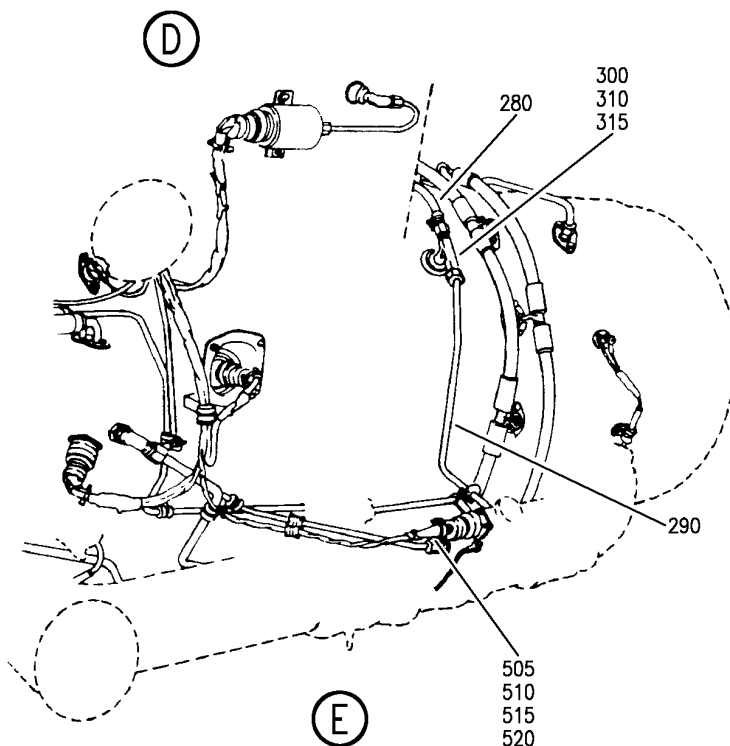
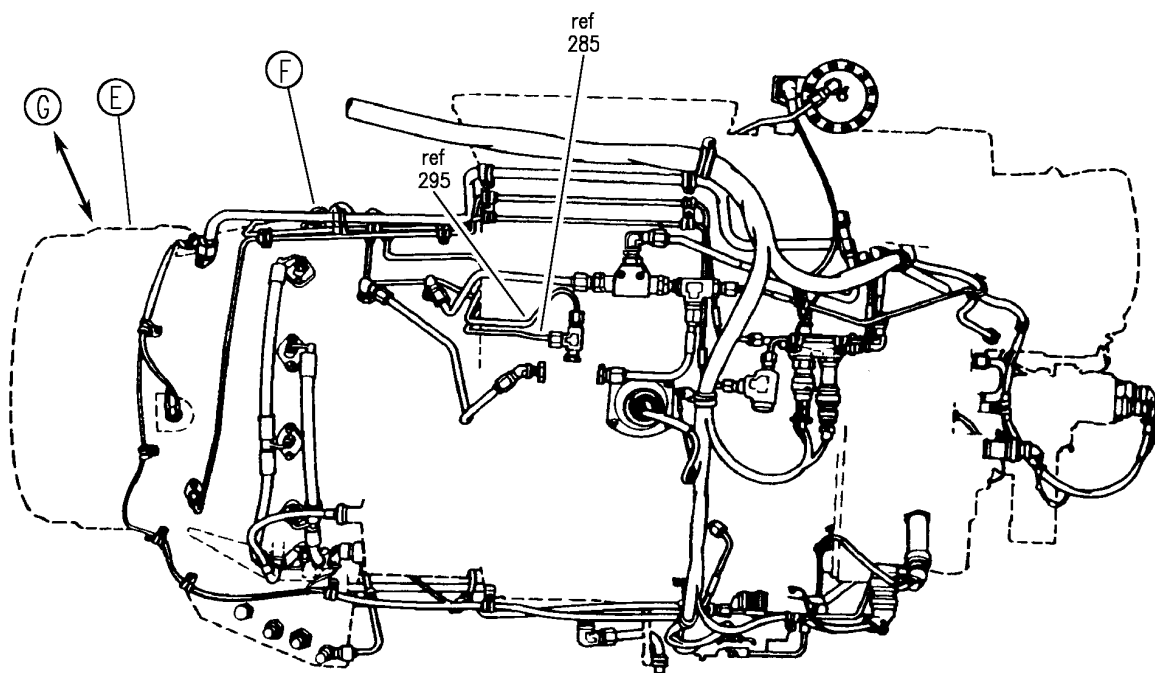
ENGINE ASSY-GAS TURB (SURGE VALVE ONLY)  
FIGURE 1 (SHEET 3)

**49-53-01-01**

BRI  
MAY 28/07

49-53-01-01  
PAGE 0B

**BOEING**  
757  
PARTS CATALOG (MAINTENANCE)



Y 49530101 SH-T 4 REV 270

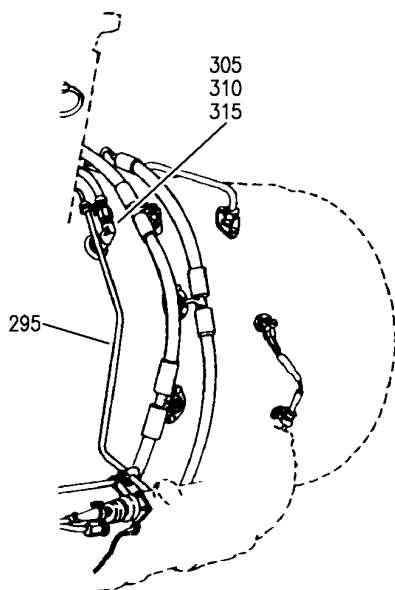
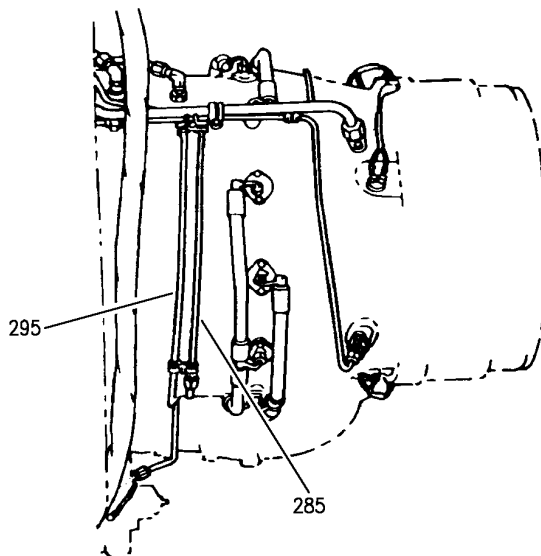
ENGINE ASSY-GAS TURB (SURGE VALVE ONLY)  
FIGURE 1 (SHEET 4)

**49-53-01-01**

BRI  
MAY 28/07

49-53-01-01  
PAGE 0C

**BOEING**  
757  
PARTS CATALOG (MAINTENANCE)



(F)

(G)

Y 49530101 SH-T 5 REV 251

ENGINE ASSY-GAS TURB (SURGE VALVE ONLY)  
FIGURE 1 (SHEET 5)

**49-53-01-01**

BRI  
MAY 28/07

49-53-01-01  
PAGE 0D



757

PARTS CATALOG (MAINTENANCE)

FIG ITEM	PART NUMBER	1 2 3 4 5 6 7	NOMENCLATURE	EFFECT FROM TO	UNITS PER ASSY
1			ENGINE ASSY-GAS TURB (SURGE VALVE ONLY)	002004 006999	
- 1	3800298-1-3		ENGINE ASSY-GAS TURB GTCP331-200ER(SURGE VALVE ONLY) SUPPLIER CODE: V99193 SPECIFICATION NUMBER: S351T020-202 CONFIG CHG DATA FROM A CMM: REPLS 3800298-1-2 COMPONENT MAINT MANUAL REF: 49-22-11 QUALIFIED I/W DATA: S351T020-202 (3800298-1-3) AND S351T020-205 (3800298-1-6) ARE INTERCHANGEABLE WITH THE INCORPORATION OF ALLIED SIGNAL S/B GTCP331-49-7081. S351T020-202 (3800298-1-3) AND S351T020-206 (3800298-1-7/3800298-1) ARE INTERCHANGEABLE WITH THE INCORPORATION OF ALLIED SIGNAL S/B GTCP331-49-7081. FOR NHA/OTHER SYS DET SEE: 49-11-01-50	002004 006100 107107 121503 904999	RF

MISSING ITEM NUMBERS NOT APPLICABLE

- ITEM NOT ILLUSTRATED

BRI

49-53-01-01

BOEING PROPRIETARY - Copyright © - Unpublished Work - See title page for details.

49-53-01  
FIG. 01  
PAGE 1  
JAN 20/09



757

PARTS CATALOG (MAINTENANCE)

FIG ITEM	PART NUMBER	1 2 3 4 5 6 7	NOMENCLATURE	EFFECT FROM TO	UNITS PER ASSY
1 - 1	3800298-1-4		ENGINE ASSY-GAS TURB GTCP331-200ER(SURGE VALVE ONLY) SUPPLIER CODE: V99193 SPECIFICATION NUMBER: S351T020-203 CONFIG CHG DATA FROM A CMM: REPLS 3800298-1-3 COMPONENT MAINT MANUAL REF: 49-22-11 QUALIFIED I/W DATA: 3800298-1-4/S351T020-203 AND 3800298-1-6/S351T020-205 ARE INTERCHANGEABLE WITH THE INCORPORATION OF ALLIED SIGNAL S/B GTCP331-49-7081. S351T020-203 (3800298-1-4) AND S351T020-206 (3800298-1-7/3800298-1) ARE INTERCHANGEABLE WITH THE INCORPORATION OF ALLIED SIGNAL S/B GTCP331-49-7081. FOR NHA/ADDITIONAL DET SEE: 49-11-01-50	002004 006100 107107 121503 904999	RF

MISSING ITEM NUMBERS NOT APPLICABLE

- ITEM NOT ILLUSTRATED

49-53-01-01

49-53-01  
 FIG. 01  
 PAGE 2  
 JAN 20/09

BRI



757

PARTS CATALOG (MAINTENANCE)

FIG ITEM	PART NUMBER	1 2 3 4 5 6 7	NOMENCLATURE	EFFECT FROM TO	UNITS PER ASSY
1 - 1	3800298-1-2		ENGINE ASSY-GAS TURB GTCP331-200ER(SURGE VALVE ONLY) SUPPLIER CODE: V99193 SPECIFICATION NUMBER: S351T020-201 CONFIG CHG DATA FROM A CMM: REPLS 3800298-1-1 COMPONENT MAINT MANUAL REF: 49-22-11 QUALIFIED I/W DATA: S351T020-201 (3800298-1-2) AND S351T020-205 (3800298-1-6) ARE INTERCHANGEABLE WITH THE INCORPORATION OF ALLIED SIGNAL S/B GTCP331-49-7081. S351T020-201 (3800298-1-2) AND S351T020-206 (3800298-1-7/3800298-1) ARE INTERCHANGEABLE WITH THE INCORPORATION OF ALLIED SIGNAL S/B GTCP331-49-7081. FOR NHA/ADDITIONAL DET SEE: 49-11-01-50	002004 006100 107107 121503 904999	RF

MISSING ITEM NUMBERS NOT APPLICABLE

- ITEM NOT ILLUSTRATED

49-53-01-01

49-53-01  
 FIG. 01  
 PAGE 3  
 JAN 20/09

BRI



757

PARTS CATALOG (MAINTENANCE)

FIG ITEM	PART NUMBER	1 2 3 4 5 6 7	NOMENCLATURE	EFFECT FROM TO	UNITS PER ASSY
1 - 1	3800298-1-1		ENGINE ASSY-GAS TURB GTCP331-200ER(SURGE VALVE ONLY) SUPPLIER CODE: V99193 SPECIFICATION NUMBER: S351T020-200 COMPONENT MAINT MANUAL REF: 49-22-11 QUALIFIED I/W DATA: S351T020-200 (3800298-1-1) AND S351T020-205 (3800298-1-6) ARE INTERCHANGEABLE WITH THE INCORPORATION OF ALLIED SIGNAL S/B GTCP331-49-7081. S351T020-200 (3800298-1-1) AND S351T020-206 (3800298-1-7/3800298-1) ARE INTERCHANGEABLE WITH THE INCORPORATION OF ALLIED SIGNAL S/B GTCP331-49-7081. FOR NHA/ADDITIONAL DET SEE: 49-11-01-50	002004 006100 107107 121503 904999	RF

MISSING ITEM NUMBERS NOT APPLICABLE

- ITEM NOT ILLUSTRATED

49-53-01-01

49-53-01  
FIG. 01  
PAGE 4  
JAN 20/09

BRI





757

PARTS CATALOG (MAINTENANCE)

FIG ITEM	PART NUMBER	1 2 3 4 5 6 7	NOMENCLATURE	EFFECT FROM TO	UNITS PER ASSY
1					
- 1	3800298-1-5		ENGINE ASSY-GAS TURB GTCP331-200ER(SURGE VALVE ONLY) SUPPLIER CODE: V99193 SPECIFICATION NUMBER: S351T020-204 CONFIG CHG DATA FROM A CMM: REPLS 3800298-1-4 COMPONENT MAINT MANUAL REF: 49-22-11 QUALIFIED I/W DATA: S351T020-204 (3800298-1-5) AND S351T020-205(3800298-1-6 ARE INTERCHANGEABLE WITH THE INCORPORATION OF ALLIED SIGNAL S/B GTCP331-49-7081. S351T020-204 (3800298-1-5) AND S351T020-206 (3800298-1-7/3800298-1) ARE INTERCHANGEABLE WITH THE INCORPORATION OF ALLIED SIGNAL S/B GTCP331-49-7081. FOR NHA/ADDITIONAL DET SEE: 49-11-01-50	002004 006100 107107 121503 904999	RF
- 1	3800298-1-6		ENGINE ASSY-GAS TURB GTCP331-200ER(SURGE VALVE ONLY) SUPPLIER CODE: V99193 SPECIFICATION NUMBER: S351T020-205 CONFIG CHG DATA FROM A CMM: REPLS 3800298-1-5 COMPONENT MAINT MANUAL REF: 49-22-11 QUALIFIED I/W DATA: S351T020-204 (3800298-1-5) AND S351T020-205 (3800298-1-6) ARE INTERCHANGEABLE WITH THE INCORPORATION OF ALLIED SIGNAL S/B GTCP331-49-7081.	002004 006999	RF

MISSING ITEM NUMBERS NOT APPLICABLE

- ITEM NOT ILLUSTRATED

49-53-01-01

49-53-01  
FIG. 01  
PAGE 5  
JAN 20/09

BRI



757

PARTS CATALOG (MAINTENANCE)

FIG ITEM	PART NUMBER	1 2 3 4 5 6 7 NOMENCLATURE	EFFECT FROM TO	UNITS PER ASSY
1		<p>S351T020-203 (3800298-1-4) AND S351T020-205 (3800298-1-6) ARE INTERCHANGEABLE WITH THE INCORPORATION OF ALLIED SIGNAL S/B GTCP331-49-7081. S351T020-202 (3800298-1-3) AND S351T020-205 (3800298-1-6) ARE INTERCHANGEABLE WITH THE INCORPORATION OF ALLIED SIGNAL S/B GTCP331-49-7081. S351T020-201 (3800298-1-2) AND S351T020-205 (3800298-1-6) ARE INTERCHANGEABLE WITH THE INCORPORATION OF ALLIED SIGNAL S/B GTCP331-49-7081. S351T020-200 (3800298-1-1) AND S351T020-205 (3800298-1-6) ARE INTERCHANGEABLE WITH THE INCORPORATION OF ALLIED SIGNAL S/B GTCP331-49-7081. FOR NHA/ADDITIONAL DET SEE: 49-11-01-50 49-21-00-02</p>		
-	1 3800298-1-7	<p>ENGINE ASSY-GAS TURB GTCP331-200ER(SURGE VALVE ONLY) SUPPLIER CODE: V99193 SPECIFICATION NUMBER: S351T020-206 CONFIG CHG DATA FROM A CMM: REPLS 3800298-1-6 COMPONENT MAINT MANUAL REF: 49-22-11 QUALIFIED I/W DATA: S351T020-204 (3800298-1-5) AND</p>	002004 006999	RF

MISSING ITEM NUMBERS NOT APPLICABLE

- ITEM NOT ILLUSTRATED

49-53-01-01

BRI

BOEING PROPRIETARY - Copyright © - Unpublished Work - See title page for details.

49-53-01  
FIG. 01  
PAGE 6  
SEP 20/08



757

PARTS CATALOG (MAINTENANCE)

FIG ITEM	PART NUMBER	1 2 3 4 5 6 7	NOMENCLATURE	EFFECT FROM TO	UNITS PER ASSY
1			<p>S351T020-206            (3800298-1-7/3800298-1)            ARE INTERCHANGEABLE WITH            THE INCORPORATION OF            ALLIED SIGNAL S/B            GTCP331-49-7081.            S351T020-203            (3800298-1-4) AND            S351T020-206            (3800298-1-7/3800298-1)            ARE INTERCHANGEABLE WITH            THE INCORPORATION OF            ALLIED SIGNAL S/B            GTCP331-49-7081.            S351T020-202            (3800298-1-3)            AND S351T020-206            (3800298-1-7/3800298-1)            ARE INTERCHANGEABLE            WITH THE INCORPORATION            OF ALLIED SIGNAL S/B            GTCP331-49-7081.            S351T020-201            (3800298-1-2)            AND S351T020-206            (3800298-1-7/3800298-1)            ARE INTERCHANGEABLE            WITH THE INCORPORATION            OF ALLIED SIGNAL S/B            GTCP331-49-7081.            S351T020-200            (3800298-1-1)            AND S351T020-206            (3800298-1-7/3800298-1)            ARE INTERCHANGEABLE            WITH THE INCORPORATION            OF ALLIED SIGNAL S/B            GTCP331-49-7081.</p> <p>OPTIONAL PART:            3800298-1            V99193            FOR NHA/ADDITIONAL DET SEE:            49-11-01-50            49-21-00-02</p>		
- 1	3800298-1		<p>ENGINE ASSY-GAS TURB            GTCP331-200ER(SURGE VALVE            ONLY)            SUPPLIER CODE:            V99193</p>	002004 006999	RF

MISSING ITEM NUMBERS NOT APPLICABLE

- ITEM NOT ILLUSTRATED

49-53-01-01

49-53-01  
 FIG. 01  
 PAGE 7  
 SEP 20/08

BRI



757

PARTS CATALOG (MAINTENANCE)

FIG ITEM	PART NUMBER	1 2 3 4 5 6 7 NOMENCLATURE	EFFECT FROM TO	UNITS PER ASSY
1		<p>SPECIFICATION NUMBER: S351T020-206 COMPONENT MAINT MANUAL REF: 49-22-11 QUALIFIED I/W DATA: S351T020-204 (3800298-1-5) AND S351T020-206 (3800298-1-7/3800298-1) ARE INTERCHANGEABLE WITH THE INCORPORATION OF ALLIED SIGNAL S/B GTCP331-49-7081. S351T020-203 (3800298-1-4) AND 351T020-206 (3800298-1-7/380028-1) ARE INTERCHANGEABLE WITH THE INCORPORATION OF ALLIED SIGNAL S/B GTCP331-49-7081. S351T020-202 (3800298-1-3) AND S351T020-206 (3800298-1-7/3800298-1) ARE INTERCHANGEABLE WITH THE INCORPORATION OF ALLIED SIGNAL S/B GTCP331-49-7081. S351T020-201 (3800298-1-2) AND S351T020-206 (3800298-1-7/3800298-1) ARE INTERCHANGEABLE WITH THE INCORPORATION OF ALLIED SIGNAL S/B GTCP331-49-7081. S351T020-200 (3800298-1-1) AND S351T020-206 (3800298-1-7/3800298-1) ARE INTERCHANGEABLE WITH THE INCORPORATION OF ALLIED SIGNAL S/B GTCP331-49-7081. OPTIONAL PART: 3800298-1-7 V99193 FOR NHA/ADDITIONAL DET SEE:</p>		

MISSING ITEM NUMBERS NOT APPLICABLE

- ITEM NOT ILLUSTRATED

49-53-01-01

49-53-01  
FIG. 01  
PAGE 8  
SEP 20/08

BRI



757

PARTS CATALOG (MAINTENANCE)

FIG ITEM	PART NUMBER	1 2 3 4 5 6 7	NOMENCLATURE	EFFECT FROM TO	UNITS PER ASSY
1					
17	55171-400		49-11-01-50 49-21-00-02 .COUPLING- SUPPLIER CODE: V00624 OPTIONAL PART: E38C37 V72914 OPTIONAL SUPPLIER CODE: 98625	002004 006999	2
17	E38C37		.COUPLING- SUPPLIER CODE: V72914	002004 006999	2
19	3884211-1		.DUCT ASSY-SURGE ELBOW SUPPLIER CODE: V99193 CONFIG CHG DATA FROM A CMM: REPLD BY 3884211-2	002004 006999	1
19	3884211-2		.DUCT ASSY-SURGE ELBOW SUPPLIER CODE: V99193 CONFIG CHG DATA FROM A CMM: REPLACES 3884211-1	002004 006999	1
20	MFB69633S400		..FLANGE- SUPPLIER CODE: V00624	002004 006999	1
21	MS21279-05		.BOLT- OPTIONAL PART: MS9556-05	002004 006999	5
21	MS9556-05		.BOLT- SB DATA FROM A CMM: POST SPB GTE0293 OPTIONAL PART: MS21279-05	002004 006999	5
23	MS21043-3		.NUT	002004 006999	3
25	3884233-1		.STRUT-SURGE VALVE SPRT SUPPLIER CODE: V99193	002004 006999	1
27	3884234-1		.STRUT-SURGE VALVE SPRT SUPPLIER CODE: V99193	002004 006999	1
29	3884235-1		.STRUT-SURGE VALVE SPRT SUPPLIER CODE: V99193	002004 006999	1

MISSING ITEM NUMBERS NOT APPLICABLE

- ITEM NOT ILLUSTRATED

49-53-01-01

49-53-01  
FIG. 01  
PAGE 9  
SEP 20/08

BRI

BOEING PROPRIETARY - Copyright © - Unpublished Work - See title page for details.



757

PARTS CATALOG (MAINTENANCE)

FIG ITEM	PART NUMBER	1 2 3 4 5 6 7	NOMENCLATURE	EFFECT FROM TO	UNITS PER ASSY
1					
31	U12-62-425SH	.CLAMP-	SUPPLIER CODE: V94581 OPTIONAL PART: N12-62-425SH V94581 T32C62-425-5B V14242	002004 006999	4
31	N12-62-425SH	.CLAMP-	SUPPLIER CODE: V94581 OPTIONAL PART: U12-62-425SH V94581 T32C62-425-5B V14242	002004 006999	4
31	T32C62-425-5B	.CLAMP-	SUPPLIER CODE: V14242 MISCELLANEOUS DATA: HONEYWELL PART NO. 211-507-9117 OPTIONAL PART: U12-62-425SH V94581 N12-62-425SH V94581	002004 006999	4
33	3884292-2	.DUCT-AIR SURGE	SUPPLIER CODE: V99193	002004 006999	2
35	3884391-2	.DUCT-AIR SURGE	SUPPLIER CODE: V99193 SB DATA FROM A CMM: POST SPB GTE0552 OPTIONAL PART: 3884391-1 V99193	002004 006999	1
35	3884391-1	.DUCT-AIR SURGE	SUPPLIER CODE: V99193 OPTIONAL PART: 3884391-2 V99193	002004 006999	1

MISSING ITEM NUMBERS NOT APPLICABLE

- ITEM NOT ILLUSTRATED

49-53-01-01

49-53-01  
FIG. 01  
PAGE 10  
SEP 20/08

BRI

BOEING PROPRIETARY - Copyright © - Unpublished Work - See title page for details.



757

PARTS CATALOG (MAINTENANCE)

FIG ITEM	PART NUMBER	1 2 3 4 5 6 7	NOMENCLATURE	EFFECT FROM TO	UNITS PER ASSY
1 100	979806-5		.VALVE ASSY-SURGE CONT SUPPLIER CODE: V59364 NOT APPROVED FOR ETOPS AFTER INCORP OF SB: GTCP331495421 CONFIG CHG DATA FROM A CMM: SUPSD BY 979806-8 COMPONENT MAINT MANUAL REF: 49-53-67 PRE SERVICE BULLETIN: 979806-49-5389 V59364 979806-49-5534 V59364 979806-49-5611 V59364	101999	1
100	979806-8		.VALVE ASSY-SURGE CONT SUPPLIER CODE: V59364 SB DATA FROM A CMM: POST 49-5421 PRE 49-5696 CONFIG CHG DATA FROM A CMM: SUPERSEDES 979806-5 SUPERSEDES 979806-5-1 SUPERSEDES 979806-6 SUPERSEDES 979806-6-1 SUPERSEDES 979806-7 REPLD BY 979806-9 COMPONENT MAINT MANUAL REF: 49-53-67 PRE SERVICE BULLETIN: 979806-49-6504 V59364	101999	1

MISSING ITEM NUMBERS NOT APPLICABLE

- ITEM NOT ILLUSTRATED

49-53-01-01

49-53-01  
FIG. 01  
PAGE 11  
MAY 28/07

BRI



757

PARTS CATALOG (MAINTENANCE)

FIG ITEM	PART NUMBER	1 2 3 4 5 6 7	NOMENCLATURE	EFFECT FROM TO	UNITS PER ASSY
1 100	979806-7		.VALVE ASSY-4 IN. DIA SURGE CONT SUPPLIER CODE: V59364 NOT APPROVED FOR ETOPS AFTER INCORP OF SB: GTCP331-49-5421 SB DATA FROM A CMM: PRE 49-5421 CONFIG CHG DATA FROM A CMM: SUPSD BY 979806-8 SUPERSEDES 979806-6-1 COMPONENT MAINT MANUAL REF: 49-53-67 PRE SERVICE BULLETIN: 979806-49-6504 V59364	101102 107999	1
100	979806-9		.VALVE ASSY-4 IN. DIA SURGE CONT SUPPLIER CODE: V59364 SB DATA FROM A CMM: POST 49-5696 CONFIG CHG DATA FROM A CMM: REPLACES 979806-8 REPLD BY 979806-10 COMPONENT MAINT MANUAL REF: 49-53-67 PRE SERVICE BULLETIN: 979806-49-6504 V59364	101999	1
100	979806-10		.VALVE ASSY-4 IN. DIA SURGE CONT SUPPLIER CODE: V59364 SB DATA FROM A CMM: PRE 49-6506 CONFIG CHG DATA FROM A CMM: REPLACES 979806-9 REPLD BY 979806-11 COMPONENT MAINT MANUAL REF: 49-53-67 PRE SERVICE BULLETIN: 979806-49-6504 V59364	002004 006999	1

MISSING ITEM NUMBERS NOT APPLICABLE

- ITEM NOT ILLUSTRATED

49-53-01-01

49-53-01  
FIG. 01  
PAGE 12  
JAN 20/09

BRI





757

PARTS CATALOG (MAINTENANCE)

FIG ITEM	PART NUMBER	1 2 3 4 5 6 7	NOMENCLATURE	EFFECT FROM TO	UNITS PER ASSY
1 100	979806-5-1		.VALVE ASSY-4 IN. DIA SURGE CONT SUPPLIER CODE: V59364 NOT APPROVED FOR ETOPS AFTER INCORP OF SB: GTCP331-49-5421 GTCP331-49-5389 SB DATA FROM A CMM: PRE 49-5421 PRE 49-5389 CONFIG CHG DATA FROM A CMM: SUPSD BY 979806-8 SUPSD BY 979806-6-1 COMPONENT MAINT MANUAL REF: 49-53-67 PRE SERVICE BULLETIN: 979806-49-6504 V59364	101102 107999	1
100	979806-6-1		.VALVE ASSY-4 IN. DIA SURGE CONT SUPPLIER CODE: V59364 NOT APPROVED FOR ETOPS AFTER INCORP OF SB: GTCP331-49-5421 GTCP331-49-5389 SB DATA FROM A CMM: PRE 49-5421 PRE 49-5389 CONFIG CHG DATA FROM A CMM: SUPSD BY 979806-8 SUPERSEDES 979806-5-1 SUPSD BY 979806-7 COMPONENT MAINT MANUAL REF: 49-53-67 PRE SERVICE BULLETIN: 979806-49-6504 V59364	101102 107999	1

MISSING ITEM NUMBERS NOT APPLICABLE

- ITEM NOT ILLUSTRATED

49-53-01-01

49-53-01  
FIG. 01  
PAGE 13  
JAN 20/09

BRI



757

PARTS CATALOG (MAINTENANCE)

FIG ITEM	PART NUMBER	1 2 3 4 5 6 7	NOMENCLATURE	EFFECT FROM TO	UNITS PER ASSY
1 100	979806-11		. VALVE ASSY-SURGE CONTROL SUPPLIER CODE: V59364 SB DATA FROM A CMM: POST 49-6506 PRE 49-7498 PRE 49-7041 CONFIG CHG DATA FROM A CMM: REPLACES 979806-10 REPLD BY 979806-12 COMPONENT MAINT MANUAL REF: 49-53-67 POST SERVICE BULLETIN: 979806-49-6504 V59364	002004 006999	1
100	979806-12		. VALVE ASSY-SURGE CONTROL SUPPLIER CODE: V59364 SB DATA FROM A CMM: POST 49-7498 POST 49-7041 POST 49-7037 CONFIG CHG DATA FROM A CMM: REPLACES 979806-11 COMPONENT MAINT MANUAL REF: 49-53-67	002004 006999	1
105	MS51958-64		.. SCREW	002004 006999	1
110	S9073C10-8P		.. BOLT- SUPPLIER CODE: V59364 CONFIG CHG DATA FROM A CMM: REPLD BY NAS1802-3-10	002004 006999	1
110	S9073C10-10R		.. BOLT- SUPPLIER CODE: V59364 CONFIG CHG DATA FROM A CMM: REPLACES S9073C10-8P REPLD BY NAS1802-3-10	002004 006999	1
110	NAS1802-3-10		.. SCREW- CONFIG CHG DATA FROM A CMM: REPLACES S9073C10-8P REPLACES S9073C10-10R	002004 006999	1
115	MS51958-63		.. SCREW	002004 006999	1
120	AN960C10L		.. WASHER- CONFIG CHG DATA FROM A CMM: REPLD BY NAS1149C0332R	002004 006999	1

MISSING ITEM NUMBERS NOT APPLICABLE

- ITEM NOT ILLUSTRATED

49-53-01-01

49-53-01  
FIG. 01  
PAGE 14  
SEP 20/08

BRI



757

PARTS CATALOG (MAINTENANCE)

FIG ITEM	PART NUMBER	1 2 3 4 5 6 7	NOMENCLATURE	EFFECT FROM TO	UNITS PER ASSY
1					
120	NAS1149C0332R	..	WASHER- CONFIG CHG DATA FROM A CMM: REPLACES AN960C10L	002004 006999	1
125	3160543-1	..	CLIP- SUPPLIER CODE: V59364	002004 006999	3
130	MS51958-63	..	SCREW	002004 006999	1
135	AN960C10L	..	WASHER- CONFIG CHG DATA FROM A CMM: REPLD BY NAS1149C0332R	002004 006999	1
135	NAS1149C0332R	..	WASHER- CONFIG CHG DATA FROM A CMM: REPLACES AN960C10L	002004 006999	1
140	MS21043-3	..	NUT	002004 006999	1
145	211-501-9004	..	CLAMP- SUPPLIER CODE: V84971 CONFIG CHG DATA FROM A CMM: REPLACES TA1720H04X MISCELLANEOUS DATA: HONEYWELL SPEC NO. TA1720H04X	002004 006999	1
150	MS9592-096	..	BRACKET	002004 006999	1
155	3160785-28	..	VALVE- SUPPLIER CODE: V12779 CONFIG CHG DATA FROM A CMM: REPLD BY 3160785-30	002004 006999	1
155	3160785-30	..	VALVE- SUPPLIER CODE: V12779 SB DATA FROM A CMM: PRE 49-5611 CONFIG CHG DATA FROM A CMM: REPLACES 3160785-28 REPLD BY 3160785-43 COMPONENT MAINT MANUAL REF: 36-13-33	002004 006999	1

MISSING ITEM NUMBERS NOT APPLICABLE

- ITEM NOT ILLUSTRATED

49-53-01-01

49-53-01  
FIG. 01  
PAGE 15  
SEP 20/08

BRI

BOEING PROPRIETARY - Copyright © - Unpublished Work - See title page for details.



757

PARTS CATALOG (MAINTENANCE)

FIG ITEM	PART NUMBER	1 2 3 4 5 6 7	NOMENCLATURE	EFFECT FROM TO	UNITS PER ASSY
1 155	3160785-43	..	VALVE- SUPPLIER CODE: V12779 SB DATA FROM A CMM: POST 49-5611 CONFIG CHG DATA FROM A CMM: REPLACES 3160785-30 REPLD BY 3160785-52 COMPONENT MAINT MANUAL REF: 36-13-33	002004 006999	1
155	3160785-52	..	VALVE- SUPPLIER CODE: V12779 SB DATA FROM A CMM: PRE SPB VAL0713 PRE 49-7037 PRE 49-7041 CONFIG CHG DATA FROM A CMM: REPLACES 3160785-43 COMPONENT MAINT MANUAL REF: 36-13-33 OPTIONAL PART: 3169270-20 V53541 USED ON: 979806-8 979806-9 979806-10 979806-11	002004 006999	1
155	3169270-20	..	VALVE- SUPPLIER CODE: V53541 SB DATA FROM A CMM: POST SPB VAL0713 PRE 49-7037 PRE 49-7041 CONFIG CHG DATA FROM A CMM: SUPSD BY 3160785-57 OPTIONAL PART: 3160785-52 V12779 USED ON: 979806-8 979806-9 979806-10 979806-11	002004 006999	1

MISSING ITEM NUMBERS NOT APPLICABLE

- ITEM NOT ILLUSTRATED

49-53-01-01

49-53-01  
FIG. 01  
PAGE 16  
SEP 20/08

BRI



757

PARTS CATALOG (MAINTENANCE)

FIG ITEM	PART NUMBER	1 2 3 4 5 6 7	NOMENCLATURE	EFFECT FROM TO	UNITS PER ASSY
1					
155	3160785-57	..	VALVE- SUPPLIER CODE: V12779 SB DATA FROM A CMM: POST SPB VAL0713 POST 49-7037 POST 49-7041 CONFIG CHG DATA FROM A CMM: SUPERSEDES 3169270-20 USED ON: 979806-12	002004 006999	1
160	S8990-021	..	PACKING- SUPPLIER CODE: V59364	002004 006999	1
165	S8990-011	..	PACKING- SUPPLIER CODE: V59364	002004 006999	1
170	97261-22	..	VALVE ASSY-RELIEF SUPPLIER CODE: V59364	002004 006999	1
175	MS16625-1025	...	RING-RETAINING	002004 006999	1
180	S8157N82-003	...	WASHER-0.003 IN. THICK SUPPLIER CODE: V59364 SELECT FROM ITEM.	002004 006999	AR
180	S8157N82-005	...	WASHER-0.005 IN. THICK SUPPLIER CODE: V59364 SELECT FROM ITEM.	002004 006999	AR
180	S8157N82-010	...	WASHER-0.010 IN. THICK SUPPLIER CODE: V59364 SELECT FROM ITEM.	002004 006999	AR
185	91610-12	...	SCREEN-FILTER SUPPLIER CODE: V59364	002004 006999	1
190	S8157N82-016	...	WASHER-0.016 IN. THICK SUPPLIER CODE: V59364	002004 006999	1
195	3161192-1	...	SPRING-HELICAL CPRSN SUPPLIER CODE: V59364	002004 006999	1
200	MS9461-05	...	BALL	002004 006999	1
205	112044-3	...	HOUSING- SUPPLIER CODE: V59364	002004 006999	1

MISSING ITEM NUMBERS NOT APPLICABLE

- ITEM NOT ILLUSTRATED

49-53-01-01

49-53-01  
FIG. 01  
PAGE 17  
SEP 20/08

BRI



757

PARTS CATALOG (MAINTENANCE)

FIG ITEM	PART NUMBER	1 2 3 4 5 6 7	NOMENCLATURE	EFFECT FROM TO	UNITS PER ASSY
1					
210	S8990-604		.. PACKING- SUPPLIER CODE: V59364	002004 006999	1
- 215	627-504-9300		.. RIVET- SUPPLIER CODE: V07707 CONFIG CHG DATA FROM A CMM: REPLACES AD32ABS MISCELLANEOUS DATA: HONEYWELL SPEC NO. AD32ABS	002004 006999	2
220	S8846B2P1A		.. NAMEPLATE- SUPPLIER CODE: V99193 CONFIG CHG DATA FROM A CMM: REPLD BY S3005-1	002004 006999	1
220	S3005-1		.. PLATE-IDENT SUPPLIER CODE: V99193 CONFIG CHG DATA FROM A CMM: REPLACES S8846B2P1A REPLD BY S3033-1	002004 006999	1
220	S3033-1		.. PLATE-IDENT SUPPLIER CODE: V59364 CONFIG CHG DATA FROM A CMM: REPLACES S3005-1	002004 006999	1
285	3884413-1		. TUBE-PCD 2 SUPPLIER CODE: V99193 SB DATA FROM A CMM: POST 49-5463 USED ON: 3800298-1-1 3800298-1-2 3800298-1-3 3800298-1-4 3800298-1-5 3800298-1-6 3800298-1-7	002004 006999	1

MISSING ITEM NUMBERS NOT APPLICABLE

- ITEM NOT ILLUSTRATED

49-53-01-01

49-53-01  
FIG. 01  
PAGE 18  
SEP 20/08

BRI



757

PARTS CATALOG (MAINTENANCE)

FIG ITEM	PART NUMBER	1 2 3 4 5 6 7	NOMENCLATURE	EFFECT FROM TO	UNITS PER ASSY
1 285	3884258-1		.TUBE-PCD 2 SUPPLIER CODE: V99193 USED ON: 3800298-1-1 3800298-1-2 3800298-1-3 3800298-1-4 3800298-1-5 3800298-1-6 3800298-1-7	002004 006999	1
290	3884353-1		.TUBE-PCD-SURGE VALVE SUPPLIER CODE: V99193 SB DATA FROM A CMM: PRE 49-5463	002004 006999	1
295	3884407-1		.TUBE-PCD-SURGE VALVE SUPPLIER CODE: V99193 SB DATA FROM A CMM: POST 49-5463 PRE 49-5634 PRE 49-5765 PRE 49-5793 CONFIG CHG DATA FROM A CMM: REPLD BY 3611354-1 PRE SERVICE BULLETIN: GTCP331-49-7496R3 V59364	002004 006999	1
295	3611354-1		.TUBE-PCD-SURGE VALVE SUPPLIER CODE: V99193 SB DATA FROM A CMM: POST 49-5634 POST 49-5765 POST 49-5793 PRE 49-7192 CONFIG CHG DATA FROM A CMM: REPLS 3884407-1 PRE SERVICE BULLETIN: GTCP331-49-7496R3 V59364	002004 006999	1

MISSING ITEM NUMBERS NOT APPLICABLE

- ITEM NOT ILLUSTRATED

49-53-01-01

49-53-01  
FIG. 01  
PAGE 19  
SEP 20/08

BRI



757

PARTS CATALOG (MAINTENANCE)

FIG ITEM	PART NUMBER	1 2 3 4 5 6 7	NOMENCLATURE	EFFECT FROM TO	UNITS PER ASSY
1 295	3616999-1		.TUBE-PCD-SURGE VALVE SUPPLIER CODE: V99193 SB DATA FROM A CMM: POST 49-7192 PRE SERVICE BULLETIN: GTCP331-49-7496R3 V59364	002004 006999	1
300	3884281-2		.FITTING-AIR SURGE CONT SUPPLIER CODE: V99193 SB DATA FROM A CMM: PRE 49-5463	002004 006999	1
305	3884281-1		.FITTING-SURGE CONT SUPPLIER CODE: V99193 SB DATA FROM A CMM: POST 49-5463 MANUFACTURED FROM: MS21908-4S	002004 006999	1
310	AN6289J4		.NUT	002004 006999	1
315	VD261-0006-0004		.GASKET- SUPPLIER CODE: V50398	002004 006999	1
- 500	3888123-4		.WIRING HARNESS ASSY- SUPPLIER CODE: V99193 SB DATA FROM A CMM: POST 49-5533 PRE 49-5794	002004 006102 107999	RF
- 500	3888123-5		.WIRING HARNESS ASSY- SUPPLIER CODE: V99193 USED ON: 3800298-1-1 3800298-1-2 3800298-1-3 3800298-1-4 3800298-1-5 3800298-1-6 3800298-1-7	002004 006999	RF

MISSING ITEM NUMBERS NOT APPLICABLE

- ITEM NOT ILLUSTRATED

49-53-01-01

49-53-01  
FIG. 01  
PAGE 20  
JAN 20/09

BRI





757

PARTS CATALOG (MAINTENANCE)

FIG ITEM	PART NUMBER	1 2 3 4 5 6 7	NOMENCLATURE	EFFECT FROM TO	UNITS PER ASSY
1 - 500	3888123-6		.WIRING HARNESS ASSY- SUPPLIER CODE: V99193 SB DATA FROM A CMM: POST 49-5794 PRE 49-5840 PRE 49-7403 CONFIG CHG DATA FROM A CMM: REPLD BY 3888123-8 REWORKED FROM 3888123-4 QUALIFIED OPTIONAL DATA: 3888123-8 QUALIFIED SB I/W DATA: 3617394-1 USED WITH 3888123-8 OR 3888123-9 OPT TO 3617394-1 USED WITH 3888123-6 OR 3888123-7 AND 3888450-1 OPT TO 3614759-1 USED WITH 3888123-8 OR 3888123-9 OPT TO 3617459-1 USED WITH 3888123-6 OR 3888123-7 AND 3888450-1	002004 006102 107999	RF
- 500	3888123-7		.WIRING HARNESS ASSY- SUPPLIER CODE: V99193 SB DATA FROM A CMM: POST 49-5840 PRE 49-7403 CONFIG CHG DATA FROM A CMM: REPLD BY 3888123-9 REWORKED FROM 3888123-6 QUALIFIED SB I/W DATA: 3617394-1 USED WITH 3888123-8 OR 3888123-9 OPT TO 3617394-1 USED WITH 3888123-6 OR 3888123-7 AND 3888450-1 OPT TO 3614759-1 USED WITH 3888123-8 OR 3888123-9 OPT TO 3617459-1 USED WITH 3888123-6 OR 3888123-7 AND 3888450-1	002004 006102 107999	RF

MISSING ITEM NUMBERS NOT APPLICABLE

- ITEM NOT ILLUSTRATED

BRI

49-53-01-01

49-53-01  
FIG. 01  
PAGE 21  
JAN 20/09



757

PARTS CATALOG (MAINTENANCE)

FIG ITEM	PART NUMBER	1 2 3 4 5 6 7	NOMENCLATURE	EFFECT FROM TO	UNITS PER ASSY
1 - 500	3888123-8		.WIRING HARNESS ASSY- SUPPLIER CODE: V99193 SB DATA FROM A CMM: POST 49-7391 POST 49-7403 CONFIG CHG DATA FROM A CMM: REPLACES 3888123-6 QUALIFIED OPTIONAL DATA: 3888123-6 QUALIFIED SB I/W DATA: 3617394-1 USED WITH 3888123-8 OR 3888123-9 OPT TO 3617394-1 USED WITH 3888123-6 OR 3888123-7 AND 3888450-1 OPT TO 3614759-1 USED WITH 3888123-8 OR 3888123-9 OPT TO 3617459-1 USED WITH 3888123-6 OR 3888123-7 AND 3888450-1	002004 006999	RF
- 500	3888123-9		.WIRING HARNESS ASSY- SUPPLIER CODE: V99193 SB DATA FROM A CMM: POST 49-7403 POST 49-7391 CONFIG CHG DATA FROM A CMM: REPLACES 3888123-7 QUALIFIED SB I/W DATA: 3617394-1 USED WITH 3888123-8 OR 3888123-9 OPT TO 3617394-1 USED WITH 3888123-6 OR 3888123-7 AND 3888450-1 OPT TO 3614759-1 USED WITH 3888123-8 OR 3888123-9 OPT TO 3617459-1 USED WITH 3888123-6 OR 3888123-7 AND 3888450-1 POST SERVICE BULLETIN: GTCP331-49-7391R1 V99193	002004 006999	RF

MISSING ITEM NUMBERS NOT APPLICABLE

- ITEM NOT ILLUSTRATED

49-53-01-01

49-53-01  
FIG. 01  
PAGE 22  
SEP 20/08

BRI



757

PARTS CATALOG (MAINTENANCE)

FIG ITEM	PART NUMBER	1 2 3 4 5 6 7	NOMENCLATURE	EFFECT FROM TO	UNITS PER ASSY
1					
- 500	3888465-1		.WIRING HARNESS ASSY- SUPPLIER CODE: V99193 SB DATA FROM A CMM: POST 49-7618 CONFIG CHG DATA FROM A CMM: REPLACES 3888123-8 REPLACES 3888123-9	002004 006999	RF
505	10-230935-142		..GROMMET-RUBBER SUPPLIER CODE: V77820 CONFIG CHG DATA FROM A CMM: REPLD BY 10-230935-143	002004 006999	1
505	10-230935-143		..GROMMET-RUBBER SUPPLIER CODE: V77820 CONFIG CHG DATA FROM A CMM: REPLACES 10-230935-142	002004 006999	1
510	GS3417-12C		..CLAMP- SUPPLIER CODE: V06324 OPTIONAL PART: 211-555-9307 V99193	002004 006999	1
515	ZZYA0-12D12-03S		..CONNECTOR-P17 SUPPLIER CODE: V14283 OPTIONAL PART: BCREF8105 V13556	002004 006999	1
515	BCREF8105		..PLUG-P17 SUPPLIER CODE: V13556 OVERLENGTH PART NUMBER: CN0966-12A03SN000 OPTIONAL PART: ZZYA0-12D12-03S V49367	002004 006999	1
520	LRC20W15DJ5		..CONTACT- SUPPLIER CODE: V09922	002004 006999	3

MISSING ITEM NUMBERS NOT APPLICABLE

- ITEM NOT ILLUSTRATED

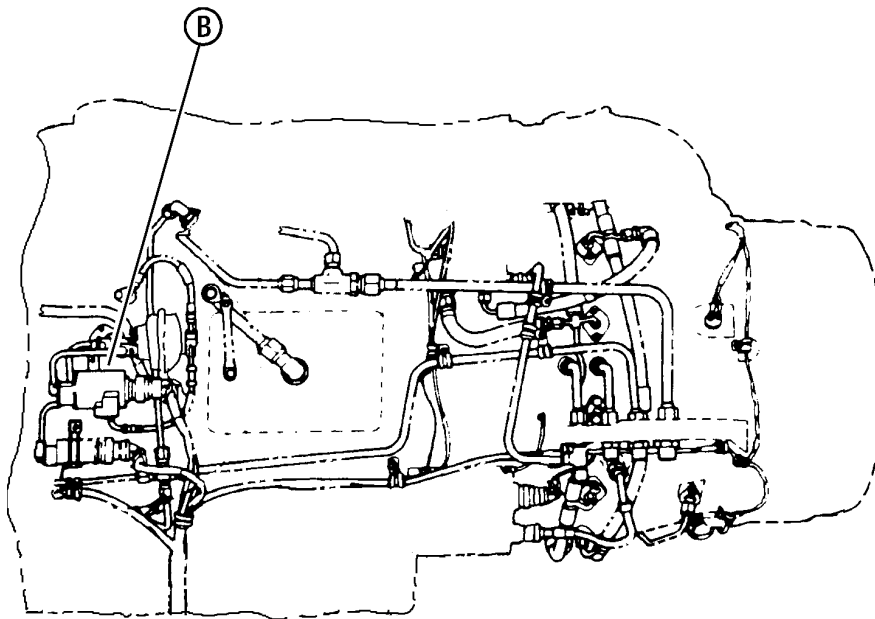
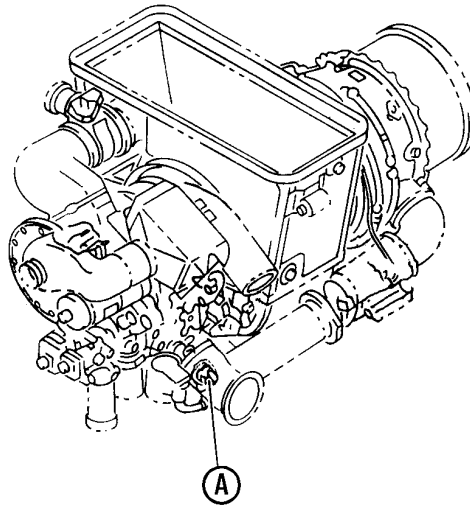
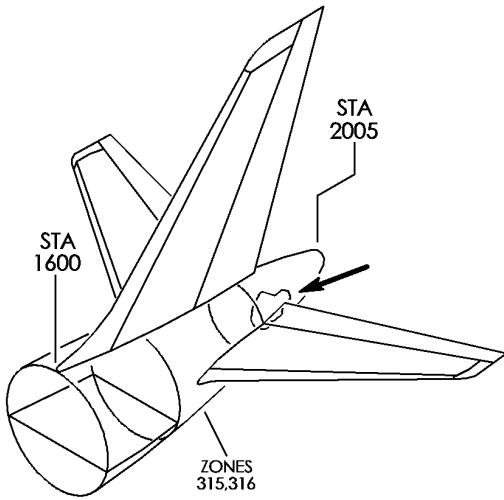
49-53-01-01

49-53-01  
FIG. 01  
PAGE 23  
SEP 20/08

BRI

BOEING PROPRIETARY - Copyright © - Unpublished Work - See title page for details.

**BOEING**  
757  
PARTS CATALOG (MAINTENANCE)



VIEW LOOKING UP

A

Y 49530201 SHT 1 REV 238

ENGINE ASSY-GAS TURB (TOTAL PRESSURE TRANSDUCER ONLY)  
FIGURE 1 (SHEET 1)

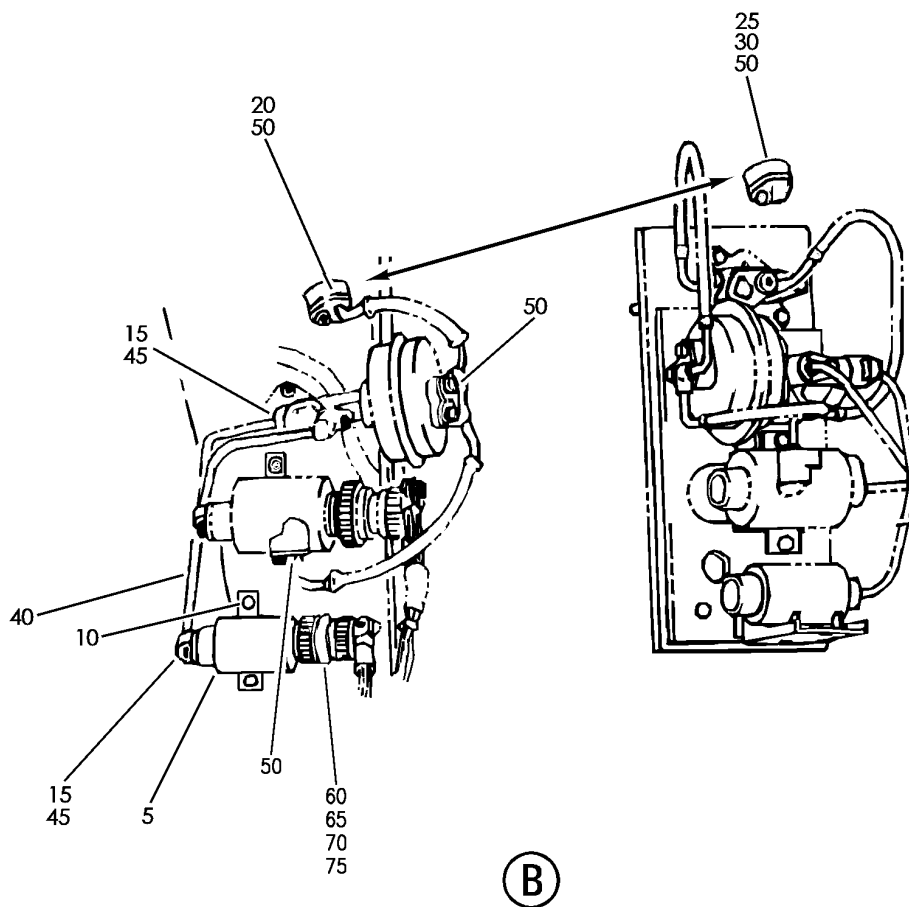
**49-53-02-01**

BRI  
MAY 28/07

49-53-02-01  
PAGE 0

BOEING PROPRIETARY - Copyright © - Unpublished Work - See title page for details.

**BOEING**  
757  
PARTS CATALOG (MAINTENANCE)



Y 49530201 SH- 2 REV 250

ENGINE ASSY-GAS TURB (TOTAL PRESSURE TRANSDUCER ONLY)  
FIGURE 1 (SHEET 2)

**49-53-02-01**

BRI  
MAY 28/07

49-53-02-01  
PAGE 0A



757

PARTS CATALOG (MAINTENANCE)

FIG ITEM	PART NUMBER	1 2 3 4 5 6 7	NOMENCLATURE	EFFECT FROM TO	UNITS PER ASSY
1			ENGINE ASSY-GAS TURB (TOTAL PRESSURE TRANSDUCER ONLY)	002004 006999	
- 1	3800298-1-2		ENGINE ASSY-GAS TURB (TOTAL PRESSURE TRANSDUCER ONLY) GTCP331-200ER SUPPLIER CODE: V99193 SPECIFICATION NUMBER: S351T020-201 CONFIG CHG DATA FROM A CMM: REPLACES 3800298-1-1 COMPONENT MAINT MANUAL REF: 49-22-11 QUALIFIED I/W DATA: S351T020-201 (3800298-1-2) AND S351T020-205 (3800298-1-6) ARE INTERCHANGEABLE WITH THE INCORPORATION OF ALLIED SIGNAL S/B GTCP331-49-7081. S351T020-201 (3800298-1-2) AND S351T020-206 (3800298-1-7/3800298-1) ARE INTERCHANGEABLE WITH THE INCORPORATION OF ALLIED SIGNAL S/B GTCP331-49-7081. FOR NHA/ADDITIONAL DET SEE: 49-11-01-50	002004 006100 107107 121503 904999	RF

MISSING ITEM NUMBERS NOT APPLICABLE

- ITEM NOT ILLUSTRATED

BRI

49-53-02-01

BOEING PROPRIETARY - Copyright © - Unpublished Work - See title page for details.

49-53-02  
FIG. 01  
PAGE 1  
JAN 20/09



757

PARTS CATALOG (MAINTENANCE)

FIG ITEM	PART NUMBER	1 2 3 4 5 6 7	NOMENCLATURE	EFFECT FROM TO	UNITS PER ASSY
1 - 1	3800298-1-1		ENGINE ASSY-GAS TURB (TOTAL PRESSURE TRANSDUCER ONLY) GTCP331-200ER SUPPLIER CODE: V99193 SPECIFICATION NUMBER: S351T020-200 COMPONENT MAINT MANUAL REF: 49-22-11 QUALIFIED I/W DATA: S351T020-200 (3800298-1-1) AND S351T020-205 (3800298-1-6) ARE INTERCHANGEABLE WITH THE INCORPORATION OF ALLIED SIGNAL S/B GTCP331-49-7081. S351T020-200 (3800298-1-1) AND S351T020-206 (3800298-1-7/3800298-1) ARE INTERCHANGEABLE WITH THE INCORPORATION OF ALLIED SIGNAL S/B GTCP331-49-7081. FOR NHA/ADDITIONAL DET SEE: 49-11-01-50	002004 006100 107107 121503 904999	RF

MISSING ITEM NUMBERS NOT APPLICABLE

- ITEM NOT ILLUSTRATED

BRI

49-53-02-01

BOEING PROPRIETARY - Copyright © - Unpublished Work - See title page for details.

49-53-02  
 FIG. 01  
 PAGE 2  
 JAN 20/09



757

PARTS CATALOG (MAINTENANCE)

FIG ITEM	PART NUMBER	1 2 3 4 5 6 7 NOMENCLATURE	EFFECT FROM TO	UNITS PER ASSY
1 - 1	3800298-1-3	ENGINE ASSY-GAS TURB (TOTAL PRESSURE TRANSDUCER ONLY) GTCP331-200ER SUPPLIER CODE: V99193 SPECIFICATION NUMBER: S351T020-202 CONFIG CHG DATA FROM A CMM: REPLACES 3800298-1-2 COMPONENT MAINT MANUAL REF: 49-22-11 QUALIFIED I/W DATA: S351T020-202 (3800298-1-3) AND S351T020-205 (3800298-1-6) ARE INTERCHANGEABLE WITH THE INCORPORATION OF ALLIED SIGNAL S/B GTCP331-49-7081. S351T020-202 (3800298-1-3) AND S351T020-206 (3800298-1-7/3800298-1) ARE INTERCHANGEABLE WITH THE INCORPORATION OF ALLIED SIGNAL S/B GTCP331-49-7081. FOR NHA/OTHER SYS DET SEE: 49-11-01-50	002004 006100 107107 121503 904999	RF

MISSING ITEM NUMBERS NOT APPLICABLE

- ITEM NOT ILLUSTRATED

49-53-02-01

49-53-02  
FIG. 01  
PAGE 3  
JAN 20/09

BRI





757

PARTS CATALOG (MAINTENANCE)

FIG ITEM	PART NUMBER	1 2 3 4 5 6 7	NOMENCLATURE	EFFECT FROM TO	UNITS PER ASSY
1 - 1	3800298-1-4		ENGINE ASSY-GAS TURB (TOTAL PRESSURE TRANSDUCER ONLY) GTCP331-200ER SUPPLIER CODE: V99193 SPECIFICATION NUMBER: S351T020-203 CONFIG CHG DATA FROM A CMM: REPLACES 3800298-1-3 COMPONENT MAINT MANUAL REF: 49-22-11 QUALIFIED I/W DATA: 3800298-1-4/S351T020-203 AND 3800298-1-6/S351T020-205 ARE INTERCHANGEABLE WITH THE INCORPORATION OF ALLIED SIGNAL S/B GTCP331-49-7081. 3800298-1-4/S351T020-203 AND 3800298-1-7/S351T020-206 /3800298-1 ARE INTERCHANGEABLE WITH THE INCORPORATION OF ALLIED SIGNAL S/B GTCP331-49-7081. FOR NHA/ADDITIONAL DET SEE: 49-11-01-50	002004 006100 107107 121503 904999	RF

MISSING ITEM NUMBERS NOT APPLICABLE

- ITEM NOT ILLUSTRATED

BRI

49-53-02-01

BOEING PROPRIETARY - Copyright © - Unpublished Work - See title page for details.

49-53-02  
FIG. 01  
PAGE 4  
JAN 20/09



757

PARTS CATALOG (MAINTENANCE)

FIG ITEM	PART NUMBER	1 2 3 4 5 6 7	NOMENCLATURE	EFFECT FROM TO	UNITS PER ASSY
1 - 1	3800298-1-5		ENGINE ASSY-GAS TURB (TOTAL PRESSURE TRANSDUCER ONLY) GTCP331-200ER SUPPLIER CODE: V99193 SPECIFICATION NUMBER: S351T020-204 CONFIG CHG DATA FROM A CMM: REPLACES 3800298-1-4 COMPONENT MAINT MANUAL REF: 49-22-11 QUALIFIED I/W DATA: 3800298-1-5/S351T020-204 AND 3800298-1-6/S351T020-205 ARE INTERCHANGEABLE WITH THE INCORPORATION OF ALLIED SIGNAL S/B GTCP331-49-7081. 3800298-1-5/S351T020-204 AND 3800298-1-7/S351T020-206 /3800298-1 ARE INTERCHANGEABLE WITH THE INCORPORATION OF ALLIED SIGNAL S/B GTCP331-49-7081. REWORKED BY SB: GTCP331-49-5884 V59364 GTCP331-49-5887 V59364 GTCP331-49-5890 V59364 FOR NHA/ADDITIONAL DET SEE: 49-11-01-50	002004 006100 107107 121503 904999	RF
- 1	3800298-1-6		ENGINE ASSY-GAS TURB (TOTAL PRESSURE TRANSDUCER ONLY) GTCP331-200ER SUPPLIER CODE: V99193 SPECIFICATION NUMBER: S351T020-205 CONFIG CHG DATA FROM A CMM: REPLACES 3800298-1-5 COMPONENT MAINT MANUAL REF: 49-22-11	002004 006999	RF

MISSING ITEM NUMBERS NOT APPLICABLE

- ITEM NOT ILLUSTRATED

49-53-02-01

49-53-02  
FIG. 01  
PAGE 5  
JAN 20/09

BRI



757

PARTS CATALOG (MAINTENANCE)

FIG ITEM	PART NUMBER	1 2 3 4 5 6 7 NOMENCLATURE	EFFECT FROM TO	UNITS PER ASSY
1		QUALIFIED I/W DATA: 3800298-1-4/S351T020-203 AND 3800298-1-6/S351T020-205 ARE INTERCHANGEABLE WITH THE INCORPORATION OF ALLIED SIGNAL S/B GTCP331-49-7081. S351T020-204 (3800298-1-5) AND S351T020-205 (3800298-1-6) ARE INTERCHANGEABLE WITH THE INCORPORATION OF ALLIED SIGNAL S/B GTCP331-49-7081. S351T020-202 (3800298-1-3) AND S351T020-205 (3800298-1-6) ARE INTERCHANGEABLE WITH THE INCORPORATION OF ALLIED SIGNAL S/B GTCP331-49-7081. S351T020-201 (3800298-1-2) AND S351T020-205 (3800298-1-6) ARE INTERCHANGEABLE WITH THE INCORPORATION OF ALLIED SIGNAL S/B GTCP331-49-7081. S351T020-200 (3800298-1-1) AND S351T020-205 (3800298-1-6) ARE INTERCHANGEABLE WITH THE INCORPORATION OF ALLIED SIGNAL S/B GTCP331-49-7081. FOR NHA/ADDITIONAL DET SEE: 49-11-01-50 49-21-00-02		
-	1 3800298-1-7	ENGINE ASSY-GAS TURB (TOTAL PRESSURE TRANSDUCER ONLY) GTCP331-200ER SUPPLIER CODE: V99193	002004 006999	RF

MISSING ITEM NUMBERS NOT APPLICABLE

- ITEM NOT ILLUSTRATED

49-53-02-01

49-53-02  
FIG. 01  
PAGE 6  
SEP 20/08

BRI



757

PARTS CATALOG (MAINTENANCE)

FIG ITEM	PART NUMBER	1 2 3 4 5 6 7 NOMENCLATURE	EFFECT FROM TO	UNITS PER ASSY
1		<p>SPECIFICATION NUMBER: S351T020-206 CONFIG CHG DATA FROM A CMM: REPLACES 3800298-1-6 COMPONENT MAINT MANUAL REF: 49-22-11 QUALIFIED I/W DATA: 3800298-1-5/S351T020-204 AND 3800298-1-7/S351T020-206 /3800298-1 ARE INTERCHANGEABLE WITH THE INCORPORATION OF ALLIED SIGNAL S/B GTCP331-49-7081. S351T020-203 (3800298-1-4) AND S351T020-206(3800298-1-7 /3800298-1) ARE INTERCHANGEABLE WITH THE INCORPORATION OF ALLIED SIGNAL S/B GTCP331-49-7081. S351T020-202 (3800298-1-3) AND S351T020-206 (3800298-1-7/3800298-1) ARE INTERCHANGEABLE WITH THE INCORPORATION OF ALLIED SIGNAL S/B GTCP331-49-7081. S351T020-201 (3800298-1-2) AND S351T020-206 (3800298-1-7/3800298-1) ARE INTERCHANGEABLE WITH THE INCORPORATION OF ALLIED SIGNAL S/B GTCP331-49-7081. S351T020-200 (3800298-1-1) AND S351T020-206 (3800298-1-7/3800298-1) ARE INTERCHANGEABLE WITH THE INCORPORATION OF ALLIED SIGNAL S/B GTCP331-49-7081. OPTIONAL PART: 3800298-1</p>		

MISSING ITEM NUMBERS NOT APPLICABLE

- ITEM NOT ILLUSTRATED

49-53-02-01

49-53-02  
FIG. 01  
PAGE 7  
SEP 20/08

BRI



757

PARTS CATALOG (MAINTENANCE)

FIG ITEM	PART NUMBER	1 2 3 4 5 6 7	NOMENCLATURE	EFFECT FROM TO	UNITS PER ASSY
1			V99193 FOR NHA/ADDITIONAL DET SEE: 49-11-01-50 49-21-00-02		
- 1	3800298-1		ENGINE ASSY-GAS TURB (TOTAL PRESSURE TRANSDUCER ONLY) GTCP331-200ER SUPPLIER CODE: V99193 SPECIFICATION NUMBER: S351T020-206 COMPONENT MAINT MANUAL REF: 49-22-11 QUALIFIED I/W DATA: 3800298-1-5/S351T020-204 AND 3800298-1-7/S351T020-206 /3800298-1 ARE INTERCHANGEABLE WITH THE INCORPORATION OF ALLIED SIGNAL S/B GTCP331-49-7081. 351T020-203(3800298-1-4) AND S351T020-206 (3800298-1-7/380028-1) ARE INTERCHANGEABLE WITH THE INCORPORATION OF ALLIED SIGNAL S/B GTCP331-49-7081. S351T020-202 (3800298-1-3) AND S351T020-206 (3800298-1-7/3800298-1) ARE INTERCHANGEABLE WITH THE INCORPORATION OF ALLIED SIGNAL S/B GTCP331-49-7081. S351T020-201 (3800298-1-2) AND S351T020-206 (3800298-1-7/3800298-1) ARE INTERCHANGEABLE WITH THE INCORPORATION OF ALLIED SIGNAL S/B GTCP331-49-7081. S351T020-200 (3800298-1-1) AND S351T020-206	002004 006999	RF
MISSING ITEM NUMBERS NOT APPLICABLE					

- ITEM NOT ILLUSTRATED

49-53-02-01

49-53-02  
FIG. 01  
PAGE 8  
SEP 20/08

BRI



**757  
PARTS CATALOG (MAINTENANCE)**

FIG ITEM	PART NUMBER	1 2 3 4 5 6 7	NOMENCLATURE	EFFECT FROM TO	UNITS PER ASSY
1			(3800298-1-7/3800298-1) ARE INTERCHANGEABLE WITH THE INCORPORATION OF ALLIED SIGNAL S/B GTCP331-49-7081. OPTIONAL PART: 3800298-1-7 V99193 FOR NHA/ADDITIONAL DET SEE: 49-11-01-50 49-21-00-02		
5	3876084-2		. TRANSDUCER-TOTAL PRESSURE PT SUPPLIER CODE: V99193 SB DATA FROM A CMM: POST SB 49-6746 CONFIG CHG DATA FROM A CMM: REPLS 3876084-1 POST SERVICE BULLETIN: GTCP331-49-6746 V99193 GTCP331-49-7274R1 V99193	002004 006999	1
5	3876084-1		. SENSOR-TOTAL PRESSURE PT SUPPLIER CODE: V99193 SB DATA FROM A CMM: PRE SB 49-6746 CONFIG CHG DATA FROM A CMM: REPLD BY 3876084-2 PRE SERVICE BULLETIN: GTCP331-49-6746 V99193 GTCP331-49-7274R1 V99193	002004 006999	1
10	MS21279-05		ATTACHING PARTS . BOLT- OPTIONAL PART: MS9556-05	002004 006999	2
10	MS9556-05		. BOLT- SB DATA FROM A CMM: POST SPB GTE0293 OPTIONAL PART: MS21279-05 -----*-----	002004 006999	2

MISSING ITEM NUMBERS NOT APPLICABLE

— ITEM NOT ILLUSTRATED

# 49-53-02-01

49-53-02  
FIG. 01  
PAGE 9  
SEP 20/08

BRI



757

PARTS CATALOG (MAINTENANCE)

FIG ITEM	PART NUMBER	1 2 3 4 5 6 7	NOMENCLATURE	EFFECT FROM TO	UNITS PER ASSY
1					
15	MS21288-05		.BOLT- OPTIONAL PART: MS9565-05	002004 006999	2
15	MS9565-05		.BOLT- SB DATA FROM A CMM: POST SPB GTE0306 OPTIONAL PART: MS21288-05	002004 006999	2
20	3884297-1		.CLAMP- SUPPLIER CODE: V99193 SB DATA FROM A CMM: PRE SB 49-5840 CONFIG CHG DATA FROM A CMM: REPLD BY 3614419-1	002004 006999	1
25	3614419-1		.RETAINER-TUBE SUPPLIER CODE: V99193 SB DATA FROM A CMM: POST SB 49-5840 CONFIG CHG DATA FROM A CMM: REPLS 3884297-1	002004 006999	1
30	3614672-1		.PLUG- SUPPLIER CODE: V99193 SB DATA FROM A CMM: POST SB 49-5840	002004 006999	1
- 35	MS21288-04		.BOLT- OPTIONAL PART: MS9565-04	002004 006999	1
- 35	MS9565-04		.BOLT- SB DATA FROM A CMM: POST SPB GTE0306 OPTIONAL PART: MS21288-04	002004 006999	1
40	3884295-1		.TUBE-TOTAL PRESSURE SENSOR SUPPLIER CODE: V99193 SB DATA FROM A CMM: PRE SB 49-5840	002004 006999	1
45	S8990-010		.PACKING- SUPPLIER CODE: V59364 OPTIONAL PART: MS9386-010	002004 006999	2

MISSING ITEM NUMBERS NOT APPLICABLE

- ITEM NOT ILLUSTRATED

49-53-02-01

49-53-02  
FIG. 01  
PAGE 10  
SEP 20/08

BRI



757

PARTS CATALOG (MAINTENANCE)

FIG ITEM	PART NUMBER	1 2 3 4 5 6 7	NOMENCLATURE	EFFECT FROM TO	UNITS PER ASSY
1					
45	MS9386-010		.PACKING- OPTIONAL PART: S8990-010 V59364	002004 006999	2
50	S8990-109		.PACKING- SUPPLIER CODE: V99193	002004 006999	4
- 55	3888123-4		.WIRING HARNESS ASSY- SUPPLIER CODE: V99193 SB DATA FROM A CMM: POST SB 49-5533 PRE SB 49-5794	002004 006102 107999	RF
- 55	3888123-5		.WIRING HARNESS ASSY- SUPPLIER CODE: V99193 USED ON: 3800298-1-1 3800298-1-2 3800298-1-3 3800298-1-4 3800298-1-5 3800298-1-6 3800298-1-7	002004 006999	RF
- 55	3888123-6		.WIRING HARNESS ASSY- SUPPLIER CODE: V99193 SB DATA FROM A CMM: POST SB 49-5794 PRE SB 49-5840/49-7403 CONFIG CHG DATA FROM A CMM: REPLD BY 3888123-8 REWORKED FROM 3888123-4 QUALIFIED OPTIONAL DATA: 3888123-8 QUALIFIED SB I/W DATA: 3617394-1 USED WITH 3888123-8 OR 3888123-9 OPT TO 3617394-1 USED WITH 3888123-6 OR 3888123-7 AND 3888450-1 OPT TO 3614759-1 USED WITH 3888123-8 OR 3888123-9 OPT TO 3617459-1 USED WITH 3888123-6 OR 3888123-7 AND 3888450-1	002004 006102 107999	RF

MISSING ITEM NUMBERS NOT APPLICABLE

- ITEM NOT ILLUSTRATED

49-53-02-01

49-53-02  
FIG. 01  
PAGE 11  
JAN 20/09

BRI





757

PARTS CATALOG (MAINTENANCE)

FIG ITEM	PART NUMBER	1 2 3 4 5 6 7	NOMENCLATURE	EFFECT FROM TO	UNITS PER ASSY
1					
- 55	3888123-7		.WIRING HARNESS ASSY- SUPPLIER CODE: V99193 SB DATA FROM A CMM: POST SB 49-5840 PRE SB 49-7403 CONFIG CHG DATA FROM A CMM: REPLD BY 3888123-9 REWORKED FROM 3888123-6 QUALIFIED SB I/W DATA: 3617394-1 USED WITH 3888123-8 OR 3888123-9 OPT TO 3617394-1 USED WITH 3888123-6 OR 3888123-7 AND 3888450-1 OPT TO 3614759-1 USED WITH 3888123-8 OR 3888123-9 OPT TO 3617459-1 USED WITH 3888123-6 OR 3888123-7 AND 3888450-1	002004 006102 107999	RF
- 55	3888123-8		.WIRING HARNESS ASSY- SUPPLIER CODE: V99193 SB DATA FROM A CMM: POST SB 49-7391/49-7403 CONFIG CHG DATA FROM A CMM: REPLACES 3888123-6 QUALIFIED OPTIONAL DATA: 3888123-6 QUALIFIED SB I/W DATA: 3617394-1 USED WITH 3888123-8 OR 3888123-9 OPT TO 3617394-1 USED WITH 3888123-6 OR 3888123-7 AND 3888450-1 OPT TO 3614759-1 USED WITH 3888123-8 OR 3888123-9 OPT TO 3617459-1 USED WITH 3888123-6 OR 3888123-7 AND 3888450-1	002004 006999	RF

MISSING ITEM NUMBERS NOT APPLICABLE

- ITEM NOT ILLUSTRATED

49-53-02-01

49-53-02  
FIG. 01  
PAGE 12  
JAN 20/09

BRI



757

PARTS CATALOG (MAINTENANCE)

FIG ITEM	PART NUMBER	1 2 3 4 5 6 7	NOMENCLATURE	EFFECT FROM TO	UNITS PER ASSY
1 - 55	3888123-9		.WIRING HARNESS ASSY- SUPPLIER CODE: V99193 SB DATA FROM A CMM: POST SB 49-7403 POST 49-7391 CONFIG CHG DATA FROM A CMM: REPLACES 3888123-7 QUALIFIED SB I/W DATA: 3617394-1 USED WITH 3888123-8 OR 3888123-9 OPT TO 3617394-1 USED WITH 3888123-6 OR 3888123-7 AND 3888450-1 OPT TO 3614759-1 USED WITH 3888123-8 OR 3888123-9 OPT TO 3617459-1 USED WITH 3888123-6 OR 3888123-7 AND 3888450-1 POST SERVICE BULLETIN: GTCP331-49-7391R1 V99193	002004 006999	RF
- 55	3888465-1		.WIRING HARNESS ASSY- SUPPLIER CODE: V99193 SB DATA FROM A CMM: POST 49-7618 CONFIG CHG DATA FROM A CMM: REPLACES 3888123-8 REPLACES 3888123-9	002004 006999	RF
60	BCREF13889		..CONNECTOR-P12 SUPPLIER CODE: V49367 OVERLENGTH PART NUMBER: ZZYA0-12D14-07S06 OPTIONAL PART: BCREF13890 V13556	002004 006999	1
60	BCREF13890		..CONNECTOR-P12 SUPPLIER CODE: V13556 OVERLENGTH PART NUMBER: CN0966-14A07S6-000 OPTIONAL PART: BCREF13889 V49367	002004 006999	1

MISSING ITEM NUMBERS NOT APPLICABLE

- ITEM NOT ILLUSTRATED

49-53-02-01

49-53-02  
FIG. 01  
PAGE 13  
SEP 20/08

BRI



757

PARTS CATALOG (MAINTENANCE)

FIG ITEM	PART NUMBER	1 2 3 4 5 6 7	NOMENCLATURE	EFFECT FROM TO	UNITS PER ASSY
1					
65	LRC20W15DJ5	..	CONTACT- SUPPLIER CODE: V09922	002004 006999	14
70	GS3418-14CD	..	CLAMP- SUPPLIER CODE: V06324	002004 006999	2
75	10-230935-143	..	GROMMET-RUBBER SUPPLIER CODE: V77820	002004 006999	2
- 80	M22759-8-18-8	..	WIRE-ELECTRICAL OPTIONAL PART: 18699-69A1 V92607 75908E18 V12515 18AF2XTN1930 V12814 BATATE193ONICE V90484 11-00821 V05973	002004 006999	AR
- 80	18699-69A1	..	WIRE-ELECTRICAL SUPPLIER CODE: V92607 OPTIONAL PART: M22759-8-18-8 75908E18 V12515 18AF2XTN1930 V12814 BATATE193ONICE V90484 11-00821 V05973	002004 006999	AR
- 80	75908E18	..	WIRE-ELECTRICAL SUPPLIER CODE: V12515 OPTIONAL PART: M22759-8-18-8 18699-69A1 V92607 18AF2XTN1930 V12814 BATATE193ONICE V90484 11-00821 V05973	002004 006999	AR

MISSING ITEM NUMBERS NOT APPLICABLE

- ITEM NOT ILLUSTRATED

49-53-02-01

49-53-02  
FIG. 01  
PAGE 14  
SEP 20/08

BRI



757

PARTS CATALOG (MAINTENANCE)

FIG ITEM	PART NUMBER	1 2 3 4 5 6 7	NOMENCLATURE	EFFECT FROM TO	UNITS PER ASSY
1					
- 80	18AF2XTN1930		.. WIRE-ELECTRICAL SUPPLIER CODE: V12814 OPTIONAL PART: M22759-8-18-8 18699-69A1 V92607 75908E18 V12515 BATATE193ONICE V90484 11-00821 V05973	002004 006999	AR
- 80	BATATE193ONICE		.. WIRE-ELECTRICAL SUPPLIER CODE: V90484 OPTIONAL PART: M22759-8-18-8 18699-69A1 V92607 75908E18 V12515 18AF2XTN1930 V12814 11-00821 V05973	002004 006999	AR
- 80	11-00821		.. WIRE-ELECTRICAL SUPPLIER CODE: V05973 OPTIONAL PART: M22759-8-18-8 18699-69A1 V92607 75908E18 V12515 18AF2XTN1930 V12814 BATATE193ONICE V90484	002004 006999	AR

MISSING ITEM NUMBERS NOT APPLICABLE

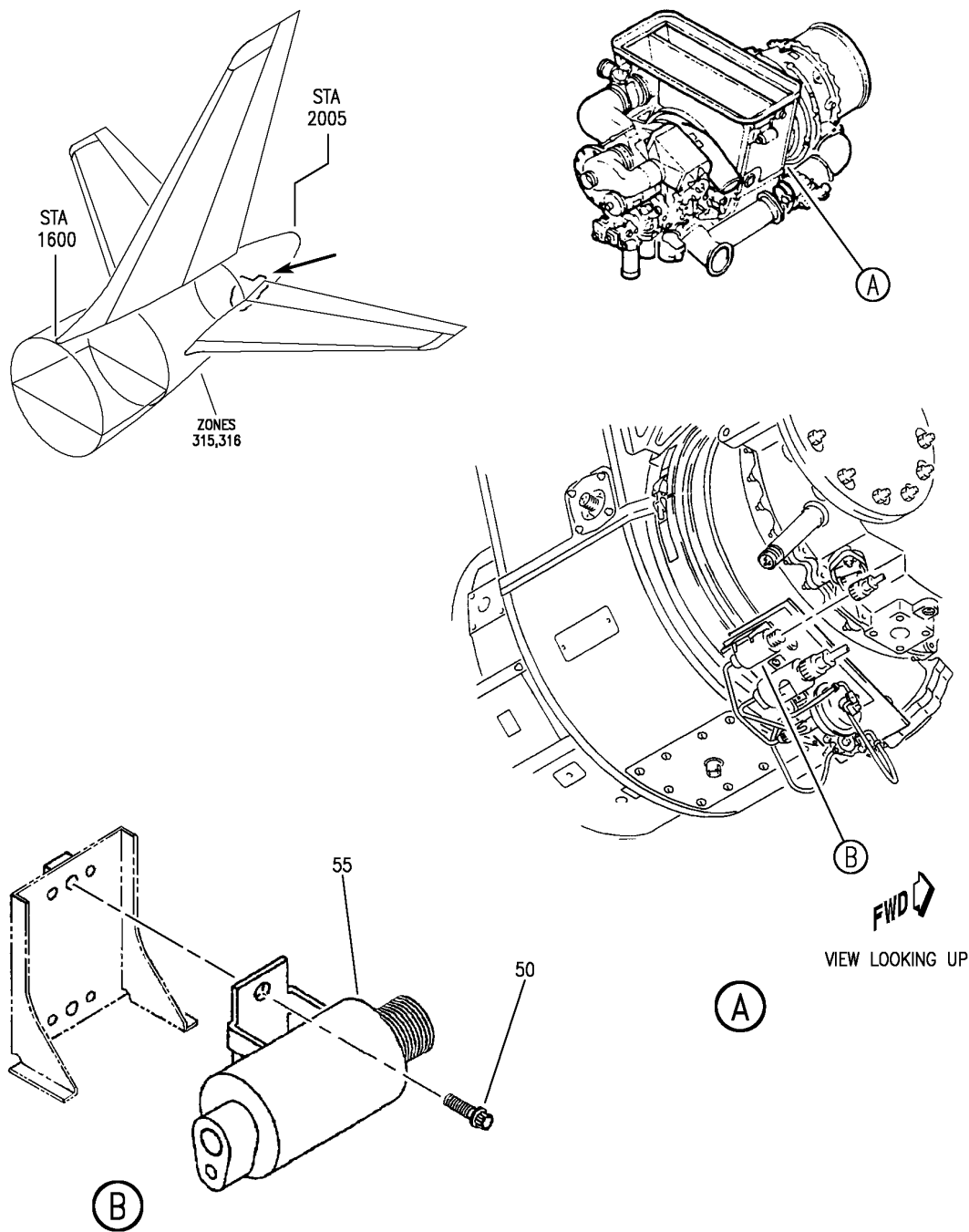
- ITEM NOT ILLUSTRATED

49-53-02-01

49-53-02  
FIG. 01  
PAGE 15  
SEP 20/08

BRI

**BOEING**  
757  
PARTS CATALOG (MAINTENANCE)



Y 49530201A REV 250

MODULE ASSY-FLOW SENSING (TOTAL PRESSURE TRANSDUCER ONLY)  
FIGURE 1A

**49-53-02-01A**

BRI  
MAY 28/07

49-53-02-01A  
PAGE 0



757

PARTS CATALOG (MAINTENANCE)

FIG ITEM	PART NUMBER	1 2 3 4 5 6 7	NOMENCLATURE	EFFECT FROM TO	UNITS PER ASSY
1 A			MODULE ASSY-FLOW SENSING (TOTAL PRESSURE TRANSDUCER ONLY)	002004 006999	
- 1	3614400-1		MODULE-FLOW SENSING (TOTAL PRESSURE TRANSDUCER ONLY) SUPPLIER CODE: V99193 SB DATA FROM A CMM: POST 49-5840 PRE 49-7065 PRE 49-6921 PRE 49-7573 PRE 49-7711 CONFIG CHG DATA FROM A CMM: REPLD BY 3614400-7 SUPSD BY 3885081-1 COMPONENT MAINT MANUAL REF: 49-51-93 FOR NHA/OTHER SYS DET SEE: 49-53-08-01	002004 006999	RF
- 1	3614400-7		MODULE-FLOW SENSING (TOTAL PRESSURE TRANSDUCER ONLY) SUPPLIER CODE: V99193 SB DATA FROM A CMM: POST 49-7065 POST 49-6921 PRE 49-7573 PRE 49-7711 CONFIG CHG DATA FROM A CMM: REPLACES 3614400-1 SUPSD BY 3885081-1 COMPONENT MAINT MANUAL REF: 49-51-93 PRE SERVICE BULLETIN: V99193 FOR NHA/OTHER SYS DET SEE: 49-53-08-01	002004 006999	RF

MISSING ITEM NUMBERS NOT APPLICABLE

- ITEM NOT ILLUSTRATED

BRI

49-53-02-01A

BOEING PROPRIETARY - Copyright © - Unpublished Work - See title page for details.

49-53-02  
FIG. 01A  
PAGE 1  
SEP 20/08



757

PARTS CATALOG (MAINTENANCE)

FIG ITEM	PART NUMBER	1 2 3 4 5 6 7	NOMENCLATURE	EFFECT FROM TO	UNITS PER ASSY
1A - 1	3614400-8		MODULE-FLOW SENSING (TOTAL PRESSURE TRANSDUCER ONLY) SUPPLIER CODE: V99193 SB DATA FROM A CMM: POST SB 49-6921 POST SB 49-7573 PRE 49-7711 CONFIG CHG DATA FROM A CMM: REPLACES 3614400-7 SUPSD BY 3885081-1 COMPONENT MAINT MANUAL REF: 49-51-93 FOR NHA/OTHER SYS DET SEE: 49-53-08-01	002004 006999	RF
- 1	3885081-1		MODULE-FLOW SENSING (TOTAL PRESSURE TRANSDUCER ONLY) SUPPLIER CODE: V99193 SB DATA FROM A CMM: POST SB 49-7711 CONFIG CHG DATA FROM A CMM: SUPSDS 3614400-1 SUPSDS 3614400-7 SUPSDS 3614400-8 COMPONENT MAINT MANUAL REF: 49-22-11 FOR NHA/OTHER SYS DET SEE: 49-53-08-01	002004 006999	RF
50	MS9556-06		.BOLT- NOT APPROVED FOR ETOPS.	002004 006999	2
55	3876084-1		.SENSOR-PRESSURE SUPPLIER CODE: V99193 SB DATA FROM A CMM: PRE SB 49-6746 OPTIONAL PART: 3876084-2 V99193 USED ON: 3614400-1 3614400-7 3614400-8	002004 006999	1

MISSING ITEM NUMBERS NOT APPLICABLE

- ITEM NOT ILLUSTRATED

49-53-02-01A

49-53-02  
FIG. 01A  
PAGE 2  
SEP 20/08

BRI


**BOEING**  
 757  
**PARTS CATALOG (MAINTENANCE)**

FIG ITEM	PART NUMBER	1 2 3 4 5 6 7	NOMENCLATURE	EFFECT FROM TO	UNITS PER ASSY
1 A 55	3876084-2		. TRANSDUCER-PRESSURE SUPPLIER CODE: V99193 SB DATA FROM A CMM: POST SB 49-6746 OPTIONAL PART: 3876084-1 V99193 USED ON: 3614400-1 3614400-7 3614400-8	002004 006999	1
55	3876084-2		. TRANSDUCER-PRESSURE SUPPLIER CODE: V99193 USED ON: 3885081-1	002004 006999	1

MISSING ITEM NUMBERS NOT APPLICABLE

— ITEM NOT ILLUSTRATED

BRI

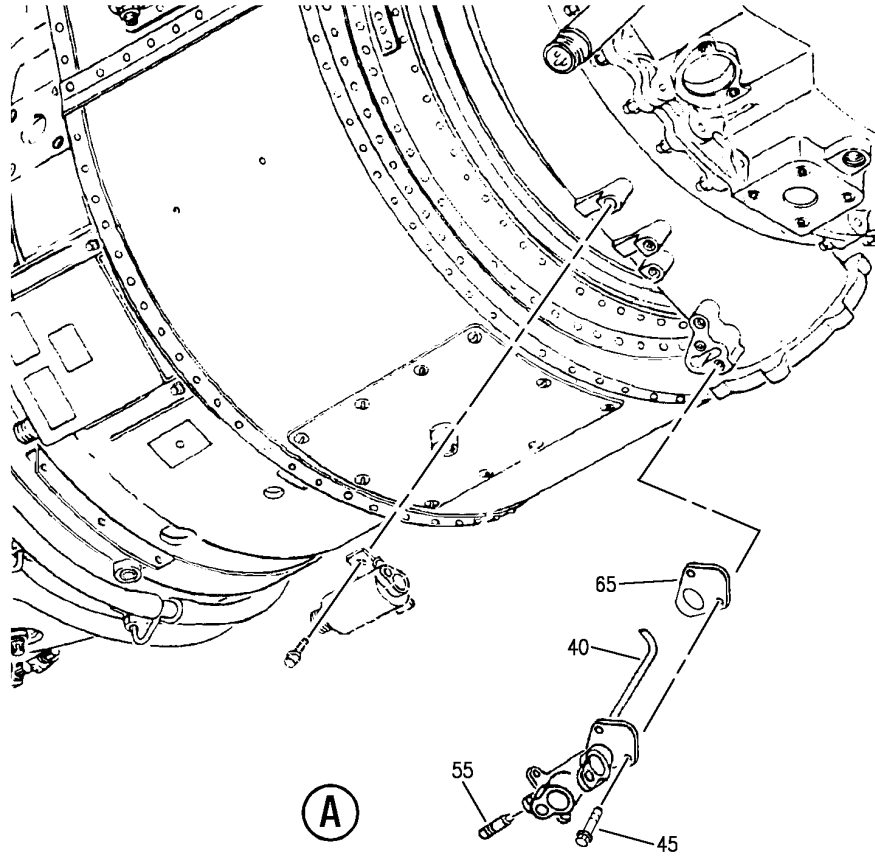
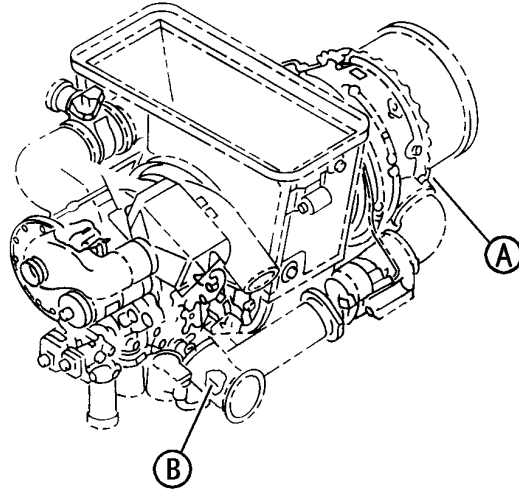
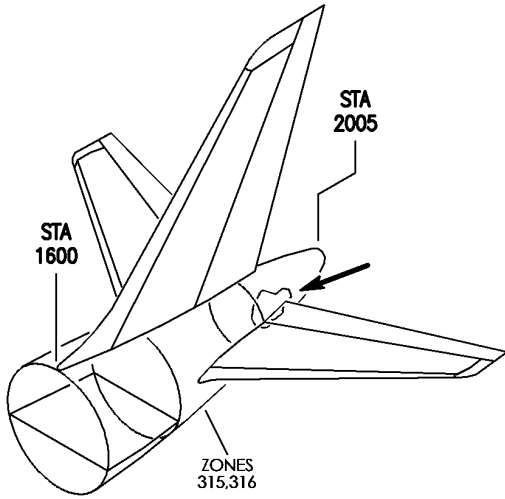
# 49-53-02-01A

BOEING PROPRIETARY - Copyright © - Unpublished Work - See title page for details.

49-53-02  
 FIG. 01A  
 PAGE 3  
 SEP 20/08



**BOEING**  
757  
PARTS CATALOG (MAINTENANCE)



Y 49530301 SHT 1 REV 250

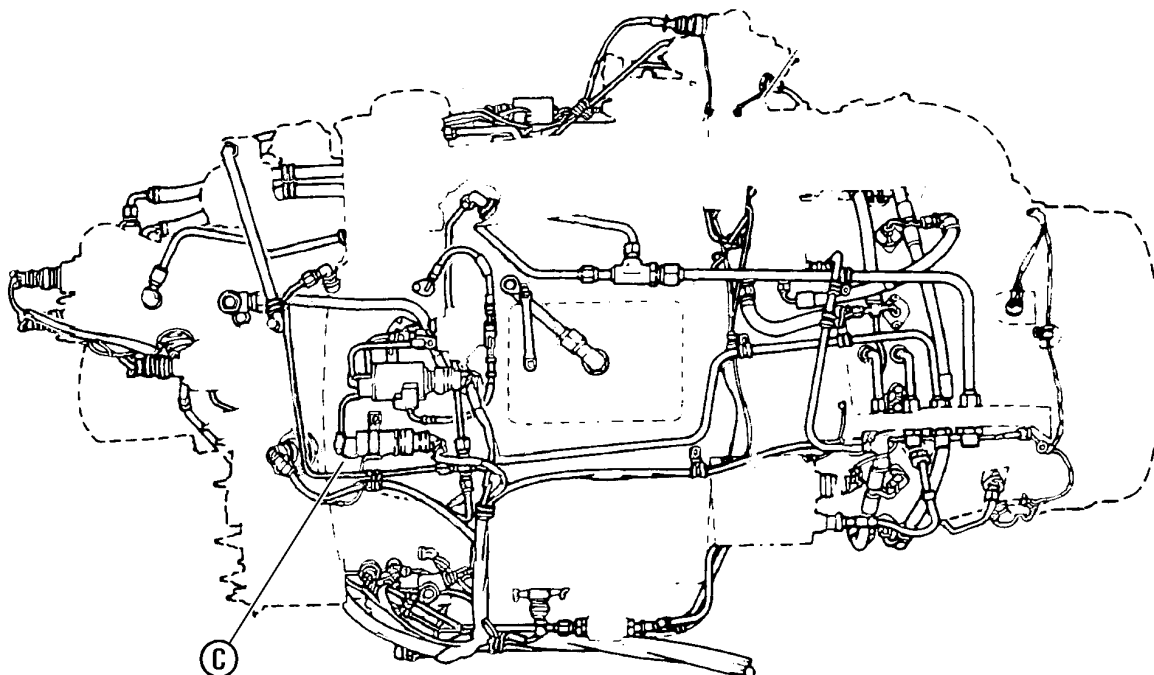
ENGINE ASSY-AUX PWR SYS (TOTAL PRESSURE SENSOR ONLY)  
FIGURE 1 (SHEET 1)

**49-53-03-01**

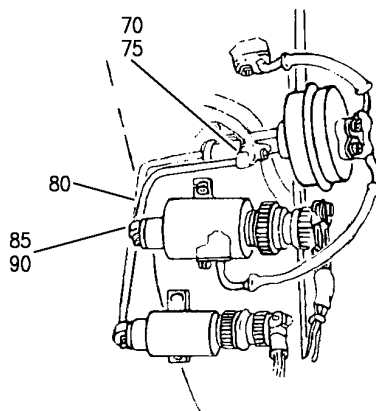
BRI  
MAY 28/07

49-53-03-01  
PAGE 0

**BOEING**  
757  
PARTS CATALOG (MAINTENANCE)



(B)



(C)

Y 49530301 SHT 2 REV 250

ENGINE ASSY-AUX PWR SYS (TOTAL PRESSURE SENSOR ONLY)  
FIGURE 1 (SHEET 2)

**49-53-03-01**

BRI  
MAY 28/07

49-53-03-01  
PAGE 0A



757

PARTS CATALOG (MAINTENANCE)

FIG ITEM	PART NUMBER	1 2 3 4 5 6 7	NOMENCLATURE	EFFECT FROM TO	UNITS PER ASSY
1			ENGINE ASSY-AUX PWR SYS (TOTAL PRESSURE SENSOR ONLY)	002004 006999	
- 1	3800298-1-2		ENGINE ASSY-GAS TURB GTCP331-200ER (TOTAL PRESSURE SENSOR ONLY) SUPPLIER CODE: V99193 SPECIFICATION NUMBER: S351T020-201 CONFIG CHG DATA FROM A CMM: REPLACES 3800298-1-1 COMPONENT MAINT MANUAL REF: 49-22-11 QUALIFIED I/W DATA: S351T020-201 (3800298-1-2) AND S351T020-205 (3800298-1-6) ARE INTERCHANGEABLE WITH THE INCORPORATION OF ALLIED SIGNAL S/B GTCP331-49-7081. S351T020-201 (3800298-1-2) AND S351T020-206 (3800298-1-7/3800298-1) ARE INTERCHANGEABLE WITH THE INCORPORATION OF ALLIED SIGNAL S/B GTCP331-49-7081. FOR NHA/ADDITIONAL DET SEE: 49-11-01-50	002004 006100 107107 121503 904999	RF

MISSING ITEM NUMBERS NOT APPLICABLE

- ITEM NOT ILLUSTRATED

49-53-03-01

49-53-03  
FIG. 01  
PAGE 1  
JAN 20/09

BRI



757

PARTS CATALOG (MAINTENANCE)

FIG ITEM	PART NUMBER	1 2 3 4 5 6 7	NOMENCLATURE	EFFECT FROM TO	UNITS PER ASSY
1 - 1	3800298-1-1		ENGINE ASSY-GAS TURB GTCP331-200ER (TOTAL PRESSURE SENSOR ONLY) SUPPLIER CODE: V99193 SPECIFICATION NUMBER: S351T020-200 COMPONENT MAINT MANUAL REF: 49-22-11 QUALIFIED I/W DATA: S351T020-200 (3800298-1-1) AND S351T020-205 (3800298-1-6) ARE INTERCHANGEABLE WITH THE INCORPORATION OF ALLIED SIGNAL S/B GTCP331-49-7081. S351T020-200 (3800298-1-1) AND S351T020-206 (3800298-1-7/3800298-1) ARE INTERCHANGEABLE WITH THE INCORPORATION OF ALLIED SIGNAL S/B GTCP331-49-7081. FOR NHA/ADDITIONAL DET SEE: 49-11-01-50	002004 006100 107107 121503 904999	RF

MISSING ITEM NUMBERS NOT APPLICABLE

- ITEM NOT ILLUSTRATED

49-53-03-01

49-53-03  
 FIG. 01  
 PAGE 2  
 JAN 20/09

BRI



757

PARTS CATALOG (MAINTENANCE)

FIG ITEM	PART NUMBER	1 2 3 4 5 6 7 NOMENCLATURE	EFFECT FROM TO	UNITS PER ASSY
1 - 1	3800298-1-3	ENGINE ASSY-GAS TURB GTCP331-200ER (TOTAL PRESSURE SENSOR ONLY) SUPPLIER CODE: V99193 SPECIFICATION NUMBER: S351T020-202 CONFIG CHG DATA FROM A CMM: REPLACES 3800298-1-2 COMPONENT MAINT MANUAL REF: 49-22-11 QUALIFIED I/W DATA: S351T020-202 (3800298-1-3) AND S351T020-205 (3800298-1-6) ARE INTERCHANGEABLE WITH THE INCORPORATION OF ALLIED SIGNAL S/B GTCP331-49-7081. S351T020-202 (3800298-1-3) AND S351T020-206 (3800298-1-7/3800298-1) ARE INTERCHANGEABLE WITH THE INCORPORATION OF ALLIED SIGNAL S/B GTCP331-49-7081. FOR NHA/OTHER SYS DET SEE: 49-11-01-50	002004 006100 107107 121503 904999	RF

MISSING ITEM NUMBERS NOT APPLICABLE

- ITEM NOT ILLUSTRATED

49-53-03-01

49-53-03  
FIG. 01  
PAGE 3  
JAN 20/09

BRI



757

PARTS CATALOG (MAINTENANCE)

FIG ITEM	PART NUMBER	1 2 3 4 5 6 7	NOMENCLATURE	EFFECT FROM TO	UNITS PER ASSY
1 - 1	3800298-1-4		ENGINE ASSY-GAS TURB GTCP331-200ER (TOTAL PRESSURE SENSOR ONLY) SUPPLIER CODE: V99193 SPECIFICATION NUMBER: S351T020-203 CONFIG CHG DATA FROM A CMM: REPLACES 3800298-1-3 COMPONENT MAINT MANUAL REF: 49-22-11 QUALIFIED I/W DATA: 3800298-1-4/S351T020-203 AND 3800298-1-6/S351T020-205 ARE INTERCHANGEABLE WITH THE INCORPORATION OF ALLIED SIGNAL S/B GTCP331-49-7081. 3800298-1-4/S351T020-203 AND 3800298-1-7/S351T020-206 /3800298-1 ARE INTERCHANGEABLE WIT THE INCORPORATION OF ALLIED SIGNAL S/B GTCP331-49-7081. FOR NHA/ADDITIONAL DET SEE: 49-11-01-50	002004 006100 107107 121503 904999	RF

MISSING ITEM NUMBERS NOT APPLICABLE

- ITEM NOT ILLUSTRATED

49-53-03-01

49-53-03  
FIG. 01  
PAGE 4  
JAN 20/09

BRI



757

PARTS CATALOG (MAINTENANCE)

FIG ITEM	PART NUMBER	1 2 3 4 5 6 7	NOMENCLATURE	EFFECT FROM TO	UNITS PER ASSY
1	3800298-1-5		ENGINE ASSY-GAS TURB GTCP331-200ER (TOTAL PRESSURE SENSOR ONLY) SUPPLIER CODE: V99193 SPECIFICATION NUMBER: S351T020-204 CONFIG CHG DATA FROM A CMM: REPLACES 3800298-1-4 COMPONENT MAINT MANUAL REF: 49-22-11 QUALIFIED I/W DATA: 3800298-1-5/S351T020-204 AND 3800298-1-6/S351T020-205 ARE INTERCHANGEABLE WITH THE INCORPORATION OF ALLIED SIGNAL S/B GTCP331-49-7081. 3800298-1-5/S351T020-204 AND 3800298-1-7/S351T020-206 /3800298-1 ARE INTERCHANGEABLE WITH THE INCORPORATION OF ALLIED SIGNAL S/B GTCP331-49-7081. FOR NHA/ADDITIONAL DET SEE: 49-11-01-50	002004 006100 107107 121503 904999	RF
1	3800298-1-6		ENGINE ASSY-GAS TURB GTCP331-200ER (TOTAL PRESSURE SENSOR ONLY) SUPPLIER CODE: V99193 SPECIFICATION NUMBER: S351T020-205 CONFIG CHG DATA FROM A CMM: REPLACES 3800298-1-5 COMPONENT MAINT MANUAL REF: 49-22-11 QUALIFIED I/W DATA: 3800298-1-5/S351T020-204 AND 3800298-1-6/S351T020-205 ARE INTERCHANGEABLE WITH THE INCORPORATION OF ALLIED SIGNAL S/B	002004 006999	RF

MISSING ITEM NUMBERS NOT APPLICABLE

- ITEM NOT ILLUSTRATED

49-53-03-01

49-53-03  
FIG. 01  
PAGE 5  
JAN 20/09

BRI



757

PARTS CATALOG (MAINTENANCE)

FIG ITEM	PART NUMBER	1 2 3 4 5 6 7 NOMENCLATURE	EFFECT FROM TO	UNITS PER ASSY
1		GTCP331-49-7081. S351T020-203 (3800298-1-4) AND S351T020-205 (3800298-1-6) ARE INTERCHANGEABLE WITH THE INCORPORATION OF ALLIED SIGNAL S/B GTCP331-49-7081. S351T020-202 (3800298-1-3) AND S351T020-205 (3800298-1-6) ARE INTERCHANGEABLE WITH THE INCORPORATION OF ALLIED SIGNAL S/B GTCP331-49-7081. S351T020-201 (3800298-1-2) AND S351T020-205 (3800298-1-6) ARE INTERCHANGEABLE WITH THE INCORPORATION OF ALLIED SIGNAL S/B GTCP331-49-7081. S351T020-200 (3800298-1-1) AND S351T020-205 (3800298-1-6) ARE INTERCHANGEABLE WITH THE INCORPORATION OF ALLIED SIGNAL S/B GTCP331-49-7081. FOR NHA/ADDITIONAL DET SEE: 49-11-01-50 49-21-00-02		
-	1 3800298-1-7	ENGINE ASSY-GAS TURB GTCP331-200ER (TOTAL PRESSURE SENSOR ONLY) SUPPLIER CODE: V99193 SPECIFICATION NUMBER: S351T020-206 CONFIG CHG DATA FROM A CMM: REPLACES 3800298-1-6 COMPONENT MAINT MANUAL REF: 49-22-11 QUALIFIED I/W DATA:  MISSING ITEM NUMBERS NOT APPLICABLE	002004 006999	RF

- ITEM NOT ILLUSTRATED

49-53-03-01

49-53-03  
FIG. 01  
PAGE 6  
SEP 20/08

BRI





757

PARTS CATALOG (MAINTENANCE)

FIG ITEM	PART NUMBER	1 2 3 4 5 6 7 NOMENCLATURE	EFFECT FROM TO	UNITS PER ASSY
1		<p>3800298-1-5/S351T020-204 AND 3800298-1/ 3800298-1-7/S351T020-206 ARE INTERCHANGEABLE WITH THE INCORPORATION OF ALLIED SIGNAL S/B GTCP331-49-7081. S351T020-203 (3800298-1-4) AND S351T020-206(3800298-1-7 /3800298-1) ARE INTERCHANGEABLE WITH THE INCORPORATION OF ALLIED SIGNAL S/B GTCP331-49-7081. S351T020-202 (3800298-1-3) AND S351T020-206 (3800298-1-7/3800298-1) ARE INTERCHANGEABLE WITH THE INCORPORATION OF ALLIED SIGNAL S/B GTCP331-49-7081. S351T020-201 (3800298-1-2) AND S351T020-206 (3800298-1-7/3800298-1) ARE INTERCHANGEABLE WITH THE INCORPORATION OF ALLIED SIGNAL S/B GTCP331-49-7081. S351T020-200 (3800298-1-1) AND S351T020-206 (3800298-1-7/3800298-1) ARE INTERCHANGEABLE WITH THE INCORPORATION OF ALLIED SIGNAL S/B GTCP331-49-7081. OPTIONAL PART: 3800298-1 V99193 FOR NHA/ADDITIONAL DET SEE: 49-11-01-50 49-21-00-02</p>		
-	1 3800298-1	<p>ENGINE ASSY-GAS TURB GTCP331-200ER (TOTAL PRESSURE SENSOR ONLY)</p>	002004 006999	RF

MISSING ITEM NUMBERS NOT APPLICABLE

- ITEM NOT ILLUSTRATED

49-53-03-01

49-53-03  
FIG. 01  
PAGE 7  
SEP 20/08

BRI



757

PARTS CATALOG (MAINTENANCE)

FIG ITEM	PART NUMBER	1 2 3 4 5 6 7 NOMENCLATURE	EFFECT FROM TO	UNITS PER ASSY
1		<p>SUPPLIER CODE: V99193</p> <p>SPECIFICATION NUMBER: S351T020-206</p> <p>COMPONENT MAINT MANUAL REF: 49-22-11</p> <p>QUALIFIED I/W DATA: 3800298-1-5/S351T020-204 AND 3800298-1-7/S351T020-206 /3800298-1</p> <p>ARE INTERCHANGEABLE WITH THE INCORPORATION OF ALLIED SIGNAL S/B GTCP331-49-7081. 351T020-203(3800298-1-4) AND 351T020-206 (3800298-1-7/380028-1)</p> <p>ARE INTERCHANGEABLE WITH THE INCORPORATION OF ALLIED SIGNAL S/B GTCP331-49-7081. S351T020-202 (3800298-1-3) AND S351T020-206 (3800298-1-7/3800298-1)</p> <p>ARE INTERCHANGEABLE WITH THE INCORPORATION OF ALLIED SIGNAL S/B GTCP331-49-7081. S351T020-201 (3800298-1-2) AND S351T020-206 (3800298-1-7/3800298-1)</p> <p>ARE INTERCHANGEABLE WITH THE INCORPORATION OF ALLIED SIGNAL S/B GTCP331-49-7081. S351T020-200 (3800298-1-1) AND S351T020-206 (3800298-1-7/3800298-1)</p> <p>ARE INTERCHANGEABLE WITH THE INCORPORATION OF ALLIED SIGNAL S/B GTCP331-49-7081.</p> <p>OPTIONAL PART: 3800298-1-7 V99193</p>		

MISSING ITEM NUMBERS NOT APPLICABLE

- ITEM NOT ILLUSTRATED

49-53-03-01

49-53-03  
FIG. 01  
PAGE 8  
SEP 20/08

BRI



757

PARTS CATALOG (MAINTENANCE)

FIG ITEM	PART NUMBER	1 2 3 4 5 6 7	NOMENCLATURE	EFFECT FROM TO	UNITS PER ASSY
1			FOR NHA/ADDITIONAL DET SEE: 49-11-01-50 49-21-00-02		
40	3876086-1	.	SENSOR ASSY-FLOW P2 SUPPLIER CODE: V99193 SB DATA FROM A CMM: PRE SB 49-5407 CONFIG CHG DATA FROM A CMM: SUPSD BY PN 3876089-2	002004 006999	1
40	3876086-2	.	SENSOR ASSY-FLOW P2 SUPPLIER CODE: V99193 SB DATA FROM A CMM: POST SB 49-5407 CONFIG CHG DATA FROM A CMM: SUPERSEDES PN 3876089-1	002004 006999	1
45	MS21279-05	.	BOLT- OPTIONAL PART: MS9556-05	002004 006999	2
45	MS9556-05	.	BOLT- SB DATA FROM A CMM: POST SPB GTE0293 OPTIONAL PART: MS21279-05	002004 006999	2
- 50	114355-58	..	RESTRICTOR-FLOW SUPPLIER CODE: V99193 USED ON: 3876086-1	002004 006999	1
55	FCRA1875250D	..	VALVE-FLOW CONT SUPPLIER CODE: V92555	002004 006999	1
65	3876037-1	.	GASKET-FLOW SENSOR SUPPLIER CODE: V99193 SB DATA FROM A CMM: PRE SPB GTE0577 CONFIG CHG DATA FROM A CMM: REPLD BY 3876179-1	002004 006999	1

MISSING ITEM NUMBERS NOT APPLICABLE

- ITEM NOT ILLUSTRATED

49-53-03-01

49-53-03  
FIG. 01  
PAGE 9  
SEP 20/08

BRI



757

PARTS CATALOG (MAINTENANCE)

FIG ITEM	PART NUMBER	1 2 3 4 5 6 7	NOMENCLATURE	EFFECT FROM TO	UNITS PER ASSY
1					
65	3876179-1		.GASKET- SUPPLIER CODE: V99193 SB DATA FROM A CMM: POST SPB GTE0577 PRE SB 49-5840 CONFIG CHG DATA FROM A CMM: REPLACES 3876037-1 REPLD BY 3876179-2	002004 006999	1
65	3876179-2		.GASKET- SUPPLIER CODE: V99193 SB DATA FROM A CMM: POST SB 49-5840 CONFIG CHG DATA FROM A CMM: REPLACES 3876179-1	002004 006999	1
70	MS9565-05		.BOLT	002004 006999	1
75	S8990-109		.PACKING- SUPPLIER CODE: V99193	002004 006999	2
80	3884298-1		.TUBE-DIFF PRESS SENSING SENSOR SUPPLIER CODE: V99193 SB DATA FROM A CMM: PRE SB 49-5840	002004 006999	1
85	MS21288-05		.BOLT- OPTIONAL PART: MS9565-05	002004 006999	1
85	MS9565-05		.BOLT- SB DATA FROM A CMM: POST SPB GTE0306 OPTIONAL PART: MS21288-05	002004 006999	1
90	S8990-010		.PACKING- SUPPLIER CODE: V59364 OPTIONAL PART: MS9386-010	002004 006999	2
90	MS9386-010		.PACKING- OPTIONAL PART: S8990-010 V59364	002004 006999	2

MISSING ITEM NUMBERS NOT APPLICABLE

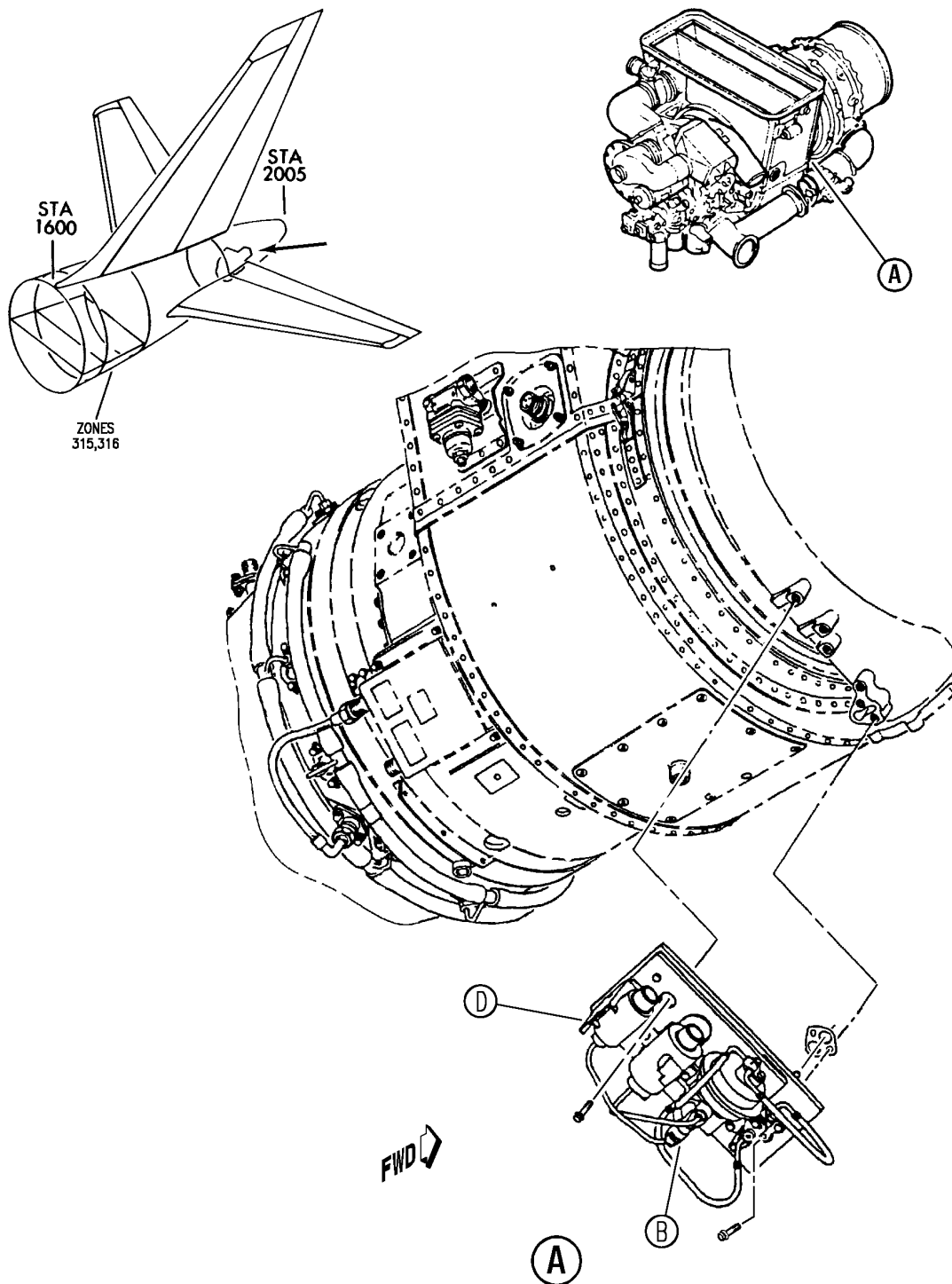
- ITEM NOT ILLUSTRATED

49-53-03-01

49-53-03  
FIG. 01  
PAGE 10  
SEP 20/08

BRI

**BOEING**  
757  
PARTS CATALOG (MAINTENANCE)



Y 49530301A SHT 1 REV 250

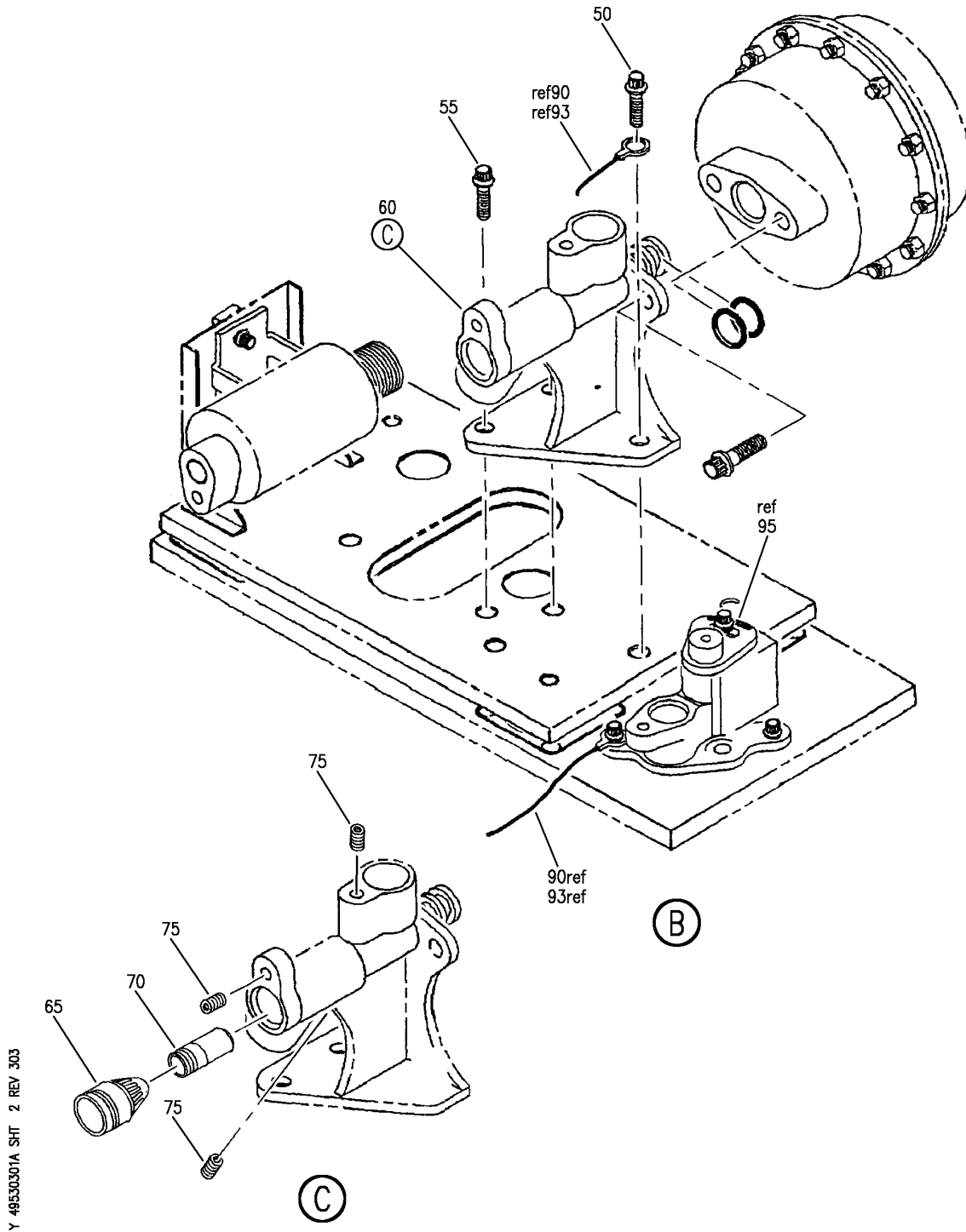
MODULE ASSY-FLOW SENSING (TOTAL PRESSURE SENSOR ONLY)  
FIGURE 1A (SHEET 1)

**49-53-03-01A**

BRI  
MAY 28/07

49-53-03-01A  
PAGE 0

**BOEING**  
757  
PARTS CATALOG (MAINTENANCE)



Y 49530301A SHT 2 REV 303

MODULE ASSY-FLOW SENSING (TOTAL PRESSURE SENSOR ONLY)  
FIGURE 1A (SHEET 2)

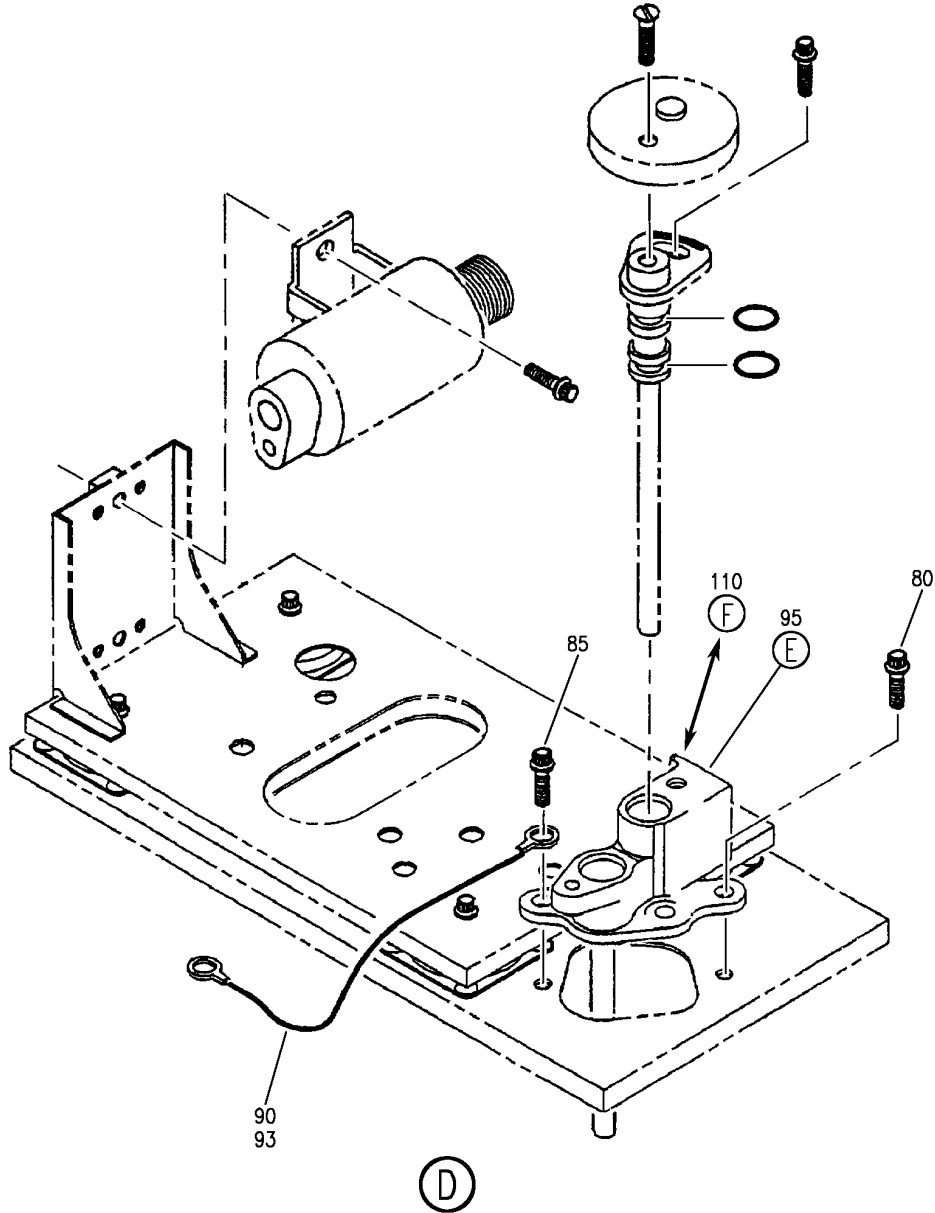
**49-53-03-01A**

BRI  
MAY 28/07

49-53-03-01A  
PAGE 0A

BOEING PROPRIETARY - Copyright © - Unpublished Work - See title page for details.

**BOEING**  
757  
PARTS CATALOG (MAINTENANCE)



Y 49530301A SHT 3 REV 303

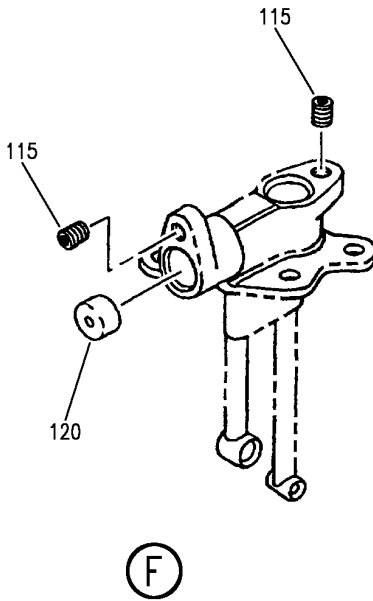
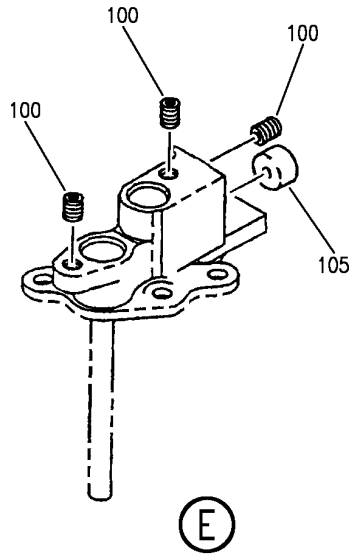
MODULE ASSY-FLOW SENSING (TOTAL PRESSURE SENSOR ONLY)  
FIGURE 1A (SHEET 3)

**49-53-03-01A**

BRI  
MAY 28/07

49-53-03-01A  
PAGE 0B

**BOEING**  
757  
PARTS CATALOG (MAINTENANCE)



Y 49530301A SHT 4 REV 250

MODULE ASSY-FLOW SENSING (TOTAL PRESSURE SENSOR ONLY)  
FIGURE 1A (SHEET 4)

**49-53-03-01A**

BRI  
MAY 28/07

49-53-03-01A  
PAGE 0C

BOEING PROPRIETARY - Copyright © - Unpublished Work - See title page for details.





757

PARTS CATALOG (MAINTENANCE)

FIG ITEM	PART NUMBER	1 2 3 4 5 6 7	NOMENCLATURE	EFFECT FROM TO	UNITS PER ASSY
1 A			MODULE ASSY-FLOW SENSING (TOTAL PRESSURE SENSOR ONLY)	002004 006999	
- 1	3614400-1		MODULE-FLOW SENSING (TOTAL PRESSURE SENSOR ONLY) SUPPLIER CODE: V99193 SB DATA FROM A CMM: POST 49-5840 PRE 49-7065 PRE 49-6921 PRE 49-7573 PRE 49-7711 CONFIG CHG DATA FROM A CMM: REPLD BY 3614400-7 SUPSD BY 3885081-1 COMPONENT MAINT MANUAL REF: 49-51-93 FOR NHA/OTHER SYS DET SEE: 49-53-08-01	002004 006999	RF
- 1	3614400-7		MODULE-FLOW SENSING (TOTAL PRESSURE SENSOR ONLY) SUPPLIER CODE: V99193 SB DATA FROM A CMM: POST 49-7065 POST 49-6921 PRE 49-7573 PRE 49-7711 CONFIG CHG DATA FROM A CMM: REPLACES 3614400-1 SUPSD BY 3885081-1 COMPONENT MAINT MANUAL REF: 49-51-93 PRE SERVICE BULLETIN: V99193 FOR NHA/OTHER SYS DET SEE: 49-53-08-01	002004 006999	RF

MISSING ITEM NUMBERS NOT APPLICABLE

- ITEM NOT ILLUSTRATED

BRI

49-53-03-01A

BOEING PROPRIETARY - Copyright © - Unpublished Work - See title page for details.

49-53-03  
FIG. 01A  
PAGE 1  
SEP 20/08



757

PARTS CATALOG (MAINTENANCE)

FIG ITEM	PART NUMBER	1 2 3 4 5 6 7	NOMENCLATURE	EFFECT FROM TO	UNITS PER ASSY
1A - 1	3614400-8		MODULE-FLOW SENSING (TOTAL PRESSURE SENSOR ONLY) SUPPLIER CODE: V99193 SB DATA FROM A CMM: POST SB 49-6921 POST SB 49-7573 PRE 49-7711 CONFIG CHG DATA FROM A CMM: REPLACES 3614400-7 SUPSD BY 3885081-1 COMPONENT MAINT MANUAL REF: 49-51-93 FOR NHA/OTHER SYS DET SEE: 49-53-08-01	002004 006999	RF
- 1	3885081-1		MODULE-FLOW SENSING (TOTAL PRESSURE TRANSDUCER ONLY) SUPPLIER CODE: V99193 SB DATA FROM A CMM: POST SB 49-7711 CONFIG CHG DATA FROM A CMM: SUPSDS 3614400-1 SUPSDS 3614400-7 SUPSDS 3614400-8 COMPONENT MAINT MANUAL REF: 49-22-11 FOR NHA/OTHER SYS DET SEE: 49-53-08-01	002004 006999	RF
50	MS9556-07		.BOLT- NOT APPROVED FOR ETOPS.	002004 006999	1
55	MS9556-06		.BOLT- NOT APPROVED FOR ETOPS.	002004 006999	2
60	3614409-1		.HOUSING ASSY- SUPPLIER CODE: V99193	002004 006999	1
65	FSCX0501300B		..SCREEN-FILTER SUPPLIER CODE: V92555 USED WITH: 3614400-1 3614400-7 3614400-8	002004 006999	1

MISSING ITEM NUMBERS NOT APPLICABLE

- ITEM NOT ILLUSTRATED

BRI

49-53-03-01A

BOEING PROPRIETARY - Copyright © - Unpublished Work - See title page for details.

49-53-03  
FIG. 01A  
PAGE 2  
SEP 20/08



757

PARTS CATALOG (MAINTENANCE)

FIG ITEM	PART NUMBER	1 2 3 4 5 6 7	NOMENCLATURE	EFFECT FROM TO	UNITS PER ASSY
1A					
70	FCRX0504250B	..	VALVE- SUPPLIER CODE: V92555 USED WITH: 3614400-1 3614400-7 3614400-8	002004 006999	1
75	MS21209F1-10	..	INSERT- USED WITH: 3614400-1 3614400-7 3614400-8	002004 006999	3
80	MS9556-06	.BOLT-	NOT APPROVED FOR ETOPS. USED ON: 3614400-1 3614400-7 3614400-8	002004 006999	1
85	MS9556-07	.BOLT-	NOT APPROVED FOR ETOPS. USED ON: 3614400-1 3614400-7 3614400-8	002004 006999	1
90	MS25083-7BB4	.JUMPER-	USED ON: 3614400-1 3614400-7 3614400-8	002004 006999	1
93	MS25083-7BB4	.JUMPER-	USED ON: 3885081-1	002004 006999	RF
95	3614408-1	.SENSOR ASSY-FLOW PT	SUPPLIER CODE: V99193 SB DATA FROM A CMM: PRE SB 49-6921 USED ON: 3614400-1	002004 006999	1
100	MS21209F1-10	..	INSERT	002004 006999	3
105	114355-56	..	RESTRICTOR-FLOW SUPPLIER CODE: V99193	002004 006999	1

MISSING ITEM NUMBERS NOT APPLICABLE

- ITEM NOT ILLUSTRATED

49-53-03-01A

49-53-03  
FIG. 01A  
PAGE 3  
SEP 20/08

BRI

BOEING PROPRIETARY - Copyright © - Unpublished Work - See title page for details.



757

PARTS CATALOG (MAINTENANCE)

FIG ITEM	PART NUMBER	1 2 3 4 5 6 7	NOMENCLATURE	EFFECT FROM TO	UNITS PER ASSY
1 A 110	3876243-1	.	SENSOR ASSY-TOTAL PRESSURE AND STATIC PRESSURE SUPPLIER CODE: V99193 SB DATA FROM A CMM: POST SB 49-6921 USED ON: 3614400-7 3614400-8	002004 006999	1
115	MS21209F1-10	..	INSERT	002004 006999	2
120	114355-56	..	RESTRICTOR-FLOW SUPPLIER CODE: V99193	002004 006999	1

MISSING ITEM NUMBERS NOT APPLICABLE

- ITEM NOT ILLUSTRATED

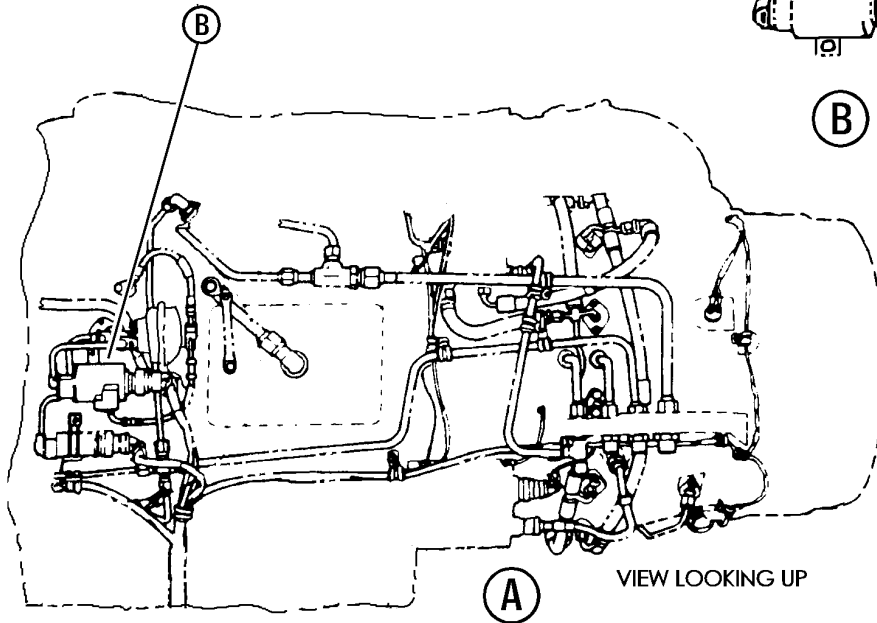
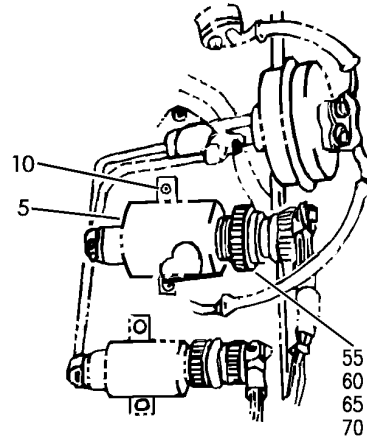
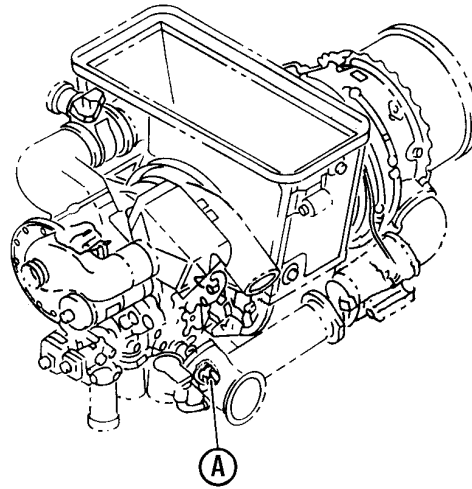
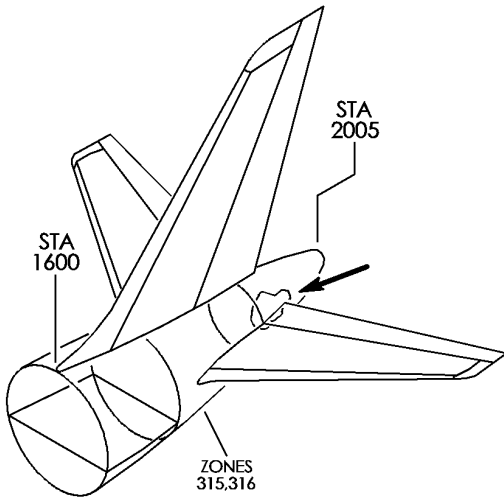
BRI

49-53-03-01A

BOEING PROPRIETARY - Copyright © - Unpublished Work - See title page for details.

49-53-03  
FIG. 01A  
PAGE 4  
SEP 20/08

**BOEING**  
757  
PARTS CATALOG (MAINTENANCE)



Y 49530401 REV 250

ENGINE ASSY-AUX PWR SYS (DIFFERENTIAL PRESSURE TRANSDUCER ONLY)  
FIGURE 1

**49-53-04-01**

BRI  
MAY 28/07

49-53-04-01  
PAGE 0



757

PARTS CATALOG (MAINTENANCE)

FIG ITEM	PART NUMBER	1 2 3 4 5 6 7	NOMENCLATURE	EFFECT FROM TO	UNITS PER ASSY
1			ENGINE ASSY-AUX PWR SYS (DIFFERENTIAL PRESSURE TRANSDUCER ONLY)	002004 006999	
- 1	3800298-1-2		ENGINE ASSY-GAS TURB GTCP331-200ER (DIFFERENTIAL PRESSURE TRANSDUCER ONLY) SUPPLIER CODE: V99193 SPECIFICATION NUMBER: S351T020-201 CONFIG CHG DATA FROM A CMM: REPLACES 3800298-1-1 COMPONENT MAINT MANUAL REF: 49-22-11 QUALIFIED I/W DATA: S351T020-201 (3800298-1-2) AND S351T020-205 (3800298-1-6) ARE INTERCHANGEABLE WITH THE INCORPORATION OF ALLIED SIGNAL S/B GTCP331-49-7081. S351T020-201 (3800298-1-2) AND S351T020-206 (3800298-1-7/3800298-1) ARE INTERCHANGEABLE WITH THE INCORPORATION OF ALLIED SIGNAL S/B GTCP331-49-7081. FOR NHA/ADDITIONAL DET SEE: 49-11-01-50	002004 006100 107107 121503 904999	RF

MISSING ITEM NUMBERS NOT APPLICABLE

- ITEM NOT ILLUSTRATED

49-53-04-01

49-53-04  
FIG. 01  
PAGE 1  
JAN 20/09

BRI



757  
PARTS CATALOG (MAINTENANCE)

FIG ITEM	PART NUMBER	1 2 3 4 5 6 7	NOMENCLATURE	EFFECT FROM TO	UNITS PER ASSY
1 - 1	3800298-1-1		ENGINE ASSY-GAS TURB GTCP331-200ER (DIFFERENTIAL PRESSURE TRANSDUCER ONLY) SUPPLIER CODE: V99193 SPECIFICATION NUMBER: S351T020-200 COMPONENT MAINT MANUAL REF: 49-22-11 QUALIFIED I/W DATA: S351T020-200 (3800298-1-1) AND S351T020-205 (3800298-1-6) ARE INTERCHANGEABLE WITH THE INCORPORATION OF ALLIED SIGNAL S/B GTCP331-49-7081. S351T020-200 (3800298-1-1) AND S351T020-206 (3800298-1-7/3800298-1) ARE INTERCHANGEABLE WITH THE INCORPORATION OF ALLIED SIGNAL S/B GTCP331-49-7081. FOR NHA/ADDITIONAL DET SEE: 49-11-01-50	002004 006100 107107 121503 904999	RF

MISSING ITEM NUMBERS NOT APPLICABLE

- ITEM NOT ILLUSTRATED

BRI

49-53-04-01

BOEING PROPRIETARY - Copyright © - Unpublished Work - See title page for details.

49-53-04  
FIG. 01  
PAGE 2  
JAN 20/09



757

PARTS CATALOG (MAINTENANCE)

FIG ITEM	PART NUMBER	1 2 3 4 5 6 7	NOMENCLATURE	EFFECT FROM TO	UNITS PER ASSY
1 - 1	3800298-1-3		ENGINE ASSY-GAS TURB GTCP331-200ER (DIFFERENTIAL PRESSURE TRANSDUCER ONLY) SUPPLIER CODE: V99193 SPECIFICATION NUMBER: S351T020-202 CONFIG CHG DATA FROM A CMM: REPLACES 3800298-1-2 COMPONENT MAINT MANUAL REF: 49-22-11 QUALIFIED I/W DATA: S351T020-202 (3800298-1-3) AND S351T020-205 (3800298-1-6) ARE INTERCHANGEABLE WITH THE INCORPORATION OF ALLIED SIGNAL S/B GTCP331-49-7081. S351T020-202 (3800298-1-3) AND S351T020-206 (3800298-1-7/3800298-1) ARE INTERCHANGEABLE WITH THE INCORPORATION OF ALLIED SIGNAL S/B GTCP331-49-7081. FOR NHA/OTHER SYS DET SEE: 49-11-01-50	002004 006100 107107 121503 904999	RF

MISSING ITEM NUMBERS NOT APPLICABLE

- ITEM NOT ILLUSTRATED

49-53-04-01

49-53-04  
FIG. 01  
PAGE 3  
JAN 20/09

BRI





757

PARTS CATALOG (MAINTENANCE)

FIG ITEM	PART NUMBER	1 2 3 4 5 6 7	NOMENCLATURE	EFFECT FROM TO	UNITS PER ASSY
1 - 1	3800298-1-4		ENGINE ASSY-GAS TURB GTCP331-200ER (DIFFERENTIAL PRESSURE TRANSDUCER ONLY) SUPPLIER CODE: V99193 SPECIFICATION NUMBER: S351T020-203 CONFIG CHG DATA FROM A CMM: 3800298-1-3 COMPONENT MAINT MANUAL REF: 49-22-11 QUALIFIED I/W DATA: 3800298-1-4/S351T020-203 AND 3800298-1-6/S351T020-205 ARE INTERCHANGEABLE WITH THE INCORPORATION OF ALLIED SIGNAL S/B GTCP331-49-7081. 3800298-1-4/S351T020-203 AND 3800298-1-7/S351T020-206 /3800298-1 ARE INTERCHANGEABLE WITH THE INCORPORATION OF ALLIED SIGNAL S/B GTCP331-49-7081. FOR NHA/ADDITIONAL DET SEE: 49-11-01-50	002004 006100 107107 121503 904999	RF

MISSING ITEM NUMBERS NOT APPLICABLE

- ITEM NOT ILLUSTRATED

49-53-04-01

49-53-04  
FIG. 01  
PAGE 4  
JAN 20/09

BRI



757

PARTS CATALOG (MAINTENANCE)

FIG ITEM	PART NUMBER	1 2 3 4 5 6 7	NOMENCLATURE	EFFECT FROM TO	UNITS PER ASSY
1 - 1	3800298-1-5		ENGINE ASSY-GAS TURB GTCP331-200ER (DIFFERENTIAL PRESSURE TRANSDUCER ONLY) SUPPLIER CODE: V99193 SPECIFICATION NUMBER: S351T020-204 CONFIG CHG DATA FROM A CMM: REPLACES 3800298-1-4 COMPONENT MAINT MANUAL REF: 49-22-11 QUALIFIED I/W DATA: 3800298-1-4/S351T020-203 AND 3800298-1-6/S351T020-205 ARE INTERCHANGEABLE WITH THE INCORPORATION OF ALLIED SIGNAL S/B GTCP331-49-7081. 3800298-1-4/S351T020-203 AND 3800298-1-7/S351T020-206 /3800298-1 ARE INTERCHANGEABLE WITH THE INCORPORATION OF ALLIED SIGNAL S/B GTCP331-49-7081. FOR NHA/ADDITIONAL DET SEE: 49-11-01-50	002004 006100 107107 121503 904999	RF
- 1	3800298-1-6		ENGINE ASSY-GAS TURB GTCP331-200ER (DIFFERENTIAL PRESSURE TRANSDUCER ONLY) SUPPLIER CODE: V99193 SPECIFICATION NUMBER: S351T020-205 CONFIG CHG DATA FROM A CMM: REPLACES 3800298-1-5 COMPONENT MAINT MANUAL REF: 49-22-11 QUALIFIED I/W DATA: 3800298-1-5/S351T020-204 AND 3800298-1-6/S351T020-205 ARE INTERCHANGEABLE WITH THE INCORPORATION OF ALLIED SIGNAL S/B	002004 006999	RF

MISSING ITEM NUMBERS NOT APPLICABLE

- ITEM NOT ILLUSTRATED

49-53-04-01

49-53-04  
FIG. 01  
PAGE 5  
JAN 20/09

BRI



757

PARTS CATALOG (MAINTENANCE)

FIG ITEM	PART NUMBER	1 2 3 4 5 6 7 NOMENCLATURE	EFFECT FROM TO	UNITS PER ASSY
1		GTCP331-49-7081. S351T020-203 (3800298-1-4) AND S351T020-205 (3800298-1-6) ARE INTERCHANGEABLE WITH THE INCORPORATION OF ALLIED SIGNAL S/B GTCP331-49-7081. S351T020-202 (3800298-1-3) AND S351T020-205 (3800298-1-6) ARE INTERCHANGEABLE WITH THE INCORPORATION OF ALLIED SIGNAL S/B GTCP331-49-7081. S351T020-201 (3800298-1-2) AND S351T020-205 (3800298-1-6) ARE INTERCHANGEABLE WITH THE INCORPORATION OF ALLIED SIGNAL S/B GTCP331-49-7081. S351T020-200 (3800298-1-1) AND S351T020-205 (3800298-1-6) ARE INTERCHANGEABLE WITH THE INCORPORATION OF ALLIED SIGNAL S/B GTCP331-49-7081. FOR NHA/ADDITIONAL DET SEE: 49-11-01-50 49-21-00-02		
-	1 3800298-1-7	ENGINE ASSY-GAS TURB GTCP331-200ER (DIFFERENTIAL PRESSURE TRANSDUCER ONLY) SUPPLIER CODE: V99193 SPECIFICATION NUMBER: S351T020-206 CONFIG CHG DATA FROM A CMM: REPLACES 3800298-1-6 COMPONENT MAINT MANUAL REF: 49-22-11 QUALIFIED I/W DATA:  MISSING ITEM NUMBERS NOT APPLICABLE	002004 006999	RF

- ITEM NOT ILLUSTRATED

49-53-04-01

49-53-04  
FIG. 01  
PAGE 6  
SEP 20/08

BRI



757

PARTS CATALOG (MAINTENANCE)

FIG ITEM	PART NUMBER	1 2 3 4 5 6 7 NOMENCLATURE	EFFECT FROM TO	UNITS PER ASSY
1		<p>3800298-1-5/S351T020-204 AND 3800298-1 3800298-1-7/S351T020-206 ARE INTERCHANGEABLE WITH THE INCORPORATION OF ALLIED SIGNAL S/B GTCP331-49-7081. S351T020-203 (3800298-1-4) AND S351T020-206(3800298-1-7 /3800298-1) ARE INTERCHANGEABLE WITH THE INCORPORATION OF ALLIED SIGNAL S/B GTCP331-49-7081. S351T020-202 (3800298-1-3) AND S351T020-206 (3800298-1-7/3800298-1) ARE INTERCHANGEABLE WITH THE INCORPORATION OF ALLIED SIGNAL S/B GTCP331-49-7081. S351T020-201 (3800298-1-2) AND S351T020-206 (3800298-1-7/3800298-1) ARE INTERCHANGEABLE WITH THE INCORPORATION OF ALLIED SIGNAL S/B GTCP331-49-7081. S351T020-200 (3800298-1-1) AND S351T020-206 (3800298-1-7/3800298-1) ARE INTERCHANGEABLE WITH THE INCORPORATION OF ALLIED SIGNAL S/B GTCP331-49-7081. OPTIONAL PART: 3800298-1 V99193 FOR NHA/OTHER SYS DET SEE: 49-11-01-50 49-21-00-02 FOR NHA/ADDITIONAL DET SEE: 49-21-00-02</p>		
-	1 3800298-1	<p>ENGINE ASSY-GAS TURB GTCP331-200ER</p>	002004 006999	RF

MISSING ITEM NUMBERS NOT APPLICABLE

- ITEM NOT ILLUSTRATED

49-53-04-01

49-53-04  
FIG. 01  
PAGE 7  
SEP 20/08

BRI



757

PARTS CATALOG (MAINTENANCE)

FIG ITEM	PART NUMBER	1 2 3 4 5 6 7 NOMENCLATURE	EFFECT FROM TO	UNITS PER ASSY
1		<p>(DIFFERENTIAL PRESSURE TRANSDUCER ONLY) SUPPLIER CODE: V99193 SPECIFICATION NUMBER: S351T020-206 COMPONENT MAINT MANUAL REF: 49-22-11 QUALIFIED I/W DATA: 3800298-1-5/S351T020-204 AND 3800298-1-7/S351T020-206 /3800298-1 ARE INTERCHANGEABLE WITH THE INCORPORATION OF ALLIED SIGNAL S/B GTCP331-49-7081. 351T020-203(3800298-1-4) AND 351T020-206 (3800298-1-7/380028-1) ARE INTERCHANGEABLE WITH THE INCORPORATION OF ALLIED SIGNAL S/B GTCP331-49-7081. S351T020-202 (3800298-1-3) AND S351T020-206 (3800298-1-7/3800298-1) ARE INTERCHANGEABLE WITH THE INCORPORATION OF ALLIED SIGNAL S/B GTCP331-49-7081. S351T020-201 (3800298-1-2) AND S351T020-206 (3800298-1-7/3800298-1) ARE INTERCHANGEABLE WITH THE INCORPORATION OF ALLIED SIGNAL S/B GTCP331-49-7081. S351T020-200 (3800298-1-1) AND S351T020-206 (3800298-1-7/3800298-1) ARE INTERCHANGEABLE WITH THE INCORPORATION OF ALLIED SIGNAL S/B GTCP331-49-7081. OPTIONAL PART:</p>		

MISSING ITEM NUMBERS NOT APPLICABLE

- ITEM NOT ILLUSTRATED

49-53-04-01

49-53-04  
FIG. 01  
PAGE 8  
SEP 20/08

BRI



757

PARTS CATALOG (MAINTENANCE)

FIG ITEM	PART NUMBER	1 2 3 4 5 6 7	NOMENCLATURE	EFFECT FROM TO	UNITS PER ASSY
1			3800298-1-7 V99193 FOR NHA/OTHER SYS DET SEE: 49-11-01-50 49-21-00-02		
5	3876085-2		.TRANSDUCER-DIFF PRESSURE SURGE VALVE DELTA P SUPPLIER CODE: V99193 SB DATA FROM A CMM: POST SB 49-5405 PRE SB 49-5894 CONFIG CHG DATA FROM A CMM: REPLS 3876085-1 REPLD BY 3876085-3	002004 006999	1
5	3876085-1		.TRANSDUCER-DIFF PRESSURE SURGE VALVE DELTA P SUPPLIER CODE: V99193 SB DATA FROM A CMM: PRE SB 49-5405 CONFIG CHG DATA FROM A CMM: REPLD BY 3876085-2	002004 006999	1
5	3876085-3		.TRANSDUCER-DIFF PRESSURE SURGE VALVE DELTA P SUPPLIER CODE: V99193 SB DATA FROM A CMM: POST SB 49-5894 PRE SB 49-6679 CONFIG CHG DATA FROM A CMM: REPLS 3876085-2 REPLD BY 3876085-4	002004 006999	1
10	MS21279-05		ATTACHING PARTS .BOLT- OPTIONAL PART: MS9556-05	002004 006999	2
10	MS9556-05		.BOLT- SB DATA FROM A CMM: POST SPB GTE0293 OPTIONAL PART: MS21279-05	002004 006999	2
- 50	3888123-4		-----*----- .WIRING HARNESS ASSY- SUPPLIER CODE: V99193 SB DATA FROM A CMM: POST SB 49-5533 PRE SB 49-5794	002004 006102 107999	RF

MISSING ITEM NUMBERS NOT APPLICABLE

- ITEM NOT ILLUSTRATED

49-53-04-01

49-53-04  
FIG. 01  
PAGE 9  
JAN 20/09

BRI



757

PARTS CATALOG (MAINTENANCE)

FIG ITEM	PART NUMBER	1 2 3 4 5 6 7	NOMENCLATURE	EFFECT FROM TO	UNITS PER ASSY
1					
- 50	3888123-5		.WIRING HARNESS ASSY- SUPPLIER CODE: V99193 USED ON: 3800298-1-1 3800298-1-2 3800298-1-3 3800298-1-4 3800298-1-5 3800298-1-6 3800298-1-7	002004 006999	RF
- 50	3888123-6		.WIRING HARNESS ASSY- SUPPLIER CODE: V99193 SB DATA FROM A CMM: POST SB 49-5794 PRE SB 49-5840/49-7403 CONFIG CHG DATA FROM A CMM: REPLD BY 3888123-8 REWORKED FROM 3888123-4 QUALIFIED OPTIONAL DATA: 3888123-8 QUALIFIED SB I/W DATA: 3617394-1 USED WITH 3888123-8 OR 3888123-9 OPT TO 3617394-1 USED WITH 3888123-6 OR 3888123-7 AND 3888450-1 OPT TO 3614759-1 USED WITH 3888123-8 OR 3888123-9 OPT TO 3617459-1 USED WITH 3888123-6 OR 3888123-7 AND 3888450-1	002004 006102 107999	RF

MISSING ITEM NUMBERS NOT APPLICABLE

- ITEM NOT ILLUSTRATED

49-53-04-01

49-53-04  
FIG. 01  
PAGE 10  
JAN 20/09

BRI



757

PARTS CATALOG (MAINTENANCE)

FIG ITEM	PART NUMBER	1 2 3 4 5 6 7	NOMENCLATURE	EFFECT FROM TO	UNITS PER ASSY
1 - 50	3888123-7		.WIRING HARNESS ASSY- SUPPLIER CODE: V99193 SB DATA FROM A CMM: POST SB 49-5840 PRE SB 49-7403 CONFIG CHG DATA FROM A CMM: REPLD BY 3888123-9 REWORKED FROM 3888123-6 QUALIFIED SB I/W DATA: 3617394-1 USED WITH 3888123-8 OR 3888123-9 OPT TO 3617394-1 USED WITH 3888123-6 OR 3888123-7 AND 3888450-1 OPT TO 3614759-1 USED WITH 3888123-8 OR 3888123-9 OPT TO 3617459-1 USED WITH 3888123-6 OR 3888123-7 AND 3888450-1	002004 006102 107999	RF
- 50	3888123-8		.WIRING HARNESS ASSY- SUPPLIER CODE: V99193 SB DATA FROM A CMM: POST SB 49-7391/49-7403 CONFIG CHG DATA FROM A CMM: REPLACES 3888123-6 QUALIFIED OPTIONAL DATA: 3888123-6 QUALIFIED SB I/W DATA: 3617394-1 USED WITH 3888123-8 OR 3888123-9 OPT TO 3617394-1 USED WITH 3888123-6 OR 3888123-7 AND 3888450-1 OPT TO 3614759-1 USED WITH 3888123-8 OR 3888123-9 OPT TO 3617459-1 USED WITH 3888123-6 OR 3888123-7 AND 3888450-1	002004 006999	RF

MISSING ITEM NUMBERS NOT APPLICABLE

- ITEM NOT ILLUSTRATED

49-53-04-01

49-53-04  
FIG. 01  
PAGE 11  
JAN 20/09

BRI





757

PARTS CATALOG (MAINTENANCE)

FIG ITEM	PART NUMBER	1 2 3 4 5 6 7	NOMENCLATURE	EFFECT FROM TO	UNITS PER ASSY
1 - 50	3888123-9		.WIRING HARNESS ASSY- SUPPLIER CODE: V99193 SB DATA FROM A CMM: POST SB 49-7403 CONFIG CHG DATA FROM A CMM: REPLACES 3888123-7 QUALIFIED SB I/W DATA: 3617394-1 USED WITH 3888123-8 OR 3888123-9 OPT TO 3617394-1 USED WITH 3888123-6 OR 3888123-7 AND 3888450-1 OPT TO 3614759-1 USED WITH 3888123-8 OR 3888123-9 OPT TO 3617459-1 USED WITH 3888123-6 OR 3888123-7 AND 3888450-1 POST SERVICE BULLETIN: GTCP331-49-7391R1 V99193	002004 006999	RF
- 50	3888465-1		.WIRING HARNESS ASSY- SUPPLIER CODE: V99193 SB DATA FROM A CMM: POST 49-7618 CONFIG CHG DATA FROM A CMM: REPLACES 3888123-8 REPLACES 3888123-9	002004 006999	RF
55	ZZYAO-12D14-07S		..CONNECTOR-P13 SUPPLIER CODE: V14283 OPTIONAL PART: BCREF12085 V13556	002004 006999	1
55	BCREF12085		..CONNECTOR-P13 SUPPLIER CODE: V49367 OVERLENGTH PART NUMBER: CN0966-14A07SN000 OPTIONAL PART: ZZYAO-12D14-07S V49367	002004 006999	1
60	LRC20W15DJ5		..CONTACT- SUPPLIER CODE: V09922	002004 006999	7

MISSING ITEM NUMBERS NOT APPLICABLE

- ITEM NOT ILLUSTRATED

49-53-04-01

49-53-04  
FIG. 01  
PAGE 12  
SEP 20/08

BRI



757

PARTS CATALOG (MAINTENANCE)

FIG ITEM	PART NUMBER	1 2 3 4 5 6 7	NOMENCLATURE	EFFECT FROM TO	UNITS PER ASSY
1					
65	GS3418-14CD	..	CLAMP- SUPPLIER CODE: V06324	002004 006999	1
70	10-230935-143	..	GROMMET-RUBBER SUPPLIER CODE: V77820	002004 006999	1
- 75	M22759-8-18-8	..	WIRE-ELECTRICAL OPTIONAL PART: 18699-69A1 V92607 75908E18 V12515 18AF2XTN1930 V12814 11-00821 V05973 BATATE1930NICE V90484	002004 006999	AR
- 75	18699-69A1	..	WIRE-ELECTRICAL SUPPLIER CODE: V92607 OPTIONAL PART: M22759-8-18-8 75908E18 V12515 18AF2XTN1930 V12814 11-00821 V05973 BATATE1930NICE V90484	002004 006999	AR
- 75	75908E18	..	WIRE-ELECTRICAL SUPPLIER CODE: V12515 OPTIONAL PART: M22759-8-18-8 18699-69A1 V92607 18AF2XTN1930 V12814 11-00821 V05973 BATATE1930NICE V90484	002004 006999	AR

MISSING ITEM NUMBERS NOT APPLICABLE

- ITEM NOT ILLUSTRATED

49-53-04-01

49-53-04  
FIG. 01  
PAGE 13  
SEP 20/08

BRI



757

PARTS CATALOG (MAINTENANCE)

FIG ITEM	PART NUMBER	1 2 3 4 5 6 7	NOMENCLATURE	EFFECT FROM TO	UNITS PER ASSY
1					
- 75	18AF2XTN1930		.. WIRE-ELECTRICAL SUPPLIER CODE: V12814 OPTIONAL PART: M22759-8-18-8 18699-69A1 V92607 75908E18 V12515 11-00821 V05973 BATATE1930NICE V90484	002004 006999	AR
- 75	BATATE1930NICE		.. WIRE-ELECTRICAL SUPPLIER CODE: V90484 OPTIONAL PART: M22759-8-18-8 18699-69A1 V92607 75908E18 V12515 11-00821 V05973 18AF2XTN1930 V12814	002004 006999	AR
- 75	11-00821		.. WIRE-ELECTRICAL SUPPLIER CODE: V05973 OPTIONAL PART: M22759-8-18-8 18699-69A1 V92607 75908E18 V12515 18AF2XTN1930 V12814 BATATE1930NICE V90484	002004 006999	AR

MISSING ITEM NUMBERS NOT APPLICABLE

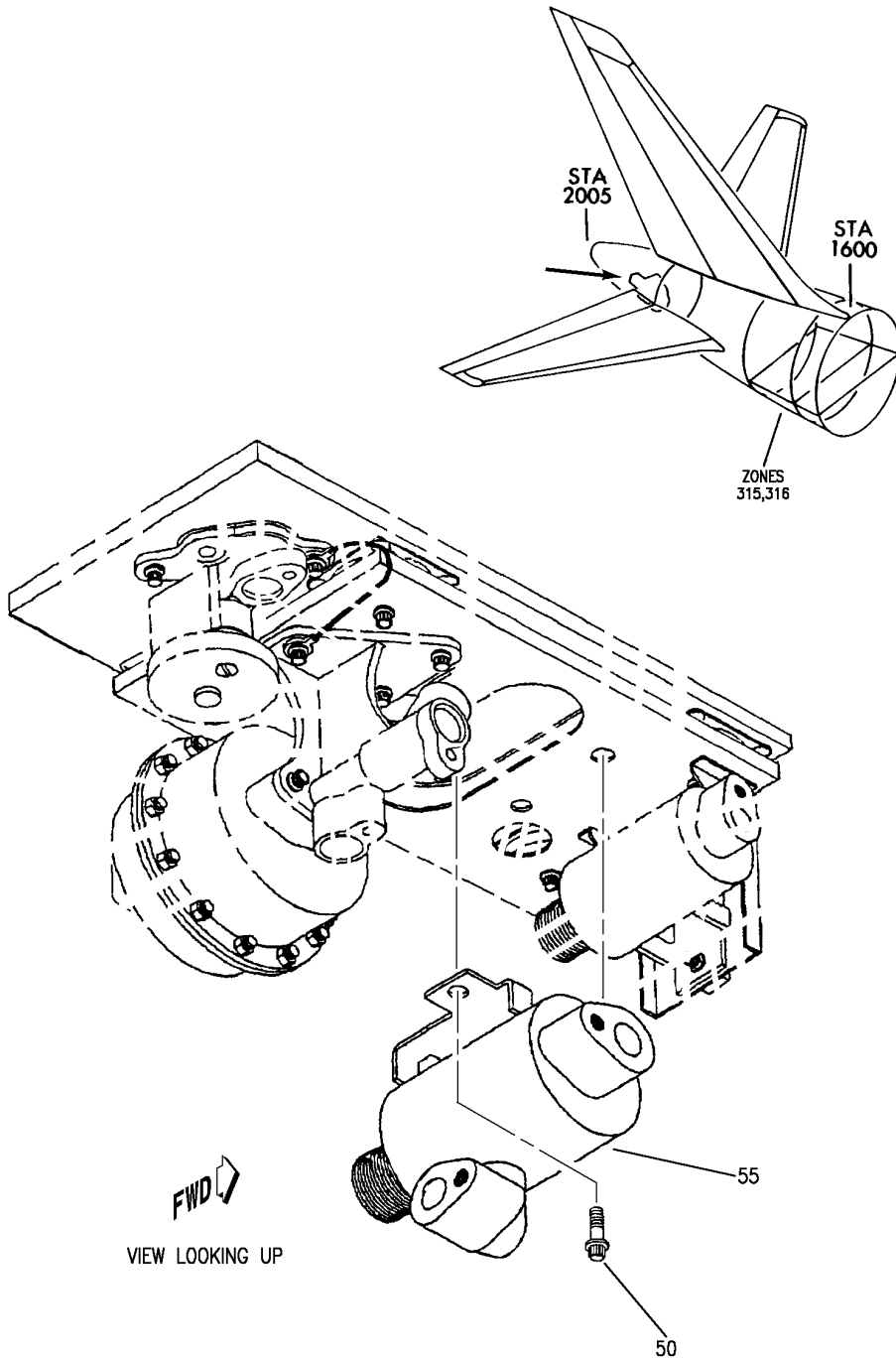
- ITEM NOT ILLUSTRATED

49-53-04-01

49-53-04  
FIG. 01  
PAGE 14  
SEP 20/08

BRI

**BOEING**  
757  
PARTS CATALOG (MAINTENANCE)



Y 49530401A REV 250

MODULE ASSY-FLOW SENSING (DIFFERENTIAL PRESSURE TRANSDUCER ONLY)  
FIGURE 1A

BRI  
MAY 28/07

**49-53-04-01A**

49-53-04-01A  
PAGE 0



757

PARTS CATALOG (MAINTENANCE)

FIG ITEM	PART NUMBER	1 2 3 4 5 6 7	NOMENCLATURE	EFFECT FROM TO	UNITS PER ASSY
1 A			MODULE ASSY-FLOW SENSING (DIFFERENTIAL PRESSURE TRANSDUCER ONLY)	002004 006999	
- 1	3614400-1		MODULE-FLOW SENSING (DIFFERENTIAL PRESSURE TRANSDUCER ONLY) SUPPLIER CODE: V99193 SB DATA FROM A CMM: POST 49-5840 PRE 49-7065 PRE 49-6921 PRE 49-7573 PRE 49-7711 CONFIG CHG DATA FROM A CMM: REPLD BY 3614400-7 SUPSD BY 3885081-1 COMPONENT MAINT MANUAL REF: 49-51-93 FOR NHA/OTHER SYS DET SEE: 49-53-08-01	002004 006999	RF
- 1	3614400-7		MODULE-FLOW SENSING (DIFFERENTIAL PRESSURE TRANSDUCER ONLY) SUPPLIER CODE: V99193 SB DATA FROM A CMM: POST 49-7065 POST 49-6921 PRE 49-7573 PRE 49-7711 CONFIG CHG DATA FROM A CMM: REPLACES 3614400-1 SUPSD BY 3885081-1 COMPONENT MAINT MANUAL REF: 49-51-93 PRE SERVICE BULLETIN: V99193 FOR NHA/OTHER SYS DET SEE: 49-53-08-01	002004 006999	RF

MISSING ITEM NUMBERS NOT APPLICABLE

- ITEM NOT ILLUSTRATED

**49-53-04-01A**

49-53-04  
FIG. 01A  
PAGE 1  
SEP 20/08

BRI



757

PARTS CATALOG (MAINTENANCE)

FIG ITEM	PART NUMBER	1 2 3 4 5 6 7	NOMENCLATURE	EFFECT FROM TO	UNITS PER ASSY
1A - 1	3614400-8		MODULE-FLOW SENSING (DIFFERENTIAL PRESSURE TRANSDUCER ONLY) SUPPLIER CODE: V99193 SB DATA FROM A CMM: POST 49-6921 POST 49-7573 PRE 49-7711 CONFIG CHG DATA FROM A CMM: REPLACES 3614400-7 SUPSD BY 3880581-1 COMPONENT MAINT MANUAL REF: 49-51-93 FOR NHA/OTHER SYS DET SEE: 49-53-08-01	002004 006999	RF
- 1	3885081-1		MODULE-FLOW SENSING (TOTAL PRESSURE TRANSDUCER ONLY) SUPPLIER CODE: V99193 SB DATA FROM A CMM: POST SB 49-7711 CONFIG CHG DATA FROM A CMM: SUPSDS 3614400-1 SUPSDS 3614400-7 SUPSDS 3614400-8 COMPONENT MAINT MANUAL REF: 49-22-11 FOR NHA/OTHER SYS DET SEE: 49-53-08-01	002004 006999	RF
50	MS9556-06		.BOLT- NOT APPROVED FOR ETOPS.	002004 006999	2
55	3876085-2		.TRANSDUCER-DELTA-P SUPPLIER CODE: V99193 OPTIONAL PART: 3876085-3 V99193 3876085-4 V99193 3876085-5 V99193 USED ON: 3614400-1 3614400-7 3614400-8	002004 006999	1

MISSING ITEM NUMBERS NOT APPLICABLE

- ITEM NOT ILLUSTRATED

49-53-04-01A

49-53-04  
FIG. 01A  
PAGE 2  
SEP 20/08

BRI

**BOEING**  
757  
**PARTS CATALOG (MAINTENANCE)**

FIG ITEM	PART NUMBER	1 2 3 4 5 6 7	NOMENCLATURE	EFFECT FROM TO	UNITS PER ASSY
1 A 55	3876085-3		. TRANSDUCER-DELTA-P SUPPLIER CODE: V99193 OPTIONAL PART: 3876085-2 V99193 3876085-4 V99193 3876085-5 V99193 USED ON: 3614400-1 3614400-7 3614400-8	002004 006999	1
55	3876085-4		. TRANSDUCER-DELTA-P SUPPLIER CODE: V99193 OPTIONAL PART: 3876085-2 V99193 3876085-3 V99193 3876085-5 V99193 USED ON: 3614400-1 3614400-7 3614400-8 PRE SERVICE BULLETIN: V99193	002004 006999	1
55	3876085-5		. TRANSDUCER-DELTA-P SUPPLIER CODE: V99193 SB DATA FROM A CMM: POST SB 49-7573 OPTIONAL PART: 3876085-2 V99193 3876085-3 V99193 3876085-4 V99193 USED ON: 3614400-1 3614400-7 3614400-8	002004 006999	1

MISSING ITEM NUMBERS NOT APPLICABLE

— ITEM NOT ILLUSTRATED

BRI

# 49-53-04-01A

BOEING PROPRIETARY - Copyright © - Unpublished Work - See title page for details.

49-53-04  
FIG. 01A  
PAGE 3  
SEP 20/08



757

PARTS CATALOG (MAINTENANCE)

FIG ITEM	PART NUMBER	1 2 3 4 5 6 7	NOMENCLATURE	EFFECT FROM TO	UNITS PER ASSY
1 A 55	3876085-3		. TRANSDUCER-DELTA-P SUPPLIER CODE: V99193 USED ON: 3885081-1	002004 006999	1

MISSING ITEM NUMBERS NOT APPLICABLE

- ITEM NOT ILLUSTRATED

BRI

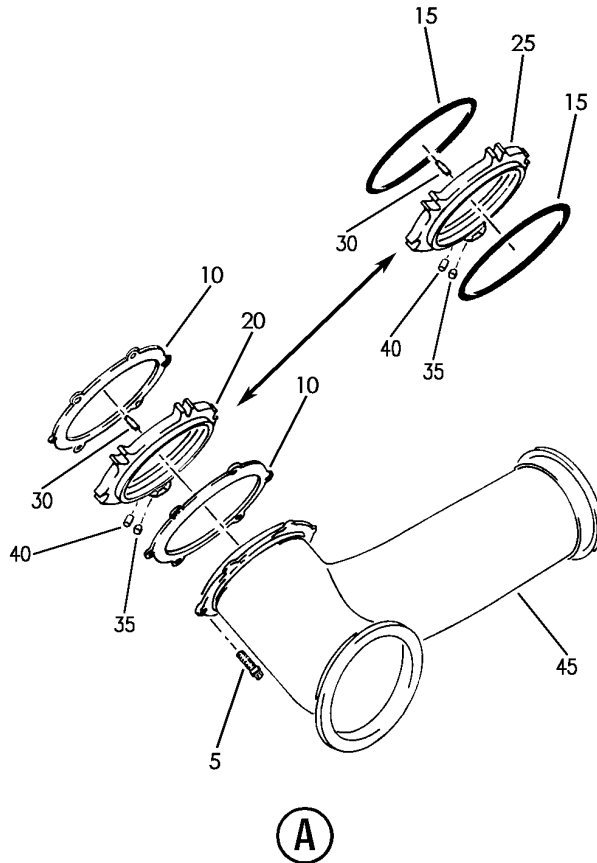
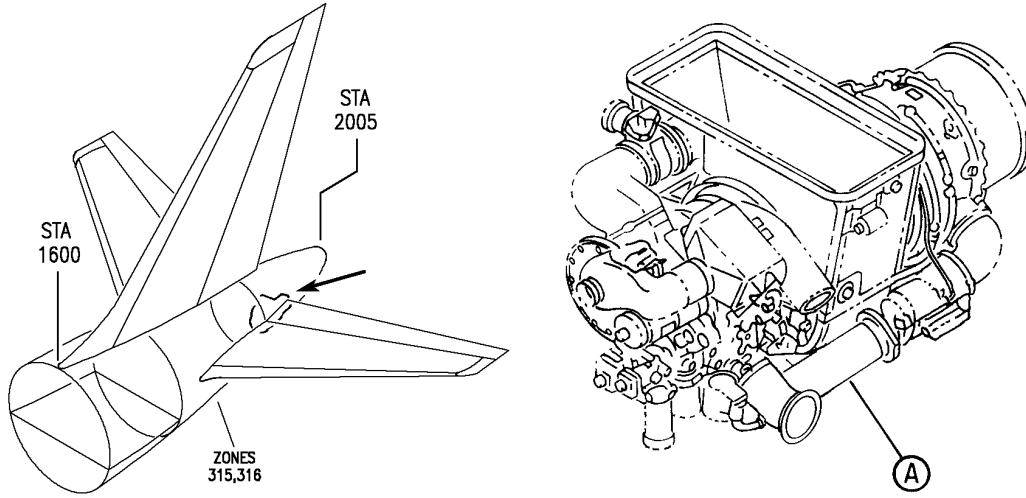
49-53-04-01A

BOEING PROPRIETARY - Copyright © - Unpublished Work - See title page for details.

49-53-04  
FIG. 01A  
PAGE 4  
SEP 20/08



**BOEING**  
757  
PARTS CATALOG (MAINTENANCE)



Y 49530501 REV 250

ENGINE ASSY-AUX PWR SYS (STATIC PRESSURE SENSOR ONLY)  
FIGURE 1

**49-53-05-01**

BRI  
MAY 28/07

49-53-05-01  
PAGE 0



757

PARTS CATALOG (MAINTENANCE)

FIG ITEM	PART NUMBER	1 2 3 4 5 6 7	NOMENCLATURE	EFFECT FROM TO	UNITS PER ASSY
1			ENGINE ASSY-AUX PWR SYS (STATIC PRESSURE SENSOR ONLY)	002004 006999	
- 1	3800298-1-2		ENGINE ASSY-GAS TURB GTCP331-200ER (STATIC PRESSURE SENSOR ONLY) SUPPLIER CODE: V99193 SPECIFICATION NUMBER: S351T020-201 CONFIG CHG DATA FROM A CMM: REPLACES 3800298-1-1 COMPONENT MAINT MANUAL REF: 49-22-11 QUALIFIED I/W DATA: S351T020-201 (3800298-1-2) AND S351T020-205 (3800298-1-6) ARE INTERCHANGEABLE WITH THE INCORPORATION OF ALLIED SIGNAL S/B GTCP331-49-7081. S351T020-201 (3800298-1-2) AND S351T020-206 (3800298-1-7/3800298-1) ARE INTERCHANGEABLE WITH THE INCORPORATION OF ALLIED SIGNAL S/B GTCP331-49-7081. FOR NHA/ADDITIONAL DET SEE: 49-11-01-50	002004 006100 107107 121503 904999	RF

MISSING ITEM NUMBERS NOT APPLICABLE

- ITEM NOT ILLUSTRATED

49-53-05-01

49-53-05  
FIG. 01  
PAGE 1  
JAN 20/09

BRI



757

PARTS CATALOG (MAINTENANCE)

FIG ITEM	PART NUMBER	1 2 3 4 5 6 7	NOMENCLATURE	EFFECT FROM TO	UNITS PER ASSY
1 - 1	3800298-1-1		ENGINE ASSY-GAS TURB GTPC331-200R (STATIC PRESSURE SENSOR ONLY) SUPPLIER CODE: V99193 SPECIFICATION NUMBER: S351T020-200 COMPONENT MAINT MANUAL REF: 49-22-11 QUALIFIED I/W DATA: S351T020-200 (3800298-1-1) AND S351T020-205 (3800298-1-6) ARE INTERCHANGEABLE WITH THE INCORPORATION OF ALLIED SIGNAL S/B GTCP331-49-7081. S351T020-200 (3800298-1-1) AND S351T020-206 (3800298-1-7/3800298-1) ARE INTERCHANGEABLE WITH THE INCORPORATION OF ALLIED SIGNAL S/B GTCP331-49-7081. FOR NHA/ADDITIONAL DET SEE: 49-11-01-50	002004 006100 107107 121503 904999	RF

MISSING ITEM NUMBERS NOT APPLICABLE

- ITEM NOT ILLUSTRATED

BRI

49-53-05-01

BOEING PROPRIETARY - Copyright © - Unpublished Work - See title page for details.

49-53-05  
FIG. 01  
PAGE 2  
JAN 20/09



757

PARTS CATALOG (MAINTENANCE)

FIG ITEM	PART NUMBER	1 2 3 4 5 6 7	NOMENCLATURE	EFFECT FROM TO	UNITS PER ASSY
1 - 1	3800298-1-3		ENGINE ASSY-GAS TURB GTCP331-200ER (STATIC PRESSURE SENSOR ONLY) SUPPLIER CODE: V99193 SPECIFICATION NUMBER: S351T020-202 CONFIG CHG DATA FROM A CMM: REPLACES 3800298-1-2 COMPONENT MAINT MANUAL REF: 49-22-11 QUALIFIED I/W DATA: S351T020-202 (3800298-1-3) AND S351T020-205 (3800298-1-6) ARE INTERCHANGEABLE WITH THE INCORPORATION OF ALLIED SIGNAL S/B GTCP331-49-7081. S351T020-202 (3800298-1-3) AND S351T020-206 (3800298-1-7/3800298-1) ARE INTERCHANGEABLE WITH THE INCORPORATION OF ALLIED SIGNAL S/B GTCP331-49-7081. FOR NHA/OTHER SYS DET SEE: 49-11-01-50	002004 006100 107107 121503 904999	RF

MISSING ITEM NUMBERS NOT APPLICABLE

- ITEM NOT ILLUSTRATED

49-53-05-01

49-53-05  
 FIG. 01  
 PAGE 3  
 JAN 20/09

BRI



757

PARTS CATALOG (MAINTENANCE)

FIG ITEM	PART NUMBER	1 2 3 4 5 6 7	NOMENCLATURE	EFFECT FROM TO	UNITS PER ASSY
1 - 1	3800298-1-4		ENGINE ASSY-GAS TURB GTCP331-200ER (STATIC PRESSURE SENSOR ONLY) SUPPLIER CODE: V99193 SPECIFICATION NUMBER: S351T020-203 CONFIG CHG DATA FROM A CMM: REPLACES 3800298-1-3 COMPONENT MAINT MANUAL REF: 49-22-11 QUALIFIED I/W DATA: 3800298-1-4/S351T020-203 AND 3800298-1-6/S351T020-205 ARE INTERCHANGEABLE WITH THE INCORPORATION OF ALLIED SIGNAL S/B GTCP331-49-7081. 3800298-1-4/S351T020-203 AND 3800298-1-7/S351T020-206 /3800298-1 ARE INTERCHANGEABLE WITH THE INCORPORATION OF ALLIED SIGNAL S/B GTCP331-49-7081. FOR NHA/ADDITIONAL DET SEE: 49-11-01-50	002004 006100 107107 121503 904999	RF

MISSING ITEM NUMBERS NOT APPLICABLE

- ITEM NOT ILLUSTRATED

49-53-05-01

49-53-05  
FIG. 01  
PAGE 4  
JAN 20/09

BRI



757

PARTS CATALOG (MAINTENANCE)

FIG ITEM	PART NUMBER	1 2 3 4 5 6 7	NOMENCLATURE	EFFECT FROM TO	UNITS PER ASSY
1	3800298-1-5		ENGINE ASSY-GAS TURB GTCP331-200ER (STATIC PRESSURE SENSOR ONLY) SUPPLIER CODE: V99193 SPECIFICATION NUMBER: S351T020-204 CONFIG CHG DATA FROM A CMM: REPLACES 3800298-1-4 COMPONENT MAINT MANUAL REF: 49-22-11 QUALIFIED I/W DATA: 3800298-1-5/S351T020-204 AND 3800298-1-6/S351T020-205 ARE INTERCHANGEABLE WITH THE INCORPORATION OF ALLIED SIGNAL S/B GTCP331-49-7081. 3800298-1-5/S351T020-204 AND 3800298-1-7/S351T020-206 /3800298-1 ARE INTERCHANGEABLE WITH THE INCORPORATION OF ALLIED SIGNAL S/B GTCP331-49-7081. FOR NHA/ADDITIONAL DET SEE: 49-11-01-50	002004 006100 107107 121503 904999	RF
1	3800298-1-6		ENGINE ASSY-GAS TURB GTCP331-200ER (STATIC PRESSURE SENSOR ONLY) SUPPLIER CODE: V99193 SPECIFICATION NUMBER: S351T020-205 CONFIG CHG DATA FROM A CMM: REPLACES 3800298-1-5 COMPONENT MAINT MANUAL REF: 49-22-11 QUALIFIED I/W DATA: 3800298-1-5/S351T020-204 AND 3800298-1-6/S351T020-205 ARE INTERCHANGEABLE WITH THE INCORPORATION OF ALLIED SIGNAL S/B	002004 006999	RF

MISSING ITEM NUMBERS NOT APPLICABLE

- ITEM NOT ILLUSTRATED

49-53-05-01

49-53-05  
FIG. 01  
PAGE 5  
JAN 20/09

BRI



757

PARTS CATALOG (MAINTENANCE)

FIG ITEM	PART NUMBER	1 2 3 4 5 6 7 NOMENCLATURE	EFFECT FROM TO	UNITS PER ASSY
1		GTCP331-49-7081. S351T020-203 (3800298-1-4) AND S351T020-205 (3800298-1-6) ARE INTERCHANGEABLE WITH THE INCORPORATION OF ALLIED SIGNAL S/B GTCP331-49-7081. S351T020-202 (3800298-1-3) AND S351T020-205 (3800298-1-6) ARE INTERCHANGEABLE WITH THE INCORPORATION OF ALLIED SIGNAL S/B GTCP331-49-7081. S351T020-201 (3800298-1-2) AND S351T020-205 (3800298-1-6) ARE INTERCHANGEABLE WITH THE INCORPORATION OF ALLIED SIGNAL S/B GTCP331-49-7081. S351T020-200 (3800298-1-1) AND S351T020-205 (3800298-1-6) ARE INTERCHANGEABLE WITH THE INCORPORATION OF ALLIED SIGNAL S/B GTCP331-49-7081. FOR NHA/ADDITIONAL DET SEE: 49-11-01-50 49-21-00-02		
-	1 3800298-1-7	ENGINE ASSY-GAS TURB GTCP331-200ER (STATIC PRESSURE SENSOR ONLY) SUPPLIER CODE: V99193 SPECIFICATION NUMBER: S351T020-206 CONFIG CHG DATA FROM A CMM: 3800298-1-6 COMPONENT MAINT MANUAL REF: 49-22-11 QUALIFIED I/W DATA:  MISSING ITEM NUMBERS NOT APPLICABLE	002004 006999	RF

- ITEM NOT ILLUSTRATED

49-53-05-01

49-53-05  
FIG. 01  
PAGE 6  
SEP 20/08

BRI



757

PARTS CATALOG (MAINTENANCE)

FIG ITEM	PART NUMBER	1 2 3 4 5 6 7 NOMENCLATURE	EFFECT FROM TO	UNITS PER ASSY
1		<p>3800298-1-5/S351T020-204 AND 3800298-1/ 3800298-1-7/S351T020-206 ARE INTERCHANGEABLE WITH THE INCORPORATION OF ALLIED SIGNAL S/B GTCP331-49-7081. S351T020-203 (3800298-1-4) AND S351T020-206(3800298-1-7 /3800298-1) ARE INTERCHANGEABLE WITH THE INCORPORATION OF ALLIED SIGNAL S/B GTCP331-49-7081. S351T020-202 (3800298-1-3) AND S351T020-206 (3800298-1-7/3800298-1) ARE INTERCHANGEABLE WITH THE INCORPORATION OF ALLIED SIGNAL S/B GTCP331-49-7081. S351T020-201 (3800298-1-2) AND S351T020-206 (3800298-1-7/3800298-1) ARE INTERCHANGEABLE WITH THE INCORPORATION OF ALLIED SIGNAL S/B GTCP331-49-7081. S351T020-200 (3800298-1-1) AND S351T020-206 (3800298-1-7/3800298-1) ARE INTERCHANGEABLE WITH THE INCORPORATION OF ALLIED SIGNAL S/B GTCP331-49-7081. OPTIONAL PART: 3800298-1 V99193 FOR NHA/ADDITIONAL DET SEE: 49-11-01-50 49-21-00-02</p>		
-	1 3800298-1	<p>ENGINE ASSY-GAS TURB GTCP331-200ER (STATIC PRESSURE SENSOR ONLY)</p>	002004 006999	RF

MISSING ITEM NUMBERS NOT APPLICABLE

- ITEM NOT ILLUSTRATED

49-53-05-01

49-53-05  
FIG. 01  
PAGE 7  
SEP 20/08

BRI





757

PARTS CATALOG (MAINTENANCE)

FIG ITEM	PART NUMBER	1 2 3 4 5 6 7 NOMENCLATURE	EFFECT FROM TO	UNITS PER ASSY
1		<p>SUPPLIER CODE: V99193</p> <p>SPECIFICATION NUMBER: S351T020-206</p> <p>COMPONENT MAINT MANUAL REF: 49-22-11</p> <p>QUALIFIED I/W DATA: 3800298-1-5/S351T020-204 AND 3800298-1-7/S351T020-206 /3800298-1</p> <p>ARE INTERCHANGEABLE WITH THE INCORPORATION OF ALLIED SIGNAL S/B GTCP331-49-7081. 351T020-203(3800298-1-4) AND 351T020-206 (3800298-1-7/380028-1)</p> <p>ARE INTERCHANGEABLE WITH THE INCORPORATION OF ALLIED SIGNAL S/B GTCP331-49-7081. S351T020-202 (3800298-1-3) AND S351T020-206 (3800298-1-7/3800298-1)</p> <p>ARE INTERCHANGEABLE WITH THE INCORPORATION OF ALLIED SIGNAL S/B GTCP331-49-7081. S351T020-201 (3800298-1-2) AND S351T020-206 (3800298-1-7/3800298-1)</p> <p>ARE INTERCHANGEABLE WITH THE INCORPORATION OF ALLIED SIGNAL S/B GTCP331-49-7081. S351T020-200 (3800298-1-1) AND S351T020-206 (3800298-1-7/3800298-1)</p> <p>ARE INTERCHANGEABLE WITH THE INCORPORATION OF ALLIED SIGNAL S/B GTCP331-49-7081.</p> <p>OPTIONAL PART: 3800298-1-7 V99193</p>		

MISSING ITEM NUMBERS NOT APPLICABLE

- ITEM NOT ILLUSTRATED

49-53-05-01

49-53-05  
FIG. 01  
PAGE 8  
SEP 20/08

BRI



757

PARTS CATALOG (MAINTENANCE)

FIG ITEM	PART NUMBER	1 2 3 4 5 6 7	NOMENCLATURE	EFFECT FROM TO	UNITS PER ASSY
1			FOR NHA/ADDITIONAL DET SEE: 49-11-01-50 49-21-00-02		
5	MS21279-16	.BOLT-	OPTIONAL PART: MS9556-16	002004 006999	6
5	MS9556-16	.BOLT-	SB DATA FROM A CMM: POST SPB GTE0293 OPTIONAL PART: MS21279-16	002004 006999	6
10	3884200-2	.GASKET-TEE DUCT	SUPPLIER CODE: V99193 SB DATA FROM A CMM: PRE SB 49-5440 CONFIG CHG DATA FROM A CMM: REPLS 3884200-1	002004 006999	2
10	3884200-1	.GASKET-TEE DUCT	SUPPLIER CODE: V99193 CONFIG CHG DATA FROM A CMM: REPLD BY 3884200-2 USED WITH: 3884238-1 3884238-2	002004 006999	2
15	S8990-047	.PACKING-	SUPPLIER CODE: V99193 SB DATA FROM A CMM: POST SB 49-5440 CONFIG CHG DATA FROM A CMM: REPLD BY S8990-046	002004 006999	2
15	S8990-046	.PACKING-	SUPPLIER CODE: V99193 SB DATA FROM A CMM: POST SB 49-5440 CONFIG CHG DATA FROM A CMM: REPLS S8990-047	002004 006999	2
20	3876087-1	.SENSOR-STATIC FLOW	SUPPLIER CODE: V99193 SB DATA FROM A CMM: PRE SB 49-5440 CONFIG CHG DATA FROM A CMM: REPLD BY 3876096-1 USED WITH: 3884200-1	002004 006999	1

MISSING ITEM NUMBERS NOT APPLICABLE

- ITEM NOT ILLUSTRATED

49-53-05-01

49-53-05  
FIG. 01  
PAGE 9  
SEP 20/08

BRI

BOEING PROPRIETARY - Copyright © - Unpublished Work - See title page for details.



757

PARTS CATALOG (MAINTENANCE)

FIG ITEM	PART NUMBER	1 2 3 4 5 6 7	NOMENCLATURE	EFFECT FROM TO	UNITS PER ASSY
1					
25	3614673-1	.	RING-SPACER SUPPLIER CODE: V99193 SB DATA FROM A CMM: POST SPB GTE1043 OPTIONAL PART: 3876096-1 V99193	002004 006999	1
25	3876096-1	.	SENSOR-STATIC FLOW SUPPLIER CODE: V99193 SB DATA FROM A CMM: POST SB 49-5440 CONFIG CHG DATA FROM A CMM: REPLS 3876087-1 OPTIONAL PART: 3614673-1 V99193 USED WITH: S8990-047	002004 006999	1
30	MS16555-626	..	PIN	002004 006999	1
35	MS51830-201L	..	INSERT	002004 006999	1
40	114355-27	..	RESTRICTOR- SUPPLIER CODE: V99193	002004 006999	1
45	3884238-2	.	DUCT-TEE SUPPLIER CODE: V99193 SB DATA FROM A CMM: PRE SPB GTE 1209 CONFIG CHG DATA FROM A CMM: REPLS 3884238-1 REPLD BY 3884238-3	002004 006999	RF
45	3884238-1	.	DUCT-TEE SUPPLIER CODE: V99193 CONFIG CHG DATA FROM A CMM: REPLD BY 3884238-2	002004 006999	RF
45	3884238-3	.	DUCT-TEE SUPPLIER CODE: V99193 SB DATA FROM A CMM: POST SPB GTE 1209 CONFIG CHG DATA FROM A CMM: REPLACES 3884238-2	002004 006999	RF

MISSING ITEM NUMBERS NOT APPLICABLE

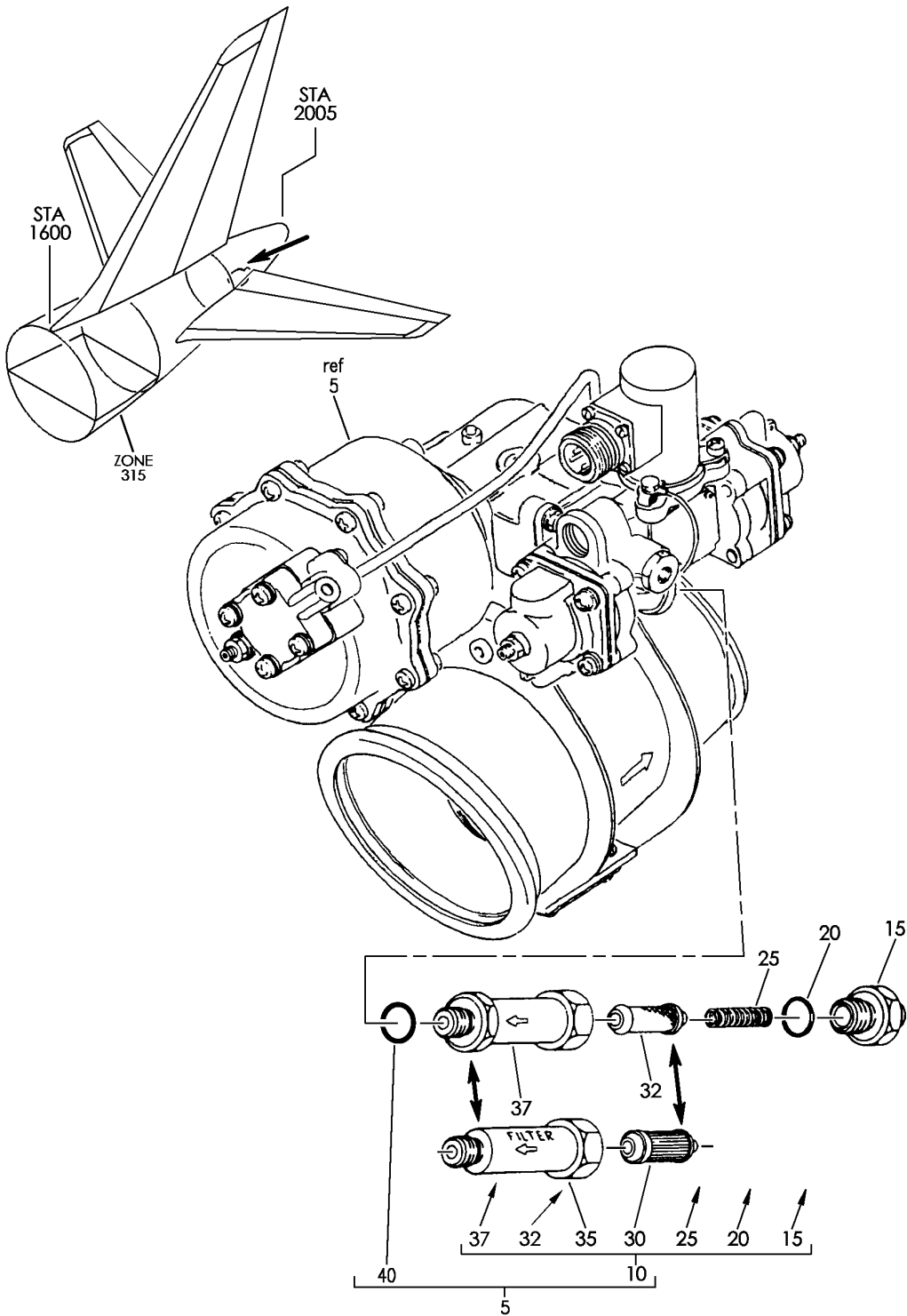
- ITEM NOT ILLUSTRATED

49-53-05-01

49-53-05  
FIG. 01  
PAGE 10  
SEP 20/08

BRI

**BOEING**  
757  
PARTS CATALOG (MAINTENANCE)



Y 49530601 REV 251

ENGINE ASSY-GAS TURB (SURGE VALVE FILTER ELEMENTS ONLY)  
FIGURE 1

**49-53-06-01**

BRI  
MAY 28/07

49-53-06-01  
PAGE 0



757

PARTS CATALOG (MAINTENANCE)

FIG ITEM	PART NUMBER	1 2 3 4 5 6 7	NOMENCLATURE	EFFECT FROM TO	UNITS PER ASSY
1			ENGINE ASSY-GAS TURB (SURGE VALVE FILTER ELEMENTS ONLY)	002004 006999	
- 1	3800298-1-2		ENGINE ASSY-GAS TURB (SURGE VALVE FILTER ELEMENTS ONLY) GTCP331-200R SUPPLIER CODE: V99193 SPECIFICATION NUMBER: S351T020-201 CONFIG CHG DATA FROM A CMM: REPLACES 3800298-1-1 COMPONENT MAINT MANUAL REF: 49-22-11 QUALIFIED I/W DATA: S351T020-201 (3800298-1-2) AND S351T020-205 (3800298-1-6) ARE INTERCHANGEABLE WITH THE INCORPORATION OF ALLIED SIGNAL S/B GTCP331-49-7081. S351T020-201 (3800298-1-2) AND S351T020-206 (3800298-1-7/3800298-1) ARE INTERCHANGEABLE WITH THE INCORPORATION OF ALLIED SIGNAL S/B GTCP331-49-7081. FOR NHA/ADDITIONAL DET SEE: 49-11-01-50	002004 006100 107107 121503 904999	RF

MISSING ITEM NUMBERS NOT APPLICABLE

- ITEM NOT ILLUSTRATED

49-53-06-01

49-53-06  
FIG. 01  
PAGE 1  
JAN 20/09

BRI



757

PARTS CATALOG (MAINTENANCE)

FIG ITEM	PART NUMBER	1 2 3 4 5 6 7	NOMENCLATURE	EFFECT FROM TO	UNITS PER ASSY
1 - 1	3800298-1-1		ENGINE ASSY-GAS TURB (SURGE VALVE FILTER ELEMENTS ONLY) GTCP331-200ER SUPPLIER CODE: V99193 SPECIFICATION NUMBER: S351T020-200 COMPONENT MAINT MANUAL REF: 49-22-11 QUALIFIED I/W DATA: S351T020-200 (3800298-1-1) AND S351T020-205 (3800298-1-6) ARE INTERCHANGEABLE WITH THE INCORPORATION OF ALLIED SIGNAL S/B GTCP331-49-7081. S351T020-200 (3800298-1-1) AND S351T020-206 (3800298-1-7/3800298-1) ARE INTERCHANGEABLE WITH THE INCORPORATION OF ALLIED SIGNAL S/B GTCP331-49-7081. FOR NHA/ADDITIONAL DET SEE: 49-11-01-50	002004 006100 107107 121503 904999	RF

MISSING ITEM NUMBERS NOT APPLICABLE

- ITEM NOT ILLUSTRATED

BRI

49-53-06-01

BOEING PROPRIETARY - Copyright © - Unpublished Work - See title page for details.

49-53-06  
FIG. 01  
PAGE 2  
JAN 20/09



757

PARTS CATALOG (MAINTENANCE)

FIG ITEM	PART NUMBER	1 2 3 4 5 6 7	NOMENCLATURE	EFFECT FROM TO	UNITS PER ASSY
1 - 1	3800298-1-3		ENGINE ASSY-GAS TURB (SURGE VALVE FILTER ELEMENTS ONLY) GTCP331-200ER SUPPLIER CODE: V99193 SPECIFICATION NUMBER: S351T020-202 CONFIG CHG DATA FROM A CMM: REPLACES 3800298-1-2 COMPONENT MAINT MANUAL REF: 49-22-11 QUALIFIED I/W DATA: S351T020-202 (3800298-1-3) AND S351T020-205 (3800298-1-6) ARE INTERCHANGEABLE WITH THE INCORPORATION OF ALLIED SIGNAL S/B GTCP331-49-7081. S351T020-202 (3800298-1-3) AND S351T020-206 (3800298-1-7/3800298-1) ARE INTERCHANGEABLE WITH THE INCORPORATION OF ALLIED SIGNAL S/B GTCP331-49-7081. FOR NHA/OTHER SYS DET SEE: 49-11-01-50	002004 006100 107107 121503 904999	RF

MISSING ITEM NUMBERS NOT APPLICABLE

- ITEM NOT ILLUSTRATED

BRI

49-53-06-01

BOEING PROPRIETARY - Copyright © - Unpublished Work - See title page for details.

49-53-06  
FIG. 01  
PAGE 3  
JAN 20/09



757

PARTS CATALOG (MAINTENANCE)

FIG ITEM	PART NUMBER	1 2 3 4 5 6 7	NOMENCLATURE	EFFECT FROM TO	UNITS PER ASSY
1 - 1	3800298-1-4		ENGINE ASSY-GAS TURB (SURGE VALVE FILTER ELEMENTS ONLY) GTCP331-200ER SUPPLIER CODE: V99193 SPECIFICATION NUMBER: S351T020-203 CONFIG CHG DATA FROM A CMM: REPLACES 3800298-1-3 COMPONENT MAINT MANUAL REF: 49-22-11 QUALIFIED I/W DATA: 3800298-1-4/S351T020-203 AND 3800298-1-6/S351T020-205 ARE INTERCHANGEABLE WITH THE INCORPORATION OF ALLIED SIGNAL S/B GTCP331-49-7081. 3800298-1-4/S351T020-203 AND 3800298-1-7/S351T020-206 /3800298-1 ARE INTERCHANGEABLE WITH THE INCORPORATION OF ALLIED SIGNAL S/B GTCP331-49-7081. FOR NHA/ADDITIONAL DET SEE: 49-11-01-50	002004 006100 107107 121503 904999	RF

MISSING ITEM NUMBERS NOT APPLICABLE

- ITEM NOT ILLUSTRATED

BRI

49-53-06-01

BOEING PROPRIETARY - Copyright © - Unpublished Work - See title page for details.

49-53-06  
 FIG. 01  
 PAGE 4  
 JAN 20/09





757

PARTS CATALOG (MAINTENANCE)

FIG ITEM	PART NUMBER	1 2 3 4 5 6 7	NOMENCLATURE	EFFECT FROM TO	UNITS PER ASSY
1	3800298-1-5		ENGINE ASSY-GAS TURB (SURGE VALVE FILTER ELEMENTS ONLY) GTCP331-200ER SUPPLIER CODE: V99193 SPECIFICATION NUMBER: S351T020-204 CONFIG CHG DATA FROM A CMM: REPLACES 3800298-1-4 COMPONENT MAINT MANUAL REF: 49-22-11 QUALIFIED I/W DATA: 3800298-1-5/S351T020-204 AND 3800298-1-6/S351T020-205 ARE INTERCHANGEABLE WITH THE INCORPORATION OF ALLIED SIGNAL S/B GTCP331-49-7081. 3800298-1-5/S351T020-204 AND 3800298-1-7/S351T020-206 /3800298-1 ARE INTERCHANGEABLE WITH THE INCORPORATION OF ALLIED SIGNAL S/B GTCP331-49-7081. FOR NHA/ADDITIONAL DET SEE: 49-11-01-50	002004 006100 107107 121503 904999	RF
- 1	3800298-1-6		ENGINE ASSY-GAS TURB (SURGE VALVE FILTER ELEMENTS ONLY) GTCP331-200ER SUPPLIER CODE: V99193 SPECIFICATION NUMBER: S351T020-205 CONFIG CHG DATA FROM A CMM: REPLACES 3800298-1-5 COMPONENT MAINT MANUAL REF: 49-22-11 QUALIFIED I/W DATA: 3800298-1-5/S351T020-204 AND 3800298-1-6/S351T020-205 ARE INTERCHANGEABLE WITH THE INCORPORATION OF ALLIED SIGNAL S/B	002004 006999	RF

MISSING ITEM NUMBERS NOT APPLICABLE

- ITEM NOT ILLUSTRATED

49-53-06-01

49-53-06  
FIG. 01  
PAGE 5  
JAN 20/09

BRI

 **BOEING**  
757  
**PARTS CATALOG (MAINTENANCE)**

FIG ITEM	PART NUMBER	1 2 3 4 5 6 7 NOMENCLATURE	EFFECT FROM TO	UNITS PER ASSY
1		<p>GTCP331-49-7081. S351T020-203 (3800298-1-4) AND S351T020-205 (3800298-1-6) ARE INTERCHANGEABLE WITH THE INCORPORATION OF ALLIED SIGNAL S/B GTCP331-49-7081. S351T020-202 (3800298-1-3) AND S351T020-205 (3800298-1-6) ARE INTERCHANGEABLE WITH THE INCORPORATION OF ALLIED SIGNAL S/B GTCP331-49-7081. S351T020-201 (3800298-1-2) AND S351T020-205 (3800298-1-6) ARE INTERCHANGEABLE WITH THE INCORPORATION OF ALLIED SIGNAL S/B GTCP331-49-7081. S351T020-200 (3800298-1-1) AND S351T020-205 (3800298-1-6) ARE INTERCHANGEABLE WITH THE INCORPORATION OF ALLIED SIGNAL S/B GTCP331-49-7081. FOR NHA/ADDITIONAL DET SEE: 49-11-01-50 49-21-00-02</p>		
-	1 3800298-1-7	<p>ENGINE ASSY-GAS TURB (SURGE VALVE FILTER ELEMENTS ONLY) GTCP331-200ER SUPPLIER CODE: V99193 SPECIFICATION NUMBER: S351T020-206 CONFIG CHG DATA FROM A CMM: REPLACES 3800298-1-6 COMPONENT MAINT MANUAL REF: 49-22-11 QUALIFIED I/W DATA:</p>	002004 006999	RF

MISSING ITEM NUMBERS NOT APPLICABLE

- ITEM NOT ILLUSTRATED

BRI

# 49-53-06-01

BOEING PROPRIETARY - Copyright © - Unpublished Work - See title page for details.

49-53-06  
FIG. 01  
PAGE 6  
SEP 20/08

 **BOEING**  
757  
**PARTS CATALOG (MAINTENANCE)**

FIG ITEM	PART NUMBER	1 2 3 4 5 6 7 NOMENCLATURE	EFFECT FROM TO	UNITS PER ASSY
1		<p>3800298-1-5/S351T020-204 AND 3800298-1-7/S351T020-206 /3800298-1 ARE INTERCHANGEABLE WITH THE INCORPORATION OF ALLIED SIGNAL S/B GTCP331-49-7081. S351T020-203 (3800298-1-4) AND S351T020-206(3800298-1-7 /3800298-1) ARE INTERCHANGEABLE WITH THE INCORPORATION OF ALLIED SIGNAL S/B GTCP331-49-7081. S351T020-202 (3800298-1-3) AND S351T020-206 (3800298-1-7/3800298-1) ARE INTERCHANGEABLE WITH THE INCORPORATION OF ALLIED SIGNAL S/B GTCP331-49-7081. S351T020-201 (3800298-1-2) AND S351T020-206 (3800298-1-7/3800298-1) ARE INTERCHANGEABLE WITH THE INCORPORATION OF ALLIED SIGNAL S/B GTCP331-49-7081. S351T020-200 (3800298-1-1) AND S351T020-206 (3800298-1-7/3800298-1) ARE INTERCHANGEABLE WITH THE INCORPORATION OF ALLIED SIGNAL S/B GTCP331-49-7081. OPTIONAL PART: 3800298-1 V99193 FOR NHA/ADDITIONAL DET SEE: 49-11-01-50 49-21-00-02</p>		
-	1 3800298-1	<p>ENGINE ASSY-GAS TURB (SURGE VALVE FILTER ELEMENTS ONLY)</p>	002004 006999	RF

MISSING ITEM NUMBERS NOT APPLICABLE

- ITEM NOT ILLUSTRATED

BRI

# 49-53-06-01

BOEING PROPRIETARY - Copyright © - Unpublished Work - See title page for details.

49-53-06  
FIG. 01  
PAGE 7  
SEP 20/08



757

PARTS CATALOG (MAINTENANCE)

FIG ITEM	PART NUMBER	1 2 3 4 5 6 7 NOMENCLATURE	EFFECT FROM TO	UNITS PER ASSY
1		<p>GTCP331-200ER            SUPPLIER CODE:            V99193            SPECIFICATION NUMBER:            S351T020-206            COMPONENT MAINT MANUAL REF:            49-22-11            QUALIFIED I/W DATA:            3800298-1-5/S351T020-204            AND            3800298-1-7/S351T020-206            /3800298-1            ARE INTERCHANGEABLE WITH            THE INCORPORATION OF            ALLIED SIGNAL S/B            GTCP331-49-7081.            351T020-203(3800298-1-4)            AND S351T020-206            (3800298-1-7/380028-1)            ARE INTERCHANGEABLE WITH            THE INCORPORATION OF            ALLIED SIGNAL S/B            GTCP331-49-7081.            S351T020-202            (3800298-1-3)            AND S351T020-206            (3800298-1-7/3800298-1)            ARE INTERCHANGEABLE            WITH THE INCORPORATION            OF ALLIED SIGNAL S/B            GTCP331-49-7081.            S351T020-201            (3800298-1-2)            AND S351T020-206            (3800298-1-7/3800298-1)            ARE INTERCHANGEABLE            WITH THE INCORPORATION            OF ALLIED SIGNAL S/B            GTCP331-49-7081.            S351T020-200            (3800298-1-1)            AND S351T020-206            (3800298-1-7/3800298-1)            ARE INTERCHANGEABLE            WITH THE INCORPORATION            OF ALLIED SIGNAL S/B            GTCP331-49-7081.            S351T020-200            (3800298-1-1)            AND S351T020-206            (3800298-1-7/3800298-1)            ARE INTERCHANGEABLE            WITH THE INCORPORATION            OF ALLIED SIGNAL S/B            GTCP331-49-7081.            OPTIONAL PART:            3800298-1-7</p>		

MISSING ITEM NUMBERS NOT APPLICABLE

- ITEM NOT ILLUSTRATED

49-53-06-01

49-53-06  
 FIG. 01  
 PAGE 8  
 SEP 20/08

BRI



757

PARTS CATALOG (MAINTENANCE)

FIG ITEM	PART NUMBER	1 2 3 4 5 6 7	NOMENCLATURE	EFFECT FROM TO	UNITS PER ASSY
1			V99193 FOR NHA/ADDITIONAL DET SEE: 49-11-01-50 49-21-00-02		
5	979806-8		. VALVE ASSY-SURGE CONT SUPPLIER CODE: V59364 SB DATA FROM A CMM: POST 49-5421 PRE 49-5696 CONFIG CHG DATA FROM A CMM: SUPERSEDES 979806-5 SUPERSEDES 979806-5-1 SUPERSEDES 979806-6 SUPERSEDES 979806-6-1 SUPERSEDES 979806-7 REPLD BY 979806-9 COMPONENT MAINT MANUAL REF: 49-53-67 POST SERVICE BULLETIN: 49-5421 PRE SERVICE BULLETIN: 979806-49-6504 V59364	002004 006999	RF
5	979806-7		. VALVE ASSY-4 IN. DIA SURGE CONT SUPPLIER CODE: V59364 NOT APPROVED FOR ETOPS AFTER INCORP OF SB: GTCP331-49-5421 SB DATA FROM A CMM: PRE 49-5421 CONFIG CHG DATA FROM A CMM: SUPSD BY 979806-8 SUPERSEDES 979806-6-1 COMPONENT MAINT MANUAL REF: 49-53-67 PRE SERVICE BULLETIN: 979806-49-6504 V59364	002004 006999	RF

MISSING ITEM NUMBERS NOT APPLICABLE

- ITEM NOT ILLUSTRATED

# 49-53-06-01

49-53-06  
FIG. 01  
PAGE 9  
SEP 20/08

BRI



757

PARTS CATALOG (MAINTENANCE)

FIG ITEM	PART NUMBER	1 2 3 4 5 6 7	NOMENCLATURE	EFFECT FROM TO	UNITS PER ASSY
1 5	979806-9		.VALVE ASSY-4 IN. DIA SURGE CONT SUPPLIER CODE: V59364 SB DATA FROM A CMM: POST 49-5696 CONFIG CHG DATA FROM A CMM: REPLS 979806-8 REPLD BY 979806-10 COMPONENT MAINT MANUAL REF: 49-53-67 PRE SERVICE BULLETIN: 979806-49-6504 V59364	002004 006999	RF
5	979806-10		.VALVE ASSY-4 IN. DIA SURGE CONT SUPPLIER CODE: V59364 SB DATA FROM A CMM: PRE 49-6506 CONFIG CHG DATA FROM A CMM: REPLS 979806-9 REPLD BY 979806-11 COMPONENT MAINT MANUAL REF: 49-53-67 PRE SERVICE BULLETIN: 979806-49-6504 V59364	002004 006999	RF
5	979806-5-1		.VALVE ASSY-4 IN. DIA SURGE CONT SUPPLIER CODE: V59364 NOT APPROVED FOR ETOPS AFTER INCORP OF SB: GTCP331-49-5421 GTCP331-49-5389 SB DATA FROM A CMM: PRE 49-5421 PRE 49-5389 CONFIG CHG DATA FROM A CMM: SUPSD BY 979806-8 SUPSD BY 979806-6-1 COMPONENT MAINT MANUAL REF: 49-53-67 PRE SERVICE BULLETIN: 979806-49-6504 V59364	002004 006999	RF

MISSING ITEM NUMBERS NOT APPLICABLE

- ITEM NOT ILLUSTRATED

49-53-06-01

49-53-06  
FIG. 01  
PAGE 10  
SEP 20/08

BRI

 **BOEING**  
757  
**PARTS CATALOG (MAINTENANCE)**

FIG ITEM	PART NUMBER	1 2 3 4 5 6 7	NOMENCLATURE	EFFECT FROM TO	UNITS PER ASSY
1 5	979806-6-1		.VALVE ASSY-4 IN. DIA SURGE CONT SUPPLIER CODE: V59364 NOT APPROVED FOR ETOPS AFTER INCORP OF SB: GTCP331-49-5421 GTCP331-49-5389 SB DATA FROM A CMM: PRE 49-5421 PRE 49-5389 CONFIG CHG DATA FROM A CMM: SUPSD BY 979806-8 SUPSD BY 979806-7 SUPERSEDES 979806-5-1 COMPONENT MAINT MANUAL REF: 49-53-67 PRE SERVICE BULLETIN: 979806-49-6504 V59364	002004 006999	RF
5	979806-11		.VALVE ASSY-SURGE CONTROL SUPPLIER CODE: V59364 SB DATA FROM A CMM: POST 49-6506 PRE 49-7498 PRE 49-7041 CONFIG CHG DATA FROM A CMM: REPLACES 979806-10 REPLD BY 979806-12 COMPONENT MAINT MANUAL REF: 49-53-67 POST SERVICE BULLETIN: 979806-49-6504 V59364	002004 006999	RF
10	3174726-1		..FILTER KIT- SUPPLIER CODE: V59364 USED ON: 979806-9	002004 006999	1

MISSING ITEM NUMBERS NOT APPLICABLE

— ITEM NOT ILLUSTRATED

BRI

# 49-53-06-01

BOEING PROPRIETARY - Copyright © - Unpublished Work - See title page for details.

49-53-06  
FIG. 01  
PAGE 11  
SEP 20/08



757

PARTS CATALOG (MAINTENANCE)

FIG ITEM	PART NUMBER	1 2 3 4 5 6 7	NOMENCLATURE	EFFECT FROM TO	UNITS PER ASSY
1					
10	3174726-2		.. FILTER KIT- SUPPLIER CODE: V59364 SB DATA FROM A CMM: PRE 49-6504 USED ON: 979806-5-1 979806-6-1 979806-7 979806-8 979806-10	002004 006999	1
10	3174726-5		.. FILTER KIT- SUPPLIER CODE: V59364 SB DATA FROM A CMM: POST 49-6504 USED ON: 979806-11 979806-12	002004 006999	1
15	3171128-1		... REDUCER- SUPPLIER CODE: V59364 SB DATA FROM A CMM: PRE 49-5707 USED ON: 3174726-1 PRE SERVICE BULLETIN: 979806-49-6504 V59364	002004 006999	1
15	3174437-1		... REDUCER- SUPPLIER CODE: V59364 SB DATA FROM A CMM: POST 49-5707 USED ON: 3174726-2 3174726-5 POST SERVICE BULLETIN: 979806-49-6504 V59364	002004 006999	1

MISSING ITEM NUMBERS NOT APPLICABLE

- ITEM NOT ILLUSTRATED

49-53-06-01

49-53-06  
FIG. 01  
PAGE 12  
SEP 20/08

BRI





757

PARTS CATALOG (MAINTENANCE)

FIG ITEM	PART NUMBER	1 2 3 4 5 6 7	NOMENCLATURE	EFFECT FROM TO	UNITS PER ASSY
1 20	S8990-608		...PACKING- SUPPLIER CODE: V59364 SB DATA FROM A CMM: POST 49-5707 USED ON: 3174726-2 3174726-5 POST SERVICE BULLETIN: 979806-49-5717 V59364 979806-49-6504 V59364	002004 006999	1
20	S8990-605		...PACKING- SUPPLIER CODE: V59364 SB DATA FROM A CMM: PRE 49-5707 USED ON: 3174726-1 PRE SERVICE BULLETIN: 979806-49-6504 V59364	002004 006999	1
25	663466		...SPRING- SUPPLIER CODE: V59364	002004 006999	1
30	856504-2		...FILTER- SUPPLIER CODE: V59364 SB DATA FROM A CMM: POST 49-5707 USED ON: 3174726-2 3174726-5 POST SERVICE BULLETIN: 979806-49-6504 V59364	002004 006999	1
32	111790-2		...FILTER- SUPPLIER CODE: V59364 SB DATA FROM A CMM: PRE 49-5707 USED ON: 3174726-1 PRE SERVICE BULLETIN: 979806-49-6504 V59364	002004 006999	1

MISSING ITEM NUMBERS NOT APPLICABLE

- ITEM NOT ILLUSTRATED

49-53-06-01

49-53-06  
FIG. 01  
PAGE 13  
SEP 20/08

BRI



757

PARTS CATALOG (MAINTENANCE)

FIG ITEM	PART NUMBER	1 2 3 4 5 6 7	NOMENCLATURE	EFFECT FROM TO	UNITS PER ASSY
1					
35	3174438-1		...HOUSING- SUPPLIER CODE: V59364 SB DATA FROM A CMM: POST 49-5707 USED ON: 3174726-2 PRE SERVICE BULLETIN: 979806-49-6504 V59364	002004 006999	1
35	3175836-1		...HOUSING- SUPPLIER CODE: V59364 USED ON: 3174726-5 POST SERVICE BULLETIN: 979806-49-6504 V59364	002004 006999	1
37	3171127-1		...HOUSING- SUPPLIER CODE: V59364 SB DATA FROM A CMM: PRE 49-5707 USED ON: 3174726-1 PRE SERVICE BULLETIN: 979806-49-6504 V59364	002004 006999	1
40	S8990-604		..PACKING- SUPPLIER CODE: V59364 SB DATA FROM A CMM: PRE 49-6504	002004 006999	1
40	S8990-009		..PACKING- SUPPLIER CODE: V99193 SB DATA FROM A CMM: POST 49-6504 USED ON: 3174726-5	002004 006999	1

MISSING ITEM NUMBERS NOT APPLICABLE

- ITEM NOT ILLUSTRATED

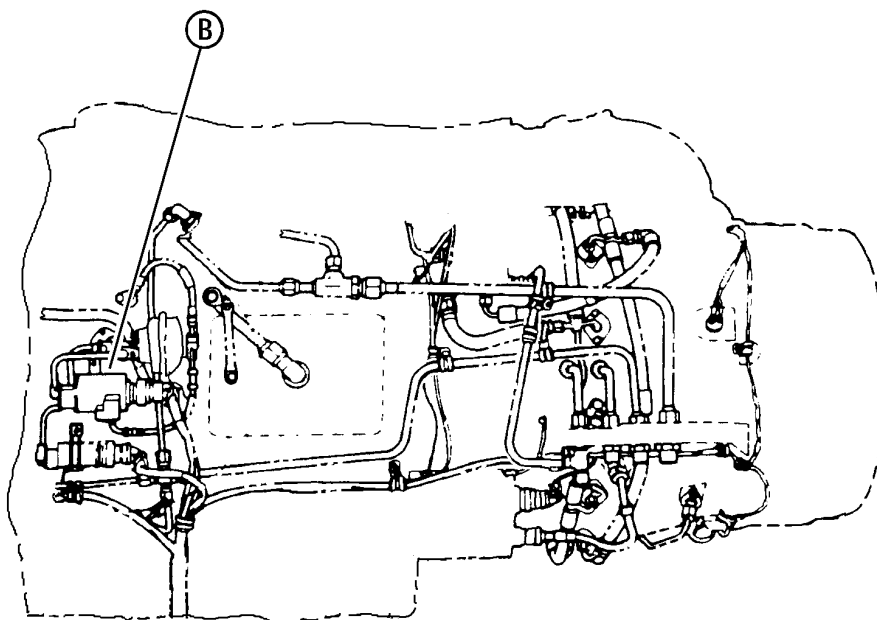
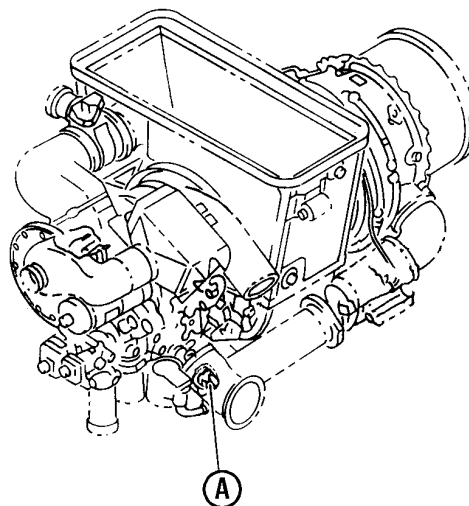
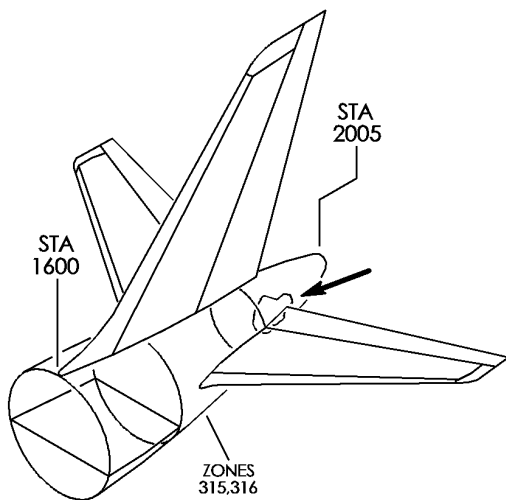
49-53-06-01

49-53-06  
FIG. 01  
PAGE 14  
SEP 20/08

BRI

BOEING PROPRIETARY - Copyright © - Unpublished Work - See title page for details.

**BOEING**  
757  
PARTS CATALOG (MAINTENANCE)



VIEW LOOKING UP

A

Y 49530701 SHT 1 REV 238

ENGINE ASSY-GAS TURB (VARIABLE VOLUME CHAMBER ONLY)  
FIGURE 1 (SHEET 1)

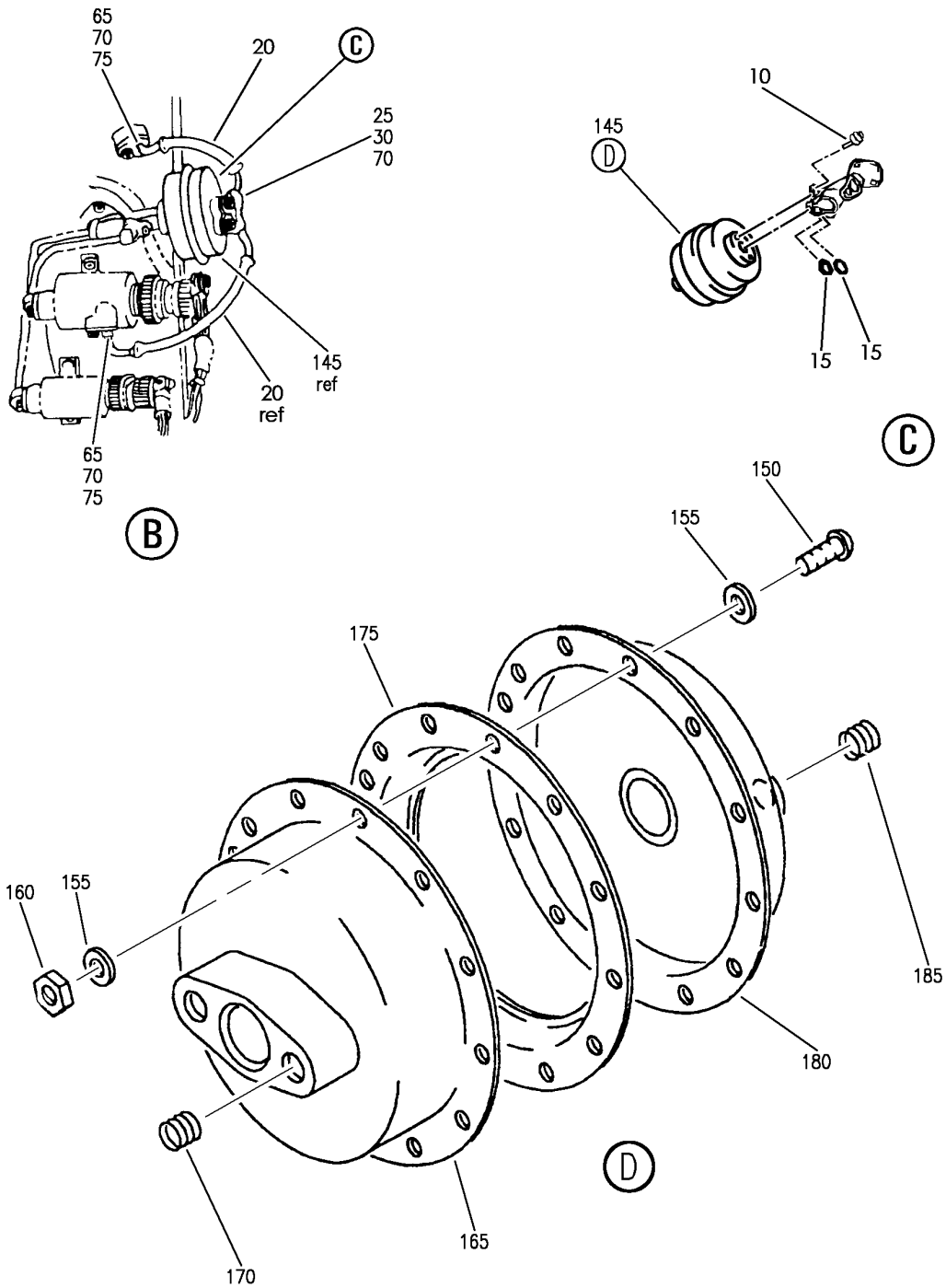
**49-53-07-01**

BRI  
MAY 28/07

49-53-07-01  
PAGE 0

BOEING PROPRIETARY - Copyright © - Unpublished Work - See title page for details.

**BOEING**  
757  
PARTS CATALOG (MAINTENANCE)



Y 49530701 SHT 2 REV 250

ENGINE ASSY-GAS TURB (VARIABLE VOLUME CHAMBER ONLY)  
FIGURE 1 (SHEET 2)

**49-53-07-01**

BRI  
MAY 28/07

49-53-07-01  
PAGE 0A



757

PARTS CATALOG (MAINTENANCE)

FIG ITEM	PART NUMBER	1 2 3 4 5 6 7	NOMENCLATURE	EFFECT FROM TO	UNITS PER ASSY
1			ENGINE ASSY-GAS TURB (VARIABLE VOLUME CHAMBER ONLY)	002004 006999	
- 1	3800298-1-2		ENGINE ASSY-GAS TURB GTCP331-200ER SUPPLIER CODE: V99193 SPECIFICATION NUMBER: S351T020-201 COMPONENT MAINT MANUAL REF: 49-22-11 QUALIFIED I/W DATA: S351T020-201 (3800298-1-2) AND S351T020-205 (3800298-1-6) ARE INTERCHANGEABLE WITH THE INCORPORATION OF ALLIED SIGNAL S/B GTCP331-49-7081. S351T020-201 (3800298-1-2) AND S351T020-206 (3800298-1-7/3800298-1) ARE INTERCHANGEABLE WITH THE INCORPORATION OF ALLIED SIGNAL S/B GTCP331-49-7081. FOR NHA/ADDITIONAL DET SEE: 49-11-01-50	002004 006100 107107 121503 904999	RF

MISSING ITEM NUMBERS NOT APPLICABLE

- ITEM NOT ILLUSTRATED

49-53-07-01

49-53-07  
FIG. 01  
PAGE 1  
JAN 20/09

BRI



757

PARTS CATALOG (MAINTENANCE)

FIG ITEM	PART NUMBER	1 2 3 4 5 6 7	NOMENCLATURE	EFFECT FROM TO	UNITS PER ASSY
1 - 1	3800298-1-1		ENGINE ASSY-GAS TURB GTCP331-200ER SUPPLIER CODE: V99193 SPECIFICATION NUMBER: S351T020-200 COMPONENT MAINT MANUAL REF: 49-22-11 QUALIFIED I/W DATA: S351T020-200 (3800298-1-1) AND S351T020-205 (3800298-1-6) ARE INTERCHANGEABLE WITH THE INCORPORATION OF ALLIED SIGNAL S/B GTCP331-49-7081. S351T020-200 (3800298-1-1) AND S351T020-206 (3800298-1-7/3800298-1) ARE INTERCHANGEABLE WITH THE INCORPORATION OF ALLIED SIGNAL S/B GTCP331-49-7081. FOR NHA/ADDITIONAL DET SEE: 49-11-01-50	002004 006100 107107 121503 904999	RF

MISSING ITEM NUMBERS NOT APPLICABLE

- ITEM NOT ILLUSTRATED

49-53-07-01

49-53-07  
FIG. 01  
PAGE 2  
JAN 20/09

BRI



757

PARTS CATALOG (MAINTENANCE)

FIG ITEM	PART NUMBER	1 2 3 4 5 6 7	NOMENCLATURE	EFFECT FROM TO	UNITS PER ASSY
1 - 1	3800298-1-3		ENGINE ASSY-GAS TURB GTCP331-200ER SUPPLIER CODE: V99193 SPECIFICATION NUMBER: S351T020-202 CONFIG CHG DATA FROM A CMM: REPLACES 3800298-1-2 COMPONENT MAINT MANUAL REF: 49-22-11 QUALIFIED I/W DATA: S351T020-202 (3800298-1-3) AND S351T020-205 (3800298-1-6) ARE INTERCHANGEABLE WITH THE INCORPORATION OF ALLIED SIGNAL S/B GTCP331-49-7081. S351T020-202 (3800298-1-3) AND S351T020-206 (3800298-1-7/3800298-1) ARE INTERCHANGEABLE WITH THE INCORPORATION OF ALLIED SIGNAL S/B GTCP331-49-7081. FOR NHA/OTHER SYS DET SEE: 49-11-01-50	002004 006100 107107 121503 904999	RF

MISSING ITEM NUMBERS NOT APPLICABLE

- ITEM NOT ILLUSTRATED

49-53-07-01

49-53-07  
FIG. 01  
PAGE 3  
JAN 20/09

BRI



757

PARTS CATALOG (MAINTENANCE)

FIG ITEM	PART NUMBER	1 2 3 4 5 6 7	NOMENCLATURE	EFFECT FROM TO	UNITS PER ASSY
1 - 1	3800298-1-4		ENGINE ASSY-GAS TURB GTCP331-200ER SUPPLIER CODE: V99193 SPECIFICATION NUMBER: S351T020-203 CONFIG CHG DATA FROM A CMM: REPLACES 3800298-1-3 COMPONENT MAINT MANUAL REF: 49-22-11 QUALIFIED I/W DATA: 3800298-1-4/S351T020-203 AND 3800298-1-6/S351T020-205 ARE INTERCHANGEABLE WITH THE INCORPORATION OF ALLIED SIGNAL S/B GTCP331-49-7081. 3800298-1-4/S351T020-203 AND 3800298-1-7/S351T020-206 /3800298-1 ARE INTERCHANGEABLE WITH THE INCORPORATION OF ALLIED SIGNAL S/B GTCP331-49-7081. FOR NHA/OTHER SYS DET SEE: 49-11-01-50	002004 006100 107107 121503 904999	RF

MISSING ITEM NUMBERS NOT APPLICABLE

- ITEM NOT ILLUSTRATED

49-53-07-01

49-53-07  
FIG. 01  
PAGE 4  
JAN 20/09

BRI





757

PARTS CATALOG (MAINTENANCE)

FIG ITEM	PART NUMBER	1 2 3 4 5 6 7	NOMENCLATURE	EFFECT FROM TO	UNITS PER ASSY
1					
- 1	3800298-1-5		ENGINE ASSY-GAS TURB GTCP331-200ER CHAMBER ONLY) SUPPLIER CODE: V99193 SPECIFICATION NUMBER: S351T020-204 CONFIG CHG DATA FROM A CMM: REPLACES 3800298-1-4 COMPONENT MAINT MANUAL REF: 49-22-11 QUALIFIED I/W DATA: S351T020-204 (3800298-1-5) AND S351T020-205 (3800298-1-6) ARE INTERCHANGEABLE WITH THE INCORPORATION OF ALLIED SIGNAL S/B GTCP331-49-7081. S351T020-204 (3800298-1-5) AND S351T020-206 (3800298-1-7/3800298-1) ARE INTERCHANGEABLE WITH THE INCORPORATION OF ALLIED SIGNAL S/B GTCP331-49-7081. FOR NHA/ADDITIONAL DET SEE: 49-11-01-50	002004 006100 107107 121503 904999	RF
- 1	3800298-1-6		ENGINE ASSY-GAS TURB GTCP331-200ER SUPPLIER CODE: V99193 SPECIFICATION NUMBER: S351T020-205 CONFIG CHG DATA FROM A CMM: REPLACES 3800298-1-5 COMPONENT MAINT MANUAL REF: 49-22-11 QUALIFIED I/W DATA: S351T020-203 (3800298-1-4) AND S351T020-205 (3800298-1-6) ARE INTERCHANGEABLE WITH THE INCORPORATION OF ALLIED SIGNAL S/B	002004 006999	RF

MISSING ITEM NUMBERS NOT APPLICABLE

- ITEM NOT ILLUSTRATED

49-53-07-01

49-53-07  
FIG. 01  
PAGE 5  
JAN 20/09

BRI



757

PARTS CATALOG (MAINTENANCE)

FIG ITEM	PART NUMBER	1 2 3 4 5 6 7 NOMENCLATURE	EFFECT FROM TO	UNITS PER ASSY
1		GTCP331-49-7081. S351T020-204 (3800298-1-5) AND S351T020-205 (3800298-1-6) ARE INTERCHANGEABLE WITH THE INCORPORATION OF ALLIED SIGNAL S/B GTCP331-49-7081. S351T020-202 (3800298-1-3) AND S351T020-205 (3800298-1-6) ARE INTERCHANGEABLE WITH THE INCORPORATION OF ALLIED SIGNAL S/B GTCP331-49-7081. S351T020-201 (3800298-1-2) AND S351T020-205 (3800298-1-6) ARE INTERCHANGEABLE WITH THE INCORPORATION OF ALLIED SIGNAL S/B GTCP331-49-7081. S351T020-200 (3800298-1-1) AND S351T020-205 (3800298-1-6) ARE INTERCHANGEABLE WITH THE INCORPORATION OF ALLIED SIGNAL S/B GTCP331-49-7081. FOR NHA/ADDITIONAL DET SEE: 49-11-01-50 49-21-00-02		
-	1 3800298-1-7	ENGINE ASSY-GAS TURB GTCP331-200ER CHAMBER ONLY) SUPPLIER CODE: V99193 SPECIFICATION NUMBER: S351T020-206 CONFIG CHG DATA FROM A CMM: REPLACES 3800298-1-6 COMPONENT MAINT MANUAL REF: 49-22-11 QUALIFIED I/W DATA: S351T020-204  MISSING ITEM NUMBERS NOT APPLICABLE	002004 006999	RF

- ITEM NOT ILLUSTRATED

49-53-07-01

49-53-07  
FIG. 01  
PAGE 6  
SEP 20/08

BRI



757

PARTS CATALOG (MAINTENANCE)

FIG ITEM	PART NUMBER	1 2 3 4 5 6 7 NOMENCLATURE	EFFECT FROM TO	UNITS PER ASSY
1		<p>(3800298-1-5) AND S351T020-206 (3800298-1-7/3800298-1) ARE INTERCHANGEABLE WITH THE INCORPORATION OF ALLIED SIGNAL S/B GTCP331-49-7081. S351T020-203 (3800298-1-4) AND S351T020-206(3800298-1-7 /3800298-1) ARE INTERCHANGEABLE WITH THE INCORPORATION OF ALLIED SIGNAL S/B GTCP331-49-7081. S351T020-202 (3800298-1-3) AND S351T020-206 (3800298-1-7/3800298-1) ARE INTERCHANGEABLE WITH THE INCORPORATION OF ALLIED SIGNAL S/B GTCP331-49-7081. S351T020-201 (3800298-1-2) AND S351T020-206 (3800298-1-7/3800298-1) ARE INTERCHANGEABLE WITH THE INCORPORATION OF ALLIED SIGNAL S/B GTCP331-49-7081. S351T020-200 (3800298-1-1) AND S351T020-206 (3800298-1-7/3800298-1) ARE INTERCHANGEABLE WITH THE INCORPORATION OF ALLIED SIGNAL S/B GTCP331-49-7081. OPTIONAL PART: 3800298-1 V99193 FOR NHA/ADDITIONAL DET SEE: 49-11-01-50 49-21-00-02</p>		
-	1 3800298-1	<p>ENGINE ASSY-GAS TURB GTCP331-200ER SUPPLIER CODE: V99193</p>	002004 006999	RF

MISSING ITEM NUMBERS NOT APPLICABLE

- ITEM NOT ILLUSTRATED

49-53-07-01

49-53-07  
FIG. 01  
PAGE 7  
SEP 20/08

BRI



757

PARTS CATALOG (MAINTENANCE)

FIG ITEM	PART NUMBER	1 2 3 4 5 6 7 NOMENCLATURE	EFFECT FROM TO	UNITS PER ASSY
1		<p>SPECIFICATION NUMBER: S351T020-206 COMPONENT MAINT MANUAL REF: 49-22-11 QUALIFIED I/W DATA: 3800298-1-5/S351T020-204 AND 3800298-1-7/S351T020-206 /3800298-1 ARE INTERCHANGEABLE WITH THE INCORPORATION OF ALLIED SIGNAL S/B GTCP331-49-7081. 351T020-203(3800298-1-4) AND 351T020-206 (3800298-1-7/380028-1) ARE INTERCHANGEABLE WITH THE INCORPORATION OF ALLIED SIGNAL S/B GTCP331-49-7081. S351T020-202 (3800298-1-3) AND S351T020-206 (3800298-1-7/3800298-1) ARE INTERCHANGEABLE WITH THE INCORPORATION OF ALLIED SIGNAL S/B GTCP331-49-7081. S351T020-201 (3800298-1-2) AND S351T020-206 (3800298-1-7/3800298-1) ARE INTERCHANGEABLE WITH THE INCORPORATION OF ALLIED SIGNAL S/B GTCP331-49-7081. S351T020-200 (3800298-1-1) AND S351T020-206 (3800298-1-7/3800298-1) ARE INTERCHANGEABLE WITH THE INCORPORATION OF ALLIED SIGNAL S/B GTCP331-49-7081. OPTIONAL PART: 3800298-1-7 V99193 FOR NHA/ADDITIONAL DET SEE: 49-11-01-50</p>		

MISSING ITEM NUMBERS NOT APPLICABLE

- ITEM NOT ILLUSTRATED

49-53-07-01

49-53-07  
FIG. 01  
PAGE 8  
SEP 20/08

BRI



757

PARTS CATALOG (MAINTENANCE)

FIG ITEM	PART NUMBER	1 2 3 4 5 6 7	NOMENCLATURE	EFFECT FROM TO	UNITS PER ASSY
1					
10	MS21279-05		49-21-00-02 .BOLT- OPTIONAL PART: MS9556-05	002004 006999	2
10	MS9556-05		.BOLT- SB DATA FROM A CMM: POST SPB GTE0293 OPTIONAL PART: MS21279-05	002004 006999	2
15	S8990-109		.PACKING- SUPPLIER CODE: V99193	002004 006999	2
20	3884296-1		.HOSE-STATIC SENSOR SUPPLIER CODE: V99193 SB DATA FROM A CMM: PRE SB 49-5840	002004 006999	2
25	MS21288-05		.BOLT- OPTIONAL PART: MS9565-05	002004 006999	2
25	MS9565-05		.BOLT- SB DATA FROM A CMM: POST SPB GTE0306 OPTIONAL PART: MS21288-05	002004 006999	2
30	S8990-109		.PACKING- SUPPLIER CODE: V99193	002004 006999	2
65	MS9565-05		.BOLT	002004 006999	2
70	S8990-109		.PACKING- SUPPLIER CODE: V99193	002004 006999	3
75	3884297-1		.CLAMP- SUPPLIER CODE: V99193	002004 006999	2
145	3289618-1		.CHAMBER-VAR VOL SUPPLIER CODE: V59364 SB DATA FROM A CMM: PRE SB 49-5861 CONFIG CHG DATA FROM A CMM: REPLD BY 3290594-1	002004 006102 107999	1

MISSING ITEM NUMBERS NOT APPLICABLE

- ITEM NOT ILLUSTRATED

49-53-07-01

49-53-07  
FIG. 01  
PAGE 9  
JAN 20/09

BRI

BOEING PROPRIETARY - Copyright © - Unpublished Work - See title page for details.



757

PARTS CATALOG (MAINTENANCE)

FIG ITEM	PART NUMBER	1 2 3 4 5 6 7	NOMENCLATURE	EFFECT FROM TO	UNITS PER ASSY
1					
145	3290594-1		.CHAMBER-VAR VOL SUPPLIER CODE: V99193 SB DATA FROM A CMM: POST SB 49-5861 CONFIG CHG DATA FROM A CMM: REPLS 3289618-1	002004 006102 107999	1
150	MS51957-28		..SCREW	002004 006999	13
155	S8157N28-020		..WASHER- SUPPLIER CODE: V99193	002004 006999	26
160	MS21043-06		..NUT	002004 006999	13
165	3175381-1		..HOUSING ASSY-CHAMBER SUPPLIER CODE: V99193	002004 006999	1
170	MS21209F1-10L		...INSERT	002004 006999	2
175	3175380-1		..DIAPHRAGM-AIR SUPPLIER CODE: V99193 OPTIONAL PART: 3175380-2 V99193	002004 006999	1
175	3175380-2		..DIAPHRAGM-AIR SUPPLIER CODE: V99193 MISCELLANEOUS DATA: POST SPB GTE0974 OPTIONAL PART: 3175380-1 V99193	002004 006999	1
180	3175381-2		..HOUSING ASSY-CHAMBER SUPPLIER CODE: V99193	002004 006999	1
185	MS21209F1-10L		...INSERT	002004 006999	2

MISSING ITEM NUMBERS NOT APPLICABLE

- ITEM NOT ILLUSTRATED

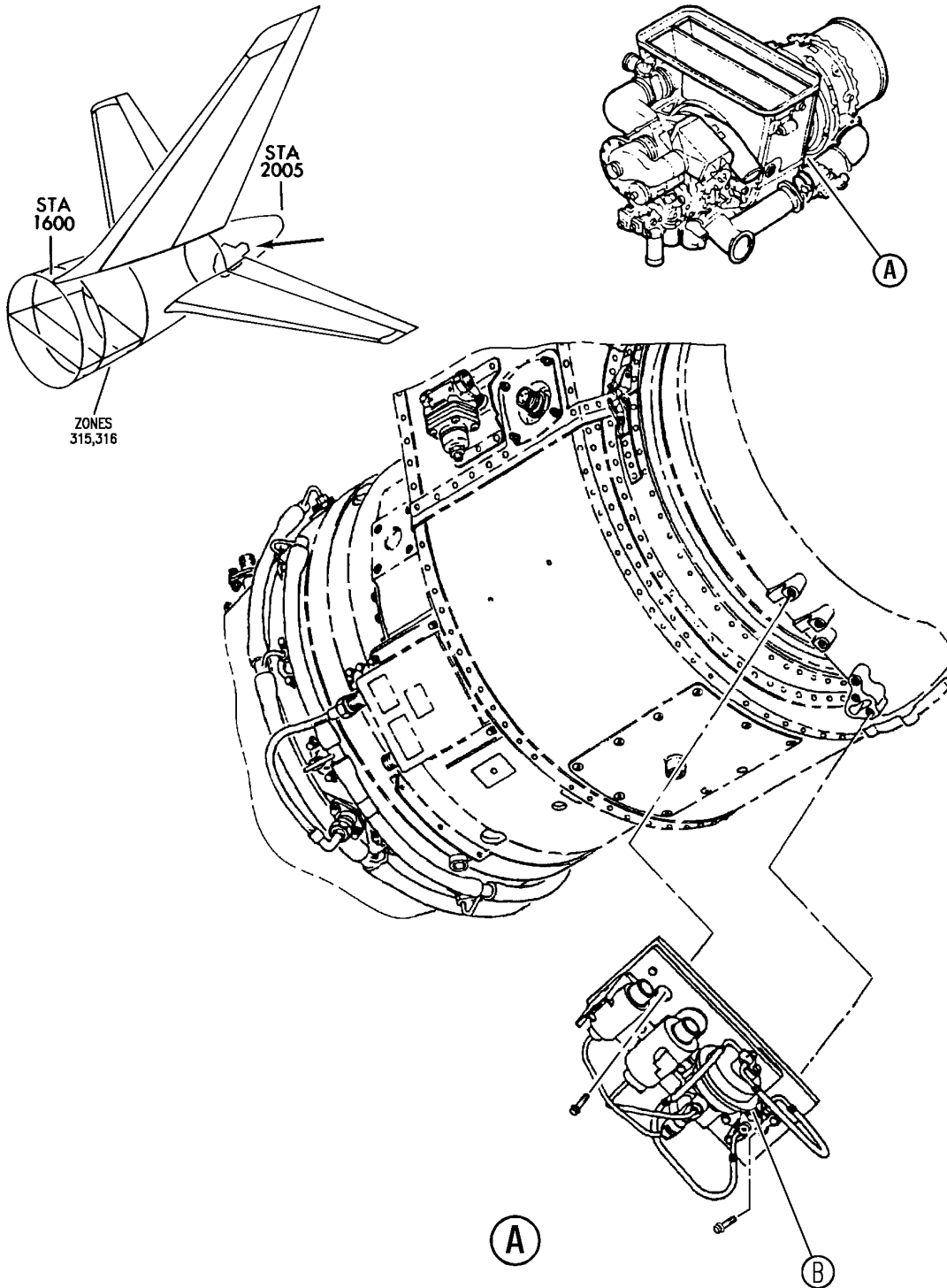
49-53-07-01

49-53-07  
FIG. 01  
PAGE 10  
JAN 20/09

BRI

BOEING PROPRIETARY - Copyright © - Unpublished Work - See title page for details.

**BOEING**  
757  
PARTS CATALOG (MAINTENANCE)



Y 49530701A SHT 1 REV 251

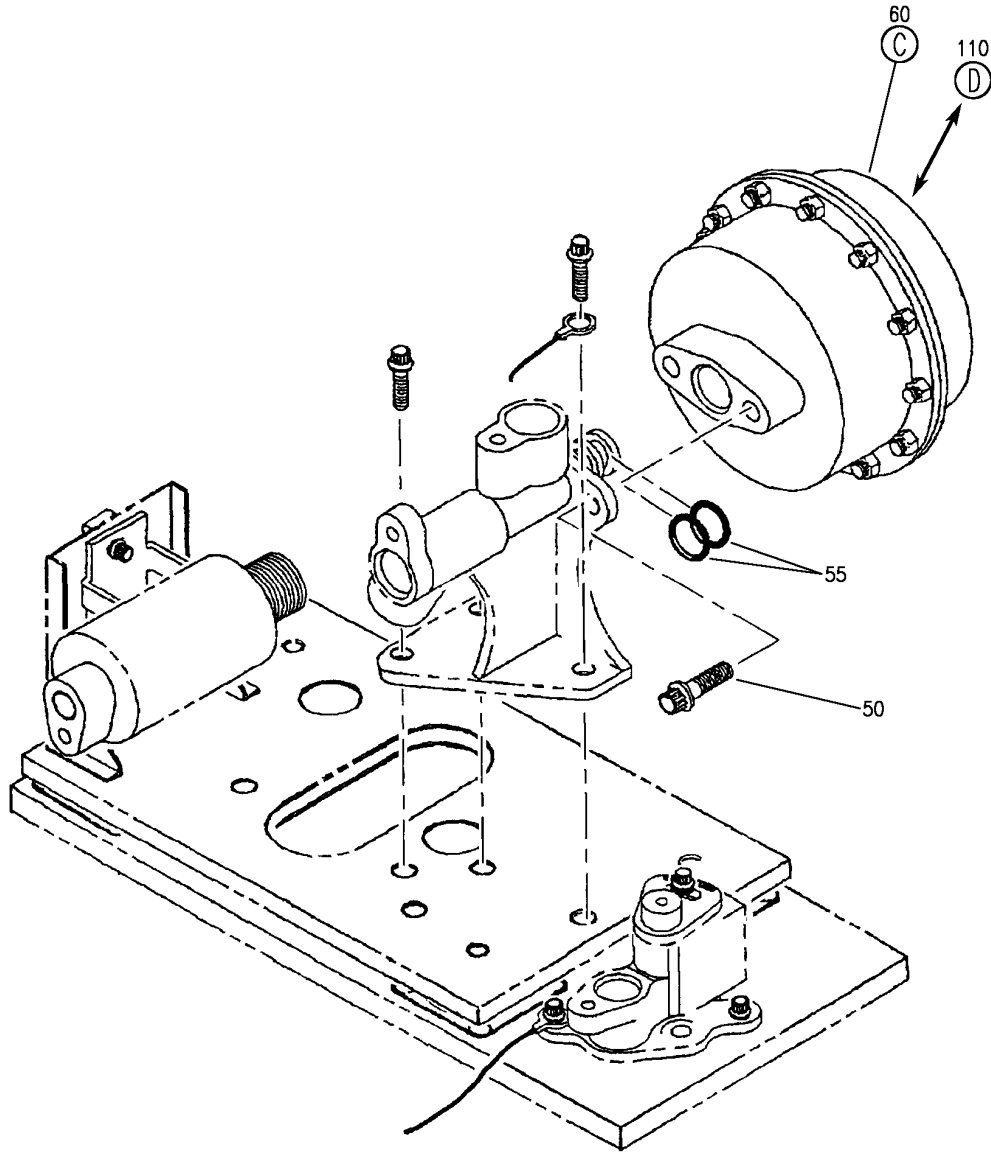
MODULE ASSY-FLOW SENSING (VARIABLE VOLUME CHAMBER ONLY)  
FIGURE 1A (SHEET 1)

**49-53-07-01A**

BRI  
MAY 28/07

49-53-07-01A  
PAGE 0

**BOEING**  
757  
PARTS CATALOG (MAINTENANCE)



(B)

Y 49530701A SHT 2 REV 303

MODULE ASSY-FLOW SENSING (VARIABLE VOLUME CHAMBER ONLY)  
FIGURE 1A (SHEET 2)

**49-53-07-01A**

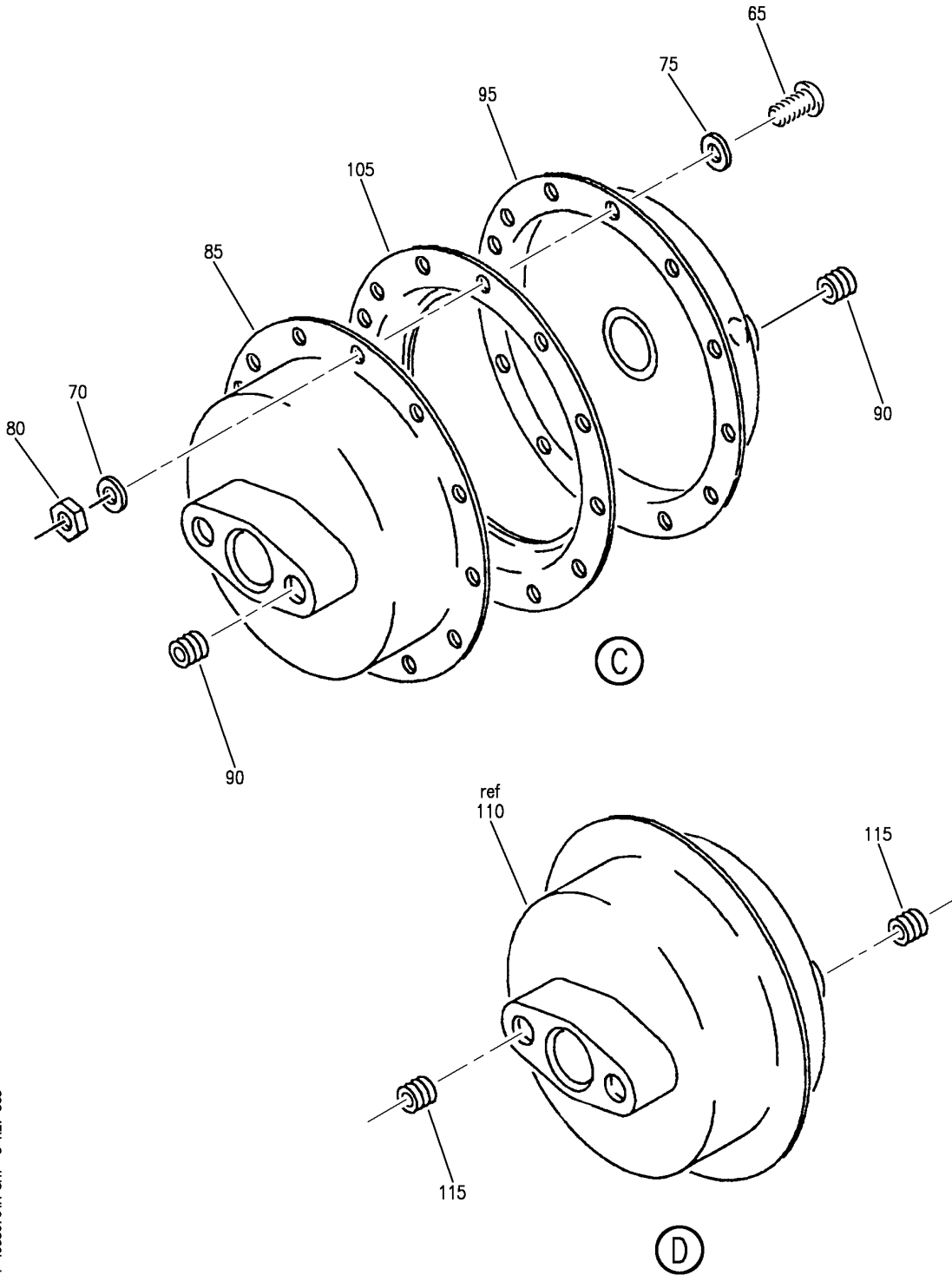
BRI  
MAY 28/07

49-53-07-01A  
PAGE 0A

BOEING PROPRIETARY - Copyright © - Unpublished Work - See title page for details.



**BOEING**  
757  
PARTS CATALOG (MAINTENANCE)



Y 49530701A SHT 3 REV 303

MODULE ASSY-FLOW SENSING (VARIABLE VOLUME CHAMBER ONLY)  
FIGURE 1A (SHEET 3)

**49-53-07-01A**

BRI  
MAY 28/07

49-53-07-01A  
PAGE 0B



757

PARTS CATALOG (MAINTENANCE)

FIG ITEM	PART NUMBER	1 2 3 4 5 6 7	NOMENCLATURE	EFFECT FROM TO	UNITS PER ASSY
1 A			MODULE ASSY-FLOW SENSING (VARIABLE VOLUME CHAMBER ONLY)	002004 006999	
- 1	3614400-1		MODULE-FLOW SENSING (VARIABLE VOLUME CHAMBER ONLY) SUPPLIER CODE: V99193 SB DATA FROM A CMM: POST SB 49-5840 PRE SB 49-7065 PRE SB 49-6921 PRE SB 49-7573 PRE 49-7711 CONFIG CHG DATA FROM A CMM: REPLD BY 3614400-7 SUPSD BY 3885081-1 COMPONENT MAINT MANUAL REF: 49-51-93 FOR NHA/OTHER SYS DET SEE: 49-53-08-01	002004 006999	RF
- 1	3614400-7		MODULE-FLOW SENSING (VARIABLE VOLUME CHAMBER ONLY) SUPPLIER CODE: V99193 SB DATA FROM A CMM: POST SB 49-7065 POST SB 49-6921 PRE SB 49-7573 PRE 49-7711 CONFIG CHG DATA FROM A CMM: REPLACES 3614400-1 SUPSD BY 3885081-1 COMPONENT MAINT MANUAL REF: 49-51-93 PRE SERVICE BULLETIN: V99193 FOR NHA/OTHER SYS DET SEE: 49-53-08-01	002004 006999	RF

MISSING ITEM NUMBERS NOT APPLICABLE

- ITEM NOT ILLUSTRATED

**49-53-07-01A**

49-53-07  
FIG. 01A  
PAGE 1  
SEP 20/08

BRI



757

PARTS CATALOG (MAINTENANCE)

FIG ITEM	PART NUMBER	1 2 3 4 5 6 7	NOMENCLATURE	EFFECT FROM TO	UNITS PER ASSY
1A - 1	3614400-8		MODULE-FLOW SENSING (VARIABLE VOLUME CHAMBER ONLY) SUPPLIER CODE: V99193 SB DATA FROM A CMM: POST SB 49-6921 POST SB 49-7573 PRE 49-7711 CONFIG CHG DATA FROM A CMM: REPLACES 3614400-7 SUPSD BY 3885081-1 COMPONENT MAINT MANUAL REF: 49-51-93 FOR NHA/OTHER SYS DET SEE: 49-53-08-01	002004 006999	RF
- 1	3885081-1		MODULE-FLOW SENSING (VARIABLE VOLUME CHAMBER ONLY) SUPPLIER CODE: V99193 SB DATA FROM A CMM: POST SB 49-7711 CONFIG CHG DATA FROM A CMM: SUPSDS 3614400-1 SUPSDS 3614400-7 SUPSDS 3614400-8 COMPONENT MAINT MANUAL REF: 49-22-11 FOR NHA/OTHER SYS DET SEE: 49-53-08-01	002004 006999	RF
50	MS9556-04		.BOLT	002004 006999	2
55	MS9386-109		.PACKING- SUPPLIER CODE: V81349 USED ON: 3614400-1 3614400-7 3614400-8	002004 006999	2
55	MS9386-10		.PACKING- USED ON: 3885081-1	002004 006999	2

MISSING ITEM NUMBERS NOT APPLICABLE

- ITEM NOT ILLUSTRATED

49-53-07-01A

49-53-07  
FIG. 01A  
PAGE 2  
SEP 20/08

BRI



757

PARTS CATALOG (MAINTENANCE)

FIG ITEM	PART NUMBER	1 2 3 4 5 6 7	NOMENCLATURE	EFFECT FROM TO	UNITS PER ASSY
1 A					
60	3290594-1	.	CHAMBER-VAR VOL SUPPLIER CODE: V99193 OPTIONAL PART: 3289618-1 V99193 USED ON: 3614400-1 3614400-7 3614400-8	002004 006999	1
60	3290594-1	.	CHAMBER-VAR VOL SUPPLIER CODE: V99193 USED ON: 3885081-1	002004 006999	1
65	MS51957-28	..	SCREW	002004 006999	13
70	S8157N28-020	..	WASHER- SUPPLIER CODE: V99193	002004 006999	26
75	S8157N28-020	..	WASHER- SUPPLIER CODE: V99193 USED WITH: 3614400-1 3614400-7 3614400-8	002004 006999	13
80	MS21043-06	..	NUT	002004 006999	13
85	3175381-1	..	HOUSING ASSY-CHAMBER SUPPLIER CODE: V99193	002004 006999	1
90	MS21209F1-10L	...	INSERT	002004 006999	2
95	3175381-2	..	HOUSING ASSY-CHAMBER SUPPLIER CODE: V99193	002004 006999	1
100	MS21209F1-10L	...	INSERT	002004 006999	2
105	3175380-2	..	DIAPHRAGM-AIR SUPPLIER CODE: V99193 OPTIONAL PART: 3175380-3 V99193 USED WITH: 3614400-1 3614400-7 3614400-8	002004 006999	1

MISSING ITEM NUMBERS NOT APPLICABLE

- ITEM NOT ILLUSTRATED

49-53-07-01A

49-53-07  
FIG. 01A  
PAGE 3  
SEP 20/08

BRI

BOEING PROPRIETARY - Copyright © - Unpublished Work - See title page for details.



757

PARTS CATALOG (MAINTENANCE)

FIG ITEM	PART NUMBER	1 2 3 4 5 6 7	NOMENCLATURE	EFFECT FROM TO	UNITS PER ASSY
1 A 105	3175380-3		.. DIAPHRAGM-AIR SUPPLIER CODE: V99193 SB DATA FROM A CMM: POST SPB GTE0964 OPTIONAL PART: 3175380-2 V99193 USED WITH: 3614400-1 3614400-7 3614400-8	002004 006999	1
105	3175380-1		.. DIAPHRAGM-AIR SUPPLIER CODE: V99193 OPTIONAL PART: 3175380-2 V99193 USED WITH: 3885081-1	002004 006999	1
105	3175380-2		.. DIAPHRAGM-AIR SUPPLIER CODE: V99193 SB DATA FROM A CMM: POST SPB GTE0974 OPTIONAL PART: 3175380-1 V99193 USED WITH: 3885081-1	002004 006999	1
110	3289618-1		. CHAMBER-VAR VOL SUPPLIER CODE: V59364 OPTIONAL PART: 3290594-1 V99193 USED ON: 3614400-1 3614400-7 3614400-8	002004 006999	1
115	MS21209F1-10L		.. INSERT	002004 006999	4

MISSING ITEM NUMBERS NOT APPLICABLE

- ITEM NOT ILLUSTRATED

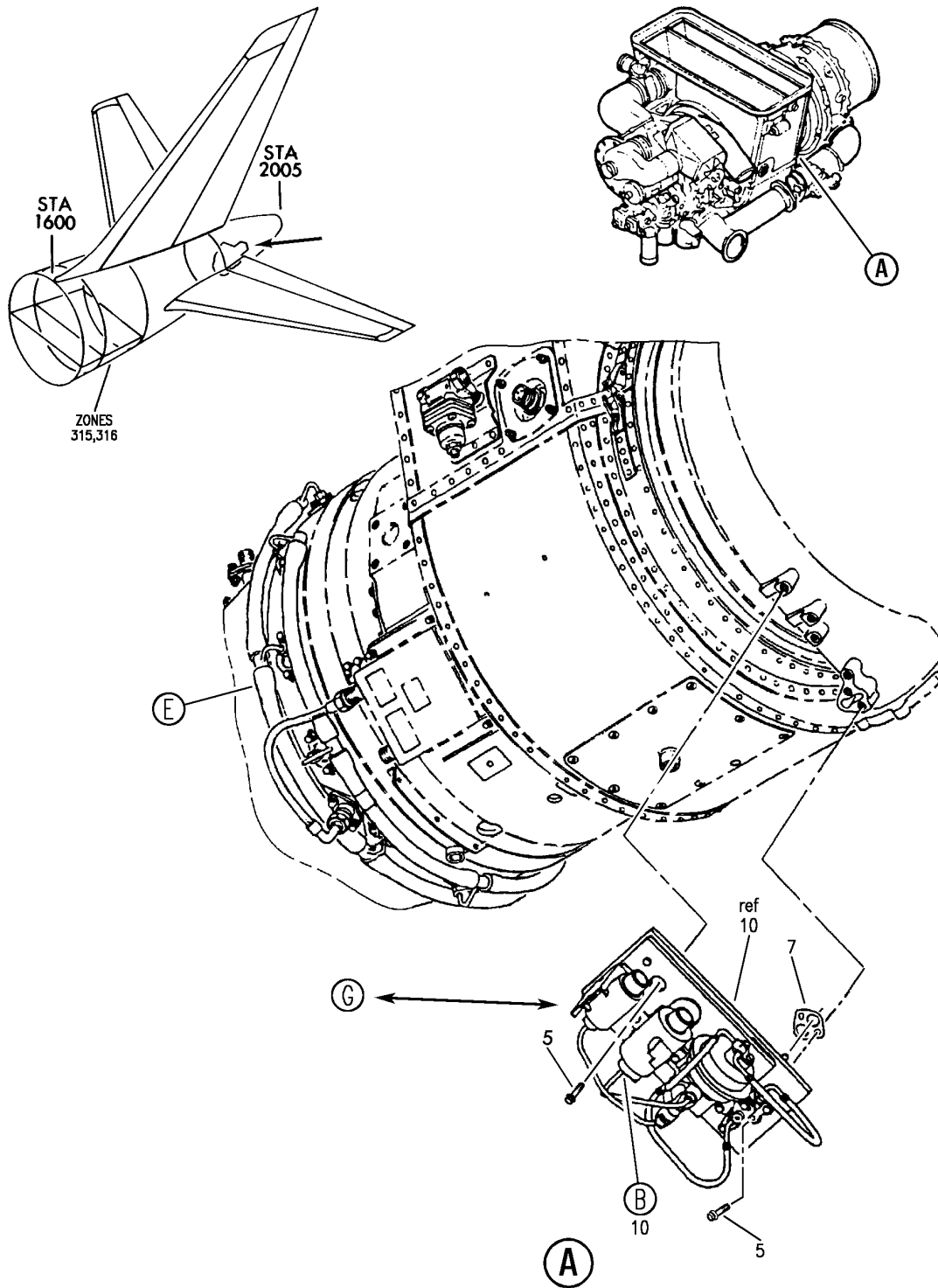
BRI

49-53-07-01A

BOEING PROPRIETARY - Copyright © - Unpublished Work - See title page for details.

49-53-07  
FIG. 01A  
PAGE 4  
SEP 20/08

**BOEING**  
757  
PARTS CATALOG (MAINTENANCE)



Y 49530801 SHT 1 REV 301

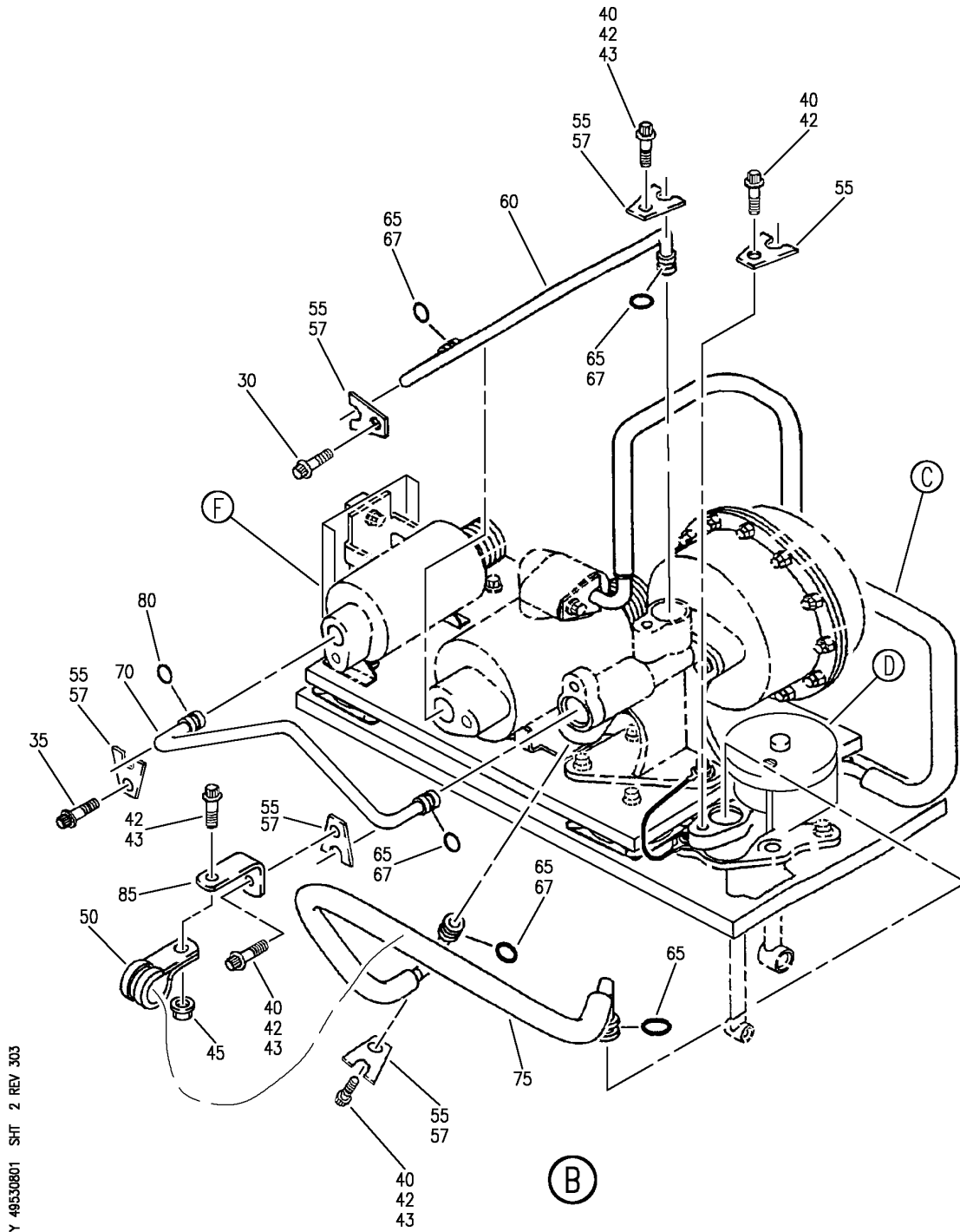
ENGINE ASSY-AUX PWR SYS (APU FLOW SENSING MODULE ONLY)  
FIGURE 1 (SHEET 1)

**49-53-08-01**

BRI  
MAY 28/07

49-53-08-01  
PAGE 0

**BOEING**  
757  
PARTS CATALOG (MAINTENANCE)



Y 49530801 SHT 2 REV 303

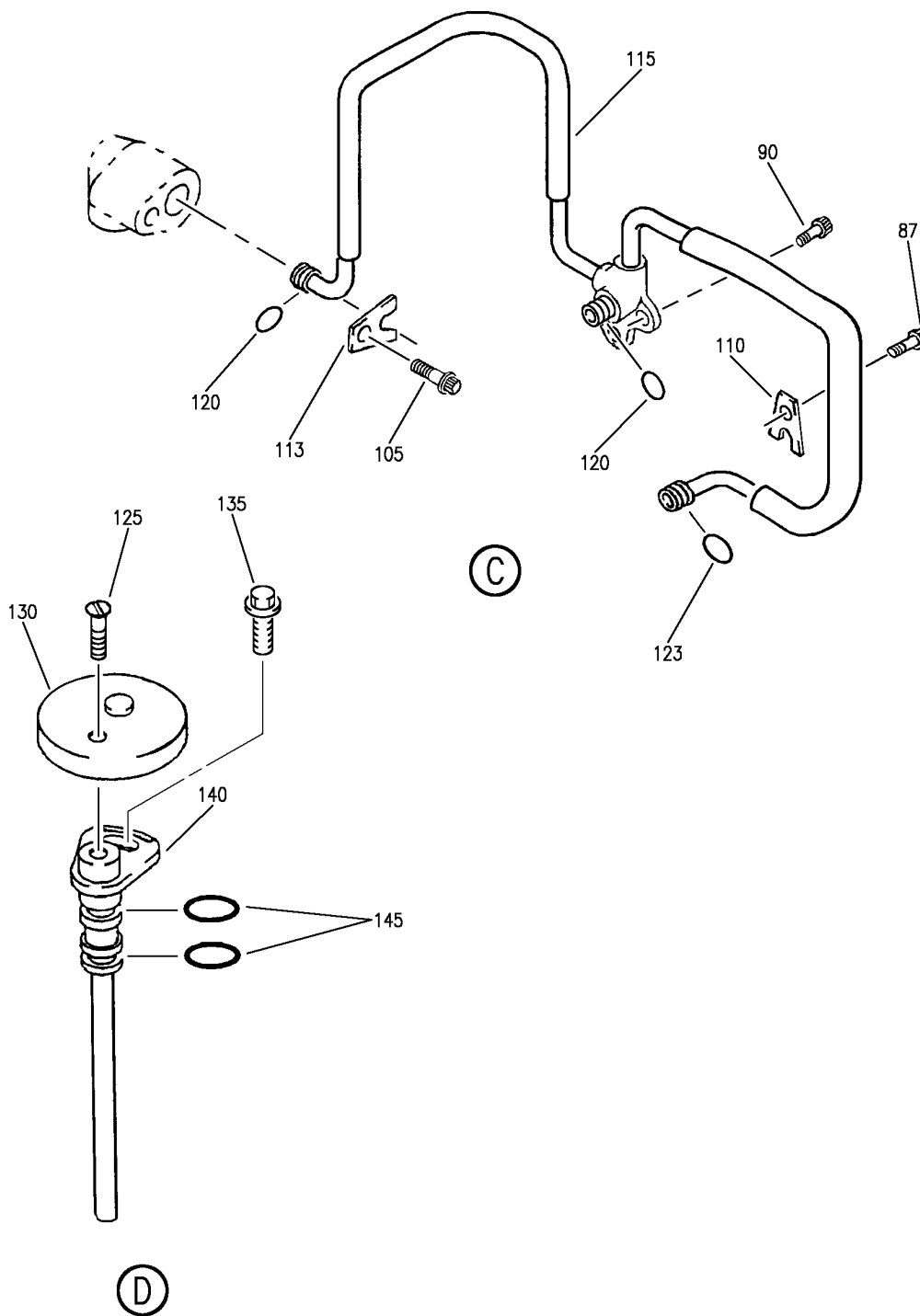
ENGINE ASSY-AUX PWR SYS (APU FLOW SENSING MODULE ONLY)  
FIGURE 1 (SHEET 2)

**49-53-08-01**

BRI  
MAY 28/07

49-53-08-01  
PAGE 0A

**BOEING**  
757  
PARTS CATALOG (MAINTENANCE)



Y 49530801 SH1 3 REV 303

ENGINE ASSY-AUX PWR SYS (APU FLOW SENSING MODULE ONLY)  
FIGURE 1 (SHEET 3)

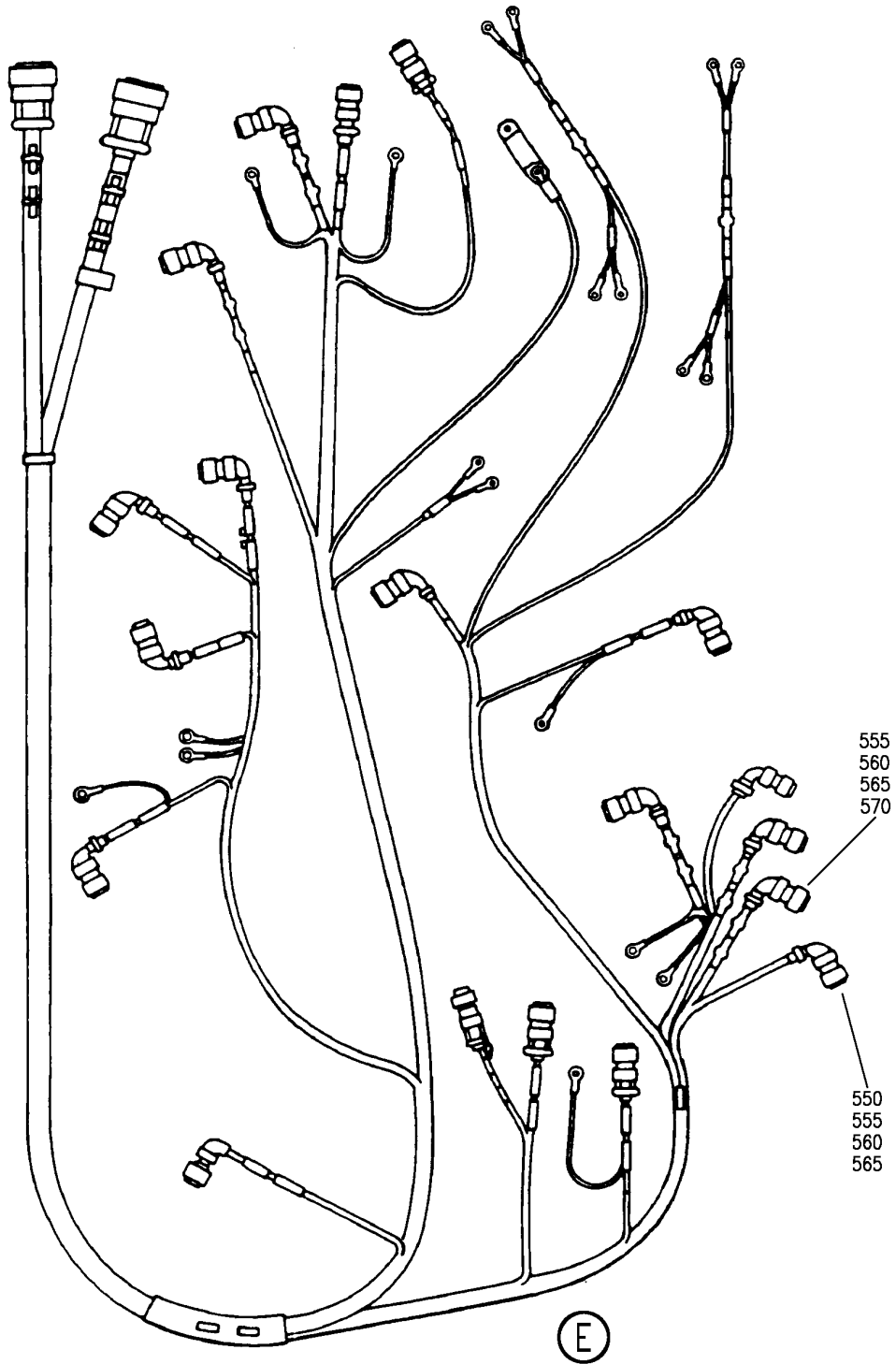
**49-53-08-01**

BRI  
MAY 28/07

49-53-08-01  
PAGE 0B



**BOEING**  
757  
PARTS CATALOG (MAINTENANCE)



Y 49530801 SH1 4 REV 267

ENGINE ASSY-AUX PWR SYS (APU FLOW SENSING MODULE ONLY)  
FIGURE 1 (SHEET 4)

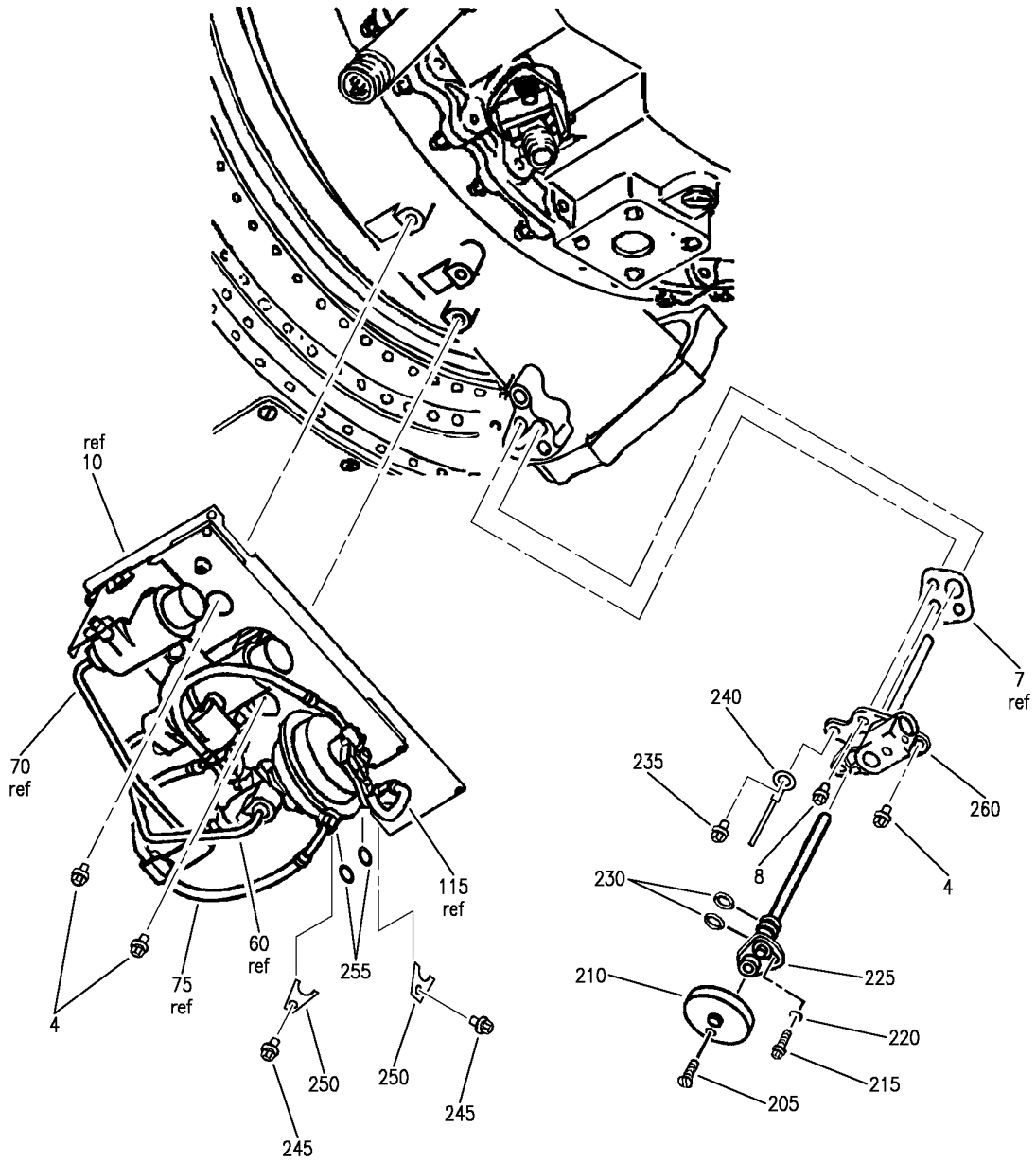
**49-53-08-01**

BRI  
MAY 28/07

49-53-08-01  
PAGE 0C



**BOEING**  
757  
PARTS CATALOG (MAINTENANCE)



Y 49530801 SHT 6 REV 303

(G)

ENGINE ASSY-AUX PWR SYS (APU FLOW SENSING MODULE ONLY)  
FIGURE 1 (SHEET 6)

**49-53-08-01**

BRI  
MAY 28/07

49-53-08-01  
PAGE 0E



757

PARTS CATALOG (MAINTENANCE)

FIG ITEM	PART NUMBER	1 2 3 4 5 6 7	NOMENCLATURE	EFFECT FROM TO	UNITS PER ASSY
1			ENGINE ASSY-AUX PWR SYS (APU FLOW SENSING MODULE ONLY)	002004 006999	
- 1	3800298-1-2		ENGINE ASSY-GAS TURB GTCP331-200ER (APU FLOW SENSING MODULE ONLY) SUPPLIER CODE: V99193 SPECIFICATION NUMBER: S351T020-201 CONFIG CHG DATA FROM A CMM: REPLS 3800298-1-1 COMPONENT MAINT MANUAL REF: 49-22-11 QUALIFIED I/W DATA: S351T020-201 (3800298-1-2) AND S351T020-205 (3800298-1-6) ARE INTERCHANGEABLE WITH THE INCORPORATION OF ALLIED SIGNAL S/B GTCP331-49-7081. S351T020-201 (3800298-1-2) AND S351T020-206 (3800298-1-7/3800298-1) ARE INTERCHANGEABLE WITH THE INCORPORATION OF ALLIED SIGNAL S/B GTCP331-49-7081. FOR NHA/ADDITIONAL DET SEE: 49-11-01-50	002004 006100 107107 121503 904999	RF

MISSING ITEM NUMBERS NOT APPLICABLE

- ITEM NOT ILLUSTRATED

49-53-08-01

49-53-08  
FIG. 01  
PAGE 1  
JAN 20/09

BRI



757

PARTS CATALOG (MAINTENANCE)

FIG ITEM	PART NUMBER	1 2 3 4 5 6 7	NOMENCLATURE	EFFECT FROM TO	UNITS PER ASSY
1 - 1	3800298-1-1		ENGINE ASSY-GAS TURB GTCP331-200ER (APU FLOW SENSING MODULE ONLY) SUPPLIER CODE: V99193 SPECIFICATION NUMBER: S351T020-200 COMPONENT MAINT MANUAL REF: 49-22-11 QUALIFIED I/W DATA: S351T020-200 (3800298-1-1) AND S351T020-205 (3800298-1-6) ARE INTERCHANGEABLE WITH THE INCORPORATION OF ALLIED SIGNAL S/B GTCP331-49-7081. S351T020-200 (3800298-1-1) AND S351T020-206 (3800298-1-7/3800298-1) ARE INTERCHANGEABLE WITH THE INCORPORATION OF ALLIED SIGNAL S/B GTCP331-49-7081. FOR NHA/ADDITIONAL DET SEE: 49-11-01-50	002004 006100 107107 121503 904999	RF

MISSING ITEM NUMBERS NOT APPLICABLE

- ITEM NOT ILLUSTRATED

49-53-08-01

49-53-08  
FIG. 01  
PAGE 2  
JAN 20/09

BRI



757

PARTS CATALOG (MAINTENANCE)

FIG ITEM	PART NUMBER	1 2 3 4 5 6 7	NOMENCLATURE	EFFECT FROM TO	UNITS PER ASSY
1 - 1	3800298-1-3		<p>ENGINE ASSY-GAS TURB            GTCP331-200ER (APU FLOW            SENSING MODULE ONLY)            SUPPLIER CODE:            V99193            SPECIFICATION NUMBER:            S351T020-202            CONFIG CHG DATA FROM A CMM:            REPLS 3800298-1-2            COMPONENT MAINT MANUAL REF:            49-22-11            QUALIFIED I/W DATA:            S351T020-202            (3800298-1-3)            AND S351T020-205            (3800298-1-6) ARE            INTERCHANGEABLE            WITH THE INCORPORATION            OF ALLIED SIGNAL S/B            GTCP331-49-7081.            S351T020-202            (3800298-1-3)            AND S351T020-206            (3800298-1-7/3800298-1)            ARE INTERCHANGEABLE            WITH THE INCORPORATION            OF ALLIED SIGNAL S/B            GTCP331-49-7081.            FOR NHA/OTHER SYS DET SEE:            49-11-01-50</p>	<p>002004            006100            107107            121503            904999</p>	RF

MISSING ITEM NUMBERS NOT APPLICABLE

- ITEM NOT ILLUSTRATED

49-53-08-01

49-53-08  
FIG. 01  
PAGE 3  
JAN 20/09

BRI



757

PARTS CATALOG (MAINTENANCE)

FIG ITEM	PART NUMBER	1 2 3 4 5 6 7	NOMENCLATURE	EFFECT FROM TO	UNITS PER ASSY
1 - 1	3800298-1-4		ENGINE ASSY-GAS TURB GTCP331-200ER (APU FLOW SENSING MODULE ONLY) SUPPLIER CODE: V99193 SPECIFICATION NUMBER: S351T020-203 CONFIG CHG DATA FROM A CMM: REPLS 3800298-1-3 COMPONENT MAINT MANUAL REF: 49-22-11 QUALIFIED I/W DATA: 3800298-1-4/S351T020-203 AND 3800298-1-6/S351T020-205 ARE INTERCHANGEABLE WITH THE INCORPORATION OF ALLIED SIGNAL S/B GTCP331-49-7081. 3800298-1-4/S351T020-203 AND S351T020-206 3800298-1-7/3800298-1 ARE INTERCHANGEABLE WITH THE INCORPORATION OF ALLIED SIGNAL S/B GTCP331-49-7081. FOR NHA/ADDITIONAL DET SEE: 49-11-01-50	002004 006100 107107 121503 904999	RF

MISSING ITEM NUMBERS NOT APPLICABLE

- ITEM NOT ILLUSTRATED

**49-53-08-01**

49-53-08  
 FIG. 01  
 PAGE 4  
 JAN 20/09

BRI



757

PARTS CATALOG (MAINTENANCE)

FIG ITEM	PART NUMBER	1 2 3 4 5 6 7	NOMENCLATURE	EFFECT FROM TO	UNITS PER ASSY
1	3800298-1-5		ENGINE ASSY-GAS TURB GTCP331-200ER (APU FLOW SENSING MODULE ONLY) SUPPLIER CODE: V99193 SPECIFICATION NUMBER: S351T020-204 CONFIG CHG DATA FROM A CMM: REPLS 3800298-1-4 COMPONENT MAINT MANUAL REF: 49-22-11 QUALIFIED I/W DATA: 3800298-1-5/S351T020-204 AND 3800298-1-6/S351T020-205 ARE INTERCHANGEABLE WITH THE INCORPORATION OF ALLIED SIGNAL S/B GTCP331-49-7081. 3800298-1-5/S351T020-204 AND S351T020-206 3800298-1-7/3800298-1 ARE INTERCHANGEABLE WITH THE INCORPORATION OF ALLIED SIGNAL S/B GTCP331-49-7081. FOR NHA/ADDITIONAL DET SEE: 49-11-01-50	002004 006100 107107 121503 904999	RF
- 1		3800298-1-6	ENGINE ASSY-GAS TURB GTCP331-200ER (APU FLOW SENSING MODULE ONLY) SUPPLIER CODE: V99193 SPECIFICATION NUMBER: S351T020-205 CONFIG CHG DATA FROM A CMM: REPLS 3800298-1-5 COMPONENT MAINT MANUAL REF: 49-22-11 QUALIFIED I/W DATA: 3800298-1-4/S351T020-203 AND 3800298-1-6/S351T020-205 ARE INTERCHANGEABLE WITH THE INCORPORATION OF ALLIED SIGNAL S/B GTCP331-49-7081. S351T020-204 (3800298-1-5) AND	002004 006999	RF

MISSING ITEM NUMBERS NOT APPLICABLE

- ITEM NOT ILLUSTRATED

49-53-08-01

49-53-08  
FIG. 01  
PAGE 5  
JAN 20/09

BRI





757

PARTS CATALOG (MAINTENANCE)

FIG ITEM	PART NUMBER	1 2 3 4 5 6 7 NOMENCLATURE	EFFECT FROM TO	UNITS PER ASSY
1		<p>S351T020-205 (3800298-1-6) ARE INTERCHANGEABLE WITH THE INCORPORATION OF ALLIED SIGNAL S/B GTCP331-49-7081. S351T020-202 (3800298-1-3) AND S351T020-205 (3800298-1-6) ARE INTERCHANGEABLE WITH THE INCORPORATION OF ALLIED SIGNAL S/B GTCP331-49-7081. S351T020-201 (3800298-1-2) AND S351T020-205 (3800298-1-6) ARE INTERCHANGEABLE WITH THE INCORPORATION OF ALLIED SIGNAL S/B GTCP331-49-7081. S351T020-200 (3800298-1-1) AND S351T020-205 (3800298-1-6) ARE INTERCHANGEABLE WITH THE INCORPORATION OF ALLIED SIGNAL S/B GTCP331-49-7081. FOR NHA/ADDITIONAL DET SEE: 49-11-01-50 49-21-00-02</p>		
-	1 3800298-1-7	<p>ENGINE ASSY-GAS TURB GTCP331-200ER (APU FLOW SENSING MODULE ONLY) SUPPLIER CODE: V99193 SPECIFICATION NUMBER: S351T020-206 CONFIG CHG DATA FROM A CMM: REPLS 3800298-1-6 COMPONENT MAINT MANUAL REF: 49-22-11 QUALIFIED I/W DATA: 3800298-1-4/S351T020-203 AND S351T020-206 3800298-1-7/3800298-1 ARE INTERCHANGEABLE WITH</p>	002004 006999	RF

MISSING ITEM NUMBERS NOT APPLICABLE

- ITEM NOT ILLUSTRATED

49-53-08-01

49-53-08  
FIG. 01  
PAGE 6  
SEP 20/08

BRI



757

PARTS CATALOG (MAINTENANCE)

FIG ITEM	PART NUMBER	1 2 3 4 5 6 7 NOMENCLATURE	EFFECT FROM TO	UNITS PER ASSY
1		<p>THE INCORPORATION OF ALLIED SIGNAL S/B GTCP331-49-7081. S351T020-204 (3800298-1-5) AND S351T020-206(3800298-1-7/3800298-1) ARE INTERCHANGEABLE WITH THE INCORPORATION OF ALLIED SIGNAL S/B GTCP331-49-7081. S351T020-202 (3800298-1-3) AND S351T020-206 (3800298-1-7/3800298-1) ARE INTERCHANGEABLE WITH THE INCORPORATION OF ALLIED SIGNAL S/B GTCP331-49-7081. S351T020-201 (3800298-1-2) AND S351T020-206 (3800298-1-7/3800298-1) ARE INTERCHANGEABLE WITH THE INCORPORATION OF ALLIED SIGNAL S/B GTCP331-49-7081. S351T020-200 (3800298-1-1) AND S351T020-206 (3800298-1-7/3800298-1) ARE INTERCHANGEABLE WITH THE INCORPORATION OF ALLIED SIGNAL S/B GTCP331-49-7081.</p> <p>OPTIONAL PART: 3800298-1 V99193</p> <p>FOR NHA/ADDITIONAL DET SEE: 49-11-01-50 49-21-00-02</p>		
-	1 3800298-1	<p>ENGINE ASSY-GAS TURB GTCP331-200ER (APU FLOW SENSING MODULE ONLY) SUPPLIER CODE: V99193 SPECIFICATION NUMBER: S351T020-206 COMPONENT MAINT MANUAL REF:</p>	002004 006999	RF

MISSING ITEM NUMBERS NOT APPLICABLE

- ITEM NOT ILLUSTRATED

49-53-08-01

49-53-08  
FIG. 01  
PAGE 7  
SEP 20/08

BRI



757

PARTS CATALOG (MAINTENANCE)

FIG ITEM	PART NUMBER	1 2 3 4 5 6 7 NOMENCLATURE	EFFECT FROM TO	UNITS PER ASSY
1		<p>49-22-11            QUALIFIED I/W DATA:            3800298-1-4/S351T020-203            AND S351T020-206            3800298-1-7/3800298-1            ARE INTERCHANGEABLE WITH            THE INCORPORATION OF            ALLIED SIGNAL S/B            GTCP331-49-7081.            351T020-204(3800298-1-5)            AND 351T020-206            (3800298-1-7/380028-1)            ARE INTERCHANGEABLE WITH            THE INCORPORATION OF            ALLIED SIGNAL S/B            GTCP331-49-7081.            S351T020-202            (3800298-1-3)            AND S351T020-206            (3800298-1-7/3800298-1)            ARE INTERCHANGEABLE            WITH THE INCORPORATION            OF ALLIED SIGNAL S/B            GTCP331-49-7081.            S351T020-201            (3800298-1-2)            AND S351T020-206            (3800298-1-7/3800298-1)            ARE INTERCHANGEABLE            WITH THE INCORPORATION            OF ALLIED SIGNAL S/B            GTCP331-49-7081.            S351T020-200            (3800298-1-1)            AND S351T020-206            (3800298-1-7/3800298-1)            ARE INTERCHANGEABLE            WITH THE INCORPORATION            OF ALLIED SIGNAL S/B            GTCP331-49-7081.            OPTIONAL PART:            3800298-1-7            V99193            FOR NHA/ADDITIONAL DET SEE:            49-11-01-50            49-21-00-02</p>		

MISSING ITEM NUMBERS NOT APPLICABLE

- ITEM NOT ILLUSTRATED

49-53-08-01

49-53-08  
FIG. 01  
PAGE 8  
SEP 20/08

BRI



757

PARTS CATALOG (MAINTENANCE)

FIG ITEM	PART NUMBER	1 2 3 4 5 6 7	NOMENCLATURE	EFFECT FROM TO	UNITS PER ASSY
1					
4	MS9556-06		.BOLT- NOT APPROVED FOR ETOPS. SB DATA FROM A CMM: POST SB 49-7711	002004 006999	3
5	MS21279-05		.BOLT- SB DATA FROM A CMM: POST SB 49-5840	002004 006999	4
7	3876179-2		.GASKET- SUPPLIER CODE: V99193 SB DATA FROM A CMM: POST 49-5840 PRE 49-7065 POST 49-7711 CONFIG CHG DATA FROM A CMM: REPLD BY 3876244-1 USED WITH: 3885081-1	002004 006999	1
7	3876244-1		.GASKET- SUPPLIER CODE: V99193 SB DATA FROM A CMM: POST 49-7065 PRE 49-7711 CONFIG CHG DATA FROM A CMM: REPLACES 3876179-2	002004 006999	1
8	MS9565-07		.BOLT- SB DATA FROM A CMM: POST SB 49-7711	002004 006999	2
10	3614400-7		.MODULE-FLOW SENSOR SUPPLIER CODE: V99193 SB DATA FROM A CMM: POST SB 49-7065 POST SB 49-6921 PRE SB 49-7573 PRE SB 49-7711 CONFIG CHG DATA FROM A CMM: REPLS 3614400-1 SUPSD BY 3885081-1 COMPONENT MAINT MANUAL REF: 49-51-93 PRE SERVICE BULLETIN: V99193 FOR DETAILS SEE: 49-53-02-01A 49-53-03-01A 49-53-04-01A 49-53-07-01A	002004 006999	1

MISSING ITEM NUMBERS NOT APPLICABLE

- ITEM NOT ILLUSTRATED

49-53-08-01

49-53-08  
FIG. 01  
PAGE 9  
SEP 20/08

BRI



757

PARTS CATALOG (MAINTENANCE)

FIG ITEM	PART NUMBER	1 2 3 4 5 6 7	NOMENCLATURE	EFFECT FROM TO	UNITS PER ASSY
1 10	3614400-1		.MODULE-FLOW SENSOR SUPPLIER CODE: V99193 SB DATA FROM A CMM: POST SB 49-5840 PRE SB 49-7065 PRE SB 49-6921 PRE SB 49-7573 PRE SB 49-7711 CONFIG CHG DATA FROM A CMM: REPL BY 3614400-7 SUPSD BY 3885081-1 COMPONENT MAINT MANUAL REF: 49-51-93 FOR DETAILS SEE: 49-53-02-01A 49-53-03-01A 49-53-04-01A 49-53-07-01A	002004 006999	1
10	3614400-8		.MODULE-FLOW SENSOR SUPPLIER CODE: V99193 SB DATA FROM A CMM: POST SB 49-6921 POST SB 49-7573 PRE SB 49-7711 CONFIG CHG DATA FROM A CMM: REPLS 3614400-7 SUPSD BY 3885081-1 COMPONENT MAINT MANUAL REF: 49-51-93 FOR DETAILS SEE: 49-53-02-01A 49-53-03-01A 49-53-04-01A 49-53-07-01A	002004 006999	1

MISSING ITEM NUMBERS NOT APPLICABLE

- ITEM NOT ILLUSTRATED

BRI

49-53-08-01

49-53-08  
FIG. 01  
PAGE 10  
SEP 20/08



757

PARTS CATALOG (MAINTENANCE)

FIG ITEM	PART NUMBER	1 2 3 4 5 6 7	NOMENCLATURE	EFFECT FROM TO	UNITS PER ASSY
1					
10	3885081-1		.MODULE-FLOW SENSOR SUPPLIER CODE: V99193 SB DATA FROM A CMM: POST SB 49-7711 CONFIG CHG DATA FROM A CMM: SUPSDS 3614400-1 SUPSDS 3614400-7 SUPSDS 3614400-8 COMPONENT MAINT MANUAL REF: 49-22-11 FOR DETAILS SEE: 49-53-02-01A 49-53-03-01A 49-53-04-01A 49-53-07-01A	002004 006999	1
30	MS9565-04		..BOLT	002004 006999	1
35	MS9565-03		..BOLT	002004 006999	1
40	MS9556-04		..BOLT- USED ON: 3614400-1	002004 006999	4
42	MS9556-04		..BOLT- USED ON: 3614400-7 3614400-8	002004 006999	5
43	MS9556-04		..BOLT- USED ON: 3885081-1	002004 006999	4
45	MS21043-3		..NUT- USED ON: 3614400-7 3614400-8 3885081-1	002004 006999	1
50	JM44LC28WH4GF		..CLAMP- SUPPLIER CODE: V22175 OPTIONAL PART: 211-501-9754 V99193 USED ON: 3614400-7 3614400-8	002004 006999	1
50	211-501-9754		..CLAMP- SUPPLIER CODE: V99193 USED ON: 3885081-1	002004 006999	1

MISSING ITEM NUMBERS NOT APPLICABLE

- ITEM NOT ILLUSTRATED

49-53-08-01

49-53-08  
FIG. 01  
PAGE 11  
SEP 20/08

BRI



757

PARTS CATALOG (MAINTENANCE)

FIG ITEM	PART NUMBER	1 2 3 4 5 6 7	NOMENCLATURE	EFFECT FROM TO	UNITS PER ASSY
1					
55	3614419-1		..RETAINER- SUPPLIER CODE: V99193 USED ON: 3614400-1 3614400-7 3614400-8	002004 006999	6
57	3614419-1		..RETAINER- SUPPLIER CODE: V99193 USED ON: 3885081-1	002004 006999	5
60	3614413-1		..TUBE- SUPPLIER CODE: V99193	002004 006999	1
65	MS9386-109		..PACKING- SUPPLIER CODE: V81349 USED ON: 3614400-1 3614400-7 3614400-8	002004 006999	5
67	MS9386-109		..PACKING- SUPPLIER CODE: V81349 USED ON: 3885081-1	002004 006999	4
70	3615764-1		..TUBE-PT SUPPLIER CODE: V99193	002004 006999	1
75	3614411-1		..MANIFOLD- SUPPLIER CODE: V99193	002004 006999	1
80	MS9386-010		..PACKING	002004 006999	1
85	MS9592-018		..BRACKET- USED ON: 3614400-7 3614400-8 3885081-1	002004 006999	1
87	MS9556-04		..BOLT- USED ON: 3614400-1 3614400-7 3614400-8	002004 006999	1
90	MS9556-04		..BOLT	002004 006999	2

MISSING ITEM NUMBERS NOT APPLICABLE

- ITEM NOT ILLUSTRATED

49-53-08-01

49-53-08  
FIG. 01  
PAGE 12  
SEP 20/08

BRI

BOEING PROPRIETARY - Copyright © - Unpublished Work - See title page for details.



757

PARTS CATALOG (MAINTENANCE)

FIG ITEM	PART NUMBER	1 2 3 4 5 6 7	NOMENCLATURE	EFFECT FROM TO	UNITS PER ASSY
1					
105	MS9556-04	..	BOLT- CONFIG CHG DATA FROM A CMM: SUPSD BY MS9565-04 USED ON: 3614400-1 3614400-7 3614400-8	002004 006999	1
105	MS9565-04	..	BOLT- CONFIG CHG DATA FROM A CMM: SUPSDS MS9556-04 USED ON: 3614400-1 3614400-7 3614400-8	002004 006999	1
105	MS9565-04	..	BOLT- USED ON: 3885081-1	002004 006999	1
110	3614419-1	..	RETAINER- SUPPLIER CODE: V99193 USED ON: 3614400-1 3614400-7 3614400-8	002004 006999	1
113	3614419-1	..	RETAINER- SUPPLIER CODE: V99193	002004 006999	1
115	3614410-1	..	MANIFOLD- SUPPLIER CODE: V99193 SB DATA FROM A CMM: PRE SPB GTE1012 OPTIONAL PART: 3615873-1 V99193 3615884-1 V99193 USED ON: 3614400-1 3614400-7 3614400-8	002004 006999	1

MISSING ITEM NUMBERS NOT APPLICABLE

- ITEM NOT ILLUSTRATED

49-53-08-01

49-53-08  
FIG. 01  
PAGE 13  
SEP 20/08

BRI





757

PARTS CATALOG (MAINTENANCE)

FIG ITEM	PART NUMBER	1 2 3 4 5 6 7	NOMENCLATURE	EFFECT FROM TO	UNITS PER ASSY
1 115	3615873-1		.. MANIFOLD- SUPPLIER CODE: V99193 SB DATA FROM A CMM: POST SPB GTE1012 OPTIONAL PART: 3614410-1 V99193 3615884-1 V99193 USED ON: 3614400-1 3614400-7 3614400-8	002004 006999	1
115	3615884-1		.. MANIFOLD- SUPPLIER CODE: V99193 SB DATA FROM A CMM: POST SPB GTE1012 OPTIONAL PART: 3614410-1 V99193 3615873-1 V99193 USED ON: 3614400-1 3614400-7 3614400-8	002004 006999	1
115	3615873-1		.. MANIFOLD- SUPPLIER CODE: V99193 USED ON: 3885081-1	002004 006999	1
120	MS9386-109		.. PACKING- SUPPLIER CODE: V81349	002004 006999	2
123	MS9386-109		.. PACKING- SUPPLIER CODE: V81349 USED ON: 3614400-1 3614400-7 3614400-8	002004 006999	1
125	NAS1216-3E5		.. SCREW- USED ON: 3614400-1	002004 006999	1

MISSING ITEM NUMBERS NOT APPLICABLE

- ITEM NOT ILLUSTRATED

49-53-08-01

49-53-08  
FIG. 01  
PAGE 14  
SEP 20/08

BRI

BOEING PROPRIETARY - Copyright © - Unpublished Work - See title page for details.

 **BOEING**  
757  
**PARTS CATALOG (MAINTENANCE)**

FIG ITEM	PART NUMBER	1 2 3 4 5 6 7	NOMENCLATURE	EFFECT FROM TO	UNITS PER ASSY
1					
130	3614649-1	..	COVER- SUPPLIER CODE: V99193 USED ON: 3614400-1	002004 006999	1
135	MS9596-04	..	BOLT- CONFIG CHG DATA FROM A CMM: SUPSD BY MS9565-04 USED ON: 3614400-1	002004 006999	1
135	MS9565-04	..	BOLT- CONFIG CHG DATA FROM A CMM: SUPSDS MS9596-04 USED ON: 3614400-1	002004 006999	1
140	3614104-4	..	SENSOR-STATIC PRESSURE SUPPLIER CODE: V99193 SB DATA FROM A CMM: PRE 49-6921 USED ON: 3614400-1	002004 006999	1
145	MS9386-109	..	PACKING- SUPPLIER CODE: V81349 USED ON: 3614400-1	002004 006999	2
150	MS9556-11	..	BOLT	002004 006999	4
155	NAS1149C0316R	..	WASHER- USED ON: 3885081-1	002004 006999	4
155	AN960C10L	..	WASHER- USED ON: 3614400-1 3614400-7 3614400-8	002004 006999	4
160	MS21043-3	..	NUT	002004 006999	4
165	3614407-1	..	PLATE ASSY-TRANSDUCER MOUNTING SUPPLIER CODE: V99193	002004 006999	1
170	MS20427M3-4	...	RIVET-	002004 006999	14
175	MS21060-3K	...	NUTPLATE	002004 006999	7

MISSING ITEM NUMBERS NOT APPLICABLE

— ITEM NOT ILLUSTRATED

BRI

# 49-53-08-01

BOEING PROPRIETARY - Copyright © - Unpublished Work - See title page for details.

49-53-08  
FIG. 01  
PAGE 15  
SEP 20/08

 **BOEING**  
757  
**PARTS CATALOG (MAINTENANCE)**

FIG ITEM	PART NUMBER	1 2 3 4 5 6 7	NOMENCLATURE	EFFECT FROM TO	UNITS PER ASSY
1					
180	3618153-1	..	PLATE ASSY-SHOCK MOUNT SUPPLIER CODE: V99193 USED ON: 3885081-1	002004 006999	1
180	3614406-1	..	PLATE ASSY-SHOCK MOUNT SUPPLIER CODE: V99193 USED ON: 3614400-1 3614400-7 3614400-8	002004 006999	1
185	MS20615-5HM	...	RIVET- USED ON: 3618153-1	002004 006999	16
185	MS20615-5M4	...	RIVET- USED ON: 3614406-1	002004 006999	16
190	AM004-2	...	MOUNT-RESILIENT SUPPLIER CODE: V76005	002004 006999	4
195	MS20427M3-4	...	RIVET-	002004 006999	4
200	MS21060-3	...	NUTPLATE	002004 006999	4
205	NAS1216-3E5	.	SCREW- SB DATA FROM A CMM: POST SB 49-7711	002004 006999	1
210	3614649-1	.	COVER- SUPPLIER CODE: V99193 SB DATA FROM A CMM: POST SB 49-7711	002004 006999	1
215	MS9565-04	.	BOLT- SB DATA FROM A CMM: POST SB 49-7711	002004 006999	1
220	NAS1149C0332R	.	WASHER- SB DATA FROM A CMM: POST SB 49-7711	002004 006999	1
225	3614104-4	.	SENSOR-STATIC PRESSURE SUPPLIER CODE: V99193 SB DATA FROM A CMM: POST SB 49-7711	002004 006999	1
230	MS9386-109	.	PACKING- SUPPLIER CODE: V81349 SB DATA FROM A CMM: POST SB 49-7711	002004 006999	2

MISSING ITEM NUMBERS NOT APPLICABLE

— ITEM NOT ILLUSTRATED

BRI

# 49-53-08-01

49-53-08  
FIG. 01  
PAGE 16  
SEP 20/08



757

PARTS CATALOG (MAINTENANCE)

FIG ITEM	PART NUMBER	1 2 3 4 5 6 7	NOMENCLATURE	EFFECT FROM TO	UNITS PER ASSY
1					
235	MS9556-07		.BOLT- NOT APPROVED FOR ETOPS. SB DATA FROM A CMM: POST SB 49-7711	002004 006999	1
240	MS25083-7BB4		.JUMPER- SB DATA FROM A CMM: POST SB 49-7711	002004 006999	1
245	MS9556-04		.BOLT- SB DATA FROM A CMM: POST SB 49-7711	002004 006999	2
250	3614419-1		.RETAINER-TUBE SUPPLIER CODE: V99193 SB DATA FROM A CMM: POST SB 49-7711	002004 006999	2
255	MS9386-109		.PACKING- SUPPLIER CODE: V81349 SB DATA FROM A CMM: POST SB 49-7711	002004 006999	2
260	3614408-1		.SENSOR ASSY-FLOW PT SUPPLIER CODE: V99193 SB DATA FROM A CMM: POST SB 49-7711	002004 006999	1
- 500	3888123-4		.WIRING HARNESS ASSY- SUPPLIER CODE: V99193 SB DATA FROM A CMM: POST SB 49-5533 PRE SB 49-5794	002004 006102 107999	RF
- 500	3888123-5		.WIRING HARNESS ASSY- SUPPLIER CODE: V99193 USED ON: 3800298-1-1 3800298-1-2 3800298-1-3 3800298-1-4 3800298-1-5 3800298-1-6 3800298-1-7 3800298-1	002004 006999	RF

MISSING ITEM NUMBERS NOT APPLICABLE

- ITEM NOT ILLUSTRATED

49-53-08-01

49-53-08  
FIG. 01  
PAGE 17  
JAN 20/09

BRI



757

PARTS CATALOG (MAINTENANCE)

FIG ITEM	PART NUMBER	1 2 3 4 5 6 7	NOMENCLATURE	EFFECT FROM TO	UNITS PER ASSY
1 - 500	3888123-6		.WIRING HARNESS ASSY- SUPPLIER CODE: V99193 SB DATA FROM A CMM: POST SB 49-5794 PRE SB 49-5840/49-7403 CONFIG CHG DATA FROM A CMM: REPLD BY 3888123-8 REWORKED FROM 3888123-4 QUALIFIED SB I/W DATA: 3617394-1 USED WITH 3888123-8 OR 3888123-9 OPT TO 3617394-1 USED WITH 3888123-6 OR 3888123-7 AND 3888450-1 OPT TO 3614759-1 USED WITH 3888123-8 OR 3888123-9 OPT TO 3617459-1 USED WITH 3888123-6 OR 3888123-7 AND 3888450-1	002004 006102 107999	RF
- 500	3888123-7		.WIRING HARNESS ASSY- SUPPLIER CODE: V99193 SB DATA FROM A CMM: POST SB 49-5840 PRE SB 49-7403 CONFIG CHG DATA FROM A CMM: REPLD BY 3888123-9 QUALIFIED SB I/W DATA: 3617394-1 USED WITH 3888123-8 OR 3888123-9 OPT TO 3617394-1 USED WITH 3888123-6 OR 3888123-7 AND 3888450-1 OPT TO 3614759-1 USED WITH 3888123-8 OR 3888123-9 OPT TO 3617459-1 USED WITH 3888123-6 OR 3888123-7 AND 3888450-1	002004 006102 107999	RF

MISSING ITEM NUMBERS NOT APPLICABLE

- ITEM NOT ILLUSTRATED

49-53-08-01

49-53-08  
FIG. 01  
PAGE 18  
JAN 20/09

BRI



757

PARTS CATALOG (MAINTENANCE)

FIG ITEM	PART NUMBER	1 2 3 4 5 6 7	NOMENCLATURE	EFFECT FROM TO	UNITS PER ASSY
1 - 500	3888123-8		.WIRING HARNESS ASSY- SUPPLIER CODE: V99193 SB DATA FROM A CMM: POST SB 49-7391/49-7403 CONFIG CHG DATA FROM A CMM: REPLACES 3888123-6 REPLD BY 3888465-1 QUALIFIED OPTIONAL DATA: 3888123-6 QUALIFIED SB I/W DATA: 3617394-1 USED WITH 3888123-8 OR 3888123-9 OPT TO 3617394-1 USED WITH 3888123-6 OR 3888123-7 AND 3888450-1 OPT TO 3614759-1 USED WITH 3888123-8 OR 3888123-9 OPT TO 3617459-1 USED WITH 3888123-6 OR 3888123-7 AND 3888450-1	002004 006999	RF
- 500	3888123-9		.WIRING HARNESS ASSY- SUPPLIER CODE: V99193 SB DATA FROM A CMM: POST SB 49-7403 CONFIG CHG DATA FROM A CMM: REPLACES 3888123-7 REPLD BY 3888465-1 QUALIFIED SB I/W DATA: 3617394-1 USED WITH 3888123-8 OR 3888123-9 OPT TO 3617394-1 USED WITH 3888123-6 OR 3888123-7 AND 3888450-1 OPT TO 3614759-1 USED WITH 3888123-8 OR 3888123-9 OPT TO 3617459-1 USED WITH 3888123-6 OR 3888123-7 AND 3888450-1 POST SERVICE BULLETIN: GTCP331-49-7391R1 V99193	002004 006999	RF

MISSING ITEM NUMBERS NOT APPLICABLE

- ITEM NOT ILLUSTRATED

49-53-08-01

49-53-08  
FIG. 01  
PAGE 19  
SEP 20/08

BRI



757

PARTS CATALOG (MAINTENANCE)

FIG ITEM	PART NUMBER	1 2 3 4 5 6 7	NOMENCLATURE	EFFECT FROM TO	UNITS PER ASSY
1					
- 500	3888465-1		.WIRING HARNESS ASSY- SUPPLIER CODE: V99193 SB DATA FROM A CMM: POST 49-7618 CONFIG CHG DATA FROM A CMM: REPLACES 3888123-8 REPLACES 3888123-9	002004 006999	RF
550	BCREF13889		..CONNECTOR-P12 SUPPLIER CODE: V49367 OVERLENGTH PART NUMBER: ZZYA0-12D14-07S06 OPTIONAL PART: BCREF13890 V13556	002004 006999	1
550	BCREF13890		..CONNECTOR-P12 SUPPLIER CODE: V13556 OVERLENGTH PART NUMBER: CN0966-14A07S6-000 OPTIONAL PART: BCREF13889 V49367	002004 006999	1
555	LRC20W15DJ5		..CONTACT- SUPPLIER CODE: V09922	002004 006999	14
560	GS3418-14CD		..CLAMP- SUPPLIER CODE: V06324	002004 006999	2
565	10-230935-143		..GROMMET-RUBBER SUPPLIER CODE: V77820	002004 006999	2
570	ZZYA0-12D14-07S		..CONNECTOR-P13 SUPPLIER CODE: V14283 OPTIONAL PART: BCREF12085 V13556	002004 006999	1
570	BCREF12085		..CONNECTOR-P13 SUPPLIER CODE: V49367 OVERLENGTH PART NUMBER: CN0966-14A07SN000 OPTIONAL PART: ZZYA0-12D14-07S V49367	002004 006999	1

MISSING ITEM NUMBERS NOT APPLICABLE

- ITEM NOT ILLUSTRATED

49-53-08-01

49-53-08  
FIG. 01  
PAGE 20  
SEP 20/08

BRI



757

PARTS CATALOG (MAINTENANCE)

FIG ITEM	PART NUMBER	1 2 3 4 5 6 7	NOMENCLATURE	EFFECT FROM TO	UNITS PER ASSY
1					
- 580	M22759-8-18-8		.. WIRE-ELECTRICAL OPTIONAL PART: 18699-69A1 V92607 75908E18 V12515 18AF2XTN1930 V12814 BATATE193ONICE V90484 11-00821 V05973	002004 006999	AR
- 580	18699-69A1		.. WIRE-ELECTRICAL SUPPLIER CODE: V92607 OPTIONAL PART: M22759-8-18-8 75908E18 V12515 18AF2XTN1930 V12814 BATATE193ONICE V90484 11-00821 V05973	002004 006999	AR
- 580	75908E18		.. WIRE-ELECTRICAL SUPPLIER CODE: V12515 OPTIONAL PART: M22759-8-18-8 18699-69A1 V92607 18AF2XTN1930 V12814 BATATE193ONICE V90484 11-00821 V05973	002004 006999	AR

MISSING ITEM NUMBERS NOT APPLICABLE

- ITEM NOT ILLUSTRATED

BRI

49-53-08-01

BOEING PROPRIETARY - Copyright © - Unpublished Work - See title page for details.

49-53-08  
FIG. 01  
PAGE 21  
SEP 20/08





757

PARTS CATALOG (MAINTENANCE)

FIG ITEM	PART NUMBER	1 2 3 4 5 6 7	NOMENCLATURE	EFFECT FROM TO	UNITS PER ASSY
1					
- 580	18AF2XTN1930		.. WIRE-ELECTRICAL SUPPLIER CODE: V12814 OPTIONAL PART: M22759-8-18-8 18699-69A1 V92607 75908E18 V12515 BATATE193ONICE V90484 11-00821 V05973	002004 006999	AR
- 580	BATATE193ONICE		.. WIRE-ELECTRICAL SUPPLIER CODE: V90484 OPTIONAL PART: M22759-8-18-8 18699-69A1 V92607 75908E18 V12515 18AF2XTN1930 V12814 11-00821 V05973	002004 006999	AR
- 580	11-00821		.. WIRE-ELECTRICAL SUPPLIER CODE: V05973 OPTIONAL PART: M22759-8-18-8 18699-69A1 V92607 75908E18 V12515 18AF2XTN1930 V12814 BATATE193ONICE V90484	002004 006999	AR

MISSING ITEM NUMBERS NOT APPLICABLE

- ITEM NOT ILLUSTRATED

BRI

49-53-08-01

BOEING PROPRIETARY - Copyright © - Unpublished Work - See title page for details.

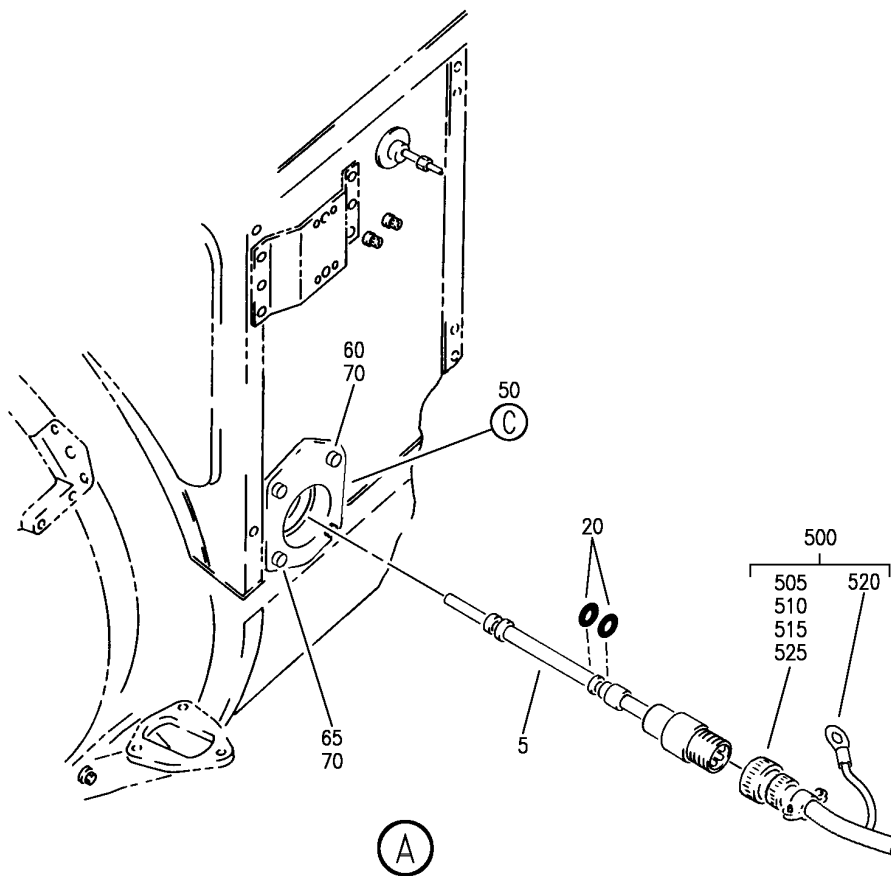
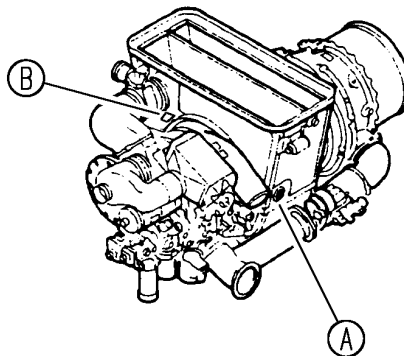
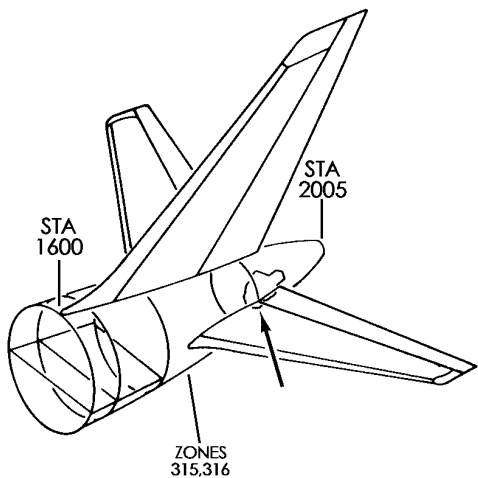
49-53-08  
FIG. 01  
PAGE 22  
SEP 20/08

## APU CONTROL SYSTEM

BRI  
MAY 28/07

49-61-00  
SECTION TITLE  
PAGE 1

**BOEING**  
757  
PARTS CATALOG (MAINTENANCE)



Y 49610201 SHT 1 REV 250

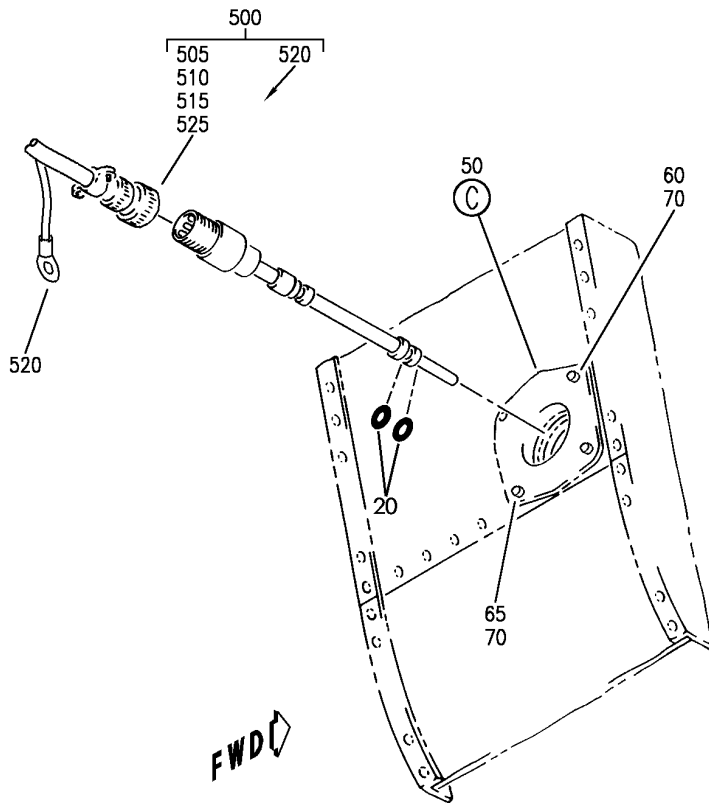
ENGINE ASSY-GAS TURB (APU MONOPOLES (APM) ONLY)  
FIGURE 1 (SHEET 1)

**49-61-02-01**

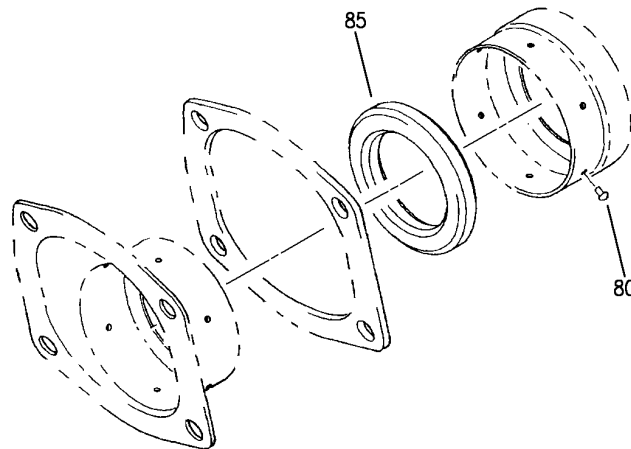
BRI  
MAY 28/07

49-61-02-01  
PAGE 0

**BOEING**  
757  
PARTS CATALOG (MAINTENANCE)



(B)



(C)

Y 49610201 SH1 2 REV 250

ENGINE ASSY-GAS TURB (APU MONOPOLES (APM) ONLY)  
FIGURE 1 (SHEET 2)

**49-61-02-01**

BRI  
MAY 28/07

49-61-02-01  
PAGE 0A



757

PARTS CATALOG (MAINTENANCE)

FIG ITEM	PART NUMBER	1 2 3 4 5 6 7	NOMENCLATURE	EFFECT FROM TO	UNITS PER ASSY
1			ENGINE ASSY-GAS TURB (APU MONOPOLES (APM) ONLY)	002004 006999	
- 1	3800298-1-2		ENGINE ASSY-GAS TURB (APU MONOPOLES (APM) ONLY) GTCP331-200ER SUPPLIER CODE: V99193 SPECIFICATION NUMBER: S351T020-201 CONFIG CHG DATA FROM A CMM: REPLACES 3800298-1-1 COMPONENT MAINT MANUAL REF: 49-22-11 QUALIFIED I/W DATA: S351T020-201 (3800298-1-2) AND S351T020-205 (3800298-1-6) ARE INTERCHANGEABLE WITH THE INCORPORATION OF ALLIED SIGNAL S/B GTCP331-49-7081. S351T020-201 (3800298-1-2) AND S351T020-206 (3800298-1-7/3800298-1) ARE INTERCHANGEABLE WITH THE INCORPORATION OF ALLIED SIGNAL S/B GTCP331-49-7081. FOR NHA/ADDITIONAL DET SEE: 49-11-01-50	002004 006100 107107 121503 904999	RF

MISSING ITEM NUMBERS NOT APPLICABLE

- ITEM NOT ILLUSTRATED

BRI

49-61-02-01

BOEING PROPRIETARY - Copyright © - Unpublished Work - See title page for details.

49-61-02  
FIG. 01  
PAGE 1  
JAN 20/09



757

PARTS CATALOG (MAINTENANCE)

FIG ITEM	PART NUMBER	1 2 3 4 5 6 7	NOMENCLATURE	EFFECT FROM TO	UNITS PER ASSY
1 - 1	3800298-1-1		ENGINE ASSY-GAS TURB (APU MONOPOLES (APM) ONLY) GTCP331-200ER SUPPLIER CODE: V99193 SPECIFICATION NUMBER: S351T020-200 COMPONENT MAINT MANUAL REF: 49-22-11 QUALIFIED I/W DATA: S351T020-200 (3800298-1-1) AND S351T020-205 (3800298-1-6) ARE INTERCHANGEABLE WITH THE INCORPORATION OF ALLIED SIGNAL S/B GTCP331-49-7081. S351T020-200 (3800298-1-1) AND S351T020-206 (3800298-1-7/3800298-1) ARE INTERCHANGEABLE WITH THE INCORPORATION OF ALLIED SIGNAL S/B GTCP331-49-7081. FOR NHA/ADDITIONAL DET SEE: 49-11-01-50	002004 006100 107107 121503 904999	RF

MISSING ITEM NUMBERS NOT APPLICABLE

- ITEM NOT ILLUSTRATED

49-61-02-01

49-61-02  
 FIG. 01  
 PAGE 2  
 JAN 20/09

BRI



757

PARTS CATALOG (MAINTENANCE)

FIG ITEM	PART NUMBER	1 2 3 4 5 6 7	NOMENCLATURE	EFFECT FROM TO	UNITS PER ASSY
1 - 1	3800298-1-3		ENGINE ASSY-GAS TURB (APU MONOPOLES (APM) ONLY) GTCP331-200ER SUPPLIER CODE: V99193 SPECIFICATION NUMBER: S351T020-202 CONFIG CHG DATA FROM A CMM: REPLACES 3800298-1-2 COMPONENT MAINT MANUAL REF: 49-22-11 QUALIFIED I/W DATA: S351T020-202 (3800298-1-3) AND S351T020-205 (3800298-1-6) ARE INTERCHANGEABLE WITH THE INCORPORATION OF ALLIED SIGNAL S/B GTCP331-49-7081. S351T020-202 (3800298-1-3) AND S351T020-206 (3800298-1-7/3800298-1) ARE INTERCHANGEABLE WITH THE INCORPORATION OF ALLIED SIGNAL S/B GTCP331-49-7081. FOR NHA/OTHER SYS DET SEE: 49-11-01-50	002004 006100 107107 121503 904999	RF

MISSING ITEM NUMBERS NOT APPLICABLE

- ITEM NOT ILLUSTRATED

BRI

49-61-02-01

BOEING PROPRIETARY - Copyright © - Unpublished Work - See title page for details.

49-61-02  
FIG. 01  
PAGE 3  
JAN 20/09



757

PARTS CATALOG (MAINTENANCE)

FIG ITEM	PART NUMBER	1 2 3 4 5 6 7 NOMENCLATURE	EFFECT FROM TO	UNITS PER ASSY
1 - 1	3800298-1-4	ENGINE ASSY-GAS TURB (APU MONOPOLES (APM) ONLY) GTCP331-200ER SUPPLIER CODE: V99193 SPECIFICATION NUMBER: S351T020-203 CONFIG CHG DATA FROM A CMM: REPLACES 3800298-1-3 COMPONENT MAINT MANUAL REF: 49-22-11 QUALIFIED I/W DATA: 3800298-1-4/S351T020-203 AND 3800298-1-6/S351T020-205 ARE INTERCHANGEABLE WITH THE INCORPORATION OF ALLIED SIGNAL S/B GTCP331-49-7081. S351T020-203 (3800298-1-4) AND S351T020-206 (3800298-1-7/3800298-1) INTERCHANGEABLE WITH THE INCORPORATION OF ALLIED SIGNAL S/B GTCP331-49-7081. FOR NHA/ADDITIONAL DET SEE: 49-11-01-50	002004 006100 107107 121503 904999	RF

MISSING ITEM NUMBERS NOT APPLICABLE

- ITEM NOT ILLUSTRATED

BRI

49-61-02-01

BOEING PROPRIETARY - Copyright © - Unpublished Work - See title page for details.

49-61-02  
 FIG. 01  
 PAGE 4  
 JAN 20/09





757

PARTS CATALOG (MAINTENANCE)

FIG ITEM	PART NUMBER	1 2 3 4 5 6 7	NOMENCLATURE	EFFECT FROM TO	UNITS PER ASSY
1					
- 1	3800298-1-5		ENGINE ASSY-GAS TURB (APU MONOPOLES (APM) ONLY) GTCP331-200ER SUPPLIER CODE: V99193 SPECIFICATION NUMBER: S351T020-204 CONFIG CHG DATA FROM A CMM: REPLACES 3800298-1-4 COMPONENT MAINT MANUAL REF: 49-22-11 QUALIFIED I/W DATA: S351T020-204 (3800298-1-5) AND S351T020-205 (3800298-1-6) ARE INTERCHANGEABLE WITH THE INCORPORATION OF ALLIED SIGNAL S/B GTCP331-49-7081. S351T020-204 (3800298-1-5) AND S351T020-206 (3800298-1-7/3800298-1) ARE INTERCHANGEABLE WITH THE INCORPORATION OF ALLIED SIGNAL S/B GTCP331-49-7081. FOR NHA/ADDITIONAL DET SEE: 49-11-01-50	002004 006100 107107 121503 904999	RF
- 1	3800298-1-6		ENGINE ASSY-GAS TURB (APU MONOPOLES (APM) ONLY) GTCP331-200ER SUPPLIER CODE: V99193 SPECIFICATION NUMBER: S351T020-205 CONFIG CHG DATA FROM A CMM: REPLACES 3800298-1-5 COMPONENT MAINT MANUAL REF: 49-22-11 QUALIFIED I/W DATA: S351T020-203 (3800298-1-4) AND S351T020-205 (3800298-1-6) ARE INTERCHANGEABLE WITH THE INCORPORATION OF ALLIED SIGNAL S/B	002004 006999	RF

MISSING ITEM NUMBERS NOT APPLICABLE

- ITEM NOT ILLUSTRATED

49-61-02-01

49-61-02  
FIG. 01  
PAGE 5  
JAN 20/09

BRI



757

PARTS CATALOG (MAINTENANCE)

FIG ITEM	PART NUMBER	1 2 3 4 5 6 7 NOMENCLATURE	EFFECT FROM TO	UNITS PER ASSY
1		GTCP331-49-7081. S351T020-204 (3800298-1-5) AND S351T020-205 (3800298-1-6) ARE INTERCHANGEABLE WITH THE INCORPORATION OF ALLIED SIGNAL S/B GTCP331-49-7081. S351T020-202 (3800298-1-3) AND S351T020-205 (3800298-1-6) ARE INTERCHANGEABLE WITH THE INCORPORATION OF ALLIED SIGNAL S/B GTCP331-49-7081. S351T020-201 (3800298-1-2) AND S351T020-205 (3800298-1-6) ARE INTERCHANGEABLE WITH THE INCORPORATION OF ALLIED SIGNAL S/B GTCP331-49-7081. S351T020-200 (3800298-1-1) AND S351T020-205 (3800298-1-6) ARE INTERCHANGEABLE WITH THE INCORPORATION OF ALLIED SIGNAL S/B GTCP331-49-7081. FOR NHA/ADDITIONAL DET SEE: 49-11-01-50 49-21-00-02		
-	1 3800298-1-7	ENGINE ASSY-GAS TURB (APU MONOPOLES (APM) ONLY) GTCP331-200ER SUPPLIER CODE: V99193 SPECIFICATION NUMBER: S351T020-206 CONFIG CHG DATA FROM A CMM: REPLACES 3800298-1-6 COMPONENT MAINT MANUAL REF: 49-22-11 QUALIFIED I/W DATA: S351T020-203  MISSING ITEM NUMBERS NOT APPLICABLE	002004 006999	RF

- ITEM NOT ILLUSTRATED

49-61-02-01

49-61-02  
FIG. 01  
PAGE 6  
SEP 20/08

BRI



757

PARTS CATALOG (MAINTENANCE)

FIG ITEM	PART NUMBER	1 2 3 4 5 6 7 NOMENCLATURE	EFFECT FROM TO	UNITS PER ASSY
1		<p>(3800298-1-4) AND S351T020-206 (3800298-1-7/3800298-1) ARE INTERCHANGEABLE WITH THE INCORPORATION OF ALLIED SIGNAL S/B GTCP331-49-7081. S351T020-204 (3800298-1-5) AND S351T020-206 (3800298-1-7/3800298-1) ARE INTERCHANGEABLE WITH THE INCORPORATION OF ALLIED SIGNAL S/B GTCP331-49-7081. S351T020-202 (3800298-1-3) AND S351T020-206 (3800298-1-7/3800298-1) ARE INTERCHANGEABLE WITH THE INCORPORATION OF ALLIED SIGNAL S/B GTCP331-49-7081. S351T020-201 (3800298-1-2) AND S351T020-206 (3800298-1-7/3800298-1) ARE INTERCHANGEABLE WITH THE INCORPORATION OF ALLIED SIGNAL S/B GTCP331-49-7081. S351T020-200 (3800298-1-1) AND S351T020-206 (3800298-1-7/3800298-1) ARE INTERCHANGEABLE WITH THE INCORPORATION OF ALLIED SIGNAL S/B GTCP331-49-7081. OPTIONAL PART: 3800298-1 V99193 FOR NHA/ADDITIONAL DET SEE: 49-11-01-50 49-21-00-02</p>		
-	1 3800298-1	<p>ENGINE ASSY-GAS TURB (APU MONOPOLES (APM) ONLY) GTCP331-200ER SUPPLIER CODE:</p>	002004 006999	RF

MISSING ITEM NUMBERS NOT APPLICABLE

- ITEM NOT ILLUSTRATED

49-61-02-01

49-61-02  
FIG. 01  
PAGE 7  
SEP 20/08

BRI



757

PARTS CATALOG (MAINTENANCE)

FIG ITEM	PART NUMBER	1 2 3 4 5 6 7 NOMENCLATURE	EFFECT FROM TO	UNITS PER ASSY
1		<p>V99193            SPECIFICATION NUMBER:            S351T020-206            COMPONENT MAINT MANUAL REF:            49-22-11            QUALIFIED I/W DATA:            S351T020-203            (3800298-1-4) AND            S351T020-206            (3800298-1-7/3800298-1)            ARE INTERCHANGEABLE WITH            THE INCORPORATION OF            ALLIED SIGNAL S/B            GTCP331-49-7081.            S351T020-204            (3800298-1-5) AND            S351T020-206            (3800298-1-7/380028-1)            ARE INTERCHANGEABLE WITH            THE INCORPORATION OF            ALLIED SIGNAL S/B            GTCP331-49-7081.            S351T020-202            (3800298-1-3)            AND S351T020-206            (3800298-1-7/3800298-1)            ARE INTERCHANGEABLE            WITH THE INCORPORATION            OF ALLIED SIGNAL S/B            GTCP331-49-7081.            S351T020-201            (3800298-1-2)            AND S351T020-206            (3800298-1-7/3800298-1)            ARE INTERCHANGEABLE            WITH THE INCORPORATION            OF ALLIED SIGNAL S/B            GTCP331-49-7081.            S351T020-200            (3800298-1-1)            AND S351T020-206            (3800298-1-7/3800298-1)            ARE INTERCHANGEABLE            WITH THE INCORPORATION            OF ALLIED SIGNAL S/B            GTCP331-49-7081.            OPTIONAL PART:            3800298-1-7            V99193</p>		

MISSING ITEM NUMBERS NOT APPLICABLE

- ITEM NOT ILLUSTRATED

49-61-02-01

49-61-02  
 FIG. 01  
 PAGE 8  
 SEP 20/08

BRI



757

PARTS CATALOG (MAINTENANCE)

FIG ITEM	PART NUMBER	1 2 3 4 5 6 7	NOMENCLATURE	EFFECT FROM TO	UNITS PER ASSY
1			FOR NHA/ADDITIONAL DET SEE: 49-11-01-50 49-21-00-02		
5	625938-3		.TRANSDUCER-MOTIONAL MONOPOLE #2 SPD SUPPLIER CODE: V07217 POSITION DATA: LH SIDE SB DATA FROM A CMM: POST SPB GTE0403 OPTIONAL PART: 3876026-3 V99193	002004 006999	1
5	3876026-2		.TRANSDUCER-MOTIONAL MONOPOLE #2 SPD SUPPLIER CODE: V99193 POSITION DATA: LH SIDE NOT APPROVED FOR ETOPS AFTER INCORP OF SB: GTCP331-49-5392 SB DATA FROM A CMM: PRE SB 49-5392 CONFIG CHG DATA FROM A CMM: SUPSD BY 3876026-3	002004 006999	1
5	3876026-3		.TRANSDUCER-MOTIONAL MONOPOLE #2 SPD SUPPLIER CODE: V99193 POSITION DATA: LH SIDE SB DATA FROM A CMM: POST SB 49-5392 CONFIG CHG DATA FROM A CMM: SUPERSEDES 3876026-2 OPTIONAL PART: 625938-3 V07217	002004 006999	1

MISSING ITEM NUMBERS NOT APPLICABLE

- ITEM NOT ILLUSTRATED

49-61-02-01

49-61-02  
FIG. 01  
PAGE 9  
SEP 20/08

BRI



757

PARTS CATALOG (MAINTENANCE)

FIG ITEM	PART NUMBER	1 2 3 4 5 6 7	NOMENCLATURE	EFFECT FROM TO	UNITS PER ASSY
1					
- 15	625938-3		.TRANSDUCER-MOTIONAL #1 SPD SUPPLIER CODE: V07217 POSITION DATA: RH SIDE SB DATA FROM A CMM: POST SPB GTE0403 OPTIONAL PART: 3876026-3 V99193	002004 006999	1
- 15	3876026-2		.TRANSDUCER-MOTIONAL #1 SPD SUPPLIER CODE: V99193 POSITION DATA: RH SIDE NOT APPROVED FOR ETOPS AFTER INCORP OF SB: GTCP331-49-5392 SB DATA FROM A CMM: PRE SB 49-5392 CONFIG CHG DATA FROM A CMM: REPLD BY 3876026-3	002004 006999	1
- 15	3876026-3		.TRANSDUCER-MOTIONAL #1 SPD SUPPLIER CODE: V99193 POSITION DATA: RH SIDE SB DATA FROM A CMM: POST SB 49-5392 CONFIG CHG DATA FROM A CMM: REPLS 3876026-2 OPTIONAL PART: 625938-3 V07217	002004 006999	1
20	S9413-012		.PACKING- SUPPLIER CODE: V99193 OPTIONAL PART: M83248-1-012	002004 006999	4
20	M83248-1-012		.PACKING- OPTIONAL PART: S9413-012 V99193	002004 006999	4

MISSING ITEM NUMBERS NOT APPLICABLE

- ITEM NOT ILLUSTRATED

49-61-02-01

49-61-02  
FIG. 01  
PAGE 10  
SEP 20/08

BRI



757

PARTS CATALOG (MAINTENANCE)

FIG ITEM	PART NUMBER	1 2 3 4 5 6 7	NOMENCLATURE	EFFECT FROM TO	UNITS PER ASSY
1	50 3876063-1		.COVER ASSY-MONOPOLE SUPPLIER CODE: V99193 POSITION DATA: LH SIDE	002004 006999	1
-	55 3876061-1		.COVER ASSY-MONOPOLE SUPPLIER CODE: V99193 POSITION DATA: RH SIDE	002004 006999	1
	60 MS21288-06		.BOLT- OPTIONAL PART: MS9565-06	002004 006999	2
	60 MS9565-06		.BOLT- SB DATA FROM A CMM: POST SPB GTE0306 OPTIONAL PART: MS21288-06	002004 006999	2
	65 MS21279-06		.BOLT- OPTIONAL PART: MS9556-06	002004 006999	6
	65 MS9556-06		.BOLT- NOT APPROVED FOR ETOPS. SB DATA FROM A CMM: POST SPB GTE0293 OPTIONAL PART: MS21279-06	002004 006999	6
	70 NAS620C10L		.WASHER- CONFIG CHG DATA FROM A CMM: REPLD BY AN960C10L	002004 006999	8
	70 AN960C10L		.WASHER- CONFIG CHG DATA FROM A CMM: REPLACES NAS620C10L	002004 006999	8
	80 MS20615-4M3		-----*----- ..RIVET	002004 006999	6
	85 3876042-1		..RING- SUPPLIER CODE: V99193	002004 006999	1
	500 3888123-4		.WIRING HARNESS ASSY- SUPPLIER CODE: V99193 SB DATA FROM A CMM: POST 49-5533 PRE 49-5794	002004 006102 107999	RF

MISSING ITEM NUMBERS NOT APPLICABLE

- ITEM NOT ILLUSTRATED

49-61-02-01

49-61-02  
FIG. 01  
PAGE 11  
JAN 20/09

BRI

BOEING PROPRIETARY - Copyright © - Unpublished Work - See title page for details.



757

PARTS CATALOG (MAINTENANCE)

FIG ITEM	PART NUMBER	1 2 3 4 5 6 7	NOMENCLATURE	EFFECT FROM TO	UNITS PER ASSY
1 500	3888123-5		.WIRING HARNESS ASSY- SUPPLIER CODE: V99193 USED ON: 3800298-1-1 3800298-1-2 3800298-1-3 3800298-1-4 3800298-1-5 3800298-1-6 3800298-1-7 3800298-1	002004 006999	RF
500	3888123-6		.WIRING HARNESS ASSY- SUPPLIER CODE: V99193 SB DATA FROM A CMM: POST 49-5794 PRE 49-5840 PRE 49-7403 CONFIG CHG DATA FROM A CMM: REPLD BY 3888123-8 REWORKED FROM 3888123-4 QUALIFIED OPTIONAL DATA: 3888123-8 QUALIFIED SB I/W DATA: 3617394-1 USED WITH 3888123-8 OR 3888123-9 OPT TO 3617394-1 USED WITH 3888123-6 OR 3888123-7 AND 3888450-1 OPT TO 3614759-1 USED WITH 3888123-8 OR 3888123-9 OPT TO 3617459-1 USED WITH 3888123-6 OR 3888123-7 AND 3888450-1	002004 006102 107999	RF

MISSING ITEM NUMBERS NOT APPLICABLE

- ITEM NOT ILLUSTRATED

BRI

49-61-02-01

BOEING PROPRIETARY - Copyright © - Unpublished Work - See title page for details.

49-61-02  
FIG. 01  
PAGE 12  
JAN 20/09





757

PARTS CATALOG (MAINTENANCE)

FIG ITEM	PART NUMBER	1 2 3 4 5 6 7	NOMENCLATURE	EFFECT FROM TO	UNITS PER ASSY
1 500	3888123-7		.WIRING HARNESS ASSY- SUPPLIER CODE: V99193 SB DATA FROM A CMM: POST 49-5840 PRE 49-7403 CONFIG CHG DATA FROM A CMM: REPLD BY 3888123-9 QUALIFIED SB I/W DATA: 3617394-1 USED WITH 3888123-8 OR 3888123-9 OPT TO 3617394-1 USED WITH 3888123-6 OR 3888123-7 AND 3888450-1 OPT TO 3614759-1 USED WITH 3888123-8 OR 3888123-9 OPT TO 3617459-1 USED WITH 3888123-6 OR 3888123-7 AND 3888450-1	002004 006102 107999	RF
500	3888123-8		.WIRING HARNESS ASSY- SUPPLIER CODE: V99193 SB DATA FROM A CMM: POST 49-7391 POST 49-7403 CONFIG CHG DATA FROM A CMM: REPLACES 3888123-6 REPLD BY 3888465-1 QUALIFIED SB I/W DATA: 3617394-1 USED WITH 3888123-8 OR 3888123-9 OPT TO 3617394-1 USED WITH 3888123-6 OR 3888123-7 AND 3888450-1 OPT TO 3614759-1 USED WITH 3888123-8 OR 3888123-9 OPT TO 3617459-1 USED WITH 3888123-6 OR 3888123-7 AND 3888450-1	002004 006999	RF

MISSING ITEM NUMBERS NOT APPLICABLE

- ITEM NOT ILLUSTRATED

49-61-02-01

49-61-02  
FIG. 01  
PAGE 13  
JAN 20/09

BRI



757

PARTS CATALOG (MAINTENANCE)

FIG ITEM	PART NUMBER	1 2 3 4 5 6 7	NOMENCLATURE	EFFECT FROM TO	UNITS PER ASSY
1 500	3888123-9		.WIRING HARNESS ASSY- SUPPLIER CODE: V99193 SB DATA FROM A CMM: POST 49-7403 CONFIG CHG DATA FROM A CMM: REPLACES 3888123-7 REPLD BY 3888465-1 QUALIFIED SB I/W DATA: 3617394-1 USED WITH 3888123-8 OR 3888123-9 OPT TO 3617394-1 USED WITH 3888123-6 OR 3888123-7 AND 3888450-1 OPT TO 3614759-1 USED WITH 3888123-8 OR 3888123-9 OPT TO 3617459-1 USED WITH 3888123-6 OR 3888123-7 AND 3888450-1 POST SERVICE BULLETIN: GTCP331-49-7391R1 V99193	002004 006999	RF
500	3888465-1		.WIRING HARNESS ASSY- SUPPLIER CODE: V99193 SB DATA FROM A CMM: POST 49-7618	002004 006999	RF
505	BCREF8105		.. PLUG- SUPPLIER CODE: V13556 OVERLENGTH PART NUMBER: CN0966-12A03SN000	002004 006999	2
505	ZZYA0-12D12-03S		.. CONNECTOR-P18, P19 SUPPLIER CODE: V14283 OPTIONAL PART: BCREF8105 V13556	002004 006999	2
510	GS3417-12C		.. CLAMP- SUPPLIER CODE: V06324 OPTIONAL PART: 211-555-9307 V99193	002004 006999	2
515	LRC20W15DJ5		.. CONTACT- SUPPLIER CODE: V09922	002004 006999	6

MISSING ITEM NUMBERS NOT APPLICABLE

- ITEM NOT ILLUSTRATED

49-61-02-01

49-61-02  
FIG. 01  
PAGE 14  
SEP 20/08

BRI

BOEING PROPRIETARY - Copyright © - Unpublished Work - See title page for details.



757

PARTS CATALOG (MAINTENANCE)

FIG ITEM	PART NUMBER	1 2 3 4 5 6 7	NOMENCLATURE	EFFECT FROM TO	UNITS PER ASSY
1 520	31892		.. TERMINAL- SUPPLIER CODE: V00779	002004 006999	2
525	10-230935-142		.. GROMMET-RUBBER SUPPLIER CODE: V77820 CONFIG CHG DATA FROM A CMM: REPLD BY 10-230935-143	002004 006999	2
525	10-230935-143		.. GROMMET-RUBBER SUPPLIER CODE: V77820 CONFIG CHG DATA FROM A CMM: REPLS 10-230935-142	002004 006999	2
- 535	M22759-8-18-8		.. WIRE-ELECTRICAL OPTIONAL PART: 18699-69A1 V92607 75908E18 V12515 18AF2XTN1930 V12814 BATATE1930NICE V90484 11-00821 V05973	002004 006999	AR
- 535	18699-69A1		.. WIRE-ELECTRICAL SUPPLIER CODE: V92607 OPTIONAL PART: M22759-8-18-8 75908E18 V12515 18AF2XTN1930 V12814 BATATE1930NICE V90484 11-00821 V05973	002004 006999	AR

MISSING ITEM NUMBERS NOT APPLICABLE

- ITEM NOT ILLUSTRATED

49-61-02-01

49-61-02  
FIG. 01  
PAGE 15  
SEP 20/08

BRI



757

PARTS CATALOG (MAINTENANCE)

FIG ITEM	PART NUMBER	1 2 3 4 5 6 7	NOMENCLATURE	EFFECT FROM TO	UNITS PER ASSY
1					
- 535	75908E18		.. WIRE-ELECTRICAL SUPPLIER CODE: V12515 OPTIONAL PART: M22759-8-18-8 18699-69A1 V92607 18AF2XTN1930 V12814 BATATE1930NICE V90484 11-00821 V05973	002004 006999	AR
- 535	18AF2XTN1930		.. WIRE-ELECTRICAL SUPPLIER CODE: V12814 OPTIONAL PART: M22759-8-18-8 18699-69A1 V92607 75908E18 V12515 BATATE1930NICE V90484 11-00821 V05973	002004 006999	AR
- 535	BATATE1930NICE		.. WIRE-ELECTRICAL SUPPLIER CODE: V90484 OPTIONAL PART: M22759-8-18-8 18699-69A1 V92607 75908E18 V12515 18AF2XTN1930 V12814 11-00821 V05973	002004 006999	AR

MISSING ITEM NUMBERS NOT APPLICABLE

- ITEM NOT ILLUSTRATED

BRI

49-61-02-01

BOEING PROPRIETARY - Copyright © - Unpublished Work - See title page for details.

49-61-02  
FIG. 01  
PAGE 16  
SEP 20/08



757

PARTS CATALOG (MAINTENANCE)

FIG ITEM	PART NUMBER	1 2 3 4 5 6 7	NOMENCLATURE	EFFECT FROM TO	UNITS PER ASSY
1 - 535	11-00821		. . WIRE-ELECTRICAL SUPPLIER CODE: V05973 OPTIONAL PART: M22759-8-18-8 18699-69A1 V92607 75908E18 V12515 18AF2XTN1930 V12814 BATATE1930NICE V90484	002004 006999	AR

MISSING ITEM NUMBERS NOT APPLICABLE

- ITEM NOT ILLUSTRATED

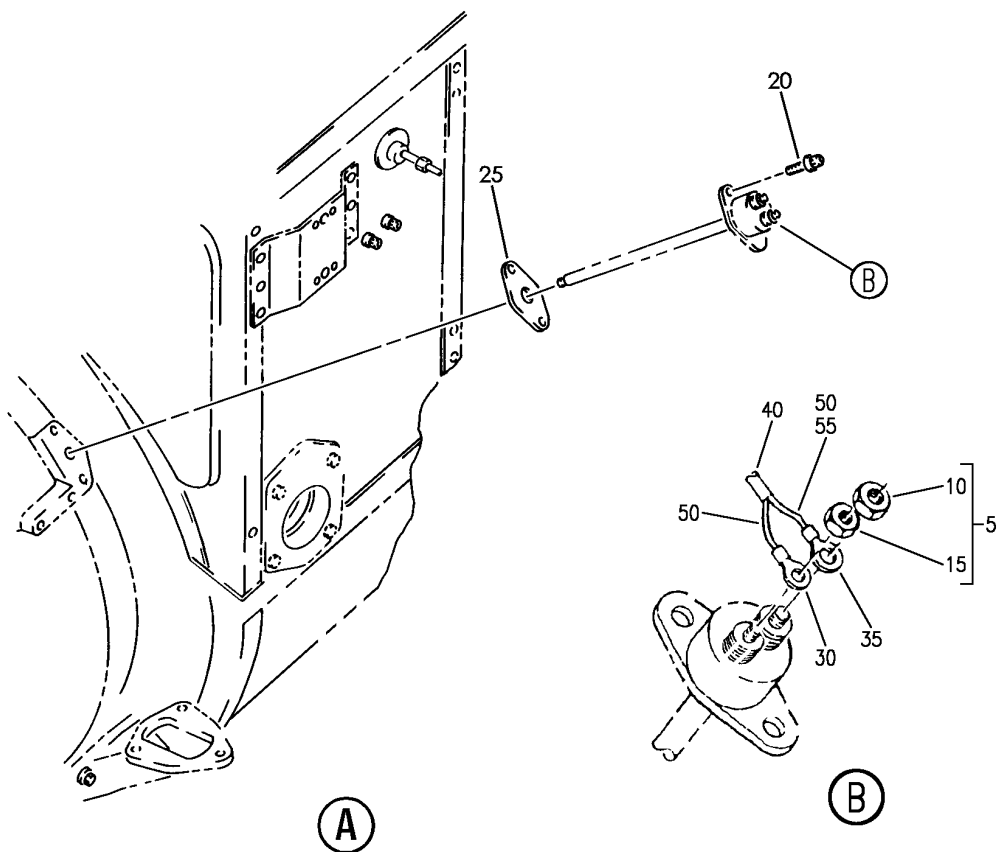
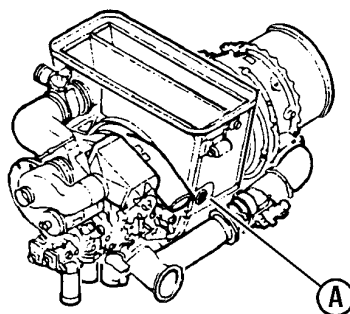
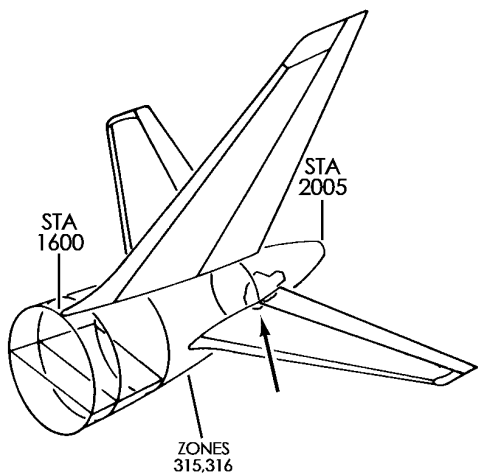
BRI

# 49-61-02-01

BOEING PROPRIETARY - Copyright © - Unpublished Work - See title page for details.

49-61-02  
FIG. 01  
PAGE 17  
SEP 20/08

**BOEING**  
757  
PARTS CATALOG (MAINTENANCE)



Y 49610301 REV 250

ENGINE ASSY-GAS TURB (APU INLET TEMPERATURE SENSOR ONLY)  
FIGURE 1

**49-61-03-01**

BRI  
MAY 28/07

49-61-03-01  
PAGE 0



757

PARTS CATALOG (MAINTENANCE)

FIG ITEM	PART NUMBER	1 2 3 4 5 6 7	NOMENCLATURE	EFFECT FROM TO	UNITS PER ASSY
1			ENGINE ASSY-GAS TURB (APU INLET TEMPERATURE SENSOR ONLY)	002004 006999	
- 1	3800298-1-2		ENGINE ASSY-GAS TURB GTCP331-200ER (APU INLET TEMPERATURE SENSOR ONLY) SUPPLIER CODE: V99193 SPECIFICATION NUMBER: S351T020-201 CONFIG CHG DATA FROM A CMM: REPLACES 3800298-1-1 COMPONENT MAINT MANUAL REF: 49-22-11 QUALIFIED I/W DATA: S351T020-201 (3800298-1-2) AND S351T020-205 (3800298-1-6) ARE INTERCHANGEABLE WITH THE INCORPORATION OF ALLIED SIGNAL S/B GTCP331-49-7081. S351T020-201 (3800298-1-2) AND S351T020-206 (3800298-1-7/3800298-1) ARE INTERCHANGEABLE WITH THE INCORPORATION OF ALLIED SIGNAL S/B GTCP331-49-7081. FOR NHA/ADDITIONAL DET SEE: 49-11-01-50	002004 006100 107107 121503 904999	RF

MISSING ITEM NUMBERS NOT APPLICABLE

- ITEM NOT ILLUSTRATED

49-61-03-01

49-61-03  
FIG. 01  
PAGE 1  
JAN 20/09

BRI



757

PARTS CATALOG (MAINTENANCE)

FIG ITEM	PART NUMBER	1 2 3 4 5 6 7 NOMENCLATURE	EFFECT FROM TO	UNITS PER ASSY
1 - 1	3800298-1-1	ENGINE ASSY-GAS TURB GTCP331-200ER (APU INLET TEMPERATURE SENSOR ONLY) SUPPLIER CODE: V99193 SPECIFICATION NUMBER: S351T020-200 COMPONENT MAINT MANUAL REF: 49-22-11 QUALIFIED I/W DATA: S351T020-200 (3800298-1-1) AND S351T020-205 (3800298-1-6) ARE INTERCHANGEABLE WITH THE INCORPORATION OF ALLIED SIGNAL S/B GTCP331-49-7081. S351T020-200 (3800298-1-1) AND S351T020-206 (3800298-1-7/3800298-1) ARE INTERCHANGEABLE WITH THE INCORPORATION OF ALLIED SIGNAL S/B GTCP331-49-7081. FOR NHA/ADDITIONAL DET SEE: 49-11-01-50	002004 006100 107107 121503 904999	RF

MISSING ITEM NUMBERS NOT APPLICABLE

- ITEM NOT ILLUSTRATED

49-61-03-01

49-61-03  
FIG. 01  
PAGE 2  
JAN 20/09

BRI





757

PARTS CATALOG (MAINTENANCE)

FIG ITEM	PART NUMBER	1 2 3 4 5 6 7	NOMENCLATURE	EFFECT FROM TO	UNITS PER ASSY
1 - 1	3800298-1-3		ENGINE ASSY-GAS TURB GTCP331-200ER (APU INLET TEMPERATURE SENSOR ONLY) SUPPLIER CODE: V99193 SPECIFICATION NUMBER: S351T020-202 CONFIG CHG DATA FROM A CMM: REPLACES 3800298-1-2 COMPONENT MAINT MANUAL REF: 49-22-11 QUALIFIED I/W DATA: S351T020-202 (3800298-1-3) AND S351T020-205 (3800298-1-6) ARE INTERCHANGEABLE WITH THE INCORPORATION OF ALLIED SIGNAL S/B GTCP331-49-7081. S351T020-202 (3800298-1-3) AND S351T020-206 (3800298-1-7/3800298-1) ARE INTERCHANGEABLE WITH THE INCORPORATION OF ALLIED SIGNAL S/B GTCP331-49-7081. FOR NHA/OTHER SYS DET SEE: 49-11-01-50	002004 006100 107107 121503 904999	RF

MISSING ITEM NUMBERS NOT APPLICABLE

- ITEM NOT ILLUSTRATED

49-61-03-01

49-61-03  
FIG. 01  
PAGE 3  
JAN 20/09

BRI



757

PARTS CATALOG (MAINTENANCE)

FIG ITEM	PART NUMBER	1 2 3 4 5 6 7	NOMENCLATURE	EFFECT FROM TO	UNITS PER ASSY
1 - 1	3800298-1-4		ENGINE ASSY-GAS TURB GTCP331-200ER (APU INLET TEMPERATURE SENSOR ONLY) SUPPLIER CODE: V99193 SPECIFICATION NUMBER: S351T020-203 CONFIG CHG DATA FROM A CMM: REPLACES 3800298-1-3 COMPONENT MAINT MANUAL REF: 49-22-11 QUALIFIED I/W DATA: 3800298-1-4/S351T020-203 AND 3800298-1-6/S351T020-205 ARE INTERCHANGEABLE WITH THE INCORPORATION OF ALLIED SIGNAL S/B GTCP331-49-7081. 3800298-1-4/S351T020-203 AND 3800298-1-7/S351T020-206 /3800298-1 ARE INTERCHANGEABLE WITH THE INCORPORATION OF ALLIED SIGNAL S/B GTCP331-49-7081. FOR NHA/ADDITIONAL DET SEE: 49-11-01-50	002004 006100 107107 121503 904999	RF

MISSING ITEM NUMBERS NOT APPLICABLE

- ITEM NOT ILLUSTRATED

49-61-03-01

49-61-03  
 FIG. 01  
 PAGE 4  
 JAN 20/09

BRI



757

PARTS CATALOG (MAINTENANCE)

FIG ITEM	PART NUMBER	1 2 3 4 5 6 7	NOMENCLATURE	EFFECT FROM TO	UNITS PER ASSY
1	3800298-1-5		ENGINE ASSY-GAS TURB GTCP331-200ER (APU INLET TEMPERATURE SENSOR ONLY) SUPPLIER CODE: V99193 SPECIFICATION NUMBER: S351T020-204 CONFIG CHG DATA FROM A CMM: REPLACES 3800298-1-4 COMPONENT MAINT MANUAL REF: 49-22-11 QUALIFIED I/W DATA: 3800298-1-5/S351T020-204 AND 3800298-1-6/S351T020-205 ARE INTERCHANGEABLE WITH THE INCORPORATION OF ALLIED SIGNAL S/B GTCP331-49-7081. 3800298-1-5/S351T020-204 AND 3800298-1-7/S351T020-206 /3800298-1 ARE INTERCHANGEABLE WITH THE INCORPORATION OF ALLIED SIGNAL S/B GTCP331-49-7081. FOR NHA/ADDITIONAL DET SEE: 49-11-01-50	002004 006100 107107 121503 904999	RF
- 1	3800298-1-6		ENGINE ASSY-GAS TURB GTCP331-200ER (APU INLET TEMPERATURE SENSOR ONLY) SUPPLIER CODE: V99193 SPECIFICATION NUMBER: S351T020-205 CONFIG CHG DATA FROM A CMM: REPLACES 3800298-1-5 COMPONENT MAINT MANUAL REF: 49-22-11 QUALIFIED I/W DATA: 3800298-1-5/S351T020-204 AND 3800298-1-6/S351T020-205 ARE INTERCHANGEABLE WITH THE INCORPORATION OF ALLIED SIGNAL S/B	002004 006999	RF

MISSING ITEM NUMBERS NOT APPLICABLE

- ITEM NOT ILLUSTRATED

49-61-03-01

49-61-03  
FIG. 01  
PAGE 5  
JAN 20/09

BRI



757

PARTS CATALOG (MAINTENANCE)

FIG ITEM	PART NUMBER	1 2 3 4 5 6 7 NOMENCLATURE	EFFECT FROM TO	UNITS PER ASSY
1		GTCP331-49-7081. S351T020-203 (3800298-1-4) AND S351T020-205 (3800298-1-6) ARE INTERCHANGEABLE WITH THE INCORPORATION OF ALLIED SIGNAL S/B GTCP331-49-7081. S351T020-202 (3800298-1-3) AND S351T020-205 (3800298-1-6) ARE INTERCHANGEABLE WITH THE INCORPORATION OF ALLIED SIGNAL S/B GTCP331-49-7081. S351T020-201 (3800298-1-2) AND S351T020-205 (3800298-1-6) ARE INTERCHANGEABLE WITH THE INCORPORATION OF ALLIED SIGNAL S/B GTCP331-49-7081. S351T020-200 (3800298-1-1) AND S351T020-205 (3800298-1-6) ARE INTERCHANGEABLE WITH THE INCORPORATION OF ALLIED SIGNAL S/B GTCP331-49-7081. FOR NHA/ADDITIONAL DET SEE: 49-11-01-50 49-21-00-02		
-	1 3800298-1-7	ENGINE ASSY-GAS TURB GTCP331-200ER (APU INLET TEMPERATURE SENSOR ONLY) SUPPLIER CODE: V99193 SPECIFICATION NUMBER: S351T020-206 CONFIG CHG DATA FROM A CMM: REPLACES 3800298-1-6 COMPONENT MAINT MANUAL REF: 49-22-11 QUALIFIED I/W DATA:  MISSING ITEM NUMBERS NOT APPLICABLE	002004 006999	RF

- ITEM NOT ILLUSTRATED

49-61-03-01

49-61-03  
FIG. 01  
PAGE 6  
SEP 20/08

BRI



757

PARTS CATALOG (MAINTENANCE)

FIG ITEM	PART NUMBER	1 2 3 4 5 6 7 NOMENCLATURE	EFFECT FROM TO	UNITS PER ASSY
1		<p>3800298-1-5/S351T020-204 AND 3800298-1-7/S351T020-206 /3800298-1 ARE INTERCHANGEABLE WITH THE INCORPORATION OF ALLIED SIGNAL S/B GTCP331-49-7081. S351T020-203 (3800298-1-4) AND S351T020-206(3800298-1-7 /3800298-1) ARE INTERCHANGEABLE WITH THE INCORPORATION OF ALLIED SIGNAL S/B GTCP331-49-7081. S351T020-202 (3800298-1-3) AND S351T020-206 (3800298-1-7/3800298-1) ARE INTERCHANGEABLE WITH THE INCORPORATION OF ALLIED SIGNAL S/B GTCP331-49-7081. S351T020-201 (3800298-1-2) AND S351T020-206 (3800298-1-7/3800298-1) ARE INTERCHANGEABLE WITH THE INCORPORATION OF ALLIED SIGNAL S/B GTCP331-49-7081. S351T020-200 (3800298-1-1) AND S351T020-206 (3800298-1-7/3800298-1) ARE INTERCHANGEABLE WITH THE INCORPORATION OF ALLIED SIGNAL S/B GTCP331-49-7081. OPTIONAL PART: 3800298-1 V99193 FOR NHA/ADDITIONAL DET SEE: 49-11-01-50 49-21-00-02</p>		
-	1 3800298-1	<p>ENGINE ASSY-GAS TURB GTCP331-200ER (APU INLET TEMPERATURE</p>	002004 006999	RF

MISSING ITEM NUMBERS NOT APPLICABLE

- ITEM NOT ILLUSTRATED

49-61-03-01

BRI

BOEING PROPRIETARY - Copyright © - Unpublished Work - See title page for details.

49-61-03  
FIG. 01  
PAGE 7  
SEP 20/08



757

PARTS CATALOG (MAINTENANCE)

FIG ITEM	PART NUMBER	1 2 3 4 5 6 7 NOMENCLATURE	EFFECT FROM TO	UNITS PER ASSY
1		<p>SENSOR ONLY)  SUPPLIER CODE:  V99193  SPECIFICATION NUMBER:  S351T020-206  COMPONENT MAINT MANUAL REF:  49-22-11  QUALIFIED I/W DATA:  3800298-1-5/S351T020-204  AND  3800298-1-7/S351T020-206  /3800298-1  ARE INTERCHANGEABLE WITH  THE INCORPORATION OF  ALLIED SIGNAL S/B  GTCP331-49-7081.  351T020-203(3800298-1-4)  AND 351T020-206  (3800298-1-7/380028-1)  ARE INTERCHANGEABLE WITH  THE INCORPORATION OF  ALLIED SIGNAL S/B  GTCP331-49-7081.  S351T020-202  (3800298-1-3)  AND S351T020-206  (3800298-1-7/3800298-1)  ARE INTERCHANGEABLE  WITH THE INCORPORATION  OF ALLIED SIGNAL S/B  GTCP331-49-7081.  S351T020-201  (3800298-1-2)  AND S351T020-206  (3800298-1-7/3800298-1)  ARE INTERCHANGEABLE  WITH THE INCORPORATION  OF ALLIED SIGNAL S/B  GTCP331-49-7081.  S351T020-200  (3800298-1-1)  AND S351T020-206  (3800298-1-7/3800298-1)  ARE INTERCHANGEABLE  WITH THE INCORPORATION  OF ALLIED SIGNAL S/B  GTCP331-49-7081.  OPTIONAL PART:  3800298-1-7</p>		

MISSING ITEM NUMBERS NOT APPLICABLE

- ITEM NOT ILLUSTRATED

49-61-03-01

49-61-03  
FIG. 01  
PAGE 8  
SEP 20/08

BRI



757

PARTS CATALOG (MAINTENANCE)

FIG ITEM	PART NUMBER	1 2 3 4 5 6 7	NOMENCLATURE	EFFECT FROM TO	UNITS PER ASSY
1			V99193 FOR NHA/ADDITIONAL DET SEE: 49-11-01-50 49-21-00-02		
5	3876072-1	.	SENSOR-DRIVEN CPRSR INLET LCIT SUPPLIER CODE: V99193 SB DATA FROM A CMM: PRE SPB GTE0252 CONFIG CHG DATA FROM A CMM: REPLD BY 3876072-2	002004 006999	1
5	3876072-2	.	SENSOR-DRIVEN CPRSR INLET TEMP LCIT SUPPLIER CODE: V99193 SB DATA FROM A CMM: POST SPB GTE0252 CONFIG CHG DATA FROM A CMM: REPLACES 3876072-1	002004 006999	1
10	F5C1032-1	..	NUT-ALUMEL SUPPLIER CODE: V85639	002004 006999	1
15	F5C832-1	..	NUT-CHROMEL SUPPLIER CODE: V85639	002004 006999	1
20	MS21279-07	.	BOLT- OPTIONAL PART: MS9556-07	002004 006999	2
20	MS9556-07	.	BOLT- NOT APPROVED FOR ETOPS. SB DATA FROM A CMM: POST SPB GTE0293 OPTIONAL PART: MS21279-07	002004 006999	2
25	3876045-2	.	GASKET-TEMP SENSOR SUPPLIER CODE: V99193 SB DATA FROM A CMM: PRE SPB GTE0577 CONFIG CHG DATA FROM A CMM: REPLD BY 3876180-1	002004 006999	1

MISSING ITEM NUMBERS NOT APPLICABLE

- ITEM NOT ILLUSTRATED

49-61-03-01

49-61-03  
FIG. 01  
PAGE 9  
SEP 20/08

BRI



757

PARTS CATALOG (MAINTENANCE)

FIG ITEM	PART NUMBER	1 2 3 4 5 6 7	NOMENCLATURE	EFFECT FROM TO	UNITS PER ASSY
1 25	3876180-1		.GASKET-TEMP SENSOR SUPPLIER CODE: V99193 SB DATA FROM A CMM: POST SPB GTE0577 CONFIG CHG DATA FROM A CMM: REPLACES 3876045-2 (V99193)	002004 006999	1
30	TC3293-4		.TERMINAL-ALUMEL LCIT SUPPLIER CODE: V50625 SB DATA FROM A CMM: PRE SPB GTE0679 OPTIONAL PART: 1387-4 V99195 1-321898-0 V00779	002004 006999	1
30	1-321898-0		.TERMINAL-ALUMEL LCIT SUPPLIER CODE: V00779 SB DATA FROM A CMM: POST SPB GTE0679 OPTIONAL PART: 1387-4 V99195 TC3293-4 V97424	002004 006999	1
30	1387-4		.TERMINAL-ALUMEL LCIT SUPPLIER CODE: V99195 SB DATA FROM A CMM: PRE SPB GTE0679 OPTIONAL PART: 1-321898-0 V00779 TC3293-4 V97424	002004 006999	1
35	TC3293-3		.TERMINAL-CHROMEL LCIT SUPPLIER CODE: V50625 SB DATA FROM A CMM: PRE SPB GTE0679 OPTIONAL PART: 1387-3 V99195 1-321897-0 V00779	002004 006999	1

MISSING ITEM NUMBERS NOT APPLICABLE

- ITEM NOT ILLUSTRATED

49-61-03-01

49-61-03  
FIG. 01  
PAGE 10  
SEP 20/08

BRI





757

PARTS CATALOG (MAINTENANCE)

FIG ITEM	PART NUMBER	1 2 3 4 5 6 7	NOMENCLATURE	EFFECT FROM TO	UNITS PER ASSY
1					
35	1387-3		. TERMINAL-CHROMEL LCIT SUPPLIER CODE: V99195 SB DATA FROM A CMM: PRE SPB GTE0679 OPTIONAL PART: 1-321897-0 V00779 TC3293-3 V97424	002004 006999	1
35	1-321897-0		. TERMINAL-CHROMEL LCIT SUPPLIER CODE: V99195 SB DATA FROM A CMM: POST SPB GTE0679 OPTIONAL PART: 1387-3 V99195 TC3293-3 V97424 OPTIONAL SUPPLIER CODE: 99195	002004 006999	1
40	BCREF19609		. SLEEVING- OVERLENGTH PART NUMBER: M23053-5-107-9-10	002004 006999	AR
40	RT1146-1-4		. SLEEVING- SUPPLIER CODE: V08795	002004 006999	AR
50	S9046-10-9-112		. SLEEVE- SUPPLIER CODE: V99193	002004 006999	2
55	S8999		. TIE-STRAP SUPPLIER CODE: V99193	002004 006999	AR

MISSING ITEM NUMBERS NOT APPLICABLE

- ITEM NOT ILLUSTRATED

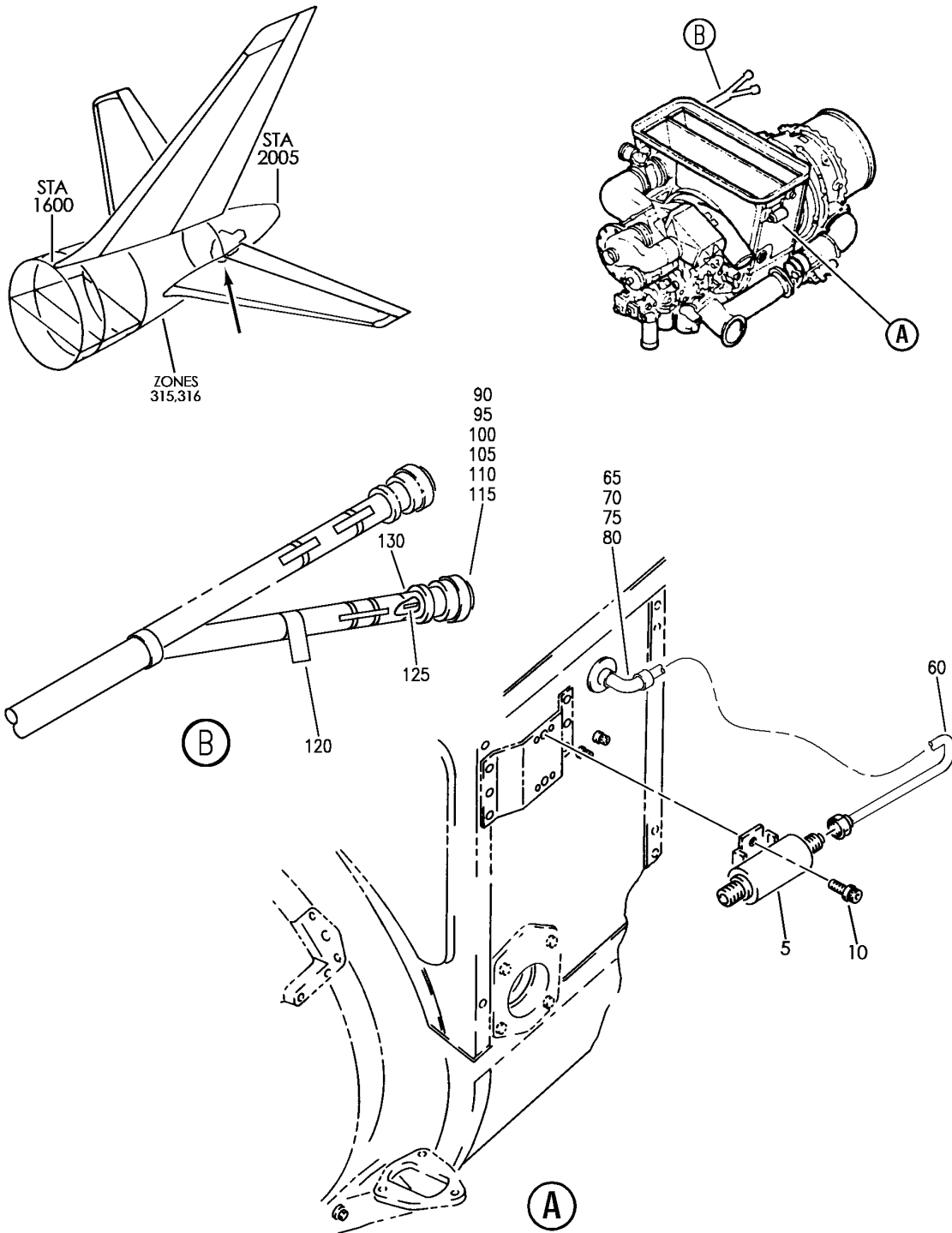
49-61-03-01

49-61-03  
FIG. 01  
PAGE 11  
SEP 20/08

BRI

BOEING PROPRIETARY - Copyright © - Unpublished Work - See title page for details.

**BOEING**  
757  
PARTS CATALOG (MAINTENANCE)



Y 49610401 REV 250

ENGINE ASSY-AUX PWR SYS (APU INLET PRESSURE SENSOR ONLY)  
FIGURE 1

**49-61-04-01**

BRI  
MAY 28/07

49-61-04-01  
PAGE 0



757

PARTS CATALOG (MAINTENANCE)

FIG ITEM	PART NUMBER	1 2 3 4 5 6 7	NOMENCLATURE	EFFECT FROM TO	UNITS PER ASSY
1			ENGINE ASSY-AUX PWR SYS (APU INLET PRESSURE SENSOR ONLY)	002004 006999	
- 1	3800298-1-2		ENGINE ASSY-GAS TURB (APU INLET PRESSURE SENSOR ONLY) GTCP331-200ER SUPPLIER CODE: V99193 SPECIFICATION NUMBER: S351T020-201 CONFIG CHG DATA FROM A CMM: REPLACES 3800298-1-1 COMPONENT MAINT MANUAL REF: 49-22-11 QUALIFIED I/W DATA: S351T020-201 (3800298-1-2) AND S351T020-205 (3800298-1-6) ARE INTERCHANGEABLE WITH THE INCORPORATION OF ALLIED SIGNAL S/B GTCP331-49-7081. S351T020-201 (3800298-1-2) AND S351T020-206 (3800298-1-7/3800298-1) ARE INTERCHANGEABLE WITH THE INCORPORATION OF ALLIED SIGNAL S/B GTCP331-49-7081. FOR NHA/ADDITIONAL DET SEE: 49-11-01-50	002004 006100 107107 121503 904999	RF

MISSING ITEM NUMBERS NOT APPLICABLE

- ITEM NOT ILLUSTRATED

49-61-04-01

49-61-04  
FIG. 01  
PAGE 1  
JAN 20/09

BRI



757

PARTS CATALOG (MAINTENANCE)

FIG ITEM	PART NUMBER	1 2 3 4 5 6 7	NOMENCLATURE	EFFECT FROM TO	UNITS PER ASSY
1 - 1	3800298-1-1		ENGINE ASSY-GAS TURB (APU INLET PRESSURE SENSOR ONLY) GTCP331-200ER SUPPLIER CODE: V99193 SPECIFICATION NUMBER: S351T020-200 COMPONENT MAINT MANUAL REF: 49-22-11 QUALIFIED I/W DATA: S351T020-200 (3800298-1-1) AND S351T020-205 (3800298-1-6) ARE INTERCHANGEABLE WITH THE INCORPORATION OF ALLIED SIGNAL S/B GTCP331-49-7081. S351T020-200 (3800298-1-1) AND S351T020-206 (3800298-1-7/3800298-1) ARE INTERCHANGEABLE WITH THE INCORPORATION OF ALLIED SIGNAL S/B GTCP331-49-7081. FOR NHA/ADDITIONAL DET SEE: 49-11-01-50	002004 006100 107107 121503 904999	RF

MISSING ITEM NUMBERS NOT APPLICABLE

- ITEM NOT ILLUSTRATED

49-61-04-01

49-61-04  
 FIG. 01  
 PAGE 2  
 JAN 20/09

BRI



757

PARTS CATALOG (MAINTENANCE)

FIG ITEM	PART NUMBER	1 2 3 4 5 6 7	NOMENCLATURE	EFFECT FROM TO	UNITS PER ASSY
1 - 1	3800298-1-3		ENGINE ASSY-GAS TURB (APU INLET PRESSURE SENSOR ONLY) GTCP331-200ER SUPPLIER CODE: V99193 SPECIFICATION NUMBER: S351T020-202 CONFIG CHG DATA FROM A CMM: REPLACES 3800298-1-2 COMPONENT MAINT MANUAL REF: 49-22-11 QUALIFIED I/W DATA: S351T020-202 (3800298-1-3) AND S351T020-205 (3800298-1-6) ARE INTERCHANGEABLE WITH THE INCORPORATION OF ALLIED SIGNAL S/B GTCP331-49-7081. S351T020-202 (3800298-1-3) AND S351T020-206 (3800298-1-7/3800298-1) ARE INTERCHANGEABLE WITH THE INCORPORATION OF ALLIED SIGNAL S/B GTCP331-49-7081. FOR NHA/OTHER SYS DET SEE: 49-11-01-50	002004 006100 107107 121503 904999	RF

MISSING ITEM NUMBERS NOT APPLICABLE

- ITEM NOT ILLUSTRATED

BRI

# 49-61-04-01

BOEING PROPRIETARY - Copyright © - Unpublished Work - See title page for details.

49-61-04  
FIG. 01  
PAGE 3  
JAN 20/09



757

PARTS CATALOG (MAINTENANCE)

FIG ITEM	PART NUMBER	1 2 3 4 5 6 7	NOMENCLATURE	EFFECT FROM TO	UNITS PER ASSY
1 - 1	3800298-1-4		ENGINE ASSY-GAS TURB (APU INLET PRESSURE SENSOR ONLY) GTCP331-200ER SUPPLIER CODE: V99193 SPECIFICATION NUMBER: S351T020-203 CONFIG CHG DATA FROM A CMM: REPLACES 3800298-1-3 COMPONENT MAINT MANUAL REF: 49-22-11 QUALIFIED I/W DATA: 3800298-1-4/S351T020-203 AND 3800298-1-6/S351T020-205 ARE INTERCHANGEABLE WITH THE INCORPORATION OF ALLIED SIGNAL S/B GTCP331-49-7081. S351T020-203 (3800298-1-4) AND S351T020-206 (3800298-1-7/3800298-1) ARE INTERCHANGEABLE WITH THE INCORPORATION OF ALLIED SIGNAL S/B GTCP331-49-7081. FOR NHA/ADDITIONAL DET SEE: 49-11-01-50	002004 006100 107107 121503 904999	RF

MISSING ITEM NUMBERS NOT APPLICABLE

- ITEM NOT ILLUSTRATED

49-61-04-01

49-61-04  
 FIG. 01  
 PAGE 4  
 JAN 20/09

BRI



757

PARTS CATALOG (MAINTENANCE)

FIG ITEM	PART NUMBER	1 2 3 4 5 6 7	NOMENCLATURE	EFFECT FROM TO	UNITS PER ASSY
1 -	1 3800298-1-5		ENGINE ASSY-GAS TURB (APU INLET PRESSURE SENSOR ONLY) GTCP331-200ER SUPPLIER CODE: V99193 SPECIFICATION NUMBER: S351T020-204 CONFIG CHG DATA FROM A CMM: REPLACES 3800298-1-4 COMPONENT MAINT MANUAL REF: 49-22-11 QUALIFIED I/W DATA: S351T020-204 (3800298-1-5) AND S351T020-205 (3800298-1-6) ARE INTERCHANGEABLE WITH THE INCORPORATION OF ALLIED SIGNAL S/B GTCP331-49-7081. S351T020-204 (3800298-1-5) AND S351T020-206 (3800298-1-7/3800298-1) ARE INTERCHANGEABLE WITH THE INCORPORATION OF ALLIED SIGNAL S/B GTCP331-49-7081. FOR NHA/ADDITIONAL DET SEE: 49-11-01-50	002004 006100 107107 121503 904999	RF
-	1 3800298-1-6		ENGINE ASSY-GAS TURB (APU INLET PRESSURE SENSOR ONLY) GTCP331-200ER SUPPLIER CODE: V99193 SPECIFICATION NUMBER: S351T020-205 CONFIG CHG DATA FROM A CMM: REPLACES 3800298-1-5 COMPONENT MAINT MANUAL REF: 49-22-11 QUALIFIED I/W DATA: S351T020-203 (3800298-1-4) AND S351T020-205 (3800298-1-6) ARE INTERCHANGEABLE WITH	002004 006999	RF

MISSING ITEM NUMBERS NOT APPLICABLE

- ITEM NOT ILLUSTRATED

49-61-04-01

49-61-04  
FIG. 01  
PAGE 5  
JAN 20/09

BRI



757

PARTS CATALOG (MAINTENANCE)

FIG ITEM	PART NUMBER	1 2 3 4 5 6 7 NOMENCLATURE	EFFECT FROM TO	UNITS PER ASSY
1		<p>THE INCORPORATION OF ALLIED SIGNAL S/B GTCP331-49-7081. S351T020-204 (3800298-1-5) AND S351T020-205 (3800298-1-6) ARE INTERCHANGEABLE WITH THE INCORPORATION OF ALLIED SIGNAL S/B GTCP331-49-7081. S351T020-202 (3800298-1-3) AND S351T020-205 (3800298-1-6) ARE INTERCHANGEABLE WITH THE INCORPORATION OF ALLIED SIGNAL S/B GTCP331-49-7081. S351T020-201 (3800298-1-2) AND S351T020-205 (3800298-1-6) ARE INTERCHANGEABLE WITH THE INCORPORATION OF ALLIED SIGNAL S/B GTCP331-49-7081. S351T020-200 (3800298-1-1) AND S351T020-205 (3800298-1-6) ARE INTERCHANGEABLE WITH THE INCORPORATION OF ALLIED SIGNAL S/B GTCP331-49-7081.</p> <p>FOR NHA/ADDITIONAL DET SEE: 49-11-01-50 49-21-00-02</p>		
-	1 3800298-1-7	<p>ENGINE ASSY-GAS TURB (APU INLET PRESSURE SENSOR ONLY) GTCP331-200ER SUPPLIER CODE: V99193 SPECIFICATION NUMBER: S351T020-206 CONFIG CHG DATA FROM A CMM: REPLACES 3800298-1-6 COMPONENT MAINT MANUAL REF:</p>	002004 006999	RF

MISSING ITEM NUMBERS NOT APPLICABLE

- ITEM NOT ILLUSTRATED

49-61-04-01

49-61-04  
FIG. 01  
PAGE 6  
SEP 20/08

BRI





757

PARTS CATALOG (MAINTENANCE)

FIG ITEM	PART NUMBER	1 2 3 4 5 6 7 NOMENCLATURE	EFFECT FROM TO	UNITS PER ASSY
1		<p>49-22-11            QUALIFIED I/W DATA:            S351T020-203            (3800298-1-4) AND            S351T020-206            (3800298-1-7/3800298-1)            ARE INTERCHANGEABLE WITH            THE INCORPORATION OF            ALLIED SIGNAL S/B            GTCP331-49-7081.            S351T020-204            (3800298-1-5) AND            S351T020-206(3800298-1-7            /3800298-1) ARE            INTERCHANGEABLE WITH THE            INCORPORATION OF ALLIED            SIGNAL S/B            GTCP331-49-7081.            S351T020-202            (3800298-1-3)            AND S351T020-206            (3800298-1-7/3800298-1)            ARE INTERCHANGEABLE            WITH THE INCORPORATION            OF ALLIED SIGNAL S/B            GTCP331-49-7081.            S351T020-201            (3800298-1-2)            AND S351T020-206            (3800298-1-7/3800298-1)            ARE INTERCHANGEABLE            WITH THE INCORPORATION            OF ALLIED SIGNAL S/B            GTCP331-49-7081.            S351T020-200            (3800298-1-1)            AND S351T020-206            (3800298-1-7/3800298-1)            ARE INTERCHANGEABLE            WITH THE INCORPORATION            OF ALLIED SIGNAL S/B            GTCP331-49-7081.            OPTIONAL PART:            3800298-1            V99193            FOR NHA/ADDITIONAL DET SEE:            49-11-01-50            49-21-00-02</p>		
-	1 3800298-1	ENGINE ASSY-GAS TURB	002004	RF

MISSING ITEM NUMBERS NOT APPLICABLE

- ITEM NOT ILLUSTRATED

49-61-04-01

BRI

BOEING PROPRIETARY - Copyright © - Unpublished Work - See title page for details.

49-61-04  
 FIG. 01  
 PAGE 7  
 SEP 20/08



757

PARTS CATALOG (MAINTENANCE)

FIG ITEM	PART NUMBER	1 2 3 4 5 6 7 NOMENCLATURE	EFFECT FROM TO	UNITS PER ASSY
1		<p>(APU INLET PRESSURE SENSOR ONLY) GTCP331-200ER SUPPLIER CODE: V99193 SPECIFICATION NUMBER: S351T020-206 COMPONENT MAINT MANUAL REF: 49-22-11 QUALIFIED I/W DATA: S351T020-203 (3800298-1-4) AND S351T020-206 (3800298-1-7/3800298-1) ARE INTERCHANGEABLE WITH THE INCORPORATION OF ALLIED SIGNAL S/B GTCP331-49-7081. 351T020-204(3800298-1-5) AND S351T020-206 (3800298-1-7/380028-1) ARE INTERCHANGEABLE WITH THE INCORPORATION OF ALLIED SIGNAL S/B GTCP331-49-7081. S351T020-202 (3800298-1-3) AND S351T020-206 (3800298-1-7/3800298-1) ARE INTERCHANGEABLE WITH THE INCORPORATION OF ALLIED SIGNAL S/B GTCP331-49-7081. S351T020-201 (3800298-1-2) AND S351T020-206 (3800298-1-7/3800298-1) ARE INTERCHANGEABLE WITH THE INCORPORATION OF ALLIED SIGNAL S/B GTCP331-49-7081. S351T020-200 (3800298-1-1) AND S351T020-206 (3800298-1-7/3800298-1) ARE INTERCHANGEABLE WITH THE INCORPORATION OF ALLIED SIGNAL S/B GTCP331-49-7081.</p>	006999	

MISSING ITEM NUMBERS NOT APPLICABLE

- ITEM NOT ILLUSTRATED

49-61-04-01

49-61-04  
FIG. 01  
PAGE 8  
SEP 20/08

BRI



757

PARTS CATALOG (MAINTENANCE)

FIG ITEM	PART NUMBER	1 2 3 4 5 6 7	NOMENCLATURE	EFFECT FROM TO	UNITS PER ASSY
1			OPTIONAL PART: 3800298-1-7 V99193 FOR NHA/ADDITIONAL DET SEE: 49-11-01-50 49-21-00-02		
5	3876035-4		.SENSOR-CPRSR INLET PRESSURE SUPPLIER CODE: V99193 SB DATA FROM A CMM: PRE 49-6747 CONFIG CHG DATA FROM A CMM: REPLD BY 3876035-5	002004 006999	1
5	3876035-5		.SENSOR-CPRSR INLET PRESSURE SUPPLIER CODE: V99193 SB DATA FROM A CMM: POST 49-6747 CONFIG CHG DATA FROM A CMM: REPLS 3876035-4	002004 006999	1
10	MS21279-05		ATTACHING PARTS .BOLT- OPTIONAL PART: MS9556-05	002004 006999	2
10	MS9556-05		.BOLT- SB DATA FROM A CMM: POST SPB GTE0293 OPTIONAL PART: MS21279-05	002004 006999	2
60	3884433-1		-----*----- .TUBE-CPRSR INLET SUPPLIER CODE: V99193	002004 006999	1
65	MS21908J3		.ELBOW	002004 006999	1
70	AN6289J3		.NUT	002004 006999	1
75	MS28773-03		.RETAINER	002004 006999	1
80	MS9385-03		.PACKING- OPTIONAL PART: S8990-603 V99193	002004 006999	1

MISSING ITEM NUMBERS NOT APPLICABLE

- ITEM NOT ILLUSTRATED

49-61-04-01

49-61-04  
FIG. 01  
PAGE 9  
SEP 20/08

BRI



757

PARTS CATALOG (MAINTENANCE)

FIG ITEM	PART NUMBER	1 2 3 4 5 6 7	NOMENCLATURE	EFFECT FROM TO	UNITS PER ASSY
1 80	S8990-603		.PACKING- SUPPLIER CODE: V99193 OPTIONAL PART: MS9385-03	002004 006999	1
- 85	3888123-4		.WIRING HARNESS ASSY- SUPPLIER CODE: V99193 SB DATA FROM A CMM: POST 49-5533 PRE 49-5794	002004 006102 107999	RF
- 85	3888123-5		.WIRING HARNESS ASSY- SUPPLIER CODE: V99193 USED ON: 3800298-1-1 3800298-1-2 3800298-1-3 3800298-1-4 3800298-1-5 3800298-1-6 3800298-1-7 3800298-1	002004 006999	RF
- 85	3888123-6		.WIRING HARNESS ASSY- SUPPLIER CODE: V99193 SB DATA FROM A CMM: POST 49-5794 PRE 49-5840/49-7403 CONFIG CHG DATA FROM A CMM: REPLD BY 3888123-8 REWORKED FROM 3888123-4 QUALIFIED SB I/W DATA: 3617394-1 USED WITH 3888123-8 OR 3888123-9 OPT TO 3617394-1 USED WITH 3888123-6 OR 3888123-7 AND 3888450-1 OPT TO 3614759-1 USED WITH 3888123-8 OR 3888123-9 OPT TO 3617459-1 USED WITH 3888123-6 OR 3888123-7 AND 3888450-1	002004 006102 107999	RF

MISSING ITEM NUMBERS NOT APPLICABLE

- ITEM NOT ILLUSTRATED

49-61-04-01

49-61-04  
FIG. 01  
PAGE 10  
JAN 20/09

BRI



757

PARTS CATALOG (MAINTENANCE)

FIG ITEM	PART NUMBER	1 2 3 4 5 6 7	NOMENCLATURE	EFFECT FROM TO	UNITS PER ASSY
1 - 85	3888123-7		.WIRING HARNESS ASSY- SUPPLIER CODE: V99193 SB DATA FROM A CMM: POST 49-5840 PRE 49-7403 CONFIG CHG DATA FROM A CMM: REPLD BY 3888123-9 QUALIFIED SB I/W DATA: 3617394-1 USED WITH 3888123-8 OR 3888123-9 OPT TO 3617394-1 USED WITH 3888123-6 OR 3888123-7 AND 3888450-1 OPT TO 3614759-1 USED WITH 3888123-8 OR 3888123-9 OPT TO 3617459-1 USED WITH 3888123-6 OR 3888123-7 AND 3888450-1	002004 006102 107999	RF
- 85	3888123-8		.WIRING HARNESS ASSY- SUPPLIER CODE: V99193 SB DATA FROM A CMM: POST 49-7391/49-7403 CONFIG CHG DATA FROM A CMM: REPLACES 3888123-6 REPLD BY 3888465-1 QUALIFIED SB I/W DATA: 3617394-1 USED WITH 3888123-8 OR 3888123-9 OPT TO 3617394-1 USED WITH 3888123-6 OR 3888123-7 AND 3888450-1 OPT TO 3614759-1 USED WITH 3888123-8 OR 3888123-9 OPT TO 3617459-1 USED WITH 3888123-6 OR 3888123-7 AND 3888450-1	002004 006999	RF

MISSING ITEM NUMBERS NOT APPLICABLE

- ITEM NOT ILLUSTRATED

49-61-04-01

49-61-04  
FIG. 01  
PAGE 11  
JAN 20/09

BRI



757

PARTS CATALOG (MAINTENANCE)

FIG ITEM	PART NUMBER	1 2 3 4 5 6 7	NOMENCLATURE	EFFECT FROM TO	UNITS PER ASSY
1 - 85	3888123-9		.WIRING HARNESS ASSY- SUPPLIER CODE: V99193 SB DATA FROM A CMM: POST 49-7403 CONFIG CHG DATA FROM A CMM: REPLACES 3888123-7 REPLD BY 3888465-1 QUALIFIED SB I/W DATA: 3617394-1 USED WITH 3888123-8 OR 3888123-9 OPT TO 3617394-1 USED WITH 3888123-6 OR 3888123-7 AND 3888450-1 OPT TO 3614759-1 USED WITH 3888123-8 OR 3888123-9 OPT TO 3617459-1 USED WITH 3888123-6 OR 3888123-7 AND 3888450-1 POST SERVICE BULLETIN: GTCP331-49-7403 V99193 GTCP331-49-7391R1 V99193	002004 006999	RF
- 85	3888465-1		.WIRING HARNESS ASSY- SUPPLIER CODE: V99193 SB DATA FROM A CMM: POST 49-7618 CONFIG CHG DATA FROM A CMM: REPLS 3888123-8 REPLS 3888123-9	002004 006999	RF
90	MT37K2842P		..CONNECTOR-P2 SUPPLIER CODE: V14283 OPTIONAL PART: BTK1228-42PD V49367	002004 006999	1
90	BTK1228-42PD		..CONNECTOR-P2 SUPPLIER CODE: V49367 OPTIONAL PART: MT37K2842P V14283	002004 006999	1

MISSING ITEM NUMBERS NOT APPLICABLE

- ITEM NOT ILLUSTRATED

49-61-04-01

49-61-04  
FIG. 01  
PAGE 12  
SEP 20/08

BRI



757

PARTS CATALOG (MAINTENANCE)

FIG ITEM	PART NUMBER	1 2 3 4 5 6 7	NOMENCLATURE	EFFECT FROM TO	UNITS PER ASSY
1					
95	620AS028M28	..	CLAMP- SUPPLIER CODE: V06324 OPTIONAL PART: 620AS039M28 V06324	002004 006999	1
95	620AS039M28	..	CLAMP- SUPPLIER CODE: V06324 OPTIONAL PART: 620AS028M28 V06324	002004 006999	1
100	10-230935-232	..	GROMMET-RUBBER SUPPLIER CODE: V77820	002004 006999	1
105	5000-070-216	..	CONTACT-CHROMEL SUPPLIER CODE: V14283	002004 006999	1
110	5000-070-116	..	CONTACT-ALUMEL SUPPLIER CODE: V14283	002004 006999	1
115	S9851-015-100	..	TAPE-ELECT INSULATION SUPPLIER CODE: V99193	002004 006999	AR
120	MS3368-1-9B	..	STRAP-IDENT	002004 006999	1
125	34138	..	SPLICE- SUPPLIER CODE: V00779	002004 006999	2
130	M22759-8-18-8	..	WIRE-ELEC OPTIONAL PART: 18699-69A1 V92607 75908E18 V12515 18AF2XTN1930 V12814 11-00821 V05973 BATATE1930NICE V90484	002004 006999	AR

MISSING ITEM NUMBERS NOT APPLICABLE

- ITEM NOT ILLUSTRATED

49-61-04-01

49-61-04  
FIG. 01  
PAGE 13  
SEP 20/08

BRI

BOEING PROPRIETARY - Copyright © - Unpublished Work - See title page for details.



757

PARTS CATALOG (MAINTENANCE)

FIG ITEM	PART NUMBER	1 2 3 4 5 6 7	NOMENCLATURE	EFFECT FROM TO	UNITS PER ASSY
1 130	18699-69A1		.. WIRE-ELEC SUPPLIER CODE: V92607 OPTIONAL PART: M22759-8-18-8 75908E18 V12515 18AF2XTN1930 V12814 11-00821 V05973 BATATE1930NICE V90484	002004 006999	AR
130	75908E18		.. WIRE-ELEC SUPPLIER CODE: V12515 OPTIONAL PART: M22759-8-18-8 18699-69A1 V92607 18AF2XTN1930 V12814 11-00821 V05973 BATATE1930NICE V90484	002004 006999	AR
130	18AF2XTN1930		.. WIRE-ELEC SUPPLIER CODE: V12814 OPTIONAL PART: M22759-8-18-8 18699-69A1 V92607 75908E18 V12515 11-00821 V05973 BATATE1930NICE V90484	002004 006999	AR

MISSING ITEM NUMBERS NOT APPLICABLE

- ITEM NOT ILLUSTRATED

BRI

49-61-04-01

BOEING PROPRIETARY - Copyright © - Unpublished Work - See title page for details.

49-61-04  
FIG. 01  
PAGE 14  
SEP 20/08





757

PARTS CATALOG (MAINTENANCE)

FIG ITEM	PART NUMBER	1 2 3 4 5 6 7	NOMENCLATURE	EFFECT FROM TO	UNITS PER ASSY
1 130	11-00821		.. WIRE-ELEC SUPPLIER CODE: V05973 OPTIONAL PART: M22759-8-18-8 18699-69A1 V92607 75908E18 V12515 18AF2XTN1930 V12814 BATATE1930NICE V90484	002004 006999	AR
130	BATATE1930NICE		.. WIRE-ELEC SUPPLIER CODE: V90484 OPTIONAL PART: M22759-8-18-8 75908E18 V12515 11-00821 V05973 18699-69A1 V92607 18AF2XTN1930 V12814	002004 006999	AR

MISSING ITEM NUMBERS NOT APPLICABLE

- ITEM NOT ILLUSTRATED

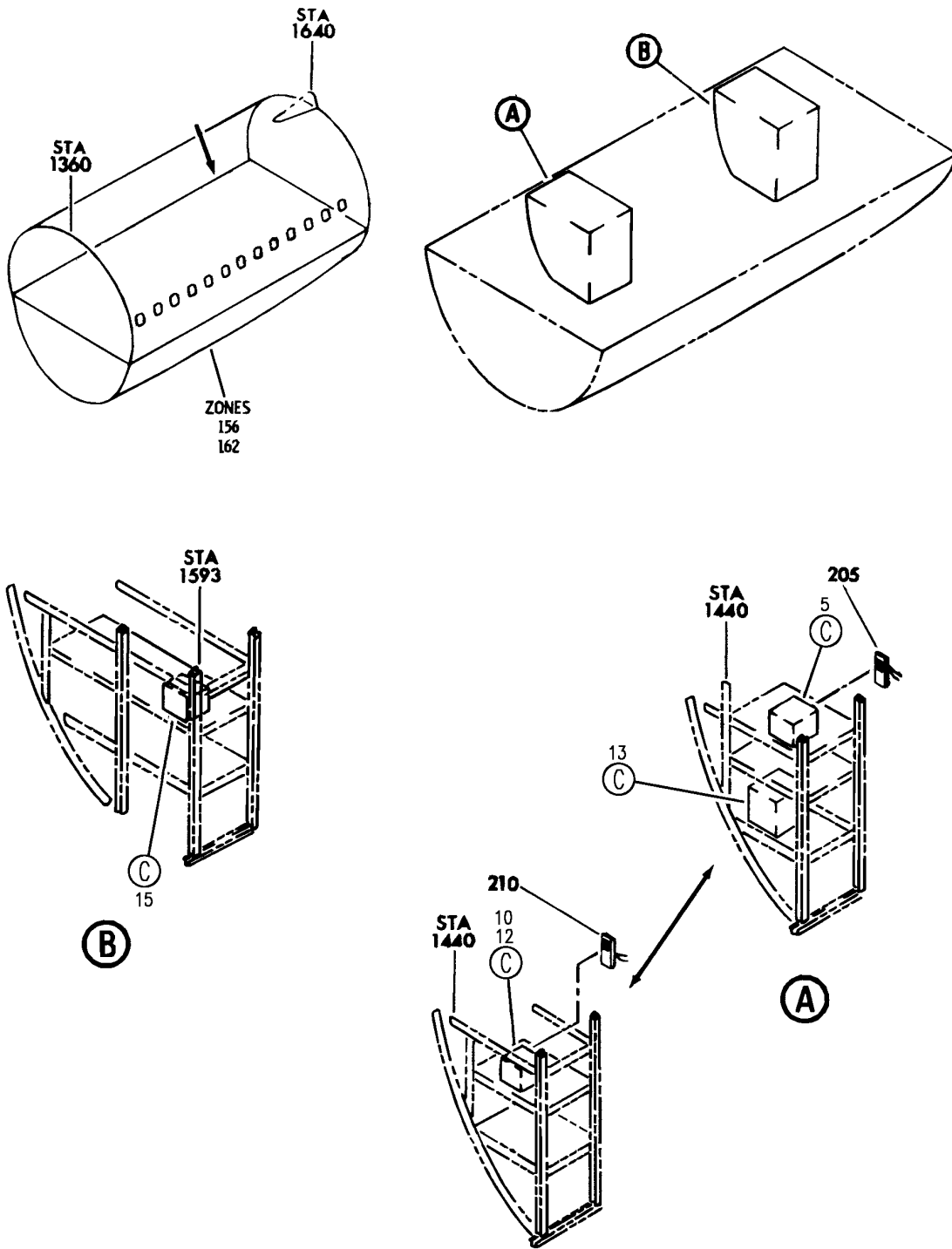
BRI

49-61-04-01

BOEING PROPRIETARY - Copyright © - Unpublished Work - See title page for details.

49-61-04  
FIG. 01  
PAGE 15  
SEP 20/08


**BOEING**  
 757  
**PARTS CATALOG (MAINTENANCE)**



Y 49610501 SH1 1 REV 274

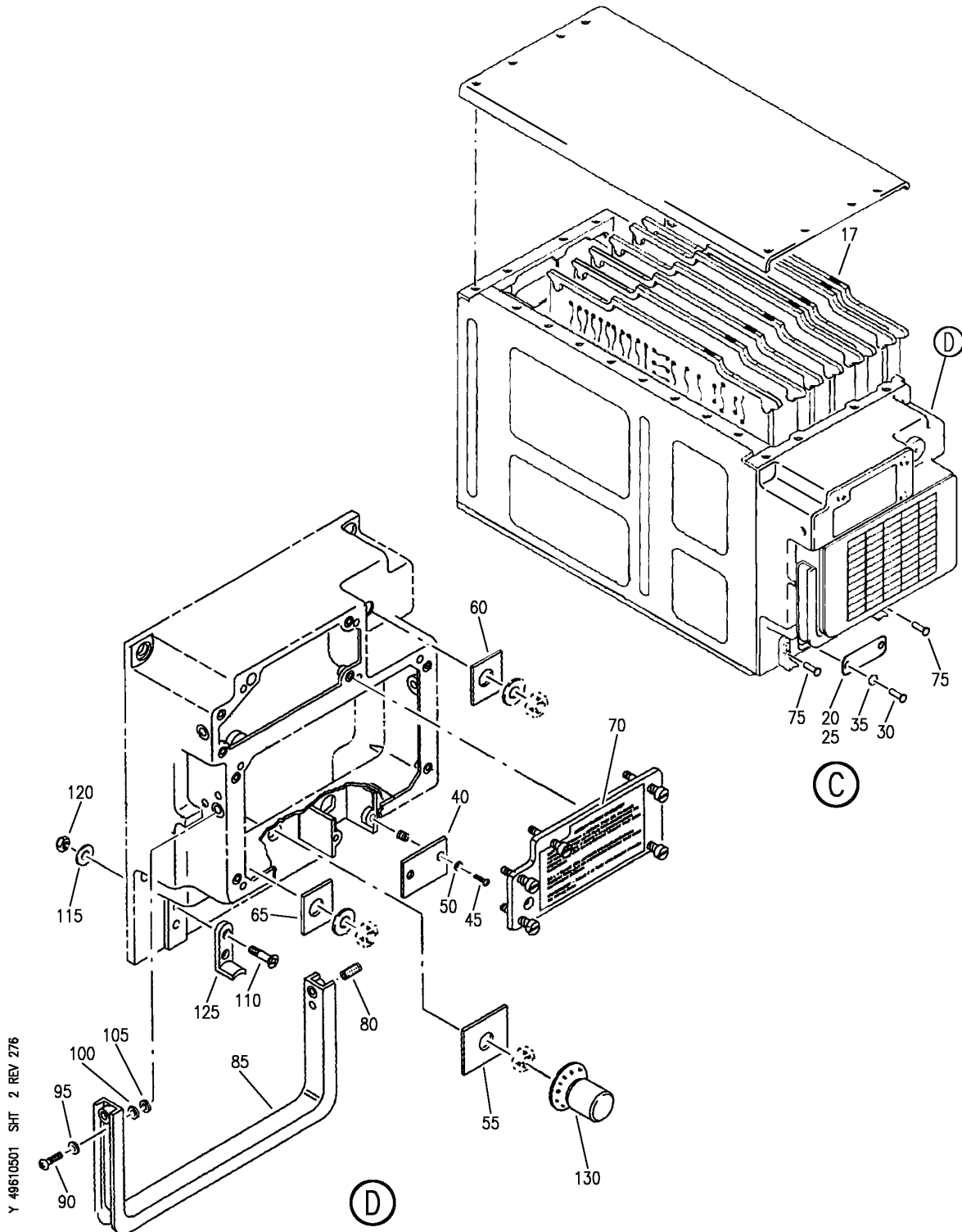
EQUIPMENT INSTL-E6 AFT EQPT CTR (AIRBORNE AUXILIARY POWER ONLY)  
 FIGURE 1 (SHEET 1)

BRI  
 MAY 28/07

# 49-61-05-01

49-61-05-01  
 PAGE 0

**BOEING**  
757  
PARTS CATALOG (MAINTENANCE)



EQUIPMENT INSTL-E6 AFT EQPT CTR (AIRBORNE AUXILIARY POWER ONLY)  
FIGURE 1 (SHEET 2)

**49-61-05-01**

BRI  
MAY 28/07

49-61-05-01  
PAGE 0A



757

PARTS CATALOG (MAINTENANCE)

FIG ITEM	PART NUMBER	1 2 3 4 5 6 7	NOMENCLATURE	EFFECT FROM TO	UNITS PER ASSY
1			EQUIPMENT INSTL-E6 AFT EQPT CTR (AIRBORNE AUXILIARY POWER ONLY)	002004 006102 107107 121999	
- 1	284N1500-1		EQUIPMENT INSTL-E6 EQPT CTR (AIRBORNE AUXILIARY POWER ONLY) POSITION DATA: AFT VARIABLE DRAWING REF: 284N1500-5012 284N1500-5032 284N1500-5034 284N1500-5036 FOR NHA/OTHER SYS DET SEE: 24-00-58-01	002004 006100 107107 950999	RF
- 2	284N1686-3		EQUIPMENT INSTL-E6 EQPT CTR (AIRBORNE AUXILIARY POWER ONLY) POSITION DATA: AFT FOR NHA/OTHER SYS DET SEE: 24-00-58-01	121503 904949	RF
- 2	284N1500-21		EQUIPMENT INSTL-E6 EQPT CTR (AIRBORNE AUXILIARY POWER ONLY) POSITION DATA: AFT FOR NHA/OTHER SYS DET SEE: 24-00-58-05D	101102	RF
- 3	284N1500-25		EQUIPMENT INSTL-E6 EQPT CTR (AIRBORNE AUXILIARY POWER ONLY) POSITION DATA: AFT FOR NHA/OTHER SYS DET SEE: 24-00-58-05D	504903	RF

MISSING ITEM NUMBERS NOT APPLICABLE

- ITEM NOT ILLUSTRATED

49-61-05-01

49-61-05  
FIG. 01  
PAGE 1  
JAN 20/09

BRI

 **BOEING**  
757  
**PARTS CATALOG (MAINTENANCE)**

FIG ITEM	PART NUMBER	1 2 3 4 5 6 7	NOMENCLATURE	EFFECT FROM TO	UNITS PER ASSY
1 10	2117342-9		.CONTROL UNIT- SUPPLIER CODE: V64547 SPECIFICATION NUMBER: S351T020-12 NOT APPROVED FOR ETOPS. SB DATA FROM A CMM: PRE 2117342-49-2159R1 PRE 49-2150 MISCELLANEOUS DATA: USE OF THIS PART NEGATES THE INTENT OF SB 49-0010 AND GARRETT SB 2117342-49-2169 ELECTRICAL EQUIP NUMBER: M00206 COMPONENT MAINT MANUAL REF: 49-61-26 OPTIONAL PART: 2117342-10 V70210 2117342-11 V70210	002004 006100 107107 950999	1
10	2117342-10		.CONTROL UNIT- SUPPLIER CODE: V64547 SPECIFICATION NUMBER: S351T020-14 NOT APPROVED FOR ETOPS AFTER INCORP OF SB: 2117342-49-2195 SB DATA FROM A CMM: PRE 2117342-49-2148 PRE 2117342-49-2159R1 PRE 49-2150 MISCELLANEOUS DATA: USE OF THIS PART NEGATES THE INTENT OF SB 49-0010 AND GARRETT SB 2117342-49-2169 ELECTRICAL EQUIP NUMBER: M00206 COMPONENT MAINT MANUAL REF: 49-61-26 OPTIONAL PART: 2117342-11 V70210 2117342-9 V64547	002004 006100 107107 950999	1

MISSING ITEM NUMBERS NOT APPLICABLE

— ITEM NOT ILLUSTRATED

BRI

# 49-61-05-01

BOEING PROPRIETARY - Copyright © - Unpublished Work - See title page for details.

49-61-05  
FIG. 01  
PAGE 2  
JAN 20/09



757

PARTS CATALOG (MAINTENANCE)

FIG ITEM	PART NUMBER	1 2 3 4 5 6 7	NOMENCLATURE	EFFECT FROM TO	UNITS PER ASSY
1 10	2117342-18		.CONTROL UNIT- SUPPLIER CODE: V64547 SPECIFICATION NUMBER: S351T020-18 SB DATA FROM A CMM: PRE 2117342-49-2364R2 PRE 49-4116 PRE 49-2220R4 POST 49-2197R1 ELECTRICAL EQUIP NUMBER: M00206 COMPONENT MAINT MANUAL REF: 49-61-26 POST SERVICE BULLETIN: 2117342-49-2195 V70210	101102 504903	1
10	2117342-11		.CONTROL UNIT- SUPPLIER CODE: V64547 SPECIFICATION NUMBER: S351T020-16 NOT APPROVED FOR ETOPS. SB DATA FROM A CMM: POST 2117342-49-2159R1 PRE 2117342-49-2159R MISCELLANEOUS DATA: USE OF THIS PART NEGATES THE INTENT OF SB 49-0010 AND GARRETT SB 2117342-49-2169 ELECTRICAL EQUIP NUMBER: M00206 COMPONENT MAINT MANUAL REF: 49-61-26 OPTIONAL PART: 2117342-10 V70210 2117342-9 V64547	101102 504903	1

MISSING ITEM NUMBERS NOT APPLICABLE

- ITEM NOT ILLUSTRATED

49-61-05-01

49-61-05  
FIG. 01  
PAGE 3  
JAN 20/09

BRI



757

PARTS CATALOG (MAINTENANCE)

FIG ITEM	PART NUMBER	1 2 3 4 5 6 7	NOMENCLATURE	EFFECT FROM TO	UNITS PER ASSY
1 10	2117342-8		.CONTROL UNIT- SUPPLIER CODE: V64547 SPECIFICATION NUMBER: S351T020-10 NOT APPROVED FOR ETOPS. SB DATA FROM A CMM: PRE 2117342-49-2148 MISCELLANEOUS DATA: USE OF THIS PART NEGATES THE INTENT OF SB 49-0010 AND GARRETT SB 2117342-49-2169 ELECTRICAL EQUIP NUMBER: M00206 COMPONENT MAINT MANUAL REF: 49-61-26	002004 006100 107107 950999	1
10	2117342-17		.CONTROL UNIT- SUPPLIER CODE: V64547 SPECIFICATION NUMBER: S351T020-17 NOT APPROVED FOR ETOPS. ELECTRICAL EQUIP NUMBER: M00206 COMPONENT MAINT MANUAL REF: 49-61-26 POST SERVICE BULLETIN: 49-0010 POST SERVICE BULLETIN: 2117342-49-2169 V70210	101102 504903	1

MISSING ITEM NUMBERS NOT APPLICABLE

- ITEM NOT ILLUSTRATED

49-61-05-01

49-61-05  
FIG. 01  
PAGE 4  
JAN 20/09

BRI



757

PARTS CATALOG (MAINTENANCE)

FIG ITEM	PART NUMBER	1 2 3 4 5 6 7	NOMENCLATURE	EFFECT FROM TO	UNITS PER ASSY
1 10	2117342-19		.CONTROL UNIT- SUPPLIER CODE: V64547 SPECIFICATION NUMBER: S351T020-19 SB DATA FROM A CMM: POST 2117342-49-2364R2 PRE 2117342-49-2367R2 POST 49-2220R4 MISCELLANEOUS DATA: (UPON REPLACING 2117342-18 W/ S351T020-19 INSTALL NEW BITE INSTRUCTION PLACARD BAC27TAP45.) ELECTRICAL EQUIP NUMBER: M00206 COMPONENT MAINT MANUAL REF: 49-61-26 POST SERVICE BULLETIN: 2117342-49-2220 V70210 GTCP331-49-7079 V99193 POST SERVICE LETTER: 49-011	101102 504903	1
10	2117342-20		.CONTROL UNIT- SUPPLIER CODE: V64547 SPECIFICATION NUMBER: S351T020-20 SB DATA FROM A CMM: POST 2117342-49-2367R1 POST 49-4116 ELECTRICAL EQUIP NUMBER: M00206 COMPONENT MAINT MANUAL REF: 49-61-26	101102 504903	1

MISSING ITEM NUMBERS NOT APPLICABLE

- ITEM NOT ILLUSTRATED

49-61-05-01

49-61-05  
FIG. 01  
PAGE 5  
JAN 20/09

BRI





757

PARTS CATALOG (MAINTENANCE)

FIG ITEM	PART NUMBER	1 2 3 4 5 6 7	NOMENCLATURE	EFFECT FROM TO	UNITS PER ASSY
1 12	2117342-11	.	CONTROL UNIT- SUPPLIER CODE: V64547 SPECIFICATION NUMBER: S351T020-16 NOT APPROVED FOR ETOPS. SB DATA FROM A CMM: POST 2117342-49-2150 POST 2117342-49-2159R1 PRE 2117342-49-2148 PRE 2117342-49-2159R ELECTRICAL EQUIP NUMBER: M00206 COMPONENT MAINT MANUAL REF: 49-61-26	002004 006100 107107 950999	1
12	2117342-17	.	CONTROL UNIT- SUPPLIER CODE: V64547 SPECIFICATION NUMBER: S351T020-17 NOT APPROVED FOR ETOPS. ELECTRICAL EQUIP NUMBER: M00206 COMPONENT MAINT MANUAL REF: 49-61-26	002004 006100 107107 950999	1
12	2117342-18	.	CONTROL UNIT- SUPPLIER CODE: V64547 SPECIFICATION NUMBER: S351T020-18 SB DATA FROM A CMM: POST 49-2197R1 PRE 49-4116 PRE 49-2220R4 PRE 49-2364R2 ELECTRICAL EQUIP NUMBER: M00206 COMPONENT MAINT MANUAL REF: 49-61-26	002004 006100 107107 950999	1

MISSING ITEM NUMBERS NOT APPLICABLE

- ITEM NOT ILLUSTRATED

49-61-05-01

49-61-05  
FIG. 01  
PAGE 6  
JAN 20/09

BRI



757

PARTS CATALOG (MAINTENANCE)

FIG ITEM	PART NUMBER	1 2 3 4 5 6 7	NOMENCLATURE	EFFECT FROM TO	UNITS PER ASSY
1	12 2117342-19		.CONTROL UNIT- SUPPLIER CODE: V64547 SPECIFICATION NUMBER: S351T020-19 SB DATA FROM A CMM: POST 2117342-49-2364R2 POST 49-2220R4 PRE 2117342-49-2367R2 MISCELLANEOUS DATA: (UPON REPLACING 2117342-18 W/ S351T020-19 INSTALL NEW BITE INSTRUCTION PLACARD BAC27TAP45.) ELECTRICAL EQUIP NUMBER: M00206 COMPONENT MAINT MANUAL REF: 49-61-26	002004 006100 107107 950999	1
	12 2117342-20		.CONTROL UNIT- SUPPLIER CODE: V64547 SPECIFICATION NUMBER: S351T020-20 SB DATA FROM A CMM: POST 2117342-49-2367R1 POST 49-4116 ELECTRICAL EQUIP NUMBER: M00206 COMPONENT MAINT MANUAL REF: 49-61-26	002004 006100 107107 950999	1
	13 2117342-19		.CONTROL UNIT- SUPPLIER CODE: V64547 SPECIFICATION NUMBER: S351T020-19 SB DATA FROM A CMM: POST 2117342-49-2364R2 POST 2117342-49-2220R4 PRE 2117342-49-2367R2 ELECTRICAL EQUIP NUMBER: M00206 COMPONENT MAINT MANUAL REF: 49-61-26	002004 006102 107107 121999	1

MISSING ITEM NUMBERS NOT APPLICABLE

- ITEM NOT ILLUSTRATED

49-61-05-01

49-61-05  
FIG. 01  
PAGE 7  
JAN 20/09

BRI



757

PARTS CATALOG (MAINTENANCE)

FIG ITEM	PART NUMBER	1 2 3 4 5 6 7	NOMENCLATURE	EFFECT FROM TO	UNITS PER ASSY
1 13	2117342-20		.CONTROL UNIT- SUPPLIER CODE: V64547 SPECIFICATION NUMBER: S351T020-20 SB DATA FROM A CMM: POST 2117342-49-2367R1 POST 49-4116 ELECTRICAL EQUIP NUMBER: M00206 COMPONENT MAINT MANUAL REF: 49-61-26	002004 006102 107107 121999	1
13	2117342-11		.CONTROL UNIT- SUPPLIER CODE: V64547 SPECIFICATION NUMBER: S351T020-16 NOT APPROVED FOR ETOPS. SB DATA FROM A CMM: POST 2117342-49-2150 POST 2117342-49-2159R1 PRE 2117342-49-2148 PRE 2117342-49-2159R PRE 2117342-49-2195 ELECTRICAL EQUIP NUMBER: M00206 COMPONENT MAINT MANUAL REF: 49-61-26	002004 006102 107107 121999	1
13	2117342-17		.CONTROL UNIT- SUPPLIER CODE: V64547 SPECIFICATION NUMBER: S351T020-17 NOT APPROVED FOR ETOPS. SB DATA FROM A CMM: POST 2117342-49-2169 PRE 2117342-49-2195 ELECTRICAL EQUIP NUMBER: M00206 COMPONENT MAINT MANUAL REF: 49-61-26	002004 006102 107107 121999	1

MISSING ITEM NUMBERS NOT APPLICABLE

- ITEM NOT ILLUSTRATED

49-61-05-01

49-61-05  
FIG. 01  
PAGE 8  
JAN 20/09

BRI



757

PARTS CATALOG (MAINTENANCE)

FIG ITEM	PART NUMBER	1 2 3 4 5 6 7	NOMENCLATURE	EFFECT FROM TO	UNITS PER ASSY
1 13	2117342-18		.CONTROL UNIT- SUPPLIER CODE: V64547 SPECIFICATION NUMBER: S351T020-18 SB DATA FROM A CMM: POST 2117342-49-2195 PRE 2117342-49-2220R4 PRE 2117342-49-2364R2 ELECTRICAL EQUIP NUMBER: M00206 COMPONENT MAINT MANUAL REF: 49-61-26	002004 006102 107107 121999	1
15	2117342-9		.CONTROL UNIT- SUPPLIER CODE: V64547 SPECIFICATION NUMBER: S351T020-12 NOT APPROVED FOR ETOPS. SB DATA FROM A CMM: POST 2117342-49-2128 PRE 2117342-49-2141 PRE 2117342-49-2148 PRE 2117342-49-2159R1 ELECTRICAL EQUIP NUMBER: M00206 COMPONENT MAINT MANUAL REF: 49-61-26	121503 904949	1
15	2117342-10		.CONTROL UNIT- SUPPLIER CODE: V64547 SPECIFICATION NUMBER: S351T020-14 NOT APPROVED FOR ETOPS AFTER INCORP OF SB: 2117342-49-2195 SB DATA FROM A CMM: PRE 2117342-49-2148 PRE 2117342-49-2159R1 POST 49-2141 ELECTRICAL EQUIP NUMBER: M00206 COMPONENT MAINT MANUAL REF: 49-61-26 OPTIONAL PART: 2117342-11 V70210	121503 904949	1

MISSING ITEM NUMBERS NOT APPLICABLE

- ITEM NOT ILLUSTRATED

49-61-05-01

49-61-05  
FIG. 01  
PAGE 9  
JAN 20/09

BRI

 **BOEING**  
757  
**PARTS CATALOG (MAINTENANCE)**

FIG ITEM	PART NUMBER	1 2 3 4 5 6 7	NOMENCLATURE	EFFECT FROM TO	UNITS PER ASSY
1 15	2117342-19		.CONTROL UNIT- SUPPLIER CODE: V64547 SPECIFICATION NUMBER: S351T020-19 SB DATA FROM A CMM: POST 2117342-49-2364R2 POST 49-2220R4 PRE 2117342-49-2367R2 MISCELLANEOUS DATA: (UPON REPLACING 2117342-18 W/ S351T020-19 INSTALL NEW BITE INSTRUCTION PLACARD BAC27TAP45.) ELECTRICAL EQUIP NUMBER: M00206 COMPONENT MAINT MANUAL REF: 49-61-26 POST SERVICE BULLETIN: 2117342-49-2220 V70210 GTCP331-49-7079 V99193 POST SERVICE LETTER: 49-011	107107 121503 904949	1
15	2117342-11		.CONTROL UNIT- SUPPLIER CODE: V64547 SPECIFICATION NUMBER: S351T020-16 NOT APPROVED FOR ETOPS. SB DATA FROM A CMM: POST 2117342-49-2159R1 PRE 2117342-49-2148 PRE 49-2159R MISCELLANEOUS DATA: USE OF THIS PART NEGATES THE INTENT OF SB 49-0010 AND GARRETT SB 2117342-49-2169 ELECTRICAL EQUIP NUMBER: M00206 COMPONENT MAINT MANUAL REF: 49-61-26	107107 121503 904949	1

MISSING ITEM NUMBERS NOT APPLICABLE

— ITEM NOT ILLUSTRATED

BRI

# 49-61-05-01

BOEING PROPRIETARY - Copyright © - Unpublished Work - See title page for details.

49-61-05  
FIG. 01  
PAGE 10  
JAN 20/09



757

PARTS CATALOG (MAINTENANCE)

FIG ITEM	PART NUMBER	1 2 3 4 5 6 7	NOMENCLATURE	EFFECT FROM TO	UNITS PER ASSY
1 15	2117342-17		.CONTROL UNIT- SUPPLIER CODE: V64547 SPECIFICATION NUMBER: S351T020-17 NOT APPROVED FOR ETOPS. ELECTRICAL EQUIP NUMBER: M00206 COMPONENT MAINT MANUAL REF: 49-61-26 POST SERVICE BULLETIN: 49-0010 POST SERVICE BULLETIN: 2117342-49-2169 V70210	107107 121503 904949	1
15	2117342-8		.CONTROL UNIT- SUPPLIER CODE: V64547 SPECIFICATION NUMBER: S351T020-10 NOT APPROVED FOR ETOPS. SB DATA FROM A CMM: PRE 2117342-49-2148 PRE 2117342-49-2128 ELECTRICAL EQUIP NUMBER: M00206 COMPONENT MAINT MANUAL REF: 49-61-26	121503 904949	1
15	2117342-18		.CONTROL UNIT- SUPPLIER CODE: V64547 SPECIFICATION NUMBER: S351T020-18 SB DATA FROM A CMM: PRE 49-4116 PRE 49-2220R4 PRE 49-2364R2 ELECTRICAL EQUIP NUMBER: M00206 COMPONENT MAINT MANUAL REF: 49-61-26	107107 121503 904949	1

MISSING ITEM NUMBERS NOT APPLICABLE

- ITEM NOT ILLUSTRATED

49-61-05-01

49-61-05  
FIG. 01  
PAGE 11  
JAN 20/09

BRI

 **BOEING**  
757  
**PARTS CATALOG (MAINTENANCE)**

FIG ITEM	PART NUMBER	1 2 3 4 5 6 7	NOMENCLATURE	EFFECT FROM TO	UNITS PER ASSY
1	15 2117342-20		.CONTROL UNIT- SUPPLIER CODE: V64547 SPECIFICATION NUMBER: S351T020-20 ELECTRICAL EQUIP NUMBER: M00206 COMPONENT MAINT MANUAL REF: 49-61-26	107107 121503 904949	1
	17 2108988-1		..LABEL-DESIGN NO. SUPPLIER CODE: V64547	002004 006102 107107 121999	2
	20 2108586-10		..PLATE-IDENT 2117342-8 SERIES 1 SUPPLIER CODE: V64547	002004 006100 107107 121503 904999	1
	20 2108586-11		..PLATE-IDENT 2117342-8 SERIES 2 SUPPLIER CODE: V64547 SB DATA FROM A CMM: PRE 2117342-49-2128	002004 006100 107107 121503 904999	1
	20 2108586-12		..PLATE-IDENT 2117342-9 SERIES 1 SUPPLIER CODE: V64547 SB DATA FROM A CMM: PRE 2117342-49-2134 POST 2117342-49-2128	002004 006100 107107 121503 904999	1
	20 2108586-13		..PLATE-IDENT 2117342-9 SERIES 2 SUPPLIER CODE: V64547 SB DATA FROM A CMM: PRE 2117342-49-2141 PRE 2117342-49-2150 PRE 2117342-49-2159R1 POST 2117342-49-2134	002004 006100 107107 121503 904999	1
	20 2108586-14		..PLATE-IDENT 2117342-10 SERIES 1 SUPPLIER CODE: V64547 SB DATA FROM A CMM: PRE 2117342-49-2150 PRE 2117342-49-2159R1 POST 2117342-49-2141	002004 006100 107107 121503 904999	1

MISSING ITEM NUMBERS NOT APPLICABLE

— ITEM NOT ILLUSTRATED

BRI

# 49-61-05-01

49-61-05  
FIG. 01  
PAGE 12  
JAN 20/09



757

PARTS CATALOG (MAINTENANCE)

FIG ITEM	PART NUMBER	1 2 3 4 5 6 7	NOMENCLATURE	EFFECT FROM TO	UNITS PER ASSY
1					
20	2108586-15		..PLATE-IDENT 2117342-11 SERIES 1 SUPPLIER CODE: V64547 SB DATA FROM A CMM: PRE 2117342-49-2159 PRE 2117342-49-2159R1 PRE 2117342-49-2169 POST 2117342-49-2150 CONFIG CHG DATA FROM A CMM: REPLD BY 2122088-2	002004 006100 107107 121999	1
20	2122088-2		..PLATE-IDENT 2117342-11 SERIES 1 SUPPLIER CODE: V64547 CONFIG CHG DATA FROM A CMM: REPLACES 2108586-15	002004 006100 107107 121999	1
20	2122088-3		..PLATE-IDENT 2117342-11 SERIES 2 SUPPLIER CODE: V64547 SB DATA FROM A CMM: POST 2117342-49-2159 POST 2117342-49-2159R1 PRE 2117342-49-2169 PRE 2117342-49-2195 PRE 2117342-49-2197R1	002004 006100 107107 121999	1
20	2122088-8		..PLATE-IDENT 2117342-11 SERIES 3 SUPPLIER CODE: V64547 SB DATA FROM A CMM: POST 2117342-49-2197R1	002004 006100 107107 121999	1
20	2122088-4		..PLATE-IDENT 2117342-17 SERIES 1 USE ON UNITS MANUFACTURED IN U.S.A. SUPPLIER CODE: V64547 SB DATA FROM A CMM: POST 2117342-49-2169 PRE 2117342-49-2195 PRE 2117342-49-2197R1	002004 006100 107107 121999	1

MISSING ITEM NUMBERS NOT APPLICABLE

- ITEM NOT ILLUSTRATED

49-61-05-01

49-61-05  
FIG. 01  
PAGE 13  
JAN 20/09

BRI



**BOEING**  
757  
**PARTS CATALOG (MAINTENANCE)**

FIG ITEM	PART NUMBER	1 2 3 4 5 6 7	NOMENCLATURE	EFFECT FROM TO	UNITS PER ASSY
1 20	2124407-1		..PLATE-IDENT 2117342-17 SERIES 1 USE ON UNITS MANUFACTURED OUTSIDE U.S.A. SUPPLIER CODE: V64547 SB DATA FROM A CMM: PRE 49-2197R1	002004 006100 107107 121999	AR
20	2122088-7		..PLATE-IDENT 2117342-17 SERIES 2 SUPPLIER CODE: V64547 SB DATA FROM A CMM: POST 2117342-49-2197R1	002004 006100 107107 121999	1
20	2122088-5		..PLATE-IDENT 2117342-18 SERIES 1 USE ON UNITS MANUFACTURED IN U.S.A. SUPPLIER CODE: V64547 SB DATA FROM A CMM: POST 2117342-49-2195 PRE 2117342-49-2197R1 PRE 49-4116	018100 107107 121949	1
20	2124407-2		..PLATE-IDENT 2117342-18 SERIES 1 USE ON UNITS MANUFACTURED OUTSIDE U.S.A. SUPPLIER CODE: V64547 SB DATA FROM A CMM: PRE 49-2197R1 PRE 49-4116	018100 107107 121949	AR
20	2122088-6		..PLATE-IDENT 2117342-18 SERIES 2 2117342-18 SERIES 2MR1 USE ON UNITS MANUFACTURED IN U.S.A. SUPPLIER CODE: V64547 SB DATA FROM A CMM: POST 2117342-49-2197 PRE 2117342-49-2220R4 PRE 2117342-49-2232 PRE 2117342-49-2364R21	018100 107107 121949	1

MISSING ITEM NUMBERS NOT APPLICABLE

— ITEM NOT ILLUSTRATED

BRI

# 49-61-05-01

BOEING PROPRIETARY - Copyright © - Unpublished Work - See title page for details.

49-61-05  
FIG. 01  
PAGE 14  
JAN 20/09



757

PARTS CATALOG (MAINTENANCE)

FIG ITEM	PART NUMBER	1 2 3 4 5 6 7	NOMENCLATURE	EFFECT FROM TO	UNITS PER ASSY
1 20	2124407-3		..PLATE-IDENT 2117342-18 SERIES 2 2117342-18 SERIES 2MR1 USE ON UNITS MANUFACTURED OUTSIDE U.S.A. SUPPLIER CODE: V64547 SB DATA FROM A CMM: POST 49-2197R1 PRE 49-2220R4 PRE 49-2364R2	018100 107107 121949	AR
20	2122088-11		..PLATE-IDENT 2117342-19 SERIES 1 USE ON UNITS MANUFACTURED IN U.S.A. SUPPLIER CODE: V64547 SB DATA FROM A CMM: POST 2117342-49-2220R4 POST 2117342-49-2364R2 PRE 2117342-49-2367R2	002004 006102 107107 121999	1
25	2124407-5		..PLATE-IDENT 2117342-19 SERIES 1 USE ON UNITS MANUFACTURED OUTSIDE U.S.A. SUPPLIER CODE: V64547 SB DATA FROM A CMM: POST 49-2220R4 POST 49-2364R2 PRE 49-4116	002004 006102 107107 121999	AR
25	2122088-12		..PLATE-IDENT 2117342-20 SERIES 1 USE ON UNITS MANUFACTURED IN U.S.A. SUPPLIER CODE: V64547 SB DATA FROM A CMM: POST 2117342-49-2367R2 POST 49-4116	002004 006102 107107 121999	1

MISSING ITEM NUMBERS NOT APPLICABLE

- ITEM NOT ILLUSTRATED

49-61-05-01

49-61-05  
FIG. 01  
PAGE 15  
JAN 20/09

BRI



757

PARTS CATALOG (MAINTENANCE)

FIG ITEM	PART NUMBER	1 2 3 4 5 6 7	NOMENCLATURE	EFFECT FROM TO	UNITS PER ASSY
1					
25	2124407-6	..	PLATE-IDENT 2117342-20 SERIES 1 USE ON UNITS MANUFACTURED OUTSIDE U.S.A. SUPPLIER CODE: V64547 SB DATA FROM A CMM: POST 49-2367R2 POST 49-4116	002004 006102 107107 121999	AR
25	2124407-7	..	PLATE-IDENT 2117342-17 SERIES 2 USE ON UNITS MANUFACTURED OUTSIDE U.S.A. SUPPLIER CODE: V64547 SB DATA FROM A CMM: POST 49-2197R1 ATTACHING PARTS	002004 006100 107107 121999	AR
30	MS35206-202	..	SCREW	002004 006102 107107 121999	2
35	NAS620-2	..	WASHER	002004 006102 107107 121999	2
40	S9629A5B2	..	-----*----- PLATE-INSTRUCTION SUPPLIER CODE: V64547 CONFIG CHG DATA FROM A CMM: REPLD BY S10064A482	002004 006102 107107 121999	1
40	S10064A482	..	PLATE-INSTRUCTION SUPPLIER CODE: V64547 CONFIG CHG DATA FROM A CMM: REPLACES S9629A5B2 REPLD BY S10064A4B2	002004 006102 107107 121999	1
40	S10064A4B2	..	PLATE-INSTRUCTION SUPPLIER CODE: V64547 CONFIG CHG DATA FROM A CMM: REPLACES S10064A482	002004 006102 107107 121999	1

MISSING ITEM NUMBERS NOT APPLICABLE

- ITEM NOT ILLUSTRATED

49-61-05-01

49-61-05  
FIG. 01  
PAGE 16  
JAN 20/09

BRI

BOEING PROPRIETARY - Copyright © - Unpublished Work - See title page for details.

 **BOEING**  
757  
**PARTS CATALOG (MAINTENANCE)**

FIG ITEM	PART NUMBER	1 2 3 4 5 6 7	NOMENCLATURE	EFFECT FROM TO	UNITS PER ASSY
1			ATTACHING PARTS		
45	MS35206-213		.. SCREW	002004 006102 107107 121999	2
50	NAS620-4L		.. WASHER	002004 006102 107107 121999	2
55	S9629M4B1		-----*----- .. PLATE-INSTRUCTION SUPPLIER CODE: V64547 CONFIG CHG DATA FROM A CMM: REPLD BY S10064M3B1 USED ON: 2117342-8 2117342-9 2117342-10 2117342-11 2117342-17 2117342-18	002004 006100 107107 121999	1
55	S10064M3B1		.. PLATE-INSTRUCTION SUPPLIER CODE: V64547 SB DATA FROM A CMM: PRE 2117342-49-2220R4 PRE 49-2364R2 PRE 49-4116 CONFIG CHG DATA FROM A CMM: REPLACES S9629M4B1 USED ON: 2117342-8 2117342-9 2117342-10 2117342-11 2117342-17 2117342-18	002004 006100 107107 121999	1
55	S10064M7B1		.. PLATE-INSTRUCTION SUPPLIER CODE: V64547 SB DATA FROM A CMM: POST 49-2220R4 POST 49-2364R2 POST 49-4116 USED ON: 2117342-19 2117342-20	002004 006102 107107 121999	1

MISSING ITEM NUMBERS NOT APPLICABLE

— ITEM NOT ILLUSTRATED

BRI

# 49-61-05-01

BOEING PROPRIETARY - Copyright © - Unpublished Work - See title page for details.

49-61-05  
FIG. 01  
PAGE 17  
JAN 20/09



757

PARTS CATALOG (MAINTENANCE)

FIG ITEM	PART NUMBER	1 2 3 4 5 6 7	NOMENCLATURE	EFFECT FROM TO	UNITS PER ASSY
1					
60	S9629M3B1	..	PLATE-INSTRUCTION SUPPLIER CODE: V64547 CONFIG CHG DATA FROM A CMM: REPLD BY S10064M2B1	002004 006102 107107 121999	1
60	S10064M2B1	..	PLATE-INSTRUCTION SUPPLIER CODE: V64547 CONFIG CHG DATA FROM A CMM: REPLACES S9629M3B1	002004 006102 107107 121999	1
65	S9629M2B1	..	PLATE-INSTRUCTION SUPPLIER CODE: V64547 CONFIG CHG DATA FROM A CMM: REPLD BY S10064M1B1 USED ON: 2117342-8 2117342-9 2117342-10 2117342-11 2117342-17 2117342-18	002004 006100 107107 121999	1
65	S10064M1B1	..	PLATE-INSTRUCTION SUPPLIER CODE: V64547 SB DATA FROM A CMM: PRE 2117342-49-2220R4 PRE 49-2364R2 PRE 49-4116 CONFIG CHG DATA FROM A CMM: REPLACES S9629M2B1 USED ON: 2117342-8 2117342-9 2117342-10 2117342-11 2117342-17 2117342-18	002004 006100 107107 121999	1
65	S10064M6B1	..	PLATE-INSTRUCTION SUPPLIER CODE: V64547 SB DATA FROM A CMM: POST 2117342-49-2220R4 POST 49-2364R2 POST 49-4116 USED ON: 2117342-19 2117342-20	002004 006102 107107 121999	1

MISSING ITEM NUMBERS NOT APPLICABLE

- ITEM NOT ILLUSTRATED

49-61-05-01

49-61-05  
FIG. 01  
PAGE 18  
JAN 20/09

BRI



757

PARTS CATALOG (MAINTENANCE)

FIG ITEM	PART NUMBER	1 2 3 4 5 6 7	NOMENCLATURE	EFFECT FROM TO	UNITS PER ASSY
1					
70	S10041DA12R1		.. LABEL-BITE DISPLAY 2117342-11 SERIES 1 SUPPLIER CODE: V64547 SB DATA FROM A CMM: POST 49-2220R4 POST 49-2364R2 POST 49-4116 USED ON: 2117342-19 2117342-20	002004 006102 107107 121999	1
75	MS24693S28		.. SCREW	002004 006102 107107 121999	2
80	DSSB47N		.. PLUNGER- SUPPLIER CODE: V01226 CONFIG CHG DATA FROM A CMM: REPLD BY 584-006-9001 MISCELLANEOUS DATA: HONEYWELL P/N 584-006-9001	002004 006102 107107 121999	2
80	DSSB47P		.. PLUNGER- SUPPLIER CODE: V01226 CONFIG CHG DATA FROM A CMM: REPLD BY 584-006-9001 MISCELLANEOUS DATA: HONEYWELL PART NO. 584-006-9001	002004 006102 107107 121999	2
80	584-006-9001		.. PLUNGER- SUPPLIER CODE: V01226 CONFIG CHG DATA FROM A CMM: REPLACES DSSB47N REPLACES DSSB47P	002004 006102 107107 121999	2
85	2108612-1		.. HANDLE ASSY- SUPPLIER CODE: V98496 CONFIG CHG DATA FROM A CMM: REPLD BY 2108612-2	002004 006102 107107 121999	1
85	2108612-2		.. HANDLE ASSY- SUPPLIER CODE: V98496 CONFIG CHG DATA FROM A CMM: REPLACES 2108612-1	002004 006102 107107 121999	1

MISSING ITEM NUMBERS NOT APPLICABLE

- ITEM NOT ILLUSTRATED

49-61-05-01

49-61-05  
FIG. 01  
PAGE 19  
JAN 20/09

BRI



757

PARTS CATALOG (MAINTENANCE)

FIG ITEM	PART NUMBER	1 2 3 4 5 6 7	NOMENCLATURE	EFFECT FROM TO	UNITS PER ASSY
1			ATTACHING PARTS		
90	MS35206-241		.. SCREW	002004 006102 107107 121999	2
95	S8154-245C010		.. WASHER- SUPPLIER CODE: V64547	002004 006102 107107 121999	2
100	S8154-280C010		.. WASHER- SUPPLIER CODE: V64547	002004 006102 107107 121999	2
105	S8168-28C0070		.. SPACER- SUPPLIER CODE: V64547	002004 006102 107107 121999	2
110	MS24693S28		-----*----- .. SCREW	002004 006102 107107 121999	2
115	NAS620-6L		.. WASHER	002004 006102 107107 121999	2
120	MS21083N06		.. NUT	002004 006102 107107 121999	2
125	NAS622CT2		.. HOOK	002004 006102 107107 121999	2

MISSING ITEM NUMBERS NOT APPLICABLE

- ITEM NOT ILLUSTRATED

49-61-05-01

49-61-05  
FIG. 01  
PAGE 20  
JAN 20/09

BRI

BOEING PROPRIETARY - Copyright © - Unpublished Work - See title page for details.



757

PARTS CATALOG (MAINTENANCE)

FIG ITEM	PART NUMBER	1 2 3 4 5 6 7	NOMENCLATURE	EFFECT FROM TO	UNITS PER ASSY
1 130	3015-2A		..KNOB- SUPPLIER CODE: V70276 SB DATA FROM A CMM: PRE 2117342-49-2220R4 PRE 49-2364R2 PRE 49-4116 CONFIG CHG DATA FROM A CMM: REPLD BY 452-7008-9002 MISCELLANEOUS DATA: HONEYWELL PART. NO 452-017-9001 USED ON: 2117342-8 2117342-9 2117342-10 2117342-11 2117342-17 2117342-18	002004 006100 107107 121999	1
130	V2445		..KNOB- SUPPLIER CODE: V08730 SB DATA FROM A CMM: POST 2117342-49-2220R4 POST 49-2364R2 POST 49-4116 CONFIG CHG DATA FROM A CMM: REPLD BY 452-7008-9002 MISCELLANEOUS DATA: HONEYWELL PART NO. 452-7008-9001	002004 006102 107107 121999	1
130	452-7008-9002		..KNOB- SUPPLIER CODE: V64547 SB DATA FROM A CMM: POST 49-2220R4 POST 49-2364R2 POST 49-4116 CONFIG CHG DATA FROM A CMM: REPLACES 3012-2A REPLACES V2445 USED ON: 2117342-8 2117342-9 2117342-10 2117342-11 2117342-17 2117342-18	002004 006100 107107 121999	1

MISSING ITEM NUMBERS NOT APPLICABLE

- ITEM NOT ILLUSTRATED

49-61-05-01

49-61-05  
FIG. 01  
PAGE 21  
JAN 20/09

BRI





757

PARTS CATALOG (MAINTENANCE)

FIG ITEM	PART NUMBER	1 2 3 4 5 6 7	NOMENCLATURE	EFFECT FROM TO	UNITS PER ASSY
1 130	452-7008-9002		. . KNOB- SUPPLIER CODE: V64547 SB DATA FROM A CMM: POST 49-2220R4 POST 49-2364R2 POST 49-4116 CONFIG CHG DATA FROM A CMM: REPLACES V2445 USED ON: 2117342-19 2117342-20	002004 006102 107107 121999	1
- 200	286N1020-004		WIRE BUNDLE ASSY-(AIRBORNE AUXILIARY POWER ONLY)	002004 006100 950999	RF
- 200	286N1020-005		WIRE BUNDLE ASSY-(AIRBORNE AUXILIARY POWER ONLY)	107107	RF
- 200	286N1020-306		WIRE BUNDLE ASSY-(AIRBORNE AUXILIARY POWER ONLY)	504903	RF
- 203	286N1032-001		WIRE BUNDLE ASSY-(AIRBORNE AUXILIARY POWER ONLY)	121503 904949	RF
210	BKA21C1501		. CONNECTOR- SUPPLIER CODE: V71468 SPECIFICATION NUMBER: BACC66H21C1501 OPTIONAL PART: S621C1501 V59610 NIC66H21C1501 V00779 ELECTRICAL EQUIP NUMBER: D01796 WIRING DIAGRAM REF: 491411	002004 006100 107107 121999	1

MISSING ITEM NUMBERS NOT APPLICABLE

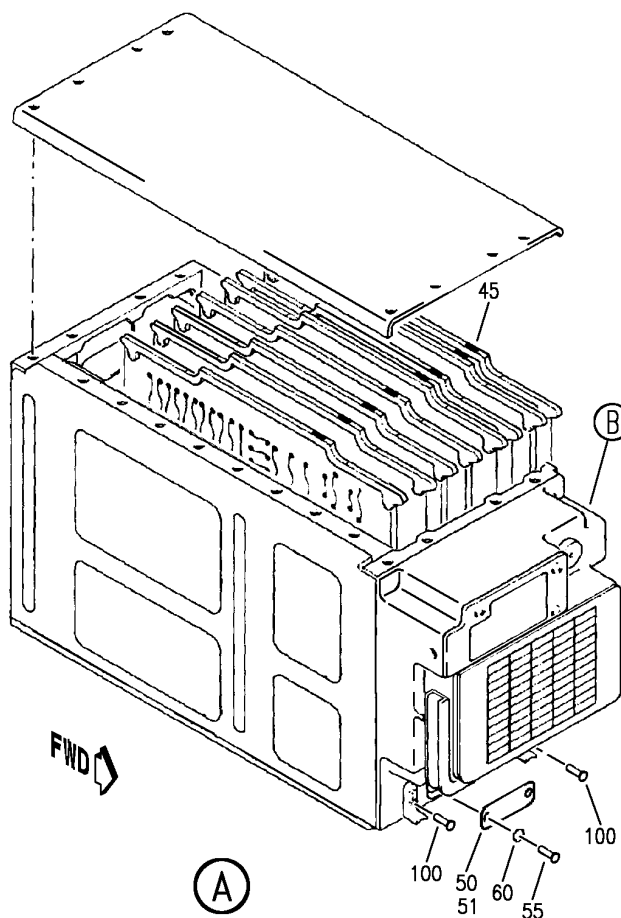
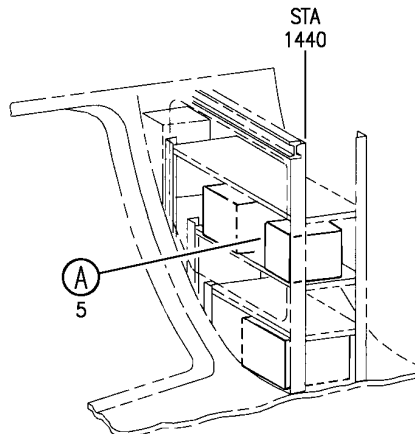
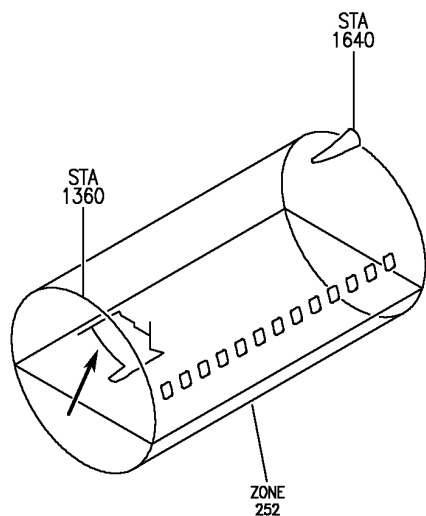
- ITEM NOT ILLUSTRATED

49-61-05-01

49-61-05  
FIG. 01  
PAGE 22  
JAN 20/09

BRI

**BOEING**  
757  
PARTS CATALOG (MAINTENANCE)



Y 49610503 SH1 1 REV 283

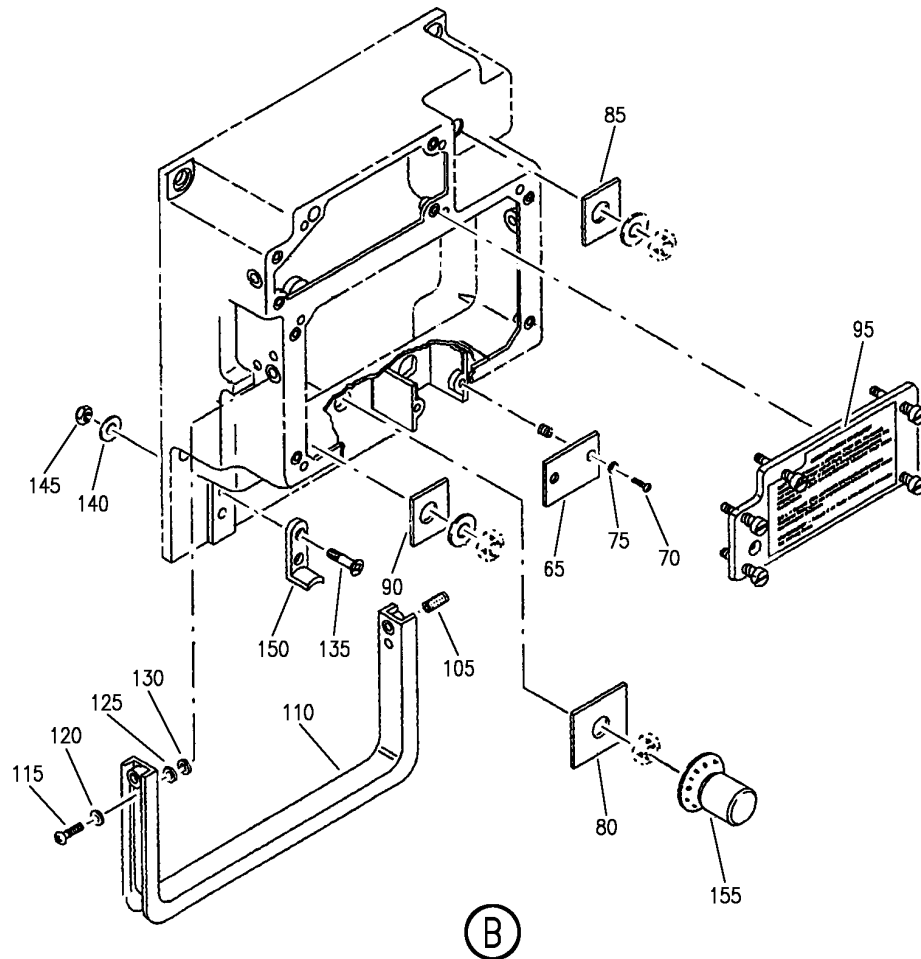
ENGINE ASSY-GAS TURB (APU CONTROL UNIT (ECU) ONLY)  
FIGURE 3 (SHEET 1)

**49-61-05-03**

BRI  
MAY 28/07

49-61-05-03  
PAGE 0

**BOEING**  
757  
PARTS CATALOG (MAINTENANCE)



Y 49610503 SH1 2 REV 274

ENGINE ASSY-GAS TURB (APU CONTROL UNIT (ECU) ONLY)  
FIGURE 3 (SHEET 2)

**49-61-05-03**

BRI  
MAY 28/07

49-61-05-03  
PAGE 0A



757

PARTS CATALOG (MAINTENANCE)

FIG ITEM	PART NUMBER	1 2 3 4 5 6 7	NOMENCLATURE	EFFECT FROM TO	UNITS PER ASSY
3			ENGINE ASSY-GAS TURB (APU CONTROL UNIT (ECU) ONLY)	002004 006999	
- 1	3800298-1-1		ENGINE ASSY-GAS TURB GTCP331-200ER (APU CONTROL UNIT (ECU) ONLY) SUPPLIER CODE: V99193 SPECIFICATION NUMBER: S351T020-200 COMPONENT MAINT MANUAL REF: 49-22-11 QUALIFIED I/W DATA: S351T020-200 (3800298-1-1) AND S351T020-205 (3800298-1-6) ARE INTERCHANGEABLE WITH THE INCORPORATION OF ALLIED SIGNAL S/B GTCP331-49-7081. S351T020-200 (3800298-1-1) AND S351T020-206 (3800298-1-7/3800298-1) ARE INTERCHANGEABLE WITH THE INCORPORATION OF ALLIED SIGNAL S/B GTCP331-49-7081. FOR NHA/ADDITIONAL DET SEE: 49-11-01-50	002004 006100 107107 121503 904999	RF

MISSING ITEM NUMBERS NOT APPLICABLE

- ITEM NOT ILLUSTRATED

49-61-05-03

49-61-05  
FIG. 03  
PAGE 1  
JAN 20/09

BRI



757

PARTS CATALOG (MAINTENANCE)

FIG ITEM	PART NUMBER	1 2 3 4 5 6 7	NOMENCLATURE	EFFECT FROM TO	UNITS PER ASSY
3 - 1	3800298-1-2		ENGINE ASSY-GAS TURB GTCP331-200ER (APU CONTROL UNIT (ECU) ONLY) SUPPLIER CODE: V99193 SPECIFICATION NUMBER: S351T020-201 CONFIG CHG DATA FROM A CMM: REPLACES 3800298-1-1 COMPONENT MAINT MANUAL REF: 49-22-11 QUALIFIED I/W DATA: S351T020-201 (3800298-1-2) AND S351T020-205 (3800298-1-6) ARE INTERCHANGEABLE WITH THE INCORPORATION OF ALLIED SIGNAL S/B GTCP331-49-7081. S351T020-201 (3800298-1-2) AND S351T020-206 (3800298-1-7/3800298-1) ARE INTERCHANGEABLE WITH THE INCORPORATION OF ALLIED SIGNAL S/B GTCP331-49-7081. FOR NHA/ADDITIONAL DET SEE: 49-11-01-50	002004 006100 107107 121503 904999	RF

MISSING ITEM NUMBERS NOT APPLICABLE

- ITEM NOT ILLUSTRATED

49-61-05-03

BRI

BOEING PROPRIETARY - Copyright © - Unpublished Work - See title page for details.

49-61-05  
FIG. 03  
PAGE 2  
JAN 20/09



757

PARTS CATALOG (MAINTENANCE)

FIG ITEM	PART NUMBER	1 2 3 4 5 6 7	NOMENCLATURE	EFFECT FROM TO	UNITS PER ASSY
3 - 1	3800298-1-3		ENGINE ASSY-GAS TURB GTCP331-200ER (APU CONTROL UNIT (ECU) ONLY) SUPPLIER CODE: V99193 SPECIFICATION NUMBER: S351T020-202 CONFIG CHG DATA FROM A CMM: REPLACES 3800298-1-2 COMPONENT MAINT MANUAL REF: 49-22-11 QUALIFIED I/W DATA: S351T020-202 (3800298-1-3) AND S351T020-205 (3800298-1-6) ARE INTERCHANGEABLE WITH THE INCORPORATION OF ALLIED SIGNAL S/B GTCP331-49-7081. S351T020-202 (3800298-1-3) AND S351T020-206 (3800298-1-7/3800298-1) ARE INTERCHANGEABLE WITH THE INCORPORATION OF ALLIED SIGNAL S/B GTCP331-49-7081. FOR NHA/OTHER SYS DET SEE: 49-11-01-50	002004 006100 107107 121503 904999	RF

MISSING ITEM NUMBERS NOT APPLICABLE

- ITEM NOT ILLUSTRATED

49-61-05-03

BRI

BOEING PROPRIETARY - Copyright © - Unpublished Work - See title page for details.

49-61-05  
FIG. 03  
PAGE 3  
JAN 20/09



757

PARTS CATALOG (MAINTENANCE)

FIG ITEM	PART NUMBER	1 2 3 4 5 6 7	NOMENCLATURE	EFFECT FROM TO	UNITS PER ASSY
3 - 1	3800298-1-4		ENGINE ASSY-GAS TURB GTCP331-200ER (APU CONTROL UNIT (ECU) ONLY) SUPPLIER CODE: V99193 SPECIFICATION NUMBER: S351T020-203 CONFIG CHG DATA FROM A CMM: REPLACES 3800298-1-3 COMPONENT MAINT MANUAL REF: 49-22-11 QUALIFIED I/W DATA: 3800298-1-4/S351T020-203 AND 3800298-1-6/S351T020-205 ARE INTERCHANGEABLE WITH THE INCORPORATION OF ALLIED SIGNAL S/B GTCP331-49-7081. 3800298-1-4/S351T020-203 AND 3800298-1-7/S351T020-206 /3800298-1 ARE INTERCHANGEABLE WITH THE INCORPORATION OF ALLIED SIGNAL S/B GTCP331-49-7081. FOR NHA/ADDITIONAL DET SEE: 49-11-01-50	002004 006100 107107 121503 904999	RF

MISSING ITEM NUMBERS NOT APPLICABLE

- ITEM NOT ILLUSTRATED

49-61-05-03

49-61-05  
 FIG. 03  
 PAGE 4  
 JAN 20/09

BRI



757

PARTS CATALOG (MAINTENANCE)

FIG ITEM	PART NUMBER	1 2 3 4 5 6 7	NOMENCLATURE	EFFECT FROM TO	UNITS PER ASSY
3 - 1	3800298-1-5		ENGINE ASSY-GAS TURB GTPC331-200ER (APU CONTROL UNIT (ECU) ONLY) SUPPLIER CODE: V99193 SPECIFICATION NUMBER: S351T020-204 CONFIG CHG DATA FROM A CMM: REPLACES 3800298-1-4 COMPONENT MAINT MANUAL REF: 49-22-11 QUALIFIED I/W DATA: 3800298-1-4/S351T020-203 AND 3800298-1-6/S351T020-205 ARE INTERCHANGEABLE WITH THE INCORPORATION OF ALLIED SIGNAL S/B GTCP331-49-7081. S351T020-204 (3800298-1-5) AND S351T020-206(3800298-1-7 /3800298-1) ARE INTERCHANGEABLE WITH THE INCORPORATION OF ALLIED SIGNAL S/B GTCP331-49-7081. FOR NHA/ADDITIONAL DET SEE: 49-11-01-50	002004 006100 107107 121503 904999	RF
- 1	3800298-1-6		ENGINE ASSY-GAS TURB GTCP331-200ER (APU CONTROL UNIT (ECU) ONLY) SUPPLIER CODE: V99193 SPECIFICATION NUMBER: S351T020-205 CONFIG CHG DATA FROM A CMM: REPLACES 3800298-1-5 COMPONENT MAINT MANUAL REF: 49-22-11 QUALIFIED I/W DATA: 3800298-1-5/S351T020-204 AND 3800298-1-6/S351T020-205 ARE INTERCHANGEABLE WITH THE INCORPORATION OF ALLIED SIGNAL S/B	002004 006999	RF

MISSING ITEM NUMBERS NOT APPLICABLE

- ITEM NOT ILLUSTRATED

49-61-05-03

49-61-05  
FIG. 03  
PAGE 5  
JAN 20/09

BRI





757

PARTS CATALOG (MAINTENANCE)

FIG ITEM	PART NUMBER	1 2 3 4 5 6 7 NOMENCLATURE	EFFECT FROM TO	UNITS PER ASSY
3		GTCP331-49-7081. S351T020-203 (3800298-1-4) AND S351T020-205 (3800298-1-6) ARE INTERCHANGEABLE WITH THE INCORPORATION OF ALLIED SIGNAL S/B GTCP331-49-7081. S351T020-202 (3800298-1-3) AND S351T020-205 (3800298-1-6) ARE INTERCHANGEABLE WITH THE INCORPORATION OF ALLIED SIGNAL S/B GTCP331-49-7081. S351T020-201 (3800298-1-2) AND S351T020-205 (3800298-1-6) ARE INTERCHANGEABLE WITH THE INCORPORATION OF ALLIED SIGNAL S/B GTCP331-49-7081. S351T020-200 (3800298-1-1) AND S351T020-205 (3800298-1-6) ARE INTERCHANGEABLE WITH THE INCORPORATION OF ALLIED SIGNAL S/B GTCP331-49-7081. FOR NHA/ADDITIONAL DET SEE: 49-11-01-50 49-21-00-02		
-	1 3800298-1-7	ENGINE ASSY-GAS TURB GTCP331-200ER (APU CONTROL UNIT (ECU) ONLY) SUPPLIER CODE: V99193 SPECIFICATION NUMBER: S351T020-206 CONFIG CHG DATA FROM A CMM: REPLACES 3800298-1-6 COMPONENT MAINT MANUAL REF: 49-22-11 QUALIFIED I/W DATA:  MISSING ITEM NUMBERS NOT APPLICABLE	002004 006999	RF

- ITEM NOT ILLUSTRATED

49-61-05-03

49-61-05  
FIG. 03  
PAGE 6  
SEP 20/08

BRI



757

PARTS CATALOG (MAINTENANCE)

FIG ITEM	PART NUMBER	1 2 3 4 5 6 7 NOMENCLATURE	EFFECT FROM TO	UNITS PER ASSY
3		<p>3800298-1-4/S351T020-203 AND 3800298-1-7/S351T020-206 /3800298-1 ARE INTERCHANGEABLE WITH THE INCORPORATION OF ALLIED SIGNAL S/B GTCP331-49-7081. S351T020-204 (3800298-1-5) AND S351T020-206(3800298-1-7 /3800298-1) ARE INTERCHANGEABLE WITH THE INCORPORATION OF ALLIED SIGNAL S/B GTCP331-49-7081. S351T020-202 (3800298-1-3) AND S351T020-206 (3800298-1-7/3800298-1) ARE INTERCHANGEABLE WITH THE INCORPORATION OF ALLIED SIGNAL S/B GTCP331-49-7081. S351T020-201 (3800298-1-2) AND S351T020-206 (3800298-1-7/3800298-1) ARE INTERCHANGEABLE WITH THE INCORPORATION OF ALLIED SIGNAL S/B GTCP331-49-7081. S351T020-200 (3800298-1-1) AND S351T020-206 (3800298-1-7/3800298-1) ARE INTERCHANGEABLE WITH THE INCORPORATION OF ALLIED SIGNAL S/B GTCP331-49-7081.</p> <p>OPTIONAL PART: 3800298-1 V99193 FOR NHA/OTHER SYS DET SEE: 49-11-01-50 49-21-00-02</p>		
-	1 3800298-1	<p>ENGINE ASSY-GAS TURB GTCP331-200ER (APU CONTROL UNIT (ECU)</p>	002004 006999	RF

MISSING ITEM NUMBERS NOT APPLICABLE

- ITEM NOT ILLUSTRATED

49-61-05-03

49-61-05  
FIG. 03  
PAGE 7  
SEP 20/08

BRI



757

PARTS CATALOG (MAINTENANCE)

FIG ITEM	PART NUMBER	1 2 3 4 5 6 7 NOMENCLATURE	EFFECT FROM TO	UNITS PER ASSY
3		<p>ONLY)  SUPPLIER CODE:  V99193  SPECIFICATION NUMBER:  S351T020-206  COMPONENT MAINT MANUAL REF:  49-22-11  QUALIFIED I/W DATA:  3800298-1-4/S351T020-203  AND  3800298-1-7/S351T020-206  /3800298-1  ARE INTERCHANGEABLE WITH  THE INCORPORATION OF  ALLIED SIGNAL S/B  GTCP331-49-7081.  S351T020-204  (3800298-1-5) AND  S351T020-206(3800298-1-7  /3800298-1) ARE  INTERCHANGEABLE WITH THE  INCORPORATION OF ALLIED  SIGNAL S/B  GTCP331-49-7081.  S351T020-202  (3800298-1-3)  AND S351T020-206  (3800298-1-7/3800298-1)  ARE INTERCHANGEABLE  WITH THE INCORPORATION  OF ALLIED SIGNAL S/B  GTCP331-49-7081.  S351T020-201  (3800298-1-2)  AND S351T020-206  (3800298-1-7/3800298-1)  ARE INTERCHANGEABLE  WITH THE INCORPORATION  OF ALLIED SIGNAL S/B  GTCP331-49-7081.  S351T020-200  (3800298-1-1)  AND S351T020-206  (3800298-1-7/3800298-1)  ARE INTERCHANGEABLE  WITH THE INCORPORATION  OF ALLIED SIGNAL S/B  GTCP331-49-7081.  OPTIONAL PART:</p>		

MISSING ITEM NUMBERS NOT APPLICABLE

- ITEM NOT ILLUSTRATED

49-61-05-03

49-61-05  
FIG. 03  
PAGE 8  
SEP 20/08

BRI



757

PARTS CATALOG (MAINTENANCE)

FIG ITEM	PART NUMBER	1 2 3 4 5 6 7	NOMENCLATURE	EFFECT FROM TO	UNITS PER ASSY
3			3800298-1-7 V99193 FOR NHA/OTHER SYS DET SEE: 49-11-01-50 49-21-00-02		
5	2117342-10		.CONTROL UNIT-REMOTELY LOCATED SUPPLIER CODE: V64547 SPECIFICATION NUMBER: S351T020-14 NOT APPROVED FOR ETOPS AFTER INCORP OF SB: 2117342-49-2195 SB DATA FROM A CMM: POST 2117342-49-2141 PRE 2117342-49-2150 PRE 2117342-49-2159R1 CONFIG CHG DATA FROM A CMM: REPLACES 2117342-9 REPLD BY 2117342-11 COMPONENT MAINT MANUAL REF: 49-61-26 USED ON: 3800298-1-1 3800298-1-2 3800298-1-3 3800298-1-4 3800298-1-5 3800298-1-6	002004 006102 107999	RF
5	2117342-11		.CONTROL UNIT-REMOTELY LOCATED SUPPLIER CODE: V64547 SPECIFICATION NUMBER: S351T020-16 NOT APPROVED FOR ETOPS. SB DATA FROM A CMM: POST 2117342-49-2150 POST 2117342-49-2159R1 PRE 2117342-49-2159R CONFIG CHG DATA FROM A CMM: REPLACES 2117342-10 REPLD BY 2117342-17 COMPONENT MAINT MANUAL REF: 49-61-26	002004 006102 107999	RF

MISSING ITEM NUMBERS NOT APPLICABLE

- ITEM NOT ILLUSTRATED

49-61-05-03

49-61-05  
FIG. 03  
PAGE 9  
JAN 20/09

BRI



757

PARTS CATALOG (MAINTENANCE)

FIG ITEM	PART NUMBER	1 2 3 4 5 6 7	NOMENCLATURE	EFFECT FROM TO	UNITS PER ASSY
3	5 2117342-17		.CONTROL UNIT-REMOTELY LOCATED SUPPLIER CODE: V64547 SPECIFICATION NUMBER: S351T020-17 NOT APPROVED FOR ETOPS. SB DATA FROM A CMM: POST 2117342-49-2169 PRE 49-2195 CONFIG CHG DATA FROM A CMM: REPLACES 2117342-11 REPLD BY 2117342-18 COMPONENT MAINT MANUAL REF: 49-61-26	002004 006102 107999	RF
	5 2117342-18		.CONTROL UNIT-ELECTRIC REMOTELY LOCATED SUPPLIER CODE: V64547 SPECIFICATION NUMBER: S351T020-18 SB DATA FROM A CMM: PRE 2117342-49-2364R2 PRE 49-4116 PRE 49-2220R4 CONFIG CHG DATA FROM A CMM: REPLACES 2117342-17 REPLD BY 2117342-19 COMPONENT MAINT MANUAL REF: 49-61-26	002004 006102 107999	RF
	5 2117342-19		.CONTROL UNIT-ELECTRIC REMOTELY LOCATED SUPPLIER CODE: V64547 SPECIFICATION NUMBER: S351T020-19 SB DATA FROM A CMM: POST 2117342-49-2364R2 POST 49-2220R4 PRE 2117342-49-2367R2 CONFIG CHG DATA FROM A CMM: REPLACES 2117342-18 COMPONENT MAINT MANUAL REF: 49-61-26 POST SERVICE BULLETIN: 2117342-49-2220 V70210 POST SERVICE LETTER: 49-011	002004 006999	RF

MISSING ITEM NUMBERS NOT APPLICABLE

- ITEM NOT ILLUSTRATED

49-61-05-03

49-61-05  
FIG. 03  
PAGE 10  
JAN 20/09

BRI



757

PARTS CATALOG (MAINTENANCE)

FIG ITEM	PART NUMBER	1 2 3 4 5 6 7	NOMENCLATURE	EFFECT FROM TO	UNITS PER ASSY
3					
5	2117342-20		.CONTROL UNIT- SUPPLIER CODE: V64547 SPECIFICATION NUMBER: S351T020-20 SB DATA FROM A CMM: POST 49-2367R1 POST 49-4116 COMPONENT MAINT MANUAL REF: 49-61-26 POST SERVICE BULLETIN: V70210	002004 006999	RF
45	2108988-1		..LABEL-DESIGN NO. SUPPLIER CODE: V64547	002004 006999	2
50	2108586-14		..PLATE-IDENT 2117342-10 SERIES 1 SUPPLIER CODE: V64547 SB DATA FROM A CMM: PRE 2117342-49-2150 PRE 2117342-49-2159R1 POST 2117342-49-2141	002004 006102 107999	1
50	2108586-15		..PLATE-IDENT 2117342-11 SERIES 1 SUPPLIER CODE: V64547 SB DATA FROM A CMM: PRE 2117342-49-2159 PRE 2117342-49-2159R1 PRE 2117342-49-2169 POST 2117342-49-2150 CONFIG CHG DATA FROM A CMM: REPLD BY 2122088-2	002004 006102 107999	1
50	2122088-2		..PLATE-IDENT 2117342-11 SERIES 1 SUPPLIER CODE: V64547 CONFIG CHG DATA FROM A CMM: REPLACES 2108586-15	002004 006102 107999	1

MISSING ITEM NUMBERS NOT APPLICABLE

- ITEM NOT ILLUSTRATED

49-61-05-03

49-61-05  
FIG. 03  
PAGE 11  
JAN 20/09

BRI



757

PARTS CATALOG (MAINTENANCE)

FIG ITEM	PART NUMBER	1 2 3 4 5 6 7	NOMENCLATURE	EFFECT FROM TO	UNITS PER ASSY
3					
50	2122088-3		..PLATE-IDENT 2117342-11 SERIES 2 SUPPLIER CODE: V64547 SB DATA FROM A CMM: POST 2117342-49-2159 POST 2117342-49-2159R1 PRE 2117342-49-2169 PRE 2117342-49-2195 PRE 2117342-49-2197R1	002004 006102 107999	1
50	2122088-8		..PLATE-IDENT 2117342-11 SERIES 3 SUPPLIER CODE: V64547 SB DATA FROM A CMM: POST 2117342-49-2197R1	002004 006102 107999	1
50	2122088-4		..PLATE-IDENT 2117342-17 SERIES 1 USE ON UNITS MANUFACTURED IN U.S.A. SUPPLIER CODE: V64547 SB DATA FROM A CMM: POST 2117342-49-2169 PRE 2117342-49-2195 PRE 2117342-49-2197R1	002004 006102 107999	1
50	2124407-1		..PLATE-IDENT 2117342-17 SERIES 1 USE ON UNITS MANUFACTURED OUTSIDE U.S.A. SUPPLIER CODE: V64547 SB DATA FROM A CMM: PRE 49-2197R1	002004 006102 107999	AR
50	2122088-7		..PLATE-IDENT 2117342-17 SERIES 2 SUPPLIER CODE: V64547 SB DATA FROM A CMM: POST 2117342-49-2197R1	002004 006102 107999	1

MISSING ITEM NUMBERS NOT APPLICABLE

- ITEM NOT ILLUSTRATED

49-61-05-03

49-61-05  
FIG. 03  
PAGE 12  
JAN 20/09

BRI

BOEING PROPRIETARY - Copyright © - Unpublished Work - See title page for details.



757

PARTS CATALOG (MAINTENANCE)

FIG ITEM	PART NUMBER	1 2 3 4 5 6 7	NOMENCLATURE	EFFECT FROM TO	UNITS PER ASSY
3					
50	2122088-5		..PLATE-IDENT 2117342-18 SERIES 1 USE ON UNITS MANUFACTURED IN U.S.A. SUPPLIER CODE: V64547 SB DATA FROM A CMM: POST 2117342-49-2195 PRE 2117342-49-2197R1 PRE 49-4116	002004 006102 107999	1
50	2124407-2		..PLATE-IDENT 2117342-18 SERIES 1 USE ON UNITS MANUFACTURED OUTSIDE U.S.A. SUPPLIER CODE: V64547	002004 006102 107999	1
50	2122088-6		..PLATE-IDENT 2117342-18 SERIES 2 2117342-18 SERIES 2MR1 USE ON UNITS MANUFACTURED IN U.S.A. SUPPLIER CODE: V64547 SB DATA FROM A CMM: POST 2117342-49-2197 PRE 2117342-49-2220R4 PRE 2117342-49-2232 PRE 2117342-49-2364R21	002004 006102 107999	1
50	2124407-3		..PLATE-IDENT 2117342-18 SERIES 2 2117342-18 SERIES 2MR1 USE ON UNITS MANUFACTURED OUTSIDE U.S.A. SUPPLIER CODE: V64547 SB DATA FROM A CMM: POST 49-2197R1 PRE 49-2220R4 PRE 49-2364R2	002004 006102 107999	AR

MISSING ITEM NUMBERS NOT APPLICABLE

- ITEM NOT ILLUSTRATED

49-61-05-03

49-61-05  
FIG. 03  
PAGE 13  
JAN 20/09

BRI





757

PARTS CATALOG (MAINTENANCE)

FIG ITEM	PART NUMBER	1 2 3 4 5 6 7	NOMENCLATURE	EFFECT FROM TO	UNITS PER ASSY
3					
50	2122088-11	..	PLATE-IDENT 2117342-19 SERIES 1 USE ON UNITS MANUFACTURED IN U.S.A. SUPPLIER CODE: V64547 SB DATA FROM A CMM: POST 2117342-49-2220R4 POST 2117342-49-2364R2 PRE 2117342-49-2367R2	002004 006999	1
50	2124407-5	..	PLATE-IDENT 2117342-19 SERIES 1 USE ON UNITS MANUFACTURED OUTSIDE U.S.A. SUPPLIER CODE: V64547 SB DATA FROM A CMM: POST 49-2197R1 PRE 49-2220R4 PRE 49-2364R2	002004 006999	AR
50	2122088-12	..	PLATE-IDENT 2117342-20 SERIES 1 USE ON UNITS MANUFACTURED IN U.S.A. SUPPLIER CODE: V64547 SB DATA FROM A CMM: POST 2117342-49-2367R2 POST 49-4116	002004 006999	1
51	2124407-6	..	PLATE-IDENT 2117342-20 SERIES 1 USE ON UNITS MANUFACTURED OUTSIDE U.S.A. SUPPLIER CODE: V64547 SB DATA FROM A CMM: POST 49-2367R2 POST 49-4116	002004 006999	AR
51	2124407-7	..	PLATE-IDENT 2117342-17 SERIES 2 USE ON UNITS MANUFACTURED OUTSIDE U.S.A. SUPPLIER CODE: V64547 SB DATA FROM A CMM: POST 49-2197R1	002004 006102 107999	AR

MISSING ITEM NUMBERS NOT APPLICABLE

- ITEM NOT ILLUSTRATED

49-61-05-03

49-61-05  
FIG. 03  
PAGE 14  
JAN 20/09

BRI



757

PARTS CATALOG (MAINTENANCE)

FIG ITEM	PART NUMBER	1 2 3 4 5 6 7	NOMENCLATURE	EFFECT FROM TO	UNITS PER ASSY
3			ATTACHING PARTS		
55	MS35206-202	..	SCREW	002004 006999	2
60	NAS620-2	..	WASHER	002004 006999	2
65	S9629A5B2	..	PLATE-INSTRUCTION SUPPLIER CODE: V64547 CONFIG CHG DATA FROM A CMM:	002004 006999	1
65	S10064A482	..	PLATE-INSTRUCTION SUPPLIER CODE: V64547 CONFIG CHG DATA FROM A CMM: REPLD BY S10064A482	002004 006999	1
65	S10064A4B2	..	PLATE-INSTRUCTION SUPPLIER CODE: V64547 CONFIG CHG DATA FROM A CMM: REPLACES S9629A5B2 REPLD BY S10064A4B2	002004 006999	1
70	MS35206-213	..	SCREW	002004 006999	2
75	NAS620-4L	..	WASHER	002004 006999	2
80	S9629M4B1	..	PLATE-INSTRUCTION SUPPLIER CODE: V64547 CONFIG CHG DATA FROM A CMM: REPLD BY S10064M3B1 USED ON: 2117342-9 2117342-10 2117342-11 2117342-17 2117342-18	002004 006102 107999	1

MISSING ITEM NUMBERS NOT APPLICABLE

- ITEM NOT ILLUSTRATED

49-61-05-03

49-61-05  
FIG. 03  
PAGE 15  
JAN 20/09

BRI

BOEING PROPRIETARY - Copyright © - Unpublished Work - See title page for details.



757

PARTS CATALOG (MAINTENANCE)

FIG ITEM	PART NUMBER	1 2 3 4 5 6 7	NOMENCLATURE	EFFECT FROM TO	UNITS PER ASSY
3	80 S10064M3B1		..PLATE-INSTRUCTION SUPPLIER CODE: V64547 SB DATA FROM A CMM: PRE 49-2220R4 PRE 49-2364R2 PRE 49-4116 CONFIG CHG DATA FROM A CMM: REPLACES S9629M4B1 USED ON: 2117342-9 2117342-10 2117342-11 2117342-17 2117342-18	002004 006102 107999	1
	80 S10064M7B1		..PLATE-INSTRUCTION SUPPLIER CODE: V64547 SB DATA FROM A CMM: POST 49-2220R4 POST 49-2364R2 POST 49-4116 USED ON: 2117342-19 2117342-20	002004 006999	1
	85 S9629M3B1		..PLATE-INSTRUCTION SUPPLIER CODE: V64547 CONFIG CHG DATA FROM A CMM: REPLD BY S10064M2B1	002004 006999	1
	85 S10064M2B1		..PLATE-INSTRUCTION SUPPLIER CODE: V64547 CONFIG CHG DATA FROM A CMM: REPLACES S9629M3B1	002004 006999	1
	90 S9629M2B1		..PLATE-INSTRUCTION SUPPLIER CODE: V64547 CONFIG CHG DATA FROM A CMM: REPLD BY S10064M1B1 USED ON: 2117342-9 2117342-10 2117342-11 2117342-17 2117342-18	002004 006102 107999	1

MISSING ITEM NUMBERS NOT APPLICABLE

- ITEM NOT ILLUSTRATED

49-61-05-03

49-61-05  
FIG. 03  
PAGE 16  
JAN 20/09

BRI



757

PARTS CATALOG (MAINTENANCE)

FIG ITEM	PART NUMBER	1 2 3 4 5 6 7	NOMENCLATURE	EFFECT FROM TO	UNITS PER ASSY
3					
90	S10064M1B1		.. PLATE-INSTRUCTION SUPPLIER CODE: V64547 SB DATA FROM A CMM: PRE 2117342-49-2220R4 PRE 49-2364R2 PRE 49-4116 CONFIG CHG DATA FROM A CMM: REPLACES S9629M2B1 USED ON: 2117342-9 2117342-10 2117342-11 2117342-17 2117342-18	002004 006102 107999	1
90	S10064M6B1		.. PLATE-INSTRUCTION SUPPLIER CODE: V64547 SB DATA FROM A CMM: POST 2117342-49-2220R4 POST 49-2364R2 POST 49-4116 USED ON: 2117342-19 2117342-20	002004 006999	1
95	S10041DA12R1		.. LABEL-BITE DISPLAY 2117342-11 SERIES 1 SUPPLIER CODE: V64547 SB DATA FROM A CMM: POST 49-2220R4 POST 49-2364R2 POST 49-4116 USED ON: 2117342-19 2117342-20	002004 006999	1
100	MS24693S28		.. SCREW	002004 006999	2
105	DSSB47N		.. PLUNGER- SUPPLIER CODE: V01226 CONFIG CHG DATA FROM A CMM: REPLD BY 584-006-9001 MISCELLANEOUS DATA: HONEYWELL PART NO. 584-006-9001	002004 006999	2

MISSING ITEM NUMBERS NOT APPLICABLE

- ITEM NOT ILLUSTRATED

49-61-05-03

49-61-05  
FIG. 03  
PAGE 17  
JAN 20/09

BRI



757

PARTS CATALOG (MAINTENANCE)

FIG ITEM	PART NUMBER	1 2 3 4 5 6 7	NOMENCLATURE	EFFECT FROM TO	UNITS PER ASSY
3					
105	DSSB47P	..	PLUNGER- SUPPLIER CODE: V01226 CONFIG CHG DATA FROM A CMM: REPLD BY 584-006-9001 MISCELLANEOUS DATA: HONEYWELL PART NO. 584-006-9001	002004 006999	2
105	584-006-9001	..	PLUNGER- SUPPLIER CODE: V01226 CONFIG CHG DATA FROM A CMM: REPLACES DSSB47N REPLACES DSSB47P	002004 006999	2
110	2108612-1	..	HANDLE ASSY- SUPPLIER CODE: V98496 CONFIG CHG DATA FROM A CMM: REPL BY 2108612-2	002004 006999	1
110	2108612-2	..	HANDLE ASSY- SUPPLIER CODE: V98496 CONFIG CHG DATA FROM A CMM: REPLACES 2108612-1 ATTACHING PARTS	002004 006999	1
115	MS35206-241	..	SCREW	002004 006999	2
120	S8154-245C010	..	WASHER- SUPPLIER CODE: V64547	002004 006999	2
125	S8154-280C010	..	WASHER- SUPPLIER CODE: V64547	002004 006999	2
130	S8168-28C0070	..	SPACER- SUPPLIER CODE: V64547 -----*-----	002004 006999	2
135	MS24693S28	..	SCREW	002004 006999	2
140	NAS620-6L	..	WASHER	002004 006999	2
145	MS21083N06	..	NUT	002004 006999	2
150	NAS622CT2	..	HOOK	002004 006999	2

MISSING ITEM NUMBERS NOT APPLICABLE

- ITEM NOT ILLUSTRATED

49-61-05-03

49-61-05  
FIG. 03  
PAGE 18  
SEP 20/08

BRI

BOEING PROPRIETARY - Copyright © - Unpublished Work - See title page for details.



757

PARTS CATALOG (MAINTENANCE)

FIG ITEM	PART NUMBER	1 2 3 4 5 6 7	NOMENCLATURE	EFFECT FROM TO	UNITS PER ASSY
3 155	3015-2A		..KNOB- SUPPLIER CODE: V70276 SB DATA FROM A CMM: PRE 2117342-49-2220R4 PRE 49-2364R2 PRE 49-4116 CONFIG CHG DATA FROM A CMM: REPLD BY 452-7008-9002 MISCELLANEOUS DATA: HONEYWELL PART NO. 452-017-9001 USED ON: 2117342-9 2117342-10 2117342-11 2117342-17 2117342-18	002004 006102 107999	1
155	V2445		..KNOB- SUPPLIER CODE: V08730 SB DATA FROM A CMM: POST 2117342-49-2220R4 POST 49-2364R2 POST 49-4116 CONFIG CHG DATA FROM A CMM: REPLD BY 452-7008-9002 MISCELLANEOUS DATA: HONEYWELL PART NO. 452-7008-9001	002004 006999	1
155	452-7008-9002		..KNOB- SUPPLIER CODE: V64547 SB DATA FROM A CMM: POST 49-2220R4 POST 49-2364R2 POST 49-4116 CONFIG CHG DATA FROM A CMM: REPLACES 3012-2A REPLACES V2445 USED ON: 2117342-9 2117342-10 2117342-11 2117342-17 2117342-18	002004 006102 107999	1

MISSING ITEM NUMBERS NOT APPLICABLE

- ITEM NOT ILLUSTRATED

49-61-05-03

49-61-05  
FIG. 03  
PAGE 19  
JAN 20/09

BRI



757

PARTS CATALOG (MAINTENANCE)

FIG ITEM	PART NUMBER	1 2 3 4 5 6 7	NOMENCLATURE	EFFECT FROM TO	UNITS PER ASSY
3 155	452-7008-9002		. . KNOB- SUPPLIER CODE: V64547 SB DATA FROM A CMM: POST 49-2220R4 POST 49-2364R2 POST 49-4116 CONFIG CHG DATA FROM A CMM: REPLACES V2445 USED ON: 2117342-19 2117342-20	002004 006999	1

MISSING ITEM NUMBERS NOT APPLICABLE

- ITEM NOT ILLUSTRATED

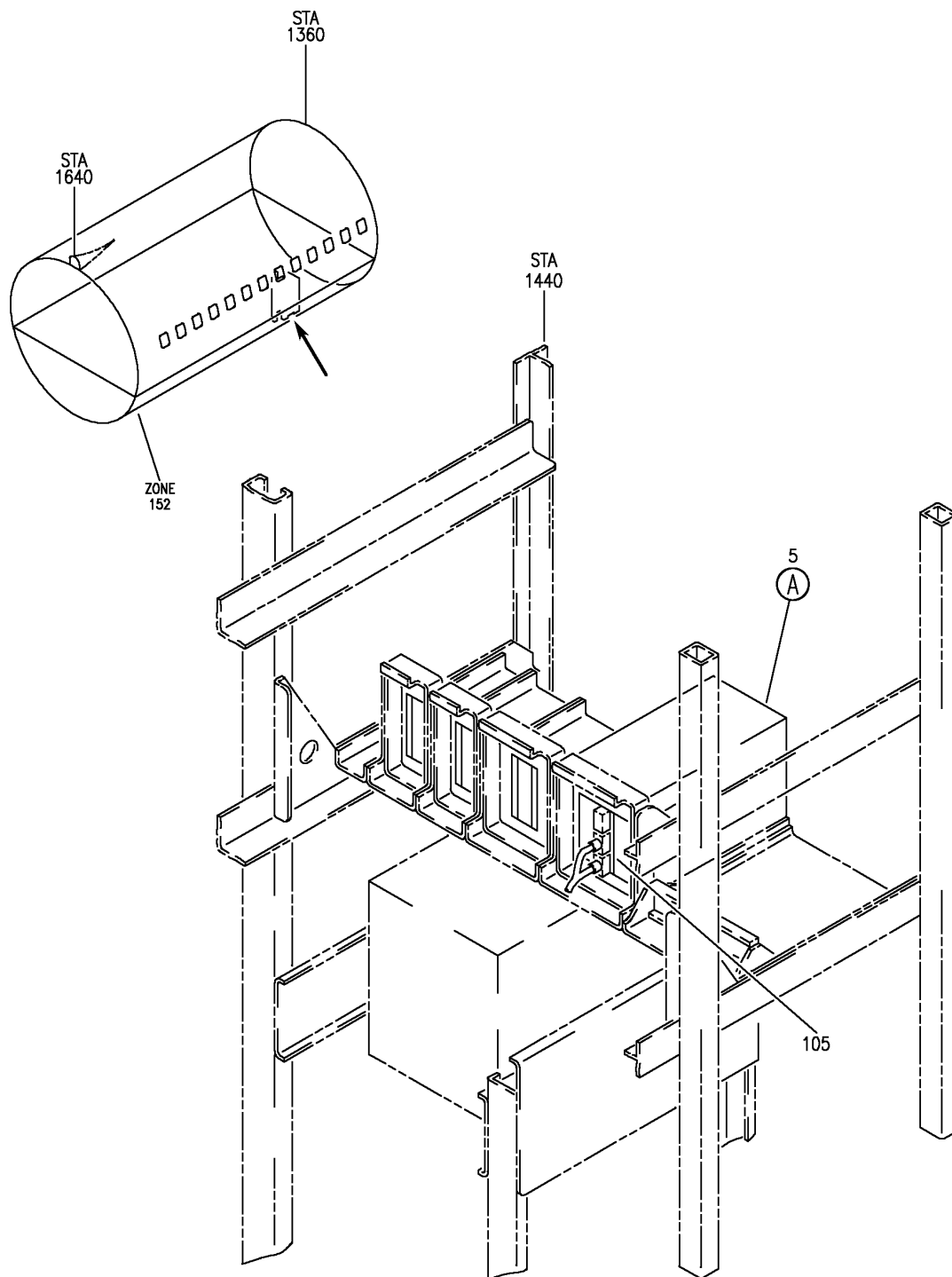
BRI

49-61-05-03

BOEING PROPRIETARY - Copyright © - Unpublished Work - See title page for details.

49-61-05  
FIG. 03  
PAGE 20  
SEP 20/08

**BOEING**  
757  
PARTS CATALOG (MAINTENANCE)



Y 49610504 SH1 1 REV 276

EQUIPMENT INSTL-E6 AFT EQPT CTR APU BATTERY EXTENDED RACK (APU CONTROL SYSTEM ONLY)  
FIGURE 4 (SHEET 1)

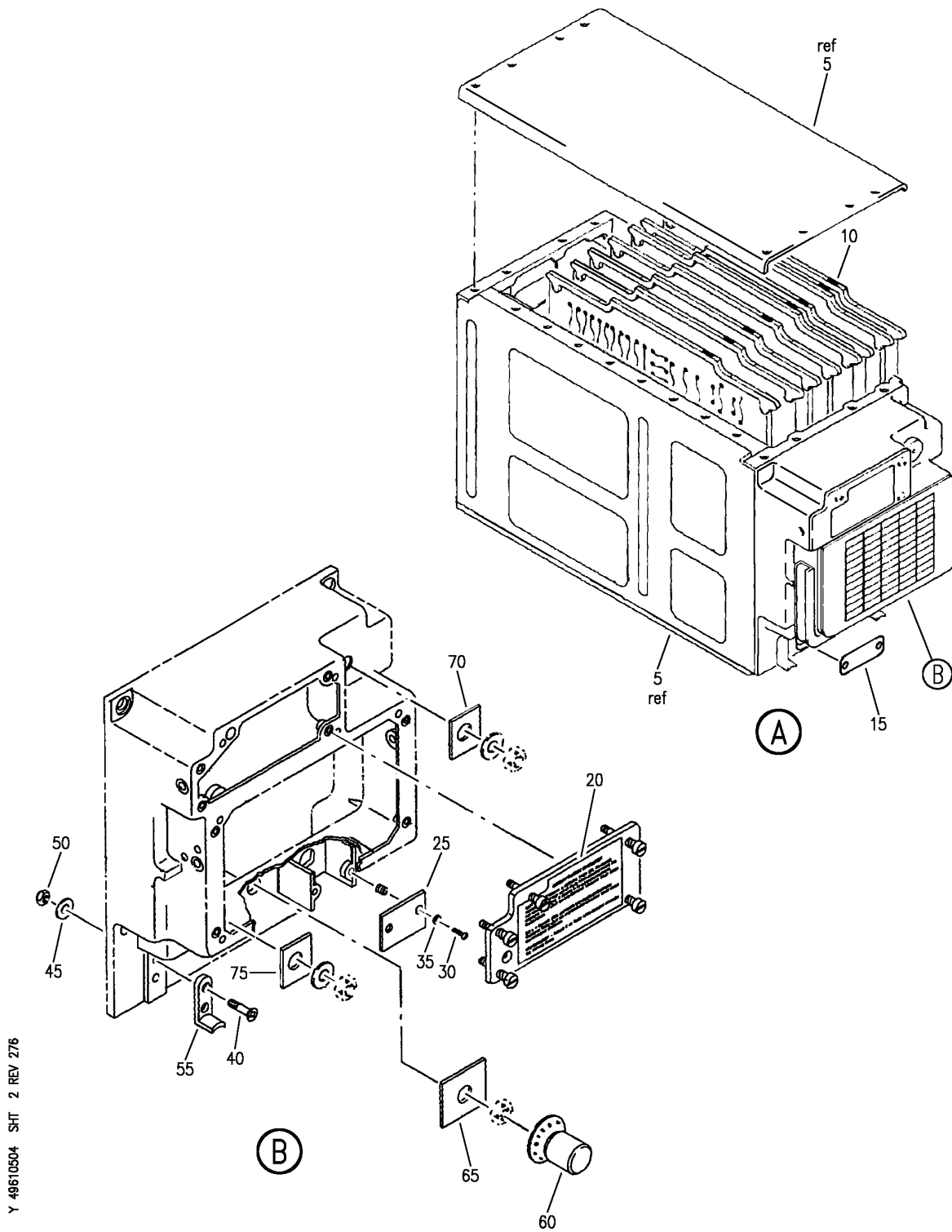
BRI  
JAN 20/09

**49-61-05-04**

49-61-05-04  
PAGE 0



**BOEING**  
757  
PARTS CATALOG (MAINTENANCE)



Y 49610504 SHT 2 REV 276

EQUIPMENT INSTL-E6 AFT EQPT CTR APU BATTERY EXTENDED RACK (APU CONTROL SYSTEM ONLY)  
FIGURE 4 (SHEET 2)

BRI  
JAN 20/09

**49-61-05-04**

49-61-05-04  
PAGE 0A



757

PARTS CATALOG (MAINTENANCE)

FIG ITEM	PART NUMBER	1 2 3 4 5 6 7	NOMENCLATURE	EFFECT FROM TO	UNITS PER ASSY
4			EQUIPMENT INSTL-E6 AFT EQPT CTR APU BATTERY EXTENDED RACK (APU CONTROL SYSTEM ONLY)	103106	
- 1	MODREF10608		EQUIPMENT INSTL-E6 AFT EQPT CTR APU BATTERY EXTENDED RACK (APU CONTROL SYSTEM ONLY)	103105	1
- 1	MODREF193824		MODULE NUMBER: 284N6000-240005 REV A EQUIPMENT INSTL-E6 AFT EQPT CTR APU BATTERY EXTENDED RACK (APU CONTROL SYSTEM ONLY)	106106	1
	5 2117342-20		MODULE NUMBER: 284N6000-240005 REV B .CONTROL UNIT-SERIES 1 SUPPLIER CODE: V64547 SPECIFICATION NUMBER: S351T020-20 SB DATA FROM A CMM: POST 49-2367R1 POST 49-4116 COMPONENT MAINT MANUAL REF: 49-61-26	103106	1
	5 2117342-11		.CONTROL UNIT-SERIES 1 SUPPLIER CODE: V64547 SPECIFICATION NUMBER: S351T020-16 ELECTRICAL EQUIP NUMBER: M00206 COMPONENT MAINT MANUAL REF: 49-61-26	103106	1
	5 2117342-17		.CONTROL UNIT-SERIES 1 SUPPLIER CODE: V64547 SPECIFICATION NUMBER: S351T020-17 ELECTRICAL EQUIP NUMBER: M00206 COMPONENT MAINT MANUAL REF: 49-61-26	103106	1

MISSING ITEM NUMBERS NOT APPLICABLE

- ITEM NOT ILLUSTRATED

49-61-05-04

49-61-05  
FIG. 04  
PAGE 1  
JAN 20/09

BRI



757

PARTS CATALOG (MAINTENANCE)

FIG ITEM	PART NUMBER	1 2 3 4 5 6 7	NOMENCLATURE	EFFECT FROM TO	UNITS PER ASSY
4					
5	2117342-18	.	CONTROL UNIT-SERIES 1 SUPPLIER CODE: V64547 SPECIFICATION NUMBER: S351T020-18 ELECTRICAL EQUIP NUMBER: M00206 COMPONENT MAINT MANUAL REF: 49-61-26	103106	1
5	2117342-19	.	CONTROL UNIT-SERIES 1 SUPPLIER CODE: V64547 SPECIFICATION NUMBER: S351T020-19 ELECTRICAL EQUIP NUMBER: M00206 COMPONENT MAINT MANUAL REF: 49-61-26	103106	1
10	2108988-1	..	LABEL-DESIGN NO. SUPPLIER CODE: V64547	103106	2
15	2122088-12	..	PLATE-IDENT, USE ON UNITS MFG IN U.S.A SUPPLIER CODE: V64547 SB DATA FROM A CMM: POST 49-2367R2 POST 49-4116	103106	1
15	2124407-6	..	PLATE-IDENT, USE ON UNITS MFG OUSTSIDE U.S.A SUPPLIER CODE: V64547 SB DATA FROM A CMM: POST 49-2367R2 POST 49-4116	103106	AR
20	S10041DA12R1	..	LABEL-BITE DISPLAY INSTRUCTION SUPPLIER CODE: V64547 SB DATA FROM A CMM: POST 49-2367R2 POST 49-4116 POST 49-2220R4	103106	1
25	S9629A5B2	..	PLATE-INSTRUCTION SUPPLIER CODE: V64547 CONFIG CHG DATA FROM A CMM: REPLD BY S10064A482	103106	1

MISSING ITEM NUMBERS NOT APPLICABLE

- ITEM NOT ILLUSTRATED

49-61-05-04

49-61-05  
FIG. 04  
PAGE 2  
JAN 20/09

BRI



757

PARTS CATALOG (MAINTENANCE)

FIG ITEM	PART NUMBER	1 2 3 4 5 6 7	NOMENCLATURE	EFFECT FROM TO	UNITS PER ASSY
4					
25	S10064A482	..	PLATE-INSTRUCTION SUPPLIER CODE: V64547 CONFIG CHG DATA FROM A CMM: REPLD BY S10064A4B2 REPLACES S9629A5B2	103106	1
25	S10064A4B2	..	PLATE-INSTRUCTION SUPPLIER CODE: V64547 CONFIG CHG DATA FROM A CMM: REPLACES S10064A482	103106	1
30	MS35206-213	..	SCREW	103106	2
35	NAS620-4L	..	WASHER -----*-----	103106	2
40	MS24693S28	..	SCREW	103106	2
45	NAS620-6L	..	WASHER	103106	2
50	MS21083N06	..	NUT	103106	2
55	NAS622CT2	..	HOOK	103106	2
60	V2445	..	KNOB- SUPPLIER CODE: V08730 SB DATA FROM A CMM: POST 2117342-49-2220R4 POST 49-2364R2 POST 49-4116 CONFIG CHG DATA FROM A CMM: REPLD BY 452-7008-9002 MISCELLANEOUS DATA: HONEYWELL P/N 452-017-9001	103106	1
60	452-7008-9002	..	KNOB- SUPPLIER CODE: V64547 SB DATA FROM A CMM: POST 49-2220R4 POST 49-2364R2 POST 49-4116 CONFIG CHG DATA FROM A CMM: REPLACES V2445	103106	1
65	S10064M7B1	..	PLATE-INSTRUCTION SUPPLIER CODE: V64547 SB DATA FROM A CMM: POST 49-2220R4 POST 49-2364R2 POST 49-4116	103106	1

MISSING ITEM NUMBERS NOT APPLICABLE

- ITEM NOT ILLUSTRATED

49-61-05-04

49-61-05  
FIG. 04  
PAGE 3  
JAN 20/09

BRI



757

PARTS CATALOG (MAINTENANCE)

FIG ITEM	PART NUMBER	1 2 3 4 5 6 7	NOMENCLATURE	EFFECT FROM TO	UNITS PER ASSY
4	70 S9629M3B1		..PLATE-INSTRUCTION SUPPLIER CODE: V64547 CONFIG CHG DATA FROM A CMM: REPLD BY S10064M2B1	103106	1
	70 S10064M2B1		..PLATE-INSTRUCTION SUPPLIER CODE: V64547 CONFIG CHG DATA FROM A CMM: REPLACES S9629M3B1	103106	1
	75 S10064M6B1		..PLATE-INSTRUCTION SUPPLIER CODE: V64547 SB DATA FROM A CMM: POST 49-2220R4 POST 49-2364R2 POST 49-4116	103106	1
- 100	286N1042-601		WIRE BUNDLE ASSY-	103106	1
105	BKA21C1501		.CONNECTOR- SUPPLIER CODE: V71468 SPECIFICATION NUMBER: BACC66H21C1501 OPTIONAL PART: S621C1501 V59610 NIC66H21C1501 V00779 ELECTRICAL EQUIP NUMBER: D01796 WIRING DIAGRAM REF: 491411	103106	1

MISSING ITEM NUMBERS NOT APPLICABLE

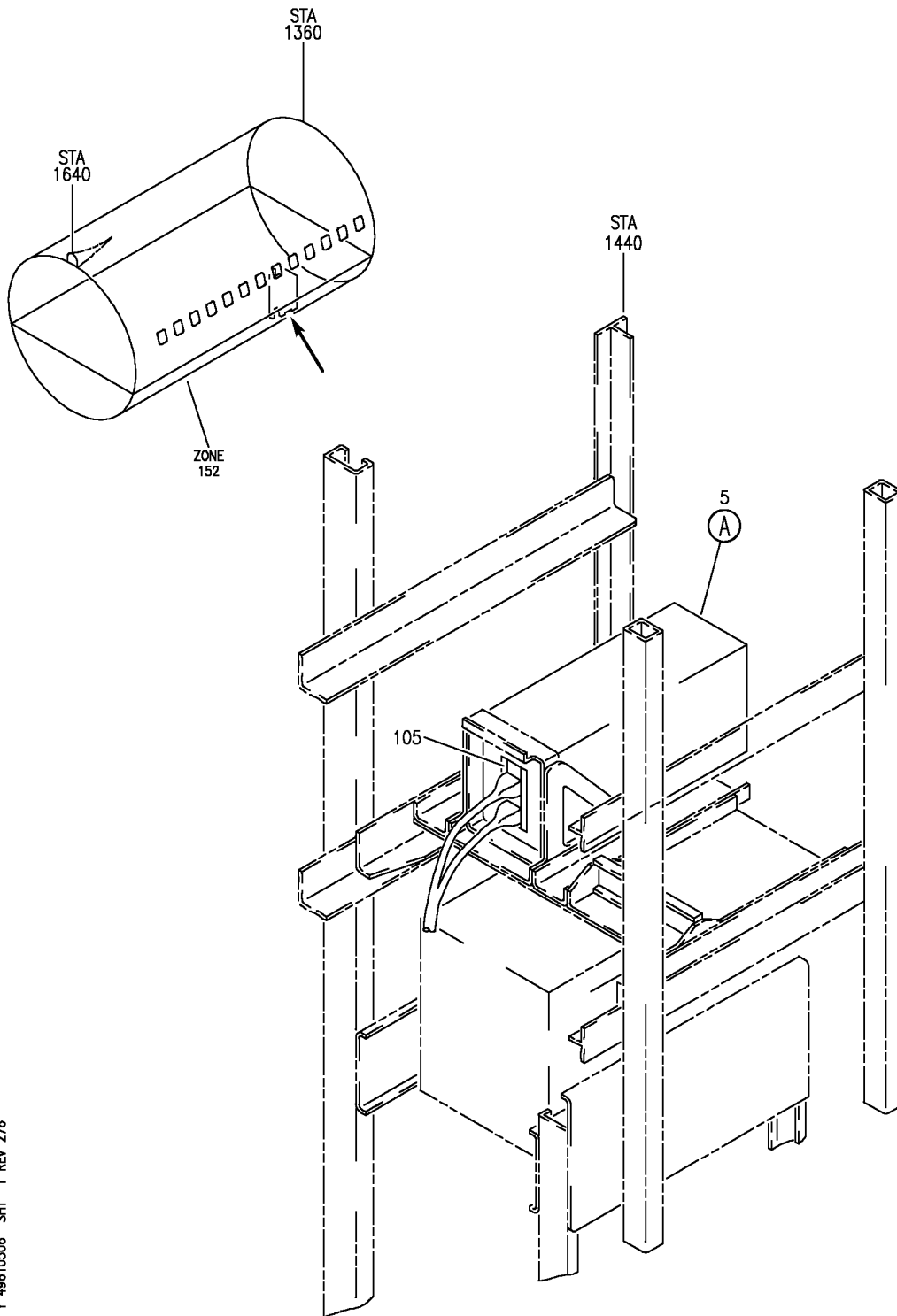
- ITEM NOT ILLUSTRATED

49-61-05-04

49-61-05  
FIG. 04  
PAGE 4  
JAN 20/09

BRI

**BOEING**  
757  
PARTS CATALOG (MAINTENANCE)



Y 49610506 SH1 1 REV 276

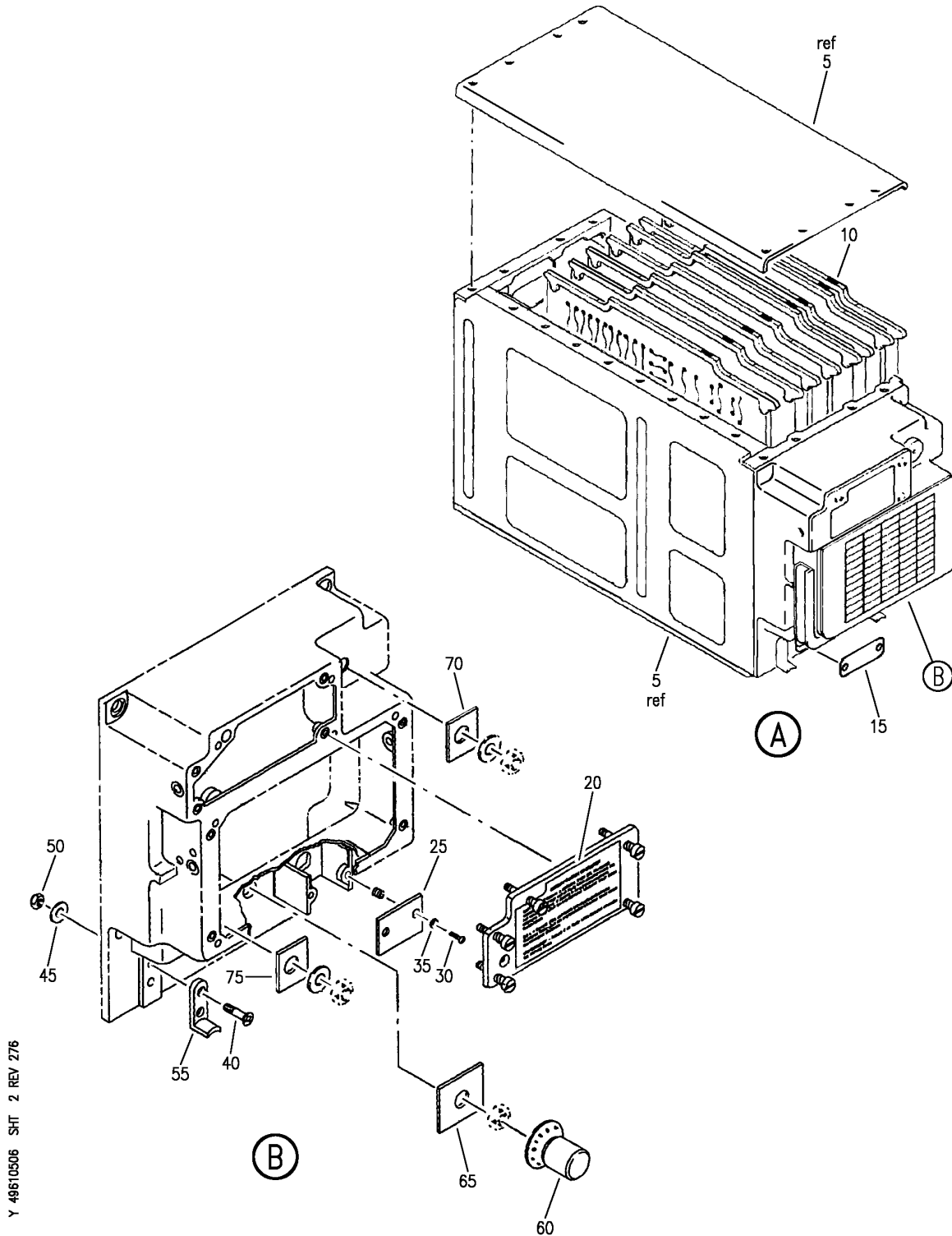
EQUIPMENT INSTL-E6 AFT EQPT CTR APU BATTERY SMALL RACK (APU CONTROL SYSTEM ONLY)  
FIGURE 6 (SHEET 1)

BRI  
JAN 20/09

**49-61-05-06**

49-61-05-06  
PAGE 0

**BOEING**  
757  
PARTS CATALOG (MAINTENANCE)



Y 49610506 SHT 2 REV 276

EQUIPMENT INSTL-E6 AFT EQPT CTR APU BATTERY SMALL RACK (APU CONTROL SYSTEM ONLY)  
FIGURE 6 (SHEET 2)

BRI  
JAN 20/09

**49-61-05-06**

49-61-05-06  
PAGE 0A



757

PARTS CATALOG (MAINTENANCE)

FIG ITEM	PART NUMBER	1 2 3 4 5 6 7	NOMENCLATURE	EFFECT FROM TO	UNITS PER ASSY
6			EQUIPMENT INSTL-E6 AFT EQPT CTR APU BATTERY SMALL RACK (APU CONTROL SYSTEM ONLY)	108120	
- 1	284N6000-240006		EQUIPMENT INSTL-E6 AFT EQPT CTR APU BATTERY SMALL RACK (APU CONTROL SYSTEM ONLY)	108120	RF
5	2117342-20		FOR NHA/OTHER SYS DET SEE: 24-00-58-05F .CONTROL UNIT-SERIES 1 SUPPLIER CODE: V64547 SPECIFICATION NUMBER: S351T020-20 SB DATA FROM A CMM: POST 49-2367R1 POST 49-4116 COMPONENT MAINT MANUAL REF: 49-61-26	108120	1
5	2117342-11		.CONTROL UNIT-SERIES 1 SUPPLIER CODE: V64547 SPECIFICATION NUMBER: S351T020-16 ELECTRICAL EQUIP NUMBER: M00206 COMPONENT MAINT MANUAL REF: 49-61-26	108120	1
5	2117342-17		.CONTROL UNIT-SERIES 1 SUPPLIER CODE: V64547 SPECIFICATION NUMBER: S351T020-17 COMPONENT MAINT MANUAL REF: 49-61-26	108120	1
5	2117342-18		.CONTROL UNIT-SERIES 1 SUPPLIER CODE: V64547 SPECIFICATION NUMBER: S351T020-18 ELECTRICAL EQUIP NUMBER: M00206 COMPONENT MAINT MANUAL REF: 49-61-26	108120	1

MISSING ITEM NUMBERS NOT APPLICABLE

- ITEM NOT ILLUSTRATED

49-61-05-06

49-61-05  
FIG. 06  
PAGE 1  
JAN 20/09

BRI





757

PARTS CATALOG (MAINTENANCE)

FIG ITEM	PART NUMBER	1 2 3 4 5 6 7	NOMENCLATURE	EFFECT FROM TO	UNITS PER ASSY
6					
5	2117342-19		.CONTROL UNIT-SERIES 1 SUPPLIER CODE: V64547 SPECIFICATION NUMBER: S351T020-19 ELECTRICAL EQUIP NUMBER: M00206 COMPONENT MAINT MANUAL REF: 49-61-26	108120	1
10	2108988-1		..LABEL-DESIGN NO. SUPPLIER CODE: V64547	108120	2
15	2122088-12		..PLATE-IDENT, USE ON UNITS MFG IN U.S.A SUPPLIER CODE: V64547 SB DATA FROM A CMM: POST 49-2367R2 POST 49-4116	108120	1
15	2124407-6		..PLATE-IDENT, USE ON UNITS MFG OUSTSIDE U.S.A SUPPLIER CODE: V64547 SB DATA FROM A CMM: POST 49-2367R2 POST 49-4116	108120	AR
20	S10041DA12R1		..LABEL-BITE DISPLAY INSTRUCTION SUPPLIER CODE: V64547 SB DATA FROM A CMM: POST 49-2367R2 POST 49-4116 POST 49-2220R4	108120	1
25	S9629A5B2		..PLATE-INSTRUCTION SUPPLIER CODE: V64547 CONFIG CHG DATA FROM A CMM: REPLD BY S10064A482	108120	1
25	S10064A482		..PLATE-INSTRUCTION SUPPLIER CODE: V64547 CONFIG CHG DATA FROM A CMM: REPLD BY S10064A4B2 REPLACES S9629A5B2	108120	1

MISSING ITEM NUMBERS NOT APPLICABLE

- ITEM NOT ILLUSTRATED

49-61-05-06

49-61-05  
FIG. 06  
PAGE 2  
JAN 20/09

BRI



**757  
PARTS CATALOG (MAINTENANCE)**

FIG ITEM	PART NUMBER	1 2 3 4 5 6 7	NOMENCLATURE	EFFECT FROM TO	UNITS PER ASSY
6					
25	S10064A4B2	..	PLATE-INSTRUCTION SUPPLIER CODE: V64547 CONFIG CHG DATA FROM A CMM: REPLACES S10064A482 ATTACHING PARTS	108120	1
30	MS35206-213	..	SCREW	108120	2
35	NAS620-4L	..	WASHER -----*-----	108120	2
40	MS24693S28	..	SCREW	108120	2
45	NAS620-6L	..	WASHER	108120	2
50	MS21083N06	..	NUT	108120	2
55	NAS622CT2	..	HOOK	108120	2
60	V2445	..	KNOB- SUPPLIER CODE: V08730 SB DATA FROM A CMM: POST 2117342-49-2220R4 POST 49-2364R2 POST 49-4116 CONFIG CHG DATA FROM A CMM: REPLD BY 452-7008-9002 MISCELLANEOUS DATA: HONEYWELL P/N 452-017-9001	108120	1
60	452-7008-9002	..	KNOB- SUPPLIER CODE: V64547 SB DATA FROM A CMM: POST 49-2220R4 POST 49-2364R2 POST 49-4116 CONFIG CHG DATA FROM A CMM: REPLACES V2445	108120	1
65	S10064M7B1	..	PLATE-INSTRUCTION SUPPLIER CODE: V64547 SB DATA FROM A CMM: POST 49-2220R4 POST 49-2364R2 POST 49-4116	108120	1
70	S9629M3B1	..	PLATE-INSTRUCTION SUPPLIER CODE: V64547 CONFIG CHG DATA FROM A CMM: REPLD BY S10064M2B1	108120	1

MISSING ITEM NUMBERS NOT APPLICABLE

— ITEM NOT ILLUSTRATED

# 49-61-05-06

49-61-05  
FIG. 06  
PAGE 3  
JAN 20/09

BRI

BOEING PROPRIETARY - Copyright © - Unpublished Work - See title page for details.



757

PARTS CATALOG (MAINTENANCE)

FIG ITEM	PART NUMBER	1 2 3 4 5 6 7	NOMENCLATURE	EFFECT FROM TO	UNITS PER ASSY
6					
70	S10064M2B1		..PLATE-INSTRUCTION SUPPLIER CODE: V64547 CONFIG CHG DATA FROM A CMM: REPLACES S9629M3B1	108120	1
75	S10064M6B1		..PLATE-INSTRUCTION SUPPLIER CODE: V64547 SB DATA FROM A CMM: POST 49-2220R4 POST 49-2364R2 POST 49-4116	108120	1
- 100	286N1020-304		WIRE BUNDLE ASSY	108120	RF
105	BKA21C1501		.CONNECTOR- SUPPLIER CODE: V71468 SPECIFICATION NUMBER: BACC66H21C1501 OPTIONAL PART: S621C1501 V59610 NIC66H21C1501 V00779 ELECTRICAL EQUIP NUMBER: D01796 WIRING DIAGRAM REF: 491411	108120	1

MISSING ITEM NUMBERS NOT APPLICABLE

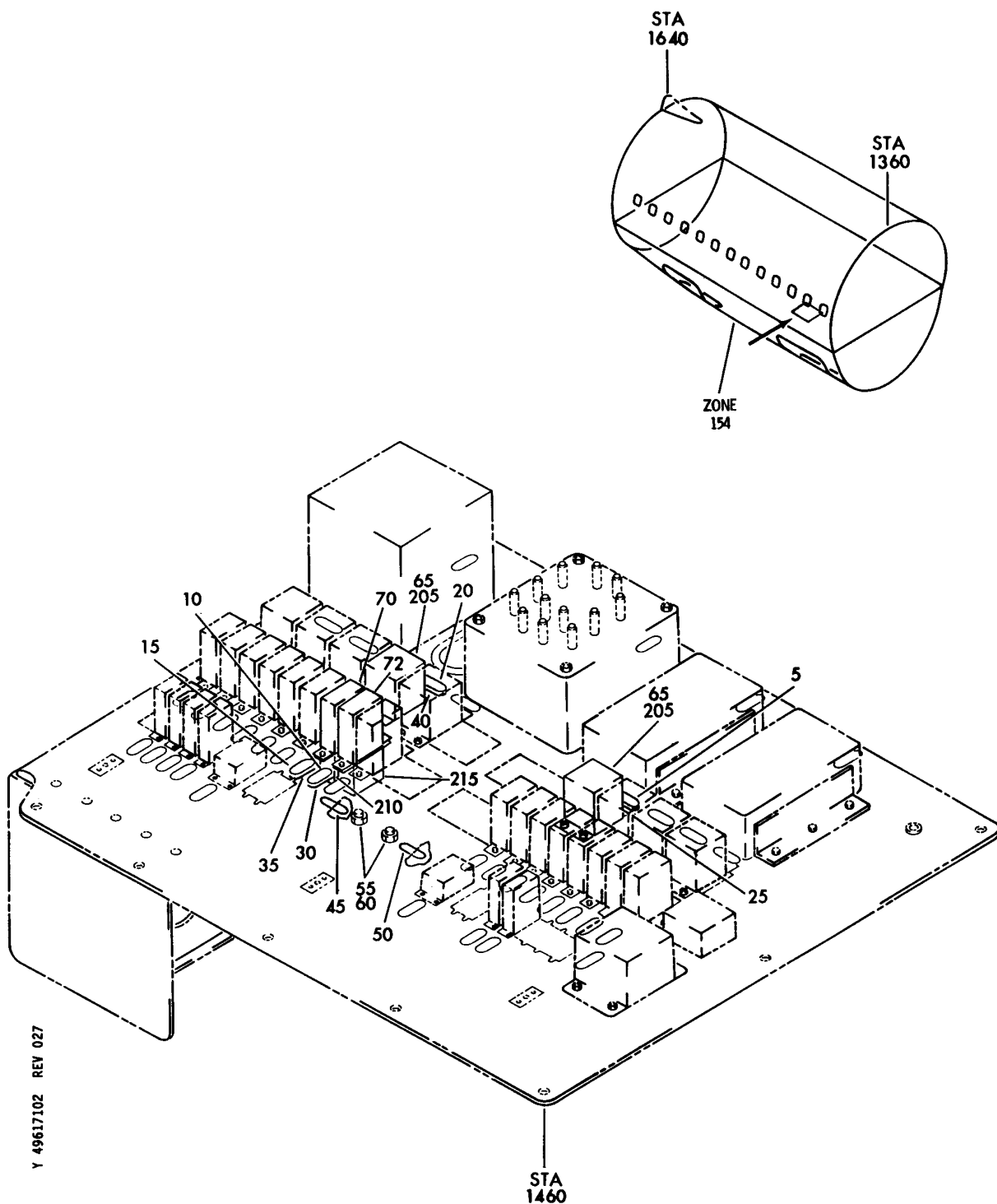
- ITEM NOT ILLUSTRATED

49-61-05-06

49-61-05  
FIG. 06  
PAGE 4  
JAN 20/09

BRI

**BOEING**  
757  
PARTS CATALOG (MAINTENANCE)



Y 49617102 REV 027

EQUIPMENT ASSY-AFT EQPT CTR E6 RELAY (APU CONTROL SYSTEM ONLY)  
FIGURE 2

**49-61-71-02**

BRI  
MAY 28/07

49-61-71-02  
PAGE 0



757

PARTS CATALOG (MAINTENANCE)

FIG ITEM	PART NUMBER	1 2 3 4 5 6 7	NOMENCLATURE	EFFECT FROM TO	UNITS PER ASSY
2			EQUIPMENT ASSY-AFT EQPT CTR E6 RELAY (APU CONTROL SYSTEM ONLY)	121503 904949	
- 1	284N1680-1		EQUIPMENT ASSY-EQPT CTR E6 RELAY (APU CONTROL SYSTEM ONLY) POSITION DATA: AFT VARIABLE DRAWING REF: 284N1680-5009 FOR NHA/OTHER SYS DET SEE: 25-70-51-53	121503 904949	RF
5	BAC27NEX0067		.DECAL- PLACARD CONTENT: K10033	121503 904949	1
10	BAC27NEX0071		.DECAL- PLACARD CONTENT: K10030	121503 904949	1
15	BAC27TEX0679		.DECAL- PLACARD CONTENT: K176	121503 904949	1
20	BAC27TEX0315		.DECAL- PLACARD CONTENT: K175	121503 904949	1
25	BAC27NEX1269		.DECAL- PLACARD CONTENT: D2434	121503 904949	1
30	BAC27NEX1270		.DECAL- PLACARD CONTENT: K2436	121503 904949	1
35	BAC27NEX1263		.DECAL- PLACARD CONTENT: D2380	121503 904949	1
40	BAC27NEX1262		.DECAL- PLACARD CONTENT: D2378	121503 904949	1
45	BAC27TEX0631		.DECAL- PLACARD CONTENT: R11	121503 904949	1
50	BAC27TEX0670		.DECAL- PLACARD CONTENT: R12	121503 904949	1
52	BAC27NEX1579		.DECAL- PLACARD CONTENT: TB37	121503 904949	1
55	BACK18F2		.KIT-MTG	121503 904949	2

MISSING ITEM NUMBERS NOT APPLICABLE

- ITEM NOT ILLUSTRATED

49-61-71-02

49-61-71  
FIG. 02  
PAGE 1  
JAN 20/09

BRI

BOEING PROPRIETARY - Copyright © - Unpublished Work - See title page for details.



757

PARTS CATALOG (MAINTENANCE)

FIG ITEM	PART NUMBER	1 2 3 4 5 6 7	NOMENCLATURE	EFFECT FROM TO	UNITS PER ASSY
2	60 JANTX1N1206A		.DIODE- ELECTRICAL EQUIP NUMBER: R11 R12	121503 904949	2
	65 E410-1537		.RELAY- SUPPLIER CODE: V99699 SPECIFICATION NUMBER: BACR13CG2A OPTIONAL PART: E415-1078 V99699 BR230S0116 V56623 KD4A017 V58687 FCA410-62 V78290 ELECTRICAL EQUIP NUMBER: K00175 K10033	121503 904949	2
	70 E210-1631		.RELAY- SUPPLIER CODE: V99699 SPECIFICATION NUMBER: BACR13CF2A OPTIONAL PART: BR246S0112 V56623 FCA210-70 V78290 E215-1050 V99699 JD4A017 V35344 BR64S104 V56623 61GB19-1A320 V98927 ELECTRICAL EQUIP NUMBER: K00176	121503 904949	1

MISSING ITEM NUMBERS NOT APPLICABLE

- ITEM NOT ILLUSTRATED

49-61-71-02

49-61-71  
FIG. 02  
PAGE 2  
JAN 20/09

BRI



757

PARTS CATALOG (MAINTENANCE)

FIG ITEM	PART NUMBER	1 2 3 4 5 6 7	NOMENCLATURE	EFFECT FROM TO	UNITS PER ASSY
2 72	E210-1631		.RELAY- SUPPLIER CODE: V99699 SPECIFICATION NUMBER: BACR13CF2A OPTIONAL PART: BR246S0112 V56623 FCA210-70 V78290 E215-1050 V99699 JD4A017 V35344 BR64S104 V56623 61GB19-1A320 V98927 ELECTRICAL EQUIP NUMBER: K10030	121503 904949	1
75	BACC49A1		.CLAMP SUPPLIER CODE: V09922 SPECIFICATION NUMBER: BACC49A1 OPTIONAL PART: FAB278 V15805 H28-1 V34941 UP103 V6E102	121503 904949	2
80	H21-1		.SPACER SUPPLIER CODE: V34941 SPECIFICATION NUMBER: BACS18AR1 OPTIONAL PART: FAB276A V15805 YHLZ1C2 V09922	121503 904949	1
85	AMY1400T1		.TRACK SUPPLIER CODE: V09922 SPECIFICATION NUMBER: BACT44A1400U	121503 904949	1

MISSING ITEM NUMBERS NOT APPLICABLE

- ITEM NOT ILLUSTRATED

49-61-71-02

49-61-71  
FIG. 02  
PAGE 3  
JAN 20/09

BRI



**757  
PARTS CATALOG (MAINTENANCE)**

FIG ITEM	PART NUMBER	1 2 3 4 5 6 7	NOMENCLATURE	EFFECT FROM TO	UNITS PER ASSY
2			ATTACHING PARTS		
- 90	NAS600-6P		.SCREW	121503 904949	3
- 95	AN960PD6L		.WASHER	121503 904949	3
- 200	286N1024-002		-----*----- WIRE BUNDLE ASSY-	121503 904949	RF
205	BACS16W1		.SOCKET- ELECTRICAL EQUIP NUMBER: D02378 D02434 WIRING DIAGRAM REF: 496111	121503 904949	2
210	RSF116200		.SOCKET- SUPPLIER CODE: V58982 SPECIFICATION NUMBER: BACS16X1A OPTIONAL PART: 102-006-1 V09922 000300-1538 V05574 ELECTRICAL EQUIP NUMBER: D02380 WIRING DIAGRAM REF: 496111	121503 904949	1
215	RSF116200		.SOCKET- SUPPLIER CODE: V58982 SPECIFICATION NUMBER: BACS16X1A OPTIONAL PART: 102-006-1 V09922 000300-1538 V05574 ELECTRICAL EQUIP NUMBER: D02436 WIRING DIAGRAM REF: 496111	121503 904949	1

MISSING ITEM NUMBERS NOT APPLICABLE

- ITEM NOT ILLUSTRATED

BRI

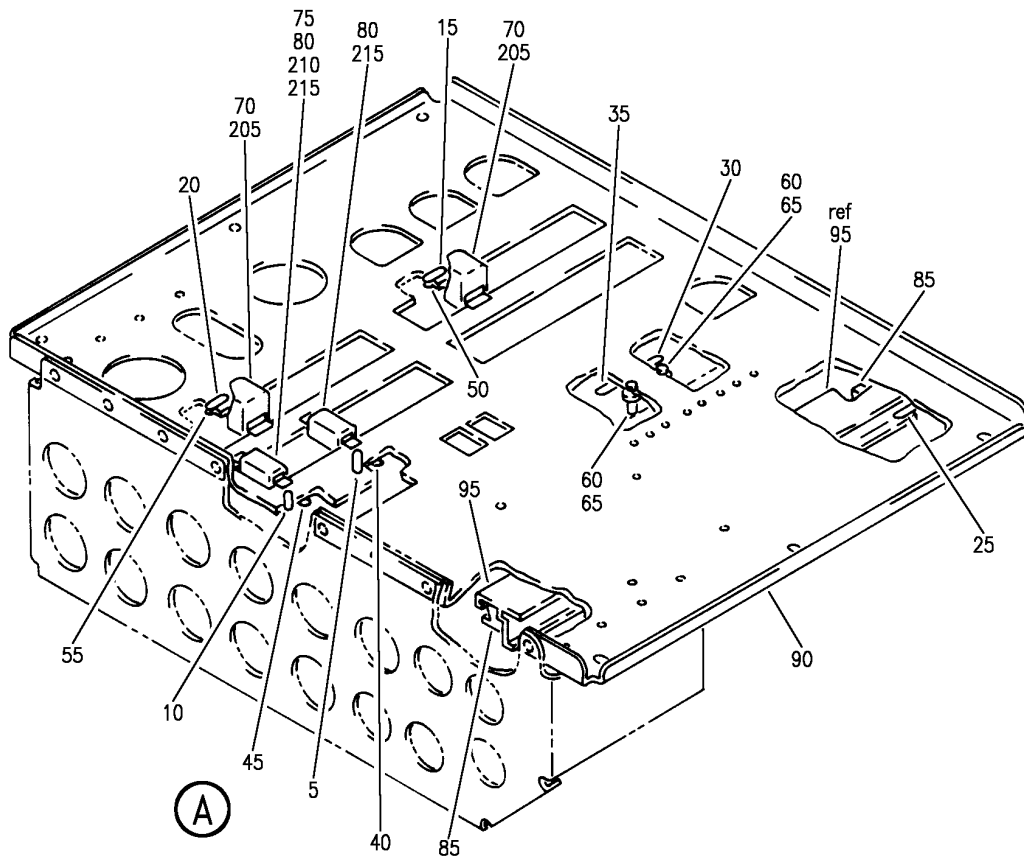
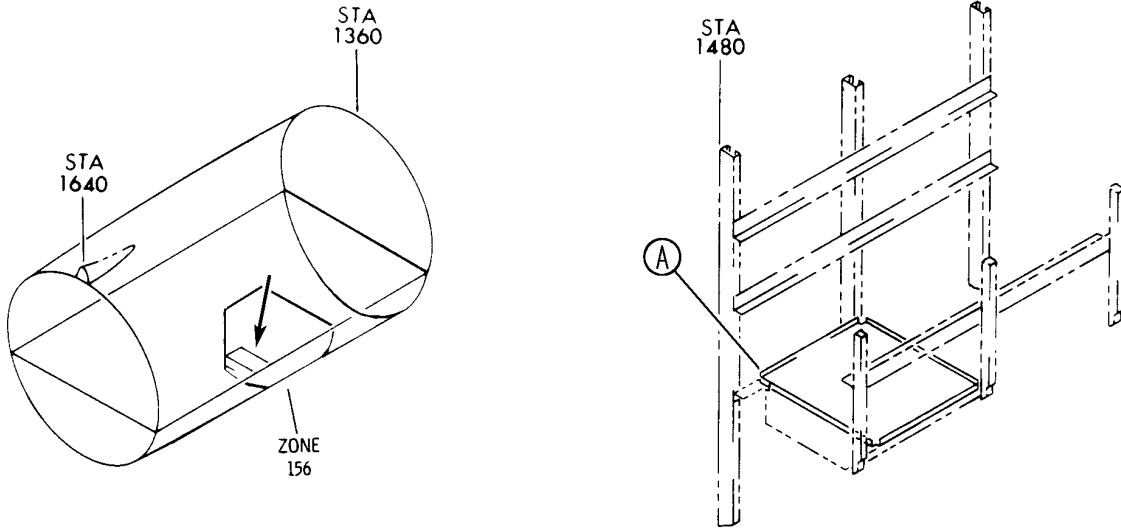
# 49-61-71-02

BOEING PROPRIETARY - Copyright © - Unpublished Work - See title page for details.

49-61-71  
FIG. 02  
PAGE 4  
JAN 20/09



**BOEING**  
757  
PARTS CATALOG (MAINTENANCE)



Y 49617103 REV 265

EQUIPMENT ASSY-AFT EQPT CTR E6 RELAY (APU CONTROL SYSTEM ONLY)  
FIGURE 3

**49-61-71-03**

BRI  
MAY 28/07

49-61-71-03  
PAGE 0



757

PARTS CATALOG (MAINTENANCE)

FIG ITEM	PART NUMBER	1 2 3 4 5 6 7	NOMENCLATURE	EFFECT FROM TO	UNITS PER ASSY
3			EQUIPMENT ASSY-AFT EQPT CTR E6 RELAY (APU CONTROL SYSTEM ONLY)	002004 006100 107107 950999	
- 1	284N1554-1		EQUIPMENT ASSY-EQPT CTR E6 RELAY (APU CONTROL SYSTEM ONLY) POSITION DATA: AFT VARIABLE DRAWING REF: 284N1554-5004 284N1554-5013 284N1554-5018 284N1554-5027 284N1554-5028 REWORKED BY SB: 33-0035 FOR NHA/OTHER SYS DET SEE: 53-61-51-10	002004 006100 107107 950999	RF
5	BAC27NEX0071		.DECAL- PLACARD CONTENT: K10030	107107	1
10	BAC27TEX0679		.DECAL- PLACARD CONTENT: K176	002004 006100 107107 950999	1
15	BAC27NEX0067		.DECAL- PLACARD CONTENT: K10033	002004 006100 107107 950999	1
20	BAC27TEX0315		.DECAL- PLACARD CONTENT: K175	002004 006100 107107 950999	1
25	BAC27NEX1579		.DECAL- PLACARD CONTENT: TB37	002004 006100 107107 950999	1
30	BAC27TEX0631		.DECAL- PLACARD CONTENT: R11	002004 006100 107107 950999	1
35	BAC27TEX0670		.DECAL- PLACARD CONTENT: R12	002004 006100 107107 950999	1
40	BAC27NEX1270		.DECAL- PLACARD CONTENT: D2436	107107	1

MISSING ITEM NUMBERS NOT APPLICABLE

- ITEM NOT ILLUSTRATED

49-61-71-03

49-61-71  
FIG. 03  
PAGE 1  
JAN 20/09

BRI



757

PARTS CATALOG (MAINTENANCE)

FIG ITEM	PART NUMBER	1 2 3 4 5 6 7	NOMENCLATURE	EFFECT FROM TO	UNITS PER ASSY
3					
45	BAC27NEX1263	.DECAL-	PLACARD CONTENT: D2380	002004 006100 107107 950999	1
50	BAC27NEX1269	.DECAL-	PLACARD CONTENT: D2434	002004 006100 107107 950999	1
55	BAC27NEX1262	.DECAL-	PLACARD CONTENT: D2378	002004 006100 107107 950999	1
60	BACK18F2	.KIT-MTG		002004 006100 107107 950999	2
65	JANTX1N1206A	.DIODE-	ELECTRICAL EQUIP NUMBER: R11 R12	002004 006100 107107 950999	2
70	E410-1537	.RELAY-	SUPPLIER CODE: V99699 SPECIFICATION NUMBER: BACR13CG2A OPTIONAL PART: E415-1078 V99699 BR230S0116 V56623 KD4A017 V58687 FCA410-62 V78290 ELECTRICAL EQUIP NUMBER: K00175 K10033	002004 006100 107107 950999	2

MISSING ITEM NUMBERS NOT APPLICABLE

- ITEM NOT ILLUSTRATED

49-61-71-03

49-61-71  
FIG. 03  
PAGE 2  
JAN 20/09

BRI



757

PARTS CATALOG (MAINTENANCE)

FIG ITEM	PART NUMBER	1 2 3 4 5 6 7	NOMENCLATURE	EFFECT FROM TO	UNITS PER ASSY
3 75	E210-1631		.RELAY- SUPPLIER CODE: V99699 SPECIFICATION NUMBER: BACR13CF2A OPTIONAL PART: BR246S0112 V56623 FCA210-70 V78290 E215-1050 V99699 JD4A017 V35344 BR64S104 V56623 61GB19-1A320 V98927 ELECTRICAL EQUIP NUMBER: K00176	002004 006100 950999	1
80	E210-1631		.RELAY- SUPPLIER CODE: V99699 SPECIFICATION NUMBER: BACR13CF2A OPTIONAL PART: BR246S0112 V56623 FCA210-70 V78290 E215-1050 V99699 JD4A017 V35344 BR64S104 V56623 61GB19-1A320 V98927 ELECTRICAL EQUIP NUMBER: K10030 K00176	107107	2
85	H49-2		.CLAMP SUPPLIER CODE: V34941 SPECIFICATION NUMBER: BACC49A2 OPTIONAL PART: MF104-2 V6E102	002004 006100 107107 950999	2

MISSING ITEM NUMBERS NOT APPLICABLE

- ITEM NOT ILLUSTRATED

49-61-71-03

49-61-71  
FIG. 03  
PAGE 3  
JAN 20/09

BRI



757

PARTS CATALOG (MAINTENANCE)

FIG ITEM	PART NUMBER	1 2 3 4 5 6 7	NOMENCLATURE	EFFECT FROM TO	UNITS PER ASSY
3 95	AMY1400T1	..	TRACK SUPPLIER CODE: V09922 SPECIFICATION NUMBER: BACT44A1400U ATTACHING PARTS	002004 006100 107107 950999	1
- 100	BACR15FT5D	..	RIVET- SIZE DETERMINED ON INSTL.	002004 006100 107107 950999	4
- 200 205	286N1024-007 BACS16W1	-----*----- .SOCKET-RELAY	WIRE BUNDLE ASSY ELECTRICAL EQUIP NUMBER: D02378 D02434 WIRING DIAGRAM REF: 496111	107107 002004 006100 107107 950999	RF 2
210	RSF116200	.SOCKET-RELAY	SUPPLIER CODE: V58982 SPECIFICATION NUMBER: BACS16X1A OPTIONAL PART: 102-006-1 V09922 000300-1538 V05574 ELECTRICAL EQUIP NUMBER: D02380 WIRING DIAGRAM REF: 496111	002004 006100 950999	1
215	RSF116200	.SOCKET-RELAY	SUPPLIER CODE: V58982 SPECIFICATION NUMBER: BACS16X1A OPTIONAL PART: 102-006-1 V09922 000300-1538 V05574 ELECTRICAL EQUIP NUMBER: D02380 D02436 WIRING DIAGRAM REF: 496111	107107	2

MISSING ITEM NUMBERS NOT APPLICABLE

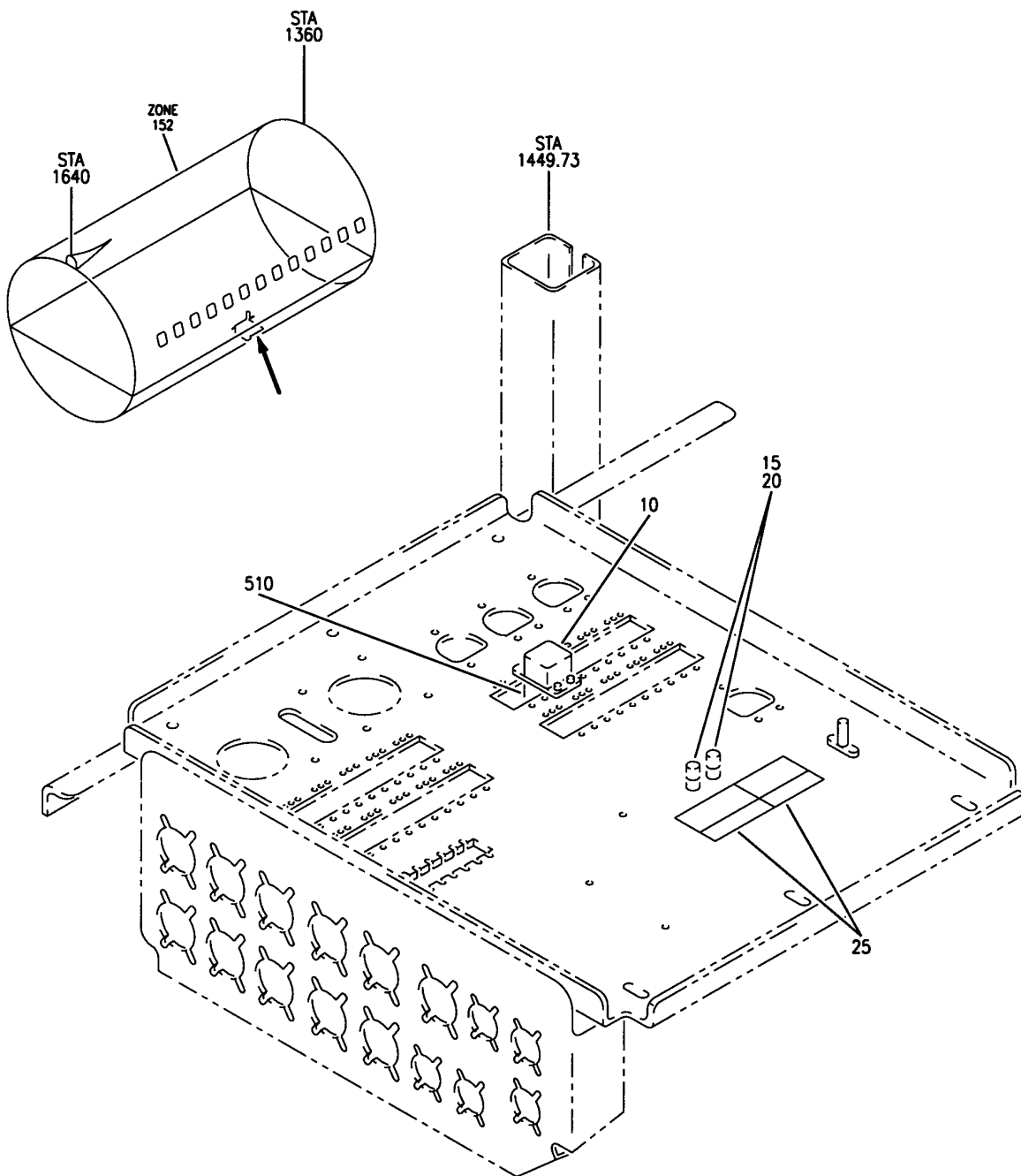
- ITEM NOT ILLUSTRATED

49-61-71-03

49-61-71  
FIG. 03  
PAGE 4  
JAN 20/09

BRI

**BOEING**  
757  
PARTS CATALOG (MAINTENANCE)



Y 49617103A REV 206

EQUIPMENT ASSY-E6 AFT EQPT CTR RELAY PNL OPTION PKG (APU CONTROL SYSTEM ONLY)  
FIGURE 3A

BRI  
MAY 28/07

**49-61-71-03A**

49-61-71-03A  
PAGE 0



757

PARTS CATALOG (MAINTENANCE)

FIG ITEM	PART NUMBER	1 2 3 4 5 6 7	NOMENCLATURE	EFFECT FROM TO	UNITS PER ASSY
3A			EQUIPMENT ASSY-E6 AFT EQPT CTR RELAY PNL OPTION PKG (APU CONTROL SYSTEM ONLY)	101102 504903	
- 1	284N1554-1000		EQUIPMENT ASSY-E6 EQPT CTR RELAY PNL OPTION PKG (APU FUEL CONTROL ONLY) POSITION DATA: AFT MISCELLANEOUS DATA: MINOR MODEL 757-200 FOR NHA/OTHER SYS DET SEE: 31-01-86-02	101102 504903	RF
10	E410-1537		.RELAY- SUPPLIER CODE: V99699 SPECIFICATION NUMBER: BACR13CG2A OPTIONAL PART: E415-1078 V99699 BR230S0116 V56623 KD4A017 V58687 FCA410-62 V78290 ELECTRICAL EQUIP NUMBER: K10033	101102 504903	1
15	BACK18F2		.KIT-MTG	101102 504903	2
20	JANTX1N1206A		.DIODE- ELECTRICAL EQUIP NUMBER: R00011 R00012	101102 504903	2
25	BLOCK16		.BLOCK-TERM. GND SUPPLIER CODE: V00000 ELECTRICAL EQUIP NUMBER: GD01880 GD01881	101102 504903	2
- 501	286N1024-325		WIRE BUNDLE ASSY	504903	RF
- 501	286N1024-327		WIRE BUNDLE ASSY	101102	RF
510	BACS16W1		.SOCKET- ELECTRICAL EQUIP NUMBER: D02434 WIRING DIAGRAM REF: 496111	101102 504903	1

MISSING ITEM NUMBERS NOT APPLICABLE

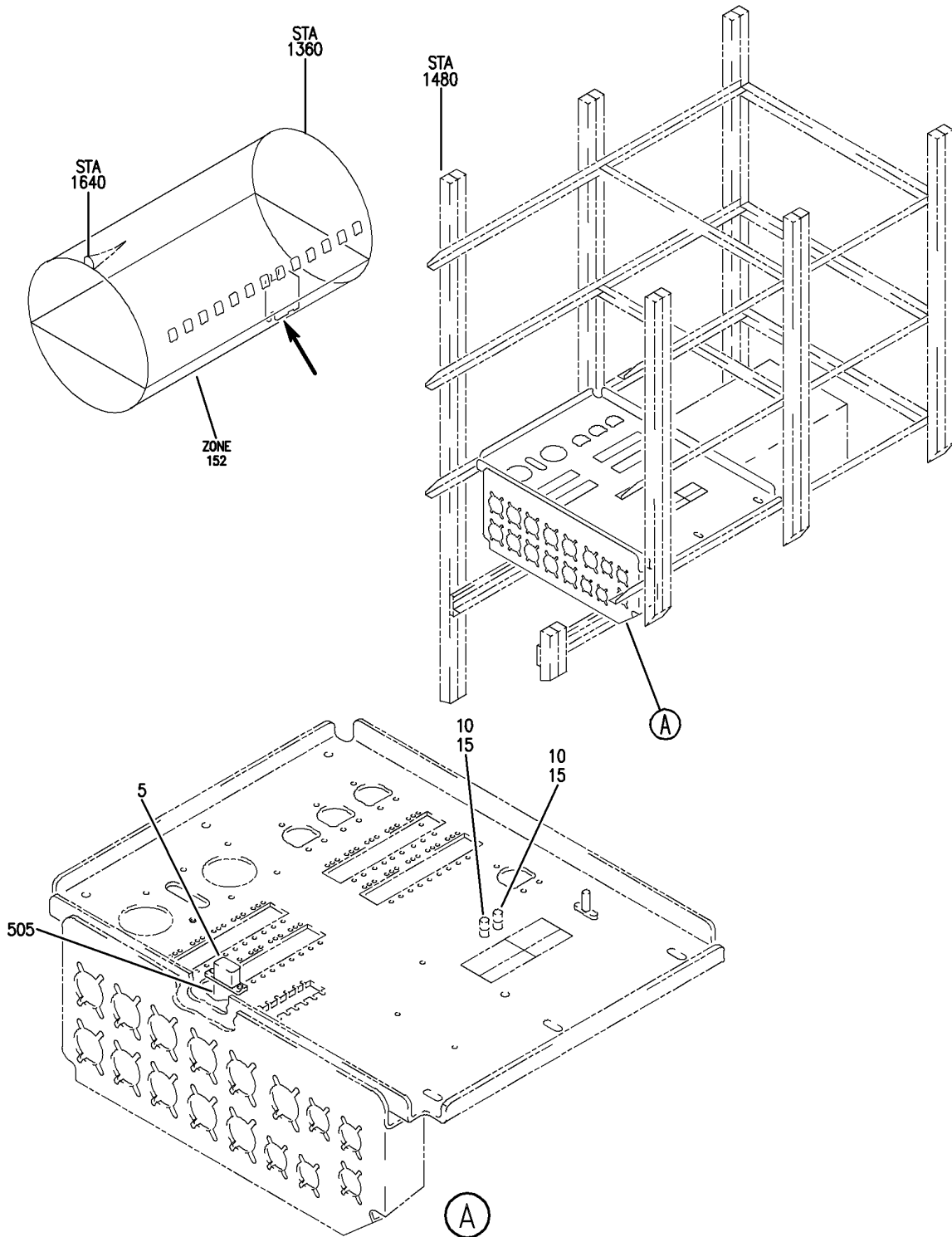
- ITEM NOT ILLUSTRATED

49-61-71-03A

49-61-71  
FIG. 03A  
PAGE 1  
JAN 20/09

BRI

**BOEING**  
757  
PARTS CATALOG (MAINTENANCE)



Y 49617104 REV 225

EQUIPMENT ASSY-E6 RELAY PNL AFT EQPT CTR (APU CONTROL SYSTEM ONLY)  
FIGURE 4

**49-61-71-04**

BRI  
JAN 20/09

49-61-71-04  
PAGE 0





757

PARTS CATALOG (MAINTENANCE)

FIG ITEM	PART NUMBER	1 2 3 4 5 6 7	NOMENCLATURE	EFFECT FROM TO	UNITS PER ASSY
4			EQUIPMENT ASSY-E6 RELAY PNL AFT EQPT CTR (APU CONTROL SYSTEM ONLY)	108120	
- 1	284N1554-123		EQUIPMENT ASSY-E6 RELAY PNL EQPT CTR (APU CONTROL SYSTEM ONLY)	108120	RF
5	E210-1631		POSITION DATA: AFT FOR NHA/OTHER SYS DET SEE: 24-00-58-05D .RELAY- SUPPLIER CODE: V99699 SPECIFICATION NUMBER: BACR13CF2A OPTIONAL PART: BR246S0112 V56623 FCA210-70 V78290 E215-1050 V99699 JD4A017 V35344 BR64S104 V56623 61GB19-1A320 V98927 ELECTRICAL EQUIP NUMBER: K00176	108120	1
10	JANTX1N1206A		.DIODE- ELECTRICAL EQUIP NUMBER: R00011 R00012	108120	2
15	BACK18F2		.KIT-MTG	108120	2
- 501	286N1024-306		WIRE BUNDLE ASSY	108120	RF

MISSING ITEM NUMBERS NOT APPLICABLE

- ITEM NOT ILLUSTRATED

49-61-71-04

49-61-71  
FIG. 04  
PAGE 1  
JAN 20/09

BRI



757  
PARTS CATALOG (MAINTENANCE)

FIG ITEM	PART NUMBER	1 2 3 4 5 6 7	NOMENCLATURE	EFFECT FROM TO	UNITS PER ASSY
4 505	RSF116200		. SOCKET- SUPPLIER CODE: V58982 SPECIFICATION NUMBER: BACS16X1A OPTIONAL PART: 102-006-1 V09922 000300-1538 V05574 ELECTRICAL EQUIP NUMBER: D02380 WIRING DIAGRAM REF: 496111	108120	1

MISSING ITEM NUMBERS NOT APPLICABLE

- ITEM NOT ILLUSTRATED

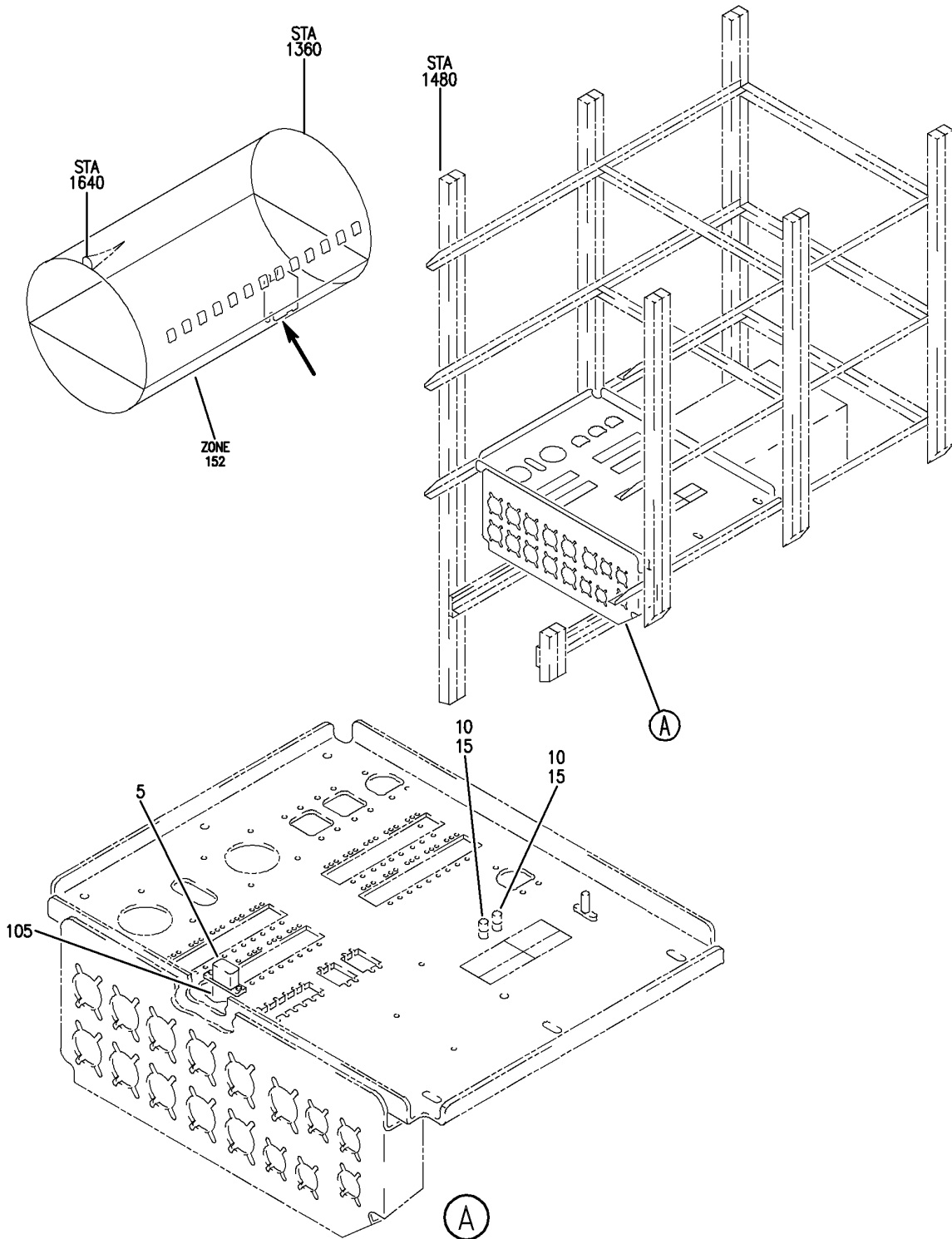
BRI

49-61-71-04

BOEING PROPRIETARY - Copyright © - Unpublished Work - See title page for details.

49-61-71  
FIG. 04  
PAGE 2  
JAN 20/09

**BOEING**  
757  
PARTS CATALOG (MAINTENANCE)



Y 49617105 REV 225

EQUIPMENT ASSY-E6 RELAY PNL AFT EQPT CTR (APU CONTROL SYSTEM ONLY)  
FIGURE 5

**49-61-71-05**

BRI  
JAN 20/09

49-61-71-05  
PAGE 0



757

PARTS CATALOG (MAINTENANCE)

FIG ITEM	PART NUMBER	1 2 3 4 5 6 7	NOMENCLATURE	EFFECT FROM TO	UNITS PER ASSY
5			EQUIPMENT ASSY-E6 RELAY PNL AFT EQPT CTR (APU CONTROL SYSTEM ONLY)	103106	
- 1	MODREF11091		EQUIPMENT ASSY-E6 RELAY PNL AFT EQPT CTR (APU CONTROL SYSTEM ONLY)	103106	1
			MODULE NUMBER: 284N1554-308 REV A FOR OTHER SYS DETAILS SEE: 24-31-71-06 24-31-71-07 24-32-05-03 24-32-06-03 24-32-71-06 28-25-71-07 31-01-86-05 33-37-71-02 49-31-71-02 49-41-71-05 52-34-71-02		
5	E210-1631		.RELAY- SUPPLIER CODE: V99699 SPECIFICATION NUMBER: BACR13CF2A OPTIONAL PART: BR246S0112 V56623 FCA210-70 V78290 E215-1050 V99699 JD4A017 V35344 BR64S104 V56623 61GB19-1A320 V98927	103106	1
			ELECTRICAL EQUIP NUMBER: K00176		
10	BACK18F2		.KIT-MTG	103106	2
15	JANTX1N1206A		.DIODE- ELECTRICAL EQUIP NUMBER: R00011 R00012	103106	2
- 100	286N1024-602		WIRE BUNDLE ASSY	103106	RF

MISSING ITEM NUMBERS NOT APPLICABLE

- ITEM NOT ILLUSTRATED

49-61-71-05

49-61-71  
FIG. 05  
PAGE 1  
JAN 20/09

BRI

BOEING PROPRIETARY - Copyright © - Unpublished Work - See title page for details.



757

PARTS CATALOG (MAINTENANCE)

FIG ITEM	PART NUMBER	1 2 3 4 5 6 7	NOMENCLATURE	EFFECT FROM TO	UNITS PER ASSY
5 105	RSF116200		. SOCKET- SUPPLIER CODE: V58982 SPECIFICATION NUMBER: BACS16X1A OPTIONAL PART: 102-006-1 V09922 000300-1538 V05574 ELECTRICAL EQUIP NUMBER: D02380 WIRING DIAGRAM REF: 496111	103106	1

MISSING ITEM NUMBERS NOT APPLICABLE

- ITEM NOT ILLUSTRATED

BRI

# 49-61-71-05

BOEING PROPRIETARY - Copyright © - Unpublished Work - See title page for details.

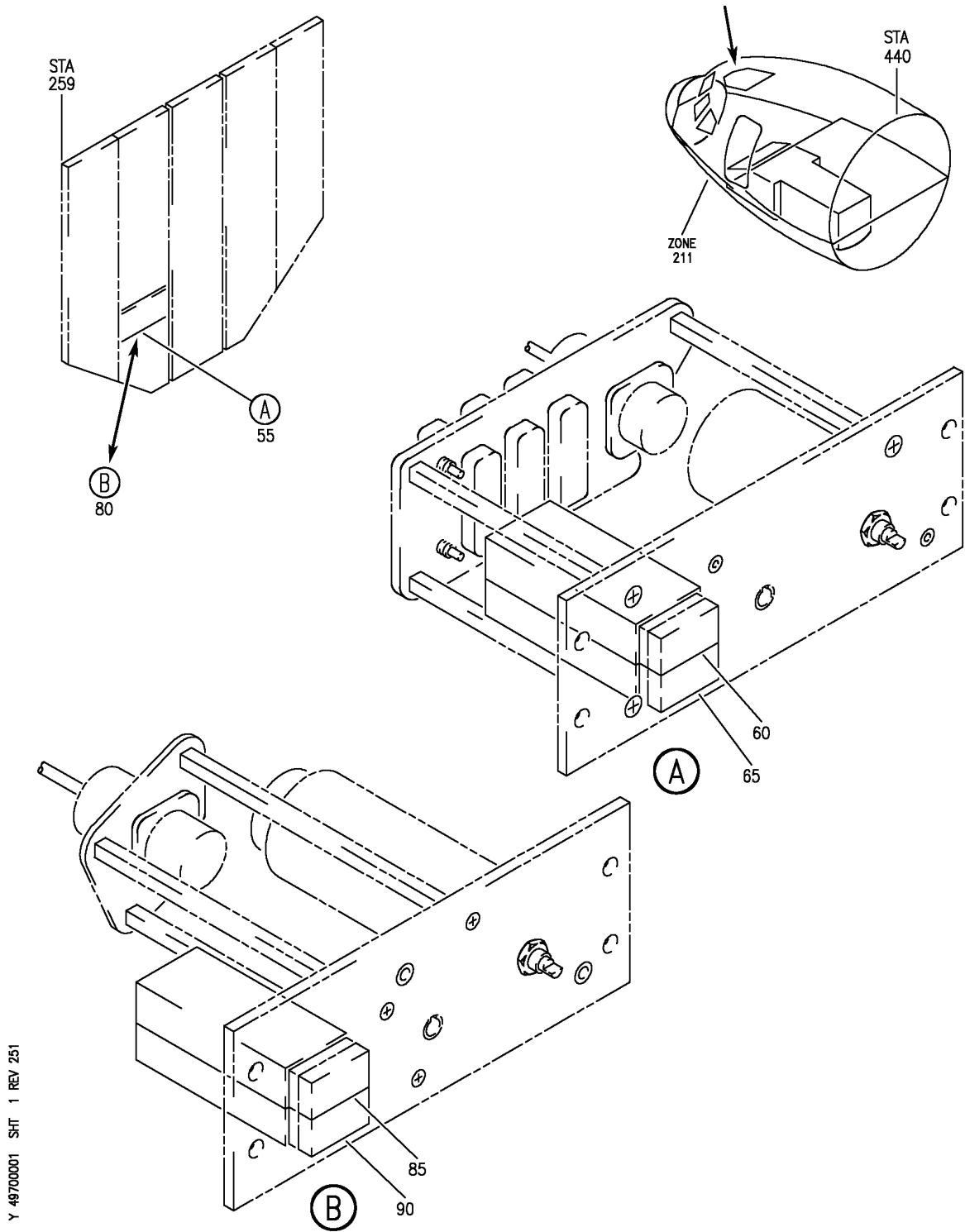
49-61-71  
FIG. 05  
PAGE 2  
JAN 20/09

## INDICATING

BRI  
MAY 28/07

49-70-00  
SECTION TITLE  
PAGE 1

**BOEING**  
757  
PARTS CATALOG (MAINTENANCE)



Y 49700001 SHT 1 REV 251

PANEL INSTL-P5 OVHD (INDICATING ONLY)  
FIGURE 1

**49-70-00-01**

BRI  
MAY 28/07

49-70-00-01  
PAGE 0



757

PARTS CATALOG (MAINTENANCE)

FIG ITEM	PART NUMBER	1 2 3 4 5 6 7	NOMENCLATURE	EFFECT FROM TO	UNITS PER ASSY
1			PANEL INSTL-P5 OVHD (INDICATING ONLY)	101106 108120 504903	
- 3	233N3103-59		PANEL INSTL-P5 OVHD (INDICATING ONLY) FOR NHA/OTHER SYS DET SEE: 25-10-00-15E	108120	RF
- 5	233N3103-132		PANEL INSTL-P5 OVHD (INDICATING ONLY) FOR NHA/OTHER SYS DET SEE: 25-10-00-15E	101102	RF
- 5	233N3103-136		PANEL INSTL-P5 OVHD (INDICATING ONLY) FOR NHA/OTHER SYS DET SEE: 25-10-00-15E	504903	RF
- 8	MODREF33760		PANEL INSTL-P5 OVHD (INDICATING ONLY) MODULE NUMBER: 233N3103-351 REV C FOR OTHER SYS DETAILS SEE: 11-31-10-12 21-25-55-03 21-31-01-02 21-33-51-03 21-51-54-03 21-58-19-10 21-58-51-03 21-61-04-03 21-65-51-01 22-21-01-04 22-24-51-02 23-24-01-01 23-32-00-11 23-42-02-02 23-71-05-02 24-11-52-05 24-22-01-03 24-31-01-10 24-31-03-09 24-33-04-01 24-41-51-04 24-51-62-01 26-18-51-04 27-21-53-02 27-41-55-01 27-61-51-03 27-62-52-02 28-22-51-02 28-41-04-01	103103	1

MISSING ITEM NUMBERS NOT APPLICABLE

- ITEM NOT ILLUSTRATED

49-70-00-01

49-70-00  
FIG. 01  
PAGE 1  
JAN 20/09

BRI





757

PARTS CATALOG (MAINTENANCE)

FIG ITEM	PART NUMBER	1 2 3 4 5 6 7	NOMENCLATURE	EFFECT FROM TO	UNITS PER ASSY
1			28-41-51-03 29-11-02-03 29-11-05-04 29-11-52-07 29-21-54-03 29-31-00-01 29-32-51-03 29-33-52-03 30-11-51-03 30-21-51-03 30-31-51-02 30-32-51-01 30-33-51-02 30-41-51-03 30-42-51-03 31-12-11-91 31-12-11-91 A 32-42-52-03 33-11-03-03 33-11-51-17 33-13-01-65 33-13-02-03 33-16-51-03 33-24-51-02 33-41-52-04 33-42-01-04 33-42-02-04 33-42-52-04 33-43-51-04 33-44-51-05 33-45-53-03 33-51-08-05 34-21-02-01 35-21-51-04 36-11-04-01 36-21-00-01 36-21-02-05 36-22-51-03 49-41-00-02 49-52-00-01 52-51-51-03 52-71-51-02 73-21-52-02 74-31-51-05 75-32-00-01 80-11-09-02		
- 8	MODREF34038		PANEL INSTL-P5 OVHD (INDICATING ONLY) MODULE NUMBER:  MISSING ITEM NUMBERS NOT APPLICABLE	104105	1

- ITEM NOT ILLUSTRATED

**49-70-00-01**

49-70-00  
 FIG. 01  
 PAGE 2  
 JAN 20/09

BRI



757

PARTS CATALOG (MAINTENANCE)

FIG ITEM	PART NUMBER	1 2 3 4 5 6 7	NOMENCLATURE	EFFECT FROM TO	UNITS PER ASSY
1			233N3103-351 REV D FOR OTHER SYS DETAILS SEE: 11-31-10-12 21-25-55-03 21-31-01-02 21-33-51-03 21-51-54-03 21-58-19-10 21-58-51-03 21-61-04-03 21-65-51-01 22-21-01-04 22-24-51-02 23-24-01-01 23-32-00-11 23-42-02-02 23-71-05-02 24-11-52-05 24-22-01-03 24-31-01-10 24-31-03-09 24-33-04-01 24-41-51-04 24-51-62-01 26-18-51-04 27-21-53-02 27-41-55-01 27-61-51-03 27-62-52-02 28-22-51-02 28-41-04-01 28-41-51-03 29-11-02-03 29-11-05-04 29-11-52-07 29-21-54-03 29-31-00-01 29-32-51-03 29-33-52-03 30-11-51-03 30-21-51-03 30-31-51-02 30-32-51-01 30-33-51-02 30-41-51-03 30-42-51-03 31-12-11-91 31-12-11-91A 32-42-52-03		
MISSING ITEM NUMBERS NOT APPLICABLE					

- ITEM NOT ILLUSTRATED

# 49-70-00-01

49-70-00  
FIG. 01  
PAGE 3  
JAN 20/09

BRI



757

PARTS CATALOG (MAINTENANCE)

FIG ITEM	PART NUMBER	1 2 3 4 5 6 7	NOMENCLATURE	EFFECT FROM TO	UNITS PER ASSY
1			33-11-03-03 33-11-51-17 33-13-01-65 33-13-02-03 33-16-51-03 33-24-51-02 33-41-52-04 33-42-01-04 33-42-02-04 33-42-52-04 33-43-51-04 33-44-51-05 33-45-53-03 33-51-08-05 34-21-02-01 35-21-51-04 36-11-04-01 36-21-00-01 36-21-02-05 36-22-51-03 49-41-00-02 49-52-00-01 52-51-51-03 52-71-51-02 73-21-52-02 74-31-51-05 75-32-00-01 80-11-09-02		
- 8	MODREF170180		PANEL INSTL-P5 OVHD (INDICATING ONLY) MODULE NUMBER: 233N3103-353 REV B FOR OTHER SYS DETAILS SEE: 11-31-10-12 21-25-55-03 21-31-01-02 21-33-51-03 21-51-54-03 21-58-19-10 21-58-51-03 21-61-04-03 21-65-51-01 22-21-01-04 22-24-51-02 23-24-01-01 23-32-00-11 23-42-02-02 23-71-05-02 24-11-52-05	106106	1

MISSING ITEM NUMBERS NOT APPLICABLE

- ITEM NOT ILLUSTRATED

BRI

# 49-70-00-01

BOEING PROPRIETARY - Copyright © - Unpublished Work - See title page for details.

49-70-00  
 FIG. 01  
 PAGE 4  
 JAN 20/09



757

PARTS CATALOG (MAINTENANCE)

FIG ITEM	PART NUMBER	1 2 3 4 5 6 7 NOMENCLATURE	EFFECT FROM TO	UNITS PER ASSY
1		24-22-01-03 24-31-01-10 24-31-03-09 24-33-04-01 24-41-51-04 24-51-62-01 26-18-51-04 27-21-53-02 27-41-55-01 27-61-51-03 27-62-52-02 28-22-51-02 28-41-04-01 28-41-51-03 29-11-02-03 29-11-05-04 29-11-52-07 29-21-54-03 29-31-00-01 29-32-51-03 29-33-52-03 30-11-51-03 30-21-51-03 30-31-51-02 30-32-51-01 30-33-51-02 30-41-51-03 30-42-51-03 31-12-11-84 31-12-11-84 A 32-42-52-03 33-11-03-03 33-11-51-17 33-13-01-65 33-13-02-03 33-16-51-03 33-24-51-02 33-41-52-04 33-42-01-04 33-42-02-04 33-42-52-04 33-43-51-04 33-44-51-05 33-45-53-03 33-51-08-05 34-21-02-01 35-21-51-04 36-11-04-01 36-21-00-01		

MISSING ITEM NUMBERS NOT APPLICABLE

- ITEM NOT ILLUSTRATED

# 49-70-00-01

49-70-00  
FIG. 01  
PAGE 5  
JAN 20/09

BR I



**757  
PARTS CATALOG (MAINTENANCE)**

FIG ITEM	PART NUMBER	1 2 3 4 5 6 7	NOMENCLATURE	EFFECT FROM TO	UNITS PER ASSY
1			36-21-02-05 36-22-51-03 49-41-00-02 49-52-00-01 52-51-51-03 52-71-51-02 73-21-52-02 74-31-51-05 75-32-00-01 80-11-09-02		
- 50	233T3232-300	.	PANEL ASSY-APU CONT SUPPLIER CODE: V89954 ELECTRICAL EQUIP NUMBER: M00001	101102 504903	RF
- 50	233T3232-302	.	PANEL ASSY-APU CONT SUPPLIER CODE: V89954 ELECTRICAL EQUIP NUMBER: M00001 COMPONENT MAINT MANUAL REF: 49-61-52	101106 504903	RF
- 50	233T3232-305	.	PANEL ASSY-APU CONT SUPPLIER CODE: V89954 ELECTRICAL EQUIP NUMBER: M00001 COMPONENT MAINT MANUAL REF: 49-61-52	101106 504903	RF
55	233T3232-12	..	PANEL ASSY- SUPPLIER CODE: V89954 COMPONENT MAINT MANUAL REF: 49-61-52 USED ON: 233T3232-300	101102 504903	RF
55	233T3232-15	..	PANEL ASSY- SUPPLIER CODE: V89954 COMPONENT MAINT MANUAL REF: 49-61-52 USED ON: 233T3232-302	101106 504903	RF

MISSING ITEM NUMBERS NOT APPLICABLE

- ITEM NOT ILLUSTRATED

# 49-70-00-01

49-70-00  
FIG. 01  
PAGE 6  
JAN 20/09

BRI



757

PARTS CATALOG (MAINTENANCE)

FIG ITEM	PART NUMBER	1 2 3 4 5 6 7	NOMENCLATURE	EFFECT FROM TO	UNITS PER ASSY
1 55	233T3232-23		.. PANEL ASSY- SUPPLIER CODE: V89954 COMPONENT MAINT MANUAL REF: 49-61-52 USED ON: 233T3232-305	101106 504903	RF
60	BCREF8552		... LIGHT ASSY-RUN IND SUPPLIER CODE: V81590 OVERLENGTH PART NUMBER: 434-674-1031-2122 SPECIFICATION NUMBER: S231T300-2122 USED ON: 233T3232-15 233T3232-23 FOR DETAILS SEE: 33-14-70-02	103106	1
60	BCREF6201		... LIGHT ASSY-RUN IND SUPPLIER CODE: V81590 OVERLENGTH PART NUMBER: 434-674-1005-1122 SPECIFICATION NUMBER: S231T300-1122 USED ON: 233T3232-12 233T3232-21 FOR DETAILS SEE: 33-14-70-02	101102 504903	1
65	BCREF8532		... LIGHT ASSY-FAULT IND SUPPLIER CODE: V81590 OVERLENGTH PART NUMBER: 434-674-1031-2036 SPECIFICATION NUMBER: S231T300-2036 USED ON: 233T3232-15 233T3232-23 FOR DETAILS SEE: 33-14-70-02	101106 504903	1

MISSING ITEM NUMBERS NOT APPLICABLE

- ITEM NOT ILLUSTRATED

49-70-00-01

49-70-00  
FIG. 01  
PAGE 7  
JAN 20/09

BRI



757

PARTS CATALOG (MAINTENANCE)

FIG ITEM	PART NUMBER	1 2 3 4 5 6 7	NOMENCLATURE	EFFECT FROM TO	UNITS PER ASSY
1 65	BCREF6196		...LIGHT ASSY-FAULT IND SUPPLIER CODE: V81590 OVERLENGTH PART NUMBER: 434-674-1005-1036 SPECIFICATION NUMBER: S231T300-1036 USED ON: 233T3232-12 233T3232-21 FOR DETAILS SEE: 33-14-70-02	101102 504903	1
- 75	233N3222-300		.PANEL ASSY-APU START SUPPLIER CODE: V89954 ELECTRICAL EQUIP NUMBER: M10324 QUALIFIED I/W DATA: THE 233N3222-300 PANEL ASSY IS I/W THE 233N3222-8 PANEL ASSY T/W THE S233T100-6025 LIGHTPLATE AND BP248-127 KNOB.	108120	RF
80	233N3222-8		..PANEL ASSY- SUPPLIER CODE: V89954 COMPONENT MAINT MANUAL REF: 49-61-53 QUALIFIED I/W DATA: THE 233N3222-300 PANEL ASSY IS I/W THE 233N3222-8 PANEL ASSY T/W THE S233T100-6025 LIGHTPLATE AND BP248-127 KNOB.	108120	RF
85	BCREF8552		...LIGHT ASSY-RUN IND SUPPLIER CODE: V81590 OVERLENGTH PART NUMBER: 434-674-1031-2122 SPECIFICATION NUMBER: S231T300-2122 OPTIONAL PART: BCREF6201 V81590 FOR DETAILS SEE: 33-14-70-02	108120	1

MISSING ITEM NUMBERS NOT APPLICABLE

- ITEM NOT ILLUSTRATED

49-70-00-01

49-70-00  
FIG. 01  
PAGE 8  
JAN 20/09

BRI



757

PARTS CATALOG (MAINTENANCE)

FIG ITEM	PART NUMBER	1 2 3 4 5 6 7	NOMENCLATURE	EFFECT FROM TO	UNITS PER ASSY
1 85	BCREF6201		...LIGHT ASSY-RUN IND SUPPLIER CODE: V81590 OVERLENGTH PART NUMBER: 434-674-1005-1122 SPECIFICATION NUMBER: S231T300-1122 OPTIONAL PART: BCREF8552 V81590 FOR DETAILS SEE: 33-14-70-02	108120	1
90	BCREF8532		...LIGHT ASSY-FAULT IND SUPPLIER CODE: V81590 OVERLENGTH PART NUMBER: 434-674-1031-2036 SPECIFICATION NUMBER: S231T300-2036 OPTIONAL PART: BCREF6196 V81590 FOR DETAILS SEE: 33-14-70-02	108120	1
90	BCREF6196		...LIGHT ASSY-FAULT IND SUPPLIER CODE: V81590 OVERLENGTH PART NUMBER: 434-674-1005-1036 SPECIFICATION NUMBER: S231T300-1036 OPTIONAL PART: BCREF8532 V81590 FOR DETAILS SEE: 33-14-70-02	108120	1

MISSING ITEM NUMBERS NOT APPLICABLE

- ITEM NOT ILLUSTRATED

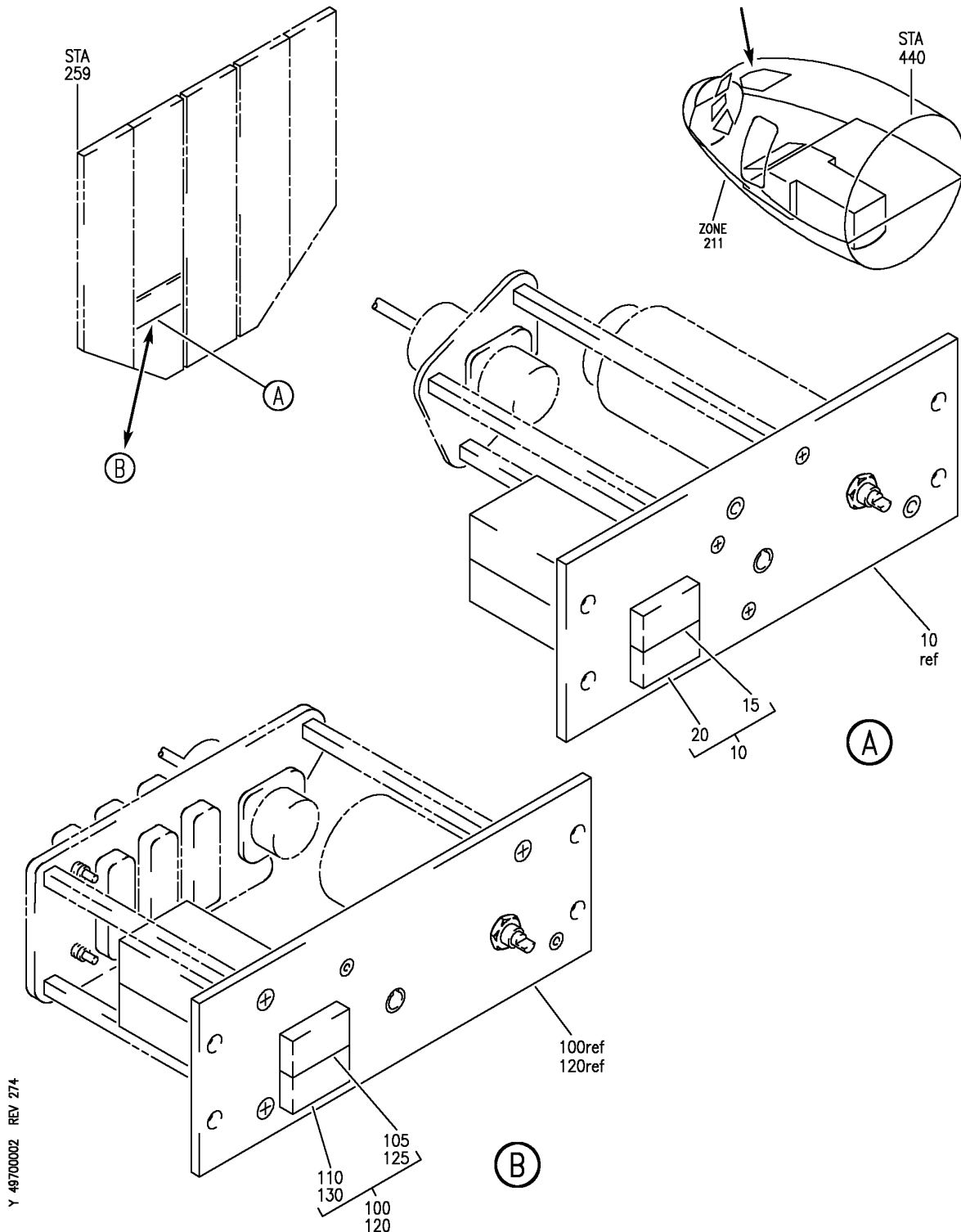
49-70-00-01

49-70-00  
FIG. 01  
PAGE 9  
JAN 20/09

BRI



**BOEING**  
757  
PARTS CATALOG (MAINTENANCE)



PANEL INSTL-P5 OVHD (INDICATING ONLY)  
FIGURE 2

**49-70-00-02**

BRI  
MAY 28/07

49-70-00-02  
PAGE 0



757

PARTS CATALOG (MAINTENANCE)

FIG ITEM	PART NUMBER	1 2 3 4 5 6 7	NOMENCLATURE	EFFECT FROM TO	UNITS PER ASSY
2			PANEL INSTL-P5 OVHD (INDICATING ONLY)	002004 006010 107107 121503 904999	
- 5	233N3101-1		PANEL INSTL-P5 OVHD (INDICATING ONLY) VARIABLE DRAWING REF: 233N3101-5005 233N3101-5025 233N3101-5041 233N3101-5042 233N3101-5045 FOR NHA/OTHER SYS DET SEE: 25-10-00-05A	002004 006010 107107 121503 904999	RF
10	233N3222-8		.PANEL ASSY-APU SUPPLIER CODE: V89954 ELECTRICAL EQUIP NUMBER: M10324 COMPONENT MAINT MANUAL REF: 49-61-53 QUALIFIED I/W DATA: THE 233N3222-300 PANEL ASSY IS I/W THE 233N3222-8 PANEL ASSY T/W THE S233T100-6025 LIGHTPLATE AND BP248-127 KNOB.	107107 121503 904949	RF
15	BCREF8552		..LIGHT ASSY-RUN IND SUPPLIER CODE: V81590 OVERLENGTH PART NUMBER: 434-674-1031-2122 SPECIFICATION NUMBER: S231T300-2122 OPTIONAL PART: BCREF6201 V81590 FOR DETAILS SEE: 33-14-70-02	107107 121503 904949	1

MISSING ITEM NUMBERS NOT APPLICABLE

- ITEM NOT ILLUSTRATED

49-70-00-02

49-70-00  
FIG. 02  
PAGE 1  
JAN 20/09

BRI



757

PARTS CATALOG (MAINTENANCE)

FIG ITEM	PART NUMBER	1 2 3 4 5 6 7	NOMENCLATURE	EFFECT FROM TO	UNITS PER ASSY
2 15	BCREF6201		..LIGHT ASSY-RUN IND SUPPLIER CODE: V81590 OVERLENGTH PART NUMBER: 434-674-1005-1122 SPECIFICATION NUMBER: S231T300-1122 OPTIONAL PART: BCREF8552 V81590 FOR DETAILS SEE: 33-14-70-02	107107 121503 904949	1
20	BCREF8532		..LIGHT ASSY-FAULT IND SUPPLIER CODE: V81590 OVERLENGTH PART NUMBER: 434-674-1031-2036 SPECIFICATION NUMBER: S231T300-2036 OPTIONAL PART: BCREF6196 V81590 FOR DETAILS SEE: 33-14-70-02	107107 121503 904949	1
20	BCREF6196		..LIGHT ASSY-FAULT IND SUPPLIER CODE: V81590 OVERLENGTH PART NUMBER: 434-674-1005-1036 SPECIFICATION NUMBER: S231T300-1036 OPTIONAL PART: BCREF8532 V81590 FOR DETAILS SEE: 33-14-70-02	107107 121503 904949	1
100	233T3232-9		.PANEL ASSY-APU START SUPPLIER CODE: V89954 ELECTRICAL EQUIP NUMBER: M00001 COMPONENT MAINT MANUAL REF: 49-61-52 OPTIONAL PART: 233T3232-12 V89954	002004 006010 950999	RF

MISSING ITEM NUMBERS NOT APPLICABLE

- ITEM NOT ILLUSTRATED

49-70-00-02

49-70-00  
FIG. 02  
PAGE 2  
JAN 20/09

BRI



**757  
PARTS CATALOG (MAINTENANCE)**

FIG ITEM	PART NUMBER	1 2 3 4 5 6 7	NOMENCLATURE	EFFECT FROM TO	UNITS PER ASSY
2 100	233T3232-12		.PANEL ASSY-APU START SUPPLIER CODE: V89954 ELECTRICAL EQUIP NUMBER: M00001 COMPONENT MAINT MANUAL REF: 49-61-52 OPTIONAL PART: 233T3232-9 V89954	002004 006010 950999	RF
105	BCREF6201		..LIGHT ASSY-RUN IND SUPPLIER CODE: V81590 OVERLENGTH PART NUMBER: 434-674-1005-1122 SPECIFICATION NUMBER: S231T300-1122 OPTIONAL PART: BCREF8552 V81590 USED ON: 233T3232-9 233T3232-12 FOR DETAILS SEE: 33-14-70-02	002004 006010 950999	1
105	BCREF8552		..LIGHT ASSY-RUN IND SUPPLIER CODE: V81590 OVERLENGTH PART NUMBER: 434-674-1031-2122 SPECIFICATION NUMBER: S231T300-2122 OPTIONAL PART: BCREF6201 V81590 USED ON: 233T3232-9 FOR DETAILS SEE: 33-14-70-02	002004 006010 950999	1

MISSING ITEM NUMBERS NOT APPLICABLE

— ITEM NOT ILLUSTRATED

BRI

# 49-70-00-02

BOEING PROPRIETARY - Copyright © - Unpublished Work - See title page for details.

49-70-00  
FIG. 02  
PAGE 3  
JAN 20/09



757

PARTS CATALOG (MAINTENANCE)

FIG ITEM	PART NUMBER	1 2 3 4 5 6 7	NOMENCLATURE	EFFECT FROM TO	UNITS PER ASSY
2 110	BCREF6196		..LIGHT ASSY-FAULT IND SUPPLIER CODE: V81590 OVERLENGTH PART NUMBER: 434-674-1005-1036 SPECIFICATION NUMBER: S231T300-1036 OPTIONAL PART: BCREF8532 V81590 USED ON: 233T3232-9 233T3232-12 FOR DETAILS SEE: 33-14-70-02	002004 006010 950999	1
110	BCREF8532		..LIGHT ASSY-FAULT IND SUPPLIER CODE: V81590 OVERLENGTH PART NUMBER: 434-674-1031-2036 SPECIFICATION NUMBER: S231T300-2036 OPTIONAL PART: BCREF6196 V81590 USED ON: 233T3232-9 FOR DETAILS SEE: 33-14-70-02	002004 006010 950999	1

MISSING ITEM NUMBERS NOT APPLICABLE

- ITEM NOT ILLUSTRATED

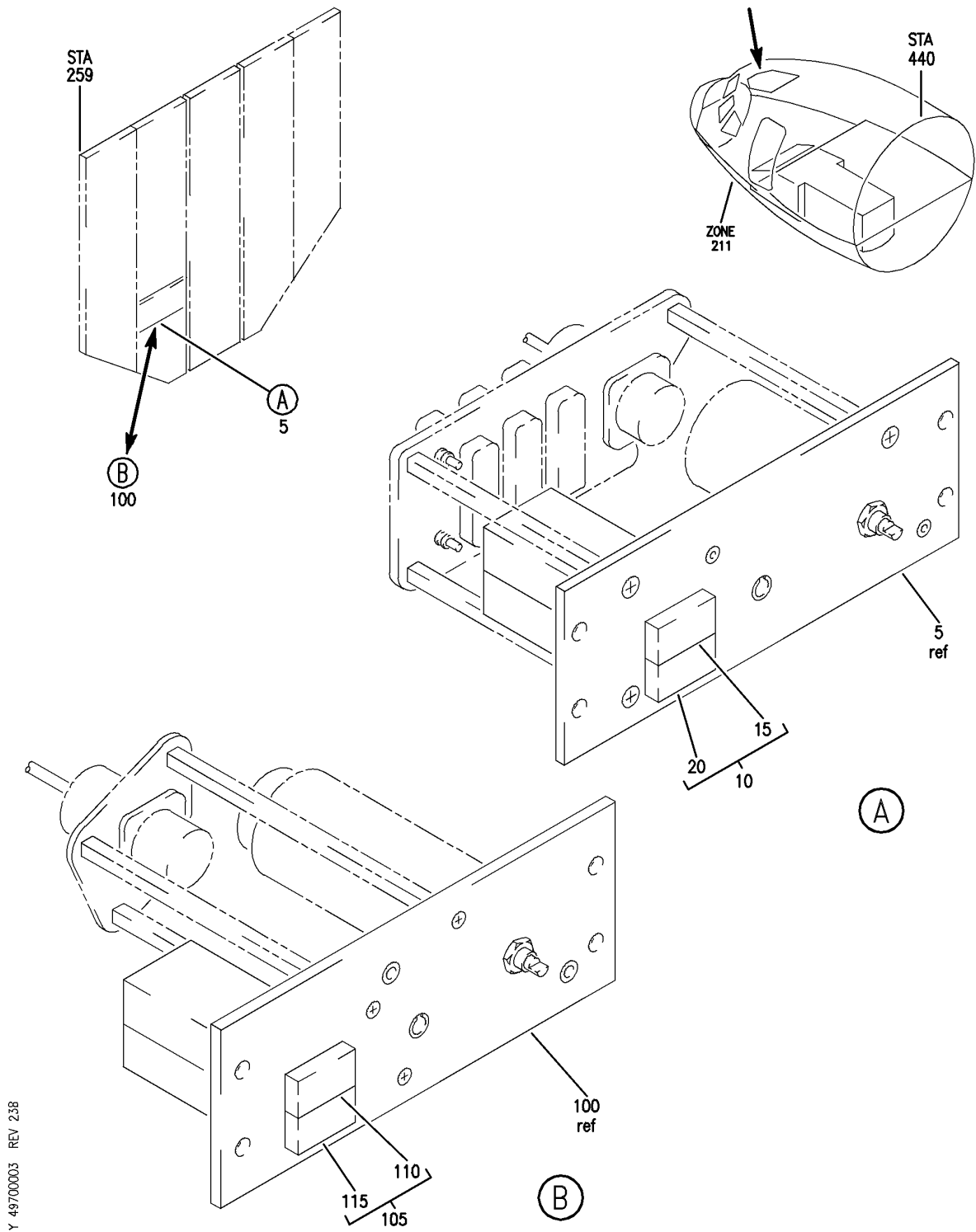
BRI

49-70-00-02

BOEING PROPRIETARY - Copyright © - Unpublished Work - See title page for details.

49-70-00  
FIG. 02  
PAGE 4  
JAN 20/09

**BOEING**  
757  
PARTS CATALOG (MAINTENANCE)



Y 49700003 REV 258

PANEL INSTL-P5 OVHD (INDICATING ONLY)  
FIGURE 3

**49-70-00-03**

BRI  
MAY 28/07

49-70-00-03  
PAGE 0



757

PARTS CATALOG (MAINTENANCE)

FIG ITEM	PART NUMBER	1 2 3 4 5 6 7	NOMENCLATURE	EFFECT FROM TO	UNITS PER ASSY
3			PANEL INSTL-P5 OVHD (INDICATING ONLY)	011100	
- 1	233N3101-1		PANEL INSTL-P5 OVHD (INDICATING ONLY) VARIABLE DRAWING REF: 233N3101-5142 FOR NHA/OTHER SYS DET SEE: 25-10-00-05A	011100	RF
	5 233T3232-300		.PANEL ASSY-APU CONTROL SUPPLIER CODE: V89954 ELECTRICAL EQUIP NUMBER: M00001	011100	RF
	5 233T3232-305		.PANEL ASSY-APU CONTROL SUPPLIER CODE: V89954 ELECTRICAL EQUIP NUMBER: M00001	011100	RF
	10 233T3232-12		..PANEL ASSY-APU START SUPPLIER CODE: V89954 ELECTRICAL EQUIP NUMBER: M00001 COMPONENT MAINT MANUAL REF: 49-61-52 USED ON: 233T3232-300	011100	1
	10 233T3232-23		..PANEL ASSY-APU START SUPPLIER CODE: V89954 ELECTRICAL EQUIP NUMBER: M00001 COMPONENT MAINT MANUAL REF: 49-61-52 USED ON: 233T3232-305	011100	1
	15 BCRE6201		...LIGHT ASSY-RUN IND SUPPLIER CODE: V81590 OVERLENGTH PART NUMBER: 434-674-1005-1122 SPECIFICATION NUMBER: S231T300-1122 FOR DETAILS SEE: 33-14-70-02	011100	1

R  
R  
R  
R  
R  
R  
R  
R  
R  
R  
R  
R  
R  
R  
R  
R  
R  
R  
R

MISSING ITEM NUMBERS NOT APPLICABLE

- ITEM NOT ILLUSTRATED

# 49-70-00-03

49-70-00  
FIG. 03  
PAGE 1  
MAY 20/09

BRI



757

PARTS CATALOG (MAINTENANCE)

FIG ITEM	PART NUMBER	1 2 3 4 5 6 7	NOMENCLATURE	EFFECT FROM TO	UNITS PER ASSY
3 20	BCREF6196		...LIGHT ASSY-FAULT IND SUPPLIER CODE: V81590 OVERLENGTH PART NUMBER: 434-674-1005-1036 SPECIFICATION NUMBER: S231T300-1036 FOR DETAILS SEE: 33-14-70-02	011100	1

MISSING ITEM NUMBERS NOT APPLICABLE

- ITEM NOT ILLUSTRATED

BRI

49-70-00-03

BOEING PROPRIETARY - Copyright © - Unpublished Work - See title page for details.

49-70-00  
FIG. 03  
PAGE 2  
MAY 20/09

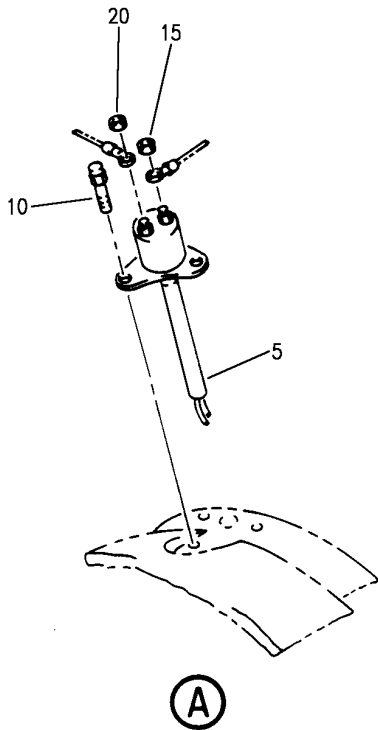
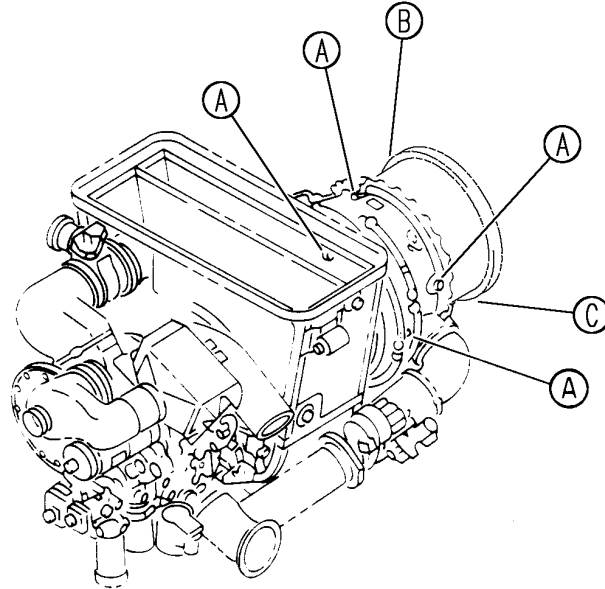
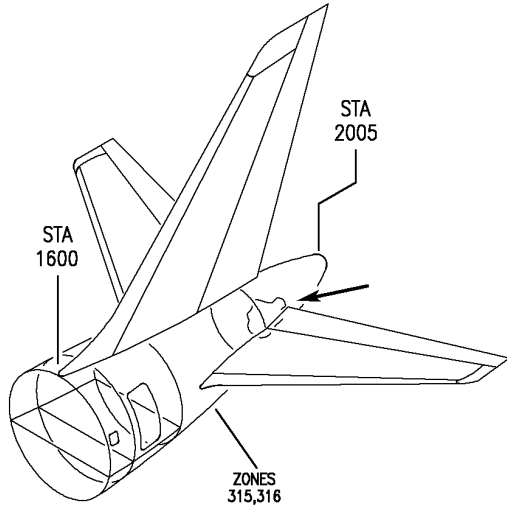


## APU EXHAUST GAS TEMPERATURE INDICATING SYSTEM

BRI  
MAY 28/07

49-71-00  
SECTION TITLE  
PAGE 1

**BOEING**  
 757  
 PARTS CATALOG (MAINTENANCE)



Y 49710101 SHT 1 REV 252

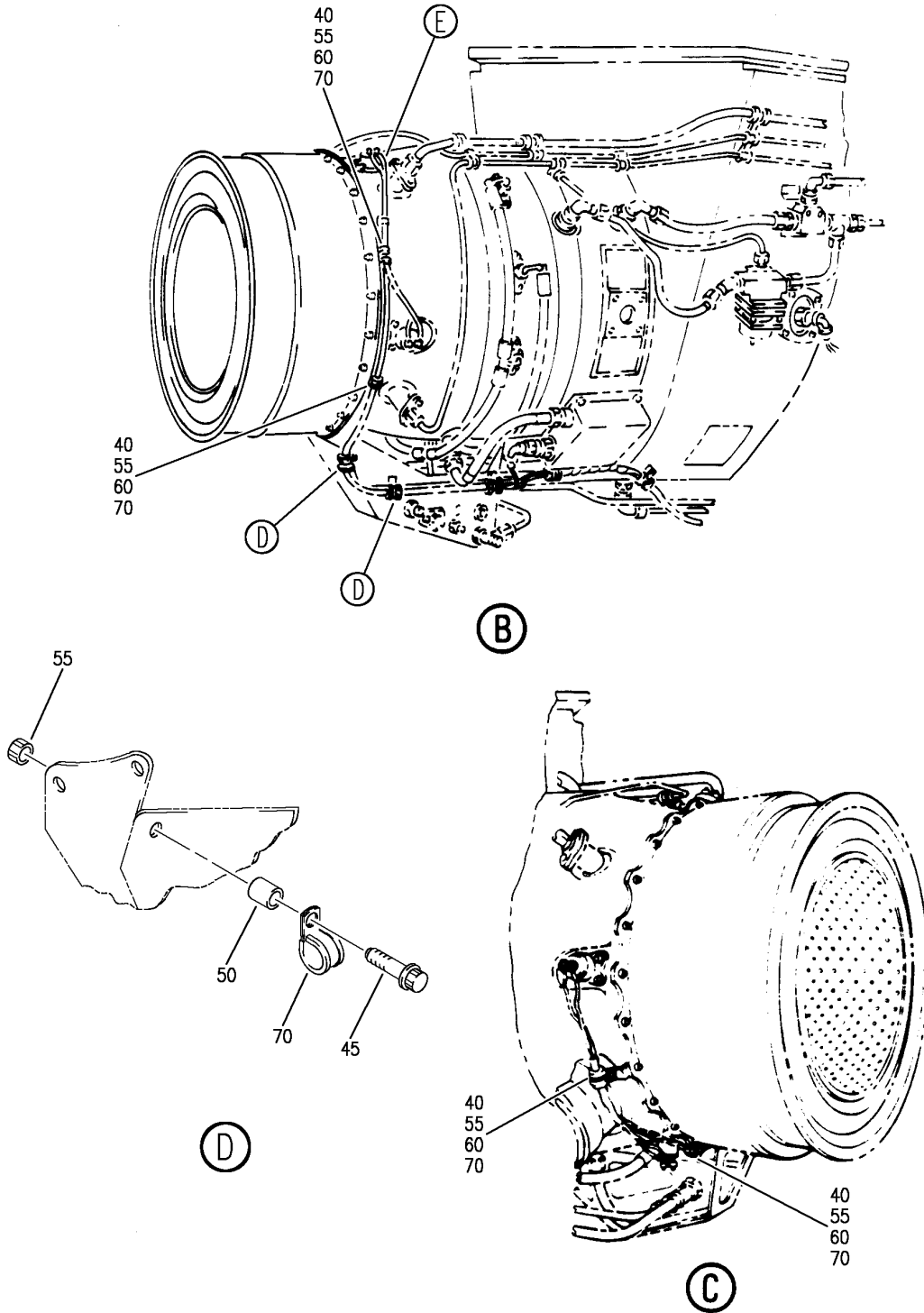
ENGINE ASSY-GAS TURB (APU EGT THERMOCOUPLES ONLY)  
 FIGURE 1 (SHEET 1)

**49-71-01-01**

BRI  
 MAY 28/07

49-71-01-01  
 PAGE 0

**BOEING**  
757  
PARTS CATALOG (MAINTENANCE)



Y 49710101 SHT 2 REV 252

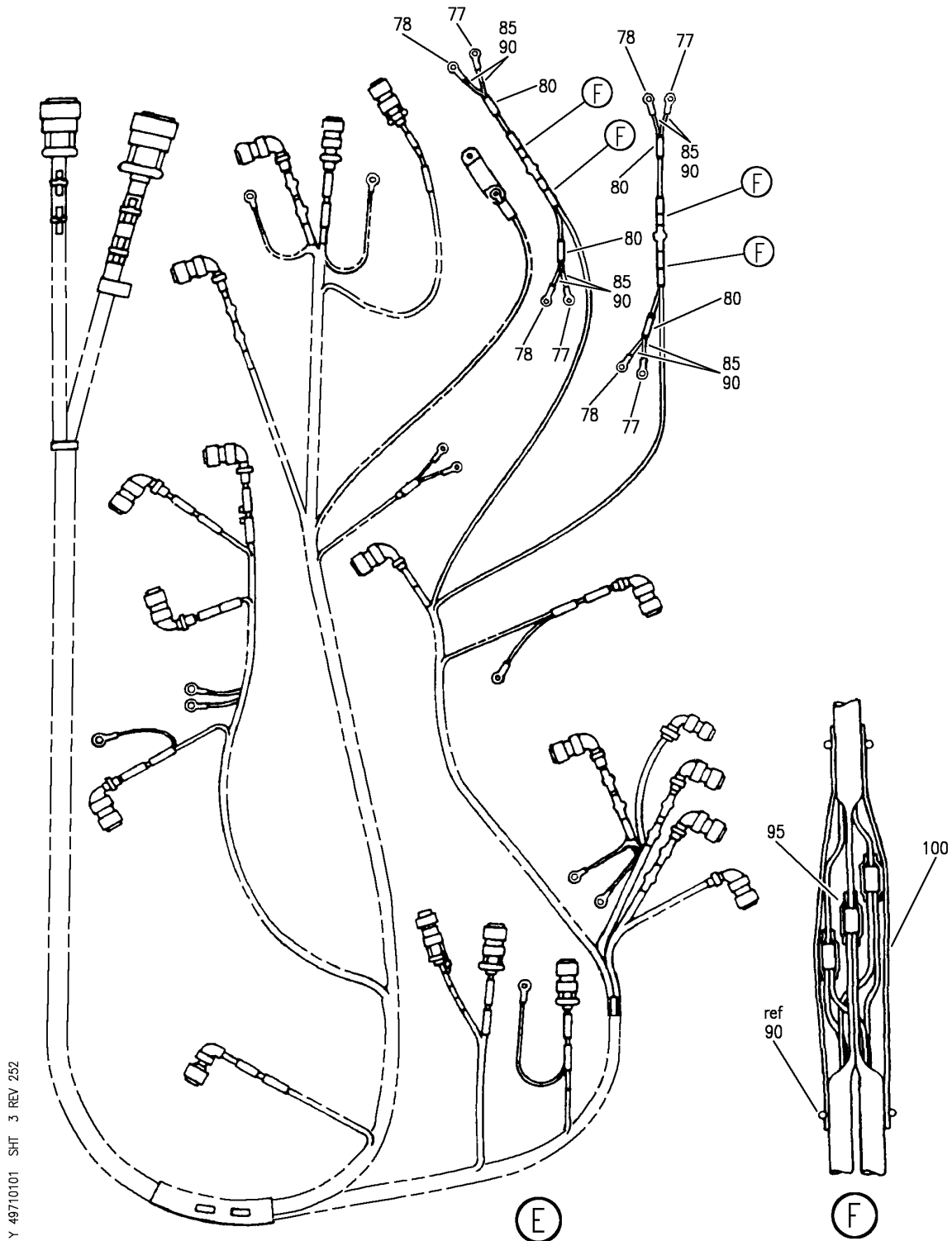
ENGINE ASSY-GAS TURB (APU EGT THERMOCOUPLES ONLY)  
FIGURE 1 (SHEET 2)

**49-71-01-01**

BRI  
MAY 28/07

49-71-01-01  
PAGE 0A

**BOEING**  
757  
PARTS CATALOG (MAINTENANCE)



ENGINE ASSY-GAS TURB (APU EGT THERMOCOUPLES ONLY)  
FIGURE 1 (SHEET 3)

**49-71-01-01**

BRI  
MAY 28/07

49-71-01-01  
PAGE 0B



757

PARTS CATALOG (MAINTENANCE)

FIG ITEM	PART NUMBER	1 2 3 4 5 6 7	NOMENCLATURE	EFFECT FROM TO	UNITS PER ASSY
1			ENGINE ASSY-GAS TURB (APU EGT THERMOCOUPLES ONLY)	002004 006999	
- 1	3800298-1-2		ENGINE ASSY-GAS TURB GTCP331-200ER (APU EGT THERMOCOUPLES ONLY) SUPPLIER CODE: V99193 SPECIFICATION NUMBER: S351T020-201 CONFIG CHG DATA FROM A CMM: REPLACES 3800298-1-1 COMPONENT MAINT MANUAL REF: 49-22-11 QUALIFIED I/W DATA: S351T020-201 (3800298-1-2) AND S351T020-205 (3800298-1-6) ARE INTERCHANGEABLE WITH THE INCORPORATION OF ALLIED SIGNAL S/B GTCP331-49-7081. S351T020-201 (3800298-1-2) AND S351T020-206 (3800298-1-7/3800298-1) ARE INTERCHANGEABLE WITH THE INCORPORATION OF ALLIED SIGNAL S/B GTCP331-49-7081. FOR NHA/ADDITIONAL DET SEE: 49-11-01-50	002004 006100 107107 121503 904999	RF

MISSING ITEM NUMBERS NOT APPLICABLE

- ITEM NOT ILLUSTRATED

BRI

49-71-01-01

BOEING PROPRIETARY - Copyright © - Unpublished Work - See title page for details.

49-71-01  
FIG. 01  
PAGE 1  
JAN 20/09



757

PARTS CATALOG (MAINTENANCE)

FIG ITEM	PART NUMBER	1 2 3 4 5 6 7	NOMENCLATURE	EFFECT FROM TO	UNITS PER ASSY
1 - 1	3800298-1-1		ENGINE ASSY-GAS TURB GTCP331-200ER (APU EGT THERMOCOUPLES ONLY) SUPPLIER CODE: V99193 SPECIFICATION NUMBER: S351T020-200 COMPONENT MAINT MANUAL REF: 49-22-11 QUALIFIED I/W DATA: S351T020-200 (3800298-1-1) AND S351T020-205 (3800298-1-6) ARE INTERCHANGEABLE WITH THE INCORPORATION OF ALLIED SIGNAL S/B GTCP331-49-7081. S351T020-200 (3800298-1-1) AND S351T020-206 (3800298-1-7/3800298-1) ARE INTERCHANGEABLE WITH THE INCORPORATION OF ALLIED SIGNAL S/B GTCP331-49-7081. FOR NHA/ADDITIONAL DET SEE: 49-11-01-50	002004 006100 107107 121503 904999	RF

MISSING ITEM NUMBERS NOT APPLICABLE

- ITEM NOT ILLUSTRATED

BRI

49-71-01-01

BOEING PROPRIETARY - Copyright © - Unpublished Work - See title page for details.

49-71-01  
FIG. 01  
PAGE 2  
JAN 20/09



757

PARTS CATALOG (MAINTENANCE)

FIG ITEM	PART NUMBER	1 2 3 4 5 6 7	NOMENCLATURE	EFFECT FROM TO	UNITS PER ASSY
1 - 1	3800298-1-3		ENGINE ASSY-GAS TURB GTCP331-200ER (APU EGT THERMOCOUPLES ONLY) SUPPLIER CODE: V99193 SPECIFICATION NUMBER: S351T020-202 CONFIG CHG DATA FROM A CMM: REPLACES 3800298-1-2 COMPONENT MAINT MANUAL REF: 49-22-11 QUALIFIED I/W DATA: S351T020-202 (3800298-1-3) AND S351T020-205 (3800298-1-6) ARE INTERCHANGEABLE WITH THE INCORPORATION OF ALLIED SIGNAL S/B GTCP331-49-7081. S351T020-202 (3800298-1-3) AND S351T020-206 (3800298-1-7/3800298-1) ARE INTERCHANGEABLE WITH THE INCORPORATION OF ALLIED SIGNAL S/B GTCP331-49-7081. FOR NHA/OTHER SYS DET SEE: 49-11-01-50	002004 006100 107107 121503 904999	RF

MISSING ITEM NUMBERS NOT APPLICABLE

- ITEM NOT ILLUSTRATED

BRI

# 49-71-01-01

BOEING PROPRIETARY - Copyright © - Unpublished Work - See title page for details.

49-71-01  
FIG. 01  
PAGE 3  
JAN 20/09



757

PARTS CATALOG (MAINTENANCE)

FIG ITEM	PART NUMBER	1 2 3 4 5 6 7	NOMENCLATURE	EFFECT FROM TO	UNITS PER ASSY
1					
- 1	3800298-1-4		ENGINE ASSY-GAS TURB GTCP331-200ER (APU EGT THERMOCOUPLES ONLY) SUPPLIER CODE: V99193 SPECIFICATION NUMBER: S351T020-203 CONFIG CHG DATA FROM A CMM: REPLACES 3800298-1-3 COMPONENT MAINT MANUAL REF: 49-22-11 QUALIFIED I/W DATA: 3800298-1-4/S351T020-203 AND 3800298-1-6/S351T020-205 ARE INTERCHANGEABLE WITH THE INCORPORATION OF ALLIED SIGNAL S/B GTCP331-49-7081. S351T020-203 (3800298-1-4) AND S351T020-206 (3800298-1-7/3800298-1) ARE INTERCHANGEABLE WITH THE INCORPORATION OF SIGNAL S/B GTCP331-49-7081. FOR NHA/ADDITIONAL DET SEE: 49-11-01-50	002004 006100 107107 121503 904999	RF
- 1	3800298-1-6		ENGINE ASSY-GAS TURB GTCP331-200ER (APU EGT THERMOCOUPLES ONLY) SUPPLIER CODE: V99193 SPECIFICATION NUMBER: S351T020-205 CONFIG CHG DATA FROM A CMM: REPLACES 3800298-1-5 COMPONENT MAINT MANUAL REF: 49-22-11 QUALIFIED I/W DATA: S351T020-204 (3800298-1-5) AND S351T020-205 (3800298-1-6) ARE INTERCHANGEABLE WITH THE INCORPORATION OF ALLIED SIGNAL S/B GTCP331-49-7081.	002004 006999	RF

MISSING ITEM NUMBERS NOT APPLICABLE

- ITEM NOT ILLUSTRATED

49-71-01-01

49-71-01  
FIG. 01  
PAGE 4  
JAN 20/09

BRI





757

PARTS CATALOG (MAINTENANCE)

FIG ITEM	PART NUMBER	1 2 3 4 5 6 7 NOMENCLATURE	EFFECT FROM TO	UNITS PER ASSY
1		<p>S351T020-203 (3800298-1-4) AND S351T020-205 (3800298-1-6) ARE INTERCHANGEABLE WITH THE INCORPORATION OF ALLIED SIGNAL S/B GTCP331-49-7081. S351T020-202 (3800298-1-3) AND S351T020-205 (3800298-1-6) ARE INTERCHANGEABLE WITH THE INCORPORATION OF ALLIED SIGNAL S/B GTCP331-49-7081. S351T020-201 (3800298-1-2) AND S351T020-205 (3800298-1-6) ARE INTERCHANGEABLE WITH THE INCORPORATION OF ALLIED SIGNAL S/B GTCP331-49-7081. S351T020-200 (3800298-1-1) AND S351T020-205 (3800298-1-6) ARE INTERCHANGEABLE WITH THE INCORPORATION OF ALLIED SIGNAL S/B GTCP331-49-7081. FOR NHA/ADDITIONAL DET SEE: 49-11-01-50 49-21-00-02</p>		
-	1 3800298-1-7	<p>ENGINE ASSY-GAS TURB GTCP331-200ER (APU EGT THERMOCOUPLES ONLY) SUPPLIER CODE: V99193 SPECIFICATION NUMBER: S351T020-206 CONFIG CHG DATA FROM A CMM: REPLACES 3800298-1-6 COMPONENT MAINT MANUAL REF: 49-22-11 QUALIFIED I/W DATA: S351T020-203 (3800298-1-4) AND</p>	002004 006999	RF

MISSING ITEM NUMBERS NOT APPLICABLE

- ITEM NOT ILLUSTRATED

49-71-01-01

49-71-01  
FIG. 01  
PAGE 5  
SEP 20/08

BRI



757

PARTS CATALOG (MAINTENANCE)

FIG ITEM	PART NUMBER	1 2 3 4 5 6 7	NOMENCLATURE	EFFECT FROM TO	UNITS PER ASSY
1			<p>S351T020-206 (3800298-1-7/3800298-1) ARE INTERCHANGEABLE WITH THE INCORPORATION OF ALLIED SIGNAL S/B GTCP331-49-7081. S351T020-204 (3800298-1-5) AND S351T020-206(3800298-1-7 /3800298-1) ARE INTERCHANGEABLE WITH THE INCORPORATION OF ALLIED SIGNAL S/B GTCP331-49-7081. S351T020-202 (3800298-1-3) AND S351T020-206 (3800298-1-7/3800298-1) ARE INTERCHANGEABLE WITH THE INCORPORATION OF ALLIED SIGNAL S/B GTCP331-49-7081. S351T020-201 (3800298-1-2) AND S351T020-206 (3800298-1-7/3800298-1) ARE INTERCHANGEABLE WITH THE INCORPORATION OF ALLIED SIGNAL S/B GTCP331-49-7081. S351T020-200 (3800298-1-1) AND S351T020-206 (3800298-1-7/3800298-1) ARE INTERCHANGEABLE WITH THE INCORPORATION OF ALLIED SIGNAL S/B GTCP331-49-7081. OPTIONAL PART: 3800298-1 V99193 FOR NHA/ADDITIONAL DET SEE: 49-11-01-50 49-21-00-02</p>		

MISSING ITEM NUMBERS NOT APPLICABLE

- ITEM NOT ILLUSTRATED

BRI

# 49-71-01-01

BOEING PROPRIETARY - Copyright © - Unpublished Work - See title page for details.

49-71-01  
FIG. 01  
PAGE 6  
SEP 20/08



757

PARTS CATALOG (MAINTENANCE)

FIG ITEM	PART NUMBER	1 2 3 4 5 6 7	NOMENCLATURE	EFFECT FROM TO	UNITS PER ASSY
1					
- 1	3800298-1-5		ENGINE ASSY-GAS TURB GTCP331-200ER (APU EGT THERMOCOUPLES ONLY) SUPPLIER CODE: V99193 SPECIFICATION NUMBER: S351T020-204 CONFIG CHG DATA FROM A CMM: REPLACES 3800298-1-4 COMPONENT MAINT MANUAL REF: 49-22-11 QUALIFIED I/W DATA: S351T020-204 (380298-1-5) AND S351T020-205 (3800298-1-6) ARE INTERCHANGEABLE WITH THE INCORPORATION OF ALLIED SIGNAL S/B GTCP331-49-7081. S351T020-204 (3800298-1-5) AND S351T020-206 (3800298-1-7/3800298-1) ARE INTERCHANGEABLE WITH THE INCORPORATION OF ALLIED SIGNAL S/B GTCP331-49-7081. FOR NHA/ADDITIONAL DET SEE: 49-11-01-50	002004 006100 107107 121503 904999	RF
- 1	3800298-1		ENGINE ASSY-GAS TURB GTCP331-200ER (APU EGT THERMOCOUPLES ONLY) SUPPLIER CODE: V99193 SPECIFICATION NUMBER: S351T020-206 COMPONENT MAINT MANUAL REF: 49-22-11 QUALIFIED I/W DATA: S351T020-203 (3800298-1-4) AND S351T020-206 (3800298-1-7/3800298-1) ARE INTERCHANGEABLE WITH THE INCORPORATION OF ALLIED SIGNAL S/B GTCP331-49-7081. S351T020-204	002004 006999	RF

MISSING ITEM NUMBERS NOT APPLICABLE

- ITEM NOT ILLUSTRATED

49-71-01-01

49-71-01  
FIG. 01  
PAGE 7  
JAN 20/09

BRI



757

PARTS CATALOG (MAINTENANCE)

FIG ITEM	PART NUMBER	1 2 3 4 5 6 7	NOMENCLATURE	EFFECT FROM TO	UNITS PER ASSY
1			(3800298-1-5) AND S351T020-206 (3800298-1-7/380028-1) ARE INTERCHANGEABLE WITH THE INCORPORATION OF ALLIED SIGNAL S/B GTCP331-49-7081. S351T020-202 (3800298-1-3) AND S351T020-206 (3800298-1-7/3800298-1) ARE INTERCHANGEABLE WITH THE INCORPORATION OF ALLIED SIGNAL S/B GTCP331-49-7081. S351T020-201 (3800298-1-2) AND S351T020-206 (3800298-1-7/3800298-1) ARE INTERCHANGEABLE WITH THE INCORPORATION OF ALLIED SIGNAL S/B GTCP331-49-7081. S351T020-200 (3800298-1-1) AND S351T020-206 (3800298-1-7/3800298-1) ARE INTERCHANGEABLE WITH THE INCORPORATION OF ALLIED SIGNAL S/B GTCP331-49-7081. OPTIONAL PART: 3800298-1-7 V99193 FOR NHA/OTHER SYS DET SEE: 49-11-01-50 49-21-00-02		
5	3876027-4		. THERMOCOUPLE-IMMERSION SUPPLIER CODE: V99193 SB DATA FROM A CMM: POST SB 49-5439 CONFIG CHG DATA FROM A CMM: REPLS 3876027-3	002004 006999	4
10	MS21279-07		ATTACHING PARTS . BOLT- OPTIONAL PART: MS9556-07	002004 006999	12

MISSING ITEM NUMBERS NOT APPLICABLE

- ITEM NOT ILLUSTRATED

49-71-01-01

49-71-01  
FIG. 01  
PAGE 8  
SEP 20/08

BRI

 **BOEING**  
757  
**PARTS CATALOG (MAINTENANCE)**

FIG ITEM	PART NUMBER	1 2 3 4 5 6 7	NOMENCLATURE	EFFECT FROM TO	UNITS PER ASSY
1					
10	MS9556-07		.BOLT- NOT APPROVED FOR ETOPS. SB DATA FROM A CMM: POST SPB GTE0293 OPTIONAL PART: MS21279-07 -----*-----	002004 006999	12
15	F5C832-1		.NUT-CHROMEL SUPPLIER CODE: V85639	002004 006999	4
20	F5C1032-1		.NUT-ALUMEL SUPPLIER CODE: V85639	002004 006999	4
40	MS21279-05		.BOLT- SB DATA FROM A CMM: PRE SPB GTE0252 OPTIONAL PART: MS9556-05	002004 006999	4
40	MS9556-05		.BOLT- SB DATA FROM A CMM: POST SPB GTE0292 OPTIONAL PART: MS21279-05	002004 006999	4
45	MS21279-05		.BOLT- SB DATA FROM A CMM: PRE SPB GTE0252 OPTIONAL PART: MS21279-09 MS9556-09	002004 006999	2
45	MS21279-09		.BOLT- SB DATA FROM A CMM: POST SPB GTE0252 PRE SPB GTE0292 OPTIONAL PART: MS21279-05 MS9556-09	002004 006999	2
45	MS9556-09		.BOLT- SB DATA FROM A CMM: POST SPB GTE0292 OPTIONAL PART: MS21279-05 MS21279-09	002004 006999	2
50	NAS43DD3-14		.SPACER- SB DATA FROM A CMM: POST SB 49-5372	002004 006999	2
55	MS21043-3		.NUT	002004 006999	6

MISSING ITEM NUMBERS NOT APPLICABLE

— ITEM NOT ILLUSTRATED

BRI

# 49-71-01-01

BOEING PROPRIETARY - Copyright © - Unpublished Work - See title page for details.

49-71-01  
FIG. 01  
PAGE 9  
SEP 20/08



757

PARTS CATALOG (MAINTENANCE)

FIG ITEM	PART NUMBER	1 2 3 4 5 6 7	NOMENCLATURE	EFFECT FROM TO	UNITS PER ASSY
1					
60	MS9592-006		.BRACKET- SB DATA FROM A CMM: PRE SPB GTE0252 OPTIONAL PART: MS9592-010	002004 006999	4
60	MS9592-010		.BRACKET- SB DATA FROM A CMM: POST SPB GTE0252 OPTIONAL PART: MS9592-006	002004 006999	4
70	TA12C59TH3HB		.CLAMP- SUPPLIER CODE: V84971 SB DATA FROM A CMM: PRE SPB GTE1046 OPTIONAL PART: JM44LC43H3WC V22175	002004 006999	6
70	JM44LC43H3WC		.CLAMP- SUPPLIER CODE: V22175 SB DATA FROM A CMM: POST SPB GTE1046 OPTIONAL PART: TA12C59TH3HB V84971	002004 006999	6
- 75	3888465-1		.WIRING HARNESS ASSY- SUPPLIER CODE: V99193 SB DATA FROM A CMM: POST 49-7618 CONFIG CHG DATA FROM A CMM: REPLS 3888123-8 REPLS 3888123-9	002004 006999	RF
- 75	3888123-4		.WIRING HARNESS ASSY- SUPPLIER CODE: V99193 SB DATA FROM A CMM: PRE 49-5794 POST 49-5533	002004 006102 107999	RF

MISSING ITEM NUMBERS NOT APPLICABLE

- ITEM NOT ILLUSTRATED

49-71-01-01

49-71-01  
FIG. 01  
PAGE 10  
JAN 20/09

BRI



757

PARTS CATALOG (MAINTENANCE)

FIG ITEM	PART NUMBER	1 2 3 4 5 6 7	NOMENCLATURE	EFFECT FROM TO	UNITS PER ASSY
1					
- 75	3888123-5		.WIRING HARNESS ASSY- SUPPLIER CODE: V99193 USED ON: 3800298-1-1 3800298-1-2 3800298-1-3 3800298-1-4 3800298-1-5 3800298-1-6 USED ON: 3800298-1 3800298-1-7	002004 006999	RF
- 75	3888123-6		.WIRING HARNESS ASSY- SUPPLIER CODE: V99193 SB DATA FROM A CMM: PRE 49-5840 PRE 49-7403 POST 49-5794 CONFIG CHG DATA FROM A CMM: REPLD BY 3888123-8 REWORKED FROM 3888123-4 QUALIFIED OPTIONAL DATA: 3888123-8 QUALIFIED SB I/W DATA: 3617394-1 USED WITH 3888123-8 OR 3888123-9 OPT TO 3617394-1 USED WITH 3888123-6 OR 3888123-7 AND 3888450-1 OPT TO 3614759-1 USED WITH 3888123-8 OR 3888123-9 OPT TO 3617459-1 USED WITH 3888123-6 OR 3888123-7 AND 3888450-1	002004 006102 107999	RF

MISSING ITEM NUMBERS NOT APPLICABLE

- ITEM NOT ILLUSTRATED

BRI

49-71-01-01

BOEING PROPRIETARY - Copyright © - Unpublished Work - See title page for details.

49-71-01  
FIG. 01  
PAGE 11  
JAN 20/09



757

PARTS CATALOG (MAINTENANCE)

FIG ITEM	PART NUMBER	1 2 3 4 5 6 7	NOMENCLATURE	EFFECT FROM TO	UNITS PER ASSY
1 - 75	3888123-7		.WIRING HARNESS ASSY- SUPPLIER CODE: V99193 SB DATA FROM A CMM: PRE 49-7403 POST 49-5840 CONFIG CHG DATA FROM A CMM: REPLD BY 3888123-9 QUALIFIED SB I/W DATA: 3617394-1 USED WITH 3888123-8 OR 3888123-9 OPT TO 3617394-1 USED WITH 3888123-6 OR 3888123-7 AND 3888450-1 OPT TO 3614759-1 USED WITH 3888123-8 OR 3888123-9 OPT TO 3617459-1 USED WITH 3888123-6 OR 3888123-7 AND 3888450-1	002004 006102 107999	RF
- 75	3888123-8		.WIRING HARNESS ASSY- SUPPLIER CODE: V99193 SB DATA FROM A CMM: POST 49-7391 POST 49-7402 CONFIG CHG DATA FROM A CMM: REPLS 3888123-6 REPLD BY 3888465-1 QUALIFIED SB I/W DATA: 3617394-1 USED WITH 3888123-8 OR 3888123-9 OPT TO 3617394-1 USED WITH 3888123-6 OR 3888123-7 AND 3888450-1 OPT TO 3614759-1 USED WITH 3888123-8 OR 3888123-9 OPT TO 3617459-1 USED WITH 3888123-6 OR 3888123-7 AND 3888450-1	002004 006999	RF

MISSING ITEM NUMBERS NOT APPLICABLE

- ITEM NOT ILLUSTRATED

49-71-01-01

49-71-01  
FIG. 01  
PAGE 12  
JAN 20/09

BRI





757

PARTS CATALOG (MAINTENANCE)

FIG ITEM	PART NUMBER	1 2 3 4 5 6 7	NOMENCLATURE	EFFECT FROM TO	UNITS PER ASSY
1 - 75	3888123-9		.WIRING HARNESS ASSY- SUPPLIER CODE: V99193 SB DATA FROM A CMM: POST SB 49-7403 CONFIG CHG DATA FROM A CMM: REPLS 3888123-7 REPLD BY 3888465-1 QUALIFIED SB I/W DATA: 3617394-1 USED WITH 3888123-8 OR 3888123-9 OPT TO 3617394-1 USED WITH 3888123-6 OR 3888123-7 AND 3888450-1 OPT TO 3614759-1 USED WITH 3888123-8 OR 3888123-9 OPT TO 3617459-1 USED WITH 3888123-6 OR 3888123-7 AND 3888450-1 POST SERVICE BULLETIN: GTCP331-49-7391R1 V99193	002004 006999	RF
77	TC3293-4		.. TERMINAL-ALUMEL SUPPLIER CODE: V50625 SB DATA FROM A CMM: PRE SPB GTE0679 OPTIONAL PART: 1387-4 V99195 1-321898-0 V00779	002004 006999	4
77	1387-4		.. TERMINAL-ALUMEL SUPPLIER CODE: V99195 SB DATA FROM A CMM: PRE SPB GTE0679 OPTIONAL PART: TC3293-4 V50625 1-321898-0 V00779	002004 006999	4

MISSING ITEM NUMBERS NOT APPLICABLE

- ITEM NOT ILLUSTRATED

BRI

49-71-01-01

BOEING PROPRIETARY - Copyright © - Unpublished Work - See title page for details.

49-71-01  
FIG. 01  
PAGE 13  
SEP 20/08



757

PARTS CATALOG (MAINTENANCE)

FIG ITEM	PART NUMBER	1 2 3 4 5 6 7	NOMENCLATURE	EFFECT FROM TO	UNITS PER ASSY
1					
77	1-321898-0	..	TERMINAL-ALUMEL SUPPLIER CODE: V00779 SB DATA FROM A CMM: POST SPB GTE0679 OPTIONAL PART: TC3293-4 V50625 1387-4 V99195	002004 006999	4
78	TC3293-3	..	TERMINAL-CHROMEL SUPPLIER CODE: V50625 SB DATA FROM A CMM: PRE SPB GTE0679 OPTIONAL PART: 1387-3 V99195 1-321897-0 V00779	002004 006999	4
78	1387-3	..	TERMINAL-CHROMEL SUPPLIER CODE: V99195 SB DATA FROM A CMM: PRE SPB GTE0679 OPTIONAL PART: 1-321897-0 V00779 TC3293-3 V97424	002004 006999	4
78	1-321897-0	..	TERMINAL-CHROMEL SUPPLIER CODE: V00779 SB DATA FROM A CMM: POST SPB GTE0679 OPTIONAL PART: 1387-3 V99195 TC3293-3 V97424 OPTIONAL SUPPLIER CODE: 99195	002004 006999	4
80	BCREF13862	..	SLEEVING- OVERLENGTH PART NUMBER: M23053-5-106-9-10	002004 006999	AR
80	RT1146-1-4	..	SLEEVING- SUPPLIER CODE: V08795	002004 006999	AR

MISSING ITEM NUMBERS NOT APPLICABLE

- ITEM NOT ILLUSTRATED

49-71-01-01

49-71-01  
FIG. 01  
PAGE 14  
SEP 20/08

BRI



757

PARTS CATALOG (MAINTENANCE)

FIG ITEM	PART NUMBER	1 2 3 4 5 6 7	NOMENCLATURE	EFFECT FROM TO	UNITS PER ASSY
1					
80	RT1146-3-8	..	SLEEVING- SUPPLIER CODE: V08795	002004 006999	AR
85	S9055L9-104	..	SLEEVE- SUPPLIER CODE: V99193 SB DATA FROM A CMM: PRE 49-5399	002004 006999	8
85	S9055L11-112	..	SLEEVE- SUPPLIER CODE: V99193 SB DATA FROM A CMM: POST 49-5399	002004 006999	8
90	S8999	..	TIE-STRAP SUPPLIER CODE: V99193	002004 006999	AR
95	S9055L9-100	..	SLEEVE- SUPPLIER CODE: V99193 SB DATA FROM A CMM: POST 49-5399	002004 006999	4
100	IDENTASLEEVE1-5	..	SLEEVE- SUPPLIER CODE: V01656 SB DATA FROM A CMM: POST 49-5399	002004 006999	AR
- 105	M22759-8-18-8	..	WIRE-ELECTRICAL OPTIONAL PART: 18699-69A1 V92607 75908E18 V12515 18AF2XTN1930 V12814 BATATE1930NICE V90484 11-00821 V05973	002004 006999	AR

MISSING ITEM NUMBERS NOT APPLICABLE

- ITEM NOT ILLUSTRATED

49-71-01-01

49-71-01  
FIG. 01  
PAGE 15  
SEP 20/08

BRI



757

PARTS CATALOG (MAINTENANCE)

FIG ITEM	PART NUMBER	1 2 3 4 5 6 7	NOMENCLATURE	EFFECT FROM TO	UNITS PER ASSY
1 - 105	18699-69A1		.. WIRE-ELECTRICAL SUPPLIER CODE: V92607 OPTIONAL PART: 75908E18 V12515 18AF2XTN1930 V12814 BATATE1930NICE V90484 11-00821 V05973 M22759-8-18-8	002004 006999	AR
- 105	75908E18		.. WIRE-ELECTRICAL SUPPLIER CODE: V12515 OPTIONAL PART: 18699-69A1 V92607 18AF2XTN1930 V12814 BATATE1930NICE V90484 11-00821 V05973 M22759-8-18-8	002004 006999	AR
- 105	18AF2XTN1930		.. WIRE-ELECTRICAL SUPPLIER CODE: V12814 OPTIONAL PART: 18699-69A1 V92607 75908E18 V12515 BATATE1930NICE V90484 11-00821 V05973 M22759-8-18-8	002004 006999	AR

MISSING ITEM NUMBERS NOT APPLICABLE

- ITEM NOT ILLUSTRATED

BRI

49-71-01-01

BOEING PROPRIETARY - Copyright © - Unpublished Work - See title page for details.

49-71-01  
FIG. 01  
PAGE 16  
SEP 20/08



**757  
PARTS CATALOG (MAINTENANCE)**

FIG ITEM	PART NUMBER	1 2 3 4 5 6 7	NOMENCLATURE	EFFECT FROM TO	UNITS PER ASSY
1					
- 105	BATATE1930NICE		.. WIRE-ELECTRICAL SUPPLIER CODE: V90484 OPTIONAL PART: 18699-69A1 V92607 75908E18 V12515 18AF2XTN1930 V12814 11-00821 V05973 M22759-8-18-8	002004 006999	AR
- 105	11-00821		.. WIRE-ELECTRICAL SUPPLIER CODE: V05973 OPTIONAL PART: 18699-69A1 V92607 75908E18 V12515 18AF2XTN1930 V12814 BATATE1930NICE V90484 M22759-8-18-8	002004 006999	AR

MISSING ITEM NUMBERS NOT APPLICABLE

- ITEM NOT ILLUSTRATED

BRI

# 49-71-01-01

BOEING PROPRIETARY - Copyright © - Unpublished Work - See title page for details.

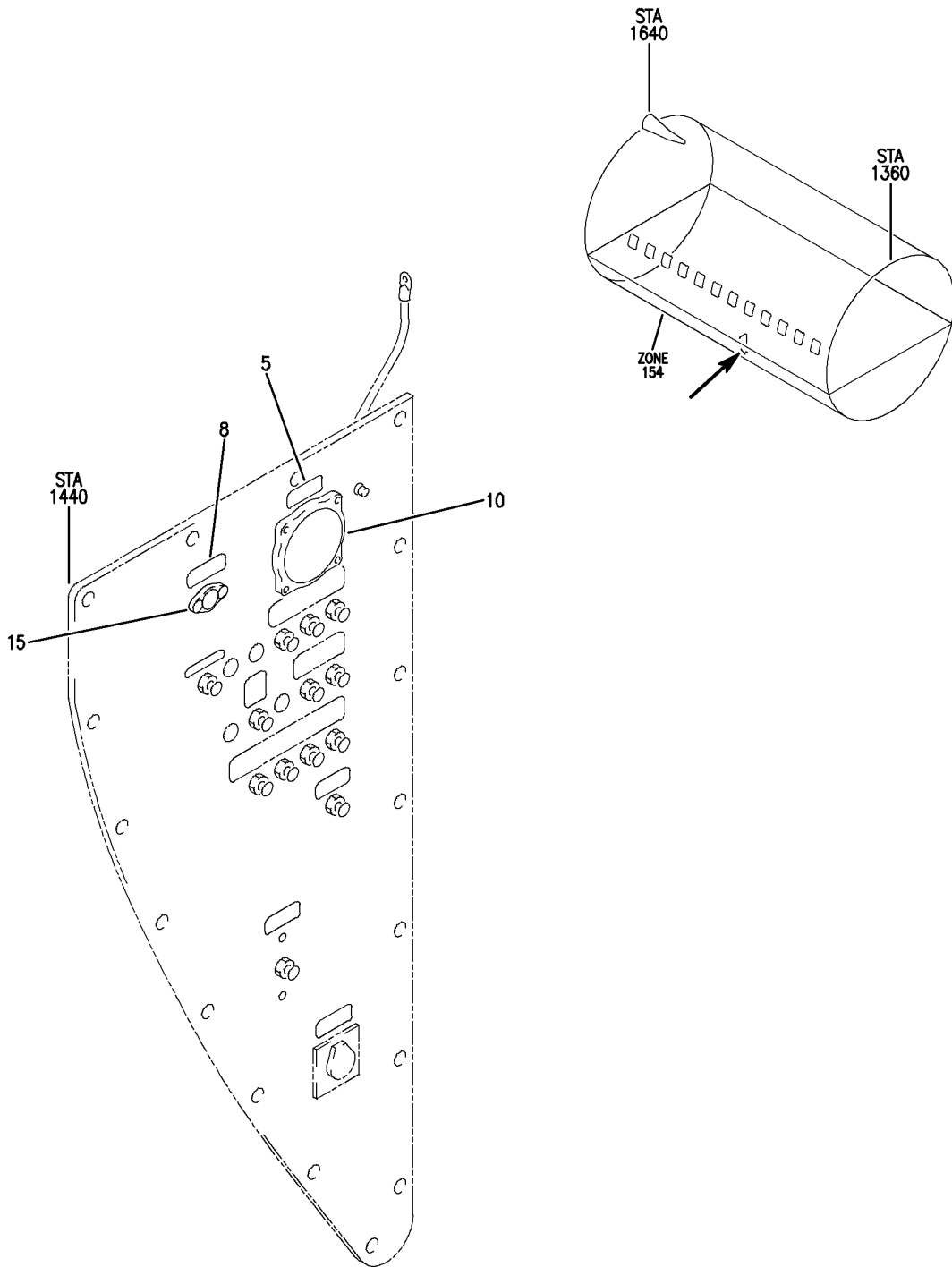
49-71-01  
FIG. 01  
PAGE 17  
SEP 20/08

## APU TIME TOTALIZER

BRI  
MAY 28/07

49-72-00  
SECTION TITLE  
PAGE 1

**BOEING**  
757  
PARTS CATALOG (MAINTENANCE)



Y 49720002 REV 240

EQUIPMENT INSTL-CB PNL EQPT CTR AFT (AIRBORNE/AUXILIARY POWER ONLY)  
FIGURE 2

BRI  
JAN 20/09

**49-72-00-02**

49-72-00-02  
PAGE 0



757

PARTS CATALOG (MAINTENANCE)

FIG ITEM	PART NUMBER	1 2 3 4 5 6 7	NOMENCLATURE	EFFECT FROM TO	UNITS PER ASSY
2			EQUIPMENT INSTL-CB PNL EQPT CTR AFT (AIRBORNE/AUXILIARY POWER ONLY)	103106	
- 1	MODREF31378		EQUIPMENT INSTL-CB PNL EQPT CTR (APU TIME TOTALIZER) MODULE NUMBER: 284N1690-306 REV B POSITION DATA: AFT FOR OTHER SYS DETAILS SEE: 23-41-00-02 24-50-51-02C 25-70-51-10	103106	1
5	BAC27NEX0064		.DECAL- PLACARD CONTENT: APU RUN TIME IND.	103106	1
10	56517		.INDICATOR-APU RUN TIME SUPPLIER CODE: V16476 ELECTRICAL EQUIP NUMBER: N10017 OPTIONAL PART: 111599 V16476 FOR SPARES PROCURE: 111599 V16476	103106	1
10	111599		.INDICATOR-APU RUN TIME SUPPLIER CODE: V16476 ELECTRICAL EQUIP NUMBER: N10017	103106	1
10	56558-03		.INDICATOR-APU RUN TIME SUPPLIER CODE: V16476 ELECTRICAL EQUIP NUMBER: N10017	103106	1

MISSING ITEM NUMBERS NOT APPLICABLE

- ITEM NOT ILLUSTRATED

BRI

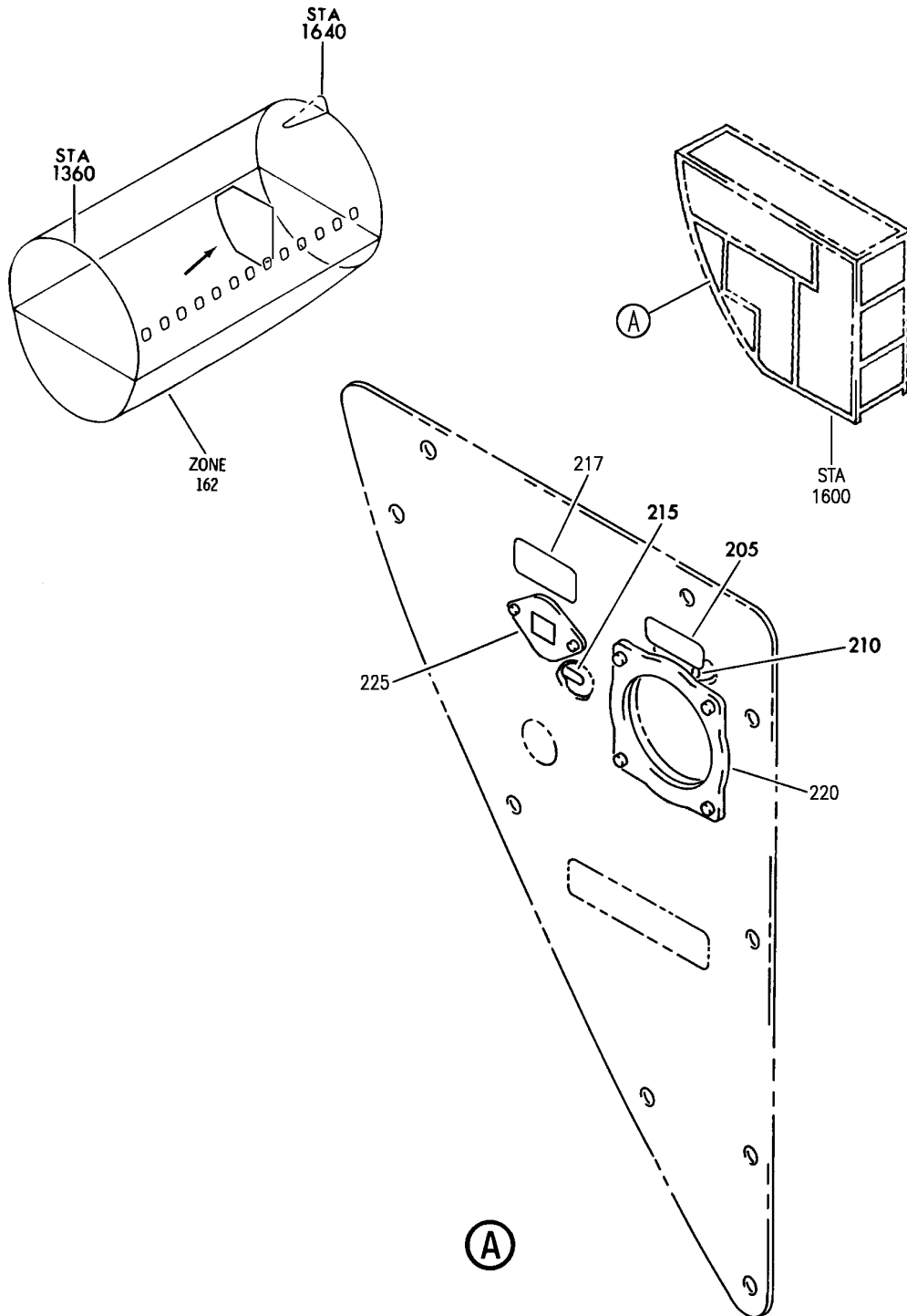
49-72-00-02

BOEING PROPRIETARY - Copyright © - Unpublished Work - See title page for details.

49-72-00  
FIG. 02  
PAGE 1  
JAN 20/09



**BOEING**  
757  
PARTS CATALOG (MAINTENANCE)



Y 49725101 REV 301

EQUIPMENT ASSY-E6 AFT EQPT CTR CB METER PNL (AIRBORNE AUXILIARY POWER ONLY)  
FIGURE 1

**49-72-51-01**

BRI  
MAY 28/07

49-72-51-01  
PAGE 0



757

PARTS CATALOG (MAINTENANCE)

FIG ITEM	PART NUMBER	1 2 3 4 5 6 7	NOMENCLATURE	EFFECT FROM TO	UNITS PER ASSY
1			EQUIPMENT ASSY-E6 AFT EQPT CTR CB METER PNL (AIRBORNE AUXILIARY POWER ONLY)	121503 904949	
- 200	284N1662-5		EQUIPMENT ASSY-E6 EQPT METER PNL (AIRBORNE AUXILIARY POWER ONLY) POSITION DATA: AFT FOR NHA/OTHER SYS DET SEE: 25-70-51-53	121503 904949	RF
205	BAC27NEX0064		.DECAL- PLACARD CONTENT: APU RUN TIME IND	121503 904949	1
210	BAC27NEX0061		.DECAL- PLACARD CONTENT: N10017	121503 904949	1
215	BAC27NEX0876		.DECAL- PLACARD CONTENT: N10032	121503 904949	1
217	BAC27NEX0875		.DECAL-APU CYCLEMETER PLACARD CONTENT: APU CYCLEMETER	121503 904949	1
220	56517		.INDICATOR-APU RUN TIME SUPPLIER CODE: V16476 ELECTRICAL EQUIP NUMBER: N10017 FOR SPARES PROCURE: 111599 V16476	121503 904949	1
220	111599		.INDICATOR-APU RUN TIME SUPPLIER CODE: V16476 ELECTRICAL EQUIP NUMBER: N10017	121503 904949	1
220	56558-03		.INDICATOR-APU RUN TIME SUPPLIER CODE: V16476 ELECTRICAL EQUIP NUMBER: N10017	121503 904949	1
225	B56C8CE172		.CYCLEMETER-APU SUPPLIER CODE: V10236 ELECTRICAL EQUIP NUMBER: N10032	121503 904949	1
- 230	NAS1801-04-4		ATTACHING PARTS .SCREW-	121503 904949	2

MISSING ITEM NUMBERS NOT APPLICABLE

- ITEM NOT ILLUSTRATED

49-72-51-01

49-72-51  
FIG. 01  
PAGE 1  
JAN 20/09

BRI

BOEING PROPRIETARY - Copyright © - Unpublished Work - See title page for details.



757

PARTS CATALOG (MAINTENANCE)

FIG ITEM	PART NUMBER	1 2 3 4 5 6 7 NOMENCLATURE	EFFECT FROM TO	UNITS PER ASSY
1 - 235	BRH10A04	.NUT SUPPLIER CODE: V52828 SPECIFICATION NUMBER: BACN10JCO4 OPTIONAL PART: NS202101-40 V80539 RMLH9075-40W V72962 VN303A40 V92215 96-40 V80539 T6S440J V11815 H10-04BAC V15653 -----*-----	121503 904949	2

MISSING ITEM NUMBERS NOT APPLICABLE

- ITEM NOT ILLUSTRATED

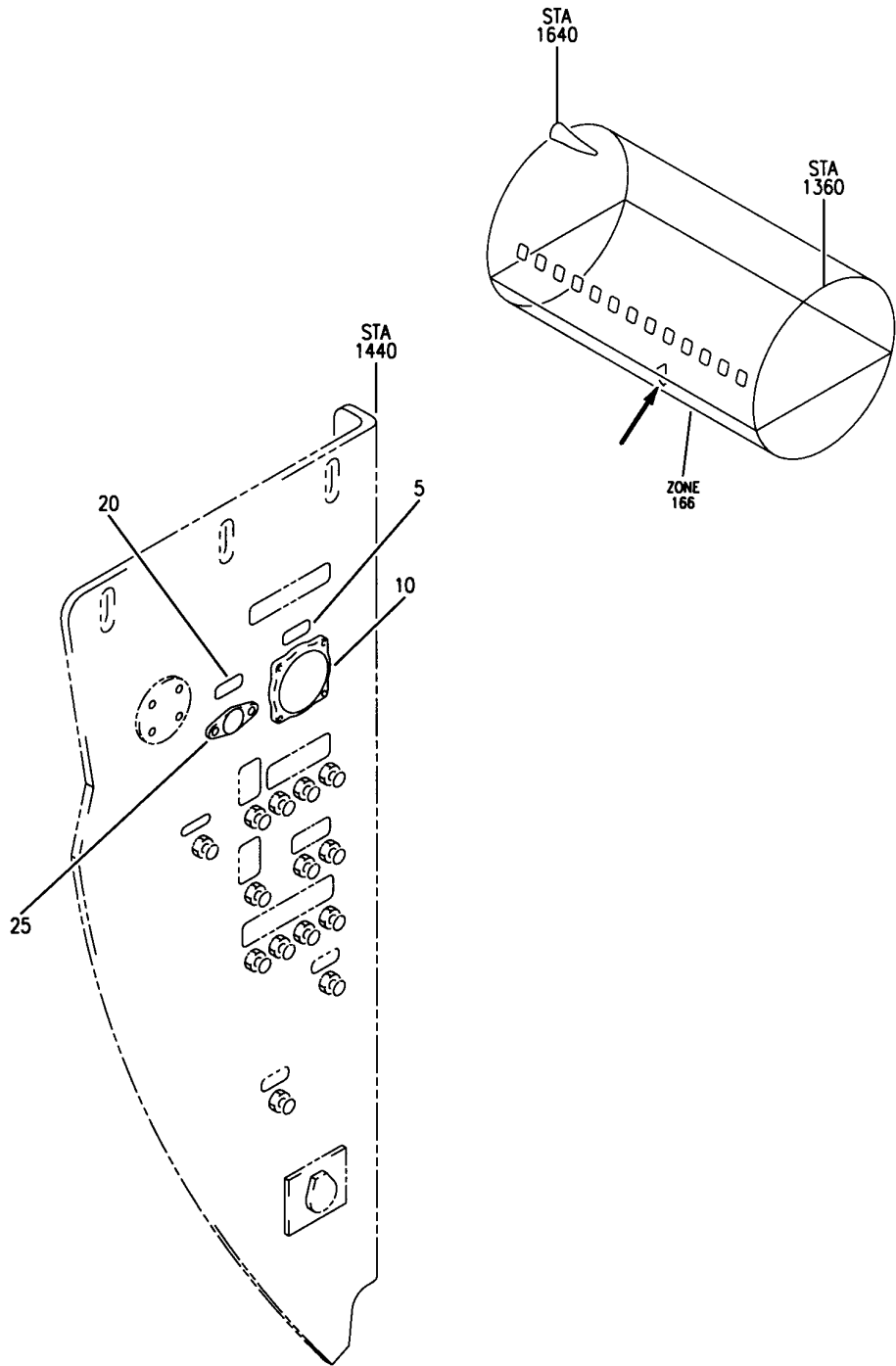
BRI

49-72-51-01

BOEING PROPRIETARY - Copyright © - Unpublished Work - See title page for details.

49-72-51  
FIG. 01  
PAGE 2  
JAN 20/09

**BOEING**  
 757  
 PARTS CATALOG (MAINTENANCE)



Y 49725101A REV 198

EQUIPMENT ASSY-E6 AFT EQPT CTR CB PNL OPTION PKG (AIRBORNE AUXILIARY POWER ONLY)  
 FIGURE 1A

BRI  
 MAY 28/07

**49-72-51-01A**

49-72-51-01A  
 PAGE 0



757

PARTS CATALOG (MAINTENANCE)

FIG ITEM	PART NUMBER	1 2 3 4 5 6 7	NOMENCLATURE	EFFECT FROM TO	UNITS PER ASSY
1 A			EQUIPMENT ASSY-E6 AFT EQPT CTR CB PNL OPTION PKG (AIRBORNE AUXILIARY POWER ONLY)	101102 108120 504903	
- 1	284N1690-1000		EQUIPMENT ASSY-E6 EQPT CTR CB PNL OPTION PKG (AIRBORNE AUXILIARY POWER ONLY) POSITION DATA: AFT MISCELLANEOUS DATA: MINOR MODEL 757-200 FOR NHA/OTHER SYS DET SEE: 24-50-51-02A	101102 108120 504903	RF
5	BAC27NEX0064		.DECAL	101102 108120 504903	1
10	56517		.INDICATOR-APU RUN TIME SUPPLIER CODE: V16476 ELECTRICAL EQUIP NUMBER: N10017 OPTIONAL PART: 111599 V16476 FOR SPARES PROCURE: 111599 V16476	101102 108120 504903	1
10	111599		.INDICATOR-APU RUN TIME SUPPLIER CODE: V16476 ELECTRICAL EQUIP NUMBER: N10017 OPTIONAL PART: 56517 V16476	101102 108120 504903	1
10	56558-03		.INDICATOR-APU RUN TIME SUPPLIER CODE: V16476 ELECTRICAL EQUIP NUMBER: N10017	101102 108120 504903	1

MISSING ITEM NUMBERS NOT APPLICABLE

- ITEM NOT ILLUSTRATED

BRI

49-72-51-01A

BOEING PROPRIETARY - Copyright © - Unpublished Work - See title page for details.

49-72-51  
FIG. 01A  
PAGE 1  
JAN 20/09

**BOEING**  
757  
**PARTS CATALOG (MAINTENANCE)**

FIG ITEM	PART NUMBER	1 2 3 4 5 6 7	NOMENCLATURE	EFFECT FROM TO	UNITS PER ASSY
1 A					
- 15	284N1690-1006		EQUIPMENT ASSY-E6 EQPT CTR CB PNL OPTION PKG POSITION DATA: AFT MISCELLANEOUS DATA: MINOR MODEL 757-200 AND APU CYCLEMETER FOR NHA SEE: 24-50-51-02A	504903	RF
20	BAC27NEX0875	.	DECAL	504903	1
25	B56C8CE172	.	CYCLEMETER-APU SUPPLIER CODE: V10236 ELECTRICAL EQUIP NUMBER: N10032	504903	1
- 30	NAS600-5P	.	ATTACHING PARTS SCREW	504903	2
- 35	PLH504CD	.	NUT SUPPLIER CODE: VF0224 SPECIFICATION NUMBER: BACN10YR04CD OPTIONAL PART: H52732-04CD V15653 -----*-----	504903	2

MISSING ITEM NUMBERS NOT APPLICABLE

- ITEM NOT ILLUSTRATED

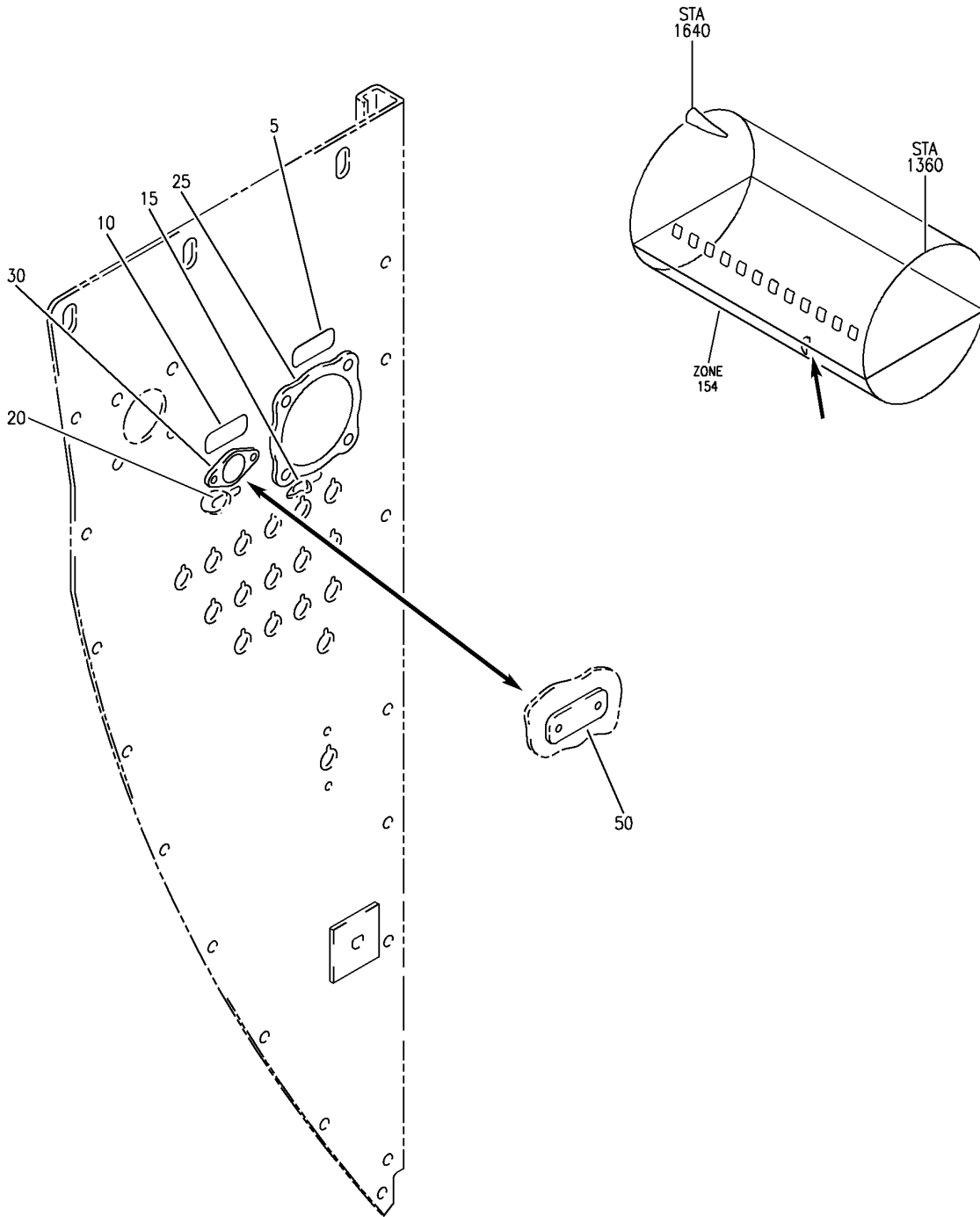
BRI

# 49-72-51-01A

BOEING PROPRIETARY - Copyright © - Unpublished Work - See title page for details.

49-72-51  
FIG. 01A  
PAGE 2  
JAN 20/09

**BOEING**  
757  
PARTS CATALOG (MAINTENANCE)



Y 49725101C REV 301

EQUIPMENT ASSY-E6 AFT EQPT CTR CB METER PNL (AIRBORNE AUXILIARY POWER ONLY)  
FIGURE 1C

BRI  
MAY 28/07

**49-72-51-01C**

49-72-51-01C  
PAGE 0



757

PARTS CATALOG (MAINTENANCE)

FIG ITEM	PART NUMBER	1 2 3 4 5 6 7	NOMENCLATURE	EFFECT FROM TO	UNITS PER ASSY
1C			EQUIPMENT ASSY-E6 AFT EQPT CTR CB METER PNL (AIRBORNE AUXILIARY POWER ONLY)	002004 006100 107107 950999	
- 1	284N1690-3		EQUIPMENT ASSY-E6 EQPT CTR CB PNL (AIRBORNE AUXILIARY POWER ONLY) POSITION DATA: AFT VARIABLE DRAWING REF: 284N1690-5010 284N1690-5012 284N1690-5014 FOR NHA/OTHER SYS DET SEE: 53-61-51-10	002004 006100 107107 950999	RF
5	BAC27NEX0064		.DECAL- PLACARD CONTENT: APU RUN TIME IND	002004 006100 107107 950999	1
10	BAC27NEX0875		.DECAL- PLACARD CONTENT: APU CYCLEMETER	952999	1
15	BAC27NEX0061		.DECAL- PLACARD CONTENT: N10017	002004 006100 107107 950999	1
20	BAC27NEX0876		.DECAL- PLACARD CONTENT: N10032	952999	1
25	56517		.INDICATOR-APU RUN TIME SUPPLIER CODE: V16476 ELECTRICAL EQUIP NUMBER: N10017 FOR SPARES PROCURE: 111599 V16476	002004 006100 107107 950999	1
25	56558-03		.INDICATOR-APU RUN TIME SUPPLIER CODE: V16476 ELECTRICAL EQUIP NUMBER: N10017	002004 006100 107107 950999	1
25	111599		.INDICATOR-APU RUN TIME SUPPLIER CODE: V16476 ELECTRICAL EQUIP NUMBER: N10017	002004 006100 107107 950999	1

MISSING ITEM NUMBERS NOT APPLICABLE

- ITEM NOT ILLUSTRATED

BRI

49-72-51-01C

BOEING PROPRIETARY - Copyright © - Unpublished Work - See title page for details.

49-72-51  
FIG. 01C  
PAGE 1  
JAN 20/09





757

PARTS CATALOG (MAINTENANCE)

FIG ITEM	PART NUMBER	1 2 3 4 5 6 7	NOMENCLATURE	EFFECT FROM TO	UNITS PER ASSY
1C					
30	B56C8CE172		.CYCLEMETER-APU SUPPLIER CODE: V10236 ELECTRICAL EQUIP NUMBER: N10032 ATTACHING PARTS	952999	1
- 35	NAS600-5P		.SCREW	952999	2
- 45	MS21042L04		.NUT -----*-----	952999	2
50	284N1691-7		.PLATE  ATTACHING PARTS	002004 006100 107107 950951	1
- 55	NAS600-5P		.SCREW	002004 006100 107107 950951	2
- 60	MS21042L04		.NUT  -----*-----	002004 006100 107107 950951	2

MISSING ITEM NUMBERS NOT APPLICABLE

- ITEM NOT ILLUSTRATED

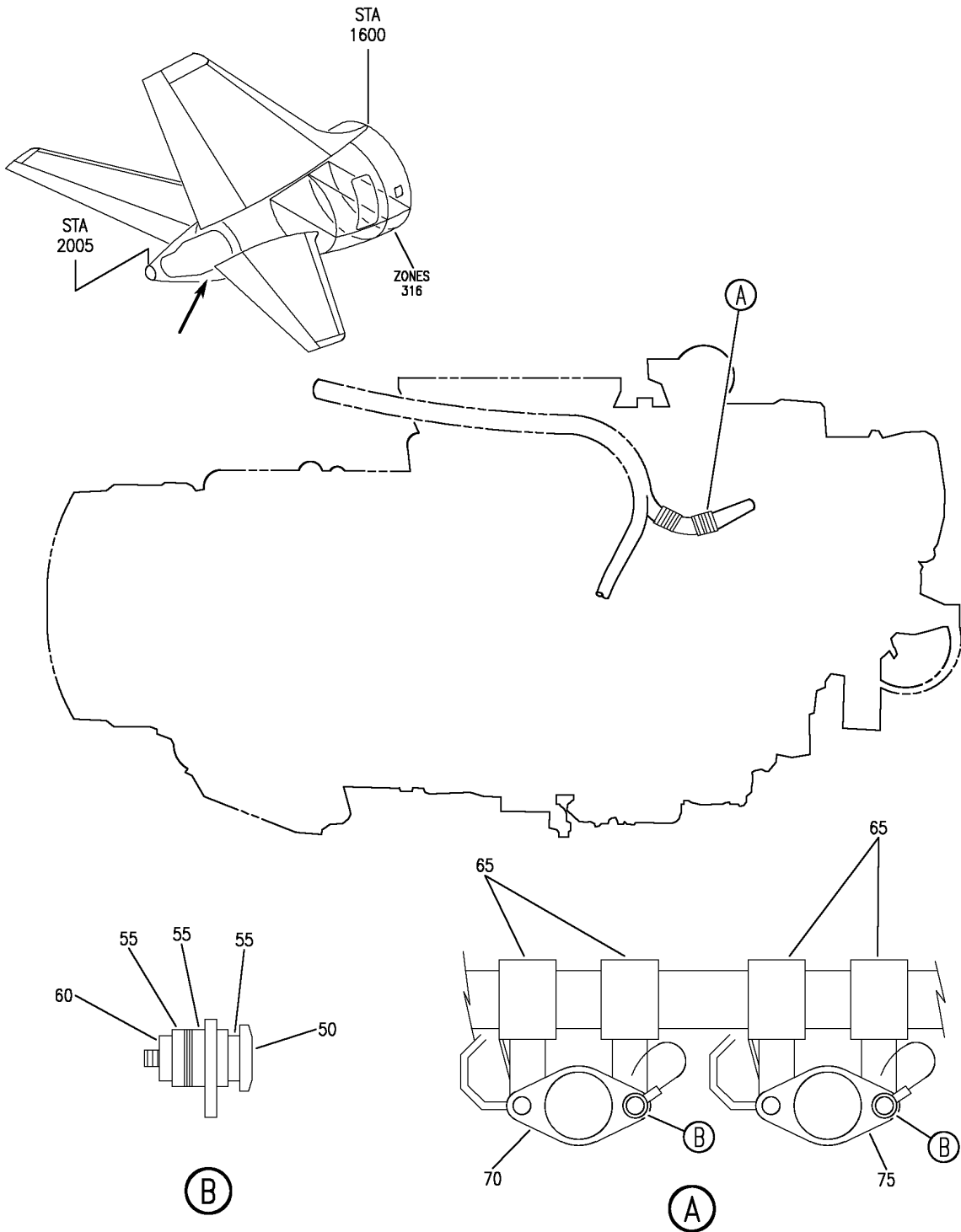
BRI

49-72-51-01C

BOEING PROPRIETARY - Copyright © - Unpublished Work - See title page for details.

49-72-51  
FIG. 01C  
PAGE 2  
JAN 20/09

**BOEING**  
757  
PARTS CATALOG (MAINTENANCE)



Y 49725150 REV 257

ENGINE ASSY-GAS TURB (APU TIME TOTALIZER ONLY)  
FIGURE 50

**49-72-51-50**

BRI  
MAY 28/07

49-72-51-50  
PAGE 0



**757  
PARTS CATALOG (MAINTENANCE)**

FIG ITEM	PART NUMBER	1 2 3 4 5 6 7	NOMENCLATURE	EFFECT FROM TO	UNITS PER ASSY
50			ENGINE ASSY-GAS TURB (APU TIME TOTALIZER ONLY)	002004 006999	
- 1	3800298-1-1		ENGINE ASSY-GAS TURB GTCP331-200ER (APU TIME TOTALIZER ONLY) SUPPLIER CODE: V99193 SPECIFICATION NUMBER: S351T020-200 COMPONENT MAINT MANUAL REF: 49-22-11 QUALIFIED I/W DATA: S351T020-200 (3800298-1-1) AND S351T020-205 (3800298-1-6) ARE INTERCHANGEABLE WITH THE INCORPORATION OF ALLIED SIGNAL S/B GTCP331-49-7081. S351T020-200 (3800298-1-1) AND S351T020-206 (3800298-1-7/3800298-1) ARE INTERCHANGEABLE WITH THE INCORPORATION OF ALLIED SIGNAL S/B GTCP331-49-7081. FOR NHA/ADDITIONAL DET SEE: 49-11-01-50	002004 006100 107107 121503 904999	RF

MISSING ITEM NUMBERS NOT APPLICABLE

- ITEM NOT ILLUSTRATED

BRI

# 49-72-51-50

BOEING PROPRIETARY - Copyright © - Unpublished Work - See title page for details.

49-72-51  
FIG. 50  
PAGE 1  
JAN 20/09



757

PARTS CATALOG (MAINTENANCE)

FIG ITEM	PART NUMBER	1 2 3 4 5 6 7 NOMENCLATURE	EFFECT FROM TO	UNITS PER ASSY
50 - 1	3800298-1-2	ENGINE ASSY-GAS TURB GTCP331-200ER (APU TIME TOTALIZER ONLY) SUPPLIER CODE: V99193 SPECIFICATION NUMBER: S351T020-201 CONFIG CHG DATA FROM A CMM: REPLACES 3800298-1-1 COMPONENT MAINT MANUAL REF: 49-22-11 QUALIFIED I/W DATA: S351T020-201 (3800298-1-2) AND S351T020-205 (3800298-1-6) ARE INTERCHANGEABLE WITH THE INCORPORATION OF ALLIED SIGNAL S/B GTCP331-49-7081. S351T020-201 (3800298-1-2) AND S351T020-206 (3800298-1-7/3800298-1) ARE INTERCHANGEABLE WITH THE INCORPORATION OF ALLIED SIGNAL S/B GTCP331-49-7081. FOR NHA/ADDITIONAL DET SEE: 49-11-01-50	002004 006100 107107 121503 904999	RF

MISSING ITEM NUMBERS NOT APPLICABLE

- ITEM NOT ILLUSTRATED

**49-72-51-50**

49-72-51  
FIG. 50  
PAGE 2  
JAN 20/09

BRI



757

PARTS CATALOG (MAINTENANCE)

FIG ITEM	PART NUMBER	1 2 3 4 5 6 7 NOMENCLATURE	EFFECT FROM TO	UNITS PER ASSY
50 - 1	3800298-1-3	ENGINE ASSY-GAS TURB GTCP331-200ER (APU TIME TOTALIZER ONLY) SUPPLIER CODE: V99193 SPECIFICATION NUMBER: S351T020-202 CONFIG CHG DATA FROM A CMM: REPLACES 3800298-1-2 COMPONENT MAINT MANUAL REF: 49-22-11 QUALIFIED I/W DATA: S351T020-202 (3800298-1-3) AND S351T020-205 (3800298-1-6) ARE INTERCHANGEABLE WITH THE INCORPORATION OF ALLIED SIGNAL S/B GTCP331-49-7081. S351T020-202 (3800298-1-3) AND S351T020-206 (3800298-1-7/3800298-1) ARE INTERCHANGEABLE WITH THE INCORPORATION OF ALLIED SIGNAL S/B GTCP331-49-7081. FOR NHA/OTHER SYS DET SEE: 49-11-01-50	002004 006100 107107 121503 904999	RF

MISSING ITEM NUMBERS NOT APPLICABLE

- ITEM NOT ILLUSTRATED

49-72-51-50

49-72-51  
FIG. 50  
PAGE 3  
JAN 20/09

BRI



757

PARTS CATALOG (MAINTENANCE)

FIG ITEM	PART NUMBER	1 2 3 4 5 6 7	NOMENCLATURE	EFFECT FROM TO	UNITS PER ASSY
50 - 1	3800298-1-4		ENGINE ASSY-GAS TURB GTCP331-200ER (APU TIME TOTALIZER ONLY) SUPPLIER CODE: V99193 SPECIFICATION NUMBER: S351T020-203 CONFIG CHG DATA FROM A CMM: REPLACES 3800298-1-3 COMPONENT MAINT MANUAL REF: 49-22-11 QUALIFIED I/W DATA: 3800298-1-4/S351T020-203 AND 3800298-1-6/S351T020-205 ARE INTERCHANGEABLE WITH THE INCORPORATION OF ALLIED SIGNAL S/B GTCP331-49-7081 S351T020-203 (3800298-1-4) AND S351T020-206 (3800298-1-7/3800298-1) ARE INTERCHANGEABLE WITH THE INCORPORATION OF ALLIED SIGNAL S/B GTCP331-49-7081 FOR NHA/ADDITIONAL DET SEE: 49-11-01-50	002004 006100 107107 121503 904999	RF

MISSING ITEM NUMBERS NOT APPLICABLE

- ITEM NOT ILLUSTRATED

# 49-72-51-50

49-72-51  
FIG. 50  
PAGE 4  
JAN 20/09

BRI



757

PARTS CATALOG (MAINTENANCE)

FIG ITEM	PART NUMBER	1 2 3 4 5 6 7	NOMENCLATURE	EFFECT FROM TO	UNITS PER ASSY
50 - 1	3800298-1-5		ENGINE ASSY-GAS TURB GTCP331-200ER (APU TIME TOTALIZER ONLY) SUPPLIER CODE: V99193 SPECIFICATION NUMBER: S351T020-204 CONFIG CHG DATA FROM A CMM: REPLACES 3800298-1-4 COMPONENT MAINT MANUAL REF: 49-22-11 QUALIFIED I/W DATA: S351T020-204 (3800298-1-5) AND S351T020-205 (3800298-1-6) ARE INTERCHANGEABLE WITH THE INCORPORATION OF ALLIED SIGNAL S/B GTCP331-49-7081 S351T020-204 (3800298-1-5) AND S351T020-206(3800298-1-7 /3800298-1) ARE INTERCHANGEABLE WITH THE INCORPORATION OF ALLIED SIGNAL S/B GTCP331-49-7081 FOR NHA/ADDITIONAL DET SEE: 49-11-01-50	002004 006100 107107 121503 904999	RF
- 1	3800298-1-6		ENGINE ASSY-GAS TURB GTCP331-200ER (APU TIME TOTALIZER ONLY) SUPPLIER CODE: V99193 SPECIFICATION NUMBER: S351T020-205 CONFIG CHG DATA FROM A CMM: REPLACES 3800298-1-5 COMPONENT MAINT MANUAL REF: 49-22-11 QUALIFIED I/W DATA: S351T020-203/3800298-1-4 AND S351T020-205/3800298-1-6 ARE INTERCHANGEABLE WITH THE INCORPORATION OF ALLIED SIGNAL S/B GTCP331-49-7081	002004 006999	RF

MISSING ITEM NUMBERS NOT APPLICABLE

- ITEM NOT ILLUSTRATED

49-72-51-50

49-72-51  
FIG. 50  
PAGE 5  
JAN 20/09

BRI



757

PARTS CATALOG (MAINTENANCE)

FIG ITEM	PART NUMBER	1 2 3 4 5 6 7 NOMENCLATURE	EFFECT FROM TO	UNITS PER ASSY
50		<p>S351T020-204/3800298-1-5 AND S351T020-205/3800298-1-6 ARE INTERCHANGEABLE WITH THE INCORPORATION OF ALLIED SIGNAL S/B GTCP331-49-7081 S351T020-202 (3800298-1-3) AND S351T020-205 (3800298-1-6) ARE INTERCHANGEABLE WITH THE INCORPORATION OF ALLIED SIGNAL S/B GTCP331-49-7081. S351T020-201 (3800298-1-2) AND S351T020-205 (3800298-1-6) ARE INTERCHANGEABLE WITH THE INCORPORATION OF ALLIED SIGNAL S/B GTCP331-49-7081. S351T020-200 (3800298-1-1) AND S351T020-205 (3800298-1-6) ARE INTERCHANGEABLE WITH THE INCORPORATION OF ALLIED SIGNAL S/B GTCP331-49-7081. FOR NHA/ADDITIONAL DET SEE: 49-11-01-50 49-21-00-02</p>		
- 1	3800298-1-7	<p>ENGINE ASSY-GAS TURB GTCP331-200ER (APU TIME TOTALIZER ONLY) SUPPLIER CODE: V99193 SPECIFICATION NUMBER: S351T020-206 CONFIG CHG DATA FROM A CMM: REPLACES 3800298-1-6 COMPONENT MAINT MANUAL REF: 49-22-11 QUALIFIED I/W DATA: S351T020-203/3800298-1-4 AND S351T020-206 (3800298-1-7/3800298-1)</p>	002004 006999	RF

MISSING ITEM NUMBERS NOT APPLICABLE

- ITEM NOT ILLUSTRATED

49-72-51-50

49-72-51  
FIG. 50  
PAGE 6  
SEP 20/08

BRI





757

PARTS CATALOG (MAINTENANCE)

FIG ITEM	PART NUMBER	1 2 3 4 5 6 7 NOMENCLATURE	EFFECT FROM TO	UNITS PER ASSY
50		<p>ARE INTERCHANGEABLE WITH THE INCORPORATION OF ALLIED SIGNAL S/B GTCP331-49-7081. S351T020-204/3800298-1-5 AND S351T020-206(3800298-1-7 /3800298-1) ARE INTERCHANGEABLE WITH THE INCORPORATION OF ALLIED SIGNAL S/B GTCP331-49-7081. S351T020-202 (3800298-1-3) AND S351T020-206 (3800298-1-7/3800298-1) ARE INTERCHANGEABLE WITH THE INCORPORATION OF ALLIED SIGNAL S/B GTCP331-49-7081. S351T020-201 (3800298-1-2) AND S351T020-206 (3800298-1-7/3800298-1) ARE INTERCHANGEABLE WITH THE INCORPORATION OF ALLIED SIGNAL S/B GTCP331-49-7081. S351T020-200 (3800298-1-1) AND S351T020-206 (3800298-1-7/3800298-1) ARE INTERCHANGEABLE WITH THE INCORPORATION OF ALLIED SIGNAL S/B GTCP331-49-7081.</p> <p>OPTIONAL PART: 3800298-1 V99193</p> <p>FOR NHA/ADDITIONAL DET SEE: 49-21-00-02 49-11-01-50</p>		
- 1	3800298-1	<p>ENGINE ASSY-GAS TURB GTCP331-200ER (APU TIME TOTALIZER ONLY) SUPPLIER CODE: V99193 SPECIFICATION NUMBER: S351T020-206</p>	002004 006999	RF

MISSING ITEM NUMBERS NOT APPLICABLE

- ITEM NOT ILLUSTRATED

49-72-51-50

49-72-51  
FIG. 50  
PAGE 7  
SEP 20/08

BRI



757

PARTS CATALOG (MAINTENANCE)

FIG ITEM	PART NUMBER	1 2 3 4 5 6 7 NOMENCLATURE	EFFECT FROM TO	UNITS PER ASSY
50		<p>COMPONENT MAINT MANUAL REF: 49-22-11</p> <p>QUALIFIED I/W DATA: S351T020-203/3800298-1-4 AND S351T020-206(3800298-1-7 /3800298-1) ARE INTERCHANGEABLE WITH THE INCORPORATION OF ALLIED SIGNAL S/B GTCP331-49-7081 S351T020-204/3800298-1-5 AND S351T020-206(3800298-1-7 /3800298-1) ARE INTERCHANGEABLE WITH THE INCORPORATION OF ALLIED SIGNAL S/B GTCP331-49-7081 S351T020-202 (3800298-1-3) AND S351T020-206 (3800298-1-7/3800298-1) ARE INTERCHANGEABLE WITH THE INCORPORATION OF ALLIED SIGNAL S/B GTCP331-49-7081. S351T020-201 (3800298-1-2) AND S351T020-206 (3800298-1-7/3800298-1) ARE INTERCHANGEABLE WITH THE INCORPORATION OF ALLIED SIGNAL S/B GTCP331-49-7081. S351T020-200 (3800298-1-1) AND S351T020-206 (3800298-1-7/3800298-1) ARE INTERCHANGEABLE WITH THE INCORPORATION OF ALLIED SIGNAL S/B GTCP331-49-7081.</p> <p>OPTIONAL PART: 3800298-1-7 V99193</p> <p>FOR NHA/ADDITIONAL DET SEE: 49-11-01-50 49-21-00-02</p>		

MISSING ITEM NUMBERS NOT APPLICABLE

- ITEM NOT ILLUSTRATED

49-72-51-50

49-72-51  
FIG. 50  
PAGE 8  
SEP 20/08

BRI



757

PARTS CATALOG (MAINTENANCE)

FIG ITEM	PART NUMBER	1 2 3 4 5 6 7	NOMENCLATURE	EFFECT FROM TO	UNITS PER ASSY
50					
50	MS51957-15		.SCREW- SB DATA FROM A CMM: POST SB 49-7618	002004 006999	4
55	AN960C4		.WASHER- SB DATA FROM A CMM: POST SB 49-7618	002004 006999	12
60	MS21044C04		.NUT- SB DATA FROM A CMM: POST SB 49-7618	002004 006999	4
65	JM44LC85H10WC		.CLAMP- SUPPLIER CODE: V99193 SB DATA FROM A CMM: POST SB 49-7618	002004 006999	4
70	3876336-1		.METER-TIME TOTALIZING SUPPLIER CODE: V99193 SB DATA FROM A CMM: POST SB 49-7618	002004 006999	1
75	3876355-1		.METER-START COUNTER SUPPLIER CODE: V99193 SB DATA FROM A CMM: POST SB 49-7618	002004 006999	1

MISSING ITEM NUMBERS NOT APPLICABLE

- ITEM NOT ILLUSTRATED

49-72-51-50

49-72-51  
FIG. 50  
PAGE 9  
SEP 20/08

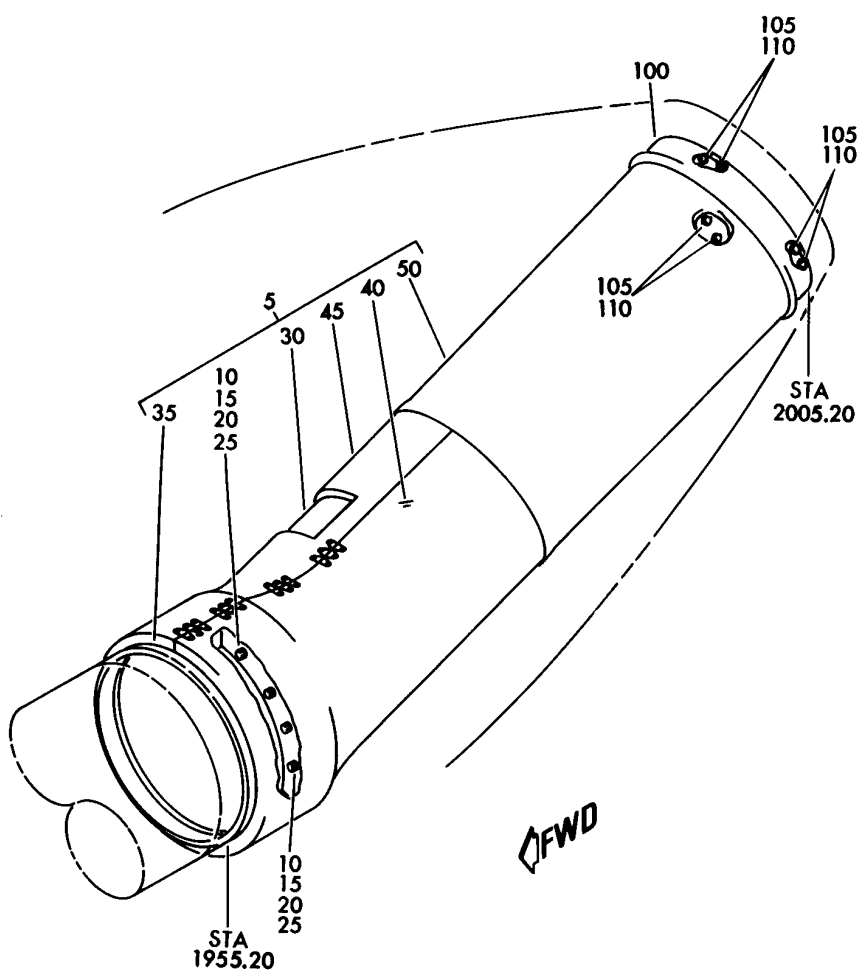
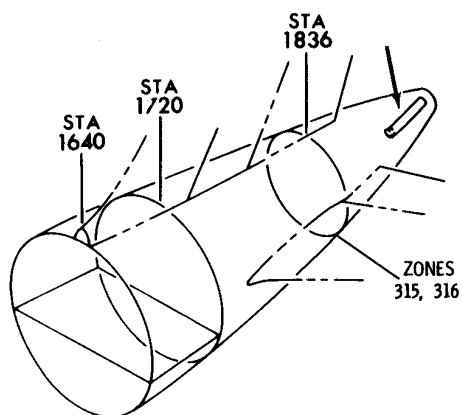
BRI

## APU EXHAUST SYSTEM

BRI  
MAY 28/07

49-81-00  
SECTION TITLE  
PAGE 1

**BOEING**  
757  
PARTS CATALOG (MAINTENANCE)



Y 49810101 REV 112

DUCT INSTL-AUX PWR SYS EXH  
FIGURE 1

**49-81-01-01**

BRI  
MAY 28/07

49-81-01-01  
PAGE 0



757

PARTS CATALOG (MAINTENANCE)

FIG ITEM	PART NUMBER	1 2 3 4 5 6 7	NOMENCLATURE	EFFECT FROM TO	UNITS PER ASSY
1			DUCT INSTL-AUX PWR SYS EXH	002004 006999	
- 1	354N2101-1		DUCT INSTL-AUX PWR SYS EXH FOR NHA SEE: 49-00-51-01	002004 006100 107107 121503 904999	RF
- 1	354N2101-2		DUCT INSTL-AUX PWR SYS EXH FOR NHA SEE: 49-00-00-01	101102 108120 504903	RF
- 1	MODREF13833		DUCT INSTL-AUX PWR SYS EXH MODULE NUMBER: 354N2101-2 REV A	103105	1
- 1	MODREF204907		DUCT INSTL-AUX PWR SYS EXH MODULE NUMBER: 354N2101-2 REV B	106106	1
5	354T0201-2		.DUCT ASSY-	002004 006105 107999	1
5	354T0201-5		.DUCT ASSY-	002004 006105 107999	1
5	354T0201-8		.DUCT ASSY-	002004 006105 107999	1
5	354T0201-11		.DUCT ASSY-	106106	1
10	BACB30LJ4U3		..BOLT	002004 006999	17
15	AN960C416L		..WASHER	002004 006999	17
20	AN960C416		..WASHER	002004 006999	17

MISSING ITEM NUMBERS NOT APPLICABLE

- ITEM NOT ILLUSTRATED

49-81-01-01

49-81-01  
FIG. 01  
PAGE 1  
JAN 20/09

BRI



757

PARTS CATALOG (MAINTENANCE)

FIG ITEM	PART NUMBER	1 2 3 4 5 6 7	NOMENCLATURE	EFFECT FROM TO	UNITS PER ASSY
1 25	BRH10C4	..	NUT SUPPLIER CODE: V52828 SPECIFICATION NUMBER: BACN10JC4C OPTIONAL PART: T6C428J V11815 97-048 V80539 101LH9075-4W V72962 VN303B048 V92215 NS202101S048 V80539 H31-4BAC V15653	002004 006999	17
30	354T0202-2	..	DUCT ASSY- USED ON: 354T0201-2	002004 006105 107999	1
30	354T0202-5	..	DUCT ASSY- USED ON: 354T0201-5 354T0201-8	002004 006999	1
35	77134	..	BELLOWS ASSY- SUPPLIER CODE: V92003 SPECIFICATION NUMBER: S354T020-1	002004 006105 107999	1
35	200-169-5001	..	BELLOWS ASSY- SUPPLIER CODE: V07649 SPECIFICATION NUMBER: S354T020-16 OPTIONAL PART: 77134-1 V07649 1220015001 V98769 1220015-001 V98769 OPTIONAL PART: 1220051-001 V07649	002004 006105 107999	1

MISSING ITEM NUMBERS NOT APPLICABLE

- ITEM NOT ILLUSTRATED

49-81-01-01

49-81-01  
FIG. 01  
PAGE 2  
JAN 20/09

BRI

BOEING PROPRIETARY - Copyright © - Unpublished Work - See title page for details.

 **BOEING**  
757  
**PARTS CATALOG (MAINTENANCE)**

FIG ITEM	PART NUMBER	1 2 3 4 5 6 7	NOMENCLATURE	EFFECT FROM TO	UNITS PER ASSY
1					
35	1220051-001		.. BELLOWS ASSY- SUPPLIER CODE: V07649 SPECIFICATION NUMBER: S354T020-16 OPTIONAL PART: 77134-1 V92003 OPTIONAL PART: 200-169-5001 V07649	002004 006999	1
40	400832-5		.. INSULATION- SUPPLIER CODE: V70628 SPECIFICATION NUMBER: S354T010-5 OPTIONAL PART: 400832-7 V70628	002004 006105 107999	1
40	400832-7		.. INSULATION- SUPPLIER CODE: V70628 SPECIFICATION NUMBER: S354T010-7	002004 006105 107999	1
40	16H41200-7		.. BLANKET- SUPPLIER CODE: V22013	106106	1
45	400832-6		.. INSULATION- SUPPLIER CODE: V70628 SPECIFICATION NUMBER: S354T010-6 OPTIONAL PART: 400832-8 V70628	002004 006105 107999	1
45	400832-8		.. INSULATION- SUPPLIER CODE: V70628 SPECIFICATION NUMBER: S354T010-8	002004 006105 107999	1
45	16H41200-8		.. BLANKET- SUPPLIER CODE: V22013	106106	1
50	400832-9		.. INSULATION- SUPPLIER CODE: V70628 SPECIFICATION NUMBER: S354T010-9	002004 006105 107999	1

MISSING ITEM NUMBERS NOT APPLICABLE

— ITEM NOT ILLUSTRATED

BRI

# 49-81-01-01

BOEING PROPRIETARY - Copyright © - Unpublished Work - See title page for details.

49-81-01  
FIG. 01  
PAGE 3  
JAN 20/09





757

PARTS CATALOG (MAINTENANCE)

FIG ITEM	PART NUMBER	1 2 3 4 5 6 7	NOMENCLATURE	EFFECT FROM TO	UNITS PER ASSY
1					
50	400832-4		.. INSULATION- SUPPLIER CODE: V70628 SPECIFICATION NUMBER: S354T010-4 OPTIONAL PART: 400832-9 V70628	002004 006105 107999	1
50	16H41200-9		.. BLANKET- SUPPLIER CODE: V22013	106106	1

MISSING ITEM NUMBERS NOT APPLICABLE

- ITEM NOT ILLUSTRATED

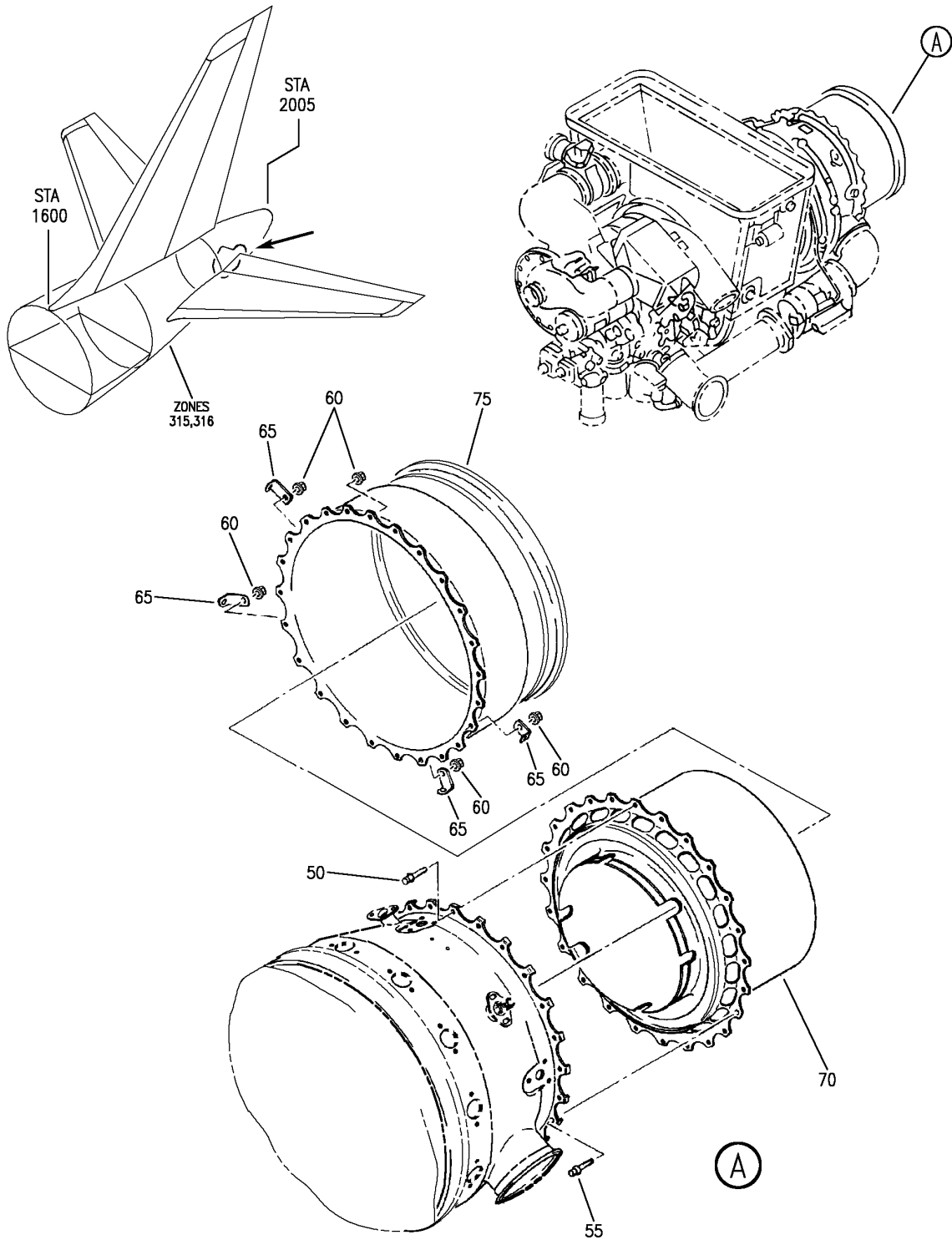
BRI

49-81-01-01

BOEING PROPRIETARY - Copyright © - Unpublished Work - See title page for details.

49-81-01  
FIG. 01  
PAGE 4  
JAN 20/09

**BOEING**  
757  
PARTS CATALOG (MAINTENANCE)



Y 49810150 REV 250

ENGINE ASSY-GAS TURB (APU EXHAUST DUCT ONLY)  
FIGURE 50

**49-81-01-50**

BRI  
MAY 28/07

49-81-01-50  
PAGE 0



757

PARTS CATALOG (MAINTENANCE)

FIG ITEM	PART NUMBER	1 2 3 4 5 6 7	NOMENCLATURE	EFFECT FROM TO	UNITS PER ASSY
50			ENGINE ASSY-GAS TURB (APU EXHAUST DUCT ONLY)	002004 006999	
- 1	3800298-1-1		ENGINE ASSY-GAS TURB GTCP331-200ER (APU EXHAUST DUCT ONLY) SUPPLIER CODE: V99193 SPECIFICATION NUMBER: S351T020-200 COMPONENT MAINT MANUAL REF: 49-22-11 QUALIFIED I/W DATA: S351T020-200 (3800298-1-1) AND S351T020-205 (3800298-1-6) ARE INTERCHANGEABLE WITH THE INCORPORATION OF ALLIED SIGNAL S/B GTCP331-49-7081. S351T020-200 (3800298-1-1) AND S351T020-206 (3800298-1-7/3800298-1) ARE INTERCHANGEABLE WITH THE INCORPORATION OF ALLIED SIGNAL S/B GTCP331-49-7081. FOR NHA/ADDITIONAL DET SEE: 49-11-01-50	002004 006100 107107 121503 904999	RF

MISSING ITEM NUMBERS NOT APPLICABLE

- ITEM NOT ILLUSTRATED

49-81-01-50

49-81-01  
FIG. 50  
PAGE 1  
JAN 20/09

BRI



757

PARTS CATALOG (MAINTENANCE)

FIG ITEM	PART NUMBER	1 2 3 4 5 6 7	NOMENCLATURE	EFFECT FROM TO	UNITS PER ASSY
50 - 1	3800298-1-2		ENGINE ASSY-GAS TURB GTCP331-200ER (APU EXHAUST DUCT ONLY) SUPPLIER CODE: V99193 SPECIFICATION NUMBER: S351T020-201 CONFIG CHG DATA FROM A CMM: REPLACES 3800298-1-1 COMPONENT MAINT MANUAL REF: 49-22-11 QUALIFIED I/W DATA: S351T020-201 (3800298-1-2) AND S351T020-205 (3800298-1-6) ARE INTERCHANGEABLE WITH THE INCORPORATION OF ALLIED SIGNAL S/B GTCP331-49-7081. S351T020-201 (3800298-1-2) AND S351T020-206 (3800298-1-7/3800298-1) ARE INTERCHANGEABLE WITH THE INCORPORATION OF ALLIED SIGNAL S/B GTCP331-49-7081. FOR NHA/ADDITIONAL DET SEE: 49-11-01-50	002004 006100 107107 121503 904999	RF

MISSING ITEM NUMBERS NOT APPLICABLE

- ITEM NOT ILLUSTRATED

49-81-01-50

49-81-01  
FIG. 50  
PAGE 2  
JAN 20/09

BRI



757

PARTS CATALOG (MAINTENANCE)

FIG ITEM	PART NUMBER	1 2 3 4 5 6 7	NOMENCLATURE	EFFECT FROM TO	UNITS PER ASSY
50 - 1	3800298-1-3		ENGINE ASSY-GAS TURB GTCP331-200ER (APU EXHAUST DUCT ONLY) SUPPLIER CODE: V99193 SPECIFICATION NUMBER: S351T020-202 CONFIG CHG DATA FROM A CMM: REPLACES 3800298-1-2 COMPONENT MAINT MANUAL REF: 49-22-11 QUALIFIED I/W DATA: S351T020-202 (3800298-1-3) AND S351T020-205 (3800298-1-6) ARE INTERCHANGEABLE WITH THE INCORPORATION OF ALLIED SIGNAL S/B GTCP331-49-7081. S351T020-202 (3800298-1-3) AND S351T020-206 (3800298-1-7/3800298-1) ARE INTERCHANGEABLE WITH THE INCORPORATION OF ALLIED SIGNAL S/B GTCP331-49-7081. FOR NHA/OTHER SYS DET SEE: 49-11-01-50	002004 006100 107107 121503 904999	RF

MISSING ITEM NUMBERS NOT APPLICABLE

- ITEM NOT ILLUSTRATED

49-81-01-50

49-81-01  
FIG. 50  
PAGE 3  
JAN 20/09

BRI



757

PARTS CATALOG (MAINTENANCE)

FIG ITEM	PART NUMBER	1 2 3 4 5 6 7	NOMENCLATURE	EFFECT FROM TO	UNITS PER ASSY
50 - 1	3800298-1-4		ENGINE ASSY-GAS TURB GTCP331-200ER (APU EXHAUST DUCT ONLY) SUPPLIER CODE: V99193 SPECIFICATION NUMBER: S351T020-203 CONFIG CHG DATA FROM A CMM: REPLACES 3800298-1-3 COMPONENT MAINT MANUAL REF: 49-22-11 QUALIFIED I/W DATA: 3800298-1-4/S351T020-203 AND 3800298-1-6/S351T020-205 ARE INTERCHANGEABLE WITH THE INCORPORATION OF ALLIED SIGNAL S/B GTCP331-49-7081 S351T020-203 (3800298-1-4) AND S351T020-206 (3800298-1-7/3800298-1) ARE INTERCHANGEABLE WITH THE INCORPORATION OF ALLIED SIGNAL S/B GTCP331-49-7081 FOR NHA/ADDITIONAL DET SEE: 49-11-01-50	002004 006100 107107 121503 904999	RF

MISSING ITEM NUMBERS NOT APPLICABLE

- ITEM NOT ILLUSTRATED

**49-81-01-50**

49-81-01  
 FIG. 50  
 PAGE 4  
 JAN 20/09

BRI



757

PARTS CATALOG (MAINTENANCE)

FIG ITEM	PART NUMBER	1 2 3 4 5 6 7	NOMENCLATURE	EFFECT FROM TO	UNITS PER ASSY
50 - 1	3800298-1-5		ENGINE ASSY-GAS TURB GTCP331-200ER (APU EXHAUST DUCT ONLY) SUPPLIER CODE: V99193 SPECIFICATION NUMBER: S351T020-204 CONFIG CHG DATA FROM A CMM: REPLACES 3800298-1-4 COMPONENT MAINT MANUAL REF: 49-22-11 QUALIFIED I/W DATA: S351T020-204 (3800298-1-5) AND S351T020-205 (3800298-1-6) ARE INTERCHANGEABLE WITH THE INCORPORATION OF ALLIED SIGNAL S/B GTCP331-49-7081 S351T020-204 (3800298-1-5) AND S351T020-206 (3800298-1-7/3800298-1) ARE INTERCHANGEABLE WITH THE INCORPORATION OF ALLIED SIGNAL S/B GTCP331-49-7081 FOR NHA/ADDITIONAL DET SEE: 49-11-01-50	002004 006100 107107 121503 904999	RF
- 1	3800298-1-6		ENGINE ASSY-GAS TURB GTCP331-200ER (APU EXHAUST DUCT ONLY) SUPPLIER CODE: V99193 SPECIFICATION NUMBER: S351T020-205 CONFIG CHG DATA FROM A CMM: REPLACES 3800298-1-5 COMPONENT MAINT MANUAL REF: 49-22-11 QUALIFIED I/W DATA: S351T020-203 (3800298-1-4) AND S351T020-205 (3800298-1-6) ARE INTERCHANGEABLE WITH THE INCORPORATION OF	018106 108120 504903	RF

MISSING ITEM NUMBERS NOT APPLICABLE

- ITEM NOT ILLUSTRATED

49-81-01-50

49-81-01  
FIG. 50  
PAGE 5  
JAN 20/09

BRI



757

PARTS CATALOG (MAINTENANCE)

FIG ITEM	PART NUMBER	1 2 3 4 5 6 7 NOMENCLATURE	EFFECT FROM TO	UNITS PER ASSY
50		ALLIED SIGNAL S/B GTCP331-49-7081 S351T020-204 (3800298-1-5) AND S351T020-205 (3800298-1-6) ARE INTERCHANGEABLE WITH THE INCORPORATION OF ALLIED SIGNAL S/B GTCP331-49-7081 S351T020-202 (3800298-1-3) AND S351T020-205 (3800298-1-6) ARE INTERCHANGEABLE WITH THE INCORPORATION OF ALLIED SIGNAL S/B GTCP331-49-7081. S351T020-201 (3800298-1-2) AND S351T020-205 (3800298-1-6) ARE INTERCHANGEABLE WITH THE INCORPORATION OF ALLIED SIGNAL S/B GTCP331-49-7081. S351T020-200 (3800298-1-1) AND S351T020-205 (3800298-1-6) ARE INTERCHANGEABLE WITH THE INCORPORATION OF ALLIED SIGNAL S/B GTCP331-49-7081. FOR NHA/ADDITIONAL DET SEE: 49-11-01-50 49-21-00-02		
- 1	3800298-1-7	ENGINE ASSY-GAS TURB GTCP331-200ER (APU EXHAUST DUCT ONLY) SUPPLIER CODE: V99193 SPECIFICATION NUMBER: S351T020-206 CONFIG CHG DATA FROM A CMM: REPLACES 3800298-1-6 COMPONENT MAINT MANUAL REF: 49-22-11  MISSING ITEM NUMBERS NOT APPLICABLE	018106 108120 504903	RF

- ITEM NOT ILLUSTRATED

49-81-01-50

49-81-01  
FIG. 50  
PAGE 6  
JAN 20/09

BRI





757

PARTS CATALOG (MAINTENANCE)

FIG ITEM	PART NUMBER	1 2 3 4 5 6 7 NOMENCLATURE	EFFECT FROM TO	UNITS PER ASSY
50		QUALIFIED I/W DATA: S351T020-203 (3800298-1-4) AND S351T020-206 (3800298-1-7/3800298-1) ARE INTERCHANGEABLE WITH THE INCORPORATION OF ALLIED SIGNAL S/B QTCP331-49-7081 S351T020-204 (3800298-1-5) AND S351T020-206 (3800298-1-7/3800298-1) ARE INTERCHANGEABLE WITH THE INCORPORATION OF ALLIED SIGNAL S/B GTCP331-49-7081 S351T020-202 (3800298-1-3) AND S351T020-206 (3800298-1-7/3800298-1) ARE INTERCHANGEABLE WITH THE INCORPORATION OF ALLIED SIGNAL S/B GTCP331-49-7081. S351T020-201 (3800298-1-2) AND S351T020-206 (3800298-1-7/3800298-1) ARE INTERCHANGEABLE WITH THE INCORPORATION OF ALLIED SIGNAL S/B GTCP331-49-7081. S351T020-200 (3800298-1-1) AND S351T020-206 (3800298-1-7/3800298-1) ARE INTERCHANGEABLE WITH THE INCORPORATION OF ALLIED SIGNAL S/B GTCP331-49-7081. OPTIONAL PART: 3800298-1 V99193 FOR NHA/ADDITIONAL DET SEE: 49-11-01-50 49-21-00-02		
-	1 3800298-1	ENGINE ASSY-GAS TURB GTCP331-200ER	018106 108120	RF

MISSING ITEM NUMBERS NOT APPLICABLE

- ITEM NOT ILLUSTRATED

49-81-01-50

49-81-01  
FIG. 50  
PAGE 7  
JAN 20/09

BRI



757

PARTS CATALOG (MAINTENANCE)

FIG ITEM	PART NUMBER	1 2 3 4 5 6 7 NOMENCLATURE	EFFECT FROM TO	UNITS PER ASSY
50		<p>(APU EXHAUST DUCT ONLY)  SUPPLIER CODE:  V99193  SPECIFICATION NUMBER:  S351T020-206  CONFIG CHG DATA FROM A CMM:  REPLACES 3800298-1-6  COMPONENT MAINT MANUAL REF:  49-22-11  QUALIFIED I/W DATA:  S351T020-203  (3800298-1-4)  AND S351T020-206  (3800298-1-7/3800298-1)  ARE INTERCHANGEABLE WITH  THE INCORPORATION OF  ALLIED SIGNAL S/B  QTCP331-49-7081  S351T020-204  (3800298-1-5)  AND S351T020-206  (3800298-1-7/3800298-1)  ARE INTERCHANGEABLE WITH  THE INCORPORATION OF  ALLIED SIGNAL S/B  GTCP331-49-7081  S351T020-202  (3800298-1-3)  AND S351T020-206  (3800298-1-7/3800298-1)  ARE INTERCHANGEABLE  WITH THE INCORPORATION  OF ALLIED SIGNAL S/B  GTCP331-49-7081.  S351T020-201  (3800298-1-2)  AND S351T020-206  (3800298-1-7/3800298-1)  ARE INTERCHANGEABLE  WITH THE INCORPORATION  OF ALLIED SIGNAL S/B  GTCP331-49-7081.  S351T020-200  (3800298-1-1)  AND S351T020-206  (3800298-1-7/3800298-1)  ARE INTERCHANGEABLE  WITH THE INCORPORATION  OF ALLIED SIGNAL S/B</p>	504903	

MISSING ITEM NUMBERS NOT APPLICABLE

- ITEM NOT ILLUSTRATED

49-81-01-50

49-81-01  
FIG. 50  
PAGE 8  
JAN 20/09

BRI



757

PARTS CATALOG (MAINTENANCE)

FIG ITEM	PART NUMBER	1 2 3 4 5 6 7	NOMENCLATURE	EFFECT FROM TO	UNITS PER ASSY
50			GTCP331-49-7081. OPTIONAL PART: 3800298-1-7 V99193 FOR NHA/ADDITIONAL DET SEE: 49-11-01-50 49-21-00-02		
50	MS21279-05	.BOLT-	SB DATA FROM A CMM: PRE SPB GTE0303 CONFIG CHG DATA FROM A CMM: REPLD BY MS21279-06	002004 006999	20
55	MS21279-06	.BOLT-	SB DATA FROM A CMM: POST SPB GTE0303 OPTIONAL PART: MS9556-06	002004 006999	4
55	MS9556-06	.BOLT-	NOT APPROVED FOR ETOPS. SB DATA FROM A CMM: POST SPB GTE0306 OPTIONAL PART: MS21279-06	002004 006999	4
60	MS21043-3	.NUT		002004 006999	24
65	MS9592-010	.BRACKET		002004 006999	4
70	3850007-1	.MUFFLER-	SUPPLIER CODE: V99193	002004 006999	1
75	3850010-2	.HOUSING-MUFFLER	SUPPLIER CODE: V99193	002004 006999	1

MISSING ITEM NUMBERS NOT APPLICABLE

- ITEM NOT ILLUSTRATED

49-81-01-50

49-81-01  
FIG. 50  
PAGE 9  
JAN 20/09

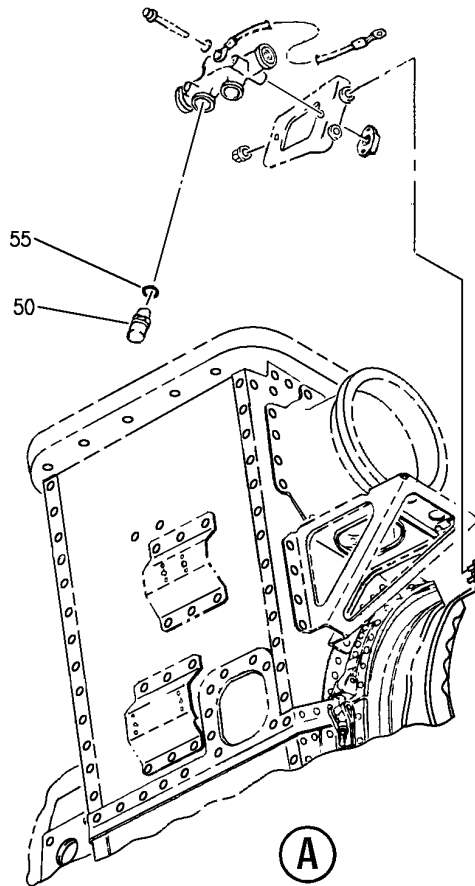
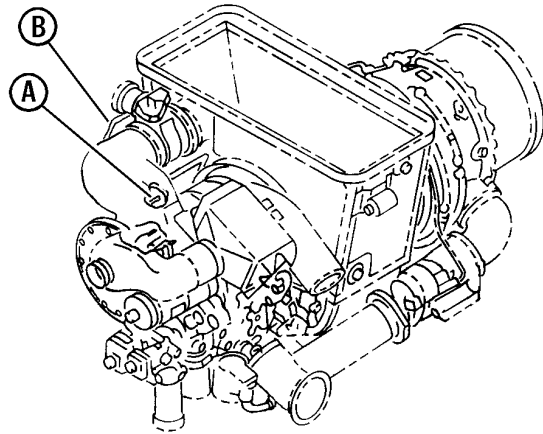
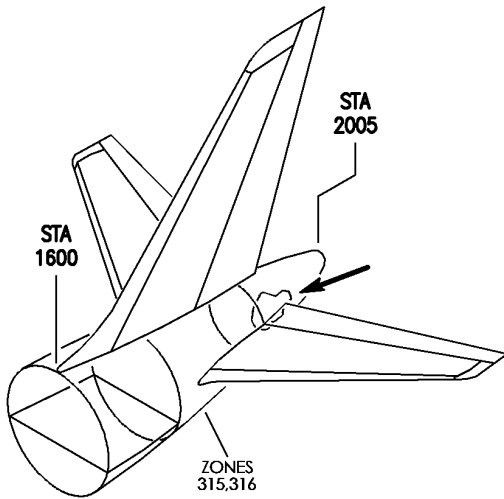
BRI

## APU OIL INDICATING SYSTEM

BRI  
MAY 28/07

49-94-00  
SECTION TITLE  
PAGE 1

**BOEING**  
757  
PARTS CATALOG (MAINTENANCE)



Y 49940102 SHT 1 REV 249

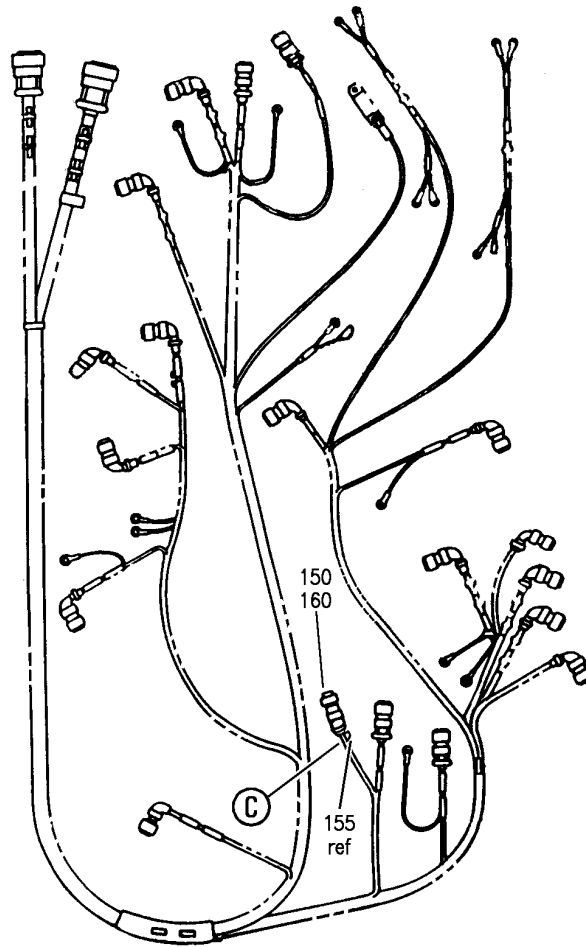
ENGINE ASSY-GAS TURB (OIL TEMP SENSOR ONLY)  
FIGURE 2 (SHEET 1)

**49-94-01-02**

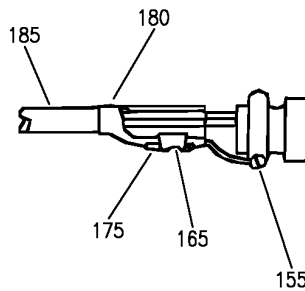
BRI  
MAY 28/07

49-94-01-02  
PAGE 0

**BOEING**  
757  
PARTS CATALOG (MAINTENANCE)



(B)



(C)

Y 49940102 SH1 2 REV 249

ENGINE ASSY-GAS TURB (OIL TEMP SENSOR ONLY)  
FIGURE 2 (SHEET 2)

**49-94-01-02**

BRI  
MAY 28/07

49-94-01-02  
PAGE 0A



757

PARTS CATALOG (MAINTENANCE)

FIG ITEM	PART NUMBER	1 2 3 4 5 6 7	NOMENCLATURE	EFFECT FROM TO	UNITS PER ASSY
2			ENGINE ASSY-GAS TURB (OIL TEMP SENSOR ONLY)	002004 006999	
- 1	3800298-1-1		ENGINE ASSY-GAS TURB GTCP331-200ER (OIL TEMP SENSOR ONLY) SUPPLIER CODE: V99193 SPECIFICATION NUMBER: S351T020-200 COMPONENT MAINT MANUAL REF: 49-22-11 QUALIFIED I/W DATA: S351T020-200 (3800298-1-1) AND S351T020-205 (3800298-1-6) ARE INTERCHANGEABLE WITH THE INCORPORATION OF ALLIED SIGNAL S/B GTCP331-49-7081. S351T020-200 (3800298-1-1) AND S351T020-206 (3800298-1-7/3800298-1) ARE INTERCHANGEABLE WITH THE INCORPORATION OF ALLIED SIGNAL S/B GTCP331-49-7081. FOR NHA/ADDITIONAL DET SEE: 49-11-01-50	002004 006100 107107 121503 904999	RF

MISSING ITEM NUMBERS NOT APPLICABLE

- ITEM NOT ILLUSTRATED

BRI

49-94-01-02

BOEING PROPRIETARY - Copyright © - Unpublished Work - See title page for details.

49-94-01  
FIG. 02  
PAGE 1  
JAN 20/09



757

PARTS CATALOG (MAINTENANCE)

FIG ITEM	PART NUMBER	1 2 3 4 5 6 7 NOMENCLATURE	EFFECT FROM TO	UNITS PER ASSY
2 - 1	3800298-1-2	ENGINE ASSY-GAS TURB GTCP331-200ER (OIL TEMP SENSOR ONLY) SUPPLIER CODE: V99193 SPECIFICATION NUMBER: S351T020-201 CONFIG CHG DATA FROM A CMM: REPLACES 3800298-1-1 COMPONENT MAINT MANUAL REF: 49-22-11 QUALIFIED I/W DATA: S351T020-201 (3800298-1-2) AND S351T020-205 (3800298-1-6) ARE INTERCHANGEABLE WITH THE INCORPORATION OF ALLIED SIGNAL S/B GTCP331-49-7081. S351T020-201 (3800298-1-2) AND S351T020-206 (3800298-1-7/3800298-1) ARE INTERCHANGEABLE WITH THE INCORPORATION OF ALLIED SIGNAL S/B GTCP331-49-7081. FOR NHA/ADDITIONAL DET SEE: 49-11-01-50	002004 006100 107107 121503 904999	RF

MISSING ITEM NUMBERS NOT APPLICABLE

- ITEM NOT ILLUSTRATED

BRI

49-94-01-02

BOEING PROPRIETARY - Copyright © - Unpublished Work - See title page for details.

49-94-01  
FIG. 02  
PAGE 2  
JAN 20/09





757

PARTS CATALOG (MAINTENANCE)

FIG ITEM	PART NUMBER	1 2 3 4 5 6 7	NOMENCLATURE	EFFECT FROM TO	UNITS PER ASSY
2 - 1	3800298-1-3		ENGINE ASSY-GAS TURB GTCP331-200ER (OIL TEMP SENSOR ONLY) SUPPLIER CODE: V99193 SPECIFICATION NUMBER: S351T020-202 CONFIG CHG DATA FROM A CMM: REPLACES 3800298-1-2 COMPONENT MAINT MANUAL REF: 49-22-11 QUALIFIED I/W DATA: S351T020-202 (3800298-1-3) AND S351T020-205 (3800298-1-6) ARE INTERCHANGEABLE WITH THE INCORPORATION OF ALLIED SIGNAL S/B GTCP331-49-7081. S351T020-202 (3800298-1-3) AND S351T020-206 (3800298-1-7/3800298-1) ARE INTERCHANGEABLE WITH THE INCORPORATION OF ALLIED SIGNAL S/B GTCP331-49-7081. FOR NHA/OTHER SYS DET SEE: 49-11-01-50	002004 006100 107107 121503 904999	RF

MISSING ITEM NUMBERS NOT APPLICABLE

- ITEM NOT ILLUSTRATED

49-94-01-02

49-94-01  
 FIG. 02  
 PAGE 3  
 JAN 20/09

BRI



757

PARTS CATALOG (MAINTENANCE)

FIG ITEM	PART NUMBER	1 2 3 4 5 6 7	NOMENCLATURE	EFFECT FROM TO	UNITS PER ASSY
2 - 1	3800298-1-4		ENGINE ASSY-GAS TURB GTCP331-200ER (OIL TEMP SENSOR ONLY) SUPPLIER CODE: V99193 SPECIFICATION NUMBER: S351T020-203 CONFIG CHG DATA FROM A CMM: REPLACES 3800298-1-3 COMPONENT MAINT MANUAL REF: 49-22-11 QUALIFIED I/W DATA: 3800298-1-4/S351T020-203 AND 3800298-1-6/S351T020-205 ARE INTERCHANGEABLE WITH THE INCORPORATION OF ALLIED SIGNAL S/B GTCP331-49-7081 S351T020-203 (3800298-1-4) AND S351T020-206 (3800298-1-7/3800298-1) ARE INTERCHANGEABLE WITH THE INCORPORATION OF ALLIED SIGNAL S/B GTCP331-49-7081 FOR NHA/ADDITIONAL DET SEE: 49-11-01-50	002004 006100 107107 121503 904999	RF

MISSING ITEM NUMBERS NOT APPLICABLE

- ITEM NOT ILLUSTRATED

BRI

49-94-01-02

BOEING PROPRIETARY - Copyright © - Unpublished Work - See title page for details.

49-94-01  
FIG. 02  
PAGE 4  
JAN 20/09



757

PARTS CATALOG (MAINTENANCE)

FIG ITEM	PART NUMBER	1 2 3 4 5 6 7	NOMENCLATURE	EFFECT FROM TO	UNITS PER ASSY
2 - 1	3800298-1-5		ENGINE ASSY-GAS TURB GTCP331-200ER (OIL TEMP SENSOR ONLY) SUPPLIER CODE: V99193 SPECIFICATION NUMBER: S351T020-204 CONFIG CHG DATA FROM A CMM: REPLACES 3800298-1-4 COMPONENT MAINT MANUAL REF: 49-22-11 QUALIFIED I/W DATA: S351T020-204 (3800298-1-5) AND S351T020-205 (3800298-1-6) ARE INTERCHANGEABLE WITH THE INCORPORATION OF ALLIED SIGNAL S/B GTCP331-49-7081 S351T020-204 (3800298-1-5) AND S351T020-206(3800298-1-7 /3800298-1) ARE INTERCHANGEABLE WITH THE INCORPORATION OF ALLIED SIGNAL S/B GTCP331-49-7081 FOR NHA/ADDITIONAL DET SEE: 49-11-01-50	002004 006100 107107 121503 904999	RF
- 1	3800298-1-6		ENGINE ASSY-GAS TURB GTCP331-200ER (OIL TEMP SENSOR ONLY) SUPPLIER CODE: V99193 SPECIFICATION NUMBER: S351T020-205 CONFIG CHG DATA FROM A CMM: REPLACES 3800298-1-5 COMPONENT MAINT MANUAL REF: 49-22-11 QUALIFIED I/W DATA: S351T020-203/3800298-1-4 AND S351T020-205/3800298-1-6 ARE INTERCHANGEABLE WITH THE INCORPORATION OF ALLIED SIGNAL S/B GTCP331-49-7081	002004 006999	RF

MISSING ITEM NUMBERS NOT APPLICABLE

- ITEM NOT ILLUSTRATED

49-94-01-02

49-94-01  
FIG. 02  
PAGE 5  
JAN 20/09

BRI



757

PARTS CATALOG (MAINTENANCE)

FIG ITEM	PART NUMBER	1 2 3 4 5 6 7 NOMENCLATURE	EFFECT FROM TO	UNITS PER ASSY
2		<p>S351T020-204/3800298-1-5 AND S351T020-205/3800298-1-6 ARE INTERCHANGEABLE WITH THE INCORPORATION OF ALLIED SIGNAL S/B GTCP331-49-7081 S351T020-202 (3800298-1-3) AND S351T020-205 (3800298-1-6) ARE INTERCHANGEABLE WITH THE INCORPORATION OF ALLIED SIGNAL S/B GTCP331-49-7081. S351T020-201 (3800298-1-2) AND S351T020-205 (3800298-1-6) ARE INTERCHANGEABLE WITH THE INCORPORATION OF ALLIED SIGNAL S/B GTCP331-49-7081. S351T020-200 (3800298-1-1) AND S351T020-205 (3800298-1-6) ARE INTERCHANGEABLE WITH THE INCORPORATION OF ALLIED SIGNAL S/B GTCP331-49-7081. FOR NHA/ADDITIONAL DET SEE: 49-11-01-50 49-21-00-02</p>		
-	1 3800298-1-7	<p>ENGINE ASSY-GAS TURB GTCP331-200ER (OIL TEMP SENSOR ONLY) SUPPLIER CODE: V99193 SPECIFICATION NUMBER: S351T020-206 CONFIG CHG DATA FROM A CMM: REPLACES 3800298-1-6 COMPONENT MAINT MANUAL REF: 49-22-11 QUALIFIED I/W DATA: S351T020-203/3800298-1-4 AND S351T020-206</p>	002004 006999	RF

MISSING ITEM NUMBERS NOT APPLICABLE

- ITEM NOT ILLUSTRATED

49-94-01-02

49-94-01  
FIG. 02  
PAGE 6  
SEP 20/08

BRI



757

PARTS CATALOG (MAINTENANCE)

FIG ITEM	PART NUMBER	1 2 3 4 5 6 7 NOMENCLATURE	EFFECT FROM TO	UNITS PER ASSY
2		<p>(3800298-1-7/3800298-1)            ARE INTERCHANGEABLE WITH            THE INCORPORATION OF            ALLIED SIGNAL S/B            GTCP331-49-7081.            S351T020-204/3800298-1-5            AND            S351T020-206(3800298-1-7            /3800298-1) ARE            INTERCHANGEABLE WITH THE            INCORPORATION OF ALLIED            SIGNAL S/B            GTCP331-49-7081.            S351T020-202            (3800298-1-3)            AND S351T020-206            (3800298-1-7/3800298-1)            ARE INTERCHANGEABLE            WITH THE INCORPORATION            OF ALLIED SIGNAL S/B            GTCP331-49-7081.            S351T020-201            (3800298-1-2)            AND S351T020-206            (3800298-1-7/3800298-1)            ARE INTERCHANGEABLE            WITH THE INCORPORATION            OF ALLIED SIGNAL S/B            GTCP331-49-7081.            S351T020-200            (3800298-1-1)            AND S351T020-206            (3800298-1-7/3800298-1)            ARE INTERCHANGEABLE            WITH THE INCORPORATION            OF ALLIED SIGNAL S/B            GTCP331-49-7081.</p> <p>OPTIONAL PART:            3800298-1            V99193            FOR NHA/ADDITIONAL DET SEE:            49-11-01-50            49-21-00-02</p>		
- 1	3800298-1	<p>ENGINE ASSY-GAS TURB            GTCP331-200ER            (OIL TEMP SENSOR ONLY)            SUPPLIER CODE:            V99193            SPECIFICATION NUMBER:</p>	002004 006999	RF

MISSING ITEM NUMBERS NOT APPLICABLE

- ITEM NOT ILLUSTRATED

49-94-01-02

49-94-01  
 FIG. 02  
 PAGE 7  
 SEP 20/08

BRI



757

PARTS CATALOG (MAINTENANCE)

FIG ITEM	PART NUMBER	1 2 3 4 5 6 7 NOMENCLATURE	EFFECT FROM TO	UNITS PER ASSY
2		<p>S351T020-206            COMPONENT MAINT MANUAL REF:            49-22-11            QUALIFIED I/W DATA:            S351T020-203/3800298-1-4            AND            S351T020-206(3800298-1-7            /3800298-1) ARE            INTERCHANGEABLE WITH THE            INCORPORATION OF ALLIED            SIGNAL S/B            GTCP331-49-7081            S351T020-204/3800298-1-5            AND            S351T020-206(3800298-1-7            /3800298-1) ARE            INTERCHANGEABLE WITH THE            INCORPORATION OF ALLIED            SIGNAL S/B            GTCP331-49-7081            S351T020-202            (3800298-1-3)            AND S351T020-206            (3800298-1-7/3800298-1)            ARE INTERCHANGEABLE            WITH THE INCORPORATION            OF ALLIED SIGNAL S/B            GTCP331-49-7081.            S351T020-201            (3800298-1-2)            AND S351T020-206            (3800298-1-7/3800298-1)            ARE INTERCHANGEABLE            WITH THE INCORPORATION            OF ALLIED SIGNAL S/B            GTCP331-49-7081.            S351T020-200            (3800298-1-1)            AND S351T020-206            (3800298-1-7/3800298-1)            ARE INTERCHANGEABLE            WITH THE INCORPORATION            OF ALLIED SIGNAL S/B            GTCP331-49-7081.            OPTIONAL PART:            3800298-1-7            V99193            FOR NHA/ADDITIONAL DET SEE:            49-11-01-50</p>		

MISSING ITEM NUMBERS NOT APPLICABLE

- ITEM NOT ILLUSTRATED

49-94-01-02

49-94-01  
 FIG. 02  
 PAGE 8  
 SEP 20/08

BRI



757

PARTS CATALOG (MAINTENANCE)

FIG ITEM	PART NUMBER	1 2 3 4 5 6 7	NOMENCLATURE	EFFECT FROM TO	UNITS PER ASSY
2			49-21-00-02		
50	MS28034-3	.	BULB-TEMP	002004 006999	1
55	M83248-1-904	.	PACKING- OPTIONAL PART: S9413-554 V99193	002004 006999	1
55	S9413-554	.	PACKING- SUPPLIER CODE: V99193 OPTIONAL PART: M83248-1-904	002004 006999	1
- 100	388123-4	.	WIRE HARNESS ASSY- SUPPLIER CODE: V99193 SB DATA FROM A CMM: POST SB 49-5399 PRE SB 49-5438	002004 006999	RF
- 100	3888123-5	.	WIRING HARNESS ASSY- SUPPLIER CODE: V99193 USED ON: 3800298-1 3800298-1-1 3800298-1-2 3800298-1-3 3800298-1-4 3800298-1-5 3800298-1-6 3800298-1-7	002004 006999	RF
- 100	388123-6	.	WIRE HARNESS ASSY- SUPPLIER CODE: V99193 SB DATA FROM A CMM: POST SB 49-5794 PRE SB 49-5840/49-7403 CONFIG CHG DATA FROM A CMM: REPLD BY 3888123-8	002004 006999	RF
- 100	388123-7	.	WIRE HARNESS ASSY- SUPPLIER CODE: V99193 SB DATA FROM A CMM: POST SB 49-5840 PRE SB 49-7403 CONFIG CHG DATA FROM A CMM: REPLD BY 3888123-9	002004 006999	RF

MISSING ITEM NUMBERS NOT APPLICABLE

- ITEM NOT ILLUSTRATED

49-94-01-02

49-94-01  
FIG. 02  
PAGE 9  
SEP 20/08

BRI



757

PARTS CATALOG (MAINTENANCE)

FIG ITEM	PART NUMBER	1 2 3 4 5 6 7	NOMENCLATURE	EFFECT FROM TO	UNITS PER ASSY
2					
- 100	388123-8		.WIRE HARNESS ASSY- SUPPLIER CODE: V99193 SB DATA FROM A CMM: POST SB 49-7391/49-7403 CONFIG CHG DATA FROM A CMM: REPLACES 3888123-6	002004 006999	RF
- 100	388123-9		.WIRE HARNESS ASSY- SUPPLIER CODE: V99193 SB DATA FROM A CMM: POST SB 49-7403 CONFIG CHG DATA FROM A CMM: REPLACES 3888123-7	002004 006999	RF
150	FRF6E12S3S01		..PLUG-P7 SUPPLIER CODE: V71468	002004 006999	1
155	MS25036-102		..TERMINAL	002004 006999	1
160	10-230935-142		..GROMMET-RUBBER SUPPLIER CODE: V77820 CONFIG CHG DATA FROM A CMM: REPLD BY 10-36565-122	002004 006999	1
160	10-36565-122		..GROMMET-RUBBER SUPPLIER CODE: V77820 CONFIG CHG DATA FROM A CMM: REPLACES 10-230935-142	002004 006999	1
165	34138		..SPLICE- SUPPLIER CODE: V00779 SB DATA FROM A CMM: PRE SB 49-7403	002004 006999	19
- 170	34138		..SPLICE- SUPPLIER CODE: V00779 SB DATA FROM A CMM: POST SB 49-7403	002004 006999	20
175	S9055L9-100		..SLEEVE- SUPPLIER CODE: V99193 SB DATA FROM A CMM: POST SB 49-5399	002004 006999	4
175	BCREF13896		..SLEEVE- OVERLENGTH PART NUMBER: M23053-5-107-9-46 SB DATA FROM A CMM: PRE 49-5399	002004 006999	4

MISSING ITEM NUMBERS NOT APPLICABLE

- ITEM NOT ILLUSTRATED

49-94-01-02

49-94-01  
FIG. 02  
PAGE 10  
SEP 20/08

BRI





757

PARTS CATALOG (MAINTENANCE)

FIG ITEM	PART NUMBER	1 2 3 4 5 6 7	NOMENCLATURE	EFFECT FROM TO	UNITS PER ASSY
2 180	IDENTASLEEVE1-5	..	SLEEVE- SUPPLIER CODE: V01656 SB DATA FROM A CMM: POST SB 49-5399	002004 006999	1
180	BCREF13885	..	SLEEVE- OVERLENGTH PART NUMBER: M23053-5-112-9-60 SB DATA FROM A CMM: PRE 49-5399	002004 006999	1
185	M27500-18TA2N06	..	CABLE-SHIELDED OPTIONAL PART: 18699-70T2 V92607 75908-18-2NSTJ V12515 61-0244 V05973	002004 006999	AR
185	18699-70T2	..	CABLE-SHIELDED SUPPLIER CODE: V92607 OPTIONAL PART: 75908-18-2NSTJ V12515 61-0244 V05973	002004 006999	AR
185	7590818-2NSTJ	..	CABLE-SHIELDED SUPPLIER CODE: V12515 OPTIONAL PART: 18699-70T2 V92607 61-0244 V05973 M27500-18TA2N06	002004 006999	AR
185	61-0244	..	CABLE-SHIELDED SUPPLIER CODE: V12515 OPTIONAL PART: 18699-70T2 V92607 75908-18-2NSTJ V12515 M27500-18TA2N06	002004 006999	AR

MISSING ITEM NUMBERS NOT APPLICABLE

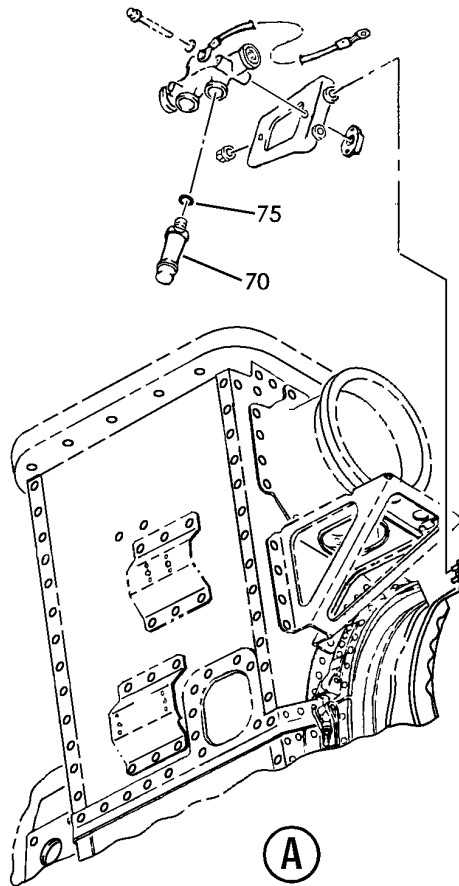
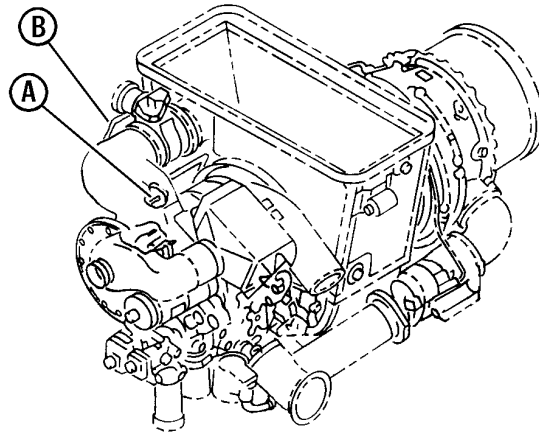
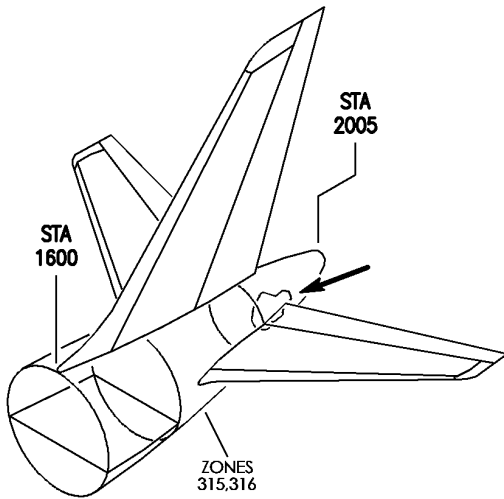
- ITEM NOT ILLUSTRATED

49-94-01-02

49-94-01  
FIG. 02  
PAGE 11  
SEP 20/08

BRI

**BOEING**  
757  
PARTS CATALOG (MAINTENANCE)



Y 49940201 SHT 1 REV 250

ENGINE ASSY-GAS TURB (LOW OIL PRESSURE SWITCH ONLY)  
FIGURE 1 (SHEET 1)

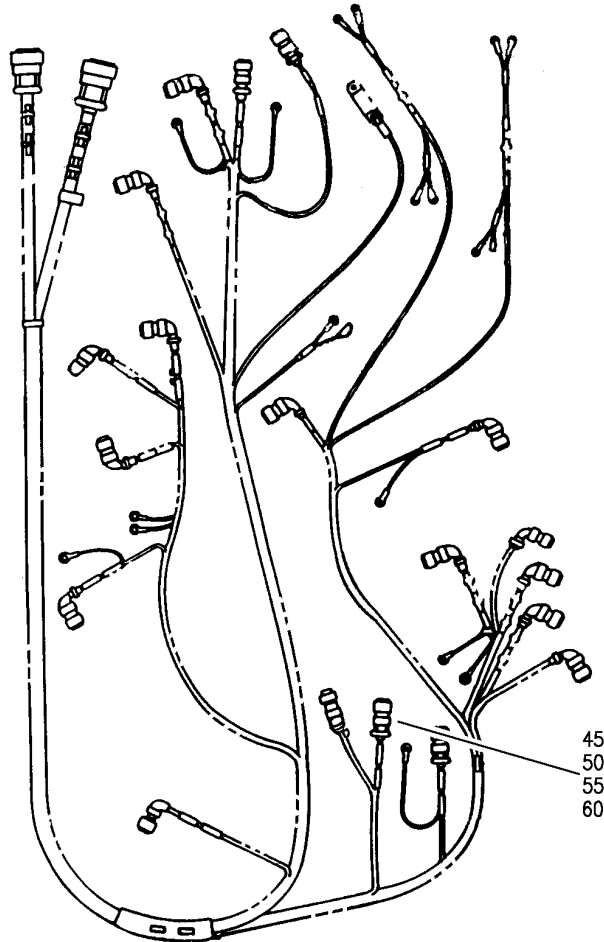
**49-94-02-01**

BRI  
MAY 28/07

49-94-02-01  
PAGE 0

BOEING PROPRIETARY - Copyright © - Unpublished Work - See title page for details.

**BOEING**  
757  
PARTS CATALOG (MAINTENANCE)



(B)

Y 49940201 SH1 2 REV 250

ENGINE ASSY-GAS TURB (LOW OIL PRESSURE SWITCH ONLY)  
FIGURE 1 (SHEET 2)

**49-94-02-01**

BRI  
MAY 28/07

49-94-02-01  
PAGE 0A

BOEING PROPRIETARY - Copyright © - Unpublished Work - See title page for details.



757

PARTS CATALOG (MAINTENANCE)

FIG ITEM	PART NUMBER	1 2 3 4 5 6 7	NOMENCLATURE	EFFECT FROM TO	UNITS PER ASSY
1			ENGINE ASSY-GAS TURB (LOW OIL PRESSURE SWITCH ONLY)	002004 006999	
- 1	3800298-1-2		ENGINE ASSY-GAS TURB GTCP331-200ER (LOW OIL PRESSURE SWITCH ONLY) SUPPLIER CODE: V99193 SPECIFICATION NUMBER: S351T020-201 CONFIG CHG DATA FROM A CMM: REPLACES 3800298-1-1 COMPONENT MAINT MANUAL REF: 49-22-11 QUALIFIED I/W DATA: S351T020-201 (3800298-1-2) AND S351T020-205 (3800298-1-6) ARE INTERCHANGEABLE WITH THE INCORPORATION OF ALLIED SIGNAL S/B GTCP331-49-7081. S351T020-201 (3800298-1-2) AND S351T020-206 (3800298-1-7/3800298-1) ARE INTERCHANGEABLE WITH THE INCORPORATION OF ALLIED SIGNAL S/B GTCP331-49-7081. FOR NHA/ADDITIONAL DET SEE: 49-11-01-50	002004 006017 107107 121503 904999	RF

MISSING ITEM NUMBERS NOT APPLICABLE

- ITEM NOT ILLUSTRATED

BRI

49-94-02-01

BOEING PROPRIETARY - Copyright © - Unpublished Work - See title page for details.

49-94-02  
FIG. 01  
PAGE 1  
JAN 20/09



757

PARTS CATALOG (MAINTENANCE)

FIG ITEM	PART NUMBER	1 2 3 4 5 6 7	NOMENCLATURE	EFFECT FROM TO	UNITS PER ASSY
1 - 1	3800298-1-1		ENGINE ASSY-GAS TURB GTCP331-200ER (LOW OIL PRESSURE SWITCH ONLY) SUPPLIER CODE: V99193 SPECIFICATION NUMBER: S351T020-200 COMPONENT MAINT MANUAL REF: 49-22-11 QUALIFIED I/W DATA: S351T020-200 (3800298-1-1) AND S351T020-205 (3800298-1-6) ARE INTERCHANGEABLE WITH THE INCORPORATION OF ALLIED SIGNAL S/B GTCP331-49-7081. S351T020-200 (3800298-1-1) AND S351T020-206 (3800298-1-7/3800298-1) ARE INTERCHANGEABLE WITH THE INCORPORATION OF ALLIED SIGNAL S/B GTCP331-49-7081. FOR NHA/ADDITIONAL DET SEE: 49-11-01-50	002004 006017 107107 121503 904999	RF

MISSING ITEM NUMBERS NOT APPLICABLE

- ITEM NOT ILLUSTRATED

BRI

49-94-02-01

BOEING PROPRIETARY - Copyright © - Unpublished Work - See title page for details.

49-94-02  
FIG. 01  
PAGE 2  
JAN 20/09



757

PARTS CATALOG (MAINTENANCE)

FIG ITEM	PART NUMBER	1 2 3 4 5 6 7	NOMENCLATURE	EFFECT FROM TO	UNITS PER ASSY
1 - 1	3800298-1-3		ENGINE ASSY-GAS TURB GTCP331-200ER (LOW OIL PRESSURE SWITCH ONLY) SUPPLIER CODE: V99193 SPECIFICATION NUMBER: S351T020-202 CONFIG CHG DATA FROM A CMM: REPLACES 3800298-1-2 COMPONENT MAINT MANUAL REF: 49-22-11 QUALIFIED I/W DATA: S351T020-202 (3800298-1-3) AND S351T020-205 (3800298-1-6) ARE INTERCHANGEABLE WITH THE INCORPORATION OF ALLIED SIGNAL S/B GTCP331-49-7081. S351T020-202 (3800298-1-3) AND S351T020-206 (3800298-1-7/3800298-1) ARE INTERCHANGEABLE WITH THE INCORPORATION OF ALLIED SIGNAL S/B GTCP331-49-7081. FOR NHA/ADDITIONAL DET SEE: 49-11-01-50	002004 006017 107107 121503 904999	RF

MISSING ITEM NUMBERS NOT APPLICABLE

- ITEM NOT ILLUSTRATED

BRI

49-94-02-01

BOEING PROPRIETARY - Copyright © - Unpublished Work - See title page for details.

49-94-02  
FIG. 01  
PAGE 3  
JAN 20/09



757

PARTS CATALOG (MAINTENANCE)

FIG ITEM	PART NUMBER	1 2 3 4 5 6 7	NOMENCLATURE	EFFECT FROM TO	UNITS PER ASSY
1 - 1	3800298-1-4		ENGINE ASSY-GAS TURB GTCP331-200ER (LOW OIL PRESSURE SWITCH ONLY) SUPPLIER CODE: V99193 SPECIFICATION NUMBER: S351T020-203 CONFIG CHG DATA FROM A CMM: REPLACES 3800298-1-3 COMPONENT MAINT MANUAL REF: 49-22-11 QUALIFIED I/W DATA: 3800298-1-4/S351T020-203 AND 3800298-1-6/S351T020-205 ARE INTERCHANGEABLE WITH THE INCORPORATION OF ALLIED SIGNAL S/B GTCP331-49-7081. 3800298-1-4/S351T020-203 AND 3800298-1-7/S351T020-206 /3800298-1 ARE INTERCHANGEABLE WITH THE INCORPORATION OF ALLIED SIGNAL S/B GTCP331-49-7081. FOR NHA/ADDITIONAL DET SEE: 49-11-01-50	002004 006017 107107 121503 904999	RF

MISSING ITEM NUMBERS NOT APPLICABLE

- ITEM NOT ILLUSTRATED

BRI

49-94-02-01

BOEING PROPRIETARY - Copyright © - Unpublished Work - See title page for details.

49-94-02  
 FIG. 01  
 PAGE 4  
 JAN 20/09



757

PARTS CATALOG (MAINTENANCE)

FIG ITEM	PART NUMBER	1 2 3 4 5 6 7	NOMENCLATURE	EFFECT FROM TO	UNITS PER ASSY
1	3800298-1-5		ENGINE ASSY-GAS TURB GTCP331-200ER (LOW OIL PRESSURE SWITCH ONLY) SUPPLIER CODE: V99193 SPECIFICATION NUMBER: S351T020-204 CONFIG CHG DATA FROM A CMM: REPLACES 3800298-1-4 COMPONENT MAINT MANUAL REF: 49-22-11 QUALIFIED I/W DATA: 3800298-1-5/S351T020-204 AND 3800298-1-6/S351T020-205 ARE INTERCHANGEABLE WITH THE INCORPORATION OF ALLIED SIGNAL S/B GTCP331-49-7081. 3800298-1-5/S351T020-204 AND 3800298-1-7/S351T020-206 /3800298-1 ARE INTERCHANGEABLE WITH THE INCORPORATION OF ALLIED SIGNAL S/B GTCP331-49-7081. FOR NHA/ADDITIONAL DET SEE: 49-11-01-50	002004 006017 107107 121503 904999	RF
- 1	3800298-1-6		ENGINE ASSY-GAS TURB GTCP331-200ER (LOW OIL PRESSURE SWITCH ONLY) SUPPLIER CODE: V99193 SPECIFICATION NUMBER: S351T020-205 CONFIG CHG DATA FROM A CMM: REPLACES 3800298-1-5 COMPONENT MAINT MANUAL REF: 49-22-11 QUALIFIED I/W DATA: 3800298-1-4/S351T020-203 AND 3800298-1-6/S351T020-205 ARE INTERCHANGEABLE WITH THE INCORPORATION OF ALLIED SIGNAL S/B	002004 006999	RF

MISSING ITEM NUMBERS NOT APPLICABLE

- ITEM NOT ILLUSTRATED

49-94-02-01

49-94-02  
FIG. 01  
PAGE 5  
JAN 20/09

BRI





757

PARTS CATALOG (MAINTENANCE)

FIG ITEM	PART NUMBER	1 2 3 4 5 6 7 NOMENCLATURE	EFFECT FROM TO	UNITS PER ASSY
1		GTCP331-49-7081. S351T020-204 (3800298-1-5) AND S351T020-205 (3800298-1-6) ARE INTERCHANGEABLE WITH THE INCORPORATION OF ALLIED SIGNAL S/B GTCP331-49-7081. S351T020-202 (3800298-1-3) AND S351T020-205 (3800298-1-6) ARE INTERCHANGEABLE WITH THE INCORPORATION OF ALLIED SIGNAL S/B GTCP331-49-7081. S351T020-201 (3800298-1-2) AND S351T020-205 (3800298-1-6) ARE INTERCHANGEABLE WITH THE INCORPORATION OF ALLIED SIGNAL S/B GTCP331-49-7081. S351T020-200 (3800298-1-1) AND S351T020-205 (3800298-1-6) ARE INTERCHANGEABLE WITH THE INCORPORATION OF ALLIED SIGNAL S/B GTCP331-49-7081. FOR NHA/ADDITIONAL DET SEE: 49-11-01-50 49-21-00-02		
-	1 3800298-1-7	ENGINE ASSY-GAS TURB GTCP331-200ER (LOW OIL PRESSURE SWITCH ONLY) SUPPLIER CODE: V99193 SPECIFICATION NUMBER: S351T020-206 CONFIG CHG DATA FROM A CMM: REPLACES 3800298-1-6 COMPONENT MAINT MANUAL REF: 49-22-11 QUALIFIED I/W DATA:  MISSING ITEM NUMBERS NOT APPLICABLE	002004 006999	RF

- ITEM NOT ILLUSTRATED

49-94-02-01

49-94-02  
FIG. 01  
PAGE 6  
SEP 20/08

BRI



757

PARTS CATALOG (MAINTENANCE)

FIG ITEM	PART NUMBER	1 2 3 4 5 6 7 NOMENCLATURE	EFFECT FROM TO	UNITS PER ASSY
1		<p>3800298-1-5/S351T020-204 AND 3800298-1-7/S351T020-206 3800298-1 ARE INTERCHANGEABLE WITH THE INCORPORATION OF ALLIED SIGNAL S/B GTCP331-49-7081. S351T020-203 (3800298-1-4) AND S351T020-206(3800298-1-7 /3800298-1) ARE INTERCHANGEABLE WITH THE INCORPORATION OF ALLIED SIGNAL S/B GTCP331-49-7081. S351T020-202 (3800298-1-3) AND S351T020-206 (3800298-1-7/3800298-1) ARE INTERCHANGEABLE WITH THE INCORPORATION OF ALLIED SIGNAL S/B GTCP331-49-7081. S351T020-201 (3800298-1-2) AND S351T020-206 (3800298-1-7/3800298-1) ARE INTERCHANGEABLE WITH THE INCORPORATION OF ALLIED SIGNAL S/B GTCP331-49-7081. S351T020-200 (3800298-1-1) AND S351T020-206 (3800298-1-7/3800298-1) ARE INTERCHANGEABLE WITH THE INCORPORATION OF ALLIED SIGNAL S/B GTCP331-49-7081. OPTIONAL PART: 3800298-1 V99193 FOR NHA/ADDITIONAL DET SEE: 49-11-01-50 49-21-00-02</p>		
-	1 3800298-1	<p>ENGINE ASSY-GAS TURB GTCP331-200ER (LOW OIL PRESSURE</p>	002004 006999	RF

MISSING ITEM NUMBERS NOT APPLICABLE

- ITEM NOT ILLUSTRATED

49-94-02-01

BRI

BOEING PROPRIETARY - Copyright © - Unpublished Work - See title page for details.

49-94-02  
FIG. 01  
PAGE 7  
SEP 20/08



757

PARTS CATALOG (MAINTENANCE)

FIG ITEM	PART NUMBER	1 2 3 4 5 6 7 NOMENCLATURE	EFFECT FROM TO	UNITS PER ASSY
1		<p>SWITCH ONLY)  SUPPLIER CODE:  V99193  SPECIFICATION NUMBER:  S351T020-206  COMPONENT MAINT MANUAL REF:  49-22-11  QUALIFIED I/W DATA:  3800298-1-5/S351T020-204  AND  3800298-1-7/S351T020-206  /3800298-1  ARE INTERCHANGEABLE WITH  THE INCORPORATION OF  ALLIED SIGNAL S/B  GTCP331-49-7081.  351T020-203(3800298-1-4)  AND 351T020-206  (3800298-1-7/380028-1)  ARE INTERCHANGEABLE WITH  THE INCORPORATION OF  ALLIED SIGNAL S/B  GTCP331-49-7081.  S351T020-202  (3800298-1-3)  AND S351T020-206  (3800298-1-7/3800298-1)  ARE INTERCHANGEABLE  WITH THE INCORPORATION  OF ALLIED SIGNAL S/B  GTCP331-49-7081.  S351T020-201  (3800298-1-2)  AND S351T020-206  (3800298-1-7/3800298-1)  ARE INTERCHANGEABLE  WITH THE INCORPORATION  OF ALLIED SIGNAL S/B  GTCP331-49-7081.  S351T020-200  (3800298-1-1)  AND S351T020-206  (3800298-1-7/3800298-1)  ARE INTERCHANGEABLE  WITH THE INCORPORATION  OF ALLIED SIGNAL S/B  GTCP331-49-7081.  OPTIONAL PART:  3800298-1-7</p>		

MISSING ITEM NUMBERS NOT APPLICABLE

- ITEM NOT ILLUSTRATED

49-94-02-01

49-94-02  
FIG. 01  
PAGE 8  
SEP 20/08

BRI



757

PARTS CATALOG (MAINTENANCE)

FIG ITEM	PART NUMBER	1 2 3 4 5 6 7	NOMENCLATURE	EFFECT FROM TO	UNITS PER ASSY
1			V99193 FOR NHA/ADDITIONAL DET SEE: 49-11-01-50 49-21-00-02		
- 10	388123-4		.WIRE HARNESS ASSY- SUPPLIER CODE: V99193 SB DATA FROM A CMM: POST 49-5399 PRE 49-5438	002004 006999	RF
- 10	3888123-5		.WIRING HARNESS ASSY- SUPPLIER CODE: V99193 USED ON: 3800298-1 3800298-1-1 3800298-1-2 3800298-1-3 3800298-1-4 3800298-1-5 3800298-1-6 3800298-1-7	002004 006999	RF
- 10	388123-6		.WIRE HARNESS ASSY- SUPPLIER CODE: V99193 SB DATA FROM A CMM: POST 49-5794 PRE 49-5840/49-7403 CONFIG CHG DATA FROM A CMM: REPLD BY 3888123-8	002004 006999	RF
- 10	388123-7		.WIRE HARNESS ASSY- SUPPLIER CODE: V99193 SB DATA FROM A CMM: POST 49-5840 PRE 49-7403 CONFIG CHG DATA FROM A CMM: REPLD BY 3888123-9	002004 006999	RF
- 10	388123-8		.WIRE HARNESS ASSY- SUPPLIER CODE: V99193 SB DATA FROM A CMM: POST 49-7391/49-7403 CONFIG CHG DATA FROM A CMM: REPLACES 3888123-6	002004 006999	RF

MISSING ITEM NUMBERS NOT APPLICABLE

- ITEM NOT ILLUSTRATED

49-94-02-01

49-94-02  
FIG. 01  
PAGE 9  
SEP 20/08

BRI

 **BOEING**  
757  
**PARTS CATALOG (MAINTENANCE)**

FIG ITEM	PART NUMBER	1 2 3 4 5 6 7	NOMENCLATURE	EFFECT FROM TO	UNITS PER ASSY
1					
- 10	388123-9		.WIRE HARNESS ASSY- SUPPLIER CODE: V99193 SB DATA FROM A CMM: POST 49-7403 CONFIG CHG DATA FROM A CMM: REPLACES 3888123-7	002004 006999	RF
45	GS3417-12C		..CLAMP- SUPPLIER CODE: V06324 OPTIONAL PART: 211-555-9307 V99193	002004 006999	1
50	AIREF110		..CONNECTOR-P6 SUPPLIER CODE: V13556 OPTIONAL PART: ZZYA0-12D12-03S V49367	002004 006999	1
50	ZZYA0-12D12-03S		..CONNECTOR-P6 SUPPLIER CODE: V14283 OPTIONAL PART: AIREF110 V13556	002004 006999	1
55	LRC20W15DJ5		..CONTACT- SUPPLIER CODE: V09922	002004 006999	3
60	10-230935-142		..GROMMET-RUBBER SUPPLIER CODE: V77820 CONFIG CHG DATA FROM A CMM: REPLD BY 10-230935-143	002004 006999	1
60	10-230935-143		..GROMMET-RUBBER SUPPLIER CODE: V77820 CONFIG CHG DATA FROM A CMM: REPLS 10-203935-142	002004 006999	1

MISSING ITEM NUMBERS NOT APPLICABLE

- ITEM NOT ILLUSTRATED

BRI

# 49-94-02-01

BOEING PROPRIETARY - Copyright © - Unpublished Work - See title page for details.

49-94-02  
FIG. 01  
PAGE 10  
SEP 20/08



757

PARTS CATALOG (MAINTENANCE)

FIG ITEM	PART NUMBER	1 2 3 4 5 6 7	NOMENCLATURE	EFFECT FROM TO	UNITS PER ASSY
1 70	3876024-2		.SWITCH-LOW OIL PRESSURE SUPPLIER CODE: V99193 SB DATA FROM A CMM: PRE 49-5543 PRE 49-5706 PRE 49-7478 PRE 49-7593 CONFIG CHG DATA FROM A CMM: REPLD BY 3876024-3 REPLD BY 3876024-4 REPLD BY 3876024-6 REPLD BY 3876024-8 PRE SERVICE BULLETIN: GTCP331-49-5706 V99193	002004 006999	1
70	3876024-3		.SWITCH-LOW OIL PRESSURE SUPPLIER CODE: V99193 SB DATA FROM A CMM: POST 49-5543 PRE 49-5706 PRE 49-7478 PRE 49-7593 CONFIG CHG DATA FROM A CMM: REPLACES 3876024-2 REPLD BY 3876024-4 REPLD BY 3876024-6 REPLD BY 3876024-8 PRE SERVICE BULLETIN: GTCP331-49-5706 V99193	002004 006999	1
70	3876024-4		.SWITCH-LOW OIL PRESSURE SUPPLIER CODE: V99193 SB DATA FROM A CMM: POST 49-5706 PRE 49-5849 PRE 49-7478 PRE 49-7593 CONFIG CHG DATA FROM A CMM: REPLACES 3876024-2 REPLACES 3876024-3 REPLD BY 3876024-5 REPLD BY 3876024-6 REPLD BY 3876024-8 POST SERVICE BULLETIN: GTCP331-49-5706 V99193	002004 006999	1

MISSING ITEM NUMBERS NOT APPLICABLE

- ITEM NOT ILLUSTRATED

49-94-02-01

49-94-02  
FIG. 01  
PAGE 11  
SEP 20/08

BRI



757

PARTS CATALOG (MAINTENANCE)

FIG ITEM	PART NUMBER	1 2 3 4 5 6 7	NOMENCLATURE	EFFECT FROM TO	UNITS PER ASSY
1					
70	3876024-5		.SWITCH-LOW OIL PRESSURE SUPPLIER CODE: V99193 SB DATA FROM A CMM: POST 49-5849 PRE 49-7478 PRE 49-7593 CONFIG CHG DATA FROM A CMM: REPLACES 3876024-4 REPLD BY 3876024-6 REPLD BY 3876024-8	002004 006999	1
70	3876024-6		.SWITCH-LOW OIL PRESSURE SUPPLIER CODE: V99193 SB DATA FROM A CMM: POST 49-7478 PRE 49-7593 CONFIG CHG DATA FROM A CMM: REPLACES 3876024-2 REPLACES 3876024-3 REPLACES 3876024-4 REPLACES 3876024-5 REPLD BY 387602-8	002004 006999	1
70	3876024-8		.SWITCH-LOW OIL PRESSURE SUPPLIER CODE: V99193 SB DATA FROM A CMM: POST 49-7593 CONFIG CHG DATA FROM A CMM: REPLACES 3876024-2 REPLACES 3876024-3 REPLACES 3876024-4 REPLACES 3876024-5 REPLACES 3876024-6	002004 006999	1
75	M83248-1-905		.PACKING- OPTIONAL PART: S9413-555 V99193	002004 006999	1
75	S9413-555		.PACKING- SUPPLIER CODE: V99193 OPTIONAL PART: M83248-1-905	002004 006999	1

MISSING ITEM NUMBERS NOT APPLICABLE

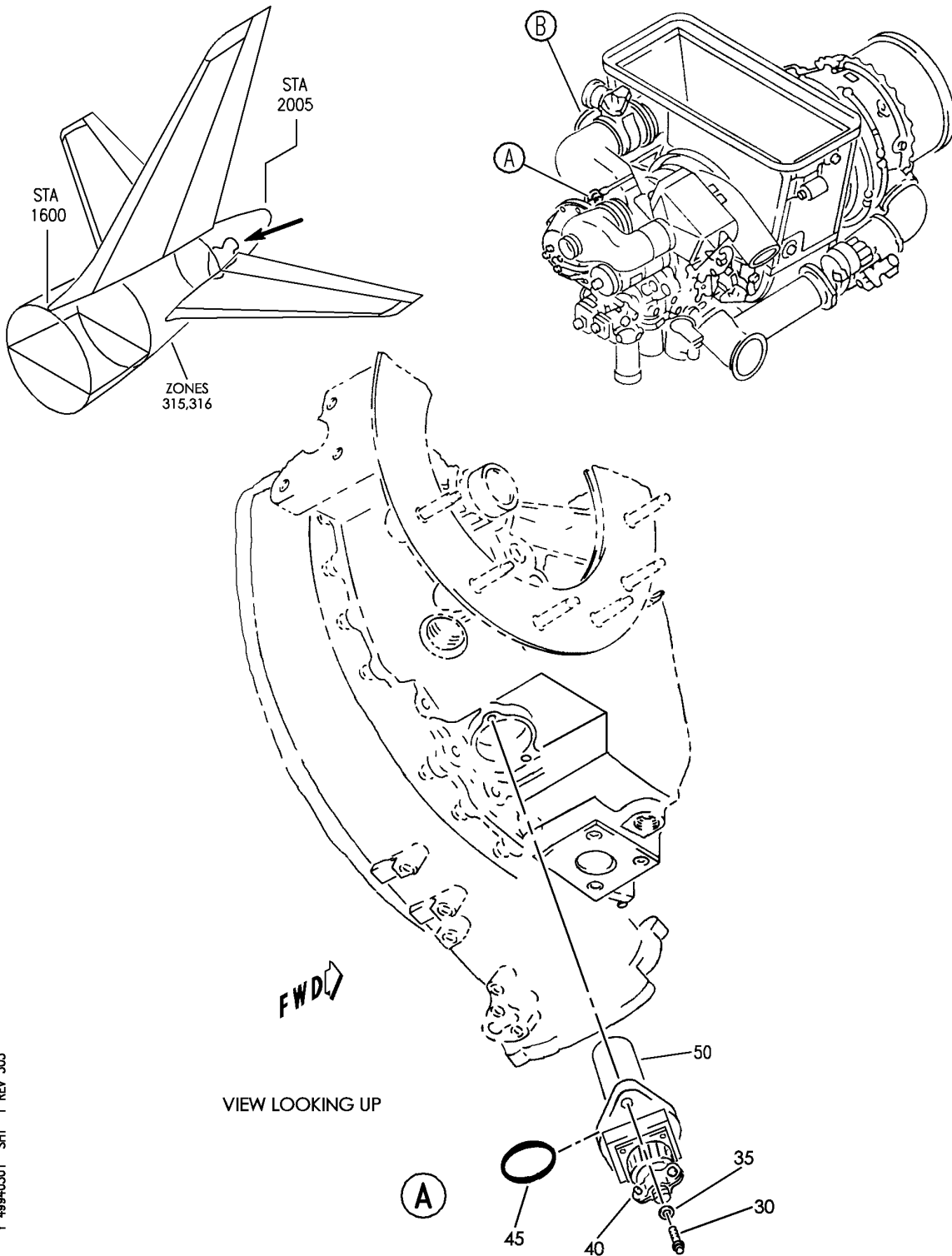
- ITEM NOT ILLUSTRATED

49-94-02-01

49-94-02  
FIG. 01  
PAGE 12  
SEP 20/08

BRI

**BOEING**  
757  
PARTS CATALOG (MAINTENANCE)



Y 49-94-03-01 SH-1 REV 303

ENGINE ASSY-AUX PWR SYS (LOW OIL LEVEL SWITCH ONLY)  
FIGURE 1 (SHEET 1)

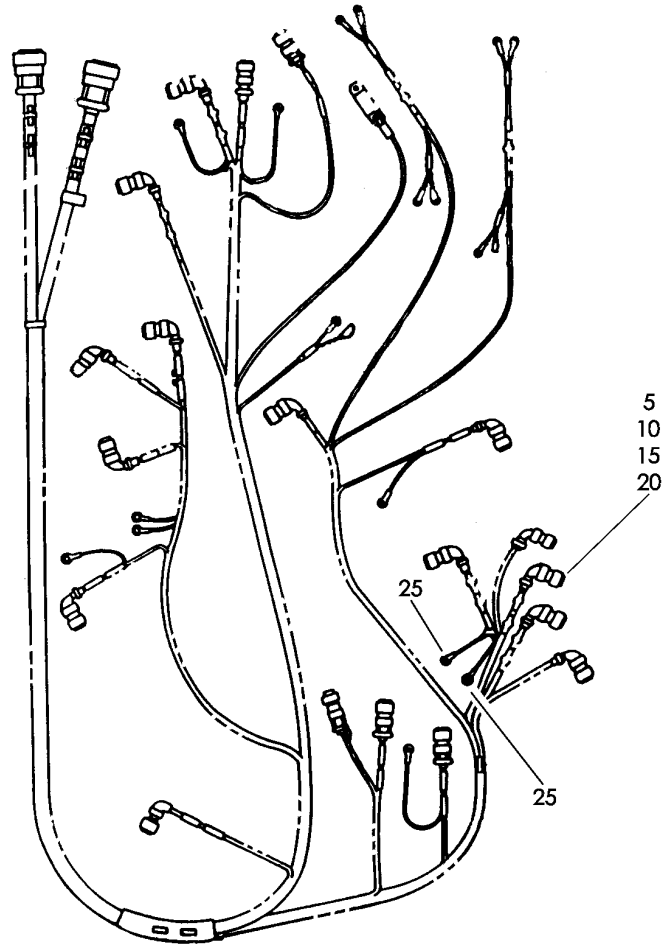
**49-94-03-01**

BRI  
MAY 28/07

49-94-03-01  
PAGE 0



**BOEING**  
757  
PARTS CATALOG (MAINTENANCE)



(B)

Y 49940301 SHT 2 REV 238

ENGINE ASSY-AUX PWR SYS (LOW OIL LEVEL SWITCH ONLY)  
FIGURE 1 (SHEET 2)

**49-94-03-01**

BRI  
MAY 28/07

49-94-03-01  
PAGE 0A

BOEING PROPRIETARY - Copyright © - Unpublished Work - See title page for details.



757

PARTS CATALOG (MAINTENANCE)

FIG ITEM	PART NUMBER	1 2 3 4 5 6 7	NOMENCLATURE	EFFECT FROM TO	UNITS PER ASSY
1			ENGINE ASSY-AUX PWR SYS (LOW OIL LEVEL SWITCH ONLY)	002004 006999	
- 1	3800298-1-2		ENGINE ASSY-GAS TURB (LOW OIL LEVEL SWITCH ONLY) SUPPLIER CODE: V99193 SPECIFICATION NUMBER: S351T020-201 COMPONENT MAINT MANUAL REF: 49-22-11 QUALIFIED I/W DATA: S351T020-201 (3800298-1-2) AND S351T020-205 (3800298-1-6) ARE INTERCHANGEABLE WITH THE INCORPORATION OF ALLIED SIGNAL S/B GTCP331-49-7081. S351T020-201 (3800298-1-2) AND S351T020-206 (3800298-1-7/3800298-1) ARE INTERCHANGEABLE WITH THE INCORPORATION OF ALLIED SIGNAL S/B GTCP331-49-7081. FOR NHA/ADDITIONAL DET SEE: 49-11-01-50	002004 006100 107107 121503 904999	RF

MISSING ITEM NUMBERS NOT APPLICABLE

- ITEM NOT ILLUSTRATED

BRI

49-94-03-01

BOEING PROPRIETARY - Copyright © - Unpublished Work - See title page for details.

49-94-03  
FIG. 01  
PAGE 1  
JAN 20/09



757

PARTS CATALOG (MAINTENANCE)

FIG ITEM	PART NUMBER	1 2 3 4 5 6 7	NOMENCLATURE	EFFECT FROM TO	UNITS PER ASSY
1 - 1	3800298-1-1		ENGINE ASSY-GAS TURB (LOW OIL LEVEL SWITCH ONLY) SUPPLIER CODE: V99193 SPECIFICATION NUMBER: S351T020-200 COMPONENT MAINT MANUAL REF: 49-22-11 QUALIFIED I/W DATA: S351T020-200 (3800298-1-1) AND S351T020-205 (3800298-1-6) ARE INTERCHANGEABLE WITH THE INCORPORATION OF ALLIED SIGNAL S/B GTCP331-49-7081. S351T020-200 (3800298-1-1) AND S351T020-206 (3800298-1-7/3800298-1) ARE INTERCHANGEABLE WITH THE INCORPORATION OF ALLIED SIGNAL S/B GTCP331-49-7081. FOR NHA/ADDITIONAL DET SEE: 49-11-01-50	002004 006100 107107 121503 904999	RF

MISSING ITEM NUMBERS NOT APPLICABLE

- ITEM NOT ILLUSTRATED

BRI

49-94-03-01

BOEING PROPRIETARY - Copyright © - Unpublished Work - See title page for details.

49-94-03  
FIG. 01  
PAGE 2  
JAN 20/09



757

PARTS CATALOG (MAINTENANCE)

FIG ITEM	PART NUMBER	1 2 3 4 5 6 7	NOMENCLATURE	EFFECT FROM TO	UNITS PER ASSY
1 - 1	3800298-1-3		ENGINE ASSY-GAS TURB (LOW OIL LEVEL SWITCH ONLY) SUPPLIER CODE: V99193 SPECIFICATION NUMBER: S351T020-202 COMPONENT MAINT MANUAL REF: 49-22-11 QUALIFIED I/W DATA: S351T020-202 (3800298-1-3) AND S351T020-205 (3800298-1-6) ARE INTERCHANGEABLE WITH THE INCORPORATION OF ALLIED SIGNAL S/B GTCP331-49-7081. S351T020-202 (3800298-1-3) AND S351T020-206 (3800298-1-7/3800298-1) ARE INTERCHANGEABLE WITH THE INCORPORATION OF ALLIED SIGNAL S/B GTCP331-49-7081. FOR NHA/ADDITIONAL DET SEE: 49-11-01-50	002004 006100 107107 121503 904999	RF

MISSING ITEM NUMBERS NOT APPLICABLE

- ITEM NOT ILLUSTRATED

BRI

49-94-03-01

BOEING PROPRIETARY - Copyright © - Unpublished Work - See title page for details.

49-94-03  
FIG. 01  
PAGE 3  
JAN 20/09



757

PARTS CATALOG (MAINTENANCE)

FIG ITEM	PART NUMBER	1 2 3 4 5 6 7	NOMENCLATURE	EFFECT FROM TO	UNITS PER ASSY
1 - 1	3800298-1-4		ENGINE ASSY-GAS TURB (LOW OIL LEVEL SWITCH ONLY) SUPPLIER CODE: V99193 SPECIFICATION NUMBER: S351T020-203 COMPONENT MAINT MANUAL REF: 49-22-11 QUALIFIED I/W DATA: 3800298-1-4/S351T020-203 AND 3800298-1-6/S351T020-205 ARE INTERCHANGEABLE WITH THE INCORPORATION OF ALLIED SIGNAL S/B GTCP331-49-7081. 3800298-1-4/S351T020-203 AND 3800298-1-7/S351T020-206 /3800298-1 ARE INTERCHANGEABLE WITH THE INCORPORATION OF ALLIED SIGNAL S/B GTCP331-49-7081. FOR NHA/ADDITIONAL DET SEE: 49-11-01-50	002004 006100 107107 121503 904999	RF

MISSING ITEM NUMBERS NOT APPLICABLE

- ITEM NOT ILLUSTRATED

BRI

49-94-03-01

BOEING PROPRIETARY - Copyright © - Unpublished Work - See title page for details.

49-94-03  
FIG. 01  
PAGE 4  
JAN 20/09



757

PARTS CATALOG (MAINTENANCE)

FIG ITEM	PART NUMBER	1 2 3 4 5 6 7	NOMENCLATURE	EFFECT FROM TO	UNITS PER ASSY
1 - 1	3800298-1-5		ENGINE ASSY-GAS TURB (LOW OIL LEVEL SWITCH ONLY) SUPPLIER CODE: V99193 SPECIFICATION NUMBER: S351T020-204 COMPONENT MAINT MANUAL REF: 49-22-11 QUALIFIED I/W DATA: 3800298-1-4/S351T020-203 AND 3800298-1-6/S351T020-205 ARE INTERCHANGEABLE WITH THE INCORPORATION OF ALLIED SIGNAL S/B GTCP331-49-7081. 3800298-1-4/S351T020-203 AND 3800298-1-7/S351T020-206 /3800298-1 ARE INTERCHANGEABLE WITH THE INCORPORATION OF ALLIED SIGNAL S/B GTCP331-49-7081. FOR NHA/ADDITIONAL DET SEE: 49-11-01-50	002004 006100 107107 121503 904999	RF
- 1	3800298-1-6		ENGINE ASSY-GAS TURB (LOW OIL LEVEL SWITCH ONLY) SUPPLIER CODE: V99193 SPECIFICATION NUMBER: S351T020-205 COMPONENT MAINT MANUAL REF: 49-22-11 QUALIFIED I/W DATA: 3800298-1-5/S351T020-204 AND 3800298-1-6/S351T020-205 ARE INTERCHANGEABLE WITH THE INCORPORATION OF ALLIED SIGNAL S/B GTCP331-49-7081. S351T020-203 (3800298-1-4) AND S351T020-205 (3800298-1-6) ARE INTERCHANGEABLE WITH THE	002004 006999	RF

MISSING ITEM NUMBERS NOT APPLICABLE

- ITEM NOT ILLUSTRATED

49-94-03-01

49-94-03  
FIG. 01  
PAGE 5  
JAN 20/09

BRI



757

PARTS CATALOG (MAINTENANCE)

FIG ITEM	PART NUMBER	1 2 3 4 5 6 7 NOMENCLATURE	EFFECT FROM TO	UNITS PER ASSY
1		INCORPORATION OF ALLIED SIGNAL S/B GTCP331-49-7081. S351T020-202 (3800298-1-3) AND S351T020-205 (3800298-1-6) ARE INTERCHANGEABLE WITH THE INCORPORATION OF ALLIED SIGNAL S/B GTCP331-49-7081. S351T020-201 (3800298-1-2) AND S351T020-205 (3800298-1-6) ARE INTERCHANGEABLE WITH THE INCORPORATION OF ALLIED SIGNAL S/B GTCP331-49-7081. S351T020-200 (3800298-1-1) AND S351T020-205 (3800298-1-6) ARE INTERCHANGEABLE WITH THE INCORPORATION OF ALLIED SIGNAL S/B GTCP331-49-7081. FOR NHA/ADDITIONAL DET SEE: 49-11-01-50 49-21-00-02		
-	1 3800298-1-7	ENGINE ASSY-GAS TURB (LOW OIL LEVEL SWITCH ONLY) SUPPLIER CODE: V99193 SPECIFICATION NUMBER: S351T020-206 COMPONENT MAINT MANUAL REF: 49-22-11 QUALIFIED I/W DATA: 3800298-1-5/S351T020-204 AND 3800298-1-6/S351T020-205 ARE INTERCHANGEABLE WITH THE INCORPORATION OF ALLIED SIGNAL S/B GTCP331-49-7081. S351T020-203 (3800298-1-4) AND	002004 006999	RF

MISSING ITEM NUMBERS NOT APPLICABLE

- ITEM NOT ILLUSTRATED

49-94-03-01

49-94-03  
 FIG. 01  
 PAGE 6  
 SEP 20/08

BRI



757

PARTS CATALOG (MAINTENANCE)

FIG ITEM	PART NUMBER	1 2 3 4 5 6 7 NOMENCLATURE	EFFECT FROM TO	UNITS PER ASSY
1		<p>S351T020-206(3800298-1-7 /3800298-1) ARE INTERCHANGEABLE WITH THE INCORPORATION OF ALLIED SIGNAL S/B GTCP331-49-7081. S351T020-202 (3800298-1-3) AND S351T020-206 (3800298-1-7/3800298-1) ARE INTERCHANGEABLE WITH THE INCORPORATION OF ALLIED SIGNAL S/B GTCP331-49-7081. S351T020-201 (3800298-1-2) AND S351T020-206 (3800298-1-7/3800298-1) ARE INTERCHANGEABLE WITH THE INCORPORATION OF ALLIED SIGNAL S/B GTCP331-49-7081. S351T020-200 (3800298-1-1) AND S351T020-206 (3800298-1-7/3800298-1) ARE INTERCHANGEABLE WITH THE INCORPORATION OF ALLIED SIGNAL S/B GTCP331-49-7081. OPTIONAL PART: 3800298-1 V99193 FOR NHA/ADDITIONAL DET SEE: 49-11-01-50 49-21-00-02</p>		
-	1 3800298-1	<p>ENGINE ASSY-GAS TURB (LOW OIL LEVEL SWITCH ONLY) SUPPLIER CODE: V99193 SPECIFICATION NUMBER: S351T020-206 COMPONENT MAINT MANUAL REF: 49-22-11 QUALIFIED I/W DATA: 3800298-1-5/S351T020-204 AND 3800298-1-7/S351T020-206</p>	002004 006999	RF

MISSING ITEM NUMBERS NOT APPLICABLE

- ITEM NOT ILLUSTRATED

49-94-03-01

49-94-03  
FIG. 01  
PAGE 7  
SEP 20/08

BRI





757

PARTS CATALOG (MAINTENANCE)

FIG ITEM	PART NUMBER	1 2 3 4 5 6 7 NOMENCLATURE	EFFECT FROM TO	UNITS PER ASSY
1		<p>/3800298-1            ARE INTERCHANGEABLE WITH            THE INCORPORATION OF            ALLIED SIGNAL S/B            GTCP331-49-7081.            351T020-203(3800298-1-4)            AND 351T020-206            (3800298-1-7/380028-1)            ARE INTERCHANGEABLE WITH            THE INCORPORATION OF            ALLIED SIGNAL S/B            GTCP331-49-7081.            S351T020-202            (3800298-1-3)            AND S351T020-206            (3800298-1-7/3800298-1)            ARE INTERCHANGEABLE            WITH THE INCORPORATION            OF ALLIED SIGNAL S/B            GTCP331-49-7081.            S351T020-201            (3800298-1-2)            AND S351T020-206            (3800298-1-7/3800298-1)            ARE INTERCHANGEABLE            WITH THE INCORPORATION            OF ALLIED SIGNAL S/B            GTCP331-49-7081.            S351T020-200            (3800298-1-1)            AND S351T020-206            (3800298-1-7/3800298-1)            ARE INTERCHANGEABLE            WITH THE INCORPORATION            OF ALLIED SIGNAL S/B            GTCP331-49-7081.            OPTIONAL PART:            3800298-1-7            V99193            FOR NHA/ADDITIONAL DET SEE:            49-11-01-50            49-21-00-02            .CLAMP-            SUPPLIER CODE:            V06324</p>		
5	GS3418-14CD	<p>.CLAMP-            SUPPLIER CODE:            V06324</p>	<p>002004            006102            952999</p>	1

MISSING ITEM NUMBERS NOT APPLICABLE

- ITEM NOT ILLUSTRATED

49-94-03-01

49-94-03  
 FIG. 01  
 PAGE 8  
 JAN 20/09

BRI



757

PARTS CATALOG (MAINTENANCE)

FIG ITEM	PART NUMBER	1 2 3 4 5 6 7	NOMENCLATURE	EFFECT FROM TO	UNITS PER ASSY
1					
10	AIREF114		.CONNECTOR-P8 SUPPLIER CODE: V13556 OPTIONAL PART: ZZYA0-12D14-07S V49367	002004 006102 952999	1
10	ZZYA0-12D14-07S		.CONNECTOR-P8 SUPPLIER CODE: V14283 OPTIONAL PART: AIREF114 V13556	002004 006102 952999	1
15	LRC20W15DJ5		.CONTACT- SUPPLIER CODE: V09922	002004 006102 952999	1
20	10-230935-143		.GROMMET-RUBBER SUPPLIER CODE: V77820	002004 006102 952999	1
25	36154		.TERMINAL- SUPPLIER CODE: V00779	101102	2
30	MS9565-05		.BOLT	002004 006102 952999	2
35	NAS620C10L		.WASHER	002004 006102 952999	2
40	3876059-2		.SWITCH-OIL LEVEL SUPPLIER CODE: V99193 PRE SERVICE BULLETIN: 31-0184	002004 006102 952999	1
45	M83248-1-128		.PACKING- OPTIONAL PART: S9413-128 V99193 PRE SERVICE BULLETIN: 31-0184	002004 006102 952999	1
45	S9413-128		.PACKING- SUPPLIER CODE: V99193 OPTIONAL PART: M83248-1-128 PRE SERVICE BULLETIN: 31-0184	002004 006102 952999	1
45	M83461-1-128		.PACKING- POST SERVICE BULLETIN: 31-0184	009009	1

MISSING ITEM NUMBERS NOT APPLICABLE

- ITEM NOT ILLUSTRATED

49-94-03-01

49-94-03  
FIG. 01  
PAGE 9  
JAN 20/09

BRI

BOEING PROPRIETARY - Copyright © - Unpublished Work - See title page for details.



757

PARTS CATALOG (MAINTENANCE)

FIG ITEM	PART NUMBER	1 2 3 4 5 6 7	NOMENCLATURE	EFFECT FROM TO	UNITS PER ASSY
1 50	8TJ99GGE1		.TRANSMITTER-OIL QTY SUPPLIER CODE: V97424 SPECIFICATION NUMBER: S351N101-1 MISCELLANEOUS DATA: REMOVE OIL LEVEL SWITCH GARRETT P/N 3876059 AND REPLACE WITH OIL QUANTITY TRANSMITTER S351N101-1. INSTALL NEW O-RING MS28775-128 AND ASSEMBLE USING NUTS AND WASHERS REMOVED FROM OIL LEVEL SWITCH. RETURN OIL LEVEL SWITCH TO VENDOR COMPONENT MAINT MANUAL REF: 49-90-01 POST SERVICE BULLETIN: 31-0184	009009	1

MISSING ITEM NUMBERS NOT APPLICABLE

- ITEM NOT ILLUSTRATED

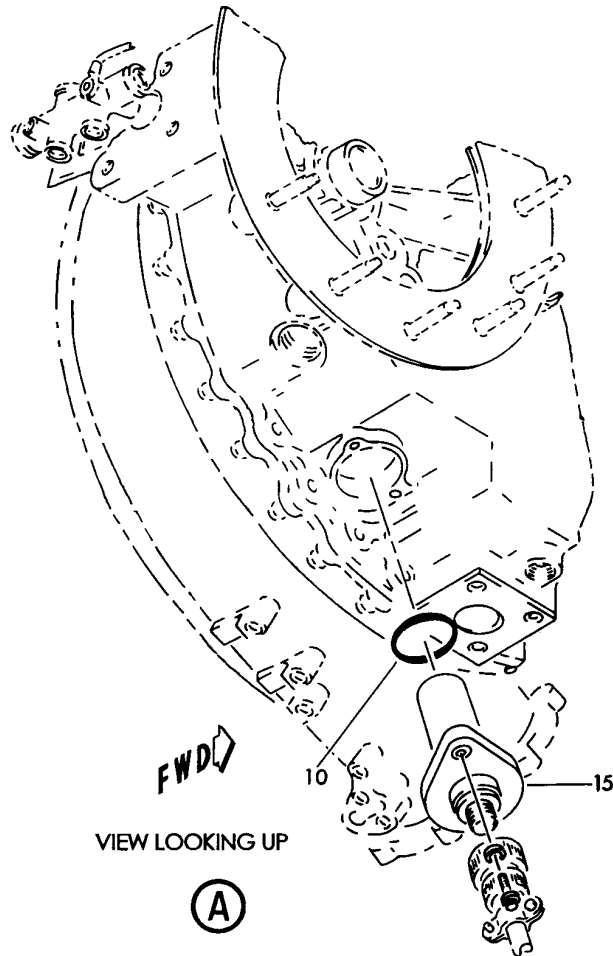
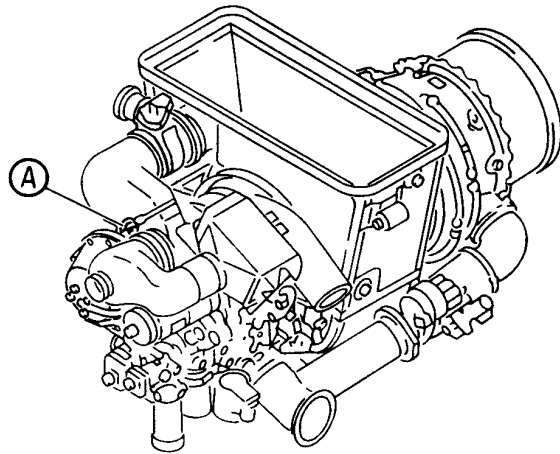
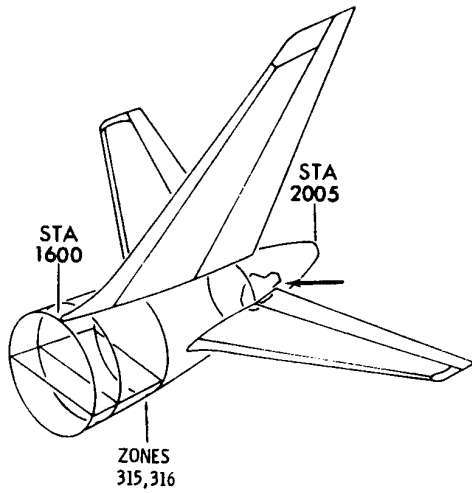
BRI

49-94-03-01

BOEING PROPRIETARY - Copyright © - Unpublished Work - See title page for details.

49-94-03  
FIG. 01  
PAGE 10  
JAN 20/09

**BOEING**  
757  
PARTS CATALOG (MAINTENANCE)



Y 49940401 REV 205

ACCESSORY INSTL-OIL QTY TRANSMITTER  
FIGURE 1

**49-94-04-01**

BRI  
JAN 20/09

49-94-04-01  
PAGE 0



757

PARTS CATALOG (MAINTENANCE)

FIG ITEM	PART NUMBER	1 2 3 4 5 6 7	NOMENCLATURE	EFFECT FROM TO	UNITS PER ASSY
1			ACCESSORY INSTL-OIL QTY TRANSMITTER	103106 108120 504903	
- 5	351T0350-2		ACCESSORY INSTL-OIL QTY TRANSMITTER FOR NHA SEE: 49-00-00-01	108120 504903	RF
- 5	MODREF23537		ACCESSORY INSTL-OIL QTY TRANSMITTER MODULE NUMBER: 351T0350-2 REV B	103106	1
10	MS28775-128		.PACKING- OPTIONAL PART: M83461-1-128	103106 108120 504903	1
10	M83461-1-128		.PACKING- OPTIONAL PART: MS28775-128	103106 108120 504903	1
15	8TJ99GGE1		.TRANSMITTER-OIL QTY SUPPLIER CODE: V97424 SPECIFICATION NUMBER: S351N101-1 COMPONENT MAINT MANUAL REF: 49-90-01	103106 108120 504903	RF
- 20	AS3510-0218K		.SAFETY CABLE- OPTIONAL PART: MS20995NC32	103106 108120 504903	1
- 25	MS20995NC32		.LOCK WIRE- OPTIONAL PART: AS3510-0218K	103106 108120 504903	1

MISSING ITEM NUMBERS NOT APPLICABLE

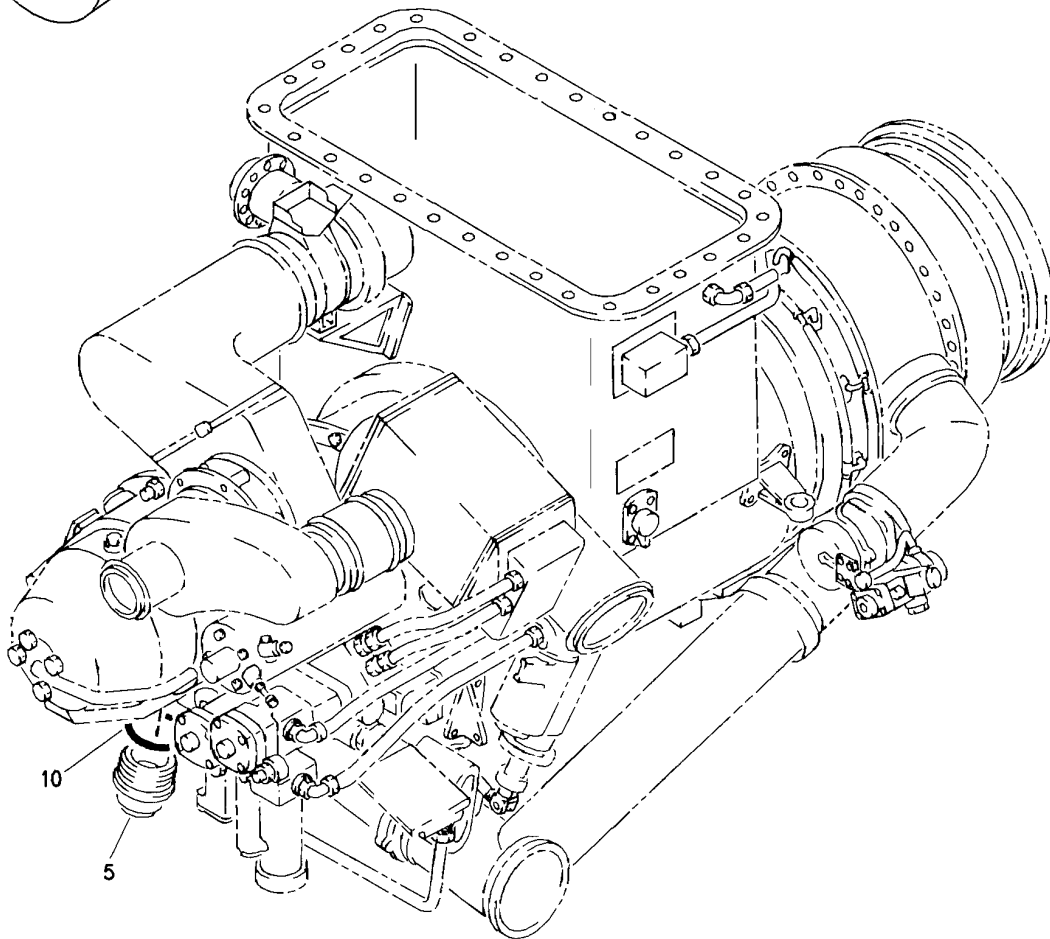
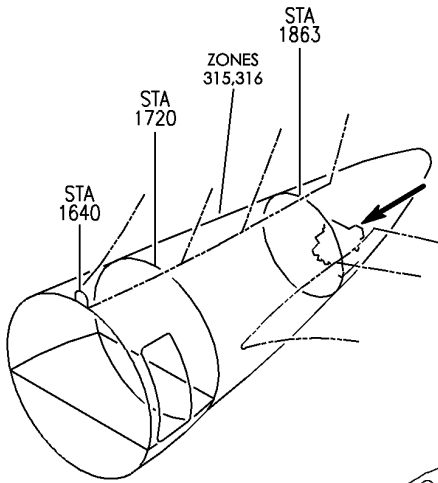
- ITEM NOT ILLUSTRATED

49-94-04-01

49-94-04  
FIG. 01  
PAGE 1  
JAN 20/09

BRI

**BOEING**  
757  
PARTS CATALOG (MAINTENANCE)



Y 49940402 REV 241

UNIT ASSY-AUX PWR SYS (OIL QUANTITY TRANSMITTER ONLY)  
FIGURE 2

**49-94-04-02**

BRI  
MAY 28/07

49-94-04-02  
PAGE 0



757

PARTS CATALOG (MAINTENANCE)

FIG ITEM	PART NUMBER	1 2 3 4 5 6 7	NOMENCLATURE	EFFECT FROM TO	UNITS PER ASSY
2			UNIT ASSY-AUX PWR SYS (OIL QUANTITY TRANSMITTER ONLY)	107107 121503 904951	
- 1	351N1101-27		UNIT ASSY-AUX PWR SYS (OIL QUANTITY TRANSMITTER ONLY) COMPONENT MAINT MANUAL REF: 49-11-13 FOR NHA/OTHER SYS DET SEE: 49-11-01-01	107107 904949	RF
- 1	351N1101-29		UNIT ASSY-3UX PWR SYS (OIL QUANTITY TRANSMITTER ONLY) COMPONENT MAINT MANUAL REF: 49-11-13 FOR NHA/OTHER SYS DET SEE: 49-11-01-01	107107 904949	RF
- 1	351N1101-34		UNIT ASSY-AUX PWR SYS (OIL QUANTITY TRANSMITTER ONLY) COMPONENT MAINT MANUAL REF: 49-11-13 FOR NHA/OTHER SYS DET SEE: 49-11-01-01	107107 904949	RF
- 1	351N1101-38		UNIT ASSY-AUX PWR SYS (OIL QUANTITY TRANSMITTER ONLY) COMPONENT MAINT MANUAL REF: 49-11-13 FOR NHA/OTHER SYS DET SEE: 49-11-01-01	107107 121503 904951	RF
- 1	351N1101-42		UNIT ASSY-AUX PWR SYS (OIL QUANTITY TRANSMITTER ONLY) COMPONENT MAINT MANUAL REF: 49-11-13 FOR NHA/OTHER SYS DET SEE: 49-11-01-01	107107 121503 904951	RF
- 1	351N1101-45		UNIT ASSY-AUX PWR SYS (OIL QUANTITY TRANSMITTER ONLY) COMPONENT MAINT MANUAL REF: 49-11-13 FOR NHA/OTHER SYS DET SEE: 49-11-01-01	107107 121503 904951	RF

MISSING ITEM NUMBERS NOT APPLICABLE

- ITEM NOT ILLUSTRATED

49-94-04-02

49-94-04  
FIG. 02  
PAGE 1  
JAN 20/09

BRI



757

PARTS CATALOG (MAINTENANCE)

FIG ITEM	PART NUMBER	1 2 3 4 5 6 7	NOMENCLATURE	EFFECT FROM TO	UNITS PER ASSY
2 -	1 351N1101-49		UNIT ASSY-AUX PWR SYS (OIL QUANTITY TRANSMITTER ONLY) COMPONENT MAINT MANUAL REF: 49-11-13 FOR NHA/OTHER SYS DET SEE: 49-11-01-01	107107 121503 904951	RF
-	2 351N1101-51		UNIT ASSY-AUX PWR SYS (OIL QUANTITY TRANSMITTER ONLY) COMPONENT MAINT MANUAL REF: 49-11-13 FOR NHA/OTHER SYS DET SEE: 49-11-01-01	107107 121503 904951	RF
	5 8TJ99GGE1		.TRANSMITTER-OIL QTY SUPPLIER CODE: V97424 SPECIFICATION NUMBER: S351N101-1 MISCELLANEOUS DATA: REMOVE OIL LEVEL SWITCH GARRETT P/N 3876059 AND REPLACE WITH OIL QUANTITY TRANSMITTER S351N101-1. INSTALL NEW O-RING MS28775-128 AND ASSEMBLE USING NUTS AND WASHERS REMOVED FROM OIL LEVEL SWITCH. RETURN OIL LEVEL SWITCH TO VENDOR COMPONENT MAINT MANUAL REF: 49-90-01	107107 121503 904951	RF
	10 MS28775-128		.PACKING-	107107 121503 904951	1

MISSING ITEM NUMBERS NOT APPLICABLE

- ITEM NOT ILLUSTRATED

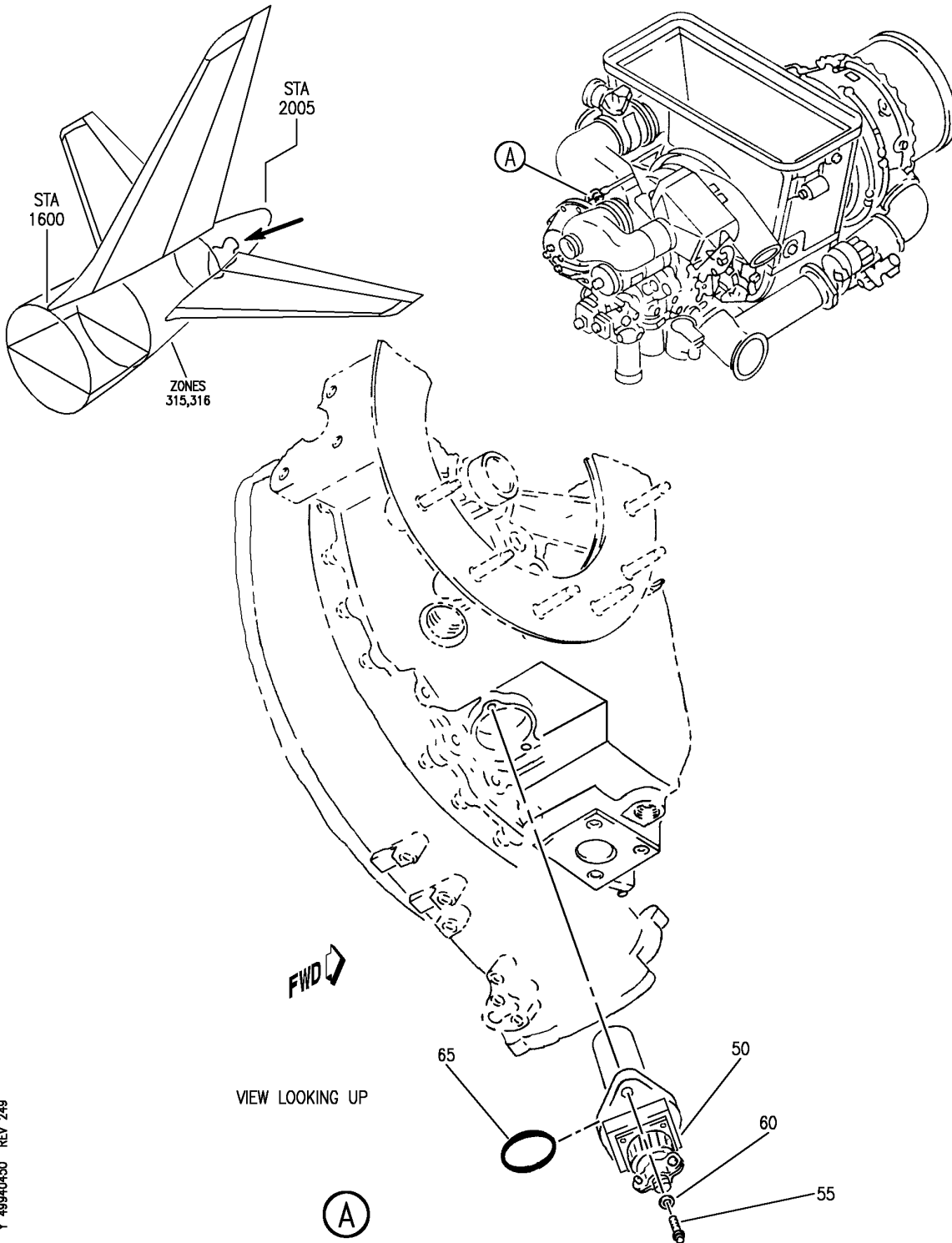
49-94-04-02

49-94-04  
FIG. 02  
PAGE 2  
JAN 20/09

BRI



**BOEING**  
757  
PARTS CATALOG (MAINTENANCE)



Y 49940450 REV 249

ENGINE ASSY-GAS TURB (OIL QTY XMTR ONLY)  
FIGURE 50

**49-94-04-50**

BRI  
MAY 28/07

49-94-04-50  
PAGE 0



757

PARTS CATALOG (MAINTENANCE)

FIG ITEM	PART NUMBER	1 2 3 4 5 6 7	NOMENCLATURE	EFFECT FROM TO	UNITS PER ASSY
50			ENGINE ASSY-GAS TURB (OIL QTY XMTR ONLY)	103951	
- 1	3800298-1-1		ENGINE ASSY-GAS TURB GTCP331-200ER (OIL QTY XMTR ONLY) SUPPLIER CODE: V99193 SPECIFICATION NUMBER: S351T020-200 COMPONENT MAINT MANUAL REF: 49-22-11 QUALIFIED I/W DATA: S351T020-200 (3800298-1-1) AND S351T020-205 (3800298-1-6) ARE INTERCHANGEABLE WITH THE INCORPORATION OF ALLIED SIGNAL S/B GTCP331-49-7081. S351T020-200 (3800298-1-1) AND S351T020-206 (3800298-1-7/3800298-1) ARE INTERCHANGEABLE WITH THE INCORPORATION OF ALLIED SIGNAL S/B GTCP331-49-7081. FOR NHA/ADDITIONAL DET SEE: 49-11-01-50	107107 121503 904951	RF

MISSING ITEM NUMBERS NOT APPLICABLE

- ITEM NOT ILLUSTRATED

49-94-04-50

49-94-04  
FIG. 50  
PAGE 1  
JAN 20/09

BRI



757

PARTS CATALOG (MAINTENANCE)

FIG ITEM	PART NUMBER	1 2 3 4 5 6 7	NOMENCLATURE	EFFECT FROM TO	UNITS PER ASSY
50 - 1	3800298-1-2		ENGINE ASSY-GAS TURB GTCP331-200ER (OIL QTY XMTR ONLY) SUPPLIER CODE: V99193 SPECIFICATION NUMBER: S351T020-201 CONFIG CHG DATA FROM A CMM: REPLACES 3800298-1-1 COMPONENT MAINT MANUAL REF: 49-22-11 QUALIFIED I/W DATA: S351T020-201 (3800298-1-2) AND S351T020-205 (3800298-1-6) ARE INTERCHANGEABLE WITH THE INCORPORATION OF ALLIED SIGNAL S/B GTCP331-49-7081. S351T020-201 (3800298-1-2) AND S351T020-206 (3800298-1-7/3800298-1) ARE INTERCHANGEABLE WITH THE INCORPORATION OF ALLIED SIGNAL S/B GTCP331-49-7081. FOR NHA/ADDITIONAL DET SEE: 49-11-01-50	107107 121503 904951	RF

MISSING ITEM NUMBERS NOT APPLICABLE

- ITEM NOT ILLUSTRATED

49-94-04-50

49-94-04  
FIG. 50  
PAGE 2  
JAN 20/09

BRI



757

PARTS CATALOG (MAINTENANCE)

FIG ITEM	PART NUMBER	1 2 3 4 5 6 7	NOMENCLATURE	EFFECT FROM TO	UNITS PER ASSY
50 - 1	3800298-1-3		ENGINE ASSY-GAS TURB GTCP331-200ER (OIL QTY XMTR ONLY) SUPPLIER CODE: V99193 SPECIFICATION NUMBER: S351T020-202 CONFIG CHG DATA FROM A CMM: REPLACES 3800298-1-2 COMPONENT MAINT MANUAL REF: 49-22-11 QUALIFIED I/W DATA: S351T020-202 (3800298-1-3) AND S351T020-205 (3800298-1-6) ARE INTERCHANGEABLE WITH THE INCORPORATION OF ALLIED SIGNAL S/B GTCP331-49-7081. S351T020-202 (3800298-1-3) AND S351T020-206 (3800298-1-7/3800298-1) ARE INTERCHANGEABLE WITH THE INCORPORATION OF ALLIED SIGNAL S/B GTCP331-49-7081. FOR NHA/OTHER SYS DET SEE: 49-11-01-50	107107 121503 904951	RF

MISSING ITEM NUMBERS NOT APPLICABLE

- ITEM NOT ILLUSTRATED

BRI

49-94-04-50

BOEING PROPRIETARY - Copyright © - Unpublished Work - See title page for details.

49-94-04  
FIG. 50  
PAGE 3  
JAN 20/09



757

PARTS CATALOG (MAINTENANCE)

FIG ITEM	PART NUMBER	1 2 3 4 5 6 7 NOMENCLATURE	EFFECT FROM TO	UNITS PER ASSY
50 - 1	3800298-1-4	ENGINE ASSY-GAS TURB GTCP331-200ER (OIL QTY XMTR ONLY) SUPPLIER CODE: V99193 SPECIFICATION NUMBER: S351T020-203 CONFIG CHG DATA FROM A CMM: REPLACES 3800298-1-3 COMPONENT MAINT MANUAL REF: 49-22-11 QUALIFIED I/W DATA: 3800298-1-4/S351T020-203 AND 3800298-1-6/S351T020-205 ARE INTERCHANGEABLE WITH THE INCORPORATION OF ALLIED SIGNAL S/B GTCP331-49-7081 S351T020-203 (3800298-1-4) AND S351T020-206 (3800298-1-7/3800298-1) ARE INTERCHANGEABLE WITH THE INCORPORATION OF ALLIED SIGNAL S/B GTCP331-49-7081 FOR NHA/ADDITIONAL DET SEE: 49-11-01-50	107107 121503 904951	RF

MISSING ITEM NUMBERS NOT APPLICABLE

- ITEM NOT ILLUSTRATED

49-94-04-50

49-94-04  
FIG. 50  
PAGE 4  
JAN 20/09

BRI



757

PARTS CATALOG (MAINTENANCE)

FIG ITEM	PART NUMBER	1 2 3 4 5 6 7	NOMENCLATURE	EFFECT FROM TO	UNITS PER ASSY
50 - 1	3800298-1-5		ENGINE ASSY-GAS TURB GTCP331-200ER (OIL QTY XMTR ONLY) SUPPLIER CODE: V99193 SPECIFICATION NUMBER: S351T020-204 CONFIG CHG DATA FROM A CMM: REPLACES 3800298-1-4 COMPONENT MAINT MANUAL REF: 49-22-11 QUALIFIED I/W DATA: S351T020-204 (3800298-1-5) AND S351T020-205 (3800298-1-6) ARE INTERCHANGEABLE WITH THE INCORPORATION OF ALLIED SIGNAL S/B GTCP331-49-7081 S351T020-204 (3800298-1-5) AND S351T020-206(3800298-1-7 /3800298-1) ARE INTERCHANGEABLE WITH THE INCORPORATION OF ALLIED SIGNAL S/B GTCP331-49-7081 FOR NHA/ADDITIONAL DET SEE: 49-11-01-50	107107 121503 904951	RF
- 1	3800298-1-6		ENGINE ASSY-GAS TURB GTCP331-200ER (OIL QTY XMTR ONLY) SUPPLIER CODE: V99193 SPECIFICATION NUMBER: S351T020-205 CONFIG CHG DATA FROM A CMM: REPLACES 3800298-1-5 COMPONENT MAINT MANUAL REF: 49-22-11 QUALIFIED I/W DATA: S351T020-203/3800298-1-4 AND S351T020-205/3800298-1-6 ARE INTERCHANGEABLE WITH THE INCORPORATION OF ALLIED SIGNAL S/B GTCP331-49-7081	103106 108120 504903	RF

MISSING ITEM NUMBERS NOT APPLICABLE

- ITEM NOT ILLUSTRATED

49-94-04-50

49-94-04  
FIG. 50  
PAGE 5  
JAN 20/09

BRI



757

PARTS CATALOG (MAINTENANCE)

FIG ITEM	PART NUMBER	1 2 3 4 5 6 7 NOMENCLATURE	EFFECT FROM TO	UNITS PER ASSY
50		<p>S351T020-204/3800298-1-5 AND S351T020-205/3800298-1-6 ARE INTERCHANGEABLE WITH THE INCORPORATION OF ALLIED SIGNAL S/B GTCP331-49-7081 S351T020-202 (3800298-1-3) AND S351T020-205 (3800298-1-6) ARE INTERCHANGEABLE WITH THE INCORPORATION OF ALLIED SIGNAL S/B GTCP331-49-7081. S351T020-201 (3800298-1-2) AND S351T020-205 (3800298-1-6) ARE INTERCHANGEABLE WITH THE INCORPORATION OF ALLIED SIGNAL S/B GTCP331-49-7081. S351T020-200 (3800298-1-1) AND S351T020-205 (3800298-1-6) ARE INTERCHANGEABLE WITH THE INCORPORATION OF ALLIED SIGNAL S/B GTCP331-49-7081. FOR NHA/ADDITIONAL DET SEE: 49-11-01-50 49-21-00-02</p>		
- 1	3800298-1-7	<p>ENGINE ASSY-GAS TURB GTCP331-200ER (OIL QTY XMTR ONLY) SUPPLIER CODE: V99193 SPECIFICATION NUMBER: S351T020-206 CONFIG CHG DATA FROM A CMM: REPLACES 3800298-1-6 COMPONENT MAINT MANUAL REF: 49-22-11 QUALIFIED I/W DATA: S351T020-203/3800298-1-4 AND S351T020-206 (3800298-1-7/3800298-1)</p>	103106 108120 504903	RF

MISSING ITEM NUMBERS NOT APPLICABLE

- ITEM NOT ILLUSTRATED

49-94-04-50

49-94-04  
FIG. 50  
PAGE 6  
JAN 20/09

BRI



757

PARTS CATALOG (MAINTENANCE)

FIG ITEM	PART NUMBER	1 2 3 4 5 6 7 NOMENCLATURE	EFFECT FROM TO	UNITS PER ASSY
50		<p>ARE INTERCHANGEABLE WITH THE INCORPORATION OF ALLIED SIGNAL S/B GTCP331-49-7081. S351T020-204/3800298-1-5 AND S351T020-206(3800298-1-7/3800298-1) ARE INTERCHANGEABLE WITH THE INCORPORATION OF ALLIED SIGNAL S/B GTCP331-49-7081. S351T020-202 (3800298-1-3) AND S351T020-206 (3800298-1-7/3800298-1) ARE INTERCHANGEABLE WITH THE INCORPORATION OF ALLIED SIGNAL S/B GTCP331-49-7081. S351T020-201 (3800298-1-2) AND S351T020-206 (3800298-1-7/3800298-1) ARE INTERCHANGEABLE WITH THE INCORPORATION OF ALLIED SIGNAL S/B GTCP331-49-7081. S351T020-200 (3800298-1-1) AND S351T020-206 (3800298-1-7/3800298-1) ARE INTERCHANGEABLE WITH THE INCORPORATION OF ALLIED SIGNAL S/B GTCP331-49-7081.</p> <p>OPTIONAL PART: 3800298-1 V99193</p> <p>FOR NHA/OTHER SYS DET SEE: 49-11-01-50</p> <p>ENGINE ASSY-GAS TURB GTCP331-200ER (OIL QTY XMTR ONLY)</p> <p>SUPPLIER CODE: V99193</p> <p>SPECIFICATION NUMBER: S351T020-206</p> <p>COMPONENT MAINT MANUAL REF:</p>		
-	1 3800298-1	<p>ENGINE ASSY-GAS TURB GTCP331-200ER (OIL QTY XMTR ONLY)</p> <p>SUPPLIER CODE: V99193</p> <p>SPECIFICATION NUMBER: S351T020-206</p> <p>COMPONENT MAINT MANUAL REF:</p>	103106 108120 504903	RF

MISSING ITEM NUMBERS NOT APPLICABLE

- ITEM NOT ILLUSTRATED

49-94-04-50

49-94-04  
FIG. 50  
PAGE 7  
JAN 20/09

BRI





757

PARTS CATALOG (MAINTENANCE)

FIG ITEM	PART NUMBER	1 2 3 4 5 6 7 NOMENCLATURE	EFFECT FROM TO	UNITS PER ASSY
50		<p>49-22-11  QUALIFIED I/W DATA:  S351T020-203/3800298-1-4  AND  S351T020-206(3800298-1-7  /3800298-1) ARE  INTERCHANGEABLE WITH THE  INCORPORATION OF ALLIED  SIGNAL S/B  GTCP331-49-7081  S351T020-204/3800298-1-5  AND  S351T020-206(3800298-1-7  /3800298-1) ARE  INTERCHANGEABLE WITH THE  INCORPORATION OF ALLIED  SIGNAL S/B  GTCP331-49-7081  S351T020-202  (3800298-1-3)  AND S351T020-206  (3800298-1-7/3800298-1)  ARE INTERCHANGEABLE  WITH THE INCORPORATION  OF ALLIED SIGNAL S/B  GTCP331-49-7081.  S351T020-201  (3800298-1-2)  AND S351T020-206  (3800298-1-7/3800298-1)  ARE INTERCHANGEABLE  WITH THE INCORPORATION  OF ALLIED SIGNAL S/B  GTCP331-49-7081.  S351T020-200  (3800298-1-1)  AND S351T020-206  (3800298-1-7/3800298-1)  ARE INTERCHANGEABLE  WITH THE INCORPORATION  OF ALLIED SIGNAL S/B  GTCP331-49-7081.  OPTIONAL PART:  3800298-1-7  V99193  FOR NHA/OTHER SYS DET SEE:  49-11-01-50</p>		

MISSING ITEM NUMBERS NOT APPLICABLE

- ITEM NOT ILLUSTRATED

49-94-04-50

49-94-04  
FIG. 50  
PAGE 8  
JAN 20/09

BRI

 **BOEING**  
757  
**PARTS CATALOG (MAINTENANCE)**

FIG ITEM	PART NUMBER	1 2 3 4 5 6 7	NOMENCLATURE	EFFECT FROM TO	UNITS PER ASSY
50					
50	3876059-2		.SWITCH-OIL LEVEL SUPPLIER CODE: V99193 CONFIG CHG DATA FROM A CMM: SUPSD BY 8TJ99GGE1 MISCELLANEOUS DATA: REMOVE OIL LEVEL SWITCH GARRETT P/N 3876059 AND REPLACE WITH OIL QUANTITY TRANSMITTER S351N101-1. INSTALL NEW O-RING MS28775-128 AND ASSEMBLE USING NUTS AND WASHERS REMOVED FROM OIL LEVEL SWITCH. RETURN OIL LEVEL SWITCH TO VENDOR	103951	1
50	8TJ99GGE1		.TRANSMITTER-OIL QTY SUPPLIER CODE: V97424 SPECIFICATION NUMBER: S351N101-1 CONFIG CHG DATA FROM A CMM: SUPERSEDES 3876059-2 MISCELLANEOUS DATA: REMOVE OIL LEVEL SWITCH GARRETT P/N 3876059 AND REPLACE WITH OIL QUANTITY TRANSMITTER S351N101-1. INSTALL NEW O-RING MS28775-128 AND ASSEMBLE USING NUTS AND WASHERS REMOVED FROM OIL LEVEL SWITCH. RETURN OIL LEVEL SWITCH TO VENDOR COMPONENT MAINT MANUAL REF: 49-90-01	103951	1
55	MS9565-05		ATTACHING PARTS .BOLT	103951	2
60	NAS620C10L		.WASHER -----*-----	103951	2
65	M83248-1-128		.PACKING- OPTIONAL PART: S9413-128 V99193	103951	1

MISSING ITEM NUMBERS NOT APPLICABLE

— ITEM NOT ILLUSTRATED

BRI

# 49-94-04-50

BOEING PROPRIETARY - Copyright © - Unpublished Work - See title page for details.

49-94-04  
FIG. 50  
PAGE 9  
JAN 20/09