


**BOEING**  
 757  
**PARTS CATALOG (MAINTENANCE)**

CH-SECT-UNIT-FIG	PAGE NO.	DATE	CH-SECT-UNIT-FIG	PAGE NO.	DATE
*51	1	MAY 20/09			
51-41-00	1	MAY 28/07			
51-41-01- 3	0	MAY 28/07			
51-41-01- 3	0A	MAY 28/07			
51-41-01- 3	0B	MAY 28/07			
51-41-01- 3	0C	MAY 28/07			
51-41-01- 3	1	JAN 20/09			
51-41-01- 3	2	JAN 20/09			
51-41-01- 3	3	JAN 20/09			
51-41-01- 3	4	JAN 20/09			
51-41-01- 3	5	JAN 20/09			
51-41-01- 3	6	JAN 20/09			
51-41-01- 3	7	JAN 20/09			
51-41-01- 3	8	JAN 20/09			
51-41-01- 3	9	JAN 20/09			
51-41-01- 3	10	JAN 20/09			
51-41-01- 3	11	JAN 20/09			
51-41-01- 3	12	JAN 20/09			
51-41-01- 3	13	JAN 20/09			
51-41-01- 3	14	JAN 20/09			
51-41-02- 1	0	MAY 28/07			
51-41-02- 1	0A	MAY 28/07			
51-41-02- 1	1	JAN 20/09			
51-41-02- 1	2	SEP 20/08			
51-41-02- 1	3	SEP 20/08			
51-41-02- 1	4	SEP 20/08			
51-41-02- 1	5	SEP 20/08			
51-41-02- 1	6	SEP 20/08			

\* THE ASTERISK INDICATES PAGES CHANGED OR ADDED BY THE CURRENT REVISION

 **BOEING**  
757  
**PARTS CATALOG (MAINTENANCE)**

**CHAPTER 51 — STRUCTURES**

**TABLE OF CONTENTS**

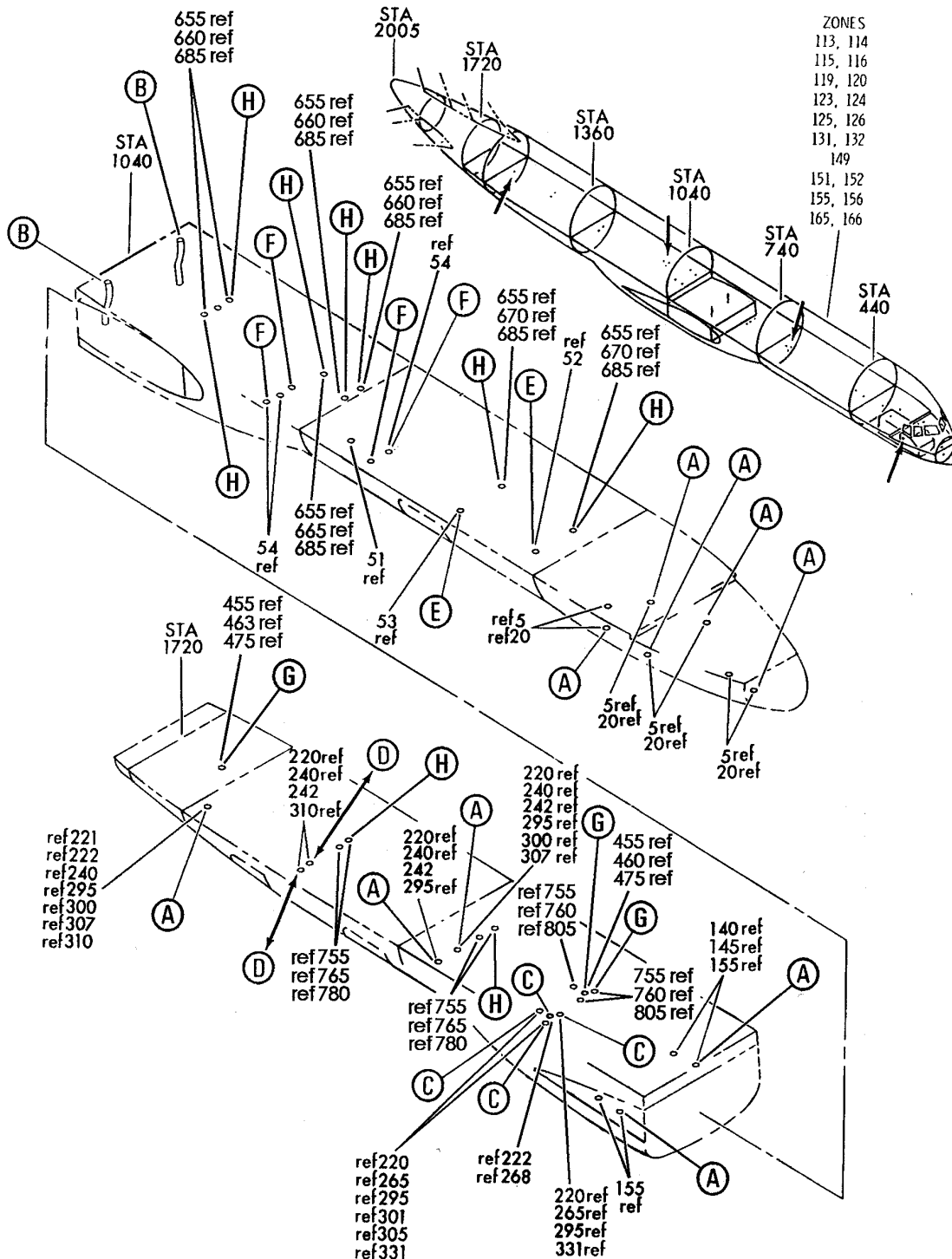
<b>SUBJECT</b>	<b>CC-SS-UU</b>	<b>FIGURE</b>	<b>EFFECT</b>
AIRFRAME DRAINAGE	51-41-00		
DRAINAGE INSTL-SECT. 44 INFLIGHT SYS	51-41-02	01	002004 006999
VALVE INSTL-FUSLG DRAIN	51-41-01	03	002004 006999

## AIRFRAME DRAINAGE

BRI  
MAY 28/07

51-41-00  
SECTION TITLE  
PAGE 1

**BOEING**  
757  
PARTS CATALOG (MAINTENANCE)



Y 51-410103 SHT 1 REV 215

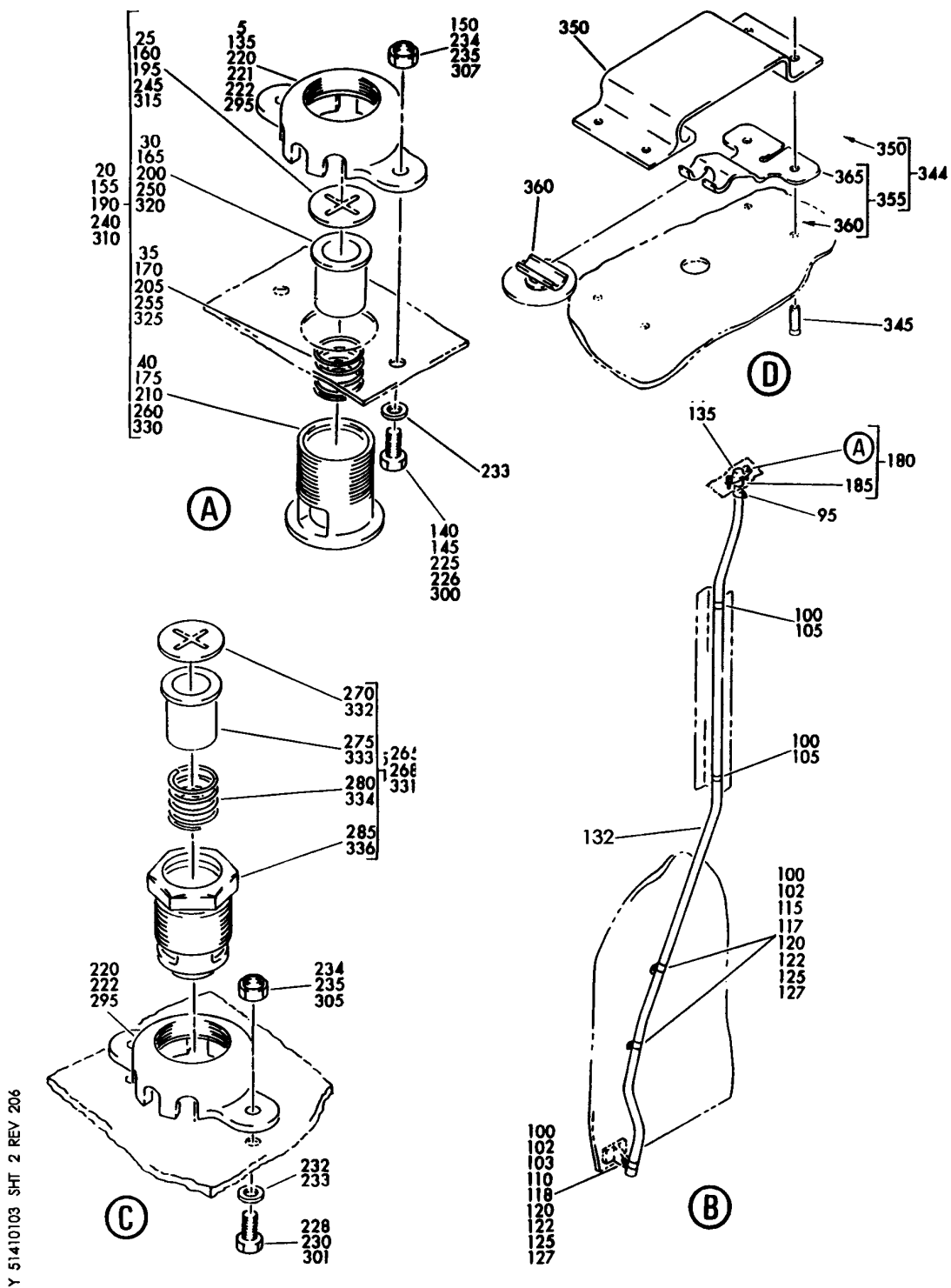
VALVE INSTL-FUSLG DRAIN  
FIGURE 3 (SHEET 1)

**51-41-01-03**

BRI  
MAY 28/07

51-41-01-03  
PAGE 0

**BOEING**  
757  
PARTS CATALOG (MAINTENANCE)



Y 51410103 SH1 2 REV 206

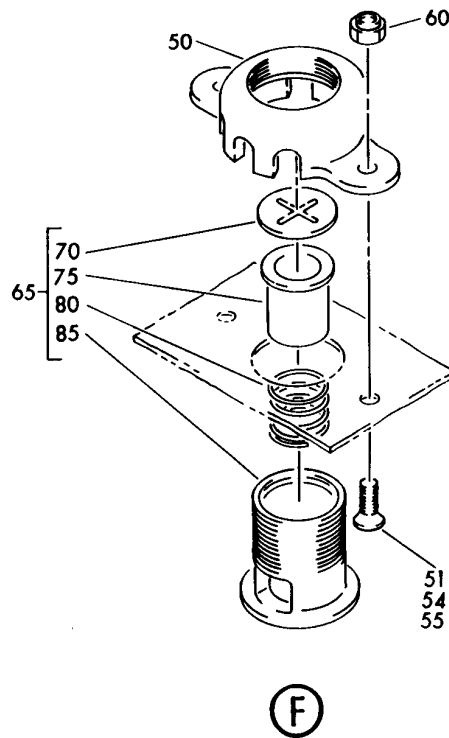
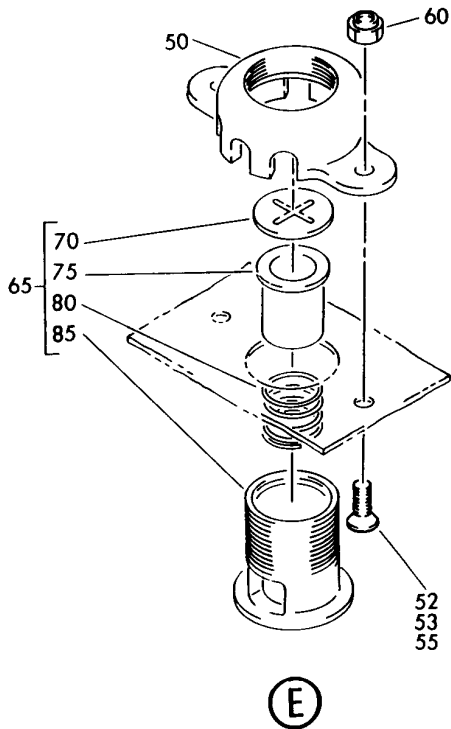
VALVE INSTL-FUSLG DRAIN  
FIGURE 3 (SHEET 2)

**51-41-01-03**

BRI  
MAY 28/07

51-41-01-03  
PAGE 0A

**BOEING**  
757  
PARTS CATALOG (MAINTENANCE)



Y 51410103 SHT 3 REV 176

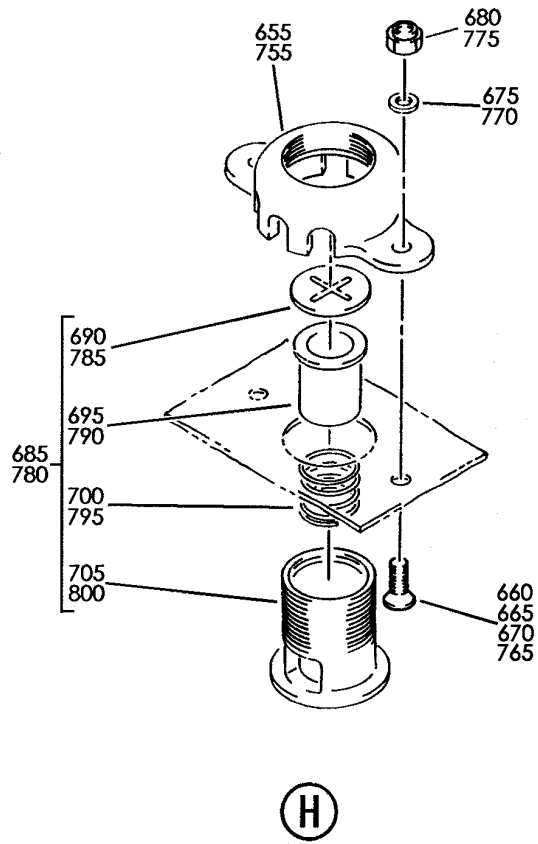
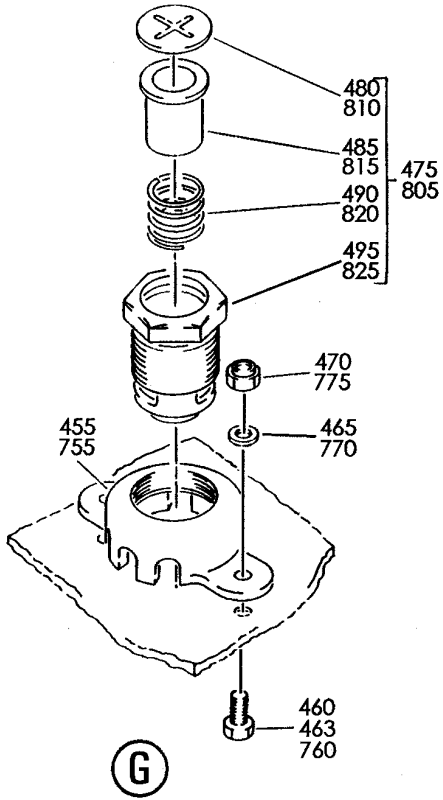
VALVE INSTL-FUSLG DRAIN  
FIGURE 3 (SHEET 3)

**51-41-01-03**

BRI  
MAY 28/07

51-41-01-03  
PAGE 0B

**BOEING**  
757  
PARTS CATALOG (MAINTENANCE)



Y 51410103 SHT 4 REV 215

VALVE INSTL-FUSLG DRAIN  
FIGURE 3 (SHEET 4)

**51-41-01-03**

BRI  
MAY 28/07

51-41-01-03  
PAGE 0C



757

PARTS CATALOG (MAINTENANCE)

FIG ITEM	PART NUMBER	1 2 3 4 5 6 7	NOMENCLATURE	EFFECT FROM TO	UNITS PER ASSY
3			VALVE INSTL-FUSLG DRAIN	002004 006999	
- 1	140N2810-7		VALVE INSTL-FUSLG DRAIN POSITION DATA: SECT. 41 FOR NHA SEE: 53-00-00-01	003004 006100 107107 121503 904999	RF
- 1	140N2810-401		VALVE INSTL-FUSLG DRAIN POSITION DATA: SECT. 41 FOR NHA SEE: 53-00-00-05	101102 108120 504903	RF
- 1	MODREF1145		VALVE INSTL-FUSLG DRAIN MODULE NUMBER: 140N2810-401 REV A POSITION DATA: SECT. 41	103106	1
5	140N2021-1		.RETAINER- OPTIONAL PART: 140T2810-28	002004 006999	7
5	140T2810-28		.RETAINER- OPTIONAL PART: 140N2021-1	002004 006999	7
- 10	HST10AG5-4		ATTACHING PARTS .BOLT- SUPPLIER CODE: VOPTK6 SPECIFICATION NUMBER: BACB30VT5K4 OPTIONAL PART: HST10AG5-4 V06725 HST10AG5-4 V56878 HST10AG5-4 V73197	002004 006999	6
13	HST11AG5-4		.BOLT SUPPLIER CODE: V06725 SPECIFICATION NUMBER: BACB30VU5K4 OPTIONAL PART: HST11AG5-4 V73197 HST11AG5-4 VOPTK6 HST11AG5-4 V56878	002004 006999	8

MISSING ITEM NUMBERS NOT APPLICABLE

- ITEM NOT ILLUSTRATED

51-41-01-03

51-41-01  
FIG. 03  
PAGE 1  
JAN 20/09

BRI





757

PARTS CATALOG (MAINTENANCE)

FIG ITEM	PART NUMBER	1 2 3 4 5 6 7	NOMENCLATURE	EFFECT FROM TO	UNITS PER ASSY
3					
- 15	PLH508CD		.NUT- SUPPLIER CODE: VF0224 SPECIFICATION NUMBER: BACN10YR08CD OPTIONAL PART: H52732-08CD V15653 -----*-----	002004 006999	14
20	140N2022-1		.VALVE ASSY-	002004 006999	7
25	140N2022-4		..CAP	002004 006999	1
30	140N2022-3		..PLUNGER	002004 006999	1
35	140N2020-1		..SPRING	002004 006999	1
40	140N2022-2		..HOUSING	002004 006999	1
- 45	140N2810-8		VALVE INSTL-FUSLG DRAIN POSITION DATA: SECT. 43 FOR NHA SEE: 53-00-00-02	003004 006100 107107 121503 904999	RF
- 45	140N2810-601		VALVE INSTL-FUSLG DRAIN POSITION DATA: SECT. 43 FOR NHA SEE: 53-00-00-05	101102 504903	RF
50	140N2021-1		.RETAINER- OPTIONAL PART: 140T2810-28	002004 006102 107107 121999	8
50	140T2810-28		.RETAINER- OPTIONAL PART: 140N2021-1	002004 006102 107107 121999	8

MISSING ITEM NUMBERS NOT APPLICABLE

- ITEM NOT ILLUSTRATED

51-41-01-03

51-41-01  
FIG. 03  
PAGE 2  
JAN 20/09

BRI



757

PARTS CATALOG (MAINTENANCE)

FIG ITEM	PART NUMBER	1 2 3 4 5 6 7	NOMENCLATURE	EFFECT FROM TO	UNITS PER ASSY
3			ATTACHING PARTS		
- 51	HST10AG5-4		.BOLT SUPPLIER CODE: VOPTK6 SPECIFICATION NUMBER: BACB30VT5K4 OPTIONAL PART: HST10AG5-4 V06725 HST10AG5-4 V56878 HST10AG5-4 V73197	002004 006102 107107 121999	4
52	BACB30FN5AK4		.BOLT-	006102 504903 950951 953999	2
52	HL441UC5-4		.BOLT- SUPPLIER CODE: V97928 SPECIFICATION NUMBER: BACB30FN5A4 OPTIONAL PART: HL441UC5-4 V73197 HL441UC5-4 V92215 HL41PY5-4 V80539 HL441N5-4 V80539 HL441UC5-4 V80539 67068-5A4 V56878 HL441UC5-4 V08524 HL441UC5-4 V56878 L839-5A4 V06725 HL441UC5-4 V56878	006102 504903 950951 953999	2

MISSING ITEM NUMBERS NOT APPLICABLE

- ITEM NOT ILLUSTRATED

51-41-01-03

51-41-01  
FIG. 03  
PAGE 3  
JAN 20/09

BRI



757

PARTS CATALOG (MAINTENANCE)

FIG ITEM	PART NUMBER	1 2 3 4 5 6 7	NOMENCLATURE	EFFECT FROM TO	UNITS PER ASSY
3	54	HST11AG5-4	.BOLT- SUPPLIER CODE: V06725 SPECIFICATION NUMBER: BACB30VU5K4 OPTIONAL PART: HST11AG5-4 V73197 HST11AG5-4 VOPTK6 HST11AG5-4 V56878	003004 006100 107107 121503 904999	8
	55	HST11AG5-4	.BOLT- SUPPLIER CODE: V06725 SPECIFICATION NUMBER: BACB30VU5K4 OPTIONAL PART: HST11AG5-4 V73197 HST11AG5-4 VOPTK6 HST11AG5-4 V56878	003004 006100 107107 121503 904999	16
	60	PLH508CD	.NUT- SUPPLIER CODE: VF0224 SPECIFICATION NUMBER: BACN10YR08CD OPTIONAL PART: H52732-08CD V15653 -----*-----	002004 006102 107107 121999	16
	65	140N2022-1	.VALVE ASSY-DRAIN	002004 006102 107107 121999	8
	70	140N2022-4	..CAP	002004 006102 107107 121999	1
	75	140N2022-3	..PLUNGER	002004 006102 107107 121999	1
	80	140N2020-1	..SPRING	002004 006102 107107 121999	1
	MISSING ITEM NUMBERS NOT APPLICABLE				

- ITEM NOT ILLUSTRATED

51-41-01-03

51-41-01  
FIG. 03  
PAGE 4  
JAN 20/09

BRI



757

PARTS CATALOG (MAINTENANCE)

FIG ITEM	PART NUMBER	1 2 3 4 5 6 7	NOMENCLATURE	EFFECT FROM TO	UNITS PER ASSY
3					
85	140N2022-2		. . HOUSING	002004 006102 107107 121999	1
- 90	140N2810-9		VALVE INSTL-FUSLG DRAIN POSITION DATA: SECT. 44 FOR NHA SEE: 53-00-00-03	003004 006100 107107 121503 904999	RF
- 90	140N2810-403		VALVE INSTL-FUSLG DRAIN POSITION DATA: SECT. 44 FOR NHA SEE: 53-00-00-05	101102 108120 504903	RF
- 90	MODREF1223		VALVE INSTL-FUSLG DRAIN MODULE NUMBER: 140N2810-403 REV A POSITION DATA: SECT. 44	103106	1
95	AN737TW26		. CLAMP	002004 006999	2
100	S392D12F		. CLAMP SUPPLIER CODE: V18076 SPECIFICATION NUMBER: BACC10BU12DF OPTIONAL PART: 393-12AF V83930 JM44LC24D12YN V22175 TA04C44D12NB V84971 393A12AF V83930	002004 006102 107999	10
102	S392D12F		. CLAMP SUPPLIER CODE: V18076 SPECIFICATION NUMBER: BACC10BU12DF OPTIONAL PART: 393-12AF V83930 JM44LC24D12YN V22175 TA04C44D12NB V84971 393A12AF V83930	002004 006999	6

MISSING ITEM NUMBERS NOT APPLICABLE

- ITEM NOT ILLUSTRATED

51-41-01-03

51-41-01  
FIG. 03  
PAGE 5  
JAN 20/09

BRI



757

PARTS CATALOG (MAINTENANCE)

FIG ITEM	PART NUMBER	1 2 3 4 5 6 7	NOMENCLATURE	EFFECT FROM TO	UNITS PER ASSY
3			ATTACHING PARTS		
105	NAS603-9		.SCREW	101106 108120 504903	4
110	NAS623-3-3		.SCREW	002004 006102 107999	2
115	NAS623-3-4		.SCREW	002004 006102 107999	4
117	BACB30NT3K4		.BOLT	101106 108120 504903	4
118	BACB30NT3K3		.BOLT	101106 108120 504903	2
120	AN960C10L		.WASHER	002004 006102 107999	6
122	NAS1149C0332		.BOLT	101106 108120 504903	6
125	BRH10A3		.NUT	002004 006102 107999	6
			SUPPLIER CODE: V52828		
			SPECIFICATION NUMBER: BACN10JC3		
			OPTIONAL PART: H10-3BAC		
			V15653		
			NS202101-02		
			V80539		
			RMLH9075-3W		
			V72962		
			VN303A02		
			V92215		
			96-02		
			V80539		
			T6S1032J		
			V11815		

MISSING ITEM NUMBERS NOT APPLICABLE

- ITEM NOT ILLUSTRATED

51-41-01-03

51-41-01  
FIG. 03  
PAGE 6  
JAN 20/09

BRI

 **BOEING**  
757  
**PARTS CATALOG (MAINTENANCE)**

FIG ITEM	PART NUMBER	1 2 3 4 5 6 7	NOMENCLATURE	EFFECT FROM TO	UNITS PER ASSY
3 127	BRH10C3D	.NUT	SUPPLIER CODE: V52828 SPECIFICATION NUMBER: BACN10JC3CD OPTIONAL PART: T6C1032JCD V11815 NS202486-02 V80539 102LH9075-3W V72962 H51650-3BAC V15653 -----*-----	101106 108120 504903	6
130	140N2810-6	.TUBE-		002004 006102 107999	2
132	140N2810-13	.TUBE-		002004 006999	2
135	140N2021-1	.RETAINER- OPTIONAL PART: 140T2810-28		002004 006999	6
135	140T2810-28	.RETAINER- OPTIONAL PART: 140N2021-1		002004 006999	6
140	HST10AG5-4	ATTACHING PARTS .BOLT- SUPPLIER CODE: VOPTK6 SPECIFICATION NUMBER: BACB30VT5K4 OPTIONAL PART: HST10AG5-4 V06725 HST10AG5-4 V56878 HST10AG5-4 V73197		003004 006100 107107 121503 904999	4
145	L8005K4	.BOLT SUPPLIER CODE: V06725 SPECIFICATION NUMBER: BACB30MY5K4		002004 006999	4

MISSING ITEM NUMBERS NOT APPLICABLE

— ITEM NOT ILLUSTRATED

BRI

# 51-41-01-03

BOEING PROPRIETARY - Copyright © - Unpublished Work - See title page for details.

51-41-01  
FIG. 03  
PAGE 7  
JAN 20/09



757

PARTS CATALOG (MAINTENANCE)

FIG ITEM	PART NUMBER	1 2 3 4 5 6 7	NOMENCLATURE	EFFECT FROM TO	UNITS PER ASSY
3 150	BRH10C08D	.	NUT- SUPPLIER CODE: V52828 SPECIFICATION NUMBER: BACN10JC08CD OPTIONAL PART: H51650-08BAC V15653 102LH9075-82W V72962 NS202486-82 V80539 T6C832JCD V11815 -----*-----	002004 006999	12
155	140N2022-1	.	VALVE ASSY	002004 006999	4
160	140N2022-4	..	CAP	002004 006999	1
165	140N2022-3	..	PLUNGER	002004 006999	1
170	140N2020-1	..	SPRING	002004 006999	1
175	140N2022-2	..	HOUSING	002004 006999	1
180	140N2023-1	.	VALVE ASSY-SUMP	002004 006999	2
185	140N2023-2	..	TUBE-ADAPTER	002004 006999	1
190	140N2022-1	..	VALVE ASSY	002004 006999	1
195	140N2022-4	...	CAP	002004 006999	1
200	140N2022-3	...	PLUNGER	002004 006999	1
205	140N2020-1	...	SPRING	002004 006999	1
210	140N2022-2	...	HOUSING	002004 006999	1
- 215	140N2810-10		VALVE INSTL-FUSLG DRAIN POSITION DATA: SECT. 46 FOR NHA SEE: 53-00-00-04	002004 006100 107107 121503 904999	RF
- 215	140N2810-2001		VALVE INSTL-FUSLG DRAIN POSITION DATA: SECT. 46 FOR NHA SEE: 53-00-00-05	101102 504903	RF

MISSING ITEM NUMBERS NOT APPLICABLE

- ITEM NOT ILLUSTRATED

51-41-01-03

51-41-01  
FIG. 03  
PAGE 8  
JAN 20/09

BRI



757

PARTS CATALOG (MAINTENANCE)

FIG ITEM	PART NUMBER	1 2 3 4 5 6 7	NOMENCLATURE	EFFECT FROM TO	UNITS PER ASSY
3					
220	140N2021-1		.RETAINER- OPTIONAL PART: 140T2810-28	002004 006102 107107 121999	7
220	140T2810-28		.RETAINER- OPTIONAL PART: 140N2021-1	002004 006102 107107 121999	7
221	140N2021-1		.RETAINER- OPTIONAL PART: 140T2810-28	002004 006102 107107 121999	1
221	140T2810-28		.RETAINER- OPTIONAL PART: 140N2021-1	002004 006102 107107 121999	1
225	HST11AG5-4		ATTACHING PARTS .BOLT- SUPPLIER CODE: V06725 SPECIFICATION NUMBER: BACB30VU5K4 OPTIONAL PART: HST11AG5-4 V73197 HST11AG5-4 VOPTK6 HST11AG5-4 V56878	002004 006102 107999	10
228	L8005K4		.BOLT- SUPPLIER CODE: V06725 SPECIFICATION NUMBER: BACB30MY5K4	002004 006100 107107 121503 904999	8
230	L8005K4		.BOLT SUPPLIER CODE: V06725 SPECIFICATION NUMBER: BACB30MY5K4	002004 006102 107107 121999	6
233	AN960KD8M		.WASHER	002004 006102 107107 121999	AR

MISSING ITEM NUMBERS NOT APPLICABLE

- ITEM NOT ILLUSTRATED

51-41-01-03

51-41-01  
FIG. 03  
PAGE 9  
JAN 20/09

BRI

BOEING PROPRIETARY - Copyright © - Unpublished Work - See title page for details.





757

PARTS CATALOG (MAINTENANCE)

FIG ITEM	PART NUMBER	1 2 3 4 5 6 7	NOMENCLATURE	EFFECT FROM TO	UNITS PER ASSY
3 234	BRH10C08D	.NUT-	SUPPLIER CODE: V52828 SPECIFICATION NUMBER: BACN10JC08CD OPTIONAL PART: H51650-08BAC V15653 102LH9075-82W V72962 NS202486-82 V80539 T6C832JCD V11815	002004 006102 107999	18
235	BRH10C08D	.NUT-	SUPPLIER CODE: V52828 SPECIFICATION NUMBER: BACN10JC08CD OPTIONAL PART: H51650-08BAC V15653 102LH9075-82W V72962 NS202486-82 V80539 T6C832JCD V11815	101102 504903	16
240	140N2022-1	-----*----- .VALVE ASSY		002004 006102 107107 121999	5
245	140N2022-4	..CAP		002004 006102 107107 121999	1
250	140N2022-3	..PLUNGER		002004 006102 107107 121999	1
255	140N2020-1	..SPRING		002004 006102 107107 121999	1
260	140N2022-2	..HOUSING		002004 006102 107107 121999	1

MISSING ITEM NUMBERS NOT APPLICABLE

- ITEM NOT ILLUSTRATED

51-41-01-03

51-41-01  
FIG. 03  
PAGE 10  
JAN 20/09

BRI

BOEING PROPRIETARY - Copyright © - Unpublished Work - See title page for details.

**BOEING**  
757  
**PARTS CATALOG (MAINTENANCE)**

FIG ITEM	PART NUMBER	1 2 3 4 5 6 7	NOMENCLATURE	EFFECT FROM TO	UNITS PER ASSY
3					
265	140N2024-1	.	VALVE ASSY-BILGE	002004 006102 107107 121999	3
270	140N2022-4	..	CAP	002004 006102 107999	1
275	140N2022-3	..	PLUNGER	002004 006102 107999	1
280	140N2020-1	..	SPRING	002004 006102 107999	1
285	140N2024-2	..	HOUSING	002004 006102 107999	1
- 453	140N2810-602		VALVE INSTL-FUSLG DRAIN POSITION DATA: SECT. 46 FOR NHA SEE: 53-00-00-05	108120	RF
- 453	MODREF1224		VALVE INSTL-FUSLG DRAIN MODULE NUMBER: 140N2810-602 REV A POSITION DATA: SECT. 46	103106	1
455	140N2021-1	.	RETAINER- OPTIONAL PART: 140T2810-28	103106 108120	1
455	140T2810-28	.	RETAINER- OPTIONAL PART: 140N2021-1	103106 108120	1
463	WC331K5-4	.	ATTACHING PARTS BOLT SUPPLIER CODE: V60516 SPECIFICATION NUMBER: BACB30YP5K4	103106 108120	2
465	NAS1149DN832K	.	WASHER	103106 108120	AR
470	PLH508CD	.	NUT SUPPLIER CODE: VF0224 SPECIFICATION NUMBER: BACN10YR08CD OPTIONAL PART: H52732-08CD V15653 -----*-----	103106 108120	2

MISSING ITEM NUMBERS NOT APPLICABLE

- ITEM NOT ILLUSTRATED

BRI

# 51-41-01-03

BOEING PROPRIETARY - Copyright © - Unpublished Work - See title page for details.

51-41-01  
FIG. 03  
PAGE 11  
JAN 20/09



757

PARTS CATALOG (MAINTENANCE)

FIG ITEM	PART NUMBER	1 2 3 4 5 6 7	NOMENCLATURE	EFFECT FROM TO	UNITS PER ASSY
3					
475	140N2022-1		.VALVE ASSY- USED ON: 140N2810-602 MODREF1224	103106 108120	1
480	140N2022-4		..CAP	103106 108120	1
485	140N2022-3		..PLUNGER	103106 108120	1
490	140N2020-1		..SPRING	103106 108120	1
495	140N2024-2		..HOUSING	103106 108120	1
- 650	140N2810-201		VALVE INSTL-FUSLG DRAIN POSITION DATA: SECT. 43 FOR NHA SEE: 53-00-00-05	103105 108120	RF
- 650	MODREF1141		VALVE INSTL-FUSLG DRAIN MODULE NUMBER: 140N2810-201 REV A POSITION DATA: SECT. 43	103106	1
655	140N2021-1		.RETAINER- OPTIONAL PART: 140T2810-28	106106 108120	8
655	140T2810-28		.RETAINER- OPTIONAL PART: 140N2021-1	106106 108120	8
660	WC331K5-4		ATTACHING PARTS .BOLT SUPPLIER CODE: V60516 SPECIFICATION NUMBER: BACB30YP5K4	106106 108120	10
665	VL310AG5-4		.BOLT SUPPLIER CODE: V06950 SPECIFICATION NUMBER: BACB30VT5HK4 OPTIONAL PART: VL310AG5-4 V9N513 VL310AG5-4 V97928 WC10K5-4 V60516	106106 108120	2
670	BACB30FN5AK4		.BOLT	106106 108120	4

MISSING ITEM NUMBERS NOT APPLICABLE

- ITEM NOT ILLUSTRATED

51-41-01-03

51-41-01  
FIG. 03  
PAGE 12  
JAN 20/09

BRI

 **BOEING**  
757  
**PARTS CATALOG (MAINTENANCE)**

FIG ITEM	PART NUMBER	1 2 3 4 5 6 7	NOMENCLATURE	EFFECT FROM TO	UNITS PER ASSY
3					
675	NAS1149DN832K	.	WASHER	106106 108120	AR
680	PLH508CD	.	NUT SUPPLIER CODE: VF0224 SPECIFICATION NUMBER: BACN10YR08CD OPTIONAL PART: H52732-08CD V15653 -----*-----	106106 108120	16
685	140N2022-1	.	VALVE ASSY-DRAIN	106106 108120	8
690	140N2022-4	..	CAP	106106 108120	1
695	140N2022-3	..	PLUNGER	106106 108120	1
700	140N2020-1	..	SPRING	106106 108120	1
705	140N2022-2	..	HOUSING	106106 108120	1
- 750	140N2810-202		VALVE INSTL-FUSLG DRAIN POSITION DATA: SECT. 46 FOR NHA SEE: 53-00-00-05	103105 108120	RF
- 750	MODREF1142		VALVE INSTL-FUSLG DRAIN MODULE NUMBER: 140N2810-202 REV A POSITION DATA: SECT. 46	103106	1
755	140N2021-1	.	RETAINER- OPTIONAL PART: 140T2810-28	106106 108120	7
755	140T2810-28	.	RETAINER- OPTIONAL PART: 140N2021-1	106106 108120	7
760	L8005K4	.	ATTACHING PARTS BOLT SUPPLIER CODE: V06725 SPECIFICATION NUMBER: BACB30MY5K4	106106 108120	6
765	WC331K5-4	.	BOLT SUPPLIER CODE: V60516 SPECIFICATION NUMBER: BACB30YP5K4	106106 108120	8

MISSING ITEM NUMBERS NOT APPLICABLE

- ITEM NOT ILLUSTRATED

BRI

# 51-41-01-03

51-41-01  
FIG. 03  
PAGE 13  
JAN 20/09



757

PARTS CATALOG (MAINTENANCE)

FIG ITEM	PART NUMBER	1 2 3 4 5 6 7	NOMENCLATURE	EFFECT FROM TO	UNITS PER ASSY
3					
770	NAS1149DN832K	.	WASHER	106106 108120	AR
775	PLH508CD	.	NUT	106106 108120	14
			SUPPLIER CODE: VF0224		
			SPECIFICATION NUMBER: BACN10YR08CD		
			OPTIONAL PART: H52732-08CD V15653		
			-----*-----		
780	140N2022-1	.	VALVE ASSY-DRAIN	106106 108120	4
785	140N2022-4	..	CAP	106106 108120	1
790	140N2022-3	..	PLUNGER	106106 108120	1
795	140N2020-1	..	SPRING	106106 108120	1
800	140N2022-2	..	HOUSING	106106 108120	1
805	140N2024-1	.	VALVE ASSY	106106 108120	3
810	140N2022-4	..	CAP	106106 108120	1
815	140N2022-3	..	PLUNGER	106106 108120	1
820	140N2020-1	..	SPRING	106106 108120	1
825	140N2024-2	..	HOUSING	106106 108120	1

MISSING ITEM NUMBERS NOT APPLICABLE

- ITEM NOT ILLUSTRATED

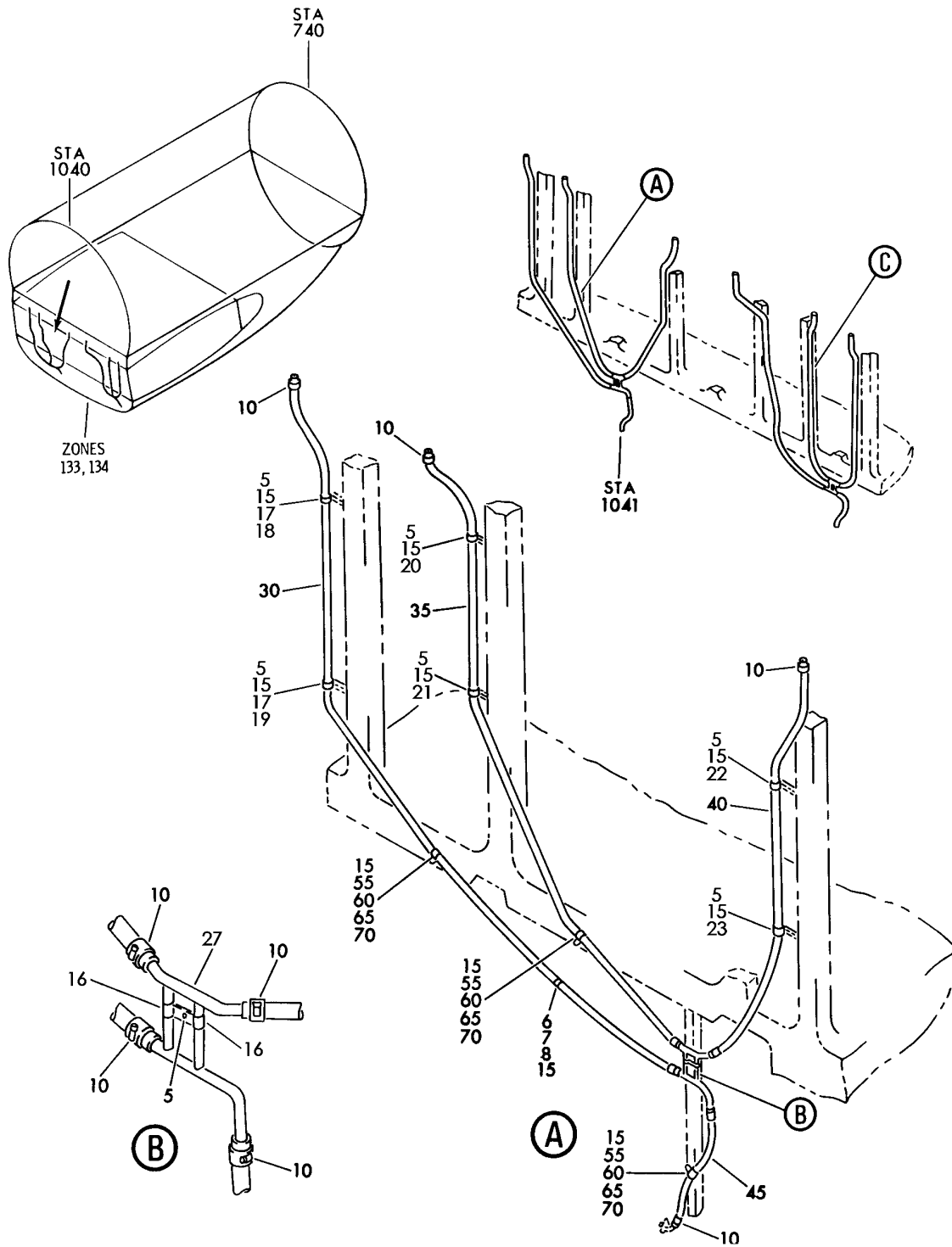
51-41-01-03

51-41-01  
FIG. 03  
PAGE 14  
JAN 20/09

BRI

BOEING PROPRIETARY - Copyright © - Unpublished Work - See title page for details.

**BOEING**  
757  
PARTS CATALOG (MAINTENANCE)



Y 51410201 SHT 1 REV 228

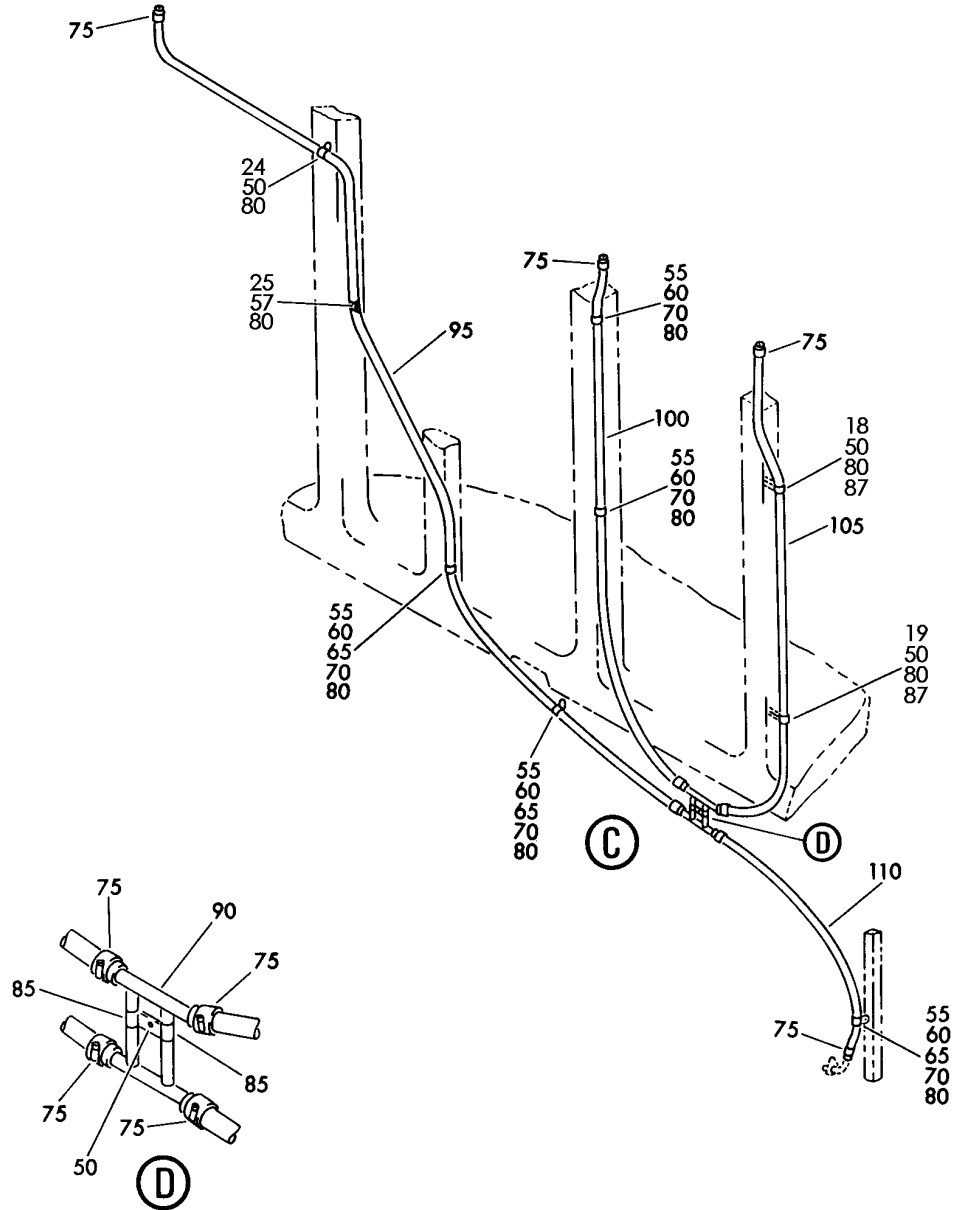
DRAINAGE INSTL-SECT. 44 INFLIGHT SYS  
FIGURE 1 (SHEET 1)

**51-41-02-01**

BRI  
MAY 28/07

51-41-02-01  
PAGE 0

**BOEING**  
757  
PARTS CATALOG (MAINTENANCE)



Y 51410201 SHT 2 REV 228

DRAINAGE INSTL-SECT. 44 INFLIGHT SYS  
FIGURE 1 (SHEET 2)

**51-41-02-01**

BRI  
MAY 28/07

51-41-02-01  
PAGE 0A



757

PARTS CATALOG (MAINTENANCE)

FIG ITEM	PART NUMBER	1 2 3 4 5 6 7	NOMENCLATURE	EFFECT FROM TO	UNITS PER ASSY
1			DRAINAGE INSTL-SECT. 44 INFLIGHT SYS	002004 006999	
- 1	144N8087-1		DRAINAGE INSTL-INFLIGHT SYS POSITION DATA: SECT. 44 FOR NHA SEE: 53-00-00-03	002004 006100 107107 121503 904999	RF
- 1	144N8087-401		DRAINAGE INSTL-INFLIGHT SYS POSITION DATA: SECT. 44 FOR NHA SEE: 53-00-00-03A	101102 108120 504903	RF
- 1	MODREF2595		DRAINAGE INSTL-INFLIGHT SYS MODULE NUMBER: 144N8087-401 REV A POSITION DATA: SECT. 44	103106	1
5	NAS603-10		.SCREW	002004 006999	7
6	NAS623-3-4		.SCREW	002004 006999	1
7	AN960KD10L		.WASHER	002004 006999	1
8	BRH10A3		.NUT SUPPLIER CODE: V52828 SPECIFICATION NUMBER: BACN10JC3 OPTIONAL PART: H10-3BAC V15653 NS202101-02 V80539 RMLH9075-3W V72962 VN303A02 V92215 96-02 V80539 T6S1032J V11815	002004 006999	1
10	AN737TW22		.CLAMP	002004 006999	8

MISSING ITEM NUMBERS NOT APPLICABLE

- ITEM NOT ILLUSTRATED

BRI

51-41-02-01

BOEING PROPRIETARY - Copyright © - Unpublished Work - See title page for details.

51-41-02  
FIG. 01  
PAGE 1  
JAN 20/09





757

PARTS CATALOG (MAINTENANCE)

FIG ITEM	PART NUMBER	1 2 3 4 5 6 7	NOMENCLATURE	EFFECT FROM TO	UNITS PER ASSY
1	15 S392D9F		.CLAMP SUPPLIER CODE: V18076 SPECIFICATION NUMBER: BACC10BU9DF OPTIONAL PART: 393-9AF V83930 JM44LC24D9YN V22175 TA04C44D9NB V84971 393A9AF V83930	002004 006999	10
	16 S392D6F		.CLAMP SUPPLIER CODE: V18076 SPECIFICATION NUMBER: BACC10BU6DF OPTIONAL PART: 393-6AF V83930 JM44LC24D6YN V22175 TA04C44D6NB V84971 393A6AF V83930	002004 006999	2
	17 S392D12F		.CLAMP SUPPLIER CODE: V18076 SPECIFICATION NUMBER: BACC10BU12DF OPTIONAL PART: 393-12AF V83930 JM44LC24D12YN V22175 TA04C44D12NB V84971 393A12AF V83930	002004 006999	2

MISSING ITEM NUMBERS NOT APPLICABLE

- ITEM NOT ILLUSTRATED

51-41-02-01

BRI

BOEING PROPRIETARY - Copyright © - Unpublished Work - See title page for details.

51-41-02  
FIG. 01  
PAGE 2  
SEP 20/08



757

PARTS CATALOG (MAINTENANCE)

FIG ITEM	PART NUMBER	1 2 3 4 5 6 7	NOMENCLATURE	EFFECT FROM TO	UNITS PER ASSY
1					
18	WS14A12	.NUT	SUPPLIER CODE: V04169 SPECIFICATION NUMBER: BACN10TL3A12 OPTIONAL PART: WS1-4A12 V04169	002004 006999	2
19	WS14A24	.NUT-	SUPPLIER CODE: V04169 SPECIFICATION NUMBER: BACN10TL3A24 OPTIONAL PART: BACN10TL3A24B	002004 006999	2
19	WSI4A24B	.NUT-	SUPPLIER CODE: V04169 SPECIFICATION NUMBER: BACN10TL3A24B OPTIONAL PART: BACN10TL3A24	002004 006999	2
20	WS14A10	.NUTPLATE	SUPPLIER CODE: V04169 SPECIFICATION NUMBER: BACN10TL3A10	002004 006999	1
21	WSI4A8	.NUT	SUPPLIER CODE: V04169 SPECIFICATION NUMBER: BACN10TL3A8	002004 006999	1
22	BACN10TL3A14	.NUT		002004 006999	1
23	WSI4A16	.NUT	SUPPLIER CODE: V04169 SPECIFICATION NUMBER: BACN10TL3A16	002004 006999	1
24	BACN10GH3A12	.NUTPLATE		002004 006999	1
25	BACN10GH3A2	.NUTPLATE		002004 006999	1
27	144N8156-17	.DRAIN ASSY-WELDED		002004 006999	1
30	144N8087-11	.HOSE-RUBBER	.07 WALL X .375 I.D. X 74.6	002004 006999	1

MISSING ITEM NUMBERS NOT APPLICABLE

- ITEM NOT ILLUSTRATED

51-41-02-01

51-41-02  
FIG. 01  
PAGE 3  
SEP 20/08

BRI

BOEING PROPRIETARY - Copyright © - Unpublished Work - See title page for details.



757

PARTS CATALOG (MAINTENANCE)

FIG ITEM	PART NUMBER	1 2 3 4 5 6 7	NOMENCLATURE	EFFECT FROM TO	UNITS PER ASSY
1					
35	144N8087-12		.HOSE-RUBBER .07 WALL X .375 I.D. X 59.4	002004 006999	1
40	144N8087-13		.HOSE-RUBBER .07 WALL X .375 I.D. X 49.5	002004 006999	1
45	144N8087-17		.HOSE-RUBBER .07 WALL X .375 I.D. X 24.2	002004 006999	1
50	NAS603-10		.SCREW	002004 006999	4
55	NAS623-3-5		.SCREW	002004 006999	8
57	NAS1801-3-7		.SCREW	002004 006999	1
60	AN960KD10		.WASHER	002004 006999	8
65	AN960KD10L		.WASHER	002004 006999	6
70	BRH10A3		.NUT SUPPLIER CODE: V52828 SPECIFICATION NUMBER: BACN10JC3 OPTIONAL PART: H10-3BAC V15653 NS202101-02 V80539 RMLH9075-3W V72962 VN303A02 V92215 96-02 V80539 T6S1032J V11815	002004 006999	8
75	AN737TW22		.CLAMP	002004 006999	8

MISSING ITEM NUMBERS NOT APPLICABLE

- ITEM NOT ILLUSTRATED

BRI

51-41-02-01

BOEING PROPRIETARY - Copyright © - Unpublished Work - See title page for details.

51-41-02  
FIG. 01  
PAGE 4  
SEP 20/08



757

PARTS CATALOG (MAINTENANCE)

FIG ITEM	PART NUMBER	1 2 3 4 5 6 7	NOMENCLATURE	EFFECT FROM TO	UNITS PER ASSY
1 80	S392D9F	.CLAMP	SUPPLIER CODE: V18076 SPECIFICATION NUMBER: BACC10BU9DF OPTIONAL PART: 393-9AF V83930 JM44LC24D9YN V22175 TA04C44D9NB V84971 393A9AF V83930	002004 006999	9
85	S392D6F	.CLAMP	SUPPLIER CODE: V18076 SPECIFICATION NUMBER: BACC10BU6DF OPTIONAL PART: 393-6AF V83930 JM44LC24D6YN V22175 TA04C44D6NB V84971 393A6AF V83930	002004 006999	2
87	S392D12F	.CLAMP	SUPPLIER CODE: V18076 SPECIFICATION NUMBER: BACC10BU12DF OPTIONAL PART: 393-12AF V83930 JM44LC24D12YN V22175 TA04C44D12NB V84971 393A12AF V83930	002004 006999	2
90	144N8156-21	.DRAIN ASSY-WELDED		002004 006999	1
95	144N8087-14	.HOSE-RUBBER .07 WALL X .375 I.D. X 78.7		002004 006999	1

MISSING ITEM NUMBERS NOT APPLICABLE

- ITEM NOT ILLUSTRATED

51-41-02-01

BRI

BOEING PROPRIETARY - Copyright © - Unpublished Work - See title page for details.

51-41-02  
FIG. 01  
PAGE 5  
SEP 20/08



757

PARTS CATALOG (MAINTENANCE)

FIG ITEM	PART NUMBER	1 2 3 4 5 6 7	NOMENCLATURE	EFFECT FROM TO	UNITS PER ASSY
1 100	144N8087-15		.HOSE-RUBBER .07 WALL X .375 I.D. X 48.4	002004 006999	1
105	144N8087-16		.HOSE-RUBBER .07 WALL X .375 I.D. X 46.2	002004 006999	1
110	144N8087-18		.HOSE-RUBBER .07 WALL X .375 I.D. X 34.1	002004 006999	1

MISSING ITEM NUMBERS NOT APPLICABLE

- ITEM NOT ILLUSTRATED

BRI

51-41-02-01

BOEING PROPRIETARY - Copyright © - Unpublished Work - See title page for details.

51-41-02  
FIG. 01  
PAGE 6  
SEP 20/08