


BOEING
 757
PARTS CATALOG (MAINTENANCE)

CH-SECT-UNIT-FIG	PAGE NO.	DATE	CH-SECT-UNIT-FIG	PAGE NO.	DATE
*54	1	MAY 20/09	54-51-01- 1	5	JAN 20/09
*54	2	MAY 20/09	54-51-01- 1	6	JAN 20/09
*54	3	MAY 20/09	*54-51-01- 1	7	MAY 20/09
*54	4	MAY 20/09	*54-51-01- 1	8	MAY 20/09
*54	5	MAY 20/09	*54-51-01- 1	9	MAY 20/09
54-00-00	1	MAY 28/07	*54-51-01- 1	10	MAY 20/09
54-00-00- 3A	0	MAY 28/07	*54-51-01- 1	11	MAY 20/09
54-00-00- 3A	1	JAN 20/09	*54-51-01- 1	12	MAY 20/09
54-00-00- 3A	2	JAN 20/09	*54-51-01- 1	13	MAY 20/09
54-00-00- 3A	3	JAN 20/09	*54-51-01- 1	14	MAY 20/09
54-00-00- 3A	4	JAN 20/09	*54-51-01- 1	15	MAY 20/09
54-00-00- 3A	5	JAN 20/09	*54-51-01- 1	16	MAY 20/09
54-00-00- 3B	0	JAN 20/09	*54-51-01- 1	17	MAY 20/09
54-00-00- 3B	1	JAN 20/09	*54-51-01- 1	18	MAY 20/09
54-00-00- 4	0	MAY 28/07	*54-51-01- 1	19	MAY 20/09
54-00-00- 4	1	JAN 20/09	*54-51-01- 1	20	MAY 20/09
54-00-00- 4	2	JAN 20/09	*54-51-01- 1	21	MAY 20/09
54-00-00- 4	3	JAN 20/09	*54-51-01- 1	22	MAY 20/09
54-00-00- 4	4	JAN 20/09	*54-51-01- 1	23	MAY 20/09
54-00-00- 4	5	JAN 20/09	*54-51-01- 1	24	MAY 20/09
54-00-00- 4	6	JAN 20/09	*54-51-01- 1	25	MAY 20/09
54-00-00- 4	7	JAN 20/09	*54-51-01- 1	26	MAY 20/09
54-00-00- 6	0	MAY 28/07	*54-51-01- 1	27	MAY 20/09
54-00-00- 6	1	JAN 20/09	*54-51-01- 1	28	MAY 20/09
54-00-00- 6	2	JAN 20/09	*54-51-01- 1	29	MAY 20/09
54-00-00- 6	3	JAN 20/09	*54-51-01- 1	30	MAY 20/09
54-00-00- 6A	0	JAN 20/09	*54-51-01- 1	31	MAY 20/09
54-00-00- 6A	1	JAN 20/09	*54-51-01- 1	32	MAY 20/09
54-00-00- 6A	2	JAN 20/09	*54-51-01- 1	33	MAY 20/09
54-00-00-11	0	JAN 20/09	*54-51-01- 1	34	MAY 20/09
54-00-00-11	1	JAN 20/09	*54-51-01- 1	35	MAY 20/09
54-00-51- 1	0	MAY 28/07	54-51-01- 1A	0	MAY 28/07
54-00-51- 1	1	JAN 20/09	54-51-01- 1A	0A	MAY 28/07
54-00-51- 1	2	JAN 20/09	54-51-01- 1A	0B	MAY 28/07
54-00-51- 1	3	JAN 20/09	54-51-01- 1A	0C	MAY 28/07
54-00-51- 1	4	JAN 20/09	54-51-01- 1A	0D	MAY 28/07
54-00-51- 1	5	JAN 20/09	54-51-01- 1A	0E	MAY 28/07
54-00-51- 1	6	JAN 20/09	54-51-01- 1A	0F	MAY 28/07
54-51-00	1	MAY 28/07	54-51-01- 1A	0G	MAY 28/07
54-51-01- 1	0	MAY 28/07	54-51-01- 1A	1	JAN 20/09
54-51-01- 1	0A	MAY 28/07	54-51-01- 1A	2	JAN 20/09
54-51-01- 1	0B	MAY 28/07	54-51-01- 1A	3	JAN 20/09
54-51-01- 1	0C	MAY 28/07	54-51-01- 1A	4	JAN 20/09
54-51-01- 1	0D	MAY 28/07	54-51-01- 1A	5	JAN 20/09
54-51-01- 1	0E	MAY 28/07	54-51-01- 1A	6	JAN 20/09
54-51-01- 1	0F	MAY 28/07	54-51-01- 1A	7	JAN 20/09
54-51-01- 1	0G	MAY 28/07	54-51-01- 1A	8	JAN 20/09
54-51-01- 1	1	JAN 20/09	*54-51-01- 1A	9	MAY 20/09
54-51-01- 1	2	JAN 20/09	*54-51-01- 1A	10	MAY 20/09
54-51-01- 1	3	JAN 20/09	*54-51-01- 1A	11	MAY 20/09
54-51-01- 1	4	JAN 20/09	*54-51-01- 1A	12	MAY 20/09

* THE ASTERISK INDICATES PAGES CHANGED OR ADDED BY THE CURRENT REVISION

BRI
MAY 20/09

54 - LIST OF EFFECTIVE PAGES
PAGE 1



757
PARTS CATALOG (MAINTENANCE)

CH-SECT-UNIT-FIG	PAGE NO.	DATE	CH-SECT-UNIT-FIG	PAGE NO.	DATE
*54-51-01- 1A	13	MAY 20/09	54-51-51- 4	9	JAN 20/09
*54-51-01- 1A	14	MAY 20/09	54-51-51- 4	10	JAN 20/09
*54-51-01- 1A	15	MAY 20/09	54-51-51- 4	11	JAN 20/09
*54-51-01- 1A	16	MAY 20/09	54-51-51- 4	12	JAN 20/09
*54-51-01- 1A	17	MAY 20/09	54-51-51- 6	0	MAY 28/07
*54-51-01- 1A	18	MAY 20/09	54-51-51- 6	1	JAN 20/09
*54-51-01- 1A	19	MAY 20/09	54-51-51- 6	2	JAN 20/09
*54-51-01- 1A	20	MAY 20/09	54-51-51- 6	3	JAN 20/09
*54-51-01- 1A	21	MAY 20/09	54-51-51- 6	4	JAN 20/09
*54-51-01- 1A	22	MAY 20/09	54-51-51- 6	5	JAN 20/09
*54-51-01- 1A	23	MAY 20/09	54-51-52- 5	0	MAY 28/07
*54-51-01- 1A	24	MAY 20/09	54-51-52- 5	0A	MAY 28/07
*54-51-01- 1A	25	MAY 20/09	54-51-52- 5	1	JAN 20/09
*54-51-01- 1A	26	MAY 20/09	54-51-52- 5	2	JAN 20/09
*54-51-01- 1A	27	MAY 20/09	54-51-52- 5	3	JAN 20/09
*54-51-01- 1A	28	MAY 20/09	54-51-52- 5	4	JAN 20/09
54-51-01- 1D	0	MAY 28/07	54-51-52- 5	5	SEP 20/08
54-51-01- 1D	0A	MAY 28/07	54-51-52- 5	6	JAN 20/09
54-51-01- 1D	0B	MAY 28/07	54-51-52- 5	7	JAN 20/09
54-51-01- 1D	0C	MAY 28/07	54-51-52- 5	8	SEP 20/08
54-51-01- 1D	0D	MAY 28/07	54-51-52- 5	9	JAN 20/09
54-51-01- 1D	0E	MAY 28/07	54-51-52- 5	10	SEP 20/08
54-51-01- 1D	1	JAN 20/09	54-51-52- 5	11	JAN 20/09
54-51-01- 1D	2	JAN 20/09	54-51-52- 5	12	JAN 20/09
54-51-01- 1D	3	JAN 20/09	54-51-52- 5	13	JAN 20/09
54-51-01- 1D	4	JAN 20/09	54-51-53- 1	0	MAY 28/07
54-51-01- 1D	5	JAN 20/09	54-51-53- 1	0A	MAY 28/07
54-51-01- 1D	6	JAN 20/09	54-51-53- 1	1	JAN 20/09
*54-51-01- 1D	7	MAY 20/09	54-51-53- 1	2	JAN 20/09
*54-51-01- 1D	8	MAY 20/09	54-51-53- 1	3	JAN 20/09
54-51-51- 1	0	MAY 28/07	54-51-53- 1	4	JAN 20/09
54-51-51- 1	1	JAN 20/09	54-51-53- 1	5	JAN 20/09
54-51-51- 1	2	JAN 20/09	54-51-53- 1	6	JAN 20/09
54-51-51- 1	3	JAN 20/09	54-51-53- 1	7	JAN 20/09
54-51-51- 1	4	JAN 20/09	54-51-53- 1	8	JAN 20/09
54-51-51- 1	5	JAN 20/09	*54-51-53- 1	9	MAY 20/09
54-51-51- 1	6	JAN 20/09	54-51-53- 1	10	JAN 20/09
54-51-51- 1	7	JAN 20/09	54-51-53- 1	11	JAN 20/09
54-51-51- 1	8	JAN 20/09	54-51-53- 1	12	JAN 20/09
54-51-51- 1	9	JAN 20/09	54-51-53- 2	0	MAY 20/08
54-51-51- 1	10	JAN 20/09	54-51-53- 2	0A	MAY 20/08
54-51-51- 4	0	MAY 28/07	54-51-53- 2	1	JAN 20/09
54-51-51- 4	0A	MAY 28/07	54-51-53- 2	2	JAN 20/09
54-51-51- 4	1	JAN 20/09	54-51-53- 2	3	JAN 20/09
54-51-51- 4	2	JAN 20/09	54-51-53- 2	4	JAN 20/09
54-51-51- 4	3	JAN 20/09	54-51-53- 2	5	JAN 20/09
54-51-51- 4	4	JAN 20/09	54-51-53- 2	6	JAN 20/09
54-51-51- 4	5	JAN 20/09	54-51-53- 2	7	JAN 20/09
54-51-51- 4	6	JAN 20/09	54-51-53- 2	8	JAN 20/09
54-51-51- 4	7	JAN 20/09	54-51-53- 2	9	JAN 20/09
54-51-51- 4	8	JAN 20/09	54-51-53- 2	10	JAN 20/09

* THE ASTERISK INDICATES PAGES CHANGED OR ADDED BY THE CURRENT REVISION



757
PARTS CATALOG (MAINTENANCE)

CH-SECT-UNIT-FIG	PAGE NO.	DATE	CH-SECT-UNIT-FIG	PAGE NO.	DATE
54-51-53- 2	11	JAN 20/09	54-51-55- 1	5	JAN 20/09
54-51-53- 2	12	JAN 20/09	54-51-55- 1	6	SEP 20/08
54-51-53- 2	13	JAN 20/09	54-51-55- 1	7	JAN 20/09
54-51-53- 2	14	JAN 20/09	54-51-55- 1	8	JAN 20/09
54-51-53- 2	15	JAN 20/09	54-51-55- 1	9	JAN 20/09
54-51-53- 2	16	JAN 20/09	54-51-56- 1	0	MAY 28/07
54-51-53- 2	17	JAN 20/09	54-51-56- 1	1	JAN 20/09
54-51-53- 2	18	JAN 20/09	54-51-56- 1	2	JAN 20/09
54-51-53- 2	19	JAN 20/09	54-51-56- 1	3	JAN 20/09
54-51-53- 2	20	SEP 20/08	54-51-56- 1	4	JAN 20/09
54-51-53- 2	21	JAN 20/09	54-51-56- 1	5	JAN 20/09
54-51-53- 2	22	JAN 20/09	54-51-56- 1	6	JAN 20/09
54-51-53- 2	23	JAN 20/09	*54-51-56- 1	7	MAY 20/09
54-51-53- 2	24	JAN 20/09	54-51-58- 1	0	MAY 28/07
54-51-53- 2	25	JAN 20/09	54-51-58- 1	0A	SEP 28/07
54-51-53- 2	26	JAN 20/09	54-51-58- 1	1	JAN 20/09
54-51-53- 5	0	MAY 28/07	54-51-58- 1	2	SEP 20/08
54-51-53- 5	0A	MAY 28/07	54-51-58- 1	3	SEP 20/08
54-51-53- 5	1	JAN 20/09	54-51-58- 1	4	JAN 20/09
54-51-53- 5	2	JAN 20/09	54-51-58- 1	5	JAN 20/09
54-51-53- 5	3	JAN 20/09	*54-51-58- 1	6	MAY 20/09
54-51-53- 5	4	JAN 20/09	54-51-58- 1	7	JAN 20/09
54-51-53- 5	5	JAN 20/09	54-51-58- 1	8	JAN 20/09
54-51-53- 5	6	JAN 20/09	*54-51-58- 1	9	MAY 20/09
54-51-53- 5	7	JAN 20/09	54-51-58- 1	10	JAN 20/09
54-51-54- 1	0	MAY 28/07	54-51-58- 1	11	JAN 20/09
54-51-54- 1	1	JAN 20/09	54-51-59- 1	0	MAY 28/07
54-51-54- 1	2	JAN 20/09	54-51-59- 1	0A	MAY 28/07
54-51-54- 2	0	MAY 28/07	54-51-59- 1	0B	MAY 28/07
54-51-54- 2	0A	MAY 28/07	54-51-59- 1	0C	MAY 28/07
54-51-54- 2	1	JAN 20/09	54-51-59- 1	0D	MAY 28/07
54-51-54- 2	2	JAN 20/09	54-51-59- 1	0E	MAY 28/07
54-51-54- 2	3	JAN 20/09	54-51-59- 1	0F	MAY 28/07
54-51-54- 2	4	JAN 20/09	54-51-59- 1	0G	MAY 28/07
54-51-54- 3	0	MAY 28/07	54-51-59- 1	0H	MAY 28/07
54-51-54- 3	1	JAN 20/09	54-51-59- 1	1	JAN 20/09
54-51-54- 3	2	SEP 20/08	54-51-59- 1	2	JAN 20/09
54-51-54- 4	0	MAY 28/07	54-51-59- 1	3	JAN 20/09
54-51-54- 4	1	JAN 20/09	54-51-59- 1	4	JAN 20/09
54-51-54- 4	2	JAN 20/09	54-51-59- 1	5	JAN 20/09
54-51-54- 4	3	JAN 20/09	54-51-59- 1	6	JAN 20/09
54-51-54- 5	0	MAY 28/07	54-51-59- 1	7	JAN 20/09
54-51-54- 5	0A	MAY 28/07	54-51-59- 1	8	JAN 20/09
54-51-54- 5	1	JAN 20/09	54-51-59- 1	9	JAN 20/09
54-51-54- 5	2	JAN 20/09	54-51-59- 1	10	JAN 20/09
54-51-55- 1	0	MAY 28/07	54-51-59- 1	11	JAN 20/09
54-51-55- 1	0A	MAY 28/07	54-51-59- 1	12	JAN 20/09
54-51-55- 1	1	JAN 20/09	54-51-59- 1	13	JAN 20/09
54-51-55- 1	2	JAN 20/09	54-51-59- 1	14	JAN 20/09
54-51-55- 1	3	JAN 20/09	54-51-59- 1	15	JAN 20/09
54-51-55- 1	4	JAN 20/09	54-51-59- 1	16	JAN 20/09

* THE ASTERISK INDICATES PAGES CHANGED OR ADDED BY THE CURRENT REVISION

BRI
MAY 20/09

54 - LIST OF EFFECTIVE PAGES
PAGE 3


BOEING
 757
PARTS CATALOG (MAINTENANCE)

CH-SECT-UNIT-FIG	PAGE NO.	DATE	CH-SECT-UNIT-FIG	PAGE NO.	DATE
54-51-59- 1	17	JAN 20/09	54-51-59- 2	37	JAN 20/09
54-51-59- 1	18	JAN 20/09	54-51-59- 2	38	JAN 20/09
54-51-59- 1	19	JAN 20/09	54-51-59- 2	39	JAN 20/09
54-51-59- 1	20	JAN 20/09	54-51-59- 2	40	JAN 20/09
54-51-59- 1	21	JAN 20/09	54-51-59- 2	41	JAN 20/09
54-51-59- 1	22	JAN 20/09	54-51-59- 2	42	JAN 20/09
54-51-59- 1	23	JAN 20/09	54-51-59- 2	43	JAN 20/09
54-51-59- 1	24	JAN 20/09	54-51-59- 2	44	JAN 20/09
54-51-59- 1	25	JAN 20/09	54-51-59- 2	45	JAN 20/09
54-51-59- 1	26	JAN 20/09	54-51-60- 1	0	MAY 28/07
54-51-59- 1	27	JAN 20/09	54-51-60- 1	0A	MAY 28/07
54-51-59- 1	28	JAN 20/09	54-51-60- 1	0B	MAY 28/07
54-51-59- 1	29	JAN 20/09	54-51-60- 1	1	JAN 20/09
54-51-59- 2	0	MAY 28/07	54-51-60- 1	2	JAN 20/09
54-51-59- 2	0A	MAY 20/08	54-51-60- 1	3	JAN 20/09
54-51-59- 2	1	JAN 20/09	54-51-60- 1	4	JAN 20/09
54-51-59- 2	2	SEP 20/08	54-51-60- 1	5	JAN 20/09
54-51-59- 2	3	SEP 20/08	54-51-60- 1	6	JAN 20/09
54-51-59- 2	4	JAN 20/09	54-51-60- 1	7	JAN 20/09
54-51-59- 2	5	JAN 20/09	54-51-60- 1	8	JAN 20/09
54-51-59- 2	6	JAN 20/09	54-51-60- 1	9	JAN 20/09
54-51-59- 2	7	JAN 20/09	54-51-60- 1	10	JAN 20/09
54-51-59- 2	8	JAN 20/09	54-51-60- 1	11	SEP 20/08
54-51-59- 2	9	JAN 20/09	54-51-60- 1	12	JAN 20/09
54-51-59- 2	10	JAN 20/09	54-51-60- 1	13	JAN 20/09
54-51-59- 2	11	JAN 20/09	54-51-60- 1	14	JAN 20/09
54-51-59- 2	12	JAN 20/09	54-51-60- 1	15	SEP 20/08
54-51-59- 2	13	JAN 20/09	54-51-60- 1	16	JAN 20/09
54-51-59- 2	14	JAN 20/09	54-51-60- 1	17	JAN 20/09
54-51-59- 2	15	JAN 20/09	54-51-60- 1	18	SEP 20/08
54-51-59- 2	16	JAN 20/09	54-51-60- 1	19	SEP 20/08
54-51-59- 2	17	JAN 20/09	54-51-60- 1	20	JAN 20/09
54-51-59- 2	18	JAN 20/09	54-51-60- 1	21	JAN 20/09
54-51-59- 2	19	JAN 20/09	54-51-60- 1	22	JAN 20/09
54-51-59- 2	20	JAN 20/09	54-51-60- 1	23	SEP 20/08
54-51-59- 2	21	JAN 20/09	54-51-60- 1	24	JAN 20/09
54-51-59- 2	22	JAN 20/09	54-51-60- 1	25	SEP 20/08
54-51-59- 2	23	JAN 20/09	54-51-60- 1	26	SEP 20/08
54-51-59- 2	24	JAN 20/09	54-51-60- 1	27	SEP 20/08
54-51-59- 2	25	JAN 20/09	54-51-60- 1	28	SEP 20/08
54-51-59- 2	26	JAN 20/09	54-51-60- 1	29	SEP 20/08
54-51-59- 2	27	JAN 20/09	54-51-60- 1	30	JAN 20/09
54-51-59- 2	28	JAN 20/09	54-51-60- 1	31	JAN 20/09
54-51-59- 2	29	JAN 20/09	54-51-60- 1	32	JAN 20/09
54-51-59- 2	30	JAN 20/09	54-51-60- 1	33	JAN 20/09
54-51-59- 2	31	JAN 20/09	54-51-60- 1	34	SEP 20/08
54-51-59- 2	32	JAN 20/09	54-51-60- 1	35	SEP 20/08
54-51-59- 2	33	JAN 20/09	54-51-60- 1	36	JAN 20/09
54-51-59- 2	34	JAN 20/09	54-51-60- 1	37	SEP 20/08
54-51-59- 2	35	JAN 20/09	54-51-60- 1	38	JAN 20/09
54-51-59- 2	36	JAN 20/09	54-51-60- 1	39	JAN 20/09

* THE ASTERISK INDICATES PAGES CHANGED OR ADDED BY THE CURRENT REVISION



757

PARTS CATALOG (MAINTENANCE)

CH-SECT-UNIT-FIG	PAGE NO.	DATE	CH-SECT-UNIT-FIG	PAGE NO.	DATE
54-51-60- 1	40	JAN 20/09	54-51-61- 1	22	JAN 20/09
54-51-60- 1	41	JAN 20/09	54-51-61- 1	23	JAN 20/09
54-51-60- 1	42	SEP 20/08	54-51-61- 1	24	JAN 20/09
54-51-60- 1	43	SEP 20/08	54-51-61- 1	25	JAN 20/09
54-51-60- 1	44	JAN 20/09	54-51-61- 1	26	JAN 20/09
54-51-60- 1	45	JAN 20/09	54-51-61- 1	27	JAN 20/09
54-51-60- 1	46	SEP 20/08	54-51-61- 1	28	JAN 20/09
54-51-60- 1	47	SEP 20/08	54-51-61- 1	29	JAN 20/09
54-51-60- 1	48	JAN 20/09	54-51-61- 1	30	JAN 20/09
54-51-60- 1	49	JAN 20/09	54-51-61- 1	31	JAN 20/09
54-51-60- 1	50	SEP 20/08	54-51-61- 1	32	JAN 20/09
54-51-60- 1	51	JAN 20/09	54-51-61- 1	33	JAN 20/09
54-51-60- 1	52	SEP 20/08	54-51-61- 1	34	JAN 20/09
54-51-60- 1	53	SEP 20/08	54-51-61- 1	35	JAN 20/09
54-51-60- 1	54	JAN 20/09	54-51-61- 1	36	JAN 20/09
54-51-60- 1	55	JAN 20/09	54-51-61- 1	37	JAN 20/09
54-51-60- 1	56	SEP 20/08	54-51-61- 1	38	JAN 20/09
54-51-60- 1	57	JAN 20/09	54-51-61- 1	39	JAN 20/09
54-51-60- 1	58	JAN 20/09	54-51-61- 1	40	JAN 20/09
54-51-60- 1	59	JAN 20/09	54-51-61- 1	41	JAN 20/09
54-51-61- 1	0	MAY 28/07	54-51-61- 1	42	JAN 20/09
54-51-61- 1	0A	MAY 28/07	54-51-61- 1	43	JAN 20/09
54-51-61- 1	0B	MAY 20/08	54-51-61- 1	44	JAN 20/09
54-51-61- 1	0C	MAY 28/07	54-51-61- 1	45	JAN 20/09
54-51-61- 1	0D	MAY 20/08	54-51-61- 1	46	JAN 20/09
54-51-61- 1	0E	MAY 28/07	54-51-61- 1	47	JAN 20/09
54-51-61- 1	0F	MAY 20/08	54-51-61- 1	48	JAN 20/09
54-51-61- 1	0G	MAY 20/08	54-51-61- 1	49	JAN 20/09
54-51-61- 1	0H	MAY 28/07	54-51-61- 1	50	JAN 20/09
54-51-61- 1	0I	MAY 28/07	54-51-61- 1	51	JAN 20/09
54-51-61- 1	1	JAN 20/09	54-51-61- 1	52	JAN 20/09
54-51-61- 1	2	JAN 20/09	54-51-61- 1	53	JAN 20/09
54-51-61- 1	3	JAN 20/09	54-51-61- 1	54	JAN 20/09
54-51-61- 1	4	JAN 20/09	54-51-61- 1	55	JAN 20/09
54-51-61- 1	5	JAN 20/09	54-51-61- 1	56	JAN 20/09
54-51-61- 1	6	JAN 20/09	54-51-61- 1	57	JAN 20/09
54-51-61- 1	7	JAN 20/09	54-51-61- 1	58	JAN 20/09
54-51-61- 1	8	JAN 20/09	54-51-61- 1	59	JAN 20/09
54-51-61- 1	9	JAN 20/09	54-51-61- 1	60	JAN 20/09
54-51-61- 1	10	JAN 20/09	54-51-61- 1	61	JAN 20/09
54-51-61- 1	11	JAN 20/09	54-51-61- 1	62	JAN 20/09
54-51-61- 1	12	JAN 20/09	54-51-61- 1	63	JAN 20/09
54-51-61- 1	13	JAN 20/09	54-51-61- 1	64	JAN 20/09
54-51-61- 1	14	JAN 20/09	54-51-61- 1	65	JAN 20/09
54-51-61- 1	15	JAN 20/09	54-51-61- 1	66	JAN 20/09
54-51-61- 1	16	JAN 20/09	54-51-61- 1	67	JAN 20/09
54-51-61- 1	17	JAN 20/09	54-51-61- 1	68	JAN 20/09
54-51-61- 1	18	JAN 20/09	54-51-61- 1	69	JAN 20/09
54-51-61- 1	19	JAN 20/09	54-51-61- 1	70	JAN 20/09
54-51-61- 1	20	JAN 20/09	54-51-61- 1	71	JAN 20/09
54-51-61- 1	21	JAN 20/09	54-51-61- 1	72	JAN 20/09

* THE ASTERISK INDICATES PAGES CHANGED OR ADDED BY THE CURRENT REVISION


BOEING
 757
PARTS CATALOG (MAINTENANCE)

CH-SECT-UNIT-FIG	PAGE NO.	DATE	CH-SECT-UNIT-FIG	PAGE NO.	DATE
54-51-61- 1	73	JAN 20/09	54-51-63- 1	24	JAN 20/09
54-51-61- 1	74	JAN 20/09	54-51-63- 1	25	JAN 20/09
54-51-61- 1	75	JAN 20/09	54-51-63- 1	26	JAN 20/09
54-51-61- 1	76	JAN 20/09	54-51-63- 1	27	JAN 20/09
54-51-61- 1	77	JAN 20/09	54-51-63- 1	28	JAN 20/09
54-51-61- 1	78	JAN 20/09	54-51-63- 1	29	JAN 20/09
54-51-61- 1	79	JAN 20/09	54-51-63- 1	30	JAN 20/09
54-51-61- 1	80	JAN 20/09	54-51-63- 1	31	JAN 20/09
54-51-61- 1	81	JAN 20/09	54-51-63- 1	32	JAN 20/09
54-51-61- 1	82	JAN 20/09	54-51-63- 1	33	JAN 20/09
54-51-61- 1	83	JAN 20/09	54-51-63- 1	34	JAN 20/09
54-51-61- 1	84	JAN 20/09	54-51-63- 1	35	JAN 20/09
54-51-61- 1	85	JAN 20/09	54-51-63- 1	36	JAN 20/09
54-51-61- 1	86	JAN 20/09	54-51-63- 1	37	JAN 20/09
54-51-61- 1	87	JAN 20/09	54-51-63- 1	38	JAN 20/09
54-51-61- 1B	0	MAY 28/07	54-51-63- 1	39	JAN 20/09
54-51-61- 1B	0A	MAY 28/07	54-51-63- 1	40	JAN 20/09
54-51-61- 1B	1	JAN 20/09	54-51-63- 1	41	JAN 20/09
54-51-61- 1B	2	JAN 20/09	54-51-64- 1	0	MAY 28/07
54-51-61- 1B	3	JAN 20/09	54-51-64- 1	1	JAN 20/09
54-51-61- 1B	4	JAN 20/09	54-51-64- 1	2	JAN 20/09
54-51-61- 1B	5	JAN 20/09	54-51-71- 1	0	MAY 28/07
54-51-61- 1B	6	JAN 20/09	54-51-71- 1	1	JAN 20/09
54-51-62- 1	0	MAY 28/07	54-51-71- 1	2	JAN 20/09
54-51-62- 1	1	SEP 20/08	54-51-71- 1	3	JAN 20/09
54-51-63- 1	0	MAY 28/07	54-51-71- 1	4	JAN 20/09
54-51-63- 1	0A	MAY 28/07	54-51-71- 1	5	JAN 20/09
54-51-63- 1	0B	MAY 28/07	54-51-71- 1	6	JAN 20/09
54-51-63- 1	1	JAN 20/09	54-51-71- 1	7	JAN 20/09
54-51-63- 1	2	SEP 20/08	54-51-71- 2	0	MAY 28/07
54-51-63- 1	3	SEP 20/08	54-51-71- 2	0A	MAY 28/07
54-51-63- 1	4	SEP 20/08	54-51-71- 2	0B	MAY 28/07
54-51-63- 1	5	SEP 20/08	54-51-71- 2	1	JAN 20/09
54-51-63- 1	6	SEP 20/08	54-51-71- 2	2	JAN 20/09
54-51-63- 1	7	SEP 20/08	54-51-71- 2	3	JAN 20/09
54-51-63- 1	8	SEP 20/08	54-51-71- 2	4	JAN 20/09
54-51-63- 1	9	JAN 20/09	54-51-71- 2	5	JAN 20/09
54-51-63- 1	10	JAN 20/09	54-51-71- 2	6	JAN 20/09
54-51-63- 1	11	SEP 20/08	54-52-00	1	MAY 28/07
54-51-63- 1	12	SEP 20/08	54-52-01- 1	0	MAY 28/07
*54-51-63- 1	13	MAY 20/09	54-52-01- 1	1	JAN 20/09
*54-51-63- 1	14	MAY 20/09	54-52-01- 1	2	JAN 20/09
54-51-63- 1	15	JAN 20/09	54-52-01- 1	3	JAN 20/09
54-51-63- 1	16	JAN 20/09	54-52-01- 1	4	JAN 20/09
54-51-63- 1	17	SEP 20/08	54-52-01- 2A	0	MAY 28/07
54-51-63- 1	18	JAN 20/09	54-52-01- 2A	0A	MAY 28/07
54-51-63- 1	19	JAN 20/09	54-52-01- 2A	1	JAN 20/09
54-51-63- 1	20	SEP 20/08	54-52-01- 2A	2	JAN 20/09
54-51-63- 1	21	SEP 20/08	54-52-01- 2A	3	JAN 20/09
54-51-63- 1	22	SEP 20/08	54-52-01- 2A	4	JAN 20/09
54-51-63- 1	23	SEP 20/08	54-52-01- 2A	5	JAN 20/09

* THE ASTERISK INDICATES PAGES CHANGED OR ADDED BY THE CURRENT REVISION



757
PARTS CATALOG (MAINTENANCE)

CH-SECT-UNIT-FIG	PAGE NO.	DATE	CH-SECT-UNIT-FIG	PAGE NO.	DATE
54-52-01- 2A	6	JAN 20/09	54-52-01- 3	26	JAN 20/09
54-52-01- 2A	7	JAN 20/09	54-52-01- 4	0	MAY 28/07
54-52-01- 2A	8	JAN 20/09	54-52-01- 4	0A	MAY 28/07
54-52-01- 2A	9	JAN 20/09	54-52-01- 4	1	JAN 20/09
54-52-01- 2B	0	MAY 28/07	54-52-01- 4	2	JAN 20/09
54-52-01- 2B	0A	MAY 28/07	54-52-01- 4	3	JAN 20/09
54-52-01- 2B	1	JAN 20/09	54-52-01- 4	4	JAN 20/09
54-52-01- 2B	2	JAN 20/09	54-52-01- 4	5	JAN 20/09
54-52-01- 2B	3	JAN 20/09	54-52-01- 4	6	JAN 20/09
54-52-01- 2B	4	JAN 20/09	54-52-01- 4	7	JAN 20/09
54-52-01- 2B	5	JAN 20/09	54-52-01- 4	8	JAN 20/09
54-52-01- 2C	0	MAY 28/07	54-52-01- 4	9	JAN 20/09
54-52-01- 2C	0A	MAY 28/07	54-52-01- 4	10	JAN 20/09
54-52-01- 2C	1	JAN 20/09	54-52-01- 4	11	JAN 20/09
54-52-01- 2C	2	JAN 20/09	54-52-01- 5	0	MAY 28/07
54-52-01- 2C	3	JAN 20/09	54-52-01- 5	1	JAN 20/09
54-52-01- 2C	4	JAN 20/09	54-52-01- 5	2	JAN 20/09
54-52-01- 2C	5	JAN 20/09	54-52-01- 5	3	JAN 20/09
54-52-01- 2C	6	JAN 20/09	54-52-01- 6	0	MAY 28/07
54-52-01- 2C	7	JAN 20/09	54-52-01- 6	1	JAN 20/09
54-52-01- 3	0	MAY 28/07	*54-52-01- 6	2	MAY 20/09
54-52-01- 3	0A	MAY 28/07	*54-52-01- 6	3	MAY 20/09
54-52-01- 3	0B	MAY 28/07	*54-52-01- 6	4	MAY 20/09
54-52-01- 3	0C	MAY 28/07	*54-52-01- 6	5	MAY 20/09
54-52-01- 3	0D	MAY 28/07	*54-52-01- 6	6	MAY 20/09
54-52-01- 3	0E	MAY 28/07	*54-52-01- 6	7	MAY 20/09
54-52-01- 3	1	JAN 20/09	*54-52-01- 6	8	MAY 20/09
54-52-01- 3	2	JAN 20/09	*54-52-01- 6	9	MAY 20/09
54-52-01- 3	3	JAN 20/09	*54-52-01- 6	10	MAY 20/09
54-52-01- 3	4	JAN 20/09	*54-52-01- 6	11	MAY 20/09
54-52-01- 3	5	JAN 20/09	*54-52-01- 6	12	MAY 20/09
54-52-01- 3	6	JAN 20/09	*54-52-01- 6	13	MAY 20/09
54-52-01- 3	7	JAN 20/09	54-52-01-10	0	MAY 28/07
54-52-01- 3	8	JAN 20/09	54-52-01-10	0A	MAY 28/07
54-52-01- 3	9	JAN 20/09	54-52-01-10	1	JAN 20/09
54-52-01- 3	10	JAN 20/09	54-52-01-10	2	JAN 20/09
54-52-01- 3	11	JAN 20/09	54-52-01-10	3	JAN 20/09
54-52-01- 3	12	JAN 20/09	54-52-01-10	4	JAN 20/09
54-52-01- 3	13	JAN 20/09	54-52-01-10	5	JAN 20/09
54-52-01- 3	14	JAN 20/09	54-52-01-10	6	JAN 20/09
54-52-01- 3	15	JAN 20/09	54-52-01-10A	0	MAY 28/07
54-52-01- 3	16	JAN 20/09	54-52-01-10A	1	JAN 20/09
54-52-01- 3	17	JAN 20/09	54-52-01-10A	2	JAN 20/09
54-52-01- 3	18	JAN 20/09	54-52-01-15	0	MAY 28/07
54-52-01- 3	19	JAN 20/09	54-52-01-15	1	JAN 20/09
54-52-01- 3	20	JAN 20/09	54-52-01-15	2	JAN 20/09
54-52-01- 3	21	JAN 20/09	54-52-01-15	3	JAN 20/09
54-52-01- 3	22	JAN 20/09	54-52-01-15	4	JAN 20/09
54-52-01- 3	23	JAN 20/09	54-52-01-15A	0	MAY 28/07
54-52-01- 3	24	JAN 20/09	54-52-01-15A	1	JAN 20/09
54-52-01- 3	25	JAN 20/09	54-52-01-15A	2	JAN 20/09

* THE ASTERISK INDICATES PAGES CHANGED OR ADDED BY THE CURRENT REVISION

BRI
MAY 20/09

54 - LIST OF EFFECTIVE PAGES
PAGE 7



757
PARTS CATALOG (MAINTENANCE)

CH-SECT-UNIT-FIG	PAGE NO.	DATE	CH-SECT-UNIT-FIG	PAGE NO.	DATE
54-52-01-15A	3	JAN 20/09	54-52-53- 1	0	MAY 28/07
54-52-01-15A	4	JAN 20/09	54-52-53- 1	0A	MAY 28/07
54-52-01-15A	5	JAN 20/09	54-52-53- 1	0B	MAY 20/08
54-52-01-18	0	MAY 28/07	54-52-53- 1	1	JAN 20/09
54-52-01-18	0A	MAY 28/07	54-52-53- 1	2	JAN 20/09
54-52-01-18	1	JAN 20/09	54-52-53- 1	3	JAN 20/09
54-52-01-18	2	JAN 20/09	54-52-53- 1	4	JAN 20/09
54-52-01-18	3	JAN 20/09	54-52-53- 1	5	JAN 20/09
54-52-01-18	4	JAN 20/09	54-52-53- 1	6	JAN 20/09
54-52-01-18	5	JAN 20/09	54-52-53- 1	7	JAN 20/09
54-52-01-18	6	JAN 20/09	54-52-53- 1	8	JAN 20/09
54-52-01-18	7	JAN 20/09	54-52-53- 1	9	JAN 20/09
54-52-01-18	8	JAN 20/09	*54-52-53- 1	10	MAY 20/09
54-52-01-18	9	JAN 20/09	*54-52-53- 1	11	MAY 20/09
54-52-01-18	10	JAN 20/09	*54-52-53- 1	12	MAY 20/09
54-52-01-18	11	JAN 20/09	*54-52-53- 1	13	MAY 20/09
54-52-01-19	0	MAY 28/07	54-52-53- 5	0	MAY 28/07
54-52-01-19	0A	MAY 28/07	54-52-53- 5	1	JAN 20/09
54-52-01-19	0B	MAY 28/07	54-52-53- 5	2	JAN 20/09
54-52-01-19	1	JAN 20/09	54-53-00	1	MAY 28/07
54-52-01-19	2	JAN 20/09	54-53-01- 5	0	MAY 28/07
54-52-01-19	3	JAN 20/09	54-53-01- 5	0A	MAY 28/07
54-52-01-23	0	MAY 28/07	54-53-01- 5	0B	MAY 28/07
54-52-01-23	1	JAN 20/09	54-53-01- 5	0C	MAY 28/07
54-52-01-23	2	JAN 20/09	54-53-01- 5	1	JAN 20/09
54-52-01-23	3	JAN 20/09	54-53-01- 5	2	JAN 20/09
54-52-01-23	4	JAN 20/09	54-53-01- 5	3	JAN 20/09
54-52-01-23	5	SEP 20/08	54-53-01- 5	4	JAN 20/09
54-52-51- 1	0	MAY 28/07	54-53-01- 5	5	JAN 20/09
54-52-51- 1	1	JAN 20/09	54-53-01- 5	6	JAN 20/09
54-52-51- 1	2	JAN 20/09	54-53-01- 5	7	JAN 20/09
54-52-51- 1	3	JAN 20/09	54-53-01- 5	8	JAN 20/09
54-52-51- 1	4	JAN 20/09	54-53-01- 5	9	JAN 20/09
54-52-51- 1	5	JAN 20/09	54-53-01- 5	10	JAN 20/09
54-52-51- 1	6	JAN 20/09	54-53-01- 5	11	JAN 20/09
54-52-52- 2	0	MAY 28/07	54-53-01- 5	12	JAN 20/09
54-52-52- 2	0A	MAY 28/07	54-53-01- 5	13	JAN 20/09
54-52-52- 2	0B	MAY 28/07	54-53-01- 5	14	JAN 20/09
54-52-52- 2	0C	MAY 28/07	54-53-01- 5	15	JAN 20/09
54-52-52- 2	1	JAN 20/09	54-53-01- 5	16	JAN 20/09
54-52-52- 2	2	JAN 20/09	54-53-01- 5	17	JAN 20/09
54-52-52- 2	3	JAN 20/09	54-53-01- 5	18	JAN 20/09
54-52-52- 2	4	JAN 20/09	54-53-01- 5	19	JAN 20/09
54-52-52- 2	5	JAN 20/09	54-53-01- 5	20	JAN 20/09
54-52-52- 2	6	JAN 20/09	54-53-01- 5	21	JAN 20/09
54-52-52- 2	7	JAN 20/09	54-53-01- 5	22	JAN 20/09
54-52-52- 2	8	JAN 20/09	54-53-01- 5	23	JAN 20/09
54-52-52- 2	9	JAN 20/09	54-53-01- 5	24	JAN 20/09
54-52-52- 3	0	MAY 28/07	54-53-01- 5	25	JAN 20/09
54-52-52- 3	1	JAN 20/09	54-53-01- 5	26	JAN 20/09
54-52-52- 3	2	JAN 20/09	54-53-01- 5	27	JAN 20/09

* THE ASTERISK INDICATES PAGES CHANGED OR ADDED BY THE CURRENT REVISION

BRI
MAY 20/09

54 - LIST OF EFFECTIVE PAGES
PAGE 8



757

PARTS CATALOG (MAINTENANCE)

CH-SECT-UNIT-FIG	PAGE NO.	DATE	CH-SECT-UNIT-FIG	PAGE NO.	DATE
54-53-01- 5	28	JAN 20/09			
54-53-01- 5	29	JAN 20/09			
54-53-01- 5	30	JAN 20/09			
*54-53-01- 5	31	MAY 20/09			
*54-53-01- 5	32	MAY 20/09			
*54-53-01- 5	33	MAY 20/09			
*54-53-01- 5	34	MAY 20/09			
*54-53-01- 5	35	MAY 20/09			
*54-53-01- 5	36	MAY 20/09			
*54-53-01- 5	37	MAY 20/09			
*54-53-01- 5	38	MAY 20/09			
*54-53-01- 5	39	MAY 20/09			
*54-53-01- 5	40	MAY 20/09			
*54-53-01- 5	41	MAY 20/09			
*54-53-01- 5	42	MAY 20/09			
54-53-01- 5A	0	MAY 28/07			
54-53-01- 5A	0A	MAY 28/07			
54-53-01- 5A	1	JAN 20/09			
54-53-01- 5A	2	JAN 20/09			
54-53-01- 5A	3	JAN 20/09			
54-53-01- 5A	4	JAN 20/09			
54-53-01- 5A	5	JAN 20/09			
54-53-02- 2	0	MAY 28/07			
54-53-02- 2	1	JAN 20/09			
54-53-02- 2	2	SEP 20/08			
54-53-51- 1	0	MAY 28/07			
54-53-51- 1	1	SEP 20/08			
54-53-51- 1	2	SEP 20/08			
54-53-51- 1	3	SEP 20/08			
54-53-51- 1	4	SEP 20/08			
54-53-51- 1	5	SEP 20/08			

* THE ASTERISK INDICATES PAGES CHANGED OR ADDED BY THE CURRENT REVISION



BOEING
757
PARTS CATALOG (MAINTENANCE)

CHAPTER 54 — NACELLES/PYLONS

TABLE OF CONTENTS

SUBJECT	CC-SS-UU	FIGURE	EFFECT
NACELLES/PYLONS - GENERAL	54-00-00		
END ITEM INSTL STRUT STRUCTURE	54-00-00	04	101106 108120 504903
END ITEM PREMODULE AFT FAIRING	54-00-00	11	103106
MANAGEMENT COLLECTOR-757 RB211	54-00-00	03A	101102 108120 504903
STRUCTURES BASIC			
PREMODULE COLLECTOR-757 RB211 SYSTEMS	54-00-00	06	101102 108120 504903
(NACELLES/PYLONS ONLY)			
PREMODULE END ITEM	54-00-00	03B	103106
STRUT ASSY	54-00-51	01	002004 006100 107107 121503 904999
STRUT SYSTEM INSTL 757 RB211	54-00-00	06A	103106
(NACELLES/PYLONS ONLY)			



BOEING
757
PARTS CATALOG (MAINTENANCE)

CHAPTER 54 — NACELLES/PYLONS

TABLE OF CONTENTS

SUBJECT	CC-SS-UU	FIGURE	EFFECT
NACELLE STRUT	54-51-00		
BEAM INSTL-PWR PLANT STA 142.05, 157.50 AND 178.25 NAC STRUT HINGE	54-51-58	01	002004 006999
BEAM INSTL-STRUT FAIRING SKIRT AFT	54-51-55	01	002004 006999
BRACKET INSTL-ELEC WIRE SUPPORT FRONT SPAR, WING	54-51-54	05	101106 108120 504903
BRACKET INSTL-ELECTRICAL WIRE SPRT	54-51-54	04	101106 108120 504903
BRACKET INSTL-SHUTOFF/ ISOLATION VALVE MODULE L AND R SYS (NACELLES/ PYLONS ONLY)	54-51-56	01	002004 006999
BRACKET INSTL-STRUT WING LE WIRING SPRT RH	54-51-54	02	002004 006999
BRACKET INSTL-STRUT/WING LE ELECTRICAL WIRE SPRT (LH)	54-51-54	01	002004 006999
BRACKET INSTL-STRUT/WING LE ELECTRICAL WIRE SPRT (LH)	54-51-54	03	002004 006999
BULKHEAD INSTL-PWR PLANT STA 174.30 MID	54-51-53	01	002004 006999
BULKHEAD INSTL-PWR PLANT STA. 205.65 TORQUE	54-51-53	02	002004 006999
CHORD INSTL-RB211 NAC STRUT MID	54-51-53	05	002004 006100 103503 904999
COMPONENT INSTL-STRUT STRUCT 757 RB211-535	54-51-61	01B	101106 108120 504903
HINGE INSTL-NAC STRUT FAN COWL.	54-51-63	01	002004 006999
INTEGRATION INSTL-STRUT TO WING RB211-535	54-51-01	01D	101106 108120 504903


BOEING
 757
PARTS CATALOG (MAINTENANCE)

CHAPTER 54 — NACELLES/PYLONS

TABLE OF CONTENTS

SUBJECT	CC-SS-UU	FIGURE	EFFECT
PLATE INSTL-STRUT ENG DISC. AIDS BLANK	54-51-64	01	002004 006100 107107 121503 904999
SEAL INSTL-PWR PLANT STA 125.00 NAC STRUT	54-51-62	01	002004 006999
SPAR INSTL-NAC STRUT LWR	54-51-60	01	002004 006999
SPAR INSTL-NAC STRUT UPR AFT	54-51-59	02	002004 006999
SPAR INSTL-NAC STRUT UPR FWD	54-51-59	01	002004 006999
STRUCTURE ASSY-STRUT	54-51-61	01	002004 006100 107107 121503 904999
STRUCTURE INSTL-SVCE DISC. AND FAIRING SPRT FWD	54-51-51	06	002004 006999
STRUT INSTL-RB211-535	54-51-01	01	002004 006010 107107 121503 904999
STRUT INSTL-RB211-535	54-51-01	01A	011100
SUPPORT INSTL-ELECTRICAL WIRE BUNDLE	54-51-51	01	002004 006100 107107 121503 904999
SYSTEM INSTL-STRUT DRAIN	54-51-71	01	002004 006100 107107 121503 904999
SYSTEM INSTL-STRUT DRAIN	54-51-71	02	101106 108120 504903



BOEING
757
PARTS CATALOG (MAINTENANCE)

CHAPTER 54 — NACELLES/PYLONS

TABLE OF CONTENTS

SUBJECT	CC-SS-UU	FIGURE	EFFECT
TUBING INSTL-NAC SPRT FTG LUB	54-51-52	05	002004 006999
WIRING AND SUPPORT INSTL RB211 (NACELLE STRUT ONLY)	54-51-51	04	101106 108120 504903
ENGINE-TO-WING FAIRINGS	54-52-00		
BULKHEAD INSTL-STRUT FAIRING AFT	54-52-53	01	002004 006999
END ITEM INSTL STRUT STRUCT AND FAIRING	54-52-01	01	101106 108120 504903
FAIRING ASSY-STRUT FORE AND AFT SEGMENTS FWD	54-52-01	23	002004 006999
FAIRING INSTL-FWD UNDERWING	54-52-01	10	002004 006999
FAIRING INSTL-STRUT AFT	54-52-01	03	002004 006100 107107 121503 904999
FAIRING INSTL-STRUT FORE AND AFT SEGMENTS FWD	54-52-01	02A	002004 006100 107107 121503 904999
FAIRING INSTL-STRUT FORE AND AFT SEGMENTS FWD	54-52-01	02B	101102 108120 504903
FAIRING INSTL-STRUT FORE AND AFT SEGMENTS FWD	54-52-01	02C	101106 108120 504903
FAIRING INSTL-STRUT UPR	54-52-01	05	002004 006999
FAIRING INSTL-UNDERWING ENG POS 1 AND 2	54-52-01	10A	101106 108120 504903
FAIRING INSTL-UNDERWING STRUT AFT	54-52-01	06	002004 006999

 **BOEING**
757
PARTS CATALOG (MAINTENANCE)

CHAPTER 54 — NACELLES/PYLONS

TABLE OF CONTENTS

SUBJECT	CC-SS-UU	FIGURE	EFFECT
FAIRING INTEGRATION-AFT RB211	54-52-01	19	101106 108120 504903
FWD PANEL AND HARDWARE INSTL-AFT STRUT	54-52-01	04	101106 108120 504903
HARDWARE INSTL-RB211 NAC STRUT AFT FAIRING	54-52-53	05	101106 108120 504903
PAN AND SPAR INSTL-STRUT FAIRING LWR AFT	54-52-52	02	002004 006999
PANEL INSTL-NAC STRUT, AFT FAIRING	54-52-01	18	101106 108120 504903
PLATE INSTL-WEAR	54-52-52	03	101106 108120 504903
SEAL INSTL-NAC STRUT TO WING INTERMEDIATE	54-52-51	01	002004 006999
TRAILING EDGE INSTL-STRUT FAIRING AFT	54-52-01	15	002004 006100 107107 121503 904999
TRAILING EDGE INSTL-STRUT FAIRING AFT	54-52-01	15A	101106 108120 504903
STRUT ACCESS DOORS AND PANELS	54-53-00		
DOOR INSTL-ACCESS RENTON INSTALLED	54-53-01	05A	101106 108120 504903
DOOR INSTL-NAC STRUT ACCESS	54-53-01	05	002004 006999
DOOR INSTL-RB211-535E4 NAC STRUT AFT FAIRING ACCESS	54-53-02	02	002004 006999
ROD INSTL-STRUT AFT FAIRING HOLD OPEN	54-53-51	01	002004 006999

NACELLES/PYLONS - GENERAL

BRI
MAY 28/07

54-00-00
SECTION TITLE
PAGE 1

 **BOEING**
757
PARTS CATALOG (MAINTENANCE)

NON-ILLUSTRATED FIGURE

THE ITEMS REFLECTED IN THIS FIGURE ARE INTENTIONALLY
NON-ILLUSTRATED. THEY ARE REFERENCED TO EITHER A
NEXT HIGHER OR NEXT LOWER ASSEMBLY/INSTALLATION FIGURE.

Y 5400003A REV 231

MANAGEMENT COLLECTOR-757 RB211 STRUCTURES BASIC
FIGURE 3A

54-00-00-03A

BRI
MAY 28/07

54-00-00-03A
PAGE 0



757

PARTS CATALOG (MAINTENANCE)

FIG ITEM	PART NUMBER	1 2 3 4 5 6 7	NOMENCLATURE	EFFECT FROM TO	UNITS PER ASSY
3A			MANAGEMENT COLLECTOR-757 RB211 STRUCTURES BASIC	101102 108120 504903	
- 1	301N5092-300		MANAGEMENT COLLECTOR-757 RB211 STRUCTURES BASIC POSITION DATA: ENGINE POSITION 1,2	101102 108120 504903	1
- 5	310N5200-13		.INTEGRATION INSTL-STRUT TO WING POSITION DATA: LH SIDE FOR DETAILS SEE: 54-51-01-01D	101102 108120 504903	1
- 10	310N5200-14		.INTEGRATION INSTL-STRUT TO WING POSITION DATA: RH SIDE FOR DETAILS SEE: 54-51-01-01D	101102 108120 504903	1
- 15	311N5049-163		.DOOR INSTL-ACCESS RENTON INSTALLED POSITION DATA: LH SIDE FOR DETAILS SEE: 54-53-01-05A	101102 108120 504903	1
- 20	311N5049-164		.DOOR INSTL-ACCESS RENTON INSTALLED POSITION DATA: RH SIDE FOR DETAILS SEE: 54-53-01-05A	101102 108120 504903	1
- 25	311N5290-303		.END ITEM INSTL-STRUT STRUCT POSITION DATA: ENG POSITION 1 AND 2	101102	1
- 25	311N5290-304		.END ITEM INSTL-STRUT STRUCT POSITION DATA: ENG POSITION 1 AND 2	504903	1
- 25	311N5290-307		.END ITEM INSTL-STRUT STRUCT POSITION DATA: ENG POSITION 1 AND 2	108120	1
- 30	311N5290-11		..STRUT STRUCTURE-END ITEM POSITION DATA: ENG POSITION 1 FOR DETAILS SEE: 54-00-00-04	101102	1

MISSING ITEM NUMBERS NOT APPLICABLE

- ITEM NOT ILLUSTRATED

54-00-00-03A

54-00-00
FIG. 03A
PAGE 1
JAN 20/09

BRI



757

PARTS CATALOG (MAINTENANCE)

FIG ITEM	PART NUMBER	1 2 3 4 5 6 7	NOMENCLATURE	EFFECT FROM TO	UNITS PER ASSY
3A					
- 30	311N5290-13		..STRUT STRUCTURE-END ITEM POSITION DATA: ENG POSITION 1 FOR DETAILS SEE: 54-00-00-04	504903	1
- 30	311N5290-19		..STRUT STRUCTURE-END ITEM POSITION DATA: ENG POSITION 1 FOR DETAILS SEE: 54-00-00-04	108120	1
- 35	311N5290-12		..STRUT STRUCTURE-END ITEM POSITION DATA: ENG POSITION 2 FOR DETAILS SEE: 54-00-00-04	101102	1
- 35	311N5290-14		..STRUT STRUCTURE-END ITEM POSITION DATA: ENG POSITION 2 FOR DETAILS SEE: 54-00-00-04	504903	1
- 35	311N5290-20		..STRUT STRUCTURE-END ITEM POSITION DATA: ENG POSITION 2 FOR DETAILS SEE: 54-00-00-04	108120	1
- 40	313N5001-11		.FAIRING INSTL-STRUT POSITION DATA: FORE AND AFT SEGMENTS FOR DETAILS SEE: 54-52-01-02B	101102 108120 504903	1
- 50	313N5001-12		.FAIRING INSTL-STRUT POSITION DATA: FORE AND AFT SEGMENTS FOR DETAILS SEE: 54-52-01-02B	101102 108120 504903	1
- 55	313N5003-33		.FAIRING INSTL-STRUT POSITION DATA: UPR LH SIDE FOR DETAILS SEE: 54-52-01-05	101102 108120 504903	1
- 60	313N5003-34		.FAIRING INSTL-STRUT POSITION DATA: UPR RH SIDE FOR DETAILS SEE: 54-52-01-05	101102 108120 504903	1

MISSING ITEM NUMBERS NOT APPLICABLE

- ITEM NOT ILLUSTRATED

54-00-00-03A

54-00-00
FIG. 03A
PAGE 2
JAN 20/09

BRI



757

PARTS CATALOG (MAINTENANCE)

FIG ITEM	PART NUMBER	1 2 3 4 5 6 7	NOMENCLATURE	EFFECT FROM TO	UNITS PER ASSY
3A					
- 65	313N5004-129		. FAIRING INSTL-UNDERWING POSITION DATA: ENG POSITION 1 FOR DETAILS SEE: 54-52-01-10A	101102 108120 504903	1
- 70	313N5004-130		. FAIRING INSTL-UNDERWING POSITION DATA: ENG POSITION 2 FOR DETAILS SEE: 54-52-01-10A	101102 108120 504903	1
- 75	313N5005-43		. FAIRING INSTL-UNDERWING STRUT POSITION DATA: AFT LH SIDE FOR DETAILS SEE: 54-52-01-06	101102	1
- 75	313N5005-51		. FAIRING INSTL-UNDERWING STRUT POSITION DATA: AFT LH SIDE FOR DETAILS SEE: 54-52-01-06	108120 504903	1
- 80	313N5005-44		. FAIRING INSTL-MNDERWING STRUT POSITION DATA: AFT RH SIDE FOR DETAILS SEE: 54-52-01-06	101102	1
- 80	313N5005-52		. FAIRING INSTL-MNDERWING STRUT POSITION DATA: AFT RH SIDE FOR DETAILS SEE: 54-52-01-06	108120 504903	1
- 85	313N5005-45		. FAIRING INSTL-UNDERWING STRUT POSITION DATA: AFT LH SIDE FOR DETAILS SEE: 54-52-01-06	101102	1
- 85	313N5005-53		. FAIRING INSTL-UNDERWING STRUT POSITION DATA: AFT LH SIDE FOR DETAILS SEE: 54-52-01-06	108120 504903	1

MISSING ITEM NUMBERS NOT APPLICABLE

- ITEM NOT ILLUSTRATED

54-00-00-03A

54-00-00
FIG. 03A
PAGE 3
JAN 20/09

BRI

BOEING PROPRIETARY - Copyright © - Unpublished Work - See title page for details.



757

PARTS CATALOG (MAINTENANCE)

FIG ITEM	PART NUMBER	1 2 3 4 5 6 7	NOMENCLATURE	EFFECT FROM TO	UNITS PER ASSY
3A					
- 90	313N5005-46		.FAIRING INSTL-UNDERWING STRUT POSITION DATA: AFT RH SIDE FOR DETAILS SEE: 54-52-01-06	101102	1
- 90	313N5005-54		.FAIRING INSTL-UNDERWING STRUT POSITION DATA: AFT RH SIDE FOR DETAILS SEE: 54-52-01-06	108120 504903	1
- 95	313N5018-43		.HARDWARE INSTL- POSITION DATA: AFT FAIRING LH STRUT INBD FOR DETAILS SEE: 54-52-01-04	101102 108120 504903	1
- 100	313N5018-44		.HARDWARE INSTL- POSITION DATA: AFT FAIRING RH STRUT OUTBD FOR DETAILS SEE: 54-52-01-04	101102 108120 504903	1
- 105	313N5019-10		.HARDWARE INSTL-NAC STRUT FAIRING POSITION DATA: AFT RH SIDE FOR DETAILS SEE: 54-52-53-05	101102 108120 504903	1
- 110	313N5019-9		.HARDWARE INSTL-NAC STRUT FAIRING POSITION DATA: AFT LH SIDE FOR DETAILS SEE: 54-52-53-05	101102 108120 504903	1
- 115	313N5020-47		.HARDWARE INSTL-AFT FAIRING POSITION DATA: AFT PANEL ENG POS 1 FOR DETAILS SEE: 54-52-01-18	101102 108120 504903	1
- 120	313N5020-48		.HARDWARE INSTL-AFT FAIRING POSITION DATA: AFT PANEL ENG POS 2 FOR DETAILS SEE: 54-52-01-18	101102 108120 504903	1

MISSING ITEM NUMBERS NOT APPLICABLE

- ITEM NOT ILLUSTRATED

54-00-00-03A

54-00-00
FIG. 03A
PAGE 4
JAN 20/09

BRI

BOEING PROPRIETARY - Copyright © - Unpublished Work - See title page for details.

 **BOEING**
757
PARTS CATALOG (MAINTENANCE)

FIG ITEM	PART NUMBER	1 2 3 4 5 6 7	NOMENCLATURE	EFFECT FROM TO	UNITS PER ASSY
3A					
- 125	313N5022-89		.BEAM INSTL-STRUT FAIRING SKIRT POSITION DATA: AFT LH SIDE FOR DETAILS SEE: 54-51-55-01	101102 108120 504903	1
- 130	313N5022-90		.BEAM INSTL-STRUT FAIRING SKIRT POSITION DATA: AFT RH SIDE FOR DETAILS SEE: 54-51-55-01	101102 108120 504903	1
- 135	313N5023-51		.TRAILING EDGE INSTL-STRUT FAIRING POSITION DATA: AFT LH SIDE FOR DETAILS SEE: 54-52-01-15A	101102 108120 504903	1
- 140	313N5023-52		.TRAILING EDGE INSTL-STRUT FAIRING POSITION DATA: AFT RH SIDE FOR DETAILS SEE: 54-52-01-15A	101102 108120 504903	1
- 145	313N5060-303		.END ITEM INSTL-FAIRING POSITION DATA: AFT	101102 108120 504903	1
- 150	313N5060-5		..END ITEM-FAIRING POSITION DATA: AFT FOR DETAILS SEE: 54-52-01-01	101102 108120 504903	1
- 155	313N5060-8		..END ITEM-FAIRING POSITION DATA: AFT FOR DETAILS SEE: 54-52-01-01	101102 108120 504903	1
- 160	313N5062-1		.FAIRING INTEGRATION- POSITION DATA: AFT LH STRUT FOR DETAILS SEE: 54-52-01-19	101102 108120 504903	1
- 165	313N5062-2		.FAIRING INTEGRATION- POSITION DATA: AFT RH STRUT FOR DETAILS SEE: 54-52-01-19	101102 108120 504903	1

MISSING ITEM NUMBERS NOT APPLICABLE

- ITEM NOT ILLUSTRATED

BRI

54-00-00-03A

BOEING PROPRIETARY - Copyright © - Unpublished Work - See title page for details.

54-00-00
FIG. 03A
PAGE 5
JAN 20/09

 **BOEING**
757
PARTS CATALOG (MAINTENANCE)

NON-ILLUSTRATED FIGURE

THE ITEMS REFLECTED IN THIS FIGURE ARE INTENTIONALLY
NON-ILLUSTRATED. THEY ARE REFERENCED TO EITHER A
NEXT HIGHER OR NEXT LOWER ASSEMBLY/INSTALLATION FIGURE.

Y 54-00-00-03B REV 252

PREMODULE END ITEM
FIGURE 3B

54-00-00-03B

BRI
JAN 20/09

54-00-00-03B
PAGE 0



757

PARTS CATALOG (MAINTENANCE)

FIG ITEM	PART NUMBER	1 2 3 4 5 6 7	NOMENCLATURE	EFFECT FROM TO	UNITS PER ASSY
3B					
- 1	MODREF31433		PREMODULE END ITEM PREMODULE-END ITEM STRUT STRUCT MODULE NUMBER: 311N5290-309 REV D POSITION DATA: ENG POSITION 1	103106 103106	1
- 5	MODREF31434		PREMODULE-END ITEM STRUT STRUCT MODULE NUMBER: 311N5290-310 REV D POSITION DATA: ENG POSITION 2	103106	1
- 10	311N5290-25		.STRUT STRUCTURE-END ITEM POSITION DATA: ENG POSITION 1 FOR DETAILS SEE: 54-00-00-04	103106	1
- 15	311N5290-26		.STRUT STRUCTURE-END ITEM POSITION DATA: ENG POSITION 2 FOR DETAILS SEE: 54-00-00-04	103106	1

MISSING ITEM NUMBERS NOT APPLICABLE

- ITEM NOT ILLUSTRATED

54-00-00-03B

54-00-00
FIG. 03B
PAGE 1
JAN 20/09

BRI

 **BOEING**
757
PARTS CATALOG (MAINTENANCE)

NON-ILLUSTRATED FIGURE

THE ITEMS REFLECTED IN THIS FIGURE ARE INTENTIONALLY
NON-ILLUSTRATED. THEY ARE REFERENCED TO EITHER A
NEXT HIGHER OR NEXT LOWER ASSEMBLY/INSTALLATION FIGURE.

Y 5400004 REV 231

END ITEM INSTL STRUT STRUCTURE
FIGURE 4

54-00-00-04

BRI
MAY 28/07

54-00-00-04
PAGE 0



757

PARTS CATALOG (MAINTENANCE)

FIG ITEM	PART NUMBER	1 2 3 4 5 6 7	NOMENCLATURE	EFFECT FROM TO	UNITS PER ASSY
4			END ITEM INSTL STRUT STRUCTURE	101106 108120 504903	
- 1	311N5290-11		STRUT STRUCTURE-END ITEM POSITION DATA: ENG POSITION 1 FOR NHA SEE: 54-00-00-03A	101102	RF
- 1	311N5290-13		STRUT STRUCTURE-END ITEM POSITION DATA: ENG POSITION 1 FOR NHA SEE: 54-00-00-03A	504903	RF
- 1	311N5290-19		STRUT STRUCTURE-END ITEM POSITION DATA: ENG POSITION 1 FOR NHA SEE: 54-00-00-03A	108120	RF
- 1	311N5290-25		STRUT STRUCTURE-END ITEM POSITION DATA: ENG POSITION 1 FOR NHA SEE: 54-00-00-03A	103106	RF
- 5	311N5290-12		STRUT STRUCTURE-END ITEM POSITION DATA: ENG POSITION 2 FOR NHA SEE: 54-00-00-03A	101102	RF
- 5	311N5290-14		STRUT STRUCTURE-END ITEM POSITION DATA: ENG POSITION 2 FOR NHA SEE: 54-00-00-03A	504903	RF
- 5	311N5290-20		STRUT STRUCTURE-END ITEM POSITION DATA: ENG POSITION 2 FOR NHA SEE: 54-00-00-03A	108120	RF
- 5	311N5290-26		STRUT STRUCTURE-END ITEM POSITION DATA: ENG POSITION 2 FOR NHA SEE: 54-00-00-03A	103106	RF
- 10	311N5040-131		.SPAR INSTL-NAC STRUT POSITION DATA: UPR FWD LH SIDE FOR DETAILS SEE: 54-51-59-01	101102 504903	1

MISSING ITEM NUMBERS NOT APPLICABLE

- ITEM NOT ILLUSTRATED

54-00-00-04

54-00-00
FIG. 04
PAGE 1
JAN 20/09

BRI



757

PARTS CATALOG (MAINTENANCE)

FIG ITEM	PART NUMBER	1 2 3 4 5 6 7	NOMENCLATURE	EFFECT FROM TO	UNITS PER ASSY
4					
- 10	311N5040-155		.SPAR INSTL-NAC STRUT POSITION DATA: UPR FWD LH SIDE FOR DETAILS SEE: 54-51-59-01	108120	1
- 10	311N5040-169		.SPAR INSTL-NAC STRUT POSITION DATA: UPR FWD LH SIDE FOR DETAILS SEE: 54-51-59-01	103106	1
- 15	311N5040-132		.SPAR INSTL-NAC STRUT POSITION DATA: UPR FWD RH SIDE FOR DETAILS SEE: 54-51-59-01	101102 504903	1
- 15	311N5040-156		.SPAR INSTL-NAC STRUT POSITION DATA: UPR FWD RH SIDE FOR DETAILS SEE: 54-51-59-01	108120	1
- 15	311N5040-170		.SPAR INSTL-NAC STRUT POSITION DATA: UPR FWD RH SIDE FOR DETAILS SEE: 54-51-59-01	103106	1
- 20	311N5041-67		.SPAR INSTL-NAC STRUT POSITION DATA: UPR AFT LH SIDE FOR DETAILS SEE: 54-51-59-02	101106 108120 504903	1
- 25	311N5041-68		.SPAR INSTL-NAC STRUT POSITION DATA: UPR AFT RH SIDE FOR DETAILS SEE: 54-51-59-02	101106 108120 504903	1
- 30	311N5042-211		.SPAR INSTL-NAC STRUT POSITION DATA: LWR LH SIDE FOR DETAILS SEE: 54-51-60-01	101106 108120 504903	1
- 35	311N5042-212		.SPAR INSTL-NAC STRUT POSITION DATA: LWR RH SIDE FOR DETAILS SEE: 54-51-60-01	101106 108120 504903	1

MISSING ITEM NUMBERS NOT APPLICABLE

- ITEM NOT ILLUSTRATED

54-00-00-04

54-00-00
FIG. 04
PAGE 2
JAN 20/09

BRI



757

PARTS CATALOG (MAINTENANCE)

FIG ITEM	PART NUMBER	1 2 3 4 5 6 7	NOMENCLATURE	EFFECT FROM TO	UNITS PER ASSY
4					
- 40	311N5043-37		.BULKHEAD INSTL-PWR PLANT POSITION DATA: STA 174.30 MID LH SIDE FOR DETAILS SEE: 54-51-53-01	101106 108120 504903	1
- 45	311N5043-38		.BULKHEAD INSTL-PWR PLANT POSITION DATA: STA 174.30 MID RH SIDE FOR DETAILS SEE: 54-51-53-01	101106 108120 504903	1
- 50	311N5044-25		.MOUNT INSTL-PWR PLANT POSITION DATA: STA 185.35 REAR FOR DETAILS SEE: 71-21-02-08	101106 108120 504903	1
- 55	311N5045-41		.BULKHEAD INSTL-PWR PLANT TORQUE POSITION DATA: STA 205.65 FOR DETAILS SEE: 54-51-53-02	101102	1
- 55	311N5045-48		.BULKHEAD INSTL-PWR PLANT TORQUE POSITION DATA: STA 205.65 FOR DETAILS SEE: 54-51-53-02	103106 108120 504903	1
- 60	311N5049-159		.DOOR INSTL-NAC STRUT ACCESS POSITION DATA: LH SIDE FOR DETAILS SEE: 54-53-01-05	101102 108120 504903	1
- 60	311N5049-191		.DOOR INSTL-NAC STRUT ACCESS POSITION DATA: LH SIDE FOR DETAILS SEE: 54-53-01-05	103106	1
- 65	311N5049-160		.DOOR INSTL-NAC STRUT ACCESS POSITION DATA: RH SIDE FOR DETAILS SEE: 54-53-01-05	101102 108120 504903	1

MISSING ITEM NUMBERS NOT APPLICABLE

- ITEM NOT ILLUSTRATED

54-00-00-04

54-00-00
FIG. 04
PAGE 3
JAN 20/09

BRI



757

PARTS CATALOG (MAINTENANCE)

FIG ITEM	PART NUMBER	1 2 3 4 5 6 7	NOMENCLATURE	EFFECT FROM TO	UNITS PER ASSY
4					
- 65	311N5049-192		.DOOR INSTL-NAC STRUT ACCESS POSITION DATA: RH SIDE FOR DETAILS SEE: 54-53-01-05	103106	1
- 70	311N5050-49		.SEAL INSTL-NAC STRUT TO WING INTERMEDIATE POSITION DATA: LH SIDE FOR DETAILS SEE: 54-52-51-01	101106 108120 504903	1
- 75	311N5050-50		.SEAL INSTL-NAC STRUT TO WING INTERMEDIATE POSITION DATA: RH SIDE FOR DETAILS SEE: 54-52-51-01	101102 106106 108120 504903	1
- 75	311N5050-65		.SEAL INSTL-NAC STRUT TO WING INTERMEDIATE POSITION DATA: RH SIDE FOR DETAILS SEE: 54-52-51-01	103106 108120	1
- 80	311N5061-15		.SEAL INSTL-PWR PLANT NAC STRUT POSITION DATA: STA 125.00 FOR DETAILS SEE: 54-51-62-01	101106 108120 504903	1
- 85	311N5089-15		.HINGE INSTL-NAC STRUT FAN COWL FOR DETAILS SEE: 54-51-63-01	101102 504903	1
- 85	311N5089-21		.HINGE INSTL-NAC STRUT FAN COWL FOR DETAILS SEE: 54-51-63-01	103106 108120	1
- 90	311N5108-8		.BEAM INSTL-PWR PLANT NAC STRUT HINGE POSITION DATA: STA 142.05 AND 178.25 FOR DETAILS SEE: 54-51-58-01	101106 108120 504903	1

MISSING ITEM NUMBERS NOT APPLICABLE

- ITEM NOT ILLUSTRATED

54-00-00-04

54-00-00
FIG. 04
PAGE 4
JAN 20/09

BRI



757

PARTS CATALOG (MAINTENANCE)

FIG ITEM	PART NUMBER	1 2 3 4 5 6 7	NOMENCLATURE	EFFECT FROM TO	UNITS PER ASSY
4					
- 95	311N5165-36		.STRUCTURE INSTL-SVCE DISC. AND FAIRING SPRT POSITION DATA: FWD FOR DETAILS SEE: 54-51-51-06	101102 108120 504903	1
- 95	311N5165-41		.STRUCTURE INSTL-SVCE DISC AND FAIRING SPRT POSITION DATA: FWD FOR DETAILS SEE: 54-51-51-06	103106	1
- 100	311N5292-5		.COMPONENT INSTL- STRUT POSITION DATA: ENGINE POSITION 1 FOR DETAILS SEE: 54-51-61-01B	101102 504903	1
- 100	311N5292-11		.COMPONENT INSTL- STRUT POSITION DATA: ENGINE POSITION 1 FOR DETAILS SEE: 54-51-61-01B	103106 108120	1
- 105	311N5292-6		.COMPONENT INSTL- STRUT POSITION DATA: ENGINE POSITION 2 FOR DETAILS SEE: 54-51-61-01B	101102 504903	1
- 105	311N5292-12		.COMPONENT INSTL- STRUT POSITION DATA: ENGINE POSITION 2 FOR DETAILS SEE: 54-51-61-01B	103106 108120	1
- 110	313N5004-125		.FAIRING INSTL-UNDERWING POSITION DATA: FWD LH SIDE FOR DETAILS SEE: 54-52-01-10	101106 108120 504903	1
- 115	313N5004-126		.FAIRING INSTL-UNDERWING POSITION DATA: FWD RH SIDE FOR DETAILS SEE: 54-52-01-10	101106 108120 504903	1

MISSING ITEM NUMBERS NOT APPLICABLE

- ITEM NOT ILLUSTRATED

54-00-00-04

54-00-00
FIG. 04
PAGE 5
JAN 20/09

BRI



757

PARTS CATALOG (MAINTENANCE)

FIG ITEM	PART NUMBER	1 2 3 4 5 6 7	NOMENCLATURE	EFFECT FROM TO	UNITS PER ASSY
4					
- 120	254N1006-5		.DRUM INSTL-ENG CONT RB211-535 STRUT FOR DETAILS SEE: 76-11-51-05	101106 108120 504903	1
- 125	251N6004-7		.BRACKET INSTL-TLA AND TLB PULLEY POSITION DATA: PPS 180 L NAC FOR DETAILS SEE: 76-11-52-01	101106 108120 504903	1
- 130	251N6004-8		.SUPPORT INSTL-TLA AND TLB PULLEY POSITION DATA: PPS 180 L NAC FOR DETAILS SEE: 76-11-52-01	101106 108120 504903	1
- 135	251N6005-2		.SUPPORT INSTL- PULLEY POSITION DATA: PPS 185 R NAC FOR DETAILS SEE: 76-11-52-02	101106 108120 504903	1
- 140	251N6005-5		.BRACKET INSTL- PULLEY POSITION DATA: PPS 185 R NAC FOR DETAILS SEE: 76-11-52-02	101106 108120 504903	1
- 145	251N6039-15		.BRACKET INSTL-PROPULSION POD ENG NAC POSITION DATA: STA 150 LH FOR DETAILS SEE: 76-11-51-04	101106 108120 504903	1
- 150	251N6039-16		.BRACKET INSTL-PROPULSION POD ENG NAC POSITION DATA: STA 150 RH FOR DETAILS SEE: 76-11-51-04	101106 108120 504903	1
- 155	311N5071-45		.CHORD INSTL-NAC STRUT POSITION DATA: MID LH SIDE FOR DETAILS SEE: 54-51-53-05	101106 108120 504903	1

MISSING ITEM NUMBERS NOT APPLICABLE

- ITEM NOT ILLUSTRATED

54-00-00-04

54-00-00
FIG. 04
PAGE 6
JAN 20/09

BRI



757

PARTS CATALOG (MAINTENANCE)

FIG ITEM	PART NUMBER	1 2 3 4 5 6 7	NOMENCLATURE	EFFECT FROM TO	UNITS PER ASSY
4					
- 160	311N5071-46		.CHORD INSTL-NAC STRUT POSITION DATA: MID RH SIDE FOR DETAILS SEE: 54-51-53-05	101106 108120 504903	1
- 165	313N5037-54		.NUTPLATE INSTL-STRUT FORE AND AFT SEGMENTS POSITION DATA: FWD FOR DETAILS SEE: 54-52-01-02C	101106 108120 504903	1

MISSING ITEM NUMBERS NOT APPLICABLE

- ITEM NOT ILLUSTRATED

BRI

54-00-00-04

BOEING PROPRIETARY - Copyright © - Unpublished Work - See title page for details.

54-00-00
FIG. 04
PAGE 7
JAN 20/09

 **BOEING**
757
PARTS CATALOG (MAINTENANCE)

NON-ILLUSTRATED FIGURE

THE ITEMS REFLECTED IN THIS FIGURE ARE INTENTIONALLY
NON-ILLUSTRATED. THEY ARE REFERENCED TO EITHER A
NEXT HIGHER OR NEXT LOWER ASSEMBLY/INSTALLATION FIGURE.

Y 5400006 REV 237

PREMODULE COLLECTOR-757 RB211 SYSTEMS (NACELLES/PYLONS ONLY)
FIGURE 6

54-00-00-06

BRI
MAY 28/07

54-00-00-06
PAGE 0



757

PARTS CATALOG (MAINTENANCE)

FIG ITEM	PART NUMBER	1 2 3 4 5 6 7	NOMENCLATURE	EFFECT FROM TO	UNITS PER ASSY
6			PREMODULE COLLECTOR- 757 RB211 SYSTEMS (NACELLES/PYLONS ONLY)	101102 108120 504903	
- 1	301N5090-300		PREMODULE COLLECTOR-RB211 757 RB211 SYSTEMS (NACELLES/PYLONS ONLY)	101102 108120 504903	RF
			POSITION DATA: ENG POS 1 AND 2 FOR OTHER SYS DETAILS SEE: 26-00-00-01 28-00-00-02 29-00-51-11 30-00-00-01 36-00-00-01 71-00-01-02A 78-00-00-05 80-00-00-01		
- 110	312N5080-7		.PREMODULE COLLECTOR-RB211 STRUT SYSTEM (INSTALLED BY ROHR)	101102 504505	RF
			POSITION DATA: ENG POS 1		
- 110	312N5080-9		.PREMODULE COLLECTOR-RB211 STRUT SYSTEM (INSTALLED BY ROHR)	506903	RF
			POSITION DATA: ENG POS 1		
- 110	312N5080-11		.PREMODULE COLLECTOR-RB211 STRUT SYSTEM (INSTALLED BY ROHR)	108120	RF
			POSITION DATA: ENG POS 1		
- 115	312N5080-8		.PREMODULE COLLECTOR-RB211 STRUT SYSTEM (INSTALLED BY ROHR)	101102 504505	RF
			POSITION DATA: ENG POS 2		
- 115	312N5080-10		.PREMODULE COLLECTOR-RB211 STRUT SYSTEM (INSTALLED BY ROHR)	506903	RF
			POSITION DATA: ENG POS 2		
- 115	312N5080-12		.PREMODULE COLLECTOR-RB211 STRUT SYSTEM (INSTALLED BY ROHR)	108120	RF
			POSITION DATA: ENG POS 2		

MISSING ITEM NUMBERS NOT APPLICABLE

- ITEM NOT ILLUSTRATED

BRI

54-00-00-06

54-00-00
FIG. 06
PAGE 1
JAN 20/09



757

PARTS CATALOG (MAINTENANCE)

FIG ITEM	PART NUMBER	1 2 3 4 5 6 7	NOMENCLATURE	EFFECT FROM TO	UNITS PER ASSY
6					
- 140	312N5830-3		.BRACKET INSTL-STRUT/WING LE ELECTRICAL WIRE SPRT POSITION DATA: LH SIDE FOR DETAILS SEE: 54-51-54-01	101102 108120 504903	1
- 145	312N5831-9		.BRACKET INSTL-ELECTRICAL WIRE SPRT POSITION DATA: RH SIDE FOR DETAILS SEE: 54-51-54-02	101102 108120 504903	1
- 150	312N5833-6		.BRACKET INSTL-ELECTRICAL WIRE SPRT POSITION DATA: ENG POSITION 2 FOR DETAILS SEE: 54-51-54-02	101102 108120 504903	1
- 155	312N5202-17		.MARKING INSTL-STRUT ELECTRICAL IDENT POSITION DATA: LH SIDE FOR DETAILS SEE: 11-25-09-01A	101102 108120 504903	1
- 160	312N5202-15		.MARKING INSTL- POSITION DATA: LH SIDE FOR DETAILS SEE: 11-25-09-01A	101102 108120 504903	1
- 165	312N5202-18		.MARKING INSTL-STRUT ELECTRICAL IDENT POSITION DATA: RH SIDE FOR DETAILS SEE: 11-25-09-01A	101102 108120 504903	1
- 170	312N5202-16		.MARKING INSTL- POSITION DATA: RH SIDE FOR DETAILS SEE: 11-25-09-01A	101102 108120 504903	1
- 175	312N5250-201		.WIRING INSTL-RB211 STRUT (PSD INSTALLED) POSITION DATA: LH SIDE FOR DETAILS SEE: 54-51-51-04	101102 504903	RF

MISSING ITEM NUMBERS NOT APPLICABLE

- ITEM NOT ILLUSTRATED

54-00-00-06

54-00-00
FIG. 06
PAGE 2
JAN 20/09

BRI



757

PARTS CATALOG (MAINTENANCE)

FIG ITEM	PART NUMBER	1 2 3 4 5 6 7	NOMENCLATURE	EFFECT FROM TO	UNITS PER ASSY
6					
- 175	312N5250-205		.WIRING INSTL-RB211 STRUT (PSD INSTALLED) POSITION DATA: LH SIDE FOR DETAILS SEE: 54-51-51-04	108120	RF
- 180	312N5250-202		.WIRING INSTL-RB211 STRUT (PSD INSTALLED) POSITION DATA: RH SIDE FOR DETAILS SEE: 54-51-51-04	101102 504903	RF
- 180	312N5250-206		.WIRING INSTL-RB211 STRUT (PSD INSTALLED) POSITION DATA: RH SIDE FOR DETAILS SEE: 54-51-51-04	108120	RF
- 185	312N5250-203		.SUPPORT INSTL-RB211 STRUT (RENTON INSTALLED) POSITION DATA: LH SIDE FOR DETAILS SEE: 54-51-51-04	101102 504903	1
- 185	312N5250-213		.SUPPORT INSTL-RB211 STRUT (RENTON INSTALLED) POSITION DATA: LH SIDE FOR DETAILS SEE: 54-51-51-04	108120	1
- 190	312N5250-204		.SUPPORT INSTL-RB211 STRUT (RENTON INSTALLED) POSITION DATA: RH SIDE FOR DETAILS SEE: 54-51-51-04	101102 504903	1
- 190	312N5250-214		.SUPPORT INSTL-RB211 STRUT (RENTON INSTALLED) POSITION DATA: LH SIDE FOR DETAILS SEE: 54-51-51-04	108120	1

MISSING ITEM NUMBERS NOT APPLICABLE

- ITEM NOT ILLUSTRATED

54-00-00-06

54-00-00
FIG. 06
PAGE 3
JAN 20/09

BRI

 **BOEING**
757
PARTS CATALOG (MAINTENANCE)

NON-ILLUSTRATED FIGURE

THE ITEMS REFLECTED IN THIS FIGURE ARE INTENTIONALLY
NON-ILLUSTRATED. THEY ARE REFERENCED TO EITHER A
NEXT HIGHER OR NEXT LOWER ASSEMBLY/INSTALLATION FIGURE.

Y 54-00-00-06A REV 251

STRUT SYSTEM INSTL 757 RB211 (NACELLES/PYLONS ONLY)
FIGURE 6A

54-00-00-06A

BRI
JAN 20/09

54-00-00-06A
PAGE 0

BOEING PROPRIETARY - Copyright © - Unpublished Work - See title page for details.

BOEING
757
PARTS CATALOG (MAINTENANCE)

FIG ITEM	PART NUMBER	1 2 3 4 5 6 7	NOMENCLATURE	EFFECT FROM TO	UNITS PER ASSY
6A			STRUT SYSTEM INSTL 757 RB211 (NACELLES/PYLONS ONLY)	103106	
- 1	MODREF23488		STRUT SYSTEMS INSTL-RB211 (NACELLES/PYLONS ONLY) MODULE NUMBER: 312N5080-13 REV B POSITION DATA: ENG POSITION 1 FOR OTHER SYS DETAILS SEE: 26-00-00-01A 28-00-00-02A 29-00-51-11A 30-00-00-01A 36-00-00-01A 78-00-00-05A 80-00-00-01A	103106	1
- 5	MODREF23489		STRUT SYSTEMS INSTL-RB211 (NACELLES/PYLONS ONLY) MODULE NUMBER: 312N5080-14 REV B POSITION DATA: ENG POSITION 2 FOR OTHER SYS DETAILS SEE: 26-00-00-01A 28-00-00-02A 29-00-51-11A 30-00-00-01A 36-00-00-01A 78-00-00-05A 80-00-00-01A	103106	1
- 10	312N5150-701		.PLUMBING INSTL-STRUT DRAIN POSITION DATA: ENG POSITION 1 LH SIDE FOR DETAILS SEE: 54-51-71-02	103106	1
- 15	312N5150-702		.PLUMBING INSTL-STRUT DRAIN POSITION DATA: ENG POSITION 2 FOR DETAILS SEE: 54-51-71-02	103106	1

MISSING ITEM NUMBERS NOT APPLICABLE

- ITEM NOT ILLUSTRATED

BRI

54-00-00-06A

BOEING PROPRIETARY - Copyright © - Unpublished Work - See title page for details.

54-00-00
FIG. 06A
PAGE 1
JAN 20/09



757

PARTS CATALOG (MAINTENANCE)

FIG ITEM	PART NUMBER	1 2 3 4 5 6 7	NOMENCLATURE	EFFECT FROM TO	UNITS PER ASSY
6A - 20	312N5834-1		.BRACKET INSTL-STRUT WING LE ELECTRICAL WIRE SPRT POSITION DATA: LH FOR DETAILS SEE: 54-51-54-03	103106	1
- 25	312N5841-7		.BRACKET INSTL-ELECTRICAL WIRE SUPPORT FOR DETAILS SEE: 54-51-54-04	103106	1

MISSING ITEM NUMBERS NOT APPLICABLE

- ITEM NOT ILLUSTRATED

BRI

54-00-00-06A

BOEING PROPRIETARY - Copyright © - Unpublished Work - See title page for details.

54-00-00
FIG. 06A
PAGE 2
JAN 20/09

 **BOEING**
757
PARTS CATALOG (MAINTENANCE)

NON-ILLUSTRATED FIGURE

THE ITEMS REFLECTED IN THIS FIGURE ARE INTENTIONALLY
NON-ILLUSTRATED. THEY ARE REFERENCED TO EITHER A
NEXT HIGHER OR NEXT LOWER ASSEMBLY/INSTALLATION FIGURE.

Y 54000011 REV 254

END ITEM PREMODULE AFT FAIRING
FIGURE 11

54-00-00-11

BRI
JAN 20/09

54-00-00-11
PAGE 0



757

PARTS CATALOG (MAINTENANCE)

FIG ITEM	PART NUMBER	1 2 3 4 5 6 7	NOMENCLATURE	EFFECT FROM TO	UNITS PER ASSY
11			END ITEM PREMODULE AFT FAIRING	103106	
- 1	MODREF31437		END ITEM PREMODULE- AFT FAIRING MODULE NUMBER: 313N5060-305 REV B POSITION DATA: ENG POSITION 1	103105	1
- 1	MODREF181869		END ITEM PREMODULE- AFT FAIRING MODULE NUMBER: 313N5060-305 REV C POSITION DATA: ENG POSITION 1	106106	1
- 5	MODREF31438		END ITEM PREMODULE- AFT FAIRING MODULE NUMBER: 313N5060-306 REV B POSITION DATA: ENG POSITION 2	103105	1
- 5	MODREF181870		END ITEM PREMODULE- AFT FAIRING MODULE NUMBER: 313N5060-306 REV C POSITION DATA: ENG POSITION 2	106106	1
- 10	313N5060-5		.END ITEM-FAIRING POSITION DATA: AFT FOR DETAILS SEE: 54-52-01-01	103105	1
- 10	313N5060-9		.END ITEM-FAIRING POSITION DATA: AFT FOR DETAILS SEE: 54-52-01-01	106106	1
- 15	313N5060-8		.END ITEM-FAIRING POSITION DATA: AFT FOR DETAILS SEE: 54-52-01-01	103105	1
- 15	313N5060-10		.END ITEM-FAIRING POSITION DATA: AFT FOR DETAILS SEE: 54-52-01-01	106106	1

MISSING ITEM NUMBERS NOT APPLICABLE

- ITEM NOT ILLUSTRATED

54-00-00-11

54-00-00
FIG. 11
PAGE 1
JAN 20/09

BRI

 **BOEING**
757
PARTS CATALOG (MAINTENANCE)

NON-ILLUSTRATED FIGURE

THE ITEMS REFLECTED IN THIS FIGURE ARE INTENTIONALLY
NON-ILLUSTRATED. THEY ARE REFERENCED TO EITHER A
NEXT HIGHER OR NEXT LOWER ASSEMBLY/INSTALLATION FIGURE.

Y 84005101 SMT 1 REV 000

STRUT ASSY
FIGURE 1

54-00-51-01

BRI
MAY 28/07

54-00-51-01
PAGE 0



757

PARTS CATALOG (MAINTENANCE)

FIG ITEM	PART NUMBER	1 2 3 4 5 6 7	NOMENCLATURE	EFFECT FROM TO	UNITS PER ASSY
1			STRUT ASSY	002004 006100 107107 121503 904999	
- 1	300N0501-9		STRUT ASSY- POSITION DATA: LH FOR NHA SEE: 54-51-01-01 54-51-01-01A	002004 006100 107107 121503 904999	RF
- 5	300N0501-10		STRUT ASSY- POSITION DATA: RH FOR NHA SEE: 54-51-01-01 54-51-01-01A	002004 006100 107107 121503 904999	RF
- 10	311N5002-95		.STRUCTURE ASSY- POSITION DATA: LH SIDE REWORKED BY SB: 54-0031R1 54-0031R4 FOR DETAILS SEE: 54-51-61-01	002004 006100 107107 121503 904999	1
- 10	311N5002-137		.STRUCTURE ASSY- POSITION DATA: LH SIDE REWORKED BY SB: 54-0031R1 54-0031R4 FOR DETAILS SEE: 54-51-61-01	002004 006100 107107 121503 904999	1
- 10	311N5002-127		.STRUCTURE ASSY- POSITION DATA: LH SIDE REWORKED BY SB: 54-0031R1 54-0031R4 FOR DETAILS SEE: 54-51-61-01	002004 006100 107107 121503 904999	1
- 10	311N5002-121		.STRUCTURE ASSY- POSITION DATA: LH SIDE REWORKED BY SB: 54-0031R1 54-0031R4 FOR DETAILS SEE: 54-51-61-01	002004 006100 107107 121503 904999	1

MISSING ITEM NUMBERS NOT APPLICABLE

- ITEM NOT ILLUSTRATED

54-00-51-01

54-00-51
FIG. 01
PAGE 1
JAN 20/09

BRI



757

PARTS CATALOG (MAINTENANCE)

FIG ITEM	PART NUMBER	1 2 3 4 5 6 7	NOMENCLATURE	EFFECT FROM TO	UNITS PER ASSY
1					
- 10	311N5002-139	.	STRUCTURE ASSY- POSITION DATA: LH SIDE OPTIONAL PART: 311N5002-143 REWORKED BY SB: 54-0031R1 54-0031R4 FOR DETAILS SEE: 54-51-61-01	002004 006100 107107 121503 904999	1
- 10	311N5002-143	.	STRUCTURE ASSY- POSITION DATA: LH SIDE OPTIONAL PART: 311N5002-139 REWORKED BY SB: 54-0031R1 54-0031R4 FOR DETAILS SEE: 54-51-61-01	002004 006100 107107 121503 904999	1
- 10	311N5002-151	.	STRUCTURE ASSY- POSITION DATA: LH SIDE REWORKED BY SB: 54-0031R1 54-0031R4 FOR DETAILS SEE: 54-51-61-01	002004 006100 107107 121503 904999	1
- 15	311N5002-96	.	STRUCTURE ASSY- POSITION DATA: RH SIDE REWORKED BY SB: 54-0031R1 54-0031R4 FOR DETAILS SEE: 54-51-61-01	002004 006100 107107 121503 904999	1
- 15	311N5002-138	.	STRUCTURE ASSY- POSITION DATA: RH SIDE REWORKED BY SB: 54-0031R1 54-0031R4 FOR DETAILS SEE: 54-51-61-01	002004 006100 107107 121503 904999	1

MISSING ITEM NUMBERS NOT APPLICABLE

- ITEM NOT ILLUSTRATED

54-00-51-01

54-00-51
FIG. 01
PAGE 2
JAN 20/09

BRI



757

PARTS CATALOG (MAINTENANCE)

FIG ITEM	PART NUMBER	1 2 3 4 5 6 7	NOMENCLATURE	EFFECT FROM TO	UNITS PER ASSY
1					
- 15	311N5002-128		.STRUCTURE ASSY- POSITION DATA: RH SIDE REWORKED BY SB: 54-0031R1 54-0031R4 FOR DETAILS SEE: 54-51-61-01	002004 006100 107107 121503 904999	1
- 15	311N5002-122		.STRUCTURE ASSY- POSITION DATA: RH SIDE REWORKED BY SB: 54-0031R1 54-0031R4 FOR DETAILS SEE: 54-51-61-01	002004 006100 107107 121503 904999	1
- 15	311N5002-140		.STRUCTURE ASSY- POSITION DATA: RH SIDE OPTIONAL PART: 311N5002-144 REWORKED BY SB: 54-0031R1 54-0031R4 FOR DETAILS SEE: 54-51-61-01	002004 006100 107107 121503 904999	1
- 15	311N5002-144		.STRUCTURE ASSY- POSITION DATA: RH SIDE OPTIONAL PART: 311N5002-140 REWORKED BY SB: 54-0031R1 54-0031R4 FOR DETAILS SEE: 54-51-61-01	002004 006100 107107 121503 904999	1
- 15	311N5002-152		.STRUCTURE ASSY- POSITION DATA: RH SIDE REWORKED BY SB: 54-0031R1 54-0031R4 FOR DETAILS SEE: 54-51-61-01	002004 006100 107107 121503 904999	1
- 20	312N5001-7		.EQUIPMENT INSTL-STRUT MOUNTED PROPULSION SYS POSITION DATA: LH SIDE	002004 006100 107107 121503 904999	1

MISSING ITEM NUMBERS NOT APPLICABLE

- ITEM NOT ILLUSTRATED

54-00-51-01

54-00-51
FIG. 01
PAGE 3
JAN 20/09

BRI



757

PARTS CATALOG (MAINTENANCE)

FIG ITEM	PART NUMBER	1 2 3 4 5 6 7	NOMENCLATURE	EFFECT FROM TO	UNITS PER ASSY
1					
- 25	312N5001-8		.EQUIPMENT INSTL-STRUT MOUNTED PROPULSION SYS POSITION DATA: RH SIDE	002004 006100 107107 121503 904999	1
- 30	312N5101-36		..SYSTEM INSTL-FUEL AND HYDR FUNCTIONAL REFERENCE: FUEL FOR DETAILS SEE 28-22-07-03 HYDRAULIC POWER FOR DETAILS SEE 29-11-56-01	002004 006100 107107 121503 904999	1
- 36	312N5102-29		..SYSTEM INSTL-THRUST REVERSER ACTUATION POSITION DATA: LH SIDE FOR DETAILS SEE: 78-34-01-01	002004 006100 107107 121503 904999	1
- 38	312N5102-30		..SYSTEM INSTL-THRUST REVERSER ACTUATION POSITION DATA: RH SIDE FOR DETAILS SEE: 78-34-01-01	002004 006100 107107 121503 904999	1
- 40	312N5301-7		..EQUIPMENT INSTL-PNEU FUNCTIONAL REFERENCE: ICE & RAIN PROTECTION FOR DETAILS SEE 30-21-02-01 PNEUMATIC FOR DETAILS SEE 36-11-01-01 36-11-06-04 36-11-08-05 36-11-09-04 36-11-13-01 36-11-18-03 ENGINE STARTING FOR DETAILS SEE 80-11-51-01	002004 006100 107107 121503 904999	1
- 45	312N5501-1		..PROTECTION INSTL-ENG FIRE	002004 006100 107107 121503 904999	1

MISSING ITEM NUMBERS NOT APPLICABLE

- ITEM NOT ILLUSTRATED

54-00-51-01

54-00-51
FIG. 01
PAGE 4
JAN 20/09

BRI



757

PARTS CATALOG (MAINTENANCE)

FIG ITEM	PART NUMBER	1 2 3 4 5 6 7	NOMENCLATURE	EFFECT FROM TO	UNITS PER ASSY
1					
- 55	312N5504-2		...SWITCH INSTL-STRUT OVERHEAT FOR DETAILS SEE: 26-12-01-05	002004 006100 107107 121503 904999	1
- 65	312N5701-1		..SYSTEM INSTL-DRAIN POSITION DATA: LH SIDE FOR DETAILS SEE: 54-51-71-01	002004 006100 107107 121503 904999	1
- 70	312N5701-2		..SYSTEM INSTL-DRAIN POSITION DATA: RH SIDE FOR DETAILS SEE: 54-51-71-01	002004 006100 107107 121503 904999	1
- 75	312N5701-9		..SYSTEM INSTL-DRAIN POSITION DATA: LH SIDE FOR DETAILS SEE: 54-51-71-01	002004 006100 107107 121503 904999	1
- 80	312N5701-10		..SYSTEM INSTL-DRAIN POSITION DATA: RH SIDE FOR DETAILS SEE: 54-51-71-01	002004 006100 107107 121503 904999	1
- 85	251N6004-5		.BRACKET INSTL-NAC TLA AND TLB PULLEY POSITION DATA: PPS 180 LH SIDE FOR DETAILS SEE: 76-11-52-01	002004 006017 107107 121503 904999	1
- 85	251N6004-7		.BRACKET INSTL-NAC TLA AND TLB PULLEY POSITION DATA: PPS 180 LH SIDE FOR DETAILS SEE: 76-11-52-01	018100	1
- 90	251N6005-3		.BRACKET INSTL-NAC TRA AND TRB PULLEY POSITION DATA: PPS 185 RH SIDE FOR DETAILS SEE: 76-11-52-02	002004 006017 107107 121503 904999	1
- 90	251N6005-5		.BRACKET INSTL-NAC TRA AND TRB PULLEY POSITION DATA: PPS 185 RH SIDE FOR DETAILS SEE: 76-11-52-02	018100	1

MISSING ITEM NUMBERS NOT APPLICABLE

- ITEM NOT ILLUSTRATED

54-00-51-01

54-00-51
FIG. 01
PAGE 5
JAN 20/09

BRI



757

PARTS CATALOG (MAINTENANCE)

FIG ITEM	PART NUMBER	1 2 3 4 5 6 7	NOMENCLATURE	EFFECT FROM TO	UNITS PER ASSY
1					
- 95	251N6039-12		.BRACKET INSTL-NAC TLA PULLEY POSITION DATA: PPS 150 LH SIDE FOR DETAILS SEE: 76-11-51-04	002004 006017 107107 121503 904999	1
- 95	251N6039-15		.BRACKET INSTL-NAC TLA PULLEY POSITION DATA: PPS 150 LH SIDE FOR DETAILS SEE: 76-11-51-04	018100	1
- 100	251N6039-2		.BRACKET INSTL-NAC TRA PULLEY POSITION DATA: PPS 150 RH SIDE FOR DETAILS SEE: 76-11-51-04	002004 006017 107107 121503 904999	1
- 100	251N6039-16		.BRACKET INSTL-NAC TRA PULLEY POSITION DATA: PPS 150 RH SIDE FOR DETAILS SEE: 76-11-51-04	018100	1
- 105	254N1006-4		.DRUM INSTL-ENG CONT RB211-535 STRUT FOR DETAILS SEE: 76-11-51-05	002004 006017 107107 121503 904999	1
- 105	254N1006-5		.DRUM INSTL-ENG CONT RB211-535 STRUT FOR DETAILS SEE: 76-11-51-05	018100	1

MISSING ITEM NUMBERS NOT APPLICABLE

- ITEM NOT ILLUSTRATED

BRI

54-00-51-01

BOEING PROPRIETARY - Copyright © - Unpublished Work - See title page for details.

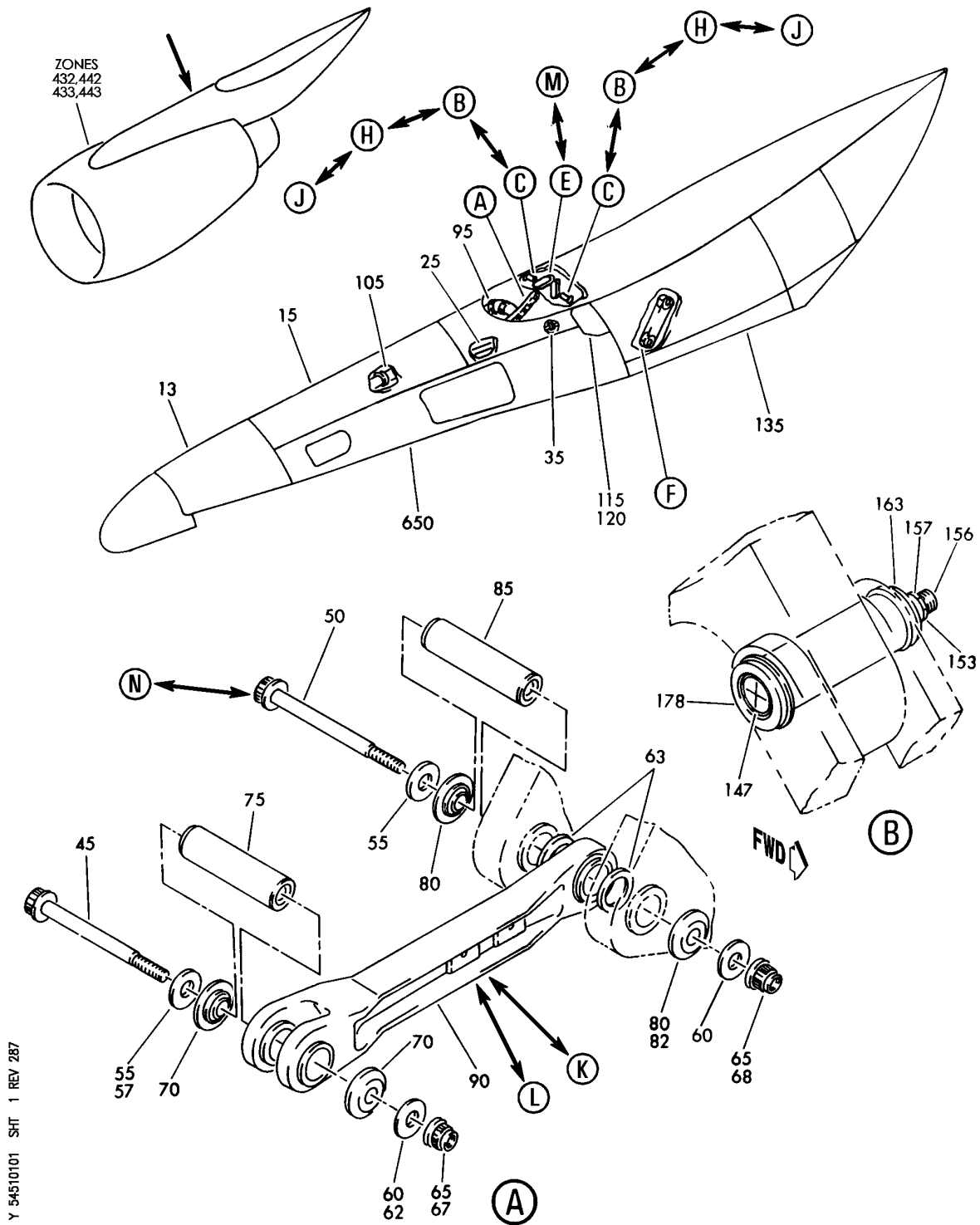
54-00-51
FIG. 01
PAGE 6
JAN 20/09

NACELLE STRUT

BRI
MAY 28/07

54-51-00
SECTION TITLE
PAGE 1


BOEING
 757
PARTS CATALOG (MAINTENANCE)



Y 54510101 SHT 1 REV 287

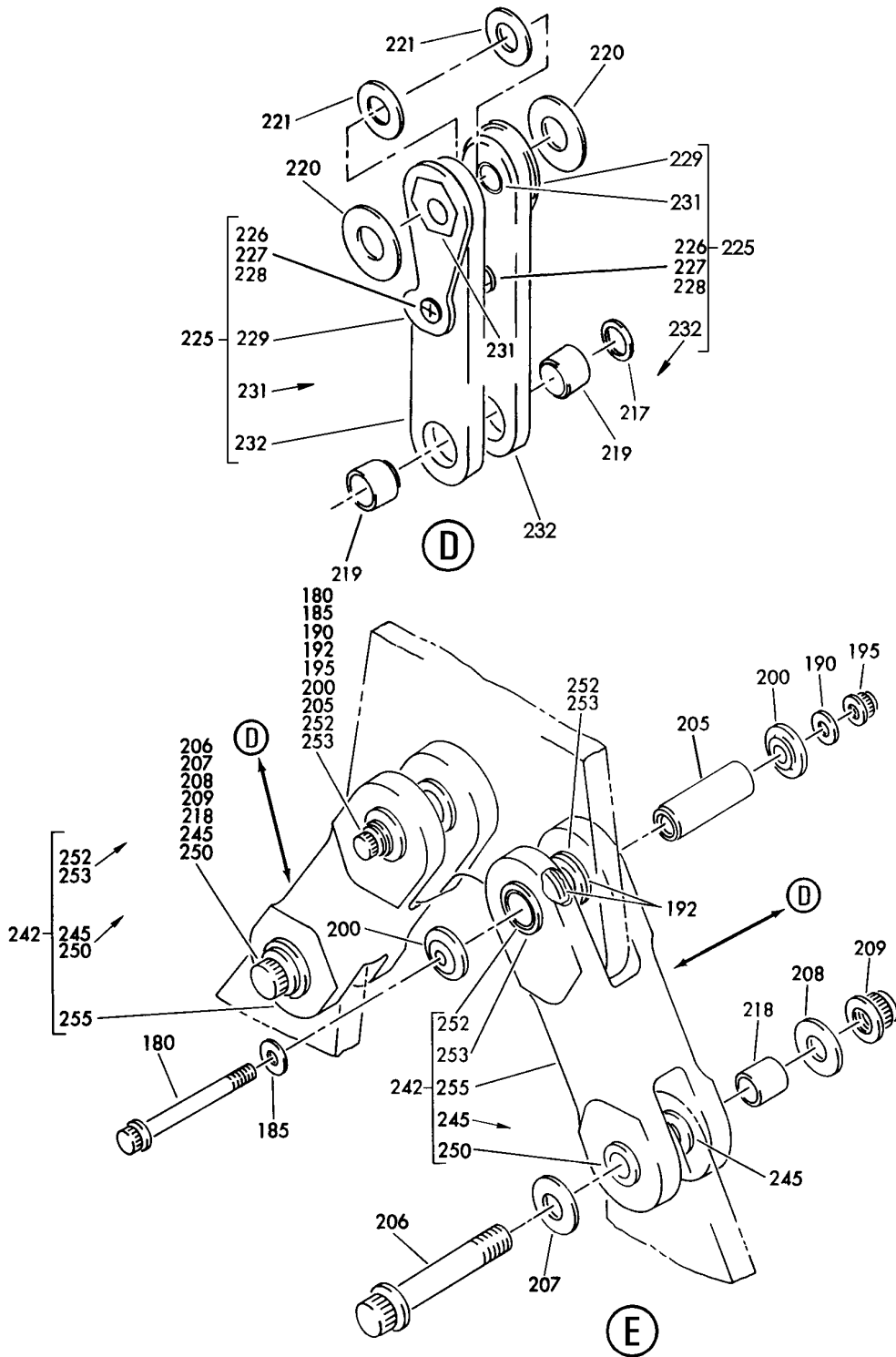
STRUT INSTL-RB211-535
FIGURE 1 (SHEET 1)

54-51-01-01

BRI
MAY 28/07

54-51-01-01
PAGE 0

BOEING
757
PARTS CATALOG (MAINTENANCE)



Y 54510101 SHT 2 REV 233

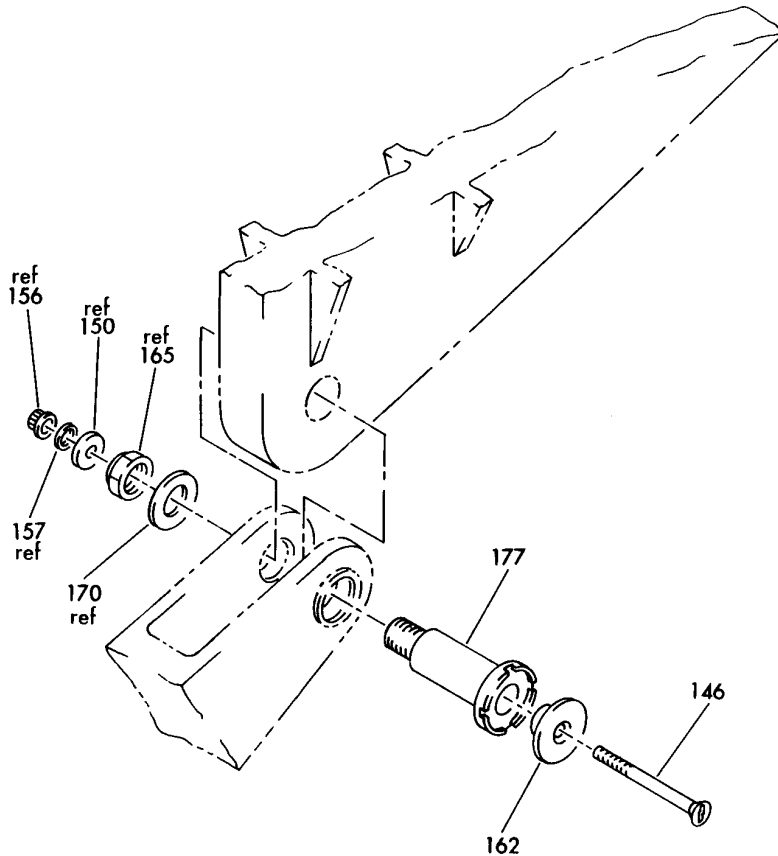
STRUT INSTL-RB211-535
FIGURE 1 (SHEET 2)

54-51-01-01

BRI
MAY 28/07

54-51-01-01
PAGE 0A

BOEING
757
PARTS CATALOG (MAINTENANCE)



(H)

Y 54510101 SHT 4 REV 159

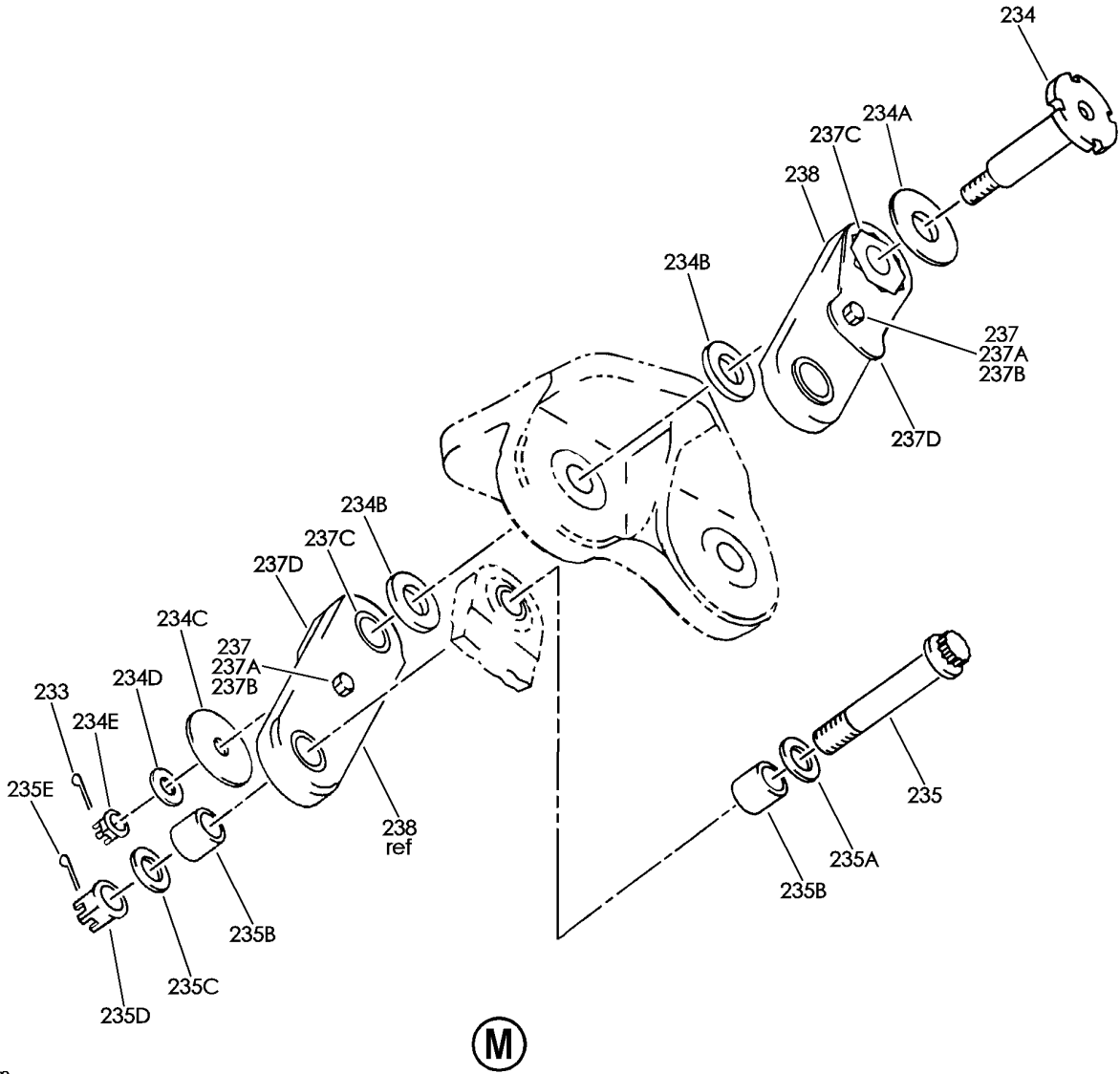
STRUT INSTL-RB211-535
FIGURE 1 (SHEET 4)

54-51-01-01

BRI
MAY 28/07

54-51-01-01
PAGE 0C

BOEING
757
PARTS CATALOG (MAINTENANCE)



Y 54510101 SHT 5 REV 233

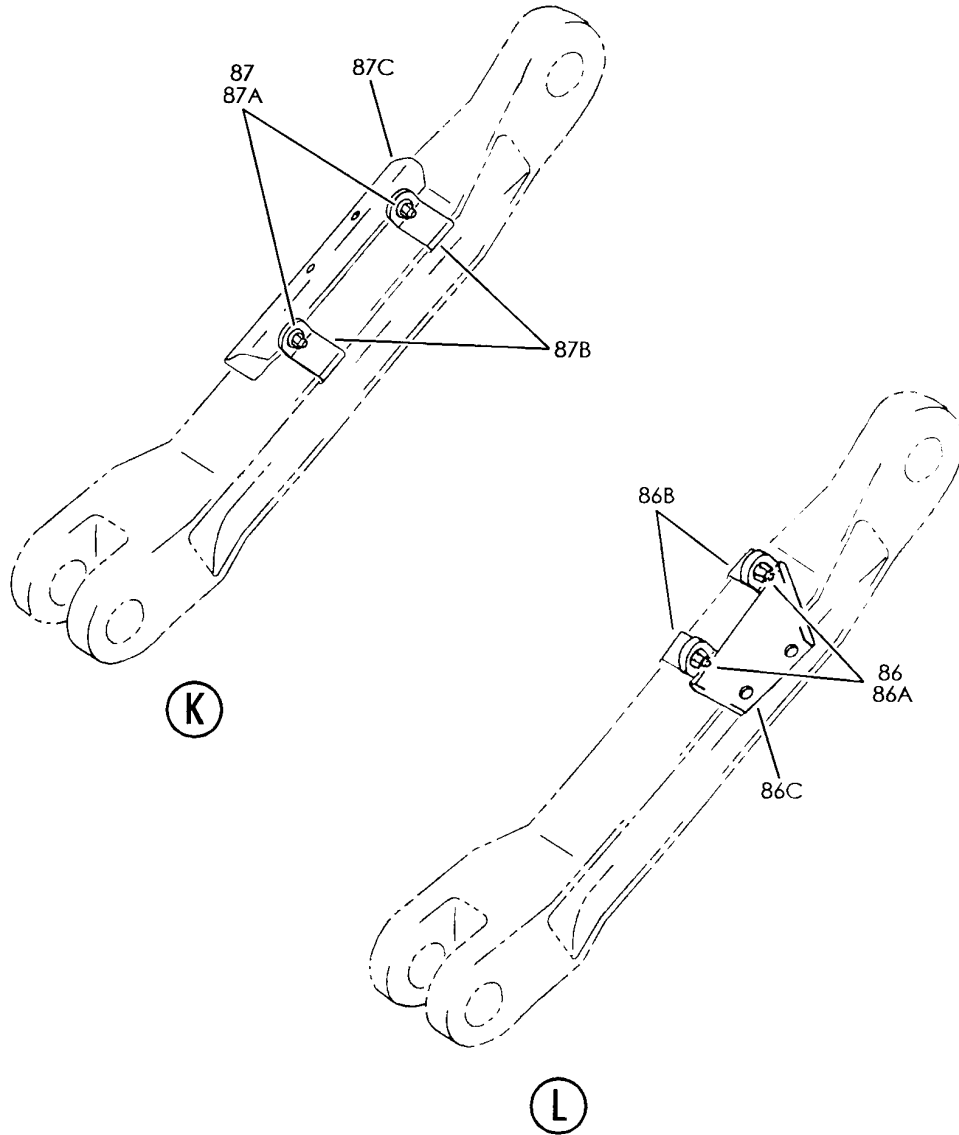
STRUT INSTL-RB211-535
FIGURE 1 (SHEET 5)

54-51-01-01

BRI
MAY 28/07

54-51-01-01
PAGE 0D

BOEING
757
PARTS CATALOG (MAINTENANCE)



Y 54510101 SHT 6 REV 203

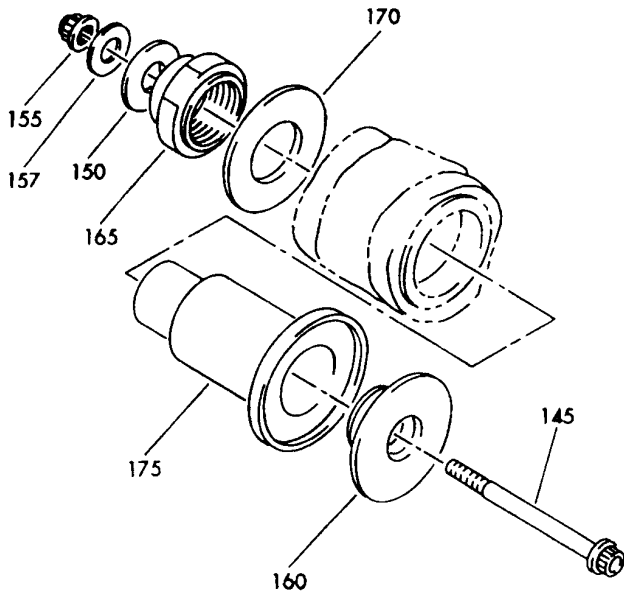
STRUT INSTL-RB211-535
FIGURE 1 (SHEET 6)

54-51-01-01

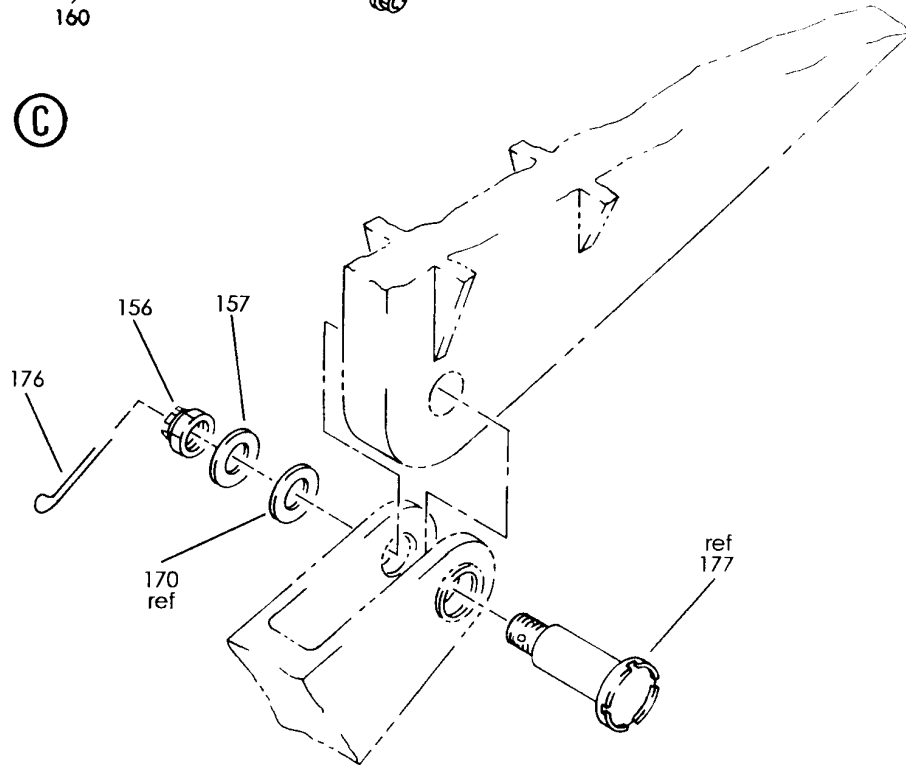
BRI
MAY 28/07

54-51-01-01
PAGE 0E

BOEING
757
PARTS CATALOG (MAINTENANCE)



(C)



(J)

Y 54510101 SHT 7 REV 262

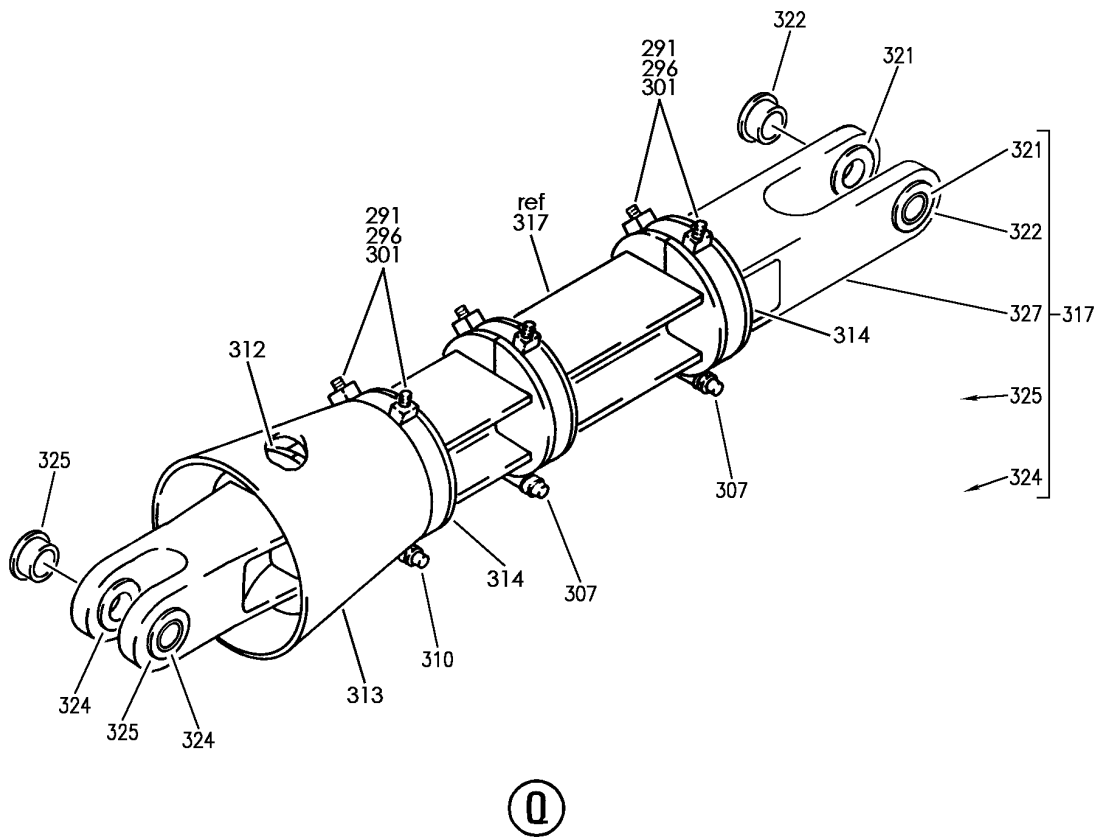
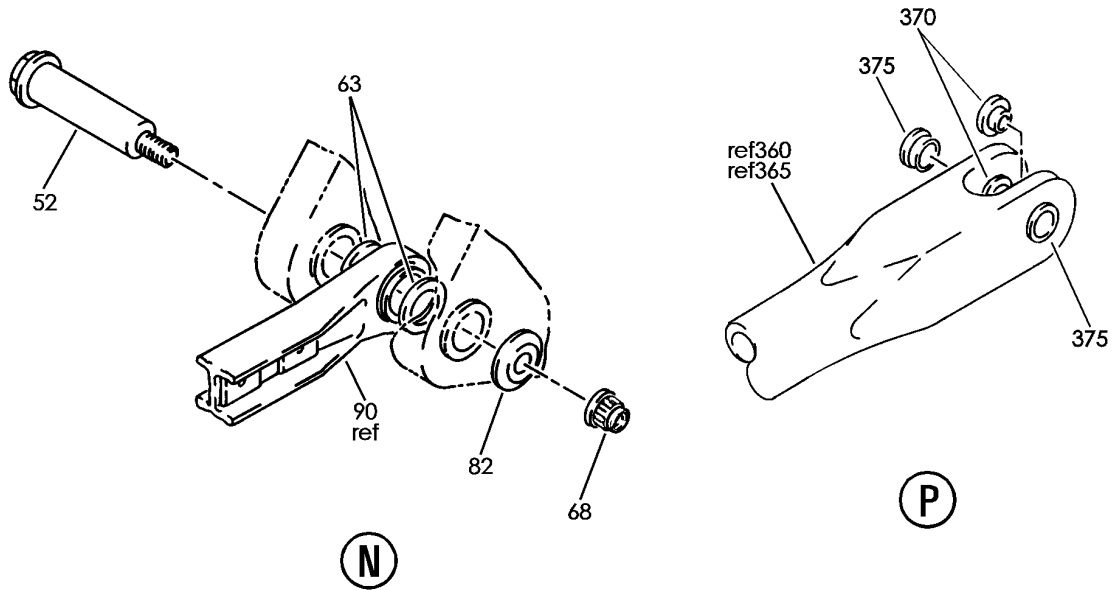
STRUT INSTL-RB211-535
FIGURE 1 (SHEET 7)

54-51-01-01

BRI
MAY 28/07

54-51-01-01
PAGE OF

BOEING
757
PARTS CATALOG (MAINTENANCE)



Y 54510101 SHT 8 REV 262

STRUT INSTL-RB211-535
FIGURE 1 (SHEET 8)

54-51-01-01

BRI
MAY 28/07

54-51-01-01
PAGE 08



757

PARTS CATALOG (MAINTENANCE)

FIG ITEM	PART NUMBER	1 2 3 4 5 6 7	NOMENCLATURE	EFFECT FROM TO	UNITS PER ASSY
1			STRUT INSTL-RB211-535	002004 006010 107107 121503 904999	
- 1	311N5001-11		STRUT INSTL-RB211-535 POSITION DATA: LH FOR OTHER SYS DETAILS SEE: 11-25-51-02	002004 006010 107107 121503 904951 953999	1
- 1	311N5001-25		STRUT INSTL-RB211-535 POSITION DATA: LH	952952	1
- 5	311N5001-12		STRUT INSTL-RB211-535 POSITION DATA: RH FOR OTHER SYS DETAILS SEE: 11-25-51-02	002004 006010 107107 121503 904951 953999	1
- 5	311N5001-26		STRUT INSTL-RB211-535 POSITION DATA: RH	952952	1
13	313N5001-6		.FAIRING INSTL-STRUT FORE AND AFT SEGMENTS POSITION DATA: FWD FOR DETAILS SEE: 54-52-01-02A	002004 006010 107107 121503 904999	1
15	313N5003-1		.FAIRING INSTL-STRUT POSITION DATA: UPR LH SIDE FOR DETAILS SEE: 54-52-01-05	002004 006010 107107 121503 904999	1
- 20	313N5003-2		.FAIRING INSTL-STRUT POSITION DATA: UPR RH SIDE FOR DETAILS SEE: 54-52-01-05	002004 006010 107107 121503 904999	1
45	BACB30LE12-69		.BOLT- PRE SERVICE BULLETIN: 54-0035	002004 006010 904949 952952	1
45	BACB30US10-69		.BOLT- POST SERVICE BULLETIN: 54-0027 54-0035	002004 006010 107107 121503 904951 953999	1

MISSING ITEM NUMBERS NOT APPLICABLE

- ITEM NOT ILLUSTRATED

54-51-01-01

54-51-01
FIG. 01
PAGE 1
JAN 20/09

BRI



757

PARTS CATALOG (MAINTENANCE)

FIG ITEM	PART NUMBER	1 2 3 4 5 6 7	NOMENCLATURE	EFFECT FROM TO	UNITS PER ASSY
1					
50	BACB30LE12-95	.BOLT-	PRE SERVICE BULLETIN: 54-0035	002004 006010 904949 952952	1
52	311N5502-1	.BOLT-	POST SERVICE BULLETIN: 54-0027 54-0035	002004 006010 107107 121503 904951 953999	1
55	BACW10BN12SC	.WASHER-	PRE SERVICE BULLETIN: 54-0035	002004 006010 904949 952952	2
57	BACW10BN10UC	.WASHER-	POST SERVICE BULLETIN: 54-0027 54-0035	002004 006010 107107 121503 904951 953999	1
60	BACW10BN12SP	.WASHER-	PRE SERVICE BULLETIN: 54-0035	002004 006010 904949 952952	2
62	BACW10BN10UP	.WASHER-	MISCELLANEOUS DATA: TWO WASHERS MAY BE USED IF NECESSARY TO PREVENT NUT FROM BOTTOMING OUT ON THREADS OF THE BOLT. POST SERVICE BULLETIN: 54-0027 54-0035	002004 006010 107107 121503 904951 953999	AR
63	310N3152-3	.WASHER-	POST SERVICE BULLETIN: 54-0026 54-0026R1	107107 121503 950999	2

MISSING ITEM NUMBERS NOT APPLICABLE

- ITEM NOT ILLUSTRATED

54-51-01-01

54-51-01
FIG. 01
PAGE 2
JAN 20/09

BRI



757

PARTS CATALOG (MAINTENANCE)

FIG ITEM	PART NUMBER	1 2 3 4 5 6 7	NOMENCLATURE	EFFECT FROM TO	UNITS PER ASSY
1 65	CR603012		.NUT- SUPPLIER CODE: V62554 SPECIFICATION NUMBER: BACN10HR12CD OPTIONAL PART: BH00303CM12 V27238 H51560-12 V15653 102CH9031-12 V72962 67832CD1216 V56878 BMN10HRCWD3-12 V97928 SL7108C12 V11815 VCU0005D12 V06710 102LH903112 V72962 BMN5024CWD312 V97928 PRE SERVICE BULLETIN: 54-0035	002004 006010 904949 952952	2

MISSING ITEM NUMBERS NOT APPLICABLE

- ITEM NOT ILLUSTRATED

BRI

54-51-01-01

BOEING PROPRIETARY - Copyright © - Unpublished Work - See title page for details.

54-51-01
FIG. 01
PAGE 3
JAN 20/09



757

PARTS CATALOG (MAINTENANCE)

FIG ITEM	PART NUMBER	1 2 3 4 5 6 7	NOMENCLATURE	EFFECT FROM TO	UNITS PER ASSY
1 67	BMN5024C10		.NUT- SUPPLIER CODE: V97928 SPECIFICATION NUMBER: BACN10HR10C OPTIONAL PART: H97-10 V15653 101LH9031-10 V72962 BH00304-10 V27238 H9710 V15653 101LH903110 V72962 67832A1018 V56878 BH0030410 V27238 CR590710 V62554 SL706010 V11815 VAL2800210 V06710 POST SERVICE BULLETIN: 54-0027 54-0035	002004 006010 107107 121503 904951 953999	1

MISSING ITEM NUMBERS NOT APPLICABLE

- ITEM NOT ILLUSTRATED

BRI

54-51-01-01

BOEING PROPRIETARY - Copyright © - Unpublished Work - See title page for details.

54-51-01
FIG. 01
PAGE 4
JAN 20/09

 **BOEING**
757
PARTS CATALOG (MAINTENANCE)

FIG ITEM	PART NUMBER	1 2 3 4 5 6 7	NOMENCLATURE	EFFECT FROM TO	UNITS PER ASSY
1 68	H39953-14		.NUT- SUPPLIER CODE: V15653 SPECIFICATION NUMBER: BACN10HR14CS OPTIONAL PART: 109LH9031-14 V72962 67832AS1414 V56878 BH0030314 V27238 BMN5024CPD314 V97928 CR590814 V62554 SL7050914 V11815 109LH903114 V72962 67832AS14 V56878 104LH9031-14 V72962 POST SERVICE BULLETIN: 54-0027 54-0035	002004 006010 107107 121503 904951 953999	1
70	311N5059-4		.CAP-PIN RETENTION PRE SERVICE BULLETIN: 54-0035	002004 006010 904949 952952	2
70	311N5059-8		.CAP-PIN RETENTION POST SERVICE BULLETIN: 54-0027 54-0035	002004 006010 107107 121503 904951 953999	2
75	311N5060-1		.PIN-NAC STRUT LINK POSITION DATA: UPR PRE SERVICE BULLETIN: 54-0035	002004 006010 904949 952952	1
75	311N5501-1		.PIN-NAC STRUT LINK POSITION DATA: UPR POST SERVICE BULLETIN: 54-0027 54-0035	002004 006010 107107 121503 904951 953999	1

MISSING ITEM NUMBERS NOT APPLICABLE

— ITEM NOT ILLUSTRATED

BRI

54-51-01-01

BOEING PROPRIETARY - Copyright © - Unpublished Work - See title page for details.

54-51-01
FIG. 01
PAGE 5
JAN 20/09



757

PARTS CATALOG (MAINTENANCE)

FIG ITEM	PART NUMBER	1 2 3 4 5 6 7	NOMENCLATURE	EFFECT FROM TO	UNITS PER ASSY
1					
80	311N5059-1	.CAP-	PRE SERVICE BULLETIN: 54-0035	002004 006010 904949 952952	2
82	311N5059-10	.CAP-	POST SERVICE BULLETIN: 54-0027 54-0035	002004 006010 107107 121503 904951 953999	1
85	311N5065-1	.PIN-	PRE SERVICE BULLETIN: 54-0035	002004 006010 904949 952952	1
86	NAS1802-3-9	.SCREW-	POSITION DATA: LH SIDE POST SERVICE BULLETIN: 54-0035	002004 006010 107107 121503 904951	2
86A	NAS1149C0363R	.WASHER-	POSITION DATA: LH SIDE POST SERVICE BULLETIN: 54-0035	002004 006010 107107 121503 904951	2
86B	312N5832-10	.CLAMP ASSY-	POSITION DATA: LH SIDE POST SERVICE BULLETIN: 54-0035	002004 006010 107107 121503 904951	2
86C	312N5832-7	.BRACKET ASSY-	POSITION DATA: LH SIDE POST SERVICE BULLETIN: 54-0035	002004 006010 107107 121503 904951	1
87	NAS1802-3-10	.SCREW-	POSITION DATA: RH SIDE POST SERVICE BULLETIN: 54-0035	002004 006010 107107 121503 904951	2
87A	NAS1149C0363R	.WASHER-	POSITION DATA: RH SIDE POST SERVICE BULLETIN: 54-0035	002004 006010 107107 121503 904951	2
87B	312N5832-10	.CLAMP ASSY-	POSITION DATA: RH SIDE POST SERVICE BULLETIN: 54-0035	002004 006010 107107 121503 904951	2

MISSING ITEM NUMBERS NOT APPLICABLE

- ITEM NOT ILLUSTRATED

54-51-01-01

54-51-01
FIG. 01
PAGE 6
JAN 20/09

BRI



757

PARTS CATALOG (MAINTENANCE)

FIG ITEM	PART NUMBER	1 2 3 4 5 6 7	NOMENCLATURE	EFFECT FROM TO	UNITS PER ASSY		
1 87C	312N5831-10	.	BRACKET ASSY- POSITION DATA: RH SIDE POST SERVICE BULLETIN: 54-0035	002004 006010 107107 121503 904951	1		
	90	311N5019-3	.	LINK ASSY- POSITION DATA: UPR COMPONENT MAINT MANUAL REF: 54-50-31 PRE SERVICE BULLETIN: 54-0035	002004 006010 107107 121503 904999	1	
		90	311N5019-5	.	LINK ASSY- POSITION DATA: UPR COMPONENT MAINT MANUAL REF: 54-50-31 OPTIONAL PART: 311N5019-3 PRE SERVICE BULLETIN: 54-0035	002004 006010 107107 121503 904999	1
		90	311N5019-11	.	LINK ASSY- POSITION DATA: UPR COMPONENT MAINT MANUAL REF: 54-50-31 QUALIFIED I/W DATA: 311N5019-11 CAN REPLACE BUT NOT BE REPLACED BY 311N5019-9 IN ACCORDANCE WITH SERVICE BULLETIN 757-54-0035 MODIFICATIONS TO COMPLY WITH AIRWORTHINESS DIRECTIVE (AD) 2004-12-07. POST SERVICE BULLETIN: 54-0035	002004 006010 107107 121503 904999	1
90	311N5019-7	.	LINK ASSY- POSITION DATA: UPR COMPONENT MAINT MANUAL REF: 54-50-31 PRE SERVICE BULLETIN: 54-0035	002004 006010 107107 121503 904999	1		

MISSING ITEM NUMBERS NOT APPLICABLE

- ITEM NOT ILLUSTRATED

54-51-01-01

54-51-01
FIG. 01
PAGE 7
MAY 20/09

BRI

 **BOEING**
757
PARTS CATALOG (MAINTENANCE)

FIG ITEM	PART NUMBER	1 2 3 4 5 6 7	NOMENCLATURE	EFFECT FROM TO	UNITS PER ASSY
R R R R R R R R R R R R R	1 90	311N5019-9	.LINK ASSY- POSITION DATA: UPR COMPONENT MAINT MANUAL REF: 54-50-31 QUALIFIED I/W DATA: 311N5019-11 CAN REPLACE BUT NOT BE REPLACED BY 311N5019-9 IN ACCORDANCE WITH SERVICE BULLETIN 757-54-0035 MODIFICATIONS TO COMPLY WITH AIRWORTHINESS DIRECTIVE (AD) 2004-12-07. PRE SERVICE BULLETIN: 54-0035	002004 006010 107107 121503 904999	1
	95	316N5101-1	.EQUIPMENT INSTL-WING PNEU POSITION DATA: LH SIDE FOR DETAILS SEE: 36-11-17-01	002004 006010 107107 121503 904999	1
	- 100	316N5101-2	.EQUIPMENT INSTL-WING LE PNEU POSITION DATA: RH SIDE FOR DETAILS SEE: 36-11-17-01	002004 006010 107107 121503 904999	1
	105	312N5201-3	.SUPPORT INSTL-ELECTRICAL WIRE BUNDLE POSITION DATA: LH SIDE FOR DETAILS SEE: 54-51-51-01	002004 006010 107107 121503 904999	1
	- 110	312N5201-4	.SUPPORT INSTL-ELECTRICAL WIRE BUNDLE POSITION DATA: RH SIDE FOR DETAILS SEE: 54-51-51-01	002004 006010 107107 121503 904999	1
	115	313N5005-23	.FAIRING INSTL-STRUT UNDERWING POSITION DATA: AFT LH SIDE OUTBD FOR DETAILS SEE: 54-52-01-06	002004 006010 107107 121503 904999	1

MISSING ITEM NUMBERS NOT APPLICABLE

- ITEM NOT ILLUSTRATED

54-51-01-01

54-51-01
FIG. 01
PAGE 8
MAY 20/09

BRI



757

PARTS CATALOG (MAINTENANCE)

FIG ITEM	PART NUMBER	1 2 3 4 5 6 7	NOMENCLATURE	EFFECT FROM TO	UNITS PER ASSY
1 120	313N5005-25		.FAIRING INSTL-STRUT UNDERWING POSITION DATA: AFT LH SIDE INBD FOR DETAILS SEE: 54-52-01-06	002004 006010 107107 121503 904999	1
- 125	313N5005-24		.FAIRING INSTL-STRUT UNDERWING POSITION DATA: AFT RH SIDE OUTBD FOR DETAILS SEE: 54-52-01-06	002004 006010 107107 121503 904999	1
- 130	313N5005-26		.FAIRING INSTL-STRUT UNDERWING POSITION DATA: AFT RH SIDE INBD FOR DETAILS SEE: 54-52-01-06	002004 006010 107107 121503 904999	1
145	BACB30LE6-82		.BOLT- USED WITH: 311N5067-1 PRE SERVICE BULLETIN: 54-0035 54A0020R6 REFERENCE SERVICE BULLETIN: 54A0020R5	002004 006010 904949 953999	2
145	BACB30LE6K82		.BOLT- PRE SERVICE BULLETIN: 54-0035 POST ALERT SB: 54A0020R3 PRE ALERT SB: 54A0020R5	008010	2
146	BACB30WP7K88R		.BOLT- PRE SERVICE BULLETIN: 54-0035 POST ALERT SB: 54A0020R5	002004 006010 904949 952999	2
147	BACB30WP7K74		.BOLT- OPTIONAL PART: 311N5215-1 PRE ALERT SB: 54A0020R5	952952	2
147	311N5215-1		.BOLT- OPTIONAL PART: BACB30WP7K74 PRE ALERT SB: 54A0020R5	952952	2

MISSING ITEM NUMBERS NOT APPLICABLE

- ITEM NOT ILLUSTRATED

54-51-01-01

54-51-01
FIG. 01
PAGE 9
MAY 20/09

BRI



757

PARTS CATALOG (MAINTENANCE)

FIG ITEM	PART NUMBER	1 2 3 4 5 6 7	NOMENCLATURE	EFFECT FROM TO	UNITS PER ASSY
1					
150	311N5066-2		.WASHER- PRE SERVICE BULLETIN: 54-0035 PRE ALERT SB: 54A0020R5	002004 006010 904949 953999	2
150	311N5066-5		.WASHER- PRE SERVICE BULLETIN: 54-0035 POST ALERT SB: 54A0020R5	002004 006010 904949 952999	2
153	BACW10BN7SP		.WASHER- PRE ALERT SB: 54A0020	952952	2

MISSING ITEM NUMBERS NOT APPLICABLE

- ITEM NOT ILLUSTRATED

54-51-01-01

54-51-01
FIG. 01
PAGE 10
MAY 20/09

BRI



757

PARTS CATALOG (MAINTENANCE)

FIG ITEM	PART NUMBER	1 2 3 4 5 6 7	NOMENCLATURE	EFFECT FROM TO	UNITS PER ASSY
1	BMN10HRCWD3-6		.NUT-	002004	2
155			SUPPLIER CODE: V97928	006010	
			SPECIFICATION NUMBER: BACN10HR6CD	904949	
			OPTIONAL PART: H51560-6	953999	
			V15653		
			67832CD624		
			V56878		
			102LH9031-6		
			V72962		
			BH00303CM6		
			V27238		
			SL7108C624		
			V11815		
			BMN5024CWD36		
			V97928		
			SL7108C6		
			V11815		
			102LH90316		
			V72962		
			67832CD6		
			V56878		
			VCU0005D6		
			V06710		
			CR60306		
			VF0224		
			CR60306		
			VF0224		
			USED WITH: 311N5067-1		
			PRE SERVICE BULLETIN: 54-0035		
			54A0020R6		
			REFERENCE SERVICE BULLETIN: 54A0020R5		

MISSING ITEM NUMBERS NOT APPLICABLE

- ITEM NOT ILLUSTRATED

54-51-01-01

54-51-01
FIG. 01
PAGE 11
MAY 20/09

BRI



757

PARTS CATALOG (MAINTENANCE)

FIG ITEM	PART NUMBER	1 2 3 4 5 6 7	NOMENCLATURE	EFFECT FROM TO	UNITS PER ASSY
1 156	BMN10HRCWD3-7	.NUT-	SUPPLIER CODE: V97928 SPECIFICATION NUMBER: BACN10HR7CD OPTIONAL PART: H51560-7 V15653 67832CD720 V56878 102LH9031-7 V72962 BH00303CM7 V27238 BMN5024CWD37 V97928 SL7108C7 V11815 VCU0005D7 V06710 102LH90317 V72962 67832CD7 V56878 CR6030-7 VF0224 BMN10HRCWD3-7 V97928 PRE SERVICE BULLETIN: 54-0035 POST ALERT SB: 54A0020R4 54A0020R6	002004 006010 904949 953999	2
156	BACN11N118CS	.NUT-	POST SERVICE BULLETIN: 54-0035	002004 006010 107107 121503 904951	2
157	BACW10BP6DP	.WASHER-	USED WITH: 311N5067-1 PRE SERVICE BULLETIN: 54-0035 54-0020R6 REFERENCE SERVICE BULLETIN: 54A0020R5	002004 006010 904949 953999	AR

MISSING ITEM NUMBERS NOT APPLICABLE

- ITEM NOT ILLUSTRATED

54-51-01-01

54-51-01
FIG. 01
PAGE 12
MAY 20/09

BRI



757

PARTS CATALOG (MAINTENANCE)

FIG ITEM	PART NUMBER	1 2 3 4 5 6 7	NOMENCLATURE	EFFECT FROM TO	UNITS PER ASSY
1					
157	BACW10BN7SP		.WASHER- PRE SERVICE BULLETIN: 54-0035 POST ALERT SB: 54A0020R4 54A0020R6	002004 006010 904949 953999	AR
157	BACW10BP18APU		.WASHER- POST SERVICE BULLETIN: 54-0035	002004 006010 107107 121503 904951	AR
160	311N5066-1		.CAP-RETAINING PRE SERVICE BULLETIN: 54-0035 PRE ALERT SB: 54A0020R5	002004 006010 904949 953999	2
162	311N5066-4		.CAP- PRE SERVICE BULLETIN: 54-0035R2 POST ALERT SB: 54A0020R5	002004 006010 904949 952999	2
163	311N5214-1		.CAP-RETAINING PRE ALERT SB: 54A0020R5	952952	2
165	69235-1812CD		.NUT- SUPPLIER CODE: V92215 SPECIFICATION NUMBER: BACN10JC18CD OPTIONAL PART: 102LH9074-18 V72962 BMN4122CPD8-18 V97928 H51650-18BAC V15653 PRE SERVICE BULLETIN: 54-0035 POST ALERT SB: 54A0020R5	002004 006010 904949 953999	2
170	311N5066-3		.WASHER- POST ALERT SB: 54A0020R5	002004 006010 107107 121503 904951 953999	2

MISSING ITEM NUMBERS NOT APPLICABLE

- ITEM NOT ILLUSTRATED

54-51-01-01

54-51-01
FIG. 01
PAGE 13
MAY 20/09

BRI



757

PARTS CATALOG (MAINTENANCE)

FIG ITEM	PART NUMBER	1 2 3 4 5 6 7	NOMENCLATURE	EFFECT FROM TO	UNITS PER ASSY
1 175	311N5067-1		.PIN-STRUT TO WING FTG FUSE QUALIFIED I/W DATA: 311N5217-1 CAN REPLACE BUT NOT BE REPLACED BY 311N5067-1 IF SERVICE BULLETIN 757-54A0019 HAS BEEN INCORPORATED. PRE SERVICE BULLETIN: 54-0035 PRE ALERT SB: 54A0020R5	002004 006010 904949 953999	2
176	BACP18BC04A16P		.PIN-COTTER POST SERVICE BULLETIN: 54-0035	002004 006010 107107 121503 904951	2
177	311N5217-1		.PIN-15-5PH FUSE QUALIFIED I/W DATA: 311N5217-1 CAN REPLACE BUT NOT BE REPLACED BY 311N5067-1 IF SERVICE BULLETIN 757-54A0019 HAS BEEN INCORPORATED. PRE SERVICE BULLETIN: 54-0035 POST ALERT SB: 54A0020R5	002004 006010 904949 952999	2
177	311N5217-2		.PIN-15-5PH FUSE POST SERVICE BULLETIN: 54-0035	002004 006010 107107 121503 904999	2
178	311N5211-1		.PIN ASSY-STRUT TO WING FTG FUSE PRE SERVICE BULLETIN: 54-0035 PRE ALERT SB: 54A0020R5	002004 006010 904949 952999	2
180	BACB30LE5-44		.BOLT- PRE SERVICE BULLETIN: 54-0035	002004 006010 904949 952999	2
185	BACW10BP5CD		.WASHER- PRE SERVICE BULLETIN: 54-0035	002004 006010 904949 952999	2

MISSING ITEM NUMBERS NOT APPLICABLE

- ITEM NOT ILLUSTRATED

54-51-01-01

54-51-01
FIG. 01
PAGE 14
MAY 20/09

BRI



757

PARTS CATALOG (MAINTENANCE)

FIG ITEM	PART NUMBER	1 2 3 4 5 6 7	NOMENCLATURE	EFFECT FROM TO	UNITS PER ASSY
1					
190	BACW10BP5DP		.WASHER- PRE SERVICE BULLETIN: 54-0035	002004 006010 904949 952999	AR
192	BACW10BN12SP		.WASHER- PRE SERVICE BULLETIN: 54-0035	002004 006010 904949 952999	2
195	BH00303CM5		.NUT- SUPPLIER CODE: V27238 SPECIFICATION NUMBER: BACN10HR5CD OPTIONAL PART: H51560-5 V15653 67832CD524 V56878 102LH9031-5 V72962 SL7108C524 V11815 BMN5024CWD35 V97928 SL7108C5 V11815 VCU0005D5 V06710 102LH90315 V72962 BMN10HRCWD3-5 V97928 67832CD5 V56878 CR6030-5 VF0224 67832CD5 V56878 PRE SERVICE BULLETIN: 54-0035	002004 006010 904949 952999	2
200	311N5059-5		.CAP-PIN RETENTION PRE SERVICE BULLETIN: 54-0035	002004 006010 904949 952999	4

MISSING ITEM NUMBERS NOT APPLICABLE

- ITEM NOT ILLUSTRATED

54-51-01-01

54-51-01
FIG. 01
PAGE 15
MAY 20/09

BRI



757

PARTS CATALOG (MAINTENANCE)

FIG ITEM	PART NUMBER	1 2 3 4 5 6 7	NOMENCLATURE	EFFECT FROM TO	UNITS PER ASSY
1					
202	311N5502-2		.BOLT-DIAG BRACE TO STRUT POST SERVICE BULLETIN: 54-0027 54-0035	002004 006010 107107 121503 904951 953999	1
205	311N5068-2		.PIN-SIDE LINK FUSE PRE SERVICE BULLETIN: 54-0035	002004 006010 904949 952999	2
206	BACB30LE10U37		.BOLT- PRE SERVICE BULLETIN: 54-0035	002004 006010 904949 952999	2
207	BACW10BN10SC		.WASHER- PRE SERVICE BULLETIN: 54-0035	002004 006010 904949 952999	2
208	BACW10BN10SP		.WASHER- PRE SERVICE BULLETIN: 54-0035	002004 006010 904949 952999	2
209	BMN5024CWD310		.NUT- SUPPLIER CODE: V97928 SPECIFICATION NUMBER: BACN10HR10CD OPTIONAL PART: H51560-10 V15653 102LH9031-10 V72962 67832CD1018 V56878 BH00303CM10 V27238 SL7108C10 V11815 VCU0005D10 V06710 BMN10HRCWD3-10 V97928 102LH903110 V72962 102LH903110 V72962 PRE SERVICE BULLETIN: 54-0035	002004 006010 904949 952999	2

MISSING ITEM NUMBERS NOT APPLICABLE

- ITEM NOT ILLUSTRATED

54-51-01-01

54-51-01
FIG. 01
PAGE 16
MAY 20/09

BRI



757

PARTS CATALOG (MAINTENANCE)

FIG ITEM	PART NUMBER	1 2 3 4 5 6 7	NOMENCLATURE	EFFECT FROM TO	UNITS PER ASSY
1					
211E	BACP18BC03A10P		.PIN-COTTER POST SERVICE BULLETIN: 54-0035	002004 006010 107107 121503 904951 953999	1
212	BACB30US8-81		.BOLT- POST SERVICE BULLETIN: 54-0027		1
212	BACB30LE10-81		.BOLT- PRE SERVICE BULLETIN: 54-0035	002004 006010 904949 952952	1
212	NAS6708DU81		.BOLT- POST SERVICE BULLETIN: 54-0035	002004 006010 107107 121503 904951	1
213	BACW10BN10SP		.WASHER- PRE SERVICE BULLETIN: 54-0035	002004 006010 904949 952952	AR
214	BACW10BN8UC		.WASHER- POST SERVICE BULLETIN: 54-0027	953999	1
214	BACW10BP8ACU		.WASHER- POST SERVICE BULLETIN: 54-0035	002004 006010 107107 121503 904951	1
215	BACB30LE10-72		.BOLT- PRE SERVICE BULLETIN: 54-0035	002004 006010 904949 952952	1
216	BACW10BN10SC		.WASHER- PRE SERVICE BULLETIN: 54-0035	002004 006010 904949 952952	2
217	AN960C1016L		.WASHER- PRE SERVICE BULLETIN: 54-0035	002004 006010 904949 952999	2
219	BACB28AK10-075		.BUSHING- PRE SERVICE BULLETIN: 54-0035	002004 006010 904949 952999	4
220	311N5017-1		.WASHER- PRE SERVICE BULLETIN: 54-0035	002004 006010 904949 952999	4

MISSING ITEM NUMBERS NOT APPLICABLE

- ITEM NOT ILLUSTRATED

54-51-01-01

54-51-01
FIG. 01
PAGE 17
MAY 20/09

BRI



757

PARTS CATALOG (MAINTENANCE)

FIG ITEM	PART NUMBER	1 2 3 4 5 6 7	NOMENCLATURE	EFFECT FROM TO	UNITS PER ASSY
1 221	BACW10BN8UP		.WASHER- MISCELLANEOUS DATA: TWO WASHERS MAY BE USED IF NECESSARY TO PREVENT NUT FROM BOTTOMING OUT ON THREADS OF THE BOLT. POST SERVICE BULLETIN: 54-0027	953999	AR
221A	BACW10BN8APU		.WASHER- POST SERVICE BULLETIN: 54-0035	002004 006010 107107 121503 904951 953999	AR
222	BMN10HRC8		.NUT- SUPPLIER CODE: V97928 SPECIFICATION NUMBER: BACN10HR8C OPTIONAL PART: H97-8 V15653 101LH9031-8 V72962 67832A820 V56878 BMN5024C8 V97928 BH00304-8 V27238 BH003048 V27238 BMN5024C8 V97928 CR59078 V62554 H978 V15653 SL70608 V11815 VAL280028 V06710 101LH90318 V72962 67832A8 V56878 BH003028C V27238 POST SERVICE BULLETIN: 54-0027		1

MISSING ITEM NUMBERS NOT APPLICABLE

- ITEM NOT ILLUSTRATED

54-51-01-01

54-51-01
FIG. 01
PAGE 18
MAY 20/09

BRI



757

PARTS CATALOG (MAINTENANCE)

FIG ITEM	PART NUMBER	1 2 3 4 5 6 7	NOMENCLATURE	EFFECT FROM TO	UNITS PER ASSY
1 222	BACN11N8CS	.NUT-	POST SERVICE BULLETIN: 54-0035	002004 006010 107107 121503 904951	1
223	BMN5024CPD312	.NUT-	SUPPLIER CODE: V97928 SPECIFICATION NUMBER: BACN10HR12CS OPTIONAL PART: H39953-12 V15653 109LH9031-12 V72962 67832AS1216 V56878 BH00303-12 V27238 BMN10HRCPD3-12 V97928 CR590812 V62554 SL7050912 V11815 BH0030312 V27238 109LH903112 V72962 67832AS12 V56878 POST SERVICE BULLETIN: 54-0027 54-0035	002004 006010 107107 121503 904951 953999	1

MISSING ITEM NUMBERS NOT APPLICABLE

- ITEM NOT ILLUSTRATED

54-51-01-01

54-51-01
FIG. 01
PAGE 19
MAY 20/09

BRI



757

PARTS CATALOG (MAINTENANCE)

FIG ITEM	PART NUMBER	1 2 3 4 5 6 7	NOMENCLATURE	EFFECT FROM TO	UNITS PER ASSY
1 224	CR603012	.	NUT- SUPPLIER CODE: V62554 SPECIFICATION NUMBER: BACN10HR12CD OPTIONAL PART: BH00303CM12 V27238 H51560-12 V15653 102CH9031-12 V72962 67832CD1216 V56878 BMN10HRCWD3-12 V97928 SL7108C12 V11815 VCU0005D12 V06710 102LH903112 V72962 BMN5024CWD312 V97928 PRE SERVICE BULLETIN: 54-0035	002004 006010 904949 952952	2
225	311N5001-18	.	LINK ASSY- PRE SERVICE BULLETIN: 54-0035	002004 006010 904949 952999	4
226	BACB30LJ4-11	..	BOLT-	002004 006010 904949 952999	1
227	AN960-416L	..	WASHER-	002004 006010 904949 952999	1

MISSING ITEM NUMBERS NOT APPLICABLE

- ITEM NOT ILLUSTRATED

54-51-01-01

54-51-01
FIG. 01
PAGE 20
MAY 20/09

BRI



757

PARTS CATALOG (MAINTENANCE)

FIG ITEM	PART NUMBER	1 2 3 4 5 6 7	NOMENCLATURE	EFFECT FROM TO	UNITS PER ASSY
1 228	BRH10C4D	..	NUT- SUPPLIER CODE: V52828 SPECIFICATION NUMBER: BACN10JC4CD OPTIONAL PART: T6C428JCD V11815 NS202486-048 V80539 102LH9075-4W V72962 H51650-4BAC V15653	002004 006010 904949 952999	1
229	311N5000-1	..	RETAINER-	002004 006010 904949 952999	1
231	311N5004-1	..	BUSHING-	002004 006010 904949 952999	1
232	311N5038-11	..	LINK ASSY- COMPONENT MAINT MANUAL REF: 54-50-31	002004 006010 904949 952999	1
233	BACP18BC03A10P	.PIN-	COTTER POST SERVICE BULLETIN: 54-0035	002004 006010 107107 121503 904951	2
234	311N5503-1	.PIN-	POST SERVICE BULLETIN: 54-0035	002004 006010 107107 121503 904951	2
234A	311N5017-1	.WASHER-	POST SERVICE BULLETIN: 54-0035	002004 006010 107107 121503 904951	2
234B	BACW10BP12APU	.WASHER-	POST SERVICE BULLETIN: 54-0035	002004 006010 107107 121503 904951	4

MISSING ITEM NUMBERS NOT APPLICABLE

- ITEM NOT ILLUSTRATED

54-51-01-01

54-51-01
FIG. 01
PAGE 21
MAY 20/09

BRI

 **BOEING**
757
PARTS CATALOG (MAINTENANCE)

FIG ITEM	PART NUMBER	1 2 3 4 5 6 7	NOMENCLATURE	EFFECT FROM TO	UNITS PER ASSY
1					
234C	311N5066-8		.RETAINER- POST SERVICE BULLETIN: 54-0035	002004 006010 107107 121503 904951	2
234D	BACW10BP7APU		.WASHER- POST SERVICE BULLETIN: 54-0035	002004 006010 107107 121503 904951	1
234E	BACN11N7CS		.NUT- POST SERVICE BULLETIN: 54-0035	002004 006010 107107 121503 904951	2
234F	BACP18BC04A12P		.PIN-COTTER POST SERVICE BULLETIN: 54-0035	002004 006010 107107 121503 904951	2
235	BACB30US10K40D		.BOLT- POST SERVICE BULLETIN: 54-0035	002004 006010 107107 121503 904951	2
235A	BACW10BP10ACU		.WASHER- POST SERVICE BULLETIN: 54-0035	002004 006010 107107 121503 904951	2
235B	BACB28AK10-085		.BUSHING- POST SERVICE BULLETIN: 54-0035	002004 006010 107107 121503 904951	4
235C	BACW10BP10APU		.WASHER- POST SERVICE BULLETIN: 54-0035	002004 006010 107107 121503 904951	2
235D	BACN11N10CS		.NUT- POST SERVICE BULLETIN: 54-0035	002004 006010 107107 121503 904951	2

MISSING ITEM NUMBERS NOT APPLICABLE

— ITEM NOT ILLUSTRATED

BRI

54-51-01-01

BOEING PROPRIETARY - Copyright © - Unpublished Work - See title page for details.

54-51-01
FIG. 01
PAGE 22
MAY 20/09



757

PARTS CATALOG (MAINTENANCE)

FIG ITEM	PART NUMBER	1 2 3 4 5 6 7	NOMENCLATURE	EFFECT FROM TO	UNITS PER ASSY
1 235E	BACP18BC04A12P		.PIN-COTTER POST SERVICE BULLETIN: 54-0035	002004 006010 107107 121503 904951	2
237	BACB30LJ4U11		.BOLT- POST SERVICE BULLETIN: 54-0035	002004 006010 107107 121503 904951	4
237A	BACW10BP4APU		.WASHER- POST SERVICE BULLETIN: 54-0035	002004 006010 107107 121503 904951	4
237B	BRH10C4M		.NUT- SUPPLIER CODE: V52828 SPECIFICATION NUMBER: BACN10JC4CM OPTIONAL PART: T6C428JM V11815 97E48 V80539 109LH9075-4W V72962 VN303D048 V92215 H01-4BAC V15653 NS202101SE048 V80539 POST SERVICE BULLETIN: 54-0035	002004 006010 107107 121503 904951	4
237C	311N5004-2		.BUSHING- POST SERVICE BULLETIN: 54-0035	002004 006010 107107 121503 904951	4
237D	311N5000-1		.RETAINER- POST SERVICE BULLETIN: 54-0035	002004 006010 107107 121503 904951	4

MISSING ITEM NUMBERS NOT APPLICABLE

- ITEM NOT ILLUSTRATED

54-51-01-01

54-51-01
FIG. 01
PAGE 23
MAY 20/09

BRI



757

PARTS CATALOG (MAINTENANCE)

FIG ITEM	PART NUMBER	1 2 3 4 5 6 7	NOMENCLATURE	EFFECT FROM TO	UNITS PER ASSY
1 238	311N5238-2		.LINK ASSY- COMPONENT MAINT MANUAL REF: 54-50-31 POST SERVICE BULLETIN: 54-0035	002004 006010 107107 121503 904951	2
260	311N5059-3		.CAP-PIN RETENTION QUALIFIED I/W DATA: 311N5038-9 TOGETHER WITH TWO 311N5058-16 AND TWO 311N5058-17 I/W 311N5038-3 PRE SERVICE BULLETIN: 54-0035	002004 006010 904949 952952	2
262	311N5059-11		.CAP-PIN RETENTION POST SERVICE BULLETIN: 54-0027 54-0035	002004 006010 107107 121503 904951 953999	1
265	311N5065-2		.PIN-DIAG BRACE TO STRUT PRE SERVICE BULLETIN: 54-0035	002004 006010 904949 952952	1
270	311N5059-2		.CAP-PIN RETENTION PRE SERVICE BULLETIN: 54-0035	002004 006010 904949 952952	2
270	311N5059-9		.CAP-PIN RETENTION POST SERVICE BULLETIN: 54-0027 54-0035	002004 006010 107107 121503 904951 953999	2
275	311N5500-1		.PIN-DIAG BRACE TO WING JT POST SERVICE BULLETIN: 54-0027 54-0035	002004 006010 107107 121503 904999	1
275	311N5064-1		.PIN-DIAG BRACE TO WING JT PRE SERVICE BULLETIN: 54-0035	002004 006010 904949 952952	1

MISSING ITEM NUMBERS NOT APPLICABLE

- ITEM NOT ILLUSTRATED

54-51-01-01

54-51-01
FIG. 01
PAGE 24
MAY 20/09

BRI

BOEING
757
PARTS CATALOG (MAINTENANCE)

FIG ITEM	PART NUMBER	1 2 3 4 5 6 7	NOMENCLATURE	EFFECT FROM TO	UNITS PER ASSY
1 280	BC1083-056S		.CLAMP- SUPPLIER CODE: V14242 SPECIFICATION NUMBER: BACC10FY056S OPTIONAL PART: 3140AB056 V94581 57490-056 V98625 B06A056S V10234 MBC68941-056 V8W928 PRE SERVICE BULLETIN: 54-0035	002004 006010 904949 952999	1
290	NAS6603-4		.BOLT- PRE SERVICE BULLETIN: 54-0035	002004 006010 904949 952999	4
291	BACB30NE3-4		.BOLT- POST SERVICE BULLETIN: 54-0035	002004 006010 107107 121503 904951	6
292	NAS6603-4		.BOLT- PRE SERVICE BULLETIN: 54-0035	002004 006010 904949 953999	2
295	BACB30NE3-4		.BOLT-	952952	4
296	BACC15AN10		.CLIP- POST SERVICE BULLETIN: 54-0035	002004 006010 107107 121503 904951	6
297	BACC15AN10		.CLIP- PRE SERVICE BULLETIN: 54-0035	002004 006010 904949 952999	4
298	BACC15AN10		.CLIP- PRE SERVICE BULLETIN: 54-0035	002004 006010 904949 953999	2
300	BACC15AN10		.CLIP-	952952	4
301	BACB19F10		.BLOCK- POST SERVICE BULLETIN: 54-0035	002004 006010 107107 121503 904951	6

MISSING ITEM NUMBERS NOT APPLICABLE

— ITEM NOT ILLUSTRATED

BRI

54-51-01-01

BOEING PROPRIETARY - Copyright © - Unpublished Work - See title page for details.

54-51-01
FIG. 01
PAGE 25
MAY 20/09



757

PARTS CATALOG (MAINTENANCE)

FIG ITEM	PART NUMBER	1 2 3 4 5 6 7	NOMENCLATURE	EFFECT FROM TO	UNITS PER ASSY
1 302	BACB19F10		.BLOCK- PRE SERVICE BULLETIN: 54-0035	002004 006010 904949 952999	4
303	BACB19F10		.BLOCK- PRE SERVICE BULLETIN: 54-0035	002004 006010 904949 953999	2
305 307	BACB19F10 BC1083-040S		.BLOCK- .CLAMP- SUPPLIER CODE: V14242 SPECIFICATION NUMBER: BACC10FY040S OPTIONAL PART: 3140AB040 V94581 57490-040 V98625 B06A040S V10234 MBC68941-040 V8W928 57490-403 V8W928 PRE SERVICE BULLETIN: 54-0035	952952 002004 006010 904949 953999	4 2
307	BC1083-056S		.CLAMP- SUPPLIER CODE: V14242 SPECIFICATION NUMBER: BACC10FY056S OPTIONAL PART: 3140AB056 V94581 57490-056 V98625 B06A056S V10234 MBC68941-056 V8W928 POST SERVICE BULLETIN: 54-0035	002004 006010 107107 121503 904951	2

MISSING ITEM NUMBERS NOT APPLICABLE

- ITEM NOT ILLUSTRATED

54-51-01-01

BRI

BOEING PROPRIETARY - Copyright © - Unpublished Work - See title page for details.

54-51-01
FIG. 01
PAGE 26
MAY 20/09



757

PARTS CATALOG (MAINTENANCE)

FIG ITEM	PART NUMBER	1 2 3 4 5 6 7	NOMENCLATURE	EFFECT FROM TO	UNITS PER ASSY
1 310	BC1083-040S		.CLAMP- SUPPLIER CODE: V14242 SPECIFICATION NUMBER: BACC10FY040S OPTIONAL PART: 3140AB040 V94581 57490-040 V98625 B06A040S V10234 MBC68941-040 V8W928 57490-403 V8W928	952952	3
312	BC1083-042S		.CLAMP- SUPPLIER CODE: V14242 SPECIFICATION NUMBER: BACC10FY042S OPTIONAL PART: 3140AB042 V94581 57490-042 V98625 B06A042S V10234 MBC68941-042 V8W928 57940-420 V8W928 PRE SERVICE BULLETIN: 54-0035	002004 006010 904949 952999	1

MISSING ITEM NUMBERS NOT APPLICABLE

- ITEM NOT ILLUSTRATED

54-51-01-01

54-51-01
FIG. 01
PAGE 27
MAY 20/09

BRI



757

PARTS CATALOG (MAINTENANCE)

FIG ITEM	PART NUMBER	1 2 3 4 5 6 7	NOMENCLATURE	EFFECT FROM TO	UNITS PER ASSY
1 312	BC1083-056S		.CLAMP- SUPPLIER CODE: V14242 SPECIFICATION NUMBER: BACC10FY056S OPTIONAL PART: 3140AB056 V94581 57490-056 V98625 B06A056S V10234 MBC68941-056 V8W928 POST SERVICE BULLETIN: 54-0035	002004 006010 107107 121503 904951	1
313	313N5041-1		.SEAL-B00T PRE SERVICE BULLETIN: 54-0035	002004 006010 904949 952999	1
313	313N5041-3		.SEAL-B00T QUALIFIED I/W DATA: 313N5041-3 CAN REPLACE BUT NOT BE REPLACED BY 313N5041-2 IF SERVICE BULLETIN 757-54-0035 HAS BEEN INCORPORATED. POST SERVICE BULLETIN: 54-0035	002004 006010 107107 121503 904951	1
313	313N5041-2		.SEAL-B00T QUALIFIED I/W DATA: 313N5041-3 CAN REPLACE BUT NOT BE REPLACED BY 313N5041-2 IF SERVICE BULLETIN 757-54-0035 HAS BEEN INCORPORATED.	002004 006010 904949 952999	1
314	311N5235-7		.SEAL- POST SERVICE BULLETIN: 54-0035	002004 006010 107107 121503 904951	3

MISSING ITEM NUMBERS NOT APPLICABLE

- ITEM NOT ILLUSTRATED

54-51-01-01

54-51-01
FIG. 01
PAGE 28
MAY 20/09

BRI



757

PARTS CATALOG (MAINTENANCE)

FIG ITEM	PART NUMBER	1 2 3 4 5 6 7	NOMENCLATURE	EFFECT FROM TO	UNITS PER ASSY
1 315	311N5035-5		.BRACE ASSY-DIAG COMPONENT MAINT MANUAL REF: 54-50-31 QUALIFIED OPTIONAL DATA: (311N5035-10 OR 311N5035-6 AND 311N5058-5 AND 311N5058-6 TOGETHER ARE OPTIONAL TO 311N5035-5)	952952	1
315	311N5035-6		.BRACE ASSY-DIAG COMPONENT MAINT MANUAL REF: 54-50-31 QUALIFIED OPTIONAL DATA: (311N5035-10 OR 311N5035-6 AND 311N5058-5 AND 311N5058-6 TOGETHER ARE OPTIONAL TO 311N5035-5)	952952	1
315	311N5035-10		.BRACE ASSY-DIAG COMPONENT MAINT MANUAL REF: 54-50-31 QUALIFIED OPTIONAL DATA: (311N5035-10 OR 311N5035-6 AND 311N5058-5 AND 311N5058-6 TOGETHER ARE OPTIONAL TO 311N5035-5)	952952	1
317	012N8041-431		.BRACE ASSY-DIAG MISCELLANEOUS DATA: DO NOT USE PART NUMBER 012N8041-431 TO ORDER A REPLACEMENT DIAGONAL BRACE AS THIS NEW PART NUMBER IS FOR CONFIGURATION CONTROL ONLY. FOR SPARES PROCURE: 311N5235-2 POST SERVICE BULLETIN: 54-0035	107107 121503 950951	1
321	311N5058-3		..BUSHING-	952952	2
321	311N3730-28		..BUSHING- POST SERVICE BULLETIN: 54-0035	107107 121503 950951	2
322	311N5058-4		..BUSHING-	952952	2
322	311N3730-26		..BUSHING- POST SERVICE BULLETIN: 54-0035	107107 121503 950951	2

MISSING ITEM NUMBERS NOT APPLICABLE

- ITEM NOT ILLUSTRATED

54-51-01-01

54-51-01
FIG. 01
PAGE 29
MAY 20/09

BRI



757

PARTS CATALOG (MAINTENANCE)

FIG ITEM	PART NUMBER	1 2 3 4 5 6 7	NOMENCLATURE	EFFECT FROM TO	UNITS PER ASSY
1					
324	311N5058-5	..	BUSHING- USED ON: 311N5035-5	952952	2
324	311N5058-14	..	BUSHING- USED ON: 311N5035-5	952952	2
324	311N5235-5	..	BUSHING- POST SERVICE BULLETIN: 54-0035	107107 121503	2
325	311N5235-6	..	BUSHING- POST SERVICE BULLETIN: 54-0035	107107 121503	2
325	311N5058-6	..	BUSHING- USED ON: 311N5035-5	950951 952952	2
325	311N5058-15	..	BUSHING- USED ON: 311N5035-5	952952	2
326	311N5035-7	..	BRACE ASSY- USED ON: 311N5035-5	952952	1
326	311N5035-8	..	BRACE ASSY- USED ON: 311N5035-6	952952	1
326	311N5035-9	..	BRACE ASSY- USED ON: 311N5035-10	952952	1
327	311N5235-4	..	FITTING- POST SERVICE BULLETIN: 54-0035	107107 121503	1
328	311N5058-5	.	BUSHING- QUALIFIED OPTIONAL DATA: (311N5035-10 OR 311N5035-6 AND 311N5058-5 AND 311N5058-6 TOGETHER ARE OPTIONAL TO 311N5035-5)	950951 952952	2
328	311N5058-14	.	BUSHING- QUALIFIED OPTIONAL DATA: (311N5035-10 OR 311N5035-6 AND 311N5058-5 AND 311N5058-6 TOGETHER ARE OPTIONAL TO 311N5035-5)	952952	2

MISSING ITEM NUMBERS NOT APPLICABLE

- ITEM NOT ILLUSTRATED

54-51-01-01

54-51-01
FIG. 01
PAGE 30
MAY 20/09

BRI

BOEING PROPRIETARY - Copyright © - Unpublished Work - See title page for details.



757

PARTS CATALOG (MAINTENANCE)

FIG ITEM	PART NUMBER	1 2 3 4 5 6 7	NOMENCLATURE	EFFECT FROM TO	UNITS PER ASSY
1 330	311N5058-6		.BUSHING- QUALIFIED OPTIONAL DATA: (311N5035-10 OR 311N5035-6 AND 311N5058-5 AND 311N5058-6 TOGETHER ARE OPTIONAL TO 311N5035-5)	952952	2
330	311N5058-15		.BUSHING- QUALIFIED OPTIONAL DATA: (311N5035-10 OR 311N5035-6 AND 311N5058-5 AND 311N5058-6 TOGETHER ARE OPTIONAL TO 311N5035-5)	952952	2
345	311N5001-31		.BRACE ASSY-DIAGONAL QUALIFIED OPTIONAL DATA: (311N5035-10 OR 311N5035-6 AND 311N5035-5 AND 311N5035-6 TOGETHER, OR -31 ARE OPTIONAL TO 311N5035-5) PRE SERVICE BULLETIN: 54-0035	007010 950951 953999	1
348	012N8041-431		.BRACE ASSY-DIAG MISCELLANEOUS DATA: DO NOT USE PART NUMBER 012N8041-431 TO ORDER A REPLACEMENT DIAGONAL BRACE AS THIS NEW PART NUMBER IS FOR CONFIGURATION CONTROL ONLY. FOR SPARES PROCURE: 311N5235-2 POST SERVICE BULLETIN: 54-0035	007010	1
350	311N5058-5		..BUSHING- QUALIFIED OPTIONAL DATA: (311N5035-10 OR 311N5035-6 AND 311N5058-5 AND 311N5058-6 TOGETHER, OR -31 ARE OPTIONAL TO 311N5035-5)	007010 950951 953999	2

MISSING ITEM NUMBERS NOT APPLICABLE

- ITEM NOT ILLUSTRATED

54-51-01-01

BRI

BOEING PROPRIETARY - Copyright © - Unpublished Work - See title page for details.

54-51-01
FIG. 01
PAGE 31
MAY 20/09



757

PARTS CATALOG (MAINTENANCE)

FIG ITEM	PART NUMBER	1 2 3 4 5 6 7	NOMENCLATURE	EFFECT FROM TO	UNITS PER ASSY
1 350	311N5058-14		..BUSHING- QUALIFIED OPTIONAL DATA: (311N5035-10 OR 311N5035-6 AND 311N5058-5 AND 311N5058-6 TOGETHER, OR -31 ARE OPTIONAL TO 311N5035-5)	007010 950951 953999	2
355	311N5058-6		..BUSHING- QUALIFIED OPTIONAL DATA: (311N5035-10 OR 311N5035-6 AND 311N5058-5 AND 311N5058-6 TOGETHER, OR -31 ARE OPTIONAL TO 311N5035-5)	007010 950951 953999	2
355	311N5058-15		..BUSHING- QUALIFIED OPTIONAL DATA: (311N5035-10 OR 311N5035-6 AND 311N5058-5 AND 311N5058-6 TOGETHER, OR -31 ARE OPTIONAL TO 311N5035-5)	007010 950951 953999	2
357	311N3730-28		..BUSHING- POST SERVICE BULLETIN: 54-0035	007010	2
358	311N3730-26		..BUSHING- POST SERVICE BULLETIN: 54-0035	007010	2
360	311N5001-29		..BRACE ASSY-DIAGONAL	007010 950951 953999	1
365	311N5035-10		...BRACE ASSY-DIAGONAL COMPONENT MAINT MANUAL REF: 54-50-31 OPTIONAL PART: 311N5035-6	007010 950951 953999	1
365	311N5035-6		...BRACE ASSY-DIAGONAL COMPONENT MAINT MANUAL REF: 54-50-31 OPTIONAL PART: 311N5035-10	007010 950951 953999	1
370	311N5058-3	BUSHING	007010 950951 953999	2
375	311N5058-4	BUSHING	007010 950951 953999	2

MISSING ITEM NUMBERS NOT APPLICABLE

- ITEM NOT ILLUSTRATED

54-51-01-01

54-51-01
FIG. 01
PAGE 32
MAY 20/09

BRI

BOEING PROPRIETARY - Copyright © - Unpublished Work - See title page for details.



757

PARTS CATALOG (MAINTENANCE)

FIG ITEM	PART NUMBER	1 2 3 4 5 6 7	NOMENCLATURE	EFFECT FROM TO	UNITS PER ASSY
1 450	311N5035-5		.BRACE ASSY- COMPONENT MAINT MANUAL REF: 54-50-31 QUALIFIED OPTIONAL DATA: (311N5035-10 OR 311N5035-6 AND 311N5058-5 AND 311N5058-6 TOGETHER, OR -31 ARE OPTIONAL TO 311N5035-5) PRE SERVICE BULLETIN: 54-0035	002004 006010 904949 953999	1
450	311N5035-6		.BRACE ASSY- COMPONENT MAINT MANUAL REF: 54-50-31 QUALIFIED OPTIONAL DATA: (311N5035-10 OR 311N5035-6 AND 311N5058-5 AND 311N5058-6 TOGETHER, OR -31 ARE OPTIONAL TO 311N5035-5) OPTIONAL PART: 311N5035-10 PRE SERVICE BULLETIN: 54-0035	002004 006010 904949 953999	1
450	311N5035-10		.BRACE ASSY- COMPONENT MAINT MANUAL REF: 54-50-31 QUALIFIED OPTIONAL DATA: (311N5035-10 OR 311N5035-6 AND 311N5058-5 AND 311N5058-6 TOGETHER, OR -31 ARE OPTIONAL TO 311N5035-5) OPTIONAL PART: 311N5035-6 PRE SERVICE BULLETIN: 54-0035	002004 006010 904949 953999	1
455	311N5058-3		..BUSHING- PRE SERVICE BULLETIN: 54-0035	002004 006010 904949 953999	2
460	311N5058-4		..BUSHING- PRE SERVICE BULLETIN: 54-0035	002004 006010 904949 953999	2

MISSING ITEM NUMBERS NOT APPLICABLE

- ITEM NOT ILLUSTRATED

54-51-01-01

54-51-01
FIG. 01
PAGE 33
MAY 20/09

BRI



757

PARTS CATALOG (MAINTENANCE)

FIG ITEM	PART NUMBER	1 2 3 4 5 6 7	NOMENCLATURE	EFFECT FROM TO	UNITS PER ASSY
1					
465	311N5035-7		..BRACE ASSY- USED ON: 311N5035-5 PRE SERVICE BULLETIN: 54-0035	002004 006010 904949 953999	1
465	311N5035-8		..BRACE ASSY- USED ON: 311N5035-6 PRE SERVICE BULLETIN: 54-0035	002004 006010 904949 953999	1
465	311N5035-9		..BRACE ASSY- USED ON: 311N5035-10 PRE SERVICE BULLETIN: 54-0035	002004 006010 904949 953999	1
470	311N5058-5		.BUSHING- PRE SERVICE BULLETIN: 54-0035	002004 006010 904949 953999	2
470	311N5058-14		.BUSHING- PRE SERVICE BULLETIN: 54-0035	002004 006010 904949 953999	2
475	311N5058-6		.BUSHING- PRE SERVICE BULLETIN: 54-0035	002004 006010 904949 953999	2
475	311N5058-15		.BUSHING- PRE SERVICE BULLETIN: 54-0035	002004 006010 904949 953999	2
480	311N5058-5		.BUSHING- QUALIFIED OPTIONAL DATA: (311N5035-10 OR 311N5058-6 AND 311N5058-5 AND 311N5058-6 TOGETHER, OR -31 ARE OPTIONAL TO 311N5035-5)	002004 006010 107107 121503 904951 953999	2
480	311N5058-14		.BUSHING- QUALIFIED OPTIONAL DATA: (311N5035-10 OR 311N5058-6 AND 311N5058-5 AND 311N5058-6 TOGETHER, OR -31 ARE OPTIONAL TO 311N5035-5)	002004 006010 107107 121503 904951 953999	2

MISSING ITEM NUMBERS NOT APPLICABLE

- ITEM NOT ILLUSTRATED

54-51-01-01

54-51-01
FIG. 01
PAGE 34
MAY 20/09

BRI



757

PARTS CATALOG (MAINTENANCE)

FIG ITEM	PART NUMBER	1 2 3 4 5 6 7	NOMENCLATURE	EFFECT FROM TO	UNITS PER ASSY
1 485	311N5058-6		.BUSHING- QUALIFIED OPTIONAL DATA: (311N5035-10 OR 311N5058-6 AND 311N5058-5 AND 311N5058-6 TOGETHER, OR -31 ARE OPTIONAL TO 311N5035-5)	002004 006010 107107 121503 904951 953999	2
485	311N5058-15		.BUSHING- QUALIFIED OPTIONAL DATA: (311N5035-10 OR 311N5058-6 AND 311N5058-5 AND 311N5058-6 TOGETHER, OR -31 ARE OPTIONAL TO 311N5035-5)	002004 006010 107107 121503 904951 953999	2
650	300N0501-9		.STRUT ASSY- POSITION DATA: LH SIDE FOR DETAILS SEE: 54-00-51-01	002004 006010 107107 121503 904999	1
- 655	300N0501-10		.STRUT ASSY- POSITION DATA: RH SIDE FOR DETAILS SEE: 54-00-51-01	002004 006010 107107 121503 904999	1

MISSING ITEM NUMBERS NOT APPLICABLE

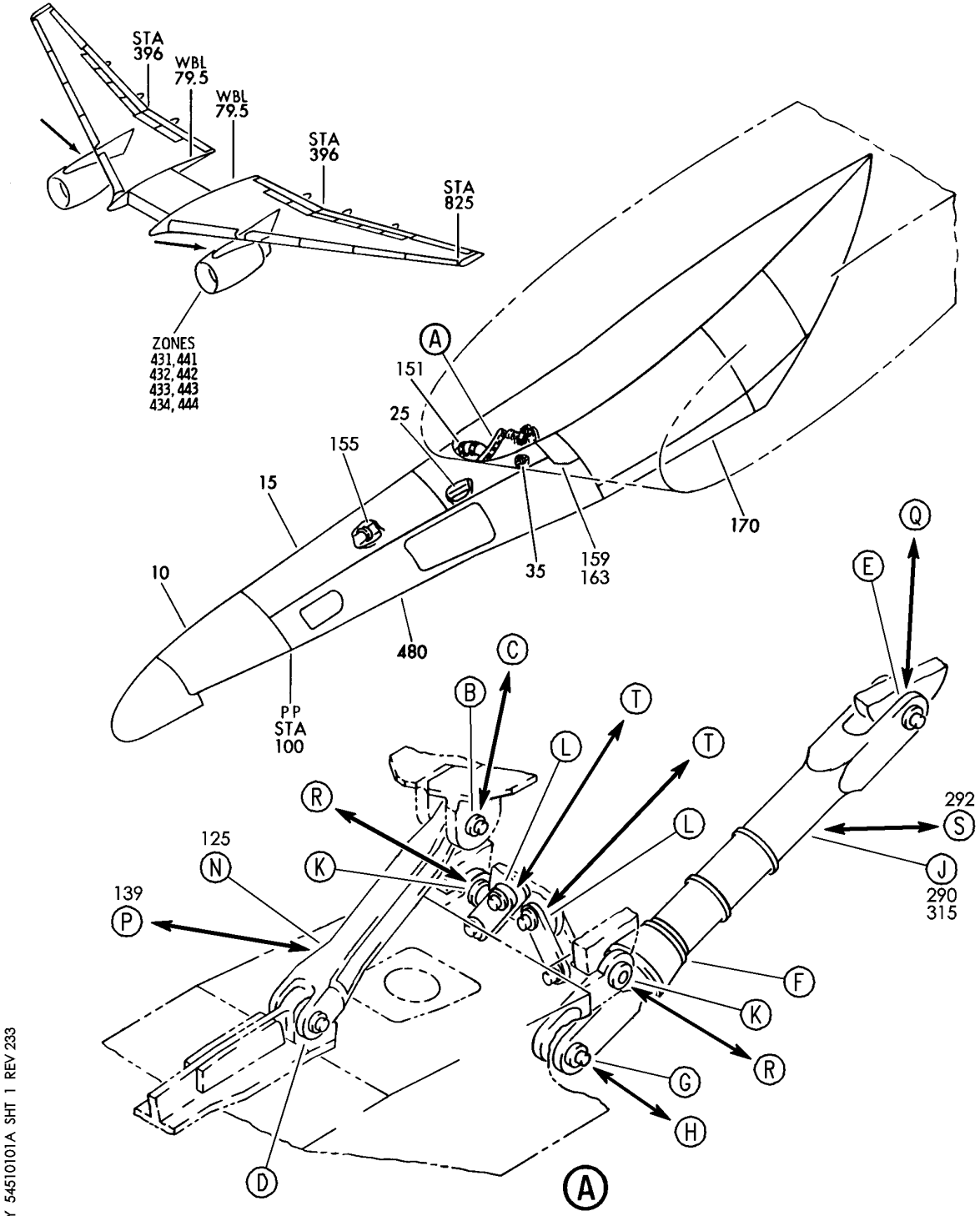
- ITEM NOT ILLUSTRATED

54-51-01-01

54-51-01
FIG. 01
PAGE 35
MAY 20/09

BRI

BOEING
757
PARTS CATALOG (MAINTENANCE)



Y 54510101A SHT 1 REV 233

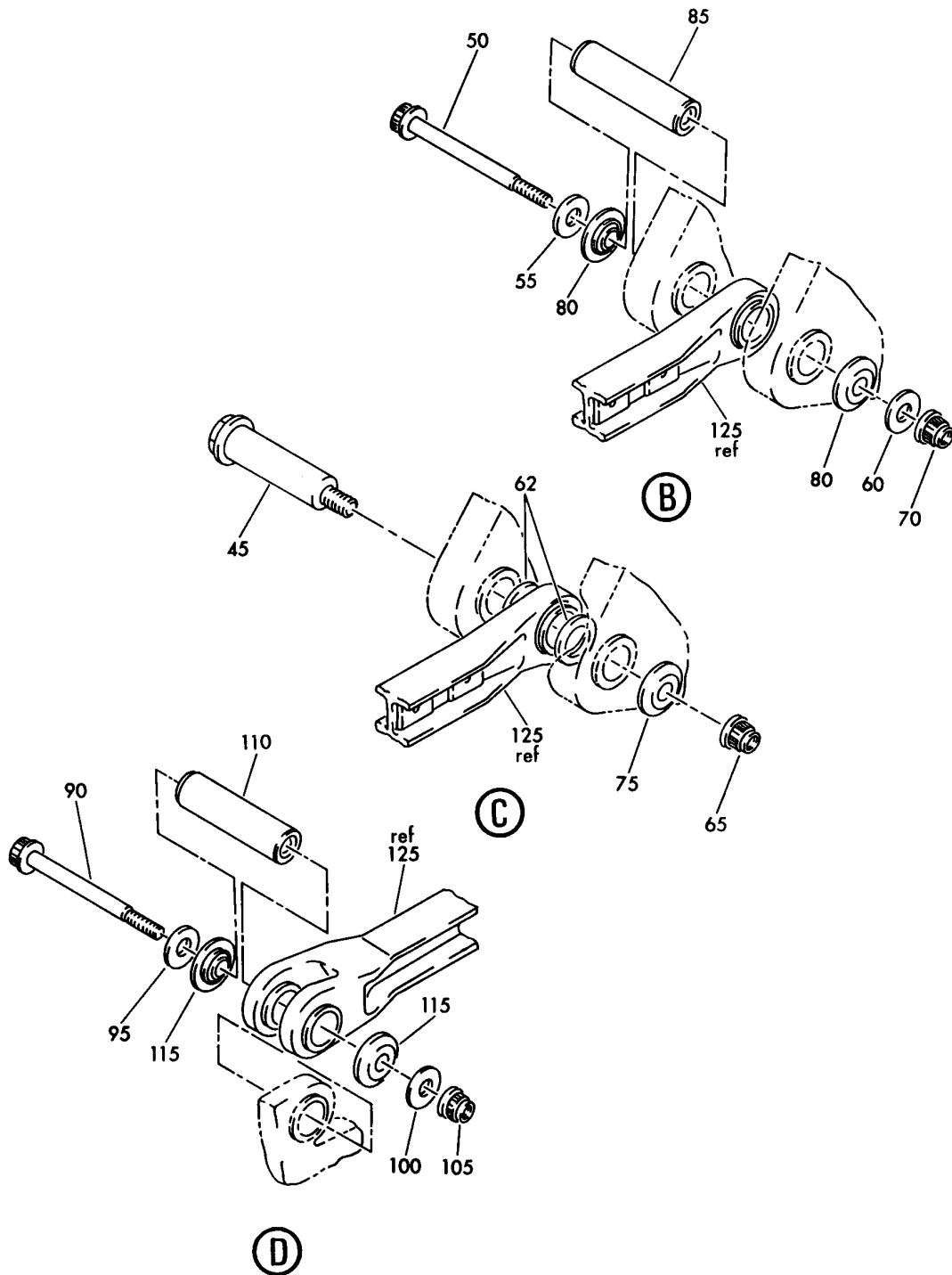
STRUT INSTL-RB211-535
FIGURE 1A (SHEET 1)

54-51-01-01A

BRI
MAY 28/07

54-51-01-01A
PAGE 0

BOEING
757
PARTS CATALOG (MAINTENANCE)



Y 54510101A SHT 2 REV 160

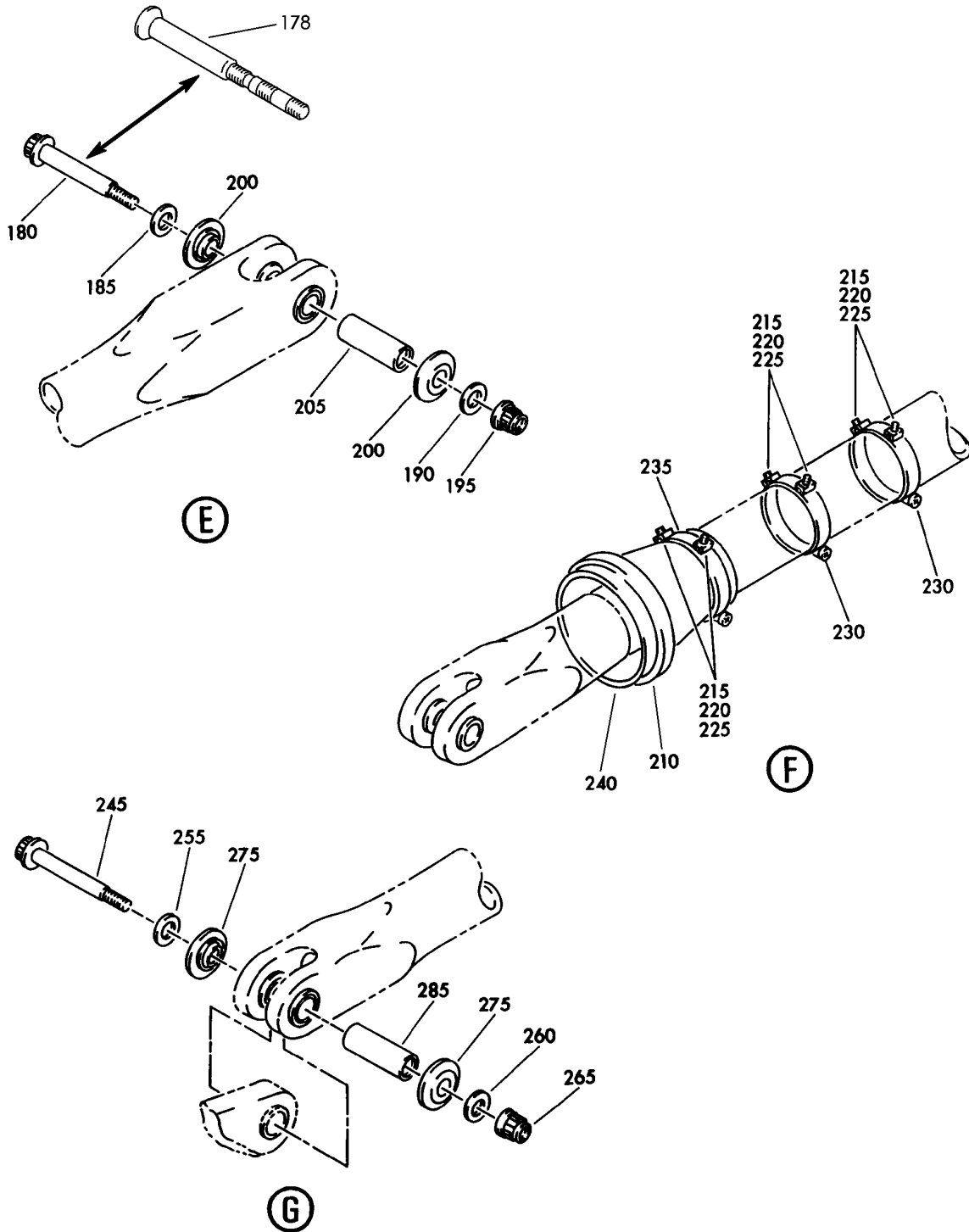
STRUT INSTL-RB211-535
FIGURE 1A (SHEET 2)

54-51-01-01A

BRI
MAY 28/07

54-51-01-01A
PAGE 0A

BOEING
757
PARTS CATALOG (MAINTENANCE)



Y 54510101A SHT 3 REV 233

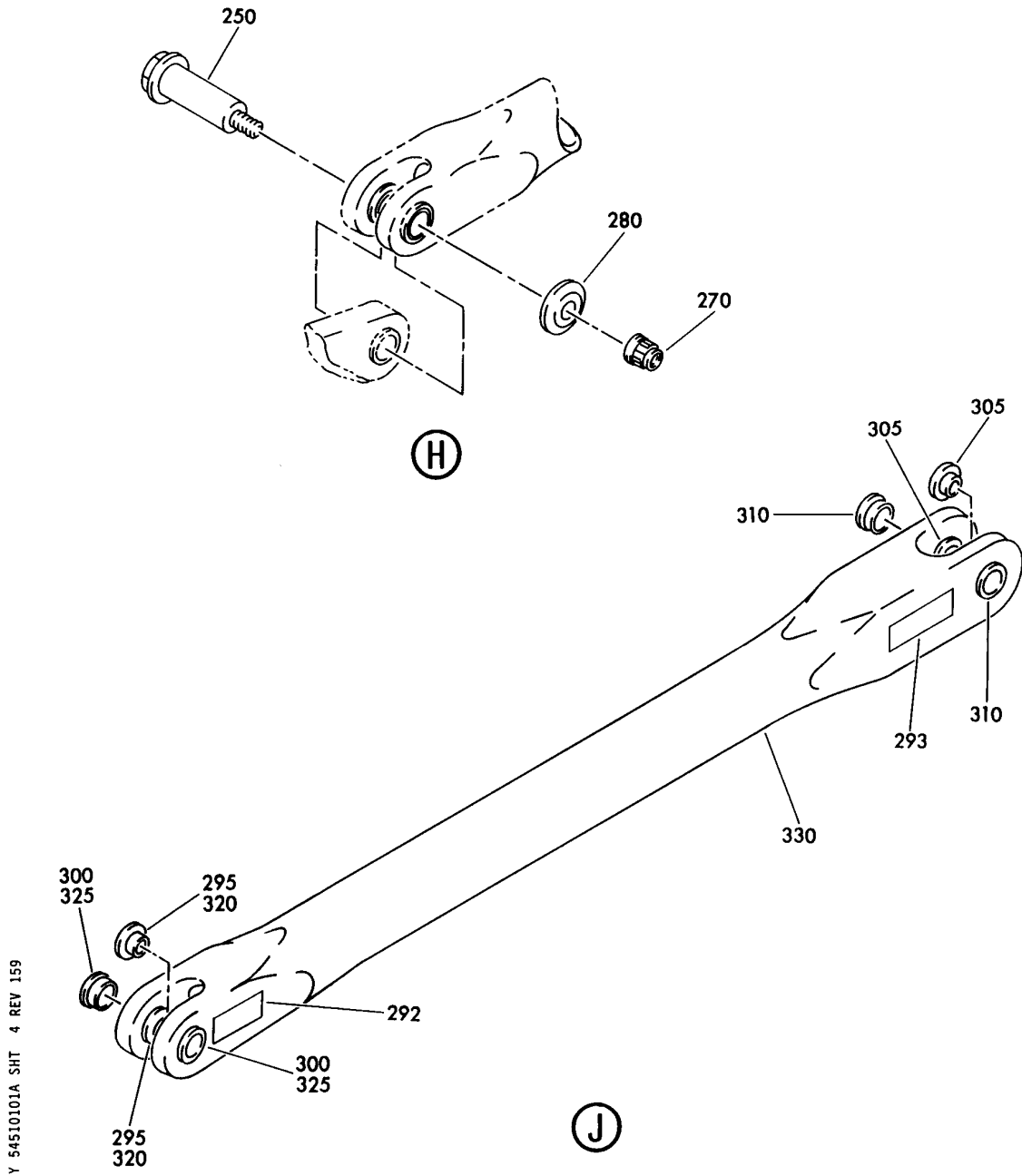
STRUT INSTL-RB211-535
FIGURE 1A (SHEET 3)

54-51-01-01A

BRI
MAY 28/07

54-51-01-01A
PAGE 0B

BOEING
757
PARTS CATALOG (MAINTENANCE)



Y 54510101A SHT 4 REV 159

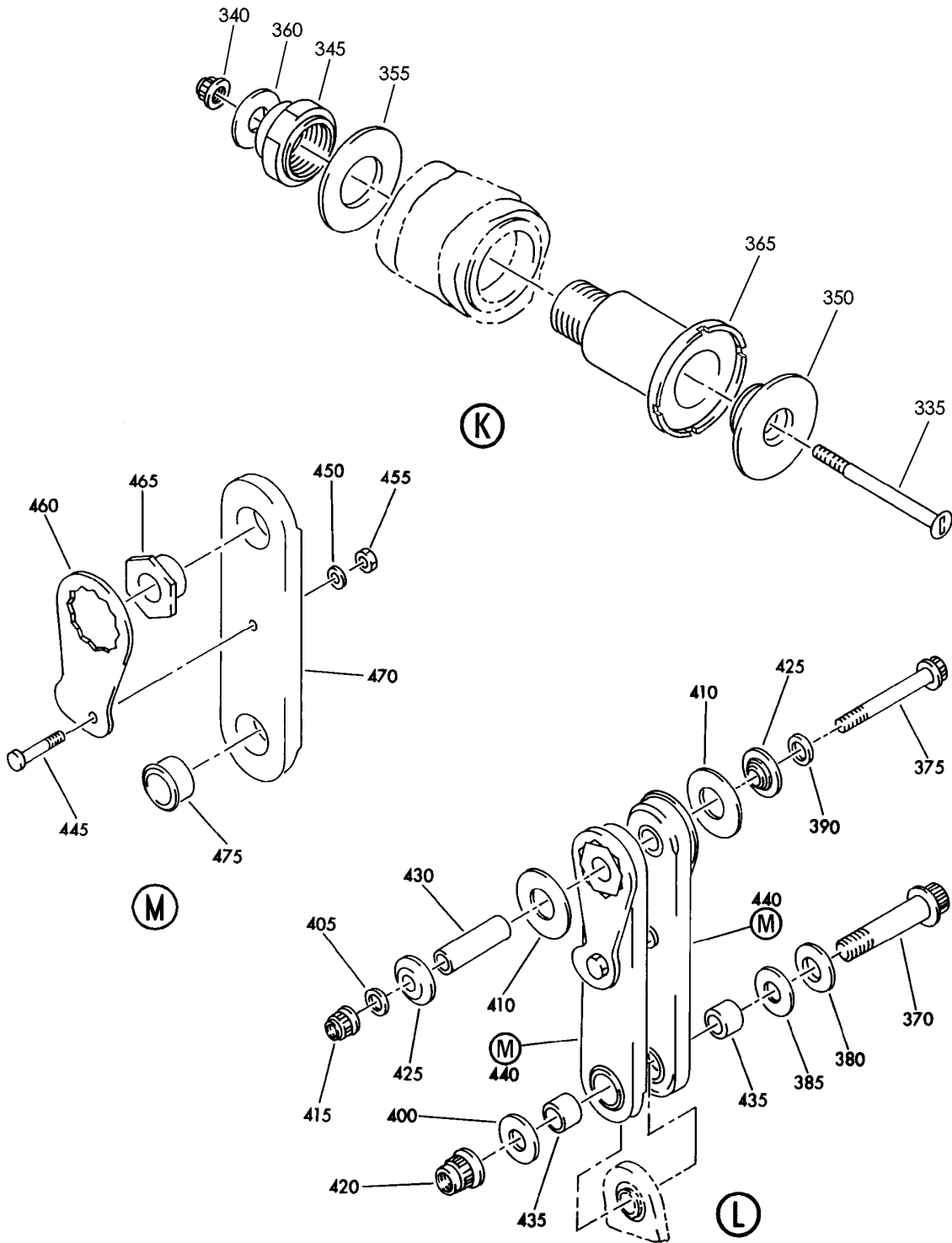
STRUT INSTL-RB211-535
FIGURE 1A (SHEET 4)

54-51-01-01A

BRI
MAY 28/07

54-51-01-01A
PAGE 0C

BOEING
757
PARTS CATALOG (MAINTENANCE)



Y 54510101A SHT 5 REV 233

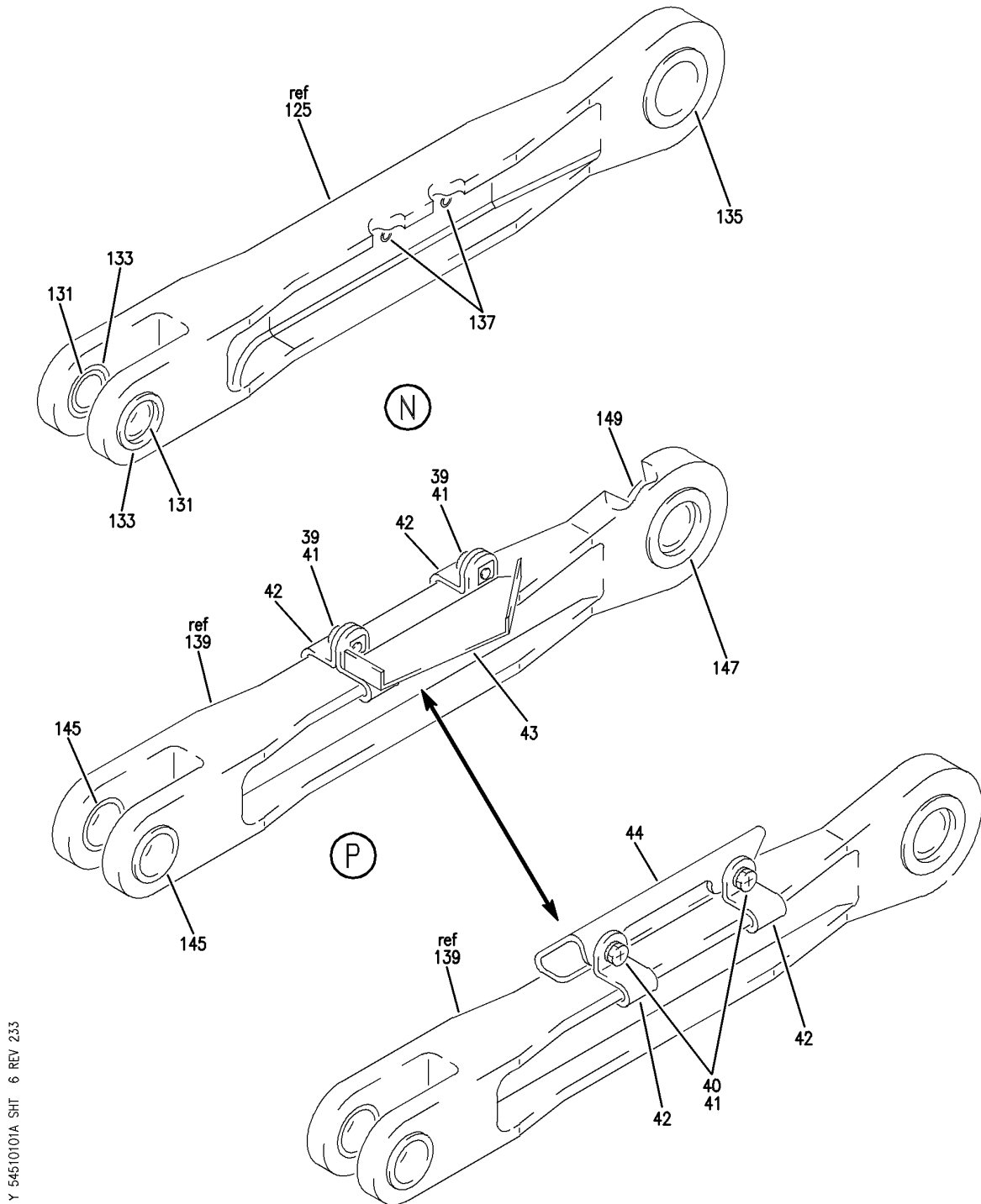
STRUT INSTL-RB211-535
FIGURE 1A (SHEET 5)

54-51-01-01A

BRI
MAY 28/07

54-51-01-01A
PAGE 0D

BOEING
757
PARTS CATALOG (MAINTENANCE)



Y 54510101A SH1 6 REV 233

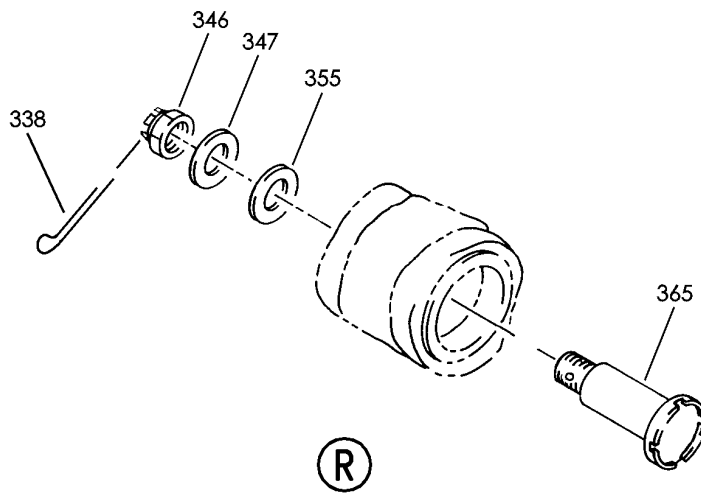
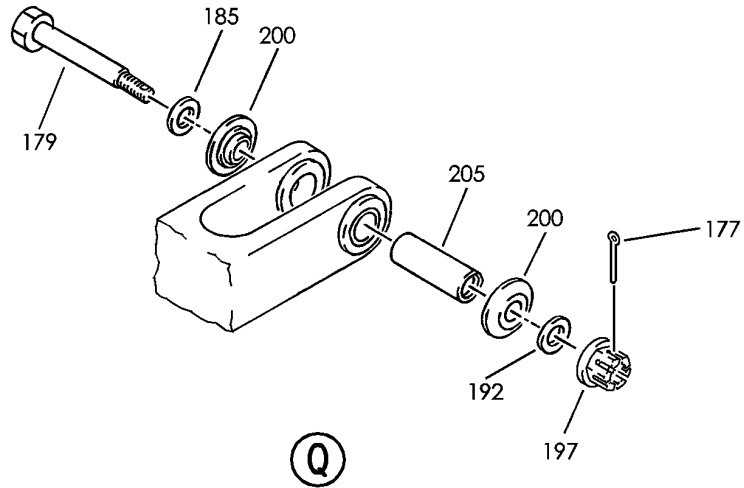
STRUT INSTL-RB211-535
FIGURE 1A (SHEET 6)

54-51-01-01A

BRI
MAY 28/07

54-51-01-01A
PAGE 0E

BOEING
757
PARTS CATALOG (MAINTENANCE)



Y 54510101A SHT 7 REV 234

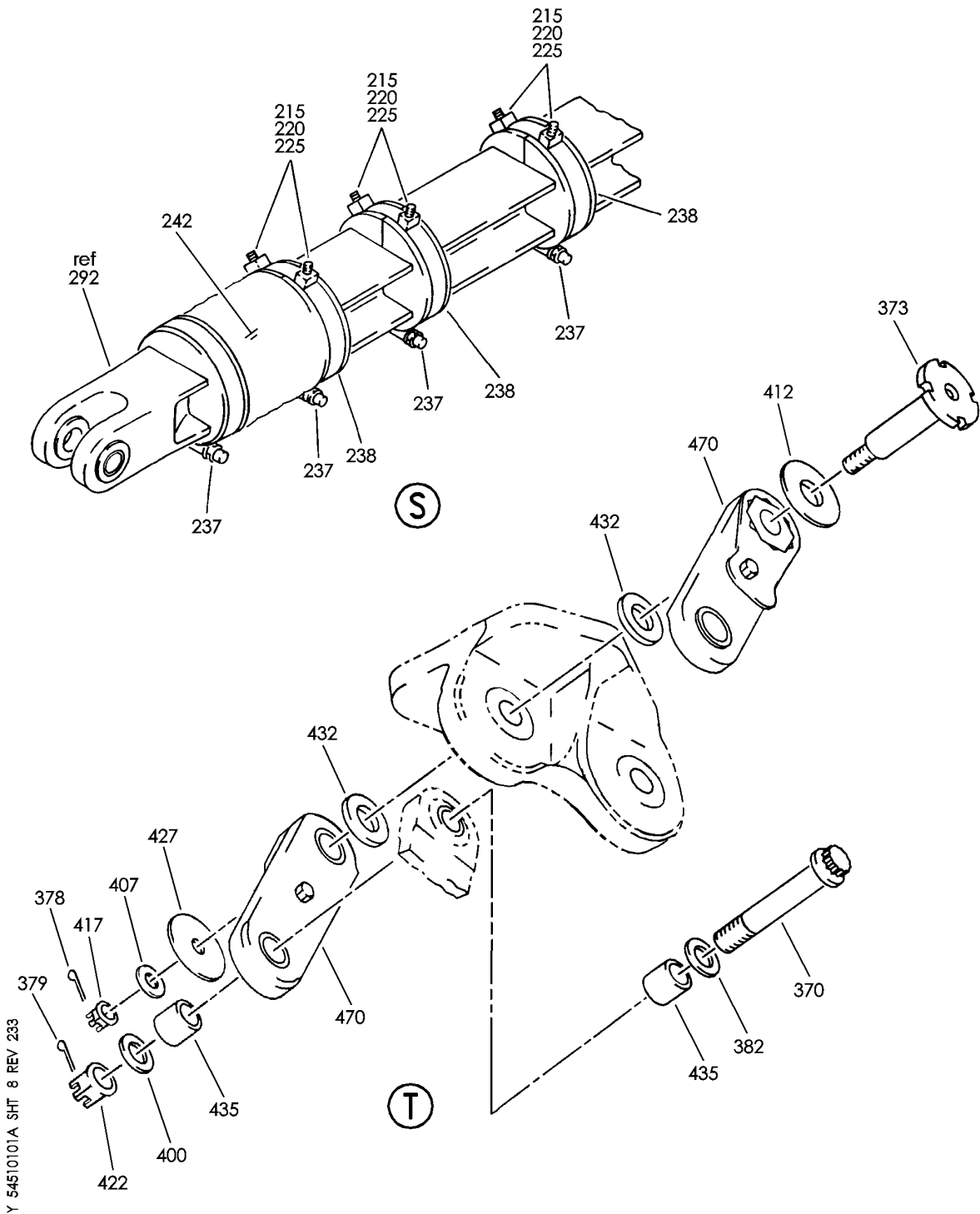
STRUT INSTL-RB211-535
FIGURE 1A (SHEET 7)

54-51-01-01A

BRI
MAY 28/07

54-51-01-01A
PAGE OF

BOEING
757
PARTS CATALOG (MAINTENANCE)



STRUT INSTL-RB211-535
FIGURE 1A (SHEET 8)

54-51-01-01A

BRI
MAY 28/07

54-51-01-01A
PAGE 0G



757

PARTS CATALOG (MAINTENANCE)

FIG ITEM	PART NUMBER	1 2 3 4 5 6 7	NOMENCLATURE	EFFECT FROM TO	UNITS PER ASSY
1 A					
- 1	311N5001-33		STRUT INSTL-RB211-535 STRUT INSTL-RB211-535 POSITION DATA: LH	011100 011100	1
- 5	311N5001-34		STRUT INSTL-RB211-535 POSITION DATA: RH	011100	1
10	313N5001-6		.FAIRING INSTL-STRUT FORE AND AFT SEGMENTS POSITION DATA: FWD FOR DETAILS SEE: 54-52-01-02A	011015	1
10	313N5001-7		.FAIRING INSTL-STRUT FORE AND AFT SEGMENTS POSITION DATA: FWD FOR DETAILS SEE: 54-52-01-02A	016100	1
15	313N5003-1		.FAIRING INSTL-STRUT POSITION DATA: UPR LH SIDE FOR DETAILS SEE: 54-52-01-05	011100	1
- 20	313N5003-2		.FAIRING INSTL-STRUT POSITION DATA: UPR RH SIDE FOR DETAILS SEE: 54-52-01-05	011100	1
25	312N5101-29		.TUBE INSTL-STRUT FUEL AND HYDR SYS POSITION DATA: LH SIDE FUNCTIONAL REFERENCE: FUEL FOR DETAILS SEE 28-22-07-03 HYDRAULIC POWER FOR DETAILS SEE 29-11-56-01	011100	1

MISSING ITEM NUMBERS NOT APPLICABLE

- ITEM NOT ILLUSTRATED

54-51-01-01A

54-51-01
FIG. 01A
PAGE 1
JAN 20/09

BRI



757

PARTS CATALOG (MAINTENANCE)

FIG ITEM	PART NUMBER	1 2 3 4 5 6 7	NOMENCLATURE	EFFECT FROM TO	UNITS PER ASSY
1 A					
- 30	312N5101-30		.TUBE INSTL-STRUT FUEL AND HYDR SYS POSITION DATA: RH SIDE FUNCTIONAL REFERENCE: FUEL FOR DETAILS SEE 28-22-07-03 HYDRAULIC POWER FOR DETAILS SEE 29-11-56-01	011100	1
35	312N5102-21		.TUBE INSTL-STRUT THRUST REVERSER ACTUATION POSITION DATA: LH SIDE FOR DETAILS SEE: 78-34-01-02	011100	1
- 37	312N5102-22		.TUBE INSTL-STRUT THRUST REVERSER ACTUATION POSITION DATA: RH SIDE FOR DETAILS SEE: 78-34-01-02	011100	1
39	NAS1802-3-9		.SCREW- POSITION DATA: LH SIDE POST SERVICE BULLETIN: 54-0035	011100	2
40	NAS1802-3-10		.SCREW- POSITION DATA: RH SIDE POST SERVICE BULLETIN: 54-0035	011100	2
41	NAS1149C0363R		.WASHER- POST SERVICE BULLETIN: 54-0035	011100	2
42	312N5832-10		.CLAMP ASSY- POST SERVICE BULLETIN: 54-0035	011100	2
43	312N5832-7		.BRACKET ASSY- POSITION DATA: LH SIDE POST SERVICE BULLETIN: 54-0035	011100	1
44	312N5831-10		.BRACKET ASSY- POSITION DATA: RH SIDE POST SERVICE BULLETIN: 54-0035	011100	1

MISSING ITEM NUMBERS NOT APPLICABLE

- ITEM NOT ILLUSTRATED

54-51-01-01A

54-51-01
FIG. 01A
PAGE 2
JAN 20/09

BRI

BOEING PROPRIETARY - Copyright © - Unpublished Work - See title page for details.



757

PARTS CATALOG (MAINTENANCE)

FIG ITEM	PART NUMBER	1 2 3 4 5 6 7	NOMENCLATURE	EFFECT FROM TO	UNITS PER ASSY
1 A					
45	311N5502-1	.BOLT-		011100	1
50	BACB30LE12-95	.BOLT-		011017	1
			PRE SERVICE BULLETIN: 54-0035		
55	BACW10BN12SC	.WASHER-		011017	1
			PRE SERVICE BULLETIN: 54-0035		
60	BACW10BN12SP	.WASHER-		011017	1
			PRE SERVICE BULLETIN: 54-0035		
62	310N3152-3	.WASHER-		011100	2
			POST SERVICE BULLETIN: 54-0035		
65	H39953-14	.NUT-		011100	1
			SUPPLIER CODE: V15653		
			SPECIFICATION NUMBER: BACN10HR14CS		
			OPTIONAL PART: 109LH9031-14		
			V72962		
			67832AS1414		
			V56878		
			BH0030314		
			V27238		
			BMN5024CPD314		
			V97928		
			CR590814		
			V62554		
			SL7050914		
			V11815		
			109LH903114		
			V72962		
			67832AS14		
			V56878		
			104LH9031-14		
			V72962		
			POST SERVICE BULLETIN: 54-0035		

MISSING ITEM NUMBERS NOT APPLICABLE

- ITEM NOT ILLUSTRATED

54-51-01-01A

54-51-01
FIG. 01A
PAGE 3
JAN 20/09

BRI



757

PARTS CATALOG (MAINTENANCE)

FIG ITEM	PART NUMBER	1 2 3 4 5 6 7	NOMENCLATURE	EFFECT FROM TO	UNITS PER ASSY
1A 70	CR603012		.NUT- SUPPLIER CODE: V62554 SPECIFICATION NUMBER: BACN10HR12CD OPTIONAL PART: BH00303CM12 V27238 H51560-12 V15653 102CH9031-12 V72962 67832CD1216 V56878 BMN10HRCWD3-12 V97928 SL7108C12 V11815 VCU0005D12 V06710 102LH903112 V72962 BMN5024CWD312 V97928 PRE SERVICE BULLETIN: 54-0035	011017	1
75	311N5059-10		.CAP- QUALIFIED I/W DATA: TWO 311N5059-1 ARE R/B ONE 311N5059-10 NOT INTERCHANGEABLE POST SERVICE BULLETIN: 54-0035	011100	1
80	311N5059-1		.CAP- QUALIFIED I/W DATA: TWO 311N5059-1 ARE R/B ONE 311N5059-10 NOT INTERCHANGEABLE PRE SERVICE BULLETIN: 54-0035	011017	2
85	311N5065-1		.PIN- PRE SERVICE BULLETIN: 54-0035	011017	1
90	BACB30LE12-69		.BOLT- PRE SERVICE BULLETIN: 54-0035	011017	1
90	BACB30US10-69		.BOLT- POST SERVICE BULLETIN: 54-0035	011100	1

MISSING ITEM NUMBERS NOT APPLICABLE

- ITEM NOT ILLUSTRATED

54-51-01-01A

54-51-01
FIG. 01A
PAGE 4
JAN 20/09

BRI

BOEING PROPRIETARY - Copyright © - Unpublished Work - See title page for details.



757

PARTS CATALOG (MAINTENANCE)

FIG ITEM	PART NUMBER	1 2 3 4 5 6 7	NOMENCLATURE	EFFECT FROM TO	UNITS PER ASSY
1 A					
95	BACW10BN12SC	.WASHER-	PRE SERVICE BULLETIN: 54-0035	011017	1
95	BACW10BN10UC	.WASHER-	POST SERVICE BULLETIN: 54-0035	011100	1
100	BACW10BN12SP	.WASHER-	PRE SERVICE BULLETIN: 54-0035	011017	1
100	BACW10BN10UP	.WASHER-	POST SERVICE BULLETIN: 54-0035	011100	1
105	CR603012	.NUT-	SUPPLIER CODE: V62554 SPECIFICATION NUMBER: BACN10HR12CD OPTIONAL PART: BH00303CM12 V27238 H51560-12 V15653 102CH9031-12 V72962 67832CD1216 V56878 BMN10HRCWD3-12 V97928 SL7108C12 V11815 VCU0005D12 V06710 102LH903112 V72962 BMN5024CWD312 V97928 PRE SERVICE BULLETIN: 54-0035	011017	1

MISSING ITEM NUMBERS NOT APPLICABLE

- ITEM NOT ILLUSTRATED

54-51-01-01A

54-51-01
FIG. 01A
PAGE 5
JAN 20/09

BRI

BOEING PROPRIETARY - Copyright © - Unpublished Work - See title page for details.



757

PARTS CATALOG (MAINTENANCE)

FIG ITEM	PART NUMBER	1 2 3 4 5 6 7	NOMENCLATURE	EFFECT FROM TO	UNITS PER ASSY
1 A 105	BMN10HRC8		.NUT- SUPPLIER CODE: V97928 SPECIFICATION NUMBER: BACN10HR8C OPTIONAL PART: H97-8 V15653 101LH9031-8 V72962 67832A820 V56878 BMN5024C8 V97928 BH00304-8 V27238 BH003048 V27238 BMN5024C8 V97928 CR59078 V62554 H978 V15653 SL70608 V11815 VAL280028 V06710 101LH90318 V72962 67832A8 V56878 BH003028C V27238 PRE SERVICE BULLETIN: 54-0035	018100	1

MISSING ITEM NUMBERS NOT APPLICABLE

- ITEM NOT ILLUSTRATED

BRI

54-51-01-01A

BOEING PROPRIETARY - Copyright © - Unpublished Work - See title page for details.

54-51-01
FIG. 01A
PAGE 6
JAN 20/09



757

PARTS CATALOG (MAINTENANCE)

FIG ITEM	PART NUMBER	1 2 3 4 5 6 7	NOMENCLATURE	EFFECT FROM TO	UNITS PER ASSY
1 A 105	BMN5024C10		.NUT- SUPPLIER CODE: V97928 SPECIFICATION NUMBER: BACN10HR10C OPTIONAL PART: H97-10 V15653 101LH9031-10 V72962 BH00304-10 V27238 H9710 V15653 101LH903110 V72962 67832A1018 V56878 BH0030410 V27238 CR590710 V62554 SL706010 V11815 VAL2800210 V06710 POST SERVICE BULLETIN: 54-0035	011100	1

MISSING ITEM NUMBERS NOT APPLICABLE

- ITEM NOT ILLUSTRATED

BRI

54-51-01-01A

BOEING PROPRIETARY - Copyright © - Unpublished Work - See title page for details.

54-51-01
FIG. 01A
PAGE 7
JAN 20/09



757

PARTS CATALOG (MAINTENANCE)

FIG ITEM	PART NUMBER	1 2 3 4 5 6 7	NOMENCLATURE	EFFECT FROM TO	UNITS PER ASSY
1A 105	BMN5024CWD310	.NUT-	SUPPLIER CODE: V97928 SPECIFICATION NUMBER: BACN10HR10CD OPTIONAL PART: H51560-10 V15653 102LH9031-10 V72962 67832CD1018 V56878 BH00303CM10 V27238 SL7108C10 V11815 VCU0005D10 V06710 BMN10HRCWD3-10 V97928 102LH903110 V72962 102LH903110 V72962 PRE SERVICE BULLETIN: 54-0035	011017	1
110	311N5060-1	.PIN-NAC STRUT LINK	POSITION DATA: UPR PRE SERVICE BULLETIN: 54-0035	011017	1
110	311N5501-1	.PIN-NAC STRUT LINK	POSITION DATA: UPR POST SERVICE BULLETIN: 54-0035	011100	1
115	311N5059-4	.CAP-PIN RETENTION	PRE SERVICE BULLETIN: 54-0035	011017	2
115	311N5059-8	.CAP-PIN RETENTION	POST SERVICE BULLETIN: 54-0035	011100	2

MISSING ITEM NUMBERS NOT APPLICABLE

- ITEM NOT ILLUSTRATED

54-51-01-01A

54-51-01
FIG. 01A
PAGE 8
JAN 20/09

BRI

 **BOEING**
757
PARTS CATALOG (MAINTENANCE)

FIG ITEM	PART NUMBER	1 2 3 4 5 6 7	NOMENCLATURE	EFFECT FROM TO	UNITS PER ASSY
1A 125	311N5019-3		.LINK ASSY- POSITION DATA: UPR COMPONENT MAINT MANUAL REF: 54-50-31 OPTIONAL PART: 311N5019-5 PRE SERVICE BULLETIN: 54-0035	011100	1
R R R R R R R	125	311N5019-5	.LINK ASSY- POSITION DATA: UPR COMPONENT MAINT MANUAL REF: 54-50-31 OPTIONAL PART: 311N5019-3 PRE SERVICE BULLETIN: 54-0035	011100	1
	125	311N5019-7	.LINK ASSY- POSITION DATA: UPR COMPONENT MAINT MANUAL REF: 54-50-31 PRE SERVICE BULLETIN: 54-0035	011100	1
R R R R R R R R R R R R	125	311N5019-9	.LINK ASSY- POSITION DATA: UPR COMPONENT MAINT MANUAL REF: 54-50-31 QUALIFIED I/W DATA: 311N5019-11 CAN REPLACE BUT NOT BE REPLACED BY 311N5019-9 IN ACCORDANCE WITH SERVICE BULLETIN 757-54-0035 MODIFICATIONS TO COMPLY WITH AIRWORTHINESS DIRECTIVE (AD) 2004-12-07. PRE SERVICE BULLETIN: 54-0035	011100	1
	131	311N5058-8	..BUSHING	011100	2
	133	311N5058-20	..BUSHING- USED ON: 311N5019-9	011100	2

MISSING ITEM NUMBERS NOT APPLICABLE

— ITEM NOT ILLUSTRATED

BRI

54-51-01-01A

BOEING PROPRIETARY - Copyright © - Unpublished Work - See title page for details.

54-51-01
FIG. 01A
PAGE 9
MAY 20/09



**757
PARTS CATALOG (MAINTENANCE)**

FIG ITEM	PART NUMBER	1 2 3 4 5 6 7	NOMENCLATURE	EFFECT FROM TO	UNITS PER ASSY
1A					
133	311N5058-9	..	BUSHING- USED ON: 311N5019-3 311N5019-5 311N5019-7	011100	2
135	BNG24H040	..	BEARING- SUPPLIER CODE: V16746 SPECIFICATION NUMBER: 60B00180-40 OPTIONAL PART: ABC24V101 VS0352 KSB24-2 V97613	011100	1
137	NAS75-4-010	..	BUSHING	011100	2
139	311N5019-11	.LINK ASSY- POSITION DATA: UPR COMPONENT MAINT MANUAL REF: 54-50-31 QUALIFIED I/W DATA: 311N5019-11 CAN REPLACE BUT NOT BE REPLACED BY 311N5019-9 IN ACCORDANCE WITH SERVICE BULLETIN 757-54-0035 MODIFICATIONS TO COMPLY WITH AIRWORTHINESS DIRECTIVE (AD) 2004-12-07. POST SERVICE BULLETIN: 54-0035	011100	1	
145	311N5019-12	..	BUSHING	011100	2
147	311N5019-13	..	BUSHING	011100	1
149	311N5019-14	..	BUSHING	011100	1
151	316N5101-1	.EQUIPMENT INSTL-WING PNEU POSITION DATA: LH SIDE FOR DETAILS SEE: 36-11-17-01	011100	1	
- 153	316N5101-2	.EQUIPMENT INSTL-WING LE PNEU POSITION DATA: RH SIDE FOR DETAILS SEE: 36-11-17-01	011100	1	

MISSING ITEM NUMBERS NOT APPLICABLE

- ITEM NOT ILLUSTRATED

54-51-01-01A

54-51-01
FIG. 01A
PAGE 10
MAY 20/09

BRI



757

PARTS CATALOG (MAINTENANCE)

FIG ITEM	PART NUMBER	1 2 3 4 5 6 7	NOMENCLATURE	EFFECT FROM TO	UNITS PER ASSY
1A 155	312N5201-3		.SUPPORT INSTL-ELECTRICAL WIRE BUNDLE POSITION DATA: LH SIDE FOR DETAILS SEE: 54-51-51-01	011100	1
- 157	312N5201-4		.SUPPORT INSTL-ELECTRICAL WIRE BUNDLE POSITION DATA: RH SIDE FOR DETAILS SEE: 54-51-51-01	011100	1
159	313N5005-23		.FAIRING INSTL-STRUT UNDERWING POSITION DATA: AFT LH SIDE OUTBD FOR DETAILS SEE: 54-52-01-06	011100	1
- 161	313N5005-24		.FAIRING INSTL-STRUT UNDERWING POSITION DATA: AFT RH SIDE OUTBD FOR DETAILS SEE: 54-52-01-06	011100	1
163	313N5005-25		.FAIRING INSTL-STRUT UNDERWING POSITION DATA: AFT LH SIDE INBD FOR DETAILS SEE: 54-52-01-06	011100	1
- 165	313N5005-26		.FAIRING INSTL-STRUT UNDERWING POSITION DATA: AFT RH SIDE INBD FOR DETAILS SEE: 54-52-01-06	011100	1
170	313N5006-9		.FAIRING INSTL-STRUT POSITION DATA: AFT LH SIDE FOR DETAILS SEE: 54-52-01-03	011100	1
- 175	313N5006-10		.FAIRING INSTL-STRUT POSITION DATA: AFT RH SIDE FOR DETAILS SEE: 54-52-01-03	011100	1
177	BACP18BC03A10P		.PIN- POST SERVICE BULLETIN: 54-0035	011100	1

MISSING ITEM NUMBERS NOT APPLICABLE

- ITEM NOT ILLUSTRATED

54-51-01-01A

54-51-01
FIG. 01A
PAGE 11
MAY 20/09

BRI



757

PARTS CATALOG (MAINTENANCE)

FIG ITEM	PART NUMBER	1 2 3 4 5 6 7	NOMENCLATURE	EFFECT FROM TO	UNITS PER ASSY
1A					
178	BACB30UA8-81	.BOLT-	PRE SERVICE BULLETIN: 54-0035	018100	1
179	NAS6708DU81	.BOLT-	POST SERVICE BULLETIN: 54-0035	011100	1
180	BACB30LE10-81	.BOLT-	PRE SERVICE BULLETIN: 54-0035	011017	1
185	BACW10BN10SC	.WASHER-	PRE SERVICE BULLETIN: 54-0035	011017	1
185	BACW10BN8UC	.WASHER-	PRE SERVICE BULLETIN: 54-0035	018100	1
185	BACW10BP8ACU	.WASHER-	POST SERVICE BULLETIN: 54-0035	011100	1
190	BACW10BN10SP	.WASHER-	PRE SERVICE BULLETIN: 54-0035	011017	1
190	BACW10BN8UP	.WASHER-	PRE SERVICE BULLETIN: 54-0035	018100	1
192	BACW10BP8APU	.WASHER-	POST SERVICE BULLETIN: 54-0035	011100	AR

MISSING ITEM NUMBERS NOT APPLICABLE

- ITEM NOT ILLUSTRATED

54-51-01-01A

54-51-01
FIG. 01A
PAGE 12
MAY 20/09

BRI

BOEING PROPRIETARY - Copyright © - Unpublished Work - See title page for details.



757

PARTS CATALOG (MAINTENANCE)

FIG ITEM	PART NUMBER	1 2 3 4 5 6 7 NOMENCLATURE	EFFECT FROM TO	UNITS PER ASSY
1 A 195	BMN5024CWD310	.NUT- SUPPLIER CODE: V97928 SPECIFICATION NUMBER: BACN10HR10CD OPTIONAL PART: H51560-10 V15653 102LH9031-10 V72962 67832CD1018 V56878 BH00303CM10 V27238 SL7108C10 V11815 VCU0005D10 V06710 BMN10HRCWD3-10 V97928 102LH903110 V72962 102LH903110 V72962 PRE SERVICE BULLETIN: 54-0035	011017	1

MISSING ITEM NUMBERS NOT APPLICABLE

- ITEM NOT ILLUSTRATED

BRI

54-51-01-01A

BOEING PROPRIETARY - Copyright © - Unpublished Work - See title page for details.

54-51-01
 FIG. 01A
 PAGE 13
 MAY 20/09

 **BOEING**
757
PARTS CATALOG (MAINTENANCE)

FIG ITEM	PART NUMBER	1 2 3 4 5 6 7	NOMENCLATURE	EFFECT FROM TO	UNITS PER ASSY
1A 195	BMN10HRC8	.NUT-	SUPPLIER CODE: V97928 SPECIFICATION NUMBER: BACN10HR8C OPTIONAL PART: H97-8 V15653 101LH9031-8 V72962 67832A820 V56878 BMN5024C8 V97928 BH00304-8 V27238 BH003048 V27238 BMN5024C8 V97928 CR59078 V62554 H978 V15653 SL70608 V11815 VAL280028 V06710 101LH90318 V72962 67832A8 V56878 BH003028C V27238 PRE SERVICE BULLETIN: 54-0035	018100	1
197	BACN11N8CS	.NUT-	POST SERVICE BULLETIN: 54-0035	011100	1
200	311N5059-2	.CAP-PIN RETENTION	PRE SERVICE BULLETIN: 54-0035	011017	2
200	311N5059-9	.CAP-PIN RETENTION	POST SERVICE BULLETIN: 54-0035	011100	2
205	311N5064-1	.PIN-DIAG BRACE TO WING JT	PRE SERVICE BULLETIN: 54-0035	011017	1

MISSING ITEM NUMBERS NOT APPLICABLE

— ITEM NOT ILLUSTRATED

BRI

54-51-01-01A

BOEING PROPRIETARY - Copyright © - Unpublished Work - See title page for details.

54-51-01
FIG. 01A
PAGE 14
MAY 20/09



757

PARTS CATALOG (MAINTENANCE)

FIG ITEM	PART NUMBER	1 2 3 4 5 6 7	NOMENCLATURE	EFFECT FROM TO	UNITS PER ASSY
1A 205	311N5500-1		.PIN-DIAG BRACE TO WING JT POST SERVICE BULLETIN: 54-0035	011100	1
210	BC1083-056S		.CLAMP- SUPPLIER CODE: V14242 SPECIFICATION NUMBER: BACC10FY056S OPTIONAL PART: 3140AB056 V94581 57490-056 V98625 B06A056S V10234 MBC68941-056 V8W928 PRE SERVICE BULLETIN: 54-0035	011100	1
215	NAS6603-4		.BOLT- PRE SERVICE BULLETIN: 54-0035	011100	6
215	BACB30NE3-4		.BOLT- POST SERVICE BULLETIN: 54-0035	011100	6
220	BACC15AN10		.CLIP	011100	6
225	BACB19F10		.BLOCK	011100	6
230	BC1083-040S		.CLAMP- SUPPLIER CODE: V14242 SPECIFICATION NUMBER: BACC10FY040S OPTIONAL PART: 3140AB040 V94581 57490-040 V98625 B06A040S V10234 MBC68941-040 V8W928 57490-403 V8W928 PRE SERVICE BULLETIN: 54-0035	011100	2

MISSING ITEM NUMBERS NOT APPLICABLE

- ITEM NOT ILLUSTRATED

54-51-01-01A

54-51-01
FIG. 01A
PAGE 15
MAY 20/09

BRI



757

PARTS CATALOG (MAINTENANCE)

FIG ITEM	PART NUMBER	1 2 3 4 5 6 7	NOMENCLATURE	EFFECT FROM TO	UNITS PER ASSY
1 A 235	BC1083-042S		.CLAMP- SUPPLIER CODE: V14242 SPECIFICATION NUMBER: BACC10FY042S OPTIONAL PART: 3140AB042 V94581 57490-042 V98625 B06A042S V10234 MBC68941-042 V8W928 57940-420 V8W928 PRE SERVICE BULLETIN: 54-0035	011100	1
237	BC1083-056S		.CLAMP- SUPPLIER CODE: V14242 SPECIFICATION NUMBER: BACC10FY056S OPTIONAL PART: 3140AB056 V94581 57490-056 V98625 B06A056S V10234 MBC68941-056 V8W928 POST SERVICE BULLETIN: 54-0035	011100	4
238	311N5235-7		.SEAL- POST SERVICE BULLETIN: 54-0035	011100	3
240	313N5041-1		.SEAL-BOOT OPTIONAL PART: 313N5041-2 PRE SERVICE BULLETIN: 54-0035	011100	1

MISSING ITEM NUMBERS NOT APPLICABLE

- ITEM NOT ILLUSTRATED

BRI

54-51-01-01A

BOEING PROPRIETARY - Copyright © - Unpublished Work - See title page for details.

54-51-01
FIG. 01A
PAGE 16
MAY 20/09



757

PARTS CATALOG (MAINTENANCE)

FIG ITEM	PART NUMBER	1 2 3 4 5 6 7	NOMENCLATURE	EFFECT FROM TO	UNITS PER ASSY
1A 242	313N5041-2	.	SEAL-BOOT QUALIFIED I/W DATA: 313N5041-3 CAN REPLACE BUT NOT BE REPLACED BY 313N5041-2 IF SERVICE BULLETIN 757-54-0035 HAS BEEN INCORPORATED. OPTIONAL PART: 313N5041-1 PRE SERVICE BULLETIN: 54-0035	011100	1
242	313N5041-3	.	SEAL-BOOT QUALIFIED I/W DATA: 313N5041-3 CAN REPLACE BUT NOT BE REPLACED BY 313N5041-2 IF SERVICE BULLETIN 757-54-0035 HAS BEEN INCORPORATED. POST SERVICE BULLETIN: 54-0035	011100	1
245	BACB30LE10-72	.	BOLT- PRE SERVICE BULLETIN: 54-0035	011017	1
250	311N5502-2	.	BOLT- POST SERVICE BULLETIN: 54-0035	011100	1
255	BACW10BN10SC	.	WASHER- PRE SERVICE BULLETIN: 54-0035	011017	1
260	BACW10BN10SP	.	WASHER- PRE SERVICE BULLETIN: 54-0035	011017	1

MISSING ITEM NUMBERS NOT APPLICABLE

- ITEM NOT ILLUSTRATED

BRI

54-51-01-01A

BOEING PROPRIETARY - Copyright © - Unpublished Work - See title page for details.

54-51-01
FIG. 01A
PAGE 17
MAY 20/09



757

PARTS CATALOG (MAINTENANCE)

FIG ITEM	PART NUMBER	1 2 3 4 5 6 7	NOMENCLATURE	EFFECT FROM TO	UNITS PER ASSY
1 A 265	BMN5024CWD310		.NUT- SUPPLIER CODE: V97928 SPECIFICATION NUMBER: BACN10HR10CD OPTIONAL PART: H51560-10 V15653 102LH9031-10 V72962 67832CD1018 V56878 BH00303CM10 V27238 SL7108C10 V11815 VCU0005D10 V06710 BMN10HRCWD3-10 V97928 102LH903110 V72962 102LH903110 V72962 PRE SERVICE BULLETIN: 54-0035	011017	1

MISSING ITEM NUMBERS NOT APPLICABLE

- ITEM NOT ILLUSTRATED

BRI

54-51-01-01A

BOEING PROPRIETARY - Copyright © - Unpublished Work - See title page for details.

54-51-01
FIG. 01A
PAGE 18
MAY 20/09



757

PARTS CATALOG (MAINTENANCE)

FIG ITEM	PART NUMBER	1 2 3 4 5 6 7	NOMENCLATURE	EFFECT FROM TO	UNITS PER ASSY
1A 270	BMN5024CPD312	.NUT-	SUPPLIER CODE: V97928 SPECIFICATION NUMBER: BACN10HR12CS OPTIONAL PART: H39953-12 V15653 109LH9031-12 V72962 67832AS1216 V56878 BH00303-12 V27238 BMN10HRCPD3-12 V97928 CR590812 V62554 SL7050912 V11815 BH0030312 V27238 109LH903112 V72962 67832AS12 V56878 POST SERVICE BULLETIN: 54-0035	011100	1
275	311N5059-3	.CAP-PIN RETENTION	QUALIFIED I/W DATA: TWO 311N5059-3 ARE R/B ONE 311N5059-11 NOT INTERCHANGEABLE PRE SERVICE BULLETIN: 54-0035	011017	2
280	311N5059-11	.CAP-PIN RETENTION	QUALIFIED I/W DATA: TWO 311N5059-3 ARE R/B ONE 311N5059-11 NOT INTERCHANGEABLE POST SERVICE BULLETIN: 54-0035	011100	1
285	311N5065-2	.PIN-DIAG BRACE TO STRUT	PRE SERVICE BULLETIN: 54-0035	011017	1

MISSING ITEM NUMBERS NOT APPLICABLE

- ITEM NOT ILLUSTRATED

54-51-01-01A

54-51-01
FIG. 01A
PAGE 19
MAY 20/09

BRI



757

PARTS CATALOG (MAINTENANCE)

FIG ITEM	PART NUMBER	1 2 3 4 5 6 7	NOMENCLATURE	EFFECT FROM TO	UNITS PER ASSY
1A 290	311N5035-5		.BRACE ASSY-DIAG COMPONENT MAINT MANUAL REF: 54-50-31 OPTIONAL PART: 311N5001-31 PRE SERVICE BULLETIN: 54-0035	011017	1
290	311N5035-11		.BRACE ASSY-DIAG COMPONENT MAINT MANUAL REF: 54-50-31 PRE SERVICE BULLETIN: 54-0035	018100	1
292	012N8041-431		.BRACE ASSY-DIAG MISCELLANEOUS DATA: DO NOT USE PART NUMBER 012N8041-431 TO ORDER A REPLACEMENT DIAGONAL BRACE AS THIS NEW PART NUMBER IS FOR CONFIGURATION CONTROL ONLY. POST SERVICE BULLETIN: 54-0035	011100	1
292	311N5235-2		.BRACE ASSY-DIAG COMPONENT MAINT MANUAL REF: 54-50-31 POST SERVICE BULLETIN: 54-0035	011100	1
295	311N5058-5		..BUSHING- PRE SERVICE BULLETIN: 54-0035	011017	2
295	311N5058-14		..BUSHING- PRE SERVICE BULLETIN: 54-0035	011100	2
295	311N5235-5		..BUSHING- POST SERVICE BULLETIN: 54-0035	011100	2
300	311N5058-6		..BUSHING- PRE SERVICE BULLETIN: 54-0035	011017	2
300	311N5058-15		..BUSHING- PRE SERVICE BULLETIN: 54-0035	011100	2
300	311N5235-6		..BUSHING- POST SERVICE BULLETIN: 54-0035	011100	2
305	311N5058-3		..BUSHING- PRE SERVICE BULLETIN: 54-0035	011017	2

MISSING ITEM NUMBERS NOT APPLICABLE

- ITEM NOT ILLUSTRATED

54-51-01-01A

54-51-01
FIG. 01A
PAGE 20
MAY 20/09

BRI

BOEING PROPRIETARY - Copyright © - Unpublished Work - See title page for details.



757

PARTS CATALOG (MAINTENANCE)

FIG ITEM	PART NUMBER	1 2 3 4 5 6 7	NOMENCLATURE	EFFECT FROM TO	UNITS PER ASSY
1 A					
305	311N5058-18	..	BUSHING- PRE SERVICE BULLETIN: 54-0035	018100	2
305	311N3730-28	..	BUSHING- POST SERVICE BULLETIN: 54-0035	011100	2
310	311N5058-4	..	BUSHING- PRE SERVICE BULLETIN: 54-0035	011100	2
310	311N3730-26	..	BUSHING- POST SERVICE BULLETIN: 54-0035	011100	2
315	311N5001-31	.	BRACE ASSY- OPTIONAL PART: 311N5035-5 PRE SERVICE BULLETIN: 54-0035	011017	1
320	311N5058-5	..	BUSHING- PRE SERVICE BULLETIN: 54-0035	011017	2
320	311N5058-14	..	BUSHING-	011017	2
325	311N5058-6	..	BUSHING- PRE SERVICE BULLETIN: 54-0035	011017	2
325	311N5058-15	..	BUSHING-	011017	2
330	311N5001-29	..	BRACE ASSY-DIAGONAL PRE SERVICE BULLETIN: 54-0035	011017	1
335	BACB30WP7K88R	.	BOLT- PRE SERVICE BULLETIN: 54-0035	011100	2
338	BACP18BC04A16P	.	PIN-COTTER POST SERVICE BULLETIN: 54-0035	011100	2

MISSING ITEM NUMBERS NOT APPLICABLE

- ITEM NOT ILLUSTRATED

54-51-01-01A

54-51-01
FIG. 01A
PAGE 21
MAY 20/09

BRI

BOEING PROPRIETARY - Copyright © - Unpublished Work - See title page for details.



757

PARTS CATALOG (MAINTENANCE)

FIG ITEM	PART NUMBER	1 2 3 4 5 6 7	NOMENCLATURE	EFFECT FROM TO	UNITS PER ASSY
1 A 340	BMN10HRCWD3-7	.NUT-	SUPPLIER CODE: V97928 SPECIFICATION NUMBER: BACN10HR7CD OPTIONAL PART: H51560-7 V15653 67832CD720 V56878 102LH9031-7 V72962 BH00303CM7 V27238 BMN5024CWD37 V97928 SL7108C7 V11815 VCU0005D7 V06710 102LH90317 V72962 67832CD7 V56878 CR6030-7 VF0224 BMN10HRCWD3-7 V97928	011100	2
345	69235-1812CD	.NUT-	SUPPLIER CODE: V92215 SPECIFICATION NUMBER: BACN10JC18CD OPTIONAL PART: 102LH9074-18 V72962 BMN4122CPD8-18 V97928 H51650-18BAC V15653 PRE SERVICE BULLETIN: 54-0035	011100	2
346	BACN11N118CS	.NUT-	POST SERVICE BULLETIN: 54-0035	011100	2

MISSING ITEM NUMBERS NOT APPLICABLE

- ITEM NOT ILLUSTRATED

54-51-01-01A

54-51-01
FIG. 01A
PAGE 22
MAY 20/09

BRI

BOEING PROPRIETARY - Copyright © - Unpublished Work - See title page for details.

 **BOEING**
757
PARTS CATALOG (MAINTENANCE)

FIG ITEM	PART NUMBER	1 2 3 4 5 6 7	NOMENCLATURE	EFFECT FROM TO	UNITS PER ASSY
1A 347	BACW10BP18APU		.WASHER- POST SERVICE BULLETIN: 54-0035	011100	AR
350	311N5066-4		.CAP- PRE SERVICE BULLETIN: 54-0035	011100	2
355	311N5066-3		.WASHER-	011100	2
360	311N5066-5		.WASHER- PRE SERVICE BULLETIN: 54-0035	011100	2
365	311N5217-1		.PIN- QUALIFIED I/W DATA: 311N5217-1 CAN REPLACE BUT NOT BE REPLACED BY 311N5067-1 IF SERVICE BULLETIN 757-54A0019 HAS BEEN INCORPORATED. PRE SERVICE BULLETIN: 54-0035	011100	2
365	311N5217-2		.PIN- POST SERVICE BULLETIN: 54-0035	011100	2
370	BACB30LE10U37		.BOLT- PRE SERVICE BULLETIN: 54-0035	011100	2
370	BACB30US10K40D		.BOLT- POST SERVICE BULLETIN: 54-0035	011100	2
373	311N5503-1		.PIN- POST SERVICE BULLETIN: 54-0035	011100	2
375	BACB30LE5-44		.BOLT- PRE SERVICE BULLETIN: 54-0035	011100	2
378	BACP18BC03A10P		.PIN-COTTER POST SERVICE BULLETIN: 54-0035	011100	2
379	BACP18BC04A12P		.PIN-COTTER POST SERVICE BULLETIN: 54-0035	011100	2
380	BACW10BN10SC		.WASHER- PRE SERVICE BULLETIN: 54-0035	011100	2
382	BACW10BP10ACU		.WASHER- POST SERVICE BULLETIN: 54-0035	011100	2
385	AN960C1016L		.WASHER- PRE SERVICE BULLETIN: 54-0035	011100	2

MISSING ITEM NUMBERS NOT APPLICABLE

— ITEM NOT ILLUSTRATED

BRI

54-51-01-01A

BOEING PROPRIETARY - Copyright © - Unpublished Work - See title page for details.

54-51-01
FIG. 01A
PAGE 23
MAY 20/09



757

PARTS CATALOG (MAINTENANCE)

FIG ITEM	PART NUMBER	1 2 3 4 5 6 7	NOMENCLATURE	EFFECT FROM TO	UNITS PER ASSY
1 A					
390	BACW10BP5CD	.	WASHER- PRE SERVICE BULLETIN: 54-0035	011100	2
400	BACW10BN10SP	.	WASHER- PRE SERVICE BULLETIN: 54-0035	011100	2
400	BACW10BP10APU	.	WASHER- POST SERVICE BULLETIN: 54-0035	011100	2
405	BACW10BP5DP	.	WASHER- PRE SERVICE BULLETIN: 54-0035	011100	2
407	BACW10BP7APU	.	WASHER- POST SERVICE BULLETIN: 54-0035	011100	AR
410	311N5017-1	.	WASHER- PRE SERVICE BULLETIN: 54-0035	011100	4
412	311N5017-1	.	WASHER- POST SERVICE BULLETIN: 54-0035	011100	2

MISSING ITEM NUMBERS NOT APPLICABLE

- ITEM NOT ILLUSTRATED

BRI

54-51-01-01A

BOEING PROPRIETARY - Copyright © - Unpublished Work - See title page for details.

54-51-01
FIG. 01A
PAGE 24
MAY 20/09

 **BOEING**
757
PARTS CATALOG (MAINTENANCE)

FIG ITEM	PART NUMBER	1 2 3 4 5 6 7	NOMENCLATURE	EFFECT FROM TO	UNITS PER ASSY
1 A 415	BH00303CM5		.NUT- SUPPLIER CODE: V27238 SPECIFICATION NUMBER: BACN10HR5CD OPTIONAL PART: H51560-5 V15653 67832CD524 V56878 102LH9031-5 V72962 SL7108C524 V11815 BMN5024CWD35 V97928 SL7108C5 V11815 VCU0005D5 V06710 102LH90315 V72962 BMN10HRCWD3-5 V97928 67832CD5 V56878 CR6030-5 VF0224 67832CD5 V56878 PRE SERVICE BULLETIN: 54-0035	011100	2
417	BACN11N7CS		.NUT- POST SERVICE BULLETIN: 54-0035	011100	2

MISSING ITEM NUMBERS NOT APPLICABLE

— ITEM NOT ILLUSTRATED

BRI

54-51-01-01A

BOEING PROPRIETARY - Copyright © - Unpublished Work - See title page for details.

54-51-01
FIG. 01A
PAGE 25
MAY 20/09



757

PARTS CATALOG (MAINTENANCE)

FIG ITEM	PART NUMBER	1 2 3 4 5 6 7	NOMENCLATURE	EFFECT FROM TO	UNITS PER ASSY
1 A 420	BMN5024CWD310	.NUT-	SUPPLIER CODE: V97928 SPECIFICATION NUMBER: BACN10HR10CD OPTIONAL PART: H51560-10 V15653 102LH9031-10 V72962 67832CD1018 V56878 BH00303CM10 V27238 SL7108C10 V11815 VCU0005D10 V06710 BMN10HRCWD3-10 V97928 102LH903110 V72962 102LH903110 V72962 PRE SERVICE BULLETIN: 54-0035	011100	2
422	BACN11N10CS	.NUT-	POST SERVICE BULLETIN: 54-0035	011100	2
425	311N5059-5	.CAP-	PRE SERVICE BULLETIN: 54-0035	011100	4
427	311N5066-8	.RETAINER-	POST SERVICE BULLETIN: 54-0035	011100	2
430	311N5068-2	.PIN-	PRE SERVICE BULLETIN: 54-0035	011100	2
432	BACW10BP12APU	.WASHER-	POST SERVICE BULLETIN: 54-0035	011100	4
435	BACB28AK10-075	.BUSHING-	PRE SERVICE BULLETIN: 54-0035	011100	4
435	BACB28AK10-085	.BUSHING-	POST SERVICE BULLETIN: 54-0035	011100	4
440	311N5001-18	.LINK ASSY		011100	4

MISSING ITEM NUMBERS NOT APPLICABLE

- ITEM NOT ILLUSTRATED

54-51-01-01A

54-51-01
FIG. 01A
PAGE 26
MAY 20/09

BRI

BOEING PROPRIETARY - Copyright © - Unpublished Work - See title page for details.



757

PARTS CATALOG (MAINTENANCE)

FIG ITEM	PART NUMBER	1 2 3 4 5 6 7	NOMENCLATURE	EFFECT FROM TO	UNITS PER ASSY
1 A					
445	BACB30LJ4-11	..	BOLT- PRE SERVICE BULLETIN: 54-0035	011100	1
445	BACB30LJ4U11	..	BOLT- POST SERVICE BULLETIN: 54-0035	011100	1
450	AN960-416L	..	WASHER- PRE SERVICE BULLETIN: 54-0035	011100	1
450	BACW10BP4APU	..	WASHER- POST SERVICE BULLETIN: 54-0035	011100	1
455	BRH10C4D	..	NUT- SUPPLIER CODE: V52828 SPECIFICATION NUMBER: BACN10JC4CD OPTIONAL PART: T6C428JCD V11815 NS202486-048 V80539 102LH9075-4W V72962 H51650-4BAC V15653 PRE SERVICE BULLETIN: 54-0035	011100	1
455	BRH10C4M	..	NUT- SUPPLIER CODE: V52828 SPECIFICATION NUMBER: BACN10JC4CM OPTIONAL PART: T6C428JM V11815 97E48 V80539 109LH9075-4W V72962 VN303D048 V92215 H01-4BAC V15653 NS202101SE048 V80539 POST SERVICE BULLETIN: 54-0035	011100	1
460	311N5000-1	..	RETAINER	011100	1

MISSING ITEM NUMBERS NOT APPLICABLE

- ITEM NOT ILLUSTRATED

54-51-01-01A

54-51-01
FIG. 01A
PAGE 27
MAY 20/09

BRI

BOEING PROPRIETARY - Copyright © - Unpublished Work - See title page for details.



757

PARTS CATALOG (MAINTENANCE)

FIG ITEM	PART NUMBER	1 2 3 4 5 6 7	NOMENCLATURE	EFFECT FROM TO	UNITS PER ASSY
1A 465	311N5004-1	..	BUSHING- PRE SERVICE BULLETIN: 54-0035	011100	1
465	311N5004-2	..	BUSHING- POST SERVICE BULLETIN: 54-0035	011100	1
470	311N5038-11	..	LINK ASSY- COMPONENT MAINT MANUAL REF: 54-50-31 PRE SERVICE BULLETIN: 54-0035	011100	1
470	311N5238-2	..	LINK ASSY- COMPONENT MAINT MANUAL REF: 54-50-31 POST SERVICE BULLETIN: 54-0035	011100	1
475	BACB28AM14B054A	...	BUSHING- PRE SERVICE BULLETIN: 54-0035	011100	1
475	BACB28AT14B054A	...	BUSHING- POST SERVICE BULLETIN: 54-0035	011100	1
480	300N0501-9	.	STRUT ASSY- POSITION DATA: LH SIDE FOR DETAILS SEE: 54-00-51-01	011100	1
- 485	300N0501-10	.	STRUT ASSY- POSITION DATA: RH SIDE FOR DETAILS SEE: 54-00-51-01	011100	1

MISSING ITEM NUMBERS NOT APPLICABLE

- ITEM NOT ILLUSTRATED

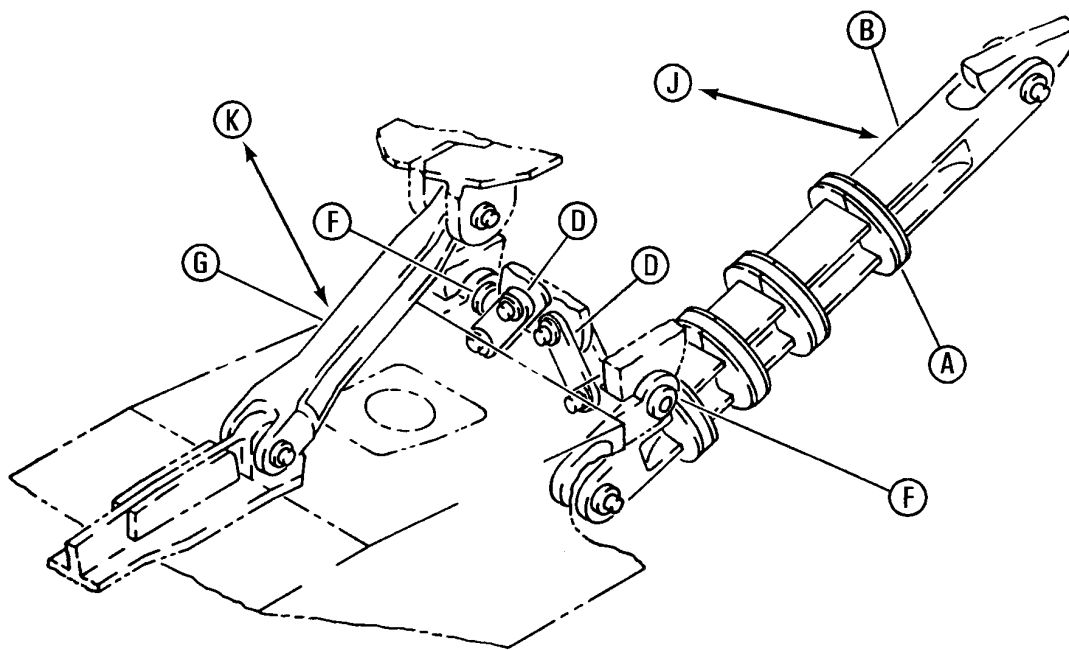
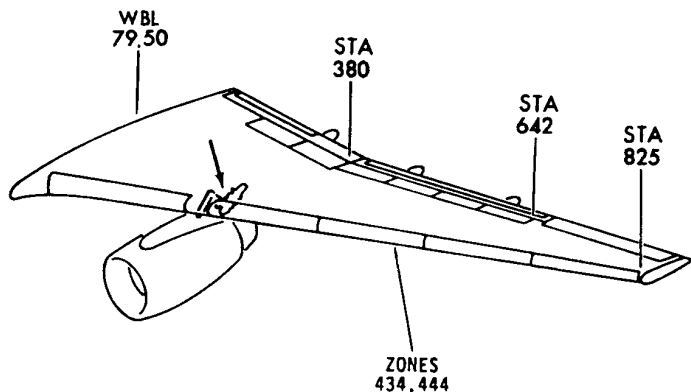
BRI

54-51-01-01A

BOEING PROPRIETARY - Copyright © - Unpublished Work - See title page for details.

54-51-01
FIG. 01A
PAGE 28
MAY 20/09

BOEING
757
PARTS CATALOG (MAINTENANCE)



Y 54510101D SHT 1 REV 202

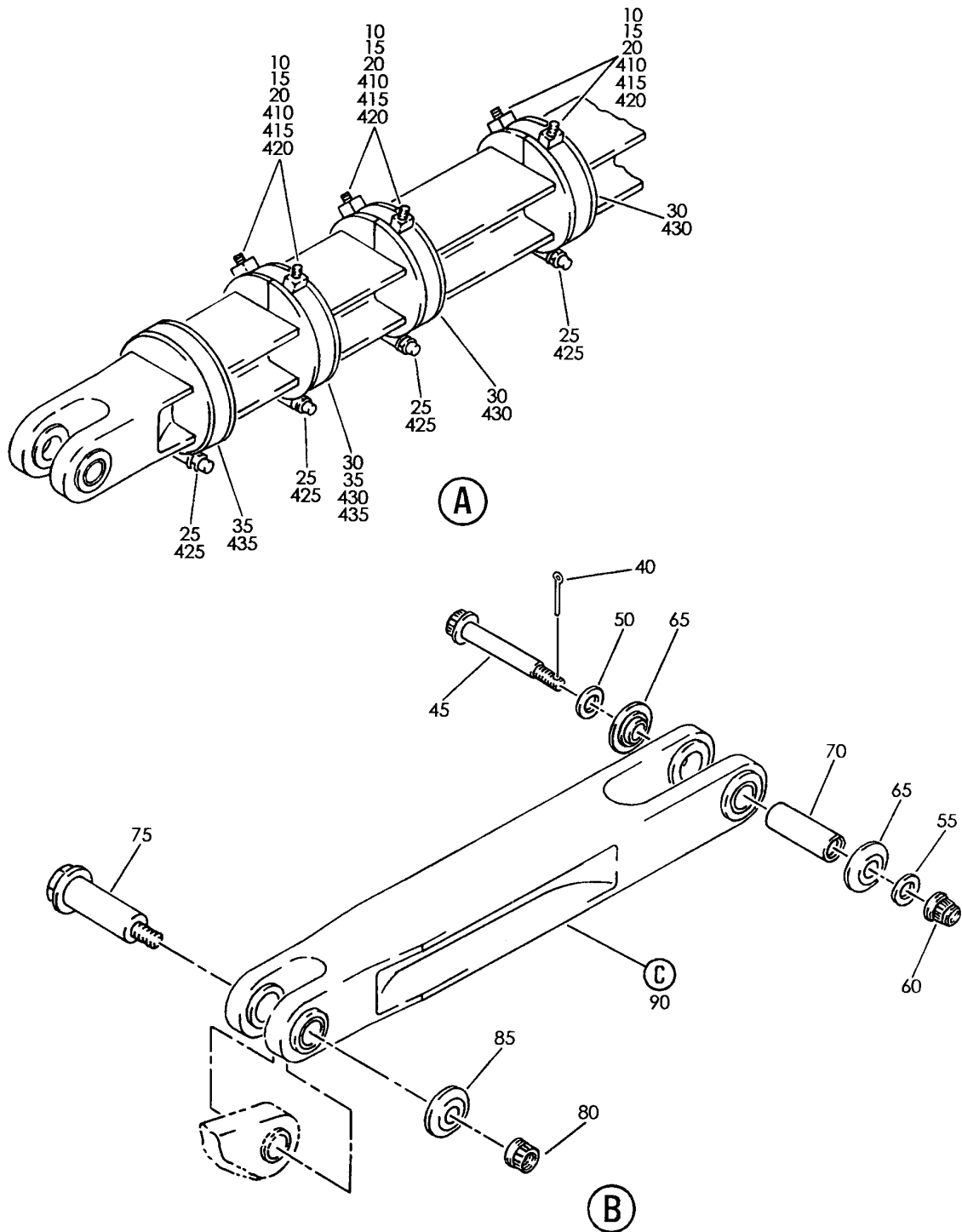
INTEGRATION INSTL-STRUT TO WING RB211-535
FIGURE 1D (SHEET 1)

54-51-01-01D

BRI
MAY 28/07

54-51-01-01D
PAGE 0

BOEING
757
PARTS CATALOG (MAINTENANCE)



Y 54510101D SHT 2 REV 202

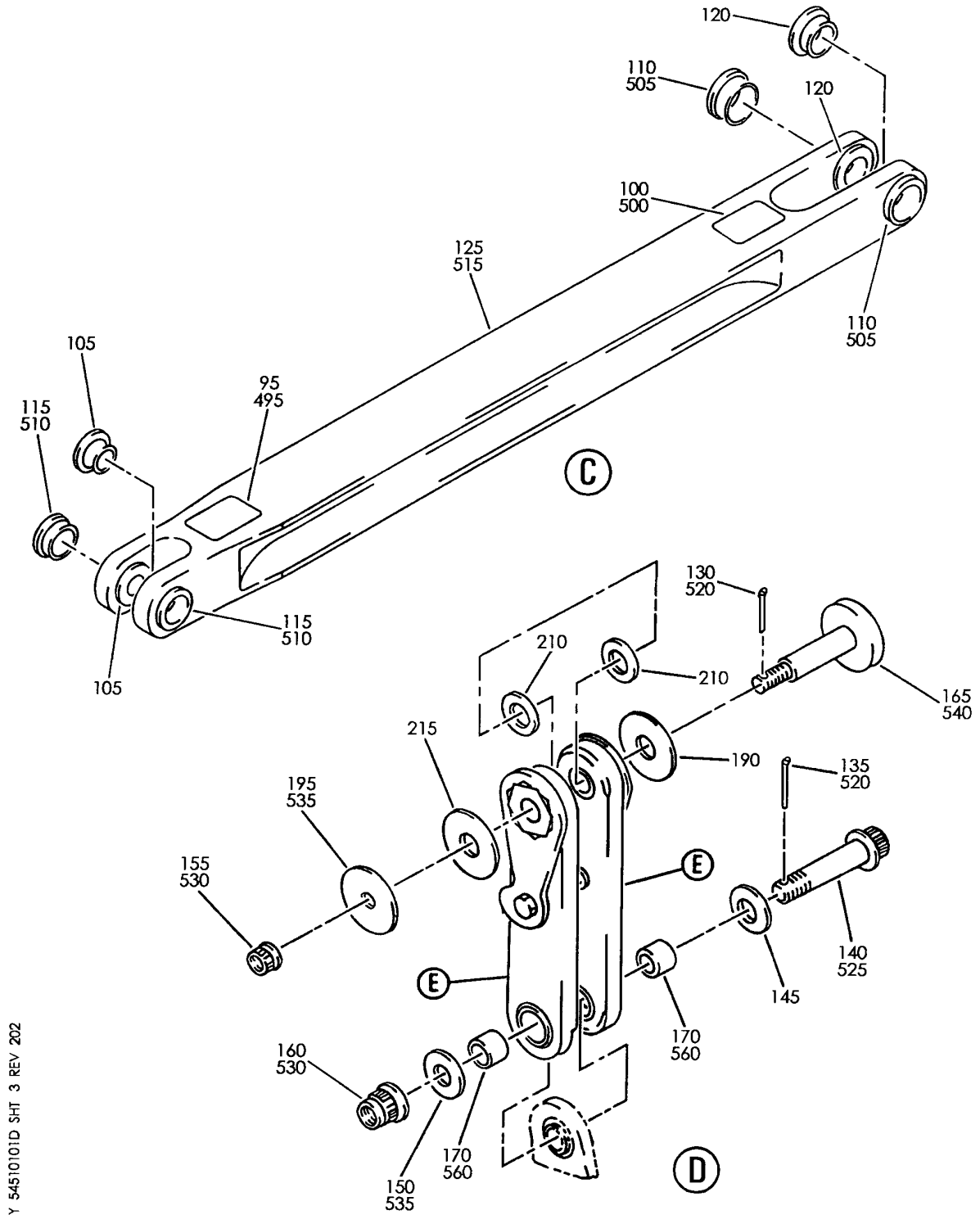
INTEGRATION INSTL-STRUT TO WING RB211-535
FIGURE 1D (SHEET 2)

54-51-01-01D

BRI
MAY 28/07

54-51-01-01D
PAGE 0A

BOEING
757
PARTS CATALOG (MAINTENANCE)



Y 54510101D SHT 3 REV 202

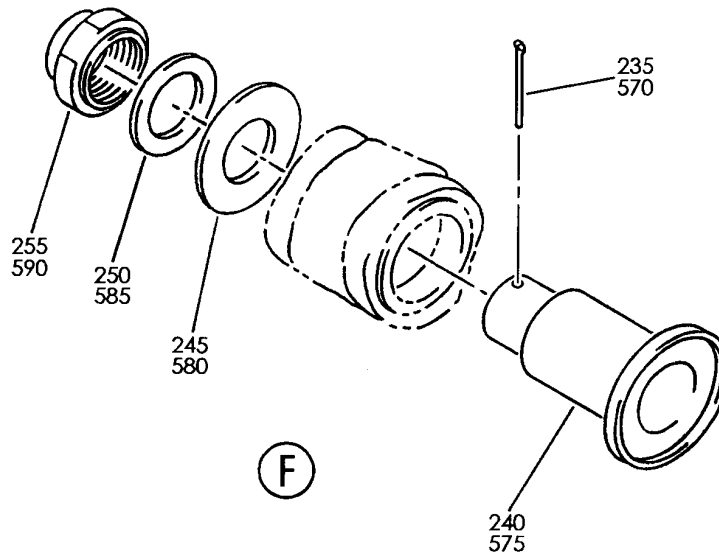
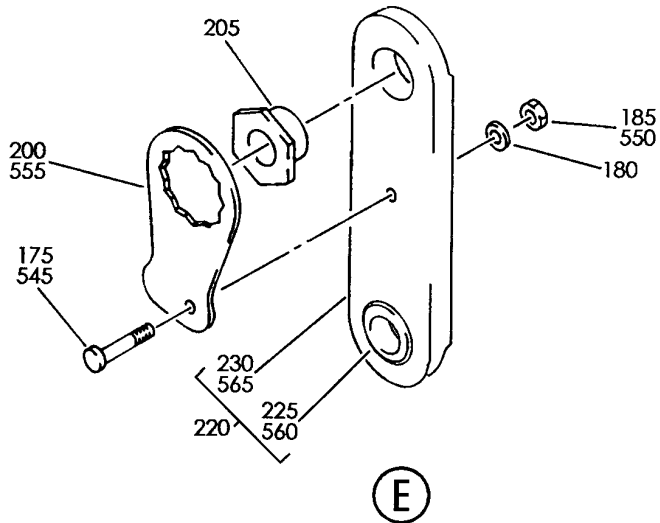
INTEGRATION INSTL-STRUT TO WING RB211-535
FIGURE 1D (SHEET 3)

54-51-01-01D

BRI
MAY 28/07

54-51-01-01D
PAGE 0B

BOEING
757
PARTS CATALOG (MAINTENANCE)



Y 54510101D SHT 4 REV 202

INTEGRATION INSTL-STRUT TO WING RB211-535
FIGURE 1D (SHEET 4)

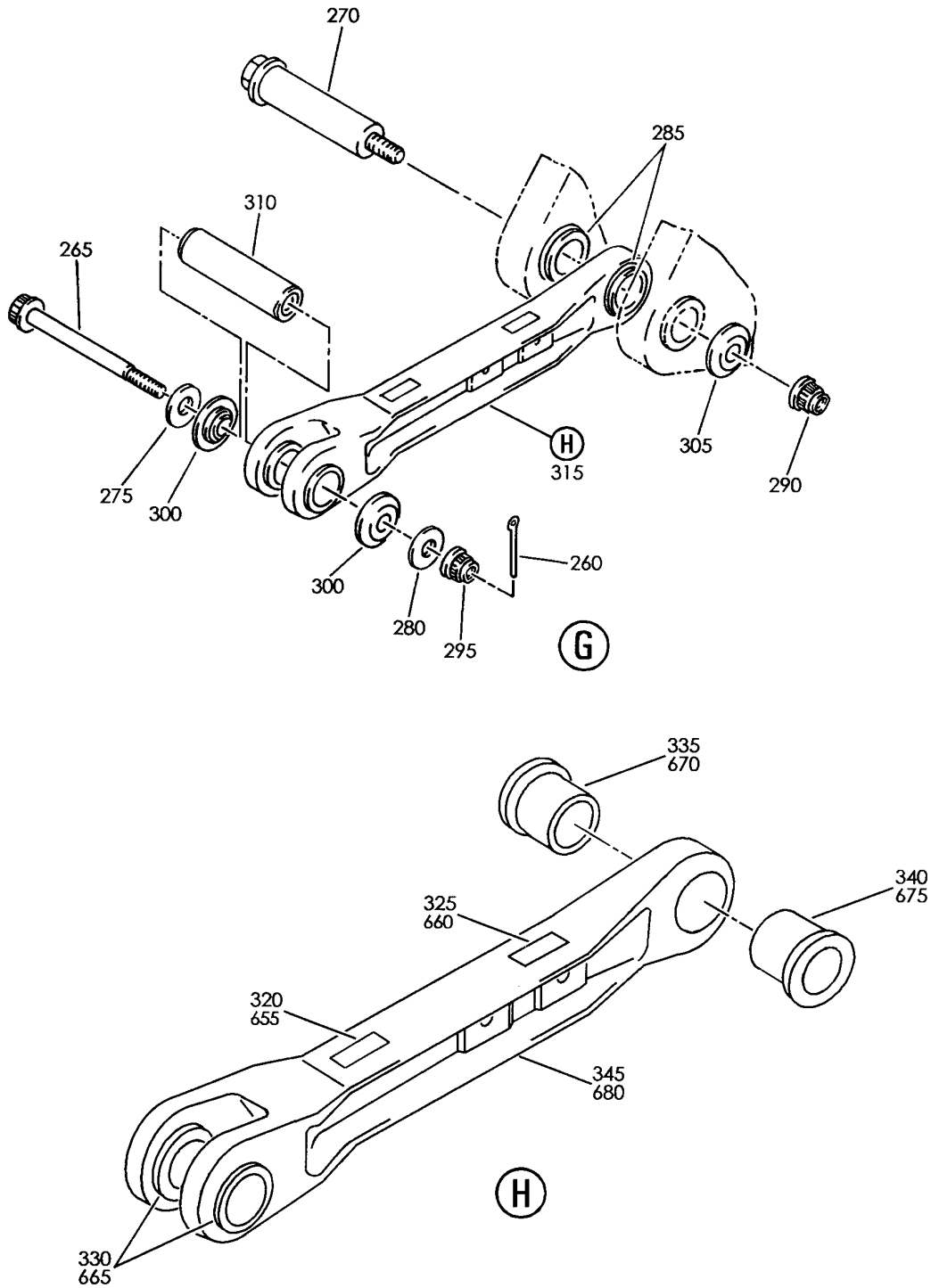
54-51-01-01D

BRI
MAY 28/07

54-51-01-01D
PAGE 0C

BOEING PROPRIETARY - Copyright © - Unpublished Work - See title page for details.

BOEING
757
PARTS CATALOG (MAINTENANCE)



Y 54510101D SHT 5 REV 202

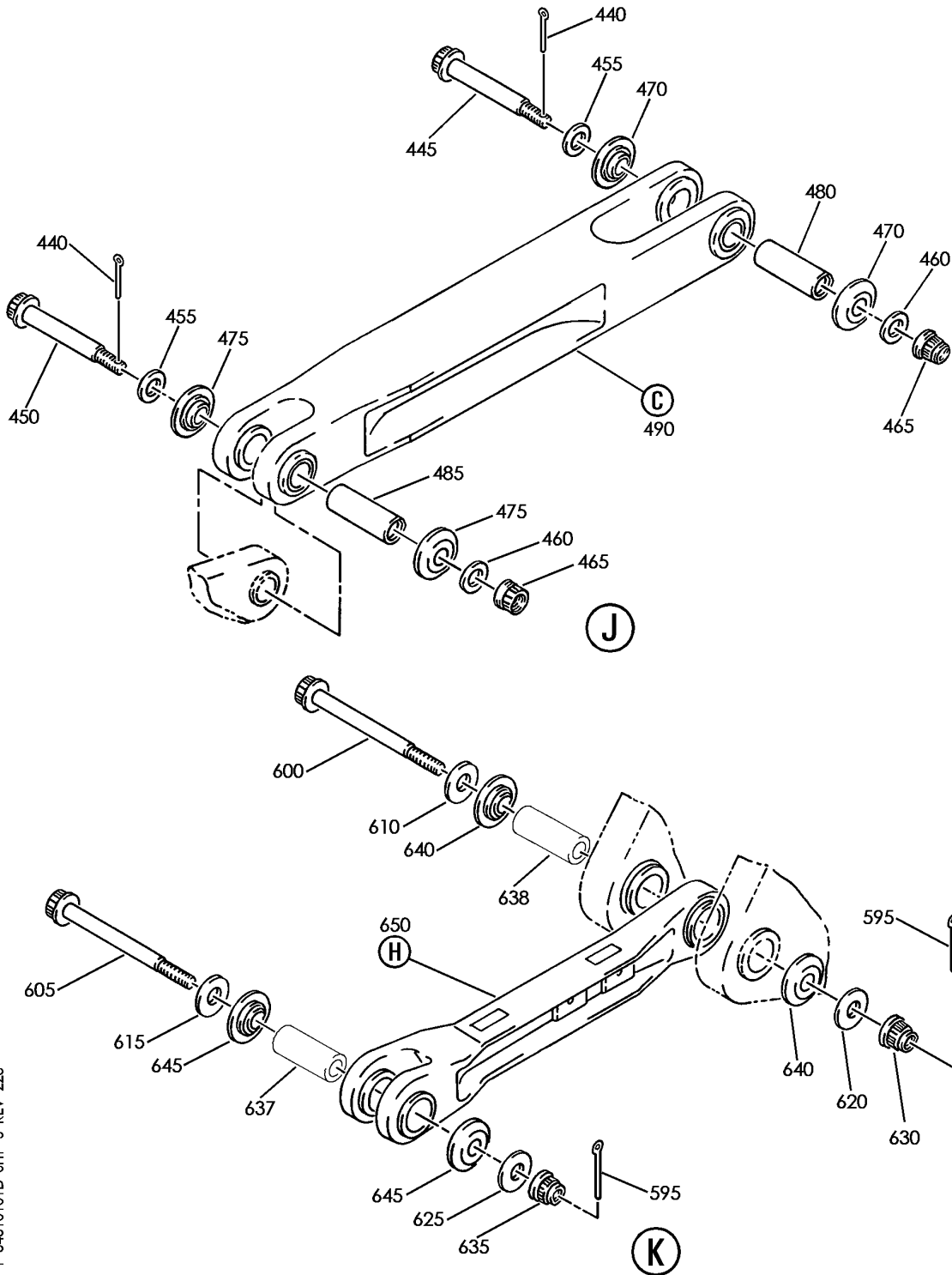
INTEGRATION INSTL-STRUT TO WING RB211-535
FIGURE 1D (SHEET 5)

54-51-01-01D

BRI
MAY 28/07

54-51-01-01D
PAGE 0D

BOEING
757
PARTS CATALOG (MAINTENANCE)



Y 54510101D SHT 6 REV 223

INTEGRATION INSTL-STRUT TO WING RB211-535
FIGURE 1D (SHEET 6)

54-51-01-01D

BRI
MAY 28/07

54-51-01-01D
PAGE 0E



757

PARTS CATALOG (MAINTENANCE)

FIG ITEM	PART NUMBER	1 2 3 4 5 6 7	NOMENCLATURE	EFFECT FROM TO	UNITS PER ASSY
1D			INTEGRATION INSTL-STRUT TO WING RB211-535	101106 108120 504903	
- 1	310N5200-13		INTEGRATION INSTL-STRUT TO WING POSITION DATA: ENG POSITION 1 LH SIDE FOR NHA SEE: 54-00-00-03A	101102 108120 504903	RF
- 1	MODREF13864		INTEGRATION INSTL-STRUT TO WING MODULE NUMBER: 310N5200-17 REV A POSITION DATA: ENG POSITION 1 LH SIDE	103106	1
- 5	310N5200-14		INTEGRATION INSTL-STRUT TO WING POSITION DATA: ENG POSITION 2 RH SIDE FOR NHA SEE: 54-00-00-03A	101102 108120 504903	RF
- 5	MODREF13865		INTEGRATION INSTL-STRUT TO WING MODULE NUMBER: 310N5200-18 REV A POSITION DATA: ENG POSITION 2 RH SIDE	103106	1
10	NAS6603-4		.BOLT	101106 108120 504903	6
15	BACC15AN10		.CLIP	101106 108120 504903	6
20	BACB19F10		.BLOCK	101106 108120 504903	6
25	3140AB056E		.CLAMP SUPPLIER CODE: V94581 SPECIFICATION NUMBER: BACC10FY056SE OPTIONAL PART: BC1083-056SE V14242 NE103338-056 V8W928	101106 108120 504903	4
30	311N5235-7		.SEAL	101106 108120 504903	3

MISSING ITEM NUMBERS NOT APPLICABLE

- ITEM NOT ILLUSTRATED

BRI

54-51-01-01D

BOEING PROPRIETARY - Copyright © - Unpublished Work - See title page for details.

54-51-01
FIG. 01D
PAGE 1
JAN 20/09



757

PARTS CATALOG (MAINTENANCE)

FIG ITEM	PART NUMBER	1 2 3 4 5 6 7	NOMENCLATURE	EFFECT FROM TO	UNITS PER ASSY
1D					
35	313N5041-3	.	SEAL-B00T	101106 108120 504903	2
40	BACP18BC03A10P	.	PIN-COTTER OPTIONAL PART: BACP18BC03C10P	101106 108120 504903	1
40	BACP18BC03C10P	.	PIN-COTTER OPTIONAL PART: BACP18BC03A10P	101106 108120 504903	1
45	NAS6708DU81	.	BOLT	101106 108120 504903	1
50	BACW10BP8ACU	.	WASHER	101106 108120 504903	1
55	BACW10BP8APU	.	WASHER	101106 108120 504903	1
60	BACN11N8CS	.	NUT	101106 108120 504903	1
65	311N5059-9	.	CAP	101106 108120 504903	2
70	311N5500-1	.	PIN-FUSE	101106 108120 504903	1
75	311N5502-2	.	BOLT	101106 108120 504903	1

MISSING ITEM NUMBERS NOT APPLICABLE

- ITEM NOT ILLUSTRATED

BRI

54-51-01-01D

BOEING PROPRIETARY - Copyright © - Unpublished Work - See title page for details.

54-51-01
FIG. 01D
PAGE 2
JAN 20/09



**757
PARTS CATALOG (MAINTENANCE)**

FIG ITEM	PART NUMBER	1 2 3 4 5 6 7	NOMENCLATURE	EFFECT FROM TO	UNITS PER ASSY
1D 80	BMN5024CPD312	.	NUT SUPPLIER CODE: V97928 SPECIFICATION NUMBER: BACN10HR12CS OPTIONAL PART: H39953-12 V15653 109LH9031-12 V72962 67832AS1216 V56878 BH00303-12 V27238 BMN10HRCPD3-12 V97928 CR590812 V62554 SL7050912 V11815 BH0030312 V27238 109LH903112 V72962 67832AS12 V56878	101106 108120 504903	1
85	311N5059-11	.	CAP	101106 108120 504903	1
90	311N5235-1	.	BRACE ASSY-DIAGONAL	101106 108120 504903	1
95	BAC27NPS302	..	MARKER-ALUMINUM FOIL PLACARD CONTENT: INSTALL PIN	101106 108120 504903	1
100	BAC27NPS303	..	MARKER-ALUMINUM FOIL PLACARD CONTENT: INSTALL FUSE PIN	101106 108120 504903	1
105	311N5235-5	..	BUSHING	101106 108120 504903	2
110	311N3730-26	..	BUSHING	101106 108120 504903	2
115	311N5235-6	..	BUSHING	101106 108120 504903	2

MISSING ITEM NUMBERS NOT APPLICABLE

— ITEM NOT ILLUSTRATED

BRI

54-51-01-01D

BOEING PROPRIETARY - Copyright © - Unpublished Work - See title page for details.

54-51-01
FIG. 01D
PAGE 3
JAN 20/09



757

PARTS CATALOG (MAINTENANCE)

FIG ITEM	PART NUMBER	1 2 3 4 5 6 7	NOMENCLATURE	EFFECT FROM TO	UNITS PER ASSY
1D					
120	311N3730-28	..	BUSHING	101106 108120 504903	2
125	311N5235-3	..	FITTING	101106 108120 504903	1
130	BACP18BC03A10P	.PIN-	COTTER OPTIONAL PART: BACP18BC03C10P	101106 108120 504903	2
130	BACP18BC03C10P	.PIN-	COTTER OPTIONAL PART: BACP18BC03A10P	101106 108120 504903	2
135	BACP18BC04A12P	.PIN-	COTTER OPTIONAL PART: BACP18BC04C12P	101106 108120 504903	2
135	BACP18BC04C12P	.PIN-	COTTER OPTIONAL PART: BACP18BC04A12P	101106 108120 504903	2
140	BACB30US10K40D	.	BOLT	101106 108120 504903	2
145	BACW10BP10ACU	.	WASHER	101106 108120 504903	2
150	BACW10BP10APU	.	WASHER	101106 108120 504903	2
155	BACN11N7CS	.	NUT	101106 108120 504903	2
160	BACN11N10CS	.	NUT	101106 108120 504903	2
165	311N5503-1	.PIN-	FUSE	101106 108120 504903	2
170	BACB28AK10-085	.BUSHING-	OPTIONAL PART: BACB28AK10-086	101106 108120 504903	4
170	BACB28AK10-086	.BUSHING-	OPTIONAL PART: BACB28AK10-085	101106 108120 504903	4
175	BACB30LJ4U11	.	BOLT	101106 108120 504903	4
180	BACW10BP4APU	.	WASHER	101106 108120 504903	4

MISSING ITEM NUMBERS NOT APPLICABLE

- ITEM NOT ILLUSTRATED

BRI

54-51-01-01D

BOEING PROPRIETARY - Copyright © - Unpublished Work - See title page for details.

54-51-01
FIG. 01D
PAGE 4
JAN 20/09

 **BOEING**
757
PARTS CATALOG (MAINTENANCE)

FIG ITEM	PART NUMBER	1 2 3 4 5 6 7	NOMENCLATURE	EFFECT FROM TO	UNITS PER ASSY
1D 185	BRH10C4M	.	NUT SUPPLIER CODE: V52828 SPECIFICATION NUMBER: BACN10JC4CM OPTIONAL PART: T6C428JM V11815 97E48 V80539 109LH9075-4W V72962 VN303D048 V92215 H01-4BAC V15653 NS202101SE048 V80539	101106 108120 504903	4
190	311N5017-1	.	WASHER	101106 108120 504903	2
195	BACW10BP7APU	.	WASHER	101106 108120 504903	2
200	311N5000-1	.	RETAINER	101106 108120 504903	4
205	311N5004-2	.	BUSHING	101106 108120 504903	4
210	BACW10BP12APU	.	WASHER-	101106 108120 504903	4
215	311N5066-8	.	RETAINER	101106 108120 504903	2
220	311N5238-2	.	LINK ASSY- COMPONENT MAINT MANUAL REF: 54-50-31	101106 108120 504903	4
220	311N5238-7	.	LINK ASSY-	101106 108120 504903	4
225	BACB28AT14B054A	..	BUSHING	101106 108120 504903	1
230	311N5238-1	..	LINK- USED ON: 311N5238-2	101106 108120 504903	1

MISSING ITEM NUMBERS NOT APPLICABLE

- ITEM NOT ILLUSTRATED

BRI

54-51-01-01D

BOEING PROPRIETARY - Copyright © - Unpublished Work - See title page for details.

54-51-01
FIG. 01D
PAGE 5
JAN 20/09



757

PARTS CATALOG (MAINTENANCE)

FIG ITEM	PART NUMBER	1 2 3 4 5 6 7	NOMENCLATURE	EFFECT FROM TO	UNITS PER ASSY
1D					
230	311N5238-6	. .	LINK- USED ON: 311N5238-7	101106 108120 504903	1
235	BACP18BC04A16P	. PIN-	COTTER OPTIONAL PART: BACP18BC04C16P	101106 108120 504903	2
235	BACP18BC04C16P	. PIN-	COTTER OPTIONAL PART: BACP18BC04A16P	101106 108120 504903	2
240	311N5217-2	. PIN-	FUSE	101106 108120 504903	2
245	311N5066-3	. WASHER		101106 108120 504903	2
250	BACW10BP18APU	. WASHER-		101106 108120 504903	AR
255	BACN11N118CS	. NUT		101106 108120 504903	2
260	BACP18BC03A10P	. PIN-	COTTER OPTIONAL PART: BACP18BC03C10P	101106 108120 504903	1
260	BACP18BC03C10P	. PIN-	COTTER OPTIONAL PART: BACP18BC03A10P	101106 108120 504903	1
265	NAS6706DU69	. BOLT		101106 108120 504903	1
270	311N5502-1	. BOLT		101106 108120 504903	1
275	BACW10BP6ACU	. WASHER		101106 108120 504903	1
280	BACW10BP6APU	. WASHER		101106 108120 504903	1
285	310N3152-3	. WASHER-		101106 108120 504903	2

MISSING ITEM NUMBERS NOT APPLICABLE

- ITEM NOT ILLUSTRATED

BRI

54-51-01-01D

BOEING PROPRIETARY - Copyright © - Unpublished Work - See title page for details.

54-51-01
FIG. 01D
PAGE 6
JAN 20/09



757

PARTS CATALOG (MAINTENANCE)

FIG ITEM	PART NUMBER	1 2 3 4 5 6 7	NOMENCLATURE	EFFECT FROM TO	UNITS PER ASSY
1D 290	H39953-14	.NUT	SUPPLIER CODE: V15653 SPECIFICATION NUMBER: BACN10HR14CS OPTIONAL PART: 109LH9031-14 V72962 67832AS1414 V56878 BH0030314 V27238 BMN5024CPD314 V97928 CR590814 V62554 SL7050914 V11815 109LH903114 V72962 67832AS14 V56878 104LH9031-14 V72962	101106 108120 504903	1
295	BACN11N6CS	.NUT		101106 108120 504903	1
300	311N5059-13	.CAP-END		101106 108120 504903	2
305	311N5059-10	.CAP-END		101106 108120 504903	1
310	311N5501-2	.PIN-FUSE		101106 108120 504903	1

MISSING ITEM NUMBERS NOT APPLICABLE

- ITEM NOT ILLUSTRATED

BRI

54-51-01-01D

BOEING PROPRIETARY - Copyright © - Unpublished Work - See title page for details.

54-51-01
FIG. 01D
PAGE 7
MAY 20/09



757

PARTS CATALOG (MAINTENANCE)

FIG ITEM	PART NUMBER	1 2 3 4 5 6 7	NOMENCLATURE	EFFECT FROM TO	UNITS PER ASSY
1D					
R	315	311N5019-11	.LINK ASSY-UPR COMPONENT MAINT MANUAL REF: 54-50-31 QUALIFIED I/W DATA: 311N5019-11 CAN REPLACE BUT NOT BE REPLACED BY 311N5019-9 OR 311N5019-7 OR 311N5019-5 OR 311N5019-3 OR 311N5019-1 IN ACCORDANCE WITH SERVICE BULLETIN 757-54-0035 MODIFICATIONS TO COMPLY WITH AIRWORTHINESS DIRECTIVE (AD) 2004-12-07.	101106 108120 504903	1
R	320	BAC27NPP41	..MARKER-ALUMINUM FOIL PLACARD CONTENT: INSTALL FUSE PIN	101106 108120 504903	1
R	325	BAC27NPP42	..MARKER-ALUMINUM FOIL PLACARD CONTENT: INSTALL PIN	101106 108120 504903	1
R	330	311N5019-12	..BUSHING	101106 108120 504903	2
R	335	311N5019-13	..BUSHING	101106 108120 504903	1
R	340	311N5019-14	..BUSHING	101106 108120 504903	1
R	345	311N5019-10	..FITTING- ALTERED FROM PART NUMBER: 311N5020-2	101106 108120 504903	1
R	345	311N5019-21	..FITTING-	101106 108120 504903	1

MISSING ITEM NUMBERS NOT APPLICABLE

- ITEM NOT ILLUSTRATED

54-51-01-01D

54-51-01
FIG. 01D
PAGE 8
MAY 20/09

BRI

BOEING PROPRIETARY - Copyright © - Unpublished Work - See title page for details.

 **BOEING**
757
PARTS CATALOG (MAINTENANCE)

NON-ILLUSTRATED FIGURE

THE ITEMS REFLECTED IN THIS FIGURE ARE INTENTIONALLY
NON-ILLUSTRATED. THEY ARE REFERENCED TO EITHER A
NEXT HIGHER OR NEXT LOWER ASSEMBLY/INSTALLATION FIGURE.

SUPPORT INSTL-ELECTRICAL WIRE BUNDLE
FIGURE 1

54-51-51-01

BRI
MAY 28/07

54-51-51-01
PAGE 0



757

PARTS CATALOG (MAINTENANCE)

FIG ITEM	PART NUMBER	1 2 3 4 5 6 7	NOMENCLATURE	EFFECT FROM TO	UNITS PER ASSY
1			SUPPORT INSTL-ELECTRICAL WIRE BUNDLE	002004 006100 107107 121503 904999	
- 1	312N5201-3		SUPPORT INSTL-ELECTRICAL WIRE BUNDLE POSITION DATA: LH FOR NHA SEE: 54-51-01-01 54-51-01-01A	002004 006100 107107 121503 904999	RF
- 5	312N5201-4		SUPPORT INSTL-ELECTRICAL WIRE BUNDLE POSITION DATA: RH FOR NHA SEE: 54-51-01-01 54-51-01-01A	002004 006100 107107 121503 904999	RF
- 20	312N5203-1		.PLATE INSTL-STRUT ENG DISC. AIDS BLANK FOR DETAILS SEE: 54-51-64-01	002004 006100 107107 121503 904999	1
- 25	312N5830-1		.BRACKET INSTL-ELECTRICAL WIRE SPRT POSITION DATA: LH FOR DETAILS SEE: 54-51-54-01	002004 006100 107107 121503 904999	1
- 30	312N5831-7		.BRACKET INSTL-ELECTRICAL WIRE SPRT POSITION DATA: RH FOR DETAILS SEE: 54-51-54-02	002004 006100 107107 121503 904999	1
- 35	312N5833-5		.BRACKET INSTL-ELECTRICAL WIRE SPRT POSITION DATA: RH FOR DETAILS SEE: 54-51-54-02	002004 006007 107107 121503 904949 952952	1
- 40	312N5834-1		.BRACKET INSTL-ELECTRICAL WIRE SPRT POSITION DATA: LH FOR DETAILS SEE: 54-51-54-03	002004 006100 107107 121503 904999	1

MISSING ITEM NUMBERS NOT APPLICABLE

- ITEM NOT ILLUSTRATED

54-51-51-01

54-51-51
FIG. 01
PAGE 1
JAN 20/09

BRI



757

PARTS CATALOG (MAINTENANCE)

FIG ITEM	PART NUMBER	1 2 3 4 5 6 7	NOMENCLATURE	EFFECT FROM TO	UNITS PER ASSY
1					
- 45	NAS1802-04-7	.	SCREW	002004 006100 107107 121503 904999	48
- 50	NAS1802-06-7	.	SCREW	002004 006100 107107 121503 904999	20
- 55	NAS1802-08-7	.	SCREW	002004 006100 107107 121503 904999	4
- 57	NAS1802-3-16	.	SCREW	009100 950951	1
- 60	AN960C4L	.	WASHER	002004 006100 107107 121503 904999	96
- 65	AN960C6L	.	WASHER	002004 006100 107107 121503 904999	40
- 70	AN960C8L	.	WASHER	002004 006100 107107 121503 904999	8
- 75	BACW10BP3APU	.	WASHER	002004 006100 107107 121503 904999	6
- 77	NAS42DD6-32	.	SPACER	009100 950951	1
- 78	BACS18AF3	.	SPACER	009100 950951	1

MISSING ITEM NUMBERS NOT APPLICABLE

- ITEM NOT ILLUSTRATED

BRI

54-51-51-01

BOEING PROPRIETARY - Copyright © - Unpublished Work - See title page for details.

54-51-51
FIG. 01
PAGE 2
JAN 20/09



757

PARTS CATALOG (MAINTENANCE)

FIG ITEM	PART NUMBER	1 2 3 4 5 6 7	NOMENCLATURE	EFFECT FROM TO	UNITS PER ASSY
1 - 80	BRH10C04M	.NUT	SUPPLIER CODE: V52828 SPECIFICATION NUMBER: BACN10JC04CM OPTIONAL PART: H01-04BAC V15653 NS202101SE40 V80539 VN303D40 V92215 109LH9075-40W V72962 97E40 V80539 T6C440JM V11815	002004 006100 107107 121503 904999	48
- 85	BRH10C06M	.NUT	SUPPLIER CODE: V52828 SPECIFICATION NUMBER: BACN10JC06CM OPTIONAL PART: T6C632JM V11815 97E62 V80539 109LH9075-62W V72962 VN303D62 V92215 NS202101SE62 V80539 H01-06BAC V15653	002004 006100 107107 121503 904999	20

MISSING ITEM NUMBERS NOT APPLICABLE

- ITEM NOT ILLUSTRATED

BRI

54-51-51-01

BOEING PROPRIETARY - Copyright © - Unpublished Work - See title page for details.

54-51-51
FIG. 01
PAGE 3
JAN 20/09



757

PARTS CATALOG (MAINTENANCE)

FIG ITEM	PART NUMBER	1 2 3 4 5 6 7	NOMENCLATURE	EFFECT FROM TO	UNITS PER ASSY
1					
- 90	BRH10C08M	.NUT	SUPPLIER CODE: V52828 SPECIFICATION NUMBER: BACN10JC08CM OPTIONAL PART: T6C832JM V11815 97E82 V80539 109LH9075-82W V72962 VN303D82 V92215 NS202101SE82 V80539 H01-08BAC V15653	002004 006100 107107 121503 904999	4
- 95	BRH10C3M	.NUT	SUPPLIER CODE: V52828 SPECIFICATION NUMBER: BACN10JC3CM OPTIONAL PART: T6C1032JM V11815 97E02 V80539 109LH9075-3W V72962 VN303D02 V92215 NS202101SE02 V80539 H01-3BAC V15653	002004 006100 107107 121503 904999	2
- 97	BACG20ZP000500B	.GROMMET-	POST SERVICE BULLETIN: 29-0058	002004 006100 107107 121503 951999	1
- 97	BACG20ZQ000950B	.GROMMET-	POST SERVICE BULLETIN: 29-0058R1	950951	1

MISSING ITEM NUMBERS NOT APPLICABLE

- ITEM NOT ILLUSTRATED

54-51-51-01

54-51-51
FIG. 01
PAGE 4
JAN 20/09

BRI



757

PARTS CATALOG (MAINTENANCE)

FIG ITEM	PART NUMBER	1 2 3 4 5 6 7	NOMENCLATURE	EFFECT FROM TO	UNITS PER ASSY
1					
- 99	TFE2X		.SLEEVE- SUPPLIER CODE: V18632 SERVICE BULLETIN OPT DATA: TFE4X V18632 OPTIONAL SUPPLIER CODE: 6Y609 POST SERVICE BULLETIN: 29-0058 29-0058R1	002004 006100 107107 121503 950999	1
- 99	TFE4X		.SLEEVE- SUPPLIER CODE: V18632 SERVICE BULLETIN OPT DATA: TFE2X V18632 OPTIONAL SUPPLIER CODE: 6Y609 POST SERVICE BULLETIN: 29-0058 29-0058R1	002004 006100 107107 121503 950999	1
- 101	NAS42DD6-32		.SPACER- POST SERVICE BULLETIN: 29-0058 29-0058R1	002004 006100 107107 121503 950999	AR
- 103	NAS1801-04-20		.SCREW- POST SERVICE BULLETIN: 29-0058R1	950951	AR
- 105	S717-101		.CLAMP- SUPPLIER CODE: V18076 SPECIFICATION NUMBER: BACC10GU101 OPTIONAL PART: 534CS101 V83930 JM44LC39S101RG V22175 NOT APPROVED FOR ETOPS.	002004 006100 107107 121503 904999	10

MISSING ITEM NUMBERS NOT APPLICABLE

- ITEM NOT ILLUSTRATED

54-51-51-01

54-51-51
FIG. 01
PAGE 5
JAN 20/09

BRI



757

PARTS CATALOG (MAINTENANCE)

FIG ITEM	PART NUMBER	1 2 3 4 5 6 7	NOMENCLATURE	EFFECT FROM TO	UNITS PER ASSY
1 - 110	S717-102		.CLAMP- SUPPLIER CODE: V18076 SPECIFICATION NUMBER: BACC10GU102 OPTIONAL PART: 534CS102 V83930 JM44LC39S102RG V22175 POSITION DATA: LH SIDE NOT APPROVED FOR ETOPS.	002004 006100 107107 121503 904999	7
- 115	S717-102		.CLAMP- SUPPLIER CODE: V18076 SPECIFICATION NUMBER: BACC10GU102 OPTIONAL PART: 534CS102 V83930 JM44LC39S102RG V22175 POSITION DATA: RH SIDE NOT APPROVED FOR ETOPS.	002004 006100 107107 121503 904999	6
- 120	S717-103		.CLAMP SUPPLIER CODE: V18076 SPECIFICATION NUMBER: BACC10GU103 OPTIONAL PART: 534CS103 V83930 JM44LC39S103RG V22175	002004 006100 107107 121503 904999	17
- 125	S717-104S		.CLAMP SUPPLIER CODE: V18076 SPECIFICATION NUMBER: BACC10GU104 OPTIONAL PART: 534CS104 V83930 JM44LC39S104RG V22175	002004 006100 107107 121503 904999	4

MISSING ITEM NUMBERS NOT APPLICABLE

- ITEM NOT ILLUSTRATED

54-51-51-01

54-51-51
FIG. 01
PAGE 6
JAN 20/09

BRI



757

PARTS CATALOG (MAINTENANCE)

FIG ITEM	PART NUMBER	1 2 3 4 5 6 7	NOMENCLATURE	EFFECT FROM TO	UNITS PER ASSY
1					
- 130	S717-105		.CLAMP- SUPPLIER CODE: V18076 SPECIFICATION NUMBER: BACC10GU105 OPTIONAL PART: 534CS105 V83930 JM44LC39S105RG V22175 POSITION DATA: LH SIDE	002004 006100 107107 121503 904999	1
- 135	S717-105		.CLAMP- SUPPLIER CODE: V18076 SPECIFICATION NUMBER: BACC10GU105 OPTIONAL PART: 534CS105 V83930 JM44LC39S105RG V22175 POSITION DATA: RH SIDE	002004 006100 107107 121503 904999	6
- 145	S717-107		.CLAMP- SUPPLIER CODE: V18076 SPECIFICATION NUMBER: BACC10GU107 OPTIONAL PART: 534CS107 V83930 JM44LC39S107RG V22175 POSITION DATA: LH SIDE	002004 006100 107107 121503 904999	1
- 155	S717-107		.CLAMP- SUPPLIER CODE: V18076 SPECIFICATION NUMBER: BACC10GU107 OPTIONAL PART: 534CS107 V83930 JM44LC39S107RG V22175 POSITION DATA: RH SIDE	002004 006100 107107 121503 904999	4

MISSING ITEM NUMBERS NOT APPLICABLE

- ITEM NOT ILLUSTRATED

54-51-51-01

54-51-51
FIG. 01
PAGE 7
JAN 20/09

BRI



757

PARTS CATALOG (MAINTENANCE)

FIG ITEM	PART NUMBER	1 2 3 4 5 6 7	NOMENCLATURE	EFFECT FROM TO	UNITS PER ASSY
1 - 160	S717-108		.CLAMP- SUPPLIER CODE: V18076 SPECIFICATION NUMBER: BACC10GU108 OPTIONAL PART: 534CS108 V83930 JM44LC39S108RG V22175 POSITION DATA: LH SIDE	002004 006100 107107 121503 904999	19
- 165	S717-108		.CLAMP- SUPPLIER CODE: V18076 SPECIFICATION NUMBER: BACC10GU108 OPTIONAL PART: 534CS108 V83930 JM44LC39S108RG V22175 POSITION DATA: RH SIDE	002004 006100 107107 121503 904999	18
- 170	S717-109		.CLAMP- SUPPLIER CODE: V18076 SPECIFICATION NUMBER: BACC10GU109 OPTIONAL PART: 534CS109 V83930 JM44LC39S109RG V22175 POSITION DATA: LH SIDE	002004 006100 107107 121503 904999	3
- 180	S717-110		.CLAMP SUPPLIER CODE: V18076 SPECIFICATION NUMBER: BACC10GU110 OPTIONAL PART: 534CS110 V83930 JM44LC39S110RG V22175	002004 006100 107107 121503 904999	32

MISSING ITEM NUMBERS NOT APPLICABLE

- ITEM NOT ILLUSTRATED

54-51-51-01

54-51-51
FIG. 01
PAGE 8
JAN 20/09

BRI



757

PARTS CATALOG (MAINTENANCE)

FIG ITEM	PART NUMBER	1 2 3 4 5 6 7	NOMENCLATURE	EFFECT FROM TO	UNITS PER ASSY
1 - 190	S717-111		.CLAMP- SUPPLIER CODE: V18076 SPECIFICATION NUMBER: BACC10GU111 OPTIONAL PART: 534CS111 V83930 JM44LC39S111RG V22175 POSITION DATA: LH SIDE	002004 006100 107107 121503 904999	11
- 195	S717-111		.CLAMP- SUPPLIER CODE: V18076 SPECIFICATION NUMBER: BACC10GU111 OPTIONAL PART: 534CS111 V83930 JM44LC39S111RG V22175 POSITION DATA: RH SIDE	002004 006100 107107 121503 904999	20
- 200	S717-112		.CLAMP- SUPPLIER CODE: V18076 SPECIFICATION NUMBER: BACC10GU112 OPTIONAL PART: 534CS112 V83930 JM44LC39S112RG V22175 POSITION DATA: LH SIDE	002004 006100 107107 121503 904999	1
- 210	S717-112		.CLAMP- SUPPLIER CODE: V18076 SPECIFICATION NUMBER: BACC10GU112 OPTIONAL PART: 534CS112 V83930 JM44LC39S112RG V22175 POSITION DATA: RH SIDE	002004 006100 107107 121503 904999	2

MISSING ITEM NUMBERS NOT APPLICABLE

- ITEM NOT ILLUSTRATED

54-51-51-01

54-51-51
FIG. 01
PAGE 9
JAN 20/09

BRI



757

PARTS CATALOG (MAINTENANCE)

FIG ITEM	PART NUMBER	1 2 3 4 5 6 7	NOMENCLATURE	EFFECT FROM TO	UNITS PER ASSY
1 - 215	S717-113		.CLAMP- SUPPLIER CODE: V18076 SPECIFICATION NUMBER: BACC10GU113 OPTIONAL PART: 534CS113 V83930 JM44LC39S113RG V22175 POSITION DATA: LH SIDE USED ON: 312N5201-1 312N5201-3	002004 006100 107107 121503 904999	1
- 220	S717-114		.CLAMP SUPPLIER CODE: V18076 SPECIFICATION NUMBER: BACC10GU114 OPTIONAL PART: 534CS114 V83930 JM44LC39S114RG V22175	002004 006100 107107 121503 904999	1
- 225	312N5205-1		.SEAL	002004 006100 107107 121503 904999	1
- 230	312N5204-1		.PLATE-COVER	002004 006100 107107 121503 904999	2

MISSING ITEM NUMBERS NOT APPLICABLE

- ITEM NOT ILLUSTRATED

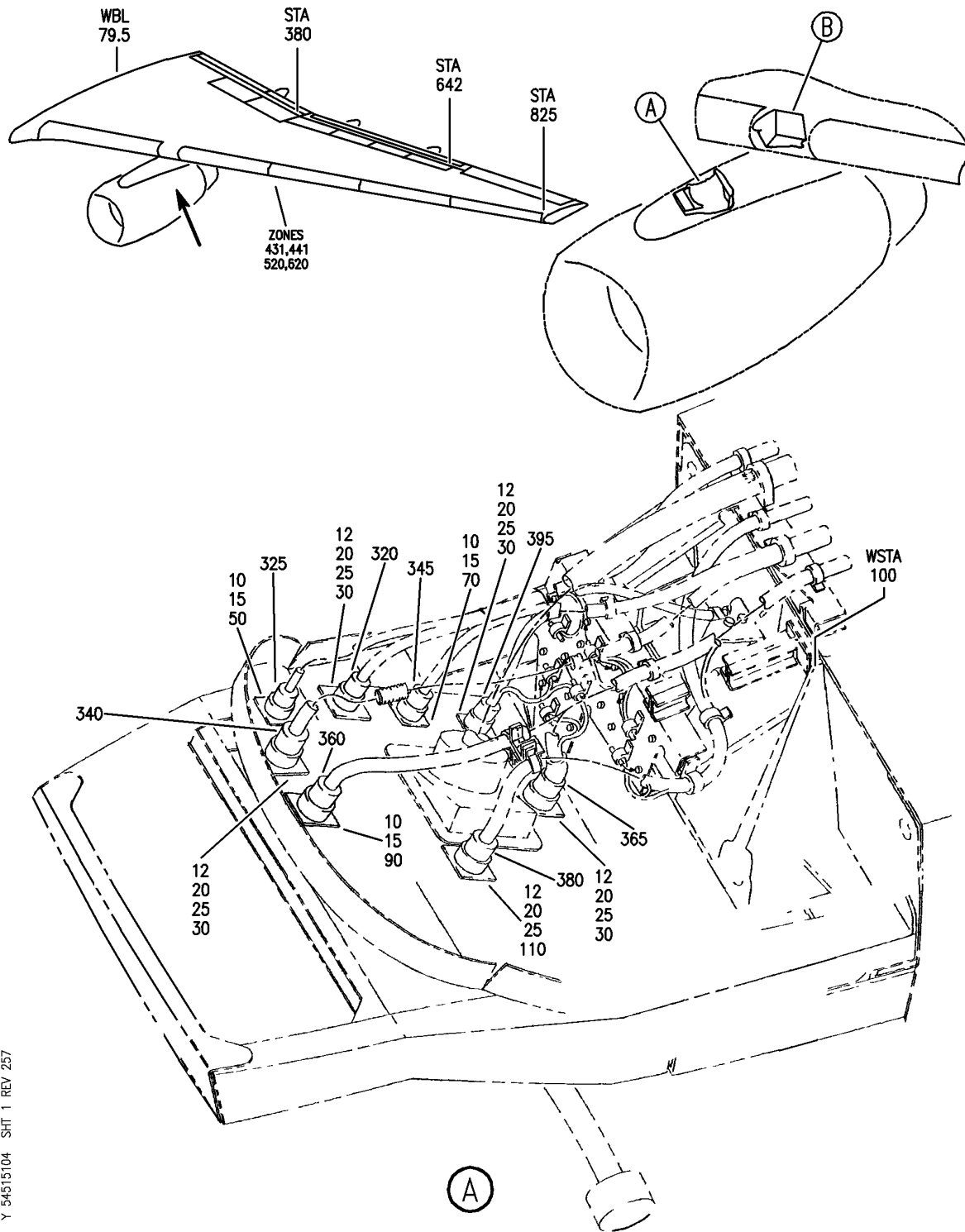
BRI

54-51-51-01

BOEING PROPRIETARY - Copyright © - Unpublished Work - See title page for details.

54-51-51
FIG. 01
PAGE 10
JAN 20/09

BOEING
757
PARTS CATALOG (MAINTENANCE)



Y 54515104 SHT 1 REV 257

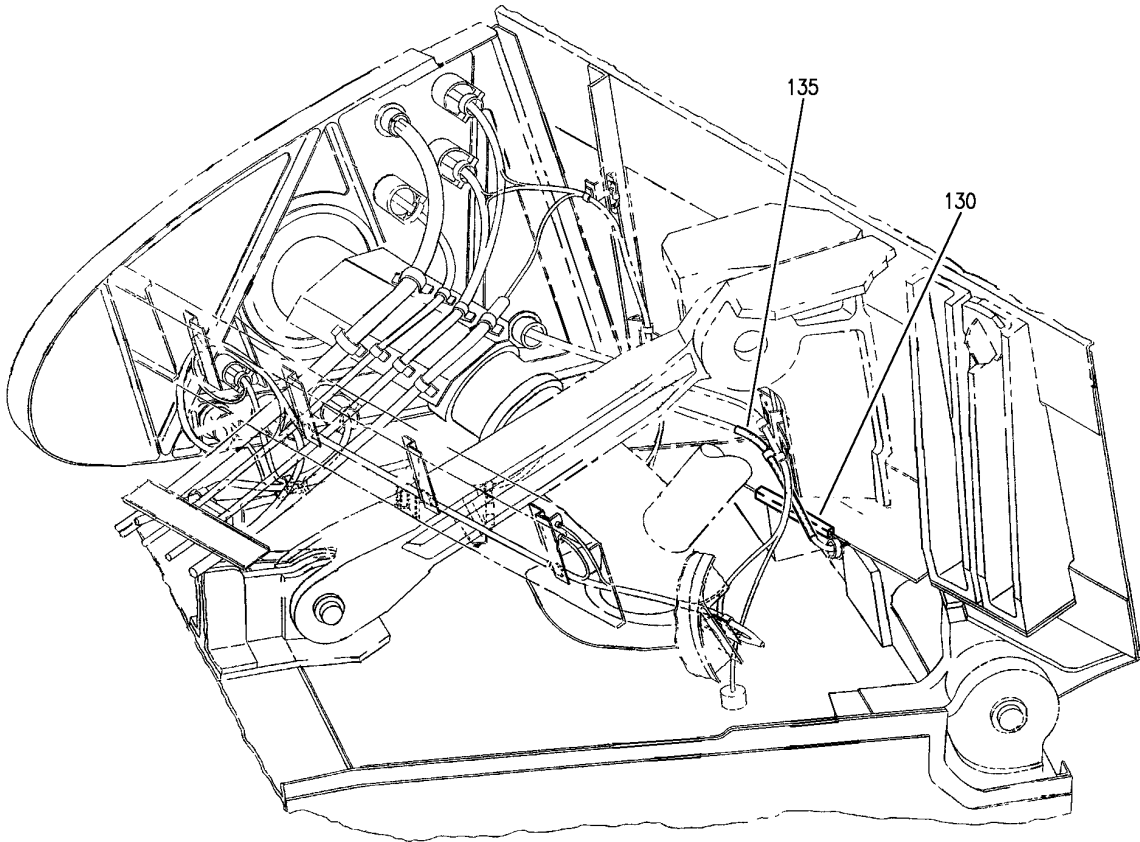
WIRING AND SUPPORT INSTL RB211 (NACELLE STRUT ONLY)
FIGURE 4 (SHEET 1)

54-51-51-04

BRI
MAY 28/07

54-51-51-04
PAGE 0

BOEING
757
PARTS CATALOG (MAINTENANCE)



(B)

Y 54515104 SH1 2 REV 273

WIRING AND SUPPORT INSTL RB211 (NACELLE STRUT ONLY)
FIGURE 4 (SHEET 2)

54-51-51-04

BRI
MAY 28/07

54-51-51-04
PAGE 0A

BOEING PROPRIETARY - Copyright © - Unpublished Work - See title page for details.



757

PARTS CATALOG (MAINTENANCE)

FIG ITEM	PART NUMBER	1 2 3 4 5 6 7	NOMENCLATURE	EFFECT FROM TO	UNITS PER ASSY
4			WIRING AND SUPPORT INSTL RB211 (NACELLE STRUT ONLY)	101106 108120 504903	
- 1	312N5250-201		WIRING INSTL-RB211 STRUT (PSD INSTALLED) POSITION DATA: LH FOR NHA SEE: 54-00-00-06	101102 504903	RF
- 1	312N5250-205		WIRING INSTL-RB211 STRUT (PSD INSTALLED) POSITION DATA: LH FOR NHA SEE: 54-00-00-06	108120	RF
- 1	MODREF33347		WIRING INSTL-RB211 STRUT (NACELLE STRUT ONLY) PSD INSTALLED MODULE NUMBER: 312N5250-205 REV C POSITION DATA: LH FOR OTHER SYS DETAILS SEE: 36-11-08-05 36-11-18-04A	103106	1
- 5	312N5250-202		WIRING INSTL-RB211 STRUT (PSD INSTALLED) POSITION DATA: RH FOR NHA SEE: 54-00-00-06	101102 504903	RF
- 5	312N5250-206		WIRING INSTL-RB211 STRUT (PSD INSTALLED) POSITION DATA: RH FOR NHA SEE: 54-00-00-06	108120	RF
- 5	MODREF33348		WIRING INSTL-RB211 STRUT (NACELLE STRUT ONLY) PSD INSTALLED MODULE NUMBER: 312N5250-206 REV C POSITION DATA: RH FOR OTHER SYS DETAILS SEE: 36-11-08-05 36-11-18-04A	103106	1

MISSING ITEM NUMBERS NOT APPLICABLE

- ITEM NOT ILLUSTRATED

54-51-51-04

54-51-51
FIG. 04
PAGE 1
JAN 20/09

BRI

 **BOEING**
757
PARTS CATALOG (MAINTENANCE)

FIG ITEM	PART NUMBER	1 2 3 4 5 6 7	NOMENCLATURE	EFFECT FROM TO	UNITS PER ASSY
4					
10	NAS1802-04-7	.	SCREW	101105 108120 504903	12
12	NAS1802-06-7	.	SCREW	101105 108120 504903	20
15	NAS1149CN416R	.	WASHER	101102 108120 504903	12
20	NAS1149CN416R	.	WASHER	103105	20
25	NAS620C6L	.	WASHER	103105	20
30	FS1215-28	.	RING-NUT	101105	8
			SUPPLIER CODE: V04967	108120 504903	
			OPTIONAL PART: 312N5250-6		
- 35	312N5250-6	.	KIT ASSY-	101105	8
			OPTIONAL PART: FS1215-28 V04967	108120 504903	
- 40	NAS1149CN616R	..	WASHER	101105 108120 504903	2
- 45	PLH506CM	..	NUT	101105	2
			SUPPLIER CODE: V62554	108120 504903	
			SPECIFICATION NUMBER: BACN10YR06CM		
			OPTIONAL PART: H52732-06CM V15653		
50	FS1215-22	.	RING-NUT	101105	2
			SUPPLIER CODE: V04967	108120 504903	
			OPTIONAL PART: 312N5250-1		
- 55	312N5250-1	.	KIT ASSY-	101105	2
			OPTIONAL PART: FS1215-22 V04967	108120 504903	
- 60	NAS1149CN416R	..	WASHER	101105 108120 504903	2

MISSING ITEM NUMBERS NOT APPLICABLE

- ITEM NOT ILLUSTRATED

BRI

54-51-51-04

BOEING PROPRIETARY - Copyright © - Unpublished Work - See title page for details.

54-51-51
FIG. 04
PAGE 2
JAN 20/09



757

PARTS CATALOG (MAINTENANCE)

FIG ITEM	PART NUMBER	1 2 3 4 5 6 7	NOMENCLATURE	EFFECT FROM TO	UNITS PER ASSY
4					
- 65	PLH504CM	..	NUT SUPPLIER CODE: VFO224 SPECIFICATION NUMBER: BACN10YR04CM OPTIONAL PART: H52732-04CM V15653	101105 108120 504903	2
70	FS1215-18	.R	RING-NUT SUPPLIER CODE: V04967 OPTIONAL PART: 312N5250-4	101105 108120 504903	2
- 75	312N5250-4	.K	KIT ASSY- OPTIONAL PART: FS1215-18 V04967	101105 108120 504903	2
- 80	NAS1149CN416R	..	WASHER	101105 108120 504903	2
- 85	PLH504CM	..	NUT SUPPLIER CODE: VFO224 SPECIFICATION NUMBER: BACN10YR04CM OPTIONAL PART: H52732-04CM V15653	101105 108120 504903	2
90	FS1215-14	.R	RING-NUT SUPPLIER CODE: V04967 OPTIONAL PART: 312N5250-2	101105 108120 504903	2
- 95	312N5250-2	.K	KIT ASSY- OPTIONAL PART: FS1215-14 V04967	101105 108120 504903	2
- 100	NAS1149CN416R	..	WASHER	101105 108120 504903	2
- 105	PLH504CM	..	NUT SUPPLIER CODE: VFO224 SPECIFICATION NUMBER: BACN10YR04CM OPTIONAL PART: H52732-04CM V15653	101105 108120 504903	2

MISSING ITEM NUMBERS NOT APPLICABLE

- ITEM NOT ILLUSTRATED

54-51-51-04

54-51-51
FIG. 04
PAGE 3
JAN 20/09

BRI



757

PARTS CATALOG (MAINTENANCE)

FIG ITEM	PART NUMBER	1 2 3 4 5 6 7	NOMENCLATURE	EFFECT FROM TO	UNITS PER ASSY
4					
110	FS1215-24	.	RING-NUT SUPPLIER CODE: V04967 OPTIONAL PART: 312N5250-5	101105 108120 504903	2
- 115	312N5250-5	.	KIT ASSY- OPTIONAL PART: FS1215-24 V04967	101105 108120 504903	2
- 120	NAS1149CN616R	..	WASHER	101105 108120 504903	2
- 125	PLH506CM	..	NUT SUPPLIER CODE: V62554 SPECIFICATION NUMBER: BACN10YR06CM OPTIONAL PART: H52732-06CM V15653	101105 108120 504903	2
130	BACG20ZP000500B	.	GROMMET- POST SERVICE BULLETIN: 29-0058	505903	1
130	BACG20ZQ000950B	.	GROMMET- POST SERVICE BULLETIN: 29-0058R1	504504	1
135	TFE2X	.	SLEEVE- SUPPLIER CODE: V18632 SERVICE BULLETIN OPT DATA: TFE4X V18632 OPTIONAL SUPPLIER CODE: 6Y609 POST SERVICE BULLETIN: 29-0058	504903	1
135	TFE4X	.	SLEEVE- SUPPLIER CODE: V18632 SERVICE BULLETIN OPT DATA: TFE2X V18632 OPTIONAL SUPPLIER CODE: 6Y609 POST SERVICE BULLETIN: 29-0058	504903	1
- 140	NAS42DD6-32	.	SPACER- POST SERVICE BULLETIN: 29-0058	504903	AR

MISSING ITEM NUMBERS NOT APPLICABLE

- ITEM NOT ILLUSTRATED

54-51-51-04

54-51-51
FIG. 04
PAGE 4
JAN 20/09

BRI



757

PARTS CATALOG (MAINTENANCE)

FIG ITEM	PART NUMBER	1 2 3 4 5 6 7	NOMENCLATURE	EFFECT FROM TO	UNITS PER ASSY
4					
- 145	NAS1801-04-20		.SCREW- POST SERVICE BULLETIN: 29-0058R1	504504	AR
- 150	286N5100-301		WIRE BUNDLE ASSY- POSITION DATA: LH	101102	1
- 150	286N5100-302		WIRE BUNDLE ASSY- POSITION DATA: LH	108120	1
- 150	286N5100-306		WIRE BUNDLE ASSY- POSITION DATA: LH	504903	1
- 155	286N5200-301		WIRE BUNDLE ASSY- POSITION DATA: RH	101102	1
- 155	286N5200-302		WIRE BUNDLE ASSY- POSITION DATA: RH	108120	1
- 155	286N5200-306		WIRE BUNDLE ASSY- POSITION DATA: RH	504903	1
160	BACC63CN2842S7		.RECEPTACLE- ELECTRICAL EQUIP NUMBER: D01104J D01204J WIRING DIAGRAM REF: 771231	101102 108120 504903	1
165	BACC63CN2219SN		.RECEPTACLE- ELECTRICAL EQUIP NUMBER: D01108J D01208J WIRING DIAGRAM REF: 772212 772213	101102 108120 504903	1
- 300	MODREF23510		WIRING INSTL-RB211 STRUT (NACELLE STRUT ONLY) PSD INSTALLED MODULE NUMBER: 312N5250-225 REV B POSITION DATA: LH FOR OTHER SYS DETAILS SEE: 26-11-01-05A 36-11-08-05 36-11-18-04A	103106	1

MISSING ITEM NUMBERS NOT APPLICABLE

- ITEM NOT ILLUSTRATED

54-51-51-04

54-51-51
FIG. 04
PAGE 5
JAN 20/09

BRI



757

PARTS CATALOG (MAINTENANCE)

FIG ITEM	PART NUMBER	1 2 3 4 5 6 7	NOMENCLATURE	EFFECT FROM TO	UNITS PER ASSY
4					
- 305	MODREF23511		WIRING INSTL-RB211 STRUT (NACELLE STRUT ONLY) PSD INSTALLED MODULE NUMBER: 312N5250-226 REV B POSITION DATA: RH FOR OTHER SYS DETAILS SEE: 26-11-01-05A 36-11-08-05 36-11-18-04A	103106	1
- 310	286N5100-601		.WIRE BUNDLE ASSY- POSITION DATA: LH	103105	1
- 310	286N5100-602		.WIRE BUNDLE ASSY- POSITION DATA: LH	106106	1
- 315	286N5200-601		.WIRE BUNDLE ASSY- POSITION DATA: RH	103105	1
- 315	286N5200-602		.WIRE BUNDLE ASSY- POSITION DATA: RH	106106	1
320	BACC63CN2842S7		..RECEPTACLE- ELECTRICAL EQUIP NUMBER: D01104J D01204J WIRING DIAGRAM REF: 771231	103105	1
325	BACC63CN2219SN		..RECEPTACLE- ELECTRICAL EQUIP NUMBER: D01108J D01208J WIRING DIAGRAM REF: 772212 772213	103105	1
- 330	286N5108-601		.WIRE BUNDLE ASSY- POSITION DATA: LH	103106	1
- 335	286N5208-601		.WIRE BUNDLE ASSY- POSITION DATA: RH	103106	1
340	BACC63CN2842SN		..RECEPTACLE- ELECTRICAL EQUIP NUMBER: D01100J D01200J WIRING DIAGRAM REF: 801111 801121	103105	1

MISSING ITEM NUMBERS NOT APPLICABLE

- ITEM NOT ILLUSTRATED

BRI

54-51-51-04

54-51-51
FIG. 04
PAGE 6
JAN 20/09



757

PARTS CATALOG (MAINTENANCE)

FIG ITEM	PART NUMBER	1 2 3 4 5 6 7	NOMENCLATURE	EFFECT FROM TO	UNITS PER ASSY
4					
345	BACC63CN1814SN		..RECEPTACLE- ELECTRICAL EQUIP NUMBER: D01110J D01210J WIRING DIAGRAM REF: 261111 261121	103105	1
- 350	286N5104-701		.WIRE BUNDLE ASSY- POSITION DATA: LH	103105	1
- 355	286N5204-701		.WIRE BUNDLE ASSY- POSITION DATA: RH	103105	1
360	BACC63CN1407S6		..RECEPTACLE- ELECTRICAL EQUIP NUMBER: D01112J D01212J WIRING DIAGRAM REF: 773111	103105	1
365	BACC63CN2842S8		..RECEPTACLE- ELECTRICAL EQUIP NUMBER: D01106J D01206J WIRING DIAGRAM REF: 771111	103105	1
- 370	286N5114-701		.WIRE BUNDLE ASSY- POSITION DATA: LH	103105	1
- 375	286N5214-701		.WIRE BUNDLE ASSY- POSITION DATA: RH	103105	1
380	BACC63CN2430SN		..RECEPTACLE- ELECTRICAL EQUIP NUMBER: D01114J D01214J WIRING DIAGRAM REF: 241111 241121	103105	1
- 385	286N5102-601		.WIRE BUNDLE ASSY- POSITION DATA: LH	103106	1
- 390	286N5202-601		.WIRE BUNDLE ASSY- POSITION DATA: RH	103106	1

MISSING ITEM NUMBERS NOT APPLICABLE

- ITEM NOT ILLUSTRATED

54-51-51-04

54-51-51
FIG. 04
PAGE 7
JAN 20/09

BRI



757

PARTS CATALOG (MAINTENANCE)

FIG ITEM	PART NUMBER	1 2 3 4 5 6 7	NOMENCLATURE	EFFECT FROM TO	UNITS PER ASSY
4 395	BACC63CN2842S6		..RECEPTACLE- ELECTRICAL EQUIP NUMBER: D01102J D01202J WIRING DIAGRAM REF: 733111 733121	103105	1
- 500	312N5250-203		SUPPORT INSTL-RB211 STRUT SYS POSITION DATA: LH FOR NHA SEE: 54-00-00-06	101102 504903	RF
- 500	312N5250-213		SUPPORT INSTL-RB211 STRUT SYS POSITION DATA: LH FOR NHA SEE: 54-00-00-06	108120	RF
- 500	MODREF14168		SUPPORT INSTL-RB211 STRUT SYS MODULE NUMBER: 312N5250-213 REV A POSITION DATA: LH	103106	1
- 505	312N5250-204		SUPPORT INSTL-RB211 STRUT SYS POSITION DATA: RH FOR NHA SEE: 54-00-00-06	101102 504903	RF
- 505	312N5250-214		SUPPORT INSTL-RB211 STRUT SYS POSITION DATA: RH FOR NHA SEE: 54-00-00-06	108120	RF
- 505	MODREF14169		SUPPORT INSTL-RB211 STRUT SYS MODULE NUMBER: 312N5250-214 REV A POSITION DATA: RH	103106	1
- 510	NAS1802-04-7		.SCREW	101106 108120 504903	48
- 515	NAS1802-06-7		.SCREW	101106 108120 504903	20

MISSING ITEM NUMBERS NOT APPLICABLE

- ITEM NOT ILLUSTRATED

54-51-51-04

54-51-51
FIG. 04
PAGE 8
JAN 20/09

BRI



757

PARTS CATALOG (MAINTENANCE)

FIG ITEM	PART NUMBER	1 2 3 4 5 6 7	NOMENCLATURE	EFFECT FROM TO	UNITS PER ASSY
4					
- 520	NAS1802-08-7	.	SCREW	101106 108120 504903	4
- 525	NAS1802-3-16	.	SCREW-	101106	1
			POSITION DATA:	108120	
			LH SIDE	504903	
- 540	BACW10BP3APU	.	WASHER-	101106	6
			POSITION DATA:	108120	
			LH SIDE	504903	
- 545	BACW10BP3APU	.	WASHER-	101106	6
			POSITION DATA:	108120	
			RH SIDE	504903	
- 555	NAS1149CN416R	.	WASHER	101106	96
				108120	
				504903	
- 560	NAS1149CN616R	.	WASHER	101106	40
				108120	
				504903	
- 565	NAS1149CN816R	.	WASHER	101106	8
				108120	
				504903	
- 570	NAS1149D0616H	.	WASHER	103106	2
				108120	
- 575	BACS18AF3	.	SPACER-	101106	1
			POSITION DATA:	108120	
			LH SIDE	504903	
- 580	NAS42DD6-32FC	.	SPACER-	101106	1
			POSITION DATA:	108120	
			LH SIDE	504903	
- 585	PLH504CM	.	NUT	101106	48
			SUPPLIER CODE:	108120	
			VF0224	504903	
			SPECIFICATION NUMBER:		
			BACN10YRO4CM		
			OPTIONAL PART:		
			H52732-04CM		
			V15653		
- 590	PLH506CM	.	NUT	101106	20
			SUPPLIER CODE:	108120	
			V62554	504903	
			SPECIFICATION NUMBER:		
			BACN10YRO6CM		
			OPTIONAL PART:		
			H52732-06CM		
			V15653		

MISSING ITEM NUMBERS NOT APPLICABLE

- ITEM NOT ILLUSTRATED

54-51-51-04

54-51-51
FIG. 04
PAGE 9
JAN 20/09

BRI

 **BOEING**
757
PARTS CATALOG (MAINTENANCE)

FIG ITEM	PART NUMBER	1 2 3 4 5 6 7	NOMENCLATURE	EFFECT FROM TO	UNITS PER ASSY
4 - 595	PLH508CM	.NUT	SUPPLIER CODE: V62554 SPECIFICATION NUMBER: BACN10YR08CM OPTIONAL PART: H52732-08CM V15653	101106 108120 504903	20
- 600	PLH53CM	.NUT-	SUPPLIER CODE: VF0224 SPECIFICATION NUMBER: BACN10YR3CM OPTIONAL PART: H52732-3CM V15653 POSITION DATA: LH SIDE	101106 108120 504903	2
- 605	PLH53CM	.NUT-	SUPPLIER CODE: VF0224 SPECIFICATION NUMBER: BACN10YR3CM OPTIONAL PART: H52732-3CM V15653 POSITION DATA: RH SIDE	101106 108120 504903	2
- 615	PLH56CD	.NUT	SUPPLIER CODE: VF0224 SPECIFICATION NUMBER: BACN10YR6CD OPTIONAL PART: H52732-6CD V15653	103106 108120	2
- 620	S717-110	.CLAMP-	SUPPLIER CODE: V18076 SPECIFICATION NUMBER: BACC10GU110 OPTIONAL PART: 534CS110 V83930 JM44LC39S110RG V22175 POSITION DATA: LH SIDE	101106 108120 504903	32

MISSING ITEM NUMBERS NOT APPLICABLE

- ITEM NOT ILLUSTRATED

BRI

54-51-51-04

BOEING PROPRIETARY - Copyright © - Unpublished Work - See title page for details.

54-51-51
FIG. 04
PAGE 10
JAN 20/09



757

PARTS CATALOG (MAINTENANCE)

FIG ITEM	PART NUMBER	1 2 3 4 5 6 7	NOMENCLATURE	EFFECT FROM TO	UNITS PER ASSY
4 - 625	S717-110	.CLAMP-	SUPPLIER CODE: V18076 SPECIFICATION NUMBER: BACC10GU110 OPTIONAL PART: 534CS110 V83930 JM44LC39S110RG V22175 POSITION DATA: RH SIDE	101106 108120 504903	32
- 635	S717-111	.CLAMP	SUPPLIER CODE: V18076 SPECIFICATION NUMBER: BACC10GU111 OPTIONAL PART: 534CS111 V83930 JM44LC39S111RG V22175	101106 108120 504903	11
- 640	S717-112	.CLAMP-	SUPPLIER CODE: V18076 SPECIFICATION NUMBER: BACC10GU112 OPTIONAL PART: 534CS112 V83930 JM44LC39S112RG V22175 POSITION DATA: LH SIDE	101106 108120 504903	1
- 645	S717-112	.CLAMP-	SUPPLIER CODE: V18076 SPECIFICATION NUMBER: BACC10GU112 OPTIONAL PART: 534CS112 V83930 JM44LC39S112RG V22175 POSITION DATA: RH SIDE	101106 108120 504903	2

MISSING ITEM NUMBERS NOT APPLICABLE

- ITEM NOT ILLUSTRATED

54-51-51-04

54-51-51
FIG. 04
PAGE 11
JAN 20/09

BRI



757

PARTS CATALOG (MAINTENANCE)

FIG ITEM	PART NUMBER	1 2 3 4 5 6 7	NOMENCLATURE	EFFECT FROM TO	UNITS PER ASSY
4 - 650	S717-113		.CLAMP- SUPPLIER CODE: V18076 SPECIFICATION NUMBER: BACC10GU113 OPTIONAL PART: 534CS113 V83930 JM44LC39S113RG V22175 POSITION DATA: LH SIDE	101106 108120 504903	1
- 660	S717-114		.CLAMP SUPPLIER CODE: V18076 SPECIFICATION NUMBER: BACC10GU114 OPTIONAL PART: 534CS114 V83930 JM44LC39S114RG V22175	101106 108120 504903	1
- 665	BACG20ZP001900B		.GROMMET- POSITION DATA: LH SIDE	101106 108120 504903	1

MISSING ITEM NUMBERS NOT APPLICABLE

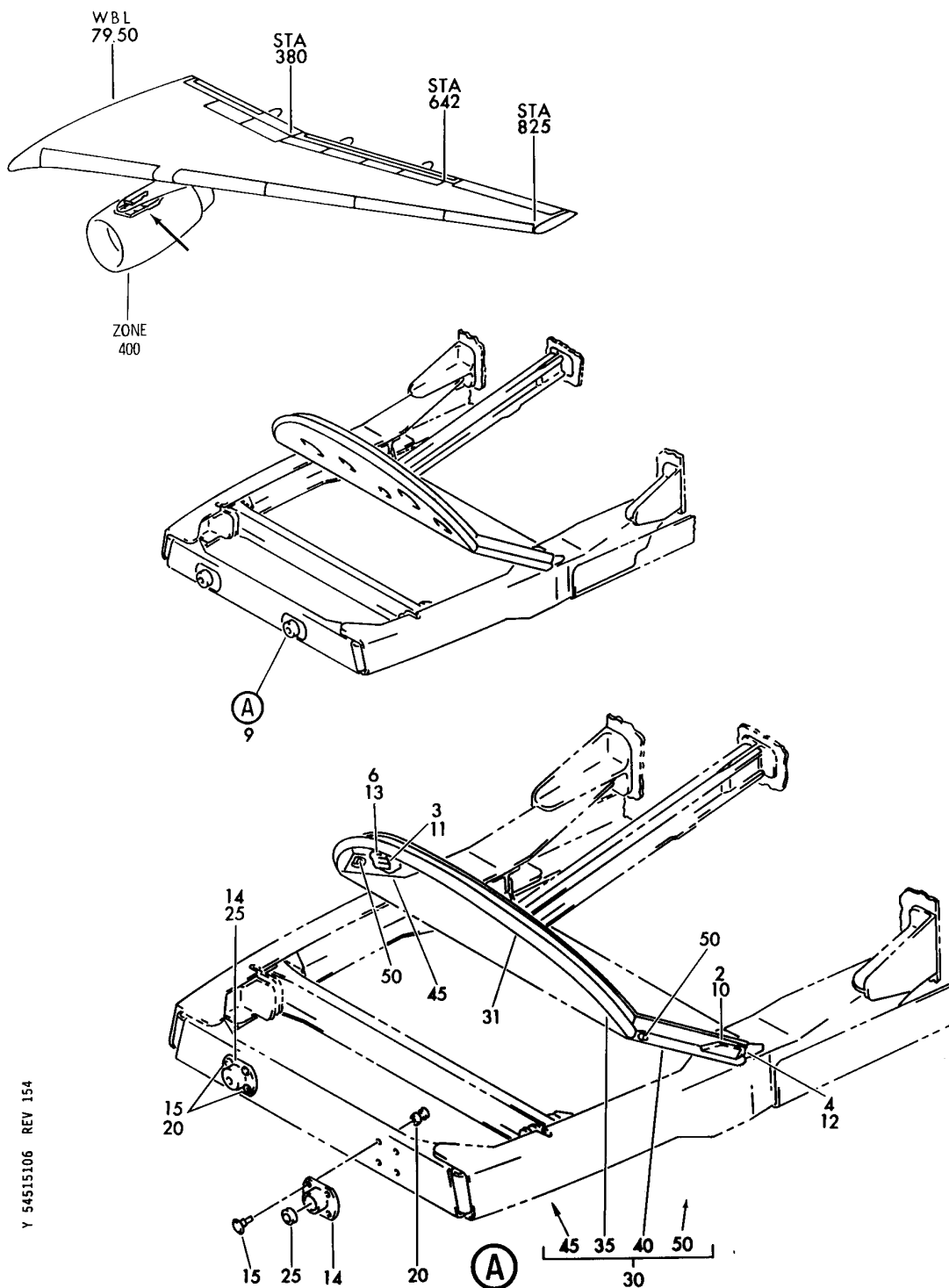
- ITEM NOT ILLUSTRATED

54-51-51-04

54-51-51
FIG. 04
PAGE 12
JAN 20/09

BRI

BOEING
757
PARTS CATALOG (MAINTENANCE)



Y 54515106 REV 154

STRUCTURE INSTL-SVCE DISC. AND FAIRING SPRT FWD
FIGURE 6

54-51-51-06

BRI
MAY 28/07

54-51-51-06
PAGE 0



757

PARTS CATALOG (MAINTENANCE)

FIG ITEM	PART NUMBER	1 2 3 4 5 6 7	NOMENCLATURE	EFFECT FROM TO	UNITS PER ASSY
6			STRUCTURE INSTL-SVCE DISC. AND FAIRING SPRT FWD	002004 006999	
- 1	311N5047-133		STRUCTURE INSTL-SVCE DISC. AND FAIRING SPRT POSITION DATA: FWD FOR NHA SEE: 54-51-61-01	002004 006100 107107 121503 904999	RF
- 1	311N5047-135		STRUCTURE INSTL-SVCE DISC. AND FAIRING SPRT POSITION DATA: FWD FOR NHA SEE: 54-51-61-01	002004 006100 107107 121503 904999	RF
- 1	311N5165-1		STRUCTURE INSTL-SVCE DISC. AND FAIRING SPRT POSITION DATA: FWD FOR NHA SEE: 54-51-61-01	002004 006100 107107 121503 904999	RF
- 1	311N5165-36		STRUCTURE INSTL-SVCE DISC. AND FAIRING SPRT POSITION DATA: FWD FOR NHA SEE: 54-00-00-04	101102 108120 504903	RF
- 1	311N5165-41		STRUCTURE INSTL-SVCE DISC. AND FAIRING SPRT POSITION DATA: FWD FOR NHA SEE: 54-00-00-04	103105	RF
4	311N5047-127		.SEAL-BLK USED ON: 311N5047-71 311N5047-119 311N5047-133 311N5047-135 311N5047-137	002004 006100 107107 121503 904999	1
5	311N5047-128		.SEAL-BLK USED ON: 311N5047-71 311N5047-119 311N5047-133 311N5047-135 311N5047-137	002004 006100 107107 121503 904999	1

MISSING ITEM NUMBERS NOT APPLICABLE

- ITEM NOT ILLUSTRATED

54-51-51-06

54-51-51
FIG. 06
PAGE 1
JAN 20/09

BRI



757

PARTS CATALOG (MAINTENANCE)

FIG ITEM	PART NUMBER	1 2 3 4 5 6 7	NOMENCLATURE	EFFECT FROM TO	UNITS PER ASSY
6	6 311N5047-129		. PLUG- USED ON: 311N5047-71 311N5047-119 311N5047-133 311N5047-135 311N5047-137	002004 006100 107107 121503 904999	1
	8 311N5047-130		. PLUG- USED ON: 311N5047-71 311N5047-119 311N5047-133 311N5047-135 311N5047-137	002004 006100 107107 121503 904999	1
	9 311N5165-21		. STRUCTURE ASSY- OPTIONAL PART: 311N5165-23	107107 904949	1
	9 311N5165-23		. STRUCTURE ASSY- OPTIONAL PART: 311N5165-21	107107 904949	1
	9 311N5165-24		. STRUCTURE ASSY-	002004 006010 121503 950999	1
	9 311N5165-28		. STRUCTURE ASSY-	011017	1
	9 311N5165-34		. STRUCTURE ASSY-	018100	1
	9 311N5165-35		. STRUCTURE ASSY-	101102 108120 504903	1
	9 311N5165-38		. STRUCTURE ASSY-	106106	1
	9 311N5165-42		. STRUCTURE ASSY	103105	1
	10 311N5165-13		.. SEAL-BLK USED ON: 311N5165-2 USED ON: 311N5165-21	107107 904949	1
	11 311N5165-14		.. SEAL-BLK USED ON: 311N5165-2 USED ON: 311N5165-21	107107 904949	1
	12 311N5165-11		.. PLUG	002004 006100 103503 904999	1
	13 311N5165-12		.. PLUG	002004 006100 103503 904999	1

MISSING ITEM NUMBERS NOT APPLICABLE

- ITEM NOT ILLUSTRATED

54-51-51-06

54-51-51
FIG. 06
PAGE 2
JAN 20/09

BRI

BOEING PROPRIETARY - Copyright © - Unpublished Work - See title page for details.



757

PARTS CATALOG (MAINTENANCE)

FIG ITEM	PART NUMBER	1 2 3 4 5 6 7	NOMENCLATURE	EFFECT FROM TO	UNITS PER ASSY
6	14 69B89609-1		..RETAINER	002004 006999	2
- 15	HL1012AZ6-3		ATTACHING PARTS ..BOLT- SUPPLIER CODE: V97928 SPECIFICATION NUMBER: BACB30NX6K3 OPTIONAL PART: HL12VAZ6-3 V73197 HL12VAZ6-3 V92215 HL12VAZ6-3 V97928 L802-6K3 V06725 HL12VAZ6-3 V56878 HL1012AZ6-3 V0PTK6 HL1012AZ6-3 V06725 HL1012AZ6-3 V06950 HL1012AZ6-3 V17446 HL1012AZ6-3 V56878 HL1012AZ6-3 V60516 HL1012AZ6-3 V73197	002004 006999	8

MISSING ITEM NUMBERS NOT APPLICABLE

- ITEM NOT ILLUSTRATED

BRI

54-51-51-06

BOEING PROPRIETARY - Copyright © - Unpublished Work - See title page for details.

54-51-51
FIG. 06
PAGE 3
JAN 20/09



757

PARTS CATALOG (MAINTENANCE)

FIG ITEM	PART NUMBER	1 2 3 4 5 6 7	NOMENCLATURE	EFFECT FROM TO	UNITS PER ASSY
6 - 20	HL1187-6		.. COLLAR SUPPLIER CODE: V5M902 SPECIFICATION NUMBER: BACC30X6 OPTIONAL PART: HL87-6 V92215 HL87-6 V73197 HL1187-6 V56878 HL1187-6 V92215 HL87-6 V56878 HL1187-6 V73197 -----*-----	002004 006100 107107 121503 904999	8
25	WC6-1DM		.. BEARING SUPPLIER CODE: V56644 SPECIFICATION NUMBER: BACB10X5MT OPTIONAL PART: AW6CRG12 V15860 BSSR6346EC2 V81376 HU6-136M V02758 KWB6CRGD5 V97613 WS6E2 V73134 55305M V09455 ABW6-5-12 VS0352	002004 006100 107107 121503 904999	2
25	BWP5E115MT		.. BEARING SUPPLIER CODE: V16746 SPECIFICATION NUMBER: BACB10X5MT	101106 108120 504903	2

MISSING ITEM NUMBERS NOT APPLICABLE

- ITEM NOT ILLUSTRATED

54-51-51-06

54-51-51
 FIG. 06
 PAGE 4
 JAN 20/09

BRI



757

PARTS CATALOG (MAINTENANCE)

FIG ITEM	PART NUMBER	1 2 3 4 5 6 7	NOMENCLATURE	EFFECT FROM TO	UNITS PER ASSY
6					
30	311N5165-4		.. SEAL ASSY- USED ON: 311N5165-2 USED ON: 311N5165-21 311N5165-23	107107 904949	1
30	311N5165-25		.. SEAL ASSY- USED ON: 311N5165-28 311N5165-30 USED ON: 311N5165-24	002004 006017 121503 950999	1
31	311N5165-33		.. SEAL- USED ON: 311N5165-34 311N5165-35	018106 108120 504903	1
35	311N5047-98		...SEAL- ALTERED FROM PART NUMBER: S311N504-6	002004 006100 107107 121503 904999	1
40	311N5165-5		...SEAL- ALTERED FROM PART NUMBER: S311N504-6 USED ON: 311N5165-4	107107 904949	1
40	311N5165-26		...SEAL- ALTERED FROM PART NUMBER: S311N504-6 USED ON: 311N5165-25	002004 006017 121503 950999	1
45	311N5165-6		...SEAL- ALTERED FROM PART NUMBER: S311N504-6 USED ON: 311N5165-4	107107 904949	1
45	311N5165-27		...SEAL- ALTERED FROM PART NUMBER: S311N504-6 USED ON: 311N5165-25	002004 006017 121503 950999	1
50	311N5047-8712		...PLUG	002004 006100 107107 121503 904999	2

MISSING ITEM NUMBERS NOT APPLICABLE

- ITEM NOT ILLUSTRATED

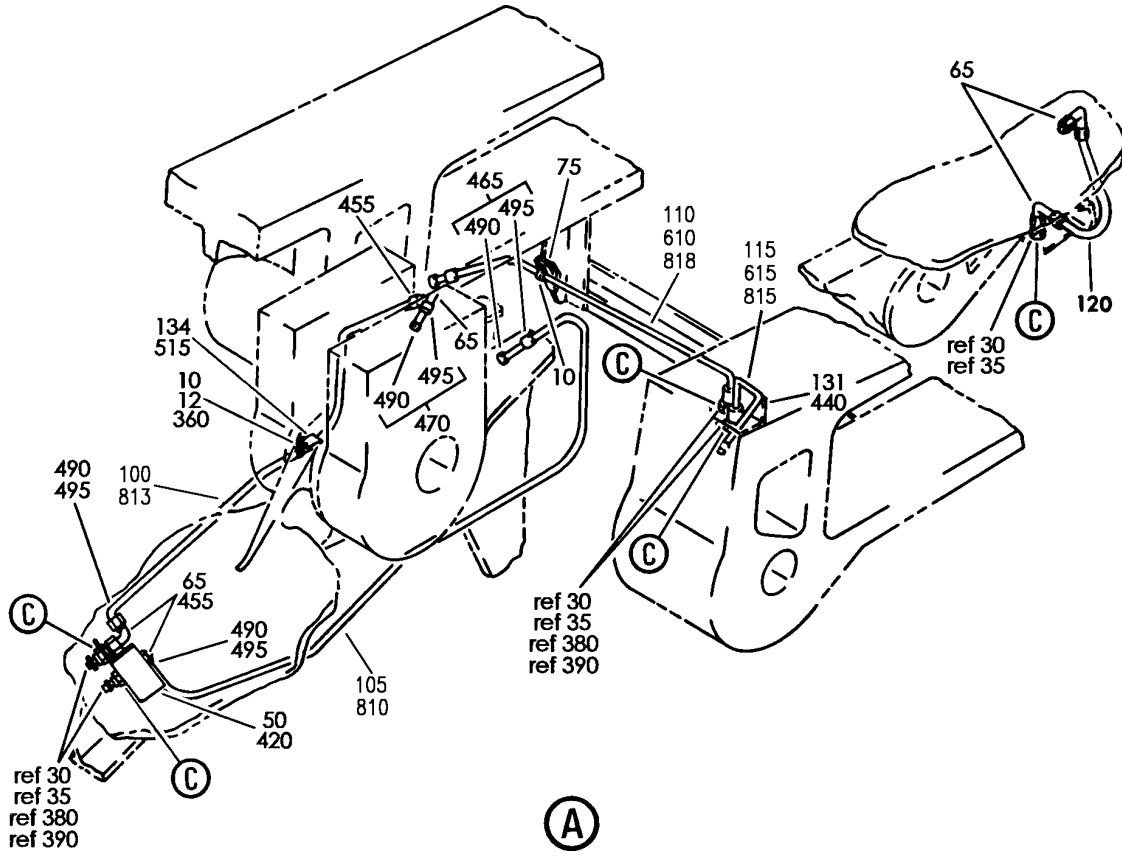
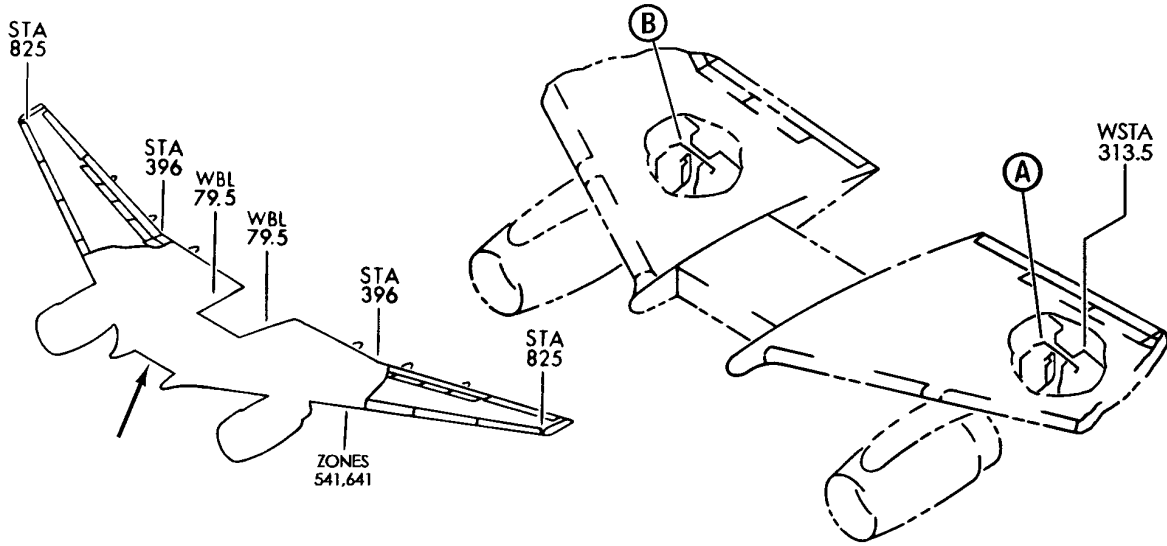
54-51-51-06

54-51-51
FIG. 06
PAGE 5
JAN 20/09

BRI

BOEING PROPRIETARY - Copyright © - Unpublished Work - See title page for details.


BOEING
 757
PARTS CATALOG (MAINTENANCE)



Y 54515205 SH1 1 REV 271

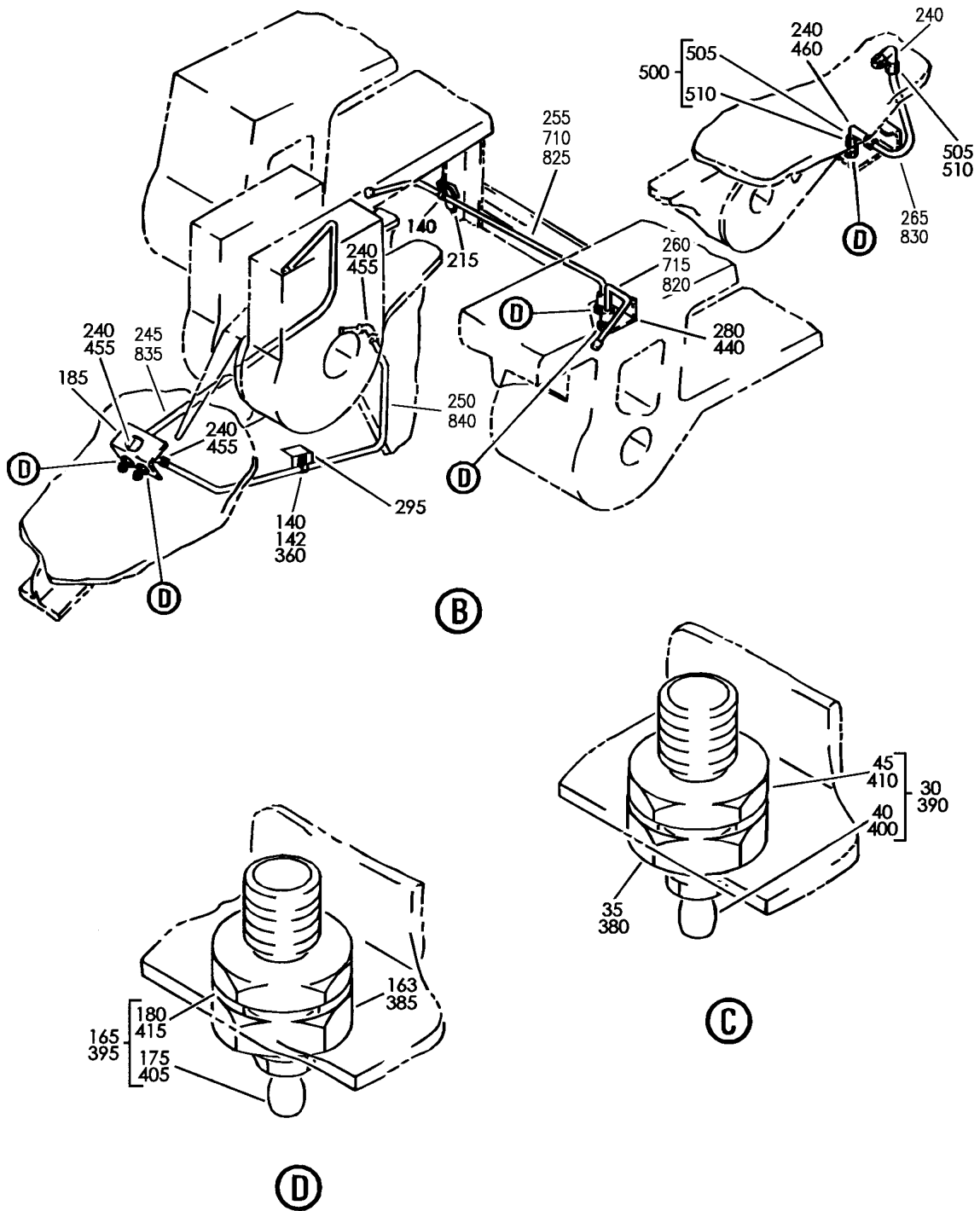
TUBING INSTL-NAC SPRT FTG LUB
 FIGURE 5 (SHEET 1)

54-51-52-05

BRI
MAY 28/07

54-51-52-05
 PAGE 0

BOEING
757
PARTS CATALOG (MAINTENANCE)



Y 54-51-52-05 SHT 2 REV 271

TUBING INSTL-NAC SPRT FTG LUB
 FIGURE 5 (SHEET 2)

54-51-52-05

BRI
 MAY 28/07

54-51-52-05
 PAGE 0A



757

PARTS CATALOG (MAINTENANCE)

FIG ITEM	PART NUMBER	1 2 3 4 5 6 7	NOMENCLATURE	EFFECT FROM TO	UNITS PER ASSY
5			TUBING INSTL-NAC SPRT FTG LUB	002004 006999	
- 5	112N7021-49		TUBING INSTL-NAC SPRT FTG LUB POSITION DATA: LH	002004 006100 107107 121503 904999	RF
- 5	112N7021-401		TUBING INSTL-NAC SPRT FTG LUB POSITION DATA: LH FOR NHA SEE: 57-00-00-15	101102 108120 504903	RF
- 5	MODREF960		TUBING INSTL-NAC SPRT FTG LUB MODULE NUMBER: 112N7021-401 REV A POSITION DATA: LH	103106	1
12	BACC10EP4		.CLAMP	002004 006999	1
- 17	BACB30NT3K2		ATTACHING PARTS .BOLT	002004 006999	1
- 22	AN960KD10L		.WASHER-	002004 006999	1
- 27	BRH10A3		.NUT- SUPPLIER CODE: V52828 SPECIFICATION NUMBER: BACN10JC3 OPTIONAL PART: H10-3BAC V15653 NS202101-02 V80539 RMLH9075-3W V72962 VN303A02 V92215 96-02 V80539 T6S1032J V11815	002004 006999	1
30	69B15854-1		-----*----- .UNION ASSY	002004 006999	5
35	BACN10DR4		.NUT	002004 006999	5

MISSING ITEM NUMBERS NOT APPLICABLE

- ITEM NOT ILLUSTRATED

54-51-52-05

54-51-52
FIG. 05
PAGE 1
JAN 20/09

BRI



757

PARTS CATALOG (MAINTENANCE)

FIG ITEM	PART NUMBER	1 2 3 4 5 6 7	NOMENCLATURE	EFFECT FROM TO	UNITS PER ASSY
5					
40	MS15001-2	..	FITTING	002004 006999	1
45	69B15854-2	..	UNION	002004 006999	1
50	112N7037-1	.	BRACKET-	002004 006999	1
- 52	L8006K8		ATTACHING PARTS .BOLT SUPPLIER CODE: V06725 SPECIFICATION NUMBER: BACB30MY6K8	002004 006999	2
- 54	HL79-6	.	COLLAR SUPPLIER CODE: V5M902 SPECIFICATION NUMBER: BACC30M6 OPTIONAL PART: HL79-6 V73197 HL79-6 V92215 66014-6 V56878 HL79-6 V56878	002004 006999	2
65	NAS1762J0404	-----*-----	.ELBOW- OPTIONAL PART: BACE21AW0404M	002004 006999	5

MISSING ITEM NUMBERS NOT APPLICABLE

- ITEM NOT ILLUSTRATED

BRI

54-51-52-05

BOEING PROPRIETARY - Copyright © - Unpublished Work - See title page for details.

54-51-52
FIG. 05
PAGE 2
JAN 20/09



757

PARTS CATALOG (MAINTENANCE)

FIG ITEM	PART NUMBER	1 2 3 4 5 6 7	NOMENCLATURE	EFFECT FROM TO	UNITS PER ASSY
5 65	AP1010JM0404M	.ELBOW-	SUPPLIER CODE: V01673 SPECIFICATION NUMBER: BACE21AW0404M OPTIONAL PART: AP1010-0404M V01673 DBOE21AW0404M V14798 ER10633M0404 V88334 FER1569-0404M V14397 W30833-0404M V11328 4671114-0404M V50948 AFP334-0404M V30974 DBOE21AW0404M V61498 ER10633M0404M V88334 US2109-0404M V50808 AFP344-0404M V30974 NAS1762J0404	002004 006999	5
100	112N7021-35	.TUBE ASSY-	TUBING MATERIAL: .25 IN. OD X .016 IN. WALL X 24.5 IN. LG STAINLESS STEEL TUBING	002004 006999	1
105	112N7021-33	.TUBE ASSY-	TUBING MATERIAL: .25 IN. OD X .016 IN. WALL X 6.2 IN. LG STAINLESS STEEL TUBING	002004 006999	1
110	112N7021-45	.TUBE ASSY-	TUBING MATERIAL: .25 IN. OD X .016 IN. WALL X 20.2 IN. LG BMS 7-185 21-6-9 COLD REDUCED TUBING	002004 006100 107107 121503 904999	1

MISSING ITEM NUMBERS NOT APPLICABLE

- ITEM NOT ILLUSTRATED

54-51-52-05

54-51-52
FIG. 05
PAGE 3
JAN 20/09

BRI



757

PARTS CATALOG (MAINTENANCE)

FIG ITEM	PART NUMBER	1 2 3 4 5 6 7	NOMENCLATURE	EFFECT FROM TO	UNITS PER ASSY
5 115	112N7021-41		.TUBE ASSY-SPRT TUBING MATERIAL: .25 IN. OD X .016 IN. WALL X 10.2 IN. LG BMS 7-185 21-6-9 COLD REDUCED TUBING	002004 006100 107107 121503 904999	1
120	112N7021-3		.TUBE ASSY- TUBING MATERIAL: .25 IN. OD X .016 IN. WALL X 4.4 IN. LG BMS 7-185 21-6-9 COLD REDUCED TUBING	002004 006999	1
- 125	BACN10YA4		..NUT- USED ON: 112N7021-35 112N7021-78 112N7021-33 112N7021-80 112N7021-41 112N7021-45 112N7021-3	002004 006999	2
- 130	AP2097HP04		..SLEEVE SUPPLIER CODE: V01673 SPECIFICATION NUMBER: BACS13BX04HP OPTIONAL PART: 2-02903-04HP V11328 35235VN04 V08199 AFP175V04P V30974 DBOS13BX04HP V14798	002004 006999	2
131	112N7031-1		.SUPPORT	002004 006999	1

MISSING ITEM NUMBERS NOT APPLICABLE

- ITEM NOT ILLUSTRATED

54-51-52-05

54-51-52
FIG. 05
PAGE 4
JAN 20/09

BRI



757

PARTS CATALOG (MAINTENANCE)

FIG ITEM	PART NUMBER	1 2 3 4 5 6 7	NOMENCLATURE	EFFECT FROM TO	UNITS PER ASSY
5 - 132	HL1012AZ5-4		ATTACHING PARTS .BOLT SUPPLIER CODE: V97928 SPECIFICATION NUMBER: BACB30NX5K4 OPTIONAL PART: HL12VAZ5-4 V73197 HL12VAZ5-4 V92215 HL12VAZ5-4 V97928 L802-5K4 V06725 HL12VAZ5-4 V56878 HL1012AZ5-4 V0PTK6 HL1012AZ5-4 V06725 HL1012AZ5-4 V06950 HL1012AZ5-4 V17446 HL1012AZ5-4 V56878 HL1012AZ5-4 V60516 HL1012AZ5-4 V73197	002004 006999	4

MISSING ITEM NUMBERS NOT APPLICABLE

- ITEM NOT ILLUSTRATED

54-51-52-05

54-51-52
FIG. 05
PAGE 5
SEP 20/08

BRI



757

PARTS CATALOG (MAINTENANCE)

FIG ITEM	PART NUMBER	1 2 3 4 5 6 7	NOMENCLATURE	EFFECT FROM TO	UNITS PER ASSY
5 - 133	HL1187-5		.COLLAR SUPPLIER CODE: V5M902 SPECIFICATION NUMBER: BACC30X5 OPTIONAL PART: HL86PB5 V73197 HL86PB5 V92215 HL86PB5 V56878 HL1187-5 V56878 HL1187-5 V92215 HL1187-5 V73197 HL1187-5 V92215 HL87-5 V56878 HL1187-5 V73197	002004 006999	4
134	112N7021-31		-----*----- .CLIP-TUBE SPRT	002004 006999	1
- 135	112N7021-50		TUBING INSTL-NAC SPRT FTG LUB POSITION DATA: RH	002004 006100 107107 121503 904999	RF
- 135	112N7021-402		TUBING INSTL-NAC SPRT FTG LUB POSITION DATA: RH FOR NHA SEE: 57-00-00-15	101102 108120 504903	RF
- 135	MODREF961		TUBING INSTL-NAC SPRT FTG LUB MODULE NUMBER: 112N7021-402 REV A POSITION DATA: RH	103106	1
142	BACC10EP4		.CLAMP	002004 006999	1
- 152	BACB30NT3K2		ATTACHING PARTS .BOLT	002004 006999	1

MISSING ITEM NUMBERS NOT APPLICABLE

- ITEM NOT ILLUSTRATED

54-51-52-05

54-51-52
FIG. 05
PAGE 6
JAN 20/09

BRI



757

PARTS CATALOG (MAINTENANCE)

FIG ITEM	PART NUMBER	1 2 3 4 5 6 7	NOMENCLATURE	EFFECT FROM TO	UNITS PER ASSY
5					
- 157	AN960KD10L	.	WASHER-	002004 006999	1
- 162	BRH10A3	.	NUT-	002004 006999	1
			SUPPLIER CODE: V52828		
			SPECIFICATION NUMBER: BACN10JC3		
			OPTIONAL PART: H10-3BAC		
			V15653		
			NS202101-02		
			V80539		
			RMLH9075-3W		
			V72962		
			VN303A02		
			V92215		
			96-02		
			V80539		
			T6S1032J		
			V11815		
			-----*-----		
163	BACN10DR4	.	NUT	002004 006999	5
165	69B15854-1	.	UNION ASSY	002004 006999	5
175	MS15001-2	..	FITTING	002004 006999	1
180	69B15854-2	..	UNION	002004 006999	1
185	112N7037-2	.	BRACKET-	002004 006999	1
			ATTACHING PARTS		
- 195	L8006K8	.	BOLT	002004 006999	2
			SUPPLIER CODE: V06725		
			SPECIFICATION NUMBER: BACB30MY6K8		

MISSING ITEM NUMBERS NOT APPLICABLE

- ITEM NOT ILLUSTRATED

54-51-52-05

54-51-52
FIG. 05
PAGE 7
JAN 20/09

BRI

BOEING PROPRIETARY - Copyright © - Unpublished Work - See title page for details.

 **BOEING**
757
PARTS CATALOG (MAINTENANCE)

FIG ITEM	PART NUMBER	1 2 3 4 5 6 7	NOMENCLATURE	EFFECT FROM TO	UNITS PER ASSY
5 - 200	HL79-6		.COLLAR SUPPLIER CODE: V5M902 SPECIFICATION NUMBER: BACC30M6 OPTIONAL PART: HL79-6 V73197 HL79-6 V92215 66014-6 V56878 HL79-6 V56878	002004 006999	2
240	NAS1762J0404		-----*----- .ELBOW- OPTIONAL PART: BACE21AW0404M	002004 006999	4
240	AP1010JM0404M		.ELBOW- SUPPLIER CODE: V01673 SPECIFICATION NUMBER: BACE21AW0404M OPTIONAL PART: AP1010-0404M V01673 DB0E21AW0404M V14798 ER10633M0404 V88334 FER1569-0404M V14397 W30833-0404M V11328 4671114-0404M V50948 AFP334-0404M V30974 DB0E21AW0404M V61498 ER10633M0404M V88334 US2109-0404M V50808 AFP344-0404M V30974 NAS1762J0404	002004 006999	4

MISSING ITEM NUMBERS NOT APPLICABLE

- ITEM NOT ILLUSTRATED

BRI

54-51-52-05

BOEING PROPRIETARY - Copyright © - Unpublished Work - See title page for details.

54-51-52
FIG. 05
PAGE 8
SEP 20/08



757

PARTS CATALOG (MAINTENANCE)

FIG ITEM	PART NUMBER	1 2 3 4 5 6 7	NOMENCLATURE	EFFECT FROM TO	UNITS PER ASSY
5 245	112N7021-34		.TUBE ASSY- TUBING MATERIAL: .25 IN. OD X .016 IN. WALL X 8.3 IN. LG BMS 7-185 21-6-9 COLD REDUCED TUBING	002004 006999	1
250	112N7021-36		.TUBE ASSY- TUBING MATERIAL: .25 IN. OD X .016 IN. WALL X 26.4 IN. LG BMS 7-185 21-6-9 COLD REDUCED TUBING	002004 006999	1
255	112N7021-46		.TUBE ASSY- TUBING MATERIAL: .25 IN. OD X .016 IN. WALL X 20.3 IN. LG BMS 7-185 21-6-9 COLD REDUCED TUBING	002004 006100 107107 121503 904999	1
260	112N7021-42		.TUBE ASSY- TUBING MATERIAL: .25 IN. OD X .016 IN. WALL X 9.9 IN. LG BMS 7-185 21-6-9 COLD REDUCED TUBING	002004 006100 107107 121503 904999	1
265	112N7021-4		.TUBE ASSY- TUBING MATERIAL: .25 IN. OD X .016 IN. WALL X 3.7 IN. LG BMS 7-185 21-6-9 COLD REDUCED TUBING	002004 006999	1
- 270	BACN10YA4		..NUT- USED ON: 112N7021-4 112N7021-46 112N7021-42 112N7021-36 112N7021-84 112N7021-34 112N7021-82	002004 006999	2

MISSING ITEM NUMBERS NOT APPLICABLE

- ITEM NOT ILLUSTRATED

54-51-52-05

54-51-52
FIG. 05
PAGE 9
JAN 20/09

BRI



757

PARTS CATALOG (MAINTENANCE)

FIG ITEM	PART NUMBER	1 2 3 4 5 6 7	NOMENCLATURE	EFFECT FROM TO	UNITS PER ASSY
5 - 275	AP2097HP04	. .	SLEEVE SUPPLIER CODE: V01673 SPECIFICATION NUMBER: BACS13BX04HP OPTIONAL PART: 2-02903-04HP V11328 35235VN04 V08199 AFP175V04P V30974 DBOS13BX04HP V14798	002004 006999	2
280	112N7031-1	. .	SUPPORT	002004 006999	1
- 285	HL1012AZ5-4	. .	ATTACHING PARTS BOLT SUPPLIER CODE: V97928 SPECIFICATION NUMBER: BACB30NX5K4 OPTIONAL PART: HL12VAZ5-4 V73197 HL12VAZ5-4 V92215 HL12VAZ5-4 V97928 L802-5K4 V06725 HL12VAZ5-4 V56878 HL1012AZ5-4 VOPTK6 HL1012AZ5-4 V06725 HL1012AZ5-4 V06950 HL1012AZ5-4 V17446 HL1012AZ5-4 V56878 HL1012AZ5-4 V60516 HL1012AZ5-4 V73197	002004 006999	4

MISSING ITEM NUMBERS NOT APPLICABLE

- ITEM NOT ILLUSTRATED

54-51-52-05

54-51-52
FIG. 05
PAGE 10
SEP 20/08

BRI



**757
PARTS CATALOG (MAINTENANCE)**

FIG ITEM	PART NUMBER	1 2 3 4 5 6 7	NOMENCLATURE	EFFECT FROM TO	UNITS PER ASSY
5 - 290	HL1187-5		.COLLAR SUPPLIER CODE: V5M902 SPECIFICATION NUMBER: BACC30X5 OPTIONAL PART: HL86PB5 V73197 HL86PB5 V92215 HL86PB5 V56878 HL1187-5 V56878 HL1187-5 V92215 HL1187-5 V73197 HL1187-5 V92215 HL87-5 V56878 HL1187-5 V73197	002004 006999	4
295	112N7021-32		.CLIP-TUBE SPRT	002004 006999	1
- 600	112N7021-4001		TUBING INSTL-NAC SPRT FTG LUB POSITION DATA: LH FOR NHA SEE: 57-00-00-15B	101102 108120 504903	RF
- 603	MODREF954		TUBING INSTL-NAC SPRT FTG LUB MODULE NUMBER: 112N7021-4001 REV A POSITION DATA: LH	103106	1
610	112N7021-45		.TUBE ASSY- TUBING MATERIAL: .25 IN. OD X .016 IN. WALL X 20.2 IN. LG BMS 7-185 21-6-9 COLD REDUCED TUBING USED ON: 112N7021-4001 MODREF954	101106 108120 504903	1

MISSING ITEM NUMBERS NOT APPLICABLE

- ITEM NOT ILLUSTRATED

54-51-52-05

54-51-52
FIG. 05
PAGE 11
JAN 20/09

BRI



757

PARTS CATALOG (MAINTENANCE)

FIG ITEM	PART NUMBER	1 2 3 4 5 6 7	NOMENCLATURE	EFFECT FROM TO	UNITS PER ASSY
5 615	112N7021-41		.TUBE ASSY-SPRT TUBING MATERIAL: .25 IN. OD X .016 IN. WALL X 10.2 IN. LG BMS 7-185 21-6-9 COLD REDUCED TUBING USED ON: 112N7021-4001 MODREF954	101106 108120 504903	1
- 630	BACN10YA4		..NUT- USED ON: 112N7021-41 112N7021-45	101106 108120 504903	2
- 640	AP2097HP04		..SLEEVE SUPPLIER CODE: V01673 SPECIFICATION NUMBER: BACS13BX04HP OPTIONAL PART: 2-02903-04HP V11328 35235VN04 V08199 AFP175V04P V30974 DBOS13BX04HP V14798	101106 108120 504903	2
- 700	112N7021-4002		TUBING INSTL-NAC SPRT FTG LUB POSITION DATA: RH FOR NHA SEE: 57-00-00-15B	101102 108120 504903	RF
- 703	MODREF955		TUBING INSTL-NAC SPRT FTG LUB MODULE NUMBER: 112N7021-4002 REV A POSITION DATA: RH	103106	1
710	112N7021-46		.TUBE ASSY- TUBING MATERIAL: .25 IN. OD X .016 IN. WALL X 20.3 IN. LG BMS 7-185 21-6-9 COLD REDUCED TUBING USED ON: 112N7021-4002 MODREF955	101106 108120 504903	1

MISSING ITEM NUMBERS NOT APPLICABLE

- ITEM NOT ILLUSTRATED

54-51-52-05

54-51-52
FIG. 05
PAGE 12
JAN 20/09

BRI



757

PARTS CATALOG (MAINTENANCE)

FIG ITEM	PART NUMBER	1 2 3 4 5 6 7	NOMENCLATURE	EFFECT FROM TO	UNITS PER ASSY
5 715	112N7021-42	.	TUBE ASSY- TUBING MATERIAL: .25 IN. OD X .016 IN. WALL X 9.9 IN. LG BMS 7-185 21-6-9 COLD REDUCED TUBING USED ON: 112N7021-4002 MODREF955	101106 108120 504903	1
- 720	BACN10YA4	..	NUT- USED ON: 112N7021-42 112N7021-46	101106 108120 504903	2
- 725	AP2097HP04	..	SLEEVE SUPPLIER CODE: V01673 SPECIFICATION NUMBER: BACS13BX04HP OPTIONAL PART: 2-02903-04HP V11328 35235VN04 V08199 AFP175V04P V30974 DBOS13BX04HP V14798	101106 108120 504903	2

MISSING ITEM NUMBERS NOT APPLICABLE

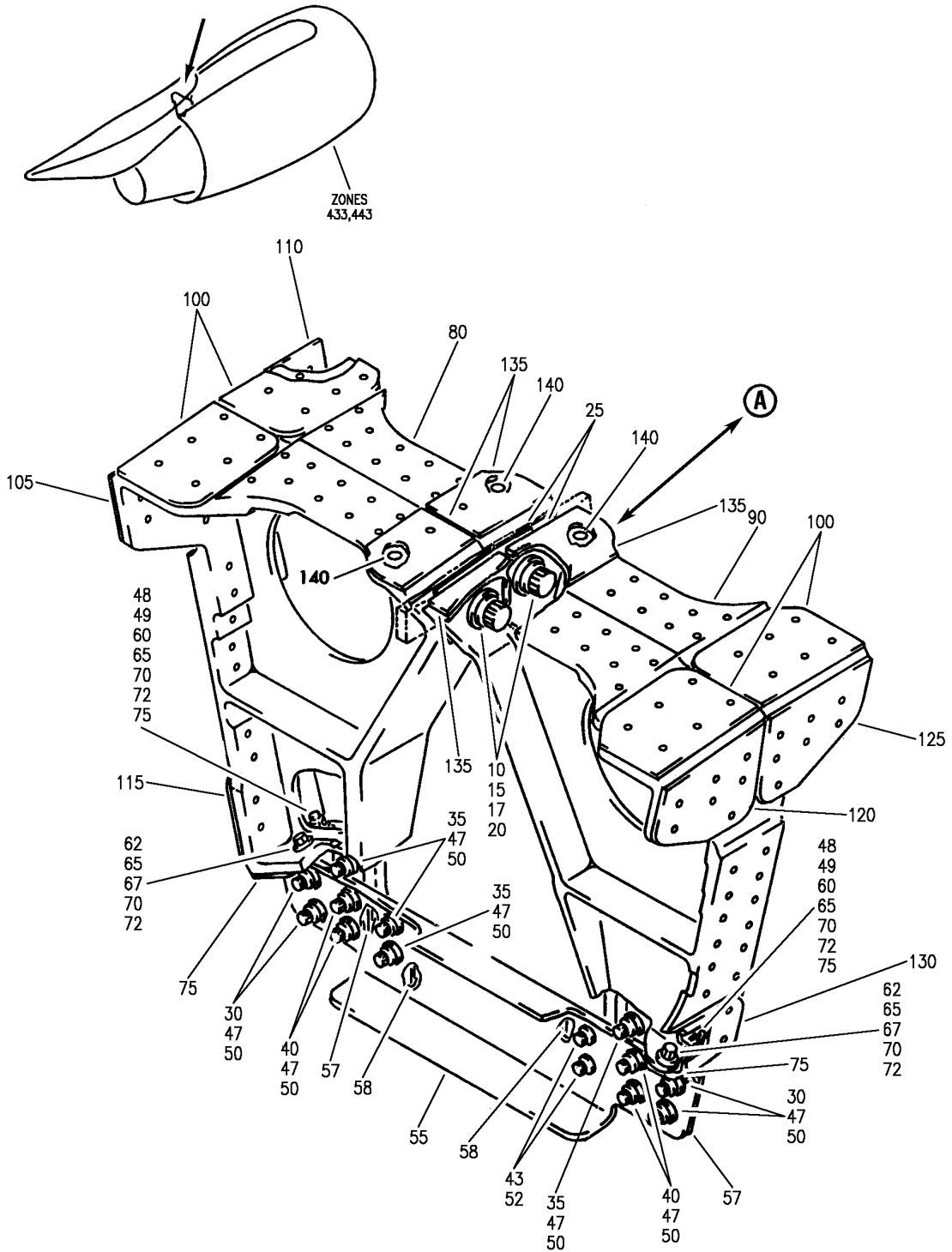
- ITEM NOT ILLUSTRATED

54-51-52-05

54-51-52
FIG. 05
PAGE 13
JAN 20/09

BRI

BOEING
757
PARTS CATALOG (MAINTENANCE)



Y 54515301 SHT 1 REV 291

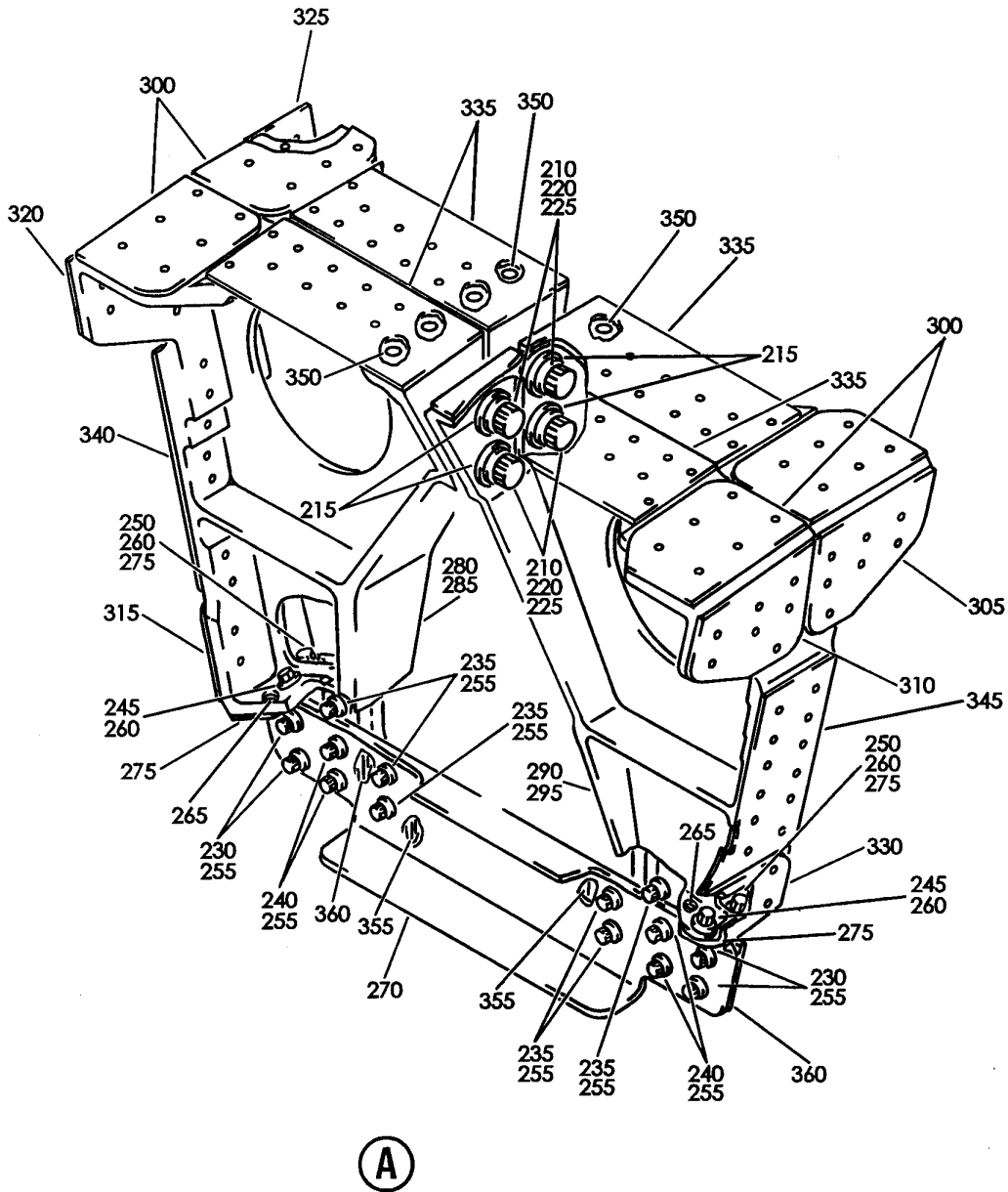
BULKHEAD INSTL-PWR PLANT STA 174.30 MID
FIGURE 1 (SHEET 1)

54-51-53-01

BRI
MAY 28/07

54-51-53-01
PAGE 0

BOEING
757
PARTS CATALOG (MAINTENANCE)



Y 54515301 SHT 2 REV 205

BULKHEAD INSTL-PWR PLANT STA 174.30 MID
FIGURE 1 (SHEET 2)

54-51-53-01

BRI
MAY 28/07

54-51-53-01
PAGE 0A



757

PARTS CATALOG (MAINTENANCE)

FIG ITEM	PART NUMBER	1 2 3 4 5 6 7	NOMENCLATURE	EFFECT FROM TO	UNITS PER ASSY
1			BULKHEAD INSTL-PWR PLANT STA 174.30 MID	002004 006999	
- 1	311N5043-1		BULKHEAD INSTL-PWR PLANT POSITION DATA: STA 174.30 MID LH FOR NHA SEE: 54-51-61-01	002004 006100 107107 121503 904999	RF
- 1	311N5043-13		BULKHEAD INSTL-PWR PLANT POSITION DATA: STA 174.30 MID LH FOR NHA SEE: 54-51-61-01	002004 006100 107107 121503 904999	RF
- 1	311N5043-15		BULKHEAD INSTL-PWR PLANT POSITION DATA: STA 174.30 MID LH FOR NHA SEE: 54-51-61-01	002004 006100 107107 121503 904999	RF
- 1	311N5043-37		BULKHEAD INSTL-PWR PLANT POSITION DATA: STA 174.30 MID LH FOR NHA SEE: 54-51-61-01 54-00-00-04	101106 108120 504903	RF
- 5	311N5043-2		BULKHEAD INSTL-PWR PLANT POSITION DATA: STA 174.30 MID RH FOR NHA SEE: 54-51-61-01	002004 006100 107107 121503 904999	RF
- 5	311N5043-14		BULKHEAD INSTL-PWR PLANT POSITION DATA: STA 174.30 MID RH FOR NHA SEE: 54-51-61-01	002004 006100 107107 121503 904999	RF
- 5	311N5043-16		BULKHEAD INSTL-PWR PLANT POSITION DATA: STA 174.30 MID RH FOR NHA SEE: 54-51-61-01	002004 006100 107107 121503 904999	RF
- 5	311N5043-38		BULKHEAD INSTL-PWR PLANT POSITION DATA: STA 174.30 MID RH FOR NHA SEE: 54-00-00-04	002004 006999	RF
10	BACB30US12P34		.BOLT- USED ON: 311N5043-1 311N5043-2 PRE ALERT SB: 54A0039R1	002004 006100 952999	2

MISSING ITEM NUMBERS NOT APPLICABLE

- ITEM NOT ILLUSTRATED

54-51-53-01

54-51-53
FIG. 01
PAGE 1
JAN 20/09

BRI



757

PARTS CATALOG (MAINTENANCE)

FIG ITEM	PART NUMBER	1 2 3 4 5 6 7	NOMENCLATURE	EFFECT FROM TO	UNITS PER ASSY
1					
10	SB410N10L34S		.BOLT- SUPPLIER CODE: V27624 USED ON: 311N5043-15 311N5043-16 311N5043-37 311N5043-38 PRE ALERT SB: 54A0039R1 54A0039R2	002004 006007 009106 108120 504903 952952	2
10	SB410XN10L34S		.BOLT- SUPPLIER CODE: V27624 USED ON: 311N5043-1 311N5043-2 311N5043-13 311N5043-14 311N5043-15 311N5043-16 311N5043-38 POST ALERT SB: 54A0039R1	002004 006100 904949 952999	2
10	SB410YN10L34S		.BOLT- SUPPLIER CODE: V27624 POST ALERT SB: 54A0039R2 QUALIFIED SB I/W DATA: 1/32 OVERSIZE	101106 108120 504903	2
10	SB410XN10L34S		.BOLT- SUPPLIER CODE: V27624 POST ALERT SB: 54A0039R3 QUALIFIED SB I/W DATA: 1/64 OVERSIZE	107107 121503 950951	2

MISSING ITEM NUMBERS NOT APPLICABLE

- ITEM NOT ILLUSTRATED

54-51-53-01

54-51-53
FIG. 01
PAGE 2
JAN 20/09

BRI

BOEING PROPRIETARY - Copyright © - Unpublished Work - See title page for details.



757

PARTS CATALOG (MAINTENANCE)

FIG ITEM	PART NUMBER	1 2 3 4 5 6 7	NOMENCLATURE	EFFECT FROM TO	UNITS PER ASSY
1	15 BACW10BP12CD	.	WASHER- POSITION DATA: UNDER HEAD USED ON: 311N5043-1 311N5043-2 311N5043-15 311N5043-16 311N5043-37 311N5043-38 PRE ALERT SB: 54A0039R1 54A0039R2	002004 006106 108120 504903 952999	2
	15 BACW10BP121CD	.	WASHER- POSITION DATA: UNDER HEAD USED ON: 311N5043-1 311N5043-2 311N5043-13 311N5043-14 311N5043-15 311N5043-16 311N5043-38 POST ALERT SB: 54A0039R1	002004 006100 107107 121503 904999	2
	15 BACW10BP122CD	.	WASHER- POSITION DATA: UNDER HEAD POST ALERT SB: 54A0039R2	101106 108120 504903	2
	17 BACW10BP12DP	.	WASHER- POSITION DATA: UNDER NUT USED ON: 311N5043-1 311N5043-2 PRE ALERT SB: 54A0039R1	002004 006100 952999	2

MISSING ITEM NUMBERS NOT APPLICABLE

- ITEM NOT ILLUSTRATED

54-51-53-01

54-51-53
FIG. 01
PAGE 3
JAN 20/09

BRI



757

PARTS CATALOG (MAINTENANCE)

FIG ITEM	PART NUMBER	1 2 3 4 5 6 7	NOMENCLATURE	EFFECT FROM TO	UNITS PER ASSY
1	17 BACW10BP12DP		.WASHER- POSITION DATA: UNDER NUT USED ON: 311N5043-15 311N5043-16 311N5043-37 311N5043-38 PRE ALERT SB: 54A0039R1 54A0039R2	002004 006007 009106 108120 504903 952952	2
	17 BACW10BP121DP		.WASHER- POSITION DATA: UNDER NUT POST ALERT SB: 54A0039R1	002004 006100 107107 121503 904999	2
	17 BACW10BP122DP		.WASHER- POSITION DATA: UNDER NUT POST ALERT SB: 54A0039R2	101106 108120 504903	2

MISSING ITEM NUMBERS NOT APPLICABLE

- ITEM NOT ILLUSTRATED

54-51-53-01

54-51-53
FIG. 01
PAGE 4
JAN 20/09

BRI



757

PARTS CATALOG (MAINTENANCE)

FIG ITEM	PART NUMBER	1 2 3 4 5 6 7	NOMENCLATURE	EFFECT FROM TO	UNITS PER ASSY
1 20	CR603012		.NUT- SUPPLIER CODE: V62554 SPECIFICATION NUMBER: BACN10HR12CD OPTIONAL PART: BH00303CM12 V27238 H51560-12 V15653 102CH9031-12 V72962 67832CD1216 V56878 BMN10HRCWD3-12 V97928 SL7108C12 V11815 VCU0005D12 V06710 102LH903112 V72962 BMN5024CWD312 V97928 USED ON: 311N5043-1 311N5043-2 PRE ALERT SB: 54A0039R1	002004 006100 952999	2
20	SN1014CWD310		.NUT- SUPPLIER CODE: V27624 OPTIONAL PART: SN1014CWD3-10 V27624 POST ALERT SB: 54A0039R1	002004 006503 904999	2
20	SN1014CWD3-10		.NUT- SUPPLIER CODE: V27624 OPTIONAL PART: SN1014CWD310 V27624	101106 108120 504903	2
25	311N5043-11		.SHIM- PRE ALERT SB: 54A0039R1	952952	2

MISSING ITEM NUMBERS NOT APPLICABLE

- ITEM NOT ILLUSTRATED

54-51-53-01

54-51-53
FIG. 01
PAGE 5
JAN 20/09

BRI



757

PARTS CATALOG (MAINTENANCE)

FIG ITEM	PART NUMBER	1 2 3 4 5 6 7	NOMENCLATURE	EFFECT FROM TO	UNITS PER ASSY
1					
25	311N5043-21	.SHIM-	OPTIONAL PART: 311N5043-34 PRE ALERT SB: 54A0039R1	002004 006100 953999	2
25	311N5043-34	.SHIM-	OPTIONAL PART: 311N5043-21 PRE ALERT SB: 54A0039R1	002004 006100 953999	2
25	311N5043-39	.SHIM-	PRE ALERT SB: 54A0039R1 54A0039R2	002004 006106 108120 504903 952999	2
25	BCREF48279	.SHIM-(CUSTOMER FURNISHED)	OVERLENGTH PART NUMBER: 2024T30160X700X250 POST ALERT SB: 54A0039R1 54A0039R2	002004 006999	2
30	BACB30US5P6	.BOLT-		002004 006503 904999	4
35	BACB30US5P9	.BOLT-		002004 006503 904999	4
40	BACB30US5P11	.BOLT-		002004 006503 904999	4
43	HL32AP10-8	.BOLT-	SUPPLIER CODE: V73197	002004 006503 904999	2
47	BACW10BP5CD	.WASHER-	POSITION DATA: UNDER HEAD	002004 006999	12
47	BACW10BP5DP	.WASHER-	POSITION DATA: UNDER HEAD	002004 006999	12
48	BACW10BP6CD	.WASHER-	POSITION DATA: UNDER HEAD	002004 006999	12
48	BACW10BP6DP	.WASHER-	POSITION DATA: UNDER HEAD	002004 006999	12

MISSING ITEM NUMBERS NOT APPLICABLE

- ITEM NOT ILLUSTRATED

54-51-53-01

54-51-53
FIG. 01
PAGE 6
JAN 20/09

BRI



757

PARTS CATALOG (MAINTENANCE)

FIG ITEM	PART NUMBER	1 2 3 4 5 6 7	NOMENCLATURE	EFFECT FROM TO	UNITS PER ASSY
1 50	BH00303CM5	.NUT	SUPPLIER CODE: V27238 SPECIFICATION NUMBER: BACN10HR5CD OPTIONAL PART: H51560-5 V15653 67832CD524 V56878 102LH9031-5 V72962 SL7108C524 V11815 BMN5024CWD35 V97928 SL7108C5 V11815 VCU0005D5 V06710 102LH90315 V72962 BMN10HRCWD3-5 V97928 67832CD5 V56878 CR6030-5 VF0224 67832CD5 V56878	002004 006503 904999	12
52	HL97DU10	.COLLAR	SUPPLIER CODE: V5M902 SPECIFICATION NUMBER: BACC30AB10S OPTIONAL PART: HL97DU10 V56878 HL97DU10 V73197	002004 006503 904999	2
55	311N5043-3	.STIFFENER		002004 006503 904999	1
57	BACS40R021U027	.SHIM-	OPTIONAL PART: BACS40R021W027	002004 006503 904999	2
57	BACS40R021W027	.SHIM-	OPTIONAL PART: BACS40R021U027	002004 006503 904999	2

MISSING ITEM NUMBERS NOT APPLICABLE

- ITEM NOT ILLUSTRATED

54-51-53-01

54-51-53
FIG. 01
PAGE 7
JAN 20/09

BRI



757

PARTS CATALOG (MAINTENANCE)

FIG ITEM	PART NUMBER	1 2 3 4 5 6 7	NOMENCLATURE	EFFECT FROM TO	UNITS PER ASSY
1					
58	BACCS40R015U025	.SHIM-	OPTIONAL PART: BACCS40R015W025	002004 006503 904999	2
58	BACCS40R015W025	.SHIM-	OPTIONAL PART: BACCS40R015U025	002004 006503 904999	2
60	BACB30US6P9	.BOLT-	PRE ALERT SB: 54A0039R1 54A0039R2	002004 006106 108120 952999	2
60	BACB30YK12K8X	.BOLT-	POST ALERT SB: 54A0039R1 54A0039R2	002004 006503 904999	2
62	BACB30US6P11	.BOLT-	PRE ALERT SB: 54A0039R1 54A0039R2	002004 006106 108120 952999	2
62	BACB30YK12K11X	.BOLT-	POST ALERT SB: 54A0039R1 54A0039R2	002004 006503 904999	2
65	BACW10BN6SC	.WASHER-	POSITION DATA: UNDER HEAD PRE ALERT SB: 54A0039R1 54A0039R2	002004 006106 108120 952999	6
67	311N5043-8701	.FILLER-	POSITION DATA: UNDER NUT	002004 006503 904999	2

MISSING ITEM NUMBERS NOT APPLICABLE

- ITEM NOT ILLUSTRATED

54-51-53-01

54-51-53
FIG. 01
PAGE 8
JAN 20/09

BRI



757

PARTS CATALOG (MAINTENANCE)

FIG ITEM	PART NUMBER	1 2 3 4 5 6 7	NOMENCLATURE	EFFECT FROM TO	UNITS PER ASSY
R R	1 70		.NUT- SUPPLIER CODE: V97928 SPECIFICATION NUMBER: BACN10HR6CD OPTIONAL PART: H51560-6 V15653 67832CD624 V56878 102LH9031-6 V72962 BH00303CM6 V27238 SL7108C624 V11815 BMN5024CWD36 V97928 SL7108C6 V11815 102LH90316 V72962 67832CD6 V56878 VCU0005D6 V06710 CR60306 VF0224 CR60306 VF0224 PRE ALERT SB: 54A0039R1 54A0039R2	002004 006106 108120 952999	4
	72	BACC30CP12S	.COLLAR- POST ALERT SB: 54A0039R1 54A0039R2	002004 006503 904999	4
	75	311N5043-12	.SHIM-	002004 006100 107107 121503 904999	4
	75	BACS40R013F016F	.SHIM- OPTIONAL PART: BACS40R013F016P	002004 006999	4
	75	BACS40R013F016P	.SHIM- OPTIONAL PART: BACS40R013F016F	002004 006999	4
	MISSING ITEM NUMBERS NOT APPLICABLE				

- ITEM NOT ILLUSTRATED

54-51-53-01

54-51-53
 FIG. 01
 PAGE 9
 MAY 20/09

BRI

 **BOEING**
757
PARTS CATALOG (MAINTENANCE)

FIG ITEM	PART NUMBER	1 2 3 4 5 6 7	NOMENCLATURE	EFFECT FROM TO	UNITS PER ASSY
1	80 311N5033-9	.	FITTING- POSITION DATA: LH SIDE	002004 006999	1
	80 311N5033-5	.	FITTING- POSITION DATA: LH SIDE	002004 006100 107107 121503 904999	1
-	85 311N5033-11	.	FITTING- POSITION DATA: RH SIDE	002004 006999	1
-	85 311N5033-7	.	FITTING- POSITION DATA: RH SIDE	002004 006100 107107 121503 904999	1
	90 311N5033-12	.	FITTING- POSITION DATA: LH SIDE	002004 006999	1
	90 311N5033-8	.	FITTING- POSITION DATA: LH SIDE	002004 006100 107107 121503 904999	1
-	95 311N5033-10	.	FITTING- POSITION DATA: RH SIDE	002004 006999	1
-	95 311N5033-6	.	FITTING- POSITION DATA: RH SIDE	002004 006100 107107 121503 904999	1
	100 311N5043-4	.	SHIM	002004 006503 904999	4
	105 311N5043-5	.	SHIM- OPTIONAL PART: 311N5043-28	002004 006503 904999	1
	105 311N5043-28	.	SHIM- OPTIONAL PART: 311N5043-5	002004 006503 904999	1
	110 311N5043-6	.	SHIM- OPTIONAL PART: 311N5043-29	002004 006503 904999	1
	110 311N5043-29	.	SHIM- OPTIONAL PART: 311N5043-6	002004 006503 904999	1

MISSING ITEM NUMBERS NOT APPLICABLE

- ITEM NOT ILLUSTRATED

BRI

54-51-53-01

BOEING PROPRIETARY - Copyright © - Unpublished Work - See title page for details.

54-51-53
FIG. 01
PAGE 10
JAN 20/09

 **BOEING**
757
PARTS CATALOG (MAINTENANCE)

FIG ITEM	PART NUMBER	1 2 3 4 5 6 7	NOMENCLATURE	EFFECT FROM TO	UNITS PER ASSY
1					
115	311N5043-8	.SHIM-		002004	1
		OPTIONAL PART:		006503	
		311N5043-31		904999	
115	311N5043-31	.SHIM-		002004	1
		OPTIONAL PART:		006503	
		311N5043-8		904999	
120	311N5043-9	.SHIM-		002004	1
		OPTIONAL PART:		006503	
		311N5043-32		904999	
120	311N5043-32	.SHIM-		002004	1
		OPTIONAL PART:		006503	
		311N5043-9		904999	
125	311N5043-10	.SHIM-		002004	1
		OPTIONAL PART:		006503	
		311N5043-33		904999	
125	311N5043-33	.SHIM-		002004	1
		OPTIONAL PART:		006503	
		311N5043-10		904999	
130	311N5043-7	.SHIM-		002004	1
		OPTIONAL PART:		006503	
		311N5043-30		904999	
130	311N5043-30	.SHIM-		002004	1
		OPTIONAL PART:		006503	
		311N5043-7		904999	
135	BACS40R032B079F	.SHIM-		002004	4
				006503	
				904999	
140	BACB28Y9C019	.BUSHING-		002004	8
		USED ON:		006007	
		311N5043-15		009106	
		311N5043-16		108120	
		PRE ALERT SB:		504903	
		54A0039R1		952952	
		54A0039R2			
140	311N5170-1	.BUSHING-		002004	8
		USED ON:		006100	
		311N5043-1		952999	
		311N5043-2			
		311N5043-13			
		311N5043-14			
		PRE ALERT SB:			
		54A0039R1			
140	311N5167-2	.BUSHING-		002004	8
		POST ALERT SB:		006100	
		54A0039R1		107107	
				121503	
				904999	

MISSING ITEM NUMBERS NOT APPLICABLE

— ITEM NOT ILLUSTRATED

BRI

54-51-53-01

BOEING PROPRIETARY - Copyright © - Unpublished Work - See title page for details.

54-51-53
FIG. 01
PAGE 11
JAN 20/09



757

PARTS CATALOG (MAINTENANCE)

FIG ITEM	PART NUMBER	1 2 3 4 5 6 7	NOMENCLATURE	EFFECT FROM TO	UNITS PER ASSY
1 140	311N5167-3		.BUSHING- POST ALERT SB: 54A0039R2	101106 108120 504903	16

MISSING ITEM NUMBERS NOT APPLICABLE

- ITEM NOT ILLUSTRATED

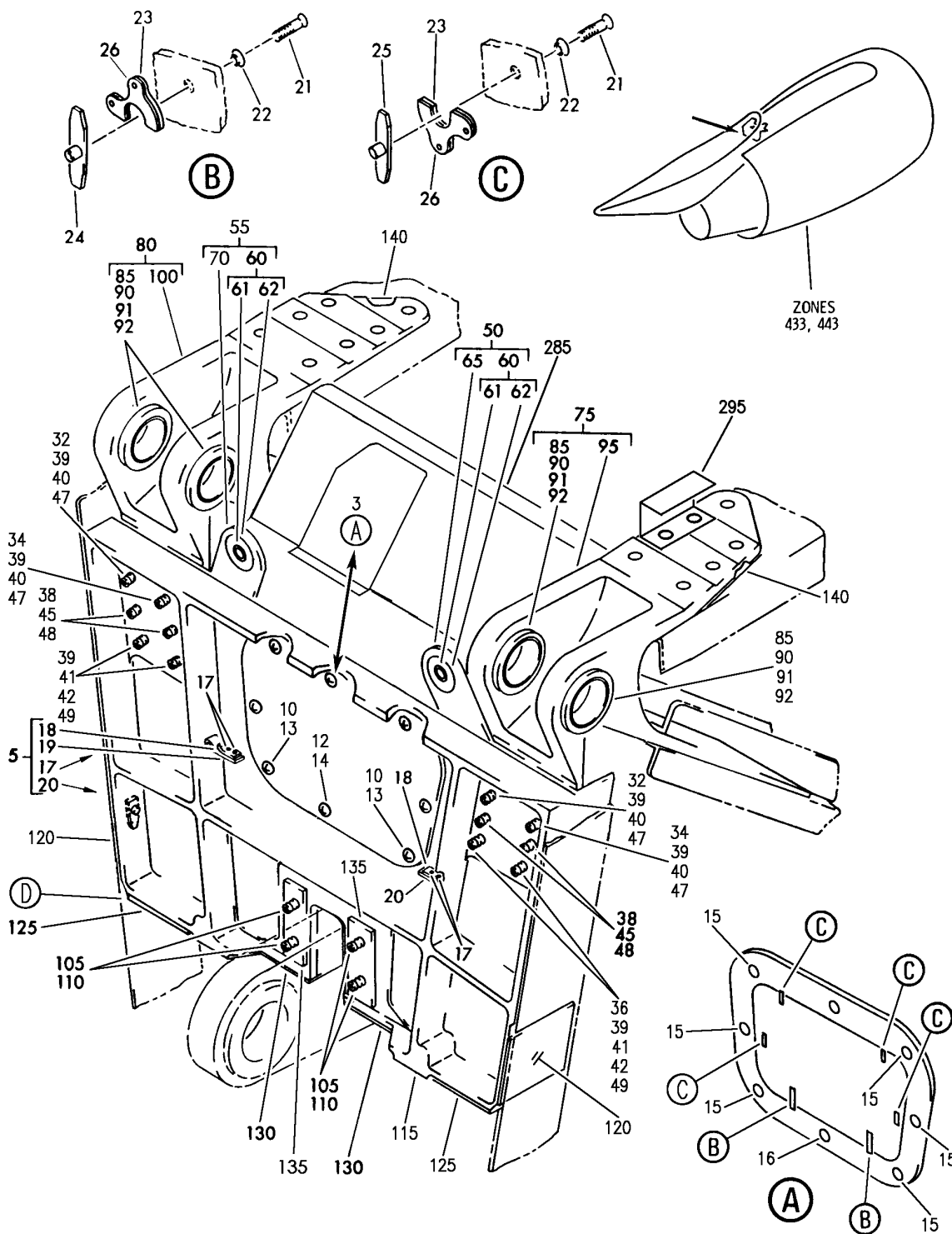
BRI

54-51-53-01

BOEING PROPRIETARY - Copyright © - Unpublished Work - See title page for details.

54-51-53
FIG. 01
PAGE 12
JAN 20/09

BOEING
757
PARTS CATALOG (MAINTENANCE)



Y 54515302 SHT 1 REV 323

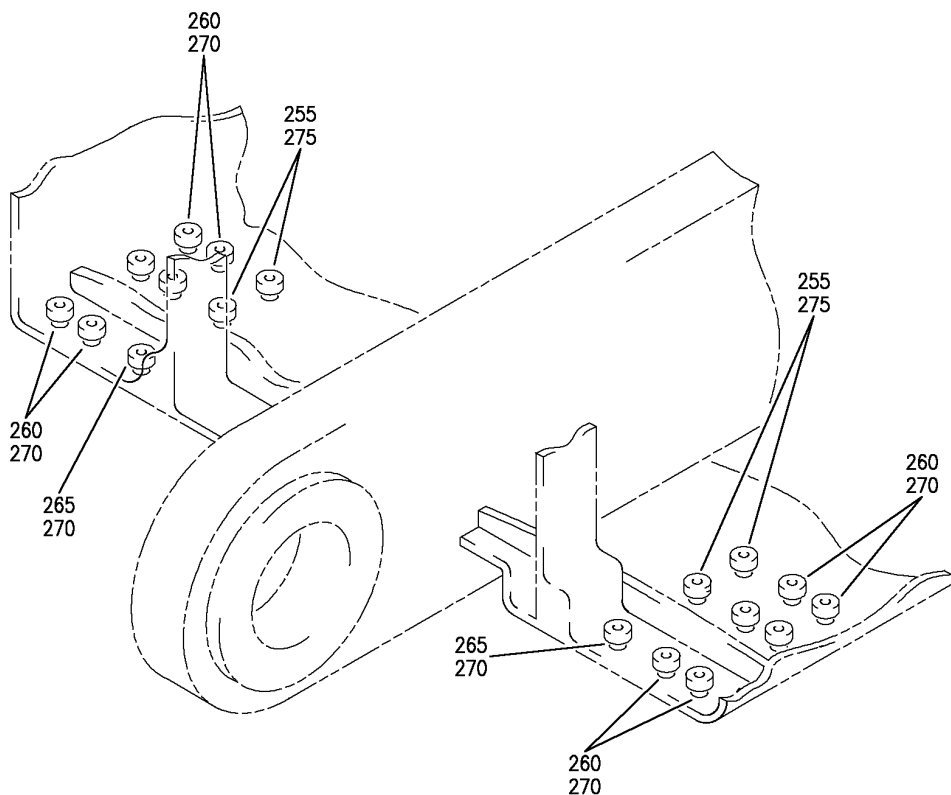
BULKHEAD INSTL-PWR PLANT STA. 205.65 TORQUE
FIGURE 2 (SHEET 1)

54-51-53-02

BRI
MAY 20/08

54-51-53-02
PAGE 0

BOEING
757
PARTS CATALOG (MAINTENANCE)



(D)

Y 54515302 SH1 2 REV 323

BULKHEAD INSTL-PWR PLANT STA. 205.65 TORQUE
FIGURE 2 (SHEET 2)

54-51-53-02

BRI
MAY 20/08

54-51-53-02
PAGE 0A



757

PARTS CATALOG (MAINTENANCE)

FIG ITEM	PART NUMBER	1 2 3 4 5 6 7	NOMENCLATURE	EFFECT FROM TO	UNITS PER ASSY
2			BULKHEAD INSTL-PWR PLANT STA. 205.65 TORQUE	002004 006999	
- 1	311N5045-1		BULKHEAD INSTL-PWR PLANT TORQUE POSITION DATA: STA 205.65 FOR NHA SEE: 54-51-61-01	002004 006100 107107 121503 904999	RF
- 1	311N5045-41		BULKHEAD INSTL-PWR PLANT TORQUE POSITION DATA: STA 205.65 FOR NHA SEE: 54-00-00-04	101102	RF
- 1	311N5045-48		BULKHEAD INSTL-PWR PLANT TORQUE POSITION DATA: STA 205.65 FOR NHA SEE: 54-00-00-04	103106 108120 504903	RF
3	311N5045-27		.PLATE ASSY-COVER USED ON: 311N5045-25 PRE SERVICE BULLETIN: 54-0035	002004 006106 108120 504949 952999	1
3	311N5045-39		.PLATE ASSY-COVER USED ON: 311N5045-41 POST SERVICE BULLETIN: 54-0035	002004 006999	1
5	311N5045-23		.PLATE ASSY-COVER USED ON: 311N5045-1 311N5045-24 PRE SERVICE BULLETIN: 54-0035	002004 006100 904949 952999	1
10	BACB30NT3K6		ATTACHING PARTS .BOLT- USED ON: 311N5045-1 311N5045-24 PRE SERVICE BULLETIN: 54-0035	002004 006100 904949 952999	7
12	BACB30NT4K8		.BOLT- USED ON: 311N5045-1 311N5045-24 PRE SERVICE BULLETIN: 54-0035	002004 006100 904949 952999	1

MISSING ITEM NUMBERS NOT APPLICABLE

- ITEM NOT ILLUSTRATED

54-51-53-02

54-51-53
FIG. 02
PAGE 1
JAN 20/09

BRI



757

PARTS CATALOG (MAINTENANCE)

FIG ITEM	PART NUMBER	1 2 3 4 5 6 7	NOMENCLATURE	EFFECT FROM TO	UNITS PER ASSY
2					
13	AN960KD10L		.WASHER- USED ON: 311N5045-1 311N5045-24 PRE SERVICE BULLETIN: 54-0035	002004 006100 904949 952999	7
14	AN960KD416L		.WASHER- USED ON: 311N5045-1 311N5045-24 PRE SERVICE BULLETIN: 54-0035	002004 006100 904949 952999	1
17	BACR15BA4AD		-----*----- ..RIVET- SIZE DETERMINED ON INSTL.	002004 006999	4
18	311N5045-18		..RETAINER-SEAL	002004 006999	2
19	311N5045-21		..SEAL	002004 006999	1
20	311N5045-22		..SEAL	002004 006999	1
21	BACB30LH4-6		..BOLT- USED ON: 311N5045-39 POST SERVICE BULLETIN: 54-0035	002004 006999	6
21	BACB30LH4K5		..BOLT- OPTIONAL PART: BACB30LH4-5 USED ON: 311N5045-27 PRE SERVICE BULLETIN: 54-0035	002004 006106 108120 504949 952999	6
21	BACB30LH4-5		..BOLT- OPTIONAL PART: BACB30LH4K5 USED ON: 311N5045-27 PRE SERVICE BULLETIN: 54-0035	002004 006106 108120 504949 952999	6
22	311N5146-2		..INDICATOR- USED ON: 311N5045-27 PRE SERVICE BULLETIN: 54-0035	002004 006106 108120 504949 952999	6

MISSING ITEM NUMBERS NOT APPLICABLE

- ITEM NOT ILLUSTRATED

54-51-53-02

54-51-53
FIG. 02
PAGE 2
JAN 20/09

BRI



757

PARTS CATALOG (MAINTENANCE)

FIG ITEM	PART NUMBER	1 2 3 4 5 6 7	NOMENCLATURE	EFFECT FROM TO	UNITS PER ASSY
2					
22	311N5146-5		..INDICATOR- USED ON: 311N5045-39 POST SERVICE BULLETIN: 54-0035	002004 006999	6
23	311N5145-5		..PLATE-SHIM USED ON: 311N5045-39 POST SERVICE BULLETIN: 54-0035	002004 006999	6
23	311N5145-2		..PLATE-SHIM USED ON: 311N5045-27 PRE SERVICE BULLETIN: 54-0035	002004 006106 108120 504949 952999	6
24	311N5147-2		..NUT- USED ON: 311N5045-27	002004 006999	2
25	311N5147-3		..NUT- USED ON: 311N5045-27	002004 006999	4
26	66-25039		..BLOCK- OPTIONAL PART: 43L4-1 V06349 43L4-2 V06349 USED ON: 311N5045-27 311N5045-39	002004 006999	6
26	43L4-1		..BLOCK- SUPPLIER CODE: V06349 OPTIONAL PART: 66-25039 43L4-2 V06349 USED ON: 311N5045-27 311N5045-39	002004 006999	6

MISSING ITEM NUMBERS NOT APPLICABLE

- ITEM NOT ILLUSTRATED

54-51-53-02

54-51-53
FIG. 02
PAGE 3
JAN 20/09

BRI

BOEING PROPRIETARY - Copyright © - Unpublished Work - See title page for details.



757

PARTS CATALOG (MAINTENANCE)

FIG ITEM	PART NUMBER	1 2 3 4 5 6 7	NOMENCLATURE	EFFECT FROM TO	UNITS PER ASSY
2					
26	43L4-2	..	BLOCK- SUPPLIER CODE: V06349 OPTIONAL PART: 66-25039 43L4-1 V06349 USED ON: 311N5045-27 311N5045-39	002004 006999	6
32	BACB30US8K17	.BOLT-	POST SERVICE BULLETIN: 54-0035	002004 006951	2
32	L80016K11	.BOLT-	SUPPLIER CODE: V06725 SPECIFICATION NUMBER: BACB30MY16K11 PRE SERVICE BULLETIN: 54-0035	002004 006100 904949 952999	2
34	L80016K14	.BOLT-	SUPPLIER CODE: V06725 SPECIFICATION NUMBER: BACB30MY16K14 PRE SERVICE BULLETIN: 54-0035	002004 006100 904949 952999	2
34	BACB30US8K17	.BOLT-	POST SERVICE BULLETIN: 54-0035	002004 006951	2
36	L80016K9	.BOLT-	SUPPLIER CODE: V06725 SPECIFICATION NUMBER: BACB30MY16K9 PRE SERVICE BULLETIN: 54-0035	002004 006100 904949 952999	4
36	BACB30US8K11	.BOLT-	POST SERVICE BULLETIN: 54-0035	002004 006951	4
38	L80018K11	.BOLT-	SUPPLIER CODE: V06725 SPECIFICATION NUMBER: BACB30MY18K11 PRE SERVICE BULLETIN: 54-0035	002004 006100 904949 952999	4

MISSING ITEM NUMBERS NOT APPLICABLE

- ITEM NOT ILLUSTRATED

54-51-53-02

54-51-53
FIG. 02
PAGE 4
JAN 20/09

BRI



757

PARTS CATALOG (MAINTENANCE)

FIG ITEM	PART NUMBER	1 2 3 4 5 6 7	NOMENCLATURE	EFFECT FROM TO	UNITS PER ASSY
2					
38	BACB30US9K17		.BOLT- POST SERVICE BULLETIN: 54-0035	002004 006951	4
39	BACW10BN8SC		.WASHER- POST SERVICE BULLETIN: 54-0035	002004 006951	8
40	BACW10BN9SC		.WASHER- POST SERVICE BULLETIN: 54-0035	002004 006951	4
41	HL79-16		.COLLAR- SUPPLIER CODE: V5M902 SPECIFICATION NUMBER: BACC30M16 OPTIONAL PART: HL79-16 V73197 HL79-16 V92215 66014-16 V56878 HL79-16 V56878 PRE SERVICE BULLETIN: 54-0035	002004 006100 904949 952999	4
42	HL97DU16		.COLLAR- SUPPLIER CODE: V73197 SPECIFICATION NUMBER: BACC30AB16S OPTIONAL PART: HL97DU16 V56878 HL97DU16 V5M902 PRE SERVICE BULLETIN: 54-0035	002004 006100 904949 952999	4
45	HL97DU18		.COLLAR- SUPPLIER CODE: V73197 PRE SERVICE BULLETIN: 54-0035	002004 006100 904949 952999	4

MISSING ITEM NUMBERS NOT APPLICABLE

- ITEM NOT ILLUSTRATED

54-51-53-02

54-51-53
FIG. 02
PAGE 5
JAN 20/09

BRI

BOEING PROPRIETARY - Copyright © - Unpublished Work - See title page for details.



757

PARTS CATALOG (MAINTENANCE)

FIG ITEM	PART NUMBER	1 2 3 4 5 6 7	NOMENCLATURE	EFFECT FROM TO	UNITS PER ASSY
2 47	BMN10HRCPD3-8		.NUT- SUPPLIER CODE: V97928 SPECIFICATION NUMBER: BACN10HR8CS OPTIONAL PART: H39953-8 V15653 109LH9031-8 V72962 67832AS820 V56878 BH00303-8 V27238 BH003038 V27238 BMN5024CPD38 V97928 CR59088 V62554 SL705098 V11815 109LH90318 V72962 67832AS8 V56878 POST SERVICE BULLETIN: 54-0035	002004 006951	8

MISSING ITEM NUMBERS NOT APPLICABLE

- ITEM NOT ILLUSTRATED

54-51-53-02

54-51-53
FIG. 02
PAGE 6
JAN 20/09

BRI



757

PARTS CATALOG (MAINTENANCE)

FIG ITEM	PART NUMBER	1 2 3 4 5 6 7	NOMENCLATURE	EFFECT FROM TO	UNITS PER ASSY
2 48	BMN10HRCPD3-9	.NUT-	SUPPLIER CODE: V97928 SPECIFICATION NUMBER: BACN10HR9CS OPTIONAL PART: 109LH9031-9 V72962 67832AS918 V56878 BH00303-9 V27238 BH003039 V27238 BMN5024CPD39 V97928 CR59089 V62554 SL705099 V11815 67832AS9 V56878 109LH90319 V72962 POST SERVICE BULLETIN: 54-0035	002004 006951	4
50	311N5026-1	.FITTING ASSY-	PRE SERVICE BULLETIN: 54-0035	002004 006100 904949 952999	1
50	311N5026-5	.FITTING ASSY-	POST SERVICE BULLETIN: 54-0035	002004 006951	1
50	311N5026-15	.FITTING ASSY-		002004 006951	1
55	311N5026-2	.FITTING ASSY-	PRE SERVICE BULLETIN: 54-0035	002004 006100 904949 952999	1
55	311N5026-6	.FITTING ASSY-	POST SERVICE BULLETIN: 54-0035	002004 006951	1
55	311N5026-16	.FITTING ASSY-		002004 006951	1

MISSING ITEM NUMBERS NOT APPLICABLE

- ITEM NOT ILLUSTRATED

54-51-53-02

54-51-53
FIG. 02
PAGE 7
JAN 20/09

BRI

BOEING PROPRIETARY - Copyright © - Unpublished Work - See title page for details.



757

PARTS CATALOG (MAINTENANCE)

FIG ITEM	PART NUMBER	1 2 3 4 5 6 7	NOMENCLATURE	EFFECT FROM TO	UNITS PER ASSY
2	60 VTB07000		.. BEARING ASSY- SUPPLIER CODE: V06710 SPECIFICATION NUMBER: S302T001-212 OPTIONAL PART: P20860 V57606	002004 006999	1
	61 VTB07001		... BALL- SUPPLIER CODE: V06710 SPECIFICATION NUMBER: S302T001-212B OPTIONAL PART: P20861 V57606	002004 006999	1
	62 VTB07002		... RACE- SUPPLIER CODE: V06710	002004 006999	1
	65 311N5026-3		.. FITTING- USED ON: 311N5026-1 PRE SERVICE BULLETIN: 54-0035	002004 006100 904949 952999	1
	65 311N5026-7		.. FITTING- USED ON: 311N5026-5 POST SERVICE BULLETIN: 54-0035	002004 006951	1
	70 311N5026-4		.. FITTING- USED ON: 311N5026-2 PRE SERVICE BULLETIN: 54-0035	002004 006100 904949 952999	1
	70 311N5026-8		.. FITTING- USED ON: 311N5026-6 POST SERVICE BULLETIN: 54-0035	002004 006951	1
	75 311N5007-1		. FITTING ASSY- USED ON: 311N5045-1 PRE SERVICE BULLETIN: 54-0035	002004 006100 904949 952999	1

MISSING ITEM NUMBERS NOT APPLICABLE

- ITEM NOT ILLUSTRATED

54-51-53-02

54-51-53
FIG. 02
PAGE 8
JAN 20/09

BRI



757

PARTS CATALOG (MAINTENANCE)

FIG ITEM	PART NUMBER	1 2 3 4 5 6 7	NOMENCLATURE	EFFECT FROM TO	UNITS PER ASSY
2	75 311N5007-5		.FITTING ASSY- OPTIONAL PART: 311N5007-9 311N5007-13 USED ON: 311N5045-1 311N5045-24 311N5045-25 PRE SERVICE BULLETIN: 54-0035	002004 006100 904949 952999	1
	75 311N5007-9		.FITTING ASSY- OPTIONAL PART: 311N5007-5 311N5007-13 USED ON: 311N5045-25 PRE SERVICE BULLETIN: 54-0035	002004 006100 904949 952999	1
	75 311N5007-13		.FITTING ASSY- OPTIONAL PART: 311N5007-5 311N5007-9 USED ON: 311N5045-25 311N5045-33 PRE SERVICE BULLETIN: 54-0035	002004 006100 904949 952999	1
	75 311N5007-17		.FITTING ASSY- USED ON: 311N5045-33 PRE SERVICE BULLETIN: 54-0035	002004 006100 904949 952999	1
	75 311N5007-25		.FITTING ASSY- USED ON: 311N5045-41 POST SERVICE BULLETIN: 54-0035	002004 006951	1
	80 311N5007-2		.FITTING ASSY- USED ON: 311N5045-1 PRE SERVICE BULLETIN: 54-0035	002004 006100 904949 952999	1

MISSING ITEM NUMBERS NOT APPLICABLE

- ITEM NOT ILLUSTRATED

54-51-53-02

54-51-53
FIG. 02
PAGE 9
JAN 20/09

BRI

 **BOEING**
757
PARTS CATALOG (MAINTENANCE)

FIG ITEM	PART NUMBER	1 2 3 4 5 6 7	NOMENCLATURE	EFFECT FROM TO	UNITS PER ASSY
2					
80	311N5007-6		. FITTING ASSY- OPTIONAL PART: 311N5007-10 311N5007-14 USED ON: 311N5045-1 311N5045-24 311N5045-25 PRE SERVICE BULLETIN: 54-0035	002004 006100 904949 952999	1
80	311N5007-10		. FITTING ASSY- OPTIONAL PART: 311N5007-6 311N5007-14 USED ON: 311N5045-25 PRE SERVICE BULLETIN: 54-0035	002004 006100 904949 952999	1
80	311N5007-14		. FITTING ASSY- OPTIONAL PART: 311N5007-6 311N5007-10 USED ON: 311N5045-25 311N5045-33 PRE SERVICE BULLETIN: 54-0035	002004 006100 904949 952999	1
80	311N5007-18		. FITTING ASSY- USED ON: 311N5045-33 PRE SERVICE BULLETIN: 54-0035	002004 006100 904949 952999	1
80	311N5007-26		. FITTING ASSY- USED ON: 311N5045-41 POST SERVICE BULLETIN: 54-0035	002004 006951	1
85	311N5058-13		.. BUSHING- PRE SERVICE BULLETIN: 54-0038 54-0026R1	002004 006100 904949	2

MISSING ITEM NUMBERS NOT APPLICABLE

— ITEM NOT ILLUSTRATED

BRI

54-51-53-02

BOEING PROPRIETARY - Copyright © - Unpublished Work - See title page for details.

54-51-53
FIG. 02
PAGE 10
JAN 20/09



757

PARTS CATALOG (MAINTENANCE)

FIG ITEM	PART NUMBER	1 2 3 4 5 6 7	NOMENCLATURE	EFFECT FROM TO	UNITS PER ASSY
2 90	311N5058-2	..	BUSHING- USED ON: 311N5007-1 311N5007-2 311N5007-5 311N5007-6 311N5007-9 311N5007-10 311N5007-13 311N5007-14 PRE SERVICE BULLETIN: 54-0038 54-0026R1	002004 006100 904949	2
91	012N8852-40	..	BUSHING- POST SERVICE BULLETIN: 54-0038 54-0026 54-0026R1	002004 006100 107107 121503 904999	2
92	311N5058-19	..	BUSHING- USED ON: 311N5007-17 311N5007-18 PRE SERVICE BULLETIN: 54-0035	002004 006100 904949	2
92	311N5058-25	..	BUSHING- USED ON: 311N5007-25 311N5007-26 POST SERVICE BULLETIN: 54-0035	002004 006106 108120 504949	2
95	311N5007-3	..	FITTING- USED ON: 311N5007-1 PRE SERVICE BULLETIN: 54-0035	002004 006100 904949 952999	1
95	311N5007-7	..	FITTING- USED ON: 311N5007-5 PRE SERVICE BULLETIN: 54-0035	002004 006100 904949 952999	1
95	311N5007-11	..	FITTING- USED ON: 311N5007-9 PRE SERVICE BULLETIN: 54-0035	002004 006100 904949 952999	1

MISSING ITEM NUMBERS NOT APPLICABLE

- ITEM NOT ILLUSTRATED

54-51-53-02

54-51-53
FIG. 02
PAGE 11
JAN 20/09

BRI



757

PARTS CATALOG (MAINTENANCE)

FIG ITEM	PART NUMBER	1 2 3 4 5 6 7	NOMENCLATURE	EFFECT FROM TO	UNITS PER ASSY
2					
95	311N5007-15	..	FITTING- USED ON: 311N5007-13 USED ON: 311N5007-3 PRE SERVICE BULLETIN: 54-0035	002004 006100 904949 952999	1
95	311N5007-19	..	FITTING- USED ON: 311N5007-17 PRE SERVICE BULLETIN: 54-0035	002004 006100 904949 952999	1
95	311N5007-27	..	FITTING- OPTIONAL PART: 311N5007-41 USED ON: 311N5007-25 POST SERVICE BULLETIN: 54-0035	002004 006951	1
95	311N5007-41	..	FITTING- OPTIONAL PART: 311N5007-27 USED ON: 311N5007-25	002004 006951	1
100	311N5007-4	..	FITTING- USED ON: 311N5007-2 PRE SERVICE BULLETIN: 54-0035	002004 006100 904949 952999	1
100	311N5007-8	..	FITTING- USED ON: 311N5007-6 PRE SERVICE BULLETIN: 54-0035	002004 006100 904949 952999	1
100	311N5007-12	..	FITTING- USED ON: 311N5007-10 PRE SERVICE BULLETIN: 54-0035	002004 006100 904949 952999	1
100	311N5007-16	..	FITTING- USED ON: 311N5007-14 PRE SERVICE BULLETIN: 54-0035	002004 006100 904949 952999	1
100	311N5007-20	..	FITTING- USED ON: 311N5007-18 PRE SERVICE BULLETIN: 54-0035	002004 006100 904949 952999	1

MISSING ITEM NUMBERS NOT APPLICABLE

- ITEM NOT ILLUSTRATED

54-51-53-02

54-51-53
FIG. 02
PAGE 12
JAN 20/09

BRI



757

PARTS CATALOG (MAINTENANCE)

FIG ITEM	PART NUMBER	1 2 3 4 5 6 7	NOMENCLATURE	EFFECT FROM TO	UNITS PER ASSY
2 100	311N5007-28		.. FITTING- OPTIONAL PART: 311N5007-42 USED ON: 311N5007-26 POST SERVICE BULLETIN: 54-0035	002004 006951	1
100	311N5007-42		.. FITTING- OPTIONAL PART: 311N5007-28 USED ON: 311N5007-26	002004 006951	1
105	HL448AZ14-10		.BOLT- SUPPLIER CODE: V60516 SPECIFICATION NUMBER: BACB30MB14AK10 OPTIONAL PART: HL448AZ14-10 V73197 HL448AZ14-10 V80539 HL448AZ14-10 V92215 HL448AZ14-10 V97928 HL448AZ14-10 V08524 HL448AZ14-10 V9N513 HL448AZ14-10 V56878 PRE SERVICE BULLETIN: 54-0035 REFERENCE SERVICE BULLETIN: 54A0047 PRE ALERT SB: 54A0047R2	002004 006100 904949 952999	AR

MISSING ITEM NUMBERS NOT APPLICABLE

- ITEM NOT ILLUSTRATED

54-51-53-02

54-51-53
FIG. 02
PAGE 13
JAN 20/09

BRI



757

PARTS CATALOG (MAINTENANCE)

FIG ITEM	PART NUMBER	1 2 3 4 5 6 7	NOMENCLATURE	EFFECT FROM TO	UNITS PER ASSY
2 105	HL1022AZ14-10		.BOLT- SUPPLIER CODE: V06725 SPECIFICATION NUMBER: BACB30NX14K10X OPTIONAL PART: HL1022AZ14-10 V56878 HL1022AZ14-10 V73197 HL1022AZ14-10 V97928 HL112VAZ14-10 V06725 HL112VAZ14-10 V56878 HL112VAZ14-10 V73197 HL112VAZ14-10 V92215 HL112VAZ14-10 V97928 HL1022AZ14-10 V17446 HL1022AZ14-10 V56878 HL1022AZ14-10 V73197 HL1022AZ14-10 V97928 POST SERVICE BULLETIN: 54-0035 REFERENCE SERVICE BULLETIN: 54A0047 POST ALERT SB: 54A0047 54A0047R1 QUALIFIED SB I/W DATA: HOLE DIA 0.4526-0.4536	002004 006999	AR
105	BACB30NX14K10Y		.BOLT- POST ALERT SB: 54A0047 54A0047R1 54A0047R2 QUALIFIED SB I/W DATA: HOLE DIA 0.4682-0.4692	002004 006999	AR

MISSING ITEM NUMBERS NOT APPLICABLE

- ITEM NOT ILLUSTRATED

54-51-53-02

54-51-53
FIG. 02
PAGE 14
JAN 20/09

BRI



757

PARTS CATALOG (MAINTENANCE)

FIG ITEM	PART NUMBER	1 2 3 4 5 6 7	NOMENCLATURE	EFFECT FROM TO	UNITS PER ASSY
2 105	HL1012AZ16-10		.BOLT- SUPPLIER CODE: VOPTK6 SPECIFICATION NUMBER: BACB30NX16K10 OPTIONAL PART: HL12VAZ16-10 V73197 HL12VAZ16-10 V92215 HL12VAZ16-10 V97928 L802-16K10 V06725 HL12VAZ16-10 V56878 HL1012AZ16-10 V17446 HL1012AZ16-10 V56878 HL1012AZ16-10 V60516 HL1012AZ16-10 V73197 HL1012AZ16-10 V06725 HL1012AZ16-10 V06950 HL1012AZ16-10 V97928 POST ALERT SB: 54A0047 PRE ALERT SB: 54A0047R1 QUALIFIED SB I/W DATA: HOLE DIA 0.4995-0.5005	002004 006100 107107 121503 904999	AR

MISSING ITEM NUMBERS NOT APPLICABLE

- ITEM NOT ILLUSTRATED

54-51-53-02

54-51-53
FIG. 02
PAGE 15
JAN 20/09

BRI



757

PARTS CATALOG (MAINTENANCE)

FIG ITEM	PART NUMBER	1 2 3 4 5 6 7	NOMENCLATURE	EFFECT FROM TO	UNITS PER ASSY
2 105	HL1022AZ16-10		.BOLT- SUPPLIER CODE: V97928 SPECIFICATION NUMBER: BACB30NX16K10X OPTIONAL PART: HL1022AZ16-10 V73197 HL1022AZ16-10 V56878 HL1022AZ16-10 V06725 HL112VAZ16-10 V97928 HL112VAZ16-10 V92215 HL112VAZ16-10 V73197 HL112VAZ16-10 V56878 HL112VAZ16-10 V06725 POST ALERT SB: 54A0047 PRE ALERT SB: 54A0047R1 QUALIFIED SB I/W DATA: HOLE DIA 0.5151-0.5161	002004 006100 107107 121503 904999	AR

MISSING ITEM NUMBERS NOT APPLICABLE

- ITEM NOT ILLUSTRATED

BRI

54-51-53-02

BOEING PROPRIETARY - Copyright © - Unpublished Work - See title page for details.

54-51-53
FIG. 02
PAGE 16
JAN 20/09



757

PARTS CATALOG (MAINTENANCE)

FIG ITEM	PART NUMBER	1 2 3 4 5 6 7	NOMENCLATURE	EFFECT FROM TO	UNITS PER ASSY
2 105	HL1032AZ16-10		.BOLT- SUPPLIER CODE: V97928 SPECIFICATION NUMBER: BACB30NX16K10Y OPTIONAL PART: HL1032AZ16-10 V73197 HL1032AZ16-10 V60516 HL1032AZ16-10 V56878 HL1032AZ16-10 V17446 HL1032AZ16-10 V06950 HL1032AZ16-10 V06725 HL1032AZ16-10 V0PTK6 HL412VAZ16-10 V97928 HL412VAZ16-10 V92215 HL412VAZ16-10 V73197 HL412VAZ16-10 V60516 HL412VAZ16-10 V56878 HL412VAZ16-10 V06725 HL412AZ16-10 V92215 POST ALERT SB: 54A0047 PRE ALERT SB: 54A0047R1 QUALIFIED SB I/W DATA: HOLE DIA 0.5307-0.5317	002004 006100 107107 121503 904999	AR

MISSING ITEM NUMBERS NOT APPLICABLE

- ITEM NOT ILLUSTRATED

54-51-53-02

54-51-53
FIG. 02
PAGE 17
JAN 20/09

BRI



757

PARTS CATALOG (MAINTENANCE)

FIG ITEM	PART NUMBER	1 2 3 4 5 6 7	NOMENCLATURE	EFFECT FROM TO	UNITS PER ASSY
2 105	HL1012AZ18-10		.BOLT- SUPPLIER CODE: VOPTK6 SPECIFICATION NUMBER: BACB30NX18K10 OPTIONAL PART: HL12VAZ18-10 V97928 L802-18K10 V06725 HL12VAZ18-10 V92215 HL12VAZ18-10 V73197 HL12VAZ18-10 V56878 HL1012AZ18-10 V06725 HL1012AZ18-10 V06950 HL1012AZ18-10 V17446 HL1012AZ18-10 V56878 HL1012AZ18-10 V60516 HL1012AZ18-10 V73197 HL1012AZ18-10 V97928 POST ALERT SB: 54A0047 PRE ALERT SB: 54A0047R1 QUALIFIED SB I/W DATA: HOLE DIA 0.5620-0.5630	002004 006100 107107 121503 904999	AR

MISSING ITEM NUMBERS NOT APPLICABLE

- ITEM NOT ILLUSTRATED

54-51-53-02

54-51-53
FIG. 02
PAGE 18
JAN 20/09

BRI



757

PARTS CATALOG (MAINTENANCE)

FIG ITEM	PART NUMBER	1 2 3 4 5 6 7	NOMENCLATURE	EFFECT FROM TO	UNITS PER ASSY
2 105	HL1012AZ14-10		.BOLT- SUPPLIER CODE: VOPTK6 SPECIFICATION NUMBER: BACB30NX14K10 OPTIONAL PART: HL12VAZ14-10 V73197 HL12VAZ14-10 V92215 L802-14K10 V06725 HL12VAZ14-10 V97928 HL12VAZ14-10 V56878 HL1012AZ14-10 V06725 HL1012AZ14-10 V06950 HL1012AZ14-10 V17446 HL1012AZ14-10 V56878 HL1012AZ14-10 V60516 HL1012AZ14-10 V73197 HL1012AZ14-10 V97928 REFERENCE SERVICE BULLETIN: 54A0047R1	101106 108120 504903	AR

MISSING ITEM NUMBERS NOT APPLICABLE

- ITEM NOT ILLUSTRATED

BRI

54-51-53-02

BOEING PROPRIETARY - Copyright © - Unpublished Work - See title page for details.

54-51-53
FIG. 02
PAGE 19
JAN 20/09



757

PARTS CATALOG (MAINTENANCE)

FIG ITEM	PART NUMBER	1 2 3 4 5 6 7	NOMENCLATURE	EFFECT FROM TO	UNITS PER ASSY
2 110	HL1187DU14		. COLLAR- SUPPLIER CODE: V5M902 SPECIFICATION NUMBER: BACC30X14S OPTIONAL PART: HL1187DU14 V73197 HL1187DU14 V92215 HL87DU14 V73197 HL87DU14 V92215 HL87DU14 V56878 HL1187DU14 V56878 REFERENCE SERVICE BULLETIN: 54A0047 54A0047R1 PRE ALERT SB: 54A0047R2	002004 006999	AR
110	HL1087DU14		. COLLAR- SUPPLIER CODE: V5M902 SPECIFICATION NUMBER: BACC30BH14S OPTIONAL PART: HL1087DU14 V73197 POST ALERT SB: 54A0047 54A0047R1 QUALIFIED SB I/W DATA: HOLE DIA 0.4526-0.4536	002004 006999	4
110	BACC30AC14S		. COLLAR- POST ALERT SB: 54A0047 54A0047R1 QUALIFIED SB I/W DATA: HOLE DIA 0.4682-0.4692	002004 006999	AR

MISSING ITEM NUMBERS NOT APPLICABLE

- ITEM NOT ILLUSTRATED

54-51-53-02

54-51-53
FIG. 02
PAGE 20
SEP 20/08

BRI



757

PARTS CATALOG (MAINTENANCE)

FIG ITEM	PART NUMBER	1 2 3 4 5 6 7	NOMENCLATURE	EFFECT FROM TO	UNITS PER ASSY
2 110	HL1187DU16		.COLLAR- SUPPLIER CODE: V5M902 SPECIFICATION NUMBER: BACC30X16S OPTIONAL PART: HL87DU16 V92215 HL87DU16 V73197 HL1187DU16 V56878 HL1187DU16 V92215 HL87DU16 V56878 HL1187DU16 V73197 POST ALERT SB: 54A0047 PRE ALERT SB: 54A0047R1 QUALIFIED SB I/W DATA: HOLE DIA 0.4995-0.5005 HOLE DIA 0.5151-0.5161	002004 006100 107107 121503 904999	AR
110	BACC30AC16S		.COLLAR- POST ALERT SB: 54A0047 PRE ALERT SB: 54A0047R1 QUALIFIED SB I/W DATA: HOLE DIA 0.5307-0.5317	002004 006100 107107 121503 904999	AR
110	HL1187DU18		.COLLAR- SUPPLIER CODE: V73197 SPECIFICATION NUMBER: BACC30X18S OPTIONAL PART: HL1187DU18 V56878 HL1187DU18 V92215 POST ALERT SB: 54A0047 PRE ALERT SB: 54A0047R1 QUALIFIED SB I/W DATA: 0.5620-0.5630	002004 006100 107107 121503 904999	AR

MISSING ITEM NUMBERS NOT APPLICABLE

- ITEM NOT ILLUSTRATED

54-51-53-02

54-51-53
FIG. 02
PAGE 21
JAN 20/09

BRI



757

PARTS CATALOG (MAINTENANCE)

FIG ITEM	PART NUMBER	1 2 3 4 5 6 7	NOMENCLATURE	EFFECT FROM TO	UNITS PER ASSY
2					
115	311N5045-2		.BULKHEAD ASSY- USED ON: 311N5045-1 311N5045-24 PRE SERVICE BULLETIN: 54-0035	002004 006100 904949 952999	1
115	311N5045-30		.BULKHEAD ASSY- USED ON: 311N5045-25 PRE SERVICE BULLETIN: 54-0035	002004 006100 904949 952999	1
115	311N5045-40		.BULKHEAD ASSY- USED ON: 311N5045-41 POST SERVICE BULLETIN: 54-0035	002004 006951	1
120	311N5045-4		.SHIM-LAMINATED OPTIONAL PART: 311N5045-5 PRE SERVICE BULLETIN: 54-0035	002004 006100 904949 952999	2
120	311N5045-5		.SHIM-LAMINATED OPTIONAL PART: 311N5045-4 PRE SERVICE BULLETIN: 54-0035	002004 006100 904949 952999	2
120	BACS40R027B034F		.SHIM-LAMINATED SERVICE BULLETIN OPT DATA: BACS40R027C034F POST SERVICE BULLETIN: 54-0035	002004 006100 107107 121503 904951	2
120	BACS40R027C034F		.SHIM-LAMINATED SERVICE BULLETIN OPT DATA: BACS40R027B034F POST SERVICE BULLETIN: 54-0035	002004 006100 107107 121503 904951	2
125	311N5045-6		.SHIM-LAMINATED OPTIONAL PART: 311N5045-7 PRE SERVICE BULLETIN: 54-0035	002004 006100 904949 952999	2
125	311N5045-7		.SHIM-LAMINATED OPTIONAL PART: 311N5045-6 PRE SERVICE BULLETIN: 54-0035	002004 006100 904949 952999	2

MISSING ITEM NUMBERS NOT APPLICABLE

- ITEM NOT ILLUSTRATED

54-51-53-02

54-51-53
FIG. 02
PAGE 22
JAN 20/09

BRI



757

PARTS CATALOG (MAINTENANCE)

FIG ITEM	PART NUMBER	1 2 3 4 5 6 7	NOMENCLATURE	EFFECT FROM TO	UNITS PER ASSY
2					
125	BACS40R026B034F	.	SHIM-LAMINATED SERVICE BULLETIN OPT DATA: BACS40R026C034F POST SERVICE BULLETIN: 54-0035	002004 006100 107107 121503 904951	2
125	BACS40R026C034F	.	SHIM-LAMINATED SERVICE BULLETIN OPT DATA: BACS40R026B034F POST SERVICE BULLETIN: 54-0035	002004 006100 107107 121503 904951	2
130	311N5045-8	.	SHIM-LAMINATED OPTIONAL PART: 311N5045-9 PRE SERVICE BULLETIN: 54-0035	002004 006100 904949 952999	2
130	311N5045-9	.	SHIM-LAMINATED OPTIONAL PART: 311N5045-8 PRE SERVICE BULLETIN: 54-0035	002004 006100 904949 952999	2
130	BACS40R025B027F	.	SHIM-LAMINATED SERVICE BULLETIN OPT DATA: BACS40R025C027F POST SERVICE BULLETIN: 54-0035	002004 006100 107107 121503 904951	2
130	BACS40R025C027F	.	SHIM-LAMINATED SERVICE BULLETIN OPT DATA: BACS40R025B027F POST SERVICE BULLETIN: 54-0035	002004 006100 107107 121503 904951	2
135	311N5045-10	.	SHIM-LAMINATED OPTIONAL PART: 311N5045-11 PRE SERVICE BULLETIN: 54-0035 REFERENCE SERVICE BULLETIN: 54A0047 PRE ALERT SB: 54A0047R2	002004 006106 108120 504949 952999	2
135	311N5045-11	.	SHIM-LAMINATED OPTIONAL PART: 311N5045-10 PRE SERVICE BULLETIN: 54-0035 REFERENCE SERVICE BULLETIN: 54A0047 PRE ALERT SB: 54A0047R2	002004 006106 108120 504949 952999	2

MISSING ITEM NUMBERS NOT APPLICABLE

- ITEM NOT ILLUSTRATED

54-51-53-02

54-51-53
FIG. 02
PAGE 23
JAN 20/09

BRI



757

PARTS CATALOG (MAINTENANCE)

FIG ITEM	PART NUMBER	1 2 3 4 5 6 7	NOMENCLATURE	EFFECT FROM TO	UNITS PER ASSY
2 135	BACS40R015B027F	.SHIM-LAMINATED	SERVICE BULLETIN OPT DATA: BACS40R015C027F POST SERVICE BULLETIN: 54-0035 REFERENCE SERVICE BULLETIN: 54A0047 POST ALERT SB: 54A0047R1 54A0047R2	002004 006999	2
135	BACS40R015C027F	.SHIM-LAMINATED	OPTIONAL PART: BACS40R015B027F SERVICE BULLETIN OPT DATA: BACS40R015B027F POST SERVICE BULLETIN: 54-0035 REFERENCE SERVICE BULLETIN: 54A0047 POST ALERT SB: 54A0047R1 54A0047R2	002004 006999	2
135	BACS40R027B034F	.SHIM-LAMINATED	SERVICE BULLETIN OPT DATA: BACS40R027C034F POST ALERT SB: 54A0047 PRE ALERT SB: 54A0047R1 54A0047R2	002004 006100 107107 121503 904999	2
135	BACS40R027C034F	.SHIM-LAMINATED	SERVICE BULLETIN OPT DATA: BACS40R027B034F POST ALERT SB: 54A0047 PRE ALERT SB: 54A0047R1 54A0047R2	002004 006100 107107 121503 904999	2
140	BACS40R044B062F	.SHIM-LAMINATED	SERVICE BULLETIN OPT DATA: BACS40R044C062F POST SERVICE BULLETIN: 54-0035	002004 006100 107107 121503 904951	2
140	BACS40R044C062F	.SHIM-LAMINATED	SERVICE BULLETIN OPT DATA: BACS40R044B062F POST SERVICE BULLETIN: 54-0035R2	107107 121503 950951	2

MISSING ITEM NUMBERS NOT APPLICABLE

- ITEM NOT ILLUSTRATED

54-51-53-02

54-51-53
FIG. 02
PAGE 24
JAN 20/09

BRI



757

PARTS CATALOG (MAINTENANCE)

FIG ITEM	PART NUMBER	1 2 3 4 5 6 7	NOMENCLATURE	EFFECT FROM TO	UNITS PER ASSY
2					
255	BACB30MC10AK9	.	BOLT-	002004 006100 107107 121503 904951	4
260	L800X8K9	.	BOLT- SUPPLIER CODE: V06725 SPECIFICATION NUMBER: BACB30MY8K9X	002004 006100 107107 121503 904951	12
265	L800X8K10	.	BOLT- SUPPLIER CODE: V06725 SPECIFICATION NUMBER: BACB30MY8K10X	002004 006100 107107 121503 904951	2
270	HL79-8	.	COLLAR- SUPPLIER CODE: V5M902 SPECIFICATION NUMBER: BACC30M8 OPTIONAL PART: HL79-8 V73197 HL79-8 V92215 66014-8 V56878 HL79-8 V56878	002004 006100 107107 121503 904951	14
275	HL1187-10	.	COLLAR- SUPPLIER CODE: V5M902 SPECIFICATION NUMBER: BACC30X10 OPTIONAL PART: HL1187-10 V56878 HL1187-10 V92215 HL1187-10 V73197 HL1187-10 V92215 HL87-10 V56878 HL1187-10 V73197	002004 006100 107107 121503 904951	4

MISSING ITEM NUMBERS NOT APPLICABLE

- ITEM NOT ILLUSTRATED

54-51-53-02

54-51-53
FIG. 02
PAGE 25
JAN 20/09

BRI



757

PARTS CATALOG (MAINTENANCE)

FIG ITEM	PART NUMBER	1 2 3 4 5 6 7	NOMENCLATURE	EFFECT FROM TO	UNITS PER ASSY
2 285	012N8907-3		.CLOSURE ASSY- POSITION DATA: LH POST SERVICE BULLETIN: 54-0035	002004 006100 107107 121503 904951	1
- 290	012N8907-4		.CLOSURE ASSY- POSITION DATA: RH POST SERVICE BULLETIN: 54-0035	002004 006100 107107 121503 904951	1
295	312N5826-9		.BRACKET- POSITION DATA: RH SIDE POST SERVICE BULLETIN: 54-0035	002004 006100 107107 121503 904951	1

MISSING ITEM NUMBERS NOT APPLICABLE

- ITEM NOT ILLUSTRATED

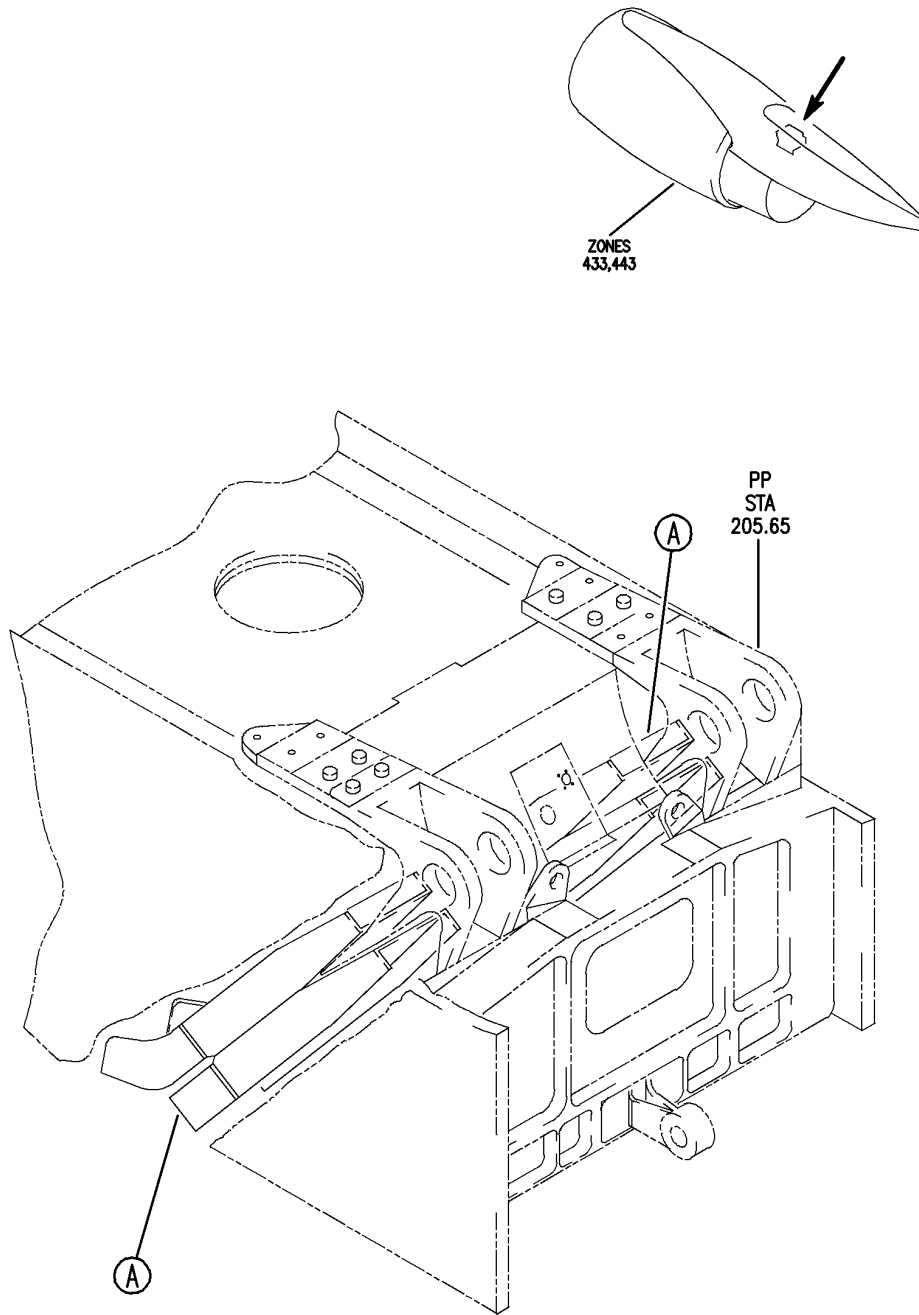
BRI

54-51-53-02

BOEING PROPRIETARY - Copyright © - Unpublished Work - See title page for details.

54-51-53
FIG. 02
PAGE 26
JAN 20/09

BOEING
757
PARTS CATALOG (MAINTENANCE)



Y 54515305 SHT 1 REV 226

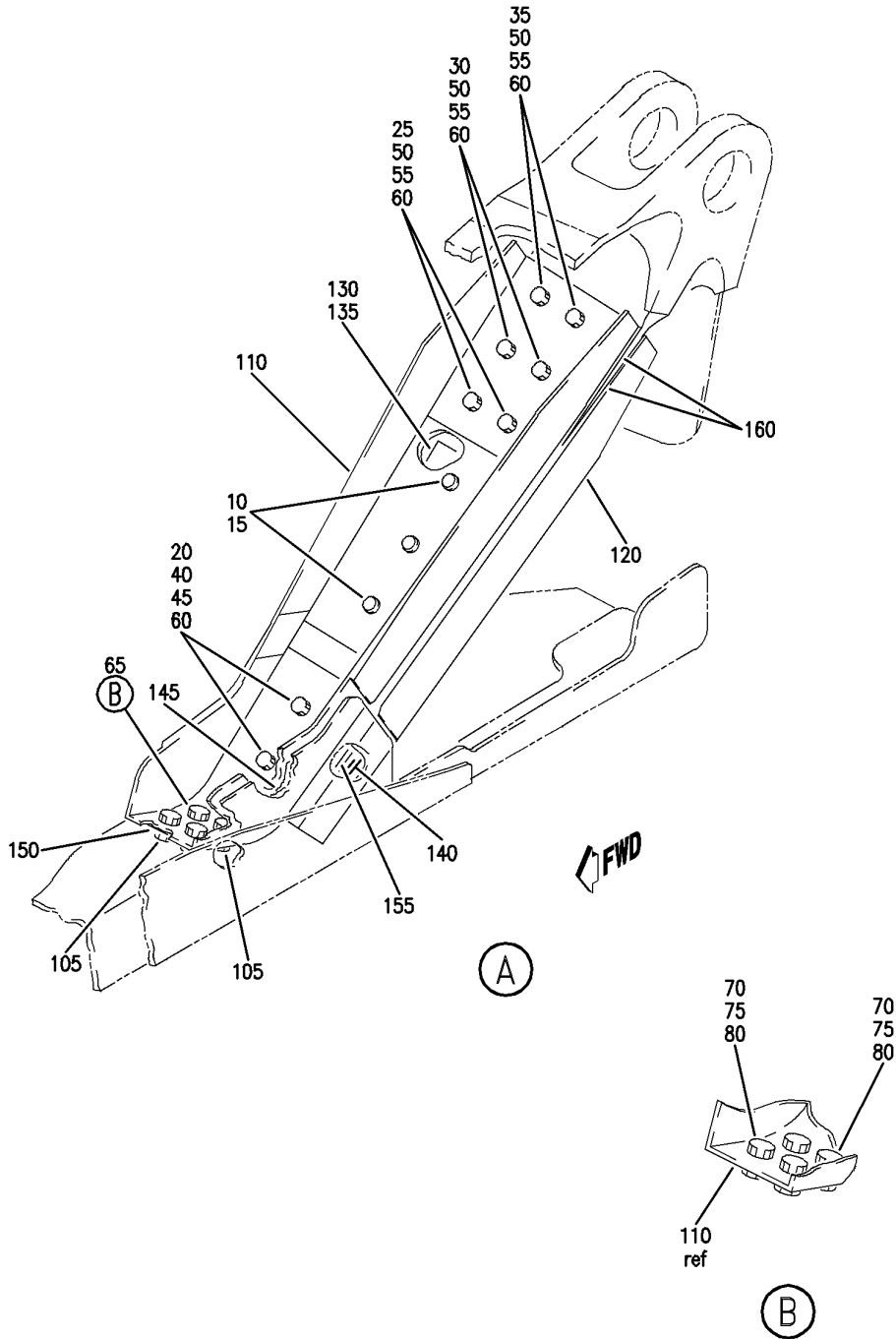
CHORD INSTL-RB211 NAC STRUT MID
FIGURE 5 (SHEET 1)

54-51-53-05

BRI
MAY 28/07

54-51-53-05
PAGE 0

BOEING
757
PARTS CATALOG (MAINTENANCE)



Y 54515305 SH1 2 REV 226

CHORD INSTL-RB211 NAC STRUT MID
FIGURE 5 (SHEET 2)

54-51-53-05

BRI
MAY 28/07

54-51-53-05
PAGE 0A



757

PARTS CATALOG (MAINTENANCE)

FIG ITEM	PART NUMBER	1 2 3 4 5 6 7	NOMENCLATURE	EFFECT FROM TO	UNITS PER ASSY
5			CHORD INSTL-RB211 NAC STRUT MID	002004 006100 103503 904999	
- 1	311N5071-45		CHORD INSTL-RB211 NAC STRUT POSITION DATA: MID LH FOR NHA SEE: 54-51-61-01 54-00-00-04	002004 006100 103503 904999	RF
- 5	311N5071-46		CHORD INSTL-RB211 NAC STRUT POSITION DATA: MID RH FOR NHA SEE: 54-51-61-01 54-00-00-04	002004 006100 103503 904999	RF
10	HL1012AZ12-13		.BOLT SUPPLIER CODE: VOPTK6 SPECIFICATION NUMBER: BACB30NX12K13 OPTIONAL PART: HL12VAZ12-13 V73197 HL12VAZ12-13 V92215 HL12VAZ12-13 V97928 L802-12K13 V06725 HL12VAZ12-13 V56878 HL1012AZ12-13 V06725 HL1012AZ12-13 V06950 HL1012AZ12-13 V17446 HL1012AZ12-13 V56878 HL1012AZ12-13 V60516 HL1012AZ12-13 V73197 HL1012AZ12-13 V97928	002004 006100 103503 904999	3

MISSING ITEM NUMBERS NOT APPLICABLE

- ITEM NOT ILLUSTRATED

54-51-53-05

54-51-53
FIG. 05
PAGE 1
JAN 20/09

BRI



757

PARTS CATALOG (MAINTENANCE)

FIG ITEM	PART NUMBER	1 2 3 4 5 6 7	NOMENCLATURE	EFFECT FROM TO	UNITS PER ASSY
5	15 HL1187-12	.COLLAR	SUPPLIER CODE: V5M902 SPECIFICATION NUMBER: BACC30X12 OPTIONAL PART: HL1187-12 V73197 HL1187-12 V56878 HL1187-12 V92215 HL1187-12 V92215 HL87-12 V56878 HL87-12 V73197	002004 006100 103503 904999	3
	15 HL1087-12	.COLLAR	SUPPLIER CODE: V9N513 SPECIFICATION NUMBER: BACC30BH12 OPTIONAL PART: HL1087-12 V92215 HL1087-12 V73197 HL1087-12 V56878	002004 006100 103503 904999	3
20	BACB30US8K18	.BOLT		002004 006100 103503 904999	2
25	BACB30US8K24	.BOLT		002004 006100 103503 904999	2
30	BACB30US8K26	.BOLT		002004 006100 103503 904999	2
35	BACB30US8K28	.BOLT		002004 006100 103503 904999	2

MISSING ITEM NUMBERS NOT APPLICABLE

- ITEM NOT ILLUSTRATED

54-51-53-05

54-51-53
FIG. 05
PAGE 2
JAN 20/09

BRI

BOEING PROPRIETARY - Copyright © - Unpublished Work - See title page for details.



757

PARTS CATALOG (MAINTENANCE)

FIG ITEM	PART NUMBER	1 2 3 4 5 6 7	NOMENCLATURE	EFFECT FROM TO	UNITS PER ASSY
5	40	BACW10BN8UC	. WASHER	002004 006100 103503 904999	2
	45	BACW10BN8UP	. WASHER	002004 006100 103503 904999	2
	50	K29913-8NF	. WASHER SUPPLIER CODE: V15653 SPECIFICATION NUMBER: BACW10CA8CCU OPTIONAL PART: 70191-8U V56878 922010-8 V60119 942010-8 V60119	002004 006100 103503 904999	12
	55	K29646-8NF	. WASHER SUPPLIER CODE: V15653 SPECIFICATION NUMBER: BACW10CA8CVU OPTIONAL PART: 70188-8U V56878 922009-8 V60119 942009-8 V60119	002004 006100 103503 904999	12

MISSING ITEM NUMBERS NOT APPLICABLE

- ITEM NOT ILLUSTRATED

54-51-53-05

54-51-53
FIG. 05
PAGE 3
JAN 20/09

BRI



757

PARTS CATALOG (MAINTENANCE)

FIG ITEM	PART NUMBER	1 2 3 4 5 6 7	NOMENCLATURE	EFFECT FROM TO	UNITS PER ASSY
5	60	BMN10HRCPD3-8	.NUT SUPPLIER CODE: V97928 SPECIFICATION NUMBER: BACN10HR8CS OPTIONAL PART: H39953-8 V15653 109LH9031-8 V72962 67832AS820 V56878 BH00303-8 V27238 BH003038 V27238 BMN5024CPD38 V97928 CR59088 V62554 SL705098 V11815 109LH90318 V72962 67832AS8 V56878	002004 006100 103503 904999	8
	65	311N5071-52	.SUB KIT- OPTIONAL PART: 311N5071-51	002004 006100 103503 904999	4
	70	BACB30US5K18	..BOLT	002004 006100 103503 904999	1
	75	BACW10BN5UC	..WASHER	002004 006100 103503 904999	1
	80	BACW10BN5UP	..WASHER	002004 006100 103503 904999	1
-	85	311N5071-51	.SUB KIT- OPTIONAL PART: 311N5071-52	002004 006100 103503 904999	4

MISSING ITEM NUMBERS NOT APPLICABLE

- ITEM NOT ILLUSTRATED

54-51-53-05

54-51-53
FIG. 05
PAGE 4
JAN 20/09

BRI



757

PARTS CATALOG (MAINTENANCE)

FIG ITEM	PART NUMBER	1 2 3 4 5 6 7	NOMENCLATURE	EFFECT FROM TO	UNITS PER ASSY
5					
- 90	BACB30US5K22	. .	BOLT	002004 006100 103503 904999	1
- 95	K29913-5NF	. .	WASHER SUPPLIER CODE: V15653 SPECIFICATION NUMBER: BACW10CA5CCU OPTIONAL PART: 70191-5U V56878 922010-5 V60119 942010-5 V60119	002004 006100 103503 904999	2
- 100	K29646-5NF	. .	WASHER SUPPLIER CODE: V15653 SPECIFICATION NUMBER: BACW10CA5CVU OPTIONAL PART: 70188-5U V56878 922009-5 V60119 942009-5 V60119	002004 006100 103503 904999	2

MISSING ITEM NUMBERS NOT APPLICABLE

- ITEM NOT ILLUSTRATED

54-51-53-05

54-51-53
FIG. 05
PAGE 5
JAN 20/09

BRI



757

PARTS CATALOG (MAINTENANCE)

FIG ITEM	PART NUMBER	1 2 3 4 5 6 7	NOMENCLATURE	EFFECT FROM TO	UNITS PER ASSY
5 105	BH003035	.	NUT SUPPLIER CODE: V27238 SPECIFICATION NUMBER: BACN10HR5CS OPTIONAL PART: H39953-5 V15653 109LH9031-5 V72962 67832AS524 V56878 BH00303-5 V27238 SL7059C524 V11815 BMN5024CPD35 V97928 CR59085 V62554 SL705095 V11815 109LH90315 V72962 67832AS5 V56878 BMN10HRRCPD3-5 V97928	002004 006100 103503 904999	4
110	311N5071-47	.	FITTING- POSITION DATA: LH SIDE	002004 006100 103503 904999	1
- 115	311N5071-48	.	FITTING- POSITION DATA: RH SIDE OPTIONAL PART: 311N5071-42	002004 006100 103503 904999	1
- 115	311N5071-42	.	FITTING- POSITION DATA: RH SIDE OPTIONAL PART: 311N5071-48	002004 006100 103503 904999	1
120	311N5071-49	.	CHANNEL- POSITION DATA: LH SIDE	002004 006100 103503 904999	1

MISSING ITEM NUMBERS NOT APPLICABLE

- ITEM NOT ILLUSTRATED

54-51-53-05

54-51-53
FIG. 05
PAGE 6
JAN 20/09

BRI



757

PARTS CATALOG (MAINTENANCE)

FIG ITEM	PART NUMBER	1 2 3 4 5 6 7	NOMENCLATURE	EFFECT FROM TO	UNITS PER ASSY
5					
- 125	311N5071-50		.CHANNEL- POSITION DATA: RH SIDE OPTIONAL PART: 311N5071-40	002004 006100 103503 904999	1
- 125	311N5071-40		.CHANNEL- POSITION DATA: RH SIDE OPTIONAL PART: 311N5071-50	002004 006100 103503 904999	1
130	BACF3F015T060AN		.FILLER	002004 006100 103503 904999	1
135	BACS40R015C060P		.SHIM	002004 006100 103503 904999	AR
140	BACS40R015W040		.SHIM	002004 006100 103503 904999	AR
145	BACS40R015W045		.SHIM	002004 006100 103503 904999	AR
150	BACS40R020W030		.SHIM	002004 006100 103503 904999	AR
155	BACS40R025W040		.SHIM	002004 006100 103503 904999	AR
160	BACS40R033W045		.SHIM	002004 006100 103503 904999	AR

MISSING ITEM NUMBERS NOT APPLICABLE

- ITEM NOT ILLUSTRATED

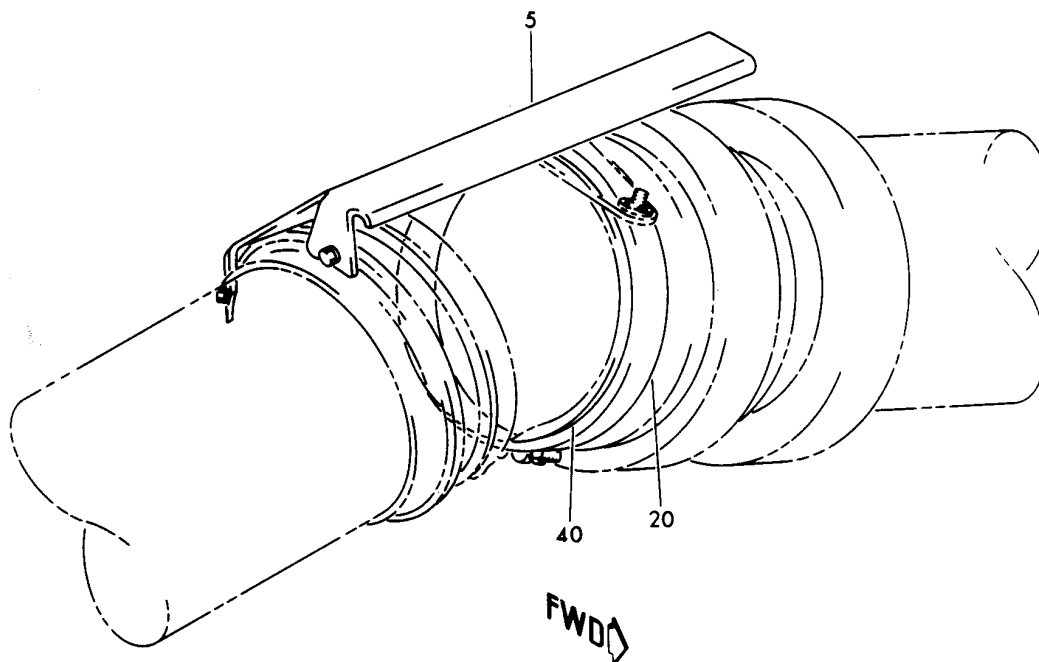
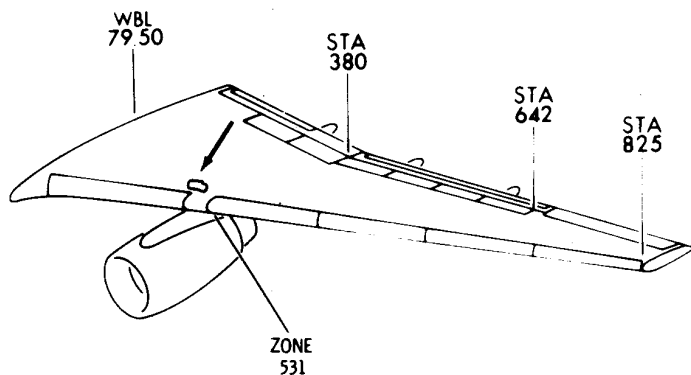
54-51-53-05

54-51-53
FIG. 05
PAGE 7
JAN 20/09

BRI

BOEING PROPRIETARY - Copyright © - Unpublished Work - See title page for details.

BOEING
757
PARTS CATALOG (MAINTENANCE)



Y 54515401 SH1 1 REV 005

BRACKET INSTL-STRUT/WING LE ELECTRICAL WIRE SPRT (LH)
FIGURE 1

54-51-54-01

BRI
MAY 28/07

54-51-54-01
PAGE 0



757

PARTS CATALOG (MAINTENANCE)

FIG ITEM	PART NUMBER	1 2 3 4 5 6 7	NOMENCLATURE	EFFECT FROM TO	UNITS PER ASSY
1			BRACKET INSTL-STRUT/WING LE ELECTRICAL WIRE SPRT (LH)	002004 006999	
- 1	312N5830-1		BRACKET INSTL-STRUT/WING LE ELECTRICAL WIRE SPRT (LH)	002004 006100 107107	RF
- 1	312N5830-3		FOR NHA SEE: 54-51-51-01	121503 904999	
- 1	312N5830-3		BRACKET INSTL-STRUT/WING LE ELECTRICAL WIRE SPRT (LH)	101102 108120 504903	RF
- 1	MODREF14264		BRACKET INSTL-STRUT/WING LE ELECTRICAL WIRE SPRT (LH)	103106	1
			MODULE NUMBER: 312N5830-3 REV A		
5	312N5829-7		.BRACKET ASSY- OPTIONAL PART: 312N5829-9	002004 006100 107107 121503 904999	1
5	312N5829-9		.BRACKET ASSY- OPTIONAL PART: 312N5829-7	002004 006999	1
- 10	NAS6703U2		ATTACHING PARTS .BOLT	002004 006999	2
- 15	AN960C10L		.WASHER	002004 006999	2
			-----*-----		
20	BACC10AD506AL		.CLAMP	002004 006999	1

MISSING ITEM NUMBERS NOT APPLICABLE

- ITEM NOT ILLUSTRATED

BRI

54-51-54-01

BOEING PROPRIETARY - Copyright © - Unpublished Work - See title page for details.

54-51-54
FIG. 01
PAGE 1
JAN 20/09



757

PARTS CATALOG (MAINTENANCE)

FIG ITEM	PART NUMBER	1 2 3 4 5 6 7	NOMENCLATURE	EFFECT FROM TO	UNITS PER ASSY
1			ATTACHING PARTS		
- 25	BRH10C4M		.NUT SUPPLIER CODE: V52828 SPECIFICATION NUMBER: BACN10JC4CM OPTIONAL PART: T6C428JM V11815 97E48 V80539 109LH9075-4W V72962 VN303D048 V92215 H01-4BAC V15653 NS202101SE048 V80539	002004 006999	2
- 30	NAS1149C0463R		.WASHER-	002004 006999	2
- 35	NAS1149C0663R		.WASHER-	002004 006999	2
40	312N5830-2		-----*----- .CUSHION	002004 006999	1

MISSING ITEM NUMBERS NOT APPLICABLE

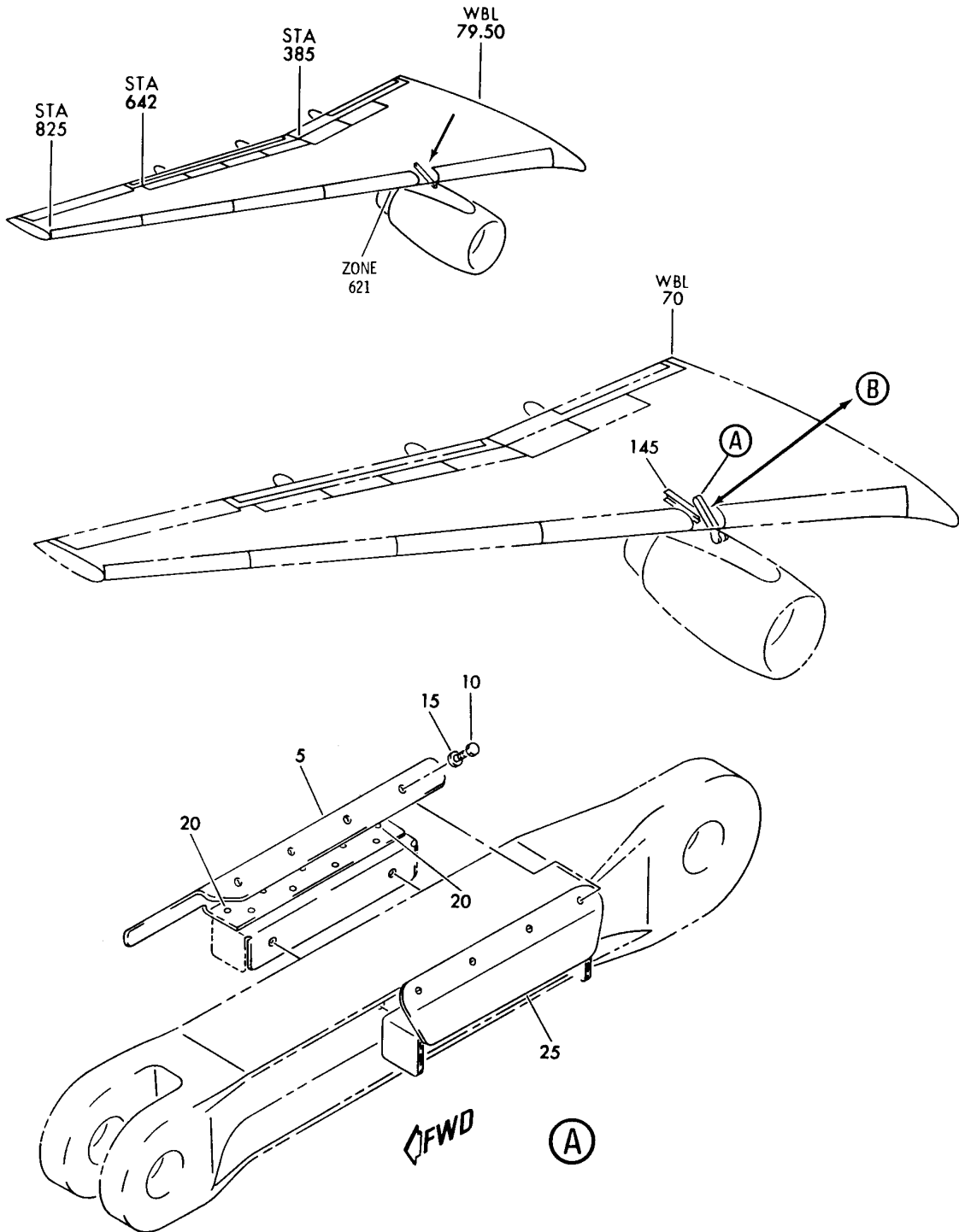
- ITEM NOT ILLUSTRATED

54-51-54-01

54-51-54
FIG. 01
PAGE 2
JAN 20/09

BRI

BOEING
757
PARTS CATALOG (MAINTENANCE)



Y 54515402 SHT 1 REV 183

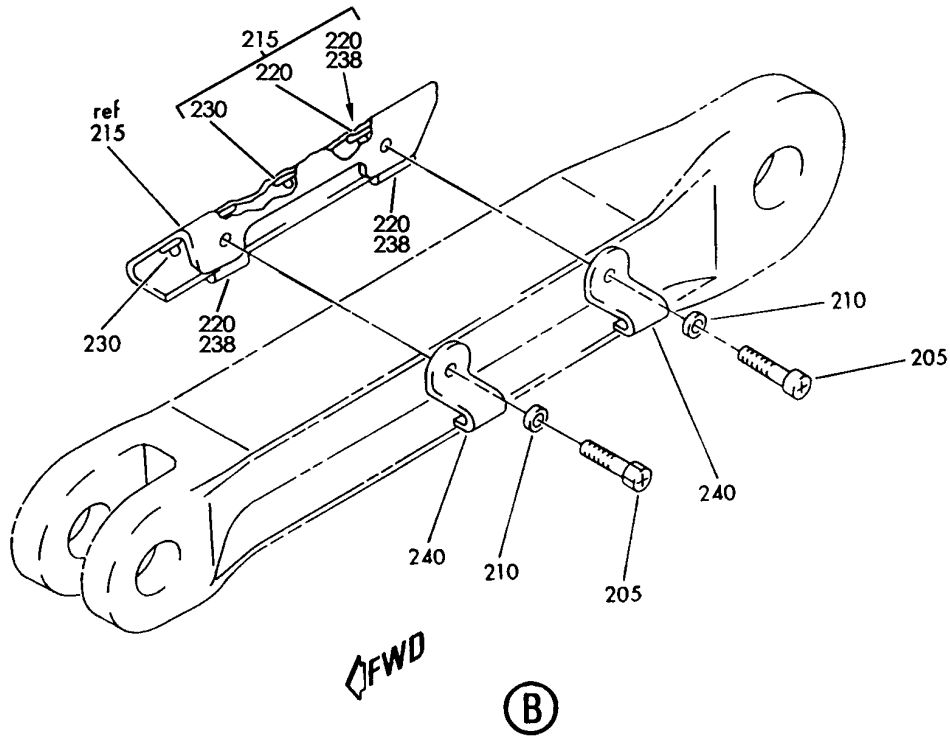
BRACKET INSTL-STRUT WING LE WIRING SPRT RH
FIGURE 2 (SHEET 1)

54-51-54-02

BRI
MAY 28/07

54-51-54-02
PAGE 0

BOEING
757
PARTS CATALOG (MAINTENANCE)



Y 54515402 SHT 2 REV 206

BRACKET INSTL-STRUT WING LE WIRING SPRT RH
FIGURE 2 (SHEET 2)

54-51-54-02

BRI
MAY 28/07

54-51-54-02
PAGE 0A



**757
PARTS CATALOG (MAINTENANCE)**

FIG ITEM	PART NUMBER	1 2 3 4 5 6 7	NOMENCLATURE	EFFECT FROM TO	UNITS PER ASSY
2			BRACKET INSTL-STRUT WING LE WIRING SPRT RH	002004 006999	
- 1	312N5831-7		BRACKET INSTL-STRUT WING LE WIRING SPRT POSITION DATA: RH FOR NHA SEE: 54-51-51-01	002004 006100 107107 121503 904999	RF
	5 312N5854-1		.BRACKET ASSY-	002004 006100 107107 121503 904999	1
	10 NAS6703A2		ATTACHING PARTS .BOLT-	002004 006100 107107 121503 904999	4
	15 AN960PD10L		.WASHER	002004 006100 107107 121503 904999	4
	20 BACR15BB5AD		.RIVET- SIZE DETERMINED ON INSTL.	002004 006100 107107 121503 904999	9
	25 312N5831-4		-----*----- .BRACKET ASSY	002004 006100 107107 121503 904999	1
- 30	NAS6704A7		ATTACHING PARTS .BOLT	002004 006100 107107 121503 904999	2
- 35	AN960PD416		.WASHER	002004 006100 107107 121503 904999	2

MISSING ITEM NUMBERS NOT APPLICABLE

- ITEM NOT ILLUSTRATED

54-51-54-02

54-51-54
FIG. 02
PAGE 1
JAN 20/09

BRI



757

PARTS CATALOG (MAINTENANCE)

FIG ITEM	PART NUMBER	1 2 3 4 5 6 7	NOMENCLATURE	EFFECT FROM TO	UNITS PER ASSY
2					
- 40	BRH10C4D		.NUT SUPPLIER CODE: V52828 SPECIFICATION NUMBER: BACN10JC4CD OPTIONAL PART: T6C428JCD V11815 NS202486-048 V80539 102LH9075-4W V72962 H51650-4BAC V15653 -----*-----	002004 006100 107107 121503 904999	2
45	312N5831-6		.BRACKET	002004 006100 107107 121503 904999	1
- 140	312N5833-5		BRACKET INSTL-STRUT WING LE WIRING SPRT POSITION DATA: RH FOR NHA SEE: 54-51-51-01	002004 006007 107107 121503 904949 952952	RF
- 140	312N5833-6		BRACKET INSTL-STRUT WING LE WIRING SPRT POSITION DATA: RH	101102 108120 504903	RF
- 140	MODREF14267		BRACKET INSTL-STRUT WING LE WIRING SPRT MODULE NUMBER: 312N5833-6 REV A POSITION DATA: RH	103106	1
145	312N5853-1		.BRACKET ASSY- ATTACHING PARTS	002004 006999	1
- 150	NAS6703A3		.BOLT	002004 006999	4
- 155	AN960PD10L		.WASHER	002004 006100 107107 121503 904999	8
- 155	NAS1149D0332J		.WASHER	101106 108120 504903	8

MISSING ITEM NUMBERS NOT APPLICABLE

- ITEM NOT ILLUSTRATED

54-51-54-02

54-51-54
FIG. 02
PAGE 2
JAN 20/09

BRI

 **BOEING**
757
PARTS CATALOG (MAINTENANCE)

FIG ITEM	PART NUMBER	1 2 3 4 5 6 7	NOMENCLATURE	EFFECT FROM TO	UNITS PER ASSY
2 - 160	BRH10A3	.NUT	SUPPLIER CODE: V52828 SPECIFICATION NUMBER: BACN10JC3 OPTIONAL PART: H10-3BAC V15653 NS202101-02 V80539 RMLH9075-3W V72962 VN303A02 V92215 96-02 V80539 T6S1032J V11815	002004 006100 107107 121503 904999	4
- 160	PLH53CD	.NUT	SUPPLIER CODE: VF0224 SPECIFICATION NUMBER: BACN10YR3CD OPTIONAL PART: H52732-3CD V15653	101106 108120 504903	4
- 200	312N5831-9	-----*-----	BRACKET INSTL-STRUT WING LE WIRING SPRT POSITION DATA: RH	101102 108120 504903	RF
- 200	MODREF14266		BRACKET INSTL-STRUT WING LE WIRING SPRT MODULE NUMBER: 312N5831-9 REV A POSITION DATA: RH	103106	1
205	NAS1802-3-10	.SCREW		101106 108120 504903	2
210	NAS1149C0363R	.WASHER		101106 108120 504903	2
215	312N5831-10	.BRACKET ASSY		101106 108120 504903	1

MISSING ITEM NUMBERS NOT APPLICABLE

- ITEM NOT ILLUSTRATED

BRI

54-51-54-02

BOEING PROPRIETARY - Copyright © - Unpublished Work - See title page for details.

54-51-54
FIG. 02
PAGE 3
JAN 20/09



757

PARTS CATALOG (MAINTENANCE)

FIG ITEM	PART NUMBER	1 2 3 4 5 6 7	NOMENCLATURE	EFFECT FROM TO	UNITS PER ASSY
2 220	BRF200C3M		..NUTPLATE SUPPLIER CODE: V52828 SPECIFICATION NUMBER: BACN10JR3CFM OPTIONAL PART: F5001-3BAC V15653 NS103203SE02 V80539 VN152D1-02 V92215 109F9201-3 V72962 T8092C1032 V11815 ATTACHING PARTS	101106 108120 504903	1
- 225	BACR15CE3M		..RIVET- SIZE DETERMINED ON INSTL.	101106 108120 504903	2
			-----*-----		
230	109F9221-3		..NUTPLATE SUPPLIER CODE: V72962 SPECIFICATION NUMBER: BACN10JZ3A4CM OPTIONAL PART: F39044-3BAC V15653 NS103224SEA02 V80539 ATTACHING PARTS	101106 108120 504903	3
- 235	BACR15CE3M		..RIVET- SIZE DETERMINED ON INSTL.	101106 108120 504903	6
			-----*-----		
240	312N5832-10		.CLAMP ASSY	101106 108120 504903	2

MISSING ITEM NUMBERS NOT APPLICABLE

- ITEM NOT ILLUSTRATED

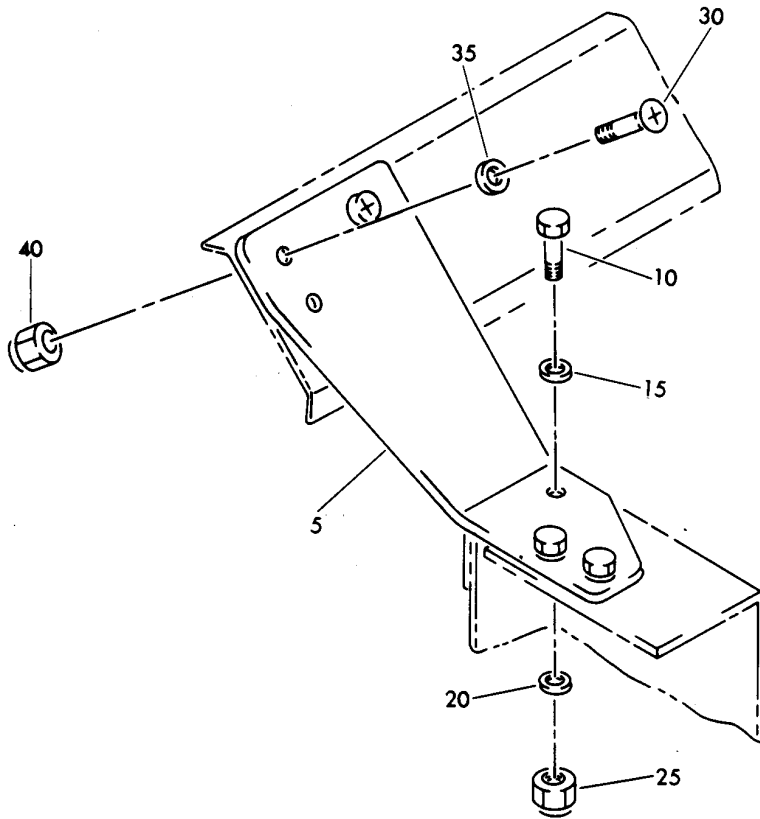
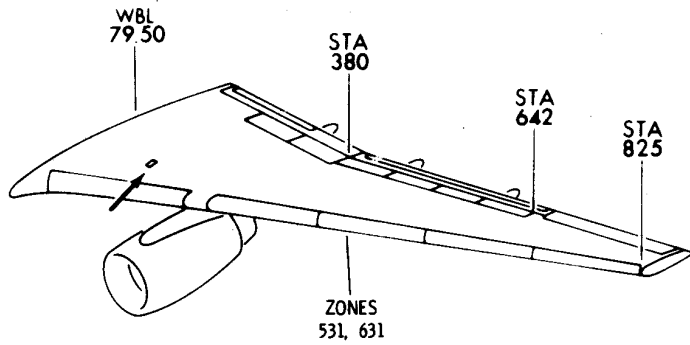
54-51-54-02

54-51-54
FIG. 02
PAGE 4
JAN 20/09

BRI

BOEING PROPRIETARY - Copyright © - Unpublished Work - See title page for details.

BOEING
757
PARTS CATALOG (MAINTENANCE)



Y 54515403 SMT 1 REV 010

BRACKET INSTL-STRUT/WING LE ELECTRICAL WIRE SPRT (LH)
FIGURE 3

54-51-54-03

BRI
MAY 28/07

54-51-54-03
PAGE 0



757

PARTS CATALOG (MAINTENANCE)

FIG ITEM	PART NUMBER	1 2 3 4 5 6 7	NOMENCLATURE	EFFECT FROM TO	UNITS PER ASSY
3			BRACKET INSTL-STRUT/WING LE	002004	
			ELECTRICAL WIRE SPRT (LH)	006999	
- 1	312N5834-1		BRACKET INSTL-STRUT/WING LE	002004	RF
			ELECTRICAL WIRE SPRT	006999	
			POSITION DATA:		
			LH		
			FOR NHA SEE:		
			54-51-51-01		
			54-00-00-06A		
5	312N5835-3		.BRACKET	002004	1
				006999	
			ATTACHING PARTS		
10	NAS6703A3		.BOLT	002004	3
				006999	
15	AN960C10L		.WASHER	002004	2
				006999	
20	AN960PD10L		.WASHER	002004	2
				006999	
25	BRH10C3D		.NUT	002004	3
			SUPPLIER CODE:	006999	
			V52828		
			SPECIFICATION NUMBER:		
			BACN10JC3CD		
			OPTIONAL PART:		
			T6C1032JCD		
			V11815		
			NS202486-02		
			V80539		
			102LH9075-3W		
			V72962		
			H51650-3BAC		
			V15653		
30	BACB30LR3K3		.BOLT-	002004	2
				006999	
35	AN960PD10		.WASHER	002004	2
				006999	

MISSING ITEM NUMBERS NOT APPLICABLE

- ITEM NOT ILLUSTRATED

54-51-54-03

54-51-54
FIG. 03
PAGE 1
JAN 20/09

BRI



757

PARTS CATALOG (MAINTENANCE)

FIG ITEM	PART NUMBER	1 2 3 4 5 6 7	NOMENCLATURE	EFFECT FROM TO	UNITS PER ASSY
3 40	BRH10A3		.NUT SUPPLIER CODE: V52828 SPECIFICATION NUMBER: BACN10JC3 OPTIONAL PART: H10-3BAC V15653 NS202101-02 V80539 RMLH9075-3W V72962 VN303A02 V92215 96-02 V80539 T6S1032J V11815 -----*-----	002004 006999	2

MISSING ITEM NUMBERS NOT APPLICABLE

- ITEM NOT ILLUSTRATED

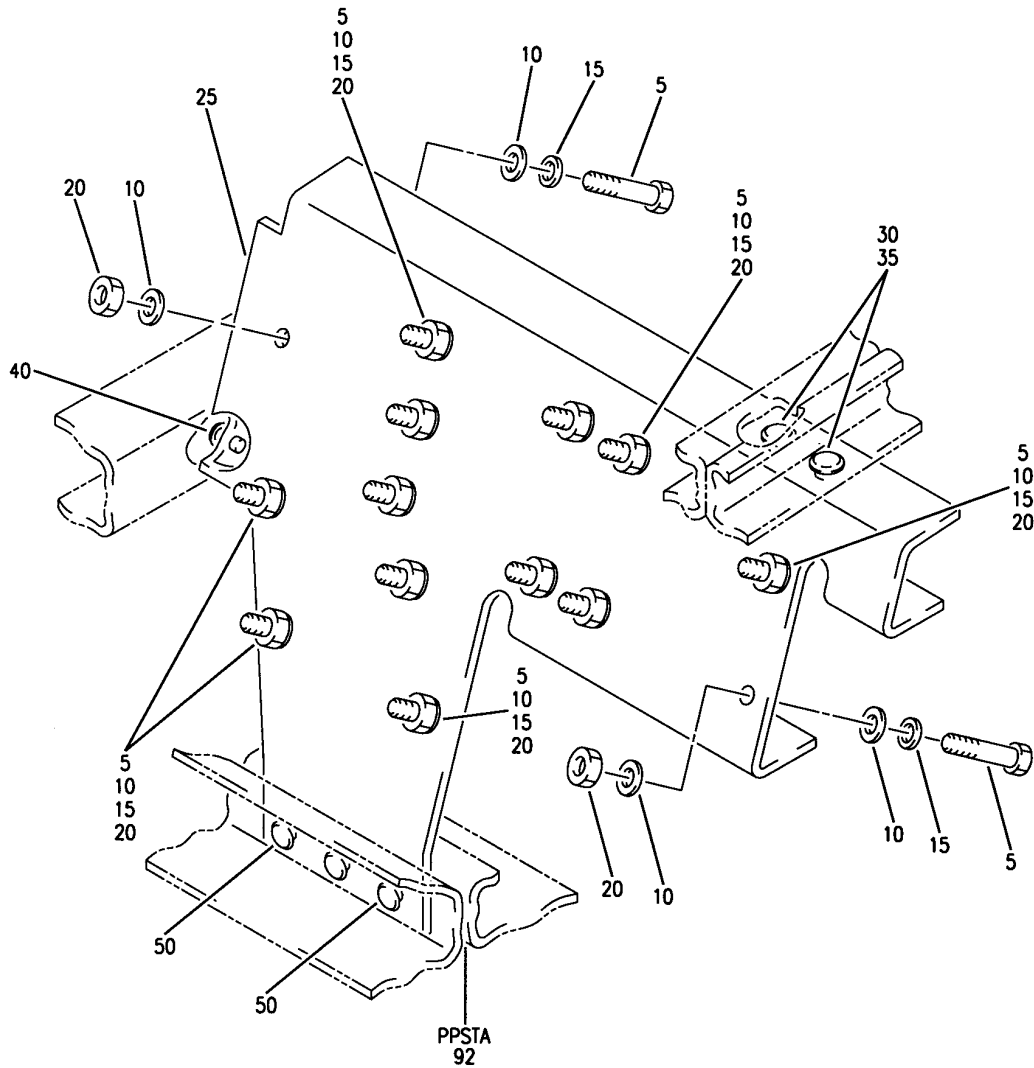
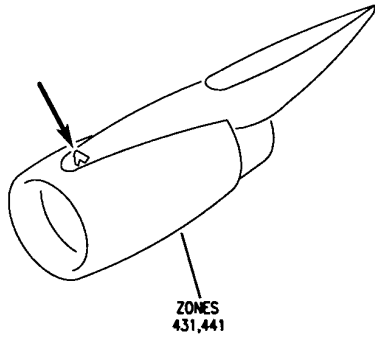
BRI

54-51-54-03

BOEING PROPRIETARY - Copyright © - Unpublished Work - See title page for details.

54-51-54
FIG. 03
PAGE 2
SEP 20/08

BOEING
757
PARTS CATALOG (MAINTENANCE)



Y 54515404 REV 205

BRACKET INSTL-ELECTRICAL WIRE SPRT
FIGURE 4

54-51-54-04

BRI
MAY 28/07

54-51-54-04
PAGE 0



757

PARTS CATALOG (MAINTENANCE)

FIG ITEM	PART NUMBER	1 2 3 4 5 6 7	NOMENCLATURE	EFFECT FROM TO	UNITS PER ASSY
4			BRACKET INSTL-ELECTRICAL WIRE SPRT	101106 108120 504903	
- 1	312N5841-7		BRACKET INSTL-ELECTRICAL WIRE SPRT POSITION DATA: ENG POS 1 AND 2 FOR NHA SEE: 54-00-00-06A	101106 108120 504903	RF
	5 NAS1801-3-12		.SCREW	101106 108120 504903	14
	10 NAS1149D0316H		.WASHER	101106 108120 504903	28
	15 MS35338-43		.WASHER	101106 108120 504903	14
	20 MS35650-305S		.NUT	101106 108120 504903	14
	25 312N5864-3		.BRACKET ASSY	101106 108120 504903	1

MISSING ITEM NUMBERS NOT APPLICABLE

- ITEM NOT ILLUSTRATED

54-51-54-04

54-51-54
FIG. 04
PAGE 1
JAN 20/09

BRI



757

PARTS CATALOG (MAINTENANCE)

FIG ITEM	PART NUMBER	1 2 3 4 5 6 7	NOMENCLATURE	EFFECT FROM TO	UNITS PER ASSY
4			ATTACHING PARTS		
30	HL1012AZ6-1		.BOLT SUPPLIER CODE: V97928 SPECIFICATION NUMBER: BACB30NX6K1 OPTIONAL PART: HL12VAZ6-1 V73197 HL12VAZ6-1 V92215 HL12VAZ6-1 V97928 L802-6K1 V06725 HL12VAZ6-1 V56878 HL1012AZ6-1 V0PTK6 HL1012AZ6-1 V06725 HL1012AZ6-1 V06950 HL1012AZ6-1 V17446 HL1012AZ6-1 V56878 HL1012AZ6-1 V60516 HL1012AZ6-1 V73197	101106 108120 504903	2
35	HL1187-6		.COLLAR SUPPLIER CODE: V5M902 SPECIFICATION NUMBER: BACC30X6 OPTIONAL PART: HL87-6 V92215 HL87-6 V73197 HL1187-6 V56878 HL1187-6 V92215 HL87-6 V56878 HL1187-6 V73197	101106 108120 504903	2

MISSING ITEM NUMBERS NOT APPLICABLE

- ITEM NOT ILLUSTRATED

54-51-54-04

54-51-54
FIG. 04
PAGE 2
JAN 20/09

BRI



757

PARTS CATALOG (MAINTENANCE)

FIG ITEM	PART NUMBER	1 2 3 4 5 6 7	NOMENCLATURE	EFFECT FROM TO	UNITS PER ASSY
4	40 BACR15FT5KE		.RIVET- SIZE DETERMINED ON INSTL.	101106 108120 504903	1
	50 MS20615-6M		.RIVET- SIZE DETERMINED ON INSTL. -----*-----	101106 108120 504903	3

MISSING ITEM NUMBERS NOT APPLICABLE

- ITEM NOT ILLUSTRATED

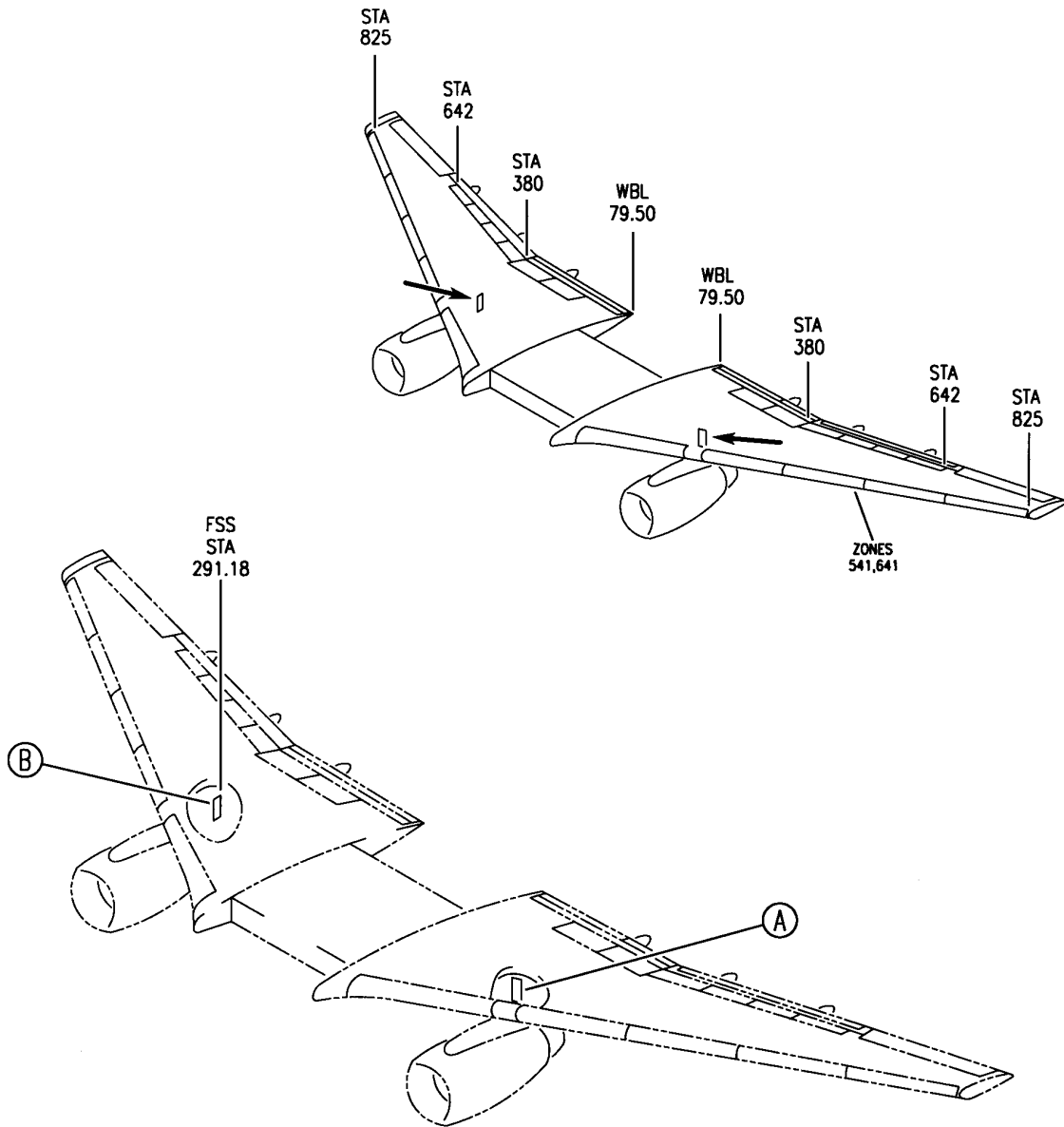
BRI

54-51-54-04

BOEING PROPRIETARY - Copyright © - Unpublished Work - See title page for details.

54-51-54
FIG. 04
PAGE 3
JAN 20/09

BOEING
757
PARTS CATALOG (MAINTENANCE)



Y 54515405 SHT 1 REV 205

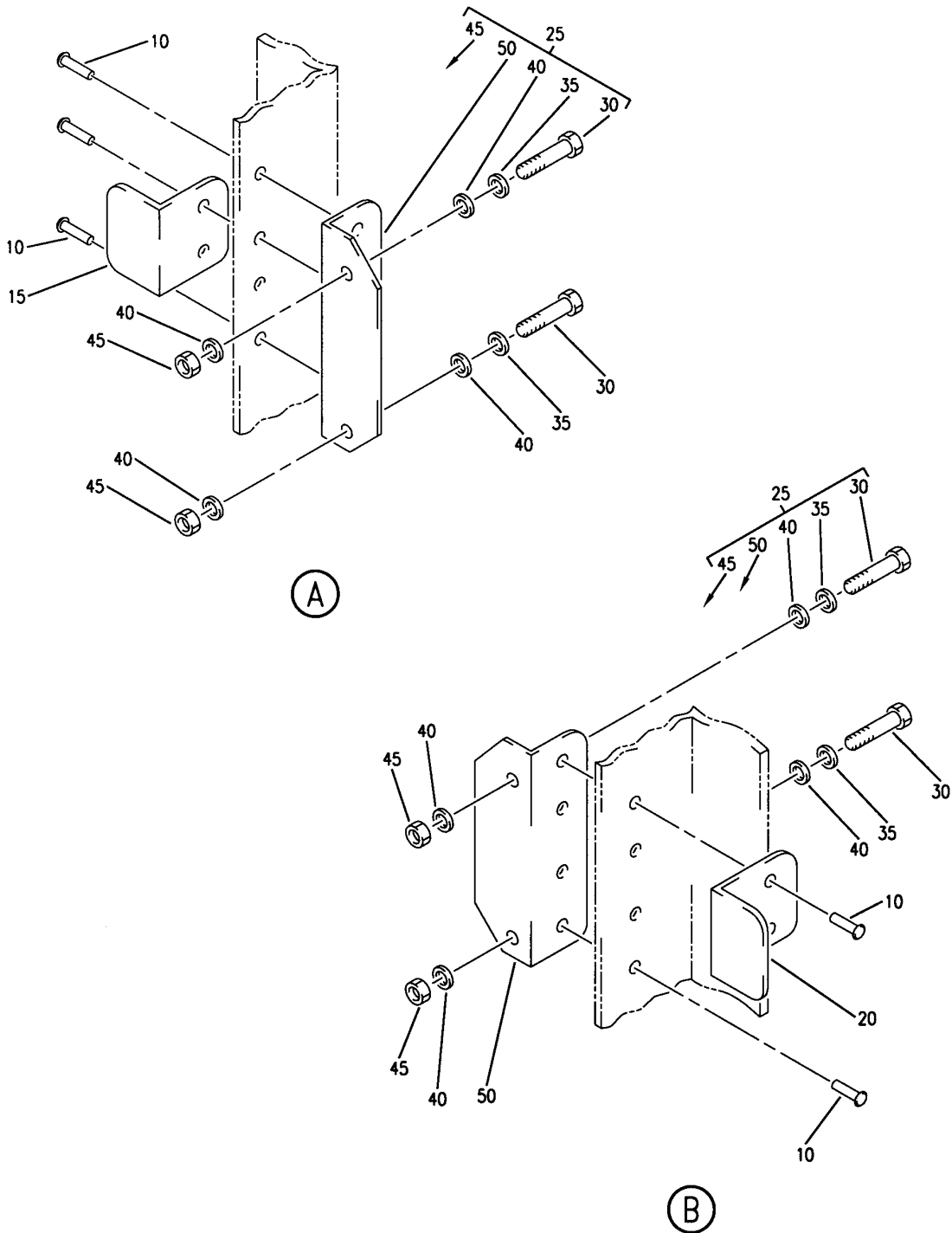
BRACKET INSTL-ELEC WIRE SUPPORT FRONT SPAR,WING
FIGURE 5 (SHEET 1)

54-51-54-05

BRI
MAY 28/07

54-51-54-05
PAGE 0

BOEING
757
PARTS CATALOG (MAINTENANCE)



Y 54515405 SHT 2 REV 205

BRACKET INSTL-ELEC WIRE SUPPORT FRONT SPAR, WING
FIGURE 5 (SHEET 2)

54-51-54-05

BRI
MAY 28/07

54-51-54-05
PAGE 0A



757

PARTS CATALOG (MAINTENANCE)

FIG ITEM	PART NUMBER	1 2 3 4 5 6 7	NOMENCLATURE	EFFECT FROM TO	UNITS PER ASSY
5			BRACKET INSTL-ELEC WIRE SUPPORT	101106 108120	
- 1	312N5836-9		FRONT SPAR,WING BRACKET INSTL-ELEC WIRE SUPPORT	504903 101102 108120	RF
- 1	MODREF14272		POSITION DATA: FRONT SPAR,LH WING FOR NHA SEE: 71-00-00-01A BRACKET INSTL-ELEC WIRE SUPPORT	103106	1
- 5	312N5836-10		MODULE NUMBER: 312N5836-9 REV A POSITION DATA: FRONT SPAR,LH WING BRACKET INSTL-ELEC WIRE SUPPORT	101102 108120	RF
- 5	MODREF14269		POSITION DATA: FRONT SPAR,RH WING FOR NHA SEE: 71-00-00-01A BRACKET INSTL-ELEC WIRE SUPPORT	103106	1
10	BACR15FT5D		MODULE NUMBER: 312N5836-10 REV A POSITION DATA: FRONT SPAR,RH WING .RIVET-	101106 108120	4
15	312N5828-7		SIZE DETERMINED ON INSTL. .BRACKET-	101106	1
20	312N5828-16		POSITION DATA: LH WING .BRACKET-	108120 504903	1
25	312N5812-10		POSITION DATA: RH WING .BRACKET ASSY	101106 108120	2
30	NAS1801-3-12		..SCREW	504903 101106	2
35	MS35338-43		..WASHER	108120 504903	2
40	AN960D10L		..WASHER	101106 108120	4
				504903	

MISSING ITEM NUMBERS NOT APPLICABLE

- ITEM NOT ILLUSTRATED

54-51-54-05

54-51-54
FIG. 05
PAGE 1
JAN 20/09

BRI



757

PARTS CATALOG (MAINTENANCE)

FIG ITEM	PART NUMBER	1 2 3 4 5 6 7	NOMENCLATURE	EFFECT FROM TO	UNITS PER ASSY
5					
45	MS35650-305S	. .	NUT	101106 108120 504903	2
50	312N5812-9	. .	BRACKET	101106 108120 504903	1

MISSING ITEM NUMBERS NOT APPLICABLE

- ITEM NOT ILLUSTRATED

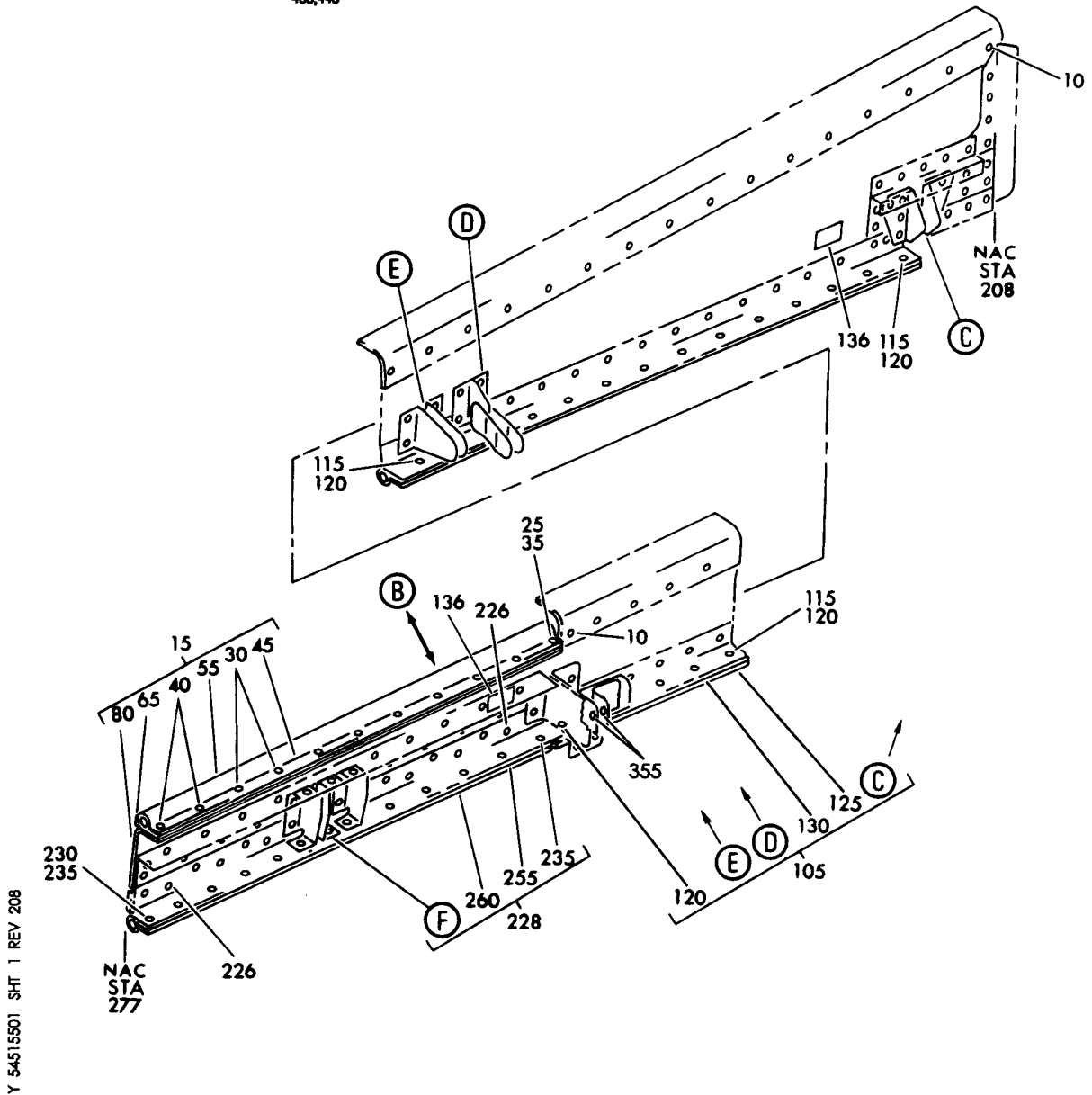
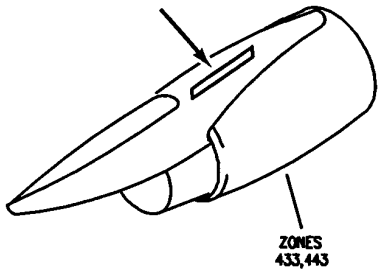
BRI

54-51-54-05

BOEING PROPRIETARY - Copyright © - Unpublished Work - See title page for details.

54-51-54
FIG. 05
PAGE 2
JAN 20/09

BOEING
757
PARTS CATALOG (MAINTENANCE)



Y 54515501 SHT 1 REV 208

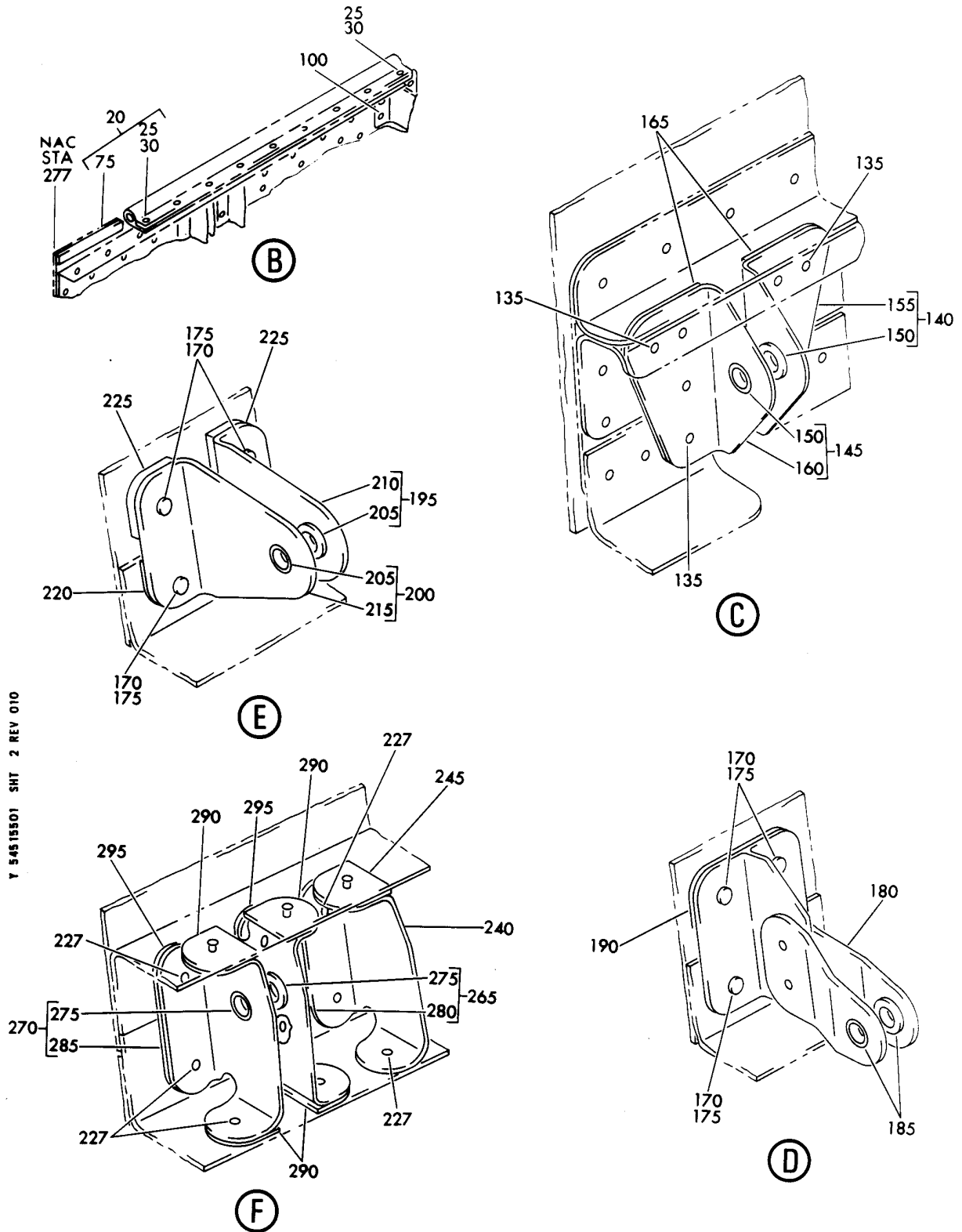
BEAM INSTL-STRUT FAIRING SKIRT AFT
FIGURE 1 (SHEET 1)

54-51-55-01

BRI
MAY 28/07

54-51-55-01
PAGE 0

BOEING
757
PARTS CATALOG (MAINTENANCE)



Y 54515501 SHT 2 REV 010

BEAM INSTL-STRUT FAIRING SKIRT AFT
FIGURE 1 (SHEET 2)

54-51-55-01

BRI
MAY 28/07

54-51-55-01
PAGE 0A

 **BOEING**
757
PARTS CATALOG (MAINTENANCE)

FIG ITEM	PART NUMBER	1 2 3 4 5 6 7	NOMENCLATURE	EFFECT FROM TO	UNITS PER ASSY
1			BEAM INSTL-STRUT FAIRING SKIRT AFT	002004 006999	
- 1	313N5022-1		BEAM INSTL-STRUT FAIRING SKIRT POSITION DATA: AFT LH FOR NHA SEE: 54-52-01-03	002004 006100 107107 121503 904999	RF
- 1	313N5022-89		BEAM INSTL-STRUT FAIRING SKIRT POSITION DATA: AFT LH FOR NHA SEE: 54-00-00-03A	101102 108120 504903	RF
- 1	MODREF14383		BEAM INSTL-STRUT FAIRING SKIRT MODULE NUMBER: 313N5022-89 REV A POSITION DATA: AFT LH	103106	1
- 5	313N5022-2		BEAM INSTL-STRUT FAIRING SKIRT POSITION DATA: AFT RH FOR NHA SEE: 54-52-01-03	002004 006100 107107 121503 904999	RF
- 5	313N5022-90		BEAM INSTL-STRUT FAIRING SKIRT POSITION DATA: AFT RH FOR NHA SEE: 54-00-00-03A	101102 108120 504903	RF
- 5	MODREF14384		BEAM INSTL-STRUT FAIRING SKIRT MODULE NUMBER: 313N5022-90 REV A POSITION DATA: AFT RH	103106	1
10	BACB30NN3K4		.BOLT	002004 006999	21
15	313N5022-8		.SEAL ASSY- POSITION DATA: LH SIDE	002004 006999	1
20	313N5022-9		.SEAL ASSY- POSITION DATA: RH SIDE	002004 006017 107107 121503 904999	1

MISSING ITEM NUMBERS NOT APPLICABLE

- ITEM NOT ILLUSTRATED

BRI

54-51-55-01

54-51-55
FIG. 01
PAGE 1
JAN 20/09

 **BOEING**
757
PARTS CATALOG (MAINTENANCE)

FIG ITEM	PART NUMBER	1 2 3 4 5 6 7	NOMENCLATURE	EFFECT FROM TO	UNITS PER ASSY
1					
20	313N5022-88	.	SEAL ASSY- POSITION DATA: RH SIDE	018106 108120 504903	1
25	NAS601-7P	..	SCREW-	002004 006999	9
30	BRH10C06D	..	NUT SUPPLIER CODE: V52828 SPECIFICATION NUMBER: BACN10JC06CD OPTIONAL PART: T6C632JCD V11815 NS202486-62 V80539 102LH9075-62W V72962 H51650-06BAC V15653	002004 006999	9
35	NAS601-7P	..	SCREW- POSITION DATA: LH SIDE	002004 006999	2
40	BRH10C06D	..	NUT- SUPPLIER CODE: V52828 SPECIFICATION NUMBER: BACN10JC06CD OPTIONAL PART: T6C632JCD V11815 NS202486-62 V80539 102LH9075-62W V72962 H51650-06BAC V15653 POSITION DATA: LH SIDE	002004 006999	2
45	313N5022-51	..	RETAINER- POSITION DATA: LH SIDE	002004 006999	1
- 50	313N5022-52	..	RETAINER- POSITION DATA: RH SIDE	002004 006999	1

MISSING ITEM NUMBERS NOT APPLICABLE

- ITEM NOT ILLUSTRATED

BRI

54-51-55-01

BOEING PROPRIETARY - Copyright © - Unpublished Work - See title page for details.

54-51-55
FIG. 01
PAGE 2
JAN 20/09



757

PARTS CATALOG (MAINTENANCE)

FIG ITEM	PART NUMBER	1 2 3 4 5 6 7	NOMENCLATURE	EFFECT FROM TO	UNITS PER ASSY
1					
55	313N5022-47	..SEAL-	POSITION DATA: LH SIDE MANUFACTURED FROM: SECT. RUBBER F25.01 10-60754-130 X 24.00	002004 006999	1
- 60	313N5022-48	..SEAL-	POSITION DATA: RH SIDE MANUFACTURED FROM: SECT. RUBBER F25.01 10-60754-130 X 19.00	002004 006999	1
65	313N5022-49	..RETAINER-	POSITION DATA: LH SIDE	002004 006999	1
- 70	313N5022-50	..RETAINER-	POSITION DATA: RH SIDE	002004 006999	1
75	313N5022-87	..SEAL-	POSITION DATA: RH SIDE	018106 108120 504903	1
80	313N5022-45	..SUPPORT-	POSITION DATA: LH SIDE	002004 006999	1
- 85	313N5022-46	..SUPPORT-	POSITION DATA: RH SIDE	002004 006999	1
- 90	313N5022-3		BEAM INSTL-STRUT FAIRING SKIRT POSITION DATA: AFT LH FOR NHA SEE: 54-52-01-03	002004 006100 107107 121503 904999	RF
- 90	313N5022-67		BEAM INSTL-STRUT FAIRING SKIRT POSITION DATA: AFT LH FOR NHA SEE: 54-52-01-03	002004 006100 107107 121503 904999	RF
- 90	313N5022-95		BEAM INSTL-STRUT FAIRING SKIRT POSITION DATA: AFT LH FOR NHA SEE: 54-52-01-01	101106 108120 504903	RF

MISSING ITEM NUMBERS NOT APPLICABLE

- ITEM NOT ILLUSTRATED

54-51-55-01

54-51-55
FIG. 01
PAGE 3
JAN 20/09

BRI



757

PARTS CATALOG (MAINTENANCE)

FIG ITEM	PART NUMBER	1 2 3 4 5 6 7	NOMENCLATURE	EFFECT FROM TO	UNITS PER ASSY
1					
- 95	313N5022-4		BEAM INSTL-STRUT FAIRING SKIRT POSITION DATA: AFT RH FOR NHA SEE: 54-52-01-03	002004 006100 107107 121503 904999	RF
- 95	313N5022-68		BEAM INSTL-STRUT FAIRING SKIRT POSITION DATA: AFT RH FOR NHA SEE: 54-52-01-03	002004 006100 107107 121503 904999	RF
- 95	313N5022-96		BEAM INSTL-STRUT FAIRING SKIRT POSITION DATA: AFT RH FOR NHA SEE: 54-52-01-01	101106 108120 504903	RF
100	BACB30NU3K6		.BOLT-	002004 006999	2
105	313N5022-5		.BEAM ASSY- POSITION DATA: LH SIDE USED ON: 313N5022-3	002004 006100 107107 121503 904999	1
105	313N5022-69		.BEAM ASSY- POSITION DATA: LH SIDE USED ON: 313N5022-67	002004 006100 107107 121503 904999	1
105	313N5022-93		.BEAM ASSY- POSITION DATA: LH SIDE USED ON: 313N5022-91 313N5022-95	101106 108120 504903	1
- 110	313N5022-6		.BEAM ASSY- POSITION DATA: RH SIDE USED ON: 313N5022-4	002004 006100 107107 121503 904999	1
- 110	313N5022-70		.BEAM ASSY- POSITION DATA: RH SIDE USED ON: 313N5022-68	002004 006100 107107 121503 904999	1

MISSING ITEM NUMBERS NOT APPLICABLE

- ITEM NOT ILLUSTRATED

54-51-55-01

54-51-55
FIG. 01
PAGE 4
JAN 20/09

BRI



757

PARTS CATALOG (MAINTENANCE)

FIG ITEM	PART NUMBER	1 2 3 4 5 6 7	NOMENCLATURE	EFFECT FROM TO	UNITS PER ASSY
1					
- 110	313N5022-94		.BEAM ASSY- POSITION DATA: RH SIDE USED ON: 313N5022-91 313N5022-95	101106 108120 504903	1
115	NAS601-7P		..SCREW-	002004 006999	19
117	NAS601-10P		..SCREW	002004 006999	1
120	BRH10C06D		..NUT SUPPLIER CODE: V52828 SPECIFICATION NUMBER: BACN10JCO6CD OPTIONAL PART: T6C632JCD V11815 NS202486-62 V80539 102LH9075-62W V72962 H51650-06BAC V15653	002004 006999	20
125	313N5022-35		..RETAINER	002004 006999	1
130	313N5022-34		..SEAL- MANUFACTURED FROM: SECT. RUBBER F25.01 10-60754-36	002004 006999	1
135	BACR15BA6KE		..RIVET- SIZE DETERMINED ON INSTL.	002004 006999	8
136	MS27253F1		..PLATE	002004 006999	1
140	313N5022-18		..BRACKET ASSY	002004 006999	1
145	313N5022-19		..BRACKET ASSY	002004 006999	1
150	BACB28X5M007		...BUSHING	002004 006999	1
155	313N5022-20		...BRACKET- USED ON: 313N5022-18	002004 006999	1
160	313N5022-21		...BRACKET- USED ON: 313N5022-19	002004 006999	1
165	313N5022-15		..SHIM	002004 006999	2

MISSING ITEM NUMBERS NOT APPLICABLE

- ITEM NOT ILLUSTRATED

54-51-55-01

54-51-55
FIG. 01
PAGE 5
JAN 20/09

BRI



757

PARTS CATALOG (MAINTENANCE)

FIG ITEM	PART NUMBER	1 2 3 4 5 6 7	NOMENCLATURE	EFFECT FROM TO	UNITS PER ASSY
1 170	HL13VAZ6-5	..	BOLT SUPPLIER CODE: V56878 SPECIFICATION NUMBER: BACB30NY6K5 OPTIONAL PART: HL13VAZ6-5 V73197 HL13VAZ6-5 V92215 HL13VAZ6-5 V97928 L801-6K5 V06725 HL13VAZ6-5 V60516 L801-6K5 V0PTK6 HL13VAZ6-5 V17446	002004 006999	8
175	HL1187-6	..	COLLAR SUPPLIER CODE: V5M902 SPECIFICATION NUMBER: BACC30X6 OPTIONAL PART: HL87-6 V92215 HL87-6 V73197 HL1187-6 V56878 HL1187-6 V92215 HL87-6 V56878 HL1187-6 V73197	002004 006999	8
180	313N5022-26	..	SUPPORT ASSY	002004 006999	1
185	BACB28X5M007	...	BUSHING	002004 006999	2
190	313N5022-58	..	FILLER	002004 006999	1
195	313N5022-23	..	BRACKET ASSY	002004 006999	1
200	313N5022-22	..	BRACKET ASSY	002004 006999	1

MISSING ITEM NUMBERS NOT APPLICABLE

- ITEM NOT ILLUSTRATED

54-51-55-01

54-51-55
FIG. 01
PAGE 6
SEP 20/08

BRI

 **BOEING**
757
PARTS CATALOG (MAINTENANCE)

FIG ITEM	PART NUMBER	1 2 3 4 5 6 7	NOMENCLATURE	EFFECT FROM TO	UNITS PER ASSY
1					
205	BACB28X5M007	...	BUSHING	002004 006999	1
210	313N5022-25	...	BRACKET- USED ON: 313N5022-23	002004 006999	1
215	313N5022-24	...	BRACKET- USED ON: 313N5022-22	002004 006999	1
220	313N5022-55	..	SHIM	002004 006999	2
225	313N5022-56	..	SHIM	002004 006999	2
226	BACR15CE5KE	..	RIVET- SIZE DETERMINED ON INSTL.	002004 006999	12
227	BACR15CE6KE	..	RIVET- SIZE DETERMINED ON INSTL.	002004 006999	9
228	313N5022-7	.	BEAM ASSY-REM POSITION DATA: LH SIDE USED ON: 313N5022-3	002004 006999	1
228	313N5022-71	.	BEAM ASSY-REM POSITION DATA: LH SIDE USED ON: 313N5022-67	002004 006100 107107 121503 904999	1
- 229	313N5022-85	.	BEAM ASSY-EM POSITION DATA: RH SIDE USED ON: 313N5022-4	018106 108120 504903	1
- 229	313N5022-71	.	BEAM ASSY-REM POSITION DATA: RH SIDE USED ON: 313N5022-68	002004 006100 107107 121503 904999	1
230	NAS601-7P	..	SCREW-	002004 006999	12

MISSING ITEM NUMBERS NOT APPLICABLE

- ITEM NOT ILLUSTRATED

BRI

54-51-55-01

BOEING PROPRIETARY - Copyright © - Unpublished Work - See title page for details.

54-51-55
FIG. 01
PAGE 7
JAN 20/09



757

PARTS CATALOG (MAINTENANCE)

FIG ITEM	PART NUMBER	1 2 3 4 5 6 7	NOMENCLATURE	EFFECT FROM TO	UNITS PER ASSY
1 235	BRH10C06D	..	NUT SUPPLIER CODE: V52828 SPECIFICATION NUMBER: BACN10JC06CD OPTIONAL PART: T6C632JCD V11815 NS202486-62 V80539 102LH9075-62W V72962 H51650-06BAC V15653	002004 006999	12
240	313N5022-42	..	BRACKET	002004 006999	1
245	313N5022-60	..	SHIM	002004 006999	1
255	313N5022-44	..	RETAINER	002004 006999	1
260	313N5022-43	..	SEAL- MANUFACTURED FROM: SECT. RUBBER F25.01 10-60754-36 X 24.00	002004 006999	1
261	MS27253F1	..	PLATE	002004 006999	1
265	313N5022-39	..	BRACKET ASSY	002004 006999	1
270	313N5022-38	..	BRACKET ASSY	002004 006999	1
275	BACB28X5M007	...	BUSHING	002004 006999	1
280	313N5022-41	...	BRACKET- USED ON: 313N5022-39	002004 006999	1
285	313N5022-40	...	BRACKET- USED ON: 313N5022-38	002004 006999	1
290	313N5022-54	..	SHIM	002004 006999	4
295	313N5022-53	..	SHIM	002004 006999	2
- 350	313N5033-96		BULKHEAD INSTL- POSITION DATA: STA 253.21 FOR NHA SEE: 54-52-01-01	101105 108120 504903	RF

MISSING ITEM NUMBERS NOT APPLICABLE

- ITEM NOT ILLUSTRATED

54-51-55-01

54-51-55
FIG. 01
PAGE 8
JAN 20/09

BRI

BOEING PROPRIETARY - Copyright © - Unpublished Work - See title page for details.



757

PARTS CATALOG (MAINTENANCE)

FIG ITEM	PART NUMBER	1 2 3 4 5 6 7	NOMENCLATURE	EFFECT FROM TO	UNITS PER ASSY
1 - 350	313N5033-96		BULKHEAD INSTL- POSITION DATA: STA 253.21 FOR NHA SEE: 54-52-01-01	106106	1
355	BACB28X5M007		.BUSHING	101105 108120 504903	2
355	BACB28X5M007		.BUSHING	106106	2

MISSING ITEM NUMBERS NOT APPLICABLE

- ITEM NOT ILLUSTRATED

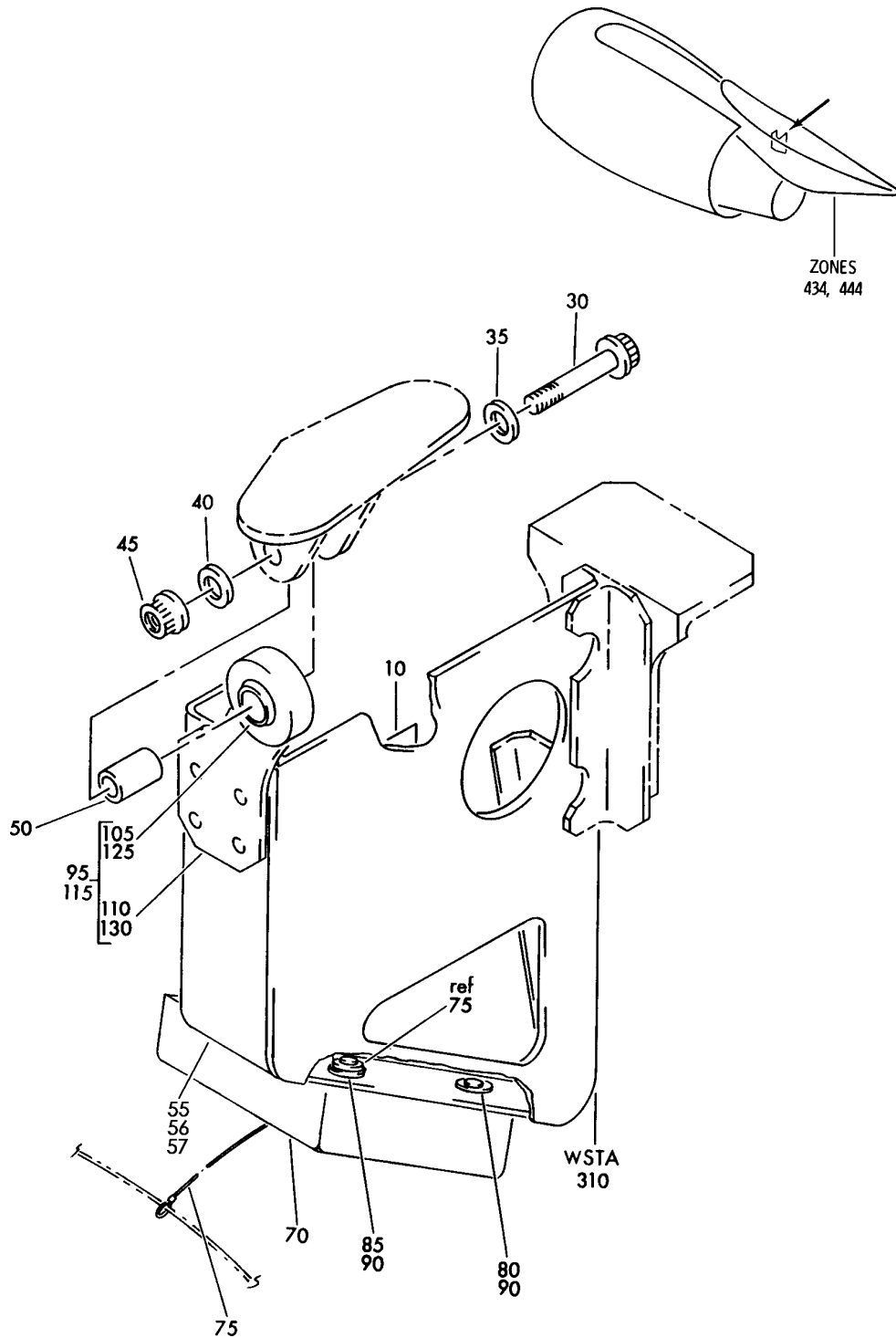
BRI

54-51-55-01

BOEING PROPRIETARY - Copyright © - Unpublished Work - See title page for details.

54-51-55
FIG. 01
PAGE 9
JAN 20/09

BOEING
757
PARTS CATALOG (MAINTENANCE)



Y 54515601 REV 216

BRACKET INSTL-SHUTOFF/ ISOLATION VALVE MODULE L AND R SYS (NACELLES/ PYLONS ONLY)

FIGURE 1

54-51-56-01

BRI
MAY 28/07

54-51-56-01
PAGE 0



757

PARTS CATALOG (MAINTENANCE)

FIG ITEM	PART NUMBER	1 2 3 4 5 6 7	NOMENCLATURE	EFFECT FROM TO	UNITS PER ASSY
1			BRACKET INSTL-SHUTOFF/ ISOLATION VALVE MODULE L AND R SYS (NACELLES/ PYLONS ONLY)	002004 006999	
- 1	271N5002-5		BRACKET INSTL-SHUTOFF/ ISOLATION VALVE MODULE SYS POSITION DATA: L FOR NHA SEE: 29-00-51-02	002004 006100 107107 121503 904999	RF
- 1	271N5002-7		BRACKET INSTL-SHUTOFF/ ISOLATION VALVE MODULE SYS POSITION DATA: L FOR NHA SEE: 29-00-51-02C	101102 108120 504903	RF
- 1	MODREF7209		BRACKET INSTL-SHUTOFF/ ISOLATION VALVE MODULE SYS MODULE NUMBER: 271N5002-7 REV A POSITION DATA: L	103106	1
- 5	271N5002-6		BRACKET INSTL-SHUTOFF/ ISOLATION VALVE MODULE SYS POSITION DATA: R FOR NHA SEE: 29-00-51-02	002004 006100 107107 121503 904999	RF
- 5	271N5002-8		BRACKET INSTL-SHUTOFF/ ISOLATION VALVE MODULE SYS POSITION DATA: R FOR NHA SEE: 29-00-51-02C	101102 108120 504903	RF
- 5	MODREF7210		BRACKET INSTL-SHUTOFF/ ISOLATION VALVE MODULE SYS MODULE NUMBER: 271N5002-8 REV A POSITION DATA: R	103106	1

MISSING ITEM NUMBERS NOT APPLICABLE

- ITEM NOT ILLUSTRATED

54-51-56-01

54-51-56
FIG. 01
PAGE 1
JAN 20/09

BRI



757

PARTS CATALOG (MAINTENANCE)

FIG ITEM	PART NUMBER	1 2 3 4 5 6 7	NOMENCLATURE	EFFECT FROM TO	UNITS PER ASSY
1	10 BAC27NHY0075		.MARKER-ALUMINUM FOIL- PLACARD CONTENT: D1774 SUCTION SHUTOFF VALVE L SYS V10005	002004 006999	1
-	15 BAC27NHY0076		.MARKER-ALUMINUM FOIL- PLACARD CONTENT: D1846 SUCTION SHUTOFF VALVE R SYS V10006	002004 006999	1
	30 BACB30LE4-15		.BOLT	002004 006100 107107 121503 904999	1
	30 BACB30LE4K15		.BOLT	101106 108120 504903	1
	35 BACW10BP4CD		.WASHER	002004 006999	1
	40 BACW10BP4DP		.WASHER	002004 006999	1

MISSING ITEM NUMBERS NOT APPLICABLE

- ITEM NOT ILLUSTRATED

54-51-56-01

54-51-56
FIG. 01
PAGE 2
JAN 20/09

BRI



757

PARTS CATALOG (MAINTENANCE)

FIG ITEM	PART NUMBER	1 2 3 4 5 6 7	NOMENCLATURE	EFFECT FROM TO	UNITS PER ASSY
1 45	BMN5024CWD34	.NUT	SUPPLIER CODE: V97928 SPECIFICATION NUMBER: BACN10HR4CD OPTIONAL PART: H51560-4 V15653 102CH9031-4 V72962 SL7108C428 V11815 67832CD428 V56878 BMN5024CWD3-4 V97928 BH00303CM4 V27238 SL7108C4 V11815 VCU0005D4 V06710 102LH90314 V72962 67832CD4 V56878 H964CD V15653 RMLH224CD V72962 VAL280094CD V06710 678324CD V56878 CR6030-4 VF0224 RMLH224CD V72962 VAL280094CD V06710 678324CD V56878 BMN5024CWD34 V97928	002004 006999	1
50	250N2008-12	.BUSHING		002004 006999	1
56	271N5041-6	.BRACKET ASSY-SPRT POSITION DATA: LH		107107	1

MISSING ITEM NUMBERS NOT APPLICABLE

- ITEM NOT ILLUSTRATED

54-51-56-01

54-51-56
FIG. 01
PAGE 3
JAN 20/09

BRI



757

PARTS CATALOG (MAINTENANCE)

FIG ITEM	PART NUMBER	1 2 3 4 5 6 7	NOMENCLATURE	EFFECT FROM TO	UNITS PER ASSY
1					
56	271N5041-8		.BRACKET ASSY-SPRT POSITION DATA: LH	904949	1
56	271N5041-10		.BRACKET ASSY-SPRT POSITION DATA: LH	952952	1
56	271N5041-12		.BRACKET ASSY-SPRT POSITION DATA: LH	002004 006106 108903	1
56	271N5041-11		.BRACKET ASSY-SPRT POSITION DATA: LH OPTIONAL PART: 271N5041-11	950951 953999 101106 108120 504903	1
57	271N5041-5		.BRACKET ASSY-SPRT POSITION DATA: RH	107107	1
57	271N5041-7		.BRACKET ASSY-SPRT POSITION DATA: RH	904949	1
57	271N5041-9		.BRACKET ASSY-SPRT POSITION DATA: RH	952952	1
57	271N5041-11		.BRACKET ASSY-SPRT POSITION DATA: RH	002004 006106 108903 950951 953999	1

MISSING ITEM NUMBERS NOT APPLICABLE

- ITEM NOT ILLUSTRATED

BRI

54-51-56-01

BOEING PROPRIETARY - Copyright © - Unpublished Work - See title page for details.

54-51-56
FIG. 01
PAGE 4
JAN 20/09



757

PARTS CATALOG (MAINTENANCE)

FIG ITEM	PART NUMBER	1 2 3 4 5 6 7	NOMENCLATURE	EFFECT FROM TO	UNITS PER ASSY
1 - 60	HL1012AZ8-6		ATTACHING PARTS .BOLT SUPPLIER CODE: VOPTK6 SPECIFICATION NUMBER: BACB30NX8K6 OPTIONAL PART: HL12VAZ8-6 V73197 HL12VAZ8-6 V92215 HL12VAZ8-6 V97928 L802-8K6 V06725 HL12VAZ8-6 V56878 HL1012AZ8-6 V06725 HL1012AZ8-6 V06950 HL1012AZ8-6 V17446 HL1012AZ8-6 V56878 HL1012AZ8-6 V60516 HL1012AZ8-6 V73197 HL1012AZ8-6 V97928	002004 006999	2

MISSING ITEM NUMBERS NOT APPLICABLE

- ITEM NOT ILLUSTRATED

BRI

54-51-56-01

BOEING PROPRIETARY - Copyright © - Unpublished Work - See title page for details.

54-51-56
FIG. 01
PAGE 5
JAN 20/09

BOEING
757
PARTS CATALOG (MAINTENANCE)

FIG ITEM	PART NUMBER	1 2 3 4 5 6 7	NOMENCLATURE	EFFECT FROM TO	UNITS PER ASSY
1 - 65	HL1187-8		.COLLAR SUPPLIER CODE: V5M902 SPECIFICATION NUMBER: BACC30X8 OPTIONAL PART: HL87-8 V92215 HL87-8 V73197 HL1187-8 V56878 HL1187-8 V92215 HL87-8 V56878 HL1187-8 V73197 -----*-----	002004 006999	2
70	316N3001-1		..CONTAINER-DEACTIVATION PIN STOWAGE POST SERVICE BULLETIN: 78-0017	002004 006106 108903 950951 953999	1
75	B78001-8		..PIN ASSY-DEACTIVATION POST SERVICE BULLETIN: 78-0017	002004 006106 108903 950951 953999	1
80	BACR15FR6M3		ATTACHING PARTS ..RIVET	002004 006106 108903 950951 953999	1
85	NAS1398B6-4		..RIVET- POST SERVICE BULLETIN: 78-0017	002004 006106 108903 950951 953999	1
90	BACW10P44AL		..WASHER- POST SERVICE BULLETIN: 78-0017	101102 108120 504903	2
115	271N5043-1		..ARM ASSY -----*-----	002004 006999	1

MISSING ITEM NUMBERS NOT APPLICABLE

- ITEM NOT ILLUSTRATED

BRI

54-51-56-01

BOEING PROPRIETARY - Copyright © - Unpublished Work - See title page for details.

54-51-56
FIG. 01
PAGE 6
JAN 20/09

BOEING
757
PARTS CATALOG (MAINTENANCE)

FIG ITEM	PART NUMBER	1 2 3 4 5 6 7	NOMENCLATURE	EFFECT FROM TO	UNITS PER ASSY
1			ATTACHING PARTS		
- 120	BACR15FT5AD		.RIVET- SIZE DETERMINED ON INSTL. -----*-----	002004 006999	4
125	AG6VCR12		..BEARING SUPPLIER CODE: V15860 SPECIFICATION NUMBER: BACB10AG6M OPTIONAL PART: BSSN6293SM2 V81376 HSBG6-117M V02758 KSBG6-25CRD5 V97613 NG6FM V73134 NC6G2DM V56644 ABG6V512 VS0352 03-505-06E035 V09455 ABG6V5-12 VS0352	002004 006999	1
130	271N5043-2		..ARM	002004 006999	1

R
R
R
R
R
R
R
R
R
R
R
R
R
R
R
R
R
R
R
R
R
R

MISSING ITEM NUMBERS NOT APPLICABLE

- ITEM NOT ILLUSTRATED

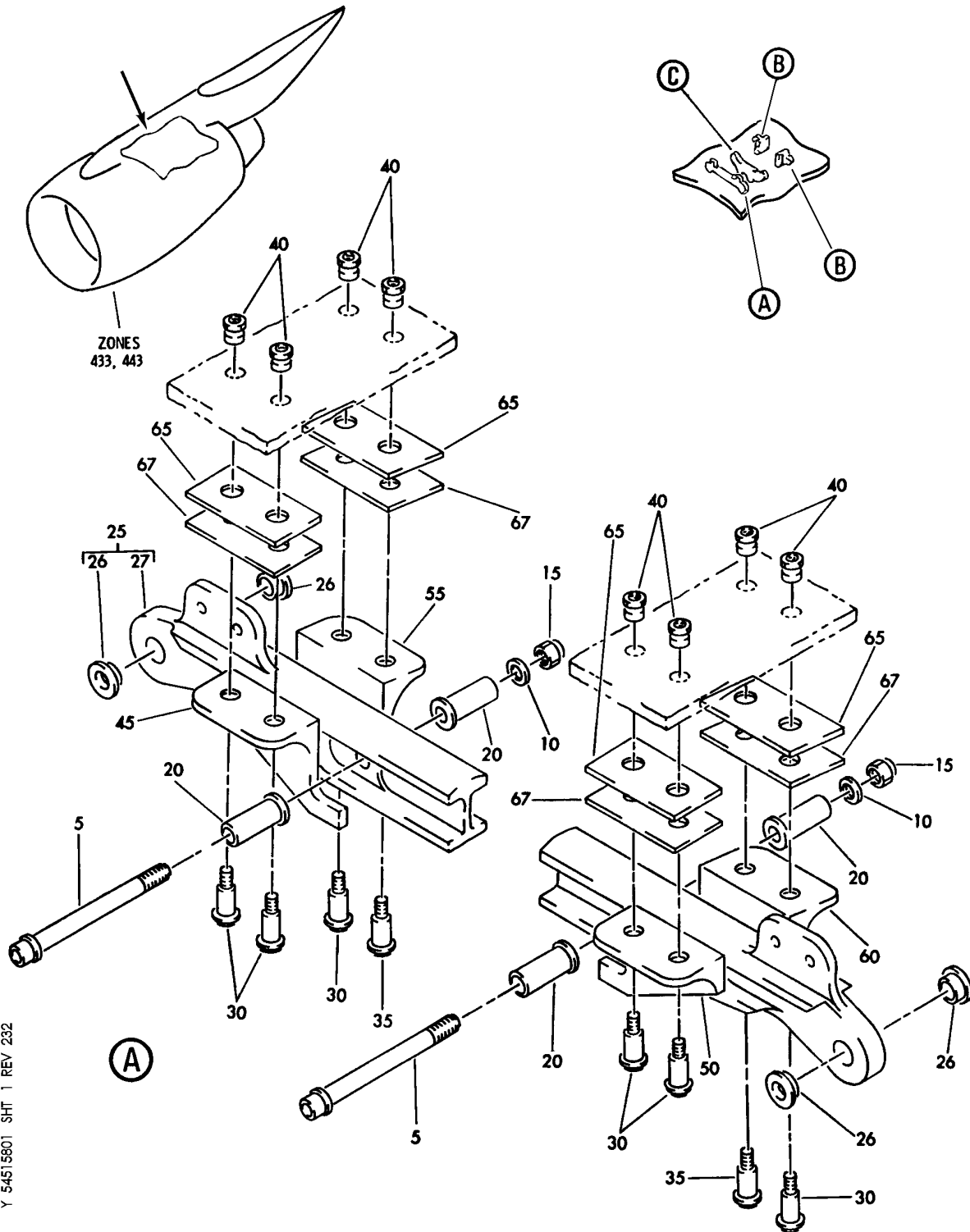
BRI

54-51-56-01

BOEING PROPRIETARY - Copyright © - Unpublished Work - See title page for details.

54-51-56
FIG. 01
PAGE 7
MAY 20/09

BOEING
757
PARTS CATALOG (MAINTENANCE)



Y 54515801 SHT 1 REV 232

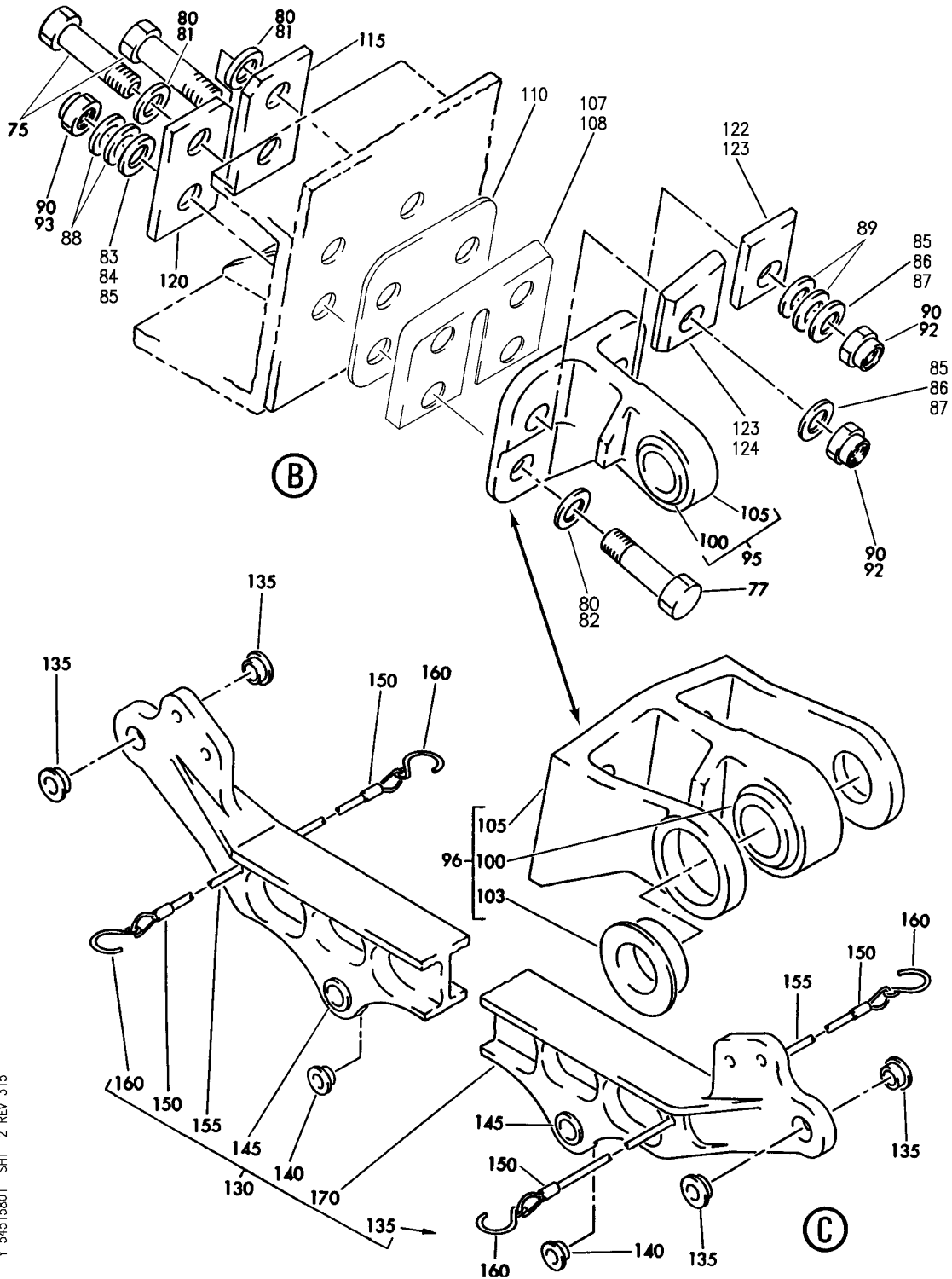
BEAM INSTL-PWR PLANT STA 142.05, 157.50 AND 178.25 NAC STRUT HINGE
FIGURE 1 (SHEET 1)

BRI
MAY 28/07

54-51-58-01

54-51-58-01
PAGE 0

BOEING
757
PARTS CATALOG (MAINTENANCE)



Y 54515801 SHT 2 REV 315

BEAM INSTL-PWR PLANT STA 142.05, 157.50 AND 178.25 NAC STRUT HINGE
FIGURE 1 (SHEET 2)

54-51-58-01

BRI
SEP 28/07

54-51-58-01
PAGE 0A

 **BOEING**
757
PARTS CATALOG (MAINTENANCE)

FIG ITEM	PART NUMBER	1 2 3 4 5 6 7	NOMENCLATURE	EFFECT FROM TO	UNITS PER ASSY
1			BEAM INSTL-PWR PLANT STA 142.05, 157.50 AND 178.25 NAC STRUT HINGE	002004 006999	
- 1	311N5108-1		BEAM INSTL-PWR PLANT NAC STRUT HINGE POSITION DATA: STA 142.05 AND 178.25 FOR NHA SEE: 54-51-61-01	002004 006100 107107 121503 904999	RF
- 1	311N5108-4		BEAM INSTL-PWR PLANT NAC STRUT HINGE POSITION DATA: STA 142.05 AND 178.25 FOR NHA SEE: 54-51-61-01	002004 006100 107107 121503 904999	RF
- 1	311N5108-8		BEAM INSTL-PWR PLANT NAC STRUT HINGE POSITION DATA: STA 142.05 AND 178.25 FOR NHA SEE: 54-00-00-04	101106 108120 504903	RF
5	BACB30LE5U47		.BOLT	002004 006999	2
10	BACW10BN5UP		.WASHER	002004 006999	2
15	NAS1805-5		.NUT	002004 006999	2
20	BACB28AP06-130		.BUSHING-	002004 006999	4
25	311N5009-9		.FITTING ASSY-HINGE	002004 006999	1
25	311N5208-1		.FITTING ASSY-HINGE	002004 006999	1
26	BACB28AM07B019		..BUSHING-	002004 006999	4
27	311N5009-10		..FITTING-	002004 006999	1
27	311N5208-2		..FITTING-	002004 006999	1

MISSING ITEM NUMBERS NOT APPLICABLE

- ITEM NOT ILLUSTRATED

BRI

54-51-58-01

54-51-58
FIG. 01
PAGE 1
JAN 20/09



757

PARTS CATALOG (MAINTENANCE)

FIG ITEM	PART NUMBER	1 2 3 4 5 6 7	NOMENCLATURE	EFFECT FROM TO	UNITS PER ASSY
1 30	HL40-10-9		.BOLT- SUPPLIER CODE: V97928 SPECIFICATION NUMBER: BACB30FM10A9U OPTIONAL PART: 67067-10A9U V56878 HL40-10-9 V56878 HL40-10-9 V73197 HL40-10-9 V80539 HL40-10-9 V92215 HL40-10-9 V08524 L80510A9U V06725	002004 006999	6
30	HL40-10-10		.BOLT- SUPPLIER CODE: V97928 SPECIFICATION NUMBER: BACB30FM10A10U OPTIONAL PART: 67067-10A10U V56878 HL40-10-10 V56878 HL40-10-10 V73197 HL40-10-10 V80539 HL40-10-10 V92215 HL40-10-10 V08524 HL18-10A10U V06725	002004 006999	6

MISSING ITEM NUMBERS NOT APPLICABLE

- ITEM NOT ILLUSTRATED

54-51-58-01

54-51-58
FIG. 01
PAGE 2
SEP 20/08

BRI



757

PARTS CATALOG (MAINTENANCE)

FIG ITEM	PART NUMBER	1 2 3 4 5 6 7	NOMENCLATURE	EFFECT FROM TO	UNITS PER ASSY
1 35	HL40-10-10		.BOLT- SUPPLIER CODE: V97928 SPECIFICATION NUMBER: BACB30FM10A10U OPTIONAL PART: 67067-10A10U V56878 HL40-10-10 V56878 HL40-10-10 V73197 HL40-10-10 V80539 HL40-10-10 V92215 HL40-10-10 V08524 HL18-10A10U V06725	002004 006999	2
35	HL40-10-11		.BOLT- SUPPLIER CODE: V97928 SPECIFICATION NUMBER: BACB30FM10A11U OPTIONAL PART: 67067-10A11U V56878 HL40-10-11 V56878 HL40-10-11 V73197 HL40-10-11 V80539 HL40-10-11 V92215 HL40-10-11 V08524 L80510A11U V06725	002004 006999	2

MISSING ITEM NUMBERS NOT APPLICABLE

- ITEM NOT ILLUSTRATED

54-51-58-01

BRI

BOEING PROPRIETARY - Copyright © - Unpublished Work - See title page for details.

54-51-58
FIG. 01
PAGE 3
SEP 20/08



757

PARTS CATALOG (MAINTENANCE)

FIG ITEM	PART NUMBER	1 2 3 4 5 6 7	NOMENCLATURE	EFFECT FROM TO	UNITS PER ASSY
1	40 HL97DU10		.COLLAR SUPPLIER CODE: V5M902 SPECIFICATION NUMBER: BACC30AB10S OPTIONAL PART: HL97DU10 V56878 HL97DU10 V73197	002004 006999	8
	45 311N5054-5		.FITTING-	002004 006999	1
	45 311N5199-1		.FITTING-	002004 006999	1
	50 311N5054-6		.FITTING-	002004 006999	1
	50 311N5199-2		.FITTING-	002004 006999	1
	55 311N5054-7		.FITTING-	002004 006999	1
	55 311N5200-1		.FITTING-	002004 006999	1
	60 311N5054-8		.FITTING-	002004 006999	1
	60 311N5200-2		.FITTING-	002004 006999	1
	65 BACS40R015W026		.SHIM	101106 108120 504903	4
	67 311N5108-5		.FILLER	101106 108120 504903	4
	75 NAS6707U18		.BOLT- USED ON: 311N5108-1	002004 006100 121503 904999	4
	75 BACB30LE8U19		.BOLT- MISCELLANEOUS DATA: 0.4995 OVERSIZE HOLE SERVICE BULLETIN OPT DATA: BACB30LE8U19X BACB30LE8U19Y USED ON: 311N5108-4 311N5108-8 POST SERVICE BULLETIN: 54-0015	002004 006999	4

MISSING ITEM NUMBERS NOT APPLICABLE

- ITEM NOT ILLUSTRATED

54-51-58-01

54-51-58
FIG. 01
PAGE 4
JAN 20/09

BRI



757

PARTS CATALOG (MAINTENANCE)

FIG ITEM	PART NUMBER	1 2 3 4 5 6 7	NOMENCLATURE	EFFECT FROM TO	UNITS PER ASSY
1					
75	BACB30LE8U19X	.BOLT-	MISCELLANEOUS DATA: 0.5151 OVERSIZE HOLE SERVICE BULLETIN OPT DATA: BACB30LE8U19 BACB30LE8U19Y POST SERVICE BULLETIN: 54-0015	107107	4
75	BACB30LE8U19Y	.BOLT-	MISCELLANEOUS DATA: 0.5307 OVERSIZE HOLE SERVICE BULLETIN OPT DATA: BACB30LE8U19 BACB30LE8U19X POST SERVICE BULLETIN: 54-0015	107107	4
77	NAS6707U15	.BOLT-	USED ON: 311N5108-1	002004 006100 121503 904999 107107	4
77	BACB30LE7U16	.BOLT-	MISCELLANEOUS DATA: 0.437 OVERSIZE HOLE SERVICE BULLETIN OPT DATA: BACB30LE7U16X BACB30LE7U16Y POST SERVICE BULLETIN: 54-0015	002004 006106 108999	4
77	BACB30LE7U15	.BOLT-	USED ON: 311N5108-4 311N5108-8	107107	4
77	BACB30LE7U16X	.BOLT-	MISCELLANEOUS DATA: 0.4526 OVERSIZE HOLE SERVICE BULLETIN OPT DATA: BACB30LE7U16 BACB30LE7U16Y POST SERVICE BULLETIN: 54-0015	107107	4
77	BACB30LE7U16Y	.BOLT-	MISCELLANEOUS DATA: 0.4683 OVERSIZE HOLE SERVICE BULLETIN OPT DATA: BACB30LE7U16 BACB30LE7U16X POST SERVICE BULLETIN: 54-0015	107107	4

MISSING ITEM NUMBERS NOT APPLICABLE

- ITEM NOT ILLUSTRATED

54-51-58-01

54-51-58
FIG. 01
PAGE 5
JAN 20/09

BRI



757

PARTS CATALOG (MAINTENANCE)

FIG ITEM	PART NUMBER	1 2 3 4 5 6 7 NOMENCLATURE	EFFECT FROM TO	UNITS PER ASSY
1 92	BMN10HRCPD3-8	.NUT- SUPPLIER CODE: V97928 SPECIFICATION NUMBER: BACN10HR8CS OPTIONAL PART: H39953-8 V15653 109LH9031-8 V72962 67832AS820 V56878 BH00303-8 V27238 BH003038 V27238 BMN5024CPD38 V97928 CR59088 V62554 SL705098 V11815 109LH90318 V72962 67832AS8 V56878 USED ON: 311N5108-4 311N5108-8 POST SERVICE BULLETIN: 54-0015	002004 006999	4

MISSING ITEM NUMBERS NOT APPLICABLE

- ITEM NOT ILLUSTRATED

54-51-58-01

54-51-58
FIG. 01
PAGE 7
JAN 20/09

BRI



757

PARTS CATALOG (MAINTENANCE)

FIG ITEM	PART NUMBER	1 2 3 4 5 6 7	NOMENCLATURE	EFFECT FROM TO	UNITS PER ASSY
1 93	BMN10HRCPD3-7		.NUT- SUPPLIER CODE: V97928 SPECIFICATION NUMBER: BACN10HR7CS OPTIONAL PART: H39953-7 V15653 109LH9031-7 V72962 67832AS720 V56878 BH00303-7 V27238 BMN5024CPD37 V97928 109LH90317 V72962 67832AS7 V56878 SL705097 V11815 CR5908-7 VF0224 109LH90317 V72962 67832AS7 V56878 SL705097 V11815 USED ON: 311N5108-4 311N5108-8 POST SERVICE BULLETIN: 54-0015	002004 006999	4
96	311N5106-1		.FITTING ASSY- USED ON: 311N5108-1	002004 006100 121503 904999	2
96	311N5148-1		.FITTING ASSY- USED ON: 311N5108-4 311N5108-8 POST SERVICE BULLETIN: 54-0015	002004 006999	2

MISSING ITEM NUMBERS NOT APPLICABLE

- ITEM NOT ILLUSTRATED

54-51-58-01

54-51-58
FIG. 01
PAGE 8
JAN 20/09

BRI

BOEING
757
PARTS CATALOG (MAINTENANCE)

FIG ITEM	PART NUMBER	1 2 3 4 5 6 7	NOMENCLATURE	EFFECT FROM TO	UNITS PER ASSY
R R	1 100	AG12VCR12	.. BEARING- SUPPLIER CODE: V15860 SPECIFICATION NUMBER: BACB10AG12M OPTIONAL PART: BSSN12866SM2 V81376 HSBG12-117M V02758 KSBG12-25CRD5 V97613 NG12FM V73134 NC12G2DM V56644 03-505-12E035 V09455 ABG12V5-12 VS0352 03-505-12E035 V09455 AG12VCR12 V15860	002004 006999	1
	103	311N5106-8701	.. BUSHING-	002004 006999	1
	105	311N5106-2	.. FITTING- USED ON: 311N5106-1	002004 006100 107107 121503 904999	1
	105	311N5148-2	.. FITTING- OPTIONAL PART: 311N5148-3 USED ON: 311N5148-1	002004 006999	1
	105	311N5148-3	.. FITTING- OPTIONAL PART: 311N5148-2 USED ON: 311N5148-1	002004 006999	1
	110	311N5126-1	. SHIM- USED ON: 311N5108-1	002004 006100 121503 904999	2
	110	311N5126-2	. SHIM- POST SERVICE BULLETIN: 54-0015	002004 006010 121503 904999	2
	MISSING ITEM NUMBERS NOT APPLICABLE				

- ITEM NOT ILLUSTRATED

54-51-58-01

54-51-58
FIG. 01
PAGE 9
MAY 20/09

BRI

 **BOEING**
757
PARTS CATALOG (MAINTENANCE)

FIG ITEM	PART NUMBER	1 2 3 4 5 6 7	NOMENCLATURE	EFFECT FROM TO	UNITS PER ASSY
1					
110	311N5108-7	.	SHIM-	011100 103106 108120	2
- 125	311N5108-2		BEAM INSTL-PWR PLANT NAC STRUT HINGE POSITION DATA: STA 157.50 FOR NHA SEE: 78-31-01-01	002004 006100 107107 121503 904999	RF
130	311N5104-5	.	FITTING ASSY-	002004 006100 107107 121503 904999	1
130	311N5209-1	.	FITTING ASSY-	002004 006100 107107 121503 904999	1
135	BACB28AM07B019	..	BUSHING	002004 006100 107107 121503 904999	4
140	BACB28AP07P023	..	BUSHING-	002004 006100 107107 121503 904999	2
145	BACB28AM10B023	..	BUSHING-	002004 006100 107107 121503 904999	2
150	34321	..	FERRULE- SUPPLIER CODE: V00779 SPECIFICATION NUMBER: BACF22U3 OPTIONAL PART: 323681 V00779 CL5F V99862	002004 006100 107107 121503 904999	4
155	CL100-4B86	..	CABLE SUPPLIER CODE: V99862 SPECIFICATION NUMBER: BACC13Y4B86	002004 006100 107107 121503 904999	2

MISSING ITEM NUMBERS NOT APPLICABLE

- ITEM NOT ILLUSTRATED

BRI

54-51-58-01

BOEING PROPRIETARY - Copyright © - Unpublished Work - See title page for details.

54-51-58
FIG. 01
PAGE 10
JAN 20/09

BOEING
757
PARTS CATALOG (MAINTENANCE)

FIG ITEM	PART NUMBER	1 2 3 4 5 6 7	NOMENCLATURE	EFFECT FROM TO	UNITS PER ASSY
1 160	NAS1090-2	. .	H00K	002004 006100 107107 121503 904999	4
170	311N5104-6	. .	FITTING-	002004 006100 107107 121503 904999	1
170	311N5209-3	. .	FITTING-	002004 006100 107107 121503 904999	1

MISSING ITEM NUMBERS NOT APPLICABLE

— ITEM NOT ILLUSTRATED

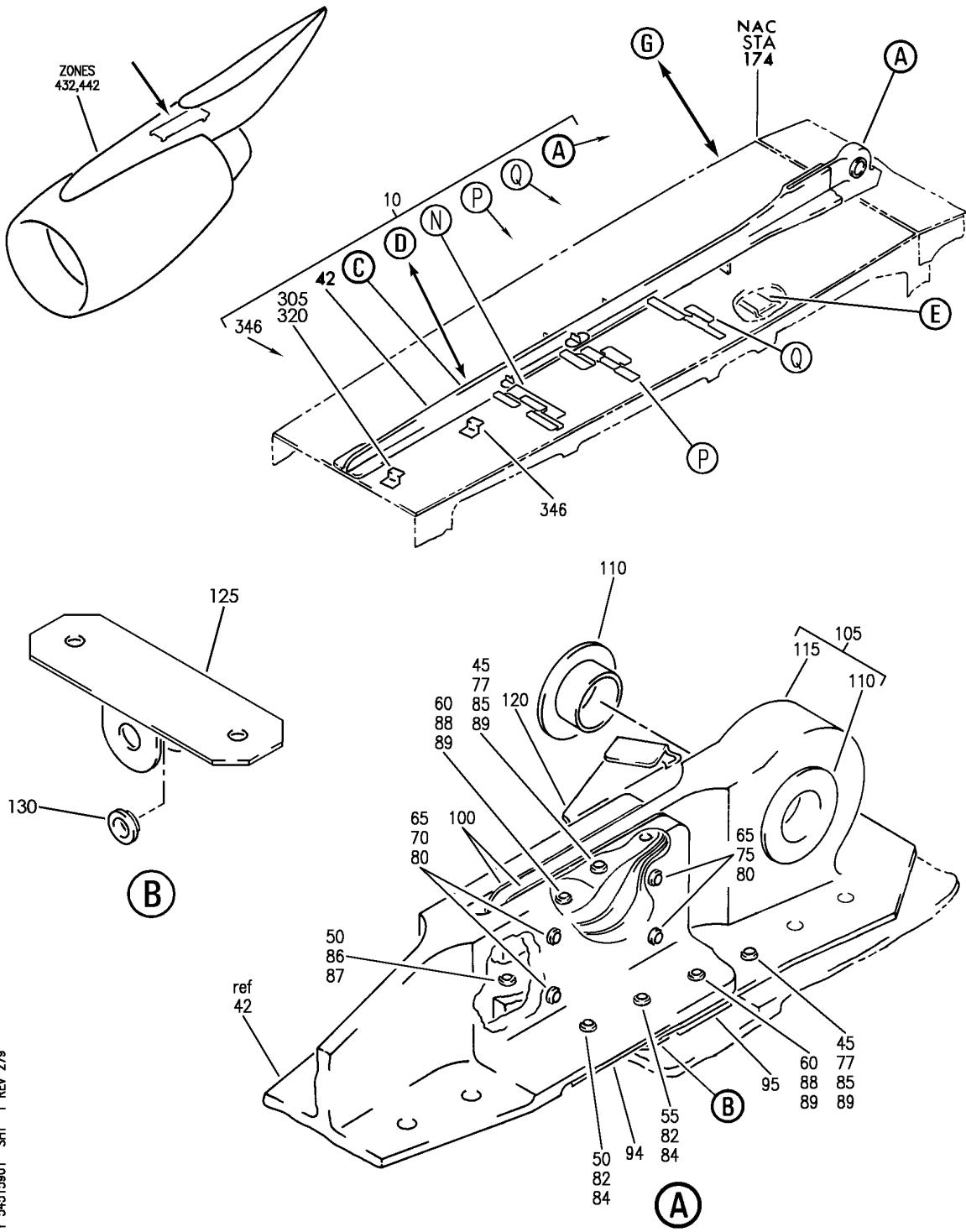
BRI

54-51-58-01

BOEING PROPRIETARY - Copyright © - Unpublished Work - See title page for details.

54-51-58
FIG. 01
PAGE 11
JAN 20/09

BOEING
757
PARTS CATALOG (MAINTENANCE)



Y 54515901 SH1 1 REV 279

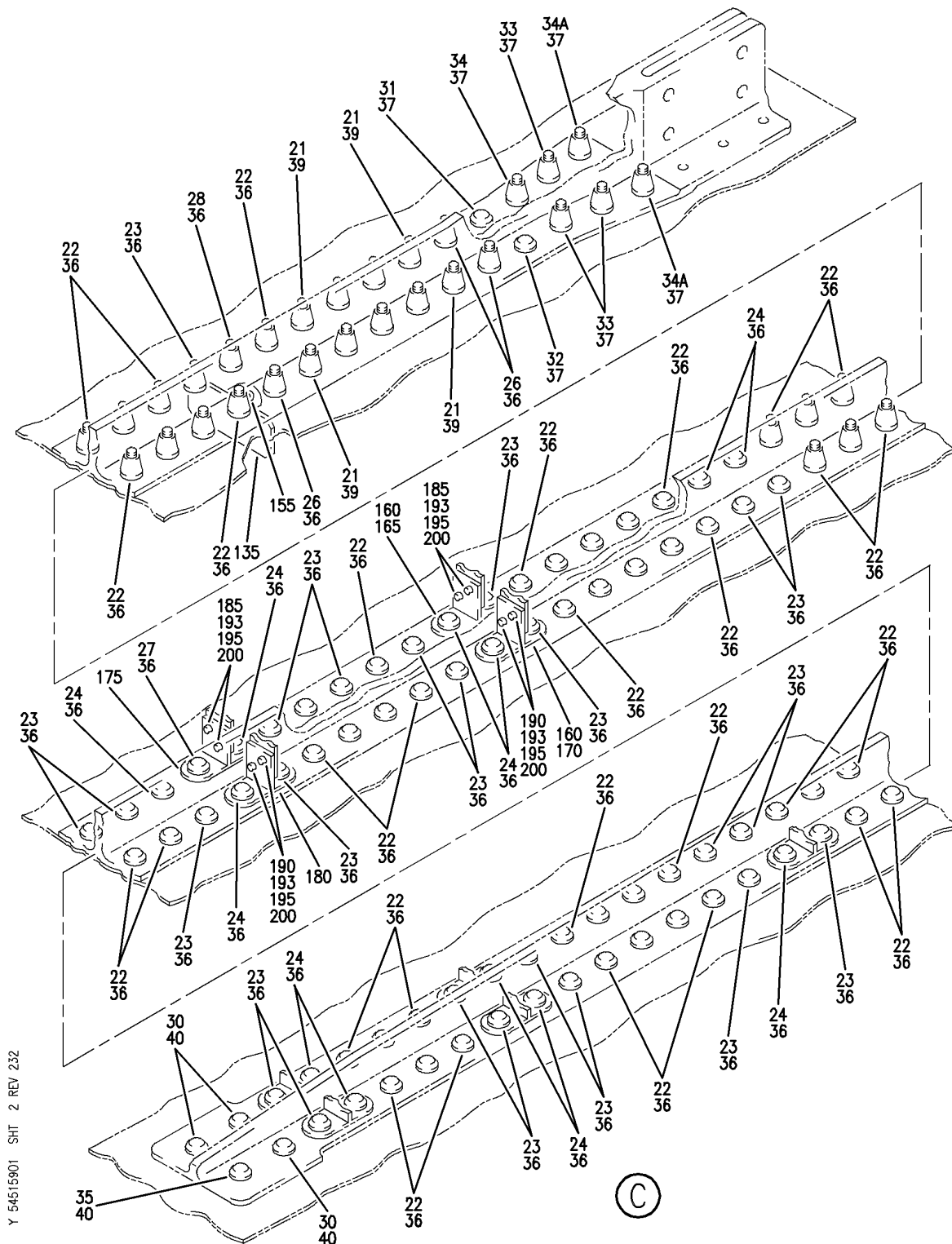
SPAR INSTL-NAC STRUT UPR FWD
FIGURE 1 (SHEET 1)

54-51-59-01

BRI
MAY 28/07

54-51-59-01
PAGE 0

BOEING
757
PARTS CATALOG (MAINTENANCE)



Y 54515901 SH1 2 REV 23Z

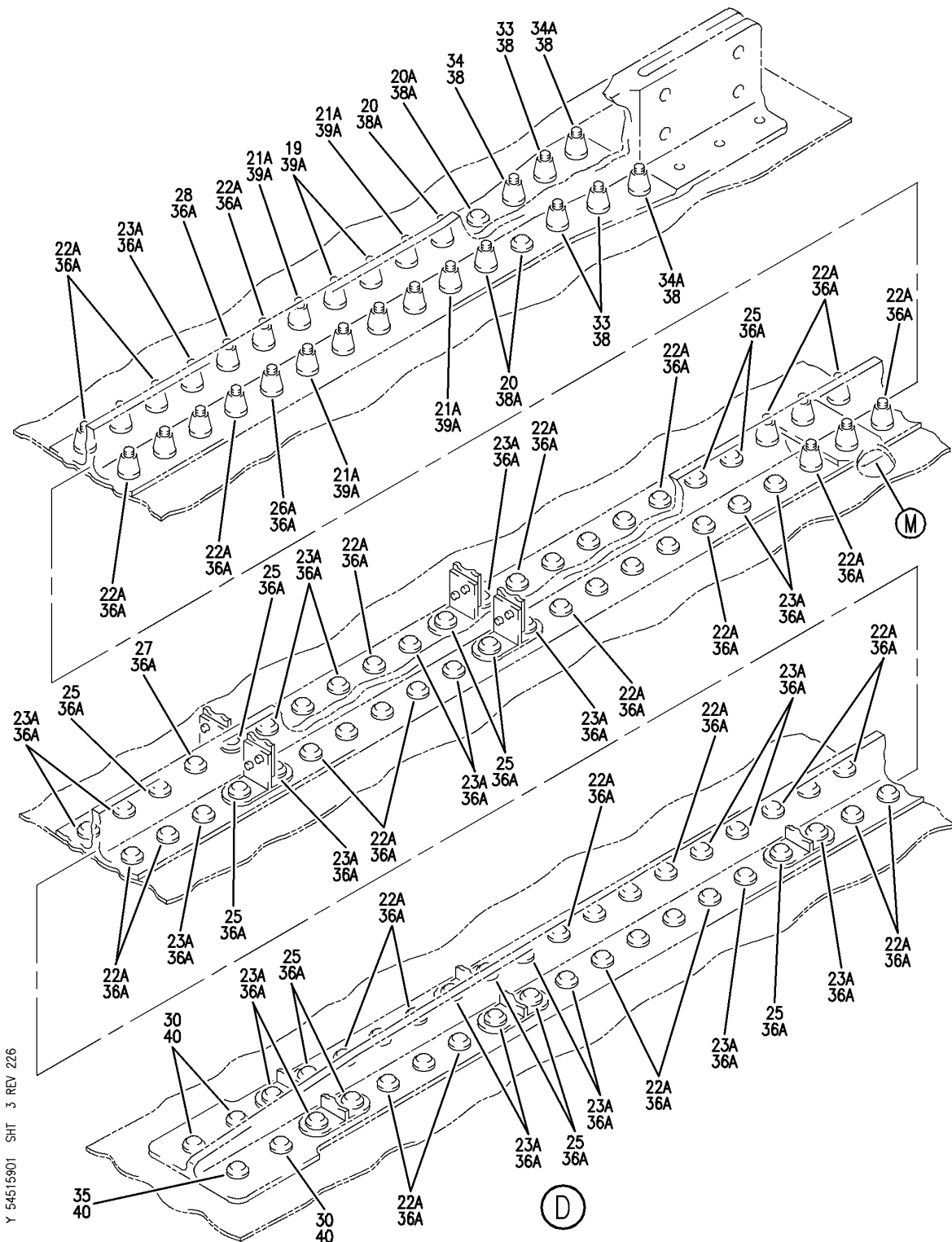
SPAR INSTL-NAC STRUT UPR FWD
FIGURE 1 (SHEET 2)

54-51-59-01

BRI
MAY 28/07

54-51-59-01
PAGE 0A

BOEING
757
PARTS CATALOG (MAINTENANCE)



Y 54515901 SHT 3 REV 226

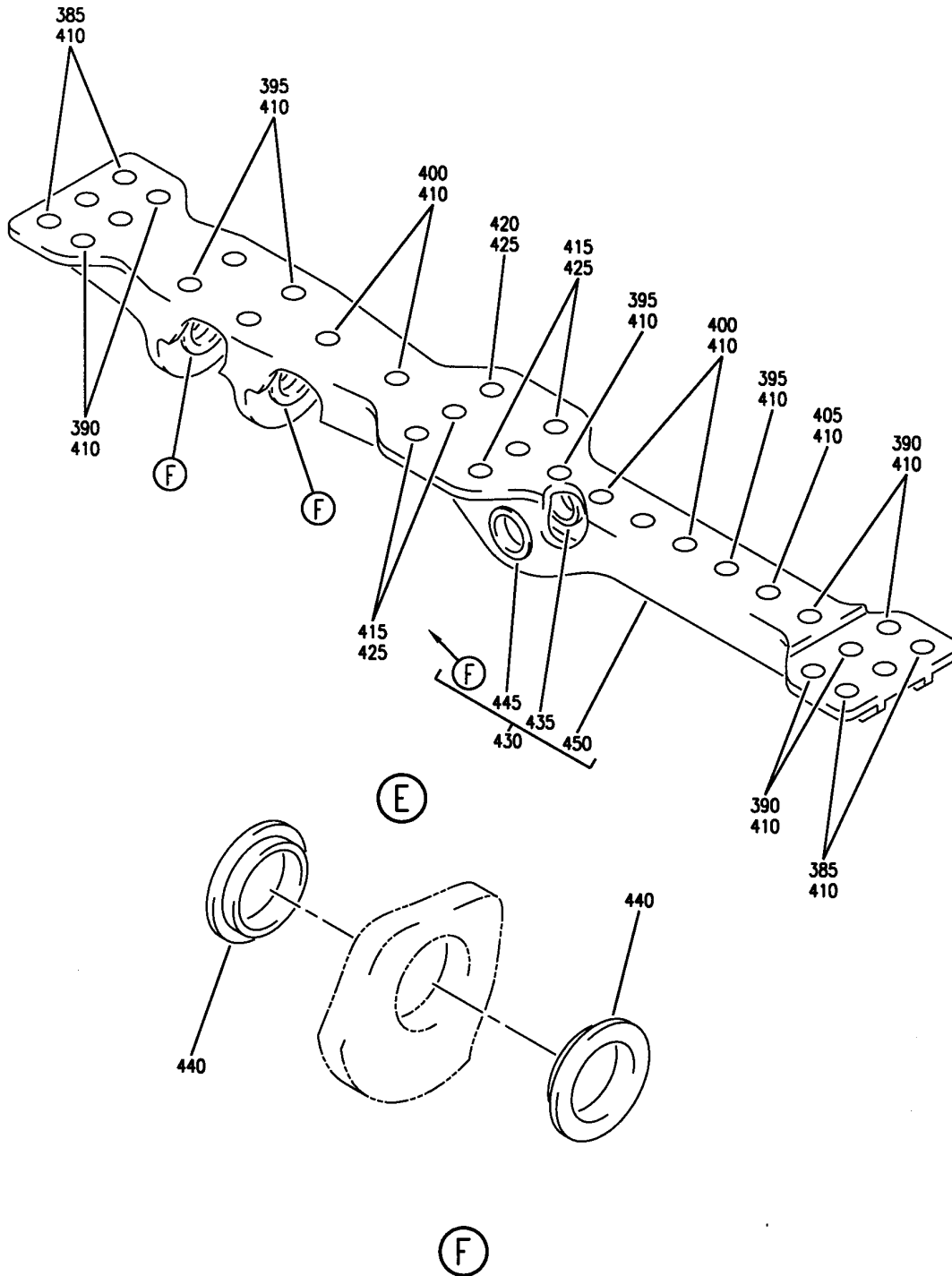
SPAR INSTL-NAC STRUT UPR FWD
FIGURE 1 (SHEET 3)

54-51-59-01

BRI
MAY 28/07

54-51-59-01
PAGE 0B

BOEING
757
PARTS CATALOG (MAINTENANCE)



Y 54515901 SHT 4 REV 205

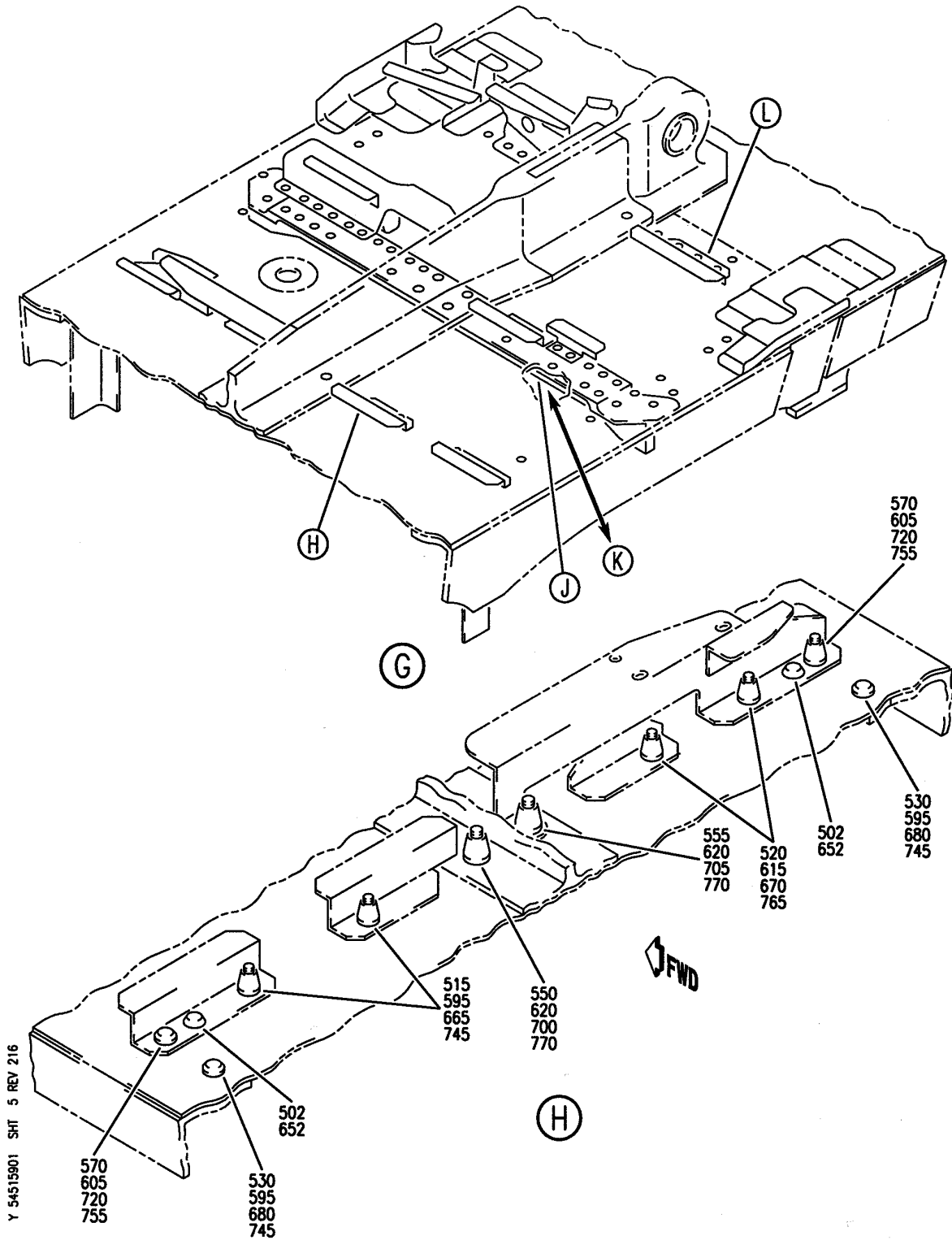
SPAR INSTL-NAC STRUT UPR FWD
FIGURE 1 (SHEET 4)

54-51-59-01

BRI
MAY 28/07

54-51-59-01
PAGE 0C

BOEING
757
PARTS CATALOG (MAINTENANCE)



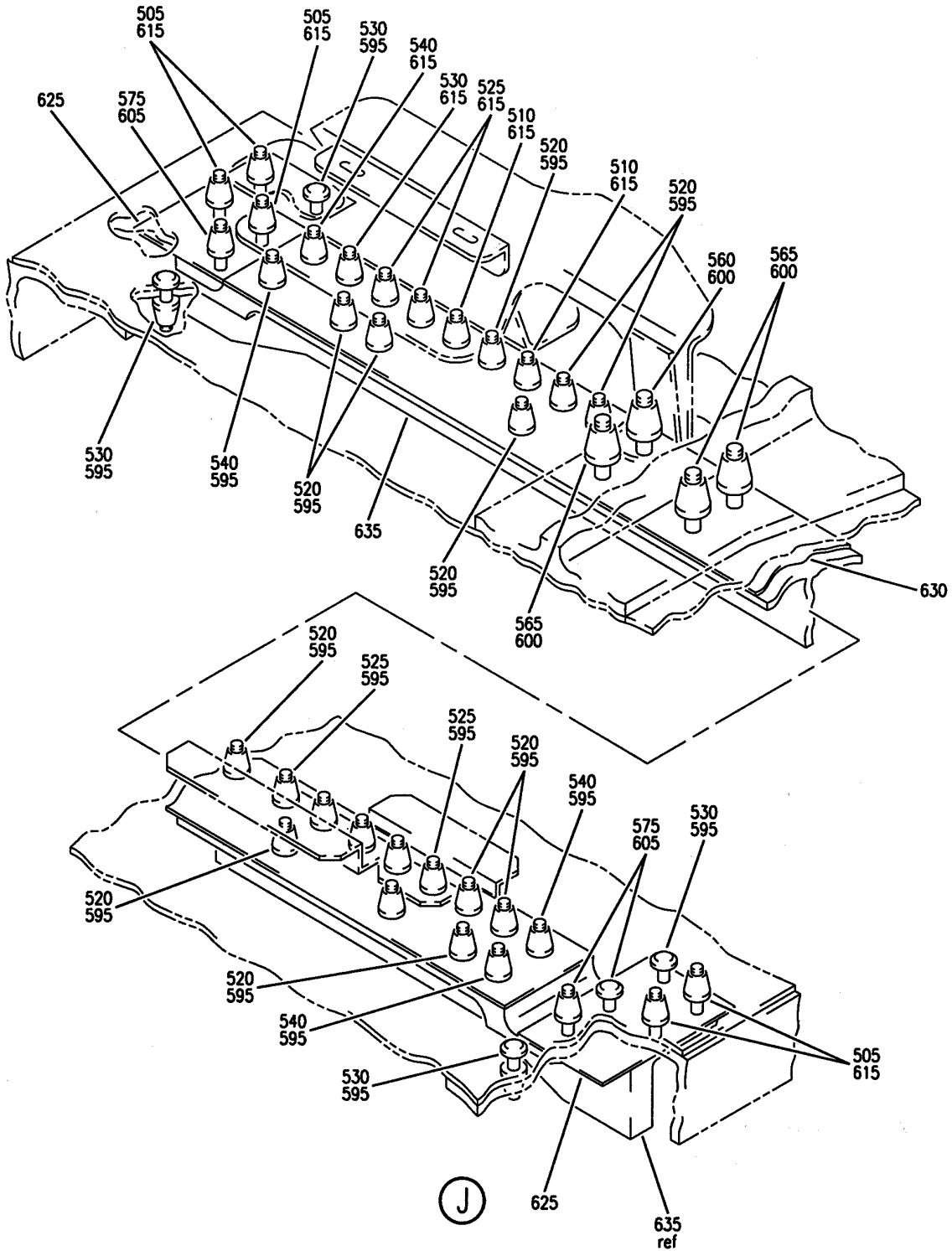
SPAR INSTL-NAC STRUT UPR FWD
FIGURE 1 (SHEET 5)

54-51-59-01

BRI
MAY 28/07

54-51-59-01
PAGE 0D

BOEING
757
PARTS CATALOG (MAINTENANCE)



Y 54515901 SH1 6 REV 216

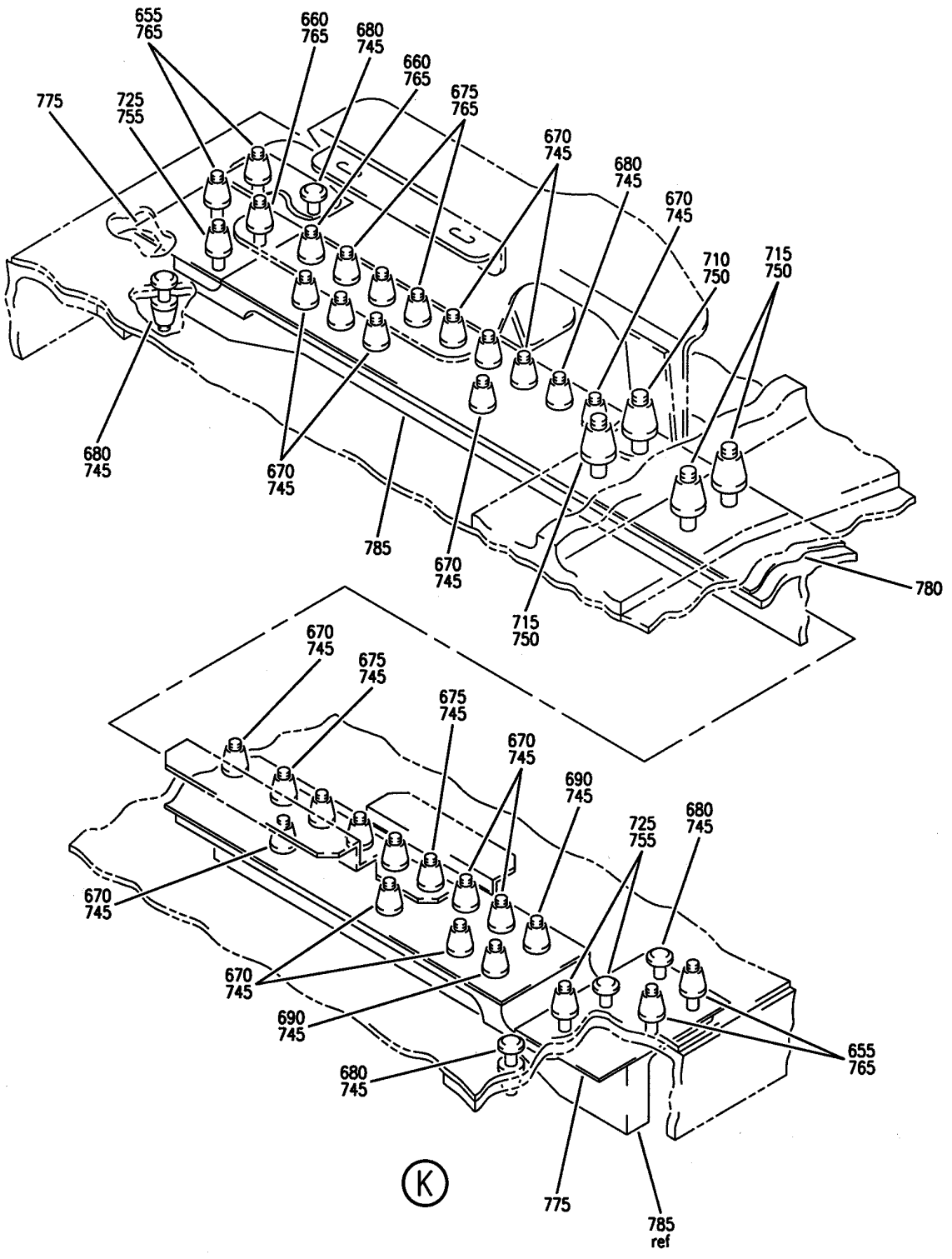
SPAR INSTL-NAC STRUT UPR FWD
FIGURE 1 (SHEET 6)

54-51-59-01

BRI
MAY 28/07

54-51-59-01
PAGE 0E

BOEING
757
PARTS CATALOG (MAINTENANCE)



Y 54515901 SHT 7 REV 216

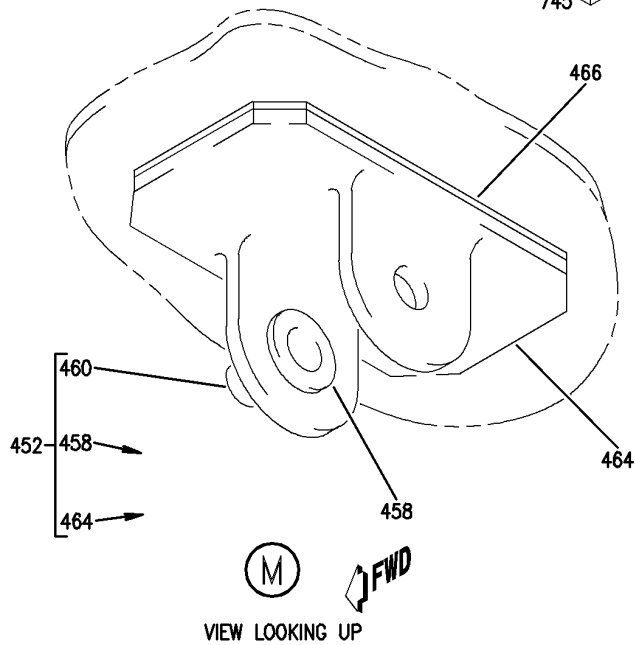
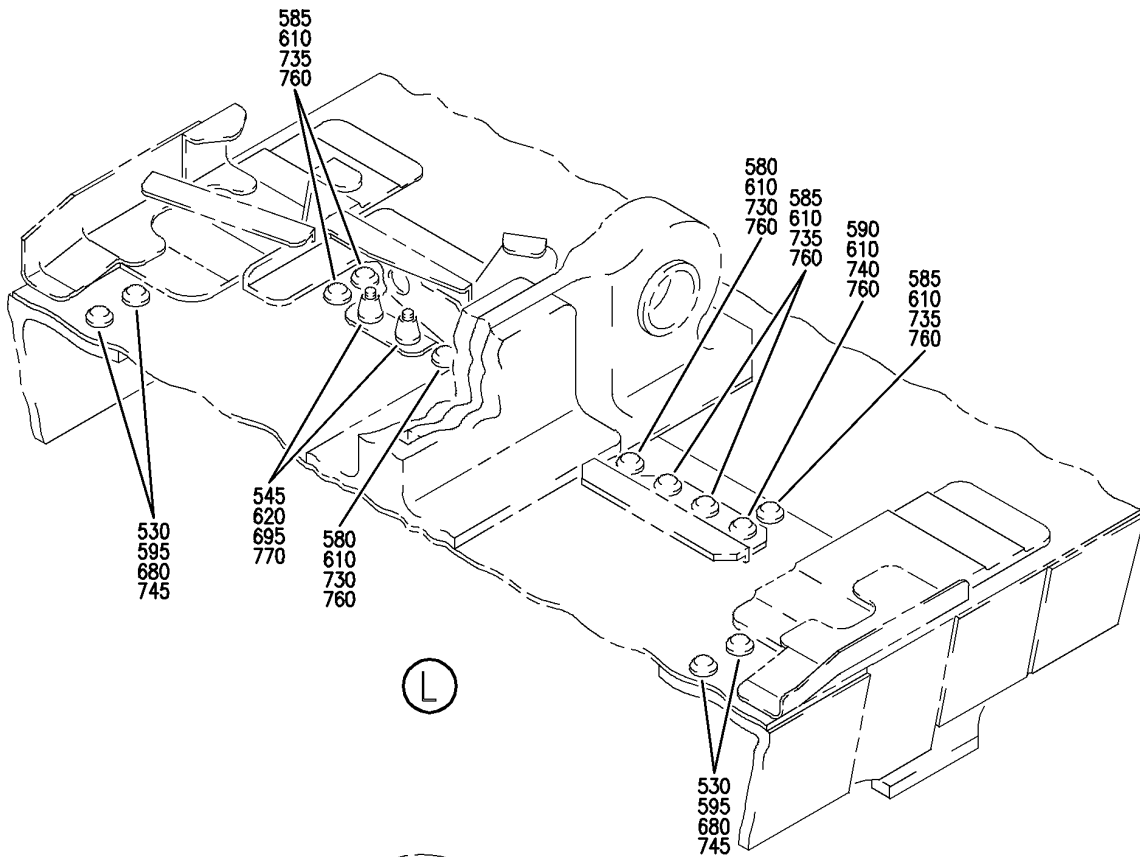
SPAR INSTL-NAC STRUT UPR FWD
FIGURE 1 (SHEET 7)

54-51-59-01

BRI
MAY 28/07

54-51-59-01
PAGE OF

BOEING
757
PARTS CATALOG (MAINTENANCE)



Y 54515901 SHT 8 REV 226

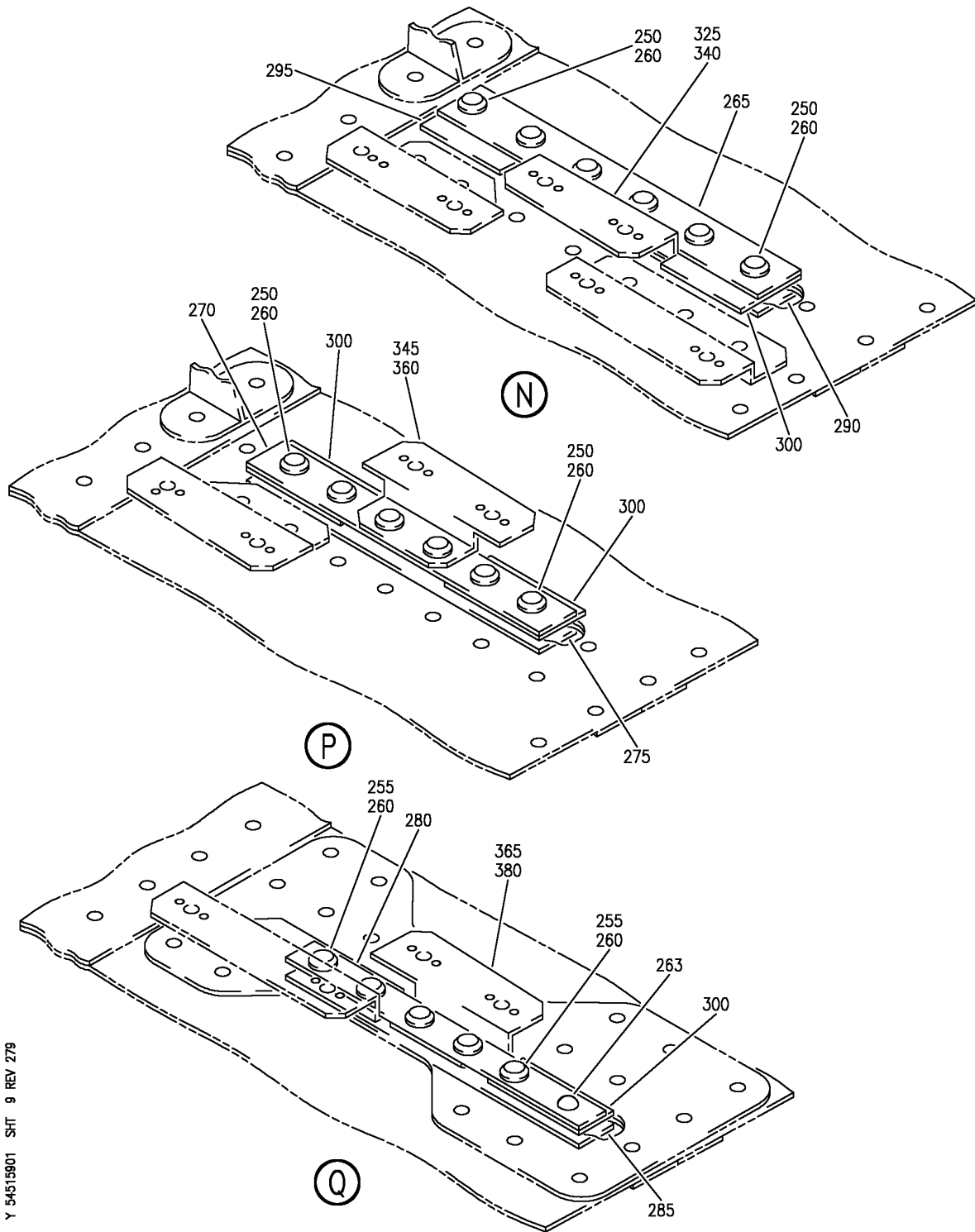
SPAR INSTL-NAC STRUT UPR FWD
FIGURE 1 (SHEET 8)

54-51-59-01

BRI
MAY 28/07

54-51-59-01
PAGE 08

BOEING
757
PARTS CATALOG (MAINTENANCE)



Y 54515901 SHT 9 REV 279

SPAR INSTL-NAC STRUT UPR FWD
FIGURE 1 (SHEET 9)

54-51-59-01

BRI
MAY 28/07

54-51-59-01
PAGE 0H



757

PARTS CATALOG (MAINTENANCE)

FIG ITEM	PART NUMBER	1 2 3 4 5 6 7	NOMENCLATURE	EFFECT FROM TO	UNITS PER ASSY
1			SPAR INSTL-NAC STRUT UPR FWD	002004 006999	
- 1	311N5040-65		SPAR INSTL-NAC STRUT POSITION DATA: UPR FWD LH FOR NHA SEE: 54-51-61-01	002004 006100 107107 121503 904999	RF
- 1	311N5040-83		SPAR INSTL-NAC STRUT POSITION DATA: UPR FWD LH FOR NHA SEE: 54-51-61-01	002004 006100 107107 121503 904999	RF
- 1	311N5040-95		SPAR INSTL-NAC STRUT POSITION DATA: UPR FWD LH FOR NHA SEE: 54-51-61-01	002004 006100 107107 121503 904999	RF
- 1	311N5040-131		SPAR INSTL-NAC STRUT POSITION DATA: UPR FWD LH FOR NHA SEE: 54-51-61-01	101102 504903	RF
- 1	311N5040-155		SPAR INSTL-NAC STRUT POSITION DATA: UPR FWD LH FOR NHA SEE: 54-00-00-04	108120	RF
- 1	311N5040-169		SPAR INSTL-NAC STRUT POSITION DATA: UPR FWD LH FOR NHA SEE: 54-00-00-04	103106	RF
- 5	311N5040-66		SPAR INSTL-NAC STRUT POSITION DATA: UPR FWD RH FOR NHA SEE: 54-51-61-01	002004 006100 107107 121503 904999	RF
- 5	311N5040-84		SPAR INSTL-NAC STRUT POSITION DATA: UPR FWD RH FOR NHA SEE: 54-51-61-01	002004 006100 107107 121503 904999	RF
- 5	311N5040-96		SPAR INSTL-NAC STRUT POSITION DATA: UPR FWD RH FOR NHA SEE: 54-51-61-01	002004 006100 107107 121503 904999	RF

MISSING ITEM NUMBERS NOT APPLICABLE

- ITEM NOT ILLUSTRATED

54-51-59-01

54-51-59
FIG. 01
PAGE 1
JAN 20/09

BRI



757

PARTS CATALOG (MAINTENANCE)

FIG ITEM	PART NUMBER	1 2 3 4 5 6 7	NOMENCLATURE	EFFECT FROM TO	UNITS PER ASSY
1					
- 5	311N5040-132		SPAR INSTL-NAC STRUT POSITION DATA: UPR FWD RH FOR NHA SEE: 54-00-00-04	101102 504903	RF
- 5	311N5040-156		SPAR INSTL-NAC STRUT POSITION DATA: UPR FWD RH FOR NHA SEE: 54-00-00-04	108120	RF
- 5	311N5040-170		SPAR INSTL-NAC STRUT POSITION DATA: UPR FWD RH FOR NHA SEE: 54-00-00-04	103106	RF
10	311N5040-61		.SPAR ASSY- POSITION DATA: LH SIDE	002004 006100 107107 121503 904999	1
10	311N5040-69		.SPAR ASSY- POSITION DATA: LH SIDE	002004 006100 107107 121503 904999	1
10	311N5040-75		.SPAR ASSY- POSITION DATA: LH SIDE	002004 006100 107107 121503 904999	1
10	311N5040-85		.SPAR ASSY- POSITION DATA: LH SIDE	002004 006100 107107 121503 904999	1
10	311N5040-87		.SPAR ASSY- POSITION DATA: LH SIDE	002004 006100 107107 121503 904999	1
10	311N5040-133		.SPAR ASSY- POSITION DATA: LH SIDE	101102 504903	1
10	311N5040-157		.SPAR ASSY- POSITION DATA: LH SIDE	108120	1
10	311N5040-167		.SPAR ASSY- POSITION DATA: LH SIDE	103106	1

MISSING ITEM NUMBERS NOT APPLICABLE

- ITEM NOT ILLUSTRATED

54-51-59-01

54-51-59
FIG. 01
PAGE 2
JAN 20/09

BRI



757

PARTS CATALOG (MAINTENANCE)

FIG ITEM	PART NUMBER	1 2 3 4 5 6 7	NOMENCLATURE	EFFECT FROM TO	UNITS PER ASSY
1					
- 15	311N5040-62		. SPAR ASSY- POSITION DATA: RH SIDE	002004 006100 107107 121503 904999	1
- 15	311N5040-70		. SPAR ASSY- POSITION DATA: RH SIDE	002004 006100 107107 121503 904999	1
- 15	311N5040-76		. SPAR ASSY- POSITION DATA: RH SIDE	002004 006100 107107 121503 904999	1
- 15	311N5040-86		. SPAR ASSY- POSITION DATA: RH SIDE	002004 006100 107107 121503 904999	1
- 15	311N5040-88		. SPAR ASSY- POSITION DATA: RH SIDE	002004 006100 107107 121503 904999	1
- 15	311N5040-134		. SPAR ASSY- POSITION DATA: RH SIDE	101102 504903	1
- 15	311N5040-158		. SPAR ASSY- POSITION DATA: RH SIDE	108120	1
- 15	311N5040-168		. SPAR ASSY- POSITION DATA: RH SIDE	103106	1

MISSING ITEM NUMBERS NOT APPLICABLE

- ITEM NOT ILLUSTRATED

54-51-59-01

54-51-59
FIG. 01
PAGE 3
JAN 20/09

BRI

 **BOEING**
757
PARTS CATALOG (MAINTENANCE)

FIG ITEM	PART NUMBER	1 2 3 4 5 6 7	NOMENCLATURE	EFFECT FROM TO	UNITS PER ASSY
1 21A	HL1012AZ8-6	..	BOLT SUPPLIER CODE: V0PTK6 SPECIFICATION NUMBER: BACB30NX8K6 OPTIONAL PART: HL12VAZ8-6 V73197 HL12VAZ8-6 V92215 HL12VAZ8-6 V97928 L802-8K6 V06725 HL12VAZ8-6 V56878 HL1012AZ8-6 V06725 HL1012AZ8-6 V06950 HL1012AZ8-6 V17446 HL1012AZ8-6 V56878 HL1012AZ8-6 V60516 HL1012AZ8-6 V73197 HL1012AZ8-6 V97928	002004 006999	7
22	L8008K6	..	BOLT SUPPLIER CODE: V06725 SPECIFICATION NUMBER: BACB30MY8K6	002004 006999	50
23	L8008K7	..	BOLT SUPPLIER CODE: V06725 SPECIFICATION NUMBER: BACB30MY8K7	002004 006999	24
24	L8008K8	..	BOLT SUPPLIER CODE: V06725 SPECIFICATION NUMBER: BACB30MY8K8	002004 006999	12

MISSING ITEM NUMBERS NOT APPLICABLE

— ITEM NOT ILLUSTRATED

BRI

54-51-59-01

BOEING PROPRIETARY - Copyright © - Unpublished Work - See title page for details.

54-51-59
FIG. 01
PAGE 4
JAN 20/09



757

PARTS CATALOG (MAINTENANCE)

FIG ITEM	PART NUMBER	1 2 3 4 5 6 7	NOMENCLATURE	EFFECT FROM TO	UNITS PER ASSY
1					
26	H8008K10	..	BOLT SUPPLIER CODE: V06725 SPECIFICATION NUMBER: BACB30MY8K10	002004 006999	3
27	L8008K9	..	BOLT SUPPLIER CODE: V06725 SPECIFICATION NUMBER: BACB30MY8K9	002004 006999	1
28	L8008K11	..	BOLT SUPPLIER CODE: V06725 SPECIFICATION NUMBER: BACB30MY8K11	002004 006999	1
30	L80018K15	..	BOLT- SUPPLIER CODE: V06725 SPECIFICATION NUMBER: BACB30MY18K15	002004 006999	3
31	L80010K11	..	BOLT SUPPLIER CODE: V06725 SPECIFICATION NUMBER: BACB30MY10K11	002004 006999	1
32	L80010K10	..	BOLT SUPPLIER CODE: V06725 SPECIFICATION NUMBER: BACB30MY10K10	002004 006999	1
33	L80010K6	..	BOLT SUPPLIER CODE: V06725 SPECIFICATION NUMBER: BACB30MY10K6	002004 006999	3
34	L80010K7	..	BOLT SUPPLIER CODE: V06725 SPECIFICATION NUMBER: BACB30MY10K7	002004 006999	1
34A	L80010K9	..	BOLT SUPPLIER CODE: V06725 SPECIFICATION NUMBER: BACB30MY10K9	002004 006999	4

MISSING ITEM NUMBERS NOT APPLICABLE

- ITEM NOT ILLUSTRATED

54-51-59-01

54-51-59
FIG. 01
PAGE 5
JAN 20/09

BRI

BOEING PROPRIETARY - Copyright © - Unpublished Work - See title page for details.



757

PARTS CATALOG (MAINTENANCE)

FIG ITEM	PART NUMBER	1 2 3 4 5 6 7	NOMENCLATURE	EFFECT FROM TO	UNITS PER ASSY
1	35	L80018K17	..BOLT- SUPPLIER CODE: V06725 SPECIFICATION NUMBER: BACB30MY18K17	002004 006999	1
	36	HL79-8	..COLLAR SUPPLIER CODE: V5M902 SPECIFICATION NUMBER: BACC30M8 OPTIONAL PART: HL79-8 V73197 HL79-8 V92215 66014-8 V56878 HL79-8 V56878	002004 006999	91
	37	HL79-10	..COLLAR SUPPLIER CODE: V5M902 SPECIFICATION NUMBER: BACC30M10 OPTIONAL PART: HL79-10 V73197 HL79-10 V92215 66014-10 V56878 HL79-10 V56878	002004 006999	8

MISSING ITEM NUMBERS NOT APPLICABLE

- ITEM NOT ILLUSTRATED

54-51-59-01

54-51-59
FIG. 01
PAGE 6
JAN 20/09

BRI

BOEING PROPRIETARY - Copyright © - Unpublished Work - See title page for details.



757

PARTS CATALOG (MAINTENANCE)

FIG ITEM	PART NUMBER	1 2 3 4 5 6 7	NOMENCLATURE	EFFECT FROM TO	UNITS PER ASSY
1 38A	HL1187-10		.. COLLAR SUPPLIER CODE: V5M902 SPECIFICATION NUMBER: BACC30X10 OPTIONAL PART: HL1187-10 V56878 HL1187-10 V92215 HL1187-10 V73197 HL1187-10 V92215 HL87-10 V56878 HL1187-10 V73197	002004 006999	4
39	HL1187-8		.. COLLAR SUPPLIER CODE: V5M902 SPECIFICATION NUMBER: BACC30X8 OPTIONAL PART: HL87-8 V92215 HL87-8 V73197 HL1187-8 V56878 HL1187-8 V92215 HL87-8 V56878 HL1187-8 V73197	002004 006999	9
40	HL79-18		.. COLLAR- SUPPLIER CODE: V5M902 SPECIFICATION NUMBER: BACC30M18 OPTIONAL PART: HL79-18 V73197 HL79-18 V92215 HL79-18 V56878	002004 006999	4

MISSING ITEM NUMBERS NOT APPLICABLE

- ITEM NOT ILLUSTRATED

54-51-59-01

54-51-59
FIG. 01
PAGE 7
JAN 20/09

BRI



757

PARTS CATALOG (MAINTENANCE)

FIG ITEM	PART NUMBER	1 2 3 4 5 6 7	NOMENCLATURE	EFFECT FROM TO	UNITS PER ASSY
1					
42	311N5023-2	..	FITTING-	002004 006999	1
45	HL1022AZ12-10	..	BOLT- SUPPLIER CODE: V56878 SPECIFICATION NUMBER: BACB30NX12K10X OPTIONAL PART: HL112AZ12-10 V06725 HL112AZ12-10 V56878 HL112AZ12-10 V73197 HL112AZ12-10 V92215 HL112AZ12-10 V97928 HL1022AZ12-10 V73197 HL1022AZ12-10 V97928 HL1022AZ12-10 V06950 HL1022AZ12-10 V17446 HL1022AZ12-10 V56878 HL1022AZ12-10 V73197 HL1022AZ12-10 V97928 USED ON: 311N5040-61 311N5040-62 311N5040-69 311N5040-70 POST ALERT SB: 54A0039R3 PRE ALERT SB: 54A0039R1 54A0039R2	002004 006999	2

MISSING ITEM NUMBERS NOT APPLICABLE

- ITEM NOT ILLUSTRATED

54-51-59-01

54-51-59
FIG. 01
PAGE 8
JAN 20/09

BRI



757

PARTS CATALOG (MAINTENANCE)

FIG ITEM	PART NUMBER	1 2 3 4 5 6 7	NOMENCLATURE	EFFECT FROM TO	UNITS PER ASSY
1 45	HL1032AZ12-10		..BOLT- SUPPLIER CODE: V97928 SPECIFICATION NUMBER: BACB30NX12K10Y OPTIONAL PART: HL1032AZ12-10 V73197 HL1032AZ12-10 V60516 HL1032AZ12-10 V56878 HL1032AZ12-10 V17446 HL1032AZ12-10 V06950 HL1032AZ12-10 V06725 HL1032AZ12-10 VOPTK6 HL412AZ12-10 V92215 HL412VAZ12-10 V06725 HL412VAZ12-10 V56878 HL412VAZ12-10 V60516 HL412VAZ12-10 V73197 HL412VAZ12-10 V92215 HL412VAZ12-10 V97928 POST ALERT SB: 54A0039R1 54A0039R2	002004 006106 108120 504903 952999	2

MISSING ITEM NUMBERS NOT APPLICABLE

- ITEM NOT ILLUSTRATED

54-51-59-01

54-51-59
 FIG. 01
 PAGE 9
 JAN 20/09

BRI



757

PARTS CATALOG (MAINTENANCE)

FIG ITEM	PART NUMBER	1 2 3 4 5 6 7	NOMENCLATURE	EFFECT FROM TO	UNITS PER ASSY
1 50	L80012K9		..BOLT- SUPPLIER CODE: V06725 SPECIFICATION NUMBER: BACB30MY12K9 USED ON: 311N5040-3 311N5040-4 311N5040-61 311N5040-62 311N5040-69 311N5040-70 311N5040-75 311N5040-76 311N5040-85 311N5040-86	002004 006999	2
50	L80014K9		..BOLT- SUPPLIER CODE: V06725 SPECIFICATION NUMBER: BACB30MY14K9 USED ON: 311N5040-87 311N5040-88 311N5040-61 311N5040-62 311N5040-69 311N5040-70 311N5040-107 311N5040-108	002004 006999	2
55	L80012K10		..BOLT- SUPPLIER CODE: V06725 SPECIFICATION NUMBER: BACB30MY12K10 USED ON: 311N5040-3 311N5040-4 311N5040-61 311N5040-62 311N5040-69 311N5040-70 311N5040-75 311N5040-76 311N5040-85 311N5040-86	002004 006999	2

MISSING ITEM NUMBERS NOT APPLICABLE

- ITEM NOT ILLUSTRATED

54-51-59-01

54-51-59
 FIG. 01
 PAGE 10
 JAN 20/09

BRI



757

PARTS CATALOG (MAINTENANCE)

FIG ITEM	PART NUMBER	1 2 3 4 5 6 7	NOMENCLATURE	EFFECT FROM TO	UNITS PER ASSY
1 55	L80014K10		..BOLT- SUPPLIER CODE: V06725 SPECIFICATION NUMBER: BACB30MY14K10 USED ON: 311N5040-87 311N5040-88 311N5040-61 311N5040-62 311N5040-69 311N5040-70 311N5040-107 311N5040-108	002004 006999	2
60	HL1022AZ12-14		..BOLT- SUPPLIER CODE: V06725 SPECIFICATION NUMBER: BACB30NX12K14X OPTIONAL PART: HL1022AZ10-14 V56878 HL1022AZ10-14 V73197 HL1022AZ10-14 V97928 HL112VAZ12-14 V06725 HL112VAZ12-14 V56878 HL112VAZ12-14 V73197 HL112VAZ12-14 V92215 HL112VAZ12-14 V97928 USED ON: 311N5040-61 311N5040-62 311N5040-69 311N5040-70 POST ALERT SB: 54A0039R3 PRE ALERT SB: 54A0039R1 54A0039R3	002004 006999	2

MISSING ITEM NUMBERS NOT APPLICABLE

- ITEM NOT ILLUSTRATED

54-51-59-01

54-51-59
FIG. 01
PAGE 11
JAN 20/09

BRI

 **BOEING**
757
PARTS CATALOG (MAINTENANCE)

FIG ITEM	PART NUMBER	1 2 3 4 5 6 7	NOMENCLATURE	EFFECT FROM TO	UNITS PER ASSY
1	60	BACB30NX12K14Y	..BOLT- POST ALERT SB: 54A0039R1 54A0039R2	002004 006106 108120 504903 952999	2
	65	BACB30MY16K23	..BOLT- POSITION DATA: RH SIDE	002004 006999	4
	70	BACB30MY16K23	..BOLT- POSITION DATA: LH SIDE	002004 006999	2
	75	L80016K24	..BOLT- SUPPLIER CODE: V06725 SPECIFICATION NUMBER: BACB30MY16K24 POSITION DATA: LH SIDE	002004 006999	2
	77	BACW10BP61ACU	..WASHER- POST ALERT SB: 54A0039R3 PRE ALERT SB: 54A0039R1 54A0039R2	002004 006999	2
	77	BACW10BP62ACU	..WASHER- POST ALERT SB: 54A0039R1 54A0039R2	002004 006106 108120 504903 952999	2
	80	HL79-16	..COLLAR SUPPLIER CODE: V5M902 SPECIFICATION NUMBER: BACC30M16 OPTIONAL PART: HL79-16 V73197 HL79-16 V92215 66014-16 V56878 HL79-16 V56878	002004 006999	4
	MISSING ITEM NUMBERS NOT APPLICABLE				

- ITEM NOT ILLUSTRATED

BRI

54-51-59-01

BOEING PROPRIETARY - Copyright © - Unpublished Work - See title page for details.

54-51-59
FIG. 01
PAGE 12
JAN 20/09



757

PARTS CATALOG (MAINTENANCE)

FIG ITEM	PART NUMBER	1 2 3 4 5 6 7	NOMENCLATURE	EFFECT FROM TO	UNITS PER ASSY
1 82	HL79-12		.. COLLAR- SUPPLIER CODE: V5M902 SPECIFICATION NUMBER: BACC30M12 OPTIONAL PART: HL79-12 V73197 HL79-12 V92215 66014-12 V56878 HL79-12 V56878 USED ON: 311N5040-3 311N5040-4 311N5040-61 311N5040-62 311N5040-69 311N5040-70 311N5040-75 311N5040-76 311N5040-85 311N5040-86	002004 006999	3
84	HL79-14		.. COLLAR- SUPPLIER CODE: V5M902 SPECIFICATION NUMBER: BACC30M14 OPTIONAL PART: HL79-14 V73197 HL79-14 V92215 66014-14 V56878 HL79-14 V56878 USED ON: 311N5040-87 311N5040-88 311N5040-107 311N5040-108	002004 006999	3

MISSING ITEM NUMBERS NOT APPLICABLE

- ITEM NOT ILLUSTRATED

BRI

54-51-59-01

BOEING PROPRIETARY - Copyright © - Unpublished Work - See title page for details.

54-51-59
FIG. 01
PAGE 13
JAN 20/09



757

PARTS CATALOG (MAINTENANCE)

FIG ITEM	PART NUMBER	1 2 3 4 5 6 7	NOMENCLATURE	EFFECT FROM TO	UNITS PER ASSY
1 85	HL79-12		.. COLLAR- SUPPLIER CODE: V5M902 SPECIFICATION NUMBER: BACC30M12 OPTIONAL PART: HL79-12 V73197 HL79-12 V92215 66014-12 V56878 HL79-12 V56878 PRE ALERT SB: 54A0039R1 54A0039R2	002004 006007 009100 103106 952952	2
85	HL1187DU12		.. COLLAR- SUPPLIER CODE: V5M902 SPECIFICATION NUMBER: BACC30X12S OPTIONAL PART: HL87DU12 V92215 HL87DU12 V73197 HL1187DU12 V56878 HL1187DU12 V92215 HL87DU12 V56878 HL1187DU12 V73197 USED ON: 311N5040-61 311N5040-62 311N5040-69 311N5040-70 PRE ALERT SB: 54A0039R1 54A0039R2	002004 006007 009102 504903 952952	2

MISSING ITEM NUMBERS NOT APPLICABLE

- ITEM NOT ILLUSTRATED

BRI

54-51-59-01

BOEING PROPRIETARY - Copyright © - Unpublished Work - See title page for details.

54-51-59
 FIG. 01
 PAGE 14
 JAN 20/09



757

PARTS CATALOG (MAINTENANCE)

FIG ITEM	PART NUMBER	1 2 3 4 5 6 7	NOMENCLATURE	EFFECT FROM TO	UNITS PER ASSY
1	85 HL1087DU12		.. COLLAR- SUPPLIER CODE: V9N513 SPECIFICATION NUMBER: BACC30BH12S OPTIONAL PART: HL1087DU12 V73197 HL1087DU12 V92215 HL1087DU12 V56878 POST ALERT SB: 54A0039R1 PRE ALERT SB: 54A0039R2	002004 006100 103503 904999	2
	85 BACC30AC12S		.. COLLAR- POST ALERT SB: 54A0039R1 54A0039R2	101106 108120 504903	2
	86 HL97DU12		.. COLLAR- SUPPLIER CODE: V73197 SPECIFICATION NUMBER: BACC30AB12S OPTIONAL PART: HL97DU12 V56878 HL97DU12 V5M902 USED ON: 311N5040-3 311N5040-4 311N5040-61 311N5040-62 311N5040-69 311N5040-70 311N5040-75 311N5040-76 311N5040-85 311N5040-86	002004 006999	1

MISSING ITEM NUMBERS NOT APPLICABLE

- ITEM NOT ILLUSTRATED

54-51-59-01

54-51-59
 FIG. 01
 PAGE 15
 JAN 20/09

BRI



757

PARTS CATALOG (MAINTENANCE)

FIG ITEM	PART NUMBER	1 2 3 4 5 6 7	NOMENCLATURE	EFFECT FROM TO	UNITS PER ASSY
1 87	HL97DU14		.. COLLAR- SUPPLIER CODE: V73197 SPECIFICATION NUMBER: BACC30AB14S OPTIONAL PART: HL97DU14 V56878 HL97DU14 V5M902 USED ON: 311N5040-87 311N5040-88 311N5040-107 311N5040-108	002004 006999	1
88	HL97DU12		.. COLLAR- SUPPLIER CODE: V73197 SPECIFICATION NUMBER: BACC30AB12S OPTIONAL PART: HL97DU12 V56878 HL97DU12 V5M902 PRE ALERT SB: 54A0039R1 54A0039R2	002004 006007 009106 108120 504903 952952	2

MISSING ITEM NUMBERS NOT APPLICABLE

- ITEM NOT ILLUSTRATED

BRI

54-51-59-01

BOEING PROPRIETARY - Copyright © - Unpublished Work - See title page for details.

54-51-59
FIG. 01
PAGE 16
JAN 20/09



757

PARTS CATALOG (MAINTENANCE)

FIG ITEM	PART NUMBER	1 2 3 4 5 6 7	NOMENCLATURE	EFFECT FROM TO	UNITS PER ASSY
1 88	HL1187DU12		.. COLLAR- SUPPLIER CODE: V5M902 SPECIFICATION NUMBER: BACC30X12S OPTIONAL PART: HL87DU12 V92215 HL87DU12 V73197 HL1187DU12 V56878 HL1187DU12 V92215 HL87DU12 V56878 HL1187DU12 V73197 USED ON: 311N5040-61 311N5040-62 311N5040-69 311N5040-70 PRE ALERT SB: 54A0039R1 54A0039R2	002004 006007 009102 504903 952952	2
88	HL1087DU12		.. COLLAR- SUPPLIER CODE: V9N513 SPECIFICATION NUMBER: BACC30BH12S OPTIONAL PART: HL1087DU12 V73197 HL1087DU12 V92215 HL1087DU12 V56878 POST ALERT SB: 54A0039R1 PRE ALERT SB: 54A0039R2	002004 006100 103503 904999	2
88	BACC30AC12S		.. COLLAR- POST ALERT SB: 54A0039R2	101106 108120 504903	2

MISSING ITEM NUMBERS NOT APPLICABLE

- ITEM NOT ILLUSTRATED

BRI

54-51-59-01

BOEING PROPRIETARY - Copyright © - Unpublished Work - See title page for details.

54-51-59
 FIG. 01
 PAGE 17
 JAN 20/09



757

PARTS CATALOG (MAINTENANCE)

FIG ITEM	PART NUMBER	1 2 3 4 5 6 7	NOMENCLATURE	EFFECT FROM TO	UNITS PER ASSY
1					
89	311N5167-2	..	BUSHING- USED ON: 311N5040-62 311N5040-69 311N5040-70 POST ALERT SB: 54A0039R1	002004 006007 009010 015100 107107 121503 904952	4
89	311N5167-1	..	BUSHING- PRE ALERT SB: 54A0039R1 54A0039R2	002004 006007 009010 015106 108120 504903 952952	4
89	311N5167-3	..	BUSHING- POST ALERT SB: 54A0039R1 54A0039R2	101106 108120 504903	4
94	BACS40R23B50F	..	SHIM-	002004 006999	2
95	BACS40R18A62F	..	SHIM-	002004 006999	2
100	BACS40R35B50F	..	SHIM- OPTIONAL PART: BACS40R35C50F	002004 006999	2
100	BACS40R35C50F	..	SHIM- OPTIONAL PART: BACS40R35B50F	002004 006999	2
105	311N5021-1	..	FITTING ASSY-	002004 006100 107107 121503 904999	1
105	311N5021-5	..	FITTING ASSY- OPTIONAL PART: 311N5021-9	101102 504903	1
105	311N5021-9	..	FITTING ASSY- OPTIONAL PART: 311N5021-5	103106 108120	1
110	311N5058-10	...	BUSHING-	002004 006100 107107 121503 904999	2
110	311N5058-21	...	BUSHING-	101106 108120 504903	2

MISSING ITEM NUMBERS NOT APPLICABLE

- ITEM NOT ILLUSTRATED

54-51-59-01

54-51-59
FIG. 01
PAGE 18
JAN 20/09

BRI

BOEING PROPRIETARY - Copyright © - Unpublished Work - See title page for details.

 **BOEING**
757
PARTS CATALOG (MAINTENANCE)

FIG ITEM	PART NUMBER	1 2 3 4 5 6 7	NOMENCLATURE	EFFECT FROM TO	UNITS PER ASSY
1					
115	311N5021-2	...	FITTING-	002004 006100 107107 121503 904999	1
120	312N5825-1	..	BRACKET- POSITION DATA: LH SIDE	002004 006999	1
125	312N5809-1	..	BRACKET ASSY	002004 006999	1
130	312T3071-3	...	BUSHING	002004 006999	1
135	312N5808-1	..	BRACKET ASSY	002004 006999	1
			ATTACHING PARTS		
- 140	NAS6704U2	..	BOLT	002004 006999	2
- 145	AN960C416L	..	WASHER	002004 006999	4
- 150	BRH10A4	..	NUT SUPPLIER CODE: V52828 SPECIFICATION NUMBER: BACN10JC4 OPTIONAL PART: T6S428J V11815 96-048 V80539 VN303A048 V92215 RMLH9075-4W V72962 NS202101-048 V80539 H10-4BAC V15653 -----*-----	002004 006999	2
155	312T3071-3	...	BUSHING	002004 006999	1
165	312N5821-8700	..	BRACKET-	002004 006999	1
170	312N5821-10	..	BRACKET	002004 006999	1
175	312N5821-3	..	BRACKET	002004 006999	1
180	312N5821-9	..	BRACKET	002004 006999	1

MISSING ITEM NUMBERS NOT APPLICABLE

- ITEM NOT ILLUSTRATED

BRI

54-51-59-01

BOEING PROPRIETARY - Copyright © - Unpublished Work - See title page for details.

54-51-59
FIG. 01
PAGE 19
JAN 20/09



757

PARTS CATALOG (MAINTENANCE)

FIG ITEM	PART NUMBER	1 2 3 4 5 6 7	NOMENCLATURE	EFFECT FROM TO	UNITS PER ASSY
1			ATTACHING PARTS		
185	NAS6703U4	..	BOLT	002004 006999	4
190	NAS6703U3	..	BOLT	002004 006999	4
195	AN960PD10	..	WASHER-	002004 006999	8
200	BRH10A3	..	NUT-	002004 006999	8
			SUPPLIER CODE: V52828		
			SPECIFICATION NUMBER: BACN10JC3		
			OPTIONAL PART: H10-3BAC		
			V15653		
			NS202101-02		
			V80539		
			RMLH9075-3W		
			V72962		
			VN303A02		
			V92215		
			96-02		
			V80539		
			T6S1032J		
			V11815		
			-----*		

MISSING ITEM NUMBERS NOT APPLICABLE

- ITEM NOT ILLUSTRATED

BRI

54-51-59-01

BOEING PROPRIETARY - Copyright © - Unpublished Work - See title page for details.

54-51-59
FIG. 01
PAGE 20
JAN 20/09



757

PARTS CATALOG (MAINTENANCE)

FIG ITEM	PART NUMBER	1 2 3 4 5 6 7 NOMENCLATURE	EFFECT FROM TO	UNITS PER ASSY
1 250	HL1022AZ6-6	..BOLT- SUPPLIER CODE: V97928 SPECIFICATION NUMBER: BACB30NX6K6X OPTIONAL PART: HL1022AZ6-6 V06725 HL1022AZ6-6 V56878 HL1022AZ6-6 V73197 HL112VAZ6-6 V06725 HL112VAZ6-6 V56878 HL112VAZ6-6 V73197 HL112VAZ6-6 V92215 HL112VAZ6-6 V97928 HL1022AZ6-6 V06950 HL1022AZ6-6 V17446 HL1022AZ6-6 V56878 HL1022AZ6-6 V73197 MISCELLANEOUS DATA: HOLE DIA 0.200-0.203 POST ALERT SB: 54A0045	002004 006102 107999	AR

MISSING ITEM NUMBERS NOT APPLICABLE

- ITEM NOT ILLUSTRATED

BRI

54-51-59-01

BOEING PROPRIETARY - Copyright © - Unpublished Work - See title page for details.

54-51-59
FIG. 01
PAGE 21
JAN 20/09



757

PARTS CATALOG (MAINTENANCE)

FIG ITEM	PART NUMBER	1 2 3 4 5 6 7 NOMENCLATURE	EFFECT FROM TO	UNITS PER ASSY
1 250	HL1032AZ6-6	.. BOLT- SUPPLIER CODE: V97928 SPECIFICATION NUMBER: BACB30NX6K6Y OPTIONAL PART: HL412AZ6-6 V92215 HL412VAZ6-6 V06725 HL412VAZ6-6 V56878 HL412VAZ6-6 V73197 HL412VAZ6-6 V92215 HL412VAZ6-6 V97928 HL1032AZ6-6 V0PTK6 HL1032AZ6-6 V06725 HL1032AZ6-6 V06950 HL1032AZ6-6 V17446 HL1032AZ6-6 V56878 HL1032AZ6-6 V60516 HL1032AZ6-6 V73197 MISCELLANEOUS DATA: HOLE DIA 0.216-0.219 POST ALERT SB: 54A0045	002004 006102 107999	AR

MISSING ITEM NUMBERS NOT APPLICABLE

- ITEM NOT ILLUSTRATED

BRI

54-51-59-01

BOEING PROPRIETARY - Copyright © - Unpublished Work - See title page for details.

54-51-59
FIG. 01
PAGE 22
JAN 20/09



757

PARTS CATALOG (MAINTENANCE)

FIG ITEM	PART NUMBER	1 2 3 4 5 6 7 NOMENCLATURE	EFFECT FROM TO	UNITS PER ASSY
1 255	HL1022AZ6-7	..BOLT- SUPPLIER CODE: V97928 SPECIFICATION NUMBER: BACB30NX6K7X OPTIONAL PART: HL1022AZ6-7 V73197 HL112VAZ6-7 V92215 HL112VAZ6-7 V97928 HL112AZ6-7 V73197 HL112AZ6-7 V92215 HL112AZ6-7 V97928 HL1022AZ6-7 V0PTK6 HL1022AZ6-7 V06725 HL1022AZ6-7 V06950 HL1022AZ6-7 V17446 HL1022AZ6-7 V56878 HL1022AZ6-7 V73197 MISCELLANEOUS DATA: HOLE DIA 0.200-0.203 POST ALERT SB: 54A0045	002004 006102 107999	AR

MISSING ITEM NUMBERS NOT APPLICABLE

- ITEM NOT ILLUSTRATED

BRI

54-51-59-01

BOEING PROPRIETARY - Copyright © - Unpublished Work - See title page for details.

54-51-59
FIG. 01
PAGE 23
JAN 20/09



757

PARTS CATALOG (MAINTENANCE)

FIG ITEM	PART NUMBER	1 2 3 4 5 6 7 NOMENCLATURE	EFFECT FROM TO	UNITS PER ASSY
1 255	HL1032AZ6-7	..BOLT- SUPPLIER CODE: V97928 SPECIFICATION NUMBER: BACB30NX6K7Y OPTIONAL PART: HL412AZ6-7 V92215 HL412VAZ6-7 V06725 HL412VAZ6-7 V56878 HL412VAZ6-7 V73197 HL412VAZ6-7 V92215 HL412VAZ6-7 V97928 HL1032AZ6-7 V0PTK6 HL1032AZ6-7 V06725 HL1032AZ6-7 V06950 HL1032AZ6-7 V17446 HL1032AZ6-7 V56878 HL1022AZ6-7 V73197 MISCELLANEOUS DATA: HOLE DIA 0.216-0.219 POST ALERT SB: 54A0045	002004 006102 107999	AR

MISSING ITEM NUMBERS NOT APPLICABLE

- ITEM NOT ILLUSTRATED

BRI

54-51-59-01

BOEING PROPRIETARY - Copyright © - Unpublished Work - See title page for details.

54-51-59
FIG. 01
PAGE 24
JAN 20/09



757

PARTS CATALOG (MAINTENANCE)

FIG ITEM	PART NUMBER	1 2 3 4 5 6 7	NOMENCLATURE	EFFECT FROM TO	UNITS PER ASSY
1 260	HL79-6		.. COLLAR- SUPPLIER CODE: V5M902 SPECIFICATION NUMBER: BACC30M6 OPTIONAL PART: HL79-6 V73197 HL79-6 V92215 66014-6 V56878 HL79-6 V56878 USED WITH: BACB30NX6K6X BACB30NX6K7X POST ALERT SB: 54A0045	002004 006102 107999	AR
260	HL84-6		.. COLLAR- SUPPLIER CODE: V5M902 SPECIFICATION NUMBER: BACC30R6 OPTIONAL PART: HL84-6 V73197 HL84-6 V92215 66013-6 V56878 HL84-6 V56878 USED WITH: BACB30NX6K6Y BACB30NX6K7Y POST ALERT SB: 54A0045	002004 006102 107999	AR
263	MS20615-6M11		.. RIVET- POST ALERT SB: 54A0045	002004 006102 107999	1
265	BACF3H07LA064HN		.. STRAP- POST ALERT SB: 54A0045	002004 006102 107999	1
270	BACF3H07LA056HN		.. STRAP- POST ALERT SB: 54A0045	002004 006102 107999	1

MISSING ITEM NUMBERS NOT APPLICABLE

- ITEM NOT ILLUSTRATED

54-51-59-01

54-51-59
FIG. 01
PAGE 25
JAN 20/09

BRI



757

PARTS CATALOG (MAINTENANCE)

FIG ITEM	PART NUMBER	1 2 3 4 5 6 7	NOMENCLATURE	EFFECT FROM TO	UNITS PER ASSY
1					
275	BACF3H08LF056HN	..	STRAP- POST ALERT SB: 54A0045	002004 006102 107999	1
280	BACF3H07LC057HN	..	STRAP- POST ALERT SB: 54A0045	002004 006102 107999	1
285	BACF3H08LM046HN	..	STRAP- POST ALERT SB: 54A0045	002004 006102 107999	1
290	BACF3H08LF063HN	..	STRAP- POST ALERT SB: 54A0045	002004 006102 107999	1
295	BACF3F009G019NN	..	FILLER- POST ALERT SB: 54A0045	002004 006102 107999	1
- 300	BACF3F009G018NN	..	FILLER- POST ALERT SB: 54A0045	002004 006102 107999	4
305	312N5817-107	..	BRACKET ASSY- POST ALERT SB: 54A0030	002004 006100 103503 904999	1
			ATTACHING PARTS		
- 310	L800X6K6	..	BOLT- SUPPLIER CODE: V06725 SPECIFICATION NUMBER: BACB30MY6K6X POST ALERT SB: 54A0030	002004 006100 103503 904999	3
- 315	HL79-6	..	COLLAR- SUPPLIER CODE: V5M902 SPECIFICATION NUMBER: BACC30M6 OPTIONAL PART: HL79-6 V73197 HL79-6 V92215 66014-6 V56878 HL79-6 V56878 POST ALERT SB: 54A0030 -----*-----	002004 006100 103503 904999	3

MISSING ITEM NUMBERS NOT APPLICABLE

- ITEM NOT ILLUSTRATED

54-51-59-01

54-51-59
FIG. 01
PAGE 26
JAN 20/09

BRI

BOEING PROPRIETARY - Copyright © - Unpublished Work - See title page for details.



757

PARTS CATALOG (MAINTENANCE)

FIG ITEM	PART NUMBER	1 2 3 4 5 6 7	NOMENCLATURE	EFFECT FROM TO	UNITS PER ASSY
1					
320	312N5817-108	...	BRACKET	002004 006100 103503 904999	1
325	312N5817-99	..	BRACKET ASSY- POST ALERT SB: 54A0030 ATTACHING PARTS	002004 006999	1
- 330	L800X6K4	..	BOLT- SUPPLIER CODE: V06725 SPECIFICATION NUMBER: BACB30MY6K4X POST ALERT SB: 54A0030 PRE ALERT SB: 54A0045	002004 006106 108108 904949	2
- 335	HL79-6	..	COLLAR- SUPPLIER CODE: V5M902 SPECIFICATION NUMBER: BACC30M6 OPTIONAL PART: HL79-6 V73197 HL79-6 V92215 66014-6 V56878 HL79-6 V56878 POST ALERT SB: 54A0030 PRE ALERT SB: 54A0045 -----*-----	002004 006106 108108 904949	2
340	312N5817-100	...	BRACKET	002004 006999	1
345	312N5817-23	..	BRACKET ASSY-	002004 006999	1
345	312N5817-93	..	BRACKET ASSY- POST ALERT SB: 54A0030	002004 006999	1

MISSING ITEM NUMBERS NOT APPLICABLE

- ITEM NOT ILLUSTRATED

54-51-59-01

54-51-59
FIG. 01
PAGE 27
JAN 20/09

BRI

 **BOEING**
757
PARTS CATALOG (MAINTENANCE)

FIG ITEM	PART NUMBER	1 2 3 4 5 6 7	NOMENCLATURE	EFFECT FROM TO	UNITS PER ASSY
1			ATTACHING PARTS		
- 350	L800X6K4		..BOLT- SUPPLIER CODE: V06725 SPECIFICATION NUMBER: BACB30MY6K4X POST ALERT SB: 54A0030 PRE ALERT SB: 54A0045	002004 006106 108108 904949	2
- 355	HL79-6		..COLLAR- SUPPLIER CODE: V5M902 SPECIFICATION NUMBER: BACC30M6 OPTIONAL PART: HL79-6 V73197 HL79-6 V92215 66014-6 V56878 HL79-6 V56878 PRE ALERT SB: 54A0045	011106 108108	2
			-----*-----		
360	312N5817-94		...BRACKET- USED ON: 312N5817-93	002004 006999	1
360	312N5817-24		...BRACKET- USED ON: 312N5817-23	002004 006999	1
365	312N5817-85		..BRACKET ASSY- POST ALERT SB: 54A0030	002004 006999	1
365	312N5817-25		..BRACKET ASSY-	002004 006999	1
- 370	L800X6K5		ATTACHING PARTS ..BOLT- SUPPLIER CODE: V06725 SPECIFICATION NUMBER: BACB30MY6K5X POST ALERT SB: 54A0030 PRE ALERT SB: 54A0045	002004 006106 108108 904949	2

MISSING ITEM NUMBERS NOT APPLICABLE

- ITEM NOT ILLUSTRATED

BRI

54-51-59-01

BOEING PROPRIETARY - Copyright © - Unpublished Work - See title page for details.

54-51-59
FIG. 01
PAGE 28
JAN 20/09

 **BOEING**
757
PARTS CATALOG (MAINTENANCE)

FIG ITEM	PART NUMBER	1 2 3 4 5 6 7	NOMENCLATURE	EFFECT FROM TO	UNITS PER ASSY
1 - 375	HL79-6		.. COLLAR- SUPPLIER CODE: V5M902 SPECIFICATION NUMBER: BACC30M6 OPTIONAL PART: HL79-6 V73197 HL79-6 V92215 66014-6 V56878 HL79-6 V56878 POST ALERT SB: 54A0030 PRE ALERT SB: 54A0045 -----*-----	002004 006106 108108 904949	2
380	312N5817-86		... BRACKET	002004 006999	1

MISSING ITEM NUMBERS NOT APPLICABLE

- ITEM NOT ILLUSTRATED

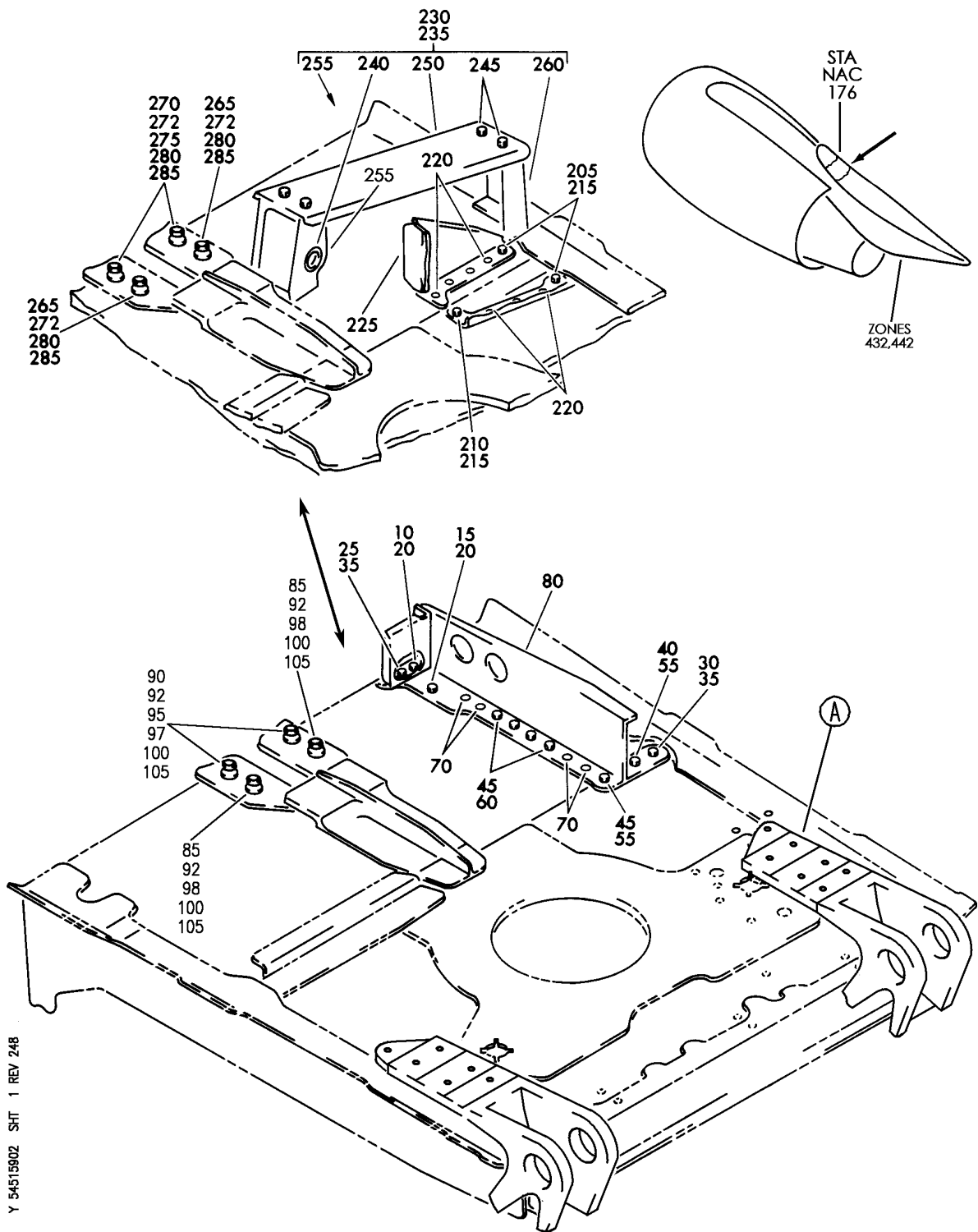
BRI

54-51-59-01

BOEING PROPRIETARY - Copyright © - Unpublished Work - See title page for details.

54-51-59
FIG. 01
PAGE 29
JAN 20/09

BOEING
 757
 PARTS CATALOG (MAINTENANCE)



Y 54-51-59-02 SHT 1 REV 248

SPAR INSTL-NAC STRUT UPR AFT
 FIGURE 2 (SHEET 1)

54-51-59-02

BRI
 MAY 28/07

54-51-59-02
 PAGE 0



757

PARTS CATALOG (MAINTENANCE)

FIG ITEM	PART NUMBER	1 2 3 4 5 6 7	NOMENCLATURE	EFFECT FROM TO	UNITS PER ASSY
2			SPAR INSTL-NAC STRUT UPR AFT	002004 006999	
- 1	311N5041-1		SPAR INSTL-NAC STRUT POSITION DATA: UPR AFT LH FOR NHA SEE: 54-51-61-01	002004 006100 107107 121503 904999	RF
- 1	311N5041-35		SPAR INSTL-NAC STRUT POSITION DATA: UPR AFT LH FOR NHA SEE: 54-51-61-01	002004 006016 107107 121503 904999	RF
- 1	311N5041-37		SPAR INSTL-NAC STRUT POSITION DATA: UPR AFT LH FOR NHA SEE: 54-51-61-01	002004 006015 107107 121503 904999	RF
- 1	311N5041-45		SPAR INSTL-NAC STRUT POSITION DATA: UPR AFT LH FOR NHA SEE: 54-51-61-01	002004 006015 107107 121503 904999	RF
- 1	311N5041-67		SPAR INSTL-NAC STRUT POSITION DATA: UPR AFT LH FOR NHA SEE: 54-00-00-04	101106 108120 504903	RF
10	L80010K15		.BOLT SUPPLIER CODE: V06725 SPECIFICATION NUMBER: BACB30MY10K15	002004 006999	1
15	L80010K11		.BOLT SUPPLIER CODE: V06725 SPECIFICATION NUMBER: BACB30MY10K11	002004 006999	1

MISSING ITEM NUMBERS NOT APPLICABLE

- ITEM NOT ILLUSTRATED

54-51-59-02

54-51-59
FIG. 02
PAGE 1
JAN 20/09

BRI



757

PARTS CATALOG (MAINTENANCE)

FIG ITEM	PART NUMBER	1 2 3 4 5 6 7	NOMENCLATURE	EFFECT FROM TO	UNITS PER ASSY
2	20 HL79-10		.COLLAR- SUPPLIER CODE: V5M902 SPECIFICATION NUMBER: BACC30M10 OPTIONAL PART: HL79-10 V73197 HL79-10 V92215 66014-10 V56878 HL79-10 V56878 BACC30AG12	002004 006999	2
	20 HL82-10APBW		.COLLAR- SUPPLIER CODE: V73197 SPECIFICATION NUMBER: BACC30AG10 OPTIONAL PART: HL82-10APBW V56878 HL82-10APBW V92215 BACC30M12	002004 006999	2
	25 L8008K11		.BOLT SUPPLIER CODE: V06725 SPECIFICATION NUMBER: BACB30MY8K11	002004 006999	1
	30 L8008K9		.BOLT SUPPLIER CODE: V06725 SPECIFICATION NUMBER: BACB30MY8K9	002004 006999	1

MISSING ITEM NUMBERS NOT APPLICABLE

- ITEM NOT ILLUSTRATED

BRI

54-51-59-02

BOEING PROPRIETARY - Copyright © - Unpublished Work - See title page for details.

54-51-59
FIG. 02
PAGE 2
SEP 20/08



757

PARTS CATALOG (MAINTENANCE)

FIG ITEM	PART NUMBER	1 2 3 4 5 6 7	NOMENCLATURE	EFFECT FROM TO	UNITS PER ASSY
2	35 HL79-8	.COLLAR	SUPPLIER CODE: V5M902 SPECIFICATION NUMBER: BACC30M8 OPTIONAL PART: HL79-8 V73197 HL79-8 V92215 66014-8 V56878 HL79-8 V56878	002004 006999	2
	40 L8006K7	.BOLT	SUPPLIER CODE: V06725 SPECIFICATION NUMBER: BACB30MY6K7	002004 006999	1
	45 L8006K4	.BOLT	SUPPLIER CODE: V06725 SPECIFICATION NUMBER: BACB30MY6K4	002004 006999	5
	55 HL82-6APBW	.COLLAR	SUPPLIER CODE: V5M902 SPECIFICATION NUMBER: BACC30AG6 OPTIONAL PART: HL82-6APBW V92215 HL82-6APBW V56878 HL82-6APBW V73197	002004 006999	2

MISSING ITEM NUMBERS NOT APPLICABLE

- ITEM NOT ILLUSTRATED

54-51-59-02

54-51-59
FIG. 02
PAGE 3
SEP 20/08

BRI



**757
PARTS CATALOG (MAINTENANCE)**

FIG ITEM	PART NUMBER	1 2 3 4 5 6 7	NOMENCLATURE	EFFECT FROM TO	UNITS PER ASSY
2	60 HL79-6		.COLLAR SUPPLIER CODE: V5M902 SPECIFICATION NUMBER: BACC30M6 OPTIONAL PART: HL79-6 V73197 HL79-6 V92215 66014-6 V56878 HL79-6 V56878	002004 006999	4
	70 BACR15FT6KE		.RIVET- SIZE DETERMINED ON INSTL.	002004 006999	4
	80 251N6004-2		.SUPPORT INSTL-TLA AND TLB NAC POSITION DATA: PPS 180 USED ON: 311N5041-1 311N5041-35 FOR DETAILS SEE: 76-11-52-01	002004 006100 107107 121503 904999	1

MISSING ITEM NUMBERS NOT APPLICABLE

— ITEM NOT ILLUSTRATED

BRI

54-51-59-02

BOEING PROPRIETARY - Copyright © - Unpublished Work - See title page for details.

54-51-59
FIG. 02
PAGE 4
JAN 20/09



757

PARTS CATALOG (MAINTENANCE)

FIG ITEM	PART NUMBER	1 2 3 4 5 6 7	NOMENCLATURE	EFFECT FROM TO	UNITS PER ASSY
2 85	HL1012AZ12-8		.BOLT- SUPPLIER CODE: VOPTK6 SPECIFICATION NUMBER: BACB30NX12K8 OPTIONAL PART: HL12VAZ12-8 V73197 HL12VAZ12-8 V92215 HL12VAZ12-8 V97928 L802-12K8 V06725 HL12VAZ12-8 V56878 HL1012AZ12-8 V06725 HL1012AZ12-8 V06950 HL1012AZ12-8 V17446 HL1012AZ12-8 V56878 HL1012AZ12-8 V60516 HL1012AZ12-8 V73197 HL1012AZ12-8 V97928 BACB30VT12K9 USED ON: 311N5041-37 311N5041-45 311N5041-53 311N5041-67 PRE ALERT SB: 54A0039R1 54A0039R2	002004 006106 108120 504903 952952	2

MISSING ITEM NUMBERS NOT APPLICABLE

- ITEM NOT ILLUSTRATED

54-51-59-02

54-51-59
FIG. 02
PAGE 5
JAN 20/09

BRI



757

PARTS CATALOG (MAINTENANCE)

FIG ITEM	PART NUMBER	1 2 3 4 5 6 7	NOMENCLATURE	EFFECT FROM TO	UNITS PER ASSY
2 85	HL1022AZ12-8		.BOLT- SUPPLIER CODE: V06725 SPECIFICATION NUMBER: BACB30NX12K8X OPTIONAL PART: HL1022AZ12-8 V56878 HL1022AZ12-8 V73197 HL1022AZ12-8 V97928 HL112VAZ12-8 V06725 HL112VAZ12-8 V56878 HL112VAZ12-8 V73197 HL112VAZ12-8 V92215 HL112VAZ12-8 V97928 HL1022AZ12-8 V17446 HL1022AZ12-8 V56878 HL1022AZ12-8 V73197 HL1022AZ12-8 V97928 USED ON: 311N5041-1 311N5041-35 POST ALERT SB: 54A0039R1	002004 006100 107107 121503 904952	2

MISSING ITEM NUMBERS NOT APPLICABLE

- ITEM NOT ILLUSTRATED

BRI

54-51-59-02

BOEING PROPRIETARY - Copyright © - Unpublished Work - See title page for details.

54-51-59
FIG. 02
PAGE 6
JAN 20/09



757

PARTS CATALOG (MAINTENANCE)

FIG ITEM	PART NUMBER	1 2 3 4 5 6 7	NOMENCLATURE	EFFECT FROM TO	UNITS PER ASSY
2 85	HST10AG12-9		.BOLT- SUPPLIER CODE: VOPTK6 SPECIFICATION NUMBER: BACB30VT12K9 OPTIONAL PART: HST10AG12-9 V06725 HST10AG12-9 V56878 HST10AG12-9 V73197 WC10K12-9 V60516 BACB30NX12K8 USED ON: 311N5041-67 PRE ALERT SB: 54A0039R2	101106 108120 504903	2
85	BACB30NX12K8Y		.BOLT- POST ALERT SB: 54A0039R2	101106 108120 504903	2

MISSING ITEM NUMBERS NOT APPLICABLE

- ITEM NOT ILLUSTRATED

BRI

54-51-59-02

BOEING PROPRIETARY - Copyright © - Unpublished Work - See title page for details.

54-51-59
FIG. 02
PAGE 7
JAN 20/09



757

PARTS CATALOG (MAINTENANCE)

FIG ITEM	PART NUMBER	1 2 3 4 5 6 7	NOMENCLATURE	EFFECT FROM TO	UNITS PER ASSY
2 90	HL1022AZ12-9		.BOLT- SUPPLIER CODE: V06275 SPECIFICATION NUMBER: BACB30NX12K9X OPTIONAL PART: HL1022AZ12-9 V56878 HL1022AZ12-9 V73197 HL1022AZ12-9 V97928 HL112VAZ12-9 V06725 HL112VAZ12-9 V56878 HL112VAZ12-9 V73197 HL112VAZ12-9 V92215 HL112VAZ12-9 V97928 HL1022AZ12-9 V17446 HL1022AZ12-9 V56878 HL1022AZ12-9 V73197 HL1022AZ12-9 V97928 USED ON: 311N5041-1 311N5041-35 POST ALERT SB: 54A0039R1	002004 006100 107107 121503 904952	2

MISSING ITEM NUMBERS NOT APPLICABLE

- ITEM NOT ILLUSTRATED

54-51-59-02

54-51-59
FIG. 02
PAGE 8
JAN 20/09

BRI



757

PARTS CATALOG (MAINTENANCE)

FIG ITEM	PART NUMBER	1 2 3 4 5 6 7	NOMENCLATURE	EFFECT FROM TO	UNITS PER ASSY
2 90	HL1012AZ12-9		.BOLT- SUPPLIER CODE: VOPTK6 SPECIFICATION NUMBER: BACB30NX12K9 OPTIONAL PART: HL12VAZ12-9 V73197 HL12VAZ12-9 V92215 HL12VAZ12-9 V97928 L802-12K9 V06725 HL12VAZ12-9 V56878 HL1012AZ12-9 V06725 HL1012AZ12-9 V06950 HL1012AZ12-9 V17446 HL1012AZ12-9 V56878 HL1012AZ12-9 V60516 HL1012AZ12-9 V73197 HL1012AZ12-9 V97928 USED ON: 311N5041-37 PRE ALERT SB: 54A0039R1 54A0039R2	002004 006015 103105 952952	2

MISSING ITEM NUMBERS NOT APPLICABLE

- ITEM NOT ILLUSTRATED

54-51-59-02

54-51-59
FIG. 02
PAGE 9
JAN 20/09

BRI



757

PARTS CATALOG (MAINTENANCE)

FIG ITEM	PART NUMBER	1 2 3 4 5 6 7	NOMENCLATURE	EFFECT FROM TO	UNITS PER ASSY
2 90	HST10AG12-9	.BOLT-	SUPPLIER CODE: VOPTK6 SPECIFICATION NUMBER: BACB30VT12K9 OPTIONAL PART: HST10AG12-9 V06725 HST10AG12-9 V56878 HST10AG12-9 V73197 WC10K12-9 V60516 BACB30NX12K8 USED ON: 311N5041-45 311N5041-53 311N5041-67 PRE ALERT SB: 54A0039R1 54A0039R2	016106 108120 504903	2
90	HST10AG12-9	.BOLT-	SUPPLIER CODE: VOPTK6 SPECIFICATION NUMBER: BACB30VT12K9 OPTIONAL PART: HST10AG12-9 V06725 HST10AG12-9 V56878 HST10AG12-9 V73197 WC10K12-9 V60516 BACB30NX12K8 USED ON: 311N5041-67 PRE ALERT SB: 54A0039R2	101106 108120 504903	2

MISSING ITEM NUMBERS NOT APPLICABLE

- ITEM NOT ILLUSTRATED

54-51-59-02

54-51-59
FIG. 02
PAGE 10
JAN 20/09

BRI



757

PARTS CATALOG (MAINTENANCE)

FIG ITEM	PART NUMBER	1 2 3 4 5 6 7	NOMENCLATURE	EFFECT FROM TO	UNITS PER ASSY
2 90	HL1032AZ12-10	.BOLT-	SUPPLIER CODE: V97928 SPECIFICATION NUMBER: BACB30NX12K10Y OPTIONAL PART: HL1032AZ12-10 V73197 HL1032AZ12-10 V60516 HL1032AZ12-10 V56878 HL1032AZ12-10 V17446 HL1032AZ12-10 V06950 HL1032AZ12-10 V06725 HL1032AZ12-10 V0PTK6 HL412AZ12-10 V92215 HL412VAZ12-10 V06725 HL412VAZ12-10 V56878 HL412VAZ12-10 V60516 HL412VAZ12-10 V73197 HL412VAZ12-10 V92215 HL412VAZ12-10 V97928	101106 108120 504903	2
92	L80012K7	.BOLT-	POST ALERT SB: 54A0039R2 SUPPLIER CODE: V06725 SPECIFICATION NUMBER: BACB30MY12K7 USED ON: 311N5041-1 PRE ALERT SB: 54A0039R1	002004 006100 952999	4

MISSING ITEM NUMBERS NOT APPLICABLE

- ITEM NOT ILLUSTRATED

BRI

54-51-59-02

BOEING PROPRIETARY - Copyright © - Unpublished Work - See title page for details.

54-51-59
FIG. 02
PAGE 11
JAN 20/09



757

PARTS CATALOG (MAINTENANCE)

FIG ITEM	PART NUMBER	1 2 3 4 5 6 7	NOMENCLATURE	EFFECT FROM TO	UNITS PER ASSY
2	95 BACW10BP61ACU		.WASHER- POSITION DATA: UNDER HEAD USED ON: 311N5041-1 311N5041-35 POST ALERT SB: 54A0039R1	002004 006007 009100 107107 121503 904952	2
	95 BACW10BP6ACU		.WASHER- POSITION DATA: UNDER HEAD USED ON: 311N5041-37 311N5041-45 311N5041-53 311N5041-67 311N5041-69 PRE ALERT SB: 54A0039R1 54A0039R2	002004 006007 009106 108120 504903 952952	2
	95 BACW10BP62ACU		.WASHER- POSITION DATA: UNDER HEAD POST ALERT SB: 54A0039R2	101106 108120 504903	2
	97 HL1187DU12		.COLLAR- SUPPLIER CODE: V5M902 SPECIFICATION NUMBER: BACC30X12S OPTIONAL PART: HL87DU12 V92215 HL87DU12 V73197 HL1187DU12 V56878 HL1187DU12 V92215 HL87DU12 V56878 HL1187DU12 V73197 PRE ALERT SB: 54A0039R2	101106 108120 504903	2

MISSING ITEM NUMBERS NOT APPLICABLE

- ITEM NOT ILLUSTRATED

54-51-59-02

54-51-59
FIG. 02
PAGE 12
JAN 20/09

BRI



757

PARTS CATALOG (MAINTENANCE)

FIG ITEM	PART NUMBER	1 2 3 4 5 6 7	NOMENCLATURE	EFFECT FROM TO	UNITS PER ASSY
2	98 HST1076DU12AWU	. COLLAR-	SUPPLIER CODE: V73197 SPECIFICATION NUMBER: BACC30BU12PW OPTIONAL PART: BACC30BH12S PRE ALERT SB: 54A0039R2	101106 108120 504903	2
	98 HL1087DU12	. COLLAR-	SUPPLIER CODE: V9N513 SPECIFICATION NUMBER: BACC30BH12S OPTIONAL PART: HL1087DU12 V73197 HL1087DU12 V92215 HL1087DU12 V56878 BACC30BU12PW PRE ALERT SB: 54A0039R2	101106 108120 504903	2
	100 HL1187DU12	. COLLAR-	SUPPLIER CODE: V5M902 SPECIFICATION NUMBER: BACC30X12S OPTIONAL PART: HL87DU12 V92215 HL87DU12 V73197 HL1187DU12 V56878 HL1187DU12 V92215 HL87DU12 V56878 HL1187DU12 V73197 PRE ALERT SB: 54A0039R1	002004 006007 009100 952952	4

MISSING ITEM NUMBERS NOT APPLICABLE

- ITEM NOT ILLUSTRATED

54-51-59-02

54-51-59
FIG. 02
PAGE 13
JAN 20/09

BRI

 **BOEING**
757
PARTS CATALOG (MAINTENANCE)

FIG ITEM	PART NUMBER	1 2 3 4 5 6 7	NOMENCLATURE	EFFECT FROM TO	UNITS PER ASSY
2 100	HL79-12		.COLLAR- SUPPLIER CODE: V5M902 SPECIFICATION NUMBER: BACC30M12 OPTIONAL PART: HL79-12 V73197 HL79-12 V92215 66014-12 V56878 HL79-12 V56878 USED ON: 311N5041-1 PRE ALERT SB: 54A0039R1	002004 006100 952999	4
100	HL82-12APBW		.COLLAR- SUPPLIER CODE: V5M902 SPECIFICATION NUMBER: BACC30AG12 OPTIONAL PART: HL82-12APBW V56878 HL82-12APBW V73197 USED ON: 311N5041-1 PRE ALERT SB: 54A0039R1	002004 006100 952999	4
100	HL1087DU12		.COLLAR- SUPPLIER CODE: V9N513 SPECIFICATION NUMBER: BACC30BH12S OPTIONAL PART: HL1087DU12 V73197 HL1087DU12 V92215 HL1087DU12 V56878 POST ALERT SB: 54A0039R1	002004 006100 107107 121503 904999	4
100	BACC30AC12S		.COLLAR- POST ALERT SB: 54A0039R2	101106 108120 504903	4

MISSING ITEM NUMBERS NOT APPLICABLE

— ITEM NOT ILLUSTRATED

BRI

54-51-59-02

BOEING PROPRIETARY - Copyright © - Unpublished Work - See title page for details.

54-51-59
FIG. 02
PAGE 14
JAN 20/09



757

PARTS CATALOG (MAINTENANCE)

FIG ITEM	PART NUMBER	1 2 3 4 5 6 7	NOMENCLATURE	EFFECT FROM TO	UNITS PER ASSY
2					
105	311N5167-2		.BUSHING- USED ON: 311N5041-1 311N5041-35 POST ALERT SB: 54A0039R1	002004 006007 009100 107107 121503 904952	4
105	311N5167-1		.BUSHING- USED ON: 311N5041-37 311N5041-45 311N5041-53 311N5041-67 311N5041-69 PRE ALERT SB: 54A0039R1 54A0039R2	002004 006007 009106 108120 504903 952952	4
105	311N5167-3		.BUSHING- POST ALERT SB: 54A0039R2	101106 108120 504903	4
110	L80014K11		.BOLT- SUPPLIER CODE: V06725 SPECIFICATION NUMBER: BACB30MY14K11 POSITION DATA: LH & RH SIDE (#1 STRUT)	002004 006999	5
112	L80014K11		.BOLT- SUPPLIER CODE: V06725 SPECIFICATION NUMBER: BACB30MY14K11 POSITION DATA: LH SIDE (NO.1 STRUT) USED ON: 311N5041-1 311N5041-35 311N5041-37 311N5041-45	002004 006100 107107 121503 904999	1
114	BACB30US7K13		.BOLT- POSITION DATA: LH SIDE (NO.1 STRUT) USED ON: 311N5041-53 311N5041-67 311N5041-69	101106 108120 504903	1

MISSING ITEM NUMBERS NOT APPLICABLE

- ITEM NOT ILLUSTRATED

54-51-59-02

54-51-59
FIG. 02
PAGE 15
JAN 20/09

BRI



757

PARTS CATALOG (MAINTENANCE)

FIG ITEM	PART NUMBER	1 2 3 4 5 6 7	NOMENCLATURE	EFFECT FROM TO	UNITS PER ASSY
2 116	L80014K13		.BOLT- SUPPLIER CODE: V06725 SPECIFICATION NUMBER: BACB30MY14K13 POSITION DATA: LH & RH SIDE (#1 STRUT) USED ON: 311N5041-1 311N5041-35 311N5041-37 311N5041-45	002004 006100 107107 121503 904999	2
118	BACB30US7K15		.BOLT- POSITION DATA: LH & RH SIDE (#1 STRUT) USED ON: 311N5041-53 311N5041-67 311N5041-69	101106 108120 504903	2
120	L80014K9		.BOLT- SUPPLIER CODE: V06725 SPECIFICATION NUMBER: BACB30MY14K9 POSITION DATA: LH SIDE (NO.1 STRUT) USED ON: 311N5041-1 311N5041-35 311N5041-37 311N5041-45 PRE SERVICE BULLETIN: 54-0035	002004 006100 904949 952999	2
120	BACB30US7K12X		.BOLT- POSITION DATA: LH SIDE (NO.1 STRUT) POST SERVICE BULLETIN: 54-0035	002004 006100 107107 121503 904951	2

MISSING ITEM NUMBERS NOT APPLICABLE

- ITEM NOT ILLUSTRATED

54-51-59-02

54-51-59
FIG. 02
PAGE 16
JAN 20/09

BRI



757

PARTS CATALOG (MAINTENANCE)

FIG ITEM	PART NUMBER	1 2 3 4 5 6 7	NOMENCLATURE	EFFECT FROM TO	UNITS PER ASSY
2 122	L80014K9		.BOLT- SUPPLIER CODE: V06725 SPECIFICATION NUMBER: BACB30MY14K9 POSITION DATA: LH SIDE (NO.1 STRUT) USED ON: 311N5041-1 311N5041-35 311N5041-37 311N5041-45 PRE SERVICE BULLETIN: 54-0035	002004 006100 904949 952999	1
122	BACB30US7K11X		.BOLT- POSITION DATA: LH SIDE (NO.1 STRUT) POST SERVICE BULLETIN: 54-0035	002004 006100 107107 121503 904951	1
124	L80014K10		.BOLT- SUPPLIER CODE: V06725 SPECIFICATION NUMBER: BACB30MY14K10 POSITION DATA: LH SIDE (NO.1 STRUT) USED ON: 311N5041-53 311N5041-67 311N5041-69	101106 108120 504903	3
126	L80014K9		.BOLT- SUPPLIER CODE: V06725 SPECIFICATION NUMBER: BACB30MY14K9 POSITION DATA: RH SIDE (NO.1 STRUT) USED ON: 311N5041-1 311N5041-35 311N5041-37 311N5041-45 PRE SERVICE BULLETIN: 54-0035	002004 006100 904949 952999	1
126	BACB30US7K12X		.BOLT- POSITION DATA: RH SIDE (NO.1 STRUT) POST SERVICE BULLETIN: 54-0035	002004 006100 107107 121503 904951	1

MISSING ITEM NUMBERS NOT APPLICABLE

- ITEM NOT ILLUSTRATED

54-51-59-02

54-51-59
FIG. 02
PAGE 17
JAN 20/09

BRI



757

PARTS CATALOG (MAINTENANCE)

FIG ITEM	PART NUMBER	1 2 3 4 5 6 7	NOMENCLATURE	EFFECT FROM TO	UNITS PER ASSY
2 128	L80014K10	.BOLT-	SUPPLIER CODE: V06725 SPECIFICATION NUMBER: BACB30MY14K10 POSITION DATA: RH SIDE (NO.1 STRUT) USED ON: 311N5041-53 311N5041-67 311N5041-69	101106 108120 504903	1
130	L80014K10	.BOLT-	SUPPLIER CODE: V06725 SPECIFICATION NUMBER: BACB30MY14K10 POSITION DATA: RH SIDE (NO.1 STRUT) USED ON: 311N5041-1 311N5041-35 311N5041-37 311N5041-45 PRE SERVICE BULLETIN: 54-0035	002004 006100 904949 952999	1
130	BACB30US7K12X	.BOLT-	POSITION DATA: RH SIDE (NO.1 STRUT) POST SERVICE BULLETIN: 54-0035	002004 006100 107107 121503 904951	1
132	L80014K11	.BOLT-	SUPPLIER CODE: V06725 SPECIFICATION NUMBER: BACB30MY14K11 POSITION DATA: RH SIDE (NO.1 STRUT) USED ON: 311N5041-53 311N5041-67 311N5041-69	101106 108120 504903	1

MISSING ITEM NUMBERS NOT APPLICABLE

- ITEM NOT ILLUSTRATED

54-51-59-02

54-51-59
FIG. 02
PAGE 18
JAN 20/09

BRI



757

PARTS CATALOG (MAINTENANCE)

FIG ITEM	PART NUMBER	1 2 3 4 5 6 7	NOMENCLATURE	EFFECT FROM TO	UNITS PER ASSY
2 134	L80014K10		.BOLT- SUPPLIER CODE: V06725 SPECIFICATION NUMBER: BACB30MY14K10 POSITION DATA: RH SIDE (NO.1 STRUT) USED ON: 311N5041-1 311N5041-35 311N5041-37 311N5041-45 PRE SERVICE BULLETIN: 54-0035	002004 006100 904949 952999	1
134	BACB30US7K14X		.BOLT- POSITION DATA: RH SIDE (NO.1 STRUT) POST SERVICE BULLETIN: 54-0035	002004 006100 107107 121503 904951	1
136	BACB30US7K12		.BOLT- POSITION DATA: RH SIDE (NO.1 STRUT) USED ON: 311N5041-53 311N5041-67 311N5041-69	101106 108120 504903	1
138	HL79-14		.COLLAR- SUPPLIER CODE: V5M902 SPECIFICATION NUMBER: BACC30M14 OPTIONAL PART: HL79-14 V73197 HL79-14 V92215 66014-14 V56878 HL79-14 V56878 POSITION DATA: LH & RH SIDE (#1 STRUT) USED ON: 311N5041-1 311N5041-35 311N5041-37 311N5041-45	002004 006100 107107 121503 904999	8

MISSING ITEM NUMBERS NOT APPLICABLE

- ITEM NOT ILLUSTRATED

54-51-59-02

54-51-59
FIG. 02
PAGE 19
JAN 20/09

BRI



757

PARTS CATALOG (MAINTENANCE)

FIG ITEM	PART NUMBER	1 2 3 4 5 6 7	NOMENCLATURE	EFFECT FROM TO	UNITS PER ASSY
2 140	HL79-14		. COLLAR- SUPPLIER CODE: V5M902 SPECIFICATION NUMBER: BACC30M14 OPTIONAL PART: HL79-14 V73197 HL79-14 V92215 66014-14 V56878 HL79-14 V56878 POSITION DATA: LH & RH SIDE (#1 STRUT) USED ON: 311N5041-53 311N5041-67	101106 108120 504903	10

MISSING ITEM NUMBERS NOT APPLICABLE

- ITEM NOT ILLUSTRATED

BRI

54-51-59-02

BOEING PROPRIETARY - Copyright © - Unpublished Work - See title page for details.

54-51-59
FIG. 02
PAGE 20
JAN 20/09



757

PARTS CATALOG (MAINTENANCE)

FIG ITEM	PART NUMBER	1 2 3 4 5 6 7 NOMENCLATURE	EFFECT FROM TO	UNITS PER ASSY
2 144	BMN10HRCWD3-7	.NUT- SUPPLIER CODE: V97928 SPECIFICATION NUMBER: BACN10HR7CD OPTIONAL PART: H51560-7 V15653 67832CD720 V56878 102LH9031-7 V72962 BH00303CM7 V27238 BMN5024CWD37 V97928 SL7108C7 V11815 VCU0005D7 V06710 102LH90317 V72962 67832CD7 V56878 CR6030-7 VF0224 BMN10HRCWD3-7 V97928 POSITION DATA: LH & RH SIDE (#1 STRUT) USED ON: 311N5041-53 311N5041-67 311N5041-69	101106 108120 504903	4

MISSING ITEM NUMBERS NOT APPLICABLE

- ITEM NOT ILLUSTRATED

BRI

54-51-59-02

BOEING PROPRIETARY - Copyright © - Unpublished Work - See title page for details.

54-51-59
FIG. 02
PAGE 21
JAN 20/09



757

PARTS CATALOG (MAINTENANCE)

FIG ITEM	PART NUMBER	1 2 3 4 5 6 7	NOMENCLATURE	EFFECT FROM TO	UNITS PER ASSY
2 146	HL79-14		.COLLAR- SUPPLIER CODE: V5M902 SPECIFICATION NUMBER: BACC30M14 OPTIONAL PART: HL79-14 V73197 HL79-14 V92215 66014-14 V56878 HL79-14 V56878 POSITION DATA: LH & RH SIDE (#1 STRUT) USED ON: 311N5041-1 311N5041-35 311N5041-37 311N5041-45 PRE SERVICE BULLETIN: 54-0035	002004 006100 904949 952999	6
148	BACW10BN71C		.WASHER- POSITION DATA: LH & RH SIDE (#1 STRUT) POST SERVICE BULLETIN: 54-0035	002004 006100 107107 121503	6
150	BACW10BN71P		.WASHER- POSITION DATA: LH & RH SIDE (#1 STRUT) POST SERVICE BULLETIN: 54-0035	904951 002004 006100 107107 121503 904951	6

MISSING ITEM NUMBERS NOT APPLICABLE

- ITEM NOT ILLUSTRATED

BRI

54-51-59-02

BOEING PROPRIETARY - Copyright © - Unpublished Work - See title page for details.

54-51-59
FIG. 02
PAGE 22
JAN 20/09



757

PARTS CATALOG (MAINTENANCE)

FIG ITEM	PART NUMBER	1 2 3 4 5 6 7	NOMENCLATURE	EFFECT FROM TO	UNITS PER ASSY
2 152	BMN10HRCWD3-7	.NUT-	SUPPLIER CODE: V97928 SPECIFICATION NUMBER: BACN10HR7CD OPTIONAL PART: H51560-7 V15653 67832CD720 V56878 102LH9031-7 V72962 BH00303CM7 V27238 BMN5024CWD37 V97928 SL7108C7 V11815 VCU0005D7 V06710 102LH90317 V72962 67832CD7 V56878 CR6030-7 VF0224 BMN10HRCWD3-7 V97928 POSITION DATA: LH & RH SIDE (#1 STRUT) POST SERVICE BULLETIN: 54-0035	002004 006100 107107 121503 904951	6
- 200	311N5041-2	SPAR INSTL-NAC STRUT	POSITION DATA: UPR AFT RH FOR NHA SEE: 54-51-61-01	002004 006100 107107 121503 904999	RF
- 200	311N5041-36	SPAR INSTL-NAC STRUT	POSITION DATA: UPR AFT RH FOR NHA SEE: 54-51-61-01	002004 006016 107107 121503 904999	RF
- 200	311N5041-38	SPAR INSTL-NAC STRUT	POSITION DATA: UPR AFT RH FOR NHA SEE: 54-51-61-01	002004 006015 107107 121503 904999	RF

MISSING ITEM NUMBERS NOT APPLICABLE

- ITEM NOT ILLUSTRATED

54-51-59-02

54-51-59
FIG. 02
PAGE 23
JAN 20/09

BRI



**757
PARTS CATALOG (MAINTENANCE)**

FIG ITEM	PART NUMBER	1 2 3 4 5 6 7	NOMENCLATURE	EFFECT FROM TO	UNITS PER ASSY
2					
- 200	311N5041-46		SPAR INSTL-NAC STRUT POSITION DATA: UPR AFT RH FOR NHA SEE: 54-51-61-01	016100	RF
- 200	311N5041-68		SPAR INSTL-NAC STRUT POSITION DATA: UPR AFT RH FOR NHA SEE: 54-00-00-04	101106 108120 504903	RF
205	L8006K8		.BOLT SUPPLIER CODE: V06725 SPECIFICATION NUMBER: BACB30MY6K8	002004 006999	2
210	L8006K6		.BOLT SUPPLIER CODE: V06725 SPECIFICATION NUMBER: BACB30MY6K6	002004 006999	1
215	HL79-6		.COLLAR SUPPLIER CODE: V5M902 SPECIFICATION NUMBER: BACC30M6 OPTIONAL PART: HL79-6 V73197 HL79-6 V92215 66014-6 V56878 HL79-6 V56878	002004 006999	3
220	BACR15FT6KE		.RIVET- SIZE DETERMINED ON INSTL.	002004 006999	7
225	251N6005-2		.SUPPORT INSTL-TRA AND TRB NAC POSITION DATA: PPS 185 FOR DETAILS SEE: 76-11-52-02	002004 006100 107107 121503 904999	1
230	311N5041-4		.SPAR ASSY-	107107	1
230	311N5041-48		.SPAR ASSY-	016100	1
230	311N5041-66		.SPAR ASSY-	101106 108120 504903	1
235	312N5827-1		..BRACKET ASSY	002004 006999	1

MISSING ITEM NUMBERS NOT APPLICABLE

- ITEM NOT ILLUSTRATED

54-51-59-02

54-51-59
FIG. 02
PAGE 24
JAN 20/09

BRI

BOEING PROPRIETARY - Copyright © - Unpublished Work - See title page for details.



757

PARTS CATALOG (MAINTENANCE)

FIG ITEM	PART NUMBER	1 2 3 4 5 6 7	NOMENCLATURE	EFFECT FROM TO	UNITS PER ASSY
2					
240	NAS1368N10A	. . .	GROMMET	002004 006999	2
245	BACB30LR3U2	. . .	BOLT	002004 006999	4
250	312N5827-2	. . .	BRACKET ASSY	002004 006999	1
255	312N5827-3	. . .	BRACKET ASSY	002004 006999	1
260	312N5827-4	. . .	BRACKET ASSY	002004 006999	1
265	BACB30NX12K8Y	. BOLT-	POST ALERT SB: 54A0039R2	101106 108120 504903	2
265	HL1012AZ12-8	. BOLT-	SUPPLIER CODE: VOPTK6 SPECIFICATION NUMBER: BACB30NX12K8 OPTIONAL PART: HL12VAZ12-8 V73197 HL12VAZ12-8 V92215 HL12VAZ12-8 V97928 L802-12K8 V06725 HL12VAZ12-8 V56878 HL1012AZ12-8 V06725 HL1012AZ12-8 V06950 HL1012AZ12-8 V17446 HL1012AZ12-8 V56878 HL1012AZ12-8 V60516 HL1012AZ12-8 V73197 HL1012AZ12-8 V97928 USED ON: 311N5041-38 311N5041-54 PRE ALERT SB: 54A0039R1	002004 006100 952952	2

MISSING ITEM NUMBERS NOT APPLICABLE

- ITEM NOT ILLUSTRATED

54-51-59-02

54-51-59
FIG. 02
PAGE 25
JAN 20/09

BRI



757

PARTS CATALOG (MAINTENANCE)

FIG ITEM	PART NUMBER	1 2 3 4 5 6 7	NOMENCLATURE	EFFECT FROM TO	UNITS PER ASSY
2 265	HL1022AZ12-8		.BOLT- SUPPLIER CODE: V06725 SPECIFICATION NUMBER: BACB30NX12K8X OPTIONAL PART: HL1022AZ12-8 V56878 HL1022AZ12-8 V73197 HL1022AZ12-8 V97928 HL112VAZ12-8 V06725 HL112VAZ12-8 V56878 HL112VAZ12-8 V73197 HL112VAZ12-8 V92215 HL112VAZ12-8 V97928 HL1022AZ12-8 V17446 HL1022AZ12-8 V56878 HL1022AZ12-8 V73197 HL1022AZ12-8 V97928 USED ON: 311N5041-2 311N5041-36 POST ALERT SB: 54A0039R1	002004 006100 107107 121503 904949 952952	2

MISSING ITEM NUMBERS NOT APPLICABLE

- ITEM NOT ILLUSTRATED

54-51-59-02

54-51-59
FIG. 02
PAGE 26
JAN 20/09

BRI



757

PARTS CATALOG (MAINTENANCE)

FIG ITEM	PART NUMBER	1 2 3 4 5 6 7	NOMENCLATURE	EFFECT FROM TO	UNITS PER ASSY
2 265	HST10AG12-9		.BOLT- SUPPLIER CODE: VOPTK6 SPECIFICATION NUMBER: BACB30VT12K9 OPTIONAL PART: HST10AG12-9 V06725 HST10AG12-9 V56878 HST10AG12-9 V73197 WC10K12-9 V60516 BACB30NX12K8 PRE ALERT SB: 54A0039R1 54A0039R2	016106 108120 504903	2

MISSING ITEM NUMBERS NOT APPLICABLE

- ITEM NOT ILLUSTRATED

BRI

54-51-59-02

BOEING PROPRIETARY - Copyright © - Unpublished Work - See title page for details.

54-51-59
FIG. 02
PAGE 27
JAN 20/09



757

PARTS CATALOG (MAINTENANCE)

FIG ITEM	PART NUMBER	1 2 3 4 5 6 7	NOMENCLATURE	EFFECT FROM TO	UNITS PER ASSY
2 265	HL1012AZ12-8		.BOLT- SUPPLIER CODE: VOPTK6 SPECIFICATION NUMBER: BACB30NX12K8 OPTIONAL PART: HL12VAZ12-8 V73197 HL12VAZ12-8 V92215 HL12VAZ12-8 V97928 L802-12K8 V06725 HL12VAZ12-8 V56878 HL1012AZ12-8 V06725 HL1012AZ12-8 V06950 HL1012AZ12-8 V17446 HL1012AZ12-8 V56878 HL1012AZ12-8 V60516 HL1012AZ12-8 V73197 HL1012AZ12-8 V97928 BACB30VT12K9 PRE ALERT SB: 54A0039R2	101106 108120 504903	2

MISSING ITEM NUMBERS NOT APPLICABLE

- ITEM NOT ILLUSTRATED

BRI

54-51-59-02

BOEING PROPRIETARY - Copyright © - Unpublished Work - See title page for details.

54-51-59
FIG. 02
PAGE 28
JAN 20/09



757

PARTS CATALOG (MAINTENANCE)

FIG ITEM	PART NUMBER	1 2 3 4 5 6 7	NOMENCLATURE	EFFECT FROM TO	UNITS PER ASSY
2 270	HL1022AZ12-9		.BOLT- SUPPLIER CODE: V06275 SPECIFICATION NUMBER: BACB30NX12K9X OPTIONAL PART: HL1022AZ12-9 V56878 HL1022AZ12-9 V73197 HL1022AZ12-9 V97928 HL112VAZ12-9 V06725 HL112VAZ12-9 V56878 HL112VAZ12-9 V73197 HL112VAZ12-9 V92215 HL112VAZ12-9 V97928 HL1022AZ12-9 V17446 HL1022AZ12-9 V56878 HL1022AZ12-9 V73197 HL1022AZ12-9 V97928 USED ON: 311N5041-2 311N5041-36 POST ALERT SB: 54A0039R1	002004 006100 107107 121503 904952	2

MISSING ITEM NUMBERS NOT APPLICABLE

- ITEM NOT ILLUSTRATED

BRI

54-51-59-02

BOEING PROPRIETARY - Copyright © - Unpublished Work - See title page for details.

54-51-59
FIG. 02
PAGE 29
JAN 20/09



757

PARTS CATALOG (MAINTENANCE)

FIG ITEM	PART NUMBER	1 2 3 4 5 6 7	NOMENCLATURE	EFFECT FROM TO	UNITS PER ASSY
2 270	HL1012AZ12-9	.BOLT-	SUPPLIER CODE: VOPTK6 SPECIFICATION NUMBER: BACB30NX12K9 OPTIONAL PART: HL12VAZ12-9 V73197 HL12VAZ12-9 V92215 HL12VAZ12-9 V97928 L802-12K9 V06725 HL12VAZ12-9 V56878 HL1012AZ12-9 V06725 HL1012AZ12-9 V06950 HL1012AZ12-9 V17446 HL1012AZ12-9 V56878 HL1012AZ12-9 V60516 HL1012AZ12-9 V73197 HL1012AZ12-9 V97928 USED ON: 311N5041-38 PRE ALERT SB: 54A0039R1	002004 006015 103105 952952	2

MISSING ITEM NUMBERS NOT APPLICABLE

- ITEM NOT ILLUSTRATED

BRI

54-51-59-02

BOEING PROPRIETARY - Copyright © - Unpublished Work - See title page for details.

54-51-59
FIG. 02
PAGE 30
JAN 20/09



757

PARTS CATALOG (MAINTENANCE)

FIG ITEM	PART NUMBER	1 2 3 4 5 6 7	NOMENCLATURE	EFFECT FROM TO	UNITS PER ASSY
2 270	HST10AG12-9		.BOLT- SUPPLIER CODE: VOPTK6 SPECIFICATION NUMBER: BACB30VT12K9 OPTIONAL PART: HST10AG12-9 V06725 HST10AG12-9 V56878 HST10AG12-9 V73197 WC10K12-9 V60516 BACB30NX12K8 USED ON: 311N5041-46 311N5041-54 311N5041-68 PRE ALERT SB: 54A0039R1 54A0039R2	016106 108120 504903	2

MISSING ITEM NUMBERS NOT APPLICABLE

- ITEM NOT ILLUSTRATED

BRI

54-51-59-02

BOEING PROPRIETARY - Copyright © - Unpublished Work - See title page for details.

54-51-59
FIG. 02
PAGE 31
JAN 20/09



757

PARTS CATALOG (MAINTENANCE)

FIG ITEM	PART NUMBER	1 2 3 4 5 6 7	NOMENCLATURE	EFFECT FROM TO	UNITS PER ASSY
2 270	HL1012AZ12-8		.BOLT- SUPPLIER CODE: VOPTK6 SPECIFICATION NUMBER: BACB30NX12K8 OPTIONAL PART: HL12VAZ12-8 V73197 HL12VAZ12-8 V92215 HL12VAZ12-8 V97928 L802-12K8 V06725 HL12VAZ12-8 V56878 HL1012AZ12-8 V06725 HL1012AZ12-8 V06950 HL1012AZ12-8 V17446 HL1012AZ12-8 V56878 HL1012AZ12-8 V60516 HL1012AZ12-8 V73197 HL1012AZ12-8 V97928 BACB30VT12K9 PRE ALERT SB: 54A0039R2	101106 108120 504903	2

MISSING ITEM NUMBERS NOT APPLICABLE

- ITEM NOT ILLUSTRATED

BRI

54-51-59-02

BOEING PROPRIETARY - Copyright © - Unpublished Work - See title page for details.

54-51-59
FIG. 02
PAGE 32
JAN 20/09



757

PARTS CATALOG (MAINTENANCE)

FIG ITEM	PART NUMBER	1 2 3 4 5 6 7	NOMENCLATURE	EFFECT FROM TO	UNITS PER ASSY
2 270	HL1032AZ12-10		.BOLT- SUPPLIER CODE: V97928 SPECIFICATION NUMBER: BACB30NX12K10Y OPTIONAL PART: HL1032AZ12-10 V73197 HL1032AZ12-10 V60516 HL1032AZ12-10 V56878 HL1032AZ12-10 V17446 HL1032AZ12-10 V06950 HL1032AZ12-10 V06725 HL1032AZ12-10 V0PTK6 HL412AZ12-10 V92215 HL412VAZ12-10 V06725 HL412VAZ12-10 V56878 HL412VAZ12-10 V60516 HL412VAZ12-10 V73197 HL412VAZ12-10 V92215 HL412VAZ12-10 V97928 POST ALERT SB: 54A0039R2	101106 108120 504903	2

MISSING ITEM NUMBERS NOT APPLICABLE

- ITEM NOT ILLUSTRATED

54-51-59-02

54-51-59
FIG. 02
PAGE 33
JAN 20/09

BRI



757

PARTS CATALOG (MAINTENANCE)

FIG ITEM	PART NUMBER	1 2 3 4 5 6 7	NOMENCLATURE	EFFECT FROM TO	UNITS PER ASSY
2 272	HL1012AZ12-7		.BOLT- SUPPLIER CODE: VOPTK6 SPECIFICATION NUMBER: BACB30NX12K7 OPTIONAL PART: HL12VAZ12-7 V73197 HL12VAZ12-7 V92215 HL12VAZ12-7 V97928 L802-12K7 V06725 HL12VAZ12-7 V56878 HL1012AZ12-7 V06725 HL1012AZ12-7 V06950 HL1012AZ12-7 V17446 HL1012AZ12-7 V56878 HL1012AZ12-7 V60516 HL1012AZ12-7 V73197 HL1012AZ12-7 V97928 USED ON: 311N5041-2 PRE ALERT SB: 54A0039R1	002004 006100 952999	4
275	BACW10BP61ACU		.WASHER- POSITION DATA: UNDER HEAD USED ON: 311N5041-2 311N5041-36 POST ALERT SB: 54A0039R1	002004 006007 009100 107107 121503 904952	2

MISSING ITEM NUMBERS NOT APPLICABLE

- ITEM NOT ILLUSTRATED

54-51-59-02

54-51-59
FIG. 02
PAGE 34
JAN 20/09

BRI



757

PARTS CATALOG (MAINTENANCE)

FIG ITEM	PART NUMBER	1 2 3 4 5 6 7	NOMENCLATURE	EFFECT FROM TO	UNITS PER ASSY
2	275 BACW10BP6ACU		.WASHER- POSITION DATA: UNDER HEAD USED ON: 311N5041-38 311N5041-46 311N5041-68 311N5041-70 PRE ALERT SB: 54A0039R1 54A0039R2	002004 006007 009100 103106 108120 952952	2
	275 BACW10BP62ACU		.WASHER- POSITION DATA: UNDER HEAD POST ALERT SB: 54A0039R2	103106 108120	2
	280 HL1187DU12		.COLLAR- SUPPLIER CODE: V5M902 SPECIFICATION NUMBER: BACC30X12S OPTIONAL PART: HL87DU12 V92215 HL87DU12 V73197 HL1187DU12 V56878 HL1187DU12 V92215 HL87DU12 V56878 HL1187DU12 V73197 PRE ALERT SB: 54A0039R1 54A0039R2	002004 006007 009106 108120 504903 952952	4

MISSING ITEM NUMBERS NOT APPLICABLE

- ITEM NOT ILLUSTRATED

54-51-59-02

54-51-59
FIG. 02
PAGE 35
JAN 20/09

BRI



757

PARTS CATALOG (MAINTENANCE)

FIG ITEM	PART NUMBER	1 2 3 4 5 6 7	NOMENCLATURE	EFFECT FROM TO	UNITS PER ASSY
2 280	HL79-12	. COLLAR- SUPPLIER CODE: V5M902 SPECIFICATION NUMBER: BACC30M12 OPTIONAL PART: HL79-12 V73197 HL79-12 V92215 66014-12 V56878 HL79-12 V56878 USED ON: 311N5041-2 PRE ALERT SB: 54A0039R1		002004 006100 952999	4
280	HL82-12APBW	. COLLAR- SUPPLIER CODE: V5M902 SPECIFICATION NUMBER: BACC30AG12 OPTIONAL PART: HL82-12APBW V56878 HL82-12APBW V73197 USED ON: 311N5041-2 PRE ALERT SB: 54A0039R1		002004 006100 952999	4
280	HST1076DU12AWU	. COLLAR- SUPPLIER CODE: V73197 SPECIFICATION NUMBER: BACC30BU12PW PRE ALERT SB: 54A0039R1 54A0039R2		016106 108120 504903	4
280	BACC30AC12S	. COLLAR- POST ALERT SB: 54A0039R1		002004 006100 107107 121503 904999	4

MISSING ITEM NUMBERS NOT APPLICABLE

- ITEM NOT ILLUSTRATED

54-51-59-02

54-51-59
FIG. 02
PAGE 36
JAN 20/09

BRI



757

PARTS CATALOG (MAINTENANCE)

FIG ITEM	PART NUMBER	1 2 3 4 5 6 7	NOMENCLATURE	EFFECT FROM TO	UNITS PER ASSY
2 280	HL1087DU12		.COLLAR- SUPPLIER CODE: V9N513 SPECIFICATION NUMBER: BACC30BH12S OPTIONAL PART: HL1087DU12 V73197 HL1087DU12 V92215 HL1087DU12 V56878 POST ALERT SB: 54A0039R2	101106 108120 504903	4
285	311N5167-2		.BUSHING- USED ON: 311N5041-2 311N5041-36 POST ALERT SB: 54A0039R1	002004 006007 009100 107107 121503 904952	4
285	311N5167-1		.BUSHING- USED ON: 311N5041-38 311N5041-46 311N5041-54 311N5041-68 311N5041-70 PRE ALERT SB: 54A0039R1 54A0039R2	002004 006007 009100 103106 108120 952952	4
285	311N5167-3		.BUSHING- POST ALERT SB: 54A0039R2	103106 108120	4
290	L80014K11		.BOLT- SUPPLIER CODE: V06725 SPECIFICATION NUMBER: BACB30MY14K11 POSITION DATA: LH & RH SIDE (#2 STRUT)	002004 006999	3

MISSING ITEM NUMBERS NOT APPLICABLE

- ITEM NOT ILLUSTRATED

54-51-59-02

54-51-59
FIG. 02
PAGE 37
JAN 20/09

BRI



757

PARTS CATALOG (MAINTENANCE)

FIG ITEM	PART NUMBER	1 2 3 4 5 6 7	NOMENCLATURE	EFFECT FROM TO	UNITS PER ASSY
2 295	L80014K11		.BOLT- SUPPLIER CODE: V06725 SPECIFICATION NUMBER: BACB30MY14K11 POSITION DATA: LH SIDE (NO.2 STRUT) USED ON: 311N5041-2 311N5041-36 311N5041-38 311N5041-46 311N5041-70	002004 006100 107107 121503 904999	1
295	L80014K12		.BOLT- SUPPLIER CODE: V06725 SPECIFICATION NUMBER: BACB30MY14K12 POSITION DATA: LH SIDE (NO.2 STRUT) USED ON: 311N5041-54 311N5041-68	101106 108120 504903	1
300	L80014K11		.BOLT- SUPPLIER CODE: V06725 SPECIFICATION NUMBER: BACB30MY14K11 POSITION DATA: RH SIDE (#2 STRUT) PRE SERVICE BULLETIN: 54-0035	002004 006106 108120 504949 952999	1
300	BACB30US7K14X		.BOLT- POSITION DATA: RH SIDE (#2 STRUT) POST SERVICE BULLETIN: 54-0035	002004 006100 107107 121503 904951	1
305	L80014K13		.BOLT- SUPPLIER CODE: V06725 SPECIFICATION NUMBER: BACB30MY14K13 POSITION DATA: LH & RH SIDE (#2 STRUT) USED ON: 311N5041-2 311N5041-36 311N5041-38 311N5041-46	002004 006100 107107 121503 904999	2

MISSING ITEM NUMBERS NOT APPLICABLE

- ITEM NOT ILLUSTRATED

54-51-59-02

54-51-59
FIG. 02
PAGE 38
JAN 20/09

BRI



757

PARTS CATALOG (MAINTENANCE)

FIG ITEM	PART NUMBER	1 2 3 4 5 6 7	NOMENCLATURE	EFFECT FROM TO	UNITS PER ASSY
2	310 BACB30US7K15		.BOLT- POSITION DATA: LH & RH SIDE (#2 STRUT) USED ON: 311N5041-54 311N5041-68 311N5041-70	101106 108120 504903	2
	315 L80014K9		.BOLT- SUPPLIER CODE: V06725 SPECIFICATION NUMBER: BACB30MY14K9 POSITION DATA: LH & RH SIDE (#2 STRUT) USED ON: 311N5041-2 311N5041-36 311N5041-38 311N5041-46 PRE SERVICE BULLETIN: 54-0035	002004 006100 904949 952999	3
	315 BACB30US7K12X		.BOLT- POSITION DATA: LH & RH SIDE (#2 STRUT) POST SERVICE BULLETIN: 54-0035	002004 006100 107107 121503 904951	3
	320 L80014K10		.BOLT- SUPPLIER CODE: V06725 SPECIFICATION NUMBER: BACB30MY14K10 POSITION DATA: LH & RH SIDE (#2 STRUT) USED ON: 311N5041-54 311N5041-68 311N5041-70	101106 108120 504903	3
	325 L80014K10		.BOLT- SUPPLIER CODE: V06725 SPECIFICATION NUMBER: BACB30MY14K10 POSITION DATA: LH SIDE (#2 STRUT) USED ON: 311N5041-54 311N5041-68 311N5041-70	101106 108120 504903	1

MISSING ITEM NUMBERS NOT APPLICABLE

- ITEM NOT ILLUSTRATED

54-51-59-02

54-51-59
FIG. 02
PAGE 39
JAN 20/09

BRI



757

PARTS CATALOG (MAINTENANCE)

FIG ITEM	PART NUMBER	1 2 3 4 5 6 7	NOMENCLATURE	EFFECT FROM TO	UNITS PER ASSY
2 325	L80014K9		.BOLT- SUPPLIER CODE: V06725 SPECIFICATION NUMBER: BACB30MY14K9 POSITION DATA: LH SIDE (#2 STRUT) USED ON: 311N5041-2 311N5041-36 311N5041-38 311N5041-46	002004 006100 107107 121503 904999	1
330	L80014K10		.BOLT- SUPPLIER CODE: V06725 SPECIFICATION NUMBER: BACB30MY14K10 POSITION DATA: LH & RH SIDE (#2 STRUT) USED ON: 311N5041-2 311N5041-36 311N5041-38 311N5041-46 PRE SERVICE BULLETIN: 54-0035	002004 006100 904949 952999	2
330	BACB30US7K14X		.BOLT- POSITION DATA: LH & RH SIDE (#2 STRUT) POST SERVICE BULLETIN: 54-0035	002004 006100 107107 121503 904951	2
335	L80014K11		.BOLT- SUPPLIER CODE: V06725 SPECIFICATION NUMBER: BACB30MY14K11 POSITION DATA: RH SIDE (#2 STRUT) USED ON: 311N5041-54 311N5041-68 311N5041-70	101106 108120 504903	1
340	BACB30US7K12		.BOLT- POSITION DATA: LH SIDE (#2 STRUT) USED ON: 311N5041-54 311N5041-68	101106 108120 504903	1

MISSING ITEM NUMBERS NOT APPLICABLE

- ITEM NOT ILLUSTRATED

54-51-59-02

54-51-59
FIG. 02
PAGE 40
JAN 20/09

BRI



757

PARTS CATALOG (MAINTENANCE)

FIG ITEM	PART NUMBER	1 2 3 4 5 6 7	NOMENCLATURE	EFFECT FROM TO	UNITS PER ASSY
2 345	L80014K11		.BOLT- SUPPLIER CODE: V06725 SPECIFICATION NUMBER: BACB30MY14K11 POSITION DATA: RH SIDE (#2 STRUT) USED ON: 311N5041-2 311N5041-36 311N5041-38 311N5041-46	002004 006100 107107 121503 904999	1
350	BACB30US7K13		.BOLT- POSITION DATA: RH SIDE (#2 STRUT) USED ON: 311N5041-54 311N5041-68	101106 108120 504903	1
355	HL79-14		.COLLAR- SUPPLIER CODE: V5M902 SPECIFICATION NUMBER: BACC30M14 OPTIONAL PART: HL79-14 V73197 HL79-14 V92215 66014-14 V56878 HL79-14 V56878 POSITION DATA: LH & RH SIDE (#2 STRUT) USED ON: 311N5041-2 311N5041-36 311N5041-38 311N5041-46	002004 006100 107107 121503 904999	8

MISSING ITEM NUMBERS NOT APPLICABLE

- ITEM NOT ILLUSTRATED

BRI

54-51-59-02

BOEING PROPRIETARY - Copyright © - Unpublished Work - See title page for details.

54-51-59
FIG. 02
PAGE 41
JAN 20/09



757

PARTS CATALOG (MAINTENANCE)

FIG ITEM	PART NUMBER	1 2 3 4 5 6 7	NOMENCLATURE	EFFECT FROM TO	UNITS PER ASSY
2 360	HL79-14		. COLLAR- SUPPLIER CODE: V5M902 SPECIFICATION NUMBER: BACC30M14 OPTIONAL PART: HL79-14 V73197 HL79-14 V92215 66014-14 V56878 HL79-14 V56878 POSITION DATA: LH & RH SIDE (#2 STRUT) USED ON: 311N5041-54 311N5041-68	101106 108120 504903	10

MISSING ITEM NUMBERS NOT APPLICABLE

- ITEM NOT ILLUSTRATED

BRI

54-51-59-02

BOEING PROPRIETARY - Copyright © - Unpublished Work - See title page for details.

54-51-59
FIG. 02
PAGE 42
JAN 20/09



757

PARTS CATALOG (MAINTENANCE)

FIG ITEM	PART NUMBER	1 2 3 4 5 6 7 NOMENCLATURE	EFFECT FROM TO	UNITS PER ASSY
2 370	BMN10HRCWD3-7	.NUT- SUPPLIER CODE: V97928 SPECIFICATION NUMBER: BACN10HR7CD OPTIONAL PART: H51560-7 V15653 67832CD720 V56878 102LH9031-7 V72962 BH00303CM7 V27238 BMN5024CWD37 V97928 SL7108C7 V11815 VCU0005D7 V06710 102LH90317 V72962 67832CD7 V56878 CR6030-7 VF0224 BMN10HRCWD3-7 V97928 POSITION DATA: LH & RH SIDE (#2 STRUT) USED ON: 311N5041-54 311N5041-68 311N5041-70	101106 108120 504903	4

MISSING ITEM NUMBERS NOT APPLICABLE

- ITEM NOT ILLUSTRATED

54-51-59-02

54-51-59
FIG. 02
PAGE 43
JAN 20/09

BRI



757

PARTS CATALOG (MAINTENANCE)

FIG ITEM	PART NUMBER	1 2 3 4 5 6 7	NOMENCLATURE	EFFECT FROM TO	UNITS PER ASSY
2 375	HL79-14		.COLLAR- SUPPLIER CODE: V5M902 SPECIFICATION NUMBER: BACC30M14 OPTIONAL PART: HL79-14 V73197 HL79-14 V92215 66014-14 V56878 HL79-14 V56878 POSITION DATA: LH & RH SIDE (#2 STRUT) USED ON: 311N5041-2 311N5041-36 311N5041-38 311N5041-46 PRE SERVICE BULLETIN: 54-0035	002004 006100 904949 952999	6
380	BACW10BN71C		.WASHER- POSITION DATA: LH & RH SIDE (#2 STRUT) POST SERVICE BULLETIN: 54-0035	002004 006100 107107 121503	6
385	BACW10BN71P		.WASHER- POSITION DATA: LH & RH SIDE (#2 STRUT) POST SERVICE BULLETIN: 54-0035	904951 002004 006100 107107 121503 904951	6

MISSING ITEM NUMBERS NOT APPLICABLE

- ITEM NOT ILLUSTRATED

54-51-59-02

54-51-59
FIG. 02
PAGE 44
JAN 20/09

BRI



757

PARTS CATALOG (MAINTENANCE)

FIG ITEM	PART NUMBER	1 2 3 4 5 6 7	NOMENCLATURE	EFFECT FROM TO	UNITS PER ASSY
2 390	BMN10HRCWD3-7		.NUT- SUPPLIER CODE: V97928 SPECIFICATION NUMBER: BACN10HR7CD OPTIONAL PART: H51560-7 V15653 67832CD720 V56878 102LH9031-7 V72962 BH00303CM7 V27238 BMN5024CWD37 V97928 SL7108C7 V11815 VCU0005D7 V06710 102LH90317 V72962 67832CD7 V56878 CR6030-7 VF0224 BMN10HRCWD3-7 V97928 POSITION DATA: LH & RH SIDE (#2 STRUT) POST SERVICE BULLETIN: 54-0035	002004 006100 107107 121503 904951	6

MISSING ITEM NUMBERS NOT APPLICABLE

- ITEM NOT ILLUSTRATED

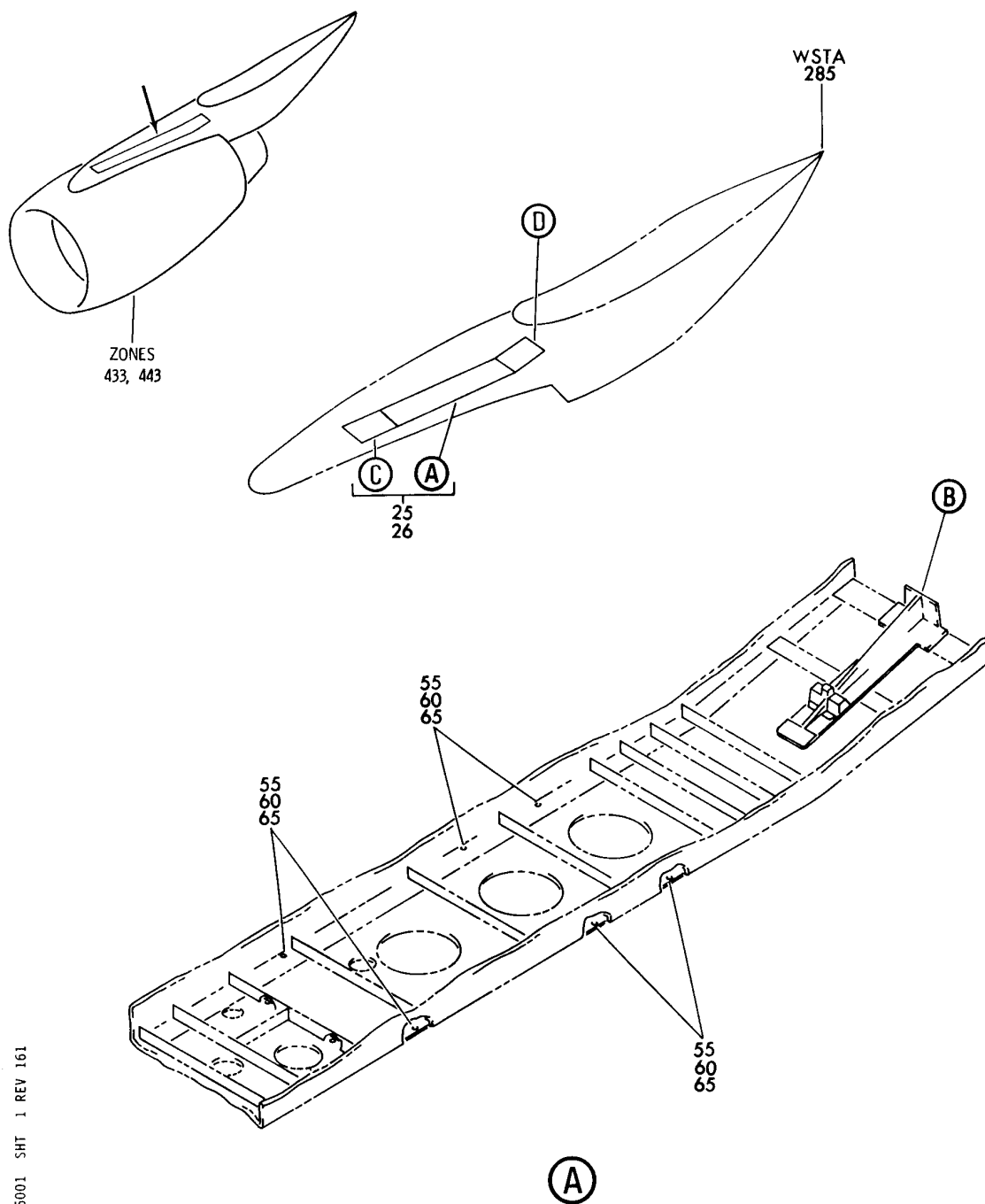
BRI

54-51-59-02

BOEING PROPRIETARY - Copyright © - Unpublished Work - See title page for details.

54-51-59
FIG. 02
PAGE 45
JAN 20/09

BOEING
757
PARTS CATALOG (MAINTENANCE)



Y 54516001 SHT 1 REV 161

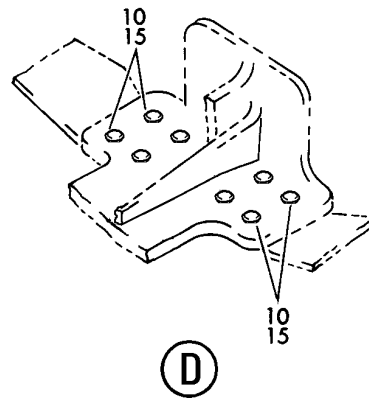
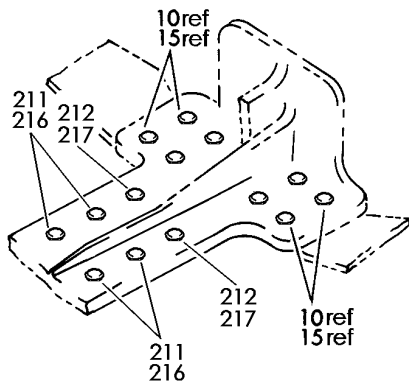
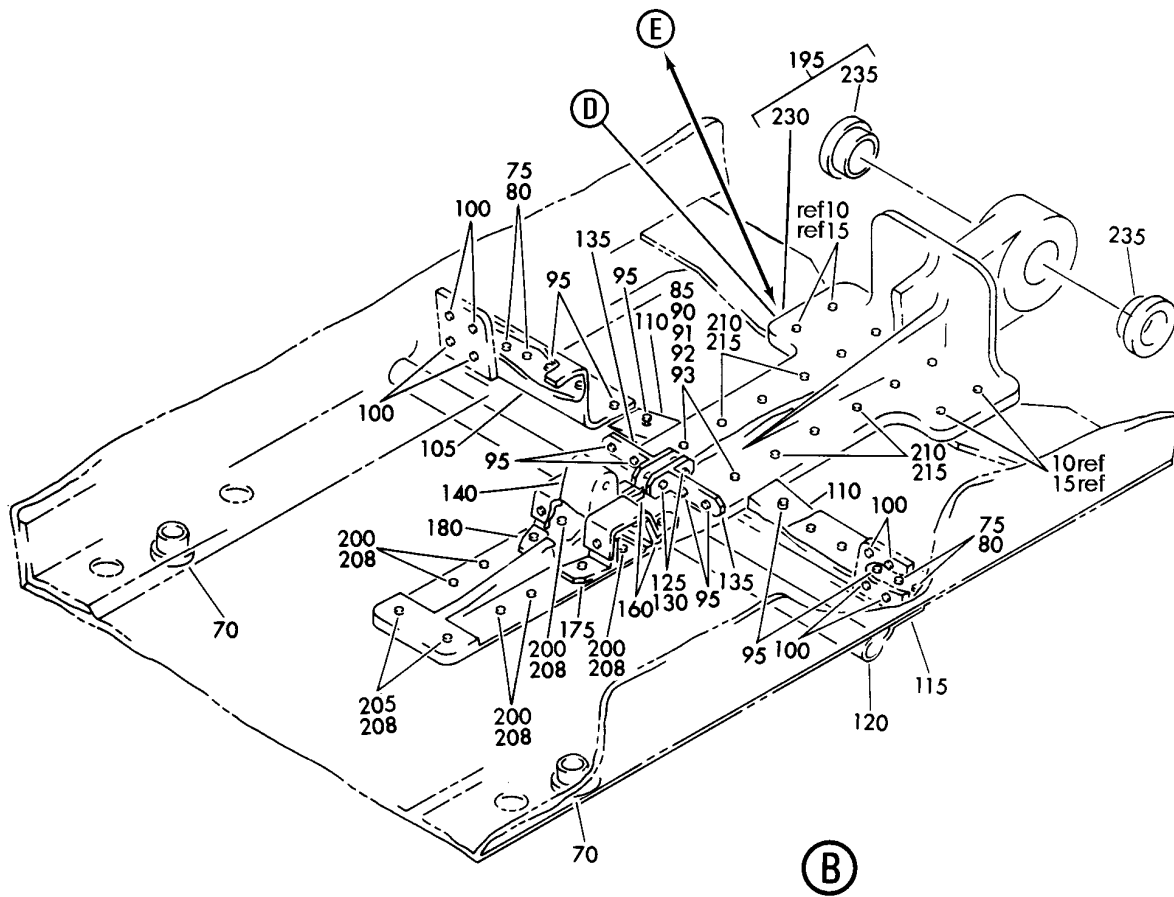
SPAR INSTL-NAC STRUT LWR
FIGURE 1 (SHEET 1)

54-51-60-01

BRI
MAY 28/07

54-51-60-01
PAGE 0

BOEING
757
PARTS CATALOG (MAINTENANCE)



Y 54516001 SHT 2 REV 234

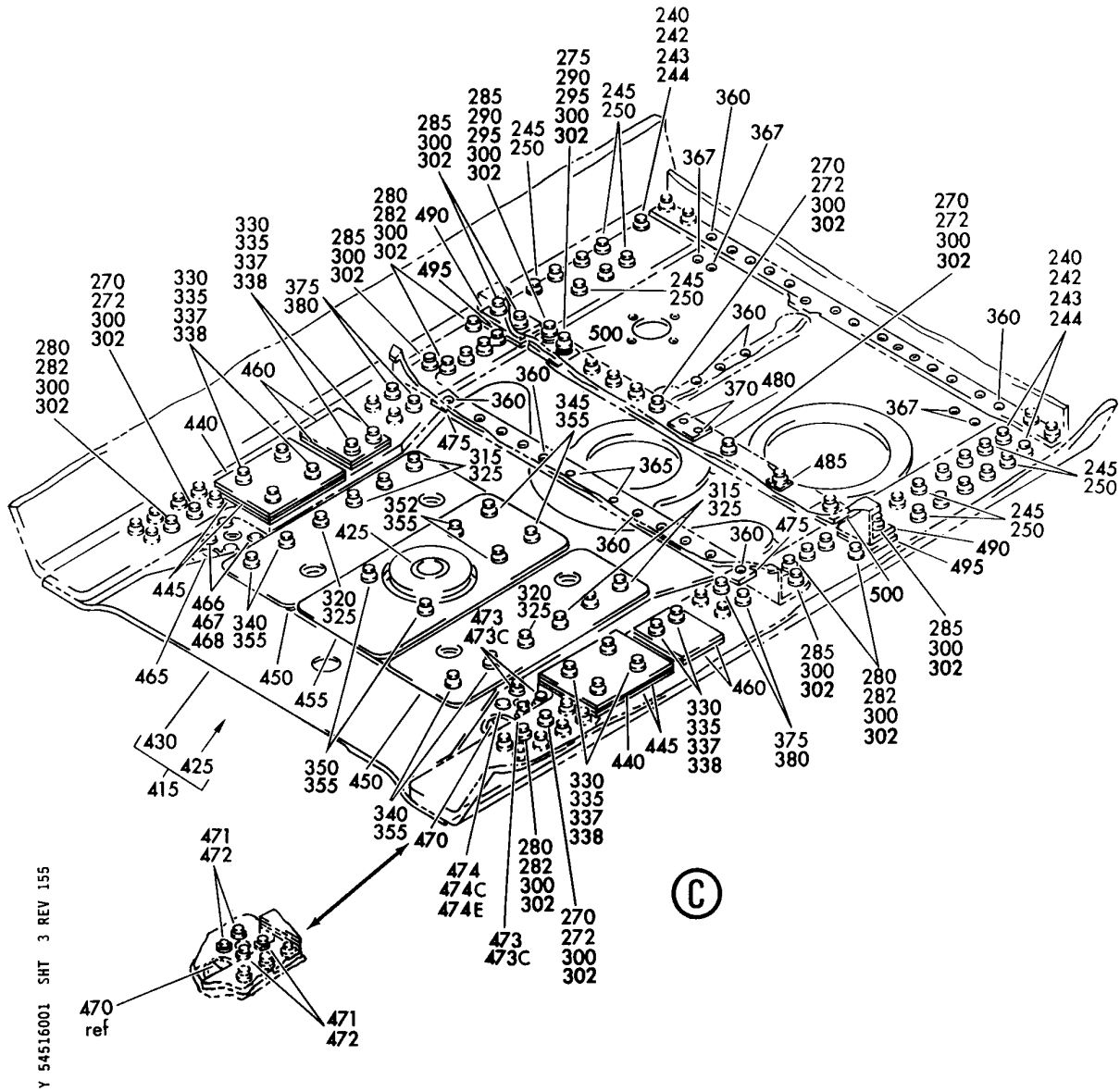
SPAR INSTL-NAC STRUT LWR
FIGURE 1 (SHEET 2)

54-51-60-01

BRI
MAY 28/07

54-51-60-01
PAGE 0A

BOEING
757
PARTS CATALOG (MAINTENANCE)



SPAR INSTL-NAC STRUT LWR
FIGURE 1 (SHEET 3)

54-51-60-01



757

PARTS CATALOG (MAINTENANCE)

FIG ITEM	PART NUMBER	1 2 3 4 5 6 7	NOMENCLATURE	EFFECT FROM TO	UNITS PER ASSY
1			SPAR INSTL-NAC STRUT LWR	002004 006999	
- 1	311N5042-107		SPAR INSTL-NAC STRUT POSITION DATA: LWR LH FOR NHA SEE: 54-51-61-01	002004 006100 107107 121503 904999	RF
- 1	311N5042-149		SPAR INSTL-NAC STRUT POSITION DATA: LWR LH FOR NHA SEE: 54-51-61-01	002004 006100 107107 121503 904999	RF
- 1	311N5042-191		SPAR INSTL-NAC STRUT POSITION DATA: LWR LH FOR NHA SEE: 54-51-61-01	002004 006100 121503 904999	RF
- 1	311N5042-195		SPAR INSTL-NAC STRUT POSITION DATA: LWR LH FOR NHA SEE: 54-51-61-01	002004 006100 107107 121503 904999	RF
- 1	311N5042-211		SPAR INSTL-NAC STRUT POSITION DATA: LWR LH FOR NHA SEE: 54-00-00-04	101106 108120 504903	RF
- 5	311N5042-108		SPAR INSTL-NAC STRUT POSITION DATA: LWR RH FOR NHA SEE: 54-51-61-01	002004 006100 107107 121503 904999	RF
- 5	311N5042-150		SPAR INSTL-NAC STRUT POSITION DATA: LWR RH FOR NHA SEE: 54-51-61-01	002004 006100 107107 121503 904999	RF
- 5	311N5042-192		SPAR INSTL-NAC STRUT POSITION DATA: LWR RH FOR NHA SEE: 54-51-61-01	002004 006100 121503 904999	RF
- 5	311N5042-196		SPAR INSTL-NAC STRUT POSITION DATA: LWR RH FOR NHA SEE: 54-51-61-01	002004 006100 107107 121503 904999	RF

MISSING ITEM NUMBERS NOT APPLICABLE

- ITEM NOT ILLUSTRATED

54-51-60-01

54-51-60
FIG. 01
PAGE 1
JAN 20/09

BRI



757

PARTS CATALOG (MAINTENANCE)

FIG ITEM	PART NUMBER	1 2 3 4 5 6 7	NOMENCLATURE	EFFECT FROM TO	UNITS PER ASSY
1					
- 5	311N5042-212		SPAR INSTL-NAC STRUT POSITION DATA: LWR RH FOR NHA SEE: 54-00-00-04	101106 108120 504903	RF
10	BACB30YK12K11X		.BOLT- POST SERVICE BULLETIN: 54-0035 REFERENCE SERVICE BULLETIN: 54A0047 POST ALERT SB: 54A0047 54A0047R1 54A0047R2 QUALIFIED SB I/W DATA: HOLE DIA 0.3901-0.3911	002004 006999	8
10	BACB30YK12K11Y		.BOLT- POST ALERT SB: 54A0047 54A0047R1 QUALIFIED SB I/W DATA: HOLE DIA 0.4057-0.4067	002004 006999	8
10	HLT422AP14-11		.BOLT- SUPPLIER CODE: V97928 SPECIFICATION NUMBER: BACB30YK14K11 OPTIONAL PART: HLT422AP14-11 V60516 HLT422AP14-11 V06725 POST ALERT SB: 54A0047 PRE ALERT SB: 54A0047R1 QUALIFIED SB I/W DATA: HOLE DIA 0.4370-0.4380	002004 006100 107107 121503 904999	8

MISSING ITEM NUMBERS NOT APPLICABLE

- ITEM NOT ILLUSTRATED

54-51-60-01

54-51-60
FIG. 01
PAGE 2
JAN 20/09

BRI



757

PARTS CATALOG (MAINTENANCE)

FIG ITEM	PART NUMBER	1 2 3 4 5 6 7	NOMENCLATURE	EFFECT FROM TO	UNITS PER ASSY
1 10	HLT622AP14-11	.BOLT-	SUPPLIER CODE: V97928 SPECIFICATION NUMBER: BACB30YK14K11X OPTIONAL PART: HLT622AP14-11 V60516 HLT622AP14-11 V06725 POST ALERT SB: 54A0047 PRE ALERT SB: 54A0047R1 QUALIFIED SB I/W DATA: HOLE DIA 0.4526-0.4536	002004 006100 107107 121503 904999	8
10	HLT716AP14-11	.BOLT-	SUPPLIER CODE: V97928 SPECIFICATION NUMBER: BACB30YK14K11Y OPTIONAL PART: HLT716AP14-11 V60516 HLT716AP14-11 V06725 POST ALERT SB: 54A0047 PRE ALERT SB: 54A0047R1 QUALIFIED SB I/W DATA: HOLE DIA 0.4526-0.4536	002004 006100 107107 121503 904999	8
10	HLT422AP16-11	.BOLT-	SUPPLIER CODE: V97928 SPECIFICATION NUMBER: BACB30YK16K11 OPTIONAL PART: HLT422AP16-11 V60516 HLT422AP16-11 V06725 POST ALERT SB: 54A0047 PRE ALERT SB: 54A0047R1 QUALIFIED SB I/W DATA: HOLE DIA 0.4682-0.4692	002004 006100 107107 121503 904999	8

MISSING ITEM NUMBERS NOT APPLICABLE

- ITEM NOT ILLUSTRATED

54-51-60-01

54-51-60
FIG. 01
PAGE 3
JAN 20/09

BRI



757

PARTS CATALOG (MAINTENANCE)

FIG ITEM	PART NUMBER	1 2 3 4 5 6 7	NOMENCLATURE	EFFECT FROM TO	UNITS PER ASSY
1 10	L80012K11		.BOLT- SUPPLIER CODE: V06725 SPECIFICATION NUMBER: BACB30MY12K11 USED ON: 311N5042-1 311N5042-2 311N5042-71 311N5042-72 311N5042-99 311N5042-100 311N5042-105 311N5042-106 311N5042-107 311N5042-108 PRE SERVICE BULLETIN: 54-0035 REFERENCE SERVICE BULLETIN: 54A0047 54A0047R1 PRE ALERT SB: 54A0047R2	101106 108120 504903	8

MISSING ITEM NUMBERS NOT APPLICABLE

- ITEM NOT ILLUSTRATED

BRI

54-51-60-01

BOEING PROPRIETARY - Copyright © - Unpublished Work - See title page for details.

54-51-60
FIG. 01
PAGE 4
JAN 20/09

 **BOEING**
757
PARTS CATALOG (MAINTENANCE)

FIG ITEM	PART NUMBER	1 2 3 4 5 6 7	NOMENCLATURE	EFFECT FROM TO	UNITS PER ASSY
1 10	HL448AZ12-11	.	BOLT- SUPPLIER CODE: V60516 SPECIFICATION NUMBER: BACB30MB12AK11 OPTIONAL PART: HL448AZ12-11 V73197 HL448AZ12-11 V80539 HL448AZ12-11 V92215 HL448AZ12-11 V97928 HL448AZ12-11 V08524 HL448AZ12-11 V9N513 HL448AZ12-11 V56878 USED ON: 311N5042-149 311N5042-150 311N5042-153 311N5042-154 311N5042-191 311N5042-192 311N5042-195 311N5042-196 311N5042-205 311N5042-206 PRE SERVICE BULLETIN: 54-0035 REFERENCE SERVICE BULLETIN: 54A0047 PRE ALERT SB: 54A0047R2	002004 006100 107107 121503 904999	8
15	BACC30CP12S	.	COLLAR- POST SERVICE BULLETIN: 54-0035 REFERENCE SERVICE BULLETIN: 54A0047 POST ALERT SB: 54A0047 PRE ALERT SB: 54A0047R1 QUALIFIED SB I/W DATA: HOLE DIA 0.3901-0.3911	002004 006100 107107 121503 904999	8

MISSING ITEM NUMBERS NOT APPLICABLE

— ITEM NOT ILLUSTRATED

BRI

54-51-60-01

BOEING PROPRIETARY - Copyright © - Unpublished Work - See title page for details.

54-51-60
FIG. 01
PAGE 5
JAN 20/09



757

PARTS CATALOG (MAINTENANCE)

FIG ITEM	PART NUMBER	1 2 3 4 5 6 7	NOMENCLATURE	EFFECT FROM TO	UNITS PER ASSY
1	15 BACC30CP12SY	.COLLAR-	POST ALERT SB: 54A0047	002004 006100 107107	8
			PRE ALERT SB: 54A0047R1	121503 904999	
	15 BACC30CP14S	.COLLAR-	POST ALERT SB: 54A0047	002004 006100 107107	8
			PRE ALERT SB: 54A0047R1	121503 904999	
			QUALIFIED SB I/W DATA: HOLE DIA 0.4057-0.4067		
	15 BACC30CP14SY	.COLLAR-	POST ALERT SB: 54A0047	002004 006100 107107	8
			PRE ALERT SB: 54A0047R1	121503 904999	
			QUALIFIED SB I/W DATA: HOLE DIA 0.4370-0.4380 HOLE DIA 0.4526-0.4536		
	15 BACC30CP16S	.COLLAR-	POST ALERT SB: 54A0047	002004 006100 107107	8
			PRE ALERT SB: 54A0047R1	121503 904999	
			QUALIFIED SB I/W DATA: HOLE DIA 0.4682-0.4692		
	15 BACC30CP12C	.COLLAR-	POST ALERT SB: 54A0047R1 54A0047R2	002004 006999	8
			QUALIFIED SB I/W DATA: HOLE DIA 0.4995-0.5005		
	15 BACC30CP12CY	.COLLAR-	POST ALERT SB: 54A0047R1 54A0047R2	002004 006999	8
			QUALIFIED SB I/W DATA: HOLE DIA 0.4057-0.4067		

MISSING ITEM NUMBERS NOT APPLICABLE

- ITEM NOT ILLUSTRATED

54-51-60-01

54-51-60
FIG. 01
PAGE 6
JAN 20/09

BRI



757

PARTS CATALOG (MAINTENANCE)

FIG ITEM	PART NUMBER	1 2 3 4 5 6 7	NOMENCLATURE	EFFECT FROM TO	UNITS PER ASSY
1 15	HL79-12		. COLLAR- SUPPLIER CODE: V5M902 SPECIFICATION NUMBER: BACC30M12 OPTIONAL PART: HL79-12 V73197 HL79-12 V92215 66014-12 V56878 HL79-12 V56878 USED ON: 311N5042-1 311N5042-2 311N5042-71 311N5042-72 311N5042-99 311N5042-100 311N5042-105 311N5042-106 311N5042-107 311N5042-108 PRE SERVICE BULLETIN: 54-0035 REFERENCE SERVICE BULLETIN: 54A0047 54A0047R1 PRE ALERT SB: 54A0047R2	101106 108120 504903	8

MISSING ITEM NUMBERS NOT APPLICABLE

- ITEM NOT ILLUSTRATED

BRI

54-51-60-01

BOEING PROPRIETARY - Copyright © - Unpublished Work - See title page for details.

54-51-60
FIG. 01
PAGE 7
JAN 20/09



757

PARTS CATALOG (MAINTENANCE)

FIG ITEM	PART NUMBER	1 2 3 4 5 6 7	NOMENCLATURE	EFFECT FROM TO	UNITS PER ASSY
1 15	HL1187-12		.COLLAR- SUPPLIER CODE: V5M902 SPECIFICATION NUMBER: BACC30X12 OPTIONAL PART: HL1187-12 V73197 HL1187-12 V56878 HL1187-12 V92215 HL1187-12 V92215 HL87-12 V56878 HL87-12 V73197 USED ON: 311N5042-149 311N5042-150 311N5042-153 311N5042-154 311N5042-191 311N5042-192 311N5042-195 311N5042-196 311N5042-205 311N5042-206 PRE SERVICE BULLETIN: 54-0035 REFERENCE SERVICE BULLETIN: 54A0047 PRE ALERT SB: 54A0047R2	002004 006100 107107 121503 904999	8
25	311N5042-179		.SPAR ASSY- POSITION DATA: LH SIDE USED ON: 311N5042-149	011017	1
25	311N5042-175		.SPAR ASSY- POSITION DATA: LH SIDE USED ON: 311N5042-149	018100	1

MISSING ITEM NUMBERS NOT APPLICABLE

- ITEM NOT ILLUSTRATED

54-51-60-01

54-51-60
FIG. 01
PAGE 8
JAN 20/09

BRI



757

PARTS CATALOG (MAINTENANCE)

FIG ITEM	PART NUMBER	1 2 3 4 5 6 7	NOMENCLATURE	EFFECT FROM TO	UNITS PER ASSY
1					
25	311N5042-167	.	SPAR ASSY- POSITION DATA: LH SIDE USED ON: 311N5042-149	002004 006010 107107 121503 904999	1
25	311N5042-157	.	SPAR ASSY- POSITION DATA: LH SIDE USED ON: 311N5042-107	002004 006100 107107 121503 904999	1
26	311N5042-189	.	SPAR ASSY- POSITION DATA: LH SIDE USED ON: 311N5042-191	002004 006100 121503 904999	1
26	311N5042-193	.	SPAR ASSY- POSITION DATA: LH SIDE USED ON: 311N5042-195	002004 006100 107107 121503 904999	1
26	311N5042-213	.	SPAR ASSY- POSITION DATA: LH SIDE	101106 108120	1
- 35	311N5042-176	.	SPAR ASSY- POSITION DATA: RH SIDE USED ON: 311N5042-150	504903 018100	1
- 35	311N5042-168	.	SPAR ASSY- POSITION DATA: RH SIDE USED ON: 311N5042-150	002004 006010 107107 121503 904999	1
- 35	311N5042-158	.	SPAR ASSY- POSITION DATA: RH SIDE USED ON: 311N5042-108	002004 006100 107107 121503 904999	1
- 35	311N5042-180	.	SPAR ASSY- POSITION DATA: RH SIDE USED ON: 311N5042-150	011017	1
- 36	311N5042-190	.	SPAR ASSY- POSITION DATA: RH SIDE USED ON: 311N5042-192	002004 006100 121503 904999	1

MISSING ITEM NUMBERS NOT APPLICABLE

- ITEM NOT ILLUSTRATED

54-51-60-01

54-51-60
FIG. 01
PAGE 9
JAN 20/09

BRI



757

PARTS CATALOG (MAINTENANCE)

FIG ITEM	PART NUMBER	1 2 3 4 5 6 7	NOMENCLATURE	EFFECT FROM TO	UNITS PER ASSY
1					
- 36	311N5042-194	.	SPAR ASSY- POSITION DATA: RH SIDE USED ON: 311N5042-196	002004 006100 107107 121503 904999	1
- 36	311N5042-214	.	SPAR ASSY- POSITION DATA: RH SIDE	101106 108120 504903	1
55	AN42BC6A	..	EYEBOLT	002004 006999	6
60	AN960-10L	..	WASHER	002004 006999	6
65	BRH10C3D	..	NUT SUPPLIER CODE: V52828 SPECIFICATION NUMBER: BACN10JC3CD OPTIONAL PART: T6C1032JCD V11815 NS202486-02 V80539 102LH9075-3W V72962 H51650-3BAC V15653	002004 006999	6
70	BACB28AM12B030	..	BUSHING	002004 006999	2
75	L8006S6	..	BOLT SUPPLIER CODE: V06725 SPECIFICATION NUMBER: BACB30MY6S6	002004 006999	4
80	HL97DU6	..	COLLAR SUPPLIER CODE: V73197 SPECIFICATION NUMBER: BACC30AB6S OPTIONAL PART: HL97DU6 V56878 HL97DU6 V5M902	002004 006999	4

MISSING ITEM NUMBERS NOT APPLICABLE

- ITEM NOT ILLUSTRATED

54-51-60-01

54-51-60
FIG. 01
PAGE 10
JAN 20/09

BRI



757

PARTS CATALOG (MAINTENANCE)

FIG ITEM	PART NUMBER	1 2 3 4 5 6 7	NOMENCLATURE	EFFECT FROM TO	UNITS PER ASSY
1 85	HL40-12-10		..BOLT- SUPPLIER CODE: V97928 SPECIFICATION NUMBER: BACB30FM12A10U OPTIONAL PART: 67067-12A10U V56878 HL40-12-10 V56878 HL40-12-10 V73197 HL40-12-10 V80539 HL40-12-10 V92215 HL40-12-10 V08524 HL18-12A10U V06725 REFERENCE SERVICE BULLETIN: 54A0047 54A0047R1	002004 006999	AR
85	HL140-12-10		..BOLT- SUPPLIER CODE: V06725 SPECIFICATION NUMBER: BACB30FP12A10U OPTIONAL PART: HL140-12-10 V56878 HL140-12-10 V73197 HL140-12-10 V80539 HL140-12-10 V92215 HL140-12-10 V97928 POST ALERT SB: 54A0047 54A0047R1 PRE ALERT SB: 54A0047R2 QUALIFIED SB I/W DATA: HOLE DIA 0.3901-0.3911	002004 006999	AR

MISSING ITEM NUMBERS NOT APPLICABLE

- ITEM NOT ILLUSTRATED

BRI

54-51-60-01

BOEING PROPRIETARY - Copyright © - Unpublished Work - See title page for details.

54-51-60
FIG. 01
PAGE 11
SEP 20/08



757

PARTS CATALOG (MAINTENANCE)

FIG ITEM	PART NUMBER	1 2 3 4 5 6 7	NOMENCLATURE	EFFECT FROM TO	UNITS PER ASSY
1 85	HL240-12-10	..	BOLT- SUPPLIER CODE: V06725 SPECIFICATION NUMBER: BACB30KK12A10U OPTIONAL PART: HL240-12-10 V56878 HL240-12-10 V73197 HL240-12-10 V80539 67072-12A10U V56878 L805Y12-10 V06725 POST ALERT SB: 54A0047 54A0047R1 PRE ALERT SB: 54A0047R2 QUALIFIED SB I/W DATA: HOLE DIA 0.4057-0.4067	002004 006999	AR
85	HL40-14-10	..	BOLT- SUPPLIER CODE: V97928 SPECIFICATION NUMBER: BACB30FM14A10U OPTIONAL PART: HL40-14-10 V08524 HL40-14-10 V92215 HL40-14-10 V80539 HL40-14-10 V73197 HL40-14-10 V56878 67067-14A10U V56878 POST ALERT SB: 54A0047 PRE ALERT SB: 54A0047R1 QUALIFIED SB I/W DATA: HOLE DIA 0.4370-0.4380	002004 006100 107107 121503 904999	AR

MISSING ITEM NUMBERS NOT APPLICABLE

- ITEM NOT ILLUSTRATED

BRI

54-51-60-01

BOEING PROPRIETARY - Copyright © - Unpublished Work - See title page for details.

54-51-60
FIG. 01
PAGE 12
JAN 20/09



757

PARTS CATALOG (MAINTENANCE)

FIG ITEM	PART NUMBER	1 2 3 4 5 6 7	NOMENCLATURE	EFFECT FROM TO	UNITS PER ASSY
1 85	HL140-14-10		..BOLT- SUPPLIER CODE: V06725 SPECIFICATION NUMBER: BACB30FP14A10U OPTIONAL PART: HL140-14-10 V56878 HL140-14-10 V73197 HL140-14-10 V80539 HL140-14-10 V92215 HL140-14-10 V97928 POST ALERT SB: 54A0047 PRE ALERT SB: 54A0047R1 QUALIFIED SB I/W DATA: HOLE DIA 0.4526-0.4536	002004 006100 107107 121503 904999	AR
85	HL240-14-10		..BOLT- SUPPLIER CODE: V06725 SPECIFICATION NUMBER: BACB30KK14A10U OPTIONAL PART: HL240-14-10 V56878 HL240-14-10 V73197 HL240-14-10 V80539 L805Y14-10 V06725 67072-14A10U V56878 POST ALERT SB: 54A0047 PRE ALERT SB: 54A0047R1 QUALIFIED SB I/W DATA: HOLE DIA 0.4682-0.4692	002004 006100 107107 121503 904999	AR

MISSING ITEM NUMBERS NOT APPLICABLE

- ITEM NOT ILLUSTRATED

54-51-60-01

54-51-60
 FIG. 01
 PAGE 13
 JAN 20/09

BRI



**757
PARTS CATALOG (MAINTENANCE)**

FIG ITEM	PART NUMBER	1 2 3 4 5 6 7	NOMENCLATURE	EFFECT FROM TO	UNITS PER ASSY
1 85	HL40-16-10		..BOLT- SUPPLIER CODE: V56878 SPECIFICATION NUMBER: BACB30FM16A10U OPTIONAL PART: HL40-16-10 V08524 HL40-16-10 V73197 HL40-16-10 V80539 HL40-16-10 V92215 HL40-16-10 V97928 67067-16A10U V56878 POST ALERT SB: 54A0047 PRE ALERT SB: 54A0047R1 QUALIFIED SB I/W DATA: HOLE DIA 0.4995-0.5005	002004 006100 107107 121503 904999	AR
85	HL140-12-11		..BOLT- SUPPLIER CODE: V06725 SPECIFICATION NUMBER: BACB30FP12A11U OPTIONAL PART: HL140-12-11 V56878 HL140-12-11 V73197 HL140-12-11 V80539 HL140-12-11 V92215 HL140-12-11 V97928 POST ALERT SB: 54A0047R2 QUALIFIED SB I/W DATA: HOLE DIA 0.3901-0.3911	002004 006999	AR

MISSING ITEM NUMBERS NOT APPLICABLE

— ITEM NOT ILLUSTRATED

BRI

54-51-60-01

BOEING PROPRIETARY - Copyright © - Unpublished Work - See title page for details.

54-51-60
FIG. 01
PAGE 14
JAN 20/09



757

PARTS CATALOG (MAINTENANCE)

FIG ITEM	PART NUMBER	1 2 3 4 5 6 7	NOMENCLATURE	EFFECT FROM TO	UNITS PER ASSY
1 85	HL240-12-11		..BOLT- SUPPLIER CODE: V06725 SPECIFICATION NUMBER: BACB30KK12A11U OPTIONAL PART: HL240-12-11 V56878 HL240-12-11 V73197 HL240-12-11 V80539 L805Y12-11 V06725 67072-12A11U V56878 POST ALERT SB: 54A0047R2 QUALIFIED SB I/W DATA: HOLE DIA 0.4057-0.4067	002004 006999	AR
90	HL97DU12		..COLLAR- SUPPLIER CODE: V73197 SPECIFICATION NUMBER: BACC30AB12S OPTIONAL PART: HL97DU12 V56878 HL97DU12 V5M902 REFERENCE SERVICE BULLETIN: 54A0047 54A0047R1	002004 006999	AR

MISSING ITEM NUMBERS NOT APPLICABLE

- ITEM NOT ILLUSTRATED

BRI

54-51-60-01

BOEING PROPRIETARY - Copyright © - Unpublished Work - See title page for details.

54-51-60
FIG. 01
PAGE 15
SEP 20/08



757

PARTS CATALOG (MAINTENANCE)

FIG ITEM	PART NUMBER	1 2 3 4 5 6 7	NOMENCLATURE	EFFECT FROM TO	UNITS PER ASSY
1			ATTACHING PARTS		
90	HL197DU12		.. COLLAR- SUPPLIER CODE: V73197 SPECIFICATION NUMBER: BACC30AB12SY OPTIONAL PART: HL197DU12 V56878 HL197DU12 V5M902 POST ALERT SB: 54A0047 54A0047R1 54A0047R2 PRE ALERT SB: 54A0047R2 QUALIFIED SB I/W DATA: HOLE DIA 0.3901-0.3911	002004 006999	AR
90	BACC30AC12S		.. COLLAR- POST ALERT SB: 54A0047 54A0047R1 54A0047R2 PRE ALERT SB: 54A0047R2 QUALIFIED SB I/W DATA: HOLE DIA 0.3901-0.3911	002004 006999	AR
90	HL97DU14		.. COLLAR- SUPPLIER CODE: V73197 SPECIFICATION NUMBER: BACC30AB14S OPTIONAL PART: HL97DU14 V56878 HL97DU14 V5M902 POST ALERT SB: 54A0047 PRE ALERT SB: 54A0047R1 QUALIFIED SB I/W DATA: HOLE DIA 0.4370-0.4380	002004 006100 107107 121503 904999	AR

MISSING ITEM NUMBERS NOT APPLICABLE

- ITEM NOT ILLUSTRATED

54-51-60-01

54-51-60
FIG. 01
PAGE 16
JAN 20/09

BRI



757

PARTS CATALOG (MAINTENANCE)

FIG ITEM	PART NUMBER	1 2 3 4 5 6 7	NOMENCLATURE	EFFECT FROM TO	UNITS PER ASSY
1 90	HL197DU14		.. COLLAR- SUPPLIER CODE: V73197 SPECIFICATION NUMBER: BACC30AB14SY OPTIONAL PART: HL197DU14 V56878 HL197DU14 V5M902 POST ALERT SB: 54A0047 PRE ALERT SB: 54A0047R1 QUALIFIED SB I/W DATA: HOLE DIA 0.4526-0.4536	002004 006100 107107 121503 904999	AR
90	BACC30AC14S		.. COLLAR- POST ALERT SB: 54A0047 PRE ALERT SB: 54A0047R1 QUALIFIED SB I/W DATA: HOLE DIA 0.4682-0.4692	002004 006100 107107 121503 904999	AR
90	HL97DU16		.. COLLAR- SUPPLIER CODE: V73197 SPECIFICATION NUMBER: BACC30AB16S OPTIONAL PART: HL97DU16 V56878 HL97DU16 V5M902 POST ALERT SB: 54A0047 PRE ALERT SB: 54A0047R1 QUALIFIED SB I/W DATA: HOLE DIA 0.4995-0.5005	002004 006100 107107 121503 904999	AR

MISSING ITEM NUMBERS NOT APPLICABLE

- ITEM NOT ILLUSTRATED

54-51-60-01

54-51-60
FIG. 01
PAGE 17
JAN 20/09

BRI



757

PARTS CATALOG (MAINTENANCE)

FIG ITEM	PART NUMBER	1 2 3 4 5 6 7	NOMENCLATURE	EFFECT FROM TO	UNITS PER ASSY
1	90 HL197DU12		.. COLLAR- SUPPLIER CODE: V73197 SPECIFICATION NUMBER: BACC30AB12SY OPTIONAL PART: HL197DU12 V56878 HL197DU12 V5M902 POST ALERT SB: 54A0047R2 QUALIFIED SB I/W DATA: HOLE DIA 0.3901-0.3911	002004 006999	AR
	90 BACC30AC12S		.. COLLAR- POST ALERT SB: 54A0047R2 QUALIFIED SB I/W DATA: HOLE DIA 0.4057-0.4067 -----*-----	002004 006999	AR
	95 MS20615-8M		.. RIVET- SIZE DETERMINED ON INSTL.	002004 006999	12
	100 MS20615-6M		.. RIVET- SIZE DETERMINED ON INSTL.	002004 006999	8
	105 311N5042-8702		.. STIFFENER	002004 006999	1
	110 311N5042-52		.. FILLER-TAPERED	002004 006999	2
	115 311N5042-46		.. RETAINER-SEAL	002004 006999	1
	120 81C7081-2		.. SEAL- SUPPLIER CODE: V60980 SPECIFICATION NUMBER: S311N502-2	002004 006999	1

MISSING ITEM NUMBERS NOT APPLICABLE

- ITEM NOT ILLUSTRATED

54-51-60-01

54-51-60
FIG. 01
PAGE 18
SEP 20/08

BRI



757

PARTS CATALOG (MAINTENANCE)

FIG ITEM	PART NUMBER	1 2 3 4 5 6 7	NOMENCLATURE	EFFECT FROM TO	UNITS PER ASSY
1 125	HL1012AZ8-9	..	BOLT SUPPLIER CODE: VOPTK6 SPECIFICATION NUMBER: BACB30NX8K9 OPTIONAL PART: HL12VAZ8-9 V73197 HL12VAZ8-9 V92215 HL12VAZ8-9 V97928 L802-8K9 V06725 HL12VAZ8-9 V56878 HL1012AZ8-9 V06725 HL1012AZ8-9 V06950 HL1012AZ8-9 V17446 HL1012AZ8-9 V56878 HL1012AZ8-9 V60516 HL1012AZ8-9 V73197 HL1012AZ8-9 V97928	002004 006999	2
130	HL1187-8	..	COLLAR SUPPLIER CODE: V5M902 SPECIFICATION NUMBER: BACC30X8 OPTIONAL PART: HL87-8 V92215 HL87-8 V73197 HL1187-8 V56878 HL1187-8 V92215 HL87-8 V56878 HL1187-8 V73197	002004 006999	2

MISSING ITEM NUMBERS NOT APPLICABLE

- ITEM NOT ILLUSTRATED

54-51-60-01

54-51-60
 FIG. 01
 PAGE 19
 SEP 20/08

BRI

BOEING
757
PARTS CATALOG (MAINTENANCE)

FIG ITEM	PART NUMBER	1 2 3 4 5 6 7	NOMENCLATURE	EFFECT FROM TO	UNITS PER ASSY
1					
135	311N5042-43	..	TEE	002004 006999	2
140	312N5824-5	..	BRACKET ASSY	002004 006106 108903 950951 953999	1
140	312N5824-1	..	BRACKET ASSY	107107 904949 952952	1
			ATTACHING PARTS		
- 145	NAS6704U2	..	BOLT	002004 006999	4
- 150	AN960C416L	..	WASHER	002004 006999	4
- 155	BRH10C4	..	NUT	002004 006999	4
			SUPPLIER CODE: V52828		
			SPECIFICATION NUMBER: BACN10JC4C		
			OPTIONAL PART: T6C428J V11815 97-048 V80539 101LH9075-4W V72962 VN303B048 V92215 NS202101S048 V80539 H31-4BAC V15653		
			-----*-----		
160	312N5816-3	..	BRACKET	002004 006999	2

MISSING ITEM NUMBERS NOT APPLICABLE

- ITEM NOT ILLUSTRATED

BRI

54-51-60-01

BOEING PROPRIETARY - Copyright © - Unpublished Work - See title page for details.

54-51-60
FIG. 01
PAGE 20
JAN 20/09



757

PARTS CATALOG (MAINTENANCE)

FIG ITEM	PART NUMBER	1 2 3 4 5 6 7	NOMENCLATURE	EFFECT FROM TO	UNITS PER ASSY
1			ATTACHING PARTS		
- 165	HL40-12-6		..BOLT SUPPLIER CODE: V97928 SPECIFICATION NUMBER: BACB30FM12A6U OPTIONAL PART: 67067-12A6U V56878 HL40-12-6 V56878 HL40-12-6 V73197 HL40-12-6 V80539 HL40-12-6 V92215 HL40-12-6 V08524 L80512A6U V06725	002004 006999	2
- 170	HL97DU12		..COLLAR SUPPLIER CODE: V73197 SPECIFICATION NUMBER: BACC30AB12S OPTIONAL PART: HL97DU12 V56878 HL97DU12 V5M902	002004 006999	2
175	312N5816-8700		-----*----- ..BRACKET- USED ON: 311N5042-73 311N5042-74 311N5042-101 311N5042-102 311N5042-103 311N5042-104 311N5042-111 311N5042-112 311N5042-141 311N5042-142 311N5042-143 311N5042-144 311N5042-157 311N5042-158	002004 006100 107107 121503 904999	1

MISSING ITEM NUMBERS NOT APPLICABLE

- ITEM NOT ILLUSTRATED

54-51-60-01

54-51-60
FIG. 01
PAGE 21
JAN 20/09

BRI



757

PARTS CATALOG (MAINTENANCE)

FIG ITEM	PART NUMBER	1 2 3 4 5 6 7	NOMENCLATURE	EFFECT FROM TO	UNITS PER ASSY
1 175	312N5816-8702		.. BRACKET- USED ON: 311N5042-155 311N5042-156 311N5042-159 311N5042-160 311N5042-161 311N5042-162 311N5042-167 311N5042-168 311N5042-169 311N5042-170 311N5042-189 311N5042-190 311N5042-197 311N5042-198 311N5042-215 311N5042-216 311N5042-221 311N5042-222	002004 006999	1
180	312N5816-8701		.. BRACKET- USED ON: 311N5042-73 311N5042-74 311N5042-101 311N5042-102 311N5042-103 311N5042-104 311N5042-111 311N5042-112 311N5042-141 311N5042-142 311N5042-143 311N5042-144 311N5042-157 311N5042-158	002004 006100 107107 121503 904999	1

MISSING ITEM NUMBERS NOT APPLICABLE

- ITEM NOT ILLUSTRATED

BRI

54-51-60-01

BOEING PROPRIETARY - Copyright © - Unpublished Work - See title page for details.

54-51-60
FIG. 01
PAGE 22
JAN 20/09



757

PARTS CATALOG (MAINTENANCE)

FIG ITEM	PART NUMBER	1 2 3 4 5 6 7	NOMENCLATURE	EFFECT FROM TO	UNITS PER ASSY
1 180	312N5816-8703		.. BRACKET- USED ON: 311N5042-155 311N5042-156 311N5042-159 311N5042-160 311N5042-161 311N5042-162 311N5042-167 311N5042-168 311N5042-169 311N5042-170 311N5042-189 311N5042-190 311N5042-197 311N5042-198 311N5042-215 311N5042-216 311N5042-221 311N5042-222 ATTACHING PARTS	002004 006999	1
- 185	HL40-12-5		.. BOLT SUPPLIER CODE: V97928 SPECIFICATION NUMBER: BACB30FM12A5U OPTIONAL PART: 67067-12A5U V56878 HL40-12-5 V56878 HL40-12-5 V73197 HL40-12-5 V80539 HL40-12-5 V92215 HL40-12-5 V08524 L80512A5U V06725	002004 006999	2

MISSING ITEM NUMBERS NOT APPLICABLE

- ITEM NOT ILLUSTRATED

54-51-60-01

54-51-60
FIG. 01
PAGE 23
SEP 20/08

BRI



757

PARTS CATALOG (MAINTENANCE)

FIG ITEM	PART NUMBER	1 2 3 4 5 6 7	NOMENCLATURE	EFFECT FROM TO	UNITS PER ASSY
1 - 190	HL97DU12		.. COLLAR SUPPLIER CODE: V73197 SPECIFICATION NUMBER: BACC30AB12S OPTIONAL PART: HL97DU12 V56878 HL97DU12 V5M902	002004 006999	2
195	311N5024-1		.. FITTING ASSY- USED ON: 311N5042-3 311N5042-4 311N5042-73 311N5042-74 311N5042-101 311N5042-102 311N5042-103 311N5042-104 311N5042-111 311N5042-112 311N5042-141 311N5042-142 311N5042-143 311N5042-144 311N5042-157 311N5042-158	002004 006100 107107 121503 904999	1
195	311N5024-3		.. FITTING ASSY	002004 006999	1

MISSING ITEM NUMBERS NOT APPLICABLE

- ITEM NOT ILLUSTRATED

54-51-60-01

54-51-60
FIG. 01
PAGE 24
JAN 20/09

BRI

BOEING PROPRIETARY - Copyright © - Unpublished Work - See title page for details.



757

PARTS CATALOG (MAINTENANCE)

FIG ITEM	PART NUMBER	1 2 3 4 5 6 7	NOMENCLATURE	EFFECT FROM TO	UNITS PER ASSY
1			ATTACHING PARTS		
200	HL40-12-4	..	BOLT SUPPLIER CODE: V97928 SPECIFICATION NUMBER: BACB30FM12A4U OPTIONAL PART: 67067-12A4U V56878 HL40-12-4 V56878 HL40-12-4 V73197 HL40-12-4 V80539 HL40-12-4 V92215 HL40-12-4 V08524 L80512A4U V06725	002004 006999	6
205	HL40-12-8	..	BOLT SUPPLIER CODE: V97928 SPECIFICATION NUMBER: BACB30FM12A8U OPTIONAL PART: 67067-12A8U V56878 HL40-12-8 V56878 HL40-12-8 V73197 HL40-12-8 V80539 HL40-12-8 V92215 HL40-12-6 V08524 L80512A8U V06725	002004 006999	2

MISSING ITEM NUMBERS NOT APPLICABLE

- ITEM NOT ILLUSTRATED

54-51-60-01

54-51-60
FIG. 01
PAGE 25
SEP 20/08

BRI



757

PARTS CATALOG (MAINTENANCE)

FIG ITEM	PART NUMBER	1 2 3 4 5 6 7	NOMENCLATURE	EFFECT FROM TO	UNITS PER ASSY
1 208	HL97DU12		.. COLLAR SUPPLIER CODE: V73197 SPECIFICATION NUMBER: BACC30AB12S OPTIONAL PART: HL97DU12 V56878 HL97DU12 V5M902	002004 006999	8
211	L80012S6		.. BOLT- SUPPLIER CODE: V06725 SPECIFICATION NUMBER: BACB30MY12S6 USED ON: 311N5042-3 311N5042-4 311N5042-73 311N5042-74 311N5042-101 311N5042-102 311N5042-103 311N5042-104 311N5042-111 311N5042-112 311N5042-141 311N5042-142 311N5042-143 311N5042-144 311N5042-157 311N5042-158 REFERENCE SERVICE BULLETIN: 54A0047 54A0047R1 PRE ALERT SB: 54A0047R2	002004 006999	AR
211	HL448PZ12-6		.. BOLT- SUPPLIER CODE: V60516 SPECIFICATION NUMBER: BACB30MB12A6U OPTIONAL PART: HL48-12-6 V73197 HL48-12-6 V92215 HL48-12-6 V97928	002004 006999	AR

MISSING ITEM NUMBERS NOT APPLICABLE

- ITEM NOT ILLUSTRATED

54-51-60-01

54-51-60
FIG. 01
PAGE 26
SEP 20/08

BRI



757

PARTS CATALOG (MAINTENANCE)

FIG ITEM	PART NUMBER	1 2 3 4 5 6 7 NOMENCLATURE	EFFECT FROM TO	UNITS PER ASSY
1		HL48-12-6 V80539 69308-12A6U V56878 HL48-12-6 V08524 HL48-12-6 V56878 HL48-12-6 V9N513 HL448PZ12-6 V56878 HL448PZ12-6 V73197 HL448PZ12-6 V80539 HL448PZ12-6 V9N513 HL448PZ12-6 V97928 USED ON: 311N5042-155 311N5042-156 311N5042-159 311N5042-160 311N5042-161 311N5042-162 311N5042-167 311N5042-168 311N5042-169 311N5042-170 311N5042-173 311N5042-174 311N5042-175 311N5042-176 311N5042-179 311N5042-180 311N5042-181 311N5042-182 311N5042-185 311N5042-186 311N5042-189 311N5042-190 311N5042-193 311N5042-194 311N5042-197 311N5042-198 311N5042-203 311N5042-204		

MISSING ITEM NUMBERS NOT APPLICABLE

- ITEM NOT ILLUSTRATED

54-51-60-01

54-51-60
FIG. 01
PAGE 27
SEP 20/08

BRI



757

PARTS CATALOG (MAINTENANCE)

FIG ITEM	PART NUMBER	1 2 3 4 5 6 7 NOMENCLATURE	EFFECT FROM TO	UNITS PER ASSY
1	211 BACB30MC12A6U	311N5042-213 311N5042-214 311N5042-215 311N5042-216 311N5042-221 311N5042-222 REFERENCE SERVICE BULLETIN: 54A0047 54A0047R1 PRE ALERT SB: 54A0047R2 ..BOLT- POST ALERT SB: 54A0047 54A0047R1 QUALIFIED SB I/W DATA: HOLE DIA 0.3901-0.3911	002004 006999	AR

MISSING ITEM NUMBERS NOT APPLICABLE

- ITEM NOT ILLUSTRATED

BRI

54-51-60-01

BOEING PROPRIETARY - Copyright © - Unpublished Work - See title page for details.

54-51-60
FIG. 01
PAGE 28
SEP 20/08



757

PARTS CATALOG (MAINTENANCE)

FIG ITEM	PART NUMBER	1 2 3 4 5 6 7 NOMENCLATURE	EFFECT FROM TO	UNITS PER ASSY
1 211	L806Y12A6U	..BOLT- SUPPLIER CODE: V06725 SPECIFICATION NUMBER: BACB30MD12A6U OPTIONAL PART: HL748-12-6 V97928 HL748-12-6 V92702 HL748-12-6 V92215 HL748-12-6 V73197 HL748-12-6 V60516 HL748-12-6 V56878 HL748-12-6 V06725 HL454PZ12-6 V97928 HL454PZ12-6 V92702 HL454PZ12-6 V92215 HL454PZ12-6 V97197 HL454PZ12-6 V60516 HL454PZ12-6 V56878 HL454PZ12-6 V06725 POST ALERT SB: 54A0047 54A0047R1 QUALIFIED SB I/W DATA: HOLE DIA 0.4057-0.4067	002004 006999	AR

MISSING ITEM NUMBERS NOT APPLICABLE

- ITEM NOT ILLUSTRATED

54-51-60-01

54-51-60
FIG. 01
PAGE 29
SEP 20/08

BRI



757

PARTS CATALOG (MAINTENANCE)

FIG ITEM	PART NUMBER	1 2 3 4 5 6 7	NOMENCLATURE	EFFECT FROM TO	UNITS PER ASSY
1 211	HL448PZ14-6		.. BOLT- SUPPLIER CODE: V97928 SPECIFICATION NUMBER: BACB30MB14A6U OPTIONAL PART: HL448PZ14-6 V9N513 HL448PZ14-6 V80539 HL448PZ14-6 V73197 HL448PZ14-6 V60516 HL448PZ14-6 V56878 69308-14A6U V56878 HL48-14-6 V97928 HL48-14-6 V92215 HL48-14-6 V9N513 HL48-14-6 V80539 HL48-14-6 V73197 HL48-14-6 V56878 HL48-14-6 V08524 POST ALERT SB: 54A0047 PRE ALERT SB: 54A0047R1 QUALIFIED SB I/W DATA: HOLE DIA 0.4370-0.4380	002004 006100 107107 121503 904999	AR

MISSING ITEM NUMBERS NOT APPLICABLE

- ITEM NOT ILLUSTRATED

BRI

54-51-60-01

BOEING PROPRIETARY - Copyright © - Unpublished Work - See title page for details.

54-51-60
FIG. 01
PAGE 30
JAN 20/09



757

PARTS CATALOG (MAINTENANCE)

FIG ITEM	PART NUMBER	1 2 3 4 5 6 7 NOMENCLATURE	EFFECT FROM TO	UNITS PER ASSY
1 211	L806X14A6U	.. BOLT- SUPPLIER CODE: V06725 SPECIFICATION NUMBER: BACB30MC14A6U OPTIONAL PART: HL452PZ14-6 V97928 HL452PZ14-6 V9N513 HL452PZ14-6 V80539 HL452PZ14-6 V73197 HL452PZ14-6 V60516 HL452PZ14-6 V56878 HL452PZ14-6 V06950 HL452PZ14-6 V06725 HL248-14-6 V9N513 HL248-14-6 V97928 HL248-14-6 V80539 HL248-14-6 V73197 HL248-14-6 V60516 HL248-14-6 V56878 HL248-14-6 V06950 HL248-14-6 V06725 POST ALERT SB: 54A0047 PRE ALERT SB: 54A0047R1 QUALIFIED SB I/W DATA: HOLE DIA 0.4526-0.4536	002004 006100 107107 121503 904999	AR

MISSING ITEM NUMBERS NOT APPLICABLE

- ITEM NOT ILLUSTRATED

54-51-60-01

54-51-60
FIG. 01
PAGE 31
JAN 20/09

BRI



757

PARTS CATALOG (MAINTENANCE)

FIG ITEM	PART NUMBER	1 2 3 4 5 6 7	NOMENCLATURE	EFFECT FROM TO	UNITS PER ASSY
1 211	L806Y14A6U		.. BOLT- SUPPLIER CODE: V06725 SPECIFICATION NUMBER: BACB30MD14A6U OPTIONAL PART: HL748-14-6 V97928 HL748-14-6 V92702 HL748-14-6 V92215 HL748-14-6 V73197 HL748-14-6 V60516 HL748-14-6 V56878 HL748-14-6 V06725 HL454PZ14-6 V97928 HL454PZ14-6 V92702 HL454PZ14-6 V92215 HL454PZ14-6 V73197 HL454PZ14-6 V60516 HL454PZ14-6 V56878 HL454PZ14-6 V06725 POST ALERT SB: 54A0047 PRE ALERT SB: 54A0047R1 QUALIFIED SB I/W DATA: HOLE DIA 0.4682-0.4692	002004 006100 107107 121503 904999	AR

MISSING ITEM NUMBERS NOT APPLICABLE

- ITEM NOT ILLUSTRATED

BRI

54-51-60-01

BOEING PROPRIETARY - Copyright © - Unpublished Work - See title page for details.

54-51-60
 FIG. 01
 PAGE 32
 JAN 20/09



757

PARTS CATALOG (MAINTENANCE)

FIG ITEM	PART NUMBER	1 2 3 4 5 6 7	NOMENCLATURE	EFFECT FROM TO	UNITS PER ASSY
1 211	HL448PZ16-6		..BOLT- SUPPLIER CODE: V97928 SPECIFICATION NUMBER: BACB30MB16A6U OPTIONAL PART: HL448PZ16-6 V9N513 HL448PZ16-6 V80539 HL448PZ16-6 V60516 HL448PZ16-6 V56878 69308-16A6U V56878 HL48-16-6 V97928 HL48-16-6 V92215 HL48-16-6 V9N513 HL48-16-6 V80539 HL48-16-6 V73197 HL48-16-6 V56878 HL48-16-6 V08524 HL448PZ16-6 V73197 POST ALERT SB: 54A0047 PRE ALERT SB: 54A0047R1 QUALIFIED SB I/W DATA: HOLE DIA 0.4995-0.5005	002004 006100 107107 121503 904999	AR

MISSING ITEM NUMBERS NOT APPLICABLE

- ITEM NOT ILLUSTRATED

BRI

54-51-60-01

BOEING PROPRIETARY - Copyright © - Unpublished Work - See title page for details.

54-51-60
FIG. 01
PAGE 33
JAN 20/09



757

PARTS CATALOG (MAINTENANCE)

FIG ITEM	PART NUMBER	1 2 3 4 5 6 7	NOMENCLATURE	EFFECT FROM TO	UNITS PER ASSY
1 212	L80012S6		..BOLT- SUPPLIER CODE: V06725 SPECIFICATION NUMBER: BACB30MY12S6 USED ON: 311N5042-3 311N5042-4 311N5042-73 311N5042-74 311N5042-101 311N5042-102 311N5042-103 311N5042-104 311N5042-111 311N5042-112 311N5042-141 311N5042-142 311N5042-143 311N5042-144 311N5042-157 311N5042-158 PRE SERVICE BULLETIN: 54-0035 REFERENCE SERVICE BULLETIN: 54A0047 54A0047R1 PRE ALERT SB: 54A0047R2	002004 006999	AR
212	HL448PZ12-6		..BOLT- SUPPLIER CODE: V60516 SPECIFICATION NUMBER: BACB30MB12A6U OPTIONAL PART: HL48-12-6 V73197 HL48-12-6 V92215 HL48-12-6 V97928 HL48-12-6 V80539 69308-12A6U V56878 HL48-12-6 V08524 HL48-12-6 V56878	002004 006999	AR

MISSING ITEM NUMBERS NOT APPLICABLE

- ITEM NOT ILLUSTRATED

54-51-60-01

54-51-60
FIG. 01
PAGE 34
SEP 20/08

BRI



757

PARTS CATALOG (MAINTENANCE)

FIG ITEM	PART NUMBER	1 2 3 4 5 6 7 NOMENCLATURE	EFFECT FROM TO	UNITS PER ASSY
1		HL48-12-6 V9N513 HL448PZ12-6 V56878 HL448PZ12-6 V73197 HL448PZ12-6 V80539 HL448PZ12-6 V9N513 HL448PZ12-6 V97928 USED ON: 311N5042-155 311N5042-156 311N5042-159 311N5042-160 311N5042-161 311N5042-162 311N5042-167 311N5042-168 311N5042-169 311N5042-170 311N5042-173 311N5042-174 311N5042-175 311N5042-176 311N5042-179 311N5042-180 311N5042-181 311N5042-182 311N5042-185 311N5042-186 311N5042-189 311N5042-190 311N5042-193 311N5042-194 311N5042-197 311N5042-198 311N5042-203 311N5042-204 311N5042-213 311N5042-214 311N5042-215 311N5042-216 311N5042-221 311N5042-222 PRE SERVICE BULLETIN: 54-0035 MISSING ITEM NUMBERS NOT APPLICABLE		

- ITEM NOT ILLUSTRATED

54-51-60-01

54-51-60
FIG. 01
PAGE 35
SEP 20/08

BRI


BOEING
 757
PARTS CATALOG (MAINTENANCE)

FIG ITEM	PART NUMBER	1 2 3 4 5 6 7	NOMENCLATURE	EFFECT FROM TO	UNITS PER ASSY
1	212 BACB30MC12A6U		REFERENCE SERVICE BULLETIN: 54A0047 54A0047R1 PRE ALERT SB: 54A0047R2 ..BOLT- POST SERVICE BULLETIN: 54-0035 REFERENCE SERVICE BULLETIN: 54A0047 POST ALERT SB: 54A0047 54A0047R1 QUALIFIED SB I/W DATA: HOLE DIA 0.3901-0.3911	002004 006999	AR

MISSING ITEM NUMBERS NOT APPLICABLE

— ITEM NOT ILLUSTRATED

BRI

54-51-60-01

BOEING PROPRIETARY - Copyright © - Unpublished Work - See title page for details.

54-51-60
 FIG. 01
 PAGE 36
 JAN 20/09



757

PARTS CATALOG (MAINTENANCE)

FIG ITEM	PART NUMBER	1 2 3 4 5 6 7 NOMENCLATURE	EFFECT FROM TO	UNITS PER ASSY
1 212	L806Y12A6U	.. BOLT- SUPPLIER CODE: V06725 SPECIFICATION NUMBER: BACB30MD12A6U OPTIONAL PART: HL748-12-6 V97928 HL748-12-6 V92702 HL748-12-6 V92215 HL748-12-6 V73197 HL748-12-6 V60516 HL748-12-6 V56878 HL748-12-6 V06725 HL454PZ12-6 V97928 HL454PZ12-6 V92702 HL454PZ12-6 V92215 HL454PZ12-6 V97197 HL454PZ12-6 V60516 HL454PZ12-6 V56878 HL454PZ12-6 V06725 POST ALERT SB: 54A0047 54A0047R1 QUALIFIED SB I/W DATA: HOLE DIA 0.4057-0.4067	002004 006999	AR

MISSING ITEM NUMBERS NOT APPLICABLE

- ITEM NOT ILLUSTRATED

54-51-60-01

54-51-60
FIG. 01
PAGE 37
SEP 20/08

BRI



757

PARTS CATALOG (MAINTENANCE)

FIG ITEM	PART NUMBER	1 2 3 4 5 6 7	NOMENCLATURE	EFFECT FROM TO	UNITS PER ASSY
1 212	HL448PZ14-6		.. BOLT- SUPPLIER CODE: V97928 SPECIFICATION NUMBER: BACB30MB14A6U OPTIONAL PART: HL448PZ14-6 V9N513 HL448PZ14-6 V80539 HL448PZ14-6 V73197 HL448PZ14-6 V60516 HL448PZ14-6 V56878 69308-14A6U V56878 HL48-14-6 V97928 HL48-14-6 V92215 HL48-14-6 V9N513 HL48-14-6 V80539 HL48-14-6 V73197 HL48-14-6 V56878 HL48-14-6 V08524 POST ALERT SB: 54A0047 PRE ALERT SB: 54A0047R1 QUALIFIED SB I/W DATA: HOLE DIA 0.4370-0.4380	002004 006100 107107 121503 904999	AR

MISSING ITEM NUMBERS NOT APPLICABLE

- ITEM NOT ILLUSTRATED

BRI

54-51-60-01

BOEING PROPRIETARY - Copyright © - Unpublished Work - See title page for details.

54-51-60
FIG. 01
PAGE 38
JAN 20/09



757

PARTS CATALOG (MAINTENANCE)

FIG ITEM	PART NUMBER	1 2 3 4 5 6 7	NOMENCLATURE	EFFECT FROM TO	UNITS PER ASSY
1 212	L806X14A6U		.. BOLT- SUPPLIER CODE: V06725 SPECIFICATION NUMBER: BACB30MC14A6U OPTIONAL PART: HL452PZ14-6 V97928 HL452PZ14-6 V9N513 HL452PZ14-6 V80539 HL452PZ14-6 V73197 HL452PZ14-6 V60516 HL452PZ14-6 V56878 HL452PZ14-6 V06950 HL452PZ14-6 V06725 HL248-14-6 V9N513 HL248-14-6 V97928 HL248-14-6 V80539 HL248-14-6 V73197 HL248-14-6 V60516 HL248-14-6 V56878 HL248-14-6 V06950 HL248-14-6 V06725 POST ALERT SB: 54A0047 PRE ALERT SB: 54A0047R1 QUALIFIED SB I/W DATA: HOLE DIA 0.4526-0.4536	002004 006100 107107 121503 904999	AR

MISSING ITEM NUMBERS NOT APPLICABLE

- ITEM NOT ILLUSTRATED

54-51-60-01

54-51-60
FIG. 01
PAGE 39
JAN 20/09

BRI



757

PARTS CATALOG (MAINTENANCE)

FIG ITEM	PART NUMBER	1 2 3 4 5 6 7	NOMENCLATURE	EFFECT FROM TO	UNITS PER ASSY
1 212	L806Y14A6U		.. BOLT- SUPPLIER CODE: V06725 SPECIFICATION NUMBER: BACB30MD14A6U OPTIONAL PART: HL748-14-6 V97928 HL748-14-6 V92702 HL748-14-6 V92215 HL748-14-6 V73197 HL748-14-6 V60516 HL748-14-6 V56878 HL748-14-6 V06725 HL454PZ14-6 V97928 HL454PZ14-6 V92702 HL454PZ14-6 V92215 HL454PZ14-6 V73197 HL454PZ14-6 V60516 HL454PZ14-6 V56878 HL454PZ14-6 V06725 POST ALERT SB: 54A0047 PRE ALERT SB: 54A0047R1 QUALIFIED SB I/W DATA: HOLE DIA 0.4682-0.4692	002004 006100 107107 121503 904999	AR

MISSING ITEM NUMBERS NOT APPLICABLE

- ITEM NOT ILLUSTRATED

BRI

54-51-60-01

BOEING PROPRIETARY - Copyright © - Unpublished Work - See title page for details.

54-51-60
 FIG. 01
 PAGE 40
 JAN 20/09



757

PARTS CATALOG (MAINTENANCE)

FIG ITEM	PART NUMBER	1 2 3 4 5 6 7	NOMENCLATURE	EFFECT FROM TO	UNITS PER ASSY
1 212	HL448PZ16-6		.. BOLT- SUPPLIER CODE: V97928 SPECIFICATION NUMBER: BACB30MB16A6U OPTIONAL PART: HL448PZ16-6 V9N513 HL448PZ16-6 V80539 HL448PZ16-6 V60516 HL448PZ16-6 V56878 69308-16A6U V56878 HL48-16-6 V97928 HL48-16-6 V92215 HL48-16-6 V9N513 HL48-16-6 V80539 HL48-16-6 V73197 HL48-16-6 V56878 HL48-16-6 V08524 HL448PZ16-6 V73197 POST ALERT SB: 54A0047 PRE ALERT SB: 54A0047R1 QUALIFIED SB I/W DATA: HOLE DIA 0.4995-0.5005	002004 006100 107107 121503 904999	AR

MISSING ITEM NUMBERS NOT APPLICABLE

- ITEM NOT ILLUSTRATED

BRI

54-51-60-01

BOEING PROPRIETARY - Copyright © - Unpublished Work - See title page for details.

54-51-60
FIG. 01
PAGE 41
JAN 20/09



757

PARTS CATALOG (MAINTENANCE)

FIG ITEM	PART NUMBER	1 2 3 4 5 6 7	NOMENCLATURE	EFFECT FROM TO	UNITS PER ASSY
1 216	HL97DU12		.. COLLAR- SUPPLIER CODE: V73197 SPECIFICATION NUMBER: BACC30AB12S OPTIONAL PART: HL97DU12 V56878 HL97DU12 V5M902 USED ON: 311N5042-3 311N5042-4 311N5042-73 311N5042-74 311N5042-101 311N5042-102 311N5042-103 311N5042-104 311N5042-111 311N5042-112 311N5042-141 311N5042-142 311N5042-143 311N5042-144 311N5042-157 311N5042-158 REFERENCE SERVICE BULLETIN: 54A0047 54A0047R1 PRE ALERT SB: 54A0047R2	002004 006999	AR
216	HL1187DU12		.. COLLAR- SUPPLIER CODE: V5M902 SPECIFICATION NUMBER: BACC30X12S OPTIONAL PART: HL87DU12 V92215 HL87DU12 V73197 HL1187DU12 V56878 HL1187DU12 V92215 HL87DU12 V56878 HL1187DU12	002004 006999	AR

MISSING ITEM NUMBERS NOT APPLICABLE

- ITEM NOT ILLUSTRATED

BRI

54-51-60-01

BOEING PROPRIETARY - Copyright © - Unpublished Work - See title page for details.

54-51-60
 FIG. 01
 PAGE 42
 SEP 20/08



757

PARTS CATALOG (MAINTENANCE)

FIG ITEM	PART NUMBER	1 2 3 4 5 6 7	NOMENCLATURE	EFFECT FROM TO	UNITS PER ASSY
1			V73197 USED ON: 311N5042-155 311N5042-156 311N5042-159 311N5042-160 311N5042-161 311N5042-162 311N5042-167 311N5042-168 311N5042-169 311N5042-170 311N5042-173 311N5042-174 311N5042-175 311N5042-176 311N5042-181 311N5042-182 311N5042-185 311N5042-186 311N5042-190 311N5042-191 311N5042-193 311N5042-194 311N5042-197 311N5042-198 311N5042-203 311N5042-204 311N5042-213 311N5042-214 311N5042-215 311N5042-216 311N5042-221 311N5042-222 REFERENCE SERVICE BULLETIN: 54A0047 54A0047R1		

MISSING ITEM NUMBERS NOT APPLICABLE

- ITEM NOT ILLUSTRATED

BR I

54-51-60-01

BOEING PROPRIETARY - Copyright © - Unpublished Work - See title page for details.

54-51-60
FIG. 01
PAGE 43
SEP 20/08



757

PARTS CATALOG (MAINTENANCE)

FIG ITEM	PART NUMBER	1 2 3 4 5 6 7	NOMENCLATURE	EFFECT FROM TO	UNITS PER ASSY
1 216	HL1087DU12		.. COLLAR- SUPPLIER CODE: V9N513 SPECIFICATION NUMBER: BACC30BH12S OPTIONAL PART: HL1087DU12 V73197 HL1087DU12 V92215 HL1087DU12 V56878 POST ALERT SB: 54A0047 54A0047R1 QUALIFIED SB I/W DATA: HOLE DIA 0.3901-0.3911	002004 006999	AR
216	BACC30AC12S		.. COLLAR- POST ALERT SB: 54A0047 54A0047R1 QUALIFIED SB I/W DATA: HOLE DIA 0.4057-0.4067	002004 006999	AR
216	HL1087DU14		.. COLLAR- SUPPLIER CODE: V5M902 SPECIFICATION NUMBER: BACC30BH14S OPTIONAL PART: HL1087DU14 V73197 POST ALERT SB: 54A0047 PRE ALERT SB: 54A0047R1 QUALIFIED SB I/W DATA: HOLE DIA 0.4370-0.4380 HOLE DIA 0.4526-0.4536	002004 006100 107107 121503 904999	AR
216	BACC30AC14S		.. COLLAR- POST ALERT SB: 54A0047 PRE ALERT SB: 54A0047R1 QUALIFIED SB I/W DATA: HOLE DIA 0.4682-0.4692	002004 006100 107107 121503 904999	AR

MISSING ITEM NUMBERS NOT APPLICABLE

- ITEM NOT ILLUSTRATED

54-51-60-01

54-51-60
FIG. 01
PAGE 44
JAN 20/09

BRI



757

PARTS CATALOG (MAINTENANCE)

FIG ITEM	PART NUMBER	1 2 3 4 5 6 7	NOMENCLATURE	EFFECT FROM TO	UNITS PER ASSY
1 216	HL1187DU16		.. COLLAR- SUPPLIER CODE: V5M902 SPECIFICATION NUMBER: BACC30X16S OPTIONAL PART: HL87DU16 V92215 HL87DU16 V73197 HL1187DU16 V56878 HL1187DU16 V92215 HL87DU16 V56878 HL1187DU16 V73197 POST ALERT SB: 54A0047 PRE ALERT SB: 54A0047R1 QUALIFIED SB I/W DATA: HOLE DIA 0.4995-0.5005	002004 006100 107107 121503 904999	AR

MISSING ITEM NUMBERS NOT APPLICABLE

- ITEM NOT ILLUSTRATED

BRI

54-51-60-01

BOEING PROPRIETARY - Copyright © - Unpublished Work - See title page for details.

54-51-60
FIG. 01
PAGE 45
JAN 20/09



757

PARTS CATALOG (MAINTENANCE)

FIG ITEM	PART NUMBER	1 2 3 4 5 6 7	NOMENCLATURE	EFFECT FROM TO	UNITS PER ASSY
1 217	HL97DU12		.. COLLAR- SUPPLIER CODE: V73197 SPECIFICATION NUMBER: BACC30AB12S OPTIONAL PART: HL97DU12 V56878 HL97DU12 V5M902 USED ON: 311N5042-3 311N5042-4 311N5042-73 311N5042-74 311N5042-101 311N5042-102 311N5042-103 311N5042-104 311N5042-111 311N5042-112 311N5042-141 311N5042-142 311N5042-143 311N5042-144 311N5042-157 311N5042-158 PRE SERVICE BULLETIN: 54-0035 REFERENCE SERVICE BULLETIN: 54A0047 54A0047R1 PRE ALERT SB: 54A0047R2	002004 006999	AR
217	HL1187DU12		.. COLLAR- SUPPLIER CODE: V5M902 SPECIFICATION NUMBER: BACC30X12S OPTIONAL PART: HL87DU12 V92215 HL87DU12 V73197 HL1187DU12 V56878 HL1187DU12 V92215 HL87DU12	002004 006999	AR

MISSING ITEM NUMBERS NOT APPLICABLE

- ITEM NOT ILLUSTRATED

54-51-60-01

54-51-60
FIG. 01
PAGE 46
SEP 20/08

BRI



757

PARTS CATALOG (MAINTENANCE)

FIG ITEM	PART NUMBER	1 2 3 4 5 6 7	NOMENCLATURE	EFFECT FROM TO	UNITS PER ASSY
1			V56878 HL1187DU12 V73197 USED ON: 311N5042-155 311N5042-156 311N5042-159 311N5042-160 311N5042-161 311N5042-162 311N5042-167 311N5042-168 311N5042-169 311N5042-170 311N5042-173 311N5042-174 311N5042-175 311N5042-176 311N5042-181 311N5042-182 311N5042-185 311N5042-186 311N5042-189 311N5042-190 311N5042-193 311N5042-194 311N5042-197 311N5042-198 311N5042-203 311N5042-204 311N5042-213 311N5042-214 311N5042-215 311N5042-216 311N5042-221 311N5042-222 POST SERVICE BULLETIN: 54-0035 REFERENCE SERVICE BULLETIN: 54A0047 54A0047R1		

MISSING ITEM NUMBERS NOT APPLICABLE

- ITEM NOT ILLUSTRATED

BRI

54-51-60-01

BOEING PROPRIETARY - Copyright © - Unpublished Work - See title page for details.

54-51-60
FIG. 01
PAGE 47
SEP 20/08



757

PARTS CATALOG (MAINTENANCE)

FIG ITEM	PART NUMBER	1 2 3 4 5 6 7	NOMENCLATURE	EFFECT FROM TO	UNITS PER ASSY
1 217	HL1087DU12		.. COLLAR- SUPPLIER CODE: V9N513 SPECIFICATION NUMBER: BACC30BH12S OPTIONAL PART: HL1087DU12 V73197 HL1087DU12 V92215 HL1087DU12 V56878 POST ALERT SB: 54A0047 54A0047R1 QUALIFIED SB I/W DATA: HOLE DIA 0.3901-0.3911	002004 006999	AR
217	BACC30AC12S		.. COLLAR- POST ALERT SB: 54A0047 54A0047R1 QUALIFIED SB I/W DATA: HOLE DIA 0.4057-0.4067	002004 006999	AR
217	HL1087DU14		.. COLLAR- SUPPLIER CODE: V5M902 SPECIFICATION NUMBER: BACC30BH14S OPTIONAL PART: HL1087DU14 V73197 POST ALERT SB: 54A0047 PRE ALERT SB: 54A0047R1 QUALIFIED SB I/W DATA: HOLE DIA 0.4370-0.4380 HOLE DIA 0.4526-0.4536	002004 006100 107107 121503 904999	AR
217	BACC30AC14S		.. COLLAR- POST ALERT SB: 54A0047 PRE ALERT SB: 54A0047R1 QUALIFIED SB I/W DATA: HOLE DIA 0.4682-0.4692	002004 006100 107107 121503 904999	AR

MISSING ITEM NUMBERS NOT APPLICABLE

- ITEM NOT ILLUSTRATED

54-51-60-01

54-51-60
FIG. 01
PAGE 48
JAN 20/09

BRI



757

PARTS CATALOG (MAINTENANCE)

FIG ITEM	PART NUMBER	1 2 3 4 5 6 7	NOMENCLATURE	EFFECT FROM TO	UNITS PER ASSY
1 217	HL1187DU16		.. COLLAR- SUPPLIER CODE: V5M902 SPECIFICATION NUMBER: BACC30X16S OPTIONAL PART: HL87DU16 V92215 HL87DU16 V73197 HL1187DU16 V56878 HL1187DU16 V92215 HL87DU16 V56878 HL1187DU16 V73197 POST ALERT SB: 54A0047 PRE ALERT SB: 54A0047R1 QUALIFIED SB I/W DATA: HOLE DIA 0.4995-0.5005 -----*-----	002004 006100 107107 121503 904999	AR
230	311N5024-2		... FITTING- OPTIONAL PART: 311N5024-7	002004 006999	1
230	311N5024-7		... FITTING- OPTIONAL PART: 311N5024-2	002004 006999	1
235	311N5058-7		... BUSHING-	002004 006100 107107 121503 904999	2
235	311N5058-22		... BUSHING-	002004 006999	2
243	L8006S7		.. BOLT SUPPLIER CODE: V06725 SPECIFICATION NUMBER: BACB30MY6S7	002004 006999	3

MISSING ITEM NUMBERS NOT APPLICABLE

- ITEM NOT ILLUSTRATED

54-51-60-01

54-51-60
 FIG. 01
 PAGE 49
 JAN 20/09

BRI



757

PARTS CATALOG (MAINTENANCE)

FIG ITEM	PART NUMBER	1 2 3 4 5 6 7	NOMENCLATURE	EFFECT FROM TO	UNITS PER ASSY
1 244	HL97DU6	..	COLLAR SUPPLIER CODE: V73197 SPECIFICATION NUMBER: BACC30AB6S OPTIONAL PART: HL97DU6 V56878 HL97DU6 V5M902	002004 006999	3
245	L8006S6	..	BOLT SUPPLIER CODE: V06725 SPECIFICATION NUMBER: BACB30MY6S6	002004 006999	16
250	HL97DU6	..	COLLAR SUPPLIER CODE: V73197 SPECIFICATION NUMBER: BACC30AB6S OPTIONAL PART: HL97DU6 V56878 HL97DU6 V5M902	002004 006999	16
272	L8008S4	..	BOLT SUPPLIER CODE: V06725 SPECIFICATION NUMBER: BACB30MY8S4	002004 006999	4
275	L8008S6	..	BOLT SUPPLIER CODE: V06725 SPECIFICATION NUMBER: BACB30MY8S6	002004 006999	1
282	L8008S7	..	BOLT SUPPLIER CODE: V06725 SPECIFICATION NUMBER: BACB30MY8S7	002004 006999	11
285	L8008S8	..	BOLT SUPPLIER CODE: V06725 SPECIFICATION NUMBER: BACB30MY8S8	002004 006999	6

MISSING ITEM NUMBERS NOT APPLICABLE

- ITEM NOT ILLUSTRATED

54-51-60-01

54-51-60
FIG. 01
PAGE 50
SEP 20/08

BRI



757

PARTS CATALOG (MAINTENANCE)

FIG ITEM	PART NUMBER	1 2 3 4 5 6 7	NOMENCLATURE	EFFECT FROM TO	UNITS PER ASSY
1 290	K29646-104NF	..	WASHER SUPPLIER CODE: V15653 SPECIFICATION NUMBER: BACW10CA104CVU OPTIONAL PART: 70188-104U V56878 922009-4 V60119 942009-4 V60119	002004 006999	2
295	K29913-104NF	..	WASHER SUPPLIER CODE: V15653 SPECIFICATION NUMBER: BACW10CA104CCU OPTIONAL PART: 70191-104U V56878 922010-4 V60119 942010-4 V60119	002004 006999	2
302	HL97DU8	..	COLLAR SUPPLIER CODE: V73197 SPECIFICATION NUMBER: BACC30AB8S OPTIONAL PART: HL97DU8 V56878 HL97DU8 V5M902	002004 006999	22
315	L80012K11	..	BOLT SUPPLIER CODE: V06725 SPECIFICATION NUMBER: BACB30MY12K11	002004 006999	6
320	L800Y12K12	..	BOLT SUPPLIER CODE: V06725 SPECIFICATION NUMBER: BACB30MY12K12	002004 006999	2

MISSING ITEM NUMBERS NOT APPLICABLE

- ITEM NOT ILLUSTRATED

BRI

54-51-60-01

BOEING PROPRIETARY - Copyright © - Unpublished Work - See title page for details.

54-51-60
FIG. 01
PAGE 51
JAN 20/09



757

PARTS CATALOG (MAINTENANCE)

FIG ITEM	PART NUMBER	1 2 3 4 5 6 7	NOMENCLATURE	EFFECT FROM TO	UNITS PER ASSY
1 325	HL79-12		.. COLLAR SUPPLIER CODE: V5M902 SPECIFICATION NUMBER: BACC30M12 OPTIONAL PART: HL79-12 V73197 HL79-12 V92215 66014-12 V56878 HL79-12 V56878	002004 006999	8
340	L80014K12		.. BOLT SUPPLIER CODE: V06725 SPECIFICATION NUMBER: BACB30MY14K12	002004 006999	4
345	HL11VAZ14-13		.. BOLT SUPPLIER CODE: V60516 SPECIFICATION NUMBER: BACB30NW14K13 OPTIONAL PART: HL11VAZ14-13 V73197 HL11VAZ14-13 V92215 L803-14K13 V06725 B30NW14K13 V97928 HL11VAZ14-13 V97928 HL11VAZ14-13 V0PTK6 HL11VAZ14-13 V56878	002004 006999	2

MISSING ITEM NUMBERS NOT APPLICABLE

- ITEM NOT ILLUSTRATED

54-51-60-01

54-51-60
FIG. 01
PAGE 52
SEP 20/08

BRI



757

PARTS CATALOG (MAINTENANCE)

FIG ITEM	PART NUMBER	1 2 3 4 5 6 7	NOMENCLATURE	EFFECT FROM TO	UNITS PER ASSY
1 350	HL11VAZ14-18	. .	BOLT SUPPLIER CODE: V60516 SPECIFICATION NUMBER: BACB30NW14K18 OPTIONAL PART: HL11VAZ14-18 V73197 HL11VAZ14-18 V92215 L803-14K18 V06725 B30NW14K18 V97928 HL11VAZ14-18 V97928 HL11VAZ14-18 V0PTK6 HL11VAZ14-18 V56878	002004 006999	2
352	HL11VAZ14-17	. .	BOLT SUPPLIER CODE: V60516 SPECIFICATION NUMBER: BACB30NW14K17 OPTIONAL PART: HL11VAZ14-17 V73197 HL11VAZ14-17 V92215 L803-14K17 V06725 HL11VAZ14-17 V97928 B30NW14K17 V97928 HL11VAZ14-17 V0PTK6 HL11VAZ14-17 V56878	002004 006999	2

MISSING ITEM NUMBERS NOT APPLICABLE

- ITEM NOT ILLUSTRATED

BRI

54-51-60-01

BOEING PROPRIETARY - Copyright © - Unpublished Work - See title page for details.

54-51-60
FIG. 01
PAGE 53
SEP 20/08

 **BOEING**
757
PARTS CATALOG (MAINTENANCE)

FIG ITEM	PART NUMBER	1 2 3 4 5 6 7	NOMENCLATURE	EFFECT FROM TO	UNITS PER ASSY
1					
355	HL79-14	..	COLLAR SUPPLIER CODE: V5M902 SPECIFICATION NUMBER: BACC30M14 OPTIONAL PART: HL79-14 V73197 HL79-14 V92215 66014-14 V56878 HL79-14 V56878	002004 006999	10
360	MS20615-6M	..	RIVET- SIZE DETERMINED ON INSTL.	002004 006999	32
365	MS20427M6	..	RIVET- SIZE DETERMINED ON INSTL.	002004 006999	2
370	BACR15BA3AD	..	RIVET- SIZE DETERMINED ON INSTL.	002004 006999	2
415	311N5120-1	..	WEB ASSY- POSITION DATA: LH SIDE	002004 006999	1
- 420	311N5120-2	..	WEB ASSY- POSITION DATA: RH SIDE	002004 006999	1
425	311N5121-1	...	BUSHING	002004 006999	1
430	311N5120-3	...	WEB- POSITION DATA: LH SIDE	002004 006999	1
- 435	311N5120-4	...	WEB- POSITION DATA: RH SIDE	002004 006999	1
440	311N5042-131	..	SHIM	002004 006100 107107 121503 904999	AR
445	311N5042-8717	..	SHIM	002004 006100 107107 121503 904999	AR
450	311N5042-130	..	SHIM	002004 006999	2
451	311N5042-8716	..	SHIM	002004 006999	AR

MISSING ITEM NUMBERS NOT APPLICABLE

- ITEM NOT ILLUSTRATED

BRI

54-51-60-01

BOEING PROPRIETARY - Copyright © - Unpublished Work - See title page for details.

54-51-60
FIG. 01
PAGE 54
JAN 20/09



**757
PARTS CATALOG (MAINTENANCE)**

FIG ITEM	PART NUMBER	1 2 3 4 5 6 7	NOMENCLATURE	EFFECT FROM TO	UNITS PER ASSY
1					
455	311N5042-129	..	SHIM	002004 006999	1
456	311N5042-8715	..	SHIM	002004 006999	AR
465	311N5114-1	..	FITTING-DRAIN POSITION DATA: LH SIDE USED ON: 311N5042-103 311N5042-155 311N5042-157 311N5042-159 311N5042-161 311N5042-167 311N5042-169 311N5042-175 311N5042-176 311N5042-197 311N5042-215 311N5042-221 ATTACHING PARTS	002004 006999	1
467	L8005S4	..	BOLT SUPPLIER CODE: V06725 SPECIFICATION NUMBER: BACB30MY5S4	002004 006999	4
468	HL97DU5	..	COLLAR SUPPLIER CODE: V73197 SPECIFICATION NUMBER: BACC30AB5S OPTIONAL PART: HL97DU5 V56878 HL97DU5 V5M902 -----*-----	002004 006999	4

MISSING ITEM NUMBERS NOT APPLICABLE

— ITEM NOT ILLUSTRATED

BRI

54-51-60-01

BOEING PROPRIETARY - Copyright © - Unpublished Work - See title page for details.

54-51-60
FIG. 01
PAGE 55
JAN 20/09



757

PARTS CATALOG (MAINTENANCE)

FIG ITEM	PART NUMBER	1 2 3 4 5 6 7	NOMENCLATURE	EFFECT FROM TO	UNITS PER ASSY
1 470	311N5025-2		.. FITTING-DRAIN POSITION DATA: RH SIDE USED ON: 311N5042-102 311N5042-104 311N5042-112 311N5042-142 311N5042-144 311N5042-156 311N5042-158 311N5042-160 311N5042-162 311N5042-168 311N5042-170 311N5042-74 311N5042-198 311N5042-216 311N5042-222	002004 006999	1
471	L8005S4		ATTACHING PARTS .. BOLT- SUPPLIER CODE: V06725 SPECIFICATION NUMBER: BACB30MY5S4 USED ON: 311N5042-4 311N5042-74 311N5042-156 311N5042-160 311N5042-162 311N5042-168 311N5042-170 311N5042-197 311N5042-198 311N5042-215 311N5042-216 311N5042-221 311N5042-222	002004 006999	4

MISSING ITEM NUMBERS NOT APPLICABLE

- ITEM NOT ILLUSTRATED

54-51-60-01

54-51-60
FIG. 01
PAGE 56
SEP 20/08

BRI



757

PARTS CATALOG (MAINTENANCE)

FIG ITEM	PART NUMBER	1 2 3 4 5 6 7	NOMENCLATURE	EFFECT FROM TO	UNITS PER ASSY
1 472	HL97DU5		.. COLLAR- SUPPLIER CODE: V73197 SPECIFICATION NUMBER: BACC30AB5S OPTIONAL PART: HL97DU5 V56878 HL97DU5 V5M902 USED ON: 311N5042-4 311N5042-74 311N5042-156 311N5042-160 311N5042-162 311N5042-168 311N5042-170 311N5042-197 311N5042-198 311N5042-215 311N5042-216 311N5042-221 311N5042-222	002004 006999	4
473	L8005S4		.. BOLT- SUPPLIER CODE: V06725 SPECIFICATION NUMBER: BACB30MY5S4 USED ON: 311N5042-102 311N5042-104 311N5042-112 311N5042-142 311N5042-144 311N5042-158	002004 006100 107107 121503 904999	3

MISSING ITEM NUMBERS NOT APPLICABLE

- ITEM NOT ILLUSTRATED

54-51-60-01

54-51-60
FIG. 01
PAGE 57
JAN 20/09

BRI



757

PARTS CATALOG (MAINTENANCE)

FIG ITEM	PART NUMBER	1 2 3 4 5 6 7	NOMENCLATURE	EFFECT FROM TO	UNITS PER ASSY
1 473C	HL97DU5		.. COLLAR- SUPPLIER CODE: V73197 SPECIFICATION NUMBER: BACC30AB5S OPTIONAL PART: HL97DU5 V56878 HL97DU5 V5M902 USED ON: 311N5042-102 311N5042-104 311N5042-112 311N5042-142 311N5042-144 311N5042-158	002004 006100 107107 121503 904999	3
474	BACB30LK2U4		.. BOLT- USED ON: 311N5042-102 311N5042-104 311N5042-112 311N5042-142 311N5042-144 311N5042-158	002004 006100 107107 121503 904999	1
474C	AN960C8		.. WASHER- USED ON: 311N5042-102 311N5042-104 311N5042-112 311N5042-142 311N5042-144 311N5042-158	002004 006100 107107 121503 904999	1

MISSING ITEM NUMBERS NOT APPLICABLE

- ITEM NOT ILLUSTRATED

54-51-60-01

54-51-60
 FIG. 01
 PAGE 58
 JAN 20/09

BRI

 **BOEING**
757
PARTS CATALOG (MAINTENANCE)

FIG ITEM	PART NUMBER	1 2 3 4 5 6 7	NOMENCLATURE	EFFECT FROM TO	UNITS PER ASSY
1 474E	BRH10C08M		..NUT- SUPPLIER CODE: V52828 SPECIFICATION NUMBER: BACN10JC08CM OPTIONAL PART: T6C832JM V11815 97E82 V80539 109LH9075-82W V72962 VN303D82 V92215 NS202101SE82 V80539 H01-08BAC V15653 USED ON: 311N5042-102 311N5042-104 311N5042-112 311N5042-142 311N5042-144 311N5042-158 311N5042-190 -----*-----	002004 006100 107107 121503 904999	1
475	BACF3T01K12-8		.. FILLER	002004 006999	2
480	311N5042-128		.. FILLER	002004 006999	1
485	311N5042-127		.. FILLER	002004 006999	1
495	BACS40R010U021		.. SHIM	002004 006999	2
500	BACF3T01L15-10		.. FILLER	002004 006999	2

MISSING ITEM NUMBERS NOT APPLICABLE

— ITEM NOT ILLUSTRATED

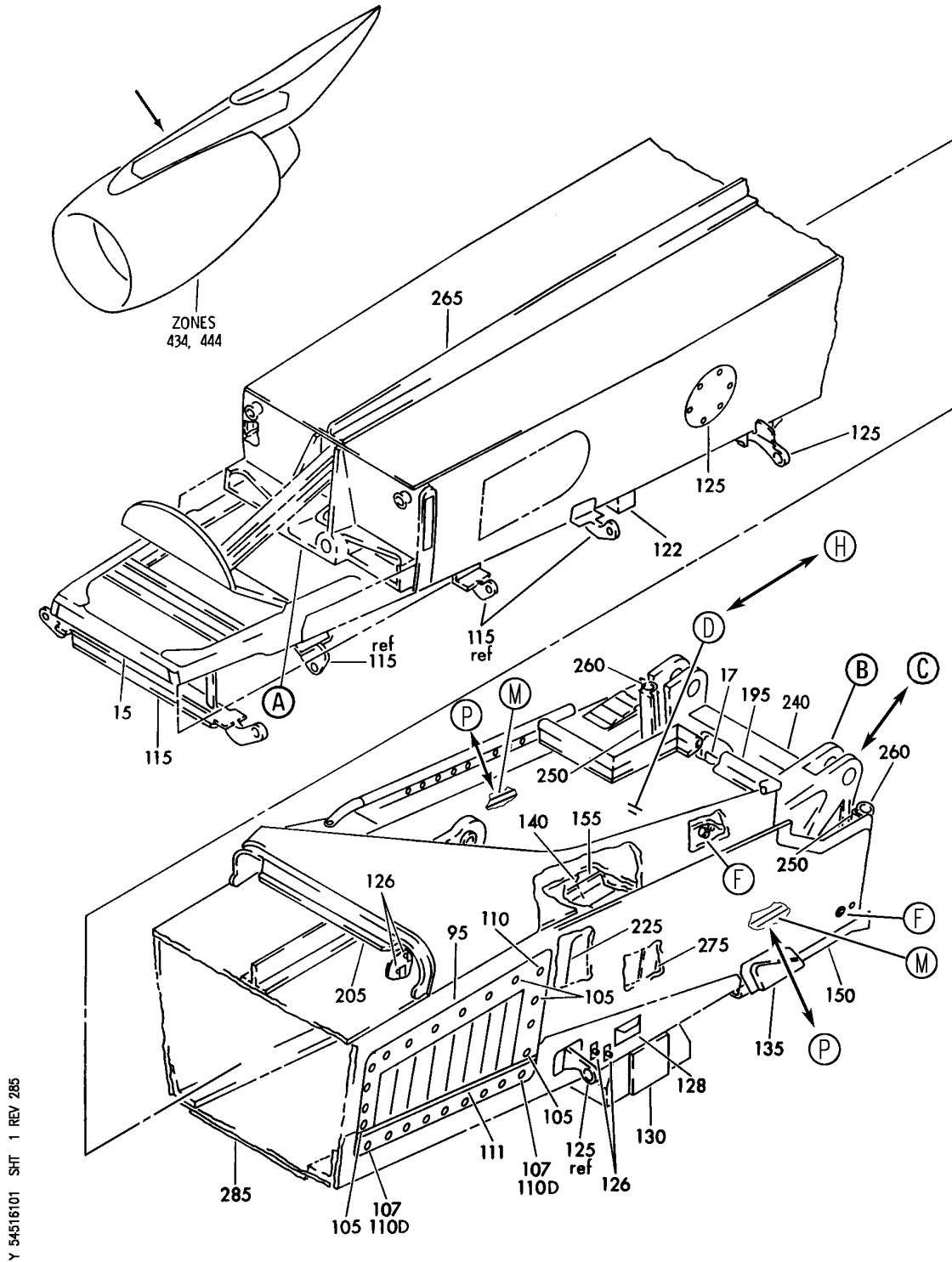
BRI

54-51-60-01

BOEING PROPRIETARY - Copyright © - Unpublished Work - See title page for details.

54-51-60
FIG. 01
PAGE 59
JAN 20/09

BOEING
757
PARTS CATALOG (MAINTENANCE)



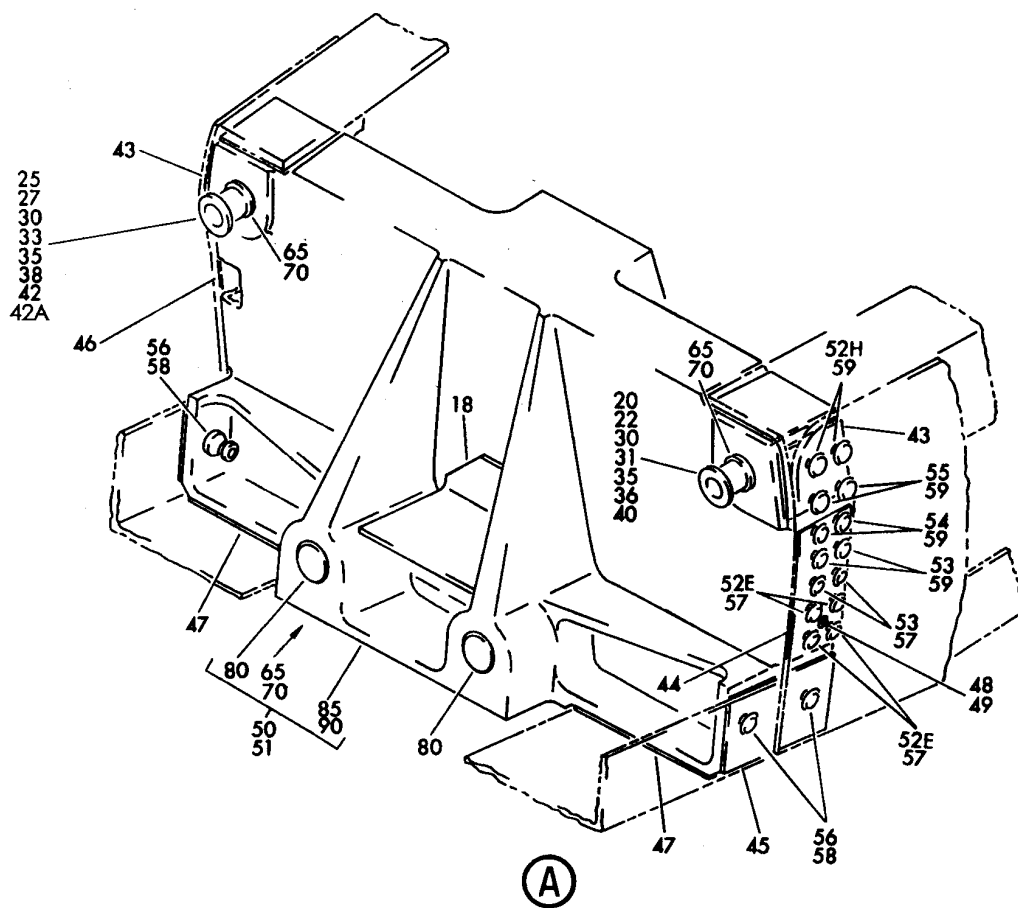
STRUCTURE ASSY-STRUT
FIGURE 1 (SHEET 1)

54-51-61-01

BRI
MAY 28/07

54-51-61-01
PAGE 0

BOEING
757
PARTS CATALOG (MAINTENANCE)



Y 54516101 SHT 2 REV 204

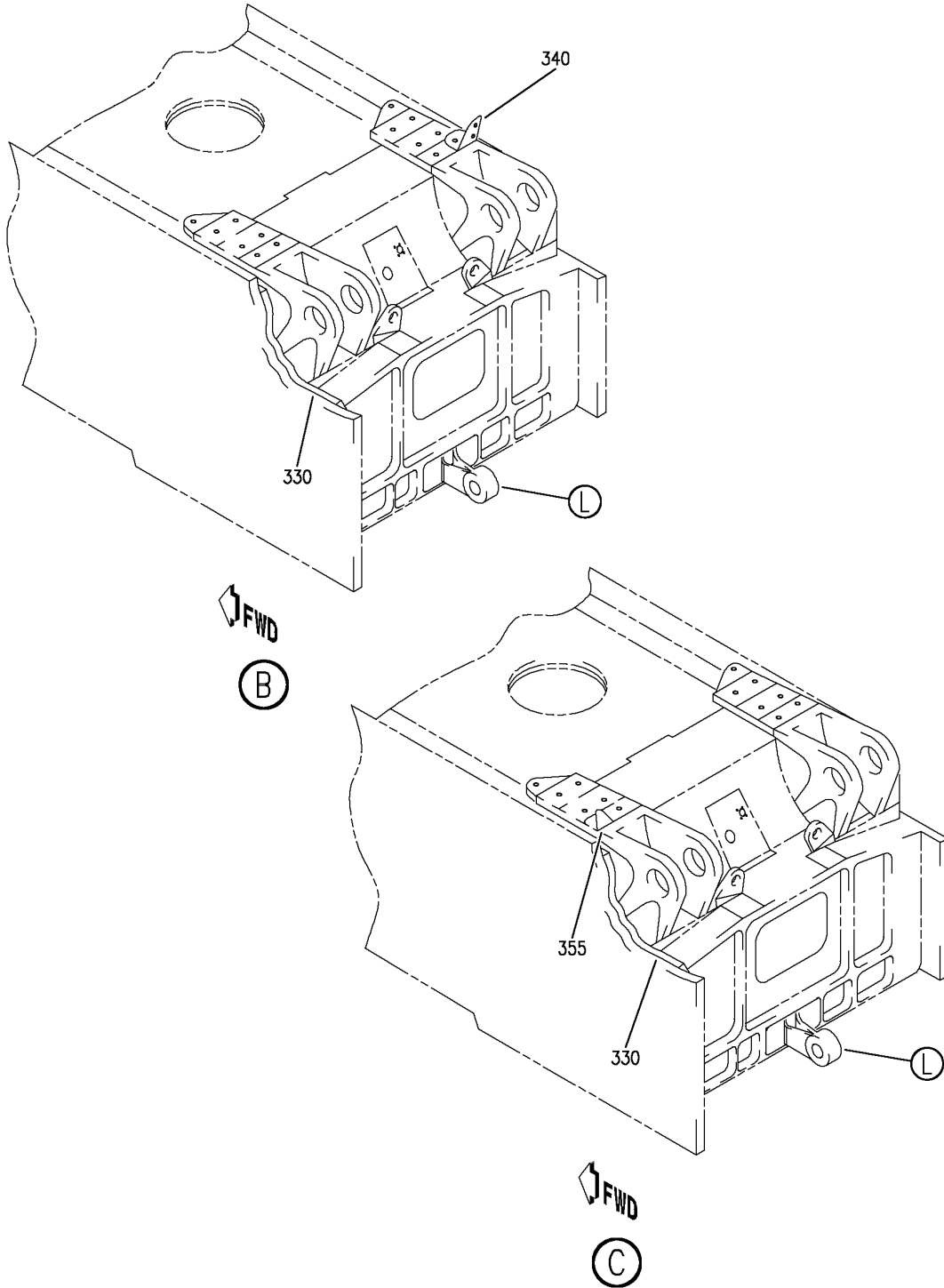
STRUCTURE ASSY-STRUT
FIGURE 1 (SHEET 2)

54-51-61-01

BRI
MAY 28/07

54-51-61-01
PAGE 0A

BOEING
757
PARTS CATALOG (MAINTENANCE)



Y 54516101 SH1 3 REV 323

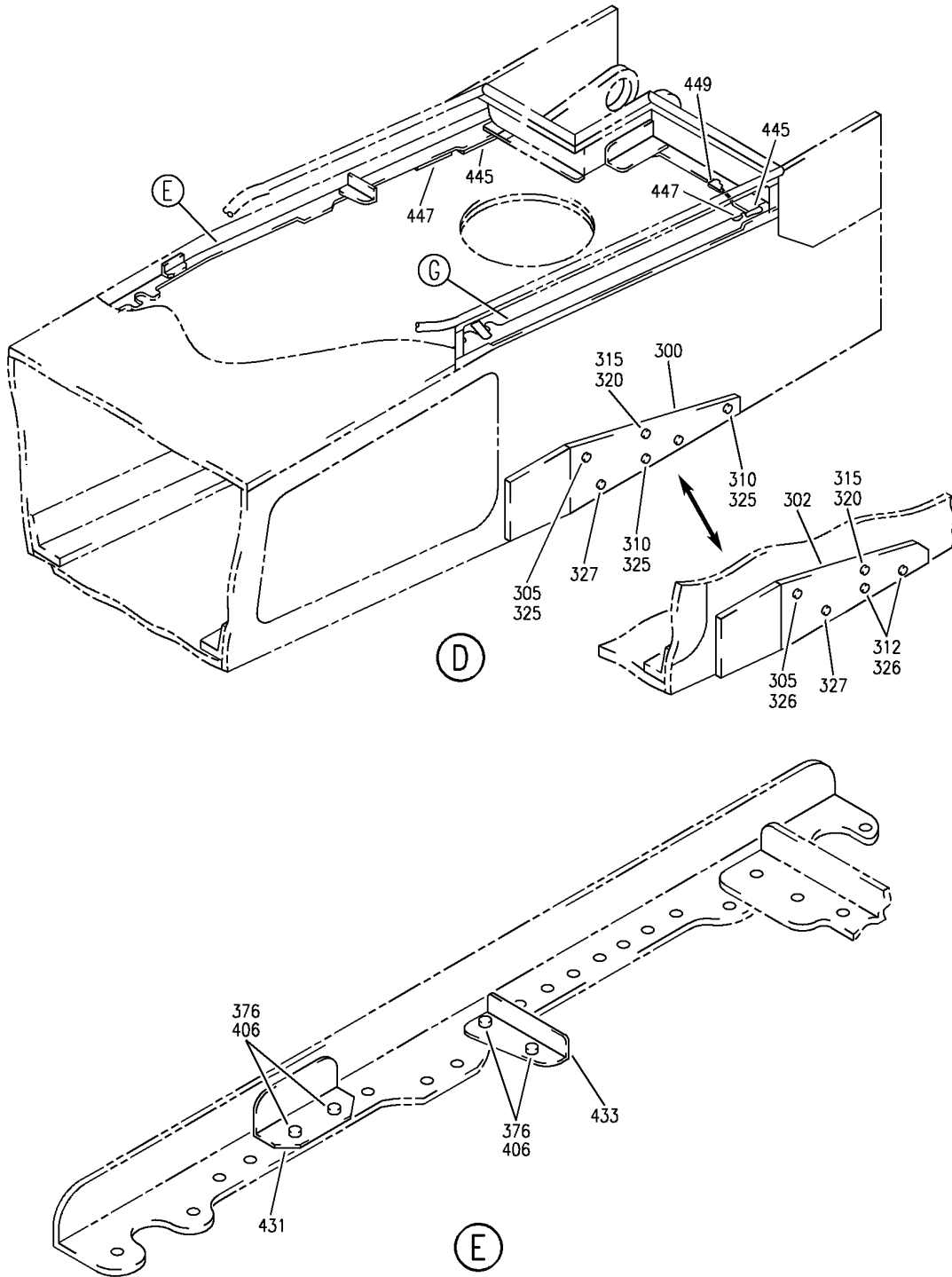
STRUCTURE ASSY-STRUT
FIGURE 1 (SHEET 3)

54-51-61-01

BRI
MAY 20/08

54-51-61-01
PAGE 0B

BOEING
757
PARTS CATALOG (MAINTENANCE)



Y 54516101 SHT 4 REV 285

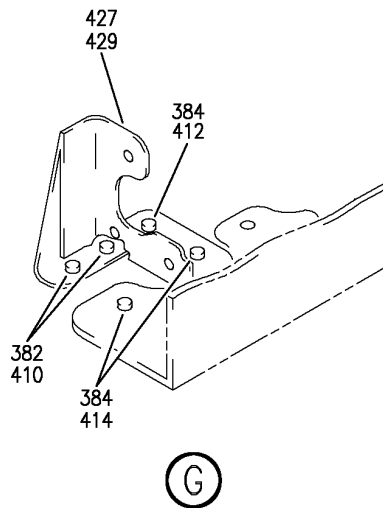
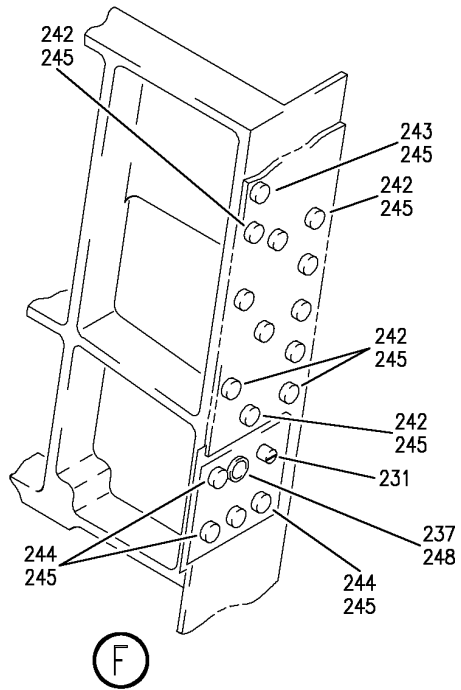
STRUCTURE ASSY-STRUT
FIGURE 1 (SHEET 4)

54-51-61-01

BRI
MAY 28/07

54-51-61-01
PAGE 0C

BOEING
757
PARTS CATALOG (MAINTENANCE)



Y 54516101 SH1 5 REV 323

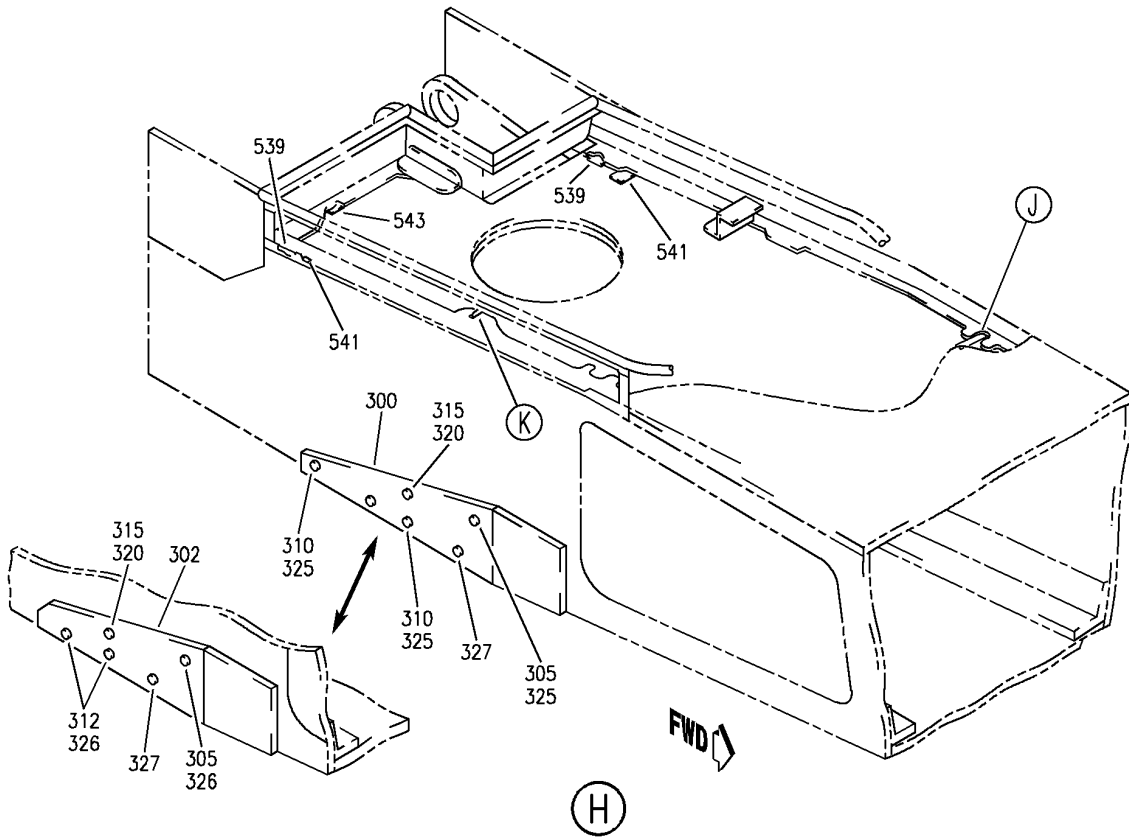
STRUCTURE ASSY-STRUT
FIGURE 1 (SHEET 5)

54-51-61-01

BRI
MAY 20/08

54-51-61-01
PAGE 0D

BOEING
757
PARTS CATALOG (MAINTENANCE)



Y 54516101 SH1 6 REV 285

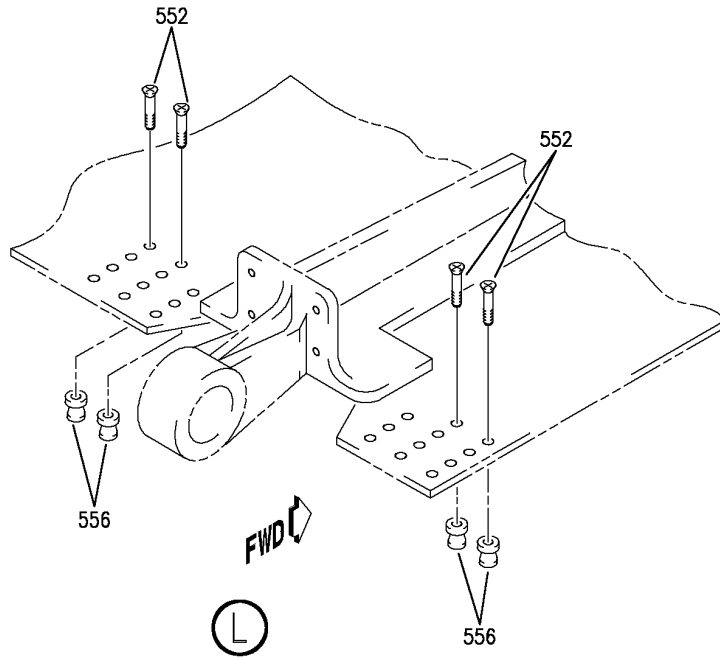
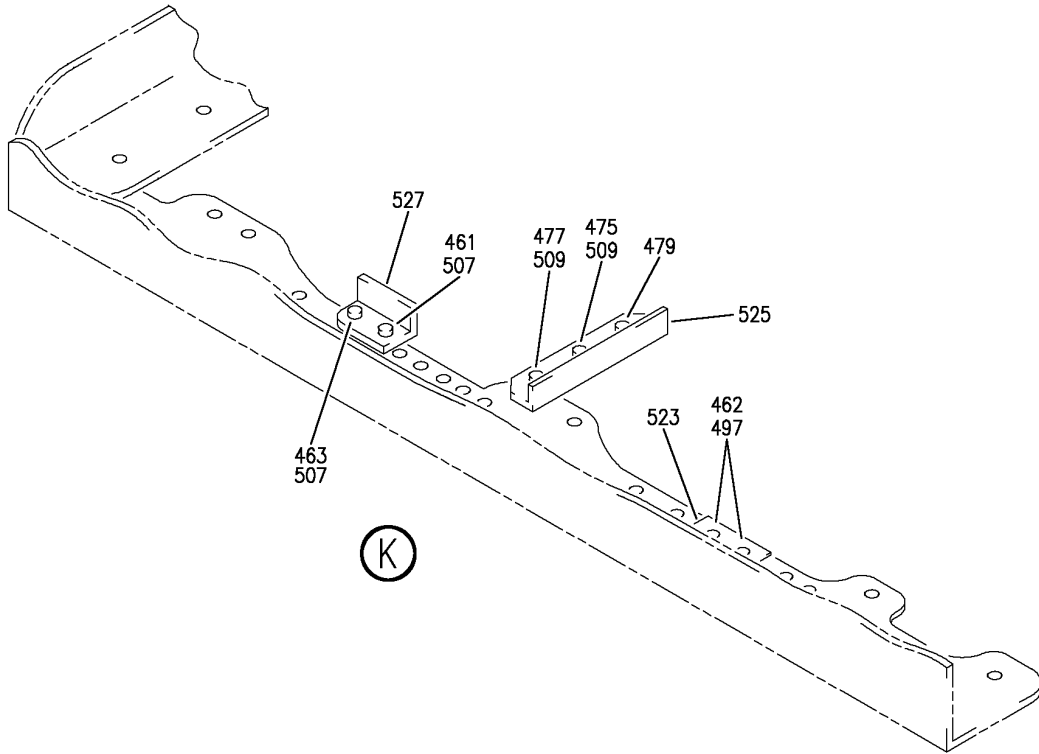
STRUCTURE ASSY-STRUT
FIGURE 1 (SHEET 6)

54-51-61-01

BRI
MAY 28/07

54-51-61-01
PAGE 0E

BOEING
757
PARTS CATALOG (MAINTENANCE)



Y 54516101_SHT 7 REV 323

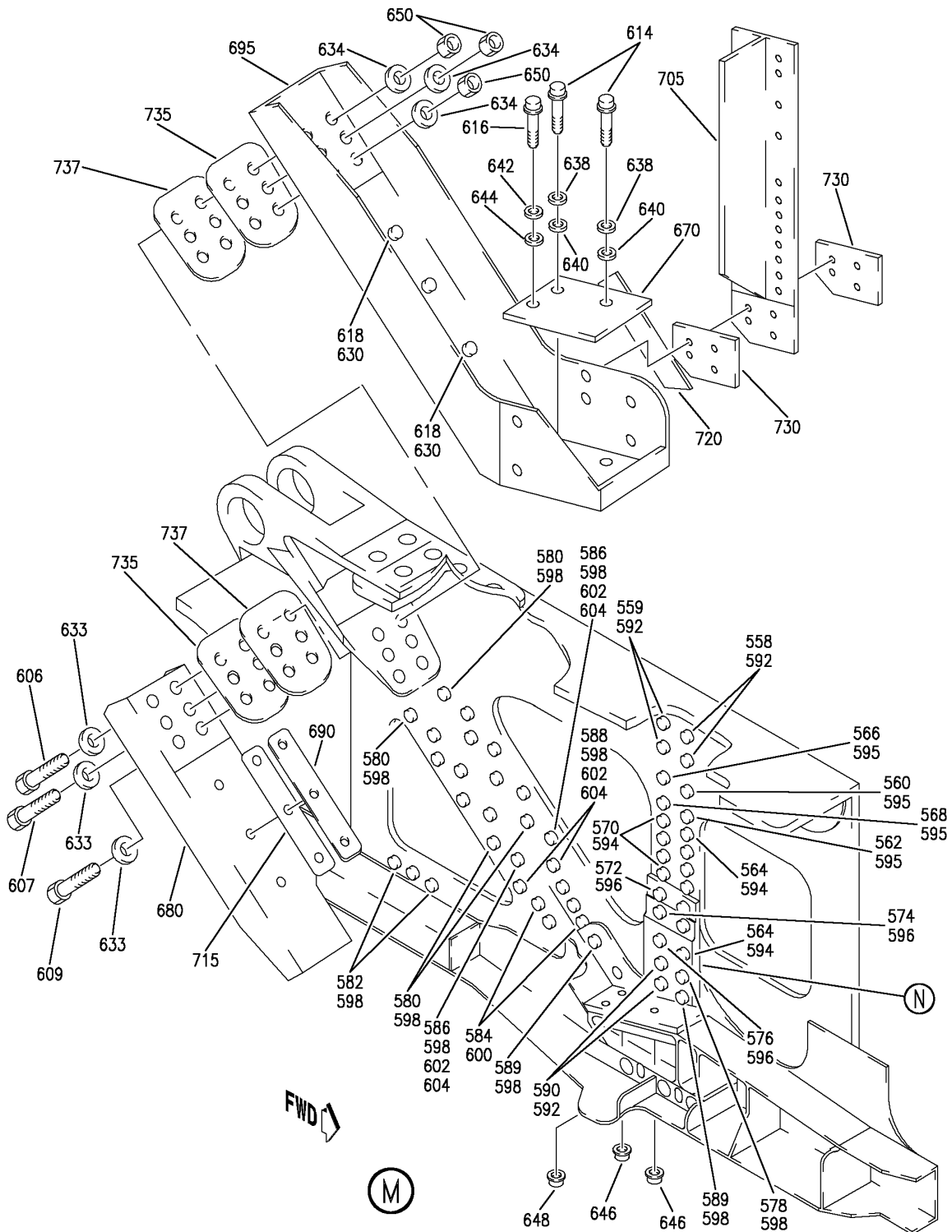
STRUCTURE ASSY-STRUT
FIGURE 1 (SHEET 7)

54-51-61-01

BRI
MAY 20/08

54-51-61-01
PAGE OF

BOEING
757
PARTS CATALOG (MAINTENANCE)



Y 54516101 SHT 8 REV 323

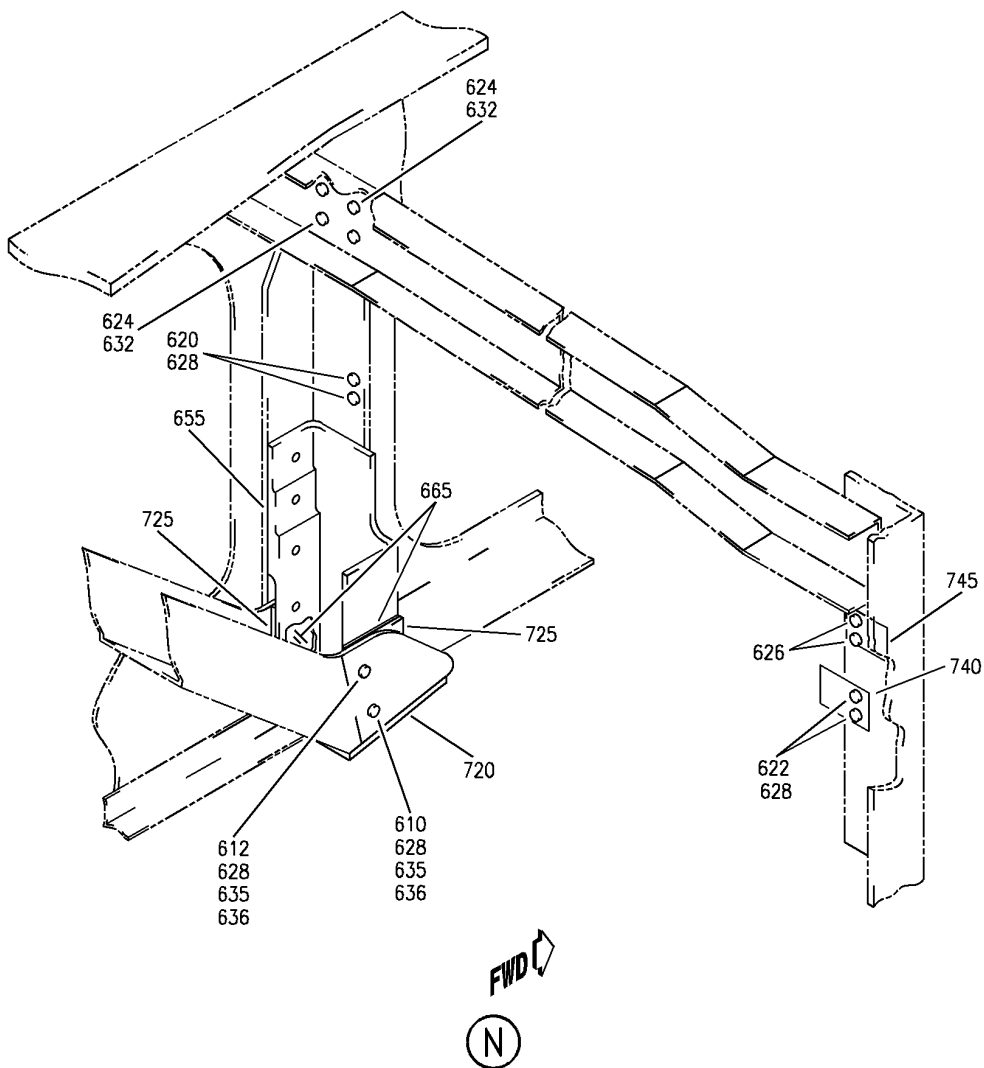
STRUCTURE ASSY-STRUT
FIGURE 1 (SHEET 8)

54-51-61-01

BRI
MAY 20/08

54-51-61-01
PAGE 08

BOEING
757
PARTS CATALOG (MAINTENANCE)



Y 54516101 SH1 9 REV 285

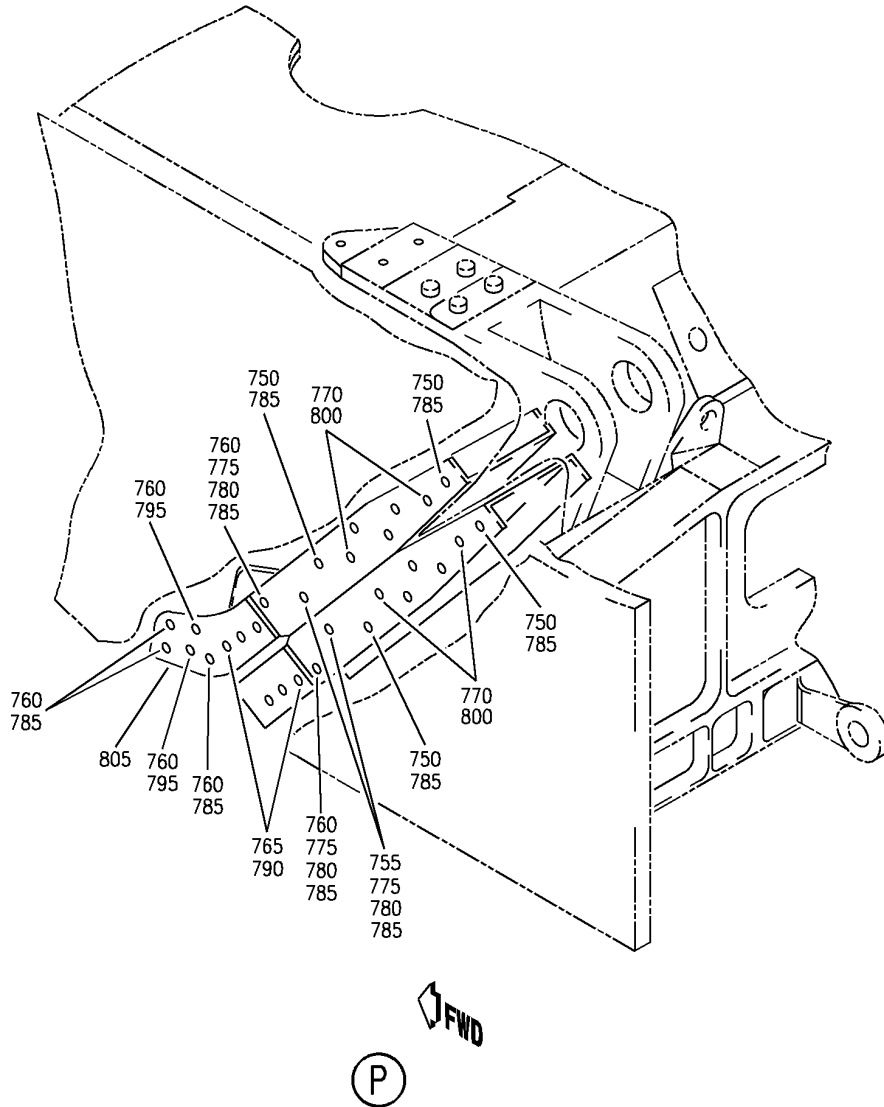
STRUCTURE ASSY-STRUT
FIGURE 1 (SHEET 9)

54-51-61-01

BRI
MAY 28/07

54-51-61-01
PAGE 0H

BOEING
757
PARTS CATALOG (MAINTENANCE)



Y 54516101 SHT 10 REV 285

STRUCTURE ASSY-STRUT
FIGURE 1 (SHEET 10)

54-51-61-01

BRI
MAY 28/07

54-51-61-01
PAGE 01



757

PARTS CATALOG (MAINTENANCE)

FIG ITEM	PART NUMBER	1 2 3 4 5 6 7	NOMENCLATURE	EFFECT FROM TO	UNITS PER ASSY
1			STRUCTURE ASSY-STRUT	002004 006100 107107 121503 904999	
- 1	311N5002-95		STRUCTURE ASSY-STRUT POSITION DATA: LH REWORKED BY SB: 54-0031R1 54-0031R4 FOR NHA SEE: 54-00-51-01	002004 006100 107107 121503 904999	RF
- 1	311N5002-137		STRUCTURE ASSY-STRUT POSITION DATA: LH REWORKED BY SB: 54-0031R1 54-0031R4 FOR NHA SEE: 54-00-51-01	002004 006100 107107 121503 904999	RF
- 1	311N5002-127		STRUCTURE ASSY-STRUT POSITION DATA: LH REWORKED BY SB: 54-0031R1 54-0031R4 FOR NHA SEE: 54-00-51-01	002004 006100 107107 121503 904999	RF
- 1	311N5002-121		STRUCTURE ASSY-STRUT POSITION DATA: LH REWORKED BY SB: 54-0031R1 54-0031R4 FOR NHA SEE: 54-00-51-01	002004 006100 107107 121503 904999	RF
- 1	311N5002-139		STRUCTURE ASSY-STRUT POSITION DATA: LH OPTIONAL PART: 311N5002-143 REWORKED BY SB: 54-0031R1 54-0031R4 FOR NHA SEE: 54-00-51-01	002004 006100 107107 121503 904999	RF

MISSING ITEM NUMBERS NOT APPLICABLE

- ITEM NOT ILLUSTRATED

54-51-61-01

54-51-61
FIG. 01
PAGE 1
JAN 20/09

BRI



757

PARTS CATALOG (MAINTENANCE)

FIG ITEM	PART NUMBER	1 2 3 4 5 6 7	NOMENCLATURE	EFFECT FROM TO	UNITS PER ASSY
1					
- 1	311N5002-143		STRUCTURE ASSY-STRUT POSITION DATA: LH OPTIONAL PART: 311N5002-139 REWORKED BY SB: 54-0031R1 54-0031R4 FOR NHA SEE: 54-00-51-01	002004 006100 107107 121503 904999	RF
- 1	311N5002-151		STRUCTURE ASSY-STRUT POSITION DATA: LH REWORKED BY SB: 54-0031R1 54-0031R4 FOR NHA SEE: 54-00-51-01	002004 006100 107107 121503 904999	RF
- 5	311N5002-96		STRUCTURE ASSY-STRUT POSITION DATA: RH REWORKED BY SB: 54-0031R1 54-0031R4 FOR NHA SEE: 54-00-51-01	002004 006100 107107 121503 904999	RF
- 5	311N5002-138		STRUCTURE ASSY-STRUT POSITION DATA: RH REWORKED BY SB: 54-0031R1 54-0031R4 FOR NHA SEE: 54-00-51-01	002004 006100 107107 121503 904999	RF
- 5	311N5002-128		STRUCTURE ASSY-STRUT POSITION DATA: RH REWORKED BY SB: 54-0031R1 54-0031R4 FOR NHA SEE: 54-00-51-01	002004 006100 107107 121503 904999	RF

MISSING ITEM NUMBERS NOT APPLICABLE

- ITEM NOT ILLUSTRATED

54-51-61-01

54-51-61
FIG. 01
PAGE 2
JAN 20/09

BRI



757

PARTS CATALOG (MAINTENANCE)

FIG ITEM	PART NUMBER	1 2 3 4 5 6 7	NOMENCLATURE	EFFECT FROM TO	UNITS PER ASSY
1					
- 5	311N5002-122		STRUCTURE ASSY-STRUT POSITION DATA: RH REWORKED BY SB: 54-0031R1 54-0031R4 FOR NHA SEE: 54-00-51-01	002004 006100 107107 121503 904999	RF
- 5	311N5002-140		STRUCTURE ASSY-STRUT POSITION DATA: RH OPTIONAL PART: 311N5002-144 REWORKED BY SB: 54-0031R1 54-0031R4 FOR NHA SEE: 54-00-51-01	002004 006100 107107 121503 904999	RF
- 5	311N5002-144		STRUCTURE ASSY-STRUT POSITION DATA: RH OPTIONAL PART: 311N5002-140 REWORKED BY SB: 54-0031R1 54-0031R4 FOR NHA SEE: 54-00-51-01	002004 006100 107107 121503 904999	RF
- 5	311N5002-152		STRUCTURE ASSY-STRUT POSITION DATA: RH REWORKED BY SB: 54-0031R1 54-0031R4 FOR NHA SEE: 54-00-51-01	002004 006100 107107 121503 904999	RF
15	311N5047-133		STRUCTURE INSTL-SVCE DISC. AND FAIRING SPRT POSITION DATA: FWD USED ON: 311N5002-95 311N5002-96 FOR DETAILS SEE: 54-51-51-06	002004 006100 107107 121503 904999	1

MISSING ITEM NUMBERS NOT APPLICABLE

- ITEM NOT ILLUSTRATED

54-51-61-01

54-51-61
FIG. 01
PAGE 3
JAN 20/09

BRI



757

PARTS CATALOG (MAINTENANCE)

FIG ITEM	PART NUMBER	1 2 3 4 5 6 7	NOMENCLATURE	EFFECT FROM TO	UNITS PER ASSY
1	15 311N5047-135		.STRUCTURE INSTL-SVCE DISC. AND FAIRING SPRT POSITION DATA: FWD USED ON: 311N5002-121 311N5002-122 FOR DETAILS SEE: 54-51-51-06	002004 006100 107107 121503 904999	1
	15 311N5165-1		.STRUCTURE INSTL-SVCE DISC. AND FAIRING SPRT POSITION DATA: FWD USED ON: 311N5002-127 311N5002-128 311N5002-137 311N5002-138 311N5002-139 311N5002-140 311N5002-143 311N5002-144 311N5002-151 311N5002-152 FOR DETAILS SEE: 54-51-51-06	002004 006100 107107 121503 904999	1

MISSING ITEM NUMBERS NOT APPLICABLE

- ITEM NOT ILLUSTRATED

54-51-61-01

54-51-61
FIG. 01
PAGE 4
JAN 20/09

BRI



757

PARTS CATALOG (MAINTENANCE)

FIG ITEM	PART NUMBER	1 2 3 4 5 6 7	NOMENCLATURE	EFFECT FROM TO	UNITS PER ASSY
1 17	MS27253F2		.PLATE- USED ON: 311N5002-71 311N5002-72 311N5002-93 311N5002-94 311N5002-95 311N5002-96 311N5002-111 311N5002-112 311N5002-121 311N5002-122 311N5002-123 311N5002-124 311N5002-125 311N5002-126 311N5002-127 311N5002-128 311N5002-135 311N5002-136 311N5002-137 311N5002-138 311N5002-139 311N5002-140 311N5002-141 311N5002-142 311N5002-143 311N5002-144 311N5002-151 311N5002-152	002004 006100 107107 121503 904999	1
18	311N5133-1		.PLATE-	002004 006100 107107 121503 904999	1
- 19	L8006K4		ATTACHING PARTS .BOLT SUPPLIER CODE: V06725 SPECIFICATION NUMBER: BACB30MY6K4	002004 006100 107107 121503 904999	2

MISSING ITEM NUMBERS NOT APPLICABLE

- ITEM NOT ILLUSTRATED

54-51-61-01

54-51-61
FIG. 01
PAGE 5
JAN 20/09

BRI



757

PARTS CATALOG (MAINTENANCE)

FIG ITEM	PART NUMBER	1 2 3 4 5 6 7	NOMENCLATURE	EFFECT FROM TO	UNITS PER ASSY
1 - 19B	HL79-6		.COLLAR SUPPLIER CODE: V5M902 SPECIFICATION NUMBER: BACC30M6 OPTIONAL PART: HL79-6 V73197 HL79-6 V92215 66014-6 V56878 HL79-6 V56878	002004 006100 107107 121503 904999	2
22	311N5197-1		-----*----- .PIN-SHEAR POSITION DATA: LH SIDE USED ON: 311N5002-95 311N5002-121 311N5002-123 311N5002-125 311N5002-127 311N5002-135 311N5002-137 311N5002-139 311N5002-141 311N5002-143 311N5002-151	002004 006100 107107 121503 904999	1
- 23	311N5197-2		.PIN-SHEAR POSITION DATA: RH SIDE USED ON: 311N5002-96 311N5002-122 311N5002-124 311N5002-126 311N5002-128 311N5002-136 311N5002-138 311N5002-140 311N5002-142 311N5002-144 311N5002-152	002004 006100 107107 121503 904999	1

MISSING ITEM NUMBERS NOT APPLICABLE

- ITEM NOT ILLUSTRATED

54-51-61-01

54-51-61
FIG. 01
PAGE 6
JAN 20/09

BRI



757

PARTS CATALOG (MAINTENANCE)

FIG ITEM	PART NUMBER	1 2 3 4 5 6 7	NOMENCLATURE	EFFECT FROM TO	UNITS PER ASSY
1 27	311N5197-2		.PIN-SHEAR POSITION DATA: LH SIDE USED ON: 311N5002-95 311N5002-121 311N5002-123 311N5002-125 311N5002-127 311N5002-135 311N5002-137 311N5002-139 311N5002-141 311N5002-143 311N5002-151	002004 006100 107107 121503 904999	1
- 28	311N5197-1		.PIN-SHEAR POSITION DATA: RH SIDE USED ON: 311N5002-96 311N5002-122 311N5002-124 311N5002-126 311N5002-128 311N5002-136 311N5002-138 311N5002-140 311N5002-142 311N5002-144 311N5002-152	002004 006100 107107 121503 904999	1
31	BACW10BP8APU		.WASHER- POSITION DATA: LH SIDE USED ON: 311N5002-95 311N5002-111 311N5002-121 311N5002-123 311N5002-125 311N5002-127 311N5002-135 311N5002-137 311N5002-139 311N5002-141 311N5002-143 311N5002-151	002004 006100 107107 121503 904999	1

MISSING ITEM NUMBERS NOT APPLICABLE

- ITEM NOT ILLUSTRATED

54-51-61-01

54-51-61
FIG. 01
PAGE 7
JAN 20/09

BRI



757

PARTS CATALOG (MAINTENANCE)

FIG ITEM	PART NUMBER	1 2 3 4 5 6 7	NOMENCLATURE	EFFECT FROM TO	UNITS PER ASSY
1 - 32	BACW10BP10APU		.WASHER- POSITION DATA: RH SIDE USED ON: 311N5002-96 311N5002-112 311N5002-122 311N5002-124 311N5002-126 311N5002-128 311N5002-136 311N5002-138 311N5002-140 311N5002-142 311N5002-144 311N5002-152	002004 006100 107107 121503 904999	1
	33 BACW10BP10APU		.WASHER- POSITION DATA: LH SIDE USED ON: 311N5002-95 311N5002-111 311N5002-121 311N5002-123 311N5002-125 311N5002-127 311N5002-135 311N5002-137 311N5002-139 311N5002-141 311N5002-143 311N5002-151	002004 006100 107107 121503 904999	1
- 34	BACW10BP8APU		.WASHER- POSITION DATA: RH SIDE USED ON: 311N5002-96 311N5002-112 311N5002-122 311N5002-124 311N5002-126 311N5002-128 311N5002-136 311N5002-138 311N5002-140 311N5002-142 311N5002-144 311N5002-152	002004 006100 107107 121503 904999	1

MISSING ITEM NUMBERS NOT APPLICABLE

- ITEM NOT ILLUSTRATED

54-51-61-01

54-51-61
FIG. 01
PAGE 8
JAN 20/09

BRI



757

PARTS CATALOG (MAINTENANCE)

FIG ITEM	PART NUMBER	1 2 3 4 5 6 7	NOMENCLATURE	EFFECT FROM TO	UNITS PER ASSY
1 36	NAS1805-8	.NUT-	POSITION DATA: LH SIDE USED ON: 311N5002-95 311N5002-121 311N5002-123 311N5002-125 311N5002-127 311N5002-135 311N5002-137 311N5002-139 311N5002-141 311N5002-143 311N5002-151	002004 006100 107107 121503 904999	1
- 37	NAS1805-10	.NUT-	POSITION DATA: RH SIDE USED ON: 311N5002-96 311N5002-122 311N5002-124 311N5002-126 311N5002-128 311N5002-136 311N5002-138 311N5002-140 311N5002-142 311N5002-144 311N5002-152	002004 006100 107107 121503 904999	1
38	NAS1805-10	.NUT-	POSITION DATA: LH SIDE USED ON: 311N5002-95 311N5002-121 311N5002-123 311N5002-125 311N5002-127 311N5002-135 311N5002-137 311N5002-139 311N5002-141 311N5002-143 311N5002-151	002004 006100 107107 121503 904999	1

MISSING ITEM NUMBERS NOT APPLICABLE

- ITEM NOT ILLUSTRATED

54-51-61-01

54-51-61
FIG. 01
PAGE 9
JAN 20/09

BRI



757

PARTS CATALOG (MAINTENANCE)

FIG ITEM	PART NUMBER	1 2 3 4 5 6 7	NOMENCLATURE	EFFECT FROM TO	UNITS PER ASSY
1 - 39	NAS1805-8		.NUT- POSITION DATA: RH SIDE USED ON: 311N5002-96 311N5002-122 311N5002-124 311N5002-126 311N5002-128 311N5002-136 311N5002-138 311N5002-140 311N5002-142 311N5002-144 311N5002-152	002004 006100 107107 121503 904999	1
40	311N5198-1		.BUSHING- POSITION DATA: LH SIDE USED ON: 311N5002-95 311N5002-121 311N5002-123 311N5002-125 311N5002-127	002004 006100 121503 904999	1
40	311N5198-3		.BUSHING- POSITION DATA: LH SIDE USED ON: 311N5002-95 311N5002-121 311N5002-127 POST SERVICE BULLETIN: 54-0007R2	107107	1
- 41	311N5198-2		.BUSHING- POSITION DATA: RH SIDE USED ON: 311N5002-96 311N5002-122 311N5002-124 311N5002-126 311N5002-128	002004 006100 121503 904999	1

MISSING ITEM NUMBERS NOT APPLICABLE

- ITEM NOT ILLUSTRATED

54-51-61-01

54-51-61
FIG. 01
PAGE 10
JAN 20/09

BRI



757

PARTS CATALOG (MAINTENANCE)

FIG ITEM	PART NUMBER	1 2 3 4 5 6 7	NOMENCLATURE	EFFECT FROM TO	UNITS PER ASSY
1					
- 41	311N5198-4		.BUSHING- POSITION DATA: RH SIDE USED ON: 311N5002-96 311N5002-122 311N5002-128 POST SERVICE BULLETIN: 54-0007R2	107107	1
42	311N5198-2		.BUSHING- POSITION DATA: LH SIDE USED ON: 311N5002-95 311N5002-121 311N5002-123 311N5002-125 311N5002-127	002004 006100 121503 904999	1
42A	311N5198-4		.BUSHING- POSITION DATA: LH SIDE USED ON: 311N5002-95 311N5002-121 311N5002-127 POST SERVICE BULLETIN: 54-0007R2	107107	1
- 42C	311N5198-1		.BUSHING- POSITION DATA: RH SIDE USED ON: 311N5002-96 311N5002-122 311N5002-124 311N5002-126 311N5002-128	002004 006100 121503 904999	1
- 42D	311N5198-3		.BUSHING- POSITION DATA: RH SIDE USED ON: 311N5002-96 311N5002-122 311N5002-128 POST SERVICE BULLETIN: 54-0007R2	107107	1

MISSING ITEM NUMBERS NOT APPLICABLE

- ITEM NOT ILLUSTRATED

54-51-61-01

54-51-61
FIG. 01
PAGE 11
JAN 20/09

BRI



757

PARTS CATALOG (MAINTENANCE)

FIG ITEM	PART NUMBER	1 2 3 4 5 6 7	NOMENCLATURE	EFFECT FROM TO	UNITS PER ASSY
1					
43	BACS40R21B21F	.	SHIM-	002004 006100 107107 121503 904999	2
43	BACS40R021B021F	.	SHIM-	002004 006100 107107 121503 904999	2
45	BACS40R18C039F	.	SHIM-	002004 006100 107107 121503 904999	2
45	BACS40R18B39F	.	SHIM-	002004 006100 107107 121503 904999	2
48	MS51964-108	.	SETSCREW-GSE	002004 006100 107107 121503 904999	2
49	NAS1031A8	.	NUTPLATE-GSE	002004 006100 107107 121503 904999	2
50	311N5123-1	.	FITTING ASSY-MOUNT BHD POSITION DATA: FWD OPTIONAL PART: 311N5123-2	002004 006100 107107 121503 904999	1
50	311N5123-2	.	FITTING ASSY-MOUNT BHD POSITION DATA: FWD OPTIONAL PART: 311N5123-1	002004 006100 107107 121503 904999	1
51	311N5123-5	.	FITTING ASSY-MOUNT BHD POSITION DATA: FWD LH SIDE USED ON: 311N5002-125 311N5002-127 311N5002-135 311N5002-137	002004 006100 107107 121503 904999	1

MISSING ITEM NUMBERS NOT APPLICABLE

- ITEM NOT ILLUSTRATED

54-51-61-01

54-51-61
FIG. 01
PAGE 12
JAN 20/09

BRI

BOEING PROPRIETARY - Copyright © - Unpublished Work - See title page for details.



757

PARTS CATALOG (MAINTENANCE)

FIG ITEM	PART NUMBER	1 2 3 4 5 6 7	NOMENCLATURE	EFFECT FROM TO	UNITS PER ASSY
1					
51	311N5123-9		.FITTING ASSY-MOUNT BHD POSITION DATA: FWD LH SIDE USED ON: 311N5002-139 311N5002-141 311N5002-143 311N5002-151	002004 006100 107107 121503 904999	1
- 52	311N5123-6		.FITTING ASSY-MOUNT BHD POSITION DATA: FWD RH SIDE USED ON: 311N5002-126 311N5002-128 311N5002-136 311N5002-138	002004 006100 107107 121503 904999	1
- 52A	311N5123-10		.FITTING ASSY-MOUNT BHD POSITION DATA: FWD RH SIDE USED ON: 311N5002-140 311N5002-142 311N5002-144 311N5002-152	002004 006100 107107 121503 904999	1
52E	HL11VAZ8-8		ATTACHING PARTS .BOLT- SUPPLIER CODE: V60516 SPECIFICATION NUMBER: BACB30NW8K8 OPTIONAL PART: B30NW8K8 V97928 HL11VAZ8-8 V73197 HL11VAZ8-8 V92215 HL11VAZ8-8 V97928 L803-8K8 V06725 HL11VAZ8-8 VOPTK6 HL11VAZ8-8 V56878	002004 006100 107107 121503 904999	8

MISSING ITEM NUMBERS NOT APPLICABLE

- ITEM NOT ILLUSTRATED

54-51-61-01

54-51-61
FIG. 01
PAGE 13
JAN 20/09

BRI



757

PARTS CATALOG (MAINTENANCE)

FIG ITEM	PART NUMBER	1 2 3 4 5 6 7	NOMENCLATURE	EFFECT FROM TO	UNITS PER ASSY
1 52H	HL11VAZ8-13		.BOLT- SUPPLIER CODE: V60516 SPECIFICATION NUMBER: BACB30NW8K13 OPTIONAL PART: B30NW8K13 V97928 HL11VAZ8-13 V73197 HL11VAZ8-13 V92215 HL11VAZ8-13 V97928 L803-8K13 V06725 HL11VAZ8-13 VOPTK6 HL11VAZ8-13 V56878	002004 006100 107107 121503 904999	4
53	HL11VAZ8-7		.BOLT SUPPLIER CODE: V56878 SPECIFICATION NUMBER: BACB30NW8K7 OPTIONAL PART: B30NW8K7 V97928 HL11VAZ8-7 V73197 HL11VAZ8-7 V92215 HL11VAZ8-7 V97928 L803-8K7 V06725 HL11VAZ8-7 VOPTK6 HL11VAZ8-7 V60516	002004 006100 107107 121503 904999	8

MISSING ITEM NUMBERS NOT APPLICABLE

- ITEM NOT ILLUSTRATED

BRI

54-51-61-01

BOEING PROPRIETARY - Copyright © - Unpublished Work - See title page for details.

54-51-61
FIG. 01
PAGE 14
JAN 20/09



757

PARTS CATALOG (MAINTENANCE)

FIG ITEM	PART NUMBER	1 2 3 4 5 6 7	NOMENCLATURE	EFFECT FROM TO	UNITS PER ASSY
1	54 HL11VAZ8-10		.BOLT- SUPPLIER CODE: V60516 SPECIFICATION NUMBER: BACB30NW8K10 OPTIONAL PART: B30NW8K10 V97928 HL11VAZ8-10 V73197 HL11VAZ8-10 V92215 HL11VAZ8-10 V97928 L803-8K10 V06725 HL11VAZ8-10 VOPTK6 HL11VAZ8-10 V56878	002004 006100 107107 121503 904999	4
	55 HL11VAZ8-12		.BOLT- SUPPLIER CODE: V60516 SPECIFICATION NUMBER: BACB30NW8K12 OPTIONAL PART: B30NW8K12 V97928 HL11VAZ8-12 V73197 HL11VAZ8-12 V92215 HL11VAZ8-12 V97928 L803-8K12 V06725 HL11VAZ8-12 VOPTK6 HL11VAZ8-12 V56878	002004 006100 107107 121503 904999	4

MISSING ITEM NUMBERS NOT APPLICABLE

- ITEM NOT ILLUSTRATED

54-51-61-01

54-51-61
FIG. 01
PAGE 15
JAN 20/09

BRI



757

PARTS CATALOG (MAINTENANCE)

FIG ITEM	PART NUMBER	1 2 3 4 5 6 7	NOMENCLATURE	EFFECT FROM TO	UNITS PER ASSY
1 56	HL11VAZ12-10	.BOLT-	SUPPLIER CODE: V60516 SPECIFICATION NUMBER: BACB30NW12K10 OPTIONAL PART: B30NW12K10 V97928 HL11VAZ12-10 V73197 HL11VAZ12-10 V92215 HL11VAZ12-10 V97928 L803-12K10 V06725 HL11VAZ12-10 VOPTK6 HL11VAZ12-10 V56878	002004 006100 107107 121503 904999	4
57	HL79-8	.COLLAR	SUPPLIER CODE: V5M902 SPECIFICATION NUMBER: BACC30M8 OPTIONAL PART: HL79-8 V73197 HL79-8 V92215 66014-8 V56878 HL79-8 V56878	002004 006100 107107 121503 904999	12
58	HL97DU12	.COLLAR	SUPPLIER CODE: V73197 SPECIFICATION NUMBER: BACC30AB12S OPTIONAL PART: HL97DU12 V56878 HL97DU12 V5M902	002004 006100 107107 121503 904999	4

MISSING ITEM NUMBERS NOT APPLICABLE

- ITEM NOT ILLUSTRATED

54-51-61-01

54-51-61
FIG. 01
PAGE 16
JAN 20/09

BRI



757

PARTS CATALOG (MAINTENANCE)

FIG ITEM	PART NUMBER	1 2 3 4 5 6 7	NOMENCLATURE	EFFECT FROM TO	UNITS PER ASSY
1 59	HL82-8APBW		. COLLAR SUPPLIER CODE: V5M902 SPECIFICATION NUMBER: BACC30AG8 OPTIONAL PART: HL82-8APBW V92215 HL82-8APBW V56878 HL82-8APBW V73197	002004 006100 107107 121503 904999	16
70	311N5198-2		-----*----- .. BUSHING- QUALIFIED I/W DATA: 311N5198-3 TOGETHER WITH 311N5198-4 MAY REPLACE 311N5198-2 TOGETHER WITH 311N5198-1 RESPECTIVELY, ONE-WAY ONLY PROVIDED SB 757-54-0007 REWORK INSTRUCTIONS ARE FOLLOWED. (GROUP 2 AIRPLANES, CONSULT SB FOR EFFECTIVITIES.) USED ON: 311N5123-5 311N5123-6	107107	1
70	311N5198-3		.. BUSHING- QUALIFIED I/W DATA: 311N5198-3 TOGETHER WITH 311N5198-4 MAY REPLACE 311N5198-2 TOGETHER WITH 311N5198-1 RESPECTIVELY, ONE-WAY ONLY PROVIDED SB 757-54-0007 REWORK INSTRUCTIONS ARE FOLLOWED. (GROUP 2 AIRPLANES, CONSULT SB FOR EFFECTIVITIES.) USED ON: 311N5123-9 311N5123-10	002004 006100 121503 904999	1
80	311N5027-6		.. PLUG	002004 006100 107107 121503 904999	2

MISSING ITEM NUMBERS NOT APPLICABLE

- ITEM NOT ILLUSTRATED

54-51-61-01

54-51-61
FIG. 01
PAGE 17
JAN 20/09

BRI



757

PARTS CATALOG (MAINTENANCE)

FIG ITEM	PART NUMBER	1 2 3 4 5 6 7	NOMENCLATURE	EFFECT FROM TO	UNITS PER ASSY
1					
85	311N5123-3	..	FITTING- USED ON: 311N5123-1	002004 006100 107107 121503 904999	1
90	311N5123-4	..	FITTING- USED ON: 311N5123-2 USED ON: 311N5123-1	002004 006100 107107 121503 904999	1
95	311N5069-69	.LOUVER ASSY- POSITION DATA: LH SIDE		002004 006100 107107 121503 904999	1
- 100	311N5069-70	.LOUVER ASSY- POSITION DATA: RH SIDE		002004 006100 107107 121503 904999	1
105	BACB30NN3K12	ATTACHING PARTS .BOLT-		002004 006100 107107 121503 904999	13
107	BACB30NM3K12	.BOLT-		002004 006100 107107 121503 904999	9
110	BACB30NN4K14	.BOLT		002004 006100 107107 121503 904999	1
110D	NAS1149C0332R	-----*----- .WASHER-		002004 006100 107107 121503 904999	9
111	311N5069-73	..	LAND-SEAL POSITION DATA: LH SIDE	002004 006100 107107 121503 904999	1

MISSING ITEM NUMBERS NOT APPLICABLE

- ITEM NOT ILLUSTRATED

54-51-61-01

54-51-61
FIG. 01
PAGE 18
JAN 20/09

BRI

BOEING PROPRIETARY - Copyright © - Unpublished Work - See title page for details.



757

PARTS CATALOG (MAINTENANCE)

FIG ITEM	PART NUMBER	1 2 3 4 5 6 7	NOMENCLATURE	EFFECT FROM TO	UNITS PER ASSY
1					
- 112	311N5069-74		.. LAND-SEAL POSITION DATA: RH SIDE	002004 006100 107107 121503 904999	1
- 113	BACB30NN3K2		ATTACHING PARTS .. BOLT	002004 006100 107107 121503 904999	10
-114B	AN960C10L		.. WASHER-	002004 006100 107107 121503 904999	10
-114D	BRH10C3M		.. NUT SUPPLIER CODE: V52828 SPECIFICATION NUMBER: BACN10JC3CM OPTIONAL PART: T6C1032JM V11815 97E02 V80539 109LH9075-3W V72962 VN303D02 V92215 NS202101SE02 V80539 H01-3BAC V15653 -----*-----	002004 006100 107107 121503 904999	10
115	311N5089-8		..HINGE INSTL-NAC STRUT FAN COWL. USED ON: 311N5002-111 311N5002-112 311N5002-93 311N5002-94 311N5002-95 311N5002-96 FOR DETAILS SEE: 54-51-63-01	002004 006100 107107 121503 904999	1

MISSING ITEM NUMBERS NOT APPLICABLE

- ITEM NOT ILLUSTRATED

BRI

54-51-61-01

BOEING PROPRIETARY - Copyright © - Unpublished Work - See title page for details.

54-51-61
FIG. 01
PAGE 19
JAN 20/09



757

PARTS CATALOG (MAINTENANCE)

FIG ITEM	PART NUMBER	1 2 3 4 5 6 7	NOMENCLATURE	EFFECT FROM TO	UNITS PER ASSY
1 115	311N5089-12		.HINGE INSTL-NAC STRUT FAN COWL. USED ON: 311N5002-121 311N5002-122 311N5002-123 311N5002-124 311N5002-125 311N5002-126 311N5002-135 311N5002-136 311N5002-141 311N5002-142 FOR DETAILS SEE: 54-51-63-01	002004 006100 107107 121503 904999	1
115	311N5089-13		.HINGE INSTL-NAC STRUT FAN COWL USED ON: 311N5002-127 311N5002-128 311N5002-137 311N5002-138 311N5002-139 311N5002-140 311N5002-143 311N5002-144 311N5002-151 311N5002-152 FOR DETAILS SEE: 54-51-63-01	002004 006100 107107 121503 904999	1

MISSING ITEM NUMBERS NOT APPLICABLE

- ITEM NOT ILLUSTRATED

BRI

54-51-61-01

BOEING PROPRIETARY - Copyright © - Unpublished Work - See title page for details.

54-51-61
FIG. 01
PAGE 20
JAN 20/09



757

PARTS CATALOG (MAINTENANCE)

FIG ITEM	PART NUMBER	1 2 3 4 5 6 7	NOMENCLATURE	EFFECT FROM TO	UNITS PER ASSY
1 122	311N5061-15		.SEAL INSTL-PWR PLANT NAC STRUT POSITION DATA: STA 125.00 USED ON: 311N5002-1 311N5002-2 311N5002-95 311N5002-96 311N5002-111 311N5002-112 311N5002-121 311N5002-122 311N5002-123 311N5002-124 311N5002-125 311N5002-126 311N5002-127 311N5002-128 311N5002-135 311N5002-136 311N5002-137 311N5002-138 311N5002-139 311N5002-140 311N5002-141 311N5002-142 311N5002-143 311N5002-144 311N5002-151 311N5002-152 FOR DETAILS SEE: 54-51-62-01	002004 006100 107107 121503 904999	1
125	311N5108-1		.BEAM INSTL-PWR PLANT NAC STRUT HINGE POSITION DATA: STA 142.05 AND 178.25 FOR DETAILS SEE: 54-51-58-01	002004 006100 107107 121503 904999	1
125	311N5108-4		.BEAM INSTL-PWR PLANT NAC STRUT HINGE POSITION DATA: STA 142.05 AND 178.25 FOR DETAILS SEE: 54-51-58-01	002004 006100 107107 121503 904999	1
128	311N5196-1		.ANGLE	107107 904949	1
128	311N5196-2		.ANGLE	107107 904949	1

MISSING ITEM NUMBERS NOT APPLICABLE

- ITEM NOT ILLUSTRATED

54-51-61-01

54-51-61
FIG. 01
PAGE 21
JAN 20/09

BRI

BOEING
757
PARTS CATALOG (MAINTENANCE)

FIG ITEM	PART NUMBER	1 2 3 4 5 6 7	NOMENCLATURE	EFFECT FROM TO	UNITS PER ASSY
1			ATTACHING PARTS		
- 129	AF5141-3C3		.RIVET SUPPLIER CODE: V53551 SPECIFICATION NUMBER: BACR15DR3AC3 OPTIONAL PART: CCR264CS3-3IT V11815 RV541A3C3 V98996	107107 904949	4
130	311N5044-15		-----*----- .MOUNT INSTL-PWR PLANT POSITION DATA: STA 185.35 REAR USED ON: 311N5002-111 311N5002-112 311N5002-71 311N5002-72 311N5002-93 311N5002-94 311N5002-95 311N5002-96 FOR DETAILS SEE: 71-21-02-08	002004 006100 107107 121503 904999	1
130	311N5044-25		.MOUNT INSTL-PWR PLANT POSITION DATA: STA 185.35 REAR USED ON: 311N5002-151 311N5002-152 FOR DETAILS SEE: 71-21-02-08	002004 006100 107107 121503 904999	1
150	10-60754-703		.SEAL-AERODYN	002004 006100 107107 121503 904999	1
155	5673-704		.SEAL-AERODYN SUPPLIER CODE: V11960 SPECIFICATION NUMBER: 10-60754-704 OPTIONAL PART: CW442704 V04827	002004 006100 107107 121503 904999	1

MISSING ITEM NUMBERS NOT APPLICABLE

- ITEM NOT ILLUSTRATED

BRI

54-51-61-01

BOEING PROPRIETARY - Copyright © - Unpublished Work - See title page for details.

54-51-61
FIG. 01
PAGE 22
JAN 20/09

 **BOEING**
757
PARTS CATALOG (MAINTENANCE)

FIG ITEM	PART NUMBER	1 2 3 4 5 6 7	NOMENCLATURE	EFFECT FROM TO	UNITS PER ASSY
1 195	311N5050-1		.SEAL INSTL-NAC STRUT TO WING INTERMEDIATE POSITION DATA: LH SIDE FOR DETAILS SEE: 54-52-51-01	002004 006100 107107 121503 904999	1
195	311N5050-37		.SEAL INSTL-NAC STRUT TO WING INTERMEDIATE POSITION DATA: LH SIDE FOR DETAILS SEE: 54-52-51-01	002004 006100 107107 121503 904999	1
195	311N5050-49		.SEAL INSTL-NAC STRUT TO WING INTERMEDIATE POSITION DATA: LH SIDE FOR DETAILS SEE: 54-52-51-01	002004 006100 107107 121503 904999	1
- 200	311N5050-2		.SEAL INSTL-NAC STRUT TO WING INTERMEDIATE POSITION DATA: RH SIDE FOR DETAILS SEE: 54-52-51-01	002004 006100 107107 121503 904999	1
- 200	311N5050-38		.SEAL INSTL-NAC STRUT TO WING INTERMEDIATE POSITION DATA: RH SIDE FOR DETAILS SEE: 54-52-51-01	002004 006100 107107 121503 904999	1
- 200	311N5050-50		.SEAL INSTL-NAC STRUT TO WING INTERMEDIATE POSITION DATA: RH SIDE FOR DETAILS SEE: 54-52-51-01	002004 006100 107107 121503 904999	1
205	313N5004-1		.FAIRING INSTL-UNDERWING POSITION DATA: FWD LH SIDE USED ON: 311N5002-1 311N5002-111 311N5002-71 311N5002-93 311N5002-95 FOR DETAILS SEE: 54-52-01-10	002004 006100 107107 121503 904999	1

MISSING ITEM NUMBERS NOT APPLICABLE

- ITEM NOT ILLUSTRATED

BRI

54-51-61-01

54-51-61
FIG. 01
PAGE 23
JAN 20/09



757

PARTS CATALOG (MAINTENANCE)

FIG ITEM	PART NUMBER	1 2 3 4 5 6 7	NOMENCLATURE	EFFECT FROM TO	UNITS PER ASSY
1 205	313N5004-115		.FAIRING INSTL-UNDERWING POSITION DATA: FWD LH SIDE USED ON: 311N5002-151 FOR DETAILS SEE: 54-52-01-10	002004 006100 107107 121503 904999	1
- 210	313N5004-2		.FAIRING INSTL-UNDERWING POSITION DATA: FWD RH SIDE USED ON: 311N5002-2 311N5002-112 311N5002-72 311N5002-94 311N5002-96 FOR DETAILS SEE: 54-52-01-10	002004 006100 107107 121503 904999	1
- 210	313N5004-116		.FAIRING INSTL-UNDERWING POSITION DATA: FWD RH SIDE USED ON: 311N5002-152 FOR DETAILS SEE: 54-52-01-10	002004 006100 107107 121503 904999	1
215	311N5049-31		.DOOR INSTL-NAC STRUT ACCESS POSITION DATA: LH SIDE USED ON: 311N5002-95 311N5002-121 FOR DETAILS SEE: 54-53-01-05	002004 006100 107107 121503 904999	1
215	311N5049-103		.DOOR INSTL-NAC STRUT ACCESS POSITION DATA: LH SIDE USED ON: 311N5002-127 FOR DETAILS SEE: 54-53-01-05	002004 006100 107107 121503 904999	1

MISSING ITEM NUMBERS NOT APPLICABLE

- ITEM NOT ILLUSTRATED

54-51-61-01

54-51-61
FIG. 01
PAGE 24
JAN 20/09

BRI



757

PARTS CATALOG (MAINTENANCE)

FIG ITEM	PART NUMBER	1 2 3 4 5 6 7	NOMENCLATURE	EFFECT FROM TO	UNITS PER ASSY
1 215	311N5049-69		.DOOR INSTL-NAC STRUT ACCESS POSITION DATA: LH SIDE USED ON: 311N5002-121 FOR DETAILS SEE: 54-53-01-05	002004 006100 107107 121503 904999	1
215	311N5049-117		.DOOR INSTL-NAC STRUT ACCESS POSITION DATA: LH SIDE USED ON: 311N5002-137 FOR DETAILS SEE: 54-53-01-05	002004 006100 107107 121503 904999	1
- 220	311N5049-32		.DOOR INSTL-NAC STRUT ACCESS POSITION DATA: RH SIDE USED ON: 311N5002-96 311N5002-122 FOR DETAILS SEE: 54-53-01-05	002004 006100 107107 121503 904999	1
- 220	311N5049-104		.DOOR INSTL-NAC STRUT ACCESS POSITION DATA: RH SIDE USED ON: 311N5002-128 FOR DETAILS SEE: 54-53-01-05	002004 006100 107107 121503 904999	1
- 220	311N5049-70		.DOOR INSTL-NAC STRUT ACCESS POSITION DATA: RH SIDE USED ON: 311N5002-122 FOR DETAILS SEE: 54-53-01-05	002004 006100 107107 121503 904999	1
- 220	311N5049-118		.DOOR INSTL-NAC STRUT ACCESS POSITION DATA: RH SIDE USED ON: 311N5002-138 FOR DETAILS SEE: 54-53-01-05	002004 006100 107107 121503 904999	1

MISSING ITEM NUMBERS NOT APPLICABLE

- ITEM NOT ILLUSTRATED

54-51-61-01

54-51-61
FIG. 01
PAGE 25
JAN 20/09

BRI



757

PARTS CATALOG (MAINTENANCE)

FIG ITEM	PART NUMBER	1 2 3 4 5 6 7	NOMENCLATURE	EFFECT FROM TO	UNITS PER ASSY
1 225	311N5043-1		.BULKHEAD INSTL-PWR PLANT POSITION DATA: STA 174.30 MID LH SIDE USED ON: 311N5002-1 311N5002-111 311N5002-71 311N5002-93 311N5002-95 FOR DETAILS SEE: 54-51-53-01	002004 006100 107107 121503 904999	1
225	311N5043-37		.BULKHEAD INSTL-PWR PLANT POSITION DATA: STA 174.30 MID LH SIDE USED ON: 311N5002-151 FOR DETAILS SEE: 54-51-53-01	002004 006100 107107 121503 904999	1
- 230	311N5043-2		.BULKHEAD INSTL-PWR PLANT POSITION DATA: STA 174.30 MID RH SIDE USED ON: 311N5002-2 311N5002-112 311N5002-72 311N5002-94 311N5002-96 FOR DETAILS SEE: 54-51-53-01	002004 006100 107107 121503 904999	1
- 230	311N5043-38		.BULKHEAD INSTL-PWR PLANT POSITION DATA: STA 174.30 MID RH SIDE USED ON: 311N5002-152 FOR DETAILS SEE: 54-51-53-01	002004 006100 107107 121503 904999	1
231	MS51964-86		.SETSCREW-GSE	002004 006100 107107 121503 904999	2

MISSING ITEM NUMBERS NOT APPLICABLE

- ITEM NOT ILLUSTRATED

54-51-61-01

54-51-61
FIG. 01
PAGE 26
JAN 20/09

BRI



757

PARTS CATALOG (MAINTENANCE)

FIG ITEM	PART NUMBER	1 2 3 4 5 6 7	NOMENCLATURE	EFFECT FROM TO	UNITS PER ASSY
1 232	102F177-5		.NUTPLATE-GSE SUPPLIER CODE: V72962 SPECIFICATION NUMBER: BACN10JA5CD OPTIONAL PART: NS202484-054 V80539 BRF110C5D V52828 F51636-5 V15653 PRE SERVICE BULLETIN: 54-0035	002004 006100 904949 952999	2
237	BACB28Y6E035		.BUSHING	002004 006100 107107 121503 904999	2
240	311N5045-1		.BULKHEAD INSTL-PWR PLANT TORQUE POSITION DATA: STA 205.65 USED ON: 311N5002-1 311N5002-111 311N5002-112 311N5002-2 311N5002-71 311N5002-72 311N5002-93 311N5002-94 311N5002-95 311N5002-96 FOR DETAILS SEE: 54-51-53-02	002004 006100 107107 121503 904999	1
240	311N5045-41		.BULKHEAD INSTL-PWR PLANT POSITION DATA: STA 205.65 TORQUE USED ON: 311N5002-152 FOR DETAILS SEE: 54-51-53-02	002004 006100 107107 121503 904999	1

MISSING ITEM NUMBERS NOT APPLICABLE

- ITEM NOT ILLUSTRATED

54-51-61-01

54-51-61
FIG. 01
PAGE 27
JAN 20/09

BRI



757

PARTS CATALOG (MAINTENANCE)

FIG ITEM	PART NUMBER	1 2 3 4 5 6 7	NOMENCLATURE	EFFECT FROM TO	UNITS PER ASSY
1					
242	HL111VAZ8-8		ATTACHING PARTS .BOLT- SUPPLIER CODE: V60516 SPECIFICATION NUMBER: BACB30NW8K8X OPTIONAL PART: HL11VAZ8-8X V73197 HL11VAZ8-8X V92215 L803-8K8X V06725 B30NW8K8X V97928 HL11VAZ8-8X V97928 HL11VAZ8-8X VOPTK6 HL11VAZ8-8X V60516 POST SERVICE BULLETIN: 54-0035	002004 006100 107107 121503 904951	22
243	HL111VAZ8-8		.BOLT- SUPPLIER CODE: V60516 SPECIFICATION NUMBER: BACB30NW8K8X OPTIONAL PART: HL11VAZ8-8X V73197 HL11VAZ8-8X V92215 L803-8K8X V06725 B30NW8K8X V97928 HL11VAZ8-8X V97928 HL11VAZ8-8X VOPTK6 HL11VAZ8-8X V60516 POST SERVICE BULLETIN: 54-0035	002004 006100 107107 121503 904951	2

MISSING ITEM NUMBERS NOT APPLICABLE

- ITEM NOT ILLUSTRATED

54-51-61-01

54-51-61
 FIG. 01
 PAGE 28
 JAN 20/09

BRI



**757
PARTS CATALOG (MAINTENANCE)**

FIG ITEM	PART NUMBER	1 2 3 4 5 6 7	NOMENCLATURE	EFFECT FROM TO	UNITS PER ASSY
1 244	HL111VAZ8-11		.BOLT- SUPPLIER CODE: V60516 SPECIFICATION NUMBER: BACB30NW8K11X OPTIONAL PART: HL11VAZ8-11X VOPTK6 HL11VAZ8-11X V60516 HL11VAZ8-11X V97928 B30NW8K11X V97928 HL11VAZ8-11X V92215 HL11VAZ8-11X V73197 HL11VAZ8-11X V56878 L803-8K11X V06725 POST SERVICE BULLETIN: 54-0035	002004 006100 107107 121503 904951	8
245	HL79-8		.COLLAR- SUPPLIER CODE: V5M902 SPECIFICATION NUMBER: BACC30M8 OPTIONAL PART: HL79-8 V73197 HL79-8 V92215 66014-8 V56878 HL79-8 V56878 POST SERVICE BULLETIN: 54-0035	002004 006100 107107 121503 904951	32
248	BACB28Y6E035		-----*----- .BUSHING-	002004 006100 107107 121503 904999	2

MISSING ITEM NUMBERS NOT APPLICABLE

— ITEM NOT ILLUSTRATED

BRI

54-51-61-01

BOEING PROPRIETARY - Copyright © - Unpublished Work - See title page for details.

54-51-61
FIG. 01
PAGE 29
JAN 20/09



757

PARTS CATALOG (MAINTENANCE)

FIG ITEM	PART NUMBER	1 2 3 4 5 6 7	NOMENCLATURE	EFFECT FROM TO	UNITS PER ASSY
1 250	311N5002-76	.	RETAINER-SEAL	002004 006100 107107 121503 904999	2
- 255	BACR15FT8KE	.	ATTACHING PARTS RIVET- SIZE DETERMINED ON INSTL.	002004 006100 107107 121503 904999	14
260	311N5002-55	-----*	.SEAL- OPTIONAL PART: 311N5002-75 USED ON: 311N5002-111 311N5002-112 311N5002-121 311N5002-122 311N5002-125 311N5002-126 311N5002-127 311N5002-128 311N5002-71 311N5002-72 311N5002-93 311N5002-94 311N5002-95 311N5002-96 311N5002-123 311N5002-124 311N5002-135 311N5002-136 311N5002-137 311N5002-138 311N5002-139 311N5002-140 311N5002-141 311N5002-142 311N5002-143 311N5002-144	002004 006100 107107 121503 904999	2
265	311N5040-111	.	SPAR INSTL-NAC STRUT POSITION DATA: UPR FWD LH SIDE USED ON: 311N5002-151 FOR DETAILS SEE: 54-51-59-01	002004 006100 107107 121503 904999	1

MISSING ITEM NUMBERS NOT APPLICABLE

- ITEM NOT ILLUSTRATED

54-51-61-01

54-51-61
FIG. 01
PAGE 30
JAN 20/09

BRI



757

PARTS CATALOG (MAINTENANCE)

FIG ITEM	PART NUMBER	1 2 3 4 5 6 7	NOMENCLATURE	EFFECT FROM TO	UNITS PER ASSY
1					
- 270	311N5040-112		.SPAR INSTL-NAC STRUT POSITION DATA: UPR FWD RH SIDE USED ON: 311N5002-152 FOR DETAILS SEE: 54-51-59-01	002004 006100 107107 121503 904999	1
275	311N5041-1		.SPAR INSTL-NAC STRUT POSITION DATA: UPR AFT LH SIDE USED ON: 311N5002-1 311N5002-111 311N5002-71 311N5002-93 311N5002-95 FOR DETAILS SEE: 54-51-59-02	002004 006100 107107 121503 904999	1
275	311N5041-45		.SPAR INSTL-NAC STRUT POSITION DATA: UPR AFT LH SIDE FOR DETAILS SEE: 54-51-59-02	016100	1
275	311N5041-53		.SPAR INSTL-NAC STRUT POSITION DATA: UPR AFT LH SIDE FOR DETAILS SEE: 54-51-59-02	002004 006100 107107 121503 904999	1
- 280	311N5041-2		.SPAR INSTL-NAC STRUT POSITION DATA: UPR AFT RH SIDE USED ON: 311N5002-2 311N5002-112 311N5002-72 311N5002-94 311N5002-96 FOR DETAILS SEE: 54-51-59-02	002004 006100 107107 121503 904999	1
- 280	311N5041-46		.SPAR INSTL-NAC STRUT POSITION DATA: UPR AFT RH SIDE FOR DETAILS SEE: 54-51-59-02	016100	1
- 280	311N5041-54		.SPAR INSTL-NAC STRUT POSITION DATA: UPR AFT RH SIDE FOR DETAILS SEE: 54-51-59-02	002004 006100 107107 121503 904999	1

MISSING ITEM NUMBERS NOT APPLICABLE

- ITEM NOT ILLUSTRATED

54-51-61-01

54-51-61
FIG. 01
PAGE 31
JAN 20/09

BRI



757

PARTS CATALOG (MAINTENANCE)

FIG ITEM	PART NUMBER	1 2 3 4 5 6 7	NOMENCLATURE	EFFECT FROM TO	UNITS PER ASSY
1 285	311N5042-107		.SPAR INSTL-NAC STRUT POSITION DATA: LWR LH SIDE USED ON: 311N5002-95 FOR DETAILS SEE: 54-51-60-01	002004 006100 107107 121503 904999	1
285	311N5042-149		.SPAR INSTL-NAC STRUT POSITION DATA: LWR LH SIDE USED ON: 311N5002-121 311N5002-127 311N5002-137 311N5002-139 311N5002-143 FOR DETAILS SEE: 54-51-60-01	002004 006100 107107 121503 904999	1
285	311N5042-191		.SPAR INSTL-NAC STRUT POSITION DATA: LWR LH SIDE USED ON: 311N5002-151 FOR DETAILS SEE: 54-51-60-01	002004 006100 121503 904999	1
285	311N5042-195		.SPAR INSTL-NAC STRUT POSITION DATA: LWR LH SIDE USED ON: 311N5002-151 FOR DETAILS SEE: 54-51-60-01	002004 006100 107107 121503 904999	1
- 290	311N5042-108		.SPAR INSTL-NAC STRUT POSITION DATA: LWR RH SIDE USED ON: 311N5002-96 FOR DETAILS SEE: 54-51-60-01	002004 006100 107107 121503 904999	1

MISSING ITEM NUMBERS NOT APPLICABLE

- ITEM NOT ILLUSTRATED

54-51-61-01

54-51-61
FIG. 01
PAGE 32
JAN 20/09

BRI



757

PARTS CATALOG (MAINTENANCE)

FIG ITEM	PART NUMBER	1 2 3 4 5 6 7	NOMENCLATURE	EFFECT FROM TO	UNITS PER ASSY
1					
- 290	311N5042-150		. SPAR INSTL-NAC STRUT POSITION DATA: LWR RH SIDE USED ON: 311N5002-122 311N5002-128 311N5002-138 311N5002-140 311N5002-144 FOR DETAILS SEE: 54-51-60-01	002004 006100 107107 121503 904999	1
- 290	311N5042-192		. SPAR INSTL-NAC STRUT POSITION DATA: LWR RH SIDE USED ON: 311N5002-152 FOR DETAILS SEE: 54-51-60-01	002004 006100 121503 904999	1
- 290	311N5042-196		. SPAR INSTL-NAC STRUT POSITION DATA: LWR RH SIDE USED ON: 311N5002-152 FOR DETAILS SEE: 54-51-60-01	002004 006100 107107 121503 904999	1
300	311N5220-11		. SPLICE-HEAT SHIELD POST SERVICE BULLETIN: 54-0031R1 54-0035 54-0031R4 ATTACHING PARTS	002004 006100 107107 121503 904999	2
305	L800X8K8		. BOLT- SUPPLIER CODE: V06725 SPECIFICATION NUMBER: BACB30MY8K8X	002004 006100 107107 121503 904999	2
310	L800X8K7		. BOLT- SUPPLIER CODE: V06725 SPECIFICATION NUMBER: BACB30MY8K7X	002004 006100 107107 121503 904999	6
315	BACB30MY12K14X		. BOLT-	002004 006100 107107 121503 904999	2

MISSING ITEM NUMBERS NOT APPLICABLE

- ITEM NOT ILLUSTRATED

54-51-61-01

54-51-61
FIG. 01
PAGE 33
JAN 20/09

BRI



757

PARTS CATALOG (MAINTENANCE)

FIG ITEM	PART NUMBER	1 2 3 4 5 6 7	NOMENCLATURE	EFFECT FROM TO	UNITS PER ASSY
1 320	HL197DU12		.COLLAR- SUPPLIER CODE: V73197 SPECIFICATION NUMBER: BACC30AB12SY OPTIONAL PART: HL197DU12 V56878 HL197DU12 V5M902	002004 006100 107107 121503 904999	2
325	HL197DU8		.COLLAR- SUPPLIER CODE: V5M902 SPECIFICATION NUMBER: BACC30AB8SY OPTIONAL PART: HL197DU8 V56878 HL197DU8 V73197	002004 006100 107107 121503 904999	8
327	MS90354-0809		.RIVET-	002004 006100 107107 121503 904999	2
330	311N5002-113		-----*----- .FOAM- POST SERVICE BULLETIN: 54-0035	002004 006100 107107 121503 904951	1
- 335	311N5002-114		.FOAM- POST SERVICE BULLETIN: 54-0035	002004 006100 107107 121503 904951	1
340	012N8907-5		.BRACE- POSITION DATA: LH POST SERVICE BULLETIN: 54-0035 ATTACHING PARTS	002004 006100 107107 121503 904951	1
- 345	BACB30US7K15X		.BOLT- POST SERVICE BULLETIN: 54-0035	002004 006100 904949	1
- 345	BACB30US7K17X		.BOLT- POST SERVICE BULLETIN: 54-0035R1	107107 121503 950951	1

MISSING ITEM NUMBERS NOT APPLICABLE

- ITEM NOT ILLUSTRATED

54-51-61-01

54-51-61
FIG. 01
PAGE 34
JAN 20/09

BRI



757

PARTS CATALOG (MAINTENANCE)

FIG ITEM	PART NUMBER	1 2 3 4 5 6 7	NOMENCLATURE	EFFECT FROM TO	UNITS PER ASSY
1					
- 347	BACW10BN71C		.WASHER- POST SERVICE BULLETIN: 54-0035R1 54-0035	002004 006100 107107 121503 904951	1
- 348	BACW10BN71P		.WASHER- POST SERVICE BULLETIN: 54-0035R1 54-0035	002004 006100 107107 121503 904951	1
- 350	BMN10HRCWD3-7		.NUT- SUPPLIER CODE: V97928 SPECIFICATION NUMBER: BACN10HR7CD OPTIONAL PART: H51560-7 V15653 67832CD720 V56878 102LH9031-7 V72962 BH00303CM7 V27238 BMN5024CWD37 V97928 SL7108C7 V11815 VCU0005D7 V06710 102LH90317 V72962 67832CD7 V56878 CR6030-7 VF0224 BMN10HRCWD3-7 V97928 POST SERVICE BULLETIN: 54-0035	002004 006100 107107 121503 904951	1
355	012N8907-6		-----*----- .BRACE- POSITION DATA: RH POST SERVICE BULLETIN: 54-0035	002004 006100 107107 121503 904951	1

MISSING ITEM NUMBERS NOT APPLICABLE

- ITEM NOT ILLUSTRATED

54-51-61-01

54-51-61
FIG. 01
PAGE 35
JAN 20/09

BRI



757

PARTS CATALOG (MAINTENANCE)

FIG ITEM	PART NUMBER	1 2 3 4 5 6 7	NOMENCLATURE	EFFECT FROM TO	UNITS PER ASSY
1			ATTACHING PARTS		
- 360	BACB30US7K15X		.BOLT-	002004 006100 107107 121503 904951	1
- 365	BMN10HRCWD3-7		.NUT-	002004 006100 107107 121503 904951	1
			SUPPLIER CODE: V97928		
			SPECIFICATION NUMBER: BACN10HR7CD		
			OPTIONAL PART: H51560-7		
			V15653		
			67832CD720		
			V56878		
			102LH9031-7		
			V72962		
			BH00303CM7		
			V27238		
			BMN5024CWD37		
			V97928		
			SL7108C7		
			V11815		
			VCU0005D7		
			V06710		
			102LH90317		
			V72962		
			67832CD7		
			V56878		
			CR6030-7		
			VF0224		
			BMN10HRCWD3-7		
			V97928		
			-----*		

MISSING ITEM NUMBERS NOT APPLICABLE

- ITEM NOT ILLUSTRATED

BRI

54-51-61-01

BOEING PROPRIETARY - Copyright © - Unpublished Work - See title page for details.

54-51-61
FIG. 01
PAGE 36
JAN 20/09



757

PARTS CATALOG (MAINTENANCE)

FIG ITEM	PART NUMBER	1 2 3 4 5 6 7	NOMENCLATURE	EFFECT FROM TO	UNITS PER ASSY
1 376	HL1052PB6-9		.BOLT- SUPPLIER CODE: V97928 SPECIFICATION NUMBER: BACB30MC6-9 OPTIONAL PART: L806X6-9 V06725 WC806X6-9 V60516 HL1052PB6-9 V06725 HL1052PB6-9 V06950 HL1052PB6-9 V56878 HL1052PB6-9 V60516 HL1052PB6-9 V73197 HL1052PB6-9 V80539 HL1052PB6-9 V9N513 POSITION DATA: LH SIDE POST SERVICE BULLETIN: 54-0035	002004 006100 107107 121503 904951	4
382	BACB30MY10K11X		.BOLT- POSITION DATA: LH SIDE POST SERVICE BULLETIN: 54-0035	002004 006100 107107 121503 904951	2
384	L800X12K16		.BOLT- SUPPLIER CODE: V06725 SPECIFICATION NUMBER: BACB30MY12K16X POSITION DATA: LH SIDE POST SERVICE BULLETIN: 54-0035	002004 006100 107107 121503 904951	2
402	BACR15FT6D6		.RIVET- POSITION DATA: LH SIDE POST SERVICE BULLETIN: 54-0035	002004 006100 107107 121503 904951	4

MISSING ITEM NUMBERS NOT APPLICABLE

- ITEM NOT ILLUSTRATED

54-51-61-01

54-51-61
FIG. 01
PAGE 37
JAN 20/09

BRI



757

PARTS CATALOG (MAINTENANCE)

FIG ITEM	PART NUMBER	1 2 3 4 5 6 7	NOMENCLATURE	EFFECT FROM TO	UNITS PER ASSY
1 406	HL1187-6		. COLLAR- SUPPLIER CODE: V5M902 SPECIFICATION NUMBER: BACC30X6 OPTIONAL PART: HL87-6 V92215 HL87-6 V73197 HL1187-6 V56878 HL1187-6 V92215 HL87-6 V56878 HL1187-6 V73197 POSITION DATA: LH SIDE POST SERVICE BULLETIN: 54-0035	002004 006100 107107 121503 904951	4
410	HL79-10		. COLLAR- SUPPLIER CODE: V5M902 SPECIFICATION NUMBER: BACC30M10 OPTIONAL PART: HL79-10 V73197 HL79-10 V92215 66014-10 V56878 HL79-10 V56878 POSITION DATA: LH SIDE POST SERVICE BULLETIN: 54-0035	002004 006100 107107 121503 904951	2

MISSING ITEM NUMBERS NOT APPLICABLE

- ITEM NOT ILLUSTRATED

54-51-61-01

54-51-61
FIG. 01
PAGE 38
JAN 20/09

BRI



757

PARTS CATALOG (MAINTENANCE)

FIG ITEM	PART NUMBER	1 2 3 4 5 6 7	NOMENCLATURE	EFFECT FROM TO	UNITS PER ASSY
1 412	HL79-12		.COLLAR- SUPPLIER CODE: V5M902 SPECIFICATION NUMBER: BACC30M12 OPTIONAL PART: HL79-12 V73197 HL79-12 V92215 66014-12 V56878 HL79-12 V56878 POSITION DATA: LH SIDE POST SERVICE BULLETIN: 54-0035	002004 006100 107107 121503 904951	1
414	HL82-12APBW		.COLLAR- SUPPLIER CODE: V5M902 SPECIFICATION NUMBER: BACC30AG12 OPTIONAL PART: HL82-12APBW V56878 HL82-12APBW V73197 POSITION DATA: LH SIDE POST SERVICE BULLETIN: 54-0035	002004 006100 107107 121503 904951	1
427	312N5838-8		.FILLER-RADIUS POSITION DATA: LH SIDE REWORKED BY SB: 54-0035	002004 006100 107107 121503 904951	1
429	312N5838-2		.BRACKET- POSITION DATA: LH SIDE REWORKED BY SB: 54-0035	002004 006100 107107 121503 904951	1
431	312N5817-50		.BRACKET- POSITION DATA: LH SIDE REWORKED BY SB: 54-0035	002004 006100 107107 121503 904951	1

MISSING ITEM NUMBERS NOT APPLICABLE

- ITEM NOT ILLUSTRATED

54-51-61-01

54-51-61
FIG. 01
PAGE 39
JAN 20/09

BRI



757

PARTS CATALOG (MAINTENANCE)

FIG ITEM	PART NUMBER	1 2 3 4 5 6 7	NOMENCLATURE	EFFECT FROM TO	UNITS PER ASSY
1					
433	312N5817-36		.BRACKET- POSITION DATA: LH SIDE REWORKED BY SB: 54-0035	002004 006100 107107 121503 904951	1
445	311N5041-60		.FILLER- POSITION DATA: LH SIDE POST SERVICE BULLETIN: 54-0035	002004 006100 107107 121503 904951	2
447	BACF3T02K10-18		.FILLER-TAPERED POSITION DATA: LH SIDE POST SERVICE BULLETIN: 54-0035	002004 006100 107107 121503 904951	2
449	BACF3T02M14-9		.FILLER-TAPERED POSITION DATA: LH SIDE POST SERVICE BULLETIN: 54-0035	002004 006100 107107 121503 904951	1
457	BACB30MY10K11X		.BOLT- POSITION DATA: RH SIDE POST SERVICE BULLETIN: 54-0035	002004 006100 107107 121503 904951	2
459	L800X12K16		.BOLT- SUPPLIER CODE: V06725 SPECIFICATION NUMBER: BACB30MY12K16X POSITION DATA: RH SIDE POST SERVICE BULLETIN: 54-0035	002004 006100 107107 121503 904951	2
461	L800X6K8		.BOLT- SUPPLIER CODE: V06725 SPECIFICATION NUMBER: BACB30MY6K8X POSITION DATA: RH SIDE POST SERVICE BULLETIN: 54-0035	002004 006100 107107 121503 904951	1

MISSING ITEM NUMBERS NOT APPLICABLE

- ITEM NOT ILLUSTRATED

54-51-61-01

54-51-61
FIG. 01
PAGE 40
JAN 20/09

BRI

BOEING PROPRIETARY - Copyright © - Unpublished Work - See title page for details.



757

PARTS CATALOG (MAINTENANCE)

FIG ITEM	PART NUMBER	1 2 3 4 5 6 7	NOMENCLATURE	EFFECT FROM TO	UNITS PER ASSY
1 462	L800X6K8		.BOLT- SUPPLIER CODE: V06725 SPECIFICATION NUMBER: BACB30MY6K8X POSITION DATA: RH SIDE POST SERVICE BULLETIN: 54-0035	002004 006100 107107 121503 904951	2
463	L800X6K9		.BOLT- SUPPLIER CODE: V06725 SPECIFICATION NUMBER: BACB30MY6K9X POSITION DATA: RH SIDE POST SERVICE BULLETIN: 54-0035	002004 006100 107107 121503 904951	1
467	BACB30US7K15X		.BOLT- POSITION DATA: RH SIDE POST SERVICE BULLETIN: 54-0035R1	107107 121503 950951	1
469	BACB30US7K14X		.BOLT- POSITION DATA: RH SIDE POST SERVICE BULLETIN: 54-0035R1	107107 121503 950951	1
471	BACB30US7K12X		.BOLT- POSITION DATA: RH SIDE POST SERVICE BULLETIN: 54-0035R1	107107 121503 950951	1
473	BACB30US7K17X		.BOLT- POSITION DATA: RH SIDE POST SERVICE BULLETIN: 54-0035R1	107107 121503 950951	1

MISSING ITEM NUMBERS NOT APPLICABLE

- ITEM NOT ILLUSTRATED

BRI

54-51-61-01

BOEING PROPRIETARY - Copyright © - Unpublished Work - See title page for details.

54-51-61
FIG. 01
PAGE 41
JAN 20/09



757

PARTS CATALOG (MAINTENANCE)

FIG ITEM	PART NUMBER	1 2 3 4 5 6 7	NOMENCLATURE	EFFECT FROM TO	UNITS PER ASSY
1 475	HL1052PB6-9		.BOLT- SUPPLIER CODE: V97928 SPECIFICATION NUMBER: BACB30MC6-9 OPTIONAL PART: L806X6-9 V06725 WC806X6-9 V60516 HL1052PB6-9 V06725 HL1052PB6-9 V06950 HL1052PB6-9 V56878 HL1052PB6-9 V60516 HL1052PB6-9 V73197 HL1052PB6-9 V80539 HL1052PB6-9 V9N513 POSITION DATA: RH SIDE POST SERVICE BULLETIN: 54-0035	002004 006100 107107 121503 904951	1
477	BACB30MC6-11		.BOLT- POSITION DATA: RH SIDE POST SERVICE BULLETIN: 54-0035	002004 006100 107107 121503 904951	1
479	BACR15FT6KE11C		.RIVET- POSITION DATA: RH SIDE POST SERVICE BULLETIN: 54-0035	002004 006100 107107 121503 904951	1

MISSING ITEM NUMBERS NOT APPLICABLE

- ITEM NOT ILLUSTRATED

54-51-61-01

54-51-61
FIG. 01
PAGE 42
JAN 20/09

BRI



757

PARTS CATALOG (MAINTENANCE)

FIG ITEM	PART NUMBER	1 2 3 4 5 6 7	NOMENCLATURE	EFFECT FROM TO	UNITS PER ASSY
1 497	HL1187-6		.COLLAR- SUPPLIER CODE: V5M902 SPECIFICATION NUMBER: BACC30X6 OPTIONAL PART: HL87-6 V92215 HL87-6 V73197 HL1187-6 V56878 HL1187-6 V92215 HL87-6 V56878 HL1187-6 V73197 POSITION DATA: RH SIDE POST SERVICE BULLETIN: 54-0035	002004 006100 107107 121503 904951	2
501	HL79-10		.COLLAR- SUPPLIER CODE: V5M902 SPECIFICATION NUMBER: BACC30M10 OPTIONAL PART: HL79-10 V73197 HL79-10 V92215 66014-10 V56878 HL79-10 V56878 POSITION DATA: RH SIDE POST SERVICE BULLETIN: 54-0035	002004 006100 107107 121503 904951	2

MISSING ITEM NUMBERS NOT APPLICABLE

- ITEM NOT ILLUSTRATED

54-51-61-01

54-51-61
FIG. 01
PAGE 43
JAN 20/09

BRI



757

PARTS CATALOG (MAINTENANCE)

FIG ITEM	PART NUMBER	1 2 3 4 5 6 7	NOMENCLATURE	EFFECT FROM TO	UNITS PER ASSY
1 503	HL79-12		. COLLAR- SUPPLIER CODE: V5M902 SPECIFICATION NUMBER: BACC30M12 OPTIONAL PART: HL79-12 V73197 HL79-12 V92215 66014-12 V56878 HL79-12 V56878 POSITION DATA: RH SIDE POST SERVICE BULLETIN: 54-0035	002004 006100 107107 121503 904951	1
505	HL82-12APBW		. COLLAR- SUPPLIER CODE: V5M902 SPECIFICATION NUMBER: BACC30AG12 OPTIONAL PART: HL82-12APBW V56878 HL82-12APBW V73197 POSITION DATA: RH SIDE POST SERVICE BULLETIN: 54-0035	002004 006100 107107 121503 904951	1

MISSING ITEM NUMBERS NOT APPLICABLE

- ITEM NOT ILLUSTRATED

54-51-61-01

54-51-61
FIG. 01
PAGE 44
JAN 20/09

BRI



757

PARTS CATALOG (MAINTENANCE)

FIG ITEM	PART NUMBER	1 2 3 4 5 6 7	NOMENCLATURE	EFFECT FROM TO	UNITS PER ASSY
1 507	HL79-6		.COLLAR- SUPPLIER CODE: V5M902 SPECIFICATION NUMBER: BACC30M6 OPTIONAL PART: HL79-6 V73197 HL79-6 V92215 66014-6 V56878 HL79-6 V56878 POSITION DATA: RH SIDE POST SERVICE BULLETIN: 54-0035	002004 006100 107107 121503 904951	2
509	HL1187-6		.COLLAR- SUPPLIER CODE: V5M902 SPECIFICATION NUMBER: BACC30X6 OPTIONAL PART: HL87-6 V92215 HL87-6 V73197 HL1187-6 V56878 HL1187-6 V92215 HL87-6 V56878 HL1187-6 V73197 POSITION DATA: RH SIDE POST SERVICE BULLETIN: 54-0035	002004 006100 107107 121503 904951	2
519	312N5838-8		.FILLER-RADIUS POSITION DATA: RH SIDE REWORKED BY SB: 54-0035	002004 006100 107107 121503 904951	1

MISSING ITEM NUMBERS NOT APPLICABLE

- ITEM NOT ILLUSTRATED

54-51-61-01

54-51-61
FIG. 01
PAGE 45
JAN 20/09

BRI



757

PARTS CATALOG (MAINTENANCE)

FIG ITEM	PART NUMBER	1 2 3 4 5 6 7	NOMENCLATURE	EFFECT FROM TO	UNITS PER ASSY
1					
521	312N5838-2		.BRACKET- POSITION DATA: RH SIDE REWORKED BY SB: 54-0035	002004 006100 107107 121503 904951	1
523	312N5827-5		.BRACKET- POSITION DATA: RH SIDE POST SERVICE BULLETIN: 54-0035	002004 006100 107107 121503 904951	1
525	312N5838-8702		.BRACKET- POSITION DATA: RH SIDE REWORKED BY SB: 54-0035	002004 006100 107107 121503 904951	1
527	312N5826-2		.BRACKET- POSITION DATA: RH SIDE REWORKED BY SB: 54-0035	002004 006100 107107 121503 904951	1
539	311N5041-60		.FILLER- POSITION DATA: RH SIDE POST SERVICE BULLETIN: 54-0035	002004 006100 107107 121503 904951	2
541	BACF3T02K10-18		.FILLER-TAPERED POSITION DATA: RH SIDE POST SERVICE BULLETIN: 54-0035	002004 006100 107107 121503 904951	2
543	BACF3T02M14-9		.FILLER-TAPERED POSITION DATA: RH SIDE POST SERVICE BULLETIN: 54-0035	002004 006100 107107 121503 904951	1
552	BACB30MY6S3X		.BOLT- POST SERVICE BULLETIN: 54-0035	002004 006100 107107 121503 904951	4

MISSING ITEM NUMBERS NOT APPLICABLE

- ITEM NOT ILLUSTRATED

54-51-61-01

54-51-61
FIG. 01
PAGE 46
JAN 20/09

BRI



757

PARTS CATALOG (MAINTENANCE)

FIG ITEM	PART NUMBER	1 2 3 4 5 6 7	NOMENCLATURE	EFFECT FROM TO	UNITS PER ASSY
1 556	HL97DU6		.COLLAR- SUPPLIER CODE: V73197 SPECIFICATION NUMBER: BACC30AB6S OPTIONAL PART: HL97DU6 V56878 HL97DU6 V5M902 POST SERVICE BULLETIN: 54-0035	002004 006100 107107 121503 904951	4
558	HL111VAZ8-9		.BOLT- SUPPLIER CODE: V56878 SPECIFICATION NUMBER: BACB30NW8K9X POST SERVICE BULLETIN: 54-0031R1 54-0035 54-0031R4	002004 006100 107107 121503 904999	6
559	HL111VAZ8-9		.BOLT- SUPPLIER CODE: V56878 SPECIFICATION NUMBER: BACB30NW8K9X POST SERVICE BULLETIN: 54-0031R1 54-0031R4 54-0035	002004 006100 107107 121503 904999	2

MISSING ITEM NUMBERS NOT APPLICABLE

- ITEM NOT ILLUSTRATED

54-51-61-01

54-51-61
FIG. 01
PAGE 47
JAN 20/09

BRI



757

PARTS CATALOG (MAINTENANCE)

FIG ITEM	PART NUMBER	1 2 3 4 5 6 7	NOMENCLATURE	EFFECT FROM TO	UNITS PER ASSY
1 560	HL111VAZ6-8	.BOLT-	SUPPLIER CODE: V60516 SPECIFICATION NUMBER: BACB30NW6K8X OPTIONAL PART: HL11VAZ6-8X VOPTK6 HL11VAZ6-8X V97928 B30NW6K8X V97928 L803-6K8X V06725 HL11VAZ6-8X V92215 HL11VAZ6-8X V73197 HL11VAZ6-8X V56878 HL11VAZ6-8X V60516 POST SERVICE BULLETIN: 54-0031R1 54-0035 54-0031R4	002004 006100 107107 121503 904999	2
562	HL111VAZ6-6	.BOLT-	SUPPLIER CODE: V60516 SPECIFICATION NUMBER: BACB30NW6K6X POST SERVICE BULLETIN: 54-0031R1 54-0035 54-0031R4	002004 006100 107107 121503 904999	2

MISSING ITEM NUMBERS NOT APPLICABLE

- ITEM NOT ILLUSTRATED

BRI

54-51-61-01

BOEING PROPRIETARY - Copyright © - Unpublished Work - See title page for details.

54-51-61
FIG. 01
PAGE 48
JAN 20/09



757

PARTS CATALOG (MAINTENANCE)

FIG ITEM	PART NUMBER	1 2 3 4 5 6 7	NOMENCLATURE	EFFECT FROM TO	UNITS PER ASSY
1 564	HL111VAZ6-5		.BOLT- SUPPLIER CODE: V60516 SPECIFICATION NUMBER: BACB30NW6K5X OPTIONAL PART: HL11VAZ6-5X V73197 HL11VAZ6-5X V92215 L803-6K5X V06725 B30NW6K5X V97928 HL11VAZ6-5X V97928 HL11VAZ6-5X VOPTK6 HL11VAZ6-5X V60516 HL11VAZ6-5X V56878 POST SERVICE BULLETIN: 54-0031R1 54-0035 54-0031R4	002004 006100 107107 121503 904999	14

MISSING ITEM NUMBERS NOT APPLICABLE

- ITEM NOT ILLUSTRATED

BRI

54-51-61-01

BOEING PROPRIETARY - Copyright © - Unpublished Work - See title page for details.

54-51-61
FIG. 01
PAGE 49
JAN 20/09



757

PARTS CATALOG (MAINTENANCE)

FIG ITEM	PART NUMBER	1 2 3 4 5 6 7	NOMENCLATURE	EFFECT FROM TO	UNITS PER ASSY
1 566	HL11VAZ6-8		.BOLT- SUPPLIER CODE: V60516 SPECIFICATION NUMBER: BACB30NW6K8 OPTIONAL PART: B30NW6K8 V97928 HL11VAZ6-8 V73197 HL11VAZ6-8 V92215 HL11VAZ6-8 V97928 L803-6K8 V06725 HL11VAZ6-8 VOPTK6 HL11VAZ6-8 V56878 POST SERVICE BULLETIN: 54-0031R1 54-0035 54-0031R4	002004 006100 107107 121503 904999	2
568	HL11VAZ6-6		.BOLT- SUPPLIER CODE: V60516 SPECIFICATION NUMBER: BACB30NW6K6 OPTIONAL PART: B30NW6K6 V97928 HL11VAZ6-6 V73197 HL11VAZ6-6 V92215 HL11VAZ6-6 V97928 L803-6K6 V06725 HL11VAZ6-6 VOPTK6 HL11VAZ6-6 V56878 POST SERVICE BULLETIN: 54-0031R1 54-0035 54-0031R4	002004 006100 107107 121503 904999	2

MISSING ITEM NUMBERS NOT APPLICABLE

- ITEM NOT ILLUSTRATED

54-51-61-01

54-51-61
FIG. 01
PAGE 50
JAN 20/09

BRI



757

PARTS CATALOG (MAINTENANCE)

FIG ITEM	PART NUMBER	1 2 3 4 5 6 7	NOMENCLATURE	EFFECT FROM TO	UNITS PER ASSY
1 570	HL11VAZ6-5	.BOLT-	SUPPLIER CODE: V60516 SPECIFICATION NUMBER: BACB30NW6K5 OPTIONAL PART: B30NW6K5 V97928 HL11VAZ6-5 V73197 HL11VAZ6-5 V92215 HL11VAZ6-5 V97928 L803-6K5 V06725 HL11VAZ6-5 VOPTK6 HL11VAZ6-5 V56878 POST SERVICE BULLETIN: 54-0031R1 54-0035 54-0031R4	002004 006100 107107 121503 904999	8
572	HST11AG8-6	.BOLT-	SUPPLIER CODE: VOPTK6 SPECIFICATION NUMBER: BACB30VU8K6 OPTIONAL PART: HST11AG8-6 V73197 HST11AG8-6 V56878 HST11AG8-6 V06725 POST SERVICE BULLETIN: 54-0031R1 54-0035 54-0031R4	002004 006100 107107 121503 904999	2

MISSING ITEM NUMBERS NOT APPLICABLE

- ITEM NOT ILLUSTRATED

54-51-61-01

54-51-61
FIG. 01
PAGE 51
JAN 20/09

BRI



757

PARTS CATALOG (MAINTENANCE)

FIG ITEM	PART NUMBER	1 2 3 4 5 6 7	NOMENCLATURE	EFFECT FROM TO	UNITS PER ASSY
1 574	HST11AG8-9		.BOLT- SUPPLIER CODE: VOPTK6 SPECIFICATION NUMBER: BACB30VU8K9 OPTIONAL PART: HST11AG8-9 V73197 HST11AG8-9 V56878 HST11AG8-9 V06725 POST SERVICE BULLETIN: 54-0031R1 54-0035 54-0031R4	002004 006100 107107 121503 904999	2
576	HST11AG8-13		.BOLT- SUPPLIER CODE: VOPTK6 SPECIFICATION NUMBER: BACB30VU8K13 OPTIONAL PART: HST11AG8-13 V73197 HST11AG8-13 V56878 HST11AG8-13 V06725 POST SERVICE BULLETIN: 54-0031R1 54-0035 54-0031R4	002004 006100 107107 121503 904999	2
578	HL111VAZ8-12		.BOLT- SUPPLIER CODE: V60516 SPECIFICATION NUMBER: BACB30NW8K12X POST SERVICE BULLETIN: 54-0031R1 54-0035 54-0031R4	002004 006100 107107 121503 904999	2

MISSING ITEM NUMBERS NOT APPLICABLE

- ITEM NOT ILLUSTRATED

54-51-61-01

54-51-61
FIG. 01
PAGE 52
JAN 20/09

BRI



757

PARTS CATALOG (MAINTENANCE)

FIG ITEM	PART NUMBER	1 2 3 4 5 6 7	NOMENCLATURE	EFFECT FROM TO	UNITS PER ASSY
1 580	HL111VAZ8-7		.BOLT- SUPPLIER CODE: V60516 SPECIFICATION NUMBER: BACB30NW8K7X POST SERVICE BULLETIN: 54-0031R1 54-0035 54-0031R4	002004 006100 107107 121503 904999	28
582	HL111VAZ8-6		.BOLT- SUPPLIER CODE: V60516 SPECIFICATION NUMBER: BACB30NW8K6X OPTIONAL PART: HL11VAZ8-6X V73197 HL11VAZ8-6X V92215 L803-8K6X V06725 B30NW8K6X V97928 HL11VAZ8-6X V97928 HL11VAZ8-6X VOPTK6 HL11VAZ8-6X V60516 HL11VAZ8-6X V56878 POST SERVICE BULLETIN: 54-0035	002004 006100 107107 121503 904951	6
584	BACB30NW12K12X		.BOLT- POST SERVICE BULLETIN: 54-0031R1 54-0035 54-0031R4	002004 006100 107107 121503 904999	10

MISSING ITEM NUMBERS NOT APPLICABLE

- ITEM NOT ILLUSTRATED

54-51-61-01

54-51-61
FIG. 01
PAGE 53
JAN 20/09

BRI



757

PARTS CATALOG (MAINTENANCE)

FIG ITEM	PART NUMBER	1 2 3 4 5 6 7	NOMENCLATURE	EFFECT FROM TO	UNITS PER ASSY
1 586	HL111VAZ8-11		.BOLT- SUPPLIER CODE: V60516 SPECIFICATION NUMBER: BACB30NW8K11X OPTIONAL PART: HL11VAZ8-11X VOPTK6 HL11VAZ8-11X V60516 HL11VAZ8-11X V97928 B30NW8K11X V97928 HL11VAZ8-11X V92215 HL11VAZ8-11X V73197 HL11VAZ8-11X V56878 L803-8K11X V06725 POST SERVICE BULLETIN: 54-0035	002004 006100 107107 121503 904951	4
586	HL111VAZ8-9		.BOLT- SUPPLIER CODE: V56878 SPECIFICATION NUMBER: BACB30NW8K9X OPTIONAL PART: HL11VAZ8-9X V73197 HL11VAZ8-9X V92215 L803-8K9X V06725 B30NW8K9X V97928 HL11VAZ8-9X V97928 HL11VAZ8-9X VOPTK6 HL11VAZ8-9X V60516 POST SERVICE BULLETIN: 54-0031R1 54-0031R4	002004 006100 950999	4

MISSING ITEM NUMBERS NOT APPLICABLE

- ITEM NOT ILLUSTRATED

54-51-61-01

54-51-61
FIG. 01
PAGE 54
JAN 20/09

BRI



757

PARTS CATALOG (MAINTENANCE)

FIG ITEM	PART NUMBER	1 2 3 4 5 6 7	NOMENCLATURE	EFFECT FROM TO	UNITS PER ASSY
1 588	HL111VAZ8-14	.BOLT-	SUPPLIER CODE: V60516 SPECIFICATION NUMBER: BACB30NW8K14X OPTIONAL PART: HL11VAZ8-14X VOPTK6 HL11VAZ8-14X V97928 B30NW8K14X V97928 L803-8K14X V06725 HL11VAZ8-14X V92215 HL11VAZ8-14X V73197 HL11VAZ8-14X V56878 HL11VAZ8-14X V60516 POST SERVICE BULLETIN: 54-0035	002004 006100 107107 121503 904951	4
588	HL111VAZ8-12	.BOLT-	SUPPLIER CODE: V60516 SPECIFICATION NUMBER: BACB30NW8K12X POST SERVICE BULLETIN: 54-0031R1 54-0031R4	002004 006100 950999	4
589	HL111VAZ8-12	.BOLT-	SUPPLIER CODE: V60516 SPECIFICATION NUMBER: BACB30NW8K12X POST SERVICE BULLETIN: 54-0031R1 54-0035 54-0031R4	002004 006100 107107 121503 904999	4

MISSING ITEM NUMBERS NOT APPLICABLE

- ITEM NOT ILLUSTRATED

54-51-61-01

54-51-61
FIG. 01
PAGE 55
JAN 20/09

BRI



757

PARTS CATALOG (MAINTENANCE)

FIG ITEM	PART NUMBER	1 2 3 4 5 6 7	NOMENCLATURE	EFFECT FROM TO	UNITS PER ASSY
1 590	HL111VAZ8-12		.BOLT- SUPPLIER CODE: V60516 SPECIFICATION NUMBER: BACB30NW8K12X POST SERVICE BULLETIN: 54-0031R1 54-0035 54-0031R4	002004 006100 107107 121503 904999	4
592	HL79-8		.COLLAR- SUPPLIER CODE: V5M902 SPECIFICATION NUMBER: BACC30M8 OPTIONAL PART: HL79-8 V73197 HL79-8 V92215 66014-8 V56878 HL79-8 V56878 POST SERVICE BULLETIN: 54-0031R1 54-0035 54-0031R4	002004 006100 107107 121503 904999	12
594	HL79-6		.COLLAR- SUPPLIER CODE: V5M902 SPECIFICATION NUMBER: BACC30M6 OPTIONAL PART: HL79-6 V73197 HL79-6 V92215 66014-6 V56878 HL79-6 V56878 POST SERVICE BULLETIN: 54-0031R1 54-0035 54-0031R4	002004 006100 107107 121503 904999	22

MISSING ITEM NUMBERS NOT APPLICABLE

- ITEM NOT ILLUSTRATED

BRI

54-51-61-01

BOEING PROPRIETARY - Copyright © - Unpublished Work - See title page for details.

54-51-61
FIG. 01
PAGE 56
JAN 20/09

 **BOEING**
757
PARTS CATALOG (MAINTENANCE)

FIG ITEM	PART NUMBER	1 2 3 4 5 6 7	NOMENCLATURE	EFFECT FROM TO	UNITS PER ASSY
1 595	HL79-6		.COLLAR- SUPPLIER CODE: V5M902 SPECIFICATION NUMBER: BACC30M6 OPTIONAL PART: HL79-6 V73197 HL79-6 V92215 66014-6 V56878 HL79-6 V56878 POST SERVICE BULLETIN: 54-0031R1 54-0031R4	002004 006100 950999	8
596	BACC30BL8		.COLLAR- SUPPLIER CODE: V73197 SPECIFICATION NUMBER: BACC30BL8 OPTIONAL PART: HST79-8 V92215 HST79CY8 V56878 HST79CY8 V5M902 POST SERVICE BULLETIN: 54-0031R1 54-0035 54-0031R4	002004 006100 107107 121503 904999	6
598	HL197DU8		.COLLAR- SUPPLIER CODE: V5M902 SPECIFICATION NUMBER: BACC30AB8SY OPTIONAL PART: HL197DU8 V56878 HL197DU8 V73197 POST SERVICE BULLETIN: 54-0031R1 54-0035 54-0031R4	002004 006100 107107 121503 904999	48

MISSING ITEM NUMBERS NOT APPLICABLE

— ITEM NOT ILLUSTRATED

BRI

54-51-61-01

BOEING PROPRIETARY - Copyright © - Unpublished Work - See title page for details.

54-51-61
FIG. 01
PAGE 57
JAN 20/09



757

PARTS CATALOG (MAINTENANCE)

FIG ITEM	PART NUMBER	1 2 3 4 5 6 7	NOMENCLATURE	EFFECT FROM TO	UNITS PER ASSY
1 600	HL197DU12		.COLLAR- SUPPLIER CODE: V73197 SPECIFICATION NUMBER: BACC30AB12SY OPTIONAL PART: HL197DU12 V56878 HL197DU12 V5M902 POST SERVICE BULLETIN: 54-0031R1 54-0035 54-0031R4	002004 006100 107107 121503 904999	10
602	K29913-104NF		.WASHER- SUPPLIER CODE: V15653 SPECIFICATION NUMBER: BACW10CA104CCU OPTIONAL PART: 70191-104U V56878 922010-4 V60119 942010-4 V60119 POST SERVICE BULLETIN: 54-0031R1 54-0035 54-0031R4	002004 006100 107107 121503 904999	8
604	K29646-104NF		.WASHER- SUPPLIER CODE: V15653 SPECIFICATION NUMBER: BACW10CA104CVU OPTIONAL PART: 70188-104U V56878 922009-4 V60119 942009-4 V60119 POST SERVICE BULLETIN: 54-0031R1 54-0035 54-0031R4	002004 006100 107107 121503 904999	8

MISSING ITEM NUMBERS NOT APPLICABLE

- ITEM NOT ILLUSTRATED

54-51-61-01

54-51-61
FIG. 01
PAGE 58
JAN 20/09

BRI



757

PARTS CATALOG (MAINTENANCE)

FIG ITEM	PART NUMBER	1 2 3 4 5 6 7	NOMENCLATURE	EFFECT FROM TO	UNITS PER ASSY
1 606	BACB30US8K28X		.BOLT- MISCELLANEOUS DATA: HOLE DIA 0.5151-0.5161 USED WITH: BACW10CA8CCU BACW10CA8CVU BACN10HR8CS POST SERVICE BULLETIN: 54-0031R1 54-0031R4	002004 006100 950999	4
606	BACB30US8K28Y		.BOLT- MISCELLANEOUS DATA: OVERSIZED HOLE DIA 0.5307-0.5317 USED WITH: BACW10CA8CCU BACW10CA8CVU BACN10HR8CS POST SERVICE BULLETIN: 54-0031R1 54-0031R4	002004 006100 950999	4
606	BACB30US9K28		.BOLT- MISCELLANEOUS DATA: OVERSIZED HOLE DIA 0.5620-0.5630 USED WITH: BACW10CA109CCU BACW10CA9CVU BACN10HR9CS POST SERVICE BULLETIN: 54-0031R1 54-0031R4	002004 006100 950999	4
606	BACB30US9K28X		.BOLT- MISCELLANEOUS DATA: OVERSIZED HOLE DIA 0.5776-0.5786 USED WITH: BACW10CA109CCU BACW10CA9CVU BACN10HR9CS POST SERVICE BULLETIN: 54-0031R1 54-0031R4	002004 006100 950999	4

MISSING ITEM NUMBERS NOT APPLICABLE

- ITEM NOT ILLUSTRATED

54-51-61-01

54-51-61
FIG. 01
PAGE 59
JAN 20/09

BRI



757

PARTS CATALOG (MAINTENANCE)

FIG ITEM	PART NUMBER	1 2 3 4 5 6 7	NOMENCLATURE	EFFECT FROM TO	UNITS PER ASSY
1 606	BACB30US9K28Y	.BOLT-	MISCELLANEOUS DATA: OVERSIZED HOLE DIA 0.5932-0.5942 USED WITH: BACW10CA109CCU BACW10CA9CVU BACN10HR9CS POST SERVICE BULLETIN: 54-0031R1 54-0031R4	002004 006100 950999	4
606	BACB30US10K28	.BOLT-	MISCELLANEOUS DATA: OVERSIZED HOLE DIA 0.6245-0.6255 USED WITH: BACW10CA10CCU BACW10CA10CVU BACN10HR10CS POST SERVICE BULLETIN: 54-0031R1 54-0031R4	002004 006100 950999	4
606	BACB30US10K28X	.BOLT-	MISCELLANEOUS DATA: OVERSIZED HOLE DIA 0.6401-0.6411 USED WITH: BACW10CA10CCU BACW10CA10CVU BACN10HR10CS POST SERVICE BULLETIN: 54-0031R1 54-0031R4	002004 006100 950999	4
606	BACB30US10K28Y	.BOLT-	MISCELLANEOUS DATA: OVERSIZED HOLE DIA 0.6557-0.6567 USED WITH: BACW10CA10CCU BACW10CA10CVU BACN10HR10CS POST SERVICE BULLETIN: 54-0031R1 54-0031R4	002004 006100 950999	4
606	BACB30US8K28	.BOLT-	POST SERVICE BULLETIN: 54-0035	002004 006100 107107 121503 904951	4

MISSING ITEM NUMBERS NOT APPLICABLE

- ITEM NOT ILLUSTRATED

54-51-61-01

54-51-61
FIG. 01
PAGE 60
JAN 20/09

BRI



757

PARTS CATALOG (MAINTENANCE)

FIG ITEM	PART NUMBER	1 2 3 4 5 6 7	NOMENCLATURE	EFFECT FROM TO	UNITS PER ASSY
1 607	BACB30US8K26X		.BOLT- MISCELLANEOUS DATA: HOLE DIA 0.5151-0.5161 USED WITH: BACW10CA8CCU BACW10CA8CVU BACN10HR8CS POST SERVICE BULLETIN: 54-0031R1 54-0031R4	002004 006100 950999	4
607	BACB30US8K26Y		.BOLT- MISCELLANEOUS DATA: OVERSIZED HOLE DIA 0.5307-0.5317 USED WITH: BACW10CA8CCU BACW10CA8CVU BACN10HR8CS POST SERVICE BULLETIN: 54-0031R1 54-0031R4	002004 006100 950999	4
607	BACB30US9K26		.BOLT- MISCELLANEOUS DATA: OVERSIZED HOLE DIA 0.5620-0.5630 USED WITH: BACW10CA109CCU BACW10CA9CVU BACN10HR9CS POST SERVICE BULLETIN: 54-0031R1 54-0031R4	002004 006100 950999	4
607	BACB30US9K26X		.BOLT- MISCELLANEOUS DATA: OVERSIZED HOLE DIA 0.5776-0.5786 USED WITH: BACW10CA109CCU BACW10CA9CVU BACN10HR9CS POST SERVICE BULLETIN: 54-0031R1 54-0031R4	002004 006100 950999	4

MISSING ITEM NUMBERS NOT APPLICABLE

- ITEM NOT ILLUSTRATED

54-51-61-01

54-51-61
FIG. 01
PAGE 61
JAN 20/09

BRI



757

PARTS CATALOG (MAINTENANCE)

FIG ITEM	PART NUMBER	1 2 3 4 5 6 7	NOMENCLATURE	EFFECT FROM TO	UNITS PER ASSY
1 607	BACB30US9K26Y	.BOLT-	MISCELLANEOUS DATA: OVERSIZED HOLE DIA 0.5932-0.5942 USED WITH: BACW10CA109CCU BACW10CA9CVU BACN10HR9CS POST SERVICE BULLETIN: 54-0031R1 54-0031R4	002004 006100 950999	4
607	BACB30US10K26	.BOLT-	MISCELLANEOUS DATA: OVERSIZED HOLE DIA 0.6245-0.6255 USED WITH: BACW10CA10CCU BACW10CA10CVU BACN10HR10CS POST SERVICE BULLETIN: 54-0031R1 54-0031R4	002004 006100 950999	4
607	BACB30US10K26X	.BOLT-	MISCELLANEOUS DATA: OVERSIZED HOLE DIA 0.6401-0.6411 USED WITH: BACW10CA10CCU BACW10CA10CVU BACN10HR10CS POST SERVICE BULLETIN: 54-0031R1 54-0031R4	002004 006100 950999	4
607	BACB30US10K26Y	.BOLT-	MISCELLANEOUS DATA: OVERSIZED HOLE DIA 0.6557-0.6567 USED WITH: BACW10CA10CCU BACW10CA10CVU BACN10HR10CS POST SERVICE BULLETIN: 54-0031R1 54-0031R4	002004 006100 950999	4
607	BACB30US8K26	.BOLT-	POST SERVICE BULLETIN: 54-0035	002004 006100 107107 121503 904951	4

MISSING ITEM NUMBERS NOT APPLICABLE

- ITEM NOT ILLUSTRATED

54-51-61-01

54-51-61
FIG. 01
PAGE 62
JAN 20/09

BRI



757

PARTS CATALOG (MAINTENANCE)

FIG ITEM	PART NUMBER	1 2 3 4 5 6 7	NOMENCLATURE	EFFECT FROM TO	UNITS PER ASSY
1 609	BACB30US8K24X		.BOLT- MISCELLANEOUS DATA: HOLE DIA 0.5151-0.5161 USED WITH: BACW10CA8CCU BACW10CA8CVU BACN10HR8CS POST SERVICE BULLETIN: 54-0031R1 54-0031R4	002004 006100 950999	4
609	BACB30US8K24Y		.BOLT- MISCELLANEOUS DATA: OVERSIZED HOLE DIA 0.5307-0.5317 USED WITH: BACW10CA8CCU BACW10CA8CVU BACN10HR8CS POST SERVICE BULLETIN: 54-0031R1 54-0031R4	002004 006100 950999	4
609	BACB30US9K24		.BOLT- MISCELLANEOUS DATA: OVERSIZED HOLE DIA 0.5620-0.5630 USED WITH: BACW10CA109CCU BACW10CA9CVU BACN10HR9CS POST SERVICE BULLETIN: 54-0031R1 54-0031R4	002004 006100 950999	4
609	BACB30US9K24X		.BOLT- MISCELLANEOUS DATA: OVERSIZED HOLE DIA 0.5776-0.5786 USED WITH: BACW10CA109CCU BACW10CA9CVU BACN10HR9CS POST SERVICE BULLETIN: 54-0031R1 54-0031R4	002004 006100 950999	4

MISSING ITEM NUMBERS NOT APPLICABLE

- ITEM NOT ILLUSTRATED

54-51-61-01

54-51-61
FIG. 01
PAGE 63
JAN 20/09

BRI

 **BOEING**
757
PARTS CATALOG (MAINTENANCE)

FIG ITEM	PART NUMBER	1 2 3 4 5 6 7	NOMENCLATURE	EFFECT FROM TO	UNITS PER ASSY
1 609	BACB30US9K24Y	.BOLT-	MISCELLANEOUS DATA: OVERSIZED HOLE DIA 0.5932-0.5942 USED WITH: BACW10CA109CCU BACW10CA9CVU BACN10HR9CS POST SERVICE BULLETIN: 54-0031R1 54-0031R4	002004 006100 950999	4
609	BACB30US10K24	.BOLT-	MISCELLANEOUS DATA: OVERSIZED HOLE DIA 0.6245-0.6255 USED WITH: BACW10CA10CCU BACW10CA10CVU BACN10HR10CS POST SERVICE BULLETIN: 54-0031R1 54-0031R4	002004 006100 950999	4
609	BACB30US10K24X	.BOLT-	MISCELLANEOUS DATA: OVERSIZED HOLE DIA 0.6401-0.6411 USED WITH: BACW10CA10CCU BACW10CA10CVU BACN10HR10CS POST SERVICE BULLETIN: 54-0031R1 54-0031R4	002004 006100 950999	4
609	BACB30US10K24Y	.BOLT-	MISCELLANEOUS DATA: OVERSIZED HOLE DIA 0.6557-0.6567 USED WITH: BACW10CA10CCU BACW10CA10CVU BACN10HR10CS POST SERVICE BULLETIN: 54-0031R1 54-0031R4	002004 006100 950999	4
609	BACB30US8K24	.BOLT-	POST SERVICE BULLETIN: 54-0035	002004 006100 107107 121503 904951	4

MISSING ITEM NUMBERS NOT APPLICABLE

— ITEM NOT ILLUSTRATED

BRI

54-51-61-01

BOEING PROPRIETARY - Copyright © - Unpublished Work - See title page for details.

54-51-61
FIG. 01
PAGE 64
JAN 20/09



757

PARTS CATALOG (MAINTENANCE)

FIG ITEM	PART NUMBER	1 2 3 4 5 6 7	NOMENCLATURE	EFFECT FROM TO	UNITS PER ASSY
1 610	HST10AG8-9	.BOLT-	SUPPLIER CODE: VOPTK6 SPECIFICATION NUMBER: BACB30VT8K9 OPTIONAL PART: HST10AG8-9 V06725 HST10AG8-9 V56878 HST10AG8-9 V73197 WC10K8-9 V60516 POST SERVICE BULLETIN: 54-0035	002004 006100 107107 121503 904951	2
610	HST10AG8-10	.BOLT-	SUPPLIER CODE: VOPTK6 SPECIFICATION NUMBER: BACB30VT8K10 OPTIONAL PART: HST10AG8-10 V06725 HST10AG8-10 V56878 HST10AG8-10 V73197 WC10K8-10 V60516 POST SERVICE BULLETIN: 54-0031R1 54-0031R4	002004 006100 950999	2
612	HST10AG8-10	.BOLT-	SUPPLIER CODE: VOPTK6 SPECIFICATION NUMBER: BACB30VT8K10 OPTIONAL PART: HST10AG8-10 V06725 HST10AG8-10 V56878 HST10AG8-10 V73197 WC10K8-10 V60516 POST SERVICE BULLETIN: 54-0035	002004 006100 107107 121503 904951	2

MISSING ITEM NUMBERS NOT APPLICABLE

- ITEM NOT ILLUSTRATED

54-51-61-01

54-51-61
FIG. 01
PAGE 65
JAN 20/09

BRI



757

PARTS CATALOG (MAINTENANCE)

FIG ITEM	PART NUMBER	1 2 3 4 5 6 7	NOMENCLATURE	EFFECT FROM TO	UNITS PER ASSY
1 612	HST10AG8-11		.BOLT- SUPPLIER CODE: VOPTK6 SPECIFICATION NUMBER: BACB30VT8K11 OPTIONAL PART: HST10AG8-11 V06725 HST10AG8-11 V56878 HST10AG8-11 V73197 WC10K8-11 V60516 POST SERVICE BULLETIN: 54-0031R1 54-0031R4	002004 006100 950999	2
614	BACB30US5K24		.BOLT- POST SERVICE BULLETIN: 54-0031R1 54-0035 54-0031R4	002004 006100 107107 121503 904999	4
616	BACB30US6K24		.BOLT- POST SERVICE BULLETIN: 54-0031R1 54-0035 54-0031R4	002004 006100 107107 121503 904999	2

MISSING ITEM NUMBERS NOT APPLICABLE

- ITEM NOT ILLUSTRATED

54-51-61-01

54-51-61
FIG. 01
PAGE 66
JAN 20/09

BRI



757

PARTS CATALOG (MAINTENANCE)

FIG ITEM	PART NUMBER	1 2 3 4 5 6 7	NOMENCLATURE	EFFECT FROM TO	UNITS PER ASSY
1 618	HL1012AZ12-13		.BOLT- SUPPLIER CODE: VOPTK6 SPECIFICATION NUMBER: BACB30NX12K13 OPTIONAL PART: HL12VAZ12-13 V73197 HL12VAZ12-13 V92215 HL12VAZ12-13 V97928 L802-12K13 V06725 HL12VAZ12-13 V56878 HL1012AZ12-13 V06725 HL1012AZ12-13 V06950 HL1012AZ12-13 V17446 HL1012AZ12-13 V56878 HL1012AZ12-13 V60516 HL1012AZ12-13 V73197 HL1012AZ12-13 V97928 POST SERVICE BULLETIN: 54-0031R1 54-0035 54-0031R4	002004 006100 107107 121503 904999	6

MISSING ITEM NUMBERS NOT APPLICABLE

- ITEM NOT ILLUSTRATED

54-51-61-01

54-51-61
FIG. 01
PAGE 67
JAN 20/09

BRI



757

PARTS CATALOG (MAINTENANCE)

FIG ITEM	PART NUMBER	1 2 3 4 5 6 7	NOMENCLATURE	EFFECT FROM TO	UNITS PER ASSY
1 620	HST10AG8-4	.BOLT-	SUPPLIER CODE: VOPTK6 SPECIFICATION NUMBER: BACB30VT8K4 OPTIONAL PART: HST10AG8-4 V06725 HST10AG8-4 V56878 HST10AG8-4 V73197 WC10K8-4 V60516 POST SERVICE BULLETIN: 54-0031R1 54-0035 54-0031R4	002004 006100 107107 121503 904999	2
622	HST10AG8-5	.BOLT-	SUPPLIER CODE: VOPTK6 SPECIFICATION NUMBER: BACB30VT8K5 OPTIONAL PART: HST10AG8-5 V06725 HST10AG8-5 V56878 HST10AG8-5 V73197 WC10K8-5 V60516 POST SERVICE BULLETIN: 54-0031R1 54-0035 54-0031R4	002004 006100 107107 121503 904999	2
624	L800X6K3	.BOLT-	SUPPLIER CODE: V06725 SPECIFICATION NUMBER: BACB30MY6K3X POST SERVICE BULLETIN: 54-0031R1 54-0035 54-0031R4	002004 006100 107107 121503 904999	8

MISSING ITEM NUMBERS NOT APPLICABLE

- ITEM NOT ILLUSTRATED

54-51-61-01

54-51-61
FIG. 01
PAGE 68
JAN 20/09

BRI



757

PARTS CATALOG (MAINTENANCE)

FIG ITEM	PART NUMBER	1 2 3 4 5 6 7	NOMENCLATURE	EFFECT FROM TO	UNITS PER ASSY
1	626 BACR15FT5KE6		.RIVET- POST SERVICE BULLETIN: 54-0031R1 54-0035 54-0031R4	002004 006100 107107 121503 904999	2
	628 BACC30BL8		.COLLAR- SUPPLIER CODE: V73197 SPECIFICATION NUMBER: BACC30BL8 OPTIONAL PART: HST79-8 V92215 HST79CY8 V56878 HST79CY8 V5M902 POST SERVICE BULLETIN: 54-0031R1 54-0035 54-0031R4	002004 006100 107107 121503 904999	8
	630 HL1187-12		.COLLAR- SUPPLIER CODE: V5M902 SPECIFICATION NUMBER: BACC30X12 OPTIONAL PART: HL1187-12 V73197 HL1187-12 V56878 HL1187-12 V92215 HL1187-12 V92215 HL87-12 V56878 HL87-12 V73197 POST SERVICE BULLETIN: 54-0031R1 54-0035 54-0031R4	002004 006100 107107 121503 904999	6

MISSING ITEM NUMBERS NOT APPLICABLE

- ITEM NOT ILLUSTRATED

54-51-61-01

54-51-61
FIG. 01
PAGE 69
JAN 20/09

BRI



757

PARTS CATALOG (MAINTENANCE)

FIG ITEM	PART NUMBER	1 2 3 4 5 6 7	NOMENCLATURE	EFFECT FROM TO	UNITS PER ASSY
1 632	HL79-6		.COLLAR- SUPPLIER CODE: V5M902 SPECIFICATION NUMBER: BACC30M6 OPTIONAL PART: HL79-6 V73197 HL79-6 V92215 66014-6 V56878 HL79-6 V56878 POST SERVICE BULLETIN: 54-0031R1 54-0035 54-0031R4	002004 006100 107107 121503 904999	8
633	K29913-8NF		.WASHER- SUPPLIER CODE: V15653 SPECIFICATION NUMBER: BACW10CA8CCU OPTIONAL PART: 70191-8U V56878 922010-8 V60119 942010-8 V60119 USED WITH: BACB30US8K28X BACB30US8K28Y BACB30US8K26X BACB30US8K26Y BACB30US8K24X BACB30US8K24Y BACW10CA8CVU BACN10HR8CS POST SERVICE BULLETIN: 54-0031R1 54-0031R4	002004 006100 950999	12

MISSING ITEM NUMBERS NOT APPLICABLE

- ITEM NOT ILLUSTRATED

54-51-61-01

54-51-61
FIG. 01
PAGE 70
JAN 20/09

BRI



757

PARTS CATALOG (MAINTENANCE)

FIG ITEM	PART NUMBER	1 2 3 4 5 6 7	NOMENCLATURE	EFFECT FROM TO	UNITS PER ASSY
1 633	K29913-109NF		.WASHER- SUPPLIER CODE: V15653 SPECIFICATION NUMBER: BACW10CA109CCU OPTIONAL PART: 70191-109U V56878 942010-109 V60119 922010-109 V60119 USED WITH: BACB30US9K28 BACB30US9K28X BACB30US9K28Y BACB30US9K26 BACB30US9K26X BACB30US9K26Y BACB30US9K24 BACB30US9K24X BACB30US9K24Y BACW10CA9CVU BACN10HR9CS POST SERVICE BULLETIN: 54-0031R1 54-0031R4	002004 006100 950999	12

MISSING ITEM NUMBERS NOT APPLICABLE

- ITEM NOT ILLUSTRATED

54-51-61-01

BRI

BOEING PROPRIETARY - Copyright © - Unpublished Work - See title page for details.

54-51-61
FIG. 01
PAGE 71
JAN 20/09



757

PARTS CATALOG (MAINTENANCE)

FIG ITEM	PART NUMBER	1 2 3 4 5 6 7	NOMENCLATURE	EFFECT FROM TO	UNITS PER ASSY
1 633	K29913-10NF		.WASHER- SUPPLIER CODE: V15653 SPECIFICATION NUMBER: BACW10CA10CCU OPTIONAL PART: 70191-10U V56878 922010-10 V60119 942010-10 V60119 USED WITH: BACB30US10K28 BACB30US10K28X BACB30US10K28Y BACB30US10K26 BACB30US10K26X BACB30US10K26Y BACB30US10K24 BACB30US10K24X BACB30US10K24Y BACW10CA10CVU BACN10HR10CS POST SERVICE BULLETIN: 54-0031R1 54-0031R4	002004 006100 950999	12
633	K29913-8NF		.WASHER- SUPPLIER CODE: V15653 SPECIFICATION NUMBER: BACW10CA8CCU OPTIONAL PART: 70191-8U V56878 922010-8 V60119 942010-8 V60119 POST SERVICE BULLETIN: 54-0035	002004 006100 107107 121503 904951	12

MISSING ITEM NUMBERS NOT APPLICABLE

- ITEM NOT ILLUSTRATED

54-51-61-01

54-51-61
FIG. 01
PAGE 72
JAN 20/09

BRI



757

PARTS CATALOG (MAINTENANCE)

FIG ITEM	PART NUMBER	1 2 3 4 5 6 7	NOMENCLATURE	EFFECT FROM TO	UNITS PER ASSY
1 634	K29646-8NF		.WASHER- SUPPLIER CODE: V15653 SPECIFICATION NUMBER: BACW10CA8CVU OPTIONAL PART: 70188-8U V56878 922009-8 V60119 942009-8 V60119 USED WITH: BACB30US8K28X BACB30US8K28Y BACB30US8K26X BACB30US8K26Y BACB30US8K24X BACB30US8K24Y BACW10CA8CCU BACN10HR8CS POST SERVICE BULLETIN: 54-0031R1 54-0031R4	002004 006100 950999	12
634	K29646-9NF		.WASHER- SUPPLIER CODE: V15653 SPECIFICATION NUMBER: BACW10CA9CVU OPTIONAL PART: 70188-9U V56878 942009-9 V60119 USED WITH: BACB30US9K28 BACB30US9K28X BACB30US9K28Y BACB30US9K26 BACB30US9K26X BACB30US9K26Y BACB30US9K24 BACB30US9K24X BACB30US9K24Y BACW10CA109CCU BACN10HR9CS POST SERVICE BULLETIN: 54-0031R1 54-0031R4	002004 006100 950999	12

MISSING ITEM NUMBERS NOT APPLICABLE

- ITEM NOT ILLUSTRATED

54-51-61-01

54-51-61
FIG. 01
PAGE 73
JAN 20/09

BRI



757

PARTS CATALOG (MAINTENANCE)

FIG ITEM	PART NUMBER	1 2 3 4 5 6 7	NOMENCLATURE	EFFECT FROM TO	UNITS PER ASSY
1 634	K29646-10NF		.WASHER- SUPPLIER CODE: V15653 SPECIFICATION NUMBER: BACW10CA10CVU OPTIONAL PART: 70188-10U V56878 922009-10 V60119 USED WITH: BACB30US10K28 BACB30US10K28X BACB30US10K28Y BACB30US10K26 BACB30US10K26X BACB30US10K26Y BACB30US10K24 BACB30US10K24X BACB30US10K24Y BACW10CA10CCU BACN10HR10CS POST SERVICE BULLETIN: 54-0031R1 54-0031R4	002004 006100 950999	12
634	K29646-8NF		.WASHER- SUPPLIER CODE: V15653 SPECIFICATION NUMBER: BACW10CA8CVU OPTIONAL PART: 70188-8U V56878 922009-8 V60119 942009-8 V60119 POST SERVICE BULLETIN: 54-0035	002004 006100 107107 121503 904951	12

MISSING ITEM NUMBERS NOT APPLICABLE

- ITEM NOT ILLUSTRATED

BRI

54-51-61-01

BOEING PROPRIETARY - Copyright © - Unpublished Work - See title page for details.

54-51-61
FIG. 01
PAGE 74
JAN 20/09



757

PARTS CATALOG (MAINTENANCE)

FIG ITEM	PART NUMBER	1 2 3 4 5 6 7	NOMENCLATURE	EFFECT FROM TO	UNITS PER ASSY
1 635	K29913-104		.WASHER- SUPPLIER CODE: V15653 SPECIFICATION NUMBER: BACW10CA104CC OPTIONAL PART: 70191-104 V56878 922008-4 V60119 942008-4 V60119 POST SERVICE BULLETIN: 54-0031R1 54-0035 54-0031R4	002004 006100 107107 121503 904999	4
636	K29646-104		.WASHER- SUPPLIER CODE: V15653 SPECIFICATION NUMBER: BACW10CA104CV OPTIONAL PART: 70188-104 V56878 922007-4 V60119 942007-4 V60119 POST SERVICE BULLETIN: 54-0031R1 54-0035 54-0031R4	002004 006100 107107 121503 904999	4
638	BACW10BN5UC		.WASHER- POST SERVICE BULLETIN: 54-0031R1 54-0035 54-0031R4	002004 006100 107107 121503 904999	4
640	BACW10BN5UP		.WASHER- POST SERVICE BULLETIN: 54-0031R1 54-0035 54-0031R4	002004 006100 107107 121503 904999	4
642	BACW10BN6UC		.WASHER- POST SERVICE BULLETIN: 54-0031R1 54-0035 54-0031R4	002004 006100 107107 121503 904999	2

MISSING ITEM NUMBERS NOT APPLICABLE

- ITEM NOT ILLUSTRATED

54-51-61-01

54-51-61
FIG. 01
PAGE 75
JAN 20/09

BRI



757

PARTS CATALOG (MAINTENANCE)

FIG ITEM	PART NUMBER	1 2 3 4 5 6 7	NOMENCLATURE	EFFECT FROM TO	UNITS PER ASSY
1 644	BACW10BN6UP		.WASHER- POST SERVICE BULLETIN: 54-0031R1 54-0035 54-0031R4	002004 006100 107107 121503 904999	2
646	BH003035		.NUT- SUPPLIER CODE: V27238 SPECIFICATION NUMBER: BACN10HR5CS OPTIONAL PART: H39953-5 V15653 109LH9031-5 V72962 67832AS524 V56878 BH00303-5 V27238 SL7059C524 V11815 BMN5024CPD35 V97928 CR59085 V62554 SL705095 V11815 109LH90315 V72962 67832AS5 V56878 BMN10HRRCPD3-5 V97928 POST SERVICE BULLETIN: 54-0031R1 54-0035 54-0031R4	002004 006100 107107 121503 904999	4

MISSING ITEM NUMBERS NOT APPLICABLE

- ITEM NOT ILLUSTRATED

BRI

54-51-61-01

BOEING PROPRIETARY - Copyright © - Unpublished Work - See title page for details.

54-51-61
FIG. 01
PAGE 76
JAN 20/09



757

PARTS CATALOG (MAINTENANCE)

FIG ITEM	PART NUMBER	1 2 3 4 5 6 7	NOMENCLATURE	EFFECT FROM TO	UNITS PER ASSY
1 648	BMN10HRCPD3-6		.NUT- SUPPLIER CODE: V97928 SPECIFICATION NUMBER: BACN10HR6CS OPTIONAL PART: H39953-6 V15653 109LH9031-6 V72962 67832AS624 V56878 BMN5024CPD3-6 V97928 BH00303-6 V27238 SL7059C624 V11815 BH003036 V27238 BMN5024CPD36 V97928 H39953 V15653 SL705096 V11815 109LH90316 V72962 67832AS6 V56878 CR59086 V62554 POST SERVICE BULLETIN: 54-0031R1 54-0035 54-0031R4	002004 006100 107107 121503 904999	2

MISSING ITEM NUMBERS NOT APPLICABLE

- ITEM NOT ILLUSTRATED

54-51-61-01

54-51-61
FIG. 01
PAGE 77
JAN 20/09

BRI



757

PARTS CATALOG (MAINTENANCE)

FIG ITEM	PART NUMBER	1 2 3 4 5 6 7	NOMENCLATURE	EFFECT FROM TO	UNITS PER ASSY
1 650	BMN10HRCPD3-8		.NUT- SUPPLIER CODE: V97928 SPECIFICATION NUMBER: BACN10HR8CS OPTIONAL PART: H39953-8 V15653 109LH9031-8 V72962 67832AS820 V56878 BH00303-8 V27238 BH003038 V27238 BMN5024CPD38 V97928 CR59088 V62554 SL705098 V11815 109LH90318 V72962 67832AS8 V56878 USED WITH: BACB30US8K28X BACB30US8K28Y BACB30US8K26X BACB30US8K26Y BACB30US8K24X BACB30US8K24Y BACW10CA8CCU BACW10CA8CVU POST SERVICE BULLETIN: 54-0031R1 54-0031R4	002004 006100 950999	12

MISSING ITEM NUMBERS NOT APPLICABLE

- ITEM NOT ILLUSTRATED

54-51-61-01

54-51-61
FIG. 01
PAGE 78
JAN 20/09

BRI



757

PARTS CATALOG (MAINTENANCE)

FIG ITEM	PART NUMBER	1 2 3 4 5 6 7	NOMENCLATURE	EFFECT FROM TO	UNITS PER ASSY
1 650	BMN10HRCPD3-9		.NUT- SUPPLIER CODE: V97928 SPECIFICATION NUMBER: BACN10HR9CS OPTIONAL PART: 109LH9031-9 V72962 67832AS918 V56878 BH00303-9 V27238 BH003039 V27238 BMN5024CPD39 V97928 CR59089 V62554 SL705099 V11815 67832AS9 V56878 109LH90319 V72962 USED WITH: BACB30US9K28 BACB30US9K28X BACB30US9K28Y BACB30US9K26 BACB30US9K26X BACB30US9K26Y BACB30US9K24 BACB30US9K24X BACB30US9K24Y BACW10CA109CCU BACW10CA9CVU POST SERVICE BULLETIN: 54-0031R1 54-0031R4	002004 006100 950999	12

MISSING ITEM NUMBERS NOT APPLICABLE

- ITEM NOT ILLUSTRATED

BRI

54-51-61-01

BOEING PROPRIETARY - Copyright © - Unpublished Work - See title page for details.

54-51-61
FIG. 01
PAGE 79
JAN 20/09



757

PARTS CATALOG (MAINTENANCE)

FIG ITEM	PART NUMBER	1 2 3 4 5 6 7	NOMENCLATURE	EFFECT FROM TO	UNITS PER ASSY
1 650	CR590810		.NUT- SUPPLIER CODE: V62554 SPECIFICATION NUMBER: BACN10HR10CS OPTIONAL PART: H39953-10 V15653 109LH9031-10 V72962 BH00303-10 V27238 BMN10HRCPD3-10 V97928 SL7050910CS V11815 67832AS1018 V56878 BMN5024CPD3-10 V08524 SL7050910 V11815 BMN10HRCPD3-10 V97928 BH0030310 V27238 BMN5024CPD310 V97928 109LH903110 V72962 67832AS10 V56878 USED WITH: BACB30US10K28 BACB30US10K28X BACB30US10K28Y BACB30US10K26 BACB30US10K26X BACB30US10K26Y BACB30US10K24 BACB30US10K24X BACB30US10K24Y BACW10CA10CCU BACW10CA10CVU POST SERVICE BULLETIN: 54-0031R1 54-0031R4	002004 006100 950999	12

MISSING ITEM NUMBERS NOT APPLICABLE

- ITEM NOT ILLUSTRATED

54-51-61-01

54-51-61
FIG. 01
PAGE 80
JAN 20/09

BRI



757

PARTS CATALOG (MAINTENANCE)

FIG ITEM	PART NUMBER	1 2 3 4 5 6 7	NOMENCLATURE	EFFECT FROM TO	UNITS PER ASSY
1 650	BMN10HRCPD3-8	.NUT-	SUPPLIER CODE: V97928 SPECIFICATION NUMBER: BACN10HR8CS OPTIONAL PART: H39953-8 V15653 109LH9031-8 V72962 67832AS820 V56878 BH00303-8 V27238 BH003038 V27238 BMN5024CPD38 V97928 CR59088 V62554 SL705098 V11815 109LH90318 V72962 67832AS8 V56878 POST SERVICE BULLETIN: 54-0035	002004 006100 107107 121503 904951	12
655	311N5220-44	.CLIP-SHEAR	POST SERVICE BULLETIN: 54-0031R1 54-0035 54-0031R4	002004 006100 107107 121503 904999	1
- 660	311N5220-45	.CLIP-SHEAR	POST SERVICE BULLETIN: 54-0031R1 54-0035 54-0031R4	002004 006100 107107 121503 904999	1
665	311N5220-46	.FILLER-TAPERED	POST SERVICE BULLETIN: 54-0031R1 54-0035 54-0031R4	002004 006100 107107 121503 904999	2
670	311N5220-47	.FILLER-RADIUS	POST SERVICE BULLETIN: 54-0031R1 54-0035 54-0031R4	002004 006100 107107 121503 904999	1

MISSING ITEM NUMBERS NOT APPLICABLE

- ITEM NOT ILLUSTRATED

54-51-61-01

54-51-61
FIG. 01
PAGE 81
JAN 20/09

BRI



757

PARTS CATALOG (MAINTENANCE)

FIG ITEM	PART NUMBER	1 2 3 4 5 6 7	NOMENCLATURE	EFFECT FROM TO	UNITS PER ASSY
1					
- 675	311N5220-48		. FILLER-RADIUS POST SERVICE BULLETIN: 54-0031R1 54-0035 54-0031R4	002004 006100 107107 121503 904999	1
680	311N5220-53		. MIDCHORD- POST SERVICE BULLETIN: 54-0031R2 54-0035 54-0031R4	002004 006100 107107 121503 904999	1
- 685	311N5220-54		. MIDCHORD- POST SERVICE BULLETIN: 54-0031R2 54-0035 54-0031R4	002004 006100 107107 121503 904999	1
690	BACF3F015R074AN		. FILLER- POST SERVICE BULLETIN: 54-0031R1 54-0035 54-0031R4	002004 006100 107107 121503 904999	2
695	311N5220-51		. FITTING-BATHTUB POST SERVICE BULLETIN: 54-0031R2 54-0035 54-0031R4	002004 006100 107107 121503 904999	1
- 700	311N5220-52		. FITTING-BATHTUB POST SERVICE BULLETIN: 54-0031R2 54-0035 54-0031R4	002004 006100 107107 121503 904999	1
705	311N5220-55		. STIFFENER-VERTICAL POST SERVICE BULLETIN: 54-0031R2 54-0035 54-0031R4	002004 006100 107107 121503 904999	1
- 710	311N5220-56		. STIFFENER-VERTICAL POST SERVICE BULLETIN: 54-0031R2 54-0035 54-0031R4	002004 006100 107107 121503 904999	1
712	BACS40R021C024P		. SHIM-LAMINATED POST SERVICE BULLETIN: 54-0035	002004 006100 107107 121503 904951	6

MISSING ITEM NUMBERS NOT APPLICABLE

- ITEM NOT ILLUSTRATED

54-51-61-01

54-51-61
FIG. 01
PAGE 82
JAN 20/09

BRI



757

PARTS CATALOG (MAINTENANCE)

FIG ITEM	PART NUMBER	1 2 3 4 5 6 7	NOMENCLATURE	EFFECT FROM TO	UNITS PER ASSY
1					
714	BACS40R015W045	.	SHIM-LAMINATED POST SERVICE BULLETIN: 54-0035	002004 006100 107107 121503 904951	4
715	BACS40R015C074P	.	SHIM-LAMINATED POST SERVICE BULLETIN: 54-0031R1 54-0035 54-0031R4	002004 006100 107107 121503 904999	2
720	BACS40R020W025	.	SHIM-LAMINATED POST SERVICE BULLETIN: 54-0031R1 54-0035 54-0031R4	002004 006100 107107 121503 904999	2
725	BACS40R012C018P	.	SHIM-LAMINATED POST SERVICE BULLETIN: 54-0031R1 54-0035 54-0031R4	002004 006100 107107 121503 904999	2
730	BACS40R012C029P	.	SHIM-LAMINATED POST SERVICE BULLETIN: 54-0031R1 54-0035 54-0031R4	002004 006100 107107 121503 904999	2
735	BACS40R033W045	.	SHIM-LAMINATED POST SERVICE BULLETIN: 54-0031R1 54-0035 54-0031R4	002004 006100 107107 121503 904999	4
737	311N5220-43	.	SHIM- POST SERVICE BULLETIN: 54-0031R1 54-0031R4	002004 006100 107107 121503 950999	4
740	312N5815-12	.	BRACKET- POST SERVICE BULLETIN: 54-0035 54-0031R1 54-0031R4	002004 006100 107107 121503 904999	1
745	312N5811-13	.	BRACKET- POST SERVICE BULLETIN: 54-0035 54-0031R1 54-0031R4	002004 006100 107107 121503 904999	1

MISSING ITEM NUMBERS NOT APPLICABLE

- ITEM NOT ILLUSTRATED

54-51-61-01

54-51-61
FIG. 01
PAGE 83
JAN 20/09

BRI



757

PARTS CATALOG (MAINTENANCE)

FIG ITEM	PART NUMBER	1 2 3 4 5 6 7	NOMENCLATURE	EFFECT FROM TO	UNITS PER ASSY
1 750	HL11VAZ8-8		.BOLT- SUPPLIER CODE: V60516 SPECIFICATION NUMBER: BACB30NW8K8 OPTIONAL PART: B30NW8K8 V97928 HL11VAZ8-8 V73197 HL11VAZ8-8 V92215 HL11VAZ8-8 V97928 L803-8K8 V06725 HL11VAZ8-8 VOPTK6 HL11VAZ8-8 V56878	002004 006100 107107 121503 904999	8
755	HL11VAZ8-9		.BOLT- SUPPLIER CODE: V56878 SPECIFICATION NUMBER: BACB30NW8K9 OPTIONAL PART: B30NW8K9 V97928 HL11VAZ8-9 V73197 HL11VAZ8-9 V92215 HL11VAZ8-9 V97928 L803-8K9 V06725 HL11VAZ8-9 VOPTK6 HL11VAZ8-9 V60516	002004 006100 107107 121503 904999	4

MISSING ITEM NUMBERS NOT APPLICABLE

- ITEM NOT ILLUSTRATED

BRI

54-51-61-01

BOEING PROPRIETARY - Copyright © - Unpublished Work - See title page for details.

54-51-61
FIG. 01
PAGE 84
JAN 20/09



757

PARTS CATALOG (MAINTENANCE)

FIG ITEM	PART NUMBER	1 2 3 4 5 6 7	NOMENCLATURE	EFFECT FROM TO	UNITS PER ASSY
1 760	HL11VAZ8-12		.BOLT- SUPPLIER CODE: V60516 SPECIFICATION NUMBER: BACB30NW8K12 OPTIONAL PART: B30NW8K12 V97928 HL11VAZ8-12 V73197 HL11VAZ8-12 V92215 HL11VAZ8-12 V97928 L803-8K12 V06725 HL11VAZ8-12 VOPTK6 HL11VAZ8-12 V56878	002004 006100 107107 121503 904999	14
765	HL11VAZ12-12		.BOLT- SUPPLIER CODE: V60516 SPECIFICATION NUMBER: BACB30NW12K12 OPTIONAL PART: B30NW12K12 V97928 HL11VAZ12-12 V73197 HL11VAZ12-12 V92215 HL11VAZ12-12 V97928 L803-12K12 V06725 HL11VAZ12-12 VOPTK6 HL11VAZ12-12 V56878	002004 006100 107107 121503 904999	12

MISSING ITEM NUMBERS NOT APPLICABLE

- ITEM NOT ILLUSTRATED

BRI

54-51-61-01

BOEING PROPRIETARY - Copyright © - Unpublished Work - See title page for details.

54-51-61
FIG. 01
PAGE 85
JAN 20/09



757

PARTS CATALOG (MAINTENANCE)

FIG ITEM	PART NUMBER	1 2 3 4 5 6 7	NOMENCLATURE	EFFECT FROM TO	UNITS PER ASSY
1 770	HST11AG8-8		.BOLT- SUPPLIER CODE: VOPTK6 SPECIFICATION NUMBER: BACB30VU8K8 OPTIONAL PART: HST11AG8-8 V73197 HST11AG8-8 V56878 HST11AG8-8 V06725	002004 006100 107107 121503 904999	20
775	K29913-104NF		.WASHER- SUPPLIER CODE: V15653 SPECIFICATION NUMBER: BACW10CA104CCU OPTIONAL PART: 70191-104U V56878 922010-4 V60119 942010-4 V60119	002004 006100 107107 121503 904999	8
780	K29646-104NF		.WASHER- SUPPLIER CODE: V15653 SPECIFICATION NUMBER: BACW10CA104CVU OPTIONAL PART: 70188-104U V56878 922009-4 V60119 942009-4 V60119	002004 006100 107107 121503 904999	8
785	HL97DU8		.COLLAR- SUPPLIER CODE: V73197 SPECIFICATION NUMBER: BACC30AB8S OPTIONAL PART: HL97DU8 V56878 HL97DU8 V5M902	002004 006100 107107 121503 904999	22

MISSING ITEM NUMBERS NOT APPLICABLE

- ITEM NOT ILLUSTRATED

54-51-61-01

54-51-61
FIG. 01
PAGE 86
JAN 20/09

BRI



757

PARTS CATALOG (MAINTENANCE)

FIG ITEM	PART NUMBER	1 2 3 4 5 6 7	NOMENCLATURE	EFFECT FROM TO	UNITS PER ASSY
1 790	HL97DU12		.COLLAR- SUPPLIER CODE: V73197 SPECIFICATION NUMBER: BACC30AB12S OPTIONAL PART: HL97DU12 V56878 HL97DU12 V5M902	002004 006100 107107 121503 904999	12
795	HL79-8		.COLLAR- SUPPLIER CODE: V5M902 SPECIFICATION NUMBER: BACC30M8 OPTIONAL PART: HL79-8 V73197 HL79-8 V92215 66014-8 V56878 HL79-8 V56878	002004 006100 107107 121503 904999	4
800	BACC30BL8		.COLLAR- SUPPLIER CODE: V73197 SPECIFICATION NUMBER: BACC30BL8 OPTIONAL PART: HST79-8 V92215 HST79CY8 V56878 HST79CY8 V5M902	002004 006100 107107 121503 904999	20
805	311N5071-45		.CHORD INSTL-NAC STRUT POSITION DATA: MID LH SIDE FOR DETAILS SEE: 54-51-53-05	002004 006100 107107 121503 904999	1
- 810	311N5071-46		.CHORD INSTL-NAC STRUT POSITION DATA: MID RH SIDE FOR DETAILS SEE: 54-51-53-05	002004 006100 107107 121503 904999	1

MISSING ITEM NUMBERS NOT APPLICABLE

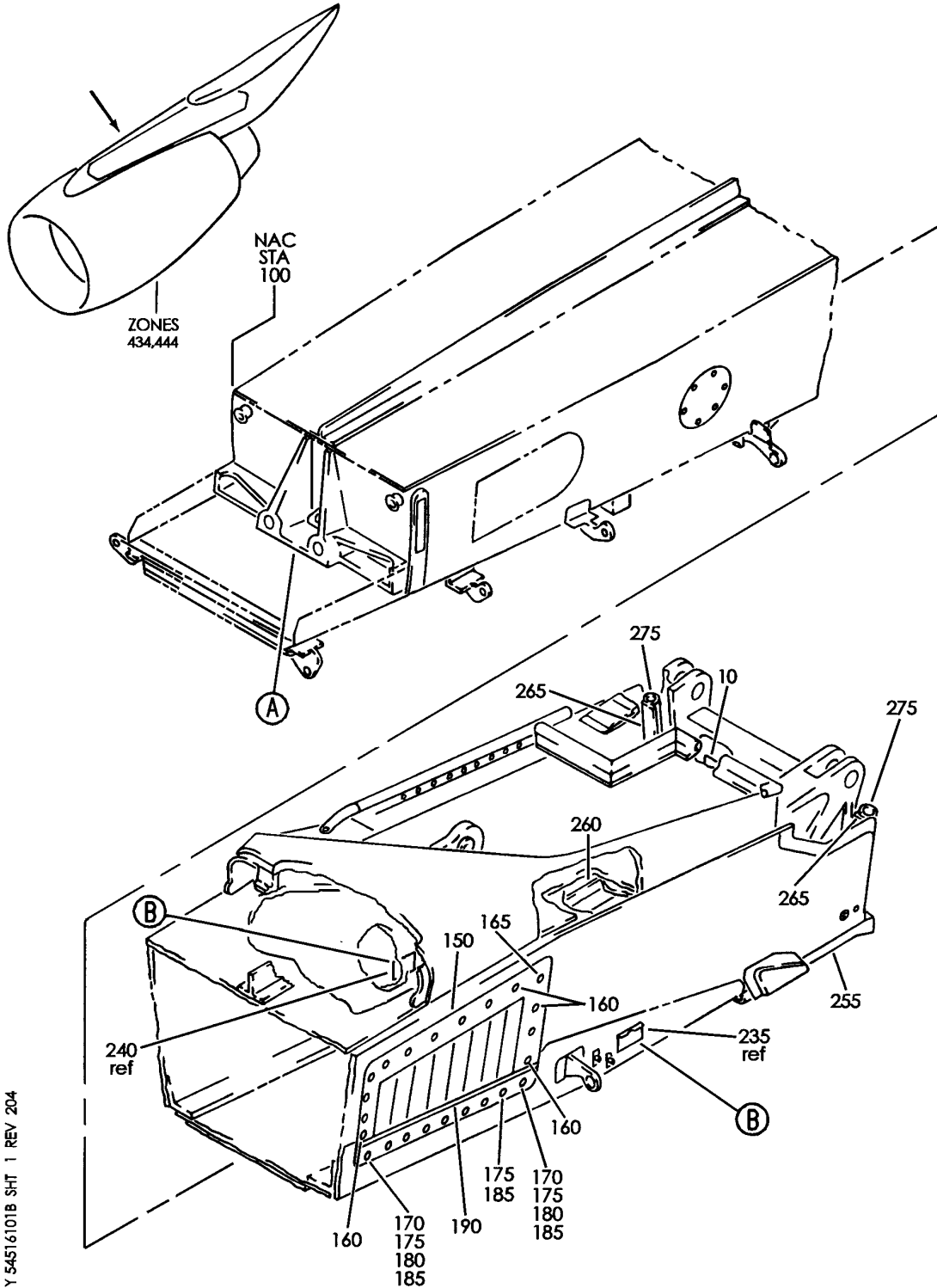
- ITEM NOT ILLUSTRATED

54-51-61-01

54-51-61
FIG. 01
PAGE 87
JAN 20/09

BRI

BOEING
757
PARTS CATALOG (MAINTENANCE)



Y 54516101B SHT 1 REV 204

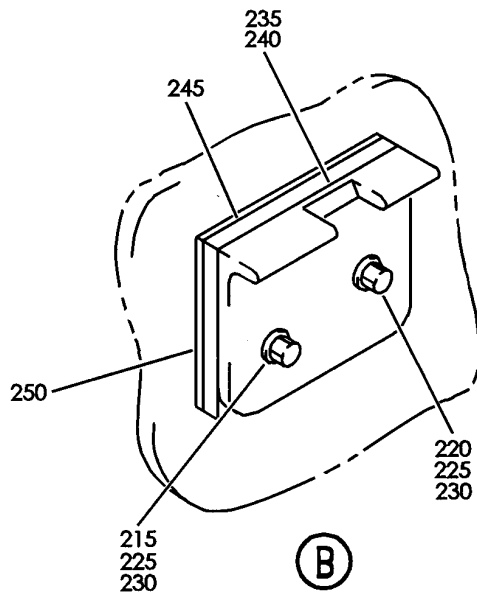
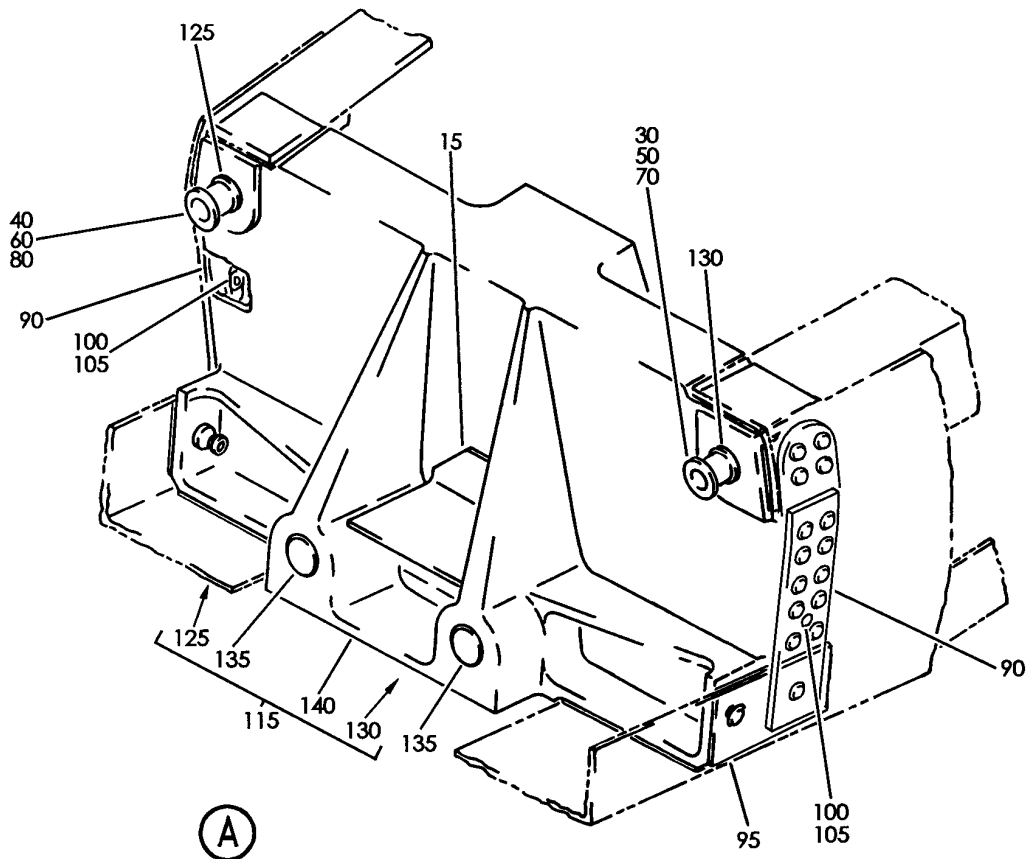
COMPONENT INSTL-STRUT STRUCT 757 RB211-535
FIGURE 1B (SHEET 1)

54-51-61-01B

BRI
MAY 28/07

54-51-61-01B
PAGE 0

BOEING
757
PARTS CATALOG (MAINTENANCE)



Y 54516101B SHT 2 REV 204

COMPONENT INSTL-STRUT STRUCT 757 RB211-535
FIGURE 1B (SHEET 2)

54-51-61-01B

BRI
MAY 28/07

54-51-61-01B
PAGE 0A



757

PARTS CATALOG (MAINTENANCE)

FIG ITEM	PART NUMBER	1 2 3 4 5 6 7	NOMENCLATURE	EFFECT FROM TO	UNITS PER ASSY
1B			COMPONENT INSTL-STRUT STRUCT 757 RB211-535	101106 108120 504903	
- 1	311N5292-5		COMPONENT INSTL-STRUT POSITION DATA: STRUCT 757 RB211-535 LH FOR NHA SEE: 54-00-00-04	101102 504903	RF
- 1	311N5292-11		COMPONENT INSTL-STRUT POSITION DATA: STRUCT 757 RB211-535 LH FOR NHA SEE: 54-00-00-04	103103 106106 108120	RF
- 5	311N5292-6		COMPONENT INSTL-STRUT POSITION DATA: STRUCT 757 RB211-535 RH FOR NHA SEE: 54-00-00-04	101102 504903	RF
- 5	311N5292-12		COMPONENT INSTL-STRUT POSITION DATA: STRUCT 757 RB211-535 RH FOR NHA SEE: 54-00-00-04	103103 106106 108120	RF
10	MS27253F2		.PLATE	101106 108120 504903	1
15	311N5133-1		.PLATE	101106 108120 504903	1
- 20	L8006K4		ATTACHING PARTS .BOLT SUPPLIER CODE: V06725 SPECIFICATION NUMBER: BACB30MY6K4	101106 108120 504903	2

MISSING ITEM NUMBERS NOT APPLICABLE

- ITEM NOT ILLUSTRATED

BRI

54-51-61-01B

BOEING PROPRIETARY - Copyright © - Unpublished Work - See title page for details.

54-51-61
FIG. 01B
PAGE 1
JAN 20/09

BOEING
757
PARTS CATALOG (MAINTENANCE)

FIG ITEM	PART NUMBER	1 2 3 4 5 6 7	NOMENCLATURE	EFFECT FROM TO	UNITS PER ASSY
1B					
- 25	HL79-6		.COLLAR SUPPLIER CODE: V5M902 SPECIFICATION NUMBER: BACC30M6 OPTIONAL PART: HL79-6 V73197 HL79-6 V92215 66014-6 V56878 HL79-6 V56878 -----*	101106 108120 504903	2
30	311N5197-1		.PIN-SHEAR POSITION DATA: LH SIDE	101106 108120 504903	1
- 35	311N5197-2		.PIN-SHEAR POSITION DATA: RH SIDE	101106 108120 504903	1
40	311N5197-2		.PIN-SHEAR POSITION DATA: LH SIDE	101106 108120 504903	1
- 45	311N5197-1		.PIN-SHEAR POSITION DATA: RH SIDE	101106 108120 504903	1
50	BACW10BP8APU		.WASHER- POSITION DATA: LH SIDE	101106 108120 504903	1
- 55	BACW10BP10APU		.WASHER- POSITION DATA: RH SIDE	101106 108120 504903	1
60	BACW10BP10APU		.WASHER- POSITION DATA: LH SIDE	101106 108120 504903	1
- 65	BACW10BP8APU		.WASHER- POSITION DATA: RH SIDE	101106 108120 504903	1
70	NAS1805-8		.NUT- POSITION DATA: LH SIDE	101106 108120 504903	1
- 75	NAS1805-10		.NUT- POSITION DATA: RH SIDE	101106 108120 504903	1
80	NAS1805-10		.NUT- POSITION DATA: LH SIDE	101106 108120 504903	1

MISSING ITEM NUMBERS NOT APPLICABLE

- ITEM NOT ILLUSTRATED

BRI

54-51-61-01B

BOEING PROPRIETARY - Copyright © - Unpublished Work - See title page for details.

54-51-61
FIG. 01B
PAGE 2
JAN 20/09



757

PARTS CATALOG (MAINTENANCE)

FIG ITEM	PART NUMBER	1 2 3 4 5 6 7	NOMENCLATURE	EFFECT FROM TO	UNITS PER ASSY
1B					
- 85	NAS1805-8	.NUT-	POSITION DATA:	101106	1
			RH SIDE	108120	
90	311N5002-89	.SHIM		504903	AR
				101106	
				108120	
95	BACS40R018B039F	.SHIM		504903	AR
				101106	
				108120	
100	MS51964-108	.SETSCREW-GSE		504903	2
				101106	
				108120	
105	NAS1031A8	.NUTPLATE-GSE	OPTIONAL PART:	504903	2
			MS21047L8	103106	
105	MS21047L8	.NUTPLATE-GSE	OPTIONAL PART:	108120	2
			NAS1031A8	504903	
			ATTACHING PARTS		
- 110	NAS1399D5A	.RIVET-		101106	4
			SIZE DETERMINED ON INSTL.	108120	
				504903	
			-----*-----		
115	311N5123-9	.FITTING ASSY-MOUNT BHD	POSITION DATA:	101106	1
			FWD LH SIDE	108120	
				504903	
- 120	311N5123-10	.FITTING ASSY-MOUNT BHD	POSITION DATA:	101106	1
			FWD RH SIDE	108120	
				504903	
125	311N5198-1	..BUSHING-	QUALIFIED I/W DATA:	101106	1
			311N5198-3 TOGETHER WITH	108120	
			311N5198-4 MAY REPLACE	504903	
			311N5198-2 TOGETHER WITH		
			311N5198-1 RESPECTIVELY,		
			ONE-WAY ONLY PROVIDED SB		
			757-54-0007 REWORK		
			INSTRUCTIONS ARE		
			FOLLOWED. (GROUP 2		
			AIRPLANES, CONSULT SB		
			FOR EFFECTIVITIES.)		

MISSING ITEM NUMBERS NOT APPLICABLE

- ITEM NOT ILLUSTRATED

BRI

54-51-61-01B

BOEING PROPRIETARY - Copyright © - Unpublished Work - See title page for details.

54-51-61
FIG. 01B
PAGE 3
JAN 20/09



757

PARTS CATALOG (MAINTENANCE)

FIG ITEM	PART NUMBER	1 2 3 4 5 6 7	NOMENCLATURE	EFFECT FROM TO	UNITS PER ASSY
1B 130	311N5198-3		.. BUSHING- QUALIFIED I/W DATA: 311N5198-3 TOGETHER WITH 311N5198-4 MAY REPLACE 311N5198-2 TOGETHER WITH 311N5198-1 RESPECTIVELY, ONE-WAY ONLY PROVIDED SB 757-54-0007 REWORK INSTRUCTIONS ARE FOLLOWED. (GROUP 2 AIRPLANES, CONSULT SB FOR EFFECTIVITIES.)	101106 108120 504903	1
135	311N5027-6		.. PLUG	101106 108120 504903	2
140	311N5123-11		.. FITTING- POSITION DATA: LH SIDE	101106 108120 504903	1
- 145	311N5123-12		.. FITTING- POSITION DATA: RH SIDE	101106 108120 504903	1
150	311N5069-69		. LOUVER ASSY- POSITION DATA: LH SIDE	101106 108120 504903	1
150	311N5069-75		. LOUVER ASSY- POSITION DATA: LH SIDE USED ON: 311N5292-3	101106 108120 504903	1
- 155	311N5069-70		. LOUVER ASSY- POSITION DATA: RH SIDE	101106 108120 504903	1
- 155	311N5069-76		. LOUVER ASSY- POSITION DATA: RH SIDE USED ON: 311N5292-4 ATTACHING PARTS	101106 108120 504903	1
160	BACB30NN3K12		. BOLT	101106 108120 504903	13
165	BACB30NN3K14		. BOLT	101106 108120 504903	1
175	BACB30NM3K12		. BOLT	101106 108120 504903	9

MISSING ITEM NUMBERS NOT APPLICABLE

- ITEM NOT ILLUSTRATED

54-51-61-01B

54-51-61
FIG. 01B
PAGE 4
JAN 20/09

BRI

BOEING PROPRIETARY - Copyright © - Unpublished Work - See title page for details.



757

PARTS CATALOG (MAINTENANCE)

FIG ITEM	PART NUMBER	1 2 3 4 5 6 7	NOMENCLATURE	EFFECT FROM TO	UNITS PER ASSY
1B 185	NAS1149C0332R	.	WASHER	101106 108120 504903	9
190	311N5069-73	..	LAND-SEAL POSITION DATA: LH SIDE	101106 108120 504903	1
- 195	311N5069-74	..	LAND-SEAL POSITION DATA: RH SIDE	101106 108120 504903	1
- 200	BACB30NN3K2	..	BOLT ATTACHING PARTS	101106 108120 504903	10
- 205	AN960C10L	..	WASHER	101106 108120 504903	10
- 210	BRH10C3M	..	NUT SUPPLIER CODE: V52828 SPECIFICATION NUMBER: BACN10JC3CM OPTIONAL PART: T6C1032JM V11815 97E02 V80539 109LH9075-3W V72962 VN303D02 V92215 NS202101SE02 V80539 H01-3BAC V15653	101106 108120 504903	10
215	L8006K11	.	BOLT SUPPLIER CODE: V06725 SPECIFICATION NUMBER: BACB30MY6K11	101106 108120 504903	2
220	L8006K12	.	BOLT SUPPLIER CODE: V06725 SPECIFICATION NUMBER: BACB30MY6K12	101106 108120 504903	2
225	NAS1149C0363R	.	WASHER	101106 108120 504903	4

MISSING ITEM NUMBERS NOT APPLICABLE

- ITEM NOT ILLUSTRATED

54-51-61-01B

54-51-61
FIG. 01B
PAGE 5
JAN 20/09

BRI

BOEING PROPRIETARY - Copyright © - Unpublished Work - See title page for details.

 **BOEING**
757
PARTS CATALOG (MAINTENANCE)

FIG ITEM	PART NUMBER	1 2 3 4 5 6 7	NOMENCLATURE	EFFECT FROM TO	UNITS PER ASSY
1B 230	HL97DU6		. COLLAR SUPPLIER CODE: V73197 SPECIFICATION NUMBER: BACC30AB6S OPTIONAL PART: HL97DU6 V56878 HL97DU6 V5M902	101106 108120 504903	4
235	311N5196-1		. ANGLE	101106 108120 504903	1
240	311N5196-2		. ANGLE	101106 108120 504903	1
250	BACS40R016W023		. SHIM	101106 108120 504903	1
255	10-60754-703		. SEAL-AERODYN	101106 108120 504903	1
260	5673-704		. SEAL-AERODYN SUPPLIER CODE: V11960 SPECIFICATION NUMBER: 10-60754-704 OPTIONAL PART: CW442704 V04827	101106 108120 504903	1
265	311N5002-162		. RETAINER-SEAL	101106 108120 504903	2
- 270	BACR15FT5KE		ATTACHING PARTS . RIVET- SIZE DETERMINED ON INSTL.	101106 108120 504903	6
275	311N5002-161		-----*----- . SEAL	101106 108120 504903	2

MISSING ITEM NUMBERS NOT APPLICABLE

- ITEM NOT ILLUSTRATED

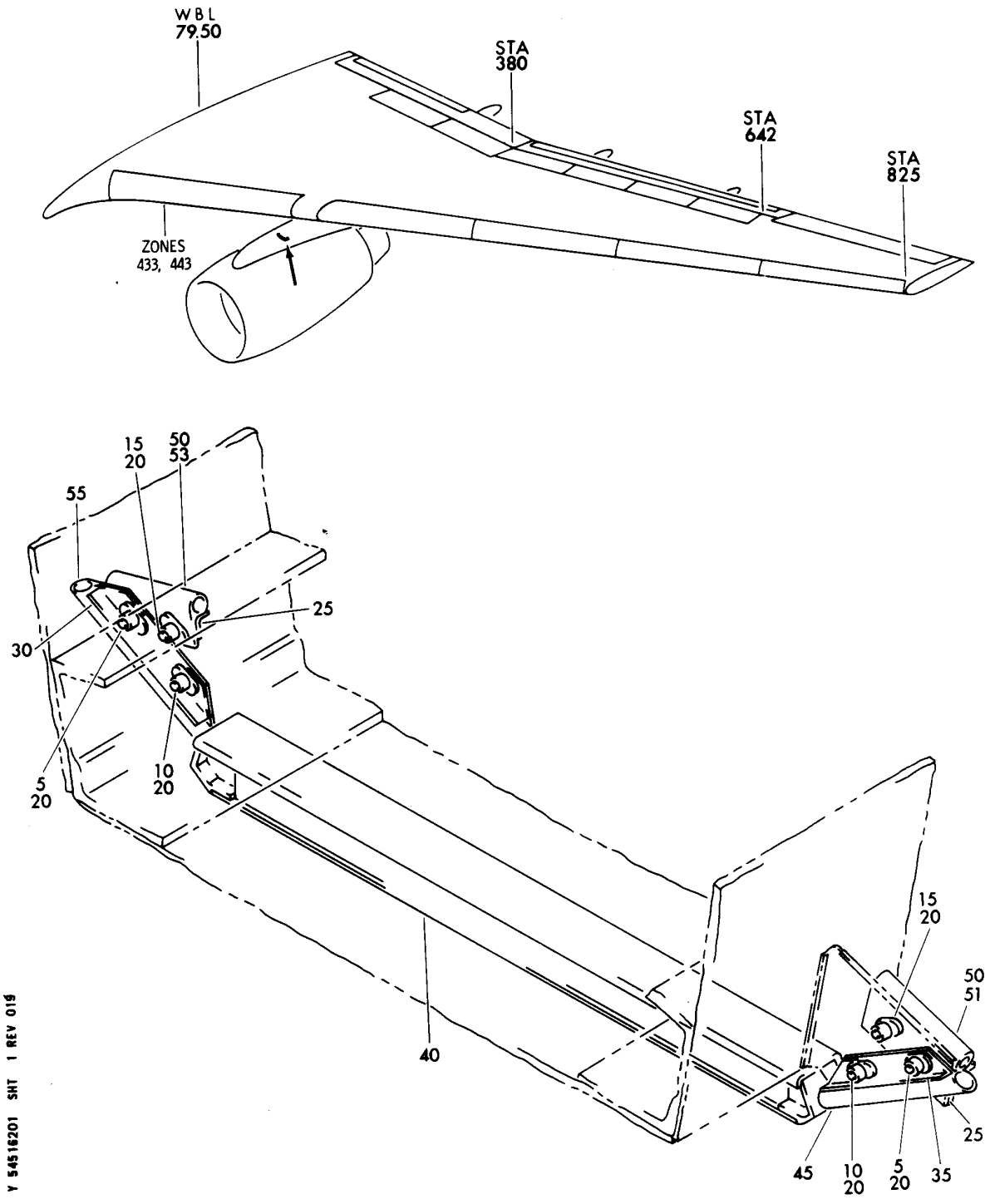
BRI

54-51-61-01B

BOEING PROPRIETARY - Copyright © - Unpublished Work - See title page for details.

54-51-61
FIG. 01B
PAGE 6
JAN 20/09

BOEING
757
PARTS CATALOG (MAINTENANCE)



Y 54516201 SHT 1 REV 015

SEAL INSTL-PWR PLANT STA 125.00 NAC STRUT
FIGURE 1

54-51-62-01

BRI
MAY 28/07

54-51-62-01
PAGE 0



757

PARTS CATALOG (MAINTENANCE)

FIG ITEM	PART NUMBER	1 2 3 4 5 6 7	NOMENCLATURE	EFFECT FROM TO	UNITS PER ASSY
1			SEAL INSTL-PWR PLANT STA 125.00 NAC STRUT	002004 006999	
- 1	311N5061-15		SEAL INSTL-PWR PLANT NAC STRUT POSITION DATA: STA 125.00 FOR NHA SEE: 54-51-61-01 54-00-00-04	002004 006999	RF
5	BACB30LM3SU6		.BOLT-	002004 006999	2
10	BACB30LM3SU5		.BOLT	002004 006999	2
15	BACB30LM3SU4		.BOLT-	002004 006999	2
20	BACW10BN3UC		.WASHER	002004 006999	6
25	311N5061-12		.RETAINER-	002004 006999	2
30	311N5061-6		.RETAINER	002004 006999	1
35	311N5061-5		.RETAINER	002004 006999	1
40	S18356-8		.SEAL ASSY- SUPPLIER CODE: V75345 SPECIFICATION NUMBER: S311N501-8	002004 006999	1
45	311N5061-9		.SEAL- OPTIONAL PART: 311N5061-17	002004 006999	1
45	311N5061-17		.SEAL-	002004 006999	1
51	311N5061-13		.SEAL-	002004 006999	1
53	311N5061-14		.SEAL-	002004 006999	1
55	311N5061-10		.SEAL- OPTIONAL PART: 311N5061-18	002004 006999	1
55	311N5061-18		.SEAL-	002004 006999	1

MISSING ITEM NUMBERS NOT APPLICABLE

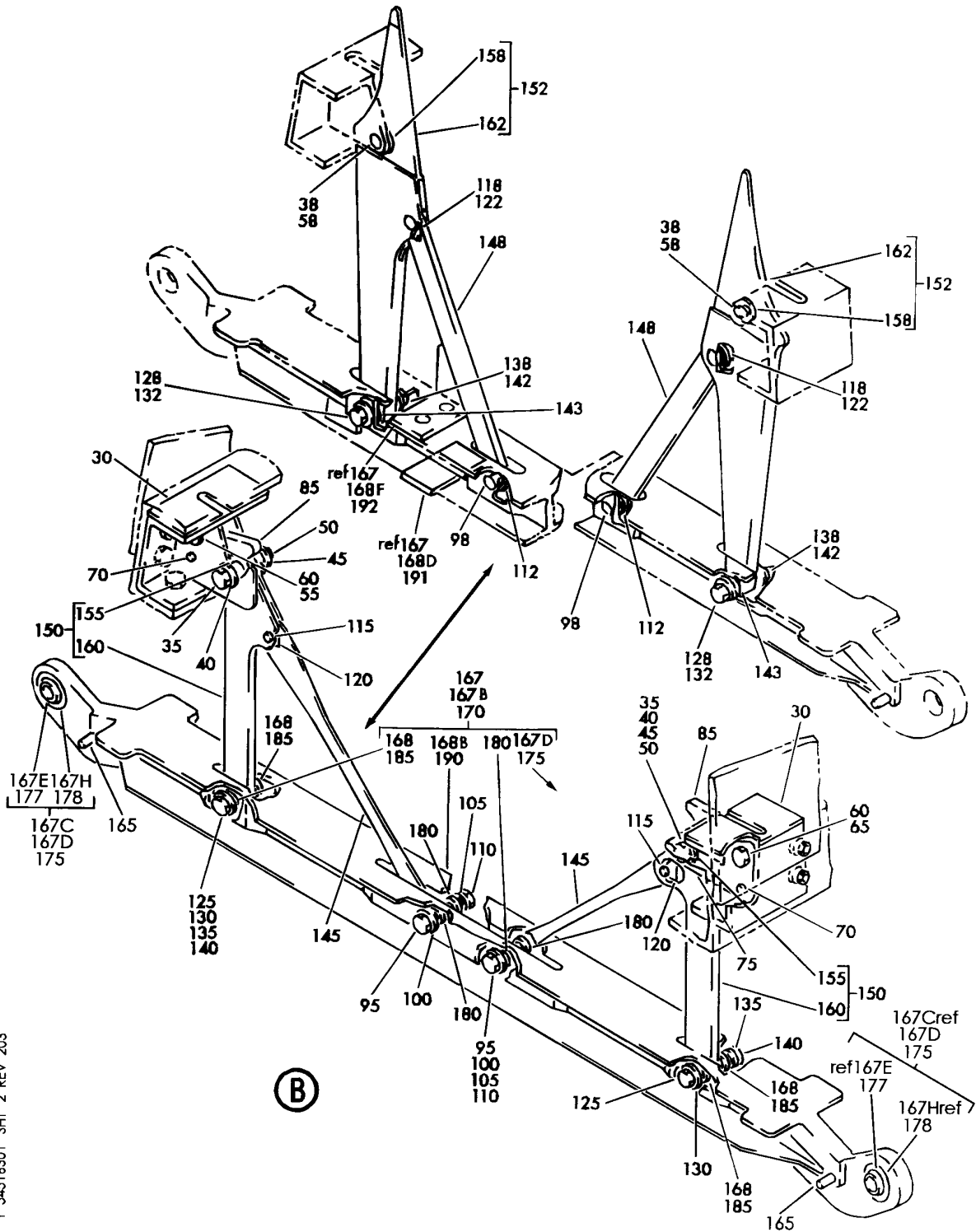
- ITEM NOT ILLUSTRATED

BRI

54-51-62-01

54-51-62
FIG. 01
PAGE 1
SEP 20/08

BOEING
757
PARTS CATALOG (MAINTENANCE)



Y 54516301 SH 2 REV 203

HINGE INSTL-NAC STRUT FAN COWL.
FIGURE 1 (SHEET 2)

54-51-63-01

BRI
MAY 28/07

54-51-63-01
PAGE 0A



757

PARTS CATALOG (MAINTENANCE)

FIG ITEM	PART NUMBER	1 2 3 4 5 6 7	NOMENCLATURE	EFFECT FROM TO	UNITS PER ASSY
1			HINGE INSTL-NAC STRUT FAN COWL.	002004 006999	
- 1	311N5089-8		HINGE INSTL-NAC STRUT FAN COWL. FOR NHA SEE: 54-51-61-01	002004 006100 107107 121503 904999	RF
- 1	311N5089-12		HINGE INSTL-NAC STRUT FAN COWL. FOR NHA SEE: 54-51-61-01	002004 006100 107107 121503 904999	RF
- 1	311N5089-13		HINGE INSTL-NAC STRUT FAN COWL FOR NHA SEE: 54-51-61-01	002004 006100 107107 121503 904999	RF
- 1	311N5089-15		HINGE INSTL-NAC STRUT FAN COWL FOR NHA SEE: 54-00-00-04	101102 504903	RF
- 1	311N5089-21		HINGE INSTL-NAC STRUT FAN COWL FOR NHA SEE: 54-00-00-04	103106 108120	RF
5	BACB30NY6S4		.BOLT- SUPPLIER CODE: V56878 SPECIFICATION NUMBER: BACB30NY6S4 OPTIONAL PART: HL13VSY6-4 V73197 HL13VSY6-4 V92215 HL13VSY6-4 V97928 L801-6S4 V06725 HL13VSY6-4 V60516 L801-6S4 VOPTK6 HL3VSY6-4 V17446 USED ON: 311N5089-1 311N5089-8 311N5089-12	002004 006999	8

MISSING ITEM NUMBERS NOT APPLICABLE

- ITEM NOT ILLUSTRATED

54-51-63-01

54-51-63
FIG. 01
PAGE 1
JAN 20/09

BRI



757

PARTS CATALOG (MAINTENANCE)

FIG ITEM	PART NUMBER	1 2 3 4 5 6 7	NOMENCLATURE	EFFECT FROM TO	UNITS PER ASSY
1 10	HL1187DU6		. COLLAR- SUPPLIER CODE: V5M902 SPECIFICATION NUMBER: BACC30X6S OPTIONAL PART: HL87DU6 V92215 HL87DU6 V73197 HL1187DU6 V56878 HL1187DU6 V92215 HL87DU6 V56878 HL1187DU6 V73197 USED ON: 311N5089-1 311N5089-8 311N5089-12	002004 006999	8

MISSING ITEM NUMBERS NOT APPLICABLE

- ITEM NOT ILLUSTRATED

BRI

54-51-63-01

BOEING PROPRIETARY - Copyright © - Unpublished Work - See title page for details.

54-51-63
FIG. 01
PAGE 2
SEP 20/08



757

PARTS CATALOG (MAINTENANCE)

FIG ITEM	PART NUMBER	1 2 3 4 5 6 7	NOMENCLATURE	EFFECT FROM TO	UNITS PER ASSY
1 15	HL1012AZ6-6		.BOLT- SUPPLIER CODE: V97928 SPECIFICATION NUMBER: BACB30NX6K6 OPTIONAL PART: HL12VAZ6-6 V73197 HL12VAZ6-6 V92215 HL12VAZ6-6 V97928 L802-6K6 V06725 HL12VAZ6-6 V56878 HL1012AZ6-6 VOPTK6 HL1012AZ6-6 V06725 HL1012AZ6-6 V06950 HL1012AZ6-6 V17446 HL1012AZ6-6 V56878 HL1012AZ6-6 V60516 HL1012AZ6-6 V73197 USED ON: 311N5089-1 311N5089-8 311N5089-12	002004 006999	2

MISSING ITEM NUMBERS NOT APPLICABLE

- ITEM NOT ILLUSTRATED

54-51-63-01

54-51-63
FIG. 01
PAGE 3
SEP 20/08

BRI



757

PARTS CATALOG (MAINTENANCE)

FIG ITEM	PART NUMBER	1 2 3 4 5 6 7	NOMENCLATURE	EFFECT FROM TO	UNITS PER ASSY
1 20	HL1012AZ6-5		.BOLT- SUPPLIER CODE: V97928 SPECIFICATION NUMBER: BACB30NX6K5 OPTIONAL PART: HL12VAZ6-5 V73197 HL12VAZ6-5 V92215 HL12VAZ6-5 V97928 L802-6K5 V06725 HL12VAZ6-5 V56878 HL1012AZ6-5 VOPTK6 HL1012AZ6-5 V06725 HL1012AZ6-5 V06950 HL1012AZ6-5 V17446 HL1012AZ6-5 V56878 HL1012AZ6-5 V60516 HL1012AZ6-5 V73197 USED ON: 311N5089-1 311N5089-8 311N5089-12	002004 006999	2

MISSING ITEM NUMBERS NOT APPLICABLE

- ITEM NOT ILLUSTRATED

54-51-63-01

54-51-63
FIG. 01
PAGE 4
SEP 20/08

BRI



757

PARTS CATALOG (MAINTENANCE)

FIG ITEM	PART NUMBER	1 2 3 4 5 6 7	NOMENCLATURE	EFFECT FROM TO	UNITS PER ASSY
1 25	HL1187DU6		.COLLAR- SUPPLIER CODE: V5M902 SPECIFICATION NUMBER: BACC30X6S OPTIONAL PART: HL87DU6 V92215 HL87DU6 V73197 HL1187DU6 V56878 HL1187DU6 V92215 HL87DU6 V56878 HL1187DU6 V73197 USED ON: 311N5089-1 311N5089-8 311N5089-12	002004 006999	4
30	311N5089-3		.SHIM- USED ON: 311N5089-1 311N5089-8 311N5089-12	002004 006999	2
35	NAS6704U12		.BOLT- USED ON: 311N5089-1 311N5089-8 311N5089-12	002004 006999	2
38	MS206156S		.RIVET- SIZE DETERMINED ON INSTL. USED ON: 311N5089-1 311N5089-8 311N5089-12 311N5089-13 311N5089-14 311N5089-15 311N5089-16 311N5089-21	002004 006999	2
40	BACW10BP4ACU		.WASHER- USED ON: 311N5089-1 311N5089-8 311N5089-12	002004 006999	2

MISSING ITEM NUMBERS NOT APPLICABLE

- ITEM NOT ILLUSTRATED

54-51-63-01

54-51-63
FIG. 01
PAGE 5
SEP 20/08

BRI



757

PARTS CATALOG (MAINTENANCE)

FIG ITEM	PART NUMBER	1 2 3 4 5 6 7	NOMENCLATURE	EFFECT FROM TO	UNITS PER ASSY
1	45	BACW10BP4APU	.WASHER- USED ON: 311N5089-1 311N5089-8 311N5089-12	002004 006999	2
	50	BRH10C4M	.NUT- SUPPLIER CODE: V52828 SPECIFICATION NUMBER: BACN10JC4CM OPTIONAL PART: T6C428JM V11815 97E48 V80539 109LH9075-4W V72962 VN303D048 V92215 H01-4BAC V15653 NS202101SE048 V80539 USED ON: 311N5089-1 311N5089-8 311N5089-12	002004 006999	2
	55	BACB28AK04-022	.BUSHING- USED ON: 311N5089-1 311N5089-8 311N5089-12	002004 006999	4
	58	BACS40U3N3C	.SHIM- USED ON: 311N5089-8 311N5089-12 311N5089-13 311N5089-14 311N5089-15 311N5089-16 311N5089-21	002004 006999	2

MISSING ITEM NUMBERS NOT APPLICABLE

- ITEM NOT ILLUSTRATED

54-51-63-01

54-51-63
FIG. 01
PAGE 6
SEP 20/08

BRI



757

PARTS CATALOG (MAINTENANCE)

FIG ITEM	PART NUMBER	1 2 3 4 5 6 7	NOMENCLATURE	EFFECT FROM TO	UNITS PER ASSY
1 60	L8006S11		.BOLT- SUPPLIER CODE: V06725 SPECIFICATION NUMBER: BACB30MY6S11 USED ON: 311N5089-1 311N5089-8 311N5089-12	002004 006999	2
65	HL97DU6		.COLLAR- SUPPLIER CODE: V73197 SPECIFICATION NUMBER: BACC30AB6S OPTIONAL PART: HL97DU6 V56878 HL97DU6 V5M902 USED ON: 311N5089-1 311N5089-8 311N5089-12	002004 006999	2
70	BACR15BB5D		.RIVET- SIZE DETERMINED ON INSTL. USED ON: 311N5089-1 311N5089-8 311N5089-12	002004 006999	2
75	311N5098-1		.SUPPORT- POSITION DATA: LH USED ON: 311N5089-1 311N5089-8 311N5089-12	002004 006999	1
- 80	311N5098-2		.SUPPORT- POSITION DATA: RH USED ON: 311N5089-1 311N5089-8 311N5089-12	002004 006999	1
85	311N5089-2		.PLATE-RETAINING USED ON: 311N5089-1 311N5089-8 311N5089-12	002004 006999	2

MISSING ITEM NUMBERS NOT APPLICABLE

- ITEM NOT ILLUSTRATED

54-51-63-01

54-51-63
FIG. 01
PAGE 7
SEP 20/08

BRI

 **BOEING**
757
PARTS CATALOG (MAINTENANCE)

FIG ITEM	PART NUMBER	1 2 3 4 5 6 7	NOMENCLATURE	EFFECT FROM TO	UNITS PER ASSY
1					
90	BACS40R13W07		.SHIM- USED ON: 311N5089-1 311N5089-8 311N5089-12	002004 006999	4
95	NAS6703U9		.BOLT- USED ON: 311N5089-1 311N5089-8 311N5089-12	002004 006999	2
98	MS206154M		.RIVET- SIZE DETERMINED ON INSTL. USED ON: 311N5089-1 311N5089-8 311N5089-12 311N5089-13 311N5089-14 311N5089-15 311N5089-16 311N5089-21	002004 006999	2
100	BACW10BP3ACU		.WASHER- USED ON: 311N5089-1 311N5089-8 311N5089-12	002004 006999	2
105	BACW10BP3APU		.WASHER- USED ON: 311N5089-1 311N5089-8 311N5089-12	002004 006999	2

MISSING ITEM NUMBERS NOT APPLICABLE

— ITEM NOT ILLUSTRATED

BRI

54-51-63-01

BOEING PROPRIETARY - Copyright © - Unpublished Work - See title page for details.

54-51-63
FIG. 01
PAGE 8
SEP 20/08



757

PARTS CATALOG (MAINTENANCE)

FIG ITEM	PART NUMBER	1 2 3 4 5 6 7	NOMENCLATURE	EFFECT FROM TO	UNITS PER ASSY
1 110	BRH10C3M	.NUT-	SUPPLIER CODE: V52828 SPECIFICATION NUMBER: BACN10JC3CM OPTIONAL PART: T6C1032JM V11815 97E02 V80539 109LH9075-3W V72962 VN303D02 V92215 NS202101SE02 V80539 H01-3BAC V15653 USED ON: 311N5089-1 311N5089-8 311N5089-12	002004 006999	2
112	BACS40R5U5	.SHIM-	USED ON: 311N5089-1 311N5089-8 311N5089-12 311N5089-13	002004 006100 107107 121503 904999	2
112	BACS40R005U005	.SHIM-	USED ON: 311N5089-14 311N5089-15 311N5089-16 311N5089-21	101102 106106 108120 504903	2
115	MS20615-4M	.RIVET-	SIZE DETERMINED ON INSTL. USED ON: 311N5089-1 311N5089-8 311N5089-12	002004 006999	2

MISSING ITEM NUMBERS NOT APPLICABLE

- ITEM NOT ILLUSTRATED

54-51-63-01

54-51-63
FIG. 01
PAGE 9
JAN 20/09

BRI

 **BOEING**
757
PARTS CATALOG (MAINTENANCE)

FIG ITEM	PART NUMBER	1 2 3 4 5 6 7	NOMENCLATURE	EFFECT FROM TO	UNITS PER ASSY
1 118	MS20615-6M		.RIVET- SIZE DETERMINED ON INSTL. USED ON: 311N5089-1 311N5089-8 311N5089-12 311N5089-13 311N5089-14 311N5089-15 311N5089-16 311N5089-21	002004 006999	2
120	BACS40R05U05		.SHIM- USED ON: 311N5089-1 311N5089-8 311N5089-12	002004 006999	2
122	BACS40R6U6		.SHIM- USED ON: 311N5089-1 311N5089-8 311N5089-12 311N5089-13	002004 006100 107107 121503 904999	2
122	BACS40R006U006		.SHIM- USED ON: 311N5089-14 311N5089-15 311N5089-16 311N5089-21	101102 106106 108120 504903	2
125	NAS6704U11		.BOLT- USED ON: 311N5089-1 311N5089-8 311N5089-12	002004 006999	2
128	NAS6704U11		.BOLT- USED ON: 311N5089-1 311N5089-8 311N5089-12 311N5089-13 311N5089-14 311N5089-15 311N5089-16 311N5089-21	002004 006999	2
130	BACW10BP4ACU		.WASHER- USED ON: 311N5089-1 311N5089-8 311N5089-12	002004 006999	2

MISSING ITEM NUMBERS NOT APPLICABLE

— ITEM NOT ILLUSTRATED

BRI

54-51-63-01

BOEING PROPRIETARY - Copyright © - Unpublished Work - See title page for details.

54-51-63
FIG. 01
PAGE 10
JAN 20/09



757

PARTS CATALOG (MAINTENANCE)

FIG ITEM	PART NUMBER	1 2 3 4 5 6 7	NOMENCLATURE	EFFECT FROM TO	UNITS PER ASSY
1 132	BACW10BP4ACU		.WASHER- USED ON: 311N5089-1 311N5089-8 311N5089-12 311N5089-13 311N5089-14 311N5089-15 311N5089-16 311N5089-21	002004 006999	2
135	BACW10BP4APU		.WASHER- USED ON: 311N5089-1 311N5089-8 311N5089-12	002004 006999	2
138	BACW10BP4APU		.WASHER- USED ON: 311N5089-1 311N5089-8 311N5089-12 311N5089-13 311N5089-14 311N5089-15 311N5089-16 311N5089-21	002004 006999	2
140	BRH10C4M		.NUT- SUPPLIER CODE: V52828 SPECIFICATION NUMBER: BACN10JC4CM OPTIONAL PART: T6C428JM V11815 97E48 V80539 109LH9075-4W V72962 VN303D048 V92215 H01-4BAC V15653 NS202101SE048 V80539 USED ON: 311N5089-1 311N5089-8 311N5089-12	002004 006999	2

MISSING ITEM NUMBERS NOT APPLICABLE

- ITEM NOT ILLUSTRATED

54-51-63-01

54-51-63
FIG. 01
PAGE 11
SEP 20/08

BRI



757

PARTS CATALOG (MAINTENANCE)

FIG ITEM	PART NUMBER	1 2 3 4 5 6 7	NOMENCLATURE	EFFECT FROM TO	UNITS PER ASSY
1 142	BRH10C4M	.NUT-	SUPPLIER CODE: V52828 SPECIFICATION NUMBER: BACN10JC4CM OPTIONAL PART: T6C428JM V11815 97E48 V80539 109LH9075-4W V72962 VN303D048 V92215 H01-4BAC V15653 NS202101SE048 V80539 USED ON: 311N5089-1 311N5089-8 311N5089-12 311N5089-13 311N5089-14 311N5089-15 311N5089-16 311N5089-21	002004 006999	2
143	BACS40U4N1C	.SHIM-	USED ON: 311N5089-1 311N5089-8 311N5089-12 311N5089-13 311N5089-14 311N5089-15 311N5089-16 311N5089-21	002004 006999	2
145	311N5097-2	.LINK-	USED ON: 311N5089-1 311N5089-8 311N5089-12	002004 006999	2

MISSING ITEM NUMBERS NOT APPLICABLE

- ITEM NOT ILLUSTRATED

54-51-63-01

54-51-63
FIG. 01
PAGE 12
SEP 20/08

BRI

BOEING
757
PARTS CATALOG (MAINTENANCE)

FIG ITEM	PART NUMBER	1 2 3 4 5 6 7	NOMENCLATURE	EFFECT FROM TO	UNITS PER ASSY
1 148	311N5166-2		.LINK- USED ON: 311N5089-1 311N5089-8 311N5089-12 311N5089-13 311N5089-14 311N5089-15 311N5089-16 311N5089-21	002004 006999	2
150	311N5097-1		.LINK ASSY- USED ON: 311N5089-1 311N5089-8 311N5089-12	002004 006999	2
152	311N5166-1		.LINK ASSY- USED ON: 311N5089-1 311N5089-8 311N5089-12 311N5089-13 311N5089-14 311N5089-15 311N5089-16 311N5089-21	002004 006999	2
155	AG4VCR		..BEARING- SUPPLIER CODE: V15860 SPECIFICATION NUMBER: BACB10AG4 OPTIONAL PART: BSSN4797S V81376 HSBG4-117 V02758 NG4F V73134 NC4G2 V56644 BNG4E111 V16746 ABG4V5 VS0352 03-505-04E033 V09455 BACB10AG4M USED ON: 311N5097-1	002004 006999	1

R
R
R
R
R
R
R
R
R
R
R
R
R
R
R
R
R
R
R
R
R
R

MISSING ITEM NUMBERS NOT APPLICABLE

- ITEM NOT ILLUSTRATED

BRI

54-51-63-01

BOEING PROPRIETARY - Copyright © - Unpublished Work - See title page for details.

54-51-63
FIG. 01
PAGE 13
MAY 20/09

BOEING
757
PARTS CATALOG (MAINTENANCE)

FIG ITEM	PART NUMBER	1 2 3 4 5 6 7	NOMENCLATURE	EFFECT FROM TO	UNITS PER ASSY
1 155	ABG4V5-12		.. BEARING- SUPPLIER CODE: VS0352 SPECIFICATION NUMBER: BACB10AG4M OPTIONAL PART: AG4VCR12 V15860 BSSN4797SM2 V81376 HSBG4-117M V02758 NG4FM V73134 NC4G2DM V56644 KSBG4-25CRD5 V97613 BNG4ME111 V16746 03-505-04E035 V09455 BACB10AG4 USED ON: 311N5097-1	002004 006999	1
R R	158		.. BEARING- SUPPLIER CODE: V15860 SPECIFICATION NUMBER: BACB10AG3M OPTIONAL PART: HSBG3-117M V02758 KSBG3-25CRD5 V97613 NG3FM V73134 NC3G2DM V56644 03-505-03E035 V09455 ABG3V5-12 VS0352 AG3VCR12 V15860 USED ON: 311N5166-1	002004 006999	1

MISSING ITEM NUMBERS NOT APPLICABLE

— ITEM NOT ILLUSTRATED

BRI

54-51-63-01

BOEING PROPRIETARY - Copyright © - Unpublished Work - See title page for details.

54-51-63
FIG. 01
PAGE 14
MAY 20/09



757

PARTS CATALOG (MAINTENANCE)

FIG ITEM	PART NUMBER	1 2 3 4 5 6 7	NOMENCLATURE	EFFECT FROM TO	UNITS PER ASSY
1					
160	311N5097-3	..	LINK- USED ON: 311N5097-1	002004 006999	1
162	311N5166-3	..	LINK- USED ON: 311N5166-1	002004 006999	1
165	MS16562-254	.PIN-	USED ON: 311N5089-1 311N5089-8 311N5089-12 PRE SERVICE BULLETIN: 71-0001	002004 006100 107107 121503 904999	2
170	311N5090-1	.BEAM ASSY-HINGE	USED ON: 311N5089-1 311N5089-8 311N5089-12	002004 006999	1
170	311N5090-3	.BEAM ASSY-HINGE	USED ON: 311N5089-8 311N5089-12 311N5089-13	002004 006100 103503 904999	1
170	311N5090-5	.BEAM ASSY-HINGE	USED ON: 311N5089-12	002004 006999	1
170	311N5090-7	.BEAM ASSY-HINGE	USED ON: 311N5089-13 311N5089-14 311N5089-15 311N5089-16 311N5089-21	002004 006999	1
175	AMB6V4034	..BEARING ASSY-SPHERICAL	SUPPLIER CODE: V15860 SPECIFICATION NUMBER: S302T001-203 OPTIONAL PART: VTB04440 V06710 P20630 V57606	002004 006999	2
180	BACB28U3F015	..BUSHING-	USED ON: 311N5090-1 311N5090-5	002004 006999	4
185	BACB28U4F015	..BUSHING		002004 006999	4

MISSING ITEM NUMBERS NOT APPLICABLE

- ITEM NOT ILLUSTRATED

54-51-63-01

54-51-63
FIG. 01
PAGE 15
JAN 20/09

BRI

BOEING PROPRIETARY - Copyright © - Unpublished Work - See title page for details.



757

PARTS CATALOG (MAINTENANCE)

FIG ITEM	PART NUMBER	1 2 3 4 5 6 7	NOMENCLATURE	EFFECT FROM TO	UNITS PER ASSY
1					
190	311N5090-2		..BEAM- USED ON: 311N5090-1	002004 006999	1
190	311N5090-4		..BEAM- USED ON: 311N5090-3	002004 006100 103503 904999	1
190	311N5090-6		..BEAM- USED ON: 311N5090-5	002004 006999	1
190	311N5090-8		..BEAM- USED ON: 311N5090-7	002004 006999	1
191	312N5866-1		.BRACKET- USED ON: 311N5089-8 311N5089-12 311N5089-13 311N5089-14 311N5089-15 311N5089-16 311N5089-21	002004 006999	1
192	312N5866-2		.BRACKET- USED ON: 311N5089-8 311N5089-12 311N5089-13 311N5089-14 311N5089-15 311N5089-16 311N5089-21	002004 006999	1

MISSING ITEM NUMBERS NOT APPLICABLE

- ITEM NOT ILLUSTRATED

BRI

54-51-63-01

BOEING PROPRIETARY - Copyright © - Unpublished Work - See title page for details.

54-51-63
FIG. 01
PAGE 16
JAN 20/09



757

PARTS CATALOG (MAINTENANCE)

FIG ITEM	PART NUMBER	1 2 3 4 5 6 7	NOMENCLATURE	EFFECT FROM TO	UNITS PER ASSY
1			ATTACHING PARTS		
- 193	HL448PZ5-3		.BOLT	002004	4
			SUPPLIER CODE:	006999	
			V60516		
			SPECIFICATION NUMBER:		
			BACB30MB5A3U		
			OPTIONAL PART:		
			HL48-5-3		
			V73197		
			HL48-5-3		
			V92215		
			HL48-5-3		
			V97928		
			HL48-5-3		
			V80539		
			69308-5A3U		
			V56878		
			HL48-5-3		
			V08524		
			HL48-5-3		
			V56878		
			HL48-5-3		
			V9N513		
			HL448PZ5-3		
			V56878		
			HL448PZ5-3		
			V73197		
			HL448PZ5-3		
			V80539		
			HL448PZ5-3		
			V9N513		
			HL448PZ5-3		
			V97928		

MISSING ITEM NUMBERS NOT APPLICABLE

- ITEM NOT ILLUSTRATED

54-51-63-01

54-51-63
FIG. 01
PAGE 17
SEP 20/08

BRI

 **BOEING**
757
PARTS CATALOG (MAINTENANCE)

FIG ITEM	PART NUMBER	1 2 3 4 5 6 7	NOMENCLATURE	EFFECT FROM TO	UNITS PER ASSY
1 - 194	HL1187DU5		.COLLAR- SUPPLIER CODE: V5M902 SPECIFICATION NUMBER: BACC30X5S OPTIONAL PART: HL87DU5 V92215 HL86DU5 V73197 HL86DU5 V92215 HL87DU5 V73197 HL1187DU5 V56878 HL1187DU5 V92215 HL87DU5 V56878 HL86DU5 V56878 HL1187DU5 V73197	002004 006102 107107 121999	4
- 194	HL1087DU5		.COLLAR- SUPPLIER CODE: V56878 SPECIFICATION NUMBER: BACC30BH5S OPTIONAL PART: HL1087DU5 V73197 HL1087DU5 V9N513 -----*	103106 108120	4

MISSING ITEM NUMBERS NOT APPLICABLE

- ITEM NOT ILLUSTRATED

BRI

54-51-63-01

BOEING PROPRIETARY - Copyright © - Unpublished Work - See title page for details.

54-51-63
FIG. 01
PAGE 18
JAN 20/09



757

PARTS CATALOG (MAINTENANCE)

FIG ITEM	PART NUMBER	1 2 3 4 5 6 7	NOMENCLATURE	EFFECT FROM TO	UNITS PER ASSY
1 195	HL1012AZ8-12		.BOLT- SUPPLIER CODE: V97928 SPECIFICATION NUMBER: BACB30NX8K12 OPTIONAL PART: HL12VAZ8-12 V73197 HL12VAZ8-12 V92215 HL12VAZ8-12 V97928 L802-8K12 V06725 HL12VAZ8-12 V56878 HL1012AZ8-12 V73197 HL1012AZ8-12 V60516 HL1012AZ8-12 V56878 HL1012AZ8-12 V17446 HL1012AZ8-12 V06950 HL1012AZ8-12 V06725 HL1012AZ8-12 VOPTK6 REWORK DRAWING REF: 311N5135-1 USED ON: 311N5089-1 311N5089-8 311N5089-12	002004 006100 103503 904999	4

MISSING ITEM NUMBERS NOT APPLICABLE

- ITEM NOT ILLUSTRATED

BRI

54-51-63-01

BOEING PROPRIETARY - Copyright © - Unpublished Work - See title page for details.

54-51-63
FIG. 01
PAGE 19
JAN 20/09



757

PARTS CATALOG (MAINTENANCE)

FIG ITEM	PART NUMBER	1 2 3 4 5 6 7	NOMENCLATURE	EFFECT FROM TO	UNITS PER ASSY
1 195	HL1012AZ8-14		.BOLT- SUPPLIER CODE: VOPTK6 SPECIFICATION NUMBER: BACB30NX8K14 OPTIONAL PART: HL12VAZ8-14 V73197 HL12VAZ8-14 V92215 HL12VAZ8-14 V97928 L802-8K14 V06725 HL12VAZ8-14 V56878 HL1012AZ8-14 V06725 HL1012AZ8-14 V06950 HL1012AZ8-14 V17446 HL1012AZ8-14 V56878 HL1012AZ8-14 V60516 HL1012AZ8-14 V73197 HL1012AZ8-14 V97928 USED ON: 311N5089-8 311N5089-12 311N5089-13 311N5089-14 311N5089-15 311N5089-16 311N5089-21	002004 006999	4

MISSING ITEM NUMBERS NOT APPLICABLE

- ITEM NOT ILLUSTRATED

54-51-63-01

BRI

BOEING PROPRIETARY - Copyright © - Unpublished Work - See title page for details.

54-51-63
FIG. 01
PAGE 20
SEP 20/08



757

PARTS CATALOG (MAINTENANCE)

FIG ITEM	PART NUMBER	1 2 3 4 5 6 7	NOMENCLATURE	EFFECT FROM TO	UNITS PER ASSY
1 200	HL1012AZ8-15		.BOLT- SUPPLIER CODE: VOPTK6 SPECIFICATION NUMBER: BACB30NX8K15 OPTIONAL PART: HL12VAZ8-15 V73197 HL12VAZ8-15 V92215 HL12VAZ8-15 V97928 L802-8K15 V06725 HL12VAZ8-15 V56878 HL1012AZ8-15 V06725 HL1012AZ8-15 V06950 HL1012AZ8-15 V17446 HL1012AZ8-15 V56878 HL1012AZ8-15 V60516 HL1012AZ8-15 V73197 HL1012AZ8-15 V97928 USED ON: 311N5089-8 311N5089-12 311N5089-13 311N5089-14 311N5089-15 311N5089-16 311N5089-21	002004 006999	4

MISSING ITEM NUMBERS NOT APPLICABLE

- ITEM NOT ILLUSTRATED

BRI

54-51-63-01

BOEING PROPRIETARY - Copyright © - Unpublished Work - See title page for details.

54-51-63
FIG. 01
PAGE 21
SEP 20/08



757

PARTS CATALOG (MAINTENANCE)

FIG ITEM	PART NUMBER	1 2 3 4 5 6 7	NOMENCLATURE	EFFECT FROM TO	UNITS PER ASSY
1 208	HL1012AZ8-10		.BOLT- SUPPLIER CODE: VOPTK6 SPECIFICATION NUMBER: BACB30NX8K10 OPTIONAL PART: HL12VAZ8-10 V73197 HL12VAZ8-10 V92215 HL12VAZ8-10 V97928 L802-8K10 V06725 HL12VAZ8-10 V56878 HL1012AZ8-10 V06725 HL1012AZ8-10 V06950 HL1012AZ8-10 V17446 HL1012AZ8-10 V56878 HL1012AZ8-10 V60516 HL1012AZ8-10 V73197 HL1012AZ8-10 V97928	002004 006999	2

MISSING ITEM NUMBERS NOT APPLICABLE

- ITEM NOT ILLUSTRATED

BRI

54-51-63-01

BOEING PROPRIETARY - Copyright © - Unpublished Work - See title page for details.

54-51-63
FIG. 01
PAGE 22
SEP 20/08



757

PARTS CATALOG (MAINTENANCE)

FIG ITEM	PART NUMBER	1 2 3 4 5 6 7	NOMENCLATURE	EFFECT FROM TO	UNITS PER ASSY
1 210	HL1012AZ8-13		.BOLT- SUPPLIER CODE: VOPTK6 SPECIFICATION NUMBER: BACB30NX8K13 OPTIONAL PART: HL12VAZ8-13 V73197 HL12VAZ8-13 V92215 HL12VAZ8-13 V97928 L802-8K13 V06725 HL12VAZ8-13 V56878 HL1012AZ8-13 V06725 HL1012AZ8-13 V06950 HL1012AZ8-13 V17446 HL1012AZ8-13 V56878 HL1012AZ8-13 V60516 HL1012AZ8-13 V73197 HL1012AZ8-13 V97928	002004 006999	2

MISSING ITEM NUMBERS NOT APPLICABLE

- ITEM NOT ILLUSTRATED

BRI

54-51-63-01

BOEING PROPRIETARY - Copyright © - Unpublished Work - See title page for details.

54-51-63
FIG. 01
PAGE 23
SEP 20/08



757

PARTS CATALOG (MAINTENANCE)

FIG ITEM	PART NUMBER	1 2 3 4 5 6 7	NOMENCLATURE	EFFECT FROM TO	UNITS PER ASSY
1 211	HL1012AZ8-10		.BOLT- SUPPLIER CODE: VOPTK6 SPECIFICATION NUMBER: BACB30NX8K10 OPTIONAL PART: HL12VAZ8-10 V73197 HL12VAZ8-10 V92215 HL12VAZ8-10 V97928 L802-8K10 V06725 HL12VAZ8-10 V56878 HL1012AZ8-10 V06725 HL1012AZ8-10 V06950 HL1012AZ8-10 V17446 HL1012AZ8-10 V56878 HL1012AZ8-10 V60516 HL1012AZ8-10 V73197 HL1012AZ8-10 V97928	002004 006100 103503 904999	4

MISSING ITEM NUMBERS NOT APPLICABLE

- ITEM NOT ILLUSTRATED

54-51-63-01

54-51-63
FIG. 01
PAGE 24
JAN 20/09

BRI



757

PARTS CATALOG (MAINTENANCE)

FIG ITEM	PART NUMBER	1 2 3 4 5 6 7	NOMENCLATURE	EFFECT FROM TO	UNITS PER ASSY
1 214	HL1012AZ8-13	.BOLT-	SUPPLIER CODE: VOPTK6 SPECIFICATION NUMBER: BACB30NX8K13 OPTIONAL PART: HL12VAZ8-13 V73197 HL12VAZ8-13 V92215 HL12VAZ8-13 V97928 L802-8K13 V06725 HL12VAZ8-13 V56878 HL1012AZ8-13 V06725 HL1012AZ8-13 V06950 HL1012AZ8-13 V17446 HL1012AZ8-13 V56878 HL1012AZ8-13 V60516 HL1012AZ8-13 V73197 HL1012AZ8-13 V97928	002004 006999	2
215	K29646-104NF	.WASHER-	SUPPLIER CODE: V15653 SPECIFICATION NUMBER: BACW10CA104CVU OPTIONAL PART: 70188-104U V56878 922009-4 V60119 942009-4 V60119	002004 006100 103503 904999	4

MISSING ITEM NUMBERS NOT APPLICABLE

- ITEM NOT ILLUSTRATED

54-51-63-01

54-51-63
FIG. 01
PAGE 25
JAN 20/09

BRI



757

PARTS CATALOG (MAINTENANCE)

FIG ITEM	PART NUMBER	1 2 3 4 5 6 7	NOMENCLATURE	EFFECT FROM TO	UNITS PER ASSY
1 220	K29913-104NF		.WASHER- SUPPLIER CODE: V15653 SPECIFICATION NUMBER: BACW10CA104CCU OPTIONAL PART: 70191-104U V56878 922010-4 V60119 942010-4 V60119	002004 006999	4
223	BACW10BP4APU		.WASHER- QUALIFIED OPTIONAL DATA: NAS1805-4 USED WITH BACW10BP4APU OPT TO BACC30X8S USED ON: 311N5089-13 311N5089-14 311N5089-15 311N5089-21 USED WITH: NAS1805-4	002004 006999	2
225	HL1187DU8		.COLLAR- SUPPLIER CODE: V5M902 SPECIFICATION NUMBER: BACC30X8S OPTIONAL PART: HL87DU8 V92215 HL87DU8 V73197 HL1187DU8 V56878 HL1187DU8 V92215 HL87DU8 V56878 HL1187DU8 V73197 USED ON: 311N5089-1 311N5089-8 311N5089-12	002004 006100 103503 904999	16

MISSING ITEM NUMBERS NOT APPLICABLE

- ITEM NOT ILLUSTRATED

54-51-63-01

54-51-63
FIG. 01
PAGE 26
JAN 20/09

BRI



757

PARTS CATALOG (MAINTENANCE)

FIG ITEM	PART NUMBER	1 2 3 4 5 6 7	NOMENCLATURE	EFFECT FROM TO	UNITS PER ASSY
1 226	HL1187DU8		. COLLAR- SUPPLIER CODE: V5M902 SPECIFICATION NUMBER: BACC30X8S OPTIONAL PART: HL87DU8 V92215 HL87DU8 V73197 HL1187DU8 V56878 HL1187DU8 V92215 HL87DU8 V56878 HL1187DU8 V73197 USED ON: 311N5089-13 311N5089-14 311N5089-15	002004 006102 107107 121999	14
226	HL1087DU8		. COLLAR- SUPPLIER CODE: V9N513 SPECIFICATION NUMBER: BACC30BH8S OPTIONAL PART: HL1087DU8 V92215 HL1087DU8 V73197 HL1087DU8 V56878 USED ON: 311N5089-16 311N5089-21	103106 108120	14

MISSING ITEM NUMBERS NOT APPLICABLE

- ITEM NOT ILLUSTRATED

BRI

54-51-63-01

BOEING PROPRIETARY - Copyright © - Unpublished Work - See title page for details.

54-51-63
FIG. 01
PAGE 27
JAN 20/09



757

PARTS CATALOG (MAINTENANCE)

FIG ITEM	PART NUMBER	1 2 3 4 5 6 7	NOMENCLATURE	EFFECT FROM TO	UNITS PER ASSY
1 227	HL1187DU8		. COLLAR- SUPPLIER CODE: V5M902 SPECIFICATION NUMBER: BACC30X8S OPTIONAL PART: HL87DU8 V92215 HL87DU8 V73197 HL1187DU8 V56878 HL1187DU8 V92215 HL87DU8 V56878 HL1187DU8 V73197 QUALIFIED OPTIONAL DATA: NAS1805-4 USED WITH BACW10BP4APU OPT TO BACC30X8S USED ON: 311N5089-13 311N5089-14 311N5089-15	002004 006102 107107 121999	2
227	HL1087DU8		. COLLAR- SUPPLIER CODE: V9N513 SPECIFICATION NUMBER: BACC30BH8S OPTIONAL PART: HL1087DU8 V92215 HL1087DU8 V73197 HL1087DU8 V56878 311N5089-17 USED ON: 311N5089-16 311N5089-21	103106 108120	2

MISSING ITEM NUMBERS NOT APPLICABLE

- ITEM NOT ILLUSTRATED

54-51-63-01

54-51-63
FIG. 01
PAGE 28
JAN 20/09

BRI



757

PARTS CATALOG (MAINTENANCE)

FIG ITEM	PART NUMBER	1 2 3 4 5 6 7	NOMENCLATURE	EFFECT FROM TO	UNITS PER ASSY
1 228	NAS1805-4	.NUT-	QUALIFIED OPTIONAL DATA: NAS1805-4 USED WITH BACW10BP4APU OPT TO BACC30X8S USED ON: 311N5089-13 311N5089-14 311N5089-15 USED WITH: BACW10BP4APU	002004 006999	2
234	311N5089-10	.SHIM-		002004 006999	2
239	311N5091-7	.HINGE ASSY-		002004 107107 121503 904949 952952	1
239	311N5091-11	.HINGE ASSY-		006102 504903 950951 953999	1
239	311N5091-31	.HINGE ASSY-		103106 108120	1
240	311N5091-8	.HINGE ASSY-		002004 107107 121503 904949 952952	1
240	311N5091-12	.HINGE ASSY-		006102 504903 950951 953999	1
240	311N5091-32	.HINGE ASSY-		103106 108120	1
245	AMB6V4034	..BEARING ASSY-SPHERICAL	SUPPLIER CODE: V15860 SPECIFICATION NUMBER: S302T001-203 OPTIONAL PART: VTB04440 V06710 P20630 V57606	002004 006999	1

MISSING ITEM NUMBERS NOT APPLICABLE

- ITEM NOT ILLUSTRATED

54-51-63-01

54-51-63
FIG. 01
PAGE 29
JAN 20/09

BRI



757

PARTS CATALOG (MAINTENANCE)

FIG ITEM	PART NUMBER	1 2 3 4 5 6 7	NOMENCLATURE	EFFECT FROM TO	UNITS PER ASSY
1					
250	311N5091-9	..	FITTING- OPTIONAL PART: 311N5091-8702 USED ON: 311N5091-7	002004 006008 107107 121503 904949 952999	1
250	311N5091-8702	..	FITTING- OPTIONAL PART: 311N5091-9 USED ON: 311N5091-7	002004 006008 107107 121503 904949 952999	1
250	311N5091-13	..	FITTING- USED ON: 311N5091-11	006102 504903 950951 953999	1
250	311N5091-29	..	FITTING-	103106 108120	1
255	311N5091-10	..	FITTING- OPTIONAL PART: 311N5091-8703 USED ON: 311N5091-8	002004 006008 107107 121503 904949 952999	1
255	311N5091-8703	..	FITTING- OPTIONAL PART: 311N5091-10 USED ON: 311N5091-8	002004 006008 107107 121503 904949 952999	1
255	311N5091-14	..	FITTING- USED ON: 311N5091-12	009102 504903 950951	1
255	311N5091-30	..	FITTING-	103106 108120	1
265	BACB30LE4U10	.BOLT-	USED ON: 311N5089-1 311N5089-8 311N5089-12 311N5089-14 311N5089-15 311N5089-21	002004 006100 103503 904999	2
265	BACB30LE4U8	.BOLT-	USED ON: 311N5089-13	002004 006100 103503 904999	2

MISSING ITEM NUMBERS NOT APPLICABLE

- ITEM NOT ILLUSTRATED

54-51-63-01

54-51-63
FIG. 01
PAGE 30
JAN 20/09

BRI



757

PARTS CATALOG (MAINTENANCE)

FIG ITEM	PART NUMBER	1 2 3 4 5 6 7	NOMENCLATURE	EFFECT FROM TO	UNITS PER ASSY
1					
270	BACB30LE4U11	.BOLT-	USED ON: 311N5089-13	002004 006100 103503 904999	2
270	BACB30LE4U13	.BOLT-	USED ON: 311N5089-1 311N5089-8 311N5089-12 311N5089-14 311N5089-15 311N5089-21	002004 006100 103503 904999	2
272	BACW10BP4APU	.WASHER		002004 006999	4
277	BACW10BP4ACU	.WASHER-		002004 006999	4
280	BMM10HRCPD3-4	.NUT	SUPPLIER CODE: V97928 SPECIFICATION NUMBER: BACN10HR4CS OPTIONAL PART: H39953-4 V15653 109LH9031-4 V72962 67832AS428 V56878 BH00303-4 V27238 SL7059C428 V11815 BH003034 V27238 BMN5024CPD34 V97928 CR59084 V62554 109LH90314 V72962 67832AS4 V56878 BMN10HRCPD3-4 V97928 SL705094 V11815	002004 006999	4

MISSING ITEM NUMBERS NOT APPLICABLE

- ITEM NOT ILLUSTRATED

54-51-63-01

54-51-63
FIG. 01
PAGE 31
JAN 20/09

BRI



757

PARTS CATALOG (MAINTENANCE)

FIG ITEM	PART NUMBER	1 2 3 4 5 6 7	NOMENCLATURE	EFFECT FROM TO	UNITS PER ASSY
1 285	HL1012AZ8-8		.BOLT- SUPPLIER CODE: VOPTK6 SPECIFICATION NUMBER: BACB30NX8K8 OPTIONAL PART: HL12VAZ8-8 V73197 HL12VAZ8-8 V92215 HL12VAZ8-8 V97928 L802-8K8 V06725 HL12VAZ8-8 V56878 HL1012AZ8-8 V06725 HL1012AZ8-8 V06950 HL1012AZ8-8 V17446 HL1012AZ8-8 V56878 HL1012AZ8-8 V60516 HL1012AZ8-8 V73197 HL1012AZ8-8 V97928	002004 006999	2

MISSING ITEM NUMBERS NOT APPLICABLE

- ITEM NOT ILLUSTRATED

BRI

54-51-63-01

BOEING PROPRIETARY - Copyright © - Unpublished Work - See title page for details.

54-51-63
FIG. 01
PAGE 32
JAN 20/09



757

PARTS CATALOG (MAINTENANCE)

FIG ITEM	PART NUMBER	1 2 3 4 5 6 7	NOMENCLATURE	EFFECT FROM TO	UNITS PER ASSY
1 290	HL1012AZ8-11	.BOLT-	SUPPLIER CODE: VOPTK6 SPECIFICATION NUMBER: BACB30NX8K11 OPTIONAL PART: HL12VAZ8-11 V73197 HL12VAZ8-11 V92215 HL12VAZ8-11 V97928 L802-8K11 V06725 HL12VAZ8-11 V56878 HL1012AZ8-11 V06725 HL1012AZ8-11 V06950 HL1012AZ8-11 V17446 HL1012AZ8-11 V56878 HL1012AZ8-11 V60516 HL1012AZ8-11 V73197 HL1012AZ8-11 V97928	002004 006100 103503 904999	2
295	HL1187DU8	.COLLAR-	SUPPLIER CODE: V5M902 SPECIFICATION NUMBER: BACC30X8S OPTIONAL PART: HL87DU8 V92215 HL87DU8 V73197 HL1187DU8 V56878 HL1187DU8 V92215 HL87DU8 V56878 HL1187DU8 V73197	002004 006102 107107 121999	4

MISSING ITEM NUMBERS NOT APPLICABLE

- ITEM NOT ILLUSTRATED

54-51-63-01

54-51-63
FIG. 01
PAGE 33
JAN 20/09

BRI



757

PARTS CATALOG (MAINTENANCE)

FIG ITEM	PART NUMBER	1 2 3 4 5 6 7	NOMENCLATURE	EFFECT FROM TO	UNITS PER ASSY
1 295	HL1087DU8		.COLLAR- SUPPLIER CODE: V9N513 SPECIFICATION NUMBER: BACC30BH8S OPTIONAL PART: HL1087DU8 V92215 HL1087DU8 V73197 HL1087DU8 V56878 USED ON: 311N5089-16 311N5089-21	103106 108120	4
300	311N5089-9		.SHIM-	002004 006999	2
305	311N5092-7		.HINGE ASSY-	002004 006100 103503 904999	1
310	311N5092-8		.HINGE ASSY-	002004 006100 103503 904999	1
315	AMB6V4034		..BEARING ASSY-SPHERICAL SUPPLIER CODE: V15860 SPECIFICATION NUMBER: S302T001-203 OPTIONAL PART: VTB04440 V06710 P20630 V57606	002004 006999	1
320	311N5092-9		..FITTING- OPTIONAL PART: 311N5092-8702 USED ON: 311N5092-7	002004 006100 103503 904999	1
320	311N5092-8702		..FITTING- OPTIONAL PART: 311N5092-9 USED ON: 311N5092-7	002004 006100 103503 904999	1

MISSING ITEM NUMBERS NOT APPLICABLE

- ITEM NOT ILLUSTRATED

54-51-63-01

54-51-63
FIG. 01
PAGE 34
JAN 20/09

BRI



757

PARTS CATALOG (MAINTENANCE)

FIG ITEM	PART NUMBER	1 2 3 4 5 6 7	NOMENCLATURE	EFFECT FROM TO	UNITS PER ASSY
1 325	311N5092-10		.. FITTING- OPTIONAL PART: 311N5092-8703 USED ON: 311N5092-8	002004 006100 103503 904999	1
325	311N5092-8703		.. FITTING- OPTIONAL PART: 311N5092-10 USED ON: 311N5092-8	002004 006100 103503 904999	1
335	HL1012AZ8-10		. BOLT SUPPLIER CODE: VOPTK6 SPECIFICATION NUMBER: BACB30NX8K10 OPTIONAL PART: HL12VAZ8-10 V73197 HL12VAZ8-10 V92215 HL12VAZ8-10 V97928 L802-8K10 V06725 HL12VAZ8-10 V56878 HL1012AZ8-10 V06725 HL1012AZ8-10 V06950 HL1012AZ8-10 V17446 HL1012AZ8-10 V56878 HL1012AZ8-10 V60516 HL1012AZ8-10 V73197 HL1012AZ8-10 V97928	002004 006999	4

MISSING ITEM NUMBERS NOT APPLICABLE

- ITEM NOT ILLUSTRATED

54-51-63-01

54-51-63
FIG. 01
PAGE 35
JAN 20/09

BRI



757

PARTS CATALOG (MAINTENANCE)

FIG ITEM	PART NUMBER	1 2 3 4 5 6 7	NOMENCLATURE	EFFECT FROM TO	UNITS PER ASSY
1 340	HL1012AZ8-12		.BOLT SUPPLIER CODE: V97928 SPECIFICATION NUMBER: BACB30NX8K12 OPTIONAL PART: HL12VAZ8-12 V73197 HL12VAZ8-12 V92215 HL12VAZ8-12 V97928 L802-8K12 V06725 HL12VAZ8-12 V56878 HL1012AZ8-12 V73197 HL1012AZ8-12 V60516 HL1012AZ8-12 V56878 HL1012AZ8-12 V17446 HL1012AZ8-12 V06950 HL1012AZ8-12 V06725 HL1012AZ8-12 VOPTK6	002004 006100 103503 904999	4

MISSING ITEM NUMBERS NOT APPLICABLE

- ITEM NOT ILLUSTRATED

BRI

54-51-63-01

BOEING PROPRIETARY - Copyright © - Unpublished Work - See title page for details.

54-51-63
FIG. 01
PAGE 36
JAN 20/09



757

PARTS CATALOG (MAINTENANCE)

FIG ITEM	PART NUMBER	1 2 3 4 5 6 7	NOMENCLATURE	EFFECT FROM TO	UNITS PER ASSY
1 345	HL1012AZ8-11		.BOLT- SUPPLIER CODE: VOPTK6 SPECIFICATION NUMBER: BACB30NX8K11 OPTIONAL PART: HL12VAZ8-11 V73197 HL12VAZ8-11 V92215 HL12VAZ8-11 V97928 L802-8K11 V06725 HL12VAZ8-11 V56878 HL1012AZ8-11 V06725 HL1012AZ8-11 V06950 HL1012AZ8-11 V17446 HL1012AZ8-11 V56878 HL1012AZ8-11 V60516 HL1012AZ8-11 V73197 HL1012AZ8-11 V97928 USED ON: 311N5089-1 311N5089-12 311N5089-13 311N5089-14 311N5089-15 311N5089-21	002004 006100 103503 904999	4

MISSING ITEM NUMBERS NOT APPLICABLE

- ITEM NOT ILLUSTRATED

BRI

54-51-63-01

BOEING PROPRIETARY - Copyright © - Unpublished Work - See title page for details.

54-51-63
FIG. 01
PAGE 37
JAN 20/09



757

PARTS CATALOG (MAINTENANCE)

FIG ITEM	PART NUMBER	1 2 3 4 5 6 7	NOMENCLATURE	EFFECT FROM TO	UNITS PER ASSY
1 345	HL1012AZ8-17		.BOLT- SUPPLIER CODE: VOPTK6 SPECIFICATION NUMBER: BACB30NX8K17 OPTIONAL PART: HL12VAZ8-17 V73197 HL12VAZ8-17 V92215 HL12VAZ8-17 V97928 L802-8K17 V06725 HL12VAZ8-17 V86878 HL1012AZ8-17 V06725 HL1012AZ8-17 V06950 HL1012AZ8-17 V17446 HL1012AZ8-17 V56878 HL1012AZ8-17 V60516 HL1012AZ8-17 V73197 HL1012AZ8-17 V97928 USED ON: 311N5089-1 311N5089-8 311N5089-12 311N5089-13	002004 006100 103503 904999	4

MISSING ITEM NUMBERS NOT APPLICABLE

- ITEM NOT ILLUSTRATED

BRI

54-51-63-01

BOEING PROPRIETARY - Copyright © - Unpublished Work - See title page for details.

54-51-63
FIG. 01
PAGE 38
JAN 20/09



757

PARTS CATALOG (MAINTENANCE)

FIG ITEM	PART NUMBER	1 2 3 4 5 6 7	NOMENCLATURE	EFFECT FROM TO	UNITS PER ASSY
1 350	HL1187DU8		.COLLAR- SUPPLIER CODE: V5M902 SPECIFICATION NUMBER: BACC30X8S OPTIONAL PART: HL87DU8 V92215 HL87DU8 V73197 HL1187DU8 V56878 HL1187DU8 V92215 HL87DU8 V56878 HL1187DU8 V73197	002004 006102 107107 121999	12
351A	HL1087DU8		.COLLAR- SUPPLIER CODE: V9N513 SPECIFICATION NUMBER: BACC30BH8S OPTIONAL PART: HL1087DU8 V92215 HL1087DU8 V73197 HL1087DU8 V56878	103106 108120	10
352	311N5089-8700		.FILLER- USED ON: 311N5089-1 311N5089-8 311N5089-12 311N5089-13	002004 006100 103503 904999	2
355	311N5089-6		.SHIM	002004 006999	2
360	311N5089-7		.SHIM	002004 006999	2
365	MS16562-254		.PIN- USED ON: 311N5089-1 311N5089-8 311N5089-12	002004 006017 107107 121503 904999	2
370	311N5093-1		.HINGE ASSY-	002004 006100 103503 904999	1

MISSING ITEM NUMBERS NOT APPLICABLE

- ITEM NOT ILLUSTRATED

54-51-63-01

54-51-63
FIG. 01
PAGE 39
JAN 20/09

BRI



757

PARTS CATALOG (MAINTENANCE)

FIG ITEM	PART NUMBER	1 2 3 4 5 6 7	NOMENCLATURE	EFFECT FROM TO	UNITS PER ASSY
1					
370	311N5093-8704		.HINGE ASSY- OPTIONAL PART: 311N5093-9	002004 006100 103503 904999	1
370	311N5093-9		.HINGE ASSY- OPTIONAL PART: 311N5093-8704	103106 108120	1
375	311N5093-2		.HINGE ASSY-	002004 006100 103503 904999	1
375	311N5093-8705		.HINGE ASSY- OPTIONAL PART: 311N5093-10	002004 006100 103503 904999	1
375	311N5093-10		.HINGE ASSY- OPTIONAL PART: 311N5093-8705	103106 108120	1
380	AMB6V4034		..BEARING ASSY-SPHERICAL SUPPLIER CODE: V15860 SPECIFICATION NUMBER: S302T001-203 OPTIONAL PART: VTB04440 V06710 P20630 V57606	002004 006999	1
385	311N5093-3		..FITTING- USED ON: 311N5093-1	002004 006100 103503 904999	1
385	311N5093-8702		..FITTING- OPTIONAL PART: 311N5093-11 USED ON: 311N5093-8704	002004 006100 103503 904999	1
385	311N5093-11		..FITTING- OPTIONAL PART: 311N5093-8702	103106 108120	1
- 390	311N5093-4		..FITTING- USED ON: 311N5093-2	002004 006100 103503 904999	1
- 390	311N5093-8703		..FITTING- OPTIONAL PART: 311N5093-12 USED ON: 311N5093-8705	002004 006100 103503 904999	1

MISSING ITEM NUMBERS NOT APPLICABLE

- ITEM NOT ILLUSTRATED

54-51-63-01

54-51-63
FIG. 01
PAGE 40
JAN 20/09

BRI



757

PARTS CATALOG (MAINTENANCE)

FIG ITEM	PART NUMBER	1 2 3 4 5 6 7	NOMENCLATURE	EFFECT FROM TO	UNITS PER ASSY
1 - 390	311N5093-12		.. FITTING- OPTIONAL PART: 311N5093-8703	103106 108120	1

MISSING ITEM NUMBERS NOT APPLICABLE

- ITEM NOT ILLUSTRATED

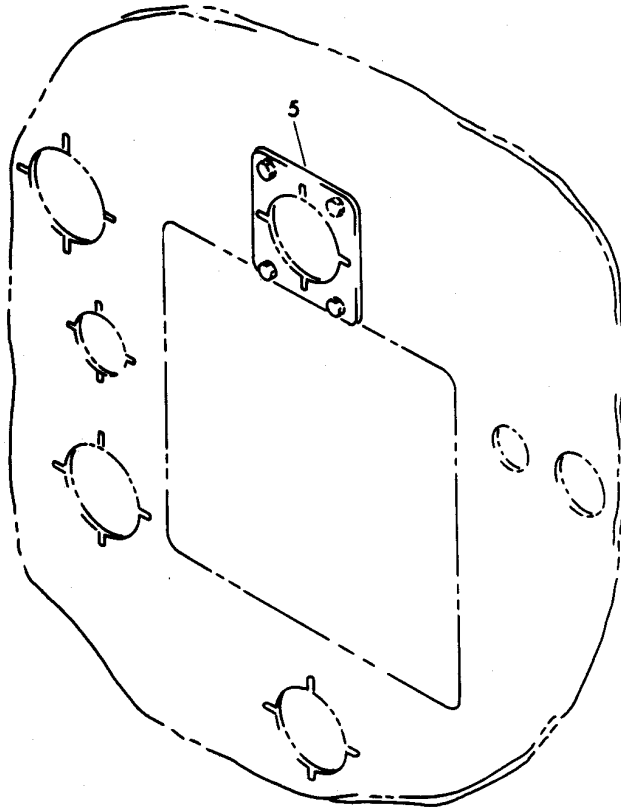
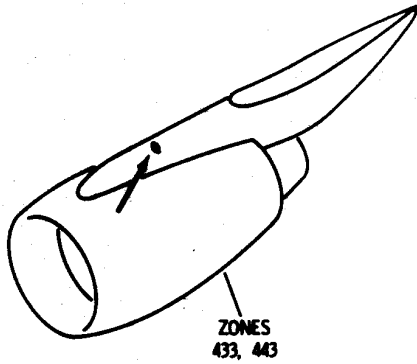
BRI

54-51-63-01

BOEING PROPRIETARY - Copyright © - Unpublished Work - See title page for details.

54-51-63
FIG. 01
PAGE 41
JAN 20/09

BOEING
757
PARTS CATALOG (MAINTENANCE)



Y 54810401 ENT 1 REV 010

PLATE INSTL-STRUT ENG DISC. AIDS BLANK
FIGURE 1

54-51-64-01

BRI
MAY 28/07

54-51-64-01
PAGE 0



757

PARTS CATALOG (MAINTENANCE)

FIG ITEM	PART NUMBER	1 2 3 4 5 6 7	NOMENCLATURE	EFFECT FROM TO	UNITS PER ASSY
1			PLATE INSTL-STRUT ENG DISC. AIDS BLANK	002004 006100 107107 121503 904999	
- 1	312N5203-1		PLATE INSTL-STRUT ENG DISC. AIDS BLANK FOR NHA SEE: 54-51-51-01	002004 006100 107107 121503 904999	RF
	5 312N5844-1		.PLATE-BLANKING	002004 006100 107107 121503 904999	1
- 10	NAS1802-06-6		ATTACHING PARTS .BOLT-	002004 006100 107107 121503 904999	4
- 15	AN960KD6		.WASHER	002004 006100 107107 121503 904999	4
- 15	NAS1149DN632K		.WASHER	002004 006100 107107 121503 904999	4
- 20	BRH10A06		.NUT SUPPLIER CODE: V52828 SPECIFICATION NUMBER: BACN10JCO6 OPTIONAL PART: H10-06BAC V15653 RMLH9075-62W V72962 VN303A62 V92215 96-62 V80539 NS202101-62 V80539 T6S632J V11815	002004 006100 107107 121503 904999	4

MISSING ITEM NUMBERS NOT APPLICABLE

- ITEM NOT ILLUSTRATED

54-51-64-01

54-51-64
FIG. 01
PAGE 1
JAN 20/09

BRI



757
PARTS CATALOG (MAINTENANCE)

FIG ITEM	PART NUMBER	1 2 3 4 5 6 7	NOMENCLATURE	EFFECT FROM TO	UNITS PER ASSY
1 - 20	BRH10C06D		.NUT SUPPLIER CODE: V52828 SPECIFICATION NUMBER: BACN10JC06CD OPTIONAL PART: T6C632JCD V11815 NS202486-62 V80539 102LH9075-62W V72962 H51650-06BAC V15653 -----*-----	002004 006100 107107 121503 904999	4

MISSING ITEM NUMBERS NOT APPLICABLE

- ITEM NOT ILLUSTRATED

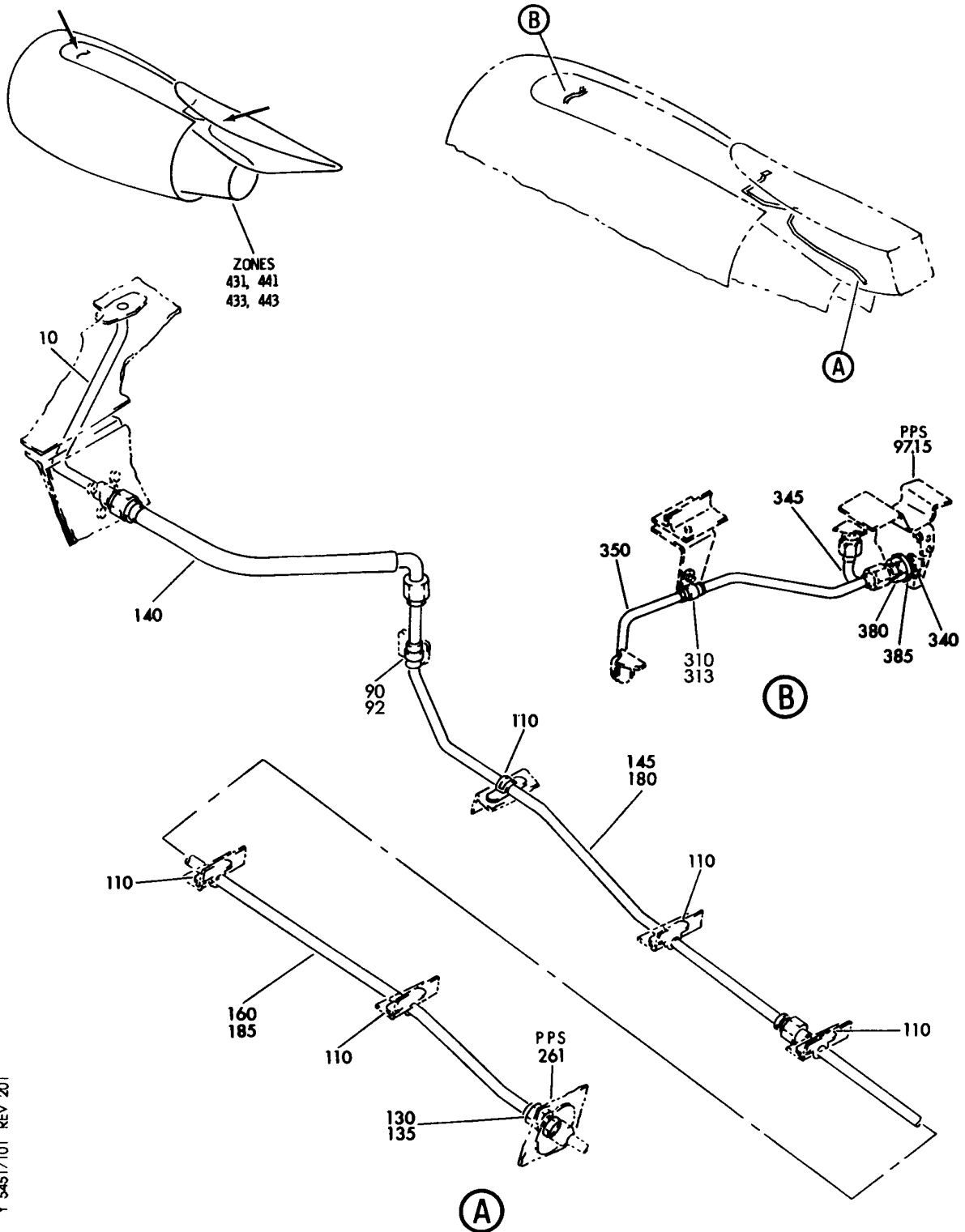
BRI

54-51-64-01

BOEING PROPRIETARY - Copyright © - Unpublished Work - See title page for details.

54-51-64
FIG. 01
PAGE 2
JAN 20/09

BOEING
757
PARTS CATALOG (MAINTENANCE)



Y 54517101 REV 201

SYSTEM INSTL-STRUT DRAIN
FIGURE 1

54-51-71-01

BRI
MAY 28/07

54-51-71-01
PAGE 0



757

PARTS CATALOG (MAINTENANCE)

FIG ITEM	PART NUMBER	1 2 3 4 5 6 7	NOMENCLATURE	EFFECT FROM TO	UNITS PER ASSY
1			SYSTEM INSTL-STRUT DRAIN	002004 006100 107107 121503 904999	
- 1	312N5701-1		SYSTEM INSTL-STRUT DRAIN POSITION DATA: LH FOR NHA SEE: 54-00-51-01	002004 006100 107107 121503 904999	RF
- 5	312N5701-2		SYSTEM INSTL-STRUT DRAIN POSITION DATA: RH FOR NHA SEE: 54-00-51-01	002004 006100 107107 121503 904999	RF
10	312N5704-1		.TUBE ASSY- POSITION DATA: LH SIDE OPTIONAL PART: 312N5704-8701	002004 006100 107107 121503 904999	1
10	312N5704-8701		.TUBE ASSY- POSITION DATA: LH SIDE	002004 006100 107107 121503 904999	1
- 15	312N5704-2		.TUBE ASSY- POSITION DATA: RH SIDE OPTIONAL PART: 312N5704-8701	002004 006100 107107 121503 904999	1
- 15	312N5704-8702		.TUBE ASSY- POSITION DATA: RH SIDE	002004 006100 107107 121503 904999	1
- 20	NAS6703U3		ATTACHING PARTS .BOLT	002004 006100 107107 121503 904999	6
- 25	AN960PD10L		.WASHER	002004 006100 107107 121503 904999	6

MISSING ITEM NUMBERS NOT APPLICABLE

- ITEM NOT ILLUSTRATED

54-51-71-01

54-51-71
FIG. 01
PAGE 1
JAN 20/09

BRI



757

PARTS CATALOG (MAINTENANCE)

FIG ITEM	PART NUMBER	1 2 3 4 5 6 7	NOMENCLATURE	EFFECT FROM TO	UNITS PER ASSY
1					
- 30	BRH10A3	.NUT	SUPPLIER CODE: V52828 SPECIFICATION NUMBER: BACN10JC3 OPTIONAL PART: H10-3BAC V15653 NS202101-02 V80539 RMLH9075-3W V72962 VN303A02 V92215 96-02 V80539 T6S1032J V11815	002004 006100 107107 121503 904999	6
- 85	312N5701-13	-----*-----	SYSTEM INSTL-STRUT DRAIN FOR NHA SEE: 54-52-01-03	002004 006100 107107 121503 904999	RF
90	BACC10GT1-08P	.CLAMP ASSY-		002004 006100 107107 121503 904999	1
92	BACC10GT2-08P	.CLAMP SHELL		002004 006100 107107 121503 904999	1
- 95	NAS1801-3-7	ATTACHING PARTS .SCREW		002004 006100 107107 121503 904999	2
- 100	NAS1149D0332J	.WASHER-		002004 006100 107107 121503 904999	2

MISSING ITEM NUMBERS NOT APPLICABLE

- ITEM NOT ILLUSTRATED

54-51-71-01

54-51-71
FIG. 01
PAGE 2
JAN 20/09

BRI



757

PARTS CATALOG (MAINTENANCE)

FIG ITEM	PART NUMBER	1 2 3 4 5 6 7	NOMENCLATURE	EFFECT FROM TO	UNITS PER ASSY
1					
- 105	PLH53CD		.NUT- SUPPLIER CODE: VF0224 SPECIFICATION NUMBER: BACN10YR3CD OPTIONAL PART: H52732-3CD V15653 -----*-----	002004 006100 107107 121503 904999	2
110	TA0910004DC08		.CLAMP SUPPLIER CODE: V84971 SPECIFICATION NUMBER: BACC10HB08A ATTACHING PARTS	002004 006100 107107 121503 904999	5
- 115	NAS1801-3-7		.SCREW	002004 006100 107107 121503 904999	10
- 120	NAS1149D0332J		.WASHER-	002004 006100 107107 121503 904999	10
- 125	PLH53CD		.NUT- SUPPLIER CODE: VF0224 SPECIFICATION NUMBER: BACN10YR3CD OPTIONAL PART: H52732-3CD V15653 -----*-----	002004 006100 107107 121503 904999	10
130	MS21902J8		.UNION	002004 006100 107107 121503 904999	1
135	M25988-1-908		.PACKING	002004 006100 107107 121503 904999	1

MISSING ITEM NUMBERS NOT APPLICABLE

- ITEM NOT ILLUSTRATED

54-51-71-01

54-51-71
FIG. 01
PAGE 3
JAN 20/09

BRI

BOEING PROPRIETARY - Copyright © - Unpublished Work - See title page for details.



757

PARTS CATALOG (MAINTENANCE)

FIG ITEM	PART NUMBER	1 2 3 4 5 6 7	NOMENCLATURE	EFFECT FROM TO	UNITS PER ASSY
1 140	AS118H0106YP		.HOSE ASSY SUPPLIER CODE: V00624 SPECIFICATION NUMBER: BACH5R0106YP OPTIONAL PART: 95850R0106YP V78570 R89180106YP V06851 R89180106YP V50599 R89190106YP V06851 R89190106YP V50599	002004 006100 107107 121503 904999	1
180	312N5701-14		.TUBE ASSY-	002004 006100 107107 121503 904999	1
185	312N5701-15		.TUBE ASSY-	002004 006100 107107 121503 904999	1
- 190	BACT11SS2F		..TAPE	002004 006100 107107 121503 904999	AR
- 195	AP2097HP08		..SLEEVE SUPPLIER CODE: V01673 SPECIFICATION NUMBER: BACS13BX08HP OPTIONAL PART: 2-02903-08HP V11328 35235VN08 V08199 AFP175V08P V30974 DBOS13BX08HP V14798	002004 006100 107107 121503 904999	1

MISSING ITEM NUMBERS NOT APPLICABLE

- ITEM NOT ILLUSTRATED

54-51-71-01

54-51-71
FIG. 01
PAGE 4
JAN 20/09

BRI



757

PARTS CATALOG (MAINTENANCE)

FIG ITEM	PART NUMBER	1 2 3 4 5 6 7	NOMENCLATURE	EFFECT FROM TO	UNITS PER ASSY
1					
- 200	MS21921-8D	..	NUT	002004 006100 107107 121503 904999	1
- 205	35056GV08	..	UNION SUPPLIER CODE: V08199 SPECIFICATION NUMBER: BACU24AB8W OPTIONAL PART: 2-01027-8W V11328 31875-8W V14397 4671097W8 V50948 AP1004W08 V01673 AFP941W8 V30974 DBOU24AB8W V14798	002004 006100 107107 121503 904999	1
- 300	312N5701-9		SYSTEM INSTL-STRUT DRAIN POSITION DATA: LH FOR NHA SEE: 54-00-51-01	002004 006100 107107 121503 904999	RF
- 305	312N5701-10		SYSTEM INSTL-STRUT DRAIN POSITION DATA: RH FOR NHA SEE: 54-00-51-01	002004 006100 107107 121503 904999	RF
310	BACC10GT1-08	.	CLAMP-BAND POSITION DATA: RH SIDE	002004 006100 107107 121503 904999	1
313	BACC10GT2-08	.	CLAMP SHELL- SUPPLIER CODE: V83930 SPECIFICATION NUMBER: BACC10GT2-08 POSITION DATA: RH SIDE	002004 006100 107107 121503 904999	1

MISSING ITEM NUMBERS NOT APPLICABLE

- ITEM NOT ILLUSTRATED

54-51-71-01

54-51-71
FIG. 01
PAGE 5
JAN 20/09

BRI



757

PARTS CATALOG (MAINTENANCE)

FIG ITEM	PART NUMBER	1 2 3 4 5 6 7	NOMENCLATURE	EFFECT FROM TO	UNITS PER ASSY
1			ATTACHING PARTS		
- 315	NAS1801-3-6		.SCREW	002004 006100 107107 121503 904999	1
- 320	NAS1149D0332J		.WASHER-	002004 006100 107107 121503 904999	1
- 325	PLH53CD		.NUT- SUPPLIER CODE: VF0224 SPECIFICATION NUMBER: BACN10YR3CD OPTIONAL PART: H52732-3CD V15653 -----*-----	002004 006100 107107 121503 904999	1
330	BACN10DR8J		.NUT	002004 006100 107107 121503 904999	1
335	NAS1149D1216J		.WASHER-	002004 006100 107107 121503 904999	1
340	MS21924J8		.UNION	002004 006100 107107 121503 904999	1
345	312N5701-11		.TUBE ASSY- POSITION DATA: LH SIDE TUBING MATERIAL: 21-6-9 BMS7-185 F25.01 0.500 IN OD 0.026 IN WALL 6.48 IN LG CRES	002004 006100 107107 121503 904999	1
350	312N5701-12		.TUBE ASSY- POSITION DATA: RH SIDE TUBING MATERIAL: 21-6-9 BMS7-185 F25.01 0.500 IN OD 0.026 IN WALL 19.34 IN LG CRES	002004 006100 107107 121503 904999	1

MISSING ITEM NUMBERS NOT APPLICABLE

- ITEM NOT ILLUSTRATED

54-51-71-01

54-51-71
FIG. 01
PAGE 6
JAN 20/09

BRI



757

PARTS CATALOG (MAINTENANCE)

FIG ITEM	PART NUMBER	1 2 3 4 5 6 7	NOMENCLATURE	EFFECT FROM TO	UNITS PER ASSY
1					
- 355	AFP175V8P		.. SLEEVE SUPPLIER CODE: V30974 SPECIFICATION NUMBER: BACS13BX8HP	002004 006100 107107 121503 904999	2
- 360	BACN10YE8		.. NUT	002004 006100 107107 121503 904999	2

MISSING ITEM NUMBERS NOT APPLICABLE

- ITEM NOT ILLUSTRATED

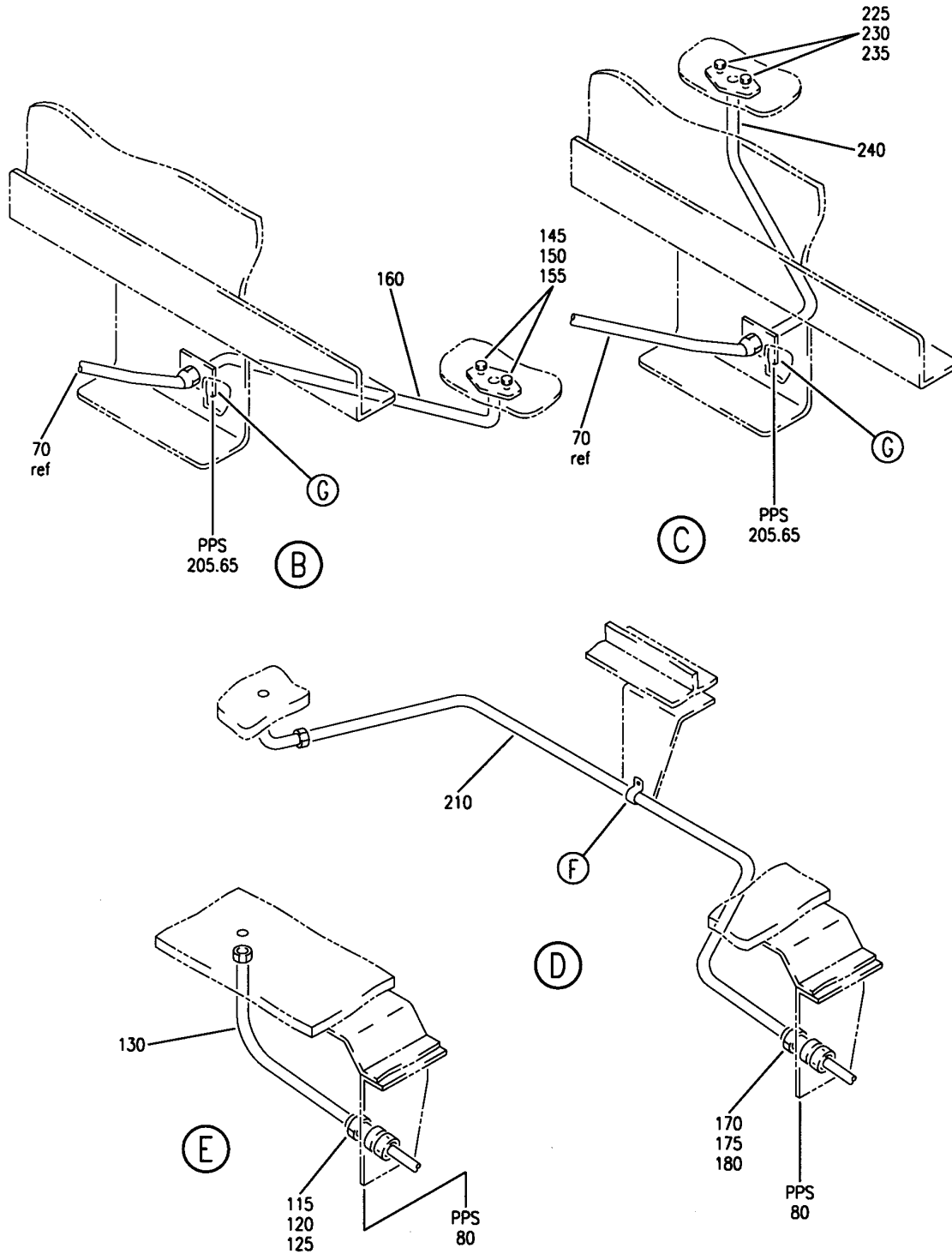
BRI

54-51-71-01

BOEING PROPRIETARY - Copyright © - Unpublished Work - See title page for details.

54-51-71
FIG. 01
PAGE 7
JAN 20/09

BOEING
757
PARTS CATALOG (MAINTENANCE)



Y 54517102 SH1 2 REV 209

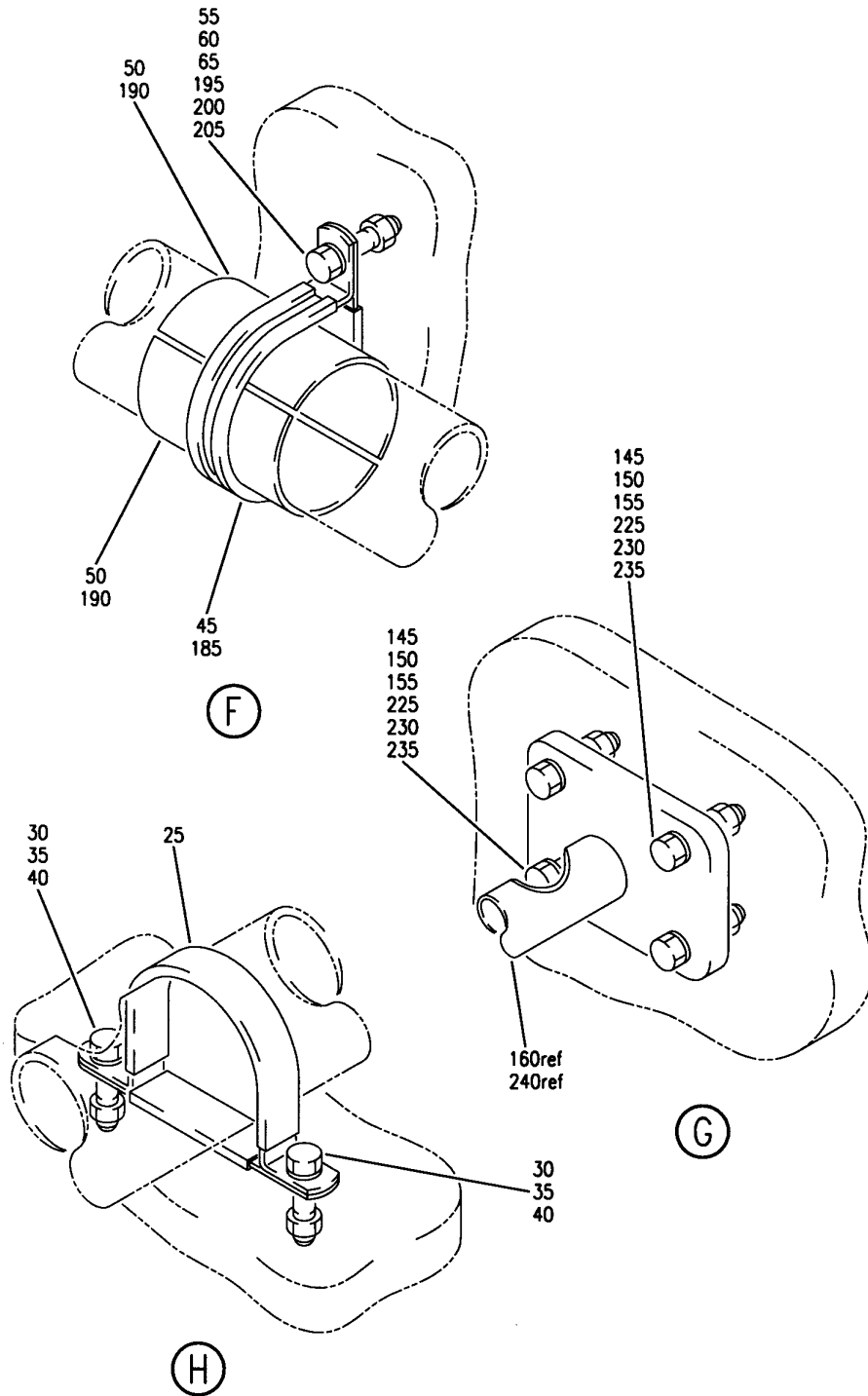
SYSTEM INSTL-STRUT DRAIN
FIGURE 2 (SHEET 2)

54-51-71-02

BRI
MAY 28/07

54-51-71-02
PAGE 0A

BOEING
757
PARTS CATALOG (MAINTENANCE)



Y 54517102 SHT 3 REV 209

SYSTEM INSTL-STRUT DRAIN
FIGURE 2 (SHEET 3)

54-51-71-02

BRI
MAY 28/07

54-51-71-02
PAGE 0B



757

PARTS CATALOG (MAINTENANCE)

FIG ITEM	PART NUMBER	1 2 3 4 5 6 7	NOMENCLATURE	EFFECT FROM TO	UNITS PER ASSY
2			SYSTEM INSTL-STRUT DRAIN	101106 108120 504903	
- 1	312N5150-703		PLUMBING INSTL-STRUT DRAIN POSITION DATA: ENG. POS 1,2 COMMON FOR NHA SEE: 54-52-01-01	101106 108120 504903	RF
5	M85052-2-12		.CLAMP	101106 108120 504903	1
10	NAS1801-3-7		ATTACHING PARTS .SCREW	101106 108120 504903	1
15	NAS1149D0332J		.WASHER	101106 108120 504903	1
20	PLH53CD		.NUT SUPPLIER CODE: VF0224 SPECIFICATION NUMBER: BACN10YR3CD OPTIONAL PART: H52732-3CD V15653	101106 108120 504903	1
25	TA0910004DC08		-----*----- .CLAMP SUPPLIER CODE: V84971 SPECIFICATION NUMBER: BACC10HB08A ATTACHING PARTS	101106 108120 504903	5
30	NAS1801-3-7		.SCREW	101106 108120 504903	10
35	NAS1149D0332J		.WASHER	101106 108120 504903	10
40	PLH53CD		.NUT SUPPLIER CODE: VF0224 SPECIFICATION NUMBER: BACN10YR3CD OPTIONAL PART: H52732-3CD V15653 -----*-----	101106 108120 504903	10

MISSING ITEM NUMBERS NOT APPLICABLE

- ITEM NOT ILLUSTRATED

54-51-71-02

54-51-71
FIG. 02
PAGE 1
JAN 20/09

BRI



757

PARTS CATALOG (MAINTENANCE)

FIG ITEM	PART NUMBER	1 2 3 4 5 6 7	NOMENCLATURE	EFFECT FROM TO	UNITS PER ASSY
2	45 BACC10GT1-08P	.	CLAMP ASSY	101106 108120 504903	1
	50 BACC10GT2-08P	.	CLAMPSHELL	101106 108120 504903	2
	55 NAS1801-3-7	.	ATTACHING PARTS SCREW	101106 108120 504903	1
	60 NAS1149D0332J	.	WASHER	101106 108120 504903	1
	65 PLH53CD	.	NUT SUPPLIER CODE: VF0224 SPECIFICATION NUMBER: BACN10YR3CD OPTIONAL PART: H52732-3CD V15653	101106 108120 504903	1
	70 AS118H0106YP	.	HOSE ASSY SUPPLIER CODE: V00624 SPECIFICATION NUMBER: BACH5R0106YP OPTIONAL PART: 95850R0106YP V78570 R89180106YP V06851 R89180106YP V50599 R89190106YP V06851 R89190106YP V50599	101106 108120 504903	1
	75 312N5701-14	.	TUBE ASSY- TUBING MATERIAL: 6061-T6 ALUMINUM TUBE .50 OD X .035 WALL	101106 108120 504903	1
	80 312N5701-15	.	TUBE ASSY- TUBING MATERIAL: 6061-T6 ALUMINUM TUBE .50 OD X .035 WALL	101106 108120 504903	1

MISSING ITEM NUMBERS NOT APPLICABLE

- ITEM NOT ILLUSTRATED

54-51-71-02

54-51-71
FIG. 02
PAGE 2
JAN 20/09

BRI



757

PARTS CATALOG (MAINTENANCE)

FIG ITEM	PART NUMBER	1 2 3 4 5 6 7	NOMENCLATURE	EFFECT FROM TO	UNITS PER ASSY
2 - 85	AP2097HP08		.. SLEEVE SUPPLIER CODE: V01673 SPECIFICATION NUMBER: BACS13BX08HP OPTIONAL PART: 2-02903-08HP V11328 35235VN08 V08199 AFP175V08P V30974 DBOS13BX08HP V14798	101106 108120 504903	1
- 90	35056GV08		.. UNION SUPPLIER CODE: V08199 SPECIFICATION NUMBER: BACU24AB8W OPTIONAL PART: 2-01027-8W V11328 31875-8W V14397 4671097W8 V50948 AP1004W08 V01673 AFP941W8 V30974 DBOU24AB8W V14798	101106 108120 504903	1
- 95	MS21921-8D		.. NUT	101106 108120 504903	1
100	MS21902J8		. UNION	101106 108120 504903	1
105	M25988-1-908		. PACKING	101106 108120 504903	1
- 110	312N5150-701		PLUMBING INSTL-STRUT DRAIN POSITION DATA: ENG. POS 1 FOR NHA SEE: 54-00-00-06A	101106 108120 504903	RF
115	MS21924J8		. UNION	101106 108120 504903	1

MISSING ITEM NUMBERS NOT APPLICABLE

- ITEM NOT ILLUSTRATED

54-51-71-02

54-51-71
FIG. 02
PAGE 3
JAN 20/09

BRI

BOEING PROPRIETARY - Copyright © - Unpublished Work - See title page for details.



757

PARTS CATALOG (MAINTENANCE)

FIG ITEM	PART NUMBER	1 2 3 4 5 6 7	NOMENCLATURE	EFFECT FROM TO	UNITS PER ASSY
2			ATTACHING PARTS		
120	NAS1149D1216J		.WASHER	101106 108120 504903	1
125	BACN10DR8J		.NUT	101106 108120 504903	1
130	312N5701-11		-----*----- .TUBE ASSY- TUBING MATERIAL: 21-6-9 CRES TUBING .500 OD X .026 WALL	101106 108120 504903	1
- 135	AP2097HP08		..SLEEVE SUPPLIER CODE: V01673 SPECIFICATION NUMBER: BACS13BX08HP OPTIONAL PART: 2-02903-08HP V11328 35235VN08 V08199 AFP175V08P V30974 DBOS13BX08HP V14798	101106 108120 504903	2
- 140	BACN10YE8L		..NUT	101106 108120 504903	2
145	NAS6703U3		.BOLT	101106 108120 504903	6
150	NAS1149D0332J		.WASHER	101106 108120 504903	6
155	PLH53CD		.NUT SUPPLIER CODE: VF0224 SPECIFICATION NUMBER: BACN10YR3CD OPTIONAL PART: H52732-3CD V15653	101106 108120 504903	6
160	312N5704-8701		.TUBE ASSY	101106 108120 504903	1

MISSING ITEM NUMBERS NOT APPLICABLE

- ITEM NOT ILLUSTRATED

54-51-71-02

54-51-71
FIG. 02
PAGE 4
JAN 20/09

BRI



757

PARTS CATALOG (MAINTENANCE)

FIG ITEM	PART NUMBER	1 2 3 4 5 6 7	NOMENCLATURE	EFFECT FROM TO	UNITS PER ASSY
2					
- 165	312N5150-702		PLUMBING INSTL-STRUT DRAIN POSITION DATA: ENG. POS 2 FOR NHA SEE: 54-00-00-06A	101106 108120 504903	RF
170	MS21924J8		.UNION	101106 108120 504903	1
175	NAS1149D1216J		ATTACHING PARTS .WASHER	101106 108120 504903	1
180	BACN10DR8J		.NUT	101106 108120 504903	1
185	BACC10GT1-08		-----*----- .CLAMP-BAND	101106 108120 504903	1
190	BACC10GT2-08		.CLAMPSHELL SUPPLIER CODE: V83930 SPECIFICATION NUMBER: BACC10GT2-08	101106 108120 504903	2
195	NAS1801-3-6		ATTACHING PARTS .SCREW	101106 108120 504903	1
200	NAS1149D0332J		.WASHER	101106 108120 504903	1
205	PLH53CD		.NUT SUPPLIER CODE: VF0224 SPECIFICATION NUMBER: BACN10YR3CD OPTIONAL PART: H52732-3CD V15653	101106 108120 504903	1
210	312N5701-12		-----*----- .TUBE ASSY- TUBING MATERIAL: 21-6-9 CRES TUBING .500 OD X .026 WALL	101106 108120 504903	1

MISSING ITEM NUMBERS NOT APPLICABLE

- ITEM NOT ILLUSTRATED

BRI

54-51-71-02

BOEING PROPRIETARY - Copyright © - Unpublished Work - See title page for details.

54-51-71
FIG. 02
PAGE 5
JAN 20/09



757

PARTS CATALOG (MAINTENANCE)

FIG ITEM	PART NUMBER	1 2 3 4 5 6 7	NOMENCLATURE	EFFECT FROM TO	UNITS PER ASSY
2 - 215	AP2097HP08	..	SLEEVE SUPPLIER CODE: V01673 SPECIFICATION NUMBER: BACS13BX08HP OPTIONAL PART: 2-02903-08HP V11328 35235VN08 V08199 AFP175V08P V30974 DBOS13BX08HP V14798	101106 108120 504903	2
- 220	BACN10YE8L	..	NUT	101106 108120 504903	2
225	NAS6703U3	.	BOLT	101106 108120 504903	6
230	NAS1149D0332J	.	WASHER	101106 108120 504903	6
235	PLH53CD	.	NUT SUPPLIER CODE: VF0224 SPECIFICATION NUMBER: BACN10YR3CD OPTIONAL PART: H52732-3CD V15653	101106 108120 504903	6
240	312N5704-8702	.	TUBE ASSY	101106 108120 504903	1

MISSING ITEM NUMBERS NOT APPLICABLE

- ITEM NOT ILLUSTRATED

BRI

54-51-71-02

BOEING PROPRIETARY - Copyright © - Unpublished Work - See title page for details.

54-51-71
FIG. 02
PAGE 6
JAN 20/09

ENGINE-TO-WING FAIRINGS

BRI
MAY 28/07

54-52-00
SECTION TITLE
PAGE 1

 **BOEING**
757
PARTS CATALOG (MAINTENANCE)

NON-ILLUSTRATED FIGURE

THE ITEMS REFLECTED IN THIS FIGURE ARE INTENTIONALLY
NON-ILLUSTRATED. THEY ARE REFERENCED TO EITHER A
NEXT HIGHER OR NEXT LOWER ASSEMBLY/INSTALLATION FIGURE.

Y 54520101 REV 231

END ITEM INSTL STRUT STRUCT AND FAIRING
FIGURE 1

54-52-01-01

BRI
MAY 28/07

54-52-01-01
PAGE 0



757

PARTS CATALOG (MAINTENANCE)

FIG ITEM	PART NUMBER	1 2 3 4 5 6 7	NOMENCLATURE	EFFECT FROM TO	UNITS PER ASSY
1			END ITEM INSTL STRUT STRUCT AND FAIRING	101106 108120 504903	
- 1	313N5060-5		END ITEM-FAIRING POSITION DATA: ENG POS 1,AFT FOR NHA SEE: 54-00-00-03A 54-00-00-11	101105 108120 504903	RF
- 1	313N5060-9		END ITEM-FAIRING POSITION DATA: ENG POS 1, AFT FOR NHA SEE: 54-00-00-11	106106	RF
- 5	313N5060-8		END ITEM-FAIRING POSITION DATA: ENG POS 2,AFT FOR NHA SEE: 54-00-00-03A 54-00-00-11	101105 108120 504903	RF
- 5	313N5060-10		END ITEM-FAIRING POSITION DATA: ENG POS 2, AFT FOR NHA SEE: 54-00-00-11	106106	RF
- 10	313N5019-23		.PANEL INSTL-NAC POSITION DATA: AFT FAIRING LH STRUT MID FOR DETAILS SEE: 54-52-01-04	106106	1
- 12	313N5019-24		.PANEL INSTL-NAC POSITION DATA: AFT FAIRING RH STRUT MID FOR DETAILS SEE: 54-52-01-04	106106	1
- 15	313N5018-45		.PANEL INSTL- POSITION DATA: AFT FAIRING LH STRUT INBD FOR DETAILS SEE: 54-52-01-04	101106 108120 504903	1
- 20	313N5018-46		.PANEL INSTL- POSITION DATA: AFT FAIRING RH STRUT OUTBD FOR DETAILS SEE: 54-52-01-04	101106 108120 504903	1

MISSING ITEM NUMBERS NOT APPLICABLE

- ITEM NOT ILLUSTRATED

54-52-01-01

54-52-01
FIG. 01
PAGE 1
JAN 20/09

BRI



757

PARTS CATALOG (MAINTENANCE)

FIG ITEM	PART NUMBER	1 2 3 4 5 6 7	NOMENCLATURE	EFFECT FROM TO	UNITS PER ASSY
1					
- 35	313N5020-43		.PANEL INSTL-NAC STRUT POSITION DATA: AFT FAIRING LH OUTBD FOR DETAILS SEE: 54-52-01-18	101106 108120 504903	1
- 40	313N5020-44		.PANEL INSTL-NAC STRUT POSITION DATA: AFT FAIRING RH OUTBD FOR DETAILS SEE: 54-52-01-18	101106 108120 504903	1
- 45	313N5020-45		.PANEL INSTL-NAC STRUT POSITION DATA: AFT FAIRING LH INBD FOR DETAILS SEE: 54-52-01-18	101106 108120 504903	1
- 50	313N5020-46		.PANEL INSTL-NAC STRUT POSITION DATA: AFT FAIRING RH INBD FOR DETAILS SEE: 54-52-01-18	101106 108120 504903	1
- 55	313N5022-95		.BEAM INSTL-STRUT FAIRING SKIRT POSITION DATA: AFT LH SIDE FOR DETAILS SEE: 54-51-55-01	101106 108120 504903	1
- 60	313N5022-96		.BEAM INSTL-STRUT FAIRING SKIRT POSITION DATA: AFT RH SIDE FOR DETAILS SEE: 54-51-55-01	101106 108120 504903	1
- 65	313N5023-55		.TRAILING EDGE INSTL-STRUT FAIRING POSITION DATA: AFT LH SIDE FOR DETAILS SEE: 54-52-01-15A	101106 108120 504903	1
- 70	313N5023-56		.TRAILING EDGE INSTL-STRUT FAIRING POSITION DATA: AFT RH SIDE FOR DETAILS SEE: 54-52-01-15A	101106 108120 504903	1

MISSING ITEM NUMBERS NOT APPLICABLE

- ITEM NOT ILLUSTRATED

54-52-01-01

54-52-01
FIG. 01
PAGE 2
JAN 20/09

BRI



757

PARTS CATALOG (MAINTENANCE)

FIG ITEM	PART NUMBER	1 2 3 4 5 6 7	NOMENCLATURE	EFFECT FROM TO	UNITS PER ASSY
1					
- 75	313N5024-6		.ROD INSTL-STRUT FAIRING HOLD OPEN POSITION DATA: AFT FOR DETAILS SEE: 54-53-51-01	101105 108120 504903	1
- 75	313N5024-6		.ROD INSTL-STRUT FAIRING HOLD OPEN POSITION DATA: AFT FOR DETAILS SEE: 54-53-51-01	106106	1
- 80	313N5033-125		.BULKHEAD INSTL-STRUT FAIRING POSITION DATA: AFT LH SIDE FOR DETAILS SEE: 54-52-53-01	101106 108120 504903	1
- 85	313N5033-130		.BULKHEAD INSTL-STRUT FAIRING POSITION DATA: AFT RH SIDE FOR DETAILS SEE: 54-52-53-01	101106 108120 504903	1
- 90	313N5033-133		.BULKHEAD INSTL-STRUT FAIRING POSITION DATA: AFT FOR DETAILS SEE: 54-52-53-01	106106	1
- 95	313N5038-5		.DOOR INSTL-RB211-535E4 NAC STRUT POSITION DATA: AFT FAIRING ACCESS FOR DETAILS SEE: 54-53-02-02	101105 108120 504903	1
- 95	313N5038-5		.DOOR INSTL-RB211-535E4 NAC STRUT POSITION DATA: AFT FAIRING ACCESS FOR DETAILS SEE: 54-53-02-02	106106	1
- 100	313N5042-96		.PAN AND SPAR INSTL-STRUT FAIRING POSITION DATA: LWR AFT FOR DETAILS SEE: 54-52-52-02	101105 108120 504903	1

MISSING ITEM NUMBERS NOT APPLICABLE

- ITEM NOT ILLUSTRATED

54-52-01-01

54-52-01
FIG. 01
PAGE 3
JAN 20/09

BRI



757

PARTS CATALOG (MAINTENANCE)

FIG ITEM	PART NUMBER	1 2 3 4 5 6 7	NOMENCLATURE	EFFECT FROM TO	UNITS PER ASSY
1					
- 100	313N5042-96		.PAN AND SPAR INSTL-STRUT FAIRING POSITION DATA: LWR AFT FOR DETAILS SEE: 54-52-52-02	106106	1
- 105	313N5062-5		.FAIRING INTEGRATION- POSITION DATA: AFT LH STRUT FOR DETAILS SEE: 54-52-01-19	101105 108120 504903	1
- 110	313N5062-6		.FAIRING INTEGRATION- POSITION DATA: AFT RH STRUT FOR DETAILS SEE: 54-52-01-19	101105 108120 504903	1
- 115	313N5064-1		.PLATE INSTL-WEAR FOR DETAILS SEE: 54-52-52-03	101106 108120 504903	1
- 120	313N5064-2		.PLATE INSTL-WEAR FOR DETAILS SEE: 54-52-52-03	101106 108120 504903	1
- 125	312N5150-703		.PLUMBING INSTL-STRUT DRAIN FOR DETAILS SEE: 54-51-71-02	101105 108120 504903	1
- 125	312N5150-703		.PLUMBING INSTL-STRUT DRAIN FOR DETAILS SEE: 54-51-71-02	106106	1
- 140	313N5033-96		.BULKHEAD INSTL- POSITION DATA: STA 253.21 FOR DETAILS SEE: 54-51-55-01	101105 108120 504903	1
- 140	313N5033-96		.BULKHEAD INSTL- POSITION DATA: STA 253.21 FOR DETAILS SEE: 54-51-55-01	106106	1
145	313N5033-121		.BULKHEAD ASSY- POSITION DATA: LH SIDE	106106	1
- 150	313N5033-122		.BULKHEAD ASSY- POSITION DATA: RH SIDE	106106	1
- 155	BACB28X5M007		..BUSHING	106106	2

MISSING ITEM NUMBERS NOT APPLICABLE

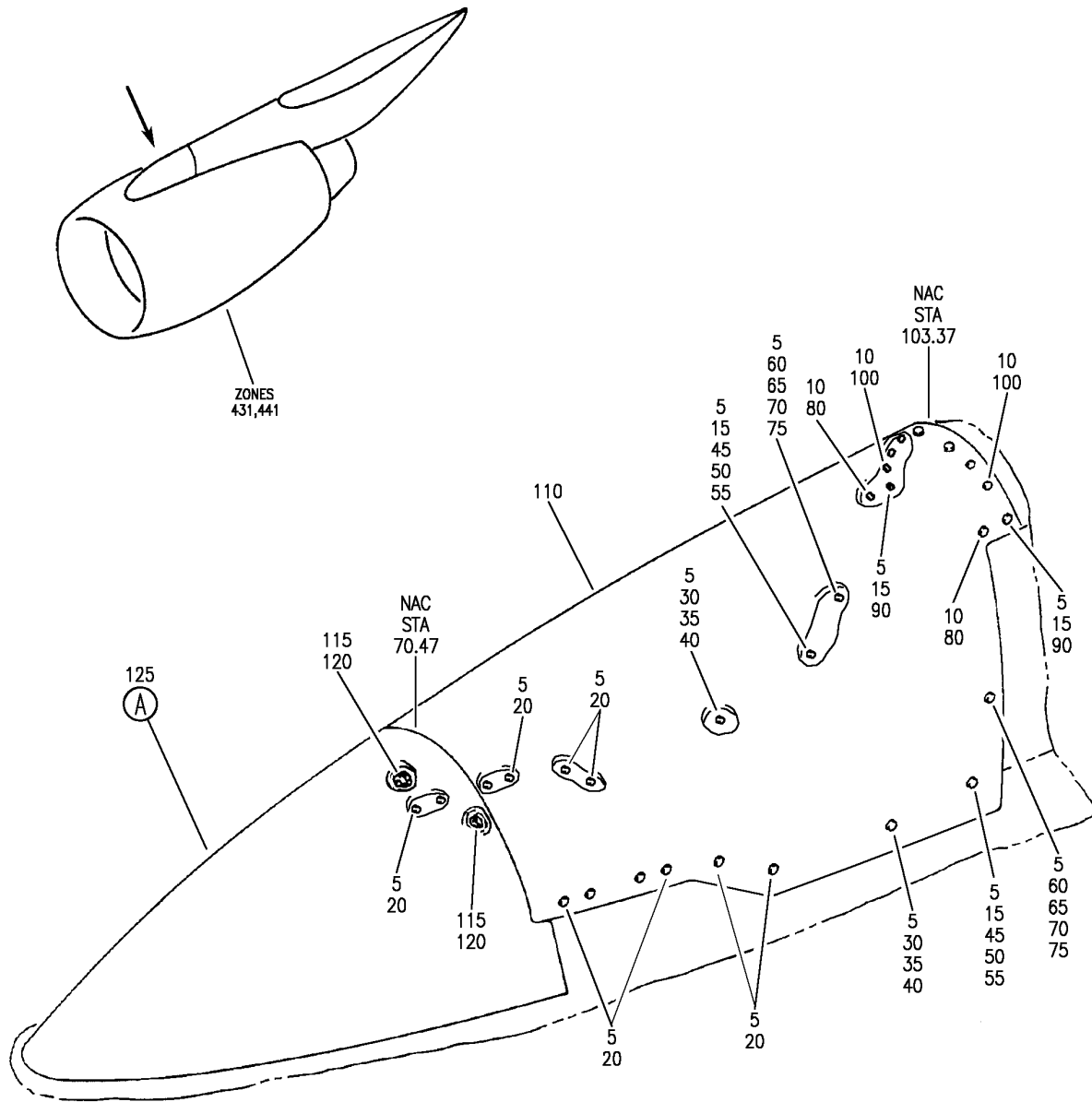
- ITEM NOT ILLUSTRATED

54-52-01-01

54-52-01
FIG. 01
PAGE 4
JAN 20/09

BRI

BOEING
757
PARTS CATALOG (MAINTENANCE)



Y 54520102A SHT 1 REV 253

FAIRING INSTL-STRUT FORE AND AFT SEGMENTS FWD
FIGURE 2A (SHEET 1)

54-52-01-02A

BRI
MAY 28/07

54-52-01-02A
PAGE 0



757

PARTS CATALOG (MAINTENANCE)

FIG ITEM	PART NUMBER	1 2 3 4 5 6 7	NOMENCLATURE	EFFECT FROM TO	UNITS PER ASSY
2A			FAIRING INSTL-STRUT FORE AND AFT SEGMENTS FWD	002004 006100 107107 121503 904999	
- 1	313N5001-6		FAIRING INSTL-STRUT FORE AND AFT SEGMENTS POSITION DATA: FWD FOR NHA SEE: 54-51-01-01 54-51-01-01A	002004 006015 107107 121503 904999	RF
- 1	313N5001-7		FAIRING INSTL-STRUT FORE AND AFT SEGMENTS POSITION DATA: FWD FOR NHA SEE: 54-51-01-01A	016100	RF
5	BACB30LR4-8		.BOLT	002004 006100 107107 121503 904999	20
10	BACB30NN3K6		.BOLT	002004 006100 107107 121503 904999	9
15	BACW10UC417P		.WASHER	002004 006100 107107 121503 904999	4
20	BRF220C4M4		.NUTPLATE SUPPLIER CODE: V52828 SPECIFICATION NUMBER: BACN10JS4A4CM OPTIONAL PART: F1934-01-4-4BAC V15653 NS103219SE048-4 V80539 VN182D048-4 V92215 109F9206-4-4 V72962 T8268C428C4 V11815	002004 006100 107107 121503 904999	12

MISSING ITEM NUMBERS NOT APPLICABLE

- ITEM NOT ILLUSTRATED

BRI

54-52-01-02A

BOEING PROPRIETARY - Copyright © - Unpublished Work - See title page for details.

54-52-01
FIG. 02A
PAGE 1
JAN 20/09



757

PARTS CATALOG (MAINTENANCE)

FIG ITEM	PART NUMBER	1 2 3 4 5 6 7	NOMENCLATURE	EFFECT FROM TO	UNITS PER ASSY
2A			ATTACHING PARTS		
- 25	BACR15DR3A		.RIVET- SIZE DETERMINED ON INSTL.	002004 006100 107107 121503 904999	24
30	BACR15DR3A		-----*----- .RIVET- SIZE DETERMINED ON INSTL.	002004 006100 107107 121503 904999	2
35	F39044-4BAC		.NUTPLATE SUPPLIER CODE: V15653 SPECIFICATION NUMBER: BACN10JZ4A4CM OPTIONAL PART: NS103224SEA048 V80539 109F9221-4 V72962	002004 006100 107107 121503 904999	2
40	NAS463XC416H		.SPACER	002004 006100 107107 121503 904999	2
45	BACR15DR4A		.RIVET- SIZE DETERMINED ON INSTL.	002004 006100 107107 121503 904999	4
50	109F10972-4		.NUTPLATE SUPPLIER CODE: V72962 SPECIFICATION NUMBER: BACN10JZ4B4CM OPTIONAL PART: F51113-4BAC V15653 RMF10972-4 V72962	002004 006100 107107 121503 904999	2
55	313N5063-1		.SPACER	002004 006100 107107 121503 904999	2

MISSING ITEM NUMBERS NOT APPLICABLE

- ITEM NOT ILLUSTRATED

54-52-01-02A

54-52-01
FIG. 02A
PAGE 2
JAN 20/09

BRI

BOEING PROPRIETARY - Copyright © - Unpublished Work - See title page for details.



757

PARTS CATALOG (MAINTENANCE)

FIG ITEM	PART NUMBER	1 2 3 4 5 6 7	NOMENCLATURE	EFFECT FROM TO	UNITS PER ASSY
2A					
60	BACR15DR3A	.RIVET-	SIZE DETERMINED ON INSTL.	002004 006100 107107 121503 904999	4
65	F39044-4BAC	.NUTPLATE	SUPPLIER CODE: V15653 SPECIFICATION NUMBER: BACN10JZ4A4CM OPTIONAL PART: NS103224SEA048 V80539 109F9221-4 V72962	002004 006100 107107 121503 904999	2
70	NAS463XC416H	.SPACER		002004 006100 107107 121503 904999	2
75	NAS463XC416	.SPACER		002004 006100 107107 121503 904999	2
80	BRF220C5-3D	.NUTPLATE	SUPPLIER CODE: V52828 SPECIFICATION NUMBER: BACN10JS3A5CD OPTIONAL PART: F51900-3-5BAC V15653 NS202562-3-5 V80539 102F9206-5-3 V72962	002004 006100 107107 121503 904999	2
- 85	BACR15CE3M	.RIVET-	ATTACHING PARTS SIZE DETERMINED ON INSTL. -----*-----	002004 006100 107107 121503 904999	4

MISSING ITEM NUMBERS NOT APPLICABLE

- ITEM NOT ILLUSTRATED

BRI

54-52-01-02A

BOEING PROPRIETARY - Copyright © - Unpublished Work - See title page for details.

54-52-01
FIG. 02A
PAGE 3
JAN 20/09



757

PARTS CATALOG (MAINTENANCE)

FIG ITEM	PART NUMBER	1 2 3 4 5 6 7	NOMENCLATURE	EFFECT FROM TO	UNITS PER ASSY
2A 90	BRF220C5-4D	.	NUTPLATE SUPPLIER CODE: V52828 SPECIFICATION NUMBER: BACN10JS4A5CD OPTIONAL PART: F51900-4-5BAC V15653 NS202562-4-5 V80539 102F9206-5-4 V72962 ATTACHING PARTS	002004 006100 107107 121503 904999	2
- 95	BACR15CE3M	.	RIVET- SIZE DETERMINED ON INSTL.	002004 006100 107107 121503 904999	4
100	BRF220C3-3D	-----*-----	.		
		.	NUTPLATE SUPPLIER CODE: V52828 SPECIFICATION NUMBER: BACN10JS3A3CD OPTIONAL PART: F51900-3-3BAC V15653 NS202562-3-3 V80539 102F9206-3-3 V72962 ATTACHING PARTS	002004 006100 107107 121503 904999	7
- 105	BACR15CE3M	.	RIVET- SIZE DETERMINED ON INSTL.	002004 006100 107107 121503 904999	14
110	313N5037-35	-----*-----	.		
		.	FAIRING ASSY- POSITION DATA: FWD FOR DETAILS SEE: 54-52-01-23	002004 006100 107107 121503 904999	1
110	313N5037-48	.	FAIRING ASSY- POSITION DATA: FWD FOR DETAILS SEE: 54-52-01-23	002004 006100 107107 121503 904999	1

MISSING ITEM NUMBERS NOT APPLICABLE

- ITEM NOT ILLUSTRATED

54-52-01-02A

54-52-01
FIG. 02A
PAGE 4
JAN 20/09

BRI

BOEING PROPRIETARY - Copyright © - Unpublished Work - See title page for details.



757

PARTS CATALOG (MAINTENANCE)

FIG ITEM	PART NUMBER	1 2 3 4 5 6 7	NOMENCLATURE	EFFECT FROM TO	UNITS PER ASSY
2A 110	313N5037-50		. FAIRING ASSY- FOR DETAILS SEE: 54-52-01-23	002004 006100 107107 121503 904999	1
110	313N5037-51		. FAIRING ASSY- FOR DETAILS SEE: 54-52-01-23	002004 006100 107107 121503 904999	1
110	313N5037-53		. FAIRING ASSY- FOR DETAILS SEE: 54-52-01-23	002004 006100 107107 121503 904999	1
115	AN960C416		. WASHER	002004 006100 107107 121503 904999	2
120	BRH10C4M		. NUT SUPPLIER CODE: V52828 SPECIFICATION NUMBER: BACN10JC4CM OPTIONAL PART: T6C428JM V11815 97E48 V80539 109LH9075-4W V72962 VN303D048 V92215 H01-4BAC V15653 NS202101SE048 V80539	002004 006100 107107 121503 904999	2
125	313N5036-55		. FAIRING ASSY- POSITION DATA: FWD	002004 006100 107107 121503 904999	1
125	313N5036-64		. FAIRING ASSY- POSITION DATA: FWD	002004 006100 107107 121503 904999	1

MISSING ITEM NUMBERS NOT APPLICABLE

- ITEM NOT ILLUSTRATED

54-52-01-02A

54-52-01
FIG. 02A
PAGE 5
JAN 20/09

BRI



757

PARTS CATALOG (MAINTENANCE)

FIG ITEM	PART NUMBER	1 2 3 4 5 6 7	NOMENCLATURE	EFFECT FROM TO	UNITS PER ASSY
2A 130	BACB30LH2-5	..	BOLT	002004 006100 107107 121503 904999	19
135	BACB30LH2-6	..	BOLT	002004 006100 107107 121503 904999	12
140	BACB30NT2-5	..	BOLT-	002004 006100 107107 121503 904999	3
145	BACB30NT2-4	..	BOLT-	002004 006100 107107 121503 904999	8
150	AN960KD8	..	WASHER	002004 006100 107107 121503 904999	42
155	BRH10C08D	..	NUT SUPPLIER CODE: V52828 SPECIFICATION NUMBER: BACN10JC08CD OPTIONAL PART: H51650-08BAC V15653 102LH9075-82W V72962 NS202486-82 V80539 T6C832JCD V11815	002004 006100 107107 121503 904999	42
160	313N5036-18	..	RETAINER	002004 006100 107107 121503 904999	1
165	313N5036-17	..	RETAINER	002004 006100 107107 121503 904999	1

MISSING ITEM NUMBERS NOT APPLICABLE

- ITEM NOT ILLUSTRATED

54-52-01-02A

54-52-01
FIG. 02A
PAGE 6
JAN 20/09

BRI

BOEING PROPRIETARY - Copyright © - Unpublished Work - See title page for details.



757

PARTS CATALOG (MAINTENANCE)

FIG ITEM	PART NUMBER	1 2 3 4 5 6 7	NOMENCLATURE	EFFECT FROM TO	UNITS PER ASSY
2A 170	313N5007-1	..	SEAL	002004 006100 107107 121503 904999	1
175	313N5036-22	..	SEAL	002004 006100 107107 121503 904999	1
180	313N5036-41	..	SEAL- POSITION DATA: LH SIDE	002004 006100 107107 121503 904999	1
- 185	313N5036-42	..	SEAL- POSITION DATA: RH SIDE	002004 006100 107107 121503 904999	1
190	313N5036-59	..	SEAL- POSITION DATA: LH SIDE	002004 006100 107107 121503 904999	1
195	313N5036-60	..	SEAL- POSITION DATA: RH SIDE	002004 006100 107107 121503 904999	1
200	BACB30NM4K23	..	BOLT	002004 006100 107107 121503 904999	1
205	AN960KD416	..	WASHER	002004 006100 107107 121503 904999	1
210	NAS1804-4	..	NUT	002004 006100 107107 121503 904999	1

MISSING ITEM NUMBERS NOT APPLICABLE

- ITEM NOT ILLUSTRATED

54-52-01-02A

54-52-01
FIG. 02A
PAGE 7
JAN 20/09

BRI

BOEING PROPRIETARY - Copyright © - Unpublished Work - See title page for details.



757

PARTS CATALOG (MAINTENANCE)

FIG ITEM	PART NUMBER	1 2 3 4 5 6 7	NOMENCLATURE	EFFECT FROM TO	UNITS PER ASSY
2A 215	BACB28Z4-092	..	BUSHING	002004 006100 107107 121503 904999	1
220	BACB28AA4B018	..	BUSHING	002004 006100 107107 121503 904999	2
225	69B89608-3	..	FITTING-PINTLE	002004 006100 107107 121503 904999	2
- 230	HL40-6-3	..	ATTACHING PARTS BOLT SUPPLIER CODE: V97928 SPECIFICATION NUMBER: BACB30FM6A3U OPTIONAL PART: 67067-6A3U V56878 HL40-6-3 V56878 HL40-6-3 V73197 HL40-6-3 V80539 HL40-6-3 V92215 HL40-6-3 V08524 L8056A3U V06725	002004 006100 107107 121503 904999	8
- 235	313N5036-20	..	SHIM	002004 006100 107107 121503 904999	2

MISSING ITEM NUMBERS NOT APPLICABLE

- ITEM NOT ILLUSTRATED

BRI

54-52-01-02A

BOEING PROPRIETARY - Copyright © - Unpublished Work - See title page for details.

54-52-01
FIG. 02A
PAGE 8
JAN 20/09



**757
PARTS CATALOG (MAINTENANCE)**

FIG ITEM	PART NUMBER	1 2 3 4 5 6 7 NOMENCLATURE	EFFECT FROM TO	UNITS PER ASSY
2A - 240	HL97DU6	.. COLLAR SUPPLIER CODE: V73197 SPECIFICATION NUMBER: BACC30AB6S OPTIONAL PART: HL97DU6 V56878 HL97DU6 V5M902 -----*-----	002004 006100 107107 121503 904999	8

MISSING ITEM NUMBERS NOT APPLICABLE

- ITEM NOT ILLUSTRATED

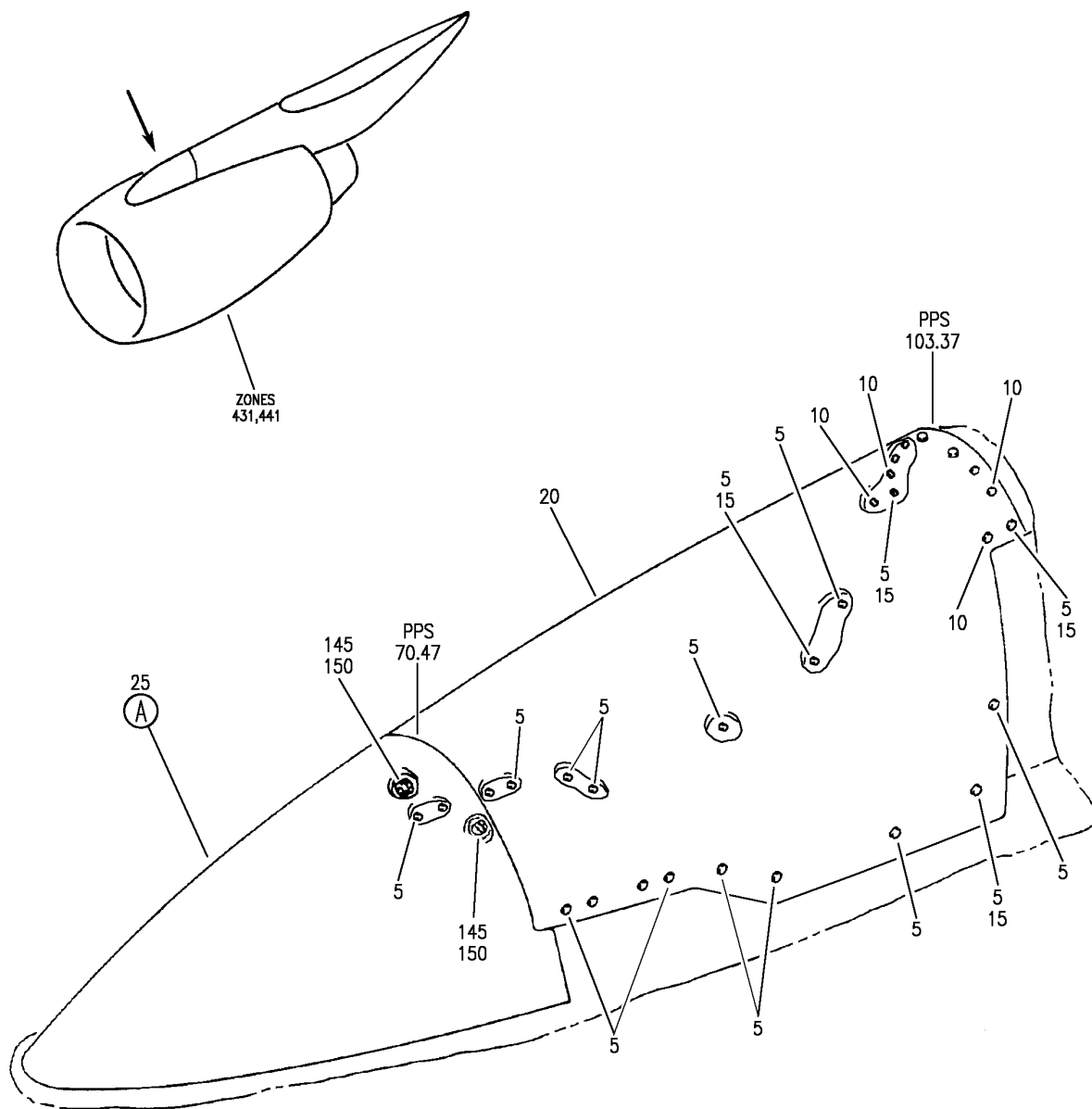
BRI

54-52-01-02A

BOEING PROPRIETARY - Copyright © - Unpublished Work - See title page for details.

54-52-01
FIG. 02A
PAGE 9
JAN 20/09

BOEING
757
PARTS CATALOG (MAINTENANCE)



Y 54520102B SHT 1 REV 253

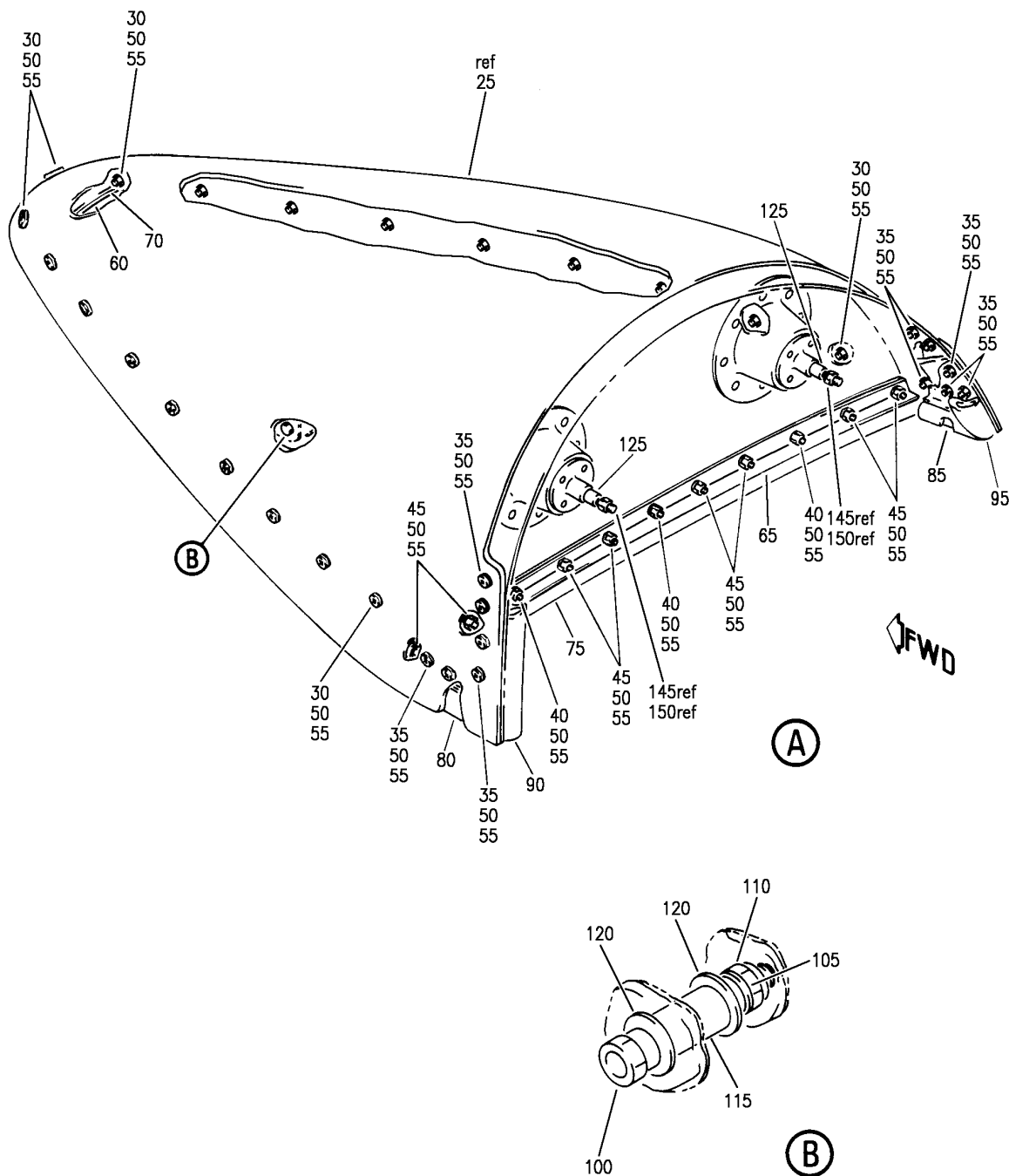
FAIRING INSTL-STRUT FORE AND AFT SEGMENTS FWD
FIGURE 2B (SHEET 1)

54-52-01-02B

BRI
MAY 28/07

54-52-01-02B
PAGE 0

BOEING
757
PARTS CATALOG (MAINTENANCE)



Y 54520102B SHT 2 REV 253

FAIRING INSTL-STRUT FORE AND AFT SEGMENTS FWD
FIGURE 2B (SHEET 2)

54-52-01-02B

BRI
MAY 28/07

54-52-01-02B
PAGE 0A

 **BOEING**
757
PARTS CATALOG (MAINTENANCE)

FIG ITEM	PART NUMBER	1 2 3 4 5 6 7	NOMENCLATURE	EFFECT FROM TO	UNITS PER ASSY
2B			FAIRING INSTL-STRUT FORE AND AFT SEGMENTS FWD	101102 108120 504903	
- 2	313N5001-11		FAIRING INSTL-STRUT POSITION DATA: FWD FORE & AFT SEGMENTS ENG POSITION 1 FOR NHA SEE: 54-00-00-03A	101102 108120 504903	RF
- 3	313N5001-12		FAIRING INSTL-STRUT POSITION DATA: FWD FORE & AFT SEGMENTS ENG POSITION 2 FOR NHA SEE: 54-00-00-03A	101102 108120 504903	RF
5	BACB30LR4-8		.BOLT	101102 108120 504903	20
10	BACB30NN3K6		.BOLT	101102 108120 504903	9
15	BACW10UC417P		.WASHER	101102 108120 504903	4
20	313N5037-50		.FAIRING ASSY- FOR DETAILS SEE: 54-52-01-23	101102 108120 504903	1
20	313N5037-35		.FAIRING ASSY- POSITION DATA: FWD FOR DETAILS SEE: 54-52-01-23	101102 108120 504903	1
20	313N5037-48		.FAIRING ASSY- POSITION DATA: FWD FOR DETAILS SEE: 54-52-01-23	101102 108120 504903	1
20	313N5037-51		.FAIRING ASSY- FOR DETAILS SEE: 54-52-01-23	101102 108120 504903	1
20	313N5037-53		.FAIRING ASSY- FOR DETAILS SEE: 54-52-01-23	101102 108120 504903	1
25	313N5036-64		.FAIRING ASSY- POSITION DATA: FWD	101102 108120 504903	1
25	313N5036-55		.FAIRING ASSY- POSITION DATA: FWD	101102 108120 504903	1

MISSING ITEM NUMBERS NOT APPLICABLE

- ITEM NOT ILLUSTRATED

BRI

54-52-01-02B

BOEING PROPRIETARY - Copyright © - Unpublished Work - See title page for details.

54-52-01
FIG. 02B
PAGE 1
JAN 20/09



757

PARTS CATALOG (MAINTENANCE)

FIG ITEM	PART NUMBER	1 2 3 4 5 6 7	NOMENCLATURE	EFFECT FROM TO	UNITS PER ASSY
2B					
30	BACB30LH2-5	..	BOLT	101102 108120 504903	19
35	BACB30LH2-6	..	BOLT	101102 108120 504903	12
40	BACB30NT2-5	..	BOLT- OPTIONAL PART: BACB30NT2K5	101102 108120 504903	3
40	BACB30NT2K5	..	BOLT- OPTIONAL PART: BACB30NT2-5 USED ON: 313N5036-55	101102 108120 504903	3
45	BACB30NT2-4	..	BOLT- OPTIONAL PART: BACB30NT2K4	101102 108120 504903	8
45	BACB30NT2K4	..	BOLT- OPTIONAL PART: BACB30NT2-4 USED ON: 313N5036-55	101102 108120 504903	8
50	AN960KD8	..	WASHER	101102 108120 504903	42
55	BRH10C08D	..	NUT SUPPLIER CODE: V52828 SPECIFICATION NUMBER: BACN10JCO8CD OPTIONAL PART: H51650-08BAC V15653 102LH9075-82W V72962 NS202486-82 V80539 T6C832JCD V11815	101102 108120 504903	42
60	313N5036-18	..	RETAINER	101102 108120 504903	1
65	313N5036-17	..	RETAINER	101102 108120 504903	1
70	313N5007-1	..	SEAL	101102 108120 504903	1

MISSING ITEM NUMBERS NOT APPLICABLE

- ITEM NOT ILLUSTRATED

54-52-01-02B

54-52-01
FIG. 02B
PAGE 2
JAN 20/09

BRI

BOEING PROPRIETARY - Copyright © - Unpublished Work - See title page for details.



757

PARTS CATALOG (MAINTENANCE)

FIG ITEM	PART NUMBER	1 2 3 4 5 6 7	NOMENCLATURE	EFFECT FROM TO	UNITS PER ASSY
2B					
75	313N5036-22	..	SEAL	101102 108120 504903	1
80	313N5036-41	..	SEAL- POSITION DATA: LH SIDE	101102 108120 504903	1
85	313N5036-42	..	SEAL- POSITION DATA: RH SIDE	101102 108120 504903	1
90	313N5036-59	..	SEAL- POSITION DATA: LH SIDE	101102 108120 504903	1
95	313N5036-60	..	SEAL- POSITION DATA: RH SIDE	101102 108120 504903	1
100	BACB30NM4K23	..	BOLT	101102 108120 504903	1
105	AN960KD416	..	WASHER	101102 108120 504903	1
110	NAS1804-4	..	NUT	101102 108120 504903	1
115	BACB28Z4-092	..	BUSHING	101102 108120 504903	1
120	BACB28AA4B018	..	BUSHING	101102 108120 504903	2
125	69B89608-3	..	FITTING-PINTLE	101102 108120 504903	2

MISSING ITEM NUMBERS NOT APPLICABLE

- ITEM NOT ILLUSTRATED

BRI

54-52-01-02B

BOEING PROPRIETARY - Copyright © - Unpublished Work - See title page for details.

54-52-01
FIG. 02B
PAGE 3
JAN 20/09



757

PARTS CATALOG (MAINTENANCE)

FIG ITEM	PART NUMBER	1 2 3 4 5 6 7	NOMENCLATURE	EFFECT FROM TO	UNITS PER ASSY
2B			ATTACHING PARTS		
- 130	HL40-6-3		..BOLT SUPPLIER CODE: V97928 SPECIFICATION NUMBER: BACB30FM6A3U OPTIONAL PART: 67067-6A3U V56878 HL40-6-3 V56878 HL40-6-3 V73197 HL40-6-3 V80539 HL40-6-3 V92215 HL40-6-3 V08524 L8056A3U V06725	101102 108120 504903	8
- 135	313N5036-20		..SHIM	101102 108120 504903	2
- 140	HL97DU6		..COLLAR SUPPLIER CODE: V73197 SPECIFICATION NUMBER: BACC30AB6S OPTIONAL PART: HL97DU6 V56878 HL97DU6 V5M902	101102 108120 504903	8
145	NAS1149C0463R		-----*----- .WASHER	101102 108120 504903	2

MISSING ITEM NUMBERS NOT APPLICABLE

- ITEM NOT ILLUSTRATED

BRI

54-52-01-02B

BOEING PROPRIETARY - Copyright © - Unpublished Work - See title page for details.

54-52-01
FIG. 02B
PAGE 4
JAN 20/09



757

PARTS CATALOG (MAINTENANCE)

FIG ITEM	PART NUMBER	1 2 3 4 5 6 7	NOMENCLATURE	EFFECT FROM TO	UNITS PER ASSY
2B 150	BRH10C4M	.	NUT SUPPLIER CODE: V52828 SPECIFICATION NUMBER: BACN10JC4CM OPTIONAL PART: T6C428JM V11815 97E48 V80539 109LH9075-4W V72962 VN303D048 V92215 H01-4BAC V15653 NS202101SE048 V80539	101102 108120 504903	2

MISSING ITEM NUMBERS NOT APPLICABLE

- ITEM NOT ILLUSTRATED

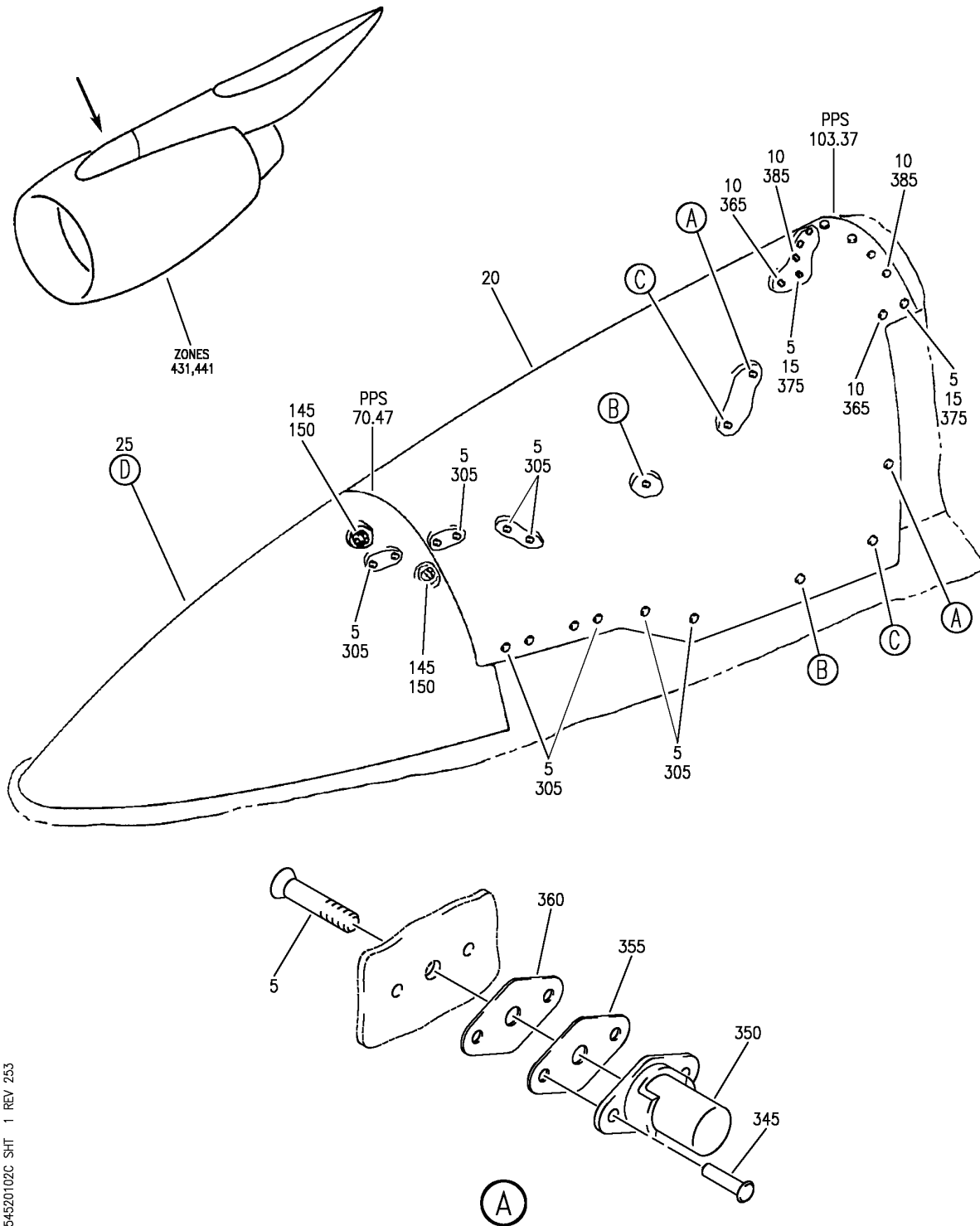
BRI

54-52-01-02B

BOEING PROPRIETARY - Copyright © - Unpublished Work - See title page for details.

54-52-01
FIG. 02B
PAGE 5
JAN 20/09

BOEING
757
PARTS CATALOG (MAINTENANCE)



Y 54520102C SHT 1 REV 253

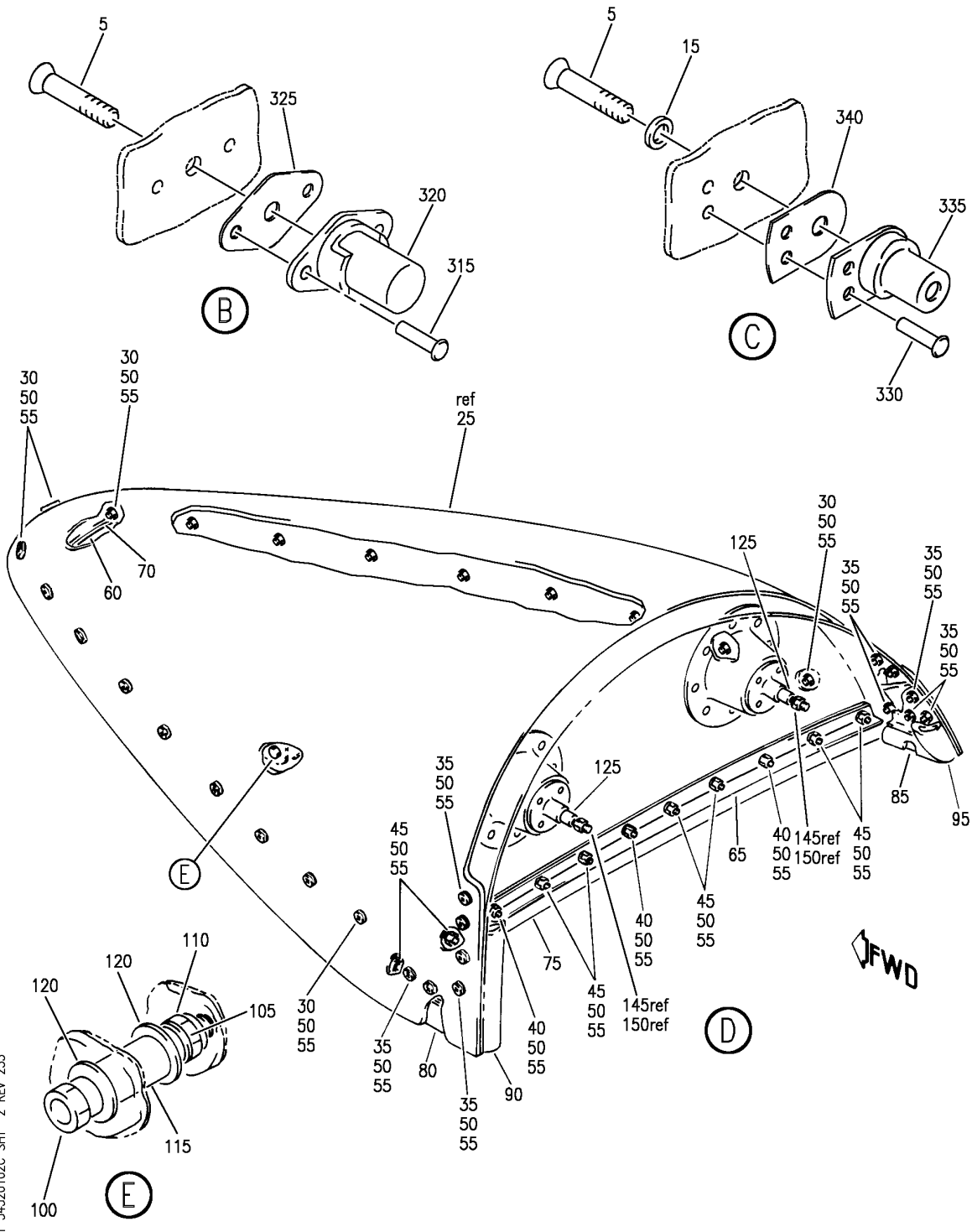
FAIRING INSTL-STRUT FORE AND AFT SEGMENTS FWD
FIGURE 2C (SHEET 1)

54-52-01-02C

BRI
MAY 28/07

54-52-01-02C
PAGE 0


BOEING
 757
PARTS CATALOG (MAINTENANCE)



Y 54520102C SHT 2 REV 253

FAIRING INSTL-STRUT FORE AND AFT SEGMENTS FWD
 FIGURE 2C (SHEET 2)

54-52-01-02C

BRI
 MAY 28/07

54-52-01-02C
 PAGE 0A



757

PARTS CATALOG (MAINTENANCE)

FIG ITEM	PART NUMBER	1 2 3 4 5 6 7	NOMENCLATURE	EFFECT FROM TO	UNITS PER ASSY
2C			FAIRING INSTL-STRUT FORE AND AFT SEGMENTS FWD	101106 108120 504903	
- 1	MODREF25749		FAIRING INSTL-STRUT MODULE NUMBER: 313N5001-13 REV B POSITION DATA: FWD FORE & AFT SEGMENTS ENG POSITION 1	103106	1
- 3	MODREF25750		FAIRING INSTL-STRUT MODULE NUMBER: 313N5001-14 REV B POSITION DATA: FWD FORE & AFT SEGMENTS ENG POSITION 2	103106	1
5	BACB30LR4-8		.BOLT	103106	20
10	BACB30NN3K6		.BOLT	103106	9
15	BACW10UC417P		.WASHER	103106	4
20	313N5037-53		.FAIRING ASSY- FOR DETAILS SEE: 54-52-01-23	103106	1
25	313N5036-64		.FAIRING ASSY- POSITION DATA: FWD	103106	1
25	313N5036-55		.FAIRING ASSY- POSITION DATA: FWD	103106	1
30	BACB30LH2-5		..BOLT	103106	19
35	BACB30LH2-6		..BOLT	103106	12
40	BACB30NT2-5		..BOLT- OPTIONAL PART: BACB30NT2K5	103106	3
40	BACB30NT2K5		..BOLT- OPTIONAL PART: BACB30NT2-5 USED ON: 313N5036-55	103106	3
45	BACB30NT2-4		..BOLT- OPTIONAL PART: BACB30NT2K4	103106	8
45	BACB30NT2K4		..BOLT- OPTIONAL PART: BACB30NT2-4 USED ON: 313N5036-55	103106	8
50	AN960KD8		..WASHER	103106	42

MISSING ITEM NUMBERS NOT APPLICABLE

- ITEM NOT ILLUSTRATED

54-52-01-02C

54-52-01
FIG. 02C
PAGE 1
JAN 20/09

BRI



757

PARTS CATALOG (MAINTENANCE)

FIG ITEM	PART NUMBER	1 2 3 4 5 6 7	NOMENCLATURE	EFFECT FROM TO	UNITS PER ASSY
2C					
55	BRH10C08D	..	NUT SUPPLIER CODE: V52828 SPECIFICATION NUMBER: BACN10JC08CD OPTIONAL PART: H51650-08BAC V15653 102LH9075-82W V72962 NS202486-82 V80539 T6C832JCD V11815	103106	42
60	313N5036-18	..	RETAINER	103106	1
65	313N5036-17	..	RETAINER	103106	1
70	313N5007-1	..	SEAL	103106	1
75	313N5036-22	..	SEAL	103106	1
80	313N5036-41	..	SEAL- POSITION DATA: LH SIDE	103106	1
85	313N5036-42	..	SEAL- POSITION DATA: RH SIDE	103106	1
90	313N5036-59	..	SEAL- POSITION DATA: LH SIDE	103106	1
95	313N5036-60	..	SEAL- POSITION DATA: RH SIDE	103106	1
100	BACB30NM4K23	..	BOLT	103106	1
105	AN960KD416	..	WASHER	103106	1
110	NAS1804-4	..	NUT	103106	1
115	BACB28Z4-092	..	BUSHING	103106	1
120	BACB28AA4B018	..	BUSHING	103106	2
125	69B89608-3	..	FITTING-PINTLE	103106	2

MISSING ITEM NUMBERS NOT APPLICABLE

- ITEM NOT ILLUSTRATED

BRI

54-52-01-02C

BOEING PROPRIETARY - Copyright © - Unpublished Work - See title page for details.

54-52-01
FIG. 02C
PAGE 2
JAN 20/09



757

PARTS CATALOG (MAINTENANCE)

FIG ITEM	PART NUMBER	1 2 3 4 5 6 7	NOMENCLATURE	EFFECT FROM TO	UNITS PER ASSY
2C			ATTACHING PARTS		
- 130	HL40-6-3		..BOLT SUPPLIER CODE: V97928 SPECIFICATION NUMBER: BACB30FM6A3U OPTIONAL PART: 67067-6A3U V56878 HL40-6-3 V56878 HL40-6-3 V73197 HL40-6-3 V80539 HL40-6-3 V92215 HL40-6-3 V08524 L8056A3U V06725	103106	8
- 135	313N5036-20		..SHIM	103106	2
- 140	HL97DU6		..COLLAR SUPPLIER CODE: V73197 SPECIFICATION NUMBER: BACC30AB6S OPTIONAL PART: HL97DU6 V56878 HL97DU6 V5M902	103106	8
145	AN960C416		-----*----- .WASHER	103106	2

MISSING ITEM NUMBERS NOT APPLICABLE

- ITEM NOT ILLUSTRATED

BRI

54-52-01-02C

BOEING PROPRIETARY - Copyright © - Unpublished Work - See title page for details.

54-52-01
FIG. 02C
PAGE 3
JAN 20/09



757

PARTS CATALOG (MAINTENANCE)

FIG ITEM	PART NUMBER	1 2 3 4 5 6 7	NOMENCLATURE	EFFECT FROM TO	UNITS PER ASSY
2C 150	BRH10C4M	.NUT	SUPPLIER CODE: V52828 SPECIFICATION NUMBER: BACN10JC4CM OPTIONAL PART: T6C428JM V11815 97E48 V80539 109LH9075-4W V72962 VN303D048 V92215 H01-4BAC V15653 NS202101SE048 V80539	103106	2
- 300	313N5037-54	NUTPLATE INSTL-STRUT FORE AND AFT SEGMENTS POSITION DATA: FWD FOR NHA SEE: 54-00-00-04		101102 106106 108120 504903	RF
305	BRF220C4M4	.NUTPLATE SUPPLIER CODE: V52828 SPECIFICATION NUMBER: BACN10JS4A4CM OPTIONAL PART: F1934-01-4-4BAC V15653 NS103219SE048-4 V80539 VN182D048-4 V92215 109F9206-4-4 V72962 T8268C428C4 V11815		101102 106106 108120 504903	12
- 310	BACR15DR3A	ATTACHING PARTS .RIVET- SIZE DETERMINED ON INSTL. -----*-----		101102 106106 108120 504903	24

MISSING ITEM NUMBERS NOT APPLICABLE

- ITEM NOT ILLUSTRATED

54-52-01-02C

54-52-01
FIG. 02C
PAGE 4
JAN 20/09

BRI

BOEING PROPRIETARY - Copyright © - Unpublished Work - See title page for details.



757

PARTS CATALOG (MAINTENANCE)

FIG ITEM	PART NUMBER	1 2 3 4 5 6 7	NOMENCLATURE	EFFECT FROM TO	UNITS PER ASSY
2C					
315	BACR15DR3A	.RIVET-	SIZE DETERMINED ON INSTL.	101102 106106 108120 504903	4
320	BACN10JZ4A4CMU	.NUTPLATE		101102 106106 108120 504903	2
325	NAS463XC416H	.SPACER		101102 106106 108120 504903	2
330	BACR15DR4A	.RIVET-	SIZE DETERMINED ON INSTL.	101102 106106 108120 504903	4
335	109F10972-4	.NUTPLATE	SUPPLIER CODE: V72962 SPECIFICATION NUMBER: BACN10JZ4B4CM OPTIONAL PART: F51113-4BAC V15653 RMF10972-4 V72962	101102 106106 108120 504903	2
340	313N5063-1	.SPACER		101102 106106 108120 504903	2
345	BACR15DR3A	.RIVET-	SIZE DETERMINED ON INSTL.	101102 106106 108120 504903	4
350	BACN10JZ4A4CMU	.NUTPLATE		101102 106106 108120 504903	2
355	NAS463XC416H	.SPACER		101102 106106 108120 504903	2
360	NAS463XC416	.SPACER		101102 106106 108120 504903	2

MISSING ITEM NUMBERS NOT APPLICABLE

- ITEM NOT ILLUSTRATED

54-52-01-02C

54-52-01
FIG. 02C
PAGE 5
JAN 20/09

BRI

BOEING PROPRIETARY - Copyright © - Unpublished Work - See title page for details.



757

PARTS CATALOG (MAINTENANCE)

FIG ITEM	PART NUMBER	1 2 3 4 5 6 7	NOMENCLATURE	EFFECT FROM TO	UNITS PER ASSY
2C 365	BRF220C5-3D	.	NUTPLATE SUPPLIER CODE: V52828 SPECIFICATION NUMBER: BACN10JS3A5CD OPTIONAL PART: F51900-3-5BAC V15653 NS202562-3-5 V80539 102F9206-5-3 V72962 ATTACHING PARTS	101102 106106 108120 504903	2
- 370	BACR15CE3M	.	RIVET- SIZE DETERMINED ON INSTL. -----*-----	101102 106106 108120 504903	4
375	BRF220C5-4D	.	NUTPLATE SUPPLIER CODE: V52828 SPECIFICATION NUMBER: BACN10JS4A5CD OPTIONAL PART: F51900-4-5BAC V15653 NS202562-4-5 V80539 102F9206-5-4 V72962 ATTACHING PARTS	101102 106106 108120 504903	2
- 380	BACR15CE3M	.	RIVET- SIZE DETERMINED ON INSTL. -----*-----	101102 106106 108120 504903	4
385	BRF220C3-3D	.	NUTPLATE SUPPLIER CODE: V52828 SPECIFICATION NUMBER: BACN10JS3A3CD OPTIONAL PART: F51900-3-3BAC V15653 NS202562-3-3 V80539 102F9206-3-3 V72962	101102 106106 108120 504903	7

MISSING ITEM NUMBERS NOT APPLICABLE

- ITEM NOT ILLUSTRATED

BRI

54-52-01-02C

BOEING PROPRIETARY - Copyright © - Unpublished Work - See title page for details.

54-52-01
FIG. 02C
PAGE 6
JAN 20/09



**757
PARTS CATALOG (MAINTENANCE)**

FIG ITEM	PART NUMBER	1 2 3 4 5 6 7 NOMENCLATURE	EFFECT FROM TO	UNITS PER ASSY
2C - 390	BACR15CE3M	ATTACHING PARTS .RIVET- SIZE DETERMINED ON INSTL. -----*-----	101102 106106 108120 504903	14

MISSING ITEM NUMBERS NOT APPLICABLE

- ITEM NOT ILLUSTRATED

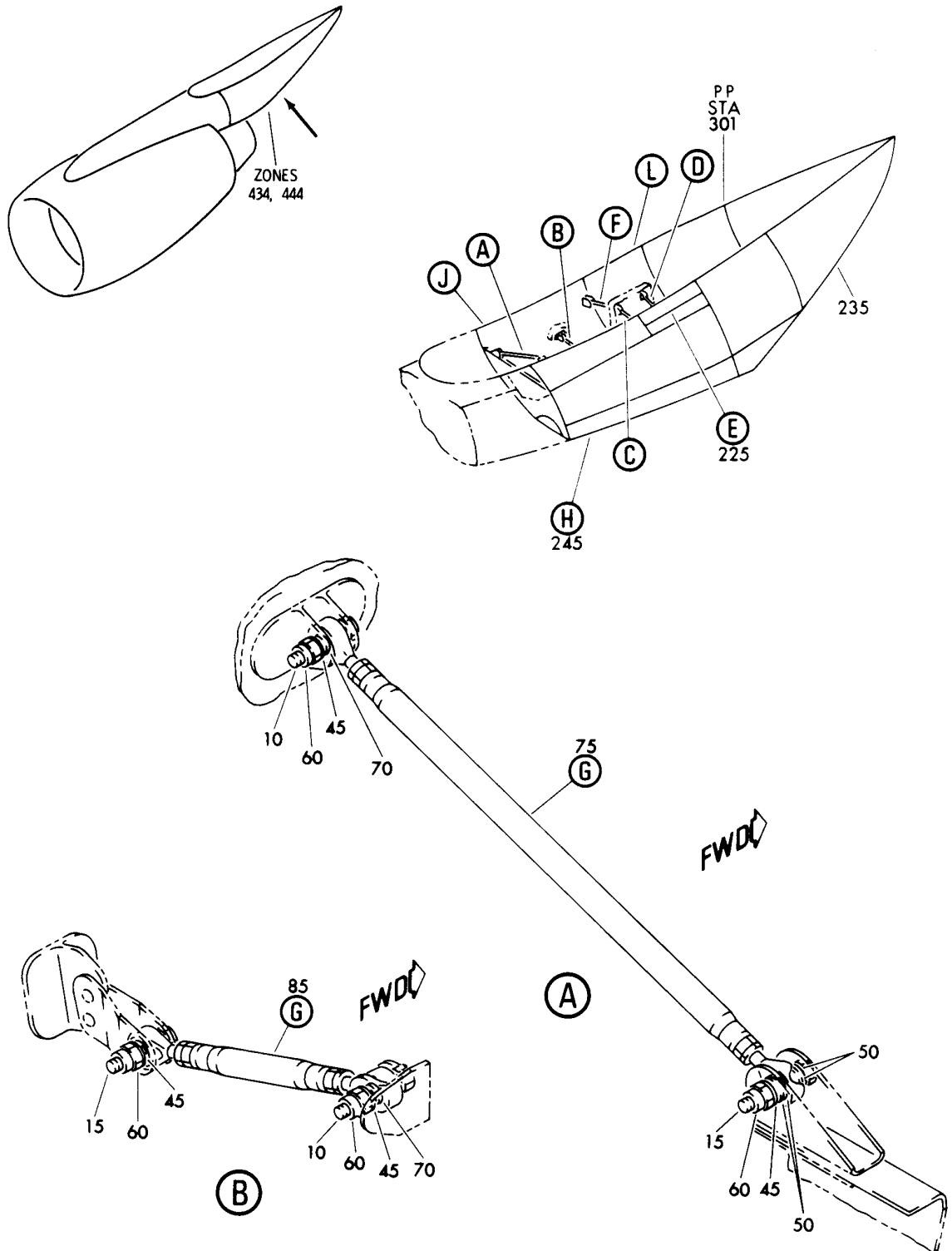
BRI

54-52-01-02C

BOEING PROPRIETARY - Copyright © - Unpublished Work - See title page for details.

54-52-01
FIG. 02C
PAGE 7
JAN 20/09

BOEING
757
PARTS CATALOG (MAINTENANCE)



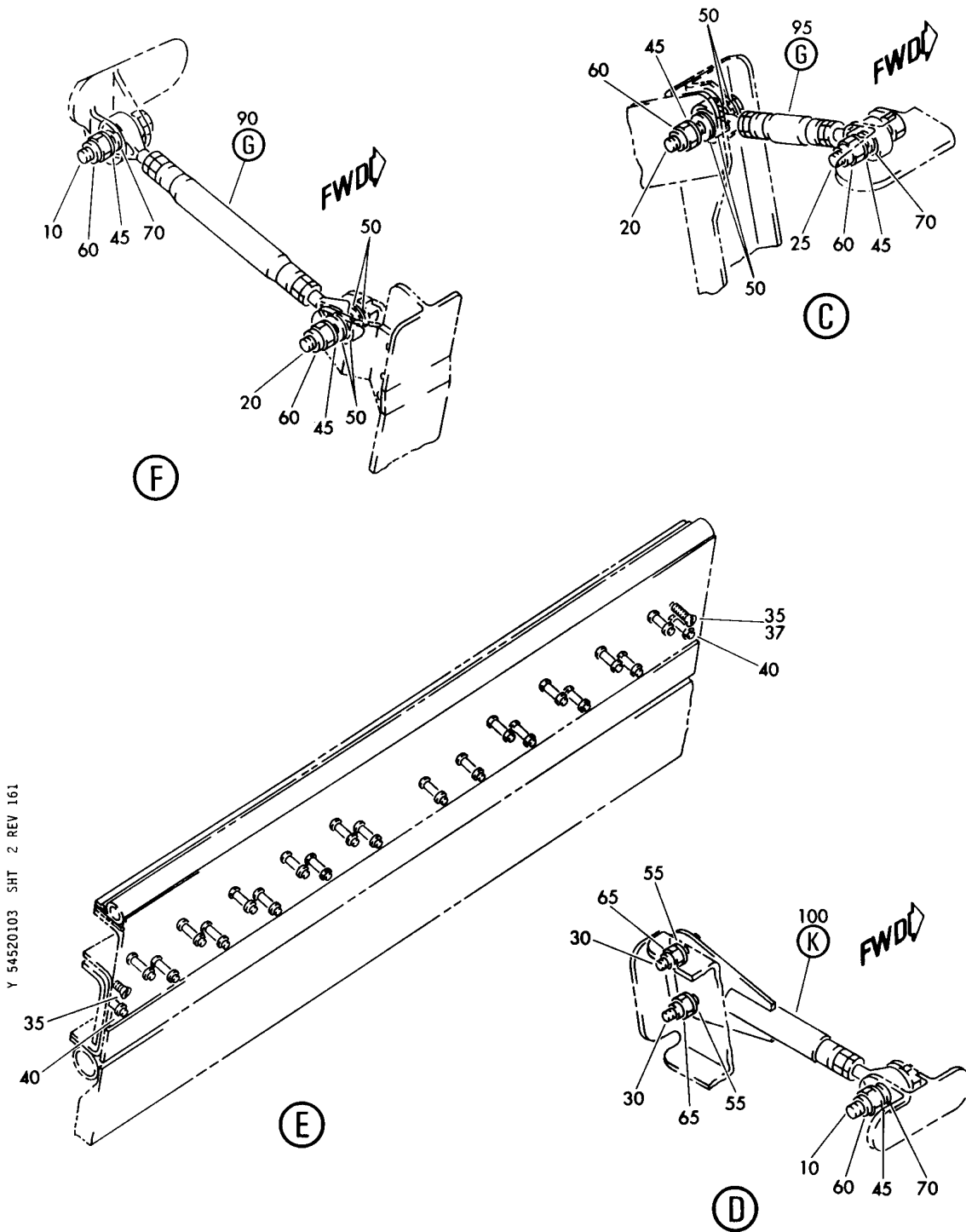
FAIRING INSTL-STRUT AFT
FIGURE 3 (SHEET 1)

54-52-01-03

BRI
MAY 28/07

54-52-01-03
PAGE 0

BOEING
757
PARTS CATALOG (MAINTENANCE)



Y 54520103 SHT 2 REV 161

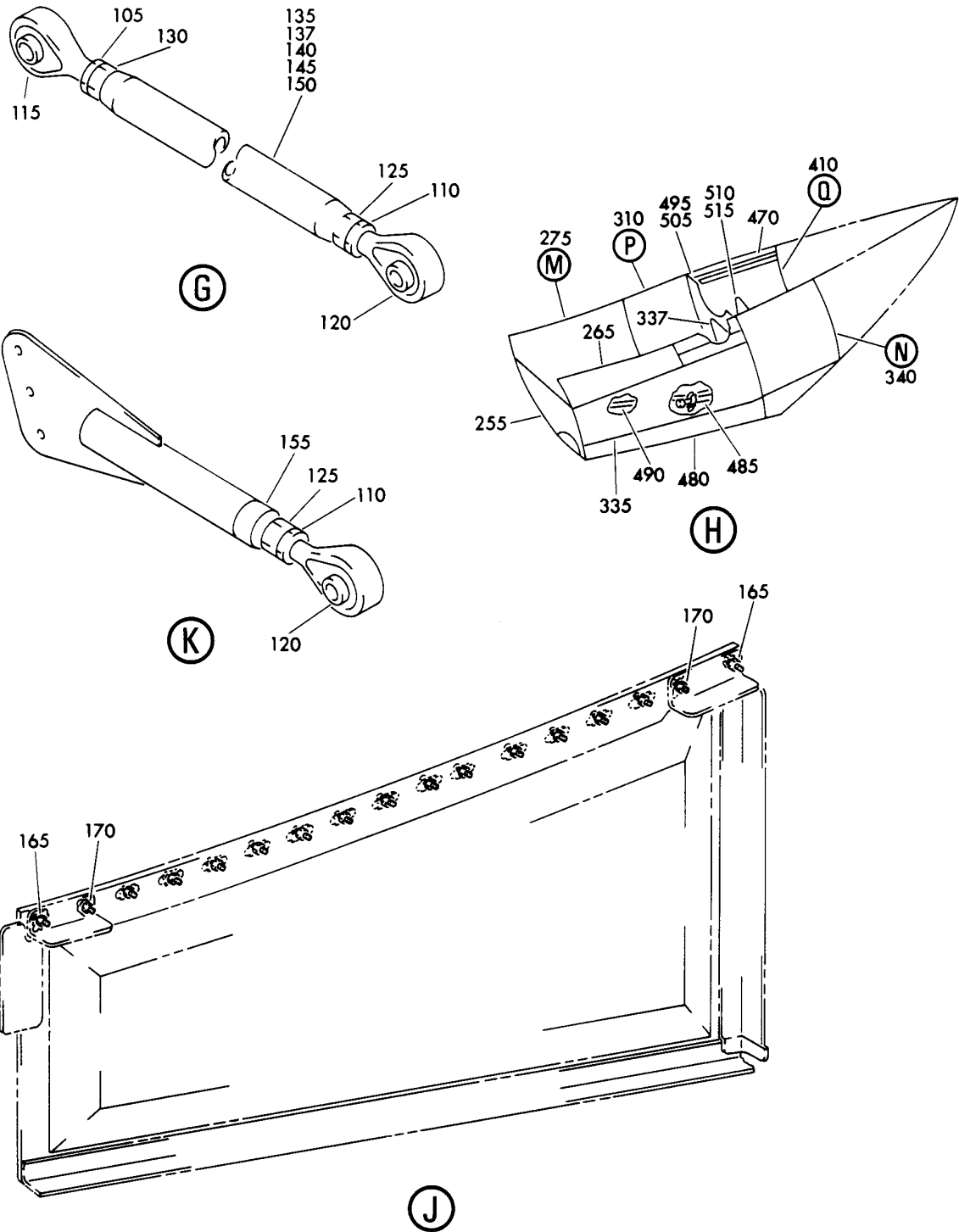
FAIRING INSTL-STRUT AFT
FIGURE 3 (SHEET 2)

54-52-01-03

BRI
MAY 28/07

54-52-01-03
PAGE 0A

BOEING
757
PARTS CATALOG (MAINTENANCE)



Y 54520103 SHT 3 REV 010

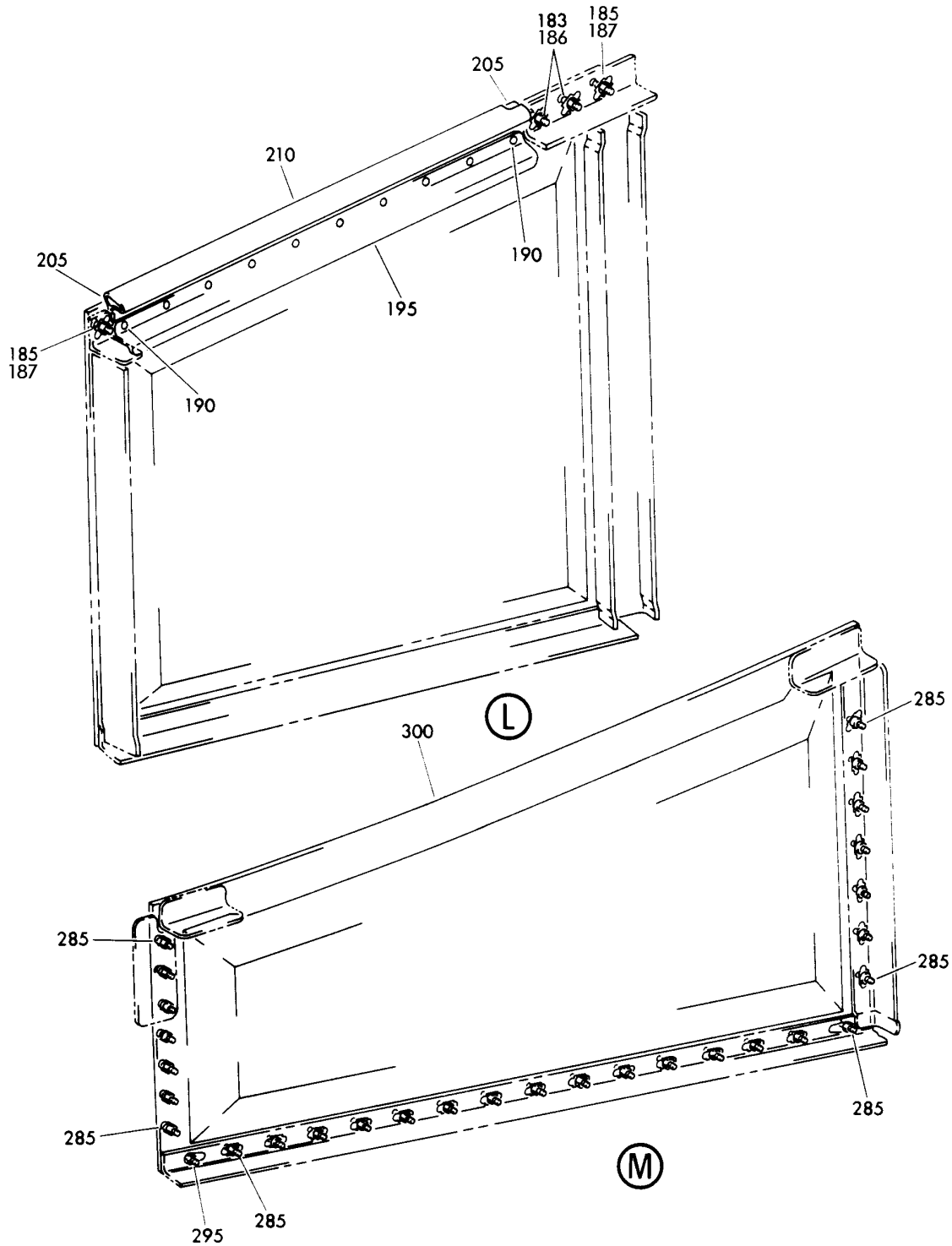
FAIRING INSTL-STRUT AFT
FIGURE 3 (SHEET 3)

54-52-01-03

BRI
MAY 28/07

54-52-01-03
PAGE 0B

BOEING
757
PARTS CATALOG (MAINTENANCE)



Y 54520103 SHT 4 REV 228

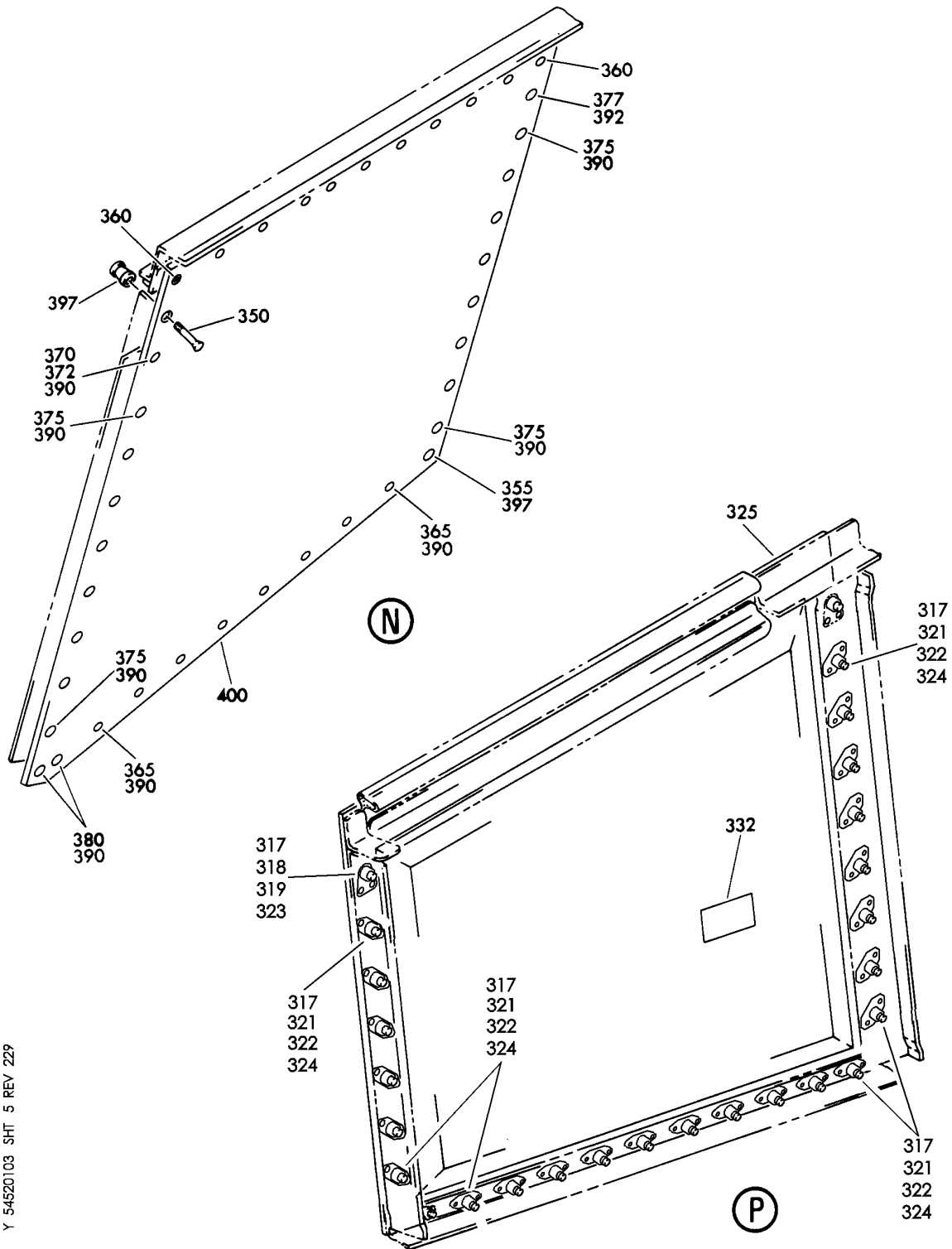
FAIRING INSTL-STRUT AFT
FIGURE 3 (SHEET 4)

54-52-01-03

BRI
MAY 28/07

54-52-01-03
PAGE 0C

BOEING
757
PARTS CATALOG (MAINTENANCE)



Y 54520103 SH1 5 REV 229

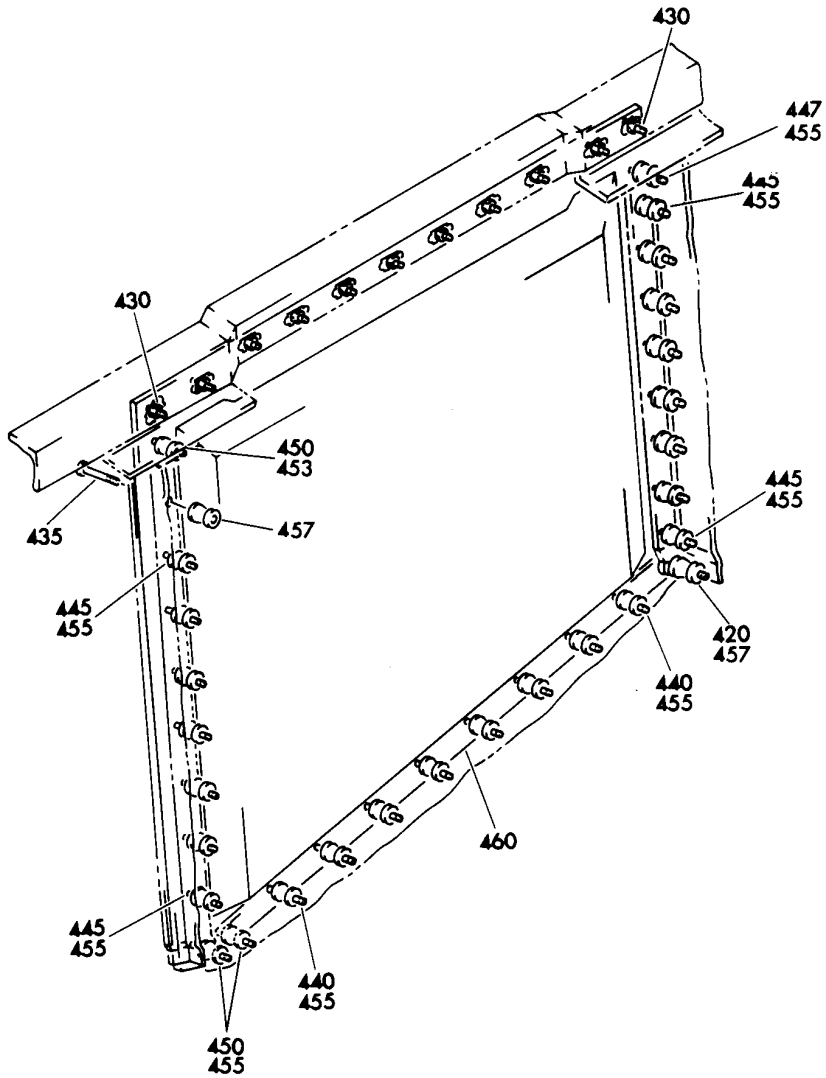
FAIRING INSTL-STRUT AFT
FIGURE 3 (SHEET 5)

54-52-01-03

BRI
MAY 28/07

54-52-01-03
PAGE 0D

BOEING
757
PARTS CATALOG (MAINTENANCE)



Y 54520103 SHT 6 REV 022

FAIRING INSTL-STRUT AFT
FIGURE 3 (SHEET 6)

54-52-01-03

BRI
MAY 28/07

54-52-01-03
PAGE 0E



757

PARTS CATALOG (MAINTENANCE)

FIG ITEM	PART NUMBER	1 2 3 4 5 6 7	NOMENCLATURE	EFFECT FROM TO	UNITS PER ASSY
3			FAIRING INSTL-STRUT AFT	002004 006100 107107 121503 904999	
- 1	313N5006-9		FAIRING INSTL-STRUT POSITION DATA: AFT LH FOR NHA SEE: 54-51-01-01 54-51-01-01A	002004 006100 107107 121503 904999	RF
- 5	313N5006-10		FAIRING INSTL-STRUT POSITION DATA: AFT RH FOR NHA SEE: 54-51-01-01 54-51-01-01A	002004 006100 107107 121503 904999	RF
10	BACB30NR5K15		.BOLT	002004 006100 107107 121503 904999	4
15	BACB30NR5K13		.BOLT	002004 006100 107107 121503 904999	2
20	BACB30NR5K14		.BOLT	002004 006100 107107 121503 904999	2
25	BACB30NR5K16		.BOLT	002004 006100 107107 121503 904999	1
30	BACB30NR3K3		.BOLT	002004 006100 107107 121503 904999	2
35	BACB30NU3K6		.BOLT	002004 006100 107107 121503 904999	2

MISSING ITEM NUMBERS NOT APPLICABLE

- ITEM NOT ILLUSTRATED

54-52-01-03

54-52-01
FIG. 03
PAGE 1
JAN 20/09

BRI

 **BOEING**
757
PARTS CATALOG (MAINTENANCE)

FIG ITEM	PART NUMBER	1 2 3 4 5 6 7	NOMENCLATURE	EFFECT FROM TO	UNITS PER ASSY
3					
37	BACB30NU3K6	.	BOLT- POSITION DATA: RH SIDE USED ON: 313N5006-10	018100	1
40	BACR15CE5KE	.	RIVET- SIZE DETERMINED ON INSTL.	002004 006100 107107 121503 904999	21
45	AN960KD516	.	WASHER	002004 006100 107107 121503 904999	9
50	AN960KD516L	.	WASHER	002004 006100 107107 121503 904999	AR
55	AN960KD10	.	WASHER	002004 006100 107107 121503 904999	2
60	BRH10C5D	.	NUT SUPPLIER CODE: V52828 SPECIFICATION NUMBER: BACN10JC5CD OPTIONAL PART: T6C524JCD V11815 102LH9075-5W V72962 H51650-5BAC V15653	002004 006100 107107 121503 904999	9

MISSING ITEM NUMBERS NOT APPLICABLE

— ITEM NOT ILLUSTRATED

BRI

54-52-01-03

BOEING PROPRIETARY - Copyright © - Unpublished Work - See title page for details.

54-52-01
FIG. 03
PAGE 2
JAN 20/09



757

PARTS CATALOG (MAINTENANCE)

FIG ITEM	PART NUMBER	1 2 3 4 5 6 7	NOMENCLATURE	EFFECT FROM TO	UNITS PER ASSY
3					
65	BRH10C3D	.NUT	SUPPLIER CODE: V52828 SPECIFICATION NUMBER: BACN10JC3D OPTIONAL PART: T6C1032JCD V11815 NS202486-02 V80539 102LH9075-3W V72962 H51650-3BAC V15653	002004 006100 107107 121503 904999	2
70	BACB28AK05-024	.BUSHING		002004 006100 107107 121503 904999	5
75	313N5039-1	.ROD ASSY-	POSITION DATA: LH SIDE	002004 006100 107107 121503 904999	1
- 80	313N5039-2	.ROD ASSY-	POSITION DATA: RH SIDE	002004 006100 107107 121503 904999	1
85	313N5039-3	.ROD ASSY		002004 006100 107107 121503 904999	1
90	313N5039-5	.ROD ASSY		002004 006100 107107 121503 904999	1
95	313N5039-4	.ROD ASSY		002004 006100 107107 121503 904999	1
100	313N5035-1	.ROD ASSY		002004 006100 107107 121503 904999	1

MISSING ITEM NUMBERS NOT APPLICABLE

- ITEM NOT ILLUSTRATED

54-52-01-03

54-52-01
FIG. 03
PAGE 3
JAN 20/09

BRI



757

PARTS CATALOG (MAINTENANCE)

FIG ITEM	PART NUMBER	1 2 3 4 5 6 7	NOMENCLATURE	EFFECT FROM TO	UNITS PER ASSY
3	105 AN316C5L		..NUT- USED ON: 313N5039-1 313N5039-2 313N5039-3 313N5039-4 313N5039-5	002004 006100 107107 121503 904999	1
	110 AN316C5R		..NUT	002004 006100 107107 121503 904999	1
	115 11E5-116M		..BEARING- SUPPLIER CODE: V16746 SPECIFICATION NUMBER: BACB10Y5LM OPTIONAL PART: BRELHS5-2001M1 V81376 HB5E212KLM V02758 KBEL5-150WD5 V97613 MSSKL5AS1 V73134 51588L051DD V09455 ASBK5-1DM V56644 ARL5E7W13 VS0352 ARBL560MW V15860 USED ON: 313N5039-1 313N5039-2 313N5039-3 313N5039-4 313N5039-5	002004 006100 107107 121503 904999	1

MISSING ITEM NUMBERS NOT APPLICABLE

- ITEM NOT ILLUSTRATED

54-52-01-03

54-52-01
FIG. 03
PAGE 4
JAN 20/09

BRI



757

PARTS CATALOG (MAINTENANCE)

FIG ITEM	PART NUMBER	1 2 3 4 5 6 7	NOMENCLATURE	EFFECT FROM TO	UNITS PER ASSY
3 120	10E5-116M		.. BEARING SUPPLIER CODE: V16746 SPECIFICATION NUMBER: BACB10Y5M OPTIONAL PART: BRES5-2001M1 V81376 HB5E212KM V02758 KBE5-150WD5 V97613 MSSK5AS1 V73134 51588-051DD V09455 ASMK5-1DM V56644 AR5E7W13 VS0352 ARB5E60MW V15860	002004 006100 107107 121503 904999	1
125	313T3316-1		.. INSERT	002004 006100 107107 121503 904999	1
130	313T3316-2		.. INSERT- USED ON: 313N5039-1 313N5039-2 313N5039-3 313N5039-4 313N5039-5	002004 006100 107107 121503 904999	1
135	313N5039-6		.. TUBE- USED ON: 313N5039-1	002004 006100 107107 121503 904999	1
137	313N5039-7		.. TUBE- USED ON: 313N5039-2	002004 006100 107107 121503 904999	1
140	313N5039-8		.. TUBE- USED ON: 313N5039-3	002004 006100 107107 121503 904999	1

MISSING ITEM NUMBERS NOT APPLICABLE

- ITEM NOT ILLUSTRATED

54-52-01-03

54-52-01
FIG. 03
PAGE 5
JAN 20/09

BRI

BOEING
757
PARTS CATALOG (MAINTENANCE)

FIG ITEM	PART NUMBER	1 2 3 4 5 6 7	NOMENCLATURE	EFFECT FROM TO	UNITS PER ASSY
3					
145	313N5039-10	..	TUBE- USED ON: 313N5039-5	002004 006100 107107 121503 904999	1
150	313N5039-9	..	TUBE- USED ON: 313N5039-4	002004 006100 107107 121503 904999	1
155	313N5035-2	..	WELD ASSY- USED ON: 313N5035-1	002004 006100 107107 121503 904999	1
- 162	313N5018-35	.	HARDWARE INSTL-WING POSITION DATA: LH SIDE	002004 006100 107107 121503 904999	1
- 163	313N5018-36	.	HARDWARE INSTL-WING POSITION DATA: RH SIDE	002004 006100 107107 121503 904999	1
165	BACB30LR4-6	..	BOLT	002004 006100 107107 121503 904999	2
170	BACB30NN3K6	..	BOLT	002004 006100 107107 121503 904999	15
- 175	313N5019-9	.	HARDWARE INSTL- POSITION DATA: AFT LH SIDE	002004 006100 107107 121503 904999	1
- 180	313N5019-10	.	HARDWARE INSTL- POSITION DATA: AFT RH SIDE	002004 006100 107107 121503 904999	1

MISSING ITEM NUMBERS NOT APPLICABLE

- ITEM NOT ILLUSTRATED

BRI

54-52-01-03

BOEING PROPRIETARY - Copyright © - Unpublished Work - See title page for details.

54-52-01
FIG. 03
PAGE 6
JAN 20/09



757

PARTS CATALOG (MAINTENANCE)

FIG ITEM	PART NUMBER	1 2 3 4 5 6 7	NOMENCLATURE	EFFECT FROM TO	UNITS PER ASSY
3					
- 182	BACB30NN3K6	..	BOLT	002004 006100 107107 121503 904999	26
183	BACB30NN3K6	..	BOLT	002004 006100 107107 121503 904999	2
- 184	BACB30LR4-6	..	BOLT	002004 006100 107107 121503 904999	1
185	BACB30LR4-6	..	BOLT	002004 006100 107107 121503 904999	2
186	102F171-3	..	NUTPLATE SUPPLIER CODE: V72962 SPECIFICATION NUMBER: BACN10JB3CD OPTIONAL PART: BRF210C3D V52828 BRF2703D V52828 NS202485-02 V80539	002004 006100 107107 121503 904999	2
187	BACN10JQ42CD	..	NUTPLATE	002004 006100 107107 121503 904999	2
- 188	BACR15CE3KE	..	ATTACHING PARTS RIVET- SIZE DETERMINED ON INSTL.	002004 006100 107107 121503 904999	8
190	BACR15BA6B	..	-----*----- RIVET- SIZE DETERMINED ON INSTL.	002004 006100 107107 121503 904999	10

MISSING ITEM NUMBERS NOT APPLICABLE

- ITEM NOT ILLUSTRATED

54-52-01-03

54-52-01
FIG. 03
PAGE 7
JAN 20/09

BRI

BOEING PROPRIETARY - Copyright © - Unpublished Work - See title page for details.



757

PARTS CATALOG (MAINTENANCE)

FIG ITEM	PART NUMBER	1 2 3 4 5 6 7	NOMENCLATURE	EFFECT FROM TO	UNITS PER ASSY
3					
195	313N5032-1		..RETAINER ASSY-SEAL POSITION DATA: LH SIDE	002004 006100 107107 121503 904999	1
- 200	313N5032-9		..RETAINER ASSY-SEAL POSITION DATA: RH SIDE	002004 006100 107107 121503 904999	1
205	313N5019-13		..PLUG-SEAL	002004 006100 107107 121503 904999	2
210	313N5019-11		..SEAL- POSITION DATA: LH SIDE	002004 006100 107107 121503 904999	1
- 215	313N5019-14		..SEAL- POSITION DATA: RH SIDE	002004 006100 107107 121503 904999	1
225	313N5022-1		.BEAM INSTL-SKIRT POSITION DATA: LH SIDE FOR DETAILS SEE: 54-51-55-01	002004 006100 107107 121503 904999	1
- 230	313N5022-2		.BEAM INSTL-SKIRT POSITION DATA: RH SIDE FOR DETAILS SEE: 54-51-55-01	002004 006100 107107 121503 904999	1
235	313N5023-1		.TRAILING EDGE INSTL- POSITION DATA: LH SIDE FOR DETAILS SEE: 54-52-01-15	002004 006010 107107 121503 904999	1
235	313N5023-47		.TRAILING EDGE INSTL- POSITION DATA: LH SIDE FOR DETAILS SEE: 54-52-01-15	011100	1

MISSING ITEM NUMBERS NOT APPLICABLE

- ITEM NOT ILLUSTRATED

54-52-01-03

54-52-01
FIG. 03
PAGE 8
JAN 20/09

BRI

 **BOEING**
757
PARTS CATALOG (MAINTENANCE)

FIG ITEM	PART NUMBER	1 2 3 4 5 6 7	NOMENCLATURE	EFFECT FROM TO	UNITS PER ASSY
3					
- 240	313N5023-2		.TRAILING EDGE INSTL- POSITION DATA: RH SIDE FOR DETAILS SEE: 54-52-01-15	002004 006010 107107 121503 904999	1
- 240	313N5023-48		.TRAILING EDGE INSTL- POSITION DATA: RH SIDE FOR DETAILS SEE: 54-52-01-15	011100	1
245	313N5044-1		.FAIRING ASSY- POSITION DATA: LH SIDE	002004 006100 107107 121503 904999	1
245	313N5044-3		.FAIRING ASSY- POSITION DATA: LH SIDE	002004 006100 107107 121503 904999	1
- 250	313N5044-2		.FAIRING ASSY- POSITION DATA: RH SIDE	002004 006100 107107 121503 904999	1
- 250	313N5044-4		.FAIRING ASSY- POSITION DATA: RH SIDE	002004 006100 107107 121503 904999	1
255	313N5033-59		..BULKHEAD INSTL- POSITION DATA: LH SIDE FOR DETAILS SEE: 54-52-53-01	002004 006100 107107 121503 904999	1
- 260	313N5033-76		..BULKHEAD INSTL- POSITION DATA: RH SIDE FOR DETAILS SEE: 54-52-53-01	002004 006100 107107 121503 904999	1
265	313N5022-3		..BEAM INSTL-SKIRT POSITION DATA: LH SIDE USED ON: 313N5016-1 313N5044-3 FOR DETAILS SEE: 54-51-55-01	002004 006100 107107 121503 904999	1

MISSING ITEM NUMBERS NOT APPLICABLE

- ITEM NOT ILLUSTRATED

BRI

54-52-01-03

BOEING PROPRIETARY - Copyright © - Unpublished Work - See title page for details.

54-52-01
FIG. 03
PAGE 9
JAN 20/09



757

PARTS CATALOG (MAINTENANCE)

FIG ITEM	PART NUMBER	1 2 3 4 5 6 7	NOMENCLATURE	EFFECT FROM TO	UNITS PER ASSY
3 265	313N5022-67		..BEAM INSTL-SKIRT POSITION DATA: LH SIDE USED ON: 313N5044-1 FOR DETAILS SEE: 54-51-55-01	002004 006100 107107 121503 904999	1
- 270	313N5022-4		..BEAM INSTL-SKIRT POSITION DATA: RH SIDE USED ON: 313N5016-3 313N5044-4 FOR DETAILS SEE: 54-51-55-01	002004 006100 107107 121503 904999	1
- 270	313N5022-68		..BEAM INSTL-SKIRT POSITION DATA: RH SIDE USED ON: 313N5044-2 FOR DETAILS SEE: 54-51-55-01	002004 006100 107107 121503 904999	1
- 275	313N5018-15		..PANEL INSTL-NAC POSITION DATA: FWD LH SIDE USED ON: 313N5044-1	002004 006100 107107 121503 904999	1
- 275	313N5018-27		..PANEL INSTL-NAC POSITION DATA: FWD LH SIDE USED ON: 313N5044-3	002004 006100 107107 121503 904999	1
- 275	313N5018-33		..PANEL INSTL-NAC POSITION DATA: FWD LH SIDE USED ON: 313N5044-3	002004 006100 107107 121503 904999	1
- 280	313N5018-28		..PANEL INSTL-NAC POSITION DATA: FWD RH SIDE USED ON: 313N5044-4	002004 006100 107107 121503 904999	1
- 280	313N5018-16		..PANEL INSTL-NAC POSITION DATA: FWD RH SIDE USED ON: 313N5044-2	002004 006100 107107 121503 904999	1

MISSING ITEM NUMBERS NOT APPLICABLE

- ITEM NOT ILLUSTRATED

54-52-01-03

54-52-01
FIG. 03
PAGE 10
JAN 20/09

BRI



757

PARTS CATALOG (MAINTENANCE)

FIG ITEM	PART NUMBER	1 2 3 4 5 6 7	NOMENCLATURE	EFFECT FROM TO	UNITS PER ASSY
3					
- 280	313N5018-34		..PANEL INSTL-NAC POSITION DATA: FWD RH SIDE USED ON: 313N5044-4	002004 006100 107107 121503 904999	1
285	BACB30NN3K6		...BOLT- POSITION DATA: LH SIDE	002004 006100 107107 121503 904999	29
- 290	BACB30NN3K6		...BOLT- POSITION DATA: RH SIDE	002004 006100 107107 121503 904999	2
295	BACB30LR4-6		...BOLT	002004 006100 107107 121503 904999	1
300	313N5018-17		...PANEL ASSY- POSITION DATA: LH SIDE USED ON: 313N5018-15	002004 006100 107107 121503 904999	1
300	313N5018-29		...PANEL ASSY- POSITION DATA: LH SIDE USED ON: 313N5018-27 313N5018-33	002004 006100 107107 121503 904999	1
- 305	313N5018-30		...PANEL ASSY- POSITION DATA: RH SIDE USED ON: 313N5018-28 313N5018-34	002004 006100 107107 121503 904999	1
- 305	313N5018-18		...PANEL ASSY- POSITION DATA: RH SIDE USED ON: 313N5018-16	002004 006100 107107 121503 904999	1
310	313N5019-15		..PANEL INSTL-NAC POSITION DATA: MID LH SIDE USED ON: 313N5044-1	002004 006100 107107 121503 904999	1

MISSING ITEM NUMBERS NOT APPLICABLE

- ITEM NOT ILLUSTRATED

54-52-01-03

54-52-01
FIG. 03
PAGE 11
JAN 20/09

BRI



757

PARTS CATALOG (MAINTENANCE)

FIG ITEM	PART NUMBER	1 2 3 4 5 6 7	NOMENCLATURE	EFFECT FROM TO	UNITS PER ASSY
3					
310	313N5019-23	..	PANEL INSTL-NAC POSITION DATA: MID LH SIDE USED ON: 313N5044-3	002004 006100 107107 121503 904999	1
- 315	313N5019-16	..	PANEL INSTL-NAC POSITION DATA: MID RH SIDE USED ON: 313N5044-2	002004 006100 107107 121503 904999	1
- 315	313N5019-24	..	PANEL INSTL-NAC POSITION DATA: MID RH SIDE USED ON: 313N5044-4	002004 006100 107107 121503 904999	1
317	BACB30NN3K6	...	BOLT	002004 006100 107107 121503 904999	26
318	NAS1195D3KH	...	SPACER	002004 006100 107107 121503 904999	1
319	NAS1195D3KHM	...	SPACER	002004 006100 107107 121503 904999	1
321	NAS463XD10H	...	SPACER	002004 006100 107107 121503 904999	24
322	NAS463XD10	...	SPACER	002004 006100 107107 121503 904999	24

MISSING ITEM NUMBERS NOT APPLICABLE

- ITEM NOT ILLUSTRATED

BRI

54-52-01-03

BOEING PROPRIETARY - Copyright © - Unpublished Work - See title page for details.

54-52-01
FIG. 03
PAGE 12
JAN 20/09



757

PARTS CATALOG (MAINTENANCE)

FIG ITEM	PART NUMBER	1 2 3 4 5 6 7	NOMENCLATURE	EFFECT FROM TO	UNITS PER ASSY
3 323	FS1651-3		...NUTPLATE SUPPLIER CODE: V15653 SPECIFICATION NUMBER: BACN10KH3CD OPTIONAL PART: 102F9209M3 V72962 NS202496-02 V80539	002004 006100 107107 121503 904999	1
324	102F171-3		...NUTPLATE SUPPLIER CODE: V72962 SPECIFICATION NUMBER: BACN10JB3CD OPTIONAL PART: BRF210C3D V52828 BRF2703D V52828 NS202485-02 V80539	002004 006100 107107 121503 904999	24
325	313N5019-17		...PANEL ASSY- POSITION DATA: LH SIDE USED ON: 313N5019-15	002004 006100 107107 121503 904999	1
325	313N5019-25		...PANEL ASSY- POSITION DATA: LH SIDE USED ON: 313N5019-23	002004 006100 107107 121503 904999	1
- 330	313N5019-18		...PANEL ASSY- POSITION DATA: RH SIDE USED ON: 313N5019-16	002004 006100 107107 121503 904999	1
- 330	313N5019-26		...PANEL ASSY- POSITION DATA: RH SIDE USED ON: 313N5019-24	002004 006100 107107 121503 904999	1
332	MS27253F1	PLATE	002004 006100 107107 121503 904999	1

MISSING ITEM NUMBERS NOT APPLICABLE

- ITEM NOT ILLUSTRATED

BRI

54-52-01-03

54-52-01
FIG. 03
PAGE 13
JAN 20/09



757

PARTS CATALOG (MAINTENANCE)

FIG ITEM	PART NUMBER	1 2 3 4 5 6 7	NOMENCLATURE	EFFECT FROM TO	UNITS PER ASSY
3					
335	313N5038-1		.. DOOR INSTL-ACCESS FOR DETAILS SEE: 54-53-02-02	002004 006100 107107 121503 904999	1
337	MS27253C2		.. PLATE	002004 006100 107107 121503 904999	1
340	313N5020-19		.. PANEL INSTL-NAC POSITION DATA: LH OUTBD USED ON: 313N5044-1	002004 006100 107107 121503 904999	1
340	313N5020-35		.. PANEL INSTL-NAC POSITION DATA: LH OUTBD USED ON: 313N5044-3	002004 006100 107107 121503 904999	1
- 345	313N5020-20		.. PANEL INSTL-NAC POSITION DATA: RH OUTBD USED ON: 313N5044-2	002004 006100 107107 121503 904999	1
- 345	313N5020-36		.. PANEL INSTL-NAC POSITION DATA: RH OUTBD USED ON: 313N5044-4	002004 006100 107107 121503 904999	1

MISSING ITEM NUMBERS NOT APPLICABLE

- ITEM NOT ILLUSTRATED

BRI

54-52-01-03

BOEING PROPRIETARY - Copyright © - Unpublished Work - See title page for details.

54-52-01
FIG. 03
PAGE 14
JAN 20/09



757

PARTS CATALOG (MAINTENANCE)

FIG ITEM	PART NUMBER	1 2 3 4 5 6 7	NOMENCLATURE	EFFECT FROM TO	UNITS PER ASSY
3 350	HL441N6-4		...BOLT- SUPPLIER CODE: V60516 SPECIFICATION NUMBER: BACB30FN6A4N OPTIONAL PART: HL441N6-4 V73197 HL441N6-4 V92215 HL441N6-4 V97928 HL441N6-4 V08524 HL441N6-4 V56878 L839-6A4N V06725 HL441N6-4 V56878 POSITION DATA: LH SIDE	002004 006100 107107 121503 904999	1
- 352	HL441N6-5		...BOLT- SUPPLIER CODE: V60516 SPECIFICATION NUMBER: BACB30FN6A5N OPTIONAL PART: HL441N6-5 V73197 HL441N6-5 V92215 HL441N6-5 V97928 HL441N6-5 V08524 HL19-6A5N V06725 L839-6A5N V06725 HL441N6-5 V56878 POSITION DATA: RH SIDE	002004 006100 107107 121503 904999	1

MISSING ITEM NUMBERS NOT APPLICABLE

- ITEM NOT ILLUSTRATED

54-52-01-03

54-52-01
FIG. 03
PAGE 15
JAN 20/09

BRI



757

PARTS CATALOG (MAINTENANCE)

FIG ITEM	PART NUMBER	1 2 3 4 5 6 7	NOMENCLATURE	EFFECT FROM TO	UNITS PER ASSY
3 355	HL441N6-5	...	BOLT SUPPLIER CODE: V60516 SPECIFICATION NUMBER: BACB30FN6A5N OPTIONAL PART: HL441N6-5 V73197 HL441N6-5 V92215 HL441N6-5 V97928 HL441N6-5 V08524 HL19-6A5N V06725 L839-6A5N V06725 HL441N6-5 V56878	002004 006100 107107 121503 904999	1
360	BACB30NN3K6	...	BOLT	002004 006100 107107 121503 904999	11
365	HL13VAZ6-3	...	BOLT SUPPLIER CODE: V56878 SPECIFICATION NUMBER: BACB30NY6K3 OPTIONAL PART: HL13VAZ6-3 V73197 HL13VAZ6-3 V92215 HL13VAZ6-3 V97928 L801-6K3 V06725 HL13VAZ6-3 V60516 L801-6K3 VOPTK6 HL13VAZ6-3 V17446	002004 006100 107107 121503 904999	8

MISSING ITEM NUMBERS NOT APPLICABLE

- ITEM NOT ILLUSTRATED

54-52-01-03

54-52-01
FIG. 03
PAGE 16
JAN 20/09

BRI



757

PARTS CATALOG (MAINTENANCE)

FIG ITEM	PART NUMBER	1 2 3 4 5 6 7	NOMENCLATURE	EFFECT FROM TO	UNITS PER ASSY
3	370	HL13VAZ6-3	...BOLT- POSITION DATA: LH SIDE	002004 006100 107107 121503 904999	1
	372	HL13VAZ6-5	...BOLT- SUPPLIER CODE: V56878 SPECIFICATION NUMBER: BACB30NY6K5 OPTIONAL PART: HL13VAZ6-5 V73197 HL13VAZ6-5 V92215 HL13VAZ6-5 V97928 L801-6K5 V06725 HL13VAZ6-5 V60516 L801-6K5 VOPTK6 HL13VAZ6-5 V17446 POSITION DATA: RH SIDE	002004 006100 107107 121503 904999	1
	375	HL13VAZ6-4	...BOLT SUPPLIER CODE: V56878 SPECIFICATION NUMBER: BACB30NY6K4 OPTIONAL PART: HL13VAZ6-4 V73197 HL13VAZ6-4 V92215 HL13VAZ6-4 V97928 L801-6K4 V06725 HL13VAZ6-4 V60516 L801-6K4 VOPTK6 HL13VAZ6-4 V17446	002004 006100 107107 121503 904999	16

MISSING ITEM NUMBERS NOT APPLICABLE

- ITEM NOT ILLUSTRATED

54-52-01-03

54-52-01
FIG. 03
PAGE 17
JAN 20/09

BRI



757

PARTS CATALOG (MAINTENANCE)

FIG ITEM	PART NUMBER	1 2 3 4 5 6 7	NOMENCLATURE	EFFECT FROM TO	UNITS PER ASSY
3 380	HL13VAZ6-4		...BOLT- SUPPLIER CODE: V56878 SPECIFICATION NUMBER: BACB30NY6K4 OPTIONAL PART: HL13VAZ6-4 V73197 HL13VAZ6-4 V92215 HL13VAZ6-4 V97928 L801-6K4 V06725 HL13VAZ6-4 V60516 L801-6K4 VOPTK6 HL13VAZ6-4 V17446 POSITION DATA: LH SIDE	002004 006100 107107 121503 904999	2
- 385	HL13VAZ6-5		...BOLT- SUPPLIER CODE: V56878 SPECIFICATION NUMBER: BACB30NY6K5 OPTIONAL PART: HL13VAZ6-5 V73197 HL13VAZ6-5 V92215 HL13VAZ6-5 V97928 L801-6K5 V06725 HL13VAZ6-5 V60516 L801-6K5 VOPTK6 HL13VAZ6-5 V17446 POSITION DATA: RH SIDE	002004 006100 107107 121503 904999	2

MISSING ITEM NUMBERS NOT APPLICABLE

- ITEM NOT ILLUSTRATED

54-52-01-03

54-52-01
FIG. 03
PAGE 18
JAN 20/09

BRI



757

PARTS CATALOG (MAINTENANCE)

FIG ITEM	PART NUMBER	1 2 3 4 5 6 7	NOMENCLATURE	EFFECT FROM TO	UNITS PER ASSY
3					
390	HL79-6		... COLLAR SUPPLIER CODE: V5M902 SPECIFICATION NUMBER: BACC30M6 OPTIONAL PART: HL79-6 V73197 HL79-6 V92215 66014-6 V56878 HL79-6 V56878	002004 006100 107107 121503 904999	27
397	BACC30AB6		... COLLAR	002004 006100 107107 121503 904999	2
400	313N5020-23		... PANEL ASSY- POSITION DATA: LH SIDE USED ON: 313N5020-19	002004 006100 107107 121503 904999	1
400	313N5020-39		... PANEL ASSY- POSITION DATA: LH SIDE USED ON: 313N5020-35	002004 006100 107107 121503 904999	1
- 405	313N5020-24		... PANEL ASSY- POSITION DATA: RH SIDE USED ON: 313N5020-20	002004 006100 107107 121503 904999	1
- 405	313N5020-40		... PANEL ASSY- POSITION DATA: RH SIDE USED ON: 313N5020-36	002004 006100 107107 121503 904999	1
410	313N5020-21		.. PANEL INSTL-NAC POSITION DATA: LH SIDE USED ON: 313N5044-1	002004 006100 107107 121503 904999	1
410	313N5020-37		.. PANEL INSTL-NAC POSITION DATA: LH SIDE USED ON: 313N5044-3	002004 006100 107107 121503 904999	1

MISSING ITEM NUMBERS NOT APPLICABLE

- ITEM NOT ILLUSTRATED

54-52-01-03

54-52-01
FIG. 03
PAGE 19
JAN 20/09

BRI



757

PARTS CATALOG (MAINTENANCE)

FIG ITEM	PART NUMBER	1 2 3 4 5 6 7	NOMENCLATURE	EFFECT FROM TO	UNITS PER ASSY
3					
- 415	313N5020-22	..	PANEL INSTL-NAC POSITION DATA: RH SIDE USED ON: 313N5044-2	002004 006100 107107 121503 904999	1
- 415	313N5020-38	..	PANEL INSTL-NAC POSITION DATA: RH SIDE USED ON: 313N5044-4	002004 006100 107107 121503 904999	1
420	HL441N6-5	...	BOLT SUPPLIER CODE: V60516 SPECIFICATION NUMBER: BACB30FN6A5N OPTIONAL PART: HL441N6-5 V73197 HL441N6-5 V92215 HL441N6-5 V97928 HL441N6-5 V08524 HL19-6A5N V06725 L839-6A5N V06725 HL441N6-5 V56878	002004 006100 107107 121503 904999	1
430	BACB30NN3K6	...	BOLT	002004 006100 107107 121503 904999	11

MISSING ITEM NUMBERS NOT APPLICABLE

- ITEM NOT ILLUSTRATED

54-52-01-03

54-52-01
FIG. 03
PAGE 20
JAN 20/09

BRI

BOEING PROPRIETARY - Copyright © - Unpublished Work - See title page for details.



757

PARTS CATALOG (MAINTENANCE)

FIG ITEM	PART NUMBER	1 2 3 4 5 6 7	NOMENCLATURE	EFFECT FROM TO	UNITS PER ASSY
3 435	HL441N6-5		...BOLT- SUPPLIER CODE: V60516 SPECIFICATION NUMBER: BACB30FN6A5N OPTIONAL PART: HL441N6-5 V73197 HL441N6-5 V92215 HL441N6-5 V97928 HL441N6-5 V08524 HL19-6A5N V06725 L839-6A5N V06725 HL441N6-5 V56878 POSITION DATA: LH SIDE	002004 006100 107107 121503 904999	1
- 437	HL441N6-3		...BOLT- SUPPLIER CODE: V60516 SPECIFICATION NUMBER: BACB30FN6A3N OPTIONAL PART: HL441N6-3 V73197 HL441N6-3 V92215 HL441N6-3 V97928 HL441N6-3 V08524 HL441N6-3 V56878 L839-6A3N V06725 HL441N6-3 V56878 POSITION DATA: RH SIDE	002004 006100 107107 121503 904999	1

MISSING ITEM NUMBERS NOT APPLICABLE

- ITEM NOT ILLUSTRATED

54-52-01-03

54-52-01
FIG. 03
PAGE 21
JAN 20/09

BRI



757

PARTS CATALOG (MAINTENANCE)

FIG ITEM	PART NUMBER	1 2 3 4 5 6 7	NOMENCLATURE	EFFECT FROM TO	UNITS PER ASSY
3 440	HL13VAZ6-3	...	BOLT SUPPLIER CODE: V56878 SPECIFICATION NUMBER: BACB30NY6K3 OPTIONAL PART: HL13VAZ6-3 V73197 HL13VAZ6-3 V92215 HL13VAZ6-3 V97928 L801-6K3 V06725 HL13VAZ6-3 V60516 L801-6K3 VOPTK6 HL13VAZ6-3 V17446	002004 006100 107107 121503 904999	8
445	HL13VAZ6-4	...	BOLT SUPPLIER CODE: V56878 SPECIFICATION NUMBER: BACB30NY6K4 OPTIONAL PART: HL13VAZ6-4 V73197 HL13VAZ6-4 V92215 HL13VAZ6-4 V97928 L801-6K4 V06725 HL13VAZ6-4 V60516 L801-6K4 VOPTK6 HL13VAZ6-4 V17446	002004 006100 107107 121503 904999	15
447	BACB30NU6K4	...	BOLT-	002004 006100 107107 121503 904999	1

MISSING ITEM NUMBERS NOT APPLICABLE

- ITEM NOT ILLUSTRATED

54-52-01-03

54-52-01
FIG. 03
PAGE 22
JAN 20/09

BRI



757

PARTS CATALOG (MAINTENANCE)

FIG ITEM	PART NUMBER	1 2 3 4 5 6 7	NOMENCLATURE	EFFECT FROM TO	UNITS PER ASSY
3 450	HL13VAZ6-5		...BOLT- SUPPLIER CODE: V56878 SPECIFICATION NUMBER: BACB30NY6K5 OPTIONAL PART: HL13VAZ6-5 V73197 HL13VAZ6-5 V92215 HL13VAZ6-5 V97928 L801-6K5 V06725 HL13VAZ6-5 V60516 L801-6K5 VOPTK6 HL13VAZ6-5 V17446 POSITION DATA: LH SIDE	002004 006100 107107 121503 904999	3
- 452	HL13VAZ6-4		...BOLT- SUPPLIER CODE: V56878 SPECIFICATION NUMBER: BACB30NY6K4 OPTIONAL PART: HL13VAZ6-4 V73197 HL13VAZ6-4 V92215 HL13VAZ6-4 V97928 L801-6K4 V06725 HL13VAZ6-4 V60516 L801-6K4 VOPTK6 HL13VAZ6-4 V17446 POSITION DATA: RH SIDE	002004 006100 107107 121503 904999	3

MISSING ITEM NUMBERS NOT APPLICABLE

- ITEM NOT ILLUSTRATED

54-52-01-03

54-52-01
FIG. 03
PAGE 23
JAN 20/09

BRI



757

PARTS CATALOG (MAINTENANCE)

FIG ITEM	PART NUMBER	1 2 3 4 5 6 7	NOMENCLATURE	EFFECT FROM TO	UNITS PER ASSY
3 453	HL79-6		...COLLAR- SUPPLIER CODE: V5M902 SPECIFICATION NUMBER: BACC30M6 OPTIONAL PART: HL79-6 V73197 HL79-6 V92215 66014-6 V56878 HL79-6 V56878	002004 006100 107107 121503 904999	1
455	HL79-6		...COLLAR- SUPPLIER CODE: V5M902 SPECIFICATION NUMBER: BACC30M6 OPTIONAL PART: HL79-6 V73197 HL79-6 V92215 66014-6 V56878 HL79-6 V56878	002004 006100 107107 121503 904999	26
457	BACC30AB6		...COLLAR-	002004 006100 107107 121503 904999	2
460	313N5020-25		...PANEL ASSY- POSITION DATA: LH SIDE USED ON: 313N5020-21	002004 006100 107107 121503 904999	1
460	313N5020-41		...PANEL ASSY- POSITION DATA: LH SIDE USED ON: 313N5020-37	002004 006100 107107 121503 904999	1
- 465	313N5020-26		...PANEL ASSY- POSITION DATA: RH SIDE USED ON: 313N5020-22	002004 006100 107107 121503 904999	1

MISSING ITEM NUMBERS NOT APPLICABLE

- ITEM NOT ILLUSTRATED

54-52-01-03

54-52-01
FIG. 03
PAGE 24
JAN 20/09

BRI



757

PARTS CATALOG (MAINTENANCE)

FIG ITEM	PART NUMBER	1 2 3 4 5 6 7	NOMENCLATURE	EFFECT FROM TO	UNITS PER ASSY
3					
- 465	313N5020-42		...PANEL ASSY- POSITION DATA: RH SIDE USED ON: 313N5020-38	002004 006100 107107 121503 904999	1
470	287N1112-12		..BRACKET ASSY- POSITION DATA: LH SIDE	002004 006100 107107 121503 904999	1
- 475	287N1112-10		..BRACKET ASSY- POSITION DATA: RH SIDE	002004 006100 107107 121503 904999	1
480	313N5042-56		..PAN AND SPAR INSTL- POSITION DATA: LWR USED ON: 313N5044-3 313N5044-4 FOR DETAILS SEE: 54-52-52-02	002004 006100 107107 121503 904999	1
480	313N5042-1		..PAN AND SPAR INSTL- POSITION DATA: LWR USED ON: 313N5044-1 313N5044-2 FOR DETAILS SEE: 54-52-52-02	002004 006100 107107 121503 904999	1
485	313N5024-6		..ROD INSTL-HOLD OPEN FOR DETAILS SEE: 54-53-51-01	002004 006100 107107 121503 904999	1
490	312N5701-13		..SYSTEM INSTL-DRAIN FOR DETAILS SEE: 54-51-71-01	002004 006100 107107 121503 904999	1
495	313N5033-79		..BULKHEAD ASSY- POSITION DATA: LH SIDE	002004 006100 107107 121503 904999	1

MISSING ITEM NUMBERS NOT APPLICABLE

- ITEM NOT ILLUSTRATED

54-52-01-03

54-52-01
FIG. 03
PAGE 25
JAN 20/09

BRI



757

PARTS CATALOG (MAINTENANCE)

FIG ITEM	PART NUMBER	1 2 3 4 5 6 7	NOMENCLATURE	EFFECT FROM TO	UNITS PER ASSY
3 - 500	313N5033-80		..BULKHEAD ASSY- POSITION DATA: RH SIDE	002004 006100 107107 121503 904999	1
505	BACB28X5M007		...BUSHING	002004 006100 107107 121503 904999	2
510	313N5033-96		..BULKHEAD INSTL-	002004 006100 107107 121503 904999	1
515	BACB28X5M007		...BUSHING	002004 006100 107107 121503 904999	2

MISSING ITEM NUMBERS NOT APPLICABLE

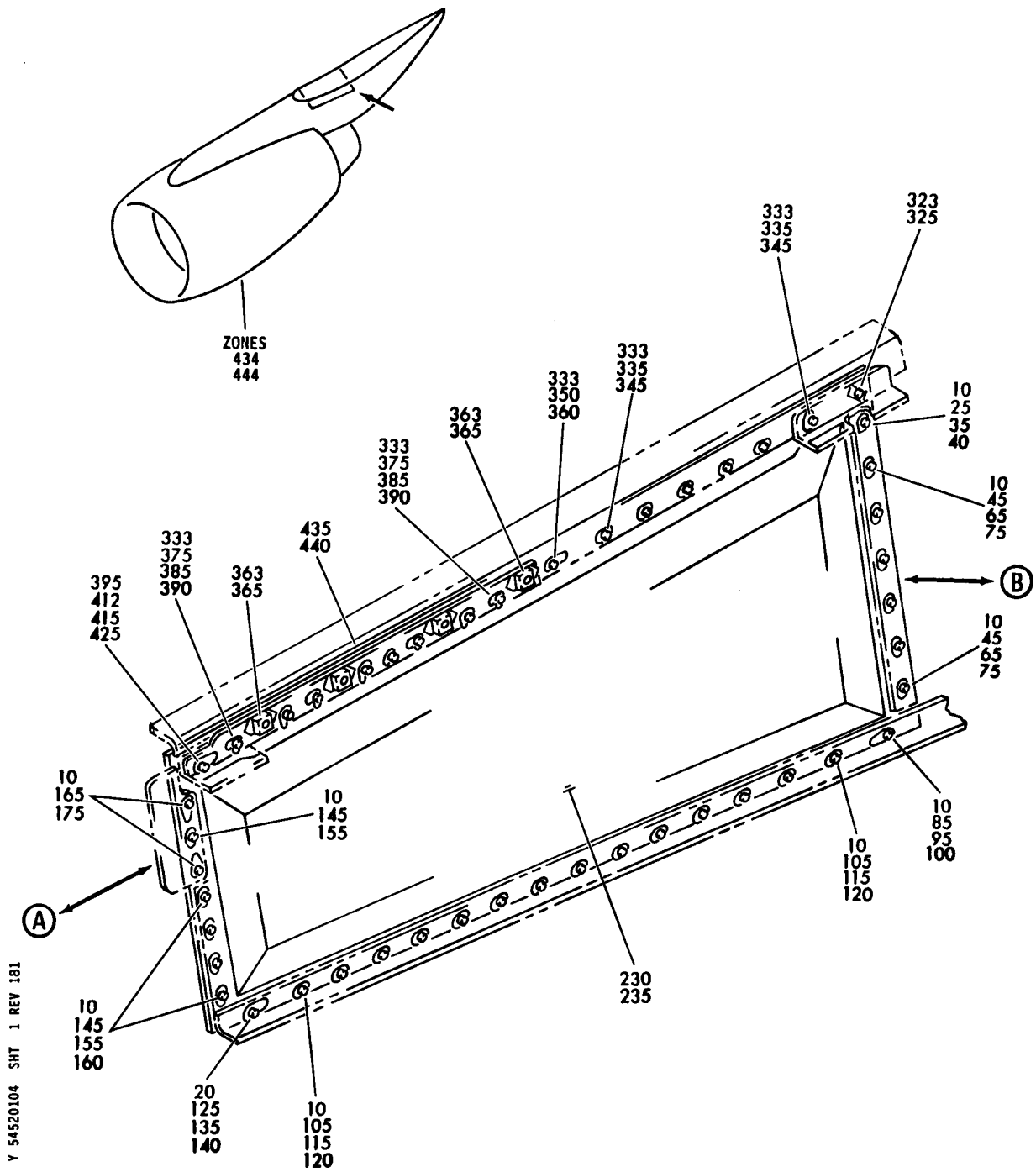
- ITEM NOT ILLUSTRATED

54-52-01-03

54-52-01
FIG. 03
PAGE 26
JAN 20/09

BRI

BOEING
757
PARTS CATALOG (MAINTENANCE)



Y 54520104 SHT 1 REV 181

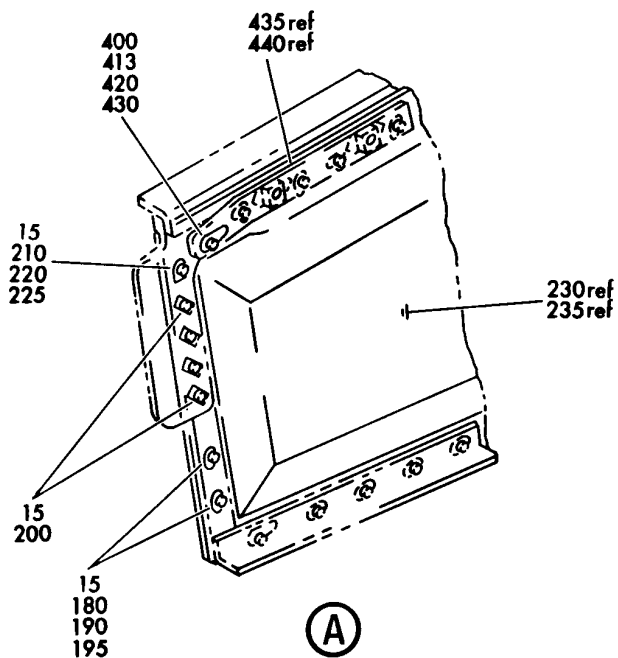
FWD PANEL AND HARDWARE INSTL-AFT STRUT
FIGURE 4 (SHEET 1)

54-52-01-04

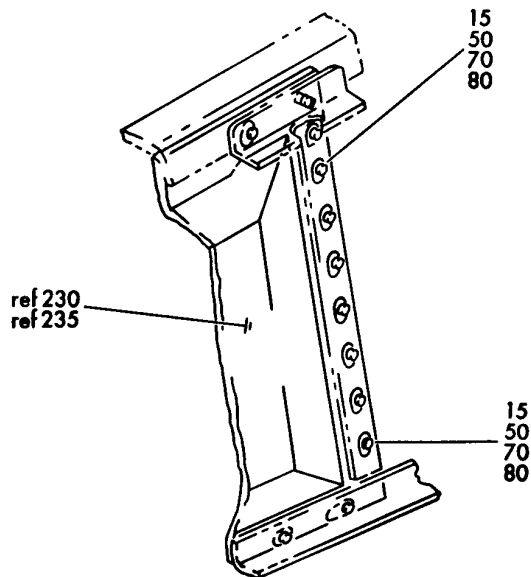
BRI
MAY 28/07

54-52-01-04
PAGE 0

BOEING
757
PARTS CATALOG (MAINTENANCE)



(A)



(B)

Y 54520104 SHT 2 REV 181

FWD PANEL AND HARDWARE INSTL-AFT STRUT
FIGURE 4 (SHEET 2)

54-52-01-04

BRI
MAY 28/07

54-52-01-04
PAGE 0A



757

PARTS CATALOG (MAINTENANCE)

FIG ITEM	PART NUMBER	1 2 3 4 5 6 7	NOMENCLATURE	EFFECT FROM TO	UNITS PER ASSY
4			FWD PANEL AND HARDWARE INSTL-AFT STRUT	101106 108120 504903	
- 1	313N5018-45		PANEL INSTL- POSITION DATA: AFT FAIRING LH STRUT INBD FOR NHA SEE: 54-52-01-01	101106 108120 504903	RF
- 1	313N5019-23		PANEL INSTL-NAC POSITION DATA: AFT FAIRING LH STRUT MID FOR NHA SEE: 54-52-01-01	106106	1
- 5	313N5018-46		PANEL INSTL- POSITION DATA: AFT FAIRING RH STRUT OUTBD FOR NHA SEE: 54-52-01-01	101106 108120 504903	RF
- 5	313N5019-24		.PANEL INSTL-NAC POSITION DATA: AFT FAIRING RH STRUT MID FOR DETAILS SEE: 54-52-01-04	106106	1
10	BACB30NN3K6		.BOLT	101106 108120 504903	29
- 15	BACB30NN3K6		.BOLT-(RH SIDE)	101106 108120 504903	2
20	BACB30LR4-6		.BOLT	101106 108120 504903	1
25	FS1651-3		.NUTPLATE SUPPLIER CODE: V15653 SPECIFICATION NUMBER: BACN10KH3CD OPTIONAL PART: 102F9209M3 V72962 NS202496-02 V80539	101106 108120 504903	1
- 30	BACR15CE3KE		ATTACHING PARTS .RIVET- SIZE DETERMINED ON INSTL. -----*-----	101106 108120 504903	2

MISSING ITEM NUMBERS NOT APPLICABLE

- ITEM NOT ILLUSTRATED

54-52-01-04

54-52-01
FIG. 04
PAGE 1
JAN 20/09

BRI



757

PARTS CATALOG (MAINTENANCE)

FIG ITEM	PART NUMBER	1 2 3 4 5 6 7	NOMENCLATURE	EFFECT FROM TO	UNITS PER ASSY
4					
35	NAS1195D3KH	.	SPACER-NUTPLATE	101106 108120 504903	1
40	NAS1195D3KM	.	SPACER-NUTPLATE	101106 108120 504903	1
45	102F171-3	.	NUTPLATE- SUPPLIER CODE: V72962 SPECIFICATION NUMBER: BACN10JB3CD OPTIONAL PART: BRF210C3D V52828 BRF2703D V52828 NS202485-02 V80539 POSITION DATA: LH SIDE	101106 108120 504903	6
50	102F171-3	.	NUTPLATE- SUPPLIER CODE: V72962 SPECIFICATION NUMBER: BACN10JB3CD OPTIONAL PART: BRF210C3D V52828 BRF2703D V52828 NS202485-02 V80539 POSITION DATA: RH SIDE	101106 108120 504903	7
- 55	BACR15CE3KE	.	RIVET- POSITION DATA: LH SIDE SIZE DETERMINED ON INSTL.	101106 108120 504903	12
- 60	BACR15CE3KE	.	RIVET- POSITION DATA: RH SIDE SIZE DETERMINED ON INSTL.	101106 108120 504903	14
65	NAS463XDD10H	-----*-----	.SPACER-NUTPLATE POSITION DATA: LH SIDE	101106 108120 504903	6

MISSING ITEM NUMBERS NOT APPLICABLE

- ITEM NOT ILLUSTRATED

BRI

54-52-01-04

54-52-01
FIG. 04
PAGE 2
JAN 20/09



757

PARTS CATALOG (MAINTENANCE)

FIG ITEM	PART NUMBER	1 2 3 4 5 6 7	NOMENCLATURE	EFFECT FROM TO	UNITS PER ASSY
4	70 NAS463XDD10H		. SPACER-NUTPLATE POSITION DATA: RH SIDE	101106 108120 504903	7
	75 NAS463XDD10		. SPACER-NUTPLATE POSITION DATA: LH SIDE	101106 108120 504903	6
	80 NAS463XDD10		. SPACER-NUTPLATE POSITION DATA: RH SIDE	101106 108120 504903	7
	85 102F177-3		. NUTPLATE SUPPLIER CODE: V72962 SPECIFICATION NUMBER: BACN10JA3CD OPTIONAL PART: BRF110C3D V52828 BRF170C3D V52828 F51636-3 V15653 NS202484-02 V80539 ATTACHING PARTS	101106 108120 504903	1
-	90 BACR15CE3KE		. RIVET- SIZE DETERMINED ON INSTL. -----*-----	101106 108120 504903	2
	95 NAS463YDD10H		. SPACER-NUTPLATE	101106 108120 504903	1
	100 NAS463YDD10		. SPACER-NUTPLATE	101106 108120 504903	1
	105 102F171-3		. NUTPLATE SUPPLIER CODE: V72962 SPECIFICATION NUMBER: BACN10JB3CD OPTIONAL PART: BRF210C3D V52828 BRF2703D V52828 NS202485-02 V80539	101106 108120 504903	14

MISSING ITEM NUMBERS NOT APPLICABLE

- ITEM NOT ILLUSTRATED

54-52-01-04

54-52-01
FIG. 04
PAGE 3
JAN 20/09

BRI



757

PARTS CATALOG (MAINTENANCE)

FIG ITEM	PART NUMBER	1 2 3 4 5 6 7	NOMENCLATURE	EFFECT FROM TO	UNITS PER ASSY
4			ATTACHING PARTS		
- 110	BACR15CE3KE		.RIVET- SIZE DETERMINED ON INSTL.	101106 108120 504903	28
			-----*-----		
115	NAS463XDD10H		.SPACER-NUTPLATE	101106 108120 504903	14
120	NAS463XDD10		.SPACER-NUTPLATE	101106 108120 504903	14
125	102F177-4		.NUTPLATE SUPPLIER CODE: V72962 SPECIFICATION NUMBER: BACN10JA4CD OPTIONAL PART: BRF110C4D V52828 BRF170C4D V52828 NS202484-048 V80539 F51636-4 V15653	101106 108120 504903	1
			ATTACHING PARTS		
- 130	BACR15CE3KE		.RIVET- SIZE DETERMINED ON INSTL.	101106 108120 504903	2
			-----*-----		
135	NAS463YDD416H		.SPACER-NUTPLATE	101106 108120 504903	1
140	NAS463YDD416		.SPACER-NUTPLATE	101106 108120 504903	1

MISSING ITEM NUMBERS NOT APPLICABLE

- ITEM NOT ILLUSTRATED

54-52-01-04

54-52-01
FIG. 04
PAGE 4
JAN 20/09

BRI



757

PARTS CATALOG (MAINTENANCE)

FIG ITEM	PART NUMBER	1 2 3 4 5 6 7	NOMENCLATURE	EFFECT FROM TO	UNITS PER ASSY
4 145	102F171-3		.NUTPLATE- SUPPLIER CODE: V72962 SPECIFICATION NUMBER: BACN10JB3CD OPTIONAL PART: BRF210C3D V52828 BRF2703D V52828 NS202485-02 V80539 POSITION DATA: LH SIDE ATTACHING PARTS	101106 108120 504903	5
- 150	BACR15CE3KE		.RIVET- POSITION DATA: LH SIDE SIZE DETERMINED ON INSTL. -----*-----	101106 108120 504903	10
155	NAS463XDD10H		.SPACER-NUTPLATE POSITION DATA: LH SIDE	101106 108120 504903	5
160	NAS463XDD10		.SPACER-NUTPLATE POSITION DATA: LH SIDE	101106 108120 504903	4
165	102F177-3		.NUTPLATE- SUPPLIER CODE: V72962 SPECIFICATION NUMBER: BACN10JA3CD OPTIONAL PART: BRF110C3D V52828 BRF170C3D V52828 F51636-3 V15653 NS202484-02 V80539 POSITION DATA: LH SIDE ATTACHING PARTS	101106 108120 504903	2
- 170	BACR15CE3KE		.RIVET- POSITION DATA: LH SIDE SIZE DETERMINED ON INSTL. -----*-----	101106 108120 504903	4

MISSING ITEM NUMBERS NOT APPLICABLE

- ITEM NOT ILLUSTRATED

54-52-01-04

54-52-01
FIG. 04
PAGE 5
JAN 20/09

BRI



757

PARTS CATALOG (MAINTENANCE)

FIG ITEM	PART NUMBER	1 2 3 4 5 6 7	NOMENCLATURE	EFFECT FROM TO	UNITS PER ASSY
4					
175	NAS463YDD10H		. SPACER-NUTPLATE POSITION DATA: LH SIDE	101106 108120 504903	2
180	102F171-3		. NUTPLATE- SUPPLIER CODE: V72962 SPECIFICATION NUMBER: BACN10JB3CD OPTIONAL PART: BRF210C3D V52828 BRF2703D V52828 NS202485-02 V80539 POSITION DATA: RH SIDE ATTACHING PARTS	101106 108120 504903	2
- 185	BACR15CE3KE		. RIVET- POSITION DATA: RH SIDE SIZE DETERMINED ON INSTL. -----*-----	101106 108120 504903	4
190	NAS463XDD10H		. SPACER-NUTPLATE POSITION DATA: RH SIDE	101106 108120 504903	2
195	NAS463XDD10		. SPACER-NUTPLATE POSITION DATA: RH SIDE	101106 108120 504903	2
200	MF51594-3-2BAC		. NUTPLATE- SUPPLIER CODE: V15653 SPECIFICATION NUMBER: BACN10YF32CD POSITION DATA: RH SIDE ATTACHING PARTS	101106 108120 504903	4
- 205	BACR15CE3KE		. RIVET- POSITION DATA: RH SIDE SIZE DETERMINED ON INSTL. -----*-----	101106 108120 504903	8

MISSING ITEM NUMBERS NOT APPLICABLE

- ITEM NOT ILLUSTRATED

54-52-01-04

54-52-01
FIG. 04
PAGE 6
JAN 20/09

BRI

 **BOEING**
757
PARTS CATALOG (MAINTENANCE)

FIG ITEM	PART NUMBER	1 2 3 4 5 6 7	NOMENCLATURE	EFFECT FROM TO	UNITS PER ASSY
4 210	FS1651-3		.NUTPLATE- SUPPLIER CODE: V15653 SPECIFICATION NUMBER: BACN10KH3CD OPTIONAL PART: 102F9209M3 V72962 NS202496-02 V80539 POSITION DATA: RH SIDE ATTACHING PARTS	101106 108120 504903	1
- 215	BACR15CE3KE		.RIVET- POSITION DATA: RH SIDE SIZE DETERMINED ON INSTL. -----*-----	101106 108120 504903	2
220	NAS1195D3KH		.SPACER-NUTPLATE POSITION DATA: RH SIDE	101106 108120 504903	1
225	NAS1195D3KM		.SPACER-NUTPLATE POSITION DATA: RH SIDE	101106 108120 504903	1
230	313N5018-39		.PANEL ASSY- POSITION DATA: LH SIDE	101106 108120 504903	1
235	313N5018-40		.PANEL ASSY- POSITION DATA: RH SIDE	101106 108120 504903	1
- 300	313N5018-43		HARDWARE INSTL- POSITION DATA: AFT FAIRING LH STRUT INBD FOR NHA SEE: 54-00-00-03A	101102 108120 504903	RF
- 300	MODREF14377		HARDWARE INSTL- MODULE NUMBER: 313N5018-43 REV A POSITION DATA: AFT FAIRING LH STRUT INBD	103106	1
- 305	313N5018-44		HARDWARE INSTL- POSITION DATA: AFT FAIRING RH STRUT OUTBD FOR NHA SEE: 54-00-00-03A	101102 108120 504903	RF

MISSING ITEM NUMBERS NOT APPLICABLE

- ITEM NOT ILLUSTRATED

BRI

54-52-01-04

BOEING PROPRIETARY - Copyright © - Unpublished Work - See title page for details.

54-52-01
FIG. 04
PAGE 7
JAN 20/09



757

PARTS CATALOG (MAINTENANCE)

FIG ITEM	PART NUMBER	1 2 3 4 5 6 7	NOMENCLATURE	EFFECT FROM TO	UNITS PER ASSY
4					
- 305	MODREF14378		HARDWARE INSTL- MODULE NUMBER: 313N5018-44 REV A POSITION DATA: AFT FAIRING RH STRUT OUTBD	103106	1
325	MF51594-4-2BAC		.NUTPLATE SUPPLIER CODE: V15653 SPECIFICATION NUMBER: BACN10YF42CD ATTACHING PARTS	101106 108120 504903	1
- 330	BACR15CE3KE		.RIVET- SIZE DETERMINED ON INSTL.	101106 108120 504903	2
			-----*-----		
335	102F171-3		.NUTPLATE SUPPLIER CODE: V72962 SPECIFICATION NUMBER: BACN10JB3CD OPTIONAL PART: BRF210C3D V52828 BRF2703D V52828 NS202485-02 V80539 ATTACHING PARTS	101106 108120 504903	6
- 340	BACR15CE3KE		.RIVET- SIZE DETERMINED ON INSTL.	101106 108120 504903	12
			-----*-----		
345	NAS463XDD10H		.SPACER-NUTPLATE	101106 108120 504903	6

MISSING ITEM NUMBERS NOT APPLICABLE

- ITEM NOT ILLUSTRATED

54-52-01-04

54-52-01
FIG. 04
PAGE 8
JAN 20/09

BRI



757

PARTS CATALOG (MAINTENANCE)

FIG ITEM	PART NUMBER	1 2 3 4 5 6 7	NOMENCLATURE	EFFECT FROM TO	UNITS PER ASSY
4 350	102F177-3		.NUTPLATE SUPPLIER CODE: V72962 SPECIFICATION NUMBER: BACN10JA3CD OPTIONAL PART: BRF110C3D V52828 BRF170C3D V52828 F51636-3 V15653 NS202484-02 V80539 ATTACHING PARTS	101106 108120 504903	1
- 355	BACR15CE3KE		.RIVET- SIZE DETERMINED ON INSTL. -----*-----	101106 108120 504903	2
360	NAS463YDD10H		.SPACER-NUTPLATE	101106 108120 504903	1
365	BACN11P3B7C		.NUTPLATE ATTACHING PARTS	101106 108120 504903	4
- 370	BACR15CE3KE		.RIVET- SIZE DETERMINED ON INSTL. -----*-----	101106 108120 504903	8
375	F51753-3CD		.NUTPLATE SUPPLIER CODE: V15653 SPECIFICATION NUMBER: BACN10KE3DCD OPTIONAL PART: NS202495-02 V80539 ATTACHING PARTS	101106 108120 504903	8
- 380	BACR15CE3KE		.RIVET- SIZE DETERMINED ON INSTL. -----*-----	101106 108120 504903	16
385	NAS463FKDD10H		.SPACER-NUTPLATE	101106 108120 504903	8
390	NAS463FDD10		.SPACER-NUTPLATE	101106 108120 504903	8

MISSING ITEM NUMBERS NOT APPLICABLE

- ITEM NOT ILLUSTRATED

54-52-01-04

54-52-01
FIG. 04
PAGE 9
JAN 20/09

BRI



757

PARTS CATALOG (MAINTENANCE)

FIG ITEM	PART NUMBER	1 2 3 4 5 6 7	NOMENCLATURE	EFFECT FROM TO	UNITS PER ASSY
4 395	BRFR120C4-1D		.NUTPLATE- SUPPLIER CODE: V52828 SPECIFICATION NUMBER: BACN10KE4CCD OPTIONAL PART: 102F9214-4 V72962 NS202494-048 V80539 F51751-4-1CD V15653 POSITION DATA: LH SIDE	101106 108120 504903	1
400	BRFR120C4-1D		.NUTPLATE- SUPPLIER CODE: V52828 SPECIFICATION NUMBER: BACN10KE4CCD OPTIONAL PART: 102F9214-4 V72962 NS202494-048 V80539 F51751-4-1CD V15653 POSITION DATA: RH SIDE	101106 108120 504903	1
- 405	BACR15CE3KE		ATTACHING PARTS .RIVET- POSITION DATA: LH SIDE SIZE DETERMINED ON INSTL.	101106 108120 504903	2
- 410	BACR15CE3KE		.RIVET- POSITION DATA: RH SIDE SIZE DETERMINED ON INSTL.	101106 108120 504903	2
415	NAS463YKDD416H		-----*----- .SPACER-NUTPLATE POSITION DATA: LH SIDE	101106 108120 504903	1
420	NAS463YKDD416H		.SPACER-NUTPLATE POSITION DATA: RH SIDE	101106 108120 504903	1
425	NAS463YDD416		.SPACER-NUTPLATE POSITION DATA: LH SIDE	101106 108120 504903	1

MISSING ITEM NUMBERS NOT APPLICABLE

- ITEM NOT ILLUSTRATED

54-52-01-04

54-52-01
FIG. 04
PAGE 10
JAN 20/09

BRI



757

PARTS CATALOG (MAINTENANCE)

FIG ITEM	PART NUMBER	1 2 3 4 5 6 7	NOMENCLATURE	EFFECT FROM TO	UNITS PER ASSY
4					
430	NAS463YDD416		. SPACER-NUTPLATE POSITION DATA: RH SIDE	101106 108120 504903	1
435	313N5018-23		. PLATE-BACKING POSITION DATA: LH SIDE	101106 108120 504903	1
440	313N5018-24		. PLATE-BACKING POSITION DATA: RH SIDE	101106 108120 504903	1

MISSING ITEM NUMBERS NOT APPLICABLE

- ITEM NOT ILLUSTRATED

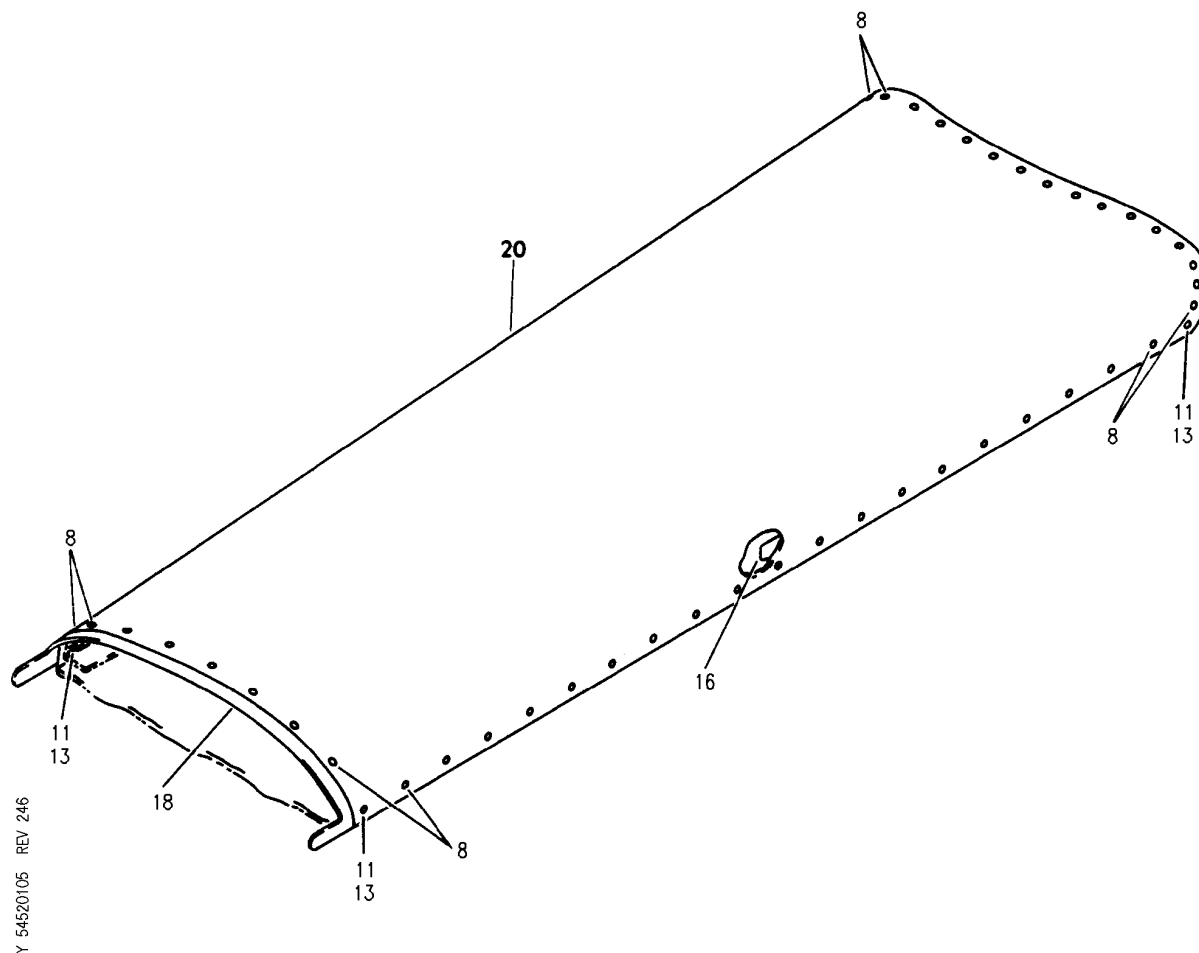
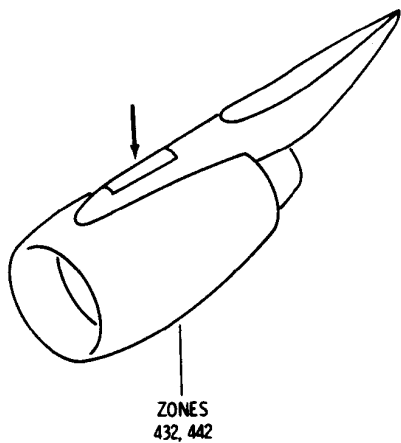
BRI

54-52-01-04

BOEING PROPRIETARY - Copyright © - Unpublished Work - See title page for details.

54-52-01
FIG. 04
PAGE 11
JAN 20/09

BOEING
757
PARTS CATALOG (MAINTENANCE)



FAIRING INSTL-STRUT UPR
FIGURE 5

54-52-01-05

BRI
MAY 28/07

54-52-01-05
PAGE 0



757

PARTS CATALOG (MAINTENANCE)

FIG ITEM	PART NUMBER	1 2 3 4 5 6 7	NOMENCLATURE	EFFECT FROM TO	UNITS PER ASSY
5			FAIRING INSTL-STRUT UPR	002004	
- 1	313N5003-33		FAIRING INSTL-STRUT POSITION DATA: UPR LH FOR NHA SEE: 54-00-00-03A	006999 101102 108120 504903	RF
- 1	313N5003-1		FAIRING INSTL-STRUT POSITION DATA: UPR LH FOR NHA SEE: 54-51-01-01 54-51-01-01A	002004 006100 107107 121503 904999	RF
- 1	MODREF20489		FAIRING INSTL-STRUT MODULE NUMBER: 313N5003-41 REV A POSITION DATA: UPR LH	103103	1
- 1	MODREF27967		FAIRING INSTL-STRUT MODULE NUMBER: 313N5003-41 REV B POSITION DATA: UPR LH	104106	1
- 5	313N5003-2		FAIRING INSTL-STRUT POSITION DATA: UPR RH FOR NHA SEE: 54-51-01-01 54-51-01-01A	002004 006100 107107 121503 904999	RF
- 5	313N5003-34		FAIRING INSTL-STRUT POSITION DATA: UPR RH FOR NHA SEE: 54-00-00-03A	101102 108120 504903	RF
- 5	MODREF20490		FAIRING INSTL-STRUT MODULE NUMBER: 313N5003-42 REV A POSITION DATA: UPR RH	103103	1
- 5	MODREF27968		FAIRING INSTL-STRUT MODULE NUMBER: 313N5003-42 REV B POSITION DATA: UPR RH	104106	1
8	BACB30NN3K5		ATTACHING PARTS .BOLT	002004 006999	62
11	BACB30LR4-5		.BOLT	002004 006999	4

MISSING ITEM NUMBERS NOT APPLICABLE

- ITEM NOT ILLUSTRATED

54-52-01-05

54-52-01
FIG. 05
PAGE 1
JAN 20/09

BRI



757

PARTS CATALOG (MAINTENANCE)

FIG ITEM	PART NUMBER	1 2 3 4 5 6 7	NOMENCLATURE	EFFECT FROM TO	UNITS PER ASSY
5					
13	BACW10UC417P	.	WASHER-	002004 006999	4
			-----*-----		
16	MS27253F2	.	PLATE	002004 006999	1
18	313N5003-7	.	BOND ASSY-SPLICE	002004 006999	1
20	313N5003-3	.	FAIRING ASSY- POSITION DATA: UPR LH SIDE	002004 006100 107107 121503 904999	1
20	313N5003-15	.	FAIRING ASSY- POSITION DATA: UPR LH SIDE OPTIONAL PART: 313N5003-27	002004 006100 107107 121503 904999	1
20	313N5003-21	.	FAIRING ASSY- POSITION DATA: UPR LH SIDE	002004 006100 107107 121503 904999	1
20	313N5003-27	.	FAIRING ASSY- POSITION DATA: UPR LH SIDE OPTIONAL PART: 313N5003-15	002004 006100 107107 121503 904999	1
20	313N5003-29	.	FAIRING ASSY- POSITION DATA: UPR LH SIDE	002004 006100 107107 121503 904999	1
20	313N5003-35	.	FAIRING ASSY- POSITION DATA: UPR LH SIDE	002004 006999	1
20	313N5003-43	.	FAIRING ASSY- POSITION DATA: UPR LH SIDE	002004 006999	1
- 25	313N5003-4	.	FAIRING ASSY- POSITION DATA: UPR RH SIDE	002004 006100 107107 121503 904999	1
- 25	313N5003-16	.	FAIRING ASSY- POSITION DATA: UPR RH SIDE OPTIONAL PART: 313N5003-28	002004 006100 107107 121503 904999	1

MISSING ITEM NUMBERS NOT APPLICABLE

- ITEM NOT ILLUSTRATED

54-52-01-05

54-52-01
FIG. 05
PAGE 2
JAN 20/09

BRI

BOEING PROPRIETARY - Copyright © - Unpublished Work - See title page for details.



**757
PARTS CATALOG (MAINTENANCE)**

FIG ITEM	PART NUMBER	1 2 3 4 5 6 7	NOMENCLATURE	EFFECT FROM TO	UNITS PER ASSY
5					
- 25	313N5003-22	.	FAIRING ASSY- POSITION DATA: UPR RH SIDE	002004 006100 107107 121503 904999	1
- 25	313N5003-28	.	FAIRING ASSY- POSITION DATA: UPR RH SIDE OPTIONAL PART: 313N5003-16	002004 006100 107107 121503 904999	1
- 25	313N5003-30	.	FAIRING ASSY- POSITION DATA: UPR RH SIDE	002004 006100 107107 121503 904999	1
- 25	313N5003-36	.	FAIRING ASSY- POSITION DATA: UPR RH SIDE	002004 006999	1
- 25	313N5003-44	.	FAIRING ASSY- POSITION DATA: UPR RH SIDE	002004 006999	1

MISSING ITEM NUMBERS NOT APPLICABLE

- ITEM NOT ILLUSTRATED

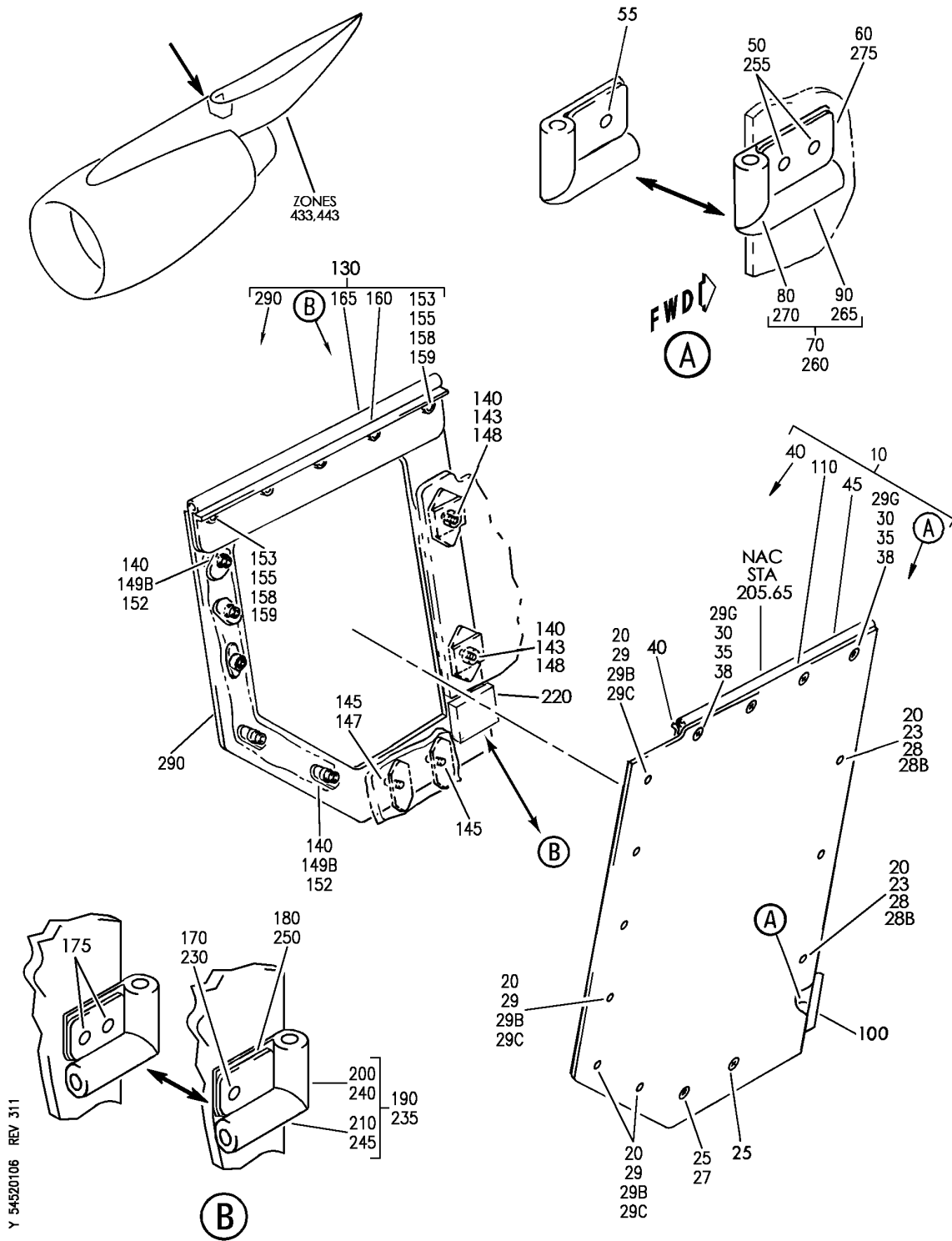
BRI

54-52-01-05

BOEING PROPRIETARY - Copyright © - Unpublished Work - See title page for details.

54-52-01
FIG. 05
PAGE 3
JAN 20/09

BOEING
757
PARTS CATALOG (MAINTENANCE)



Y 54520106 REV 311

FAIRING INSTL-UNDERWING STRUT AFT
FIGURE 6

54-52-01-06

BRI
MAY 28/07

54-52-01-06
PAGE 0



757

PARTS CATALOG (MAINTENANCE)

FIG ITEM	PART NUMBER	1 2 3 4 5 6 7	NOMENCLATURE	EFFECT FROM TO	UNITS PER ASSY
6			FAIRING INSTL-UNDERWING STRUT AFT	002004 006999	
- 1	313N5005-23		FAIRING INSTL-UNDERWING STRUT POSITION DATA: AFT LH FOR NHA SEE: 54-51-01-01 54-51-01-01A	002004 006100 107107 121503 904999	RF
- 1	313N5005-43		FAIRING INSTL-UNDERWING STRUT POSITION DATA: AFT LH FOR NHA SEE: 54-00-00-03A	101102	RF
- 1	313N5005-51		FAIRING INSTL-UNDERWING STRUT POSITION DATA: AFT LH FOR NHA SEE: 54-00-00-03A	108120 504903	RF
- 1	MODREF14373		FAIRING INSTL-UNDERWING STRUT MODULE NUMBER: 313N5005-51 REV A POSITION DATA: AFT LH	103103	1
- 1	MODREF27971		FAIRING INSTL-UNDERWING STRUT MODULE NUMBER: 313N5005-51 REV B POSITION DATA: AFT LH	104106	1
- 5	313N5005-24		FAIRING INSTL-UNDERWING STRUT POSITION DATA: AFT RH FOR NHA SEE: 54-51-01-01 54-51-01-01A	002004 006100 107107 121503 904999	RF
- 5	313N5005-44		FAIRING INSTL-UNDERWING STRUT POSITION DATA: AFT RH FOR NHA SEE: 54-00-00-03A	101102	RF

MISSING ITEM NUMBERS NOT APPLICABLE

- ITEM NOT ILLUSTRATED

54-52-01-06

54-52-01
FIG. 06
PAGE 1
JAN 20/09

BRI

BOEING
757
PARTS CATALOG (MAINTENANCE)

FIG ITEM	PART NUMBER	1 2 3 4 5 6 7	NOMENCLATURE	EFFECT FROM TO	UNITS PER ASSY
6					
- 5	313N5005-52		FAIRING INSTL-UNDERWING STRUT POSITION DATA: AFT RH FOR NHA SEE: 54-00-00-03A	108120 504903	RF
- 5	MODREF14374		FAIRING INSTL-UNDERWING STRUT MODULE NUMBER: 313N5005-52 REV A POSITION DATA: AFT RH	103103	1
- 5	MODREF27972		FAIRING INSTL-UNDERWING STRUT MODULE NUMBER: 313N5005-52 REV B POSITION DATA: AFT RH	104106	1
R R	10		313N5005-33 .PANEL ASSY-ACCESS POSITION DATA: LH SIDE QUALIFIED I/W DATA: 313N5005-47 MAY REPLACE BUT MAY NOT BE REPLACED BY 313N5005-33 BY PERFORMING MODIFICATION PER SERVICE BULLETIN 757-54-0035 313N5005-59 MAY REPLACE BUT NOT BE REPLACED BY 313N5005-33 BY PERFORMING MODIFICATION PER SERVICE BULLETIN 757-54-0035 USED ON: 313N5005-23 FOR SPARES PROCURE: 654N0244-255	002004 006100 107107 121503 904999	1

MISSING ITEM NUMBERS NOT APPLICABLE

- ITEM NOT ILLUSTRATED

BRI

54-52-01-06

BOEING PROPRIETARY - Copyright © - Unpublished Work - See title page for details.

54-52-01
FIG. 06
PAGE 2
MAY 20/09

BOEING
757
PARTS CATALOG (MAINTENANCE)

FIG ITEM	PART NUMBER	1 2 3 4 5 6 7	NOMENCLATURE	EFFECT FROM TO	UNITS PER ASSY
6 10	313N5005-47		.PANEL ASSY-ACCESS POSITION DATA: LH SIDE QUALIFIED I/W DATA: 313N5005-47 MAY REPLACE BUT MAY NOT BE REPLACED BY 313N5005-33 BY PERFORMING MODIFICATION PER SERVICE BULLETIN 757-54-0035 313N5005-47 MAY REPLACE BUT NOT BE REPLACED BY 313N5005-11 BY PERFORMING MODIFICATION PER SERVICE BULLETIN 757-54-0035 313N5005-47 MAY REPLACE BUT MAY NOT BE REPLACED BY 313N5005-27 BY PERFORMING MODIFICATION PER SERVICE BULLETIN 757-54-0035	101102	1
	313N5005-59		.PANEL ASSY-ACCESS POSITION DATA: LH SIDE QUALIFIED I/W DATA: 313N5005-59 MAY REPLACE BUT MAY NOT BE REPLACED BY 313N5005-11 BY PERFORMING MODIFICATION PER SERVICE BULLETIN 757-54-0035 313N5005-59 MAY REPLACE BUT NOT BE REPLACED BY 313N5005-27 BY PERFORMING MODIFICATION PER SERVICE BULLETIN 757-54-0035 313N5005-59 MAY REPLACE BUT MAY NOT BE REPLACED BY 313N5005-33 BY PERFORMING MODIFICATION PER SERVICE BULLETIN 757-54-0035	101106 108120 504903	1

MISSING ITEM NUMBERS NOT APPLICABLE

— ITEM NOT ILLUSTRATED

BRI

54-52-01-06

BOEING PROPRIETARY - Copyright © - Unpublished Work - See title page for details.

54-52-01
FIG. 06
PAGE 3
MAY 20/09

BOEING
757
PARTS CATALOG (MAINTENANCE)

FIG ITEM	PART NUMBER	1 2 3 4 5 6 7	NOMENCLATURE	EFFECT FROM TO	UNITS PER ASSY
6					
- 15	313N5005-34		.PANEL ASSY-ACCESS POSITION DATA: RH SIDE QUALIFIED I/W DATA: 313N5005-48 MAY REPLACE BUT MAY NOT BE REPLACED BY 313N5005-34 BY PERFORMING MODIFICATION PER SERVICE BULLETIN 757-54-0035 USED ON: 313N5005-24 FOR SPARES PROCURE: 654N0244-256	002004 006100 107107 121503 904999	1
- 15	313N5005-48		.PANEL ASSY-ACCESS POSITION DATA: RH SIDE QUALIFIED I/W DATA: 313N5005-48 MAY REPLACE BUT MAY NOT BE REPLACED BY 313N5005-34 BY PERFORMING MODIFICATION PER SERVICE BULLETIN 757-54-0035	101102	1
- 15	313N5005-60		.PANEL ASSY-ACCESS POSITION DATA: RH SIDE ATTACHING PARTS	101106 108120 504903	1
20	BACB30LR3-4		.BOLT	002004 006100 107107 121503 904999	9
23	BACB30LH3-4		.BOLT	101102	3
23	BACB30LH3K4		.BOLT-	103106 108120 504903	3
25	BACB30LR4-8		.BOLT-	002004 006100 107107 121503 904999	2
27	BACB30LR4-8		.BOLT	101102	1
27	BACB30LH4K8		.BOLT	103106 108120 504903	1
			-----*-----		

MISSING ITEM NUMBERS NOT APPLICABLE

- ITEM NOT ILLUSTRATED

BRI

54-52-01-06

BOEING PROPRIETARY - Copyright © - Unpublished Work - See title page for details.

54-52-01
FIG. 06
PAGE 4
MAY 20/09

BOEING
757
PARTS CATALOG (MAINTENANCE)

FIG ITEM	PART NUMBER	1 2 3 4 5 6 7	NOMENCLATURE	EFFECT FROM TO	UNITS PER ASSY
6	28 NAS1803-3B4C		.NUTPLATE	002004 006102 107107 121503 904999	3
	28B BACN11P3B4C		.NUTPLATE	103106 108120 504903	3
-	28F AF5141-3C		ATTACHING PARTS .RIVET- SUPPLIER CODE: V53551 SPECIFICATION NUMBER: BACR15DR3AC SIZE DETERMINED ON INSTL.	103106 108120 504903	6
-	28G BACR15BA3AD		.RIVET	002004 006102 107107 121503 904999	6
	29 BACB30LR3-4		-----*----- .BOLT	101102	6
	29B BACB30LH3K4		.BOLT	103106 108120 504903	6
	29C BACN10JQ32CD		.NUTPLATE-	002004 006102 107107 121503 904999	6
-	29D BACR15BA3AD		ATTACHING PARTS .RIVET- SIZE DETERMINED ON INSTL.	002004 006102 107107 121503 904999	12
	29G BACR15BA5D		-----*----- ..RIVET- SIZE DETERMINED ON INSTL. QUALIFIED OPTIONAL DATA: BACR15BA5D OPT TO BACB30LR2-1 WITH BACN10JC08CD	002004 006100 107107 121503 904999	4
	30 BACB30LR2-1		..BOLT	101102	4
	30 BACB30LR2-1		..BOLT- QUALIFIED OPTIONAL DATA: BACR15BA5D OPT TO BACB30LR2-1 WITH BACN10JC08CD	002004 006100 107107 121503 904999	4

MISSING ITEM NUMBERS NOT APPLICABLE

- ITEM NOT ILLUSTRATED

BRI

54-52-01-06

BOEING PROPRIETARY - Copyright © - Unpublished Work - See title page for details.

54-52-01
FIG. 06
PAGE 5
MAY 20/09



757

PARTS CATALOG (MAINTENANCE)

FIG ITEM	PART NUMBER	1 2 3 4 5 6 7	NOMENCLATURE	EFFECT FROM TO	UNITS PER ASSY
6	35 BRH10C08D		..NUT SUPPLIER CODE: V52828 SPECIFICATION NUMBER: BACN10JC08CD OPTIONAL PART: H51650-08BAC V15653 102LH9075-82W V72962 NS202486-82 V80539 T6C832JCD V11815	101102	4
	35 BRH10C08D		..NUT- SUPPLIER CODE: V52828 SPECIFICATION NUMBER: BACN10JC08CD OPTIONAL PART: H51650-08BAC V15653 102LH9075-82W V72962 NS202486-82 V80539 T6C832JCD V11815 QUALIFIED OPTIONAL DATA: BACR15BA5D OPT TO BACB30LR2-1 WITH BACN10JC08CD	002004 006100 107107 121503 904999	4
	38 BACR15BA5DC		..RIVET- SIZE DETERMINED ON INSTL.	103106 108120 504903	4
	40 313N5046-17		..SEAL RETAINER- USED ON: 313N5005-59 313N5005-60 313N5005-48	101106 108120 504903	1
	40 313N5046-8		..RETAINER- USED ON: 313N5005-33 313N5005-34 USED ON: 313N5005-11 313N5005-12 313N5005-27 313N5005-28	002004 006102 107107 121503 904999	1

MISSING ITEM NUMBERS NOT APPLICABLE

- ITEM NOT ILLUSTRATED

54-52-01-06

54-52-01
FIG. 06
PAGE 6
MAY 20/09

BRI

BOEING PROPRIETARY - Copyright © - Unpublished Work - See title page for details.

BOEING
757
PARTS CATALOG (MAINTENANCE)

FIG ITEM	PART NUMBER	1 2 3 4 5 6 7	NOMENCLATURE	EFFECT FROM TO	UNITS PER ASSY
6					
45	313N5005-9	..	SEAL- MANUFACTURED FROM: RUBBER SECTION BAC1530-24 X 6.0 IN	002004 006999	1
100	313N5005-37	..	SEAL- POSITION DATA: LH SIDE USED ON: 313N5005-33 313N5005-47 313N5005-59	002004 006999	1
- 105	313N5005-38	..	SEAL- POSITION DATA: RH SIDE USED ON: 313N5005-34 313N5005-48	002004 006102 107107 121503 904999	1
- 105	313N5005-37	..	SEAL- USED ON: 313N5005-60	103106 108120 504903	1
110	313N5046-15	..	PANEL- POSITION DATA: LH SIDE	103106 108120 504903	1
110	313N5046-1	..	PANEL- POSITION DATA: LH SIDE	002004 006102 107107 121503 904999	1
- 115	313N5046-16	..	PANEL- POSITION DATA: RH SIDE	103106 108120 504903	1
- 115	313N5046-2	..	PANEL- POSITION DATA: RH SIDE	002004 006102 107107 121503 904999	1
- 120	313N5005-25		FAIRING INSTL-UNDERWING STRUT POSITION DATA: AFT LH FOR NHA SEE: 54-51-01-01 54-51-01-01A	002004 006100 107107 121503 904999	RF
- 120	313N5005-45		FAIRING INSTL-UNDERWING STRUT POSITION DATA: AFT LH FOR NHA SEE: 54-00-00-03A	101102	RF

MISSING ITEM NUMBERS NOT APPLICABLE

- ITEM NOT ILLUSTRATED

BRI

54-52-01-06

BOEING PROPRIETARY - Copyright © - Unpublished Work - See title page for details.

54-52-01
FIG. 06
PAGE 7
MAY 20/09



757

PARTS CATALOG (MAINTENANCE)

FIG ITEM	PART NUMBER	1 2 3 4 5 6 7	NOMENCLATURE	EFFECT FROM TO	UNITS PER ASSY
6					
- 120	313N5005-53		FAIRING INSTL-UNDERWING STRUT POSITION DATA: AFT LH FOR NHA SEE: 54-00-00-03A	108120 504903	RF
- 120	MODREF14375		FAIRING INSTL-UNDERWING STRUT MODULE NUMBER: 313N5005-53 REV A POSITION DATA: AFT LH	103103	1
- 120	MODREF27973		FAIRING INSTL-UNDERWING STRUT MODULE NUMBER: 313N5005-53 REV B POSITION DATA: AFT LH	104106	1
- 125	313N5005-26		FAIRING INSTL-UNDERWING STRUT POSITION DATA: AFT RH FOR NHA SEE: 54-51-01-01 54-51-01-01A	002004 006100 107107 121503 904999	RF
- 125	313N5005-46		FAIRING INSTL-UNDERWING STRUT POSITION DATA: AFT RH FOR NHA SEE: 54-00-00-03A	101102	RF
- 125	313N5005-54		FAIRING INSTL-UNDERWING STRUT POSITION DATA: AFT RH FOR NHA SEE: 54-00-00-03A	108120 504903	RF
- 125	MODREF14376		FAIRING INSTL-UNDERWING STRUT MODULE NUMBER: 313N5005-54 REV A POSITION DATA: AFT RH	103103	1
- 125	MODREF27974		FAIRING INSTL-UNDERWING STRUT MODULE NUMBER: 313N5005-54 REV B POSITION DATA: AFT RH	104106	1

MISSING ITEM NUMBERS NOT APPLICABLE

- ITEM NOT ILLUSTRATED

54-52-01-06

54-52-01
FIG. 06
PAGE 8
MAY 20/09

BRI



757

PARTS CATALOG (MAINTENANCE)

FIG ITEM	PART NUMBER	1 2 3 4 5 6 7	NOMENCLATURE	EFFECT FROM TO	UNITS PER ASSY
6					
130	313N5005-35		.PANEL ASSY-ACCESS POSITION DATA: LH SIDE USED ON: 313N5005-25	002004 006008 121503 904949 952952	1
130	313N5005-39		.PANEL ASSY-ACCESS POSITION DATA: LH SIDE QUALIFIED I/W DATA: 313N5005-49 MAY REPLACE BUT MAY NOT BE REPLACED BY 313N5005-39 BY PERFORMING MODIFICATION PER SERVICE BULLETIN 757-54-0035 USED ON: 313N5005-25 FOR SPARES PROCURE: 654N0244-255 POST SERVICE BULLETIN: 54-0029	002004 006100 107107 121503 904999	1
130	313N5005-49		.PANEL ASSY-ACCESS POSITION DATA: LH SIDE QUALIFIED I/W DATA: 313N5005-49 MAY REPLACE BUT MAY NOT BE REPLACED BY 313N5005-39 BY PERFORMING MODIFICATION PER SERVICE BULLETIN 757-54-0035	101102	1
130	313N5005-61		.PANEL ASSY-ACCESS POSITION DATA: LH SIDE	101106 108120 504903	1
- 135	313N5005-36		.PANEL ASSY-ACCESS POSITION DATA: RH SIDE USED ON: 313N5005-26	002004 006008 121503 904949 952952	1

MISSING ITEM NUMBERS NOT APPLICABLE

- ITEM NOT ILLUSTRATED

54-52-01-06

54-52-01
FIG. 06
PAGE 9
MAY 20/09

BRI



757

PARTS CATALOG (MAINTENANCE)

FIG ITEM	PART NUMBER	1 2 3 4 5 6 7	NOMENCLATURE	EFFECT FROM TO	UNITS PER ASSY
6					
- 135	313N5005-40		.PANEL ASSY-ACCESS POSITION DATA: RH SIDE QUALIFIED I/W DATA: 313N5005-50 MAY REPLACE BUT MAY NOT BE REPLACED BY 313N5005-40 BY PERFORMING MODIFICATION PER SERVICE BULLETIN 757-54-0035 USED ON: 313N5005-26 FOR SPARES PROCURE: 654N0244-256 POST SERVICE BULLETIN: 54-0029	002004 006100 107107 121503 904999	1
- 135	313N5005-50		.PANEL ASSY-ACCESS POSITION DATA: RH SIDE QUALIFIED I/W DATA: 313N5005-50 MAY REPLACE BUT MAY NOT BE REPLACED BY 313N5005-40 BY PERFORMING MODIFICATION PER SERVICE BULLETIN 757-54-0035	101102	1
- 135	313N5005-62		.PANEL ASSY-ACCESS POSITION DATA: RH SIDE ATTACHING PARTS	101106 108120 504903	1
140	BACB30LR3-4		.BOLT	002004 006100 107107 121503 904999	7
143	BACB30LH3-4		.BOLT	101102	2
143	BACB30LH3K4		.BOLT	103106 108120 504903	2
145	BACB30LR4-8		.BOLT-	002004 006100 107107 121503 904999	2
147	BACB30LR4-8		.BOLT	101102	1
147	BACB30LH4K8		.BOLT	103106 108120 504903	1
-----*-----					
MISSING ITEM NUMBERS NOT APPLICABLE					

- ITEM NOT ILLUSTRATED

54-52-01-06

54-52-01
FIG. 06
PAGE 10
MAY 20/09

BRI



**757
PARTS CATALOG (MAINTENANCE)**

FIG ITEM	PART NUMBER	1 2 3 4 5 6 7	NOMENCLATURE	EFFECT FROM TO	UNITS PER ASSY
6					
148	NAS1803-3B4C	.	NUTPLATE	101102	2
148	BACN11P3B4C	.	NUTPLATE	103106	2
				108120	
				504903	
			ATTACHING PARTS		
- 149	BACR15BA3AD	.	RIVET	101102	4
-149A	AF5141-3C	.	RIVET-	103106	4
			SUPPLIER CODE:	108120	
			V53551	504903	
			SPECIFICATION NUMBER:		
			BACR15DR3AC		
			SIZE DETERMINED ON INSTL.		
			-----*-----		
149B	BACN10JQ32CD	.	NUTPLATE-	002004	5
				006102	
				107107	
				121503	
				904999	
			ATTACHING PARTS		
-149C	BACR15BA3AD	.	RIVET-	002004	10
			SIZE DETERMINED ON INSTL.	006102	
				107107	
				121503	
				904999	
			-----*-----		
152	BACB30LR3-4	.	BOLT	101102	5
152	BACB30LH3K4	.	BOLT	103106	5
				108120	
				504903	
153	BACB30LR2-1	..	BOLT-	002004	5
				006008	
				121503	
				904949	
				952952	
155	BRH10C08D	..	NUT-	002004	5
			SUPPLIER CODE:	006008	
			V52828	121503	
			SPECIFICATION NUMBER:	904949	
			BACN10JC08CD	952952	
			OPTIONAL PART:		
			H51650-08BAC		
			V15653		
			102LH9075-82W		
			V72962		
			NS202486-82		
			V80539		
			T6C832JCD		
			V11815		

MISSING ITEM NUMBERS NOT APPLICABLE

- ITEM NOT ILLUSTRATED

BRI

54-52-01-06

54-52-01
FIG. 06
PAGE 11
MAY 20/09



757

PARTS CATALOG (MAINTENANCE)

FIG ITEM	PART NUMBER	1 2 3 4 5 6 7	NOMENCLATURE	EFFECT FROM TO	UNITS PER ASSY
6					
159	BACR15BA5DC		..RIVET- SIZE DETERMINED ON INSTL. USED ON: 313N5005-61 313N5005-62	103106 108120 504903	5
160	313N5046-9		..RETAINER- USED ON: 313N5005-13 313N5005-14 313N5005-29 313N5005-30 313N5005-35 313N5005-36 313N5005-39 313N5005-40 313N5005-49 313N5005-50 USED ON: 313N5005-13 313N5005-14 313N5005-29 313N5005-30 313N5005-39 313N5005-40	002004 006102 107107 121503 904999	1
160	313N5046-12		..SEAL RETAINER- USED ON: 313N5005-61 313N5005-62	103106 108120 504903	1
165	313N5005-10		..SEAL- MANUFACTURED FROM: RUBBER SECTION BAC1530-24 X 7.8 IN	002004 006999	1
220	313N5005-38		..SEAL- POSITION DATA: LH SIDE USED ON: 313N5005-35 313N5005-39 313N5005-49	002004 006102 107107 121503 904999	1
220	313N5005-37		..SEAL- POSITION DATA: LH SIDE USED ON: 313N5005-61	103106 108120 504903	1

MISSING ITEM NUMBERS NOT APPLICABLE

- ITEM NOT ILLUSTRATED

54-52-01-06

54-52-01
FIG. 06
PAGE 12
MAY 20/09

BRI

BOEING PROPRIETARY - Copyright © - Unpublished Work - See title page for details.



757

PARTS CATALOG (MAINTENANCE)

FIG ITEM	PART NUMBER	1 2 3 4 5 6 7	NOMENCLATURE	EFFECT FROM TO	UNITS PER ASSY
6 - 225	313N5005-37		.. SEAL- POSITION DATA: RH SIDE USED ON: 313N5005-36 313N5005-40 313N5005-50 313N5005-62	002004 006999	1
290	313N5046-3		.. PANEL- POSITION DATA: LH SIDE USED ON: 313N5005-13 313N5005-29 313N5005-35 313N5005-39 313N5005-49	002004 006102 107107 121503 904999	1
290	313N5046-13		.. PANEL- POSITION DATA: LH SIDE USED ON: 313N5005-61	103106 108120 504903	1
- 295	313N5046-4		.. PANEL- POSITION DATA: RH SIDE USED ON: 313N5005-14 313N5005-30 313N5005-36 313N5005-40 313N5005-50	002004 006102 107107 121503 904999	1
- 295	313N5046-14		.. PANEL- POSITION DATA: RH SIDE USED ON: 313N5005-62	103106 108120 504903	1

MISSING ITEM NUMBERS NOT APPLICABLE

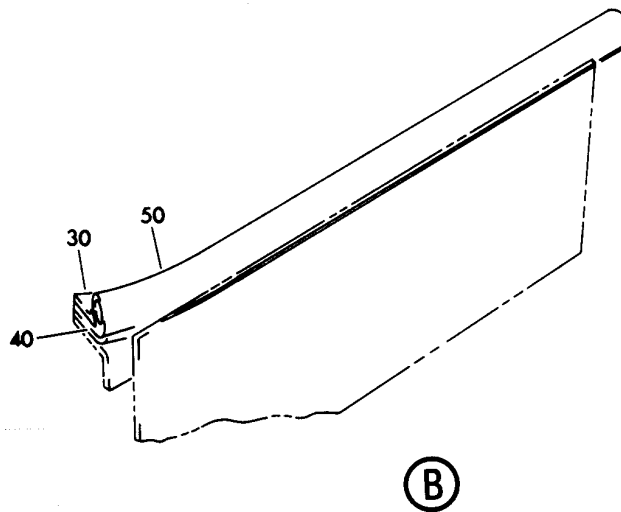
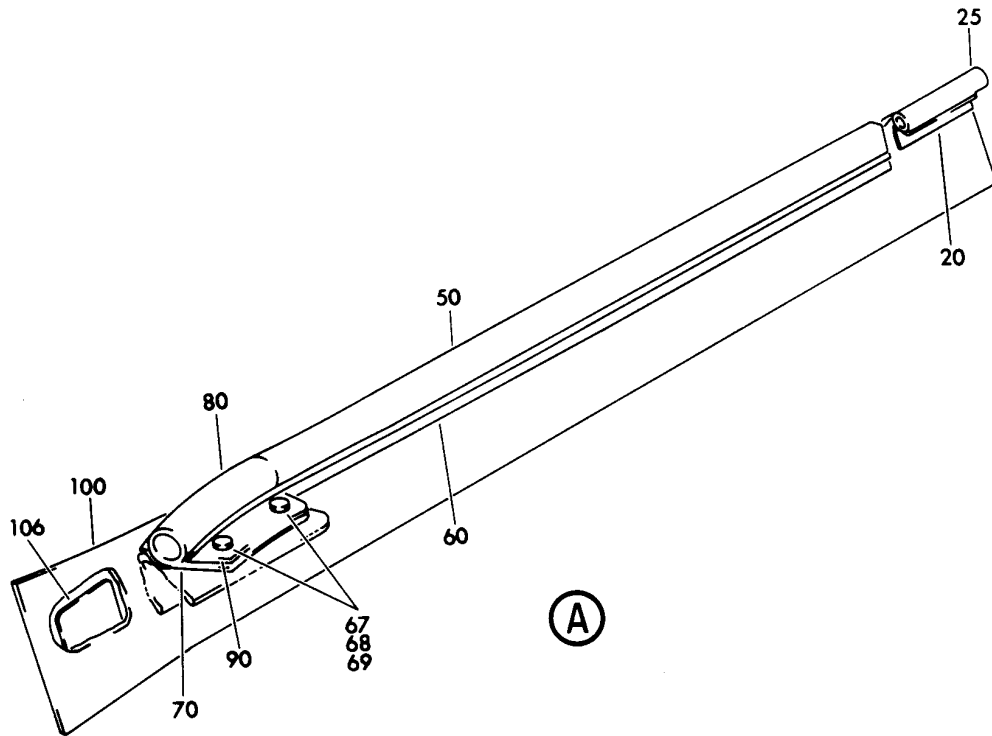
- ITEM NOT ILLUSTRATED

54-52-01-06

54-52-01
FIG. 06
PAGE 13
MAY 20/09

BRI

BOEING
757
PARTS CATALOG (MAINTENANCE)



Y 54520110 SHT 2 REV 023

FAIRING INSTL-FWD UNDERWING
FIGURE 10 (SHEET 2)

54-52-01-10

BRI
MAY 28/07

54-52-01-10
PAGE 0A



757

PARTS CATALOG (MAINTENANCE)

FIG ITEM	PART NUMBER	1 2 3 4 5 6 7	NOMENCLATURE	EFFECT FROM TO	UNITS PER ASSY
10			FAIRING INSTL-FWD UNDERWING	002004 006999	
- 1	313N5004-1		FAIRING INSTL-UNDERWING POSITION DATA: FWD LH FOR NHA SEE: 54-51-61-01	002004 006100 107107 121503 904999	RF
- 1	313N5004-85		FAIRING INSTL-UNDERWING POSITION DATA: FWD LH FOR NHA SEE: 54-51-61-01	002004 006100 107107 121503 904999	RF
- 1	313N5004-125		FAIRING INSTL-UNDERWING POSITION DATA: FWD LH FOR NHA SEE: 54-51-61-01	101106 108120 504903	RF
- 3	313N5004-2		FAIRING INSTL-UNDERWING POSITION DATA: FWD RH FOR NHA SEE: 54-51-61-01	002004 006100 107107 121503 904999	RF
- 3	313N5004-86		FAIRING INSTL-UNDERWING POSITION DATA: FWD RH FOR NHA SEE: 54-51-61-01	002004 006100 107107 121503 904999	RF
- 3	313N5004-126		FAIRING INSTL-UNDERWING POSITION DATA: FWD RH FOR NHA SEE: 54-51-61-01	101106 108120 504903	RF
5	940CW20-6		.JUMPER ASSY SUPPLIER CODE: V91812 SPECIFICATION NUMBER: BACJ40AB20-6 OPTIONAL PART: 100220-6 V1FF12 RBEJ40AB20-6 V1GK47	002004 006999	11
- 6	BACB30NM3K4		.ATTACHING PARTS .BOLT-	002004 006999	11
- 7	BACW10BN3SP		.WASHER-	002004 006999	33

MISSING ITEM NUMBERS NOT APPLICABLE

- ITEM NOT ILLUSTRATED

54-52-01-10

54-52-01
FIG. 10
PAGE 1
JAN 20/09

BRI



757

PARTS CATALOG (MAINTENANCE)

FIG ITEM	PART NUMBER	1 2 3 4 5 6 7	NOMENCLATURE	EFFECT FROM TO	UNITS PER ASSY
10					
- 8	BRH10C3D		.NUT SUPPLIER CODE: V52828 SPECIFICATION NUMBER: BACN10JC3CD OPTIONAL PART: T6C1032JCD V11815 NS202486-02 V80539 102LH9075-3W V72962 H51650-3BAC V15653 -----*-----	002004 006999	11
10	313N5004-66		.STANDOFF ATTACHING PARTS	002004 006999	2
- 15	BACR15CE6KE		.RIVET- SIZE DETERMINED ON INSTL. -----*-----	002004 006999	2
18	BACB30LR2-4		.BOLT	002004 006999	2
19	BACR15CE5KE		.RIVET- SIZE DETERMINED ON INSTL.	002004 006999	3
20	313N5004-49		.RETAINER-SEAL	002004 006999	1
25	313N5004-54		.SEAL ASSY- MISCELLANEOUS DATA: SPARES CONFIGURATION KIT 654N0010-79 IS THE SAME AS 313N5004-54 EXCEPT INCLUDED DATA PACKAGE 654N0010-80. MANUFACTURED FROM: RUBBER SECTION BAC1530-24 2.6 IN. LONG	002004 006999	1
27	BACB30NT2K4		.BOLT	002004 006999	9
28	AN960KD8L		.WASHER	002004 006999	9

MISSING ITEM NUMBERS NOT APPLICABLE

- ITEM NOT ILLUSTRATED

54-52-01-10

54-52-01
FIG. 10
PAGE 2
JAN 20/09

BRI

BOEING PROPRIETARY - Copyright © - Unpublished Work - See title page for details.



757

PARTS CATALOG (MAINTENANCE)

FIG ITEM	PART NUMBER	1 2 3 4 5 6 7	NOMENCLATURE	EFFECT FROM TO	UNITS PER ASSY
10					
29	BRH10C08D	.	NUT SUPPLIER CODE: V52828 SPECIFICATION NUMBER: BACN10JC08CD OPTIONAL PART: H51650-08BAC V15653 102LH9075-82W V72962 NS202486-82 V80539 T6C832JCD V11815	002004 006999	9
30	313N5004-41	.	RETAINER-SEAL POSITION DATA: LH SIDE	002004 006999	1
- 35	313N5004-42	.	RETAINER-SEAL POSITION DATA: RH SIDE	002004 006999	1
40	313N5004-39	.	RETAINER-SEAL POSITION DATA: **LH SIDE	002004 006999	1
- 45	313N5004-40	.	RETAINER-SEAL POSITION DATA: RH SIDE	002004 006999	1
50	313N5004-50	.	SEAL ASSY- POSITION DATA: LH SIDE MANUFACTURED FROM: RUBBER SECTION 10-60754-86 18 IN. LG	002004 006999	1
- 55	313N5004-51	.	SEAL ASSY- POSITION DATA: RH SIDE MANUFACTURED FROM: RUBBER SECTION 10-60754-86 18 IN. LG	002004 006999	1
57	BACB30LR2-4	.	BOLT	002004 006999	13
60	313N5004-47	.	RETAINER-SEAL POSITION DATA: LH SIDE	002004 006999	1
- 65	313N5004-48	.	RETAINER-SEAL POSITION DATA: RH SIDE	002004 006999	1
67	NAS1351C3-6P	.	BOLT-	002004 006999	2

MISSING ITEM NUMBERS NOT APPLICABLE

- ITEM NOT ILLUSTRATED

54-52-01-10

54-52-01
FIG. 10
PAGE 3
JAN 20/09

BRI



757

PARTS CATALOG (MAINTENANCE)

FIG ITEM	PART NUMBER	1 2 3 4 5 6 7	NOMENCLATURE	EFFECT FROM TO	UNITS PER ASSY
10					
68	AN960KD10L	.	WASHER	002004 006999	2
69	BRH10C3D	.	NUT	002004 006999	2
			SUPPLIER CODE: V52828		
			SPECIFICATION NUMBER: BACN10JC3CD		
			OPTIONAL PART: T6C1032JCD		
			V11815		
			NS202486-02		
			V80539		
			102LH9075-3W		
			V72962		
			H51650-3BAC		
			V15653		
70	313N5004-43	.	RETAINER-SEAL	002004 006999	1
			POSITION DATA: LH SIDE		
- 75	313N5004-44	.	RETAINER-SEAL	002004 006999	1
			POSITION DATA: RH SIDE		
80	313N5004-52	.	SEAL ASSY-	002004 006999	1
			POSITION DATA: LH SIDE		
			MANUFACTURED FROM: RUBBER SECTION		
			10-60754-86 26.5 IN. LG)		
- 85	313N5004-53	.	SEAL ASSY-	002004 006999	1
			POSITION DATA: RH SIDE		
			MANUFACTURED FROM: RUBBER SECTION		
			10-60754-86 26.5 IN. LG)		
90	313N5004-45	.	RETAINER-SEAL	002004 006999	1
			POSITION DATA: LH SIDE		
- 95	313N5004-46	.	RETAINER-SEAL	002004 006999	1
			POSITION DATA: RH SIDE		
97	BACB30NN3K5	.	BOLT	002004 006999	25
100	313N5034-5	.	PANEL ASSY-	002004 006999	1
			POSITION DATA: LH SIDE		
100	313N5034-23	.	PANEL ASSY-	002004 006999	1
			POSITION DATA: LH SIDE		

MISSING ITEM NUMBERS NOT APPLICABLE

- ITEM NOT ILLUSTRATED

54-52-01-10

54-52-01
FIG. 10
PAGE 4
JAN 20/09

BRI



757

PARTS CATALOG (MAINTENANCE)

FIG ITEM	PART NUMBER	1 2 3 4 5 6 7	NOMENCLATURE	EFFECT FROM TO	UNITS PER ASSY
10					
100	313N5034-29		.PANEL ASSY- POSITION DATA: FWD, UNDERWING	101106 108120 504903	1
- 105	313N5034-6		.PANEL ASSY- POSITION DATA: RH SIDE	002004 006999	1
- 105	313N5034-24		.PANEL ASSY- POSITION DATA: RH SIDE	002004 006999	1
- 105	313N5034-30		.PANEL ASSY- POSITION DATA: FWD, UNDERWING	101106 108120 504903	1
106	MS27253F1		..PLATE- USED ON: 313N5034-5 313N5034-6	002004 006999	1
107	BACB30NN3K3		.BOLT	002004 006999	5
108	AN960KD10L		.WASHER	002004 006999	5
109	BRH10C3D		.NUT SUPPLIER CODE: V52828 SPECIFICATION NUMBER: BACN10JC3CD OPTIONAL PART: T6C1032JCD V11815 NS202486-02 V80539 102LH9075-3W V72962 H51650-3BAC V15653	002004 006999	5
110	313N5034-3		.PANEL ASSY- POSITION DATA: LH SIDE	002004 006999	1
110	313N5034-27		.PANEL ASSY- POSITION DATA: LH SIDE	002004 006999	1
- 115	313N5034-4		.PANEL ASSY- POSITION DATA: RH SIDE	002004 006999	1
- 115	313N5034-28		.PANEL ASSY- POSITION DATA: RH SIDE	002004 006999	1
117	MS27253F1		..PLATE	002004 006999	1

MISSING ITEM NUMBERS NOT APPLICABLE

- ITEM NOT ILLUSTRATED

54-52-01-10

54-52-01
FIG. 10
PAGE 5
JAN 20/09

BRI

BOEING PROPRIETARY - Copyright © - Unpublished Work - See title page for details.

 **BOEING**
757
PARTS CATALOG (MAINTENANCE)

FIG ITEM	PART NUMBER	1 2 3 4 5 6 7	NOMENCLATURE	EFFECT FROM TO	UNITS PER ASSY
10					
119	BACB30LR4-5	.	BOLT	002004 006999	2
120	313N5034-1	.	PANEL ASSY- POSITION DATA: LH SIDE	002004 006999	1
120	313N5034-25	.	PANEL ASSY- POSITION DATA: LH SIDE	002004 006999	1
- 125	313N5034-2	.	PANEL ASSY- POSITION DATA: RIGHT SIDE	002004 006999	1
- 125	313N5034-26	.	PANEL ASSY- POSITION DATA: RH SIDE	002004 006999	1
127	MS27253F2	..	PLATE	002004 006999	1
130	313N5004-7	.	SUPPORT ASSY-FAIRING POSITION DATA: LH SIDE	002004 006999	1
- 135	313N5004-8	.	SUPPORT ASSY-FAIRING POSITION DATA: RH SIDE	002004 006999	1
150	313N5004-3	.	PANEL-SIDE POSITION DATA: OUTBD LH SIDE	002004 006999	1
- 155	313N5004-4	.	PANEL-SIDE POSITION DATA: OUTBD RH SIDE	002004 006999	1
- 160	BACB30NN3K5	.	ATTACHING PARTS BOLT	002004 006999	13
			-----*		

MISSING ITEM NUMBERS NOT APPLICABLE

- ITEM NOT ILLUSTRATED

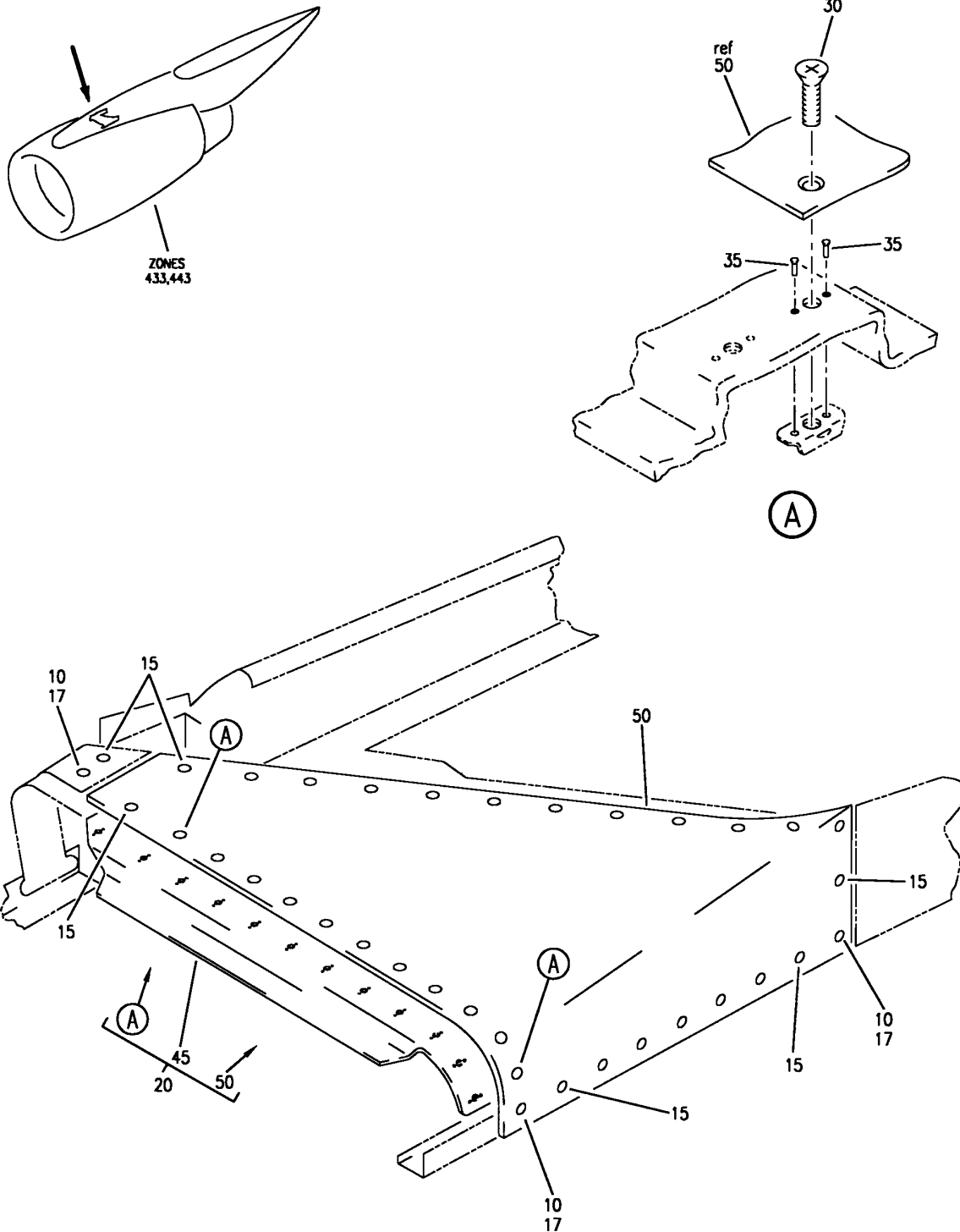
BRI

54-52-01-10

BOEING PROPRIETARY - Copyright © - Unpublished Work - See title page for details.

54-52-01
FIG. 10
PAGE 6
JAN 20/09

BOEING
757
PARTS CATALOG (MAINTENANCE)



Y 54520110A REV 208

FAIRING INSTL-UNDERWING ENG POS 1 AND 2
FIGURE 10A

54-52-01-10A

BRI
MAY 28/07

54-52-01-10A
PAGE 0



757

PARTS CATALOG (MAINTENANCE)

FIG ITEM	PART NUMBER	1 2 3 4 5 6 7	NOMENCLATURE	EFFECT FROM TO	UNITS PER ASSY
10A			FAIRING INSTL-UNDERWING ENG POS 1 AND 2	101106 108120 504903	
- 1	313N5004-129		FAIRING INSTL-UNDERWING POSITION DATA: ENG POS 1 FOR NHA SEE: 54-00-00-03A	101102 108120 504903	RF
- 1	MODREF24401		FAIRING INSTL-UNDERWING MODULE NUMBER: 313N5004-131 REV A POSITION DATA: ENG POS 1	103106	1
- 5	313N5004-130		FAIRING INSTL-UNDERWING POSITION DATA: ENG POS 2 FOR NHA SEE: 54-00-00-03A	101102 108120 504903	RF
- 5	MODREF24402		FAIRING INSTL-UNDERWING MODULE NUMBER: 313N5004-132 REV A POSITION DATA: ENG POS 2	103106	1
10	BACB30LR4-5		.BOLT	101106 108120 504903	3
15	BACB30NN3K5		.BOLT	101106 108120 504903	22
17	BACW10UC417P		.WASHER	101106 108120 504903	3
20	313N5004-127		.FAIRING ASSY- POSITION DATA: ENG POS 1	101106 108120 504903	1
- 25	313N5004-128		.FAIRING ASSY- POSITION DATA: ENG POS 2	101106 108120 504903	1
30	BACB30NN3K5		..BOLT	101106 108120 504903	11
35	BACR15BA3D		..RIVET- SIZE DETERMINED ON INSTL.	101106 108120 504903	22

MISSING ITEM NUMBERS NOT APPLICABLE

- ITEM NOT ILLUSTRATED

54-52-01-10A

54-52-01
FIG. 10A
PAGE 1
JAN 20/09

BRI

BOEING
757
PARTS CATALOG (MAINTENANCE)

FIG ITEM	PART NUMBER	1 2 3 4 5 6 7	NOMENCLATURE	EFFECT FROM TO	UNITS PER ASSY
10A			ATTACHING PARTS		
- 40	MF51594-3-2BAC		..NUTPLATE SUPPLIER CODE: V15653 SPECIFICATION NUMBER: BACN10YF32CD -----*-----	101106 108120 504903	22
45	313N5004-5		..SUPPORT ASSY-FAIRING	101106 108120 504903	1
50	313N5034-25		..PANEL ASSY- POSITION DATA: LH SIDE	101106 108120 504903	1
- 55	313N5034-26		..PANEL ASSY- POSITION DATA: RH SIDE	101106 108120 504903	1

MISSING ITEM NUMBERS NOT APPLICABLE

- ITEM NOT ILLUSTRATED

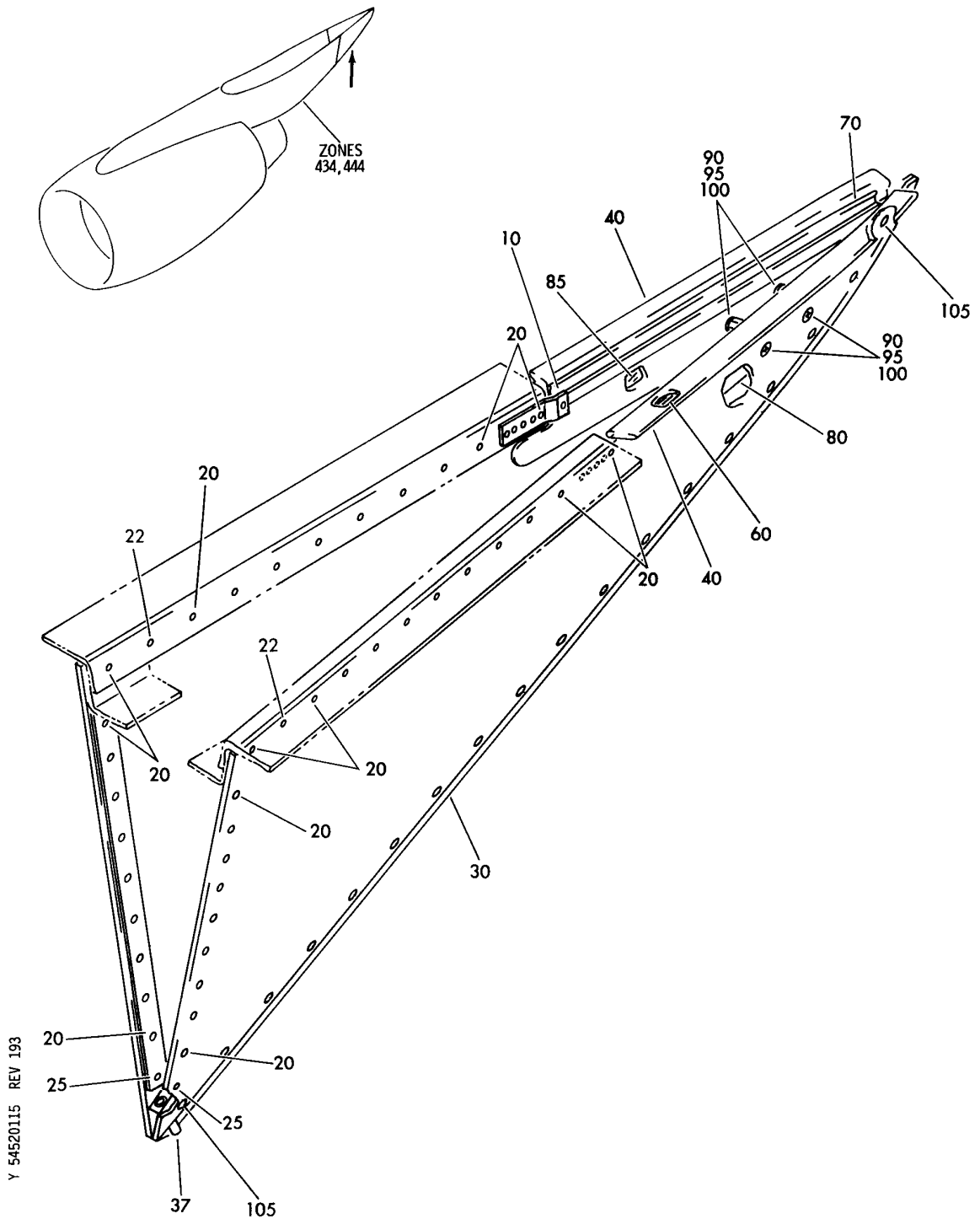
BRI

54-52-01-10A

BOEING PROPRIETARY - Copyright © - Unpublished Work - See title page for details.

54-52-01
FIG. 10A
PAGE 2
JAN 20/09

BOEING
757
PARTS CATALOG (MAINTENANCE)



Y 54520115 REV 193

TRAILING EDGE INSTL-STRUT FAIRING AFT
FIGURE 15

54-52-01-15

BRI
MAY 28/07

54-52-01-15
PAGE 0



757

PARTS CATALOG (MAINTENANCE)

FIG ITEM	PART NUMBER	1 2 3 4 5 6 7	NOMENCLATURE	EFFECT FROM TO	UNITS PER ASSY
15			TRAILING EDGE INSTL-STRUT FAIRING AFT	002004 006100 107107 121503 904999	
- 1	313N5023-1		TRAILING EDGE INSTL-STRUT FAIRING POSITION DATA: AFT LH FOR NHA SEE: 54-52-01-03	002004 006010 107107 121503 904999	RF
- 1	313N5023-47		TRAILING EDGE INSTL-STRUT FAIRING POSITION DATA: AFT LH FOR NHA SEE: 54-52-01-03	011100	RF
- 5	313N5023-2		TRAILING EDGE INSTL-STRUT FAIRING POSITION DATA: AFT RH FOR NHA SEE: 54-52-01-03	002004 006010 107107 121503 904999	RF
- 5	313N5023-48		TRAILING EDGE INSTL-STRUT FAIRING POSITION DATA: AFT RH FOR NHA SEE: 54-52-01-03	011100	RF
10	287N1112-14		.BRACKET	002004 006100 107107 121503 904999	1
- 15	BACR15BA5AD		ATTACHING PARTS .RIVET- SIZE DETERMINED ON INSTL.	002004 006100 107107 121503 904999	2
20	BACB30NN3K6		-----*----- .BOLT	107107	39
22	BACB30LH4-6		.BOLT	002004 006100 107107 121503 904999	2

MISSING ITEM NUMBERS NOT APPLICABLE

- ITEM NOT ILLUSTRATED

54-52-01-15

54-52-01
FIG. 15
PAGE 1
JAN 20/09

BRI

 **BOEING**
757
PARTS CATALOG (MAINTENANCE)

FIG ITEM	PART NUMBER	1 2 3 4 5 6 7	NOMENCLATURE	EFFECT FROM TO	UNITS PER ASSY
15					
25	NAS8704U2	.	BOLT-	002004 006100 107107 121503 904999	2
30	313N5023-37	.	TRAILING EDGE ASSY- POSITION DATA: LH SIDE OPTIONAL PART: 313N5023-3	002004 006100 107107 121503 904999	1
30	313N5023-3	.	TRAILING EDGE ASSY- POSITION DATA: LH SIDE OPTIONAL PART: 313N5023-37	002004 006100 107107 121503 904999	1
- 35	313N5023-38	.	TRAILING EDGE ASSY- POSITION DATA: RH SIDE OPTIONAL PART: 313N5023-4	002004 006100 107107 121503 904999	1
- 35	313N5023-4	.	TRAILING EDGE ASSY- POSITION DATA: RH SIDE OPTIONAL PART: 313N5023-38	002004 006100 107107 121503 904999	1
37	313N5023-24	..	TUBE- USED ON: 313N5023-31 313N5023-32 USED ON: 313N5023-3 313N5023-4	002004 006100 107107 121503 904999	1
37	313N5023-39	..	TUBE- USED ON: 313N5023-37 313N5023-38	002004 006100 107107 121503 904999	1
40	313N5023-25	.	SEAL-	002004 006100 107107 121503 904999	2
60	313N5023-9	.	RETAINER- POSITION DATA: LH SIDE	107107 904949 952952	1

MISSING ITEM NUMBERS NOT APPLICABLE

- ITEM NOT ILLUSTRATED

BRI

54-52-01-15

BOEING PROPRIETARY - Copyright © - Unpublished Work - See title page for details.

54-52-01
FIG. 15
PAGE 2
JAN 20/09



757

PARTS CATALOG (MAINTENANCE)

FIG ITEM	PART NUMBER	1 2 3 4 5 6 7	NOMENCLATURE	EFFECT FROM TO	UNITS PER ASSY
15					
60	313N5023-41		.RETAINER- POSITION DATA: LH SIDE	002004 006100 121503 950951 953999	1
- 65	313N5023-10		.RETAINER- POSITION DATA: RH SIDE	107107 904949 952952	1
- 65	313N5023-42		.RETAINER- POSITION DATA: RH SIDE	002004 006100 121503 950951 953999	1
70	313N5023-11		.RETAINER- POSITION DATA: LH SIDE	107107 904949 952952	1
70	313N5023-43		.RETAINER- POSITION DATA: LH SIDE	002004 006100 121503 950951 953999	1
- 75	313N5023-12		.RETAINER- POSITION DATA: RH SIDE	107107 904949 952952	1
- 75	313N5023-44		.RETAINER- POSITION DATA: RH SIDE	002004 006100 121503 950951 953999	1
80	313N5023-17		.PLATE-SPLICE	107107 904949 952952	1
80	313N5023-45		.PLATE-SPLICE	002004 006100 121503 950951 953999	1
85	313N5023-18		.PLATE-SPLICE	107107 904949 952952	1
85	313N5023-46		.PLATE-SPLICE	002004 006100 121503 950951 953999	1

MISSING ITEM NUMBERS NOT APPLICABLE

- ITEM NOT ILLUSTRATED

54-52-01-15

54-52-01
FIG. 15
PAGE 3
JAN 20/09

BRI



757

PARTS CATALOG (MAINTENANCE)

FIG ITEM	PART NUMBER	1 2 3 4 5 6 7	NOMENCLATURE	EFFECT FROM TO	UNITS PER ASSY
15			ATTACHING PARTS		
90	BACB30NN3K4		.BOLT	002004 006100 107107 121503 904999	4
95	AN960KD10		.WASHER-	002004 006100 107107 121503 904999	4
100	BRH10A3		.NUT SUPPLIER CODE: V52828 SPECIFICATION NUMBER: BACN10JC3 OPTIONAL PART: H10-3BAC V15653 NS202101-02 V80539 RMLH9075-3W V72962 VN303A02 V92215 96-02 V80539 T6S1032J V11815	002004 006100 107107 121503 904999	4
105	BACR15GA6-7		.RIVET- -----*	002004 006100 107107 121503 904999	18

MISSING ITEM NUMBERS NOT APPLICABLE

- ITEM NOT ILLUSTRATED

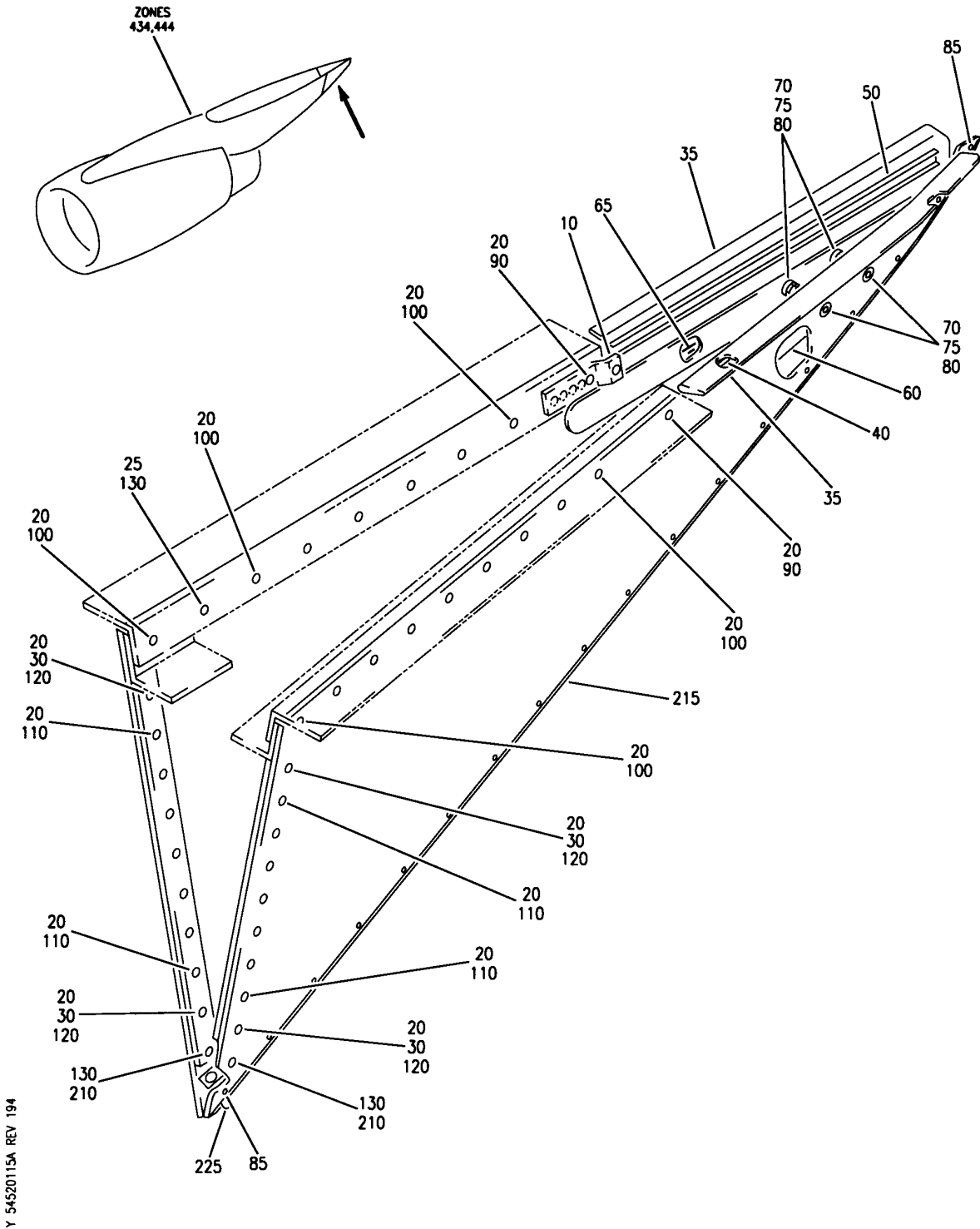
BRI

54-52-01-15

BOEING PROPRIETARY - Copyright © - Unpublished Work - See title page for details.

54-52-01
FIG. 15
PAGE 4
JAN 20/09

BOEING
757
PARTS CATALOG (MAINTENANCE)



TRAILING EDGE INSTL-STRUT FAIRING AFT
FIGURE 15A

54-52-01-15A

BRI
MAY 28/07

54-52-01-15A
PAGE 0



757

PARTS CATALOG (MAINTENANCE)

FIG ITEM	PART NUMBER	1 2 3 4 5 6 7	NOMENCLATURE	EFFECT FROM TO	UNITS PER ASSY
15A			TRAILING EDGE INSTL-STRUT FAIRING AFT	101106 108120 504903	
- 1	313N5023-51		TRAILING EDGE INSTL-STRUT FAIRING POSITION DATA: AFT LH FOR NHA SEE: 54-00-00-03A	101102 108120 504903	RF
- 1	MODREF14385		TRAILING EDGE INSTL-STRUT FAIRING MODULE NUMBER: 313N5023-51 REV A POSITION DATA: AFT LH	103106	1
- 5	313N5023-52		TRAILING EDGE INSTL-STRUT FAIRING POSITION DATA: AFT RH FOR NHA SEE: 54-00-00-03A	101102 108120 504903	RF
- 5	MODREF14386		TRAILING EDGE INSTL-STRUT FAIRING MODULE NUMBER: 313N5023-52 REV A POSITION DATA: AFT RH	103106	1
10	287N1112-14		.BRACKET	101106 108120 504903	1
- 15	BACR15BA5AD		ATTACHING PARTS .RIVET- SIZE DETERMINED ON INSTL.	101106 108120 504903	2
20	BACB30NN3K6		-----*----- .BOLT	101106 108120 504903	39
25	BACB30LH4-6		.BOLT	101106 108120 504903	1
30	NAS463YDD10H		.SPACER	101106 108120 504903	8
35	313N5023-25		.SEAL	101106 108120 504903	2

MISSING ITEM NUMBERS NOT APPLICABLE

- ITEM NOT ILLUSTRATED

54-52-01-15A

54-52-01
FIG. 15A
PAGE 1
JAN 20/09

BRI

BOEING PROPRIETARY - Copyright © - Unpublished Work - See title page for details.



757

PARTS CATALOG (MAINTENANCE)

FIG ITEM	PART NUMBER	1 2 3 4 5 6 7	NOMENCLATURE	EFFECT FROM TO	UNITS PER ASSY
15A					
40	313N5023-41		.RETAINER- POSITION DATA: LH SIDE	101106 108120 504903	1
- 45	313N5023-42		.RETAINER- POSITION DATA: RH SIDE	101106 108120 504903	1
50	313N5023-43		.RETAINER- POSITION DATA: LH SIDE	101106 108120 504903	1
- 55	313N5023-44		.RETAINER- POSITION DATA: RH SIDE	101106 108120 504903	1
60	313N5023-45		.PLATE-SPLICE	101106 108120 504903	1
65	313N5023-46		.PLATE-SPLICE	101106 108120 504903	1
70	BACB30NN3K4		ATTACHING PARTS .BOLT	101106 108120 504903	4
75	NAS1149D0363J		.WASHER	101106 108120 504903	4
80	BRH10C3D		.NUT SUPPLIER CODE: V52828 SPECIFICATION NUMBER: BACN10JC3CD OPTIONAL PART: T6C1032JCD V11815 NS202486-02 V80539 102LH9075-3W V72962 H51650-3BAC V15653	101106 108120 504903	4
85	BACR15GA6-7		.RIVET -----*-----	101106 108120 504903	18

MISSING ITEM NUMBERS NOT APPLICABLE

- ITEM NOT ILLUSTRATED

54-52-01-15A

54-52-01
FIG. 15A
PAGE 2
JAN 20/09

BRI

BOEING PROPRIETARY - Copyright © - Unpublished Work - See title page for details.



757

PARTS CATALOG (MAINTENANCE)

FIG ITEM	PART NUMBER	1 2 3 4 5 6 7	NOMENCLATURE	EFFECT FROM TO	UNITS PER ASSY
15A 90	F51754-3		.NUTPLATE SUPPLIER CODE: V15653 SPECIFICATION NUMBER: BACN10KE3D OPTIONAL PART: NS103193-02 V80539 ATTACHING PARTS	101106 108120 504903	2
- 95	AF5141-3C		.RIVET- SUPPLIER CODE: V53551 SPECIFICATION NUMBER: BACR15DR3AC SIZE DETERMINED ON INSTL. -----*-----	101106 108120 504903	4
100	F171-3		.NUTPLATE SUPPLIER CODE: V72962 SPECIFICATION NUMBER: BACN10JB3 OPTIONAL PART: 43600-02 V80539 BRF210A3 V52828 BRF270A3 V52828 ATTACHING PARTS	101106 108120 504903	16
- 105	AF5141-3C		.RIVET- SUPPLIER CODE: V53551 SPECIFICATION NUMBER: BACR15DR3AC SIZE DETERMINED ON INSTL. -----*-----	101106 108120 504903	32
110	MF19058-3-3BAC		.NUTPLATE SUPPLIER CODE: V15653 SPECIFICATION NUMBER: BACN10YF33 ATTACHING PARTS	101106 108120 504903	14
- 115	AF5141-3C		.RIVET- SUPPLIER CODE: V53551 SPECIFICATION NUMBER: BACR15DR3AC SIZE DETERMINED ON INSTL. -----*-----	101106 108120 504903	28

MISSING ITEM NUMBERS NOT APPLICABLE

- ITEM NOT ILLUSTRATED

54-52-01-15A

54-52-01
FIG. 15A
PAGE 3
JAN 20/09

BRI

BOEING PROPRIETARY - Copyright © - Unpublished Work - See title page for details.



757

PARTS CATALOG (MAINTENANCE)

FIG ITEM	PART NUMBER	1 2 3 4 5 6 7	NOMENCLATURE	EFFECT FROM TO	UNITS PER ASSY
15A 120	F177-3	.	NUTPLATE SUPPLIER CODE: V72962 SPECIFICATION NUMBER: BACN10JA3 OPTIONAL PART: F2400-3 V15653 43610-02 V80539 BRF110A3 V52828 BRF170A3 V52828 ATTACHING PARTS	101106 108120 504903	4
- 125	AF5141-3C	.	RIVET- SUPPLIER CODE: V53551 SPECIFICATION NUMBER: BACR15DR3AC SIZE DETERMINED ON INSTL. -----*-----	101106 108120 504903	8
130	MF53049-4	.	NUTPLATE SUPPLIER CODE: V15653 SPECIFICATION NUMBER: BACN10JN4 OPTIONAL PART: BRFM20A4 V52828 MF1000-4BAC V15653 NS103218-048 V80539 RMF9201M4 V72962 VN252A048 V92215 T8124S4S V11815 ATTACHING PARTS	101106 108120 504903	2
- 135	AF5141-3C	.	RIVET- SUPPLIER CODE: V53551 SPECIFICATION NUMBER: BACR15DR3AC SIZE DETERMINED ON INSTL. -----*-----	101106 108120 504903	4

MISSING ITEM NUMBERS NOT APPLICABLE

- ITEM NOT ILLUSTRATED

54-52-01-15A

54-52-01
FIG. 15A
PAGE 4
JAN 20/09

BRI



757

PARTS CATALOG (MAINTENANCE)

FIG ITEM	PART NUMBER	1 2 3 4 5 6 7	NOMENCLATURE	EFFECT FROM TO	UNITS PER ASSY
15A - 200	313N5023-55		TRAILING EDGE INSTL-STRUT FAIRING POSITION DATA: AFT LH FOR NHA SEE: 54-52-01-01	101106 108120 504903	RF
- 205	313N5023-56		TRAILING EDGE INSTL-STRUT FAIRING POSITION DATA: AFT RH FOR NHA SEE: 54-52-01-01	101106 108120 504903	RF
210	NAS8704U2		.BOLT	101106 108120 504903	2
215	313N5023-37		.TRAILING EDGE ASSY- POSITION DATA: LH SIDE OPTIONAL PART: 313N5023-3	101106 108120 504903	1
215	313N5023-3		.TRAILING EDGE ASSY- POSITION DATA: LH SIDE OPTIONAL PART: 313N5023-37	101106 108120 504903	1
- 220	313N5023-38		.TRAILING EDGE ASSY- POSITION DATA: RH SIDE OPTIONAL PART: 313N5023-4	101106 108120 504903	1
- 220	313N5023-4		.TRAILING EDGE ASSY- POSITION DATA: RH SIDE OPTIONAL PART: 313N5023-38	101106 108120 504903	1
225	313N5023-24		..TUBE- USED ON: 313N5023-3 313N5023-4	101106 108120 504903	1
225	313N5023-39		..TUBE- USED ON: 313N5023-37 313N5023-38	101106 108120 504903	1

MISSING ITEM NUMBERS NOT APPLICABLE

- ITEM NOT ILLUSTRATED

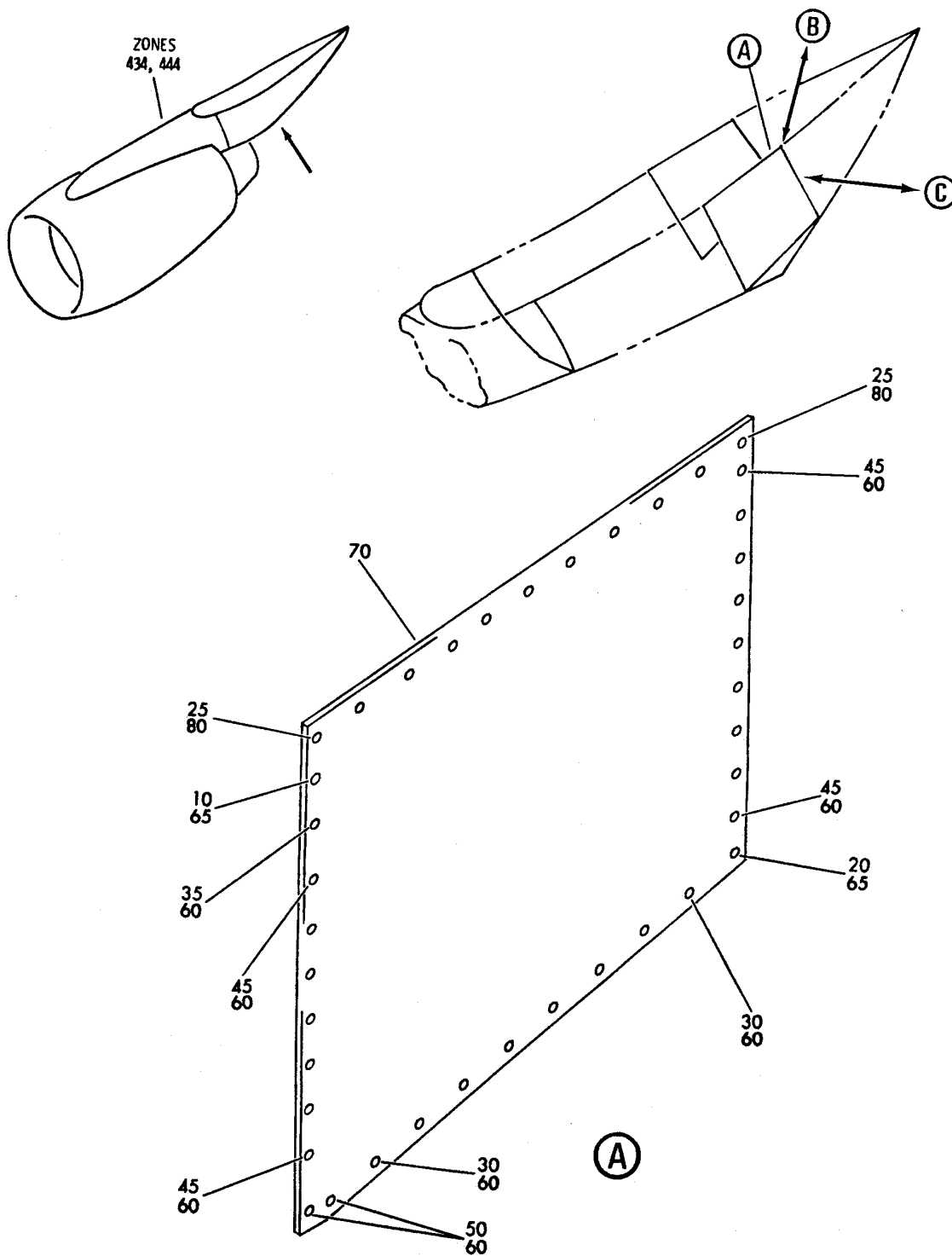
54-52-01-15A

54-52-01
FIG. 15A
PAGE 5
JAN 20/09

BRI

BOEING PROPRIETARY - Copyright © - Unpublished Work - See title page for details.

BOEING
757
PARTS CATALOG (MAINTENANCE)



Y 54520118 SHT 1 REV 219

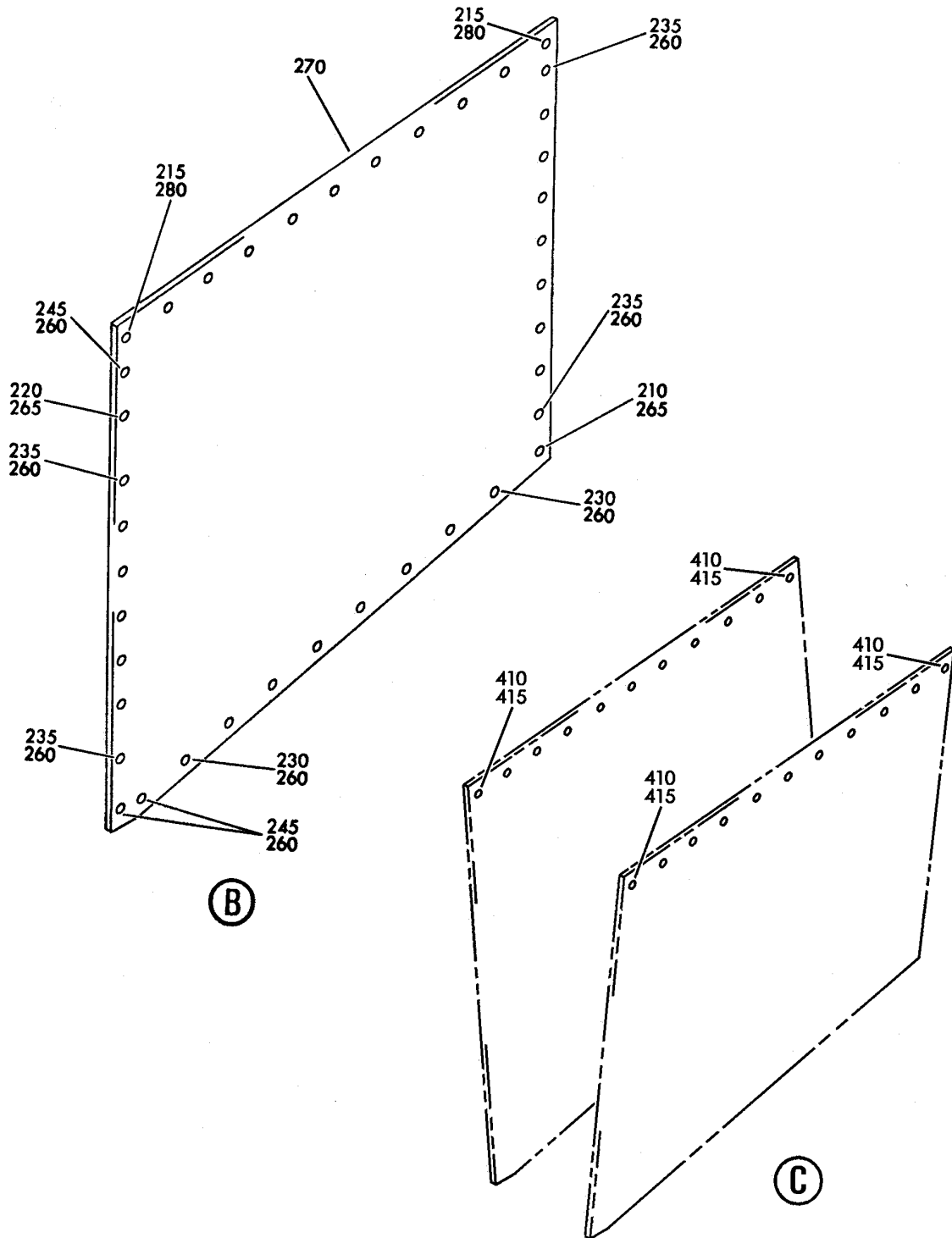
PANEL INSTL-NAC STRUT, AFT FAIRING
FIGURE 18 (SHEET 1)

54-52-01-18

BRI
MAY 28/07

54-52-01-18
PAGE 0

BOEING
757
PARTS CATALOG (MAINTENANCE)



Y 54520118 SHT 2 REV 219

PANEL INSTL-NAC STRUT, AFT FAIRING
FIGURE 18 (SHEET 2)

54-52-01-18

BRI
MAY 28/07

54-52-01-18
PAGE 0A



757

PARTS CATALOG (MAINTENANCE)

FIG ITEM	PART NUMBER	1 2 3 4 5 6 7	NOMENCLATURE	EFFECT FROM TO	UNITS PER ASSY
18			PANEL INSTL-NAC STRUT, AFT FAIRING	101106 108120 504903	
- 1	313N5020-43		PANEL INSTL-NAC STRUT POSITION DATA: AFT FAIRING LH OUTBD FOR NHA SEE: 54-52-01-01	101106 108120 504903	RF
- 5	313N5020-44		PANEL INSTL-NAC STRUT POSITION DATA: AFT FAIRING RH OUTBD FOR NHA SEE: 54-52-01-01	101106 108120 504903	RF
10	HL441N6-4		.BOLT- SUPPLIER CODE: V60516 SPECIFICATION NUMBER: BACB30FN6A4N OPTIONAL PART: HL441N6-4 V73197 HL441N6-4 V92215 HL441N6-4 V97928 HL441N6-4 V08524 HL441N6-4 V56878 L839-6A4N V06725 HL441N6-4 V56878 POSITION DATA: LH SIDE	101106 108120 504903	1

MISSING ITEM NUMBERS NOT APPLICABLE

- ITEM NOT ILLUSTRATED

54-52-01-18

54-52-01
FIG. 18
PAGE 1
JAN 20/09

BRI



757

PARTS CATALOG (MAINTENANCE)

FIG ITEM	PART NUMBER	1 2 3 4 5 6 7	NOMENCLATURE	EFFECT FROM TO	UNITS PER ASSY
18 - 15	HL441N6-5		.BOLT- SUPPLIER CODE: V60516 SPECIFICATION NUMBER: BACB30FN6A5N OPTIONAL PART: HL441N6-5 V73197 HL441N6-5 V92215 HL441N6-5 V97928 HL441N6-5 V08524 HL19-6A5N V06725 L839-6A5N V06725 HL441N6-5 V56878 POSITION DATA: RH SIDE	101106 108120 504903	1
20	HL441N6-5		.BOLT SUPPLIER CODE: V60516 SPECIFICATION NUMBER: BACB30FN6A5N OPTIONAL PART: HL441N6-5 V73197 HL441N6-5 V92215 HL441N6-5 V97928 HL441N6-5 V08524 HL19-6A5N V06725 L839-6A5N V06725 HL441N6-5 V56878	101106 108120 504903	1

MISSING ITEM NUMBERS NOT APPLICABLE

- ITEM NOT ILLUSTRATED

BRI

54-52-01-18

BOEING PROPRIETARY - Copyright © - Unpublished Work - See title page for details.

54-52-01
FIG. 18
PAGE 2
JAN 20/09



757

PARTS CATALOG (MAINTENANCE)

FIG ITEM	PART NUMBER	1 2 3 4 5 6 7	NOMENCLATURE	EFFECT FROM TO	UNITS PER ASSY
18 30	HL13VAZ6-3	.BOLT	SUPPLIER CODE: V56878 SPECIFICATION NUMBER: BACB30NY6K3 OPTIONAL PART: HL13VAZ6-3 V73197 HL13VAZ6-3 V92215 HL13VAZ6-3 V97928 L801-6K3 V06725 HL13VAZ6-3 V60516 L801-6K3 VOPTK6 HL13VAZ6-3 V17446	101106 108120 504903	8
35	HL13VAZ6-3	.BOLT-	SUPPLIER CODE: V56878 SPECIFICATION NUMBER: BACB30NY6K3 OPTIONAL PART: HL13VAZ6-3 V73197 HL13VAZ6-3 V92215 HL13VAZ6-3 V97928 L801-6K3 V06725 HL13VAZ6-3 V60516 L801-6K3 VOPTK6 HL13VAZ6-3 V17446 POSITION DATA: LH SIDE	101106 108120 504903	1

MISSING ITEM NUMBERS NOT APPLICABLE

- ITEM NOT ILLUSTRATED

54-52-01-18

54-52-01
FIG. 18
PAGE 3
JAN 20/09

BRI



757

PARTS CATALOG (MAINTENANCE)

FIG ITEM	PART NUMBER	1 2 3 4 5 6 7	NOMENCLATURE	EFFECT FROM TO	UNITS PER ASSY
18 - 40	HL13VAZ6-5		.BOLT- SUPPLIER CODE: V56878 SPECIFICATION NUMBER: BACB30NY6K5 OPTIONAL PART: HL13VAZ6-5 V73197 HL13VAZ6-5 V92215 HL13VAZ6-5 V97928 L801-6K5 V06725 HL13VAZ6-5 V60516 L801-6K5 VOPTK6 HL13VAZ6-5 V17446 POSITION DATA: RH SIDE	101106 108120 504903	1
45	HL13VAZ6-4		.BOLT SUPPLIER CODE: V56878 SPECIFICATION NUMBER: BACB30NY6K4 OPTIONAL PART: HL13VAZ6-4 V73197 HL13VAZ6-4 V92215 HL13VAZ6-4 V97928 L801-6K4 V06725 HL13VAZ6-4 V60516 L801-6K4 VOPTK6 HL13VAZ6-4 V17446	101106 108120 504903	16

MISSING ITEM NUMBERS NOT APPLICABLE

- ITEM NOT ILLUSTRATED

54-52-01-18

54-52-01
FIG. 18
PAGE 4
JAN 20/09

BRI



**757
PARTS CATALOG (MAINTENANCE)**

FIG ITEM	PART NUMBER	1 2 3 4 5 6 7	NOMENCLATURE	EFFECT FROM TO	UNITS PER ASSY
18 50	HL13VAZ6-4	.BOLT-	SUPPLIER CODE: V56878 SPECIFICATION NUMBER: BACB30NY6K4 OPTIONAL PART: HL13VAZ6-4 V73197 HL13VAZ6-4 V92215 HL13VAZ6-4 V97928 L801-6K4 V06725 HL13VAZ6-4 V60516 L801-6K4 VOPTK6 HL13VAZ6-4 V17446 POSITION DATA: LH SIDE	101106 108120 504903	2
- 55	HL13VAZ6-5	.BOLT-	SUPPLIER CODE: V56878 SPECIFICATION NUMBER: BACB30NY6K5 OPTIONAL PART: HL13VAZ6-5 V73197 HL13VAZ6-5 V92215 HL13VAZ6-5 V97928 L801-6K5 V06725 HL13VAZ6-5 V60516 L801-6K5 VOPTK6 HL13VAZ6-5 V17446 POSITION DATA: RH SIDE	101106 108120 504903	2

MISSING ITEM NUMBERS NOT APPLICABLE

- ITEM NOT ILLUSTRATED

54-52-01-18

54-52-01
FIG. 18
PAGE 5
JAN 20/09

BRI



757

PARTS CATALOG (MAINTENANCE)

FIG ITEM	PART NUMBER	1 2 3 4 5 6 7	NOMENCLATURE	EFFECT FROM TO	UNITS PER ASSY
18 60	HL79-6	. COLLAR	SUPPLIER CODE: V5M902 SPECIFICATION NUMBER: BACC30M6 OPTIONAL PART: HL79-6 V73197 HL79-6 V92215 66014-6 V56878 HL79-6 V56878	101106 108120 504903	27
65	BACC30AB6	. COLLAR		101106 108120 504903	2
70	313N5020-39	. PANEL ASSY-	POSITION DATA: LH SIDE	101106 108120 504903	1
- 75	313N5020-40	. PANEL ASSY-	POSITION DATA: RH SIDE	101106 108120 504903	1
- 85	BACR15BA3AD	. RIVET-	ATTACHING PARTS SIZE DETERMINED ON INSTL.	101106 108120 504903	22
- 200	313N5020-45	-----*-----	PANEL INSTL-NAC STRUT POSITION DATA: AFT FAIRING LH INBD FOR NHA SEE: 54-52-01-01	101106 108120 504903	RF
- 205	313N5020-46		PANEL INSTL-NAC STRUT POSITION DATA: AFT FAIRING RH INBD FOR NHA SEE: 54-52-01-01	101106 108120 504903	RF

MISSING ITEM NUMBERS NOT APPLICABLE

- ITEM NOT ILLUSTRATED

54-52-01-18

54-52-01
FIG. 18
PAGE 6
JAN 20/09

BRI



757

PARTS CATALOG (MAINTENANCE)

FIG ITEM	PART NUMBER	1 2 3 4 5 6 7	NOMENCLATURE	EFFECT FROM TO	UNITS PER ASSY
18 210	HL441N6-5		.BOLT SUPPLIER CODE: V60516 SPECIFICATION NUMBER: BACB30FN6A5N OPTIONAL PART: HL441N6-5 V73197 HL441N6-5 V92215 HL441N6-5 V97928 HL441N6-5 V08524 HL19-6A5N V06725 L839-6A5N V06725 HL441N6-5 V56878	101106 108120 504903	1
220	HL441N6-5		.BOLT- SUPPLIER CODE: V60516 SPECIFICATION NUMBER: BACB30FN6A5N OPTIONAL PART: HL441N6-5 V73197 HL441N6-5 V92215 HL441N6-5 V97928 HL441N6-5 V08524 HL19-6A5N V06725 L839-6A5N V06725 HL441N6-5 V56878 POSITION DATA: LH SIDE	101106 108120 504903	1

MISSING ITEM NUMBERS NOT APPLICABLE

- ITEM NOT ILLUSTRATED

54-52-01-18

54-52-01
FIG. 18
PAGE 7
JAN 20/09

BRI



757

PARTS CATALOG (MAINTENANCE)

FIG ITEM	PART NUMBER	1 2 3 4 5 6 7	NOMENCLATURE	EFFECT FROM TO	UNITS PER ASSY
18 - 225	HL441N6-3		.BOLT- SUPPLIER CODE: V60516 SPECIFICATION NUMBER: BACB30FN6A3N OPTIONAL PART: HL441N6-3 V73197 HL441N6-3 V92215 HL441N6-3 V97928 HL441N6-3 V08524 HL441N6-3 V56878 L839-6A3N V06725 HL441N6-3 V56878 POSITION DATA: RH SIDE	101106 108120 504903	1
230	HL13VAZ6-3		.BOLT SUPPLIER CODE: V56878 SPECIFICATION NUMBER: BACB30NY6K3 OPTIONAL PART: HL13VAZ6-3 V73197 HL13VAZ6-3 V92215 HL13VAZ6-3 V97928 L801-6K3 V06725 HL13VAZ6-3 V60516 L801-6K3 VOPTK6 HL13VAZ6-3 V17446	101106 108120 504903	8

MISSING ITEM NUMBERS NOT APPLICABLE

- ITEM NOT ILLUSTRATED

BRI

54-52-01-18

BOEING PROPRIETARY - Copyright © - Unpublished Work - See title page for details.

54-52-01
FIG. 18
PAGE 8
JAN 20/09



757

PARTS CATALOG (MAINTENANCE)

FIG ITEM	PART NUMBER	1 2 3 4 5 6 7	NOMENCLATURE	EFFECT FROM TO	UNITS PER ASSY
18 235	HL13VAZ6-4		.BOLT SUPPLIER CODE: V56878 SPECIFICATION NUMBER: BACB30NY6K4 OPTIONAL PART: HL13VAZ6-4 V73197 HL13VAZ6-4 V92215 HL13VAZ6-4 V97928 L801-6K4 V06725 HL13VAZ6-4 V60516 L801-6K4 VOPTK6 HL13VAZ6-4 V17446	101106 108120 504903	16
245	HL13VAZ6-5		.BOLT- SUPPLIER CODE: V56878 SPECIFICATION NUMBER: BACB30NY6K5 OPTIONAL PART: HL13VAZ6-5 V73197 HL13VAZ6-5 V92215 HL13VAZ6-5 V97928 L801-6K5 V06725 HL13VAZ6-5 V60516 L801-6K5 VOPTK6 HL13VAZ6-5 V17446 POSITION DATA: LH SIDE	101106 108120 504903	3

MISSING ITEM NUMBERS NOT APPLICABLE

- ITEM NOT ILLUSTRATED

BRI

54-52-01-18

BOEING PROPRIETARY - Copyright © - Unpublished Work - See title page for details.

54-52-01
FIG. 18
PAGE 9
JAN 20/09



757

PARTS CATALOG (MAINTENANCE)

FIG ITEM	PART NUMBER	1 2 3 4 5 6 7	NOMENCLATURE	EFFECT FROM TO	UNITS PER ASSY
18 - 250	HL13VAZ6-4		.BOLT- SUPPLIER CODE: V56878 SPECIFICATION NUMBER: BACB30NY6K4 OPTIONAL PART: HL13VAZ6-4 V73197 HL13VAZ6-4 V92215 HL13VAZ6-4 V97928 L801-6K4 V06725 HL13VAZ6-4 V60516 L801-6K4 VOPTK6 HL13VAZ6-4 V17446 POSITION DATA: RH SIDE	101106 108120 504903	3
260	HL79-6		.COLLAR SUPPLIER CODE: V5M902 SPECIFICATION NUMBER: BACC30M6 OPTIONAL PART: HL79-6 V73197 HL79-6 V92215 66014-6 V56878 HL79-6 V56878	101106 108120 504903	27
265	BACC30AB6		.COLLAR	101106 108120 504903	2
270	313N5020-41		.PANEL ASSY- POSITION DATA: LH SIDE	101106 108120	1
- 275	313N5020-42		.PANEL ASSY- POSITION DATA: RH SIDE	504903 101106 108120 504903	1

MISSING ITEM NUMBERS NOT APPLICABLE

- ITEM NOT ILLUSTRATED

54-52-01-18

54-52-01
FIG. 18
PAGE 10
JAN 20/09

BRI



757

PARTS CATALOG (MAINTENANCE)

FIG ITEM	PART NUMBER	1 2 3 4 5 6 7	NOMENCLATURE	EFFECT FROM TO	UNITS PER ASSY
18			ATTACHING PARTS		
- 285	BACR15BA3AD		.RIVET- SIZE DETERMINED ON INSTL.	101106 108120 504903	22
- 400	313N5020-47		-----*----- HARDWARE INSTL-AFT FAIRING POSITION DATA: AFT PANEL ENG POS 1 FOR NHA SEE: 54-00-00-03A	101102 108120 504903	RF
- 400	MODREF14381		HARDWARE INSTL-AFT FAIRING MODULE NUMBER: 313N5020-47 REV A POSITION DATA: AFT PANEL ENG POS 1	103106	1
- 405	313N5020-48		HARDWARE INSTL-AFT FAIRING POSITION DATA: AFT PANEL ENG POS 2 FOR NHA SEE: 54-00-00-03A	101102 108120 504903	RF
- 405	MODREF14382		HARDWARE INSTL-AFT FAIRING MODULE NUMBER: 313N5020-48 REV A POSITION DATA: AFT PANEL ENG POS 2	103106	1
410	BACB30NN3K6		.BOLT	101106 108120 504903	22
415	102F171-3		.NUTPLATE SUPPLIER CODE: V72962 SPECIFICATION NUMBER: BACN10JB3CD OPTIONAL PART: BRF210C3D V52828 BRF2703D V52828 NS202485-02 V80539	101106 108120 504903	22

MISSING ITEM NUMBERS NOT APPLICABLE

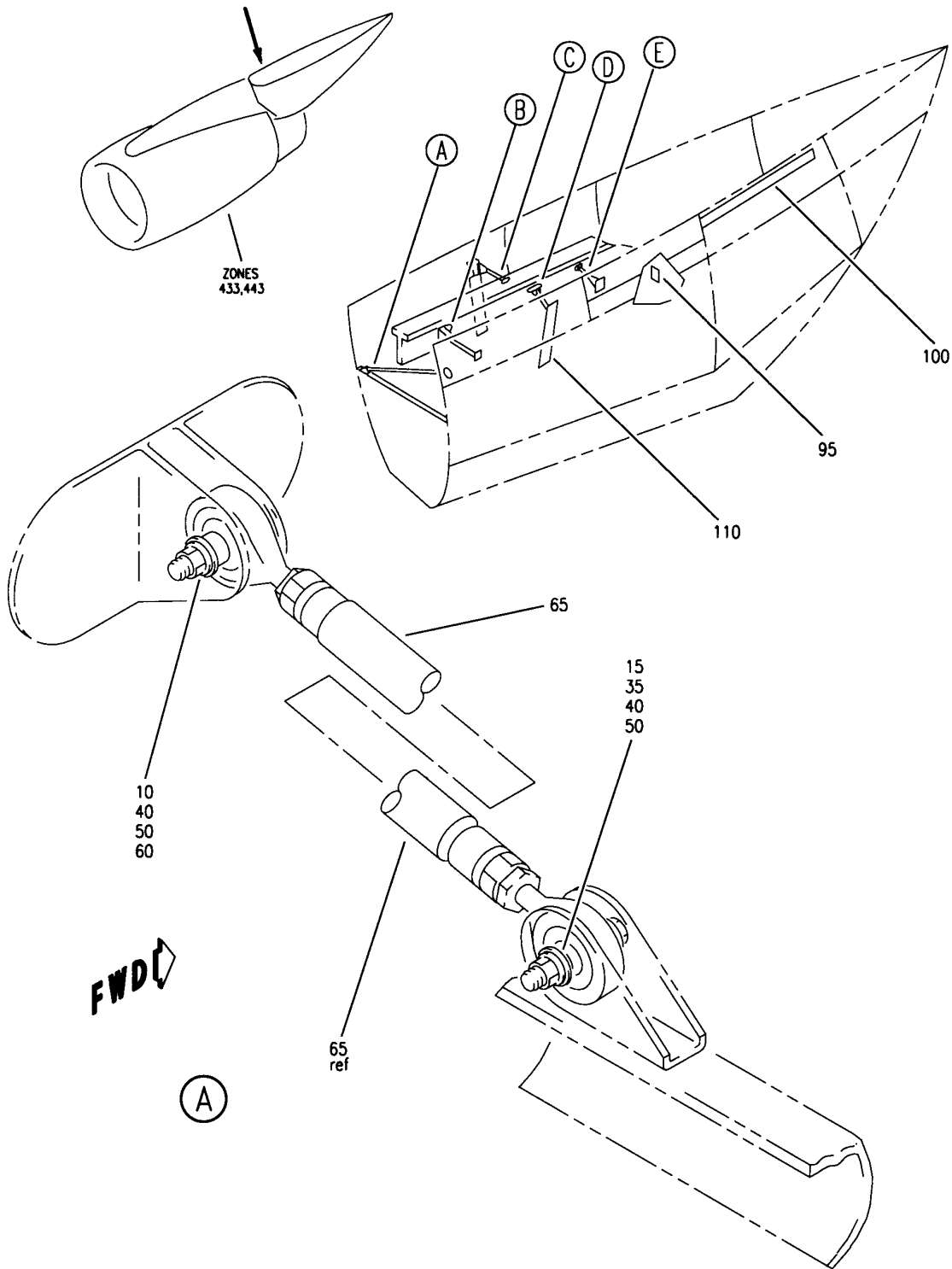
- ITEM NOT ILLUSTRATED

54-52-01-18

54-52-01
FIG. 18
PAGE 11
JAN 20/09

BRI

BOEING
757
PARTS CATALOG (MAINTENANCE)



FAIRING INTEGRATION-AFT RB211
FIGURE 19 (SHEET 1)

54-52-01-19

BRI
MAY 28/07

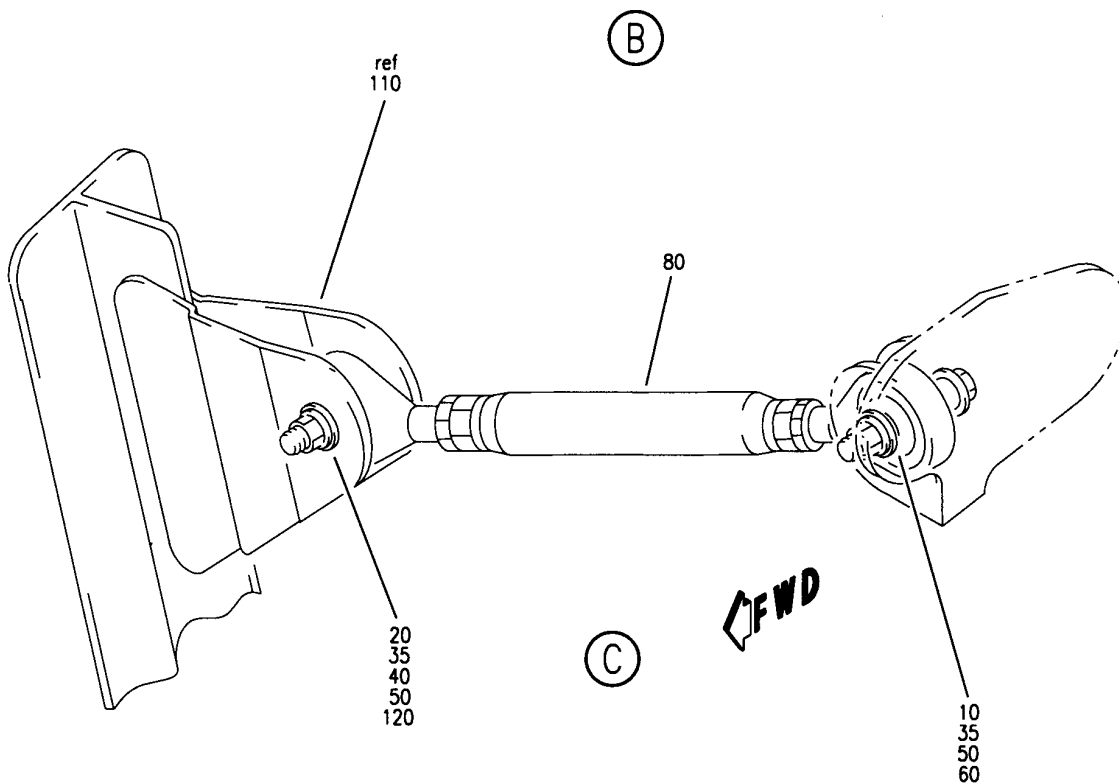
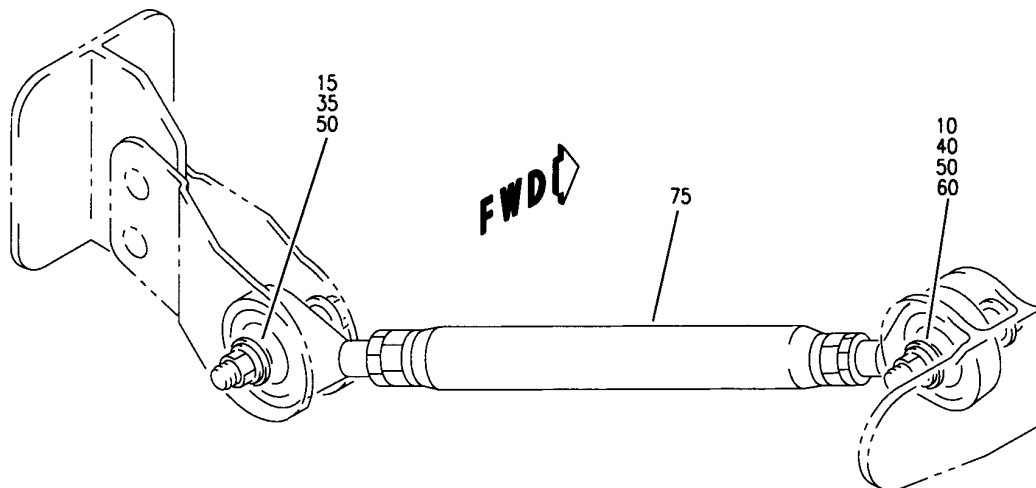
54-52-01-19
PAGE 0

Y 54520119 SHT 1 REV 183

FWDC

(A)

BOEING
757
PARTS CATALOG (MAINTENANCE)



Y 54520119 SH1 2 REV 183

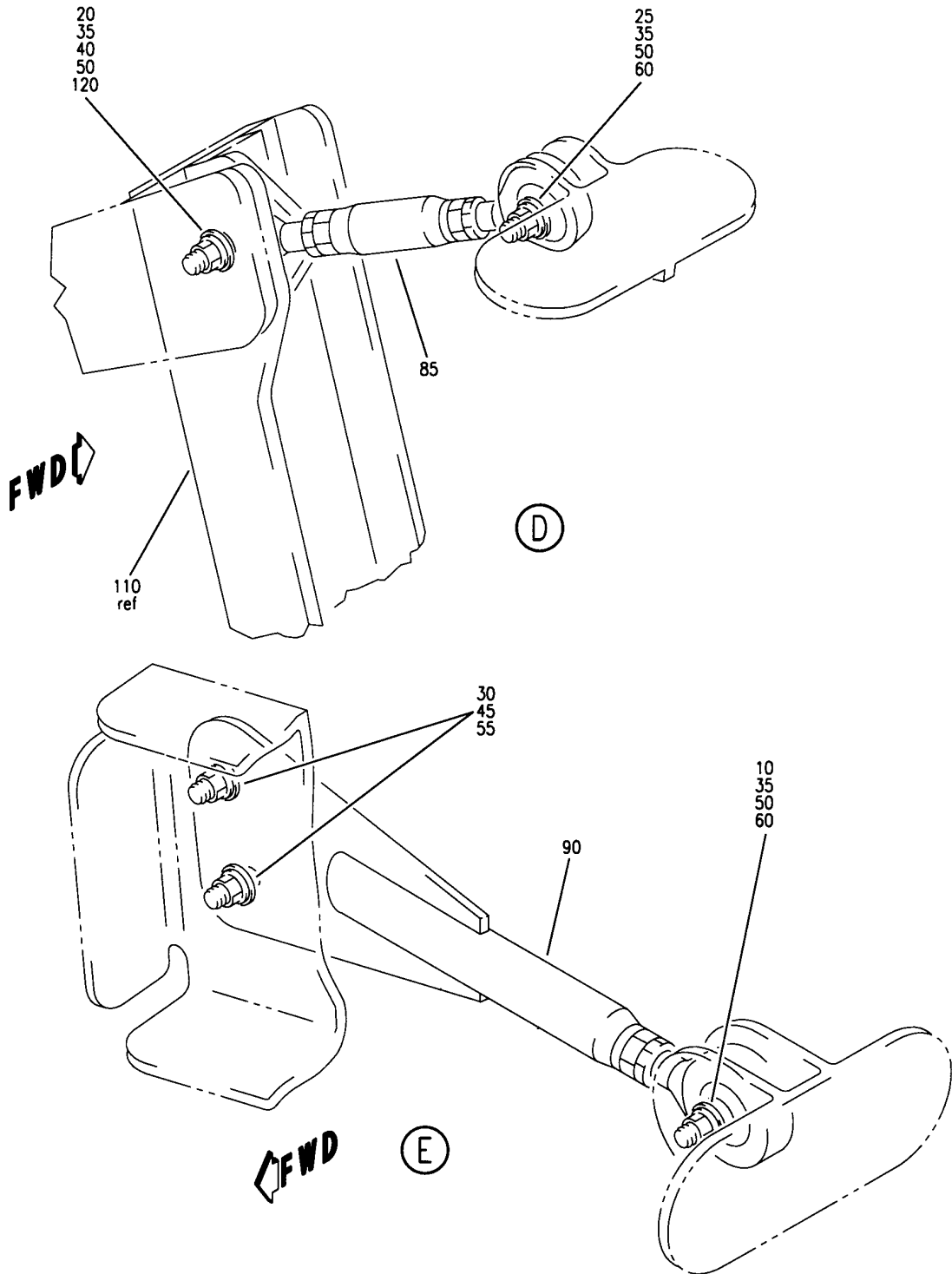
FAIRING INTEGRATION-AFT RB211
FIGURE 19 (SHEET 2)

54-52-01-19

BRI
MAY 28/07

54-52-01-19
PAGE 0A

BOEING
757
PARTS CATALOG (MAINTENANCE)



Y 54520119 SHT 3 REV 183

FAIRING INTEGRATION-AFT RB211
FIGURE 19 (SHEET 3)

54-52-01-19

BRI
MAY 28/07

54-52-01-19
PAGE 0B



757

PARTS CATALOG (MAINTENANCE)

FIG ITEM	PART NUMBER	1 2 3 4 5 6 7	NOMENCLATURE	EFFECT FROM TO	UNITS PER ASSY
19			FAIRING INTEGRATION-AFT RB211	101106 108120 504903	
- 1	313N5062-1		FAIRING INTEGRATION- POSITION DATA: AFT LH STRUT FOR NHA SEE: 54-00-00-03A	101102 108120 504903	RF
- 1	MODREF23518		FAIRING INTEGRATION- MODULE NUMBER: 313N5062-1 REV B POSITION DATA: AFT LH STRUT	103106	1
- 5	313N5062-2		FAIRING INTEGRATION- POSITION DATA: AFT RH STRUT FOR NHA SEE: 54-00-00-03A	101102 108120 504903	RF
- 5	MODREF23519		FAIRING INTEGRATION- MODULE NUMBER: 313N5062-2 REV B POSITION DATA: AFT RH STRUT	103106	1
10	BACB30NR5K15		.BOLT	101106 108120 504903	4
15	BACB30NR5K13		.BOLT	101106 108120 504903	2
20	BACB30NR5K14		.BOLT	101106 108120 504903	2
25	BACB30NR5K16		.BOLT	101106 108120 504903	1
30	BACB30NM3K3		.BOLT	101106 108120 504903	2
35	NAS1149D0563J		.WASHER	101106 108120 504903	9
40	NAS1149D0516J		.WASHER	101106 108120 504903	12
45	NAS1149D0363J		.WASHER	101106 108120 504903	2

MISSING ITEM NUMBERS NOT APPLICABLE

- ITEM NOT ILLUSTRATED

54-52-01-19

54-52-01
FIG. 19
PAGE 1
JAN 20/09

BRI



757

PARTS CATALOG (MAINTENANCE)

FIG ITEM	PART NUMBER	1 2 3 4 5 6 7	NOMENCLATURE	EFFECT FROM TO	UNITS PER ASSY
19					
50	BRH10C5D	.NUT	SUPPLIER CODE: V52828 SPECIFICATION NUMBER: BACN10JC5CD OPTIONAL PART: T6C524JCD V11815 102LH9075-5W V72962 H51650-5BAC V15653	101106 108120 504903	9
55	BRH10C3D	.NUT	SUPPLIER CODE: V52828 SPECIFICATION NUMBER: BACN10JC3CD OPTIONAL PART: T6C1032JCD V11815 NS202486-02 V80539 102LH9075-3W V72962 H51650-3BAC V15653	101106 108120 504903	2
60	BACB28AK05-024	.BUSHING		101106 108120 504903	5
65	313N5039-1	.ROD ASSY-	POSITION DATA: LH SIDE	101106 108120 504903	1
- 70	313N5039-2	.ROD ASSY-	POSITION DATA: RH SIDE	101106 108120 504903	1
75	313N5039-3	.ROD ASSY		101106 108120 504903	1
80	313N5039-5	.ROD ASSY		101106 108120 504903	1
85	313N5039-4	.ROD ASSY		101106 108120 504903	1
90	313N5035-1	.ROD ASSY		101106 108120 504903	1

MISSING ITEM NUMBERS NOT APPLICABLE

- ITEM NOT ILLUSTRATED

54-52-01-19

54-52-01
FIG. 19
PAGE 2
JAN 20/09

BRI

BOEING
757
PARTS CATALOG (MAINTENANCE)

FIG ITEM	PART NUMBER	1 2 3 4 5 6 7	NOMENCLATURE	EFFECT FROM TO	UNITS PER ASSY
19					
- 92	313N5062-5		FAIRING INTEGRATION- POSITION DATA: AFT LH STRUT FOR NHA SEE: 54-52-01-01	101105 108120 504903	RF
- 93	313N5062-6		FAIRING INTEGRATION- POSITION DATA: AFT RH STRUT FOR NHA SEE: 54-52-01-01	101105 108120 504903	RF
95	MS27253C2		.PLATE	101105 108120 504903	1
100	287N1112-12		.BRACKET ASSY- POSITION DATA: LH SIDE	101105 108120 504903	1
- 105	287N1112-10		.BRACKET ASSY- POSITION DATA: RH SIDE	101105 108120 504903	1
110	313N5033-121		.BULKHEAD ASSY- POSITION DATA: LH SIDE	101105 108120 504903	1
- 115	313N5033-122		.BULKHEAD ASSY- POSITION DATA: RH SIDE	101105 108120 504903	1
120	BACB28X5M007		..BUSHING	101105 108120 504903	2

MISSING ITEM NUMBERS NOT APPLICABLE

- ITEM NOT ILLUSTRATED

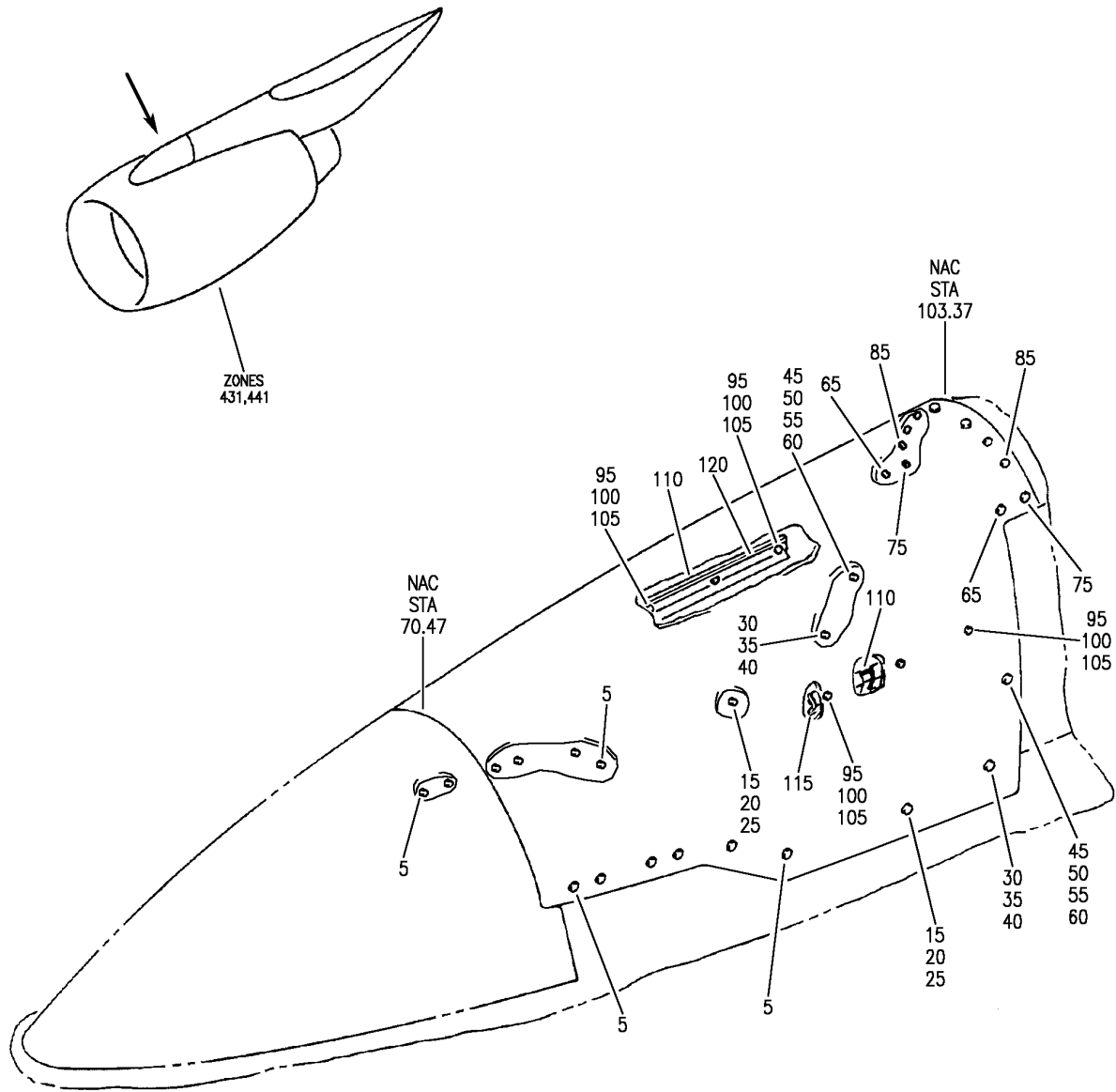
BRI

54-52-01-19

BOEING PROPRIETARY - Copyright © - Unpublished Work - See title page for details.

54-52-01
FIG. 19
PAGE 3
JAN 20/09

BOEING
757
PARTS CATALOG (MAINTENANCE)



Y 54520123 REV 253

FAIRING ASSY-STRUT FORE AND AFT SEGMENTS FWD
FIGURE 23

54-52-01-23

BRI
MAY 28/07

54-52-01-23
PAGE 0



757

PARTS CATALOG (MAINTENANCE)

FIG ITEM	PART NUMBER	1 2 3 4 5 6 7	NOMENCLATURE	EFFECT FROM TO	UNITS PER ASSY
23			FAIRING ASSY-STRUT FORE AND AFT SEGMENTS FWD	002004 006999	
- 1	313N5037-35		FAIRING ASSY- POSITION DATA: FWD FOR NHA SEE: 54-52-01-02A 54-52-01-02B	002004 006102 107999	RF
- 1	313N5037-48		FAIRING ASSY- POSITION DATA: FWD FOR NHA SEE: 54-52-01-02A 54-52-01-02B	002004 006102 107999	RF
- 1	313N5037-50		FAIRING ASSY- FOR NHA SEE: 54-52-01-02A 54-52-01-02B	002004 006102 107999	RF
- 1	313N5037-51		FAIRING ASSY- FOR NHA SEE: 54-52-01-02A 54-52-01-02B	002004 006102 106999	RF
- 1	313N5037-53		FAIRING ASSY- FOR NHA SEE: 54-52-01-02A 54-52-01-02B 54-52-01-02C	002004 006999	RF
5	BRF220C4M4		.NUTPLATE- SUPPLIER CODE: V52828 SPECIFICATION NUMBER: BACN10JS4A4CM OPTIONAL PART: F1934-01-4-4BAC V15653 NS103219SE048-4 V80539 VN182D048-4 V92215 109F9206-4-4 V72962 T8268C428C4 V11815 USED ON: 313N5037-50 313N5037-51	002004 006102 106999	12

MISSING ITEM NUMBERS NOT APPLICABLE

- ITEM NOT ILLUSTRATED

54-52-01-23

54-52-01
FIG. 23
PAGE 1
JAN 20/09

BRI



757

PARTS CATALOG (MAINTENANCE)

FIG ITEM	PART NUMBER	1 2 3 4 5 6 7	NOMENCLATURE	EFFECT FROM TO	UNITS PER ASSY
23			ATTACHING PARTS		
- 10	BACR15DR3A		.RIVET- SIZE DETERMINED ON INSTL.	002004 006102 106999	24
			-----*-----		
15	BACR15DR3A		.RIVET- SIZE DETERMINED ON INSTL.	002004 006102 106999	2
20	F39044-4BAC		.NUTPLATE- SUPPLIER CODE: V15653 SPECIFICATION NUMBER: BACN10JZ4A4CM OPTIONAL PART: NS103224SEA048 V80539 109F9221-4 V72962 USED ON: 313N5037-50	002004 006102 106999	2
20	BACN10JZ4A4CMU		.NUTPLATE- USED ON: 313N5037-51	002004 006999	2
25	NAS463XC416H		.SPACER- USED ON: 313N5037-50 313N5037-51	002004 006102 106999	2
30	BACR15DR4A		.RIVET- SIZE DETERMINED ON INSTL.	002004 006102 106999	4
35	109F10972-4		.NUTPLATE- SUPPLIER CODE: V72962 SPECIFICATION NUMBER: BACN10JZ4B4CM OPTIONAL PART: F51113-4BAC V15653 RMF10972-4 V72962 USED ON: 313N5037-50 313N5037-51	002004 006102 106999	2
40	313N5063-1		.SPACER- USED ON: 313N5037-50 313N5037-51	002004 006102 106999	2

MISSING ITEM NUMBERS NOT APPLICABLE

- ITEM NOT ILLUSTRATED

54-52-01-23

54-52-01
FIG. 23
PAGE 2
JAN 20/09

BRI



757

PARTS CATALOG (MAINTENANCE)

FIG ITEM	PART NUMBER	1 2 3 4 5 6 7	NOMENCLATURE	EFFECT FROM TO	UNITS PER ASSY
23					
45	BACR15DR3A	.RIVET-	SIZE DETERMINED ON INSTL.	002004 006102 106999	4
50	F39044-4BAC	.NUTPLATE-	SUPPLIER CODE: V15653 SPECIFICATION NUMBER: BACN10JZ4A4CM OPTIONAL PART: NS103224SEA048 V80539 109F9221-4 V72962 USED ON: 313N5037-50	002004 006102 107999	2
50	BACN10JZ4A4CMU	.NUTPLATE-	USED ON: 313N5037-51	002004 006102 106999	2
55	NAS463XC416H	.SPACER-	USED ON: 313N5037-50 313N5037-51	002004 006102 106999	2
60	NAS463XC416	.SPACER-	USED ON: 313N5037-50 313N5037-51	002004 006102 106999	2
65	BRF220C5-3D	.NUTPLATE-	SUPPLIER CODE: V52828 SPECIFICATION NUMBER: BACN10JS3A5CD OPTIONAL PART: F51900-3-5BAC V15653 NS202562-3-5 V80539 102F9206-5-3 V72962 USED ON: 313N5037-50 313N5037-51	002004 006102 106999	2
- 70	BACR15CE3M	ATTACHING PARTS .RIVET-	SIZE DETERMINED ON INSTL. -----*-----	002004 006102 106999	4

MISSING ITEM NUMBERS NOT APPLICABLE

- ITEM NOT ILLUSTRATED

54-52-01-23

54-52-01
FIG. 23
PAGE 3
JAN 20/09

BRI

BOEING PROPRIETARY - Copyright © - Unpublished Work - See title page for details.



757

PARTS CATALOG (MAINTENANCE)

FIG ITEM	PART NUMBER	1 2 3 4 5 6 7	NOMENCLATURE	EFFECT FROM TO	UNITS PER ASSY
23 75	BRF220C5-4D		.NUTPLATE- SUPPLIER CODE: V52828 SPECIFICATION NUMBER: BACN10JS4A5CD OPTIONAL PART: F51900-4-5BAC V15653 NS202562-4-5 V80539 102F9206-5-4 V72962 USED ON: 313N5037-50 313N5037-51 ATTACHING PARTS	002004 006102 106999	2
- 80	BACR15CE3M		.RIVET- SIZE DETERMINED ON INSTL.	002004 006102 106999	4
			-----*-----		
85	BRF220C3-3D		.NUTPLATE- SUPPLIER CODE: V52828 SPECIFICATION NUMBER: BACN10JS3A3CD OPTIONAL PART: F51900-3-3BAC V15653 NS202562-3-3 V80539 102F9206-3-3 V72962 USED ON: 313N5037-50 313N5037-51 ATTACHING PARTS	002004 006102 106999	7
- 90	BACR15CE3M		.RIVET- SIZE DETERMINED ON INSTL. USED ON: 313N5037-50 313N5037-51 ATTACHING PARTS	002004 006102 106999	14
			-----*-----		
95	BACB30NN3K9		.BOLT	002004 006999	6
100	AN960KD10L		.WASHER- USED ON: 313N5037-48 313N5037-50	002004 006102 107999	6

MISSING ITEM NUMBERS NOT APPLICABLE

- ITEM NOT ILLUSTRATED

54-52-01-23

54-52-01
FIG. 23
PAGE 4
JAN 20/09

BRI



757

PARTS CATALOG (MAINTENANCE)

FIG ITEM	PART NUMBER	1 2 3 4 5 6 7	NOMENCLATURE	EFFECT FROM TO	UNITS PER ASSY
23 100	NAS1149D0332J		.WASHER- USED ON: 313N5037-51 313N5037-53	002004 006999	6
105	BRH10A3		.NUT SUPPLIER CODE: V52828 SPECIFICATION NUMBER: BACN10JC3 OPTIONAL PART: H10-3BAC V15653 NS202101-02 V80539 RMLH9075-3W V72962 VN303A02 V92215 96-02 V80539 T6S1032J V11815	002004 006999	6
110	313N5037-47		.RETAINER- USED ON: 313N5037-48 313N5037-50 313N5037-51 313N5037-53	002004 006999	2
115	313N5037-41		.SEAL- POSITION DATA: LH SIDE USED ON: 313N5037-48 313N5037-50 313N5037-51 313N5037-53	002004 006999	1
120	313N5037-42		.SEAL- POSITION DATA: RH SIDE USED ON: 313N5037-48 313N5037-50 313N5037-51 313N5037-53	002004 006999	1

MISSING ITEM NUMBERS NOT APPLICABLE

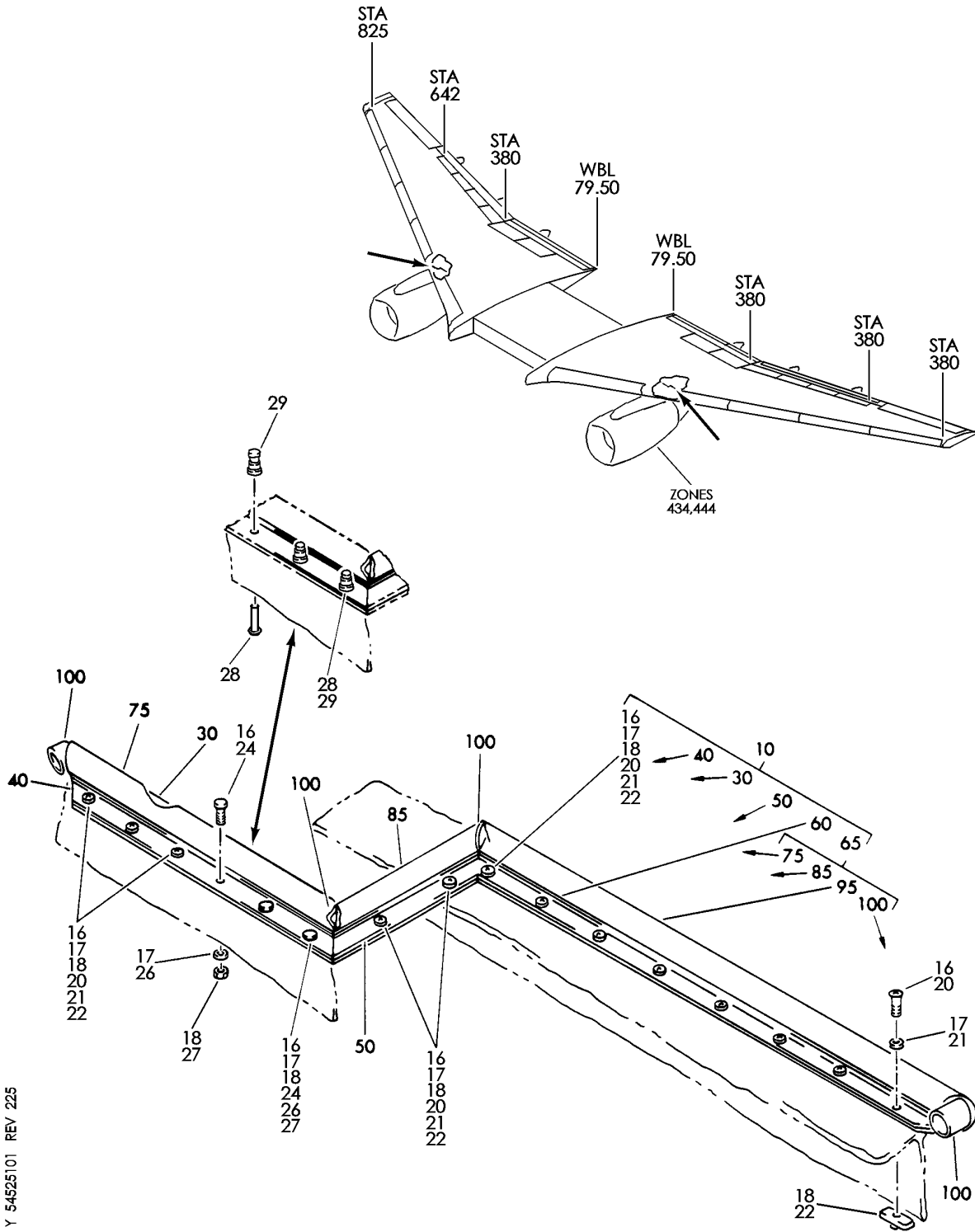
- ITEM NOT ILLUSTRATED

54-52-01-23

54-52-01
FIG. 23
PAGE 5
SEP 20/08

BRI

BOEING
757
PARTS CATALOG (MAINTENANCE)



Y 54525101 REV 225

SEAL INSTL-NAC STRUT TO WING INTERMEDIATE
FIGURE 1

54-52-51-01

BRI
MAY 28/07

54-52-51-01
PAGE 0



757

PARTS CATALOG (MAINTENANCE)

FIG ITEM	PART NUMBER	1 2 3 4 5 6 7	NOMENCLATURE	EFFECT FROM TO	UNITS PER ASSY
1			SEAL INSTL-NAC STRUT TO WING INTERMEDIATE	002004 006999	
- 1	311N5050-1		SEAL INSTL-NAC STRUT TO WING INTERMEDIATE POSITION DATA: LH FOR NHA SEE: 54-51-61-01	002004 006100 107107 121503 904999	RF
- 1	311N5050-37		SEAL INSTL-NAC STRUT TO WING INTERMEDIATE POSITION DATA: LH FOR NHA SEE: 54-51-61-01	002004 006100 107107 121503 904999	RF
- 1	311N5050-49		SEAL INSTL-NAC STRUT TO WING INTERMEDIATE POSITION DATA: LH FOR NHA SEE: 54-51-61-01	002004 006100 103503 904999	RF
- 5	311N5050-2		SEAL INSTL-NAC STRUT TO WING INTERMEDIATE POSITION DATA: RH FOR NHA SEE: 54-51-61-01	002004 006100 107107 121503 904999	RF
- 5	311N5050-38		SEAL INSTL-NAC STRUT TO WING INTERMEDIATE POSITION DATA: RH FOR NHA SEE: 54-51-61-01	002004 006100 107107 121503 904999	RF
- 5	311N5050-50		SEAL INSTL-NAC STRUT TO WING INTERMEDIATE POSITION DATA: RH FOR NHA SEE: 54-00-00-04	002004 006102 107107 121999	RF
- 5	311N5050-65		SEAL INSTL-NAC STRUT TO WING INTERMEDIATE POSITION DATA: RH FOR NHA SEE: 54-00-00-04	103106 108120	RF
10	311N5050-3		SEAL ASSY- POSITION DATA: LH SIDE	002004 006100 107107 121503 904999	1

MISSING ITEM NUMBERS NOT APPLICABLE

- ITEM NOT ILLUSTRATED

54-52-51-01

54-52-51
FIG. 01
PAGE 1
JAN 20/09

BRI



757

PARTS CATALOG (MAINTENANCE)

FIG ITEM	PART NUMBER	1 2 3 4 5 6 7	NOMENCLATURE	EFFECT FROM TO	UNITS PER ASSY
1					
10	311N5050-39		.SEAL ASSY- POSITION DATA: LH SIDE	002004 006100 107107 121503 904999	1
10	311N5050-51		.SEAL ASSY- POSITION DATA: LH SIDE	002004 006100 103503 904999	1
- 15	311N5050-40		.SEAL ASSY- POSITION DATA: RH SIDE	002004 006100 107107 121503 904999	1
- 15	311N5050-32		.SEAL ASSY- POSITION DATA: RH SIDE	002004 006100 107107 121503 904999	1
- 15	311N5050-52		.SEAL ASSY- POSITION DATA: RH SIDE	002004 006102 107107 121999	1
- 15	311N5050-66		.SEAL ASSY- POSITION DATA: RH SIDE	103106 108120	1
16	BACB30NT3K4		..BOLT- POSITION DATA: LH SIDE	002004 006999	16
17	NAS620A10L		..WASHER- POSITION DATA: LH SIDE	002004 006999	16
18	MF53050-3CD		..NUTPLATE- SUPPLIER CODE: V15653 SPECIFICATION NUMBER: BACN10JN3CD OPTIONAL PART: BRFM20C3D V52828 102F9201M3 V72962 NS202487-02 V80539 MF51637-3 V15653 POSITION DATA: LH SIDE	002004 006999	16

MISSING ITEM NUMBERS NOT APPLICABLE

- ITEM NOT ILLUSTRATED

54-52-51-01

54-52-51
FIG. 01
PAGE 2
JAN 20/09

BRI



757

PARTS CATALOG (MAINTENANCE)

FIG ITEM	PART NUMBER	1 2 3 4 5 6 7	NOMENCLATURE	EFFECT FROM TO	UNITS PER ASSY
1			ATTACHING PARTS		
- 19	BACR15BA3AD		..RIVET- SIZE DETERMINED ON INSTL. -----*-----	002004 006999	32
20	BACB30NT3K4		..BOLT- POSITION DATA: RH SIDE	002004 006999	13
21	NAS620A10L		..WASHER- POSITION DATA: RH SIDE	002004 006999	13
22	MF53050-3CD		..NUTPLATE- SUPPLIER CODE: V15653 SPECIFICATION NUMBER: BACN10JN3CD OPTIONAL PART: BRFM20C3D V52828 102F9201M3 V72962 NS202487-02 V80539 MF51637-3 V15653 POSITION DATA: RH SIDE	002004 006999	13
- 23	BACR15BA3AD		ATTACHING PARTS ..RIVET- SIZE DETERMINED ON INSTL. -----*-----	002004 006999	26
24	NAS1801-3-8		..SCREW- POSITION DATA: RH SIDE	002004 006102 107107 121999	3
26	NAS620A10L		..WASHER- POSITION DATA: RH SIDE	002004 006102 107107 121999	3

MISSING ITEM NUMBERS NOT APPLICABLE

- ITEM NOT ILLUSTRATED

54-52-51-01

54-52-51
FIG. 01
PAGE 3
JAN 20/09

BRI



757

PARTS CATALOG (MAINTENANCE)

FIG ITEM	PART NUMBER	1 2 3 4 5 6 7	NOMENCLATURE	EFFECT FROM TO	UNITS PER ASSY
1 27	BRH10A3		..NUT- SUPPLIER CODE: V52828 SPECIFICATION NUMBER: BACN10JC3 OPTIONAL PART: H10-3BAC V15653 NS202101-02 V80539 RMLH9075-3W V72962 VN303A02 V92215 96-02 V80539 T6S1032J V11815 POSITION DATA: RH SIDE	002004 006102 107107 121999	3
28	HST10AG6-3		..BOLT- SUPPLIER CODE: VOPTK6 SPECIFICATION NUMBER: BACB30VT6K3 OPTIONAL PART: HST10AG6-3 V06725 HST10AG6-3 V56878 HST10AG6-3 V73197 WC10K6-3 V60516 POSITION DATA: RH SIDE	103106 108120	3

MISSING ITEM NUMBERS NOT APPLICABLE

- ITEM NOT ILLUSTRATED

BRI

54-52-51-01

BOEING PROPRIETARY - Copyright © - Unpublished Work - See title page for details.

54-52-51
FIG. 01
PAGE 4
JAN 20/09



757

PARTS CATALOG (MAINTENANCE)

FIG ITEM	PART NUMBER	1 2 3 4 5 6 7	NOMENCLATURE	EFFECT FROM TO	UNITS PER ASSY
1					
29	BACC30BL6		.. COLLAR- SUPPLIER CODE: V73197 SPECIFICATION NUMBER: BACC30BL6 OPTIONAL PART: HST79-6 V92215 HST79CY6 V56878 HST79CY6 V5M902 POSITION DATA: RH SIDE	103106 108120	3
30	311N5050-18		.. RETAINER- POSITION DATA: LH SIDE	002004 006999	1
- 35	311N5050-19		.. RETAINER- POSITION DATA: RH SIDE	002004 006999	1
40	311N5050-16		.. RETAINER- POSITION DATA: LH SIDE	002004 006999	1
- 45	311N5050-17		.. RETAINER- POSITION DATA: RH SIDE	002004 006999	1
50	311N5050-14		.. RETAINER- POSITION DATA: LH SIDE	002004 006999	1
- 55	311N5050-15		.. RETAINER- POSITION DATA: RH SIDE	002004 006999	1
60	311N5050-13		.. RETAINER	002004 006999	1
65	311N5050-5		.. SEAL ASSY- POSITION DATA: LH SIDE MANUFACTURED FROM: RUBBER SECTION 10-60754-86 X 33.0 IN.	002004 006999	1
- 70	311N5050-6		.. SEAL ASSY- POSITION DATA: RH SIDE MANUFACTURED FROM: RUBBER SECTION 10-60754-86 X 33.0 IN.	002004 006999	1
75	311N5050-10		... SEAL- POSITION DATA: LH SIDE	002004 006999	1

MISSING ITEM NUMBERS NOT APPLICABLE

- ITEM NOT ILLUSTRATED

54-52-51-01

54-52-51
FIG. 01
PAGE 5
JAN 20/09

BRI



757

PARTS CATALOG (MAINTENANCE)

FIG ITEM	PART NUMBER	1 2 3 4 5 6 7	NOMENCLATURE	EFFECT FROM TO	UNITS PER ASSY
1					
- 80	311N5050-11	...	SEAL- POSITION DATA: RH SIDE	002004 006999	1
85	311N5050-8	...	SEAL- POSITION DATA: LH SIDE	002004 006999	1
- 90	311N5050-9	...	SEAL- POSITION DATA: RH SIDE	002004 006999	1
95	311N5050-7	...	SEAL	002004 006999	1
100	311N5050-12	...	PLUG	002004 006999	4

MISSING ITEM NUMBERS NOT APPLICABLE

- ITEM NOT ILLUSTRATED

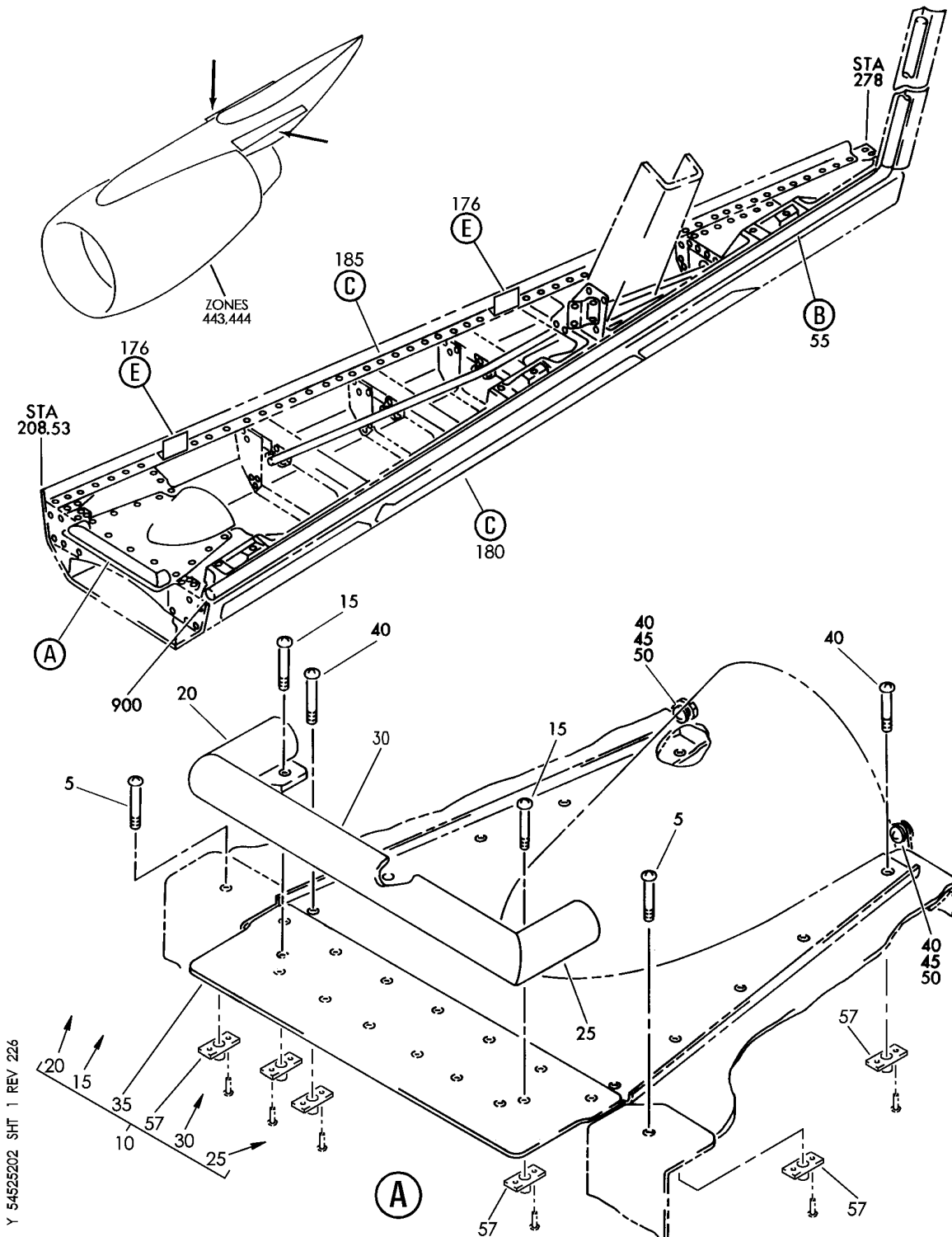
BRI

54-52-51-01

BOEING PROPRIETARY - Copyright © - Unpublished Work - See title page for details.

54-52-51
FIG. 01
PAGE 6
JAN 20/09

BOEING
757
PARTS CATALOG (MAINTENANCE)



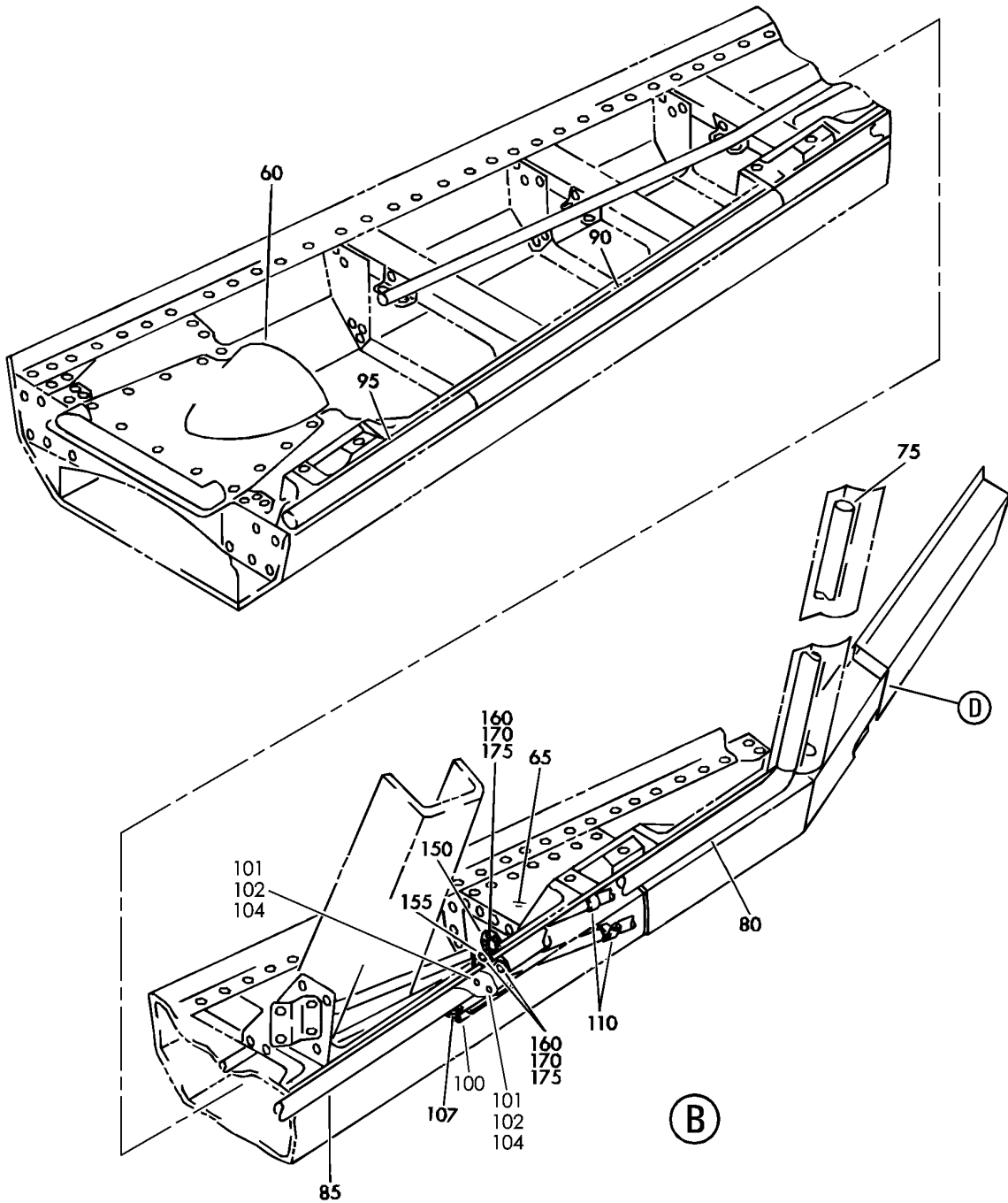
PAN AND SPAR INSTL-STRUT FAIRING LWR AFT
FIGURE 2 (SHEET 1)

54-52-52-02

BRI
MAY 28/07

54-52-52-02
PAGE 0

BOEING
757
PARTS CATALOG (MAINTENANCE)



Y 54525202 SHT 2 REV 226

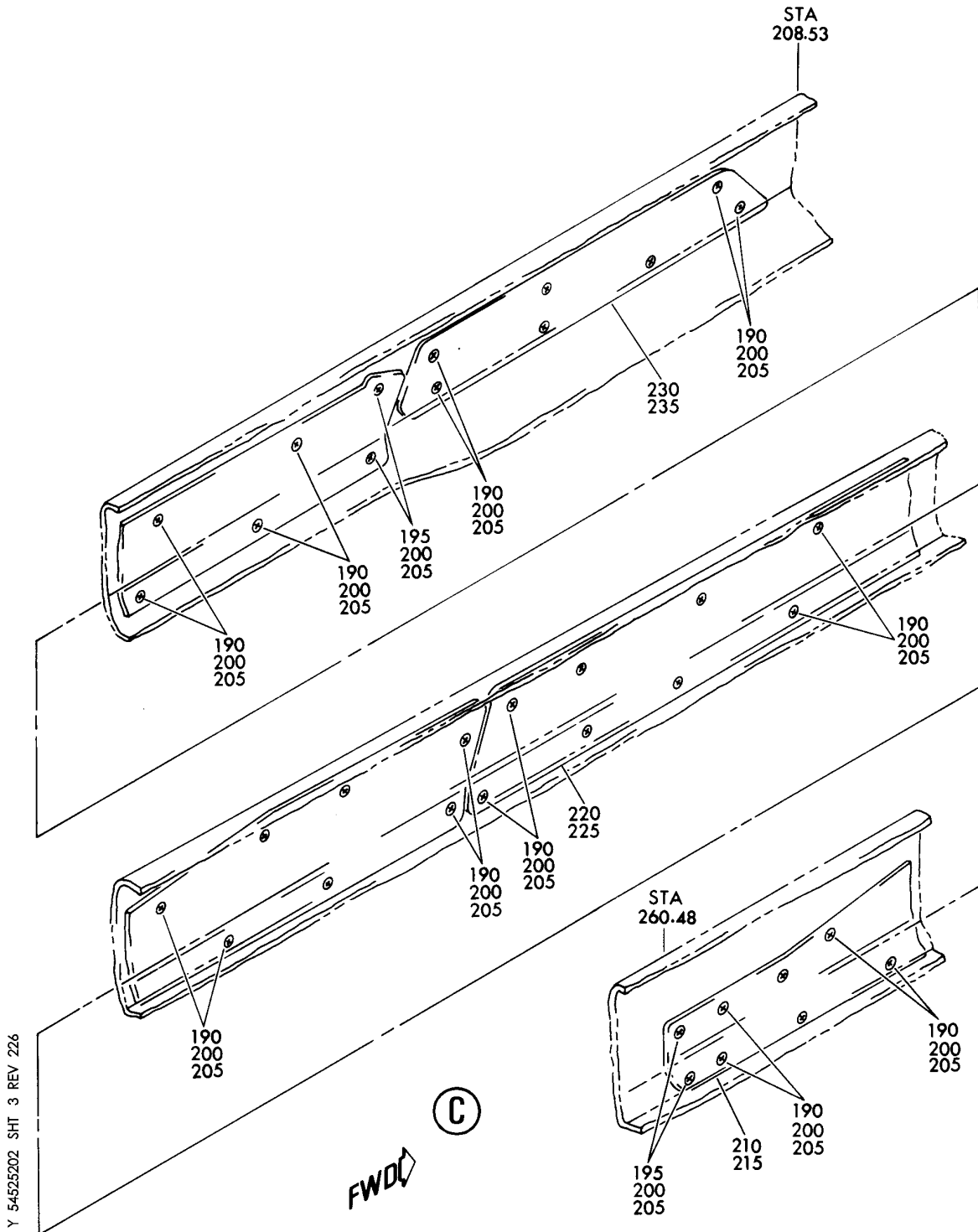
PAN AND SPAR INSTL-STRUT FAIRING LWR AFT
FIGURE 2 (SHEET 2)

54-52-52-02

BRI
MAY 28/07

54-52-52-02
PAGE 0A

BOEING
757
PARTS CATALOG (MAINTENANCE)



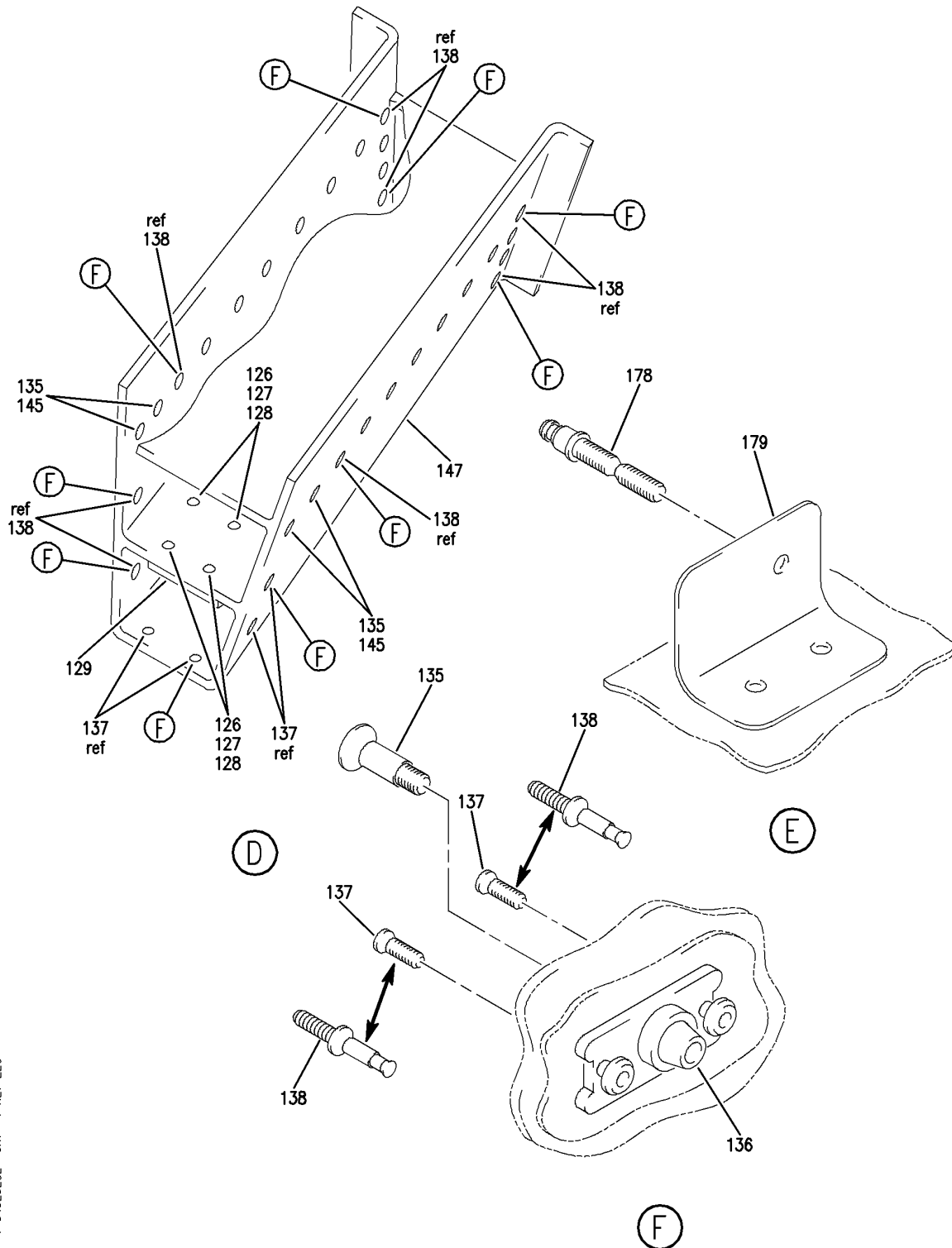
PAN AND SPAR INSTL-STRUT FAIRING LWR AFT
FIGURE 2 (SHEET 3)

54-52-52-02

BRI
MAY 28/07

54-52-52-02
PAGE 08

BOEING
757
PARTS CATALOG (MAINTENANCE)



Y 54525202 SH1 4 REV 226

PAN AND SPAR INSTL-STRUT FAIRING LWR AFT
FIGURE 2 (SHEET 4)

54-52-52-02

BRI
MAY 28/07

54-52-52-02
PAGE 0C



757

PARTS CATALOG (MAINTENANCE)

FIG ITEM	PART NUMBER	1 2 3 4 5 6 7	NOMENCLATURE	EFFECT FROM TO	UNITS PER ASSY
2			PAN AND SPAR INSTL-STRUT FAIRING LWR AFT	002004 006999	
- 1	313N5042-1		PAN AND SPAR INSTL-STRUT FAIRING POSITION DATA: LWR AFT FOR NHA SEE: 54-52-01-03	002004 006100 107107 121503 904999	RF
- 1	313N5042-56		PAN AND SPAR INSTL-STRUT FAIRING POSITION DATA: LWR AFT FOR NHA SEE: 54-52-01-03	002004 006100 107107 121503 904999	RF
- 1	313N5042-96		PAN AND SPAR INSTL-STRUT FAIRING POSITION DATA: LWR AFT FOR NHA SEE: 54-52-01-01	101106 108120 504903	RF
5	BACB30NT3K4		.BOLT	002004 006999	9
10	313N5042-18		.SEAL ASSY	002004 006999	1
15	BACB30NT3K4		..BOLT	002004 006999	8
20	313N5042-54		..SEAL-	002004 006999	1
25	313N5042-53		..SEAL-	002004 006999	1
30	313N5042-20		..SEAL-	002004 006999	1
35	313N5042-55		..PLATE-	002004 006999	1
40	BACB30NT3K2		.BOLT	002004 006999	12
45	AN960KD10L		.WASHER	002004 006999	2

MISSING ITEM NUMBERS NOT APPLICABLE

- ITEM NOT ILLUSTRATED

54-52-52-02

54-52-52
FIG. 02
PAGE 1
JAN 20/09

BRI



757

PARTS CATALOG (MAINTENANCE)

FIG ITEM	PART NUMBER	1 2 3 4 5 6 7	NOMENCLATURE	EFFECT FROM TO	UNITS PER ASSY
2	50 BRH10C3D	.NUT	SUPPLIER CODE: V52828 SPECIFICATION NUMBER: BACN10JC3CD OPTIONAL PART: T6C1032JCD V11815 NS202486-02 V80539 102LH9075-3W V72962 H51650-3BAC V15653	002004 006999	2
	55 313N5042-60	.PAN AND SPAR ASSY-		107107 904949 952952	1
	55 313N5042-64	.PAN AND SPAR ASSY-		002004 121503	1
	55 313N5042-90	.PAN AND SPAR ASSY-		011017	1
	55 313N5042-89	.PAN AND SPAR ASSY-		006010 950951 953999	1
	55 313N5042-91	.PAN AND SPAR ASSY-		018100	1
	55 313N5042-97	.PAN AND SPAR ASSY-		101106 108120 504903	1
	57 BRF200C3D	..NUTPLATE	SUPPLIER CODE: V52828 SPECIFICATION NUMBER: BACN10JR3CFD OPTIONAL PART: K51602-3BAC V15653 NS202476-02 V80539 102F9201-3 V72962 T8092C1032CD V11815	002004 006999	27
-	58 BACR15BA3AD	..RIVET-	ATTACHING PARTS ..RIVET- SIZE DETERMINED ON INSTL. -----*-----	002004 006999	54
	60 313N5047-1	..COVER-		002004 006999	1
	65 313N5042-39	..COVER-		002004 006999	1

MISSING ITEM NUMBERS NOT APPLICABLE

- ITEM NOT ILLUSTRATED

54-52-52-02

54-52-52
FIG. 02
PAGE 2
JAN 20/09

BRI



757

PARTS CATALOG (MAINTENANCE)

FIG ITEM	PART NUMBER	1 2 3 4 5 6 7	NOMENCLATURE	EFFECT FROM TO	UNITS PER ASSY
2			ATTACHING PARTS		
- 70	BACB30NT3K2	..	BOLT	002004 006999	22
			-----*-----		
75	313N5042-36	..	SEAL-	002004 006999	1
80	313N5042-35	..	SEAL-	002004 006999	1
85	313N5042-34	..	SEAL-	002004 006999	1
90	313N5042-33	..	SEAL-	002004 006999	1
95	313N5042-32	..	SEAL-	002004 006999	1
100	313N5040-4	..	FITTING ASSY- USED ON: 313N5042-60 313N5042-63 313N5042-64 313N5042-89 313N5042-90 313N5042-91 313N5042-92	002004 006100 107107 121503 904999	1
100	313N5040-5	..	FITTING ASSY- USED ON: 313N5042-97	101106 108120 504903	1
101	BACB30NT3K3	..	BOLT	002004 006999	2
102	BRF200C3D	..	NUTPLATE SUPPLIER CODE: V52828 SPECIFICATION NUMBER: BACN10JR3CFD OPTIONAL PART: K51602-3BAC V15653 NS202476-02 V80539 102F9201-3 V72962 T8092C1032CD V11815	002004 006999	2
			ATTACHING PARTS		
- 103	BACR15BA3AD	..	RIVET- SIZE DETERMINED ON INSTL.	002004 006999	4
			-----*-----		
104	BACS40R009C020F	..	SHIM	002004 006999	2

MISSING ITEM NUMBERS NOT APPLICABLE

- ITEM NOT ILLUSTRATED

54-52-52-02

54-52-52
FIG. 02
PAGE 3
JAN 20/09

BRI



757

PARTS CATALOG (MAINTENANCE)

FIG ITEM	PART NUMBER	1 2 3 4 5 6 7	NOMENCLATURE	EFFECT FROM TO	UNITS PER ASSY
2 107	BRF210C6M	...	NUT- SUPPLIER CODE: V52828 SPECIFICATION NUMBER: BACN10JB6CM OPTIONAL PART: 43700E064 V80539 ATTACHING PARTS	002004 006999	1
- 108	MS20427M4C	...	RIVET- SIZE DETERMINED ON INSTL. -----*-----	002004 006999	2
110	S392H8	..	CLAMP SUPPLIER CODE: V18076 SPECIFICATION NUMBER: BACC10BU8H OPTIONAL PART: 393CS8HT V83930 JM44LC24S8BW V22175 TA04C44S8HA V84971 ATTACHING PARTS	002004 006999	2
- 115	BACB30NT3K3	..	BOLT	002004 006999	2
- 120	AN960KD10L	..	WASHER-	002004 006100 107107 121503 904999	2
- 120	NAS1149D0332J	..	WASHER-	101106 108120 504903	2

MISSING ITEM NUMBERS NOT APPLICABLE

- ITEM NOT ILLUSTRATED

54-52-52-02

54-52-52
FIG. 02
PAGE 4
JAN 20/09

BRI



757

PARTS CATALOG (MAINTENANCE)

FIG ITEM	PART NUMBER	1 2 3 4 5 6 7	NOMENCLATURE	EFFECT FROM TO	UNITS PER ASSY
2 - 125	BRH10C3D	..	NUT SUPPLIER CODE: V52828 SPECIFICATION NUMBER: BACN10JC3CD OPTIONAL PART: T6C1032JCD V11815 NS202486-02 V80539 102LH9075-3W V72962 H51650-3BAC V15653 -----*-----	002004 006999	2
126	BACB30NT3K4	..	BOLT	002004 006999	4
127	AN960C10L	..	WASHER	002004 006100 107107 121503 904999	4
127	NAS1149C0332R	..	WASHER	101106 108120 504903 002004 006999	4
128	BRH10C3D	..	NUT SUPPLIER CODE: V52828 SPECIFICATION NUMBER: BACN10JC3CD OPTIONAL PART: T6C1032JCD V11815 NS202486-02 V80539 102LH9075-3W V72962 H51650-3BAC V15653	002004 006999	4
129	313N5053-3	..	SHIM	002004 006999	1
135	BACB30NN3K4	..	BOLT	002004 006999	32
136	MF51594-3-3BAC	..	NUTPLATE SUPPLIER CODE: V15653 SPECIFICATION NUMBER: BACN10YF33CD	002004 006999	28

MISSING ITEM NUMBERS NOT APPLICABLE

- ITEM NOT ILLUSTRATED

54-52-52-02

54-52-52
FIG. 02
PAGE 5
JAN 20/09

BRI



**757
PARTS CATALOG (MAINTENANCE)**

FIG ITEM	PART NUMBER	1 2 3 4 5 6 7	NOMENCLATURE	EFFECT FROM TO	UNITS PER ASSY
2			ATTACHING PARTS		
137	MS20427F3	..	RIVET- SIZE DETERMINED ON INSTL.	002004 006999	8
138	AF5141-3C3	..	RIVET- SUPPLIER CODE: V53551 SPECIFICATION NUMBER: BACR15DR3AC3 OPTIONAL PART: CCR264CS3-3IT V11815 RV541A3C3 V98996 SIZE DETERMINED ON INSTL.	002004 006999	48
145	MF53050-3CD	..	NUTPLATE SUPPLIER CODE: V15653 SPECIFICATION NUMBER: BACN10JN3CD OPTIONAL PART: BRFM20C3D V52828 102F9201M3 V72962 NS202487-02 V80539 MF51637-3 V15653	002004 006999	4
- 146	AF5141-3C3	..	ATTACHING PARTS RIVET- SUPPLIER CODE: V53551 SPECIFICATION NUMBER: BACR15DR3AC3 OPTIONAL PART: CCR264CS3-3IT V11815 RV541A3C3 V98996 SIZE DETERMINED ON INSTL.	002004 006999	8
147	313N5042-8	..	SKIN	107107 904949 952952	1

MISSING ITEM NUMBERS NOT APPLICABLE

- ITEM NOT ILLUSTRATED

BRI

54-52-52-02

BOEING PROPRIETARY - Copyright © - Unpublished Work - See title page for details.

54-52-52
FIG. 02
PAGE 6
JAN 20/09

 **BOEING**
757
PARTS CATALOG (MAINTENANCE)

FIG ITEM	PART NUMBER	1 2 3 4 5 6 7	NOMENCLATURE	EFFECT FROM TO	UNITS PER ASSY
2					
147	313N5042-66	..	SKIN	002004 006106 108903 950951 953999	1
150	313N5051-1	..	TUBE ASSY-	002004 006999	1
155	313N5051-2	..	TUBE ASSY-	002004 006999	1
			ATTACHING PARTS		
160	BACB30NT3K3	..	BOLT	002004 006999	8
165	BACB30NT3K9	..	BOLT	002004 006999	2
170	AN960C10L	..	WASHER-	002004 006100 107107 121503 904999	10
170	NAS1149C0332R	..	WASHER-	101106 108120 504903	10
175	BRH10C3D	..	NUT	002004 006999	10
			SUPPLIER CODE: V52828		
			SPECIFICATION NUMBER: BACN10JC3CD		
			OPTIONAL PART: T6C1032JCD		
			V11815		
			NS202486-02		
			V80539		
			102LH9075-3W		
			V72962		
			H51650-3BAC		
			V15653		
			-----*-----		
176	313N5021-157	..	BRACKET ASSY	002004 006999	2
			ATTACHING PARTS		
- 177	BACR15FT6KE6C	..	RIVET	002004 006999	4
			-----*-----		

MISSING ITEM NUMBERS NOT APPLICABLE

- ITEM NOT ILLUSTRATED

BRI

54-52-52-02

BOEING PROPRIETARY - Copyright © - Unpublished Work - See title page for details.

54-52-52
FIG. 02
PAGE 7
JAN 20/09



757

PARTS CATALOG (MAINTENANCE)

FIG ITEM	PART NUMBER	1 2 3 4 5 6 7	NOMENCLATURE	EFFECT FROM TO	UNITS PER ASSY
2 178	VNS1924CA1-8	...	STUD SUPPLIER CODE: V5M902 SPECIFICATION NUMBER: BACS53B1EA1 OPTIONAL PART: VNS1924CA3-1-8 V92215	002004 006999	1
179	313N5021-155	...	BRACKET	002004 006999	1
180	313N5064-1	.	PLATE INSTL-WEAR USED ON: 313N5042-56	002004 006100 107107 121503 904999	1
185	313N5064-2	.	PLATE INSTL-WEAR USED ON: 313N5042-56	002004 006100 107107 121503 904999	1
190	BACB30VF3R3	..	BOLT	002004 006100 107107 121503 904999	32
195	BACB30VF3R4	..	BOLT	002004 006100 107107 121503 904999	4
200	AN960PD10	..	WASHER	002004 006100 107107 121503 904999	36
205	BRH10C3D	..	NUT SUPPLIER CODE: V52828 SPECIFICATION NUMBER: BACN10JC3CD OPTIONAL PART: T6C1032JCD V11815 NS202486-02 V80539 102LH9075-3W V72962 H51650-3BAC V15653	002004 006100 107107 121503 904999	36

MISSING ITEM NUMBERS NOT APPLICABLE

- ITEM NOT ILLUSTRATED

BRI

54-52-52-02

54-52-52
FIG. 02
PAGE 8
JAN 20/09



757

PARTS CATALOG (MAINTENANCE)

FIG ITEM	PART NUMBER	1 2 3 4 5 6 7	NOMENCLATURE	EFFECT FROM TO	UNITS PER ASSY
2					
210	313N5064-3		.. PLATE- USED ON: 313N5064-1	002004 006100 107107 121503 904999	1
215	313N5064-4		.. PLATE- USED ON: 313N5064-2	002004 006100 107107 121503 904999	1
220	313N5064-5		.. PLATE- USED ON: 313N5064-1	002004 006100 107107 121503 904999	1
225	313N5064-6		.. PLATE- USED ON: 313N5064-2	002004 006100 107107 121503 904999	1
230	313N5064-7		.. PLATE- USED ON: 313N5064-1	002004 006100 107107 121503 904999	1
235	313N5064-8		.. PLATE- USED ON: 313N5064-2	002004 006100 107107 121503 904999	1
900			ILLUSTRATION REFERENCE: POWER PLANT INSTL- RB211-535E4 71-00-02-04	002004 006100 107107 121503 904999	RF

MISSING ITEM NUMBERS NOT APPLICABLE

- ITEM NOT ILLUSTRATED

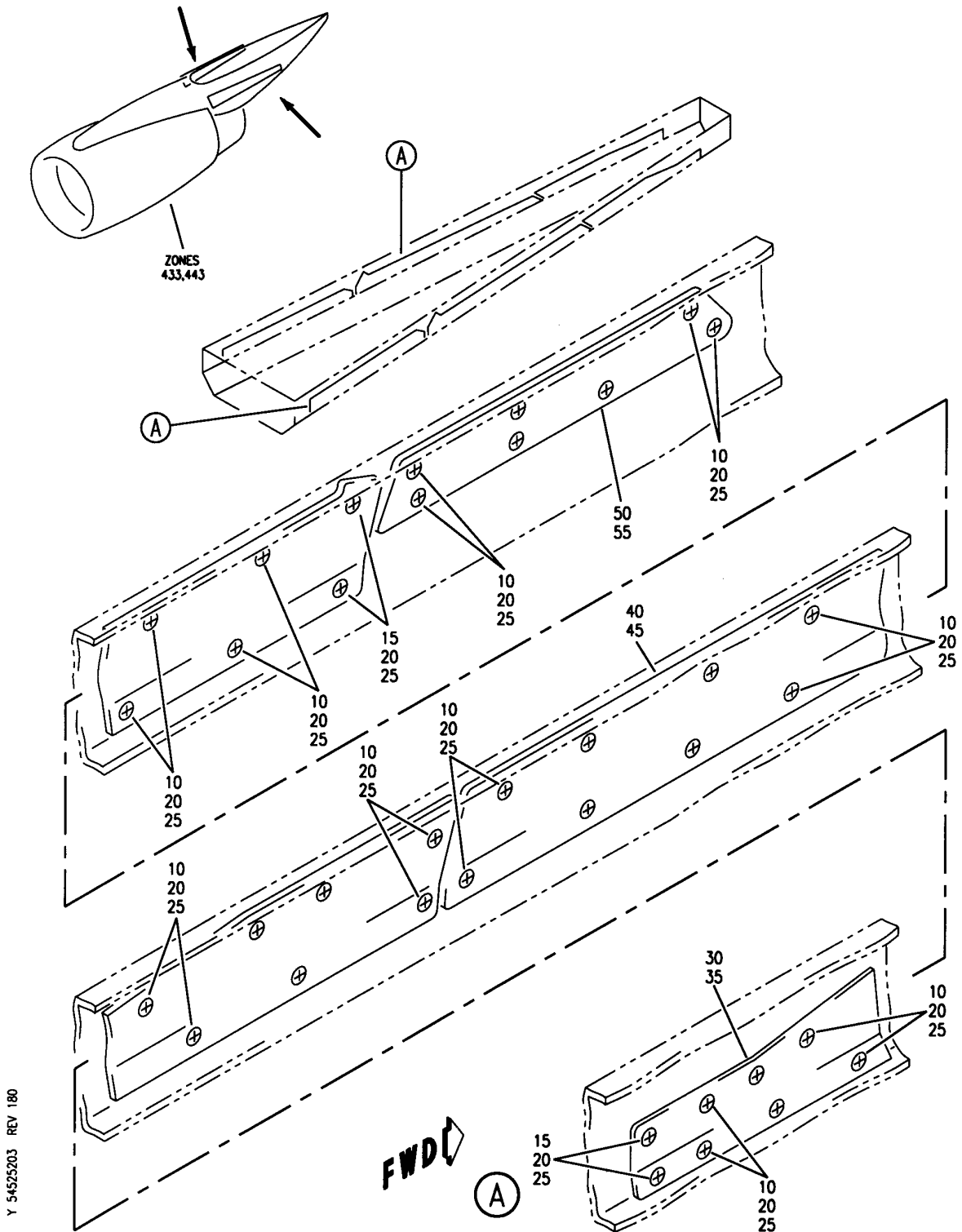
BRI

54-52-52-02

BOEING PROPRIETARY - Copyright © - Unpublished Work - See title page for details.

54-52-52
FIG. 02
PAGE 9
JAN 20/09

BOEING
757
PARTS CATALOG (MAINTENANCE)



Y 54525203 REV 180

PLATE INSTL-WEAR
FIGURE 3

54-52-52-03

BRI
MAY 28/07

54-52-52-03
PAGE 0



757

PARTS CATALOG (MAINTENANCE)

FIG ITEM	PART NUMBER	1 2 3 4 5 6 7	NOMENCLATURE	EFFECT FROM TO	UNITS PER ASSY
3			PLATE INSTL-WEAR	101106 108120 504903	
- 1	313N5064-1		PLATE INSTL-WEAR FOR NHA SEE: 54-52-01-01	101106 108120 504903	RF
- 5	313N5064-2		PLATE INSTL-WEAR FOR NHA SEE: 54-52-01-01	101106 108120 504903	RF
10	BACB30VF3R3		.BOLT	101106 108120 504903	32
15	BACB30VF3R4		.BOLT	101106 108120 504903	4
20	AN960PD10		.WASHER	101106 108120 504903	36
25	BRH10C3D		.NUT SUPPLIER CODE: V52828 SPECIFICATION NUMBER: BACN10JC3CD OPTIONAL PART: T6C1032JCD V11815 NS202486-02 V80539 102LH9075-3W V72962 H51650-3BAC V15653	101106 108120 504903	36
30	313N5064-3		.PLATE- USED ON: 313N5064-1	101106 108120 504903	1
35	313N5064-4		.PLATE- USED ON: 313N5064-2	101106 108120 504903	1
40	313N5064-5		.PLATE- USED ON: 313N5064-1	101106 108120 504903	1
45	313N5064-6		.PLATE- USED ON: 313N5064-2	101106 108120 504903	1
50	313N5064-7		.PLATE- USED ON: 313N5064-1	101106 108120 504903	1

MISSING ITEM NUMBERS NOT APPLICABLE

- ITEM NOT ILLUSTRATED

54-52-52-03

54-52-52
FIG. 03
PAGE 1
JAN 20/09

BRI



757

PARTS CATALOG (MAINTENANCE)

FIG ITEM	PART NUMBER	1 2 3 4 5 6 7	NOMENCLATURE	EFFECT FROM TO	UNITS PER ASSY
3 55	313N5064-8		.PLATE- USED ON: 313N5064-2	101106 108120 504903	1

MISSING ITEM NUMBERS NOT APPLICABLE

- ITEM NOT ILLUSTRATED

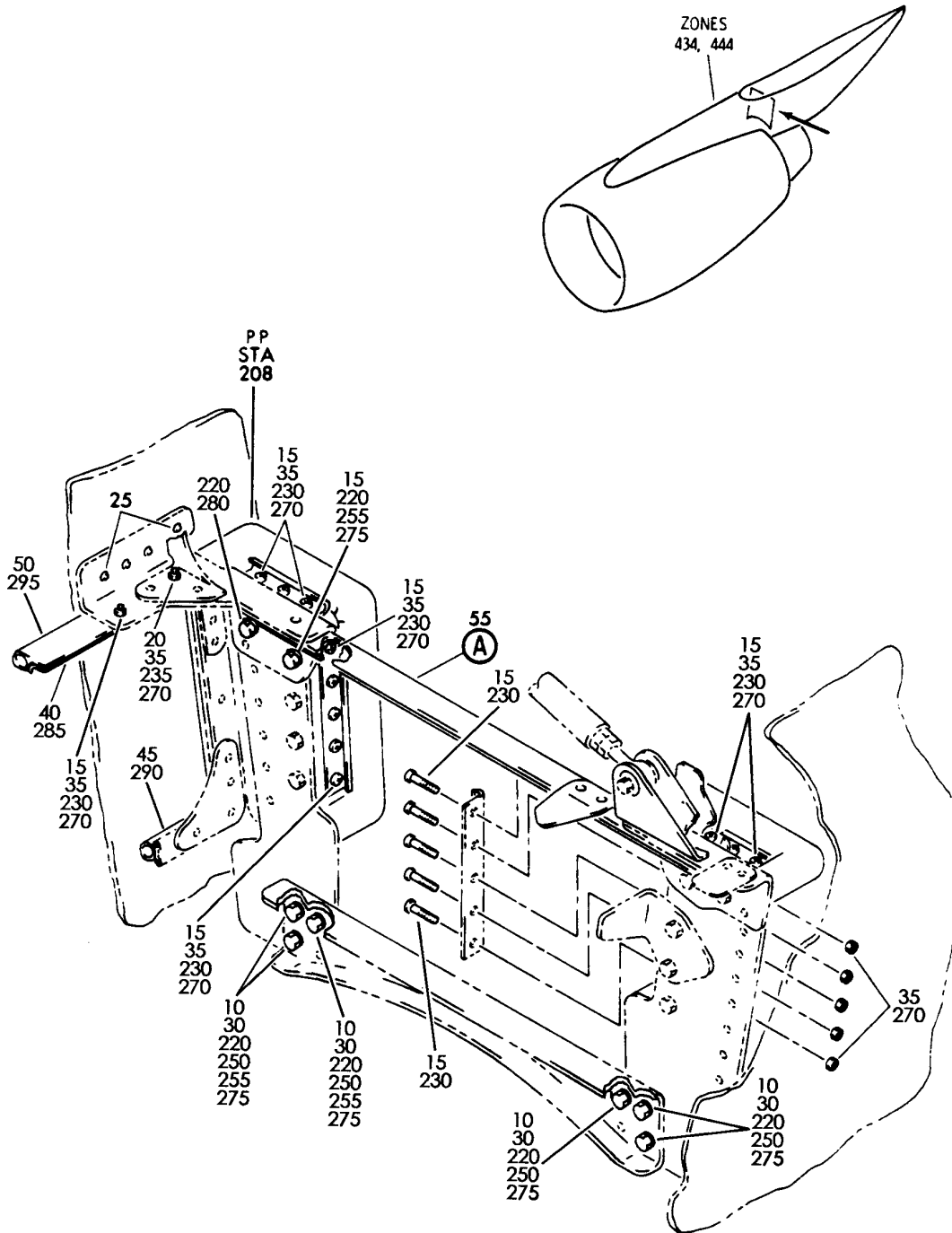
BRI

54-52-52-03

BOEING PROPRIETARY - Copyright © - Unpublished Work - See title page for details.

54-52-52
FIG. 03
PAGE 2
JAN 20/09

BOEING
757
PARTS CATALOG (MAINTENANCE)



Y 54525301 SHT 1 REV 206

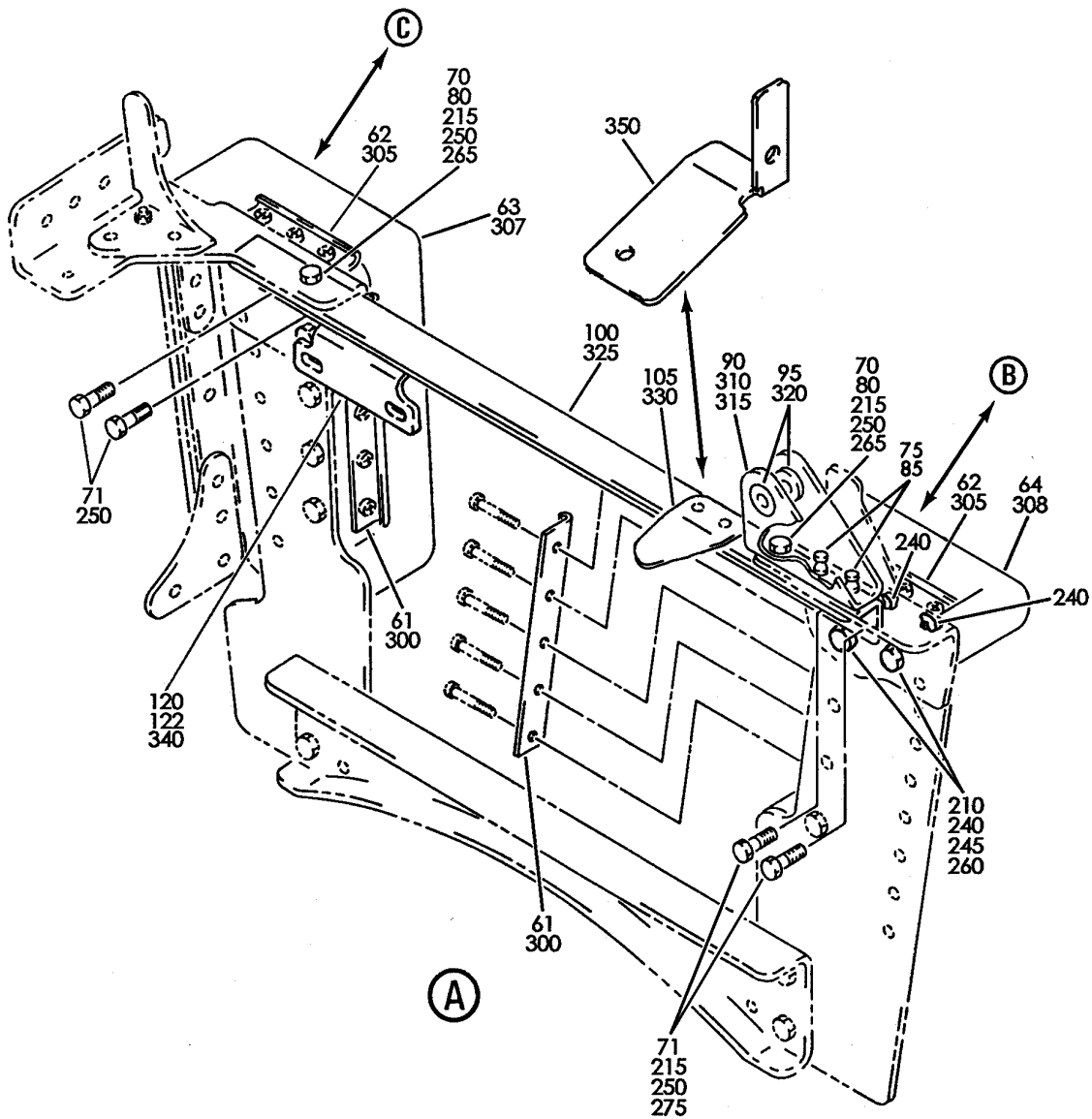
BULKHEAD INSTL-STRUT FAIRING AFT
FIGURE 1 (SHEET 1)

54-52-53-01

BRI
MAY 28/07

54-52-53-01
PAGE 0

BOEING
757
PARTS CATALOG (MAINTENANCE)



Y 54525301 SHT 2 REV 219

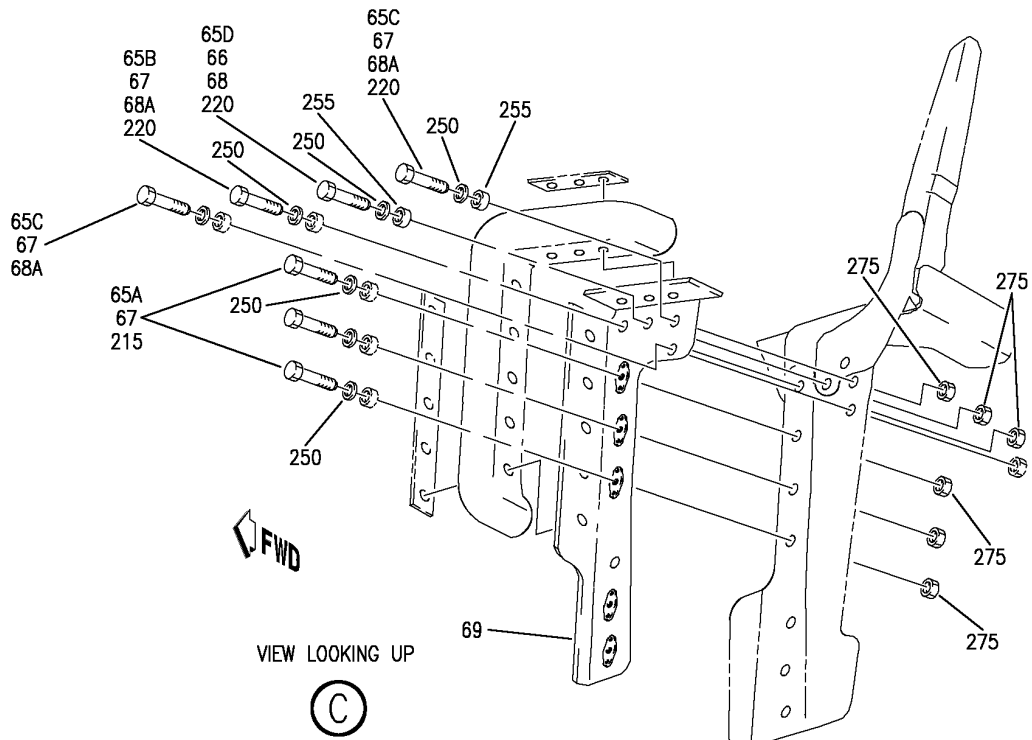
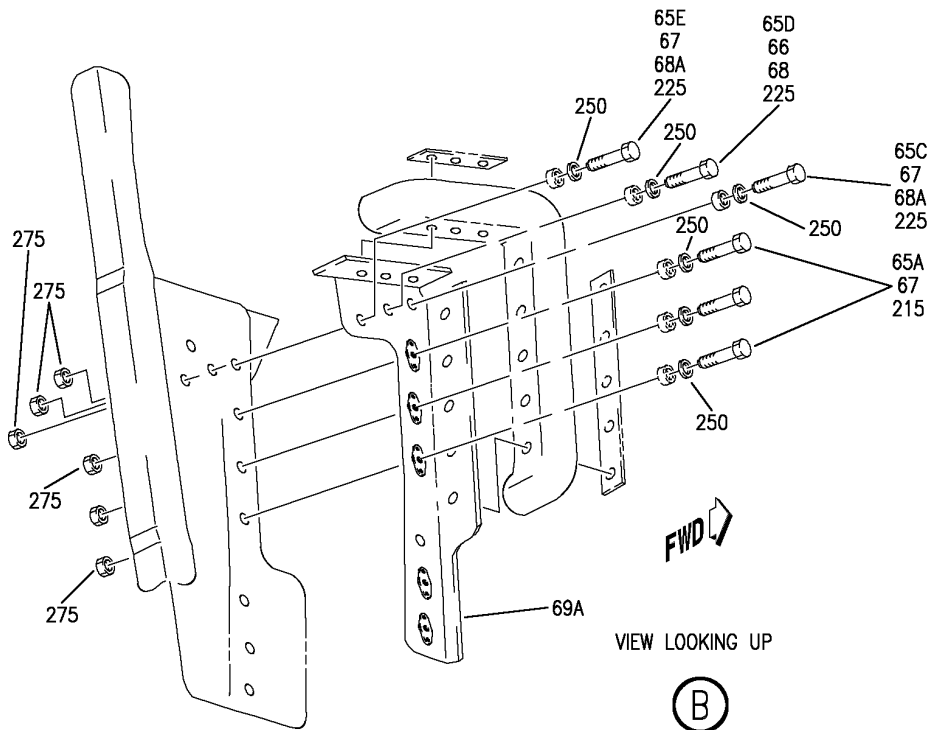
BULKHEAD INSTL-STRUT FAIRING AFT
FIGURE 1 (SHEET 2)

54-52-53-01

BRI
MAY 28/07

54-52-53-01
PAGE 0A

BOEING
757
PARTS CATALOG (MAINTENANCE)



Y 54-52-5301 SHT 3 REV 323

BULKHEAD INSTL-STRUT FAIRING AFT
FIGURE 1 (SHEET 3)

54-52-53-01

BRI
MAY 20/08

54-52-53-01
PAGE 0B



757

PARTS CATALOG (MAINTENANCE)

FIG ITEM	PART NUMBER	1 2 3 4 5 6 7	NOMENCLATURE	EFFECT FROM TO	UNITS PER ASSY
1			BULKHEAD INSTL-STRUT FAIRING AFT	002004 006999	
- 1	313N5033-59		BULKHEAD INSTL-STRUT FAIRING POSITION DATA: AFT LH FOR NHA SEE: 54-52-01-03	002004 006100 107107 121503 904999	RF
- 5	313N5033-76		BULKHEAD INSTL-STRUT FAIRING POSITION DATA: AFT RH FOR NHA SEE: 54-52-01-03	002004 006100 107107 121503 904999	RF
10	BACB30NM3K5		.BOLT	002004 006100 107107 121503 904999	6
15	NAS601-6P		.SCREW	002004 006100 107107 121503 904999	17
20	NAS601-8P		.SCREW	002004 006100 107107 121503 904999	1
25	BACR15BA6KE		.RIVET- SIZE DETERMINED ON INSTL.	002004 006100 107107 121503 904999	4
30	NAS620A10L		.WASHER	002004 006100 107107 121503 904999	6

MISSING ITEM NUMBERS NOT APPLICABLE

- ITEM NOT ILLUSTRATED

54-52-53-01

54-52-53
FIG. 01
PAGE 1
JAN 20/09

BRI



757

PARTS CATALOG (MAINTENANCE)

FIG ITEM	PART NUMBER	1 2 3 4 5 6 7	NOMENCLATURE	EFFECT FROM TO	UNITS PER ASSY
1	35 BRH10C06D	.	NUT SUPPLIER CODE: V52828 SPECIFICATION NUMBER: BACN10JC06CD OPTIONAL PART: T6C632JCD V11815 NS202486-62 V80539 102LH9075-62W V72962 H51650-06BAC V15653	002004 006100 107107 121503 904999	18
	40 313N5033-64	.	RETAINER-SEAL	002004 006100 107107 121503 904999	1
	45 313N5033-73	.	SEAL-	002004 006100 107107 121503 904999	1
	50 313N5033-65	.	SEAL	002004 006100 107107 121503 904999	1
	55 313N5033-1	.	BULKHEAD ASSY-208 POSITION DATA: LH SIDE	002004 006100 107107 121503 904999	1
-	60 313N5033-77	.	BULKHEAD ASSY-208 POSITION DATA: RH SIDE	002004 006100 107107 121503 904999	1
	61 313N5033-66	..	RETAINER- PRE SERVICE BULLETIN: 54-0035	002004 006100 904949 952999	2
	61 313N5033U66	..	RETAINER- POST SERVICE BULLETIN: 54-0035	002004 006100 107107 121503 904951	2

MISSING ITEM NUMBERS NOT APPLICABLE

- ITEM NOT ILLUSTRATED

54-52-53-01

54-52-53
FIG. 01
PAGE 2
JAN 20/09

BRI

 **BOEING**
757
PARTS CATALOG (MAINTENANCE)

FIG ITEM	PART NUMBER	1 2 3 4 5 6 7	NOMENCLATURE	EFFECT FROM TO	UNITS PER ASSY
1					
62	313N5033-67	..	RETAINER- PRE SERVICE BULLETIN: 54-0035	002004 006100 904949 952999	2
62	313N5033U67	..	RETAINER- POST SERVICE BULLETIN: 54-0035	002004 006100 107107 121503 904951	2
63	10-60754-497	..	SEAL- PRE SERVICE BULLETIN: 54-0035	002004 006100 904949 952999	1
63	313N5033-119	..	SEAL- SUPPLIER CODE: V04827 POST SERVICE BULLETIN: 54-0035R2	002004 006100 107107 121503 904951	1
64	10-60754-498	..	SEAL- PRE SERVICE BULLETIN: 54-0035	002004 006100 904949 952999	1
64	313N5033-120	..	SEAL- SUPPLIER CODE: V04827 POST SERVICE BULLETIN: 54-0035R2	002004 006100 107107 121503 904951	1
65A	BACB30NM3K3	..	BOLT- POST SERVICE BULLETIN: 54-0035	002004 006100 107107 121503 904951	6
65B	BACB30NM3K4	..	BOLT- POST SERVICE BULLETIN: 54-0035	002004 006100 107107 121503 904951	1
65C	BACB30NM3K5	..	BOLT- POST SERVICE BULLETIN: 54-0035	002004 006100 107107 121503 904951	3
65D	BACB30NM4K6	..	BOLT- POST SERVICE BULLETIN: 54-0035	002004 006100 107107 121503 904951	2

MISSING ITEM NUMBERS NOT APPLICABLE

— ITEM NOT ILLUSTRATED

BRI

54-52-53-01

BOEING PROPRIETARY - Copyright © - Unpublished Work - See title page for details.

54-52-53
FIG. 01
PAGE 3
JAN 20/09



757

PARTS CATALOG (MAINTENANCE)

FIG ITEM	PART NUMBER	1 2 3 4 5 6 7	NOMENCLATURE	EFFECT FROM TO	UNITS PER ASSY
1 65E	BACB30NM3K2	..	BOLT- POST SERVICE BULLETIN: 54-0035	002004 006100 107107 121503 904951	1
66	BACW10BN4AP	..	WASHER- POST SERVICE BULLETIN: 54-0035	002004 006100 107107 121503 904951	2
67	NAS620A10L	..	WASHER- POST SERVICE BULLETIN: 54-0035	002004 006100 107107 121503 904951	11
68	BRH10C4D	..	NUT- SUPPLIER CODE: V52828 SPECIFICATION NUMBER: BACN10JC4CD OPTIONAL PART: T6C428JCD V11815 NS202486-048 V80539 102LH9075-4W V72962 H51650-4BAC V15653 POST SERVICE BULLETIN: 54-0035	002004 006100 107107 121503 904951	2
68A	BRH10C3D	..	NUT- SUPPLIER CODE: V52828 SPECIFICATION NUMBER: BACN10JC3CD OPTIONAL PART: T6C1032JCD V11815 NS202486-02 V80539 102LH9075-3W V72962 H51650-3BAC V15653 POST SERVICE BULLETIN: 54-0035	002004 006100 107107 121503 904951	5

MISSING ITEM NUMBERS NOT APPLICABLE

- ITEM NOT ILLUSTRATED

54-52-53-01

54-52-53
FIG. 01
PAGE 4
JAN 20/09

BRI



757

PARTS CATALOG (MAINTENANCE)

FIG ITEM	PART NUMBER	1 2 3 4 5 6 7	NOMENCLATURE	EFFECT FROM TO	UNITS PER ASSY
1					
69	313N5033U113	..	SEAL-ANGLE POST SERVICE BULLETIN: 54-0035	002004 006100 107107 121503 904951	1
69A	313N5033U114	..	SEAL-ANGLE POST SERVICE BULLETIN: 54-0035	002004 006100 107107 121503 904951	1
70	BACB30NM3K4	..	BOLT	002004 006100 107107 121503 904999	2
71	BACB30NM3K5	..	BOLT	002004 006100 107107 121503 904999	4
75	HL13VAZ6-4	..	BOLT- SUPPLIER CODE: V56878 SPECIFICATION NUMBER: BACB30NY6K4 OPTIONAL PART: HL13VAZ6-4 V73197 HL13VAZ6-4 V92215 HL13VAZ6-4 V97928 L801-6K4 V06725 HL13VAZ6-4 V60516 L801-6K4 V0PTK6 HL13VAZ6-4 V17446	002004 006100 107107 121503 904999	2

MISSING ITEM NUMBERS NOT APPLICABLE

- ITEM NOT ILLUSTRATED

54-52-53-01

54-52-53
FIG. 01
PAGE 5
JAN 20/09

BRI



757

PARTS CATALOG (MAINTENANCE)

FIG ITEM	PART NUMBER	1 2 3 4 5 6 7	NOMENCLATURE	EFFECT FROM TO	UNITS PER ASSY
1 80	BRH10C3D	..	NUT SUPPLIER CODE: V52828 SPECIFICATION NUMBER: BACN10JC3CD OPTIONAL PART: T6C1032JCD V11815 NS202486-02 V80539 102LH9075-3W V72962 H51650-3BAC V15653	002004 006100 107107 121503 904999	2
85	HL1187-6	..	COLLAR SUPPLIER CODE: V5M902 SPECIFICATION NUMBER: BACC30X6 OPTIONAL PART: HL87-6 V92215 HL87-6 V73197 HL1187-6 V56878 HL1187-6 V92215 HL87-6 V56878 HL1187-6 V73197	002004 006100 107107 121503 904999	2
90	313N5033-72	..	BRACKET- POSITION DATA: LH SIDE	002004 006100 107107 121503 904999	1
- 92	313N5033-91	..	BRACKET- POSITION DATA: RH SIDE	002004 006100 107107 121503 904999	1
95	BACB28X5M005	..	BUSHING	002004 006100 107107 121503 904999	2

MISSING ITEM NUMBERS NOT APPLICABLE

- ITEM NOT ILLUSTRATED

BRI

54-52-53-01

BOEING PROPRIETARY - Copyright © - Unpublished Work - See title page for details.

54-52-53
FIG. 01
PAGE 6
JAN 20/09



757

PARTS CATALOG (MAINTENANCE)

FIG ITEM	PART NUMBER	1 2 3 4 5 6 7	NOMENCLATURE	EFFECT FROM TO	UNITS PER ASSY
1					
100	313N5033-27	..	CROSSTIE	002004 006100 107107 121503 904999	1
105	312N5706-7	..	BRACKET- POSITION DATA: LH SIDE	002004 006100 107107 121503 904999	1
- 110	312N5706-5	..	BRACKET- POSITION DATA: RH SIDE	002004 006100 107107 121503 904999	1
- 115	BACR15FT6KE	..	ATTACHING PARTS RIVET- SIZE DETERMINED ON INSTL.	002004 006100 107107 121503 904999	2
120	312N5863-3	..	-----*----- BRACKET- POSITION DATA: LH SIDE	002004 006017 121503 904952	1
122	312N5863-4	..	BRACKET- POSITION DATA: LH SIDE	018100	1
122	312N5863U4	..	BRACKET- POSITION DATA: LH SIDE POST SERVICE BULLETIN: 29-0047R1	107107 953999	1
- 125	312N5863-3	..	BRACKET- POSITION DATA: RH SIDE	002004 006017 121503 904952	1
- 127	312N5863-4	..	BRACKET- POSITION DATA: RH SIDE	018100	1
- 127	312N5863U4	..	BRACKET- POSITION DATA: RH SIDE POST SERVICE BULLETIN: 29-0047	107107 953999	1

MISSING ITEM NUMBERS NOT APPLICABLE

- ITEM NOT ILLUSTRATED

54-52-53-01

54-52-53
FIG. 01
PAGE 7
JAN 20/09

BRI

BOEING
757
PARTS CATALOG (MAINTENANCE)

FIG ITEM	PART NUMBER	1 2 3 4 5 6 7	NOMENCLATURE	EFFECT FROM TO	UNITS PER ASSY
1			ATTACHING PARTS		
- 130	HST10AG5-3		..BOLT- SUPPLIER CODE: V0PTK6 SPECIFICATION NUMBER: BACB30VT5K3 OPTIONAL PART: HST10AG5-3 V06725 HST10AG5-3 V56878 HST10AG5-3 V73197 POSITION DATA: LH SIDE POST SERVICE BULLETIN: 29-0047R1	018100 107107 953999	3
- 130	HST11AG5-3		..BOLT- SUPPLIER CODE: V06725 SPECIFICATION NUMBER: BACB30VU5K3 OPTIONAL PART: HST11AG5-3 V73197 HST11AG5-3 V0PTK6 HST11AG5-3 V56878 POSITION DATA: LH SIDE BACB30UC5K3	002004 006017 121503 904952	3
- 130	BACB30UC5K3		..BOLT- POSITION DATA: LH SIDE OPTIONAL PART: BACB30VU5K3	002004 006017 121503 904952	3

MISSING ITEM NUMBERS NOT APPLICABLE

- ITEM NOT ILLUSTRATED

BRI

54-52-53-01

BOEING PROPRIETARY - Copyright © - Unpublished Work - See title page for details.

54-52-53
FIG. 01
PAGE 8
JAN 20/09



757

PARTS CATALOG (MAINTENANCE)

FIG ITEM	PART NUMBER	1 2 3 4 5 6 7	NOMENCLATURE	EFFECT FROM TO	UNITS PER ASSY
1 - 135	HST10AG5-3		..BOLT- SUPPLIER CODE: V0PTK6 SPECIFICATION NUMBER: BACB30VT5K3 OPTIONAL PART: HST10AG5-3 V06725 HST10AG5-3 V56878 HST10AG5-3 V73197 POSITION DATA: RH SIDE POST SERVICE BULLETIN: 29-0047R1	018100 107107 953999	3
- 135	HST11AG5-3		..BOLT- SUPPLIER CODE: V06725 SPECIFICATION NUMBER: BACB30VU5K3 OPTIONAL PART: HST11AG5-3 V73197 HST11AG5-3 V0PTK6 HST11AG5-3 V56878 POSITION DATA: RH SIDE BACB30UC5K3	002004 006017 121503 904952	3
- 135	BACB30UC5K3		..BOLT- POSITION DATA: RH SIDE OPTIONAL PART: BACB30VU5K3	002004 006017 121503 904952	3
- 137	66-2955-49		..WASHER-REPAIR POSITION DATA: LH SIDE POST SERVICE BULLETIN: 29-0047R1	107107 953999	3
- 138	66-2955-49		..WASHER-REPAIR POSITION DATA: RH SIDE POST SERVICE BULLETIN: 29-0047	107107 953999	3

MISSING ITEM NUMBERS NOT APPLICABLE

- ITEM NOT ILLUSTRATED

54-52-53-01

54-52-53
FIG. 01
PAGE 9
JAN 20/09

BRI



757

PARTS CATALOG (MAINTENANCE)

FIG ITEM	PART NUMBER	1 2 3 4 5 6 7	NOMENCLATURE	EFFECT FROM TO	UNITS PER ASSY
R R R R R R R	1 - 140	BACC30BL5	.. COLLAR- POSITION DATA: LH SIDE OPTIONAL PART: NAS1080K5 POST SERVICE BULLETIN: 29-0047R1	002004 006100 107107 121503 904999	3
	- 140	NAS1080K5	.. COLLAR- POSITION DATA: LH SIDE OPTIONAL PART: BACC30BL5	002004 006017 107107 121503 904999	3
R R R R R R	- 145	BACC30BL5	.. COLLAR- POSITION DATA: RH SIDE OPTIONAL PART: NAS1080K5 POST SERVICE BULLETIN: 29-0047	002004 006017 107107 121503 904999	3
	- 145	NAS1080K5	.. COLLAR- POSITION DATA: RH SIDE OPTIONAL PART: BACC30BL5 -----*-----	002004 006017 107107 121503 904999	3
	- 200	313N5033-125	BULKHEAD INSTL-STRUT FAIRING POSITION DATA: AFT LH FOR NHA SEE: 54-52-01-01	101106 108120 504903	RF
	- 205	313N5033-130	BULKHEAD INSTL-STRUT FAIRING POSITION DATA: AFT RH SIDE FOR NHA SEE: 54-52-01-01	101106 108120 504903	RF
	- 207	313N5033-133	BULKHEAD INSTL-STRUT FAIRING FOR NHA SEE: 54-52-01-01	106106	RF
	210	NAS1801-3-11	.SCREW	101106 108120 504903	2
	215	BACB30NM3K4	.BOLT	101106 108120 504903	10

MISSING ITEM NUMBERS NOT APPLICABLE

- ITEM NOT ILLUSTRATED

54-52-53-01

54-52-53
FIG. 01
PAGE 10
MAY 20/09

BRI



757

PARTS CATALOG (MAINTENANCE)

FIG ITEM	PART NUMBER	1 2 3 4 5 6 7	NOMENCLATURE	EFFECT FROM TO	UNITS PER ASSY
1					
220	BACB30NM3K5	.	BOLT	101106 108120 504903	11
225	BACB30NM3K6	.	BOLT	101106 108120 504903	3
230	NAS601-6P	.	SCREW	101106 108120 504903	17
235	NAS601-8P	.	SCREW	101106 108120 504903	1
240	MS35338-43	.	WASHER	101106 108120 504903	2
245	NAS1149D0316H	.	WASHER	101106 108120 504903	2
250	NAS620A10L	.	WASHER	101106 108120 504903	24
255	NAS463WDD10	.	SPACER	101106 108120 504903	6
260	MS35650-305T	.	NUT	101106 108120 504903	2
265	BRH10C3D	.	NUT SUPPLIER CODE: V52828 SPECIFICATION NUMBER: BACN10JC3CD OPTIONAL PART: T6C1032JCD V11815 NS202486-02 V80539 102LH9075-3W V72962 H51650-3BAC V15653	101106 108120 504903	2

MISSING ITEM NUMBERS NOT APPLICABLE

- ITEM NOT ILLUSTRATED

BRI

54-52-53-01

54-52-53
FIG. 01
PAGE 11
MAY 20/09



757

PARTS CATALOG (MAINTENANCE)

FIG ITEM	PART NUMBER	1 2 3 4 5 6 7	NOMENCLATURE	EFFECT FROM TO	UNITS PER ASSY
1 270	BRH10C06D	.NUT	SUPPLIER CODE: V52828 SPECIFICATION NUMBER: BACN10JC06CD OPTIONAL PART: T6C632JCD V11815 NS202486-62 V80539 102LH9075-62W V72962 H51650-06BAC V15653	101106 108120 504903	18
275	BR2000C3D	.NUT	SUPPLIER CODE: V52828 SPECIFICATION NUMBER: BACN10JR3CD OPTIONAL PART: K51601-3BAC V15653 NS202439-02 V80539 102A9201-3 V72962	101106 108120 504903	21
280	BACN10JP3BCD	.NUTPLATE		101106 108120 504903	1
285	313N5033-64	.RETAINER-SEAL		101106 108120 504903	1
290	313N5033-73	.SEAL		101106 108120 504903	1
295	313N5033-65	.SEAL		101106 108120 504903	1
300	313N5033-66	.RETAINER-SEAL		101106 108120 504903	2
305	313N5033-67	.RETAINER-SEAL		101106 108120 504903	2
307	313N5033-119	.SEAL- SUPPLIER CODE: V04827		101106 108120 504903	1

MISSING ITEM NUMBERS NOT APPLICABLE

- ITEM NOT ILLUSTRATED

54-52-53-01

54-52-53
FIG. 01
PAGE 12
MAY 20/09

BRI



757

PARTS CATALOG (MAINTENANCE)

FIG ITEM	PART NUMBER	1 2 3 4 5 6 7	NOMENCLATURE	EFFECT FROM TO	UNITS PER ASSY
1					
308	313N5033-120		.SEAL- SUPPLIER CODE: V04827	101106 108120 504903	1
310	313N5033-72		.BRACKET- POSITION DATA: LH SIDE	101106 108120 504903	1
315	313N5033-91		.BRACKET- POSITION DATA: RH SIDE	101106 108120 504903	1
320	BACB28X5M005		.BUSHING	101106 108120 504903	2
325	313N5033-27		.CROSSTIE	101106 108120 504903	1
330	312N5706-7		.BRACKET- POSITION DATA: LH SIDE	101106 108120 504903	1
- 335	BACR15FT6KE		ATTACHING PARTS .RIVET- SIZE DETERMINED ON INSTL.	101106 108120 504903	2
			-----*-----		
340	312N5863-4		.BRACKET	101106 108120 504903	1
			ATTACHING PARTS		
- 345	HST10AG5-3		.BOLT SUPPLIER CODE: VOPTK6 SPECIFICATION NUMBER: BACB30VT5K3 OPTIONAL PART: HST10AG5-3 V06725 HST10AG5-3 V56878 HST10AG5-3 V73197	101106 108120 504903	3
			-----*-----		
350	312N5706-5		.BRACKET-STRUT DRAIN	101106 108120 504903	1
			ATTACHING PARTS		
- 355	BACR15FT6KE		.RIVET- SIZE DETERMINED ON INSTL.	101106 108120 504903	2
			-----*-----		

MISSING ITEM NUMBERS NOT APPLICABLE

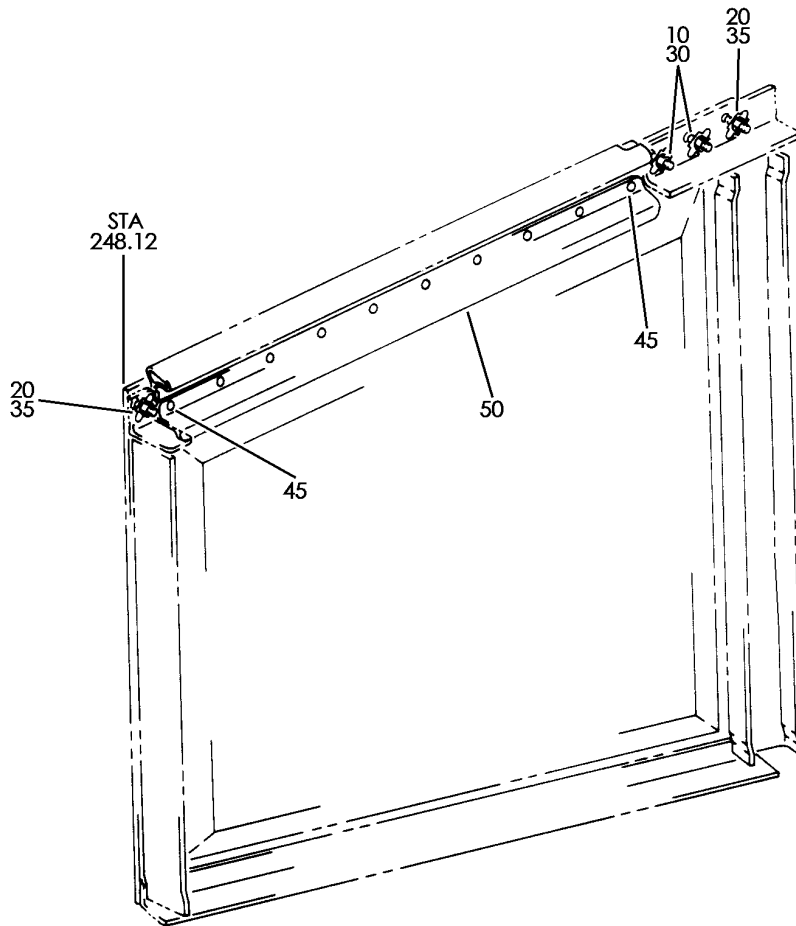
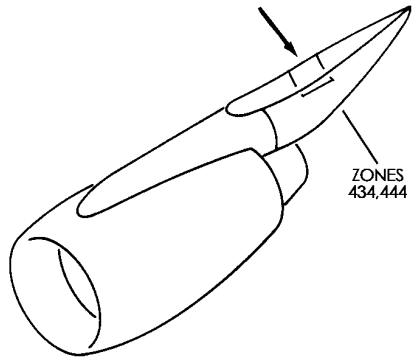
- ITEM NOT ILLUSTRATED

54-52-53-01

54-52-53
FIG. 01
PAGE 13
MAY 20/09

BRI

BOEING
757
PARTS CATALOG (MAINTENANCE)



Y 54525305 REV 228

HARDWARE INSTL-RB211 NAC STRUT AFT FAIRING
FIGURE 5

54-52-53-05

BRI
MAY 28/07

54-52-53-05
PAGE 0



757

PARTS CATALOG (MAINTENANCE)

FIG ITEM	PART NUMBER	1 2 3 4 5 6 7	NOMENCLATURE	EFFECT FROM TO	UNITS PER ASSY
5			HARDWARE INSTL-RB211 NAC STRUT AFT FAIRING	101106 108120 504903	
- 1	313N5019-9		HARDWARE INSTL-RB211 NAC STRUT FAIRING POSITION DATA: AFT LH FOR NHA SEE: 54-00-00-03A	101102 108120 504903	RF
- 1	MODREF14380		HARDWARE INSTL-RB211 NAC STRUT FAIRING MODULE NUMBER: 313N5019-9 REV A POSITION DATA: AFT LH	103106	1
- 5	313N5019-10		HARDWARE INSTL-RB211 NAC STRUT FAIRING POSITION DATA: AFT RH FOR NHA SEE: 54-00-00-03A	101102 108120 504903	RF
- 5	MODREF14379		HARDWARE INSTL-RB211 NAC STRUT FAIRING MODULE NUMBER: 313N5019-10 REV A POSITION DATA: AFT RH	103106	1
10	BACB30NN3K6		.BOLT	101106 108120 504903	2
- 15	BACB30NN3K6		.BOLT	101106 108120 504903	26
20	BACB30LR4-6		.BOLT	101106 108120 504903	2
- 25	BACB30LR4-6		.BOLT	101106 108120 504903	1

MISSING ITEM NUMBERS NOT APPLICABLE

- ITEM NOT ILLUSTRATED

54-52-53-05

54-52-53
FIG. 05
PAGE 1
JAN 20/09

BRI

BOEING PROPRIETARY - Copyright © - Unpublished Work - See title page for details.



757

PARTS CATALOG (MAINTENANCE)

FIG ITEM	PART NUMBER	1 2 3 4 5 6 7	NOMENCLATURE	EFFECT FROM TO	UNITS PER ASSY
5					
30	102F171-3		.NUTPLATE SUPPLIER CODE: V72962 SPECIFICATION NUMBER: BACN10JB3CD OPTIONAL PART: BRF210C3D V52828 BRF2703D V52828 NS202485-02 V80539	101106 108120 504903	2
35	BACN10JQ42CD		.NUTPLATE	101106 108120 504903	2
- 40	BACR15CE3KE		ATTACHING PARTS .RIVET- SIZE DETERMINED ON INSTL.	101106 108120 504903	8
45	BACR15BA6B		-----*----- .RIVET- SIZE DETERMINED ON INSTL.	101106 108120 504903	10
50	313N5032-1		.RETAINER ASSY-SEAL POSITION DATA: LH SIDE	101106 108120 504903	1
- 55	313N5032-9		.RETAINER ASSY-SEAL POSITION DATA: RH SIDE	101106 108120 504903	1
60	313N5019-13		.PLUG	101106 108120 504903	2
65	313N5019-11		.SEAL- POSITION DATA: LH SIDE	101106 108120 504903	1
- 70	313N5019-14		.SEAL- POSITION DATA: RH SIDE	101106 108120 504903	1

MISSING ITEM NUMBERS NOT APPLICABLE

- ITEM NOT ILLUSTRATED

54-52-53-05

54-52-53
FIG. 05
PAGE 2
JAN 20/09

BRI

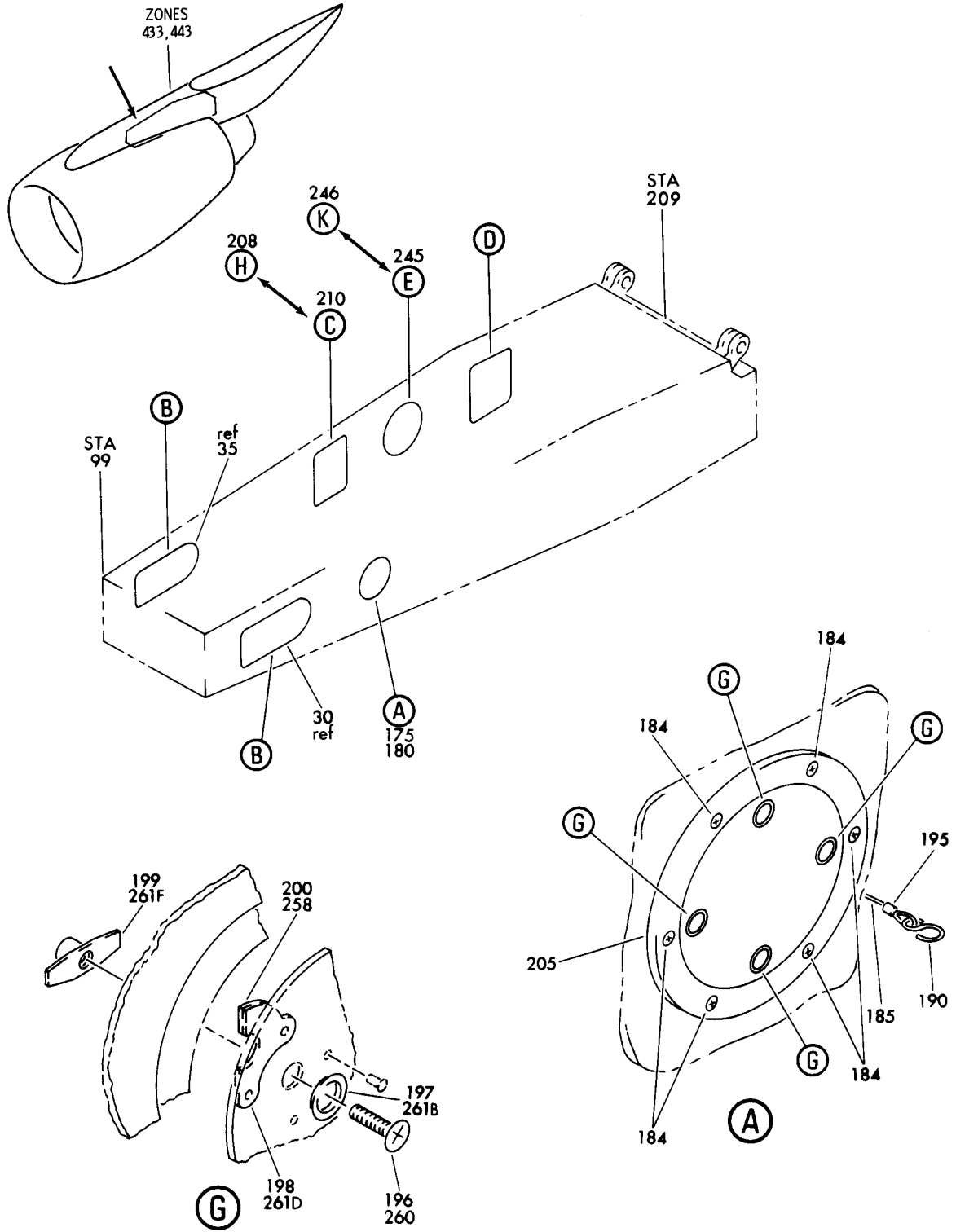
BOEING PROPRIETARY - Copyright © - Unpublished Work - See title page for details.

STRUT ACCESS DOORS AND PANELS

BRI
MAY 28/07

54-53-00
SECTION TITLE
PAGE 1


BOEING
 757
PARTS CATALOG (MAINTENANCE)



Y 54530105 SHT 1 REV 082

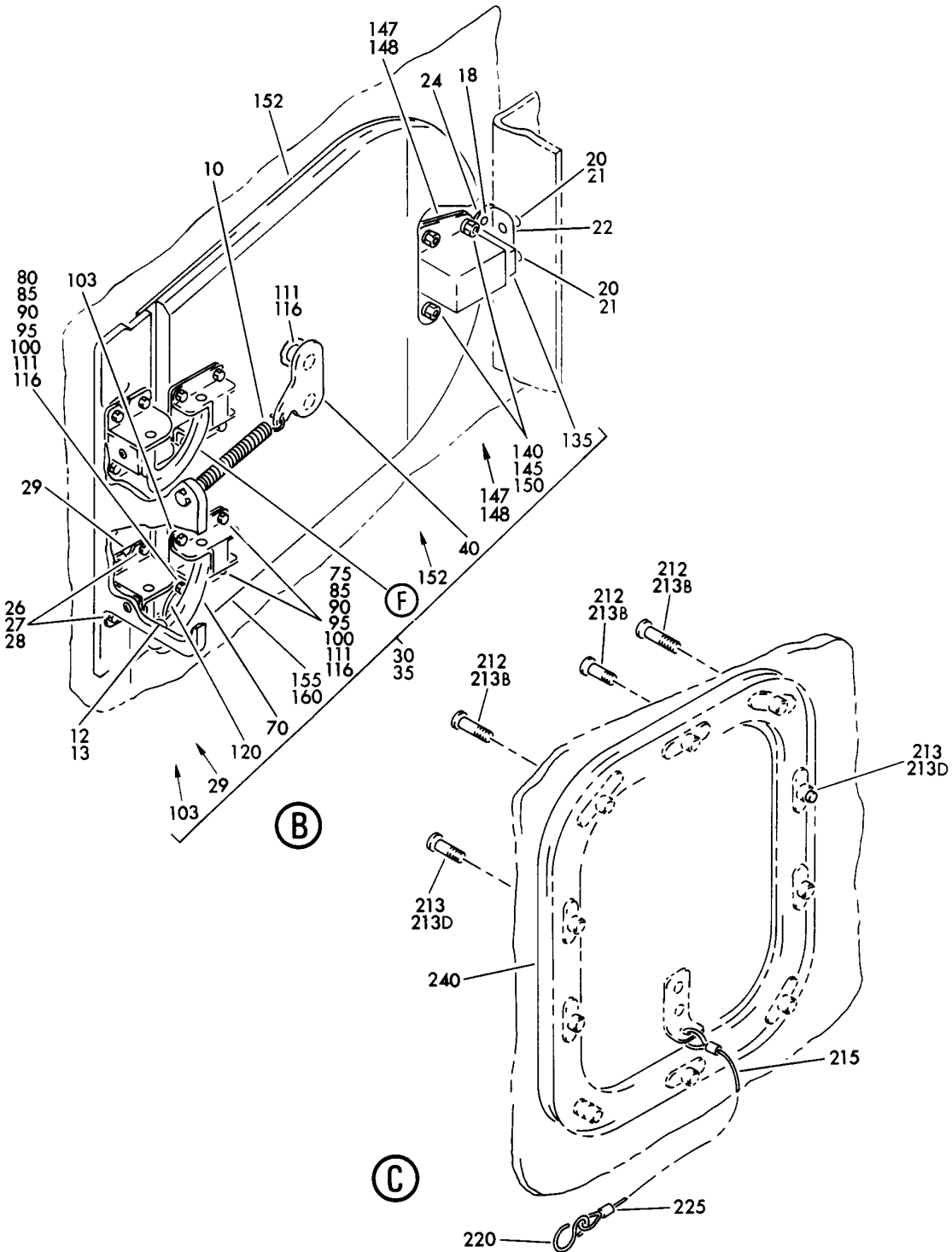
DOOR INSTL-NAC STRUT ACCESS
FIGURE 5 (SHEET 1)

54-53-01-05

BRI
MAY 28/07

54-53-01-05
PAGE 0

BOEING
757
PARTS CATALOG (MAINTENANCE)



Y 54530105 SHT 2 REV 241

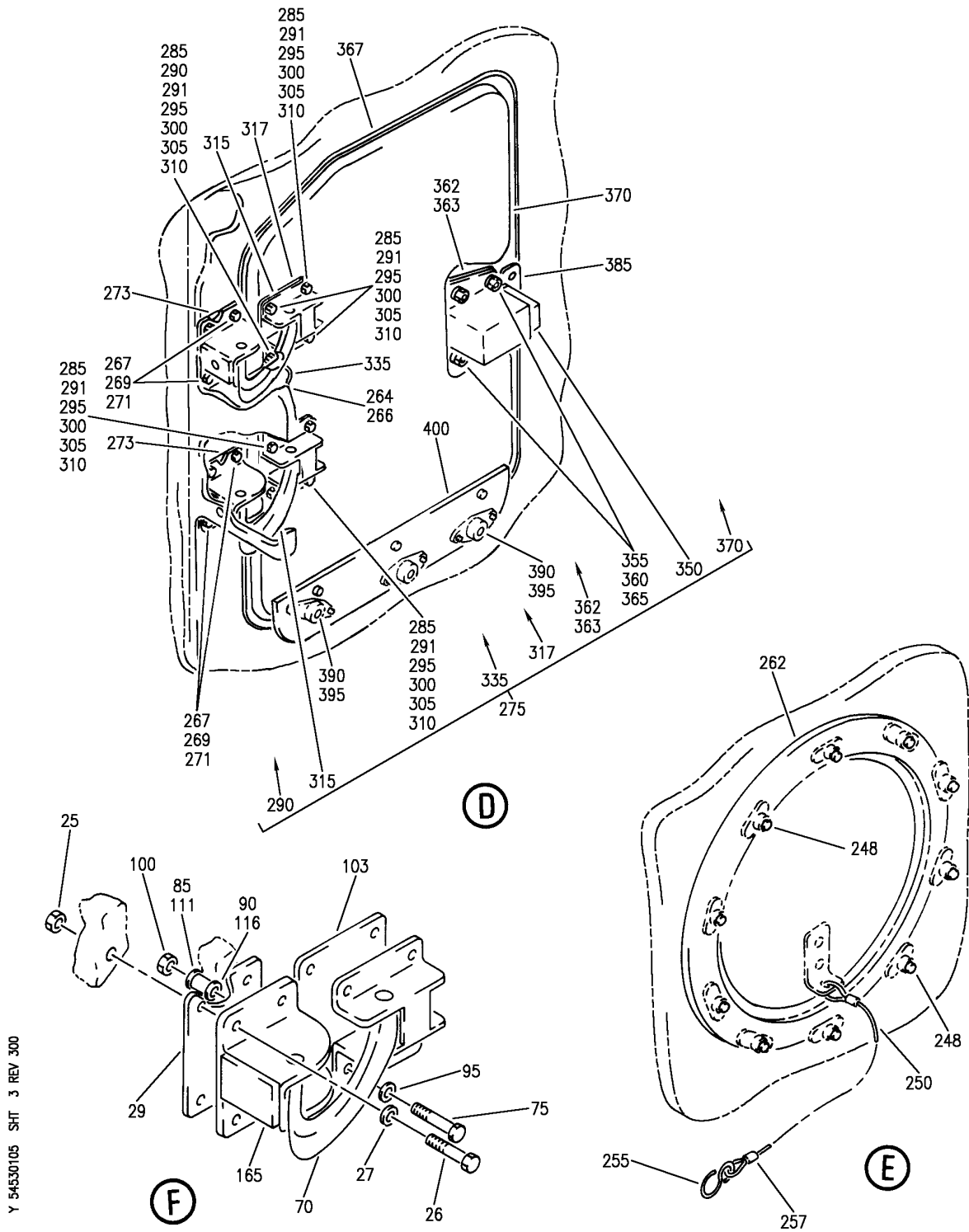
DOOR INSTL-NAC STRUT ACCESS
FIGURE 5 (SHEET 2)

54-53-01-05

BRI
MAY 28/07

54-53-01-05
PAGE 0A

BOEING
757
PARTS CATALOG (MAINTENANCE)



Y 54530105 SHT. 3 REV 300

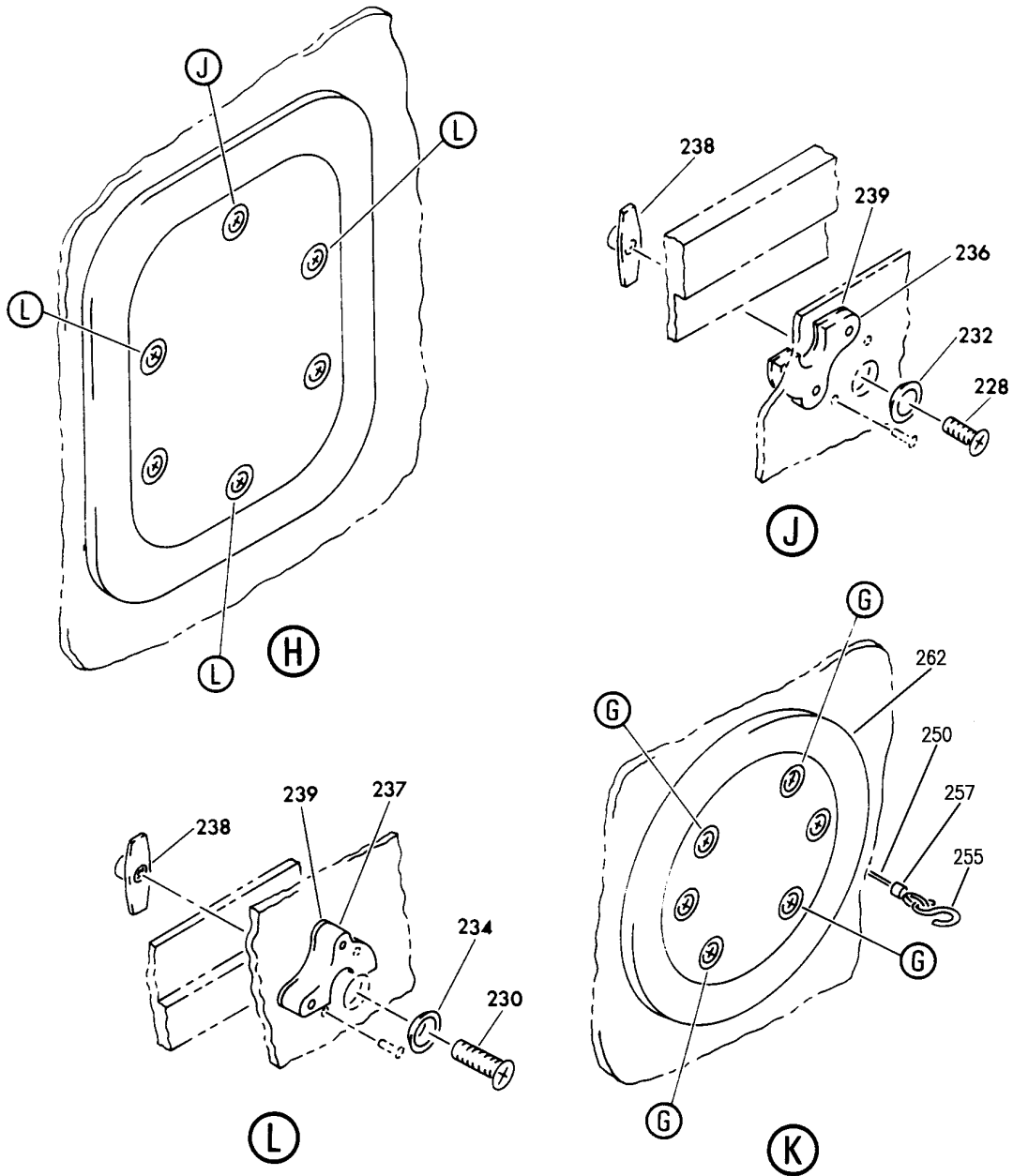
DOOR INSTL-NAC STRUT ACCESS
FIGURE 5 (SHEET 3)

54-53-01-05

BRI
MAY 28/07

54-53-01-05
PAGE 0B

BOEING
757
PARTS CATALOG (MAINTENANCE)



Y 54530105 SH1 4 REV 258

DOOR INSTL-NAC STRUT ACCESS
FIGURE 5 (SHEET 4)

54-53-01-05

BRI
MAY 28/07

54-53-01-05
PAGE 0C



757

PARTS CATALOG (MAINTENANCE)

FIG ITEM	PART NUMBER	1 2 3 4 5 6 7	NOMENCLATURE	EFFECT FROM TO	UNITS PER ASSY
5			DOOR INSTL-NAC STRUT ACCESS	002004 006999	
- 1	311N5049-31		DOOR INSTL-NAC STRUT ACCESS POSITION DATA: LH FOR NHA SEE: 54-51-61-01	002004 006100 107107 121503 904999	RF
- 1	311N5049-69		DOOR INSTL-NAC STRUT ACCESS POSITION DATA: LH FOR NHA SEE: 54-51-61-01	002004 006100 107107 121503 904999	RF
- 1	311N5049-103		DOOR INSTL-NAC STRUT ACCESS POSITION DATA: LH FOR NHA SEE: 54-51-61-01	002004 006100 107107 121503 904999	RF
- 1	311N5049-117		DOOR INSTL-NAC STRUT ACCESS POSITION DATA: LH FOR NHA SEE: 54-51-61-01	002004 006100 107107 121503 904999	RF
- 1	311N5049-159		DOOR INSTL-NAC STRUT ACCESS POSITION DATA: LH FOR NHA SEE: 54-51-61-01	101102 108120 504903	RF
- 1	311N5049-191		DOOR INSTL-NAC STRUT ACCESS POSITION DATA: LH FOR NHA SEE: 54-00-00-04	103106	RF
- 5	311N5049-32		DOOR INSTL-NAC STRUT ACCESS POSITION DATA: RH FOR NHA SEE: 54-51-61-01	002004 006100 107107 121503 904999	RF
- 5	311N5049-70		DOOR INSTL-NAC STRUT ACCESS POSITION DATA: RH FOR NHA SEE: 54-51-61-01	002004 006100 107107 121503 904999	RF
- 5	311N5049-104		DOOR INSTL-NAC STRUT ACCESS POSITION DATA: RH FOR NHA SEE: 54-51-61-01	002004 006100 107107 121503 904999	RF

MISSING ITEM NUMBERS NOT APPLICABLE

- ITEM NOT ILLUSTRATED

54-53-01-05

54-53-01
FIG. 05
PAGE 1
JAN 20/09

BRI



757

PARTS CATALOG (MAINTENANCE)

FIG ITEM	PART NUMBER	1 2 3 4 5 6 7	NOMENCLATURE	EFFECT FROM TO	UNITS PER ASSY
5					
- 5	311N5049-118		DOOR INSTL-NAC STRUT ACCESS POSITION DATA: RH FOR NHA SEE: 54-51-61-01	002004 006100 107107 121503 904999	RF
- 5	311N5049-160		DOOR INSTL-NAC STRUT ACCESS POSITION DATA: RH FOR NHA SEE: 54-00-00-04	101102 108120 504903	RF
- 5	311N5049-192		DOOR INSTL-NAC STRUT ACCESS POSITION DATA: RH FOR NHA SEE: 54-00-00-04	103106	RF
10	MS24586C213		.SPRING-	002004 006999	2
12	BACB30LK3-3		.BOLT	002004 006999	2
13	AN960KD10L		.WASHER	002004 006100 107107 121503 904999	2
13	NAS1149D0332J		.WASHER	101106 108120 504903	2
18	BACR15BA3AD		.RIVET	002004 006999	4
24	311N5049-127		.SHIM- USED ON: 311N5049-101 311N5049-102 311N5049-103 311N5049-104 311N5049-117 311N5049-118 311N5049-119 311N5049-120 311N5049-145 311N5049-146 311N5049-159 311N5049-160	002004 006102 107999	AR

MISSING ITEM NUMBERS NOT APPLICABLE

- ITEM NOT ILLUSTRATED

54-53-01-05

54-53-01
FIG. 05
PAGE 2
JAN 20/09

BRI

BOEING PROPRIETARY - Copyright © - Unpublished Work - See title page for details.



757

PARTS CATALOG (MAINTENANCE)

FIG ITEM	PART NUMBER	1 2 3 4 5 6 7	NOMENCLATURE	EFFECT FROM TO	UNITS PER ASSY
5 26	HL13VAZ6-9	.BOLT-	SUPPLIER CODE: V56878 SPECIFICATION NUMBER: BACB30NY6K9 OPTIONAL PART: HL13VAZ6-9 V73197 HL13VAZ6-9 V92215 HL13VAZ6-9 V97928 L801-6K9 V06725 HL13VAZ6-9 V60516 L801-6K9 VOPTK6 HL13VAZ6-9 V17446 BACB30NN3K9 USED ON: 311N5049-1 311N5049-2 311N5049-31 311N5049-32 311N5049-53 311N5049-54 311N5049-69 311N5049-70 311N5049-85 311N5049-86 311N5049-103 311N5049-104	002004 006100 107107 121503 904999	16
26	BACB30NN3K9	.BOLT-		002004 006100 107107 121503 904999	16

MISSING ITEM NUMBERS NOT APPLICABLE

- ITEM NOT ILLUSTRATED

54-53-01-05

54-53-01
 FIG. 05
 PAGE 3
 JAN 20/09

BRI



757

PARTS CATALOG (MAINTENANCE)

FIG ITEM	PART NUMBER	1 2 3 4 5 6 7	NOMENCLATURE	EFFECT FROM TO	UNITS PER ASSY
5	26	BACB30NN3K12	.BOLT- USED ON: 311N5049-117 311N5049-118 311N5049-119 311N5049-120 311N5049-145 311N5049-146 311N5049-149 311N5049-150 311N5049-159 311N5049-160	002004 006999	16
	27	BACW10BN3UP	.WASHER	002004 006999	16
	28	MS21042L3	.NUT- USED ON: 311N5049-1 311N5049-2 311N5049-31 311N5049-32 311N5049-53 311N5049-54 311N5049-69 311N5049-70 311N5049-85 311N5049-86 311N5049-103 311N5049-104	002004 006100 107107 121503 904999	16

MISSING ITEM NUMBERS NOT APPLICABLE

- ITEM NOT ILLUSTRATED

54-53-01-05

54-53-01
FIG. 05
PAGE 4
JAN 20/09

BRI



757

PARTS CATALOG (MAINTENANCE)

FIG ITEM	PART NUMBER	1 2 3 4 5 6 7	NOMENCLATURE	EFFECT FROM TO	UNITS PER ASSY
5 28	BRH10A3	.NUT-	SUPPLIER CODE: V52828 SPECIFICATION NUMBER: BACN10JC3 OPTIONAL PART: H10-3BAC V15653 NS202101-02 V80539 RMLH9075-3W V72962 VN303A02 V92215 96-02 V80539 T6S1032J V11815 USED ON: 311N5049-117 311N5049-118 311N5049-119 311N5049-120	002004 006100 107107 121503 904999	16
28	BACN10JC03CD	.NUT		101106 108120 504903	16
29	BACS40R14B17F	.SHIM-	USED ON: 311N5049-1 311N5049-2 311N5049-31 311N5049-32 311N5049-53 311N5049-54 311N5049-69 311N5049-70 311N5049-85 311N5049-86	002004 006100 107107 121503 904999	AR
29	BACS40R14E17F	.SHIM-	USED ON: 311N5049-117 311N5049-118 311N5049-119 311N5049-120	002004 006100 107107 121503 904999	AR
29	BACS40R14D17F	.SHIM		101106 108120 504903	AR

MISSING ITEM NUMBERS NOT APPLICABLE

- ITEM NOT ILLUSTRATED

54-53-01-05

54-53-01
FIG. 05
PAGE 5
JAN 20/09

BRI

BOEING PROPRIETARY - Copyright © - Unpublished Work - See title page for details.



757

PARTS CATALOG (MAINTENANCE)

FIG ITEM	PART NUMBER	1 2 3 4 5 6 7	NOMENCLATURE	EFFECT FROM TO	UNITS PER ASSY
5					
29	BACS40R014D017F	.	SHIM- USED ON: 311N5049-101 311N5049-102 311N5049-103 311N5049-104	002004 006100 107107 121503 904999	AR
30	311N5049-95	.	DOOR ASSY-PRESSURE RELIEF USED ON: 311N5049-31 311N5049-32 311N5049-53 311N5049-54 311N5049-69 311N5049-70 311N5049-85 311N5049-86	002004 006100 107107 121503 904999	1
30	311N5049-47	.	DOOR ASSY-PRESSURE RELIEF USED ON: 311N5049-1 311N5049-2	002004 006100 107107 121503 904999	1
30	311N5049-55	.	DOOR ASSY-PRESSURE RELIEF USED ON: 311N5049-1 311N5049-2 311N5049-31 311N5049-32 311N5049-85 311N5049-86	002004 006100 107107 121503 904999	1
30	311N5049-105	.	DOOR ASSY-PRESSURE RELIEF USED ON: 311N5049-101 311N5049-102 311N5049-103 311N5049-104	002004 006100 107107 121503 904999	1
30	311N5049-125	.	DOOR ASSY-PRESSURE RELIEF USED ON: 311N5049-117 311N5049-118 311N5049-119 311N5049-120	002004 006100 107107 121503 904999	1

MISSING ITEM NUMBERS NOT APPLICABLE

- ITEM NOT ILLUSTRATED

54-53-01-05

54-53-01
FIG. 05
PAGE 6
JAN 20/09

BRI

BOEING PROPRIETARY - Copyright © - Unpublished Work - See title page for details.



757

PARTS CATALOG (MAINTENANCE)

FIG ITEM	PART NUMBER	1 2 3 4 5 6 7	NOMENCLATURE	EFFECT FROM TO	UNITS PER ASSY
5					
30	311N5049-131		.DOOR ASSY-PRESSURE RELIEF OPTIONAL PART: 311N5049-173 USED ON: 311N5049-117 311N5049-118 311N5049-145 311N5049-146 311N5049-149 311N5049-150 311N5049-159 311N5049-160	002004 006999	1
30	311N5049-173		.DOOR ASSY-PRESSURE RELIEF OPTIONAL PART: 311N5049-131 USED ON: 311N5049-159 311N5049-160	002004 006999	1
35	311N5049-106		.DOOR ASSY-PRESSURE RELIEF USED ON: 311N5049-101 311N5049-102 311N5049-103 311N5049-104	002004 006100 107107 121503 904999	1
35	311N5049-48		.DOOR ASSY-PRESSURE RELIEF USED ON: 311N5049-1 311N5049-2	002004 006100 107107 121503 904999	1
35	311N5049-56		.DOOR ASSY-PRESSURE RELIEF USED ON: 311N5049-1 311N5049-2 311N5049-31 311N5049-32 311N5049-85 311N5049-86	002004 006100 107107 121503 904999	1
35	311N5049-96		.DOOR ASSY-PRESSURE RELIEF USED ON: 311N5049-31 311N5049-32 311N5049-53 311N5049-54 311N5049-69 311N5049-70 311N5049-85 311N5049-86	002004 006100 107107 121503 904999	1

MISSING ITEM NUMBERS NOT APPLICABLE

- ITEM NOT ILLUSTRATED

54-53-01-05

54-53-01
FIG. 05
PAGE 7
JAN 20/09

BRI

BOEING PROPRIETARY - Copyright © - Unpublished Work - See title page for details.



757

PARTS CATALOG (MAINTENANCE)

FIG ITEM	PART NUMBER	1 2 3 4 5 6 7	NOMENCLATURE	EFFECT FROM TO	UNITS PER ASSY
5					
35	311N5049-126		.DOOR ASSY-PRESSURE RELIEF USED ON: 311N5049-117 311N5049-118 311N5049-119 311N5049-120	002004 006100 107107 121503 904999	1
35	311N5049-132		.DOOR ASSY-PRESSURE RELIEF OPTIONAL PART: 311N5049-174 USED ON: 311N5049-117 311N5049-118 311N5049-145 311N5049-146 311N5049-149 311N5049-150 311N5049-159 311N5049-160	002004 006999	1
35	311N5049-174		.DOOR ASSY-PRESSURE RELIEF OPTIONAL PART: 311N5049-131 USED ON: 311N5049-159 311N5049-160	002004 006999	1
40	311N5049-10		..CLIP	002004 006999	1

MISSING ITEM NUMBERS NOT APPLICABLE

- ITEM NOT ILLUSTRATED

54-53-01-05

54-53-01
FIG. 05
PAGE 8
JAN 20/09

BRI

BOEING PROPRIETARY - Copyright © - Unpublished Work - See title page for details.



757

PARTS CATALOG (MAINTENANCE)

FIG ITEM	PART NUMBER	1 2 3 4 5 6 7	NOMENCLATURE	EFFECT FROM TO	UNITS PER ASSY
5			ATTACHING PARTS		
- 45	HL13VAZ5-11		..BOLT-	002004	2
			SUPPLIER CODE:	006100	
			V56878	107107	
			SPECIFICATION NUMBER:	121503	
			BACB30NY5K11	904999	
			OPTIONAL PART:		
			HL13VAZ5-11		
			V73197		
			HL13VAZ5-11		
			V92215		
			HL13VAZ5-11		
			V97928		
			L801-5K11		
			V06725		
			HL13VAZ5-11		
			V60516		
			L801-5K11		
			V0PTK6		
			HL13VAZ5-11		
			V17446		
			USED ON:		
			311N5049-47		
			311N5049-48		
			311N5049-55		
			311N5049-56		
			311N5049-95		
			311N5049-96		
			311N5049-105		
			311N5049-106		

MISSING ITEM NUMBERS NOT APPLICABLE

- ITEM NOT ILLUSTRATED

54-53-01-05

54-53-01
FIG. 05
PAGE 9
JAN 20/09

BRI



757

PARTS CATALOG (MAINTENANCE)

FIG ITEM	PART NUMBER	1 2 3 4 5 6 7	NOMENCLATURE	EFFECT FROM TO	UNITS PER ASSY
5 - 45	HL13VAZ5-6		..BOLT- SUPPLIER CODE: V56878 SPECIFICATION NUMBER: BACB30NY5K6 OPTIONAL PART: HL13VAZ5-6 V73197 HL13VAZ5-6 V92215 HL13VAZ5-6 V97928 L801-5K6 V06725 HL13VAZ5-6 V60516 L801-5K6 VOPTK6 HL13VAZ5-6 V17446 USED ON: 311N5049-125 311N5049-126 311N5049-131 311N5049-132 USED ON: 311N5049-131 311N5049-132	002004 006999	2
- 45	HL1013AZ5-6		..BOLT- SUPPLIER CODE: V60516 SPECIFICATION NUMBER: BACB30NY5HK6 USED ON: 311N5049-173 311N5049-174 USED ON: 311N5049-173 311N5049-174	002004 006999	2
- 60	AN960KD8L		..WASHER- USED ON: 311N5049-131 311N5049-132	002004 006999	2
- 60	NAS1149DN816J		..WASHER- USED ON: 311N5049-173 311N5049-174	002004 006999	2

MISSING ITEM NUMBERS NOT APPLICABLE

- ITEM NOT ILLUSTRATED

54-53-01-05

54-53-01
FIG. 05
PAGE 10
JAN 20/09

BRI



757

PARTS CATALOG (MAINTENANCE)

FIG ITEM	PART NUMBER	1 2 3 4 5 6 7	NOMENCLATURE	EFFECT FROM TO	UNITS PER ASSY
5					
- 65	BRH10A08		..NUT- SUPPLIER CODE: V52828 SPECIFICATION NUMBER: BACN10JC08 OPTIONAL PART: H10-08BAC V15653 NS202101-82 V80539 RMLH9075-82W V72962 VN303A82 V92215 96-82 V80539 T6S832J V11815 USED ON: 311N5049-131 311N5049-132	002004 006100 107107 121503 904999	2
- 65	BRH10C08D		..NUT- SUPPLIER CODE: V52828 SPECIFICATION NUMBER: BACN10JC08CD OPTIONAL PART: H51650-08BAC V15653 102LH9075-82W V72962 NS202486-82 V80539 T6C832JCD V11815 USED ON: 311N5049-173 311N5049-174	002004 006999	2
70	H2904-3		-----*----- ..HINGE ASSY- SUPPLIER CODE: V83014 OPTIONAL PART: 9313-1 V84256	002004 006999	2

MISSING ITEM NUMBERS NOT APPLICABLE

- ITEM NOT ILLUSTRATED

54-53-01-05

54-53-01
FIG. 05
PAGE 11
JAN 20/09

BRI



757

PARTS CATALOG (MAINTENANCE)

FIG ITEM	PART NUMBER	1 2 3 4 5 6 7	NOMENCLATURE	EFFECT FROM TO	UNITS PER ASSY
5	70 9313-1		..HINGE ASSY- SUPPLIER CODE: V84256 OPTIONAL PART: H2904-3 V83014 ATTACHING PARTS	002004 006999	2
	75 HL13VAZ5-8		..BOLT- SUPPLIER CODE: V56878 SPECIFICATION NUMBER: BACB30NY5K8 OPTIONAL PART: HL13VAZ5-8 V73197 HL13VAZ5-8 V92215 HL13VAZ5-8 V97928 L801-5K8 V06725 HL13VAZ5-8 V60516 L801-5K8 VOPTK6 HL13VAZ5-8 V17446 USED ON: 311N5049-47 311N5049-48 311N5049-55 311N5049-56 311N5049-95 311N5049-96 311N5049-105 311N5049-106	002004 006100 107107 121503 904999	7

MISSING ITEM NUMBERS NOT APPLICABLE

- ITEM NOT ILLUSTRATED

54-53-01-05

54-53-01
FIG. 05
PAGE 12
JAN 20/09

BRI



757

PARTS CATALOG (MAINTENANCE)

FIG ITEM	PART NUMBER	1 2 3 4 5 6 7	NOMENCLATURE	EFFECT FROM TO	UNITS PER ASSY
5 75	HL13VAZ5-11		..BOLT- SUPPLIER CODE: V56878 SPECIFICATION NUMBER: BACB30NY5K11 OPTIONAL PART: HL13VAZ5-11 V73197 HL13VAZ5-11 V92215 HL13VAZ5-11 V97928 L801-5K11 V06725 HL13VAZ5-11 V60516 L801-5K11 VOPTK6 HL13VAZ5-11 V17446 USED ON: 311N5049-125 311N5049-126 311N5049-131 311N5049-132 311N5049-173 311N5049-174	002004 006999	7
80	BACB30LH2-12		..BOLT- USED ON: 311N5049-125 311N5049-126 311N5049-131 311N5049-132 311N5049-173 311N5049-174	002004 006999	1
80	BACB30LH2-9		..BOLT- USED ON: 311N5049-47 311N5049-48 311N5049-55 311N5049-56 311N5049-95 311N5049-96 311N5049-105 311N5049-106	002004 006100 107107 121503 904999	1

MISSING ITEM NUMBERS NOT APPLICABLE

- ITEM NOT ILLUSTRATED

54-53-01-05

54-53-01
FIG. 05
PAGE 13
JAN 20/09

BRI



757

PARTS CATALOG (MAINTENANCE)

FIG ITEM	PART NUMBER	1 2 3 4 5 6 7	NOMENCLATURE	EFFECT FROM TO	UNITS PER ASSY
5	95 AN960KD8L		.. WASHER- USED ON: 311N5049-173 311N5049-174	002004 006999	8
	95 NAS1149DN816J		.. WASHER- USED ON: 311N5049-131 311N5049-132	002004 006999	8
	100 BRH10A08		.. NUT- SUPPLIER CODE: V52828 SPECIFICATION NUMBER: BACN10JC08 OPTIONAL PART: H10-08BAC V15653 NS202101-82 V80539 RMLH9075-82W V72962 VN303A82 V92215 96-82 V80539 T6S832J V11815 USED ON: 311N5049-173 311N5049-174 USED ON: 311N5049-173 311N5049-174	002004 006999	8

MISSING ITEM NUMBERS NOT APPLICABLE

- ITEM NOT ILLUSTRATED

54-53-01-05

54-53-01
FIG. 05
PAGE 14
JAN 20/09

BRI



757

PARTS CATALOG (MAINTENANCE)

FIG ITEM	PART NUMBER	1 2 3 4 5 6 7	NOMENCLATURE	EFFECT FROM TO	UNITS PER ASSY
5 100	BRH10C08D		..NUT- SUPPLIER CODE: V52828 SPECIFICATION NUMBER: BACN10JC08CD OPTIONAL PART: H51650-08BAC V15653 102LH9075-82W V72962 NS202486-82 V80539 T6C832JCD V11815 USED ON: 311N5049-131 311N5049-132 -----*-----	002004 006999	8
103	311N5049-23		.. FILLER- USED ON: 311N5049-47 311N5049-48	002004 006100 107107 121503 904999	2
103	311N5049-76		.. FILLER- USED ON: 311N5049-55 311N5049-56 311N5049-95 311N5049-96	002004 006100 107107 121503 904999	2
103	BACF3F017T014NN		.. FILLER- USED ON: 311N5049-105 311N5049-106	002004 006100 107107 121503 904999	2
103	311N5049-124		.. FILLER- USED ON: 311N5049-125 311N5049-126 311N5049-131 311N5049-132 311N5049-173 311N5049-174	002004 006999	2
111	SLS102D8-04		.. SLEEVE- SUPPLIER CODE: V97393	002004 006999	10
116	SLP102C8-1		.. PLUG- SUPPLIER CODE: V97393	002004 006999	10

MISSING ITEM NUMBERS NOT APPLICABLE

- ITEM NOT ILLUSTRATED

54-53-01-05

54-53-01
FIG. 05
PAGE 15
JAN 20/09

BRI



757

PARTS CATALOG (MAINTENANCE)

FIG ITEM	PART NUMBER	1 2 3 4 5 6 7	NOMENCLATURE	EFFECT FROM TO	UNITS PER ASSY
5					
120	740A11-7		.. JUMPER ASSY- SUPPLIER CODE: V91812 SPECIFICATION NUMBER: BACJ40A11-7 OPTIONAL PART: 30354 V00779 CD7E V79550	002004 006100 107107 121503 904999	1
120	BACJ40A20-7		.. JUMPER ASSY	002004 006999	1
135	H2902-3		.. LATCH- SUPPLIER CODE: V83014 SPECIFICATION NUMBER: S311T306-3 ATTACHING PARTS	002004 006999	1
140	BACB30LU06-2		.. BOLT	002004 006999	4
145	AN960C6L		.. WASHER- USED ON: 311N5049-131 311N5049-132	002004 006100 107107 121503 904999	4
145	NAS1149CN616R		.. WASHER- USED ON: 311N5049-173 311N5049-174	002004 006999	4
147	311N5049-29		.. SHIM- USED ON: 311N5049-47 311N5049-48	002004 006100 107107 121503 904999	AR
147	311N5049-77		.. SHIM- USED ON: 311N5049-55 311N5049-56 311N5049-95 311N5049-96	002004 006100 107107 121503 904999	AR
148	311N5049-113		-----*----- .. FILLER- USED ON: 311N5049-105 311N5049-106	002004 006100 107107 121503 904999	1

MISSING ITEM NUMBERS NOT APPLICABLE

- ITEM NOT ILLUSTRATED

54-53-01-05

54-53-01
FIG. 05
PAGE 16
JAN 20/09

BRI

BOEING PROPRIETARY - Copyright © - Unpublished Work - See title page for details.

 **BOEING**
757
PARTS CATALOG (MAINTENANCE)

FIG ITEM	PART NUMBER	1 2 3 4 5 6 7	NOMENCLATURE	EFFECT FROM TO	UNITS PER ASSY
5 148	311N5049-123		.. FILLER- USED ON: 311N5049-125 311N5049-126 311N5049-131 311N5049-132 311N5049-173 311N5049-174 ATTACHING PARTS	002004 006999	1
150	BRH10C06M		.. NUT SUPPLIER CODE: V52828 SPECIFICATION NUMBER: BACN10JCO6CM OPTIONAL PART: T6C632JM V11815 97E62 V80539 109LH9075-62W V72962 VN303D62 V92215 NS202101SE62 V80539 H01-06BAC V15653 -----*-----	002004 006999	4
152	311N5049-44		.. SEAL- USED ON: 311N5049-47 311N5049-48 311N5049-55 311N5049-56 311N5049-95 311N5049-96	002004 006100 107107 121503 904999	1
152	311N5049-112		.. SEAL- USED ON: 311N5049-105 311N5049-106 311N5049-125 311N5049-126	002004 006100 107107 121503 904999	1
152	311N5049-130		.. SEAL- USED ON: 311N5049-131 311N5049-132	002004 006100 107107 121503 904999	1

MISSING ITEM NUMBERS NOT APPLICABLE

— ITEM NOT ILLUSTRATED

BRI

54-53-01-05

BOEING PROPRIETARY - Copyright © - Unpublished Work - See title page for details.

54-53-01
FIG. 05
PAGE 17
JAN 20/09



757

PARTS CATALOG (MAINTENANCE)

FIG ITEM	PART NUMBER	1 2 3 4 5 6 7	NOMENCLATURE	EFFECT FROM TO	UNITS PER ASSY
5					
155	311N5049-7	..	BONDED ASSY- POSITION DATA: LH SIDE	002004 006100 107107 121503 904999	1
155	311N5049-91	..	BONDED ASSY- POSITION DATA: LH SIDE	002004 006999	1
160	311N5049-8	..	BONDED ASSY- POSITION DATA: RH SIDE USED ON: 311N5049-48 311N5049-56	002004 006100 107107 121503 904999	1
160	311N5049-92	..	BONDED ASSY- POSITION DATA: RH SIDE USED ON: 311N5049-96 311N5049-106	002004 006999	1
175	311N5049-59	.D	DOOR ASSY- USED ON: 311N5049-31 311N5049-32 311N5049-53 311N5049-54 311N5049-69 311N5049-70 311N5049-101 311N5049-102 311N5049-103 311N5049-104 311N5049-117 311N5049-118 311N5049-119 311N5049-120	002004 006100 107107 121503 904999	1
175	311N5049-139	.D	DOOR ASSY- USED ON: 311N5049-117 311N5049-118 311N5049-145 311N5049-146	002004 006100 107107 121503 904999	1
175	311N5049-153	.D	DOOR ASSY- USED ON: 311N5049-159 311N5049-160	002004 006100 107107 121503 904999	1

MISSING ITEM NUMBERS NOT APPLICABLE

- ITEM NOT ILLUSTRATED

54-53-01-05

54-53-01
FIG. 05
PAGE 18
JAN 20/09

BRI

BOEING PROPRIETARY - Copyright © - Unpublished Work - See title page for details.



757

PARTS CATALOG (MAINTENANCE)

FIG ITEM	PART NUMBER	1 2 3 4 5 6 7	NOMENCLATURE	EFFECT FROM TO	UNITS PER ASSY
5 180	311N5049-4		.DOOR ASSY- USED ON: 311N5049-1 311N5049-2 311N5049-85 311N5049-86	002004 006100 107107 121503 904999	1
- 183	BACB30LR3-4		ATTACHING PARTS .BOLT- USED WITH: 311N5049-4	002004 006100 107107 121503 904999	6
185	BACC13Y3B60		-----*----- ..CABLE ASSY	002004 006100 107107 121503 904999	1
190	NAS1090-2		..HOOK-	002004 006100 107107 121503 904999	1
195	CL4F		..FERRULE SUPPLIER CODE: V99862 SPECIFICATION NUMBER: BACF22U2 OPTIONAL PART: 325167 V00779	002004 006100 107107 121503 904999	1
196	BACB30LH4K5		..BOLT- OPTIONAL PART: BACB30LH4-5 USED ON: 311N5049-59 311N5049-139 311N5049-153	002004 006100 107107 121503 904999	4
196	BACB30LH4-5		..BOLT- OPTIONAL PART: BACB30LH4K5 USED ON: 311N5049-59 311N5049-139 311N5049-153	002004 006100 107107 121503 904999	4

MISSING ITEM NUMBERS NOT APPLICABLE

- ITEM NOT ILLUSTRATED

54-53-01-05

54-53-01
FIG. 05
PAGE 19
JAN 20/09

BRI



**757
PARTS CATALOG (MAINTENANCE)**

FIG ITEM	PART NUMBER	1 2 3 4 5 6 7	NOMENCLATURE	EFFECT FROM TO	UNITS PER ASSY
5 197	311N5146-1		.. INDICATOR- USED ON: 311N5049-59 311N5049-139 311N5049-153	002004 006100 107107 121503 904999	4
198	311N5145-1		.. PLATE-SHIM USED ON: 311N5049-59 311N5049-139 311N5049-153	002004 006100 107107 121503 904999	4
199	311N5147-1		.. NUT- USED ON: 311N5049-59 311N5049-139 311N5049-153	002004 006100 107107 121503 904999	4
200	66-25039		.. BLOCK- OPTIONAL PART: 43L4-1 V06349 43L4-2 V06349 USED ON: 311N5049-59 311N5049-139 311N5049-153	002004 006100 107107 121503 904999	4
200	43L4-1		.. BLOCK- SUPPLIER CODE: V06349 OPTIONAL PART: 66-25039 43L4-2 V06349 USED ON: 311N5049-59 311N5049-139 311N5049-153	002004 006100 107107 121503 904999	4
200	43L4-2		.. BLOCK- SUPPLIER CODE: V06349 OPTIONAL PART: 66-25039 43L4-1 V06349 USED ON: 311N5049-59 311N5049-139 311N5049-153	002004 006100 107107 121503 904999	4

MISSING ITEM NUMBERS NOT APPLICABLE

- ITEM NOT ILLUSTRATED

54-53-01-05

54-53-01
FIG. 05
PAGE 20
JAN 20/09

BRI

BOEING PROPRIETARY - Copyright © - Unpublished Work - See title page for details.



757

PARTS CATALOG (MAINTENANCE)

FIG ITEM	PART NUMBER	1 2 3 4 5 6 7	NOMENCLATURE	EFFECT FROM TO	UNITS PER ASSY
5 205	311N5049-13	. .	DOOR- USED ON: 311N5049-4	002004 006100 107107 121503 904999	1
205	311N5049-62	. .	DOOR- USED ON: 311N5049-59 311N5049-139	002004 006100 107107 121503 904999	1
205	311N5049-154	. .	DOOR- USED ON: 311N5049-153	002004 006100 107107 121503 904999	1
208	311N5049-60	. .	DOOR ASSY- USED ON: 311N5049-31 311N5049-32 311N5049-53 311N5049-54 311N5049-69 311N5049-70 311N5049-101 311N5049-102 311N5049-103 311N5049-104 311N5049-117 311N5049-118 311N5049-119 311N5049-120	002004 006100 107107 121503 904999	1
208	311N5049-140	. .	DOOR ASSY- USED ON: 311N5049-117 311N5049-118 311N5049-145 311N5049-146	002004 006100 107107 121503 904999	1

MISSING ITEM NUMBERS NOT APPLICABLE

- ITEM NOT ILLUSTRATED

54-53-01-05

54-53-01
FIG. 05
PAGE 21
JAN 20/09

BRI

BOEING PROPRIETARY - Copyright © - Unpublished Work - See title page for details.



757

PARTS CATALOG (MAINTENANCE)

FIG ITEM	PART NUMBER	1 2 3 4 5 6 7	NOMENCLATURE	EFFECT FROM TO	UNITS PER ASSY
5 208	311N5049-155		.DOOR ASSY- USED ON: 311N5049-31 311N5049-32 311N5049-53 311N5049-54 311N5049-69 311N5049-70 311N5049-85 311N5049-86 311N5049-101 311N5049-102 311N5049-103 311N5049-104 311N5049-117 311N5049-118 311N5049-119 311N5049-120 311N5049-145 311N5049-146	002004 006100 107107 121503 904999	1
210	311N5049-3		.DOOR ASSY- USED ON: 311N5049-1 311N5049-2 311N5049-85 311N5049-86	002004 006100 107107 121503 904999	1
212	BACB30LR4-8		ATTACHING PARTS .BOLT- USED ON: 311N5049-1 311N5049-2 311N5049-85 311N5049-86	002004 006100 107107 121503 904999	3
213	BACB30LR3-6		.BOLT- USED ON: 311N5049-1 311N5049-2 311N5049-85 311N5049-86	002004 006100 107107 121503 904999	7
215	BACC13Y3B60		-----*----- . .CABLE ASSY	002004 006100 107107 121503 904999	1

MISSING ITEM NUMBERS NOT APPLICABLE

- ITEM NOT ILLUSTRATED

54-53-01-05

54-53-01
FIG. 05
PAGE 22
JAN 20/09

BRI

BOEING PROPRIETARY - Copyright © - Unpublished Work - See title page for details.



757

PARTS CATALOG (MAINTENANCE)

FIG ITEM	PART NUMBER	1 2 3 4 5 6 7	NOMENCLATURE	EFFECT FROM TO	UNITS PER ASSY
5	220	NAS1090-2	..HOOK-	002004 006100 107107 121503 904999	1
	225	CL4F	..FERRULE SUPPLIER CODE: V99862 SPECIFICATION NUMBER: BACF22U2 OPTIONAL PART: 325167 V00779	002004 006100 107107 121503 904999	1
	228	BACB30LH4K6	..BOLT- OPTIONAL PART: BACB30LH4-6 USED ON: 311N5049-60 311N5049-140 311N5049-155	002004 006100 107107 121503 904999	5
	228	BACB30LH4-6	..BOLT- OPTIONAL PART: BACB30LH4K6 USED ON: 311N5049-60 311N5049-140 311N5049-155	002004 006100 107107 121503 904999	5
	230	BACB30LH4K9	..BOLT- OPTIONAL PART: BACB30LH4-9 USED ON: 311N5049-60 311N5049-140 311N5049-155	002004 006100 107107 121503 904999	1
	230	BACB30LH4-9	..BOLT- OPTIONAL PART: BACB30LH4K9 USED ON: 311N5049-60 311N5049-140 311N5049-155	002004 006100 107107 121503 904999	1
	232	311N5146-2	..INDICATOR- USED ON: 311N5049-60 311N5049-140 311N5049-155	002004 006100 107107 121503 904999	5

MISSING ITEM NUMBERS NOT APPLICABLE

- ITEM NOT ILLUSTRATED

54-53-01-05

54-53-01
FIG. 05
PAGE 23
JAN 20/09

BRI

BOEING PROPRIETARY - Copyright © - Unpublished Work - See title page for details.



757

PARTS CATALOG (MAINTENANCE)

FIG ITEM	PART NUMBER	1 2 3 4 5 6 7	NOMENCLATURE	EFFECT FROM TO	UNITS PER ASSY
5					
234	311N5146-3		.. INDICATOR- USED ON: 311N5049-60 311N5049-140 311N5049-155	002004 006100 107107 121503 904999	1
236	311N5145-3		.. PLATE-SHIM USED ON: 311N5049-60 311N5049-140 311N5049-155	002004 006100 107107 121503 904999	5
237	311N5145-4		.. PLATE-SHIM USED ON: 311N5049-60 311N5049-140 311N5049-155	002004 006100 107107 121503 904999	1
238	311N5147-1		.. NUT- USED ON: 311N5049-60 311N5049-140 311N5049-155	002004 006100 107107 121503 904999	6
239	66-25039		.. BLOCK- OPTIONAL PART: 43L4-1 V06349 43L4-2 V06349 USED ON: 311N5049-60 311N5049-140 311N5049-155	002004 006100 107107 121503 904999	6
239	43L4-1		.. BLOCK- SUPPLIER CODE: V06349 OPTIONAL PART: 66-25039 43L4-2 V06349 USED ON: 311N5049-60 311N5049-140 311N5049-155	002004 006100 107107 121503 904999	6

MISSING ITEM NUMBERS NOT APPLICABLE

- ITEM NOT ILLUSTRATED

54-53-01-05

54-53-01
FIG. 05
PAGE 24
JAN 20/09

BRI

BOEING PROPRIETARY - Copyright © - Unpublished Work - See title page for details.



757

PARTS CATALOG (MAINTENANCE)

FIG ITEM	PART NUMBER	1 2 3 4 5 6 7	NOMENCLATURE	EFFECT FROM TO	UNITS PER ASSY
5 239	43L4-2		..BLOCK- SUPPLIER CODE: V06349 OPTIONAL PART: 66-25039 43L4-1 V06349 USED ON: 311N5049-60 311N5049-140 311N5049-155	002004 006100 107107 121503 904999	6
240	311N5049-11		..DOOR- USED ON: 311N5049-3	002004 006100 107107 121503 904999	1
240	311N5049-63		..DOOR- USED ON: 311N5049-60 311N5049-140	002004 006100 107107 121503 904999	1
240	311N5049-156		..DOOR- USED ON: 311N5049-155	002004 006100 107107 121503 904999	1
245	311N5049-9		.DOOR ASSY- USED ON: 311N5049-1 311N5049-2 311N5049-85 311N5049-86	002004 006100 107107 121503 904999	1

MISSING ITEM NUMBERS NOT APPLICABLE

- ITEM NOT ILLUSTRATED

54-53-01-05

54-53-01
FIG. 05
PAGE 25
JAN 20/09

BRI

BOEING PROPRIETARY - Copyright © - Unpublished Work - See title page for details.



757

PARTS CATALOG (MAINTENANCE)

FIG ITEM	PART NUMBER	1 2 3 4 5 6 7	NOMENCLATURE	EFFECT FROM TO	UNITS PER ASSY
5 246	311N5049-61		.DOOR ASSY- USED ON: 311N5049-31 311N5049-32 311N5049-53 311N5049-54 311N5049-69 311N5049-70 311N5049-85 311N5049-86 311N5049-101 311N5049-102 311N5049-103 311N5049-104 311N5049-117 311N5049-118 311N5049-119 311N5049-120 311N5049-145 311N5049-146	002004 006100 107107 121503 904999	1
246	311N5049-141		.DOOR ASSY- USED ON: 311N5049-31 311N5049-32 311N5049-53 311N5049-54 311N5049-69 311N5049-70 311N5049-85 311N5049-86 311N5049-101 311N5049-102 311N5049-103 311N5049-104 311N5049-117 311N5049-118 311N5049-119 311N5049-120 311N5049-145 311N5049-146	002004 006100 107107 121503 904999	1

MISSING ITEM NUMBERS NOT APPLICABLE

- ITEM NOT ILLUSTRATED

54-53-01-05

54-53-01
FIG. 05
PAGE 26
JAN 20/09

BRI



757

PARTS CATALOG (MAINTENANCE)

FIG ITEM	PART NUMBER	1 2 3 4 5 6 7	NOMENCLATURE	EFFECT FROM TO	UNITS PER ASSY
5 246	311N5049-157		.DOOR ASSY- USED ON: 311N5049-31 311N5049-32 311N5049-53 311N5049-54 311N5049-69 311N5049-70 311N5049-85 311N5049-86 311N5049-101 311N5049-102 311N5049-103 311N5049-104 311N5049-117 311N5049-118 311N5049-119 311N5049-120 311N5049-145 311N5049-146	002004 006100 107107 121503 904999	1
- 247	BACB30LR3-4		ATTACHING PARTS .BOLT- USED ON: 311N5049-1 311N5049-2 311N5049-85 311N5049-86	002004 006100 107107 121503 904999	10
250	CL100-3B120		-----*----- ..CABLE ASSY SUPPLIER CODE: V99862 SPECIFICATION NUMBER: BACC13Y3B120	002004 006100 107107 121503 904999	1
255	NAS1090-2		..HOOK-	002004 006100 107107 121503 904999	1
257	CL4F		..FERRULE SUPPLIER CODE: V99862 SPECIFICATION NUMBER: BACF22U2 OPTIONAL PART: 325167 V00779	002004 006100 107107 121503 904999	1

MISSING ITEM NUMBERS NOT APPLICABLE

- ITEM NOT ILLUSTRATED

54-53-01-05

54-53-01
FIG. 05
PAGE 27
JAN 20/09

BRI



757

PARTS CATALOG (MAINTENANCE)

FIG ITEM	PART NUMBER	1 2 3 4 5 6 7	NOMENCLATURE	EFFECT FROM TO	UNITS PER ASSY
5 258	66-25039		..BLOCK- OPTIONAL PART: 43L4-1 V06349 43L4-2 V06349 USED ON: 311N5049-61 311N5049-141 311N5049-157	002004 006100 107107 121503 904999	6
258	43L4-1		..BLOCK- SUPPLIER CODE: V06349 OPTIONAL PART: 66-25039 43L4-2 V06349 USED ON: 311N5049-61 311N5049-141 311N5049-157	002004 006100 107107 121503 904999	6
258	43L4-2		..BLOCK- SUPPLIER CODE: V06349 OPTIONAL PART: 66-25039 43L4-1 V06349 USED ON: 311N5049-61 311N5049-141 311N5049-157	002004 006100 107107 121503 904999	6
260	BACB30LH4K5		..BOLT- OPTIONAL PART: BACB30LH4-5 USED ON: 311N5049-61 311N5049-141 311N5049-157	002004 006100 107107 121503 904999	6
260	BACB30LH4-5		..BOLT- OPTIONAL PART: BACB30LH4K5 USED ON: 311N5049-61 311N5049-141 311N5049-157	002004 006100 107107 121503 904999	6

MISSING ITEM NUMBERS NOT APPLICABLE

- ITEM NOT ILLUSTRATED

54-53-01-05

54-53-01
FIG. 05
PAGE 28
JAN 20/09

BRI



757

PARTS CATALOG (MAINTENANCE)

FIG ITEM	PART NUMBER	1 2 3 4 5 6 7	NOMENCLATURE	EFFECT FROM TO	UNITS PER ASSY
5 261B	311N5146-1		.. INDICATOR- USED ON: 311N5049-61 311N5049-141 311N5049-157	002004 006100 107107 121503 904999	6
261D	311N5145-1		.. PLATE-SHIM USED ON: 311N5049-61 311N5049-141 311N5049-157	002004 006100 107107 121503 904999	6
261F	311N5147-1		.. NUT- USED ON: 311N5049-61 311N5049-141 311N5049-157	002004 006100 107107 121503 904999	6
262	311N5049-14		.. DOOR- USED ON: 311N5049-9	002004 006100 107107 121503 904999	1
262	311N5049-64		.. DOOR- USED ON: 311N5049-61 311N5049-141	002004 006100 107107 121503 904999	1
262	311N5049-158		.. DOOR- USED ON: 311N5049-157	002004 006100 107107 121503 904999	1
264	BACB30LK3-4		. BOLT	002004 006999	1
266	AN960KD10L		. WASHER	002004 006100 107107 121503 904999	1
266	NAS1149D0332J		. WASHER	101106 108120 504903	1

MISSING ITEM NUMBERS NOT APPLICABLE

- ITEM NOT ILLUSTRATED

54-53-01-05

54-53-01
FIG. 05
PAGE 29
JAN 20/09

BRI

BOEING PROPRIETARY - Copyright © - Unpublished Work - See title page for details.



757

PARTS CATALOG (MAINTENANCE)

FIG ITEM	PART NUMBER	1 2 3 4 5 6 7	NOMENCLATURE	EFFECT FROM TO	UNITS PER ASSY
5 267	HL13VAZ6-9	.BOLT-	SUPPLIER CODE: V56878 SPECIFICATION NUMBER: BACB30NY6K9 OPTIONAL PART: HL13VAZ6-9 V73197 HL13VAZ6-9 V92215 HL13VAZ6-9 V97928 L801-6K9 V06725 HL13VAZ6-9 V60516 L801-6K9 VOPTK6 HL13VAZ6-9 V17446 BACB30NN3K9	002004 006999	8
267	BACB30NN3K9	.BOLT-	OPTIONAL PART: BACB30NY6K9	002004 006999	8
269	BACW10BN3UP	.WASHER		002004 006999	8
271	MS21042L3	.NUT		002004 006999	8
273	BACS40R14B17F	.SHIM-	USED ON: 311N5049-1 311N5049-2 311N5049-31 311N5049-32 311N5049-53 311N5049-54 311N5049-69 311N5049-70 311N5049-85 311N5049-86	002004 006100 107107 121503 904999	AR
273	BACS40R14D17F	.SHIM-	USED ON: 311N5049-117 311N5049-118 311N5049-119 311N5049-120	002004 006100 107107 121503 904999	AR
273	BACS40R014E017F	.SHIM		101106 108120 504903	AR

MISSING ITEM NUMBERS NOT APPLICABLE

- ITEM NOT ILLUSTRATED

54-53-01-05

54-53-01
FIG. 05
PAGE 30
JAN 20/09

BRI

BOEING PROPRIETARY - Copyright © - Unpublished Work - See title page for details.



757

PARTS CATALOG (MAINTENANCE)

FIG ITEM	PART NUMBER	1 2 3 4 5 6 7	NOMENCLATURE	EFFECT FROM TO	UNITS PER ASSY
5					
275	311N5049-33		.DOOR ASSY-PRESSURE RELIEF POSITION DATA: LH USED ON: 311N5049-31	002004 006100 107107 121503 904999	1
275	311N5049-99		.DOOR ASSY-PRESSURE RELIEF POSITION DATA: LH SIDE USED ON: 311N5049-31 311N5049-69	002004 006100 107107 121503 904999	1
275	311N5049-109		.DOOR ASSY-PRESSURE RELIEF POSITION DATA: LH SIDE USED ON: 311N5049-103 311N5049-117	002004 006100 107107 121503 904999	1
275	311N5049-133		.DOOR ASSY-PRESSURE RELIEF POSITION DATA: LH SIDE OPTIONAL PART: 311N5049-175 USED ON: 311N5049-117 311N5049-145 311N5049-149 311N5049-159	002004 006999	1
275	311N5049-175		.DOOR ASSY-PRESSURE RELIEF POSITION DATA: LH SIDE OPTIONAL PART: 311N5049-133 USED ON: 311N5049-159	002004 006999	1
275	311N5049-167		.DOOR ASSY-PRESSURE RELIEF POSITION DATA: LH SIDE	002004 006999	1
275	311N5049-197		.DOOR ASSY-PRESSURE RELIEF POSITION DATA: LH SIDE	002004 006999	1
- 280	311N5049-34		.DOOR ASSY-PRESSURE RELIEF POSITION DATA: RH USED ON: 311N5049-32	002004 006100 107107 121503 904999	1

MISSING ITEM NUMBERS NOT APPLICABLE

- ITEM NOT ILLUSTRATED

54-53-01-05

54-53-01
FIG. 05
PAGE 31
MAY 20/09

BRI



757

PARTS CATALOG (MAINTENANCE)

FIG ITEM	PART NUMBER	1 2 3 4 5 6 7	NOMENCLATURE	EFFECT FROM TO	UNITS PER ASSY
5					
- 280	311N5049-100		.DOOR ASSY-PRESSURE RELIEF POSITION DATA: RH SIDE USED ON: 311N5049-32 311N5049-70	002004 006100 107107 121503 904999	1
- 280	311N5049-110		.DOOR ASSY-PRESSURE RELIEF POSITION DATA: RH SIDE USED ON: 311N5049-104 311N5049-118	002004 006100 107107 121503 904999	1
- 280	311N5049-134		.DOOR ASSY-PRESSURE RELIEF POSITION DATA: RH SIDE OPTIONAL PART: 311N5049-176 USED ON: 311N5049-118 311N5049-146 311N5049-150 311N5049-160	002004 006999	1
- 280	311N5049-176		.DOOR ASSY-PRESSURE RELIEF POSITION DATA: RH SIDE OPTIONAL PART: 311N5049-134 USED ON: 311N5049-160	002004 006999	1
R R R R R R R	- 280	311N5049-198	.DOOR ASSY-PRESSURE RELIEF POSITION DATA: RH SIDE	002004 006999	1
R R R R R	- 280	311N5049-168	.DOOR ASSY-PRESSURE RELIEF POSITION DATA: RH SIDE FOR SPARES PROCURE: 311N5049-198	002004 006999	1

MISSING ITEM NUMBERS NOT APPLICABLE

- ITEM NOT ILLUSTRATED

54-53-01-05

54-53-01
FIG. 05
PAGE 32
MAY 20/09

BRI



757

PARTS CATALOG (MAINTENANCE)

FIG ITEM	PART NUMBER	1 2 3 4 5 6 7	NOMENCLATURE	EFFECT FROM TO	UNITS PER ASSY
5 285	HL13VAZ5-7	..	BOLT- SUPPLIER CODE: V56878 SPECIFICATION NUMBER: BACB30NY5K7 OPTIONAL PART: HL13VAZ5-7 V73197 HL13VAZ5-7 V92215 HL13VAZ5-7 V97928 L801-5K7 V06725 HL13VAZ5-7 V60516 L801-5K7 VOPTK6 HL13VAZ5-7 V17446 USED ON: 311N5049-133 311N5049-134	002004 006999	7
285	BACB30NY5HK7	..	BOLT- USED ON: 311N5049-175 311N5049-176	002004 006999	7
290	BACB30LH2-8	..	BOLT-	002004 006999	1
291	BACB30NY5HK7	..	BOLT- USED ON: 311N5049-167	002004 006999	8
295	SLS102D8-04	..	SLEEVE- SUPPLIER CODE: V97393	002004 006999	8
300	SLP102C8-1	..	PLUG- SUPPLIER CODE: V97393	002004 006999	8
305	AN960KD8L	..	WASHER- USED ON: 311N5049-133 311N5049-134	002004 006999	8
305	NAS1149DN816J	..	WASHER- USED ON: 311N5049-175 311N5049-176	002004 006999	8
305	NAS1149DN816J	..	WASHER- USED ON: 311N5049-167	002004 006999	8

MISSING ITEM NUMBERS NOT APPLICABLE

- ITEM NOT ILLUSTRATED

54-53-01-05

54-53-01
FIG. 05
PAGE 33
MAY 20/09

BRI



757

PARTS CATALOG (MAINTENANCE)

FIG ITEM	PART NUMBER	1 2 3 4 5 6 7	NOMENCLATURE	EFFECT FROM TO	UNITS PER ASSY
5 310	BRH10A08		..NUT- SUPPLIER CODE: V52828 SPECIFICATION NUMBER: BACN10JC08 OPTIONAL PART: H10-08BAC V15653 NS202101-82 V80539 RMLH9075-82W V72962 VN303A82 V92215 96-82 V80539 T6S832J V11815 USED ON: 311N5049-133 311N5049-134	002004 006999	8
310	BRH10C08D		..NUT- SUPPLIER CODE: V52828 SPECIFICATION NUMBER: BACN10JC08CD OPTIONAL PART: H51650-08BAC V15653 102LH9075-82W V72962 NS202486-82 V80539 T6C832JCD V11815 USED ON: 311N5049-175 311N5049-176	002004 006999	8

MISSING ITEM NUMBERS NOT APPLICABLE

- ITEM NOT ILLUSTRATED

BRI

54-53-01-05

BOEING PROPRIETARY - Copyright © - Unpublished Work - See title page for details.

54-53-01
FIG. 05
PAGE 34
MAY 20/09



757

PARTS CATALOG (MAINTENANCE)

FIG ITEM	PART NUMBER	1 2 3 4 5 6 7	NOMENCLATURE	EFFECT FROM TO	UNITS PER ASSY
5 310	BRH10C08D		..NUT- SUPPLIER CODE: V52828 SPECIFICATION NUMBER: BACN10JC08CD OPTIONAL PART: H51650-08BAC V15653 102LH9075-82W V72962 NS202486-82 V80539 T6C832JCD V11815 USED ON: 311N5049-167	002004 006999	8
315	H2904-3		..HINGE ASSY- SUPPLIER CODE: V83014 OPTIONAL PART: 9313-1 V84256	002004 006999	2
315	9313-1		..HINGE ASSY- SUPPLIER CODE: V84256 OPTIONAL PART: H2904-3 V83014	002004 006999	2
315	H2904-3		..HINGE ASSY- SUPPLIER CODE: V83014 OPTIONAL PART: 9313-1 V84256 USED ON: 311N5049-167	002004 006999	2
315	9313-1		..HINGE ASSY- SUPPLIER CODE: V84256 OPTIONAL PART: H2904-3 V83014 USED ON: 311N5040-167	002004 006999	2

MISSING ITEM NUMBERS NOT APPLICABLE

- ITEM NOT ILLUSTRATED

54-53-01-05

54-53-01
FIG. 05
PAGE 35
MAY 20/09

BRI



757

PARTS CATALOG (MAINTENANCE)

FIG ITEM	PART NUMBER	1 2 3 4 5 6 7	NOMENCLATURE	EFFECT FROM TO	UNITS PER ASSY
5 317	311N5049-75		.. FILLER- USED ON: 311N5049-57 311N5049-58 311N5049-97 311N5049-98 311N5049-99 311N5049-100 311N5049-33 311N5049-34	002004 006100 107107 121503 904999	2
317	BACF3F017E014NN		.. FILLER- USED ON: 311N5049-107 311N5049-108 311N5049-109 311N5049-110 311N5049-133 311N5049-134 311N5049-175 311N5049-176	002004 006999	2
335	740A11-5		.. JUMPER ASSY- SUPPLIER CODE: V91812 SPECIFICATION NUMBER: BACJ40A11-5 OPTIONAL PART: 30352 V00779 CD5E V79550 BACJ40A11-7 USED ON: 311N5049-33 311N5049-34 311N5049-45 311N5049-46 311N5049-99 311N5049-100 311N5049-109 311N5049-110 311N5049-133 311N5049-134	002004 006999	1

MISSING ITEM NUMBERS NOT APPLICABLE

- ITEM NOT ILLUSTRATED

54-53-01-05

54-53-01
FIG. 05
PAGE 36
MAY 20/09

BRI



757

PARTS CATALOG (MAINTENANCE)

FIG ITEM	PART NUMBER	1 2 3 4 5 6 7	NOMENCLATURE	EFFECT FROM TO	UNITS PER ASSY
5					
335	740A20-5	..	JUMPER ASSY SUPPLIER CODE: V91812 SPECIFICATION NUMBER: BACJ40A20-5 OPTIONAL PART: TJEJ40A20-5 V33483 RBEJ20-5 V1GK47	002004 006999	1
350	H2902-3	..	LATCH- SUPPLIER CODE: V83014 SPECIFICATION NUMBER: S311T306-3	002004 006999	1
350	H2902-3	..	LATCH- SUPPLIER CODE: V83014 SPECIFICATION NUMBER: S311T306-3 USED ON: 311N5049-167 ATTACHING PARTS	002004 006999	1
355	BACB30LU06-2	..	BOLT	002004 006999	4
355	BACB30LU06-3	..	BOLT- USED ON: 311N5049-167	002004 006999	4
360	AN960C6L	..	WASHER	002004 006999	4
360	NAS1149CN616R	..	WASHER- USED ON: 311N5049-167	002004 006999	4
362	311N5049-77	..	SHIM- USED ON: 311N5049-57 311N5049-58 311N5049-97 311N5049-98 311N5049-99 311N5049-100	002004 006100 107107 121503 904999	AR
363	311N5049-113	..	FILLER- USED ON: 311N5049-107 311N5049-108 311N5049-109 311N5049-110 311N5049-133 311N5049-134	002004 006999	1

MISSING ITEM NUMBERS NOT APPLICABLE

- ITEM NOT ILLUSTRATED

54-53-01-05

54-53-01
FIG. 05
PAGE 37
MAY 20/09

BRI

BOEING PROPRIETARY - Copyright © - Unpublished Work - See title page for details.



757

PARTS CATALOG (MAINTENANCE)

FIG ITEM	PART NUMBER	1 2 3 4 5 6 7	NOMENCLATURE	EFFECT FROM TO	UNITS PER ASSY
5 365	BRH10C06M		..NUT SUPPLIER CODE: V52828 SPECIFICATION NUMBER: BACN10JC06CM OPTIONAL PART: T6C632JM V11815 97E62 V80539 109LH9075-62W V72962 VN303D62 V92215 NS202101SE62 V80539 H01-06BAC V15653	002004 006999	4
365	BRH10C06M		..NUT- SUPPLIER CODE: V52828 SPECIFICATION NUMBER: BACN10JC06CM OPTIONAL PART: T6C632JM V11815 97E62 V80539 109LH9075-62W V72962 VN303D62 V92215 NS202101SE62 V80539 H01-06BAC V15653 USED ON: 311N5049-167 -----*-----	002004 006999	4
367	311N5049-49		..SEAL- USED ON: 311N5049-33 311N5049-34 311N5049-99 311N5049-100	002004 006100 107107 121503 904999	1

MISSING ITEM NUMBERS NOT APPLICABLE

- ITEM NOT ILLUSTRATED

54-53-01-05

54-53-01
FIG. 05
PAGE 38
MAY 20/09

BRI



757

PARTS CATALOG (MAINTENANCE)

FIG ITEM	PART NUMBER	1 2 3 4 5 6 7	NOMENCLATURE	EFFECT FROM TO	UNITS PER ASSY
5					
367	311N5049-114	..	SEAL- POSITION DATA: LH SIDE USED ON: 311N5049-109	002004 006100 107107 121503 904999	1
367	311N5049-136	..	SEAL- POSITION DATA: LH SIDE USED ON: 311N5049-133	002004 006999	1
- 368	311N5049-115	..	SEAL- POSITION DATA: RH SIDE USED ON: 311N5049-110	002004 006100 107107 121503 904999	1
- 368	311N5049-137	..	SEAL- POSITION DATA: RH SIDE USED ON: 311N5049-134	002004 006999	1
370	311N5049-35	..	BONDED ASSY- POSITION DATA: LH SIDE USED ON: 311N5049-33	002004 006100 107107 121503 904999	1
370	311N5049-93	..	BONDED ASSY- POSITION DATA: LH SIDE USED ON: 311N5049-109 311N5049-133 311N5049-175 USED ON: 311N5049-99	002004 006999	1
370	311N5049-165	..	PANEL-DOOR POSITION DATA: LH SIDE USED ON: 311N5049-167	002004 006999	1
- 375	311N5049-36	..	BONDED ASSY- POSITION DATA: RH SIDE USED ON: 311N5049-34	002004 006100 107107 121503 904999	1

MISSING ITEM NUMBERS NOT APPLICABLE

- ITEM NOT ILLUSTRATED

54-53-01-05

54-53-01
FIG. 05
PAGE 39
MAY 20/09

BRI



757

PARTS CATALOG (MAINTENANCE)

FIG ITEM	PART NUMBER	1 2 3 4 5 6 7	NOMENCLATURE	EFFECT FROM TO	UNITS PER ASSY
5					
- 375	311N5049-94		. . BONDED ASSY- POSITION DATA: RH SIDE USED ON: 311N5049-110 311N5049-134 311N5049-176 USED ON: 311N5049-100	002004 006999	1
385	311N5160-4		. PLATE- OPTIONAL PART: 311N5160-5 USED ON: 311N5049-31 311N5049-32 311N5049-53 311N5049-54 311N5049-69 311N5049-70 311N5049-85 311N5049-86 311N5049-101 311N5049-102 311N5049-103 311N5049-104 311N5049-117 311N5049-118 311N5049-119 311N5049-120 311N5049-145 311N5049-146 311N5049-149 311N5049-150 311N5049-159 311N5049-160	002004 006999	1
385	311N5160-5		. PLATE- OPTIONAL PART: 311N5160-4	002004 006999	1
- 387	BACR15BA3AD		ATTACHING PARTS . RIVET	002004 006999	2
390	BACB30NN3K6		-----*----- . BOLT-	002004 006100 107107 121503 904999	3

MISSING ITEM NUMBERS NOT APPLICABLE

- ITEM NOT ILLUSTRATED

54-53-01-05

54-53-01
FIG. 05
PAGE 40
MAY 20/09

BRI

BOEING PROPRIETARY - Copyright © - Unpublished Work - See title page for details.



757

PARTS CATALOG (MAINTENANCE)

FIG ITEM	PART NUMBER	1 2 3 4 5 6 7	NOMENCLATURE	EFFECT FROM TO	UNITS PER ASSY
5					
395	BACW10UC10P	.	WASHER-	002004 006100 107107 121503 904999	3
400	311N5049-143	.	FITTING ASSY- POSITION DATA: LH SIDE USED ON: 311N5049-117	002004 006100 107107 121503 904999	1
400	311N5049-128	.	FITTING ASSY- POSITION DATA: LH SIDE USED ON: 311N5049-117	002004 006100 107107 121503 904999	1
400	311N5049-79	.	FITTING ASSY- POSITION DATA: LH SIDE USED ON: 311N5049-69 311N5049-103 311N5049-117	002004 006100 107107 121503 904999	1
400	311N5049-147	.	FITTING ASSY- POSITION DATA: LH SIDE USED ON: 311N5049-117 311N5049-145 311N5049-159	002004 006999	1
- 405	311N5049-129	.	FITTING ASSY- POSITION DATA: RH SIDE USED ON: 311N5049-118	002004 006100 107107 121503 904999	1
- 405	311N5049-80	.	FITTING ASSY- POSITION DATA: RH SIDE USED ON: 311N5049-70 311N5049-104 311N5049-118	002004 006100 107107 121503 904999	1
- 405	311N5049-144	.	FITTING ASSY- POSITION DATA: RH SIDE USED ON: 311N5049-118	002004 006100 107107 121503 904999	1

MISSING ITEM NUMBERS NOT APPLICABLE

- ITEM NOT ILLUSTRATED

54-53-01-05

54-53-01
FIG. 05
PAGE 41
MAY 20/09

BRI



757

PARTS CATALOG (MAINTENANCE)

FIG ITEM	PART NUMBER	1 2 3 4 5 6 7	NOMENCLATURE	EFFECT FROM TO	UNITS PER ASSY
5 - 405	311N5049-148		. FITTING ASSY- POSITION DATA: RH SIDE USED ON: 311N5049-118 311N5049-146 311N5049-160	002004 006999	1

MISSING ITEM NUMBERS NOT APPLICABLE

- ITEM NOT ILLUSTRATED

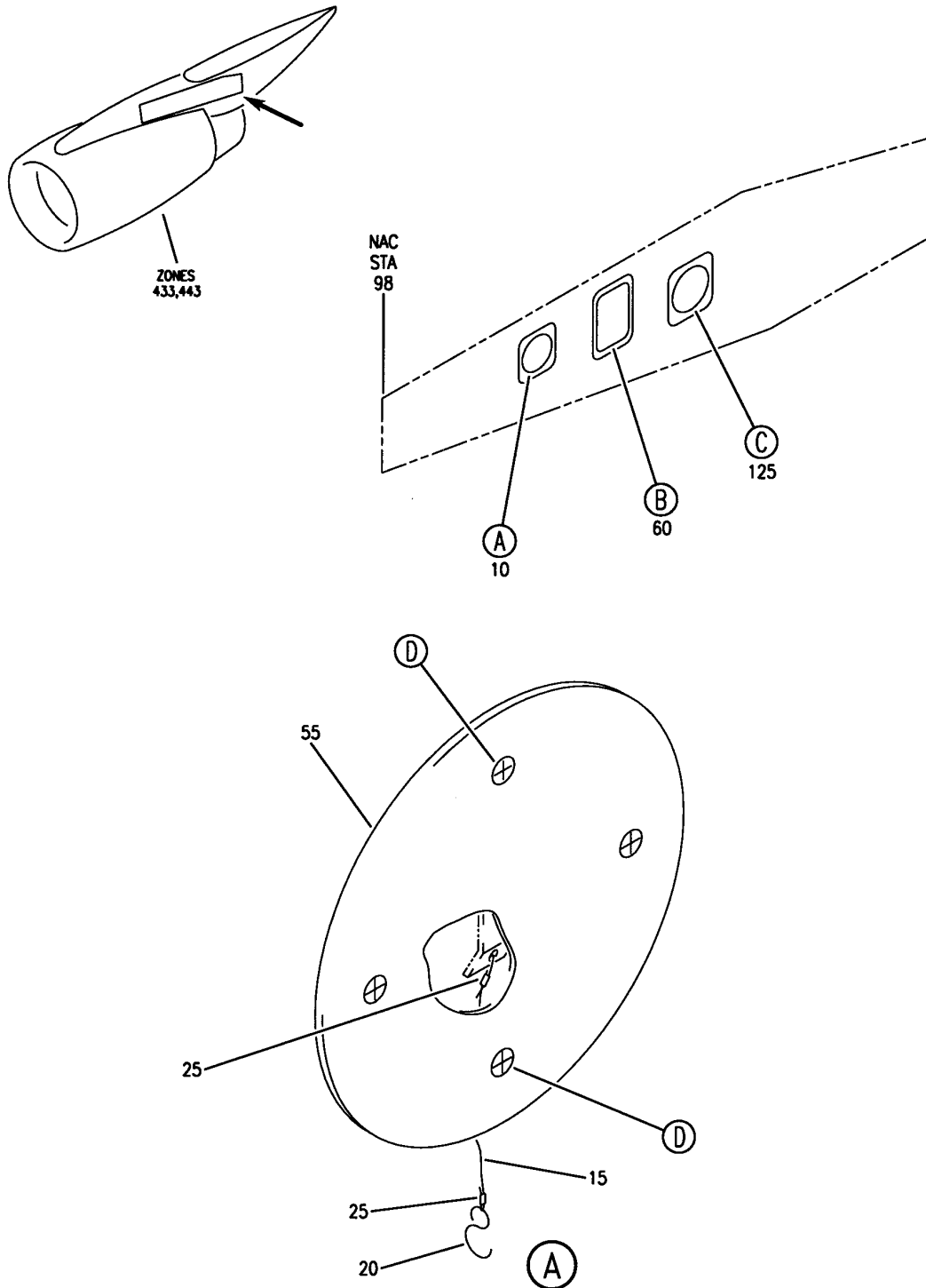
BRI

54-53-01-05

BOEING PROPRIETARY - Copyright © - Unpublished Work - See title page for details.

54-53-01
FIG. 05
PAGE 42
MAY 20/09

BOEING
757
PARTS CATALOG (MAINTENANCE)



Y 54530105A SHT 1 REV 205

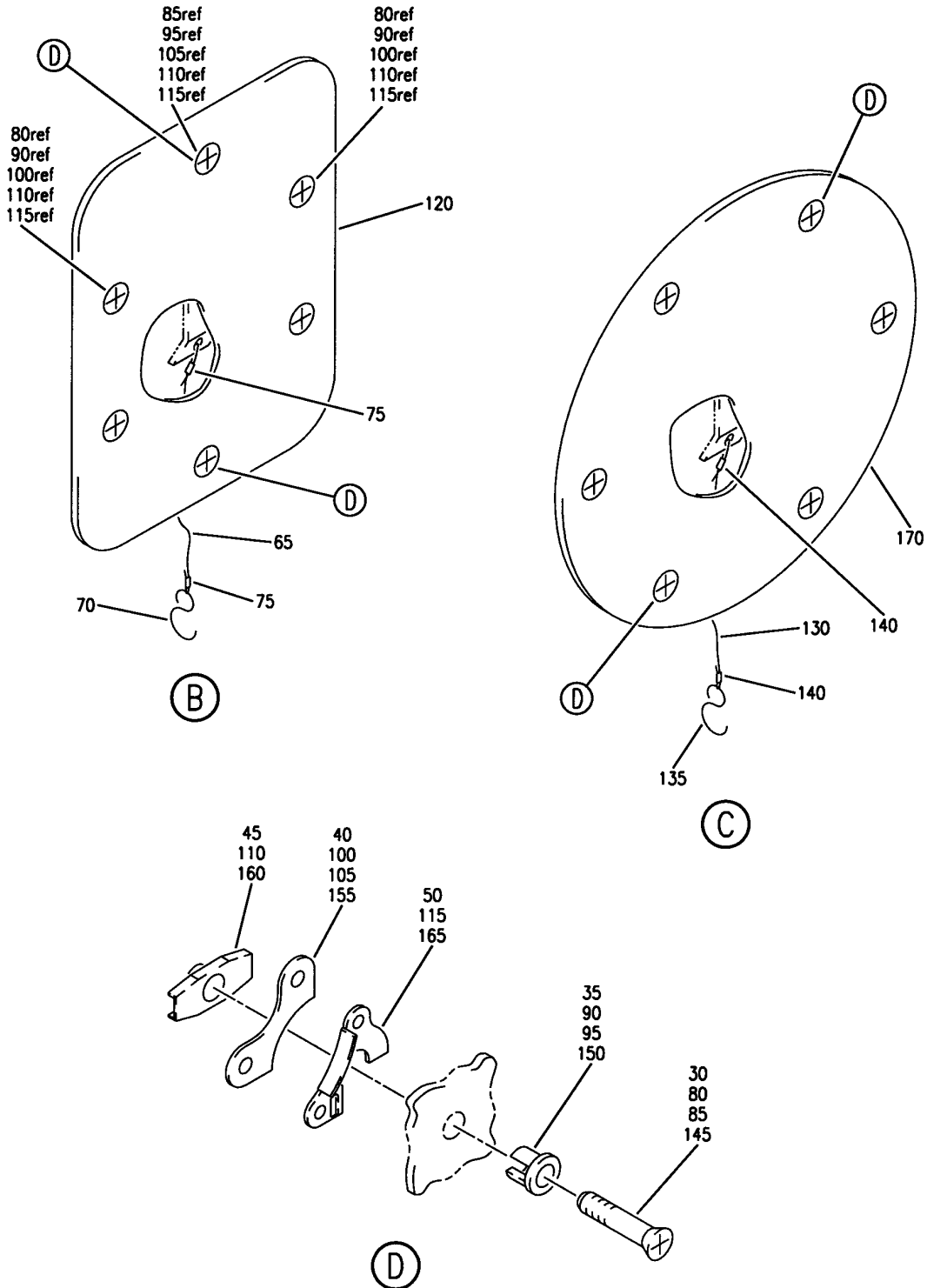
DOOR INSTL-ACCESS RENTON INSTALLED
FIGURE 5A (SHEET 1)

54-53-01-05A

BRI
MAY 28/07

54-53-01-05A
PAGE 0


BOEING
 757
PARTS CATALOG (MAINTENANCE)



Y 54530105A SHT 2 REV 205

DOOR INSTL-ACCESS RENTON INSTALLED
FIGURE 5A (SHEET 2)

54-53-01-05A

BRI
MAY 28/07

54-53-01-05A
PAGE 0A



757

PARTS CATALOG (MAINTENANCE)

FIG ITEM	PART NUMBER	1 2 3 4 5 6 7	NOMENCLATURE	EFFECT FROM TO	UNITS PER ASSY
5A			DOOR INSTL-ACCESS RENTON INSTALLED	101106 108120 504903	
- 1	311N5049-163		DOOR INSTL-ACCESS RENTON INSTALLED POSITION DATA: LH FOR NHA SEE: 54-00-00-03A	101102 108120 504903	RF
- 1	MODREF13883		DOOR INSTL-ACCESS RENTON INSTALLED MODULE NUMBER: 311N5049-163 REV A POSITION DATA: LH	103103	1
- 1	MODREF27953		DOOR INSTL-ACCESS RENTON INSTALLED MODULE NUMBER: 311N5049-163 REV B POSITION DATA: LH	104106	1
- 5	311N5049-164		DOOR INSTL-ACCESS RENTON INSTALLED POSITION DATA: RH FOR NHA SEE: 54-00-00-03A	101102 108120 504903	RF
- 5	MODREF13884		DOOR INSTL-ACCESS RENTON INSTALLED MODULE NUMBER: 311N5049-164 REV A POSITION DATA: RH	103103	1
- 5	MODREF27954		DOOR INSTL-ACCESS RENTON INSTALLED MODULE NUMBER: 311N5049-164 REV B POSITION DATA: RH	104106	1
10	311N5049-153		.DOOR ASSY-	101106 108120 504903	1
10	311N5049-139		.DOOR ASSY-	101106 108120 504903	1
10	311N5049-59		.DOOR ASSY-	101106 108120 504903	1

MISSING ITEM NUMBERS NOT APPLICABLE

- ITEM NOT ILLUSTRATED

54-53-01-05A

54-53-01
FIG. 05A
PAGE 1
JAN 20/09

BRI

BOEING PROPRIETARY - Copyright © - Unpublished Work - See title page for details.



757

PARTS CATALOG (MAINTENANCE)

FIG ITEM	PART NUMBER	1 2 3 4 5 6 7	NOMENCLATURE	EFFECT FROM TO	UNITS PER ASSY
5A					
15	BACC13Y3B60	..	CABLE ASSY	101106 108120 504903	1
20	NAS1090-2	..	H00K	101106 108120 504903	1
25	CL4F	..	FERRULE SUPPLIER CODE: V99862 SPECIFICATION NUMBER: BACF22U2 OPTIONAL PART: 325167 V00779	101106 108120 504903	2
30	BACB30LH4K5	..	BOLT- OPTIONAL PART: BACB30LH4-5	101106 108120 504903	4
30	BACB30LH4-5	..	BOLT- OPTIONAL PART: BACB30LH4K5	101106 108120 504903	4
35	311N5146-1	..	INDICATOR	101106 108120 504903	4
40	311N5145-1	..	PLATE-SHIM	101106 108120 504903	4
45	311N5147-1	..	NUT	101106 108120 504903	4
50	66-25039	..	BLOCK- OPTIONAL PART: 43L4-1 V06349 43L4-2 V06349	101106 108120 504903	4
50	43L4-1	..	BLOCK- SUPPLIER CODE: V06349 OPTIONAL PART: 43L4-2 V06349 66-25039	101106 108120 504903	4
50	43L4-2	..	BLOCK- SUPPLIER CODE: V06349 OPTIONAL PART: 66-25039 43L4-1 V06349	101106 108120 504903	4

MISSING ITEM NUMBERS NOT APPLICABLE

- ITEM NOT ILLUSTRATED

54-53-01-05A

54-53-01
FIG. 05A
PAGE 2
JAN 20/09

BRI

BOEING PROPRIETARY - Copyright © - Unpublished Work - See title page for details.

 **BOEING**
757
PARTS CATALOG (MAINTENANCE)

FIG ITEM	PART NUMBER	1 2 3 4 5 6 7	NOMENCLATURE	EFFECT FROM TO	UNITS PER ASSY
5A					
55	311N5049-154	. .	D00R	101106 108120 504903	1
60	311N5049-155	. D00R	ASSY-	101106 108120 504903	1
60	311N5049-140	. D00R	ASSY-	101106 108120 504903	1
60	311N5049-60	. D00R	ASSY-	101106 108120 504903	1
65	BACC13Y3B60	. .	CABLE ASSY	101106 108120 504903	1
70	NAS1090-2	. .	H00K	101106 108120 504903	1
75	CL4F	. .	FERRULE SUPPLIER CODE: V99862 SPECIFICATION NUMBER: BACF22U2 OPTIONAL PART: 325167 V00779	101106 108120 504903	2
80	BACB30LH4K6	. .	B0LT- OPTIONAL PART: BACB30LH4-6	101106 108120 504903	5
80	BACB30LH4-6	. .	B0LT- OPTIONAL PART: BACB30LH4K6	101106 108120 504903	5
85	BACB30LH4K9	. .	B0LT- OPTIONAL PART: BACB30LH4-9	101106 108120 504903	1
85	BACB30LH4-9	. .	B0LT- OPTIONAL PART: BACB30LH4K9	101106 108120 504903	1
90	311N5146-2	. .	I0NDICATOR	101106 108120 504903	5
95	311N5146-1	. .	I0NDICATOR	101106 108120 504903	1
100	311N5145-3	. .	P0LATE	101106 108120 504903	5

MISSING ITEM NUMBERS NOT APPLICABLE

— ITEM NOT ILLUSTRATED

BRI

54-53-01-05A

BOEING PROPRIETARY - Copyright © - Unpublished Work - See title page for details.

54-53-01
FIG. 05A
PAGE 3
JAN 20/09



757

PARTS CATALOG (MAINTENANCE)

FIG ITEM	PART NUMBER	1 2 3 4 5 6 7	NOMENCLATURE	EFFECT FROM TO	UNITS PER ASSY
5A 105	311N5145-4	..	PLATE	101106 108120 504903	1
110	311N5147-1	..	NUT	101106 108120 504903	6
115	66-25039	..	BLOCK- OPTIONAL PART: 43L4-1 V06349 43L4-2 V06349	101106 108120 504903	6
115	43L4-1	..	BLOCK- SUPPLIER CODE: V06349 OPTIONAL PART: 43L4-2 V06349 66-25039	101106 108120 504903	6
115	43L4-2	..	BLOCK- SUPPLIER CODE: V06349 OPTIONAL PART: 43L4-1 V06349 66-25039	101106 108120 504903	6
120	311N5049-156	..	DOOR	101106 108120 504903	1
125	311N5049-157	.D	DOOR ASSY-	101106 108120 504903	1
125	311N5049-141	.D	DOOR ASSY-	101106 108120 504903	1
125	311N5049-61	.D	DOOR ASSY-	101106 108120 504903	1
130	CL100-3B120	..	CABLE ASSY SUPPLIER CODE: V99862 SPECIFICATION NUMBER: BACC13Y3B120	101106 108120 504903	1
135	NAS1090-2	..	HOOK	101106 108120 504903	1

MISSING ITEM NUMBERS NOT APPLICABLE

- ITEM NOT ILLUSTRATED

54-53-01-05A

54-53-01
FIG. 05A
PAGE 4
JAN 20/09

BRI

BOEING PROPRIETARY - Copyright © - Unpublished Work - See title page for details.



757

PARTS CATALOG (MAINTENANCE)

FIG ITEM	PART NUMBER	1 2 3 4 5 6 7	NOMENCLATURE	EFFECT FROM TO	UNITS PER ASSY
5A 140	CL4F	..	FERRULE SUPPLIER CODE: V99862 SPECIFICATION NUMBER: BACF22U2 OPTIONAL PART: 325167 V00779	101106 108120 504903	2
145	BACB30LH4K5	..	BOLT- OPTIONAL PART: BACB30LH4-5	101106 108120 504903	6
145	BACB30LH4-5	..	BOLT- OPTIONAL PART: BACB30LH4K5	101106 108120 504903	6
150	311N5146-1	..	INDICATOR	101106 108120 504903	1
155	311N5145-1	..	PLATE	101106 108120 504903	6
160	311N5147-1	..	NUT	101106 108120 504903	6
165	66-25039	..	BLOCK- OPTIONAL PART: 43L4-1 V06349 43L4-2 V06349	101106 108120 504903	6
165	43L4-1	..	BLOCK- SUPPLIER CODE: V06349 OPTIONAL PART: 43L4-2 V06349 66-25039	101106 108120 504903	6
170	311N5049-158	..	DOOR	101106 108120 504903	1

MISSING ITEM NUMBERS NOT APPLICABLE

- ITEM NOT ILLUSTRATED

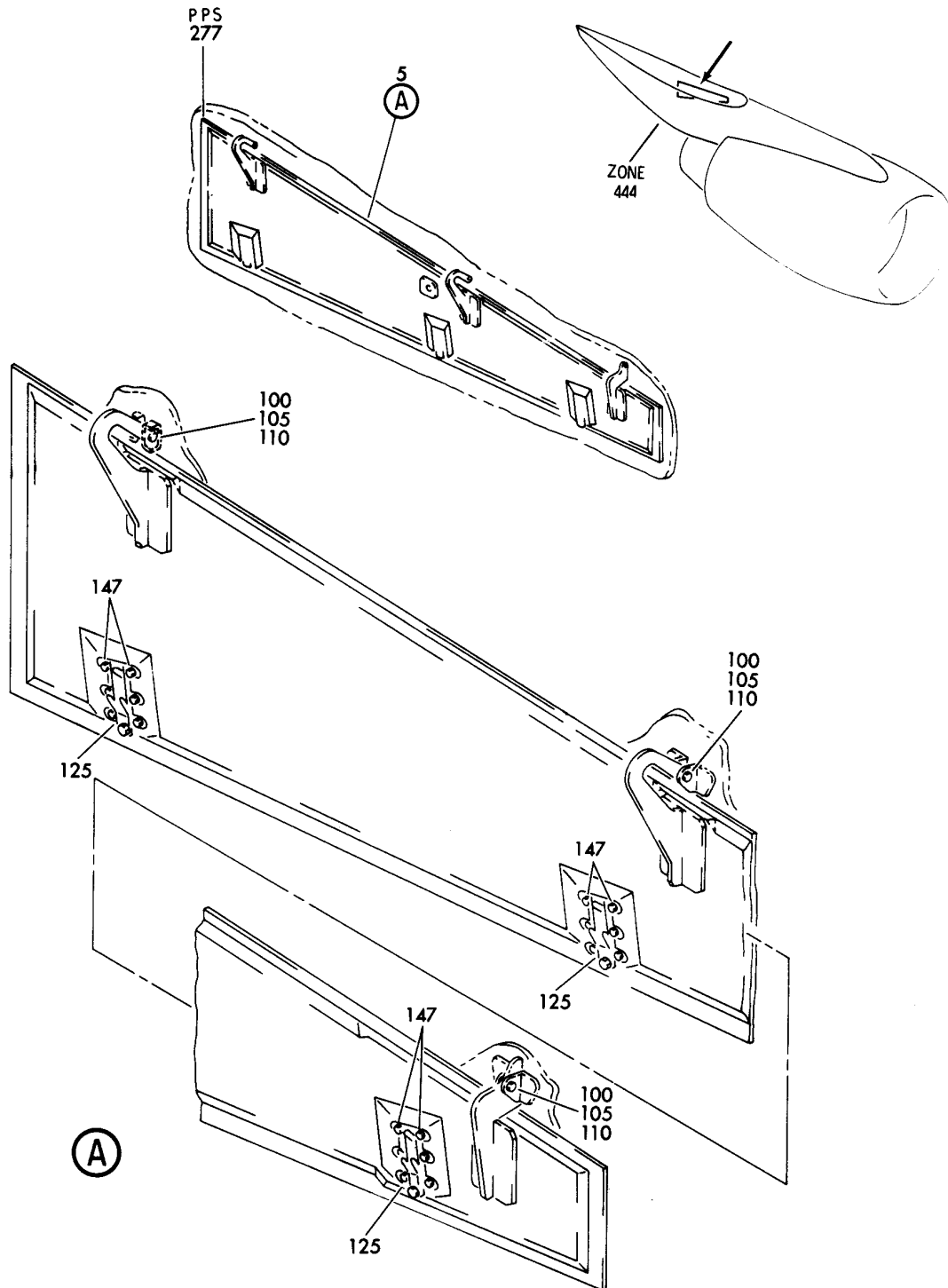
54-53-01-05A

54-53-01
FIG. 05A
PAGE 5
JAN 20/09

BRI

BOEING PROPRIETARY - Copyright © - Unpublished Work - See title page for details.

BOEING
757
PARTS CATALOG (MAINTENANCE)



Y 54530202 SH1 1 REV 044

DOOR INSTL-RB211-535E4 NAC STRUT AFT FAIRING ACCESS
FIGURE 2

54-53-02-02

BRI
MAY 28/07

54-53-02-02
PAGE 0



757

PARTS CATALOG (MAINTENANCE)

FIG ITEM	PART NUMBER	1 2 3 4 5 6 7	NOMENCLATURE	EFFECT FROM TO	UNITS PER ASSY
2			DOOR INSTL-RB211-535E4 NAC STRUT AFT FAIRING ACCESS	002004 006999	
- 1	313N5038-1		DOOR INSTL-RB211-535E4 NAC STRUT FAIRING ACCESS POSITION DATA: AFT FOR NHA SEE: 54-52-01-03	002004 006100 107107 121503 904999	RF
- 1	313N5038-5		DOOR INSTL-RB211-535E4 NAC STRUT POSITION DATA: AFT FAIRING ACCESS FOR NHA SEE: 54-52-01-01	101106 108120 504903	RF
	5 313N5038-3		.DOOR ASSY- COMPONENT MAINT MANUAL REF: 54-53-31	107107 904949	1
	5 313N5038-4		.DOOR ASSY- COMPONENT MAINT MANUAL REF: 54-53-31	002004 006999	1
100	P20650		..BEARING ASSY- SUPPLIER CODE: V57606 SPECIFICATION NUMBER: S302T001-206 OPTIONAL PART: VTB04450 V06710	002004 006999	3
105	P20651		...BALL- SUPPLIER CODE: V57606	002004 006999	1
110	P20652		...RACE- SUPPLIER CODE: V57606	002004 006999	1
125	9285-8		..LATCH ASSY- SUPPLIER CODE: V84256 SPECIFICATION NUMBER: 10-61334-8 OPTIONAL PART: H3070-1 V83014	002004 006999	3

MISSING ITEM NUMBERS NOT APPLICABLE

- ITEM NOT ILLUSTRATED

54-53-02-02

54-53-02
FIG. 02
PAGE 1
JAN 20/09

BRI



757

PARTS CATALOG (MAINTENANCE)

FIG ITEM	PART NUMBER	1 2 3 4 5 6 7	NOMENCLATURE	EFFECT FROM TO	UNITS PER ASSY
2 125	H3070-1		.. LATCH ASSY- SUPPLIER CODE: V83014 SPECIFICATION NUMBER: 10-61334-8 OPTIONAL PART: 9285-8 V84256 ATTACHING PARTS	002004 006999	3
- 130	BACB30LH3-6		.. BOLT	002004 006999	18
- 135	BACW10UC103P		.. WASHER-	002004 006999	18
- 140	AN960PD10L		.. WASHER	002004 006999	18
- 145	BRH10C3D		.. NUT SUPPLIER CODE: V52828 SPECIFICATION NUMBER: BACN10JC3CD OPTIONAL PART: T6C1032JCD V11815 NS202486-02 V80539 102LH9075-3W V72962 H51650-3BAC V15653 -----*-----	002004 006999	18
147	BACS4OR08F35F		.. SHIM	002004 006999	6

MISSING ITEM NUMBERS NOT APPLICABLE

- ITEM NOT ILLUSTRATED

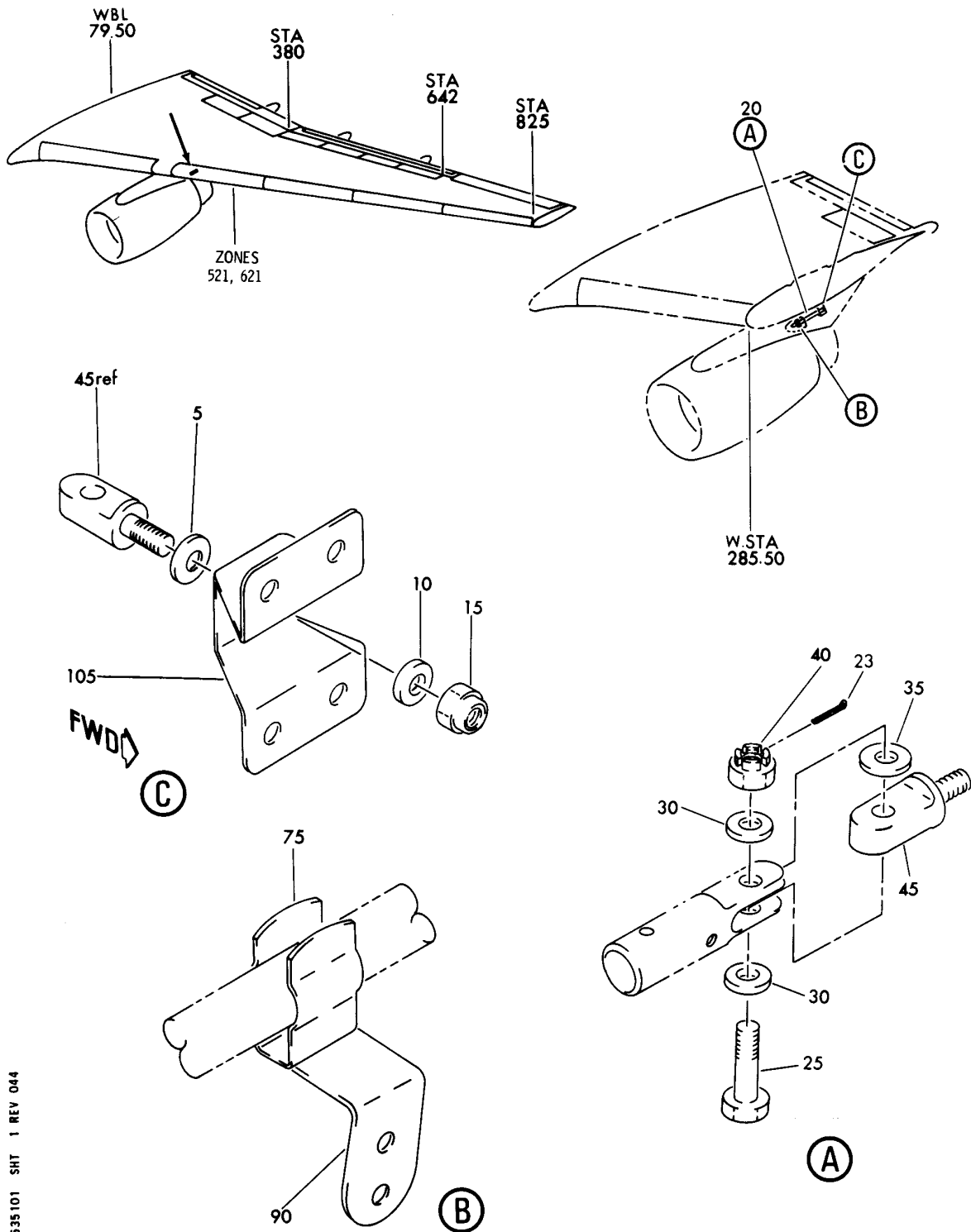
BRI

54-53-02-02

BOEING PROPRIETARY - Copyright © - Unpublished Work - See title page for details.

54-53-02
FIG. 02
PAGE 2
SEP 20/08

BOEING
757
PARTS CATALOG (MAINTENANCE)



Y 54535101 SHT 1 REV 044

ROD INSTL-STRUT AFT FAIRING HOLD OPEN
FIGURE 1

54-53-51-01

BRI
MAY 28/07

54-53-51-01
PAGE 0



757

PARTS CATALOG (MAINTENANCE)

FIG ITEM	PART NUMBER	1 2 3 4 5 6 7	NOMENCLATURE	EFFECT FROM TO	UNITS PER ASSY
1			ROD INSTL-STRUT AFT FAIRING HOLD OPEN	002004 006999	
- 1	313N5024-6		ROD INSTL-STRUT FAIRING HOLD OPEN POSITION DATA: AFT FOR NHA SEE: 54-52-01-03 54-52-01-01	002004 006999	RF
5	3502-18-04-4102		.WASHER- SUPPLIER CODE: V78189	002004 006999	1
10	AN960PD516		.WASHER-	002004 006999	1
15	BRH10A4		.NUT SUPPLIER CODE: V52828 SPECIFICATION NUMBER: BACN10JC4 OPTIONAL PART: T6S428J V11815 96-048 V80539 VN303A048 V92215 RMLH9075-4W V72962 NS202101-048 V80539 H10-4BAC V15653	002004 006999	1
20	313T3350-3		.ROD ASSY- COMPONENT MAINT MANUAL REF: 54-53-61	002004 006999	1
23	MS24665-153		..PIN	002004 006999	1
25	BACB30NM4DK7		..BOLT-	002004 006999	1
30	AN960C416L		..WASHER	002004 006999	2
35	3539-14-02-4102		..WASHER- SUPPLIER CODE: V78189	002004 006999	1
40	BACN10JD4		..NUT	002004 006999	1
45	66-23351-5		..EYEBOLT-COWL. SPRT	002004 006999	1

MISSING ITEM NUMBERS NOT APPLICABLE

- ITEM NOT ILLUSTRATED

54-53-51-01

54-53-51
FIG. 01
PAGE 1
SEP 20/08

BRI



757

PARTS CATALOG (MAINTENANCE)

FIG ITEM	PART NUMBER	1 2 3 4 5 6 7	NOMENCLATURE	EFFECT FROM TO	UNITS PER ASSY
1	75 66-8350	.	CLIP-SPR RTNR	002004 006999	1
-	80 HL1012AZ6-3	.	BOLT SUPPLIER CODE: V97928 SPECIFICATION NUMBER: BACB30NX6K3 OPTIONAL PART: HL12VAZ6-3 V73197 HL12VAZ6-3 V92215 HL12VAZ6-3 V97928 L802-6K3 V06725 HL12VAZ6-3 V56878 HL1012AZ6-3 VOPTK6 HL1012AZ6-3 V06725 HL1012AZ6-3 V06950 HL1012AZ6-3 V17446 HL1012AZ6-3 V56878 HL1012AZ6-3 V60516 HL1012AZ6-3 V73197	002004 006999	1

MISSING ITEM NUMBERS NOT APPLICABLE

- ITEM NOT ILLUSTRATED

BRI

54-53-51-01

BOEING PROPRIETARY - Copyright © - Unpublished Work - See title page for details.

54-53-51
FIG. 01
PAGE 2
SEP 20/08



757

PARTS CATALOG (MAINTENANCE)

FIG ITEM	PART NUMBER	1 2 3 4 5 6 7	NOMENCLATURE	EFFECT FROM TO	UNITS PER ASSY
1 - 85	HL1187-6		.COLLAR SUPPLIER CODE: V5M902 SPECIFICATION NUMBER: BACC30X6 OPTIONAL PART: HL87-6 V92215 HL87-6 V73197 HL1187-6 V56878 HL1187-6 V92215 HL87-6 V56878 HL1187-6 V73197 -----*-----	002004 006999	1
90	313N5024-7		.BRACKET-	002004 006999	1
- 95	HL13VAZ6-16		ATTACHING PARTS .BOLT SUPPLIER CODE: V56878 SPECIFICATION NUMBER: BACB30NY6K16 OPTIONAL PART: HL13VAZ6-16 V73197 HL13VAZ6-16 V92215 HL13VAZ6-16 V97928 L801-6K16 V06725 HL13VAZ6-16 V60516 L801-6K16 VOPTK6 HL13VAZ6-16 V17446	002004 006999	2

MISSING ITEM NUMBERS NOT APPLICABLE

- ITEM NOT ILLUSTRATED

54-53-51-01

54-53-51
FIG. 01
PAGE 3
SEP 20/08

BRI



757

PARTS CATALOG (MAINTENANCE)

FIG ITEM	PART NUMBER	1 2 3 4 5 6 7	NOMENCLATURE	EFFECT FROM TO	UNITS PER ASSY
1 - 100	HL79-6		.COLLAR SUPPLIER CODE: V5M902 SPECIFICATION NUMBER: BACC30M6 OPTIONAL PART: HL79-6 V73197 HL79-6 V92215 66014-6 V56878 HL79-6 V56878	002004 006999	2
105	313N5024-4		.BASE-SWIVEL	002004 006999	1
- 110	HL13VAZ6-16		ATTACHING PARTS .BOLT SUPPLIER CODE: V56878 SPECIFICATION NUMBER: BACB30NY6K16 OPTIONAL PART: HL13VAZ6-16 V73197 HL13VAZ6-16 V92215 HL13VAZ6-16 V97928 L801-6K16 V06725 HL13VAZ6-16 V60516 L801-6K16 VOPTK6 HL13VAZ6-16 V17446	002004 006999	4

MISSING ITEM NUMBERS NOT APPLICABLE

- ITEM NOT ILLUSTRATED

54-53-51-01

54-53-51
FIG. 01
PAGE 4
SEP 20/08

BRI



757

PARTS CATALOG (MAINTENANCE)

FIG ITEM	PART NUMBER	1 2 3 4 5 6 7	NOMENCLATURE	EFFECT FROM TO	UNITS PER ASSY
1 - 115	HL79-6		. COLLAR SUPPLIER CODE: V5M902 SPECIFICATION NUMBER: BACC30M6 OPTIONAL PART: HL79-6 V73197 HL79-6 V92215 66014-6 V56878 HL79-6 V56878 -----*	002004 006999	4

MISSING ITEM NUMBERS NOT APPLICABLE

- ITEM NOT ILLUSTRATED

BRI

54-53-51-01

BOEING PROPRIETARY - Copyright © - Unpublished Work - See title page for details.

54-53-51
FIG. 01
PAGE 5
SEP 20/08