



757

PARTS CATALOG (MAINTENANCE)

CH-SECT-UNIT-FIG	PAGE NO.	DATE	CH-SECT-UNIT-FIG	PAGE NO.	DATE
*55	1	MAY 20/09	55-10-51- 4	0	MAY 28/07
*55	2	MAY 20/09	55-10-51- 4	0A	MAY 28/07
*55	3	MAY 20/09	55-10-51- 4	0B	MAY 28/07
*55	4	MAY 20/09	55-10-51- 4	0C	MAY 28/07
*55	5	MAY 20/09	55-10-51- 4	1	JAN 20/09
*55	6	MAY 20/09	55-10-51- 4	2	JAN 20/09
*55	7	MAY 20/09	55-10-51- 4	3	JAN 20/09
*55	8	MAY 20/09	55-10-51- 4	4	JAN 20/09
*55	9	MAY 20/09	55-10-51- 4	5	JAN 20/09
55-00-00	1	MAY 28/07	55-10-51- 4	6	JAN 20/09
55-00-00- 1	0	MAY 28/07	55-10-51- 4	7	JAN 20/09
55-00-00- 1	1	JAN 20/09	55-10-51- 4	8	JAN 20/09
55-10-00	1	MAY 28/07	55-10-51- 4	9	JAN 20/09
55-10-00- 1A	0	MAY 28/07	55-10-51- 4	10	JAN 20/09
55-10-00- 1A	1	JAN 20/09	55-10-51- 4	11	JAN 20/09
55-10-01- 1	0	MAY 28/07	55-10-51- 4	12	JAN 20/09
55-10-01- 1	0A	MAY 28/07	55-10-51- 4	13	JAN 20/09
55-10-01- 1	1	JAN 20/09	55-10-51- 4	14	JAN 20/09
55-10-01- 1	2	JAN 20/09	55-10-52- 1	0	MAY 28/07
55-10-01- 1	3	JAN 20/09	55-10-52- 1	1	JAN 20/09
55-10-01- 1	4	JAN 20/09	55-10-52- 1	2	JAN 20/09
55-10-01- 1	5	JAN 20/09	55-10-52- 1	3	JAN 20/09
55-10-01- 1	6	JAN 20/09	55-11-00	1	MAY 28/07
55-10-01- 1	7	JAN 20/09	55-11-01- 1	0	MAY 28/07
55-10-01- 1	8	JAN 20/09	55-11-01- 1	1	JAN 20/09
55-10-01- 1	9	JAN 20/09	55-11-01- 1	2	JAN 20/09
55-10-01- 2	0	MAY 28/07	55-11-01- 1	3	JAN 20/09
55-10-01- 2	1	JAN 20/09	55-13-00	1	MAY 28/07
55-10-01- 2	2	JAN 20/09	55-13-51- 1	0	MAY 28/07
55-10-01- 2	3	JAN 20/09	55-13-51- 1	0A	MAY 28/07
55-10-01- 2	4	JAN 20/09	55-13-51- 1	1	JAN 20/09
55-10-01- 2	5	JAN 20/09	55-13-51- 1	2	JAN 20/09
55-10-01- 2	6	JAN 20/09	55-13-51- 1	3	JAN 20/09
55-10-01- 2	7	JAN 20/09	55-13-51- 1	4	JAN 20/09
55-10-01- 2	8	JAN 20/09	55-13-51- 1	5	JAN 20/09
55-10-51- 1	0	MAY 28/07	55-13-51- 1	6	JAN 20/09
55-10-51- 1	1	JAN 20/09	55-13-51- 1	7	JAN 20/09
55-10-51- 1	2	JAN 20/09	55-13-51- 1	8	JAN 20/09
55-10-51- 1	3	JAN 20/09	55-13-52- 1	0	MAY 28/07
55-10-51- 1	4	JAN 20/09	55-13-52- 1	0A	MAY 28/07
55-10-51- 2	0	MAY 28/07	55-13-52- 1	0B	MAY 28/07
55-10-51- 2	1	JAN 20/09	55-13-52- 1	0C	MAY 28/07
55-10-51- 2	2	JAN 20/09	55-13-52- 1	1	JAN 20/09
55-10-51- 2	3	JAN 20/09	55-13-52- 1	2	JAN 20/09
55-10-51- 2	4	JAN 20/09	55-13-52- 1	3	JAN 20/09
55-10-51- 2	5	JAN 20/09	55-13-52- 1	4	JAN 20/09
55-10-51- 2	6	JAN 20/09	55-13-52- 1	5	JAN 20/09
55-10-51- 3	0	MAY 28/07	55-13-52- 1	6	JAN 20/09
55-10-51- 3	1	JAN 20/09	55-13-52- 1	7	JAN 20/09
55-10-51- 3	2	JAN 20/09	55-13-52- 1	8	JAN 20/09
55-10-51- 3	3	JAN 20/09	55-13-52- 1	9	JAN 20/09

\* THE ASTERISK INDICATES PAGES CHANGED OR ADDED BY THE CURRENT REVISION



757

PARTS CATALOG (MAINTENANCE)

CH-SECT-UNIT-FIG	PAGE NO.	DATE
55-13-52- 1	10	JAN 20/09
55-13-52- 1	11	JAN 20/09
55-13-52- 2	0	MAY 28/07
55-13-52- 2	0A	MAY 28/07
55-13-52- 2	1	JAN 20/09
55-13-52- 2	2	JAN 20/09
55-13-52- 2	3	JAN 20/09
55-13-52- 2	4	JAN 20/09
55-13-52- 2	5	JAN 20/09
55-13-52- 4	0	MAY 28/07
55-13-52- 4	0A	MAY 28/07
55-13-52- 4	0B	MAY 28/07
55-13-52- 4	0C	MAY 28/07
55-13-52- 4	1	JAN 20/09
55-13-52- 4	2	JAN 20/09
55-13-52- 4	3	JAN 20/09
55-13-52- 4	4	JAN 20/09
55-13-52- 4	5	JAN 20/09
55-14-00	1	MAY 28/07
55-14-51- 1	0	MAY 28/07
55-14-51- 1	1	JAN 20/09
55-14-51- 1	2	JAN 20/09
55-14-51- 5	0	MAY 28/07
55-14-51- 5	1	JAN 20/09
55-15-00	1	MAY 28/07
55-15-01- 1	0	MAY 28/07
55-15-01- 1	1	JAN 20/09
55-15-01- 1	2	JAN 20/09
55-15-01- 1	3	JAN 20/09
55-15-01- 2	0	MAY 28/07
55-15-01- 2	1	JAN 20/09
55-15-01- 2	2	JAN 20/09
55-16-00	1	MAY 28/07
55-16-01- 1	0	MAY 28/07
55-16-01- 1	0A	MAY 28/07
55-16-01- 1	0B	MAY 20/08
55-16-01- 1	0C	MAY 28/07
55-16-01- 1	0D	MAY 28/07
55-16-01- 1	1	JAN 20/09
55-16-01- 1	2	JAN 20/09
55-16-01- 1	3	JAN 20/09
55-16-01- 1	4	JAN 20/09
55-16-01- 1	5	JAN 20/09
55-16-01- 1	6	JAN 20/09
55-16-01- 1	7	JAN 20/09
55-16-01- 1	8	JAN 20/09
55-16-01- 1	9	JAN 20/09
55-16-01- 1	10	JAN 20/09
55-16-01- 1	11	JAN 20/09
55-16-01- 1	12	JAN 20/09
55-16-01- 1	13	JAN 20/09

CH-SECT-UNIT-FIG	PAGE NO.	DATE
55-16-01- 1	14	JAN 20/09
55-16-01- 1	15	JAN 20/09
55-16-01- 1	16	JAN 20/09
55-16-01- 1	17	JAN 20/09
*55-16-01- 1	18	MAY 20/09
55-16-01- 1	19	JAN 20/09
55-16-01- 2	0	MAY 28/07
55-16-01- 2	0A	MAY 28/07
55-16-01- 2	0B	MAY 28/07
55-16-01- 2	0C	MAY 28/07
55-16-01- 2	0D	MAY 28/07
55-16-01- 2	0E	MAY 28/07
55-16-01- 2	1	JAN 20/09
55-16-01- 2	2	JAN 20/09
55-16-01- 2	3	JAN 20/09
55-16-01- 2	4	JAN 20/09
55-16-01- 2	5	JAN 20/09
55-16-01- 2	6	JAN 20/09
55-16-01- 2	7	JAN 20/09
55-16-01- 2	8	JAN 20/09
55-16-01- 2	9	JAN 20/09
55-16-01- 2	10	JAN 20/09
55-16-01- 2	11	JAN 20/09
55-16-01- 2	12	JAN 20/09
55-16-01- 3	0	MAY 28/07
55-16-01- 3	1	JAN 20/09
55-16-01- 3	2	JAN 20/09
55-16-01- 3	3	JAN 20/09
55-16-05- 1	0	MAY 28/07
55-16-05- 1	1	JAN 20/09
55-16-05- 1	2	JAN 20/09
55-16-05- 2	0	MAY 28/07
55-16-05- 2	0A	MAY 28/07
55-16-05- 2	0B	MAY 28/07
55-16-05- 2	1	JAN 20/09
55-16-05- 2	2	JAN 20/09
55-16-05- 2	3	JAN 20/09
55-16-05- 2	4	JAN 20/09
55-16-05- 2	5	JAN 20/09
55-16-51- 1	0	MAY 28/07
55-16-51- 1	1	JAN 20/09
55-16-51- 1	2	JAN 20/09
55-16-51- 1	3	JAN 20/09
55-16-51- 1	4	JAN 20/09
55-16-51- 2	0	MAY 28/07
55-16-51- 2	0A	MAY 28/07
55-16-51- 2	1	JAN 20/09
55-16-51- 2	2	JAN 20/09
55-16-51- 2	3	JAN 20/09
55-16-51- 3	0	MAY 28/07
55-16-51- 3	0A	MAY 28/07

\* THE ASTERISK INDICATES PAGES CHANGED OR ADDED BY THE CURRENT REVISION



**757**  
**PARTS CATALOG (MAINTENANCE)**

CH-SECT-UNIT-FIG	PAGE NO.	DATE	CH-SECT-UNIT-FIG	PAGE NO.	DATE
55-16-51- 3	1	JAN 20/09	55-17-51- 5	1	JAN 20/09
55-16-51- 3	2	SEP 20/08	55-17-51- 5	2	JAN 20/09
55-16-51- 3	3	SEP 20/08	55-17-51- 5	3	JAN 20/09
55-16-51- 4	0	MAY 28/07	55-17-51- 5	4	JAN 20/09
55-16-51- 4	0A	MAY 28/07	55-17-51- 5	5	JAN 20/09
55-16-51- 4	1	JAN 20/09	55-17-51- 5	6	JAN 20/09
55-16-51- 4	2	JAN 20/09	55-17-51- 5	7	JAN 20/09
55-16-51- 4	3	JAN 20/09	55-17-51- 5	8	JAN 20/09
55-16-51- 5	0	MAY 28/07	55-20-00	1	MAY 28/07
55-16-51- 5	1	JAN 20/09	55-20-51- 1	0	MAY 28/07
55-16-51- 5	2	JAN 20/09	55-20-51- 1	0A	MAY 28/07
55-16-51- 5	3	JAN 20/09	55-20-51- 1	1	JAN 20/09
55-16-51- 6	0	MAY 28/07	55-20-51- 1	2	JAN 20/09
55-16-51- 6	1	JAN 20/09	55-20-51- 1	3	JAN 20/09
55-16-51- 6	2	JAN 20/09	55-20-51- 1	4	JAN 20/09
55-16-51- 6	3	JAN 20/09	55-20-51- 1	5	JAN 20/09
55-16-52- 1	0	MAY 28/07	55-20-51- 1	6	JAN 20/09
55-16-52- 1	1	JAN 20/09	55-20-51- 1	7	JAN 20/09
55-16-52- 1	2	SEP 20/08	55-20-51- 1	8	JAN 20/09
55-16-53- 6	0	MAY 28/07	55-20-51- 1	9	JAN 20/09
55-16-53- 6	1	JAN 20/09	55-20-51- 1	10	JAN 20/09
*55-16-53- 6	2	MAY 20/09	55-20-51- 2	0	MAY 28/07
55-16-53- 6	3	JAN 20/09	55-20-51- 2	0A	MAY 28/07
*55-16-53- 6	4	MAY 20/09	55-20-51- 2	0B	MAY 28/07
55-16-54- 1	0	MAY 28/07	55-20-51- 2	0C	MAY 28/07
55-16-54- 1	1	JAN 20/09	55-20-51- 2	0D	MAY 28/07
55-16-54- 1	2	JAN 20/09	55-20-51- 2	0E	MAY 28/07
55-17-00	1	MAY 28/07	55-20-51- 2	0F	MAY 28/07
55-17-51- 1	0	MAY 28/07	55-20-51- 2	0G	MAY 28/07
55-17-51- 1	0A	MAY 28/07	55-20-51- 2	0H	MAY 28/07
55-17-51- 1	1	JAN 20/09	55-20-51- 2	0I	MAY 28/07
55-17-51- 1	2	SEP 20/08	55-20-51- 2	0J	MAY 28/07
55-17-51- 1	3	SEP 20/08	55-20-51- 2	1	JAN 20/09
55-17-51- 1	4	SEP 20/08	55-20-51- 2	2	JAN 20/09
55-17-51- 1	5	SEP 20/08	55-20-51- 2	3	JAN 20/09
55-17-51- 1	6	SEP 20/08	55-20-51- 2	4	JAN 20/09
55-17-51- 1	7	SEP 20/08	55-20-51- 2	5	JAN 20/09
55-17-51- 1	8	SEP 20/08	55-20-51- 2	6	JAN 20/09
55-17-51- 1	9	SEP 20/08	55-20-51- 2	7	JAN 20/09
55-17-51- 1	10	SEP 20/08	55-20-51- 2	8	JAN 20/09
55-17-51- 1	11	SEP 20/08	55-20-51- 2	9	JAN 20/09
55-17-51- 1	12	JAN 20/09	55-20-51- 2	10	JAN 20/09
55-17-51- 1	13	JAN 20/09	55-20-51- 2	11	JAN 20/09
55-17-51- 1	14	JAN 20/09	55-20-51- 2	12	JAN 20/09
55-17-51- 1	15	JAN 20/09	55-20-51- 2	13	JAN 20/09
55-17-51- 1	16	SEP 20/08	55-20-51- 2	14	JAN 20/09
55-17-51- 1	17	JAN 20/09	55-20-51- 2	15	JAN 20/09
55-17-51- 1	18	JAN 20/09	55-20-51- 2	16	JAN 20/09
55-17-51- 1	19	JAN 20/09	55-20-51- 2	17	JAN 20/09
55-17-51- 5	0	JAN 20/09	55-20-51- 2	18	JAN 20/09
55-17-51- 5	0A	JAN 20/09	55-20-51- 2	19	JAN 20/09

\* THE ASTERISK INDICATES PAGES CHANGED OR ADDED BY THE CURRENT REVISION


**BOEING**  
 757  
**PARTS CATALOG (MAINTENANCE)**

CH-SECT-UNIT-FIG	PAGE NO.	DATE	CH-SECT-UNIT-FIG	PAGE NO.	DATE
55-20-51- 2	20	JAN 20/09	55-30-51- 4	1	JAN 20/09
55-20-51- 2	21	JAN 20/09	55-30-51- 4	2	JAN 20/09
55-20-51- 2	22	JAN 20/09	55-30-51- 4	3	JAN 20/09
55-20-51- 2	23	JAN 20/09	55-30-51- 4	4	JAN 20/09
55-20-51- 2	24	JAN 20/09	55-30-51- 4	5	JAN 20/09
55-20-51- 2	25	JAN 20/09	55-30-51- 4	6	JAN 20/09
55-20-51- 2	26	JAN 20/09	55-31-00	1	MAY 28/07
55-20-51- 2	27	JAN 20/09	55-31-01- 1	0	MAY 28/07
55-20-51- 2	28	JAN 20/09	55-31-01- 1	1	JAN 20/09
55-20-51- 2	29	JAN 20/09	55-31-01- 1	2	JAN 20/09
55-20-51- 2	30	JAN 20/09	55-31-01- 1	3	JAN 20/09
55-20-51- 2	31	JAN 20/09	55-31-01- 1	4	JAN 20/09
55-20-51- 2	32	JAN 20/09	55-31-01- 1	5	JAN 20/09
55-20-51- 2	33	JAN 20/09	55-31-01- 2	0	MAY 28/07
55-20-51- 2	34	JAN 20/09	55-31-01- 2	0A	MAY 28/07
55-20-51- 2	35	JAN 20/09	55-31-01- 2	1	JAN 20/09
55-20-51- 2	36	JAN 20/09	55-31-01- 2	2	JAN 20/09
55-20-51- 2	37	JAN 20/09	55-31-01- 2	3	JAN 20/09
55-20-51- 2	38	JAN 20/09	55-31-01- 2	4	JAN 20/09
55-20-51- 2	39	JAN 20/09	55-33-00	1	MAY 28/07
55-20-51- 2	40	JAN 20/09	55-33-00- 1	0	MAY 28/07
55-20-51- 2	41	JAN 20/09	55-33-00- 1	0A	MAY 28/07
55-20-51- 2	42	JAN 20/09	55-33-00- 1	0B	MAY 28/07
55-20-51- 3	0	MAY 28/07	55-33-00- 1	0C	MAY 28/07
55-20-51- 3	1	JAN 20/09	55-33-00- 1	0D	MAY 28/07
55-30-00	1	MAY 28/07	55-33-00- 1	1	JAN 20/09
55-30-51- 1	0	MAY 28/07	55-33-00- 1	2	JAN 20/09
55-30-51- 1	0A	MAY 28/07	55-33-00- 1	3	JAN 20/09
55-30-51- 1	0B	MAY 28/07	55-33-00- 1	4	JAN 20/09
55-30-51- 1	1	JAN 20/09	55-33-00- 1	5	JAN 20/09
55-30-51- 1	2	JAN 20/09	55-33-00- 1	6	JAN 20/09
55-30-51- 1	3	JAN 20/09	55-33-00- 1	7	JAN 20/09
55-30-51- 1	4	JAN 20/09	55-33-00- 1	8	JAN 20/09
55-30-51- 1	5	JAN 20/09	55-33-00- 1	9	JAN 20/09
55-30-51- 1	6	JAN 20/09	55-33-00- 1	10	JAN 20/09
55-30-51- 1	7	JAN 20/09	55-33-00- 1	11	JAN 20/09
55-30-51- 1	8	JAN 20/09	55-33-00- 1	12	JAN 20/09
55-30-51- 1	9	JAN 20/09	55-33-00- 1	13	JAN 20/09
55-30-51- 2	0	JAN 20/09	55-33-00- 1	14	JAN 20/09
55-30-51- 2	1	JAN 20/09	55-33-00- 1	15	JAN 20/09
55-30-51- 3	0	MAY 28/07	55-33-00- 2	0	MAY 28/07
55-30-51- 3	0A	MAY 28/07	55-33-00- 2	1	JAN 20/09
55-30-51- 3	1	JAN 20/09	55-33-00- 3	0	MAY 28/07
55-30-51- 3	2	JAN 20/09	55-33-00- 3	0A	MAY 28/07
55-30-51- 3	3	JAN 20/09	55-33-00- 3	1	JAN 20/09
55-30-51- 3	4	JAN 20/09	55-33-00- 3	2	JAN 20/09
55-30-51- 3	5	JAN 20/09	55-33-00- 3	3	JAN 20/09
55-30-51- 3	6	JAN 20/09	55-33-00- 4	0	JAN 20/09
55-30-51- 3	7	JAN 20/09	55-33-00- 4	0A	JAN 20/09
55-30-51- 4	0	JAN 20/09	55-33-00- 4	0B	JAN 20/09
55-30-51- 4	0A	JAN 20/09	55-33-00- 4	0C	JAN 20/09

\* THE ASTERISK INDICATES PAGES CHANGED OR ADDED BY THE CURRENT REVISION


**BOEING**  
 757  
**PARTS CATALOG (MAINTENANCE)**

CH-SECT-UNIT-FIG	PAGE NO.	DATE	CH-SECT-UNIT-FIG	PAGE NO.	DATE
55-33-00- 4	0D	JAN 20/09	55-35-01- 3	1	JAN 20/09
55-33-00- 4	1	JAN 20/09	55-35-01- 3	2	JAN 20/09
55-33-00- 4	2	JAN 20/09	55-35-01- 4	0	JAN 20/09
55-33-00- 4	3	JAN 20/09	55-35-01- 4	1	JAN 20/09
55-33-00- 4	4	JAN 20/09	55-36-00	1	MAY 28/07
55-33-00- 4	5	JAN 20/09	55-36-51- 1	0	MAY 28/07
55-33-00- 4	6	JAN 20/09	55-36-51- 1	0A	MAY 28/07
55-33-00- 4	7	JAN 20/09	55-36-51- 1	0B	MAY 28/07
55-33-00- 4	8	JAN 20/09	55-36-51- 1	1	JAN 20/09
55-33-00- 4	9	JAN 20/09	55-36-51- 1	2	JAN 20/09
55-34-00	1	MAY 28/07	55-36-51- 1	3	JAN 20/09
55-34-51- 1	0	MAY 28/07	55-36-51- 1	4	JAN 20/09
55-34-51- 1	1	JAN 20/09	55-36-51- 1	5	JAN 20/09
55-34-51- 1	2	JAN 20/09	55-36-51- 2	0	MAY 28/07
55-34-51- 1	3	JAN 20/09	55-36-51- 2	0A	MAY 28/07
55-34-51- 1	4	JAN 20/09	55-36-51- 2	1	JAN 20/09
55-34-51- 1	5	JAN 20/09	55-36-51- 2	2	JAN 20/09
55-34-51- 2	0	MAY 28/07	55-36-51- 3	0	MAY 28/07
55-34-51- 2	0A	MAY 28/07	55-36-51- 3	1	JAN 20/09
55-34-51- 2	0B	MAY 28/07	55-36-51- 4	0	MAY 28/07
55-34-51- 2	0C	MAY 28/07	55-36-51- 4	0A	MAY 28/07
55-34-51- 2	0D	MAY 28/07	55-36-51- 4	1	JAN 20/09
55-34-51- 2	1	JAN 20/09	55-36-51- 4	2	JAN 20/09
55-34-51- 2	2	JAN 20/09	55-36-51- 6	0	MAY 28/07
55-34-51- 2	3	JAN 20/09	55-36-51- 6	0A	MAY 28/07
55-34-51- 3	0	MAY 28/07	55-36-51- 6	0B	MAY 28/07
55-34-51- 3	1	JAN 20/09	55-36-51- 6	1	JAN 20/09
55-34-51- 4	0	MAY 28/07	55-36-51- 6	2	JAN 20/09
55-34-51- 4	1	JAN 20/09	55-36-51- 7	0	MAY 28/07
55-34-51- 4	2	JAN 20/09	55-36-51- 7	0A	MAY 28/07
55-35-00	1	MAY 28/07	55-36-51- 7	1	JAN 20/09
55-35-01- 1	0	MAY 28/07	55-36-51- 8	0	MAY 28/07
55-35-01- 1	0A	MAY 28/07	55-36-51- 8	0A	MAY 28/07
55-35-01- 1	0B	MAY 28/07	55-36-51- 8	1	JAN 20/09
55-35-01- 1	0C	MAY 28/07	55-36-52- 1	0	MAY 28/07
55-35-01- 1	0D	MAY 28/07	55-36-52- 1	0A	MAY 28/07
55-35-01- 1	0E	MAY 28/07	55-36-52- 1	1	JAN 20/09
55-35-01- 1	1	JAN 20/09	55-36-52- 1	2	JAN 20/09
55-35-01- 1	2	JAN 20/09	55-36-52- 1	3	JAN 20/09
55-35-01- 1	3	JAN 20/09	55-36-52- 1	4	JAN 20/09
55-35-01- 1	4	JAN 20/09	55-36-52- 1	5	JAN 20/09
55-35-01- 2	0	MAY 28/07	55-36-52- 2	0	MAY 28/07
55-35-01- 2	0A	MAY 28/07	55-36-52- 2	1	JAN 20/09
55-35-01- 2	1	JAN 20/09	55-36-52- 2	2	JAN 20/09
55-35-01- 2	2	JAN 20/09	55-36-52- 2	3	JAN 20/09
55-35-01- 3	0	MAY 28/07	55-36-52- 2	4	JAN 20/09
55-35-01- 3	0A	MAY 28/07	55-36-52- 2	5	JAN 20/09
55-35-01- 3	0B	MAY 28/07	55-36-52- 2	6	JAN 20/09
55-35-01- 3	0C	MAY 28/07	55-36-52- 3	0	MAY 28/07
55-35-01- 3	0D	MAY 28/07	55-36-52- 3	1	JAN 20/09
55-35-01- 3	0E	MAY 28/07	55-36-52- 3	2	JAN 20/09

\* THE ASTERISK INDICATES PAGES CHANGED OR ADDED BY THE CURRENT REVISION



757

PARTS CATALOG (MAINTENANCE)

CH-SECT-UNIT-FIG	PAGE NO.	DATE	CH-SECT-UNIT-FIG	PAGE NO.	DATE
55-36-52- 3	3	JAN 20/09	55-40-51- 1	0G	MAY 28/07
55-36-52- 3	4	JAN 20/09	55-40-51- 1	0H	MAY 28/07
55-36-52- 3	5	JAN 20/09	55-40-51- 1	0I	MAY 28/07
55-36-52- 3	6	JAN 20/09	55-40-51- 1	0J	MAY 28/07
55-36-52- 3	7	JAN 20/09	55-40-51- 1	0K	MAY 28/07
55-36-52- 4	0	MAY 28/07	55-40-51- 1	0L	MAY 28/07
55-36-52- 4	1	JAN 20/09	55-40-51- 1	0M	MAY 28/07
55-36-52- 4	2	JAN 20/09	55-40-51- 1	0N	MAY 28/07
55-36-52- 4	3	JAN 20/09	55-40-51- 1	0O	MAY 28/07
55-36-52- 4	4	JAN 20/09	55-40-51- 1	0P	MAY 28/07
55-36-52- 4	5	JAN 20/09	55-40-51- 1	0Q	MAY 28/07
55-36-52- 5	0	MAY 28/07	55-40-51- 1	0R	MAY 28/07
55-36-52- 5	1	JAN 20/09	55-40-51- 1	0S	MAY 28/07
55-36-52- 5	2	JAN 20/09	55-40-51- 1	0T	MAY 28/07
55-36-52- 5	3	JAN 20/09	55-40-51- 1	1	JAN 20/09
55-36-52- 6	0	MAY 28/07	55-40-51- 1	2	SEP 20/08
55-36-52- 6	1	JAN 20/09	55-40-51- 1	3	SEP 20/08
55-36-52- 6	2	SEP 20/08	55-40-51- 1	4	JAN 20/09
55-36-52- 7	0	MAY 28/07	55-40-51- 1	5	JAN 20/09
55-36-52- 7	1	JAN 20/09	55-40-51- 1	6	JAN 20/09
55-36-52- 7	2	JAN 20/09	55-40-51- 1	7	JAN 20/09
55-36-52- 7	3	JAN 20/09	55-40-51- 1	8	JAN 20/09
55-36-52- 7	4	JAN 20/09	55-40-51- 1	9	JAN 20/09
55-36-52- 8	0	MAY 28/07	55-40-51- 1	10	JAN 20/09
55-36-52- 8	0A	MAY 28/07	55-40-51- 1	11	JAN 20/09
55-36-52- 8	1	JAN 20/09	55-40-51- 1	12	JAN 20/09
55-36-52- 8	2	JAN 20/09	55-40-51- 1	13	JAN 20/09
55-36-52- 8	3	JAN 20/09	55-40-51- 1	14	SEP 20/08
55-36-52- 8	4	JAN 20/09	55-40-51- 1	15	JAN 20/09
55-36-53- 1	0	MAY 28/07	55-40-51- 1	16	JAN 20/09
55-36-53- 1	0A	MAY 28/07	55-40-51- 1	17	JAN 20/09
55-36-53- 1	1	JAN 20/09	55-40-51- 1	18	JAN 20/09
55-36-53- 1	2	JAN 20/09	55-40-51- 1	19	JAN 20/09
55-36-53- 1	3	JAN 20/09	55-40-51- 1	20	JAN 20/09
55-37-00	1	MAY 28/07	55-40-51- 1	21	JAN 20/09
55-37-51- 1	0	MAY 28/07	55-40-51- 1	22	JAN 20/09
55-37-51- 1	0A	MAY 28/07	55-40-51- 1	23	JAN 20/09
55-37-51- 1	1	JAN 20/09	55-40-51- 1	24	JAN 20/09
55-37-51- 1	2	JAN 20/09	55-40-51- 1	25	JAN 20/09
55-37-51- 1	3	JAN 20/09	55-40-51- 1	26	JAN 20/09
55-37-51- 1	4	JAN 20/09	55-40-51- 1	27	JAN 20/09
55-37-51- 1	5	JAN 20/09	55-40-51- 1	28	JAN 20/09
55-37-51- 1	6	JAN 20/09	55-40-51- 1	29	JAN 20/09
55-40-00	1	MAY 28/07	55-40-51- 1	30	JAN 20/09
55-40-51- 1	0	MAY 28/07	55-40-51- 1	31	JAN 20/09
55-40-51- 1	0A	MAY 28/07	55-40-51- 1	32	JAN 20/09
55-40-51- 1	0B	MAY 28/07	55-40-51- 1	33	JAN 20/09
55-40-51- 1	0C	MAY 28/07	55-40-51- 1	34	JAN 20/09
55-40-51- 1	0D	MAY 28/07	55-40-51- 1	35	SEP 20/08
55-40-51- 1	0E	MAY 28/07	55-40-51- 1	36	SEP 20/08
55-40-51- 1	0F	MAY 28/07	55-40-51- 1	37	SEP 20/08

\* THE ASTERISK INDICATES PAGES CHANGED OR ADDED BY THE CURRENT REVISION


**BOEING**  
 757  
**PARTS CATALOG (MAINTENANCE)**

CH-SECT-UNIT-FIG	PAGE NO.	DATE
55-40-51- 1	38	SEP 20/08
55-40-51- 1	39	SEP 20/08
55-40-51- 1	40	JAN 20/09
55-40-51- 2	0	MAY 28/07
55-40-51- 2	0A	MAY 28/07
55-40-51- 2	1	JAN 20/09
55-40-51- 2	2	JAN 20/09

CH-SECT-UNIT-FIG	PAGE NO.	DATE

\* THE ASTERISK INDICATES PAGES CHANGED OR ADDED BY THE CURRENT REVISION

BRI  
MAY 20/09

55 - LIST OF EFFECTIVE PAGES  
PAGE 7

 **BOEING**  
757  
**PARTS CATALOG (MAINTENANCE)**

**CHAPTER 55 — STABILIZERS**

**TABLE OF CONTENTS**

<b>SUBJECT</b>	<b>CC-SS-UU</b>	<b>FIGURE</b>	<b>EFFECT</b>
STABILIZERS	55-00-00		
COLLECTOR INSTL-VERT. STAB. MANAGEMENT	55-00-00	01	101102
MODULE			108120
			504903





**BOEING**  
757  
PARTS CATALOG (MAINTENANCE)

CHAPTER 55 — STABILIZERS

TABLE OF CONTENTS

SUBJECT	CC-SS-UU	FIGURE	EFFECT
HORIZONTAL STABILIZER	55-10-00		
COLLECTOR INSTL. HORIZONTAL STABILIZER MANAGEMENT MODULE	55-10-00	01A	101102 108120 504903
SEAL INSTL-HORIZ STAB. TO BODY BLADE LWR	55-10-01	01	002004 006999
SEAL INSTL-HORIZ STAB. TO BODY BLADE UPR	55-10-01	02	002004 006999
STABILIZER INSTL HORIZ	55-10-51	04	101106 108120 504903
STABILIZER INSTL-HORIZ	55-10-51	01	002004 006100 107107 121503 904999
STABILIZER INSTL-HORIZ	55-10-51	03	101106 108108 504903
STRAKELET AND SEAL INSTL-HORIZ STAB.	55-10-51	02	002004 006999
STRUCTURE ASSY-HORIZ STAB.	55-10-52	01	002004 006100 107107 121503 904999
HORIZONTAL STABILIZER TIP FAIRING	55-11-00		
TIP INSTL-SECT. 89 HORIZ STAB.	55-11-01	01	002004 006999
HORIZONTAL STABILIZER AFT TORQUE BOX	55-13-00		
BOX ASSY-SECT. 82 HORIZ STAB. TORQUE AFT	55-13-52	01	002004 006100 107107 121503 904999
FITTING INSTL-BLADE SPRT	55-13-52	04	101106 108120 504903

 **BOEING**  
757  
**PARTS CATALOG (MAINTENANCE)**

**CHAPTER 55 — STABILIZERS**

**TABLE OF CONTENTS**

SUBJECT	CC-SS-UU	FIGURE	EFFECT
SPAR INSTL-HORIZ STAB FRONT	55-13-52	02	101106 108120 504903
SPAR INSTL-HORIZ STAB. REAR	55-13-51	01	002004 006999
HORIZONTAL STABILIZER FORWARD TORQUE BOX BOX ASSY-TORQUE FWD	55-14-00 55-14-51	01	002004 006100 107107 121503 904999
SPAR INSTL-TORQUE BOX AUX	55-14-51	05	101106 108120 504903
HORIZONTAL STABILIZER LEADING EDGE HORIZONTAL STABILIZER LEADING EDGE	55-15-00 55-15-01	01	002004 006100 107107 121503 904999
LEADING EDGE INSTL-SECT. 84 (PRE MODULE)	55-15-01	02	101106 108120 504903
HORIZONTAL STABILIZER TRAILING EDGE BEAM INSTL-HORIZ STAB. FXD TE LWR	55-16-00 55-16-05	02	002004 006999
BEAM INSTL-HORIZ STAB. FXD TE UPR	55-16-52	01	002004 006999
PANEL INSTL AND COLLECTOR ASSY FTE HORIZ STAB LWR	55-16-01	02	101106 108120 504903
RECEIVER INSTL-PERSONNEL LIFELINE	55-16-01	03	101106 108120 504903
RIB INSTL-CLOSURE BODY BL 42.00, FTE HORIZ STAB	55-16-54	01	101106 108120 504903



**BOEING**  
757  
PARTS CATALOG (MAINTENANCE)

CHAPTER 55 — STABILIZERS

TABLE OF CONTENTS

SUBJECT	CC-SS-UU	FIGURE	EFFECT
RIB INSTL-CLOSURE BODY HORIZONTAL STABILIZER TRAILING EDGE SEALS	55-16-05	01	002004 006100 107107 121503 904999
RIB INSTL-ELEV STA 100.540 HORIZ STAB. FXD TE (NO. 6)	55-16-51	02	002004 006999
RIB INSTL-ELEV STA 172.521 HORIZ STAB. FXD TE (NO. 9)	55-16-51	03	002004 006999
RIB INSTL-ELEV STA 220.508 HORIZ STAB. FXD TE (NO. 11)	55-16-51	04	002004 006999
RIB INSTL-ELEV STA 267.195 HORIZ STAB. FXD TE (NO. 13)	55-16-51	05	002004 006999
RIB INSTL-ELEV STA 312.673 HORIZ STAB. FXD TE (NO. 15)	55-16-51	06	002004 006999
RIB INSTL-ELEV STA 52.554 HORIZ STAB. FXD TE (NO. 4)	55-16-51	01	002004 006999
RIB INSTL-HORIZ STAB. FXD TE	55-16-53	06	101106 108120 504903
TRAILING EDGE ASSY-HORIZ STAB. FXD	55-16-01	01	002004 006100 107107 121503 904999
HORIZONTAL STABILIZER ATTACH FITTINGS FITTING ASSY-PIVOT	55-17-00 55-17-51	05	103106 108120
FITTING INSTL-HORIZ STAB. PIVOT	55-17-51	01	002004 006999

 **BOEING**  
757  
**PARTS CATALOG (MAINTENANCE)**

**CHAPTER 55 — STABILIZERS**

**TABLE OF CONTENTS**

<b>SUBJECT</b>	<b>CC-SS-UU</b>	<b>FIGURE</b>	<b>EFFECT</b>
ELEVATOR	55-20-00		
ELEVATOR ASSY	55-20-51	02	002004 006999
ELEVATOR ASSY	55-20-51	03	002004 006999
ELEVATOR INSTL	55-20-51	01	002004 006999


**BOEING**  
 757  
**PARTS CATALOG (MAINTENANCE)**

**CHAPTER 55 — STABILIZERS**

**TABLE OF CONTENTS**

SUBJECT	CC-SS-UU	FIGURE	EFFECT
VERTICAL STABILIZER	55-30-00		
STABILIZER INSTL-TO BODY VERT.	55-30-51	01	002004 006100 107107 121503 904999
VERTICAL STABILIZER ASSY	55-30-51	04	106106
VERTICAL STABILIZER ASSY (VERTICAL STABILIZER ONLY)	55-30-51	03	101105 108120 504903
VERTICAL STABILIZER INSTL	55-30-51	02	103106
VERTICAL STABILIZER TIP	55-31-00		
RUDDER ASSY (TIP ONLY)	55-31-01	02	002004 006999
TIP INSTL-VERT. STAB.	55-31-01	01	002004 006999
VERTICAL STABILIZER AFT TORQUE BOX	55-33-00		
RIB INSTL-VERT. STAB. TORQUE BOX AFT	55-33-00	03	002004 006999
SPAR ASSY-VERT. STAB. REAR AFT TORQUE BOX	55-33-00	04	106106
SPAR INSTL-VERT. STAB. REAR AFT TORQUE BOX	55-33-00	01	002004 006105 107999
SPAR INSTL-VERT. STAB.FRONT AFT TORQUE BOX	55-33-00	02	002004 006999
VERTICAL STABILIZER FORWARD TORQUE BOX	55-34-00		
PANEL INSTL-VERT STAB FWD TORQUE BOX	55-34-51	04	101106 108120 504903
PANEL INSTL-VERT. STAB CTR FWD TORQUE BOX	55-34-51	03	002004 006100 107107 121503 904999
RIB INSTL-VERT. STAB. TORQUE BOX FSS 270.784 FWD	55-34-51	02	101106 108120 504903
SPAR INSTL-AUX, VERT. STAB. FWD TORQUE BOX	55-34-51	01	002004 006999



**BOEING**  
757  
PARTS CATALOG (MAINTENANCE)

CHAPTER 55 — STABILIZERS

TABLE OF CONTENTS

SUBJECT	CC-SS-UU	FIGURE	EFFECT
VERTICAL STABILIZER LEADING EDGE	55-35-00		
PANEL INSTL-VERT. STAB. LE NO. 1, 2	55-35-01	01	002004
AND 3			006999
SPLICE INSTL-REM LE PNLS	55-35-01	03	002004
			006999
VERTICAL STABILIZER ASSY (LEADING EDGE ONLY)	55-35-01	02	101105
			108120
			504903
VERTICAL STABILIZER ASSY (LEADING EDGE ONLY)	55-35-01	04	106106
VERTICAL STABILIZER TRAILING EDGE	55-36-00		
BEAM INSTL-VERT. STAB. FXD TE TE	55-36-53	01	002004
			006999
PANEL INSTL-RUD STA STA 57 TO 131.108	55-36-51	04	002004
VERT. STAB. FXD TE			006100
			107107
			121503
			904999
PANEL INSTL-RUD STA 131.108 TO 206.006	55-36-51	01	002004
VERT. STAB. FXD TE			006999
PANEL INSTL-RUD STA 206.006 TO 305.871	55-36-51	02	002004
VERT. STAB. FXD TE			006999
PANEL INSTL-RUD STA 305.871 TO 380.769	55-36-51	03	101106
FXD TE VERT. STAB.			108120
			504903
PANEL INSTL-RUD STA 57 TO 131.108 FXD	55-36-51	08	101106
TE VERT STAB			108120
			504903
RIB INSTL-RUD FXD TE	55-36-51	07	101106
			108120
			504903
RIB INSTL-RUD FXD TE FIN. TORQUE BOX	55-36-51	06	002004
			006100
			107107
			121503
			904999
RIB INSTL-RUD STA 131.108 VERT. STAB.	55-36-52	02	002004
FXD TE			006999
RIB INSTL-RUD STA 156.074 VERT. STAB.	55-36-52	03	002004
FXD TE			006999



**BOEING**  
757  
PARTS CATALOG (MAINTENANCE)

CHAPTER 55 — STABILIZERS

TABLE OF CONTENTS

SUBJECT	CC-SS-UU	FIGURE	EFFECT
RIB INSTL-RUD STA 181.034 VERT. STAB. FXD TE	55-36-52	04	002004 006999
RIB INSTL-RUD STA 206.06 VERT. STAB. FXD TE	55-36-52	05	002004 006999
RIB INSTL-RUD STA 230.972 VERT. STAB. FXD TE	55-36-52	06	002004 006999
RIB INSTL-RUD STA 305.871 VERT. STAB. FXD TE	55-36-52	07	002004 006999
RIB INSTL-RUD STA 380.769 VERT. STAB. FXD TE	55-36-52	08	002004 006999
RIB INSTL-RUD STA 97.354 VERT. STAB. FXD TE	55-36-52	01	002004 006999
VERTICAL STABILIZER ATTACH FITTINGS	55-37-00		
VERTICAL STABILIZER INSTL ATTACHMENTS	55-37-51	01	101106 108120 504903

 **BOEING**  
757  
**PARTS CATALOG (MAINTENANCE)**

**CHAPTER 55 — STABILIZERS**

**TABLE OF CONTENTS**

<b>SUBJECT</b>	<b>CC-SS-UU</b>	<b>FIGURE</b>	<b>EFFECT</b>
RUDDER	55-40-00		
BRACKET INSTL RUD CONT SPRT	55-40-51	02	002004 006999
RUDDER INSTL	55-40-51	01	002004 006999



## STABILIZERS

BRI  
MAY 28/07

55-00-00  
SECTION TITLE  
PAGE 1

 **BOEING**  
757  
**PARTS CATALOG (MAINTENANCE)**

NON-ILLUSTRATED FIGURE

THE ITEMS REFLECTED IN THIS FIGURE ARE INTENTIONALLY  
NON-ILLUSTRATED. THEY ARE REFERENCED TO EITHER A  
NEXT HIGHER OR NEXT LOWER ASSEMBLY/INSTALLATION FIGURE.

Y 55000001 REV 236

COLLECTOR INSTL-VERT. STAB. MANAGEMENT MODULE  
FIGURE 1

**55-00-00-01**

BRI  
MAY 28/07

55-00-00-01  
PAGE 0



757

PARTS CATALOG (MAINTENANCE)

FIG ITEM	PART NUMBER	1 2 3 4 5 6 7	NOMENCLATURE	EFFECT FROM TO	UNITS PER ASSY
1			COLLECTOR INSTL- VERT. STAB. MANAGEMENT MODULE	101102 108120 504903	
- 1	170N0030-401		COLLECTOR INSTL-VERT. STAB. MANAGEMENT MODULE	101102 108120 504903	1
- 5	170N0005-403		.COLLECTOR INSTL VERT STAB- ATTACHMENTS FOR DETAILS SEE: 55-37-51-01	101102 108120 504903	1
- 10	173N2001-403		.RUDDER INSTL- FOR DETAILS SEE: 55-40-51-01	101102 504903	1
- 10	173N2001-407		.RUDDER INSTL- FOR DETAILS SEE: 55-40-51-01	108120	1
- 15	174N5000-401		.DORSAL INSTL-FAIRING BODY TO FIN FOR DETAILS SEE: 53-63-01-01	101102 108120 504903	1
- 300	170N0030-4001		COLLECTOR INSTL-VERT. STAB. MANAGEMENT MODULE	101102 108120 504903	1
- 305	170N0005-4105		.VERTICAL STABILIZER INSTL	101102 504903	1
- 305	170N0005-4106		.VERTICAL STABILIZER INSTL	108120	1
- 310	170N0005-105		..STABILIZER ASSY-VERT. FOR DETAILS SEE: 55-30-51-03 55-35-01-02	101102 504903	1
- 310	170N0005-106		..STABILIZER ASSY-VERT. FOR DETAILS SEE: 55-30-51-03 55-35-01-02	108120	1

MISSING ITEM NUMBERS NOT APPLICABLE

- ITEM NOT ILLUSTRATED

BRI

55-00-00-01

BOEING PROPRIETARY - Copyright © - Unpublished Work - See title page for details.

55-00-00  
FIG. 01  
PAGE 1  
JAN 20/09

## HORIZONTAL STABILIZER

BRI  
MAY 28/07

55-10-00  
SECTION TITLE  
PAGE 1

 **BOEING**  
757  
PARTS CATALOG (MAINTENANCE)

NON-ILLUSTRATED FIGURE

THE ITEMS REFLECTED IN THIS FIGURE ARE INTENTIONALLY  
NON-ILLUSTRATED. THEY ARE REFERENCED TO EITHER A  
NEXT HIGHER OR NEXT LOWER ASSEMBLY/INSTALLATION FIGURE.

COLLECTOR INSTL. HORIZONTAL STABILIZER MANAGEMENT MODULE  
FIGURE 1A

**55-10-00-01A**

BRI  
MAY 28/07

55-10-00-01A  
PAGE 0



757

PARTS CATALOG (MAINTENANCE)

FIG ITEM	PART NUMBER	1 2 3 4 5 6 7	NOMENCLATURE	EFFECT FROM TO	UNITS PER ASSY
1 A			COLLECTOR INSTL. HORIZONTAL STABILIZER MANAGEMENT MODULE	101102 108120 504903	
- 1	180N0030-401		COLLECTOR INSTL- HORIZONTAL STABILIZER MANAGEMENT MODULE	101102 108120 504903	1
- 5	180N0005-425		.COLLECTOR INSTL- HORIZ STAB ATTACHMENT FOR DETAILS SEE: 55-10-51-03	101102 108108 504903	1
- 10	183N2001-401		.ELEVATOR INSTL- POSITION DATA: LH FOR DETAILS SEE: 55-20-51-01	101102 108120 504903	1
- 15	183N2001-402		.ELEVATOR INSTL- POSITION DATA: RH FOR DETAILS SEE: 55-20-51-01	101102 108120 504903	1
- 20	180N0030-4001		COLLECTOR INSTL	101102 108120 504903	1
- 35	180N0005-4108		.STABILIZER INSTL- HORIZONTAL FOR DETAILS SEE: 55-10-51-04	101102 504903	1
- 35	180N0005-4110		.STABILIZER INSTL- HORIZONTAL FOR DETAILS SEE: 55-10-51-04	108120	1

MISSING ITEM NUMBERS NOT APPLICABLE

- ITEM NOT ILLUSTRATED

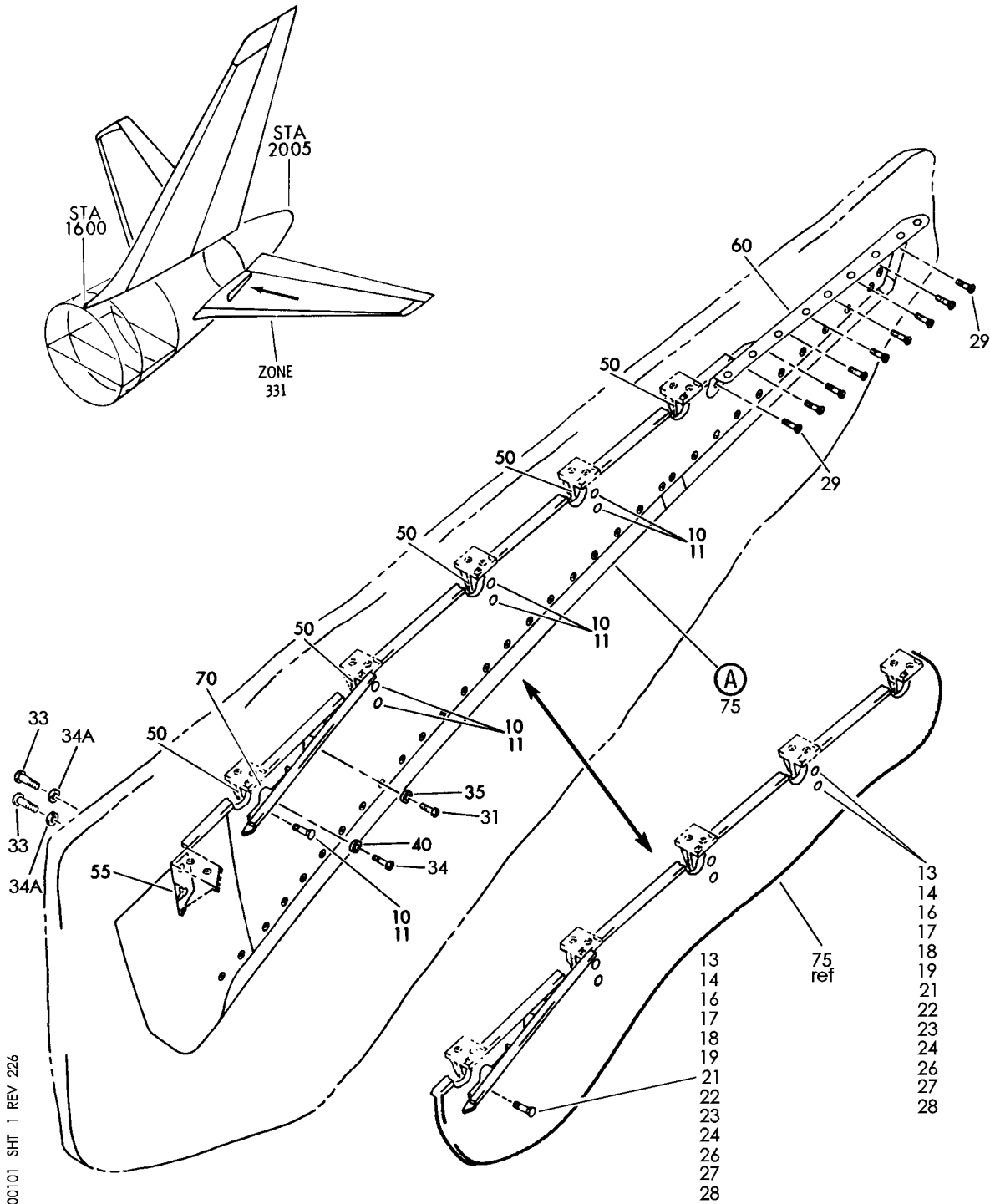
BRI

**55-10-00-01A**

BOEING PROPRIETARY - Copyright © - Unpublished Work - See title page for details.

55-10-00  
FIG. 01A  
PAGE 1  
JAN 20/09

**BOEING**  
757  
PARTS CATALOG (MAINTENANCE)



Y 55100101 SHT 1 REV 226

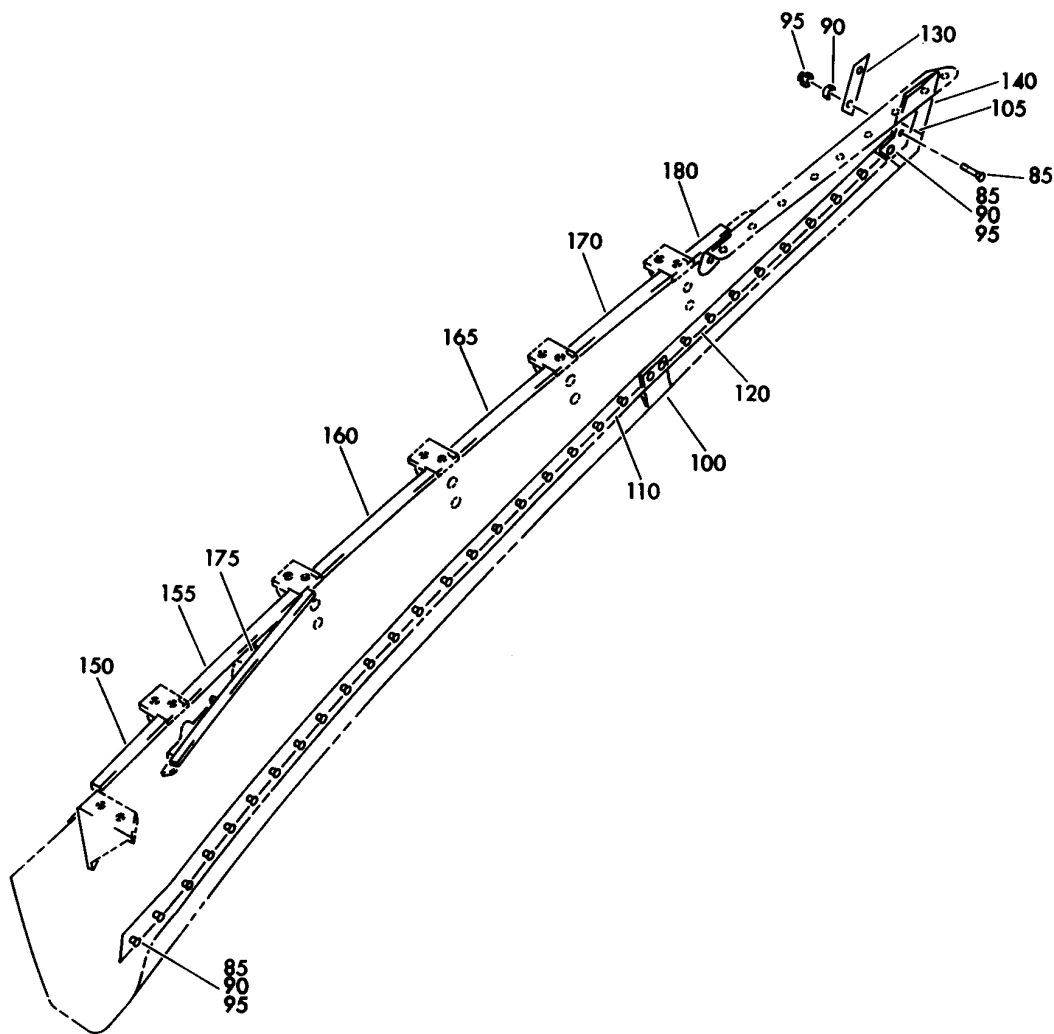
SEAL INSTL-HORIZ STAB. TO BODY BLADE LWR  
FIGURE 1 (SHEET 1)

**55-10-01-01**

BRI  
MAY 28/07

55-10-01-01  
PAGE 0

**BOEING**  
757  
PARTS CATALOG (MAINTENANCE)



Y 55100101 SHT 2 REV 124

(A)

SEAL INSTL-HORIZ STAB. TO BODY BLADE LWR  
FIGURE 1 (SHEET 2)

**55-10-01-01**

BRI  
MAY 28/07

55-10-01-01  
PAGE 0A





757

PARTS CATALOG (MAINTENANCE)

FIG ITEM	PART NUMBER	1 2 3 4 5 6 7	NOMENCLATURE	EFFECT FROM TO	UNITS PER ASSY
1			SEAL INSTL-HORIZ STAB. TO BODY BLADE LWR	002004 006999	
- 1	182N7201-1		SEAL INSTL-HORIZ STAB. TO BODY BLADE POSITION DATA: LWR LH FOR NHA SEE: 55-10-52-01	002004 006100 107107 121503 904999	RF
- 1	182N7201-95		SEAL INSTL-HORIZ STAB. TO BODY BLADE POSITION DATA: LWR LH FOR NHA SEE: 55-10-51-04	101106 108120 504903	RF
- 5	182N7201-2		SEAL INSTL-HORIZ STAB. TO BODY BLADE POSITION DATA: LWR RH FOR NHA SEE: 55-10-52-01	002004 006100 107107 121503 904999	RF
- 5	182N7201-96		SEAL INSTL-HORIZ STAB. TO BODY BLADE POSITION DATA: LWR RH FOR NHA SEE: 55-10-51-04	101106 108120 504903	RF
10	182N7210-2		.BOLT- OPTIONAL PART: BACB30LU4-14	002004 006100 107107 121503 904999	7

MISSING ITEM NUMBERS NOT APPLICABLE

- ITEM NOT ILLUSTRATED

55-10-01-01

55-10-01  
FIG. 01  
PAGE 1  
JAN 20/09

BRI



757

PARTS CATALOG (MAINTENANCE)

FIG ITEM	PART NUMBER	1 2 3 4 5 6 7	NOMENCLATURE	EFFECT FROM TO	UNITS PER ASSY
1 10	BACB30LU4-14	.BOLT-	OPTIONAL PART: 182N7210-3 182N7210-4 182N7210-5 182N7210-6 182N7210-7 182N7210-8 182N7210-9 182N7210-10 182N7210-11 182N7210-12 182N7210-13 182N7210-14 182N7210-15 182N7210-2 BACB30LU4-10 BACB30LU4-11 BACB30LU4-12 BACB30LU4-13 BACB30LU4-15 BACB30LU4-16 BACB30LU4-17 BACB30LU4-18 BACB30LU4-19 BACB30LU4-20 BACB30LU4-21 BACB30LU4-22 BACB30LU4-23 182N7201-99	002004 006999	7
10	BACB30LU4-10	.BOLT-	OPTIONAL PART: BACB30LU4-14	002004 006100 107107 121503 904999	7
10	BACB30LU4-11	.BOLT-	OPTIONAL PART: BACB30LU4-14	002004 006100 107107 121503 904999	7
10	BACB30LU4-12	.BOLT-	OPTIONAL PART: BACB30LU4-14	002004 006100 107107 121503 904999	7

MISSING ITEM NUMBERS NOT APPLICABLE

- ITEM NOT ILLUSTRATED

55-10-01-01

55-10-01  
FIG. 01  
PAGE 2  
JAN 20/09

BRI



757

PARTS CATALOG (MAINTENANCE)

FIG ITEM	PART NUMBER	1 2 3 4 5 6 7	NOMENCLATURE	EFFECT FROM TO	UNITS PER ASSY
1					
10	BACB30LU4-13	.BOLT-	OPTIONAL PART: BACB30LU4-14	002004 006100 107107 121503 904999	7
10	BACB30LU4-15	.BOLT-	OPTIONAL PART: BACB30LU4-14	002004 006100 107107 121503 904999	7
10	BACB30LU4-16	.BOLT-	OPTIONAL PART: BACB30LU4-14	002004 006100 107107 121503 904999	7
10	BACB30LU4-17	.BOLT-	OPTIONAL PART: BACB30LU4-14	002004 006100 107107 121503 904999	7
10	BACB30LU4-18	.BOLT-	OPTIONAL PART: BACB30LU4-14	002004 006100 107107 121503 904999	7
10	BACB30LU4-19	.BOLT-	OPTIONAL PART: BACB30LU4-14	002004 006100 107107 121503 904999	7
10	BACB30LU4-20	.BOLT-	OPTIONAL PART: BACB30LU4-14	002004 006100 107107 121503 904999	7
10	BACB30LU4-21	.BOLT-	OPTIONAL PART: BACB30LU4-14	002004 006100 107107 121503 904999	7
10	BACB30LU4-22	.BOLT-	OPTIONAL PART: BACB30LU4-14	002004 006100 107107 121503 904999	7

MISSING ITEM NUMBERS NOT APPLICABLE

- ITEM NOT ILLUSTRATED

55-10-01-01

55-10-01  
FIG. 01  
PAGE 3  
JAN 20/09

BRI

BOEING PROPRIETARY - Copyright © - Unpublished Work - See title page for details.



757

PARTS CATALOG (MAINTENANCE)

FIG ITEM	PART NUMBER	1 2 3 4 5 6 7	NOMENCLATURE	EFFECT FROM TO	UNITS PER ASSY
1					
10	BACB30LU4-23	.BOLT-	OPTIONAL PART: BACB30LU4-14	002004 006100 107107 121503 904999	7
10	182N7210-3	.BOLT-	OPTIONAL PART: BACB30LU4-14	002004 006100 107107 121503 904999	7
11	182N7210-4	.BOLT-	OPTIONAL PART: BACB30LU4-14	002004 006100 107107 121503 904999	7
11	182N7210-5	.BOLT-	OPTIONAL PART: BACB30LU4-14	002004 006100 107107 121503 904999	7
11	182N7210-6	.BOLT-	OPTIONAL PART: BACB30LU4-14	002004 006100 107107 121503 904999	7
11	182N7210-7	.BOLT-	OPTIONAL PART: BACB30LU4-14	002004 006100 107107 121503 904999	7
11	182N7210-8	.BOLT-	OPTIONAL PART: BACB30LU4-14	002004 006100 107107 121503 904999	7
11	182N7210-9	.BOLT-	OPTIONAL PART: BACB30LU4-14	002004 006100 107107 121503 904999	7
11	182N7210-10	.BOLT-	OPTIONAL PART: BACB30LU4-14	002004 006100 107107 121503 904999	7

MISSING ITEM NUMBERS NOT APPLICABLE

- ITEM NOT ILLUSTRATED

55-10-01-01

55-10-01  
FIG. 01  
PAGE 4  
JAN 20/09

BRI

BOEING PROPRIETARY - Copyright © - Unpublished Work - See title page for details.



757

PARTS CATALOG (MAINTENANCE)

FIG ITEM	PART NUMBER	1 2 3 4 5 6 7	NOMENCLATURE	EFFECT FROM TO	UNITS PER ASSY
1					
11	182N7210-11	.BOLT-	OPTIONAL PART: BACB30LU4-14	002004 006100 107107 121503 904999	7
11	182N7210-12	.BOLT-	OPTIONAL PART: BACB30LU4-14	002004 006100 107107 121503 904999	7
11	182N7210-13	.BOLT-	OPTIONAL PART: BACB30LU4-14	002004 006100 107107 121503 904999	7
11	182N7210-14	.BOLT-	OPTIONAL PART: BACB30LU4-14	002004 006100 107107 121503 904999	7
11	182N7210-15	.BOLT-	OPTIONAL PART: BACB30LU4-14	002004 006100 107107 121503 904999	7
- 12	182N7201-99	.KIT ASSY-SUB	OPTIONAL PART: BACB30LU4-14	101106 108120 504903	7
13	BACB30LU4-10	..BOLT		101106 108120 504903	1
14	BACB30LU4-11	..BOLT		101106 108120 504903	1
16	BACB30LU4-12	..BOLT		101106 108120 504903	1
17	BACB30LU4-13	..BOLT		101106 108120 504903	1
18	BACB30LU4-15	..BOLT		101106 108120 504903	1
19	BACB30LU4-16	..BOLT		101106 108120 504903	1
21	BACB30LU4-17	..BOLT		101106 108120 504903	1

MISSING ITEM NUMBERS NOT APPLICABLE

- ITEM NOT ILLUSTRATED

55-10-01-01

55-10-01  
FIG. 01  
PAGE 5  
JAN 20/09

BRI

 **BOEING**  
757  
**PARTS CATALOG (MAINTENANCE)**

FIG ITEM	PART NUMBER	1 2 3 4 5 6 7	NOMENCLATURE	EFFECT FROM TO	UNITS PER ASSY
1	22	BACB30LU4-18	. . BOLT	101106 108120 504903	1
	23	BACB30LU4-19	. . BOLT	101106 108120 504903	1
	24	BACB30LU4-20	. . BOLT	101106 108120 504903	1
	26	BACB30LU4-21	. . BOLT	101106 108120 504903	1
	27	BACB30LU4-22	. . BOLT	101106 108120 504903	1
	28	BACB30LU4-23	. . BOLT	101106 108120 504903	1
	29	BACB30NN3K9	. BOLT	002004 006999	9
	31	BACB30NT3K17	. BOLT-	002004 006999	1
	33	BACB30NT3K5	. BOLT-	002004 006999	2
	33	BACB30NM3K5	. BOLT- OPTIONAL PART: BACB30NM3K5	002004 006999	2
	34	BACB30NT4K18	. BOLT-	002004 006999	1
34A	AN960KD10	. WASHER		002004 006999	2
	35	AN960PD10L	. WASHER	002004 006999	1
	40	AN960PD416L	. WASHER	002004 006999	1
	50	BACS40R17E23F	. SHIM-	002004 006999	5
	55	BACS40R16E32F	. SHIM-	002004 006999	1
	60	182N7201-43	. BRACKET- POSITION DATA: LH SIDE	002004 006999	1
-	65	182N7201-44	. BRACKET- POSITION DATA: RH SIDE	002004 006999	1
	70	182N7209-17	. SUPPORT ASSY-STRAKELET POSITION DATA: LH SIDE	002004 006999	1

MISSING ITEM NUMBERS NOT APPLICABLE

- ITEM NOT ILLUSTRATED

BRI

# 55-10-01-01

BOEING PROPRIETARY - Copyright © - Unpublished Work - See title page for details.

55-10-01  
FIG. 01  
PAGE 6  
JAN 20/09



757

PARTS CATALOG (MAINTENANCE)

FIG ITEM	PART NUMBER	1 2 3 4 5 6 7	NOMENCLATURE	EFFECT FROM TO	UNITS PER ASSY
1					
- 73	182N7209-18	.	SUPPORT ASSY-STRAKELET POSITION DATA: RH SIDE	002004 006999	1
75	182N7201-71	.BLADE ASSY-	POSITION DATA: LH SIDE	002004 006999	1
- 80	182N7201-72	.BLADE ASSY-	POSITION DATA: RH SIDE	002004 006999	1
85	BACB30NN3K5	..	BOLT-	101106 108120 504903	33
90	AN960PD10L	..	WASHER	101106 108120 504903	33
95	BRH10C3D	..	NUT SUPPLIER CODE: V52828 SPECIFICATION NUMBER: BACN10JC3CD OPTIONAL PART: T6C1032JCD V11815 NS202486-02 V80539 102LH9075-3W V72962 H51650-3BAC V15653	101106 108120 504903	33
- 97	AN960KD10	..	WASHER	002004 006999	7
100	182N7201-51	..	SPLICE-COVER	002004 006999	1
105	182N7201-13	..	SPLICE-COVER	002004 006999	1
110	182N7201-57	..	RETAINER- POSITION DATA: LH SIDE	002004 006999	1
- 115	182N7201-58	..	RETAINER- POSITION DATA: RH SIDE	002004 006999	1
- 120	182N7201-59	..	RETAINER- POSITION DATA: LH SIDE	002004 006999	1
- 125	182N7201-60	..	RETAINER- POSITION DATA: RH SIDE	002004 006999	1

MISSING ITEM NUMBERS NOT APPLICABLE

- ITEM NOT ILLUSTRATED

55-10-01-01

55-10-01  
FIG. 01  
PAGE 7  
JAN 20/09

BRI



757

PARTS CATALOG (MAINTENANCE)

FIG ITEM	PART NUMBER	1 2 3 4 5 6 7	NOMENCLATURE	EFFECT FROM TO	UNITS PER ASSY
1					
130	182N7201-67	..	RETAINER ASSY- POSITION DATA: LH SIDE	002004 006999	1
- 135	182N7201-68	..	RETAINER ASSY- POSITION DATA: RH SIDE	002004 006999	1
140	182N7201-65	..	SEAL ASSY-BLADE POSITION DATA: LH SIDE ALTERED FROM PART NUMBER: 10-60254-602	002004 006999	1
140	182N7201-73	..	SEAL ASSY-BLADE POSITION DATA: LH SIDE ALTERED FROM PART NUMBER: 10-60754-655	002004 006999	1
140	182N7201-91	..	SEAL ASSY-BLADE POSITION DATA: LH SIDE ALTERED FROM PART NUMBER: 10-60754-655	002004 006999	1
- 145	182N7201-66	..	SEAL ASSY-BLADE POSITION DATA: RH SIDE ALTERED FROM PART NUMBER: 10-60754-601	002004 006999	1
- 145	182N7201-74	..	SEAL ASSY-BLADE POSITION DATA: RH SIDE ALTERED FROM PART NUMBER: 182N7201-656	002004 006999	1
- 145	182N7201-92	..	SEAL ASSY-BLADE POSITION DATA: RH SIDE ALTERED FROM PART NUMBER: 10-60754-656	002004 006999	1
150	182N7201-31	..	SEAL- MANUFACTURED FROM: EXTRU RUBBER BAC1521-720 5.8 IN.	002004 006999	1
155	182N7201-32	..	SEAL- MANUFACTURED FROM: EXTRU RUBBER BAC1521-720 9.3 IN.	002004 006999	1
160	182N7201-33	..	SEAL- MANUFACTURED FROM: EXTRU RUBBER BAC1521-720 9.0 IN.	002004 006999	1

MISSING ITEM NUMBERS NOT APPLICABLE

- ITEM NOT ILLUSTRATED

55-10-01-01

55-10-01  
FIG. 01  
PAGE 8  
JAN 20/09

BRI

BOEING PROPRIETARY - Copyright © - Unpublished Work - See title page for details.





757

PARTS CATALOG (MAINTENANCE)

FIG ITEM	PART NUMBER	1 2 3 4 5 6 7	NOMENCLATURE	EFFECT FROM TO	UNITS PER ASSY
1 165	182N7201-34	..	SEAL- MANUFACTURED FROM: EXTRU RUBBER BAC1521-720 8.8 IN.	002004 006999	1
170	182N7201-35	..	SEAL- MANUFACTURED FROM: EXTRU RUBBER BAC1521-720 13.1 IN.	002004 006999	1
175	182N7201-36	..	SEAL- MANUFACTURED FROM: EXTRU RUBBER BAC1521-720 14.4 IN.	002004 006999	1
180	182N7201-8	..	SEAL- MANUFACTURED FROM: EXTRU RUBBER BAC1521-720 2.8 IN.	002004 006999	1

MISSING ITEM NUMBERS NOT APPLICABLE

- ITEM NOT ILLUSTRATED

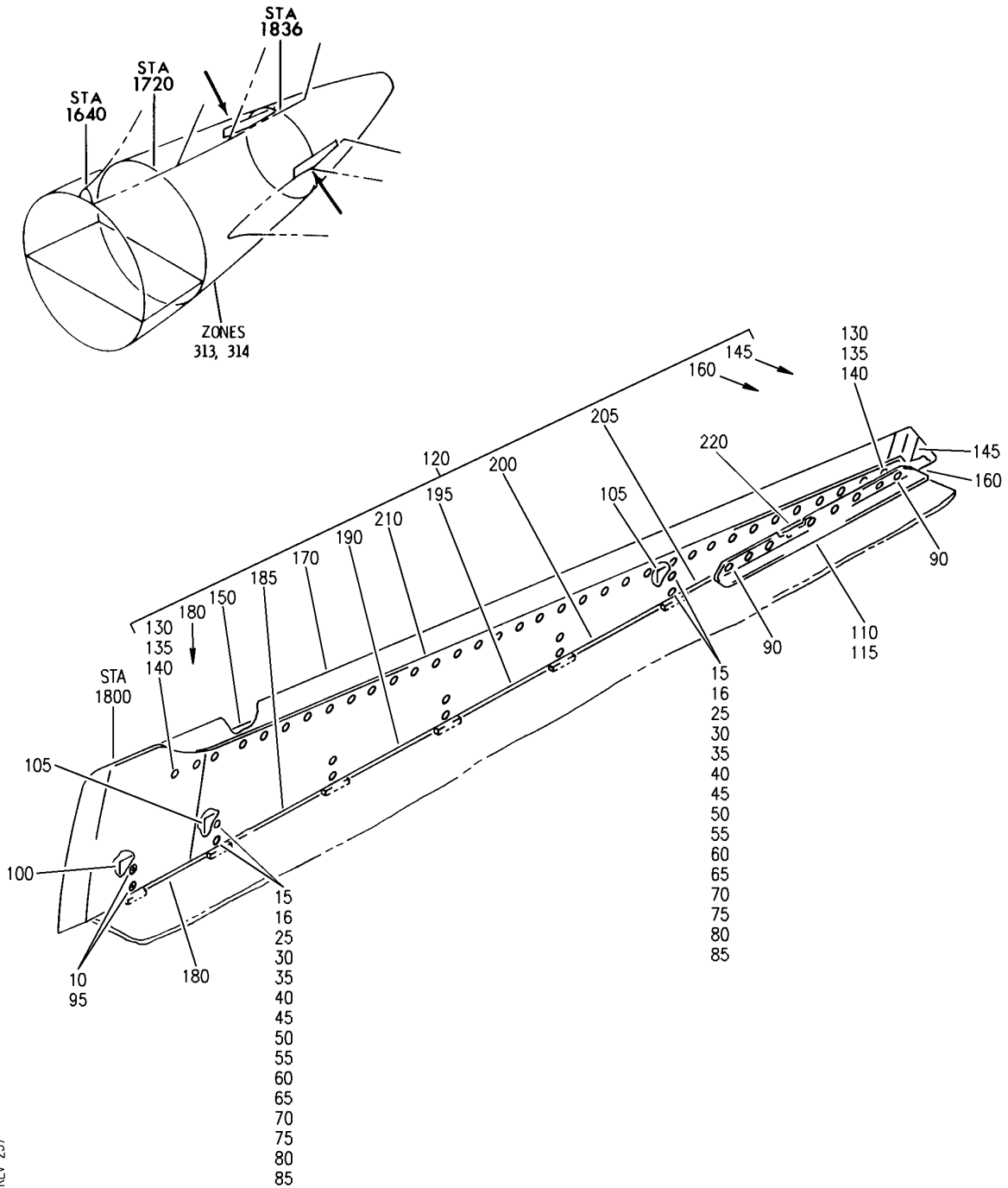
55-10-01-01

55-10-01  
FIG. 01  
PAGE 9  
JAN 20/09

BRI

BOEING PROPRIETARY - Copyright © - Unpublished Work - See title page for details.

**BOEING**  
757  
PARTS CATALOG (MAINTENANCE)



Y 55100102 REV 237

SEAL INSTL-HORIZ STAB. TO BODY BLADE UPR  
FIGURE 2

**55-10-01-02**

BRI  
MAY 28/07

55-10-01-02  
PAGE 0



757

PARTS CATALOG (MAINTENANCE)

FIG ITEM	PART NUMBER	1 2 3 4 5 6 7	NOMENCLATURE	EFFECT FROM TO	UNITS PER ASSY
2			SEAL INSTL-HORIZ STAB. TO BODY BLADE UPR	002004 006999	
- 1	182N7200-1		SEAL INSTL-HORIZ STAB. TO BODY BLADE UPR (LH) FOR NHA SEE: 55-10-52-01	002004 006100 107107 121503 904999	RF
- 1	182N7200-65		SEAL INSTL-HORIZ STAB. TO BODY BLADE UPR (LH) FOR NHA SEE: 55-10-51-04	101106 108120 504903	RF
- 5	182N7200-2		SEAL INSTL-HORIZ STAB. TO BODY BLADE UPR (RH) FOR NHA SEE: 55-10-52-01	002004 006100 107107 121503 904999	RF
- 5	182N7200-66		SEAL INSTL-HORIZ STAB. TO BODY BLADE UPR (RH) FOR NHA SEE: 55-10-51-04	101106 108120 504903	RF
10	BACB30NN3K3		.BOLT	002004 006999	2
15	182N7210-2		.BOLT- OPTIONAL PART: BACB30LU4-14	002004 006100 107107 121503 904999	AR
15	182N7210-3		.BOLT- OPTIONAL PART: BACB30LU4-14	002004 006100 107107 121503 904999	AR
15	182N7210-4		.BOLT- OPTIONAL PART: BACB30LU4-14	002004 006100 107107 121503 904999	AR
15	182N7210-5		.BOLT- OPTIONAL PART: BACB30LU4-14	002004 006100 107107 121503 904999	AR
15	182N7210-6		.BOLT- OPTIONAL PART: BACB30LU4-14	002004 006100 107107 121503 904999	AR

MISSING ITEM NUMBERS NOT APPLICABLE

- ITEM NOT ILLUSTRATED

55-10-01-02

55-10-01  
FIG. 02  
PAGE 1  
JAN 20/09

BRI



757

PARTS CATALOG (MAINTENANCE)

FIG ITEM	PART NUMBER	1 2 3 4 5 6 7	NOMENCLATURE	EFFECT FROM TO	UNITS PER ASSY
2					
15	182N7210-7	.BOLT-	OPTIONAL PART: BACB30LU4-14	002004 006100 107107 121503 904999	AR
15	182N7210-8	.BOLT-	OPTIONAL PART: BACB30LU4-14	002004 006100 107107 121503 904999	AR
15	182N7210-9	.BOLT-	OPTIONAL PART: BACB30LU4-14	002004 006100 107107 121503 904999	AR
15	182N7210-10	.BOLT-	OPTIONAL PART: BACB30LU4-14	002004 006100 107107 121503 904999	AR
15	182N7210-11	.BOLT-	OPTIONAL PART: BACB30LU4-14	002004 006100 107107 121503 904999	AR
15	182N7210-12	.BOLT-	OPTIONAL PART: BACB30LU4-14	002004 006100 107107 121503 904999	AR
15	182N7210-13	.BOLT-	OPTIONAL PART: BACB30LU4-14	002004 006100 107107 121503 904999	AR
15	182N7210-14	.BOLT-	OPTIONAL PART: BACB30LU4-14	002004 006100 107107 121503 904999	AR
15	182N7210-15	.BOLT-	OPTIONAL PART: BACB30LU4-14	002004 006100 107107 121503 904999	AR

MISSING ITEM NUMBERS NOT APPLICABLE

- ITEM NOT ILLUSTRATED

55-10-01-02

55-10-01  
FIG. 02  
PAGE 2  
JAN 20/09

BRI

BOEING PROPRIETARY - Copyright © - Unpublished Work - See title page for details.



757

PARTS CATALOG (MAINTENANCE)

FIG ITEM	PART NUMBER	1 2 3 4 5 6 7	NOMENCLATURE	EFFECT FROM TO	UNITS PER ASSY
2	15 BACB30LU4-14		.BOLT- OPTIONAL PART: 182N7210-2 182N7210-3 182N7210-4 182N7210-5 182N7210-6 182N7210-7 182N7210-8 182N7210-9 182N7210-10 182N7210-11 182N7210-12 182N7210-13 182N7210-14 182N7210-15 182N7200-67 BACB30LU4-10 BACB30LU4-11 BACB30LU4-12 BACB30LU4-13 BACB30LU4-15 BACB30LU4-16 BACB30LU4-17 BACB30LU4-18 BACB30LU4-19 BACB30LU4-20 BACB30LU4-21 BACB30LU4-22 BACB30LU4-23	002004 006999	AR
	15 BACB30LU4-10		.BOLT- OPTIONAL PART: BACB30LU4-14	002004 006100 107107 121503 904999	AR
	15 BACB30LU4-11		.BOLT- OPTIONAL PART: BACB30LU4-14	002004 006100 107107 121503 904999	AR
	16 BACB30LU4-12		.BOLT- OPTIONAL PART: BACB30LU4-14	002004 006100 107107 121503 904999	AR

MISSING ITEM NUMBERS NOT APPLICABLE

- ITEM NOT ILLUSTRATED

55-10-01-02

55-10-01  
FIG. 02  
PAGE 3  
JAN 20/09

BRI

BOEING PROPRIETARY - Copyright © - Unpublished Work - See title page for details.



757

PARTS CATALOG (MAINTENANCE)

FIG ITEM	PART NUMBER	1 2 3 4 5 6 7	NOMENCLATURE	EFFECT FROM TO	UNITS PER ASSY
2					
16	BACB30LU4-13	.BOLT-	OPTIONAL PART: BACB30LU4-14	002004 006100 107107 121503 904999	AR
16	BACB30LU4-15	.BOLT-	OPTIONAL PART: BACB30LU4-14	002004 006100 107107 121503 904999	AR
16	BACB30LU4-16	.BOLT-	OPTIONAL PART: BACB30LU4-14	002004 006100 107107 121503 904999	AR
16	BACB30LU4-17	.BOLT-	OPTIONAL PART: BACB30LU4-14	002004 006100 107107 121503 904999	AR
16	BACB30LU4-18	.BOLT-	OPTIONAL PART: BACB30LU4-14	002004 006100 107107 121503 904999	AR
16	BACB30LU4-19	.BOLT-	OPTIONAL PART: BACB30LU4-14	002004 006100 107107 121503 904999	AR
16	BACB30LU4-20	.BOLT-	OPTIONAL PART: BACB30LU4-14	002004 006100 107107 121503 904999	AR
16	BACB30LU4-21	.BOLT-	OPTIONAL PART: BACB30LU4-14	002004 006100 107107 121503 904999	AR
16	BACB30LU4-22	.BOLT-	OPTIONAL PART: BACB30LU4-14	002004 006100 107107 121503 904999	AR

MISSING ITEM NUMBERS NOT APPLICABLE

- ITEM NOT ILLUSTRATED

55-10-01-02

55-10-01  
FIG. 02  
PAGE 4  
JAN 20/09

BRI



757

PARTS CATALOG (MAINTENANCE)

FIG ITEM	PART NUMBER	1 2 3 4 5 6 7	NOMENCLATURE	EFFECT FROM TO	UNITS PER ASSY
2	16		.BOLT-	002004	AR
			OPTIONAL PART:	006100	
			BACB30LU4-14	107107	
				121503	
				904999	
-	20		.KIT ASSY-SUB	101106	AR
			OPTIONAL PART:	108120	
			BACB30LU4-14	504903	
	25		..BOLT	101106	AR
				108120	
				504903	
	30		..BOLT	101106	AR
				108120	
				504903	
	35		..BOLT	101106	AR
				108120	
				504903	
	40		..BOLT	101106	AR
				108120	
				504903	
	45		..BOLT	101106	AR
				108120	
				504903	
	50		..BOLT	101106	AR
				108120	
				504903	
	55		..BOLT	101106	AR
				108120	
				504903	
	60		..BOLT	101106	AR
				108120	
				504903	
	65		..BOLT	101106	AR
				108120	
				504903	
	70		..BOLT	101106	AR
				108120	
				504903	
	75		..BOLT	101106	AR
				108120	
				504903	
	80		..BOLT	101106	AR
				108120	
				504903	
	85		..BOLT	101106	AR
				108120	
				504903	
	90		.BOLT	002004	9
				006999	

MISSING ITEM NUMBERS NOT APPLICABLE

- ITEM NOT ILLUSTRATED

55-10-01-02

55-10-01  
FIG. 02  
PAGE 5  
JAN 20/09

BRI



757

PARTS CATALOG (MAINTENANCE)

FIG ITEM	PART NUMBER	1 2 3 4 5 6 7	NOMENCLATURE	EFFECT FROM TO	UNITS PER ASSY
2					
95	AN960PD10L	.	WASHER	002004 006999	2
100	BACS40R14E23F	.	SHIM	002004 006999	1
105	BACS40R18E22F	.	SHIM	002004 006999	5
110	182N7200-19	.	BRACKET- POSITION DATA: LH SIDE	002004 006999	1
115	182N7200-20	.	BRACKET- POSITION DATA: RH SIDE	002004 006999	1
120	182N7200-41	.	BLADE ASSY- POSITION DATA: LH SIDE	002004 006999	1
120	182N7200-53	.	BLADE ASSY- POSITION DATA: LH SIDE	002004 006999	1
- 125	182N7200-42	.	BLADE ASSY- POSITION DATA: RH SIDE	002004 006999	1
- 125	182N7200-54	.	BLADE ASSY- POSITION DATA: RH SIDE	002004 006999	1
130	BACB30NN3K7	..	BOLT	002004 006999	34
135	AN960PD10L	..	WASHER	002004 006999	34
140	BRH10C3D	..	NUT SUPPLIER CODE: V52828 SPECIFICATION NUMBER: BACN10JC3CD OPTIONAL PART: T6C1032JCD V11815 NS202486-02 V80539 102LH9075-3W V72962 H51650-3BAC V15653	002004 006999	34
145	182N7200-33	..	SPLICE-COVER	002004 006999	1
150	182N7200-21	..	RETAINER- POSITION DATA: LH SIDE	002004 006999	1

MISSING ITEM NUMBERS NOT APPLICABLE

- ITEM NOT ILLUSTRATED

55-10-01-02

55-10-01  
FIG. 02  
PAGE 6  
JAN 20/09

BRI



 **BOEING**  
757  
**PARTS CATALOG (MAINTENANCE)**

FIG ITEM	PART NUMBER	1 2 3 4 5 6 7	NOMENCLATURE	EFFECT FROM TO	UNITS PER ASSY
2					
- 155	182N7200-22		..RETAINER- POSITION DATA: RH SIDE	002004 006999	1
160	182N7200-47		..RETAINER ASSY- POSITION DATA: LH SIDE	002004 006999	1
- 165	182N7200-48		..RETAINER ASSY- POSITION DATA: RH SIDE	002004 006999	1
170	182N7200-45		..SEAL ASSY-BLADE POSITION DATA: LH SIDE ALTERED FROM PART NUMBER: 10-60754-601	002004 006999	1
170	182N7200-55		..SEAL ASSY-BLADE POSITION DATA: LH SIDE ALTERED FROM PART NUMBER: 10-60754-655	002004 006999	1
- 175	182N7200-46		..SEAL ASSY-BLADE POSITION DATA: RH SIDE	002004 006999	1
- 175	182N7200-56		..SEAL ASSY-BLADE POSITION DATA: RH SIDE	002004 006999	1
180	182N7200-24		..SEAL- MANUFACTURED FROM: EXTR RUBBER F25.01 BAC1521-720 X 6.2 IN.	002004 006999	1
185	182N7200-29		..SEAL- MANUFACTURED FROM: EXTR RUBBER F25.01 BAC1521-720 X 9.2 IN.	002004 006999	1
190	182N7200-30		..SEAL- MANUFACTURED FROM: EXTR RUBBER F25.01 BAC1521-720 X 8.9 IN.	002004 006999	1
195	182N7200-31		..SEAL- MANUFACTURED FROM: EXTR RUBBER F25.01 BAC1521-720 X 8.0 IN.	002004 006999	1

MISSING ITEM NUMBERS NOT APPLICABLE

- ITEM NOT ILLUSTRATED

BRI

# 55-10-01-02

BOEING PROPRIETARY - Copyright © - Unpublished Work - See title page for details.

55-10-01  
FIG. 02  
PAGE 7  
JAN 20/09



757

PARTS CATALOG (MAINTENANCE)

FIG ITEM	PART NUMBER	1 2 3 4 5 6 7	NOMENCLATURE	EFFECT FROM TO	UNITS PER ASSY
2 200	182N7200-32	..	SEAL- MANUFACTURED FROM: EXTR RUBBER F25.01 BAC1521-720 X 8.7 IN.	002004 006999	1
205	182N7200-39	..	SEAL- MANUFACTURED FROM: EXTR RUBBER F25.01 BAC1521-720 X 3.0 IN.	002004 006999	1
210	182N7200-43	..	PANEL ASSY-BOND POSITION DATA: LH SIDE	002004 006999	1
- 215	182N7200-44	..	PANEL ASSY-BOND POSITION DATA: LH SIDE	002004 006999	1
220	BACS40R11C170F	.	SHIM	002004 006999	1

MISSING ITEM NUMBERS NOT APPLICABLE

- ITEM NOT ILLUSTRATED

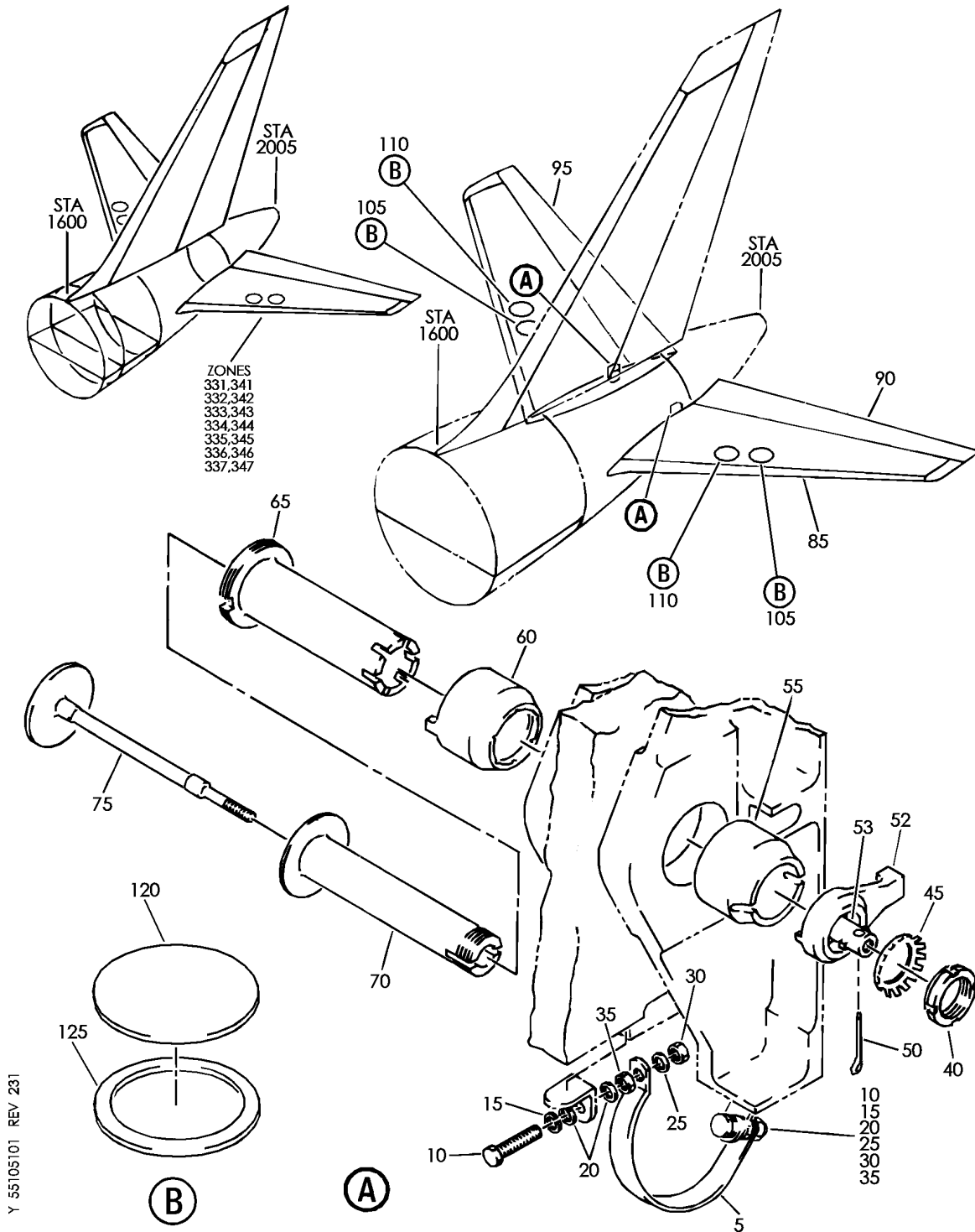
BRI

55-10-01-02

BOEING PROPRIETARY - Copyright © - Unpublished Work - See title page for details.

55-10-01  
FIG. 02  
PAGE 8  
JAN 20/09

**BOEING**  
757  
PARTS CATALOG (MAINTENANCE)



Y 55105101 REV 231

STABILIZER INSTL-HORIZ  
FIGURE 1

**55-10-51-01**

BRI  
MAY 28/07

55-10-51-01  
PAGE 0



757

PARTS CATALOG (MAINTENANCE)

FIG ITEM	PART NUMBER	1 2 3 4 5 6 7	NOMENCLATURE	EFFECT FROM TO	UNITS PER ASSY
1			STABILIZER INSTL-HORIZ	002004 006100 107107 121503 904999	
- 1	180N0001-1		STABILIZER INSTL-HORIZ VARIABLE DRAWING REF: 180N0001-94	002004 006100 107107 121503 904999	RF
5	RBEJ40E20-44		.JUMPER ASSY- SUPPLIER CODE: V1GK47 SPECIFICATION NUMBER: BACJ40E20-44 OPTIONAL PART: 740E20-44 V91812	002004 006100 107107 121503 904999	2
10	NAS564-33		.BOLT	002004 006100 107107 121503 904999	4
15	MS35338-44		.WASHER	002004 006100 107107 121503 904999	4
20	AN960D416L		.WASHER	002004 006100 107107 121503 904999	8
25	AN960D416		.WASHER	002004 006100 107107 121503 904999	4

MISSING ITEM NUMBERS NOT APPLICABLE

- ITEM NOT ILLUSTRATED

BRI

55-10-51-01

BOEING PROPRIETARY - Copyright © - Unpublished Work - See title page for details.

55-10-51  
FIG. 01  
PAGE 1  
JAN 20/09



757

PARTS CATALOG (MAINTENANCE)

FIG ITEM	PART NUMBER	1 2 3 4 5 6 7	NOMENCLATURE	EFFECT FROM TO	UNITS PER ASSY
1	30 BRH10A4	.NUT	SUPPLIER CODE: V52828 SPECIFICATION NUMBER: BACN10JC4 OPTIONAL PART: T6S428J V11815 96-048 V80539 VN303A048 V92215 RMLH9075-4W V72962 NS202101-048 V80539 H10-4BAC V15653	002004 006100 107107 121503 904999	4
	35 MS35650-3255B	.NUT-	OPTIONAL PART: MS35650-3255T	002004 006100 107107 121503 904999	4
	35 MS35650-3255T	.NUT-	OPTIONAL PART: MS35650-3255B	002004 006100 107107 121503 904999	4
	40 MS19068-063	.NUT-		002004 006100 107107 121503 904999	2
	45 MS19070-063	.WASHER-		002004 006100 107107 121503 904999	2
	50 MS24665-300	.PIN		002004 006100 107107 121503 904999	2
	52 180N0016-3	.FITTING-ANTIROTATION		002004 006100 107107 121503 904999	2

MISSING ITEM NUMBERS NOT APPLICABLE

- ITEM NOT ILLUSTRATED

55-10-51-01

55-10-51  
FIG. 01  
PAGE 2  
JAN 20/09

BRI

BOEING PROPRIETARY - Copyright © - Unpublished Work - See title page for details.



757

PARTS CATALOG (MAINTENANCE)

FIG ITEM	PART NUMBER	1 2 3 4 5 6 7	NOMENCLATURE	EFFECT FROM TO	UNITS PER ASSY
1					
53	180N0021-1	.	NUT-ANTIROTATION	002004 006100 107107 121503 904999	2
55	180N0015-1	.	SLEEVE-PIVOT POSITION DATA: OUTBD	002004 006100 107107 121503 904999	2
60	180N0014-1	.	SLEEVE-PIVOT POSITION DATA: INBD	002004 006100 107107 121503 904999	2
65	180N0011-1	.	PIN-PIVOT OUTER	002004 006100 107107 121503 904999	2
70	180N0012-1	.	PIN-PIVOT INNER	002004 006100 107107 121503 904999	2
75	180N0013-1	.	PIN-PIVOT SAFETY OPTIONAL PART: 180N0013-2	002004 006100 107107 121503 904999	2
75	180N0013-2	.	PIN-PIVOT SAFETY OPTIONAL PART: 180N0013-1	002004 006100 107107 121503 904999	2
85	180N0002-1	.	STRUCTURE ASSY- VARIABLE DRAWING REF: 180N0002-93 FOR DETAILS SEE: 55-10-52-01	002004 006100 107107 121503 904999	1
90	183N2001-1	.	ELEVATOR INSTL- POSITION DATA: LH FOR DETAILS SEE: 55-20-51-01	002004 006100 107107 121503 904999	1

MISSING ITEM NUMBERS NOT APPLICABLE

- ITEM NOT ILLUSTRATED

# 55-10-51-01

55-10-51  
FIG. 01  
PAGE 3  
JAN 20/09

BRI



757

PARTS CATALOG (MAINTENANCE)

FIG ITEM	PART NUMBER	1 2 3 4 5 6 7	NOMENCLATURE	EFFECT FROM TO	UNITS PER ASSY
1 95	183N2001-2		.ELEVATOR INSTL- POSITION DATA: RH FOR DETAILS SEE: 55-20-51-01	002004 006100 107107 121503 904999	1

MISSING ITEM NUMBERS NOT APPLICABLE

- ITEM NOT ILLUSTRATED

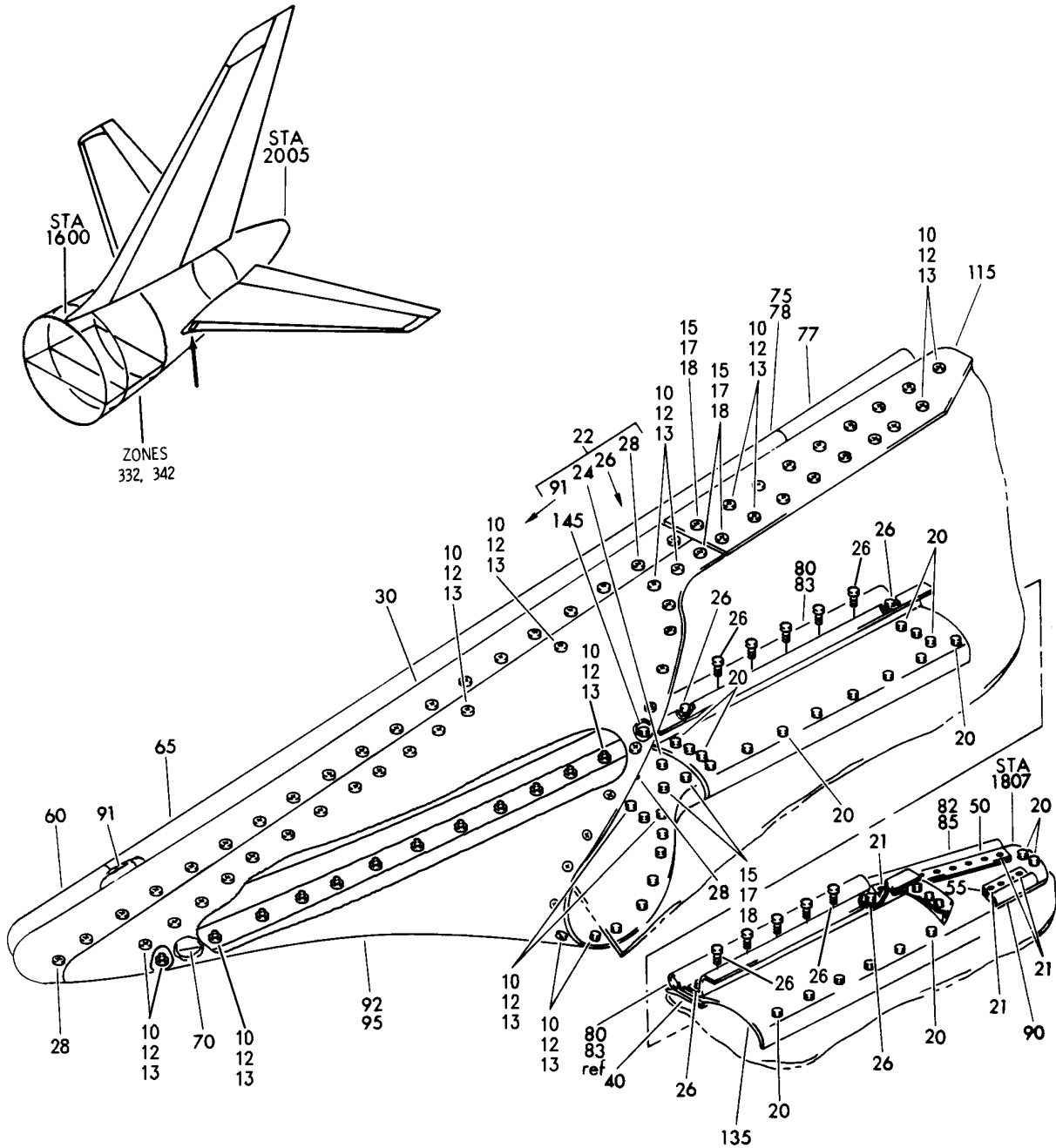
BRI

**55-10-51-01**

BOEING PROPRIETARY - Copyright © - Unpublished Work - See title page for details.

55-10-51  
FIG. 01  
PAGE 4  
JAN 20/09

**BOEING**  
757  
PARTS CATALOG (MAINTENANCE)



Y 55105102 REV 237

STRAKELET AND SEAL INSTL-HORIZ STAB.  
FIGURE 2

**55-10-51-02**

BRI  
MAY 28/07

55-10-51-02  
PAGE 0



 **BOEING**  
757  
**PARTS CATALOG (MAINTENANCE)**

FIG ITEM	PART NUMBER	1 2 3 4 5 6 7	NOMENCLATURE	EFFECT FROM TO	UNITS PER ASSY
2					
- 1	184N1004-1		STRAKELET AND SEAL INSTL- HORIZ STAB. STRAKELET AND SEAL INSTL- HORIZ STAB. POSITION DATA: LH FOR NHA SEE: 55-10-52-01	002004 006999 107107	RF
- 1	184N1004-43		STRAKELET AND SEAL INSTL- HORIZ STAB. POSITION DATA: LH FOR NHA SEE: 55-10-52-01	002004 006100 121503 904999	RF
- 3	184N1004-49		SEAL INSTL-STRAKE HORIZ STAB. POSITION DATA: LH FOR NHA SEE: 55-10-52-01	101102 504903	RF
- 3	184N1004-401		SEAL INSTL-STRAKE HORIZ STAB. POSITION DATA: LH FOR NHA SEE: 55-10-51-04	103106 108120	RF
- 5	184N1004-2		STRAKELET AND SEAL INSTL- HORIZ STAB. POSITION DATA: RH FOR NHA SEE: 55-10-52-01	107107	RF
- 5	184N1004-44		STRAKELET AND SEAL INSTL- HORIZ STAB. POSITION DATA: RH FOR NHA SEE: 55-10-52-01	002004 006100 121503 904999	RF
- 7	184N1004-50		SEAL INSTL-STRAKE HORIZ STAB. POSITION DATA: RH FOR NHA SEE: 55-10-51-04	101102 504903	RF

MISSING ITEM NUMBERS NOT APPLICABLE

- ITEM NOT ILLUSTRATED

BRI

# 55-10-51-02

BOEING PROPRIETARY - Copyright © - Unpublished Work - See title page for details.

55-10-51  
FIG. 02  
PAGE 1  
JAN 20/09



757

PARTS CATALOG (MAINTENANCE)

FIG ITEM	PART NUMBER	1 2 3 4 5 6 7	NOMENCLATURE	EFFECT FROM TO	UNITS PER ASSY
2					
- 7	184N1004-402		SEAL INSTL-STRAKE HORIZ STAB. POSITION DATA: RH FOR NHA SEE: 55-10-51-04	103106 108120	RF
10	BACB30NN3K8		.BOLT-	002004 006100 107107 121503 904999	61
12	BACB30NN3K6		.BOLT- POSITION DATA: LH SIDE	101102 504903	61
13	BACB30LH3-6		.BOLT- POSITION DATA: RH SIDE	101102 504903	61
15	BACB30LR3-8		.BOLT	002004 006100 107107 121503 904999	5
17	BACB30LH3-6		.BOLT- POSITION DATA: LH SIDE	101102 504903	5
18	BACB30NN3K6		.BOLT- POSITION DATA: RH SIDE	101102 504903	5
20	BACB30NN3K5		.BOLT	002004 006999	25
21	BACR15BA4AD		.RIVET- SIZE DETERMINED ON INSTL.	002004 006100 107107 121503 904999	13
21	BACR15FT5D3		.RIVET	101106 108120 504903 107107	13
22	184N1004-19		.SEAL INSTL- POSITION DATA: LH SIDE	107107	1
22	184N1004-45		.SEAL INSTL- POSITION DATA: LH SIDE	002004 006100 121503 904999	1
22	184N1004-51		.SEAL INSTL- POSITION DATA: LH SIDE	101106 108120 504903	1

MISSING ITEM NUMBERS NOT APPLICABLE

- ITEM NOT ILLUSTRATED

BRI

55-10-51-02

55-10-51  
FIG. 02  
PAGE 2  
JAN 20/09



757

PARTS CATALOG (MAINTENANCE)

FIG ITEM	PART NUMBER	1 2 3 4 5 6 7	NOMENCLATURE	EFFECT FROM TO	UNITS PER ASSY
2					
- 23	184N1004-20	.	SEAL INSTL- POSITION DATA: RH SIDE	107107	1
- 23	184N1004-46	.	SEAL INSTL- POSITION DATA: RH SIDE	002004 006100 121503 904999	1
- 23	184N1004-52	.	SEAL INSTL- POSITION DATA: RH SIDE	101106 108120 504903	1
24	BACB30LR3-8	..	BOLT-	002004 006100 107107 121503 904999	1
24	BACB30LH3-8	..	BOLT-	101106 108120 504903	1
26	BACB30NN3K5	..	BOLT	002004 006999	14
28	BACB30NN3K8	..	BOLT-	002004 006999	36
30	184N1006-5	..	RETAINER- POSITION DATA: FWD LH SIDE	107107	1
30	184N1006-59	..	RETAINER- POSITION DATA: FWD LH SIDE	002004 006106 108999	1
- 35	184N1006-6	..	RETAINER- POSITION DATA: FWD RH SIDE	107107	1
- 35	184N1006-60	..	RETAINER- POSITION DATA: FWD RH SIDE	002004 006106 108999	1
40	184N1006-35	..	RETAINER- POSITION DATA: LWR LH SIDE	107107	1
40	184N1006-61	..	RETAINER- POSITION DATA: LWR LH SIDE	002004 006106 108999	1
- 45	184N1006-36	..	RETAINER- POSITION DATA: LWR RH SIDE	107107	1
- 45	184N1006-62	..	RETAINER- POSITION DATA: LWR RH SIDE	002004 006106 108999	1
50	184N1007-41	..	RETAINER	002004 006999	1

MISSING ITEM NUMBERS NOT APPLICABLE

- ITEM NOT ILLUSTRATED

55-10-51-02

55-10-51  
FIG. 02  
PAGE 3  
JAN 20/09

BRI



757

PARTS CATALOG (MAINTENANCE)

FIG ITEM	PART NUMBER	1 2 3 4 5 6 7	NOMENCLATURE	EFFECT FROM TO	UNITS PER ASSY
2					
55	184N1007-42	..	RETAINER	002004 006999	1
60	10-60754-480	..	SEAL-FABRIC COVERED AERODYN	002004 006999	1
65	184N1004-10	..	SEAL- POSITION DATA: UPR	002004 006999	1
70	184N1004-12	..	SEAL- POSITION DATA: LWR	002004 006999	1
77	184N1004-41	..	SEAL- POSITION DATA: UPR AFT QUALIFIED I/W DATA: -41 T/W -42 SEAL AND BY TRIMMING RETAINERS 184N1006-1 ON LEFT SIDE OR 184N1006-2 ON RIGHT SIDE IS I/W -9	002004 006999	1
78	184N1004-42	..	SEAL- POSITION DATA: UPR AFT QUALIFIED I/W DATA: -41 T/W -42 SEAL AND BY TRIMMING RETAINERS 184N1006-1 ON LEFT SIDE OR 184N1006-2 ON RIGHT SIDE IS I/W -9	002004 006999	1
82	184N1004-39	..	SEAL- POSITION DATA: LWR AFT QUALIFIED I/W DATA: -39 T/W -40 SEAL AND BY TRIMMING COVERS AND RETAINERS (184N1006-7 & -9 ON LEFT SIDE OR 184N1006-8 & -10 ON RIGHT SIDE IS I/W -13	002004 006999	1
83	184N1004-40	..	SEAL- POSITION DATA: LWR AFT QUALIFIED I/W DATA: -39 T/W -40 SEAL AND BY TRIMMING COVERS AND RETAINERS (184N1006-7 & -9 ON LEFT SIDE OR 184N1006-8 & -10 ON RIGHT SIDE IS I/W -13	002004 006999	1

MISSING ITEM NUMBERS NOT APPLICABLE

- ITEM NOT ILLUSTRATED

55-10-51-02

55-10-51  
FIG. 02  
PAGE 4  
JAN 20/09

BRI



757

PARTS CATALOG (MAINTENANCE)

FIG ITEM	PART NUMBER	1 2 3 4 5 6 7	NOMENCLATURE	EFFECT FROM TO	UNITS PER ASSY
2					
85	184N1004-14	..	SEAL	002004 006999	1
90	184N1004-15	..	SEAL	002004 006999	1
91	184N1004-25	..	PLUG-SEAL MANUFACTURED FROM: EXTR RUBBER BAC1521-855 X 3.2 IN.	002004 006999	4
92	184N1004-21	.S	STRAKELET ASSY- POSITION DATA: LH SIDE	107107	1
92	184N1004-47	.S	STRAKELET ASSY- POSITION DATA: LH SIDE	002004 006100 121503 904999	1
92	184N1004-53	.S	STRAKELET ASSY- POSITION DATA: LH SIDE	101106 108120 504903	1
- 93	184N1004-22	.S	STRAKELET ASSY- POSITION DATA: RH SIDE	107107	1
- 93	184N1004-48	.S	STRAKELET ASSY- POSITION DATA: RH SIDE	002004 006100 121503 904999	1
- 93	184N1004-54	.S	STRAKELET ASSY- POSITION DATA: RH SIDE	101106 108120 504903	1
95	184N1006-3	..	BONDED ASSY-COVER POSITION DATA: FWD LH SIDE	107107	1
95	184N1006-57	..	BONDED ASSY-COVER POSITION DATA: FWD LH SIDE	002004 006106 108999	1
- 100	184N1006-4	..	BONDED ASSY-COVER POSITION DATA: FWD RH SIDE	107107	1
- 100	184N1006-58	..	BONDED ASSY-COVER POSITION DATA: FWD RH SIDE	002004 006106 108999	1
115	184N1006-47	.C	COVER-BONDED POSITION DATA: UPR LH SIDE	107107	1
115	184N1006-55	.C	COVER-BONDED POSITION DATA: UPR LH SIDE	002004 006017 121503 904999	1

MISSING ITEM NUMBERS NOT APPLICABLE

- ITEM NOT ILLUSTRATED

55-10-51-02

55-10-51  
FIG. 02  
PAGE 5  
JAN 20/09

BRI

 **BOEING**  
757  
**PARTS CATALOG (MAINTENANCE)**

FIG ITEM	PART NUMBER	1 2 3 4 5 6 7	NOMENCLATURE	EFFECT FROM TO	UNITS PER ASSY
2					
115	184N1006-63	.	COVER-BONDED POSITION DATA: UPR LH SIDE	018106 108120 504903	1
- 120	184N1006-48	.	COVER-BONDED POSITION DATA: UPR RH SIDE	107107	1
- 120	184N1006-56	.	COVER-BONDED POSITION DATA: UPR RH SIDE	002004 006017 121503 904999	1
- 120	184N1006-64	.	COVER-BONDED POSITION DATA: UPR RH SIDE	018106 108120 504903	1
135	184N1006-37	.	COVER-BONDED POSITION DATA: LWR LH SIDE	107107	1
135	184N1006-53	.	COVER-BONDED POSITION DATA: LWR LH SIDE	002004 006106 108999	1
- 140	184N1006-38	.	COVER-BONDED POSITION DATA: LWR RH SIDE	107107	1
- 140	184N1006-54	.	COVER-BONDED POSITION DATA: LWR RH SIDE	002004 006106 108999	1
145	BACB30LR3-5	.	ATTACHING PARTS BOLT	002004 006100 107107 121503 904999	2
145	BACB30LH3-5	.	BOLT	101106 108120 504903	2
			-----*		

MISSING ITEM NUMBERS NOT APPLICABLE

- ITEM NOT ILLUSTRATED

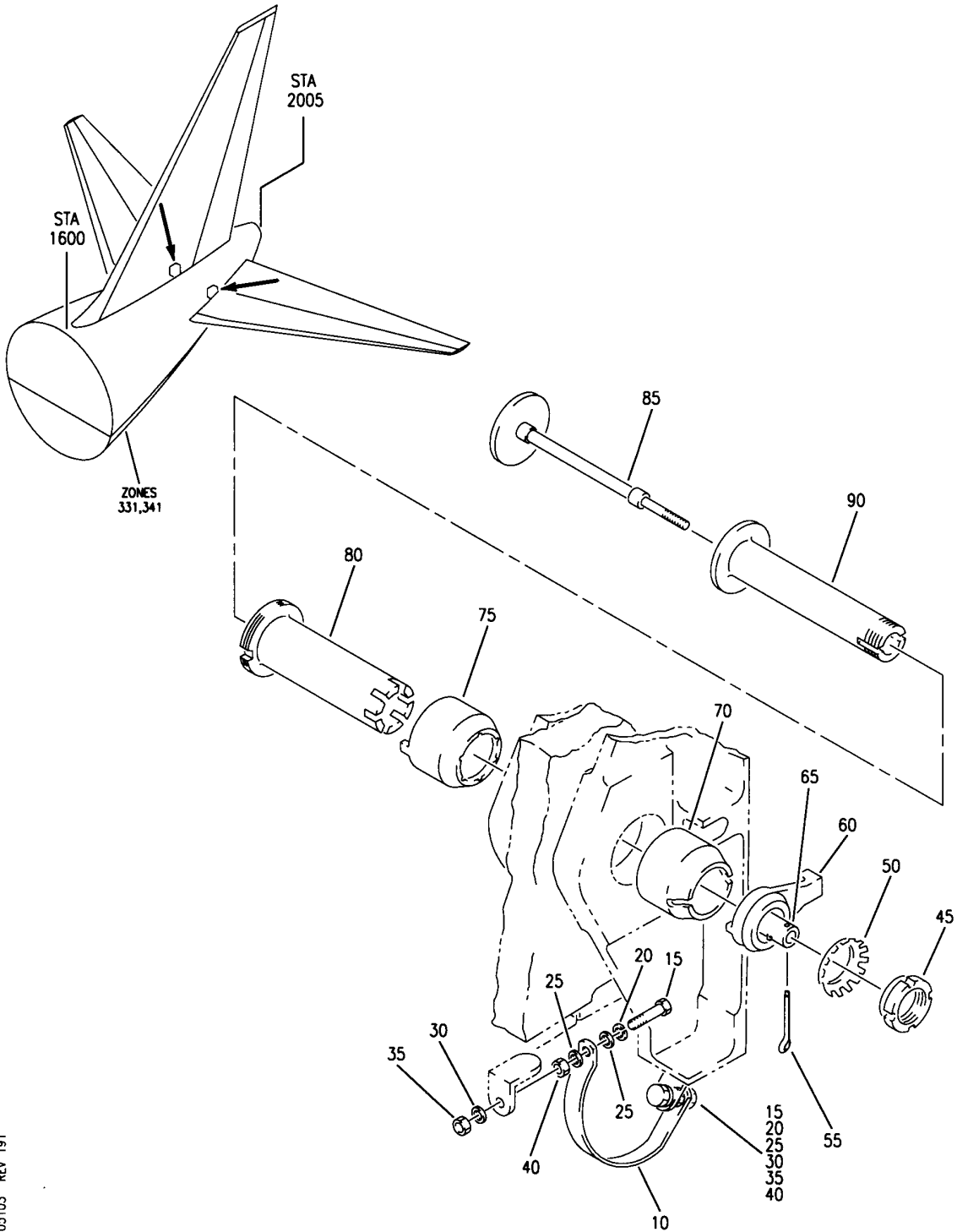
BRI

# 55-10-51-02

BOEING PROPRIETARY - Copyright © - Unpublished Work - See title page for details.

55-10-51  
FIG. 02  
PAGE 6  
JAN 20/09

**BOEING**  
757  
PARTS CATALOG (MAINTENANCE)



Y 55105103 REV 191

STABILIZER INSTL-HORIZ  
FIGURE 3

**55-10-51-03**

BRI  
MAY 28/07

55-10-51-03  
PAGE 0



757

PARTS CATALOG (MAINTENANCE)

FIG ITEM	PART NUMBER	1 2 3 4 5 6 7	NOMENCLATURE	EFFECT FROM TO	UNITS PER ASSY
3			STABILIZER INSTL-HORIZ	101106 108108 504903	
- 1	180N0005-425		COLLECTOR INSTL- HOR STAB ATTACHMENT FOR NHA SEE: 55-10-00-01A	101102 108108 504903	RF
- 1	MODREF32184		COLLECTOR INSTL- HOR STAB ATTACHMENT MODULE NUMBER: 180N0005-427 REV C	103106	1
- 5	180N0005-411		.HORIZ STAB-ASSY	101102 106106 108108 504903	1
- 5	180N0005-445		.HORIZ STAB-ASSY	103105	1
10	RBEJ40E20-44		..JUMPER ASSY SUPPLIER CODE: V1GK47 SPECIFICATION NUMBER: BACJ40E20-44 OPTIONAL PART: 740E20-44 V91812	101106 108108 504903	2
15	NAS564-33		..BOLT	101106 108108 504903	4
20	MS35338-44		..WASHER	101102 106106 108108 504903	4
25	AN960D416L		..WASHER-	101102 106106 108108 504903	8
25	NAS1149D0416H		..WASHER-	103105	8
30	AN960D416		..WASHER-	101102 106106 108108 504903	4
30	NAS1149D0463H		..WASHER-	103105	8

MISSING ITEM NUMBERS NOT APPLICABLE

- ITEM NOT ILLUSTRATED

55-10-51-03

55-10-51  
FIG. 03  
PAGE 1  
JAN 20/09

BRI





757

PARTS CATALOG (MAINTENANCE)

FIG ITEM	PART NUMBER	1 2 3 4 5 6 7	NOMENCLATURE	EFFECT FROM TO	UNITS PER ASSY
3					
35	BRH10A4	..NUT-	SUPPLIER CODE: V52828 SPECIFICATION NUMBER: BACN10JC4 OPTIONAL PART: T6S428J V11815 96-048 V80539 VN303A048 V92215 RMLH9075-4W V72962 NS202101-048 V80539 H10-4BAC V15653	101102 106106 108108 504903	4
35	BRH10C4D	..NUT-	SUPPLIER CODE: V52828 SPECIFICATION NUMBER: BACN10JC4CD OPTIONAL PART: T6C428JCD V11815 NS202486-048 V80539 102LH9075-4W V72962 H51650-4BAC V15653	101106 108108 504903	4
40	MS35650-3255B	..NUT-		101102 106106 108108 504903	4
40	MS35650-3255T	..NUT-		103105	4
45	MS19068-063	..NUT-		101106 108108 504903	2
50	MS19070-063	..WASHER-		101106 108108 504903	2
55	MS24665-300	..PIN-		101102 106106 108108 504903	2
55	BACP18BC03A06P	..PIN-		103105	2

MISSING ITEM NUMBERS NOT APPLICABLE

- ITEM NOT ILLUSTRATED

55-10-51-03

55-10-51  
FIG. 03  
PAGE 2  
JAN 20/09

BRI

BOEING PROPRIETARY - Copyright © - Unpublished Work - See title page for details.



757

PARTS CATALOG (MAINTENANCE)

FIG ITEM	PART NUMBER	1 2 3 4 5 6 7	NOMENCLATURE	EFFECT FROM TO	UNITS PER ASSY
3	60	180N0016-3	. FITTING-ANTIROTATION	101106 108108 504903	2
	65	180N0021-1	. NUT-ANTIROTATION	101106 108108 504903	2
	70	180N0015-1	. SLEEVE-PIVOT POSITION DATA: OUTBD	101106 108108 504903	2
	75	180N0014-1	. SLEEVE-PIVOT POSITION DATA: INBD	101106 108108 504903	2
	80	180N0011-1	. PIN-PIVOT OUTER OPTIONAL PART: 180N0011-3 USED ON: 180N0005-405 180N0005-425	101106 108108 504903	2
	80	180N0011-3	. PIN-PIVOT OUTER OPTIONAL PART: 180N0011-1 USED ON: 180N0005-425 180N0005-427	101106 108108 504903	2
	85	180N0013-1	. PIN-PIVOT SAFETY OPTIONAL PART: 180N0013-2	101106 108108 504903	2
	85	180N0013-2	. PIN-PIVOT SAFETY OPTIONAL PART: 180N0013-1	101106 108108 504903	2
	90	180N0012-1	. PIN-PIVOT INNER	101106 108108 504903	2

MISSING ITEM NUMBERS NOT APPLICABLE

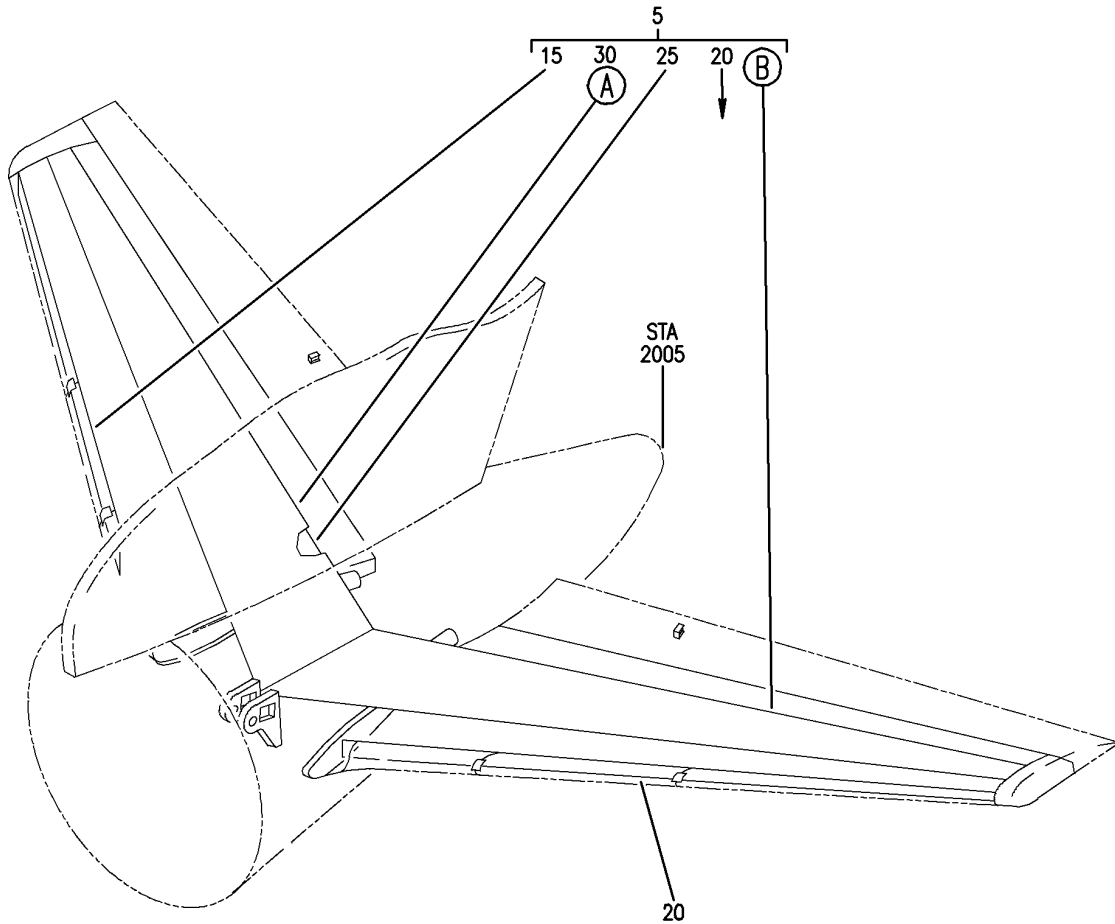
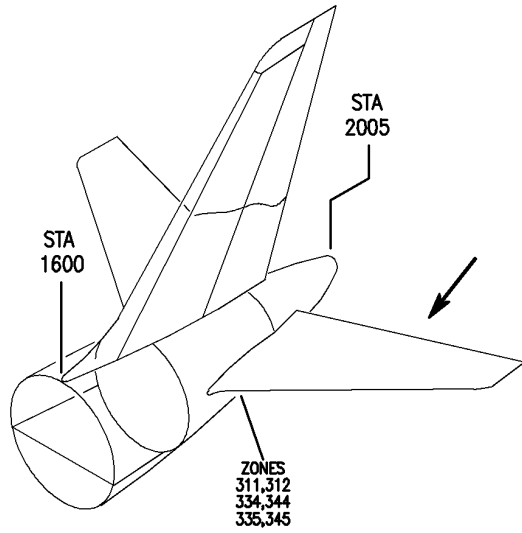
- ITEM NOT ILLUSTRATED

55-10-51-03

55-10-51  
FIG. 03  
PAGE 3  
JAN 20/09

BRI

**BOEING**  
757  
PARTS CATALOG (MAINTENANCE)



Y 55105104 SHT 1 REV 237

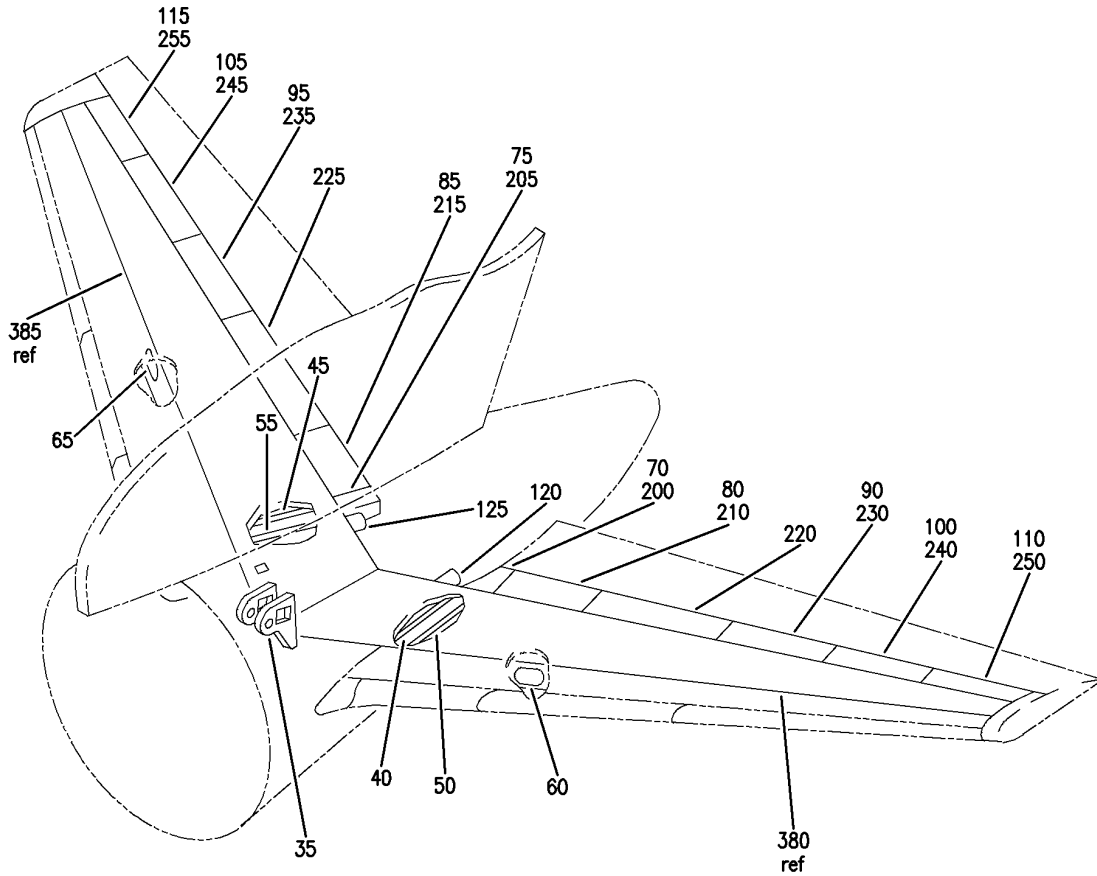
STABILIZER INSTL HORIZ  
FIGURE 4 (SHEET 1)

**55-10-51-04**

BRI  
MAY 28/07

55-10-51-04  
PAGE 0

**BOEING**  
757  
PARTS CATALOG (MAINTENANCE)



(A)

Y 55105104 SH1 2 REV 237

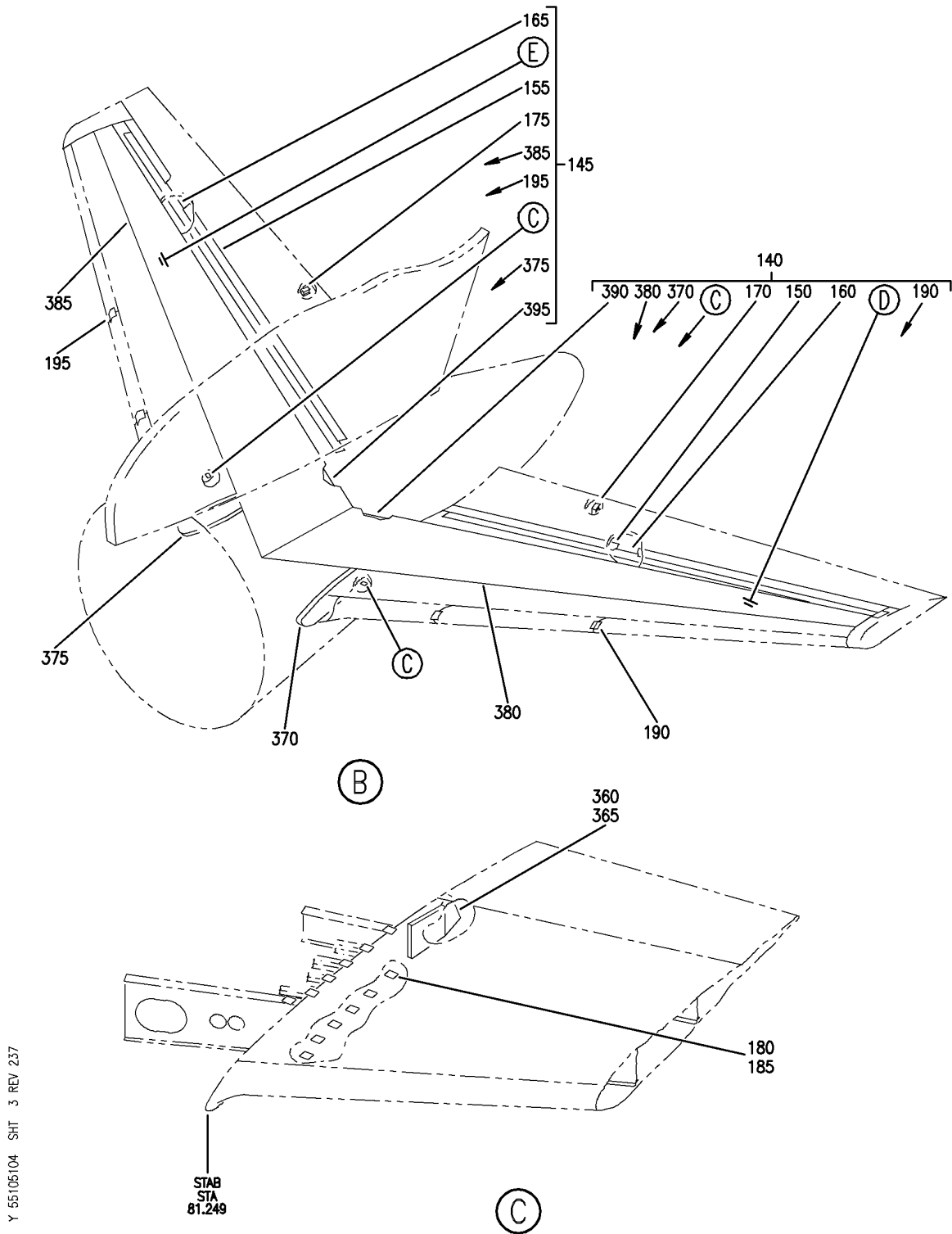
STABILIZER INSTL HORIZ  
FIGURE 4 (SHEET 2)

**55-10-51-04**

BRI  
MAY 28/07

55-10-51-04  
PAGE 0A

**BOEING**  
757  
PARTS CATALOG (MAINTENANCE)



Y 55105104 SH1 3 REV 237

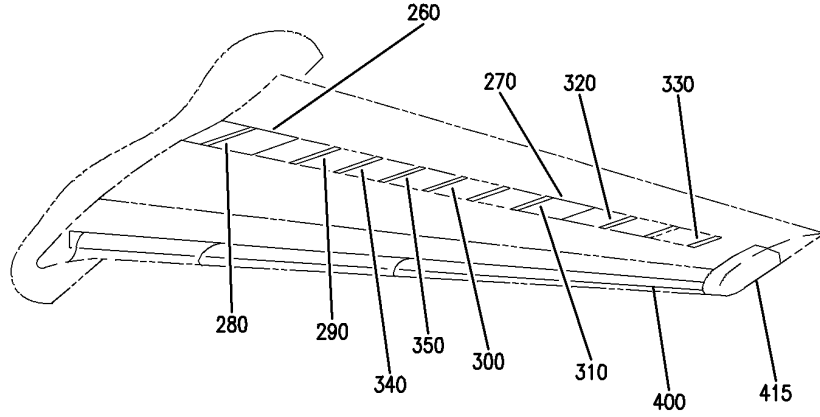
STABILIZER INSTL HORIZ  
FIGURE 4 (SHEET 3)

**55-10-51-04**

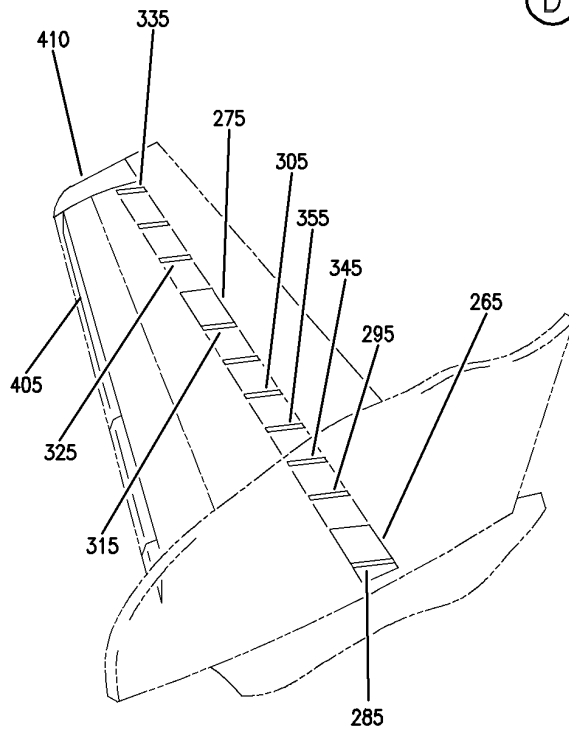
BRI  
MAY 28/07

55-10-51-04  
PAGE 0B

**BOEING**  
 757  
 PARTS CATALOG (MAINTENANCE)



(D)



(E)

Y 55105104 SH1 4 REV 237

STABILIZER INSTL HORIZ  
 FIGURE 4 (SHEET 4)

**55-10-51-04**

BRI  
 MAY 28/07

55-10-51-04  
 PAGE 0C



757

PARTS CATALOG (MAINTENANCE)

FIG ITEM	PART NUMBER	1 2 3 4 5 6 7	NOMENCLATURE	EFFECT FROM TO	UNITS PER ASSY
4			STABILIZER INSTL HORIZ	101106 108120 504903	
- 1	180N0005-4108		STABILIZER INSTL-HORIZ FOR NHA SEE: 55-10-00-01A	101102 504903	RF
- 1	180N0005-4110		STABILIZER INSTL-HORIZ FOR NHA SEE: 55-10-00-01A	108120	RF
- 2	MODREF4714		STABILIZER INSTL-HORIZ MODULE NUMBER: 180N0005-4112 REV A	103103	1
- 2	MODREF27272		STABILIZER INSTL-HORIZ MODULE NUMBER: 180N0005-4112 REV B	104106	1
- 10	180N0005-108		.STABILIZER ASSY-HORIZ	101102 504903	1
- 10	180N0005-110		.STABILIZER ASSY-HORIZ	108120	1
- 10	180N0005-112		.STABILIZER ASSY-HORIZ	103106	1
15	180N0005-4001		..STABILIZER INSTL-LOGO LT PNL	101106 108120 504903	1
30	180N0005-421		..COLLECTOR INSTL-SPLICE	101102 504903	1
30	180N0005-435		..COLLECTOR INSTL-SPLICE	103106 108120	1
35	182N9001-405		...FITTING INSTL- HORIZ STAB. JACKSCREW SPRT FOR DETAILS SEE: 27-41-56-01	101106 108120 504903	1
40	182N7200-65		...SEAL INSTL-BLADE POSITION DATA: UPR FOR DETAILS SEE: 55-10-01-02	101106 108120 504903	1
45	182N7200-66		...SEAL INSTL-BLADE POSITION DATA: UPR FOR DETAILS SEE: 55-10-01-02	101106 108120 504903	1
50	182N7201-95		...SEAL INSTL-BLADE POSITION DATA: LWR FOR DETAILS SEE: 55-10-01-01	101106 108120 504903	1

MISSING ITEM NUMBERS NOT APPLICABLE

- ITEM NOT ILLUSTRATED

55-10-51-04

55-10-51  
FIG. 04  
PAGE 1  
JAN 20/09

BRI



757

PARTS CATALOG (MAINTENANCE)

FIG ITEM	PART NUMBER	1 2 3 4 5 6 7	NOMENCLATURE	EFFECT FROM TO	UNITS PER ASSY
4					
55	182N7201-96	...	SEAL INSTL-BLADE POSITION DATA: LWR FOR DETAILS SEE: 55-10-01-01	101106 108120 504903	1
60	182N2001-407	...	COLLECTOR ASSY-FRONT SPAR INSTL FOR DETAILS SEE: 55-13-52-02	103106 108120	1
65	182N2001-408	...	COLLECTOR ASSY-FRONT SPAR INSTL FOR DETAILS SEE: 55-13-52-02	103106 108120	1
70	183N1201-405	...	COLLECTOR ASSY-LWR NO. 1 PNL INSTL FOR DETAILS SEE: 55-16-01-02	103106 108120	1
75	183N1201-406	...	COLLECTOR ASSY-LWR NO. 1 PNL INSTL FOR DETAILS SEE: 55-16-01-02	103106 108120	1
80	183N1202-405	...	COLLECTOR ASSY-LWR NO. 2 PNL INSTL FOR DETAILS SEE: 55-16-01-02	103106 108120	1
85	183N1202-406	...	COLLECTOR ASSY-LWR NO. 2 PNL INSTL FOR DETAILS SEE: 55-16-01-02	103106 108120	1
90	183N1204-405	...	COLLECTOR ASSY- NO. 4 PNL INSTL FOR DETAILS SEE: 55-16-01-02	103106 108120	1
95	183N1204-406	...	COLLECTOR ASSY- NO. 4 PNL INSTL FOR DETAILS SEE: 55-16-01-02	103106 108120	1
100	183N1205-405	...	COLLECTOR ASSY- NO. 5 PNL INSTL FOR DETAILS SEE: 55-16-01-02	103106 108120	1
105	183N1205-406	...	COLLECTOR ASSY- NO. 5 PNL INSTL FOR DETAILS SEE: 55-16-01-02	103106 108120	1
110	183N1206-405	...	COLLECTOR ASSY- NO. 6 PNL INSTL FOR DETAILS SEE: 55-16-01-02	103106 108120	1

MISSING ITEM NUMBERS NOT APPLICABLE

- ITEM NOT ILLUSTRATED

55-10-51-04

55-10-51  
FIG. 04  
PAGE 2  
JAN 20/09

BRI





757

PARTS CATALOG (MAINTENANCE)

FIG ITEM	PART NUMBER	1 2 3 4 5 6 7	NOMENCLATURE	EFFECT FROM TO	UNITS PER ASSY
4					
115	183N1206-406	...	COLLECTOR ASSY- NO. 6 PNL INSTL FOR DETAILS SEE: 55-16-01-02	103106 108120	1
120	182N1601-405	...	COLLECTOR ASSY-PIVOT FTG INSTL FOR DETAILS SEE: 55-17-51-05	103106 108120	1
125	182N1601-406	...	COLLECTOR ASSY-PIVOT FTG INSTL FOR DETAILS SEE: 55-17-51-05	103106 108120	1
140	180N0005-417	..	STRUCTURE ASSY- POSITION DATA: LH	101102 504903	1
140	180N0005-431	..	STRUCTURE ASSY- POSITION DATA: LH	108120	1
140	180N0005-439	..	STRUCTURE ASSY- POSITION DATA: LH	103106	1
145	180N0005-418	..	STRUCTURE ASSY- POSITION DATA: RH	101102 504903	1
145	180N0005-432	..	STRUCTURE ASSY- POSITION DATA: RH	108120	1
145	180N0005-440	..	STRUCTURE ASSY- POSITION DATA: RH	103106	1
150	183N1701-401	...	BEAM INSTL- POSITION DATA: LH SIDE FOR DETAILS SEE: 55-16-52-01	101106 108120 504903	1
155	183N1701-402	...	BEAM INSTL- POSITION DATA: RH SIDE FOR DETAILS SEE: 55-16-52-01	101106 108120 504903	1
160	183N1702-401	...	BEAM INSTL- POSITION DATA: LH SIDE FOR DETAILS SEE: 55-16-05-02	101102 504903	1

MISSING ITEM NUMBERS NOT APPLICABLE

- ITEM NOT ILLUSTRATED

55-10-51-04

55-10-51  
FIG. 04  
PAGE 3  
JAN 20/09

BRI

BOEING PROPRIETARY - Copyright © - Unpublished Work - See title page for details.

 **BOEING**  
757  
**PARTS CATALOG (MAINTENANCE)**

FIG ITEM	PART NUMBER	1 2 3 4 5 6 7	NOMENCLATURE	EFFECT FROM TO	UNITS PER ASSY
4					
160	183N1702-403		...BEAM INSTL- POSITION DATA: LH SIDE FOR DETAILS SEE: 55-16-05-02	108120	1
160	183N1702-407		...BEAM INSTL-HORIZ STAB FXD TE POSITION DATA: LWR LH SIDE FOR DETAILS SEE: 55-16-05-02	103106	1
165	183N1702-402		...BEAM INSTL- POSITION DATA: RH SIDE FOR DETAILS SEE: 55-16-05-02	101102 504903	1
165	183N1702-404		...BEAM INSTL- POSITION DATA: RH SIDE FOR DETAILS SEE: 55-16-05-02	108120	1
165	183N1702-408		...BEAM INSTL-HORIZ STAB FXD TE POSITION DATA: LWR RH SIDE FOR DETAILS SEE: 55-16-05-02	103106	1
170	182N1601-401		...FITTING INSTL-PIVOT POSITION DATA: LH SIDE FOR DETAILS SEE: 55-17-51-01	101102 504903	1
170	182N1601-403		...FITTING INSTL-PIVOT POSITION DATA: LH SIDE FOR DETAILS SEE: 55-17-51-01	103106 108120	1
175	182N1601-402		...FITTING INSTL-PIVOT POSITION DATA: RH SIDE FOR DETAILS SEE: 55-17-51-01	101102 504903	1
175	182N1601-404		...FITTING INSTL-PIVOT POSITION DATA: RH SIDE FOR DETAILS SEE: 55-17-51-01	103106 108120	1

MISSING ITEM NUMBERS NOT APPLICABLE

— ITEM NOT ILLUSTRATED

BRI

# 55-10-51-04

BOEING PROPRIETARY - Copyright © - Unpublished Work - See title page for details.

55-10-51  
FIG. 04  
PAGE 4  
JAN 20/09



757

PARTS CATALOG (MAINTENANCE)

FIG ITEM	PART NUMBER	1 2 3 4 5 6 7	NOMENCLATURE	EFFECT FROM TO	UNITS PER ASSY
4 180	182N7203-19		... FITTING INSTL- POSITION DATA: LH SIDE FOR DETAILS SEE: 55-13-52-04	101106 108120 504903	1
185	182N7203-20		... FITTING INSTL- POSITION DATA: RH SIDE FOR DETAILS SEE: 55-13-52-04	101106 108120 504903	1
190	184N0001-401		... LEADING EDGE INSTL- POSITION DATA: LH SIDE FOR DETAILS SEE: 55-15-01-02	101102 504903	1
190	184N0001-403		... LEADING EDGE INSTL- POSITION DATA: LH SIDE FOR DETAILS SEE: 55-15-01-02	103106 108120	1
195	184N0001-402		... LEADING EDGE INSTL- POSITION DATA: RH SIDE FOR DETAILS SEE: 55-15-01-02	101102 504903	1
195	184N0001-404		... LEADING EDGE INSTL- POSITION DATA: RH SIDE FOR DETAILS SEE: 55-15-01-02	103106 108120	1
200	183N1201-401		... PANEL INSTL-NO. 1 POSITION DATA: LH SIDE FOR DETAILS SEE: 55-16-01-02	101102 504903	1
200	183N1201-403		... COLLECTOR ASSY-NO. 1 POSITION DATA: LH SIDE FOR DETAILS SEE: 55-16-01-02	103106 108120	1
205	183N1201-402		... PANEL INSTL-NO. 1 POSITION DATA: RH SIDE FOR DETAILS SEE: 55-16-01-02	101102 504903	1

MISSING ITEM NUMBERS NOT APPLICABLE

- ITEM NOT ILLUSTRATED

55-10-51-04

55-10-51  
FIG. 04  
PAGE 5  
JAN 20/09

BRI



757

PARTS CATALOG (MAINTENANCE)

FIG ITEM	PART NUMBER	1 2 3 4 5 6 7	NOMENCLATURE	EFFECT FROM TO	UNITS PER ASSY
4 205	183N1201-404		...COLLECTOR ASSY-NO. 1 POSITION DATA: RH SIDE FOR DETAILS SEE: 55-16-01-02	103106 108120	1
210	183N1202-401		...PANEL INSTL-NO. 2 POSITION DATA: LH SIDE FOR DETAILS SEE: 55-16-01-02	101102 504903	1
210	183N1202-403		...COLLECTOR ASSY-NO. 2 POSITION DATA: LH SIDE FOR DETAILS SEE: 55-16-01-02	103106 108120	1
215	183N1202-402		...PANEL INSTL-NO. 2 POSITION DATA: RH SIDE FOR DETAILS SEE: 55-16-01-02	101102 504903	1
215	183N1202-404		...COLLECTOR ASSY-NO. 2 POSITION DATA: RH SIDE FOR DETAILS SEE: 55-16-01-02	103106 108120	1
220	183N1203-401		...PANEL INSTL-NO. 3 POSITION DATA: LH SIDE FUNCTIONAL REFERENCE: PLACARDS AND MARKINGS FOR DETAILS SEE 11-26-04-01 STABILIZERS FOR DETAILS SEE 55-16-01-02	101102 504903	1
220	183N1203-403		...PANEL INSTL-NO. 3 POSITION DATA: LH SIDE FUNCTIONAL REFERENCE: PLACARDS AND MARKINGS FOR DETAILS SEE 11-26-04-01 STABILIZERS FOR DETAILS SEE 55-16-01-02	103106 108120	1

MISSING ITEM NUMBERS NOT APPLICABLE

- ITEM NOT ILLUSTRATED

55-10-51-04

55-10-51  
FIG. 04  
PAGE 6  
JAN 20/09

BRI



757

PARTS CATALOG (MAINTENANCE)

FIG ITEM	PART NUMBER	1 2 3 4 5 6 7	NOMENCLATURE	EFFECT FROM TO	UNITS PER ASSY
4 225	183N1203-402		...PANEL INSTL-NO. 3 POSITION DATA: RH SIDE FUNCTIONAL REFERENCE: PLACARDS AND MARKINGS FOR DETAILS SEE 11-26-04-01 STABILIZERS FOR DETAILS SEE 55-16-01-02	101102 504903	1
225	183N1203-404		...PANEL INSTL-NO. 3 POSITION DATA: RH SIDE FUNCTIONAL REFERENCE: PLACARDS AND MARKINGS FOR DETAILS SEE 11-26-04-01 STABILIZERS FOR DETAILS SEE 55-16-01-02	103106 108120	1
230	183N1204-401		...PANEL INSTL-NO. 4 POSITION DATA: LH SIDE FOR DETAILS SEE: 55-16-01-02	101102 504903	1
230	183N1204-403		...COLLECTOR ASSY-NO. 4 POSITION DATA: LH SIDE FOR DETAILS SEE: 55-16-01-02	103106 108120	1
235	183N1204-402		...PANEL INSTL-NO. 4 POSITION DATA: RH SIDE FOR DETAILS SEE: 55-16-01-02	101102 504903	1
235	183N1204-404		...COLLECTOR ASSY-NO. 4 POSITION DATA: RH SIDE FOR DETAILS SEE: 55-16-01-02	103106 108120	1
240	183N1205-401		...PANEL INSTL-NO. 5 POSITION DATA: LH SIDE FOR DETAILS SEE: 55-16-01-02	101102 504903	1

MISSING ITEM NUMBERS NOT APPLICABLE

- ITEM NOT ILLUSTRATED

55-10-51-04

55-10-51  
FIG. 04  
PAGE 7  
JAN 20/09

BRI



757

PARTS CATALOG (MAINTENANCE)

FIG ITEM	PART NUMBER	1 2 3 4 5 6 7	NOMENCLATURE	EFFECT FROM TO	UNITS PER ASSY
4					
240	183N1205-403		...COLLECTOR ASSY-NO. 5 POSITION DATA: LH SIDE FOR DETAILS SEE: 55-16-01-02	103106 108120	1
245	183N1205-402		...PANEL INSTL-NO. 5 POSITION DATA: RH SIDE FOR DETAILS SEE: 55-16-01-02	101102 504903	1
245	183N1205-404		...COLLECTOR ASSY-NO. 5 POSITION DATA: RH SIDE FOR DETAILS SEE: 55-16-01-02	103106 108120	1
250	183N1206-401		...PANEL INSTL-NO. 6 POSITION DATA: LH SIDE FOR DETAILS SEE: 55-16-01-02	101102 504903	1
250	183N1206-403		...COLLECTOR ASSY-NO. 6 POSITION DATA: LH SIDE FOR DETAILS SEE: 55-16-01-02	103106 108120	1
255	183N1206-402		...PANEL INSTL-NO. 6 POSITION DATA: RH SIDE FOR DETAILS SEE: 55-16-01-02	101102 504903	1
255	183N1206-404		...COLLECTOR ASSY-NO. 6 POSITION DATA: RH SIDE FOR DETAILS SEE: 55-16-01-02	103106 108120	1
260	183N1337-1		...RECEIVER INSTL- POSITION DATA: LH SIDE FOR DETAILS SEE: 55-16-01-03	101106 108120 504903	1
265	183N1337-2		...RECEIVER INSTL- POSITION DATA: RH SIDE FOR DETAILS SEE: 55-16-01-03	101106 108120 504903	1

MISSING ITEM NUMBERS NOT APPLICABLE

- ITEM NOT ILLUSTRATED

55-10-51-04

55-10-51  
FIG. 04  
PAGE 8  
JAN 20/09

BRI

 **BOEING**  
757  
**PARTS CATALOG (MAINTENANCE)**

FIG ITEM	PART NUMBER	1 2 3 4 5 6 7	NOMENCLATURE	EFFECT FROM TO	UNITS PER ASSY
4					
270	183N1337-3		...RECEIVER INSTL- POSITION DATA: LH SIDE FOR DETAILS SEE: 55-16-01-03	101106 108120 504903	1
275	183N1337-4		...RECEIVER INSTL- POSITION DATA: RH SIDE FOR DETAILS SEE: 55-16-01-03	101106 108120 504903	1
280	183N1301-401		...RIB INSTL-NO. 4 POSITION DATA: LH SIDE FOR DETAILS SEE: 55-16-51-01	101102 504903	1
280	183N1301-403		...RIB INSTL-NO. 4 POSITION DATA: LH SIDE FOR DETAILS SEE: 55-16-51-01	103106 108120	1
285	183N1301-402		...RIB INSTL-NO. 4 POSITION DATA: RH SIDE FOR DETAILS SEE: 55-16-51-01	101102 504903	1
285	183N1301-404		...RIB INSTL-NO. 4 POSITION DATA: RH SIDE FOR DETAILS SEE: 55-16-51-01	103106 108120	1
290	183N1302-401		...RIB INSTL-NO. 6 POSITION DATA: LH SIDE FOR DETAILS SEE: 55-16-51-02	101106 108120 504903	1
295	183N1302-402		...RIB INSTL-NO. 6 POSITION DATA: RH SIDE FOR DETAILS SEE: 55-16-51-02	101106 108120 504903	1
300	183N1303-401		...RIB INSTL-NO. 9 POSITION DATA: LH SIDE FOR DETAILS SEE: 55-16-51-03	101106 108120 504903	1

MISSING ITEM NUMBERS NOT APPLICABLE

— ITEM NOT ILLUSTRATED

BRI

# 55-10-51-04

55-10-51  
FIG. 04  
PAGE 9  
JAN 20/09



757

PARTS CATALOG (MAINTENANCE)

FIG ITEM	PART NUMBER	1 2 3 4 5 6 7	NOMENCLATURE	EFFECT FROM TO	UNITS PER ASSY
4 305	183N1303-402	...	RIB INSTL-NO. 9 POSITION DATA: RH SIDE FOR DETAILS SEE: 55-16-51-03	101106 108120 504903	1
310	183N1304-401	...	RIB INSTL-NO. 11 POSITION DATA: LH SIDE FOR DETAILS SEE: 55-16-51-04	101106 108120 504903	1
315	183N1304-402	...	RIB INSTL-NO. 11 POSITION DATA: RH SIDE FOR DETAILS SEE: 55-16-51-04	101106 108120 504903	1
320	183N1305-401	...	RIB INSTL-NO. 13 POSITION DATA: LH SIDE FOR DETAILS SEE: 55-16-51-05	101106 108120 504903	1
325	183N1305-402	...	RIB INSTL-NO. 13 POSITION DATA: RH SIDE FOR DETAILS SEE: 55-16-51-05	101106 108120 504903	1
330	183N1306-1	...	RIB INSTL-NO. 15 POSITION DATA: LH SIDE FOR DETAILS SEE: 55-16-51-06	101102 504903	1
330	183N1306-13	...	RIB INSTL-NO. 15 POSITION DATA: STA 312.673 TE LH FOR DETAILS SEE: 55-16-51-06	108120	1
330	183N1306-17	...	RIB INSTL-NO. 15 POSITION DATA: LH SIDE FOR DETAILS SEE: 55-16-51-06	103106	1
335	183N1306-2	...	RIB INSTL-NO. 15 POSITION DATA: RH SIDE FOR DETAILS SEE: 55-16-51-06	101102 504903	1

MISSING ITEM NUMBERS NOT APPLICABLE

- ITEM NOT ILLUSTRATED

55-10-51-04

55-10-51  
FIG. 04  
PAGE 10  
JAN 20/09

BRI





757

PARTS CATALOG (MAINTENANCE)

FIG ITEM	PART NUMBER	1 2 3 4 5 6 7	NOMENCLATURE	EFFECT FROM TO	UNITS PER ASSY
4					
335	183N1306-14	...	RIB INSTL-NO. 15 POSITION DATA: RH SIDE FOR DETAILS SEE: 55-16-51-06	108120	1
335	183N1306-18	...	RIB INSTL-NO. 15 POSITION DATA: RH SIDE FOR DETAILS SEE: 55-16-51-06	103106	1
335	183N1306-18	...	RIB INSTL-NO. 15 POSITION DATA: RH SIDE FOR DETAILS SEE: 55-16-51-06	108120	1
340	183N1401-401	...	RIB INSTL-NO. 7 POSITION DATA: LH SIDE FOR DETAILS SEE: 55-16-53-06	101102 504903	1
340	183N1401-403	...	RIB INSTL-NO. 7 POSITION DATA: LH SIDE FOR DETAILS SEE: 55-16-53-06	103106 108120	1
345	183N1401-402	...	RIB INSTL-NO. 7 POSITION DATA: RH SIDE FOR DETAILS SEE: 55-16-53-06	101102 504903	1
345	183N1401-404	...	RIB INSTL-NO. 7 POSITION DATA: RH SIDE FOR DETAILS SEE: 55-16-53-06	103106 108120	1
350	183N1402-401	...	RIB INSTL-NO. 8 POSITION DATA: LH SIDE FOR DETAILS SEE: 55-16-53-06	101102 504903	1
350	183N1402-403	...	RIB INSTL-NO. 8 POSITION DATA: LH SIDE FOR DETAILS SEE: 55-16-53-06	108120	1

MISSING ITEM NUMBERS NOT APPLICABLE

- ITEM NOT ILLUSTRATED

55-10-51-04

55-10-51  
FIG. 04  
PAGE 11  
JAN 20/09

BRI



757

PARTS CATALOG (MAINTENANCE)

FIG ITEM	PART NUMBER	1 2 3 4 5 6 7	NOMENCLATURE	EFFECT FROM TO	UNITS PER ASSY
4					
350	183N1402-407	...	RIB INSTL-NO. 8 POSITION DATA: LH SIDE FOR DETAILS SEE: 55-16-53-06	103106	1
355	183N1402-402	...	RIB INSTL-NO. 8 POSITION DATA: RH SIDE FOR DETAILS SEE: 55-16-53-06	101102 504903	1
355	183N1402-404	...	RIB INSTL-NO. 8 POSITION DATA: RH SIDE FOR DETAILS SEE: 55-16-53-06	108120	1
355	183N1402-408	...	RIB INSTL-NO. 8 POSITION DATA: RH SIDE FOR DETAILS SEE: 55-16-53-06	103106	1
360	183N1601-401	...	RIB INSTL- POSITION DATA: LH SIDE FOR DETAILS SEE: 55-16-54-01	101106 108120 504903	1
365	183N1601-402	...	RIB INSTL- POSITION DATA: RH SIDE FOR DETAILS SEE: 55-16-54-01	101106 108120 504903	1
370	184N1004-49	...	SEAL INSTL-STRAKE POSITION DATA: LH SIDE FOR DETAILS SEE: 55-10-51-02	101102 504903	1
370	184N1004-401	...	SEAL INSTL-STRAKE POSITION DATA: LH SIDE FOR DETAILS SEE: 55-10-51-02	103106 108120	1
375	184N1004-50	...	SEAL INSTL-STRAKE POSITION DATA: RH SIDE FOR DETAILS SEE: 55-10-51-02	101102 504903	1

MISSING ITEM NUMBERS NOT APPLICABLE

- ITEM NOT ILLUSTRATED

**55-10-51-04**

55-10-51  
FIG. 04  
PAGE 12  
JAN 20/09

BRI



757

PARTS CATALOG (MAINTENANCE)

FIG ITEM	PART NUMBER	1 2 3 4 5 6 7	NOMENCLATURE	EFFECT FROM TO	UNITS PER ASSY
4					
375	184N1004-402	...	SEAL INSTL-STRAKE POSITION DATA: RH SIDE FOR DETAILS SEE: 55-10-51-02	103106 108120	1
380	182N2001-403	...	SPAR INSTL-FRONT POSITION DATA: LH SIDE FOR DETAILS SEE: 55-13-52-02	101102 504903	1
380	182N2001-409	...	SPAR INSTL-FRONT POSITION DATA: LH SIDE FOR DETAILS SEE: 55-13-52-02	103106 108120	1
385	182N2001-404	...	SPAR INSTL-FRONT POSITION DATA: RH SIDE FOR DETAILS SEE: 55-13-52-02	101102 504903	1
385	182N2001-410	...	SPAR INSTL-FRONT POSITION DATA: RH SIDE FOR DETAILS SEE: 55-13-52-02	103106 108120	1
390	182N1001-401	...	SPAR INSTL-REAR POSITION DATA: LH SIDE FOR DETAILS SEE: 55-13-51-01	101102 504903	1
390	182N1001-403	...	SPAR INSTL-REAR POSITION DATA: LH SIDE FOR DETAILS SEE: 55-13-51-01	103106 108120	1
395	182N1001-402	...	SPAR INSTL-REAR POSITION DATA: RH SIDE FOR DETAILS SEE: 55-13-51-01	101102 504903	1
395	182N1001-404	...	SPAR INSTL-REAR POSITION DATA: RH SIDE FOR DETAILS SEE: 55-13-51-01	108120	1

MISSING ITEM NUMBERS NOT APPLICABLE

- ITEM NOT ILLUSTRATED

55-10-51-04

55-10-51  
FIG. 04  
PAGE 13  
JAN 20/09

BRI



757

PARTS CATALOG (MAINTENANCE)

FIG ITEM	PART NUMBER	1 2 3 4 5 6 7	NOMENCLATURE	EFFECT FROM TO	UNITS PER ASSY
4 395	182N1001-408		... SPAR INSTL-REAR POSITION DATA: RH SIDE FOR DETAILS SEE: 55-13-51-01	103106	1
400	185N7001-401		... SPAR INSTL-AUX POSITION DATA: LH SIDE FOR DETAILS SEE: 55-14-51-05	101106 108120 504903	1
405	185N7001-402		... SPAR INSTL-AUX POSITION DATA: RH SIDE FOR DETAILS SEE: 55-14-51-05	101106 108120 504903	1
410	189N0001-55		... TIP INSTL- POSITION DATA: LH SIDE FOR DETAILS SEE: 55-11-01-01	101106 108120 504903	1
415	189N0001-56		... TIP INSTL- POSITION DATA: RH SIDE FOR DETAILS SEE: 55-11-01-01	101106 108120 504903	1

MISSING ITEM NUMBERS NOT APPLICABLE

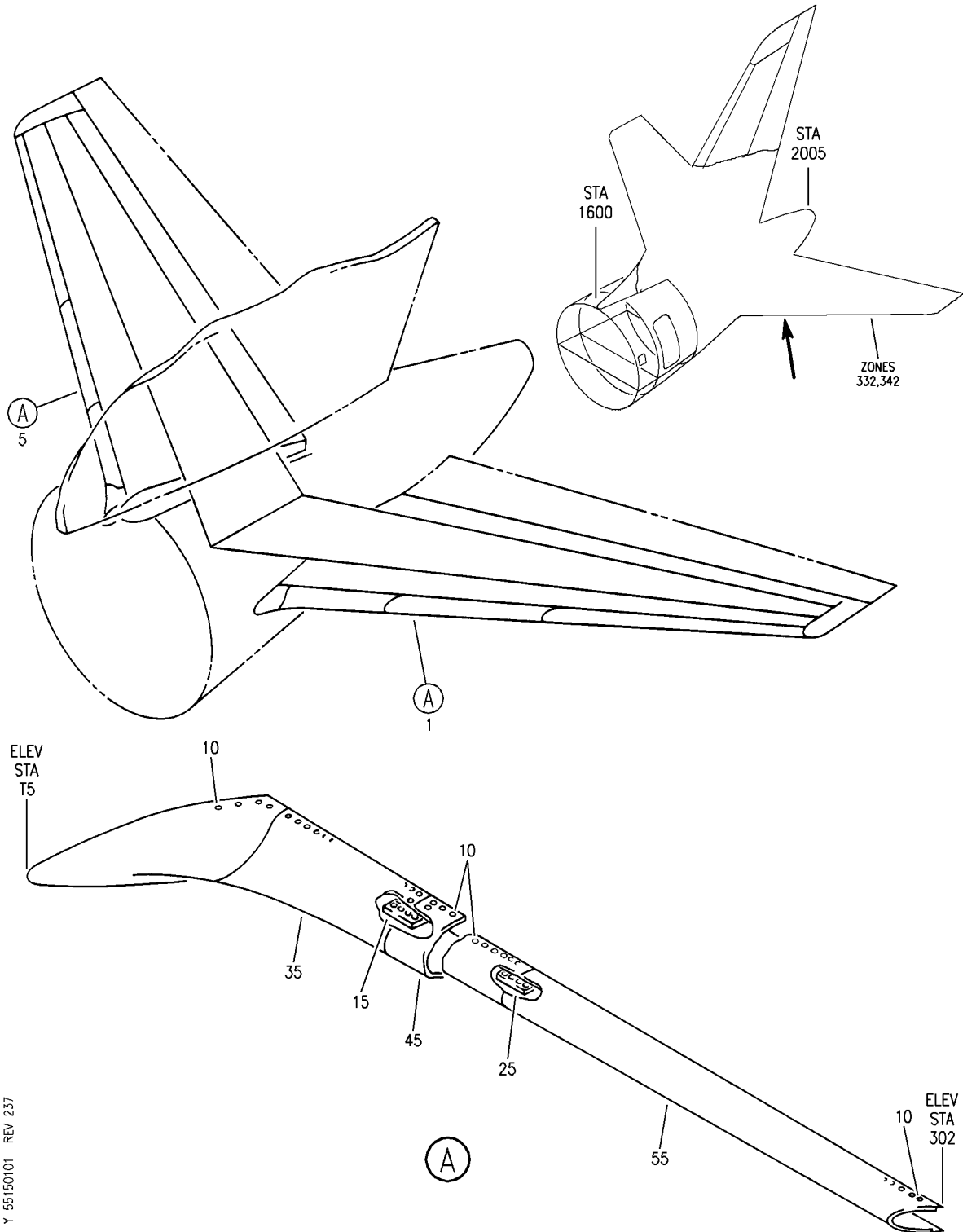
- ITEM NOT ILLUSTRATED

55-10-51-04

55-10-51  
FIG. 04  
PAGE 14  
JAN 20/09

BRI

**BOEING**  
757  
PARTS CATALOG (MAINTENANCE)



Y 55150101 REV 237

STRUCTURE ASSY-HORIZ STAB.  
FIGURE 1

**55-10-52-01**

BRI  
MAY 28/07

55-10-52-01  
PAGE 0



757

PARTS CATALOG (MAINTENANCE)

FIG ITEM	PART NUMBER	1 2 3 4 5 6 7	NOMENCLATURE	EFFECT FROM TO	UNITS PER ASSY
1			STRUCTURE ASSY-HORIZ STAB.	002004 006100 107107 121503 904999	
- 1	180N0002-1		STRUCTURE ASSY-HORIZ STAB. VARIABLE DRAWING REF: 180N0002-93 FOR NHA SEE: 55-10-51-01	002004 006100 107107 121503 904999	RF
5	182N9001-1		.FITTING INSTL-JACKSCREW SPRT FOR DETAILS SEE: 27-41-56-01	002004 006100 107107 121503 904999	1
10	182N7200-1		.SEAL INSTL-HORIZ STAB. TO BODY BLADE POSITION DATA: UPR LH FOR DETAILS SEE: 55-10-01-02	002004 006100 107107 121503 904999	1
15	182N7200-2		.SEAL INSTL-HORIZ STAB. TO BODY BLADE POSITION DATA: UPR RH FOR DETAILS SEE: 55-10-01-02	002004 006100 107107 121503 904999	1
20	182N7201-1		.SEAL INSTL-HORIZ STAB. TO BODY BLADE POSITION DATA: LWR LH FOR DETAILS SEE: 55-10-01-01	002004 006100 107107 121503 904999	1
25	182N7201-2		.SEAL INSTL-HORIZ STAB. TO BODY BLADE POSITION DATA: LWR RH FOR DETAILS SEE: 55-10-01-01	002004 006100 107107 121503 904999	1
30	184N0001-1		.LEADING EDGE INSTL- POSITION DATA: LH SIDE FOR DETAILS SEE: 55-15-01-01	002004 006100 107107 121503 904999	1
35	184N0001-2		.LEADING EDGE INSTL- POSITION DATA: RH SIDE FOR DETAILS SEE: 55-15-01-01	002004 006100 107107 121503 904999	1

MISSING ITEM NUMBERS NOT APPLICABLE

- ITEM NOT ILLUSTRATED

55-10-52-01

55-10-52  
FIG. 01  
PAGE 1  
JAN 20/09

BRI



757

PARTS CATALOG (MAINTENANCE)

FIG ITEM	PART NUMBER	1 2 3 4 5 6 7	NOMENCLATURE	EFFECT FROM TO	UNITS PER ASSY
1					
95	MS27253F2	.	PLATE	002004 006100 107107 121503 904999	1
100	182N0001-1	.	BOX ASSY-TORQUE POSITION DATA: SECT. 82 AFT LH FOR DETAILS SEE: 55-13-52-01	002004 006100 107107 121503 904999	1
105	182N0001-2	.	BOX ASSY-TORQUE POSITION DATA: SECT. 82 AFT RH FOR DETAILS SEE: 55-13-52-01	002004 006100 107107 121503 904999	1
110	183N1001-1	.	TRAILING EDGE ASSY-FXD POSITION DATA: LH FOR DETAILS SEE: 55-16-01-01	002004 006100 107107 121503 904999	1
115	183N1001-2	.	TRAILING EDGE ASSY-FXD POSITION DATA: RH FOR DETAILS SEE: 55-16-01-01	002004 006100 107107 121503 904999	1
120	189N0001-1	.	TIP INSTL- POSITION DATA: SECT. 89 LH FOR DETAILS SEE: 55-11-01-01	107107	1
120	189N0001-55	.	TIP INSTL- POSITION DATA: SECT. 89 LH FOR DETAILS SEE: 55-11-01-01	003004 006100 121503 904999	1
125	189N0001-2	.	TIP INSTL- POSITION DATA: SECT. 89 RH FOR DETAILS SEE: 55-11-01-01	107107	1
125	189N0001-56	.	TIP INSTL- POSITION DATA: SECT. 89 RH FOR DETAILS SEE: 55-11-01-01	003004 006100 121503 904999	1

MISSING ITEM NUMBERS NOT APPLICABLE

- ITEM NOT ILLUSTRATED

55-10-52-01

55-10-52  
FIG. 01  
PAGE 2  
JAN 20/09

BRI



757

PARTS CATALOG (MAINTENANCE)

FIG ITEM	PART NUMBER	1 2 3 4 5 6 7	NOMENCLATURE	EFFECT FROM TO	UNITS PER ASSY
1					
130	184N1004-1		. STRAKELET AND SEAL INSTL- POSITION DATA: LH FOR DETAILS SEE: 55-10-51-02	107107	1
130	184N1004-43		. STRAKELET AND SEAL INSTL- POSITION DATA: LH FOR DETAILS SEE: 55-10-51-02	002004 006100 121503 904999	1
- 135	184N1004-2		. STRAKELET AND SEAL INSTL- POSITION DATA: RH FOR DETAILS SEE: 55-10-51-02	107107	1
- 135	184N1004-44		. STRAKELET AND SEAL INSTL- POSITION DATA: RH FOR DETAILS SEE: 55-10-51-02	002004 006100 121503 904999	1
140	185N0001-1		. BOX ASSY-TORQUE POSITION DATA: FWD LH SIDE VARIABLE DRAWING REF: 185N0001-3 FOR DETAILS SEE: 55-14-51-01	002004 006100 107107 121503 904999	1
145	185N0001-2		. BOX ASSY-TORQUE POSITION DATA: FWD RH SIDE VARIABLE DRAWING REF: 185N0001-4 FOR DETAILS SEE: 55-14-51-01	002004 006100 107107 121503 904999	1

MISSING ITEM NUMBERS NOT APPLICABLE

- ITEM NOT ILLUSTRATED

55-10-52-01

55-10-52  
FIG. 01  
PAGE 3  
JAN 20/09

BRI

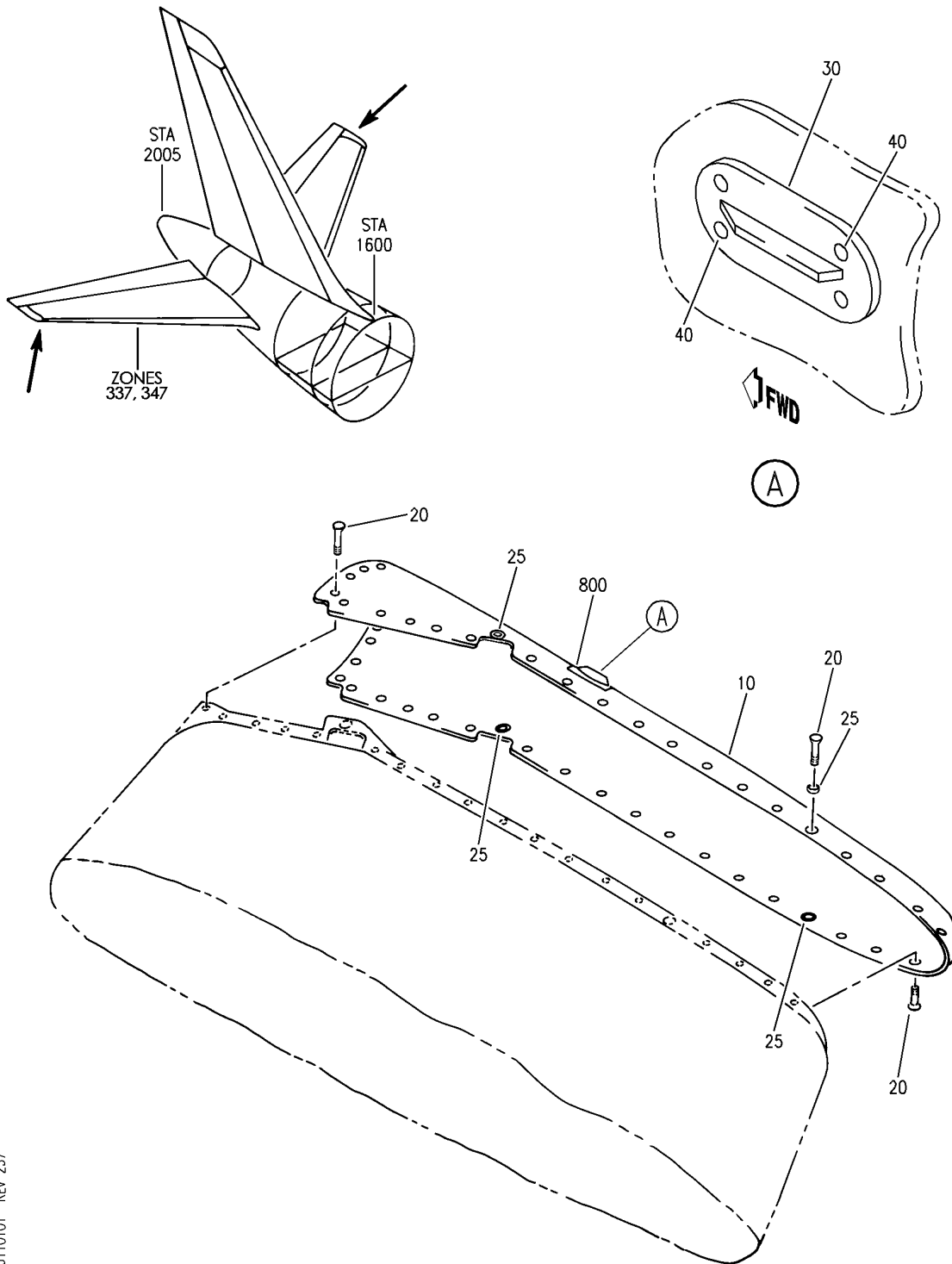


## HORIZONTAL STABILIZER TIP FAIRING

BRI  
MAY 28/07

55-11-00  
SECTION TITLE  
PAGE 1

**BOEING**  
757  
PARTS CATALOG (MAINTENANCE)



Y 55110101 REV 237

TIP INSTL-SECT. 89 HORIZ STAB.  
FIGURE 1

**55-11-01-01**

BRI  
MAY 28/07

55-11-01-01  
PAGE 0



757

PARTS CATALOG (MAINTENANCE)

FIG ITEM	PART NUMBER	1 2 3 4 5 6 7	NOMENCLATURE	EFFECT FROM TO	UNITS PER ASSY
1			TIP INSTL-SECT. 89 HORIZ STAB.	002004 006999	
- 1	189N0001-1		TIP INSTL-HORIZ STAB. POSITION DATA: SECT. 89 LH FOR NHA SEE: 55-10-52-01	107107	RF
- 1	189N0001-55		TIP INSTL-HORIZ STAB. POSITION DATA: SECT. 89 LH FOR NHA SEE: 55-10-52-01 55-10-51-04	002004 006106 108999	RF
- 5	189N0001-2		TIP INSTL-HORIZ STAB. POSITION DATA: SECT. 89 RH FOR NHA SEE: 55-10-52-01	107107	RF
- 5	189N0001-56		TIP INSTL-HORIZ STAB. POSITION DATA: SECT. 89 RH FOR NHA SEE: 55-10-52-01 55-10-51-04	002004 006106 108999	RF
10	189N0001-17		.TIP ASSY- POSITION DATA: LH SIDE	006100 121503 904999	1
10	189N0001-33		.TIP ASSY- POSITION DATA: LH SIDE QUALIFIED I/W DATA: -57SP I/W -33 SUBJECT TO COLOR PREFERENCE	107107	1
10	189N0001-57SP		.TIP ASSY- POSITION DATA: LH SIDE QUALIFIED I/W DATA: -57SP I/W -33 SUBJECT TO COLOR PREFERENCE -57SP I/W -43 SUBJECT TO COLOR PREFERENCE -57SP I/W -49 SUBJECT TO COLOR PREFERENCE	002004 006106 108999	1
- 15	189N0001-18		.TIP ASSY- POSITION DATA: RH SIDE	006100 121503 904999	1

MISSING ITEM NUMBERS NOT APPLICABLE

- ITEM NOT ILLUSTRATED

55-11-01-01

55-11-01  
FIG. 01  
PAGE 1  
JAN 20/09

BRI

**BOEING**  
757  
PARTS CATALOG (MAINTENANCE)

FIG ITEM	PART NUMBER	1 2 3 4 5 6 7	NOMENCLATURE	EFFECT FROM TO	UNITS PER ASSY
1					
- 15	189N0001-58SP		.TIP ASSY- POSITION DATA: RH SIDE QUALIFIED I/W DATA: -58SP I/W -34 SUBJECT TO COLOR PREFERENCE -58SP I/W -44 SUBJECT TO COLOR PREFERENCE -58SP I/W -50 SUBJECT TO COLOR PREFERENCE	002004 006106 108999	1
- 15	189N0001-34		.TIP ASSY- POSITION DATA: RH SIDE QUALIFIED I/W DATA: 58SP I/W -34 SUBJECT TO COLOR PREFERENCE ATTACHING PARTS	107107	1
20	BACB30LR3-5		.BOLT	002004 006999	46
25	BACW10UC10P		.WASHER	002004 006999	4
30	611R6A		-----*----- ..RETAINER- SUPPLIER CODE: V55635	002004 006999	1
30	16288		..RETAINER- SUPPLIER CODE: V55635	002004 006999	1
30	611-1006		..RETAINER- SUPPLIER CODE: V55635 ATTACHING PARTS	002004 006999	1
- 35	NAS514P632-12		..SCREW -----*-----	002004 006999	4

MISSING ITEM NUMBERS NOT APPLICABLE

- ITEM NOT ILLUSTRATED

BRI

# 55-11-01-01

BOEING PROPRIETARY - Copyright © - Unpublished Work - See title page for details.

55-11-01  
FIG. 01  
PAGE 2  
JAN 20/09



757

PARTS CATALOG (MAINTENANCE)

FIG ITEM	PART NUMBER	1 2 3 4 5 6 7	NOMENCLATURE	EFFECT FROM TO	UNITS PER ASSY
1 40	F2031-06		..NUTPLATE- SUPPLIER CODE: V15653 SPECIFICATION NUMBER: BACN10KB06CF OPTIONAL PART: NS103185S62 V80539 T8112C632C V11815 VN151B1-62 V92215 101F9207-62 V72962 BRF100C06 V52828 BACN10KB06CFM	002004 006999	4
40	F2001-06		..NUTPLATE- SUPPLIER CODE: V15653 SPECIFICATION NUMBER: BACN10KB06CFM OPTIONAL PART: NS103185SE62 V80539 T8113C632C V11815 VN151D1-62 V92215 109F9207-62 V72962 BRF100C06M V52828 BACN10KB06CF	002004 006999	4
- 45	BACR15BA3AD		ATTACHING PARTS ..RIVET- SIZE DETERMINED ON INSTL. -----*-----	002004 006999	8
800			ILLUSTRATION REFERENCE: DISCHARGER INSTL-WING, VERT. AND HORIZ. STAB. STATIC 23-61-01-01	002004 006999	RF

MISSING ITEM NUMBERS NOT APPLICABLE

- ITEM NOT ILLUSTRATED

55-11-01-01

55-11-01  
FIG. 01  
PAGE 3  
JAN 20/09

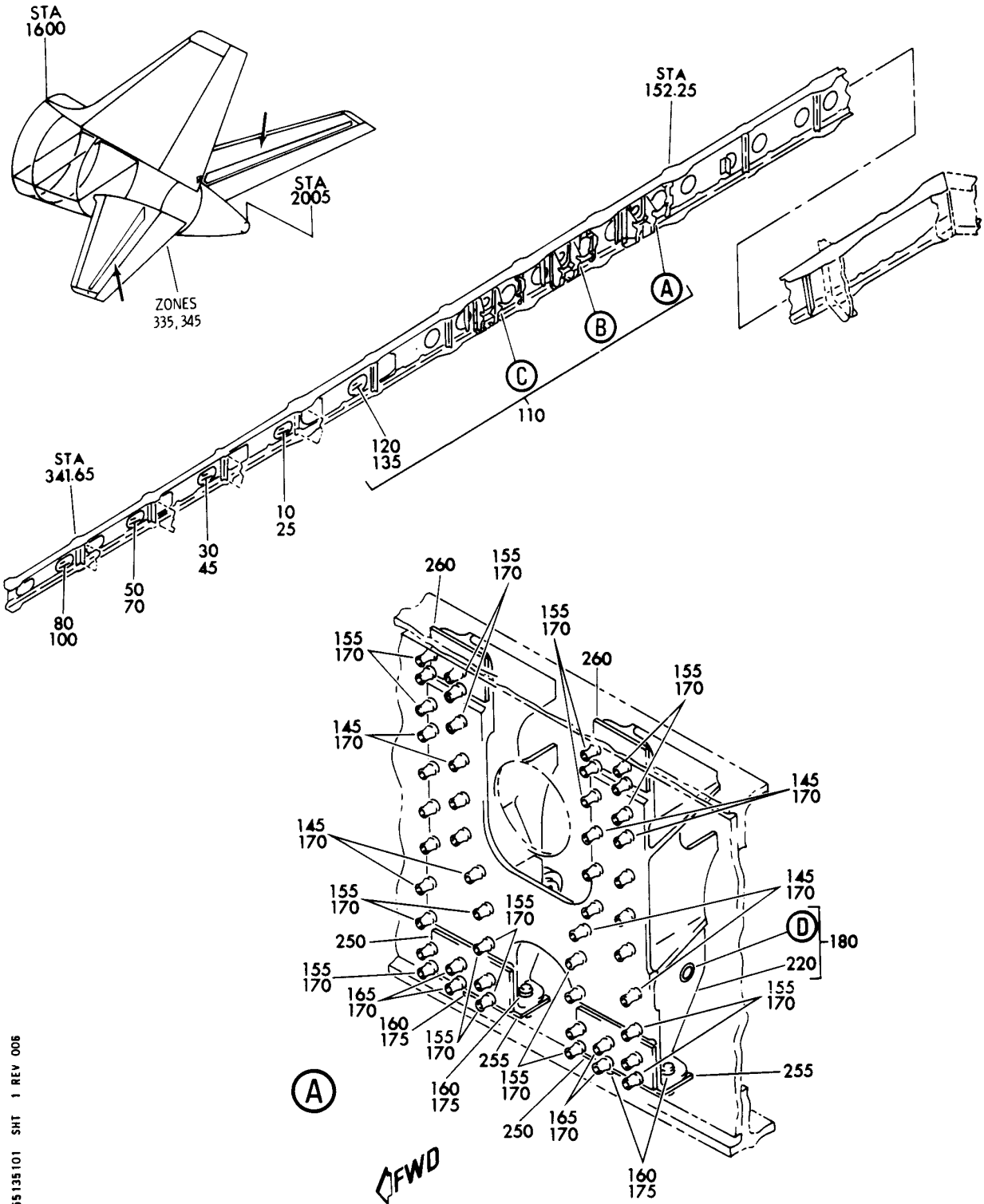
BRI

## HORIZONTAL STABILIZER AFT TORQUE BOX

BRI  
MAY 28/07

55-13-00  
SECTION TITLE  
PAGE 1

**BOEING**  
757  
PARTS CATALOG (MAINTENANCE)



Y 55135101 SHT 1 REV 006

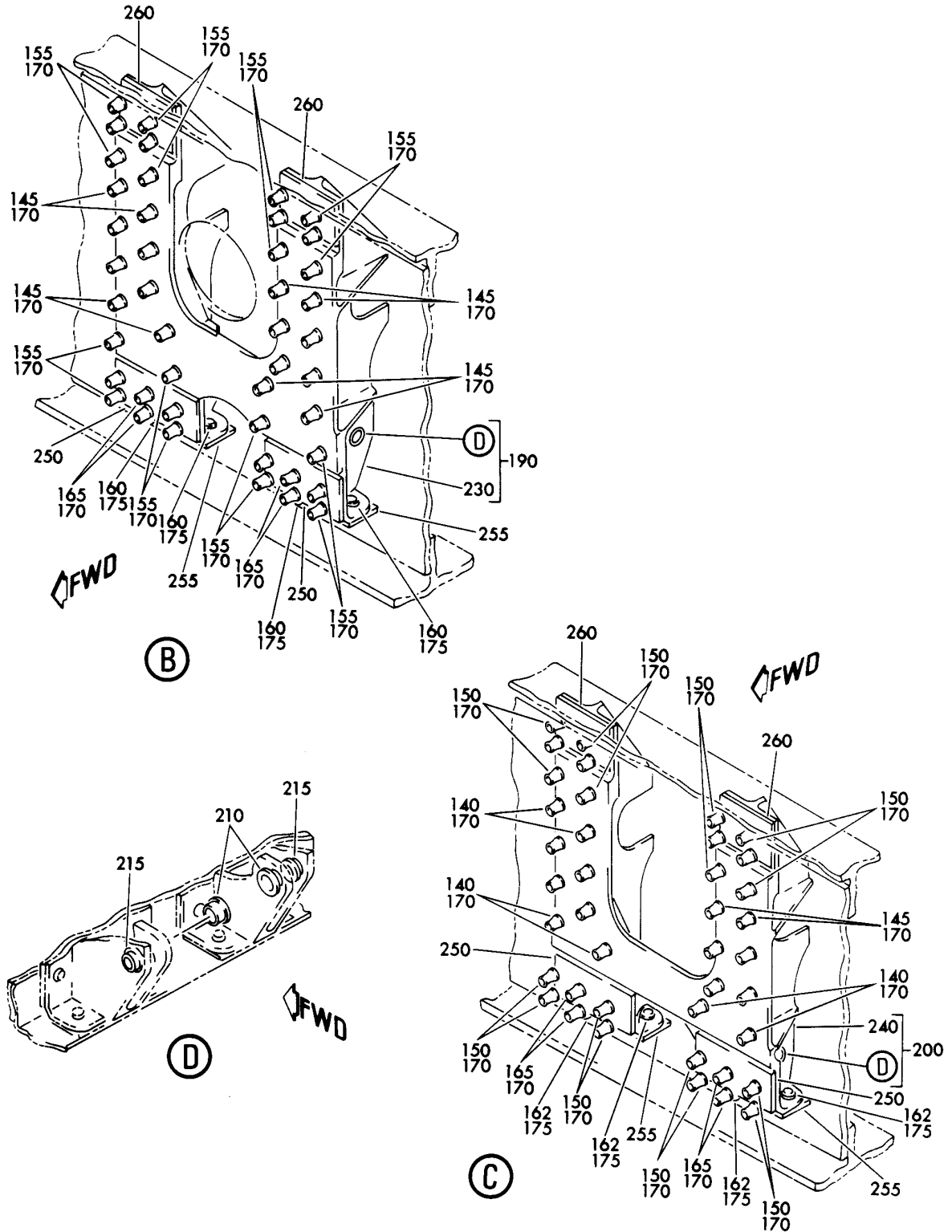
SPAR INSTL-HORIZ STAB. REAR  
FIGURE 1 (SHEET 1)

**55-13-51-01**

BRI  
MAY 28/07

55-13-51-01  
PAGE 0

**BOEING**  
757  
PARTS CATALOG (MAINTENANCE)



Y 55135101 SHT 2 REV 006

SPAR INSTL-HORIZ STAB. REAR  
FIGURE 1 (SHEET 2)

**55-13-51-01**

BRI  
MAY 28/07

55-13-51-01  
PAGE 0A





757

PARTS CATALOG (MAINTENANCE)

FIG ITEM	PART NUMBER	1 2 3 4 5 6 7	NOMENCLATURE	EFFECT FROM TO	UNITS PER ASSY
1			SPAR INSTL-HORIZ STAB. REAR	002004 006999	
- 1	182N1001-1		SPAR INSTL-HORIZ STAB. POSITION DATA: REAR LH FOR NHA SEE: 55-13-52-01	002004 006100 107107 121503 904999	RF
- 1	182N1001-401		SPAR INSTL-HORIZ STAB. POSITION DATA: REAR LH FOR NHA SEE: 55-10-51-04	101102 504903	RF
- 1	182N1001-403		SPAR INSTL-HORIZ STAB. POSITION DATA: REAR LH FOR NHA SEE: 55-10-51-04	103106 108120	RF
- 5	182N1001-2		SPAR INSTL-HORIZ STAB. POSITION DATA: REAR RH FOR NHA SEE: 55-13-52-01	002004 006100 107107 121503 904999	RF
- 5	182N1001-402		SPAR INSTL-HORIZ STAB. POSITION DATA: REAR RH FOR NHA SEE: 55-10-51-04	101102 504903	RF
- 5	182N1001-404		SPAR INSTL-HORIZ STAB. POSITION DATA: REAR RH FOR NHA SEE: 55-10-51-04	108120	RF
- 5	182N1001-408		SPAR INSTL-HORIZ STAB. POSITION DATA: REAR RH FOR NHA SEE: 55-10-51-04	103106	RF
10	182N1001-49		.DOOR ASSY	002004 006999	1
- 15	BACB30NM3K4		ATTACHING PARTS .BOLT	002004 006999	22
- 20	AN960PD10		.WASHER	002004 006999	22
25	182N1001-50		-----*----- . . DOOR	002004 006999	1
30	182N1001-51		.DOOR ASSY	002004 006999	1

MISSING ITEM NUMBERS NOT APPLICABLE

- ITEM NOT ILLUSTRATED

55-13-51-01

55-13-51  
FIG. 01  
PAGE 1  
JAN 20/09

BRI



757

PARTS CATALOG (MAINTENANCE)

FIG ITEM	PART NUMBER	1 2 3 4 5 6 7	NOMENCLATURE	EFFECT FROM TO	UNITS PER ASSY
1			ATTACHING PARTS		
- 35	BACB30NM3K5		.BOLT	002004 006999	22
- 40	AN960PD10		.WASHER	002004 006999	22
			-----*-----		
45	182N1001-52		..DOOR	002004 006999	1
50	182N1001-53		.DOOR ASSY- POSITION DATA: LH SIDE	002004 006999	1
- 55	182N1001-54		.DOOR ASSY- POSITION DATA: RH SIDE	002004 006999	1
- 60	BACB30NM3K4		ATTACHING PARTS .BOLT	002004 006999	22
- 65	AN960PD10		.WASHER	002004 006999	22
			-----*-----		
70	182N1001-55		..DOOR- POSITION DATA: LH SIDE	002004 006999	1
- 75	182N1001-56		..DOOR- POSITION DATA: RH SIDE	002004 006999	1
80	182N1001-57		.DOOR ASSY- POSITION DATA: LH SIDE	002004 006999	1
- 85	182N1001-58		.DOOR ASSY- POSITION DATA: RH SIDE	002004 006999	1
- 90	BACB30NM3K4		ATTACHING PARTS .BOLT	002004 006999	18
- 95	AN960PD10		.WASHER	002004 006999	18
			-----*-----		
100	182N1001-59		..DOOR- POSITION DATA: LH SIDE	002004 006999	1
- 105	182N1001-60		..DOOR- POSITION DATA: RH SIDE	002004 006999	1
110	182N1001-3		.SPAR ASSY- POSITION DATA: LH SIDE	002004 006100 107107 121503 904999	1

MISSING ITEM NUMBERS NOT APPLICABLE

- ITEM NOT ILLUSTRATED

55-13-51-01

55-13-51  
FIG. 01  
PAGE 2  
JAN 20/09

BRI



757

PARTS CATALOG (MAINTENANCE)

FIG ITEM	PART NUMBER	1 2 3 4 5 6 7	NOMENCLATURE	EFFECT FROM TO	UNITS PER ASSY
1					
110	182N1001-87	. SPAR ASSY-	POSITION DATA:	101102	1
			LH SIDE	504903	
110	182N1001-89	. SPAR ASSY-	POSITION DATA:	103106	1
			LH SIDE	108120	
- 115	182N1001-4	. SPAR ASSY-	POSITION DATA:	002004	1
			RH SIDE	006100	
				107107	
				121503	
				904999	
- 115	182N1001-88	. SPAR ASSY-	POSITION DATA:	101102	1
			RH SIDE	108120	
- 115	182N1001-92	. SPAR ASSY-	POSITION DATA:	504903	
			RH SIDE	103106	1
120	182N1001-47	.. DOOR ASSY		002004	1
				006999	
			ATTACHING PARTS		
- 125	BACB30NM3K4	.. BOLT		002004	22
				006999	
- 130	AN960PD10	.. WASHER		002004	22
				006999	
			-----*-----		
135	182N1001-48	... DOOR		002004	1
				006999	
140	L8006K4	.. BOLT		002004	13
		SUPPLIER CODE:		006999	
		V06725			
		SPECIFICATION NUMBER:			
		BACB30MY6K4			
145	L8006K5	.. BOLT		002004	37
		SUPPLIER CODE:		006999	
		V06725			
		SPECIFICATION NUMBER:			
		BACB30MY6K5			
150	L8006K7	.. BOLT		002004	20
		SUPPLIER CODE:		006999	
		V06725			
		SPECIFICATION NUMBER:			
		BACB30MY6K7			
155	L8006K8	.. BOLT-		002004	50
		SUPPLIER CODE:		006999	
		V06725			
		SPECIFICATION NUMBER:			
		BACB30MY6K8			

MISSING ITEM NUMBERS NOT APPLICABLE

- ITEM NOT ILLUSTRATED

55-13-51-01

55-13-51  
FIG. 01  
PAGE 3  
JAN 20/09

BRI

BOEING PROPRIETARY - Copyright © - Unpublished Work - See title page for details.



757

PARTS CATALOG (MAINTENANCE)

FIG ITEM	PART NUMBER	1 2 3 4 5 6 7	NOMENCLATURE	EFFECT FROM TO	UNITS PER ASSY
1 160	HL11VAZ6-7	..	BOLT SUPPLIER CODE: V60516 SPECIFICATION NUMBER: BACB30NW6K7 OPTIONAL PART: B30NW6K7 V97928 HL11VAZ6-7 V73197 HL11VAZ6-7 V92215 HL11VAZ6-7 V97928 L803-6K7 V06725 HL11VAZ6-7 V0PTK6 HL11VAZ6-7 V56878	002004 006999	8
162	HL11VAZ6-5	..	BOLT SUPPLIER CODE: V60516 SPECIFICATION NUMBER: BACB30NW6K5 OPTIONAL PART: B30NW6K5 V97928 HL11VAZ6-5 V73197 HL11VAZ6-5 V92215 HL11VAZ6-5 V97928 L803-6K5 V06725 HL11VAZ6-5 V0PTK6 HL11VAZ6-5 V56878	002004 006999	4

MISSING ITEM NUMBERS NOT APPLICABLE

- ITEM NOT ILLUSTRATED

BRI

55-13-51-01

BOEING PROPRIETARY - Copyright © - Unpublished Work - See title page for details.

55-13-51  
FIG. 01  
PAGE 4  
JAN 20/09



757

PARTS CATALOG (MAINTENANCE)

FIG ITEM	PART NUMBER	1 2 3 4 5 6 7	NOMENCLATURE	EFFECT FROM TO	UNITS PER ASSY
1 165	HL11VAZ6-6	..	BOLT SUPPLIER CODE: V60516 SPECIFICATION NUMBER: BACB30NW6K6 OPTIONAL PART: B30NW6K6 V97928 HL11VAZ6-6 V73197 HL11VAZ6-6 V92215 HL11VAZ6-6 V97928 L803-6K6 V06725 HL11VAZ6-6 V0PTK6 HL11VAZ6-6 V56878	002004 006999	12
170	HL79-6	..	COLLAR SUPPLIER CODE: V5M902 SPECIFICATION NUMBER: BACC30M6 OPTIONAL PART: HL79-6 V73197 HL79-6 V92215 66014-6 V56878 HL79-6 V56878	002004 006999	132
175	HL82-6APBW	..	COLLAR SUPPLIER CODE: V5M902 SPECIFICATION NUMBER: BACC30AG6 OPTIONAL PART: HL82-6APBW V92215 HL82-6APBW V56878 HL82-6APBW V73197	002004 006999	12

MISSING ITEM NUMBERS NOT APPLICABLE

- ITEM NOT ILLUSTRATED

55-13-51-01

55-13-51  
FIG. 01  
PAGE 5  
JAN 20/09

BRI



757

PARTS CATALOG (MAINTENANCE)

FIG ITEM	PART NUMBER	1 2 3 4 5 6 7	NOMENCLATURE	EFFECT FROM TO	UNITS PER ASSY
1					
180	182N1501-1	..	FITTING ASSY- POSITION DATA: LH SIDE	002004 006017 107107 121503 904999	1
180	182N1501-31	..	FITTING ASSY- POSITION DATA: LH SIDE	018100	1
180	182N1501-43	..	FITTING ASSY- POSITION DATA: LH SIDE	101106 108120 504903	1
- 185	182N1501-2	..	FITTING ASSY- POSITION DATA: RH SIDE	002004 006017 107107 121503 904999	1
- 185	182N1501-32	..	FITTING ASSY- POSITION DATA: RH SIDE	018100	1
- 185	182N1501-44	..	FITTING ASSY- POSITION DATA: RH SIDE	101106 108120 504903	1
190	182N1501-3	..	FITTING ASSY- POSITION DATA: LH SIDE	002004 006017 107107 121503 904999	1
190	182N1501-33	..	FITTING ASSY- POSITION DATA: LH SIDE	018100	1
190	182N1501-45	..	FITTING ASSY- POSITION DATA: LH SIDE	101106 108120 504903	1
- 195	182N1501-4	..	FITTING ASSY- POSITION DATA: RH SIDE	002004 006017 107107 121503 904999	1
- 195	182N1501-34	..	FITTING ASSY- POSITION DATA: RH SIDE	018100	1
- 195	182N1501-46	..	FITTING ASSY- POSITION DATA: RH SIDE	101106 108120 504903	1
200	182N1501-5	..	FITTING ASSY- POSITION DATA: LH SIDE	002004 006017 107107 121503 904999	1

MISSING ITEM NUMBERS NOT APPLICABLE

- ITEM NOT ILLUSTRATED

55-13-51-01

55-13-51  
FIG. 01  
PAGE 6  
JAN 20/09

BRI



757

PARTS CATALOG (MAINTENANCE)

FIG ITEM	PART NUMBER	1 2 3 4 5 6 7	NOMENCLATURE	EFFECT FROM TO	UNITS PER ASSY
1					
200	182N1501-35	..	FITTING ASSY- POSITION DATA: LH SIDE	018100	1
200	182N1501-47	..	FITTING ASSY- POSITION DATA: LH SIDE	101106 108120 504903	1
- 205	182N1501-6	..	FITTING ASSY- POSITION DATA: RH SIDE	002004 006017 107107 121503 904999	1
- 205	182N1501-36	..	FITTING ASSY- POSITION DATA: RH SIDE	018100	1
- 205	182N1501-48	..	FITTING ASSY- POSITION DATA: RH SIDE	101106 108120 504903	1
210	BACB28AM07B025A	...	BUSHING	002004 006999	2
215	BACB28AP05P022	...	BUSHING	002004 006999	2
220	182N1501-7	...	FITTING- POSITION DATA: LH SIDE	002004 006017 107107 121503 904999	1
220	182N1501-37	...	FITTING- POSITION DATA: LH SIDE	018100	1
220	182N1501-49	...	FITTING- POSITION DATA: LH SIDE	101106 108120 504903	1
- 225	182N1501-8	...	FITTING- POSITION DATA: RH SIDE	002004 006017 107107 121503 904999	1
- 225	182N1501-38	...	FITTING- POSITION DATA: RH SIDE	018100	1
- 225	182N1501-50	...	FITTING- POSITION DATA: RH SIDE	101106 108120 504903	1
230	182N1501-9	...	FITTING- POSITION DATA: LH SIDE	002004 006017 107107 121503 904999	1

MISSING ITEM NUMBERS NOT APPLICABLE

- ITEM NOT ILLUSTRATED

55-13-51-01

55-13-51  
FIG. 01  
PAGE 7  
JAN 20/09

BRI

BOEING PROPRIETARY - Copyright © - Unpublished Work - See title page for details.

 **BOEING**  
757  
**PARTS CATALOG (MAINTENANCE)**

FIG ITEM	PART NUMBER	1 2 3 4 5 6 7	NOMENCLATURE	EFFECT FROM TO	UNITS PER ASSY
1					
230	182N1501-39	...	FITTING- POSITION DATA: LH SIDE	018100	1
230	182N1501-51	...	FITTING- POSITION DATA: LH SIDE	101106 108120 504903	1
- 235	182N1501-10	...	FITTING- POSITION DATA: RH SIDE	002004 006017 107107 121503 904999	1
- 235	182N1501-40	...	FITTING- POSITION DATA: RH SIDE	018100	1
- 235	182N1501-52	...	FITTING- POSITION DATA: RH SIDE	101106 108120 504903	1
240	182N1501-11	...	FITTING- POSITION DATA: LH SIDE	002004 006017 107107 121503 904999	1
240	182N1501-41	...	FITTING- POSITION DATA: LH SIDE	018100	1
240	182N1501-53	...	FITTING- POSITION DATA: LH SIDE	101106 108120 504903	1
- 245	182N1501-12	...	FITTING- POSITION DATA: RH SIDE	002004 006017 107107 121503 904999	1
- 245	182N1501-42	...	FITTING- POSITION DATA: RH SIDE	018100	1
- 245	182N1501-54	...	FITTING- POSITION DATA: RH SIDE	101106 108120 504903	1
250	BACS40R14C28F	..	SHIM	002004 006999	6
255	BACS40R09C27F	..	SHIM	002004 006999	6
260	BACS40R14C19F	..	SHIM	002004 006999	6

MISSING ITEM NUMBERS NOT APPLICABLE

- ITEM NOT ILLUSTRATED

BRI

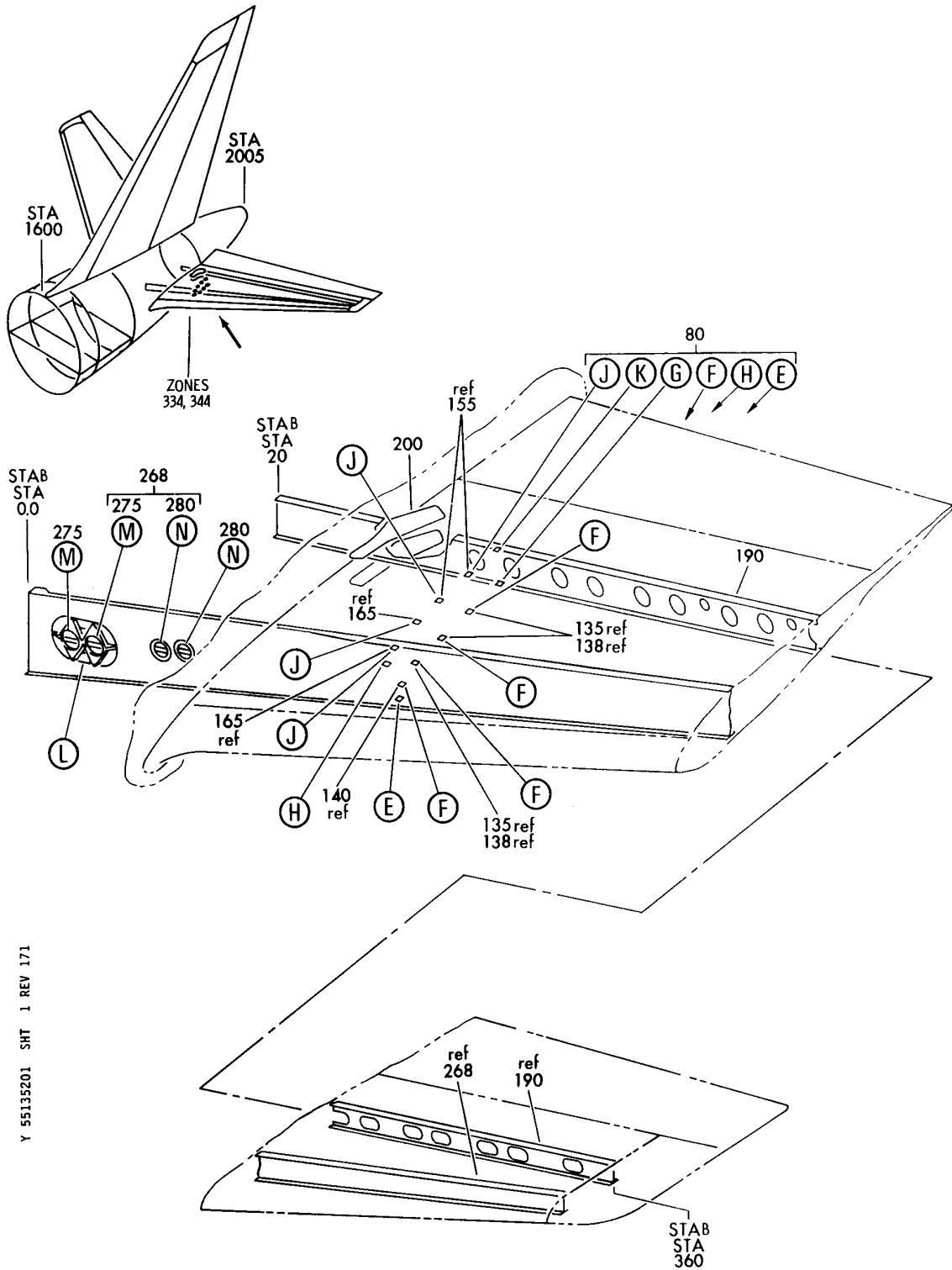
# 55-13-51-01

BOEING PROPRIETARY - Copyright © - Unpublished Work - See title page for details.

55-13-51  
FIG. 01  
PAGE 8  
JAN 20/09



**BOEING**  
757  
PARTS CATALOG (MAINTENANCE)



Y 55135201 SHT 1 REV 171

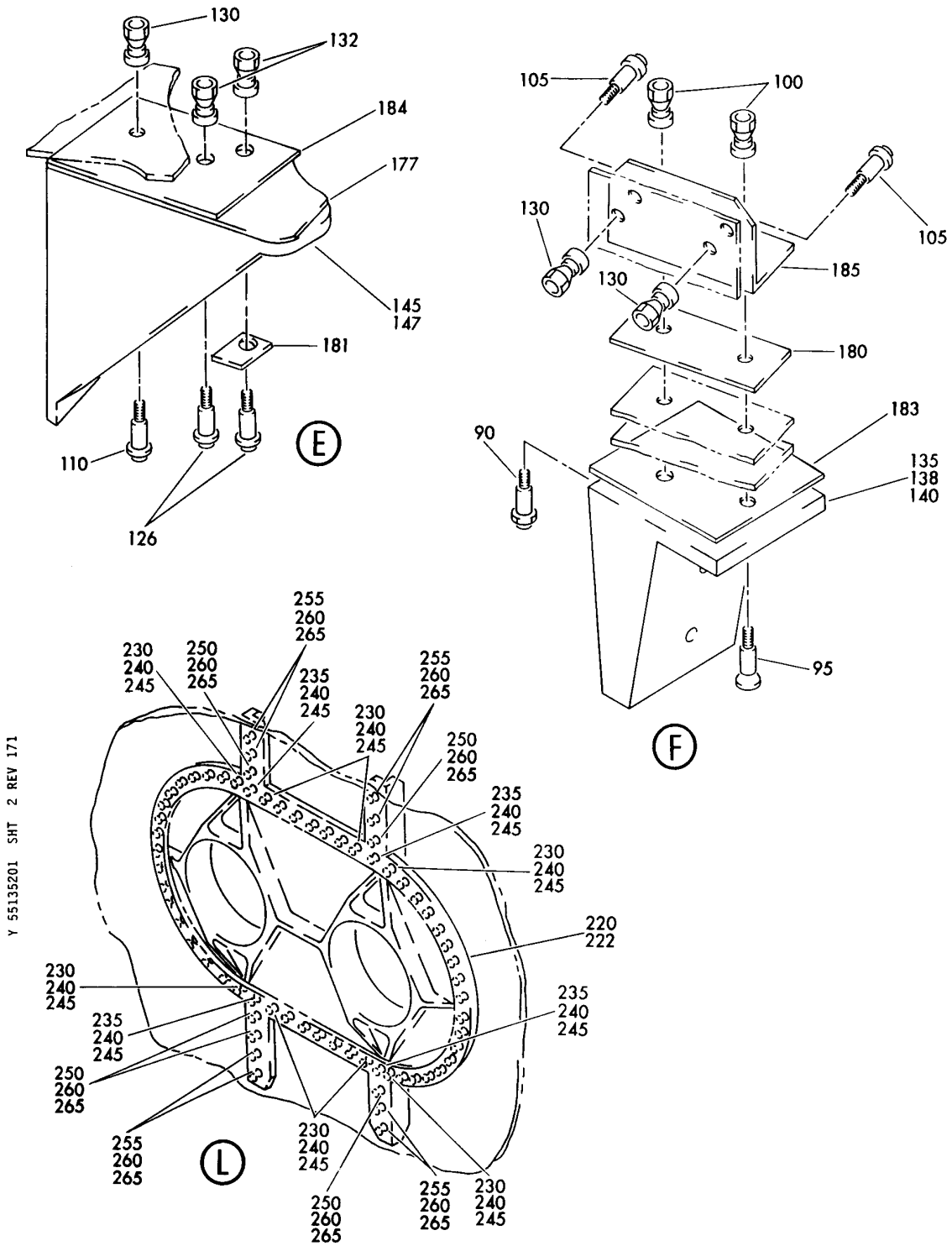
BOX ASSY-SECT. 82 HORIZ STAB. TORQUE AFT  
FIGURE 1 (SHEET 1)

**55-13-52-01**

BRI  
MAY 28/07

55-13-52-01  
PAGE 0

**BOEING**  
757  
PARTS CATALOG (MAINTENANCE)



Y 55135201 SHT 2 REV 171

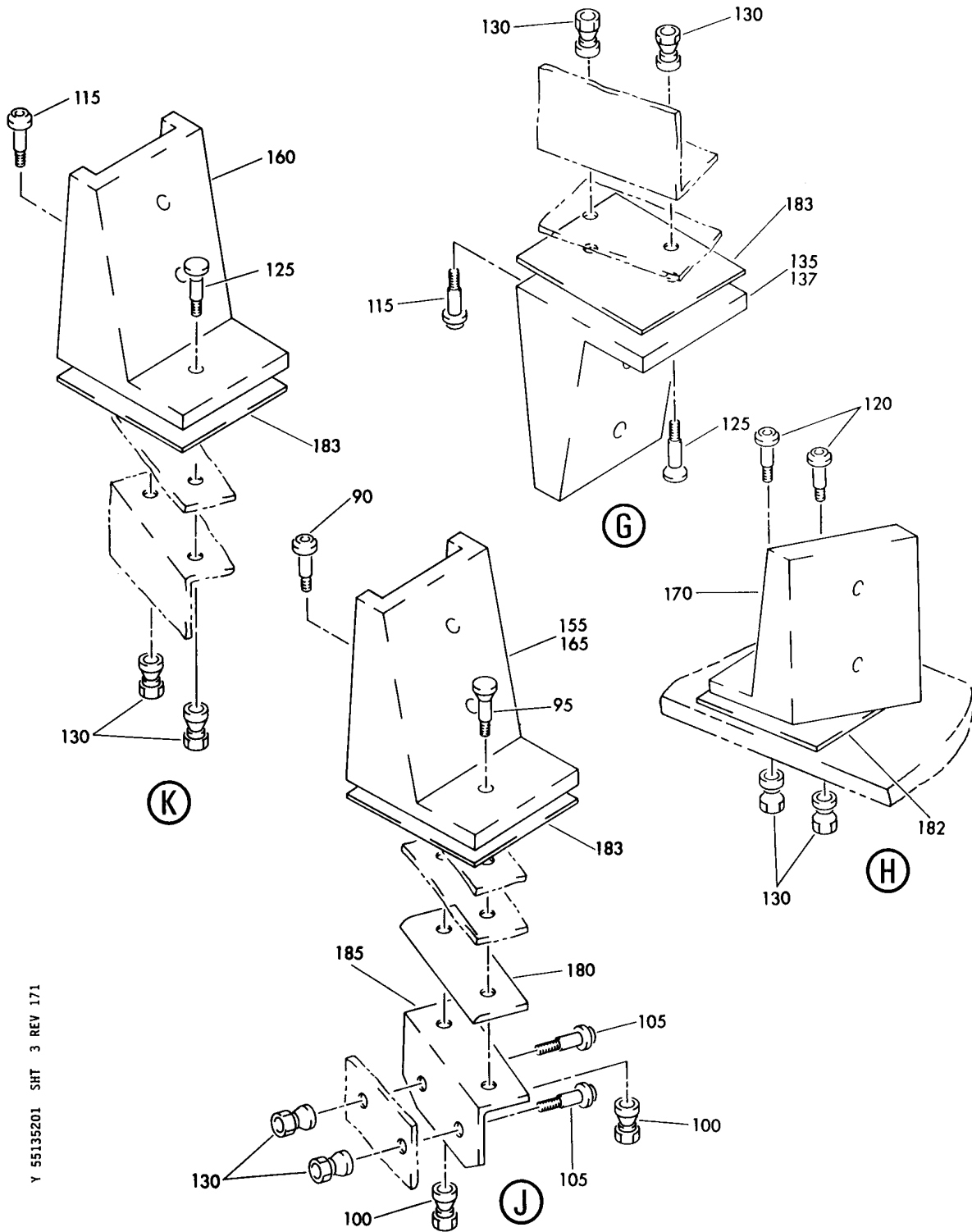
BOX ASSY-SECT. 82 HORIZ STAB. TORQUE AFT  
FIGURE 1 (SHEET 2)

**55-13-52-01**

BRI  
MAY 28/07

55-13-52-01  
PAGE 0A

**BOEING**  
757  
PARTS CATALOG (MAINTENANCE)



Y 55135201 SHT 3 REV 171

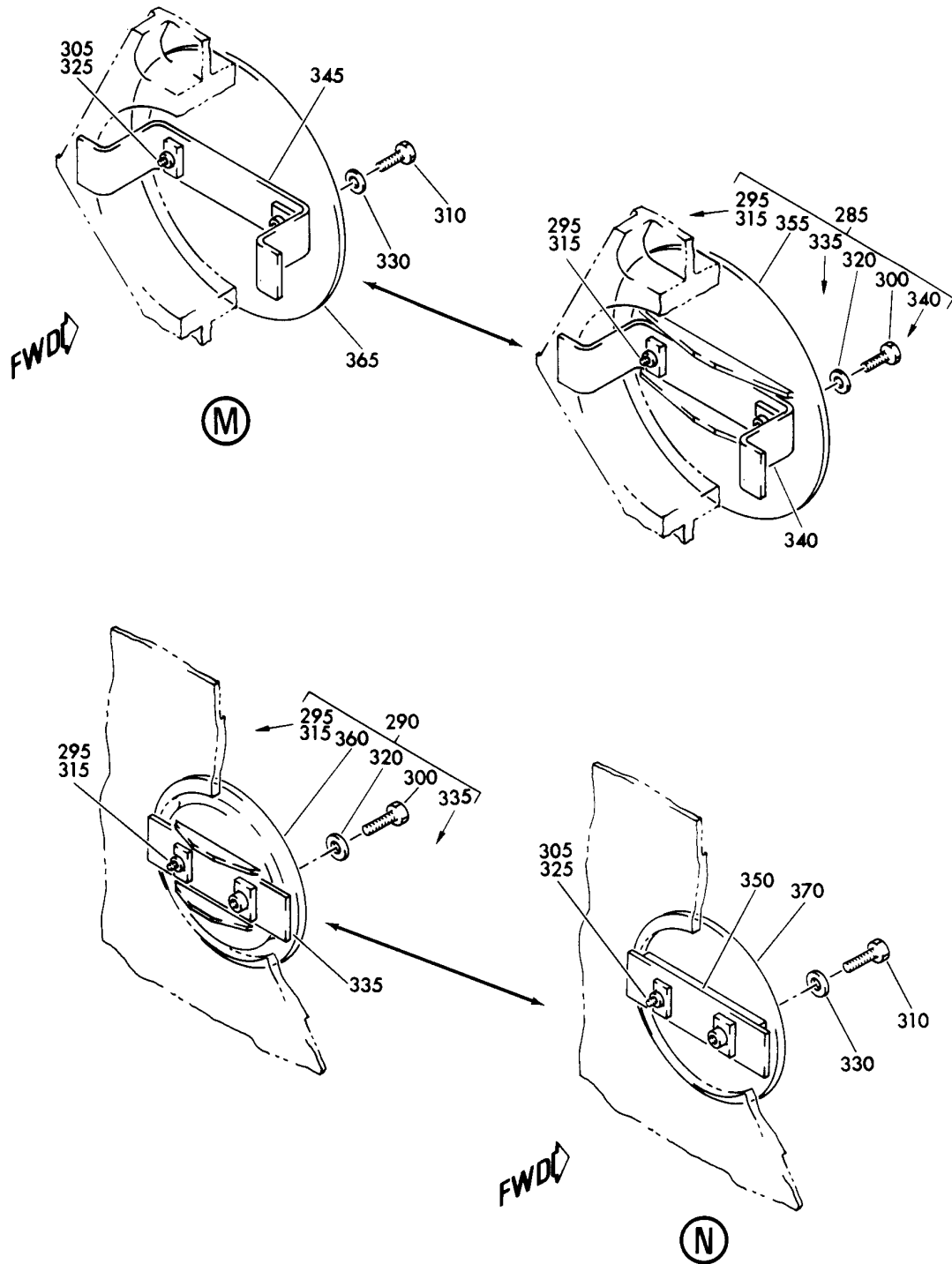
BOX ASSY-SECT. 82 HORIZ STAB. TORQUE AFT  
FIGURE 1 (SHEET 3)

**55-13-52-01**

BRI  
MAY 28/07

55-13-52-01  
PAGE 0B

**BOEING**  
757  
PARTS CATALOG (MAINTENANCE)



Y 55135201 SH1 4 REV 083

BOX ASSY-SECT. 82 HORIZ STAB. TORQUE AFT  
FIGURE 1 (SHEET 4)

**55-13-52-01**

BRI  
MAY 28/07

55-13-52-01  
PAGE 0C



757

PARTS CATALOG (MAINTENANCE)

FIG ITEM	PART NUMBER	1 2 3 4 5 6 7	NOMENCLATURE	EFFECT FROM TO	UNITS PER ASSY
1			BOX ASSY-SECT. 82 HORIZ STAB. TORQUE AFT	002004 006100 107107 121503 904999	
- 1	182N0001-1		BOX ASSY-HORIZ STAB. TORQUE POSITION DATA: SECT. 82 AFT LH FOR NHA SEE: 55-10-52-01	002004 006100 107107 121503 904999	RF
- 5	182N0001-2		BOX ASSY-HORIZ STAB. TORQUE POSITION DATA: SECT. 82 AFT RH FOR NHA SEE: 55-10-52-01	002004 006100 107107 121503 904999	RF
80	182N7203-1		.FITTING INSTL-BLADE SPRT POSITION DATA: LH	002004 006100 107107 121503 904999	1
- 85	182N7203-2		.FITTING INSTL-BLADE SPRT POSITION DATA: RH	002004 006100 107107 121503 904999	1

MISSING ITEM NUMBERS NOT APPLICABLE

- ITEM NOT ILLUSTRATED

BRI

55-13-52-01

BOEING PROPRIETARY - Copyright © - Unpublished Work - See title page for details.

55-13-52  
FIG. 01  
PAGE 1  
JAN 20/09



757

PARTS CATALOG (MAINTENANCE)

FIG ITEM	PART NUMBER	1 2 3 4 5 6 7	NOMENCLATURE	EFFECT FROM TO	UNITS PER ASSY
1 90	HL1012AZ8-12	.	. BOLT SUPPLIER CODE: V97928 SPECIFICATION NUMBER: BACB30NX8K12 OPTIONAL PART: HL12VAZ8-12 V73197 HL12VAZ8-12 V92215 HL12VAZ8-12 V97928 L802-8K12 V06725 HL12VAZ8-12 V56878 HL1012AZ8-12 V73197 HL1012AZ8-12 V60516 HL1012AZ8-12 V56878 HL1012AZ8-12 V17446 HL1012AZ8-12 V06950 HL1012AZ8-12 V06725 HL1012AZ8-12 V0PTK6	002004 006100 107107 121503 904999	8

MISSING ITEM NUMBERS NOT APPLICABLE

- ITEM NOT ILLUSTRATED

BRI

55-13-52-01

BOEING PROPRIETARY - Copyright © - Unpublished Work - See title page for details.

55-13-52  
 FIG. 01  
 PAGE 2  
 JAN 20/09



**757  
PARTS CATALOG (MAINTENANCE)**

FIG ITEM	PART NUMBER	1 2 3 4 5 6 7	NOMENCLATURE	EFFECT FROM TO	UNITS PER ASSY
1 95	HL1030AZ8-12		.. BOLT SUPPLIER CODE: V60516 SPECIFICATION NUMBER: BACB30NY8K12 OPTIONAL PART: HL13VAZ8-12 V73197 HL13VAZ8-12 V92215 HL13VAZ8-12 V97928 L801-8K12 V06725 HL13VAZ8-12 V60516 L801-8K12 V0PTK6 HL13VAZ8-12 V17446 HL1013AZ8-12 V60516 HL13VAZ8-12 V56878	002004 006100 107107 121503 904999	8
100	HL1187-8		.. COLLAR SUPPLIER CODE: V5M902 SPECIFICATION NUMBER: BACC30X8 OPTIONAL PART: HL87-8 V92215 HL87-8 V73197 HL1187-8 V56878 HL1187-8 V92215 HL87-8 V56878 HL1187-8 V73197	002004 006100 107107 121503 904999	16
105	L8008K4		.. BOLT SUPPLIER CODE: V06725 SPECIFICATION NUMBER: BACB30MY8K4	002004 006100 107107 121503 904999	16

MISSING ITEM NUMBERS NOT APPLICABLE

— ITEM NOT ILLUSTRATED

BRI

# 55-13-52-01

BOEING PROPRIETARY - Copyright © - Unpublished Work - See title page for details.

55-13-52  
FIG. 01  
PAGE 3  
JAN 20/09



757

PARTS CATALOG (MAINTENANCE)

FIG ITEM	PART NUMBER	1 2 3 4 5 6 7	NOMENCLATURE	EFFECT FROM TO	UNITS PER ASSY
1					
110	L8008K8	..	BOLT SUPPLIER CODE: V06725 SPECIFICATION NUMBER: BACB30MY8K8	002004 006100 107107 121503 904999	1
115	L8008K9	..	BOLT SUPPLIER CODE: V06725 SPECIFICATION NUMBER: BACB30MY8K9	002004 006100 107107 121503 904999	2
120	L8008K6	..	BOLT SUPPLIER CODE: V06725 SPECIFICATION NUMBER: BACB30MY8K6	002004 006100 107107 121503 904999	2
125	HL11VAZ8-9	..	BOLT SUPPLIER CODE: V56878 SPECIFICATION NUMBER: BACB30NW8K9 OPTIONAL PART: B30NW8K9 V97928 HL11VAZ8-9 V73197 HL11VAZ8-9 V92215 HL11VAZ8-9 V97928 L803-8K9 V06725 HL11VAZ8-9 V0PTK6 HL11VAZ8-9 V60516	002004 006100 107107 121503 904999	2
126	L8006K10	..	BOLT SUPPLIER CODE: V06725 SPECIFICATION NUMBER: BACB30MY6K10	002004 006100 121503 904999	2

MISSING ITEM NUMBERS NOT APPLICABLE

- ITEM NOT ILLUSTRATED

55-13-52-01

55-13-52  
FIG. 01  
PAGE 4  
JAN 20/09

BRI





757

PARTS CATALOG (MAINTENANCE)

FIG ITEM	PART NUMBER	1 2 3 4 5 6 7	NOMENCLATURE	EFFECT FROM TO	UNITS PER ASSY
1 130	HL79-8	..	COLLAR SUPPLIER CODE: V5M902 SPECIFICATION NUMBER: BACC30M8 OPTIONAL PART: HL79-8 V73197 HL79-8 V92215 66014-8 V56878 HL79-8 V56878	002004 006100 107107 121503 904999	23
132	HL79-6	..	COLLAR SUPPLIER CODE: V5M902 SPECIFICATION NUMBER: BACC30M6 OPTIONAL PART: HL79-6 V73197 HL79-6 V92215 66014-6 V56878 HL79-6 V56878	002004 006100 121503 904999	2
135	182N7203-3	..	FITTING-SPRT	002004 006100 107107 121503 904999	4
140	182N7203-4	..	FITTING-SPRT	002004 006100 107107 121503 904999	1
145	182N7203-17	..	FITTING ASSY-SPRT POSITION DATA: LH	002004 006100 107107 121503 904999	1
147	182N7203-5	...	FITTING-SPRT POSITION DATA: LH	002004 006100 107107 121503 904999	1

MISSING ITEM NUMBERS NOT APPLICABLE

- ITEM NOT ILLUSTRATED

55-13-52-01

55-13-52  
FIG. 01  
PAGE 5  
JAN 20/09

BRI



757

PARTS CATALOG (MAINTENANCE)

FIG ITEM	PART NUMBER	1 2 3 4 5 6 7	NOMENCLATURE	EFFECT FROM TO	UNITS PER ASSY
1					
- 150	182N7203-16	..	FITTING ASSY-SPRT POSITION DATA: RH	002004 006100 107107 121503 904999	1
- 152	182N7203-6	...	FITTING-SPRT POSITION DATA: RH	002004 006100 107107 121503 904999	1
155	182N7203-7	..	FITTING-SPRT	002004 006100 107107 121503 904999	2
160	182N7203-8	..	FITTING-SPRT	002004 006100 107107 121503 904999	1
165	182N7203-9	..	FITTING-SPRT	002004 006100 107107 121503 904999	2
170	182N7203-11	..	FITTING-SPRT POSITION DATA: LH	002004 006100 107107 121503 904999	1
- 175	182N7203-12	..	FITTING-SPRT POSITION DATA: RH	002004 006100 107107 121503 904999	1
177	182N7203-8000	..	FILLER	002004 006100 107107 121503 904999	1
180	182N7203-15	..	FILLER	002004 006100 107107 121503 904999	8
181	182N7203-18	..	FILLER	002004 006100 121503 904999	1

MISSING ITEM NUMBERS NOT APPLICABLE

- ITEM NOT ILLUSTRATED

55-13-52-01

55-13-52  
FIG. 01  
PAGE 6  
JAN 20/09

BRI

BOEING PROPRIETARY - Copyright © - Unpublished Work - See title page for details.



757

PARTS CATALOG (MAINTENANCE)

FIG ITEM	PART NUMBER	1 2 3 4 5 6 7	NOMENCLATURE	EFFECT FROM TO	UNITS PER ASSY
1					
182	BACS40R013F017F	..	SHIM	002004 006100 107107 121503 904999	1
183	BACS40R018F021F	..	SHIM	002004 006100 107107 121503 904999	10
184	BACS40R016F025F	..	SHIM	002004 006100 107107 121503 904999	1
185	182N7203-14	..	ANGLE	002004 006100 107107 121503 904999	8
190	182N1001-1	.	SPAR INSTL- POSITION DATA: REAR LH FOR DETAILS SEE: 55-13-51-01	002004 006100 107107 121503 904999	1
- 195	182N1001-2	.	SPAR INSTL- POSITION DATA: REAR RH FOR DETAILS SEE: 55-13-51-01	002004 006100 107107 121503 904999	1
200	182N1601-1	.	FITTING INSTL-PIVOT POSITION DATA: LH FOR DETAILS SEE: 55-17-51-01	002004 006100 107107 121503 904999	1
- 205	182N1601-2	.	FITTING INSTL-PIVOT POSITION DATA: RH FOR DETAILS SEE: 55-17-51-01	002004 006100 107107 121503 904999	1
- 210	182N2001-83	.	SPAR INSTL- POSITION DATA: FRONT LH SIDE	002004 006100 107107 121503 904999	1

MISSING ITEM NUMBERS NOT APPLICABLE

- ITEM NOT ILLUSTRATED

55-13-52-01

55-13-52  
FIG. 01  
PAGE 7  
JAN 20/09

BRI



757

PARTS CATALOG (MAINTENANCE)

FIG ITEM	PART NUMBER	1 2 3 4 5 6 7	NOMENCLATURE	EFFECT FROM TO	UNITS PER ASSY
1					
- 215	182N2001-84	.	SPAR INSTL- POSITION DATA: FRONT RH SIDE	002004 006100 107107 121503 904999	1
220	182N2002-1	..	FITTING-DOOR POSITION DATA: LH SIDE	002004 006100 107107 121503 904999	1
222	182N2001-9	..	DOOR ASSY- POSITION DATA: LH SIDE	002004 006100 107107 121503 904999	1
- 225	182N2002-2	..	FITTING-DOOR POSITION DATA: RH SIDE	002004 006100 107107 121503 904999	1
- 227	182N2001-10	..	DOOR ASSY- POSITION DATA: RH SIDE	002004 006100 107107 121503 904999	1
230	L8006K4	..	ATTACHING PARTS BOLT- SUPPLIER CODE: V06725 SPECIFICATION NUMBER: BACB30MY6K4	002004 006100 107107 121503 904999	50
235	L8006K5	..	BOLT- SUPPLIER CODE: V06725 SPECIFICATION NUMBER: BACB30MY6K5	002004 006100 107107 121503 904999	4
240	BACW10BN3SP	..	WASHER	002004 006100 107107 121503 904999	54

MISSING ITEM NUMBERS NOT APPLICABLE

- ITEM NOT ILLUSTRATED

55-13-52-01

55-13-52  
FIG. 01  
PAGE 8  
JAN 20/09

BRI

BOEING PROPRIETARY - Copyright © - Unpublished Work - See title page for details.

 **BOEING**  
757  
**PARTS CATALOG (MAINTENANCE)**

FIG ITEM	PART NUMBER	1 2 3 4 5 6 7	NOMENCLATURE	EFFECT FROM TO	UNITS PER ASSY
1 245	BRH10C3D		..NUT SUPPLIER CODE: V52828 SPECIFICATION NUMBER: BACN10JC3CD OPTIONAL PART: T6C1032JCD V11815 NS202486-02 V80539 102LH9075-3W V72962 H51650-3BAC V15653	002004 006100 107107 121503 904999	54
250	L8008K5		..BOLT SUPPLIER CODE: V06725 SPECIFICATION NUMBER: BACB30MY8K5	002004 006100 107107 121503 904999	5
255	L8008K8		..BOLT SUPPLIER CODE: V06725 SPECIFICATION NUMBER: BACB30MY8K8	002004 006100 107107 121503 904999	8
260	BACW10BN4SP		..WASHER	002004 006100 107107 121503 904999	13
265	BRH10C4D		..NUT SUPPLIER CODE: V52828 SPECIFICATION NUMBER: BACN10JC4CD OPTIONAL PART: T6C428JCD V11815 NS202486-048 V80539 102LH9075-4W V72962 H51650-4BAC V15653	002004 006100 107107 121503 904999	13
268	182N2001-79		-----*----- ..SPAR ASSY- POSITION DATA: LH SIDE	002004 006100 107107 121503 904999	1

MISSING ITEM NUMBERS NOT APPLICABLE

— ITEM NOT ILLUSTRATED

BRI

# 55-13-52-01

BOEING PROPRIETARY - Copyright © - Unpublished Work - See title page for details.

55-13-52  
FIG. 01  
PAGE 9  
JAN 20/09



757

PARTS CATALOG (MAINTENANCE)

FIG ITEM	PART NUMBER	1 2 3 4 5 6 7	NOMENCLATURE	EFFECT FROM TO	UNITS PER ASSY
1 - 270	182N2001-80		.. SPAR ASSY-(FUSELAGE ONLY) POSITION DATA: RH SIDE FUNCTIONAL REFERENCE: PLACARDS AND MARKINGS FOR DETAILS SEE 11-26-15-01	002004 006100 107107 121503 904999	1
285	182N6003-1		... DOOR ASSY-ACCESS	002004 006100 107107 121503 904999	2
290	182N6004-1		... DOOR ASSY-ACCESS	002004 006100 107107 121503 904999	2
295	NAS1802-3-25		..... SCREW- OPTIONAL PART: NAS603-25P	002004 006100 107107 121503 904999	1
295	NAS603-25P		..... SCREW- OPTIONAL PART: NAS1802-3-25	002004 006100 107107 121503 904999	1
300	NAS1802-4-9		..... SCREW- OPTIONAL PART: NAS604-9P	002004 006100 107107 121503 904999	1
300	NAS604-9P		..... SCREW- OPTIONAL PART: NAS1802-4-9	002004 006100 107107 121503 904999	1
315	AN960C10L		..... WASHER	002004 006100 107107 121503 904999	1
335	182N6004-2		..... RETAINER ASSY- USED ON: 182N6004-1	002004 006100 107107 121503 904999	1

MISSING ITEM NUMBERS NOT APPLICABLE

- ITEM NOT ILLUSTRATED

55-13-52-01

55-13-52  
FIG. 01  
PAGE 10  
JAN 20/09

BRI



**757  
PARTS CATALOG (MAINTENANCE)**

FIG ITEM	PART NUMBER	1 2 3 4 5 6 7	NOMENCLATURE	EFFECT FROM TO	UNITS PER ASSY
1	340	182N6003-2	.....RETAINER ASSY- USED ON: 182N6003-1	002004 006100 107107 121503 904999	1
	355	182N6001-1	.....COVER- USED ON: 182N6003-1	002004 006100 107107 121503 904999	1
	360	182N6001-2	.....COVER- USED ON: 182N6004-1	002004 006100 107107 121503 904999	1

MISSING ITEM NUMBERS NOT APPLICABLE

— ITEM NOT ILLUSTRATED

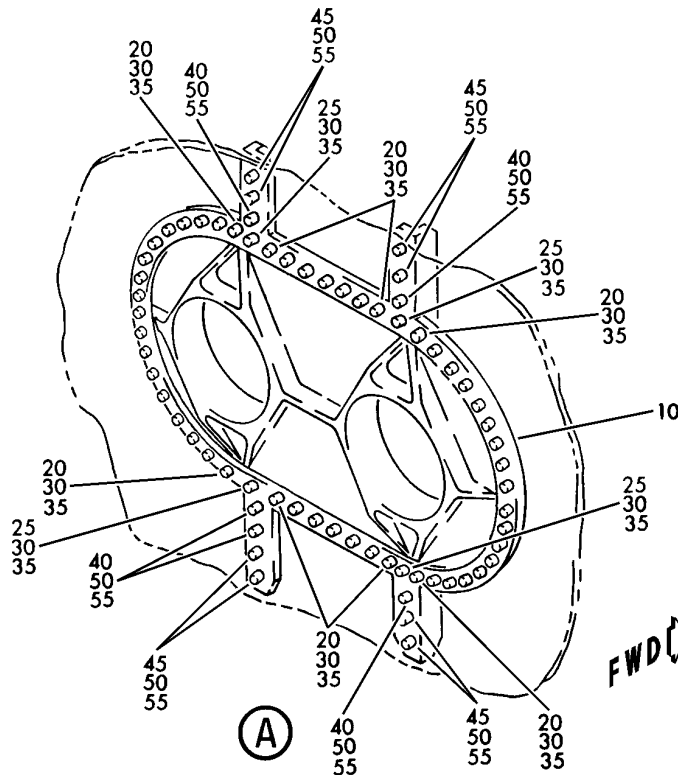
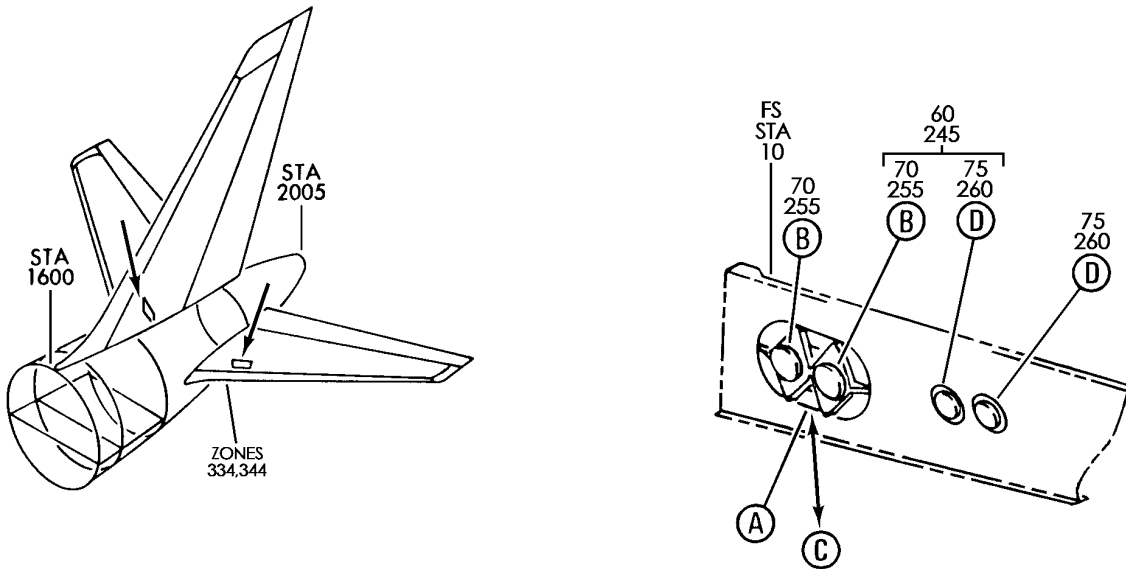
BRI

# 55-13-52-01

BOEING PROPRIETARY - Copyright © - Unpublished Work - See title page for details.

55-13-52  
FIG. 01  
PAGE 11  
JAN 20/09

**BOEING**  
757  
PARTS CATALOG (MAINTENANCE)



Y 55135202 SHT 1 REV 216

SPAR INSTL-HORIZ STAB FRONT  
FIGURE 2 (SHEET 1)

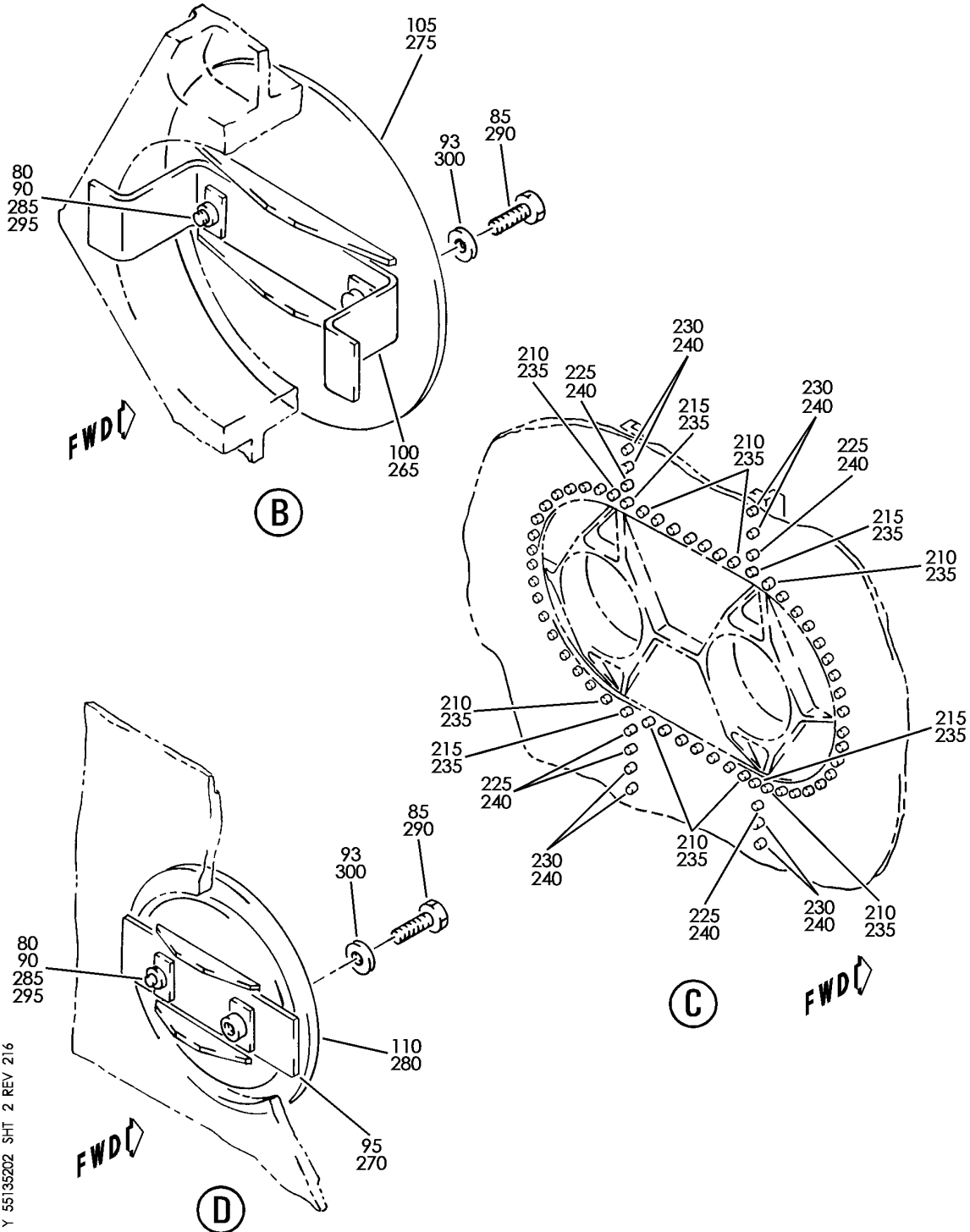
**55-13-52-02**

BRI  
MAY 28/07

55-13-52-02  
PAGE 0



**BOEING**  
757  
PARTS CATALOG (MAINTENANCE)



Y 55135202 SHT 2 REV 216

SPAR INSTL-HORIZ STAB FRONT  
FIGURE 2 (SHEET 2)

**55-13-52-02**

BRI  
MAY 28/07

55-13-52-02  
PAGE 0A



757

PARTS CATALOG (MAINTENANCE)

FIG ITEM	PART NUMBER	1 2 3 4 5 6 7	NOMENCLATURE	EFFECT FROM TO	UNITS PER ASSY
2			SPAR INSTL-HORIZ STAB FRONT	101106 108120 504903	
- 1	182N2001-403		SPAR INSTL-HORIZ STAB POSITION DATA: FRONT LH SIDE FOR NHA SEE: 55-10-51-04	101102 504903	RF
- 1	182N2001-407		COLLECTOR ASSY-HORIZ STAB POSITION DATA: FRONT LH SIDE FOR NHA SEE: 55-10-51-04	103106 108120	RF
- 5	182N2001-404		SPAR INSTL-HORIZ STAB POSITION DATA: FRONT RH SIDE FOR NHA SEE: 55-10-51-04	101102 504903	RF
- 5	182N2001-408		COLLECTOR ASSY-HORIZ STAB POSITION DATA: FRONT RH SIDE FOR NHA SEE: 55-10-51-04	103106 108120	RF
10	182N2002-1		.FITTING-DOOR POSITION DATA: LH SIDE	101106 108120 504903	1
- 15	182N2002-2		.FITTING-DOOR POSITION DATA: RH SIDE	101106 108120 504903	1
20	L8006K4		ATTACHING PARTS .BOLT SUPPLIER CODE: V06725 SPECIFICATION NUMBER: BACB30MY6K4	101106 108120 504903	50
25	L8006K5		.BOLT SUPPLIER CODE: V06725 SPECIFICATION NUMBER: BACB30MY6K5	101106 108120 504903	4
30	BACW10BN3SP		.WASHER	101106 108120 504903	54

MISSING ITEM NUMBERS NOT APPLICABLE

- ITEM NOT ILLUSTRATED

55-13-52-02

55-13-52  
FIG. 02  
PAGE 1  
JAN 20/09

BRI

BOEING PROPRIETARY - Copyright © - Unpublished Work - See title page for details.



757

PARTS CATALOG (MAINTENANCE)

FIG ITEM	PART NUMBER	1 2 3 4 5 6 7	NOMENCLATURE	EFFECT FROM TO	UNITS PER ASSY
2					
35	BRH10C3D	.NUT	SUPPLIER CODE: V52828 SPECIFICATION NUMBER: BACN10JC3CD OPTIONAL PART: T6C1032JCD V11815 NS202486-02 V80539 102LH9075-3W V72962 H51650-3BAC V15653	101106 108120 504903	54
40	L8008K5	.BOLT	SUPPLIER CODE: V06725 SPECIFICATION NUMBER: BACB30MY8K5	101106 108120 504903	5
45	L8008K8	.BOLT	SUPPLIER CODE: V06725 SPECIFICATION NUMBER: BACB30MY8K8	101106 108120 504903	8
50	BACW10BN4SP	.WASHER		101106 108120 504903	13
55	BRH10C4D	.NUT	SUPPLIER CODE: V52828 SPECIFICATION NUMBER: BACN10JC4CD OPTIONAL PART: T6C428JCD V11815 NS202486-048 V80539 102LH9075-4W V72962 H51650-4BAC V15653	101106 108120 504903	13
60	182N2001-91	-----*----- .SPAR ASSY-	POSITION DATA: LH SIDE	101102 504903	1
60	182N2001-97	.SPAR ASSY-	POSITION DATA: LH SIDE	103106 108120	1

MISSING ITEM NUMBERS NOT APPLICABLE

- ITEM NOT ILLUSTRATED

55-13-52-02

55-13-52  
FIG. 02  
PAGE 2  
JAN 20/09

BRI



757

PARTS CATALOG (MAINTENANCE)

FIG ITEM	PART NUMBER	1 2 3 4 5 6 7	NOMENCLATURE	EFFECT FROM TO	UNITS PER ASSY
2					
- 65	182N2001-92		. SPAR ASSY-(FUSELAGE ONLY) POSITION DATA: RH SIDE FUNCTIONAL REFERENCE: PLACARDS AND MARKINGS FOR DETAILS SEE 11-26-15-01	101102 504903	1
- 65	182N2001-98		. SPAR ASSY-(FUSELAGE ONLY) POSITION DATA: RH SIDE FUNCTIONAL REFERENCE: PLACARDS AND MARKINGS FOR DETAILS SEE 11-26-15-01	103106 108120	1
70	182N6003-1		.. DOOR ASSY-ACCESS	101102 504903	2
70	182N6003-4		.. DOOR ASSY-ACCESS	103106 108120	2
75	182N6004-1		.. DOOR ASSY-ACCESS	101102 504903	2
75	182N6004-6		.. DOOR ASSY-ACCESS	103106 108120	2
80	NAS1802-3-25		... SCREW- OPTIONAL PART: NAS603-25P	101106 108120 504903	1
80	NAS603-25P		... SCREW- OPTIONAL PART: NAS1802-3-25	101106 108120 504903	1
85	NAS1802-4-9		... SCREW- OPTIONAL PART: NAS604-9P	101106 108120 504903	1
85	NAS604-9P		... SCREW- OPTIONAL PART: NAS1802-4-9	101106 108120 504903	1
90	AN960C10L		... WASHER	101106 108120 504903	1
95	182N6004-2		... RETAINER ASSY- USED ON: 182N6004-1	101102 504903	1
100	182N6003-2		... RETAINER ASSY- USED ON: 182N6003-1	101102 504903	1
105	182N6001-1		... COVER- USED ON: 182N6003-1	101102 504903	1
110	182N6001-2		... COVER- USED ON: 182N6004-1	101102 504903	1

MISSING ITEM NUMBERS NOT APPLICABLE

- ITEM NOT ILLUSTRATED

55-13-52-02

55-13-52  
FIG. 02  
PAGE 3  
JAN 20/09

BRI



757

PARTS CATALOG (MAINTENANCE)

FIG ITEM	PART NUMBER	1 2 3 4 5 6 7	NOMENCLATURE	EFFECT FROM TO	UNITS PER ASSY
2					
- 200	182N2001-409		SPAR INSTL-FRONT POSITION DATA: LH FOR NHA SEE: 55-10-51-04	103106 108120	RF
- 205	182N2001-410		SPAR INSTL-FRONT POSITION DATA: RH FOR NHA SEE: 55-10-51-04	103106 108120	RF
210	L8006K4		.BOLT SUPPLIER CODE: V06725 SPECIFICATION NUMBER: BACB30MY6K4	103106 108120	50
215	L8006K6		.BOLT SUPPLIER CODE: V06725 SPECIFICATION NUMBER: BACB30MY6K6	103106 108120	4
220	BACN10YT3CD		.NUT	103106 108120	54
225	L8008K5		.BOLT SUPPLIER CODE: V06725 SPECIFICATION NUMBER: BACB30MY8K5	103106 108120	5
230	L8008K8		.BOLT SUPPLIER CODE: V06725 SPECIFICATION NUMBER: BACB30MY8K8	103106 108120	8
235	HL79-8		.COLLAR SUPPLIER CODE: V5M902 SPECIFICATION NUMBER: BACC30M8 OPTIONAL PART: HL79-8 V73197 HL79-8 V92215 66014-8 V56878 HL79-8 V56878	103106 108120	13
240	BACN10YT4CD		.NUT	103106 108120	13

MISSING ITEM NUMBERS NOT APPLICABLE

- ITEM NOT ILLUSTRATED

55-13-52-02

55-13-52  
FIG. 02  
PAGE 4  
JAN 20/09

BRI

BOEING PROPRIETARY - Copyright © - Unpublished Work - See title page for details.



757

PARTS CATALOG (MAINTENANCE)

FIG ITEM	PART NUMBER	1 2 3 4 5 6 7	NOMENCLATURE	EFFECT FROM TO	UNITS PER ASSY
2					
245	182N2001-111	.	SPAR ASSY-FRONT POSITION DATA: LH SIDE	103106 108120	1
- 250	182N2001-112	.	SPAR ASSY-FRONT POSITION DATA: RH SIDE	103106 108120	1
255	182N6003-3	..	DOOR ASSY-ACCESS	103106 108120	2
260	182N6004-5	..	DOOR ASSY-ACCESS	103106 108120	2
265	182N6003-2	...	RETAINER ASSY	103106 108120	1
270	182N6004-2	...	RETAINER ASSY	103106 108120	1
275	182N6001-1	...	COVER	103106 108120	1
280	182N6001-2	...	COVER	103106 108120	1

MISSING ITEM NUMBERS NOT APPLICABLE

- ITEM NOT ILLUSTRATED

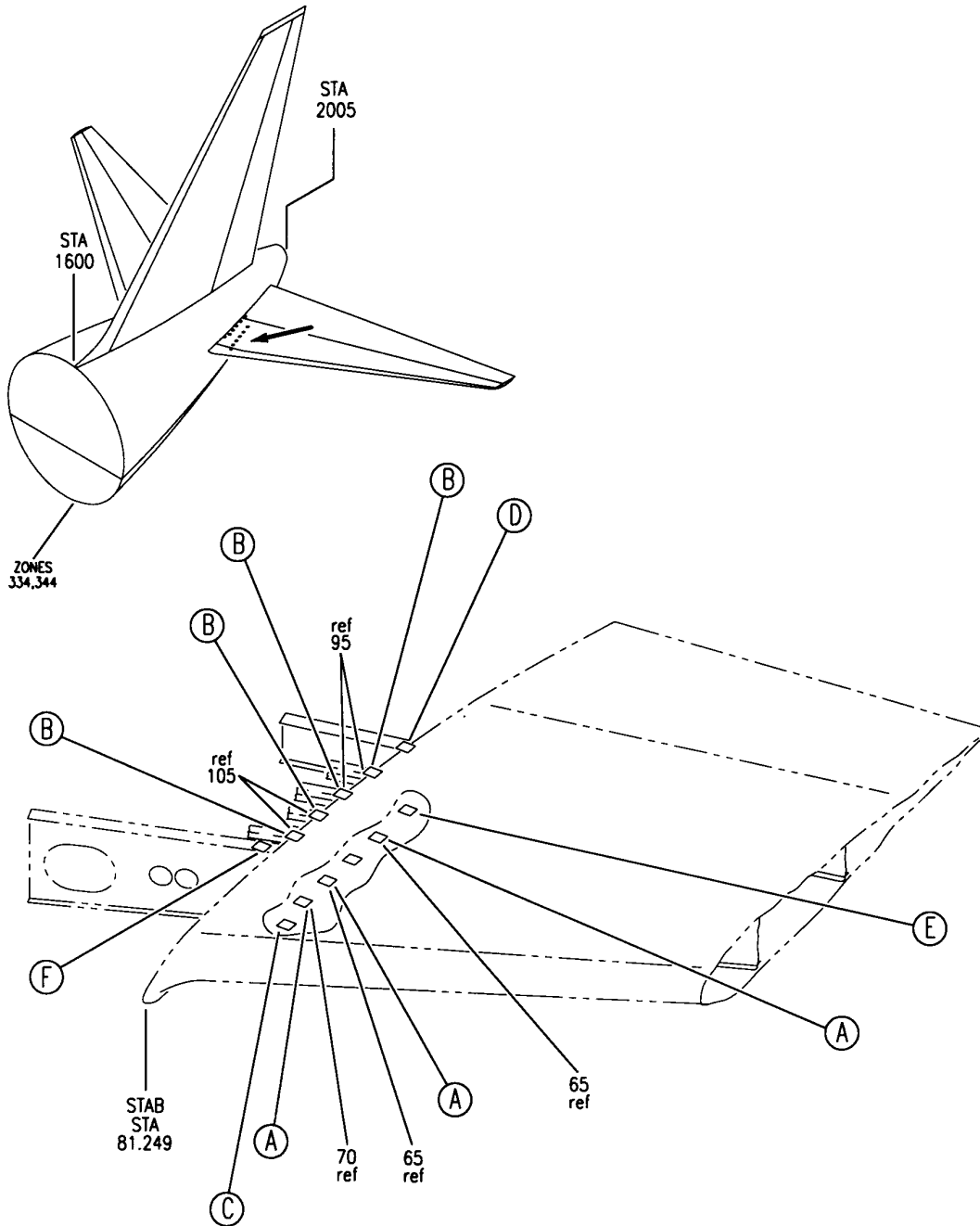
BRI

55-13-52-02

BOEING PROPRIETARY - Copyright © - Unpublished Work - See title page for details.

55-13-52  
FIG. 02  
PAGE 5  
JAN 20/09

**BOEING**  
757  
PARTS CATALOG (MAINTENANCE)



Y 55135204 SHT 1 REV 180

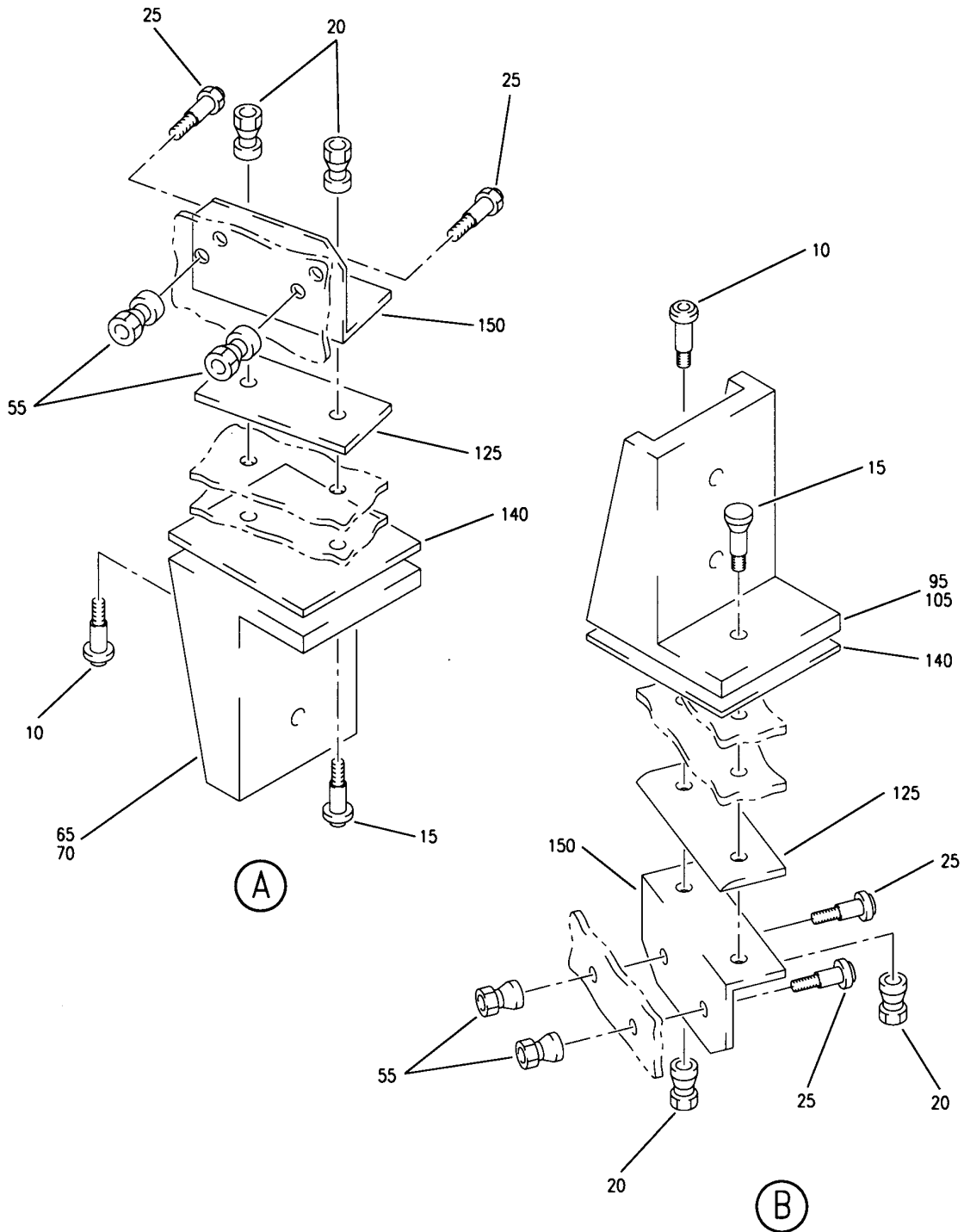
FITTING INSTL-BLADE SPRT  
FIGURE 4 (SHEET 1)

**55-13-52-04**

BRI  
MAY 28/07

55-13-52-04  
PAGE 0

**BOEING**  
757  
PARTS CATALOG (MAINTENANCE)



Y 55135204 SH1 2 REV 180

FITTING INSTL-BLADE SPRT  
FIGURE 4 (SHEET 2)

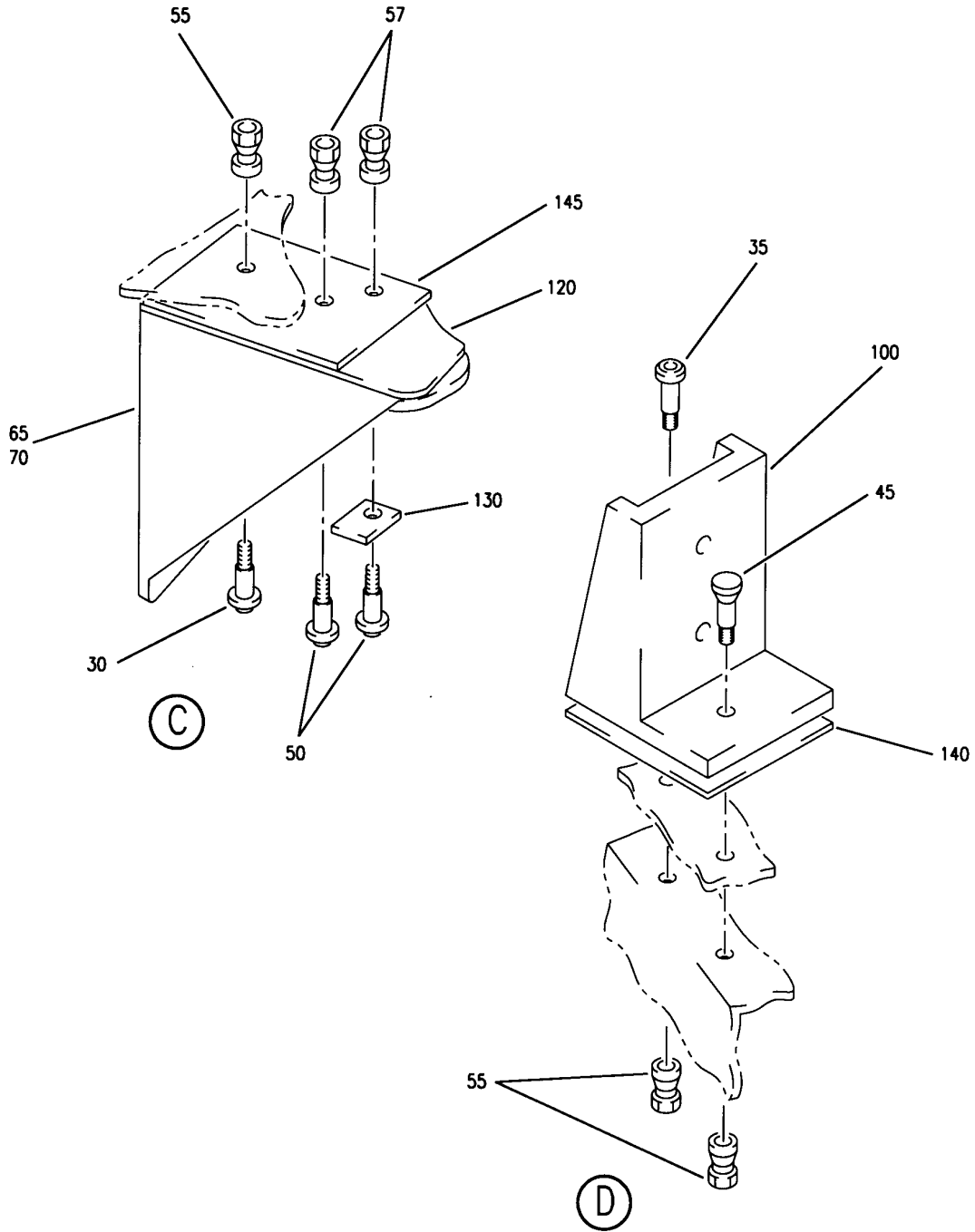
**55-13-52-04**

BRI  
MAY 28/07

55-13-52-04  
PAGE 0A



**BOEING**  
757  
PARTS CATALOG (MAINTENANCE)



Y 55135204 SHT 3 REV 180

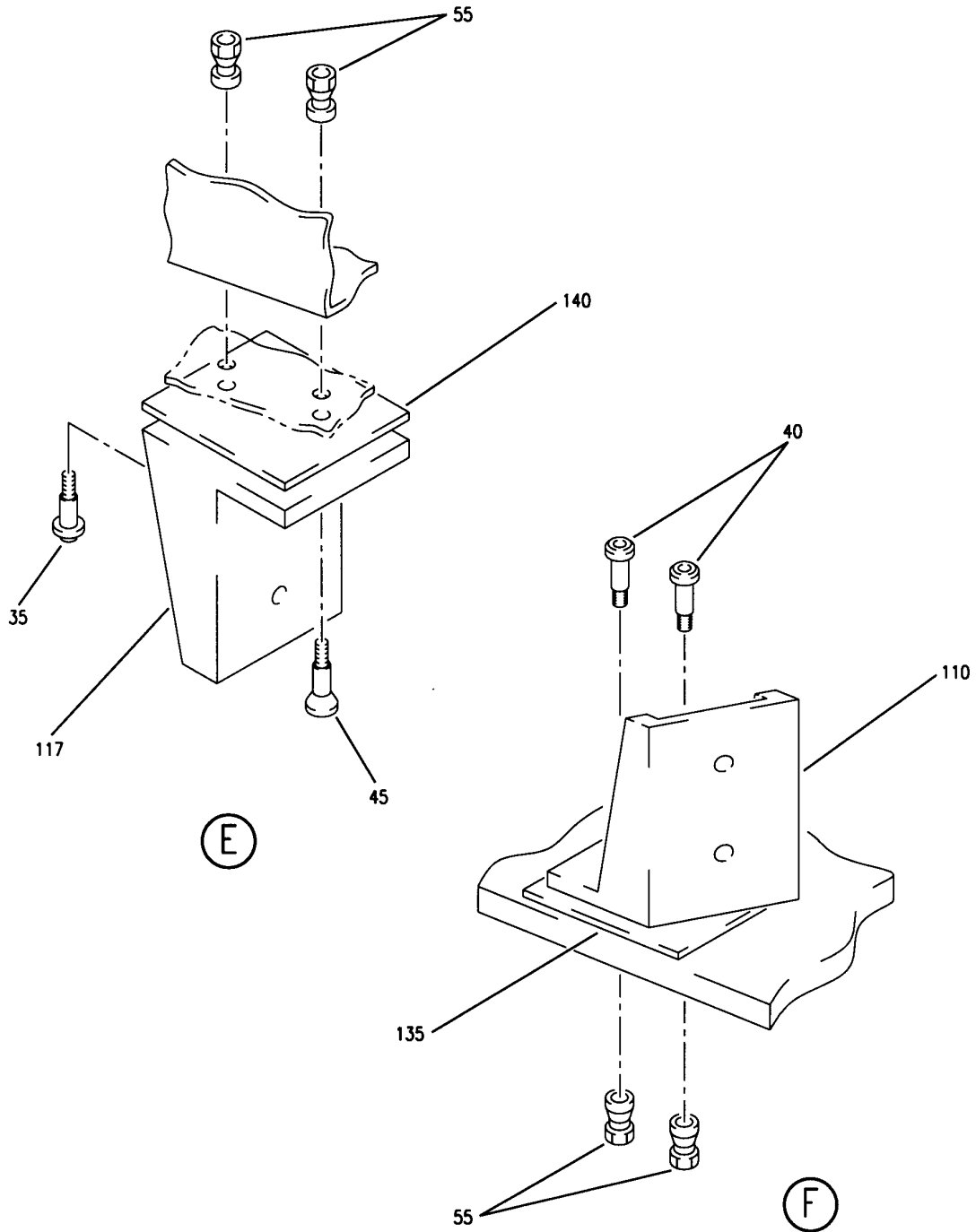
FITTING INSTL-BLADE SPRT  
FIGURE 4 (SHEET 3)

**55-13-52-04**

BRI  
MAY 28/07

55-13-52-04  
PAGE 0B

**BOEING**  
757  
PARTS CATALOG (MAINTENANCE)



Y 55135204 SHT 4 REV 180

FITTING INSTL-BLADE SPRT  
FIGURE 4 (SHEET 4)

**55-13-52-04**

BRI  
MAY 28/07

55-13-52-04  
PAGE 0C



757

PARTS CATALOG (MAINTENANCE)

FIG ITEM	PART NUMBER	1 2 3 4 5 6 7	NOMENCLATURE	EFFECT FROM TO	UNITS PER ASSY
4			FITTING INSTL-BLADE SPRT	101106 108120 504903	
- 1	182N7203-19		FITTING INSTL-BLADE SPRT POSITION DATA: LH FOR NHA SEE: 55-10-51-04	101106 108120 504903	RF
- 5	182N7203-20		FITTING INSTL-BLADE SPRT POSITION DATA: RH FOR NHA SEE: 55-10-51-04	101106 108120 504903	RF
10	HL1012AZ8-12		.BOLT SUPPLIER CODE: V97928 SPECIFICATION NUMBER: BACB30NX8K12 OPTIONAL PART: HL12VAZ8-12 V73197 HL12VAZ8-12 V92215 HL12VAZ8-12 V97928 L802-8K12 V06725 HL12VAZ8-12 V56878 HL1012AZ8-12 V73197 HL1012AZ8-12 V60516 HL1012AZ8-12 V56878 HL1012AZ8-12 V17446 HL1012AZ8-12 V06950 HL1012AZ8-12 V06725 HL1012AZ8-12 VOPTK6	101106 108120 504903	8

MISSING ITEM NUMBERS NOT APPLICABLE

- ITEM NOT ILLUSTRATED

55-13-52-04

55-13-52  
FIG. 04  
PAGE 1  
JAN 20/09

BRI



757

PARTS CATALOG (MAINTENANCE)

FIG ITEM	PART NUMBER	1 2 3 4 5 6 7	NOMENCLATURE	EFFECT FROM TO	UNITS PER ASSY
4 15	HL1030AZ8-12	.BOLT	SUPPLIER CODE: V60516 SPECIFICATION NUMBER: BACB30NY8K12 OPTIONAL PART: HL13VAZ8-12 V73197 HL13VAZ8-12 V92215 HL13VAZ8-12 V97928 L801-8K12 V06725 HL13VAZ8-12 V60516 L801-8K12 VOPTK6 HL13VAZ8-12 V17446 HL1013AZ8-12 V60516 HL13VAZ8-12 V56878	101106 108120 504903	8
20	HL1187-8	.COLLAR	SUPPLIER CODE: V5M902 SPECIFICATION NUMBER: BACC30X8 OPTIONAL PART: HL87-8 V92215 HL87-8 V73197 HL1187-8 V56878 HL1187-8 V92215 HL87-8 V56878 HL1187-8 V73197	101106 108120 504903	16
25	L8008K4	.BOLT	SUPPLIER CODE: V06725 SPECIFICATION NUMBER: BACB30MY8K4	101106 108120 504903	16

MISSING ITEM NUMBERS NOT APPLICABLE

- ITEM NOT ILLUSTRATED

BRI

55-13-52-04

BOEING PROPRIETARY - Copyright © - Unpublished Work - See title page for details.

55-13-52  
FIG. 04  
PAGE 2  
JAN 20/09



757

PARTS CATALOG (MAINTENANCE)

FIG ITEM	PART NUMBER	1 2 3 4 5 6 7	NOMENCLATURE	EFFECT FROM TO	UNITS PER ASSY
4	30 L8008K8	.BOLT	SUPPLIER CODE: V06725 SPECIFICATION NUMBER: BACB30MY8K8	101106 108120 504903	1
	35 L8008K9	.BOLT	SUPPLIER CODE: V06725 SPECIFICATION NUMBER: BACB30MY8K9	101106 108120 504903	2
	40 L8008K6	.BOLT	SUPPLIER CODE: V06725 SPECIFICATION NUMBER: BACB30MY8K6	101106 108120 504903	2
	45 HL11VAZ8-9	.BOLT	SUPPLIER CODE: V56878 SPECIFICATION NUMBER: BACB30NW8K9 OPTIONAL PART: B30NW8K9 V97928 HL11VAZ8-9 V73197 HL11VAZ8-9 V92215 HL11VAZ8-9 V97928 L803-8K9 V06725 HL11VAZ8-9 VOPTK6 HL11VAZ8-9 V60516	101106 108120 504903	2
50 L8006K10	.BOLT	SUPPLIER CODE: V06725 SPECIFICATION NUMBER: BACB30MY6K10	101106 108120 504903	2	

MISSING ITEM NUMBERS NOT APPLICABLE

- ITEM NOT ILLUSTRATED

55-13-52-04

55-13-52  
FIG. 04  
PAGE 3  
JAN 20/09

BRI



757

PARTS CATALOG (MAINTENANCE)

FIG ITEM	PART NUMBER	1 2 3 4 5 6 7	NOMENCLATURE	EFFECT FROM TO	UNITS PER ASSY
4	55 HL79-8		.COLLAR SUPPLIER CODE: V5M902 SPECIFICATION NUMBER: BACC30M8 OPTIONAL PART: HL79-8 V73197 HL79-8 V92215 66014-8 V56878 HL79-8 V56878	101106 108120 504903	23
	57 HL79-6		.COLLAR SUPPLIER CODE: V5M902 SPECIFICATION NUMBER: BACC30M6 OPTIONAL PART: HL79-6 V73197 HL79-6 V92215 66014-6 V56878 HL79-6 V56878	101106 108120 504903	2
	65 182N7203-21		.FITTING-SPRT	101106 108120 504903	3
	70 182N7203-22		.FITTING-SPRT	101106 108120 504903	1
	75 182N7203-17		.FITTING ASSY-SPRT POSITION DATA: LH	101106 108120 504903	1
	80 182N7203-5		..FITTING-SPRT POSITION DATA: LH	101106 108120 504903	1
-	85 182N7203-16		.FITTING ASSY-SPRT POSITION DATA: RH	101106 108120 504903	1
-	90 182N7203-6		..FITTING-SPRT POSITION DATA: RH	101106 108120 504903	1
	95 182N7203-23		.FITTING-SPRT	101106 108120 504903	2

MISSING ITEM NUMBERS NOT APPLICABLE

- ITEM NOT ILLUSTRATED

55-13-52-04

55-13-52  
FIG. 04  
PAGE 4  
JAN 20/09

BRI

 **BOEING**  
757  
**PARTS CATALOG (MAINTENANCE)**

FIG ITEM	PART NUMBER	1 2 3 4 5 6 7	NOMENCLATURE	EFFECT FROM TO	UNITS PER ASSY
4					
100	182N7203-8	.	FITTING-SPRT	101106 108120 504903	1
105	182N7203-24	.	FITTING-SPRT	101106 108120 504903	2
110	182N7203-25	.	FITTING-SPRT POSITION DATA: LH	101106 108120 504903	1
- 115	182N7203-26	.	FITTING-SPRT POSITION DATA: RH	101106 108120 504903	1
117	182N7203-3	.	FITTING	101106 108120 504903	1
120	182N7203-8000	.	FILLER	101106 108120 504903	1
125	182N7203-15	.	FILLER	101106 108120 504903	8
130	182N7203-18	.	FILLER	101106 108120 504903	1
135	BACS40R013F017F	.	SHIM- OPTIONAL PART: BACS40R015E024F	101106 108120 504903	1
135	BACS40R015E024F	.	SHIM- OPTIONAL PART: BACS40R013F017F	101106 108120 504903	1
140	BACS40R018F021F	.	SHIM	101106 108120 504903	10
145	BACS40R016F025F	.	SHIM	101106 108120 504903	1
150	182N7203-14	.	ANGLE	101106 108120 504903	8

MISSING ITEM NUMBERS NOT APPLICABLE

- ITEM NOT ILLUSTRATED

BRI

**55-13-52-04**

BOEING PROPRIETARY - Copyright © - Unpublished Work - See title page for details.

55-13-52  
FIG. 04  
PAGE 5  
JAN 20/09

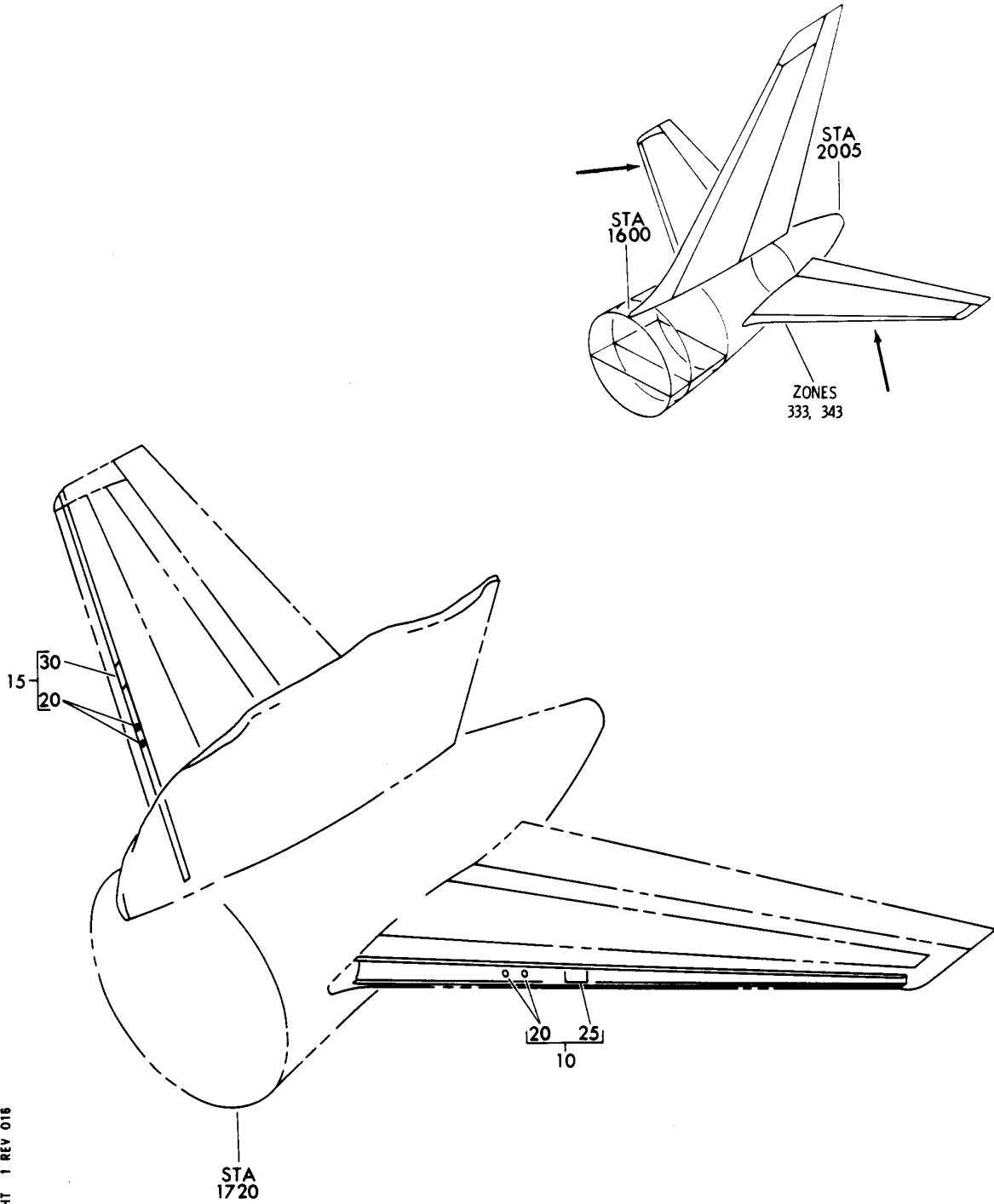
## HORIZONTAL STABILIZER FORWARD TORQUE BOX

BRI  
MAY 28/07

55-14-00  
SECTION TITLE  
PAGE 1



**BOEING**  
757  
PARTS CATALOG (MAINTENANCE)



Y 55145101 SHT 1 REV 016

BOX ASSY-TORQUE FWD  
FIGURE 1

**55-14-51-01**

BRI  
MAY 28/07

55-14-51-01  
PAGE 0



757

PARTS CATALOG (MAINTENANCE)

FIG ITEM	PART NUMBER	1 2 3 4 5 6 7	NOMENCLATURE	EFFECT FROM TO	UNITS PER ASSY
1			BOX ASSY-TORQUE FWD	002004 006100 107107 121503 904999	
- 1	185N0001-1		BOX ASSY-TORQUE POSITION DATA: FWD LH SIDE VARIABLE DRAWING REF: 185N0001-3 FOR NHA SEE: 55-10-52-01	002004 006100 107107 121503 904999	RF
- 5	185N0001-2		BOX ASSY-TORQUE POSITION DATA: FWD RH SIDE VARIABLE DRAWING REF: 185N0001-4 FOR NHA SEE: 55-10-52-01	002004 006100 107107 121503 904999	RF
10	185N7001-1		.SPAR INSTL-AUX POSITION DATA: LH SIDE	002004 006100 107107 121503 904999	1
15	185N7001-2		.SPAR INSTL-AUX POSITION DATA: RH SIDE	002004 006100 107107 121503 904999	1
20	BACG20AD1900		..GROMMET-	002004 006100 107107 121503 904999	2
25	185N7001-73		..DOOR- POSITION DATA: LH SIDE	002004 006100 107107 121503 904999	1
30	185N7001-74		..DOOR- POSITION DATA: RH SIDE	002004 006100 107107 121503 904999	1

MISSING ITEM NUMBERS NOT APPLICABLE

- ITEM NOT ILLUSTRATED

55-14-51-01

55-14-51  
FIG. 01  
PAGE 1  
JAN 20/09

BRI

BOEING PROPRIETARY - Copyright © - Unpublished Work - See title page for details.



757

PARTS CATALOG (MAINTENANCE)

FIG ITEM	PART NUMBER	1 2 3 4 5 6 7	NOMENCLATURE	EFFECT FROM TO	UNITS PER ASSY
1			ATTACHING PARTS		
- 35	BACB30NM3K4		..BOLT	002004 006100 107107 121503 904999	27
			-----*		

MISSING ITEM NUMBERS NOT APPLICABLE

- ITEM NOT ILLUSTRATED

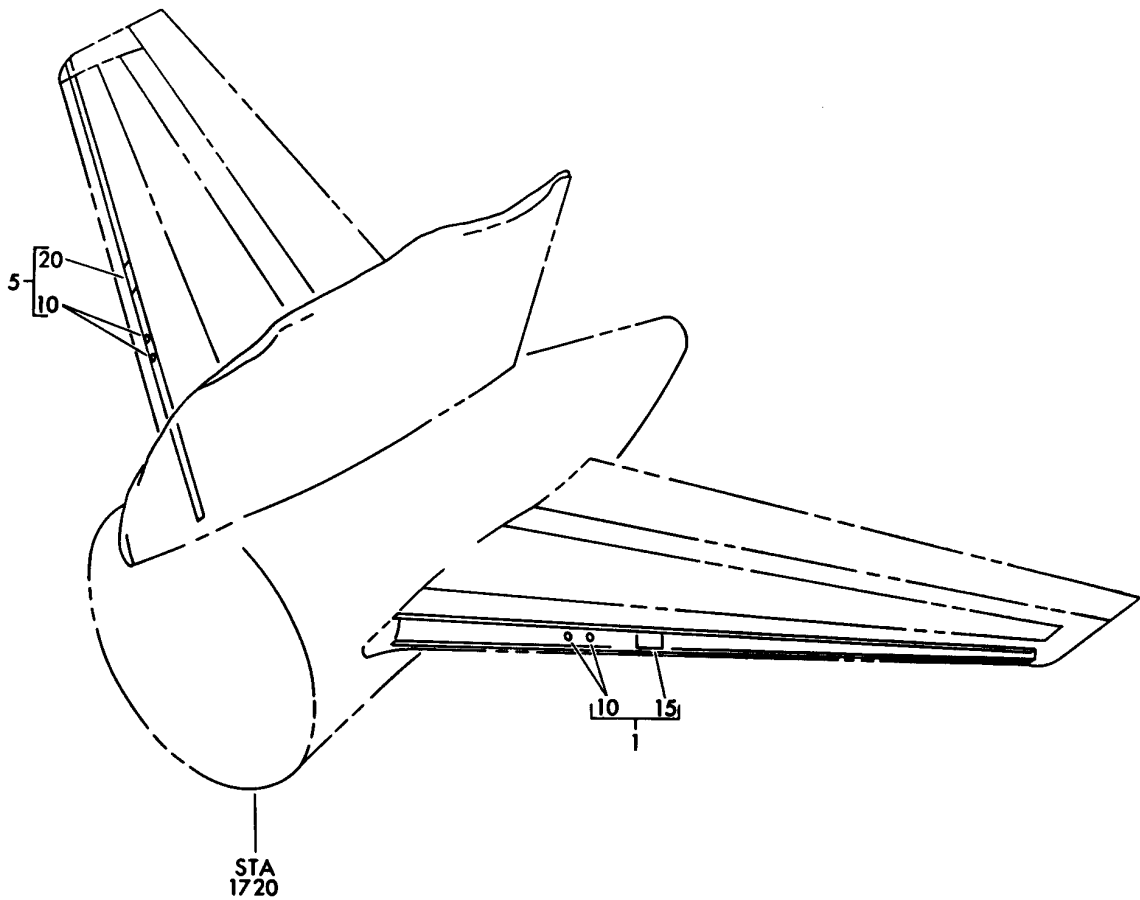
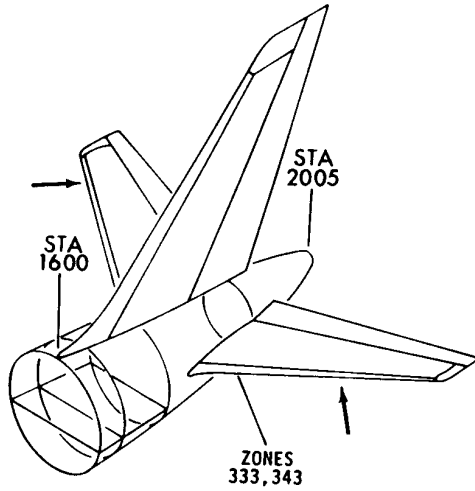
BRI

55-14-51-01

BOEING PROPRIETARY - Copyright © - Unpublished Work - See title page for details.

55-14-51  
FIG. 01  
PAGE 2  
JAN 20/09

**BOEING**  
757  
PARTS CATALOG (MAINTENANCE)



Y 55145105 REV 180

SPAR INSTL-TORQUE BOX AUX  
FIGURE 5

BRI  
MAY 28/07

**55-14-51-05**

55-14-51-05  
PAGE 0



757

PARTS CATALOG (MAINTENANCE)

FIG ITEM	PART NUMBER	1 2 3 4 5 6 7	NOMENCLATURE	EFFECT FROM TO	UNITS PER ASSY
5			SPAR INSTL-TORQUE BOX AUX	101106 108120 504903	
- 1	185N7001-401		SPAR INSTL-AUX POSITION DATA: LH FOR NHA SEE: 55-10-51-04	101106 108120 504903	RF
- 5	185N7001-402		SPAR INSTL-AUX POSITION DATA: RH FOR NHA SEE: 55-10-51-04	101106 108120 504903	RF
10	BACG20AD1900		.GROMMET	101106 108120 504903	2
15	185N7001-73		.DOOR- POSITION DATA: LH SIDE	101106 108120 504903	1
20	185N7001-74		.DOOR- POSITION DATA: RH SIDE	101106 108120 504903	1
- 25	BACB30NM3K4		ATTACHING PARTS .BOLT	101106 108120 504903	27
			-----*		

MISSING ITEM NUMBERS NOT APPLICABLE

- ITEM NOT ILLUSTRATED

55-14-51-05

55-14-51  
FIG. 05  
PAGE 1  
JAN 20/09

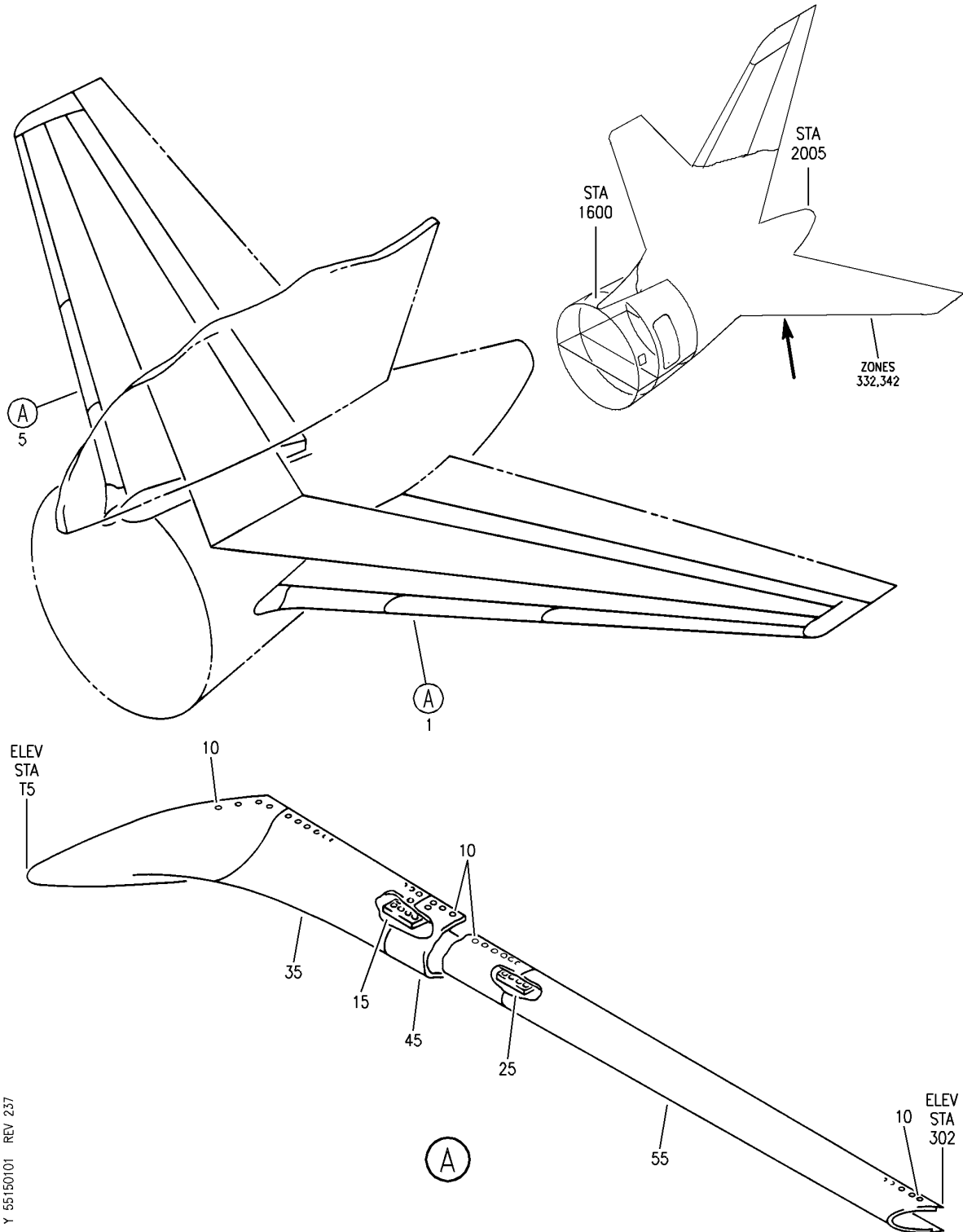
BRI

## HORIZONTAL STABILIZER LEADING EDGE

BRI  
MAY 28/07

55-15-00  
SECTION TITLE  
PAGE 1

**BOEING**  
757  
PARTS CATALOG (MAINTENANCE)



Y 55150101 REV 237

HORIZONTAL STABILIZER LEADING EDGE  
FIGURE 1

**55-15-01-01**

BRI  
MAY 28/07

55-15-01-01  
PAGE 0



757

PARTS CATALOG (MAINTENANCE)

FIG ITEM	PART NUMBER	1 2 3 4 5 6 7	NOMENCLATURE	EFFECT FROM TO	UNITS PER ASSY
1			HORIZONTAL STABILIZER LEADING EDGE	002004 006100 107107 121503 904999	
1	184N0001-1		LEADING EDGE INSTL- POSITION DATA: LH SIDE FOR NHA SEE: 55-10-52-01	002004 006100 107107 121503 904999	RF
5	184N0001-2		LEADING EDGE INSTL- POSITION DATA: RH SIDE FOR NHA SEE: 55-10-52-01	002004 006100 107107 121503 904999	RF
10	BACB30NN3K5		.BOLT	002004 006100 107107 121503 904999	AR
15	184N1005-1		.SKIN SPLICE INSTL- POSITION DATA: LH SIDE	002004 006100 107107 121503 904999	1
- 20	184N1005-2		.SKIN SPLICE INSTL- POSITION DATA: RH SIDE	002004 006100 107107 121503 904999	1
25	184N1005-3		.SKIN SPLICE INSTL- POSITION DATA: LH SIDE	002004 006100 107107 121503 904999	1
- 30	184N1005-4		.SKIN SPLICE INSTL- POSITION DATA: RH SIDE	002004 006100 107107 121503 904999	1
35	184N1001-1		.LEADING EDGE ASSY- POSITION DATA: INBD LH SIDE OPTIONAL PART: 184N1001-11	002004 006100 107107 121503 904999	1

MISSING ITEM NUMBERS NOT APPLICABLE

- ITEM NOT ILLUSTRATED

55-15-01-01

55-15-01  
FIG. 01  
PAGE 1  
JAN 20/09

BRI





757

PARTS CATALOG (MAINTENANCE)

FIG ITEM	PART NUMBER	1 2 3 4 5 6 7	NOMENCLATURE	EFFECT FROM TO	UNITS PER ASSY
1					
35	184N1001-11		.LEADING EDGE ASSY- POSITION DATA: INBD LH SIDE	002004 006100 107107 121503 904999	1
35	184N1001-19		.LEADING EDGE ASSY- POSITION DATA: INBD LH SIDE	002004 006100 107107 121503 904999	1
- 40	184N1001-2		.LEADING EDGE ASSY- POSITION DATA: INBD RH SIDE OPTIONAL PART: 184N1001-12	002004 006100 107107 121503 904999	1
- 40	184N1001-12		.LEADING EDGE ASSY- POSITION DATA: INBD RH SIDE	002004 006100 107107 121503 904999	1
- 40	184N1001-20		.LEADING EDGE ASSY- POSITION DATA: INBD RH SIDE	002004 006100 107107 121503 904999	1
45	184N1002-1		.LEADING EDGE ASSY- POSITION DATA: CTR LH SIDE OPTIONAL PART: 184N1002-13	002004 006100 107107 121503 904999	1
45	184N1002-13		.LEADING EDGE ASSY- POSITION DATA: CTR LH SIDE	002004 006100 107107 121503 904999	1
- 50	184N1002-2		.LEADING EDGE ASSY- POSITION DATA: CTR RH SIDE OPTIONAL PART: 184N1002-14	002004 006100 107107 121503 904999	1
- 50	184N1002-14		.LEADING EDGE ASSY- POSITION DATA: CTR RH SIDE	002004 006100 107107 121503 904999	1

MISSING ITEM NUMBERS NOT APPLICABLE

- ITEM NOT ILLUSTRATED

55-15-01-01

55-15-01  
FIG. 01  
PAGE 2  
JAN 20/09

BRI



757

PARTS CATALOG (MAINTENANCE)

FIG ITEM	PART NUMBER	1 2 3 4 5 6 7	NOMENCLATURE	EFFECT FROM TO	UNITS PER ASSY
1					
55	184N1003-1		.LEADING EDGE ASSY- POSITION DATA: OUTBD LH SIDE OPTIONAL PART: 184N1003-11	002004 006100 107107 121503 904999	1
55	184N1003-11		.LEADING EDGE ASSY- POSITION DATA: OUTBD LH SIDE	002004 006100 107107 121503 904999	1
- 60	184N1003-2		.LEADING EDGE ASSY- POSITION DATA: OUTBD RH SIDE OPTIONAL PART: 184N1003-12	002004 006100 107107 121503 904999	1
- 60	184N1003-12		.LEADING EDGE ASSY- POSITION DATA: OUTBD RH SIDE	002004 006100 107107 121503 904999	1

MISSING ITEM NUMBERS NOT APPLICABLE

- ITEM NOT ILLUSTRATED

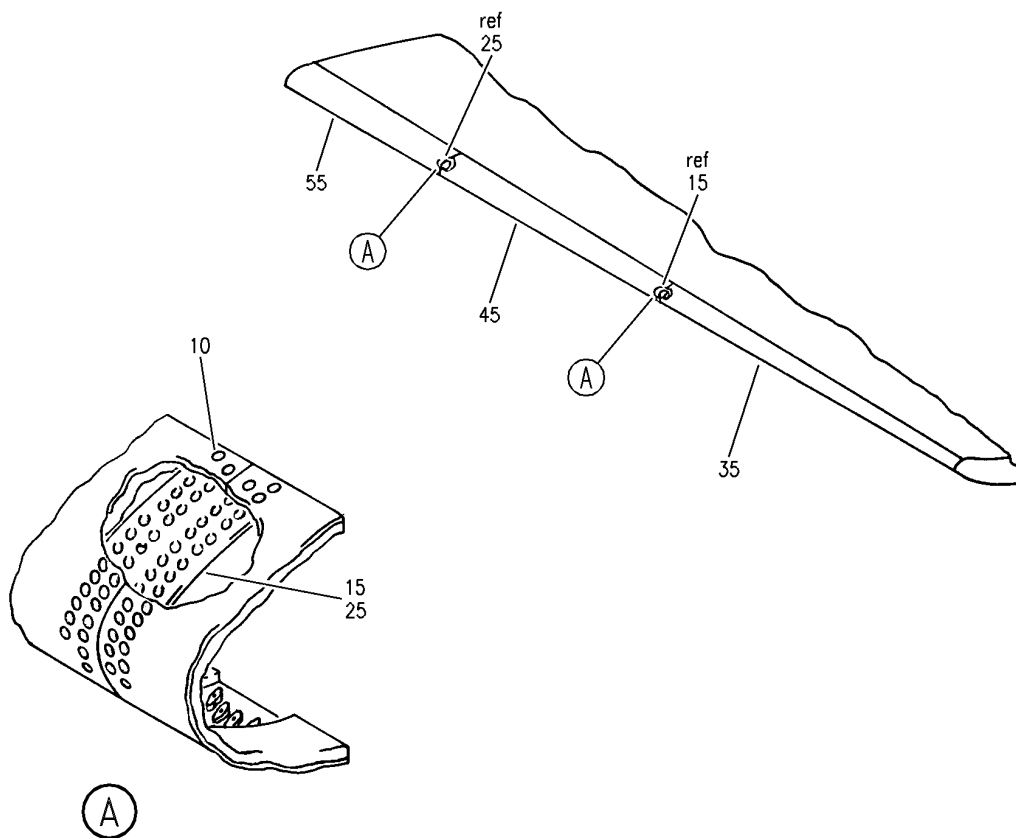
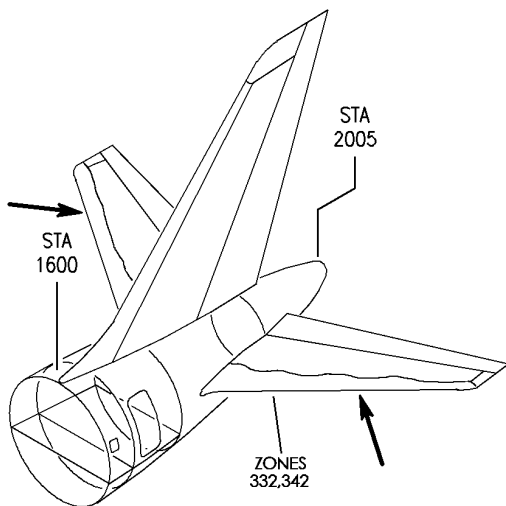
BRI

55-15-01-01

BOEING PROPRIETARY - Copyright © - Unpublished Work - See title page for details.

55-15-01  
FIG. 01  
PAGE 3  
JAN 20/09

**BOEING**  
757  
PARTS CATALOG (MAINTENANCE)



Y 55150102 REV 237

LEADING EDGE INSTL-SECT. 84 (PRE MODULE)  
FIGURE 2

**55-15-01-02**

BRI  
MAY 28/07

55-15-01-02  
PAGE 0



757

PARTS CATALOG (MAINTENANCE)

FIG ITEM	PART NUMBER	1 2 3 4 5 6 7	NOMENCLATURE	EFFECT FROM TO	UNITS PER ASSY
2			LEADING EDGE INSTL-SECT. 84 (PRE MODULE)	101106 108120 504903	
- 1	184N0001-401		LEADING EDGE INSTL- (PRE MODULE) POSITION DATA: SECT. 84 LH FOR NHA SEE: 55-10-51-04	101102 504903	RF
- 1	184N0001-403		LEADING EDGE INSTL- (PRE MODULE) POSITION DATA: SECT. 84 LH FOR NHA SEE: 55-10-51-04	103106 108120	RF
- 5	184N0001-402		LEADING EDGE INSTL- (PRE MODULE) POSITION DATA: SECT. 84 RH FOR NHA SEE: 55-10-51-04	101102 504903	RF
- 5	184N0001-404		LEADING EDGE INSTL- (PRE MODULE) POSITION DATA: SECT. 84 RH FOR NHA SEE: 55-10-51-04	103106 108120	RF
10	BACB30NN3K5		.BOLT	101106 108120 504903	AR
15	184N1005-3		.SKIN SPLICE INSTL- POSITION DATA: OUTBD LH SIDE	101106 108120 504903	1
- 20	184N1005-4		.SKIN SPLICE INSTL- POSITION DATA: OUTBD RH SIDE	101106 108120 504903	1
25	184N1005-1		.SKIN SPLICE INSTL- POSITION DATA: INBD LH SIDE	101106 108120 504903	1
- 30	184N1005-2		.SKIN SPLICE INSTL- POSITION DATA: INBD RH SIDE	101106 108120 504903	1
35	184N1003-11		.LEADING EDGE ASSY- POSITION DATA: OUTBD LH SIDE	101106 108120 504903	1
- 40	184N1003-12		.LEADING EDGE ASSY- POSITION DATA: OUTBD RH SIDE	101106 108120 504903	1

MISSING ITEM NUMBERS NOT APPLICABLE

- ITEM NOT ILLUSTRATED

55-15-01-02

55-15-01  
FIG. 02  
PAGE 1  
JAN 20/09

BRI



757

PARTS CATALOG (MAINTENANCE)

FIG ITEM	PART NUMBER	1 2 3 4 5 6 7	NOMENCLATURE	EFFECT FROM TO	UNITS PER ASSY
2	45 184N1002-13		.LEADING EDGE ASSY- POSITION DATA: CTR LH SIDE	101106 108120 504903	1
-	50 184N1002-14		.LEADING EDGE ASSY- POSITION DATA: CTR RH SIDE	101106 108120 504903	1
	55 184N1001-19		.LEADING EDGE ASSY- POSITION DATA: INBD LH SIDE	101106 108120 504903	1
-	60 184N1001-20		.LEADING EDGE ASSY- POSITION DATA: INBD RH SIDE	101106 108120 504903	1

MISSING ITEM NUMBERS NOT APPLICABLE

- ITEM NOT ILLUSTRATED

BRI

55-15-01-02

BOEING PROPRIETARY - Copyright © - Unpublished Work - See title page for details.

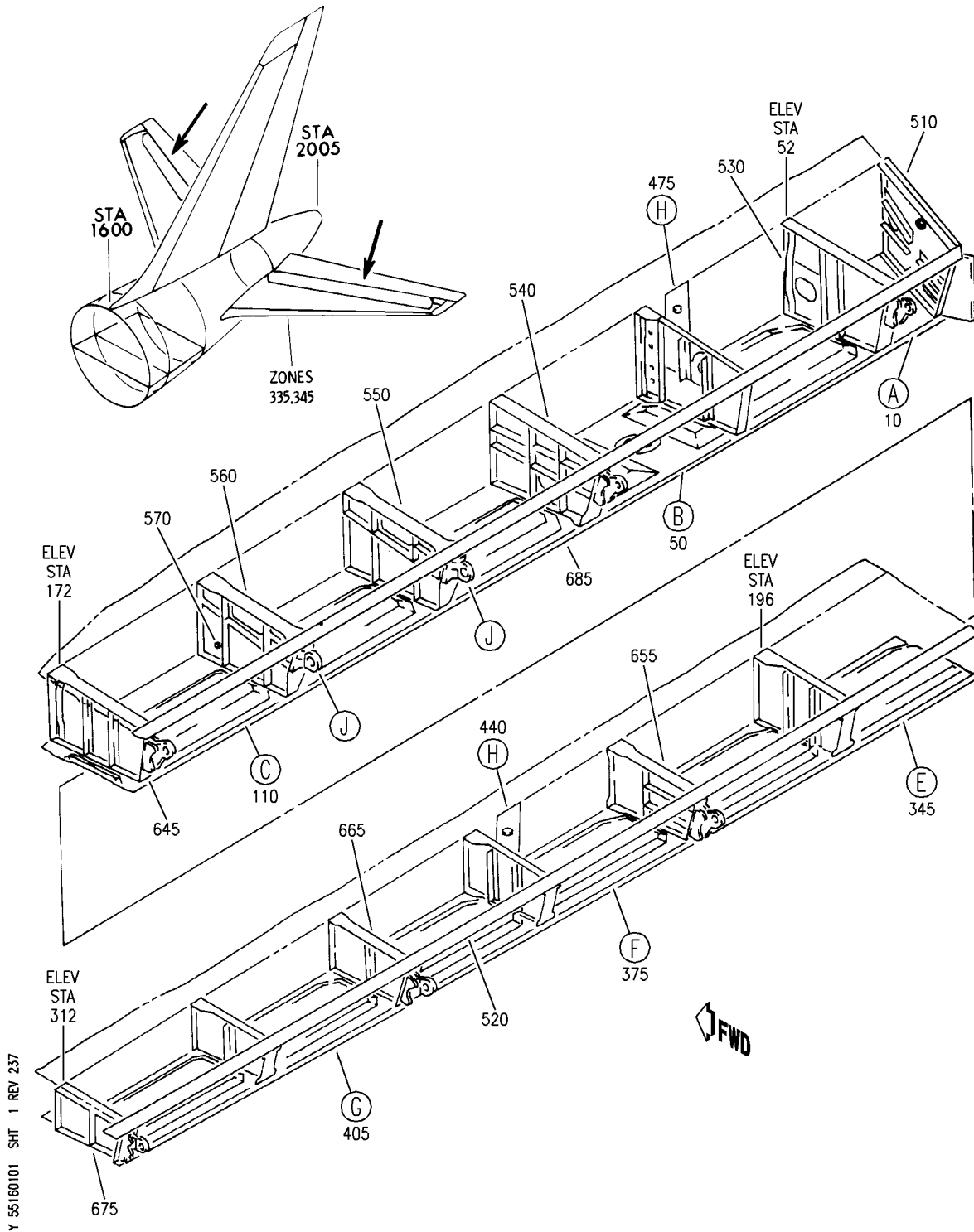
55-15-01  
FIG. 02  
PAGE 2  
JAN 20/09

## HORIZONTAL STABILIZER TRAILING EDGE

BRI  
MAY 28/07

55-16-00  
SECTION TITLE  
PAGE 1

**BOEING**  
757  
PARTS CATALOG (MAINTENANCE)



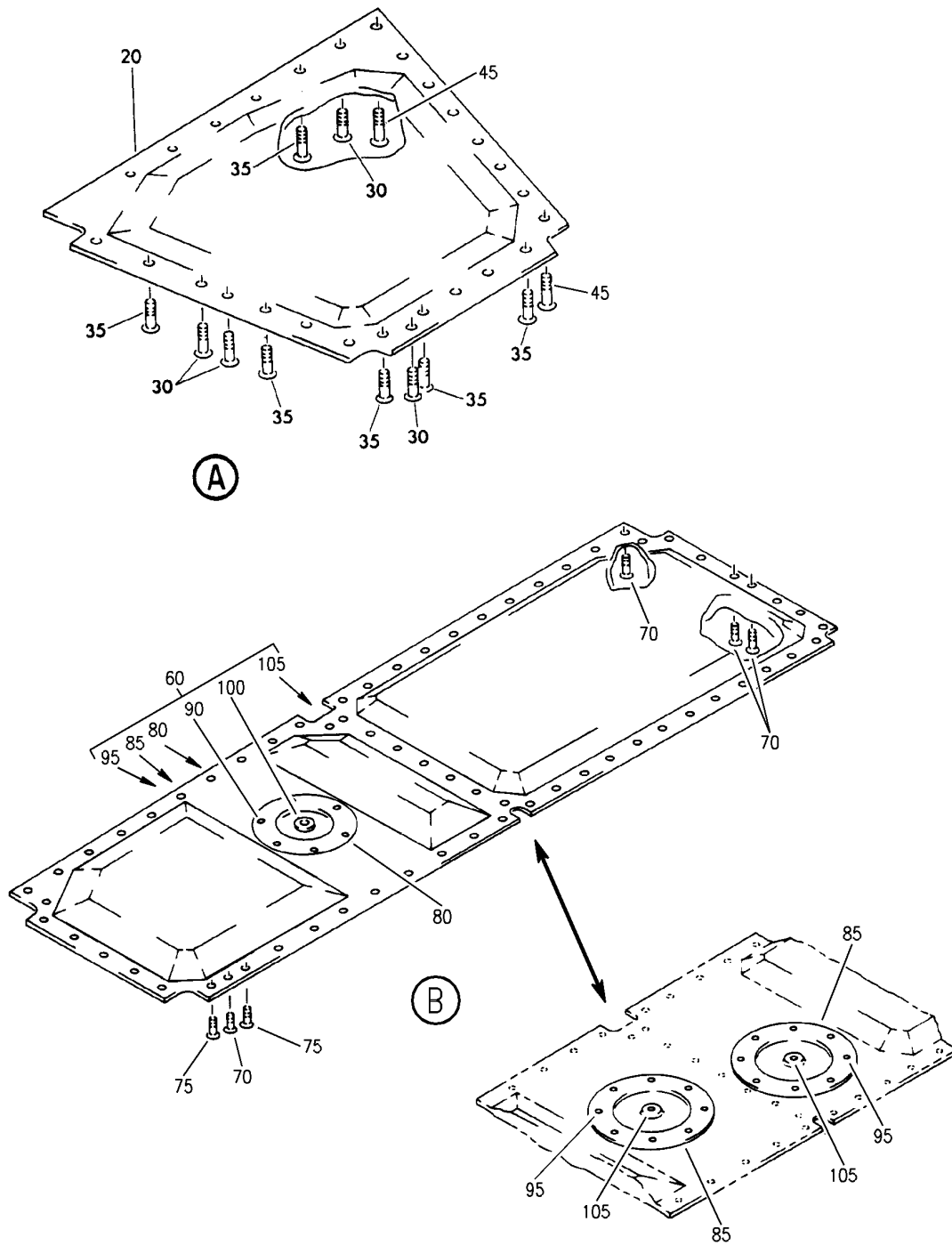
TRAILING EDGE ASSY-HORIZ STAB. FXD  
FIGURE 1 (SHEET 1)

**55-16-01-01**

BRI  
MAY 28/07

55-16-01-01  
PAGE 0

**BOEING**  
757  
PARTS CATALOG (MAINTENANCE)



Y 55160101 SHT 2 REV 237

TRAILING EDGE ASSY-HORIZ STAB. FXD  
FIGURE 1 (SHEET 2)

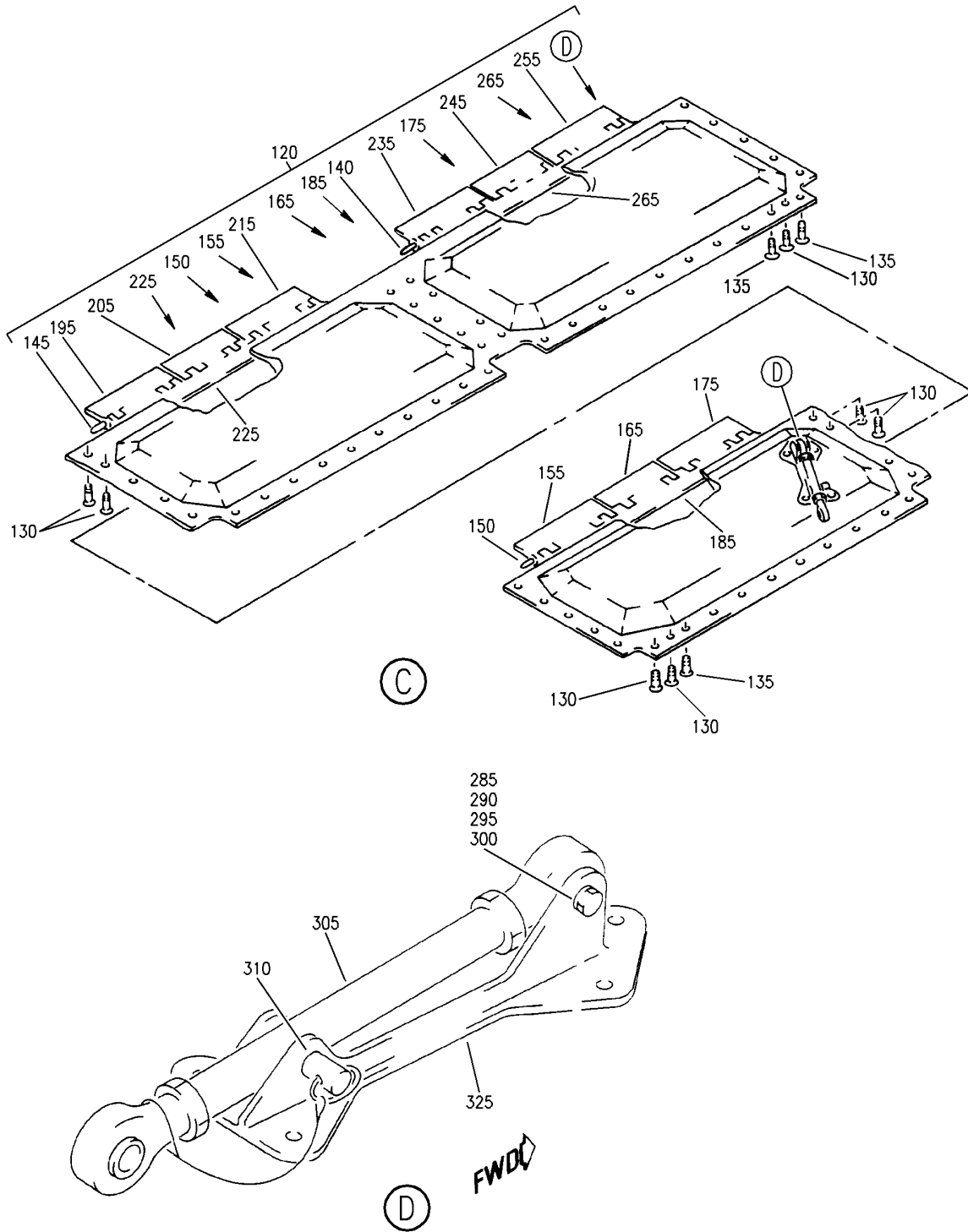
**55-16-01-01**

BRI  
MAY 28/07

55-16-01-01  
PAGE 0A



**BOEING**  
 757  
 PARTS CATALOG (MAINTENANCE)



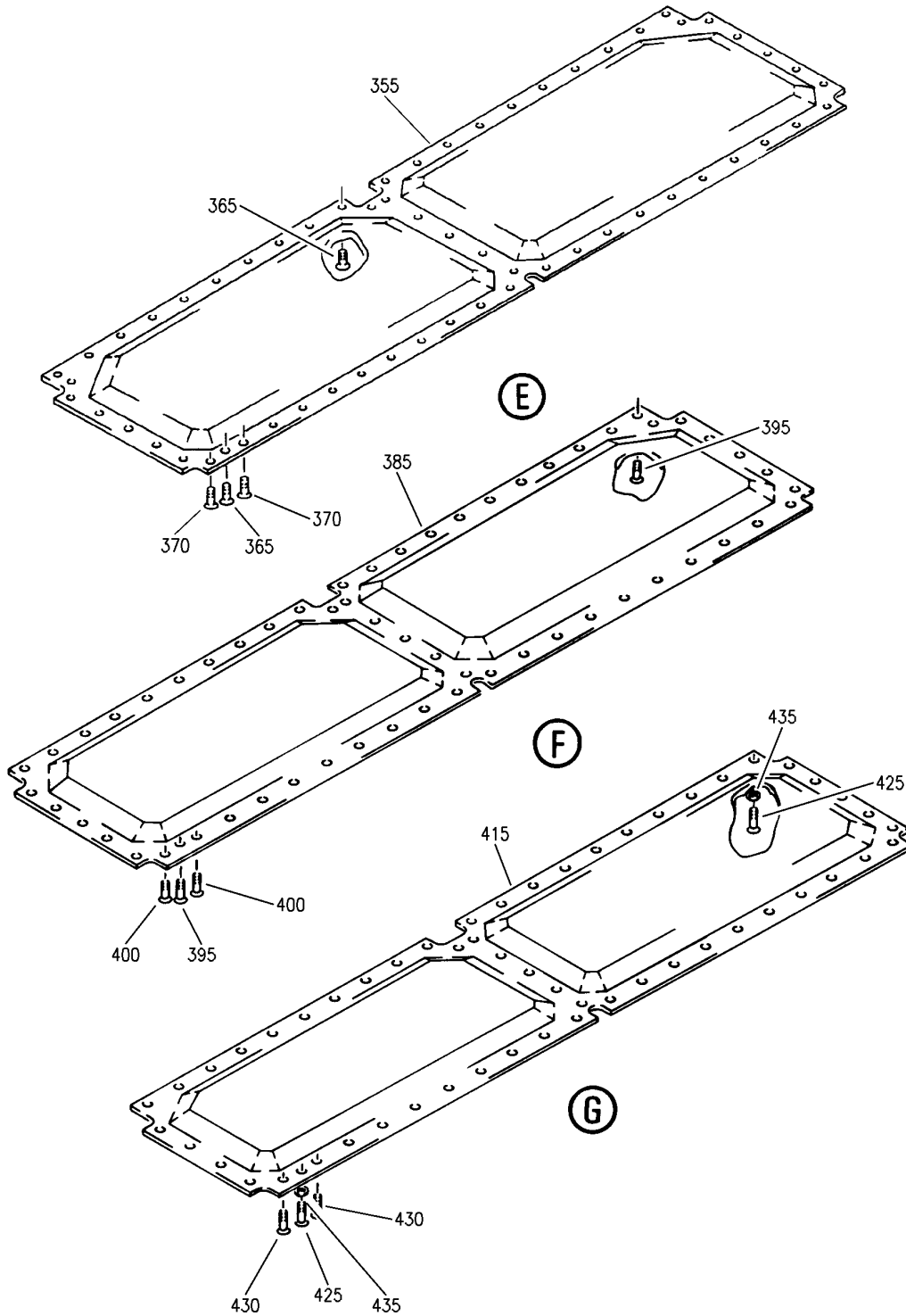
TRAILING EDGE ASSY-HORIZ STAB. FXD  
 FIGURE 1 (SHEET 3)

**55-16-01-01**

BRI  
 MAY 20/08

55-16-01-01  
 PAGE 0B

**BOEING**  
757  
PARTS CATALOG (MAINTENANCE)



Y 55160101 SHT 4 REV 237

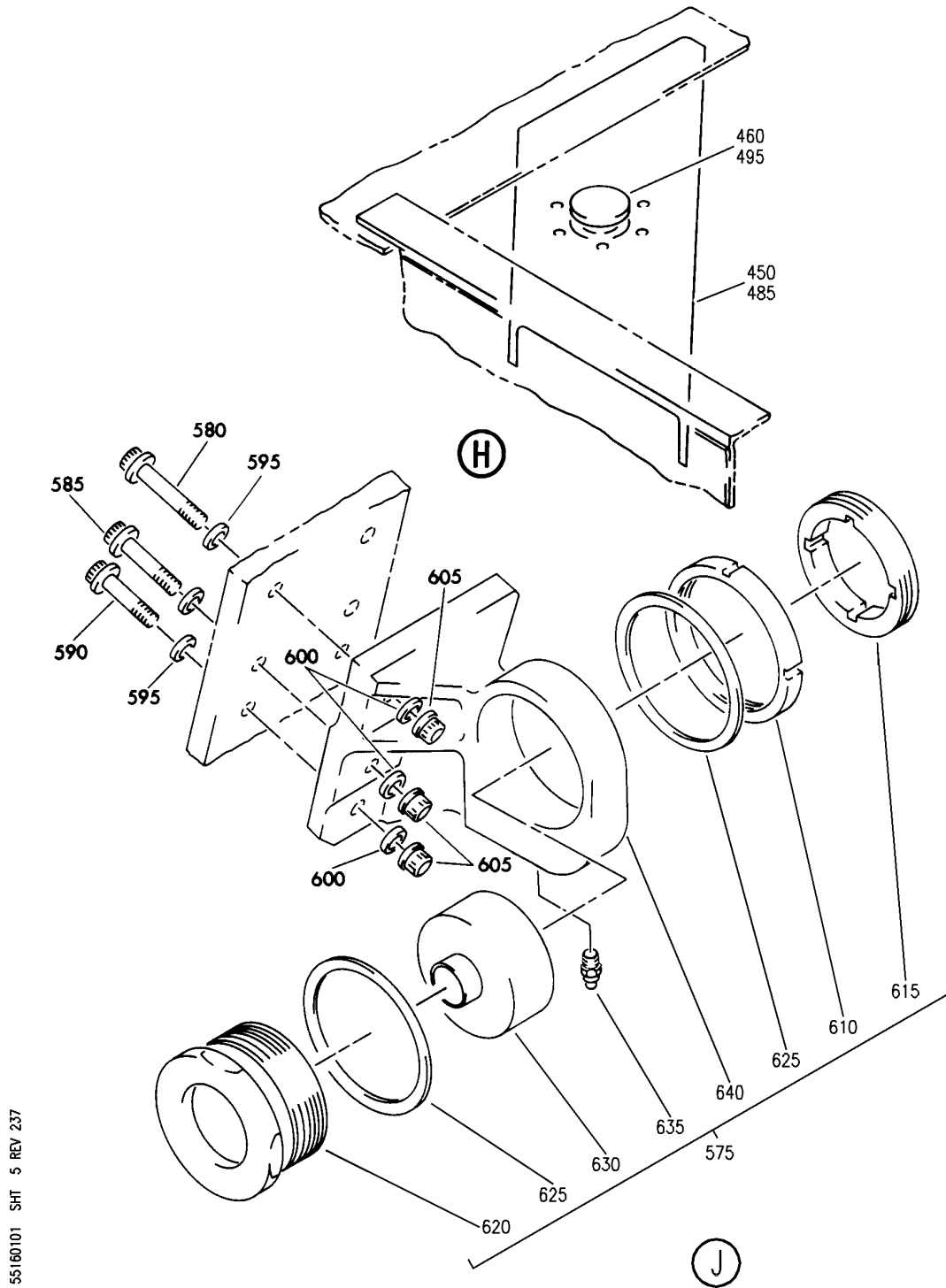
TRAILING EDGE ASSY-HORIZ STAB. FXD  
FIGURE 1 (SHEET 4)

**55-16-01-01**

BRI  
MAY 28/07

55-16-01-01  
PAGE 0C

**BOEING**  
757  
PARTS CATALOG (MAINTENANCE)



Y 55160101 SHT 5 REV 237

TRAILING EDGE ASSY-HORIZ STAB. FXD  
FIGURE 1 (SHEET 5)

**55-16-01-01**

BRI  
MAY 28/07

55-16-01-01  
PAGE 0D



757

PARTS CATALOG (MAINTENANCE)

FIG ITEM	PART NUMBER	1 2 3 4 5 6 7	NOMENCLATURE	EFFECT FROM TO	UNITS PER ASSY
1			TRAILING EDGE ASSY-HORIZ STAB. FXD	002004 006100 107107 121503 904999	
- 1	183N1001-1		TRAILING EDGE ASSY-HORIZ STAB. FXD POSITION DATA: LH FOR NHA SEE: 55-10-52-01	002004 006100 107107 121503 904999	RF
- 5	183N1001-2		TRAILING EDGE ASSY-HORIZ STAB. FXD POSITION DATA: RH FOR NHA SEE: 55-10-52-01	002004 006100 107107 121503 904999	RF
10	183N1201-1		.PANEL INSTL-NO. 1 POSITION DATA: LWR LH SIDE	002004 006100 107107 121503 904999	1
- 15	183N1201-2		.PANEL INSTL-NO. 1 POSITION DATA: LWR RH SIDE	002004 006100 107107 121503 904999	1
20	183N1201-7		..PANEL ASSY- POSITION DATA: LH SIDE	002004 006100 107107 121503 904999	1
- 25	183N1201-8		..PANEL ASSY- POSITION DATA: RH SIDE	002004 006100 107107 121503 904999	1
30	BACB30LR4-6		ATTACHING PARTS ..BOLT	002004 006100 107107 121503 904999	4
35	BACB30NN3K6		..BOLT	002004 006100 107107 121503 904999	15

MISSING ITEM NUMBERS NOT APPLICABLE

- ITEM NOT ILLUSTRATED

55-16-01-01

55-16-01  
FIG. 01  
PAGE 1  
JAN 20/09

BRI



757

PARTS CATALOG (MAINTENANCE)

FIG ITEM	PART NUMBER	1 2 3 4 5 6 7	NOMENCLATURE	EFFECT FROM TO	UNITS PER ASSY
1					
- 40	BACB30NN3K6	..	BOLT	002004 006100 107107 121503 904999	2
			-----*-----		
45	BACB30NN3K8	..	BOLT	002004 006100 107107 121503 904999	8
50	183N1202-11	.PANEL INSTL-NO. 2 POSITION DATA: LWR LH SIDE		002004 006100 107107 121503 904999	1
- 55	183N1202-12	.PANEL INSTL-NO. 2 POSITION DATA: LWR RH SIDE		002004 006100 107107 121503 904999	1
60	183N1202-19	..PANEL ASSY- POSITION DATA: LH SIDE		002004 006100 107107 121503 904999	1
- 65	183N1202-20	..PANEL ASSY- POSITION DATA: RH SIDE		002004 006100 107107 121503 904999	1
			ATTACHING PARTS		
70	BACB30LR4-6	..	BOLT	002004 006100 107107 121503 904999	4
75	BACB30NN3K6	..	BOLT	002004 006100 107107 121503 904999	62
			-----*-----		
85	183N1334-3	...	DOOR ASSY-ACCESS	002004 006100 107107 121503 904999	2

MISSING ITEM NUMBERS NOT APPLICABLE

- ITEM NOT ILLUSTRATED

55-16-01-01

55-16-01  
FIG. 01  
PAGE 2  
JAN 20/09

BRI

BOEING PROPRIETARY - Copyright © - Unpublished Work - See title page for details.

 **BOEING**  
757  
**PARTS CATALOG (MAINTENANCE)**

FIG ITEM	PART NUMBER	1 2 3 4 5 6 7	NOMENCLATURE	EFFECT FROM TO	UNITS PER ASSY
1			ATTACHING PARTS		
95	BACB30LH3-6	...	BOLT	002004 006100 107107 121503 904999	16
105	BACS12ER3K20	...	SCREW	002004 006100 107107 121503 904999	2
110	183N1203-1	-----*-----	.PANEL INSTL-NO. 3 (STABILIZERS ONLY) POSITION DATA: LWR LH SIDE FUNCTIONAL REFERENCE: PLACARDS AND MARKINGS FOR DETAILS SEE 11-26-04-01	002004 006100 107107 121503 904999	1
- 115	183N1203-2		.PANEL INSTL-NO. 3 (STABILIZERS ONLY) POSITION DATA: LWR RH SIDE FUNCTIONAL REFERENCE: PLACARDS AND MARKINGS FOR DETAILS SEE 11-26-04-01	002004 006100 107107 121503 904999	1
120	183N1203-41	..	PANEL ASSY- POSITION DATA: LH SIDE	002004 006100 107107 121503 904999	1
- 125	183N1203-42	..	PANEL ASSY- POSITION DATA: RH SIDE	002004 006100 107107 121503 904999	1
130	BACB30LR4-6	..	ATTACHING PARTS BOLT	002004 006100 107107 121503 904999	7

MISSING ITEM NUMBERS NOT APPLICABLE

- ITEM NOT ILLUSTRATED

BRI

# 55-16-01-01

BOEING PROPRIETARY - Copyright © - Unpublished Work - See title page for details.

55-16-01  
FIG. 01  
PAGE 3  
JAN 20/09



757

PARTS CATALOG (MAINTENANCE)

FIG ITEM	PART NUMBER	1 2 3 4 5 6 7	NOMENCLATURE	EFFECT FROM TO	UNITS PER ASSY
1					
135	BACB30NN3K6	..	BOLT	002004 006100 107107 121503 904999	53
140	BACP18G1-1677	-----*	...PIN	002004 006100 107107 121503 904999	1
145	BACP18G1-1681	...	PIN	002004 006100 107107 121503 904999	1
150	BACP18G1-1741	...	PIN	002004 006100 107107 121503 904999	1
155	183N1203-33	...	HINGE-HALF POSITION DATA: LH SIDE	002004 006100 107107 121503 904999	1
- 160	183N1203-34	...	HINGE-HALF POSITION DATA: RH SIDE	002004 006100 107107 121503 904999	1
165	183N1203-31	...	HINGE-HALF POSITION DATA: LH SIDE	002004 006100 107107 121503 904999	1
- 170	183N1203-32	...	HINGE-HALF POSITION DATA: RH SIDE	002004 006100 107107 121503 904999	1
175	183N1203-29	...	HINGE-HALF POSITION DATA: LH SIDE	002004 006100 107107 121503 904999	1

MISSING ITEM NUMBERS NOT APPLICABLE

- ITEM NOT ILLUSTRATED

55-16-01-01

55-16-01  
FIG. 01  
PAGE 4  
JAN 20/09

BRI

BOEING PROPRIETARY - Copyright © - Unpublished Work - See title page for details.



757

PARTS CATALOG (MAINTENANCE)

FIG ITEM	PART NUMBER	1 2 3 4 5 6 7	NOMENCLATURE	EFFECT FROM TO	UNITS PER ASSY
1					
- 180	183N1203-30		...HINGE-HALF POSITION DATA: RH SIDE	002004 006100 107107 121503 904999	1
185	183N1203-15		...HINGE-HALF POSITION DATA: LH SIDE	002004 006100 107107 121503 904999	1
- 190	183N1203-16		...HINGE-HALF POSITION DATA: RH SIDE	002004 006100 107107 121503 904999	1
195	183N1203-27		...HINGE-HALF POSITION DATA: LH SIDE	002004 006100 107107 121503 904999	1
- 200	183N1203-28		...HINGE-HALF POSITION DATA: RH SIDE	002004 006100 107107 121503 904999	1
205	183N1203-25		...HINGE-HALF POSITION DATA: LH SIDE	002004 006100 107107 121503 904999	1
- 210	183N1203-26		...HINGE-HALF POSITION DATA: RH SIDE	002004 006100 107107 121503 904999	1
215	183N1203-23		...HINGE-HALF POSITION DATA: LH SIDE	002004 006100 107107 121503 904999	1
- 220	183N1203-24		...HINGE-HALF POSITION DATA: RH SIDE	002004 006100 107107 121503 904999	1

MISSING ITEM NUMBERS NOT APPLICABLE

- ITEM NOT ILLUSTRATED

55-16-01-01

55-16-01  
FIG. 01  
PAGE 5  
JAN 20/09

BRI

BOEING PROPRIETARY - Copyright © - Unpublished Work - See title page for details.





757

PARTS CATALOG (MAINTENANCE)

FIG ITEM	PART NUMBER	1 2 3 4 5 6 7	NOMENCLATURE	EFFECT FROM TO	UNITS PER ASSY
1					
225	183N1203-13	...	HINGE-HALF POSITION DATA: LH SIDE	002004 006100 107107 121503 904999	1
- 230	183N1203-14	...	HINGE-HALF POSITION DATA: RH SIDE	002004 006100 107107 121503 904999	1
235	183N1203-21	...	HINGE-HALF POSITION DATA: LH SIDE	002004 006100 107107 121503 904999	1
- 240	183N1203-22	...	HINGE-HALF POSITION DATA: RH SIDE	002004 006100 107107 121503 904999	1
245	183N1203-19	...	HINGE-HALF POSITION DATA: LH SIDE	002004 006100 107107 121503 904999	1
- 250	183N1203-20	...	HINGE-HALF POSITION DATA: RH SIDE	002004 006100 107107 121503 904999	1
255	183N1203-17	...	HINGE-HALF POSITION DATA: LH SIDE	002004 006100 107107 121503 904999	1
- 260	183N1203-18	...	HINGE-HALF POSITION DATA: RH SIDE	002004 006100 107107 121503 904999	1
265	183N1203-11	...	HINGE-HALF POSITION DATA: LH SIDE	002004 006100 107107 121503 904999	1

MISSING ITEM NUMBERS NOT APPLICABLE

- ITEM NOT ILLUSTRATED

55-16-01-01

55-16-01  
FIG. 01  
PAGE 6  
JAN 20/09

BRI

BOEING PROPRIETARY - Copyright © - Unpublished Work - See title page for details.



757

PARTS CATALOG (MAINTENANCE)

FIG ITEM	PART NUMBER	1 2 3 4 5 6 7	NOMENCLATURE	EFFECT FROM TO	UNITS PER ASSY
1					
- 270	183N1203-12		...HINGE-HALF POSITION DATA: RH SIDE	002004 006100 107107 121503 904999	1
- 275	BACR15BA6AD		ATTACHING PARTS ...RIVET- SIZE DETERMINED ON INSTL.	002004 006100 107107 121503 904999	63
- 280	AN960JD10L		...WASHER	002004 006100 107107 121503 904999	63
285	BACB30PW3-13		-----*----- ...BOLT	002004 006100 107107 121503 904999	1
290	AN960XC6		...WASHER- POSITION DATA: UNDER NUT	002004 006100 107107 121503 904999	1
295	AN960XC10L		...WASHER	002004 006100 107107 121503 904999	2
300	BRH10C06D		...NUT SUPPLIER CODE: V52828 SPECIFICATION NUMBER: BACN10JCO6CD OPTIONAL PART: T6C632JCD V11815 NS202486-62 V80539 102LH9075-62W V72962 H51650-06BAC V15653	002004 006100 107107 121503 904999	1

MISSING ITEM NUMBERS NOT APPLICABLE

- ITEM NOT ILLUSTRATED

55-16-01-01

55-16-01  
FIG. 01  
PAGE 7  
JAN 20/09

BRI



757

PARTS CATALOG (MAINTENANCE)

FIG ITEM	PART NUMBER	1 2 3 4 5 6 7	NOMENCLATURE	EFFECT FROM TO	UNITS PER ASSY
1	305 183N1203-36		... ROD-SPRT	002004 006100 107107 121503 904999	1
	310 BLDC3-08		... PIN SUPPLIER CODE: V84256 SPECIFICATION NUMBER: BACP18AN3C08 OPTIONAL PART: LA3DW08 V83014 SLDC3R08 V16258	002004 006100 107107 121503 904999	1
-	315 CL4F		... FERRULE SUPPLIER CODE: V99862 SPECIFICATION NUMBER: BACF22U2 OPTIONAL PART: 325167 V00779	002004 006100 107107 121503 904999	2
-	320 CL100-3A60		... CABLE SUPPLIER CODE: V99862 SPECIFICATION NUMBER: BACC13Y3A60	002004 006100 107107 121503 904999	1
	325 183N1209-2		... BRACKET	002004 006100 107107 121503 904999	1

MISSING ITEM NUMBERS NOT APPLICABLE

- ITEM NOT ILLUSTRATED

BRI

55-16-01-01

BOEING PROPRIETARY - Copyright © - Unpublished Work - See title page for details.

55-16-01  
FIG. 01  
PAGE 8  
JAN 20/09



757

PARTS CATALOG (MAINTENANCE)

FIG ITEM	PART NUMBER	1 2 3 4 5 6 7	NOMENCLATURE	EFFECT FROM TO	UNITS PER ASSY
1			ATTACHING PARTS		
- 330	HL13VAZ6-12	...	BOLT SUPPLIER CODE: V56878 SPECIFICATION NUMBER: BACB30NY6K12 OPTIONAL PART: HL13VAZ6-12 V73197 HL13VAZ6-12 V92215 HL13VAZ6-12 V97928 L801-6K12 V06725 HL13VAZ6-12 V60516 L801-6K12 VOPTK6 HL13VAZ6-12 V17446	002004 006100 107107 121503 904999	5
- 335	AN960-10	...	WASHER	002004 006100 107107 121503 904999	5
- 340	BRH10A3	...	NUT SUPPLIER CODE: V52828 SPECIFICATION NUMBER: BACN10JC3 OPTIONAL PART: H10-3BAC V15653 NS202101-02 V80539 RMLH9075-3W V72962 VN303A02 V92215 96-02 V80539 T6S1032J V11815 -----*-----	002004 006100 107107 121503 904999	5

MISSING ITEM NUMBERS NOT APPLICABLE

- ITEM NOT ILLUSTRATED

55-16-01-01

55-16-01  
FIG. 01  
PAGE 9  
JAN 20/09

BRI



757

PARTS CATALOG (MAINTENANCE)

FIG ITEM	PART NUMBER	1 2 3 4 5 6 7	NOMENCLATURE	EFFECT FROM TO	UNITS PER ASSY
1 345	183N1204-1		.PANEL INSTL-NO. 4 POSITION DATA: LWR LH SIDE	002004 006100 107107 121503 904999	1
- 350	183N1204-2		.PANEL INSTL-NO. 4 POSITION DATA: LWR RH SIDE	002004 006100 107107 121503 904999	1
355	183N1204-9		..PANEL ASSY- POSITION DATA: LH SIDE	002004 006100 107107 121503 904999	1
- 360	183N1204-10		..PANEL ASSY- POSITION DATA: RH SIDE	002004 006100 107107 121503 904999	1
365	BACB30LR4-6		ATTACHING PARTS ..BOLT	002004 006100 107107 121503 904999	2
370	BACB30NN3K6		..BOLT	002004 006100 107107 121503 904999	58
375	183N1205-1		-----*----- .PANEL INSTL-NO. 5 POSITION DATA: LWR LH SIDE	002004 006100 107107 121503 904999	1
- 380	183N1205-2		.PANEL INSTL-NO. 5 POSITION DATA: LWR RH SIDE	002004 006100 107107 121503 904999	1
385	183N1205-9		..PANEL ASSY- POSITION DATA: LH SIDE	002004 006100 107107 121503 904999	1

MISSING ITEM NUMBERS NOT APPLICABLE

- ITEM NOT ILLUSTRATED

BRI

55-16-01-01

BOEING PROPRIETARY - Copyright © - Unpublished Work - See title page for details.

55-16-01  
FIG. 01  
PAGE 10  
JAN 20/09

 **BOEING**  
757  
**PARTS CATALOG (MAINTENANCE)**

FIG ITEM	PART NUMBER	1 2 3 4 5 6 7	NOMENCLATURE	EFFECT FROM TO	UNITS PER ASSY
1					
- 390	183N1205-10		..PANEL ASSY- POSITION DATA: RH SIDE	002004 006100 107107 121503 904999	1
			ATTACHING PARTS		
395	BACB30LR4-6		..BOLT	002004 006100 107107 121503 904999	2
400	BACB30NN3K6		..BOLT	002004 006100 107107 121503 904999	57
			-----*-----		
405	183N1206-1		.PANEL INSTL-NO. 6 POSITION DATA: LWR LH SIDE	002004 006100 107107 121503 904999	1
- 410	183N1206-2		.PANEL INSTL-NO. 6 POSITION DATA: LWR RH SIDE	002004 006100 107107 121503 904999	1
415	183N1206-11		..PANEL ASSY- POSITION DATA: LH SIDE	002004 006100 107107 121503 904999	1
- 420	183N1206-12		..PANEL ASSY- POSITION DATA: RH SIDE	002004 006100 107107 121503 904999	1
			ATTACHING PARTS		
425	BACB30LR4-6		..BOLT	002004 006100 107107 121503 904999	2
430	BACB30NN3K6		..BOLT	002004 006100 107107 121503 904999	54

MISSING ITEM NUMBERS NOT APPLICABLE

- ITEM NOT ILLUSTRATED

BRI

# 55-16-01-01

BOEING PROPRIETARY - Copyright © - Unpublished Work - See title page for details.

55-16-01  
FIG. 01  
PAGE 11  
JAN 20/09



757

PARTS CATALOG (MAINTENANCE)

FIG ITEM	PART NUMBER	1 2 3 4 5 6 7	NOMENCLATURE	EFFECT FROM TO	UNITS PER ASSY
1 435	BACW10UC417P		.. WASHER	002004 006100 107107 121503 904999	2
440	183N1337-3		-----*----- .RECEIVER INSTL-PERSONNEL LIFE LINE POSITION DATA: LH SIDE	002004 006100 107107 121503 904999	1
- 445	183N1337-4		.RECEIVER INSTL-PERSONNEL LIFE LINE POSITION DATA: RH SIDE	002004 006100 107107 121503 904999	1
450	183N1337-7		.. MOUNT ASSY-RCVR POSITION DATA: LH SIDE	002004 006100 107107 121503 904999	1
- 455	183N1337-8		.. MOUNT ASSY-RCVR POSITION DATA: RH SIDE	002004 006100 107107 121503 904999	1
460	183N1337-40		...RECEIVER ASSY- ALTERED FROM PART NUMBER: RI280-1 V08844	002004 006100 107107 121503 904999	1

MISSING ITEM NUMBERS NOT APPLICABLE

- ITEM NOT ILLUSTRATED

BRI

55-16-01-01

BOEING PROPRIETARY - Copyright © - Unpublished Work - See title page for details.

55-16-01  
FIG. 01  
PAGE 12  
JAN 20/09



757

PARTS CATALOG (MAINTENANCE)

FIG ITEM	PART NUMBER	1 2 3 4 5 6 7	NOMENCLATURE	EFFECT FROM TO	UNITS PER ASSY
1			ATTACHING PARTS		
- 465	HL11VAZ5-4	...	BOLT SUPPLIER CODE: V60516 SPECIFICATION NUMBER: BACB30NW5K4 OPTIONAL PART: B30NW5K4 V97928 HL11VAZ5-4 V73197 HL11VAZ5-4 V92215 HL11VAZ5-4 V97928 L803-5K4 V06725 HL11VAZ5-4 VOPTK6 HL11VAZ5-4 V56878	002004 006100 107107 121503 904999	6
- 470	HL70-5	...	COLLAR SUPPLIER CODE: V5M902 SPECIFICATION NUMBER: BACC30M5 OPTIONAL PART: HL70-5 V73197 HL70-5 V92215 66014-5 V56878 HL70-5 V56878	002004 006100 107107 121503 904999	6
475	183N1337-1	-----*	.RECEIVER INSTL-PERSONNEL LIFE LINE POSITION DATA: LH SIDE	002004 006100 107107 121503 904999	1
- 480	183N1337-2		.RECEIVER INSTL-PERSONNEL LIFE LINE POSITION DATA: RH SIDE	002004 006100 107107 121503 904999	1

MISSING ITEM NUMBERS NOT APPLICABLE

- ITEM NOT ILLUSTRATED

55-16-01-01

55-16-01  
FIG. 01  
PAGE 13  
JAN 20/09

BRI





757

PARTS CATALOG (MAINTENANCE)

FIG ITEM	PART NUMBER	1 2 3 4 5 6 7	NOMENCLATURE	EFFECT FROM TO	UNITS PER ASSY
1 485	183N1337-5		..MOUNT ASSY-RCVR POSITION DATA: LH SIDE	002004 006100 107107 121503 904999	1
- 490	183N1337-6		..MOUNT ASSY-RCVR POSITION DATA: RH SIDE	002004 006100 107107 121503 904999	1
495	183N1337-40		...RECEIVER ASSY- ALTERED FROM PART NUMBER: RI280-1 V08844	002004 006100 107107 121503 904999	1
- 500	HL11VAZ5-4		ATTACHING PARTS ...BOLT SUPPLIER CODE: V60516 SPECIFICATION NUMBER: BACB30NW5K4 OPTIONAL PART: B30NW5K4 V97928 HL11VAZ5-4 V73197 HL11VAZ5-4 V92215 HL11VAZ5-4 V97928 L803-5K4 V06725 HL11VAZ5-4 VOPTK6 HL11VAZ5-4 V56878	002004 006100 107107 121503 904999	6

MISSING ITEM NUMBERS NOT APPLICABLE

- ITEM NOT ILLUSTRATED

55-16-01-01

55-16-01  
FIG. 01  
PAGE 14  
JAN 20/09

BRI



757

PARTS CATALOG (MAINTENANCE)

FIG ITEM	PART NUMBER	1 2 3 4 5 6 7	NOMENCLATURE	EFFECT FROM TO	UNITS PER ASSY
1 - 505	HL70-5		... COLLAR SUPPLIER CODE: V5M902 SPECIFICATION NUMBER: BACC30M5 OPTIONAL PART: HL70-5 V73197 HL70-5 V92215 66014-5 V56878 HL70-5 V56878	002004 006100 107107 121503 904999	6
510	183N1601-1		-----*----- .RIB INSTL-CLOSURE BODY POSITION DATA: BL 42.00 LH SIDE FOR DETAILS SEE: 55-16-05-01	002004 006100 107107 121503 904999	1
- 515	183N1601-2		.RIB INSTL-CLOSURE BODY POSITION DATA: BL 42.00 RH SIDE FOR DETAILS SEE: 55-16-05-01	002004 006100 107107 121503 904999	1
520	183N1701-1		.BEAM INSTL- POSITION DATA: UPR LH SIDE FOR DETAILS SEE: 55-16-52-01	002004 006100 107107 121503 904999	1
- 525	183N1701-2		.BEAM INSTL- POSITION DATA: UPR RH SIDE FOR DETAILS SEE: 55-16-52-01	002004 006100 107107 121503 904999	1
530	183N1301-1		.RIB INSTL-ELEV NO. 4 POSITION DATA: STA 52.554 LH SIDE FOR DETAILS SEE: 55-16-51-01	002004 006100 107107 121503 904999	1
- 535	183N1301-2		.RIB INSTL-ELEV NO. 4 POSITION DATA: STA 52.554 RH SIDE FOR DETAILS SEE: 55-16-51-01	002004 006100 107107 121503 904999	1

MISSING ITEM NUMBERS NOT APPLICABLE

- ITEM NOT ILLUSTRATED

55-16-01-01

55-16-01  
FIG. 01  
PAGE 15  
JAN 20/09

BRI



757

PARTS CATALOG (MAINTENANCE)

FIG ITEM	PART NUMBER	1 2 3 4 5 6 7	NOMENCLATURE	EFFECT FROM TO	UNITS PER ASSY
1					
540	183N1302-1	.	RIB INSTL-ELEV NO. 6 POSITION DATA: STA 100.540 LH SIDE FOR DETAILS SEE: 55-16-51-02	002004 006100 107107 121503 904999	1
- 545	183N1302-2	.	RIB INSTL-ELEV NO. 6 POSITION DATA: STA 100.540 RH SIDE FOR DETAILS SEE: 55-16-51-02	002004 006100 107107 121503 904999	1
550	183N1401-7	.	RIB INSTL-ELEV NO. 7 POSITION DATA: STA 124.535 LH SIDE	002004 006100 107107 121503 904999	1
- 555	183N1401-8	.	RIB INSTL-ELEV NO. 7 POSITION DATA: STA 124.535 RH SIDE	002004 006100 107107 121503 904999	1
560	183N1402-21	.	RIB INSTL-ELEV NO. 8 POSITION DATA: STA 148.528 LH SIDE	002004 006100 107107 121503 904999	1
- 565	183N1402-22	.	RIB INSTL-ELEV NO. 8 POSITION DATA: STA 148.528 RH SIDE	002004 006100 107107 121503 904999	1
570	NAS557-4C	..	GROMMET- USED ON: 183N1402-1 183N1402-2 183N1402-21 183N1402-22	002004 006100 107107 121503 904999	1
575	183N1328-1	..	FITTING ASSY-ELEV HINGE	002004 006100 107107 121503 904999	1
580	BACB30MR5K17	..	ATTACHING PARTS BOLT	002004 006100 107107 121503 904999	2

MISSING ITEM NUMBERS NOT APPLICABLE

- ITEM NOT ILLUSTRATED

55-16-01-01

55-16-01  
FIG. 01  
PAGE 16  
JAN 20/09

BRI

 **BOEING**  
757  
**PARTS CATALOG (MAINTENANCE)**

FIG ITEM	PART NUMBER	1 2 3 4 5 6 7	NOMENCLATURE	EFFECT FROM TO	UNITS PER ASSY
1					
585	BACB30MR5K13	..	BOLT	002004 006100 107107 121503 904999	2
590	BACB30MR5K11	..	BOLT	002004 006100 107107 121503 904999	2
595	BACW10BP5CD	..	WASHER- POSITION DATA: UNDER HEAD	002004 006100 107107 121503 904999	6
600	BACW10BP5DP	..	WASHER- POSITION DATA: UNDER NUT	002004 006100 107107 121503 904999	6
605	NAS1805-5N	..	NUT	002004 006100 107107 121503 904999	6
610	183N1325-1	-----*	...NUT-SLEEVE RTNR	002004 006100 107107 121503 904999	1
615	183N1324-1	...	NUT-BEARING RTNR	002004 006100 107107 121503 904999	1
620	183N1323-1	...	SLEEVE-BEARING RTNR	002004 006100 107107 121503 904999	1
625	183N1329-1	...	WASHER	002004 006100 107107 121503 904999	2

MISSING ITEM NUMBERS NOT APPLICABLE

— ITEM NOT ILLUSTRATED

BRI

# 55-16-01-01

BOEING PROPRIETARY - Copyright © - Unpublished Work - See title page for details.

55-16-01  
FIG. 01  
PAGE 17  
JAN 20/09

**BOEING**  
757  
**PARTS CATALOG (MAINTENANCE)**

FIG ITEM	PART NUMBER	1 2 3 4 5 6 7	NOMENCLATURE	EFFECT FROM TO	UNITS PER ASSY
R R R R R R R R	1 630	DAS8-27A1-508	... BEARING SUPPLIER CODE: V77896 SPECIFICATION NUMBER: BACB10CH85C OPTIONAL PART: ASRD8CH30C VS0352 DAS8-27B48 V77896	002004 006100 107107 121503 904999	1
	635	MS15001-1	... FITTING	002004 006100 107107 121503 904999	1
	640	183N1314-1	... FITTING	002004 006100 107107 121503 904999	1
	645	183N1303-1	.RIB INSTL-ELEV NO. 7 POSITION DATA: STA 172.521 LH SIDE FOR DETAILS SEE: 55-16-51-03	002004 006100 107107 121503 904999	1
	- 650	183N1303-2	.RIB INSTL-ELEV NO. 7 POSITION DATA: STA 172.521 RH SIDE FOR DETAILS SEE: 55-16-51-03	002004 006100 107107 121503 904999	1
	655	183N1304-1	.RIB INSTL-ELEV NO. 11 POSITION DATA: STA 220.508 LH SIDE FOR DETAILS SEE: 55-16-51-04	002004 006100 107107 121503 904999	1
	- 660	183N1304-2	.RIB INSTL-ELEV NO. 11 POSITION DATA: STA 220.508 RH SIDE FOR DETAILS SEE: 55-16-51-04	002004 006100 107107 121503 904999	1
	665	183N1305-1	.RIB INSTL-ELEV NO. 13 POSITION DATA: STA 267.195 LH SIDE FOR DETAILS SEE: 55-16-51-05	002004 006100 107107 121503 904999	1

MISSING ITEM NUMBERS NOT APPLICABLE

- ITEM NOT ILLUSTRATED

BRI

# 55-16-01-01

BOEING PROPRIETARY - Copyright © - Unpublished Work - See title page for details.

55-16-01  
FIG. 01  
PAGE 18  
MAY 20/09



757

PARTS CATALOG (MAINTENANCE)

FIG ITEM	PART NUMBER	1 2 3 4 5 6 7	NOMENCLATURE	EFFECT FROM TO	UNITS PER ASSY
1					
- 670	183N1305-2		.RIB INSTL-ELEV NO. 13 POSITION DATA: STA 267.195 RH SIDE FOR DETAILS SEE: 55-16-51-05	002004 006100 107107 121503 904999	1
675	183N1306-1		.RIB INSTL-ELEV NO. 15 POSITION DATA: STA 312.673 LH SIDE FOR DETAILS SEE: 55-16-51-06	002004 006100 107107 121503 904999	1
- 680	183N1306-2		.RIB INSTL-ELEV NO. 15 POSITION DATA: STA 312.673 RH SIDE FOR DETAILS SEE: 55-16-51-06	002004 006100 107107 121503 904999	1
685	183N1702-1		.BEAM INSTL- POSITION DATA: LWR LH SIDE FOR DETAILS SEE: 55-16-05-02	002004 006100 107107 121503 904999	1
- 690	183N1702-2		.BEAM INSTL- POSITION DATA: LWR RH SIDE FOR DETAILS SEE: 55-16-05-02	002004 006100 107107 121503 904999	1

MISSING ITEM NUMBERS NOT APPLICABLE

- ITEM NOT ILLUSTRATED

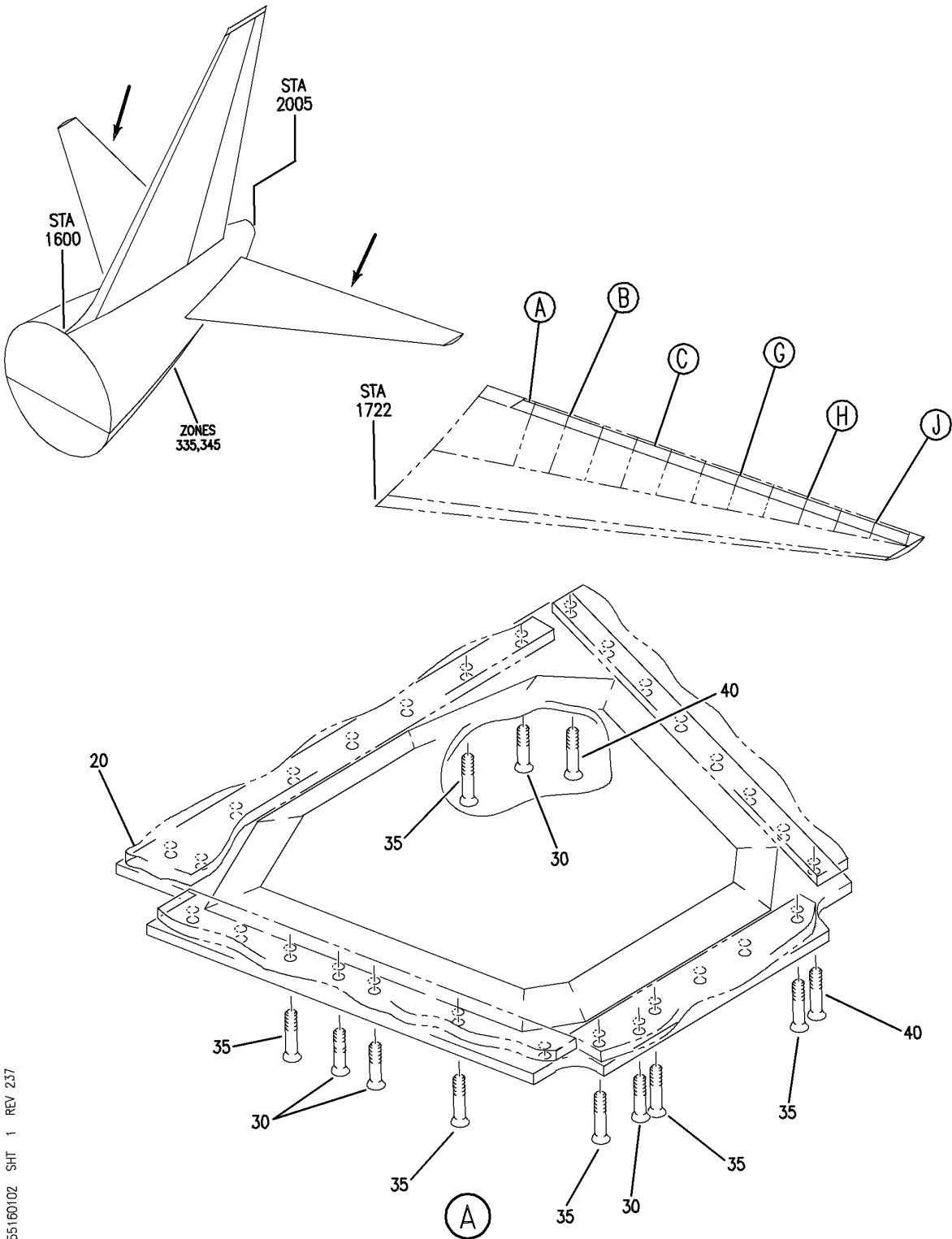
BRI

55-16-01-01

BOEING PROPRIETARY - Copyright © - Unpublished Work - See title page for details.

55-16-01  
FIG. 01  
PAGE 19  
JAN 20/09

**BOEING**  
757  
PARTS CATALOG (MAINTENANCE)



Y 55160102 SH1 1 REV 237

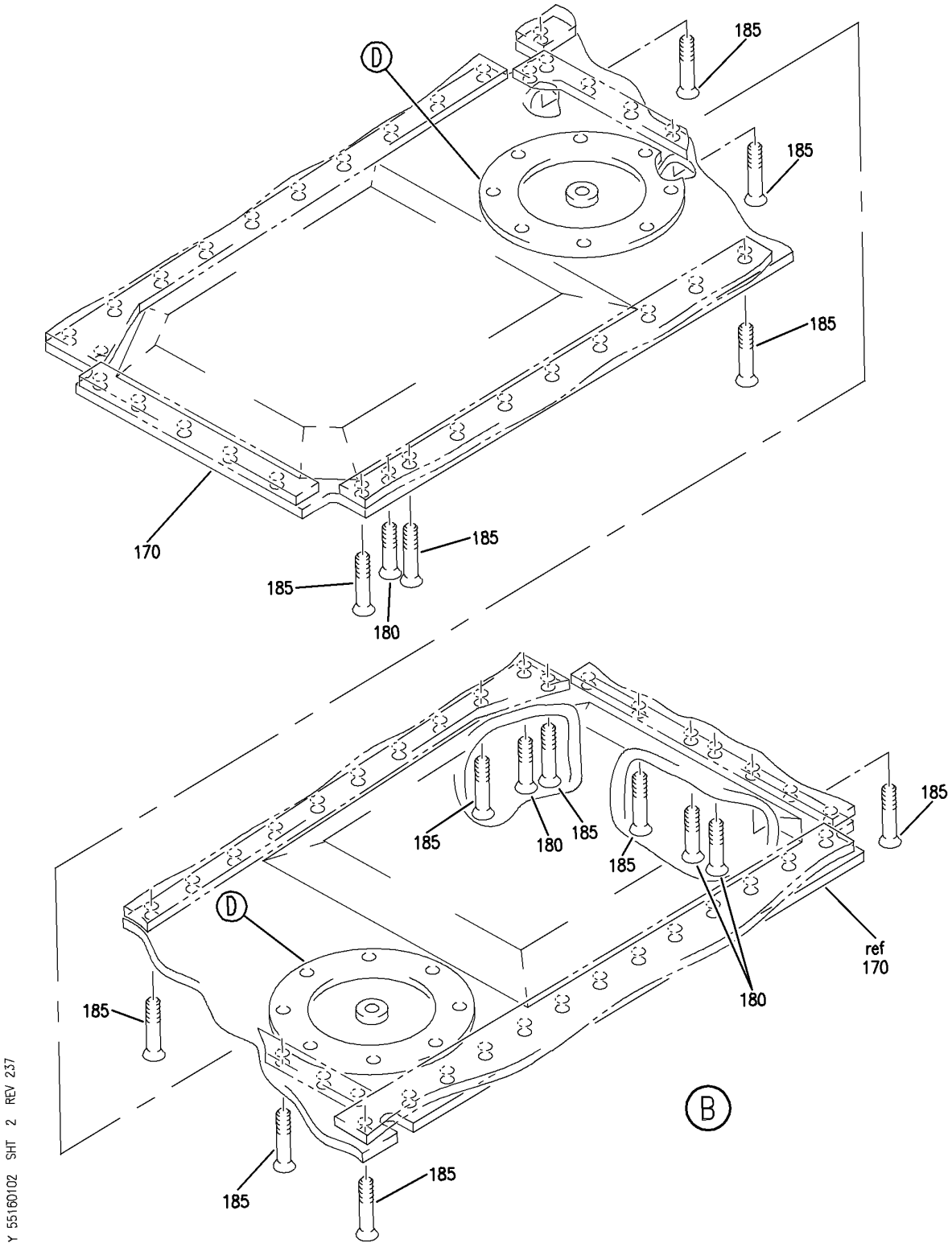
PANEL INSTL AND COLLECTOR ASSY FTE HORIZ STAB LWR  
FIGURE 2 (SHEET 1)

**55-16-01-02**

BRI  
MAY 28/07

55-16-01-02  
PAGE 0

**BOEING**  
757  
PARTS CATALOG (MAINTENANCE)



PANEL INSTL AND COLLECTOR ASSY FTE HORIZ STAB LWR  
FIGURE 2 (SHEET 2)

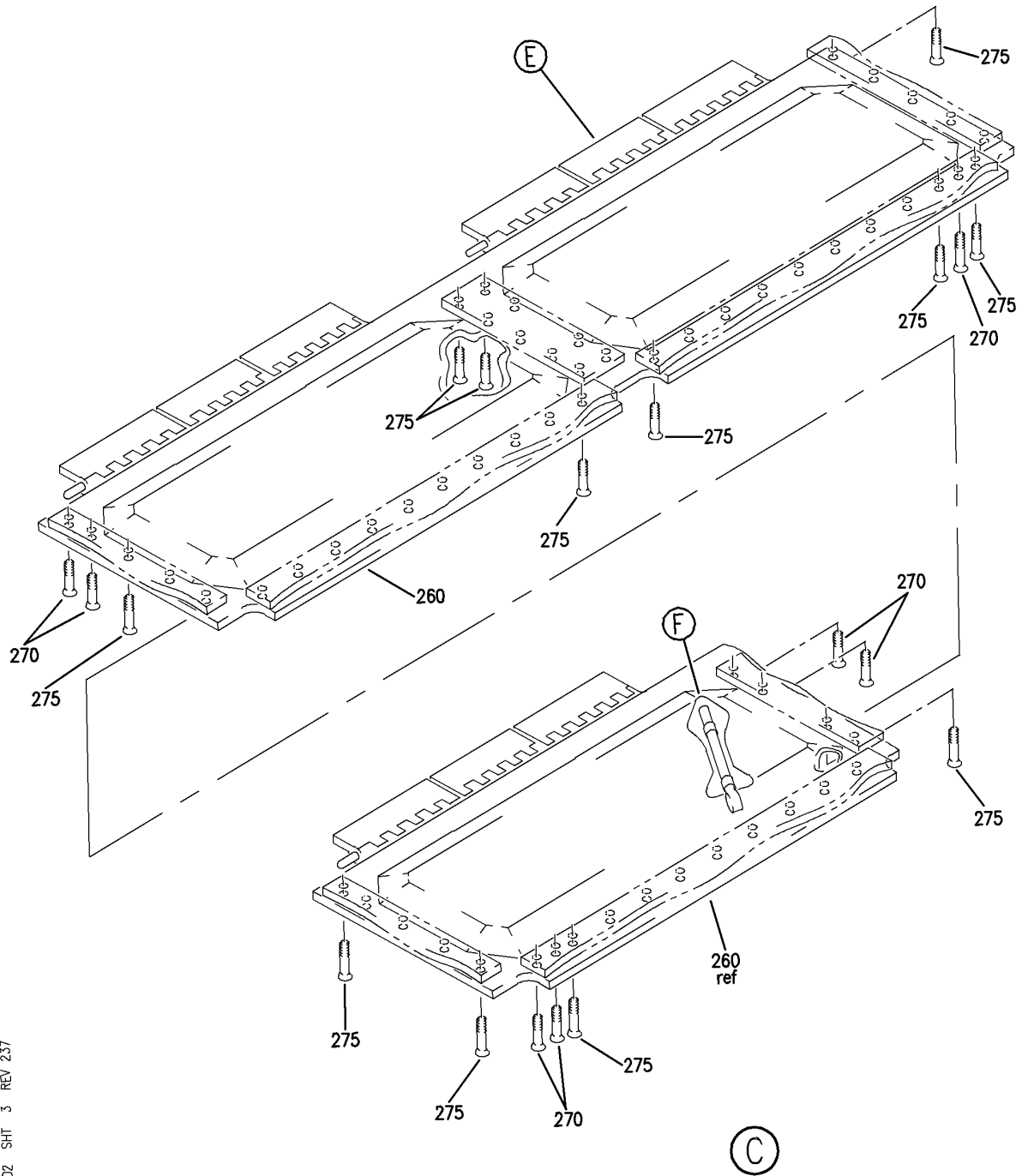
**55-16-01-02**

BRI  
MAY 28/07

55-16-01-02  
PAGE 0A



**BOEING**  
757  
PARTS CATALOG (MAINTENANCE)



Y 55160102 SH1 3 REV 237

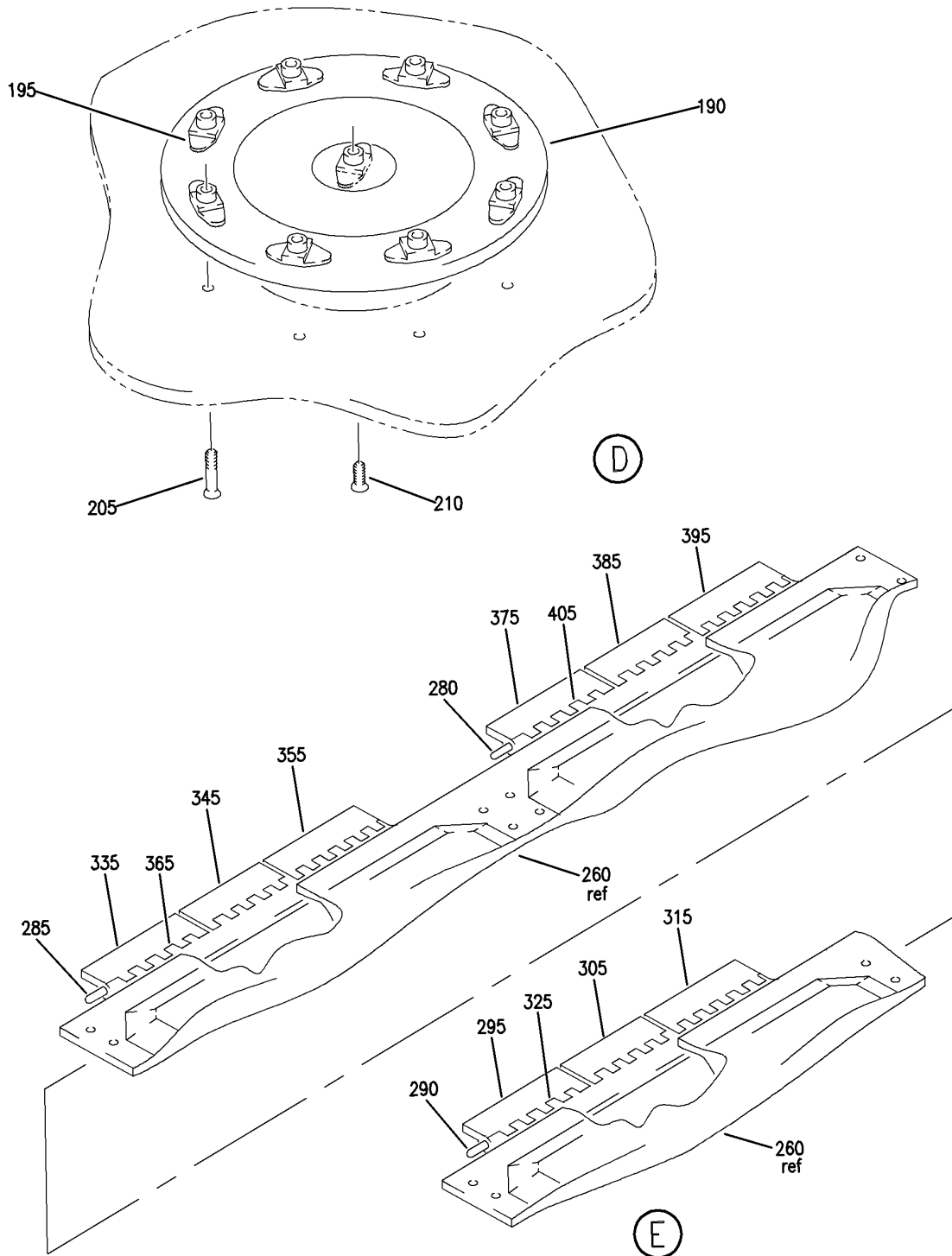
PANEL INSTL AND COLLECTOR ASSY FTE HORIZ STAB LWR  
FIGURE 2 (SHEET 3)

**55-16-01-02**

BRI  
MAY 28/07

55-16-01-02  
PAGE 0B

**BOEING**  
757  
PARTS CATALOG (MAINTENANCE)



Y 55160102 SH 4 REV 237

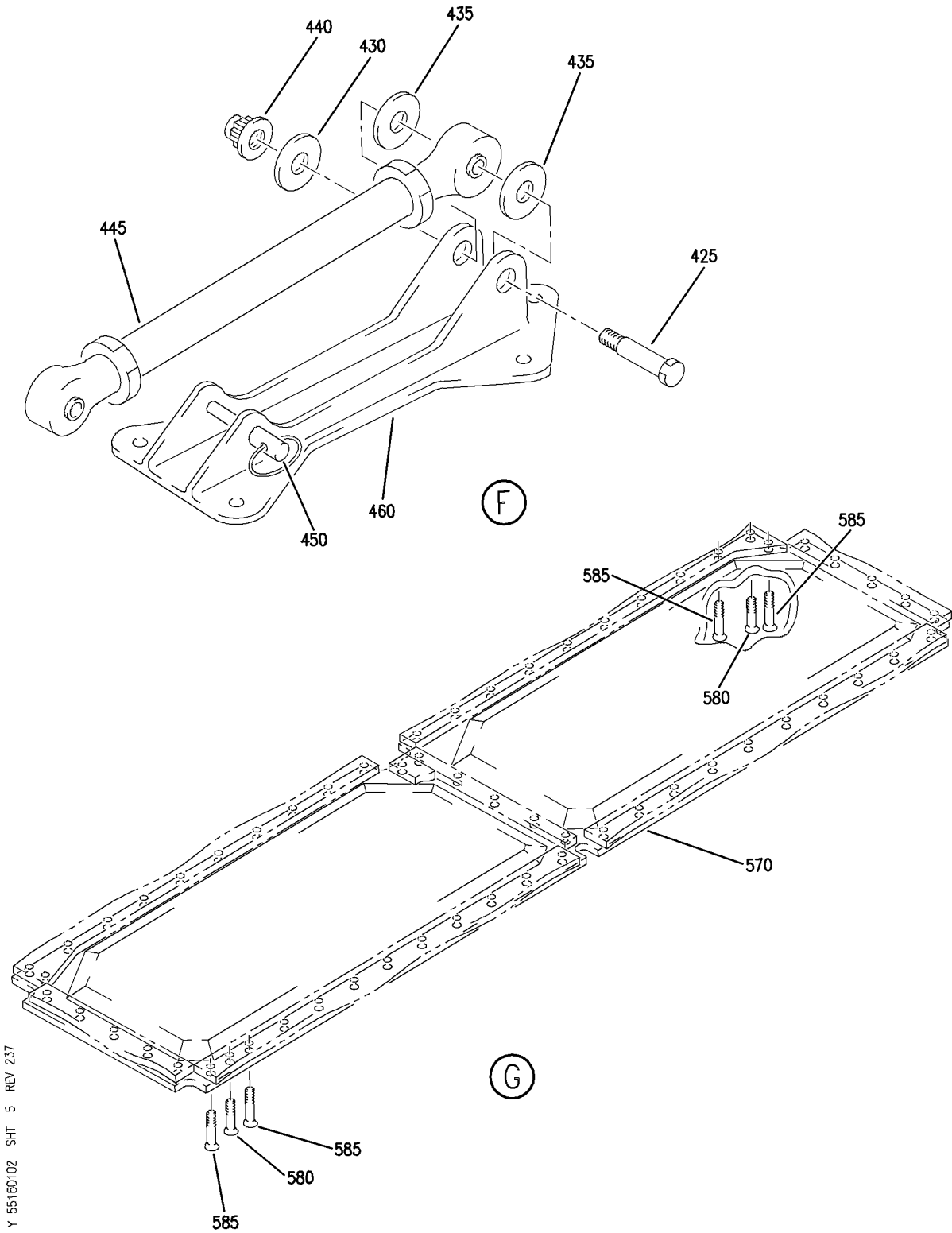
PANEL INSTL AND COLLECTOR ASSY FTE HORIZ STAB LWR  
FIGURE 2 (SHEET 4)

**55-16-01-02**

BRI  
MAY 28/07

55-16-01-02  
PAGE 0C

**BOEING**  
757  
PARTS CATALOG (MAINTENANCE)



Y 55160102 SH 5 REV 237

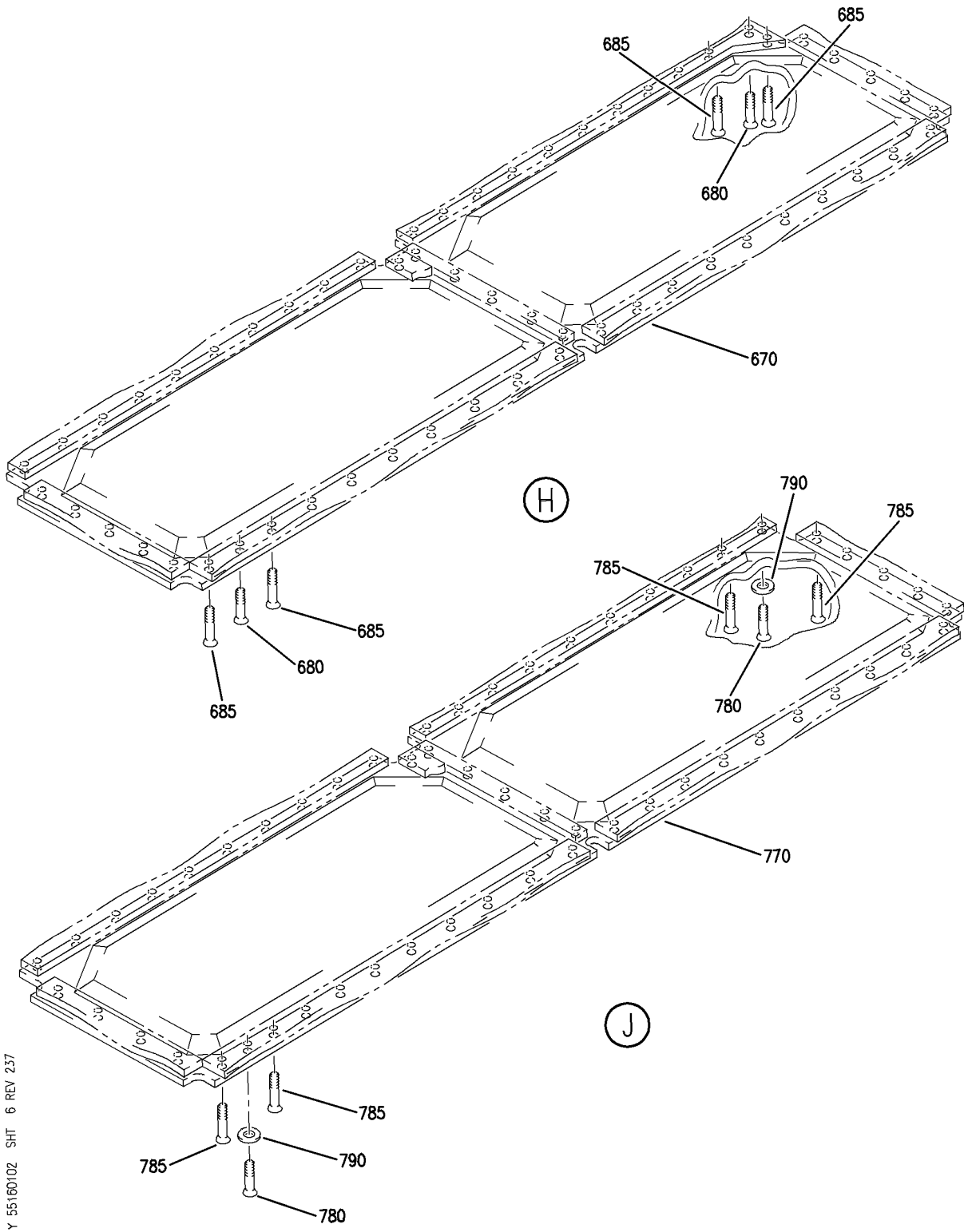
PANEL INSTL AND COLLECTOR ASSY FTE HORIZ STAB LWR  
FIGURE 2 (SHEET 5)

**55-16-01-02**

BRI  
MAY 28/07

55-16-01-02  
PAGE 0D

**BOEING**  
757  
PARTS CATALOG (MAINTENANCE)



Y 55160102 SH 6 REV 237

PANEL INSTL AND COLLECTOR ASSY FTE HORIZ STAB LWR  
FIGURE 2 (SHEET 6)

**55-16-01-02**

BRI  
MAY 28/07

55-16-01-02  
PAGE 0E



757

PARTS CATALOG (MAINTENANCE)

FIG ITEM	PART NUMBER	1 2 3 4 5 6 7	NOMENCLATURE	EFFECT FROM TO	UNITS PER ASSY
2			PANEL INSTL AND COLLECTOR ASSY	101106 108120	
- 1	183N1201-403		FTE HORIZ STAB LWR COLLECTOR ASSY-NO. 1 PNL INSTL POSITION DATA: LH FOR NHA SEE: 55-10-51-04	504903 103106 108120	RF
- 1	183N1201-401		PANEL INSTL-FTE HORIZ STAB NO. 1 POSITION DATA: LH FOR NHA SEE: 55-10-51-04	101102 504903	RF
- 5	183N1201-405		COLLECTOR ASSY-NO. 1 PNL INSTL POSITION DATA: LH FOR NHA SEE: 55-10-51-04	103106 108120	RF
- 10	183N1201-404		COLLECTOR ASSY-NO. 1 PNL INSTL POSITION DATA: RH FOR NHA SEE: 55-10-51-04	103106 108120	RF
- 10	183N1201-402		PANEL INSTL-FTE HORIZ STAB NO. 1 POSITION DATA: RH FOR NHA SEE: 55-10-51-04	101102 504903	RF
- 15	183N1201-406		COLLECTOR ASSY-NO. 1 PNL INSTL POSITION DATA: RH FOR NHA SEE: 55-10-51-04	103106 108120	RF
20	183N1201-7		.PANEL ASSY- POSITION DATA: LH SIDE	103106 108120	1
20	183N1201-7		.PANEL ASSY- POSITION DATA: LH SIDE	101102 504903	1
- 25	183N1201-8		.PANEL ASSY- POSITION DATA: RH SIDE	103106 108120	1

MISSING ITEM NUMBERS NOT APPLICABLE

- ITEM NOT ILLUSTRATED

55-16-01-02

55-16-01  
FIG. 02  
PAGE 1  
JAN 20/09

BRI



757

PARTS CATALOG (MAINTENANCE)

FIG ITEM	PART NUMBER	1 2 3 4 5 6 7	NOMENCLATURE	EFFECT FROM TO	UNITS PER ASSY
2					
- 25	183N1201-8		.PANEL ASSY- POSITION DATA: RH SIDE ATTACHING PARTS	101102 504903	1
30	BACB30LR4-6		.BOLT	101102 504903	4
30	BACB30LR4-6		.BOLT	103106 108120	4
35	BACB30NN3K6		.BOLT	101102 504903	17
35	BACB30NN3K6		.BOLT	103106 108120	17
			-----*-----		
40	BACB30NN3K8		.BOLT	101102 504903	8
40	BACB30NN3K8		.BOLT	103106 108120	8
- 150	183N1202-401		PANEL INSTL-FTE HORIZ STAB (NO. 2) POSITION DATA: LWR LH FOR NHA SEE: 55-10-51-04	101102 504903	RF
- 150	183N1202-403		COLLECTOR ASSY-FTE HORIZ STAB (NO. 2) POSITION DATA: LWR LH FOR NHA SEE: 55-10-51-04	103106 108120	RF
- 155	183N1202-405		COLLECTOR ASSY-FTE HORIZ STAB NO. 2 POSITION DATA: LWR LH FOR NHA SEE: 55-10-51-04	103106 108120	RF
- 160	183N1202-402		PANEL INSTL-FTE HORIZ STAB STAB (NO. 2) POSITION DATA: LWR RH FOR NHA SEE: 55-10-51-04	101102 504903	RF
- 160	183N1202-404		COLLECTOR ASSY-FTE HORIZ STAB (NO. 2) POSITION DATA: LWR RH FOR NHA SEE: 55-10-51-04	103106 108120	RF

MISSING ITEM NUMBERS NOT APPLICABLE

- ITEM NOT ILLUSTRATED

55-16-01-02

55-16-01  
FIG. 02  
PAGE 2  
JAN 20/09

BRI

 **BOEING**  
757  
**PARTS CATALOG (MAINTENANCE)**

FIG ITEM	PART NUMBER	1 2 3 4 5 6 7	NOMENCLATURE	EFFECT FROM TO	UNITS PER ASSY
2					
- 165	183N1202-406		COLLECTOR ASSY-FTE HORIZ STAB NO. 2 POSITION DATA: LWR RH FOR NHA SEE: 55-10-51-04	103106 108120	RF
170	183N1202-19		.PANEL ASSY- POSITION DATA: LH SIDE	101102 504903	1
170	183N1202-19		.PANEL ASSY- POSITION DATA: LH SIDE	103106 108120	1
- 175	183N1202-20		.PANEL ASSY- POSITION DATA: RH SIDE	101102 504903	1
- 175	183N1202-20		.PANEL ASSY- POSITION DATA: RH SIDE	103106 108120	1
180	BACB30LR4-6		.BOLT	101102 504903	4
180	BACB30LR4-6		.BOLT	103106 108120	4
185	BACB30NN3K6		.BOLT	101102 504903	62
185	BACB30NN3K6		.BOLT	103106 108120	62
			-----*-----		
190	183N1334-3		..DOOR ASSY-ACCESS	101102 504903	2
190	183N1334-3		..DOOR ASSY-ACCESS	103106 108120	2
195	BRFR220C3-3D		...NUTPLATE SUPPLIER CODE: V52828 SPECIFICATION NUMBER: BACN10KE3B3CD OPTIONAL PART: F51747-3-3CD V15653 102A9213-3-3 V72962 NS202493-02-3 V80539	101102 504903	16

MISSING ITEM NUMBERS NOT APPLICABLE

- ITEM NOT ILLUSTRATED

BRI

# 55-16-01-02

BOEING PROPRIETARY - Copyright © - Unpublished Work - See title page for details.

55-16-01  
FIG. 02  
PAGE 3  
JAN 20/09



757

PARTS CATALOG (MAINTENANCE)

FIG ITEM	PART NUMBER	1 2 3 4 5 6 7	NOMENCLATURE	EFFECT FROM TO	UNITS PER ASSY
2 195	BRFR220C3-3D	...	NUTPLATE SUPPLIER CODE: V52828 SPECIFICATION NUMBER: BACN10KE3B3CD OPTIONAL PART: F51747-3-3CD V15653 102A9213-3-3 V72962 NS202493-02-3 V80539 ATTACHING PARTS	103106 108120	16
- 200	BACR15BA3AD	...	RIVET	101102 504903	32
- 200	BACR15BA3AD	...	RIVET	103106 108120	32
			-----*-----		
205	BACB30LH3-6	..	BOLT	103106 108120	16
205	BACB30LH3-6	..	BOLT	101102 504903	16
210	BACS12ER3K20	..	SCREW	101102 504903	2
210	BACS12ER3K20	..	SCREW	103106 108120	2
- 250	183N1203-401		PANEL INSTL-NO. 3 (STABILIZERS ONLY) POSITION DATA: LWR LH SIDE FOR NHA/OTHER SYS DET SEE: 55-10-51-04	101102 504903	RF
- 250	183N1203-403		PANEL INSTL-NO. 3 (STABILIZERS ONLY) POSITION DATA: LWR LH SIDE FOR NHA/OTHER SYS DET SEE: 55-10-51-04	103106 108120	RF
- 255	183N1203-402		PANEL INSTL-NO. 3 (STABILIZERS ONLY) POSITION DATA: LWR RH SIDE FOR NHA/OTHER SYS DET SEE: 55-10-51-04	101102 504903	RF

MISSING ITEM NUMBERS NOT APPLICABLE

- ITEM NOT ILLUSTRATED

55-16-01-02

55-16-01  
FIG. 02  
PAGE 4  
JAN 20/09

BRI



 **BOEING**  
757  
**PARTS CATALOG (MAINTENANCE)**

FIG ITEM	PART NUMBER	1 2 3 4 5 6 7	NOMENCLATURE	EFFECT FROM TO	UNITS PER ASSY
2					
- 255	183N1203-404		PANEL INSTL-NO. 3 (STABILIZERS ONLY) POSITION DATA: LWR RH SIDE FOR NHA/OTHER SYS DET SEE: 55-10-51-04	103106 108120	RF
260	183N1203-41		.PANEL ASSY- POSITION DATA: LH SIDE	101106 108120 504903	1
- 265	183N1203-42		.PANEL ASSY- POSITION DATA: RH SIDE	101106 108120 504903	1
270	BACB30LR4-6		ATTACHING PARTS .BOLT	101106 108120 504903	7
275	BACB30NN3K6		.BOLT	101106 108120 504903	53
			-----*-----		
280	BACP18G1-1677		..PIN	101106 108120 504903	1
285	BACP18G1-1681		..PIN	101106 108120 504903	1
290	BACP18G1-1741		..PIN	101106 108120 504903	1
295	183N1203-33		..HINGE-HALF POSITION DATA: LH SIDE	101106 108120 504903	1
- 300	183N1203-34		..HINGE-HALF POSITION DATA: RH SIDE	101106 108120 504903	1
305	183N1203-31		..HINGE-HALF POSITION DATA: LH SIDE	101106 108120 504903	1
- 310	183N1203-32		..HINGE-HALF POSITION DATA: RH SIDE	101106 108120 504903	1
315	183N1203-29		..HINGE-HALF POSITION DATA: LH SIDE	101106 108120 504903	1
- 320	183N1203-30		..HINGE-HALF POSITION DATA: RH SIDE	101106 108120 504903	1

MISSING ITEM NUMBERS NOT APPLICABLE

- ITEM NOT ILLUSTRATED

BRI

# 55-16-01-02

BOEING PROPRIETARY - Copyright © - Unpublished Work - See title page for details.

55-16-01  
FIG. 02  
PAGE 5  
JAN 20/09



757

PARTS CATALOG (MAINTENANCE)

FIG ITEM	PART NUMBER	1 2 3 4 5 6 7	NOMENCLATURE	EFFECT FROM TO	UNITS PER ASSY
2					
325	183N1203-15	..	HINGE-HALF POSITION DATA: LH SIDE	101106 108120 504903	1
- 330	183N1203-16	..	HINGE-HALF POSITION DATA: RH SIDE	101106 108120 504903	1
335	183N1203-27	..	HINGE-HALF POSITION DATA: LH SIDE	101106 108120 504903	1
- 340	183N1203-28	..	HINGE-HALF POSITION DATA: RH SIDE	101106 108120 504903	1
345	183N1203-25	..	HINGE-HALF POSITION DATA: LH SIDE	101106 108120 504903	1
- 350	183N1203-26	..	HINGE-HALF POSITION DATA: RH SIDE	101106 108120 504903	1
355	183N1203-23	..	HINGE-HALF POSITION DATA: LH SIDE	101106 108120 504903	1
- 360	183N1203-24	..	HINGE-HALF POSITION DATA: RH SIDE	101106 108120 504903	1
365	183N1203-13	..	HINGE-HALF POSITION DATA: LH SIDE	101106 108120 504903	1
- 370	183N1203-14	..	HINGE-HALF POSITION DATA: RH SIDE	101106 108120 504903	1
375	183N1203-21	..	HINGE-HALF POSITION DATA: LH SIDE	101106 108120 504903	1
- 380	183N1203-22	..	HINGE-HALF POSITION DATA: RH SIDE	101106 108120 504903	1
385	183N1203-19	..	HINGE-HALF POSITION DATA: LH SIDE	101106 108120 504903	1
- 390	183N1203-20	..	HINGE-HALF POSITION DATA: RH SIDE	101106 108120 504903	1
395	183N1203-17	..	HINGE-HALF POSITION DATA: LH SIDE	101106 108120 504903	1
- 400	183N1203-18	..	HINGE-HALF POSITION DATA: RH SIDE	101106 108120 504903	1

MISSING ITEM NUMBERS NOT APPLICABLE

- ITEM NOT ILLUSTRATED

55-16-01-02

55-16-01  
FIG. 02  
PAGE 6  
JAN 20/09

BRI



757

PARTS CATALOG (MAINTENANCE)

FIG ITEM	PART NUMBER	1 2 3 4 5 6 7	NOMENCLATURE	EFFECT FROM TO	UNITS PER ASSY
2					
405	183N1203-11	..	HINGE-HALF POSITION DATA: LH SIDE	101106 108120 504903	1
- 410	183N1203-12	..	HINGE-HALF POSITION DATA: RH SIDE	101106 108120 504903	1
- 415	BACR15BA6AD	..	RIVET- SIZE DETERMINED ON INSTL.	101106 108120 504903	63
- 420	AN960JD10L	..	WASHER	101106 108120 504903	63
			-----*-----		
425	BACB30PW3-13	..	BOLT	101106 108120 504903	1
430	AN960XC6	..	WASHER- POSITION DATA: UNDER NUT	101106 108120 504903	1
435	AN960XC10L	..	WASHER	101106 108120 504903	2
440	BRH10C06D	..	NUT SUPPLIER CODE: V52828 SPECIFICATION NUMBER: BACN10JC06CD OPTIONAL PART: T6C632JCD V11815 NS202486-62 V80539 102LH9075-62W V72962 H51650-06BAC V15653	101106 108120 504903	1
445	183N1203-36	..	ROD-SPRT	101106 108120 504903	1

MISSING ITEM NUMBERS NOT APPLICABLE

- ITEM NOT ILLUSTRATED

BRI

55-16-01-02

BOEING PROPRIETARY - Copyright © - Unpublished Work - See title page for details.

55-16-01  
FIG. 02  
PAGE 7  
JAN 20/09



757

PARTS CATALOG (MAINTENANCE)

FIG ITEM	PART NUMBER	1 2 3 4 5 6 7	NOMENCLATURE	EFFECT FROM TO	UNITS PER ASSY
2 450	BLDC3-08		.. PIN SUPPLIER CODE: V84256 SPECIFICATION NUMBER: BACP18AN3C08 OPTIONAL PART: LA3DW08 V83014 SLDC3R08 V16258	101106 108120 504903	1
- 455	CL100-3A60		.. CABLE SUPPLIER CODE: V99862 SPECIFICATION NUMBER: BACC13Y3A60	101106 108120 504903	1
460	183N1209-2		.. BRACKET	101106 108120 504903	1
- 465	HL13VAZ6-12		ATTACHING PARTS .. BOLT SUPPLIER CODE: V56878 SPECIFICATION NUMBER: BACB30NY6K12 OPTIONAL PART: HL13VAZ6-12 V73197 HL13VAZ6-12 V92215 HL13VAZ6-12 V97928 L801-6K12 V06725 HL13VAZ6-12 V60516 L801-6K12 VOPTK6 HL13VAZ6-12 V17446	101106 108120 504903	5
- 470	AN960-10		.. WASHER	101106 108120 504903	5
- 475	183N1203-22		-----*----- .. HINGE-HALF POSITION DATA: RH SIDE	101106 108120 504903	1

MISSING ITEM NUMBERS NOT APPLICABLE

- ITEM NOT ILLUSTRATED

BRI

55-16-01-02

BOEING PROPRIETARY - Copyright © - Unpublished Work - See title page for details.

55-16-01  
FIG. 02  
PAGE 8  
JAN 20/09



757

PARTS CATALOG (MAINTENANCE)

FIG ITEM	PART NUMBER	1 2 3 4 5 6 7	NOMENCLATURE	EFFECT FROM TO	UNITS PER ASSY
2					
- 550	183N1204-401		PANEL INSTL-NO. 4 POSITION DATA: LWR LH SIDE FOR NHA SEE: 55-10-51-04	101102 504903	RF
- 550	183N1204-403		COLLECTOR ASSY-NO. 4 POSITION DATA: LWR LH SIDE FOR NHA SEE: 55-10-51-04	103106 108120	RF
- 555	183N1204-405		COLLECTOR ASSY-NO. 4 POSITION DATA: LWR LH SIDE FOR NHA SEE: 55-10-51-04	103106 108120	RF
- 560	183N1204-402		PANEL INSTL-NO. 4 POSITION DATA: LWR RH SIDE FOR NHA SEE: 55-10-51-04	101102 504903	RF
- 560	183N1204-404		COLLECTOR ASSY-NO. 4 POSITION DATA: LWR RH SIDE FOR NHA SEE: 55-10-51-04	103106 108120	RF
- 565	183N1204-406		COLLECTOR ASSY-NO. 4 POSITION DATA: LWR RH SIDE FOR NHA SEE: 55-10-51-04	103106 108120	RF
570	183N1204-9		.PANEL ASSY- POSITION DATA: LH SIDE	101102 504903	1
570	183N1204-9		.PANEL ASSY- POSITION DATA: LH SIDE	103106 108120	1
- 575	183N1204-10		.PANEL ASSY- POSITION DATA: RH SIDE	101102 504903	1
- 575	183N1204-10		.PANEL ASSY- POSITION DATA: RH SIDE	103106 108120	1
580	BACB30LR4-6		.BOLT	101102 504903	2
580	BACB30LR4-6		.BOLT	103106 108120	2
585	BACB30NN3K6		.BOLT	101102 504903	58

MISSING ITEM NUMBERS NOT APPLICABLE

- ITEM NOT ILLUSTRATED

55-16-01-02

55-16-01  
FIG. 02  
PAGE 9  
JAN 20/09

BRI

BOEING PROPRIETARY - Copyright © - Unpublished Work - See title page for details.



757

PARTS CATALOG (MAINTENANCE)

FIG ITEM	PART NUMBER	1 2 3 4 5 6 7	NOMENCLATURE	EFFECT FROM TO	UNITS PER ASSY
2					
585	BACB30NN3K6		.BOLT	103106 108120	58
- 650	183N1205-401		-----*----- PANEL INSTL-NO. 5 POSITION DATA: LWR LH SIDE FOR NHA SEE: 55-10-51-04	101102 504903	RF
- 650	183N1205-403		COLLECTOR ASSY-NO. 5 POSITION DATA: LWR LH SIDE FOR NHA SEE: 55-10-51-04	103106 108120	RF
- 655	183N1205-405		COLLECTOR ASSY-NO. 5 POSITION DATA: LWR LH SIDE FOR NHA SEE: 55-10-51-04	103106 108120	RF
- 660	183N1205-402		PANEL INSTL-NO. 5 POSITION DATA: LWR RH SIDE FOR NHA SEE: 55-10-51-04	101102 504903	RF
- 660	183N1205-404		COLLECTOR ASSY-NO. 5 POSITION DATA: LWR RH SIDE FOR NHA SEE: 55-10-51-04	103106 108120	RF
- 665	183N1205-406		COLLECTOR ASSY-NO. 5 POSITION DATA: LWR RH SIDE FOR NHA SEE: 55-10-51-04	103106 108120	RF
670	183N1205-9		.PANEL ASSY- POSITION DATA: LH SIDE	101102 504903	1
670	183N1205-9		.PANEL ASSY- POSITION DATA: LH SIDE	103106 108120	1
- 675	183N1205-10		.PANEL ASSY- POSITION DATA: RH SIDE	101102 504903	1
- 675	183N1205-10		.PANEL ASSY- POSITION DATA: RH SIDE	103106 108120	1
680	BACB30LR4-6		ATTACHING PARTS .BOLT	101102 504903	2

MISSING ITEM NUMBERS NOT APPLICABLE

- ITEM NOT ILLUSTRATED

55-16-01-02

55-16-01  
FIG. 02  
PAGE 10  
JAN 20/09

BRI

BOEING PROPRIETARY - Copyright © - Unpublished Work - See title page for details.



757

PARTS CATALOG (MAINTENANCE)

FIG ITEM	PART NUMBER	1 2 3 4 5 6 7	NOMENCLATURE	EFFECT FROM TO	UNITS PER ASSY
2					
680	BACB30LR4-6	.BOLT		103106 108120	2
685	BACB30NN3K6	.BOLT		101102 504903	57
685	BACB30NN3K6	.BOLT		103106 108120	57
			-----*-----		
- 750	183N1206-401	PANEL INSTL-NO. 6 POSITION DATA: LWR LH SIDE FOR NHA SEE: 55-10-51-04		101102 504903	RF
- 750	183N1206-403	COLLECTOR ASSY-NO. 6 POSITION DATA: LWR LH SIDE FOR NHA SEE: 55-10-51-04		103106 108120	RF
- 755	183N1206-405	COLLECTOR ASSY-NO. 6 POSITION DATA: LWR LH SIDE FOR NHA SEE: 55-10-51-04		103106 108120	RF
- 760	183N1206-402	PANEL INSTL-NO. 6 POSITION DATA: LWR RH SIDE FOR NHA SEE: 55-10-51-04		101102 504903	RF
- 760	183N1206-404	COLLECTOR ASSY-NO. 6 POSITION DATA: LWR RH SIDE FOR NHA SEE: 55-10-51-04		103106 108120	RF
- 765	183N1206-406	COLLECTOR ASSY-NO. 6 POSITION DATA: LWR RH SIDE FOR NHA SEE: 55-10-51-04		103106 108120	RF
770	183N1206-11	.PANEL ASSY- POSITION DATA: LH SIDE		101102 504903	1
770	183N1206-11	.PANEL ASSY- POSITION DATA: LH SIDE		103106 108120	1
- 775	183N1206-12	.PANEL ASSY- POSITION DATA: RH SIDE		101102 504903	1
- 775	183N1206-12	.PANEL ASSY- POSITION DATA: RH SIDE		103106 108120	1

MISSING ITEM NUMBERS NOT APPLICABLE

- ITEM NOT ILLUSTRATED

55-16-01-02

55-16-01  
FIG. 02  
PAGE 11  
JAN 20/09

BRI



757

PARTS CATALOG (MAINTENANCE)

FIG ITEM	PART NUMBER	1 2 3 4 5 6 7	NOMENCLATURE	EFFECT FROM TO	UNITS PER ASSY
2			ATTACHING PARTS		
780	BACB30LR4-6	.BOLT		101102 504903	2
780	BACB30LR4-6	.BOLT		103106 108120	2
785	BACB30NN3K6	.BOLT		101102 504903	54
785	BACB30NN3K6	.BOLT		103106 108120	54
790	BACW10UC417P	.WASHER		101102 504903	2
790	BACW10UC417P	.WASHER		103106 108120	2
		-----*			

MISSING ITEM NUMBERS NOT APPLICABLE

- ITEM NOT ILLUSTRATED

BRI

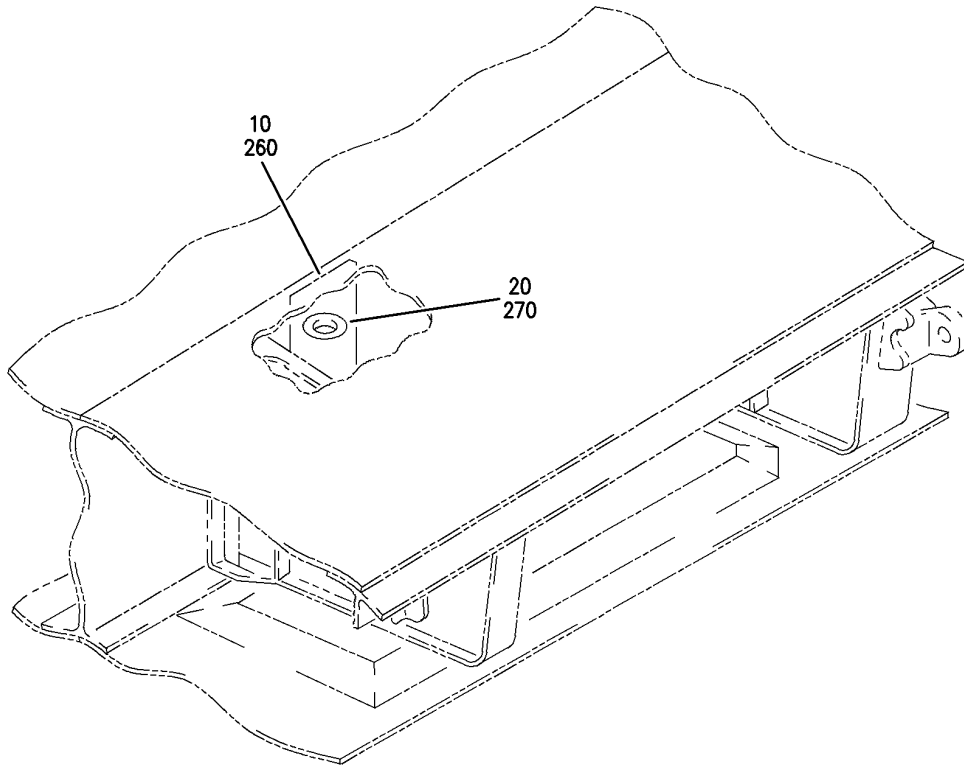
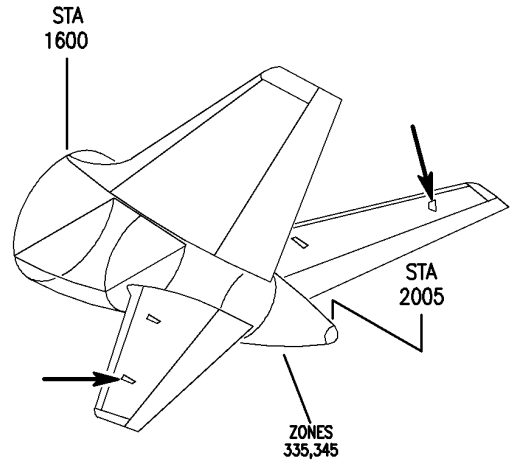
55-16-01-02

BOEING PROPRIETARY - Copyright © - Unpublished Work - See title page for details.

55-16-01  
FIG. 02  
PAGE 12  
JAN 20/09



**BOEING**  
757  
PARTS CATALOG (MAINTENANCE)



Y 55160103 REV 237

RECEIVER INSTL-PERSONNEL LIFELINE  
FIGURE 3

**55-16-01-03**

BRI  
MAY 28/07

55-16-01-03  
PAGE 0



757

PARTS CATALOG (MAINTENANCE)

FIG ITEM	PART NUMBER	1 2 3 4 5 6 7	NOMENCLATURE	EFFECT FROM TO	UNITS PER ASSY
3			RECEIVER INSTL-PERSONNEL LIFELINE	101106 108120 504903	
- 1	183N1337-1		RECEIVER INSTL- POSITION DATA: LH FOR NHA SEE: 55-10-51-04	101106 108120 504903	RF
- 5	183N1337-2		RECEIVER INSTL- POSITION DATA: RH FOR NHA SEE: 55-10-51-04	101106 108120 504903	RF
10	183N1337-5		.MOUNT ASSY-RCVR POSITION DATA: LH SIDE	101106 108120 504903	1
- 15	183N1337-6		.MOUNT ASSY-RCVR POSITION DATA: RH SIDE	101106 108120 504903	1
20	183N1337-40		..RECEIVER ASSY- ALTERED FROM PART NUMBER: RI280-1 V08844	101106 108120 504903	1
- 25	HL11VAZ5-4		ATTACHING PARTS ..BOLT SUPPLIER CODE: V60516 SPECIFICATION NUMBER: BACB30NW5K4 OPTIONAL PART: B30NW5K4 V97928 HL11VAZ5-4 V73197 HL11VAZ5-4 V92215 HL11VAZ5-4 V97928 L803-5K4 V06725 HL11VAZ5-4 V0PTK6 HL11VAZ5-4 V56878	101106 108120 504903	6

MISSING ITEM NUMBERS NOT APPLICABLE

- ITEM NOT ILLUSTRATED

55-16-01-03

55-16-01  
FIG. 03  
PAGE 1  
JAN 20/09

BRI



757

PARTS CATALOG (MAINTENANCE)

FIG ITEM	PART NUMBER	1 2 3 4 5 6 7	NOMENCLATURE	EFFECT FROM TO	UNITS PER ASSY
3 - 30	HL70-5		.. COLLAR SUPPLIER CODE: V5M902 SPECIFICATION NUMBER: BACC30M5 OPTIONAL PART: HL70-5 V73197 HL70-5 V92215 66014-5 V56878 HL70-5 V56878	101106 108120 504903	6
- 250	183N1337-3		-----*----- RECEIVER INSTL- POSITION DATA: LH FOR NHA SEE: 55-10-51-04	101106 108120 504903	RF
- 255	183N1337-4		RECEIVER INSTL- POSITION DATA: RH FOR NHA SEE: 55-10-51-04	101106 108120 504903	RF
260	183N1337-7		. MOUNT ASSY-RCVR POSITION DATA: LH SIDE	101106 108120 504903	1
- 265	183N1337-8		. MOUNT ASSY-RCVR POSITION DATA: RH SIDE	101106 108120 504903	1
270	183N1337-40		.. RECEIVER ASSY- ALTERED FROM PART NUMBER: RI280-1 V08844	101106 108120 504903	1

MISSING ITEM NUMBERS NOT APPLICABLE

- ITEM NOT ILLUSTRATED

55-16-01-03

55-16-01  
FIG. 03  
PAGE 2  
JAN 20/09

BRI



757

PARTS CATALOG (MAINTENANCE)

FIG ITEM	PART NUMBER	1 2 3 4 5 6 7	NOMENCLATURE	EFFECT FROM TO	UNITS PER ASSY
3			ATTACHING PARTS		
- 275	HL11VAZ5-4		.. BOLT SUPPLIER CODE: V60516 SPECIFICATION NUMBER: BACB30NW5K4 OPTIONAL PART: B30NW5K4 V97928 HL11VAZ5-4 V73197 HL11VAZ5-4 V92215 HL11VAZ5-4 V97928 L803-5K4 V06725 HL11VAZ5-4 V0PTK6 HL11VAZ5-4 V56878	101106 108120 504903	6
- 280	HL70-5		.. COLLAR SUPPLIER CODE: V5M902 SPECIFICATION NUMBER: BACC30M5 OPTIONAL PART: HL70-5 V73197 HL70-5 V92215 66014-5 V56878 HL70-5 V56878 -----*	101106 108120 504903	6

MISSING ITEM NUMBERS NOT APPLICABLE

- ITEM NOT ILLUSTRATED

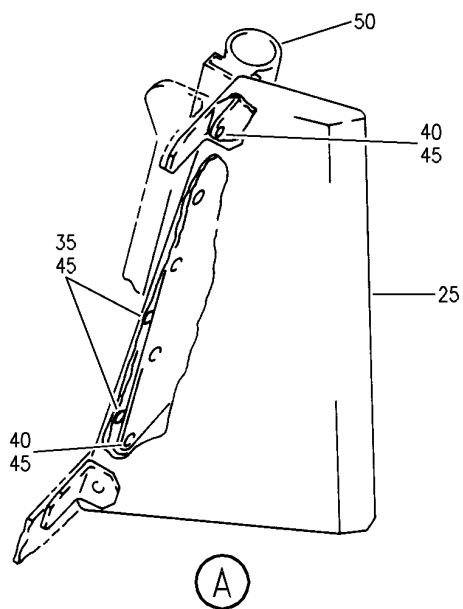
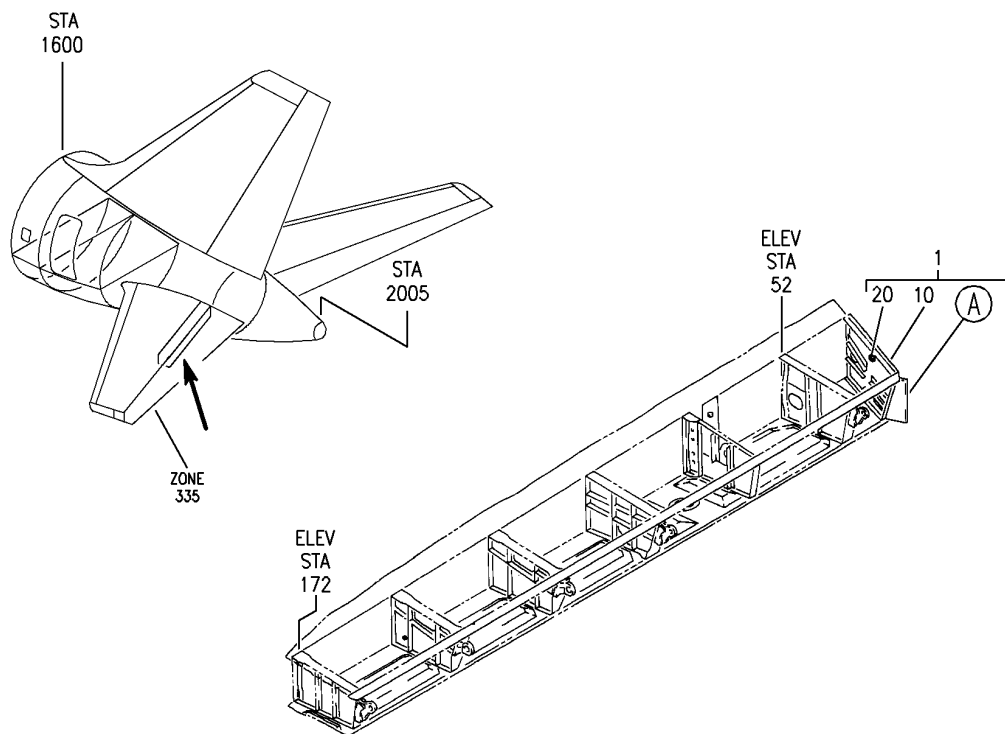
55-16-01-03

55-16-01  
FIG. 03  
PAGE 3  
JAN 20/09

BRI

BOEING PROPRIETARY - Copyright © - Unpublished Work - See title page for details.

**BOEING**  
757  
PARTS CATALOG (MAINTENANCE)



Y 55160501 REV 237

RIB INSTL-CLOSURE BODY HORIZONTAL STABILIZER TRAILING EDGE SEALS  
FIGURE 1

**55-16-05-01**

BRI  
MAY 28/07

55-16-05-01  
PAGE 0



757

PARTS CATALOG (MAINTENANCE)

FIG ITEM	PART NUMBER	1 2 3 4 5 6 7	NOMENCLATURE	EFFECT FROM TO	UNITS PER ASSY
1			RIB INSTL-CLOSURE BODY HORIZONTAL STABILIZER TRAILING EDGE SEALS	002004 006100 107107 121503 904999	
1	183N1601-1		RIB INSTL-CLOSURE BODY POSITION DATA: BL 42.00 LH SIDE FOR NHA SEE: 55-16-01-01	002004 006100 107107 121503 904999	RF
- 5	183N1601-2		RIB INSTL-CLOSURE BODY POSITION DATA: BL 42.00 RH SIDE FOR NHA SEE: 55-16-01-01	002004 006100 107107 121503 904999	RF
10	183N1601-3		.RIB ASSY- POSITION DATA: LH SIDE	002004 006100 107107 121503 904999	1
- 15	183N1601-4		.RIB ASSY- POSITION DATA: RH SIDE	002004 006100 107107 121503 904999	1
20	NAS557-6C		..GROMMET	002004 006100 107107 121503 904999	1
25	182N7300-1		.SEAL INSTL-STAB. TO BODY AND STAB. TO ELEV POSITION DATA: LH SIDE	002004 006100 107107 121503 904999	1
- 30	182N7300-2		.SEAL INSTL-STAB. TO BODY AND STAB. TO ELEV POSITION DATA: RH SIDE	002004 006100 107107 121503 904999	1
35	BACB30NM3K5		ATTACHING PARTS .BOLT	002004 006100 107107 121503 904999	2

MISSING ITEM NUMBERS NOT APPLICABLE

- ITEM NOT ILLUSTRATED

55-16-05-01

55-16-05  
FIG. 01  
PAGE 1  
JAN 20/09

BRI

**BOEING**  
757  
**PARTS CATALOG (MAINTENANCE)**

FIG ITEM	PART NUMBER	1 2 3 4 5 6 7	NOMENCLATURE	EFFECT FROM TO	UNITS PER ASSY
1	40 BACB30NM3K6		.BOLT	002004 006100 107107 121503 904999	5
	45 BACW10BN3AP		.WASHER	002004 006100 107107 121503 904999	7
	50 182N7300-9		-----*----- ..SEAL- POSITION DATA: LH SIDE MANUFACTURED FROM: EXTR RUBBER 10-60754-177 X 11.0 IN. OPTIONAL PART: 182N7300-11	002004 006100 107107 121503 904999	1
	50 182N7300-11		..SEAL- POSITION DATA: LH SIDE MANUFACTURED FROM: EXTR RUBBER 10-60754-221 X 11.0 IN. OPTIONAL PART: 182N7300-9	002004 006100 107107 121503 904999	1
-	55 182N7300-10		..SEAL- POSITION DATA: RH SIDE MANUFACTURED FROM: EXTR RUBBER 10-60754-177 X 11.0 IN. OPTIONAL PART: 182N7300-12	002004 006100 107107 121503 904999	1
-	55 182N7300-12		...SEAL- POSITION DATA: RH SIDE MANUFACTURED FROM: EXTR RUBBER 10-60754-221 X 11.0 IN. OPTIONAL PART: 182N7300-10	002004 006100 107107 121503 904999	1

MISSING ITEM NUMBERS NOT APPLICABLE

- ITEM NOT ILLUSTRATED

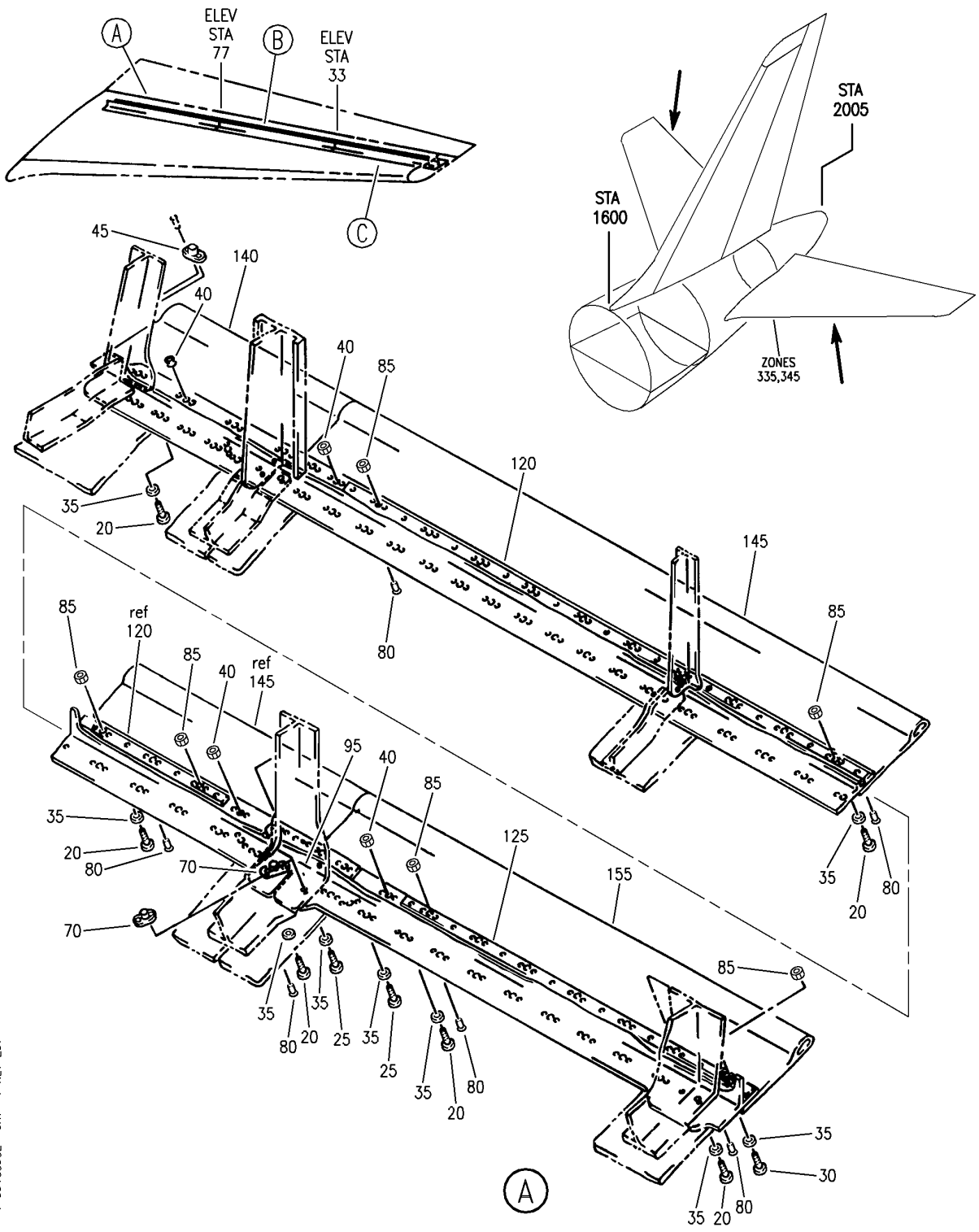
BRI

# 55-16-05-01

BOEING PROPRIETARY - Copyright © - Unpublished Work - See title page for details.

55-16-05  
FIG. 01  
PAGE 2  
JAN 20/09

**BOEING**  
757  
PARTS CATALOG (MAINTENANCE)



Y 55160502 SHT 1 REV 237

BEAM INSTL-HORIZ STAB. FXD TE LWR  
FIGURE 2 (SHEET 1)

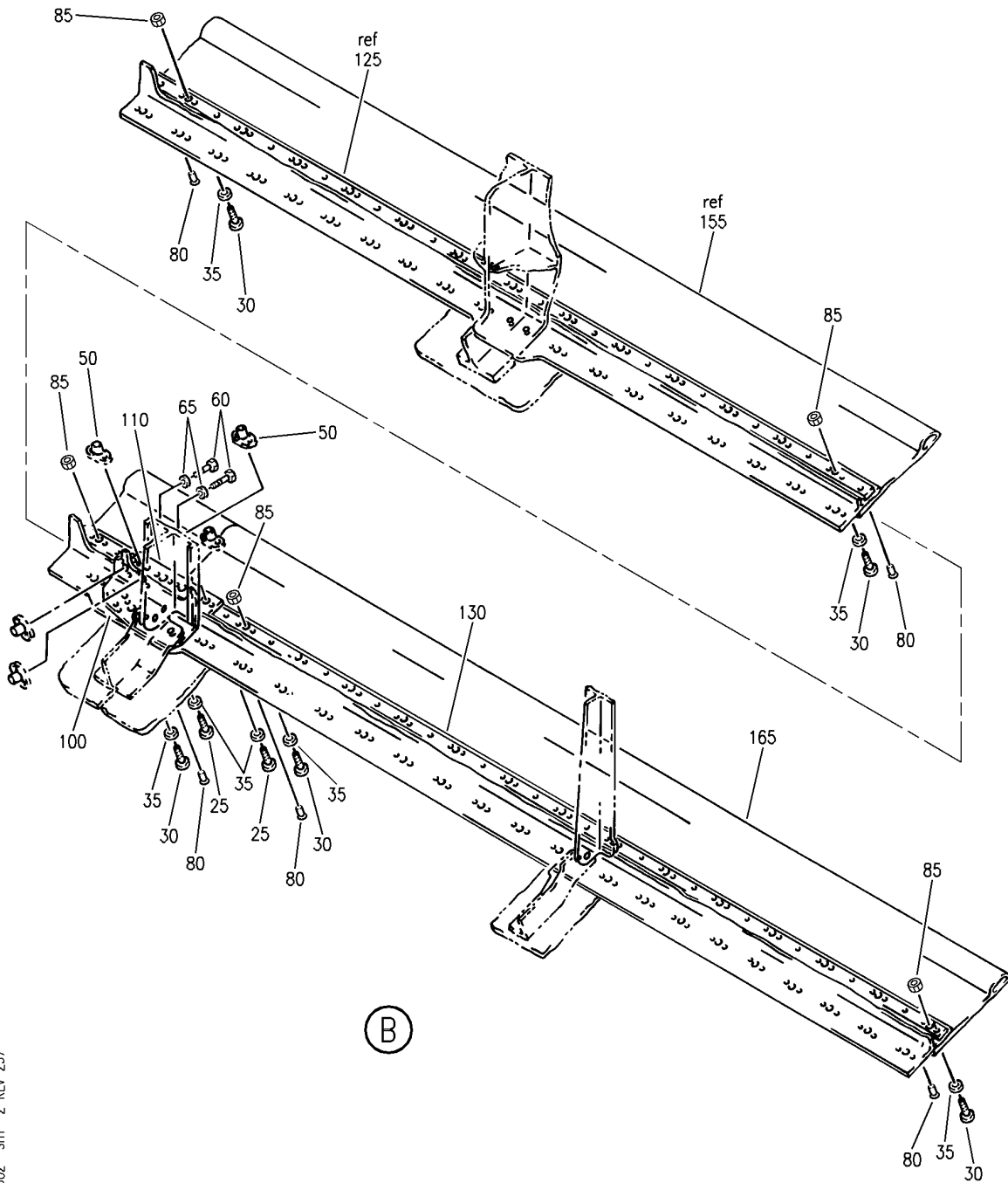
**55-16-05-02**

BRI  
MAY 28/07

55-16-05-02  
PAGE 0



**BOEING**  
757  
PARTS CATALOG (MAINTENANCE)



Y 55160502 SHT 2 REV 237

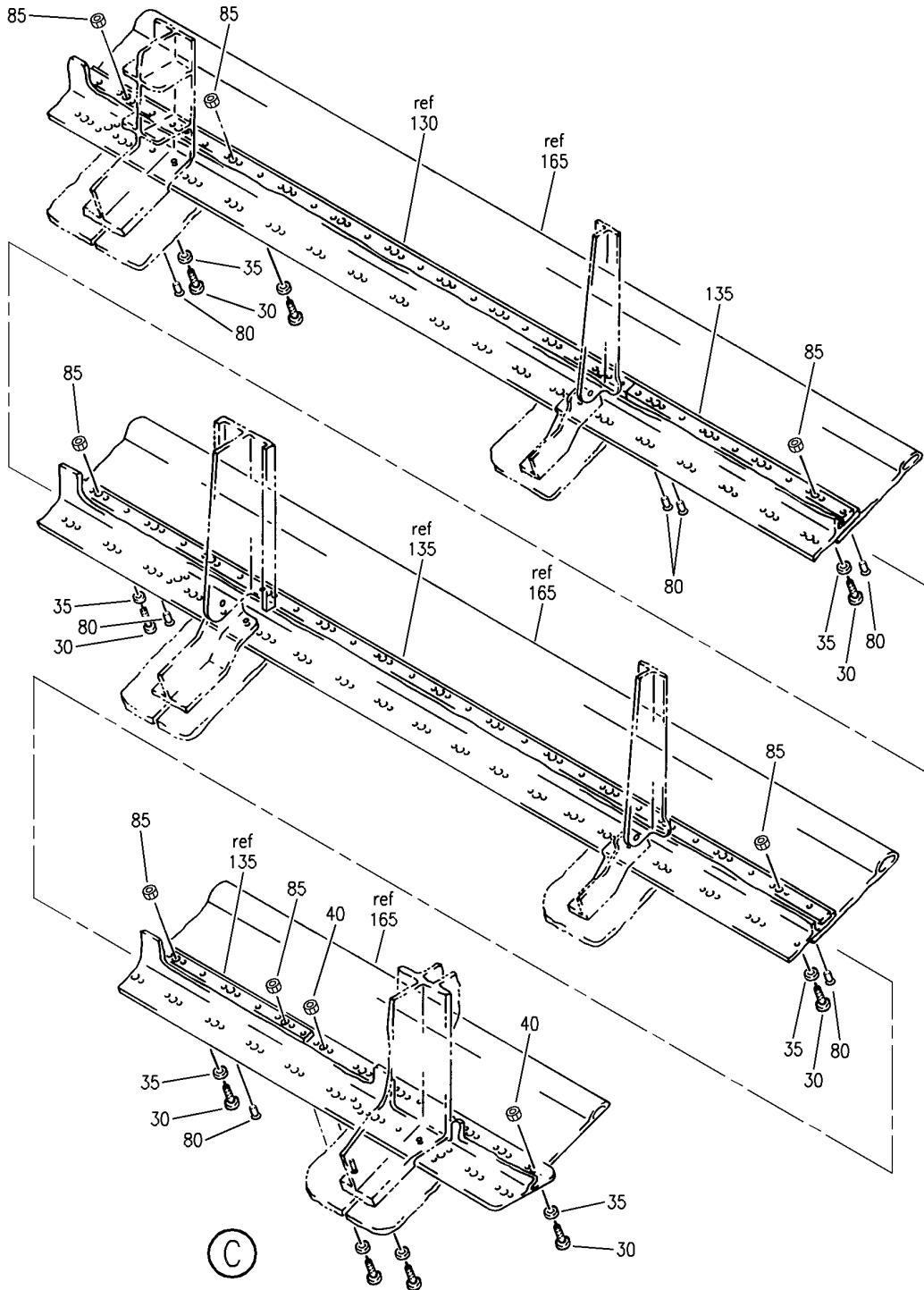
BEAM INSTL-HORIZ STAB. FXD TE LWR  
FIGURE 2 (SHEET 2)

**55-16-05-02**

BRI  
MAY 28/07

55-16-05-02  
PAGE 0A

**BOEING**  
757  
PARTS CATALOG (MAINTENANCE)



Y 55160502 SHT 3 REV 237

BEAM INSTL-HORIZ STAB. FXD TE LWR  
FIGURE 2 (SHEET 3)

**55-16-05-02**

BRI  
MAY 28/07

55-16-05-02  
PAGE 0B



757

PARTS CATALOG (MAINTENANCE)

FIG ITEM	PART NUMBER	1 2 3 4 5 6 7	NOMENCLATURE	EFFECT FROM TO	UNITS PER ASSY
2			BEAM INSTL-HORIZ STAB. FXD TE LWR	002004 006999	
- 1	183N1702-1		BEAM INSTL-HORIZ STAB. FXD TE POSITION DATA: LWR LH FOR NHA SEE: 55-16-01-01	002004 006100 107107 121503 904999	RF
- 5	183N1702-401		BEAM INSTL-HORIZ STAB. FXD TE POSITION DATA: LWR LH FOR NHA SEE: 55-10-51-04	101102 504903	RF
- 5	183N1702-403		BEAM INSTL-HORIZ STAB. FXD TE POSITION DATA: LWR LH FOR NHA SEE: 55-10-51-04	108120	RF
- 5	183N1702-407		BEAM INSTL-HORIZ STAB. FXD TE POSITION DATA: LWR LH FOR NHA SEE: 55-10-51-04	103106	RF
- 10	183N1702-2		BEAM INSTL-HORIZ STAB. FXD TE POSITION DATA: LWR RH FOR NHA SEE: 55-16-01-01	002004 006100 107107 121503 904999	RF
- 15	183N1702-402		BEAM INSTL-HORIZ STAB. FXD TE POSITION DATA: LWR RH FOR NHA SEE: 55-10-51-04	101102 504903	RF
- 15	183N1702-404		BEAM INSTL-HORIZ STAB. FXD TE POSITION DATA: LWR RH FOR NHA SEE: 55-10-51-04	108120	RF

MISSING ITEM NUMBERS NOT APPLICABLE

- ITEM NOT ILLUSTRATED

55-16-05-02

55-16-05  
FIG. 02  
PAGE 1  
JAN 20/09

BRI

 **BOEING**  
757  
**PARTS CATALOG (MAINTENANCE)**

FIG ITEM	PART NUMBER	1 2 3 4 5 6 7	NOMENCLATURE	EFFECT FROM TO	UNITS PER ASSY
2					
- 15	183N1702-408		BEAM INSTL-HORIZ STAB. FXD TE POSITION DATA: LWR RH FOR NHA SEE: 55-10-51-04	103106	RF
20	BACB30NN3K5		.BOLT	002004 006999	27
25	BACB30NN3K6		.BOLT	002004 006999	8
30	BACB30NN3K4		.BOLT	002004 006999	65
35	BACW10UC101P		.WASHER	002004 006999	100
40	BRFR220C3-2D		.NUTPLATE SUPPLIER CODE: V52828 SPECIFICATION NUMBER: BACN10KE3B2CD OPTIONAL PART: F51747-3-2CD V15653 102A9213-2-3 V72962 NS202493-02-2 V80539	002004 006999	17
45	BACN10YF32CM		.NUTPLATE	002004 006999	1
50	BRFR220C3-3D		.NUTPLATE SUPPLIER CODE: V52828 SPECIFICATION NUMBER: BACN10KE3B3CD OPTIONAL PART: F51747-3-3CD V15653 102A9213-3-3 V72962 NS202493-02-3 V80539	002004 006999	4
- 55	BACR15BA3AD		ATTACHING PARTS .RIVET	002004 006999	44
			-----*-----		
60	BACB30MR4K8		.BOLT	002004 006999	2
65	BACW10BP4CD		.WASHER	002004 006999	2

MISSING ITEM NUMBERS NOT APPLICABLE

- ITEM NOT ILLUSTRATED

BRI

# 55-16-05-02

BOEING PROPRIETARY - Copyright © - Unpublished Work - See title page for details.

55-16-05  
FIG. 02  
PAGE 2  
JAN 20/09



757

PARTS CATALOG (MAINTENANCE)

FIG ITEM	PART NUMBER	1 2 3 4 5 6 7	NOMENCLATURE	EFFECT FROM TO	UNITS PER ASSY
2	70 BRFR220C4-2D		.NUTPLATE SUPPLIER CODE: V52828 SPECIFICATION NUMBER: BACN10KE4B2CD OPTIONAL PART: F51747-4-2CD V15653 102A9213-2-4 V72962 NS202493-048-2 V80539 ATTACHING PARTS	002004 006999	2
- 75	BACR15BA4AD		.RIVET  -----*-----	002004 006999	4
80	BACR15BA3AD		.RIVET- SIZE DETERMINED ON INSTL.	002004 006999	82
85	BRFR220C3-2D		.NUTPLATE SUPPLIER CODE: V52828 SPECIFICATION NUMBER: BACN10KE3B2CD OPTIONAL PART: F51747-3-2CD V15653 102A9213-2-3 V72962 NS202493-02-2 V80539 ATTACHING PARTS	002004 006999	78
- 90	BACR15BA3AD		.RIVET  -----*-----	002004 006999	156
95	183N1702-5		.SPLICE	002004 006999	1
100	183N1702-3		.SPLICE- POSITION DATA: LH SIDE	002004 006999	1
- 105	183N1702-4		.SPLICE- POSITION DATA: RH SIDE	002004 006999	1
110	183N1702-6		.SPLICE- POSITION DATA: LH SIDE OPTIONAL PART: 183N1702-35	002004 006999	1

MISSING ITEM NUMBERS NOT APPLICABLE

- ITEM NOT ILLUSTRATED

55-16-05-02

55-16-05  
FIG. 02  
PAGE 3  
JAN 20/09

BRI



757

PARTS CATALOG (MAINTENANCE)

FIG ITEM	PART NUMBER	1 2 3 4 5 6 7	NOMENCLATURE	EFFECT FROM TO	UNITS PER ASSY
2					
110	183N1702-35	.	SPLICE- POSITION DATA: LH SIDE	002004 006999	1
- 115	183N1702-6	.	SPLICE- POSITION DATA: RH SIDE OPTIONAL PART: 183N1702-36	002004 006999	1
- 115	183N1702-36	.	SPLICE- POSITION DATA: RH SIDE	002004 006999	1
140	183N1702-27	.	SEAL- POSITION DATA: INBD LH SIDE ALTERED FROM PART NUMBER: 10-60754-674	002004 006999	1
140	183N1702-37	.	SEAL- POSITION DATA: INBD LH SIDE ALTERED FROM PART NUMBER: 10-60754-786	002004 006999	1
145	183N1702-29	.	SEAL- POSITION DATA: INBD LH SIDE ALTERED FROM PART NUMBER: 10-60754-675	002004 006999	1
145	183N1702-39	.	SEAL- POSITION DATA: INBD LH SIDE ALTERED FROM PART NUMBER: 10-60754-791	002004 006999	1
- 147	183N1702-28	.	SEAL- POSITION DATA: INBD RH SIDE ALTERED FROM PART NUMBER: 10-60754-674	002004 006999	1
- 147	183N1702-38	.	SEAL- POSITION DATA: INBD RH SIDE ALTERED FROM PART NUMBER: 10-60754-786	002004 006999	1
- 150	183N1702-30	.	SEAL- POSITION DATA: INBD RH SIDE ALTERED FROM PART NUMBER: 10-60754-676	002004 006999	1

MISSING ITEM NUMBERS NOT APPLICABLE

- ITEM NOT ILLUSTRATED

55-16-05-02

55-16-05  
FIG. 02  
PAGE 4  
JAN 20/09

BRI



757

PARTS CATALOG (MAINTENANCE)

FIG ITEM	PART NUMBER	1 2 3 4 5 6 7	NOMENCLATURE	EFFECT FROM TO	UNITS PER ASSY
2					
- 150	183N1702-40		.SEAL- POSITION DATA: INBD RH SIDE ALTERED FROM PART NUMBER: 10-60754-792	002004 006999	1
155	183N1702-31		.SEAL- POSITION DATA: CTR LH SIDE ALTERED FROM PART NUMBER: 10-60754-677	107107	1
155	183N1702-41		.SEAL- POSITION DATA: CTR LH SIDE ALTERED FROM PART NUMBER: 10-60754-793	002004 006106 108999	1
- 160	183N1702-32		.SEAL- POSITION DATA: CTR RH SIDE ALTERED FROM PART NUMBER: 10-60754-678	107107	1
- 160	183N1702-42		.SEAL- POSITION DATA: CTR RH SIDE ALTERED FROM PART NUMBER: 10-60754-794	002004 006106 108999	1
165	183N1702-33		.SEAL- POSITION DATA: OUTBD LH SIDE ALTERED FROM PART NUMBER: 10-60754-679	107107	1
165	183N1702-43		.SEAL- POSITION DATA: OUTBD LH SIDE ALTERED FROM PART NUMBER: 10-60754-795	002004 006106 108999	1
- 170	183N1702-34		.SEAL- POSITION DATA: OUTBD RH SIDE ALTERED FROM PART NUMBER: 10-60754-680	107107	1
- 170	183N1702-44		.SEAL- POSITION DATA: OUTBD RH SIDE ALTERED FROM PART NUMBER: 10-60754-796	002004 006106 108999	1

MISSING ITEM NUMBERS NOT APPLICABLE

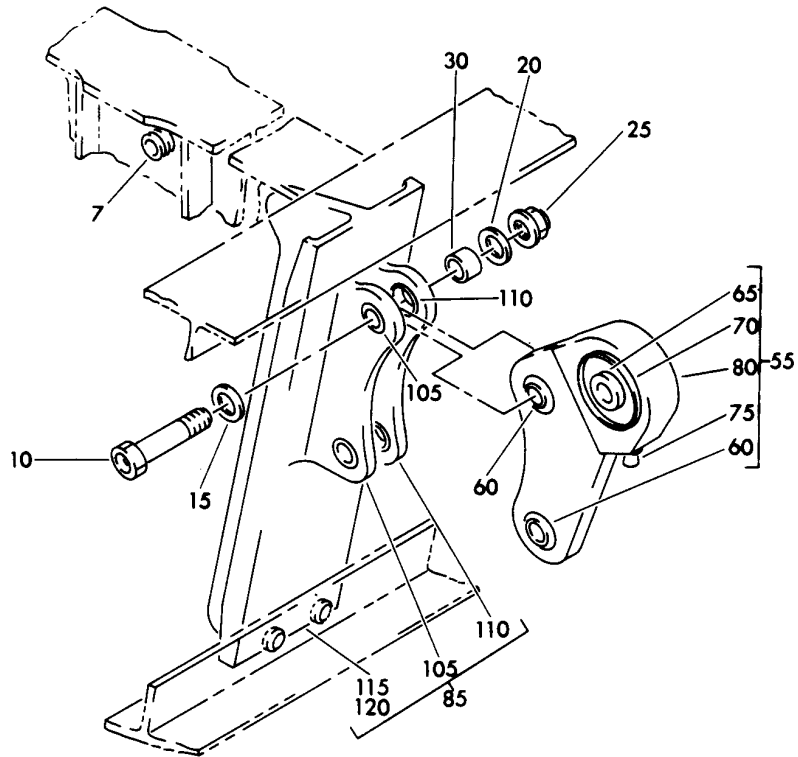
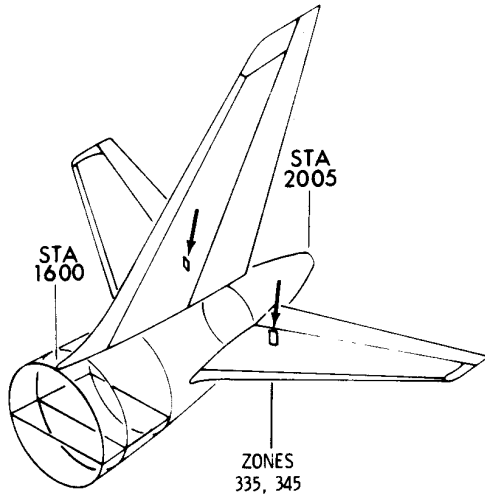
- ITEM NOT ILLUSTRATED

55-16-05-02

55-16-05  
FIG. 02  
PAGE 5  
JAN 20/09

BRI

**BOEING**  
757  
PARTS CATALOG (MAINTENANCE)



Y 55165101 SHT 1 REV 083

RIB INSTL-ELEV STA 52.554 HORIZ STAB. FXD TE (NO. 4)  
FIGURE 1

**55-16-51-01**

BRI  
MAY 28/07

55-16-51-01  
PAGE 0





757

PARTS CATALOG (MAINTENANCE)

FIG ITEM	PART NUMBER	1 2 3 4 5 6 7	NOMENCLATURE	EFFECT FROM TO	UNITS PER ASSY
1			RIB INSTL-ELEV STA 52.554 HORIZ STAB. FXD TE (NO. 4)	002004 006999	
- 1	183N1301-1		RIB INSTL-ELEV HORIZ STAB FXD NO. 4 POSITION DATA: STA 52.554 TE LH FOR NHA SEE: 55-16-01-01	002004 006100 107107 121503 904999	RF
- 1	183N1301-401		RIB INSTL-NO. 4 POSITION DATA: STA 52.554 LH FOR NHA SEE: 55-10-51-04	101102 504903	RF
- 1	183N1301-403		RIB INSTL-NO. 4 POSITION DATA: STA 52.554 LH FOR NHA SEE: 55-10-51-04	103106 108120	RF
- 5	183N1301-2		RIB INSTL-ELEV HORIZ STAB. FXD NO. 4 POSITION DATA: STA 52.554 TE RH FOR NHA SEE: 55-16-01-01	002004 006100 107107 121503 904999	RF
- 5	183N1301-402		RIB INSTL-NO. 4 POSITION DATA: STA 52.554 RH FOR NHA SEE: 55-10-51-04	101102 504903	RF
- 5	183N1301-404		RIB INSTL-NO. 4 POSITION DATA: STA 52.554 RH FOR NHA SEE: 55-10-51-04	103106 108120	RF
7	NAS557-8C		.GROMMET-	002004 006999	1
10	BACB30NM6K20		.BOLT	002004 006999	2
15	BACW10BP6CD		.WASHER	002004 006999	2
20	BACW10BP6DP		.WASHER	002004 006999	2
25	NAS1805-6N		.NUT	002004 006999	2
30	BACB28AK06-038		.BUSHING	002004 006999	2

MISSING ITEM NUMBERS NOT APPLICABLE

- ITEM NOT ILLUSTRATED

55-16-51-01

55-16-51  
FIG. 01  
PAGE 1  
JAN 20/09

BRI



757

PARTS CATALOG (MAINTENANCE)

FIG ITEM	PART NUMBER	1 2 3 4 5 6 7	NOMENCLATURE	EFFECT FROM TO	UNITS PER ASSY
1					
- 35	183N1301-25	.RIB ASSY-	POSITION DATA: LH SIDE	002004 006100 107107 121503 904999	1
- 35	183N1301-41	.RIB ASSY-	POSITION DATA: LH SIDE	101106 108120 504903	1
- 40	183N1301-26	.RIB ASSY-	POSITION DATA: RH SIDE	002004 006100 107107 121503 904999	1
- 40	183N1301-42	.RIB ASSY-	POSITION DATA: RH SIDE	101106 108120 504903	1
55	183N1321-1	..PLATE ASSY-	HINGE	002004 006999	1
60	WHTC6V	...BEARING-	SUPPLIER CODE: VS0352 OPTIONAL PART: ADW6VP V15860 MS14103-6P	002004 006999	2
60	ADW6VP	...BEARING-	SUPPLIER CODE: V15860 OPTIONAL PART: WHTC6V V50294 MS14103-6P	002004 006999	2
60	MS14103-6P	...BEARING-	OPTIONAL PART: ADW6VP V15860 WHTC6V V50294	002004 006999	2

MISSING ITEM NUMBERS NOT APPLICABLE

- ITEM NOT ILLUSTRATED

55-16-51-01

55-16-51  
FIG. 01  
PAGE 2  
JAN 20/09

BRI

BOEING PROPRIETARY - Copyright © - Unpublished Work - See title page for details.



757

PARTS CATALOG (MAINTENANCE)

FIG ITEM	PART NUMBER	1 2 3 4 5 6 7	NOMENCLATURE	EFFECT FROM TO	UNITS PER ASSY
1					
65	DAS6-23A1-514	...	BEARING SUPPLIER CODE: V77896 SPECIFICATION NUMBER: BACB10CH60C OPTIONAL PART: ASRD6CH30B VS0352 DAS6-23A52 V77896 DAS6-23A48 V77896 ASRD6C30B VS0352	002004 006999	1
70	69B01706-2	...	SLEEVE-BEARING	002004 006999	1
75	MS15001-1	...	FITTING	002004 006999	1
80	183N1321-2	...	HINGE	002004 006999	1
85	183N1318-1	..	SUPPORT- POSITION DATA: LH SIDE	002004 006999	1
- 90	183N1318-2	..	SUPPORT- POSITION DATA: RH SIDE	002004 006999	1
- 95	L8006K5	..	BOLT ATTACHING PARTS SUPPLIER CODE: V06725 SPECIFICATION NUMBER: BACB30MY6K5	002004 006999	4
- 100	HL79-6	..	COLLAR- SUPPLIER CODE: V5M902 SPECIFICATION NUMBER: BACC30M6 OPTIONAL PART: HL79-6 V73197 HL79-6 V92215 66014-6 V56878 HL79-6 V56878	002004 006999	4
105	BACB28AP06P019	-----*	BUSHING	002004 006999	2

MISSING ITEM NUMBERS NOT APPLICABLE

- ITEM NOT ILLUSTRATED

55-16-51-01

55-16-51  
FIG. 01  
PAGE 3  
JAN 20/09

BRI

BOEING PROPRIETARY - Copyright © - Unpublished Work - See title page for details.



757

PARTS CATALOG (MAINTENANCE)

FIG ITEM	PART NUMBER	1 2 3 4 5 6 7	NOMENCLATURE	EFFECT FROM TO	UNITS PER ASSY
1					
110	BACB28AM09B019A	. . .	BUSHING	002004 006999	2
115	183N1318-3	. . .	SUPPORT-HINGE USED ON: 183N1318-1	002004 006999	1
120	183N1318-4	. . .	SUPPORT-HINGE USED ON: 183N1318-2	002004 006999	1

MISSING ITEM NUMBERS NOT APPLICABLE

- ITEM NOT ILLUSTRATED

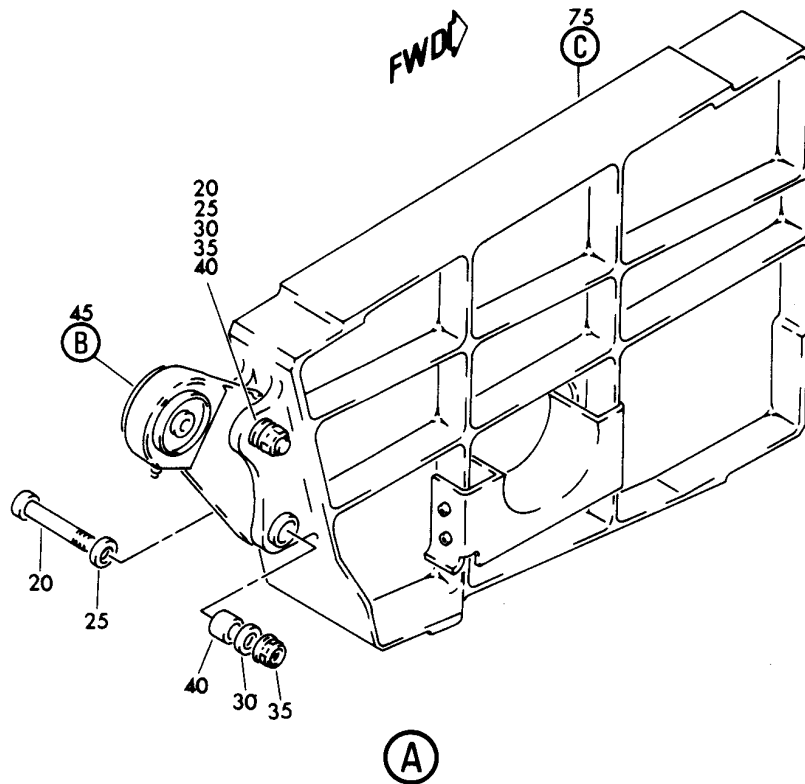
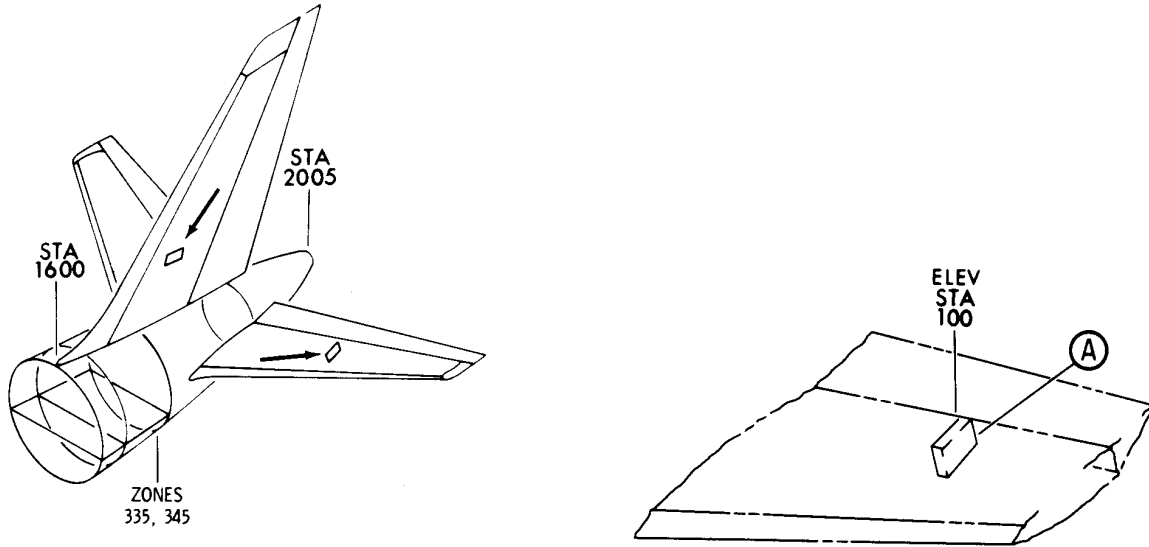
BRI

55-16-51-01

BOEING PROPRIETARY - Copyright © - Unpublished Work - See title page for details.

55-16-51  
FIG. 01  
PAGE 4  
JAN 20/09

**BOEING**  
757  
PARTS CATALOG (MAINTENANCE)



Y 55165102 SHT 1 REV 009

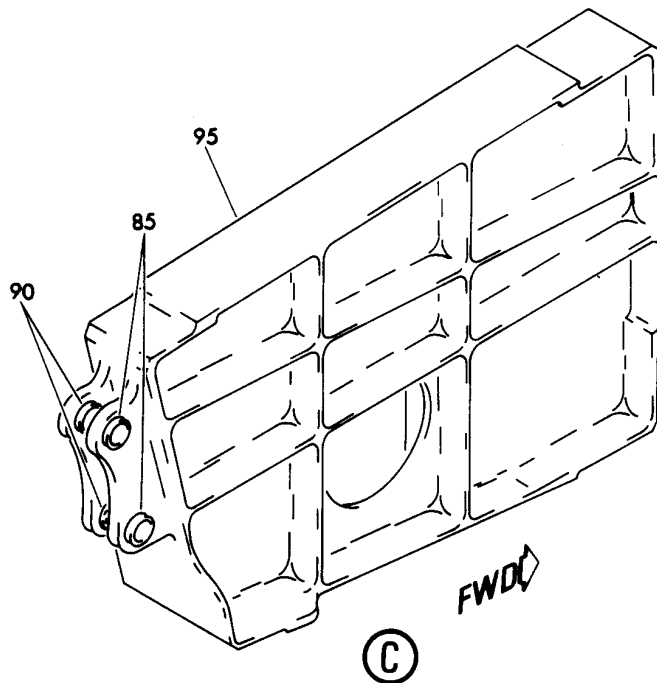
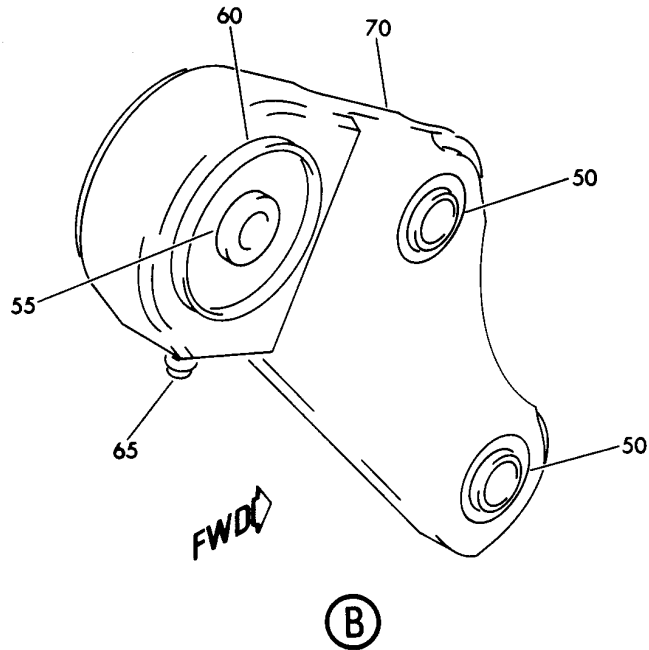
RIB INSTL-ELEV STA 100.540 HORIZ STAB. FXD TE (NO. 6)  
FIGURE 2 (SHEET 1)

**55-16-51-02**

BRI  
MAY 28/07

55-16-51-02  
PAGE 0

**BOEING**  
757  
PARTS CATALOG (MAINTENANCE)



Y 55 165 102 SHT 2 REV 008

RIB INSTL-ELEV STA 100.540 HORIZ STAB. FXD TE (NO. 6)  
FIGURE 2 (SHEET 2)

**55-16-51-02**

BRI  
MAY 28/07

55-16-51-02  
PAGE 0A



757

PARTS CATALOG (MAINTENANCE)

FIG ITEM	PART NUMBER	1 2 3 4 5 6 7	NOMENCLATURE	EFFECT FROM TO	UNITS PER ASSY
2			RIB INSTL-ELEV STA 100.540 HORIZ STAB. FXD TE (NO. 6)	002004 006999	
- 1	183N1302-1		RIB INSTL-NO. 6 POSITION DATA: STA 100.540 TE LH FOR NHA SEE: 55-16-01-01	002004 006100 107107 121503 904999	RF
- 1	183N1302-401		RIB INSTL-NO. 6 POSITION DATA: STA 100.540 LH FOR NHA SEE: 55-10-51-04	101106 108120 504903	RF
- 5	183N1302-2		RIB INSTL-NO. 6 POSITION DATA: STA 100.540 TE RH FOR NHA SEE: 55-16-01-01	002004 006100 107107 121503 904999	RF
- 5	183N1302-402		RIB INSTL-NO. 6 POSITION DATA: STA 100.540 RH FOR NHA SEE: 55-10-51-04	101106 108120 504903	RF
- 10	183N1302-3		.RIB ASSY- POSITION DATA: LH SIDE	002004 006100 107107 121503 904999	1
- 10	183N1302-13		.RIB ASSY- POSITION DATA: LH SIDE	101106 108120 504903	1
- 15	183N1302-4		.RIB ASSY- POSITION DATA: RH SIDE	002004 006100 107107 121503 904999	1
- 15	183N1302-14		.RIB ASSY- POSITION DATA: RH SIDE	101106 108120 504903	1
20	BACB30NM6K24		..BOLT	002004 006999	2
25	BACW10BP6CD		..WASHER	002004 006999	2
30	BACW10BP6DP		..WASHER	002004 006999	2

MISSING ITEM NUMBERS NOT APPLICABLE

- ITEM NOT ILLUSTRATED

55-16-51-02

55-16-51  
FIG. 02  
PAGE 1  
JAN 20/09

BRI

 **BOEING**  
757  
**PARTS CATALOG (MAINTENANCE)**

FIG ITEM	PART NUMBER	1 2 3 4 5 6 7	NOMENCLATURE	EFFECT FROM TO	UNITS PER ASSY
2					
35	NAS1805-6N	..	NUT	002004 006100 107107 121503 904999	2
35	NAS1805-6L	..	NUT	101106 108120 504903	2
40	BACB28AK06-050	..	BUSHING	002004 006999	2
45	183N1321-1	..	PLATE ASSY-HINGE	002004 006999	1
50	WHTC6V	...	BEARING- SUPPLIER CODE: VS0352 OPTIONAL PART: ADW6VP V15860 MS14103-6P	002004 006999	2
50	ADW6VP	...	BEARING- SUPPLIER CODE: V15860 OPTIONAL PART: WHTC6V V50294 MS14103-6P	002004 006999	2
50	MS14103-6P	...	BEARING- OPTIONAL PART: ADW6VP V15860 WHTC6V V50294	002004 006999	2
55	DAS6-23A1-514	...	BEARING SUPPLIER CODE: V77896 SPECIFICATION NUMBER: BACB10CH60C OPTIONAL PART: ASRD6CH30B VS0352 DAS6-23A52 V77896 DAS6-23A48 V77896 ASRD6C30B VS0352	002004 006999	1
60	69B01706-2	...	SLEEVE	002004 006999	1

MISSING ITEM NUMBERS NOT APPLICABLE

— ITEM NOT ILLUSTRATED

BRI

# 55-16-51-02

BOEING PROPRIETARY - Copyright © - Unpublished Work - See title page for details.

55-16-51  
FIG. 02  
PAGE 2  
JAN 20/09





757

PARTS CATALOG (MAINTENANCE)

FIG ITEM	PART NUMBER	1 2 3 4 5 6 7	NOMENCLATURE	EFFECT FROM TO	UNITS PER ASSY
2					
65	MS15001-1	...	FITTING	002004 006999	1
70	183N1321-2	...	HINGE	002004 006999	1
75	183N1308-9	..	FITTING ASSY- POSITION DATA: LH SIDE	002004 006999	1
- 80	183N1308-10	..	FITTING ASSY- POSITION DATA: RH SIDE	002004 006999	1
85	BACB28AM09B032A	...	BUSHING	002004 006999	2
90	BACB28AP06P030	...	BUSHING	002004 006999	2
95	183N1308-11	...	FITTING- POSITION DATA: LH SIDE	002004 006999	1
- 100	183N1308-12	...	FITTING- POSITION DATA: RH SIDE	002004 006999	1

MISSING ITEM NUMBERS NOT APPLICABLE

- ITEM NOT ILLUSTRATED

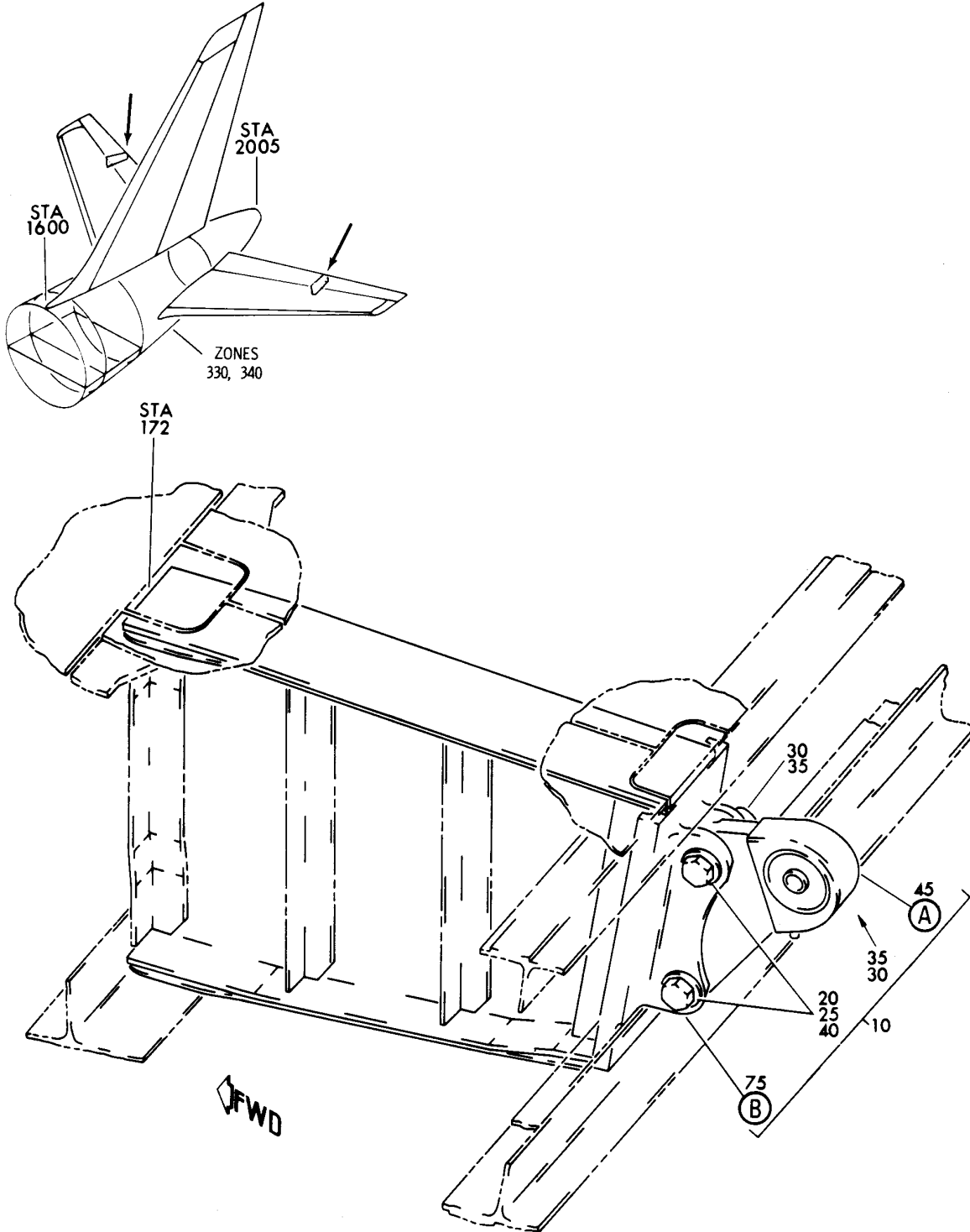
BRI

55-16-51-02

BOEING PROPRIETARY - Copyright © - Unpublished Work - See title page for details.

55-16-51  
FIG. 02  
PAGE 3  
JAN 20/09

**BOEING**  
757  
PARTS CATALOG (MAINTENANCE)



Y 55185103 SHT 1 REV 008

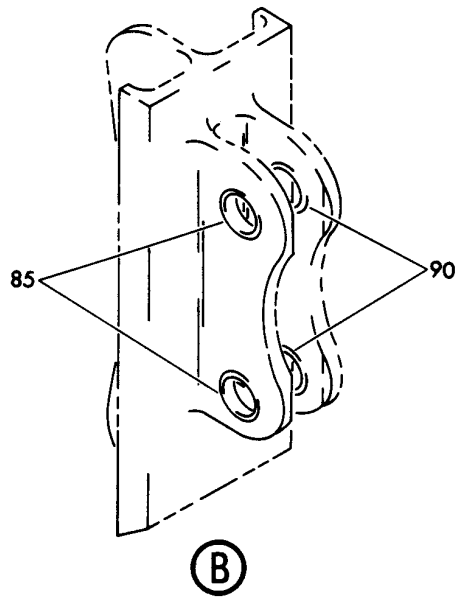
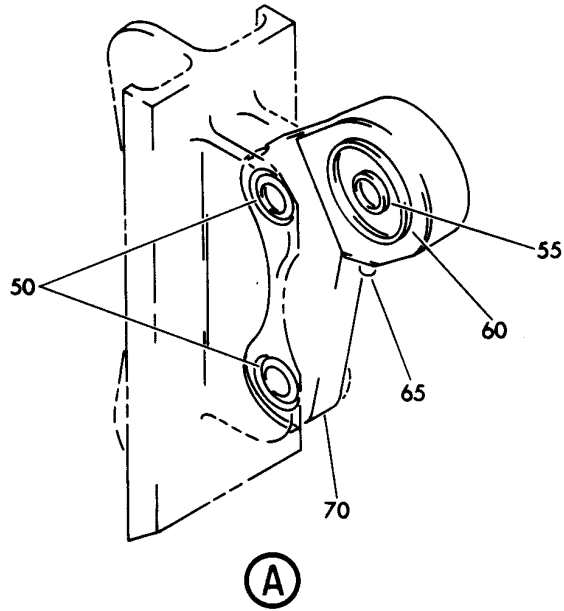
RIB INSTL-ELEV STA 172.521 HORIZ STAB. FXD TE (NO. 9)  
FIGURE 3 (SHEET 1)

**55-16-51-03**

BRI  
MAY 28/07

55-16-51-03  
PAGE 0

**BOEING**  
757  
PARTS CATALOG (MAINTENANCE)



Y 55185103 SHT 2 REV 008

RIB INSTL-ELEV STA 172.521 HORIZ STAB. FXD TE (NO. 9)  
FIGURE 3 (SHEET 2)

**55-16-51-03**

BRI  
MAY 28/07

55-16-51-03  
PAGE 0A



757

PARTS CATALOG (MAINTENANCE)

FIG ITEM	PART NUMBER	1 2 3 4 5 6 7	NOMENCLATURE	EFFECT FROM TO	UNITS PER ASSY
3			RIB INSTL-ELEV STA 172.521 HORIZ STAB. FXD TE (NO. 9)	002004 006999	
- 1	183N1303-1		RIB INSTL-NO. 9 POSITION DATA: STA 172.521 TE LH FOR NHA SEE: 55-16-01-01	002004 006100 107107 121503 904999	RF
- 1	183N1303-401		RIB INSTL-NO. 9 POSITION DATA: STA 172.521 LH FOR NHA SEE: 55-10-51-04	101106 108120 504903	RF
- 5	183N1303-2		RIB INSTL-NO. 9 POSITION DATA: STA 172.521 TE RH FOR NHA SEE: 55-16-01-01	002004 006100 107107 121503 904999	RF
- 5	183N1303-402		RIB INSTL-NO. 9 POSITION DATA: STA 172.521 LH FOR NHA SEE: 55-10-51-04	101106 108120 504903	RF
10	183N1303-15		.RIB ASSY- POSITION DATA: LH SIDE	002004 006999	1
- 15	183N1303-16		.RIB ASSY- POSITION DATA: RH SIDE	002004 006999	1
20	BACB30NM6K20		..BOLT	002004 006999	2
25	BACW10BP6CD		..WASHER- POSITION DATA: UNDER HEAD	002004 006999	2
30	BACW10BP6DP		..WASHER- POSITION DATA: UNDER NUT	002004 006999	2
35	NAS1805-6N		..NUT	002004 006100 107107 121503 904999	2
35	NAS1805-6L		..NUT	101106 108120 504903	2
40	BACB28AK06-038		..BUSHING-	002004 006999	2
45	183N1321-1		..PLATE ASSY-HINGE	002004 006999	1

MISSING ITEM NUMBERS NOT APPLICABLE

- ITEM NOT ILLUSTRATED

55-16-51-03

55-16-51  
FIG. 03  
PAGE 1  
JAN 20/09

BRI



757

PARTS CATALOG (MAINTENANCE)

FIG ITEM	PART NUMBER	1 2 3 4 5 6 7	NOMENCLATURE	EFFECT FROM TO	UNITS PER ASSY
3					
50	WHTC6V	...	BEARING- SUPPLIER CODE: VS0352 OPTIONAL PART: ADW6VP V15860 MS14103-6P	002004 006999	2
50	ADW6VP	...	BEARING- SUPPLIER CODE: V15860 OPTIONAL PART: WHTC6V V50294 MS14103-6P	002004 006999	2
50	MS14103-6P	...	BEARING- OPTIONAL PART: ADW6VP V15860 WHTC6V V50294	002004 006999	2
55	DAS6-23A1-514	...	BEARING SUPPLIER CODE: V77896 SPECIFICATION NUMBER: BACB10CH60C OPTIONAL PART: ASRD6CH30B VS0352 DAS6-23A52 V77896 DAS6-23A48 V77896 ASRD6C30B VS0352	002004 006999	1
60	69B01706-2	...	SLEEVE	002004 006999	1
65	MS15001-1	...	FITTING	002004 006999	1
70	183N1321-2	...	HINGE	002004 006999	1
75	183N1319-1	..	SUPPORT ASSY- POSITION DATA: LH SIDE	002004 006999	1
- 80	183N1319-2	..	SUPPORT ASSY- POSITION DATA: RH SIDE	002004 006999	1
85	BACB28AP06P019	...	BUSHING	002004 006999	2

MISSING ITEM NUMBERS NOT APPLICABLE

- ITEM NOT ILLUSTRATED

55-16-51-03

55-16-51  
FIG. 03  
PAGE 2  
SEP 20/08

BRI



757

PARTS CATALOG (MAINTENANCE)

FIG ITEM	PART NUMBER	1 2 3 4 5 6 7	NOMENCLATURE	EFFECT FROM TO	UNITS PER ASSY
3 90	BACB28AM09B019A	. . .	BUSHING	002004 006999	2

MISSING ITEM NUMBERS NOT APPLICABLE

- ITEM NOT ILLUSTRATED

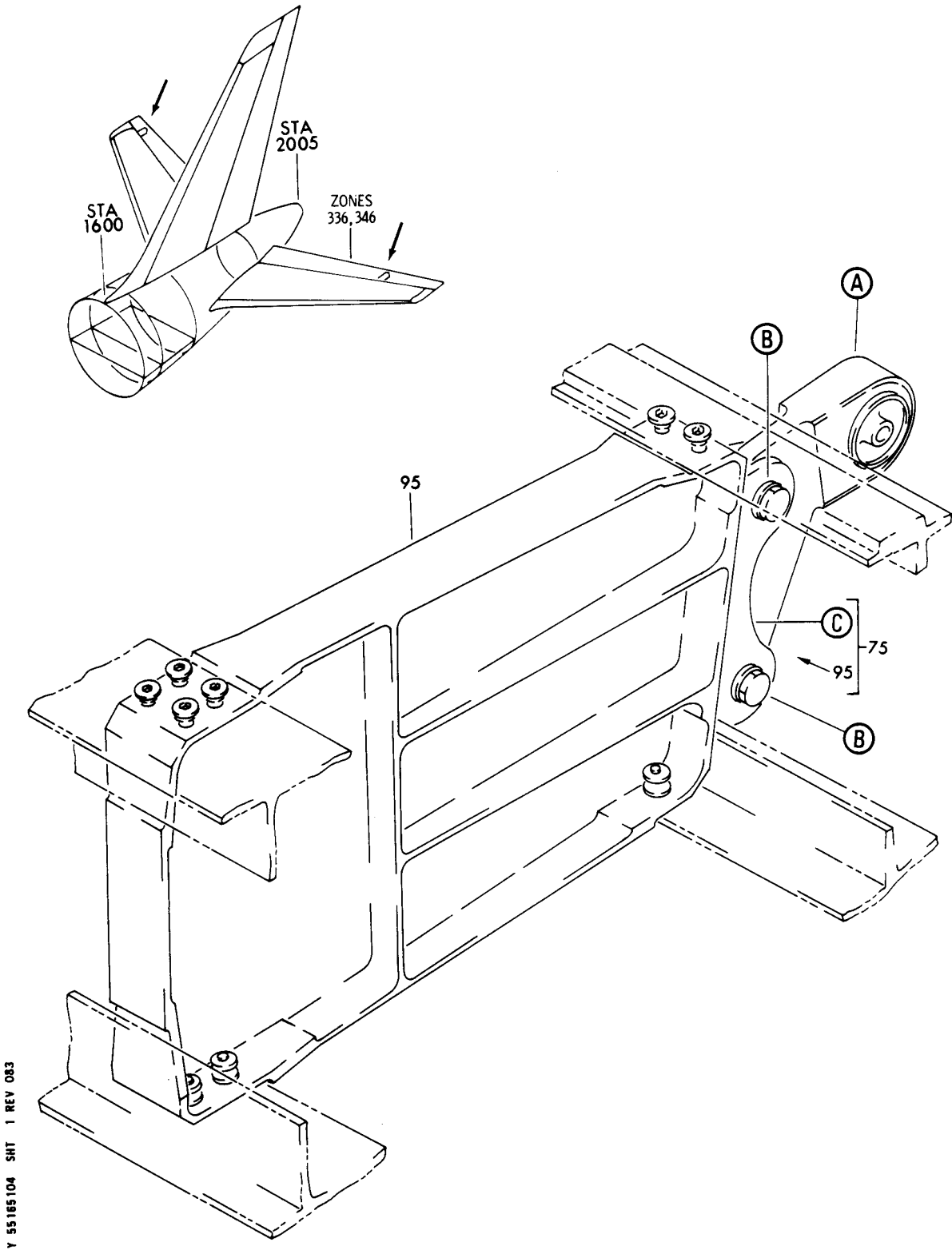
BRI

55-16-51-03

BOEING PROPRIETARY - Copyright © - Unpublished Work - See title page for details.

55-16-51  
FIG. 03  
PAGE 3  
SEP 20/08

**BOEING**  
757  
PARTS CATALOG (MAINTENANCE)



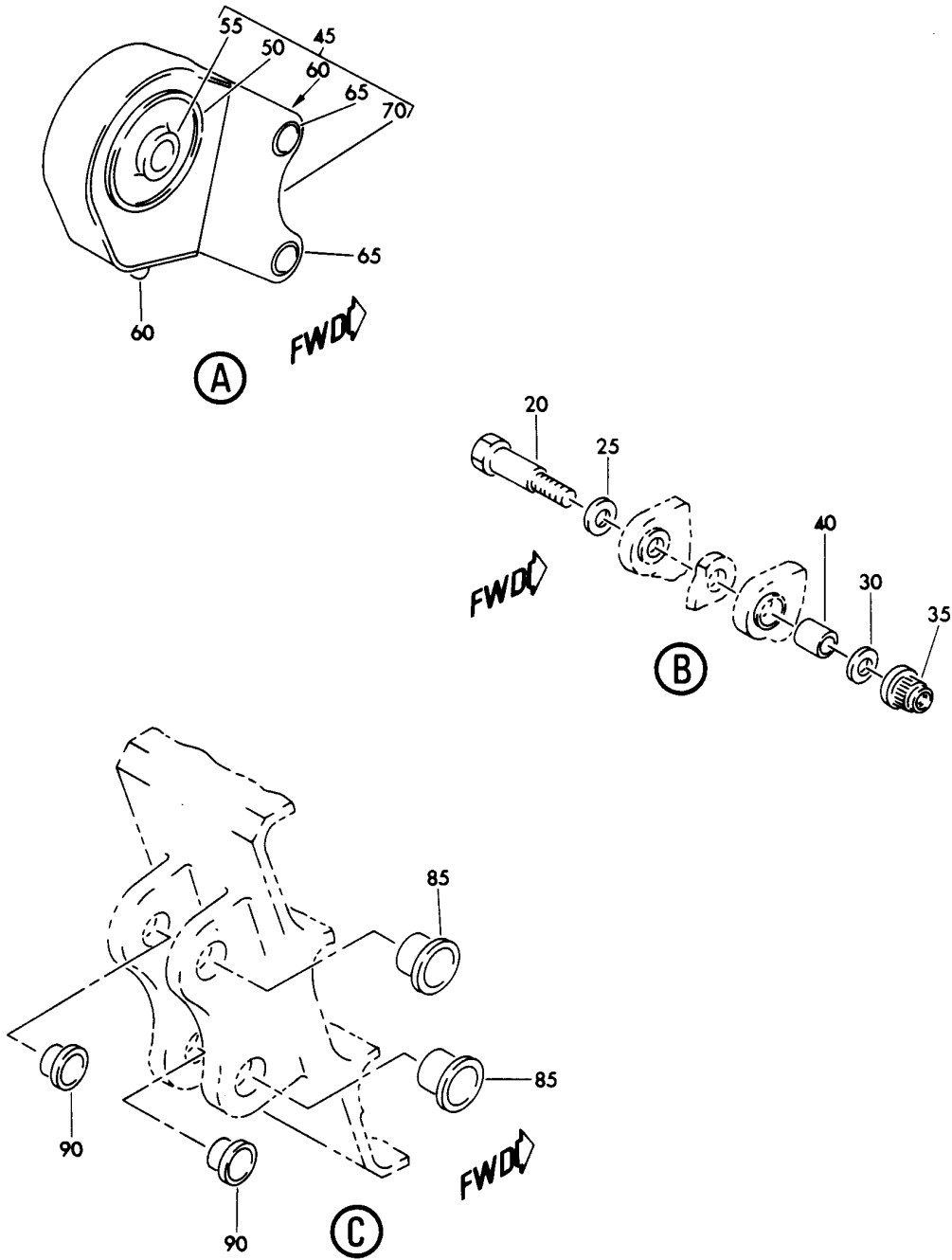
RIB INSTL-ELEV STA 220.508 HORIZ STAB. FXD TE (NO. 11)  
FIGURE 4 (SHEET 1)

**55-16-51-04**

BRI  
MAY 28/07

55-16-51-04  
PAGE 0

**BOEING**  
757  
PARTS CATALOG (MAINTENANCE)



Y 55185104 SH1 2 REV 004

RIB INSTL-ELEV STA 220.508 HORIZ STAB. FXD TE (NO. 11)  
FIGURE 4 (SHEET 2)

**55-16-51-04**

BRI  
MAY 28/07

55-16-51-04  
PAGE 0A





757

PARTS CATALOG (MAINTENANCE)

FIG ITEM	PART NUMBER	1 2 3 4 5 6 7	NOMENCLATURE	EFFECT FROM TO	UNITS PER ASSY
4			RIB INSTL-ELEV STA 220.508 HORIZ STAB. FXD TE (NO. 11)	002004 006999	
- 1	183N1304-1		RIB INSTL-ELEV HORIZ STAB. FXD NO. 11 POSITION DATA: STA 220.508 TE LH FOR NHA SEE: 55-16-01-01	002004 006100 107107 121503 904999	RF
- 2	183N1304-401		RIB INSTL-ELEV HORIZ STAB. FXD NO. 11 TE POSITION DATA: STA 220.508 LH FOR NHA SEE: 55-10-51-04	101106 108120 504903	RF
- 5	183N1304-2		RIB INSTL-ELEV HORIZ STAB. FXD NO. 11 POSITION DATA: STA 220.508 TE RH FOR NHA SEE: 55-16-01-01	002004 006100 107107 121503 904999	RF
- 6	183N1304-402		RIB INSTL-ELEV HORIZ STAB. FXD NO. 11 TE POSITION DATA: STA 220.508 RH FOR NHA SEE: 55-10-51-04	101106 108120 504903	RF
10	183N1304-3		.RIB ASSY- POSITION DATA: LH SIDE	002004 006100 107107 121503 904999	1
10	183N1304-9		.RIB ASSY- POSITION DATA: LH SIDE	101106 108120 504903	1
- 15	183N1304-4		.RIB ASSY- POSITION DATA: RH SIDE	002004 006100 107107 121503 904999	1
- 15	183N1304-10		.RIB ASSY- POSITION DATA: RH SIDE	101106 108120 504903	1
20	BACB30NM6K20		..BOLT	002004 006999	2
25	BACW10BP6CD		..WASHER- POSITION DATA: UNDER HEAD	002004 006999	2

MISSING ITEM NUMBERS NOT APPLICABLE

- ITEM NOT ILLUSTRATED

55-16-51-04

55-16-51  
FIG. 04  
PAGE 1  
JAN 20/09

BRI



757

PARTS CATALOG (MAINTENANCE)

FIG ITEM	PART NUMBER	1 2 3 4 5 6 7	NOMENCLATURE	EFFECT FROM TO	UNITS PER ASSY
4					
30	BACW10BP6DP	..	WASHER- POSITION DATA: UNDER NUT	002004 006999	2
35	NAS1805-6N	..	NUT	002004 006999	2
40	BACB28AK06-042	..	BUSHING-	002004 006999	2
45	183N1330-1	..	PLATE ASSY-HINGE	002004 006999	1
50	69B01706-2	...	SLEEVE	002004 006999	1
55	DAS6-23A1-514	...	BEARING SUPPLIER CODE: V77896 SPECIFICATION NUMBER: BACB10CH60C OPTIONAL PART: ASRD6CH30B VS0352 DAS6-23A52 V77896 DAS6-23A48 V77896 ASRD6C30B VS0352	002004 006999	1
60	MS15001-1	...	FITTING	002004 006999	1
65	WHTC6V	...	BEARING- SUPPLIER CODE: VS0352 OPTIONAL PART: ADW6VP V15860 MS14103-6P	002004 006999	2
65	ADW6VP	...	BEARING- SUPPLIER CODE: V15860 OPTIONAL PART: WHTC6V V50294 MS14103-6P	002004 006999	2
65	MS14103-6P	...	BEARING- OPTIONAL PART: ADW6VP V15860 WHTC6V V50294	002004 006999	2
70	183N1330-2	...	PLATE	002004 006999	1

MISSING ITEM NUMBERS NOT APPLICABLE

- ITEM NOT ILLUSTRATED

55-16-51-04

55-16-51  
FIG. 04  
PAGE 2  
JAN 20/09

BRI

BOEING PROPRIETARY - Copyright © - Unpublished Work - See title page for details.



757

PARTS CATALOG (MAINTENANCE)

FIG ITEM	PART NUMBER	1 2 3 4 5 6 7	NOMENCLATURE	EFFECT FROM TO	UNITS PER ASSY
4	75 183N1331-1		..FITTING ASSY- POSITION DATA: LH SIDE	002004 006999	1
- 80	183N1331-2		..FITTING ASSY- POSITION DATA: RH SIDE	002004 006999	1
85	BACB28AM09B024A		...BUSHING	002004 006999	2
90	BACB28AP06P023		...BUSHING	002004 006999	2
95	183N1331-3		...FITTING- POSITION DATA: LH SIDE	002004 006999	1
- 100	183N1331-4		...FITTING- POSITION DATA: RH SIDE	002004 006999	1

MISSING ITEM NUMBERS NOT APPLICABLE

- ITEM NOT ILLUSTRATED

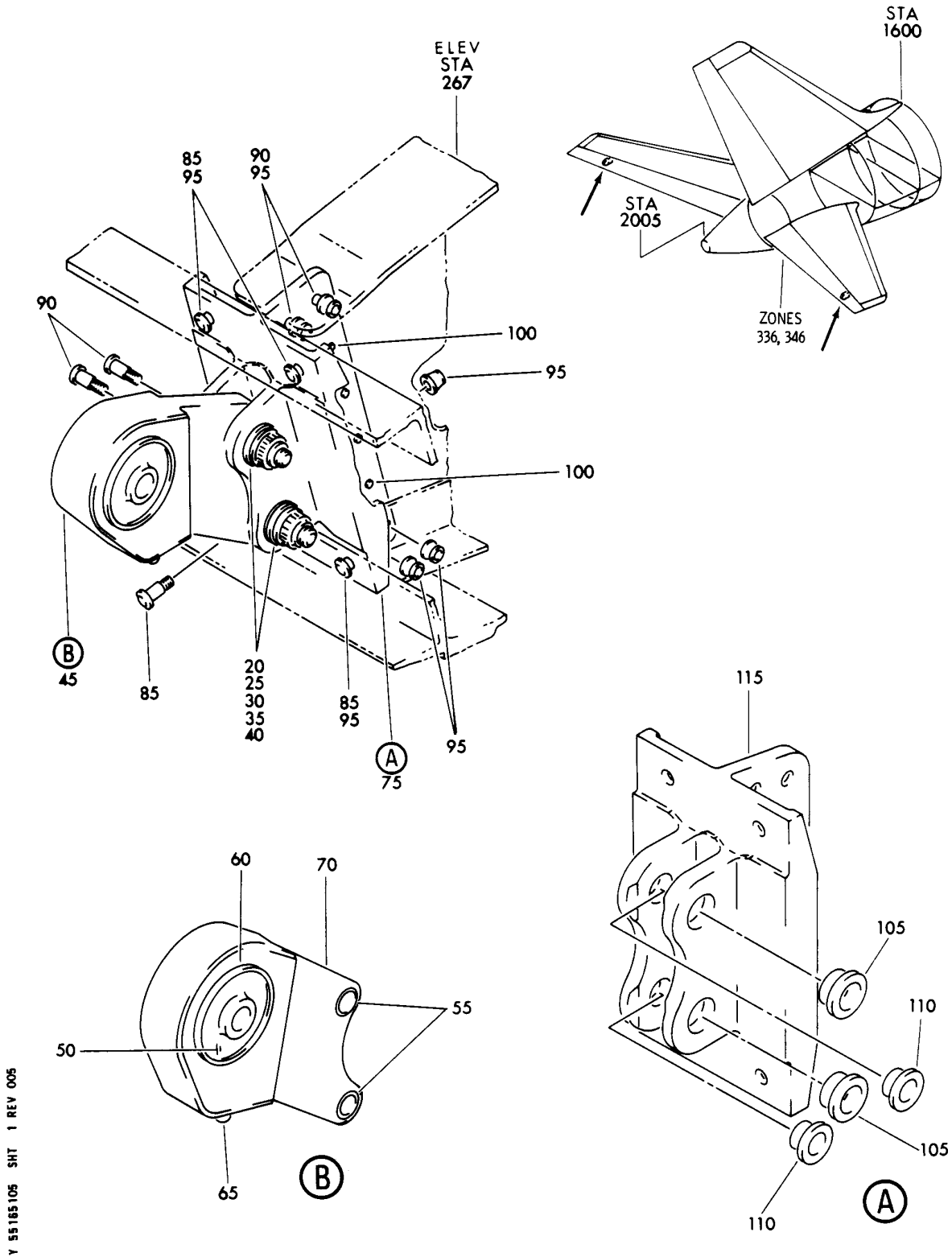
55-16-51-04

55-16-51  
FIG. 04  
PAGE 3  
JAN 20/09

BRI

BOEING PROPRIETARY - Copyright © - Unpublished Work - See title page for details.

**BOEING**  
757  
PARTS CATALOG (MAINTENANCE)



RIB INSTL-ELEV STA 267.195 HORIZ STAB. FXD TE (NO. 13)  
FIGURE 5

**55-16-51-05**

BRI  
MAY 28/07

55-16-51-05  
PAGE 0



757

PARTS CATALOG (MAINTENANCE)

FIG ITEM	PART NUMBER	1 2 3 4 5 6 7	NOMENCLATURE	EFFECT FROM TO	UNITS PER ASSY
5			RIB INSTL-ELEV STA 267.195 HORIZ STAB. FXD TE (NO. 13)	002004 006999	
- 1	183N1305-1		RIB INSTL-NO. 13 POSITION DATA: STA 267.195 TE LH FOR NHA SEE: 55-16-01-01	002004 006100 107107 121503 904999	RF
- 1	183N1305-401		RIB INSTL-NO. 13 POSITION DATA: STA 267.195 LH FOR NHA SEE: 55-10-51-04	101106 108120 504903	RF
- 5	183N1305-2		RIB INSTL-NO. 13 RIZ STAB. POSITION DATA: STA 267.195 TE RH FOR NHA SEE: 55-16-01-01	002004 006100 107107 121503 904999	RF
- 5	183N1305-402		RIB INSTL-NO. 13 POSITION DATA: STA 267.195 RH FOR NHA SEE: 55-10-51-04	101106 108120 504903	RF
- 10	183N1305-3		.RIB ASSY- POSITION DATA: LH SIDE	002004 006100 107107 121503 904999	1
- 10	183N1305-13		.RIB ASSY- POSITION DATA: LH SIDE	101106 108120 504903	1
- 15	183N1305-4		.RIB ASSY- POSITION DATA: RH SIDE	002004 006100 107107 121503 904999	1
- 15	183N1305-14		.RIB ASSY- POSITION DATA: RH SIDE	101106 108120 504903	1
20	BACB30NM5K18		..BOLT	002004 006999	2
25	BACW10BP5CD		..WASHER- POSITION DATA: UNDER HEAD	002004 006999	2
30	BACW10BP5DP		..WASHER- POSITION DATA: UNDER NUT	002004 006999	2

MISSING ITEM NUMBERS NOT APPLICABLE

- ITEM NOT ILLUSTRATED

55-16-51-05

55-16-51  
FIG. 05  
PAGE 1  
JAN 20/09

BRI



757

PARTS CATALOG (MAINTENANCE)

FIG ITEM	PART NUMBER	1 2 3 4 5 6 7	NOMENCLATURE	EFFECT FROM TO	UNITS PER ASSY
5					
35	NAS1805-5N	..	NUT	002004 006100 107107 121503 904999	2
35	NAS1805-5L	..	NUT	101106 108120 504903	2
40	BACB28AK05-038	..	BUSHING	002004 006999	2
45	183N1320-1	..	PLATE ASSY-HINGE	002004 006999	1
50	DAS6-23A1-514	...	BEARING SUPPLIER CODE: V77896 SPECIFICATION NUMBER: BACB10CH60C OPTIONAL PART: ASRD6CH30B VS0352 DAS6-23A52 V77896 DAS6-23A48 V77896 ASRD6C30B VS0352	002004 006999	1
55	WHTC5V	...	BEARING- SUPPLIER CODE: V50294 OPTIONAL PART: ADW5VP V15860 MS14103-5P	002004 006999	2
55	ADW5VP	...	BEARING- SUPPLIER CODE: V15860 OPTIONAL PART: WHTC5V V50294 MS14103-5P	002004 006999	2
55	MS14103-5P	...	BEARING- OPTIONAL PART: ADW5VP V15860 WHTC5V V50294	002004 006999	2
60	69B01706-2	...	SLEEVE-BRG RETENTION	002004 006999	1

MISSING ITEM NUMBERS NOT APPLICABLE

- ITEM NOT ILLUSTRATED

55-16-51-05

55-16-51  
FIG. 05  
PAGE 2  
JAN 20/09

BRI

BOEING PROPRIETARY - Copyright © - Unpublished Work - See title page for details.

 **BOEING**  
757  
**PARTS CATALOG (MAINTENANCE)**

FIG ITEM	PART NUMBER	1 2 3 4 5 6 7	NOMENCLATURE	EFFECT FROM TO	UNITS PER ASSY
5					
65	MS15001-1	...	FITTING	002004 006999	1
70	183N1320-2	...	HINGE	002004 006999	1
75	183N1332-1	..	SUPPORT ASSY-HINGE POSITION DATA: LH SIDE	002004 006999	1
- 80	183N1332-2	..	SUPPORT ASSY-HINGE POSITION DATA: RH SIDE ATTACHING PARTS	002004 006999	1
85	L8006K4	..	BOLT SUPPLIER CODE: V06725 SPECIFICATION NUMBER: BACB30MY6K4	002004 006999	4
90	L8006K5	..	BOLT SUPPLIER CODE: V06725 SPECIFICATION NUMBER: BACB30MY6K5	002004 006999	4
95	HL79-6	..	COLLAR SUPPLIER CODE: V5M902 SPECIFICATION NUMBER: BACC30M6 OPTIONAL PART: HL79-6 V73197 HL79-6 V92215 66014-6 V56878 HL79-6 V56878	002004 006999	8
100	BACR15FT6D	..	RIVET- SIZE DETERMINED ON INSTL. -----*-----	002004 006999	4
105	BACB28AM07B019A	...	BUSHING	002004 006999	2
110	BACB28AP05P019	...	BUSHING	002004 006999	2
115	183N1332-3	...	HINGE- POSITION DATA: LH SIDE	002004 006999	1
- 120	183N1332-4	...	HINGE- POSITION DATA: RH SIDE	002004 006999	1

MISSING ITEM NUMBERS NOT APPLICABLE

- ITEM NOT ILLUSTRATED

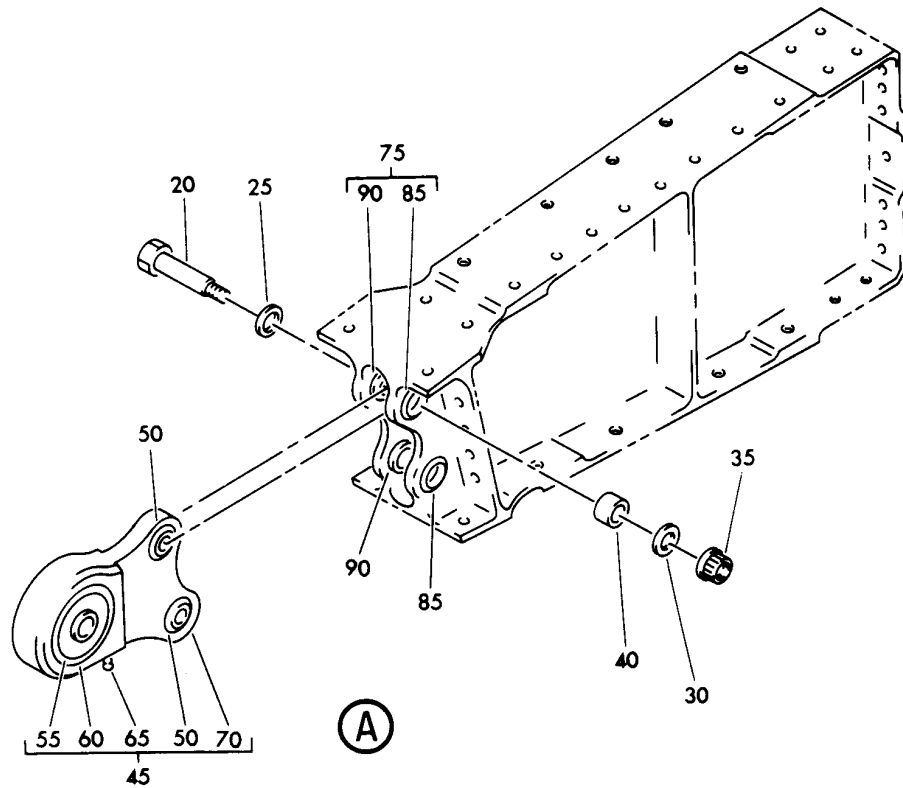
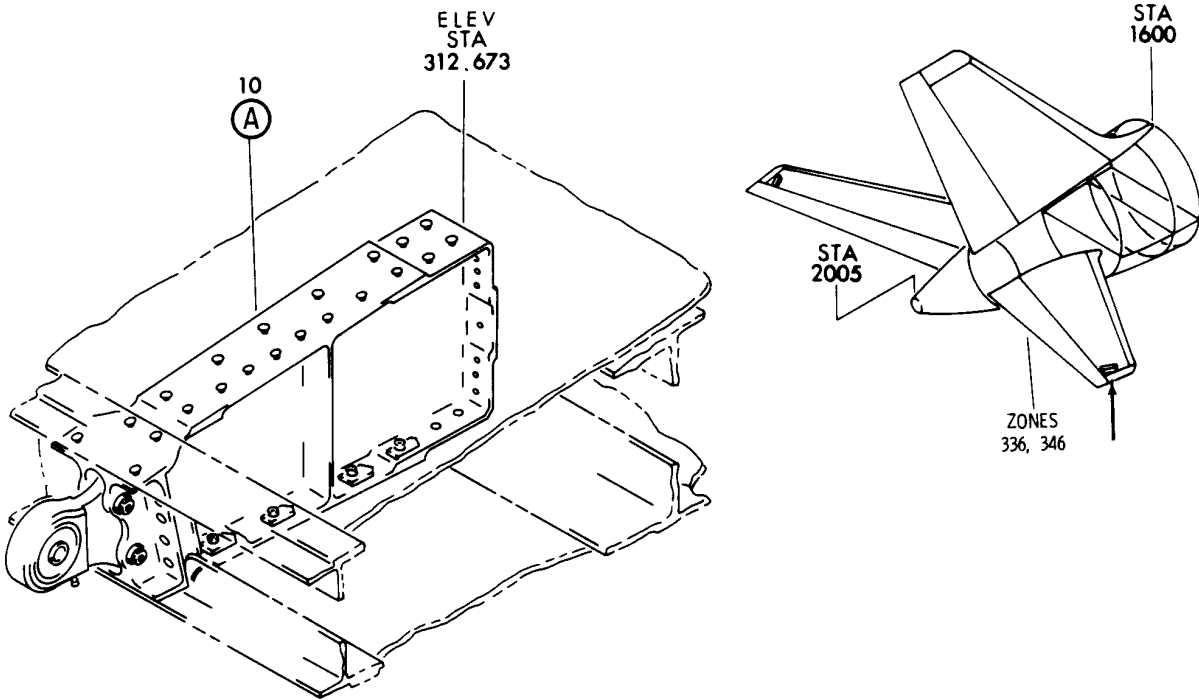
BRI

# 55-16-51-05

BOEING PROPRIETARY - Copyright © - Unpublished Work - See title page for details.

55-16-51  
FIG. 05  
PAGE 3  
JAN 20/09

**BOEING**  
757  
PARTS CATALOG (MAINTENANCE)



Y 55 165 106 SHT 1 REV 010

RIB INSTL-ELEV STA 312.673 HORIZ STAB. FXD TE (NO. 15)  
FIGURE 6

**55-16-51-06**

BRI  
MAY 28/07

55-16-51-06  
PAGE 0





757

PARTS CATALOG (MAINTENANCE)

FIG ITEM	PART NUMBER	1 2 3 4 5 6 7	NOMENCLATURE	EFFECT FROM TO	UNITS PER ASSY
6			RIB INSTL-ELEV STA 312.673 HORIZ STAB. FXD TE (NO. 15)	002004 006999	
- 1	183N1306-1		RIB INSTL-ELEV HORIZ STAB. FXD NO. 15 POSITION DATA: STA 312.673 TE LH FOR NHA SEE: 55-16-01-01 55-10-51-04	002004 006102 107107 121999	RF
- 1	183N1306-13		RIB INSTL-ELEV HORIZ STAB. FXD NO. 15 POSITION DATA: STA 312.673 TE LH FOR NHA SEE: 55-10-51-04	108120	RF
- 1	183N1306-17		RIB INSTL-NO. 15 POSITION DATA: STA 312.673 TE LH FOR NHA SEE: 55-10-51-04	103106	RF
- 5	183N1306-2		RIB INSTL-ELEV HORIZ STAB. FXD NO. 15 POSITION DATA: STA 312.673 TE RH FOR NHA SEE: 55-16-01-01 55-10-51-04	002004 006102 107107 121999	RF
- 5	183N1306-14		RIB INSTL-ELEV HORIZ STAB. FXD NO. 15 POSITION DATA: STA 312.673 TE RH FOR NHA SEE: 55-10-51-04	108120	RF
- 5	183N1306-18		RIB INSTL-NO. 15 POSITION DATA: STA 312.673 TE RH FOR NHA SEE: 55-10-51-04	103106	RF
10	183N1306-3		.RIB ASSY- POSITION DATA: LH SIDE	002004 006102 107999	1
10	183N1306-15		.RIB ASSY- POSITION DATA: LH SIDE	103106	1
- 15	183N1306-4		.RIB ASSY- POSITION DATA: RH SIDE	002004 006102 107999	1

MISSING ITEM NUMBERS NOT APPLICABLE

- ITEM NOT ILLUSTRATED

55-16-51-06

55-16-51  
FIG. 06  
PAGE 1  
JAN 20/09

BRI



757

PARTS CATALOG (MAINTENANCE)

FIG ITEM	PART NUMBER	1 2 3 4 5 6 7	NOMENCLATURE	EFFECT FROM TO	UNITS PER ASSY
6					
- 15	183N1306-16	.	RIB ASSY- POSITION DATA: RH SIDE	103106	1
20	BACB30NM5K19	..	BOLT	002004 006999	2
25	BACW10BP5CD	..	WASHER- POSITION DATA: UNDER HEAD	002004 006999	2
30	BACW10BP5DP	..	WASHER- POSITION DATA: UNDER NUT	002004 006999	2
35	NAS1805-5N	..	NUT	002004 006999	2
40	BACB28AK05-038	..	BUSHING	002004 006999	2
45	183N1322-1	..	HINGE PLATE ASSY	002004 006999	1
50	MS14103-5P	...	BEARING- OPTIONAL PART: WHTC5V V50294 ADW5VP V15860	002004 006999	2
50	WHTC5V	...	BEARING- SUPPLIER CODE: V50294 OPTIONAL PART: MS14103-5P ADW5VP V15860	002004 006999	2
50	ADW5VP	...	BEARING- SUPPLIER CODE: V15860 OPTIONAL PART: MS14103-5P WHTC5V V50294	002004 006999	2

MISSING ITEM NUMBERS NOT APPLICABLE

- ITEM NOT ILLUSTRATED

BRI

55-16-51-06

BOEING PROPRIETARY - Copyright © - Unpublished Work - See title page for details.

55-16-51  
FIG. 06  
PAGE 2  
JAN 20/09



757

PARTS CATALOG (MAINTENANCE)

FIG ITEM	PART NUMBER	1 2 3 4 5 6 7	NOMENCLATURE	EFFECT FROM TO	UNITS PER ASSY
6					
55	DAS6-23A1-514	...	BEARING SUPPLIER CODE: V77896 SPECIFICATION NUMBER: BACB10CH60C OPTIONAL PART: ASRD6CH30B VS0352 DAS6-23A52 V77896 DAS6-23A48 V77896 ASRD6C30B VS0352	002004 006999	1
60	69B01706-2	...	SLEEVE-BRG RETENTION	002004 006999	1
65	MS15001-1	...	FITTING	002004 006999	1
70	183N1322-2	...	HINGE	002004 006999	1
75	183N1316-1	..	FITTING ASSY- POSITION DATA: LH SIDE	002004 006102 107999	1
75	183N1316-5	..	FITTING ASSY- POSITION DATA: LH SIDE	103106	1
- 80	183N1316-2	..	FITTING ASSY- POSITION DATA: RH SIDE	002004 006102 107999	1
- 80	183N1316-6	..	FITTING ASSY- POSITION DATA: RH SIDE	103106	1
85	BACB28AM07B018A	...	BUSHING	002004 006999	2
90	BACB28AP05P018	...	BUSHING	002004 006999	2

MISSING ITEM NUMBERS NOT APPLICABLE

- ITEM NOT ILLUSTRATED

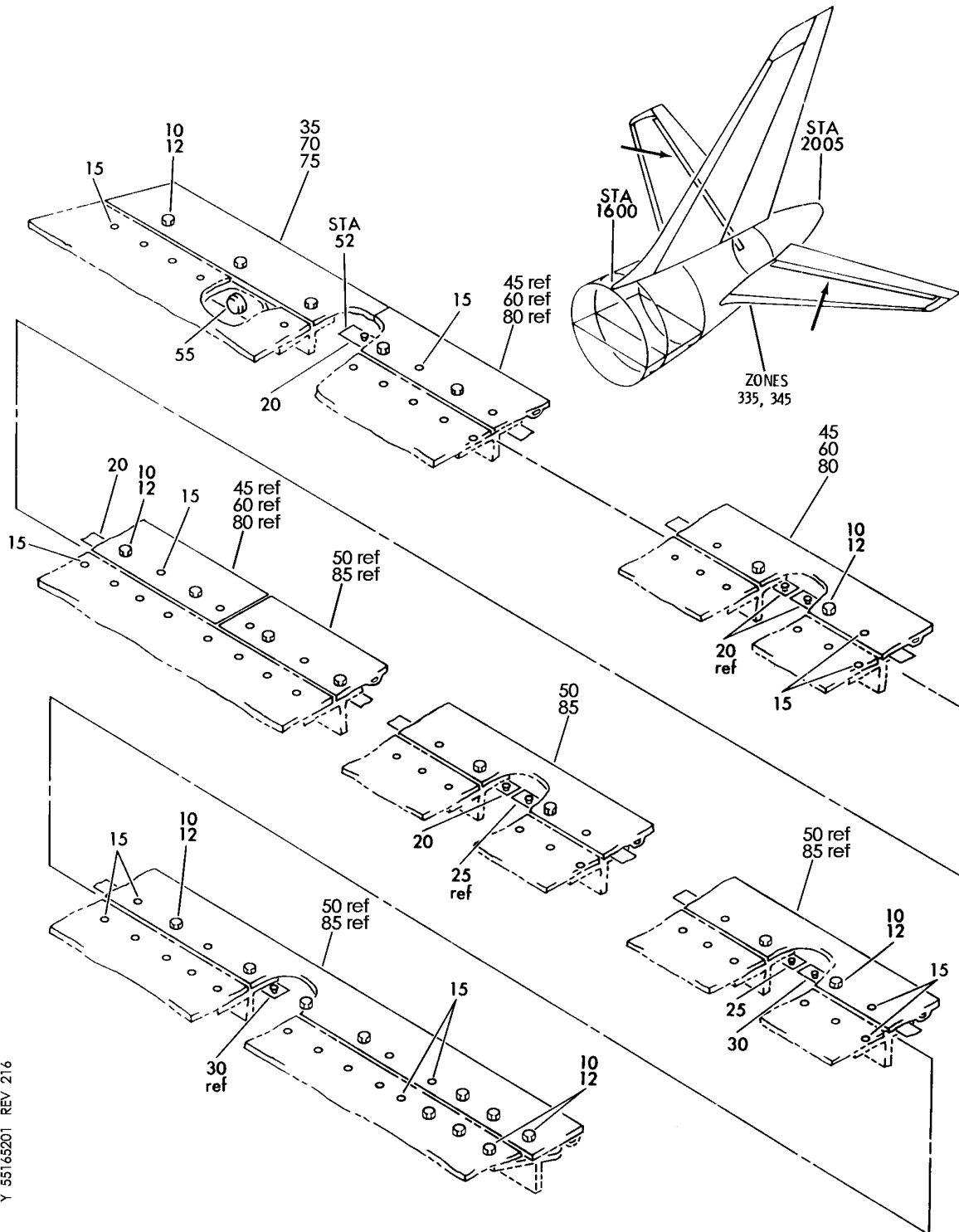
55-16-51-06

55-16-51  
FIG. 06  
PAGE 3  
JAN 20/09

BRI

BOEING PROPRIETARY - Copyright © - Unpublished Work - See title page for details.

**BOEING**  
757  
PARTS CATALOG (MAINTENANCE)



Y 55165201 REV 216

BEAM INSTL-HORIZ STAB. FXD TE UPR  
FIGURE 1

**55-16-52-01**

BRI  
MAY 28/07

55-16-52-01  
PAGE 0



757

PARTS CATALOG (MAINTENANCE)

FIG ITEM	PART NUMBER	1 2 3 4 5 6 7	NOMENCLATURE	EFFECT FROM TO	UNITS PER ASSY
1			BEAM INSTL-HORIZ STAB. FXD TE UPR	002004 006999	
- 1	183N1701-1		BEAM INSTL-HORIZ STAB. FXD POSITION DATA: TE UPR LH FOR NHA SEE: 55-16-01-01	002004 006100 107107 121503 904999	RF
- 1	183N1701-401		BEAM INSTL-HORIZ STAB. FXD POSITION DATA: TE UPR LH FOR NHA SEE: 55-10-51-04	101106 108120 504903	RF
- 5	183N1701-2		BEAM INSTL-HORIZ STAB. FXD POSITION DATA: TE UPR RH FOR NHA SEE: 55-16-01-01	002004 006100 107107 121503 904999	RF
- 5	183N1701-402		BEAM INSTL-HORIZ STAB. FXD POSITION DATA: TE UPR RH FOR NHA SEE: 55-10-51-04	101106 108120 504903	RF
10	BACB30NN3K4		.BOLT	002004 006999	93
12	BACW10UC101P		.WASHER-	002004 006999	93
15	BACR15BA3AD		.RIVET-	002004	89
35	183N1701-15		SIZE DETERMINED ON INSTL. .SEAL-	006999 002004	1
			POSITION DATA: INBD LH SIDE ALTERED FROM PART NUMBER: 10-60754-683	006999	
- 40	183N1701-16		.SEAL-	002004	1
			POSITION DATA: INBD RH SIDE ALTERED FROM PART NUMBER: 10-60754-683	006999	
45	183N1701-17		.SEAL-	002004	1
			POSITION DATA: CTR ALTERED FROM PART NUMBER: 10-60754-681	006999	
50	183N1701-18		.SEAL-	002004	1
			POSITION DATA: OUTBD LH SIDE ALTERED FROM PART NUMBER: 10-60754-682	006999	

MISSING ITEM NUMBERS NOT APPLICABLE

- ITEM NOT ILLUSTRATED

55-16-52-01

55-16-52  
FIG. 01  
PAGE 1  
JAN 20/09

BRI



757

PARTS CATALOG (MAINTENANCE)

FIG ITEM	PART NUMBER	1 2 3 4 5 6 7	NOMENCLATURE	EFFECT FROM TO	UNITS PER ASSY
1					
- 53	183N1701-19		.SEAL- POSITION DATA: OUTBD RH SIDE ALTERED FROM PART NUMBER: 10-60754-682	002004 006999	1
55	VNS1924CA2-8		.STUD SUPPLIER CODE: V5M902 SPECIFICATION NUMBER: BACS53B1EA2 OPTIONAL PART: VNS1924CA3-2-8 V92215	002004 006999	1
60	183N1701-17		.SEAL- POSITION DATA: CTR LH SIDE ALTERED FROM PART NUMBER: 10-60754-681	002004 006999	1
- 65	183N1701-20		.SEAL- POSITION DATA: CTR RH SIDE ALTERED FROM PART NUMBER: 10-60754-681	002004 006999	1

MISSING ITEM NUMBERS NOT APPLICABLE

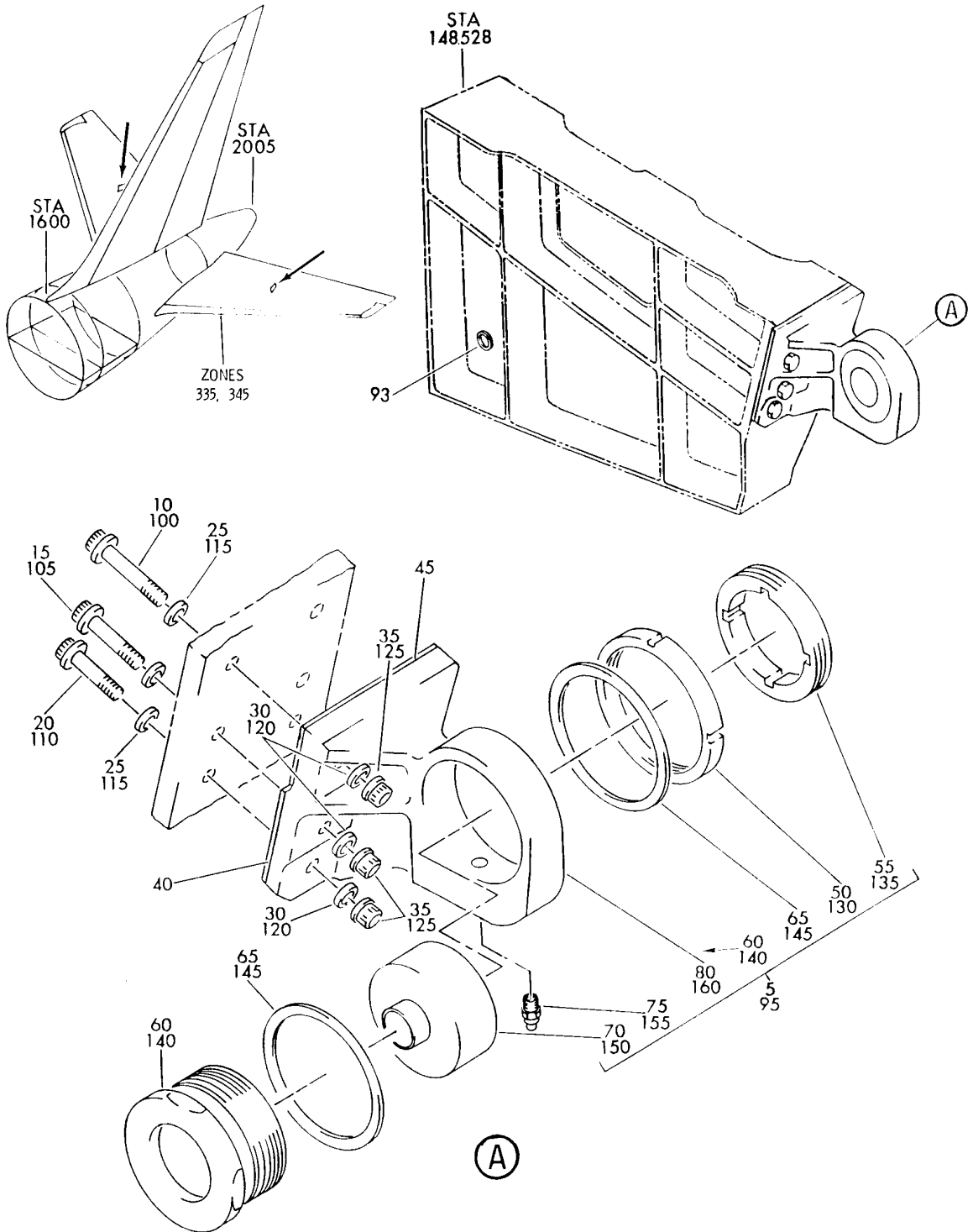
- ITEM NOT ILLUSTRATED

55-16-52-01

55-16-52  
FIG. 01  
PAGE 2  
SEP 20/08

BRI

**BOEING**  
757  
PARTS CATALOG (MAINTENANCE)



Y 55165306 REV 183

RIB INSTL-HORIZ STAB. FXD TE  
FIGURE 6

**55-16-53-06**

BRI  
MAY 28/07

55-16-53-06  
PAGE 0



757

PARTS CATALOG (MAINTENANCE)

FIG ITEM	PART NUMBER	1 2 3 4 5 6 7	NOMENCLATURE	EFFECT FROM TO	UNITS PER ASSY
6			RIB INSTL-HORIZ STAB. FXD TE	101106 108120 504903	
- 1	183N1401-401		RIB INSTL-ELEV NO. 7 HORIZ STAB. FXD TE POSITION DATA: STA 124.535 LH FOR NHA SEE: 55-10-51-04	101102 504903	RF
- 1	183N1401-403		RIB INSTL-NO. 7 POSITION DATA: STA 124.535 LH FOR NHA SEE: 55-10-51-04	103106 108120	RF
- 3	183N1401-402		RIB INSTL-NO. 7 POSITION DATA: STA 124.535 RH FOR NHA SEE: 55-10-51-04	101102 504903	RF
- 3	183N1401-404		RIB INSTL-NO. 7 STAB. FXD TE POSITION DATA: STA 124.535 RH FOR NHA SEE: 55-10-51-04	103106 108120	RF
5	183N1328-1		.FITTING ASSY-HINGE	101106 108120 504903	1
10	BACB30MR5K17		ATTACHING PARTS .BOLT	101106 108120 504903	2
15	BACB30MR5K13		.BOLT	101106 108120 504903	2
20	BACB30MR5K11		.BOLT	101106 108120 504903	2
25	BACW10BP5CD		.WASHER- POSITION DATA: UNDER HEAD	101106 108120 504903	6
30	BACW10BP5DP		.WASHER- POSITION DATA: UNDER NUT	101106 108120 504903	6
35	NAS1805-5L		.NUT	101106 108120 504903	6
			-----*-----		

MISSING ITEM NUMBERS NOT APPLICABLE

- ITEM NOT ILLUSTRATED

55-16-53-06

55-16-53  
FIG. 06  
PAGE 1  
JAN 20/09

BRI

BOEING PROPRIETARY - Copyright © - Unpublished Work - See title page for details.



**BOEING**  
757  
**PARTS CATALOG (MAINTENANCE)**

FIG ITEM	PART NUMBER	1 2 3 4 5 6 7	NOMENCLATURE	EFFECT FROM TO	UNITS PER ASSY
6	40	BACS40R027B035F	. SHIM	101106 108120 504903	1
	45	BACS40R014B035F	. SHIM	101106 108120 504903	1
	50	183N1325-1	..NUT-SLEEVE RTNR	101106 108120 504903	1
	55	183N1324-1	..NUT-BEARING RTNR	101106 108120 504903	1
	60	183N1323-1	..SLEEVE-BEARING RTNR	101106 108120 504903	1
	65	183N1329-1	..WASHER	101106 108120 504903	2
	70	DAS8-27A1-508	..BEARING SUPPLIER CODE: V77896 SPECIFICATION NUMBER: BACB10CH85C OPTIONAL PART: ASRD8CH30C VS0352 DAS8-27B48 V77896	101106 108120 504903	1
	75	MS15001-1	..FITTING	101106 108120 504903	1
	80	183N1314-1	..FITTING	101106 108120 504903	1
	- 85	183N1402-401	RIB INSTL-NO. 8 POSITION DATA: STA 148.528 LH SIDE FOR NHA SEE: 55-10-51-04	101102 504903	RF
	- 85	183N1402-407	RIB INSTL-NO. 8 POSITION DATA: STA 148.528 LH SIDE FOR NHA SEE: 55-10-51-04	103106	RF
	- 85	183N1402-403	RIB INSTL-NO. 8 POSITION DATA: STA 148.528 LH SIDE FOR NHA SEE: 55-10-51-04	108120	RF

R  
R  
R  
R  
R  
R  
R  
R

MISSING ITEM NUMBERS NOT APPLICABLE

- ITEM NOT ILLUSTRATED

**55-16-53-06**

55-16-53  
FIG. 06  
PAGE 2  
MAY 20/09

BRI



757

PARTS CATALOG (MAINTENANCE)

FIG ITEM	PART NUMBER	1 2 3 4 5 6 7	NOMENCLATURE	EFFECT FROM TO	UNITS PER ASSY
6					
- 90	183N1402-402		RIB INSTL-NO. 8 POSITION DATA: STA 148.528 RH SIDE FOR NHA SEE: 55-10-51-04	101102 504903	RF
- 90	183N1402-408		RIB INSTL-NO. 8 POSITION DATA: STA 148.528 RH SIDE FOR NHA SEE: 55-10-51-04	103106	RF
- 90	183N1402-404		RIB INSTL-NO. 8 POSITION DATA: STA 148.528 RH SIDE FOR NHA SEE: 55-10-51-04	108120	RF
93	NAS557-4C		.GROMMET	101106 108120 504903	1
95	183N1328-1		.FITTING ASSY-ELEV HINGE	101106 108120 504903	1
100	BACB30MR5K17		ATTACHING PARTS .BOLT	101106 108120 504903	2
105	BACB30MR5K13		.BOLT	101106 108120 504903	2
110	BACB30MR5K11		.BOLT	101106 108120 504903	2
115	BACW10BP5CD		.WASHER- POSITION DATA: UNDER HEAD	101106 108120 504903	6
120	BACW10BP5DP		.WASHER- POSITION DATA: UNDER NUT	101106 108120 504903	6
125	NAS1805-5L		.NUT-	101106 108120 504903	6
130	183N1325-1		-----*----- ..NUT-SLEEVE RTNR	101106 108120 504903	1
135	183N1324-1		..NUT-BEARING RTNR	101106 108120 504903	1

MISSING ITEM NUMBERS NOT APPLICABLE

- ITEM NOT ILLUSTRATED

55-16-53-06

55-16-53  
FIG. 06  
PAGE 3  
JAN 20/09

BRI

BOEING PROPRIETARY - Copyright © - Unpublished Work - See title page for details.



757

PARTS CATALOG (MAINTENANCE)

FIG ITEM	PART NUMBER	1 2 3 4 5 6 7	NOMENCLATURE	EFFECT FROM TO	UNITS PER ASSY
6 R R R R R R R	140	183N1323-1	.. SLEEVE-BEARING RTNR	101106 108120 504903	1
	145	183N1329-1	.. WASHER	101106 108120 504903	2
	150	DAS8-27A1-508	.. BEARING SUPPLIER CODE: V77896 SPECIFICATION NUMBER: BACB10CH85C OPTIONAL PART: ASRD8CH30C VS0352 DAS8-27B48 V77896	101106 108120 504903	1
	155	MS15001-1	.. FITTING	101106 108120 504903	1
	160	183N1314-1	.. FITTING	101106 108120 504903	1

MISSING ITEM NUMBERS NOT APPLICABLE

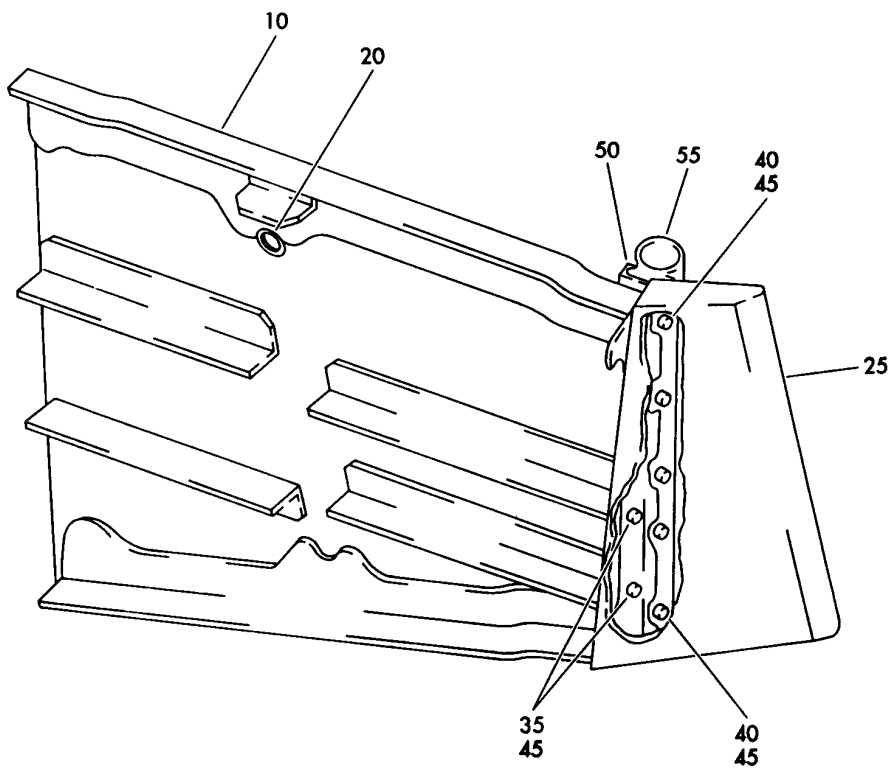
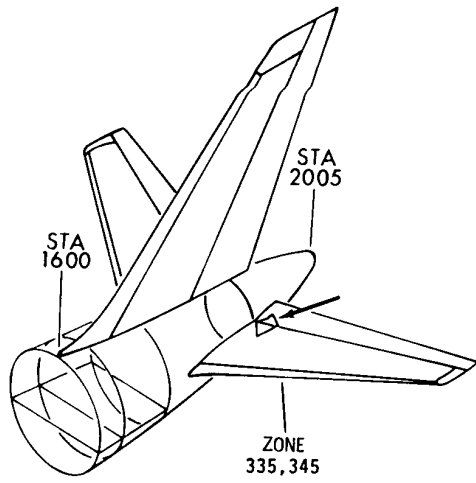
- ITEM NOT ILLUSTRATED

55-16-53-06

55-16-53  
FIG. 06  
PAGE 4  
MAY 20/09

BRI

**BOEING**  
757  
PARTS CATALOG (MAINTENANCE)



Y 55165401 REV 179

RIB INSTL-CLOSURE BODY BL 42.00, FTE HORIZ STAB  
FIGURE 1

**55-16-54-01**

BRI  
MAY 28/07

55-16-54-01  
PAGE 0



757

PARTS CATALOG (MAINTENANCE)

FIG ITEM	PART NUMBER	1 2 3 4 5 6 7	NOMENCLATURE	EFFECT FROM TO	UNITS PER ASSY
1			RIB INSTL-CLOSURE BODY BL 42.00, FTE HORIZ STAB	101106 108120 504903	
- 1	183N1601-401		RIB INSTL-CLOSURE BODY FTE HORIZ STAB POSITION DATA: BL 42.00 LH FOR NHA SEE: 55-10-51-04	101106 108120 504903	RF
- 5	183N1601-402		RIB INSTL-CLOSURE BODY FTE HORIZ STAB POSITION DATA: BL 42.00 LH FOR NHA SEE: 55-10-51-04	101106 108120 504903	RF
10	183N1601-41		.RIB ASSY- POSITION DATA: LH SIDE	101106 108120 504903	1
- 15	183N1601-42		.RIB ASSY- POSITION DATA: RH SIDE	101106 108120 504903	1
20	NAS557-6C		..GROMMET	101106 108120 504903	1
25	182N7300-1		.SEAL INSTL-STAB TO BODY AND STAB TO ELEV POSITION DATA: LH SIDE	101106 108120 504903	1
- 30	182N7300-2		.SEAL INSTL-STAB TO BODY AND STAB TO ELEV POSITION DATA: RH SIDE ATTACHING PARTS	101106 108120 504903	1
35	BACB30NM3K4		.BOLT-	101106 108120 504903	2
40	BACB30NM3K5		.BOLT-	101106 108120 504903	5
45	BACW10BN3AP		.WASHER	101106 108120 504903	7
			-----*-----		

MISSING ITEM NUMBERS NOT APPLICABLE

- ITEM NOT ILLUSTRATED

55-16-54-01

55-16-54  
FIG. 01  
PAGE 1  
JAN 20/09

BRI



757

PARTS CATALOG (MAINTENANCE)

FIG ITEM	PART NUMBER	1 2 3 4 5 6 7	NOMENCLATURE	EFFECT FROM TO	UNITS PER ASSY
1 50	182N7300-9		..SEAL- POSITION DATA: LH SIDE MANUFACTURED FROM: EXTR RUBBER 10-60754-177 X 11.0 IN. OPTIONAL PART: 182N7300-11	101106 108120 504903	1
55	182N7300-11		..SEAL- POSITION DATA: LH SIDE MANUFACTURED FROM: EXTR RUBBER 10-60754-221 X 11.0 IN. OPTIONAL PART: 182N7300-9	101106 108120 504903	1
- 60	182N7300-10		..SEAL- POSITION DATA: RH SIDE MANUFACTURED FROM: EXTR RUBBER 10-60754-177 X 11.0 IN. OPTIONAL PART: 182N7300-12	101106 108120 504903	1
- 65	182N7300-12		..SEAL- POSITION DATA: RH SIDE MANUFACTURED FROM: EXTR RUBBER 10-60754-221 X 11.0 IN. OPTIONAL PART: 182N7300-10	101106 108120 504903	1

MISSING ITEM NUMBERS NOT APPLICABLE

- ITEM NOT ILLUSTRATED

55-16-54-01

55-16-54  
FIG. 01  
PAGE 2  
JAN 20/09

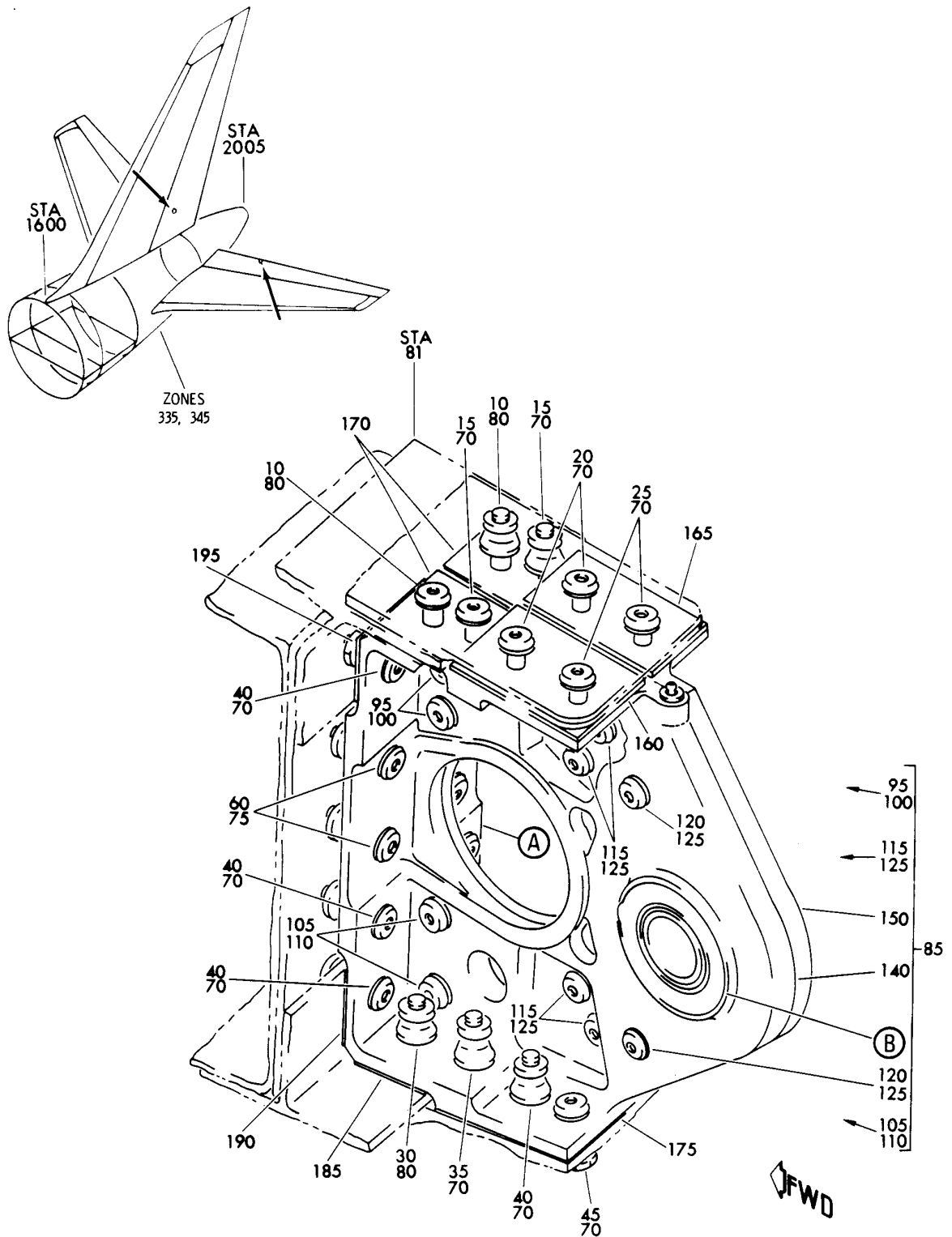
BRI

## HORIZONTAL STABILIZER ATTACH FITTINGS

BRI  
MAY 28/07

55-17-00  
SECTION TITLE  
PAGE 1

**BOEING**  
757  
PARTS CATALOG (MAINTENANCE)



Y 55175101 SHT 1 REV 009

FITTING INSTL-HORIZ STAB. PIVOT  
FIGURE 1 (SHEET 1)

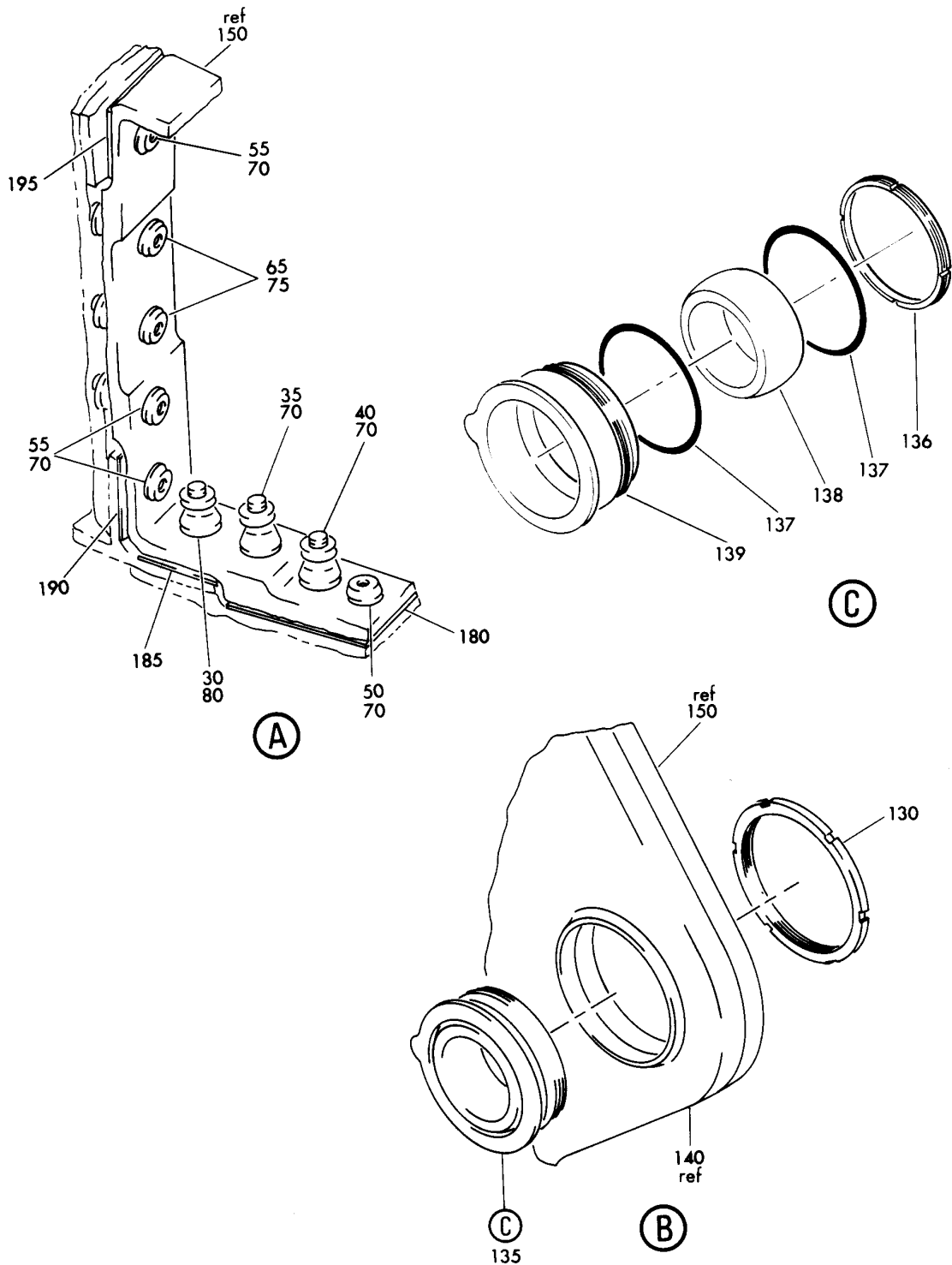
**55-17-51-01**

BRI  
MAY 28/07

55-17-51-01  
PAGE 0



**BOEING**  
757  
PARTS CATALOG (MAINTENANCE)



Y 55175101 SHT 2 REV 024

FITTING INSTL-HORIZ STAB. PIVOT  
FIGURE 1 (SHEET 2)

**55-17-51-01**

BRI  
MAY 28/07

55-17-51-01  
PAGE 0A



757

PARTS CATALOG (MAINTENANCE)

FIG ITEM	PART NUMBER	1 2 3 4 5 6 7	NOMENCLATURE	EFFECT FROM TO	UNITS PER ASSY
1			FITTING INSTL-HORIZ STAB. PIVOT	002004 006999	
- 1	182N1601-1		FITTING INSTL-HORIZ STAB. PIVOT POSITION DATA: LH FOR NHA SEE: 55-13-52-01	002004 006100 107107 121503 904999	RF
- 1	182N1601-401		FITTING INSTL-HORIZ STAB. PIVOT POSITION DATA: LH FOR NHA SEE: 55-10-51-04	101102 504903	RF
- 1	182N1601-403		FITTING INSTL-HORIZ STAB. PIVOT POSITION DATA: LH FOR NHA SEE: 55-10-51-04	103106 108120	RF
- 5	182N1601-2		FITTING INSTL-HORIZ STAB. PIVOT POSITION DATA: RH FOR NHA SEE: 55-13-52-01	002004 006100 107107 121503 904999	RF
- 5	182N1601-402		FITTING INSTL-HORIZ STAB. PIVOT POSITION DATA: RH FOR NHA SEE: 55-10-51-04	101102 504903	RF
- 5	182N1601-404		FITTING INSTL-HORIZ STAB. PIVOT POSITION DATA: RH FOR NHA SEE: 55-10-51-04	103106 108120	RF

MISSING ITEM NUMBERS NOT APPLICABLE

- ITEM NOT ILLUSTRATED

**55-17-51-01**

55-17-51  
FIG. 01  
PAGE 1  
JAN 20/09

BRI



757

PARTS CATALOG (MAINTENANCE)

FIG ITEM	PART NUMBER	1 2 3 4 5 6 7	NOMENCLATURE	EFFECT FROM TO	UNITS PER ASSY
1 10	HL1012AZ16-21	.BOLT	SUPPLIER CODE: VOPTK6 SPECIFICATION NUMBER: BACB30NX16K21 OPTIONAL PART: HL12VAZ16-21 V73197 HL12VAZ16-21 V92215 HL12VAZ16-21 V97928 L802-16K21 V06725 HL12VAZ16-21 V97928 HL12VAZ16-21 V56878 HL1012AZ16-21 V06725 HL1012AZ16-21 V06950 HL1012AZ16-21 V17446 HL1012AZ16-21 V56878 HL1012AZ16-21 V60516 HL1012AZ16-21 V73197 HL1012AZ16-21 V97928	002004 006999	2

MISSING ITEM NUMBERS NOT APPLICABLE

- ITEM NOT ILLUSTRATED

BRI

55-17-51-01

BOEING PROPRIETARY - Copyright © - Unpublished Work - See title page for details.

55-17-51  
FIG. 01  
PAGE 2  
SEP 20/08



757

PARTS CATALOG (MAINTENANCE)

FIG ITEM	PART NUMBER	1 2 3 4 5 6 7	NOMENCLATURE	EFFECT FROM TO	UNITS PER ASSY
1 15	HL1012AZ14-21	.BOLT	SUPPLIER CODE: VOPTK6 SPECIFICATION NUMBER: BACB30NX14K21 OPTIONAL PART: HL12VAZ14-21 V73197 HL12VAZ14-21 V92215 HL12VAZ14-21 V97928 L802-14K21 V06725 HL12VAZ14-21 V56878 HL1012AZ14-21 V06725 HL1012AZ14-21 V06950 HL1012AZ14-21 V17446 HL1012AZ14-21 V56878 HL1012AZ14-21 V60516 HL1012AZ14-21 V73197 HL1012AZ14-21 V97928	002004 006999	2

MISSING ITEM NUMBERS NOT APPLICABLE

- ITEM NOT ILLUSTRATED

BRI

55-17-51-01

BOEING PROPRIETARY - Copyright © - Unpublished Work - See title page for details.

55-17-51  
FIG. 01  
PAGE 3  
SEP 20/08



757

PARTS CATALOG (MAINTENANCE)

FIG ITEM	PART NUMBER	1 2 3 4 5 6 7	NOMENCLATURE	EFFECT FROM TO	UNITS PER ASSY
1 20	HL1012AZ14-13	.BOLT	SUPPLIER CODE: VOPTK6 SPECIFICATION NUMBER: BACB30NX14K13 OPTIONAL PART: HL12VAZ14-13 V73197 HL12VAZ14-13 V92215 HL12VAZ14-13 V97928 L802-14K13 V06725 HL12VAZ14-13 V56878 HL1012AZ14-13 V06725 HL1012AZ14-13 V06950 HL1012AZ14-13 V17446 HL1012AZ14-13 V56878 HL1012AZ14-13 V60516 HL1012AZ14-13 V73197 HL1012AZ14-13 V97928	002004 006999	2

MISSING ITEM NUMBERS NOT APPLICABLE

- ITEM NOT ILLUSTRATED

BRI

# 55-17-51-01

BOEING PROPRIETARY - Copyright © - Unpublished Work - See title page for details.

55-17-51  
FIG. 01  
PAGE 4  
SEP 20/08



757

PARTS CATALOG (MAINTENANCE)

FIG ITEM	PART NUMBER	1 2 3 4 5 6 7	NOMENCLATURE	EFFECT FROM TO	UNITS PER ASSY
1 25	HL1012AZ14-11	.BOLT	SUPPLIER CODE: VOPTK6 SPECIFICATION NUMBER: BACB30NX14K11 OPTIONAL PART: HL12VAZ14-11 V73197 HL12VAZ14-11 V92215 HL12VAZ14-11 V97928 L802-14K11 V06725 HL12VAZ14-11 V56878 HL1012AZ14-11 V06725 HL1012AZ14-11 V06950 HL1012AZ14-11 V17446 HL1012AZ14-11 V56878 HL1012AZ14-11 V60516 HL1012AZ14-11 V73197 HL1012AZ14-11 V97928	002004 006999	2

MISSING ITEM NUMBERS NOT APPLICABLE

- ITEM NOT ILLUSTRATED

BRI

55-17-51-01

BOEING PROPRIETARY - Copyright © - Unpublished Work - See title page for details.

55-17-51  
FIG. 01  
PAGE 5  
SEP 20/08



757

PARTS CATALOG (MAINTENANCE)

FIG ITEM	PART NUMBER	1 2 3 4 5 6 7	NOMENCLATURE	EFFECT FROM TO	UNITS PER ASSY
1 30	HL1012AZ16-25		.BOLT- SUPPLIER CODE: VOPTK2 SPECIFICATION NUMBER: BACB30NX16K25 OPTIONAL PART: HL12VAZ16-25 V73197 HL12VAZ16-25 V92215 HL12VAZ16-25 V97928 L802-16K25 V06725 HL12VAZ16-25 V56878 HL1012AZ16-25 V06725 HL1012AZ16-25 V06950 HL1012AZ16-25 V17446 HL1012AZ16-25 V56878 HL1012AZ16-25 V60516 HL1012AZ16-25 V73197 HL1012AZ16-25 V97928	002004 006999	2

MISSING ITEM NUMBERS NOT APPLICABLE

- ITEM NOT ILLUSTRATED

BRI

# 55-17-51-01

BOEING PROPRIETARY - Copyright © - Unpublished Work - See title page for details.

55-17-51  
FIG. 01  
PAGE 6  
SEP 20/08



757

PARTS CATALOG (MAINTENANCE)

FIG ITEM	PART NUMBER	1 2 3 4 5 6 7	NOMENCLATURE	EFFECT FROM TO	UNITS PER ASSY
1 35	HL1012AZ14-26	.BOLT-	SUPPLIER CODE: VOPTK6 SPECIFICATION NUMBER: BACB30NX14K26 OPTIONAL PART: HL12VAZ14-26 V73197 HL12VAZ14-26 V92215 HL12VAZ14-26 V97928 L802-14K26 V06725 HL12VAZ14-26 V56878 HL1012AZ14-26 V06725 HL1012AZ14-26 V06950 HL1012AZ14-26 V17446 HL1012AZ14-26 V56878 HL1012AZ14-26 V60516 HL1012AZ14-26 V73197 HL1012AZ14-26 V97928	002004 006999	2

MISSING ITEM NUMBERS NOT APPLICABLE

- ITEM NOT ILLUSTRATED

**55-17-51-01**

55-17-51  
FIG. 01  
PAGE 7  
SEP 20/08

BRI





757

PARTS CATALOG (MAINTENANCE)

FIG ITEM	PART NUMBER	1 2 3 4 5 6 7	NOMENCLATURE	EFFECT FROM TO	UNITS PER ASSY
1 40	HL1012AZ14-17	.BOLT	SUPPLIER CODE: VOPTK6 SPECIFICATION NUMBER: BACB30NX14K17 OPTIONAL PART: HL12VAZ14-17 V73197 HL12VAZ14-17 V92215 HL12VAZ14-17 V97928 L802-14K17 V06725 HL12VAZ14-17 V56878 HL1012AZ14-17 V06725 HL1012AZ14-17 V06950 HL1012AZ14-17 V17446 HL1012AZ14-17 V56878 HL1012AZ14-17 V60516 HL1012AZ14-17 V73197 HL1012AZ14-17 V97928	002004 006999	5

MISSING ITEM NUMBERS NOT APPLICABLE

- ITEM NOT ILLUSTRATED

BRI

55-17-51-01

BOEING PROPRIETARY - Copyright © - Unpublished Work - See title page for details.

55-17-51  
FIG. 01  
PAGE 8  
SEP 20/08



757

PARTS CATALOG (MAINTENANCE)

FIG ITEM	PART NUMBER	1 2 3 4 5 6 7	NOMENCLATURE	EFFECT FROM TO	UNITS PER ASSY
1 45	HL1012AZ14-15	.BOLT	SUPPLIER CODE: VOPTK6 SPECIFICATION NUMBER: BACB30NX14K15 OPTIONAL PART: HL12VAZ14-15 V73197 HL12VAZ14-15 V92215 HL12VAZ14-15 V97928 L802-14K15 V06725 HL12VAZ14-15 V56878 HL1012AZ14-15 V17446 HL1012AZ14-15 V56878 HL1012AZ14-15 V60516 HL1012AZ14-15 V73197 HL1012AZ14-15 V97928 HL1012AZ14-15 V06725 HL1012AZ14-15 V06950	002004 006999	1

MISSING ITEM NUMBERS NOT APPLICABLE

- ITEM NOT ILLUSTRATED

BRI

55-17-51-01

BOEING PROPRIETARY - Copyright © - Unpublished Work - See title page for details.

55-17-51  
FIG. 01  
PAGE 9  
SEP 20/08



757

PARTS CATALOG (MAINTENANCE)

FIG ITEM	PART NUMBER	1 2 3 4 5 6 7	NOMENCLATURE	EFFECT FROM TO	UNITS PER ASSY
1 50	HL1012AZ14-14	.BOLT	SUPPLIER CODE: VOPTK6 SPECIFICATION NUMBER: BACB30NX14K14 OPTIONAL PART: HL12VAZ14-14 V73197 HL12VAZ14-14 V92215 HL12VAZ14-14 V97928 L802-14K14 V06725 HL12VAZ14-14 V56878 HL1012AZ14-14 V06725 HL1012AZ14-14 V06950 HL1012AZ14-14 V17446 HL1012AZ14-14 V56878 HL1012AZ14-14 V60516 HL1012AZ14-14 V73197 HL1012AZ14-14 V97928	002004 006999	1

MISSING ITEM NUMBERS NOT APPLICABLE

- ITEM NOT ILLUSTRATED

BRI

55-17-51-01

BOEING PROPRIETARY - Copyright © - Unpublished Work - See title page for details.

55-17-51  
FIG. 01  
PAGE 10  
SEP 20/08



757

PARTS CATALOG (MAINTENANCE)

FIG ITEM	PART NUMBER	1 2 3 4 5 6 7	NOMENCLATURE	EFFECT FROM TO	UNITS PER ASSY
1 55	HL1012AZ14-18	.BOLT	SUPPLIER CODE: VOPTK6 SPECIFICATION NUMBER: BACB30NX14K18 OPTIONAL PART: HL12VAZ14-18 V73197 HL12VAZ14-18 V92215 HL12VAZ14-18 V97928 L802-14K18 V06725 HL12VAZ14-18 V56878 HL1012AZ14-18 V06725 HL1012AZ14-18 V06950 HL1012AZ14-18 V17446 HL1012AZ14-18 V56878 HL1012AZ14-18 V60516 HL1012AZ14-18 V73197 HL1012AZ14-18 V97928	002004 006999	3
60	L80014K11	.BOLT	SUPPLIER CODE: V06725 SPECIFICATION NUMBER: BACB30MY14K11	002004 006999	2
65	L80014K12	.BOLT	SUPPLIER CODE: V06725 SPECIFICATION NUMBER: BACB30MY14K12	002004 006999	2

MISSING ITEM NUMBERS NOT APPLICABLE

- ITEM NOT ILLUSTRATED

55-17-51-01

55-17-51  
FIG. 01  
PAGE 11  
SEP 20/08

BRI



757

PARTS CATALOG (MAINTENANCE)

FIG ITEM	PART NUMBER	1 2 3 4 5 6 7	NOMENCLATURE	EFFECT FROM TO	UNITS PER ASSY
1 70	HL1187-14		.COLLAR SUPPLIER CODE: V5M902 SPECIFICATION NUMBER: BACC30X14 OPTIONAL PART: HL1187-14 V56878 HL1187-14 V92215 HL1187-14 V73197 HL1187-14 V92215 HL87-14 V56878 HL1187-14 V73197	002004 006999	18
75	HL79-14		.COLLAR SUPPLIER CODE: V5M902 SPECIFICATION NUMBER: BACC30M14 OPTIONAL PART: HL79-14 V73197 HL79-14 V92215 66014-14 V56878 HL79-14 V56878	002004 006999	4

MISSING ITEM NUMBERS NOT APPLICABLE

- ITEM NOT ILLUSTRATED

BRI

55-17-51-01

BOEING PROPRIETARY - Copyright © - Unpublished Work - See title page for details.

55-17-51  
FIG. 01  
PAGE 12  
JAN 20/09



757

PARTS CATALOG (MAINTENANCE)

FIG ITEM	PART NUMBER	1 2 3 4 5 6 7	NOMENCLATURE	EFFECT FROM TO	UNITS PER ASSY
1 80	HL1187-16		.COLLAR SUPPLIER CODE: V5M902 SPECIFICATION NUMBER: BACC30X16 OPTIONAL PART: HL1187-16 V56878 HL1187-16 V92215 HL1187-16 V73197 HL1187-16 V92215 HL87-16 V56878 HL1187-16 V73197	002004 006999	4
85	182N1602-3		.FITTING ASSY- POSITION DATA: LH SIDE	002004 006100 107107 121503 904999	1
85	182N1602-5		.FITTING ASSY- POSITION DATA: LH SIDE	101102 504903	1
85	182N1602-7		.FITTING ASSY- POSITION DATA: LH SIDE	103106 108120	1
- 90	182N1602-4		.FITTING ASSY- POSITION DATA: RH SIDE	002004 006100 107107 121503 904999	1
- 90	182N1602-6		.FITTING ASSY- POSITION DATA: RH SIDE	101102 504903	1
- 90	182N1602-8		.FITTING ASSY- POSITION DATA: RH SIDE	103106 108120	1

MISSING ITEM NUMBERS NOT APPLICABLE

- ITEM NOT ILLUSTRATED

BRI

55-17-51-01

BOEING PROPRIETARY - Copyright © - Unpublished Work - See title page for details.

55-17-51  
FIG. 01  
PAGE 13  
JAN 20/09



757

PARTS CATALOG (MAINTENANCE)

FIG ITEM	PART NUMBER	1 2 3 4 5 6 7	NOMENCLATURE	EFFECT FROM TO	UNITS PER ASSY
1 95	HL1012AZ12-12	..	BOLT- SUPPLIER CODE: VOPTK6 SPECIFICATION NUMBER: BACB30NX12K12 OPTIONAL PART: HL12VAZ12-12 V73197 HL12VAZ12-12 V92215 HL12VAZ12-12 V97928 L802-12K12 V06725 HL12VAZ12-12 V56878 HL1012AZ12-12 V06725 HL1012AZ12-12 V06950 HL1012AZ12-12 V17446 HL1012AZ12-12 V56878 HL1012AZ12-12 V60516 HL1012AZ12-12 V73197 HL1012AZ12-12 V97928	002004 006999	2
100	HL1187-12	..	COLLAR SUPPLIER CODE: V5M902 SPECIFICATION NUMBER: BACC30X12 OPTIONAL PART: HL1187-12 V73197 HL1187-12 V56878 HL1187-12 V92215 HL1187-12 V92215 HL87-12 V56878 HL87-12 V73197	002004 006999	2

MISSING ITEM NUMBERS NOT APPLICABLE

- ITEM NOT ILLUSTRATED

55-17-51-01

55-17-51  
FIG. 01  
PAGE 14  
JAN 20/09

BRI

 **BOEING**  
757  
**PARTS CATALOG (MAINTENANCE)**

FIG ITEM	PART NUMBER	1 2 3 4 5 6 7	NOMENCLATURE	EFFECT FROM TO	UNITS PER ASSY
1 105	HL1012AZ14-12	..	BOLT- SUPPLIER CODE: VOPTK6 SPECIFICATION NUMBER: BACB30NX14K12 OPTIONAL PART: HL12VAZ14-12 V73197 HL12VAZ14-12 V92215 HL12VAZ14-12 V97928 L802-14K12 V06725 HL12VAZ14-12 V56878 HL1012AZ14-12 V06725 HL1012AZ14-12 V06950 HL1012AZ14-12 V17446 HL1012AZ14-12 V56878 HL1012AZ14-12 V60516 HL1012AZ14-12 V73197 HL1012AZ14-12 V97928	002004 006999	2
110	HL1187-14	..	COLLAR SUPPLIER CODE: V5M902 SPECIFICATION NUMBER: BACC30X14 OPTIONAL PART: HL1187-14 V56878 HL1187-14 V92215 HL1187-14 V73197 HL1187-14 V92215 HL87-14 V56878 HL1187-14 V73197	002004 006999	2

MISSING ITEM NUMBERS NOT APPLICABLE

— ITEM NOT ILLUSTRATED

BRI

# 55-17-51-01

BOEING PROPRIETARY - Copyright © - Unpublished Work - See title page for details.

55-17-51  
FIG. 01  
PAGE 15  
JAN 20/09





757

PARTS CATALOG (MAINTENANCE)

FIG ITEM	PART NUMBER	1 2 3 4 5 6 7	NOMENCLATURE	EFFECT FROM TO	UNITS PER ASSY
1 115	HL1012AZ16-15		..BOLT- SUPPLIER CODE: VOPTK6 SPECIFICATION NUMBER: BACB30NX16K15 OPTIONAL PART: HL12VAZ16-15 V73197 HL12VAZ16-15 V92215 HL12VAZ16-15 V97928 L802-16K15 V06725 HL12V16-15 V56878 HL1012AZ16-15 V06725 HL1012AZ16-15 V06950 HL1012AZ16-15 V17446 HL1012AZ16-15 V56878 HL1012AZ16-15 V60516 HL1012AZ16-15 V73197 HL1012AZ16-15 V97928	002004 006999	4

MISSING ITEM NUMBERS NOT APPLICABLE

- ITEM NOT ILLUSTRATED

BRI

55-17-51-01

BOEING PROPRIETARY - Copyright © - Unpublished Work - See title page for details.

55-17-51  
FIG. 01  
PAGE 16  
SEP 20/08



757

PARTS CATALOG (MAINTENANCE)

FIG ITEM	PART NUMBER	1 2 3 4 5 6 7	NOMENCLATURE	EFFECT FROM TO	UNITS PER ASSY
1 120	HL1012AZ16-16	..	BOLT SUPPLIER CODE: VOPTK3 SPECIFICATION NUMBER: BACB30NX16K16 OPTIONAL PART: HL12VAZ16-16 V73197 HL12VAZ16-16 V92215 HL12VAZ16-16 V97928 L802-16K16 V06725 HL12VAZ16-16 V56878 HL1012AZ16-16 V06725 HL1012AZ16-16 V06950 HL1012AZ16-16 V17446 HL1012AZ16-16 V56878 HL1012AZ16-16 V60516 HL1012AZ16-16 V73197 HL1012AZ16-16 V97928	002004 006999	2
125	HL1187-16	..	COLLAR SUPPLIER CODE: V5M902 SPECIFICATION NUMBER: BACC30X16 OPTIONAL PART: HL1187-16 V56878 HL1187-16 V92215 HL1187-16 V73197 HL1187-16 V92215 HL87-16 V56878 HL1187-16 V73197	002004 006999	6

MISSING ITEM NUMBERS NOT APPLICABLE

- ITEM NOT ILLUSTRATED

BRI

55-17-51-01

BOEING PROPRIETARY - Copyright © - Unpublished Work - See title page for details.

55-17-51  
FIG. 01  
PAGE 17  
JAN 20/09



757

PARTS CATALOG (MAINTENANCE)

FIG ITEM	PART NUMBER	1 2 3 4 5 6 7	NOMENCLATURE	EFFECT FROM TO	UNITS PER ASSY
1	130	180N0017-1	..NUT-RETAINING	002004 006102 107107 121999	1
	135	ASSB26-17	..BEARING ASSY- SUPPLIER CODE: V15860 SPECIFICATION NUMBER: S182N001-1 OPTIONAL PART: P21910 V57606 AMB26-100-1 VS0352 VTB04690 V06710	002004 006102 107107 121999	1
	136	P21914	...RING- SUPPLIER CODE: V57606 SPECIFICATION NUMBER: S182N001-4 OPTIONAL PART: AMB26-100-4 VS0352 VTB04694 V06710	002004 006102 107107 121999	1
	137	VTB04695	...PACKING- SUPPLIER CODE: V06710	002004 006102 107107 121999	2
	138	P21911	...BALL- SUPPLIER CODE: V57606 SPECIFICATION NUMBER: S182N001-2 OPTIONAL PART: AMB26-100-2 VS0352 VTB04691 V06710	002004 006102 107107 121999	1

MISSING ITEM NUMBERS NOT APPLICABLE

- ITEM NOT ILLUSTRATED

BRI

55-17-51-01

BOEING PROPRIETARY - Copyright © - Unpublished Work - See title page for details.

55-17-51  
FIG. 01  
PAGE 18  
JAN 20/09



757

PARTS CATALOG (MAINTENANCE)

FIG ITEM	PART NUMBER	1 2 3 4 5 6 7	NOMENCLATURE	EFFECT FROM TO	UNITS PER ASSY
1 139	P21912		...RACE- SUPPLIER CODE: V57606 SPECIFICATION NUMBER: S182N001-3 OPTIONAL PART: AMB26-100-3 VS0352 VTB04692 V06710	002004 006102 107107 121999	1
140	182N1603-3		..FITTING- POSITION DATA: LH SIDE	002004 006999	1
- 145	182N1603-4		..FITTING- POSITION DATA: RH SIDE	002004 006999	1
150	182N1605-5		..FITTING- POSITION DATA: LH SIDE	002004 006100 103107 121503 904999	1
- 155	182N1605-6		..FITTING- POSITION DATA: RH SIDE	002004 006100 103107 121503 904999	1
160	182N1601-10		.SHIM	002004 006999	1
165	182N1601-11		.SHIM	002004 006999	1
170	182N1601-9		.SHIM	002004 006999	2
175	182N1601-5		.SHIM-	002004 006999	1
180	182N1601-6		.SHIM-	002004 006999	1
185	182N1601-4		.SHIM-	002004 006999	2
190	182N1601-14		.SHIM	002004 006999	2
195	182N1601-15		.SHIM	002004 006999	2

MISSING ITEM NUMBERS NOT APPLICABLE

- ITEM NOT ILLUSTRATED

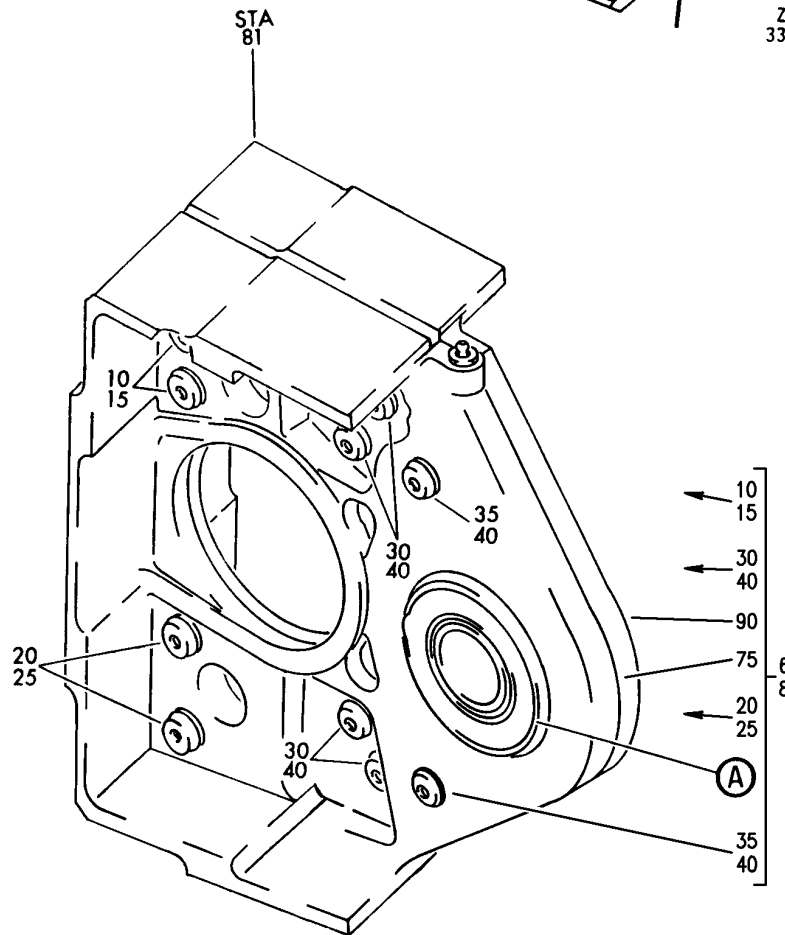
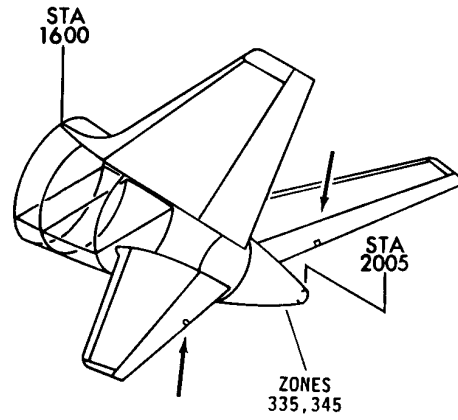
55-17-51-01

55-17-51  
FIG. 01  
PAGE 19  
JAN 20/09

BRI

BOEING PROPRIETARY - Copyright © - Unpublished Work - See title page for details.

**BOEING**  
757  
PARTS CATALOG (MAINTENANCE)



Y 55175105 SHT 1 REV 237

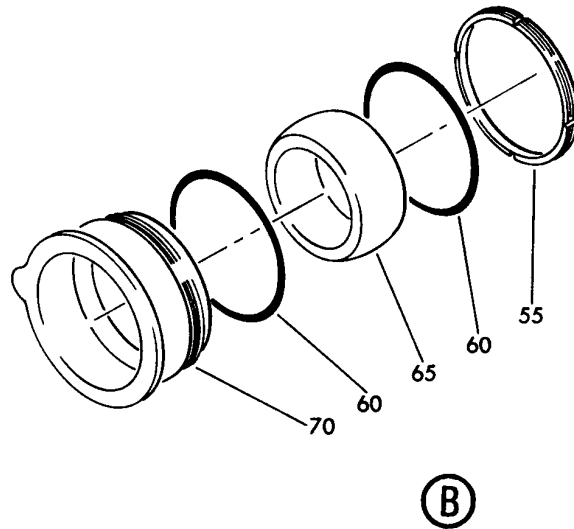
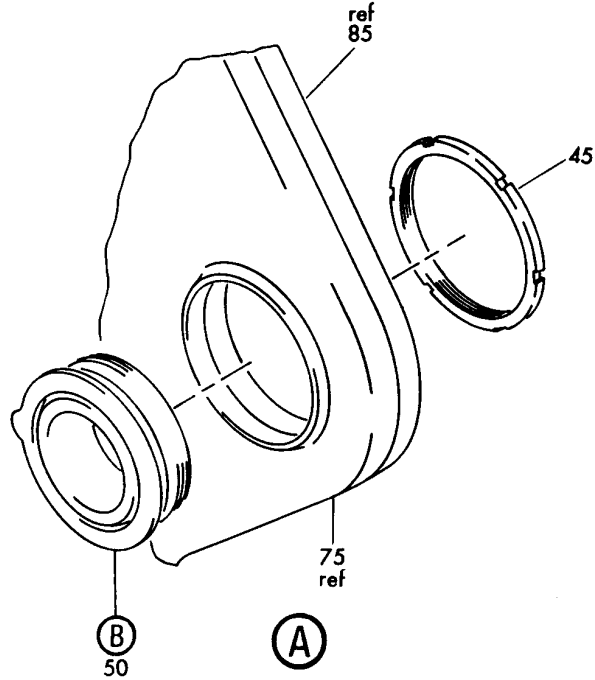
FITTING ASSY-PIVOT  
FIGURE 5 (SHEET 1)

**55-17-51-05**

BRI  
JAN 20/09

55-17-51-05  
PAGE 0

**BOEING**  
757  
PARTS CATALOG (MAINTENANCE)



Y 55175105 SHT 2 REV 180

FITTING ASSY-PIVOT  
FIGURE 5 (SHEET 2)

**55-17-51-05**

BRI  
JAN 20/09

55-17-51-05  
PAGE 0A



757

PARTS CATALOG (MAINTENANCE)

FIG ITEM	PART NUMBER	1 2 3 4 5 6 7	NOMENCLATURE	EFFECT FROM TO	UNITS PER ASSY
5			FITTING ASSY-PIVOT	103106 108120	
- 1	182N1601-405		COLLECTOR ASSY-PIVOT FTG INSTL FOR NHA SEE: 55-10-51-04	103106 108120	RF
- 3	182N1601-406		COLLECTOR ASSY-PIVOT FTG INSTL FOR NHA SEE: 55-10-51-04	103106 108120	RF
6	182N1602-9		.COLLECTOR ASSY-PIVOT POSITION DATA: LH	103106 108120	1
8	182N1602-10		.COLLECTOR ASSY-PIVOT POSITION DATA: RH	103106 108120	1
10	HL1012AZ12-12		..BOLT- SUPPLIER CODE: VOPTK6 SPECIFICATION NUMBER: BACB30NX12K12 OPTIONAL PART: HL12VAZ12-12 V73197 HL12VAZ12-12 V92215 HL12VAZ12-12 V97928 L802-12K12 V06725 HL12VAZ12-12 V56878 HL1012AZ12-12 V06725 HL1012AZ12-12 V06950 HL1012AZ12-12 V17446 HL1012AZ12-12 V56878 HL1012AZ12-12 V60516 HL1012AZ12-12 V73197 HL1012AZ12-12 V97928 USED WITH: 182N1602-7 182N1602-8	103106 108120	2

MISSING ITEM NUMBERS NOT APPLICABLE

- ITEM NOT ILLUSTRATED

55-17-51-05

55-17-51  
FIG. 05  
PAGE 1  
JAN 20/09

BRI



757

PARTS CATALOG (MAINTENANCE)

FIG ITEM	PART NUMBER	1 2 3 4 5 6 7	NOMENCLATURE	EFFECT FROM TO	UNITS PER ASSY
5 15	HL1187-12		.. COLLAR- SUPPLIER CODE: V5M902 SPECIFICATION NUMBER: BACC30X12 OPTIONAL PART: HL1187-12 V73197 HL1187-12 V56878 HL1187-12 V92215 HL1187-12 V92215 HL87-12 V56878 HL87-12 V73197 USED WITH: 182N1602-7 182N1602-8	103106 108120	2

MISSING ITEM NUMBERS NOT APPLICABLE

- ITEM NOT ILLUSTRATED

BRI

55-17-51-05

BOEING PROPRIETARY - Copyright © - Unpublished Work - See title page for details.

55-17-51  
FIG. 05  
PAGE 2  
JAN 20/09





757

PARTS CATALOG (MAINTENANCE)

FIG ITEM	PART NUMBER	1 2 3 4 5 6 7	NOMENCLATURE	EFFECT FROM TO	UNITS PER ASSY
5 20	HL1012AZ14-12		..BOLT- SUPPLIER CODE: VOPTK6 SPECIFICATION NUMBER: BACB30NX14K12 OPTIONAL PART: HL12VAZ14-12 V73197 HL12VAZ14-12 V92215 HL12VAZ14-12 V97928 L802-14K12 V06725 HL12VAZ14-12 V56878 HL1012AZ14-12 V06725 HL1012AZ14-12 V06950 HL1012AZ14-12 V17446 HL1012AZ14-12 V56878 HL1012AZ14-12 V60516 HL1012AZ14-12 V73197 HL1012AZ14-12 V97928 USED WITH: 182N1602-7 182N1602-8	103106 108120	2

MISSING ITEM NUMBERS NOT APPLICABLE

- ITEM NOT ILLUSTRATED

BRI

55-17-51-05

BOEING PROPRIETARY - Copyright © - Unpublished Work - See title page for details.

55-17-51  
FIG. 05  
PAGE 3  
JAN 20/09



757

PARTS CATALOG (MAINTENANCE)

FIG ITEM	PART NUMBER	1 2 3 4 5 6 7	NOMENCLATURE	EFFECT FROM TO	UNITS PER ASSY
5 25	HL1187-14		.. COLLAR- SUPPLIER CODE: V5M902 SPECIFICATION NUMBER: BACC30X14 OPTIONAL PART: HL1187-14 V56878 HL1187-14 V92215 HL1187-14 V73197 HL1187-14 V92215 HL87-14 V56878 HL1187-14 V73197 USED WITH: 182N1602-7 182N1602-8	103106 108120	2

MISSING ITEM NUMBERS NOT APPLICABLE

- ITEM NOT ILLUSTRATED

BRI

55-17-51-05

BOEING PROPRIETARY - Copyright © - Unpublished Work - See title page for details.

55-17-51  
FIG. 05  
PAGE 4  
JAN 20/09



757

PARTS CATALOG (MAINTENANCE)

FIG ITEM	PART NUMBER	1 2 3 4 5 6 7 NOMENCLATURE	EFFECT FROM TO	UNITS PER ASSY
5 30	HL1012AZ16-15	..BOLT- SUPPLIER CODE: VOPTK6 SPECIFICATION NUMBER: BACB30NX16K15 OPTIONAL PART: HL12VAZ16-15 V73197 HL12VAZ16-15 V92215 HL12VAZ16-15 V97928 L802-16K15 V06725 HL12V16-15 V56878 HL1012AZ16-15 V06725 HL1012AZ16-15 V06950 HL1012AZ16-15 V17446 HL1012AZ16-15 V56878 HL1012AZ16-15 V60516 HL1012AZ16-15 V73197 HL1012AZ16-15 V97928 USED WITH: 182N1602-7 182N1602-8	103106 108120	4

MISSING ITEM NUMBERS NOT APPLICABLE

- ITEM NOT ILLUSTRATED

BRI

55-17-51-05

BOEING PROPRIETARY - Copyright © - Unpublished Work - See title page for details.

55-17-51  
FIG. 05  
PAGE 5  
JAN 20/09



757

PARTS CATALOG (MAINTENANCE)

FIG ITEM	PART NUMBER	1 2 3 4 5 6 7	NOMENCLATURE	EFFECT FROM TO	UNITS PER ASSY
5 35	HL1012AZ16-16		..BOLT- SUPPLIER CODE: VOPTK3 SPECIFICATION NUMBER: BACB30NX16K16 OPTIONAL PART: HL12VAZ16-16 V73197 HL12VAZ16-16 V92215 HL12VAZ16-16 V97928 L802-16K16 V06725 HL12VAZ16-16 V56878 HL1012AZ16-16 V06725 HL1012AZ16-16 V06950 HL1012AZ16-16 V17446 HL1012AZ16-16 V56878 HL1012AZ16-16 V60516 HL1012AZ16-16 V73197 HL1012AZ16-16 V97928 USED WITH: 182N1602-7 182N1602-8	103106 108120	2

MISSING ITEM NUMBERS NOT APPLICABLE

- ITEM NOT ILLUSTRATED

BRI

55-17-51-05

BOEING PROPRIETARY - Copyright © - Unpublished Work - See title page for details.

55-17-51  
FIG. 05  
PAGE 6  
JAN 20/09



757

PARTS CATALOG (MAINTENANCE)

FIG ITEM	PART NUMBER	1 2 3 4 5 6 7	NOMENCLATURE	EFFECT FROM TO	UNITS PER ASSY
5 40	HL1187-16		.. COLLAR- SUPPLIER CODE: V5M902 SPECIFICATION NUMBER: BACC30X16 OPTIONAL PART: HL1187-16 V56878 HL1187-16 V92215 HL1187-16 V73197 HL1187-16 V92215 HL87-16 V56878 HL1187-16 V73197 USED WITH: 182N1602-7 182N1602-8	103106 108120	6
45	180N0017-1		.. NUT-RETAINING USED WITH: 182N1602-7 182N1602-8	103106 108120	1
50	ASSB26-17		.. BEARING ASSY- SUPPLIER CODE: V15860 SPECIFICATION NUMBER: S182N001-1 OPTIONAL PART: P21910 V57606 AMB26-100-1 VS0352 VTB04690 V06710	103106 108120	1
55	P21914		... RING- SUPPLIER CODE: V57606 SPECIFICATION NUMBER: S182N001-4 OPTIONAL PART: AMB26-100-4 VS0352 VTB04694 V06710	103106 108120	1

MISSING ITEM NUMBERS NOT APPLICABLE

- ITEM NOT ILLUSTRATED

55-17-51-05

55-17-51  
FIG. 05  
PAGE 7  
JAN 20/09

BRI



757

PARTS CATALOG (MAINTENANCE)

FIG ITEM	PART NUMBER	1 2 3 4 5 6 7	NOMENCLATURE	EFFECT FROM TO	UNITS PER ASSY
5					
60	VTB04695	...	PACKING- SUPPLIER CODE: V06710	103106 108120	2
65	P21911	...	BALL- SUPPLIER CODE: V57606 SPECIFICATION NUMBER: S182N001-2 OPTIONAL PART: AMB26-100-2 VS0352 VTB04691 V06710	103106 108120	1
70	P21912	...	RACE- SUPPLIER CODE: V57606 SPECIFICATION NUMBER: S182N001-3 OPTIONAL PART: AMB26-100-3 VS0352 VTB04692 V06710	103106 108120	1
75	182N1603-3	..	FITTING- POSITION DATA: LH SIDE	103106 108120	1
- 80	182N1603-4	..	FITTING- POSITION DATA: RH SIDE	103106 108120	1
90	182N1605-5	..	FITTING- POSITION DATA: LH SIDE	103106 108120	1
- 95	182N1605-6	..	FITTING- POSITION DATA: RH SIDE	103106 108120	1

MISSING ITEM NUMBERS NOT APPLICABLE

- ITEM NOT ILLUSTRATED

55-17-51-05

55-17-51  
FIG. 05  
PAGE 8  
JAN 20/09

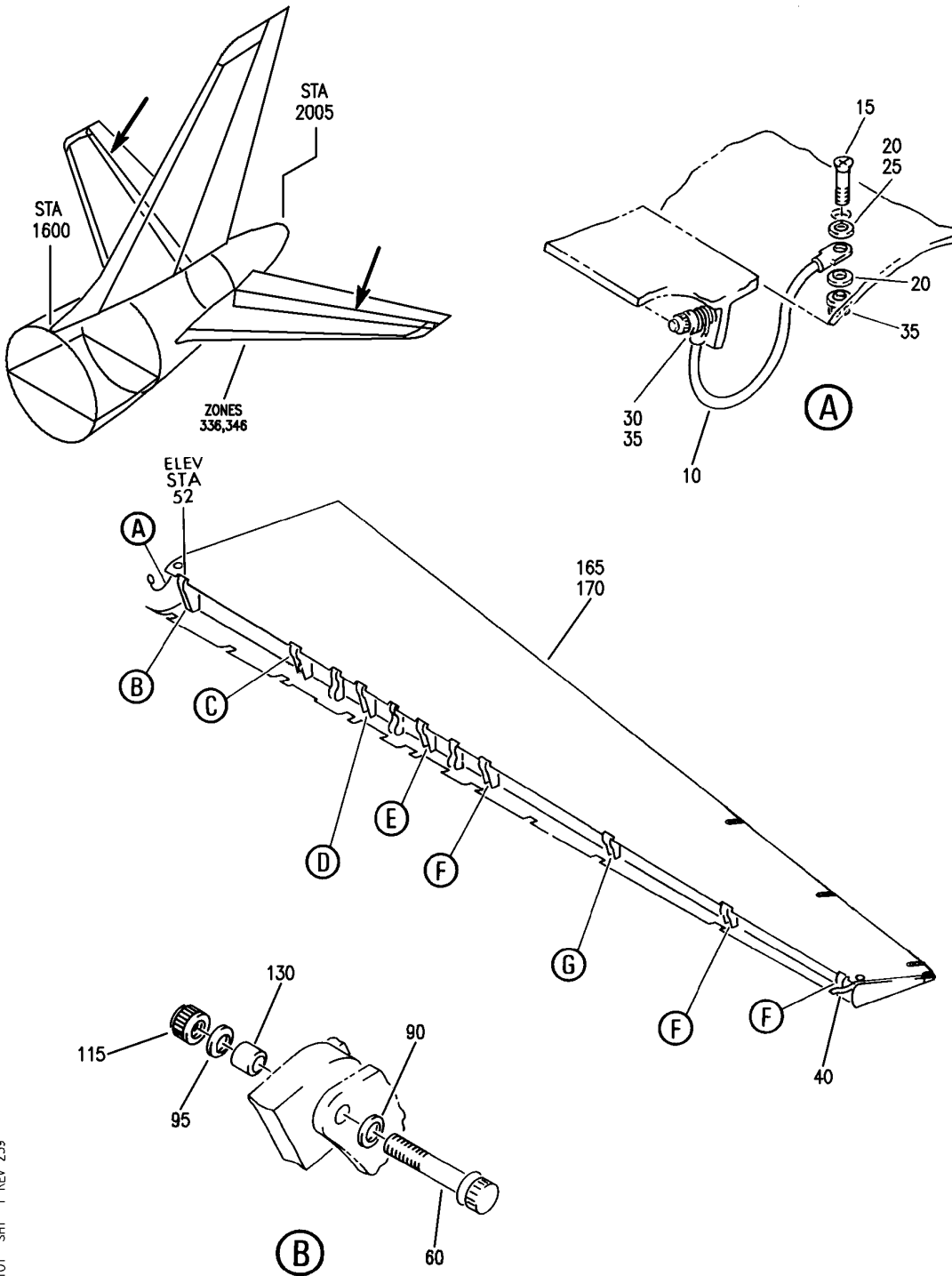
BRI

## ELEVATOR

BRI  
MAY 28/07

55-20-00  
SECTION TITLE  
PAGE 1

**BOEING**  
757  
PARTS CATALOG (MAINTENANCE)



Y 55205101 SHT 1 REV 239

ELEVATOR INSTL  
FIGURE 1 (SHEET 1)

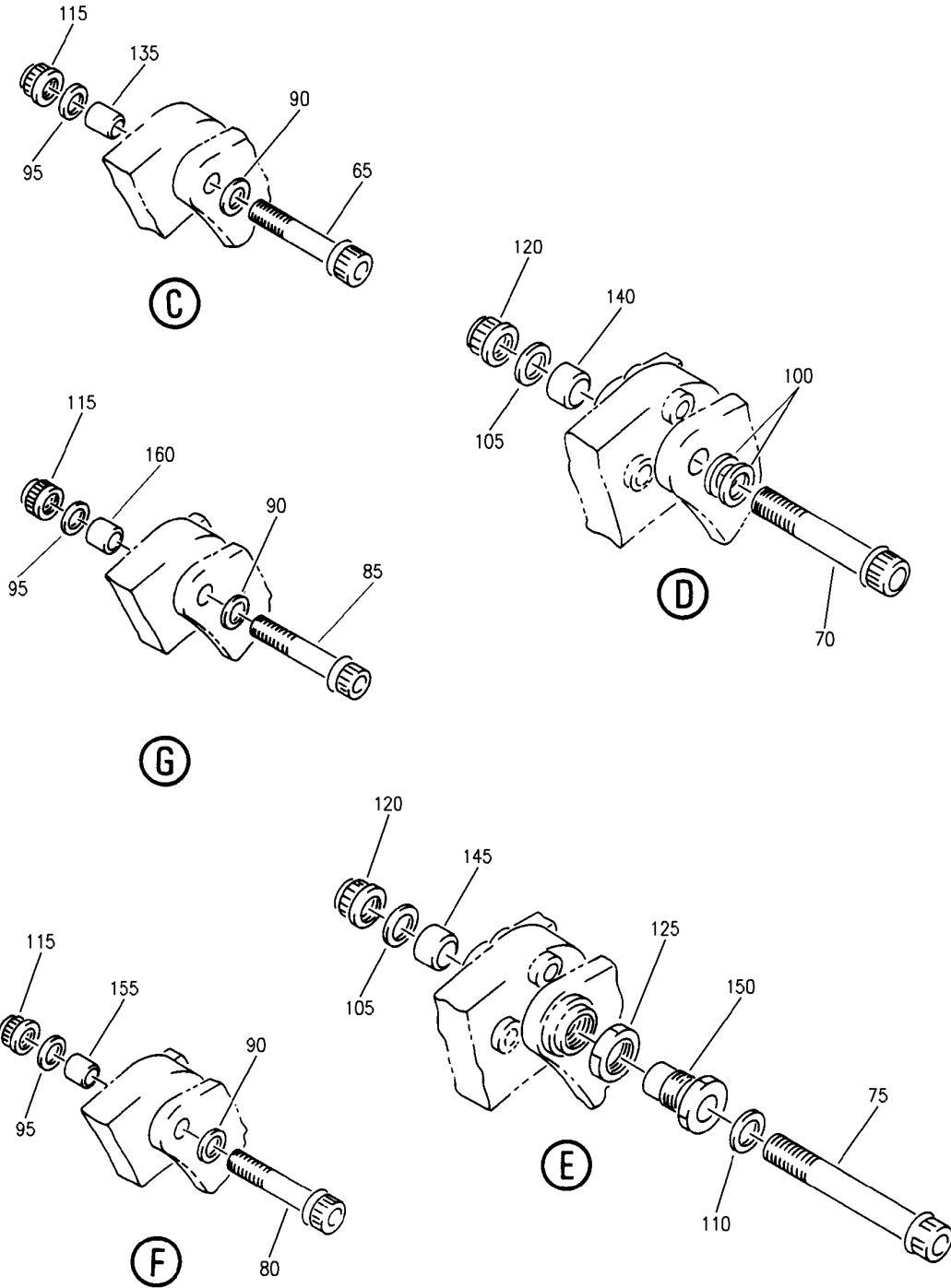
**55-20-51-01**

BRI  
MAY 28/07

55-20-51-01  
PAGE 0



**BOEING**  
757  
PARTS CATALOG (MAINTENANCE)



Y 55205101 SHT 2 REV 239

ELEVATOR INSTL  
FIGURE 1 (SHEET 2)

**55-20-51-01**

BRI  
MAY 28/07

55-20-51-01  
PAGE 0A



757

PARTS CATALOG (MAINTENANCE)

FIG ITEM	PART NUMBER	1 2 3 4 5 6 7	NOMENCLATURE	EFFECT FROM TO	UNITS PER ASSY
1			ELEVATOR INSTL	002004 006999	
- 1	183N2001-1		ELEVATOR INSTL- POSITION DATA: LH FOR NHA SEE: 55-10-51-01	002004 006100 107107 121503 904999	RF
- 1	183N2001-401		ELEVATOR INSTL- POSITION DATA: LH FOR NHA SEE: 55-10-00-01A	101102 108120 504903	RF
- 1	MODREF4807		ELEVATOR INSTL- MODULE NUMBER: 183N2001-401 REV A POSITION DATA: LH	103103	1
- 1	MODREF27284		ELEVATOR INSTL- MODULE NUMBER: 183N2001-401 REV B POSITION DATA: LH	104106	1
- 5	183N2001-2		ELEVATOR INSTL- POSITION DATA: RH FOR NHA SEE: 55-10-51-01	002004 006100 107107 121503 904999	RF
- 5	183N2001-402		ELEVATOR INSTL- POSITION DATA: RH FOR NHA SEE: 55-10-00-01A	101102 108120 504903	RF
- 5	MODREF4808		ELEVATOR INSTL- MODULE NUMBER: 183N2001-402 REV A POSITION DATA: RH	103103	1
- 5	MODREF27285		ELEVATOR INSTL- MODULE NUMBER: 183N2001-402 REV B POSITION DATA: RH	104106	1

MISSING ITEM NUMBERS NOT APPLICABLE

- ITEM NOT ILLUSTRATED

55-20-51-01

55-20-51  
FIG. 01  
PAGE 1  
JAN 20/09

BRI



757

PARTS CATALOG (MAINTENANCE)

FIG ITEM	PART NUMBER	1 2 3 4 5 6 7	NOMENCLATURE	EFFECT FROM TO	UNITS PER ASSY
1					
10	940CW20-8		.JUMPER ASSY- SUPPLIER CODE: V91812 SPECIFICATION NUMBER: BACJ40AB20-8 OPTIONAL PART: 100220-8 V1FF12 RBEJ40AB20-8 V1GK47 ATTACHING PARTS	002004 006999	1
15	NAS6703-2		.BOLT-	002004 006999	1
25	BACW10BP3NDP		.WASHER-	002004 006999	1
30	BACW10BP3NDP		.WASHER	002004 006999	1
35	TLN1001CWPD33		.NUT- SUPPLIER CODE: V97928 SPECIFICATION NUMBER: BACN10HY3AM OPTIONAL PART: 102LH9073-3 V72962 69233CB3D V56878 TLN1001W33 V92215 HW29874-3 V15653 -----*-----	002004 006999	2
40	RBEJ40E20-20		.JUMPER ASSY- SUPPLIER CODE: V1GK47 SPECIFICATION NUMBER: BACJ40E20-20 OPTIONAL PART: 740E20-20 V91812 ATTACHING PARTS	002004 006999	1
- 45	BACB30LJ4-3		.BOLT-	002004 006999	2
- 50	BACW10BP4DP		.WASHER-	002004 006999	2

MISSING ITEM NUMBERS NOT APPLICABLE

- ITEM NOT ILLUSTRATED

55-20-51-01

55-20-51  
FIG. 01  
PAGE 2  
JAN 20/09

BRI

BOEING PROPRIETARY - Copyright © - Unpublished Work - See title page for details.



757

PARTS CATALOG (MAINTENANCE)

FIG ITEM	PART NUMBER	1 2 3 4 5 6 7	NOMENCLATURE	EFFECT FROM TO	UNITS PER ASSY
1 - 55	BRH10C4D		.NUT- SUPPLIER CODE: V52828 SPECIFICATION NUMBER: BACN10JC4CD OPTIONAL PART: T6C428JCD V11815 NS202486-048 V80539 102LH9075-4W V72962 H51650-4BAC V15653 -----*-----	002004 006999	2
60	BACB30LE6U29		.BOLT-	002004 006999	1
65	BACB30LE6U32		.BOLT-	002004 006999	1
70	BACB30LE8U40		.BOLT-	002004 006999	1
75	BACB30LE8U56		.BOLT-	002004 006999	1
80	BACB30LE6U28		.BOLT-	002004 006999	3
85	BACB30LE6U29		.BOLT-	002004 006999	1
90	BACW10BP6CD		.WASHER-	002004 006999	6
95	BACW10BP6APU		.WASHER-	002004 006999	6
100	BACW10BP8CD		.WASHER-	002004 006999	2
105	BACW10BP8APU		.WASHER-	002004 006999	2
110	BACW10BP8ACU		.WASHER-	002004 006999	1

MISSING ITEM NUMBERS NOT APPLICABLE

- ITEM NOT ILLUSTRATED

55-20-51-01

55-20-51  
FIG. 01  
PAGE 3  
JAN 20/09

BRI

BOEING PROPRIETARY - Copyright © - Unpublished Work - See title page for details.



757

PARTS CATALOG (MAINTENANCE)

FIG ITEM	PART NUMBER	1 2 3 4 5 6 7	NOMENCLATURE	EFFECT FROM TO	UNITS PER ASSY
1 115	BMN10HRCPD3-6		.NUT- SUPPLIER CODE: V97928 SPECIFICATION NUMBER: BACN10HR6CS OPTIONAL PART: H39953-6 V15653 109LH9031-6 V72962 67832AS624 V56878 BMN5024CPD3-6 V97928 BH00303-6 V27238 SL7059C624 V11815 BH003036 V27238 BMN5024CPD36 V97928 H39953 V15653 SL705096 V11815 109LH90316 V72962 67832AS6 V56878 CR59086 V62554	002004 006999	6

MISSING ITEM NUMBERS NOT APPLICABLE

- ITEM NOT ILLUSTRATED

BRI

55-20-51-01

BOEING PROPRIETARY - Copyright © - Unpublished Work - See title page for details.

55-20-51  
FIG. 01  
PAGE 4  
JAN 20/09



757

PARTS CATALOG (MAINTENANCE)

FIG ITEM	PART NUMBER	1 2 3 4 5 6 7	NOMENCLATURE	EFFECT FROM TO	UNITS PER ASSY
1 120	BMN10HRCPD3-8	.NUT-	SUPPLIER CODE: V97928 SPECIFICATION NUMBER: BACN10HR8CS OPTIONAL PART: H39953-8 V15653 109LH9031-8 V72962 67832AS820 V56878 BH00303-8 V27238 BH003038 V27238 BMN5024CPD38 V97928 CR59088 V62554 SL705098 V11815 109LH90318 V72962 67832AS8 V56878	002004 006999	2
125	183N2227-2	.LOCKNUT-		002004 006999	1
130	BACB28AK06-045	.BUSHING		002004 006999	1
135	BACB28AK06-052	.BUSHING-		002004 006999	1
140	BACB28AK08-046	.BUSHING-		002004 006999	1
145	BACB28AK08-050	.BUSHING-		002004 006999	1
150	183N2227-1	.BUSHING-		002004 006999	1
150	183N2227-3	.BUSHING-		002004 006999	1
155	BACB28AK06-042	.BUSHING-		002004 006999	3
160	BACB28AK06-047	.BUSHING-		002004 006999	1

MISSING ITEM NUMBERS NOT APPLICABLE

- ITEM NOT ILLUSTRATED

55-20-51-01

55-20-51  
FIG. 01  
PAGE 5  
JAN 20/09

BRI

BOEING PROPRIETARY - Copyright © - Unpublished Work - See title page for details.



757

PARTS CATALOG (MAINTENANCE)

FIG ITEM	PART NUMBER	1 2 3 4 5 6 7	NOMENCLATURE	EFFECT FROM TO	UNITS PER ASSY
1 165	183N2003-1		.ELEVATOR ASSY- POSITION DATA: LH SIDE COMPONENT MAINT MANUAL REF: 55-20-15 QUALIFIED I/W DATA: 183N2003-5 MAY REPLACE -1 FOR EAA NA002A299 ONLY REWORKED BY SB: 55-0009R2 FOR DETAILS SEE: 55-20-51-02	002004 006999	1
165	183N2003-17		.ELEVATOR ASSY- POSITION DATA: LH SIDE COMPONENT MAINT MANUAL REF: 55-20-15 REWORKED BY SB: 55-0009R2 FOR DETAILS SEE: 55-20-51-02	002004 006999	1
165	183N2003-11		.ELEVATOR ASSY- POSITION DATA: LH SIDE COMPONENT MAINT MANUAL REF: 55-20-15 REWORKED BY SB: 55-0009R2 FOR DETAILS SEE: 55-20-51-02	002004 006999	1
165	183N2003-15		.ELEVATOR ASSY- POSITION DATA: LH SIDE COMPONENT MAINT MANUAL REF: 55-20-15 REWORKED BY SB: 55-0009R2 FOR DETAILS SEE: 55-20-51-02	002004 006999	1

MISSING ITEM NUMBERS NOT APPLICABLE

- ITEM NOT ILLUSTRATED

**55-20-51-01**

55-20-51  
FIG. 01  
PAGE 6  
JAN 20/09

BRI



757

PARTS CATALOG (MAINTENANCE)

FIG ITEM	PART NUMBER	1 2 3 4 5 6 7	NOMENCLATURE	EFFECT FROM TO	UNITS PER ASSY
1 165	183N2003-23		.ELEVATOR ASSY- POSITION DATA: LH SIDE COMPONENT MAINT MANUAL REF: 55-20-15 QUALIFIED I/W DATA: -27 MAY REPLACE -23 FOR NWA NCO01-NC014 ONLY REWORKED BY SB: 55-0009R2 FOR DETAILS SEE: 55-20-51-02	002004 006999	1
165	183N2003-29		.ELEVATOR ASSY- POSITION DATA: LH SIDE COMPONENT MAINT MANUAL REF: 55-20-15 REWORKED BY SB: 55-0009R2 FOR DETAILS SEE: 55-20-51-03	002004 006999	1
170	183N2003-35		.ELEVATOR ASSY- POSITION DATA: LH SIDE COMPONENT MAINT MANUAL REF: 55-20-15 REWORKED BY SB: 55-0009R2 FOR DETAILS SEE: 55-20-51-02	002004 006999	1
170	183N2003-41SP		.ELEVATOR ASSY- POSITION DATA: LH SIDE COMPONENT MAINT MANUAL REF: 55-20-15 QUALIFIED I/W DATA: 183N2003-41SP I/W -37 OR -39 SUBJECT TO COLOR PREF FOR DETAILS SEE: 55-20-51-02	002004 006999	1
170	183N2003-43SP		.ELEVATOR ASSY- POSITION DATA: LH SIDE COMPONENT MAINT MANUAL REF: 55-20-15 FOR DETAILS SEE: 55-20-51-02	002004 006999	1

MISSING ITEM NUMBERS NOT APPLICABLE

- ITEM NOT ILLUSTRATED

**55-20-51-01**

55-20-51  
FIG. 01  
PAGE 7  
JAN 20/09

BRI





757

PARTS CATALOG (MAINTENANCE)

FIG ITEM	PART NUMBER	1 2 3 4 5 6 7	NOMENCLATURE	EFFECT FROM TO	UNITS PER ASSY
1 170	183N2003-45SP		.ELEVATOR ASSY- POSITION DATA: LH SIDE COMPONENT MAINT MANUAL REF: 55-20-15 FOR DETAILS SEE: 55-20-51-02	002004 006999	1
- 175	183N2003-2		.ELEVATOR ASSY- POSITION DATA: RH SIDE COMPONENT MAINT MANUAL REF: 55-20-15 QUALIFIED I/W DATA: 183N2003-6 MAY REPL -2 FOR EAA NAO02A199 ONLY REWORKED BY SB: 55-0009R2 FOR DETAILS SEE: 55-20-51-02	002004 006999	1
- 175	183N2003-18		.ELEVATOR ASSY- POSITION DATA: RH SIDE COMPONENT MAINT MANUAL REF: 55-20-15 REWORKED BY SB: 55-0009R2 FOR DETAILS SEE: 55-20-51-02	002004 006999	1
- 175	183N2003-12		.ELEVATOR ASSY- POSITION DATA: RH SIDE COMPONENT MAINT MANUAL REF: 55-20-15 REWORKED BY SB: 55-0009R2 FOR DETAILS SEE: 55-20-51-02	002004 006999	1
- 175	183N2003-16		.ELEVATOR ASSY- POSITION DATA: RH SIDE COMPONENT MAINT MANUAL REF: 55-20-15 REWORKED BY SB: 55-0009R2 FOR DETAILS SEE: 55-20-51-02	002004 006999	1

MISSING ITEM NUMBERS NOT APPLICABLE

- ITEM NOT ILLUSTRATED

**55-20-51-01**

55-20-51  
FIG. 01  
PAGE 8  
JAN 20/09

BRI



757

PARTS CATALOG (MAINTENANCE)

FIG ITEM	PART NUMBER	1 2 3 4 5 6 7	NOMENCLATURE	EFFECT FROM TO	UNITS PER ASSY
1					
- 175	183N2003-24		.ELEVATOR ASSY- POSITION DATA: RH SIDE COMPONENT MAINT MANUAL REF: 55-20-15 QUALIFIED I/W DATA: -28 MAY REPLACE -24 FOR NWA NCO01-NC014 ONLY REWORKED BY SB: 55-0009R2 FOR DETAILS SEE: 55-20-51-02	002004 006999	1
- 175	183N2003-30		.ELEVATOR ASSY- POSITION DATA: RH SIDE COMPONENT MAINT MANUAL REF: 55-20-15 REWORKED BY SB: 55-0009R2 FOR DETAILS SEE: 55-20-51-03	002004 006999	1
- 180	183N2003-36		.ELEVATOR ASSY- POSITION DATA: RH SIDE COMPONENT MAINT MANUAL REF: 55-20-15 REWORKED BY SB: 55-0009R2 FOR DETAILS SEE: 55-20-51-02	002004 006999	1
- 180	183N2003-42SP		.ELEVATOR ASSY- POSITION DATA: RH SIDE COMPONENT MAINT MANUAL REF: 55-20-15 QUALIFIED I/W DATA: 183N2003-42SP I/W -38 OR -40 SUBJECT TO COLOR PREF FOR DETAILS SEE: 55-20-51-02	002004 006999	1
- 180	183N2003-44SP		.ELEVATOR ASSY- POSITION DATA: RH SIDE COMPONENT MAINT MANUAL REF: 55-20-15 FOR DETAILS SEE: 55-20-51-02	002004 006999	1

MISSING ITEM NUMBERS NOT APPLICABLE

- ITEM NOT ILLUSTRATED

55-20-51-01

55-20-51  
FIG. 01  
PAGE 9  
JAN 20/09

BRI



757

PARTS CATALOG (MAINTENANCE)

FIG ITEM	PART NUMBER	1 2 3 4 5 6 7	NOMENCLATURE	EFFECT FROM TO	UNITS PER ASSY
1 - 180	183N2003-46SP		.ELEVATOR ASSY- POSITION DATA: RH SIDE COMPONENT MAINT MANUAL REF: 55-20-15 FOR DETAILS SEE: 55-20-51-02	002004 006999	1

MISSING ITEM NUMBERS NOT APPLICABLE

- ITEM NOT ILLUSTRATED

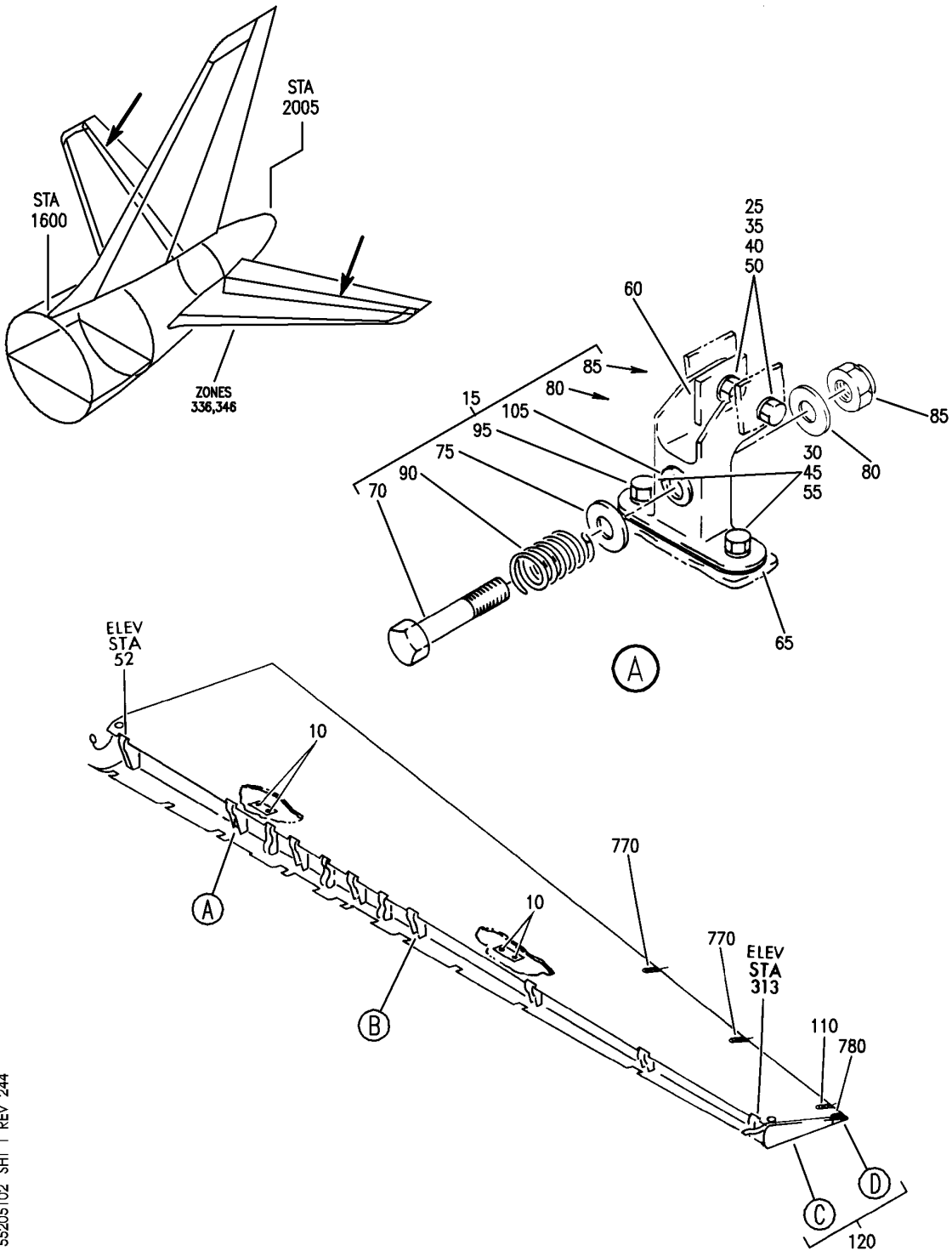
BRI

# 55-20-51-01

BOEING PROPRIETARY - Copyright © - Unpublished Work - See title page for details.

55-20-51  
FIG. 01  
PAGE 10  
JAN 20/09

**BOEING**  
757  
PARTS CATALOG (MAINTENANCE)



Y 55205102 SHT 1 REV 244

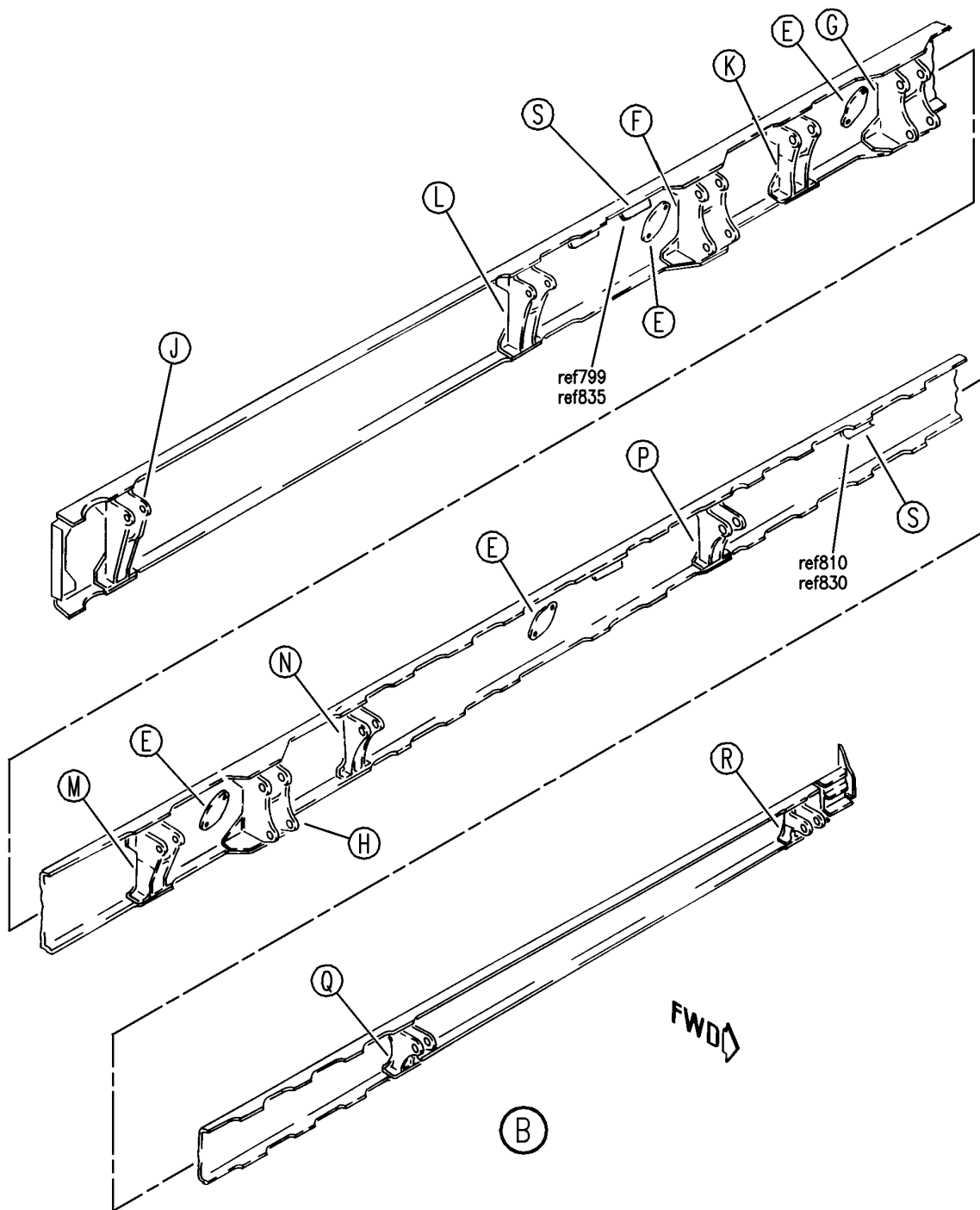
ELEVATOR ASSY  
FIGURE 2 (SHEET 1)

**55-20-51-02**

BRI  
MAY 28/07

55-20-51-02  
PAGE 0

**BOEING**  
757  
PARTS CATALOG (MAINTENANCE)



Y 55205102 SH1 2 REV 239

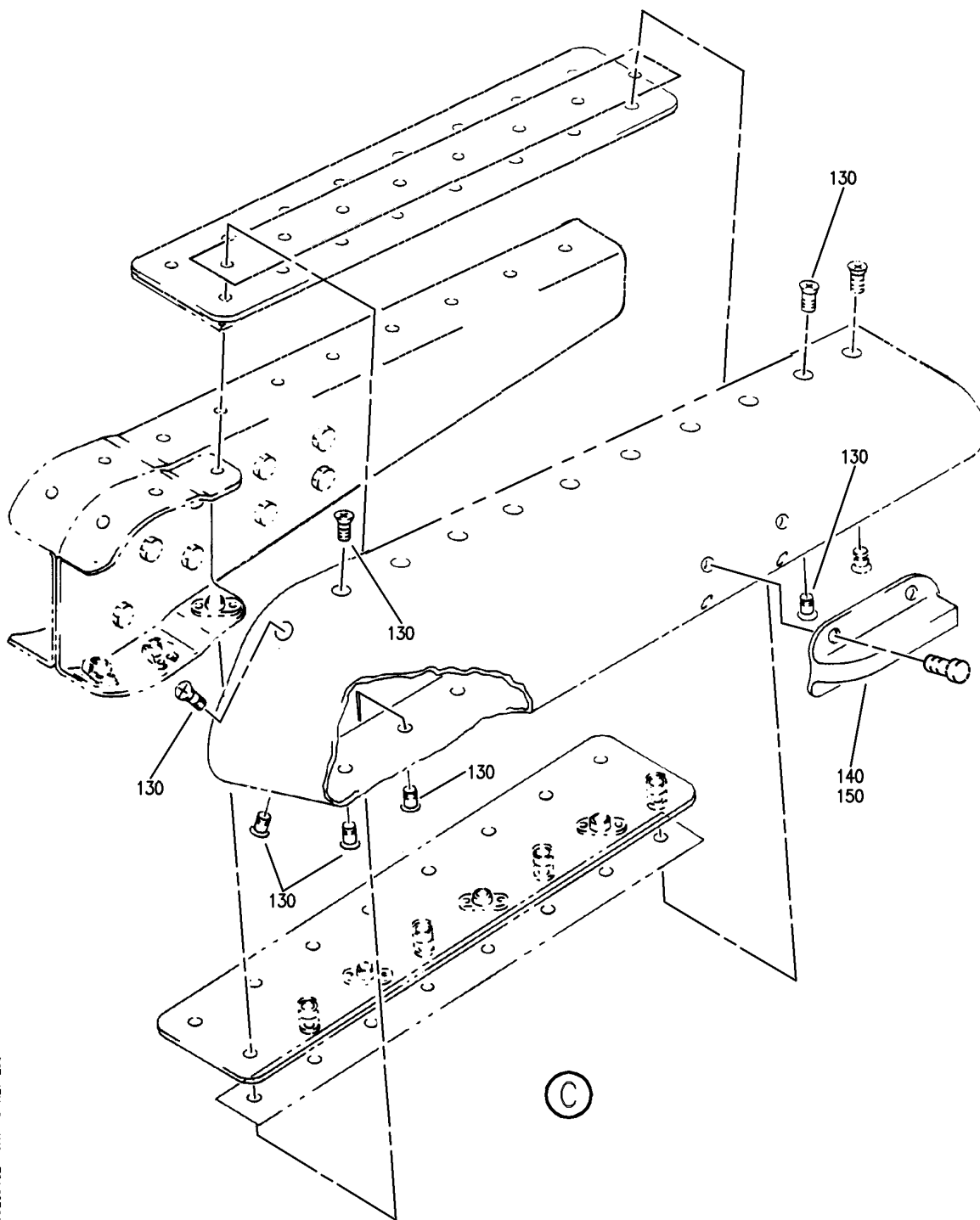
ELEVATOR ASSY  
FIGURE 2 (SHEET 2)

**55-20-51-02**

BRI  
MAY 28/07

55-20-51-02  
PAGE 0A

**BOEING**  
757  
PARTS CATALOG (MAINTENANCE)



Y 55205102 SHT 3 REV 239

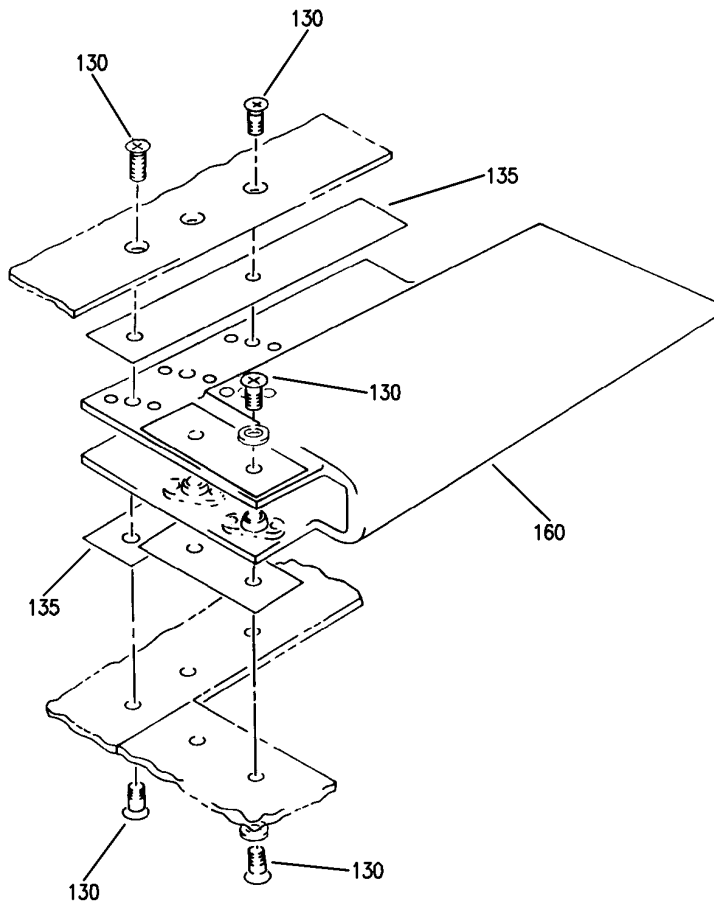
ELEVATOR ASSY  
FIGURE 2 (SHEET 3)

**55-20-51-02**

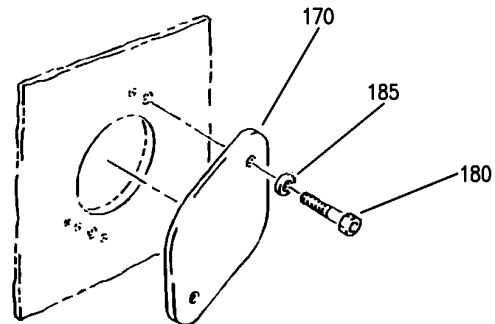
BRI  
MAY 28/07

55-20-51-02  
PAGE 0B

**BOEING**  
757  
PARTS CATALOG (MAINTENANCE)



(D)



(E)

Y 55205102 SHT 4 REV 239

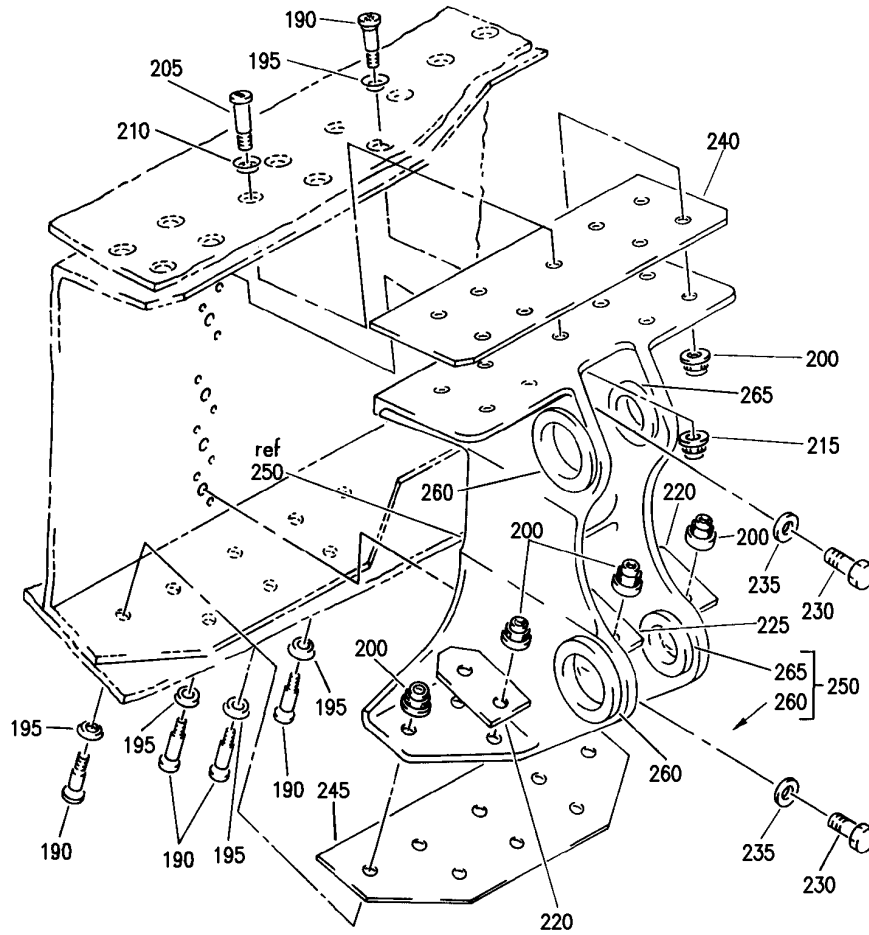
ELEVATOR ASSY  
FIGURE 2 (SHEET 4)

**55-20-51-02**

BRI  
MAY 28/07

55-20-51-02  
PAGE 0C

**BOEING**  
757  
PARTS CATALOG (MAINTENANCE)



(F)

Y 55205102 SHT 5 REV 239

ELEVATOR ASSY  
FIGURE 2 (SHEET 5)

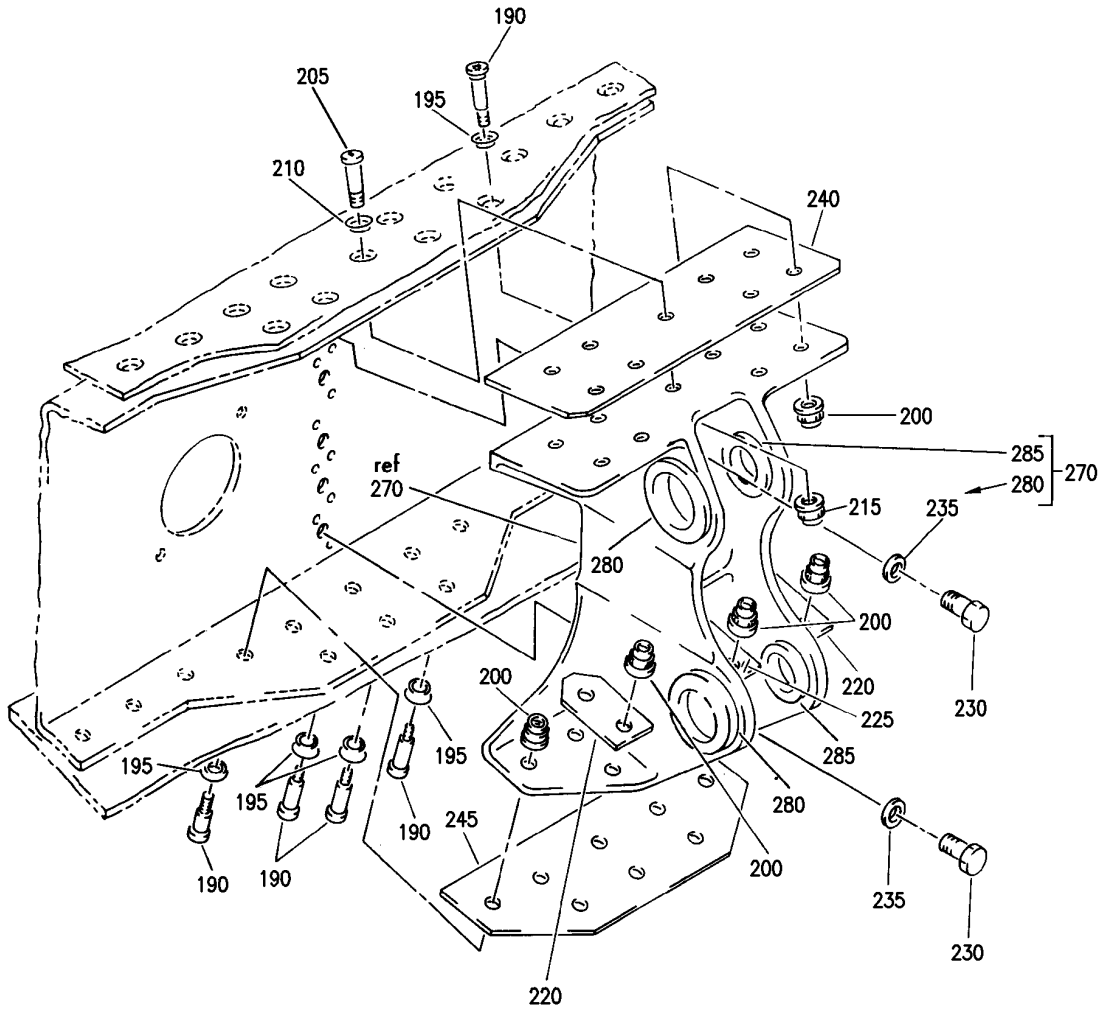
**55-20-51-02**

BRI  
MAY 28/07

55-20-51-02  
PAGE 0D



**BOEING**  
757  
PARTS CATALOG (MAINTENANCE)



(G)

Y 55205102 SH1 6 REV 239

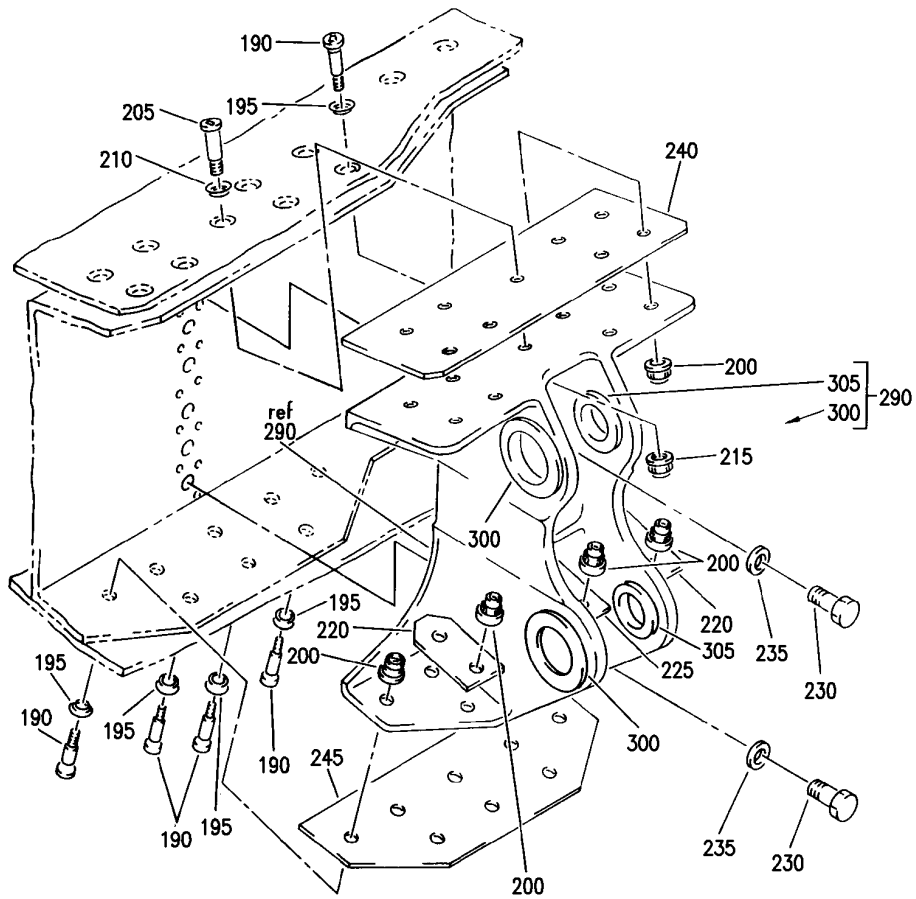
ELEVATOR ASSY  
FIGURE 2 (SHEET 6)

**55-20-51-02**

BRI  
MAY 28/07

55-20-51-02  
PAGE 0E

**BOEING**  
757  
PARTS CATALOG (MAINTENANCE)



(H)

Y 55205102 SHT 7 REV 239

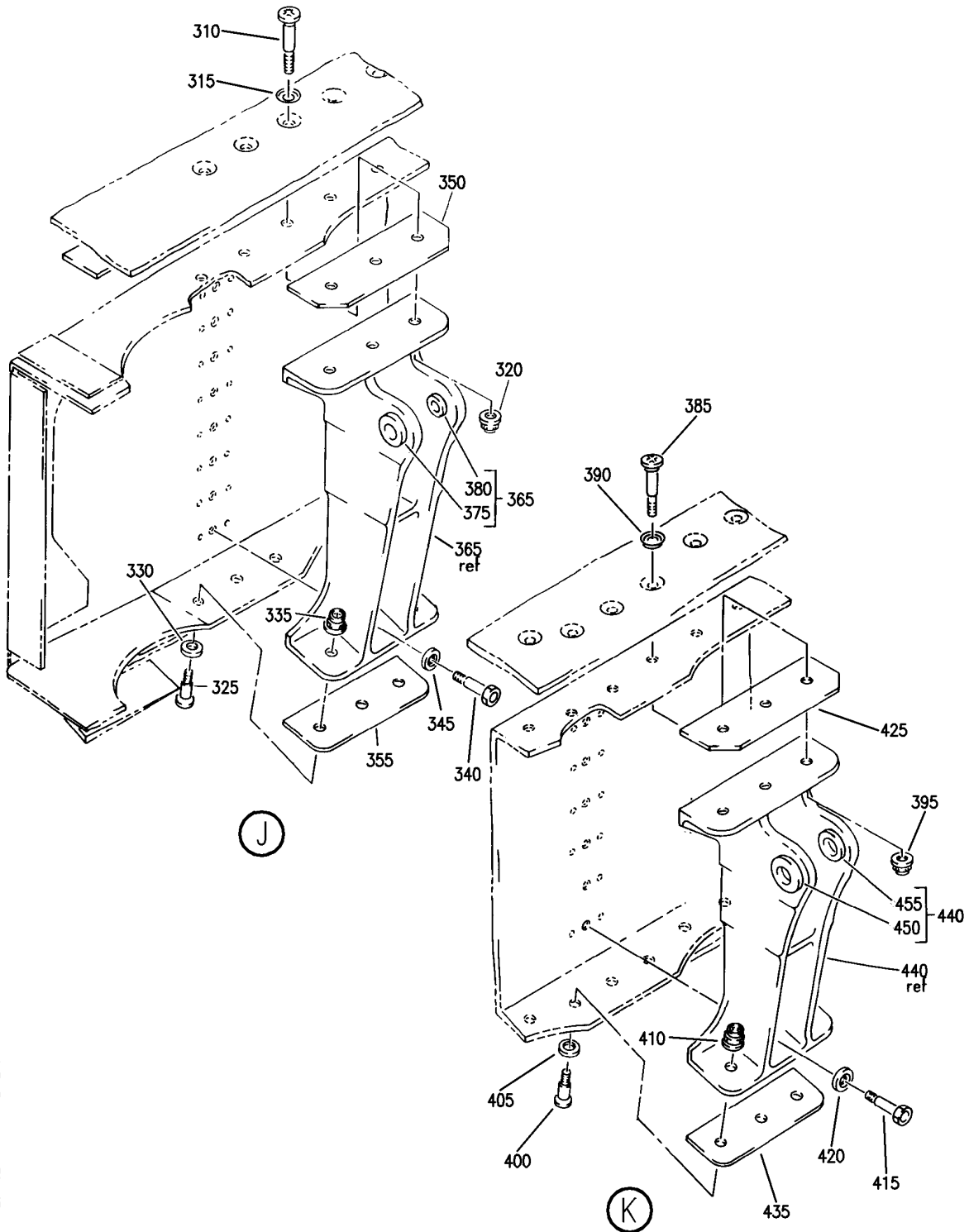
ELEVATOR ASSY  
FIGURE 2 (SHEET 7)

**55-20-51-02**

BRI  
MAY 28/07

55-20-51-02  
PAGE OF

**BOEING**  
757  
PARTS CATALOG (MAINTENANCE)



Y 55205102 SHT 8 REV 239

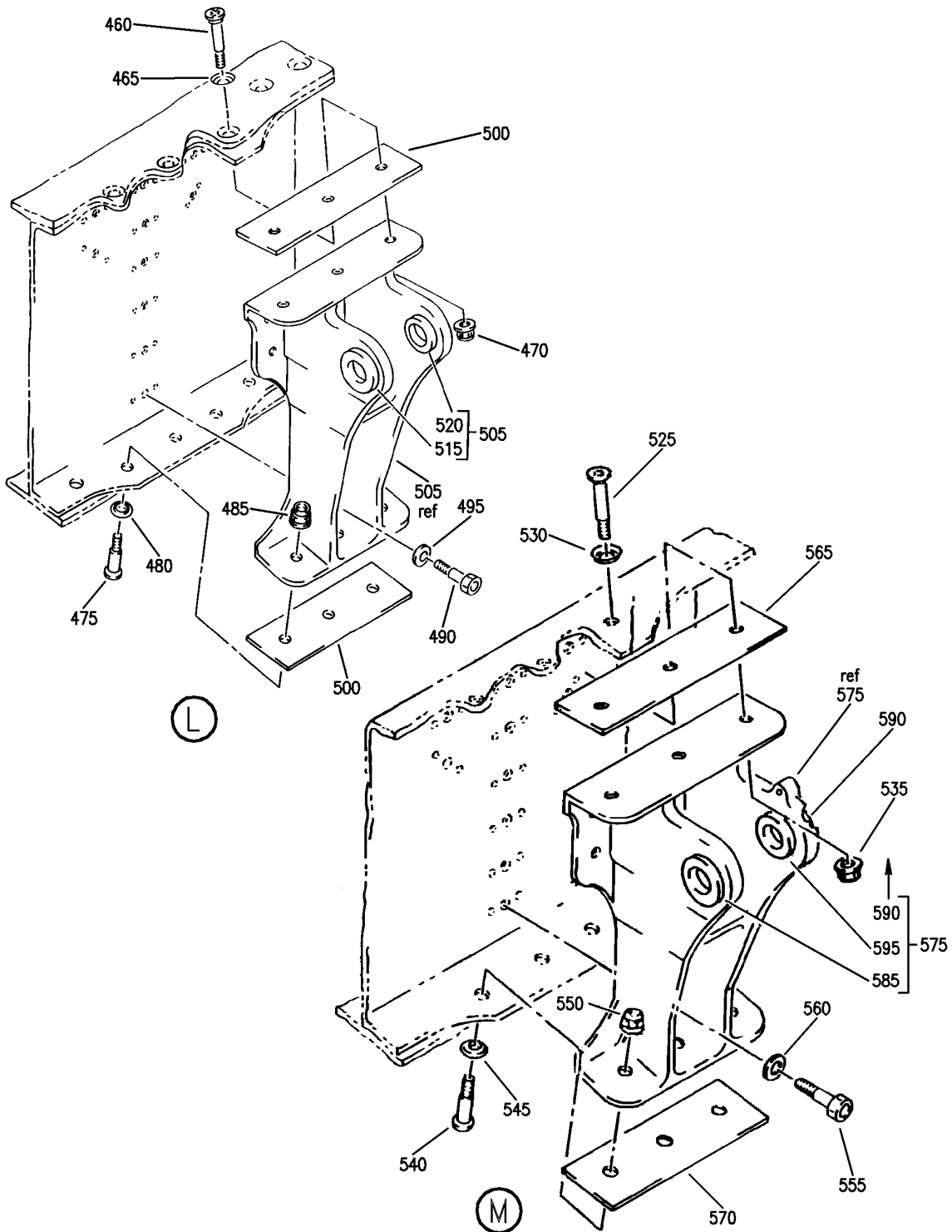
ELEVATOR ASSY  
FIGURE 2 (SHEET 8)

**55-20-51-02**

BRI  
MAY 28/07

55-20-51-02  
PAGE 0G

**BOEING**  
757  
PARTS CATALOG (MAINTENANCE)



Y 55205102 SHT 9 REV 239

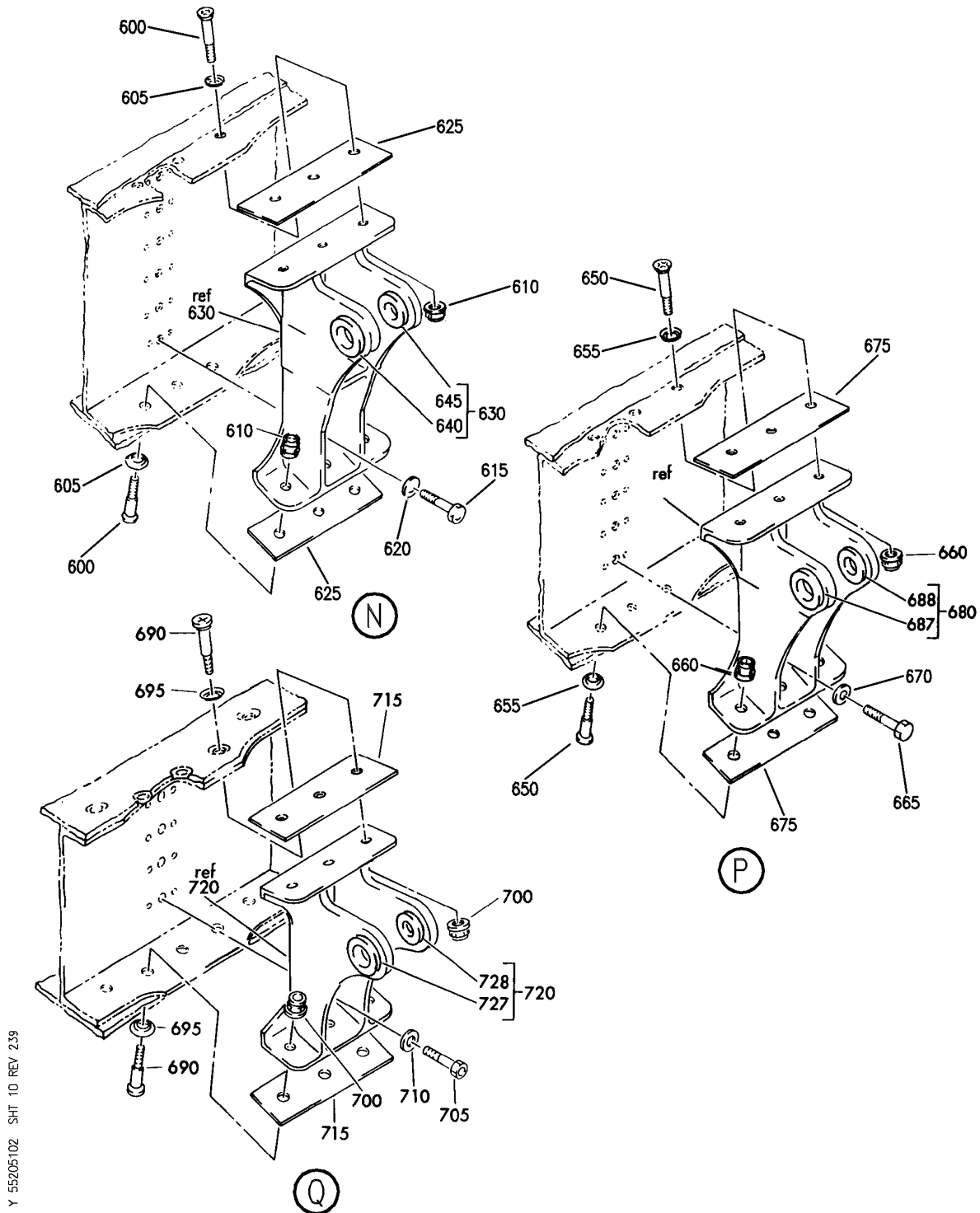
ELEVATOR ASSY  
FIGURE 2 (SHEET 9)

**55-20-51-02**

BRI  
MAY 28/07

55-20-51-02  
PAGE 0H

**BOEING**  
757  
PARTS CATALOG (MAINTENANCE)



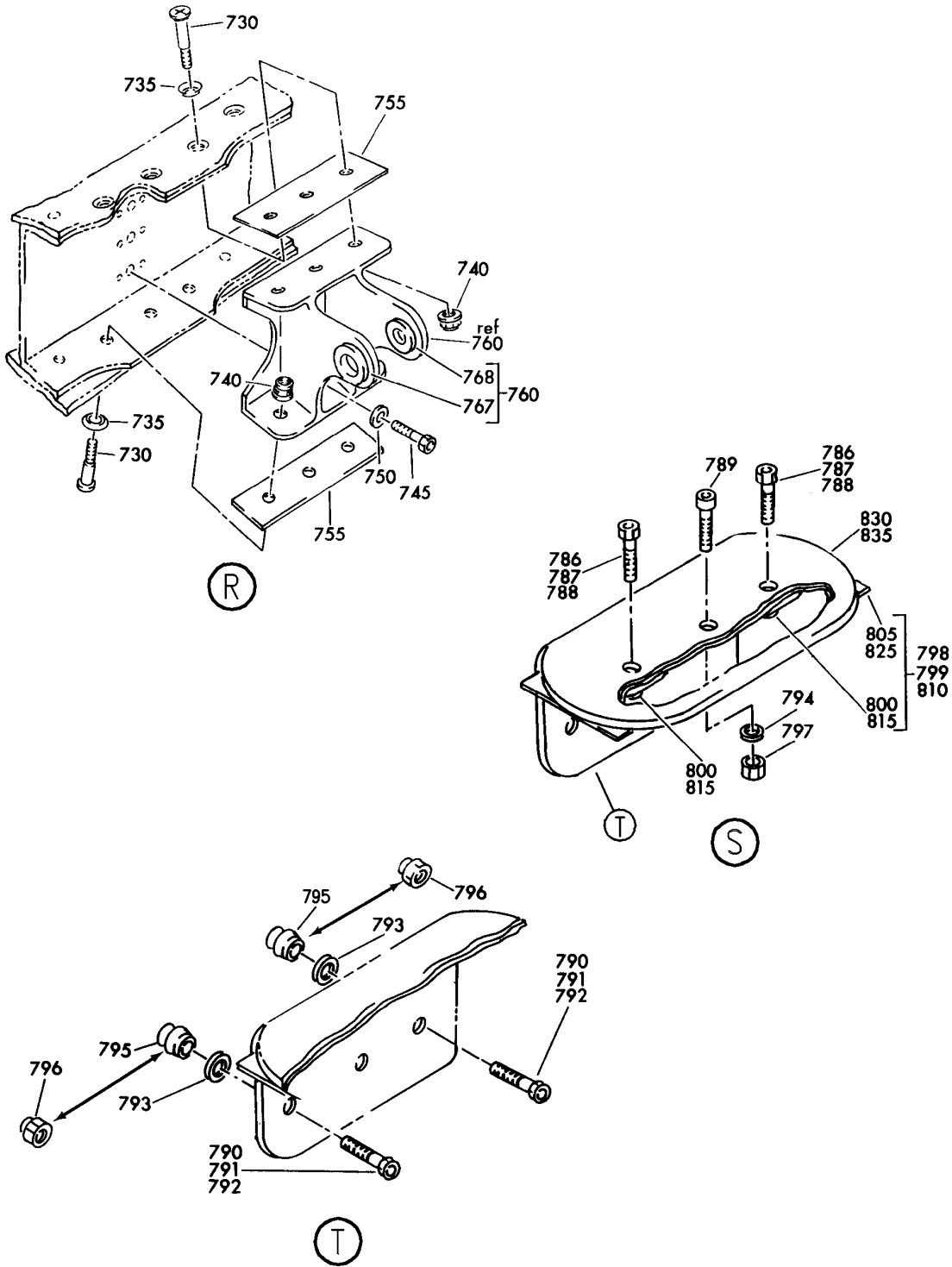
ELEVATOR ASSY  
FIGURE 2 (SHEET 10)

**55-20-51-02**

BRI  
MAY 28/07

55-20-51-02  
PAGE 01

**BOEING**  
757  
PARTS CATALOG (MAINTENANCE)



Y 55205102 SHT 11 REV 239

ELEVATOR ASSY  
FIGURE 2 (SHEET 11)

**55-20-51-02**

BRI  
MAY 28/07

55-20-51-02  
PAGE 0J



757

PARTS CATALOG (MAINTENANCE)

FIG ITEM	PART NUMBER	1 2 3 4 5 6 7	NOMENCLATURE	EFFECT FROM TO	UNITS PER ASSY
2			ELEVATOR ASSY	002004 006999	
- 1	183N2003-1		ELEVATOR ASSY- POSITION DATA: LH SIDE COMPONENT MAINT MANUAL REF: 55-20-15 QUALIFIED I/W DATA: 183N2003-5 MAY REPLACE -1 FOR EAA NA002A299 ONLY REWORKED BY SB: 55-0009R2 FOR NHA SEE: 55-20-51-01	002004 006999	RF
- 1	183N2003-17		ELEVATOR ASSY- POSITION DATA: LH SIDE COMPONENT MAINT MANUAL REF: 55-20-15 REWORKED BY SB: 55-0009R2 FOR NHA SEE: 55-20-51-01	002004 006999	RF
- 1	183N2003-11		ELEVATOR ASSY- POSITION DATA: LH SIDE COMPONENT MAINT MANUAL REF: 55-20-15 REWORKED BY SB: 55-0009R2 FOR NHA SEE: 55-20-51-01	002004 006999	RF
- 1	183N2003-15		ELEVATOR ASSY- POSITION DATA: LH SIDE COMPONENT MAINT MANUAL REF: 55-20-15 REWORKED BY SB: 55-0009R2 FOR NHA SEE: 55-20-51-01	002004 006999	RF

MISSING ITEM NUMBERS NOT APPLICABLE

- ITEM NOT ILLUSTRATED

**55-20-51-02**

55-20-51  
FIG. 02  
PAGE 1  
JAN 20/09

BRI



757

PARTS CATALOG (MAINTENANCE)

FIG ITEM	PART NUMBER	1 2 3 4 5 6 7	NOMENCLATURE	EFFECT FROM TO	UNITS PER ASSY
2 - 1	183N2003-23		ELEVATOR ASSY- POSITION DATA: LH SIDE COMPONENT MAINT MANUAL REF: 55-20-15 QUALIFIED I/W DATA: -27 MAY REPLACE -23 FOR NWA NCO01-NCO14 ONLY REWORKED BY SB: 55-0009R2 FOR NHA SEE: 55-20-51-01 55-20-51-03	002004 006999	RF
- 2	183N2003-35		ELEVATOR ASSY- POSITION DATA: LH SIDE COMPONENT MAINT MANUAL REF: 55-20-15 REWORKED BY SB: 55-0009R2 FOR NHA SEE: 55-20-51-01 55-20-51-03	002004 006999	RF
- 2	183N2003-41SP		ELEVATOR ASSY- POSITION DATA: LH SIDE COMPONENT MAINT MANUAL REF: 55-20-15 QUALIFIED I/W DATA: 183N2003-41SP I/W -37 OR -39 SUBJECT TO COLOR PREF FOR NHA SEE: 55-20-51-01	002004 006999	RF
- 2	183N2003-43SP		ELEVATOR ASSY- POSITION DATA: LH SIDE COMPONENT MAINT MANUAL REF: 55-20-15 FOR NHA SEE: 55-20-51-01	002004 006999	RF
- 2	183N2003-45SP		ELEVATOR ASSY- POSITION DATA: LH SIDE COMPONENT MAINT MANUAL REF: 55-20-15 FOR NHA SEE: 55-20-51-01	002004 006999	RF

MISSING ITEM NUMBERS NOT APPLICABLE

- ITEM NOT ILLUSTRATED

55-20-51-02

55-20-51  
FIG. 02  
PAGE 2  
JAN 20/09

BRI





757

PARTS CATALOG (MAINTENANCE)

FIG ITEM	PART NUMBER	1 2 3 4 5 6 7	NOMENCLATURE	EFFECT FROM TO	UNITS PER ASSY
2 - 5	183N2003-2		ELEVATOR ASSY- POSITION DATA: RH SIDE COMPONENT MAINT MANUAL REF: 55-20-15 QUALIFIED I/W DATA: 183N2003-6 MAY REPL -2 FOR EAA NAO02A199 ONLY REWORKED BY SB: 55-0009R2 FOR NHA SEE: 55-20-51-01	002004 006999	RF
- 5	183N2003-18		ELEVATOR ASSY- POSITION DATA: RH SIDE COMPONENT MAINT MANUAL REF: 55-20-15 REWORKED BY SB: 55-0009R2 FOR NHA SEE: 55-20-51-01	002004 006999	RF
- 5	183N2003-12		ELEVATOR ASSY- POSITION DATA: RH SIDE COMPONENT MAINT MANUAL REF: 55-20-15 REWORKED BY SB: 55-0009R2 FOR NHA SEE: 55-20-51-01	002004 006999	RF
- 5	183N2003-16		ELEVATOR ASSY- POSITION DATA: RH SIDE COMPONENT MAINT MANUAL REF: 55-20-15 REWORKED BY SB: 55-0009R2 FOR NHA SEE: 55-20-51-01	002004 006999	RF

MISSING ITEM NUMBERS NOT APPLICABLE

- ITEM NOT ILLUSTRATED

BRI

55-20-51-02

55-20-51  
FIG. 02  
PAGE 3  
JAN 20/09



757

PARTS CATALOG (MAINTENANCE)

FIG ITEM	PART NUMBER	1 2 3 4 5 6 7	NOMENCLATURE	EFFECT FROM TO	UNITS PER ASSY
2 -	5 183N2003-24		ELEVATOR ASSY- POSITION DATA: RH SIDE COMPONENT MAINT MANUAL REF: 55-20-15 QUALIFIED I/W DATA: -28 MAY REPLACE -24 FOR NWA NCO01-NCO14 ONLY REWORKED BY SB: 55-0009R2 FOR NHA SEE: 55-20-51-01 55-20-51-03	002004 006999	RF
-	6 183N2003-36		ELEVATOR ASSY- POSITION DATA: RH SIDE COMPONENT MAINT MANUAL REF: 55-20-15 REWORKED BY SB: 55-0009R2 FOR NHA SEE: 55-20-51-01 55-20-51-03	002004 006999	RF
-	6 183N2003-42SP		ELEVATOR ASSY- POSITION DATA: RH SIDE COMPONENT MAINT MANUAL REF: 55-20-15 QUALIFIED I/W DATA: 183N2003-42SP I/W -38 OR -40 SUBJECT TO COLOR PREF FOR NHA SEE: 55-20-51-01	002004 006999	RF
-	6 183N2003-44SP		ELEVATOR ASSY- POSITION DATA: RH SIDE COMPONENT MAINT MANUAL REF: 55-20-15 FOR NHA SEE: 55-20-51-01	002004 006999	RF
-	6 183N2003-46SP		ELEVATOR ASSY- POSITION DATA: RH SIDE COMPONENT MAINT MANUAL REF: 55-20-15 FOR NHA SEE: 55-20-51-01	002004 006999	RF
	10 BACB30UR4K		.BOLT-GSE SIZE DETERMINED ON INSTL.	002004 006999	4

MISSING ITEM NUMBERS NOT APPLICABLE

- ITEM NOT ILLUSTRATED

55-20-51-02

55-20-51  
FIG. 02  
PAGE 4  
JAN 20/09

BRI



757

PARTS CATALOG (MAINTENANCE)

FIG ITEM	PART NUMBER	1 2 3 4 5 6 7	NOMENCLATURE	EFFECT FROM TO	UNITS PER ASSY
2	15 183N2233-1		.SPRING ASSY- POSITION DATA: LH SIDE USED ON: 183N2003-23 183N2003-25 183N2003-27 183N2003-31 183N2003-33 183N2003-35 183N2003-37 183N2003-39 183N2003-41SP 183N2003-43SP 183N2003-45SP	002004 006999	1
	15 183N2233-3		.SPRING ASSY- POSITION DATA: LH SIDE USED ON: 183N2003-23 183N2003-25 183N2003-27 183N2003-31 183N2003-33 183N2003-35 183N2003-37 183N2003-39 183N2003-41SP 183N2003-43SP 183N2003-45SP	002004 006999	1
- 20	183N2233-2		.SPRING ASSY- POSITION DATA: RH SIDE USED ON: 183N2003-24 183N2003-26 183N2003-28 183N2003-32 183N2003-34 183N2003-36 183N2003-38 183N2003-40 183N2003-42SP 183N2003-44SP 183N2003-46SP	002004 006999	1

MISSING ITEM NUMBERS NOT APPLICABLE

- ITEM NOT ILLUSTRATED

55-20-51-02

55-20-51  
FIG. 02  
PAGE 5  
JAN 20/09

BRI



757

PARTS CATALOG (MAINTENANCE)

FIG ITEM	PART NUMBER	1 2 3 4 5 6 7	NOMENCLATURE	EFFECT FROM TO	UNITS PER ASSY
2 - 20	183N2233-4		.SPRING ASSY- POSITION DATA: RH SIDE USED ON: 183N2003-24 183N2003-26 183N2003-28 183N2003-32 183N2003-34 183N2003-36 183N2003-38 183N2003-40 183N2003-42SP 183N2003-44SP 183N2003-46SP ATTACHING PARTS	002004 006999	1
25	BACB30LJ4-5		.BOLT	002004 006999	2
30	BACB30VF4K5		.BOLT	002004 006999	2
35	BACW10BN4AC		.WASHER	002004 006999	2
40	BACW10BN4AP		.WASHER	002004 006999	2
45	BACW10BP4DP		.WASHER	002004 006999	2
50	PLH54CD		.NUT SUPPLIER CODE: VF0224 SPECIFICATION NUMBER: BACN10YR4CD OPTIONAL PART: H52732-4CD V15653	002004 006999	2
55	PLH53CD		.NUT SUPPLIER CODE: VF0224 SPECIFICATION NUMBER: BACN10YR3CD OPTIONAL PART: H52732-3CD V15653	002004 006999	2
60	BACS40R10D14F		.SHIM	002004 006999	1
65	BACS40R10F032F		.SHIM	002004 006999	1
70	BACB30LM8C32		-----*----- . . BOLT	002004 006999	1

MISSING ITEM NUMBERS NOT APPLICABLE

- ITEM NOT ILLUSTRATED

55-20-51-02

55-20-51  
FIG. 02  
PAGE 6  
JAN 20/09

BRI



757

PARTS CATALOG (MAINTENANCE)

FIG ITEM	PART NUMBER	1 2 3 4 5 6 7	NOMENCLATURE	EFFECT FROM TO	UNITS PER ASSY
2					
75	BACW10P51S	..	WASHER	002004 006999	1
80	AN960-816	..	WASHER	002004 006999	1
85	69235-820CD	..	NUT SUPPLIER CODE: V92215 SPECIFICATION NUMBER: BACN10JC8CD OPTIONAL PART: 102LH9074-8 V72962 BMN4122CPD8-8 V97928 H51650-8BAC V15653	002004 006999	1
90	BCREF6848	..	SPRING-BELLEVILLE SUPPLIER CODE: V05341 OVERLENGTH PART NUMBER: BS1-1-1-2-1-00CD	002004 006999	1
95	183N1340-1	..	FITTING ASSY- POSITION DATA: LH SIDE USED ON: 183N2233-3	002004 006999	1
95	183N2232-1	..	FITTING ASSY- POSITION DATA: LH SIDE USED ON: 183N2233-1	002004 006999	1
- 100	183N1340-2	..	FITTING ASSY- POSITION DATA: RH SIDE USED ON: 183N2233-4	002004 006999	1
- 100	183N2232-2	..	FITTING ASSY- POSITION DATA: RH SIDE USED ON: 183N2233-2	002004 006999	1
105	BACB28AR08A074A	...	BUSHING- POSITION DATA: LH SIDE USED ON: 183N2232-1	002004 006999	1

MISSING ITEM NUMBERS NOT APPLICABLE

- ITEM NOT ILLUSTRATED

55-20-51-02

55-20-51  
FIG. 02  
PAGE 7  
JAN 20/09

BRI

BOEING PROPRIETARY - Copyright © - Unpublished Work - See title page for details.



757

PARTS CATALOG (MAINTENANCE)

FIG ITEM	PART NUMBER	1 2 3 4 5 6 7	NOMENCLATURE	EFFECT FROM TO	UNITS PER ASSY
2 105	BACB28AY08A075C	...	BUSHING- POSITION DATA: LH SIDE USED ON: 183N1340-1	002004 006999	1
- 107	BACB28AR08A074A	...	BUSHING- POSITION DATA: RH SIDE USED ON: 183N2232-2	002004 006999	1
- 107	BACB28AY08A075C	...	BUSHING- POSITION DATA: RH SIDE USED ON: 183N1340-2	002004 006999	1
110	16335	.	BASE-STATIC DISCHARGE SUPPLIER CODE: V55635 OPTIONAL PART: 72-457 V99321	002004 006999	1
110	72-457	.	BASE-STATIC DISCHARGE SUPPLIER CODE: V99321 OPTIONAL PART: 16335 V55635	002004 006999	1
- 115	BACR15BD5	.	ATTACHING PARTS RIVET- SIZE DETERMINED ON INSTL. -----*-----	002004 006999	4
120	183N2901-1	.	TIP INSTL- POSITION DATA: LH SIDE USED ON: 183N2003-1 183N2003-5 183N2003-11 183N2003-13 183N2003-15 183N2003-17 183N2003-19 183N2003-21 183N2003-23 183N2003-25 183N2003-27 183N2003-31 183N2003-33	002004 006999	1

MISSING ITEM NUMBERS NOT APPLICABLE

- ITEM NOT ILLUSTRATED

55-20-51-02

55-20-51  
FIG. 02  
PAGE 8  
JAN 20/09

BRI



757

PARTS CATALOG (MAINTENANCE)

FIG ITEM	PART NUMBER	1 2 3 4 5 6 7	NOMENCLATURE	EFFECT FROM TO	UNITS PER ASSY
2 120	183N2901-9		.TIP INSTL- POSITION DATA: LH SIDE USED ON: 183N2003-35 183N2003-37 183N2003-39 183N2003-41SP 183N2003-43SP 183N2003-45SP	002004 006999	1
- 125	183N2901-2		.TIP INSTL- POSITION DATA: RH SIDE USED ON: 183N2003-2 183N2003-6 183N2003-12 183N2003-14 183N2003-16 183N2003-18 183N2003-20 183N2003-22 183N2003-24 183N2003-26 183N2003-28 183N2003-32 183N2003-34	002004 006999	1
- 125	183N2901-10		.TIP INSTL- POSITION DATA: RH SIDE USED ON: 183N2003-36 183N2003-38 183N2003-40 183N2003-42SP 183N2003-44SP 183N2003-46SP	002004 006999	1
130	BACB30LR3-4		..BOLT	002004 006999	30
135	183N2901-5		..SHIM	002004 006999	2
140	183N2903-1		..FAIRING ASSY-ELEV TIP FAIRING POSITION DATA: LH SIDE OPTIONAL PART: 183N2903-7	002004 006999	1

MISSING ITEM NUMBERS NOT APPLICABLE

- ITEM NOT ILLUSTRATED

55-20-51-02

55-20-51  
FIG. 02  
PAGE 9  
JAN 20/09

BRI

 **BOEING**  
757  
**PARTS CATALOG (MAINTENANCE)**

FIG ITEM	PART NUMBER	1 2 3 4 5 6 7	NOMENCLATURE	EFFECT FROM TO	UNITS PER ASSY
2					
140	183N2903-7		.. FAIRING ASSY- POSITION DATA: LH SIDE OPTIONAL PART: 183N2903-1	002004 006999	1
- 145	183N2903-2		.. FAIRING ASSY-ELEV TIP FAIRING POSITION DATA: RH SIDE OPTIONAL PART: 183N2903-8	002004 006999	1
- 145	183N2903-8		.. FAIRING ASSY- POSITION DATA: RH SIDE OPTIONAL PART: 183N2903-2	002004 006999	1
150	72-461-5		...BASE-STATIC DISCHARGE SUPPLIER CODE: V63563 OPTIONAL PART: 16291 V55635 81-2155-5 V99321	002004 006999	1
150	16291		...BASE-STATIC DISCHARGE SUPPLIER CODE: V55635 OPTIONAL PART: 81-2155-5 V99321 72-461-5 V63563	002004 006999	1
150	81-2155-5		...BASE-STATIC DISCHARGE SUPPLIER CODE: V99321 OPTIONAL PART: 16291 V55635 72-461-5 V63563 ATTACHING PARTS	002004 006999	1
- 155	BACR15CE4B5		...RIVET	002004 006999	4
160	183N2907-1		-----*----- .. FITTING ASSY- POSITION DATA: LH SIDE USED ON: 183N2901-1	002004 006999	1

MISSING ITEM NUMBERS NOT APPLICABLE

- ITEM NOT ILLUSTRATED

BRI

# 55-20-51-02

BOEING PROPRIETARY - Copyright © - Unpublished Work - See title page for details.

55-20-51  
FIG. 02  
PAGE 10  
JAN 20/09





757

PARTS CATALOG (MAINTENANCE)

FIG ITEM	PART NUMBER	1 2 3 4 5 6 7	NOMENCLATURE	EFFECT FROM TO	UNITS PER ASSY
2 160	183N2902-1		..FITTING ASSY- POSITION DATA: LH SIDE USED ON: 183N2901-1	002004 006999	1
160	183N2902-7		..FITTING ASSY- POSITION DATA: LH SIDE USED ON: 183N2901-1 183N2901-9	002004 006999	1
- 165	183N2907-2		..FITTING ASSY- POSITION DATA: RH SIDE USED ON: 183N2901-2	002004 006999	1
- 165	183N2902-2		..FITTING ASSY- POSITION DATA: RH SIDE USED ON: 183N2901-2	002004 006999	1
- 165	183N2902-8		..FITTING ASSY- POSITION DATA: RH SIDE USED ON: 183N2901-2 183N2901-10	002004 006999	1

MISSING ITEM NUMBERS NOT APPLICABLE

- ITEM NOT ILLUSTRATED

55-20-51-02

55-20-51  
FIG. 02  
PAGE 11  
JAN 20/09

BRI



757

PARTS CATALOG (MAINTENANCE)

FIG ITEM	PART NUMBER	1 2 3 4 5 6 7	NOMENCLATURE	EFFECT FROM TO	UNITS PER ASSY
2 170	173N2024-1		.BOND ASSY-COVER OPTIONAL PART: 69-73701-1 USED ON: 183N2003-1 183N2003-2 183N2003-5 183N2003-6 183N2003-11 183N2003-12 183N2003-13 183N2003-14 183N2003-15 183N2003-16 183N2003-17 183N2003-18 183N2003-19 183N2003-20 183N2003-21 183N2003-22 183N2003-23 183N2003-24 183N2003-25 183N2003-26 183N2003-27 183N2003-28 183N2003-31 183N2003-32 183N2003-33 183N2003-34 183N2003-35 183N2003-36 183N2003-37 183N2003-38 183N2003-39 183N2003-40 183N2003-41SP 183N2003-42SP 183N2003-43SP 183N2003-44SP 183N2003-45SP 183N2003-46SP	002004 006999	4

MISSING ITEM NUMBERS NOT APPLICABLE

- ITEM NOT ILLUSTRATED

BRI

55-20-51-02

BOEING PROPRIETARY - Copyright © - Unpublished Work - See title page for details.

55-20-51  
FIG. 02  
PAGE 12  
JAN 20/09



757

PARTS CATALOG (MAINTENANCE)

FIG ITEM	PART NUMBER	1 2 3 4 5 6 7	NOMENCLATURE	EFFECT FROM TO	UNITS PER ASSY
2 170	69-73701-1		.COVER- OPTIONAL PART: 173N2024-1 USED ON: 183N2003-23 183N2003-24 183N2003-25 183N2003-26 183N2003-27 183N2003-28 183N2003-31 183N2003-32 183N2003-33 183N2003-34 183N2003-35 183N2003-36 183N2003-37 183N2003-38 183N2003-39 183N2003-40 183N2003-41SP 183N2003-42SP 183N2003-43SP 183N2003-44SP 183N2003-45SP 183N2003-46SP ATTACHING PARTS	002004 006999	4
180	BACB30NM3K3		.BOLT	002004 006999	8
185	BACW10BP3NAPU		.WASHER	002004 006999	8
190	BACB30VF4K6		-----*----- .BOLT	002004 006999	48
195	AN960JD416		.WASHER	002004 006999	48
200	PLH54CD		.NUT SUPPLIER CODE: VF0224 SPECIFICATION NUMBER: BACN10YR4CD OPTIONAL PART: H52732-4CD V15653	002004 006999	48
205	BACB30VF5K6		.BOLT	002004 006999	3
210	AN960JD516		.WASHER	002004 006999	3

MISSING ITEM NUMBERS NOT APPLICABLE

- ITEM NOT ILLUSTRATED

55-20-51-02

55-20-51  
FIG. 02  
PAGE 13  
JAN 20/09

BRI

BOEING PROPRIETARY - Copyright © - Unpublished Work - See title page for details.



757

PARTS CATALOG (MAINTENANCE)

FIG ITEM	PART NUMBER	1 2 3 4 5 6 7	NOMENCLATURE	EFFECT FROM TO	UNITS PER ASSY
2 215	PLH55CD		.NUT SUPPLIER CODE: VF0224 SPECIFICATION NUMBER: BACN10YR5CD OPTIONAL PART: H52732-5CD V15653	002004 006999	3
220	183N2005-8		.PLATE- USED ON: 183N2003-1 183N2003-2 183N2003-5 183N2003-6 183N2003-11 183N2003-12 183N2003-13 183N2003-14 183N2003-15 183N2003-16 183N2003-19 183N2003-20	002004 006999	6
225	183N2005-7		.PLATE- USED ON: 183N2003-1 183N2003-2 183N2003-5 183N2003-6 183N2003-11 183N2003-12 183N2003-13 183N2003-14 183N2003-15 183N2003-16 183N2003-19 183N2003-20	002004 006999	3
230	BACB30NM3K4		.BOLT	002004 006999	18
235	BACW10BP3NDP		.WASHER	002004 006999	18
240	183N2201-7		.SHIM	002004 006999	3
245	183N2201-9		.SHIM	002004 006999	3

MISSING ITEM NUMBERS NOT APPLICABLE

- ITEM NOT ILLUSTRATED

55-20-51-02

55-20-51  
FIG. 02  
PAGE 14  
JAN 20/09

BRI

BOEING PROPRIETARY - Copyright © - Unpublished Work - See title page for details.



757

PARTS CATALOG (MAINTENANCE)

FIG ITEM	PART NUMBER	1 2 3 4 5 6 7	NOMENCLATURE	EFFECT FROM TO	UNITS PER ASSY
2 250	183N2221-1		.FITTING ASSY-ACTR POSITION DATA: LH SIDE USED ON: 183N2003-1 183N2003-5 183N2003-11 183N2003-13 183N2003-15 183N2003-19	002004 006999	1
250	183N2221-5		.FITTING ASSY-ACTR POSITION DATA: LH SIDE USED ON: 183N2003-17 183N2003-21 183N2003-23 183N2003-25 183N2003-27 183N2003-31 183N2003-33 183N2003-35 183N2003-37 183N2003-39 183N2003-41SP 183N2003-43SP 183N2003-45SP	002004 006999	1
250	183N2242-1		.FITTING ASSY-ACTR POSITION DATA: LH SIDE USED ON: 183N2003-17 183N2003-21 183N2003-23 183N2003-25 183N2003-27 183N2003-31 183N2003-33 183N2003-35 183N2003-37 183N2003-39 183N2003-41SP 183N2003-43SP 183N2003-45SP	002004 006999	1

MISSING ITEM NUMBERS NOT APPLICABLE

- ITEM NOT ILLUSTRATED

55-20-51-02

55-20-51  
FIG. 02  
PAGE 15  
JAN 20/09

BRI



757

PARTS CATALOG (MAINTENANCE)

FIG ITEM	PART NUMBER	1 2 3 4 5 6 7	NOMENCLATURE	EFFECT FROM TO	UNITS PER ASSY
2 250	183N2242-7		.FITTING ASSY-ACTR POSITION DATA: LH SIDE USED ON: 183N2003-17 183N2003-21 183N2003-23 183N2003-25 183N2003-27 183N2003-31 183N2003-33 183N2003-35 183N2003-37 183N2003-39 183N2003-41SP 183N2003-43SP 183N2003-45SP	002004 006999	1
- 255	183N2221-2		.FITTING ASSY-ACTR POSITION DATA: RH SIDE USED ON: 183N2003-2 183N2003-6 183N2003-12 183N2003-14 183N2003-16 183N2003-20	002004 006999	1
- 255	183N2221-6		.FITTING ASSY-ACTR POSITION DATA: RH SIDE USED ON: 183N2003-18 183N2003-22 183N2003-24 183N2003-26 183N2003-28 183N2003-32 183N2003-34 183N2003-36 183N2003-38 183N2003-40 183N2003-42SP 183N2003-44SP 183N2003-46SP	002004 006999	1

MISSING ITEM NUMBERS NOT APPLICABLE

- ITEM NOT ILLUSTRATED

55-20-51-02

55-20-51  
FIG. 02  
PAGE 16  
JAN 20/09

BRI



757

PARTS CATALOG (MAINTENANCE)

FIG ITEM	PART NUMBER	1 2 3 4 5 6 7	NOMENCLATURE	EFFECT FROM TO	UNITS PER ASSY
2 - 255	183N2242-2		. FITTING ASSY-ACTR POSITION DATA: RH SIDE USED ON: 183N2003-18 183N2003-22 183N2003-24 183N2003-26 183N2003-28 183N2003-32 183N2003-34 183N2003-36 183N2003-38 183N2003-40 183N2003-42SP 183N2003-44SP 183N2003-46SP	002004 006999	1
- 255	183N2242-8		. FITTING ASSY-ACTR POSITION DATA: RH SIDE USED ON: 183N2003-18 183N2003-22 183N2003-24 183N2003-26 183N2003-28 183N2003-32 183N2003-34 183N2003-36 183N2003-38 183N2003-40 183N2003-42SP 183N2003-44SP 183N2003-46SP	002004 006999	1
260	BACB28AM17B030A		.. BUSHING- USED ON: 183N2221-1 183N2221-2 183N2221-5 183N2221-6 183N2242-1 183N2242-2	002004 006999	2
260	BACB28AT17B030C		.. BUSHING- USED ON: 183N2242-7 183N2242-8	002004 006999	2
265	BACB28AP12P029		.. BUSHING	002004 006999	2

MISSING ITEM NUMBERS NOT APPLICABLE

- ITEM NOT ILLUSTRATED

55-20-51-02

55-20-51  
FIG. 02  
PAGE 17  
JAN 20/09

BRI

BOEING PROPRIETARY - Copyright © - Unpublished Work - See title page for details.



757

PARTS CATALOG (MAINTENANCE)

FIG ITEM	PART NUMBER	1 2 3 4 5 6 7	NOMENCLATURE	EFFECT FROM TO	UNITS PER ASSY
2					
270	183N2243-1		.FITTING ASSY-ACTR POSITION DATA: LH SIDE	002004 006010 107107 121503 904999	1
270	183N2243-7		.FITTING ASSY-ACTR POSITION DATA: LH SIDE	002004 006010 107107 121503 904999	1
270	183N2243-11		.FITTING ASSY-ACTR POSITION DATA: LH SIDE	011106 108120 504903	1
- 275	183N2243-2		.FITTING ASSY-ACTR POSITION DATA: RH SIDE	002004 006010 107107 121503 904999	1
- 275	183N2243-8		.FITTING ASSY-ACTR POSITION DATA: RH SIDE	002004 006010 107107 121503 904999	1
- 275	183N2243-12		.FITTING ASSY-ACTR POSITION DATA: RH SIDE	011106 108120 504903	1
280	BACB28AM17B030A		..BUSHING- USED ON: 183N2223-1 183N2223-2 183N2223-5 183N2223-6 183N2243-1 183N2243-2	002004 006010 107107 121503 904999	2
280	BACB28AT17B030C		..BUSHING- USED ON: 183N2243-7 183N2243-8 183N2243-11 183N2243-12	002004 006999	2
285	BACB28AP12P029		..BUSHING	002004 006999	2

MISSING ITEM NUMBERS NOT APPLICABLE

- ITEM NOT ILLUSTRATED

55-20-51-02

55-20-51  
FIG. 02  
PAGE 18  
JAN 20/09

BRI





757

PARTS CATALOG (MAINTENANCE)

FIG ITEM	PART NUMBER	1 2 3 4 5 6 7	NOMENCLATURE	EFFECT FROM TO	UNITS PER ASSY
2 290	183N2225-1		.FITTING ASSY-ACTR POSITION DATA: LH SIDE USED ON: 183N2003-1 183N2003-5 183N2003-11 183N2003-13 183N2003-15 183N2003-19	002004 006999	1
290	183N2225-5		.FITTING ASSY-ACTR POSITION DATA: LH SIDE USED ON: 183N2003-17 183N2003-21 183N2003-23 183N2003-25 183N2003-27 183N2003-31 183N2003-33 183N2003-35 183N2003-37 183N2003-39 183N2003-41SP 183N2003-43SP 183N2003-45SP	002004 006999	1
290	183N2244-1		.FITTING ASSY-ACTR POSITION DATA: LH SIDE USED ON: 183N2003-23 183N2003-35 183N2003-39	002004 006999	1

MISSING ITEM NUMBERS NOT APPLICABLE

- ITEM NOT ILLUSTRATED

BRI

55-20-51-02

BOEING PROPRIETARY - Copyright © - Unpublished Work - See title page for details.

55-20-51  
FIG. 02  
PAGE 19  
JAN 20/09



757

PARTS CATALOG (MAINTENANCE)

FIG ITEM	PART NUMBER	1 2 3 4 5 6 7	NOMENCLATURE	EFFECT FROM TO	UNITS PER ASSY
2 290	183N2244-7		.FITTING ASSY-ACTR POSITION DATA: LH SIDE OPTIONAL PART: 183N2225-9 USED ON: 183N2003-17 183N2003-21 183N2003-23 183N2003-25 183N2003-27 183N2003-31 183N2003-33 183N2003-35 183N2003-37 183N2003-39 183N2003-41SP 183N2003-43SP 183N2003-45SP	002004 006999	1
290	183N2225-9		.FITTING ASSY-ACTR POSITION DATA: LH SIDE OPTIONAL PART: 183N2244-7 USED ON: 183N2003-17 183N2003-21 183N2003-23 183N2003-25 183N2003-27 183N2003-31 183N2003-33 183N2003-35 183N2003-37 183N2003-39 183N2003-41SP 183N2003-43SP 183N2003-45SP	002004 006999	1
- 295	183N2225-2		.FITTING ASSY-ACTR POSITION DATA: RH SIDE USED ON: 183N2003-2 183N2003-6 183N2003-12 183N2003-14 183N2003-16 183N2003-20	002004 006999	1

MISSING ITEM NUMBERS NOT APPLICABLE

- ITEM NOT ILLUSTRATED

55-20-51-02

55-20-51  
FIG. 02  
PAGE 20  
JAN 20/09

BRI



757

PARTS CATALOG (MAINTENANCE)

FIG ITEM	PART NUMBER	1 2 3 4 5 6 7	NOMENCLATURE	EFFECT FROM TO	UNITS PER ASSY
2 - 295	183N2225-6		.FITTING ASSY-ACTR POSITION DATA: RH SIDE USED ON: 183N2003-18 183N2003-22 183N2003-24 183N2003-26 183N2003-28 183N2003-32 183N2003-34 183N2003-36 183N2003-38 183N2003-40 183N2003-42SP 183N2003-44SP 183N2003-46SP	002004 006999	1
- 295	183N2244-2		.FITTING ASSY-ACTR POSITION DATA: RH SIDE USED ON: 183N2003-24 183N2003-36 183N2003-40	002004 006999	1
- 295	183N2244-8		.FITTING ASSY-ACTR POSITION DATA: RH SIDE OPTIONAL PART: 183N2225-10 USED ON: 183N2003-18 183N2003-22 183N2003-24 183N2003-26 183N2003-28 183N2003-32 183N2003-34 183N2003-36 183N2003-38 183N2003-40 183N2003-42SP 183N2003-44SP 183N2003-46SP	002004 006999	1

MISSING ITEM NUMBERS NOT APPLICABLE

- ITEM NOT ILLUSTRATED

55-20-51-02

55-20-51  
FIG. 02  
PAGE 21  
JAN 20/09

BRI



757

PARTS CATALOG (MAINTENANCE)

FIG ITEM	PART NUMBER	1 2 3 4 5 6 7	NOMENCLATURE	EFFECT FROM TO	UNITS PER ASSY
2 - 295	183N2225-10		.FITTING ASSY-ACTR POSITION DATA: RH SIDE OPTIONAL PART: 183N2244-8 USED ON: 183N2003-18 183N2003-22 183N2003-24 183N2003-26 183N2003-28 183N2003-32 183N2003-34 183N2003-36 183N2003-38 183N2003-40 183N2003-42SP 183N2003-44SP 183N2003-46SP	002004 006999	1
300	BACB28AM17B030A	..	BUSHING	002004 006999	2
305	BACB28AP12P029	..	BUSHING	002004 006999	2
310	BACB30VF5K6	.	BOLT	002004 006999	3
315	AN960JD516	.	WASHER	002004 006999	3
320	PLH55CD	.	NUT SUPPLIER CODE: VF0224 SPECIFICATION NUMBER: BACN10YR5CD OPTIONAL PART: H52732-5CD V15653	002004 006999	3
325	BACB30VF4K5	.	BOLT	002004 006999	3
330	AN960JD416	.	WASHER	002004 006999	3
335	PLH54CD	.	NUT SUPPLIER CODE: VF0224 SPECIFICATION NUMBER: BACN10YR4CD OPTIONAL PART: H52732-4CD V15653	002004 006999	3
340	BACB30NM3K4	.	BOLT	002004 006999	8

MISSING ITEM NUMBERS NOT APPLICABLE

- ITEM NOT ILLUSTRATED

55-20-51-02

55-20-51  
FIG. 02  
PAGE 22  
JAN 20/09

BRI



757

PARTS CATALOG (MAINTENANCE)

FIG ITEM	PART NUMBER	1 2 3 4 5 6 7	NOMENCLATURE	EFFECT FROM TO	UNITS PER ASSY
2					
345	BACW10BP3NDP	.	WASHER	002004 006999	8
350	183N2201-11	.	SHIM	002004 006999	1
355	183N2201-5	.	SHIM	002004 006999	1
365	183N2205-1	.	FITTING ASSY-HINGE POSITION DATA: LH SIDE USED ON: 183N2003-1 183N2003-5 183N2003-11 183N2003-13 183N2003-15 183N2003-17 183N2003-19 183N2003-21 183N2003-23 183N2003-25 183N2003-27 183N2003-31 183N2003-33 183N2003-35 183N2003-37 183N2003-39 183N2003-41SP	002004 006999	1
365	183N2234-7	.	FITTING ASSY-HINGE POSITION DATA: LH SIDE USED ON: 183N2003-1 183N2003-5 183N2003-11 183N2003-13 183N2003-15 183N2003-17 183N2003-19 183N2003-21 183N2003-23 183N2003-25 183N2003-27 183N2003-31 183N2003-33 183N2003-35 183N2003-37 183N2003-39 183N2003-41SP	002004 006999	1

MISSING ITEM NUMBERS NOT APPLICABLE

- ITEM NOT ILLUSTRATED

55-20-51-02

55-20-51  
FIG. 02  
PAGE 23  
JAN 20/09

BRI



757

PARTS CATALOG (MAINTENANCE)

FIG ITEM	PART NUMBER	1 2 3 4 5 6 7	NOMENCLATURE	EFFECT FROM TO	UNITS PER ASSY
2 365	183N2234-11		. FITTING ASSY-HINGE POSITION DATA: LH SIDE OPTIONAL PART: 183N2205-5 USED ON: 183N2003-1 183N2003-5 183N2003-11 183N2003-13 183N2003-15 183N2003-17 183N2003-19 183N2003-21 183N2003-23 183N2003-25 183N2003-27 183N2003-31 183N2003-33 183N2003-35 183N2003-37 183N2003-39 183N2003-41SP	002004 006999	1
365	183N2205-5		. FITTING ASSY-HINGE POSITION DATA: LH SIDE OPTIONAL PART: 183N2234-15 183N2003-11 USED ON: 183N2003-35 183N2003-37 183N2003-39 183N2003-41SP	002004 006999	1
365	183N2234-15		. FITTING ASSY-HINGE POSITION DATA: LH SIDE OPTIONAL PART: 183N2205-5 USED ON: 183N2003-41SP 183N2003-43SP 183N2003-45SP	002004 006999	1

MISSING ITEM NUMBERS NOT APPLICABLE

- ITEM NOT ILLUSTRATED

BRI

55-20-51-02

BOEING PROPRIETARY - Copyright © - Unpublished Work - See title page for details.

55-20-51  
FIG. 02  
PAGE 24  
JAN 20/09



757

PARTS CATALOG (MAINTENANCE)

FIG ITEM	PART NUMBER	1 2 3 4 5 6 7	NOMENCLATURE	EFFECT FROM TO	UNITS PER ASSY
2 365	183N2234-1		. FITTING ASSY-HINGE POSITION DATA: LH SIDE USED ON: 183N2003-1 183N2003-5 183N2003-11 183N2003-13 183N2003-15 183N2003-17 183N2003-19 183N2003-21 183N2003-23 183N2003-25 183N2003-27 183N2003-31 183N2003-33 183N2003-35 183N2003-37 183N2003-39 183N2003-41SP	002004 006999	1
- 370	183N2205-2		. FITTING ASSY-HINGE POSITION DATA: RH SIDE USED ON: 183N2003-2 183N2003-6 183N2003-12 183N2003-14 183N2003-16 183N2003-18 183N2003-20 183N2003-22 183N2003-24 183N2003-26 183N2003-28 183N2003-32 183N2003-34 183N2003-36 183N2003-38 183N2003-40 183N2003-42SP	002004 006999	1

MISSING ITEM NUMBERS NOT APPLICABLE

- ITEM NOT ILLUSTRATED

55-20-51-02

55-20-51  
FIG. 02  
PAGE 25  
JAN 20/09

BRI



757

PARTS CATALOG (MAINTENANCE)

FIG ITEM	PART NUMBER	1 2 3 4 5 6 7	NOMENCLATURE	EFFECT FROM TO	UNITS PER ASSY
2 - 370	183N2234-2		. FITTING ASSY-HINGE POSITION DATA: RH SIDE USED ON: 183N2003-2 183N2003-6 183N2003-12 183N2003-14 183N2003-16 183N2003-18 183N2003-20 183N2003-22 183N2003-24 183N2003-26 183N2003-28 183N2003-32 183N2003-34 183N2003-36 183N2003-38 183N2003-40 183N2003-42SP	002004 006999	1
- 370	183N2234-8		. FITTING ASSY-HINGE POSITION DATA: RH SIDE USED ON: 183N2003-2 183N2003-6 183N2003-12 183N2003-14 183N2003-16 183N2003-18 183N2003-20 183N2003-22 183N2003-24 183N2003-26 183N2003-28 183N2003-32 183N2003-34 183N2003-36 183N2003-38 183N2003-40 183N2003-42SP	002004 006999	1

MISSING ITEM NUMBERS NOT APPLICABLE

- ITEM NOT ILLUSTRATED

55-20-51-02

55-20-51  
FIG. 02  
PAGE 26  
JAN 20/09

BRI





757

PARTS CATALOG (MAINTENANCE)

FIG ITEM	PART NUMBER	1 2 3 4 5 6 7	NOMENCLATURE	EFFECT FROM TO	UNITS PER ASSY
2 - 370	183N2234-12		.FITTING ASSY-HINGE POSITION DATA: RH SIDE OPTIONAL PART: 183N2205-6 USED ON: 183N2003-2 183N2003-6 183N2003-12 183N2003-14 183N2003-16 183N2003-18 183N2003-20 183N2003-22 183N2003-24 183N2003-26 183N2003-28 183N2003-32 183N2003-34 183N2003-36 183N2003-38 183N2003-40 183N2003-42SP	002004 006999	1
- 370	183N2205-6		.FITTING ASSY-HINGE POSITION DATA: RH SIDE OPTIONAL PART: 183N2234-16 183N2003-12 USED ON: 183N2003-36 183N2003-38 183N2003-40 183N2003-42SP	002004 006999	1
- 370	183N2234-16		.FITTING ASSY-HINGE POSITION DATA: RH SIDE OPTIONAL PART: 183N2205-6 USED ON: 183N2003-42SP 183N2003-44SP 183N2003-46SP	002004 006999	1
375	BACB28AM09B023A		..BUSHING	002004 006999	1
380	183N2210-3		..BUSHING	002004 006999	1
385	BACB30VF5K6		.BOLT	002004 006999	3

MISSING ITEM NUMBERS NOT APPLICABLE

- ITEM NOT ILLUSTRATED

55-20-51-02

55-20-51  
FIG. 02  
PAGE 27  
JAN 20/09

BRI



757

PARTS CATALOG (MAINTENANCE)

FIG ITEM	PART NUMBER	1 2 3 4 5 6 7	NOMENCLATURE	EFFECT FROM TO	UNITS PER ASSY
2					
390	AN960JD516	.	WASHER	002004 006999	3
395	PLH55CD	.	NUT SUPPLIER CODE: VF0224 SPECIFICATION NUMBER: BACN10YR5CD OPTIONAL PART: H52732-5CD V15653	002004 006999	3
400	BACB30VF4K6	.	BOLT	002004 006999	3
405	AN960JD416	.	WASHER	002004 006999	3
410	PLH54CD	.	NUT SUPPLIER CODE: VF0224 SPECIFICATION NUMBER: BACN10YR4CD OPTIONAL PART: H52732-4CD V15653	002004 006999	3
415	BACB30NM3K4	.	BOLT	002004 006999	6
420	BACW10BP4NDP	.	WASHER-	002004 006999	6
425	183N2201-11	.	SHIM	002004 006999	1
435	183N2201-5	.	SHIM	002004 006999	1
440	183N2235-11	.	FITTING ASSY-HINGE POSITION DATA: LH SIDE	008106 108120 504903 950951	1
440	183N2207-7	.	FITTING ASSY-HINGE POSITION DATA: LH SIDE OPTIONAL PART: 183N2235-7	952952	1
440	183N2235-7	.	FITTING ASSY-HINGE POSITION DATA: LH SIDE OPTIONAL PART: 183N2207-7	002004 006007 107107 121503 904949 952999	1

MISSING ITEM NUMBERS NOT APPLICABLE

- ITEM NOT ILLUSTRATED

55-20-51-02

55-20-51  
FIG. 02  
PAGE 28  
JAN 20/09

BRI



757

PARTS CATALOG (MAINTENANCE)

FIG ITEM	PART NUMBER	1 2 3 4 5 6 7	NOMENCLATURE	EFFECT FROM TO	UNITS PER ASSY
2					
- 445	183N2207-8	.	FITTING ASSY-EINGE POSITION DATA: RH SIDE OPTIONAL PART: 183N2235-8	952952	1
- 445	183N2235-8	.	FITTING ASSY-HINGE POSITION DATA: RH SIDE OPTIONAL PART: 183N2207-8	002004 006007 107107 121503 904949 952999	1
- 445	183N2235-12	.	FITTING ASSY-HINGE POSITION DATA: RH SIDE	008106 108120 504903 950951	1
450	BACB28AM09B035A	..	BUSHING	002004 006999	1
455	BACB28AP06P034	..	BUSHING	002004 006999	1
460	BACB30VF5K6	.	BOLT	002004 006999	3
465	AN906JD516	.	WASHER	002004 006999	3
470	PLH55CD	.	NUT SUPPLIER CODE: VF0224 SPECIFICATION NUMBER: BACN10YR5CD OPTIONAL PART: H52732-5CD V15653	002004 006999	3
475	BACB30VF4K6	.	BOLT	002004 006999	3
480	AN960JD416	.	WASHER	002004 006999	3
485	PLH54CD	.	NUT SUPPLIER CODE: VF0224 SPECIFICATION NUMBER: BACN10YR4CD OPTIONAL PART: H52732-4CD V15653	002004 006999	3
490	BACB30NM3K4	.	BOLT	002004 006999	10
495	BACW10BP3NDP	.	WASHER	002004 006999	10
500	183N2201-8	.	SHIM	002004 006999	2

MISSING ITEM NUMBERS NOT APPLICABLE

- ITEM NOT ILLUSTRATED

55-20-51-02

55-20-51  
FIG. 02  
PAGE 29  
JAN 20/09

BRI

 **BOEING**  
757  
**PARTS CATALOG (MAINTENANCE)**

FIG ITEM	PART NUMBER	1 2 3 4 5 6 7	NOMENCLATURE	EFFECT FROM TO	UNITS PER ASSY
2					
505	183N2236-7		.FITTING ASSY-HINGE POSITION DATA: LH SIDE	002004 006007 107107 121503 904949 952999	1
505	183N2236-17		.FITTING ASSY-HINGE POSITION DATA: LH SIDE	008106 108120 504903 950951	1
- 510	183N2236-8		.FITTING ASSY-HINGE POSITION DATA: RH SIDE	002004 006007 107107 121503 904949 952999	1
- 510	183N2236-18		.FITTING ASSY-HINGE POSITION DATA: RH SIDE	008106 108120 504903 950951	1
515	BACB28AM11B028A		..BUSHING	002004 006999	1
520	BACB28AP08P037		..BUSHING	002004 006999	1
525	BACB30VF5K6		.BOLT	002004 006999	3
530	AN960JD516		.WASHER	002004 006999	3
535	PLH55CD		.NUT SUPPLIER CODE: VF0224 SPECIFICATION NUMBER: BACN10YR5CD OPTIONAL PART: H52732-5CD V15653	002004 006999	3
540	BACB30UR4K6		.BOLT	002004 006999	3
545	BACW10BP4NDP		.WASHER	002004 006999	3

MISSING ITEM NUMBERS NOT APPLICABLE

- ITEM NOT ILLUSTRATED

BRI

# 55-20-51-02

BOEING PROPRIETARY - Copyright © - Unpublished Work - See title page for details.

55-20-51  
FIG. 02  
PAGE 30  
JAN 20/09



757

PARTS CATALOG (MAINTENANCE)

FIG ITEM	PART NUMBER	1 2 3 4 5 6 7	NOMENCLATURE	EFFECT FROM TO	UNITS PER ASSY
2 550	TLN1001CWPD34	.	NUT SUPPLIER CODE: V97928 SPECIFICATION NUMBER: BACN10HY4AM OPTIONAL PART: 102LH9073-4 V72962 69233CB4D V56878 TLN1001W34 V92215 HW29874-4 V15653	002004 006999	3
555	BACB30NM3K4	.	BOLT	002004 006999	10
560	BACW10BP3NDP	.	WASHER	002004 006999	10
565	183N2201-8	.	SHIM	002004 006999	1
570	183N2201-12	.	SHIM	002004 006999	1
575	183N2237-11	.	FITTING ASSY-HINGE POSITION DATA: LH SIDE	008009	1
575	183N2237-7	.	FITTING ASSY-HINGE POSITION DATA: LH SIDE	002004 006007 107107 121503 904949 952999	1
575	183N2237-17	.	FITTING ASSY-HINGE POSITION DATA: LH SIDE	010106 108120 504903 950951	1
- 580	183N2237-12	.	FITTING ASSY-HINGE POSITION DATA: RH SIDE	008009	1
- 580	183N2237-8	.	FITTING ASSY-HINGE POSITION DATA: RH SIDE	002004 006007 107107 121503 904949 952999	1
- 580	183N2237-18	.	FITTING ASSY-HINGE POSITION DATA: RH SIDE	010106 108120 504903 950951	1

MISSING ITEM NUMBERS NOT APPLICABLE

- ITEM NOT ILLUSTRATED

55-20-51-02

55-20-51  
FIG. 02  
PAGE 31  
JAN 20/09

BRI

 **BOEING**  
757  
**PARTS CATALOG (MAINTENANCE)**

FIG ITEM	PART NUMBER	1 2 3 4 5 6 7	NOMENCLATURE	EFFECT FROM TO	UNITS PER ASSY
2					
585	BACB28AM11B028A	..	BUSHING	002004 006999	1
590	183N2226-2	..	RETAINER	002004 006999	1
595	183N2226-1	..	BUSHING	002004 006999	1
600	BACB30VF4K6	.	BOLT	002004 006999	6
605	BACW10BP4DP	.	WASHER	002004 006999	6
610	PLH54CD	.	NUT	002004 006999	6
			SUPPLIER CODE: VF0224		
			SPECIFICATION NUMBER: BACN10YR4CD		
			OPTIONAL PART: H52732-4CD V15653		
615	BACB30NM3K4	.	BOLT	002004 006999	6
620	BACW10BP3NDP	.	WASHER	002004 006999	6
625	183N2201-5	.	SHIM	002004 006999	2
630	183N2238-11	.	FITTING ASSY-HINGE	008106	1
			POSITION DATA: LH SIDE	108120 504903 950951	
630	183N2213-7	.	FITTING ASSY-HINGE	107107	1
			POSITION DATA: LH SIDE	904949	
			OPTIONAL PART: 183N2213-9 183N2238-7		
630	183N2238-7	.	FITTING ASSY-HINGE	002004	1
			POSITION DATA: LH SIDE	006007 107107	
			OPTIONAL PART: 183N2213-7 183N2213-9	121503 904949 952999	
630	183N2213-9	.	FITTING ASSY-HINGE	107107	1
			POSITION DATA: LH SIDE	904949 952952	
			OPTIONAL PART: 183N2213-7 183N2238-7		

MISSING ITEM NUMBERS NOT APPLICABLE

— ITEM NOT ILLUSTRATED

BRI

# 55-20-51-02

55-20-51  
FIG. 02  
PAGE 32  
JAN 20/09



757

PARTS CATALOG (MAINTENANCE)

FIG ITEM	PART NUMBER	1 2 3 4 5 6 7	NOMENCLATURE	EFFECT FROM TO	UNITS PER ASSY
2					
- 635	183N2238-12		.FITTING ASSY-HINGE POSITION DATA: RH SIDE	008106 108120 504903 950951	1
- 635	183N2213-8		.FITTING ASSY-HINGE POSITION DATA: RH SIDE OPTIONAL PART: 183N2213-10 183N2238-8	107107 904949	1
- 635	183N2238-8		.FITTING ASSY-HINGE POSITION DATA: RH SIDE OPTIONAL PART: 183N2213-10 183N2213-8	002004 006007 107107 121503 904949 952999	1
- 635	183N2213-10		.FITTING ASSY-HINGE POSITION DATA: RH SIDE OPTIONAL PART: 183N2213-8 183N2238-8	107107 904949 952952	1
640	BACB28AM09B025A		..BUSHING	002004 006999	1
645	BACB28AP06P024		..BUSHING	002004 006999	1
650	BACB30VF3K6		.BOLT	002004 006999	6
655	AN960JD10		.WASHER	002004 006999	6
660	PLH53CD		.NUT SUPPLIER CODE: VF0224 SPECIFICATION NUMBER: BACN10YR3CD OPTIONAL PART: H52732-3CD V15653	002004 006999	6
665	BACB30NM3K4		.BOLT	002004 006999	5
670	BACW10BP3NDP		.WASHER	002004 006999	5
675	183N2201-6		.SHIM	002004 006999	2

MISSING ITEM NUMBERS NOT APPLICABLE

- ITEM NOT ILLUSTRATED

BRI

55-20-51-02

BOEING PROPRIETARY - Copyright © - Unpublished Work - See title page for details.

55-20-51  
FIG. 02  
PAGE 33  
JAN 20/09



757

PARTS CATALOG (MAINTENANCE)

FIG ITEM	PART NUMBER	1 2 3 4 5 6 7	NOMENCLATURE	EFFECT FROM TO	UNITS PER ASSY
2 680	183N2239-1		.FITTING ASSY-HINGE POSITION DATA: LH SIDE	002004 006007 107107 121503 904949 952999	1
680	183N2239-7		.FITTING ASSY-HINGE POSITION DATA: LH SIDE	008106 108120 504903 950951	1
- 685	183N2239-2		.FITTING ASSY-HINGE POSITION DATA: RH SIDE	002004 006007 107107 121503 904949 952999	1
- 685	183N2239-8		.FITTING ASSY-HINGE POSITION DATA: RH SIDE	008106 108120 504903 950951	1
687	BACB28AM09B025A		..BUSHING	002004 006999	1
688	183N2210-2		..BUSHING	002004 006999	1
690	BACB30VF3K5		.BOLT	002004 006999	6
695	AN960JD10		.WASHER	002004 006999	6
700	PLH53CD		.NUT SUPPLIER CODE: VF0224 SPECIFICATION NUMBER: BACN10YR3CD OPTIONAL PART: H52732-3CD V15653	002004 006999	6
705	BACB30NM3K4		.BOLT	002004 006999	4
710	BACW10BP3NDP		.WASHER	002004 006999	4
715	183N2201-6		.SHIM	002004 006999	2
720	183N2246-1		.FITTING ASSY-HINGE POSITION DATA: LH SIDE	002004 006007 107107 121503 904949 952999	1

MISSING ITEM NUMBERS NOT APPLICABLE

- ITEM NOT ILLUSTRATED

55-20-51-02

55-20-51  
FIG. 02  
PAGE 34  
JAN 20/09

BRI





757

PARTS CATALOG (MAINTENANCE)

FIG ITEM	PART NUMBER	1 2 3 4 5 6 7	NOMENCLATURE	EFFECT FROM TO	UNITS PER ASSY
2					
720	183N2246-7		.FITTING ASSY-HINGE POSITION DATA: LH SIDE	008106 108120 504903 950951	1
- 725	183N2246-2		.FITTING ASSY-HINGE POSITION DATA: RH SIDE	002004 006007 107107 121503 904949 952999	1
- 725	183N2246-8		.FITTING ASSY-HINGE POSITION DATA: RH SIDE	008106 108120 504903 950951	1
727	BACB28AM09B020A		..BUSHING	002004 006999	1
728	183N2210-1		..BUSHING	002004 006999	1
730	BACB30VF3K6		.BOLT	002004 006999	6
735	AN960JD10		.WASHER	002004 006999	6
740	PLH53CD		.NUT SUPPLIER CODE: VF0224 SPECIFICATION NUMBER: BACN10YR3CD OPTIONAL PART: H52732-3CD V15653	002004 006999	6
745	BACB30NM3K4		.BOLT	002004 006999	3
750	BACW10BP3NDP		.WASHER	002004 006999	3
755	183N2201-6		.SHIM	002004 006999	2
760	183N2241-1		.FITTING ASSY-HINGE POSITION DATA: LH SIDE	002004 006007 107107 121503 904949 952999	1
760	183N2241-7		.FITTING ASSY-HINGE POSITION DATA: LH SIDE	008106 108120 504903 950951	1

MISSING ITEM NUMBERS NOT APPLICABLE

- ITEM NOT ILLUSTRATED

55-20-51-02

55-20-51  
FIG. 02  
PAGE 35  
JAN 20/09

BRI



757

PARTS CATALOG (MAINTENANCE)

FIG ITEM	PART NUMBER	1 2 3 4 5 6 7	NOMENCLATURE	EFFECT FROM TO	UNITS PER ASSY
2					
- 765	183N2241-2		.FITTING ASSY-HINGE POSITION DATA: RH SIDE	002004 006007 107107 121503 904949 952999	1
- 765	183N2241-8		.FITTING ASSY-HINGE POSITION DATA: RH SIDE	008106 108120 504903 950951	1
767	BACB28AM09B020A		..BUSHING	002004 006999	1
768	183N2210-1		..BUSHING	002004 006999	1
770	16700		.BASE-STATIC DISCHARGE SUPPLIER CODE: V55635 OPTIONAL PART: 81-2216 V99321 81-2216-1 V99321 16820 V55635	002004 006999	2
770	81-2216		.BASE-STATIC DISCHARGE SUPPLIER CODE: V99321 OPTIONAL PART: 16700 V55635	002004 006999	2
770	81-2216-1		.BASE-STATIC DISCHARGE SUPPLIER CODE: V99321 OPTIONAL PART: 16700 V55635	002004 006999	2
770	16820		.BASE-STATIC DISCHARGE SUPPLIER CODE: V55635 OPTIONAL PART: 16700 V55635	002004 006999	2
- 775	BACR15CE5M6		ATTACHING PARTS .RIVET  -----*-----	002004 006999	8

MISSING ITEM NUMBERS NOT APPLICABLE

- ITEM NOT ILLUSTRATED

BRI

55-20-51-02

55-20-51  
FIG. 02  
PAGE 36  
JAN 20/09



757

PARTS CATALOG (MAINTENANCE)

FIG ITEM	PART NUMBER	1 2 3 4 5 6 7	NOMENCLATURE	EFFECT FROM TO	UNITS PER ASSY
2 780	16335		.BASE-STATIC DISCHARGE SUPPLIER CODE: V55635 OPTIONAL PART: 72-457 V99321	002004 006999	1
780	72-457		.BASE-STATIC DISCHARGE SUPPLIER CODE: V99321 OPTIONAL PART: 16335 V55635	002004 006999	1
- 785	BACR15CE5AD6		.RIVET  -----*-----	002004 006999	4
788	BACB30VF4K7		.BOLT-GSE	002004 006999	4
789	BACB30VF3K7		.BOLT-GSE	002004 006999	2
792	HST10AG6-4		.BOLT-GSE SUPPLIER CODE: V06725 SPECIFICATION NUMBER: BACB30VT6K4 OPTIONAL PART: HST10AG6-4 V73197 HST10AG6-4 V56878 HST10AG6-4 VOPTK6 WC10K6-4 V60516 QUALIFIED OPTIONAL DATA: (BACB30NT3K4, BACN10YR3CD, AND BACW10BP3NAPU OR BACB30VT6K4, BACC30BS6, AND BACW10BP3APU OPTIONAL TO BACB30MY6K4, BACW10BP3NAPU, AND BACC30AB6C)	002004 006999	6

MISSING ITEM NUMBERS NOT APPLICABLE

- ITEM NOT ILLUSTRATED

55-20-51-02

55-20-51  
FIG. 02  
PAGE 37  
JAN 20/09

BRI



757

PARTS CATALOG (MAINTENANCE)

FIG ITEM	PART NUMBER	1 2 3 4 5 6 7	NOMENCLATURE	EFFECT FROM TO	UNITS PER ASSY
2 792	BACB30NT3K4		.BOLT-GSE QUALIFIED OPTIONAL DATA: (BACB30NT3K4, BACN10YR3CD, AND BACW10BP3NAPU OR BACB30VT6K4, BACC30BS6, AND BACW10BP3APU OPTIONAL TO BACB30MY6K4, BACW10BP3NAPU, AND BACC30AB6C)	002004 006999	6
792	L8006K4		.BOLT-GSE SUPPLIER CODE: V06725 SPECIFICATION NUMBER: BACB30MY6K4 QUALIFIED OPTIONAL DATA: (BACB30NT3K4, BACN10YR3CD, AND BACW10BP3NAPU OR BACB30VT6K4, BACC30BS6, AND BACW10BP3APU OPTIONAL TO BACB30MY6K4, BACW10BP3NAPU, AND BACC30AB6C)	002004 006999	6
793	BACW10BP3APU		.WASHER-GSE QUALIFIED OPTIONAL DATA: (BACB30NT3K4, BACN10YR3CD, AND BACW10BP3NAPU OR BACB30VT6K4, BACC30BS6, AND BACW10BP3APU OPTIONAL TO BACB30MY6K4, BACW10BP3NAPU, AND BACC30AB6C)	002004 006999	6
793	BACW10BP3NAPU		.WASHER-GSE QUALIFIED OPTIONAL DATA: (BACB30NT3K4, BACN10YR3CD, AND BACW10BP3NAPU OR BACB30VT6K4, BACC30BS6, AND BACW10BP3APU OPTIONAL TO BACB30MY6K4, BACW10BP3NAPU, AND BACC30AB6C)	002004 006999	6
794	AN960JD10		.WASHER-GSE	002004 006999	2

MISSING ITEM NUMBERS NOT APPLICABLE

- ITEM NOT ILLUSTRATED

55-20-51-02

55-20-51  
FIG. 02  
PAGE 38  
JAN 20/09

BRI

BOEING PROPRIETARY - Copyright © - Unpublished Work - See title page for details.



757

PARTS CATALOG (MAINTENANCE)

FIG ITEM	PART NUMBER	1 2 3 4 5 6 7	NOMENCLATURE	EFFECT FROM TO	UNITS PER ASSY
2 795	HST1094KP6		.COLLAR-GSE SUPPLIER CODE: V73197 SPECIFICATION NUMBER: BACC30BS6 QUALIFIED OPTIONAL DATA: (BACB30NT3K4, BACN10YR3CD, AND BACW10BP3NAPU OR BACB30VT6K4, BACC30BS6, AND BACW10BP3APU OPTIONAL TO BACB30MY6K4, BACW10BP3NAPU, AND BACC30AB6C)	002004 006999	6
795	HL97KG6		.COLLAR-GSE SUPPLIER CODE: V5M902 SPECIFICATION NUMBER: BACC30AB6C OPTIONAL PART: HL97PB6 V5M902 HL97PB6 V56878 HL97KG6 V73197 HL97KG6 V56878 HL97PB6 V73197 QUALIFIED OPTIONAL DATA: (BACB30NT3K4, BACN10YR3CD, AND BACW10BP3NAPU OR BACB30VT6K4, BACC30BS6, AND BACW10BP3APU OPTIONAL TO BACB30MY6K4, BACW10BP3NAPU, AND BACC30AB6C)	002004 006999	6

MISSING ITEM NUMBERS NOT APPLICABLE

- ITEM NOT ILLUSTRATED

BRI

55-20-51-02

BOEING PROPRIETARY - Copyright © - Unpublished Work - See title page for details.

55-20-51  
FIG. 02  
PAGE 39  
JAN 20/09



757

PARTS CATALOG (MAINTENANCE)

FIG ITEM	PART NUMBER	1 2 3 4 5 6 7	NOMENCLATURE	EFFECT FROM TO	UNITS PER ASSY
2 796	PLH53CD	.NUT-GSE	SUPPLIER CODE: VF0224 SPECIFICATION NUMBER: BACN10YR3CD OPTIONAL PART: H52732-3CD V15653 QUALIFIED OPTIONAL DATA: (BACB30NT3K4, BACN10YR3CD, AND BACW10BP3NAPU OR BACB30VT6K4, BACC30BS6, AND BACW10BP3APU OPTIONAL TO BACB30MY6K4, BACW10BP3NAPU, AND BACC30AB6C)	002004 006999	6
797	PLH53CD	.NUT-GSE	SUPPLIER CODE: VF0224 SPECIFICATION NUMBER: BACN10YR3CD OPTIONAL PART: H52732-3CD V15653	002004 006999	2
798	183N2228-3	.FILLER ASSY-GSE	USED ON: 183N2003-23 183N2003-35 183N2003-41SP	002004 006999	2
799	183N2228-3	.FILLER ASSY-GSE	USED ON: 183N2003-24 183N2003-36 183N2003-42SP	002004 006999	1
800	BRF200C4D	..NUTPLATE-GSE	SUPPLIER CODE: V52828 SPECIFICATION NUMBER: BACN10JR4CFD OPTIONAL PART: K51602-4BAC V15653 NS202476-048 V80539 102F9201-4 V72962 T8092C428CD V11815	002004 006999	2

MISSING ITEM NUMBERS NOT APPLICABLE

- ITEM NOT ILLUSTRATED

55-20-51-02

55-20-51  
FIG. 02  
PAGE 40  
JAN 20/09

BRI

 **BOEING**  
757  
**PARTS CATALOG (MAINTENANCE)**

FIG ITEM	PART NUMBER	1 2 3 4 5 6 7	NOMENCLATURE	EFFECT FROM TO	UNITS PER ASSY
2			ATTACHING PARTS		
- 801	AF5141-3-3		.. RIVET-GSE SUPPLIER CODE: V53551 SPECIFICATION NUMBER: BACR15DR3A3 OPTIONAL PART: RV541A3-3 V98996 CCR264CS3-3TT V11815 -----*-----	002004 006999	4
805	183N2228-4		.. FILLER-GSE	002004 006999	1
810	183N2228-9		. FILLER ASSY-GSE OPTIONAL PART: 183N2228-7 USED ON: 183N2003-24 183N2003-36 183N2003-41SP	002004 006999	1
810	183N2228-7		. FILLER ASSY-GSE OPTIONAL PART: 183N2228-9 USED ON: 183N2003-24 183N2003-36 183N2003-42SP	002004 006999	1
815	MF53050-4CD		.. NUTPLATE-GSE SUPPLIER CODE: V15653 SPECIFICATION NUMBER: BACN10JN4CD OPTIONAL PART: BRFM20C4D V52828 T8301C428CD V11815 102F9201M4 V72962 NS202487-048 V80539 MF51637-4 V15653	002004 006999	2

MISSING ITEM NUMBERS NOT APPLICABLE

- ITEM NOT ILLUSTRATED

BRI

# 55-20-51-02

BOEING PROPRIETARY - Copyright © - Unpublished Work - See title page for details.

55-20-51  
FIG. 02  
PAGE 41  
JAN 20/09



757

PARTS CATALOG (MAINTENANCE)

FIG ITEM	PART NUMBER	1 2 3 4 5 6 7	NOMENCLATURE	EFFECT FROM TO	UNITS PER ASSY
2			ATTACHING PARTS		
- 820	AF5141-3-3		..RIVET-GSE SUPPLIER CODE: V53551 SPECIFICATION NUMBER: BACR15DR3A3 OPTIONAL PART: RV541A3-3 V98996 CCR264CS3-3TT V11815 -----*-----	002004 006999	4
825	183N2228-8		..FILLER-GSE USED ON: 183N2228-9	002004 006999	1
825	183N2228-5		..FILLER-GSE USED ON: 183N2228-7	002004 006999	1
830	183N2228-2		.BRACKET-GSE	002004 006999	1
835	183N2228-1		.BRACKET-GSE USED ON: 183N2003-23 183N2003-35 183N2003-41SP	002004 006999	1
835	183N2228-6		.BRACKET-GSE USED ON: 183N2003-24 183N2003-36 183N2003-42SP	002004 006999	1
900			ILLUSTRATION REFERENCE: DISCHARGER INSTL-WING, VERT. AND HORIZ. STAB. STATIC 23-61-01-01	002004 006999	RF

MISSING ITEM NUMBERS NOT APPLICABLE

- ITEM NOT ILLUSTRATED

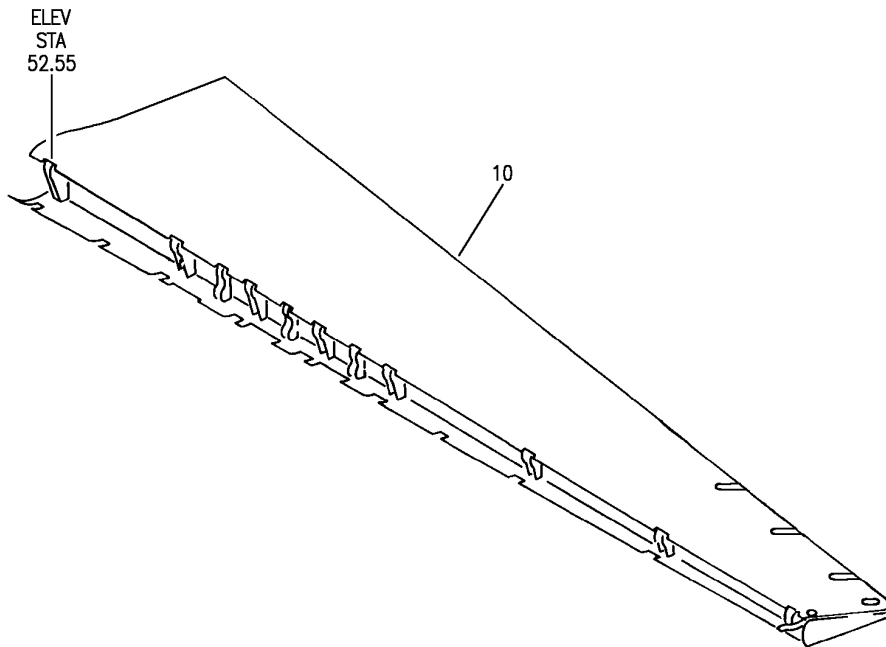
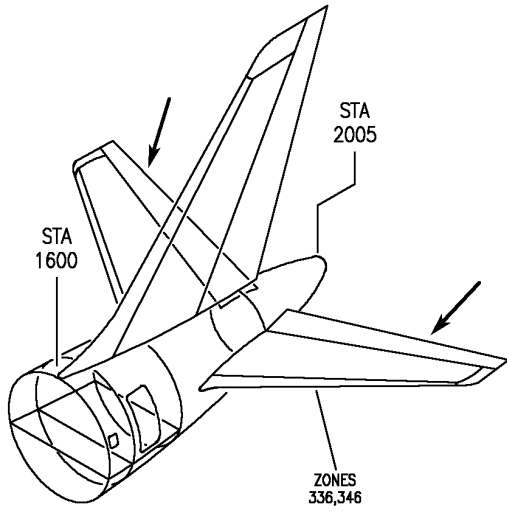
55-20-51-02

55-20-51  
FIG. 02  
PAGE 42  
JAN 20/09

BRI



**BOEING**  
757  
PARTS CATALOG (MAINTENANCE)



Y 55205103 REV 262

ELEVATOR ASSY  
FIGURE 3

**55-20-51-03**

BRI  
MAY 28/07

55-20-51-03  
PAGE 0



757

PARTS CATALOG (MAINTENANCE)

FIG ITEM	PART NUMBER	1 2 3 4 5 6 7	NOMENCLATURE	EFFECT FROM TO	UNITS PER ASSY
3			ELEVATOR ASSY	002004 006999	
- 1	183N2003-29		ELEVATOR ASSY- POSITION DATA: LH SIDE COMPONENT MAINT MANUAL REF: 55-20-15 REWORKED BY SB: 55-0009R2 FOR NHA SEE: 55-20-51-01	002004 006999	RF
- 5	183N2003-30		ELEVATOR ASSY- POSITION DATA: RH SIDE COMPONENT MAINT MANUAL REF: 55-20-15 REWORKED BY SB: 55-0009R2 FOR NHA SEE: 55-20-51-01	002004 006999	RF
10	183N2003-23		ELEVATOR ASSY- POSITION DATA: LH SIDE COMPONENT MAINT MANUAL REF: 55-20-15 FOR DETAILS SEE: 55-20-51-02	002004 006999	1
- 15	183N2003-24		ELEVATOR ASSY- POSITION DATA: RH SIDE COMPONENT MAINT MANUAL REF: 55-20-15 FOR DETAILS SEE: 55-20-51-02	002004 006999	1

MISSING ITEM NUMBERS NOT APPLICABLE

- ITEM NOT ILLUSTRATED

**55-20-51-03**

55-20-51  
FIG. 03  
PAGE 1  
JAN 20/09

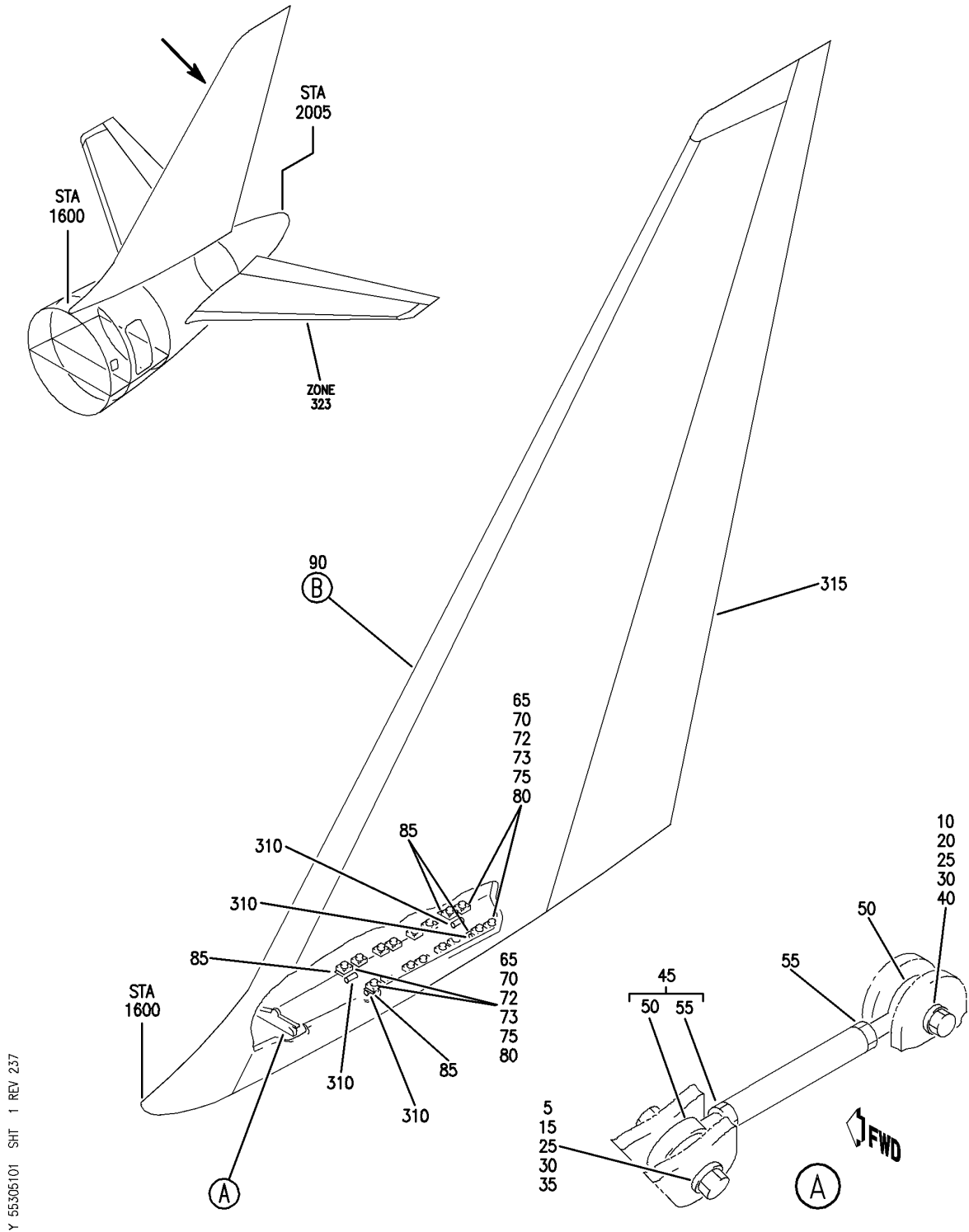
BRI

## **VERTICAL STABILIZER**

**BRI**  
**MAY 28/07**

**55-30-00**  
**SECTION TITLE**  
**PAGE 1**

**BOEING**  
757  
PARTS CATALOG (MAINTENANCE)



Y 55-305101 SHT 1 REV 237

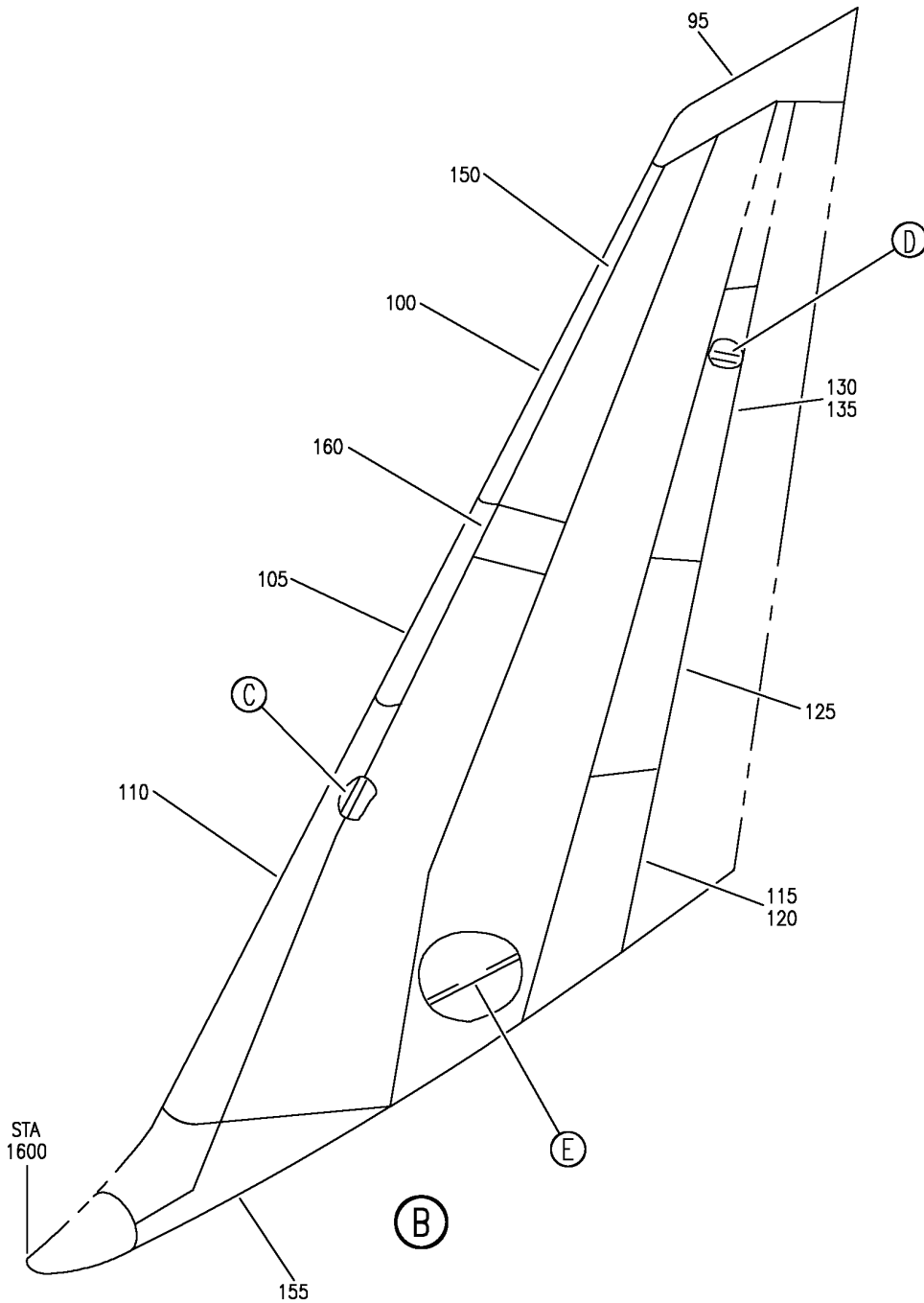
STABILIZER INSTL-TO BODY VERT.  
FIGURE 1 (SHEET 1)

**55-30-51-01**

BRI  
MAY 28/07

55-30-51-01  
PAGE 0

**BOEING**  
757  
PARTS CATALOG (MAINTENANCE)



Y 55305101 SHT 2 REV 249

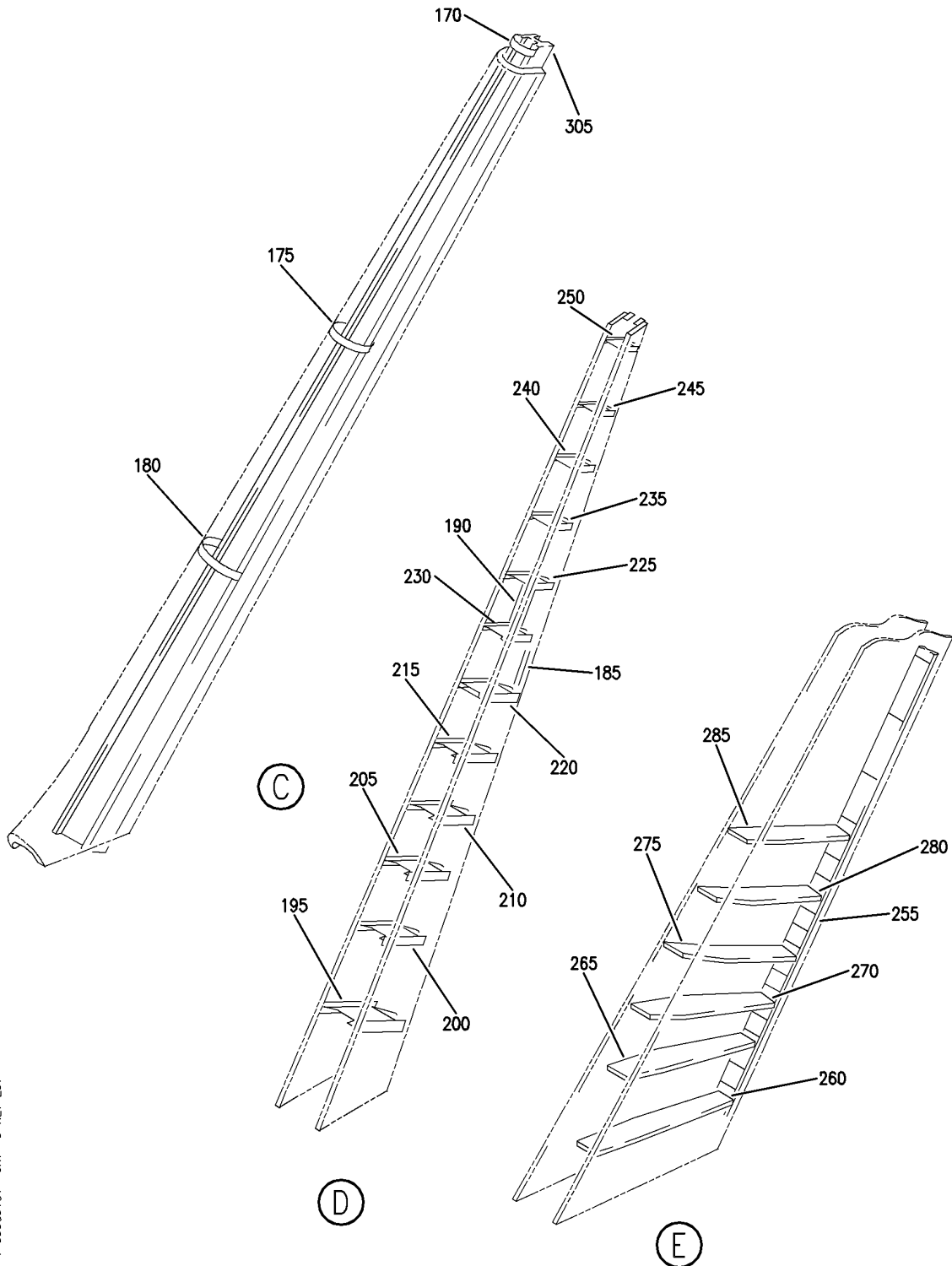
STABILIZER INSTL-TO BODY VERT.  
FIGURE 1 (SHEET 2)

**55-30-51-01**

BRI  
MAY 28/07

55-30-51-01  
PAGE 0A

**BOEING**  
757  
PARTS CATALOG (MAINTENANCE)



Y 55305101 SHT 3 REV 237

STABILIZER INSTL-TO BODY VERT.  
FIGURE 1 (SHEET 3)

**55-30-51-01**

BRI  
MAY 28/07

55-30-51-01  
PAGE 0B

 **BOEING**  
757  
**PARTS CATALOG (MAINTENANCE)**

FIG ITEM	PART NUMBER	1 2 3 4 5 6 7	NOMENCLATURE	EFFECT FROM TO	UNITS PER ASSY
1			STABILIZER INSTL-TO BODY VERT.	002004 006100 107107 121503 904999	
- 1	170N0001-1		STABILIZER INSTL-TO BODY VERT. VARIABLE DRAWING REF: 170N0001-2	002004 006100 107107 121503 904999	RF
5	BACB30NM6K22		.BOLT	002004 006100 107107 121503 904999	1
10	BACB30NM6K24		.BOLT-	002004 006100 107107 121503 904999	1
15	BACW10BN6SC		.WASHER	002004 006100 107107 121503 904999	1
20	BACW10BN6C		.WASHER	002004 006100 107107 121503 904999	1
25	BACW10BN6SP		.WASHER	002004 006100 107107 121503 904999	2
30	NAS1805-6N		.NUT	002004 006100 107107 121503 904999	2
35	BACB28AK06-045		.BUSHING-	002004 006100 107107 121503 904999	1

MISSING ITEM NUMBERS NOT APPLICABLE

- ITEM NOT ILLUSTRATED

BRI

# 55-30-51-01

BOEING PROPRIETARY - Copyright © - Unpublished Work - See title page for details.

55-30-51  
FIG. 01  
PAGE 1  
JAN 20/09



757

PARTS CATALOG (MAINTENANCE)

FIG ITEM	PART NUMBER	1 2 3 4 5 6 7	NOMENCLATURE	EFFECT FROM TO	UNITS PER ASSY
1	40	BACB28AK06-050	.BUSHING	002004 006100 107107 121503 904999	1
	45	174N2001-1	.LINK ASSY-AUX SPAR BODY ATTACHMENT	002004 006100 107107 121503 904999	1
	50	10E6-116M	..BEARING SUPPLIER CODE: V16746 SPECIFICATION NUMBER: BACB10Y6M OPTIONAL PART: BRES6-2001M1 V81376 HB6E212KM V02758 KBE6-150WD5 V97613 MSSK6AS1 V73134 51588-061DD V09455 ASMK6-1DM V56644 AR6E7W13 VS0352 ARB6E60MW V15860	002004 006100 107107 121503 904999	2
	55	NAS509-6C	..NUT	002004 006100 107107 121503 904999	2
	65	BACB30US14P56	.BOLT- USED WITH: BACW10BP14CD	107107	16
	65	BACB30US14P55	.BOLT- USED WITH: BACW10BP14CD BACW10DS14 AN960C1416L	002004 006100 121503 904999	16
	70	BACW10BP14CD	.WASHER- USED WITH: BACB30US14P56	107107	16

MISSING ITEM NUMBERS NOT APPLICABLE

- ITEM NOT ILLUSTRATED

55-30-51-01

55-30-51  
FIG. 01  
PAGE 2  
JAN 20/09

BRI





757

PARTS CATALOG (MAINTENANCE)

FIG ITEM	PART NUMBER	1 2 3 4 5 6 7	NOMENCLATURE	EFFECT FROM TO	UNITS PER ASSY
1					
70	BACW10BP14CD	.	WASHER- USED WITH: BACW10DS14 AN960C1416L BACB30US14P56	002004 006100 121503 904999	16
72	BACW10DS14	.	WASHER- USED WITH: BACW10BP14CD AN960C1416L BACB30US14P56	002004 006100 121503 904999	16
73	AN960C1416L	.	WASHER- USED WITH: BACW10BP14CD BACW10DS14 BACB30US14P56	002004 006100 121503 904999	16
75	SL4001-14MSP2	.	NUT-BARREL SUPPLIER CODE: V97393 OPTIONAL PART: 126LH7940-144 V82156	002004 006100 107107 121503 904999	16
75	126LH7940-144	.	NUT-BARREL SUPPLIER CODE: V82156 OPTIONAL PART: SL4001-14MSP2 V97393	002004 006100 107107 121503 904999	16
80	SLR4001-14BSP3	.	RETAINER- SUPPLIER CODE: V97393 OPTIONAL PART: 108-7940-144RET V82156 SLR50CA14B V97393	002004 006100 107107 121503 904999	16
80	SLR50CA14B	.	RETAINER- SUPPLIER CODE: V97393 OPTIONAL PART: 108-7940-144RET V82156 SLR4001-14BSP3 V97393	002004 006100 107107 121503 904999	16

MISSING ITEM NUMBERS NOT APPLICABLE

- ITEM NOT ILLUSTRATED

55-30-51-01

55-30-51  
FIG. 01  
PAGE 3  
JAN 20/09

BRI



757

PARTS CATALOG (MAINTENANCE)

FIG ITEM	PART NUMBER	1 2 3 4 5 6 7	NOMENCLATURE	EFFECT FROM TO	UNITS PER ASSY
1					
80	108-7940-144RET	.	RETAINER- SUPPLIER CODE: V82156 OPTIONAL PART: SLR4001-14BSP3 V97393 SLR50CA14B V97393	002004 006100 107107 121503 904999	16
85	170N0004-8	.	SHIM-	002004 006100 107107 121503 904999	8
90	170N0002-1	.	STABILIZER ASSY-VERT. VARIABLE DRAWING REF: 170N0002-2	002004 006100 107107 121503 904999	1
95	179N1000-1	..	TIP INSTL- FOR DETAILS SEE: 55-31-01-01	002004 006100 107107 121503 904999	1
100	174N1103-1	..	PANEL INSTL-LE NO. 3 FOR DETAILS SEE: 55-35-01-01	002004 006100 107107 121503 904999	1
105	174N1102-1	..	PANEL INSTL-LE NO. 2 VARIABLE DRAWING REF: 174N1102-10 FOR DETAILS SEE: 55-35-01-01	002004 006100 107107 121503 904999	1
105	174N1104-1	..	PANEL INSTL-LE HF ANTENNA FOR DETAILS SEE: 55-35-01-01	002004 006100 107107 121503 904999	1
110	174N1101-1	..	PANEL INSTL-LE NO. 1 FOR DETAILS SEE: 55-35-01-01	002004 006100 107107 121503 904999	1
115	173N1105-1	..	PANEL INSTL-RUD FXD TE POSITION DATA: STA 57 TO 131.108 LH FOR DETAILS SEE: 55-36-51-04	002004 006100 107107 121503 904999	1

MISSING ITEM NUMBERS NOT APPLICABLE

- ITEM NOT ILLUSTRATED

55-30-51-01

55-30-51  
FIG. 01  
PAGE 4  
JAN 20/09

BRI



757

PARTS CATALOG (MAINTENANCE)

FIG ITEM	PART NUMBER	1 2 3 4 5 6 7	NOMENCLATURE	EFFECT FROM TO	UNITS PER ASSY
1					
120	173N1105-2		..PANEL INSTL-RUD FXD TE POSITION DATA: STA 57 TO 131.108 RH FOR DETAILS SEE: 55-36-51-04	002004 006100 107107 121503 904999	1
125	173N1106-26		..PANEL INSTL-RUD FXD TE POSITION DATA: STA 131.108 TO 206.006 FUNCTIONAL REFERENCE: PLACARDS AND MARKINGS FOR DETAILS SEE 11-26-03-01 STABILIZERS FOR DETAILS SEE 55-36-51-01	002004 006100 107107 121503 904999	1
130	173N1107-1		..PANEL INSTL-RUD FXD TE POSITION DATA: STA 206.006 TO 305.871 FOR DETAILS SEE: 55-36-51-02	002004 006100 107107 121503 904999	1
135	173N1107-2		..PANEL INSTL-RUD FXD TE POSITION DATA: STA 206.006 TO 305.871 FOR DETAILS SEE: 55-36-51-02	002004 006100 107107 121503 904999	1
150	175N2002-1		..PANEL INSTL-TORQUE BOX POSITION DATA: UPR FWD	002004 006100 107107 121503 904999	1
155	174N4000-1		..PANEL INSTL-TORQUE BOX BODY TO FWD SEAL FOR DETAILS SEE: 55-35-01-01	002004 006100 107107 121503 904999	1
160	175N2003-1		..PANEL INSTL-VERT. STAB TORQUE BOX POSITION DATA: CTR FWD LH FOR DETAILS SEE: 55-34-51-03	002004 006100 107107 121503 904999	1
- 165	175N2003-2		..PANEL INSTL-VERT. STAB TORQUE BOX POSITION DATA: CTR FWD RH FOR DETAILS SEE: 55-34-51-03	002004 006100 107107 121503 904999	1

MISSING ITEM NUMBERS NOT APPLICABLE

- ITEM NOT ILLUSTRATED

55-30-51-01

55-30-51  
FIG. 01  
PAGE 5  
JAN 20/09

BRI



757

PARTS CATALOG (MAINTENANCE)

FIG ITEM	PART NUMBER	1 2 3 4 5 6 7	NOMENCLATURE	EFFECT FROM TO	UNITS PER ASSY
1					
170	174N1201-1		.. SPLICE INSTL-REM LE PNLS FOR DETAILS SEE: 55-35-01-03	002004 006100 107107 121503 904999	1
185	173N1300-27		.. BEAM INSTL-FXD TE POSITION DATA: LH FOR DETAILS SEE: 55-36-53-01	002004 006100 107107 121503 904999	1
190	173N1300-28		.. BEAM INSTL-FXD TE POSITION DATA: RH FOR DETAILS SEE: 55-36-53-01	002004 006100 107107 121503 904999	1
195	173N1202-1		.. RIB INSTL-RUD FXD TE POSITION DATA: STA 97.354 FOR DETAILS SEE: 55-36-52-01	002004 006100 107107 121503 904999	1
200	173N1204-1		.. RIB INSTL-RUD FXD TE POSITION DATA: STA 131.108 FOR DETAILS SEE: 55-36-52-02	002004 006100 107107 121503 904999	1
205	173N1205-1		.. RIB INSTL-RUD FXD TE POSITION DATA: STA 156.074 FOR DETAILS SEE: 55-36-52-03	002004 006100 107107 121503 904999	1
210	173N1206-1		.. RIB INSTL-RUD FXD TE POSITION DATA: STA 181.034 FOR DETAILS SEE: 55-36-52-04	002004 006100 107107 121503 904999	1
215	173N1207-1		.. RIB INSTL-RUD FXD TE POSITION DATA: STA 206.06 FOR DETAILS SEE: 55-36-52-05	002004 006100 107107 121503 904999	1
220	173N1208-1		.. RIB INSTL-RUD FXD TE POSITION DATA: STA 230.972 FOR DETAILS SEE: 55-36-52-06	002004 006100 107107 121503 904999	1

MISSING ITEM NUMBERS NOT APPLICABLE

- ITEM NOT ILLUSTRATED

55-30-51-01

55-30-51  
FIG. 01  
PAGE 6  
JAN 20/09

BRI



757

PARTS CATALOG (MAINTENANCE)

FIG ITEM	PART NUMBER	1 2 3 4 5 6 7	NOMENCLATURE	EFFECT FROM TO	UNITS PER ASSY
1					
225	173N1210-1		..RIB INSTL-RUD FXD TE POSITION DATA: STA 280.904 FOR DETAILS SEE: 55-36-51-06	002004 006100 107107 121503 904999	1
230	173N1209-1		..RIB INSTL-RUD FXD TE POSITION DATA: STA 255.938 FOR DETAILS SEE: 55-36-51-06	002004 006100 107107 121503 904999	1
235	173N1211-1		..RIB INSTL-RUD FXD TE POSITION DATA: STA 305.871 FOR DETAILS SEE: 55-36-52-07	002004 006100 107107 121503 904999	1
240	173N1212-1		..RIB INSTL-RUD FXD TE POSITION DATA: STA 330.837 FOR DETAILS SEE: 55-36-51-06	002004 006100 107107 121503 904999	1
245	173N1213-1		..RIB INSTL-RUD FXD TE POSITION DATA: STA 355.803 FOR DETAILS SEE: 55-36-51-06	002004 006100 107107 121503 904999	1
250	173N1214-1		..RIB INSTL-RUD FXD TE POSITION DATA: STA 380.769 FOR DETAILS SEE: 55-36-52-08	002004 006100 107107 121503 904999	1
255	172N1000-1		..SPAR INSTL-TORQUE BOX POSITION DATA: AFT REAR FOR DETAILS SEE: 55-33-00-01	002004 006100 107107 121503 904999	1
260	172N3001-1		..RIB INSTL-FIN TORQUE BOX POSITION DATA: STA 95.900 AFT FOR DETAILS SEE: 55-33-00-03	002004 006100 107107 121503 904999	1
265	172N3002-1		..RIB INSTL-FIN TORQUE BOX POSITION DATA: STA 116.20 AFT FOR DETAILS SEE: 55-33-00-03	002004 006100 107107 121503 904999	1

MISSING ITEM NUMBERS NOT APPLICABLE

- ITEM NOT ILLUSTRATED

BRI

# 55-30-51-01

BOEING PROPRIETARY - Copyright © - Unpublished Work - See title page for details.

55-30-51  
FIG. 01  
PAGE 7  
JAN 20/09



757

PARTS CATALOG (MAINTENANCE)

FIG ITEM	PART NUMBER	1 2 3 4 5 6 7	NOMENCLATURE	EFFECT FROM TO	UNITS PER ASSY
1					
270	172N3003-1		..RIB INSTL-FIN TORQUE BOX POSITION DATA: STA 133.100 AFT FOR DETAILS SEE: 55-33-00-03	002004 006100 107107 121503 904999	1
275	172N3004-1		..RIB INSTL-FIN TORQUE BOX POSITION DATA: STA 150.0 AFT FOR DETAILS SEE: 55-33-00-03	002004 006100 107107 121503 904999	1
280	172N3005-1		..RIB INSTL-FIN TORQUE BOX POSITION DATA: STA 175.0 AFT FOR DETAILS SEE: 55-33-00-03	002004 006100 107107 121503 904999	1
285	172N3006-1		..RIB INSTL-FIN TORQUE BOX POSITION DATA: STA 200.0 FWD FOR DETAILS SEE: 55-33-00-03	002004 006100 107107 121503 904999	1
- 290	175N3000-1		..RIB INSTL-FIN TORQUE BOX POSITION DATA: STA 92.250 FWD FOR DETAILS SEE: 55-36-51-06	002004 006100 107107 121503 904999	1
- 295	175N3007-1		..RIB INSTL-FIN TORQUE BOX POSITION DATA: STA 270.784 FWD FOR DETAILS SEE: 55-36-51-06	002004 006100 107107 121503 904999	1
- 300	172N2000-1		..SPAR INSTL-TORQUE BOX POSITION DATA: AFT FRONT FOR DETAILS SEE: 55-33-00-02	002004 006100 107107 121503 904999	1
305	175N1000-1		..SPAR INSTL-TORQUE BOX AUX POSITION DATA: FWD FOR DETAILS SEE: 55-34-51-01	002004 006100 107107 121503 904999	1
310	170N0001-3		.TUBE-DRAIN	107107 904949	4
310	170N0001-7		.TUBE-DRAIN	002004 006100 121503 950999	4

MISSING ITEM NUMBERS NOT APPLICABLE

- ITEM NOT ILLUSTRATED

**55-30-51-01**

55-30-51  
FIG. 01  
PAGE 8  
JAN 20/09

BRI



757

PARTS CATALOG (MAINTENANCE)

FIG ITEM	PART NUMBER	1 2 3 4 5 6 7	NOMENCLATURE	EFFECT FROM TO	UNITS PER ASSY
1 315	173N2001-1		.RUDDER INSTL- FOR DETAILS SEE: 55-40-51-01	002004 006100 107107 121503 904999	1

MISSING ITEM NUMBERS NOT APPLICABLE

- ITEM NOT ILLUSTRATED

BRI

# 55-30-51-01

BOEING PROPRIETARY - Copyright © - Unpublished Work - See title page for details.

55-30-51  
FIG. 01  
PAGE 9  
JAN 20/09

 **BOEING**  
757  
PARTS CATALOG (MAINTENANCE)

NON-ILLUSTRATED FIGURE

THE ITEMS REFLECTED IN THIS FIGURE ARE INTENTIONALLY  
NON-ILLUSTRATED. THEY ARE REFERENCED TO EITHER A  
NEXT HIGHER OR NEXT LOWER ASSEMBLY/INSTALLATION FIGURE.

Y 55305102 REV 255

VERTICAL STABILIZER INSTL  
FIGURE 2

**55-30-51-02**

BRI  
JAN 20/09

55-30-51-02  
PAGE 0





757

PARTS CATALOG (MAINTENANCE)

FIG ITEM	PART NUMBER	1 2 3 4 5 6 7	NOMENCLATURE	EFFECT FROM TO	UNITS PER ASSY
2					
- 1	MODREF4701		VERTICAL STABILIZER INSTL VERTICAL STABILIZER INSTL- MODULE NUMBER: 170N0005-4108 REV A	103106 103105	1
- 1	MODREF33283		VERTICAL STABILIZER INSTL- MODULE NUMBER: 170N0005-4108 REV C	106106	1
- 5	170N0005-108		.STABILIZER ASSY-VERT. FOR DETAILS SEE: 55-30-51-03 55-35-01-02	103105	1
- 5	170N0005-110		.STABILIZER ASSY-VERT. FOR DETAILS SEE: 55-30-51-04	106106	1

MISSING ITEM NUMBERS NOT APPLICABLE

- ITEM NOT ILLUSTRATED

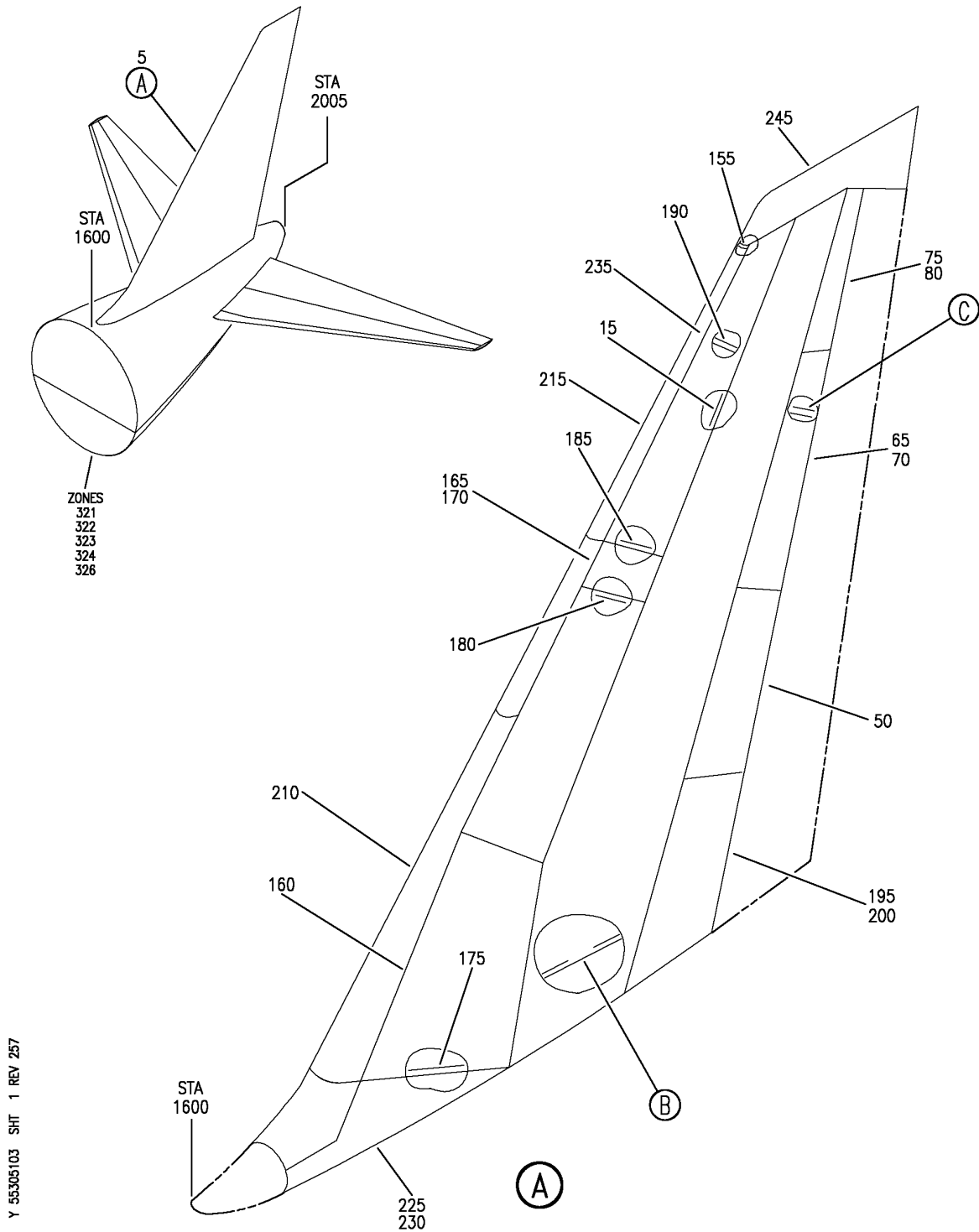
BRI

55-30-51-02

BOEING PROPRIETARY - Copyright © - Unpublished Work - See title page for details.

55-30-51  
FIG. 02  
PAGE 1  
JAN 20/09

**BOEING**  
757  
PARTS CATALOG (MAINTENANCE)



Y 55305103 SHT 1 REV 257

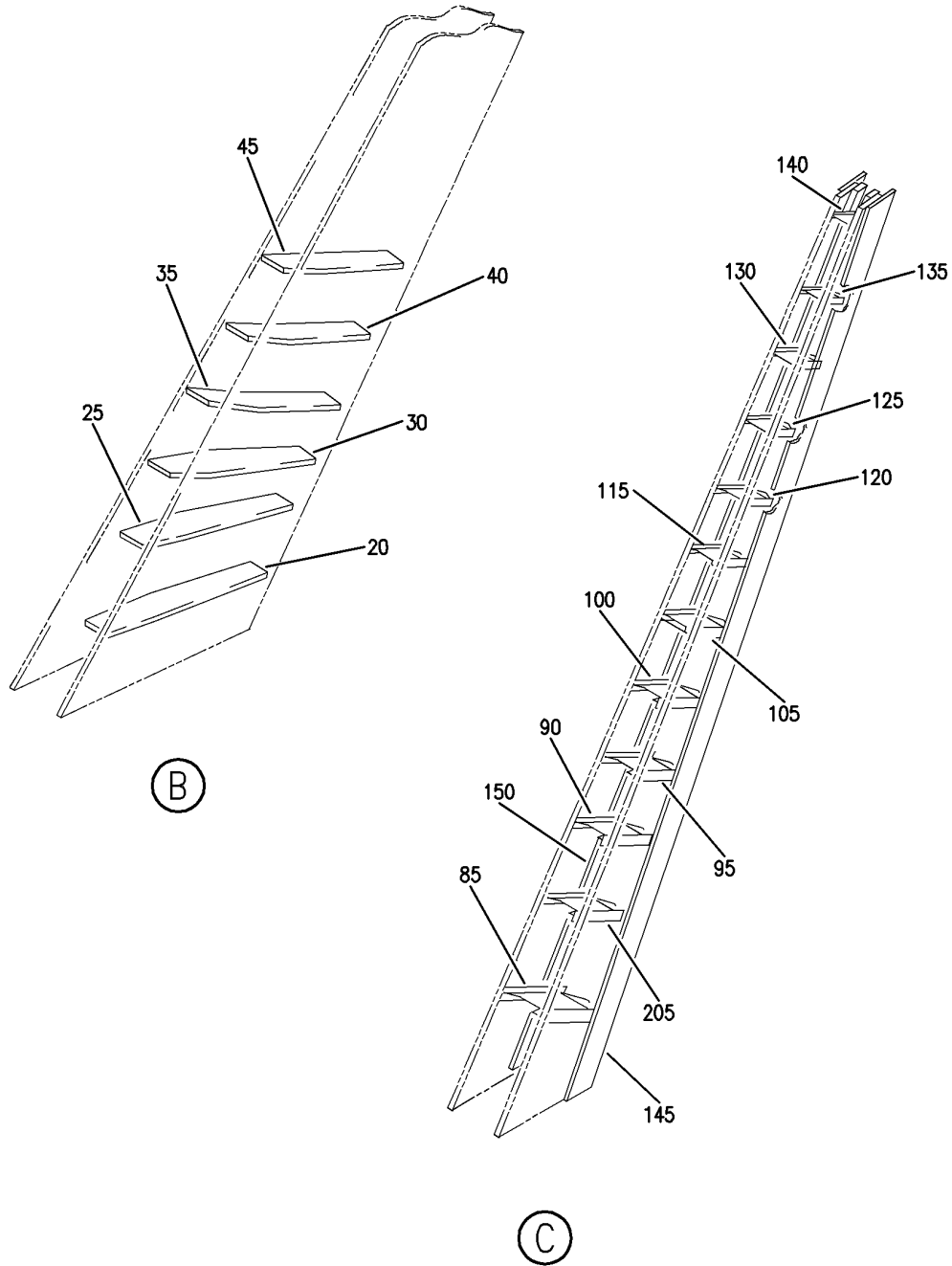
VERTICAL STABILIZER ASSY (VERTICAL STABILIZER ONLY)  
FIGURE 3 (SHEET 1)

**55-30-51-03**

BRI  
MAY 28/07

55-30-51-03  
PAGE 0

**BOEING**  
757  
PARTS CATALOG (MAINTENANCE)



Y 55305103 SHT 2 REV 237

VERTICAL STABILIZER ASSY (VERTICAL STABILIZER ONLY)  
FIGURE 3 (SHEET 2)

**55-30-51-03**

BRI  
MAY 28/07

55-30-51-03  
PAGE 0A



757

PARTS CATALOG (MAINTENANCE)

FIG ITEM	PART NUMBER	1 2 3 4 5 6 7	NOMENCLATURE	EFFECT FROM TO	UNITS PER ASSY
3			VERTICAL STABILIZER ASSY (VERTICAL STABILIZER ONLY)	101105 108120 504903	
- 1	170N0005-105		STABILIZER ASSY-VERT. (VERTICAL STABILIZER ONLY)	101102 504903	RF
- 1	170N0005-106		FOR NHA/OTHER SYS DET SEE: 55-00-00-01 STABILIZER ASSY-VERT. (VERTICAL STABILIZER ONLY)	108120	RF
- 1	170N0005-108		FOR NHA/OTHER SYS DET SEE: 55-00-00-01 STABILIZER ASSY-VERT. (VERTICAL STABILIZER ONLY)	103105	RF
	5 170N0005-410		.STABILIZER ASSY-VERT. FIN	101102 504903	1
	5 170N0005-413		.STABILIZER ASSY-VERT. FIN	108120	1
	5 170N0005-416		.STABILIZER ASSY-VERT. FIN	103105	1
- 10	172N1000-402		..SPAR INSTL-TORQUE BOX POSITION DATA: VERT. STAB. AFT FOR DETAILS SEE: 55-33-00-01	101102 108120 504903	1
- 10	172N1000-403		..SPAR INSTL-TORQUE BOX POSITION DATA: VERT. STAB. AFT FOR DETAILS SEE: 55-33-00-01	103105	1
	15 172N2000-401		..SPAR INSTL-TORQUE BOX REAR POSITION DATA: VERT. STAB. FWD FOR DETAILS SEE: 55-33-00-02	101102 504903	1
	15 172N2000-402		..SPAR INSTL-TORQUE BOX REAR POSITION DATA: VERT. STAB. FWD FOR DETAILS SEE: 55-33-00-02	103105 108120	1

MISSING ITEM NUMBERS NOT APPLICABLE

- ITEM NOT ILLUSTRATED

55-30-51-03

55-30-51  
FIG. 03  
PAGE 1  
JAN 20/09

BRI



757

PARTS CATALOG (MAINTENANCE)

FIG ITEM	PART NUMBER	1 2 3 4 5 6 7	NOMENCLATURE	EFFECT FROM TO	UNITS PER ASSY
3					
20	172N3001-401	..	RIB INSTL- POSITION DATA: AFT TORQUE BOX LFSS 106.874 FIN STA 95.900 FOR DETAILS SEE: 55-33-00-03	101105 108120 504903	1
25	172N3002-401	..	RIB INSTL- POSITION DATA: AFT TORQUE BOX LFSS 133.722 FIN STA 116.20 FOR DETAILS SEE: 55-33-00-03	101105 108120 504903	1
30	172N3003-401	..	RIB INSTL- POSITION DATA: AFT TORQUE BOX LFSS 157.931 FIN STA 133.100 FOR DETAILS SEE: 55-33-00-03	101105 108120 504903	1
35	172N3004-401	..	RIB INSTL- POSITION DATA: AFT TORQUE BOX FIN STA 150.0 FOR DETAILS SEE: 55-33-00-03	101105 108120 504903	1
40	172N3005-401	..	RIB INSTL- POSITION DATA: AFT TORQUE BOX FIN STA. 175.0 FOR DETAILS SEE: 55-33-00-03	101105 108120 504903	1
45	172N3006-401	..	RIB INSTL- POSITION DATA: AFT TORQUE BOX FIN STA 200.0 FOR DETAILS SEE: 55-33-00-03	101105 108120 504903	1

MISSING ITEM NUMBERS NOT APPLICABLE

- ITEM NOT ILLUSTRATED

55-30-51-03

55-30-51  
FIG. 03  
PAGE 2  
JAN 20/09

BRI



757

## PARTS CATALOG (MAINTENANCE)

FIG ITEM	PART NUMBER	1 2 3 4 5 6 7	NOMENCLATURE	EFFECT FROM TO	UNITS PER ASSY
3					
50	173N1106-403		..PANEL INSTL- POSITION DATA: FXD TE STA 131.108 TO 206.006 FUNCTIONAL REFERENCE: PLACARDS AND MARKINGS FOR DETAILS SEE 11-26-03-01 STABILIZERS FOR DETAILS SEE 55-36-51-01	101105 108120 504903	1
65	173N1107-401		..PANEL INSTL- FXD TE POSITION DATA: RUD STA 206.006 TO 305.87 LH SIDE FOR DETAILS SEE: 55-36-51-02	101105 108120 504903	1
70	173N1107-402		..PANEL INSTL- FXD TE POSITION DATA: RUD STA 206.006 TO 305.87 RH SIDE FOR DETAILS SEE: 55-36-51-02	101105 108120 504903	1
75	173N1108-401		..PANEL INSTL- FXD TE POSITION DATA: RUD STA 305.871 TO 380.769 LH FOR DETAILS SEE: 55-36-51-03	101105 108120 504903	1
80	173N1108-402		..PANEL INSTL- FXD TE POSITION DATA: RUD STA 305.871 TO 380.769 RH FOR DETAILS SEE: 55-36-51-03	101105 108120 504903	1
85	173N1202-403		..RIB INSTL- FXD TE POSITION DATA: RUD STA 97.354 FOR DETAILS SEE: 55-36-52-01	101102 108120 504903	1

MISSING ITEM NUMBERS NOT APPLICABLE

- ITEM NOT ILLUSTRATED

BRI

# 55-30-51-03

BOEING PROPRIETARY - Copyright © - Unpublished Work - See title page for details.

55-30-51  
FIG. 03  
PAGE 3  
JAN 20/09



757

PARTS CATALOG (MAINTENANCE)

FIG ITEM	PART NUMBER	1 2 3 4 5 6 7	NOMENCLATURE	EFFECT FROM TO	UNITS PER ASSY
3					
85	173N1202-404	..	RIB INSTL- FXD TE POSITION DATA: RUD STA 97.354 FOR DETAILS SEE: 55-36-52-01	103105	1
90	173N1205-403	..	RIB INSTL- FXD TE POSITION DATA: RUD STA 156.0754 FOR DETAILS SEE: 55-36-52-03	101105 108120 504903	1
95	173N1206-403	..	RIB INSTL- FXD TE POSITION DATA: RUD STA 181.034 FOR DETAILS SEE: 55-36-52-04	101105 108120 504903	1
100	173N1207-403	..	RIB INSTL- FXD TE POSITION DATA: RUD STA 206.06 FOR DETAILS SEE: 55-36-52-05	101105 108120 504903	1
105	173N1208-402	..	RIB INSTL- FXD TE POSITION DATA: RUD STA 230.972 FOR DETAILS SEE: 55-36-52-06	101105 108120 504903	1
115	173N1209-401	..	RIB INSTL- FXD TE POSITION DATA: RUD STA. 255.938 FOR DETAILS SEE: 55-36-51-07	101105 108120 504903	1
120	173N1210-401	..	RIB INSTL- FXD TE POSITION DATA: RUD STA 280.904 FOR DETAILS SEE: 55-36-51-07	101105 108120 504903	1
125	173N1211-402	..	RIB INSTL- FXD TE POSITION DATA: RUD STA 305.871 FOR DETAILS SEE: 55-36-52-07	101105 108120 504903	1

MISSING ITEM NUMBERS NOT APPLICABLE

- ITEM NOT ILLUSTRATED

**55-30-51-03**

55-30-51  
FIG. 03  
PAGE 4  
JAN 20/09

BRI



757

PARTS CATALOG (MAINTENANCE)

FIG ITEM	PART NUMBER	1 2 3 4 5 6 7	NOMENCLATURE	EFFECT FROM TO	UNITS PER ASSY
3					
130	173N1212-401	..	RIB INSTL- FXD TE POSITION DATA: STA. 330.837 FOR DETAILS SEE: 55-36-51-07	101105 108120 504903	1
135	173N1213-401	..	RIB INSTL- FXD TE POSITION DATA: RUD STA. 330.837 FOR DETAILS SEE: 55-36-51-07	101105 108120 504903	1
140	173N1214-402	..	RIB INSTL- FXD TE POSITION DATA: RUD STA 380.769 FOR DETAILS SEE: 55-36-52-08	101105 108120 504903	1
145	173N1300-401	..	BEAM INSTL- POSITION DATA: FXD TE FOR DETAILS SEE: 55-36-53-01	101105 108120 504903	1
150	173N1300-402	..	BEAM INSTL- POSITION DATA: FXD TE FOR DETAILS SEE: 55-36-53-01	101105 108120 504903	1
155	174N1201-401	..	SPLICE INSTL- REMOVABLE L.E. FOR DETAILS SEE: 55-35-01-03	101105 108120 504903	1
160	175N1000-403	..	SPAR INSTL-AUX FWD TORQUE BOX FOR DETAILS SEE: 55-34-51-01	101105 108120 504903	1
165	175N2003-401	..	PANEL INSTL- POSITION DATA: FWD TORQUE BOX CTR LH FOR DETAILS SEE: 55-34-51-04	101105 108120 504903	1
170	175N2003-402	..	PANEL INSTL- POSITION DATA: FWD TORQUE BOX CTR RH FOR DETAILS SEE: 55-34-51-04	101105 108120 504903	1

MISSING ITEM NUMBERS NOT APPLICABLE

- ITEM NOT ILLUSTRATED

**55-30-51-03**

55-30-51  
FIG. 03  
PAGE 5  
JAN 20/09

BRI





757

PARTS CATALOG (MAINTENANCE)

FIG ITEM	PART NUMBER	1 2 3 4 5 6 7	NOMENCLATURE	EFFECT FROM TO	UNITS PER ASSY
3					
175	175N3000-401	..	RIB INSTL- POSITION DATA: FWD TORQUE BOX FSS 92.250 FOR DETAILS SEE: 55-34-51-02	101105 108120 504903	1
180	175N3007-401	..	RIB INSTL- POSITION DATA: FWD TORQUE BOX FSS 270.784 FOR DETAILS SEE: 55-34-51-02	101105 108120 504903	1
185	175N3008-401	..	RIB INSTL- POSITION DATA: FWD TORQUE BOX FSS 270.784 FOR DETAILS SEE: 55-34-51-02	101105 108120 504903	1
190	175N3011-1	..	RIB INSTL- POSITION DATA: FWD TORQUE BOX FSS 270.784 FOR DETAILS SEE: 55-34-51-02	101105 108120 504903	1
195	173N1105-403	..	PANEL INSTL- POSITION DATA: FXD TE RUD STA 57-131.108 LH FOR DETAILS SEE: 55-36-51-08	101105 108120 504903	1
200	173N1105-404	..	PANEL INSTL- POSITION DATA: FXD TE RUD STA 57-131.108 RH FOR DETAILS SEE: 55-36-51-08	101105 108120 504903	1
205	173N1204-403	..	RIB INSTL- FXD TE POSITION DATA: RUD STA 131.108 FOR DETAILS SEE: 55-36-52-02	101105 108120 504903	1
210	174N1101-401	..	PANEL INSTL-NO. 1 LE FOR DETAILS SEE: 55-35-01-01	101105 108120 504903	1
215	174N1103-401	..	PANEL INSTL-NO. 3 LE FOR DETAILS SEE: 55-35-01-01	101105 108120 504903	1

MISSING ITEM NUMBERS NOT APPLICABLE

- ITEM NOT ILLUSTRATED

55-30-51-03

55-30-51  
FIG. 03  
PAGE 6  
JAN 20/09

BRI



757

PARTS CATALOG (MAINTENANCE)

FIG ITEM	PART NUMBER	1 2 3 4 5 6 7	NOMENCLATURE	EFFECT FROM TO	UNITS PER ASSY
3					
225	174N4000-1		..PANEL INSTL-SEAL FOR DETAILS SEE: 55-35-01-01	101105 108120 504903	1
230	174N4000-2		..PANEL INSTL-SEAL FOR DETAILS SEE: 55-35-01-01	101105 108120 504903	1
235	175N2002-401		..PANEL INSTL-UPPER LH FOR DETAILS SEE: 55-34-51-04	101105 108120 504903	1
245	179N1000-403		..TIP INSTL- FOR DETAILS SEE: 55-31-01-01	101105 108120 504903	1

MISSING ITEM NUMBERS NOT APPLICABLE

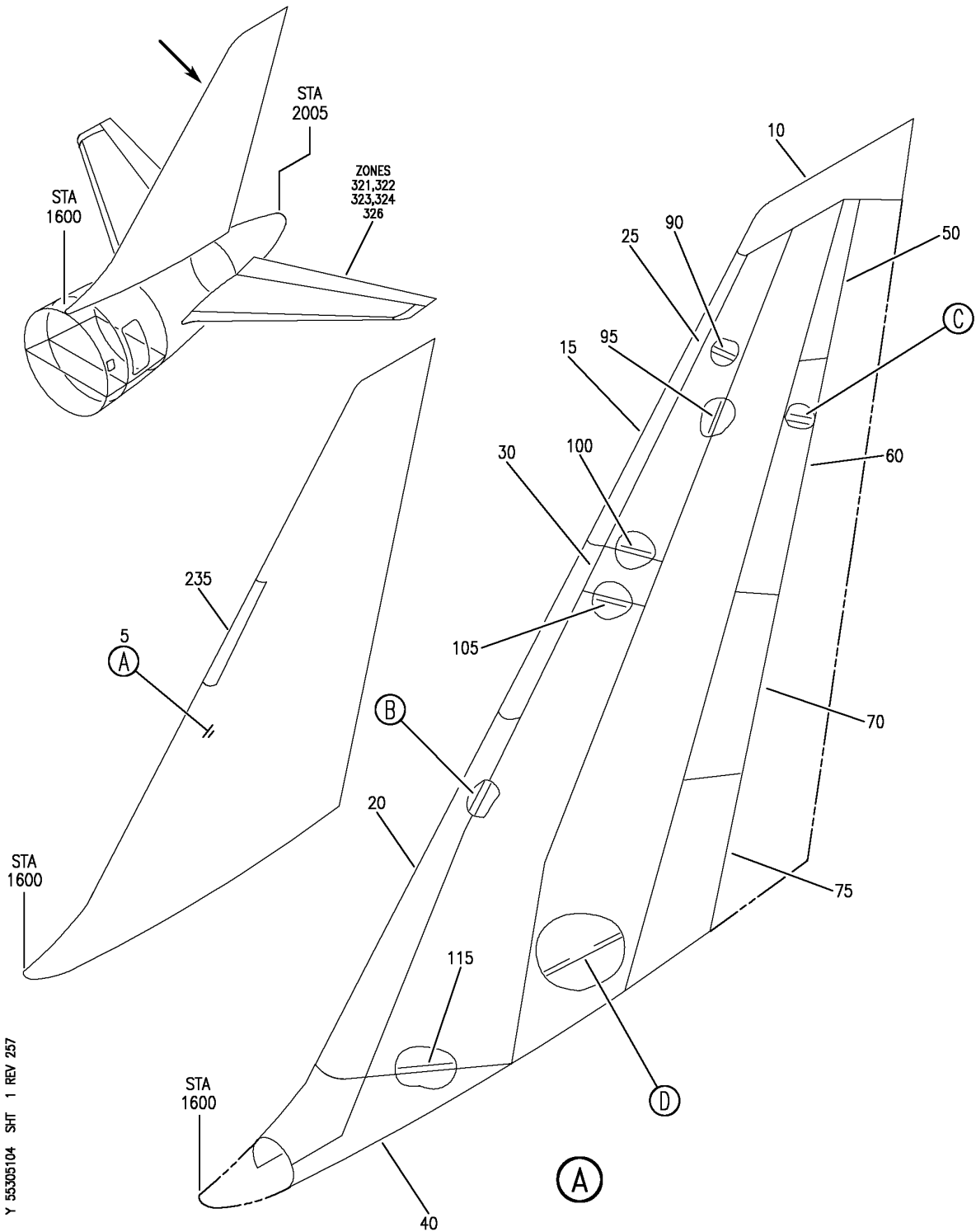
- ITEM NOT ILLUSTRATED

55-30-51-03

55-30-51  
FIG. 03  
PAGE 7  
JAN 20/09

BRI

**BOEING**  
757  
PARTS CATALOG (MAINTENANCE)



Y 55305104 SHT 1 REV 257

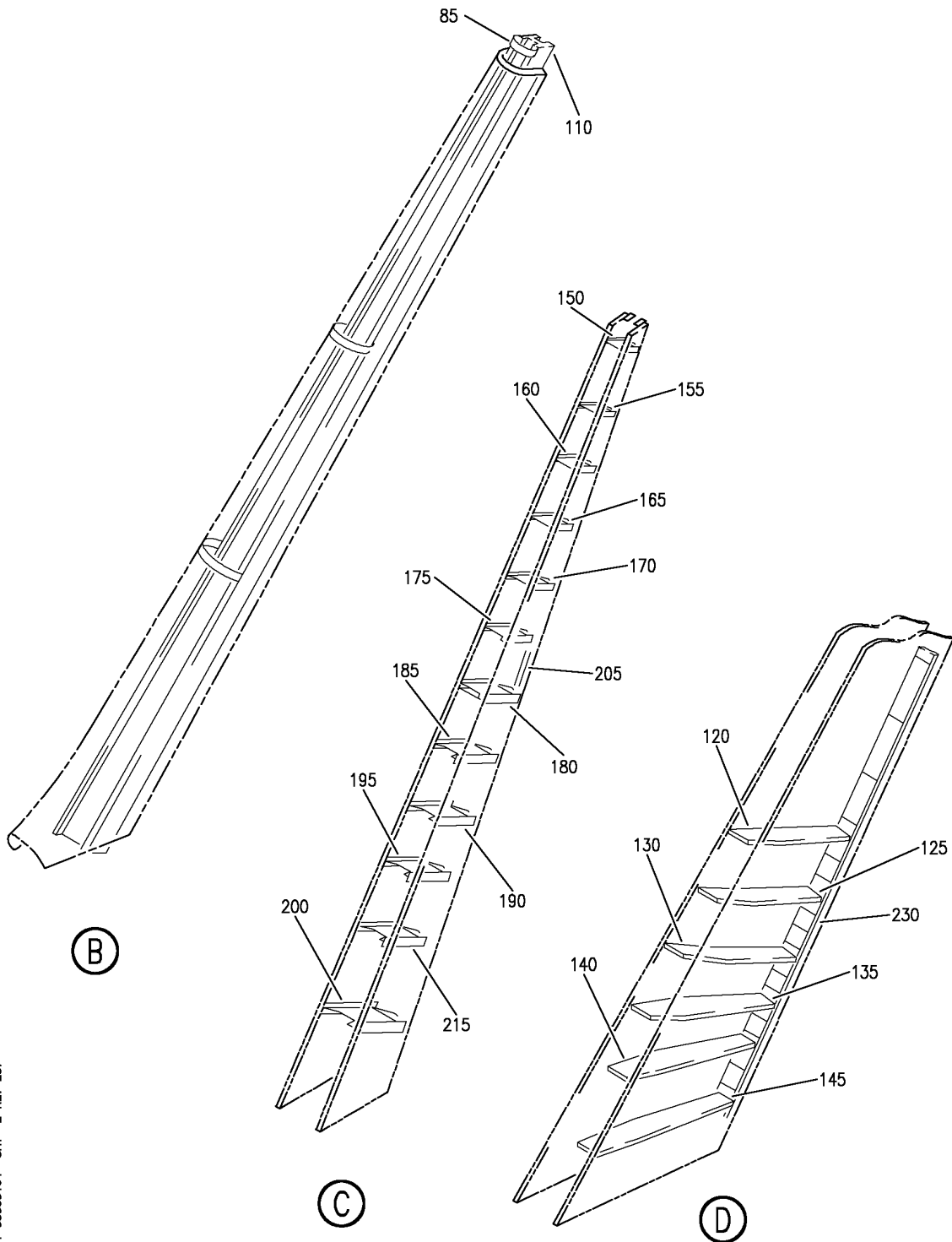
VERTICAL STABILIZER ASSY  
FIGURE 4 (SHEET 1)

**55-30-51-04**

BRI  
JAN 20/09

55-30-51-04  
PAGE 0

**BOEING**  
757  
PARTS CATALOG (MAINTENANCE)



Y 55305104 SHT 2 REV 257

VERTICAL STABILIZER ASSY  
FIGURE 4 (SHEET 2)

**55-30-51-04**

BRI  
JAN 20/09

55-30-51-04  
PAGE 0A



757

PARTS CATALOG (MAINTENANCE)

FIG ITEM	PART NUMBER	1 2 3 4 5 6 7	NOMENCLATURE	EFFECT FROM TO	UNITS PER ASSY
4			VERTICAL STABILIZER ASSY	106106	
- 1	170N0005-110		STABILIZER ASSY-VERT. FOR NHA SEE: 55-30-51-02	106106	RF
5	170N0005-418		.STABILIZER ASSY-VERT. FIN	106106	1
10	179N1000-403		..TIP INSTL- FOR DETAILS SEE: 55-31-01-01	106106	1
15	174N1103-401		..PANEL INSTL-NO. 3 LE FOR DETAILS SEE: 55-35-01-01	106106	1
20	174N1101-401		..PANEL INSTL-NO. 1 LE FOR DETAILS SEE: 55-35-01-01	106106	1
25	175N2002-401		..PANEL INSTL-UPPER LH FOR DETAILS SEE: 55-34-51-04	106106	1
30	175N2003-401		..PANEL INSTL- POSITION DATA: FWD TORQUE BOX CTR LH FOR DETAILS SEE: 55-34-51-04	106106	1
- 35	175N2003-402		..PANEL INSTL- POSITION DATA: FWD TORQUE BOX CTR RH FOR DETAILS SEE: 55-34-51-04	106106	1
40	174N4000-1		..PANEL INSTL-SEAL POSITION DATA: LH FOR DETAILS SEE: 55-35-01-01	106106	1
- 45	174N4000-2		..PANEL INSTL-SEAL POSITION DATA: RH FOR DETAILS SEE: 55-35-01-01	106106	1
50	173N1108-401		..PANEL INSTL- FXD TE POSITION DATA: RUD STA 305.871 TO 380.769 LH FOR DETAILS SEE: 55-36-51-03	106106	1

MISSING ITEM NUMBERS NOT APPLICABLE

- ITEM NOT ILLUSTRATED

**55-30-51-04**

55-30-51  
FIG. 04  
PAGE 1  
JAN 20/09

BRI



757

PARTS CATALOG (MAINTENANCE)

FIG ITEM	PART NUMBER	1 2 3 4 5 6 7	NOMENCLATURE	EFFECT FROM TO	UNITS PER ASSY
4					
- 55	173N1108-402	..	PANEL INSTL- FXD TE POSITION DATA: RUD STA 305.871 TO 380.769 RH FOR DETAILS SEE: 55-36-51-03	106106	1
60	173N1107-401	..	PANEL INSTL- FXD TE POSITION DATA: RUD STA 206.006 TO 305.87 LH SIDE FOR DETAILS SEE: 55-36-51-02	106106	1
- 65	173N1107-402	..	PANEL INSTL- FXD TE POSITION DATA: RUD STA 206.006 TO 305.87 RH SIDE FOR DETAILS SEE: 55-36-51-02	106106	1
70	173N1106-403	..	PANEL INSTL- POSITION DATA: FXD TE STA 131.108 TO 206.006 FUNCTIONAL REFERENCE: PLACARDS AND MARKINGS FOR DETAILS SEE 11-26-03-01 STABILIZERS FOR DETAILS SEE 55-36-51-01	106106	1
75	173N1105-403	..	PANEL INSTL- POSITION DATA: FXD TE RUD STA 57-131.108 LH FOR DETAILS SEE: 55-36-51-08	106106	1
- 80	173N1105-404	..	PANEL INSTL- POSITION DATA: FXD TE RUD STA 57-131.108 RH FOR DETAILS SEE: 55-36-51-08	106106	1
85	174N1201-401	..	SPLICE INSTL- REMOVABLE L.E. FOR DETAILS SEE: 55-35-01-03	106106	1

MISSING ITEM NUMBERS NOT APPLICABLE

- ITEM NOT ILLUSTRATED

55-30-51-04

55-30-51  
FIG. 04  
PAGE 2  
JAN 20/09

BRI



757

PARTS CATALOG (MAINTENANCE)

FIG ITEM	PART NUMBER	1 2 3 4 5 6 7	NOMENCLATURE	EFFECT FROM TO	UNITS PER ASSY
4 90	175N3011-1		..RIB INSTL- POSITION DATA: FWD TORQUE BOX FSS 270.784 FOR DETAILS SEE: 55-34-51-02	106106	1
95	172N2000-402		..SPAR INSTL-TORQUE BOX REAR POSITION DATA: VERT. STAB. FWD FOR DETAILS SEE: 55-33-00-02	106106	1
100	175N3008-401		..RIB INSTL- POSITION DATA: FWD TORQUE BOX FSS 270.784 FOR DETAILS SEE: 55-34-51-02	106106	1
105	175N3007-401		..RIB INSTL- POSITION DATA: FWD TORQUE BOX FSS 270.784 FOR DETAILS SEE: 55-34-51-02	106106	1
110	175N1000-403		..SPAR INSTL-AUX FWD TORQUE BOX FOR DETAILS SEE: 55-34-51-01	106106	1
115	175N3000-401		..RIB INSTL- POSITION DATA: FWD TORQUE BOX FSS 92.250 FOR DETAILS SEE: 55-34-51-02	106106	1
120	172N3006-401		..RIB INSTL- POSITION DATA: AFT TORQUE BOX FIN STA 200.0 FOR DETAILS SEE: 55-33-00-03	106106	1
125	172N3005-401		..RIB INSTL- POSITION DATA: AFT TORQUE BOX FIN STA. 175.0 FOR DETAILS SEE: 55-33-00-03	106106	1

MISSING ITEM NUMBERS NOT APPLICABLE

- ITEM NOT ILLUSTRATED

55-30-51-04

55-30-51  
FIG. 04  
PAGE 3  
JAN 20/09

BRI



757

PARTS CATALOG (MAINTENANCE)

FIG ITEM	PART NUMBER	1 2 3 4 5 6 7	NOMENCLATURE	EFFECT FROM TO	UNITS PER ASSY
4 130	172N3004-401	..	RIB INSTL- POSITION DATA: AFT TORQUE BOX FIN STA 150.0 FOR DETAILS SEE: 55-33-00-03	106106	1
135	172N3003-401	..	RIB INSTL- POSITION DATA: AFT TORQUE BOX LFSS 157.931 FIN STA 133.100 FOR DETAILS SEE: 55-33-00-03	106106	1
140	172N3002-401	..	RIB INSTL- POSITION DATA: AFT TORQUE BOX LFSS 133.722 FIN STA 116.20 FOR DETAILS SEE: 55-33-00-03	106106	1
145	172N3001-401	..	RIB INSTL- POSITION DATA: AFT TORQUE BOX LFSS 106.874 FIN STA 95.900 FOR DETAILS SEE: 55-33-00-03	106106	1
150	173N1214-402	..	RIB INSTL- FXD TE POSITION DATA: RUD STA 380.769 FOR DETAILS SEE: 55-36-52-08	106106	1
155	173N1213-401	..	RIB INSTL- FXD TE POSITION DATA: RUD STA. 330.837 FOR DETAILS SEE: 55-36-51-07	106106	1
160	173N1212-401	..	RIB INSTL- FXD TE POSITION DATA: STA. 330.837 FOR DETAILS SEE: 55-36-51-07	106106	1

MISSING ITEM NUMBERS NOT APPLICABLE

- ITEM NOT ILLUSTRATED

# 55-30-51-04

55-30-51  
FIG. 04  
PAGE 4  
JAN 20/09

BRI





757

PARTS CATALOG (MAINTENANCE)

FIG ITEM	PART NUMBER	1 2 3 4 5 6 7	NOMENCLATURE	EFFECT FROM TO	UNITS PER ASSY
4 165	173N1211-402		..RIB INSTL- FXD TE POSITION DATA: RUD STA 305.871 FOR DETAILS SEE: 55-36-52-07	106106	1
170	173N1210-401		..RIB INSTL- FXD TE POSITION DATA: RUD STA 280.904 FOR DETAILS SEE: 55-36-51-07	106106	1
175	173N1209-401		..RIB INSTL- FXD TE POSITION DATA: RUD STA. 255.938 FOR DETAILS SEE: 55-36-51-07	106106	1
180	173N1208-402		..RIB INSTL- FXD TE POSITION DATA: RUD STA 230.972 FOR DETAILS SEE: 55-36-52-06	106106	1
185	173N1207-403		..RIB INSTL- FXD TE POSITION DATA: RUD STA 206.06 FOR DETAILS SEE: 55-36-52-05	106106	1
190	173N1206-403		..RIB INSTL- FXD TE POSITION DATA: RUD STA 181.034 FOR DETAILS SEE: 55-36-52-04	106106	1
195	173N1205-403		..RIB INSTL- FXD TE POSITION DATA: RUD STA 156.0754 FOR DETAILS SEE: 55-36-52-03	106106	1
200	173N1202-405		..RIB INSTL- FXD TE POSITION DATA: RUD STA 97.354 FOR DETAILS SEE: 55-36-52-01	106106	1

MISSING ITEM NUMBERS NOT APPLICABLE

- ITEM NOT ILLUSTRATED

# 55-30-51-04

55-30-51  
FIG. 04  
PAGE 5  
JAN 20/09

BRI



757

PARTS CATALOG (MAINTENANCE)

FIG ITEM	PART NUMBER	1 2 3 4 5 6 7	NOMENCLATURE	EFFECT FROM TO	UNITS PER ASSY
4 205	173N1300-402		..BEAM INSTL- POSITION DATA: FXD TE FOR DETAILS SEE: 55-36-53-01	106106	1
- 210	173N1300-401		..BEAM INSTL- POSITION DATA: FXD TE FOR DETAILS SEE: 55-36-53-01	106106	1
215	173N1204-403		..RIB INSTL- FXD TE POSITION DATA: RUD STA 131.108 FOR DETAILS SEE: 55-36-52-02	106106	1
230	172N1000-75		.SPAR ASSY- FOR DETAILS SEE: 55-33-00-04	106106	1
235	174N1104-4001		.PANEL INSTL-LE HF ANT. FOR DETAILS SEE: 55-35-01-04	106106	1

MISSING ITEM NUMBERS NOT APPLICABLE

- ITEM NOT ILLUSTRATED

**55-30-51-04**

55-30-51  
FIG. 04  
PAGE 6  
JAN 20/09

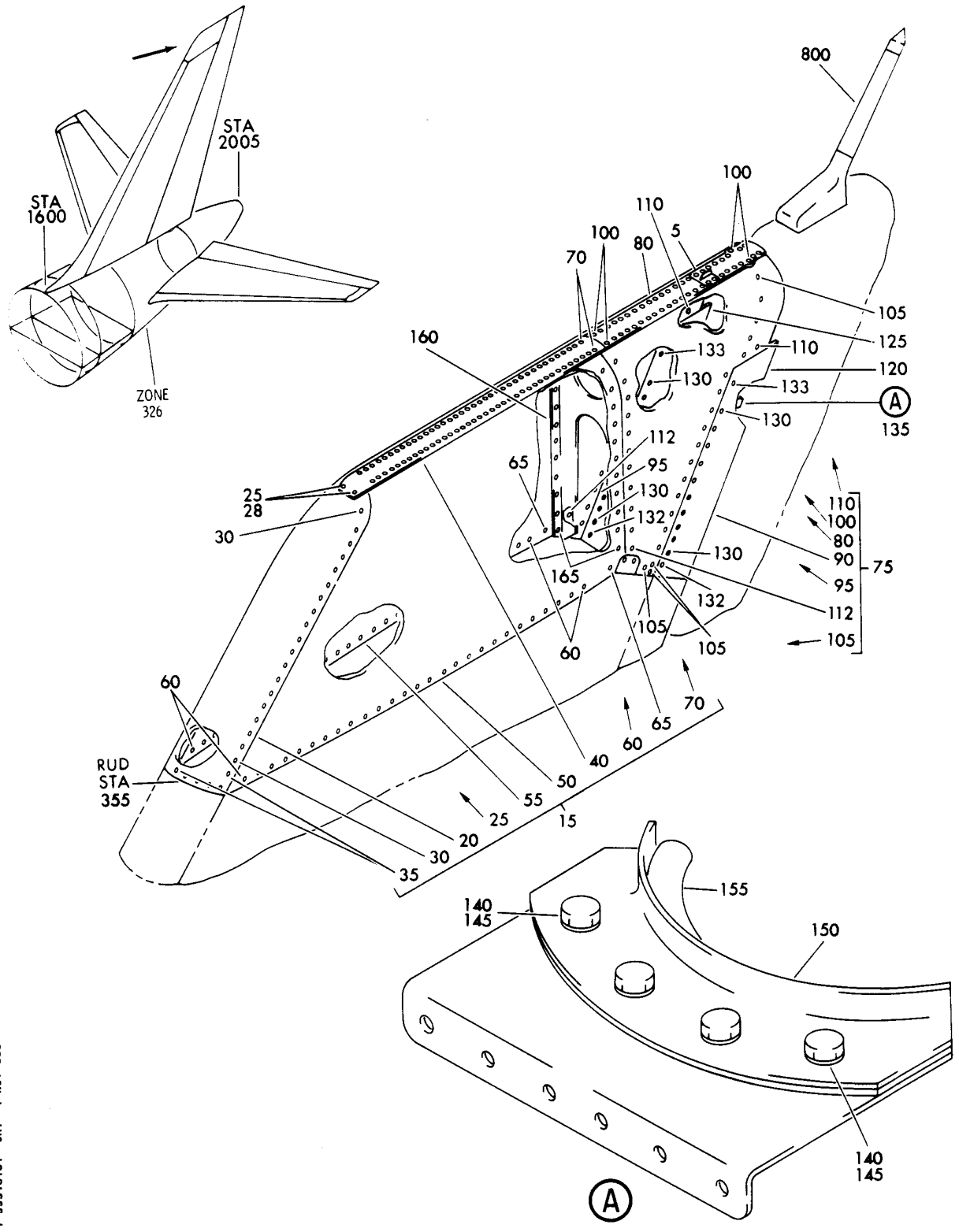
BRI

## VERTICAL STABILIZER TIP

BRI  
MAY 28/07

55-31-00  
SECTION TITLE  
PAGE 1

**BOEING**  
757  
PARTS CATALOG (MAINTENANCE)



Y 55310101 SHT 1 REV 063

TIP INSTL-VERT. STAB.  
FIGURE 1

**55-31-01-01**

BRI  
MAY 28/07

55-31-01-01  
PAGE 0



757

PARTS CATALOG (MAINTENANCE)

FIG ITEM	PART NUMBER	1 2 3 4 5 6 7	NOMENCLATURE	EFFECT FROM TO	UNITS PER ASSY
1			TIP INSTL-VERT. STAB.	002004 006999	
- 1	179N1000-1		TIP INSTL-VERT. STAB. FOR NHA SEE: 55-30-51-01	002004 006102 107999	RF
- 1	179N1000-403		TIP INSTL- FOR NHA SEE: 55-30-51-03 55-30-51-04	101106 108120 504903	RF
5	16292		.RETAINER-STATIC DISCHARGER SUPPLIER CODE: V55635	002004 006999	1
- 10	BACR15CE4D		ATTACHING PARTS .RIVET- SIZE DETERMINED ON INSTL. -----*-----	002004 006999	4
15	179N1000-2		.PANEL ASSY-	002004 006102 107999	1
15	179N1000-6		.PANEL ASSY-	002004 006999	1
20	179N1003-2		..EDGE-FIN TIP LEADING	002004 006999	1

MISSING ITEM NUMBERS NOT APPLICABLE

- ITEM NOT ILLUSTRATED

BRI

55-31-01-01

BOEING PROPRIETARY - Copyright © - Unpublished Work - See title page for details.

55-31-01  
FIG. 01  
PAGE 1  
JAN 20/09



757

PARTS CATALOG (MAINTENANCE)

FIG ITEM	PART NUMBER	1 2 3 4 5 6 7	NOMENCLATURE	EFFECT FROM TO	UNITS PER ASSY
1			ATTACHING PARTS		
25	HL441UC5-4		..BOLT SUPPLIER CODE: V97928 SPECIFICATION NUMBER: BACB30FN5A4 OPTIONAL PART: HL441UC5-4 V73197 HL441UC5-4 V92215 HL41PY5-4 V80539 HL441N5-4 V80539 HL441UC5-4 V80539 67068-5A4 V56878 HL441UC5-4 V08524 HL441UC5-4 V56878 L839-5A4 V06725 HL441UC5-4 V56878	002004 006999	2
28	HL97KG5		..COLLAR SUPPLIER CODE: V5M902 SPECIFICATION NUMBER: BACC30AB5C OPTIONAL PART: HL97PB5 V5M902 HL97PB5 V56878 HL97KG5 V73197 HL97KG5 V56878 HL97PB V73197	002004 006999	2
30	BACR15BA6AD		..RIVET-	002004	38
35	BACB30NN3K5		SIZE DETERMINED ON INSTL. ..BOLT  -----*-----	006999 002004 006999	12

MISSING ITEM NUMBERS NOT APPLICABLE

- ITEM NOT ILLUSTRATED

55-31-01-01

55-31-01  
FIG. 01  
PAGE 2  
JAN 20/09

BRI

BOEING PROPRIETARY - Copyright © - Unpublished Work - See title page for details.

 **BOEING**  
757  
**PARTS CATALOG (MAINTENANCE)**

FIG ITEM	PART NUMBER	1 2 3 4 5 6 7	NOMENCLATURE	EFFECT FROM TO	UNITS PER ASSY
1	40 179N1011-1		..STRIP-LIGHTNING DEVERTER	002004 006999	1
			ATTACHING PARTS		
-	45 BACR15CE5D		..RIVET- SIZE DETERMINED ON INSTL. -----*-----	002004 006999	74
	50 179N1008-1		..PANEL ASSY- USED ON: 179N1000-2	002004 006102 107999	1
	50 179N1008-5		..PANEL ASSY- USED ON: 179N1000-6	002004 006999	1
	55 179N1008-2		..PANEL ASSY- USED ON: 179N1000-2	002004 006102 107999	1
	55 179N1008-6		..PANEL ASSY- USED ON: 179N1000-6 ATTACHING PARTS	002004 006999	1
	60 BACB30NN3K5		..BOLT	002004 006999	54
	65 BACB30NN4K9		..BOLT-	002004 006999	2
	70 BACS12CK3-10		..SCREW	002004 006999	2
			-----*-----		
	75 179N1000-3		.PANEL ASSY-	002004 006102 107999	1
	75 179N1000-7		.PANEL ASSY-	002004 006999	1
	80 179N1011-2		..STRIP-LIGHTNING DEVERTER	002004 006999	1
			ATTACHING PARTS		
-	85 BACR15CE5D		..RIVET- SIZE DETERMINED ON INSTL. -----*-----	002004 006999	44
	90 179N1010-1		..PANEL ASSY- USED ON: 179N1000-3	002004 006102 107999	1
	90 179N1010-5		..PANEL ASSY- USED ON: 179N1000-7	002004 006999	1
	95 179N1010-2		..PANEL ASSY- USED ON: 179N1000-3	002004 006102 107999	1
	95 179N1010-6		..PANEL ASSY- USED ON: 179N1000-7	002004 006999	1

MISSING ITEM NUMBERS NOT APPLICABLE

- ITEM NOT ILLUSTRATED

BRI

# 55-31-01-01

BOEING PROPRIETARY - Copyright © - Unpublished Work - See title page for details.

55-31-01  
FIG. 01  
PAGE 3  
JAN 20/09



757

PARTS CATALOG (MAINTENANCE)

FIG ITEM	PART NUMBER	1 2 3 4 5 6 7	NOMENCLATURE	EFFECT FROM TO	UNITS PER ASSY
1			ATTACHING PARTS		
100	BACS12CK3-10	..	SCREW	002004 006999	4
105	BACB30NN3K5	..	BOLT	002004 006999	38
110	BACB30LR3-5	..	BOLT	002004 006999	2
112	BACB30LR4-9	..	BOLT	002004 006999	2
			-----*-----		
- 115	179N1009-34	.RIB	INSTL-CLOSURE TIP	002004 006100 107107 121503 904999	1
- 115	179N1009-403	.RIB	INSTL-CLOSURE TIP	101106 108120 504903	1
120	179N1009-21	..	SEAL- MANUFACTURED FROM: EXTR RUBBER 10-60754-642 X 24.00 IN.	002004 006999	1
125	179N1009-22	..	SEAL- MANUFACTURED FROM: EXTR RUBBER 10-60754-642 X 24.00 IN.	002004 006999	1
130	BACB30NN3K4	..	BOLT-	002004 006999	20
132	BACB30LH3U5	..	BOLT	002004 006999	2
133	BACB30LH3U4	..	BOLT	002004 006999	2
135	179N1009-32	..	RIB ASSY-	002004 006100 107107 121503 904999	1
135	179N1009-36	..	RIB ASSY	002004 006999	1
140	BACB30NM3K4	...	BOLT	002004 006999	4
145	AN960PD10L	...	WASHER	002004 006999	4

MISSING ITEM NUMBERS NOT APPLICABLE

- ITEM NOT ILLUSTRATED

55-31-01-01

55-31-01  
FIG. 01  
PAGE 4  
JAN 20/09

BRI

BOEING PROPRIETARY - Copyright © - Unpublished Work - See title page for details.





757

PARTS CATALOG (MAINTENANCE)

FIG ITEM	PART NUMBER	1 2 3 4 5 6 7	NOMENCLATURE	EFFECT FROM TO	UNITS PER ASSY
1					
150	179N1014-1		...RETAINER-	002004 006100 103107 121503 904999	1
155	179N1009-25		...SEAL- MANUFACTURED FROM: EXTR RUBBER F25.01 10-60754-447 X 5.50 IN.	002004 006999	1
160	179N1007-1		.RIB ASSY-FIN TIP POSITION DATA: CTR ATTACHING PARTS	002004 006999	1
165	BACB30NN4K9		.BOLT-	002004 006999	2
- 170	BACB30NN3K5		.BOLT	002004 006999	40
800			-----*----- ILLUSTRATION REFERENCE: DISCHARGER INSTL-WING, VERT. AND HORIZ. STAB. STATIC 23-61-01-01	002004 006999	RF

MISSING ITEM NUMBERS NOT APPLICABLE

- ITEM NOT ILLUSTRATED

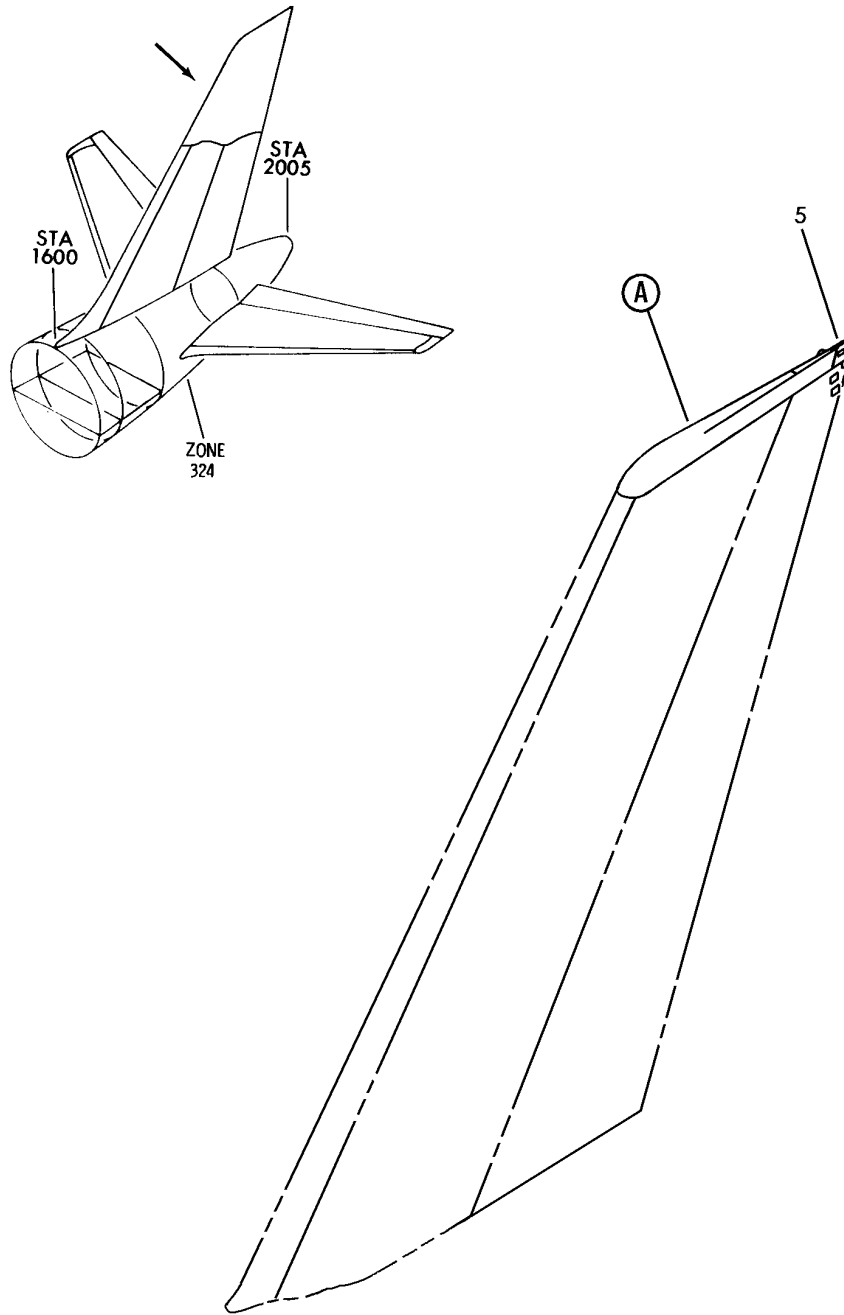
BRI

55-31-01-01

BOEING PROPRIETARY - Copyright © - Unpublished Work - See title page for details.

55-31-01  
FIG. 01  
PAGE 5  
JAN 20/09

**BOEING**  
757  
PARTS CATALOG (MAINTENANCE)



Y 55310102 SHT 1 REV 244

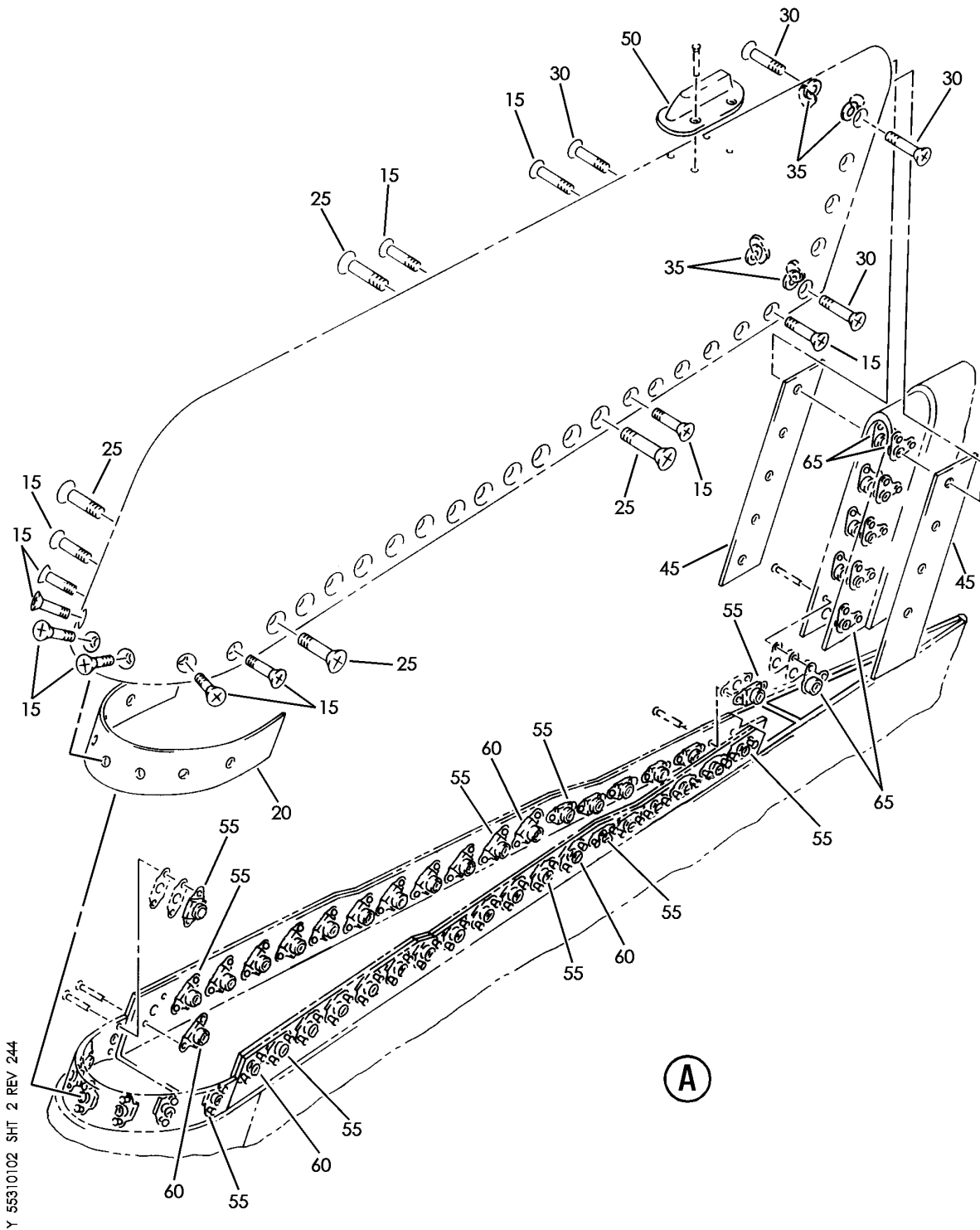
RUDDER ASSY (TIP ONLY)  
FIGURE 2 (SHEET 1)

**55-31-01-02**

BRI  
MAY 28/07

55-31-01-02  
PAGE 0

**BOEING**  
757  
PARTS CATALOG (MAINTENANCE)



Y 55310102 SHT 2 REV 244

RUDDER ASSY (TIP ONLY)  
FIGURE 2 (SHEET 2)

**55-31-01-02**

BRI  
MAY 28/07

55-31-01-02  
PAGE 0A



757

PARTS CATALOG (MAINTENANCE)

FIG ITEM	PART NUMBER	1 2 3 4 5 6 7	NOMENCLATURE	EFFECT FROM TO	UNITS PER ASSY
2			RUDDER ASSY (TIP ONLY)	002004 006999	
- 1	173N2101-1		RUDDER ASSY- (TIP ONLY) COMPONENT MAINT MANUAL REF: 55-40-51 REWORKED BY SB: 55-0009R2 FOR NHA/OTHER SYS DET SEE: 55-40-51-01	002004 006102 107107 121999	RF
- 1	173N2101-3		RUDDER ASSY- (TIP ONLY) COMPONENT MAINT MANUAL REF: 55-40-51 REWORKED BY SB: 55-0009R2 FOR NHA/OTHER SYS DET SEE: 55-40-51-01	002004 006102 107107 121999	RF
- 1	173N2101-5		RUDDER ASSY- (TIP ONLY) COMPONENT MAINT MANUAL REF: 55-40-51 REWORKED BY SB: 55-0009R2 FOR NHA/OTHER SYS DET SEE: 55-40-51-01	002004 006102 107107 121999	RF
- 1	173N2101-7		RUDDER ASSY- (TIP ONLY) COMPONENT MAINT MANUAL REF: 55-40-51 REWORKED BY SB: 55-0009R2 FOR NHA/OTHER SYS DET SEE: 55-40-51-01	002004 006102 107107 121999	RF
- 1	173N2101-9		RUDDER ASSY- (TIP ONLY) COMPONENT MAINT MANUAL REF: 55-40-51 REWORKED BY SB: 55-0009R2 FOR NHA/OTHER SYS DET SEE: 55-40-51-01	002004 006102 107107 121999	RF

MISSING ITEM NUMBERS NOT APPLICABLE

- ITEM NOT ILLUSTRATED

55-31-01-02

55-31-01  
FIG. 02  
PAGE 1  
JAN 20/09

BRI



757

PARTS CATALOG (MAINTENANCE)

FIG ITEM	PART NUMBER	1 2 3 4 5 6 7	NOMENCLATURE	EFFECT FROM TO	UNITS PER ASSY
2					
- 1	173N2101-11		RUDDER ASSY- (TIP ONLY) COMPONENT MAINT MANUAL REF: 55-40-51 REWORK DRAWING REF: 173N2008-1 REWORKED BY SB: 55-0009R2 FOR NHA/OTHER SYS DET SEE: 55-40-51-01	002004 006102 107107 121999	RF
- 1	173N2101-13		RUDDER ASSY- (TIP ONLY) COMPONENT MAINT MANUAL REF: 55-40-51 REWORKED BY SB: 55-0009R2 FOR NHA/OTHER SYS DET SEE: 55-40-51-01	002004 006102 107107 121999	RF
- 1	173N2101-93		RUDDER ASSY- (TIP ONLY) FOR NHA/OTHER SYS DET SEE: 55-40-51-01	002004 006999	RF
- 1	173N2101-95		RUDDER ASSY- (TIP ONLY) FOR NHA/OTHER SYS DET SEE: 55-40-51-01	002004 006999	RF
- 1	173N2101-401		RUDDER ASSY- (TIP ONLY) FOR NHA/OTHER SYS DET SEE: 55-40-51-01	002004 006999	RF
- 1	173N2101-403		RUDDER ASSY- (TIP ONLY) FOR NHA/OTHER SYS DET SEE: 55-40-51-01	002004 006999	RF
5	173N2602-1		.FITTING-TIP	002004 006999	1
5	173N2602-3		.FITTING-TIP	002004 006999	1
- 10	BACB30NN3R6		ATTACHING PARTS .BOLT  -----*-----	002004 006999	10
15	BACB30NN3R6		.BOLT	002004 006999	19
20	173N2004-11		.SHIM	002004 006999	1

MISSING ITEM NUMBERS NOT APPLICABLE

- ITEM NOT ILLUSTRATED

55-31-01-02

55-31-01  
FIG. 02  
PAGE 2  
JAN 20/09

BRI



757

PARTS CATALOG (MAINTENANCE)

FIG ITEM	PART NUMBER	1 2 3 4 5 6 7	NOMENCLATURE	EFFECT FROM TO	UNITS PER ASSY
2	25	BACB30LL4-5	.BOLT- USED ON: 173N2101-1 173N2101-3 173N2101-5 173N2101-7 173N2101-9 173N2101-11 173N2101-13	002004 006102 107107 121999	24
	25	BACB30VF4R5	.BOLT- USED ON: 173N2101-1 173N2101-3 173N2101-5 173N2101-7 173N2101-9 173N2101-11 173N2101-13 173N2101-93 173N2101-95 173N2101-401 173N2101-403	002004 006999	24
	30	BACB30NN3R6	.BOLT	002004 006999	10
	35	BACW10UC10P	.WASHER	002004 006999	10
	45	173N2004-12	.SHIM	002004 006999	2
	50	173N2601-2	.TIP ASSY- USED ON: 173N2101-1 173N2101-3 173N2101-5 173N2101-7 173N2101-9 173N2101-11 173N2101-13	002004 006102 107107 121999	RF

MISSING ITEM NUMBERS NOT APPLICABLE

- ITEM NOT ILLUSTRATED

55-31-01-02

55-31-01  
FIG. 02  
PAGE 3  
JAN 20/09

BRI

BOEING PROPRIETARY - Copyright © - Unpublished Work - See title page for details.



757

PARTS CATALOG (MAINTENANCE)

FIG ITEM	PART NUMBER	1 2 3 4 5 6 7	NOMENCLATURE	EFFECT FROM TO	UNITS PER ASSY
2 50	173N2601-3		.TIP ASSY- USED ON: 173N2101-1 173N2101-3 173N2101-5 173N2101-7 173N2101-9 173N2101-11 173N2101-13 173N2101-93 173N2101-95 173N2101-401 173N2101-403	002004 006999	RF
55	BRF200C3D		.NUTPLATE SUPPLIER CODE: V52828 SPECIFICATION NUMBER: BACN10JR3CFD OPTIONAL PART: K51602-3BAC V15653 NS202476-02 V80539 102F9201-3 V72962 T8092C1032CD V11815	002004 006999	28
60	BRF200C4D		.NUTPLATE SUPPLIER CODE: V52828 SPECIFICATION NUMBER: BACN10JR4CFD OPTIONAL PART: K51602-4BAC V15653 NS202476-048 V80539 102F9201-4 V72962 T8092C428CD V11815	002004 006999	4
65	F51753-3CD		.NUTPLATE SUPPLIER CODE: V15653 SPECIFICATION NUMBER: BACN10KE3DCD OPTIONAL PART: NS202495-02 V80539	002004 006999	4

MISSING ITEM NUMBERS NOT APPLICABLE

- ITEM NOT ILLUSTRATED

55-31-01-02

55-31-01  
FIG. 02  
PAGE 4  
JAN 20/09

BRI

BOEING PROPRIETARY - Copyright © - Unpublished Work - See title page for details.

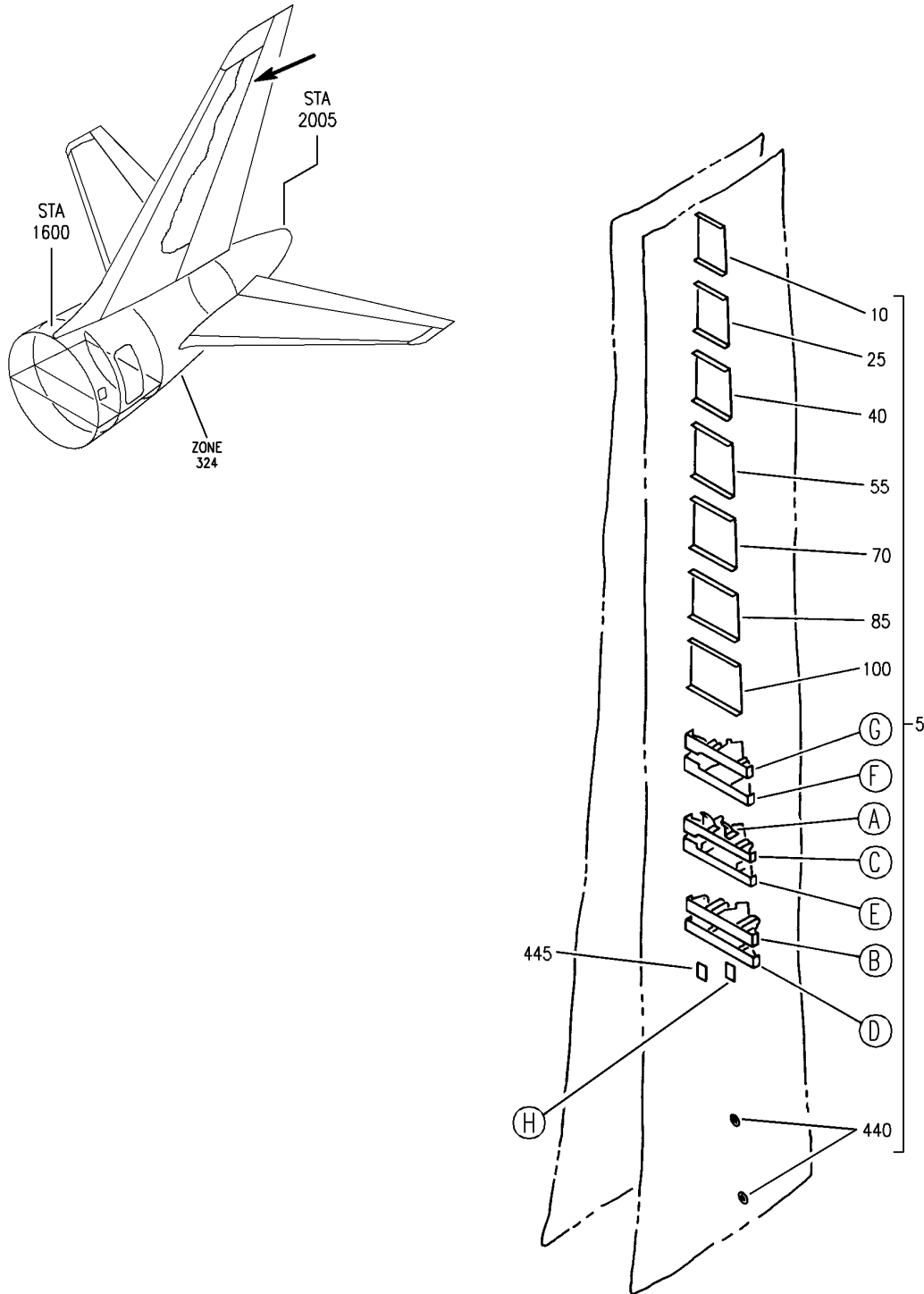
## VERTICAL STABILIZER AFT TORQUE BOX

BRI  
MAY 28/07

55-33-00  
SECTION TITLE  
PAGE 1



**BOEING**  
757  
**PARTS CATALOG (MAINTENANCE)**



Y 55330001 SHT 1 REV 237

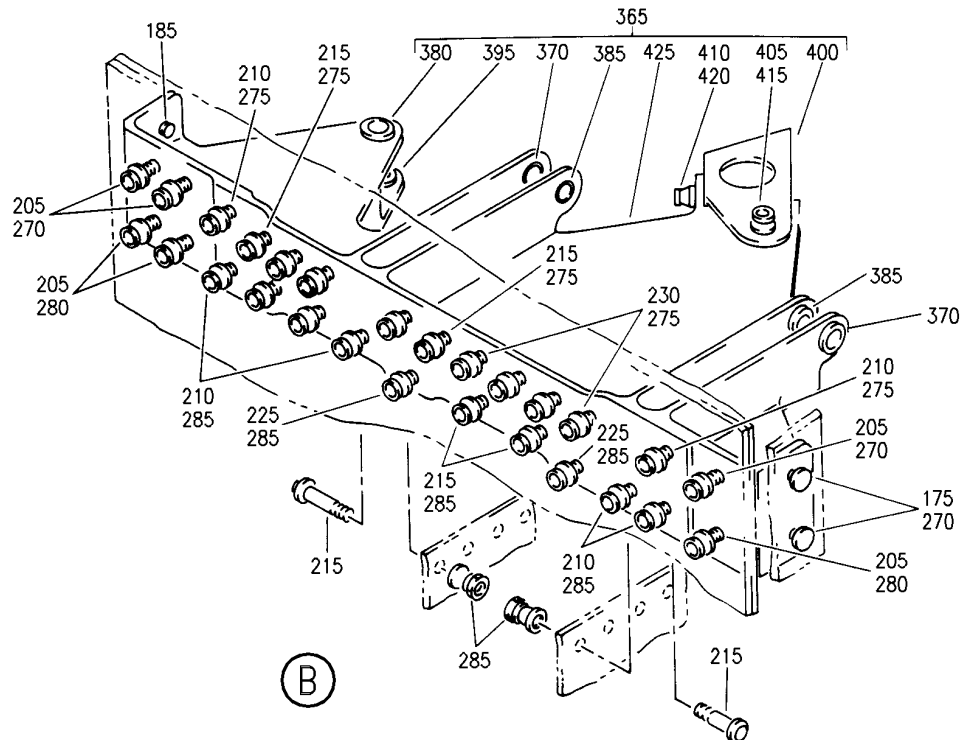
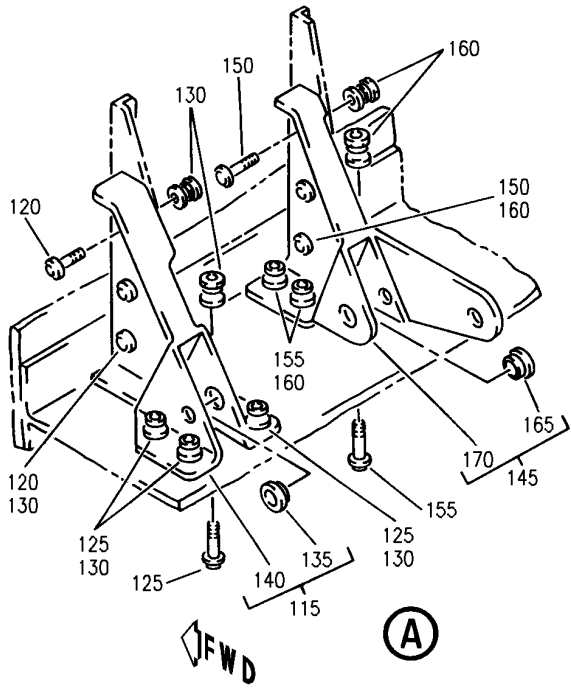
SPAR INSTL-VERT. STAB. REAR AFT TORQUE BOX  
FIGURE 1 (SHEET 1)

**55-33-00-01**

BRI  
MAY 28/07

55-33-00-01  
PAGE 0

**BOEING**  
757  
PARTS CATALOG (MAINTENANCE)



Y 55330001 SH1 2 REV 237

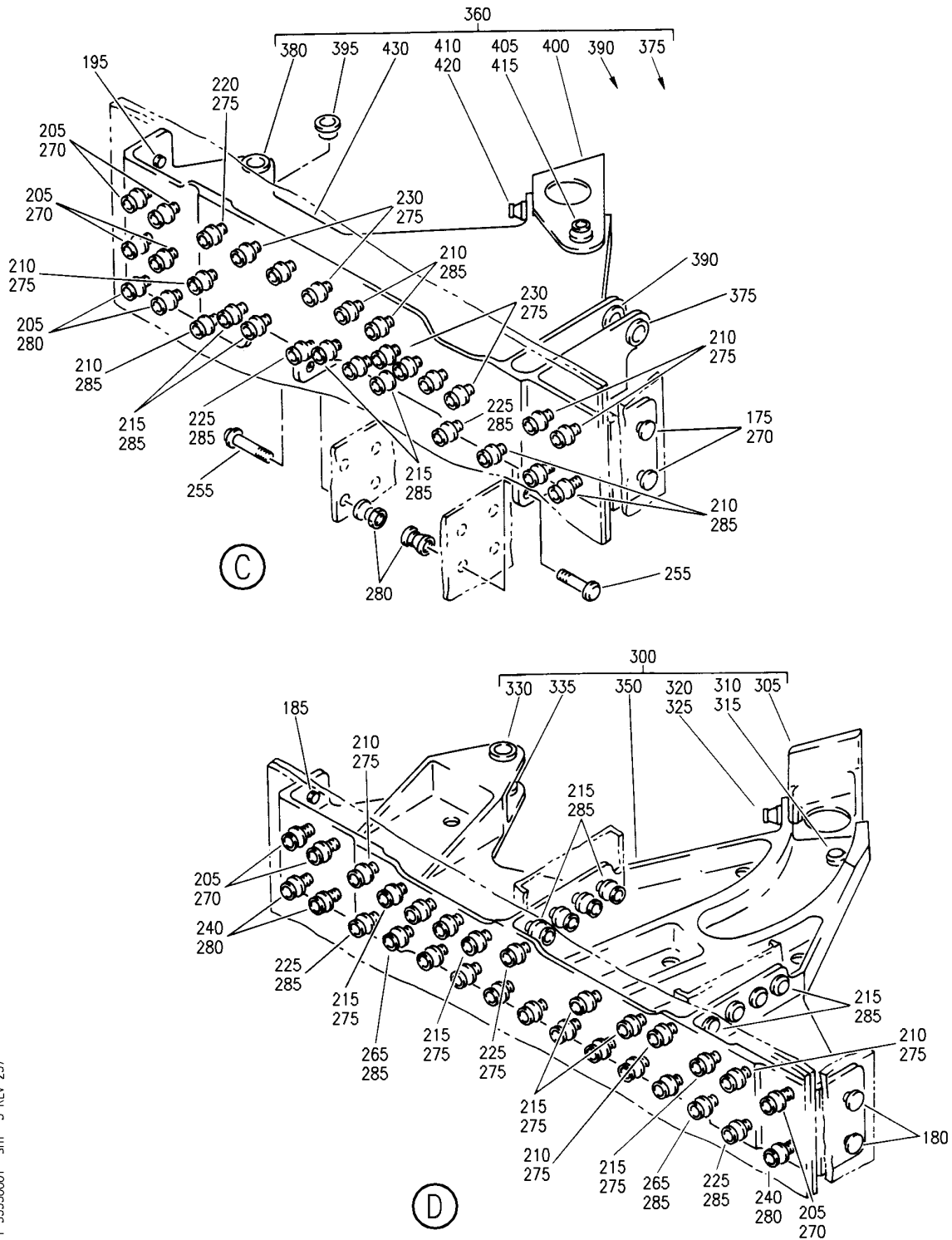
SPAR INSTL-VERT. STAB. REAR AFT TORQUE BOX  
FIGURE 1 (SHEET 2)

**55-33-00-01**

BRI  
MAY 28/07

55-33-00-01  
PAGE 0A

**BOEING**  
757  
**PARTS CATALOG (MAINTENANCE)**



Y 55330001 SHT 3 REV 237

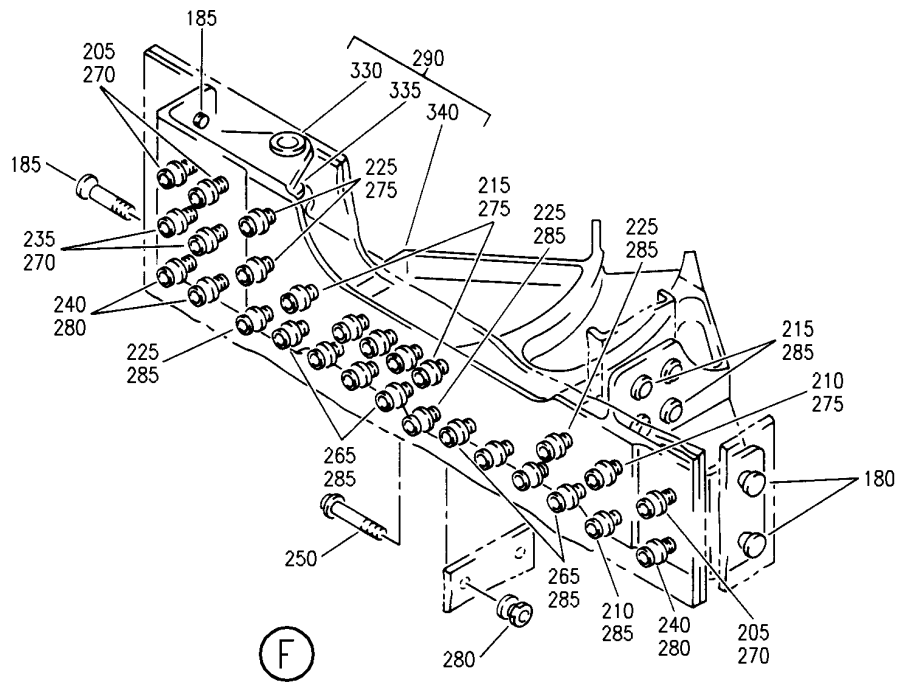
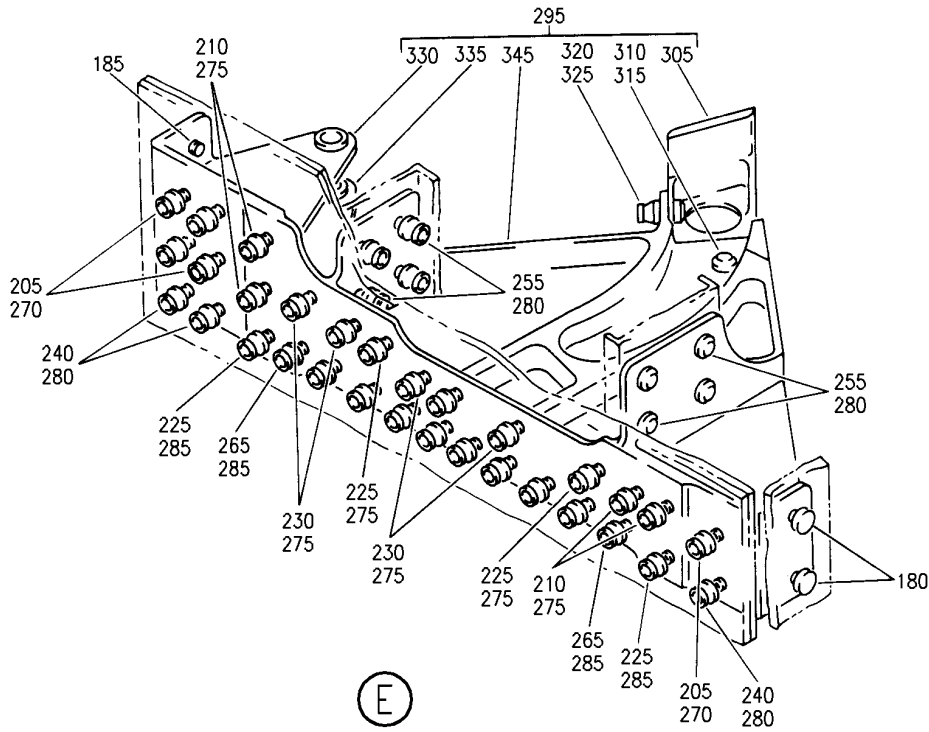
SPAR INSTL-VERT. STAB. REAR AFT TORQUE BOX  
FIGURE 1 (SHEET 3)

**55-33-00-01**

BRI  
MAY 28/07

55-33-00-01  
PAGE 0B

**BOEING**  
**757**  
**PARTS CATALOG (MAINTENANCE)**



Y 55330001 SH 4 REV 237

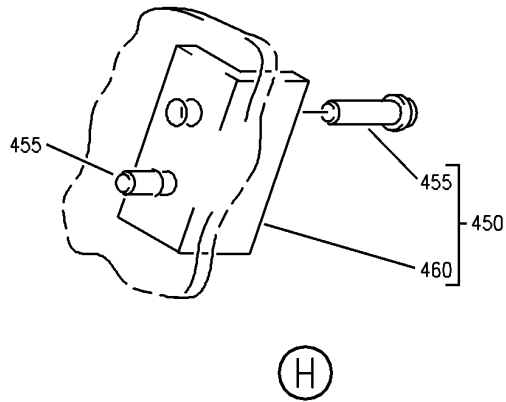
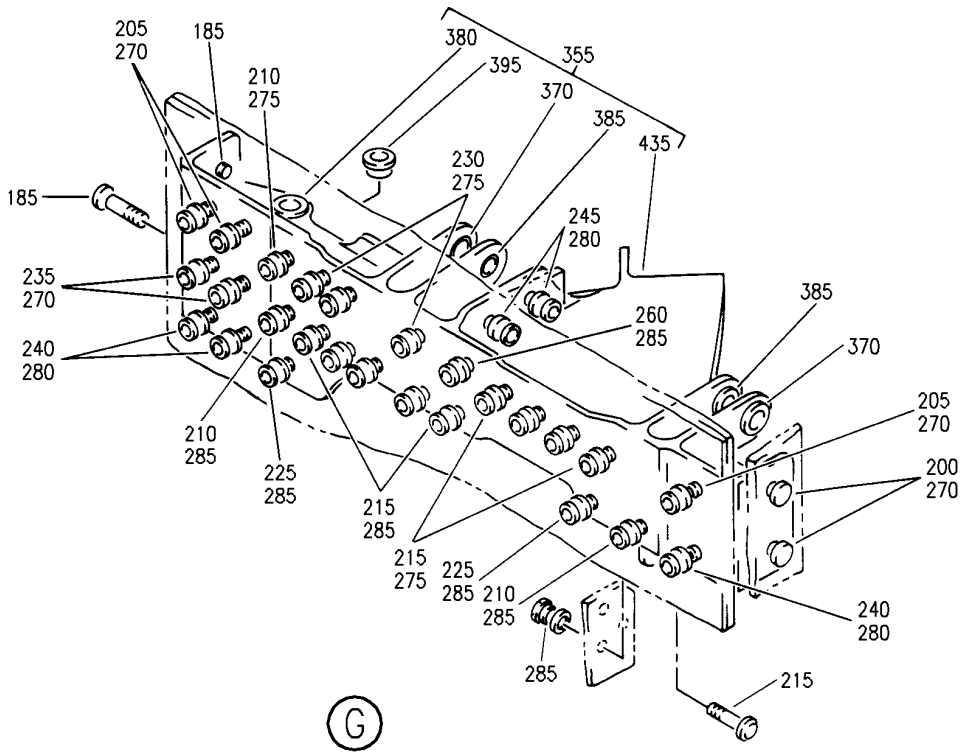
SPAR INSTL-VERT. STAB. REAR AFT TORQUE BOX  
 FIGURE 1 (SHEET 4)

**55-33-00-01**

BRI  
 MAY 28/07

55-33-00-01  
 PAGE 0C

**BOEING**  
757  
PARTS CATALOG (MAINTENANCE)



Y 55330001 SHT 5 REV 237

SPAR INSTL-VERT. STAB. REAR AFT TORQUE BOX  
FIGURE 1 (SHEET 5)

**55-33-00-01**

BRI  
MAY 28/07

55-33-00-01  
PAGE 0D



757

PARTS CATALOG (MAINTENANCE)

FIG ITEM	PART NUMBER	1 2 3 4 5 6 7	NOMENCLATURE	EFFECT FROM TO	UNITS PER ASSY
1			SPAR INSTL-VERT. STAB. REAR AFT TORQUE BOX	002004 006105 107999	
- 1	172N1000-1		SPAR INSTL-VERT. STAB. REAR POSITION DATA: AFT TORQUE BOX FOR NHA SEE: 55-30-51-01	002004 006100 107107 121503 904999	RF
- 1	172N1000-402		SPAR INSTL-VERT. STAB. REAR POSITION DATA: AFT TORQUE BOX FOR NHA SEE: 55-30-51-03	101102 108120 504903	RF
- 1	172N1000-403		SPAR INSTL-VERT. STAB. REAR POSITION DATA: AFT TORQUE BOX FOR NHA SEE: 55-30-51-03	103105	RF
5	172N1000-2		. SPAR ASSY	002004 006100 107107 121503 904999	1
5	172N1000-70		. SPAR ASSY-	101102 108120 504903	1
5	172N1000-74		. SPAR ASSY-	103105	1
10	172N1500-7		.. DOOR ASSY-	002004 006105 107999	1
10	172N1500-29		.. DOOR ASSY-	002004 006105 107999	1
- 15	BACB30NT3K5		ATTACHING PARTS .. BOLT	002004 006105 107999	44
- 20	BACW10BN3AC		.. WASHER	002004 006105 107999	44
25	172N1500-6		-----*----- .. DOOR ASSY-	002004 006105 107999	1
25	172N1500-28		.. DOOR ASSY-	002004 006105 107999	1

MISSING ITEM NUMBERS NOT APPLICABLE

- ITEM NOT ILLUSTRATED

BRI

55-33-00-01

BOEING PROPRIETARY - Copyright © - Unpublished Work - See title page for details.

55-33-00  
FIG. 01  
PAGE 1  
JAN 20/09



757

PARTS CATALOG (MAINTENANCE)

FIG ITEM	PART NUMBER	1 2 3 4 5 6 7	NOMENCLATURE	EFFECT FROM TO	UNITS PER ASSY
1			ATTACHING PARTS		
- 30	BACB30NT3K5	..	BOLT	002004 006105 107999	46
- 35	BACW10BN3AC	..	WASHER	002004 006105 107999	46
			-----*-----		
40	172N1500-5	..	DOOR ASSY-	002004 006105 107999	1
40	172N1500-27	..	DOOR ASSY-	002004 006105 107999	1
			ATTACHING PARTS		
- 45	BACB30NT3K5	..	BOLT	002004 006105 107999	48
- 50	BACW10BN3AC	..	WASHER	002004 006105 107999	48
			-----*-----		
55	172N1500-4	..	DOOR ASSY-	002004 006105 107999	1
55	172N1500-26	..	DOOR ASSY-	002004 006105 107999	1
			ATTACHING PARTS		
- 60	BACB30NT3K5	..	BOLT	002004 006105 107999	50
- 65	BACW10BN3AC	..	WASHER	002004 006105 107999	50
			-----*-----		
70	172N1500-3	..	DOOR ASSY-	002004 006105 107999	1
70	172N1500-25	..	DOOR ASSY-	002004 006105 107999	1
			ATTACHING PARTS		
- 75	BACB30NT3K5	..	BOLT	002004 006105 107999	49

MISSING ITEM NUMBERS NOT APPLICABLE

- ITEM NOT ILLUSTRATED

55-33-00-01

55-33-00  
FIG. 01  
PAGE 2  
JAN 20/09

BRI

BOEING PROPRIETARY - Copyright © - Unpublished Work - See title page for details.



757

PARTS CATALOG (MAINTENANCE)

FIG ITEM	PART NUMBER	1 2 3 4 5 6 7	NOMENCLATURE	EFFECT FROM TO	UNITS PER ASSY
1					
- 80	BACW10BN3AC	..	WASHER	002004 006105 107999	49
			-----*-----		
85	172N1500-2	..	DOOR ASSY-	002004 006105 107999	1
85	172N1500-24	..	DOOR ASSY-	002004 006105 107999	1
			ATTACHING PARTS		
- 90	BACB30NT3K5	..	BOLT	002004 006105 107999	55
- 95	BACW10BN3AC	..	WASHER	002004 006105 107999	55
			-----*-----		
100	172N1500-1	..	DOOR ASSY-	002004 006105 107999	1
100	172N1500-23	..	DOOR ASSY-	002004 006105 107999	1
			ATTACHING PARTS		
- 105	BACB30NT3K5	..	BOLT	002004 006105 107999	57
- 110	BACW10BN3AC	..	WASHER	002004 006105 107999	57
			-----*-----		
115	251N3076-5	..	SUPPORT ASSY-BRG	002004 006105 107999	1
			ATTACHING PARTS		
120	L8006K5	..	BOLT	002004	3
			SUPPLIER CODE:	006105	
			V06725	107999	
			SPECIFICATION NUMBER:		
			BACB30MY6K5		
125	L8006K7	..	BOLT	002004	4
			SUPPLIER CODE:	006105	
			V06725	107999	
			SPECIFICATION NUMBER:		
			BACB30MY6K7		

MISSING ITEM NUMBERS NOT APPLICABLE

- ITEM NOT ILLUSTRATED

55-33-00-01

55-33-00  
FIG. 01  
PAGE 3  
JAN 20/09

BRI



 **BOEING**  
757  
**PARTS CATALOG (MAINTENANCE)**

FIG ITEM	PART NUMBER	1 2 3 4 5 6 7	NOMENCLATURE	EFFECT FROM TO	UNITS PER ASSY
1 130	HL79-6		.. COLLAR SUPPLIER CODE: V5M902 SPECIFICATION NUMBER: BACC30M6 OPTIONAL PART: HL79-6 V73197 HL79-6 V92215 66014-6 V56878 HL79-6 V56878 -----*-----	002004 006105 107999	7
135	BACB28W4C010		... BUSHING	002004 006105 107999	1
140	251N3076-6		... SUPPORT- USED ON: 251N3076-5	002004 006105 107999	1
145	251N3079-5		.. SUPPORT ASSY-	002004 006105 107999	1
150	L8006K6		ATTACHING PARTS .. BOLT SUPPLIER CODE: V06725 SPECIFICATION NUMBER: BACB30MY6K6	002004 006105 107999	3
155	L8006K7		.. BOLT SUPPLIER CODE: V06725 SPECIFICATION NUMBER: BACB30MY6K7	002004 006105 107999	4

MISSING ITEM NUMBERS NOT APPLICABLE

— ITEM NOT ILLUSTRATED

BRI

# 55-33-00-01

BOEING PROPRIETARY - Copyright © - Unpublished Work - See title page for details.

55-33-00  
FIG. 01  
PAGE 4  
JAN 20/09



757

PARTS CATALOG (MAINTENANCE)

FIG ITEM	PART NUMBER	1 2 3 4 5 6 7	NOMENCLATURE	EFFECT FROM TO	UNITS PER ASSY
1 160	HL79-6	..	COLLAR SUPPLIER CODE: V5M902 SPECIFICATION NUMBER: BACC30M6 OPTIONAL PART: HL79-6 V73197 HL79-6 V92215 66014-6 V56878 HL79-6 V56878 -----*-----	002004 006105 107999	7
165	BACB28W4C013	...	BUSHING	002004 006105 107999	1
170	251N3079-6	...	SUPPORT- USED ON: 251N3079-5 USED ON: 251N3076-5	002004 006105 107999	1
175	HL11VAZ8-10	..	BOLT SUPPLIER CODE: V60516 SPECIFICATION NUMBER: BACB30NW8K10 OPTIONAL PART: B30NW8K10 V97928 HL11VAZ8-10 V73197 HL11VAZ8-10 V92215 HL11VAZ8-10 V97928 L803-8K10 V06725 HL11VAZ8-10 V0PTK6 HL11VAZ8-10 V56878	002004 006105 107999	4

MISSING ITEM NUMBERS NOT APPLICABLE

- ITEM NOT ILLUSTRATED

55-33-00-01

55-33-00  
FIG. 01  
PAGE 5  
JAN 20/09

BRI



757

PARTS CATALOG (MAINTENANCE)

FIG ITEM	PART NUMBER	1 2 3 4 5 6 7	NOMENCLATURE	EFFECT FROM TO	UNITS PER ASSY
1 180	HL523AZ8-9		..BOLT SUPPLIER CODE: V73197 SPECIFICATION NUMBER: BACB30NZ8K9 OPTIONAL PART: L804-8K9 V06725 HL523AZ8-9 V56878 HL523AZ8-9 V92215 HL523AZ8-9 V97928 HL523AZ8-9 V0PTK6 HL523AZ8-9 V60516 HL523AZ8-9 V06725	002004 006105 107999	6
185	HL523AZ8-8		..BOLT SUPPLIER CODE: V73197 SPECIFICATION NUMBER: BACB30NZ8K8 OPTIONAL PART: L804-8K8 V06725 HL523AZ8-8 V56878 HL523AZ8-8 V92215 HL523AZ8-8 V97928 HL523AZ8-8 V0PTK6 HL523AZ8-8 V60516 HL523AZ8-8 V06725	002004 006105 107999	10

MISSING ITEM NUMBERS NOT APPLICABLE

- ITEM NOT ILLUSTRATED

55-33-00-01

55-33-00  
FIG. 01  
PAGE 6  
JAN 20/09

BRI



757

PARTS CATALOG (MAINTENANCE)

FIG ITEM	PART NUMBER	1 2 3 4 5 6 7 NOMENCLATURE	EFFECT FROM TO	UNITS PER ASSY
1 195	HL1012AZ8-8	..BOLT SUPPLIER CODE: VOPTK6 SPECIFICATION NUMBER: BACB30NX8K8 OPTIONAL PART: HL12VAZ8-8 V73197 HL12VAZ8-8 V92215 HL12VAZ8-8 V97928 L802-8K8 V06725 HL12VAZ8-8 V56878 HL1012AZ8-8 V06725 HL1012AZ8-8 V06950 HL1012AZ8-8 V17446 HL1012AZ8-8 V56878 HL1012AZ8-8 V60516 HL1012AZ8-8 V73197 HL1012AZ8-8 V97928	002004 006105 107999	2

MISSING ITEM NUMBERS NOT APPLICABLE

- ITEM NOT ILLUSTRATED

BRI

55-33-00-01

BOEING PROPRIETARY - Copyright © - Unpublished Work - See title page for details.

55-33-00  
FIG. 01  
PAGE 7  
JAN 20/09



757

PARTS CATALOG (MAINTENANCE)

FIG ITEM	PART NUMBER	1 2 3 4 5 6 7	NOMENCLATURE	EFFECT FROM TO	UNITS PER ASSY
1 200	HL11VAZ8-8	..	BOLT SUPPLIER CODE: V60516 SPECIFICATION NUMBER: BACB30NW8K8 OPTIONAL PART: B30NW8K8 V97928 HL11VAZ8-8 V73197 HL11VAZ8-8 V92215 HL11VAZ8-8 V97928 L803-8K8 V06725 HL11VAZ8-8 V0PTK6 HL11VAZ8-8 V56878	002004 006105 107999	2
205	L8008K8	..	BOLT SUPPLIER CODE: V06725 SPECIFICATION NUMBER: BACB30MY8K8	002004 006105 107999	26
210	L8006K8	..	BOLT SUPPLIER CODE: V06725 SPECIFICATION NUMBER: BACB30MY6K8	002004 006105 107999	29
215	L8006K5	..	BOLT SUPPLIER CODE: V06725 SPECIFICATION NUMBER: BACB30MY6K5	002004 006105 107999	56
220	L8006K10	..	BOLT SUPPLIER CODE: V06725 SPECIFICATION NUMBER: BACB30MY6K10	002004 006105 107999	1
225	L8006K7	..	BOLT SUPPLIER CODE: V06725 SPECIFICATION NUMBER: BACB30MY6K7	002004 006105 107999	18

MISSING ITEM NUMBERS NOT APPLICABLE

- ITEM NOT ILLUSTRATED

55-33-00-01

55-33-00  
FIG. 01  
PAGE 8  
JAN 20/09

BRI



757

PARTS CATALOG (MAINTENANCE)

FIG ITEM	PART NUMBER	1 2 3 4 5 6 7	NOMENCLATURE	EFFECT FROM TO	UNITS PER ASSY
1					
230	L8006K6	..	BOLT SUPPLIER CODE: V06725 SPECIFICATION NUMBER: BACB30MY6K6	002004 006105 107999	19
235	L8008K9	..	BOLT SUPPLIER CODE: V06725 SPECIFICATION NUMBER: BACB30MY8K9	002004 006105 107999	4
240	L8008K7	..	BOLT SUPPLIER CODE: V06725 SPECIFICATION NUMBER: BACB30MY8K7	002004 006105 107999	12
245	L8008K6	..	BOLT SUPPLIER CODE: V06725 SPECIFICATION NUMBER: BACB30MY8K6	002004 006105 107999	2
250	L8008K5	..	BOLT SUPPLIER CODE: V06725 SPECIFICATION NUMBER: BACB30MY8K5	002004 006105 107999	2
255	L8008K4	..	BOLT SUPPLIER CODE: V06725 SPECIFICATION NUMBER: BACB30MY8K4	002004 006105 107999	16
260	L8006K9	..	BOLT SUPPLIER CODE: V06725 SPECIFICATION NUMBER: BACB30MY6K9	002004 006105 107999	1
265	L8006K4	..	BOLT SUPPLIER CODE: V06725 SPECIFICATION NUMBER: BACB30MY6K4	002004 006105 107999	28

MISSING ITEM NUMBERS NOT APPLICABLE

- ITEM NOT ILLUSTRATED

55-33-00-01

55-33-00  
FIG. 01  
PAGE 9  
JAN 20/09

BRI



757

PARTS CATALOG (MAINTENANCE)

FIG ITEM	PART NUMBER	1 2 3 4 5 6 7	NOMENCLATURE	EFFECT FROM TO	UNITS PER ASSY
1 270	HL82-8APBW	..	COLLAR SUPPLIER CODE: V5M902 SPECIFICATION NUMBER: BACC30AG8 OPTIONAL PART: HL82-8APBW V92215 HL82-8APBW V56878 HL82-8APBW V73197	002004 006105 107999	31
275	HL82-6APBW	..	COLLAR SUPPLIER CODE: V5M902 SPECIFICATION NUMBER: BACC30AG6 OPTIONAL PART: HL82-6APBW V92215 HL82-6APBW V56878 HL82-6APBW V73197	002004 006105 107999	60
280	HL79-8	..	COLLAR SUPPLIER CODE: V5M902 SPECIFICATION NUMBER: BACC30M8 OPTIONAL PART: HL79-8 V73197 HL79-8 V92215 66014-8 V56878 HL79-8 V56878	002004 006105 107999	37

MISSING ITEM NUMBERS NOT APPLICABLE

- ITEM NOT ILLUSTRATED

55-33-00-01

55-33-00  
FIG. 01  
PAGE 10  
JAN 20/09

BRI



757

PARTS CATALOG (MAINTENANCE)

FIG ITEM	PART NUMBER	1 2 3 4 5 6 7	NOMENCLATURE	EFFECT FROM TO	UNITS PER ASSY
1 285	HL79-6	..	COLLAR SUPPLIER CODE: V5M902 SPECIFICATION NUMBER: BACC30M6 OPTIONAL PART: HL79-6 V73197 HL79-6 V92215 66014-6 V56878 HL79-6 V56878	002004 006105 107999	92
290	172N1306-5	..	FITTING ASSY- OPTIONAL PART: 172N1306-9	002004 006105 107999	1
290	172N1306-9	..	FITTING ASSY-	002004 006105 107999	1
295	172N1305-9	..	FITTING ASSY-	002004 006105 107999	1
300	172N1304-15	..	FITTING ASSY-	002004 006105 107999	1
305	251N3254-1	...	GUARD-FAILURE USED ON: 172N1304-15 172N1304-9 172N1304-13 172N1305-9 172N1305-13	002004 006105 107999	1
310	L8006K7	...	BOLT ATTACHING PARTS SUPPLIER CODE: V06725 SPECIFICATION NUMBER: BACB30MY6K7	002004 006105 107999	1

MISSING ITEM NUMBERS NOT APPLICABLE

- ITEM NOT ILLUSTRATED

55-33-00-01

55-33-00  
FIG. 01  
PAGE 11  
JAN 20/09

BRI





757

PARTS CATALOG (MAINTENANCE)

FIG ITEM	PART NUMBER	1 2 3 4 5 6 7	NOMENCLATURE	EFFECT FROM TO	UNITS PER ASSY
1 315	HL79-6	...	COLLAR SUPPLIER CODE: V5M902 SPECIFICATION NUMBER: BACC30M6 OPTIONAL PART: HL79-6 V73197 HL79-6 V92215 66014-6 V56878 HL79-6 V56878	002004 006105 107999	1
320	L8008K7	...	BOLT SUPPLIER CODE: V06725 SPECIFICATION NUMBER: BACB30MY8K7	002004 006105 107999	1
325	HL79-8	...	COLLAR SUPPLIER CODE: V5M902 SPECIFICATION NUMBER: BACC30M8 OPTIONAL PART: HL79-8 V73197 HL79-8 V92215 66014-8 V56878 HL79-8 V56878	002004 006105 107999	1
330	BACB28AM06B025A	-----*	BUSHING- USED ON: 172N1305-9	002004 006105 107999	1
335	BACB28AP04P023	...	BUSHING	002004 006105 107999	1
340	172N1306-7	...	FITTING- USED ON: 172N1306-5	002004 006105 107999	1
340	172N1306-11	...	FITTING- USED ON: 172N1306-9	002004 006105 107999	1
345	172N1305-7	...	FITTING- USED ON: 172N1305-13	002004 006105 107999	1

MISSING ITEM NUMBERS NOT APPLICABLE

- ITEM NOT ILLUSTRATED

55-33-00-01

55-33-00  
FIG. 01  
PAGE 12  
JAN 20/09

BRI

BOEING PROPRIETARY - Copyright © - Unpublished Work - See title page for details.



757

PARTS CATALOG (MAINTENANCE)

FIG ITEM	PART NUMBER	1 2 3 4 5 6 7	NOMENCLATURE	EFFECT FROM TO	UNITS PER ASSY
1					
345	172N1305-11	...	FITTING- USED ON: 172N1305-9	002004 006105 107999	1
350	172N1304-16	...	FITTING- USED ON: 172N1304-15	002004 006105 107999	1
355	172N1306-6	..	FITTING ASSY- OPTIONAL PART: 172N1306-10	002004 006105 107999	1
355	172N1306-10	..	FITTING ASSY-	002004 006105 107999	1
360	172N1305-10	..	FITTING ASSY-	002004 006105 107999	1
365	172N1304-10	..	FITTING ASSY- OPTIONAL PART: 172N1304-17	002004 006105 107999	1
365	172N1304-17	..	FITTING ASSY- OPTIONAL PART: 172N1304-10	011105 108120 504903	1
370	BACB28AM06B015A	...	BUSHING- USED ON: 172N1304-10 172N1304-14 172N1306-6 172N1306-10 172N1304-17	002004 006105 107999	2
375	BACB28AM06B015A	...	BUSHING- USED ON: 172N1305-10 172N1305-14	002004 006105 107999	1
380	BACB28AM06B025A	...	BUSHING	002004 006105 107999	1
385	BACB28AP04-013	...	BUSHING- USED ON: 172N1304-14 172N1304-10 172N1306-10 172N1306-6 172N1304-17	002004 006105 107999	2
390	BACB28AP04P013	...	BUSHING- USED ON: 172N1305-10 172N1305-14	002004 006105 107999	1
395	BACB28AP04P023	...	BUSHING	002004 006105 107999	2

MISSING ITEM NUMBERS NOT APPLICABLE

- ITEM NOT ILLUSTRATED

55-33-00-01

55-33-00  
FIG. 01  
PAGE 13  
JAN 20/09

BRI

BOEING PROPRIETARY - Copyright © - Unpublished Work - See title page for details.



757

PARTS CATALOG (MAINTENANCE)

FIG ITEM	PART NUMBER	1 2 3 4 5 6 7	NOMENCLATURE	EFFECT FROM TO	UNITS PER ASSY
1 400	251N3254-2		... GUARD-FAILURE USED ON: 172N1304-10 172N1304-14 172N1305-10 172N1305-14 172N1304-17	002004 006105 107999	1
405	L8006K7		ATTACHING PARTS ... BOLT SUPPLIER CODE: V06725 SPECIFICATION NUMBER: BACB30MY6K7	002004 006105 107999	1
410	L8008K7		... BOLT SUPPLIER CODE: V06725 SPECIFICATION NUMBER: BACB30MY8K7	002004 006105 107999	1
415	HL79-6		... COLLAR SUPPLIER CODE: V5M902 SPECIFICATION NUMBER: BACC30M6 OPTIONAL PART: HL79-6 V73197 HL79-6 V92215 66014-6 V56878 HL79-6 V56878	002004 006105 107999	1
420	HL79-8		... COLLAR SUPPLIER CODE: V5M902 SPECIFICATION NUMBER: BACC30M8 OPTIONAL PART: HL79-8 V73197 HL79-8 V92215 66014-8 V56878 HL79-8 V56878 -----*-----	002004 006105 107999	1

MISSING ITEM NUMBERS NOT APPLICABLE

- ITEM NOT ILLUSTRATED

55-33-00-01

55-33-00  
FIG. 01  
PAGE 14  
JAN 20/09

BRI

 **BOEING**  
757  
**PARTS CATALOG (MAINTENANCE)**

FIG ITEM	PART NUMBER	1 2 3 4 5 6 7	NOMENCLATURE	EFFECT FROM TO	UNITS PER ASSY
1					
425	172N1304-12	...	FITTING- USED ON: 172N1304-10	002004 006105 107999	1
425	172N1304-19	...	FITTING- USED ON: 172N1304-17	011105 108120 504903	1
430	172N1305-8	...	FITTING- USED ON: 172N1305-10	002004 006105 107999	1
435	172N1306-12	...	FITTING- USED ON: 172N1306-10	002004 006105 107999	1
440	NAS1368N10B	..	GROMMET	002004 006105 107999	2
445	251N3010-2	..	BRACKET INSTL-RUD CONT SPRT FOR DETAILS SEE: 55-40-51-02	107107 904949	1
445	251N3010-4	..	BRACKET INSTL-RUD CONT SPRT FOR DETAILS SEE: 55-40-51-02	002004 006102 108903 950999	1
445	251N3010-7	..	BRACKET INSTL-RUD CONT SPRT FOR DETAILS SEE: 55-40-51-02	103105	1
450	287N7202-117	.	BRACKET ASSY	101102 108120 504903	1
455	BACS53B1ES1	..	STUD-GROUND	101102 108120 504903	2
460	287N7202-118	..	BRACKET ASSY	101102 108120 504903	1

MISSING ITEM NUMBERS NOT APPLICABLE

— ITEM NOT ILLUSTRATED

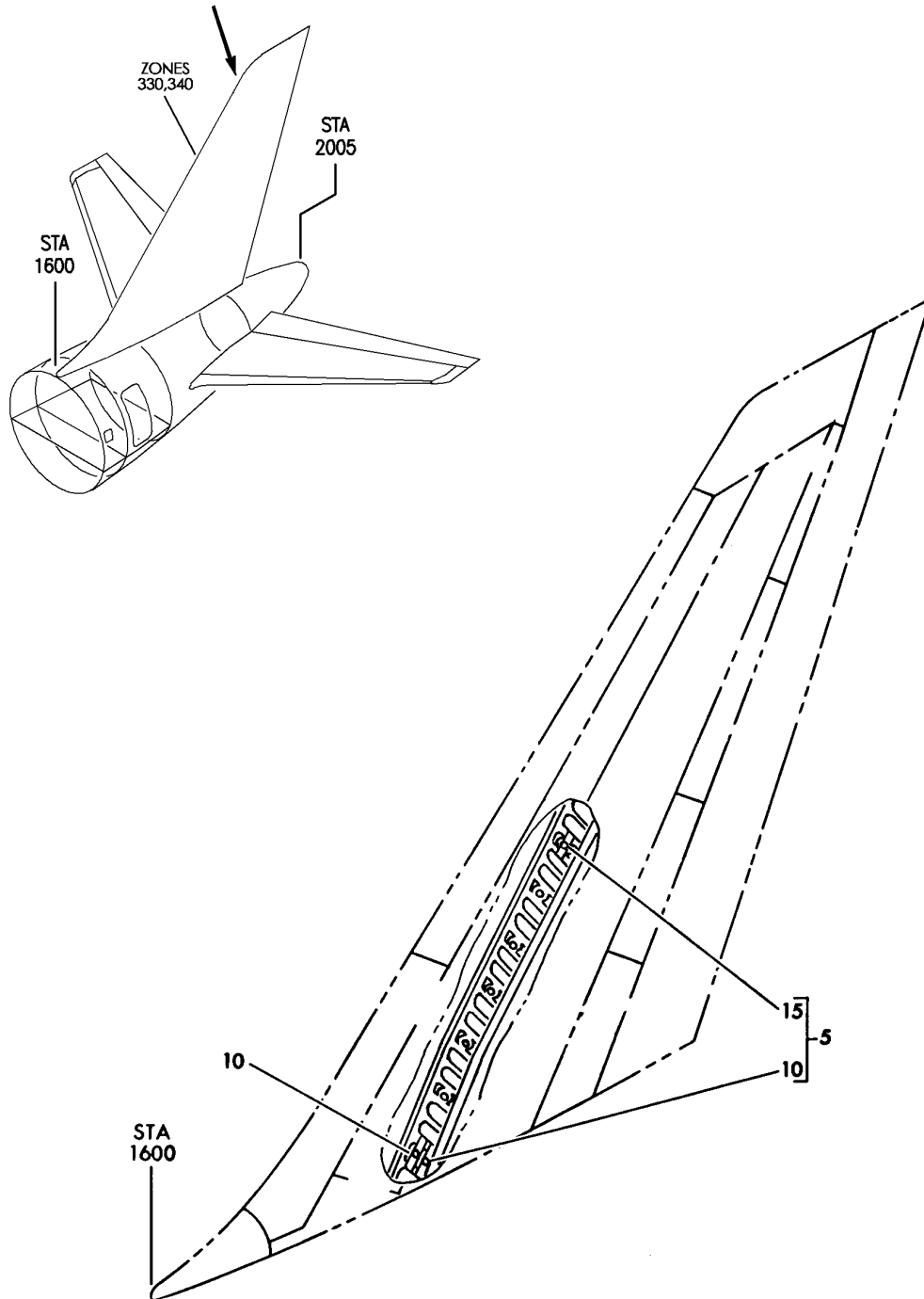
BRI

# 55-33-00-01

BOEING PROPRIETARY - Copyright © - Unpublished Work - See title page for details.

55-33-00  
FIG. 01  
PAGE 15  
JAN 20/09

**BOEING**  
757  
PARTS CATALOG (MAINTENANCE)



Y 55330002 REV 237

SPAR INSTL-VERT. STAB.FRONT AFT TORQUE BOX  
FIGURE 2

**55-33-00-02**

BRI  
MAY 28/07

55-33-00-02  
PAGE 0



757

PARTS CATALOG (MAINTENANCE)

FIG ITEM	PART NUMBER	1 2 3 4 5 6 7	NOMENCLATURE	EFFECT FROM TO	UNITS PER ASSY
2			SPAR INSTL-VERT. STAB.FRONT	002004	
- 1	172N2000-401		AFT TORQUE BOX	006999	
			SPAR INSTL-FRONT	101102	RF
			POSITION DATA:	504903	
			TORQUE BOX AFT		
			FRONT		
			FOR NHA SEE:		
			55-30-51-03		
- 1	172N2000-402		SPAR INSTL-FRONT	103106	RF
			FOR NHA SEE:	108120	
			55-30-51-03		
			55-30-51-04		
- 1	172N2000-1		SPAR INSTL-FRONT	002004	RF
			FOR NHA SEE:	006100	
			55-30-51-01	107107	
				121503	
				904999	
	5 172N2000-42		. SPAR ASSY-FRONT	101102	1
				504903	
	5 172N2000-53		. SPAR ASSY-FRONT	103106	1
				108120	
	5 172N2000-2		. SPAR ASSY-FRONT	002004	1
				006100	
				107107	
				121503	
				904999	
10	BACG20ZD001275		.. GROMMET	002004	2
				006999	
15	BACG20ZB001275		.. GROMMET	002004	1
				006999	

MISSING ITEM NUMBERS NOT APPLICABLE

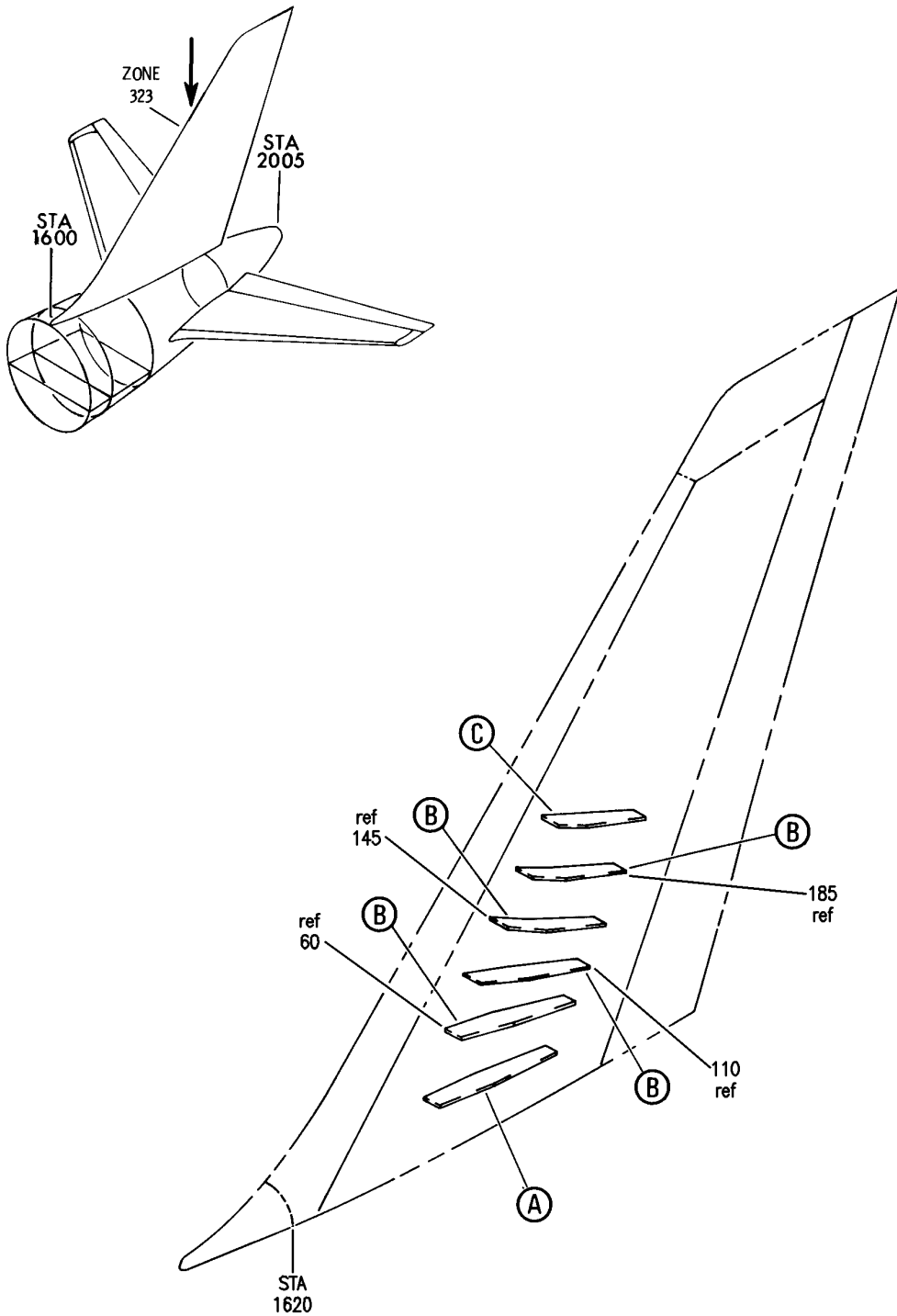
- ITEM NOT ILLUSTRATED

55-33-00-02

55-33-00  
FIG. 02  
PAGE 1  
JAN 20/09

BRI

**BOEING**  
757  
PARTS CATALOG (MAINTENANCE)



Y 55330003 SHT 1 REV 237

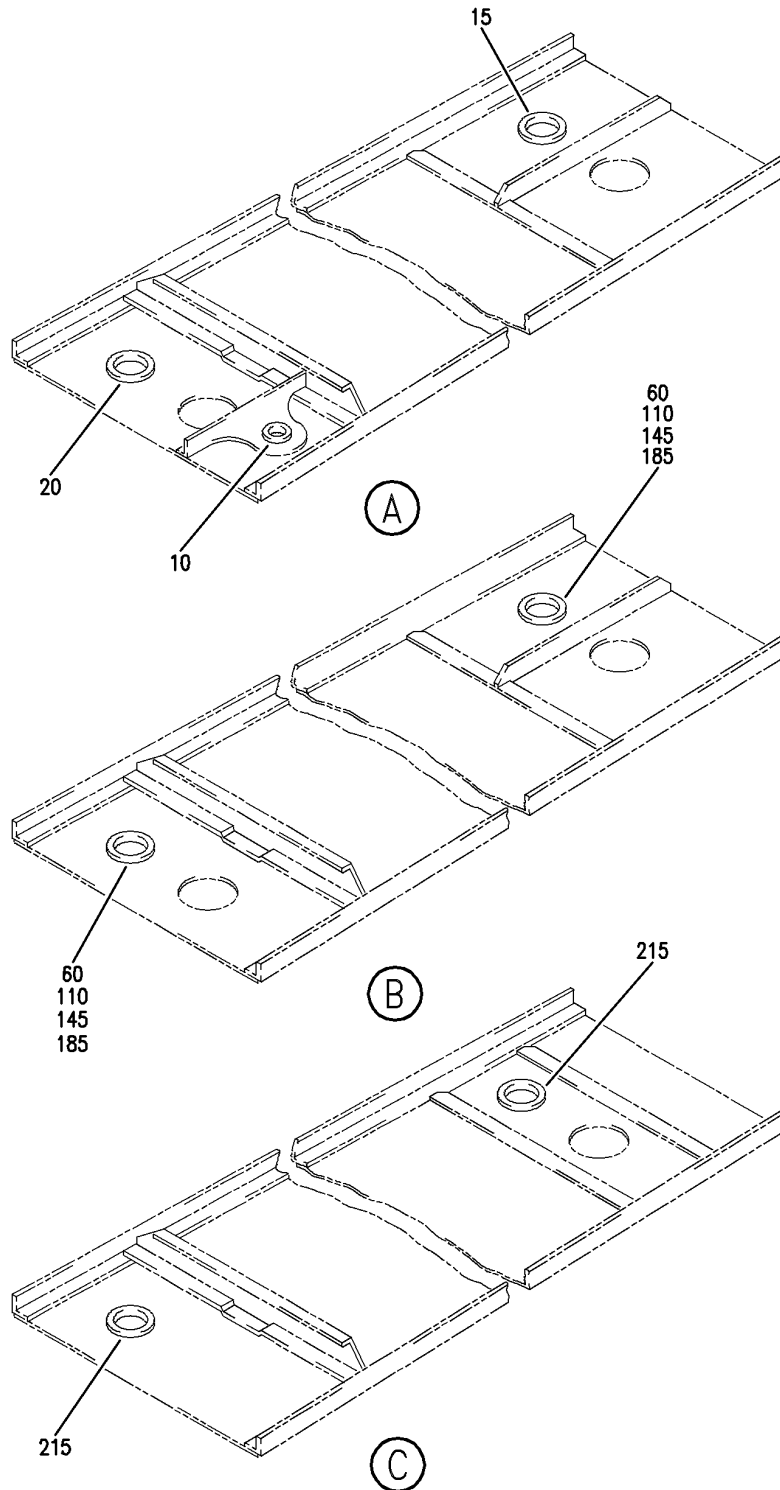
RIB INSTL-VERT. STAB. TORQUE BOX AFT  
FIGURE 3 (SHEET 1)

BRI  
MAY 28/07

**55-33-00-03**

55-33-00-03  
PAGE 0

**BOEING**  
757  
PARTS CATALOG (MAINTENANCE)



Y 55330003 SH1 2 REV 237

RIB INSTL-VERT. STAB. TORQUE BOX AFT  
FIGURE 3 (SHEET 2)

BRI  
MAY 28/07

**55-33-00-03**

55-33-00-03  
PAGE 0A





757

PARTS CATALOG (MAINTENANCE)

FIG ITEM	PART NUMBER	1 2 3 4 5 6 7	NOMENCLATURE	EFFECT FROM TO	UNITS PER ASSY
3			RIB INSTL-VERT. STAB. TORQUE BOX AFT	002004 006999	
- 1	172N3001-1		RIB INSTL-VERT. STAB. FIN TORQUE BOX POSITION DATA: LFSS 106.874 STA 95.900 AFT FOR NHA SEE: 55-30-51-01	002004 006100 107107 121503 904999	RF
- 5	172N3001-401		RIB INSTL-VERT. STAB. FIN TORQUE BOX POSITION DATA: LFSS 106.874 STA 95.900 AFT FOR NHA SEE: 55-30-51-03 55-30-51-04	101106 108120 504903	RF
10	NAS1368N16A		.GROMMET	002004 006100 107107 121503 904999	1
15	BACG20AD1900		.GROMMET	002004 006999	1
20	BACG20AD1900		.GROMMET	101106 108120 504903	1
- 50	172N3002-1		RIB INSTL-VERT. STAB. FIN TORQUE BOX POSITION DATA: LFSS 133.722 STA 116.20 AFT FOR NHA SEE: 55-30-51-01	002004 006100 107107 121503 904999	RF
- 55	172N3002-401		RIB INSTL-VERT. STAB. FIN TORQUE BOX POSITION DATA: LFSS 133.722 STA 116.20 AFT FOR NHA SEE: 55-30-51-03 55-30-51-04	101106 108120 504903	RF
60	BACG20AD1900		.GROMMET	002004 006999	2

MISSING ITEM NUMBERS NOT APPLICABLE

- ITEM NOT ILLUSTRATED

55-33-00-03

55-33-00  
FIG. 03  
PAGE 1  
JAN 20/09

BRI



757

PARTS CATALOG (MAINTENANCE)

FIG ITEM	PART NUMBER	1 2 3 4 5 6 7	NOMENCLATURE	EFFECT FROM TO	UNITS PER ASSY
3					
- 100	172N3003-1		RIB INSTL-VERT. STAB. FIN TORQUE BOX POSITION DATA: LFSS 157.931 STA 133.100 AFT FOR NHA SEE: 55-30-51-01	002004 006100 107107 121503 904999	RF
- 105	172N3003-401		RIB INSTL-VERT. STAB. FIN TORQUE BOX POSITION DATA: LFSS 157.931 STA 133.100 AFT FOR NHA SEE: 55-30-51-03 55-30-51-04	101106 108120 504903	RF
110	BACG20AD1900		.GROMMET	002004 006999	2
- 130	172N3004-1		RIB INSTL-VERT. STAB. FIN TORQUE BOX POSITION DATA: STA 150.0 AFT FOR NHA SEE: 55-30-51-01	002004 006100 107107 121503 904999	RF
- 135	172N3004-401		RIB INSTL-VERT. STAB. FIN TORQUE BOX POSITION DATA: STA 150.0 AFT FOR NHA SEE: 55-30-51-03 55-30-51-04	101106 108120 504903	RF
145	BACG20AD1900		.GROMMET	002004 006999	2
- 175	172N3005-1		RIB INSTL-VERT. STAB. STA TORQUE BOX POSITION DATA: STA 175.0 AFT FOR NHA SEE: 55-30-51-01	002004 006100 107107 121503 904999	RF
- 180	172N3005-401		RIB INSTL-VERT. STAB. STA TORQUE BOX POSITION DATA: STA 175.0 AFT FOR NHA SEE: 55-30-51-03 55-30-51-04	101106 108120 504903	RF
185	BACG20AD1900		.GROMMET	002004 006999	2

MISSING ITEM NUMBERS NOT APPLICABLE

- ITEM NOT ILLUSTRATED

55-33-00-03

55-33-00  
FIG. 03  
PAGE 2  
JAN 20/09

BRI



757

PARTS CATALOG (MAINTENANCE)

FIG ITEM	PART NUMBER	1 2 3 4 5 6 7	NOMENCLATURE	EFFECT FROM TO	UNITS PER ASSY
3 - 205	172N3006-1		RIB INSTL-VERT. STAB. FIN TORQUE BOX POSITION DATA: STA 200.0 AFT FOR NHA SEE: 55-30-51-01	002004 006100 107107 121503 904999	RF
- 210	172N3006-401		RIB INSTL-VERT. STAB. FIN TORQUE BOX POSITION DATA: STA 200.0 AFT FOR NHA SEE: 55-30-51-03 55-30-51-04	101106 108120 504903	RF
215	BACG20AD1900		.GROMMET	002004 006999	2

MISSING ITEM NUMBERS NOT APPLICABLE

- ITEM NOT ILLUSTRATED

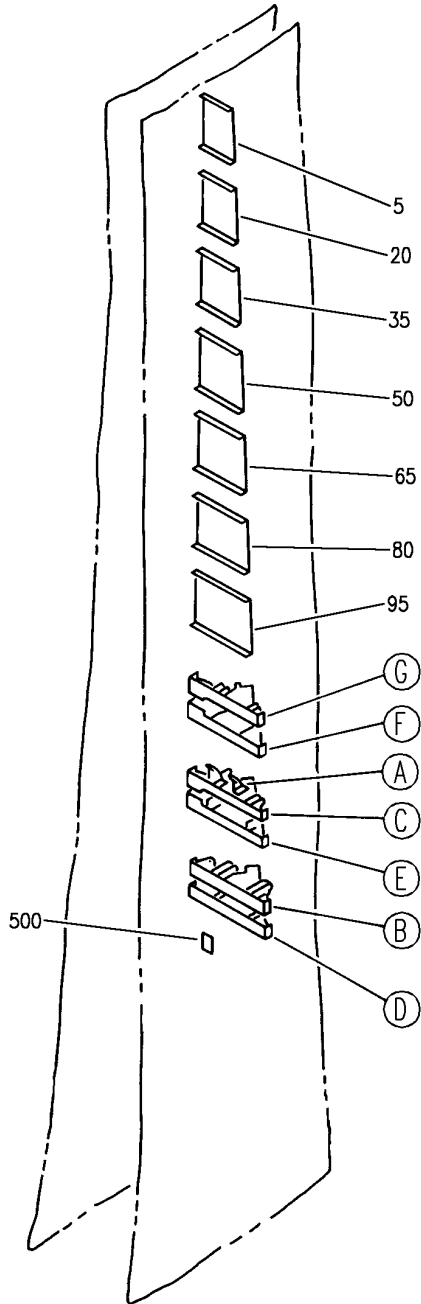
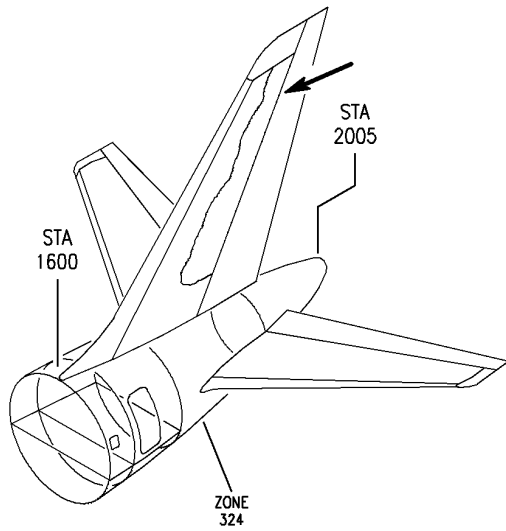
BRI

**55-33-00-03**

BOEING PROPRIETARY - Copyright © - Unpublished Work - See title page for details.

55-33-00  
FIG. 03  
PAGE 3  
JAN 20/09

**BOEING**  
757  
PARTS CATALOG (MAINTENANCE)



Y 55330004 SH1 1 REV 257

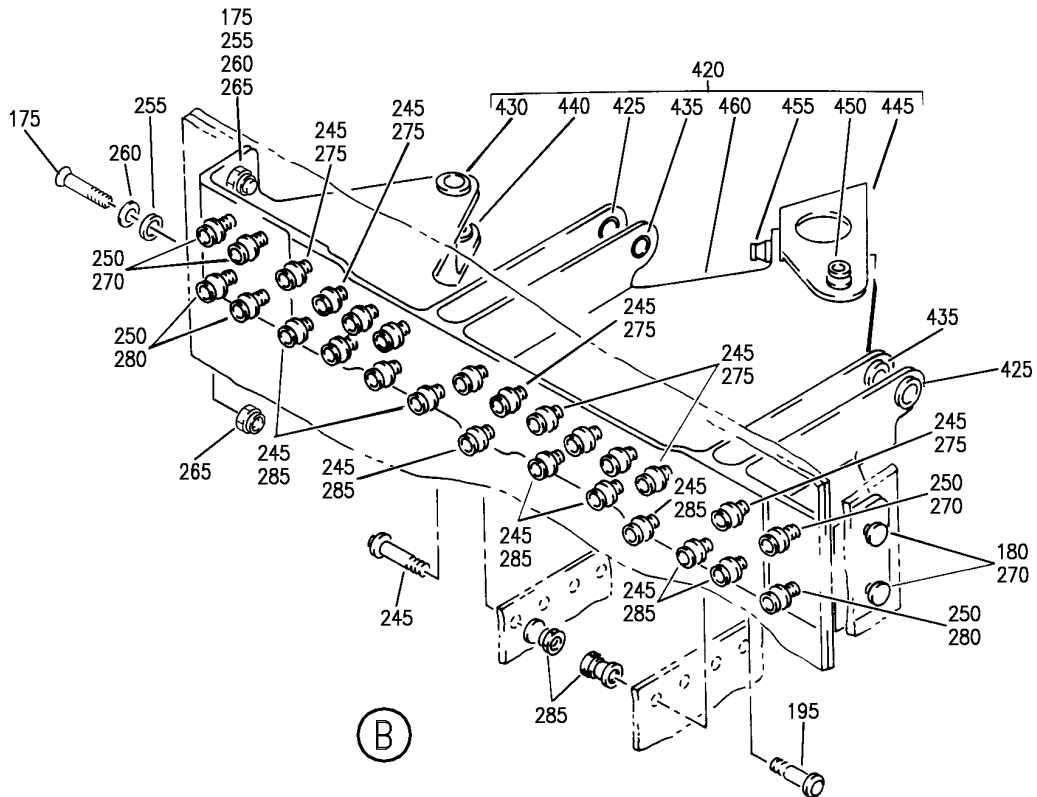
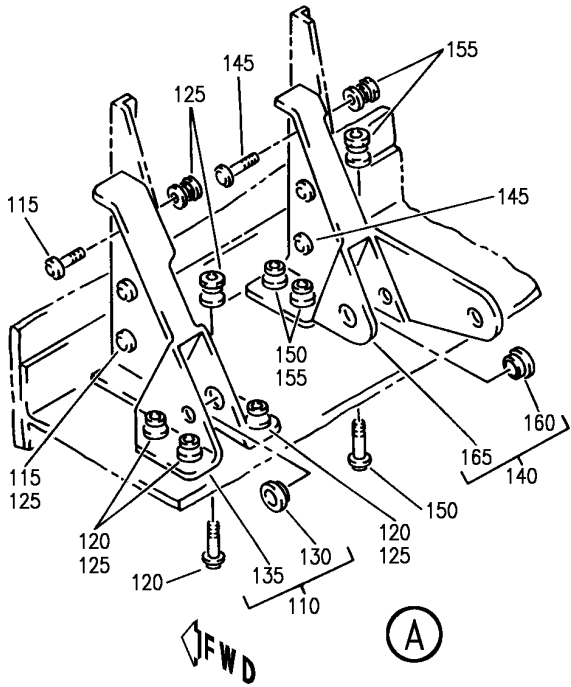
SPAR ASSY-VERT. STAB. REAR AFT TORQUE BOX  
FIGURE 4 (SHEET 1)

**55-33-00-04**

BRI  
JAN 20/09

55-33-00-04  
PAGE 0

**BOEING**  
757  
PARTS CATALOG (MAINTENANCE)



Y 55330004 SH1 2 REV 257

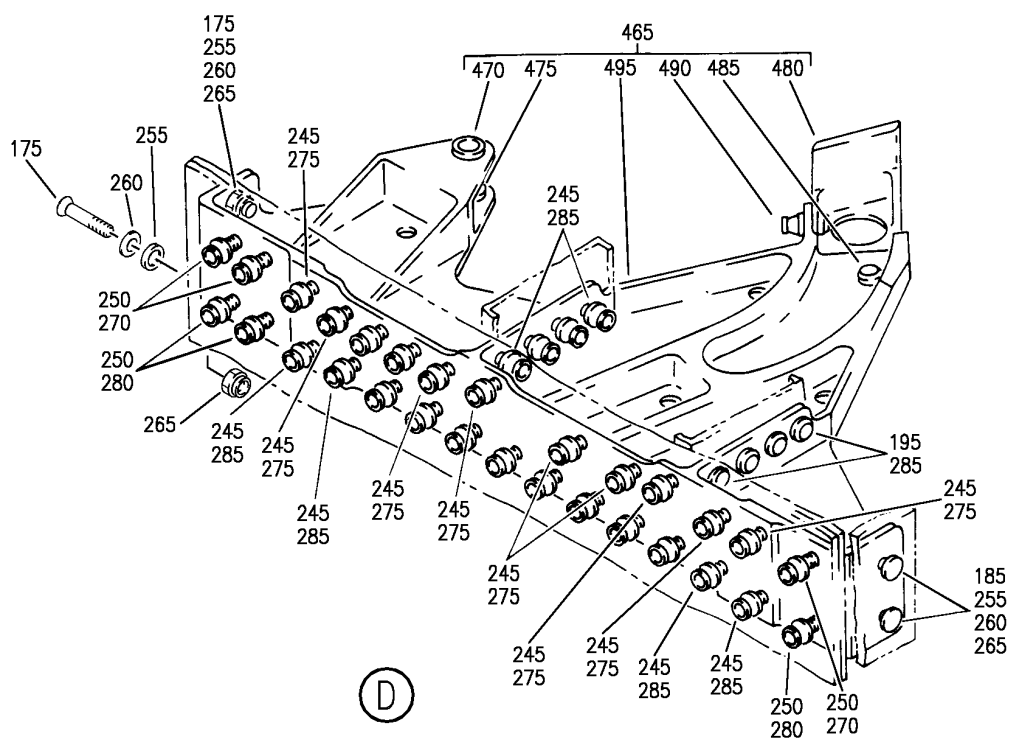
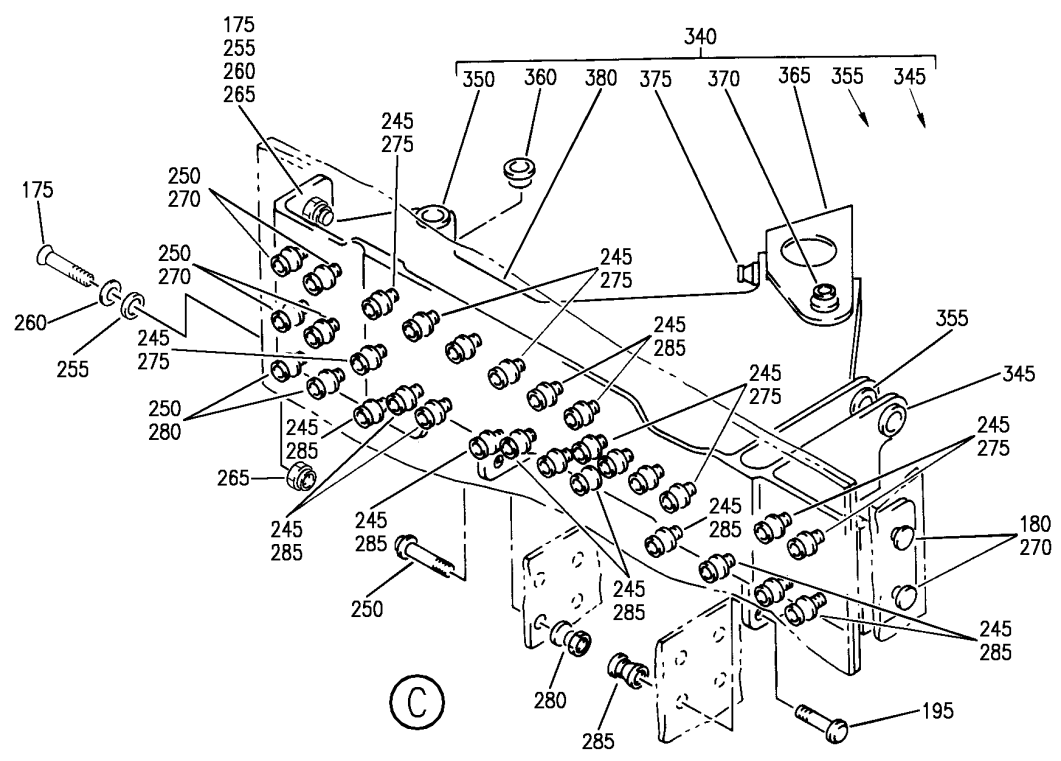
SPAR ASSY-VERT. STAB. REAR AFT TORQUE BOX  
FIGURE 4 (SHEET 2)

**55-33-00-04**

BRI  
JAN 20/09

55-33-00-04  
PAGE 0A

**BOEING**  
757  
**PARTS CATALOG (MAINTENANCE)**



Y 55330004 SH-T 3 REV 257

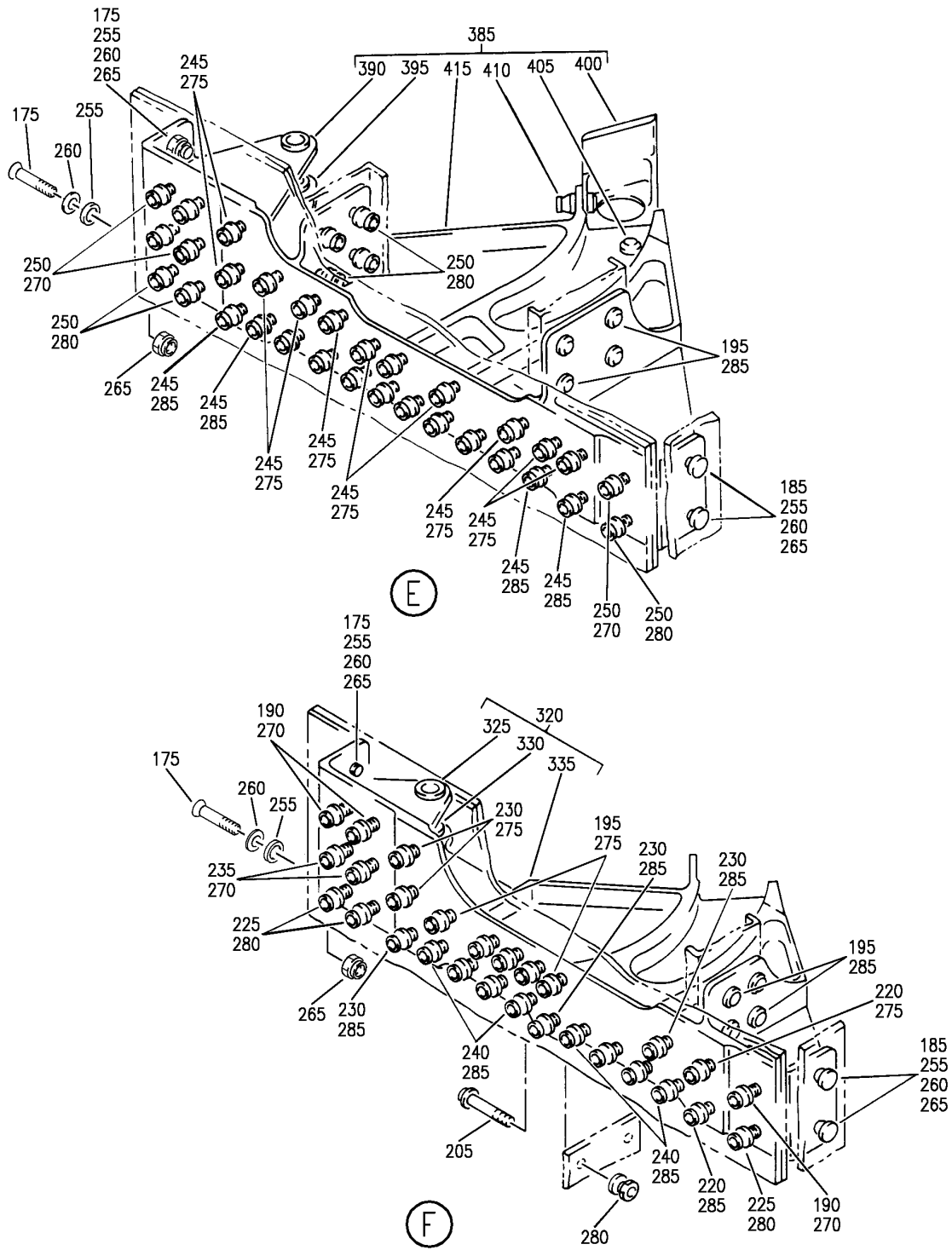
SPAR ASSY-VERT. STAB. REAR AFT TORQUE BOX  
FIGURE 4 (SHEET 3)

**55-33-00-04**

BRI  
JAN 20/09

55-33-00-04  
PAGE 0B

**BOEING**  
757  
**PARTS CATALOG (MAINTENANCE)**



Y 55330004 SH-T 4 REV 257

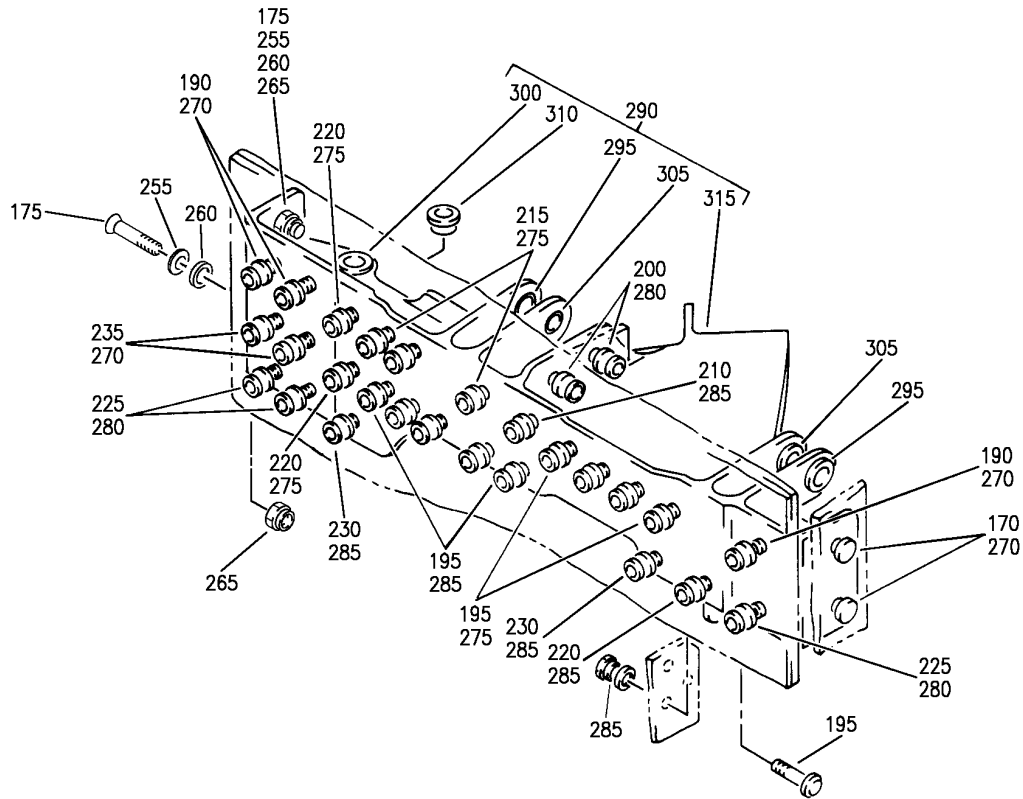
SPAR ASSY-VERT. STAB. REAR AFT TORQUE BOX  
FIGURE 4 (SHEET 4)

55-33-00-04

BRI  
JAN 20/09

55-33-00-04  
PAGE 0C

**BOEING**  
757  
PARTS CATALOG (MAINTENANCE)



(G)

Y 55330004 SH-T 5 REV 257

SPAR ASSY-VERT. STAB. REAR AFT TORQUE BOX  
FIGURE 4 (SHEET 5)

**55-33-00-04**

BRI  
JAN 20/09

55-33-00-04  
PAGE 0D



 **BOEING**  
757  
**PARTS CATALOG (MAINTENANCE)**

FIG ITEM	PART NUMBER	1 2 3 4 5 6 7	NOMENCLATURE	EFFECT FROM TO	UNITS PER ASSY
4			SPAR ASSY-VERT. STAB. REAR AFT TORQUE BOX	106106	
- 1	172N1000-75		SPAR ASSY-REAR AFT TORQUE BOX FOR NHA SEE: 55-30-51-04	106106	RF
5	172N1500-29		.DOOR ASSY ATTACHING PARTS	106106	1
- 10	BACB30NT3K5		.BOLT	106106	44
- 15	BACW10BN3AC		.WASHER	106106	44
			-----*-----		
20	172N1500-28		.DOOR ASSY ATTACHING PARTS	106106	1
- 25	BACB30NT3K5		.BOLT	106106	46
- 30	BACW10BN3AC		.WASHER	106106	46
			-----*-----		
35	172N1500-27		.DOOR ASSY ATTACHING PARTS	106106	1
- 40	BACB30NT3K5		.BOLT	106106	48
- 45	BACW10BN3AC		.WASHER	106106	48
			-----*-----		
50	172N1500-26		.DOOR ASSY ATTACHING PARTS	106106	1
- 55	BACB30NT3K5		.BOLT	106106	50
- 60	BACW10BN3AC		.WASHER	106106	50
			-----*-----		
65	172N1500-25		.DOOR ASSY ATTACHING PARTS	106106	1
- 70	BACB30NT3K5		.BOLT	106106	49
- 75	BACW10BN3AC		.WASHER	106106	49
			-----*-----		
80	172N1500-24		.DOOR ASSY ATTACHING PARTS	106106	1
- 85	BACB30NT3K5		.BOLT	106106	27
- 90	BACW10BN3AC		.WASHER	106106	27
			-----*-----		
95	172N1500-23		.DOOR ASSY ATTACHING PARTS	106106	1
- 100	BACB30NT3K5		.BOLT	106106	28
- 105	BACW10BN3AC		.WASHER	106106	28
			-----*-----		
110	251N3076-5		.SUPPORT ASSY-BRG ATTACHING PARTS	106106	1
115	L8006K5		.BOLT SUPPLIER CODE: V06725 SPECIFICATION NUMBER: BACB30MY6K5	106106	3

MISSING ITEM NUMBERS NOT APPLICABLE

- ITEM NOT ILLUSTRATED

BRI

**55-33-00-04**

55-33-00  
FIG. 04  
PAGE 1  
JAN 20/09



757

PARTS CATALOG (MAINTENANCE)

FIG ITEM	PART NUMBER	1 2 3 4 5 6 7	NOMENCLATURE	EFFECT FROM TO	UNITS PER ASSY
4 120	L8006K7	.BOLT	SUPPLIER CODE: V06725 SPECIFICATION NUMBER: BACB30MY6K7	106106	4
125	HL79-6	.COLLAR	SUPPLIER CODE: V5M902 SPECIFICATION NUMBER: BACC30M6 OPTIONAL PART: HL79-6 V73197 HL79-6 V92215 66014-6 V56878 HL79-6 V56878	106106	7
130	BACB28W4C010	..BUSHING		106106	1
135	251N3076-6	..SUPPORT		106106	1
140	251N3079-5	.SUPPORT ASSY		106106	1
145	L8006K6	.BOLT	SUPPLIER CODE: V06725 SPECIFICATION NUMBER: BACB30MY6K6	106106	3
150	L8006K7	.BOLT	SUPPLIER CODE: V06725 SPECIFICATION NUMBER: BACB30MY6K7	106106	4
155	HL79-6	.COLLAR	SUPPLIER CODE: V5M902 SPECIFICATION NUMBER: BACC30M6 OPTIONAL PART: HL79-6 V73197 HL79-6 V92215 66014-6 V56878 HL79-6 V56878	106106	7

MISSING ITEM NUMBERS NOT APPLICABLE

- ITEM NOT ILLUSTRATED

55-33-00-04

55-33-00  
FIG. 04  
PAGE 2  
JAN 20/09

BRI

BOEING PROPRIETARY - Copyright © - Unpublished Work - See title page for details.



757

PARTS CATALOG (MAINTENANCE)

FIG ITEM	PART NUMBER	1 2 3 4 5 6 7	NOMENCLATURE	EFFECT FROM TO	UNITS PER ASSY
4					
160	BACB28W4C013	..	BUSHING	106106	1
165	251N3079-6	..	SUPPORT	106106	1
170	HL11VAZ8-8	.BOLT		106106	2
			SUPPLIER CODE: V60516		
			SPECIFICATION NUMBER: BACB30NW8K8		
			OPTIONAL PART: B30NW8K8		
			V97928		
			HL11VAZ8-8		
			V73197		
			HL11VAZ8-8		
			V92215		
			HL11VAZ8-8		
			V97928		
			L803-8K8		
			V06725		
			HL11VAZ8-8		
			VOPTK6		
			HL11VAZ8-8		
			V56878		
175	HL523AZ8-8	.BOLT		106106	12
			SUPPLIER CODE: V73197		
			SPECIFICATION NUMBER: BACB30NZ8K8		
			OPTIONAL PART: L804-8K8		
			V06725		
			HL523AZ8-8		
			V56878		
			HL523AZ8-8		
			V92215		
			HL523AZ8-8		
			V97928		
			HL523AZ8-8		
			VOPTK6		
			HL523AZ8-8		
			V60516		
			HL523AZ8-8		
			V06725		
180	BACB30NW8K	.BOLT-		106106	4
			SIZE DETERMINED ON INSTL.		

MISSING ITEM NUMBERS NOT APPLICABLE

- ITEM NOT ILLUSTRATED

55-33-00-04

55-33-00  
FIG. 04  
PAGE 3  
JAN 20/09

BRI



757

PARTS CATALOG (MAINTENANCE)

FIG ITEM	PART NUMBER	1 2 3 4 5 6 7	NOMENCLATURE	EFFECT FROM TO	UNITS PER ASSY
4 185	HL523AZ8-9	.BOLT	SUPPLIER CODE: V73197 SPECIFICATION NUMBER: BACB30NZ8K9 OPTIONAL PART: L804-8K9 V06725 HL523AZ8-9 V56878 HL523AZ8-9 V92215 HL523AZ8-9 V97928 HL523AZ8-9 V0PTK6 HL523AZ8-9 V60516 HL523AZ8-9 V06725	106106	6
190	L8008K8	..BOLT	SUPPLIER CODE: V06725 SPECIFICATION NUMBER: BACB30MY8K8	106106	6
195	L8006K5	.BOLT	SUPPLIER CODE: V06725 SPECIFICATION NUMBER: BACB30MY6K5	106106	37
200	L8008K6	.BOLT	SUPPLIER CODE: V06725 SPECIFICATION NUMBER: BACB30MY8K6	106106	2
205	L8008K5	.BOLT	SUPPLIER CODE: V06725 SPECIFICATION NUMBER: BACB30MY8K5	106106	2
210	L8006K9	.BOLT	SUPPLIER CODE: V06725 SPECIFICATION NUMBER: BACB30MY6K9	106106	1

MISSING ITEM NUMBERS NOT APPLICABLE

- ITEM NOT ILLUSTRATED

55-33-00-04

55-33-00  
FIG. 04  
PAGE 4  
JAN 20/09

BRI



757

PARTS CATALOG (MAINTENANCE)

FIG ITEM	PART NUMBER	1 2 3 4 5 6 7	NOMENCLATURE	EFFECT FROM TO	UNITS PER ASSY
4 215	L8006K6	.BOLT	SUPPLIER CODE: V06725 SPECIFICATION NUMBER: BACB30MY6K6	106106	3
220	L8006K8	.BOLT	SUPPLIER CODE: V06725 SPECIFICATION NUMBER: BACB30MY6K8	106106	5
225	L8008K7	.BOLT	SUPPLIER CODE: V06725 SPECIFICATION NUMBER: BACB30MY6K7	106106	6
230	L8006K7	.BOLT	SUPPLIER CODE: V06725 SPECIFICATION NUMBER: BACB30MY8K7	106106	7
235	L8008K9	.BOLT	SUPPLIER CODE: V06725 SPECIFICATION NUMBER: BACB30MY8K9	106106	4
240	L8006K4	.BOLT	SUPPLIER CODE: V06725 SPECIFICATION NUMBER: BACB30MY6K4	106106	8
245	BACB30MY6K	.BOLT-	SIZE DETERMINED ON INSTL.	106106	99
250	BACB30MY8K	.BOLT-	SIZE DETERMINED ON INSTL.	106106	34
255	K29913-104	.WASHER	SUPPLIER CODE: V15653 SPECIFICATION NUMBER: BACW10CA104CC OPTIONAL PART: 70191-104 V56878 922008-4 V60119 942008-4 V60119	106106	18

MISSING ITEM NUMBERS NOT APPLICABLE

- ITEM NOT ILLUSTRATED

55-33-00-04

55-33-00  
FIG. 04  
PAGE 5  
JAN 20/09

BRI



757

PARTS CATALOG (MAINTENANCE)

FIG ITEM	PART NUMBER	1 2 3 4 5 6 7	NOMENCLATURE	EFFECT FROM TO	UNITS PER ASSY
4 260	K29646-104		.WASHER SUPPLIER CODE: V15653 SPECIFICATION NUMBER: BACW10CA104CV OPTIONAL PART: 70188-104 V56878 922007-4 V60119 942007-4 V60119	106106	18
265	BRH10C4D		.NUT SUPPLIER CODE: V52828 SPECIFICATION NUMBER: BACN10JC4CD OPTIONAL PART: T6C428JCD V11815 NS202486-048 V80539 102LH9075-4W V72962 H51650-4BAC V15653	106106	18
270	HL82-8APBW		.COLLAR SUPPLIER CODE: V5M902 SPECIFICATION NUMBER: BACC30AG8 OPTIONAL PART: HL82-8APBW V92215 HL82-8APBW V56878 HL82-8APBW V73197	106106	31

MISSING ITEM NUMBERS NOT APPLICABLE

- ITEM NOT ILLUSTRATED

55-33-00-04

55-33-00  
FIG. 04  
PAGE 6  
JAN 20/09

BRI



757

PARTS CATALOG (MAINTENANCE)

FIG ITEM	PART NUMBER	1 2 3 4 5 6 7	NOMENCLATURE	EFFECT FROM TO	UNITS PER ASSY
4 275	HL82-6APBW	.	COLLAR SUPPLIER CODE: V5M902 SPECIFICATION NUMBER: BACC30AG6 OPTIONAL PART: HL82-6APBW V92215 HL82-6APBW V56878 HL82-6APBW V73197	106106	61
280	HL79-8	.	COLLAR SUPPLIER CODE: V5M902 SPECIFICATION NUMBER: BACC30M8 OPTIONAL PART: HL79-8 V73197 HL79-8 V92215 66014-8 V56878 HL79-8 V56878	106106	29
285	HL79-6	.	COLLAR SUPPLIER CODE: V5M902 SPECIFICATION NUMBER: BACC30M6 OPTIONAL PART: HL79-6 V73197 HL79-6 V92215 66014-6 V56878 HL79-6 V56878	106106	99
290	172N1306-13	.	FITTING ASSY- POSITION DATA: UPPER	106106	1
295	BACB28AM06B015A	..	BUSHING	106106	2
300	BACB28AM06B025A	..	BUSHING	106106	1
305	BACB28AP04P013	..	BUSHING	106106	2
310	BACB28AP04P023	..	BUSHING	106106	1
315	172N1306-14	..	FITTING	106106	1

MISSING ITEM NUMBERS NOT APPLICABLE

- ITEM NOT ILLUSTRATED

55-33-00-04

55-33-00  
FIG. 04  
PAGE 7  
JAN 20/09

BRI

 **BOEING**  
757  
**PARTS CATALOG (MAINTENANCE)**

FIG ITEM	PART NUMBER	1 2 3 4 5 6 7	NOMENCLATURE	EFFECT FROM TO	UNITS PER ASSY
4					
320	172N1306-9	.	FITTING ASSY- POSITION DATA: LOWER	106106	1
325	BACB28AM06B025A	..	BUSHING	106106	1
330	BACB28AP04P023	..	BUSHING	106106	1
335	172N1306-11	..	FITTING	106106	1
340	172N1305-10	.	FITTING ASSY- POSITION DATA: UPPER	106106	1
345	BACB28AM06B015A	..	BUSHING	106106	1
350	BACB28AM06B025A	..	BUSHING	106106	1
355	BACB28AP04P013	..	BUSHING	106106	1
360	BACB28AP04P023	..	BUSHING	106106	1
365	251N3254-2	..	GUARD-FAILURE ATTACHING PARTS	106106	1
370	L8006K7	..	BOLT SUPPLIER CODE: V06725 SPECIFICATION NUMBER: BACB30MY6K7	106106	1
375	L8008K7	..	BOLT SUPPLIER CODE: V06725 SPECIFICATION NUMBER: BACB30MY8K7 -----*-----	106106	1
380	172N1305-12	..	FITTING	106106	1
385	172N1305-9	.	FITTING ASSY- POSITION DATA: LOWER	106106	1
390	BACB28AM06B025A	..	BUSHING	106106	1
395	BACB28AP04P023	..	BUSHING	106106	1
400	251N3254-1	..	GUARD-FAILURE ATTACHING PARTS	106106	1
405	L8006K7	..	BOLT SUPPLIER CODE: V06725 SPECIFICATION NUMBER: BACB30MY6K7	106106	1
410	L8008K7	..	BOLT SUPPLIER CODE: V06725 SPECIFICATION NUMBER: BACB30MY8K7 -----*-----	106106	1
415	172N1305-11	..	FITTING	106106	1
420	172N1304-17	.	FITTING ASSY- POSITION DATA: UPPER	106106	1

MISSING ITEM NUMBERS NOT APPLICABLE

— ITEM NOT ILLUSTRATED

BRI

**55-33-00-04**

BOEING PROPRIETARY - Copyright © - Unpublished Work - See title page for details.

55-33-00  
FIG. 04  
PAGE 8  
JAN 20/09



 **BOEING**  
757  
**PARTS CATALOG (MAINTENANCE)**

FIG ITEM	PART NUMBER	1 2 3 4 5 6 7	NOMENCLATURE	EFFECT FROM TO	UNITS PER ASSY
4					
425	BACB28AM06B015A	..	BUSHING	106106	2
430	BACB28AM06B025A	..	BUSHING	106106	1
435	BACB28AP04P013	..	BUSHING	106106	2
440	BACB28AP04P023	..	BUSHING	106106	1
445	251N3254-2	..	GUARD-FAILURE	106106	1
			ATTACHING PARTS		
450	L8006K7	..	BOLT	106106	1
			SUPPLIER CODE: V06725		
			SPECIFICATION NUMBER: BACB30MY6K7		
455	L8008K7	..	BOLT	106106	1
			SUPPLIER CODE: V06725		
			SPECIFICATION NUMBER: BACB30MY8K7		
			-----*-----		
460	172N1304-19	..	FITTING	106106	1
465	172N1304-15	.	FITTING ASSY-	106106	1
			POSITION DATA: LOWER		
470	BACB28AM06B025A	..	BUSHING	106106	1
475	BACB28AP04P023	..	BUSHING	106106	1
480	251N3254-1	..	GUARD-FAILURE	106106	1
			ATTACHING PARTS		
485	L8006K7	..	BOLT	106106	1
			SUPPLIER CODE: V06725		
			SPECIFICATION NUMBER: BACB30MY6K7		
490	L8008K7	..	BOLT	106106	1
			SUPPLIER CODE: V06725		
			SPECIFICATION NUMBER: BACB30MY8K7		
			-----*-----		
495	172N1304-16	..	FITTING	106106	1
500	251N3010-7	.	BRACKET INSTL-RUD CONT	106106	1
			SPRT		
			FOR DETAILS SEE: 55-40-51-02		

MISSING ITEM NUMBERS NOT APPLICABLE

— ITEM NOT ILLUSTRATED

BRI

**55-33-00-04**

BOEING PROPRIETARY - Copyright © - Unpublished Work - See title page for details.

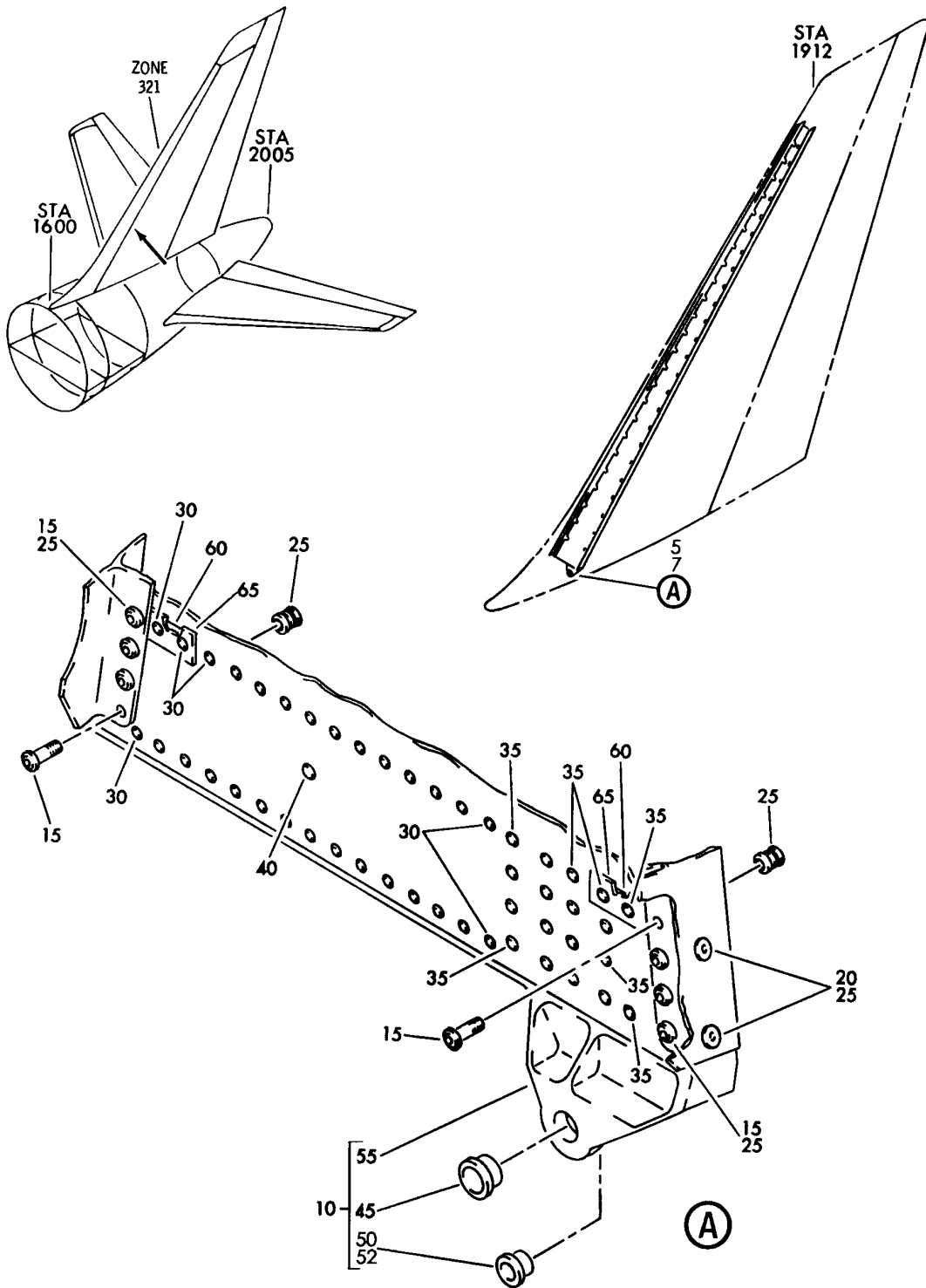
55-33-00  
FIG. 04  
PAGE 9  
JAN 20/09

## VERTICAL STABILIZER FORWARD TORQUE BOX

BRI  
MAY 28/07

55-34-00  
SECTION TITLE  
PAGE 1

**BOEING**  
757  
PARTS CATALOG (MAINTENANCE)



Y 55345101 REV 201

SPAR INSTL-AUX, VERT. STAB. FWD TORQUE BOX  
FIGURE 1

**55-34-51-01**

BRI  
MAY 28/07

55-34-51-01  
PAGE 0



757

PARTS CATALOG (MAINTENANCE)

FIG ITEM	PART NUMBER	1 2 3 4 5 6 7	NOMENCLATURE	EFFECT FROM TO	UNITS PER ASSY
1			SPAR INSTL-AUX, VERT. STAB. FWD TORQUE BOX	002004 006999	
- 1	175N1000-1		SPAR INSTL-VERT. STAB. TORQUE BOX AUX POSITION DATA: FWD FOR NHA SEE: 55-30-51-01	002004 006100 107107 121503 904999	RF
- 2	175N1000-403		SPAR INSTL-VERT. STAB. TORQUE BOX AUX POSITION DATA: FWD FOR NHA SEE: 55-30-51-03 55-30-51-04	101106 108120 504903	RF
5	175N1000-2		. SPAR ASSY	002004 006100 107107 121503 904999	1
10	175N1001-1		..FITTING ASSY-SIDE LINK OPTIONAL PART: 175N1007-1	002004 006100 107107 121503 904999	1
10	175N1007-1		..FITTING ASSY-SIDE LINK	002004 006999	1
15	L8006K4		ATTACHING PARTS ..BOLT SUPPLIER CODE: V06725 SPECIFICATION NUMBER: BACB30MY6K4	002004 006999	8

MISSING ITEM NUMBERS NOT APPLICABLE

- ITEM NOT ILLUSTRATED

55-34-51-01

55-34-51  
FIG. 01  
PAGE 1  
JAN 20/09

BRI



757

PARTS CATALOG (MAINTENANCE)

FIG ITEM	PART NUMBER	1 2 3 4 5 6 7	NOMENCLATURE	EFFECT FROM TO	UNITS PER ASSY
1	20 HL11VAZ6-4		.. BOLT SUPPLIER CODE: V60516 SPECIFICATION NUMBER: BACB30NW6K4 OPTIONAL PART: B30NW6K4 V97928 HL11VAZ6-4 V73197 HL11VAZ6-4 V92215 HL11VAZ6-4 V97928 L803-6K4 V06725 HL11VAZ6-4 V0PTK6 HL11VAZ6-4 V56878	002004 006999	2
	25 HL79-6		.. COLLAR SUPPLIER CODE: V5M902 SPECIFICATION NUMBER: BACC30M6 OPTIONAL PART: HL79-6 V73197 HL79-6 V92215 66014-6 V56878 HL79-6 V56878	002004 006999	10
	30 BACR15FT5D		.. RIVET- SIZE DETERMINED ON INSTL.	002004 006999	29
	35 BACR15FT6D		.. RIVET- SIZE DETERMINED ON INSTL.	002004 006999	18
	40 BACR15BB8AD		.. RIVET- SIZE DETERMINED ON INSTL.	002004 006999	1
	45 BACB28AM09B035A		... BUSHING	002004 006999	1
	50 BACB28AP06P035		... BUSHING	002004 006999	1

MISSING ITEM NUMBERS NOT APPLICABLE

- ITEM NOT ILLUSTRATED

55-34-51-01

55-34-51  
FIG. 01  
PAGE 2  
JAN 20/09

BRI



757

PARTS CATALOG (MAINTENANCE)

FIG ITEM	PART NUMBER	1 2 3 4 5 6 7	NOMENCLATURE	EFFECT FROM TO	UNITS PER ASSY
1	55	175N1001-2	... FITTING- USED ON: 175N1001-1	002004 006100 107107 121503 904999	1
	55	175N1007-2	... FITTING- USED ON: 175N1007-1	002004 006999	1
	60	BACS40R08B08F	.. SHIM	002004 006999	2
	65	BACF3T01G14-8	.. FILLER	002004 006999	2
	70	BRFR220A3-4	.NUTPLATE SUPPLIER CODE: V52828 SPECIFICATION NUMBER: BACN10KE3B4 OPTIONAL PART: RMF9213-4-3 V72962 F51750-3-4 V15653 NS103191-02-4 V80539	002004 006100 107107 121503 904999	489
	75	BACN10J53AB	.NUTPLATE	002004 006100 107107 121503 904999	1
	80	BRFR120A3-4	.NUTPLATE SUPPLIER CODE: V52828 SPECIFICATION NUMBER: BACN10KE3E4 OPTIONAL PART: RMF9216-4-3 V72962 F51752-3-4 V15653 NS103194-02-4 V80539	002004 006100 107107 121503 904999	23
	MISSING ITEM NUMBERS NOT APPLICABLE				

- ITEM NOT ILLUSTRATED

55-34-51-01

55-34-51  
FIG. 01  
PAGE 3  
JAN 20/09

BRI



757

PARTS CATALOG (MAINTENANCE)

FIG ITEM	PART NUMBER	1 2 3 4 5 6 7	NOMENCLATURE	EFFECT FROM TO	UNITS PER ASSY
1	85 MF53049-3		.NUTPLATE SUPPLIER CODE: V15653 SPECIFICATION NUMBER: BACN10JN3 OPTIONAL PART: BRFM20A3 V52828 MF1000-3BAC V15653 NS103218-02 V80539 RMF9201M3 V72962 VN252A02 V92215 T8124S3S V11815	002004 006100 107107 121503 904999	13
	90 BRFR220A4-4		.NUTPLATE SUPPLIER CODE: V52828 SPECIFICATION NUMBER: BACN10KE4B4 OPTIONAL PART: NS103191-048-4 V80539 RMF9213-4-4 V72962 F51750-4-4 V15653	002004 006100 107107 121503 904999	14
	95 F51753-3CD		.NUTPLATE SUPPLIER CODE: V15653 SPECIFICATION NUMBER: BACN10KE3DCD OPTIONAL PART: NS202495-02 V80539	002004 006100 107107 121503 904999	16

MISSING ITEM NUMBERS NOT APPLICABLE

- ITEM NOT ILLUSTRATED

55-34-51-01

55-34-51  
FIG. 01  
PAGE 4  
JAN 20/09

BRI



757

PARTS CATALOG (MAINTENANCE)

FIG ITEM	PART NUMBER	1 2 3 4 5 6 7	NOMENCLATURE	EFFECT FROM TO	UNITS PER ASSY
1 100	BRFR120A3-6		.NUTPLATE SUPPLIER CODE: V52828 SPECIFICATION NUMBER: BACN10KE3E6 OPTIONAL PART: RMF9216-6-3 V72962 F51752-3-6 V15653 NS103194-02-6 V80539	002004 006100 107107 121503 904999	16
105	NAS463YD10		.NUTPLATE	002004 006100 107107 121503 904999	16
- 110	BACR15BA3AD		ATTACHING PARTS .RIVET- SIZE DETERMINED ON INSTL.  -----*	002004 006100 107107 121503 904999	999

MISSING ITEM NUMBERS NOT APPLICABLE

- ITEM NOT ILLUSTRATED

55-34-51-01

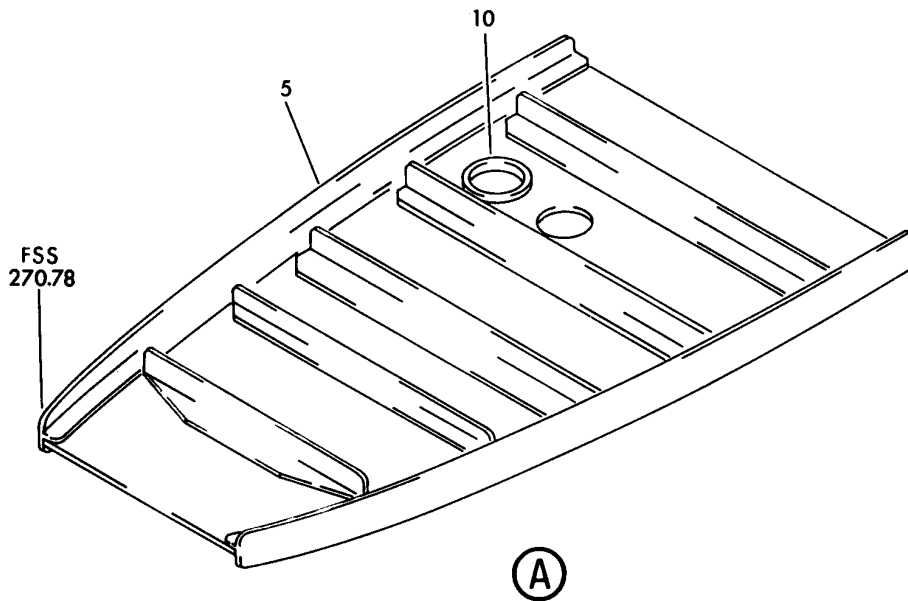
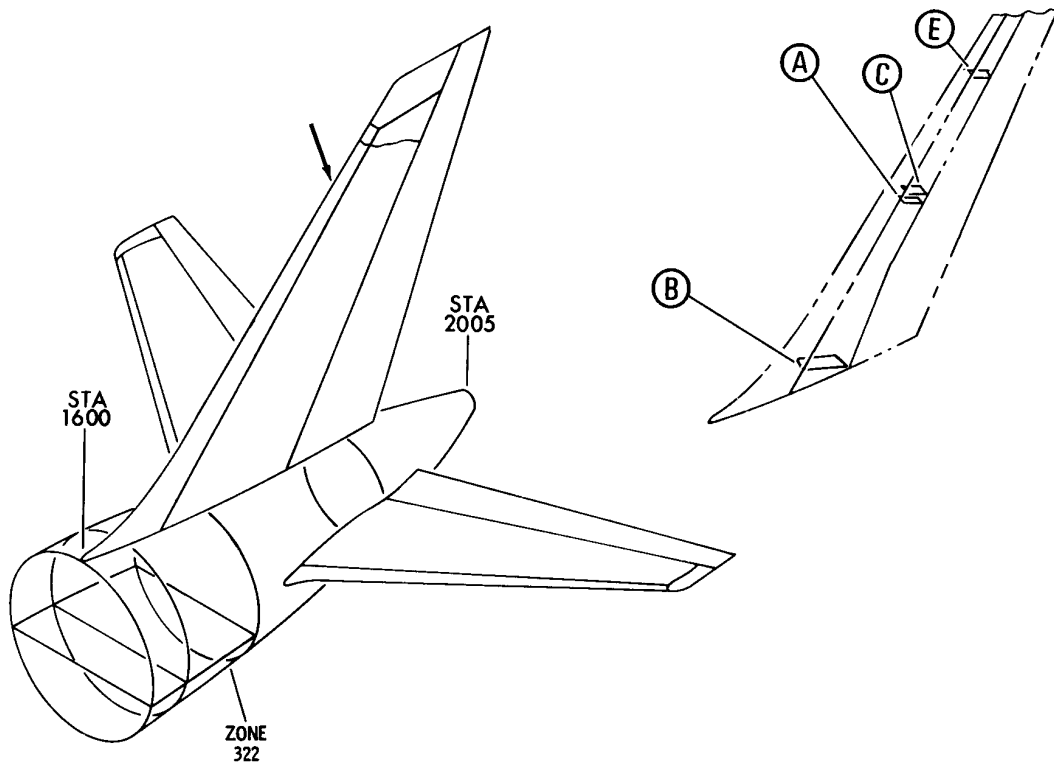
55-34-51  
FIG. 01  
PAGE 5  
JAN 20/09

BRI

BOEING PROPRIETARY - Copyright © - Unpublished Work - See title page for details.



**BOEING**  
757  
PARTS CATALOG (MAINTENANCE)



Y 55345102 SH1 1 REV 257

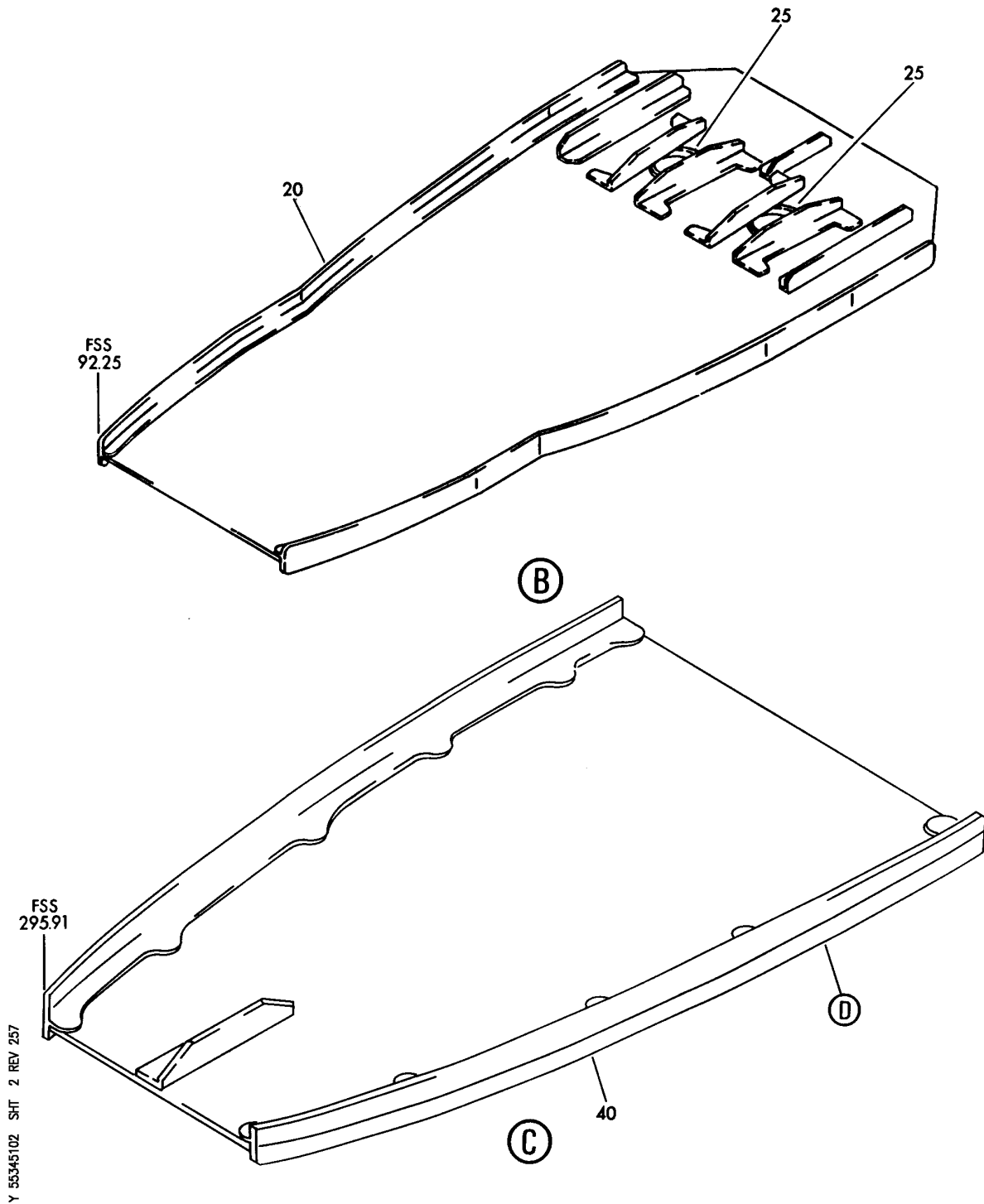
RIB INSTL-VERT. STAB. TORQUE BOX FSS 270.784 FWD  
FIGURE 2 (SHEET 1)

**55-34-51-02**

BRI  
MAY 28/07

55-34-51-02  
PAGE 0

**BOEING**  
757  
PARTS CATALOG (MAINTENANCE)



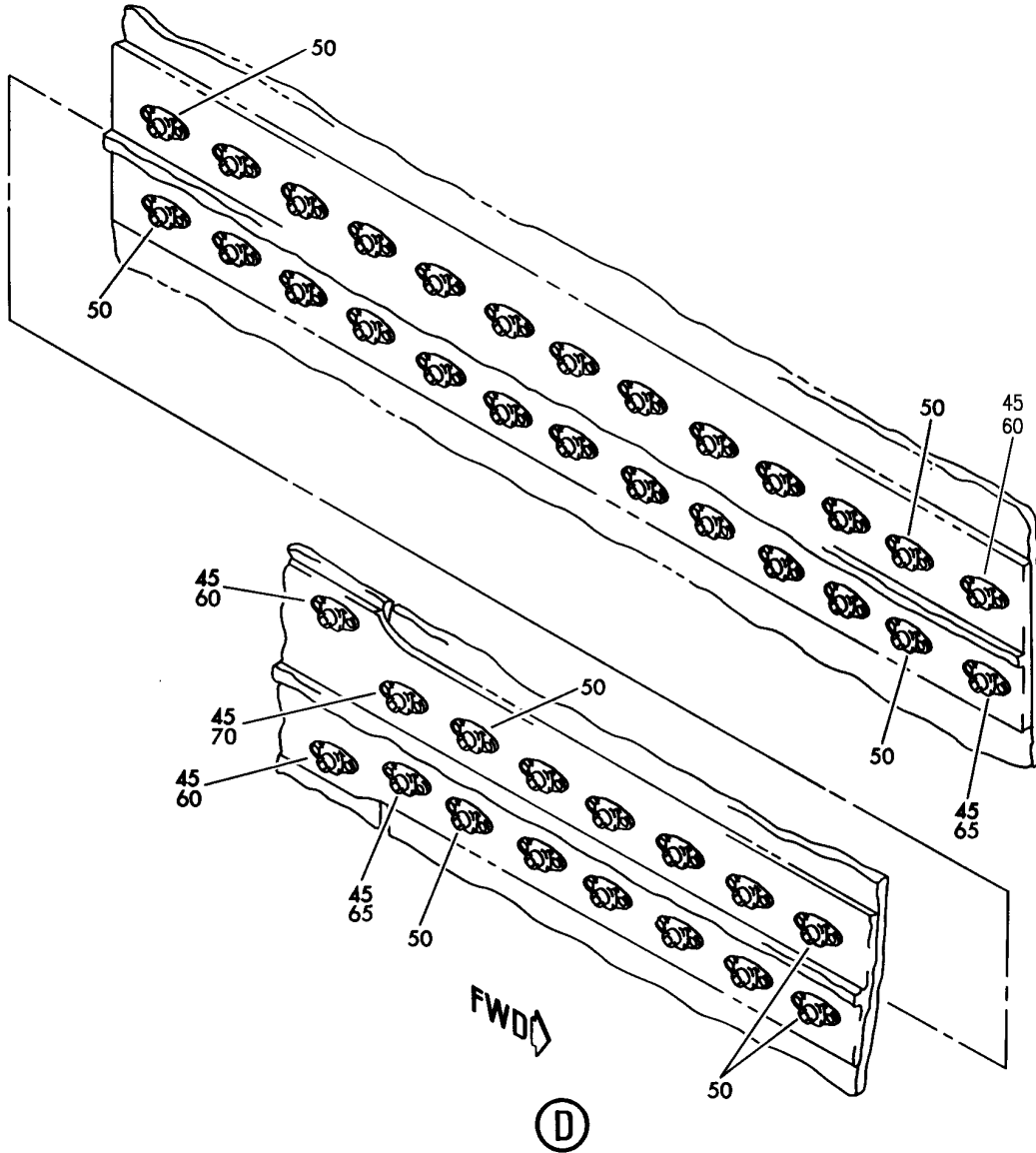
RIB INSTL-VERT. STAB. TORQUE BOX FSS 270.784 FWD  
FIGURE 2 (SHEET 2)

**55-34-51-02**

BRI  
MAY 28/07

55-34-51-02  
PAGE 0A

**BOEING**  
757  
PARTS CATALOG (MAINTENANCE)



Y 55345102 SH1 3 REV 257

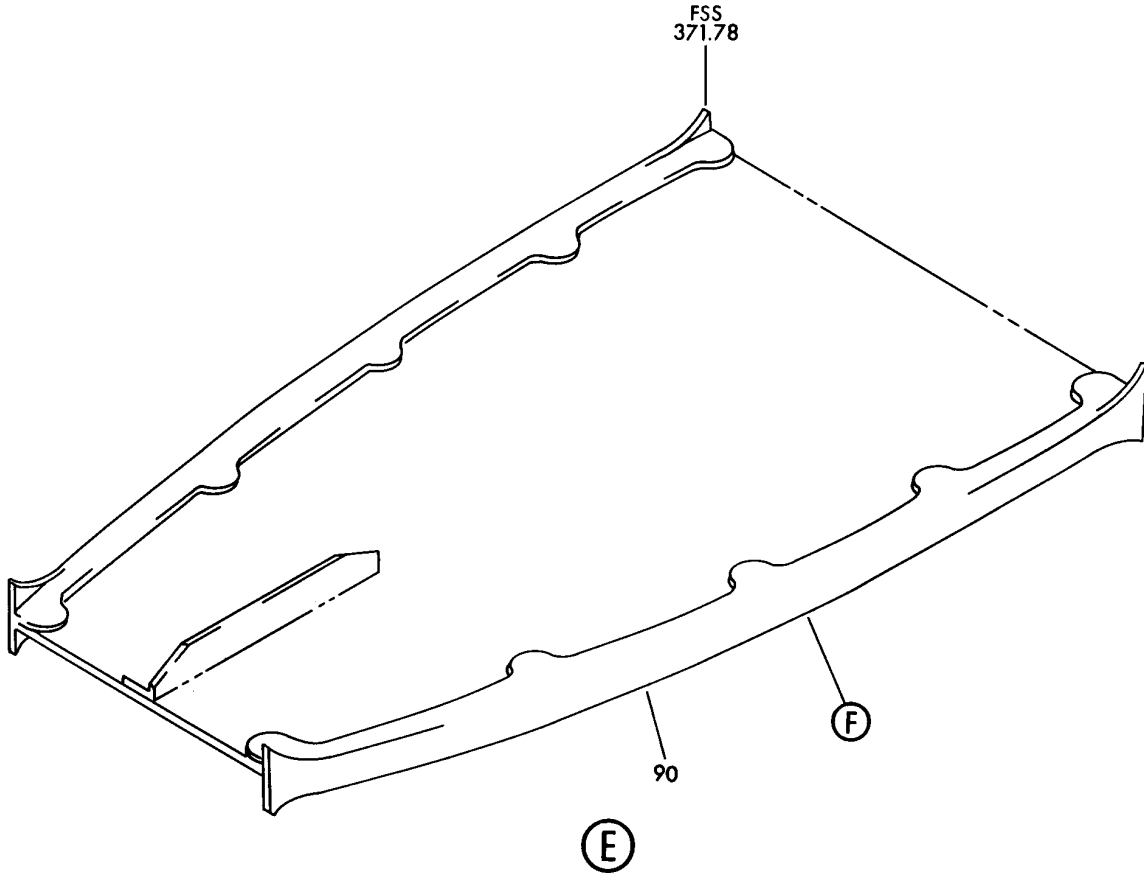
RIB INSTL-VERT. STAB. TORQUE BOX FSS 270.784 FWD  
FIGURE 2 (SHEET 3)

**55-34-51-02**

BRI  
MAY 28/07

55-34-51-02  
PAGE 0B

**BOEING**  
757  
PARTS CATALOG (MAINTENANCE)



Y 55345102 SH1 4 REV 257

RIB INSTL-VERT. STAB. TORQUE BOX FSS 270.784 FWD  
FIGURE 2 (SHEET 4)

**55-34-51-02**

BRI  
MAY 28/07

55-34-51-02  
PAGE 0C





757

PARTS CATALOG (MAINTENANCE)

FIG ITEM	PART NUMBER	1 2 3 4 5 6 7	NOMENCLATURE	EFFECT FROM TO	UNITS PER ASSY
2			RIB INSTL-VERT. STAB. TORQUE BOX	101106 108120	
- 1	175N3007-401		FSS 270.784 FWD RIB INSTL-VERT. STAB. TORQUE BOX	504903 101106 108120	RF
			POSITION DATA: FSS 270.784 FWD FOR NHA SEE: 55-30-51-03 55-30-51-04	504903	
	5 175N3007-19		.RIB ASSY	101106 108120 504903	1
	10 BACG20AD1900		..GROMMET	101106 108120 504903	AR
- 15	175N3000-401		RIB INSTL-VERT. STAB. TORQUE BOX	101106 108120	RF
			POSITION DATA: FSS 92.250 FWD FOR NHA SEE: 55-30-51-03 55-30-51-04	504903	
	20 175N3007-23		.RIB ASSY	101106 108120 504903	1
	25 BACG20AD950		..GROMMET	101106 108120 504903	2
- 35	175N3008-401		RIB INSTL-VERT. STAB. TORQUE BOX	101106 108120	RF
			POSITION DATA: FSS 270.784 FWD FOR NHA SEE: 55-30-51-03 55-30-51-04	504903	
	40 175N3008-11		.RIB ASSY-VERT. STAB. TORQUE BOX	101106 108120 504903	1
	45 F1967-3BAC		.NUTPLATE SUPPLIER CODE: V15653 SPECIFICATION NUMBER: BACN10JT3 OPTIONAL PART: RMF9224-3 V72962	101106 108120 504903	6

MISSING ITEM NUMBERS NOT APPLICABLE

- ITEM NOT ILLUSTRATED

55-34-51-02

55-34-51  
FIG. 02  
PAGE 1  
JAN 20/09

BRI



757

PARTS CATALOG (MAINTENANCE)

FIG ITEM	PART NUMBER	1 2 3 4 5 6 7	NOMENCLATURE	EFFECT FROM TO	UNITS PER ASSY
2	50 BRFR220A3-5		.NUTPLATE SUPPLIER CODE: V52828 SPECIFICATION NUMBER: BACN10KE3B5 OPTIONAL PART: RMF9213-5-3 V72962 F51750-3-5 V15653 NS103191-02-5 V80539	101106 108120 504903	36
-	55 BACR15BA3AD		.RIVET- SIZE DETERMINED ON INSTL.  -----*-----	101106 108120 504903	84
	60 NAS463XDD10		.SPACER	101106 108120 504903	2
	65 NAS463XDD10H		.SPACER	101106 108120 504903	2
	70 NAS463XDD10M		.SPACER	101106 108120 504903	1
-	80 175N3011-1		RIB INSTL-VERT. STAB. TORQUE BOX POSITION DATA: FSS 270.784 FWD FOR NHA SEE: 55-30-51-03 55-30-51-04	101106 108120 504903	RF
	90 175N3011-2		.RIB ASSY-VERT. STAB. TORQUE BOX	101106 108120 504903	1
	95 F1967-3BAC		.NUTPLATE SUPPLIER CODE: V15653 SPECIFICATION NUMBER: BACN10JT3 OPTIONAL PART: RMF9224-3 V72962	101106 108120 504903	4

MISSING ITEM NUMBERS NOT APPLICABLE

- ITEM NOT ILLUSTRATED

55-34-51-02

55-34-51  
FIG. 02  
PAGE 2  
JAN 20/09

BRI



757

PARTS CATALOG (MAINTENANCE)

FIG ITEM	PART NUMBER	1 2 3 4 5 6 7	NOMENCLATURE	EFFECT FROM TO	UNITS PER ASSY
2 100	BRFR220A3-3		.NUTPLATE SUPPLIER CODE: V52828 SPECIFICATION NUMBER: BACN10KE3B3 OPTIONAL PART: RMF9213-3-3 V72962 F51750-3-3 V15653 NS103191-02-3 V80539 ATTACHING PARTS	101106 108120 504903	14
- 105	BACR15BA3AD		.RIVET- SIZE DETERMINED ON INSTL.  -----*-----	101106 108120 504903	16
110	NAS463XD10L		.SPACER	101106 108120 504903	2

MISSING ITEM NUMBERS NOT APPLICABLE

- ITEM NOT ILLUSTRATED

BRI

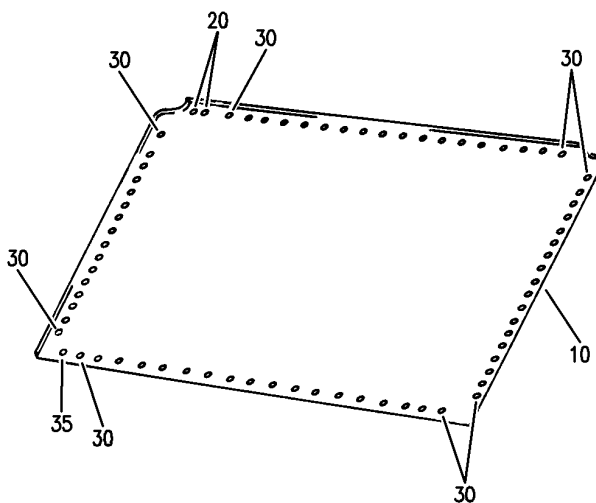
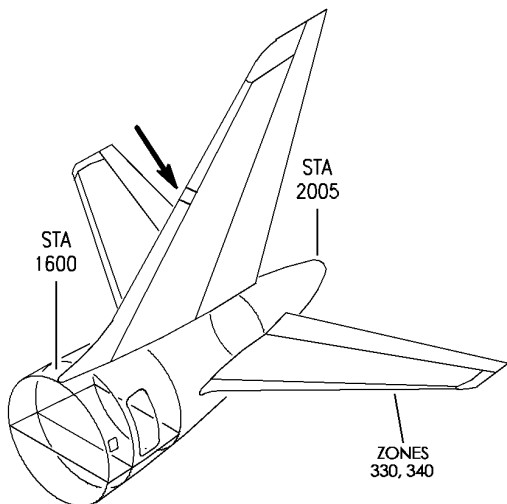
55-34-51-02

BOEING PROPRIETARY - Copyright © - Unpublished Work - See title page for details.

55-34-51  
FIG. 02  
PAGE 3  
JAN 20/09



**BOEING**  
757  
PARTS CATALOG (MAINTENANCE)



Y 55345103 REV 237

PANEL INSTL-VERT. STAB CTR FWD TORQUE BOX  
FIGURE 3

**55-34-51-03**

BRI  
MAY 28/07

55-34-51-03  
PAGE 0



757

PARTS CATALOG (MAINTENANCE)

FIG ITEM	PART NUMBER	1 2 3 4 5 6 7	NOMENCLATURE	EFFECT FROM TO	UNITS PER ASSY
3			PANEL INSTL-VERT. STAB CTR FWD TORQUE BOX	002004 006100 107107 121503 904999	
- 1	175N2003-1		PANEL INSTL-VERT. STAB TORQUE BOX POSITION DATA: CTR FWD LH FOR NHA SEE: 55-30-51-01	002004 006100 107107 121503 904999	RF
- 5	175N2003-2		PANEL INSTL-VERT. STAB TORQUE BOX POSITION DATA: CTR FWD RH FOR NHA SEE: 55-30-51-01	002004 006100 107107 121503 904999	RF
10	175N2003-19		.PANEL ASSY- POSITION DATA: LH SIDE	002004 006100 107107 121503 904999	1
- 15	175N2003-20		.PANEL ASSY- POSITION DATA: RH SIDE	002004 006100 107107 121503 904999	1
20	BACB30LR4-7		ATTACHING PARTS .BOLT- POSITION DATA: LH SIDE	002004 006100 107107 121503 904999	2
- 25	BACB30LR4-10		.BOLT- POSITION DATA: RH SIDE	002004 006100 107107 121503 904999	2
30	BACB30LR3-6		.BOLT- POSITION DATA: LH SIDE  -----*-----	002004 006100 107107 121503 904999	70

MISSING ITEM NUMBERS NOT APPLICABLE

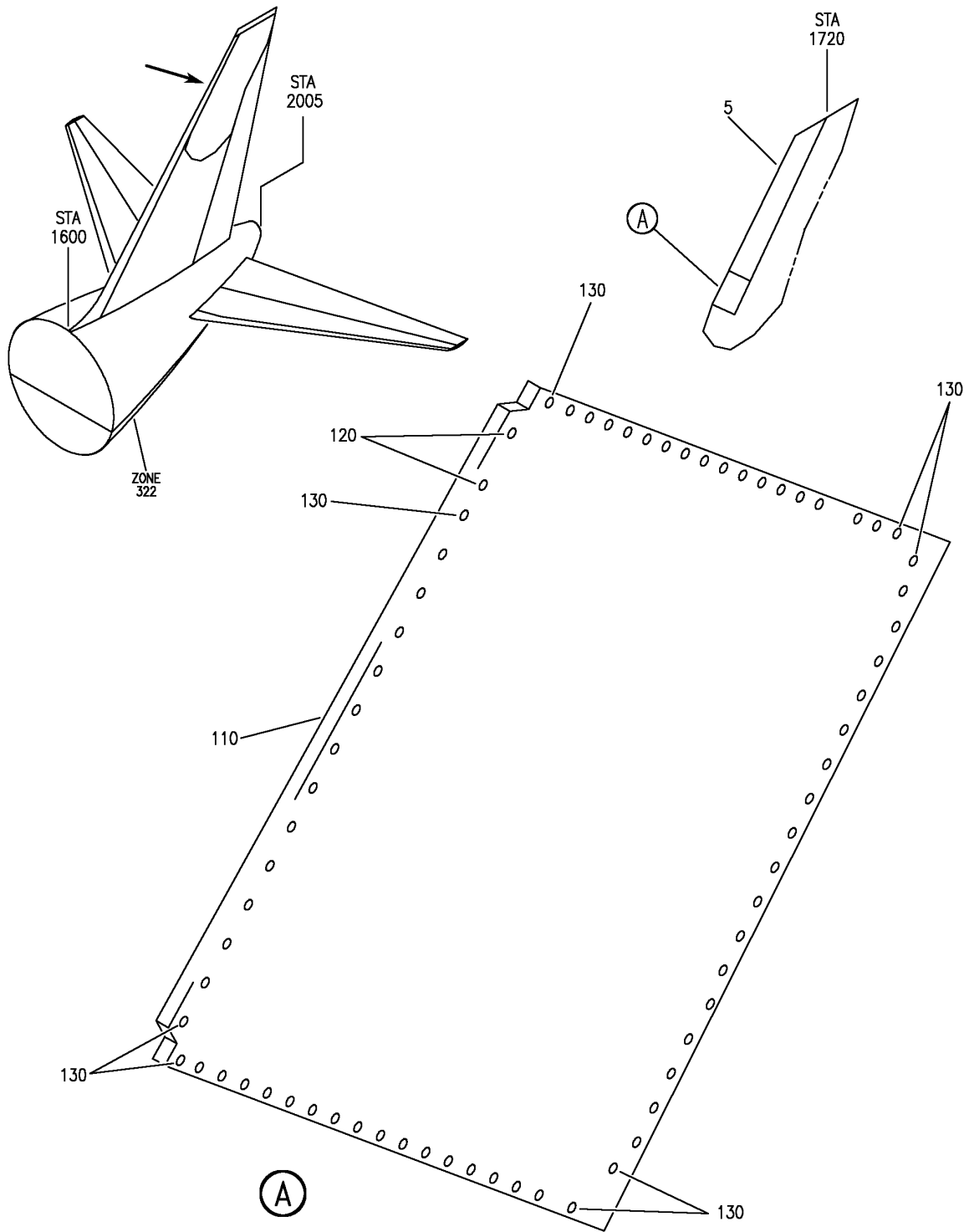
- ITEM NOT ILLUSTRATED

55-34-51-03

55-34-51  
FIG. 03  
PAGE 1  
JAN 20/09

BRI

**BOEING**  
757  
PARTS CATALOG (MAINTENANCE)



Y 55345104 REV 257

PANEL INSTL-VERT STAB FWD TORQUE BOX  
FIGURE 4

**55-34-51-04**

BRI  
MAY 28/07

55-34-51-04  
PAGE 0



757

PARTS CATALOG (MAINTENANCE)

FIG ITEM	PART NUMBER	1 2 3 4 5 6 7	NOMENCLATURE	EFFECT FROM TO	UNITS PER ASSY
4			PANEL INSTL-VERT STAB FWD TORQUE BOX	101106 108120 504903	
- 1	175N2002-401		PANEL INSTL-UPPER LH FOR NHA SEE: 55-30-51-03 55-30-51-04	101106 108120 504903	RF
5	175N2002-8001		.PANEL ASSY	101106 108120 504903	1
- 10	BACB30LH3U11		ATTACHING PARTS .BOLT	101106 108120 504903	6
- 100	175N2003-401		-----*----- PANEL INSTL-VERT STAB TORQUE BOX POSITION DATA: CTR FWD LH FOR NHA SEE: 55-30-51-03 55-30-51-04	101106 108120 504903	RF
- 105	175N2003-402		PANEL INSTL-VERT STAB TORQUE BOX POSITION DATA: CTR FWD RH FOR NHA SEE: 55-30-51-03 55-30-51-04	101106 108120 504903	RF
110	175N2003-19		.PANEL ASSY- POSITION DATA: LH SIDE USED ON: 175N2003-401	101106 108120 504903	1
- 115	175N2003-20		.PANEL ASSY- POSITION DATA: RH SIDE USED ON: 175N2003-402	101106 108120 504903	1
120	BACB30LR4-7		ATTACHING PARTS .BOLT- POSITION DATA: LH SIDE USED ON: 175N2003-401	101106 108120 504903	2

MISSING ITEM NUMBERS NOT APPLICABLE

- ITEM NOT ILLUSTRATED

55-34-51-04

55-34-51  
FIG. 04  
PAGE 1  
JAN 20/09

BRI



757

PARTS CATALOG (MAINTENANCE)

FIG ITEM	PART NUMBER	1 2 3 4 5 6 7	NOMENCLATURE	EFFECT FROM TO	UNITS PER ASSY
4 - 125	BACB30LR4-10		.BOLT- POSITION DATA: RH SIDE USED ON: 175N2003-402	101106 108120 504903	2
130	BACB30LR3-6		.BOLT- POSITION DATA: LH SIDE USED ON: 175N2003-401 -----*	101106 108120 504903	70

MISSING ITEM NUMBERS NOT APPLICABLE

- ITEM NOT ILLUSTRATED

BRI

55-34-51-04

BOEING PROPRIETARY - Copyright © - Unpublished Work - See title page for details.

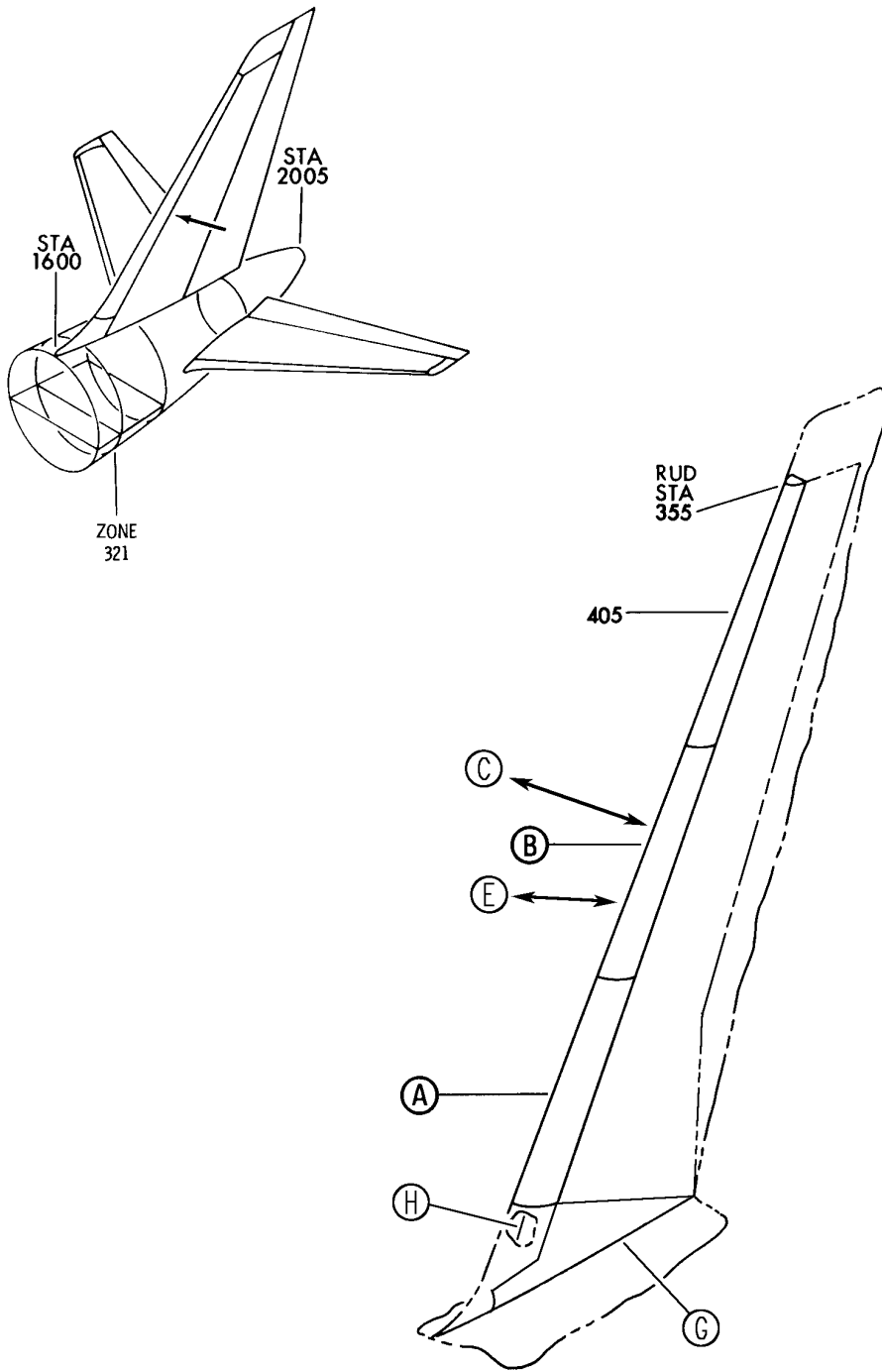
55-34-51  
FIG. 04  
PAGE 2  
JAN 20/09

## VERTICAL STABILIZER LEADING EDGE

BRI  
MAY 28/07

55-35-00  
SECTION TITLE  
PAGE 1

**BOEING**  
757  
PARTS CATALOG (MAINTENANCE)



Y 55350101 SH1 1 REV 297

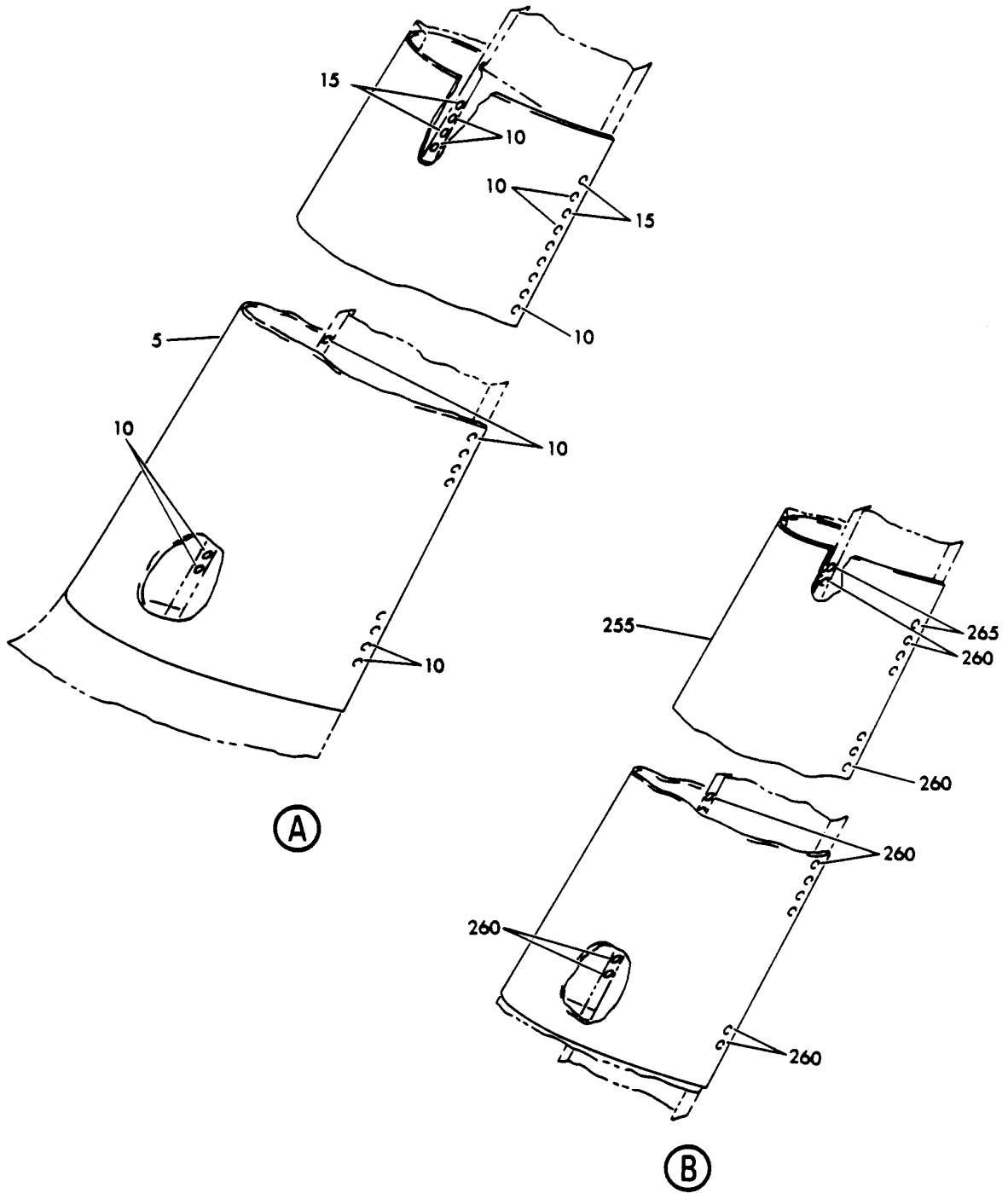
PANEL INSTL-VERT. STAB. LE NO. 1, 2 AND 3  
FIGURE 1 (SHEET 1)

**55-35-01-01**

BRI  
MAY 28/07

55-35-01-01  
PAGE 0

**BOEING**  
757  
PARTS CATALOG (MAINTENANCE)



Y 55350101 SHT 2 REV 008

PANEL INSTL-VERT. STAB. LE NO. 1, 2 AND 3  
FIGURE 1 (SHEET 2)

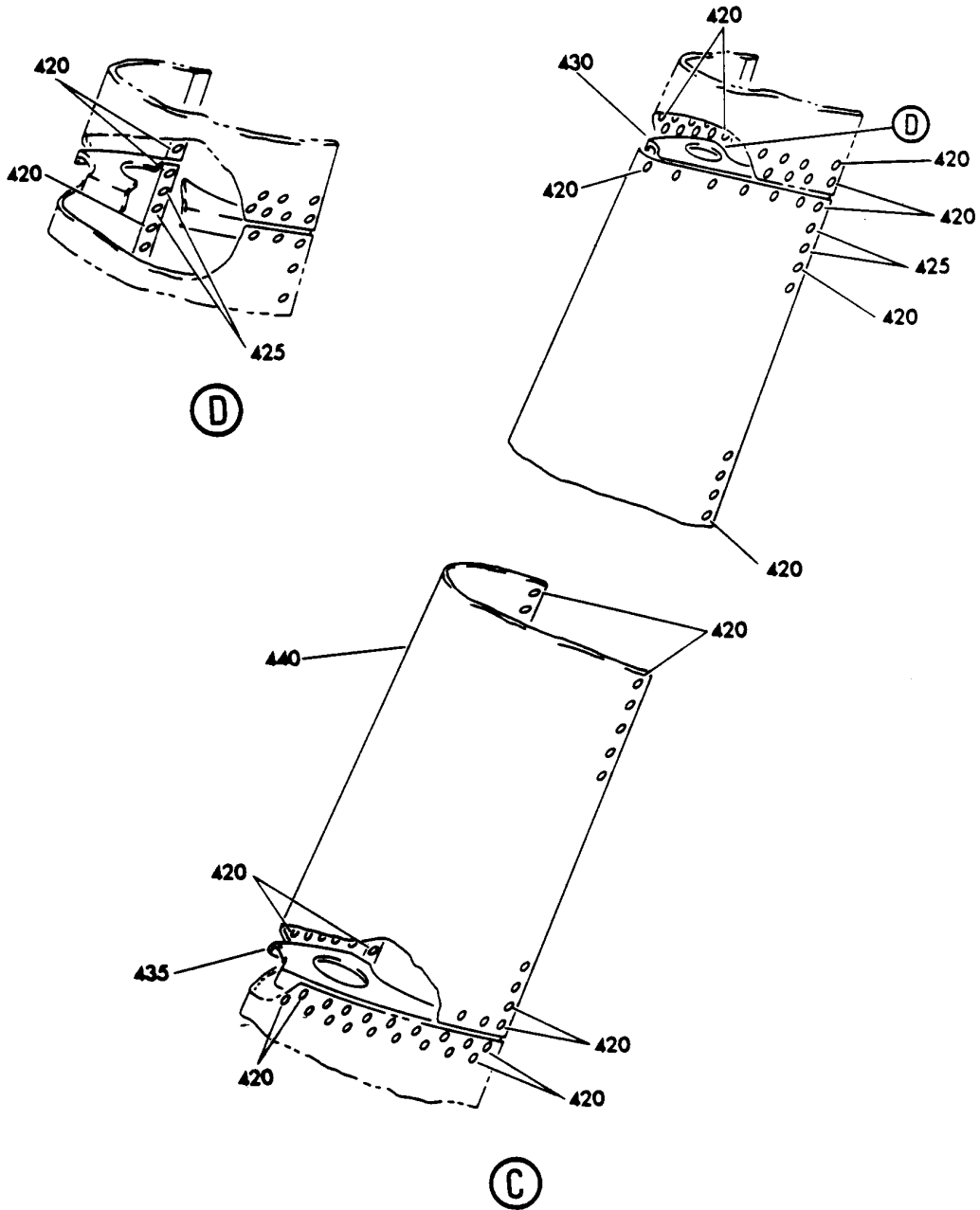
**55-35-01-01**

BRI  
MAY 28/07

55-35-01-01  
PAGE 0A



**BOEING**  
757  
PARTS CATALOG (MAINTENANCE)



Y 55350101 SMT 3 REV 008

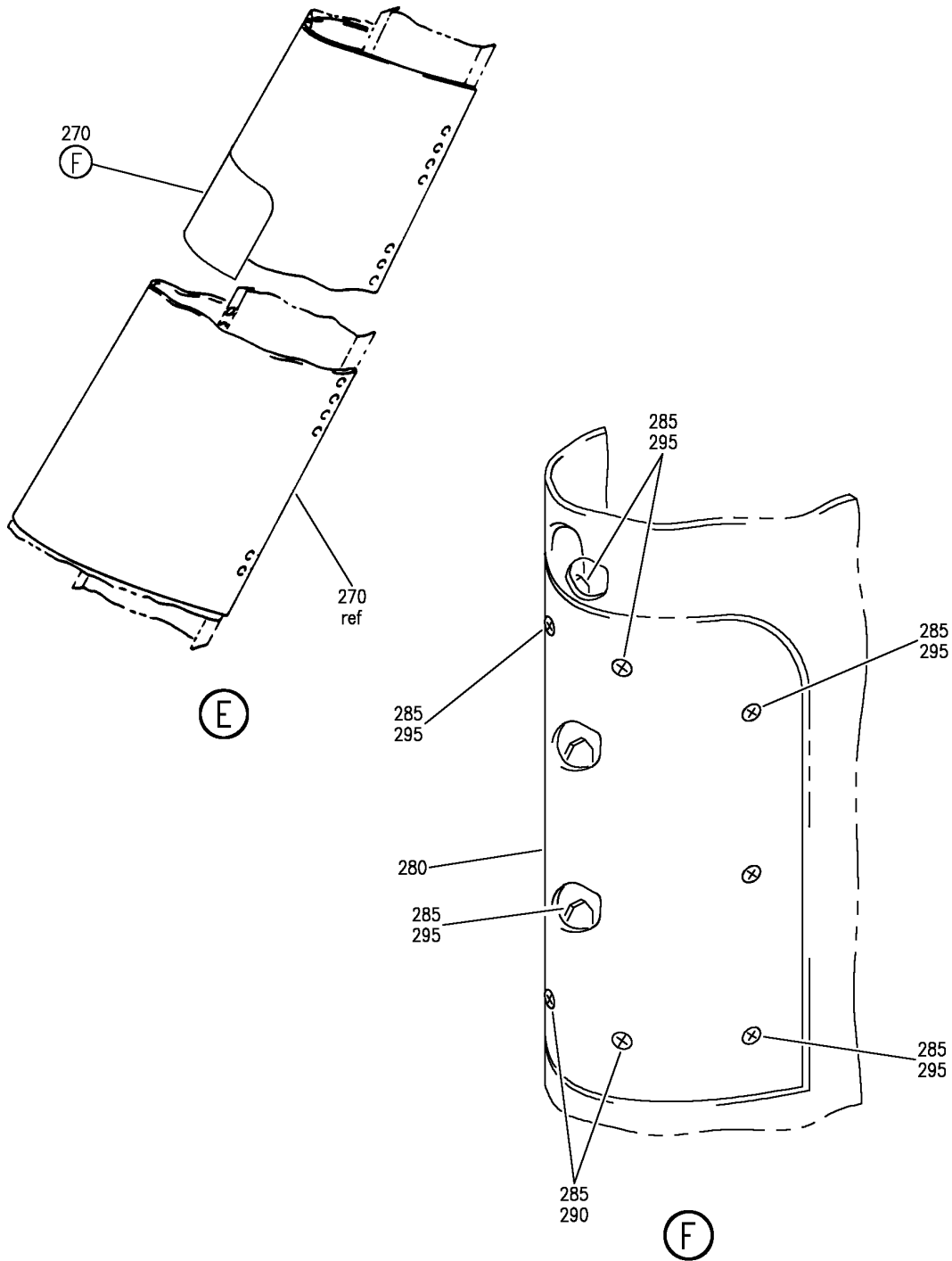
PANEL INSTL-VERT. STAB. LE NO. 1, 2 AND 3  
FIGURE 1 (SHEET 3)

**55-35-01-01**

BRI  
MAY 28/07

55-35-01-01  
PAGE 0B

**BOEING**  
757  
PARTS CATALOG (MAINTENANCE)



Y 55350101 SH1 4 REV 297

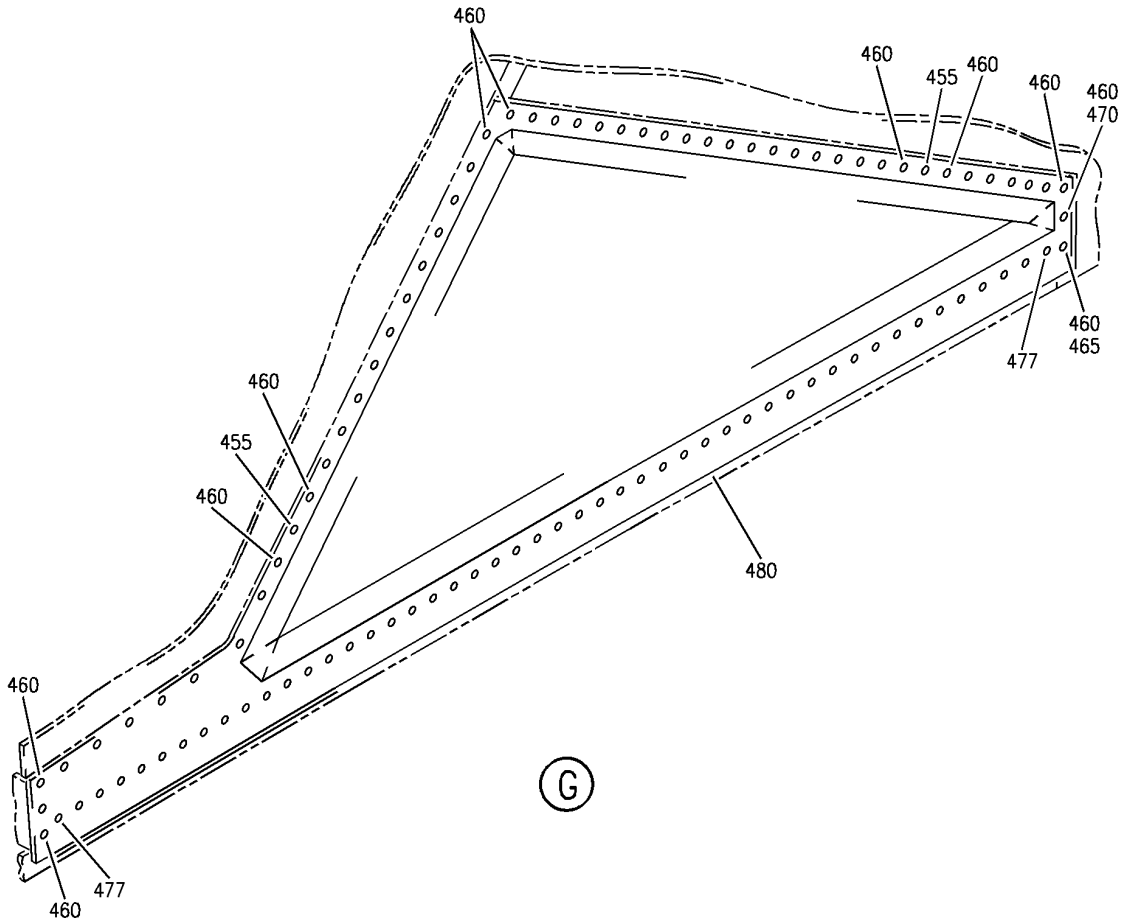
PANEL INSTL-VERT. STAB. LE NO. 1, 2 AND 3  
FIGURE 1 (SHEET 4)

**55-35-01-01**

BRI  
MAY 28/07

55-35-01-01  
PAGE 0C

**BOEING**  
757  
PARTS CATALOG (MAINTENANCE)



Y 55350101 SHT 5 REV 297

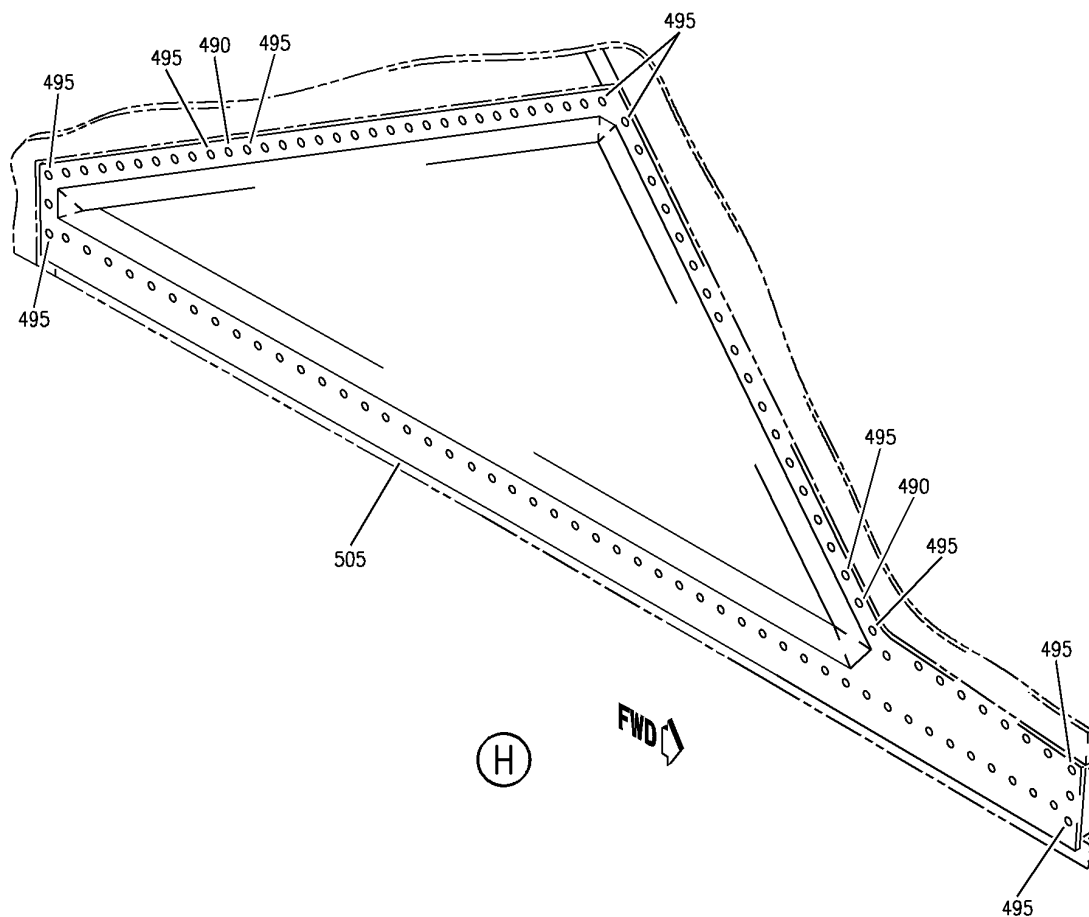
PANEL INSTL-VERT. STAB. LE NO. 1, 2 AND 3  
FIGURE 1 (SHEET 5)

**55-35-01-01**

BRI  
MAY 28/07

55-35-01-01  
PAGE 0D

**BOEING**  
757  
PARTS CATALOG (MAINTENANCE)



Y 55350101 SHT 6 REV 297

PANEL INSTL-VERT. STAB. LE NO. 1, 2 AND 3  
FIGURE 1 (SHEET 6)

**55-35-01-01**

BRI  
MAY 28/07

55-35-01-01  
PAGE 0E

 **BOEING**  
757  
**PARTS CATALOG (MAINTENANCE)**

FIG ITEM	PART NUMBER	1 2 3 4 5 6 7	NOMENCLATURE	EFFECT FROM TO	UNITS PER ASSY
1			PANEL INSTL-VERT. STAB. LE NO. 1, 2 AND 3	002004 006999	
- 1	174N1101-1		PANEL INSTL-VERT. STAB. LE NO. 1 FOR NHA SEE: 55-30-51-01	002004 006100 107107 121503 904999	RF
- 1	174N1101-401		PANEL INSTL-VERT. STAB. LE NO. 1 FOR NHA SEE: 55-30-51-03 55-30-51-04	101106 108120 504903	RF
5	174N1101-2		.PANEL ASSY-	002004 006017 107107 121503 904999	1
5	174N1101-10		.PANEL ASSY-	002004 006017 107107 121503 904999	1
5	174N1101-15		.PANEL ASSY- OPTIONAL PART: 171N1101-10	018100	1
5	174N1101-17		.PANEL ASSY	101106 108120 504903	1
10	BACB30NN3K6		ATTACHING PARTS .BOLT-	002004 006999	148
15	BACB30NN4K11		.BOLT-	002004 006999	4
			-----*-----		
- 250	174N1102-1		PANEL INSTL-VERT. STAB. LE NO. 2 VARIABLE DRAWING REF: 174N1102-10 FOR NHA SEE: 55-30-51-01	002004 006100 107107 121503 904999	RF
255	174N1102-11		.PANEL ASSY-	002004 006100 107107 121503 904999	1

MISSING ITEM NUMBERS NOT APPLICABLE

- ITEM NOT ILLUSTRATED

BRI

# 55-35-01-01

BOEING PROPRIETARY - Copyright © - Unpublished Work - See title page for details.

55-35-01  
FIG. 01  
PAGE 1  
JAN 20/09



757

PARTS CATALOG (MAINTENANCE)

FIG ITEM	PART NUMBER	1 2 3 4 5 6 7	NOMENCLATURE	EFFECT FROM TO	UNITS PER ASSY
1			ATTACHING PARTS		
260	BACB30NN3K6		.BOLT	002004 006100 107107 121503 904999	122
265	BACB30NN4K8		.BOLT-	002004 006100 107107 121503 904999	2
- 400	174N1103-1		-----*----- PANEL INSTL-VERT. STAB. LE NO. 3 FOR NHA SEE: 55-30-51-01	002004 006100 107107 121503 904999	RF
- 400	174N1103-401		PANEL INSTL-VERT. STAB. LE NO. 3 FOR NHA SEE: 55-30-51-03 55-30-51-04	101106 108120 504903	RF
405	174N1103-2		.PANEL ASSY- OPTIONAL PART: 174N1103-9	002004 006100 107107 121503 904999	1
405	174N1103-9		.PANEL ASSY-	002004 006999	1
- 410	BACB30NN3K6		ATTACHING PARTS .BOLT	002004 006999	156
- 415	174N1104-1		-----*----- PANEL INSTL-VERT. STAB. H.F. ANTENNA VARIABLE FOR NHA SEE: 55-30-51-01	002004 006100 107107 121503 904999	RF
420	BACB30NN3K6		.BOLT	002004 006100 107107 121503 904999	240
425	BACB30NN4K5		.BOLT	002004 006100 107107 121503 904999	4

MISSING ITEM NUMBERS NOT APPLICABLE

- ITEM NOT ILLUSTRATED

55-35-01-01

55-35-01  
FIG. 01  
PAGE 2  
JAN 20/09

BRI



757

PARTS CATALOG (MAINTENANCE)

FIG ITEM	PART NUMBER	1 2 3 4 5 6 7	NOMENCLATURE	EFFECT FROM TO	UNITS PER ASSY
1					
430	174N1104-2	.	SPLICE ASSY	002004 006100 107107 121503 904999	1
435	174N1104-3	.	SPLICE ASSY	002004 006100 107107 121503 904999	1
440	174T1103-2	.	PANEL ASSY-	002004 006100 107107 121503 904999	1
- 450	174N4000-1		PANEL INSTL-SEAL FOR NHA SEE: 55-30-51-01 55-30-51-03 55-30-51-04	002004 006999	RF
455	BACB30LR3-3	.	BOLT	002004 006999	2
460	BACB30NN3K8	.	BOLT	002004 006999	51
465	BRFR220C3-2M	.	NUTPLATE SUPPLIER CODE: V52828 SPECIFICATION NUMBER: BACN10KE3B2CM OPTIONAL PART: F51747-3-2DL V15653 104F9213-2-3 V72962 NS103191SE02-2 V80539	002004 006999	1
470	BRFR120C3-2M	.	NUTPLATE SUPPLIER CODE: V52828 SPECIFICATION NUMBER: BACN10KE3E2CM OPTIONAL PART: F51751-3-2DL V15653 104F9216-2-3 V72962 NS103194SE02-2 V80539	002004 006999	1

MISSING ITEM NUMBERS NOT APPLICABLE

- ITEM NOT ILLUSTRATED

BRI

55-35-01-01

BOEING PROPRIETARY - Copyright © - Unpublished Work - See title page for details.

55-35-01  
FIG. 01  
PAGE 3  
JAN 20/09



757

PARTS CATALOG (MAINTENANCE)

FIG ITEM	PART NUMBER	1 2 3 4 5 6 7	NOMENCLATURE	EFFECT FROM TO	UNITS PER ASSY
1			ATTACHING PARTS		
- 475	BACR15BA3AD		.RIVET- SIZE DETERMINED ON INSTL. -----*-----	002004 006999	4
477	BACR15BA6AD		.RIVET- SIZE DETERMINED ON INSTL.	002004 006999	48
480	174N4000-3		.PANEL ASSY	002004 006999	1
- 485	174N4000-2		PANEL INSTL- FOR NHA SEE: 55-30-51-03 55-30-51-04	101106 108120 504903	RF
490	NAS1399MW6-4		.RIVET- SIZE DETERMINED ON INSTL.	101106 108120 504903	2
495	BACR15BA6AD		.RIVET- SIZE DETERMINED ON INSTL.	101106 108120 504903	110
505	174N4000-4		.PANEL ASSY-	101106 108120 504903	1

MISSING ITEM NUMBERS NOT APPLICABLE

- ITEM NOT ILLUSTRATED

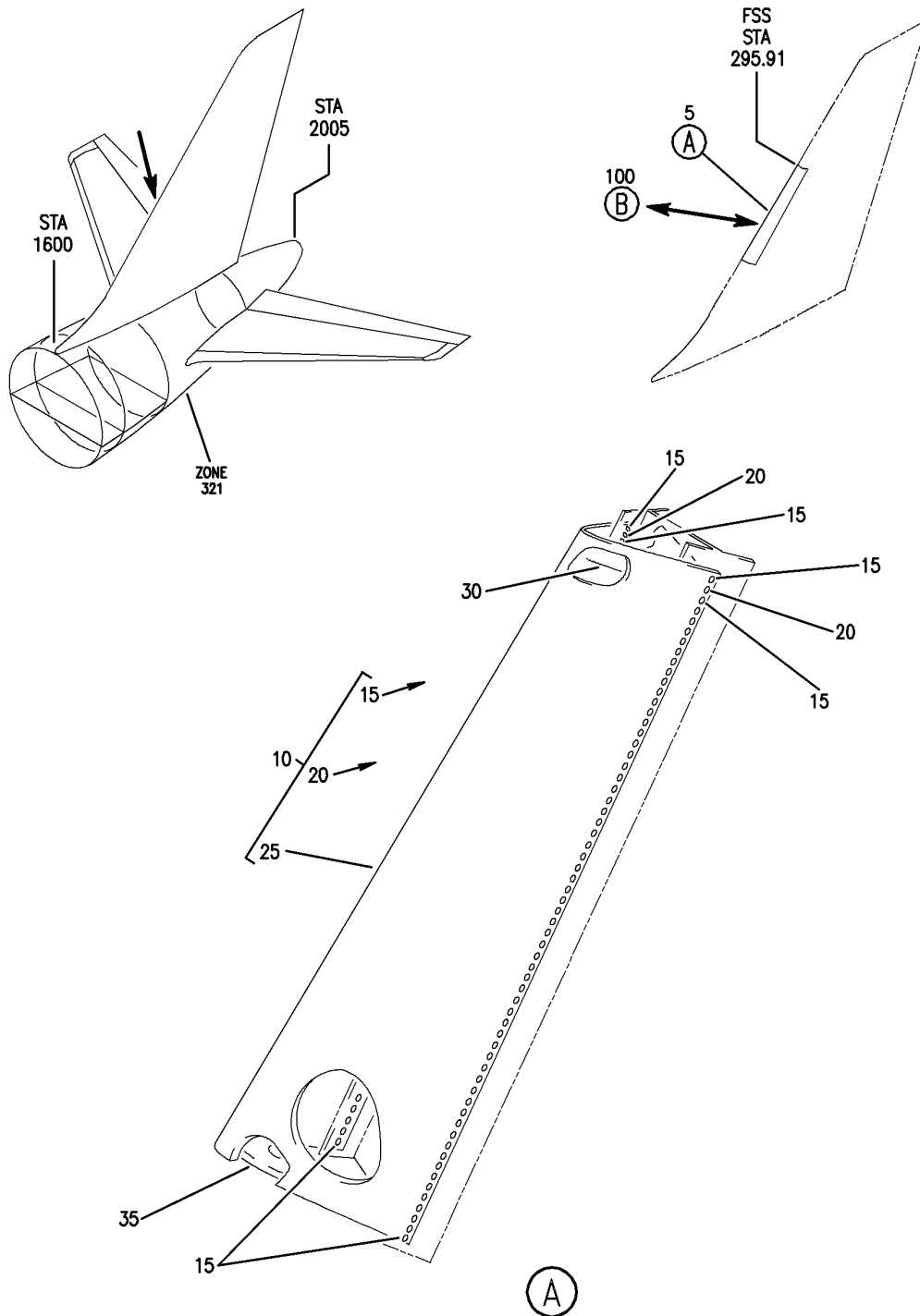
55-35-01-01

55-35-01  
FIG. 01  
PAGE 4  
JAN 20/09

BRI



**BOEING**  
757  
PARTS CATALOG (MAINTENANCE)



Y 55350102 SHT 1 REV 236

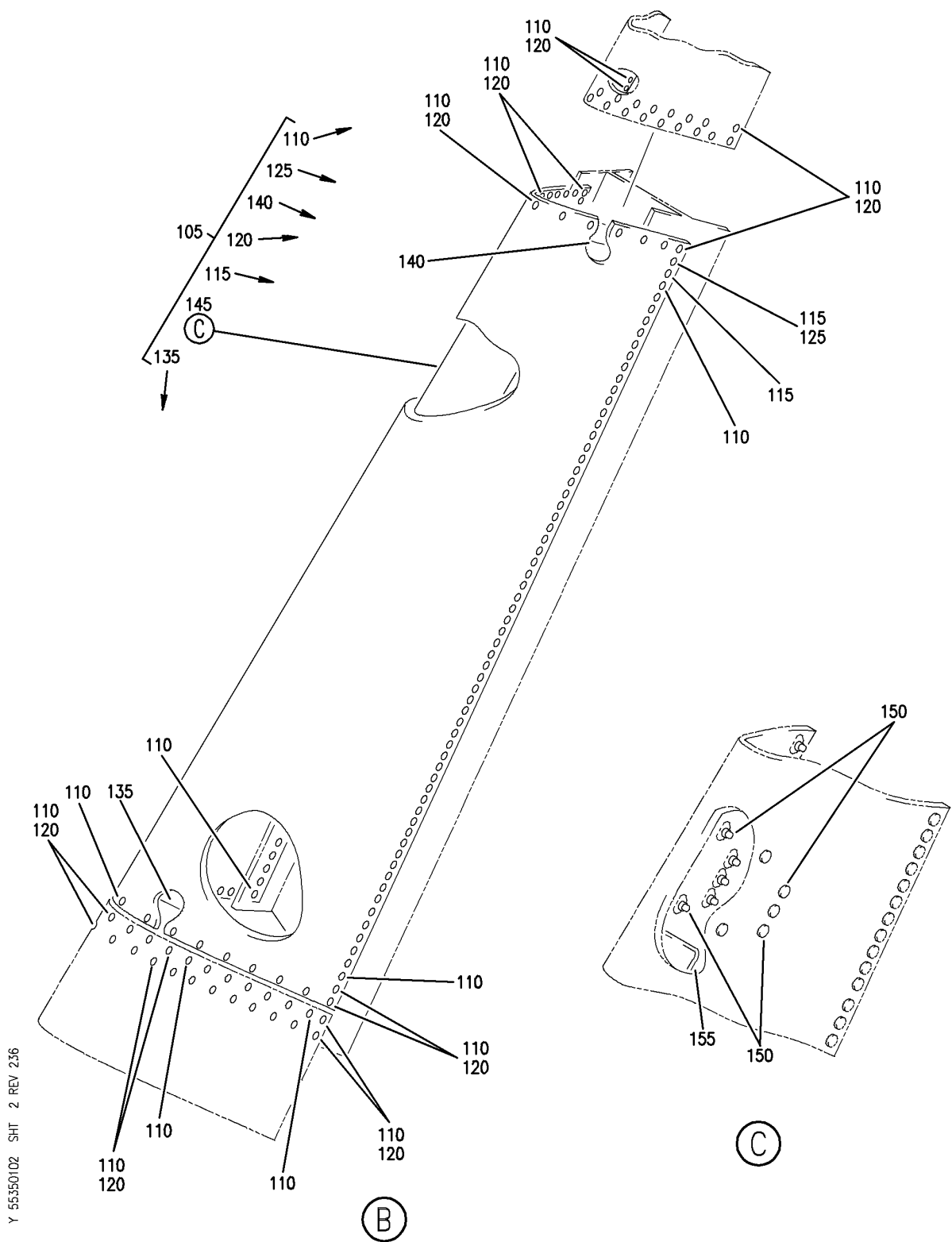
VERTICAL STABILIZER ASSY (LEADING EDGE ONLY)  
FIGURE 2 (SHEET 1)

**55-35-01-02**

BRI  
MAY 28/07

55-35-01-02  
PAGE 0

**BOEING**  
 757  
 PARTS CATALOG (MAINTENANCE)



Y 55350102 SH1 2 REV 236

VERTICAL STABILIZER ASSY (LEADING EDGE ONLY)  
 FIGURE 2 (SHEET 2)

**55-35-01-02**

BRI  
 MAY 28/07

55-35-01-02  
 PAGE 0A



757

PARTS CATALOG (MAINTENANCE)

FIG ITEM	PART NUMBER	1 2 3 4 5 6 7	NOMENCLATURE	EFFECT FROM TO	UNITS PER ASSY
2			VERTICAL STABILIZER ASSY (LEADING EDGE ONLY)	101105 108120 504903	
- 1	170N0005-105		STABILIZER ASSY-VERT. (LEADING EDGE ONLY) FOR NHA/OTHER SYS DET SEE: 55-00-00-01	101102 504903	RF
- 1	170N0005-106		STABILIZER ASSY-VERT. (LEADING EDGE ONLY) FOR NHA/OTHER SYS DET SEE: 55-00-00-01	108120	RF
- 1	170N0005-108		STABILIZER ASSY-VERT. (LEADING EDGE ONLY) FOR NHA/OTHER SYS DET SEE: 55-30-51-02	103105	RF
100	170N0005-4001		.STABILIZER ASSY-VERT.	101105 108120 504903	1
105	174N1104-4001		..PANEL INSTL-LE HF ANT.	101105 108120 504903	1
110	BACB30NN3K6		...BOLT	101105 108120 504903	240
115	BACB30NN4K5		...BOLT	101105 108120 504903	4
120	MF19058-3-4BAC		...NUTPLATE SUPPLIER CODE: V15653 SPECIFICATION NUMBER: BACN10YF34	101105 108120 504903	96
125	MF19058-4-4BAC		...NUTPLATE SUPPLIER CODE: V15653 SPECIFICATION NUMBER: BACN10YF44	101105 108120 504903	2
- 130	BACR15BA3ADN		ATTACHING PARTS ...RIVET- SIZE DETERMINED ON INSTL.  -----*-----	101105 108120 504903	106
135	174N1104-3		...SPLICE ASSY	101105 108120 504903	1
140	174N1104-2		...SPLICE ASSY	101105 108120 504903	1

MISSING ITEM NUMBERS NOT APPLICABLE

- ITEM NOT ILLUSTRATED

55-35-01-02

55-35-01  
FIG. 02  
PAGE 1  
JAN 20/09

BRI



757

PARTS CATALOG (MAINTENANCE)

FIG ITEM	PART NUMBER	1 2 3 4 5 6 7	NOMENCLATURE	EFFECT FROM TO	UNITS PER ASSY
2					
145	174T1103-4001	...	PANEL ASSY	101105 108120 504903	1
150	BACB30LR3-5	....	BOLT	101105 108120 504903	10
155	174T1103-20	....	BRACKET ASSY	101105 108120 504903	1

MISSING ITEM NUMBERS NOT APPLICABLE

- ITEM NOT ILLUSTRATED

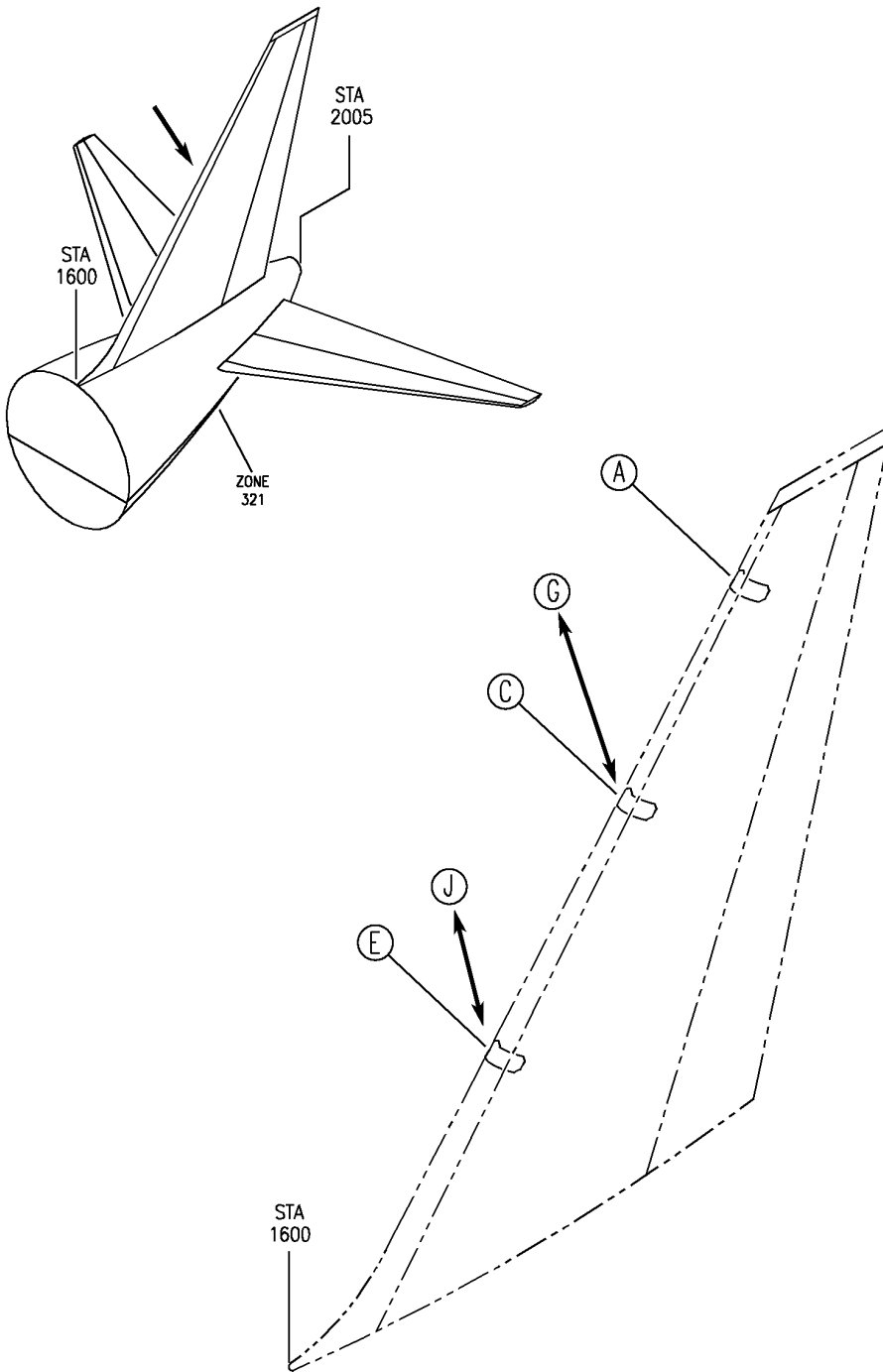
BRI

55-35-01-02

BOEING PROPRIETARY - Copyright © - Unpublished Work - See title page for details.

55-35-01  
FIG. 02  
PAGE 2  
JAN 20/09

**BOEING**  
757  
PARTS CATALOG (MAINTENANCE)



Y 55350103 SHT 1 REV 295

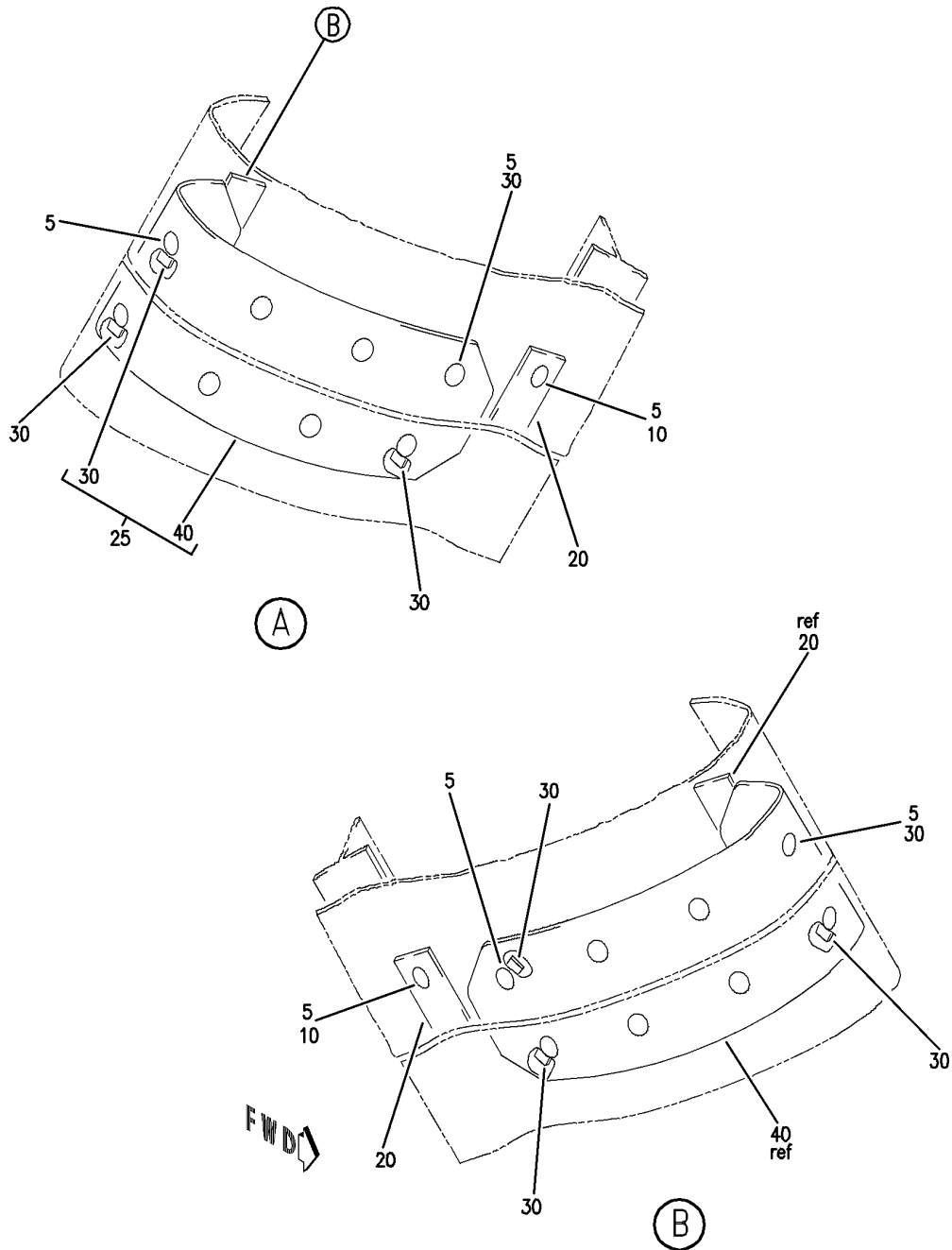
SPLICE INSTL-REM LE PNLS  
FIGURE 3 (SHEET 1)

BRI  
MAY 28/07

**55-35-01-03**

55-35-01-03  
PAGE 0

**BOEING**  
757  
PARTS CATALOG (MAINTENANCE)



Y 55350103 SH1 2 REV 236

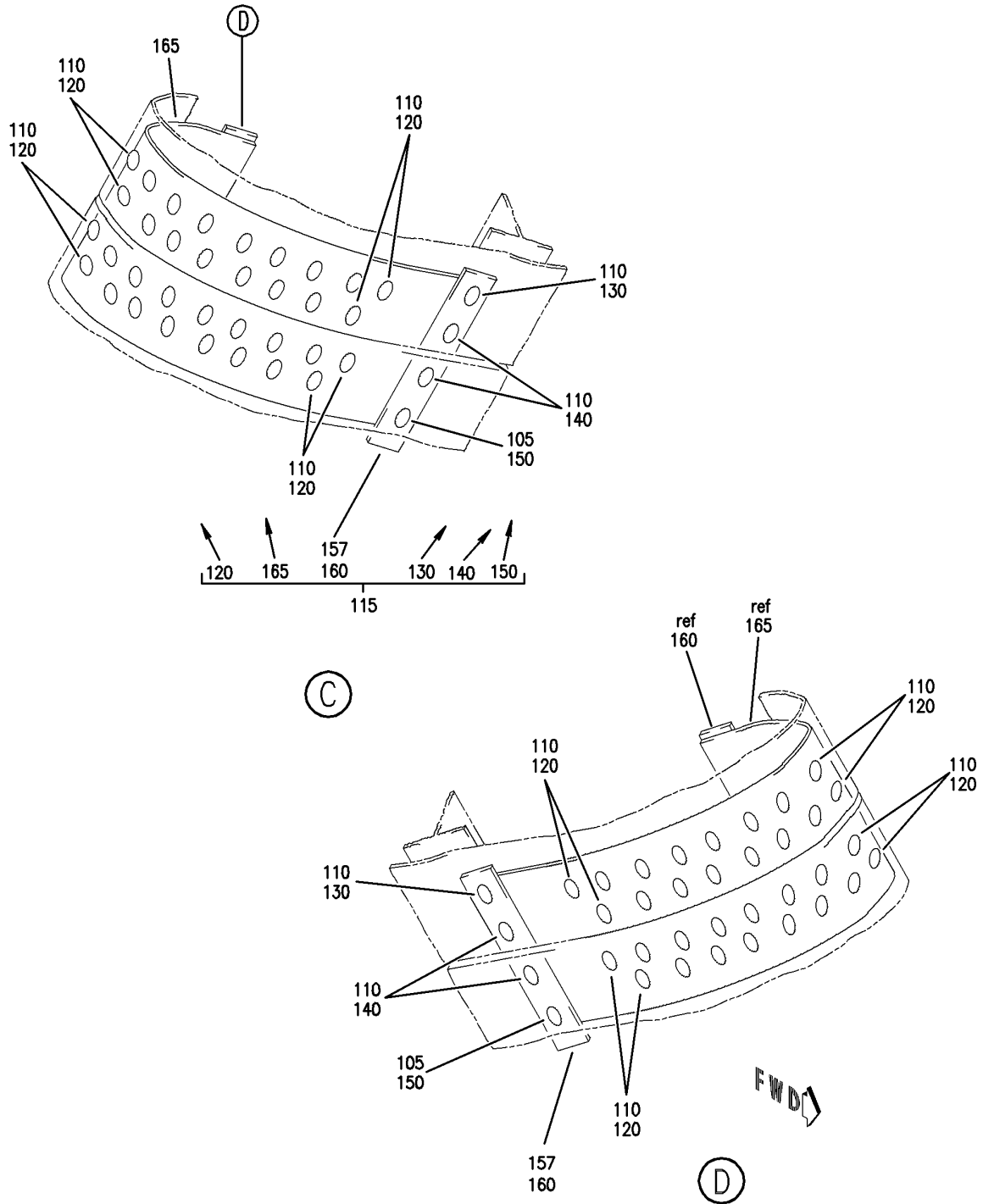
SPLICE INSTL-REM LE PNLS  
FIGURE 3 (SHEET 2)

**55-35-01-03**

BRI  
MAY 28/07

55-35-01-03  
PAGE 0A

**BOEING**  
757  
PARTS CATALOG (MAINTENANCE)



Y 55350103 SHT 3 REV 236

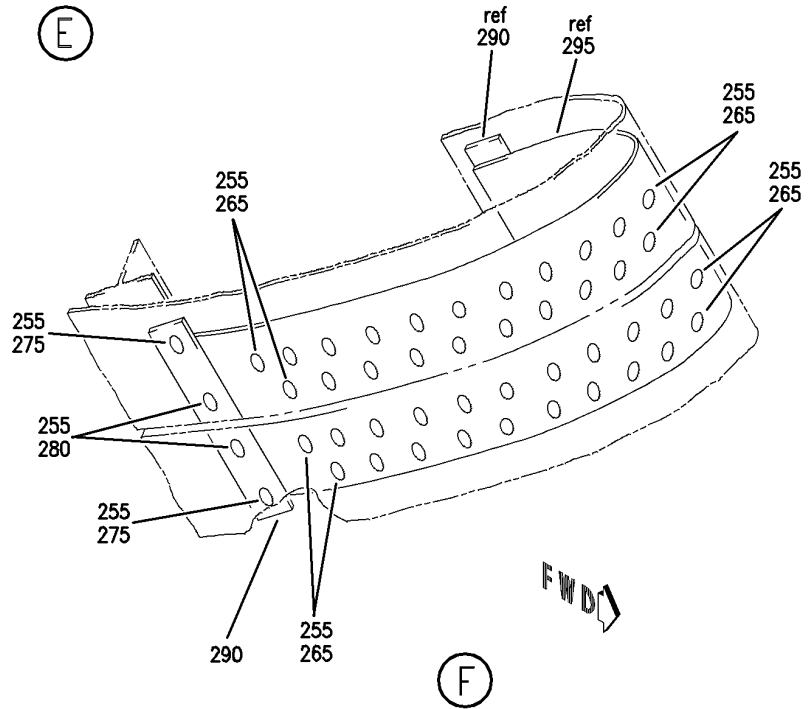
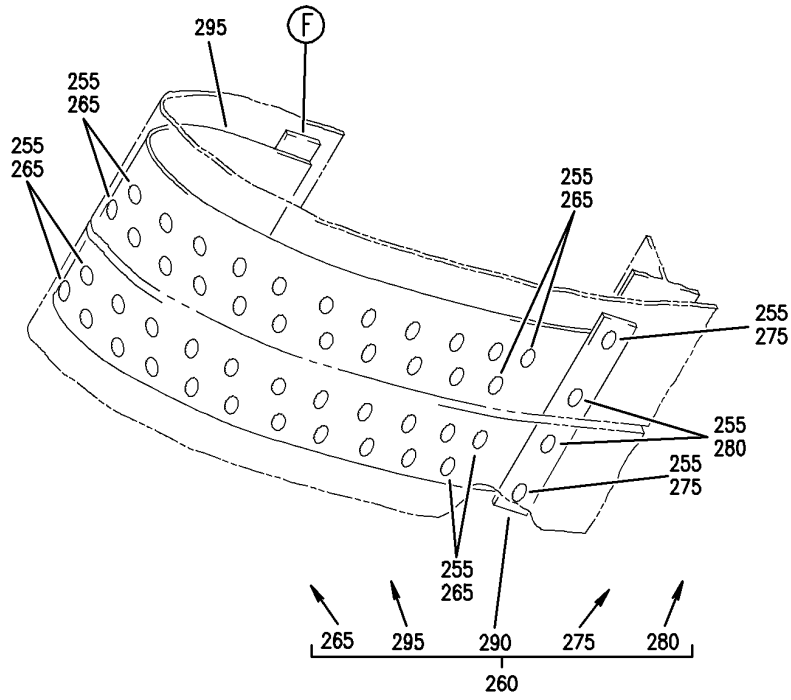
SPLICE INSTL-REM LE PNLS  
FIGURE 3 (SHEET 3)

**55-35-01-03**

BRI  
MAY 28/07

55-35-01-03  
PAGE 0B

**BOEING**  
757  
PARTS CATALOG (MAINTENANCE)



Y 55350103 SH1 4 REV 236

SPLICE INSTL-REM LE PNLS  
FIGURE 3 (SHEET 4)

**55-35-01-03**

BRI  
MAY 28/07

55-35-01-03  
PAGE 0C



**BOEING**  
757  
PARTS CATALOG (MAINTENANCE)



Y 55350103 SH1 5 REV 295

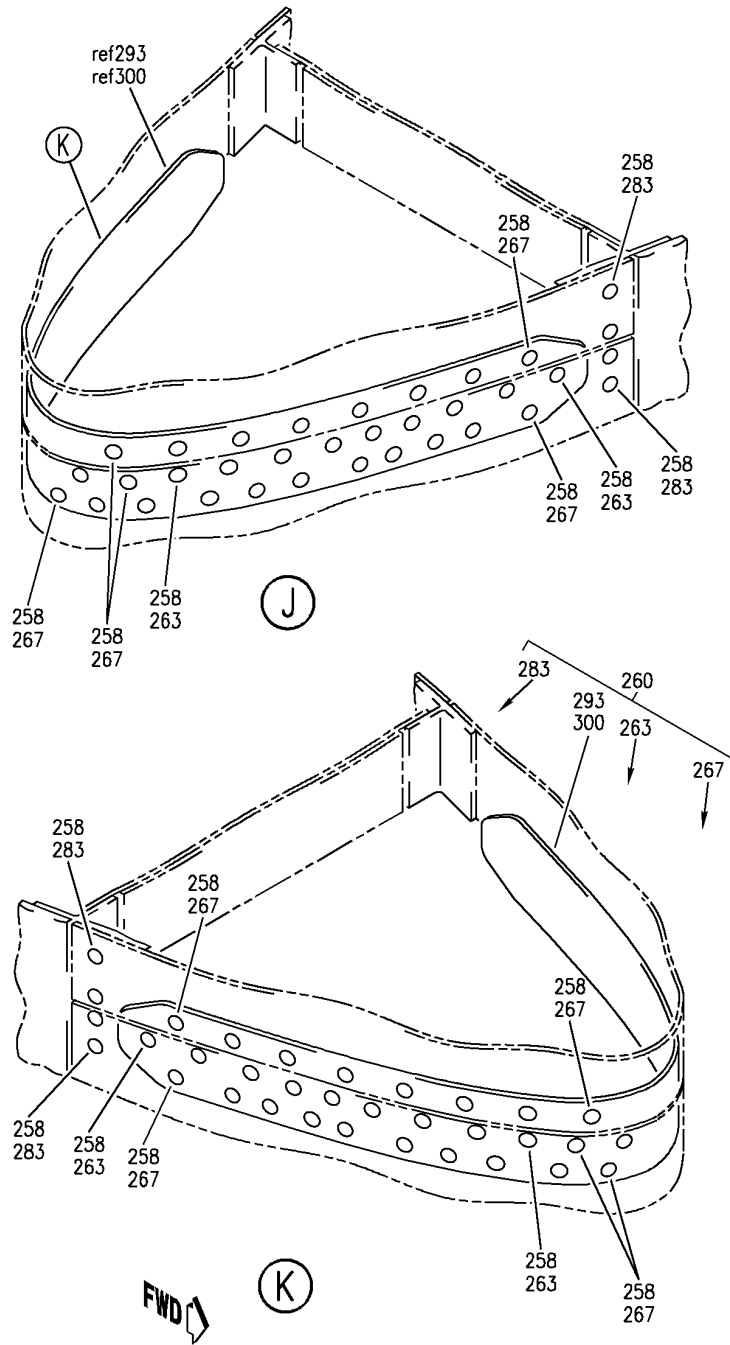
SPLICE INSTL-REM LE PNLS  
FIGURE 3 (SHEET 5)

**55-35-01-03**

BRI  
MAY 28/07

55-35-01-03  
PAGE 0D

**BOEING**  
757  
PARTS CATALOG (MAINTENANCE)



Y 55350103 SH1 6 REV 295

SPLICE INSTL-REM LE PNLS  
FIGURE 3 (SHEET 6)

**55-35-01-03**

BRI  
MAY 28/07

55-35-01-03  
PAGE 0E



757

PARTS CATALOG (MAINTENANCE)

FIG ITEM	PART NUMBER	1 2 3 4 5 6 7	NOMENCLATURE	EFFECT FROM TO	UNITS PER ASSY
3			SPLICE INSTL-REM LE PNLS	002004 006999	
- 1	174N1201-401		SPLICE INSTL-REM LE PNLS VERT. STAB, FOR NHA SEE: 55-30-51-03 55-30-51-04	101106 108120 504903	RF
- 1	174N1201-1		SPLICE INSTL-REM LE PNLS VERT. STAB, FOR NHA SEE: 55-30-51-01	002004 006100 107107 121503 904999	RF
5	BACB30NN3K6		.BOLT	002004 006999	10
10	MF19058-3-2BAC		.NUTPLATE SUPPLIER CODE: V15653 SPECIFICATION NUMBER: BACN10YF32 ATTACHING PARTS	002004 006999	2
- 15	BACR15BA3AD		.RIVET- SIZE DETERMINED ON INSTL. -----*-----	002004 006999	4
20	BACS40R008C015F		.SHIM	101106 108120 504903	2
20	BACS40R08C15F		.SHIM	002004 006100 107107 121503 904999	2
25	174N1201-15		.SPLICE ASSY	101106 108120 504903	1
25	174N1201-4		.SPLICE ASSY	002004 006100 107107 121503 904999	1
30	MF19058-3-4BAC		..NUTPLATE SUPPLIER CODE: V15653 SPECIFICATION NUMBER: BACN10YF34 ATTACHING PARTS	002004 006999	16
- 35	BACR15BA3AD		..RIVET- SIZE DETERMINED ON INSTL. -----*-----	002004 006999	32

MISSING ITEM NUMBERS NOT APPLICABLE

- ITEM NOT ILLUSTRATED

55-35-01-03

55-35-01  
FIG. 03  
PAGE 1  
JAN 20/09

BRI



757

PARTS CATALOG (MAINTENANCE)

FIG ITEM	PART NUMBER	1 2 3 4 5 6 7	NOMENCLATURE	EFFECT FROM TO	UNITS PER ASSY
3 40	174N1201-8	. .	STRAP	002004 006999	1

MISSING ITEM NUMBERS NOT APPLICABLE

- ITEM NOT ILLUSTRATED

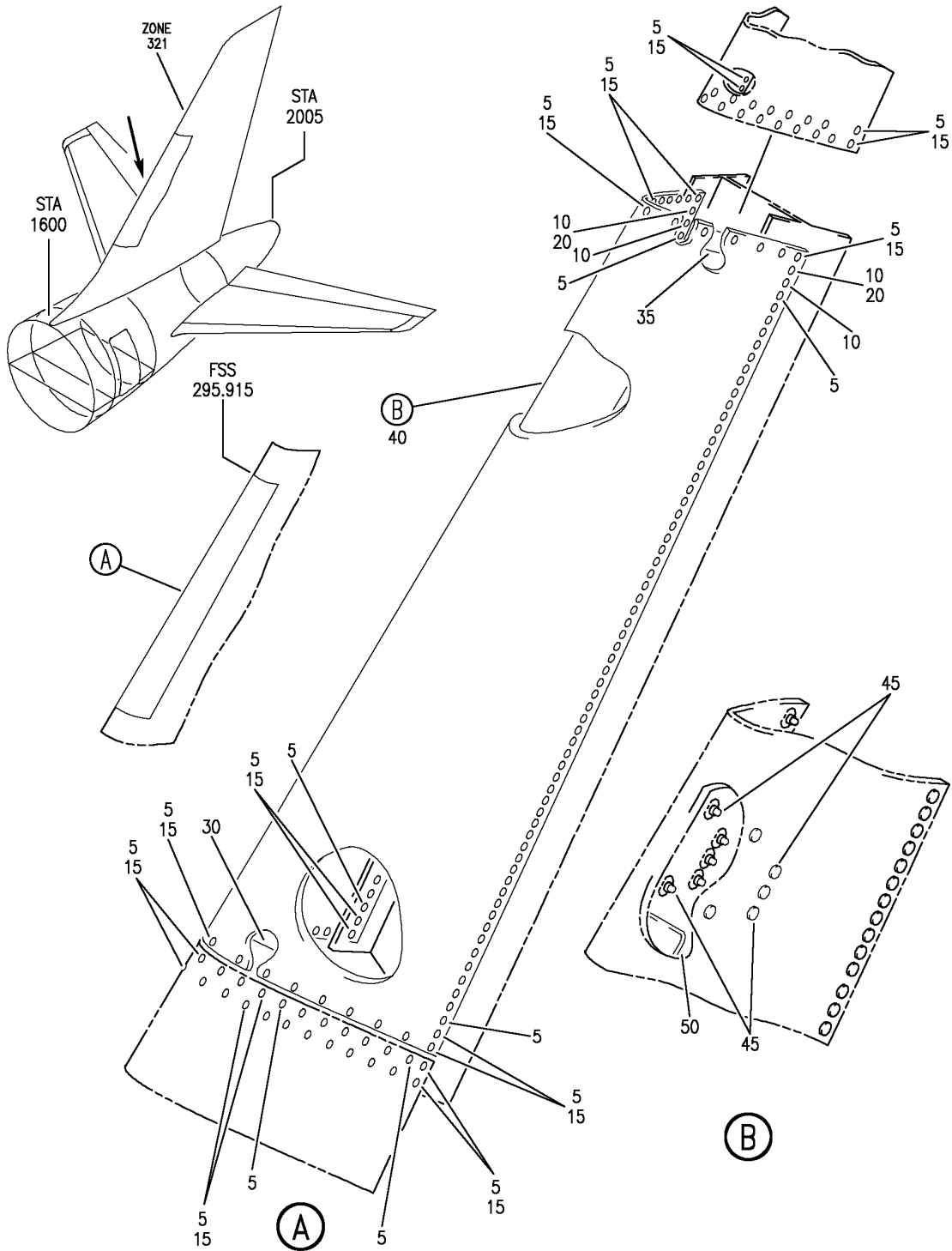
BRI

55-35-01-03

BOEING PROPRIETARY - Copyright © - Unpublished Work - See title page for details.

55-35-01  
FIG. 03  
PAGE 2  
JAN 20/09

**BOEING**  
757  
PARTS CATALOG (MAINTENANCE)



Y 55350104 REV 257

VERTICAL STABILIZER ASSY (LEADING EDGE ONLY)  
FIGURE 4

**55-35-01-04**

BRI  
JAN 20/09

55-35-01-04  
PAGE 0



757

PARTS CATALOG (MAINTENANCE)

FIG ITEM	PART NUMBER	1 2 3 4 5 6 7	NOMENCLATURE	EFFECT FROM TO	UNITS PER ASSY
4			VERTICAL STABILIZER ASSY (LEADING EDGE ONLY)	106106	
- 1	174N1104-4001		PANEL INSTL-LE HF ANT. FOR NHA SEE: 55-30-51-04	106106	RF
5	BACB30NN3K6		.BOLT	106106	240
10	BACB30NN4K5		.BOLT	106106	4
15	MF19058-3-4BAC		.NUTPLATE SUPPLIER CODE: V15653 SPECIFICATION NUMBER: BACN10YF34	106106	96
20	MF19058-4-4BAC		.NUTPLATE SUPPLIER CODE: V15653 SPECIFICATION NUMBER: BACN10YF44	106106	2
- 25	BACR15BA3ADN		ATTACHING PARTS .RIVET- SIZE DETERMINED ON INSTL. -----*-----	106106	106
30	174N1104-3		.SPLICE ASSY	106106	1
35	174N1104-2		.SPLICE ASSY	106106	1
40	174T1103-4001		.PANEL ASSY	106106	1
45	BACB30LR3-5		..BOLT	106106	10
50	174T1103-20		..BRACKET ASSY	106106	1

MISSING ITEM NUMBERS NOT APPLICABLE

- ITEM NOT ILLUSTRATED

BRI

55-35-01-04

BOEING PROPRIETARY - Copyright © - Unpublished Work - See title page for details.

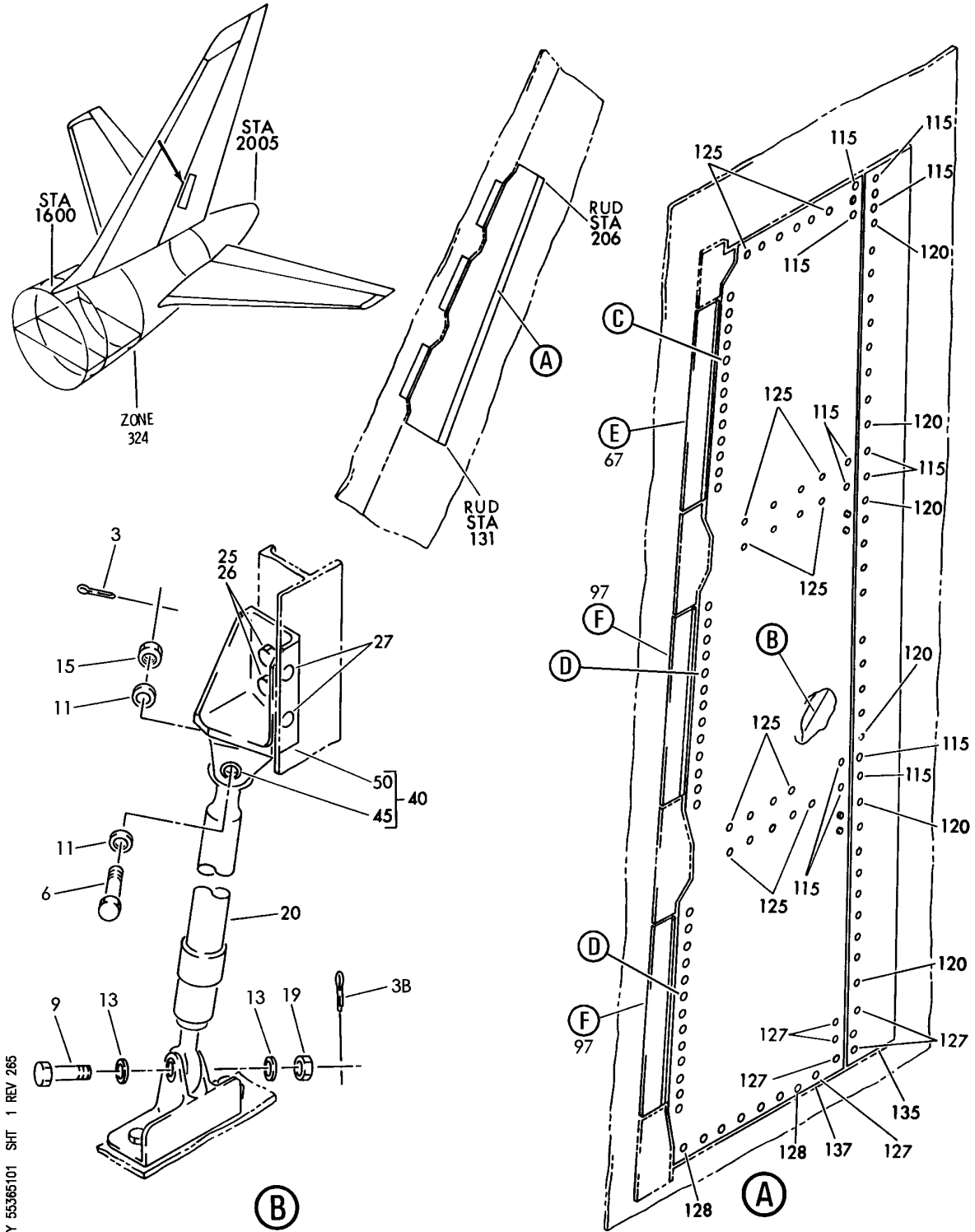
55-35-01  
FIG. 04  
PAGE 1  
JAN 20/09

## VERTICAL STABILIZER TRAILING EDGE

BRI  
MAY 28/07

55-36-00  
SECTION TITLE  
PAGE 1

**BOEING**  
757  
PARTS CATALOG (MAINTENANCE)



Y 55365101 SH1 1 REV 265

PANEL INSTL-RUD STA 131.108 TO 206.006 VERT. STAB. FXD TE  
FIGURE 1 (SHEET 1)

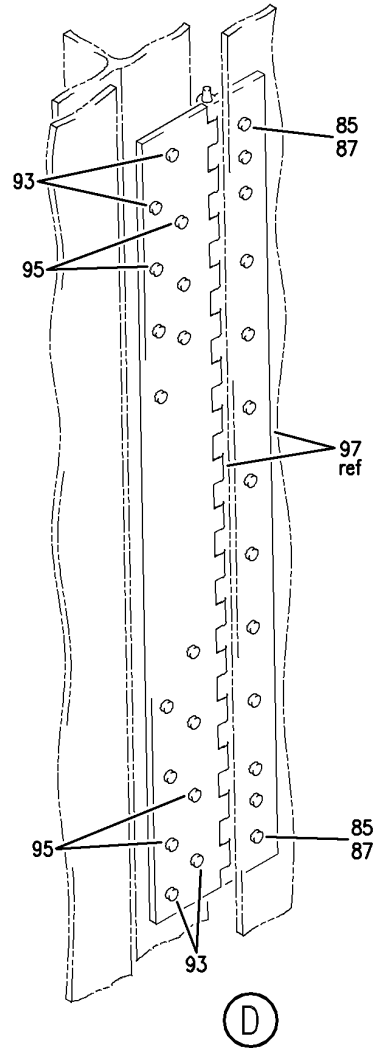
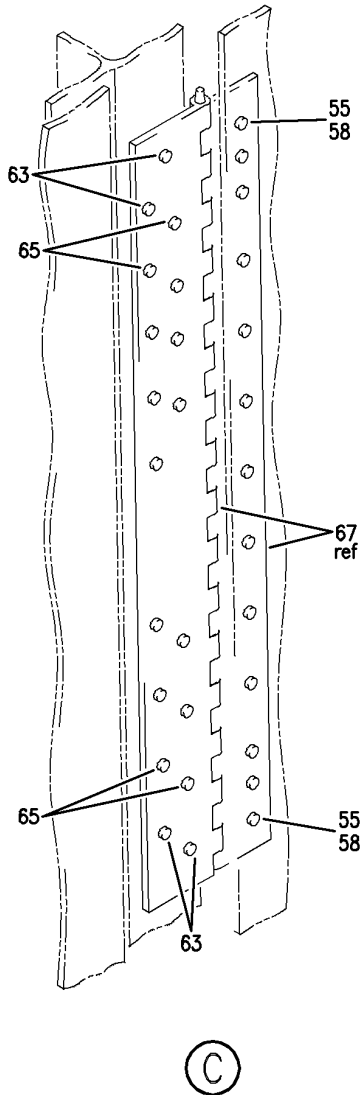
**55-36-51-01**

BRI  
MAY 28/07

55-36-51-01  
PAGE 0



**BOEING**  
757  
**PARTS CATALOG (MAINTENANCE)**



Y 55365101 SH1 2 REV 225

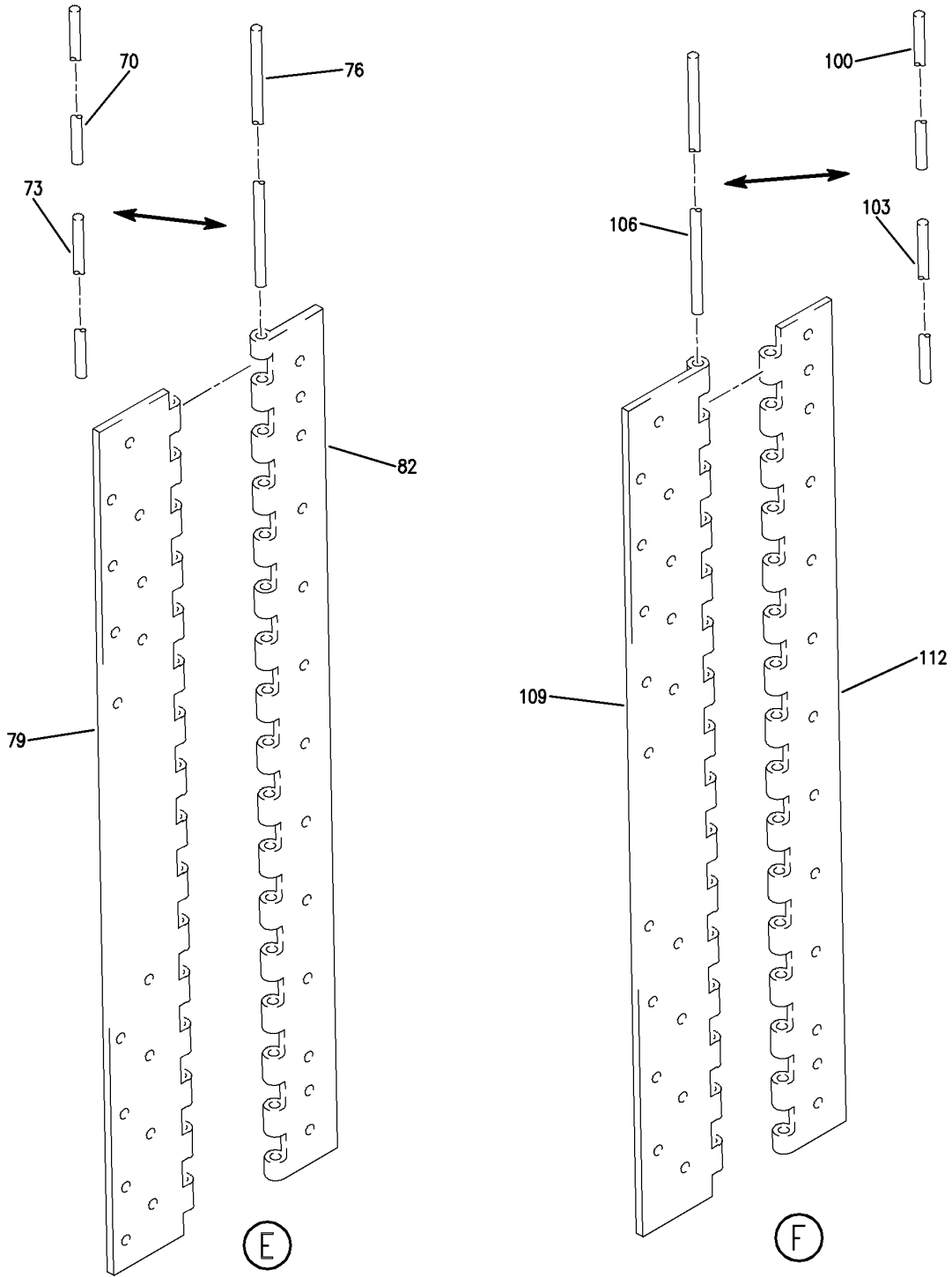
PANEL INSTL-RUD STA 131.108 TO 206.006 VERT. STAB. FXD TE  
FIGURE 1 (SHEET 2)

**55-36-51-01**

BRI  
MAY 28/07

55-36-51-01  
PAGE 0A


**BOEING**  
 757  
**PARTS CATALOG (MAINTENANCE)**



Y 55365101 SHT 3 REV 225

PANEL INSTL-RUD STA 131.108 TO 206.006 VERT. STAB. FXD TE  
 FIGURE 1 (SHEET 3)

BRI  
 MAY 28/07

**55-36-51-01**

55-36-51-01  
 PAGE 0B



757

PARTS CATALOG (MAINTENANCE)

FIG ITEM	PART NUMBER	1 2 3 4 5 6 7	NOMENCLATURE	EFFECT FROM TO	UNITS PER ASSY
1			PANEL INSTL-RUD STA 131.108 TO 206.006 VERT. STAB. FXD TE	002004 006999	
- 1	173N1106-26		PANEL INSTL-RUD VERT. STAB. VERT. STAB. FXD TE (STABILIZERS ONLY) POSITION DATA: STA 131.108 TO 206.006 FOR NHA/OTHER SYS DET SEE: 55-30-51-01	002004 006100 107107 121503 904999	RF
- 1	173N1106-403		PANEL INSTL- VERT. STAB. FXD TE (STABILIZERS ONLY) POSITION DATA: STA 131.108 TO 206.006 LH SIDE FOR NHA/OTHER SYS DET SEE: 55-30-51-03 55-30-51-04	101106 108120 504903	RF
3	MS24665-155		.PIN-	002004 006999	1
3B	MS24665-90		.PIN-	002004 006999	1
6	BACB30NM4DK14		.BOLT-	002004 006999	1
9	BACB30NM3DK17		.BOLT-	002004 006999	1
11	AN960KD416		.WASHER- PRE SERVICE BULLETIN: 55-0004	002004 006100 107107 121503 904999	2
11	NAS1149D0463J		.WASHER	101106 108120 504903	2
13	BACW10P43AL		.WASHER-	002004 006999	2
15	BACN10JD4CD		.NUT-	002004 006999	1
19	BACN10JD3CD		.NUT-	002004 006999	1

MISSING ITEM NUMBERS NOT APPLICABLE

- ITEM NOT ILLUSTRATED

55-36-51-01

55-36-51  
FIG. 01  
PAGE 1  
JAN 20/09

BRI



757

PARTS CATALOG (MAINTENANCE)

FIG ITEM	PART NUMBER	1 2 3 4 5 6 7	NOMENCLATURE	EFFECT FROM TO	UNITS PER ASSY
1	20 55197-4		.STRUT ASSY- SUPPLIER CODE: V84256 SPECIFICATION NUMBER: S149N701-4 OPTIONAL PART: 55197 V84256	002004 006999	1
	25 HL1012AZ6-3		.BOLT SUPPLIER CODE: V97928 SPECIFICATION NUMBER: BACB30NX6K3 OPTIONAL PART: HL12VAZ6-3 V73197 HL12VAZ6-3 V92215 HL12VAZ6-3 V97928 L802-6K3 V06725 HL12VAZ6-3 V56878 HL1012AZ6-3 V0PTK6 HL1012AZ6-3 V06725 HL1012AZ6-3 V06950 HL1012AZ6-3 V17446 HL1012AZ6-3 V56878 HL1012AZ6-3 V60516 HL1012AZ6-3 V73197	002004 006999	2

MISSING ITEM NUMBERS NOT APPLICABLE

- ITEM NOT ILLUSTRATED

55-36-51-01

55-36-51  
FIG. 01  
PAGE 2  
JAN 20/09

BRI



757

PARTS CATALOG (MAINTENANCE)

FIG ITEM	PART NUMBER	1 2 3 4 5 6 7	NOMENCLATURE	EFFECT FROM TO	UNITS PER ASSY
1					
26	HL1187-6		.COLLAR SUPPLIER CODE: V5M902 SPECIFICATION NUMBER: BACC30X6 OPTIONAL PART: HL87-6 V92215 HL87-6 V73197 HL1187-6 V56878 HL1187-6 V92215 HL87-6 V56878 HL1187-6 V73197	002004 006999	2
27	BACR15BA6D		.RIVET- SIZE DETERMINED ON INSTL.	002004 006999	2
40	173N1307-3		.FITTING ASSY-SPRT	002004 006999	1
45	BACB28AP04P009		..BUSHING-	002004 006999	2
50	173N1307-4		..FITTING- USED ON: 173N1307-3	002004 006999	1
55	BACB30NN3K6		.BOLT	002004 006999	13
58	BRFR220A3-4		.NUTPLATE SUPPLIER CODE: V52828 SPECIFICATION NUMBER: BACN10KE3B4 OPTIONAL PART: RMF9213-4-3 V72962 F51750-3-4 V15653 NS103191-02-4 V80539	002004 006999	13
			ATTACHING PARTS		
- 61	BACR15BA3AD		.RIVET- SIZE DETERMINED ON INSTL. -----*-----	002004 006999	26
63	BACR15BA8AD		.RIVET- SIZE DETERMINED ON INSTL.	002004 006999	4
65	BACR15BA6AD		.RIVET- SIZE DETERMINED ON INSTL.	002004 006999	14

MISSING ITEM NUMBERS NOT APPLICABLE

- ITEM NOT ILLUSTRATED

55-36-51-01

55-36-51  
FIG. 01  
PAGE 3  
JAN 20/09

BRI



757

PARTS CATALOG (MAINTENANCE)

FIG ITEM	PART NUMBER	1 2 3 4 5 6 7	NOMENCLATURE	EFFECT FROM TO	UNITS PER ASSY
1					
67	173N1104-38		.HINGE ASSY- USED ON: 173N1106-403	101106 108120 504903	1
70	173N1104-30		..PIN- USED ON: 173N1104-23 173N1104-34 173N1104-38	002004 006999	1
73	173N1104-31		..PIN- USED ON: 173N1104-23 173N1104-34 173N1104-38	002004 006999	1
79	173N1104-42		..HINGE HALF- USED ON: 173N1104-38	101106 108120 504903	1
82	173N1104-40		..HINGE HALF- USED ON: 173N1104-38	101106 108120 504903	1
85	BACB30NN3K6		.BOLT	002004 006999	26
87	BRFR220A3-4		.NUTPLATE SUPPLIER CODE: V52828 SPECIFICATION NUMBER: BACN10KE3B4 OPTIONAL PART: RMF9213-4-3 V72962 F51750-3-4 V15653 NS103191-02-4 V80539 ATTACHING PARTS	002004 006999	26
- 90	BACR15BA3AD		.RIVET- SIZE DETERMINED ON INSTL. -----*-----	002004 006999	52
93	BACR15BA8AD		.RIVET- SIZE DETERMINED ON INSTL.	002004 006999	8
95	BACR15BA6AD		.RIVET- SIZE DETERMINED ON INSTL.	002004 006999	24
97	173N1104-37		.HINGE ASSY- USED ON: 173N1106-403	101106 108120 504903	2
100	173N1104-29		..PIN- USED ON: 173N1104-26 173N1104-35 173N1104-37	002004 006999	1

MISSING ITEM NUMBERS NOT APPLICABLE

- ITEM NOT ILLUSTRATED

55-36-51-01

55-36-51  
FIG. 01  
PAGE 4  
JAN 20/09

BRI

**BOEING**  
757  
**PARTS CATALOG (MAINTENANCE)**

FIG ITEM	PART NUMBER	1 2 3 4 5 6 7	NOMENCLATURE	EFFECT FROM TO	UNITS PER ASSY
1					
103	173N1104-30	..	PIN- USED ON: 173N1104-26 173N1104-35 173N1104-37	002004 006999	1
109	173N1104-41	..	HINGE HALF- USED ON: 173N1104-37	101106 108120 504903	1
112	173N1104-39	..	HINGE HALF	101106 108120 504903	1
115	BACB30LR4-8	.	BOLT-	002004 006100 107107 121503 904999	14
120	BACB30NN3K6	.	BOLT	002004 006999	28
125	BACB30NN3K8	.	BOLT-	002004 006999	23
127	BACB30LR4U8	.	BOLT-	002004 006100 107107 121503 904999	7
127	BACB30LR4-8	.	BOLT-	002004 006999	7
128	BACB30NN3K8	.	BOLT-	002004 006999	7
135	173N1106-25	.	SEAL- MANUFACTURED FROM: EXTR RUBBER 10-60754-641 X 77.00 IN.	002004 006999	1
137	173N1106-28	.	PANEL ASSY-	002004 006100 107107 121503 904999	1

MISSING ITEM NUMBERS NOT APPLICABLE

— ITEM NOT ILLUSTRATED

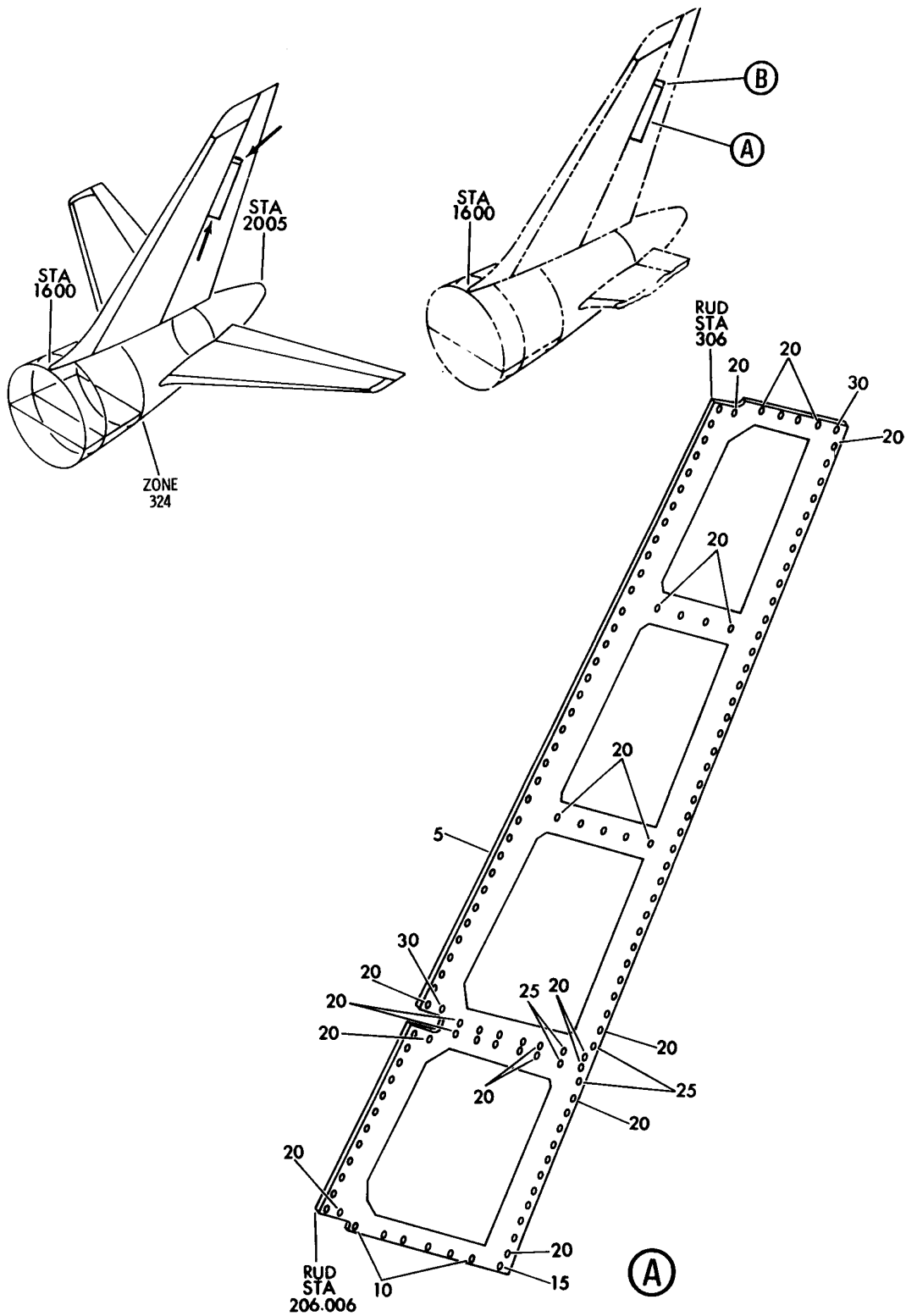
BRI

# 55-36-51-01

BOEING PROPRIETARY - Copyright © - Unpublished Work - See title page for details.

55-36-51  
FIG. 01  
PAGE 5  
JAN 20/09

**BOEING**  
757  
PARTS CATALOG (MAINTENANCE)



Y 55365102 SH1 1 REV 127

PANEL INSTL-RUD STA 206.006 TO 305.871 VERT. STAB. FXD TE  
FIGURE 2 (SHEET 1)

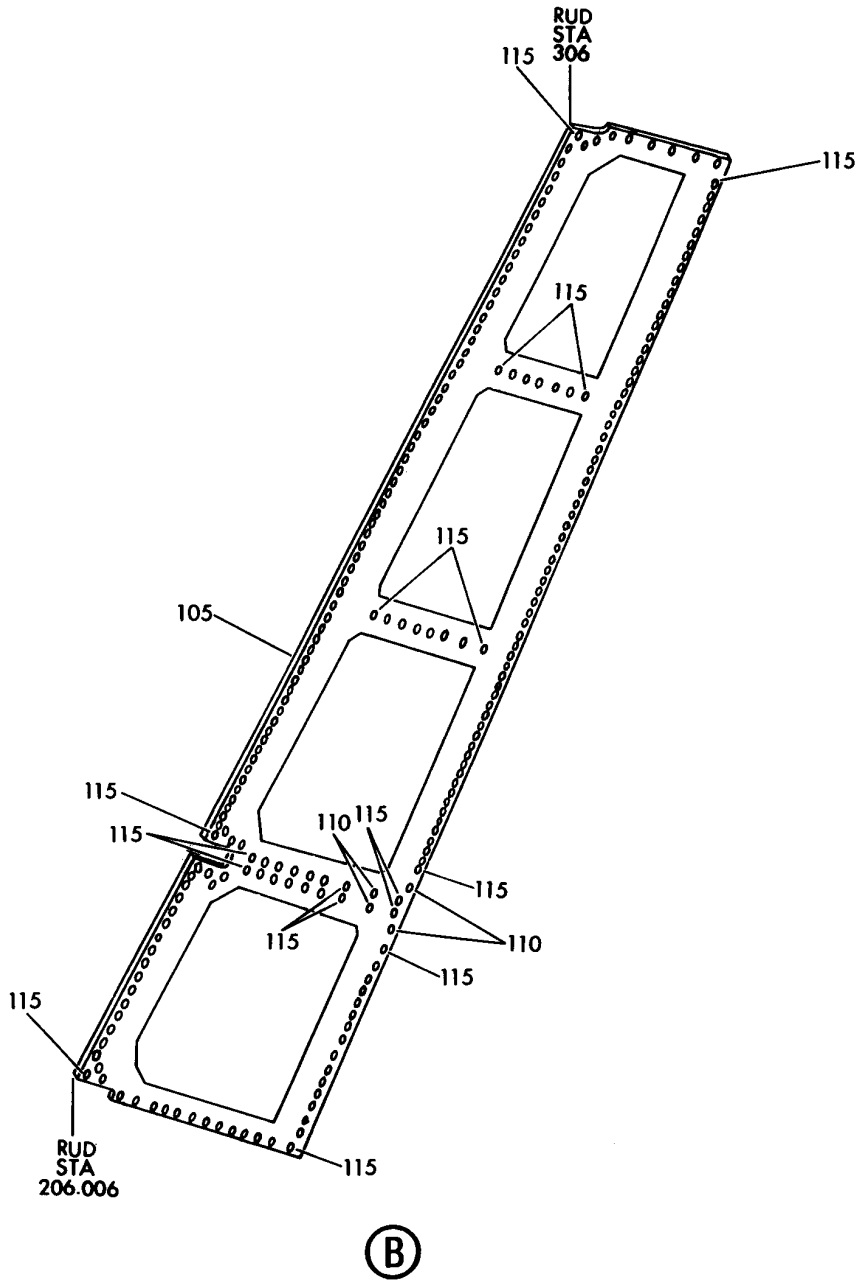
**55-36-51-02**

BRI  
MAY 28/07

55-36-51-02  
PAGE 0



**BOEING**  
757  
PARTS CATALOG (MAINTENANCE)



Y 55365102 SHT 2 REV 127

PANEL INSTL-RUD STA 206.006 TO 305.871 VERT. STAB. FXD TE  
FIGURE 2 (SHEET 2)

**55-36-51-02**

BRI  
MAY 28/07

55-36-51-02  
PAGE 0A

 **BOEING**  
757  
**PARTS CATALOG (MAINTENANCE)**

FIG ITEM	PART NUMBER	1 2 3 4 5 6 7	NOMENCLATURE	EFFECT FROM TO	UNITS PER ASSY
2			PANEL INSTL-RUD STA 206.006 TO 305.871 VERT. STAB. FXD TE	002004 006999	
- 1	173N1107-1		PANEL INSTL-RUD VERT. STAB. FXD TE POSITION DATA: STA 206.006 TO 305.871 FOR NHA SEE: 55-30-51-01	002004 006100 107107 121503 904999	RF
- 1	173N1107-401		PANEL INSTL-RUD VERT. STAB. FXD TE POSITION DATA: STA 206.006 TO 305.87 FOR NHA SEE: 55-30-51-03 55-30-51-04	101106 108120 504903	RF
5	173N1107-13		.PANEL ASSY-	002004 006100 103107 121503 904999	1
10	BACB30LR3-8		ATTACHING PARTS .BOLT-	002004 006999	6
15	BACB30NN4K8		.BOLT	002004 006999	1
20	BACB30LR3-8		.BOLT-	002004 006999	123
25	BACB30NN4K8		.BOLT-	002004 006100 103107 121503 904999	4
30	BACB30LR3-8		.BOLT-	002004 006999	2
- 100	173N1107-2		-----*----- PANEL INSTL-RUD VERT. STAB. FXD TE POSITION DATA: STA 206.006 TO 305.871 FOR NHA SEE: 55-30-51-01	002004 006100 107107 121503 904999	RF
- 100	173N1107-402		PANEL INSTL-RUD VERT. STAB. FXD TE POSITION DATA: STA 206.006 TO 305.87 FOR NHA SEE: 55-30-51-03 55-30-51-04	101106 108120 504903	RF

MISSING ITEM NUMBERS NOT APPLICABLE

- ITEM NOT ILLUSTRATED

BRI

# 55-36-51-02

55-36-51  
FIG. 02  
PAGE 1  
JAN 20/09



757

PARTS CATALOG (MAINTENANCE)

FIG ITEM	PART NUMBER	1 2 3 4 5 6 7	NOMENCLATURE	EFFECT FROM TO	UNITS PER ASSY
2 105	173N1107-14	.	PANEL ASSY	002004 006100 103107 121503 904999	1
110	BACB30NN4K6	.	ATTACHING PARTS BOLT	002004 006999	4
115	BACR15BA6AD	.	RIVET- SIZE DETERMINED ON INSTL. -----*-----	002004 006999	220

MISSING ITEM NUMBERS NOT APPLICABLE

- ITEM NOT ILLUSTRATED

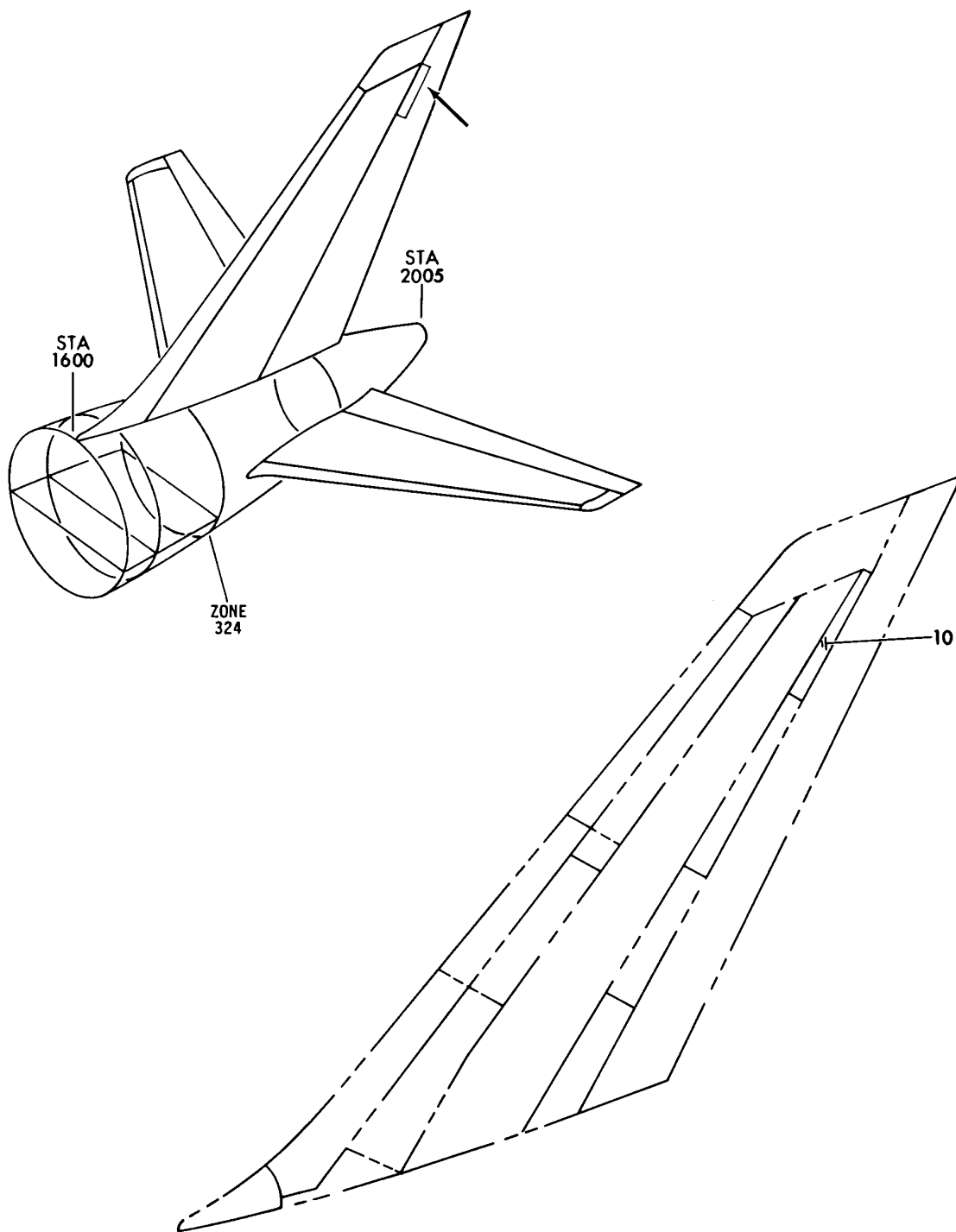
BRI

55-36-51-02

BOEING PROPRIETARY - Copyright © - Unpublished Work - See title page for details.

55-36-51  
FIG. 02  
PAGE 2  
JAN 20/09

**BOEING**  
757  
PARTS CATALOG (MAINTENANCE)



Y 55365103 REV 181

PANEL INSTL-RUD STA 305.871 TO 380.769 FXD TE VERT. STAB.

FIGURE 3

**55-36-51-03**

BRI  
MAY 28/07

55-36-51-03  
PAGE 0



757

PARTS CATALOG (MAINTENANCE)

FIG ITEM	PART NUMBER	1 2 3 4 5 6 7	NOMENCLATURE	EFFECT FROM TO	UNITS PER ASSY
3			PANEL INSTL-RUD STA 305.871 TO 380.769 FXD TE VERT. STAB.	101106 108120 504903	
- 1	173N1108-401		PANEL INSTL-RUD FXD TE VERT. STAB. POSITION DATA: STA 305.871-STA 380.769 LH FOR NHA SEE: 55-30-51-03 55-30-51-04	101106 108120 504903	RF
- 5	173N1108-402		PANEL INSTL-RUD FXD TE VERT. STAB. POSITION DATA: STA 305.871-STA 380.769 RH FOR NHA SEE: 55-30-51-03 55-30-51-04	101106 108120 504903	RF
10	173N1108-11		.PANEL ASSY- POSITION DATA: LH SIDE	101106 108120 504903	1
- 15	173N1108-12		.PANEL ASSY- POSITION DATA: RH SIDE	101106 108120 504903	1
- 20	BACB30LH3-6		ATTACHING PARTS .BOLT	101106 108120 504903	87
			-----*-----		

MISSING ITEM NUMBERS NOT APPLICABLE

- ITEM NOT ILLUSTRATED

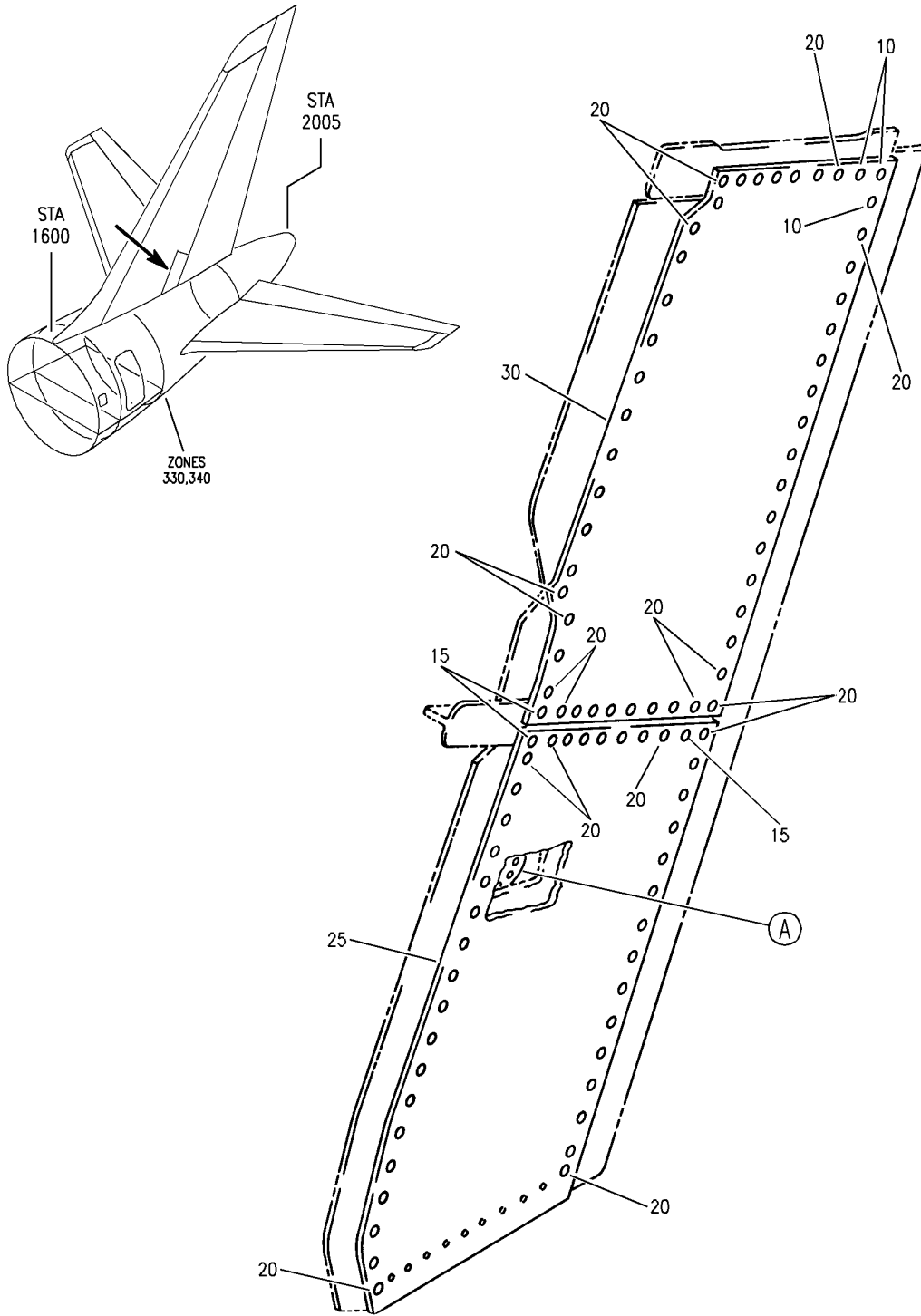
BRI

55-36-51-03

BOEING PROPRIETARY - Copyright © - Unpublished Work - See title page for details.

55-36-51  
FIG. 03  
PAGE 1  
JAN 20/09

**BOEING**  
 757  
 PARTS CATALOG (MAINTENANCE)



Y 55365104 SHT 1 REV 237

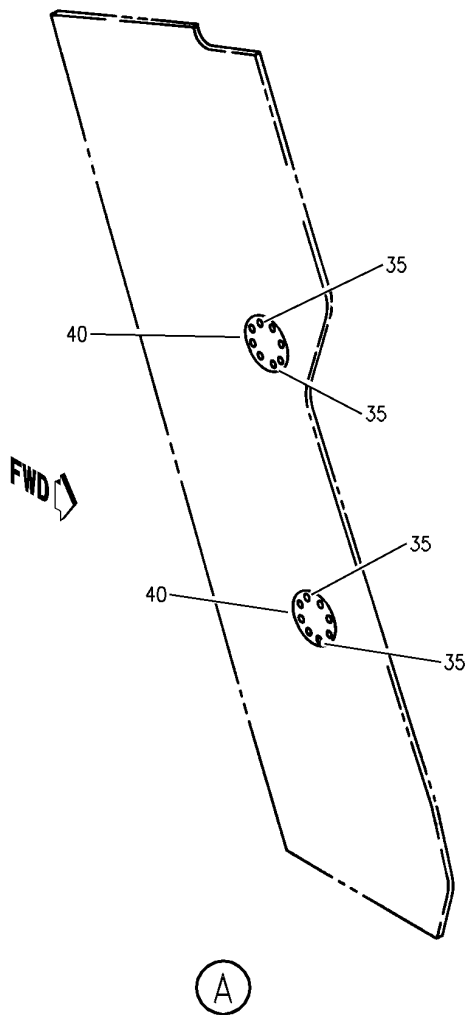
PANEL INSTL-RUD STA STA 57 TO 131.108 VERT. STAB. FXD TE  
 FIGURE 4 (SHEET 1)

**55-36-51-04**

BRI  
 MAY 28/07

55-36-51-04  
 PAGE 0

**BOEING**  
757  
PARTS CATALOG (MAINTENANCE)



Y 55365104 SH1 2 REV 237

PANEL INSTL-RUD STA STA 57 TO 131.108 VERT. STAB. FXD TE  
FIGURE 4 (SHEET 2)

**55-36-51-04**

BRI  
MAY 28/07

55-36-51-04  
PAGE 0A



757

PARTS CATALOG (MAINTENANCE)

FIG ITEM	PART NUMBER	1 2 3 4 5 6 7	NOMENCLATURE	EFFECT FROM TO	UNITS PER ASSY
4			PANEL INSTL-RUD STA STA 57 TO 131.108 VERT. STAB. FXD TE	002004 006100 107107 121503 904999	
- 1	173N1105-1		PANEL INSTL-RUD FXD TE POSITION DATA: STA 57 TO 131.108 LH FOR NHA SEE: 55-30-51-01	002004 006100 107107 121503 904999	RF
- 5	173N1105-2		PANEL INSTL-RUD FXD TE POSITION DATA: STA 57 TO 131.108 RH FOR NHA SEE: 55-30-51-01	002004 006100 107107 121503 904999	RF
10	BACB30LR4-6		.BOLT-BONDING FASTENER POSITION DATA: LH SIDE	002004 006100 107107 121503 904999	3
15	BACB30LR3-8		.BOLT- POSITION DATA: LH SIDE	002004 006100 107107 121503 904999	3
20	BACB30LR3-8		.BOLT- POSITION DATA: LH SIDE	002004 006100 107107 121503 904999	86
25	173N1105-23		.PANEL ASSY- POSITION DATA: LH SIDE	002004 006100 107107 121503 904999	1
30	173N1105-25		.PANEL ASSY- POSITION DATA: LH SIDE	002004 006100 107107 121503 904999	1
35	BACB30LH3U3		.BOLT-BONDING FASTENER POSITION DATA: RH SIDE	002004 006100 107107 121503 904999	16

MISSING ITEM NUMBERS NOT APPLICABLE

- ITEM NOT ILLUSTRATED

55-36-51-04

55-36-51  
FIG. 04  
PAGE 1  
JAN 20/09

BRI





757

PARTS CATALOG (MAINTENANCE)

FIG ITEM	PART NUMBER	1 2 3 4 5 6 7	NOMENCLATURE	EFFECT FROM TO	UNITS PER ASSY
4 40	173N1105-12		.PLATE- POSITION DATA: RH SIDE	002004 006100 107107 121503 904999	2

MISSING ITEM NUMBERS NOT APPLICABLE

- ITEM NOT ILLUSTRATED

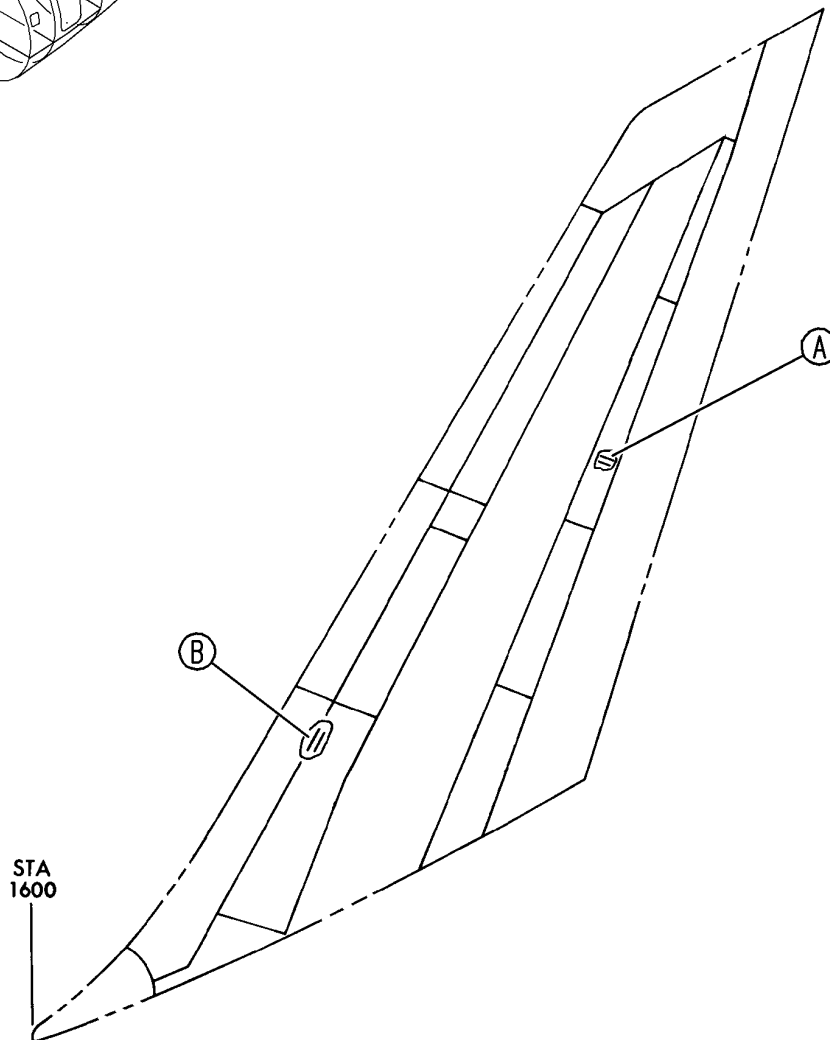
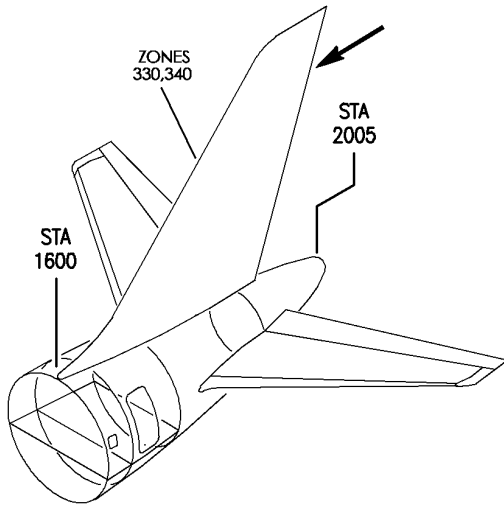
BRI

55-36-51-04

BOEING PROPRIETARY - Copyright © - Unpublished Work - See title page for details.

55-36-51  
FIG. 04  
PAGE 2  
JAN 20/09

**BOEING**  
757  
PARTS CATALOG (MAINTENANCE)



Y 55365106 SH1 1 REV 237

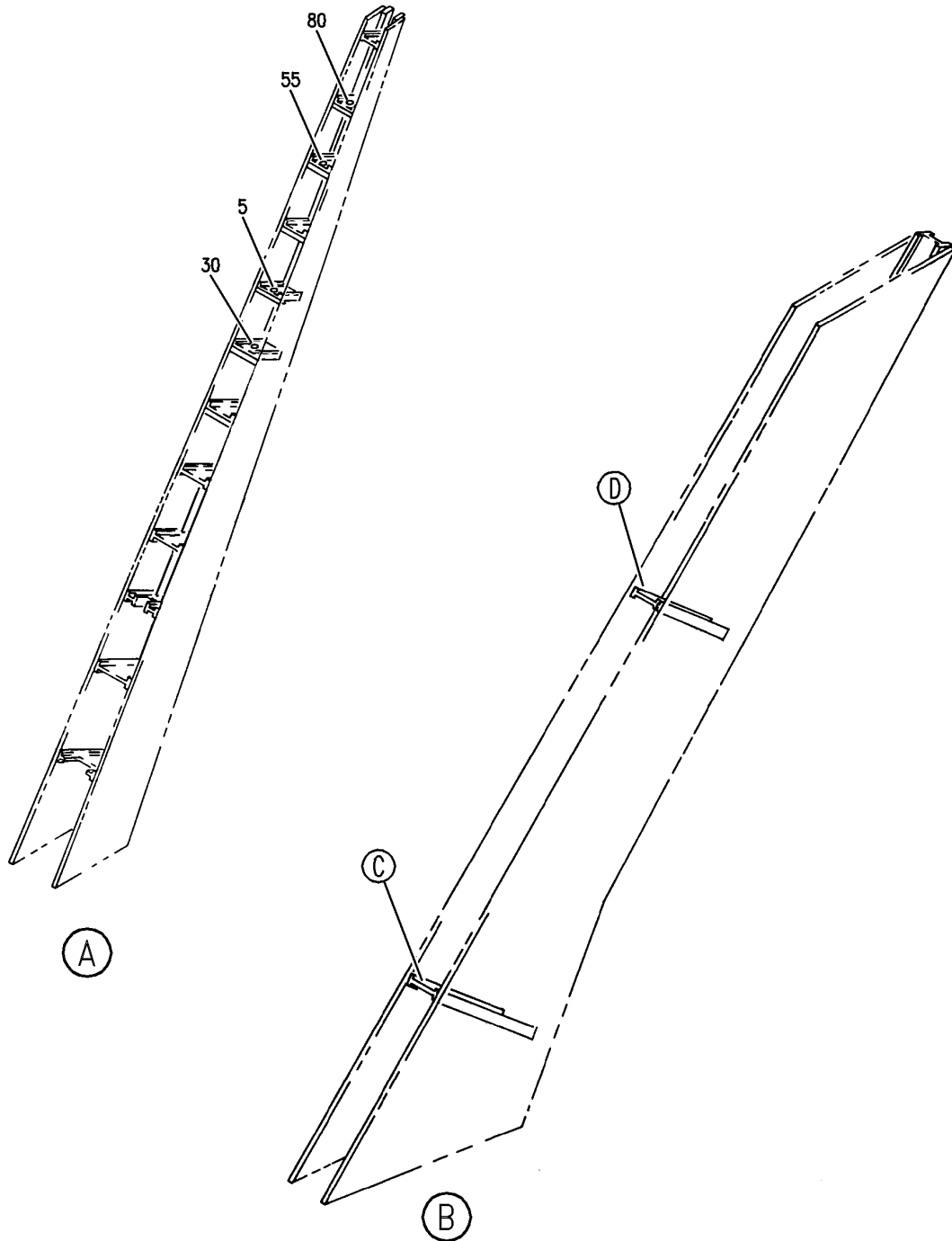
RIB INSTL-RUD FXD TE FIN. TORQUE BOX  
FIGURE 6 (SHEET 1)

**55-36-51-06**

BRI  
MAY 28/07

55-36-51-06  
PAGE 0

**BOEING**  
757  
PARTS CATALOG (MAINTENANCE)



Y 55365106 SHT 2 REV 237

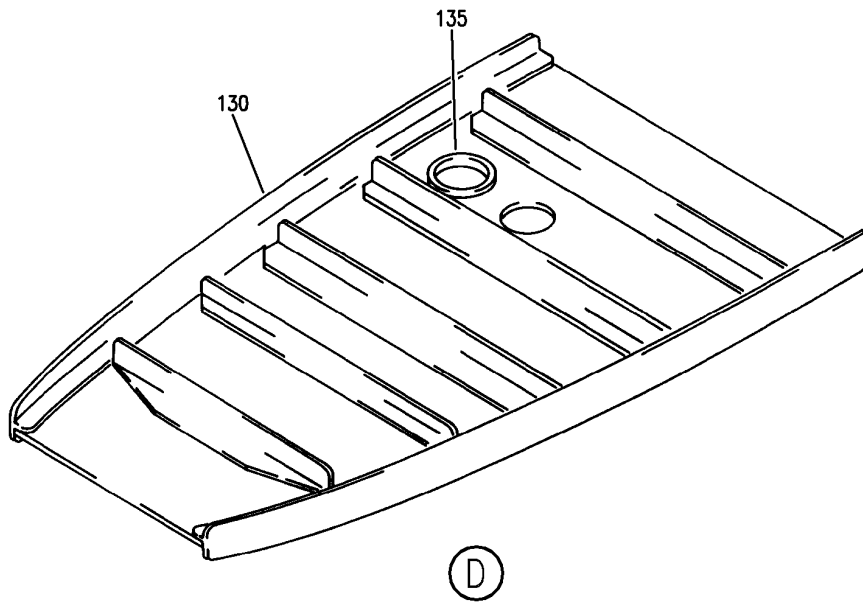
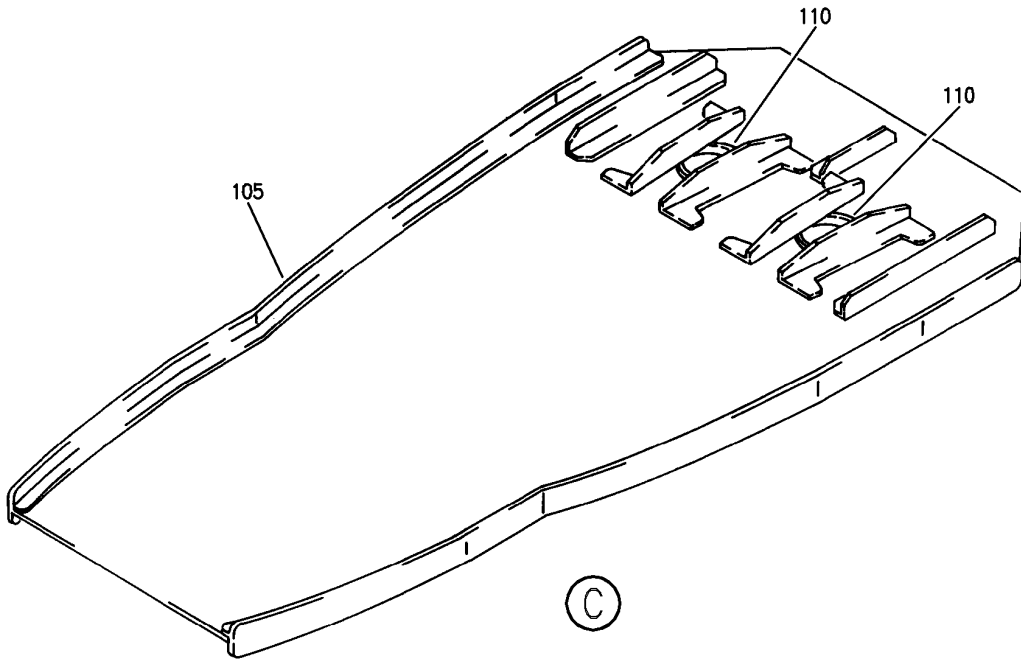
RIB INSTL-RUD FXD TE FIN. TORQUE BOX  
FIGURE 6 (SHEET 2)

**55-36-51-06**

BRI  
MAY 28/07

55-36-51-06  
PAGE 0A

**BOEING**  
757  
PARTS CATALOG (MAINTENANCE)



Y 55365106 SH1 3 REV 237

RIB INSTL-RUD FXD TE FIN. TORQUE BOX  
FIGURE 6 (SHEET 3)

**55-36-51-06**

BRI  
MAY 28/07

55-36-51-06  
PAGE 0B



757

PARTS CATALOG (MAINTENANCE)

FIG ITEM	PART NUMBER	1 2 3 4 5 6 7	NOMENCLATURE	EFFECT FROM TO	UNITS PER ASSY
6			RIB INSTL-RUD FXD TE FIN. TORQUE BOX	002004 006100 107107 121503 904999	
- 1	173N1210-1		RIB INSTL-RUD FXD TE POSITION DATA: STA 280.904 FOR NHA SEE: 55-30-51-01	002004 006100 107107 121503 904999	RF
	5 BACG20AD1900		.GROMMET	002004 006100 107107 121503 904999	1
- 25	173N1209-1		RIB INSTL-RUD FXD TE POSITION DATA: STA 255.938 FOR NHA SEE: 55-30-51-01	002004 006100 107107 121503 904999	RF
	30 BACG20AD1900		.GROMMET	002004 006100 107107 121503 904999	1
- 50	173N1212-1		RIB INSTL-RUD FXD TE POSITION DATA: STA 330.837 FOR NHA SEE: 55-30-51-01	002004 006100 107107 121503 904999	RF
	55 BACG20AD1900		.GROMMET	002004 006100 107107 121503 904999	1
- 75	173N1213-1		RIB INSTL-RUD FXD TE POSITION DATA: STA 355.803 FOR NHA SEE: 55-30-51-01	002004 006100 107107 121503 904999	RF
	80 BACG20AD1900		.GROMMET	002004 006100 107107 121503 904999	1

MISSING ITEM NUMBERS NOT APPLICABLE

- ITEM NOT ILLUSTRATED

55-36-51-06

55-36-51  
FIG. 06  
PAGE 1  
JAN 20/09

BRI

**BOEING**  
757  
PARTS CATALOG (MAINTENANCE)

FIG ITEM	PART NUMBER	1 2 3 4 5 6 7	NOMENCLATURE	EFFECT FROM TO	UNITS PER ASSY
6					
- 100	175N3000-1		RIB INSTL-FIN TORQUE BOX POSITION DATA: STA 92.250 FWD FOR NHA SEE: 55-30-51-01	002004 006100 107107 121503 904999	RF
105	175N3000-2		.RIB ASSY	002004 006100 107107 121503 904999	1
110	BACG20AD950		..GROMMET	002004 006100 107107 121503 904999	2
- 125	175N3007-1		RIB INSTL-FIN TORQUE BOX POSITION DATA: STA 270.784 FWD FOR NHA SEE: 55-30-51-01	002004 006100 107107 121503 904999	RF
130	175N3007-2		.RIB ASSY	002004 006100 107107 121503 904999	1
135	BACG20AD1900		..GROMMET	002004 006100 107107 121503 904999	AR

MISSING ITEM NUMBERS NOT APPLICABLE

- ITEM NOT ILLUSTRATED

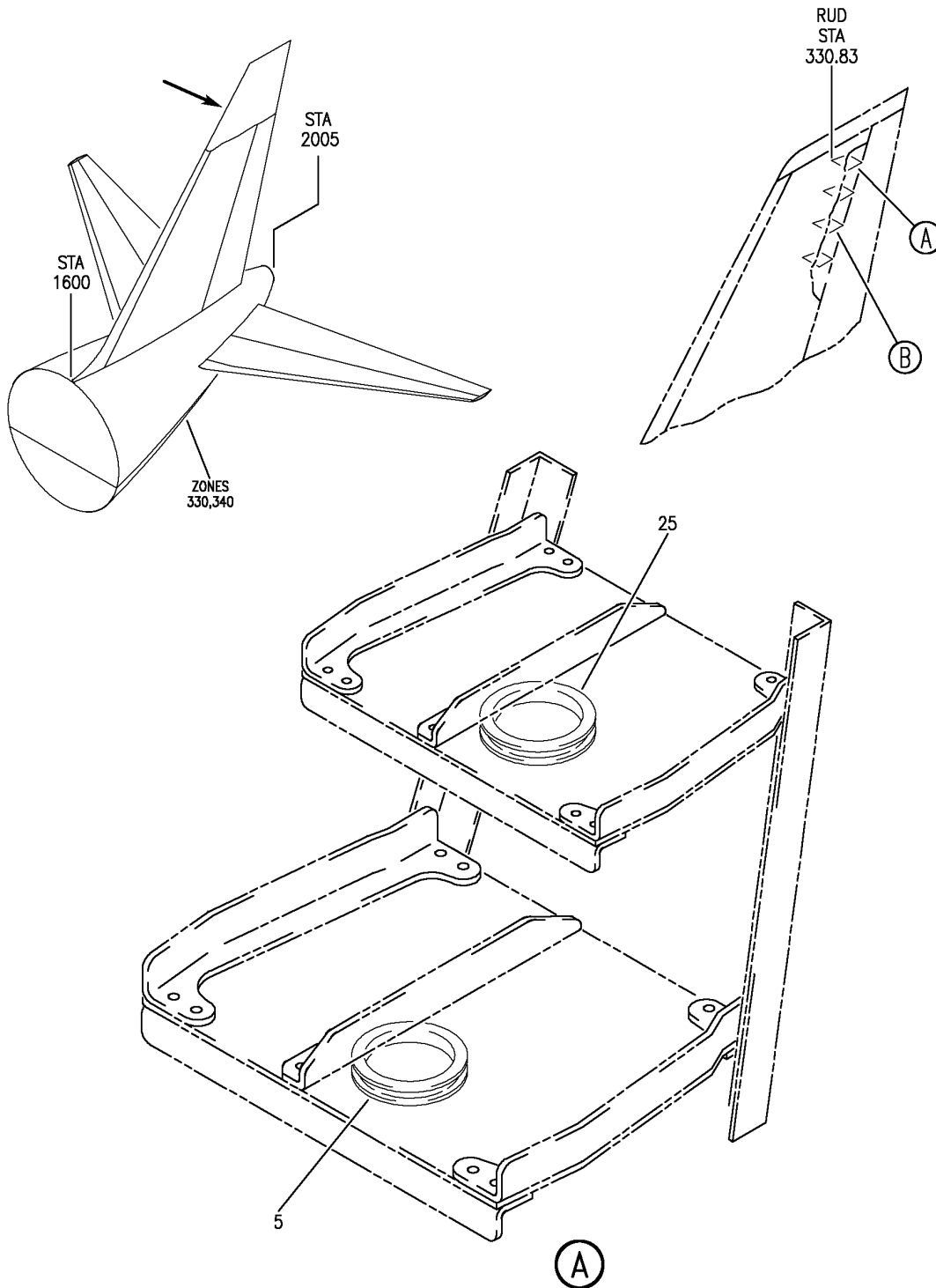
BRI

# 55-36-51-06

BOEING PROPRIETARY - Copyright © - Unpublished Work - See title page for details.

55-36-51  
FIG. 06  
PAGE 2  
JAN 20/09

**BOEING**  
757  
PARTS CATALOG (MAINTENANCE)



Y 55365107 SHT 1 REV 257

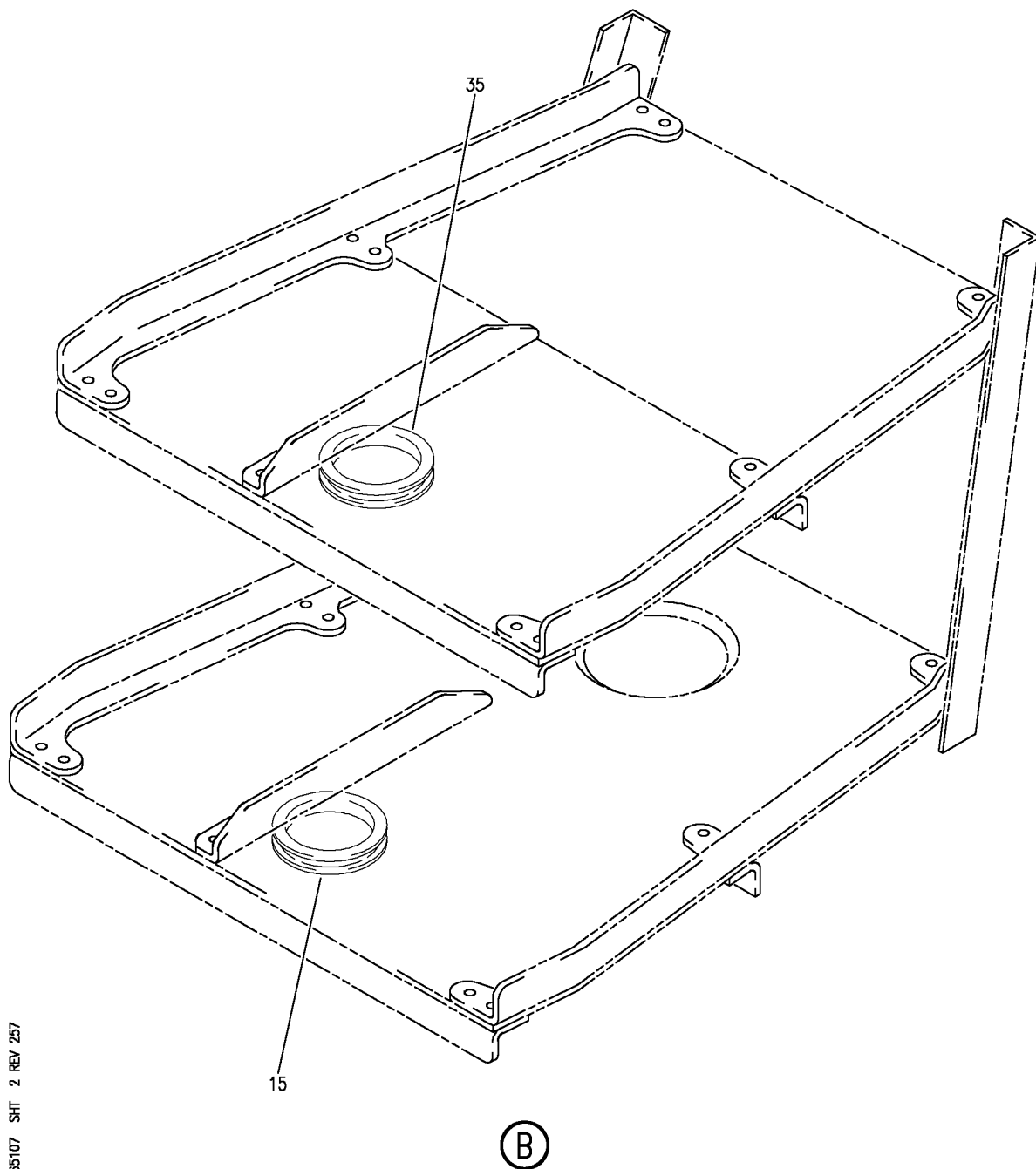
RIB INSTL-RUD FXD TE  
FIGURE 7 (SHEET 1)

**55-36-51-07**

BRI  
MAY 28/07

55-36-51-07  
PAGE 0

**BOEING**  
757  
PARTS CATALOG (MAINTENANCE)



Y 55365107 SH1 2 REV 257

RIB INSTL-RUD FXD TE  
FIGURE 7 (SHEET 2)

**55-36-51-07**

BRI  
MAY 28/07

55-36-51-07  
PAGE 0A





757

PARTS CATALOG (MAINTENANCE)

FIG ITEM	PART NUMBER	1 2 3 4 5 6 7	NOMENCLATURE	EFFECT FROM TO	UNITS PER ASSY
7			RIB INSTL-RUD FXD TE	101106 108120 504903	
- 1	173N1212-401		RIB INSTL-RUD FXD TE POSITION DATA: STA. 330.837 FOR NHA SEE: 55-30-51-03 55-30-51-04	101106 108120 504903	RF
	5 BACG20AD1900		.GROMMET	101106 108120 504903	1
- 10	173N1209-401		RIB INSTL-RUD FXD TE POSITION DATA: STA. 255.938 FOR NHA SEE: 55-30-51-03 55-30-51-04	101106 108120 504903	RF
	15 BACG20AD1900		.GROMMET	101106 108120 504903	1
- 20	173N1213-401		RIB INSTL-RUD FXD TE POSITION DATA: STA. 355.803 FOR NHA SEE: 55-30-51-03 55-30-51-04	101106 108120 504903	RF
	25 BACG20AD1900		.GROMMET	101106 108120 504903	1
- 30	173N1210-401		RIB INSTL-RUD FXD TE POSITION DATA: STA. 280.904 FOR NHA SEE: 55-30-51-03 55-30-51-04	101106 108120 504903	RF
	35 BACG20AD1900		.GROMMET	101106 108120 504903	1

MISSING ITEM NUMBERS NOT APPLICABLE

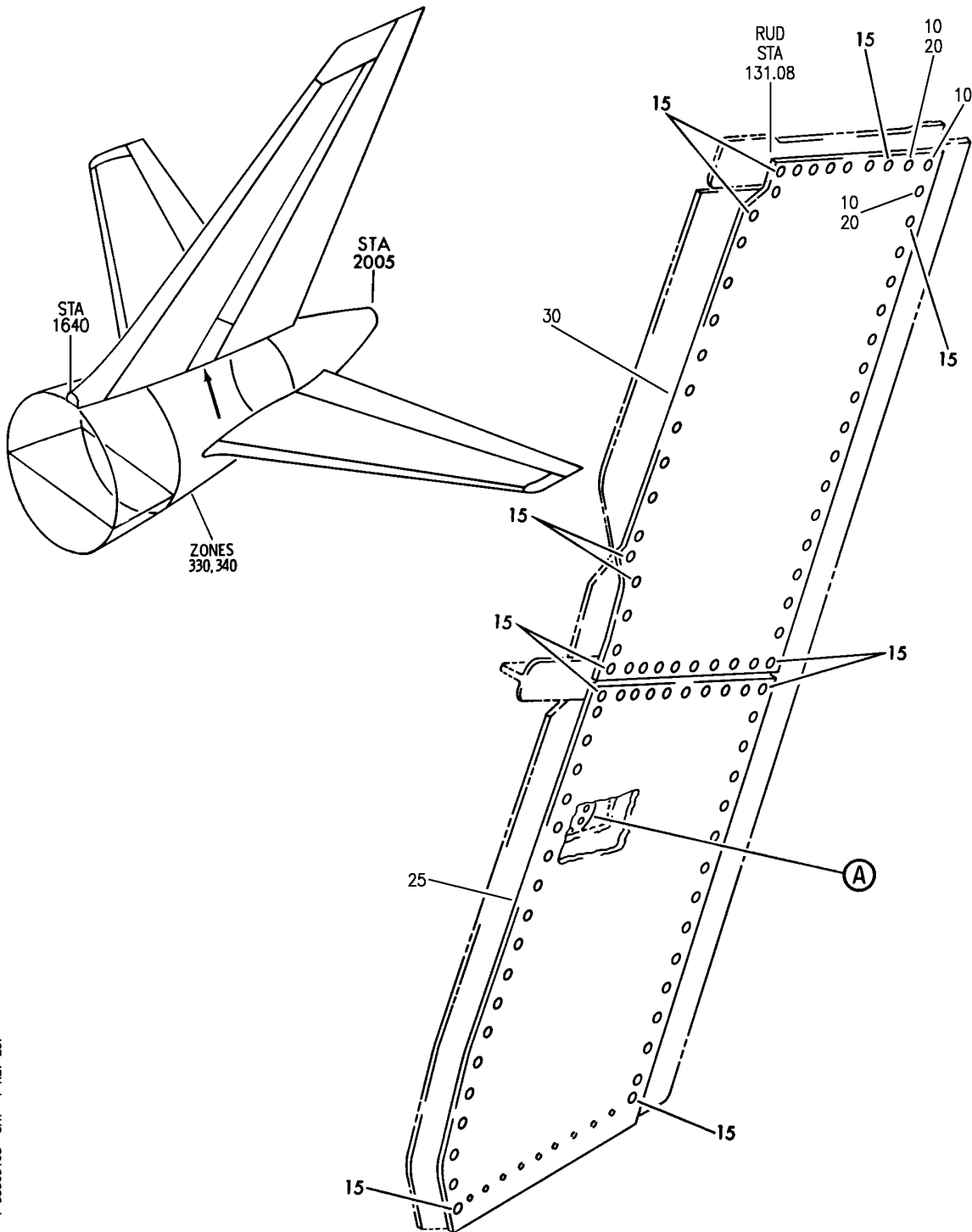
- ITEM NOT ILLUSTRATED

55-36-51-07

55-36-51  
FIG. 07  
PAGE 1  
JAN 20/09

BRI

**BOEING**  
757  
PARTS CATALOG (MAINTENANCE)



Y 55365108 SH1 1 REV 257

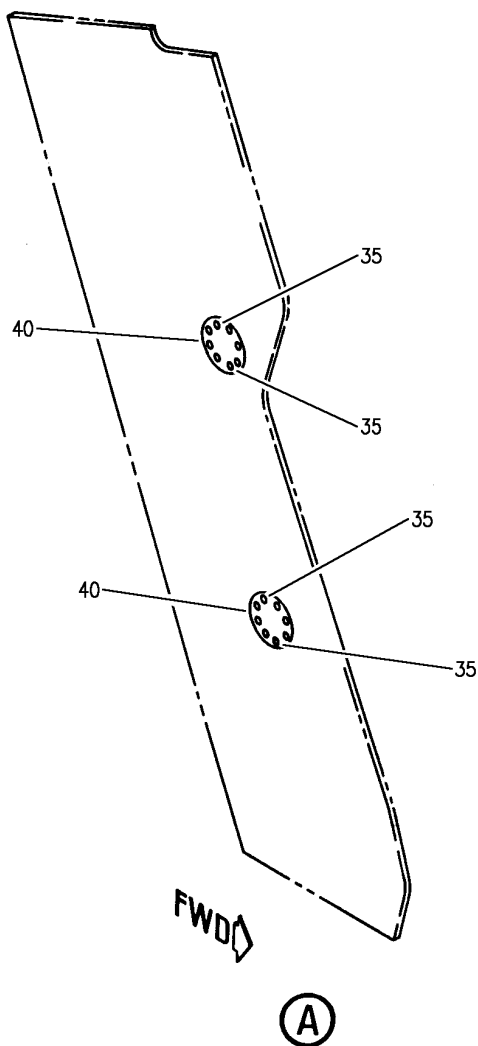
PANEL INSTL-RUD STA 57 TO 131.108 FXD TE VERT STAB  
FIGURE 8 (SHEET 1)

**55-36-51-08**

BRI  
MAY 28/07

55-36-51-08  
PAGE 0

**BOEING**  
757  
PARTS CATALOG (MAINTENANCE)



Y 55365108 SH1 2 REV 257

PANEL INSTL-RUD STA 57 TO 131.108 FXD TE VERT STAB  
FIGURE 8 (SHEET 2)

**55-36-51-08**

BRI  
MAY 28/07

55-36-51-08  
PAGE 0A



757

PARTS CATALOG (MAINTENANCE)

FIG ITEM	PART NUMBER	1 2 3 4 5 6 7	NOMENCLATURE	EFFECT FROM TO	UNITS PER ASSY
8			PANEL INSTL-RUD STA 57 TO 131.108 FXD TE VERT STAB	101106 108120 504903	
- 1	173N1105-403		PANEL INSTL-RUD FXD TE VERT STAB POSITION DATA: STA 57-131.108 LH FOR NHA SEE: 55-30-51-03 55-30-51-04	101106 108120 504903	RF
- 5	173N1105-404		PANEL INSTL-RUD FXD TE VERT STAB POSITION DATA: STA 57-131.108 RH FOR NHA SEE: 55-30-51-03 55-30-51-04	101106 108120 504903	RF
10	BACB30LR4-6		.BOLT-BONDING FASTENER POSITION DATA: LH SIDE	101106 108120 504903	3
15	BACB30LR3-8		.BOLT- POSITION DATA: LH SIDE	101106 108120 504903	86
20	BACB30NN4K6		.BOLT- POSITION DATA: RH SIDE	101106 108120 504903	2
25	173N1105-23		.PANEL ASSY- POSITION DATA: LH SIDE	101106 108120 504903	1
30	173N1105-25		.PANEL ASSY- POSITION DATA: LH SIDE	101106 108120 504903	1
35	BACB30LH3U3		.BOLT-BONDING FASTENER POSITION DATA: RH SIDE	101106 108120 504903	16
40	173N1105-12		.PLATE- POSITION DATA: RH SIDE	101106 108120 504903	2

MISSING ITEM NUMBERS NOT APPLICABLE

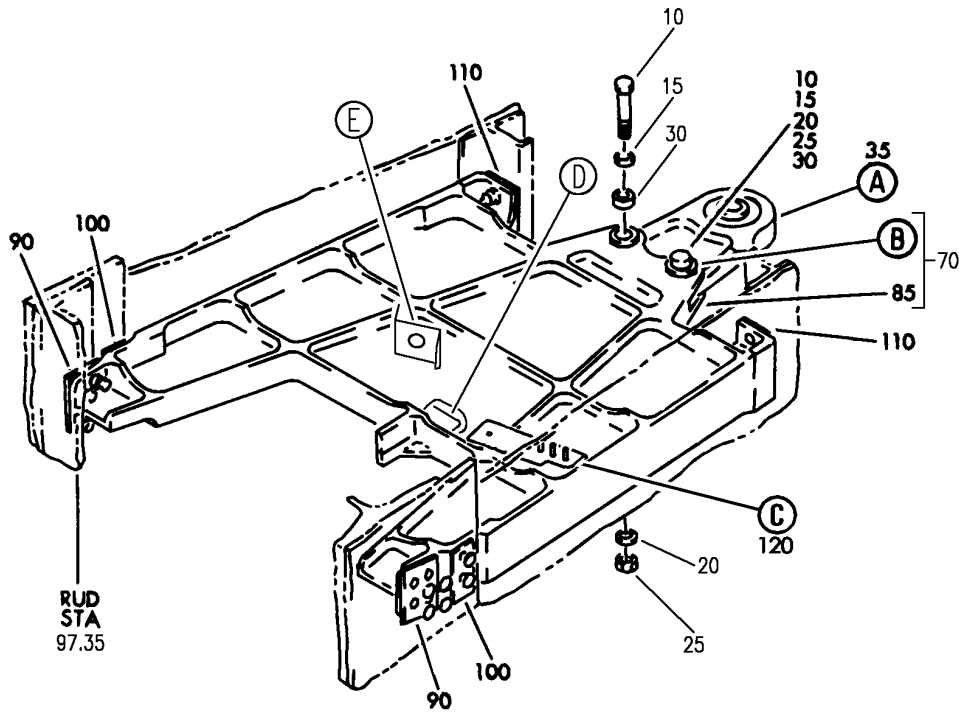
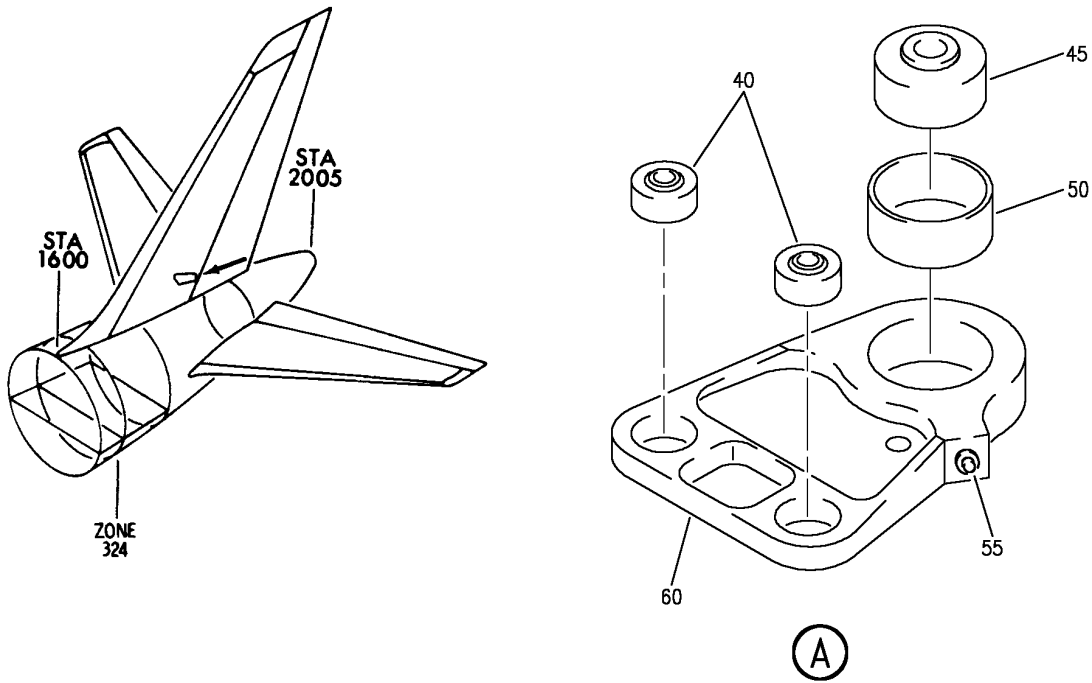
- ITEM NOT ILLUSTRATED

55-36-51-08

55-36-51  
FIG. 08  
PAGE 1  
JAN 20/09

BRI

**BOEING**  
757  
PARTS CATALOG (MAINTENANCE)



Y 55365201 SHT 1 REV 255

RUD  
STA  
97.35

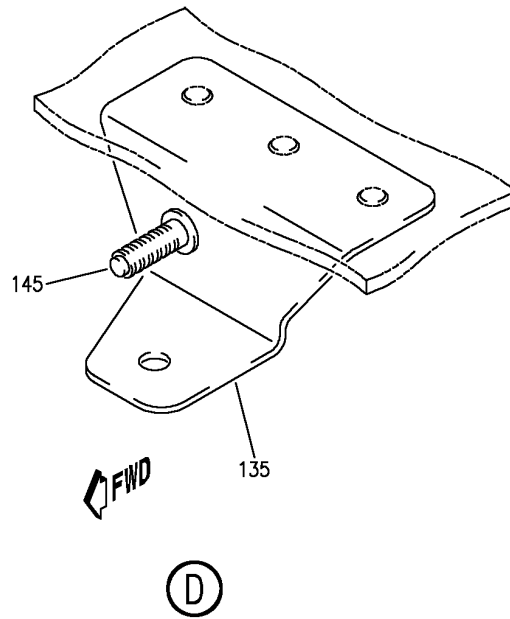
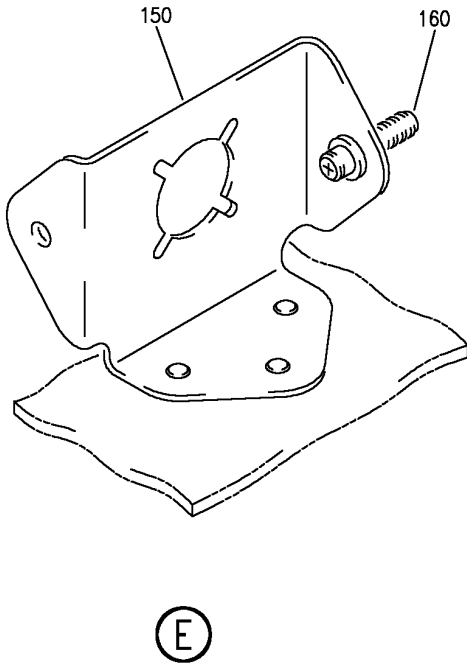
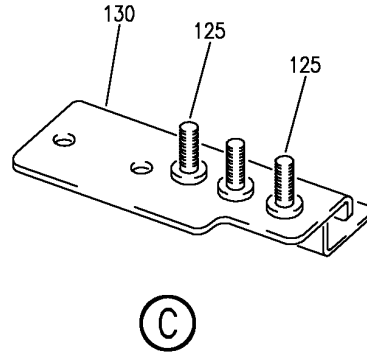
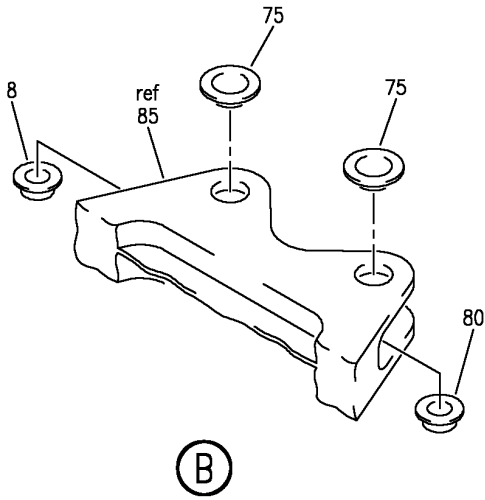
RIB INSTL-RUD STA 97.354 VERT. STAB. FXD TE  
FIGURE 1 (SHEET 1)

**55-36-52-01**

BRI  
MAY 28/07

55-36-52-01  
PAGE 0

**BOEING**  
757  
PARTS CATALOG (MAINTENANCE)



Y 55365201 SH1 2 REV 255

RIB INSTL-RUD STA 97.354 VERT. STAB. FXD TE  
FIGURE 1 (SHEET 2)

**55-36-52-01**

BRI  
MAY 28/07

55-36-52-01  
PAGE 0A



757

PARTS CATALOG (MAINTENANCE)

FIG ITEM	PART NUMBER	1 2 3 4 5 6 7	NOMENCLATURE	EFFECT FROM TO	UNITS PER ASSY
1			RIB INSTL-RUD STA 97.354 VERT. STAB. FXD TE	002004 006999	
- 1	173N1202-1		RIB INSTL-RUD VERT. STAB. FXD TE POSITION DATA: STA 97.354 FOR NHA SEE: 55-30-51-01	002004 006100 107107 121503 904999	RF
- 2	173N1202-403		RIB INSTL-RUD VERT. STAB. FXD TE POSITION DATA: STA 97.354 FOR NHA SEE: 55-30-51-03	101102 108120 504903	RF
- 2	173N1202-404		RIB INSTL-RUD VERT. STAB. FXD TE POSITION DATA: STA 97.354 FOR NHA SEE: 55-30-51-03	103105	RF
- 2	173N1202-405		RIB INSTL-RUD VERT. STAB. FXD TE POSITION DATA: STA 97.354 FOR NHA SEE: 55-30-51-04	106106	RF
- 5	173N1202-3		.RIB ASSY-	002004 006100 107107 121503 904999	1
- 5	173N1202-6		.RIB ASSY-	101106 108120 504903	1
10	BACB30NM6K20		..BOLT	002004 006999	2
15	BACW10BN6SC		..WASHER	002004 006999	2
20	BACW10BN6SP		..WASHER	002004 006999	2
25	NAS1805-6N		..NUT	002004 006100 107107 121503 904999	2
25	NAS1805-6L		..NUT	101106 108120 504903	2

MISSING ITEM NUMBERS NOT APPLICABLE

- ITEM NOT ILLUSTRATED

55-36-52-01

55-36-52  
FIG. 01  
PAGE 1  
JAN 20/09

BRI



757

PARTS CATALOG (MAINTENANCE)

FIG ITEM	PART NUMBER	1 2 3 4 5 6 7	NOMENCLATURE	EFFECT FROM TO	UNITS PER ASSY
1					
30	BACB28AK06-037	..	BUSHING	002004 006999	2
35	173N1031-1	..	PLATE ASSY-HINGE OPTIONAL PART: 173N1031-4	002004 006999	1
35	173N1031-4	..	PLATE ASSY-HINGE OPTIONAL PART: 173N1031-1	002004 006999	1
40	ADW06V301NC	...	BEARING SUPPLIER CODE: V15860 SPECIFICATION NUMBER: BACB10FA06GC OPTIONAL PART: SWKRS06-350SC V81376 KSC152200BZ06GC V50632 KWDB06-35 V97613 WES06FAGC V73134 WHTFA06VC VS0352	002004 006999	2
45	DAS8-27A1-514	...	BEARING SUPPLIER CODE: V77896 SPECIFICATION NUMBER: BACB10CH80C OPTIONAL PART: ASRD8CH30B VS0352 DAS8-27A48 V77896 DAS8-27A52 V77896 ASRD8C30B VS0352	002004 006999	1
50	173N1027-1	...	SLEEVE-BRG RET	002004 006999	1
55	MS15001-4	...	FITTING-	002004 006999	1
60	173N1031-2	...	PLATE-HINGE USED ON: 173N1031-1	002004 006999	1
60	173N1031-5	...	PLATE- USED ON: 173N1031-4	002004 006999	1

MISSING ITEM NUMBERS NOT APPLICABLE

- ITEM NOT ILLUSTRATED

55-36-52-01

55-36-52  
FIG. 01  
PAGE 2  
JAN 20/09

BRI



**BOEING**  
757  
**PARTS CATALOG (MAINTENANCE)**

FIG ITEM	PART NUMBER	1 2 3 4 5 6 7	NOMENCLATURE	EFFECT FROM TO	UNITS PER ASSY
1	70 173N1002-1		.. FITTING ASSY-	002004 006100 107107 121503 904999	1
	70 173N1002-5		.. FITTING ASSY-	101106 108120 504903	1
	75 BACB28AM09B021A		... BUSHING	002004 006999	2
	80 BACB28AP06P020		... BUSHING	002004 006999	2
	85 173N1002-2		... FITTING- USED ON: 173N1002-1	002004 006100 107107 121503 904999	1
	85 173N1002-6		... FITTING	101106 108120 504903	1
	90 BACS40R019C022F		. SHIM-	002004 006999	2
-	95 HL11VAZ8-11		ATTACHING PARTS . BOLT SUPPLIER CODE: V60516 SPECIFICATION NUMBER: BACB30NW8K11 OPTIONAL PART: B30NW8K11 V97928 HL11VAZ8-11 V73197 HL11VAZ8-11 V92215 HL11VAZ8-11 V97928 L803-8K11 V06725 HL11VAZ8-11 VOPTK6 HL11VAZ8-11 V56878 -----*-----	002004 006999	8
	100 BACS40R011C022F		. SHIM-	002004 006999	2

MISSING ITEM NUMBERS NOT APPLICABLE

- ITEM NOT ILLUSTRATED

BRI

# 55-36-52-01

BOEING PROPRIETARY - Copyright © - Unpublished Work - See title page for details.

55-36-52  
FIG. 01  
PAGE 3  
JAN 20/09



757

PARTS CATALOG (MAINTENANCE)

FIG ITEM	PART NUMBER	1 2 3 4 5 6 7	NOMENCLATURE	EFFECT FROM TO	UNITS PER ASSY
1			ATTACHING PARTS		
- 105	HL11VAZ8-8		.BOLT SUPPLIER CODE: V60516 SPECIFICATION NUMBER: BACB30NW8K8 OPTIONAL PART: B30NW8K8 V97928 HL11VAZ8-8 V73197 HL11VAZ8-8 V92215 HL11VAZ8-8 V97928 L803-8K8 V06725 HL11VAZ8-8 VOPTK6 HL11VAZ8-8 V56878	002004 006999	4
110	BACS40R012C025F		-----*----- .SHIM-	002004 006999	2

MISSING ITEM NUMBERS NOT APPLICABLE

- ITEM NOT ILLUSTRATED

BRI

55-36-52-01

BOEING PROPRIETARY - Copyright © - Unpublished Work - See title page for details.

55-36-52  
FIG. 01  
PAGE 4  
JAN 20/09



757

PARTS CATALOG (MAINTENANCE)

FIG ITEM	PART NUMBER	1 2 3 4 5 6 7	NOMENCLATURE	EFFECT FROM TO	UNITS PER ASSY
1			ATTACHING PARTS		
- 115	HL1012AZ8-4		.BOLT SUPPLIER CODE: VOPTK6 SPECIFICATION NUMBER: BACB30NX8K4 OPTIONAL PART: HL12VAZ8-4 V73197 HL12VAZ8-4 V92215 HL12VAZ8-4 V97928 L802-8K4 V06725 HL12VAZ8-4 V56878 HL1012AZ8-4 V06725 HL1012AZ8-4 V06950 HL1012AZ8-4 V17446 HL1012AZ8-4 V56878 HL1012AZ8-4 V60516 HL1012AZ8-4 V73197 HL1012AZ8-4 V97928	002004 006999	4
120	287N7202-115		-----*----- .BRACKET ASSY	101106 108120 504903	1
125	BACS53B1ES1		..STUD-	101106 108120 504903	3
130	287N7202-116		..BRACKET ASSY	101106 108120 504903	1

MISSING ITEM NUMBERS NOT APPLICABLE

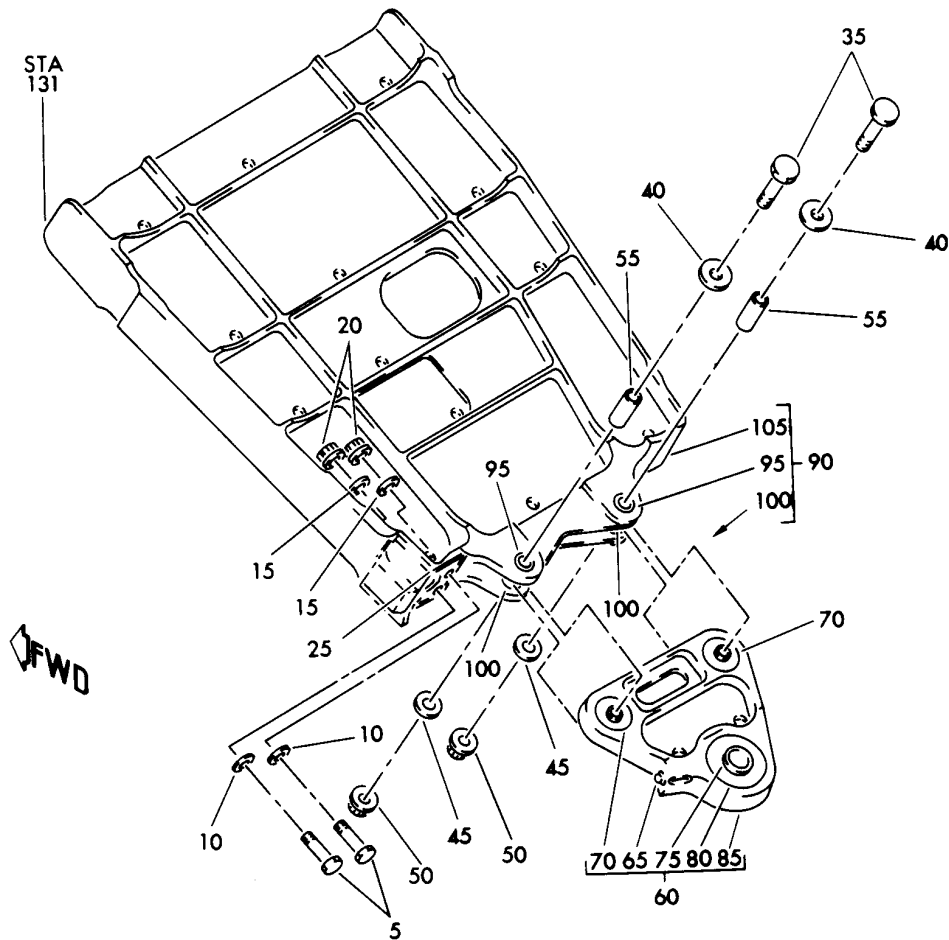
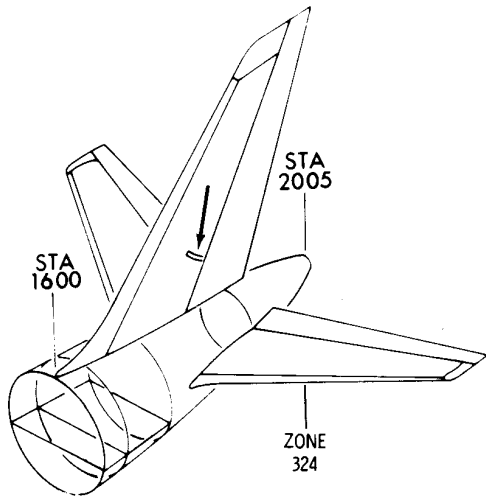
- ITEM NOT ILLUSTRATED

55-36-52-01

55-36-52  
FIG. 01  
PAGE 5  
JAN 20/09

BRI

**BOEING**  
757  
PARTS CATALOG (MAINTENANCE)



Y 55385202 SHT 1 REV 083

RIB INSTL-RUD STA 131.108 VERT. STAB. FXD TE  
FIGURE 2

**55-36-52-02**

BRI  
MAY 28/07

55-36-52-02  
PAGE 0



757

PARTS CATALOG (MAINTENANCE)

FIG ITEM	PART NUMBER	1 2 3 4 5 6 7	NOMENCLATURE	EFFECT FROM TO	UNITS PER ASSY
2			RIB INSTL-RUD STA 131.108 VERT. STAB. FXD TE	002004 006999	
- 1	173N1204-1		RIB INSTL-RUD VERT. STAB. FXD TE POSITION DATA: STA 131.108 FOR NHA SEE: 55-30-51-01	002004 006100 107107 121503 904999	RF
- 1	173N1204-403		RIB INSTL-RUD VERT. STAB. FXD TE POSITION DATA: STA 131.108 FOR NHA SEE: 55-30-51-03 55-30-51-04	101106 108120 504903	RF
5	BACB30MR4K6		.BOLT	002004 006999	2
10	BACW10BP4P		.WASHER	002004 006999	2
15	BACW10BP4C		.WASHER	002004 006999	2
20	CR5906-4		.NUT SUPPLIER CODE: VF0224 SPECIFICATION NUMBER: BACN10HR4 OPTIONAL PART: SL7058S428 V11815 67832-428 V56878 BH00302-4 V27238 H964 V15653 RMLH224 V72962 VAL280094 V06710 678324 V56878 H96-4 V15653 RMLH22-4 V72962 BMNN10HR4 V97928 RMLH22-4 V72962	002004 006999	2

MISSING ITEM NUMBERS NOT APPLICABLE

- ITEM NOT ILLUSTRATED

55-36-52-02

55-36-52  
FIG. 02  
PAGE 1  
JAN 20/09

BRI



757

PARTS CATALOG (MAINTENANCE)

FIG ITEM	PART NUMBER	1 2 3 4 5 6 7	NOMENCLATURE	EFFECT FROM TO	UNITS PER ASSY
2	25	BACS40R11C28F	.SHIM	002004 006100 107107 121503 904999	1
	25	BACS40R011C028F	.SHIM	101106 108120 504903	1
	30	173N1204-9	.RIB ASSY-	002004 006999	1
	30	173N1204-11	.RIB ASSY-	002004 006100 107107 121503 904999	1
	30	173N1204-13	.RIB ASSY	101106 108120 504903	1
	35	BACB30NM8K25	..BOLT	002004 006999	2
	40	BACW10BN8SC	..WASHER	002004 006999	2
	45	BACW10BN8SP	..WASHER	002004 006999	2
	50	NAS1805-8N	..NUT	002004 006999	2
	50	NAS1805-8L	..NUT	002004 006999	2
	55	BACB28AK08-051	..BUSHING-	002004 006999	2
	60	173N1030-4	..PLATE ASSY-HINGE OPTIONAL PART: 173N1030-6	002004 006999	1
	60	173N1030-6	..PLATE ASSY-HINGE OPTIONAL PART: 173N1030-4	101106 108120 504903	1
	65	MS15001-1	...FITTING	002004 006999	1

MISSING ITEM NUMBERS NOT APPLICABLE

- ITEM NOT ILLUSTRATED

55-36-52-02

55-36-52  
FIG. 02  
PAGE 2  
JAN 20/09

BRI

BOEING PROPRIETARY - Copyright © - Unpublished Work - See title page for details.



757

PARTS CATALOG (MAINTENANCE)

FIG ITEM	PART NUMBER	1 2 3 4 5 6 7	NOMENCLATURE	EFFECT FROM TO	UNITS PER ASSY
2	70 ADW08V301NC		... BEARING SUPPLIER CODE: V15860 SPECIFICATION NUMBER: BACB10FA08GC OPTIONAL PART: SWKRS08-350SC V81376 KSC152200BZ08GC V50632 KWDB08-35 V97613 WES08FAGC V73134 WHTFA08VC VS0352	002004 006999	2
	75 DAS10-31A1-511		... BEARING SUPPLIER CODE: V77896 SPECIFICATION NUMBER: BACB10CH100C OPTIONAL PART: ASRD10CH30B VS0352 DAS10-31A48 V77896 DAS10-31A52 V77896 ASRD10C30B VS0352	002004 006999	1
	80 173N1026-1		... SLEEVE-BRG RTNR	002004 006999	1
	85 173N1030-5		... PLATE- USED ON: 173N1030-4	002004 006999	1
	85 173N1030-7		... PLATE- USED ON: 173N1030-6	101106 108120 504903	1
	90 173N1004-11		.. FITTING ASSY- OPTIONAL PART: 173N1004-15 173N1004-17	107107 904949 952952	1
	90 173N1004-15		.. FITTING ASSY- OPTIONAL PART: 173N1004-11 173N1004-17	107107 904949 952952	1

MISSING ITEM NUMBERS NOT APPLICABLE

- ITEM NOT ILLUSTRATED

55-36-52-02

55-36-52  
FIG. 02  
PAGE 3  
JAN 20/09

BRI



757

PARTS CATALOG (MAINTENANCE)

FIG ITEM	PART NUMBER	1 2 3 4 5 6 7	NOMENCLATURE	EFFECT FROM TO	UNITS PER ASSY
2					
90	173N1004-17	..	FITTING ASSY- OPTIONAL PART: 173N1004-11 173N1004-15	002004 006106 108903 950951 953999	1
95	BACB28AM11B031A	...	BUSHING	002004 006999	2
100	BACB28AP08P030	...	BUSHING	002004 006999	2
105	173N1004-10	...	FITTING- USED ON: 173N1004-11	107107 904949 952952	1
105	173N1004-14	...	FITTING- USED ON: 173N1004-15	107107 904949 952952	1
110	102F171-4	...	NUTPLATE SUPPLIER CODE: V72962 SPECIFICATION NUMBER: BACN10JB4CD OPTIONAL PART: BRF210C4D V52828 BRF270C4D V52828 NS202485-048 V80539	002004 006106 108903 950951 953999	2
115	BRFR220C3-2D	...	NUTPLATE SUPPLIER CODE: V52828 SPECIFICATION NUMBER: BACN10KE3B2CD OPTIONAL PART: F51747-3-2CD V15653 102A9213-2-3 V72962 NS202493-02-2 V80539	002004 006106 108903 950951 953999	4

MISSING ITEM NUMBERS NOT APPLICABLE

- ITEM NOT ILLUSTRATED

55-36-52-02

55-36-52  
FIG. 02  
PAGE 4  
JAN 20/09

BRI

BOEING PROPRIETARY - Copyright © - Unpublished Work - See title page for details.





757

PARTS CATALOG (MAINTENANCE)

FIG ITEM	PART NUMBER	1 2 3 4 5 6 7	NOMENCLATURE	EFFECT FROM TO	UNITS PER ASSY
2 120	BRFR220C3-3D	...	NUTPLATE SUPPLIER CODE: V52828 SPECIFICATION NUMBER: BACN10KE3B3CD OPTIONAL PART: F51747-3-3CD V15653 102A9213-3-3 V72962 NS202493-02-3 V80539	002004 006106 108903 950951 953999	4
125	BRFR220C3-5D	...	NUTPLATE SUPPLIER CODE: V52828 SPECIFICATION NUMBER: BACN10KE3B5CD OPTIONAL PART: F51747-3-5CD V15653 102A9213-5-3 V72962 NS202493-02-5 V80539	002004 006106 108903 950951 953999	2
130	F51753-4CD	...	NUTPLATE SUPPLIER CODE: V15653 SPECIFICATION NUMBER: BACN10KE4DCD OPTIONAL PART: NS202495-048 V80539	002004 006106 108903 950951 953999	2
135	BRFR220C3-4D	...	NUTPLATE SUPPLIER CODE: V52828 SPECIFICATION NUMBER: BACN10KE3B4CD OPTIONAL PART: F51747-3-4CD V15653 102A9213-4-3 V72962 NS202493-02-4 V80539	002004 006106 108903 950951 953999	4

MISSING ITEM NUMBERS NOT APPLICABLE

- ITEM NOT ILLUSTRATED

55-36-52-02

55-36-52  
FIG. 02  
PAGE 5  
JAN 20/09

BRI



757  
PARTS CATALOG (MAINTENANCE)

FIG ITEM	PART NUMBER	1 2 3 4 5 6 7	NOMENCLATURE	EFFECT FROM TO	UNITS PER ASSY
2 - 140	BACR15BA3AD		ATTACHING PARTS ...RIVET- SIZE DETERMINED ON INSTL.  -----*-----	002004 006106 108903 950951 953999	36

MISSING ITEM NUMBERS NOT APPLICABLE

- ITEM NOT ILLUSTRATED

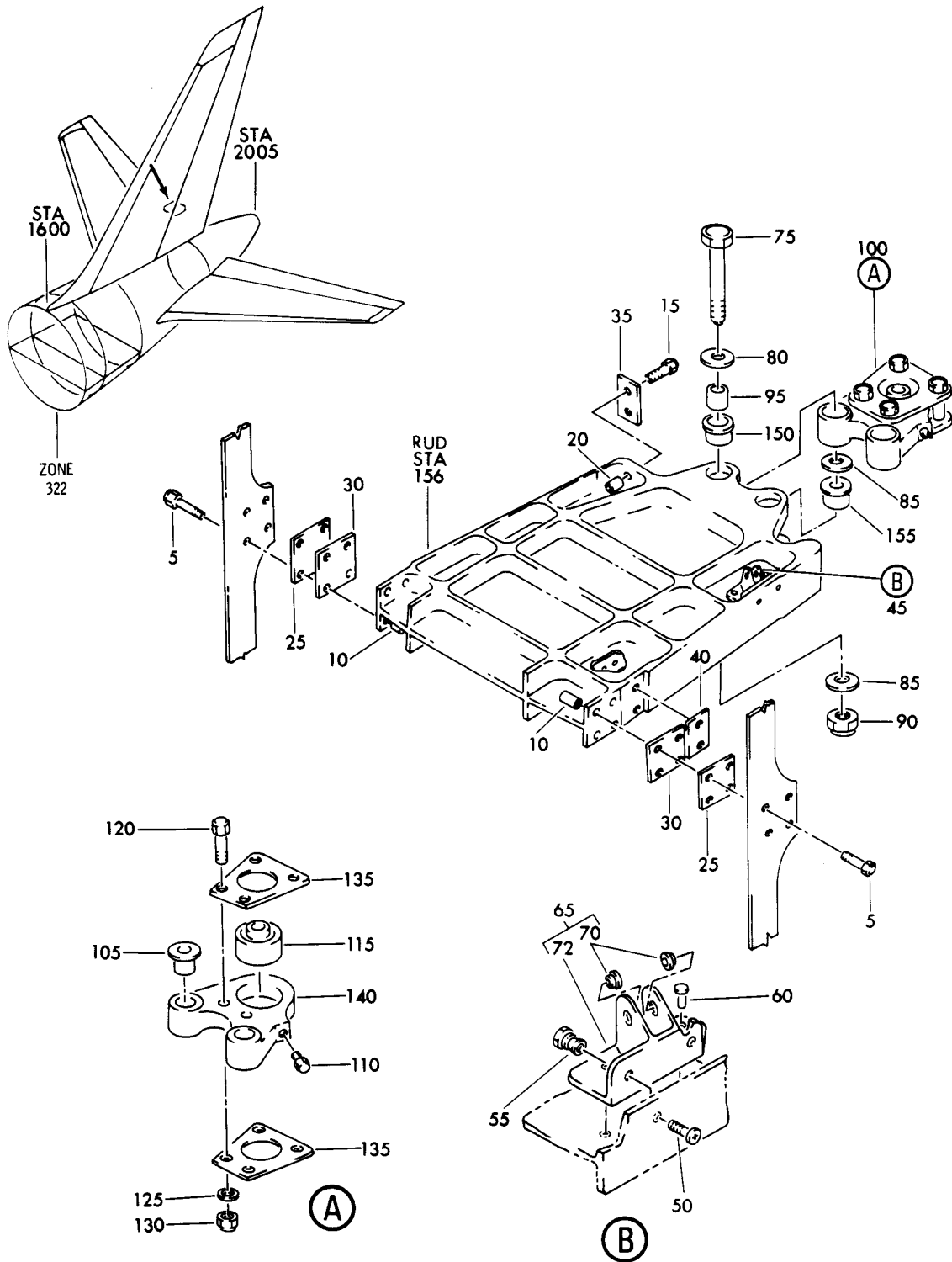
BRI

55-36-52-02

BOEING PROPRIETARY - Copyright © - Unpublished Work - See title page for details.

55-36-52  
FIG. 02  
PAGE 6  
JAN 20/09

**BOEING**  
757  
PARTS CATALOG (MAINTENANCE)



Y 55365203 SHT 1 REV 021

RIB INSTL-RUD STA 156.074 VERT. STAB. FXD TE  
FIGURE 3

**55-36-52-03**

BRI  
MAY 28/07

55-36-52-03  
PAGE 0



757

PARTS CATALOG (MAINTENANCE)

FIG ITEM	PART NUMBER	1 2 3 4 5 6 7	NOMENCLATURE	EFFECT FROM TO	UNITS PER ASSY
3			RIB INSTL- RUD STA 156.074 VERT. STAB. FXD TE	002004 006999	
- 1	173N1205-1		RIB INSTL-RUD VERT. STAB. FXD TE POSITION DATA: STA 156.074 FOR NHA SEE: 55-30-51-01	002004 006100 107107 121503 904999	RF
- 2	173N1205-403		RIB INSTL-VERT. STAB. FXD TE POSITION DATA: RUD STA 156.0754 FOR NHA SEE: 55-30-51-03 55-30-51-04	101106 108120 504903	RF
5	HL11VAZ10-8		.BOLT SUPPLIER CODE: V60516 SPECIFICATION NUMBER: BACB30NW10K8 OPTIONAL PART: B30NW10K8 V97928 HL11VAZ10-8 V73197 HL11VAZ10-8 V92215 HL11VAZ10-8 V97928 L803-10K8 V06725 HL11VAZ10-8 VOPTK6 HL11VAZ10-8 V56878	002004 006101 103503 506999	8

MISSING ITEM NUMBERS NOT APPLICABLE

- ITEM NOT ILLUSTRATED

55-36-52-03

55-36-52  
FIG. 03  
PAGE 1  
JAN 20/09

BRI



757

PARTS CATALOG (MAINTENANCE)

FIG ITEM	PART NUMBER	1 2 3 4 5 6 7	NOMENCLATURE	EFFECT FROM TO	UNITS PER ASSY
3	10 HL79-10		.COLLAR SUPPLIER CODE: V5M902 SPECIFICATION NUMBER: BACC30M10 OPTIONAL PART: HL79-10 V73197 HL79-10 V92215 66014-10 V56878 HL79-10 V56878	002004 006101 103503 506999	8
	15 HL1012AZ8-4		.BOLT SUPPLIER CODE: VOPTK6 SPECIFICATION NUMBER: BACB30NX8K4 OPTIONAL PART: HL12VAZ8-4 V73197 HL12VAZ8-4 V92215 HL12VAZ8-4 V97928 L802-8K4 V06725 HL12VAZ8-4 V56878 HL1012AZ8-4 V06725 HL1012AZ8-4 V06950 HL1012AZ8-4 V17446 HL1012AZ8-4 V56878 HL1012AZ8-4 V60516 HL1012AZ8-4 V73197 HL1012AZ8-4 V97928	002004 006101 103503 506999	2

MISSING ITEM NUMBERS NOT APPLICABLE

- ITEM NOT ILLUSTRATED

55-36-52-03

55-36-52  
FIG. 03  
PAGE 2  
JAN 20/09

BRI

BOEING PROPRIETARY - Copyright © - Unpublished Work - See title page for details.



757

PARTS CATALOG (MAINTENANCE)

FIG ITEM	PART NUMBER	1 2 3 4 5 6 7	NOMENCLATURE	EFFECT FROM TO	UNITS PER ASSY
3					
20	HL1187-8	.	COLLAR SUPPLIER CODE: V5M902 SPECIFICATION NUMBER: BACC30X8 OPTIONAL PART: HL87-8 V92215 HL87-8 V73197 HL1187-8 V56878 HL1187-8 V92215 HL87-8 V56878 HL1187-8 V73197	002004 006101 103503 506999	2
25	173N1205-3	.	GUSSET	002004 006101 103503 506999	2
30	BACS40R24C27F	.	SHIM	002004 006100 107107 121503 904999	2
30	BACS40R24C027F	.	SHIM	101106 108120 504903	2
35	BACS40R13C28F	.	SHIM	002004 006100 107107 121503 904999	1
35	BACS40R13C028F	.	SHIM	101106 108120 504903	1
40	BACS40R10C22F	.	SHIM	002004 006100 107107 121503 904999	1
40	BACS40R10C022F	.	SHIM	101106 108120 504903	1

MISSING ITEM NUMBERS NOT APPLICABLE

- ITEM NOT ILLUSTRATED

55-36-52-03

55-36-52  
FIG. 03  
PAGE 3  
JAN 20/09

BRI

BOEING PROPRIETARY - Copyright © - Unpublished Work - See title page for details.



757

PARTS CATALOG (MAINTENANCE)

FIG ITEM	PART NUMBER	1 2 3 4 5 6 7	NOMENCLATURE	EFFECT FROM TO	UNITS PER ASSY
3					
45	173N1205-8	.RIB	ASSY-	002004 006101 103503 506999	1
45	173N1205-10	.RIB	ASSY-	002004 006999	1
45	173N1205-12	.RIB	ASSY-	002004 006999	1
45	173N1205-14	.RIB	ASSY-	101106 108120 504903	1
50	HL1012AZ6-3	..BOLT-		002004 006101 103503 506999	2
			SUPPLIER CODE: V97928		
			SPECIFICATION NUMBER: BACB30NX6K3		
			OPTIONAL PART: HL12VAZ6-3 V73197 HL12VAZ6-3 V92215 HL12VAZ6-3 V97928 L802-6K3 V06725 HL12VAZ6-3 V56878 HL1012AZ6-3 V0PTK6 HL1012AZ6-3 V06725 HL1012AZ6-3 V06950 HL1012AZ6-3 V17446 HL1012AZ6-3 V56878 HL1012AZ6-3 V60516 HL1012AZ6-3 V73197		

MISSING ITEM NUMBERS NOT APPLICABLE

- ITEM NOT ILLUSTRATED

55-36-52-03

55-36-52  
FIG. 03  
PAGE 4  
JAN 20/09

BRI



757

PARTS CATALOG (MAINTENANCE)

FIG ITEM	PART NUMBER	1 2 3 4 5 6 7	NOMENCLATURE	EFFECT FROM TO	UNITS PER ASSY
3					
55	HL1187-6	..	COLLAR- SUPPLIER CODE: V5M902 SPECIFICATION NUMBER: BACC30X6 OPTIONAL PART: HL87-6 V92215 HL87-6 V73197 HL1187-6 V56878 HL1187-6 V92215 HL87-6 V56878 HL1187-6 V73197	002004 006101 103503 506999	2
60	BACR15BA6D	..	RIVET- SIZE DETERMINED ON INSTL.	002004 006101 103503 506999	2
65	173N1309-1	..	SUPPORT ASSY-STRUT	002004 006101 103503 506999	1
70	173N1310-1	...	BUSHING-	002004 006101 103503 506999	2
72	173N1309-2	...	FITTING-	002004 006101 103503 506999	1
75	BACB30NM10K44	..	BOLT	002004 006101 103503 506999	2
80	BACW10BN10SC	..	WASHER	002004 006101 103503 506999	2
85	BACW10BN10SP	..	WASHER	002004 006101 103503 506999	4

MISSING ITEM NUMBERS NOT APPLICABLE

- ITEM NOT ILLUSTRATED

55-36-52-03

55-36-52  
FIG. 03  
PAGE 5  
JAN 20/09

BRI

BOEING PROPRIETARY - Copyright © - Unpublished Work - See title page for details.





757

PARTS CATALOG (MAINTENANCE)

FIG ITEM	PART NUMBER	1 2 3 4 5 6 7	NOMENCLATURE	EFFECT FROM TO	UNITS PER ASSY
3					
90	NAS1805-10N	..	NUT	002004 006101 103503 506999	2
95	BACB28AK10-061	..	BUSHING-	002004 006101 103503 506999	2
100	173N1023-1	..	PLATE ASSY-HINGE	002004 006999	1
100	173N1023-3	..	PLATE ASSY-HINGE	002004 006101 103503 506999	1
105	BACB28AP10P131	...	BUSHING	002004 006101 103503 506999	2
110	MS15001-1	...	FITTING-GREASE	002004 006101 103503 506999	1
115	DAS10-31A1-511	...	BEARING SUPPLIER CODE: V77896 SPECIFICATION NUMBER: BACB10CH100C OPTIONAL PART: ASRD10CH30B VS0352 DAS10-31A48 V77896 DAS10-31A52 V77896 ASRD10C30B VS0352	002004 006101 103503 506999	1
120	BACB30NM3K21	...	BOLT-	107107	4
120	BACB30NM3K20	...	BOLT-	002004 006101 103106 108503 506999	4
125	BACW10BN3SP	...	WASHER-	107107	4
125	AN960XC10LL	...	WASHER-	002004 006101 103106 108503 506999	4

MISSING ITEM NUMBERS NOT APPLICABLE

- ITEM NOT ILLUSTRATED

55-36-52-03

55-36-52  
FIG. 03  
PAGE 6  
JAN 20/09

BRI

BOEING PROPRIETARY - Copyright © - Unpublished Work - See title page for details.



757

PARTS CATALOG (MAINTENANCE)

FIG ITEM	PART NUMBER	1 2 3 4 5 6 7	NOMENCLATURE	EFFECT FROM TO	UNITS PER ASSY
3					
130	NAS1805-3N	. . .	NUT	002004 006101 103503 506999	4
135	173N1024-1	. . .	PLATE-BRG	002004 006101 103503 506999	2
140	173N1023-2	. . .	PLATE-HINGE	002004 006101 103503 506999	1
- 145	173N1005-1	. . .	RIB ASSY-FTG	107107 904949 952952	1
- 145	173N1005-3	. . .	RIB ASSY-FTG OPTIONAL PART: 173N1005-5	107107 904949 952952	1
- 145	173N1005-5	. . .	RIB ASSY-FTG OPTIONAL PART: 173N1005-3	002004 006101 103106 108503 506903 950999	1
150	BACB28AM14B034A	. . .	BUSHING	002004 006101 103503 506999	2
155	BACB28AP10P049	. . .	BUSHING	002004 006101 103503 506999	2

MISSING ITEM NUMBERS NOT APPLICABLE

- ITEM NOT ILLUSTRATED

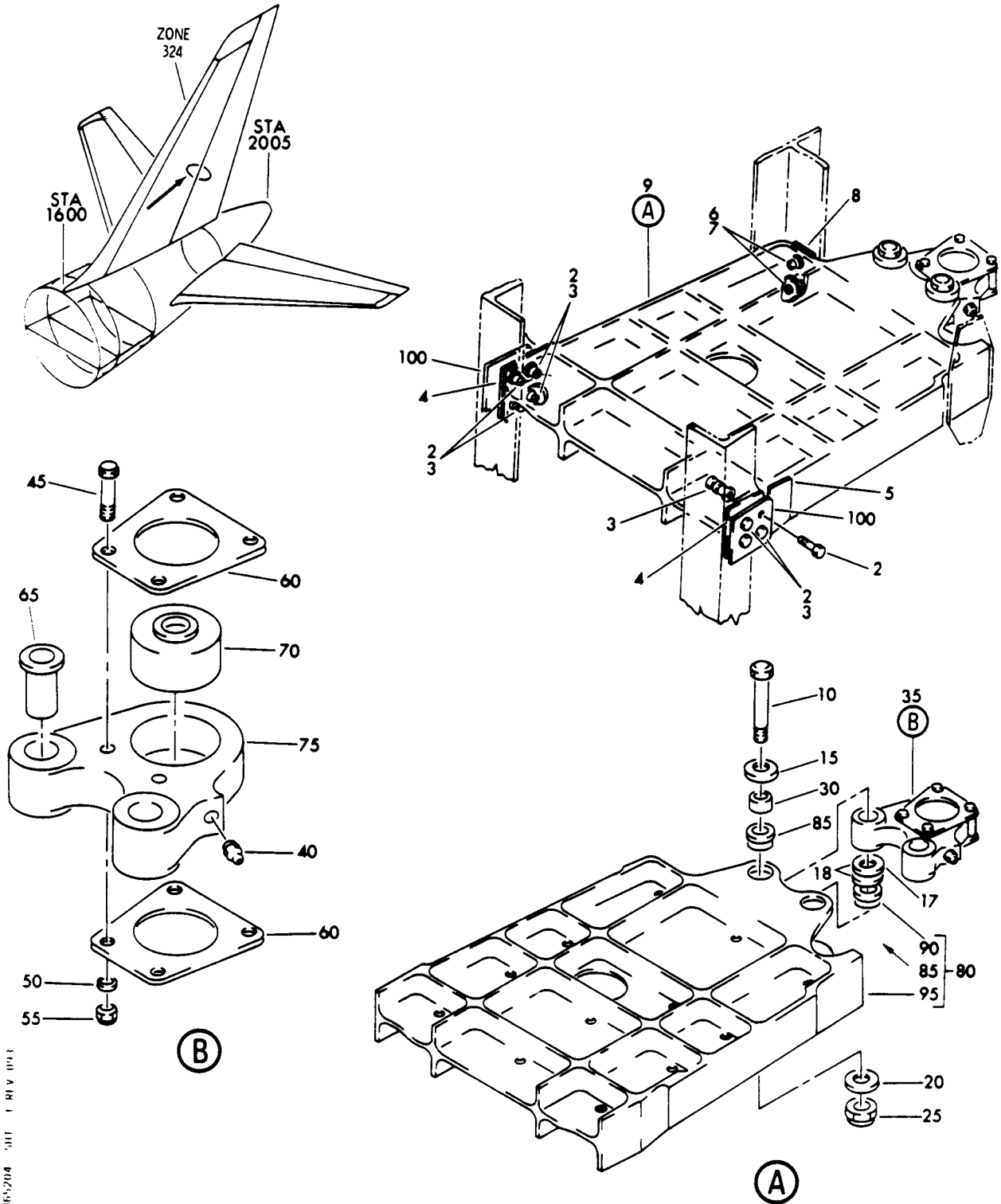
55-36-52-03

55-36-52  
FIG. 03  
PAGE 7  
JAN 20/09

BRI

BOEING PROPRIETARY - Copyright © - Unpublished Work - See title page for details.

**BOEING**  
757  
PARTS CATALOG (MAINTENANCE)



55-36-52-04 SHEET 1 REV 093

RIB INSTL-RUD STA 181.034 VERT. STAB. FXD TE  
FIGURE 4

**55-36-52-04**

BRI  
MAY 28/07

55-36-52-04  
PAGE 0



757

PARTS CATALOG (MAINTENANCE)

FIG ITEM	PART NUMBER	1 2 3 4 5 6 7	NOMENCLATURE	EFFECT FROM TO	UNITS PER ASSY
4			RIB INSTL-RUD STA 181.034 VERT. STAB. FXD TE	002004 006999	
- 1	173N1206-1		RIB INSTL-RUD VERT. STAB. FXD TE POSITION DATA: STA 181.034 FOR NHA SEE: 55-30-51-01	002004 006100 107107 121503 904999	RF
- 1	173N1206-403		RIB INSTL-RUD VERT. STAB. FXD TE POSITION DATA: STA 181.034 FOR NHA SEE: 55-30-51-03 55-30-51-04	101106 108120 504903	RF
2	HL11VAZ10-8		.BOLT SUPPLIER CODE: V60516 SPECIFICATION NUMBER: BACB30NW10K8 OPTIONAL PART: B30NW10K8 V97928 HL11VAZ10-8 V73197 HL11VAZ10-8 V92215 HL11VAZ10-8 V97928 L803-10K8 V06725 HL11VAZ10-8 VOPTK6 HL11VAZ10-8 V56878	002004 006999	8
3	HL79-10		.COLLAR SUPPLIER CODE: V5M902 SPECIFICATION NUMBER: BACC30M10 OPTIONAL PART: HL79-10 V73197 HL79-10 V92215 66014-10 V56878 HL79-10 V56878	002004 006999	8

MISSING ITEM NUMBERS NOT APPLICABLE

- ITEM NOT ILLUSTRATED

55-36-52-04

55-36-52  
FIG. 04  
PAGE 1  
JAN 20/09

BRI



757

PARTS CATALOG (MAINTENANCE)

FIG ITEM	PART NUMBER	1 2 3 4 5 6 7	NOMENCLATURE	EFFECT FROM TO	UNITS PER ASSY
4	4 BACS40R24C27F	. SHIM		002004 006100 107107 121503 904999	2
	4 BACS40R024C027F	. SHIM		002004 006999	2
	5 BACS40R10C22F	. SHIM		002004 006100 107107 121503 904999	1
	5 BACS40R010C022F	. SHIM		101106 108120 504903	1
6	HL1012AZ8-4	.BOLT	SUPPLIER CODE: VOPTK6 SPECIFICATION NUMBER: BACB30NX8K4 OPTIONAL PART: HL12VAZ8-4 V73197 HL12VAZ8-4 V92215 HL12VAZ8-4 V97928 L802-8K4 V06725 HL12VAZ8-4 V56878 HL1012AZ8-4 V06725 HL1012AZ8-4 V06950 HL1012AZ8-4 V17446 HL1012AZ8-4 V56878 HL1012AZ8-4 V60516 HL1012AZ8-4 V73197 HL1012AZ8-4 V97928	002004 006999	2

MISSING ITEM NUMBERS NOT APPLICABLE

- ITEM NOT ILLUSTRATED

55-36-52-04

55-36-52  
FIG. 04  
PAGE 2  
JAN 20/09

BRI



757

PARTS CATALOG (MAINTENANCE)

FIG ITEM	PART NUMBER	1 2 3 4 5 6 7	NOMENCLATURE	EFFECT FROM TO	UNITS PER ASSY
4	7	HL1187-8	.COLLAR SUPPLIER CODE: V5M902 SPECIFICATION NUMBER: BACC30X8 OPTIONAL PART: HL87-8 V92215 HL87-8 V73197 HL1187-8 V56878 HL1187-8 V92215 HL87-8 V56878 HL1187-8 V73197	002004 006999	2
	8	BACS40R13C28F	.SHIM	002004 006100 107107 121503 904999	1
8	BACS40R013C028F	.SHIM	002004 006999	1	
9	173N1206-6	.RIB ASSY-	107107 904949	1	
9	173N1206-8	.RIB ASSY-	952952 107107 904949	1	
9	173N1206-10	.RIB ASSY-	952952 002004 006100 107107 121503 904999	1	
9	173N1206-13	.RIB ASSY-	101106 108120 504903	1	
10	BACB30NM10K44	..BOLT	002004 006999	2	
15	BACW10BN10SC	..WASHER	002004 006999	2	
17	BACW10BN10SP	..WASHER	107107	1	
18	AN960XC1016	..WASHER	002004 006106 108999	2	
20	BACW10BN10SP	..WASHER	002004 006999	1	

MISSING ITEM NUMBERS NOT APPLICABLE

- ITEM NOT ILLUSTRATED

55-36-52-04

55-36-52  
FIG. 04  
PAGE 3  
JAN 20/09

BRI

BOEING PROPRIETARY - Copyright © - Unpublished Work - See title page for details.



757

PARTS CATALOG (MAINTENANCE)

FIG ITEM	PART NUMBER	1 2 3 4 5 6 7	NOMENCLATURE	EFFECT FROM TO	UNITS PER ASSY
4					
25	NAS1805-10N	..	NUT	002004 006999	2
30	BACB28AK10-061	..	BUSHING	002004 006999	2
35	173N1023-1	..	PLATE ASSY-HINGE	002004 006999	1
35	173N1023-3	..	PLATE ASSY-HINGE	002004 006999	1
40	MS15001-1	...	FITTING	002004 006999	1
45	BACB30NM3K21	...	BOLT-	107107	4
45	BACB30NM3K20	...	BOLT-	002004 006106 108999	4
50	BACW10BN3SP	...	WASHER-	107107	4
50	AN960XC10LL	...	WASHER-	002004 006106 108999	4
55	NAS1805-3N	...	NUT	002004 006999	4
60	173N1024-1	...	PLATE-BRG	002004 006999	2
65	BACB28AP10P131	...	BUSHING	002004 006999	2
70	DAS10-31A1-511	...	BEARING SUPPLIER CODE: V77896 SPECIFICATION NUMBER: BACB10CH100C OPTIONAL PART: ASRD10CH30B VS0352 DAS10-31A48 V77896 DAS10-31A52 V77896 ASRD10C30B VS0352	002004 006999	1
75	173N1023-2	...	PLATE	002004 006999	1
80	173N1006-1	..	FITTING ASSY- OPTIONAL PART: 173N1006-5	107107 904949 952952	1
80	173N1006-5	..	FITTING ASSY- OPTIONAL PART: 173N1006-7 173N1006-9	107107 904949 952952	1

MISSING ITEM NUMBERS NOT APPLICABLE

- ITEM NOT ILLUSTRATED

55-36-52-04

55-36-52  
FIG. 04  
PAGE 4  
JAN 20/09

BRI

BOEING PROPRIETARY - Copyright © - Unpublished Work - See title page for details.



757

PARTS CATALOG (MAINTENANCE)

FIG ITEM	PART NUMBER	1 2 3 4 5 6 7	NOMENCLATURE	EFFECT FROM TO	UNITS PER ASSY
4	80 173N1006-7	..	FITTING ASSY- OPTIONAL PART: 173N1006-5	107107 904949 952952	1
	80 173N1006-9	..	FITTING ASSY- OPTIONAL PART: 173N1006-5	002004 006106 108903 950999	1
	85 BACB28AM14B034A	...	BUSHING	002004 006999	2
	90 BACB28AP10P049	...	BUSHING	002004 006999	2
	95 173N1006-2	...	FITTING- USED ON: 173N1006-1	107107 904949 952952	1
	95 173N1006-8	...	FITTING- USED ON: 173N1006-7	107107 904949 952952	1
	95 173N1006-6	...	FITTING- USED ON: 173N1006-5	107107 904949 952952	1
	95 173N1006-10	...	FITTING-	101106 108120 504903	1
	100 173N1206-3	.	GUSSET- USED ON: 173N1206-1 173N1206-401	002004 006100 107107 121503 904999	2
	100 173N1206-12	.	GUSSET- USED ON: 173N1206-402	101106 108120 504903	2

MISSING ITEM NUMBERS NOT APPLICABLE

- ITEM NOT ILLUSTRATED

55-36-52-04

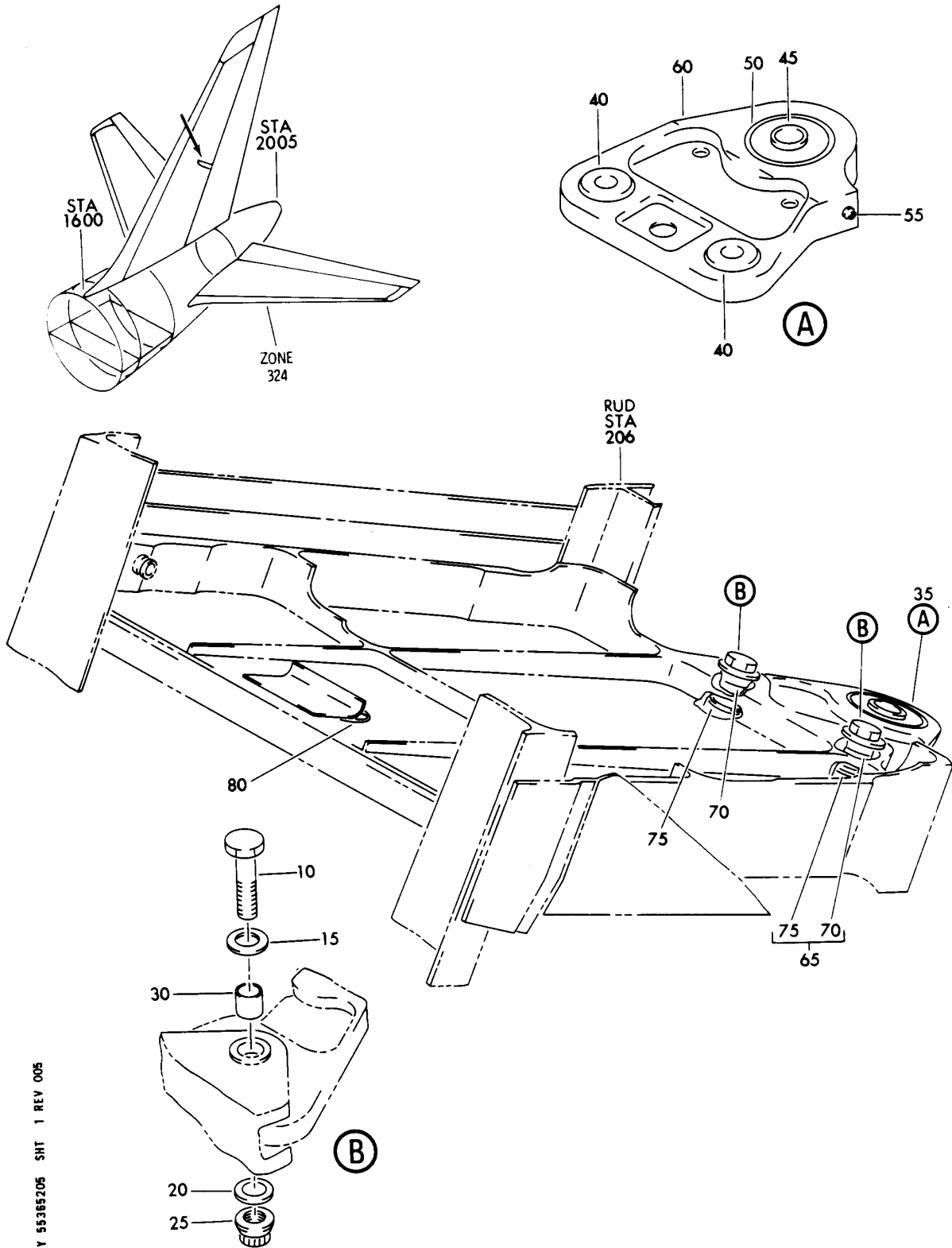
55-36-52  
FIG. 04  
PAGE 5  
JAN 20/09

BRI

BOEING PROPRIETARY - Copyright © - Unpublished Work - See title page for details.



**BOEING**  
757  
PARTS CATALOG (MAINTENANCE)



Y 55365205 SMT 1 REV 005

RIB INSTL-RUD STA 206.06 VERT. STAB. FXD TE  
FIGURE 5

**55-36-52-05**

BRI  
MAY 28/07

55-36-52-05  
PAGE 0



757

PARTS CATALOG (MAINTENANCE)

FIG ITEM	PART NUMBER	1 2 3 4 5 6 7	NOMENCLATURE	EFFECT FROM TO	UNITS PER ASSY
5			RIB INSTL-RUD STA 206.06	002004	
			VERT. STAB. FXD TE	006999	
- 1	173N1207-1		RIB INSTL-RUD VERT. STAB.	002004	RF
			FXD TE	006100	
			POSITION DATA:	107107	
			STA 206.06	121503	
			FOR NHA SEE:	904999	
			55-30-51-01		
- 2	173N1207-403		RIB INSTL-RUD VERT. STAB.	101106	RF
			FXD TE	108120	
			POSITION DATA:	504903	
			STA 206.06		
			FOR NHA SEE:		
			55-30-51-03		
			55-30-51-04		
- 5	173N1207-7		.RIB ASSY-	107107	1
			OPTIONAL PART:		
			173N1207-8		
- 5	173N1207-8		.RIB ASSY-	003004	1
			OPTIONAL PART:	006100	
			173N1207-9	121503	
				904999	
- 5	173N1207-9		.RIB ASSY-	003004	1
			OPTIONAL PART:	006100	
			173N1207-8	121503	
				904999	
- 5	173N1207-14		.RIB ASSY-	101106	1
				108120	
				504903	
10	BACB30NM8K25		..BOLT	002004	2
				006999	
15	BACW10BN8SC		..WASHER	002004	2
				006999	
20	BACW10BN8SP		..WASHER	002004	2
				006999	
25	NAS1805-8N		..NUT	002004	2
				006100	
				107107	
				121503	
				904999	
25	NAS1805-8L		..NUT	101106	2
				108120	
				504903	
30	BACB28AK08-051		..BUSHING-	002004	2
				006999	
35	173N1038-1		..PLATE ASSY-HINGE	002004	1
			OPTIONAL PART:	006999	
			173N1038-4		

MISSING ITEM NUMBERS NOT APPLICABLE

- ITEM NOT ILLUSTRATED

55-36-52-05

55-36-52  
FIG. 05  
PAGE 1  
JAN 20/09

BRI



757

PARTS CATALOG (MAINTENANCE)

FIG ITEM	PART NUMBER	1 2 3 4 5 6 7	NOMENCLATURE	EFFECT FROM TO	UNITS PER ASSY
5					
35	173N1038-4	..	PLATE ASSY-HINGE OPTIONAL PART: 173N1038-1	002004 006999	1
40	ADW08V301NC	...	BEARING SUPPLIER CODE: V15860 SPECIFICATION NUMBER: BACB10FA08GC OPTIONAL PART: SWKRS08-350SC V81376 KSC152200BZ08GC V50632 KWDB08-35 V97613 WES08FAGC V73134 WHTFA08VC VS0352	002004 006999	2
45	DAS10-31A1-511	...	BEARING SUPPLIER CODE: V77896 SPECIFICATION NUMBER: BACB10CH100C OPTIONAL PART: ASRD10CH30B VS0352 DAS10-31A48 V77896 DAS10-31A52 V77896 ASRD10C30B VS0352	002004 006999	1
50	173N1026-1	...	SLEEVE	002004 006999	1
55	MS15001-1	...	FITTING	002004 006999	1
60	173N1038-2	...	PLATE- USED ON: 173N1038-1	002004 006999	1
60	173N1038-5	...	PLATE- USED ON: 173N1038-4	002004 006999	1
65	173N1007-1	..	FITTING ASSY- OPTIONAL PART: 173N1007-9	107107	1
65	173N1007-9	..	FITTING ASSY- OPTIONAL PART: 173N1007-1	107107	1

MISSING ITEM NUMBERS NOT APPLICABLE

- ITEM NOT ILLUSTRATED

55-36-52-05

55-36-52  
FIG. 05  
PAGE 2  
JAN 20/09

BRI



757

PARTS CATALOG (MAINTENANCE)

FIG ITEM	PART NUMBER	1 2 3 4 5 6 7	NOMENCLATURE	EFFECT FROM TO	UNITS PER ASSY
5					
65	173N1216-1	..	FITTING ASSY- USED ON: 173N1207-8	003004 006100 121503 904999	1
65	173N1216-3	..	FITTING ASSY- USED ON: 173N1207-9 173N1207-11	002004 006102 108999	1
65	173N1007-11	..	FITTING ASSY- USED ON: 173N1207-9 173N1207-11	002004 006100 103106 121503 904999	1
70	BACB28AM11B031A	...	BUSHING	002004 006999	2
75	BACB28AP08P030	...	BUSHING	002004 006999	2
80	BACG20ZC709	.	GROMMET-	002004 006100 107107 121503 904999	1
80	BACG20ZC000709	.	GROMMET	101106 108120 504903	1

MISSING ITEM NUMBERS NOT APPLICABLE

- ITEM NOT ILLUSTRATED

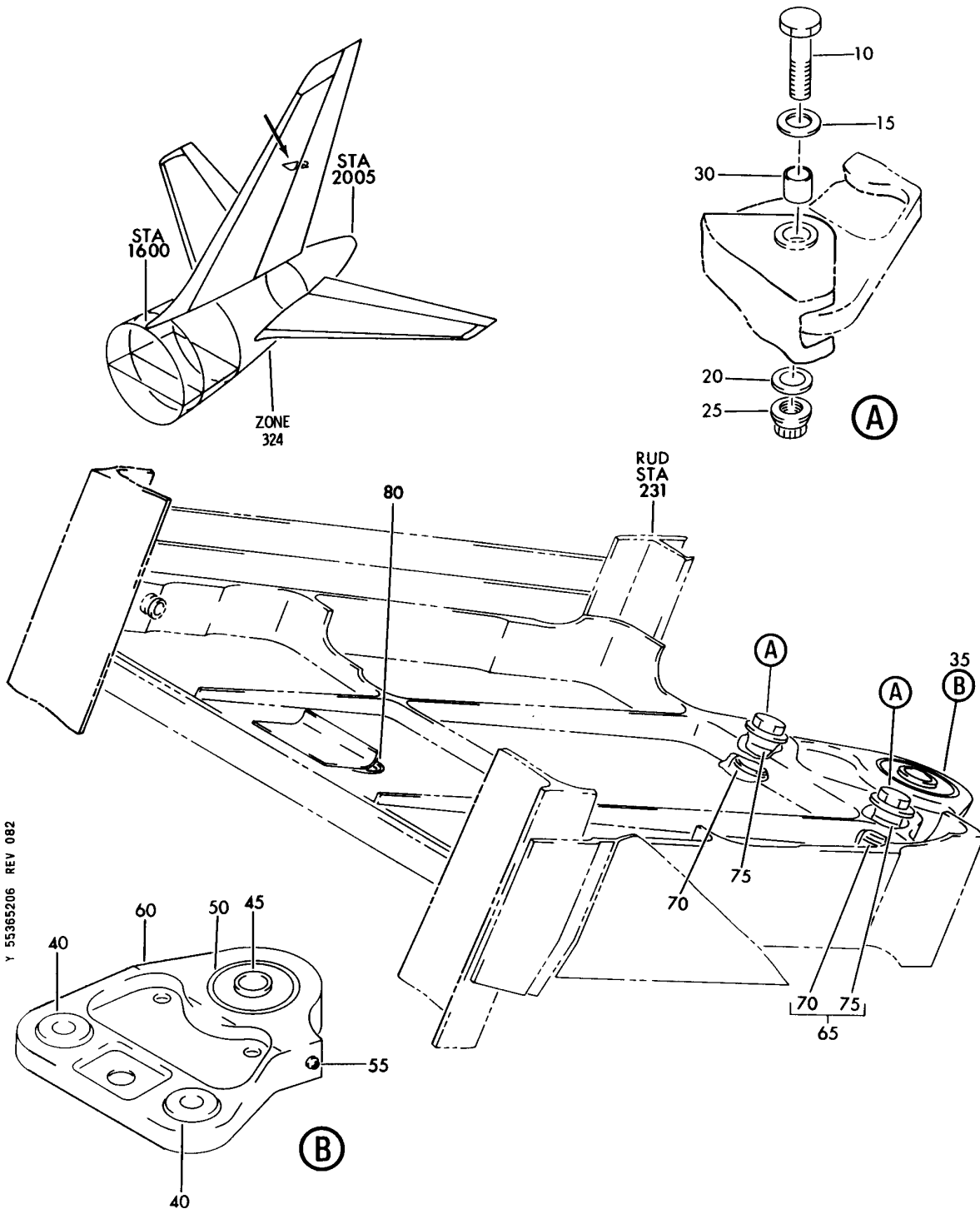
BRI

55-36-52-05

BOEING PROPRIETARY - Copyright © - Unpublished Work - See title page for details.

55-36-52  
FIG. 05  
PAGE 3  
JAN 20/09

**BOEING**  
757  
PARTS CATALOG (MAINTENANCE)



Y 55365206 REV 082

RIB INSTL-RUD STA 230.972 VERT. STAB. FXD TE  
FIGURE 6

**55-36-52-06**

BRI  
MAY 28/07

55-36-52-06  
PAGE 0



757

PARTS CATALOG (MAINTENANCE)

FIG ITEM	PART NUMBER	1 2 3 4 5 6 7	NOMENCLATURE	EFFECT FROM TO	UNITS PER ASSY
6			RIB INSTL-RUD STA 230.972 VERT. STAB. FXD TE	002004 006999	
- 1	173N1208-1		RIB INSTL-RUD VERT. STAB. FXD TE POSITION DATA: STA 230.972 FOR NHA SEE: 55-30-51-01	002004 006100 107107 121503 904999	RF
- 2	173N1208-402		RIB INSTL-RUD VERT. STAB. FXD TE POSITION DATA: STA 230.972 FOR NHA SEE: 55-30-51-03 55-30-51-04	101106 108120 504903	RF
- 5	173N1208-2		.RIB ASSY	002004 006100 107107 121503 904999	1
- 5	173N1208-7		.RIB ASSY	101106 108120 504903	1
10	BACB30NM6K20		..BOLT	002004 006999	2
15	BACW10BN6SC		..WASHER	002004 006999	2
20	BACW10BN6SP		..WASHER	002004 006999	2
25	NAS1805-6N		..NUT	002004 006100 107107 121503 904999	2
25	NAS1805-6L		..NUT	101106 108120 504903	2
30	BACB28AK06-035		..BUSHING	002004 006999	2
35	173N1031-1		..PLATE ASSY-HINGE OPTIONAL PART: 173N1031-4	002004 006999	1
35	173N1031-4		..PLATE ASSY-HINGE OPTIONAL PART: 173N1031-1	002004 006999	1

MISSING ITEM NUMBERS NOT APPLICABLE

- ITEM NOT ILLUSTRATED

55-36-52-06

55-36-52  
FIG. 06  
PAGE 1  
JAN 20/09

BRI



757

PARTS CATALOG (MAINTENANCE)

FIG ITEM	PART NUMBER	1 2 3 4 5 6 7	NOMENCLATURE	EFFECT FROM TO	UNITS PER ASSY
6					
40	ADW06V301NC	...	BEARING SUPPLIER CODE: V15860 SPECIFICATION NUMBER: BACB10FA06GC OPTIONAL PART: SWKRS06-350SC V81376 KSC152200BZ06GC V50632 KWDB06-35 V97613 WES06FAGC V73134 WHTFA06VC VS0352	002004 006999	2
45	DAS8-27A1-514	...	BEARING SUPPLIER CODE: V77896 SPECIFICATION NUMBER: BACB10CH80C OPTIONAL PART: ASRD8CH30B VS0352 DAS8-27A48 V77896 DAS8-27A52 V77896 ASRD8C30B VS0352	002004 006999	1
50	173N1027-1	...	SLEEVE	002004 006999	1
55	MS15001-4	...	FITTING-	002004 006999	1
60	173N1031-2	...	PLATE- USED ON: 173N1031-1	002004 006999	1
65	173N1008-1	..	FITTING ASSY- OPTIONAL PART: 173N1008-5	002004 006999	1
65	173N1008-5	..	FITTING ASSY- OPTIONAL PART: 173N1008-1	002004 006999	1
70	BACB28AP06P018	...	BUSHING	002004 006999	2
75	BACB28AM09B019A	...	BUSHING	002004 006999	2
80	BACG20ZC000709	.	GROMMET-	002004 006999	1

MISSING ITEM NUMBERS NOT APPLICABLE

- ITEM NOT ILLUSTRATED

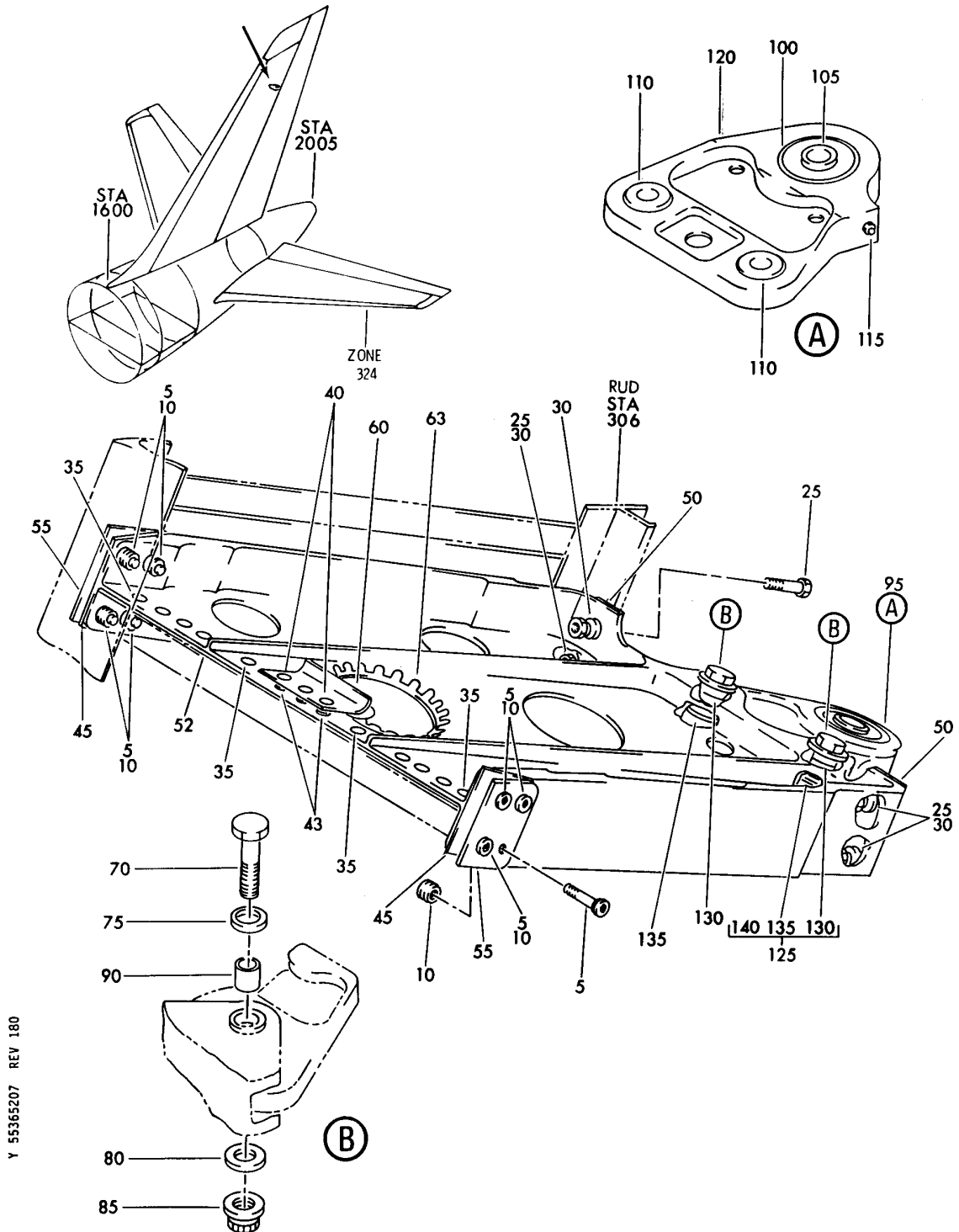
55-36-52-06

55-36-52  
FIG. 06  
PAGE 2  
SEP 20/08

BRI

BOEING PROPRIETARY - Copyright © - Unpublished Work - See title page for details.

**BOEING**  
757  
PARTS CATALOG (MAINTENANCE)



Y 55365207 REV 180

RIB INSTL-RUD STA 305.871 VERT. STAB. FXD TE  
FIGURE 7

**55-36-52-07**

BRI  
MAY 28/07

55-36-52-07  
PAGE 0





757

PARTS CATALOG (MAINTENANCE)

FIG ITEM	PART NUMBER	1 2 3 4 5 6 7	NOMENCLATURE	EFFECT FROM TO	UNITS PER ASSY
7			RIB INSTL-RUD STA 305.871 VERT. STAB. FXD TE	002004 006999	
- 1	173N1211-1		RIB INSTL-RUD VERT. STAB. FXD TE POSITION DATA: STA 305.871 FOR NHA SEE: 55-30-51-01	002004 006100 107107 121503 904999	RF
- 2	173N1211-402		RIB INSTL-RUD VERT. STAB. FXD TE POSITION DATA: STA 305.871 FOR NHA SEE: 55-30-51-03 55-30-51-04	101106 108120 504903	RF
5	HL11VAZ8-7		.BOLT SUPPLIER CODE: V56878 SPECIFICATION NUMBER: BACB30NW8K7 OPTIONAL PART: B30NW8K7 V97928 HL11VAZ8-7 V73197 HL11VAZ8-7 V92215 HL11VAZ8-7 V97928 L803-8K7 V06725 HL11VAZ8-7 VOPTK6 HL11VAZ8-7 V60516	002004 006999	8
10	HL82-8APBW		.COLLAR SUPPLIER CODE: V5M902 SPECIFICATION NUMBER: BACC30AG8 OPTIONAL PART: HL82-8APBW V92215 HL82-8APBW V56878 HL82-8APBW V73197	002004 006999	8

MISSING ITEM NUMBERS NOT APPLICABLE

- ITEM NOT ILLUSTRATED

55-36-52-07

55-36-52  
FIG. 07  
PAGE 1  
JAN 20/09

BRI

 **BOEING**  
757  
**PARTS CATALOG (MAINTENANCE)**

FIG ITEM	PART NUMBER	1 2 3 4 5 6 7	NOMENCLATURE	EFFECT FROM TO	UNITS PER ASSY
7					
25	L8006K4		.BOLT SUPPLIER CODE: V06725 SPECIFICATION NUMBER: BACB30MY6K4	002004 006999	4
30	HL79-6		.COLLAR SUPPLIER CODE: V5M902 SPECIFICATION NUMBER: BACC30M6 OPTIONAL PART: HL79-6 V73197 HL79-6 V92215 66014-6 V56878 HL79-6 V56878	002004 006999	4
35	BACR15FT5D		.RIVET- SIZE DETERMINED ON INSTL.	002004 006999	10
40	BACR15FT6AD		.RIVET- SIZE DETERMINED ON INSTL.	002004 006999	3
43	BACW10BN3AP		.WASHER	002004 006999	6
45	BACS40R19C21F		.SHIM	002004 006100 107107 121503 904999	2
50	BACS40R12C19F		.SHIM	002004 006100 107107 121503 904999	2
52	BACS40R009C094F		.SHIM	101106 108120 504903	1
55	173N1211-4		.GUSSET	002004 006999	2
60	173N1211-5		.ANGLE-	002004 006999	1
63	BACG20AD1900		.GROMMET	002004 006999	1
- 65	173N1211-2		.RIB ASSY	002004 006100 107107 121503 904999	1

MISSING ITEM NUMBERS NOT APPLICABLE

- ITEM NOT ILLUSTRATED

BRI

# 55-36-52-07

BOEING PROPRIETARY - Copyright © - Unpublished Work - See title page for details.

55-36-52  
FIG. 07  
PAGE 2  
JAN 20/09



757

PARTS CATALOG (MAINTENANCE)

FIG ITEM	PART NUMBER	1 2 3 4 5 6 7	NOMENCLATURE	EFFECT FROM TO	UNITS PER ASSY
7					
- 65	173N1211-6	.	RIB ASSY	101106 108120 504903	1
70	BACB30NM6K20	..	BOLT	002004 006999	2
75	BACW10BN6SC	..	WASHER	002004 006999	2
80	BACW10BN6SP	..	WASHER	002004 006999	2
85	NAS1805-6N	..	NUT	002004 006100 107107 121503 904999	2
85	NAS1805-6L	..	NUT	101106 108120 504903	2
90	BACB28AK06-037	..	BUSHING	002004 006999	2
95	173N1031-1	..	PLATE ASSY-HINGE OPTIONAL PART: 173N1031-4	002004 006999	1
95	173N1031-4	..	PLATE ASSY-HINGE OPTIONAL PART: 173N1031-1	002004 006999	1
100	173N1027-1	...	SLEEVE	002004 006999	1
105	DAS8-27A1-514	...	BEARING SUPPLIER CODE: V77896 SPECIFICATION NUMBER: BACB10CH80C OPTIONAL PART: ASRD8CH30B VS0352 DAS8-27A48 V77896 DAS8-27A52 V77896 ASRD8C30B VS0352	002004 006999	1

MISSING ITEM NUMBERS NOT APPLICABLE

- ITEM NOT ILLUSTRATED

55-36-52-07

55-36-52  
FIG. 07  
PAGE 3  
JAN 20/09

BRI



757

PARTS CATALOG (MAINTENANCE)

FIG ITEM	PART NUMBER	1 2 3 4 5 6 7	NOMENCLATURE	EFFECT FROM TO	UNITS PER ASSY
7 110	ADW06V301NC	...	BEARING SUPPLIER CODE: V15860 SPECIFICATION NUMBER: BACB10FA06GC OPTIONAL PART: SWKRS06-350SC V81376 KSC152200BZ06GC V50632 KWDB06-35 V97613 WES06FAGC V73134 WHTFA06VC VS0352	002004 006999	2
115	MS15001-4	...	FITTING-	002004 006999	1
120	173N1031-2	...	PLATE- USED ON: 173N1031-1	002004 006999	1
120	173N1031-5	...	PLATE- USED ON: 173N1031-4	002004 006999	1
125	173N1011-1	..	FITTING ASSY-RIB OPTIONAL PART: 173N1011-5	002004 006016 107107 121503 904999	1
125	173N1011-5	..	FITTING ASSY-RIB OPTIONAL PART: 173N1011-1	015106 108120 504903	1
130	BACB28AM09B021A	...	BUSHING	002004 006999	2
135	BACB28AP06P020	...	BUSHING-	002004 006999	2
140	173N1011-2	...	FITTING-RIB USED ON: 173N1011-1	002004 006016 107107 121503 904999	1
140	173N1011-6	...	FITTING-RIB USED ON: 173N1011-5	015106 108120 504903	1

MISSING ITEM NUMBERS NOT APPLICABLE

- ITEM NOT ILLUSTRATED

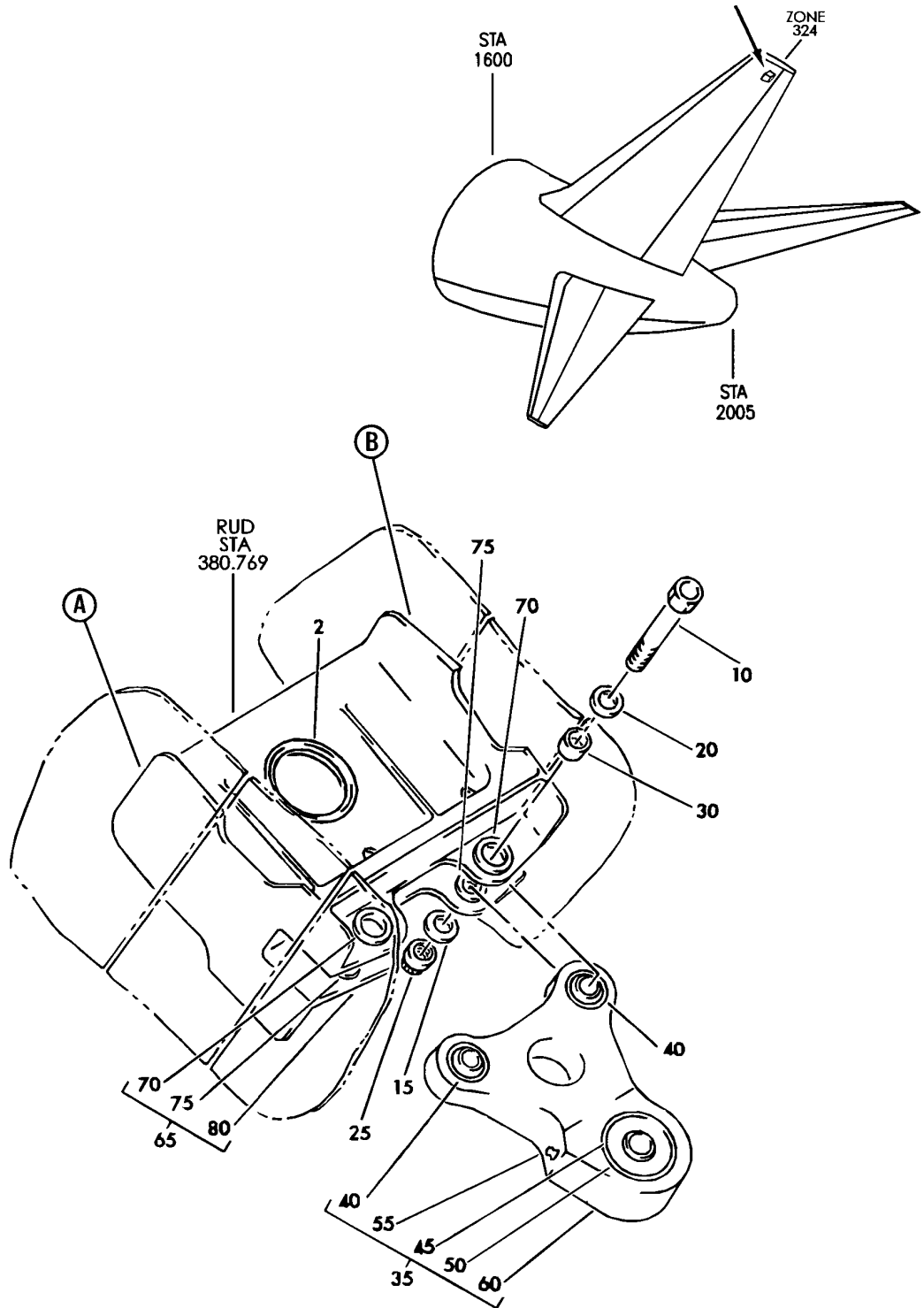
55-36-52-07

55-36-52  
FIG. 07  
PAGE 4  
JAN 20/09

BRI

BOEING PROPRIETARY - Copyright © - Unpublished Work - See title page for details.

**BOEING**  
757  
PARTS CATALOG (MAINTENANCE)



Y 55365208 SHT 1 REV 205

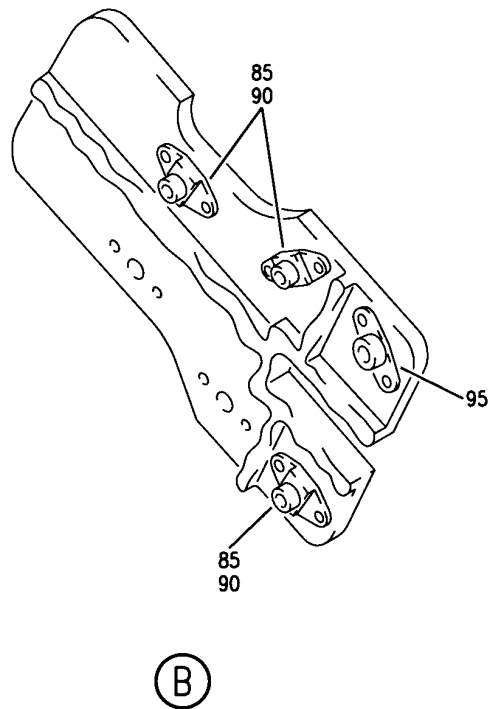
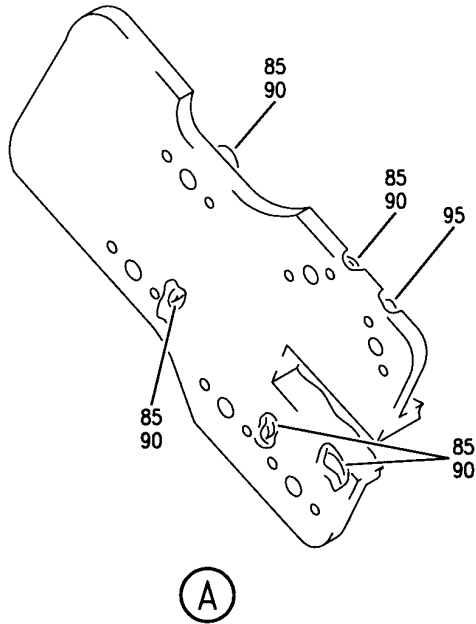
RIB INSTL-RUD STA 380.769 VERT. STAB. FXD TE  
FIGURE 8 (SHEET 1)

**55-36-52-08**

BRI  
MAY 28/07

55-36-52-08  
PAGE 0

**BOEING**  
757  
PARTS CATALOG (MAINTENANCE)



Y 55365208 SHT 2 REV 205

RIB INSTL-RUD STA 380.769 VERT. STAB. FXD TE  
FIGURE 8 (SHEET 2)

**55-36-52-08**

BRI  
MAY 28/07

55-36-52-08  
PAGE 0A



757

PARTS CATALOG (MAINTENANCE)

FIG ITEM	PART NUMBER	1 2 3 4 5 6 7	NOMENCLATURE	EFFECT FROM TO	UNITS PER ASSY
8			RIB INSTL-RUD STA 380.769 VERT. STAB. FXD TE	002004 006999	
- 1	173N1214-1		RIB INSTL-RUD VERT. STAB. FXD TE POSITION DATA: STA 380.769 FOR NHA SEE: 55-30-51-01	002004 006100 107107 121503 904999	RF
- 1	173N1214-402		RIB INSTL-RUD VERT. STAB. FXD TE POSITION DATA: STA 380.769 FOR NHA SEE: 55-30-51-03 55-30-51-04	101106 108120 504903	RF
4	BACG20ZF1275		.GROMMET-	002004 006100 107107 121503 904999	1
4	BACG20ZF001275		.GROMMET-	101106 108120 504903	1
- 5	173N1214-2		.RIB ASSY	002004 006100 107107 121503 904999	1
- 5	173N1214-6		.RIB ASSY	101106 108120 504903	1
10	BACB30NM6K20		..BOLT	002004 006999	2
15	BACW10BN6SP		..WASHER	002004 006999	2
20	BACW10BN6SC		..WASHER	002004 006999	2
25	NAS1805-6N		..NUT	002004 006999	2
30	BACB28AK06-035		..BUSHING	002004 006999	2
35	173N1032-1		..PLATE ASSY-HINGE OPTIONAL PART: 173N1032-5	002004 006999	1
35	173N1022-1		..PLATE ASSY-HINGE OPTIONAL PART: 173N1032-1 173N1032-5	002004 006100 107107 121503 904999	1

MISSING ITEM NUMBERS NOT APPLICABLE

- ITEM NOT ILLUSTRATED

55-36-52-08

55-36-52  
FIG. 08  
PAGE 1  
JAN 20/09

BRI

 **BOEING**  
757  
**PARTS CATALOG (MAINTENANCE)**

FIG ITEM	PART NUMBER	1 2 3 4 5 6 7	NOMENCLATURE	EFFECT FROM TO	UNITS PER ASSY
8					
35	173N1032-5	..	PLATE ASSY-HINGE OPTIONAL PART: 173N1032-1 173N1022-1	002004 006999	1
40	ADW06V301NC	...	BEARING SUPPLIER CODE: V15860 SPECIFICATION NUMBER: BACB10FA06GC OPTIONAL PART: SWKRS06-350SC V81376 KSC152200BZ06GC V50632 KWDB06-35 V97613 WES06FAGC V73134 WHTFA06VC VS0352	002004 006999	2
45	DAS8-27A1-514	...	BEARING SUPPLIER CODE: V77896 SPECIFICATION NUMBER: BACB10CH80C OPTIONAL PART: ASRD8CH30B VS0352 DAS8-27A48 V77896 DAS8-27A52 V77896 ASRD8C30B VS0352	002004 006999	1
50	173N1027-1	...	SLEEVE	002004 006999	1
55	MS15001-4	...	FITTING-	002004 006999	1
60	173N1032-2	...	PLATE- USED ON: 173N1032-1	002004 006999	1
60	173N1022-2	...	PLATE- USED ON: 173N1022-1	002004 006100 107107 121503 904999	1
60	173N1032-4	...	PLATE- USED ON: 173N1032-5	002004 006999	1

MISSING ITEM NUMBERS NOT APPLICABLE

— ITEM NOT ILLUSTRATED

BRI

# 55-36-52-08

BOEING PROPRIETARY - Copyright © - Unpublished Work - See title page for details.

55-36-52  
FIG. 08  
PAGE 2  
JAN 20/09





757

PARTS CATALOG (MAINTENANCE)

FIG ITEM	PART NUMBER	1 2 3 4 5 6 7	NOMENCLATURE	EFFECT FROM TO	UNITS PER ASSY
8					
65	173N1014-1	..	FITTING ASSY-RIB OPTIONAL PART: 173N1014-5	002004 006016 107107 121503 904999	1
65	173N1014-3	..	FITTING ASSY-RIB	002004 006100 107107 121503 904999	1
65	173N1014-5	..	FITTING ASSY-RIB OPTIONAL PART: 173N1014-1	002004 006999	1
70	BACB28AM09B019A	...	BUSHING	002004 006999	2
75	BACB28AP06P018	...	BUSHING	002004 006999	2
80	173N1014-2	...	FITTING- USED ON: 173N1014-1	002004 006016 107107 121503 904999	1
80	173N1014-4	...	FITTING- USED ON: 173N1014-3	002004 006100 107107 121503 904999	1
80	173N1014-6	...	FITTING- USED ON: 173N1014-5	002004 006999	1
85	BRFR220A3-3	.	NUTPLATE SUPPLIER CODE: V52828 SPECIFICATION NUMBER: BACN10KE3B3 OPTIONAL PART: RMF9213-3-3 V72962 F51750-3-3 V15653 NS103191-02-3 V80539	002004 006100 107107 121503 904999	8

MISSING ITEM NUMBERS NOT APPLICABLE

- ITEM NOT ILLUSTRATED

55-36-52-08

55-36-52  
FIG. 08  
PAGE 3  
JAN 20/09

BRI



757

PARTS CATALOG (MAINTENANCE)

FIG ITEM	PART NUMBER	1 2 3 4 5 6 7	NOMENCLATURE	EFFECT FROM TO	UNITS PER ASSY
8	90 BRFR220C3-3D	.NUTPLATE	SUPPLIER CODE: V52828	002004 006999	8
			SPECIFICATION NUMBER: BACN10KE3B3CD		
			OPTIONAL PART: F51747-3-3CD		
			V15653		
			102A9213-3-3		
			V72962		
			NS202493-02-3		
			V80539		
	95 MF19058-3-3BAC	.NUTPLATE	SUPPLIER CODE: V15653	002004 006999	2
			SPECIFICATION NUMBER: BACN10YF33		
			ATTACHING PARTS		
- 100	BACR15BA3AD	.RIVET-	SIZE DETERMINED ON INSTL.	002004 006100 107107 121503 904999	16
- 105	BACR15BA3AD	.RIVET-	SIZE DETERMINED ON INSTL.	002004 006999	20
			-----*-----		

MISSING ITEM NUMBERS NOT APPLICABLE

- ITEM NOT ILLUSTRATED

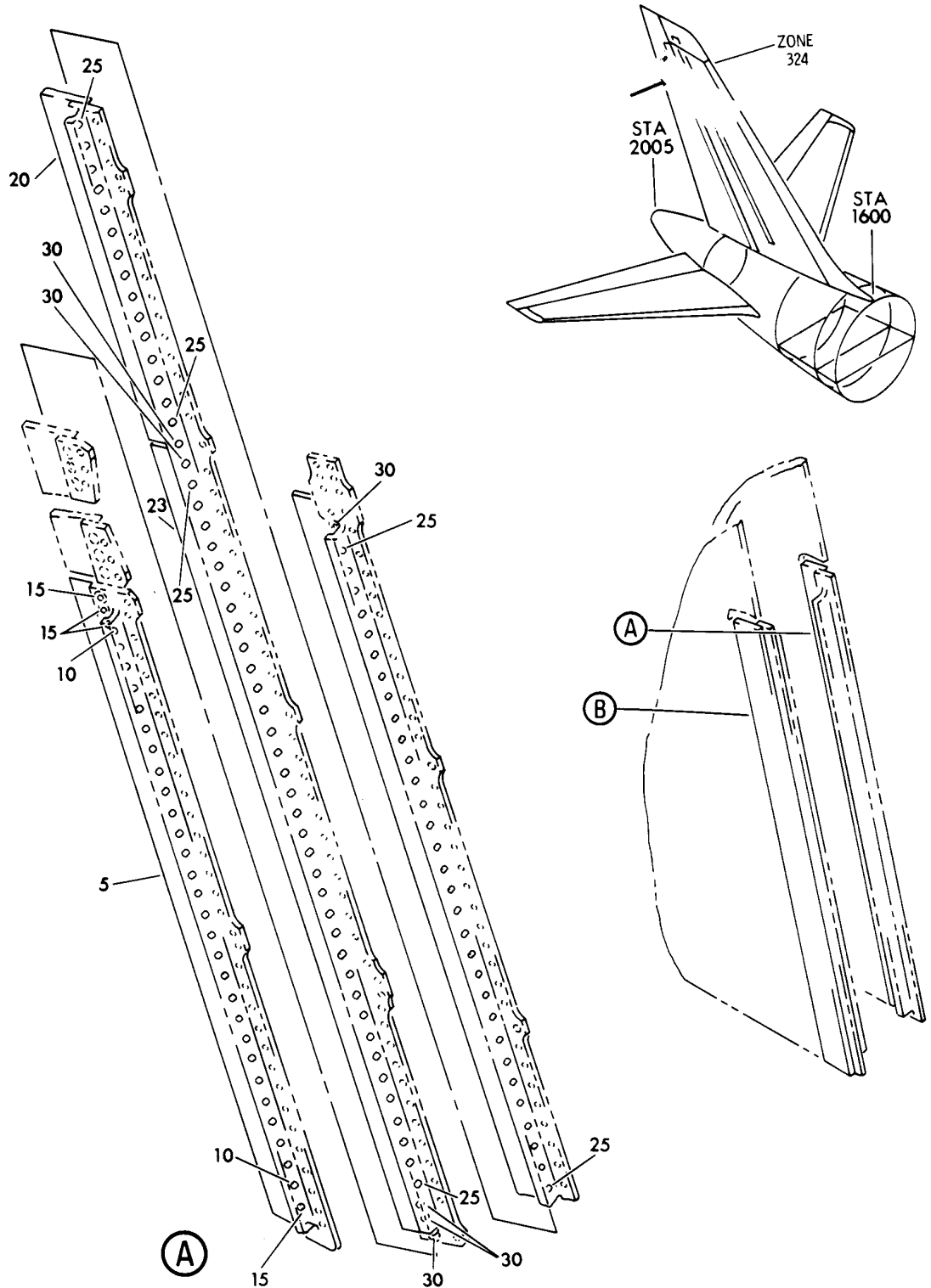
55-36-52-08

55-36-52  
FIG. 08  
PAGE 4  
JAN 20/09

BRI

BOEING PROPRIETARY - Copyright © - Unpublished Work - See title page for details.

**BOEING**  
757  
PARTS CATALOG (MAINTENANCE)



Y 55365301 SHT 1 REV 024

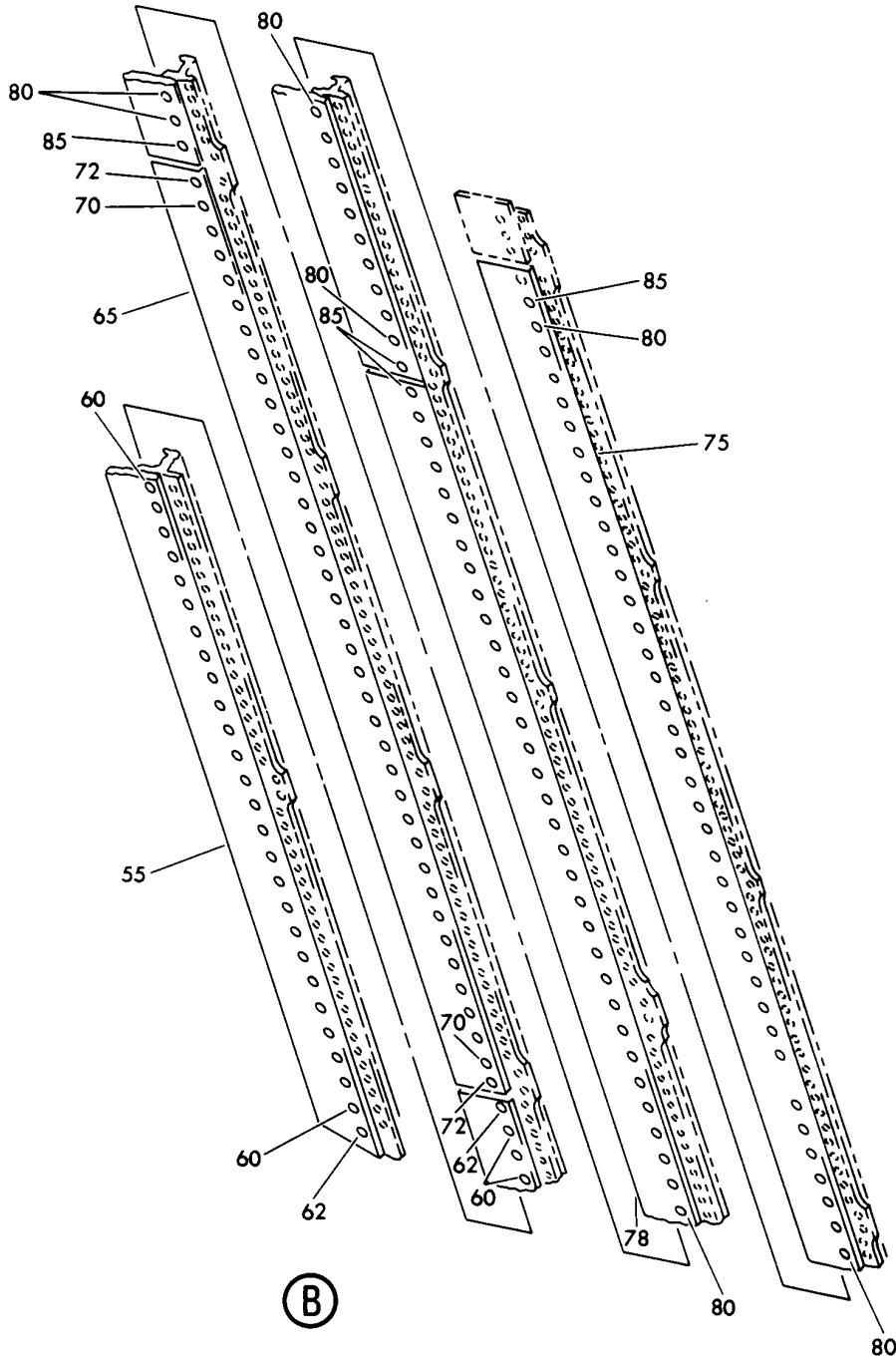
BEAM INSTL-VERT. STAB. FXD TE TE  
FIGURE 1 (SHEET 1)

**55-36-53-01**

BRI  
MAY 28/07

55-36-53-01  
PAGE 0

**BOEING**  
757  
PARTS CATALOG (MAINTENANCE)



Y 55365301 SHT 2 REV 024

BEAM INSTL-VERT. STAB. FXD TE TE  
FIGURE 1 (SHEET 2)

**55-36-53-01**

BRI  
MAY 28/07

55-36-53-01  
PAGE 0A

 **BOEING**  
757  
**PARTS CATALOG (MAINTENANCE)**

FIG ITEM	PART NUMBER	1 2 3 4 5 6 7	NOMENCLATURE	EFFECT FROM TO	UNITS PER ASSY
1			BEAM INSTL-VERT. STAB. FXD TE TE	002004 006999	
- 1	173N1300-27		BEAM INSTL-VERT. STAB. FXD TE FOR NHA SEE: 55-30-51-01	002004 006100 107107 121503 904999	RF
- 2	173N1300-401		BEAM INSTL-VERT. STAB. FXD TE FOR NHA SEE: 55-30-51-03 55-30-51-04	101106 108120 504903	RF
5	173N1300-31		.SEAL- MANUFACTURED FROM: EXTR RUBBER 10-60754-641 X 65.00 IN. ATTACHING PARTS	002004 006999	1
10	BACB30NN3K6		.BOLT-	002004 006999	28
15	BACB30LR4-6		.BOLT-	002004 006999	4
15	BACB30LR4U6		.BOLT-	002004 006100 107107 121503 904999	4
20	173N1300-37		-----*----- .SEAL- MANUFACTURED FROM: EXTR RUBBER 10-60754-642 X 75.50 IN. USED WITH: 173N1300-36	002004 006999	1
20	173N1300-36		.SEAL- MANUFACTURED FROM: EXTR RUBBER 10-60754-642 X 26.50 IN. USED WITH: 173N1300-37	002004 006999	1
23	173N1300-34		.SEAL- MANUFACTURED FROM: EXTR RUBBER 10-60754-642 X 77.00 IN.	002004 006999	1

MISSING ITEM NUMBERS NOT APPLICABLE

- ITEM NOT ILLUSTRATED

BRI

# 55-36-53-01

55-36-53  
FIG. 01  
PAGE 1  
JAN 20/09

**BOEING**  
757  
**PARTS CATALOG (MAINTENANCE)**

FIG ITEM	PART NUMBER	1 2 3 4 5 6 7	NOMENCLATURE	EFFECT FROM TO	UNITS PER ASSY
1			ATTACHING PARTS		
25	BACB30NN3K6		.BOLT-	002004 006999	81
30	BACB30LR4-6		.BOLT-	002004 006999	6
30	BACB30LR4U6		.BOLT-	002004 006100 107107 121503 904999	6
- 50	173N1300-28		-----*----- BEAM INSTL-VERT. STAB. FXD TE TE FOR NHA SEE: 55-30-51-01	002004 006100 107107 121503 904999	RF
- 51	173N1300-402		BEAM INSTL-VERT. STAB. FXD TE FOR NHA SEE: 55-30-51-03 55-30-51-04	101106 108120 504903	RF
55	173N1300-32		.SEAL- MANUFACTURED FROM: EXTR RUBBER 10-60754-641 X 65.00 IN. ATTACHING PARTS	002004 006999	1
60	BACB30NN3K6		.BOLT-	002004 006999	29
62	BACB30LR4U5		.BOLT-	002004 006100 107107 121503 904999	2
62	BACB30LR4-5		.BOLT-	002004 006999	2
65	173N1300-33		-----*----- .SEAL- MANUFACTURED FROM: EXTR RUBBER 10-60754-641 X 77.00 IN. ATTACHING PARTS	002004 006999	1
70	BACB30NN3K6		.BOLT-	002004 006999	36
72	BACB30LR4-5		.BOLT-	002004 006999	2

MISSING ITEM NUMBERS NOT APPLICABLE

- ITEM NOT ILLUSTRATED

BRI

# 55-36-53-01

55-36-53  
FIG. 01  
PAGE 2  
JAN 20/09



757

PARTS CATALOG (MAINTENANCE)

FIG ITEM	PART NUMBER	1 2 3 4 5 6 7	NOMENCLATURE	EFFECT FROM TO	UNITS PER ASSY
1					
72	BACB30LR4U5	.	BOLT-	002004 006999	2
			-----*-----		
75	173N1300-38	.	SEAL- MANUFACTURED FROM: EXTR RUBBER 10-60754-642 X 102.00 IN.	002004 006999	1
78	173N1300-35	.	SEAL- MANUFACTURED FROM: EXTR RUBBER 10-60754-642 X 77.00 IN. ATTACHING PARTS	002004 006999	1
80	BACB30NN3K6	.	BOLT-	002004 006999	82
85	BACB30LR4-5	.	BOLT-	002004 006999	4
85	BACB30LR4U5	.	BOLT-	002004 006100 107107 121503 904999	4
			-----*-----		

MISSING ITEM NUMBERS NOT APPLICABLE

- ITEM NOT ILLUSTRATED

55-36-53-01

55-36-53  
FIG. 01  
PAGE 3  
JAN 20/09

BRI

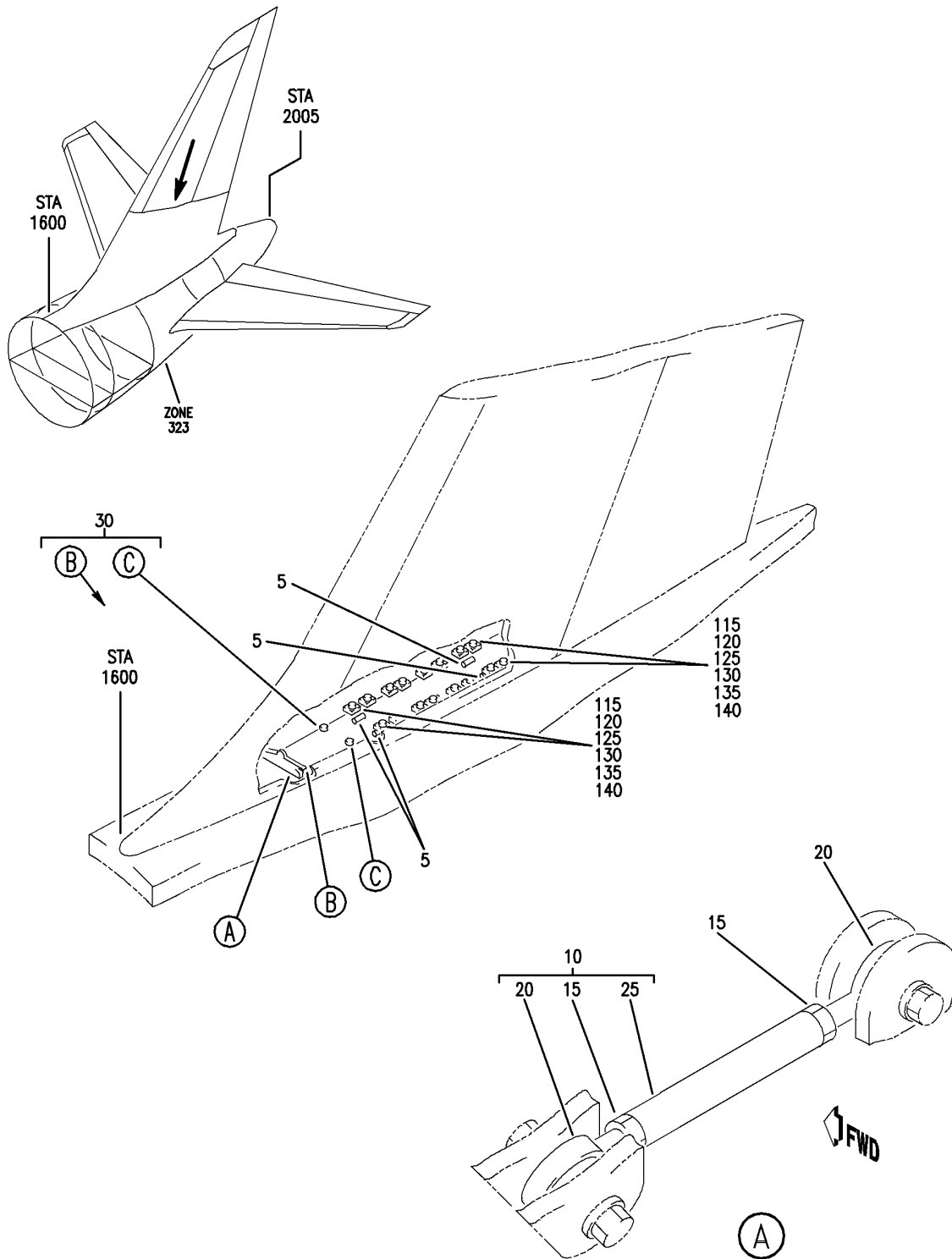
## VERTICAL STABILIZER ATTACH FITTINGS

BRI  
MAY 28/07

55-37-00  
SECTION TITLE  
PAGE 1



**BOEING**  
757  
PARTS CATALOG (MAINTENANCE)



Y 55375101 SHT 1 REV 237

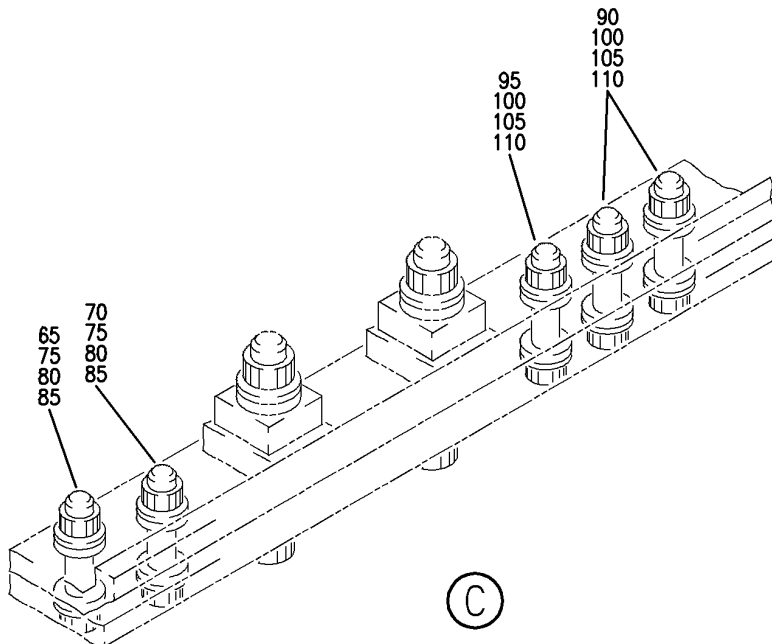
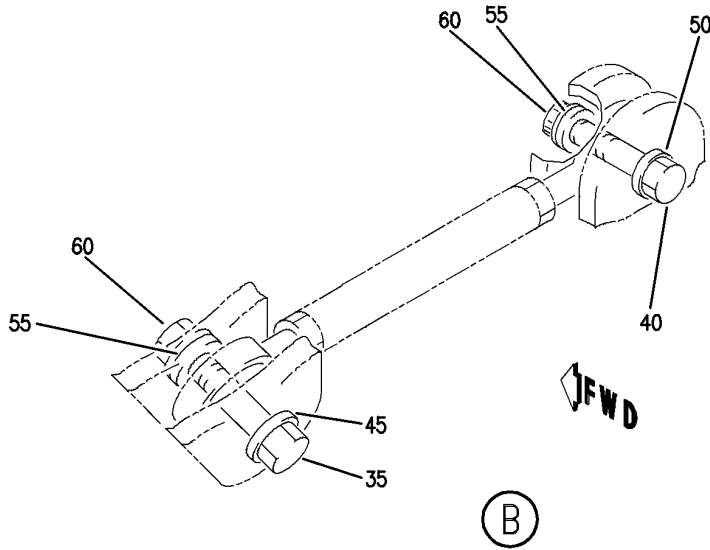
VERTICAL STABILIZER INSTL ATTACHMENTES  
FIGURE 1 (SHEET 1)

**55-37-51-01**

BRI  
MAY 28/07

55-37-51-01  
PAGE 0

**BOEING**  
757  
PARTS CATALOG (MAINTENANCE)



Y 55375101 SHT 2 REV 237

VERTICAL STABILIZER INSTL ATTACHMENTNES  
FIGURE 1 (SHEET 2)

**55-37-51-01**

BRI  
MAY 28/07

55-37-51-01  
PAGE 0A



757

PARTS CATALOG (MAINTENANCE)

FIG ITEM	PART NUMBER	1 2 3 4 5 6 7	NOMENCLATURE	EFFECT FROM TO	UNITS PER ASSY
1			VERTICAL STABILIZER INSTL ATTACHMENTNES	101106 108120 504903	
- 1	170N0005-403		COLLECTOR INSTL VERT STAB- ATTACHMENT FOR NHA SEE: 55-00-00-01	101102 108120 504903	RF
- 1	MODREF4620		COLLECTOR INSTL VERT STAB- ATTACHMENT MODULE NUMBER: 170N0005-403 REV A	103106	1
5	170N0001-93		.TUBE	101106 108120 504903	4
10	174N2001-1		.LINK ASSY-	101106 108120 504903	1
15	NAS509-6C		..NUT	101106 108120 504903	2
20	10E6-116M		..BEARING SUPPLIER CODE: V16746 SPECIFICATION NUMBER: BACB10Y6M OPTIONAL PART: BRES6-2001M1 V81376 HB6E212KM V02758 KBE6-150WD5 V97613 MSSK6AS1 V73134 51588-061DD V09455 ASMK6-1DM V56644 AR6E7W13 VS0352 ARB6E60MW V15860	101106 108120 504903	2
25	174N2001-2		..TUBE	101106 108120 504903	1
30	170N0005-407		.VERTICAL STABILIZER INSTL- ATTACHMENTS	101106 108120 504903	1

MISSING ITEM NUMBERS NOT APPLICABLE

- ITEM NOT ILLUSTRATED

BRI

55-37-51-01

BOEING PROPRIETARY - Copyright © - Unpublished Work - See title page for details.

55-37-51  
FIG. 01  
PAGE 1  
JAN 20/09

 **BOEING**  
757  
**PARTS CATALOG (MAINTENANCE)**

FIG ITEM	PART NUMBER	1 2 3 4 5 6 7	NOMENCLATURE	EFFECT FROM TO	UNITS PER ASSY
1	35	BACB30NM6K24	.. BOLT	101106 108120 504903	1
	40	BACB30NM6K22	.. BOLT	101106 108120 504903	1
	45	BACW10BN6C	.. WASHER	101106 108120 504903	1
	50	BACW10BN6SC	.. WASHER	101106 108120 504903	1
	55	BACW10BN6SP	.. WASHER	101106 108120 504903	2
	60	NAS1805-6N	.. NUT	101106 108120 504903	2
	65	BACB30US8K31	.. BOLT	101106 108120 504903	2
	70	BACB30US8K36	.. BOLT	101106 108120 504903	2
	75	BACW10BP8CD	.. WASHER	101106 108120 504903	4
	80	BACW10BP8DP	.. WASHER	101106 108120 504903	4

MISSING ITEM NUMBERS NOT APPLICABLE

— ITEM NOT ILLUSTRATED

BRI

# 55-37-51-01

BOEING PROPRIETARY - Copyright © - Unpublished Work - See title page for details.

55-37-51  
FIG. 01  
PAGE 2  
JAN 20/09



757

PARTS CATALOG (MAINTENANCE)

FIG ITEM	PART NUMBER	1 2 3 4 5 6 7	NOMENCLATURE	EFFECT FROM TO	UNITS PER ASSY
1 85	BMN10HRCWD3-8	..	NUT SUPPLIER CODE: V97928 SPECIFICATION NUMBER: BACN10HR8CD OPTIONAL PART: H51560-8 V15653 67832CD820 V56878 102LH9031-8 V72962 BH00303CM8 V27238 BMN5024CWD38 V97928 SL7108C8 V11815 VCU0005D8 V06710 102LH90318 V72962 67832CD8 V56878 CR6030-8 VF0224	101106 108120 504903	4
90	BACB30US8K36	..	BOLT	101106 108120 504903	4
95	BACB30US8K41	..	BOLT	101106 108120 504903	2
100	BACW10BP8CD	..	WASHER	101106 108120 504903	6
105	BACW10BP8DP	..	WASHER	101106 108120 504903	6

MISSING ITEM NUMBERS NOT APPLICABLE

- ITEM NOT ILLUSTRATED

BRI

55-37-51-01

BOEING PROPRIETARY - Copyright © - Unpublished Work - See title page for details.

55-37-51  
FIG. 01  
PAGE 3  
JAN 20/09



757

PARTS CATALOG (MAINTENANCE)

FIG ITEM	PART NUMBER	1 2 3 4 5 6 7	NOMENCLATURE	EFFECT FROM TO	UNITS PER ASSY
1 110	BMN10HRCWD3-8	. . NUT	SUPPLIER CODE: V97928 SPECIFICATION NUMBER: BACN10HR8CD OPTIONAL PART: H51560-8 V15653 67832CD820 V56878 102LH9031-8 V72962 BH00303CM8 V27238 BMN5024CWD38 V97928 SL7108C8 V11815 VCU0005D8 V06710 102LH90318 V72962 67832CD8 V56878 CR6030-8 VF0224	101106 108120 504903	6
115	BACB30US14P55	. BOLT-	USED WITH: BACW10BP14CD BACW10DS14 AN960C1416L SL4001-14MSP2 SLR4001-14BSP3 126LH7940-144 SLR50CA14B 108-7940-144RET	101106 108120 504903	16
120	BACW10BP14CD	. WASHER-	USED WITH: BACW10DS14 AN960C1416L BACB30US14P56 SL4001-14MSP2 SLR4001-14BSP3 126LH7940-144 SLR50CA14B 108-7940-144RET	101106 108120 504903	16

MISSING ITEM NUMBERS NOT APPLICABLE

- ITEM NOT ILLUSTRATED

BRI

55-37-51-01

BOEING PROPRIETARY - Copyright © - Unpublished Work - See title page for details.

55-37-51  
FIG. 01  
PAGE 4  
JAN 20/09



757

PARTS CATALOG (MAINTENANCE)

FIG ITEM	PART NUMBER	1 2 3 4 5 6 7	NOMENCLATURE	EFFECT FROM TO	UNITS PER ASSY
1 125	BACW10DS14		.WASHER- USED WITH: BACW10BP14CD AN960C1416L BACB30US14P56 SL4001-14MSP2 SLR4001-14BSP3 126LH7940-144 SLR50CA14B 108-7940-144RET	101106 108120 504903	16
130	NAS1149C1432R		.WASHER- USED WITH: BACW10BP14CD BACW10DS14 BACB30US14P56 SL4001-14MSP2 SLR4001-14BSP3 126LH7940-144 SLR50CA14B 108-7940-144RET	101106 108120 504903	16
135	SL4001-14MSP2		.NUT-BARREL SUPPLIER CODE: V97393 OPTIONAL PART: 126LH7940-144 V82156 USED WITH: BACB30US14P55 BACW10BP14CD AN960C1416L SLR4001-14BSP3 SLR50CA14B 108-7940-144RET	101106 108120 504903	16
135	126LH7940-144		.NUT-BARREL SUPPLIER CODE: V82156 OPTIONAL PART: SL4001-14MSP2 V97393 USED WITH: BACB30US14P55 BACW10BP14CD AN960C1416L SLR4001-14BSP3 SLR50CA14B 108-7940-144RET	101106 108120 504903	16

MISSING ITEM NUMBERS NOT APPLICABLE

- ITEM NOT ILLUSTRATED

BRI

55-37-51-01

BOEING PROPRIETARY - Copyright © - Unpublished Work - See title page for details.

55-37-51  
FIG. 01  
PAGE 5  
JAN 20/09



757

PARTS CATALOG (MAINTENANCE)

FIG ITEM	PART NUMBER	1 2 3 4 5 6 7	NOMENCLATURE	EFFECT FROM TO	UNITS PER ASSY
1 140	SLR4001-14BSP3		.RETAINER- SUPPLIER CODE: V97393 OPTIONAL PART: 108-7940-144RET V82156 SLR50CA14B V97393 USED WITH: BACB30US14P55 BACW10DS14 AN960C1416L SL4001-14MSP2 126LH7940-144	101106 108120 504903	16
140	SL50CA14B		.RETAINER- SUPPLIER CODE: V97393 OPTIONAL PART: 108-7940-144RET V82156 SLR4001-14BSP3 V97393 USED WITH: BACB30US14P55 BACW10DS14 AN960C1416L SL4001-14MSP2 126LH7940-144	101106 108120 504903	16
140	108-7940-144RET		.RETAINER- SUPPLIER CODE: V82156 OPTIONAL PART: SLR50CA14B V97393 SLR4001-14BSP3 V97393 USED WITH: BACB30US14P55 BACW10DS14 AN960C1416L SL4001-14MSP2 126LH7940-144	101106 108120 504903	16

MISSING ITEM NUMBERS NOT APPLICABLE

- ITEM NOT ILLUSTRATED

BRI

55-37-51-01

BOEING PROPRIETARY - Copyright © - Unpublished Work - See title page for details.

55-37-51  
FIG. 01  
PAGE 6  
JAN 20/09

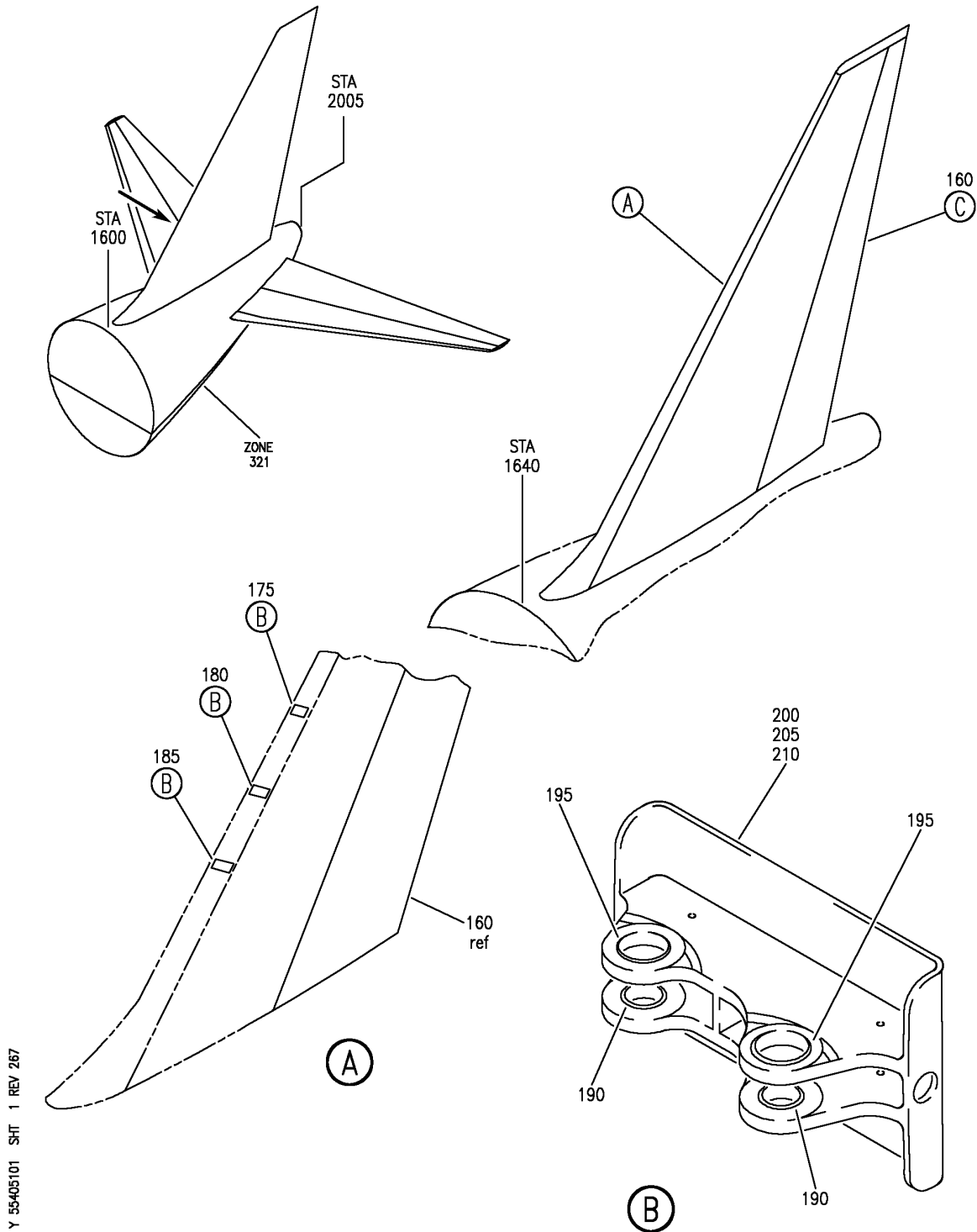


## **RUDDER**

**BRI**  
**MAY 28/07**

**55-40-00**  
**SECTION TITLE**  
**PAGE 1**

**BOEING**  
757  
PARTS CATALOG (MAINTENANCE)



Y 55405101 SH1 1 REV 267

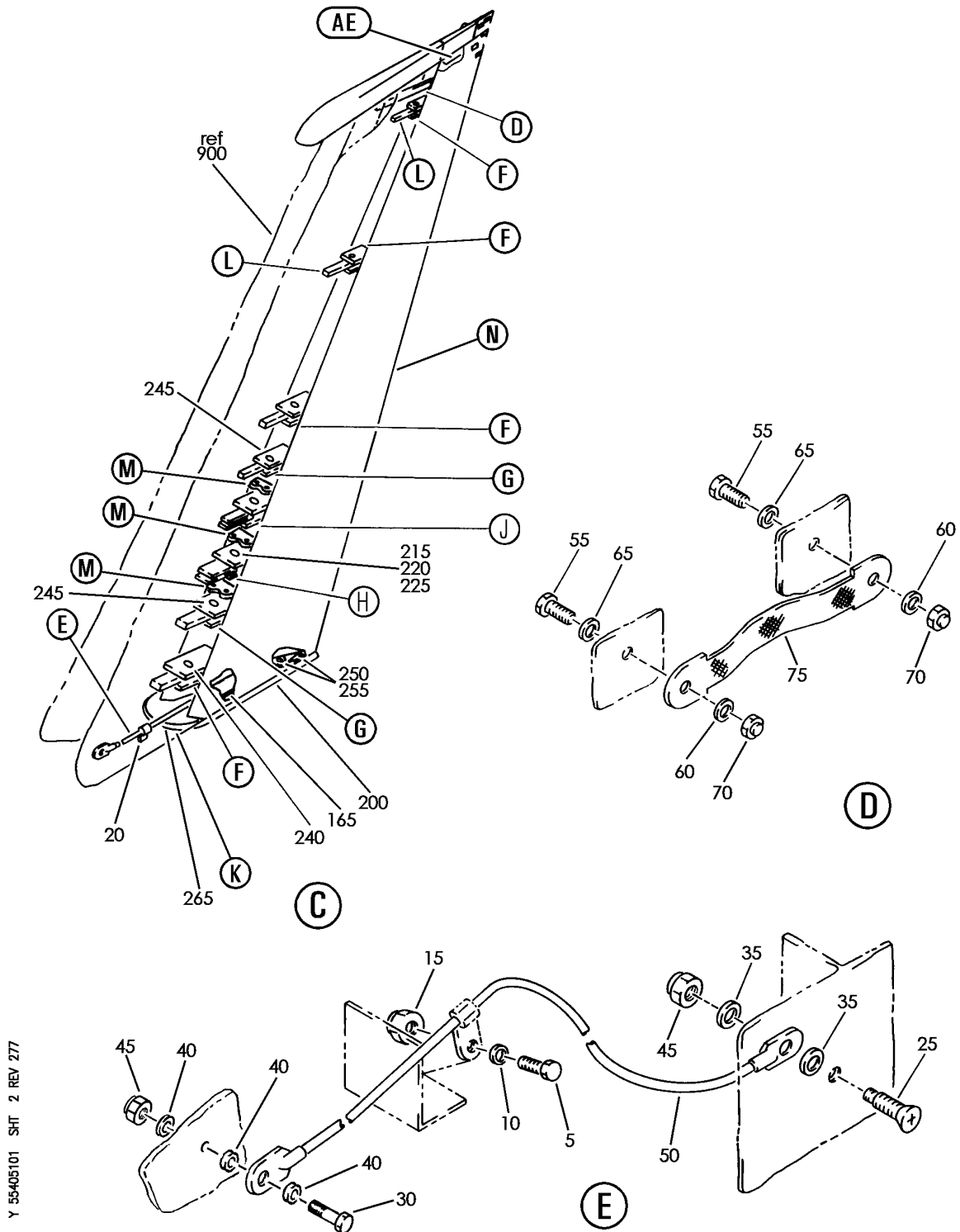
RUDDER INSTL  
FIGURE 1 (SHEET 1)

**55-40-51-01**

BRI  
MAY 28/07

55-40-51-01  
PAGE 0

**BOEING**  
757  
PARTS CATALOG (MAINTENANCE)



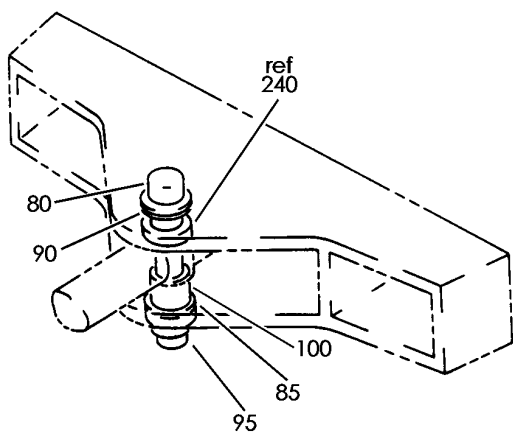
Y 55-40-51-01 SHT 2 REV 277

RUDDER INSTL  
FIGURE 1 (SHEET 2)

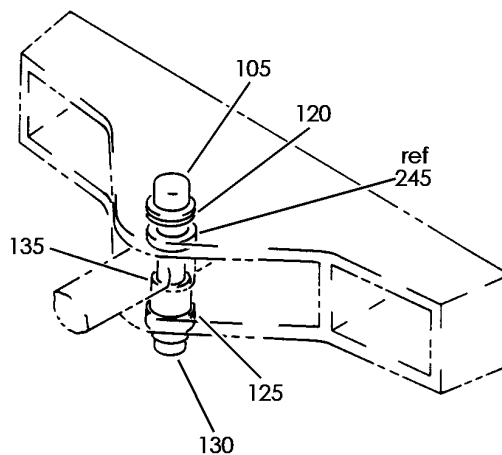
**55-40-51-01**

BRI  
MAY 28/07

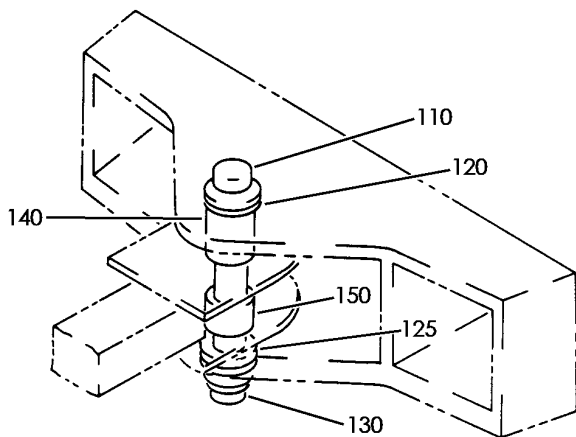
55-40-51-01  
PAGE 0A



(F)



(G)



(H)

Y 55405101 SHT 3 REV 244

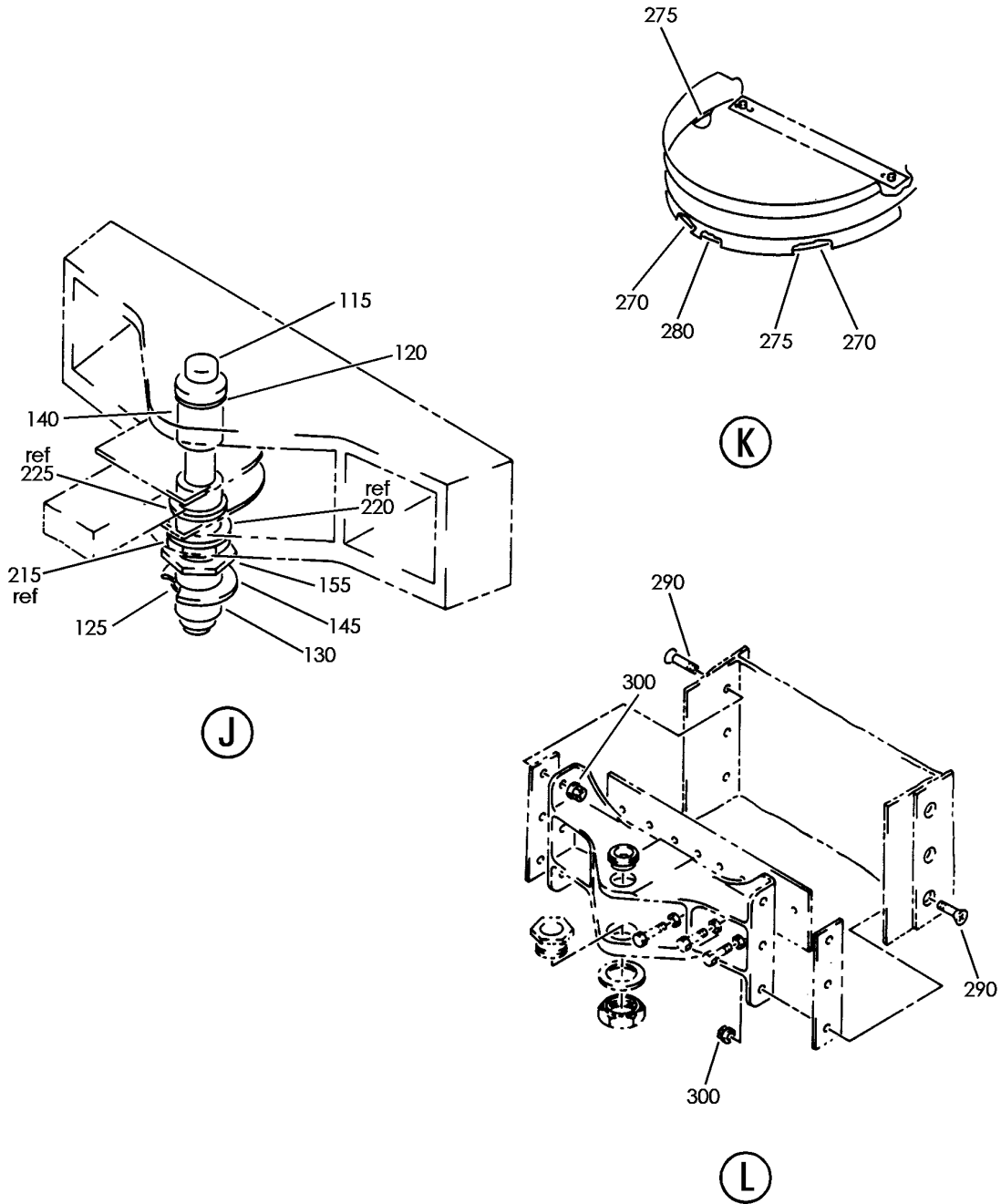
RUDDER INSTL  
FIGURE 1 (SHEET 3)

**55-40-51-01**

BRI  
MAY 28/07

55-40-51-01  
PAGE 0B

**BOEING**  
757  
PARTS CATALOG (MAINTENANCE)



Y 55405101 SHT 4 REV 244

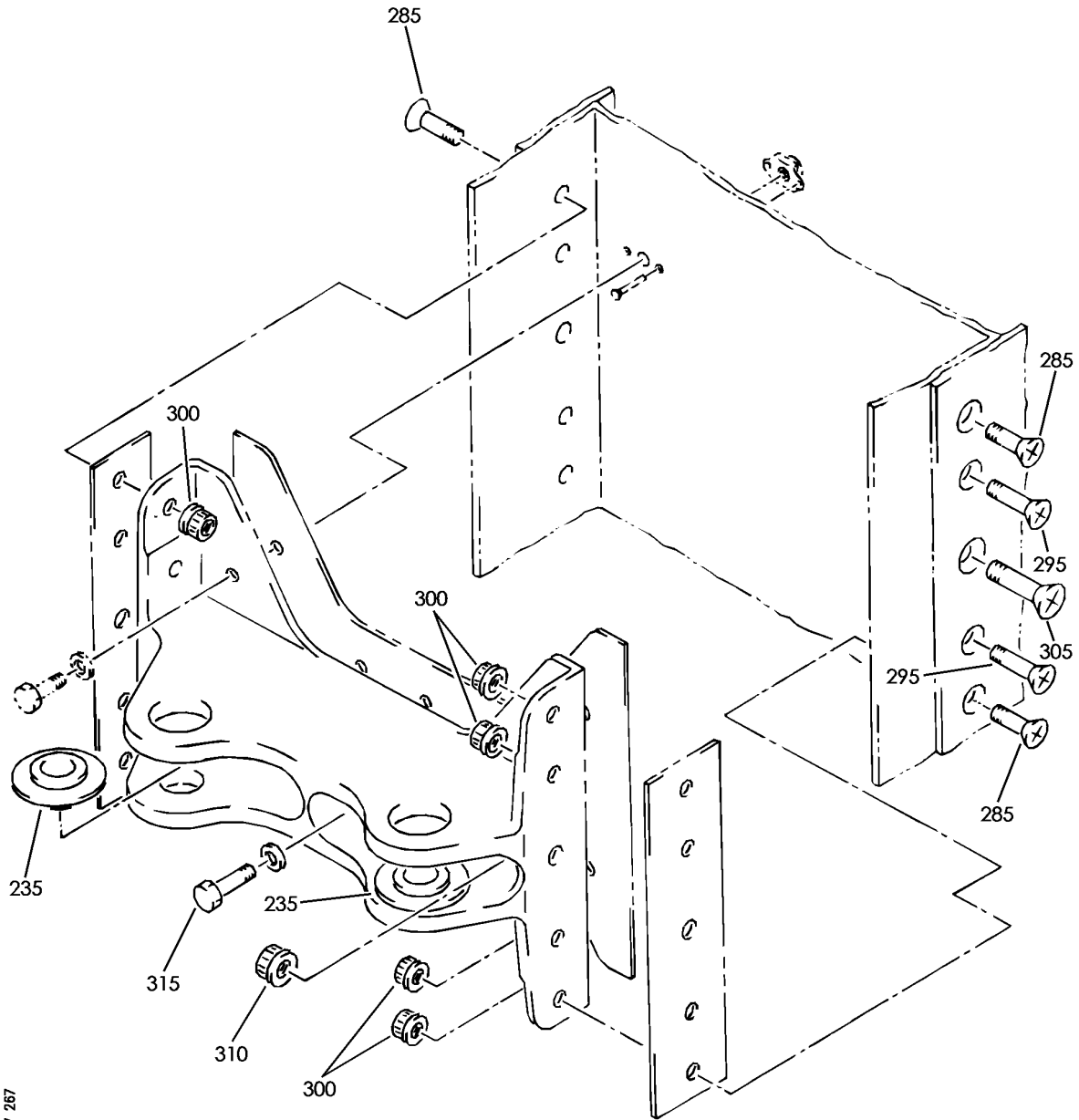
RUDDER INSTL  
FIGURE 1 (SHEET 4)

**55-40-51-01**

BRI  
MAY 28/07

55-40-51-01  
PAGE 0C

**BOEING**  
757  
PARTS CATALOG (MAINTENANCE)



Y 55405101 SHT 5 REV 267



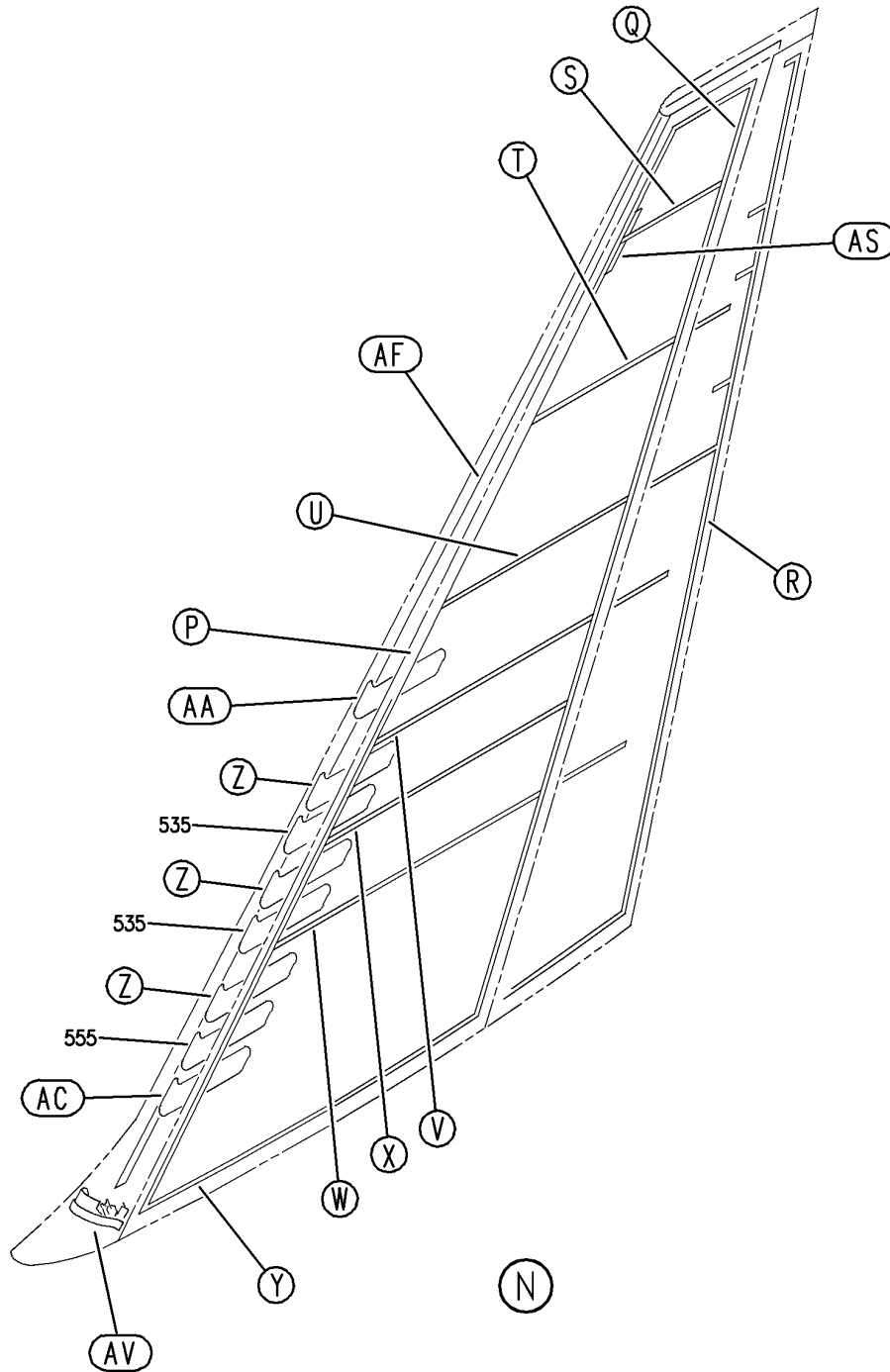
RUDDER INSTL  
FIGURE 1 (SHEET 5)

**55-40-51-01**

BRI  
MAY 28/07

55-40-51-01  
PAGE 0D

**BOEING**  
757  
PARTS CATALOG (MAINTENANCE)



Y 55405101 SHT 6 REV 244

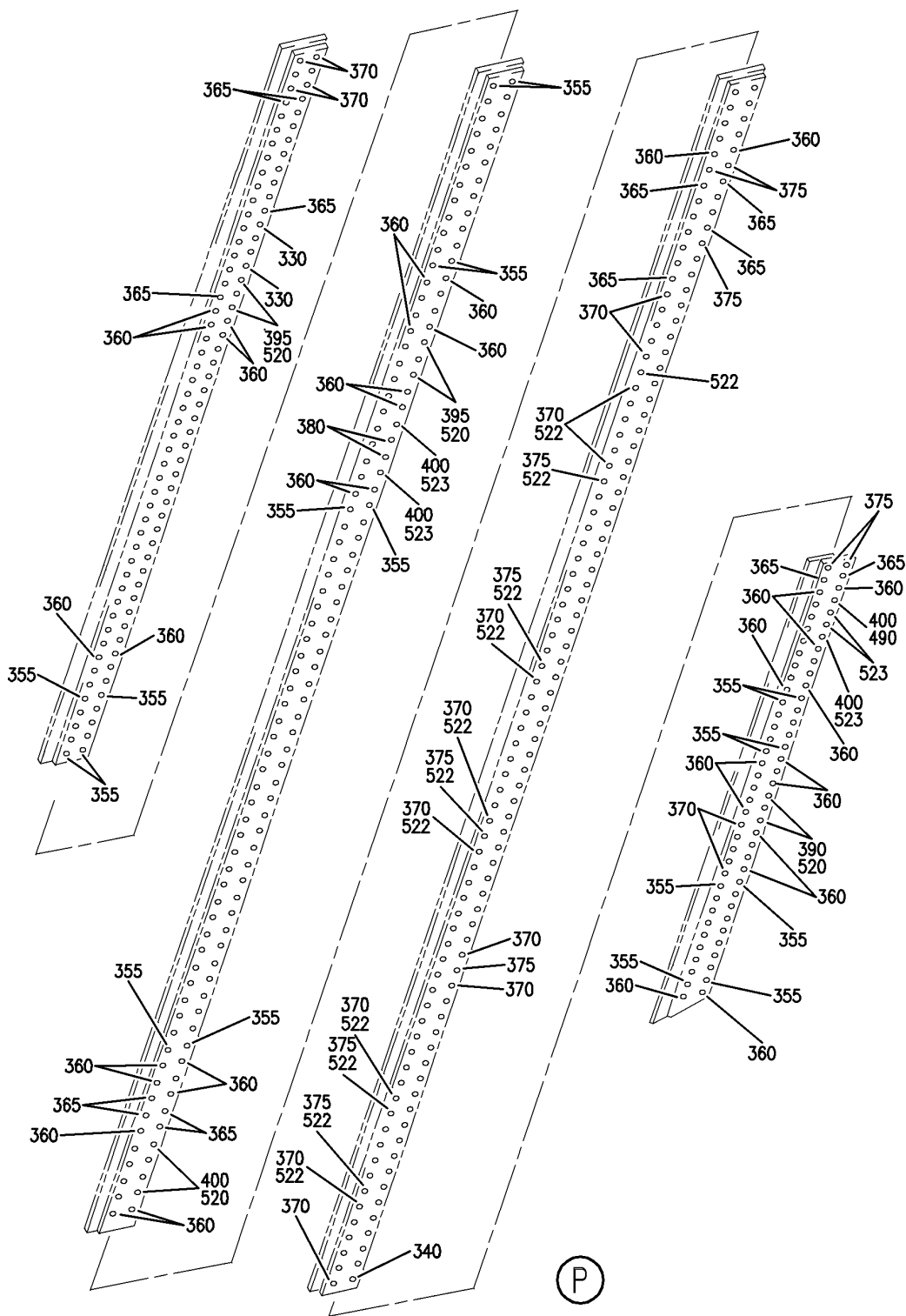
RUDDER INSTL  
FIGURE 1 (SHEET 6)

**55-40-51-01**

BRI  
MAY 28/07

55-40-51-01  
PAGE 0E

**BOEING**  
757  
**PARTS CATALOG (MAINTENANCE)**



Y 55405101 SH7 7 REV 244

RUDDER INSTL  
FIGURE 1 (SHEET 7)

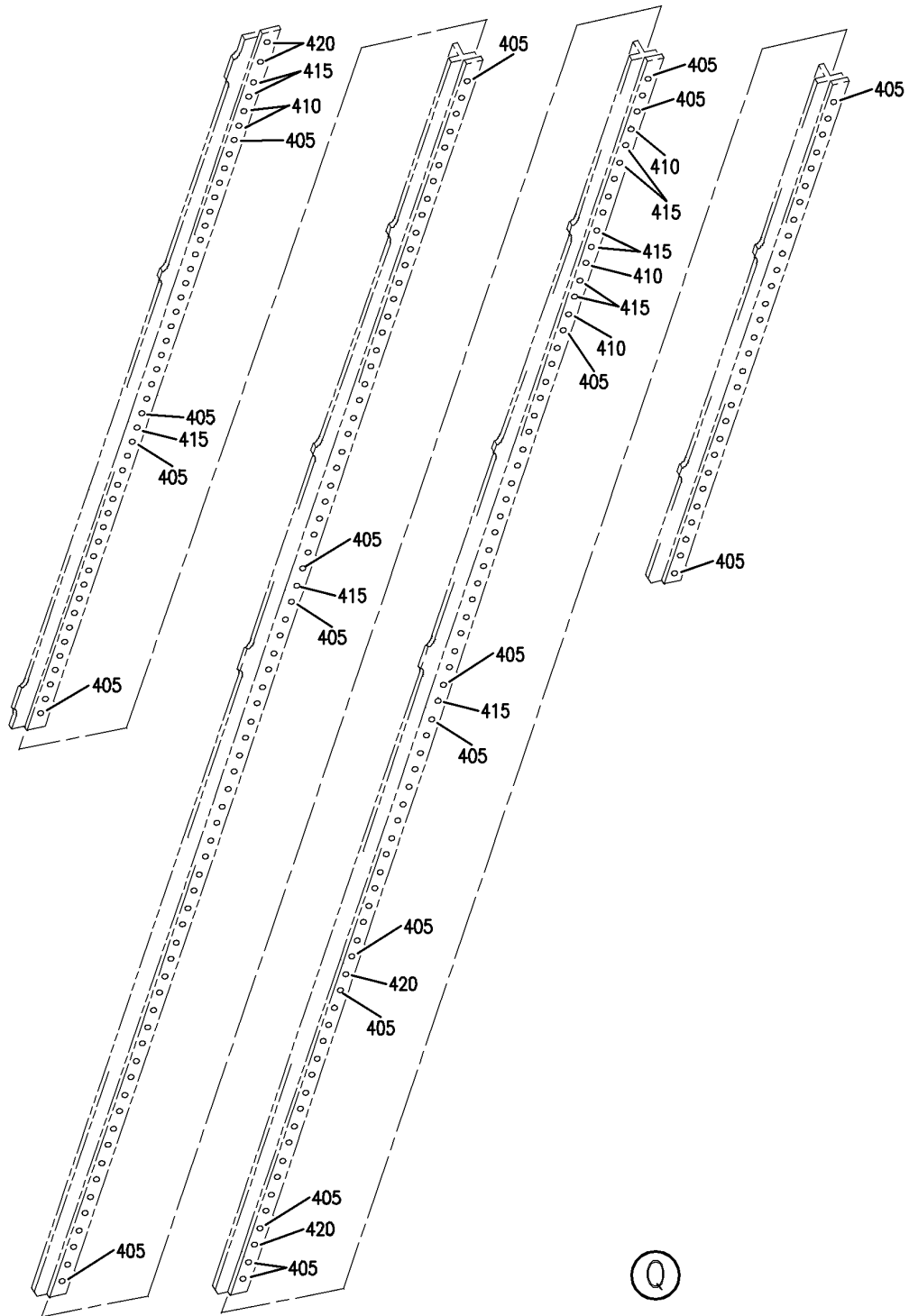
**55-40-51-01**

BRI  
MAY 28/07

55-40-51-01  
PAGE OF



**BOEING**  
757  
PARTS CATALOG (MAINTENANCE)



Y 55405101 SHT 8 REV 244

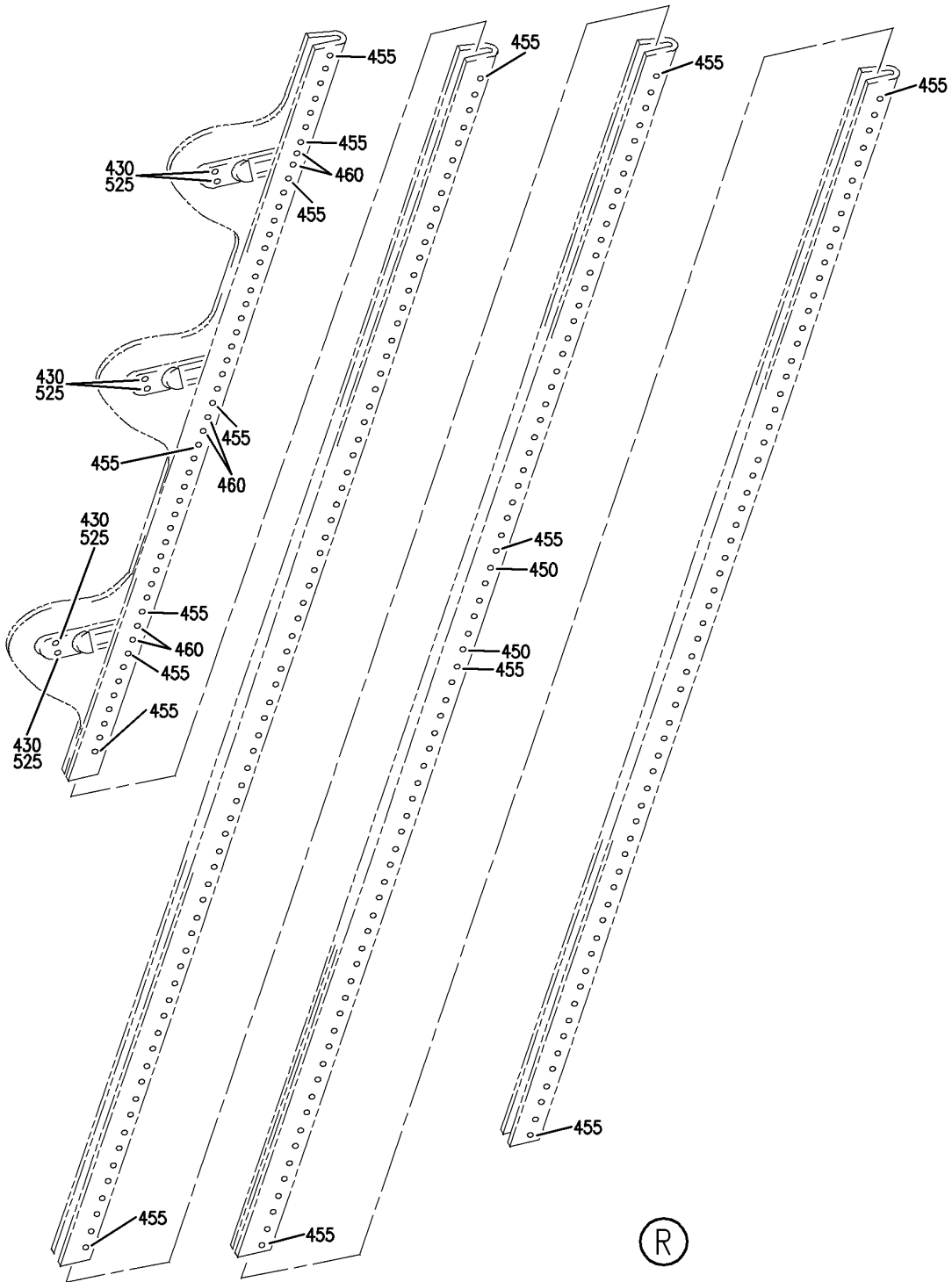
RUDDER INSTL  
FIGURE 1 (SHEET 8)

**55-40-51-01**

BRI  
MAY 28/07

55-40-51-01  
PAGE 06

**BOEING**  
757  
PARTS CATALOG (MAINTENANCE)



Y 55405101 SH1 9 REV 244

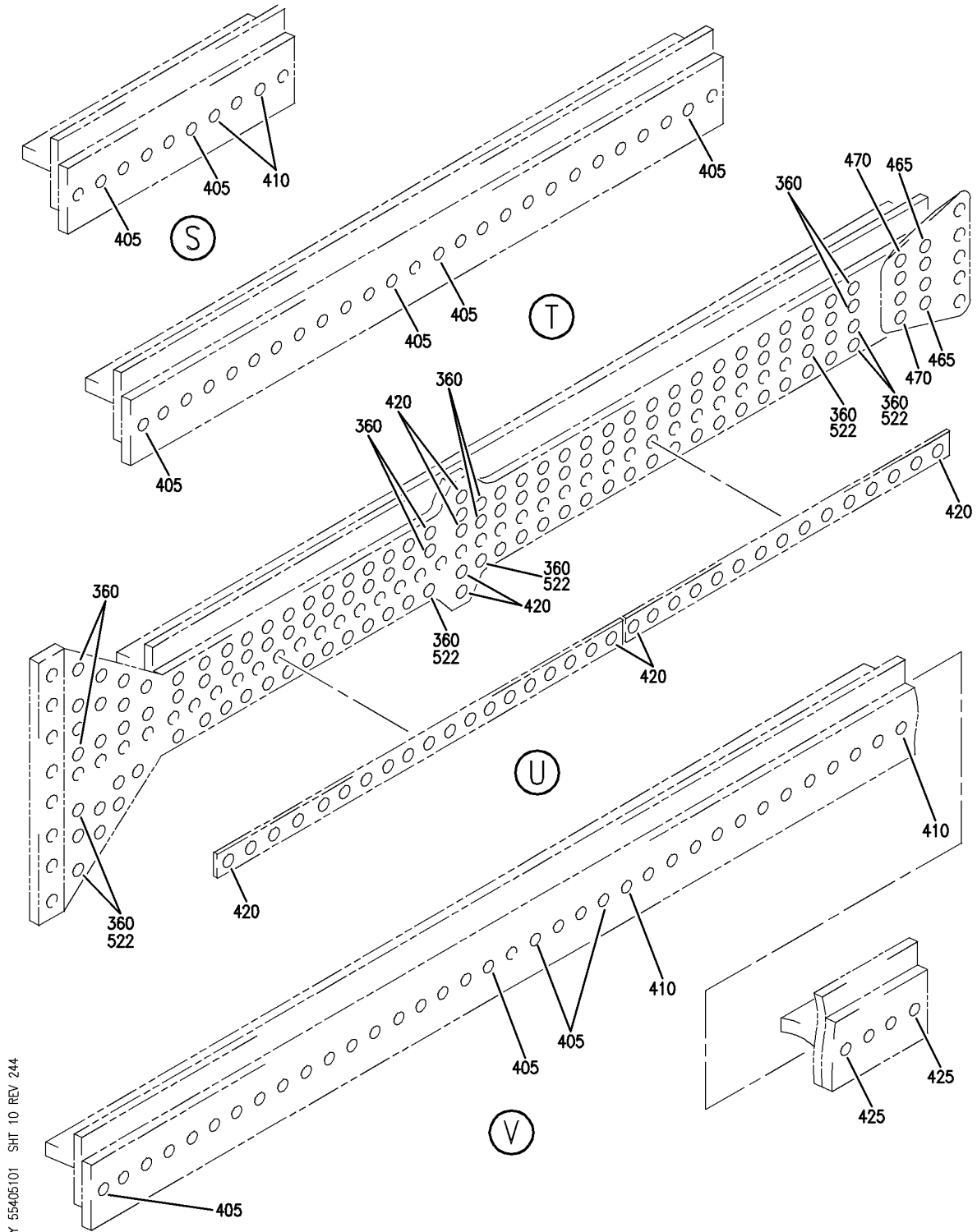
RUDDER INSTL  
FIGURE 1 (SHEET 9)

**55-40-51-01**

BRI  
MAY 28/07

55-40-51-01  
PAGE 0H

**BOEING**  
757  
PARTS CATALOG (MAINTENANCE)



Y 55405101 SHT 10 REV 244

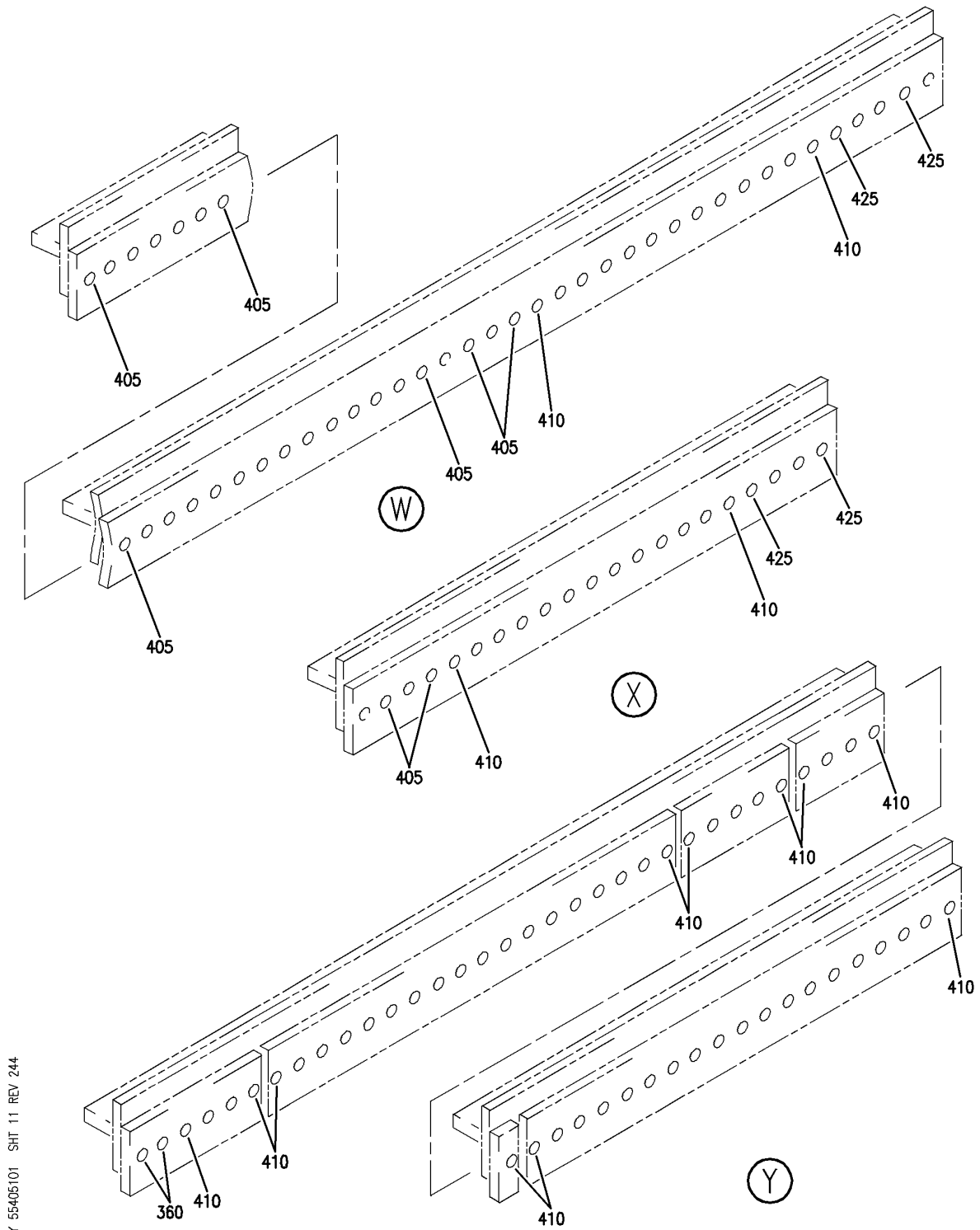
RUDDER INSTL  
FIGURE 1 (SHEET 10)

**55-40-51-01**

BRI  
MAY 28/07

55-40-51-01  
PAGE 01

**BOEING**  
757  
PARTS CATALOG (MAINTENANCE)



Y 55405101 SHT 11 REV 244

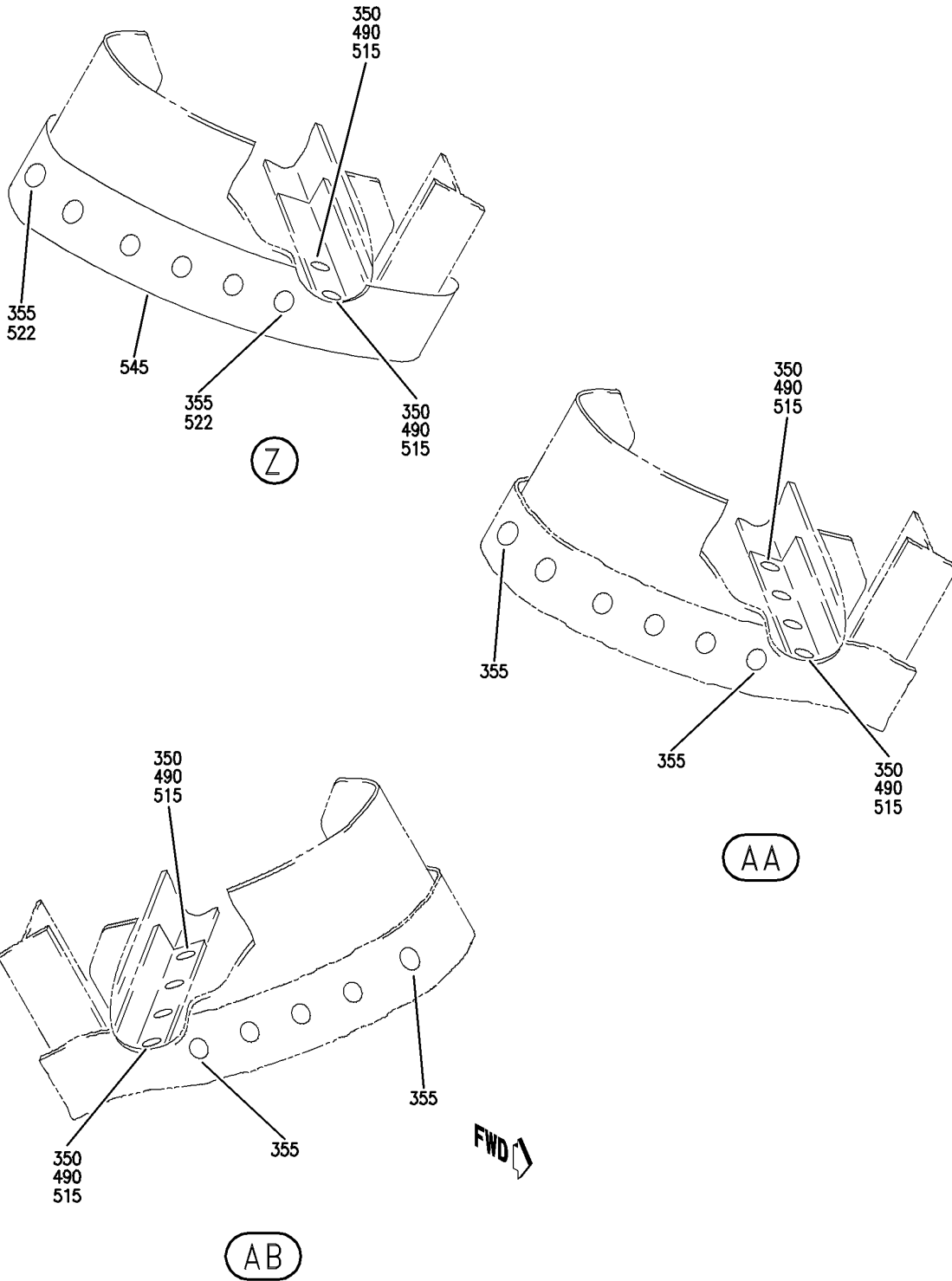
RUDDER INSTL  
FIGURE 1 (SHEET 11)

**55-40-51-01**

BRI  
MAY 28/07

55-40-51-01  
PAGE 0J

**BOEING**  
757  
PARTS CATALOG (MAINTENANCE)



Y 55405101 SHT 12 REV 244

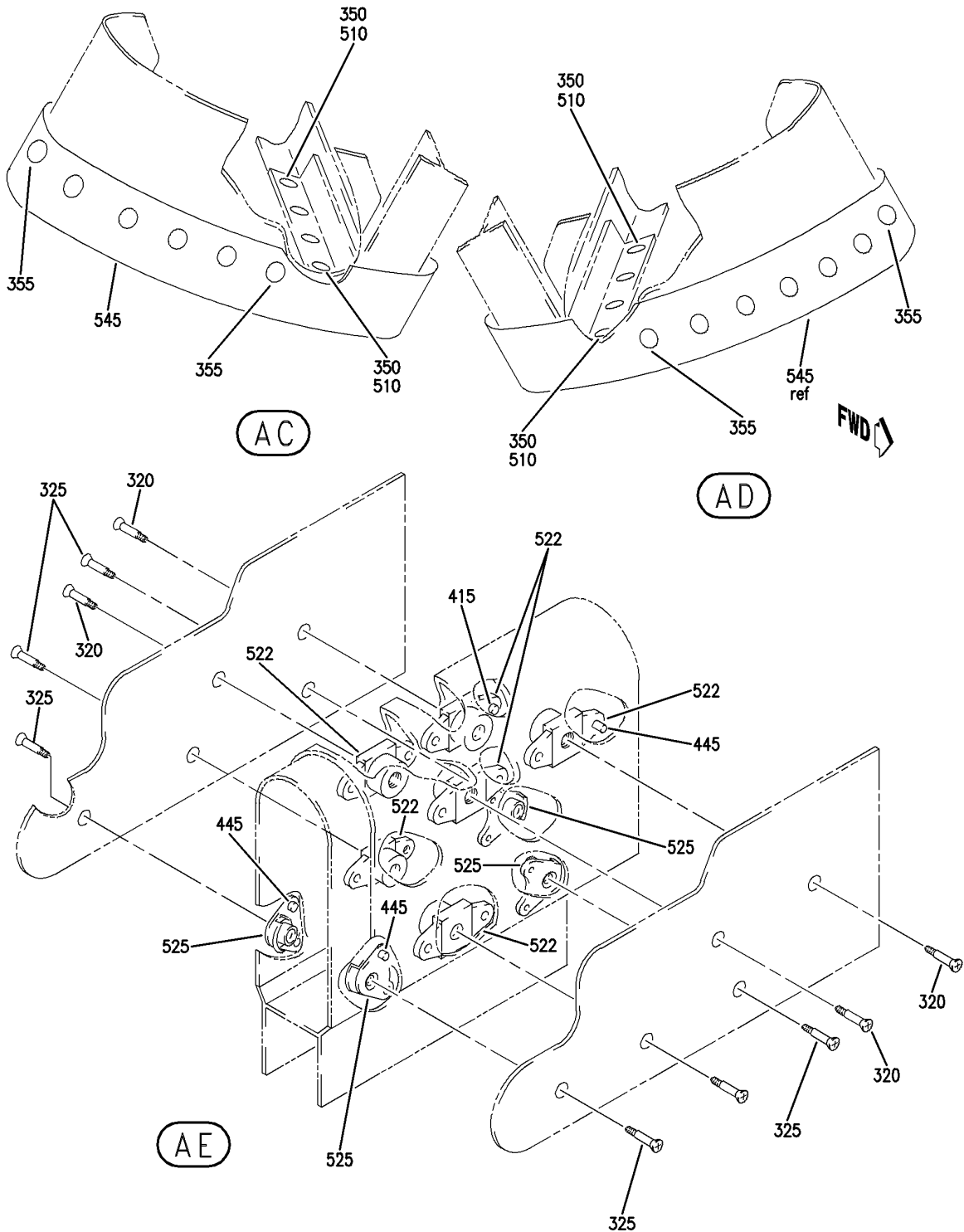
RUDDER INSTL  
FIGURE 1 (SHEET 12)

**55-40-51-01**

BRI  
MAY 28/07

55-40-51-01  
PAGE OK

**BOEING**  
757  
PARTS CATALOG (MAINTENANCE)



Y 55405101 SHT 13 REV 244

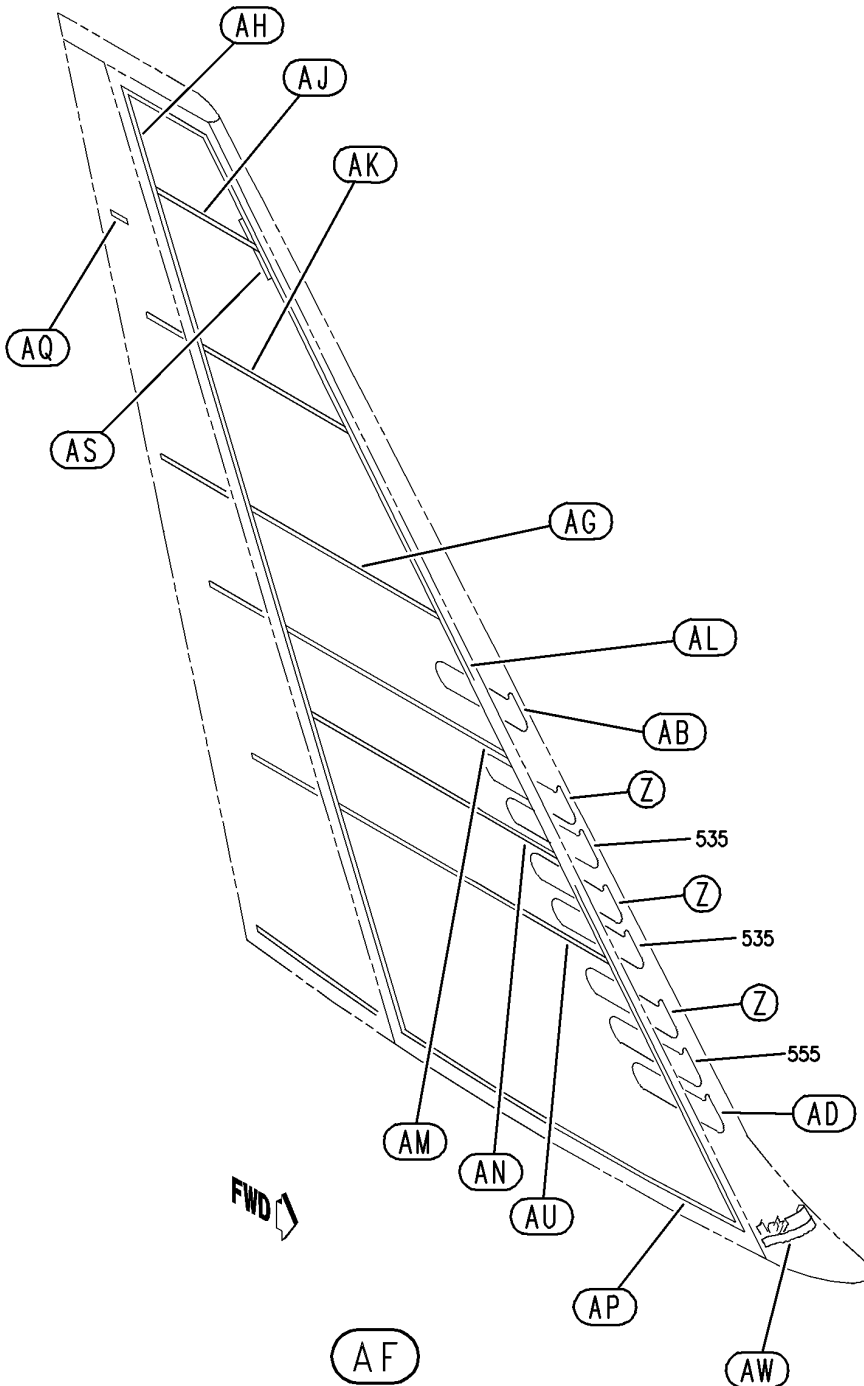
RUDDER INSTL  
FIGURE 1 (SHEET 13)

**55-40-51-01**

BRI  
MAY 28/07

55-40-51-01  
PAGE 01

**BOEING**  
757  
PARTS CATALOG (MAINTENANCE)



Y 55405101 SHT 14 REV 244

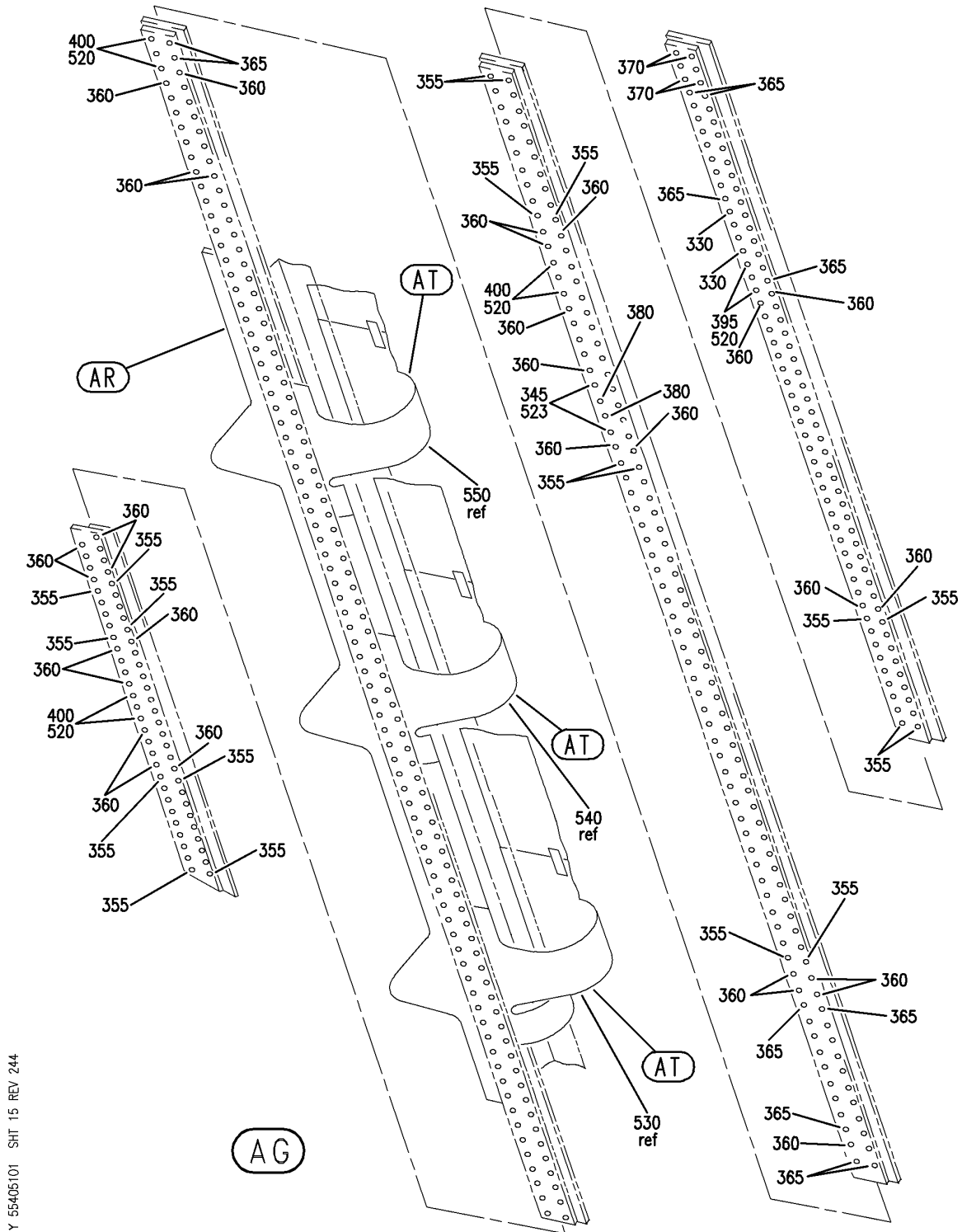
RUDDER INSTL  
FIGURE 1 (SHEET 14)

**55-40-51-01**

BRI  
MAY 28/07

55-40-51-01  
PAGE 0M

**BOEING**  
 757  
 PARTS CATALOG (MAINTENANCE)



Y 55405101 SHT 15 REV 244

RUDDER INSTL  
 FIGURE 1 (SHEET 15)

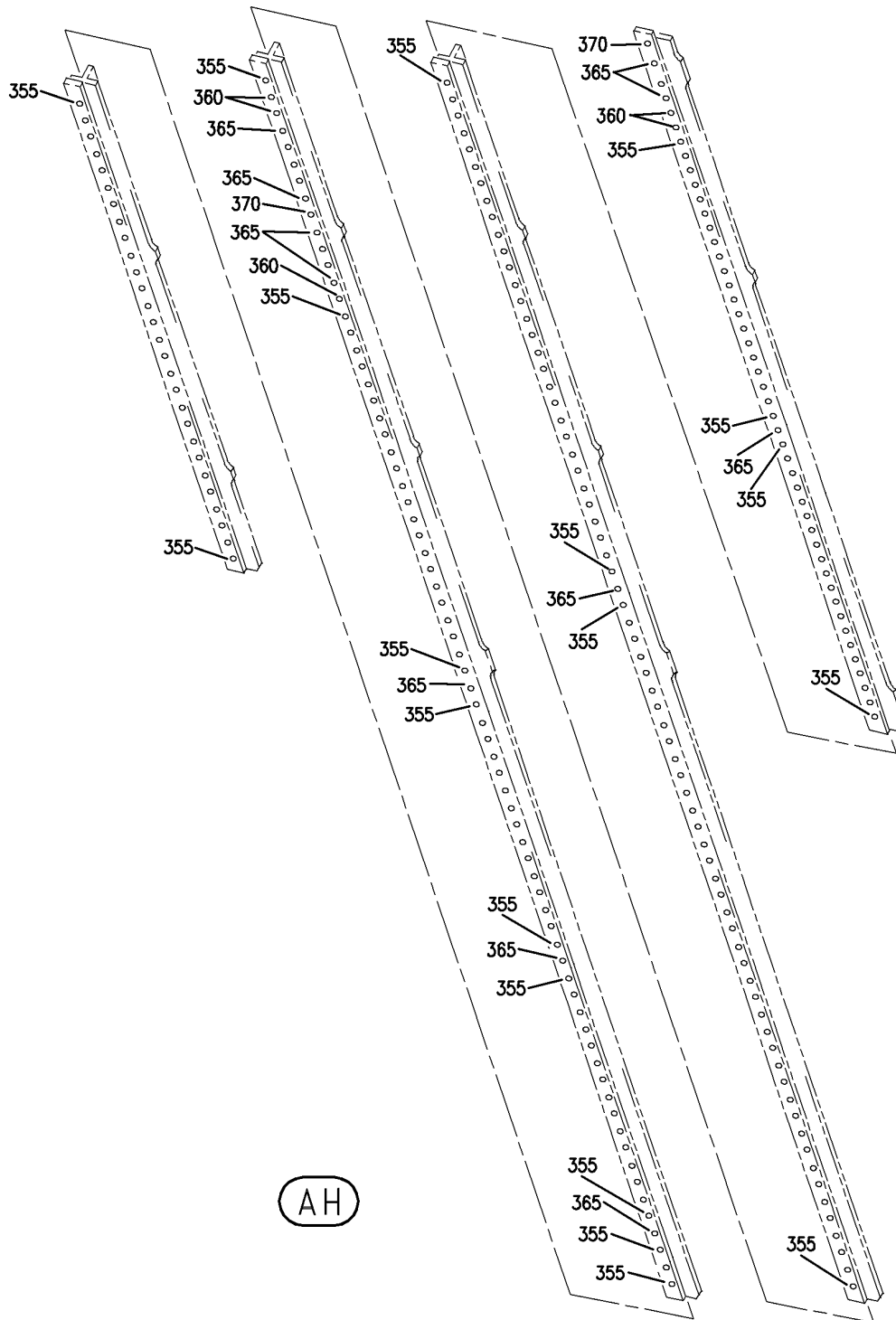
**55-40-51-01**

BRI  
 MAY 28/07

55-40-51-01  
 PAGE ON



**BOEING**  
757  
PARTS CATALOG (MAINTENANCE)



Y 55405101 SHT 16 REV 244

AH

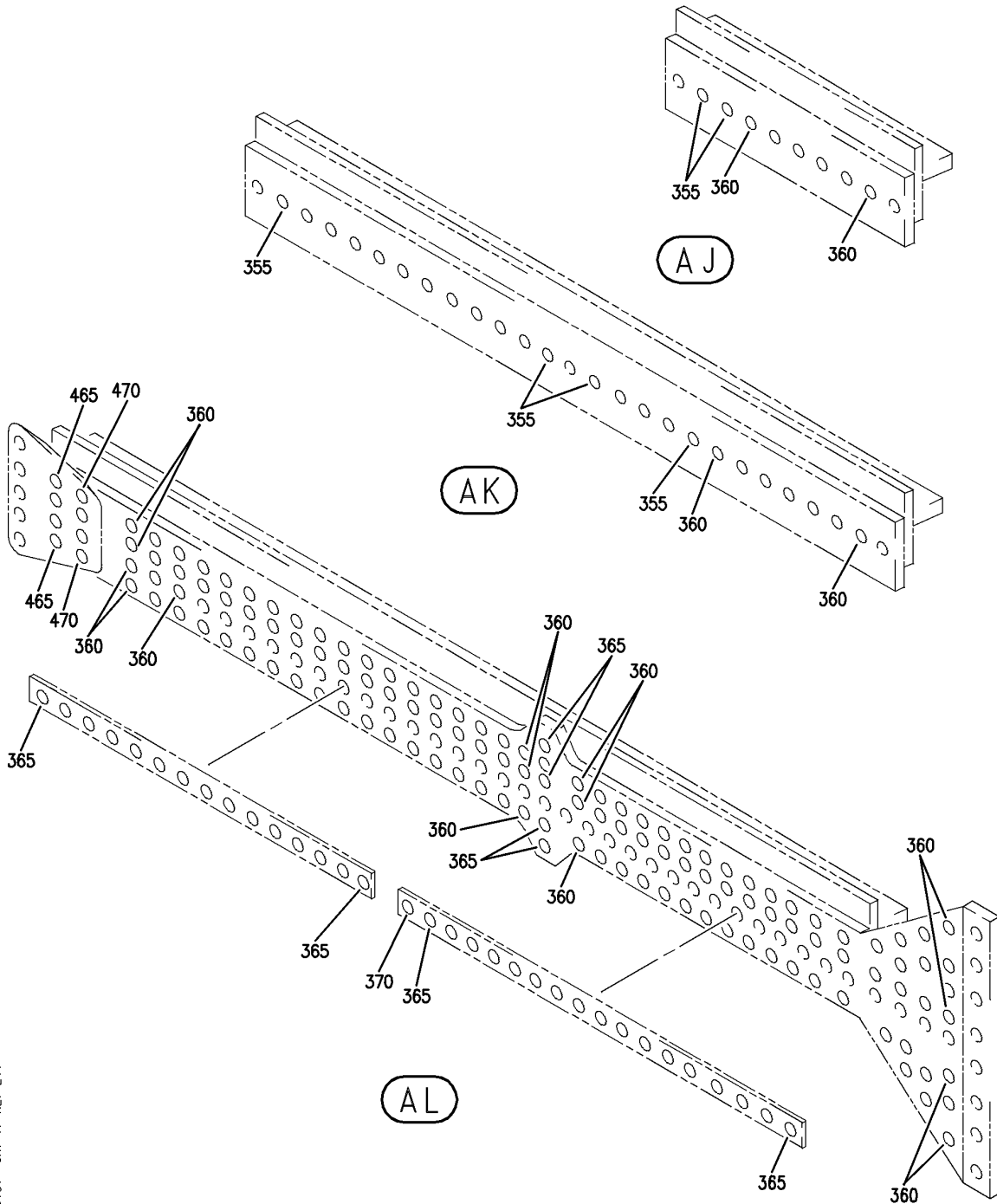
RUDDER INSTL  
FIGURE 1 (SHEET 16)

**55-40-51-01**

BRI  
MAY 28/07

55-40-51-01  
PAGE 00

**BOEING**  
757  
PARTS CATALOG (MAINTENANCE)



Y 55405101 SHT 17 REV 244

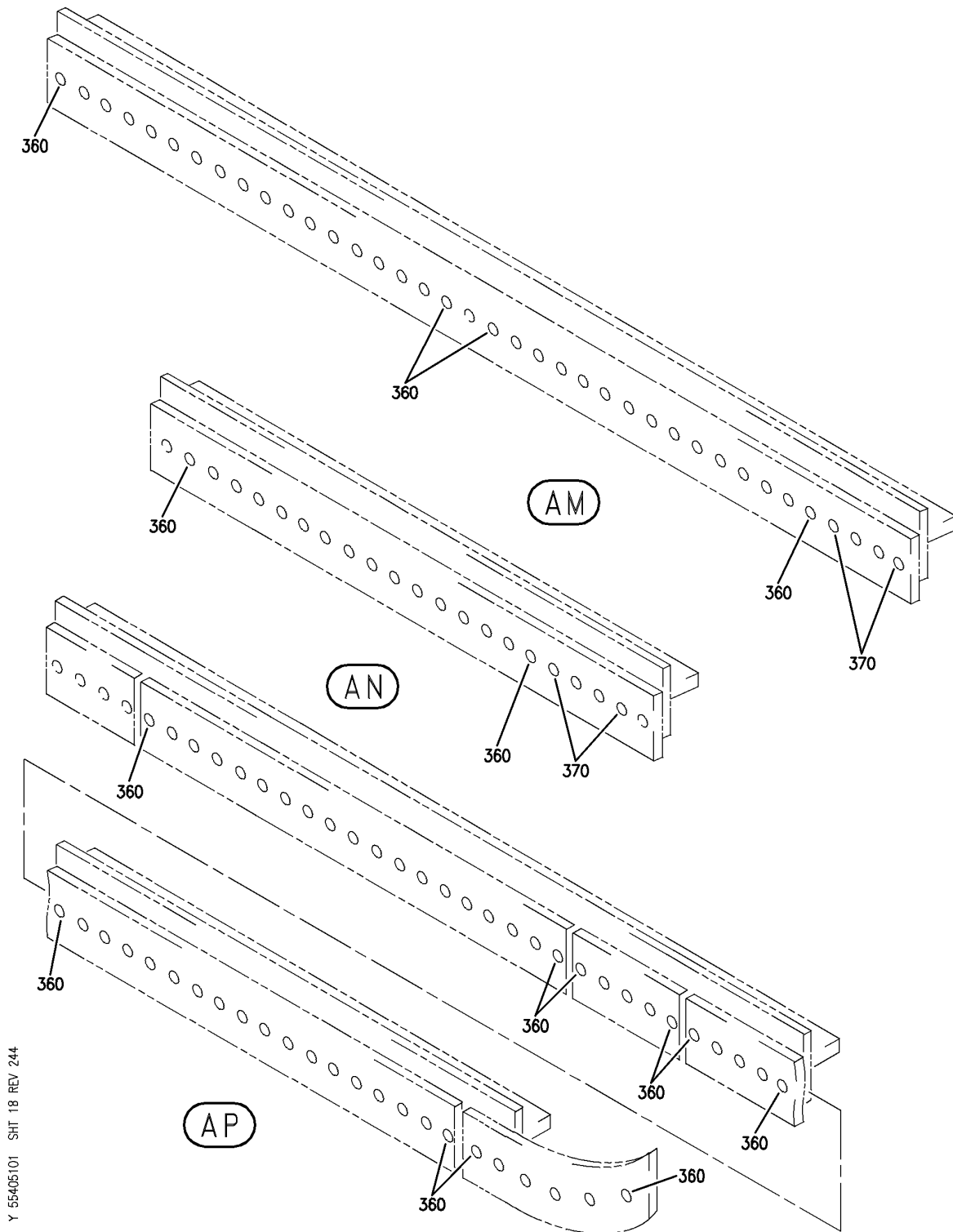
RUDDER INSTL  
FIGURE 1 (SHEET 17)

**55-40-51-01**

BRI  
MAY 28/07

55-40-51-01  
PAGE 0P

**BOEING**  
757  
PARTS CATALOG (MAINTENANCE)



Y 55405101 SHT 18 REV 244

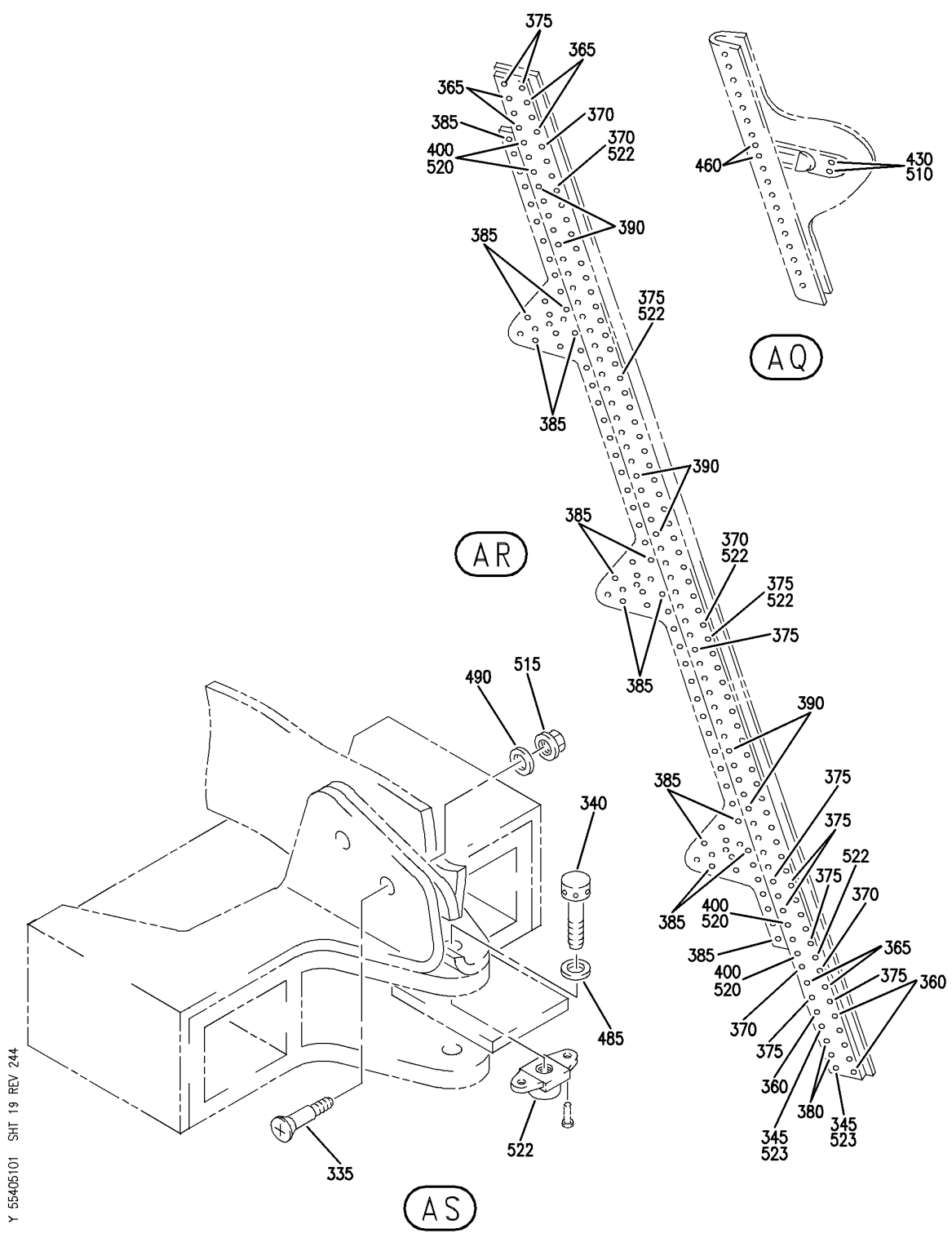
RUDDER INSTL  
FIGURE 1 (SHEET 18)

**55-40-51-01**

BRI  
MAY 28/07

55-40-51-01  
PAGE 00

**BOEING**  
757  
PARTS CATALOG (MAINTENANCE)



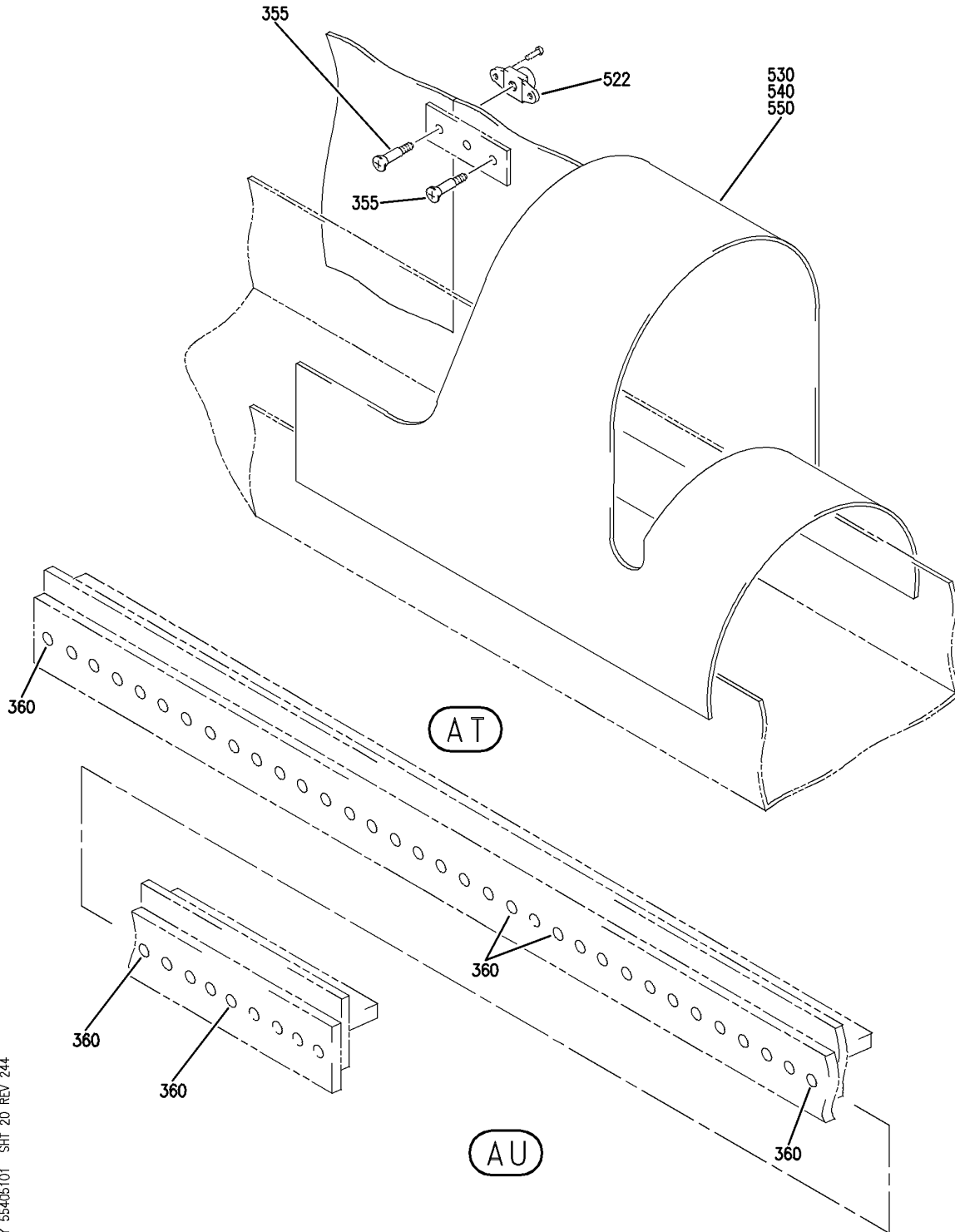
RUDDER INSTL  
FIGURE 1 (SHEET 19)

**55-40-51-01**

BRI  
MAY 28/07

55-40-51-01  
PAGE OR

**BOEING**  
757  
PARTS CATALOG (MAINTENANCE)



Y 55405101 SHT 20 REV 244

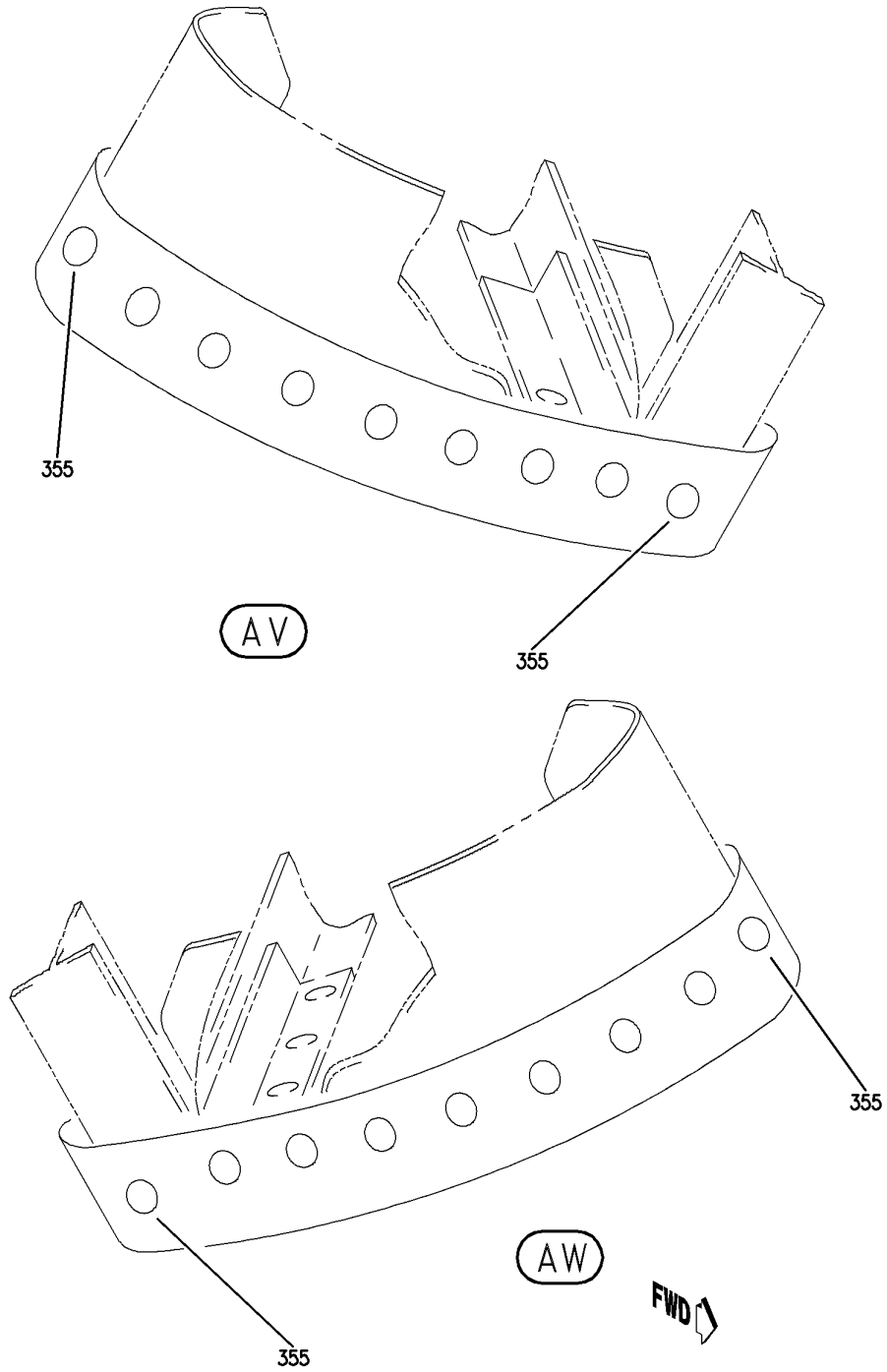
RUDDER INSTL  
FIGURE 1 (SHEET 20)

**55-40-51-01**

BRI  
MAY 28/07

55-40-51-01  
PAGE 05

**BOEING**  
757  
PARTS CATALOG (MAINTENANCE)



Y 55405101 SHT 21 REV 244

RUDDER INSTL  
FIGURE 1 (SHEET 21)

**55-40-51-01**

BRI  
MAY 28/07

55-40-51-01  
PAGE 01



757

PARTS CATALOG (MAINTENANCE)

FIG ITEM	PART NUMBER	1 2 3 4 5 6 7	NOMENCLATURE	EFFECT FROM TO	UNITS PER ASSY
1			RUDDER INSTL	002004 006999	
- 1	173N2001-1		RUDDER INSTL- FOR NHA SEE: 55-30-51-01	002004 006100 107107 121503 904999	RF
- 1	173N2001-403		RUDDER INSTL- FOR NHA SEE: 55-00-00-01	101102 504903	RF
- 2	173N2001-407		RUDDER INSTL- FOR NHA SEE: 55-00-00-01	108120	RF
- 2	MODREF4707		RUDDER INSTL- MODULE NUMBER: 173N2001-407 REV A	103106	1
5	NAS6703-3		.BOLT	002004 006999	1
10	NAS1149D0332J		.WASHER	002004 006999	1
15	BRH10C3		.NUT SUPPLIER CODE: V52828 SPECIFICATION NUMBER: BACN10JC3C OPTIONAL PART: T6C1032J V11815 97-02 V80539 101LH9075-3W V72962 VN303B02 V92215 NS202101S02 V80539 H31-3BAC V15653	002004 006999	1
20	BACC10DK2		.CLAMP-	002004 006999	1
25	BACB30LH3U4		.BOLT	002004 006999	1
30	NAS6703-3		.BOLT	002004 006999	1
35	BACW10BP3NAPU		.WASHER-	002004 006999	2
40	NAS1149D0332J		.WASHER	002004 006999	3

MISSING ITEM NUMBERS NOT APPLICABLE

- ITEM NOT ILLUSTRATED

55-40-51-01

55-40-51  
FIG. 01  
PAGE 1  
JAN 20/09

BRI



757

PARTS CATALOG (MAINTENANCE)

FIG ITEM	PART NUMBER	1 2 3 4 5 6 7	NOMENCLATURE	EFFECT FROM TO	UNITS PER ASSY
1 45	BRH10C3		.NUT- SUPPLIER CODE: V52828 SPECIFICATION NUMBER: BACN10JC3C OPTIONAL PART: T6C1032J V11815 97-02 V80539 101LH9075-3W V72962 VN303B02 V92215 NS202101S02 V80539 H31-3BAC V15653	002004 006999	2
50	940CW20-11		.JUMPER ASSY- SUPPLIER CODE: V91812 SPECIFICATION NUMBER: BACJ40AB20-11 OPTIONAL PART: 10020-11 V1FF12 RBEJ40AB20-11 V1GK47	002004 006999	1
55	BACB30LJ4-5		.BOLT-	002004 006999	2
60	NAS1149D0463J		.WASHER	002004 006999	2
65	BACW10BP4ACU		.WASHER-	002004 006999	2

MISSING ITEM NUMBERS NOT APPLICABLE

- ITEM NOT ILLUSTRATED

55-40-51-01

55-40-51  
FIG. 01  
PAGE 2  
SEP 20/08

BRI

BOEING PROPRIETARY - Copyright © - Unpublished Work - See title page for details.





757

PARTS CATALOG (MAINTENANCE)

FIG ITEM	PART NUMBER	1 2 3 4 5 6 7	NOMENCLATURE	EFFECT FROM TO	UNITS PER ASSY
1	70 BRH10C4		.NUT- SUPPLIER CODE: V52828 SPECIFICATION NUMBER: BACN10JC4C OPTIONAL PART: T6C428J V11815 97-048 V80539 101LH9075-4W V72962 VN303B048 V92215 NS202101S048 V80539 H31-4BAC V15653	002004 006999	2
	75 RBEJ40E20-26		.JUMPER ASSY- SUPPLIER CODE: V1GK47 SPECIFICATION NUMBER: BACJ40E20-26 OPTIONAL PART: 740E20-26 V91812	002004 006999	1
	80 BACB30LE8U36		.BOLT-	002004 006999	4
	85 BACW10BP8DP		.WASHER-	002004 006999	4
	90 BACW10BP8CD		.WASHER-	002004 006999	4
	95 NAS1805-8		.NUT-	002004 006999	4
	100 BACB28AK08-065		.BUSHING-	002004 006999	4
	105 BACB30LE10U38		.BOLT-	002004 006999	2
	110 BACB30LE10U53		.BOLT-	002004 006999	1
	115 BACB30LE10U75		.BOLT-	002004 006999	1
	120 BACW10BP10CD		.WASHER-	002004 006999	4
	125 BACW10BP10DP		.WASHER-	002004 006999	4
	130 NAS1805-10		.NUT-	002004 006999	4

MISSING ITEM NUMBERS NOT APPLICABLE

- ITEM NOT ILLUSTRATED

55-40-51-01

55-40-51  
FIG. 01  
PAGE 3  
SEP 20/08

BRI

BOEING PROPRIETARY - Copyright © - Unpublished Work - See title page for details.



757

PARTS CATALOG (MAINTENANCE)

FIG ITEM	PART NUMBER	1 2 3 4 5 6 7	NOMENCLATURE	EFFECT FROM TO	UNITS PER ASSY
1					
135	BACB28AK10-070	.	BUSHING-	002004 006999	2
140	BACB28AK10-100	.	BUSHING-	002004 006999	2
145	173N2323-3	.	BUSHING-	002004 006999	1
150	173N2323-6	.	SPACER-	002004 006999	1
155	173N2323-1	.	NUT-	002004 006999	1
160	173N2101-1	.	RUDDER ASSY- COMPONENT MAINT MANUAL REF: 55-40-51 REWORKED BY SB: 55-0009R2 FUNCTIONAL REFERENCE: COMMUNICATIONS FOR DETAILS SEE 23-61-01-02 STABILIZERS FOR DETAILS SEE 55-31-01-02	002004 006100 107107 121503 904999	1
160	173N2101-3	.	RUDDER ASSY- COMPONENT MAINT MANUAL REF: 55-40-51 REWORKED BY SB: 55-0009R2 FUNCTIONAL REFERENCE: COMMUNICATIONS FOR DETAILS SEE 23-61-01-02 STABILIZERS FOR DETAILS SEE 55-31-01-02	002004 006100 107107 121503 904999	1
160	173N2101-5	.	RUDDER ASSY- COMPONENT MAINT MANUAL REF: 55-40-51 REWORKED BY SB: 55-0009R1 FUNCTIONAL REFERENCE: COMMUNICATIONS FOR DETAILS SEE 23-61-01-02 STABILIZERS FOR DETAILS SEE 55-31-01-02	002004 006100 107107 121503 904999	1

MISSING ITEM NUMBERS NOT APPLICABLE

- ITEM NOT ILLUSTRATED

**55-40-51-01**

55-40-51  
FIG. 01  
PAGE 4  
JAN 20/09

BRI



757

PARTS CATALOG (MAINTENANCE)

FIG ITEM	PART NUMBER	1 2 3 4 5 6 7	NOMENCLATURE	EFFECT FROM TO	UNITS PER ASSY
1 160	173N2101-7		.RUDDER ASSY- COMPONENT MAINT MANUAL REF: 55-40-51 REWORKED BY SB: 55-0009R1 FUNCTIONAL REFERENCE: COMMUNICATIONS FOR DETAILS SEE 23-61-01-02 STABILIZERS FOR DETAILS SEE 55-31-01-02	002004 006100 107107 121503 904999	1
160	173N2101-9		.RUDDER ASSY- COMPONENT MAINT MANUAL REF: 55-40-51 REWORKED BY SB: 55-0009R1 FUNCTIONAL REFERENCE: COMMUNICATIONS FOR DETAILS SEE 23-61-01-02 STABILIZERS FOR DETAILS SEE 55-31-01-02	002004 006100 107107 121503 904999	1
160	173N2101-11		.RUDDER ASSY- COMPONENT MAINT MANUAL REF: 55-40-51 REWORK DRAWING REF: 173N2008-1 REWORKED BY SB: 55-0009R2 FUNCTIONAL REFERENCE: COMMUNICATIONS FOR DETAILS SEE 23-61-01-02 STABILIZERS FOR DETAILS SEE 55-31-01-02	002004 006100 107107 121503 904999	1

MISSING ITEM NUMBERS NOT APPLICABLE

- ITEM NOT ILLUSTRATED

**55-40-51-01**

55-40-51  
FIG. 01  
PAGE 5  
JAN 20/09

BRI



757

PARTS CATALOG (MAINTENANCE)

FIG ITEM	PART NUMBER	1 2 3 4 5 6 7	NOMENCLATURE	EFFECT FROM TO	UNITS PER ASSY
1 160	173N2101-13		.RUDDER ASSY- COMPONENT MAINT MANUAL REF: 55-40-51 REWORKED BY SB: 55-0009R2 FUNCTIONAL REFERENCE: COMMUNICATIONS FOR DETAILS SEE 23-61-01-02 STABILIZERS FOR DETAILS SEE 55-31-01-02	002004 006100 107107 121503 904999	1
160	173N2101-93		.RUDDER ASSY- FUNCTIONAL REFERENCE: COMMUNICATIONS FOR DETAILS SEE 23-61-01-02 STABILIZERS FOR DETAILS SEE 55-31-01-02	002004 006999	1
160	173N2101-95		.RUDDER ASSY- FUNCTIONAL REFERENCE: COMMUNICATIONS FOR DETAILS SEE 23-61-01-02 STABILIZERS FOR DETAILS SEE 55-31-01-02	002004 006999	1
160	173N2101-401		.RUDDER ASSY- FUNCTIONAL REFERENCE: COMMUNICATIONS FOR DETAILS SEE 23-61-01-02 STABILIZERS FOR DETAILS SEE 55-31-01-02	002004 006999	1
160	173N2101-403		.RUDDER ASSY- FUNCTIONAL REFERENCE: COMMUNICATIONS FOR DETAILS SEE 23-61-01-02 STABILIZERS FOR DETAILS SEE 55-31-01-02	002004 006999	1
165	MS27253C2		.. PLATE	002004 006999	1

MISSING ITEM NUMBERS NOT APPLICABLE

- ITEM NOT ILLUSTRATED

55-40-51-01

55-40-51  
FIG. 01  
PAGE 6  
JAN 20/09

BRI



757

PARTS CATALOG (MAINTENANCE)

FIG ITEM	PART NUMBER	1 2 3 4 5 6 7	NOMENCLATURE	EFFECT FROM TO	UNITS PER ASSY
1			ATTACHING PARTS		
- 170	AF5170-3		..RIVET- SUPPLIER CODE: V53551 SPECIFICATION NUMBER: BACR15DR3P OPTIONAL PART: RV570A3 V98996 CCR274SS3 V11815 SIZE DETERMINED ON INSTL. -----*-----	002004 006999	2
175	173N2325-1		..ACTUATOR ASSY-FITTING RUDDER POSITION DATA: RUD STA 190.034 OPTIONAL PART: 173N2304-7 USED ON: 173N2101-7 173N2101-9 173N2101-11 173N2101-13 173N2101-93 173N2101-95 173N2101-401 173N2101-403	002004 006999	1
175	173N2325-11		..ACTUATOR ASSY-FITTING RUDDER POSITION DATA: RUD STA 190.034 USED ON: 173N2101-7 173N2101-9 173N2101-11 173N2101-13 173N2101-93	002004 006999	1
175	173N2325-17		..ACTUATOR ASSY-FITTING RUDDER POSITION DATA: RUD STA 190.034 USED ON: 173N2101-95 173N2101-401	002004 006999	1

MISSING ITEM NUMBERS NOT APPLICABLE

- ITEM NOT ILLUSTRATED

55-40-51-01

55-40-51  
FIG. 01  
PAGE 7  
JAN 20/09

BRI



757

PARTS CATALOG (MAINTENANCE)

FIG ITEM	PART NUMBER	1 2 3 4 5 6 7	NOMENCLATURE	EFFECT FROM TO	UNITS PER ASSY
1 175	173N2325-23		..ACTUATOR ASSY-FITTING RUDDER POSITION DATA: RUD STA 190.034 USED ON: 173N2101-403	002004 006999	1
175	173N2304-7		..ACTUATOR ASSY-FITTING RUDDER POSITION DATA: RUD STA 190.034 OPTIONAL PART: 173N2325-1 USED ON: 173N2101-7 173N2101-9 173N2101-11 173N2101-13	002004 006100 107107 121503 904999	1
175	173N2304-1		..ACTUATOR ASSY-FITTING RUDDER POSITION DATA: RUD STA 190.034 USED ON: 173N2101-1 173N2101-3 173N2101-5 173N2101-7 173N2101-9 173N2101-11 173N2101-13	002004 006100 107107 121503 904999	1
180	173N2325-13		..ACTUATOR ASSY-FITTING RUDDER POSITION DATA: RUD STA 165.074 USED ON: 173N2101-7 173N2101-9 173N2101-11 173N2101-13 173N2101-93	002004 006999	1
180	173N2325-19		..ACTUATOR ASSY-FITTING RUDDER POSITION DATA: RUD STA 165.074 USED ON: 173N2101-95 173N2101-401	002004 006999	1

MISSING ITEM NUMBERS NOT APPLICABLE

- ITEM NOT ILLUSTRATED

55-40-51-01

55-40-51  
FIG. 01  
PAGE 8  
JAN 20/09

BRI



757

PARTS CATALOG (MAINTENANCE)

FIG ITEM	PART NUMBER	1 2 3 4 5 6 7	NOMENCLATURE	EFFECT FROM TO	UNITS PER ASSY
1 180	173N2325-25		..ACTUATOR ASSY-FITTING RUDDER POSITION DATA: RUD STA 165.074 USED ON: 173N2101-403	002004 006999	1
180	173N2325-3		..ACTUATOR ASSY-FITTING RUDDER POSITION DATA: RUD STA 165.074 OPTIONAL PART: 173N2304-9 USED ON: 173N2101-7 173N2101-9 173N2101-11 173N2101-13 173N2101-93 173N2101-95 173N2101-401 173N2101-403	002004 006999	1
180	173N2304-9		..ACTUATOR ASSY-FITTING RUDDER POSITION DATA: RUD STA 165.074 OPTIONAL PART: 173N2325-3 USED ON: 173N2101-7 173N2101-9 173N2101-11 173N2101-13	002004 006100 107107 121503 904999	1
180	173N2304-3		..ACTUATOR ASSY-FITTING RUDDER POSITION DATA: RUD STA 165.074 USED ON: 173N2101-1 173N2101-3 173N2101-5 173N2101-7 173N2101-9 173N2101-11 173N2101-13	002004 006100 107107 121503 904999	1

MISSING ITEM NUMBERS NOT APPLICABLE

- ITEM NOT ILLUSTRATED

55-40-51-01

55-40-51  
FIG. 01  
PAGE 9  
JAN 20/09

BRI



757

PARTS CATALOG (MAINTENANCE)

FIG ITEM	PART NUMBER	1 2 3 4 5 6 7	NOMENCLATURE	EFFECT FROM TO	UNITS PER ASSY
1 185	173N2325-15		..ACTUATOR ASSY-FITTING RUDDER POSITION DATA: RUD STA 140.108 USED ON: 173N2101-7 173N2101-9 173N2101-11 173N2101-13 173N2101-93	002004 006999	1
185	173N2325-21		..ACTUATOR ASSY-FITTING RUDDER POSITION DATA: RUD STA 140.108 USED ON: 173N2101-95 173N2101-401	002004 006999	1
185	173N2325-27		..ACTUATOR ASSY-FITTING RUDDER POSITION DATA: RUD STA 140.108 USED ON: 173N2101-403	002004 006999	1
185	173N2325-5		..ACTUATOR ASSY-FITTING RUDDER POSITION DATA: RUD STA 140.108 OPTIONAL PART: 173N2304-11 USED ON: 173N2101-7 173N2101-9 173N2101-11 173N2101-13 173N2101-93 173N2101-95 173N2101-401 173N2101-403	002004 006999	1
185	173N2304-11		..ACTUATOR ASSY-FITTING RUDDER POSITION DATA: RUD STA 140.108 OPTIONAL PART: 173N2325-15 USED ON: 173N2101-7 173N2101-9 173N2101-11 173N2101-13	002004 006100 107107 121503 904999	1

MISSING ITEM NUMBERS NOT APPLICABLE

- ITEM NOT ILLUSTRATED

55-40-51-01

55-40-51  
FIG. 01  
PAGE 10  
JAN 20/09

BRI





757

PARTS CATALOG (MAINTENANCE)

FIG ITEM	PART NUMBER	1 2 3 4 5 6 7	NOMENCLATURE	EFFECT FROM TO	UNITS PER ASSY
1 185	173N2304-5		.. ACTUATOR ASSY-FITTING RUDDER POSITION DATA: RUD STA 140.108 USED ON: 173N2101-1 173N2101-3 173N2101-5 173N2101-7 173N2101-9 173N2101-11 173N2101-13	002004 006100 107107 121503 904999	1
190	251N3075-1		... BUSHING	002004 006999	2
195	BACB28AT17B040C		... BUSHING- USED ON: 173N2325-11 173N2325-13 173N2325-15 173N2325-17 173N2325-19 173N2325-21 173N2325-23 173N2325-25 173N2325-27	002004 006999	2
195	BACB28AM17B040A		... BUSHING- USED ON: 173N2304-1 173N2304-3 173N2304-5 173N2304-7 173N2304-9 173N2304-11 173N2325-1 173N2325-3 173N2325-5	002004 006999	2
200	173N2325-2		... FITTING- USED ON: 173N2325-1 USED ON: 173N2325-1	002004 006999	1

MISSING ITEM NUMBERS NOT APPLICABLE

- ITEM NOT ILLUSTRATED

55-40-51-01

55-40-51  
FIG. 01  
PAGE 11  
JAN 20/09

BRI

BOEING PROPRIETARY - Copyright © - Unpublished Work - See title page for details.



757

PARTS CATALOG (MAINTENANCE)

FIG ITEM	PART NUMBER	1 2 3 4 5 6 7	NOMENCLATURE	EFFECT FROM TO	UNITS PER ASSY
1 200	173N2325-12	...	FITTING- USED ON: 173N2325-11 173N2325-17 173N2325-23 USED ON: 173N2325-11 173N2325-17 173N2325-23	002004 006999	1
200	173N2304-8	...	FITTING- USED ON: 173N2304-7 USED ON: 173N2304-7	002004 006100 107107 121503 904999	1
200	173N2304-2	...	FITTING- USED ON: 173N2304-1 USED ON: 173N2304-1	002004 006100 107107 121503 904999	1
205	173N2325-4	...	FITTING- USED ON: 173N2325-3 USED ON: 173N2325-3	002004 006999	1
205	173N2304-10	...	FITTING- USED ON: 173N2304-9 USED ON: 173N2304-9	002004 006100 107107 121503 904999	1
205	173N2325-14	...	FITTING- USED ON: 173N2325-13 173N2325-19 173N2325-25 USED ON: 173N2325-13 173N2325-19 173N2325-25	002004 006999	1
205	173N2304-4	...	FITTING- USED ON: 173N2304-3 USED ON: 173N2304-3	002004 006100 107107 121503 904999	1
210	173N2325-6	...	FITTING- USED ON: 173N2325-5 USED ON: 173N2325-5	002004 006999	1

MISSING ITEM NUMBERS NOT APPLICABLE

- ITEM NOT ILLUSTRATED

55-40-51-01

55-40-51  
FIG. 01  
PAGE 12  
JAN 20/09

BRI



757

PARTS CATALOG (MAINTENANCE)

FIG ITEM	PART NUMBER	1 2 3 4 5 6 7	NOMENCLATURE	EFFECT FROM TO	UNITS PER ASSY
1					
210	173N2325-16	...	FITTING- USED ON: 173N2325-15 173N2325-21 173N2325-27 USED ON: 173N2325-15 173N2325-21 173N2325-27	002004 006999	1
210	173N2304-12	...	FITTING- USED ON: 173N2304-11 USED ON: 173N2304-11	002004 006100 107107 121503 904999	1
210	173N2304-6	...	FITTING- USED ON: 173N2304-5 USED ON: 173N2304-5	002004 006100 107107 121503 904999	1
- 215	173N2323-5	..	NUT	002004 006999	1
220	AN960PD2016	..	WASHER- USED ON: 173N2101-1 173N2101-3 173N2101-5 173N2101-7 173N2101-9 173N2101-11 173N2101-13	002004 006100 107107 121503 904999	1
220	AN960JD2016	..	WASHER- USED ON: 173N2101-7 173N2101-9 173N2101-11 173N2101-13 173N2101-93 173N2101-95 173N2101-401 173N2101-403	002004 006999	1

MISSING ITEM NUMBERS NOT APPLICABLE

- ITEM NOT ILLUSTRATED

55-40-51-01

55-40-51  
FIG. 01  
PAGE 13  
JAN 20/09

BRI



757

PARTS CATALOG (MAINTENANCE)

FIG ITEM	PART NUMBER	1 2 3 4 5 6 7	NOMENCLATURE	EFFECT FROM TO	UNITS PER ASSY
1					
220	NAS1149D2090J		.. WASHER- USED ON: 173N2101-7 173N2101-9 173N2101-11 173N2101-13 173N2101-93 173N2101-95 173N2101-401 173N2101-403	002004 006999	1
225	173N2323-4		.. BUSHING	002004 006999	1
240	173N2323-2		.. BUSHING	002004 006999	4
245	173N2323-7		.. BUSHING	002004 006999	2
250	BACB30LM3-6		.. BOLT-	002004 006999	2
255	AN960PD10		.. WASHER-	002004 006999	6
260	173N2501-17		.. SEAL- POSITION DATA: LH MANUFACTURED FROM: EXTR RUBBER 10-60754-714 76.00 IN.	002004 006999	1
265	173N2501-18		.. SEAL- POSITION DATA: RH MANUFACTURED FROM: EXTR RUBBER 10-60754-714 63.00 IN.	002004 006999	1
270	S13117-715		.. SEAL- SUPPLIER CODE: V75345 POSITION DATA: LH SPECIFICATION NUMBER: 10-60754-715 OPTIONAL PART: 5673-715 V11960	002004 006999	2

MISSING ITEM NUMBERS NOT APPLICABLE

- ITEM NOT ILLUSTRATED

55-40-51-01

55-40-51  
FIG. 01  
PAGE 14  
SEP 20/08

BRI

BOEING PROPRIETARY - Copyright © - Unpublished Work - See title page for details.



757

PARTS CATALOG (MAINTENANCE)

FIG ITEM	PART NUMBER	1 2 3 4 5 6 7	NOMENCLATURE	EFFECT FROM TO	UNITS PER ASSY
1 275	5673-716		.. SEAL-PLUG SUPPLIER CODE: V11960 SPECIFICATION NUMBER: 10-60754-716 OPTIONAL PART: SF15-103-716 V50744 ARM5314 VK1406	002004 006999	2
280	5673-716		.. SEAL-PLUG SUPPLIER CODE: V11960 SPECIFICATION NUMBER: 10-60754-716 OPTIONAL PART: SF15-103-716 V50744 ARM5314 VK1406	002004 006999	1
285	BACB30NU5K9		.. BOLT- USED ON: 173N2101-3 173N2101-5	002004 006100 107107 121503 904999	12
285	BACB30VF5K9		.. BOLT- USED ON: 173N2101-7 173N2101-9 173N2101-11 173N2101-13 173N2101-93 173N2101-95 173N2101-401 173N2101-403	002004 006999	12

MISSING ITEM NUMBERS NOT APPLICABLE

- ITEM NOT ILLUSTRATED

BRI

55-40-51-01

BOEING PROPRIETARY - Copyright © - Unpublished Work - See title page for details.

55-40-51  
FIG. 01  
PAGE 15  
JAN 20/09



757

PARTS CATALOG (MAINTENANCE)

FIG ITEM	PART NUMBER	1 2 3 4 5 6 7	NOMENCLATURE	EFFECT FROM TO	UNITS PER ASSY
1 285	HL11VAZ10-9	..	BOLT- SUPPLIER CODE: V60516 SPECIFICATION NUMBER: BACB30NW10K9 OPTIONAL PART: B30NW10K9 V97928 HL11VAZ10-9 V73197 HL11VAZ10-9 V92215 HL11VAZ10-9 V97928 L803-10K9 V06725 HL11VAZ10-9 V0PTK6 HL11VAZ10-9 V56878 USED ON: 173N2101-1	002004 006100 107107 121503 904999	12
290	BACB30NU5K8	..	BOLT- USED ON: 173N2101-3 173N2101-5	002004 006100 107107 121503 904999	12
290	BACB30VF5K8	..	BOLT- USED ON: 173N2101-7 173N2101-9 173N2101-11 173N2101-13 173N2101-93 173N2101-95 173N2101-401 173N2101-403	002004 006999	12

MISSING ITEM NUMBERS NOT APPLICABLE

- ITEM NOT ILLUSTRATED

BRI

55-40-51-01

BOEING PROPRIETARY - Copyright © - Unpublished Work - See title page for details.

55-40-51  
FIG. 01  
PAGE 16  
JAN 20/09



757

PARTS CATALOG (MAINTENANCE)

FIG ITEM	PART NUMBER	1 2 3 4 5 6 7	NOMENCLATURE	EFFECT FROM TO	UNITS PER ASSY
1 290	HL11VAZ10-8	..	BOLT- SUPPLIER CODE: V60516 SPECIFICATION NUMBER: BACB30NW10K8 OPTIONAL PART: B30NW10K8 V97928 HL11VAZ10-8 V73197 HL11VAZ10-8 V92215 HL11VAZ10-8 V97928 L803-10K8 V06725 HL11VAZ10-8 V0PTK6 HL11VAZ10-8 V56878 USED ON: 173N2101-1	002004 006100 107107 121503 904999	12
295	BACB30NU5K10	..	BOLT- USED ON: 173N2101-3 173N2101-5	002004 006100 107107 121503 904999	12
295	BACB30VF5K10	..	BOLT- USED ON: 173N2101-7 173N2101-9 173N2101-11 173N2101-13 173N2101-93 173N2101-95 173N2101-401 173N2101-403	002004 006999	12

MISSING ITEM NUMBERS NOT APPLICABLE

- ITEM NOT ILLUSTRATED

55-40-51-01

55-40-51  
FIG. 01  
PAGE 17  
JAN 20/09

BRI



757

PARTS CATALOG (MAINTENANCE)

FIG ITEM	PART NUMBER	1 2 3 4 5 6 7	NOMENCLATURE	EFFECT FROM TO	UNITS PER ASSY
1 295	HL11VAZ10-10		..BOLT- SUPPLIER CODE: V60516 SPECIFICATION NUMBER: BACB30NW10K10 OPTIONAL PART: B30NW10K10 V97928 HL11VAZ10-10 V92215 HL11VAZ10-10 V97928 L803-10K10 V06725 HL11VAZ10-10 V73197 HL11VAZ10-10 V0PTK6 HL11VAZ10-10 V56878 USED ON: 173N2101-1	002004 006100 107107 121503 904999	12
300	TLN1001CWPD35		..NUT- SUPPLIER CODE: V97928 SPECIFICATION NUMBER: BACN10HY5AM OPTIONAL PART: 102LH9073-5 V72962 69233CB5D V56878 TLN1001W35 V92215 HW29874-5 V15653 USED ON: 173N2101-1 173N2101-3 173N2101-5	002004 006100 107107 121503 904999	36

MISSING ITEM NUMBERS NOT APPLICABLE

- ITEM NOT ILLUSTRATED

BRI

55-40-51-01

BOEING PROPRIETARY - Copyright © - Unpublished Work - See title page for details.

55-40-51  
 FIG. 01  
 PAGE 18  
 JAN 20/09





757

PARTS CATALOG (MAINTENANCE)

FIG ITEM	PART NUMBER	1 2 3 4 5 6 7	NOMENCLATURE	EFFECT FROM TO	UNITS PER ASSY
1 300	PLH55CD		..NUT- SUPPLIER CODE: VF0224 SPECIFICATION NUMBER: BACN10YR5CD OPTIONAL PART: H52732-5CD V15653 USED ON: 173N2101-1 173N2101-3 173N2101-5 173N2101-7 173N2101-9 173N2101-11 173N2101-13 173N2101-93 173N2101-95 173N2101-401 173N2101-403	002004 006999	36
305	BACB30NU6K10		..BOLT- USED ON: 173N2101-3 173N2101-5	002004 006100 107107 121503 904999	6
305	BACB30VF6K10		..BOLT- USED ON: 173N2101-7 173N2101-9 173N2101-11 173N2101-13 173N2101-93 173N2101-95 173N2101-401 173N2101-403	002004 006999	6

MISSING ITEM NUMBERS NOT APPLICABLE

- ITEM NOT ILLUSTRATED

BRI

55-40-51-01

BOEING PROPRIETARY - Copyright © - Unpublished Work - See title page for details.

55-40-51  
FIG. 01  
PAGE 19  
JAN 20/09



757

PARTS CATALOG (MAINTENANCE)

FIG ITEM	PART NUMBER	1 2 3 4 5 6 7	NOMENCLATURE	EFFECT FROM TO	UNITS PER ASSY
1 305	HL11VAZ12-10		..BOLT- SUPPLIER CODE: V60516 SPECIFICATION NUMBER: BACB30NW12K10 OPTIONAL PART: B30NW12K10 V97928 HL11VAZ12-10 V73197 HL11VAZ12-10 V92215 HL11VAZ12-10 V97928 L803-12K10 V06725 HL11VAZ12-10 V0PTK6 HL11VAZ12-10 V56878 USED ON: 173N2101-1	002004 006100 107107 121503 904999	6
310	TLN1001CWPD36		..NUT- SUPPLIER CODE: V97928 SPECIFICATION NUMBER: BACN10HY6AM OPTIONAL PART: 102LH9073-6 V72962 69233CB6D V56878 TLN1001W36 V92215 HW29874-6 V15653 USED ON: 173N2101-1 173N2101-3 173N2101-5	002004 006100 107107 121503 904999	6

MISSING ITEM NUMBERS NOT APPLICABLE

- ITEM NOT ILLUSTRATED

BRI

55-40-51-01

BOEING PROPRIETARY - Copyright © - Unpublished Work - See title page for details.

55-40-51  
 FIG. 01  
 PAGE 20  
 JAN 20/09



757

PARTS CATALOG (MAINTENANCE)

FIG ITEM	PART NUMBER	1 2 3 4 5 6 7	NOMENCLATURE	EFFECT FROM TO	UNITS PER ASSY
1 310	PLH56CD		..NUT- SUPPLIER CODE: VF0224 SPECIFICATION NUMBER: BACN10YR6CD OPTIONAL PART: H52732-6CD V15653 USED ON: 173N2101-1 173N2101-3 173N2101-5 173N2101-7 173N2101-9 173N2101-11 173N2101-13 173N2101-93 173N2101-95 173N2101-401 173N2101-403	002004 006999	6
315	BACB30NR4K7		..BOLT	002004 006999	6
320	BACB30LH3-4		..BOLT- USED ON: 173N2101-93 173N2101-95 173N2101-401 173N2101-403	002004 006999	4
320	BACB30LR3-4		..BOLT- USED ON: 173N2101-1 173N2101-3 173N2101-5 173N2101-7 173N2101-9 173N2101-11 173N2101-13	002004 006100 107107 121503 904999	4
325	BACB30LH3-5		..BOLT- USED ON: 173N2101-93 173N2101-95 173N2101-401 173N2101-403	002004 006999	16

MISSING ITEM NUMBERS NOT APPLICABLE

- ITEM NOT ILLUSTRATED

BRI

55-40-51-01

BOEING PROPRIETARY - Copyright © - Unpublished Work - See title page for details.

55-40-51  
FIG. 01  
PAGE 21  
JAN 20/09



757

PARTS CATALOG (MAINTENANCE)

FIG ITEM	PART NUMBER	1 2 3 4 5 6 7	NOMENCLATURE	EFFECT FROM TO	UNITS PER ASSY
1					
325	BACB30LR3-5	..	BOLT- USED ON: 173N2101-1 173N2101-3 173N2101-5 173N2101-7 173N2101-9 173N2101-11 173N2101-13	002004 006100 107107 121503 904999	16
330	BACB30LK3-7	..	BOLT- USED ON: 173N2101-11 173N2101-13 173N2101-93 173N2101-95 173N2101-401 173N2101-403	002004 006999	6
330	BACB30LR3-7	..	BOLT- USED ON: 173N2101-1 173N2101-3 173N2101-5 173N2101-7 173N2101-9	002004 006100 107107 121503 904999	6
335	BACB30LT3K2	..	BOLT	002004 006999	1
340	BACB30NM3K3	..	BOLT	002004 006999	1
345	BACB30NN4K8	..	BOLT	002004 006999	8
350	BACB30NT3K2	..	BOLT	002004 006999	28
355	BACB30VF3K3	..	BOLT- USED ON: 173N2101-1 173N2101-3 173N2101-5 173N2101-7 173N2101-9 173N2101-11 173N2101-13 173N2101-93 173N2101-95 173N2101-401 173N2101-403	002004 006999	518

MISSING ITEM NUMBERS NOT APPLICABLE

- ITEM NOT ILLUSTRATED

55-40-51-01

55-40-51  
FIG. 01  
PAGE 22  
JAN 20/09

BRI

BOEING PROPRIETARY - Copyright © - Unpublished Work - See title page for details.



757

PARTS CATALOG (MAINTENANCE)

FIG ITEM	PART NUMBER	1 2 3 4 5 6 7	NOMENCLATURE	EFFECT FROM TO	UNITS PER ASSY
1					
355	BACB30UR3K3	..	BOLT- USED ON: 173N2101-1 173N2101-3 173N2101-5	002004 006100 107107 121503 904999	518
360	BACB30VF3K4	..	BOLT- USED ON: 173N2101-1 173N2101-3 173N2101-5 173N2101-7 173N2101-9 173N2101-11 173N2101-13 173N2101-93 173N2101-95 173N2101-401 173N2101-403	002004 006999	538
360	BACB30UR3K4	..	BOLT- USED ON: 173N2101-1 173N2101-3 173N2101-5	002004 006100 107107 121503 904999	538
365	BACB30VF3K5	..	BOLT- USED ON: 173N2101-1 173N2101-3 173N2101-5 173N2101-7 173N2101-9 173N2101-11 173N2101-13 173N2101-93 173N2101-95 173N2101-401 173N2101-403	002004 006999	157
365	BACB30UR3K5	..	BOLT- USED ON: 173N2101-1 173N2101-3 173N2101-5	002004 006100 107107 121503 904999	157

MISSING ITEM NUMBERS NOT APPLICABLE

- ITEM NOT ILLUSTRATED

55-40-51-01

55-40-51  
FIG. 01  
PAGE 23  
JAN 20/09

BRI

BOEING PROPRIETARY - Copyright © - Unpublished Work - See title page for details.



757

PARTS CATALOG (MAINTENANCE)

FIG ITEM	PART NUMBER	1 2 3 4 5 6 7	NOMENCLATURE	EFFECT FROM TO	UNITS PER ASSY
1	370 BACB30VF3K6	..	BOLT- USED ON: 173N2101-1 173N2101-3 173N2101-5 173N2101-7 173N2101-9 173N2101-11 173N2101-13 173N2101-93 173N2101-95 173N2101-401 173N2101-403	002004 006999	158
	370 BACB30UR3K6	..	BOLT- USED ON: 173N2101-1 173N2101-3 173N2101-5	002004 006100 107107 121503 904999	158
	375 BACB30VF3K7	..	BOLT- USED ON: 173N2101-1 173N2101-3 173N2101-5 173N2101-7 173N2101-9 173N2101-11 173N2101-13 173N2101-93 173N2101-95 173N2101-401 173N2101-403	002004 006999	24
	375 BACB30UR3K7	..	BOLT- USED ON: 173N2101-1 173N2101-3 173N2101-5	002004 006100 107107 121503 904999	24
	380 BACB30VF3K8	..	BOLT- USED ON: 173N2101-1 173N2101-3 173N2101-5 173N2101-7 173N2101-9 173N2101-11 173N2101-13 173N2101-93 173N2101-95 173N2101-401 173N2101-403	002004 006999	8

MISSING ITEM NUMBERS NOT APPLICABLE

- ITEM NOT ILLUSTRATED

55-40-51-01

55-40-51  
FIG. 01  
PAGE 24  
JAN 20/09

BRI

BOEING PROPRIETARY - Copyright © - Unpublished Work - See title page for details.



757

PARTS CATALOG (MAINTENANCE)

FIG ITEM	PART NUMBER	1 2 3 4 5 6 7	NOMENCLATURE	EFFECT FROM TO	UNITS PER ASSY
1					
380	BACB30UR3K8	..	BOLT- USED ON: 173N2101-1 173N2101-3 173N2101-5	002004 006100 107107 121503 904999	8
385	BACB30VF4K4	..	BOLT- USED ON: 173N2101-1 173N2101-3 173N2101-5 173N2101-7 173N2101-9 173N2101-11 173N2101-13 173N2101-93 173N2101-95 173N2101-401 173N2101-403	002004 006999	128
385	BACB30UR4K4	..	BOLT- USED ON: 173N2101-1 173N2101-3 173N2101-5	002004 006100 107107 121503 904999	128
390	BACB30VF4K6	..	BOLT- USED ON: 173N2101-1 173N2101-3 173N2101-5 173N2101-7 173N2101-9 173N2101-11 173N2101-13 173N2101-93 173N2101-95 173N2101-401 173N2101-403	002004 006999	33
390	BACB30UR4K6	..	BOLT- USED ON: 173N2101-1 173N2101-3 173N2101-5	002004 006100 107107 121503 904999	33

MISSING ITEM NUMBERS NOT APPLICABLE

- ITEM NOT ILLUSTRATED

55-40-51-01

55-40-51  
FIG. 01  
PAGE 25  
JAN 20/09

BRI

BOEING PROPRIETARY - Copyright © - Unpublished Work - See title page for details.



757

PARTS CATALOG (MAINTENANCE)

FIG ITEM	PART NUMBER	1 2 3 4 5 6 7	NOMENCLATURE	EFFECT FROM TO	UNITS PER ASSY
1					
395	BACB30VF4K7	..	BOLT-GSE USED ON: 173N2101-1 173N2101-3 173N2101-5 173N2101-7 173N2101-9 173N2101-11 173N2101-13 173N2101-93 173N2101-95 173N2101-401 173N2101-403	002004 006999	10
395	BACB30UR4K7	..	BOLT-GSE USED ON: 173N2101-1 173N2101-3 173N2101-5	002004 006100 107107 121503 904999	10
400	BACB30VF4K8	..	BOLT- USED ON: 173N2101-1 173N2101-3 173N2101-5 173N2101-7 173N2101-9 173N2101-11 173N2101-13 173N2101-93 173N2101-95 173N2101-401 173N2101-403	002004 006999	24
400	BACB30UR4K8	..	BOLT- USED ON: 173N2101-1 173N2101-3 173N2101-5	002004 006100 107107 121503 904999	24

MISSING ITEM NUMBERS NOT APPLICABLE

- ITEM NOT ILLUSTRATED

55-40-51-01

55-40-51  
FIG. 01  
PAGE 26  
JAN 20/09

BRI





757

PARTS CATALOG (MAINTENANCE)

FIG ITEM	PART NUMBER	1 2 3 4 5 6 7	NOMENCLATURE	EFFECT FROM TO	UNITS PER ASSY
1 405	BACB30VK6-200D	..	BOLT- SUPPLIER CODE: V98524 SPECIFICATION NUMBER: BACB30VK6-200D OPTIONAL PART: MBF2113S6-200 V5M902 USED ON: 173N2101-13 173N2101-93 173N2101-95 173N2101-401 173N2101-403	002004 006999	274
405	BACB30UZ6-200	..	BOLT- SUPPLIER CODE: V98524 SPECIFICATION NUMBER: BACB30UZ6-200 USED ON: 173N2101-1 173N2101-3 173N2101-5 173N2101-7 173N2101-9 173N2101-11	002004 006100 107107 121503 904999	274
410	BACB30VK6-250D	..	BOLT- SUPPLIER CODE: V98524 SPECIFICATION NUMBER: BACB30VK6-250D OPTIONAL PART: MBF2113S6-250 V5M902 USED ON: 173N2101-13 173N2101-93 173N2101-95 173N2101-401 173N2101-403	002004 006999	97

MISSING ITEM NUMBERS NOT APPLICABLE

- ITEM NOT ILLUSTRATED

55-40-51-01

BRI

BOEING PROPRIETARY - Copyright © - Unpublished Work - See title page for details.

55-40-51  
FIG. 01  
PAGE 27  
JAN 20/09



757

PARTS CATALOG (MAINTENANCE)

FIG ITEM	PART NUMBER	1 2 3 4 5 6 7	NOMENCLATURE	EFFECT FROM TO	UNITS PER ASSY
1 410	BACB30UZ6-250	..	BOLT- SUPPLIER CODE: V98524 SPECIFICATION NUMBER: BACB30UZ6-250 USED ON: 173N2101-1 173N2101-3 173N2101-5 173N2101-7 173N2101-9 173N2101-11	002004 006100 107107 121503 904999	97
415	BACB30VK6-300D	..	BOLT- SUPPLIER CODE: V98524 SPECIFICATION NUMBER: BACB30VK6-300D OPTIONAL PART: MBF2113S6-300 V5M902 USED ON: 173N2101-13 173N2101-93 173N2101-95 173N2101-401 173N2101-403	002004 006999	9
415	BACB30UZ6-300	..	BOLT- SUPPLIER CODE: V98524 SPECIFICATION NUMBER: BACB30UZ6-300 USED ON: 173N2101-1 173N2101-3 173N2101-5 173N2101-7 173N2101-9 173N2101-11	002004 006100 107107 121503 904999	9

MISSING ITEM NUMBERS NOT APPLICABLE

- ITEM NOT ILLUSTRATED

55-40-51-01

55-40-51  
FIG. 01  
PAGE 28  
JAN 20/09

BRI



757

PARTS CATALOG (MAINTENANCE)

FIG ITEM	PART NUMBER	1 2 3 4 5 6 7	NOMENCLATURE	EFFECT FROM TO	UNITS PER ASSY
1 420	BACB30VK6-350D	..	BOLT- SUPPLIER CODE: V98524 SPECIFICATION NUMBER: BACB30VK6-350D OPTIONAL PART: MBF2113S6-350D V5M902 USED ON: 173N2101-13 173N2101-93 173N2101-95 173N2101-401 173N2101-403	002004 006999	41
420	BACB30UZ6-350	..	BOLT- SUPPLIER CODE: V98524 SPECIFICATION NUMBER: BACB30UZ6-350 USED ON: 173N2101-1 173N2101-3 173N2101-5 173N2101-7 173N2101-9 173N2101-11	002004 006100 107107 121503 904999	41
425	BACB30VK6-400D	..	BOLT- SUPPLIER CODE: V98524 SPECIFICATION NUMBER: BACB30VK6-400D OPTIONAL PART: MBF2113S6-400 V5M902 USED ON: 173N2101-13 173N2101-93 173N2101-95 173N2101-401 173N2101-403	002004 006999	13

MISSING ITEM NUMBERS NOT APPLICABLE

- ITEM NOT ILLUSTRATED

55-40-51-01

BRI

BOEING PROPRIETARY - Copyright © - Unpublished Work - See title page for details.

55-40-51  
FIG. 01  
PAGE 29  
JAN 20/09



757

PARTS CATALOG (MAINTENANCE)

FIG ITEM	PART NUMBER	1 2 3 4 5 6 7	NOMENCLATURE	EFFECT FROM TO	UNITS PER ASSY
1 425	BACB30UZ6-400	..	BOLT- SUPPLIER CODE: V98524 SPECIFICATION NUMBER: BACB30UZ6-400 USED ON: 173N2101-1 173N2101-3 173N2101-5 173N2101-7 173N2101-9 173N2101-11	002004 006100 107107 121503 904999	13
430	BACS12ER08K05	..	SCREW	002004 006999	267
435	BACR15CE5B	..	RIVET	002004 006999	5
440	AF5141-3-2	..	RIVET SUPPLIER CODE: V53551 SPECIFICATION NUMBER: BACR15DR3A2 OPTIONAL PART: RV541A3-2 V98996 CCR264CS3-2TT V11815	002004 006999	270
445	AF5141-3-3	..	RIVET SUPPLIER CODE: V53551 SPECIFICATION NUMBER: BACR15DR3A3 OPTIONAL PART: RV541A3-3 V98996 CCR264CS3-3TT V11815	002004 006999	20
450	BACR15GA5-11	..	RIVET	002004 006999	6
455	BACR15GA5-5	..	RIVET	002004 006999	253
460	BACR15GA5-8	..	RIVET	002004 006999	6
465	BACR15GA6-20	..	RIVET	002004 006999	4
470	BACR15GA6-26	..	RIVET	002004 006999	4

MISSING ITEM NUMBERS NOT APPLICABLE

- ITEM NOT ILLUSTRATED

55-40-51-01

55-40-51  
FIG. 01  
PAGE 30  
JAN 20/09

BRI

BOEING PROPRIETARY - Copyright © - Unpublished Work - See title page for details.



757

PARTS CATALOG (MAINTENANCE)

FIG ITEM	PART NUMBER	1 2 3 4 5 6 7	NOMENCLATURE	EFFECT FROM TO	UNITS PER ASSY
1 475	NAS1399D5A2		..RIVET- OPTIONAL PART: BACR15DA5C2 USED ON: 173N2101-1 173N2101-3 173N2101-5 173N2101-7 173N2101-9 173N2101-11 173N2101-13 173N2101-93 173N2101-95 173N2101-401 173N2101-403	002004 006999	2
475	BACR15DA5C2		..RIVET- OPTIONAL PART: NAS1399D5A2 USED ON: 173N2101-1 173N2101-3 173N2101-5 173N2101-7 173N2101-9 173N2101-11 173N2101-13	002004 006100 107107 121503 904999	2
480	NAS1399D5A5		..RIVET- OPTIONAL PART: BACR15DA5C2 USED ON: 173N2101-1 173N2101-3 173N2101-5 173N2101-7 173N2101-9 173N2101-11 173N2101-13 173N2101-93 173N2101-95 173N2101-401 173N2101-403	002004 006999	1

MISSING ITEM NUMBERS NOT APPLICABLE

- ITEM NOT ILLUSTRATED

55-40-51-01

55-40-51  
FIG. 01  
PAGE 31  
JAN 20/09

BRI



757

PARTS CATALOG (MAINTENANCE)

FIG ITEM	PART NUMBER	1 2 3 4 5 6 7	NOMENCLATURE	EFFECT FROM TO	UNITS PER ASSY
1 480	BACR15DA5C2		.. RIVET- OPTIONAL PART: NAS1399D5A5 USED ON: 173N2101-1 173N2101-3 173N2101-5 173N2101-7 173N2101-9 173N2101-11 173N2101-13	002004 006100 107107 121503 904999	1
485	BACW10BP3CD		.. WASHER	002004 006999	1
490	BACW10BP3APU		.. WASHER- OPTIONAL PART: NAS1149C0363R AN960C10 USED ON: 173N2101-13 173N2101-93 173N2101-95 173N2101-401 173N2101-403	002004 006999	267
490	BACW10BP3NAPU		.. WASHER- USED ON: 173N2101-1 173N2101-3 173N2101-5 173N2101-7 173N2101-9 173N2101-11	002004 006100 107107 121503 904999	267
490	NAS1149C0363R		.. WASHER- OPTIONAL PART: BACW10BP3APU USED ON: 173N2101-93 173N2101-95 173N2101-401 173N2101-403	002004 006999	267
490	AN960C10		.. WASHER- OPTIONAL PART: BACW10BP3APU USED ON: 173N2101-13	002004 006100 107107 121503 904999	267

MISSING ITEM NUMBERS NOT APPLICABLE

- ITEM NOT ILLUSTRATED

55-40-51-01

55-40-51  
FIG. 01  
PAGE 32  
JAN 20/09

BRI



757

PARTS CATALOG (MAINTENANCE)

FIG ITEM	PART NUMBER	1 2 3 4 5 6 7	NOMENCLATURE	EFFECT FROM TO	UNITS PER ASSY
1 490	AN960C10L		.. WASHER- USED ON: 173N2101-1 173N2101-3 173N2101-5 173N2101-7	002004 006100 107107 121503 904999	267
495	NAS1149D0463J		.. WASHER- USED ON: 173N2101-93 173N2101-95 173N2101-401 173N2101-403	002004 006999	30
495	AN960JD416		.. WASHER- USED ON: 173N2101-7 173N2101-9 173N2101-11 173N2101-13	002004 006100 107107 121503 904999	30
500	NAS1149D0563J		.. WASHER- USED ON: 173N2101-93 173N2101-95 173N2101-401 173N2101-403	002004 006999	36
500	AN960JD516		.. WASHER- USED ON: 173N2101-7 173N2101-9 173N2101-11 173N2101-13	002004 006100 107107 121503 904999	36
505	NAS1149D0663J		.. WASHER- USED ON: 173N2101-93 173N2101-95 173N2101-401 173N2101-403	002004 006999	6
505	AN960JD616		.. WASHER- USED ON: 173N2101-7 173N2101-9 173N2101-11 173N2101-13	002004 006100 107107 121503 904999	6

MISSING ITEM NUMBERS NOT APPLICABLE

- ITEM NOT ILLUSTRATED

55-40-51-01

55-40-51  
FIG. 01  
PAGE 33  
JAN 20/09

BRI

BOEING PROPRIETARY - Copyright © - Unpublished Work - See title page for details.



757

PARTS CATALOG (MAINTENANCE)

FIG ITEM	PART NUMBER	1 2 3 4 5 6 7	NOMENCLATURE	EFFECT FROM TO	UNITS PER ASSY
1 510	TLN1001CWPD33	..NUT-	SUPPLIER CODE: V97928 SPECIFICATION NUMBER: BACN10HY3AM OPTIONAL PART: 102LH9073-3 V72962 69233CB3D V56878 TLN1001W33 V92215 HW29874-3 V15653 BACN10YR3CD V10630	002004 006999	8
510	PLH53CD	..NUT-	SUPPLIER CODE: VF0224 SPECIFICATION NUMBER: BACN10YR3CD OPTIONAL PART: H52732-3CD V15653 BACN10HY3AM V10630	002004 006999	8
515	PLH53CD	..NUT	SUPPLIER CODE: VF0224 SPECIFICATION NUMBER: BACN10YR3CD OPTIONAL PART: H52732-3CD V15653	002004 006999	295
520	PLH54CD	..NUT	SUPPLIER CODE: VF0224 SPECIFICATION NUMBER: BACN10YR4CD OPTIONAL PART: H52732-4CD V15653	002004 006999	184
525	NAS1836C08-08M	..INSERT		002004 006999	6

MISSING ITEM NUMBERS NOT APPLICABLE

- ITEM NOT ILLUSTRATED

55-40-51-01

55-40-51  
FIG. 01  
PAGE 34  
JAN 20/09

BRI





757

PARTS CATALOG (MAINTENANCE)

FIG ITEM	PART NUMBER	1 2 3 4 5 6 7	NOMENCLATURE	EFFECT FROM TO	UNITS PER ASSY
1 530	173N2203-2		.. BOND- OPTIONAL PART: 173N2203-38 173N2203-44 USED ON: 173N2101-1 173N2101-3 173N2101-5 173N2101-7 173N2101-9 173N2101-11 173N2101-13 173N2101-93 173N2101-95 173N2101-401 173N2101-403	002004 006999	1
530	173N2203-38		.. BOND- OPTIONAL PART: 173N2203-2 173N2203-44 USED ON: 173N2101-13 173N2101-93 173N2101-95 173N2101-401 173N2101-403	002004 006999	1
530	173N2203-44		.. BOND- OPTIONAL PART: 173N2203-2 173N2203-38 USED ON: 173N2101-13 173N2101-93 173N2101-95 173N2101-401 173N2101-403	002004 006999	1

MISSING ITEM NUMBERS NOT APPLICABLE

- ITEM NOT ILLUSTRATED

BRI

55-40-51-01

BOEING PROPRIETARY - Copyright © - Unpublished Work - See title page for details.

55-40-51  
FIG. 01  
PAGE 35  
SEP 20/08



757

PARTS CATALOG (MAINTENANCE)

FIG ITEM	PART NUMBER	1 2 3 4 5 6 7	NOMENCLATURE	EFFECT FROM TO	UNITS PER ASSY
1 535	173N2203-3		.. BOND- OPTIONAL PART: 173N2203-39 173N2203-45 USED ON: 173N2101-1 173N2101-3 173N2101-5 173N2101-7 173N2101-9 173N2101-11 173N2101-13 173N2101-93 173N2101-95 173N2101-401 173N2101-403	002004 006999	1
535	173N2203-39		.. BOND- OPTIONAL PART: 173N2203-3 173N2203-45 USED ON: 173N2101-13 173N2101-93 173N2101-95 173N2101-401 173N2101-403	002004 006999	1
535	173N2203-45		.. BOND- OPTIONAL PART: 173N2203-3 173N2203-39 USED ON: 173N2101-13 173N2101-93 173N2101-95 173N2101-401 173N2101-403	002004 006999	1

MISSING ITEM NUMBERS NOT APPLICABLE

- ITEM NOT ILLUSTRATED

55-40-51-01

55-40-51  
FIG. 01  
PAGE 36  
SEP 20/08

BRI



757

PARTS CATALOG (MAINTENANCE)

FIG ITEM	PART NUMBER	1 2 3 4 5 6 7	NOMENCLATURE	EFFECT FROM TO	UNITS PER ASSY
1 540	173N2203-4		.. BOND- OPTIONAL PART: 173N2203-40 173N2203-46 USED ON: 173N2101-1 173N2101-3 173N2101-5 173N2101-7 173N2101-9 173N2101-11 173N2101-13 173N2101-93 173N2101-95 173N2101-401 173N2101-403	002004 006999	1
540	173N2203-40		.. BOND- OPTIONAL PART: 173N2203-4 173N2203-46 USED ON: 173N2101-13 173N2101-93 173N2101-95 173N2101-401 173N2101-403	002004 006999	1
540	173N2203-46		.. BOND- OPTIONAL PART: 173N2203-4 173N2203-40 USED ON: 173N2101-13 173N2101-93 173N2101-95 173N2101-401 173N2101-403	002004 006999	1

MISSING ITEM NUMBERS NOT APPLICABLE

- ITEM NOT ILLUSTRATED

BRI

55-40-51-01

BOEING PROPRIETARY - Copyright © - Unpublished Work - See title page for details.

55-40-51  
FIG. 01  
PAGE 37  
SEP 20/08



757

PARTS CATALOG (MAINTENANCE)

FIG ITEM	PART NUMBER	1 2 3 4 5 6 7	NOMENCLATURE	EFFECT FROM TO	UNITS PER ASSY
1 545	173N2203-5		.. BOND- OPTIONAL PART: 173N2203-41 173N2203-47 USED ON: 173N2101-1 173N2101-3 173N2101-5 173N2101-7 173N2101-9 173N2101-11 173N2101-13 173N2101-93 173N2101-95 173N2101-401 173N2101-403	002004 006999	1
545	173N2203-41		.. BOND- OPTIONAL PART: 173N2203-5 173N2203-47 USED ON: 173N2101-13 173N2101-93 173N2101-95 173N2101-401 173N2101-403	002004 006999	1
545	173N2203-47		.. BOND- OPTIONAL PART: 173N2203-5 173N2203-41 USED ON: 173N2101-13 173N2101-93 173N2101-95 173N2101-401 173N2101-403	002004 006999	1

MISSING ITEM NUMBERS NOT APPLICABLE

- ITEM NOT ILLUSTRATED

BRI

55-40-51-01

BOEING PROPRIETARY - Copyright © - Unpublished Work - See title page for details.

55-40-51  
FIG. 01  
PAGE 38  
SEP 20/08



757

PARTS CATALOG (MAINTENANCE)

FIG ITEM	PART NUMBER	1 2 3 4 5 6 7	NOMENCLATURE	EFFECT FROM TO	UNITS PER ASSY
1 550	173N2203-31		.. BOND- OPTIONAL PART: 173N2203-42 173N2203-48 USED ON: 173N2101-1 173N2101-3 173N2101-5 173N2101-7 173N2101-9 173N2101-11 173N2101-13 173N2101-93 173N2101-95 173N2101-401 173N2101-403	002004 006999	1
550	173N2203-42		.. BOND- OPTIONAL PART: 173N2203-31 173N2203-48 USED ON: 173N2101-13 173N2101-93 173N2101-95 173N2101-401 173N2101-403	002004 006999	1
550	173N2203-48		.. BOND- OPTIONAL PART: 173N2203-31 173N2203-42 USED ON: 173N2101-13 173N2101-93 173N2101-95 173N2101-401 173N2101-403	002004 006999	1
555	173N2203-33		.. BOND- OPTIONAL PART: 173N2203-37 173N2203-43 USED ON: 173N2101-9 173N2101-11 173N2101-13 173N2101-93 173N2101-95 173N2101-401 173N2101-403	002004 006999	1

MISSING ITEM NUMBERS NOT APPLICABLE

- ITEM NOT ILLUSTRATED

55-40-51-01

55-40-51  
FIG. 01  
PAGE 39  
SEP 20/08

BRI



757

PARTS CATALOG (MAINTENANCE)

FIG ITEM	PART NUMBER	1 2 3 4 5 6 7	NOMENCLATURE	EFFECT FROM TO	UNITS PER ASSY
1 555	173N2203-37		.. BOND- OPTIONAL PART: 173N2203-33 173N2203-43 USED ON: 173N2101-13 173N2101-93 173N2101-95 173N2101-401 173N2101-403	002004 006999	1
555	173N2203-43		.. BOND- OPTIONAL PART: 173N2203-33 173N2203-37 USED ON: 173N2101-13 173N2101-93 173N2101-95 173N2101-401 173N2101-403	002004 006999	1
555	173N2203-1		.. BOND- USED ON: 173N2101-1 173N2101-3 173N2101-5 173N2101-7 173N2101-9	002004 006100 107107 121503 904999	1
900			ILLUSTRATION REFERENCE: DISCHARGER INSTL-WING, VERT. AND HORIZ. STAB. STATIC 23-61-01-01	002004 006999	RF

MISSING ITEM NUMBERS NOT APPLICABLE

- ITEM NOT ILLUSTRATED

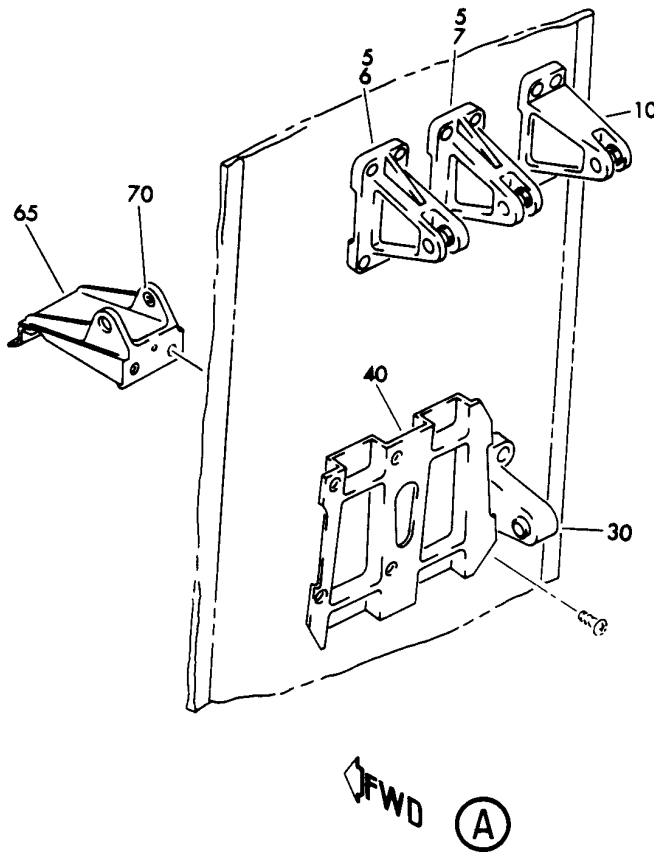
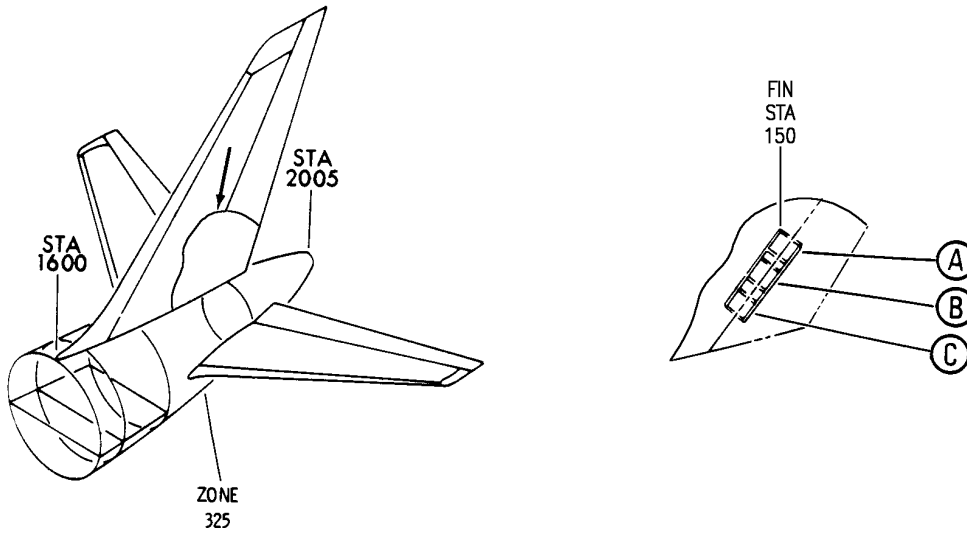
BRI

55-40-51-01

BOEING PROPRIETARY - Copyright © - Unpublished Work - See title page for details.

55-40-51  
FIG. 01  
PAGE 40  
JAN 20/09

**BOEING**  
757  
PARTS CATALOG (MAINTENANCE)



Y 55-40-51-02 SHT 1 REV 257

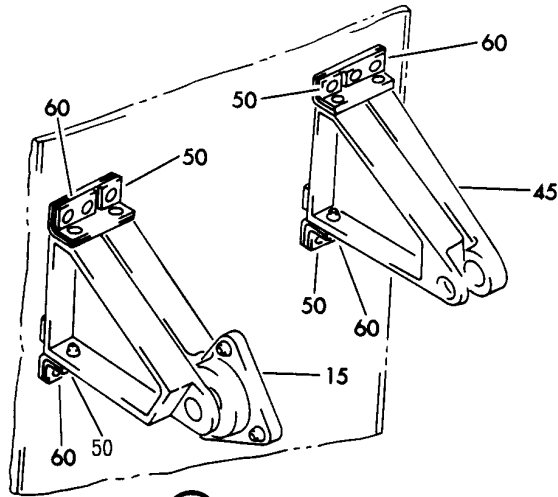
BRACKET INSTL RUD CONT SPRT  
FIGURE 2 (SHEET 1)

**55-40-51-02**

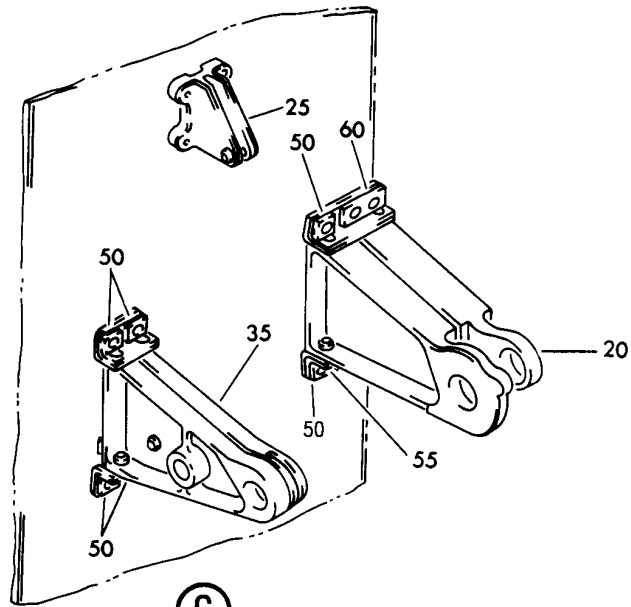
BRI  
MAY 28/07

55-40-51-02  
PAGE 0

**BOEING**  
757  
PARTS CATALOG (MAINTENANCE)



(B)  
FWD



(C)  
FWD

Y 55405102 SH1 2 REV 257

BRACKET INSTL RUD CONT SPRT  
FIGURE 2 (SHEET 2)

**55-40-51-02**

BRI  
MAY 28/07

55-40-51-02  
PAGE 0A





757

PARTS CATALOG (MAINTENANCE)

FIG ITEM	PART NUMBER	1 2 3 4 5 6 7	NOMENCLATURE	EFFECT FROM TO	UNITS PER ASSY
2			BRACKET INSTL RUD CONT SPRT	002004 006999	
- 1	251N3010-2		BRACKET INSTL-RUD CONT SPRT FOR NHA SEE: 55-33-00-01	107107 904949	RF
- 1	251N3010-4		BRACKET INSTL-RUD CONT SPRT FOR NHA SEE: 55-33-00-01	002004 006102 108903 950999	RF
- 1	251N3010-7		BRACKET INSTL-RUD CONT SPRT FOR NHA SEE: 55-33-00-01 55-33-00-04	103106	RF
6	251N3296-4		.SUPPORT ASSY-SUMMING LEVER POSITION DATA: LH OPTIONAL PART: 251N3296-7	002004 006102 107999	1
6	251N3296-7		.SUPPORT ASSY-SUMMING LEVER POSITION DATA: LH OPTIONAL PART: 251N3296-4	002004 006999	1
7	251N3297-3		.FITTING- OPTIONAL PART: 251N3297-5	002004 006102 107999	1
7	251N3297-5		.FITTING- OPTIONAL PART: 251N3297-3	002004 006999	1
10	251N3295-1		.FITTING- COMPONENT MAINT MANUAL REF: 27-21-65 OPTIONAL PART: 251N3295-3	002004 006102 107999	1
10	251N3295-3		.FITTING- OPTIONAL PART: 251N3295-1	002004 006999	1
15	251N3128-7		.SUPPORT ASSY-RATIO CHANGER POSITION DATA: LH COMPONENT MAINT MANUAL REF: 27-21-65	002004 006999	1
20	251N3131-1		.SUPPORT ASSY-QUADRANT POSITION DATA: RH AFT COMPONENT MAINT MANUAL REF: 27-21-65	002004 006999	1

MISSING ITEM NUMBERS NOT APPLICABLE

- ITEM NOT ILLUSTRATED

BRI

55-40-51-02

55-40-51  
FIG. 02  
PAGE 1  
JAN 20/09



757

PARTS CATALOG (MAINTENANCE)

FIG ITEM	PART NUMBER	1 2 3 4 5 6 7	NOMENCLATURE	EFFECT FROM TO	UNITS PER ASSY
2					
25	251N3151-1	.	BRACKET ASSY-TRIM ACTUATOR COMPONENT MAINT MANUAL REF: 27-21-65	002004 006999	1
30	251N3153-1	.	SUPPORT ASSY-YAW DAMPER POGO COMPONENT MAINT MANUAL REF: 27-21-65	002004 006999	1
35	251N3134-5	.	SUPPORT ASSY-QUADRANT POSITION DATA: LH AFT	002004 006102 107999	1
35	251N3134-7	.	SUPPORT ASSY-QUADRANT POSITION DATA: LH AFT	103106	1
40	251N3143-1	.	SUPPORT ASSY-YAW DAMPER SERVO	002004 006999	1
45	251N3103-1	.	SUPPORT ASSY-RATIO CHANGER	002004 006999	1
50	50-3361-7200	.	FILLER-RADIUS	002004 006999	10
55	50-3361-7201	.	FILLER-RADIUS	002004 006999	1
60	50-3361-7202	.	FILLER-RADIUS	002004 006999	5
65	251N3291-1	.	SUPPORT ASSY-MULTIPLIER CRANK	107107 904949	1
65	251N3291-4	.	SUPPORT ASSY-MULTIPLIER CRANK	002004 006106 108903 950999	1
70	HTES04VC	..	BEARING SUPPLIER CODE: VS0352 SPECIFICATION NUMBER: BACB10ES04GC OPTIONAL PART: NC04TG5C V56644	107107 904949	1

MISSING ITEM NUMBERS NOT APPLICABLE

- ITEM NOT ILLUSTRATED

BRI

55-40-51-02

BOEING PROPRIETARY - Copyright © - Unpublished Work - See title page for details.

55-40-51  
FIG. 02  
PAGE 2  
JAN 20/09