

757 Illustrated Parts Catalog (D6-49286-ATZ)
 First Choice Airways Customisations Index
 Chapter 57

-	-	NB322	NT404	NT406	NA443	NT245	NT246	NJ001	NJ002	NJ003	NJ004	NT405	NT407	NB506	NB507	NA346	NB329	NA352
Mod no.	Title	G-CPEP	G-CPEU	G-CPEV	G-OOOC	G-OOBA	G-OOBB	G-OOBC	G-OOBD	G-OOBE	G-OOBF	G-OOBG	G-OOBH	G-OOBI	G-OOBJ	G-OOOK	GOOOX	GOOOZ
AP57.2-0614	Blended Winglet Program (Preliminary Doc)	-	✓	✓	-	✓	✓	-	-	-	-	✓	✓	-	-	-	-	-



BLENDED WINGLET PROGRAM

FAA STC No. ST01518SE

**Supplement to D6-49286 for 757-200
with APB Winglets
Aircraft Illustrated Parts Catalog**

Boeing Model 757-200

Doc. No. AP57.2-0614

Revision G April, 2008

PUBLISHED BY AVIATION PARTNERS BOEING

**7299 PERIMETER ROAD SOUTH / SEATTLE, WA 98108
(206) 830-7699 / FAX (206) 762-1158**

**THE DATA CONTAINED HEREON AND HEREIN IS
PROPRIETARY TO AVIATION PARTNERS BOEING.
NEITHER THIS DATA NOR THE DATA CONTAINED HEREIN
SHALL BE REPRODUCED, USED OR DISCLOSED TO
OTHERS WITHOUT THE WRITTEN AUTHORIZATION OF
AVIATION PARTNERS BOEING**

Aviation Partners Boeing
757-200
SUPPLEMENT – PARTS CATALOG (MAINTENANCE)

REVISION RECORD

REVISION LEVEL	DATE	REVISED BY	APPROVED BY
Initial Release	APRIL-12-05	R. MANO	J. INMAN
A	JULY-15-05	R. MANO	S. NELSON
B	DEC-19-05	J. PLISKA	S. NELSON
C	FEB-15-06	R. MANO	S. NELSON
D	AUG-31-06	S. PERRY	J. INMAN
E	JULY-6-07	G.WULKOWICZ	C.KIEHN
F	JAN-31-08	R. CORRICK	G. BULLARD
G	APR-04-08	S.TAMERU	G. BULLARD

REVISION DESCRIPTION

REV LEVEL	DATE	PAGES AFFECTED	REMARKS
IR	APRIL-12-05		INITIAL RELEASE
A	JULY-15-05		
B	DEC-19-05		
C	FEB-15-06	<u>REVISION RECORD:</u> PG.1 <u>EFFECTIVE PAGES:</u> PG.1, 2 <u>28-44-01-01:</u> PG. 1 THRU 3 PG. 4 THRU 7 <u>33-44-01-02:</u> PG. 2 <u>57-31-01-01:</u> PG. 3, 4 <u>57-31-03-01:</u> PG. 2	ADDED REVISION DESCRIPTION TABLE. UPDATED. UPDATED FIGURE 1, SHEET 1, 2 & 3. ADDED FLEXI-STICK ASSY NO. 4 AND NO. 5, AND ALL COMPONENTS. ADDED 757-5100-5/-6. ADDED 757-5100-5/-6. 757-3381-2 WAS 757-3381-1.
D	AUG-31-06	<u>EFFECTIVE PAGES:</u> PG.1 <u>27-62-01-01</u> PG 1 THRU 9 <u>33-43-01-02</u> PG 2	UPDATED. ADDED 757-3904-5/-6 CONFIGURATION AND UPDATED SKETCHED TO SHOW DIFFERENT CONFIGURATIONS OF CRANK ADAPTER. CORRECTED LIGHT PART NUMBER TO READ 737-8800-1/-2.

Aviation Partners Boeing

757-200

SUPPLEMENT – PARTS CATALOG (MAINTENANCE)

E	JULY-6-07	<u>EFFECTIVE PAGES:</u> PG. 1 <u>33-44-01-01:</u> PG. 2, 3	UPDATED. ADDED EXPLODED VIEW OF LIGHT, AND LENS ASSY, FLASHTUBE, & SCREWS.
F	JAN-31-08	<u>EFFECTIVE PAGES:</u> PG. 1, 2 <u>27-62-01-01:</u> PG. 1, 2, 3, 4, 7, 8, 9, 10, 11, 12	UPDATED. UPDATED LIST OF PARTS, RENUMBERED FIGURE ITEMS.
G	APR-04-08	<u>EFFECTIVE PAGES:</u> PG. 1, 2 <u>28-44-01-01:</u> PG. 1, 2, 3, 4, 5, 6, 7, 8, 9, 10	UPDATED. ADDED FIGURE, RENUMBERED FIGURES, CORRECTED FIGURES TITLE, UPDATED LIST OF PARTS.

Aviation Partners Boeing

757-200

SUPPLEMENT – PARTS CATALOG (MAINTENANCE)

EFFECTIVE PAGES

Chapter Page	Date
<u>Title Page</u>	
1	Jan 2008
<u>Revision Record</u>	
1	Jan 2008
<u>Effective Pages</u>	
1	Jan 2008
2	Jan 2008
<u>Table of Contents</u>	
1	Apr 2005
<u>Introduction</u>	
1	Apr 2005
<u>Zone Diagrams</u>	
1	Apr 2005
<u>Sect/Sta Diagrams</u>	
1	Apr 2005
2	Apr 2005
<u>Major Drawing Index</u>	
1	Apr 2005
<u>Suppliers Name and Address Index</u>	
1	July 2005
<u>Service Bulletin List</u>	
1	Apr 2005
<u>27-CONTENTS</u>	
1	Apr 2005
<u>27-62-00</u>	
1	Apr 2005
<u>27-62-01-01</u>	
1	Jan 2008
2	Jan 2008
3	Jan 2008
4	Jan 2008
5	Aug 2006
6	Aug 2006
7	Jan 2008
8	Jan 2008
9	Jan 2008

Chapter Page	Date
10	Jan 2008
11	Jan 2008
12	Jan 2008
<u>27-62-01-02</u>	
1	Apr 2005
2	Apr 2005
3	Apr 2005
4	Apr 2005
<u>27-62-01-03</u>	
1	Apr 2005
2	Apr 2005
3	Apr 2005
<u>28-CONTENTS</u>	
1	Apr 2005
<u>28-44-00</u>	
1	Apr 2005
<u>28-44-01-01</u>	
1	Apr 2008
2	Apr 2008
3	Apr 2008
4	Apr 2008
5	Apr 2008
6	Apr 2008
7	Apr 2008
8	Apr 2008
9	Apr 2008
10	Apr 2008
<u>33-CONTENTS</u>	
1	Apr 2005
<u>33-43-00</u>	
1	Apr 2005
<u>33-43-01-01</u>	
1	Apr 2005
2	Apr 2005
3	Dec 2005
4	Dec 2005
<u>33-43-01-02</u>	
1	Apr 2005

Chapter Page	Date
2	Aug 2006
3	Dec 2005
<u>33-43-01-03</u>	
1	Apr 2005
2	Apr 2005
<u>33-44-00</u>	
1	Apr 2005
<u>33-44-01-01</u>	
1	Apr 2005
2	July 2007
3	July 2007
<u>33-44-01-02</u>	
1	Apr 2005
2	Feb 2006
<u>57-CONTENTS</u>	
1	Apr 2005
<u>57-25-00</u>	
1	Apr 2005
<u>57-25-01-01</u>	
1	July 2005
2	July 2005
<u>57-31-00</u>	
1	Apr 2005
<u>57-31-01-01</u>	
1	Apr 2005
2	Apr 2005
3	Feb 2006
4	Feb 2006
5	Apr 2005
<u>57-31-02</u>	
1	Apr 2005
<u>57-31-02-01</u>	
1	July 2005
2	Apr 2005
3	Apr 2005
4	Apr 2005

Aviation Partners Boeing

757-200

SUPPLEMENT – PARTS CATALOG (MAINTENANCE)

5	Apr 2005		
6	Apr 2005		
7	Dec 2005		
8	Dec 2005		
9	Dec 2005		
10	Dec 2005		
<u>57-31-03</u>			
1	Apr 2005		
<u>57-31-03-01</u>			
1	Apr 2005		
2	Feb 2006		
3	Apr 2005		

Aviation Partners Boeing
757-200
SUPPLEMENT – PARTS CATALOG (MAINTENANCE)

TABLE OF CONTENTS

TITLE	PAGE
REVISION RECORD	1
REVISION DESCRIPTION	
EFFECTIVE PAGES	1
TABLE OF CONTENTS	1
INTRODUCTION	1
ZONE DIAGRAMS	1
SECT/STA DIAGRAMS	1
MAJOR DRAWING INDEX	1
SUPPLIERS NAME AND ADDRESS INDEX	1
SERVICE BULLETIN LIST (SB LIST)	1
DETAILED PARTS LIST	CHAPTER NO.
AIRFRAME SYSTEMS	
Flight Controls	27
Fuel	28
Lights	33
STRUCTURE	
Wings	57

Aviation Partners Boeing

757-200

SUPPLEMENT – PARTS CATALOG (MAINTENANCE)

INTRODUCTION

General

This document is prepared, issued and revised by Aviation Partners Boeing for the exclusive use of its customers and is intended for use in provisioning, requisitioning, storing and issuing line maintenance parts. The content of this document is proprietary to Aviation Partners and its customers and is subject to change. The use of any part of this document by any other person or persons for any other purpose without written consent of Aviation Partners Boeing is expressly prohibited. In addition, Aviation Partners Boeing expressly disclaims any and all responsibility arising from or in any way related to any such use without Aviation Partners prior written consent thereto. This document is produced to support the configuration of the aircraft at the time of delivery to the original customer and changes submitted by the customer after delivery. It does not necessarily reflect the current configuration of any specific aircraft.

There are two configurations defined by the 757-200 APB wing retrofit in accordance with STC No.ST01518SE. They are as follows:

The Dash –1 Kit contains all of the structural modifications in the wing for a winglet configuration, except, in lieu of winglets, the basic wing tip is reinstalled. The modifications consists of the following:

- Reinforcement of wing structure.
- New upper and lower outboard wing skin panels.
- Adapter plate between the modified wing and the basic wing tip.
- Installation of the Load Alleviation System (LAS), deactivated.

The Dash –2 Kit contains all of the structural modifications in the wing for a winglet configuration, including the installation of the winglets. The modifications consists of the following:

- Reinforcement of wing structure.
- New upper and lower outboard wing skin panels.
- Installation of Adapter Plug.
- Installation of blended winglets.
- Installation of the Load Alleviation System (LAS), activated.
- Flutter ballast weights (included in the adapter plugs)

From this point forward, an airplane configuration with the basic wing tips installed shall be referred to as a Dash –1 Kit. An airplane configuration with APB winglets installed shall be referred to as a Dash –2 Kit.

This document supplements D6-49286, Boeing 757-200 Aircraft Illustrated Parts Catalog (AIPC) for 757-200 aircraft retrofitted with Aviation Partners Boeing winglets. Only differences from the production 757-200 are addressed in this supplement.

Manual Arrangement and Numbering System

Refer to the Boeing 757-200 Aircraft Illustrated Parts Catalog (AIPC), D6-49286 for definition.

Publication Change Request

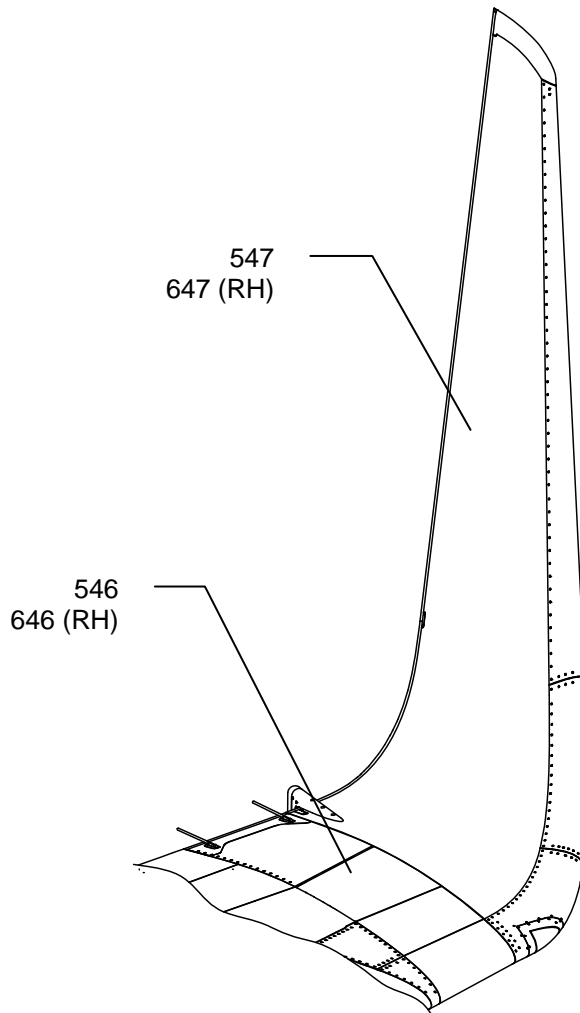
Communications concerning this publication should be directed to:

Aviation Partners Boeing
Attn: Manager - Aircraft Illustrated Parts Catalog
7299 Perimeter Road South
Seattle, WA 98108

Aviation Partners Boeing
757-200
SUPPLEMENT – PARTS CATALOG (MAINTENANCE)

ZONE INDEX/DIAGRAMS

Revise wing zone diagram to replace Wing Tip (Zone 545/645) with Adapter Plug (Zone 546/646) and Winglet (Zone 547/647) as shown in Figure 1.



ZONE NO.	TITLE
546	ADAPTER PLUG – LEFT WING
547	WINGLET – LEFT WING
646	ADAPTER PLUG – RIGHT WING
647	WINGLET – RIGHT WING

FIGURE 1
MAJOR ZONE 500 LEFT WING SHOWN
600 RIGHT WING OPPOSITE

Aviation Partners Boeing

757-200

SUPPLEMENT – PARTS CATALOG (MAINTENANCE)

AIRPLANE SECTION BREAKDOWN/STATION DIAGRAMS

Revise airplane sectional breakdown to replace wing tip with winglet and adapter plug as shown in Figure 1 and Figure 2.

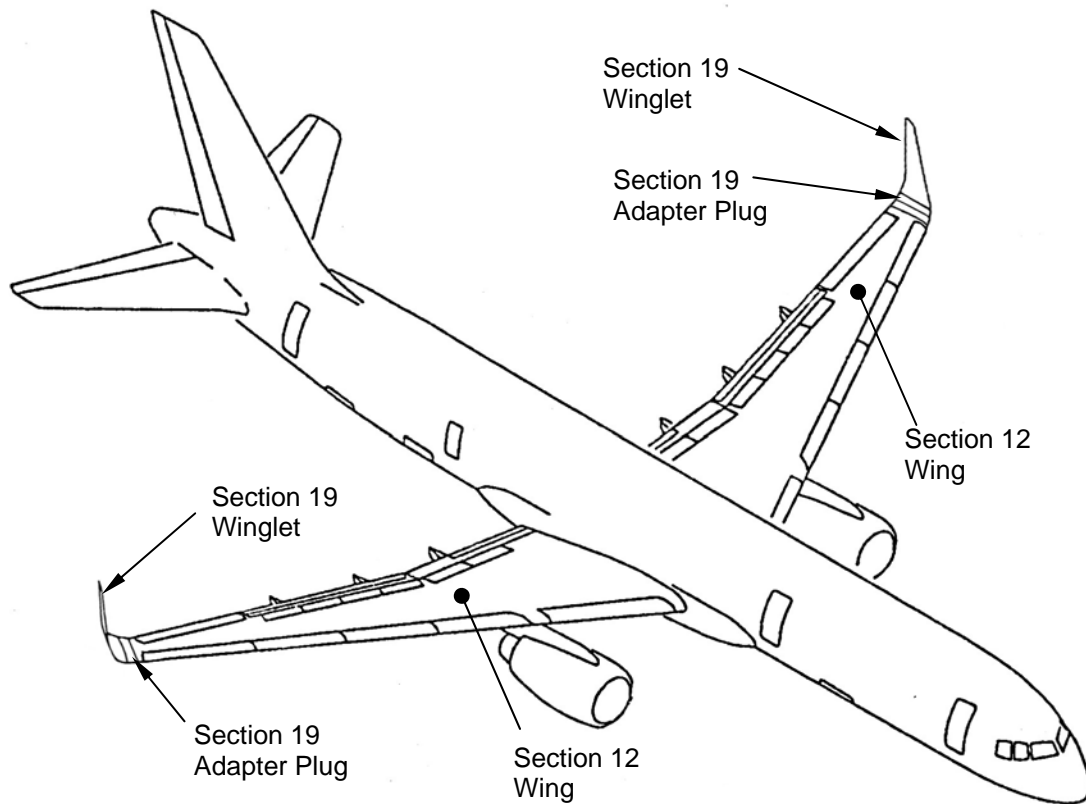


FIGURE 1
CHANGES TO SECTION 19

Aviation Partners Boeing

757-200

SUPPLEMENT – PARTS CATALOG (MAINTENANCE)

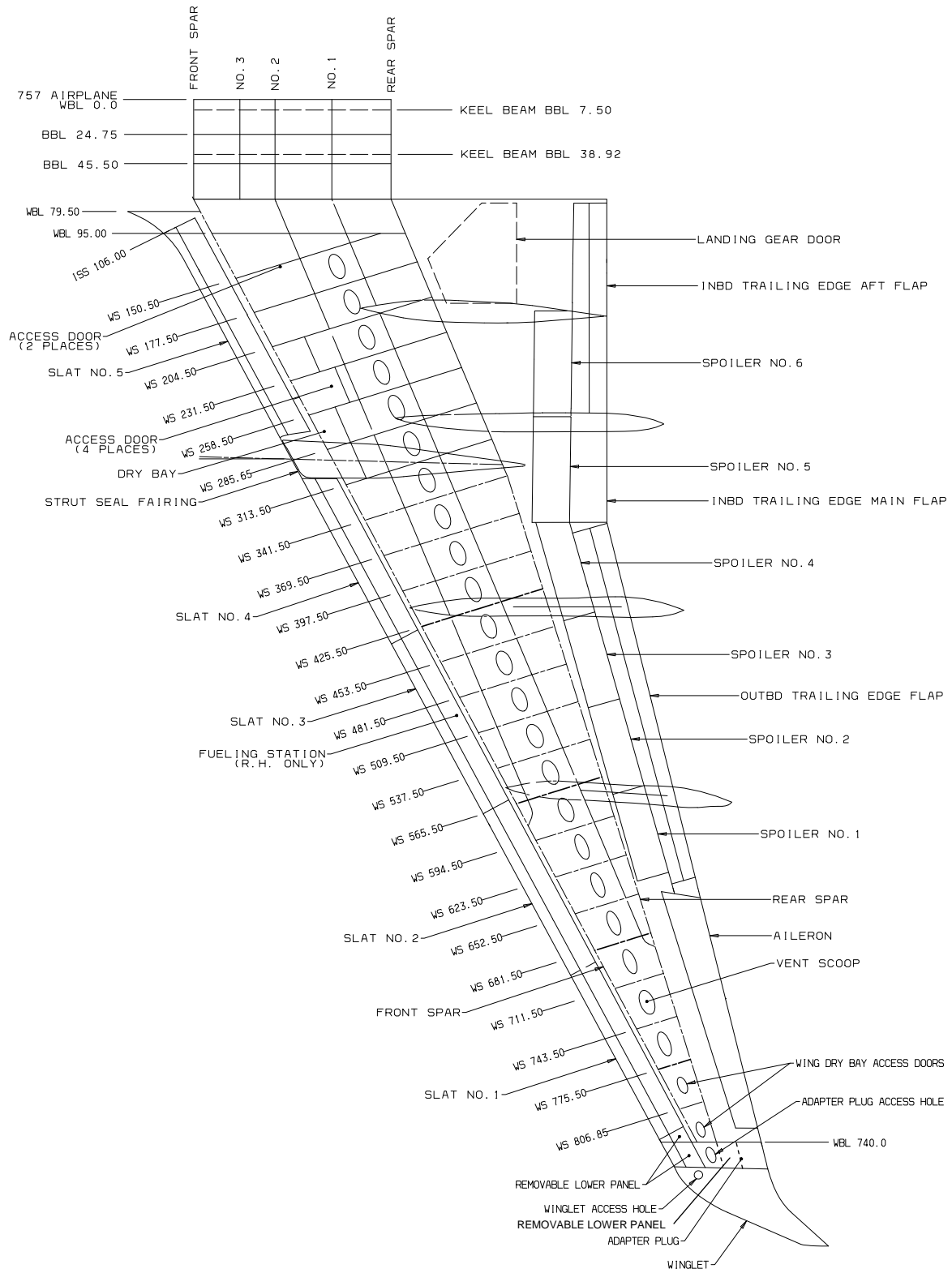


FIGURE 2
WING SECTION STATION DIAGRAM

Aviation Partners Boeing
757-200
SUPPLEMENT – PARTS CATALOG (MAINTENANCE)

MAJOR DRAWING INDEX

757-2000	TOP COLLETOR – 757-200
757-0002	WINGLET INSTALLATION
757-3010	TOP KIT – WING MOD, MIDSPAN
757-3020	TOP KIT – WING MOD, OUTBOARD
757-3050	VORTEX GENERATOR INSTALLATION – WING UPPER SURFACE
757-3280	LEADING EDGE INSTALLATION (-2 KIT)
757-3380	WING TIP INSTALLATION (-1 KIT)
757-3810	EQUIPMENT INSTALLATION
757-3900	TOP KIT – MECHANICAL SYSTEMS
757-5000	WINGLET ADAPTER PLUG INSTALLATION
757-8800	WIRING CONFIGURATION – FLIGHT MANAGEMENT COMPUTER

Aviation Partners Boeing
757-200
SUPPLEMENT – PARTS CATALOG (MAINTENANCE)

SUPPLIERS NAME AND ADDRESS INDEX

CAGE CODE	SUPPLIER
0SEC3	ACCRA MANUFACTURING COMPANY 17703 15 TH AVE SE BOTHELL, WASHINGTON 98012-6170
0ABM0	KING MACHINE 11710 CYRUS WAY MUKILTEO, WASHINTION 98275-5423
3X2T2	BAE SYSTEMS CONTROLS, INC. 3131 STORY ROAD WEST IRVING, TEXAS 75038-3514
72914	HONEYWELL GRIMES AEROSPACE 550 STREET RT. 55 URBANA, OHIO 43078
14752	ECTROCUBE INC. 1307 S. MYRTLE AVE. MONROVIA, CA 91016-4150
55635	DAYTON-GRANGER INC. FORT LAUDERDALE, FL 33302
81039	SMITH INDUSTRIES, ACTUATION SYSTEMS, INC. WHIPPANY, NJ 07981
86831	KAISER ELECTROPRECISION A ROCKWELL COLLINS COMPANY 17000 SOUTH RED HILL AVENUE IRVINE, CA 92614-5676

Aviation Partners Boeing
757-200
SUPPLEMENT – PARTS CATALOG (MAINTENANCE)
SERVICE BULLETIN

(RESERVED)

Aviation Partners Boeing
757-200
SUPPLEMENT – PARTS CATALOG (MAINTENANCE)

CHAPTER 27 – FLIGHT CONTROLS

TABLE OF CONTENTS

SUBJECT	CHAPTER SECTION UNIT	FIGURE	PAGE
SPEEDBRAKE CONTROL	27-62-00		1
INSTL – SPEEDBRAKE AUTOSTOW, MECH MODIFICATION	27-62-01	01	1
SPEEDBRAKE AUTOSTOW CONTROLLER INSTL	27-62-01	02	1
SPEEDBRAKE LIGHTPLATE – CONTROL STAND CONTROL STANDS WITH MOLDED PLASTIC COVER ASSEMBLY	27-62-01	03	1
SPEEDBRAKE LIGHTPLATE – CONTROL STAND CONTROL STANDS WITH SHEET METAL COVER ASSEMBLY	27-62-01	04	1

Aviation Partners Boeing
757-200
SUPPLEMENT – PARTS CATALOG (MAINTENANCE)

SPEEDBRAKE CONTROL

Aviation Partners Boeing
757-200
SUPPLEMENT – PARTS CATALOG (MAINTENANCE)

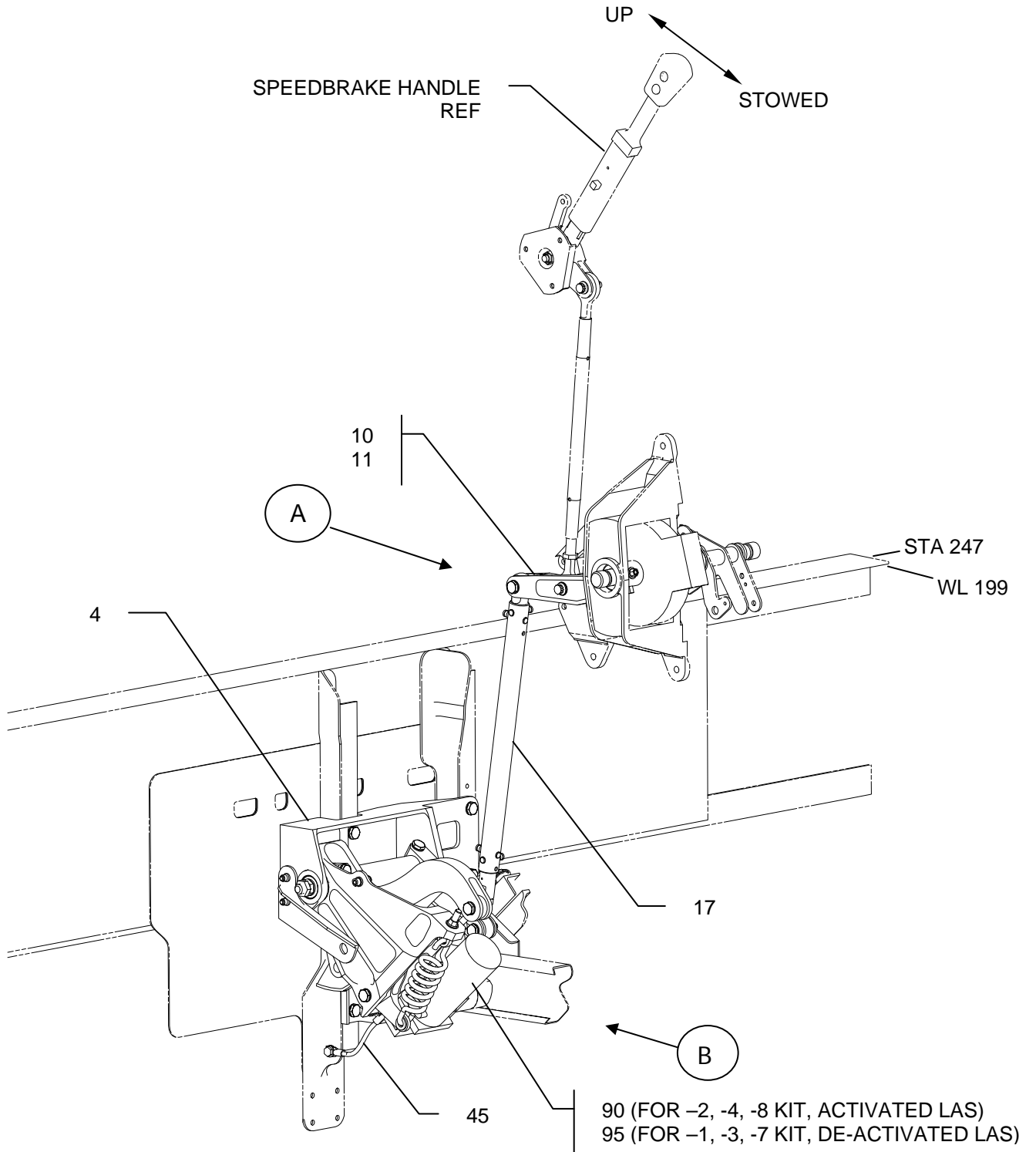


FIGURE 1 (SHEET 1)
SPEEDBRAKE AUTOSTOW MECHANISM

Aviation Partners Boeing
757-200
SUPPLEMENT – PARTS CATALOG (MAINTENANCE)

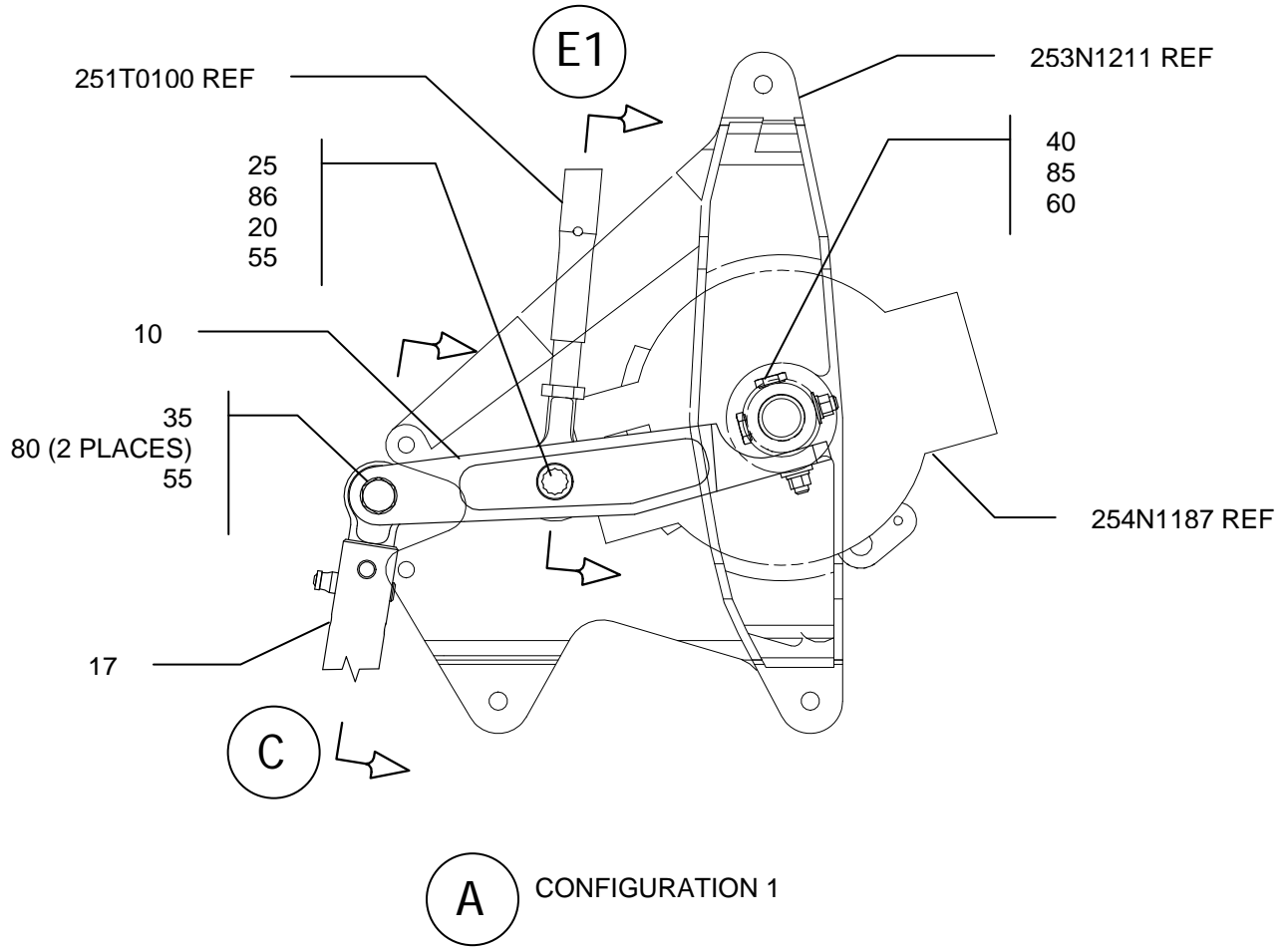


FIGURE 1 (SHEET 2)
SPEEDBRAKE AUTOSTOW MECHANISM

Aviation Partners Boeing
757-200
SUPPLEMENT – PARTS CATALOG (MAINTENANCE)

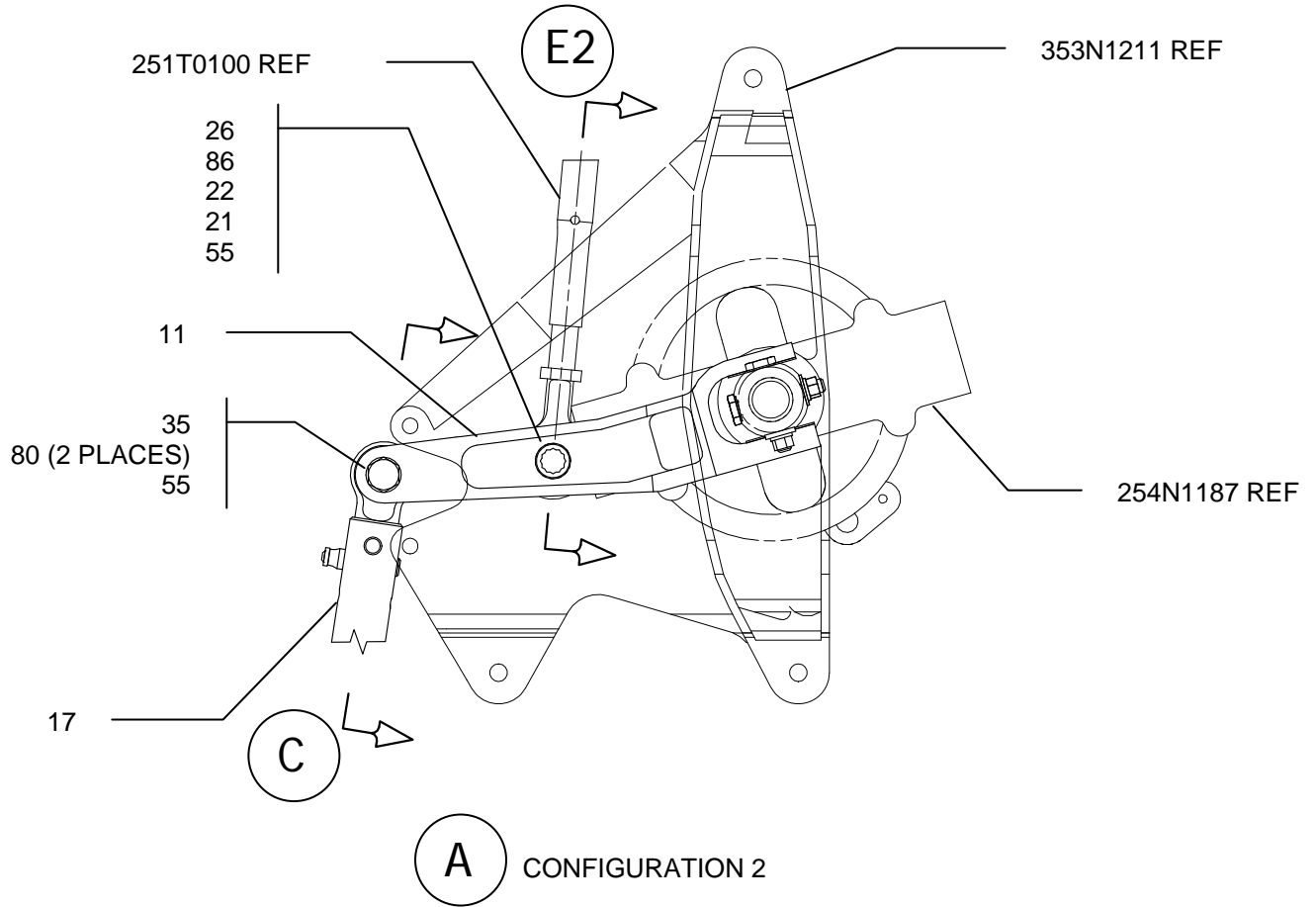


FIGURE 1 (SHEET 3)
SPEEDBRAKE AUTOSTOW MECHANISM

Aviation Partners Boeing
757-200
SUPPLEMENT – PARTS CATALOG (MAINTENANCE)

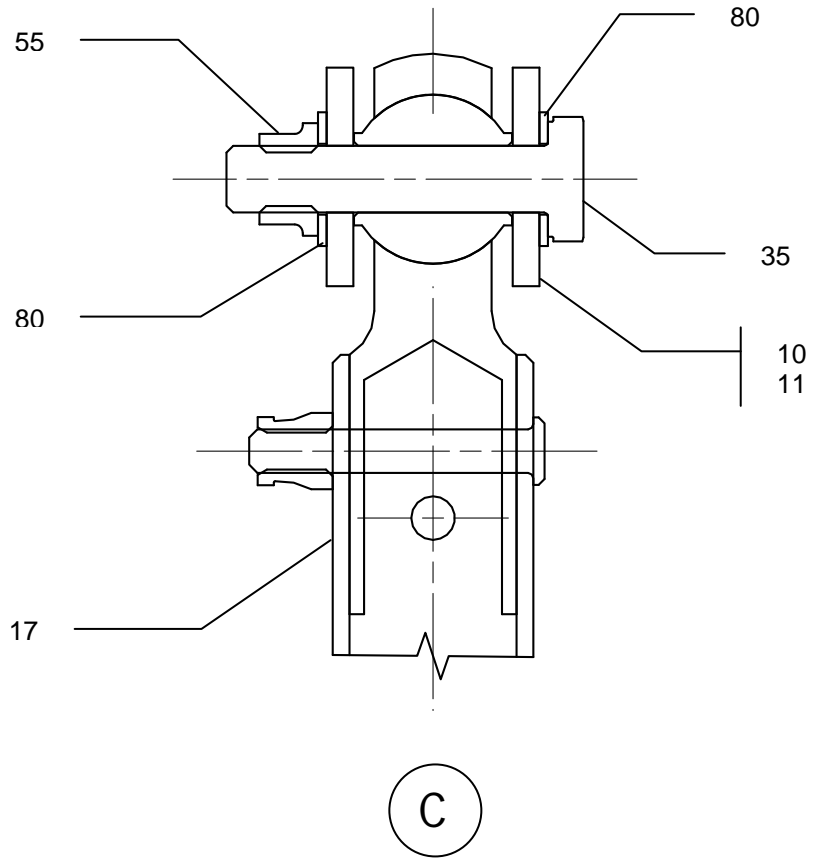
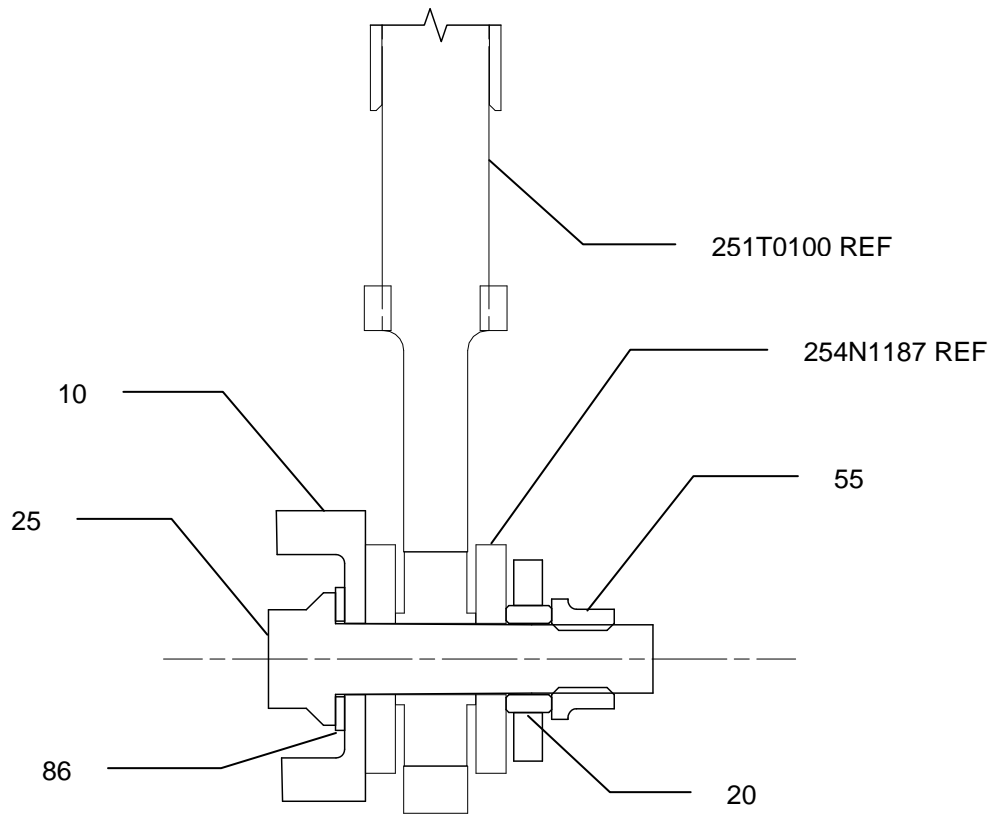


FIGURE 1 (SHEET 4)
SPEEDBRAKE AUTOSTOW MECHANISM

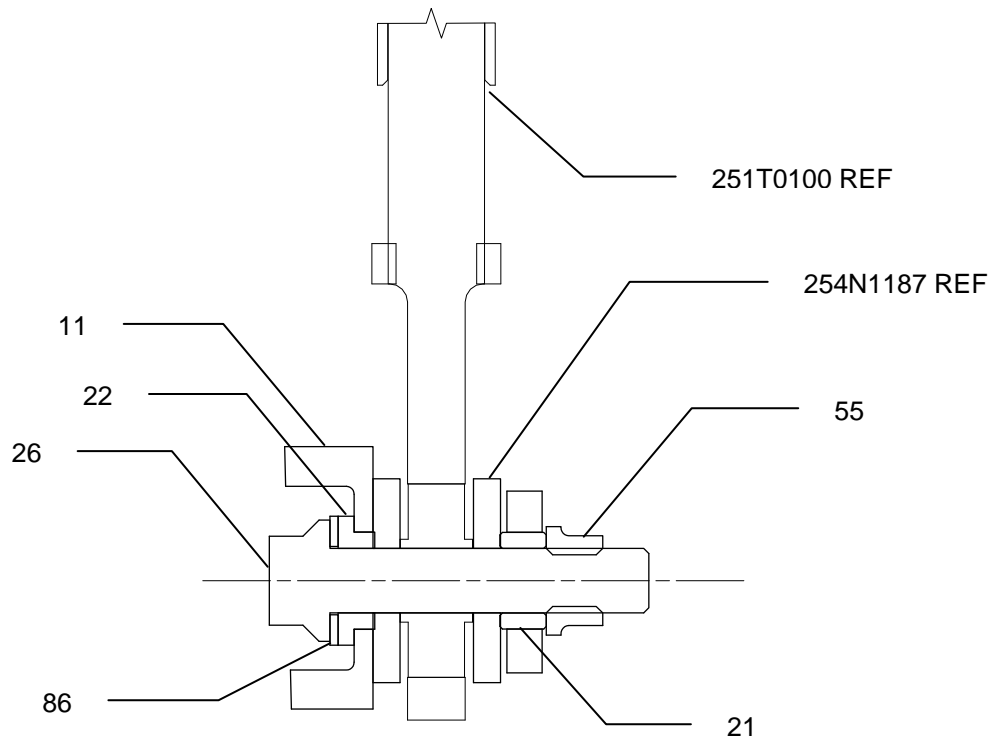
Aviation Partners Boeing
757-200
SUPPLEMENT – PARTS CATALOG (MAINTENANCE)



E1

FIGURE 1 (SHEET 5)
SPEEDBRAKE AUTOSTOW MECHANISM

Aviation Partners Boeing
757-200
SUPPLEMENT – PARTS CATALOG (MAINTENANCE)



E2

FIGURE 1 (SHEET 6)
SPEEDBRAKE AUTOSTOW MECHANISM

Aviation Partners Boeing
757-200
SUPPLEMENT – PARTS CATALOG (MAINTENANCE)

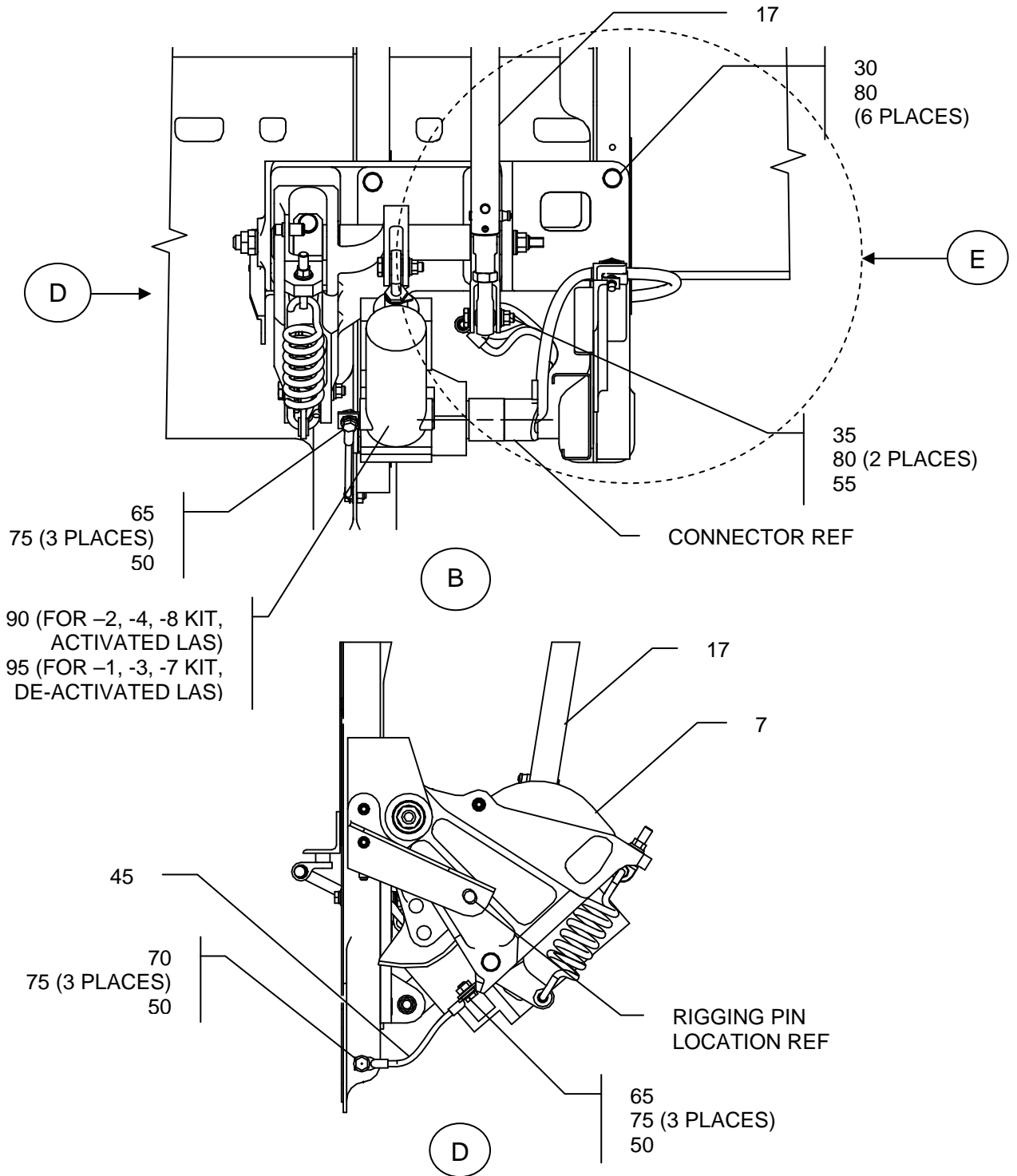
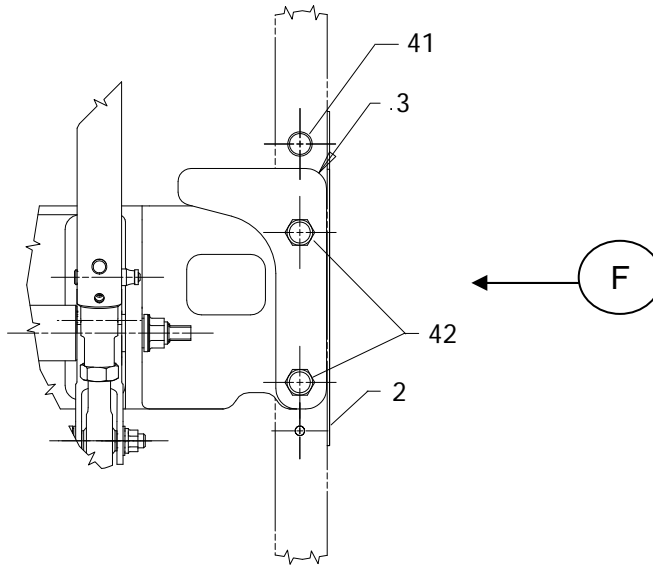
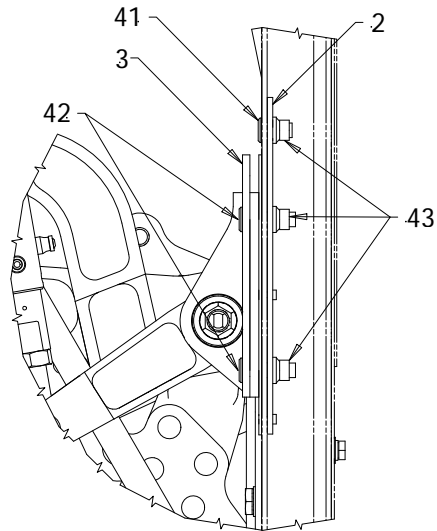


FIGURE 1 (SHEET 7)
SPEEDBRAKE AUTOSTOW MECHANISM

Aviation Partners Boeing
757-200
SUPPLEMENT – PARTS CATALOG (MAINTENANCE)



E



F

FIGURE 1 (SHEET 8)
SPEEDBRAKE AUTOSTOW MECHANISM

Aviation Partners Boeing

757-200

SUPPLEMENT – PARTS CATALOG (MAINTENANCE)

FIGURE ITEM	PART NUMBER	NOMENCLATURE 1 2 3 4 5 6 7	EFFECT	UNITS PER ASSY
			FROM TO	
	757-3904-2, -4	INSTL – SPEEDBRAKE AUTOSTOW, MECH MODIFICATION -2 KIT, ACTIVATED LOAD ALLEVIATION SYSTEM	1	RF
	757-3904-1, -3	INSTL – SPEEDBRAKE AUTOSTOW, MECH MODIFICATION -1 KIT, DE-ACTIVATED LOAD ALLEVIATION SYSTEM	1	RF
	757-3904-6	INSTL – SPEEDBRAKE AUTOSTOW, MECH MODIFICATION -4 KIT, ACTIVATED LOAD ALLEVIATION SYSTEM	2	RF
	757-3904-5	INSTL – SPEEDBRAKE AUTOSTOW, MECH MODIFICATION -3 KIT, DE-ACTIVATED LOAD ALLEVIATION SYSTEM	2	RF
	757-3904-8	INSTL – SPEEDBRAKE AUTOSTOW, MECH MODIFICATION -4 KIT, ACTIVATED LOAD ALLEVIATION SYSTEM	3	RF
	757-3904-7	INSTL – SPEEDBRAKE AUTOSTOW, MECH MODIFICATION -3 KIT, DE-ACTIVATED LOAD ALLEVIATION SYSTEM	3	RF
	757-3904-14	INSTL – SPEEDBRAKE AUTOSTOW, MECH MODIFICATION -8 KIT, ACTIVATED LOAD ALLEVIATION SYSTEM	4	RF
	757-3904-13	INSTL – SPEEDBRAKE AUTOSTOW, MECH MODIFICATION -7 KIT, DE-ACTIVATED LOAD ALLEVIATION SYSTEM	4	RF
2	757-3904-11	. SPLICE STRAP USED ON: 757-3904-13, -14		1
3	757-3904-12	. RUB PLATE USED ON: 757-3904-13, -14		1
4	757-3905-2	. MECHANISM ASSY – SPEEDBRAKE AUTOSTOW FOR -2, -4 KIT, ACTIVATED LOAD ALLEVIATION SYSTEM. SUPPLIER CODE: 0SEC3 COMPONENTS MAINTENANCE MANUAL REF: AP57.2-0613, 27-62-00 USED ON: 757-3904-2, -4, -6, -8		11

Aviation Partners Boeing

757-200

SUPPLEMENT – PARTS CATALOG (MAINTENANCE)

FIGURE ITEM	PART NUMBER	NOMENCLATURE 1 2 3 4 5 6 7	EFFECT FROM TO	UNITS PER ASSY
(5)	757-3905-1	. MECHANISM ASSY – SPEEDBRAKE AUTOSTOW FOR –1,-3 KIT, DE-ACTIVATED LOAD ALLEVIATION SYSTEM. SUPPLIER CODE: 0SEC3 COMPONENTS MAINTENANCE MANUAL REF: AP57.2-0613, 27-62-00 USED ON: 757-3904-1, -3,-5, -7		11
(8)	757-3905-5	. MECHANISM ASSY – SPEEDBRAKE AUTOSTOW FOR –8 KIT, DE-ACTIVATED LOAD ALLEVIATION SYSTEM. SUPPLIER CODE: 0SEC3 COMPONENTS MAINTENANCE MANUAL REF: AP57.2-0613, 27-62-00 USED ON: 757-3904-14		1
(9)	757-3905-6	. MECHANISM ASSY – SPEEDBRAKE AUTOSTOW FOR –7 KIT, DE-ACTIVATED LOAD ALLEVIATION SYSTEM. SUPPLIER CODE: 0SEC3 COMPONENTS MAINTENANCE MANUAL REF: AP57.2-0613, 27-62-00 USED ON: 757-3904-13		1
10	757-3910-1	. NO BACK ADAPTER SUPPLIER CODE: USED ON: 757-3904-1, -2, -3, -4. FOR 757-3904-5, -6 INSTL, 757-3910-1 IS USED IN 757-3912-1 ASSY	Ref Flag Note 1	1
11	757-3912-1	. NO BACK ADAPTER SUPPLIER CODE: PREFERRED CONFIGURATION TO 757- 3910-1 FOR 757-3904-1, -2, -3, -4 INSTL (REF: SERVICE BULLETIN AP757-27-001) USED ON: 757-3904-5, -6	Ref Flag Note 1	1
(12)	757-3912-3	. NO BACK ADAPTER SUPPLIER CODE: USED ON: 757-3904-7, -8		1
(13)	757-3912-5	. NO BACK ADAPTER SUPPLIER CODE: USED ON: 757-3904-13, -14		1
(14)	757-3910-3	. . NO BACK ADAPTER SUPPLIER CODE: USED ON: 757-3912-1		1
(15)	757-3910-5	. . NO BACK ADAPTER SUPPLIER CODE: USED ON: 757-3912-3		1

Aviation Partners Boeing

757-200

SUPPLEMENT – PARTS CATALOG (MAINTENANCE)

FIGURE ITEM	PART NUMBER	NOMENCLATURE 1 2 3 4 5 6 7	EFFECT FROM TO	UNITS PER ASSY
(16)	757-3910-7	. . NO BACK ADAPTER SUPPLIER CODE: USED ON: 757-3912-5		1
17	757-3921-1	. CONTROL ROD ASSY SUPPLIER CODE:	ALL	1
20	BACB28AK04-016	. BUSHING USED ON: 757-3904-1, -2, -3, -4		1
21	BACB28AK04-018	. BUSHING FOR USE WITH 757-3912-1, -3, -5 (ITEM 11, 12, 13)		1
22	BACB28X4C008	. BUSHING FOR USE WITH 757-3912-1, -3, -5 (ITEM 11, 12, 13)		1
25	BACB30MR4K11	. BOLT USED ON: 757-3904-1, -2, -3, -4		1
26	BACB30MR4K13	. BOLT FOR USE WITH 757-3912-1, -3, -5 (ITEM 11, 12, 13)		1
30	BACB30NR4K5	. BOLT	ALL	6
35	BACB30NR4K13	. BOLT USED ON: 757-3904-1, -2, -3, -4		2
40	BACB30NM3K19	. BOLT USED ON: 757-3904-1, -2, -3, -4		1
41	BACB30VT8K3	. BOLT FOR USE WITH 757-3904-13, -14		
42	BACB30VT8K9	. BOLT FOR USE WITH 757-3904-13, -14		
43	BACC30BL8	. COLLAR FOR USE WITH 757-3904-13, -14		
45	BACJ40AB20-4	. JUMPER	ALL	1
50	BACN10JC3CD	. NUT	ALL	2
55	BACN10YR4CD	. NUT	ALL	3
60	BACN10YR3CD	. NUT	ALL	2
65	BACS12HN3-6	. SCREW	ALL	1
70	BACS12HN3-7	. SCREW	ALL	1
75	NAS1149D0316H	. WASHER	ALL	6

Aviation Partners Boeing

757-200

SUPPLEMENT – PARTS CATALOG (MAINTENANCE)

FIGURE ITEM	PART NUMBER	NOMENCLATURE 1 2 3 4 5 6 7	EFFECT FROM TO	UNITS PER ASSY
80	NAS1149D0432J	. WASHER	ALL	11
85	NAS1149D0363J	. WASHER USED ON: 757-3904-1, -2, -3, -4		1
86	BACW10BP4CD	. WASHER	ALL	1
90	10-61359-3	. . ACTUATOR FOR -2, -4, -8 KIT, ACTIVATED LOAD ALLEVIATION SYSTEM SUPPLIER CODE: 81039 USED ON: 757-3905-2, -5		1
95	737-8915-1	ROD, ACTUATOR REPLACEMENT FOR -1, -3, -7 KIT, DE-ACTIVATED LOAD ALLEVIATION SYSTEM USED ON: 757-3905-1, -6		1

- 1 757-3904-1, -2 are effective for Kit Serialization 52001 – 52036*
 757-3904-3, -4 are effective for Kit Serialization 52037 – 52054*
 The replacement installation for 757-3904-1, -3 is 757-3904-5
 The replacement installation for 757-3904-2, -4 is 757-3904-6

*Airplanes that have been modified per APB Service Bulletin AP757-27-001 will have 757-3912-1 installed in lieu of 757-3910-1

- 2 757-3904-5, -6 are effective for Kit Serialization 52055 – 52095
- 3 757-3904-7, -8 are effective for Kit Serialization 52096 – 52999
- 4 757-3904-13, -14 are required for Airplane Line Numbers 125 – 325 and interchangeable with 757-3904-7, -8 for Airplane Line Numbers 326 and on.

Aviation Partners Boeing
757-200
SUPPLEMENT – PARTS CATALOG (MAINTENANCE)

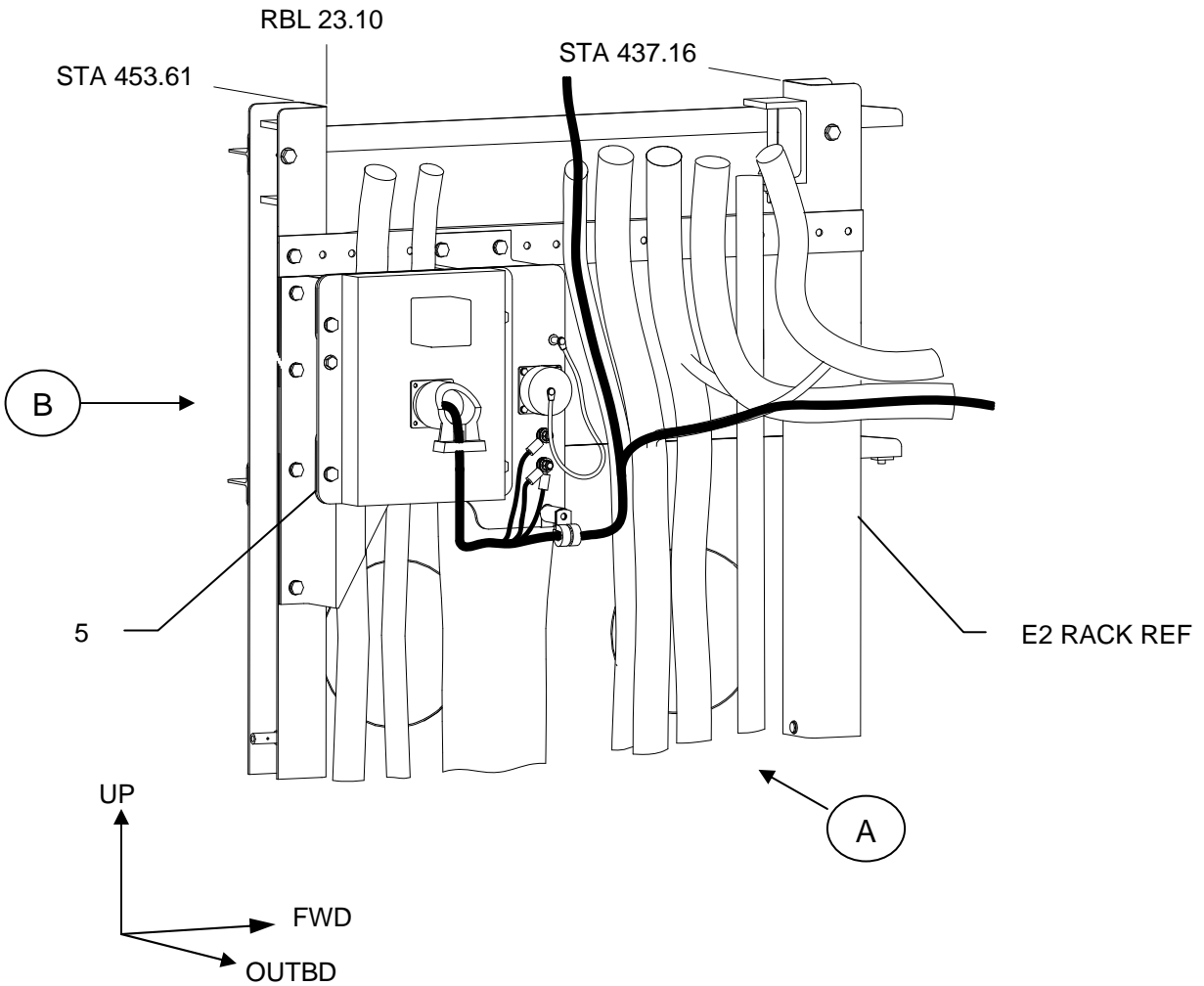
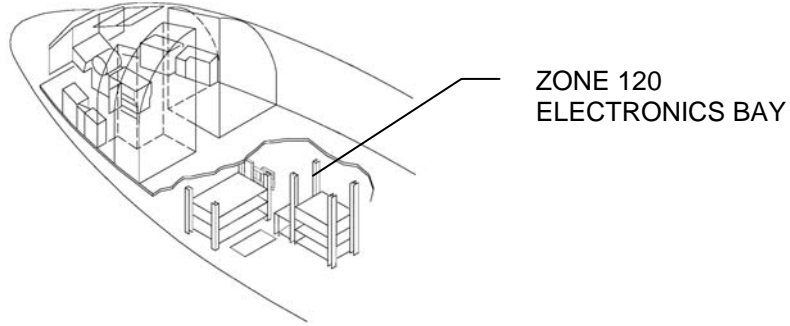


FIGURE 2 (SHEET 1)
SPEEDBRAKE AUTOSTOW CONTROL MODULE

Aviation Partners Boeing
757-200
SUPPLEMENT – PARTS CATALOG (MAINTENANCE)

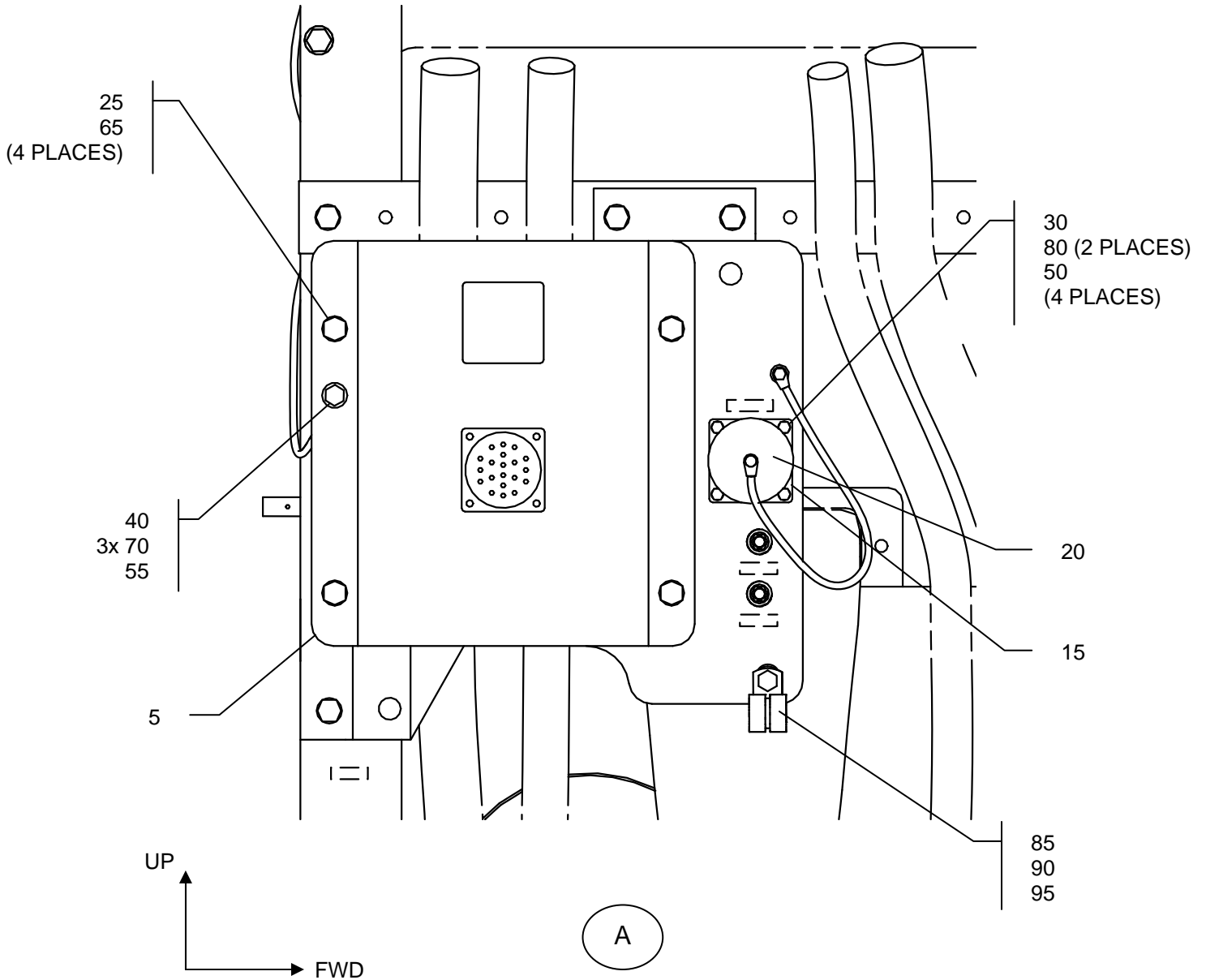


FIGURE 2 (SHEET 2)
SPEEDBRAKE AUTOSTOW CONTROL MODULE

Aviation Partners Boeing
757-200
SUPPLEMENT – PARTS CATALOG (MAINTENANCE)

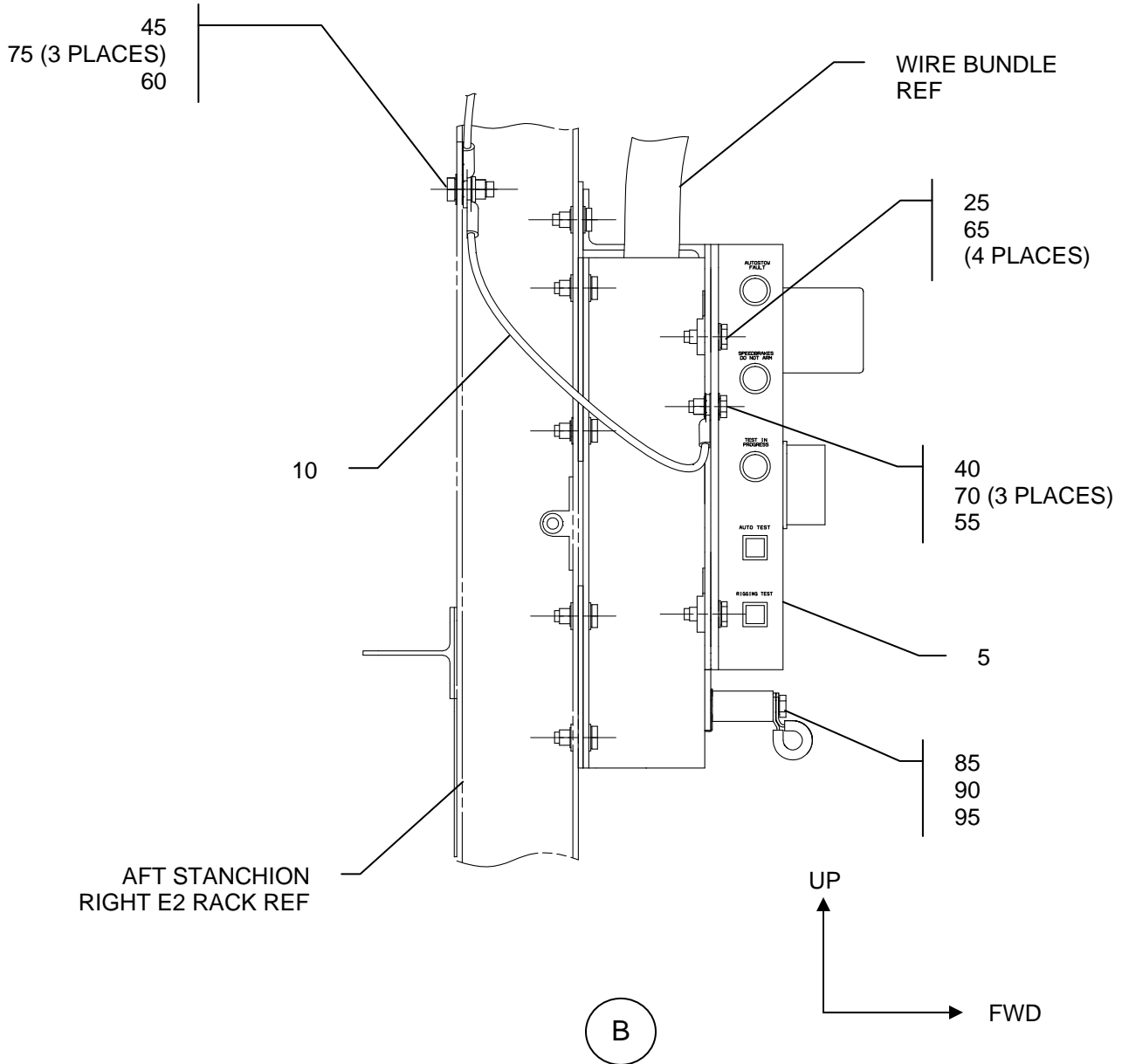
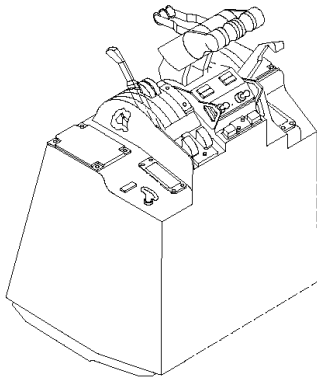


FIGURE 2 (SHEET 3)
SPEEDBRAKE AUTOSTOW CONTROL MODULE

Aviation Partners Boeing
757-200
SUPPLEMENT – PARTS CATALOG (MAINTENANCE)

FIGURE ITEM	PART NUMBER	NOMENCLATURE							EFFECT FROM TO	UNITS PER ASSY
		1	2	3	4	5	6	7		
FIG. 2 1	757-3930-1	EQUIPMENT INSTL – AUTOSTOW CONTROLLER, E2 - RACK							ALL	RF
5	737S3900-2	. CONTROLLER SUPPLIER CODE: 3X2T2							ALL	1
10	BACJ40AB21-8	. JUMPER ASSY							ALL	1
15	BACC45FN20-41P	. CONNECTOR							ALL	1
20	M83723-60-220AT	. CAP							ALL	1
25	BACB30LM3-5	. BOLT							ALL	4
30	NAS1802-04-6P	. SCREW							ALL	4
40	NAS1802-3-8P	. SCREW							ALL	1
45	NAS1802-4-10P	. SCREW							ALL	1
50	BACN10YR04CD	. NUT							ALL	4
55	BACN10YR3CD	. NUT							ALL	1
60	BACN10YR4CD	. NUT							ALL	1
65	NAS1149D0332J	. WASHER							ALL	4
70	NAS1149D0316H	. WASHER							ALL	3
75	NAS1149D0416H	. WASHER							ALL	3
80	NAS620-4	. WASHER							ALL	8
85	BACC10GE5A	. CLAMP							ALL	1
90	NAS1802-3	. SCREW							ALL	1
95	BACS18K10-64W	. SPACER							ALL	1

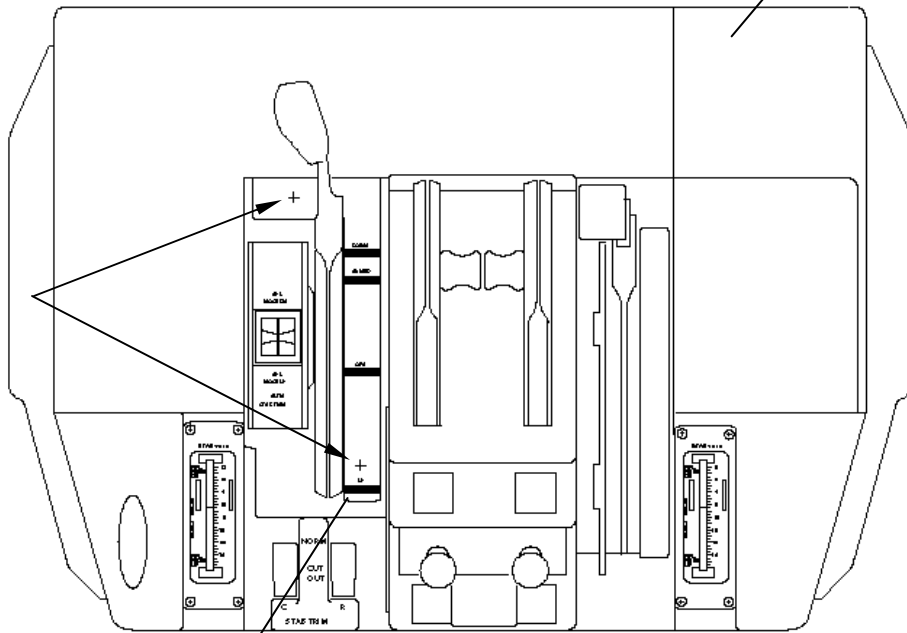
Aviation Partners Boeing
 757-200
 SUPPLEMENT – PARTS CATALOG (MAINTENANCE)



ZONE 211 / 212
 CONTROL CABIN

CONTROL STAND
 REF

SFSW6C5DL12BN REF
 LIGHTPLATE CAPTIVE
 FASTENER



5

FIGURE 3 (SHEET 1)
 SPEEDBRAKE LIGHTPLATE – CONTROL STAND
 CONTROL STANDS WITH MOLDED PLASTIC COVER ASSEMBLY

Aviation Partners Boeing
757-200
SUPPLEMENT – PARTS CATALOG (MAINTENANCE)

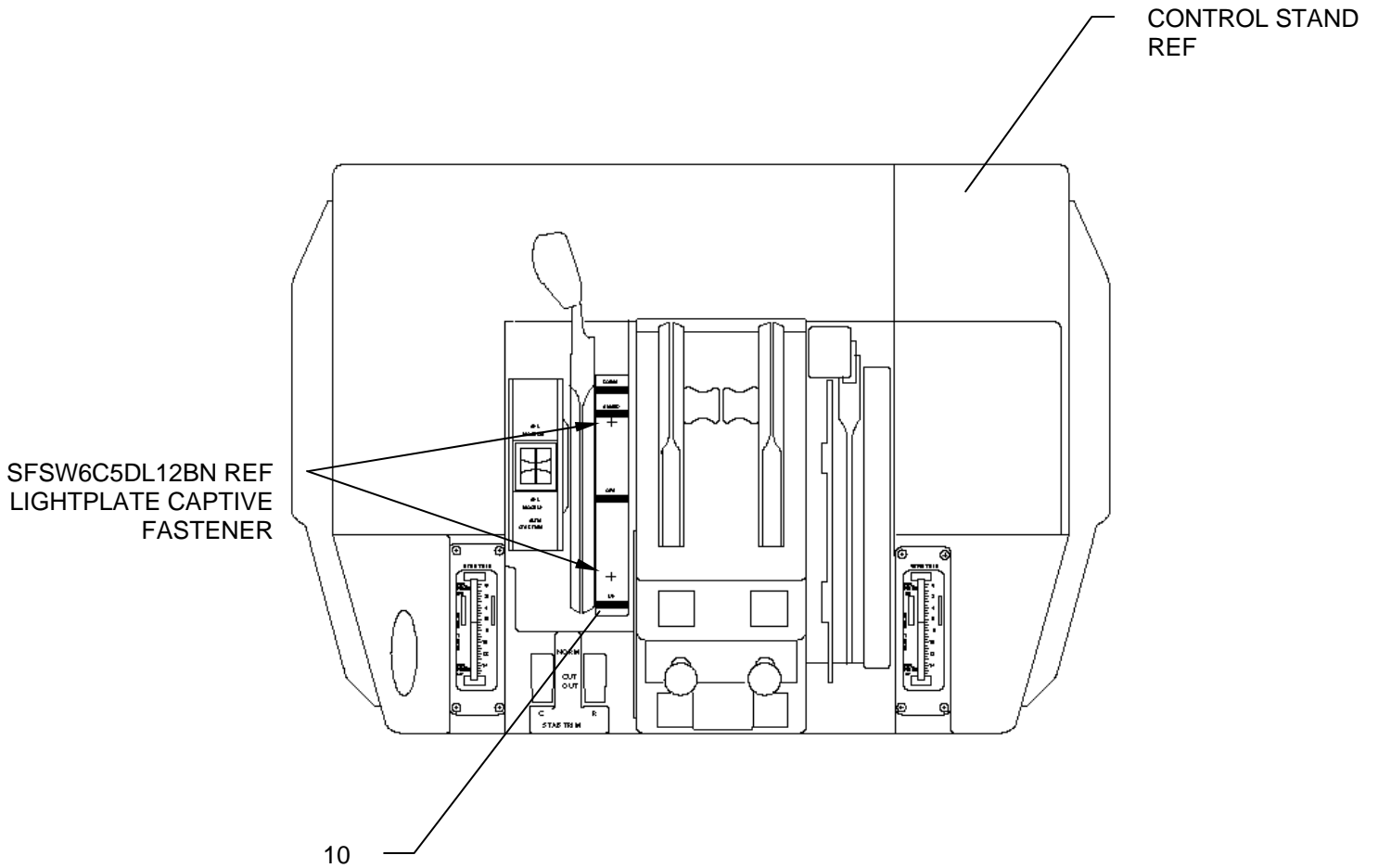


FIGURE 3 (SHEET 2)
SPEEDBRAKE LIGHTPLATE – CONTROL STAND
CONTROL STANDS WITH SHEET METAL COVER ASSEMBLY

Aviation Partners Boeing

757-200

SUPPLEMENT – PARTS CATALOG (MAINTENANCE)

FIGURE ITEM	PART NUMBER	NOMENCLATURE 1 2 3 4 5 6 7	EFFECT FROM TO	UNITS PER ASSY
FIG. 3 SHEET 1 -1	757-3965-2	LIGHTPLATE INSTL – SPEEDBRAKE AUTOSTOW NOTE: THIS INSTALLATION IS FOR CONTROL STANDS WITH MOLDED PLASTIC COVER ASSEMBLY.		RF
5	757-3966-1	LIGHTPLATE – SPEEDBRAKE SUPPLIER CODE: 05617		1
FIG. 3 SHEET 2 -2	757-3965-4	LIGHTPLATE INSTL – SPEEDBRAKE AUTOSTOW NOTE: THIS INSTALLATION IS FOR CONTROL STANDS WITH SHEET METAL COVER ASSEMBLY.		RF
10	757-3966-2	LIGHTPLATE – SPEEDBRAKE SUPPLIER CODE: 05617		1

Aviation Partners Boeing
757-200
SUPPLEMENT – PARTS CATALOG (MAINTENANCE)

CHAPTER 28 – FUEL

TABLE OF CONTENTS

SUBJECT	CHAPTER SECTION UNIT	FIGURE	WINGLET SERIAL NUMBER (EFFECT)
FUEL QUANTITY MEASURING STICKS	28-44-00		ALL
STICK INSTL FUEL QTY MEASURING	28-44-01	01	ALL
STICK ASSY FUEL QTY MEASURING	28-44-01	02	ALL

Aviation Partners Boeing
757-200
SUPPLEMENT – PARTS CATALOG (MAINTENANCE)

FUEL MEASURING STICKS

Aviation Partners Boeing

757-200

SUPPLEMENT – PARTS CATALOG (MAINTENANCE)

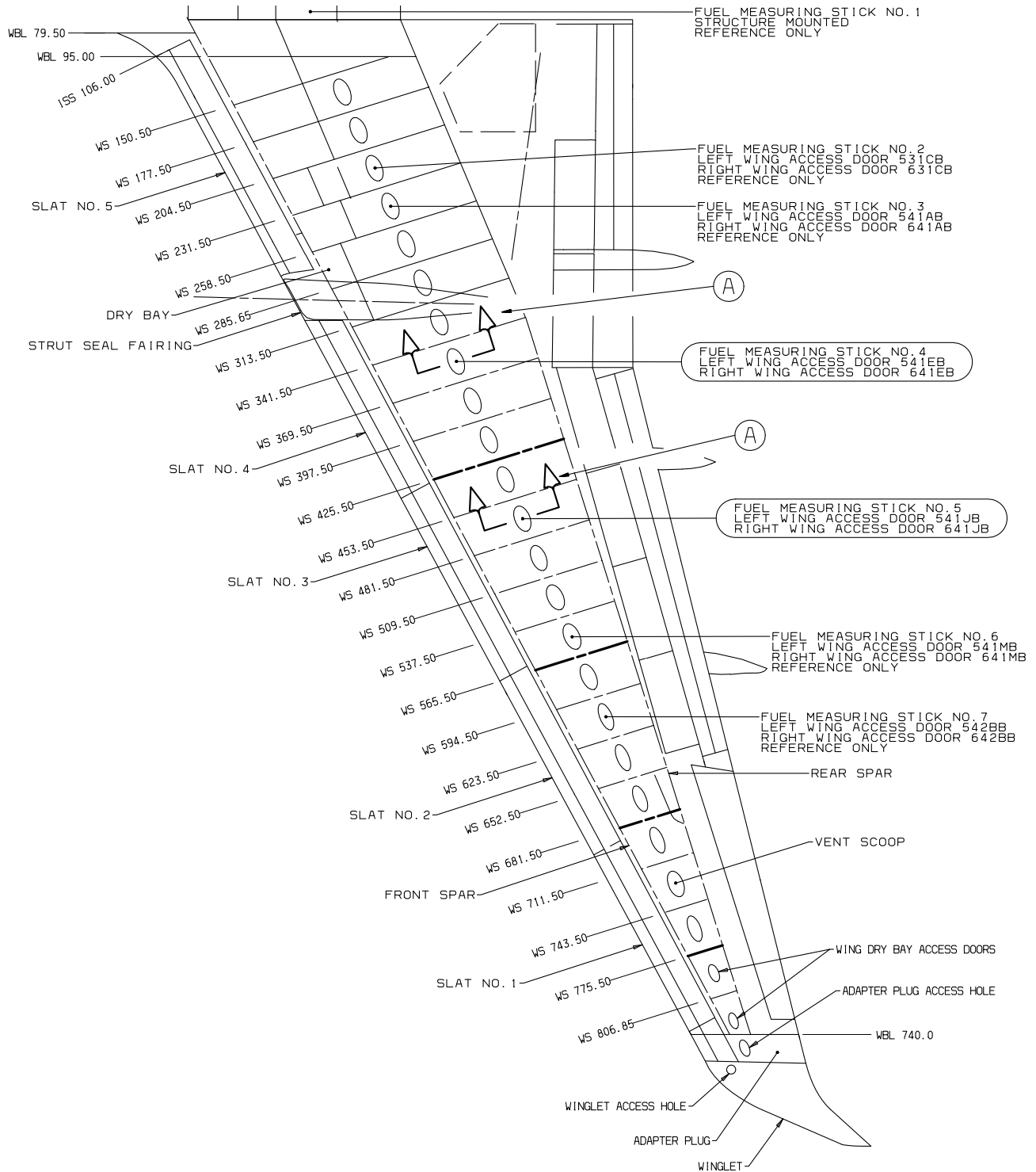
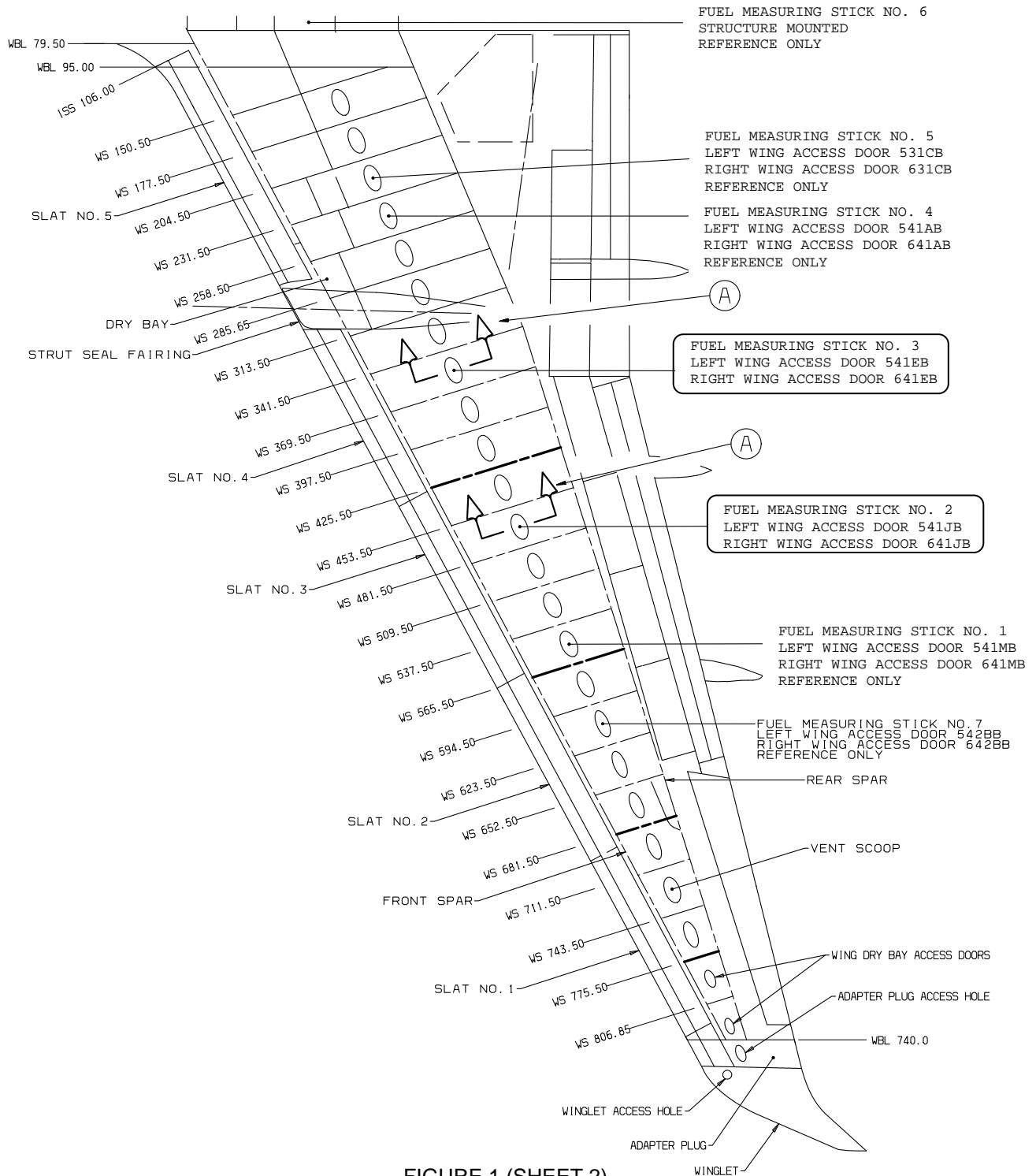


FIGURE 1 (SHEET 1)
LEFT WING SHOWN
RIGHT WING OPPOSITE
 Stick installation for airplane with sticks numbered INBD to OTBD 1, 2, 3, 4, 5, 6, 7

Aviation Partners Boeing 757-200 SUPPLEMENT – PARTS CATALOG (MAINTENANCE)



**FIGURE 1 (SHEET 2)
LEFT WING SHOWN
RIGHT WING OPPOSITE**

Stick installation for airplane with sticks numbered INBD to OTBD 6, 5, 4, 3, 2, 1, 7

Aviation Partners Boeing
757-200
SUPPLEMENT – PARTS CATALOG (MAINTENANCE)

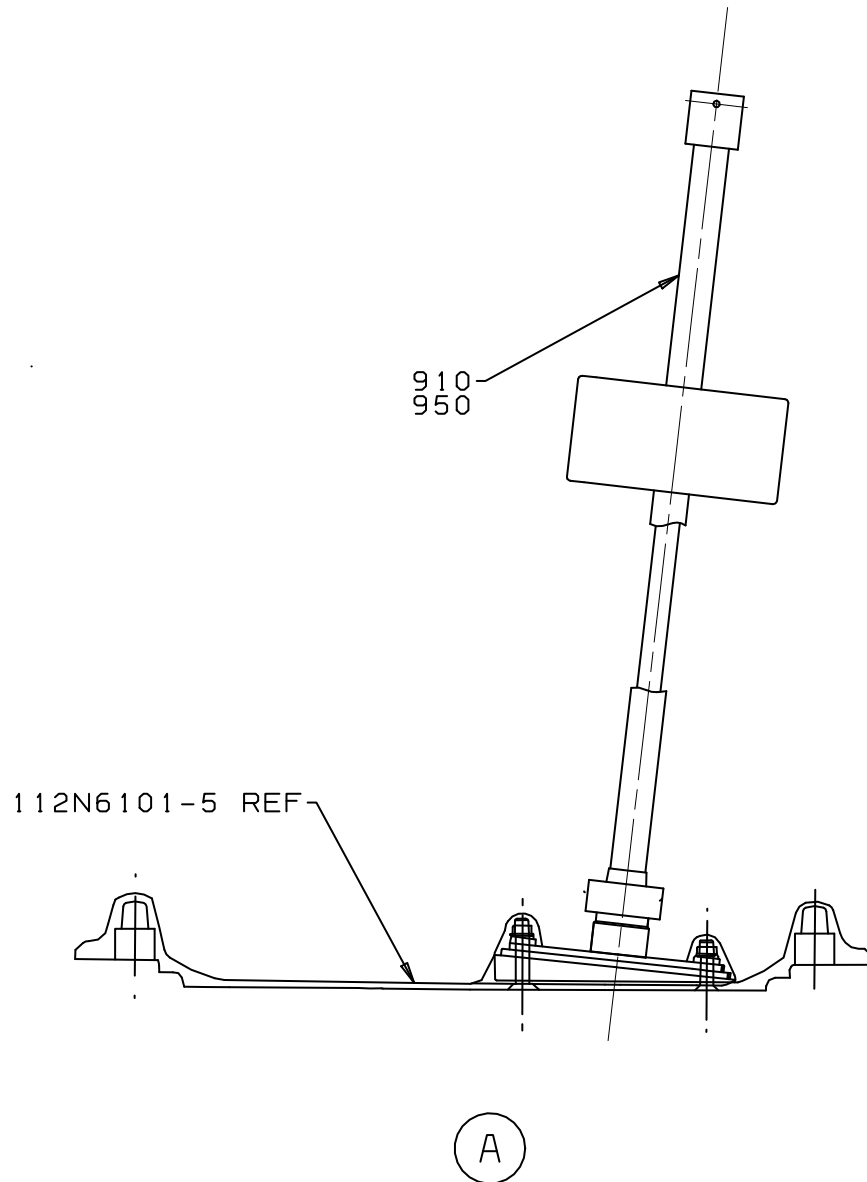


FIGURE 1 (SHEET 3)
DOOR ASSY – FUEL QUANTITY MEASURING

- 900 - Fuel measuring stick no. 5 for airplane with sticks numbered INBD to OTBD 1, 2, 3, 4, 5, 6, 7 or stick no. 2 for airplane with sticks numbered INBD to OTBD 6, 5, 4, 3, 2, 1, 7.
- 905 - Fuel measuring stick no. 4 for airplane with sticks numbered INBD to OTBD 1, 2, 3, 4, 5, 6, 7 or stick no. 3 for airplane with sticks numbered INBD to OTBD 6, 5, 4, 3, 2, 1, 7.

Aviation Partners Boeing
757-200
SUPPLEMENT – PARTS CATALOG (MAINTENANCE)

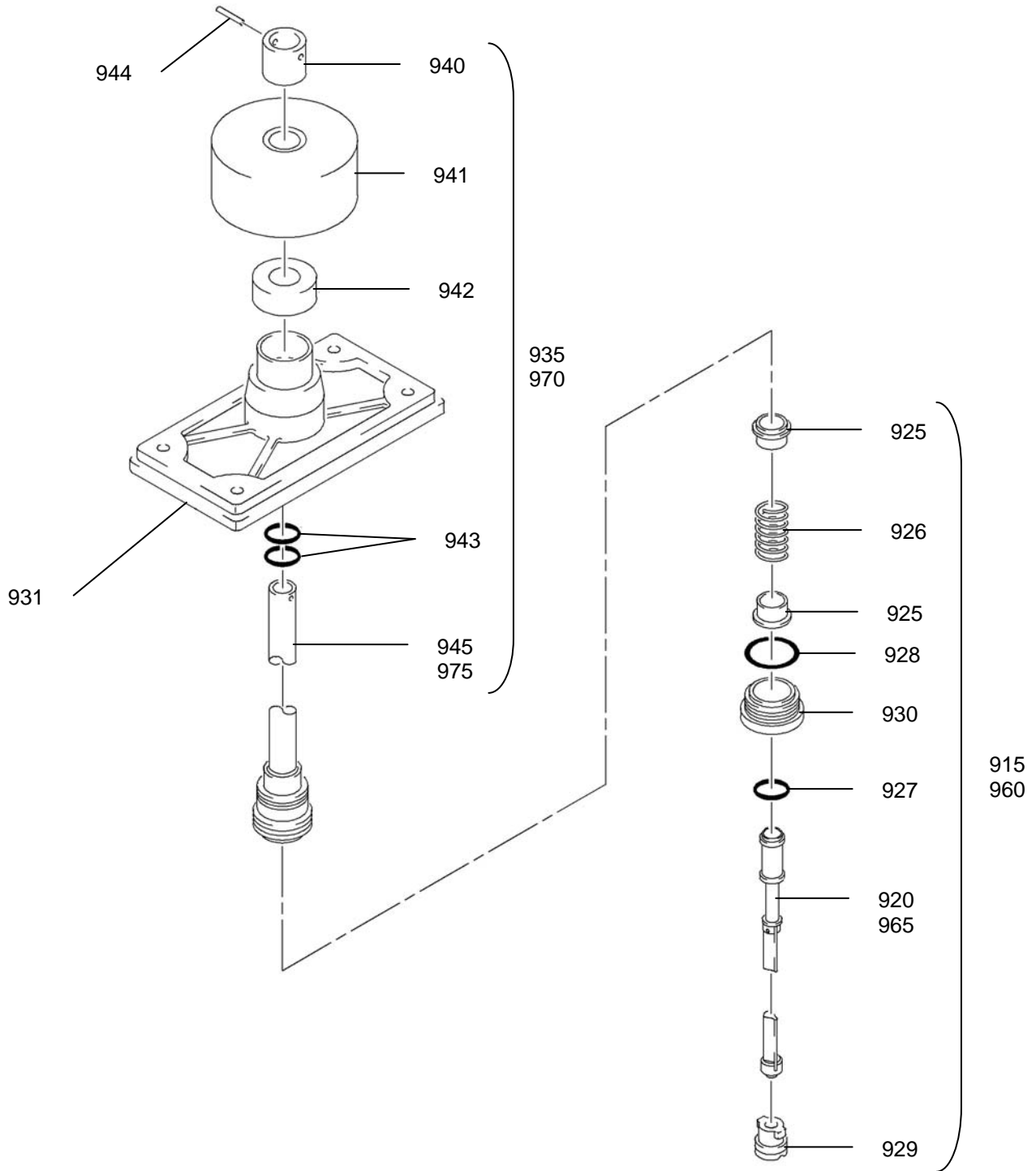


FIGURE 1 (SHEET 4)
STICK ASSY – FUEL QUANTITY MEASURING

- 910 - Fuel measuring stick no. 5 for airplane with sticks numbered INBD to OTBD 1, 2, 3, 4, 5, 6, 7 or stick no. 2 for airplane with sticks numbered INBD to OTBD 6, 5, 4, 3, 2, 1, 7.
- 950 - Fuel measuring stick no. 4 for airplane with sticks numbered INBD to OTBD 1, 2, 3, 4, 5, 6, 7 or stick no. 3 for airplane with sticks numbered INBD to OTBD 6, 5, 4, 3, 2, 1, 7.

Aviation Partners Boeing

757-200

SUPPLEMENT – PARTS CATALOG (MAINTENANCE)

FIGURE ITEM	PART NUMBER	NOMENCLATURE 1 2 3 4 5 6 7	EFFECT FROM TO	UNITS PER ASSY
FIG. 1 900	757-3700-1	DOOR ASSEMBLY – STICK NO. 5 FOR AIRPLANE WITH STICKS NUMBERED INBD TO OTBD 1, 2, 3, 4, 5, 6, 7. OR DOOR ASSEMBLY - STICK NO. 2 FOR AIRPLANE WITH STICKS NUMBERED INBD TO OTBD 6, 5, 4, 3, 2, 1, 7. REWORKED DOOR ASSY 65-50748-26 FOR NHA SEE: 757-3010	ALL	RF
910	1140-0110-() -219 (INCHES) -229 (LBS) -239 (LITERS) -249 (KGS)	FLEXI-STICK ASSEMBLY - STICK NO. 5 FOR AIRPLANE WITH STICKS NUMBERED INBD TO OTBD 1, 2, 3, 4, 5, 6, 7. OR FLEXI-STICK ASSEMBLY - STICK NO. 2 FOR AIRPLANE WITH STICKS NUMBERED INBD TO OTBD 6, 5, 4, 3, 2, 1, 7. SUPPLIER CODE: 86831 BOEING SCD: S345T001-219 S345T001-229 S345T001-239 S345T001-249 COMPONENT MAINT MANUAL REF: 28-40-06	ALL	1
935	757-3701-1	REWORKED HOUSING ASSEMBLY – STICK NO. 5 FOR AIRPLANE WITH STICKS NUMBERED INBD TO OTBD 1, 2, 3, 4, 5, 6, 7. OR REWORKED HOUSING ASSEMBLY – STICK NO. 2 FOR AIRPLANE WITH STICKS NUMBERED INBD TO OTBD 6, 5, 4, 3, 2, 1, 7. OPTIONAL PART: 4090-0033-209	ALL	1
915	757-3701-3	REWORKED STICK ASSEMBLY – STICK NO. 5 FOR AIRPLANE WITH STICKS NUMBERED INBD TO OTBD 1, 2, 3, 4, 5, 6, 7. OR REWORKED STICK ASSEMBLY – STICK NO. 2 FOR AIRPLANE WITH STICKS NUMBERED INBD TO OTBD 6, 5, 4, 3, 2, 1, 7. OPTIONAL PART: 4177-0146-219 (INCHES) 4177-0146-229 (LBS) 4177-0146-239 (LITERS) 4177-0146-249 (KGS)	ALL	1

Aviation Partners Boeing

757-200

SUPPLEMENT – PARTS CATALOG (MAINTENANCE)

FIGURE ITEM	PART NUMBER	NOMENCLATURE 1 2 3 4 5 6 7	EFFECT FROM TO	UNITS PER ASSY
915	4177-0146-() -219 (INCHES) -229 (LBS) -239 (LITERS) -249 (KGS)	. . STICK ASSEMBLY – STICK NO. 5 FOR AIRPLANE WITH STICKS NUMBERED INBD TO OTBD 1, 2, 3, 4, 5, 6, 7. OR STICK ASSEMBLY - STICK NO. 2 FOR AIRPLANE WITH STICKS NUMBERED INBD TO OTBD 6, 5, 4, 3, 2, 1, 7. SUPPLIER CODE: 86831 USED ON: 1140-0110-219 1140-0110-229 1140-0110-239 1140-0110-249 OPTIONAL PART: 757-3701-3	ALL	1
920	4177-0169-() -219 (INCHES) -229 (LBS) -239 (LITERS) -249 (KGS)	. . . STICK SUB ASSEMBLY – STICK NO. 5 FOR AIRPLANE WITH STICKS NUMBERED INBD TO OTBD 1, 2, 3, 4, 5, 6, 7. OR STICK SUB ASSEMBLY - STICK NO. 2 FOR AIRPLANE WITH STICKS NUMBERED INBD TO OTBD 6, 5, 4, 3, 2, 1, 7. SUPPLIER CODE: 86831 USED ON: 4177-0146-219 4177-0146-229 4177-0146-239 4177-0146-249	ALL	1
925	2078-0058	. . . GUIDE - SUPPLIER CODE: 86831 OPTIONAL PART: 2078-0058-1	ALL	2
925	2078-0058-1	. . . GUIDE - SUPPLIER CODE: 86831 OPTIONAL PART: 2078-0058	ALL	2
926	2161-0210	. . . SPRING - SUPPLIER CODE: 86831	ALL	1
927	RS900BS015	. . . O-RING - SUPPLIER CODE: 86831 OPTIONAL PART: MS29513-015	ALL	1
927	MS29513-015	. . . O-RING - SUPPLIER CODE: 86831 OPTIONAL PART: RS900BS015	ALL	1
928	RS900BS022	. . . O-RING - SUPPLIER CODE: 86831 OPTIONAL PART: MS29513-022	ALL	1
928	MS29513-022	. . . O-RING - SUPPLIER CODE: 86831 OPTIONAL PART: RS900BS022	ALL	1
929	4115-0001	. . . LATCH ASSY - SUPPLIER CODE: 86831	ALL	1

Aviation Partners Boeing

757-200

SUPPLEMENT – PARTS CATALOG (MAINTENANCE)

FIGURE ITEM	PART NUMBER	NOMENCLATURE 1 2 3 4 5 6 7	EFFECT FROM TO	UNITS PER ASSY
930	2144-0074	. . . RETAINER - SUPPLIER CODE: 86831	ALL	1
931	2011-0012	. . BASE - SUPPLIER CODE: 86831	ALL	1
935	4090-0033-209	. . HOUSING ASSEMBLY – STICK NO. 5 FOR AIRPLANE WITH STICKS NUMBERED INBD TO OTBD 1, 2, 3, 4, 5, 6, 7. OR HOUSING ASSEMBLY - STICK NO. 2 FOR AIRPLANE WITH STICKS NUMBERED INBD TO OTBD 6, 5, 4, 3, 2, 1, 7. SUPPLIER CODE: 86831 USED ON: 1140-0110-219 1140-0110-229 1140-0110-239 1140-0110-249 OPTIONAL PART: 757-3701-1	ALL	1
940	2222-0018	. . . STOP - SUPPLIER CODE: 86831	ALL	1
941	4066-0053-1	. . . FLOAT ASSY - SUPPLIER CODE: 86831	ALL	1
942	2020-0011	. . . BUMPER - SUPPLIER CODE: 86831	ALL	1
943	RS900J016	. . . O-RING - SUPPLIER CODE: 86831	ALL	2
944	RS299-1	. . . PIN - SUPPLIER CODE: 86831	ALL	1
945	4177-0160-209	. . . TUBE ASSY - SUPPLIER CODE: 86831	ALL	1

Aviation Partners Boeing

757-200

SUPPLEMENT – PARTS CATALOG (MAINTENANCE)

FIGURE ITEM	PART NUMBER	NOMENCLATURE 1 2 3 4 5 6 7	EFFECT FROM TO	UNITS PER ASSY
FIG. 1 905	757-3700-3	DOOR ASSEMBLY – STICK NO. 4 FOR AIRPLANE WITH STICKS NUMBERED INBD TO OTBD 1, 2, 3, 4, 5, 6, 7. OR DOOR ASSEMBLY - STICK NO. 3 FOR AIRPLANE WITH STICKS NUMBERED INBD TO OTBD 6, 5, 4, 3, 2, 1, 7. REWORKED DOOR ASSY 65-50748-27 FOR NHA SEE: 757-3010	ALL	RF
950	1140-0110-() -220 (INCHES) -230 (LBS) -240 (LITERS) -250 (KGS)	FLEXI-STICK ASSEMBLY - STICK NO. 4 FOR AIRPLANE WITH STICKS NUMBERED INBD TO OTBD 1, 2, 3, 4, 5, 6, 7. OR FLEXI-STICK ASSEMBLY - STICK NO. 3 FOR AIRPLANE WITH STICKS NUMBERED INBD TO OTBD 6, 5, 4, 3, 2, 1, 7. SUPPLIER CODE: 86831 BOEING SCD: S345T001-220 S345T001-230 S345T001-240 S345T001-250 COMPONENT MAINT MANUAL REF: 28-40-06	ALL	1
970	757-3701-2	REWORKED HOUSING ASSEMBLY – STICK NO. 4 FOR AIRPLANE WITH STICKS NUMBERED INBD TO OTBD 1, 2, 3, 4, 5, 6, 7. OR REWORKED HOUSING ASSEMBLY – STICK NO. 3 FOR AIRPLANE WITH STICKS NUMBERED INBD TO OTBD 6, 5, 4, 3, 2, 1, 7. OPTIONAL PART: 4090-0033-210	ALL	1
960	757-3701-4	REWORKED STICK ASSEMBLY – STICK NO. 4 FOR AIRPLANE WITH STICKS NUMBERED INBD TO OTBD 1, 2, 3, 4, 5, 6, 7. OR REWORKED STICK ASSEMBLY – STICK NO. 3 FOR AIRPLANE WITH STICKS NUMBERED INBD TO OTBD 6, 5, 4, 3, 2, 1, 7. OPTIONAL PART: 4177-0146-220 (INCHES) 4177-0146-230 (LBS) 4177-0146-240 (LITERS) 4177-0146-250 (KGS)	ALL	1

Aviation Partners Boeing

757-200

SUPPLEMENT – PARTS CATALOG (MAINTENANCE)

FIGURE ITEM	PART NUMBER	NOMENCLATURE 1 2 3 4 5 6 7	EFFECT FROM TO	UNITS PER ASSY
960	4177-0146-() -220 (INCHES) -230 (LBS) -240 (LITERS) -250 (KGS)	. . STICK ASSEMBLY – STICK NO. 4 FOR AIRPLANE WITH STICKS NUMBERED INBD TO OTBD 1, 2, 3, 4, 5, 6, 7. OR STICK ASSEMBLY - STICK NO. 3 FOR AIRPLANE WITH STICKS NUMBERED INBD TO OTBD 6, 5, 4, 3, 2, 1, 7. SUPPLIER CODE: 86831 USED ON: 1140-0110-220 1140-0110-230 1140-0110-240 1140-0110-250 OPTIONAL PART: 757-3701-4	ALL	1
965	4177-0169-() -220 (INCHES) -230 (LBS) -240 (LITERS) -250 (KGS)	. . . STICK SUB ASSEMBLY – STICK NO. 4 FOR AIRPLANE WITH STICKS NUMBERED INBD TO OTBD 1, 2, 3, 4, 5, 6, 7. OR STICK SUB ASSEMBLY - STICK NO. 3 FOR AIRPLANE WITH STICKS NUMBERED INBD TO OTBD 6, 5, 4, 3, 2, 1, 7. SUPPLIER CODE: 86831 USED ON: 4177-0146-220 4177-0146-230 4177-0146-240 4177-0146-250	ALL	1
925	2078-0058	. . . GUIDE - SUPPLIER CODE: 86831 OPTIONAL PART: 2078-0058-1	ALL	2
925	2078-0058-1	. . . GUIDE - SUPPLIER CODE: 86831 OPTIONAL PART: 2078-0058	ALL	2
926	2161-0210	. . . SPRING - SUPPLIER CODE: 86831	ALL	1
927	RS900BS015	. . . O-RING - SUPPLIER CODE: 86831 OPTIONAL PART: MS29513-015	ALL	1
927	MS29513-015	. . . O-RING - SUPPLIER CODE: 86831 OPTIONAL PART: RS900BS015	ALL	1
928	RS900BS022	. . . O-RING - SUPPLIER CODE: 86831 OPTIONAL PART: MS29513-022	ALL	1
928	MS29513-022	. . . O-RING - SUPPLIER CODE: 86831 OPTIONAL PART: RS900BS022	ALL	1
929	4115-0001	. . . LATCH ASSY - SUPPLIER CODE: 86831	ALL	1

Aviation Partners Boeing

757-200

SUPPLEMENT – PARTS CATALOG (MAINTENANCE)

FIGURE ITEM	PART NUMBER	NOMENCLATURE					EFFECT FROM TO	UNITS PER ASSY		
		1	2	3	4	5			6	7
930	2144-0074	.	.	.	RETAINER - SUPPLIER CODE: 86831			ALL	1	
931	2011-0012	.	.	BASE - SUPPLIER CODE: 86831					ALL	1
970	4090-0033-210	.	.	HOUSING ASSEMBLY – STICK NO. 4 FOR AIRPLANE WITH STICKS NUMBERED INBD TO OTBD 1, 2, 3, 4, 5, 6, 7. OR HOUSING ASSEMBLY - STICK NO. 3 FOR AIRPLANE WITH STICKS NUMBERED INBD TO OTBD 6, 5, 4, 3, 2, 1, 7. SUPPLIER CODE: 86831 USED ON: 1140-0110-220 1140-0110-230 1140-0110-240 1140-0110-250 OPTIONAL PART: 757-3701-2					ALL	1
940	2222-0018	.	.	.	STOP - SUPPLIER CODE: 86831			ALL	1	
941	4066-0053-1	.	.	.	FLOAT ASSY - SUPPLIER CODE: 86831			ALL	1	
942	2020-0011	.	.	.	BUMPER - SUPPLIER CODE: 86831			ALL	1	
943	RS900J016	.	.	.	O-RING - SUPPLIER CODE: 86831			ALL	2	
944	RS299-1	.	.	.	PIN - SUPPLIER CODE: 86831			ALL	1	
975	4177-0160-210	.	.	.	TUBE ASSY - SUPPLIER CODE: 86831			ALL	1	

Aviation Partners Boeing
757-200
SUPPLEMENT – PARTS CATALOG (MAINTENANCE)

CHAPTER 33 – LIGHTS

TABLE OF CONTENTS

SUBJECT	CHAPTER SECTION UNIT	FIGURE	PAGE
POSITION LIGHTS	33-43-00		1
FWD POSITION LIGHT	33-43-01	01	1
AFT POSITION LIGHT	33-43-01	02	1
TRANSFORMER INSTL	33-43-01	03	1
ANTI-COLLISION LIGHTS	33-44-00		1
LIGHT INSTALLATION	33-44-01	01	1
POWER SUPPLY INSTALLATION	33-44-01	02	1

Aviation Partners Boeing
757-200
SUPPLEMENT – PARTS CATALOG (MAINTENANCE)

POSITION (NAVIGATION) LIGHTS

Aviation Partners Boeing
757-200
SUPPLEMENT – PARTS CATALOG (MAINTENANCE)

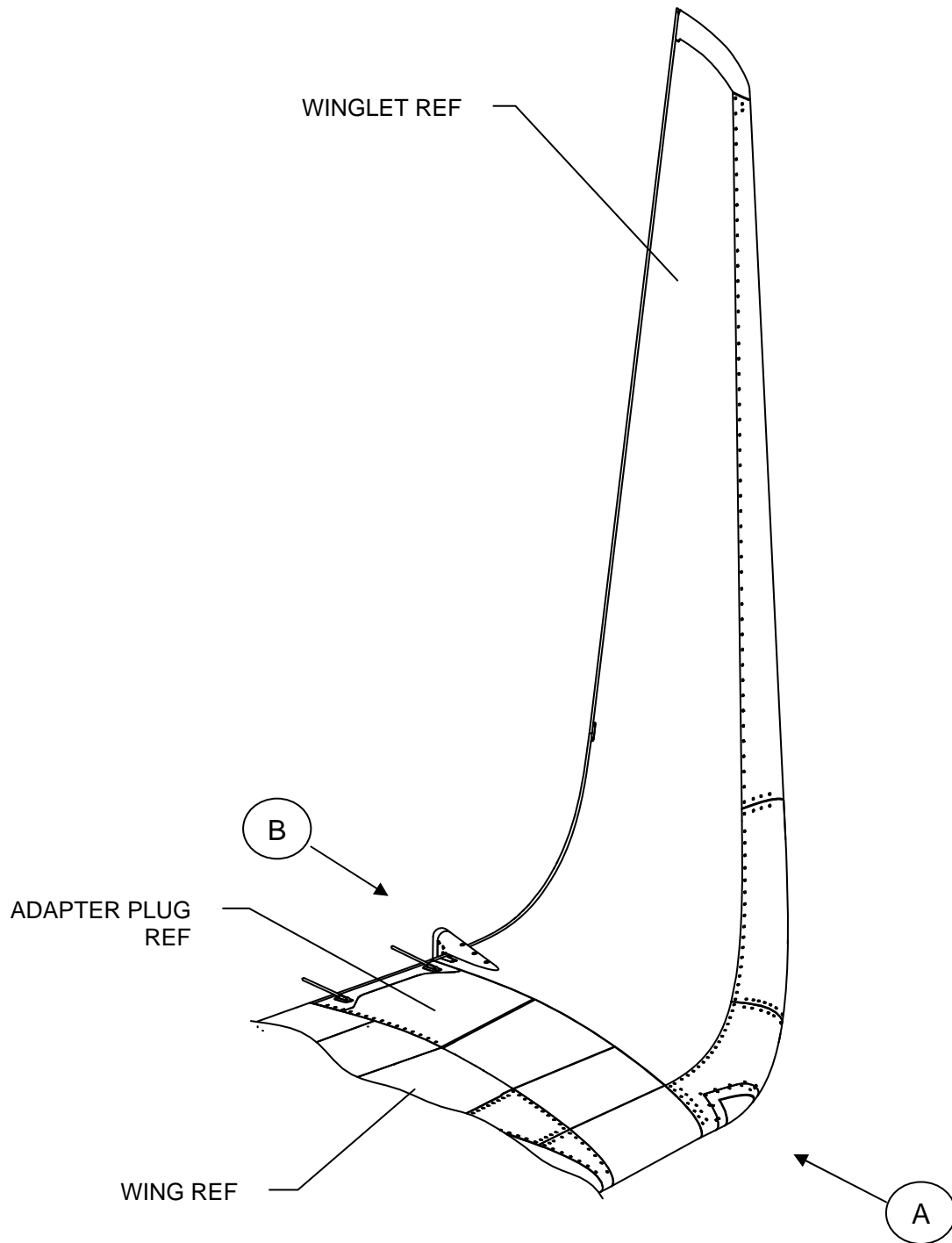


FIGURE 1 (SHEET 1)
WINGLET POSITION (NAVIGATION) LIGHTS

Aviation Partners Boeing
757-200
SUPPLEMENT – PARTS CATALOG (MAINTENANCE)

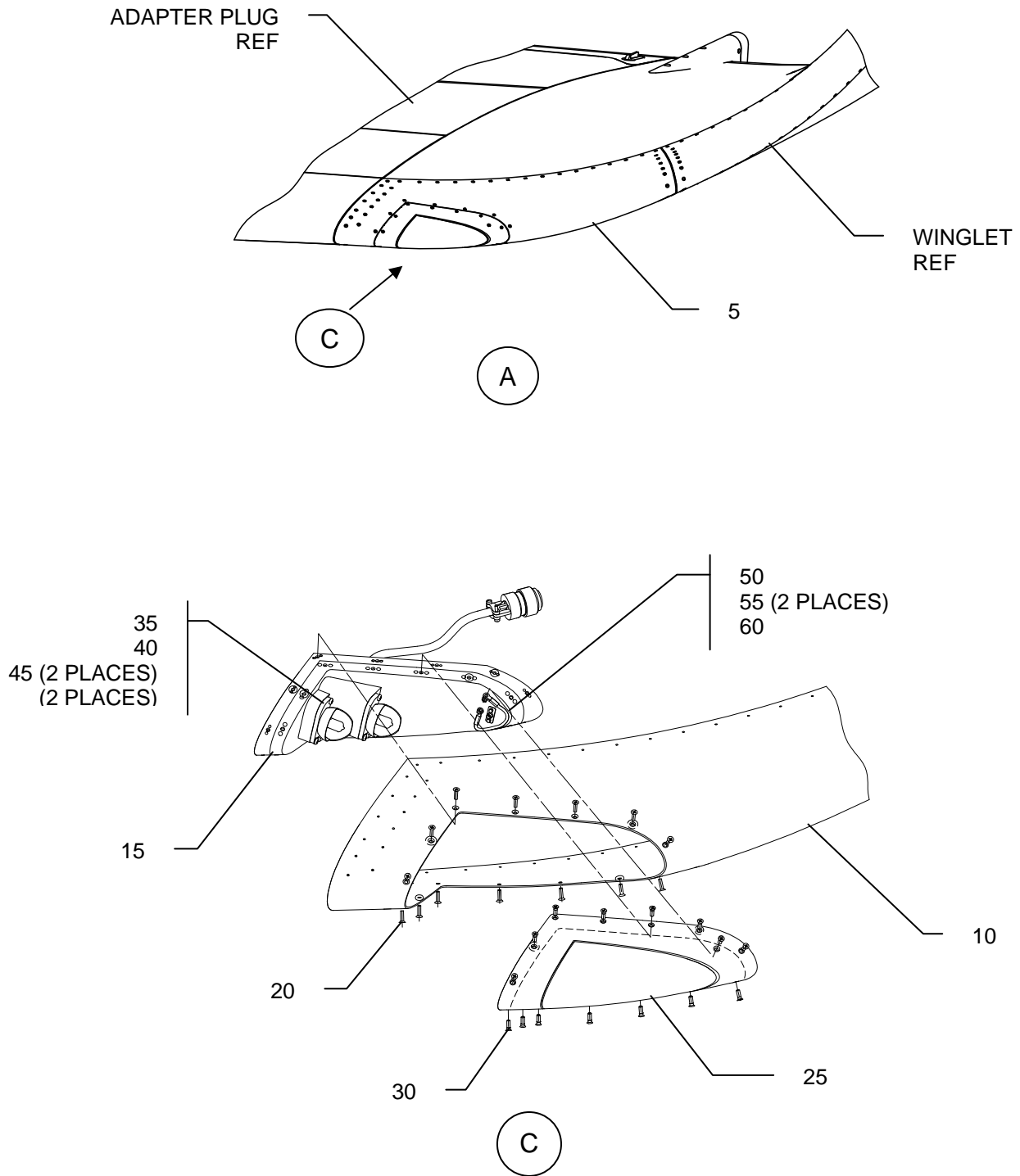


FIGURE 1 (SHEET 2)
WINGLET FORWARD POSITION LIGHT

Aviation Partners Boeing
757-200
SUPPLEMENT – PARTS CATALOG (MAINTENANCE)

FIGURE ITEM	PART NUMBER	NOMENCLATURE 1 2 3 4 5 6 7	EFFECT FROM TO	UNITS PER ASSY
	757-0010-3	. WINGLET ASSY, LH SIDE USED ON: 757-0002-3		RF
--	757-0010-4	. WINGLET ASSY, RH SIDE USED ON: 757-0002-4		RF
	757-0010-5	. WINGLET ASSY, LH SIDE USED ON: 757-0002-5		RF
--	757-0010-6	. WINGLET ASSY, RH SIDE USED ON: 757-0002-6		RF
5	757-0353-1	. . LIGHT ASSY – INBD LEADING EDGE SKIN, L/H USED ON: 757-0350-1		1
-- 6	757-0353-2	. . LIGHT ASSY – INBD LEADING EDGE SKIN, RH USED ON: 757-0350-2		1
10	757-0351-1	. . . LEADING EDGE SKIN – INBD, LH		1
-- 11	757-0351-2	. . . LEADING EDGE SKIN – INBD, RH		1
15	31-9289-1	. . . POSITION LIGHT ASSY – LH SUPPLIER CODE: 72914		1
-- 16	31-9289-4	. . . POSITION LIGHT ASSY – RH SUPPLIER CODE: 72914		1
20	MS24693C28	. . . SCREW USED ON: 757-0350-1/-2		14
25	31-9292-1 LENS ASSY USED ON: 31-9289-1 SUPPLIER CODE: 72914		1
-- 26	31-9292-2 LENS ASSY USED ON: 31-9289-2 SUPPLIER CODE: 72914		1
30	NAS8702-2 BOLT USED ON: 31-9289-1/-2		14
35	31-9379-1 REFLECTOR ASSY, LH USED ON: 31-9290-1 SUPPLIER CODE: 72914		2
-- 36	31-9379-2 REFLECTOR ASSY, RH USED ON: 31-9290-2 SUPPLIER CODE: 72914		2
40	LP-64621 LAMP USED ON: 31-9290-1/-2		2
45	MS51957-12 SCREW USED ON: 31-9290-1/-2		4

Aviation Partners Boeing

757-200

SUPPLEMENT – PARTS CATALOG (MAINTENANCE)

FIGURE ITEM	PART NUMBER	NOMENCLATURE							EFFECT FROM TO	UNITS PER ASSY
		1	2	3	4	5	6	7		
50	BACJ40AB10-4	JUMPER ASSY USED ON: 31-9289-1/-2				1
55	MS21043-06	STOP NUT USED ON: 31-9289-1/-2				2
60	MS51957-27	SCREW USED ON: 31-9289-1/-2				1

Aviation Partners Boeing
757-200
SUPPLEMENT – PARTS CATALOG (MAINTENANCE)

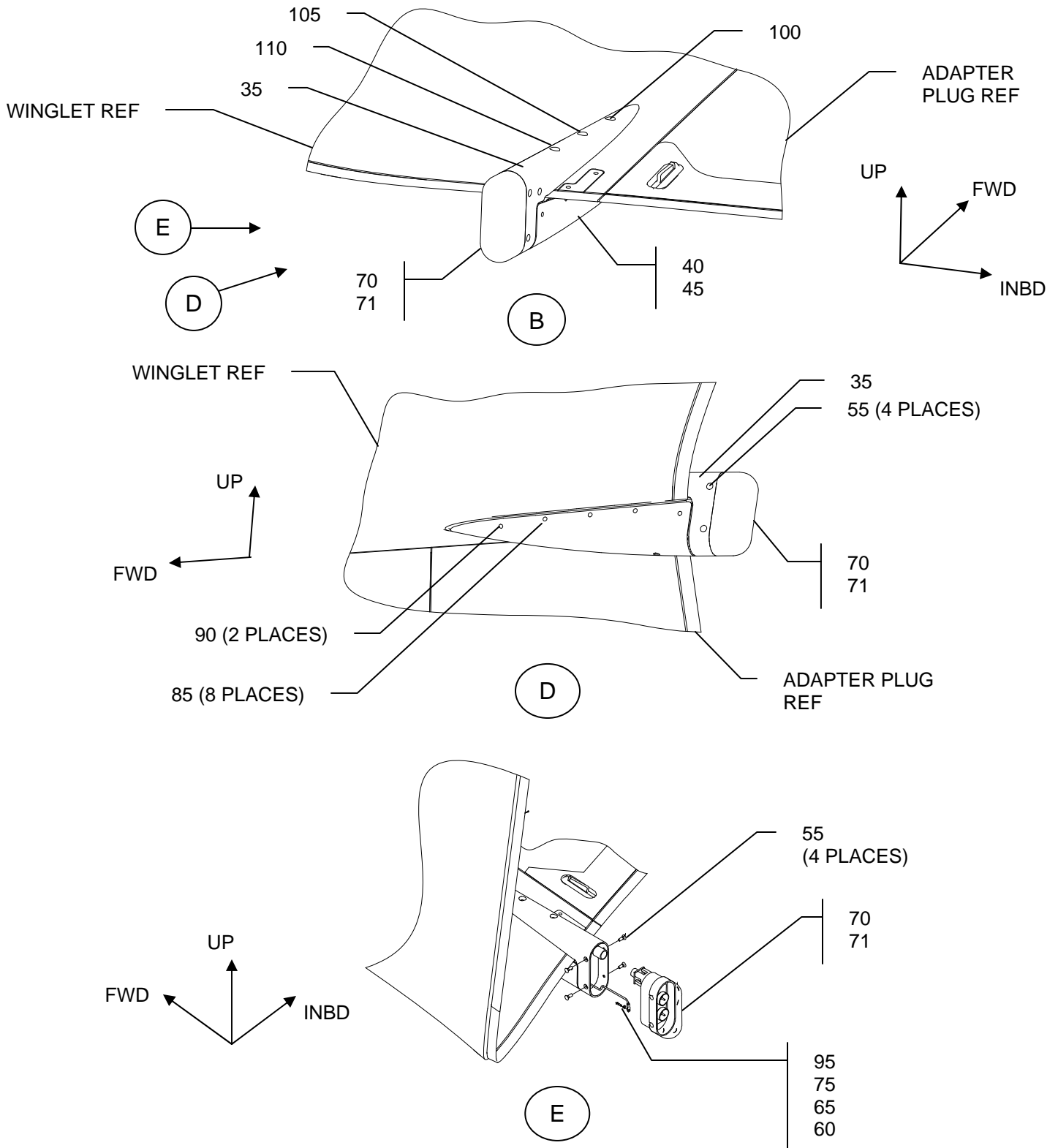


FIGURE 2 (SHEET 1)
WINGLET AFT POSITION LIGHT

Aviation Partners Boeing
757-200
SUPPLEMENT – PARTS CATALOG (MAINTENANCE)

FIGURE ITEM	PART NUMBER	NOMENCLATURE							EFFECT FROM TO	UNITS PER ASSY
		1	2	3	4	5	6	7		
	757-0010-3	.								RF
--	757-0010-4	.								RF
	757-0010-5	.								RF
--	757-0010-6	.								RF
	737-8800-1	.	.							RF
--	737-8800-2	.	.							RF
35	737-8871-1	.	.							1
-- 36	737-8871-2	.	.							1
40	737-8872-1	.	.							1
-- 41	737-8872-2	.	.							1
45	737-8873-1	.	.							1
55	BACB30NN3K3	.	.	.						4
60	BACN10YR3CD	.	.	.						1
65	NAS1149D0316H	.	.	.						3
70	30-2481-5 NOTE: This is the preferred Spare.	.	.	.						1
71	30-2481-3	.	.	.						1
75	NAS514P1032-10P	.	.	.						1

Aviation Partners Boeing
757-200
SUPPLEMENT – PARTS CATALOG (MAINTENANCE)

FIGURE ITEM	PART NUMBER	NOMENCLATURE							EFFECT FROM TO	UNITS PER ASSY
		1	2	3	4	5	6	7		
85	NAS8702-2	.	.	.	SCREW USED ON: 737-8800-1/-2					8
90	NAS8702-4	.	.	.	SCREW USED ON: 737-8800-1/-2					2
95	BACJ40A20-7	.	.	.	JUMPER USED ON: 737-8800-1/-2					1
100	BACB30NT3K6	.	.	.	BOLT USED ON: 737-8800-1/-2					1
105	BACB30NT3K13	.	.	.	BOLT USED ON: 737-8800-1/-2					1
110	BACB30NT3K21	.	.	.	BOLT USED ON: 737-8800-1/-2					1

Aviation Partners Boeing
757-200
SUPPLEMENT – PARTS CATALOG (MAINTENANCE)

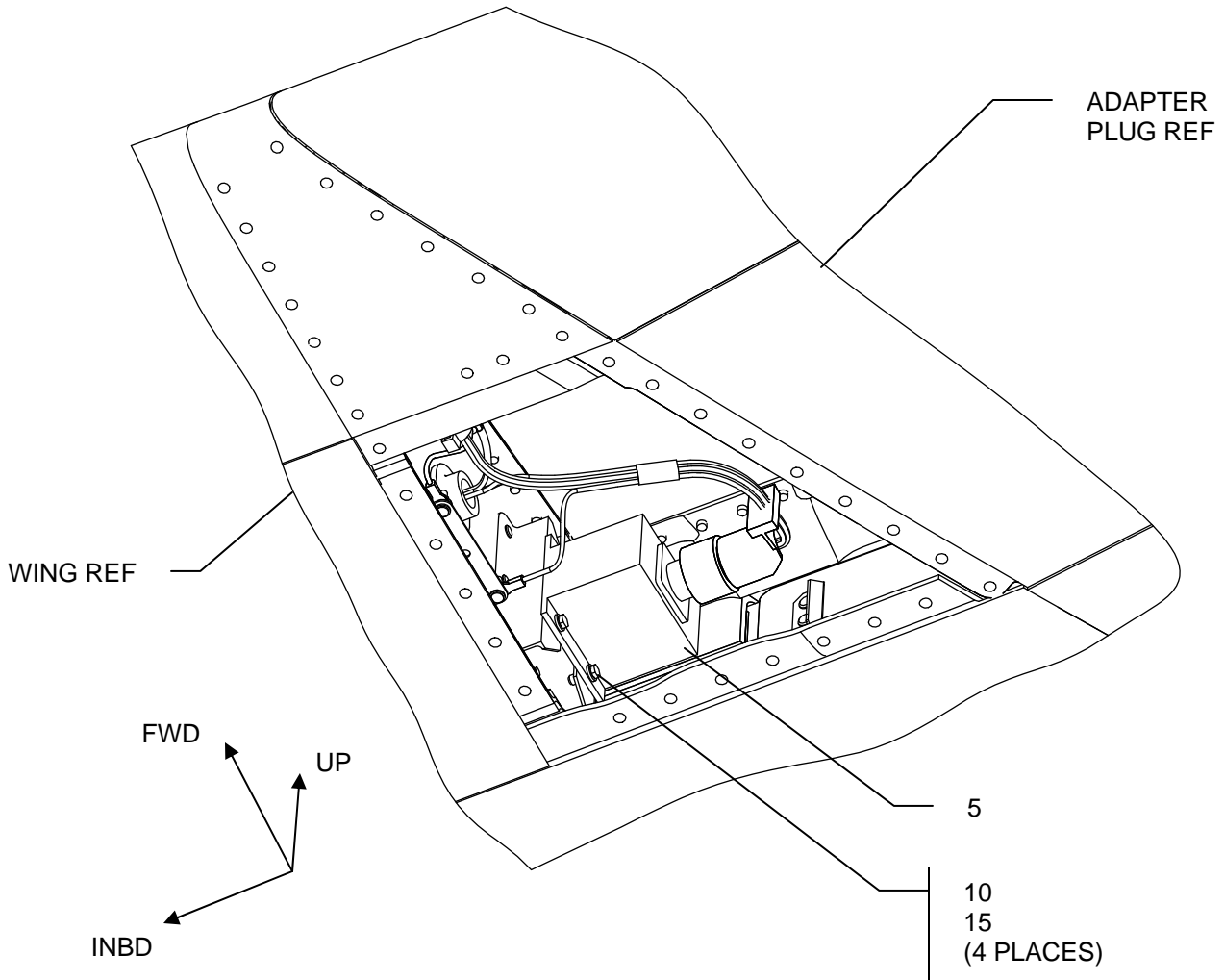


FIGURE 3 (SHEET 1)
TRANSFORMER INSTALLATION - POSITION LIGHTS

Aviation Partners Boeing
757-200
SUPPLEMENT – PARTS CATALOG (MAINTENANCE)

FIGURE ITEM	PART NUMBER	NOMENCLATURE							EFFECT FROM TO	UNITS PER ASSY
		1	2	3	4	5	6	7		
FIG. 3	757-3810-1	EQUIPMENT INSTALLATION – LEFT WING -2 KIT, WINGLET FOR NHA SEE: 757-2000-2							ALL	RF
--	757-3810-2	EQUIPMENT INSTALLATION – RIGHT WING -2 KIT, WINGLET FOR NHA SEE: 757-2000-2							ALL	RF
	757-3810-3	EQUIPMENT INSTALLATION – LEFT WING -1 KIT, WING TIP FOR NHA SEE: 757-2000-1							ALL	RF
--	757-3810-4	EQUIPMENT INSTALLATION – LEFT WING -1 KIT, WING TIP FOR NHA SEE: 757-2000-1							ALL	RF
5	FT1348	. AUTO TRANSFORMER 10V SUPPLIER CODE: 14752							ALL	1
(6)	FT1246	. AUTO TRANSFORMER 9V SUPPLIER CODE: 14752							ALL	1
10	NAS1802—3-10P	. BOLT							ALL	4
15	NAS1149D0363J	. WASHER							ALL	4

Aviation Partners Boeing
757-200
SUPPLEMENT – PARTS CATALOG (MAINTENANCE)

WINGLET ANTI-COLLISION LIGHT

Aviation Partners Boeing
757-200
SUPPLEMENT – PARTS CATALOG (MAINTENANCE)

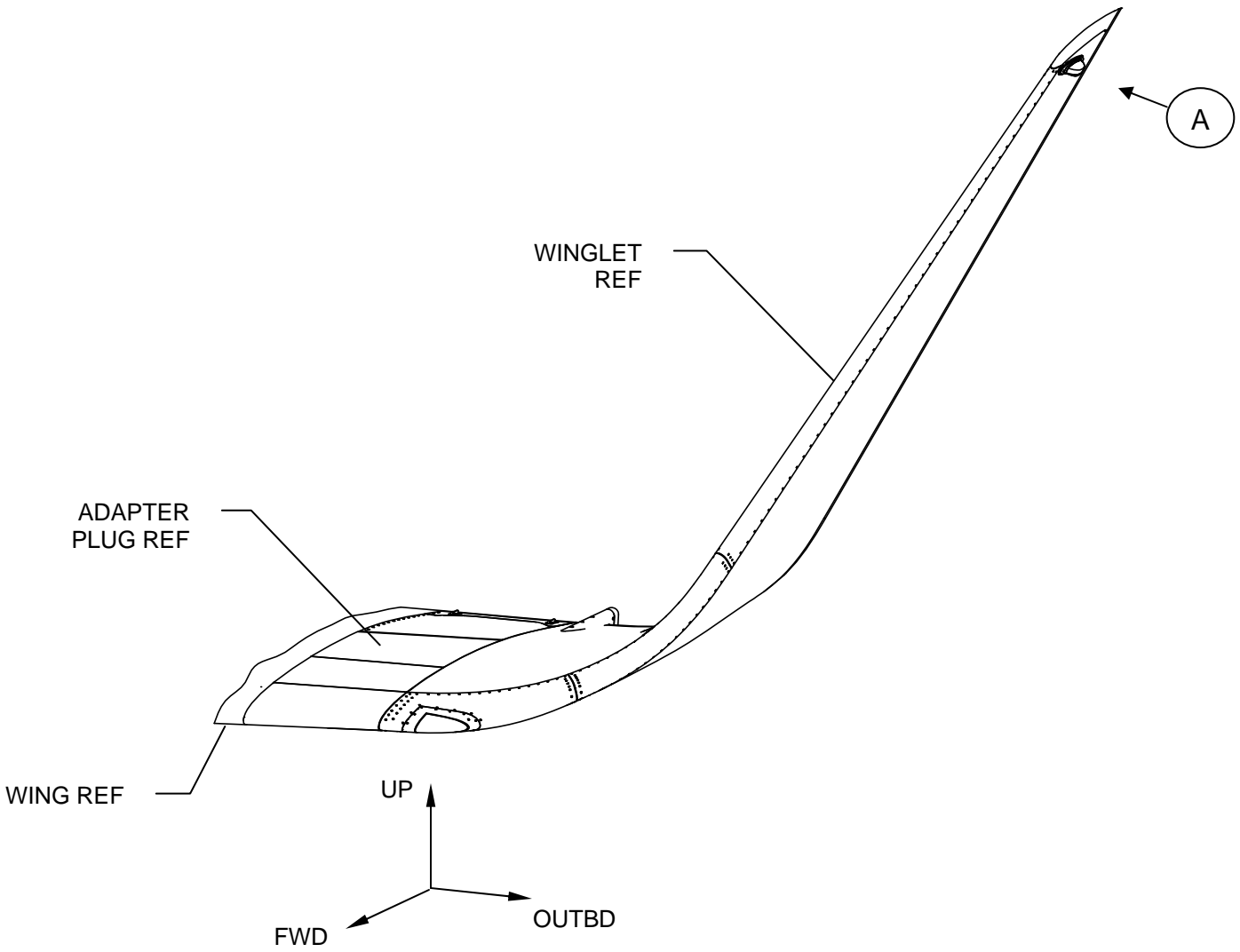


FIGURE 1 (SHEET 1)
WINGLET ANTI-COLLISION LIGHT

Aviation Partners Boeing
757-200
SUPPLEMENT – PARTS CATALOG (MAINTENANCE)

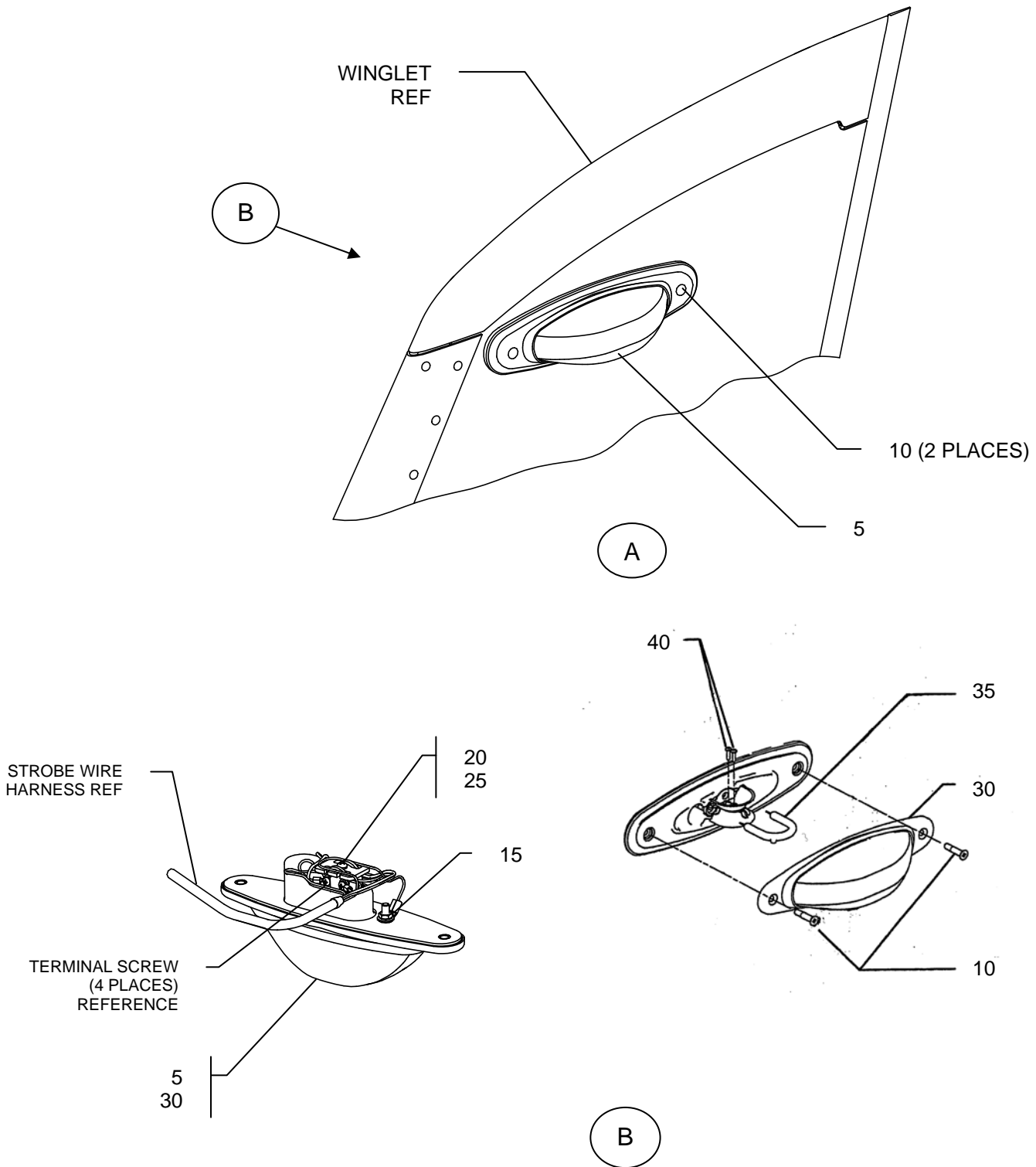


FIGURE 1 (SHEET 2) WINGLET ANTI-COLLISION LIGHT

Aviation Partners Boeing
757-200
SUPPLEMENT – PARTS CATALOG (MAINTENANCE)

FIGURE ITEM	PART NUMBER	NOMENCLATURE							EFFECT FROM TO	UNITS PER ASSY
		1	2	3	4	5	6	7		
FIG. 1	757-1800-1	LIGHT INSTL – STROBE, LEFT WING USED ON: 757-0010-3, -5							ALL	RF
--	757-1800-2	LIGHT INSTL – STROBE, RIGHT WING USED ON: 757-0010-4, -6							ALL	RF
5	30-2849-1	. LIGHT ASSY – STROBE SUPPLIER CODE: 72914 USED ON: 757-1800-1/-2							ALL	1
10	BACB30LH3-9	. BOLT							ALL	2
15	MS35650-304	. . NUT USED ON: 30-2849-1							ALL	1
20	MS51957-27	. . SCREW USED ON: 30-2849-1							ALL	1
25	MS35338-136	. . WASHER, LOCK USED ON: 30-2849-1							ALL	1
30	31-9366-1	. . LENS ASSY SUPPLIER CODE: 72914 USED ON: 30-2849-1							ALL	1
35	55-2199-3	. . FLASHTUBE SUPPLIER CODE: 72914 USED ON: 30-2849-1							ALL	1
40	MS51957-6	. . SCREW USED ON: 30-2849-1							ALL	2

Aviation Partners Boeing
757-200
SUPPLEMENT – PARTS CATALOG (MAINTENANCE)

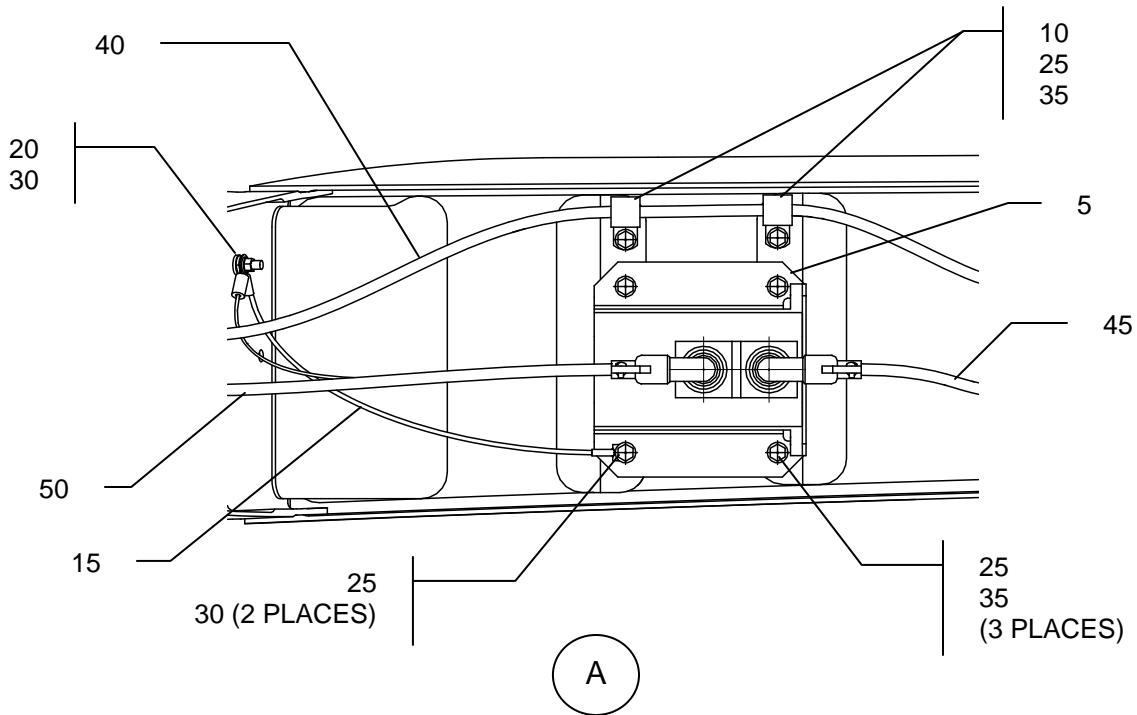
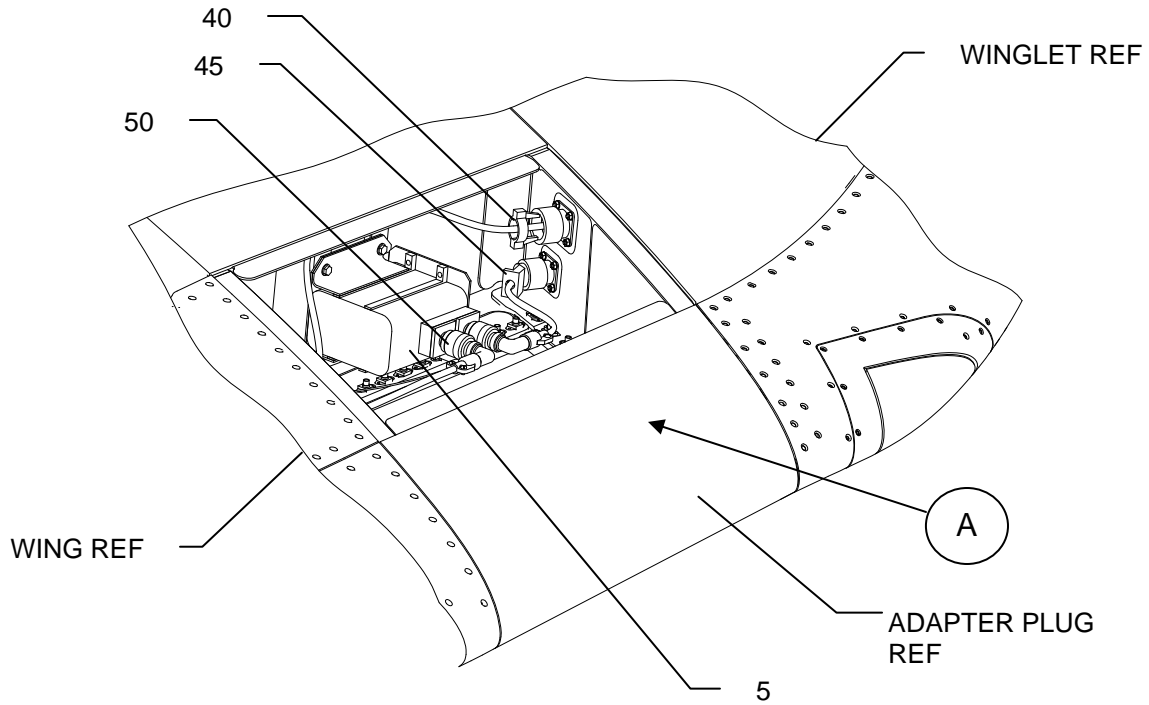


FIGURE 2 (SHEET 1)
POWER SUPPLY INSTALLATION - WINGLET ANTI-COLLISION LIGHT

Aviation Partners Boeing
757-200
SUPPLEMENT – PARTS CATALOG (MAINTENANCE)

FIGURE ITEM	PART NUMBER	NOMENCLATURE							EFFECT FROM TO	UNITS PER ASSY	
		1	2	3	4	5	6	7			
FIG. 2 1	757-5100-1, -3, -5	.							ADAPTER PLUG ASSY – LEFT WING USED ON: 757-5000-1	ALL	RF
FIG. 2 -- 2	757-5100-2, -4, -6	.							ADAPTER PLUG ASSY – RIGHT WING USED ON: 757-5000-2	ALL	RF
5	60-5213-1	.	.						POWER SUPPLY SUPPLIER CODE: 72914	ALL	1
10	BACC10GU103	.	.						CLAMP	ALL	2
15	BACJ40AB20-10	.	.						JUMPER ASSY	ALL	1
20	BACN10YR3CD	.	.						NUT	ALL	1
25	NAS1802-3-11P	.	.						BOLT	ALL	6
30	NAS1149D0316J	.	.						WASHER	ALL	3
35	NAS1149D0332J	.	.						WASHER	ALL	5
40	757-1832-1								WIRE HARNESS ASSY – POSITION LIGHT WDM: AP57.2-0615-2 USED ON: 757-5100-1/-2, -3/-4, -5/-6	ALL	1
45	757-1834-2								WIRE HARNESS ASSY – STROBE LIGHT WDM: AP57.2-0615-2 USED ON: 757-5100-1/-2, -3/-4, -5/-6	ALL	1
50	757-1834-3								WIRE HARNESS ASSY – STROBE LIGHT WDM: AP57.2-0615-2 USED ON: 757-5100-1/-2, -3/-4, -5/-6	ALL	1

Aviation Partners Boeing
757-200
SUPPLEMENT – PARTS CATALOG (MAINTENANCE)

CHAPTER 57 – WINGS

TABLE OF CONTENTS

SUBJECT	CHAPTER SECTION UNIT	FIGURE	WINGLET SERIAL NUMBER (EFFECT)
VORTEX GENERATORS	57-25-00		
GENERATOR INSTALLATION	57-25-01	01	
DASH –2 KIT (WINGLET CONFIG.)			
WING ADAPTER PLUG	57-31-01		
ADAPTER PLUG INSTALLATION	57-31-01	01	
DASH –2 KIT (WINGLET CONFIG.)			
WINGLET	57-31-02		
WINGLET INSTALLATION	57-31-02	01	
DASH –2 KIT (WINGLET CONFIG.)			
WING TIP	57-31-03		
WING TIP INSTALLATION	57-31-03	01	
DASH –1 KIT (WING TIP CONFIG.)			

Aviation Partners Boeing
757-200
SUPPLEMENT – PARTS CATALOG (MAINTENANCE)

VORTEX GENERATORS

Aviation Partners Boeing
757-200
SUPPLEMENT – PARTS CATALOG (MAINTENANCE)

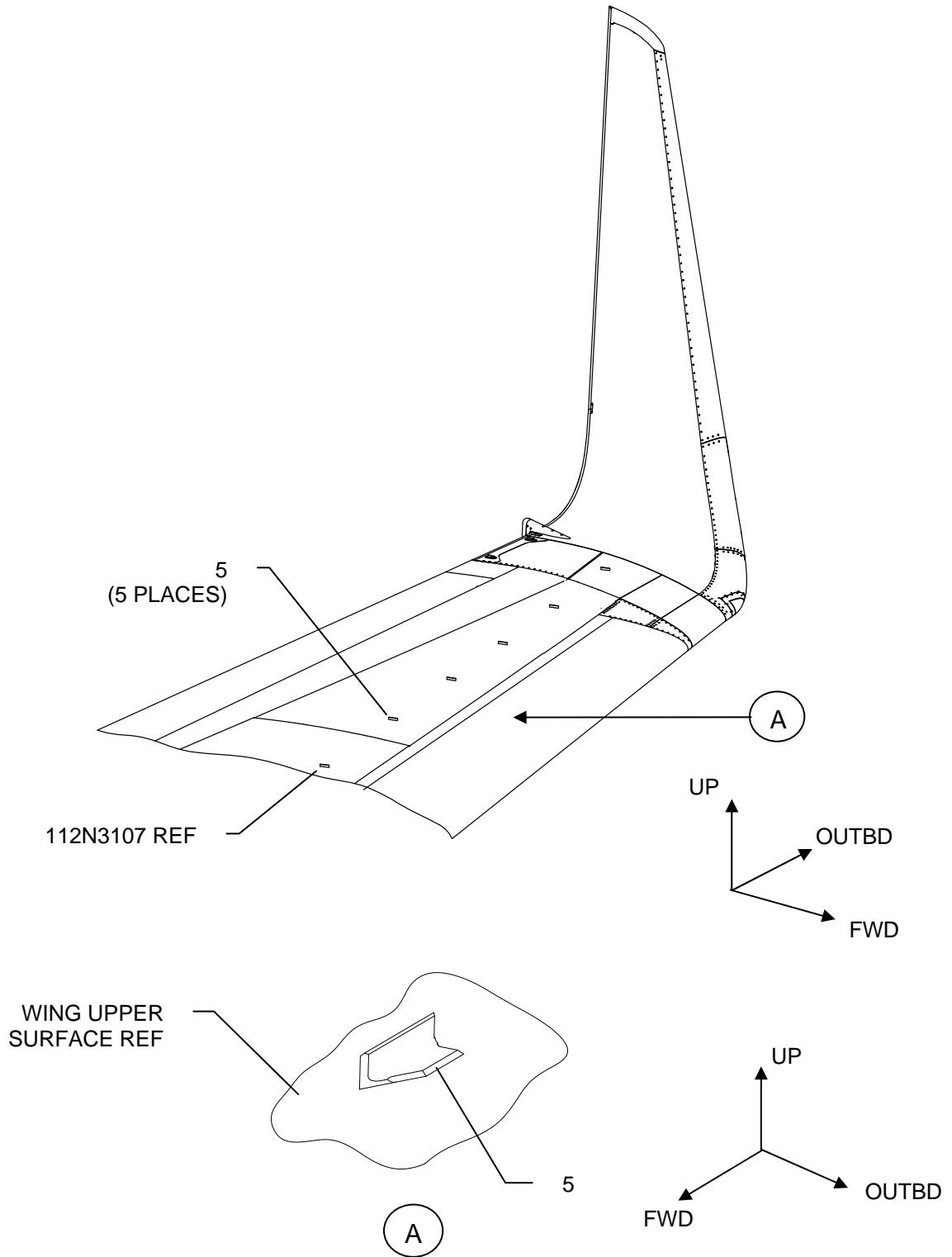


FIGURE 1 (SHEET 1)
VORTEX GENERATOR INSTALLATION

Aviation Partners Boeing
757-200
SUPPLEMENT – PARTS CATALOG (MAINTENANCE)

FIGURE ITEM	PART NUMBER	NOMENCLATURE	EFFECT FROM TO	UNITS PER ASSY
		1 2 3 4 5 6 7		
FIG. 1	757-3050-1	VORTEX GENERATOR INSTL – WING UPPER SURFACE USED ON: 757-2000-2	ALL	RF
--	757-3050-2	VORTEX GENERATOR INSTL – WING UPPER SURFACE USED ON: 757-2000-2	ALL	1
5	757-3051-1	. VORTEX GENERATOR OPTIONAL PART: 112N3106-1	ALL	5
--	757-3051-2	. VORTEX GENERATOR OPTIONAL PART: 112N3106-2	ALL	5

Aviation Partners Boeing
757-200
SUPPLEMENT – PARTS CATALOG (MAINTENANCE)

ADAPTER PLUG

Aviation Partners Boeing
757-200
SUPPLEMENT – PARTS CATALOG (MAINTENANCE)

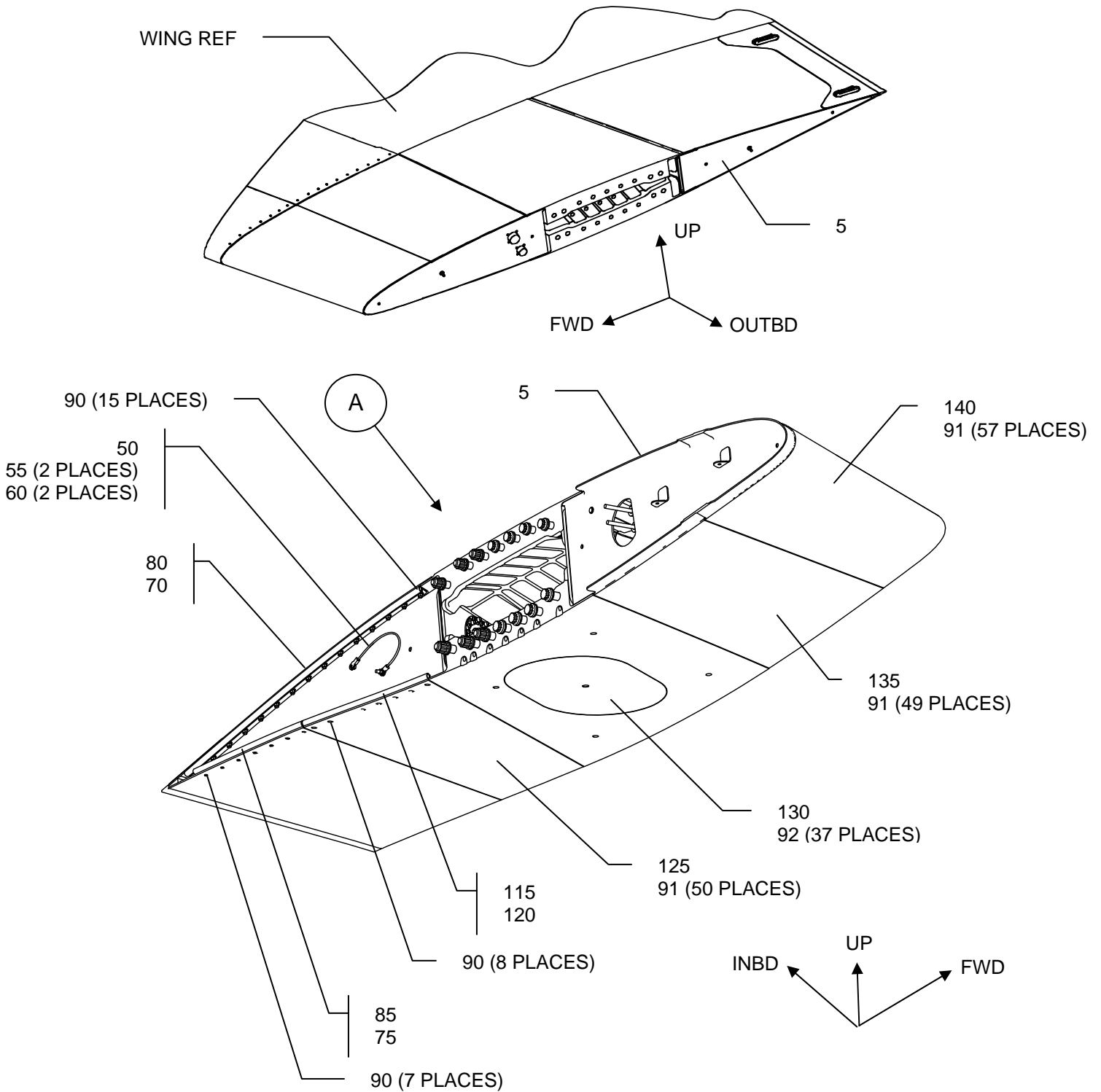


FIGURE 1 (SHEET 1)
ADAPTER PLUG INSTALLATION – WING

Aviation Partners Boeing
757-200
SUPPLEMENT – PARTS CATALOG (MAINTENANCE)

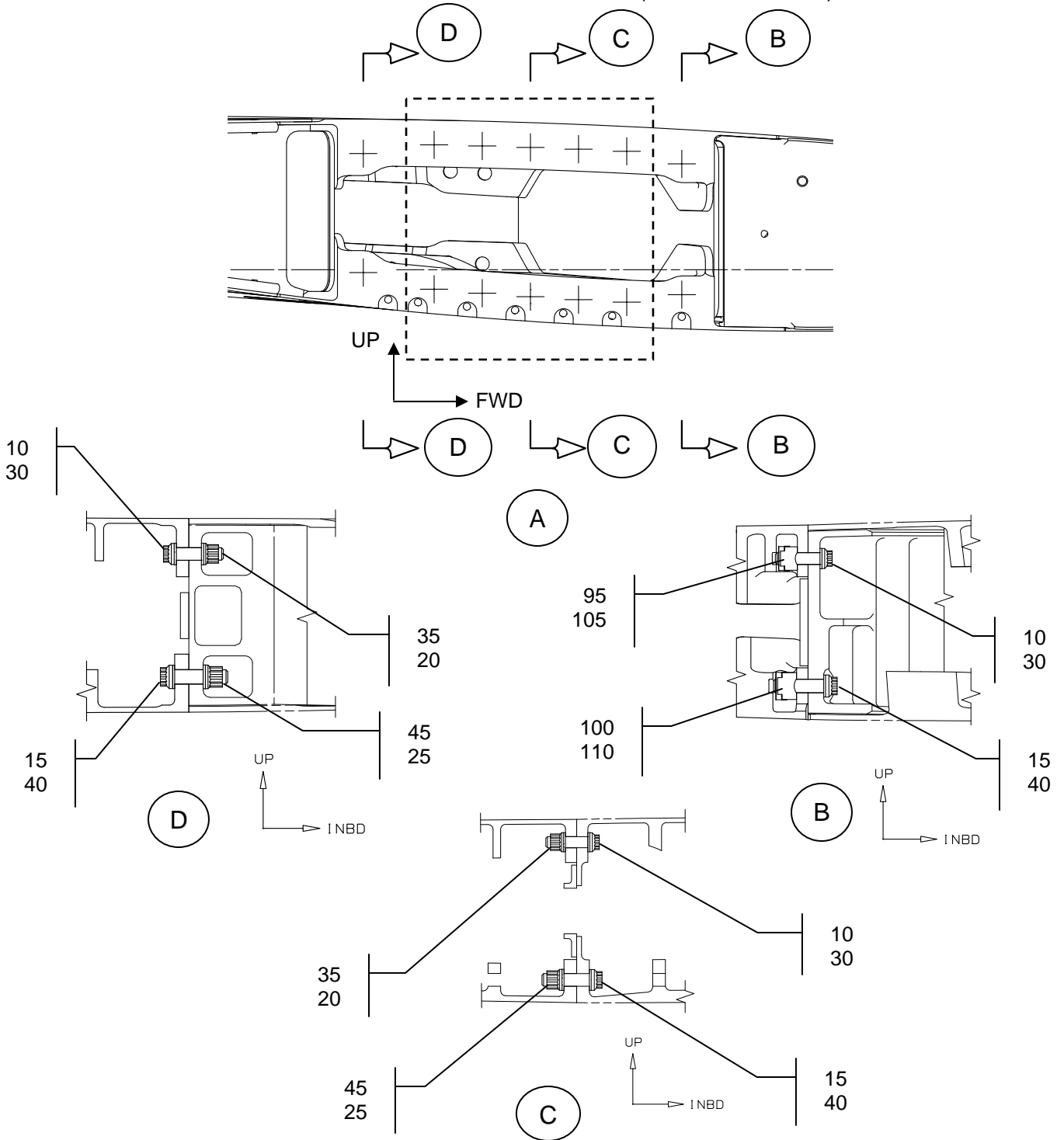


FIGURE 1 (SHEET 2)
ADAPTER PLUG INSTALLATION – WING

Aviation Partners Boeing
757-200
SUPPLEMENT – PARTS CATALOG (MAINTENANCE)

FIGURE ITEM	PART NUMBER	NOMENCLATURE							EFFECT FROM TO	UNITS PER ASSY
		1	2	3	4	5	6	7		
FIG. 1	757-5000-1	ADAPTER PLUG INSTALLATION – LH USED ON: 757-2000-2							ALL	RF
--	757-5000-2	ADAPTER PLUG INSTALLATION – RH USED ON: 757-2000-2							ALL	RF
5	757-5100-1, -3, -5	.	ADAPTER PLUG ASSY, LH						ALL	1
-- 6	757-5100-2, -4, -6	.	ADAPTER PLUG ASSY, RH						ALL	1
10	BACB30US7K16	.	BOLT							7
15	BACB30US8K18	.	BOLT							7
20	BACN10HR7CD	.	NUT							6
25	BACN10HR8CD	.	NUT							6
30	BACW10BP7CD	.	WASHER							7
35	BACW10BP7DP	.	WASHER							6
40	BACW10BP8CD	.	WASHER							7
45	BACW10BP8DP	.	WASHER							6
50	BACJ40AB20-8	.	JUMPER ASSY							1
55	BACN10YR3CD	.	NUT							2
60	NAS1149D0316H	.	WASHER							2
65	16785	.	STATIC DISCHARGER SUPPLIER CODE: 55635							2
70	757-5320-1	.	.	RETAINER SEAL, LH USED ON: 757-5100-1, -3, -5					1	
-- 71	757-5320-2	.	.	RETAINER SEAL, RH USED ON: 757-5100-2, -4, -6					1	
75	757-5320-5	.	.	RETAINER SEAL, LH USED ON: 757-5100-1, -3, -5					1	

Aviation Partners Boeing

757-200

SUPPLEMENT – PARTS CATALOG (MAINTENANCE)

FIGURE ITEM	PART NUMBER	NOMENCLATURE 1 2 3 4 5 6 7	EFFECT FROM TO	UNITS PER ASSY
-- 76	757-5320-6	. . RETAINER SEAL, RH USED ON: 757-5100-2, -4, -6		1
80	757-5330-1	. . SEAL, LH USED ON: 757-5100-1, -3, -5		1
-- 81	757-5330-2	. . SEAL, RH USED ON: 757-5100-2, -4, -6		1
85	757-5330-5	. . SEAL, LH USED ON: 757-5100-1, -3, -5		1
-- 86	757-5330-6	. . SEAL, RH USED ON: 757-5100-2, -4, -6		1
90	BACB30VF3K3	. . BOLT		22
91	BACB30VF3K5	. . BOLT		156
92	BACB30VF4K8	. . BOLT		30
95	BACN11X7CD	. . BARREL NUT		1
100	BACN1X8CD	. . BARREL NUT		1
105	SLR4169C7EASP1	. . RETAINER		1
110	SLR4169C8EASP1	. . RETAINER		1
125	757-5105-1	. . PANEL ASSY – TE, LH		1
115	757-5330-3	. . . SEAL, LH		1
120	757-5320-3	. . . RETAINER – SEAL, LH		1
-- 126	757-5105-2	. . PANEL ASSY – TE, RH		1
-- 116	757-5330-4	. . . SEAL, RH		1
-- 121	757-5320-4	. . . RETAINER – SEAL, RH		1
130	757-5150-1, -5	. . ACCESS COVER, LH		1
-- 131	757-5150-2, -6	. . ACCESS COVER, RH		1
135	757-5220-1	. . PANEL ASSY – LE, LH		1

Aviation Partners Boeing

757-200

SUPPLEMENT – PARTS CATALOG (MAINTENANCE)

FIGURE ITEM	PART NUMBER	NOMENCLATURE 1 2 3 4 5 6 7	EFFECT FROM TO	UNITS PER ASSY
-- 136	757-5220-2	. . PANEL ASSY – LE, RH		1
140	757-5230-1	. . LEADING EDGE SKIN, LH		1
-- 141	757-5230-2	. . LEADING EDGE SKIN, RH		1

Aviation Partners Boeing
757-200
SUPPLEMENT – PARTS CATALOG (MAINTENANCE)

WINGLET

Aviation Partners Boeing
757-200
SUPPLEMENT – PARTS CATALOG (MAINTENANCE)

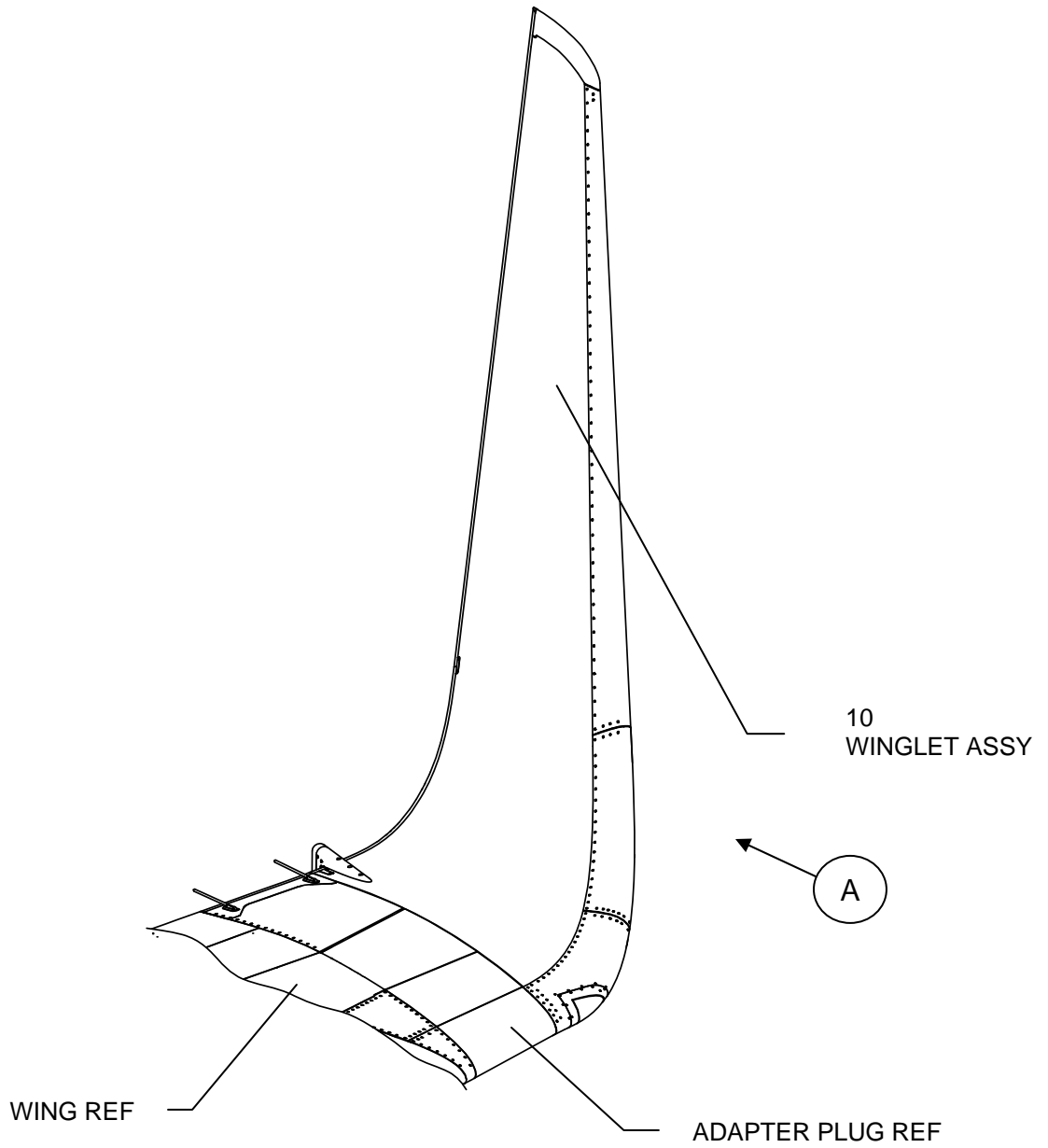


FIGURE 1 (SHEET 1)
WINGLET INSTALLATION

Aviation Partners Boeing
757-200
SUPPLEMENT – PARTS CATALOG (MAINTENANCE)

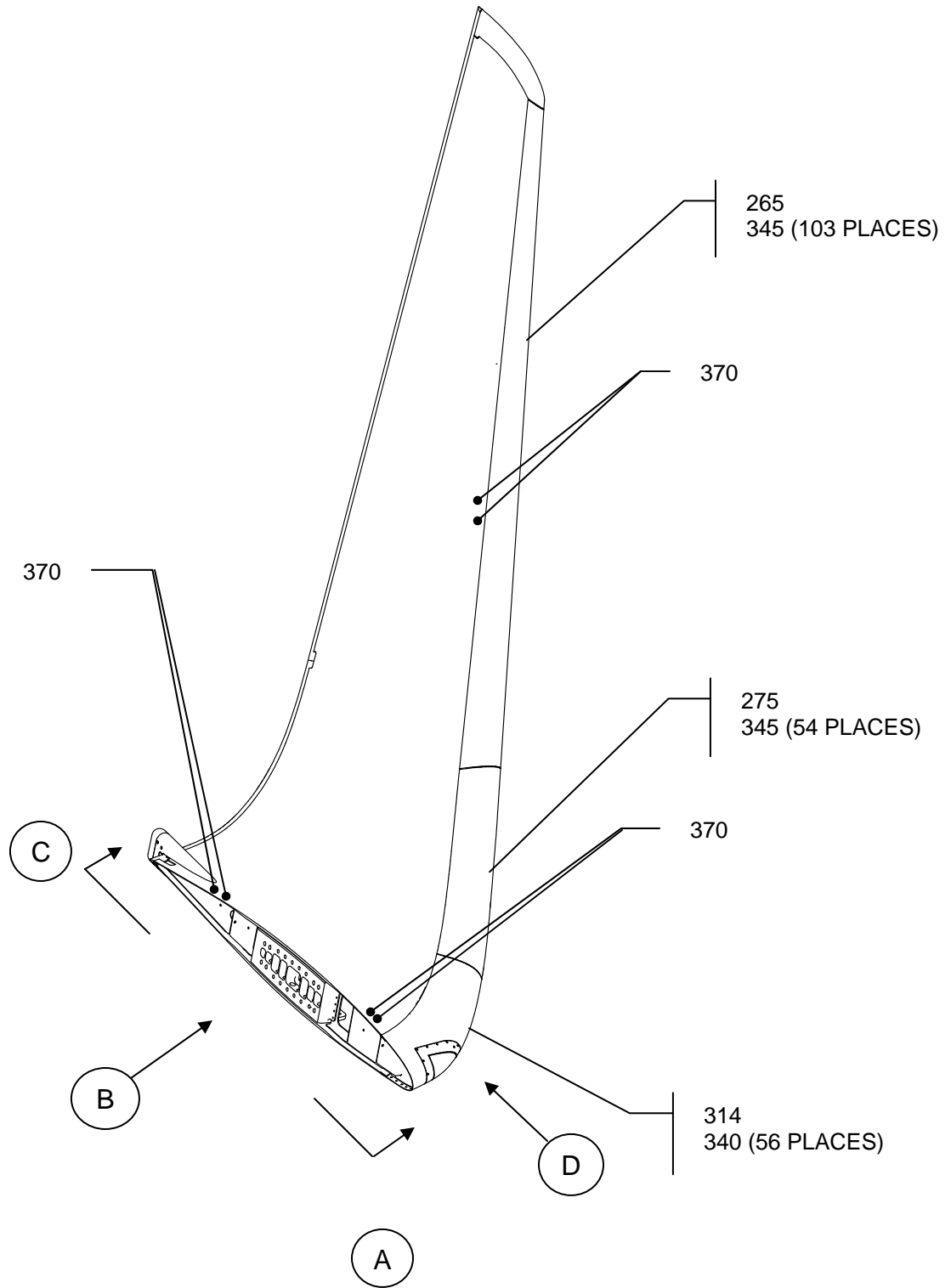


FIGURE 1 (SHEET 2)
WINGLET INSTALLATION

Aviation Partners Boeing
757-200
SUPPLEMENT – PARTS CATALOG (MAINTENANCE)

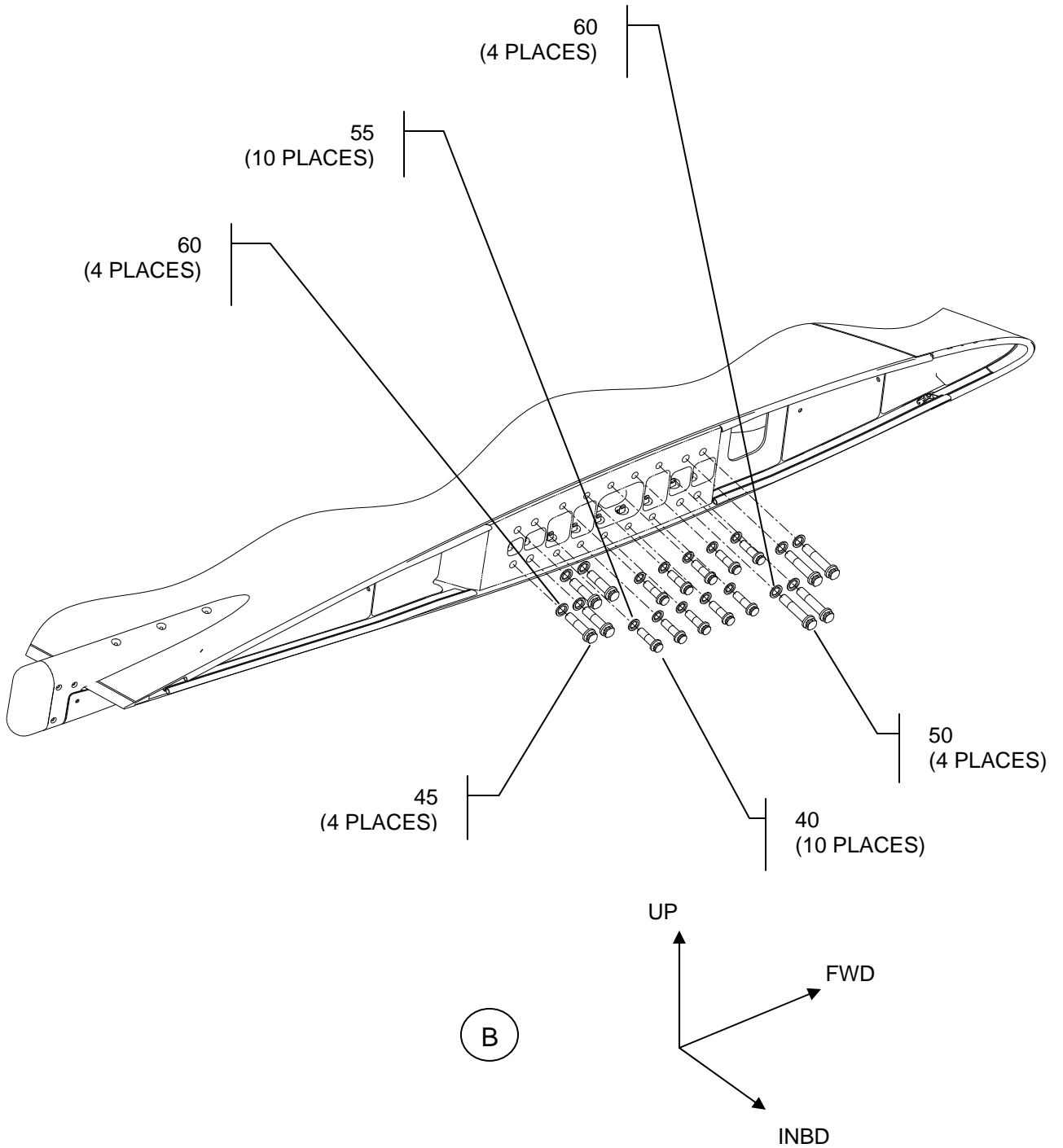


FIGURE 1 (SHEET 3)
WINGLET INSTALLATION

Aviation Partners Boeing

757-200

SUPPLEMENT – PARTS CATALOG (MAINTENANCE)

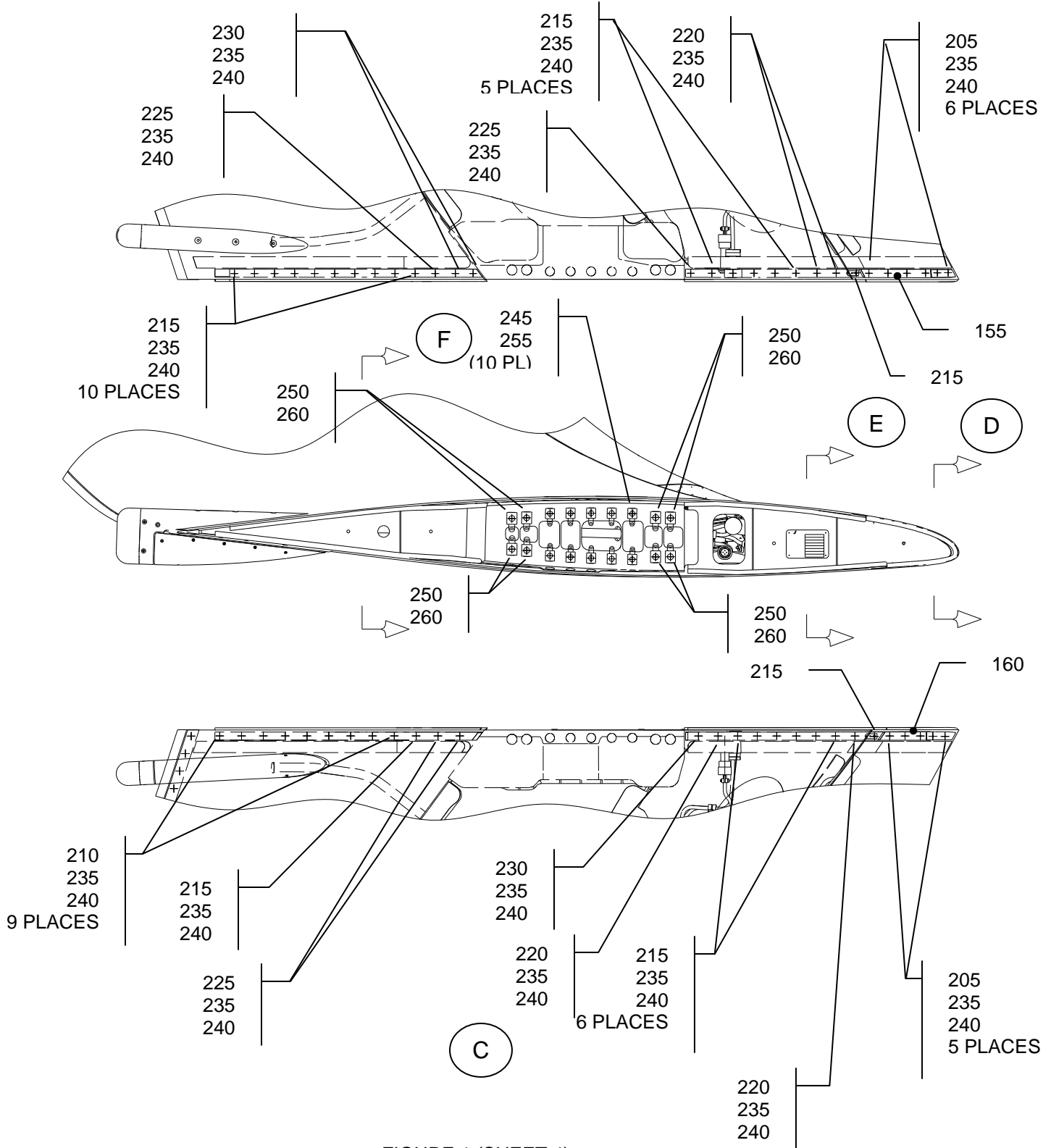


FIGURE 1 (SHEET 4)
WINGLET INSTALLATION

Aviation Partners Boeing
757-200
SUPPLEMENT – PARTS CATALOG (MAINTENANCE)

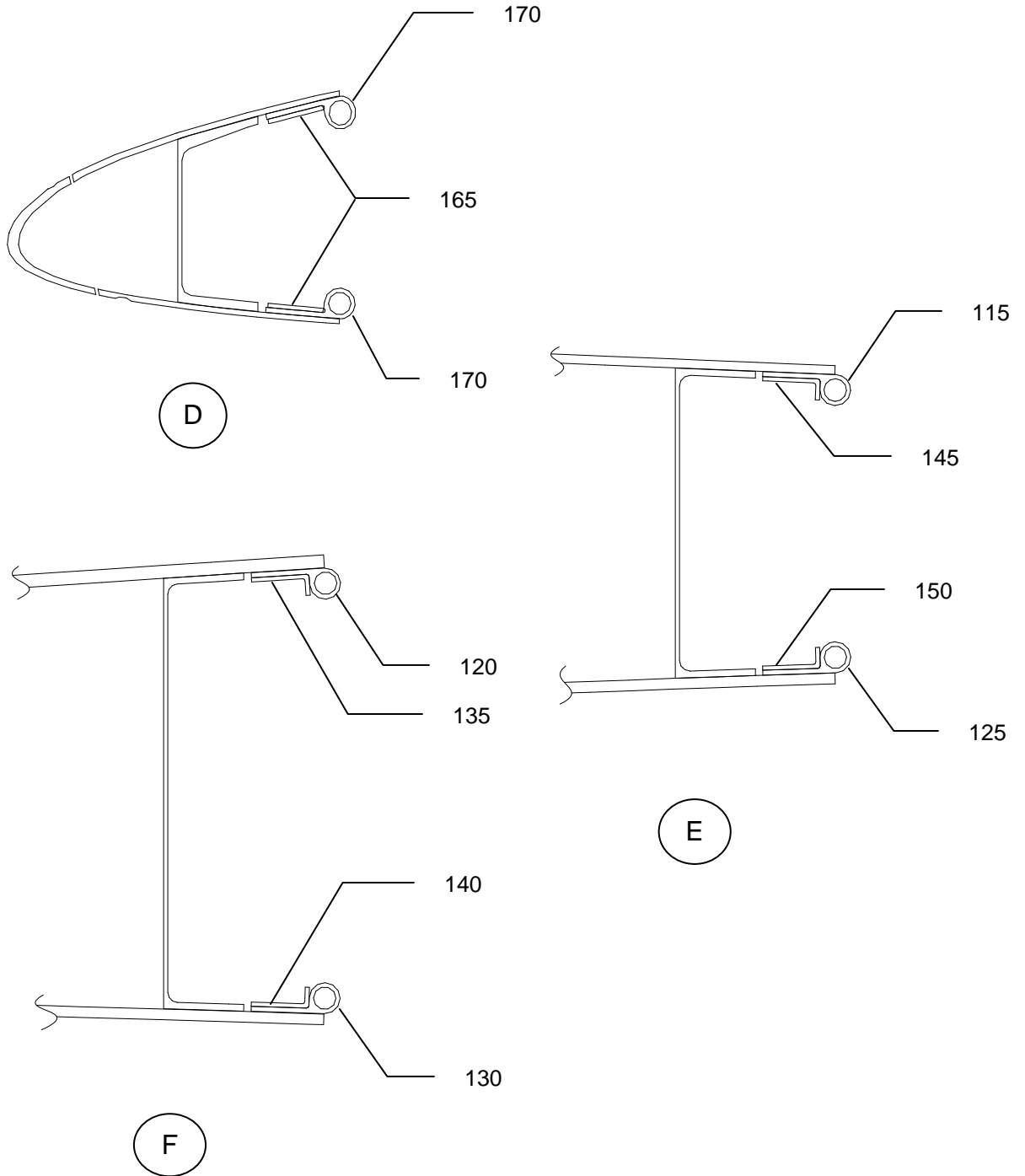
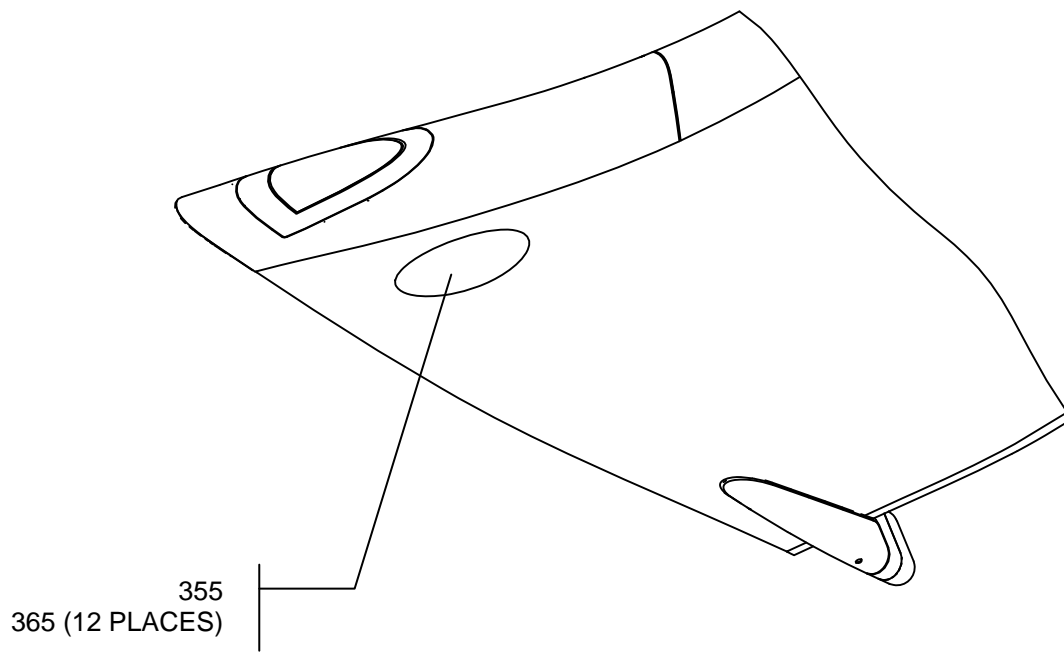


FIGURE 1 (SHEET 5)
WINGLET INSTALLATION

Aviation Partners Boeing
757-200
SUPPLEMENT – PARTS CATALOG (MAINTENANCE)



D

FIGURE 1 (SHEET 6)
WINGLET INSTALLATION

Aviation Partners Boeing
757-200
SUPPLEMENT – PARTS CATALOG (MAINTENANCE)

FIG. ITEM	PART NUMBER	NOMENCLATURE	EFFECT FROM TO	UNITS
				PER ASSY
FIG. 1 1	757-0002-3, -5	1 2 3 4 5 6 7 WINGLET INSTL, LH		RF
-- 5	757-0002-4, -6	WINGLET INSTL, RH		RF
10	757-0010-3	. WINGLET ASSY, LH USED ON: 757-0002-3		1
-- 11	757-0010-4	. WINGLET ASSY, RH USED ON: 757-0002-4		1
10	757-0010-5	. WINGLET ASSY, LH USED ON: 757-0002-5		1
-- 11	757-0010-6	. WINGLET ASSY, RH USED ON: 757-0002-6		1
40	BACB30US7K12	. BOLT USED ON: 757-0002-3/4, -5/-6		10
45	BACB30US8K18	. BOLT USED ON: 757-0002-3/4, -5/-6		4
50	BACB30US8K26	. BOLT USED ON: 757-0002-3/4, -5/-6		4
55	BACW10BP7CD	. WASHER USED ON: 757-0002-3/4, -5/-6		10
60	BACW10BP8CD	. WASHER USED ON: 757-0002-3/4, -5/-6		8
115	737-0010-3	. . SEAL, LH, FWD UPPER USED ON: 757-0010-3, -5		1
-- 116	737-0010-4	. . SEAL, RH, FWD UPPER USED ON: 757-0010-4, -6		1
120	737-0010-5	. . SEAL, LH, AFT UPPER USED ON: 757-0010-3, -5		1
-- 121	737-0010-6	. . SEAL, RH, AFT UPPER USED ON: 757-0010-4, -6		1
-- 125	737-0010-7	. . SEAL, LH, FWD LOWER USED ON: 757-0010-3, -5		1
-- 126	737-0010-8	. . SEAL, RH, FWD LOWER USED ON: 757-0010-4, -6		1
130	737-0010-9	. . SEAL, LH, AFT LOWER USED ON: 757-0010-3, -5		1
-- 131	737-0010-10	. . SEAL, RH, AFT LOWER USED ON: 757-0010-4, -6		1
135	737-0804-1	. . RETAINER, LH, AFT UPPER USED ON: 757-0010-3, -5		1

Aviation Partners Boeing
757-200
SUPPLEMENT – PARTS CATALOG (MAINTENANCE)

FIG. ITEM	PART NUMBER	NOMENCLATURE 1 2 3 4 5 6 7	EFFECT FROM TO	UNITS PER ASSY
-- 136	737-0804-2	. . RETAINER, RH, AFT UPPER USED ON: 757-0010-4, -6		1
140	737-0804-3	. . RETAINER, LH, AFT LOWER USED ON: 757-0010-3, -5		1
-- 141	737-0804-4	. . RETAINER, RH, AFT LOWER USED ON: 757-0010-4, -6		
145	737-0804-5	. . RETAINER, LH, FWD UPPER USED ON: 757-0010-3, -5		1
-- 146	737-0804-6	. . RETAINER, RH, FWD UPPER USED ON: 757-0010-4, -6		1
150	737-0804-7	. . RETAINER, LH, FWD LOWER USED ON: 757-0010-3, -5		1
-- 151	737-0804-8	. . RETAINER, RH, FWD LOWER USED ON: 757-0010-4, -6		1
155	737-0804-9	. . RETAINER, LH, FWD UPPER USED ON: 757-0010-3, -5		1
-- 156	737-0804-10	. . RETAINER, RH, FWD UPPER USED ON: 757-0010-4, -6		1
160	737-0804-11	. . RETAINER, LH, FWD LOWER USED ON: 757-0010-3, -5		1
-- 161	737-0804-12	. . RETAINER, RH, FWD LOWER USED ON: 757-0010-4, -6		1
165	737-0804-13	. . RETAINER, LH, FWD LOWER USED ON: 757-0010-3, -5		1
-- 166	737-0804-14	. . RETAINER, RH, FWD LOWER USED ON: 757-0010-4, -6		1
170	737-0805-1	. . SEAL, LH, FWD USED ON: 757-0010-3, -5		1
-- 171	737-0805-2	. . SEAL, RH, FWD USED ON: 757-0010-4, -6		1
205	BACB30VF3K3	. . BOLT USED ON: 757-0010-3/4, -5/-6		11
210	BACB30VF3K4	. . BOLT USED ON: 757-0010-3/4, -5/-6		9
215	BACB30VF3K5	. . BOLT USED ON: 757-0010-3/4, -5/-6		24
220	BACB30VF3K6	. . BOLT USED ON: 757-0010-3/4, -5/-6		4
225	BACB30VF3K7	. . BOLT USED ON: 757-0010-3/4, -5/-6		3

Aviation Partners Boeing
757-200
SUPPLEMENT – PARTS CATALOG (MAINTENANCE)

FIG. ITEM	PART NUMBER	NOMENCLATURE 1 2 3 4 5 6 7	EFFECT FROM TO	UNITS PER ASSY
230	BACB30VF3K8	. . BOLT USED ON: 757-0010-3/4, -5/-6		4
235	BACN10YR3CD	. . NUT USED ON: 757-0010-3/4, -5/-6		53
240	NAS1149EO332P	. . WASHER USED ON: 757-0010-3/4, -5/-6		53
245	SLR4169C7EASP1	. . RETAINER, BARREL NUT USED ON: 757-0010-3/4, -5/-6		10
250	SLR4169C8EASP1	. . RETAINER, BARREL NUT USED ON: 757-0010-3/4, -5/-6		8
255	BACN11X7CD	. . BARREL NUT USED ON: 757-0010-3/4, -5/-6 OPTIONAL: NAS577C7A OR SL4137A7A		10
260	BACN11X8CD	. . BARREL NUT USED ON: 757-0010-3/4, -5/-6 OPTIONAL: NAS577C8A OR SL4137A8A		8
265	737-0352-1	. . . SKIN, LE, OUTBD, LH USED ON: 757-0350-3 ALTERNATE PART: 757-0352-1		1
-- 270	737-0352-2	. . . SKIN, LE, OUTBD, RH USED ON: 757-0350-3 ALTERNATE PART: 757-0352-2		1
275	737-0351-3	. . . SKIN, LE, MID, LH USED ON: 757-0350-3		1
-- 280	737-0351-4	. . . SKIN, LE, MID, RH USED ON: 757-0350-4		1
285	757-0353-3	. . . LE ASSY, INBD, LH USED ON: 757-0350-3		1
-- 286	757-0353-4	. . . LE ASSY, INBD, RH USED ON: 757-0350-4		1
314	757-0351-1 SKIN, LE, INBD, LH USED ON: 757-0353-1		1
-- 315	757-0351-2 SKIN, LE, INBD, RH USED ON: 757-0353-2		1
335	BACB30VF3K2	. . . BOLT USED ON: 757-0350-3/-4		3

Aviation Partners Boeing

757-200

SUPPLEMENT – PARTS CATALOG (MAINTENANCE)

FIG. ITEM	PART NUMBER	NOMENCLATURE	EFFECT FROM TO	UNITS PER ASSY
340	BACB30VF3K5	. . . BOLT USED ON: 757-0350-3/-4		49
345	BACB30VF3K7	. . . BOLT USED ON: 757-0350-3/-4		156
350	NAS8703-5	. . . BOLT USED ON: 757-0350-3/-4		4
355	757-0391-5 ACCESS COVER, LH USED ON: 757-0330-1		1
-- 360	757-0391-6 ACCESS COVER, RH USED ON: 757-0330-2		1
365	BACB30VF3K4 BOLT USED ON: 757-0330-1/-2		12
370	BACB30VF4K4 BOLT (GSE) USED ON: 757-0310-1/-2		6

Aviation Partners Boeing
757-200
SUPPLEMENT – PARTS CATALOG (MAINTENANCE)

WING TIP

Aviation Partners Boeing
757-200
SUPPLEMENT – PARTS CATALOG (MAINTENANCE)

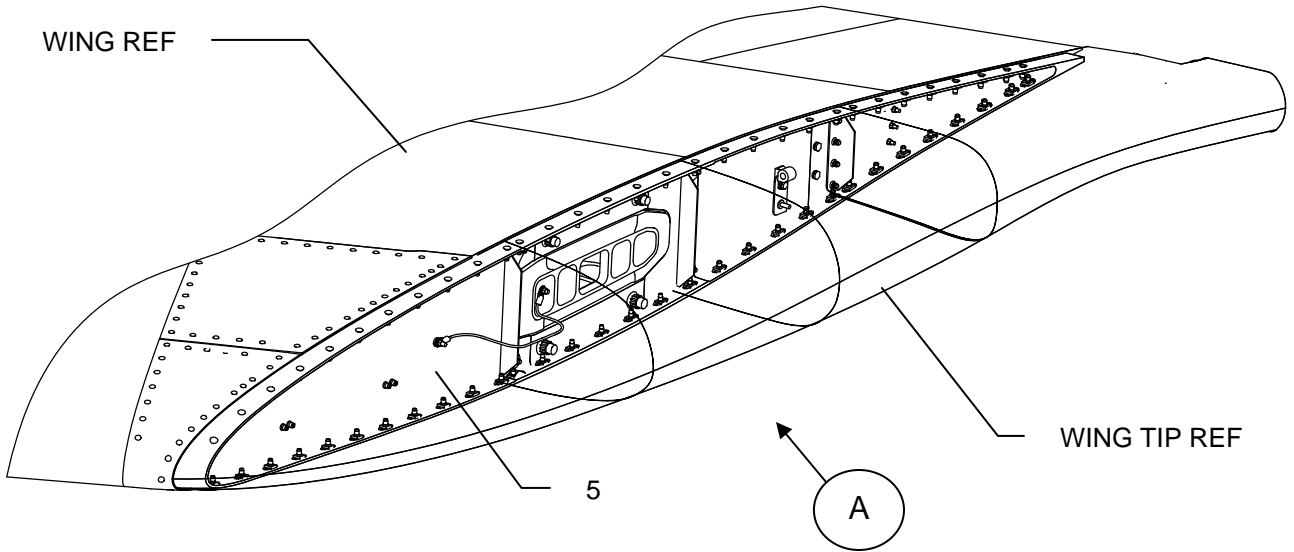
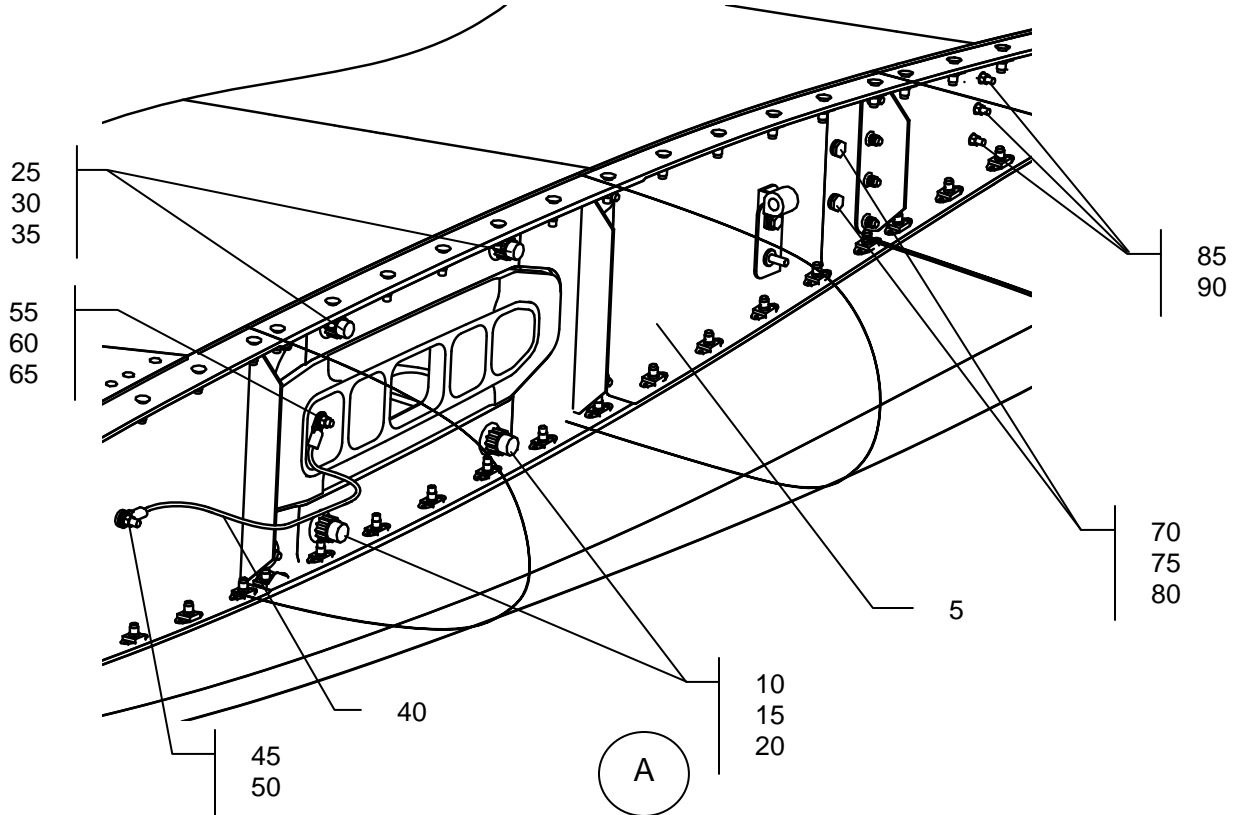


FIGURE 1 (SHEET 1)
WIP TIP INSTALLATION



Aviation Partners Boeing
757-200
SUPPLEMENT – PARTS CATALOG (MAINTENANCE)

FIGURE ITEM	PART NUMBER	NOMENCLATURE 1 2 3 4 5 6 7	EFFECT FROM TO	UNITS PER ASSY
FIG. 1	757-3380-1	WING TIP INSTALLATION, LH USED ON: 757-2000-1	ALL	RF
--	757-3380-2	WING TIP INSTALLATION, RH USED ON: 757-2000-1	ALL	RF
5	757-3381-1	. ADAPTER RIB USED ON: 757-3380-1	ALL	1
-- 6	757-3381-2	. ADAPTER RIB USED ON: 757-3380-2	ALL	1
10	BACB30LE8K12	. BOLT	ALL	2
15	BACW10BP8DP	. WASHER	ALL	2
20	BACN10HY8M	. NUT	ALL	2
25	BACB30LE7K11	. BOLT	ALL	2
30	BACW10BP7DP	. WASHER	ALL	2
35	BACN10HY7M	. NUT	ALL	2
40	BACJ40AB21-11	. JUMPER ASSY	ALL	1
45	BACN10YR3CD	. NUT	ALL	3
50	NAS1149D0316H	. WASHER	ALL	1
55	BACB30NM4K6	. BOLT	ALL	1
60	BACN10YR4CD	. NUT	ALL	1
65	NAS1149D0416H	. WASHER	ALL	1
70	BACB30LM3K5	. BOLT	ALL	2
75	BACW10BP3DP	. WASHER	ALL	2


BOEING
 757
PARTS CATALOG (MAINTENANCE)

CH-SECT-UNIT-FIG	PAGE NO.	DATE	CH-SECT-UNIT-FIG	PAGE NO.	DATE
*57	1	MAY 20/09	57-00-00-10	7	JAN 20/09
*57	2	MAY 20/09	57-00-00-10	8	JAN 20/09
*57	3	MAY 20/09	57-00-00-10	9	JAN 20/09
*57	4	MAY 20/09	57-00-00-10	10	JAN 20/09
*57	5	MAY 20/09	57-00-00-10	11	JAN 20/09
*57	6	MAY 20/09	57-00-00-10	12	JAN 20/09
*57	7	MAY 20/09	57-00-00-10	13	JAN 20/09
*57	8	MAY 20/09	57-00-00-10	14	JAN 20/09
*57	9	MAY 20/09	57-00-00-10	15	JAN 20/09
*57	10	MAY 20/09	57-00-00-10	16	JAN 20/09
*57	11	MAY 20/09	57-00-00-10	17	JAN 20/09
*57	12	MAY 20/09	57-00-00-10A	0	MAY 28/07
*57	13	MAY 20/09	57-00-00-10A	1	JAN 20/09
*57	14	MAY 20/09	57-00-00-15	0	MAY 28/07
*57	15	MAY 20/09	57-00-00-15	1	JAN 20/09
*57	16	MAY 20/09	57-00-00-15	2	JAN 20/09
*57	17	MAY 20/09	57-00-00-15	3	JAN 20/09
57-00-00	1	MAY 28/07	57-00-00-15	4	JAN 20/09
57-00-00- 1	0	MAY 28/07	57-00-00-15B	0	MAY 28/07
57-00-00- 1	1	JAN 20/09	57-00-00-15B	1	JAN 20/09
57-00-00- 1	2	JAN 20/09	57-00-00-15B	2	JAN 20/09
57-00-00- 1	3	JAN 20/09	57-00-00-20	0	MAY 28/07
57-00-00- 1	4	JAN 20/09	57-00-00-20	1	JAN 20/09
57-00-00- 1	5	JAN 20/09	57-00-00-20	2	JAN 20/09
57-00-00- 1	6	JAN 20/09	57-00-00-20	3	JAN 20/09
57-00-00- 1	7	JAN 20/09	57-00-00-20	4	JAN 20/09
57-00-00- 1	8	JAN 20/09	57-00-00-20	5	JAN 20/09
57-00-00- 5	0	MAY 28/07	57-00-00-20	6	JAN 20/09
57-00-00- 5	1	JAN 20/09	57-00-00-20	7	JAN 20/09
57-00-00- 5	2	JAN 20/09	57-00-00-20	8	JAN 20/09
57-00-00- 5	3	JAN 20/09	57-00-00-20	9	JAN 20/09
57-00-00- 5	4	JAN 20/09	57-00-00-20	10	JAN 20/09
57-00-00- 5	5	JAN 20/09	57-00-52- 1	0	MAY 28/07
57-00-00- 5	6	JAN 20/09	57-00-52- 1	0A	MAY 28/07
57-00-00- 5	7	JAN 20/09	57-00-52- 1	0B	MAY 28/07
57-00-00- 5	8	JAN 20/09	57-00-52- 1	0C	MAY 28/07
57-00-00- 5	9	JAN 20/09	57-00-52- 1	0D	MAY 28/07
57-00-00- 5	10	JAN 20/09	57-00-52- 1	0E	MAY 28/07
57-00-00- 5B	0	MAY 28/07	57-00-52- 1	0F	MAY 28/07
57-00-00- 5B	1	JAN 20/09	57-00-52- 1	0G	MAY 28/07
57-00-00- 5B	2	JAN 20/09	57-00-52- 1	0H	MAY 28/07
57-00-00- 5B	3	JAN 20/09	57-00-52- 1	0I	MAY 28/07
57-00-00- 5B	4	JAN 20/09	57-00-52- 1	1	JAN 20/09
57-00-00- 5B	5	JAN 20/09	57-00-52- 1	2	JAN 20/09
57-00-00-10	0	MAY 28/07	57-00-52- 1	3	JAN 20/09
57-00-00-10	1	JAN 20/09	57-00-52- 1	4	JAN 20/09
57-00-00-10	2	JAN 20/09	57-00-52- 1	5	JAN 20/09
57-00-00-10	3	JAN 20/09	57-00-52- 1	6	JAN 20/09
57-00-00-10	4	JAN 20/09	57-00-52- 1	7	JAN 20/09
57-00-00-10	5	JAN 20/09	57-00-52- 1	8	JAN 20/09
57-00-00-10	6	JAN 20/09	57-00-52- 1	9	JAN 20/09

* THE ASTERISK INDICATES PAGES CHANGED OR ADDED BY THE CURRENT REVISION



757
PARTS CATALOG (MAINTENANCE)

CH-SECT-UNIT-FIG	PAGE NO.	DATE	CH-SECT-UNIT-FIG	PAGE NO.	DATE
57-00-52- 1	10	JAN 20/09	57-10-01- 1	6	JAN 20/09
57-00-52- 1	11	JAN 20/09	57-10-01- 1	7	JAN 20/09
57-00-52- 1	12	JAN 20/09	57-10-01- 1	8	JAN 20/09
57-00-52- 1	13	JAN 20/09	57-10-01- 1	9	JAN 20/09
57-00-52- 1	14	JAN 20/09	57-10-01- 1	10	JAN 20/09
57-00-52- 1	15	JAN 20/09	57-10-01- 1	11	JAN 20/09
57-00-52- 1	16	JAN 20/09	57-10-01- 1	12	JAN 20/09
57-00-52- 1	17	JAN 20/09	57-10-01- 1	13	JAN 20/09
57-00-52- 1	18	JAN 20/09	57-10-01- 1	14	JAN 20/09
57-00-52- 1	19	JAN 20/09	57-10-01- 1	15	JAN 20/09
57-00-52- 1	20	JAN 20/09	57-10-01- 1	16	JAN 20/09
57-00-52- 1	21	JAN 20/09	57-10-01- 1	17	JAN 20/09
57-00-52- 1	22	JAN 20/09	57-10-01- 1	18	JAN 20/09
57-00-52- 1	23	JAN 20/09	57-10-01- 1	19	JAN 20/09
57-00-52- 1	24	JAN 20/09	57-10-01- 1	20	JAN 20/09
57-00-52- 3	0	MAY 28/07	57-10-01- 1	21	JAN 20/09
57-00-52- 3	0A	MAY 28/07	57-10-01- 1	22	JAN 20/09
57-00-52- 3	1	JAN 20/09	57-10-01- 1	23	JAN 20/09
57-00-52- 3	2	JAN 20/09	57-10-01- 1	24	JAN 20/09
57-00-52- 4	0	MAY 28/07	57-10-01- 1	25	JAN 20/09
57-00-52- 4	1	JAN 20/09	57-10-01- 1	26	JAN 20/09
57-00-52- 4	2	JAN 20/09	57-10-01- 1	27	JAN 20/09
57-00-52- 5	0	MAY 28/07	57-10-01- 1	28	JAN 20/09
57-00-52- 5	1	JAN 20/09	57-10-01- 1	29	JAN 20/09
57-00-52- 5A	0	JAN 20/09	57-10-01- 1	30	JAN 20/09
57-00-52- 5A	1	JAN 20/09	57-10-01- 1	31	JAN 20/09
57-00-52- 5A	2	JAN 20/09	57-10-01- 1	32	JAN 20/09
57-00-52- 6	0	MAY 28/07	57-10-01- 1	33	JAN 20/09
57-00-52- 6	1	JAN 20/09	57-10-01- 1	34	JAN 20/09
57-00-52- 6	2	JAN 20/09	57-10-01- 1	35	JAN 20/09
57-00-52- 6	3	JAN 20/09	57-10-01- 1	36	JAN 20/09
57-10-00	1	MAY 28/07	57-10-01- 1	37	JAN 20/09
57-10-01- 1	0	MAY 28/07	57-10-01- 1	38	JAN 20/09
57-10-01- 1	0A	MAY 28/07	57-10-01- 1	39	JAN 20/09
57-10-01- 1	0B	MAY 28/07	57-10-01- 1	40	JAN 20/09
57-10-01- 1	0C	MAY 28/07	57-10-01- 1	41	JAN 20/09
57-10-01- 1	0D	MAY 28/07	57-10-01- 1	42	JAN 20/09
57-10-01- 1	0E	MAY 28/07	57-10-01- 1	43	JAN 20/09
57-10-01- 1	0F	MAY 28/07	57-10-01- 1	44	JAN 20/09
57-10-01- 1	0G	MAY 28/07	57-10-51- 1	0	MAY 28/07
57-10-01- 1	0H	MAY 28/07	57-10-51- 1	0A	MAY 28/07
57-10-01- 1	0I	MAY 28/07	57-10-51- 1	0B	MAY 28/07
57-10-01- 1	0J	MAY 28/07	57-10-51- 1	0C	MAY 28/07
57-10-01- 1	0K	MAY 28/07	57-10-51- 1	1	JAN 20/09
57-10-01- 1	0L	MAY 28/07	57-10-51- 1	2	JAN 20/09
57-10-01- 1	0M	MAY 28/07	57-10-51- 1	3	JAN 20/09
57-10-01- 1	1	JAN 20/09	57-10-51- 1	4	JAN 20/09
57-10-01- 1	2	JAN 20/09	57-10-51- 1	5	JAN 20/09
57-10-01- 1	3	JAN 20/09	57-10-51- 1	6	JAN 20/09
57-10-01- 1	4	JAN 20/09	57-10-51- 1	7	JAN 20/09
57-10-01- 1	5	JAN 20/09	57-10-51- 1	8	JAN 20/09

* THE ASTERISK INDICATES PAGES CHANGED OR ADDED BY THE CURRENT REVISION



757
PARTS CATALOG (MAINTENANCE)

CH-SECT-UNIT-FIG	PAGE NO.	DATE	CH-SECT-UNIT-FIG	PAGE NO.	DATE
*57-10-51- 1	9	MAY 20/09	57-10-51- 3	0	JAN 20/09
*57-10-51- 1	10	MAY 20/09	57-10-51- 3	0A	JAN 20/09
*57-10-51- 1	11	MAY 20/09	57-10-51- 3	0B	JAN 20/09
*57-10-51- 1	12	MAY 20/09	57-10-51- 3	0C	JAN 20/09
57-10-51- 1A	0	MAY 28/07	57-10-51- 3	0D	JAN 20/09
57-10-51- 1A	0A	MAY 28/07	57-10-51- 3	1	JAN 20/09
57-10-51- 1A	1	JAN 20/09	57-10-51- 3	2	JAN 20/09
57-10-51- 1A	2	JAN 20/09	57-10-51- 3	3	JAN 20/09
57-10-51- 1A	3	JAN 20/09	57-10-51- 3	4	JAN 20/09
57-10-51- 1A	4	JAN 20/09	57-10-51- 5	0	MAY 28/07
57-10-51- 1A	5	JAN 20/09	57-10-51- 5	1	JAN 20/09
57-10-51- 1B	0	MAY 28/07	57-10-52- 1	0	MAY 28/07
57-10-51- 1B	0A	MAY 28/07	57-10-52- 1	1	JAN 20/09
57-10-51- 1B	1	JAN 20/09	57-10-52- 1	2	JAN 20/09
57-10-51- 1B	2	JAN 20/09	57-10-53- 1	0	MAY 28/07
57-10-51- 1B	3	JAN 20/09	57-10-53- 1	0A	MAY 28/07
57-10-51- 1B	4	JAN 20/09	57-10-53- 1	0B	MAY 28/07
57-10-51- 1B	5	JAN 20/09	57-10-53- 1	1	JAN 20/09
57-10-51- 1B	6	JAN 20/09	57-10-53- 1	2	JAN 20/09
57-10-51- 1B	7	JAN 20/09	57-10-53- 1	3	JAN 20/09
57-10-51- 1C	0	MAY 28/07	57-10-53- 1	4	JAN 20/09
57-10-51- 1C	0A	MAY 28/07	57-10-53- 1	5	JAN 20/09
57-10-51- 1C	1	JAN 20/09	57-10-53- 1	6	JAN 20/09
57-10-51- 1C	2	JAN 20/09	57-12-00	1	MAY 28/07
57-10-51- 1C	3	JAN 20/09	57-12-01- 1	0	MAY 28/07
57-10-51- 1C	4	JAN 20/09	57-12-01- 1	0A	MAY 28/07
57-10-51- 1C	5	JAN 20/09	57-12-01- 1	1	JAN 20/09
57-10-51- 1C	6	JAN 20/09	57-12-01- 1	2	JAN 20/09
57-10-51- 1D	0	MAY 28/07	57-12-01- 1	3	JAN 20/09
57-10-51- 1D	0A	MAY 28/07	57-12-01- 1	4	JAN 20/09
57-10-51- 1D	1	JAN 20/09	57-12-51- 1	0	MAY 28/07
57-10-51- 1D	2	JAN 20/09	57-12-51- 1	0A	MAY 28/07
57-10-51- 1H	0	MAY 28/07	57-12-51- 1	1	JAN 20/09
57-10-51- 1H	0A	MAY 28/07	57-12-51- 1	2	JAN 20/09
57-10-51- 1H	1	JAN 20/09	57-12-51- 1	3	JAN 20/09
57-10-51- 1H	2	JAN 20/09	57-12-51- 1	4	JAN 20/09
57-10-51- 1H	3	JAN 20/09	57-12-51- 1	5	JAN 20/09
57-10-51- 1H	4	JAN 20/09	57-12-51- 1	6	JAN 20/09
57-10-51- 1H	5	JAN 20/09	*57-12-51- 1	7	MAY 20/09
57-10-51- 1H	6	JAN 20/09	57-12-51- 1	8	JAN 20/09
*57-10-51- 2	0	MAY 20/09	57-12-51- 1	9	JAN 20/09
*57-10-51- 2	0A	MAY 20/09	57-12-51- 1	10	JAN 20/09
57-10-51- 2	1	JAN 20/09	57-12-51- 1	11	JAN 20/09
57-10-51- 2	2	JAN 20/09	57-12-51- 2	0	MAY 28/07
57-10-51- 2	3	JAN 20/09	57-12-51- 2	0A	MAY 28/07
57-10-51- 2	4	JAN 20/09	57-12-51- 2	0B	MAY 28/07
57-10-51- 2	5	JAN 20/09	57-12-51- 2	1	JAN 20/09
57-10-51- 2	6	JAN 20/09	57-12-51- 2	2	JAN 20/09
57-10-51- 2	7	JAN 20/09	57-12-51- 2	3	JAN 20/09
57-10-51- 2	8	JAN 20/09	57-12-51- 2	4	JAN 20/09
57-10-51- 2	9	JAN 20/09	57-12-51- 2	5	JAN 20/09

* THE ASTERISK INDICATES PAGES CHANGED OR ADDED BY THE CURRENT REVISION



757

PARTS CATALOG (MAINTENANCE)

CH-SECT-UNIT-FIG	PAGE NO.	DATE
57-12-51- 2	6	JAN 20/09
57-12-51- 2	7	JAN 20/09
57-12-51- 2	8	JAN 20/09
57-12-51- 2	9	JAN 20/09
*57-12-51- 2	10	MAY 20/09
57-12-51- 3	0	MAY 28/07
57-12-51- 3	1	JAN 20/09
57-12-51- 3	2	JAN 20/09
57-20-00	1	MAY 28/07
57-20-51- 1	0	MAY 28/07
57-20-51- 1	0A	MAY 28/07
57-20-51- 1	1	JAN 20/09
57-20-51- 1	2	JAN 20/09
57-20-51- 1	3	JAN 20/09
57-20-51- 1	4	JAN 20/09
57-20-51- 1	5	JAN 20/09
57-20-51- 5	0	MAY 28/07
57-20-51- 5	0A	MAY 28/07
57-20-51- 5	0B	MAY 28/07
57-20-51- 5	1	JAN 20/09
57-20-51- 5	2	JAN 20/09
57-20-51- 5	3	JAN 20/09
57-20-51- 5	4	JAN 20/09
57-20-51- 5	5	JAN 20/09
57-20-51- 5	6	JAN 20/09
57-20-51- 5	7	JAN 20/09
57-20-51- 5	8	JAN 20/09
57-20-51- 5	9	JAN 20/09
57-20-51- 5	10	JAN 20/09
57-20-52- 1	0	MAY 28/07
57-20-52- 1	0A	MAY 28/07
57-20-52- 1	1	JAN 20/09
57-20-52- 1	2	JAN 20/09
57-20-52- 1	3	JAN 20/09
57-20-52- 1	4	JAN 20/09
57-20-52- 1	5	JAN 20/09
57-20-52- 1	6	JAN 20/09
57-20-52- 1	7	JAN 20/09
57-20-52- 1	8	JAN 20/09
57-20-52- 1	9	JAN 20/09
57-20-52- 1	10	JAN 20/09
57-20-52- 1	11	JAN 20/09
57-20-52- 1	12	JAN 20/09
57-20-52- 1	13	JAN 20/09
57-20-52- 1	14	JAN 20/09
57-20-52- 1A	0	MAY 28/07
57-20-52- 1A	1	JAN 20/09
57-20-52- 1A	2	JAN 20/09
57-21-00	1	MAY 28/07
57-21-50- 1	0	JAN 20/09
57-21-50- 1	1	JAN 20/09

CH-SECT-UNIT-FIG	PAGE NO.	DATE
57-21-51- 1	0	MAY 28/07
57-21-51- 1	0A	MAY 28/07
57-21-51- 1	0B	MAY 28/07
57-21-51- 1	0C	MAY 28/07
57-21-51- 1	0D	MAY 28/07
57-21-51- 1	0E	MAY 28/07
57-21-51- 1	0F	MAY 28/07
57-21-51- 1	0G	MAY 28/07
57-21-51- 1	1	JAN 20/09
57-21-51- 1	2	JAN 20/09
57-21-51- 1	3	JAN 20/09
57-21-51- 1	4	JAN 20/09
57-21-51- 1	5	JAN 20/09
57-21-51- 1	6	JAN 20/09
57-21-51- 1	7	JAN 20/09
57-21-51- 1	8	JAN 20/09
57-21-51- 1	9	JAN 20/09
57-21-51- 1	10	JAN 20/09
57-21-51- 1	11	JAN 20/09
57-21-51- 1	12	JAN 20/09
57-21-51- 1	13	JAN 20/09
57-21-51- 1	14	JAN 20/09
57-21-51- 1	15	JAN 20/09
57-21-51- 1	16	JAN 20/09
57-21-51- 1	17	JAN 20/09
57-21-51- 1	18	JAN 20/09
57-21-51- 1	19	JAN 20/09
57-21-51- 1	20	JAN 20/09
57-21-51- 1	21	JAN 20/09
57-21-51- 1	22	JAN 20/09
57-21-51- 1	23	JAN 20/09
57-21-51- 2	0	JAN 20/09
57-21-51- 2	0A	JAN 20/09
57-21-51- 2	0B	JAN 20/09
57-21-51- 2	0C	JAN 20/09
57-21-51- 2	0D	JAN 20/09
57-21-51- 2	0E	JAN 20/09
57-21-51- 2	0F	JAN 20/09
57-21-51- 2	0G	JAN 20/09
57-21-51- 2	1	JAN 20/09
57-21-51- 2	2	JAN 20/09
57-21-51- 2	3	JAN 20/09
57-21-51- 2	4	JAN 20/09
57-21-51- 2	5	JAN 20/09
57-21-51- 2	6	JAN 20/09
57-21-51- 2	7	JAN 20/09
57-21-51- 2	8	JAN 20/09
57-21-51- 2	9	JAN 20/09
57-21-51- 2	10	JAN 20/09
57-21-51- 2	11	JAN 20/09
57-21-51- 2	12	JAN 20/09

* THE ASTERISK INDICATES PAGES CHANGED OR ADDED BY THE CURRENT REVISION



757

PARTS CATALOG (MAINTENANCE)

CH-SECT-UNIT-FIG	PAGE NO.	DATE	CH-SECT-UNIT-FIG	PAGE NO.	DATE
57-21-51- 2	13	JAN 20/09	57-21-51- 2B	3	JAN 20/09
57-21-51- 2A	0	JAN 20/09	57-21-51- 2B	4	JAN 20/09
57-21-51- 2A	0A	JAN 20/09	57-21-51- 2B	5	JAN 20/09
57-21-51- 2A	0B	JAN 20/09	57-21-51- 2B	6	JAN 20/09
57-21-51- 2A	0C	JAN 20/09	57-21-51- 2B	7	JAN 20/09
57-21-51- 2A	0D	JAN 20/09	57-21-51- 2B	8	JAN 20/09
57-21-51- 2A	0E	JAN 20/09	57-21-51- 2B	9	JAN 20/09
57-21-51- 2A	1	JAN 20/09	57-21-51- 2B	10	JAN 20/09
57-21-51- 2A	2	JAN 20/09	57-21-51- 2B	11	JAN 20/09
57-21-51- 2A	3	JAN 20/09	57-21-51- 2B	12	JAN 20/09
57-21-51- 2A	4	JAN 20/09	57-21-51- 2B	13	JAN 20/09
57-21-51- 2A	5	JAN 20/09	57-21-51- 2B	14	JAN 20/09
57-21-51- 2A	6	JAN 20/09	57-21-51- 2B	15	JAN 20/09
57-21-51- 2A	7	JAN 20/09	57-21-51- 2B	16	JAN 20/09
57-21-51- 2A	8	JAN 20/09	57-21-51- 2B	17	JAN 20/09
57-21-51- 2A	9	JAN 20/09	57-21-51- 2B	18	JAN 20/09
57-21-51- 2A	10	JAN 20/09	57-21-51- 2B	19	JAN 20/09
57-21-51- 2A	11	JAN 20/09	57-21-51- 2B	20	JAN 20/09
57-21-51- 2A	12	JAN 20/09	57-21-51- 2B	21	JAN 20/09
57-21-51- 2A	13	JAN 20/09	57-21-51- 2B	22	JAN 20/09
57-21-51- 2A	14	JAN 20/09	57-21-51- 2B	23	JAN 20/09
57-21-51- 2A	15	JAN 20/09	57-21-51- 2B	24	JAN 20/09
57-21-51- 2A	16	JAN 20/09	57-21-51- 2B	25	JAN 20/09
57-21-51- 2A	17	JAN 20/09	57-21-51- 2B	26	JAN 20/09
57-21-51- 2A	18	JAN 20/09	57-21-51- 2B	27	JAN 20/09
57-21-51- 2A	19	JAN 20/09	57-21-51- 2B	28	JAN 20/09
57-21-51- 2A	20	JAN 20/09	57-21-51- 2B	29	JAN 20/09
57-21-51- 2A	21	JAN 20/09	57-21-51- 2B	30	JAN 20/09
57-21-51- 2A	22	JAN 20/09	57-21-51- 2B	31	JAN 20/09
57-21-51- 2A	23	JAN 20/09	57-21-51- 2B	32	JAN 20/09
57-21-51- 2A	24	JAN 20/09	57-21-51- 2B	33	JAN 20/09
57-21-51- 2A	25	JAN 20/09	57-21-51- 2B	34	JAN 20/09
57-21-51- 2A	26	JAN 20/09	57-21-51- 2B	35	JAN 20/09
57-21-51- 2A	27	JAN 20/09	57-21-51- 3	0	MAY 28/07
57-21-51- 2A	28	JAN 20/09	57-21-51- 3	0A	MAY 28/07
57-21-51- 2A	29	JAN 20/09	57-21-51- 3	1	JAN 20/09
57-21-51- 2A	30	JAN 20/09	57-21-51- 3	2	JAN 20/09
57-21-51- 2A	31	JAN 20/09	57-21-51- 3	3	JAN 20/09
57-21-51- 2A	32	JAN 20/09	57-21-51- 3	4	JAN 20/09
57-21-51- 2A	33	JAN 20/09	57-21-51- 3	5	JAN 20/09
57-21-51- 2A	34	JAN 20/09	57-21-51- 3	6	JAN 20/09
57-21-51- 2A	35	JAN 20/09	57-21-51- 3A	0	MAY 28/07
57-21-51- 2A	36	JAN 20/09	57-21-51- 3A	0A	MAY 28/07
57-21-51- 2B	0	JAN 20/09	57-21-51- 3A	0B	MAY 28/07
57-21-51- 2B	0A	JAN 20/09	57-21-51- 3A	0C	MAY 28/07
57-21-51- 2B	0B	JAN 20/09	57-21-51- 3A	1	JAN 20/09
57-21-51- 2B	0C	JAN 20/09	57-21-51- 3A	2	JAN 20/09
57-21-51- 2B	0D	JAN 20/09	57-21-51- 3A	3	JAN 20/09
57-21-51- 2B	0E	JAN 20/09	57-21-51- 3A	4	JAN 20/09
57-21-51- 2B	1	JAN 20/09	57-21-51- 3A	5	JAN 20/09
57-21-51- 2B	2	JAN 20/09	57-21-51- 3A	6	JAN 20/09

* THE ASTERISK INDICATES PAGES CHANGED OR ADDED BY THE CURRENT REVISION



757
PARTS CATALOG (MAINTENANCE)

CH-SECT-UNIT-FIG	PAGE NO.	DATE	CH-SECT-UNIT-FIG	PAGE NO.	DATE
57-21-51- 3A	7	JAN 20/09	57-21-51-51A	0A	MAY 28/07
57-21-51- 3A	8	JAN 20/09	57-21-51-51A	0B	MAY 28/07
57-21-51- 4	0	MAY 28/07	57-21-51-51A	0C	MAY 28/07
57-21-51- 4	1	JAN 20/09	57-21-51-51A	0D	MAY 28/07
57-21-51- 5	0	MAY 28/07	57-21-51-51A	1	JAN 20/09
57-21-51- 5	1	JAN 20/09	57-21-51-51A	2	JAN 20/09
57-21-51- 5	2	JAN 20/09	57-21-51-51A	3	JAN 20/09
57-21-51- 5	3	JAN 20/09	57-21-51-51A	4	JAN 20/09
57-21-51-50	0	MAY 28/07	57-21-51-51A	5	JAN 20/09
57-21-51-50	0A	MAY 28/07	57-21-51-51A	6	JAN 20/09
57-21-51-50	0B	MAY 28/07	57-21-52- 1	0	MAY 28/07
57-21-51-50	0C	MAY 28/07	57-21-52- 1	1	JAN 20/09
57-21-51-50	0D	MAY 28/07	57-21-52- 1	2	JAN 20/09
57-21-51-50	0E	MAY 28/07	57-21-52- 1	3	JAN 20/09
57-21-51-50	0F	MAY 28/07	57-21-52- 1	4	JAN 20/09
57-21-51-50	0G	MAY 28/07	57-22-00	1	MAY 28/07
57-21-51-50	0H	MAY 28/07	57-22-51- 2	0	MAY 28/07
57-21-51-50	0I	MAY 28/07	57-22-51- 2	0A	MAY 28/07
57-21-51-50	1	JAN 20/09	57-22-51- 2	0B	MAY 28/07
57-21-51-50	2	JAN 20/09	57-22-51- 2	1	JAN 20/09
57-21-51-50	3	JAN 20/09	57-22-51- 2	2	JAN 20/09
57-21-51-50	4	JAN 20/09	57-22-51- 2	3	JAN 20/09
57-21-51-50	5	JAN 20/09	57-22-51- 2	4	JAN 20/09
57-21-51-50	6	JAN 20/09	57-22-51- 4	0	JAN 20/09
57-21-51-50	7	JAN 20/09	57-22-51- 4	1	JAN 20/09
57-21-51-50	8	JAN 20/09	57-22-51- 4	2	JAN 20/09
57-21-51-50	9	JAN 20/09	57-22-51- 4	3	JAN 20/09
57-21-51-50	10	JAN 20/09	57-22-51-11	0	JAN 20/09
57-21-51-50	11	JAN 20/09	57-22-51-11	0A	JAN 20/09
57-21-51-50	12	JAN 20/09	57-22-51-11	0B	JAN 20/09
57-21-51-50	13	JAN 20/09	57-22-51-11	0C	JAN 20/09
57-21-51-50	14	JAN 20/09	57-22-51-11	0D	JAN 20/09
57-21-51-50	15	JAN 20/09	57-22-51-11	0E	JAN 20/09
57-21-51-50	16	JAN 20/09	57-22-51-11	0F	JAN 20/09
57-21-51-50	17	JAN 20/09	57-22-51-11	0G	JAN 20/09
57-21-51-51	0	MAY 28/07	57-22-51-11	0H	JAN 20/09
57-21-51-51	0A	MAY 28/07	57-22-51-11	0I	JAN 20/09
57-21-51-51	0B	MAY 28/07	57-22-51-11	0J	JAN 20/09
57-21-51-51	0C	MAY 28/07	57-22-51-11	0K	JAN 20/09
57-21-51-51	0D	MAY 28/07	57-22-51-11	0L	JAN 20/09
57-21-51-51	1	JAN 20/09	57-22-51-11	1	JAN 20/09
57-21-51-51	2	JAN 20/09	57-22-51-11	2	JAN 20/09
57-21-51-51	3	JAN 20/09	57-22-51-11	3	JAN 20/09
57-21-51-51	4	JAN 20/09	57-22-51-11	4	JAN 20/09
57-21-51-51	5	JAN 20/09	57-22-51-11	5	JAN 20/09
57-21-51-51	6	JAN 20/09	57-22-51-11	6	JAN 20/09
57-21-51-51	7	JAN 20/09	57-22-51-11	7	JAN 20/09
57-21-51-51	8	JAN 20/09	57-22-51-11	8	JAN 20/09
57-21-51-51	9	JAN 20/09	57-22-51-11	9	JAN 20/09
57-21-51-51	10	JAN 20/09	57-22-51-11	10	JAN 20/09
57-21-51-51A	0	MAY 28/07	57-22-51-11	11	JAN 20/09

* THE ASTERISK INDICATES PAGES CHANGED OR ADDED BY THE CURRENT REVISION



757
PARTS CATALOG (MAINTENANCE)

CH-SECT-UNIT-FIG	PAGE NO.	DATE	CH-SECT-UNIT-FIG	PAGE NO.	DATE
57-22-51-11	12	JAN 20/09	57-22-51-13	1	JAN 20/09
57-22-51-11	13	JAN 20/09	57-22-51-13	2	JAN 20/09
57-22-51-11	14	JAN 20/09	57-22-51-14	0	JAN 20/09
57-22-51-11	15	JAN 20/09	57-22-51-14	0A	JAN 20/09
57-22-51-11	16	JAN 20/09	57-22-51-14	0B	JAN 20/09
57-22-51-11	17	JAN 20/09	57-22-51-14	0C	JAN 20/09
57-22-51-11	18	JAN 20/09	57-22-51-14	0D	JAN 20/09
57-22-51-11	19	JAN 20/09	57-22-51-14	0E	JAN 20/09
57-22-51-11	20	JAN 20/09	57-22-51-14	0F	JAN 20/09
57-22-51-11	21	JAN 20/09	57-22-51-14	0G	JAN 20/09
57-22-51-11	22	JAN 20/09	57-22-51-14	0H	JAN 20/09
57-22-51-11	23	JAN 20/09	57-22-51-14	0I	JAN 20/09
57-22-51-11	24	JAN 20/09	57-22-51-14	0J	JAN 20/09
57-22-51-11	25	JAN 20/09	57-22-51-14	1	JAN 20/09
57-22-51-11	26	JAN 20/09	57-22-51-14	2	JAN 20/09
57-22-51-11A	0	JAN 20/09	57-22-51-14	3	JAN 20/09
57-22-51-11A	0A	JAN 20/09	57-22-51-14	4	JAN 20/09
57-22-51-11A	0B	JAN 20/09	57-22-51-14	5	JAN 20/09
57-22-51-11A	0C	JAN 20/09	57-22-51-14	6	JAN 20/09
57-22-51-11A	0D	JAN 20/09	57-22-51-14	7	JAN 20/09
57-22-51-11A	0E	JAN 20/09	57-22-51-14	8	JAN 20/09
57-22-51-11A	0F	JAN 20/09	57-22-51-14	9	JAN 20/09
57-22-51-11A	1	JAN 20/09	57-22-51-14	10	JAN 20/09
57-22-51-11A	2	JAN 20/09	57-22-51-14	11	JAN 20/09
57-22-51-11A	3	JAN 20/09	57-22-51-14	12	JAN 20/09
57-22-51-11A	4	JAN 20/09	57-22-51-14	13	JAN 20/09
57-22-51-11A	5	JAN 20/09	57-22-51-14	14	JAN 20/09
57-22-51-11A	6	JAN 20/09	57-22-51-14	15	JAN 20/09
57-22-51-11A	7	JAN 20/09	57-22-51-15	0	MAY 28/07
57-22-51-11A	8	JAN 20/09	57-22-51-15	0A	MAY 28/07
57-22-51-11A	9	JAN 20/09	57-22-51-15	0B	MAY 28/07
57-22-51-11A	10	JAN 20/09	57-22-51-15	1	JAN 20/09
57-22-51-11A	11	JAN 20/09	57-22-51-15	2	JAN 20/09
57-22-51-11A	12	JAN 20/09	57-22-51-15	3	JAN 20/09
57-22-51-11A	13	JAN 20/09	57-22-51-15	4	JAN 20/09
57-22-51-11A	14	JAN 20/09	57-22-51-15	5	JAN 20/09
57-22-51-11A	15	JAN 20/09	57-22-51-15	6	JAN 20/09
57-22-51-11A	16	JAN 20/09	57-22-51-15	7	JAN 20/09
57-22-51-11A	17	JAN 20/09	57-22-51-15	8	JAN 20/09
57-22-51-11B	0	JAN 20/09	57-22-51-15	9	JAN 20/09
57-22-51-11B	1	JAN 20/09	57-22-51-15	10	JAN 20/09
57-22-51-11B	2	JAN 20/09	57-22-51-15	11	JAN 20/09
57-22-51-11B	3	JAN 20/09	57-22-51-15	12	JAN 20/09
57-22-51-12	0	JAN 20/09	57-22-51-15	13	JAN 20/09
57-22-51-12	0A	JAN 20/09	57-22-51-15	14	JAN 20/09
57-22-51-12	1	JAN 20/09	57-22-51-15	15	JAN 20/09
57-22-51-12	2	JAN 20/09	57-22-51-20	0	MAY 28/07
57-22-51-13	0	JAN 20/09	57-22-51-20	0A	MAY 28/07
57-22-51-13	0A	JAN 20/09	57-22-51-20	0B	MAY 28/07
57-22-51-13	0B	JAN 20/09	57-22-51-20	1	JAN 20/09
57-22-51-13	0C	JAN 20/09	57-22-51-20	2	JAN 20/09

* THE ASTERISK INDICATES PAGES CHANGED OR ADDED BY THE CURRENT REVISION



757

PARTS CATALOG (MAINTENANCE)

CH-SECT-UNIT-FIG	PAGE NO.	DATE	CH-SECT-UNIT-FIG	PAGE NO.	DATE
57-22-51-20	3	JAN 20/09	57-22-51-30	2	JAN 20/09
57-22-51-20	4	JAN 20/09	57-22-51-30	3	JAN 20/09
57-22-51-20	5	JAN 20/09	57-22-51-30	4	JAN 20/09
57-22-51-20	6	JAN 20/09	57-22-51-30	5	JAN 20/09
57-22-51-20	7	JAN 20/09	57-22-51-30	6	JAN 20/09
57-22-51-20	8	JAN 20/09	57-22-51-30	7	JAN 20/09
57-22-51-20	9	JAN 20/09	57-22-51-30	8	JAN 20/09
57-22-51-20	10	JAN 20/09	57-22-51-30	9	JAN 20/09
57-22-51-20	11	JAN 20/09	57-22-51-30	10	JAN 20/09
57-22-51-20	12	JAN 20/09	57-22-51-30	11	JAN 20/09
57-22-51-20	13	JAN 20/09	57-22-51-30	12	JAN 20/09
57-22-51-20	14	JAN 20/09	57-22-51-30	13	JAN 20/09
57-22-51-20	15	JAN 20/09	57-22-51-30	14	JAN 20/09
57-22-51-20	16	JAN 20/09	57-22-51-30	15	JAN 20/09
57-22-51-20	17	JAN 20/09	57-22-51-41	0	JAN 20/09
57-22-51-20	18	JAN 20/09	57-22-51-41	0A	JAN 20/09
57-22-51-20	19	JAN 20/09	57-22-51-41	0B	JAN 20/09
57-22-51-20	20	JAN 20/09	57-22-51-41	0C	JAN 20/09
57-22-51-20	21	JAN 20/09	57-22-51-41	0D	JAN 20/09
57-22-51-25	0	MAY 28/07	57-22-51-41	1	JAN 20/09
57-22-51-25	0A	MAY 28/07	57-22-51-41	2	JAN 20/09
57-22-51-25	0B	MAY 28/07	57-22-51-41	3	JAN 20/09
57-22-51-25	0C	MAY 28/07	57-22-51-41	4	JAN 20/09
57-22-51-25	1	JAN 20/09	57-22-51-41A	0	MAY 28/07
57-22-51-25	2	JAN 20/09	57-22-51-41A	1	JAN 20/09
57-22-51-25	3	JAN 20/09	57-22-51-41B	0	MAY 28/07
57-22-51-25	4	JAN 20/09	57-22-51-41B	1	JAN 20/09
57-22-51-25	5	JAN 20/09	57-22-51-41B	2	JAN 20/09
57-22-51-25	6	JAN 20/09	57-22-51-41B	3	JAN 20/09
57-22-51-25	7	JAN 20/09	57-22-51-41B	4	JAN 20/09
57-22-51-25	8	JAN 20/09	57-22-51-41C	0	MAY 28/07
57-22-51-25	9	JAN 20/09	57-22-51-41C	1	JAN 20/09
57-22-51-25	10	JAN 20/09	57-22-51-41D	0	MAY 28/07
57-22-51-25	11	JAN 20/09	57-22-51-41D	1	JAN 20/09
57-22-51-25	12	JAN 20/09	57-22-51-41F	0	MAY 28/07
57-22-51-25	13	JAN 20/09	57-22-51-41F	1	JAN 20/09
57-22-51-25	14	JAN 20/09	57-22-51-41G	0	MAY 28/07
57-22-51-25	15	JAN 20/09	57-22-51-41G	1	JAN 20/09
57-22-51-25	16	JAN 20/09	57-22-51-41H	0	MAY 28/07
57-22-51-25	17	JAN 20/09	57-22-51-41H	1	JAN 20/09
57-22-51-25	18	JAN 20/09	57-22-51-50	0	MAY 28/07
57-22-51-25	19	JAN 20/09	57-22-51-50	0A	MAY 28/07
57-22-51-25	20	JAN 20/09	57-22-51-50	0B	MAY 28/07
57-22-51-25	21	JAN 20/09	57-22-51-50	0C	MAY 28/07
57-22-51-25	22	JAN 20/09	57-22-51-50	1	JAN 20/09
57-22-51-30	0	MAY 28/07	57-22-51-50	2	JAN 20/09
57-22-51-30	0A	MAY 28/07	57-22-51-50	3	JAN 20/09
57-22-51-30	0B	MAY 28/07	57-22-51-50	4	JAN 20/09
57-22-51-30	0C	MAY 28/07	57-22-51-50	5	JAN 20/09
57-22-51-30	0D	MAY 28/07	57-22-51-50	6	JAN 20/09
57-22-51-30	1	JAN 20/09	57-22-51-50	7	JAN 20/09

* THE ASTERISK INDICATES PAGES CHANGED OR ADDED BY THE CURRENT REVISION



757

PARTS CATALOG (MAINTENANCE)

CH-SECT-UNIT-FIG	PAGE NO.	DATE	CH-SECT-UNIT-FIG	PAGE NO.	DATE
57-22-51-50	8	JAN 20/09	57-22-53- 1A	3	JAN 20/09
57-22-51-50	9	JAN 20/09	57-22-53- 1A	4	JAN 20/09
57-22-51-50	10	JAN 20/09	57-22-53- 1A	5	JAN 20/09
57-22-51-50	11	JAN 20/09	57-22-53- 1A	6	JAN 20/09
57-22-51-50	12	JAN 20/09	57-22-53- 1A	7	JAN 20/09
57-22-51-51	0	MAY 28/07	57-22-53- 1A	8	JAN 20/09
57-22-51-51	1	JAN 20/09	57-22-53- 1A	9	JAN 20/09
57-22-51-51	2	JAN 20/09	57-22-53- 1A	10	JAN 20/09
57-22-51-51	3	JAN 20/09	57-22-53- 1A	11	JAN 20/09
57-22-51-51	4	JAN 20/09	57-22-53- 1A	12	JAN 20/09
57-22-52- 1	0	MAY 28/07	57-22-53- 1A	13	JAN 20/09
57-22-52- 1	0A	MAY 28/07	57-24-00	1	MAY 28/07
57-22-52- 1	1	JAN 20/09	57-24-51- 1	0	MAY 20/08
57-22-52- 1	2	JAN 20/09	57-24-51- 1	0A	MAY 20/08
*57-22-52- 1	3	MAY 20/09	57-24-51- 1	0B	MAY 20/08
*57-22-52- 1	4	MAY 20/09	57-24-51- 1	0C	MAY 28/07
*57-22-52- 1	5	MAY 20/09	57-24-51- 1	0D	MAY 28/07
*57-22-52- 1	6	MAY 20/09	57-24-51- 1	0E	MAY 20/08
*57-22-52- 1	7	MAY 20/09	57-24-51- 1	0F	MAY 28/07
57-22-53- 1	0	MAY 28/07	57-24-51- 1	0G	MAY 28/07
57-22-53- 1	0A	MAY 28/07	57-24-51- 1	0H	MAY 28/07
57-22-53- 1	0B	MAY 28/07	57-24-51- 1	0I	MAY 28/07
57-22-53- 1	0C	MAY 28/07	57-24-51- 1	0J	MAY 28/07
57-22-53- 1	0D	MAY 28/07	57-24-51- 1	0K	MAY 28/07
57-22-53- 1	1	JAN 20/09	57-24-51- 1	0L	MAY 20/08
57-22-53- 1	2	JAN 20/09	57-24-51- 1	0M	MAY 20/08
57-22-53- 1	3	JAN 20/09	57-24-51- 1	1	JAN 20/09
57-22-53- 1	4	JAN 20/09	57-24-51- 1	2	JAN 20/09
57-22-53- 1	5	JAN 20/09	57-24-51- 1	3	JAN 20/09
57-22-53- 1	6	JAN 20/09	57-24-51- 1	4	JAN 20/09
57-22-53- 1	7	JAN 20/09	57-24-51- 1	5	JAN 20/09
57-22-53- 1	8	JAN 20/09	57-24-51- 1	6	JAN 20/09
57-22-53- 1	9	JAN 20/09	57-24-51- 1	7	JAN 20/09
57-22-53- 1	10	JAN 20/09	57-24-51- 1	8	JAN 20/09
57-22-53- 1	11	JAN 20/09	57-24-51- 1	9	JAN 20/09
57-22-53- 1	12	JAN 20/09	57-24-51- 1	10	JAN 20/09
57-22-53- 1	13	JAN 20/09	57-24-51- 1	11	JAN 20/09
57-22-53- 1	14	JAN 20/09	57-24-51- 1	12	JAN 20/09
57-22-53- 1	15	JAN 20/09	57-24-51- 1	13	JAN 20/09
57-22-53- 1	16	JAN 20/09	57-24-51- 1	14	JAN 20/09
57-22-53- 1	17	JAN 20/09	57-24-51- 1	15	JAN 20/09
57-22-53- 1	18	JAN 20/09	57-24-51- 1	16	JAN 20/09
57-22-53- 1	19	JAN 20/09	57-24-51- 1	17	JAN 20/09
57-22-53- 1	20	JAN 20/09	57-24-51- 1	18	JAN 20/09
57-22-53- 1A	0	JAN 20/09	57-24-51- 1	19	JAN 20/09
57-22-53- 1A	0A	JAN 20/09	57-24-51- 1	20	JAN 20/09
57-22-53- 1A	0B	JAN 20/09	57-24-51- 1	21	JAN 20/09
57-22-53- 1A	0C	JAN 20/09	57-24-51- 1	22	JAN 20/09
57-22-53- 1A	0D	JAN 20/09	57-24-51- 1	23	JAN 20/09
57-22-53- 1A	1	JAN 20/09	57-24-51- 1	24	JAN 20/09
57-22-53- 1A	2	JAN 20/09	57-24-51- 1	25	JAN 20/09

* THE ASTERISK INDICATES PAGES CHANGED OR ADDED BY THE CURRENT REVISION


BOEING
 757
PARTS CATALOG (MAINTENANCE)

CH-SECT-UNIT-FIG	PAGE NO.	DATE	CH-SECT-UNIT-FIG	PAGE NO.	DATE
57-24-51- 1	26	JAN 20/09	57-24-51- 1	77	JAN 20/09
*57-24-51- 1	27	MAY 20/09	57-24-51- 1	78	JAN 20/09
57-24-51- 1	28	JAN 20/09	57-24-51- 1	79	JAN 20/09
*57-24-51- 1	29	MAY 20/09	57-24-51- 1	80	JAN 20/09
57-24-51- 1	30	JAN 20/09	57-24-51- 1	81	JAN 20/09
57-24-51- 1	31	JAN 20/09	57-24-51- 1	82	JAN 20/09
57-24-51- 1	32	JAN 20/09	57-24-51- 1	83	JAN 20/09
57-24-51- 1	33	JAN 20/09	57-24-51- 1	84	JAN 20/09
57-24-51- 1	34	JAN 20/09	57-24-51- 1	85	JAN 20/09
57-24-51- 1	35	JAN 20/09	57-24-51- 1	86	JAN 20/09
57-24-51- 1	36	JAN 20/09	57-24-51- 1	87	JAN 20/09
57-24-51- 1	37	JAN 20/09	57-24-51- 1	88	JAN 20/09
57-24-51- 1	38	JAN 20/09	57-24-51- 1	89	JAN 20/09
57-24-51- 1	39	JAN 20/09	57-24-51- 1	90	JAN 20/09
57-24-51- 1	40	JAN 20/09	57-24-51- 1	91	JAN 20/09
57-24-51- 1	41	JAN 20/09	57-24-51- 1	92	JAN 20/09
57-24-51- 1	42	JAN 20/09	57-24-51- 1	93	JAN 20/09
57-24-51- 1	43	JAN 20/09	57-24-51- 1	94	JAN 20/09
57-24-51- 1	44	JAN 20/09	57-24-51- 1	95	JAN 20/09
57-24-51- 1	45	JAN 20/09	57-24-51- 1	96	JAN 20/09
57-24-51- 1	46	JAN 20/09	57-24-51- 1	97	JAN 20/09
57-24-51- 1	47	JAN 20/09	57-24-51- 1	98	JAN 20/09
57-24-51- 1	48	JAN 20/09	57-24-51- 1	99	JAN 20/09
57-24-51- 1	49	JAN 20/09	57-24-51- 1	100	JAN 20/09
57-24-51- 1	50	JAN 20/09	57-24-51- 1	101	JAN 20/09
57-24-51- 1	51	JAN 20/09	57-24-51- 1	102	JAN 20/09
57-24-51- 1	52	JAN 20/09	57-24-51- 1	103	JAN 20/09
57-24-51- 1	53	JAN 20/09	57-24-51- 1	104	JAN 20/09
57-24-51- 1	54	JAN 20/09	57-24-51- 1	105	JAN 20/09
57-24-51- 1	55	JAN 20/09	57-24-51- 1	106	JAN 20/09
57-24-51- 1	56	JAN 20/09	57-24-51- 1	107	JAN 20/09
*57-24-51- 1	57	MAY 20/09	57-24-51- 1	108	JAN 20/09
57-24-51- 1	58	JAN 20/09	57-24-51- 1	109	JAN 20/09
57-24-51- 1	59	JAN 20/09	57-24-51- 1	110	JAN 20/09
57-24-51- 1	60	JAN 20/09	57-24-51- 1	111	JAN 20/09
57-24-51- 1	61	JAN 20/09	57-24-51- 1	112	JAN 20/09
57-24-51- 1	62	JAN 20/09	57-24-51- 1	113	JAN 20/09
57-24-51- 1	63	JAN 20/09	57-24-51- 1	114	JAN 20/09
57-24-51- 1	64	JAN 20/09	57-24-51- 1A	0	JAN 20/09
57-24-51- 1	65	JAN 20/09	57-24-51- 1A	0A	JAN 20/09
57-24-51- 1	66	JAN 20/09	57-24-51- 1A	1	JAN 20/09
57-24-51- 1	67	JAN 20/09	57-24-51- 1A	2	JAN 20/09
57-24-51- 1	68	JAN 20/09	57-24-51- 1A	3	JAN 20/09
57-24-51- 1	69	JAN 20/09	57-24-51- 1A	4	JAN 20/09
57-24-51- 1	70	JAN 20/09	57-24-51- 1A	5	JAN 20/09
57-24-51- 1	71	JAN 20/09	57-24-51- 1A	6	JAN 20/09
57-24-51- 1	72	JAN 20/09	57-24-51- 1A	7	JAN 20/09
57-24-51- 1	73	JAN 20/09	57-24-51- 1A	8	JAN 20/09
57-24-51- 1	74	JAN 20/09	57-24-51- 1A	9	JAN 20/09
57-24-51- 1	75	JAN 20/09	57-24-51- 1B	0	JAN 20/09
57-24-51- 1	76	JAN 20/09	57-24-51- 1B	0A	JAN 20/09

* THE ASTERISK INDICATES PAGES CHANGED OR ADDED BY THE CURRENT REVISION



757
PARTS CATALOG (MAINTENANCE)

CH-SECT-UNIT-FIG	PAGE NO.	DATE	CH-SECT-UNIT-FIG	PAGE NO.	DATE
57-24-51- 1B	0B	JAN 20/09	57-24-52- 1	4	JAN 20/09
57-24-51- 1B	0C	JAN 20/09	57-24-52- 1	5	SEP 20/08
57-24-51- 1B	0D	JAN 20/09	57-24-52- 1	6	SEP 20/08
57-24-51- 1B	0E	JAN 20/09	57-24-52- 1	7	JAN 20/09
57-24-51- 1B	0F	JAN 20/09	57-24-52- 1	8	SEP 20/08
57-24-51- 1B	1	JAN 20/09	57-24-52- 1	9	SEP 20/08
57-24-51- 1B	2	JAN 20/09	57-24-52- 1	10	SEP 20/08
57-24-51- 1B	3	JAN 20/09	57-24-52- 1	11	SEP 20/08
57-24-51- 1B	4	JAN 20/09	57-24-52- 1	12	JAN 20/09
57-24-51- 1B	5	JAN 20/09	57-24-52- 1	13	JAN 20/09
57-24-51- 1B	6	JAN 20/09	57-24-52- 1	14	JAN 20/09
57-24-51- 1B	7	JAN 20/09	57-24-52- 1	15	JAN 20/09
57-24-51- 1B	8	JAN 20/09	57-24-52- 1	16	JAN 20/09
57-24-51- 1B	9	JAN 20/09	57-24-52- 1	17	JAN 20/09
57-24-51- 1B	10	JAN 20/09	57-24-52- 1	18	JAN 20/09
57-24-51- 1B	11	JAN 20/09	*57-24-52- 1	19	MAY 20/09
57-24-51- 1B	12	JAN 20/09	57-24-52- 1	20	JAN 20/09
57-24-51- 1B	13	JAN 20/09	57-24-52- 1	21	JAN 20/09
57-24-51- 1B	14	JAN 20/09	57-24-52- 1	22	JAN 20/09
57-24-51- 1B	15	JAN 20/09	57-24-52- 1	23	SEP 20/08
57-24-51- 1B	16	JAN 20/09	57-24-52- 1	24	JAN 20/09
57-24-51- 1B	17	JAN 20/09	57-24-52- 1	25	JAN 20/09
57-24-51- 1B	18	JAN 20/09	57-24-52- 1	26	JAN 20/09
57-24-51- 1B	19	JAN 20/09	57-24-52- 1	27	SEP 20/08
57-24-51- 1B	20	JAN 20/09	57-24-52- 1	28	JAN 20/09
57-24-51- 1B	21	JAN 20/09	57-24-52- 1	29	JAN 20/09
57-24-51- 1B	22	JAN 20/09	57-24-52- 1	30	JAN 20/09
57-24-51- 1B	23	JAN 20/09	57-24-52- 1	31	JAN 20/09
57-24-51- 1B	24	JAN 20/09	57-24-52- 1	32	JAN 20/09
57-24-51- 1B	25	JAN 20/09	57-24-52- 1	33	JAN 20/09
57-24-51- 1B	26	JAN 20/09	57-24-52- 1	34	JAN 20/09
57-24-51- 1B	27	JAN 20/09	57-24-52- 1	35	JAN 20/09
57-24-51- 1B	28	JAN 20/09	57-24-52- 1	36	JAN 20/09
57-24-51- 1B	29	JAN 20/09	57-24-52- 1	37	JAN 20/09
57-24-51- 1B	30	JAN 20/09	57-24-52- 1	38	JAN 20/09
57-24-51- 1B	31	JAN 20/09	57-24-52- 1	39	JAN 20/09
57-24-51- 1B	32	JAN 20/09	57-24-52- 1	40	JAN 20/09
57-24-51- 1B	33	JAN 20/09	57-24-52- 1	41	JAN 20/09
57-24-51- 1B	34	JAN 20/09	57-24-52- 1	42	JAN 20/09
57-24-51- 1B	35	JAN 20/09	57-24-52- 1	43	SEP 20/08
57-24-51- 1C	0	JAN 20/09	57-24-52- 1	44	SEP 20/08
57-24-51- 1C	1	JAN 20/09	57-24-52- 1	45	SEP 20/08
57-24-51- 1C	2	JAN 20/09	57-24-52- 1	46	JAN 20/09
57-24-51- 4	0	MAY 28/07	57-24-52- 1	47	JAN 20/09
57-24-51- 4	1	JAN 20/09	57-24-53- 1	0	MAY 28/07
57-24-52- 1	0	MAY 28/07	57-24-53- 1	0A	MAY 28/07
57-24-52- 1	0A	MAY 28/07	57-24-53- 1	0B	MAY 28/07
57-24-52- 1	0B	MAY 28/07	57-24-53- 1	1	JAN 20/09
57-24-52- 1	1	JAN 20/09	57-24-53- 1	2	JAN 20/09
57-24-52- 1	2	SEP 20/08	57-24-53- 1	3	JAN 20/09
57-24-52- 1	3	JAN 20/09	57-24-53- 1	4	JAN 20/09

* THE ASTERISK INDICATES PAGES CHANGED OR ADDED BY THE CURRENT REVISION



757
PARTS CATALOG (MAINTENANCE)

CH-SECT-UNIT-FIG	PAGE NO.	DATE	CH-SECT-UNIT-FIG	PAGE NO.	DATE
57-24-53- 1	5	JAN 20/09	57-24-53- 1	56	JAN 20/09
57-24-53- 1	6	JAN 20/09	57-24-53- 1	57	JAN 20/09
57-24-53- 1	7	JAN 20/09	57-24-53- 1	58	JAN 20/09
57-24-53- 1	8	JAN 20/09	57-24-53- 1	59	JAN 20/09
57-24-53- 1	9	JAN 20/09	57-24-53- 1	60	JAN 20/09
57-24-53- 1	10	JAN 20/09	57-24-53- 2	0	JAN 20/09
57-24-53- 1	11	JAN 20/09	57-24-53- 2	0A	JAN 20/09
57-24-53- 1	12	JAN 20/09	57-24-53- 2	1	JAN 20/09
57-24-53- 1	13	JAN 20/09	57-24-53- 2	2	JAN 20/09
57-24-53- 1	14	JAN 20/09	57-24-53- 2	3	JAN 20/09
57-24-53- 1	15	JAN 20/09	57-24-53- 2	4	JAN 20/09
57-24-53- 1	16	JAN 20/09	57-24-53- 2	5	JAN 20/09
57-24-53- 1	17	JAN 20/09	57-24-53- 2	6	JAN 20/09
57-24-53- 1	18	JAN 20/09	57-24-53- 2	7	JAN 20/09
57-24-53- 1	19	JAN 20/09	57-24-53- 2	8	JAN 20/09
57-24-53- 1	20	JAN 20/09	57-24-53- 2	9	JAN 20/09
57-24-53- 1	21	JAN 20/09	57-24-53- 2	10	JAN 20/09
57-24-53- 1	22	JAN 20/09	57-24-53- 2	11	JAN 20/09
57-24-53- 1	23	JAN 20/09	57-24-53- 2	12	JAN 20/09
57-24-53- 1	24	JAN 20/09	57-24-53- 2	13	JAN 20/09
57-24-53- 1	25	JAN 20/09	57-24-53- 2	14	JAN 20/09
57-24-53- 1	26	JAN 20/09	57-24-53- 2	15	JAN 20/09
57-24-53- 1	27	JAN 20/09	57-24-53- 2	16	JAN 20/09
57-24-53- 1	28	JAN 20/09	57-24-53- 2	17	JAN 20/09
*57-24-53- 1	29	MAY 20/09	57-24-53- 2	18	JAN 20/09
57-24-53- 1	30	JAN 20/09	57-24-53- 2	19	JAN 20/09
57-24-53- 1	31	JAN 20/09	57-24-53- 2	20	JAN 20/09
57-24-53- 1	32	JAN 20/09	57-24-53- 2	21	JAN 20/09
57-24-53- 1	33	JAN 20/09	57-24-53- 2	22	JAN 20/09
57-24-53- 1	34	JAN 20/09	57-24-53- 2	23	JAN 20/09
57-24-53- 1	35	JAN 20/09	57-24-53- 2	24	JAN 20/09
57-24-53- 1	36	JAN 20/09	57-24-53- 2	25	JAN 20/09
57-24-53- 1	37	JAN 20/09	57-24-53- 2	26	JAN 20/09
57-24-53- 1	38	JAN 20/09	57-24-53- 2	27	JAN 20/09
57-24-53- 1	39	JAN 20/09	57-24-53- 2	28	JAN 20/09
57-24-53- 1	40	JAN 20/09	57-24-53- 2	29	JAN 20/09
57-24-53- 1	41	JAN 20/09	*57-24-53- 2	30	MAY 20/09
57-24-53- 1	42	JAN 20/09	57-24-53- 2	31	JAN 20/09
57-24-53- 1	43	JAN 20/09	57-24-53- 2	32	JAN 20/09
57-24-53- 1	44	JAN 20/09	57-24-53- 2	33	JAN 20/09
57-24-53- 1	45	JAN 20/09	57-24-53- 2	34	JAN 20/09
57-24-53- 1	46	JAN 20/09	57-24-53- 2	35	JAN 20/09
57-24-53- 1	47	JAN 20/09	57-24-53- 2	36	JAN 20/09
57-24-53- 1	48	JAN 20/09	57-24-53- 2	37	JAN 20/09
57-24-53- 1	49	JAN 20/09	57-24-53- 2	38	JAN 20/09
57-24-53- 1	50	JAN 20/09	57-24-53- 2	39	JAN 20/09
57-24-53- 1	51	JAN 20/09	57-24-53- 2	40	JAN 20/09
57-24-53- 1	52	JAN 20/09	57-24-53- 2	41	JAN 20/09
57-24-53- 1	53	JAN 20/09	57-24-53- 2	42	JAN 20/09
57-24-53- 1	54	JAN 20/09	57-24-53- 2	43	JAN 20/09
57-24-53- 1	55	JAN 20/09	57-24-53- 2	44	JAN 20/09

* THE ASTERISK INDICATES PAGES CHANGED OR ADDED BY THE CURRENT REVISION

BRI
MAY 20/09

57 - LIST OF EFFECTIVE PAGES
PAGE 12


BOEING
 757
PARTS CATALOG (MAINTENANCE)

CH-SECT-UNIT-FIG	PAGE NO.	DATE	CH-SECT-UNIT-FIG	PAGE NO.	DATE
57-24-53- 2	45	JAN 20/09	57-27-53- 2	0B	MAY 28/07
57-25-00	1	MAY 28/07	57-27-53- 2	0C	MAY 28/07
57-25-01- 1	0	MAY 28/07	57-27-53- 2	0D	MAY 28/07
57-25-01- 1	1	JAN 20/09	57-27-53- 2	0E	MAY 28/07
57-26-00	1	MAY 28/07	57-27-53- 2	0F	MAY 28/07
57-26-51- 1	0	MAY 28/07	57-27-53- 2	0G	MAY 28/07
57-26-51- 1	0A	MAY 28/07	57-27-53- 2	1	JAN 20/09
57-26-51- 1	0B	MAY 28/07	57-27-53- 2	2	JAN 20/09
57-26-51- 1	1	JAN 20/09	57-27-53- 2	3	JAN 20/09
57-26-51- 1	2	JAN 20/09	57-27-53- 2	4	JAN 20/09
57-26-51- 1	3	JAN 20/09	57-27-53- 2	5	JAN 20/09
57-26-51- 1	4	JAN 20/09	57-27-53- 2	6	JAN 20/09
57-26-51- 1	5	JAN 20/09	57-27-53- 2	7	JAN 20/09
57-26-51- 1	6	JAN 20/09	57-27-53- 2	8	JAN 20/09
57-26-51- 1	7	JAN 20/09	57-27-53- 2	9	JAN 20/09
57-26-51- 1	8	JAN 20/09	57-27-53- 2	10	JAN 20/09
57-26-51- 1	9	JAN 20/09	57-31-00	1	MAY 28/07
57-26-51- 1	10	JAN 20/09	57-31-01- 1	0	MAY 28/07
57-26-51- 1	11	JAN 20/09	57-31-01- 1	1	JAN 20/09
57-27-00	1	MAY 28/07	57-31-01- 1	2	JAN 20/09
57-27-53- 1	0	MAY 28/07	57-31-01- 1	3	JAN 20/09
57-27-53- 1	0A	MAY 28/07	57-31-01- 1	4	JAN 20/09
57-27-53- 1	0B	MAY 28/07	57-31-01- 1	5	JAN 20/09
57-27-53- 1	0C	MAY 28/07	57-31-01- 4	0	JAN 20/09
57-27-53- 1	0D	MAY 28/07	57-31-01- 4	1	JAN 20/09
57-27-53- 1	0E	MAY 28/07	57-31-01- 4	2	JAN 20/09
57-27-53- 1	0F	MAY 28/07	57-31-01- 4	3	JAN 20/09
57-27-53- 1	1	JAN 20/09	57-31-01- 4	4	JAN 20/09
57-27-53- 1	2	JAN 20/09	57-31-01- 4	5	JAN 20/09
57-27-53- 1	3	JAN 20/09	57-31-01- 4	6	JAN 20/09
57-27-53- 1	4	JAN 20/09	57-40-00	1	MAY 28/07
57-27-53- 1	5	JAN 20/09	57-40-00- 1	0	MAY 28/07
57-27-53- 1	6	JAN 20/09	57-40-00- 1	1	JAN 20/09
57-27-53- 1	7	JAN 20/09	57-40-00- 1	2	JAN 20/09
57-27-53- 1	8	JAN 20/09	57-40-00- 1	3	JAN 20/09
57-27-53- 1	9	JAN 20/09	57-40-00- 1	4	JAN 20/09
57-27-53- 1	10	JAN 20/09	57-40-00- 1	5	JAN 20/09
57-27-53- 1	11	JAN 20/09	57-40-51- 2	0	MAY 28/07
57-27-53- 1	12	JAN 20/09	57-40-51- 2	0A	MAY 28/07
57-27-53- 1	13	JAN 20/09	57-40-51- 2	0B	MAY 28/07
57-27-53- 1	14	JAN 20/09	57-40-51- 2	1	JAN 20/09
57-27-53- 1	15	JAN 20/09	57-40-51- 2	2	JAN 20/09
57-27-53- 1	16	JAN 20/09	57-40-51- 2	3	JAN 20/09
57-27-53- 1	17	JAN 20/09	57-40-51- 2	4	JAN 20/09
57-27-53- 1	18	JAN 20/09	57-40-51- 2	5	JAN 20/09
57-27-53- 1	19	JAN 20/09	57-40-51- 2	6	JAN 20/09
57-27-53- 1	20	JAN 20/09	57-40-51- 2	7	JAN 20/09
57-27-53- 1	21	JAN 20/09	57-40-51- 2	8	JAN 20/09
57-27-53- 1	22	JAN 20/09	57-40-51- 2	9	JAN 20/09
57-27-53- 2	0	MAY 28/07	57-40-51- 2	10	JAN 20/09
57-27-53- 2	0A	MAY 28/07	57-40-51- 2	11	JAN 20/09

* THE ASTERISK INDICATES PAGES CHANGED OR ADDED BY THE CURRENT REVISION

BRI
MAY 20/09

57 - LIST OF EFFECTIVE PAGES
PAGE 13


BOEING
 757
PARTS CATALOG (MAINTENANCE)

CH-SECT-UNIT-FIG	PAGE NO.	DATE	CH-SECT-UNIT-FIG	PAGE NO.	DATE
57-40-51- 2	12	JAN 20/09	57-41-01- 1	11	JAN 20/09
57-40-51- 3	0	MAY 28/07	57-41-01- 1	12	JAN 20/09
57-40-51- 3	0A	MAY 28/07	57-41-01- 1	13	JAN 20/09
57-40-51- 3	0B	MAY 28/07	57-41-01- 1	14	JAN 20/09
57-40-51- 3	0C	MAY 28/07	57-41-01- 1	15	JAN 20/09
57-40-51- 3	1	MAY 28/07	57-41-01- 1	16	JAN 20/09
57-40-51- 3	2	MAY 28/07	57-41-01- 1	17	JAN 20/09
57-40-51- 3	3	MAY 28/07	57-41-01- 1	18	JAN 20/09
57-40-51- 3	4	MAY 28/07	57-41-01- 1	19	JAN 20/09
57-40-51- 3	5	MAY 28/07	57-41-01- 1	20	JAN 20/09
57-40-51- 3	6	MAY 28/07	57-41-01- 1	21	JAN 20/09
57-40-51- 3	7	MAY 28/07	57-41-01- 1	22	JAN 20/09
57-40-51- 3	8	MAY 28/07	57-41-01- 1	23	JAN 20/09
57-40-51- 3	9	MAY 28/07	57-41-01- 1	24	JAN 20/09
57-40-51- 3	10	MAY 28/07	57-41-01- 1	25	JAN 20/09
57-40-51- 3A	0	MAY 28/07	57-41-01- 1A	0	MAY 28/07
57-40-51- 3A	0A	MAY 28/07	57-41-01- 1A	0A	MAY 28/07
57-40-51- 3A	0B	MAY 28/07	57-41-01- 1A	0B	MAY 28/07
57-40-51- 3A	0C	MAY 28/07	57-41-01- 1A	0C	MAY 28/07
57-40-51- 3A	0D	MAY 28/07	57-41-01- 1A	0D	MAY 28/07
57-40-51- 3A	0E	MAY 28/07	57-41-01- 1A	0E	MAY 28/07
57-40-51- 3A	0F	MAY 28/07	57-41-01- 1A	0F	MAY 28/07
57-40-51- 3A	1	JAN 20/09	57-41-01- 1A	1	JAN 20/09
57-40-51- 3A	2	JAN 20/09	57-41-01- 1A	2	JAN 20/09
57-40-51- 3A	3	JAN 20/09	57-41-01- 1A	3	JAN 20/09
57-40-51- 3A	4	JAN 20/09	57-41-01- 1A	4	JAN 20/09
57-40-51- 3A	5	JAN 20/09	57-41-01- 1A	5	JAN 20/09
57-40-51- 3A	6	JAN 20/09	57-41-01- 1A	6	JAN 20/09
57-40-51- 3A	7	JAN 20/09	57-41-01- 1A	7	JAN 20/09
57-40-51- 3A	8	JAN 20/09	57-41-01- 1A	8	JAN 20/09
57-40-51- 3A	9	JAN 20/09	57-41-01- 1A	9	JAN 20/09
57-40-51- 3A	10	JAN 20/09	57-41-01- 1A	10	JAN 20/09
57-41-00	1	MAY 28/07	57-41-01- 1A	11	JAN 20/09
57-41-01- 1	0	MAY 28/07	57-41-01- 1A	12	JAN 20/09
57-41-01- 1	0A	MAY 28/07	57-41-01- 1A	13	JAN 20/09
57-41-01- 1	0B	MAY 28/07	57-41-01- 1A	14	JAN 20/09
57-41-01- 1	0C	MAY 28/07	57-41-01- 1A	15	JAN 20/09
57-41-01- 1	0D	MAY 28/07	57-41-01- 1A	16	JAN 20/09
57-41-01- 1	0E	MAY 28/07	57-41-01- 1A	17	JAN 20/09
57-41-01- 1	0F	MAY 28/07	57-41-01- 1A	18	JAN 20/09
57-41-01- 1	0G	MAY 28/07	57-41-01- 1A	19	JAN 20/09
57-41-01- 1	1	JAN 20/09	57-41-01- 1A	20	JAN 20/09
57-41-01- 1	2	JAN 20/09	57-41-01- 1A	21	JAN 20/09
57-41-01- 1	3	JAN 20/09	57-41-01- 1A	22	JAN 20/09
57-41-01- 1	4	JAN 20/09	57-41-01- 1A	23	JAN 20/09
57-41-01- 1	5	JAN 20/09	57-41-01- 1A	24	JAN 20/09
57-41-01- 1	6	JAN 20/09	57-41-01- 1A	25	JAN 20/09
57-41-01- 1	7	JAN 20/09	57-41-01- 1A	26	JAN 20/09
57-41-01- 1	8	JAN 20/09	57-41-01- 1A	27	JAN 20/09
57-41-01- 1	9	JAN 20/09	57-41-01- 1A	28	JAN 20/09
57-41-01- 1	10	JAN 20/09	57-41-01- 1A	29	JAN 20/09

* THE ASTERISK INDICATES PAGES CHANGED OR ADDED BY THE CURRENT REVISION

BRI
MAY 20/09

57 - LIST OF EFFECTIVE PAGES
PAGE 14


BOEING
 757
PARTS CATALOG (MAINTENANCE)

CH-SECT-UNIT-FIG	PAGE NO.	DATE	CH-SECT-UNIT-FIG	PAGE NO.	DATE
57-41-01- 1A	30	JAN 20/09	57-41-01- 1D	9	JAN 20/09
57-41-01- 1A	31	JAN 20/09	57-41-01- 1D	10	JAN 20/09
57-41-01- 1A	32	JAN 20/09	57-41-01- 1D	11	JAN 20/09
57-41-01- 1A	33	JAN 20/09	57-41-01- 1D	12	JAN 20/09
57-41-01- 1A	34	JAN 20/09	57-41-01- 1D	13	JAN 20/09
57-41-01- 1B	0	JAN 20/09	57-41-01- 1D	14	JAN 20/09
57-41-01- 1B	0A	JAN 20/09	57-41-01- 1D	15	JAN 20/09
57-41-01- 1B	0B	JAN 20/09	57-41-01- 1E	0	MAY 28/07
57-41-01- 1B	0C	JAN 20/09	57-41-01- 1E	0A	MAY 28/07
57-41-01- 1B	0D	JAN 20/09	57-41-01- 1E	0B	MAY 28/07
57-41-01- 1B	0E	JAN 20/09	57-41-01- 1E	0C	MAY 28/07
57-41-01- 1B	1	JAN 20/09	57-41-01- 1E	0D	MAY 28/07
57-41-01- 1B	2	JAN 20/09	57-41-01- 1E	0E	MAY 28/07
57-41-01- 1B	3	JAN 20/09	57-41-01- 1E	0F	MAY 28/07
57-41-01- 1B	4	JAN 20/09	57-41-01- 1E	0G	MAY 28/07
57-41-01- 1B	5	JAN 20/09	57-41-01- 1E	1	JAN 20/09
57-41-01- 1B	6	JAN 20/09	57-41-01- 1E	2	JAN 20/09
57-41-01- 1B	7	JAN 20/09	57-41-01- 1E	3	JAN 20/09
57-41-01- 1B	8	JAN 20/09	57-41-01- 1E	4	JAN 20/09
57-41-01- 1B	9	JAN 20/09	57-41-01- 1E	5	JAN 20/09
57-41-01- 1B	10	JAN 20/09	57-41-01- 1E	6	JAN 20/09
57-41-01- 1B	11	JAN 20/09	57-41-01- 1E	7	JAN 20/09
57-41-01- 1B	12	JAN 20/09	57-41-01- 1E	8	JAN 20/09
57-41-01- 1B	13	JAN 20/09	57-41-01- 1E	9	JAN 20/09
57-41-01- 1B	14	JAN 20/09	57-41-01- 1E	10	JAN 20/09
57-41-01- 1C	0	JAN 20/09	57-41-01- 1E	11	JAN 20/09
57-41-01- 1C	0A	JAN 20/09	57-41-01- 1E	12	JAN 20/09
57-41-01- 1C	0B	JAN 20/09	57-41-01- 1E	13	JAN 20/09
57-41-01- 1C	0C	JAN 20/09	57-41-01- 2	0	MAY 28/07
57-41-01- 1C	1	JAN 20/09	57-41-01- 2	1	JAN 20/09
57-41-01- 1C	2	JAN 20/09	57-41-01- 2	2	JAN 20/09
57-41-01- 1C	3	JAN 20/09	57-41-01- 2	3	JAN 20/09
57-41-01- 1C	4	JAN 20/09	57-41-01- 2	4	JAN 20/09
57-41-01- 1C	5	JAN 20/09	57-41-01- 2	5	JAN 20/09
57-41-01- 1C	6	JAN 20/09	57-41-01- 2	6	JAN 20/09
57-41-01- 1C	7	JAN 20/09	57-41-01- 2	7	JAN 20/09
57-41-01- 1D	0	MAY 28/07	57-41-01- 2	8	JAN 20/09
57-41-01- 1D	0A	MAY 28/07	57-41-01- 2	9	JAN 20/09
57-41-01- 1D	0B	MAY 28/07	57-41-01-10	0	MAY 28/07
57-41-01- 1D	0C	MAY 28/07	57-41-01-10	1	JAN 20/09
57-41-01- 1D	0D	MAY 28/07	57-41-01-10	2	JAN 20/09
57-41-01- 1D	0E	MAY 28/07	57-41-01-20	0	MAY 28/07
57-41-01- 1D	0F	MAY 28/07	57-41-01-20	0A	MAY 28/07
57-41-01- 1D	1	JAN 20/09	57-41-01-20	0B	MAY 28/07
57-41-01- 1D	2	JAN 20/09	57-41-01-20	1	JAN 20/09
57-41-01- 1D	3	JAN 20/09	57-41-01-20	2	JAN 20/09
57-41-01- 1D	4	JAN 20/09	57-41-01-20	3	JAN 20/09
57-41-01- 1D	5	JAN 20/09	57-41-01-20	4	JAN 20/09
57-41-01- 1D	6	JAN 20/09	57-41-01-20	5	JAN 20/09
57-41-01- 1D	7	JAN 20/09	57-41-01-20	6	JAN 20/09
57-41-01- 1D	8	JAN 20/09	57-41-01-20	7	JAN 20/09

* THE ASTERISK INDICATES PAGES CHANGED OR ADDED BY THE CURRENT REVISION

BRI
MAY 20/09

57 - LIST OF EFFECTIVE PAGES
PAGE 15


BOEING
 757
PARTS CATALOG (MAINTENANCE)

CH-SECT-UNIT-FIG	PAGE NO.	DATE	CH-SECT-UNIT-FIG	PAGE NO.	DATE
57-41-01-20	8	JAN 20/09	57-41-51- 5	7	JAN 20/09
57-41-01-20	9	JAN 20/09	57-41-51- 6	0	MAY 28/07
57-41-01-20	10	JAN 20/09	57-41-51- 6	0A	MAY 28/07
57-41-01-20	11	JAN 20/09	57-41-51- 6	1	JAN 20/09
57-41-01-50	0	MAY 28/07	57-41-51- 6	2	JAN 20/09
57-41-01-50	0A	MAY 28/07	57-41-51- 6	3	JAN 20/09
57-41-01-50	1	JAN 20/09	57-41-51- 6	4	JAN 20/09
57-41-01-50	2	JAN 20/09	57-41-51- 6	5	JAN 20/09
57-41-01-50	3	JAN 20/09	57-41-51- 6	6	JAN 20/09
57-41-01-50	4	JAN 20/09	57-41-51- 6	7	JAN 20/09
57-41-01-50	5	JAN 20/09	57-41-51- 6	8	JAN 20/09
57-41-01-50	6	JAN 20/09	57-41-51-10	0	MAY 28/07
57-41-01-50	7	JAN 20/09	57-41-51-10	0A	MAY 28/07
57-41-01-50	8	JAN 20/09	57-41-51-10	1	JAN 20/09
57-41-01-50	9	JAN 20/09	57-41-51-10	2	JAN 20/09
57-41-01-50	10	JAN 20/09	57-41-51-10	3	JAN 20/09
57-41-01-50	11	JAN 20/09	57-41-51-10	4	JAN 20/09
57-41-01-50	12	JAN 20/09	57-41-51-10	5	JAN 20/09
57-41-01-50	13	JAN 20/09	57-41-51-10	6	JAN 20/09
57-41-02- 1	0	MAY 28/07	57-41-51-11	0	MAY 28/07
57-41-02- 1	0A	MAY 28/07	57-41-51-11	0A	MAY 28/07
57-41-02- 1	1	JAN 20/09	57-41-51-11	1	JAN 20/09
57-41-02- 1	2	JAN 20/09	57-41-51-11	2	JAN 20/09
57-41-02- 1	3	JAN 20/09	57-41-51-11	3	JAN 20/09
57-41-02- 1	4	JAN 20/09	57-41-51-11	4	JAN 20/09
57-41-02- 1	5	JAN 20/09	57-41-51-11	5	JAN 20/09
57-41-02- 1	6	JAN 20/09	57-41-51-11	6	JAN 20/09
57-41-51- 3	0	MAY 28/07	57-41-51-11	7	JAN 20/09
57-41-51- 3	0A	MAY 28/07	57-41-51-11	8	JAN 20/09
57-41-51- 3	1	JAN 20/09	57-41-51-11	9	SEP 20/08
57-41-51- 3	2	JAN 20/09	57-41-51-11	10	JAN 20/09
57-41-51- 3	3	JAN 20/09	57-41-51-11	11	JAN 20/09
57-41-51- 3	4	JAN 20/09	57-41-51-11	12	JAN 20/09
57-41-51- 3	5	JAN 20/09	57-41-51-11	13	JAN 20/09
57-41-51- 3	6	JAN 20/09	57-41-51-11	14	JAN 20/09
*57-41-51- 3	7	MAY 20/09	57-41-51-11	15	SEP 20/08
57-41-51- 3	8	JAN 20/09	57-41-51-23	0	MAY 28/07
57-41-51- 3	9	JAN 20/09	57-41-51-23	0A	MAY 28/07
57-41-51- 3	10	JAN 20/09	57-41-51-23	1	JAN 20/09
57-41-51- 3	11	JAN 20/09	57-41-51-23	2	JAN 20/09
57-41-51- 3	12	JAN 20/09	57-41-51-23	3	JAN 20/09
57-41-51- 3	13	JAN 20/09	57-41-51-23	4	JAN 20/09
57-41-51- 3	14	JAN 20/09	57-41-51-23	5	JAN 20/09
57-41-51- 5	0	MAY 28/07	57-41-51-24	0	JAN 20/09
57-41-51- 5	0A	MAY 28/07	57-41-51-24	1	JAN 20/09
57-41-51- 5	1	JAN 20/09	57-41-51-24	2	JAN 20/09
57-41-51- 5	2	JAN 20/09	57-41-51-24	3	JAN 20/09
57-41-51- 5	3	JAN 20/09	57-41-51-24	4	JAN 20/09
57-41-51- 5	4	JAN 20/09	57-41-51-24	5	JAN 20/09
57-41-51- 5	5	JAN 20/09	57-41-51-24	6	JAN 20/09
57-41-51- 5	6	JAN 20/09	57-41-51-24A	0	JAN 20/09

* THE ASTERISK INDICATES PAGES CHANGED OR ADDED BY THE CURRENT REVISION



757

PARTS CATALOG (MAINTENANCE)

CH-SECT-UNIT-FIG	PAGE NO.	DATE	CH-SECT-UNIT-FIG	PAGE NO.	DATE
57-41-51-24A	0A	JAN 20/09	57-41-51-25	23	JAN 20/09
57-41-51-24A	1	JAN 20/09	57-41-51-25	24	JAN 20/09
57-41-51-24A	2	JAN 20/09	57-41-51-25A	0	MAY 28/07
57-41-51-24A	3	JAN 20/09	57-41-51-25A	0A	MAY 28/07
57-41-51-24A	4	JAN 20/09	57-41-51-25A	0B	MAY 28/07
57-41-51-24B	0	JAN 20/09	57-41-51-25A	0C	MAY 28/07
57-41-51-24B	1	JAN 20/09	57-41-51-25A	0D	MAY 28/07
57-41-51-24B	2	JAN 20/09	57-41-51-25A	0E	MAY 28/07
57-41-51-24B	3	JAN 20/09	57-41-51-25A	1	JAN 20/09
57-41-51-24B	4	JAN 20/09	57-41-51-25A	2	JAN 20/09
57-41-51-24C	0	JAN 20/09	57-41-51-25A	3	JAN 20/09
57-41-51-24C	1	JAN 20/09	57-41-51-25A	4	JAN 20/09
57-41-51-24C	2	JAN 20/09	57-41-51-25A	5	JAN 20/09
57-41-51-24C	3	JAN 20/09	57-41-51-25A	6	JAN 20/09
57-41-51-24C	4	JAN 20/09	57-41-51-25A	7	JAN 20/09
57-41-51-24C	5	JAN 20/09	57-41-51-25A	8	JAN 20/09
57-41-51-24C	6	JAN 20/09	57-41-51-25A	9	JAN 20/09
57-41-51-24D	0	JAN 20/09	57-41-51-25A	10	JAN 20/09
57-41-51-24D	1	JAN 20/09	57-41-51-25A	11	JAN 20/09
57-41-51-24D	2	JAN 20/09	57-41-51-25A	12	JAN 20/09
57-41-51-24D	3	JAN 20/09	57-41-51-25B	0	MAY 28/07
57-41-51-24D	4	JAN 20/09	57-41-51-25B	0A	MAY 28/07
57-41-51-24D	5	JAN 20/09	57-41-51-25B	1	JAN 20/09
57-41-51-24D	6	JAN 20/09	57-41-51-25B	2	JAN 20/09
57-41-51-25	0	MAY 28/07	57-41-51-25B	3	JAN 20/09
57-41-51-25	0A	MAY 28/07	57-41-51-25B	4	JAN 20/09
57-41-51-25	0B	MAY 28/07	57-41-51-25B	5	JAN 20/09
57-41-51-25	0C	MAY 28/07	57-41-51-25B	6	JAN 20/09
57-41-51-25	0D	MAY 28/07	57-41-51-27	0	MAY 28/07
57-41-51-25	1	JAN 20/09	57-41-51-27	0A	MAY 28/07
57-41-51-25	2	JAN 20/09	57-41-51-27	0B	MAY 28/07
57-41-51-25	3	JAN 20/09	57-41-51-27	1	JAN 20/09
57-41-51-25	4	JAN 20/09	57-41-51-27	2	JAN 20/09
57-41-51-25	5	JAN 20/09	57-41-51-27	3	JAN 20/09
57-41-51-25	6	JAN 20/09	57-41-51-27	4	JAN 20/09
57-41-51-25	7	JAN 20/09	57-41-51-27	5	JAN 20/09
57-41-51-25	8	JAN 20/09	57-41-51-27	6	JAN 20/09
57-41-51-25	9	JAN 20/09	57-41-51-27A	0	MAY 28/07
57-41-51-25	10	JAN 20/09	57-41-51-27A	0A	MAY 28/07
57-41-51-25	11	JAN 20/09	57-41-51-27A	0B	MAY 28/07
57-41-51-25	12	JAN 20/09	57-41-51-27A	1	JAN 20/09
57-41-51-25	13	JAN 20/09	57-41-51-27A	2	JAN 20/09
57-41-51-25	14	JAN 20/09	57-41-51-27A	3	JAN 20/09
57-41-51-25	15	JAN 20/09	57-41-51-27A	4	JAN 20/09
57-41-51-25	16	JAN 20/09	57-41-51-27A	5	JAN 20/09
57-41-51-25	17	JAN 20/09	57-41-51-27A	6	JAN 20/09
57-41-51-25	18	JAN 20/09	57-41-51-27A	7	JAN 20/09
57-41-51-25	19	JAN 20/09	57-41-51-27A	8	JAN 20/09
57-41-51-25	20	JAN 20/09	57-41-51-27A	9	JAN 20/09
57-41-51-25	21	JAN 20/09	57-41-51-27A	10	JAN 20/09
57-41-51-25	22	JAN 20/09	57-41-51-27A	11	JAN 20/09

* THE ASTERISK INDICATES PAGES CHANGED OR ADDED BY THE CURRENT REVISION

BRI
MAY 20/09

57 - LIST OF EFFECTIVE PAGES
PAGE 17


BOEING
 757
PARTS CATALOG (MAINTENANCE)

CH-SECT-UNIT-FIG	PAGE NO.	DATE	CH-SECT-UNIT-FIG	PAGE NO.	DATE
57-41-51-27B	0	MAY 28/07	57-41-51-45	1	JAN 20/09
57-41-51-27B	1	JAN 20/09	57-41-51-45	2	JAN 20/09
57-41-51-27B	2	JAN 20/09	57-41-51-50	0	MAY 28/07
57-41-51-27B	3	JAN 20/09	57-41-51-50	1	JAN 20/09
57-41-51-27B	4	JAN 20/09	57-41-51-50	2	JAN 20/09
57-41-51-27B	5	JAN 20/09	57-41-51-50	3	JAN 20/09
57-41-51-27B	6	JAN 20/09	57-41-51-50	4	JAN 20/09
57-41-51-27B	7	JAN 20/09	57-41-51-50	5	JAN 20/09
57-41-51-30	0	MAY 28/07	57-41-51-50	6	JAN 20/09
57-41-51-30	0A	MAY 28/07	57-41-51-50	7	JAN 20/09
57-41-51-30	0B	MAY 28/07	57-41-51-50	8	JAN 20/09
57-41-51-30	0C	MAY 28/07	57-41-53- 1	0	MAY 28/07
57-41-51-30	1	JAN 20/09	57-41-53- 1	0A	MAY 28/07
57-41-51-30	2	JAN 20/09	57-41-53- 1	1	JAN 20/09
57-41-51-30	3	JAN 20/09	57-41-53- 1	2	JAN 20/09
57-41-51-30	4	JAN 20/09	57-41-53- 1	3	JAN 20/09
57-41-51-30	5	JAN 20/09	57-41-53- 1	4	JAN 20/09
57-41-51-30	6	JAN 20/09	57-41-53- 1	5	JAN 20/09
57-41-51-30	7	JAN 20/09	57-41-53- 1	6	JAN 20/09
57-41-51-30	8	JAN 20/09	57-41-53- 1	7	JAN 20/09
57-41-51-30	9	JAN 20/09	57-41-53- 1	8	JAN 20/09
57-41-51-30	10	JAN 20/09	57-41-53- 1	9	JAN 20/09
57-41-51-30	11	JAN 20/09	57-41-53- 1	10	JAN 20/09
57-41-51-30	12	JAN 20/09	57-41-53- 1	11	JAN 20/09
57-41-51-30	13	JAN 20/09	57-41-53- 1	12	JAN 20/09
57-41-51-35	0	MAY 28/07	57-43-00	1	MAY 28/07
57-41-51-35	0A	MAY 28/07	57-43-52- 1	0	MAY 28/07
57-41-51-35	0B	MAY 28/07	57-43-52- 1	0A	MAY 28/07
57-41-51-35	0C	MAY 28/07	57-43-52- 1	0B	MAY 28/07
57-41-51-35	0D	SEP 28/07	57-43-52- 1	1	JAN 20/09
57-41-51-35	1	JAN 20/09	57-43-52- 1	2	JAN 20/09
57-41-51-35	2	JAN 20/09	*57-43-52- 1	3	MAY 20/09
57-41-51-35	3	JAN 20/09	57-43-52- 1	4	JAN 20/09
57-41-51-35	4	JAN 20/09	57-43-52- 1	5	JAN 20/09
57-41-51-35	5	JAN 20/09	*57-43-52- 1	6	MAY 20/09
57-41-51-35	6	JAN 20/09	57-50-00	1	MAY 28/07
57-41-51-35	7	JAN 20/09	57-50-00- 1	0	MAY 28/07
57-41-51-35	8	JAN 20/09	57-50-00- 1	1	JAN 20/09
57-41-51-35	9	JAN 20/09	57-50-00- 1	2	JAN 20/09
57-41-51-35	10	JAN 20/09	57-50-00- 1	3	JAN 20/09
57-41-51-35	11	JAN 20/09	57-50-00- 1	4	JAN 20/09
57-41-51-35	12	JAN 20/09	57-50-00- 1	5	JAN 20/09
57-41-51-35	13	JAN 20/09	57-50-01- 1	0	MAY 28/07
57-41-51-35	14	JAN 20/09	57-50-01- 1	1	JAN 20/09
57-41-51-35	15	JAN 20/09	57-50-01- 1	2	JAN 20/09
57-41-51-35	16	JAN 20/09	57-50-01- 1	3	JAN 20/09
57-41-51-35	17	JAN 20/09	57-50-01- 1	4	JAN 20/09
57-41-51-35	18	JAN 20/09	57-50-01- 1	5	JAN 20/09
57-41-51-35	19	JAN 20/09	57-50-01- 1	6	JAN 20/09
57-41-51-45	0	JAN 20/09	57-50-01- 1	7	JAN 20/09
57-41-51-45	0A	JAN 20/09	57-50-01- 1	8	JAN 20/09

* THE ASTERISK INDICATES PAGES CHANGED OR ADDED BY THE CURRENT REVISION



757

PARTS CATALOG (MAINTENANCE)

CH-SECT-UNIT-FIG	PAGE NO.	DATE
57-50-01- 1	9	JAN 20/09
57-50-01- 1	10	JAN 20/09
57-50-01- 2	0	MAY 28/07
57-50-01- 2	1	JAN 20/09
57-50-01- 2	2	JAN 20/09
57-50-01- 3	0	MAY 28/07
57-50-01- 3	0A	MAY 28/07
57-50-01- 3	0B	MAY 28/07
57-50-01- 3	1	JAN 20/09
57-50-01- 3	2	JAN 20/09
57-50-01- 3	3	JAN 20/09
57-50-01- 3	4	JAN 20/09
57-50-01- 3	5	JAN 20/09
57-50-01- 3	6	JAN 20/09
57-50-01- 3	7	JAN 20/09
57-50-01- 3	8	JAN 20/09
57-50-01- 3	9	JAN 20/09
57-50-01- 3	10	JAN 20/09
57-50-01- 3	11	JAN 20/09
57-50-01- 3	12	JAN 20/09
57-50-01- 3	13	JAN 20/09
57-50-01- 3	14	JAN 20/09
57-51-00	1	MAY 28/07
57-51-01- 1	0	MAY 28/07
57-51-01- 1	1	JAN 20/09
57-51-01- 1	2	JAN 20/09
57-51-01- 1	3	JAN 20/09
57-51-01- 1	4	JAN 20/09
57-51-01- 2	0	MAY 28/07
57-51-01- 2	0A	MAY 28/07
57-51-01- 2	0B	MAY 28/07
57-51-01- 2	1	JAN 20/09
57-51-01- 2	2	JAN 20/09
57-51-01- 2	3	JAN 20/09
57-51-01- 3	0	MAY 28/07
57-51-01- 3	0A	MAY 28/07
57-51-01- 3	0B	MAY 28/07
57-51-01- 3	1	JAN 20/09
57-51-01- 3	2	JAN 20/09
57-51-01- 3	3	JAN 20/09
57-51-01- 3	4	JAN 20/09
57-51-01- 3	5	JAN 20/09
57-51-01- 3	6	JAN 20/09
57-51-01- 3	7	JAN 20/09
57-51-01- 3	8	JAN 20/09
57-51-01- 3	9	JAN 20/09
57-51-01- 3	10	JAN 20/09
57-51-01- 3	11	JAN 20/09
57-51-01- 3	12	JAN 20/09
57-51-01- 3	13	JAN 20/09
57-51-01- 4	0	MAY 28/07

CH-SECT-UNIT-FIG	PAGE NO.	DATE
57-51-01- 4	0A	MAY 28/07
57-51-01- 4	0B	MAY 28/07
57-51-01- 4	0C	MAY 28/07
57-51-01- 4	0D	MAY 28/07
57-51-01- 4	1	JAN 20/09
57-51-01- 4	2	JAN 20/09
57-51-01- 4	3	JAN 20/09
57-51-01- 4	4	JAN 20/09
57-51-01- 4	5	JAN 20/09
57-51-01- 4	6	JAN 20/09
57-51-01- 4	7	JAN 20/09
57-51-01- 4	8	JAN 20/09
57-51-01- 4	9	JAN 20/09
57-51-01- 4	10	JAN 20/09
57-51-01- 4	11	JAN 20/09
57-51-01- 5	0	MAY 28/07
57-51-01- 5	0A	MAY 28/07
57-51-01- 5	0B	MAY 28/07
57-51-01- 5	1	JAN 20/09
57-51-01- 5	2	JAN 20/09
57-51-01- 5	3	JAN 20/09
57-51-01- 5	4	JAN 20/09
57-51-01- 5	5	JAN 20/09
57-51-01- 5	6	JAN 20/09
57-51-01- 5	7	JAN 20/09
57-51-01- 5	8	JAN 20/09
57-51-01- 5	9	JAN 20/09
57-51-01- 5	10	JAN 20/09
57-51-01- 5	11	JAN 20/09
57-51-01- 5	12	JAN 20/09
57-51-01- 5	13	JAN 20/09
57-51-01- 6	0	MAY 28/07
57-51-01- 6	0A	MAY 28/07
57-51-01- 6	0B	MAY 28/07
57-51-01- 6	0C	MAY 28/07
57-51-01- 6	0D	MAY 28/07
57-51-01- 6	0E	MAY 28/07
57-51-01- 6	0F	MAY 28/07
57-51-01- 6	1	JAN 20/09
57-51-01- 6	2	JAN 20/09
57-51-01- 6	3	JAN 20/09
57-51-01- 6	4	JAN 20/09
57-51-01- 6	5	JAN 20/09
57-51-01- 6	6	JAN 20/09
57-51-01- 6	7	JAN 20/09
57-51-01- 6	8	JAN 20/09
57-51-01- 6	9	JAN 20/09
57-51-01- 6	10	JAN 20/09
57-51-01- 6	11	JAN 20/09
57-51-01- 6	12	JAN 20/09
57-51-01- 6	13	JAN 20/09

* THE ASTERISK INDICATES PAGES CHANGED OR ADDED BY THE CURRENT REVISION


BOEING
 757
PARTS CATALOG (MAINTENANCE)

CH-SECT-UNIT-FIG	PAGE NO.	DATE	CH-SECT-UNIT-FIG	PAGE NO.	DATE
57-51-01- 6	14	JAN 20/09	57-51-01- 7	34	JAN 20/09
57-51-01- 6	15	JAN 20/09	57-51-01- 7	35	JAN 20/09
57-51-01- 6	16	JAN 20/09	57-51-01- 7	36	JAN 20/09
57-51-01- 6	17	JAN 20/09	57-51-01- 7	37	JAN 20/09
57-51-01- 6	18	JAN 20/09	57-51-01- 7	38	JAN 20/09
57-51-01- 7	0	MAY 28/07	57-51-01- 7	39	JAN 20/09
57-51-01- 7	0A	MAY 28/07	57-51-01- 7	40	JAN 20/09
57-51-01- 7	0B	MAY 28/07	*57-51-01- 7	41	MAY 20/09
57-51-01- 7	0C	MAY 28/07	*57-51-01- 7	42	MAY 20/09
57-51-01- 7	0D	MAY 28/07	57-51-01- 7	43	JAN 20/09
57-51-01- 7	0E	MAY 28/07	57-51-01- 7	44	JAN 20/09
57-51-01- 7	0F	MAY 28/07	57-51-01- 7	45	JAN 20/09
57-51-01- 7	0G	MAY 28/07	57-51-01- 7	46	JAN 20/09
57-51-01- 7	0H	MAY 28/07	57-51-01- 7	47	JAN 20/09
57-51-01- 7	0I	MAY 28/07	57-51-01- 7	48	JAN 20/09
57-51-01- 7	0J	MAY 28/07	57-51-01- 7	49	JAN 20/09
57-51-01- 7	0K	MAY 28/07	57-51-01- 7	50	JAN 20/09
57-51-01- 7	0L	MAY 28/07	57-51-01- 7	51	JAN 20/09
57-51-01- 7	1	JAN 20/09	57-51-01- 7	52	JAN 20/09
57-51-01- 7	2	JAN 20/09	57-51-01- 7	53	JAN 20/09
57-51-01- 7	3	JAN 20/09	57-51-01- 7A	0	MAY 28/07
57-51-01- 7	4	JAN 20/09	57-51-01- 7A	0A	MAY 28/07
57-51-01- 7	5	JAN 20/09	57-51-01- 7A	0B	MAY 28/07
57-51-01- 7	6	JAN 20/09	57-51-01- 7A	0C	MAY 28/07
57-51-01- 7	7	JAN 20/09	57-51-01- 7A	0D	MAY 28/07
57-51-01- 7	8	JAN 20/09	57-51-01- 7A	0E	MAY 28/07
57-51-01- 7	9	JAN 20/09	57-51-01- 7A	0F	MAY 28/07
57-51-01- 7	10	JAN 20/09	57-51-01- 7A	0G	MAY 28/07
57-51-01- 7	11	JAN 20/09	57-51-01- 7A	0H	MAY 28/07
57-51-01- 7	12	JAN 20/09	57-51-01- 7A	0I	MAY 28/07
57-51-01- 7	13	JAN 20/09	57-51-01- 7A	0J	MAY 28/07
57-51-01- 7	14	JAN 20/09	57-51-01- 7A	0K	MAY 28/07
57-51-01- 7	15	JAN 20/09	57-51-01- 7A	0L	MAY 28/07
57-51-01- 7	16	JAN 20/09	57-51-01- 7A	1	JAN 20/09
57-51-01- 7	17	JAN 20/09	57-51-01- 7A	2	JAN 20/09
57-51-01- 7	18	JAN 20/09	57-51-01- 7A	3	JAN 20/09
57-51-01- 7	19	JAN 20/09	57-51-01- 7A	4	JAN 20/09
57-51-01- 7	20	JAN 20/09	57-51-01- 7A	5	JAN 20/09
57-51-01- 7	21	JAN 20/09	57-51-01- 7A	6	JAN 20/09
57-51-01- 7	22	JAN 20/09	57-51-01- 7A	7	JAN 20/09
57-51-01- 7	23	JAN 20/09	57-51-01- 7A	8	JAN 20/09
57-51-01- 7	24	JAN 20/09	57-51-01- 7A	9	JAN 20/09
57-51-01- 7	25	JAN 20/09	57-51-01- 7A	10	JAN 20/09
57-51-01- 7	26	JAN 20/09	57-51-01- 7A	11	JAN 20/09
57-51-01- 7	27	JAN 20/09	57-51-01- 7A	12	JAN 20/09
57-51-01- 7	28	JAN 20/09	57-51-01- 7A	13	JAN 20/09
57-51-01- 7	29	JAN 20/09	57-51-01- 7A	14	JAN 20/09
57-51-01- 7	30	JAN 20/09	57-51-01- 7A	15	JAN 20/09
57-51-01- 7	31	JAN 20/09	57-51-01- 7A	16	JAN 20/09
57-51-01- 7	32	JAN 20/09	57-51-01- 7A	17	JAN 20/09
57-51-01- 7	33	JAN 20/09	57-51-01- 7A	18	JAN 20/09

* THE ASTERISK INDICATES PAGES CHANGED OR ADDED BY THE CURRENT REVISION



757

PARTS CATALOG (MAINTENANCE)

CH-SECT-UNIT-FIG	PAGE NO.	DATE	CH-SECT-UNIT-FIG	PAGE NO.	DATE
57-51-01- 7A	19	JAN 20/09	57-51-01-10	2	JAN 20/09
57-51-01- 7A	20	JAN 20/09	57-51-01-10	3	JAN 20/09
57-51-01- 7A	21	JAN 20/09	57-51-01-10	4	JAN 20/09
57-51-01- 7A	22	JAN 20/09	57-51-01-10	5	JAN 20/09
57-51-01- 7A	23	JAN 20/09	57-51-01-11	0	MAY 28/07
57-51-01- 7A	24	JAN 20/09	57-51-01-11	0A	MAY 28/07
57-51-01- 7A	25	JAN 20/09	57-51-01-11	0B	MAY 28/07
57-51-01- 7A	26	JAN 20/09	57-51-01-11	0C	MAY 28/07
57-51-01- 7A	27	JAN 20/09	57-51-01-11	0D	MAY 28/07
57-51-01- 7A	28	JAN 20/09	57-51-01-11	1	JAN 20/09
57-51-01- 7A	29	JAN 20/09	57-51-01-11	2	JAN 20/09
57-51-01- 7A	30	JAN 20/09	57-51-01-11	3	JAN 20/09
57-51-01- 7A	31	JAN 20/09	57-51-01-11	4	JAN 20/09
57-51-01- 7A	32	JAN 20/09	57-51-01-11	5	JAN 20/09
57-51-01- 7A	33	JAN 20/09	57-51-01-11	6	JAN 20/09
57-51-01- 7A	34	JAN 20/09	57-51-01-11	7	JAN 20/09
57-51-01- 7A	35	JAN 20/09	57-51-01-11	8	JAN 20/09
57-51-01- 7A	36	JAN 20/09	57-51-10- 1	0	MAY 28/07
57-51-01- 7A	37	JAN 20/09	57-51-10- 1	0A	MAY 28/07
57-51-01- 7A	38	JAN 20/09	57-51-10- 1	0B	MAY 28/07
*57-51-01- 7A	39	MAY 20/09	57-51-10- 1	1	JAN 20/09
*57-51-01- 7A	40	MAY 20/09	57-51-10- 1	2	JAN 20/09
57-51-01- 7A	41	JAN 20/09	57-51-10- 1	3	JAN 20/09
57-51-01- 7A	42	JAN 20/09	57-51-10- 1	4	JAN 20/09
57-51-01- 7A	43	JAN 20/09	57-51-10- 1	5	JAN 20/09
57-51-01- 7A	44	JAN 20/09	57-51-10- 1	6	JAN 20/09
57-51-01- 7A	45	JAN 20/09	57-51-10- 1	7	JAN 20/09
57-51-01- 7A	46	JAN 20/09	57-51-10- 1	8	JAN 20/09
57-51-01- 7A	47	JAN 20/09	57-51-10- 1	9	JAN 20/09
57-51-01- 7A	48	JAN 20/09	57-51-10- 1	10	JAN 20/09
57-51-01- 7A	49	JAN 20/09	57-51-10- 1	11	JAN 20/09
57-51-01- 7A	50	JAN 20/09	57-51-10- 1	12	JAN 20/09
57-51-01- 7A	51	JAN 20/09	57-51-10- 1	13	JAN 20/09
57-51-01- 8	0	MAY 28/07	57-51-10- 1	14	JAN 20/09
57-51-01- 8	0A	MAY 28/07	57-51-10- 1	15	JAN 20/09
57-51-01- 8	0B	MAY 28/07	57-51-10- 1	16	JAN 20/09
57-51-01- 8	1	JAN 20/09	57-51-10- 1	17	JAN 20/09
57-51-01- 8	2	JAN 20/09	57-51-10- 1	18	JAN 20/09
57-51-01- 8	3	JAN 20/09	57-51-10- 1	19	JAN 20/09
57-51-01- 8	4	JAN 20/09	57-51-10- 1	20	JAN 20/09
57-51-01- 8	5	JAN 20/09	57-51-10- 1	21	JAN 20/09
57-51-01- 8	6	JAN 20/09	57-51-10- 1	22	JAN 20/09
57-51-01- 8	7	JAN 20/09	57-51-10- 6	0	JAN 20/09
57-51-01- 9	0	MAY 28/07	57-51-10- 6	0A	JAN 20/09
57-51-01- 9	1	JAN 20/09	57-51-10- 6	0B	JAN 20/09
57-51-01- 9	2	JAN 20/09	57-51-10- 6	0C	JAN 20/09
57-51-01- 9	3	JAN 20/09	57-51-10- 6	0D	JAN 20/09
57-51-01- 9	4	JAN 20/09	57-51-10- 6	0E	JAN 20/09
57-51-01- 9	5	JAN 20/09	57-51-10- 6	0F	JAN 20/09
57-51-01-10	0	MAY 28/07	57-51-10- 6	0G	JAN 20/09
57-51-01-10	1	JAN 20/09	57-51-10- 6	0H	JAN 20/09

* THE ASTERISK INDICATES PAGES CHANGED OR ADDED BY THE CURRENT REVISION


BOEING
 757
PARTS CATALOG (MAINTENANCE)

CH-SECT-UNIT-FIG	PAGE NO.	DATE	CH-SECT-UNIT-FIG	PAGE NO.	DATE
57-51-10- 6	1	JAN 20/09	57-52-01- 1	19	JAN 20/09
57-51-10- 6	2	JAN 20/09	57-52-01- 1	20	JAN 20/09
57-51-10- 6	3	JAN 20/09	57-52-01- 1	21	JAN 20/09
57-51-10- 6	4	JAN 20/09	57-52-01- 1	22	MAY 20/09
57-51-10- 6	5	JAN 20/09	*57-52-01- 1	23	MAY 20/09
57-51-10- 6	6	JAN 20/09	*57-52-01- 1	24	MAY 20/09
57-51-10- 6	7	JAN 20/09	*57-52-01- 1	25	MAY 20/09
57-51-10- 6	8	JAN 20/09	*57-52-01- 1	26	MAY 20/09
57-51-10- 6	9	JAN 20/09	*57-52-01- 1	27	MAY 20/09
57-51-10- 6	10	JAN 20/09	*57-52-01- 1	28	MAY 20/09
57-51-10- 6	11	JAN 20/09	57-53-00	1	MAY 28/07
57-51-10- 6	12	JAN 20/09	57-53-01- 1	0	MAY 28/07
57-51-10- 6	13	JAN 20/09	57-53-01- 1	0A	MAY 28/07
57-51-10- 6	14	JAN 20/09	57-53-01- 1	1	JAN 20/09
57-51-10- 6	15	JAN 20/09	57-53-01- 1	2	JAN 20/09
57-51-10- 6	16	JAN 20/09	57-53-01- 1	3	JAN 20/09
57-51-10- 6	17	JAN 20/09	57-53-01- 1	4	JAN 20/09
57-51-10- 6	18	JAN 20/09	*57-53-01- 1	5	MAY 20/09
57-51-10- 6	19	JAN 20/09	*57-53-01- 1	6	MAY 20/09
57-51-11- 1	0	MAY 28/07	*57-53-01- 1	7	MAY 20/09
57-51-11- 1	0A	MAY 28/07	*57-53-01- 1	8	MAY 20/09
57-51-11- 1	1	JAN 20/09	*57-53-01- 1	9	MAY 20/09
57-51-11- 1	2	JAN 20/09	*57-53-01- 1	10	MAY 20/09
57-51-11- 1	3	JAN 20/09	*57-53-01- 1	11	MAY 20/09
57-51-11- 1	4	JAN 20/09	57-53-01- 1	12	JAN 20/09
57-51-11- 1	5	JAN 20/09	57-53-01- 1	13	JAN 20/09
57-52-00	1	MAY 28/07	57-53-01- 1	14	JAN 20/09
57-52-01- 1	0	MAY 28/07	57-53-01- 1	15	JAN 20/09
57-52-01- 1	0A	MAY 28/07	57-53-01- 1	16	JAN 20/09
57-52-01- 1	0B	MAY 28/07	57-53-01- 1	17	JAN 20/09
57-52-01- 1	0C	MAY 28/07	57-53-01- 1	18	JAN 20/09
57-52-01- 1	0D	MAY 28/07	57-53-01- 1	19	JAN 20/09
57-52-01- 1	0E	MAY 28/07	57-53-01- 1	20	JAN 20/09
57-52-01- 1	1	JAN 20/09	57-53-01- 1	21	JAN 20/09
*57-52-01- 1	2	MAY 20/09	57-53-01- 1	22	JAN 20/09
*57-52-01- 1	3	MAY 20/09	57-53-01- 1	23	JAN 20/09
57-52-01- 1	4	JAN 20/09	57-53-01- 1	24	JAN 20/09
57-52-01- 1	5	JAN 20/09	57-53-01- 1	25	JAN 20/09
*57-52-01- 1	6	MAY 20/09	57-53-01- 1	26	JAN 20/09
57-52-01- 1	7	JAN 20/09	57-53-01- 1	27	JAN 20/09
57-52-01- 1	8	JAN 20/09	57-53-01- 1	28	JAN 20/09
57-52-01- 1	9	JAN 20/09	57-53-01- 1	29	JAN 20/09
57-52-01- 1	10	JAN 20/09	57-53-01- 1	30	JAN 20/09
57-52-01- 1	11	JAN 20/09	57-53-01- 1	31	JAN 20/09
57-52-01- 1	12	JAN 20/09	57-53-01- 1	32	JAN 20/09
57-52-01- 1	13	JAN 20/09	57-53-01- 1	33	JAN 20/09
57-52-01- 1	14	JAN 20/09	57-53-01- 1	34	JAN 20/09
57-52-01- 1	15	JAN 20/09	57-53-01- 1	35	JAN 20/09
*57-52-01- 1	16	MAY 20/09	57-53-01- 1	36	JAN 20/09
57-52-01- 1	17	JAN 20/09	57-53-01- 1	37	JAN 20/09
57-52-01- 1	18	JAN 20/09	57-53-10-51	0	MAY 28/07

* THE ASTERISK INDICATES PAGES CHANGED OR ADDED BY THE CURRENT REVISION

BRI
MAY 20/09

57 - LIST OF EFFECTIVE PAGES
PAGE 22


BOEING
 757
PARTS CATALOG (MAINTENANCE)

CH-SECT-UNIT-FIG	PAGE NO.	DATE	CH-SECT-UNIT-FIG	PAGE NO.	DATE
57-53-10-51	0A	MAY 28/07	57-53-51- 5	7	JAN 20/09
57-53-10-51	0B	MAY 28/07	*57-53-51- 5	8	MAY 20/09
57-53-10-51	0C	MAY 28/07	57-53-51- 5	9	JAN 20/09
57-53-10-51	0D	MAY 28/07	57-53-51- 5	10	JAN 20/09
57-53-10-51	0E	MAY 28/07	57-53-51- 5	11	JAN 20/09
57-53-10-51	0F	MAY 28/07	57-53-51- 5	12	JAN 20/09
57-53-10-51	0G	MAY 28/07	57-53-51- 5	13	JAN 20/09
57-53-10-51	1	JAN 20/09	57-53-52- 1	0	MAY 28/07
57-53-10-51	2	JAN 20/09	57-53-52- 1	1	JAN 20/09
57-53-10-51	3	JAN 20/09	57-53-52- 1	2	SEP 20/08
57-53-10-51	4	JAN 20/09	57-54-00	1	MAY 28/07
57-53-10-51	5	JAN 20/09	57-54-03- 1	0	MAY 28/07
57-53-10-51	6	JAN 20/09	57-54-03- 1	0A	MAY 28/07
57-53-10-51	7	JAN 20/09	57-54-03- 1	1	JAN 20/09
*57-53-10-51	8	MAY 20/09	57-54-03- 1	2	JAN 20/09
57-53-10-51	9	JAN 20/09	57-54-03- 1	3	JAN 20/09
57-53-10-51	10	JAN 20/09	57-54-03- 1	4	JAN 20/09
57-53-10-51	11	JAN 20/09	57-54-03- 1	5	JAN 20/09
57-53-10-51	12	JAN 20/09	57-54-03- 1	6	JAN 20/09
57-53-10-51	13	JAN 20/09	57-54-03- 1	7	JAN 20/09
57-53-10-51	14	JAN 20/09	57-54-03- 1	8	JAN 20/09
57-53-10-51	15	JAN 20/09	57-54-03- 1	9	JAN 20/09
57-53-10-51	16	JAN 20/09	57-54-03- 1	10	JAN 20/09
*57-53-10-51	17	MAY 20/09	57-54-03- 1	11	JAN 20/09
57-53-10-51	18	JAN 20/09	57-54-03- 1	12	JAN 20/09
57-53-10-51	19	JAN 20/09	57-54-03- 1	13	JAN 20/09
57-53-10-51	20	JAN 20/09	57-54-03- 2	0	MAY 28/07
57-53-10-51	21	JAN 20/09	57-54-03- 2	0A	MAY 28/07
57-53-10-51	22	JAN 20/09	57-54-03- 2	0B	MAY 28/07
57-53-10-51	23	JAN 20/09	57-54-03- 2	0C	MAY 28/07
57-53-10-51	24	JAN 20/09	57-54-03- 2	0D	MAY 28/07
57-53-10-51	25	JAN 20/09	57-54-03- 2	0E	MAY 28/07
57-53-10-51	26	JAN 20/09	57-54-03- 2	0F	MAY 28/07
57-53-10-51	27	JAN 20/09	57-54-03- 2	0G	MAY 28/07
57-53-10-51	28	JAN 20/09	57-54-03- 2	1	JAN 20/09
57-53-10-51	29	JAN 20/09	57-54-03- 2	2	JAN 20/09
57-53-10-51	30	JAN 20/09	57-54-03- 2	3	JAN 20/09
57-53-10-51	31	JAN 20/09	57-54-03- 2	4	JAN 20/09
57-53-10-51	32	JAN 20/09	57-54-03- 2	5	JAN 20/09
57-53-10-51	33	JAN 20/09	57-54-03- 2	6	JAN 20/09
57-53-10-51	34	JAN 20/09	57-54-03- 2	7	JAN 20/09
57-53-51- 5	0	SEP 28/07	57-54-03- 2	8	JAN 20/09
57-53-51- 5	0A	MAY 28/07	57-54-03- 2	9	JAN 20/09
57-53-51- 5	0B	MAY 28/07	57-54-03- 2	10	JAN 20/09
57-53-51- 5	0C	MAY 28/07	57-54-03- 2	11	JAN 20/09
57-53-51- 5	1	JAN 20/09	57-54-03- 2	12	JAN 20/09
57-53-51- 5	2	JAN 20/09	57-54-03- 2	13	JAN 20/09
57-53-51- 5	3	JAN 20/09	57-54-03- 2	14	JAN 20/09
57-53-51- 5	4	JAN 20/09	57-54-03- 2	15	JAN 20/09
57-53-51- 5	5	JAN 20/09	57-54-03- 2	16	JAN 20/09
57-53-51- 5	6	JAN 20/09	57-54-03- 2	17	JAN 20/09

* THE ASTERISK INDICATES PAGES CHANGED OR ADDED BY THE CURRENT REVISION



757
PARTS CATALOG (MAINTENANCE)

CH-SECT-UNIT-FIG	PAGE NO.	DATE	CH-SECT-UNIT-FIG	PAGE NO.	DATE
57-54-03- 2	18	JAN 20/09	57-54-03-10	36	JAN 20/09
57-54-03- 2	19	JAN 20/09	57-54-05- 1	0	MAY 28/07
57-54-03- 2	20	JAN 20/09	57-54-05- 1	0A	MAY 28/07
57-54-03- 2	21	JAN 20/09	57-54-05- 1	0B	MAY 28/07
57-54-03- 2	22	JAN 20/09	57-54-05- 1	0C	MAY 28/07
57-54-03- 2	23	JAN 20/09	57-54-05- 1	0D	MAY 28/07
57-54-03- 2	24	JAN 20/09	57-54-05- 1	0E	MAY 28/07
57-54-03- 2	25	JAN 20/09	57-54-05- 1	0F	MAY 28/07
57-54-03- 2	26	JAN 20/09	57-54-05- 1	1	JAN 20/09
57-54-03- 2	27	JAN 20/09	57-54-05- 1	2	JAN 20/09
57-54-03- 2	28	JAN 20/09	57-54-05- 1	3	JAN 20/09
57-54-03- 2	29	JAN 20/09	57-54-05- 1	4	JAN 20/09
57-54-03- 2	30	JAN 20/09	57-54-05- 1	5	JAN 20/09
57-54-03- 2	31	JAN 20/09	57-54-05- 1	6	JAN 20/09
57-54-03-10	0	MAY 28/07	57-54-05- 1	7	JAN 20/09
57-54-03-10	0A	MAY 28/07	57-54-05- 1	8	JAN 20/09
57-54-03-10	1	JAN 20/09	57-54-05- 1	9	JAN 20/09
57-54-03-10	2	JAN 20/09	57-54-05- 1	10	JAN 20/09
57-54-03-10	3	JAN 20/09	57-54-05- 1	11	JAN 20/09
57-54-03-10	4	JAN 20/09	57-54-05- 1	12	JAN 20/09
57-54-03-10	5	JAN 20/09	57-54-05- 1	13	JAN 20/09
57-54-03-10	6	JAN 20/09	57-54-05- 1	14	JAN 20/09
57-54-03-10	7	JAN 20/09	57-54-05- 1	15	JAN 20/09
57-54-03-10	8	JAN 20/09	57-54-05- 1	16	JAN 20/09
57-54-03-10	9	JAN 20/09	*57-54-05- 1	17	MAY 20/09
57-54-03-10	10	JAN 20/09	57-54-05- 1	18	JAN 20/09
57-54-03-10	11	JAN 20/09	57-54-05- 1	19	JAN 20/09
57-54-03-10	12	JAN 20/09	57-54-05- 1	20	JAN 20/09
57-54-03-10	13	JAN 20/09	57-54-05- 1	21	JAN 20/09
57-54-03-10	14	JAN 20/09	57-54-05- 1	22	JAN 20/09
57-54-03-10	15	JAN 20/09	57-54-05- 1	23	JAN 20/09
57-54-03-10	16	JAN 20/09	57-54-05- 1	24	JAN 20/09
57-54-03-10	17	JAN 20/09	57-54-05- 1	25	JAN 20/09
57-54-03-10	18	JAN 20/09	57-54-05- 1A	0	MAY 28/07
57-54-03-10	19	JAN 20/09	57-54-05- 1A	0A	MAY 28/07
57-54-03-10	20	JAN 20/09	57-54-05- 1A	0B	JAN 20/08
57-54-03-10	21	JAN 20/09	57-54-05- 1A	0C	MAY 28/07
57-54-03-10	22	JAN 20/09	57-54-05- 1A	1	JAN 20/09
57-54-03-10	23	JAN 20/09	57-54-05- 1A	2	JAN 20/09
57-54-03-10	24	JAN 20/09	57-54-05- 1A	3	JAN 20/09
57-54-03-10	25	JAN 20/09	57-54-05- 1A	4	JAN 20/09
57-54-03-10	26	JAN 20/09	57-54-05- 1A	5	JAN 20/09
57-54-03-10	27	JAN 20/09	57-54-05- 1A	6	JAN 20/09
57-54-03-10	28	JAN 20/09	57-54-05- 1A	7	JAN 20/09
57-54-03-10	29	JAN 20/09	57-54-05- 1A	8	JAN 20/09
57-54-03-10	30	JAN 20/09	57-54-05- 1A	9	JAN 20/09
57-54-03-10	31	JAN 20/09	57-54-05- 1A	10	JAN 20/09
57-54-03-10	32	JAN 20/09	57-54-05- 1A	11	JAN 20/09
57-54-03-10	33	JAN 20/09	57-54-05- 1A	12	JAN 20/09
57-54-03-10	34	JAN 20/09	57-54-05- 1A	13	JAN 20/09
57-54-03-10	35	JAN 20/09	57-54-05- 1A	14	JAN 20/09

* THE ASTERISK INDICATES PAGES CHANGED OR ADDED BY THE CURRENT REVISION

BRI
MAY 20/09

57 - LIST OF EFFECTIVE PAGES
PAGE 24


BOEING
 757
PARTS CATALOG (MAINTENANCE)

CH-SECT-UNIT-FIG	PAGE NO.	DATE	CH-SECT-UNIT-FIG	PAGE NO.	DATE
57-54-05- 1A	15	JAN 20/09	57-60-51- 1	0B	MAY 28/07
57-54-05- 1A	16	JAN 20/09	57-60-51- 1	1	JAN 20/09
57-54-05- 1A	17	JAN 20/09	57-60-51- 1	2	JAN 20/09
57-54-05- 1A	18	JAN 20/09	57-60-51- 1	3	JAN 20/09
57-54-05- 1A	19	JAN 20/09	57-60-51- 1	4	JAN 20/09
57-54-05- 1A	20	JAN 20/09	57-60-51- 1	5	JAN 20/09
57-54-05- 1A	21	JAN 20/09	57-60-51- 1	6	JAN 20/09
57-54-05- 1A	22	JAN 20/09	57-60-51- 1	7	JAN 20/09
57-54-05- 1A	23	JAN 20/09	57-60-51- 1	8	JAN 20/09
57-54-05- 1A	24	JAN 20/09	57-60-51- 1	9	JAN 20/09
57-54-05- 1A	25	JAN 20/09	57-60-51- 1	10	JAN 20/09
57-54-05- 1A	26	JAN 20/09	57-70-00	1	MAY 28/07
57-54-05- 1A	27	JAN 20/09	57-70-00- 1	0	MAY 28/07
57-54-05- 1A	28	JAN 20/09	57-70-00- 1	0A	MAY 28/07
57-54-05- 1A	29	JAN 20/09	57-70-00- 1	0B	MAY 28/07
57-54-05- 1A	30	JAN 20/09	57-70-00- 1	1	JAN 20/09
57-54-05- 1A	31	JAN 20/09	57-70-00- 1	2	JAN 20/09
57-54-05- 1A	32	JAN 20/09	57-70-00- 1	3	JAN 20/09
57-54-05- 1A	33	JAN 20/09	57-70-00- 1	4	JAN 20/09
57-54-05- 1A	34	JAN 20/09	57-70-00- 1	5	JAN 20/09
57-54-05- 1A	35	JAN 20/09	57-70-00- 1	6	JAN 20/09
57-54-51-20	0	MAY 28/07	57-70-00- 1	7	JAN 20/09
57-54-51-20	1	JAN 20/09	57-70-00- 1	8	JAN 20/09
57-54-51-20	2	JAN 20/09	57-70-00- 1	9	JAN 20/09
57-54-51-25	0	MAY 28/07	57-70-00- 1	10	JAN 20/09
57-54-51-25	1	JAN 20/09	57-70-00- 1	11	JAN 20/09
57-54-51-25	2	JAN 20/09	57-70-00- 1	12	JAN 20/09
57-54-51-25	3	JAN 20/09	57-70-00- 1	13	JAN 20/09
57-54-51-25	4	JAN 20/09	57-70-00- 1	14	JAN 20/09
57-54-51-30	0	MAY 28/07	57-70-00- 1	15	JAN 20/09
57-54-51-30	1	JAN 20/09	57-70-00- 1	16	JAN 20/09
57-54-51-30	2	JAN 20/09	57-70-00- 1	17	JAN 20/09
57-54-51-35	0	MAY 28/07	57-70-00- 1	18	JAN 20/09
57-54-51-35	1	JAN 20/09	57-70-00- 1	19	JAN 20/09
57-54-51-35	2	JAN 20/09	57-70-00- 1	20	JAN 20/09
57-60-00	1	MAY 28/07	57-70-00- 1	21	JAN 20/09
57-60-00-10	0	MAY 28/07	57-70-00- 1	22	JAN 20/09
57-60-00-10	1	JAN 20/09	57-70-00- 1	23	JAN 20/09
57-60-00-10	2	JAN 20/09	57-70-00- 2	0	MAY 28/07
57-60-00-10	3	JAN 20/09	57-70-00- 2	0A	MAY 28/07
57-60-00-10	4	JAN 20/09	57-70-00- 2	0B	MAY 28/07
57-60-00-10	5	JAN 20/09	57-70-00- 2	0C	MAY 28/07
57-60-00-10	6	JAN 20/09	57-70-00- 2	1	JAN 20/09
57-60-00-10	7	JAN 20/09	57-70-00- 2	2	JAN 20/09
57-60-00-10	8	JAN 20/09	57-70-00- 2	3	JAN 20/09
57-60-00-10	9	JAN 20/09	57-70-00- 2	4	JAN 20/09
57-60-00-10	10	JAN 20/09	57-70-00- 2	5	JAN 20/09
57-60-00-10	11	JAN 20/09	57-70-00- 2	6	JAN 20/09
57-60-00-10	12	JAN 20/09	57-70-00- 2	7	JAN 20/09
57-60-51- 1	0	MAY 28/07	57-70-00- 2	8	JAN 20/09
57-60-51- 1	0A	MAY 28/07	57-70-00- 2	9	JAN 20/09

* THE ASTERISK INDICATES PAGES CHANGED OR ADDED BY THE CURRENT REVISION

BRI
MAY 20/09

57 - LIST OF EFFECTIVE PAGES
PAGE 25


BOEING
 757
PARTS CATALOG (MAINTENANCE)

CH-SECT-UNIT-FIG	PAGE NO.	DATE	CH-SECT-UNIT-FIG	PAGE NO.	DATE
57-70-00- 2	10	JAN 20/09	57-70-00- 3	30	JAN 20/09
57-70-00- 2	11	JAN 20/09	57-70-00- 3	31	JAN 20/09
57-70-00- 2	12	JAN 20/09	57-70-00- 3	32	JAN 20/09
57-70-00- 2	13	JAN 20/09	57-70-00- 3	33	JAN 20/09
57-70-00- 2	14	JAN 20/09	57-70-00- 4	0	MAY 28/07
57-70-00- 2	15	JAN 20/09	57-70-00- 4	0A	MAY 28/07
57-70-00- 2	16	JAN 20/09	57-70-00- 4	0B	MAY 28/07
57-70-00- 2	17	JAN 20/09	57-70-00- 4	0C	MAY 28/07
57-70-00- 2	18	JAN 20/09	57-70-00- 4	0D	MAY 28/07
57-70-00- 2	19	JAN 20/09	57-70-00- 4	0E	MAY 28/07
57-70-00- 2	20	JAN 20/09	57-70-00- 4	0F	MAY 28/07
57-70-00- 2	21	JAN 20/09	57-70-00- 4	0G	MAY 28/07
57-70-00- 2	22	JAN 20/09	57-70-00- 4	1	JAN 20/09
57-70-00- 2	23	JAN 20/09	57-70-00- 4	2	JAN 20/09
57-70-00- 2	24	JAN 20/09	57-70-00- 4	3	JAN 20/09
57-70-00- 2	25	JAN 20/09	57-70-00- 4	4	JAN 20/09
57-70-00- 2	26	JAN 20/09	57-70-00- 4	5	JAN 20/09
57-70-00- 3	0	MAY 28/07	57-70-00- 4	6	JAN 20/09
57-70-00- 3	0A	MAY 28/07	57-70-00- 4	7	JAN 20/09
57-70-00- 3	0B	MAY 28/07	57-70-00- 4	8	JAN 20/09
57-70-00- 3	0C	MAY 28/07	57-70-00- 4	9	JAN 20/09
57-70-00- 3	0D	MAY 28/07	57-70-00- 4	10	JAN 20/09
57-70-00- 3	1	JAN 20/09	57-70-00- 4	11	JAN 20/09
57-70-00- 3	2	JAN 20/09	57-70-00- 4	12	JAN 20/09
57-70-00- 3	3	JAN 20/09	57-70-00- 4	13	JAN 20/09
57-70-00- 3	4	JAN 20/09	57-70-00- 4	14	JAN 20/09
57-70-00- 3	5	JAN 20/09	57-70-00- 4	15	JAN 20/09
57-70-00- 3	6	JAN 20/09	57-70-00- 4	16	JAN 20/09
57-70-00- 3	7	JAN 20/09	57-70-00- 4	17	JAN 20/09
57-70-00- 3	8	JAN 20/09	57-70-00- 4	18	JAN 20/09
57-70-00- 3	9	JAN 20/09	57-70-00- 4	19	JAN 20/09
57-70-00- 3	10	JAN 20/09	57-70-00- 4	20	JAN 20/09
57-70-00- 3	11	JAN 20/09	57-70-00- 4	21	JAN 20/09
57-70-00- 3	12	JAN 20/09	57-70-00- 4	22	JAN 20/09
57-70-00- 3	13	JAN 20/09	57-70-00- 4	23	JAN 20/09
57-70-00- 3	14	JAN 20/09	57-70-00- 4	24	JAN 20/09
57-70-00- 3	15	JAN 20/09	57-70-00- 4	25	JAN 20/09
57-70-00- 3	16	JAN 20/09	57-70-00- 4	26	JAN 20/09
57-70-00- 3	17	JAN 20/09	57-70-00- 4	27	JAN 20/09
57-70-00- 3	18	JAN 20/09	57-70-00- 4	28	JAN 20/09
57-70-00- 3	19	JAN 20/09	57-70-00- 4	29	JAN 20/09
57-70-00- 3	20	JAN 20/09	57-70-00- 4	30	JAN 20/09
57-70-00- 3	21	JAN 20/09	*57-70-00- 4	31	MAY 20/09
57-70-00- 3	22	JAN 20/09	57-70-00- 4A	0	MAY 28/07
*57-70-00- 3	23	MAY 20/09	57-70-00- 4A	0A	MAY 28/07
57-70-00- 3	24	JAN 20/09	57-70-00- 4A	0B	MAY 28/07
*57-70-00- 3	25	MAY 20/09	57-70-00- 4A	0C	MAY 28/07
57-70-00- 3	26	JAN 20/09	57-70-00- 4A	0D	MAY 28/07
57-70-00- 3	27	JAN 20/09	57-70-00- 4A	0E	MAY 28/07
57-70-00- 3	28	JAN 20/09	57-70-00- 4A	0F	MAY 28/07
57-70-00- 3	29	JAN 20/09	57-70-00- 4A	0G	MAY 28/07

* THE ASTERISK INDICATES PAGES CHANGED OR ADDED BY THE CURRENT REVISION



757
PARTS CATALOG (MAINTENANCE)

CH-SECT-UNIT-FIG	PAGE NO.	DATE	CH-SECT-UNIT-FIG	PAGE NO.	DATE
57-70-00- 4A	1	JAN 20/09	57-70-01- 1	1	JAN 20/09
57-70-00- 4A	2	JAN 20/09	57-70-01- 1	2	JAN 20/09
57-70-00- 4A	3	JAN 20/09	57-70-01- 1	3	JAN 20/09
57-70-00- 4A	4	JAN 20/09	57-70-01- 1	4	JAN 20/09
57-70-00- 4A	5	JAN 20/09	57-70-01- 1	5	JAN 20/09
57-70-00- 4A	6	JAN 20/09	57-70-01- 1	6	JAN 20/09
57-70-00- 4A	7	JAN 20/09	57-70-01- 1	7	JAN 20/09
57-70-00- 4A	8	JAN 20/09	57-70-01- 1	8	JAN 20/09
57-70-00- 4A	9	JAN 20/09	57-70-01- 1	9	JAN 20/09
57-70-00- 4A	10	JAN 20/09	57-70-01- 1	10	JAN 20/09
57-70-00- 4A	11	JAN 20/09	57-70-01- 1	11	JAN 20/09
57-70-00- 4A	12	JAN 20/09	57-70-01- 1	12	JAN 20/09
57-70-00- 4A	13	JAN 20/09	57-70-01- 1	13	JAN 20/09
57-70-00- 4A	14	JAN 20/09	57-70-01- 1	14	JAN 20/09
57-70-00- 4A	15	JAN 20/09	57-70-01- 1	15	JAN 20/09
57-70-00- 4A	16	JAN 20/09	57-70-01- 1	16	JAN 20/09
57-70-00- 4A	17	JAN 20/09	57-70-01- 1	17	JAN 20/09
57-70-00- 4A	18	JAN 20/09	57-70-01- 1	18	JAN 20/09
57-70-00- 4A	19	JAN 20/09	57-70-01- 1	19	JAN 20/09
57-70-00- 4A	20	JAN 20/09	57-70-01- 1	20	JAN 20/09
57-70-00- 4A	21	JAN 20/09	57-70-01- 1	21	JAN 20/09
57-70-00- 4A	22	JAN 20/09	57-70-01- 1	22	JAN 20/09
57-70-00- 4A	23	JAN 20/09	57-70-01- 1	23	JAN 20/09
57-70-00- 4A	24	JAN 20/09	57-70-01- 1	24	JAN 20/09
57-70-00- 4A	25	JAN 20/09	57-70-01- 1	25	JAN 20/09
57-70-00- 4A	26	JAN 20/09	57-70-01- 1	26	JAN 20/09
57-70-00- 4A	27	JAN 20/09	57-70-01- 1	27	JAN 20/09
57-70-00- 4A	28	JAN 20/09	57-70-01- 1	28	JAN 20/09
57-70-00- 4A	29	JAN 20/09	57-70-01- 1	29	JAN 20/09
57-70-00- 4A	30	JAN 20/09	57-70-01- 1	30	JAN 20/09
*57-70-00- 4A	31	MAY 20/09	57-70-01- 1	31	JAN 20/09
57-70-00- 5	0	MAY 28/07	57-70-01- 1	32	JAN 20/09
57-70-00- 5	0A	MAY 28/07	57-70-01- 2	0	MAY 28/07
57-70-00- 5	0B	MAY 28/07	57-70-01- 2	0A	MAY 28/07
57-70-00- 5	1	JAN 20/09	57-70-01- 2	0B	MAY 28/07
57-70-00- 5	2	JAN 20/09	57-70-01- 2	0C	MAY 28/07
57-70-00- 5	3	JAN 20/09	57-70-01- 2	0D	MAY 28/07
57-70-00- 5	4	JAN 20/09	57-70-01- 2	0E	MAY 28/07
57-70-00- 5	5	JAN 20/09	57-70-01- 2	0F	MAY 28/07
57-70-00- 5	6	JAN 20/09	57-70-01- 2	0G	MAY 28/07
57-70-00- 5	7	JAN 20/09	57-70-01- 2	1	JAN 20/09
57-70-00- 5	8	JAN 20/09	57-70-01- 2	2	JAN 20/09
57-70-00- 5	9	JAN 20/09	57-70-01- 2	3	JAN 20/09
57-70-00- 5	10	SEP 20/08	57-70-01- 2	4	JAN 20/09
57-70-01- 1	0	MAY 28/07	57-70-01- 2	5	JAN 20/09
57-70-01- 1	0A	MAY 28/07	57-70-01- 2	6	JAN 20/09
57-70-01- 1	0B	MAY 28/07	57-70-01- 2	7	JAN 20/09
57-70-01- 1	0C	MAY 28/07	57-70-01- 2	8	JAN 20/09
57-70-01- 1	0D	MAY 28/07	57-70-01- 2	9	JAN 20/09
57-70-01- 1	0E	MAY 28/07	57-70-01- 2	10	JAN 20/09
57-70-01- 1	0F	MAY 28/07	57-70-01- 2	11	JAN 20/09

* THE ASTERISK INDICATES PAGES CHANGED OR ADDED BY THE CURRENT REVISION



BOEING
757
PARTS CATALOG (MAINTENANCE)

CHAPTER 57 — WINGS

TABLE OF CONTENTS

SUBJECT	CC-SS-UU	FIGURE	EFFECT
WINGS - GENERAL	57-00-00		
BRACKET INSTL-REAR SPAR WING IRSS 325.0 - IRSS 345.0	57-00-52	04	101106 108120 504903
COLLECTOR INSTL-WING BOX STRUCTURE	57-00-00	15	101102 108120 504903
COLLECTOR INSTL-WING BOX STRUCTURE	57-00-00	15B	101102 106106 108120 504903
COLLECTOR INSTL-WING BOX STRUCTURE	57-00-00	20	101102 108120 504903
COLLECTOR INSTL-WING LE STRUCTURES	57-00-00	10	101102 108120 504903
COLLECTOR INSTL-WING LE STRUCTURES	57-00-00	10A	101102 108120 504903
COLLECTOR INSTL-WING TE STRUCTURES	57-00-00	05	101102 108120 504903
COLLECTOR INSTL-WING TE STRUCTURES	57-00-00	05B	101102 108120 504903
DECAL INSTL-WING OSS 333.00	57-00-52	03	101106 108120 504903
MLG SUPT BEAM	57-00-52	06	101106 108120 504903
PROVISION INSTL-REAR SPAR WING	57-00-52	05	101102 108108 504903
PROVISION INSTL-REAR SPAR WING	57-00-52	05A	103106 109120

 **BOEING**
757
PARTS CATALOG (MAINTENANCE)

CHAPTER 57 — WINGS

TABLE OF CONTENTS

SUBJECT	CC-SS-UU	FIGURE	EFFECT
PROVISIONS INSTL-WING WIRE	57-00-52	01	002004 006102 107107 121999
WING INSTL-SECT. 10	57-00-00	01	002004 006100 107107 121503 904999

 **BOEING**
757
PARTS CATALOG (MAINTENANCE)

CHAPTER 57 — WINGS

TABLE OF CONTENTS

SUBJECT	CC-SS-UU	FIGURE	EFFECT
CENTER WING	57-10-00		
BEAM INSTL-SECT II, WING LWR INTERNAL	57-10-53	01	101106 108120 504903
DOOR INSTL-BAFFLE SECT. 11 WING	57-10-52	01	101106 108120 504903
FITTING INSTL-SECT. 11 TENSION WING	57-10-51	02	101106 108120 504903
FITTING INSTL-TENSION WING SECT. 11	57-10-51	01A	101106 108120 504903
FITTING INSTL-TENSION WING SECT. 11	57-10-51	01B	101106 108120 504903
FITTING INSTL-TENSION WING SECT. 11	57-10-51	01C	101106 108120 504903
FITTING INSTL-TENSION WING SECT. 11	57-10-51	01D	101106 108120 504903
FITTING INSTL-TENSION WING SECT. 11	57-10-51	01H	101106 108120 504903
GUARD INSTL-FLOOR BEAM CABLE	57-10-51	05	101106 108120 504903
PANEL ASSY-WING CTR SECT. LWR	57-10-01	01	002004 006999
PROVISION INSTL-WIRE	57-10-51	03	103106
STRUCTURE ASSY-WING SECT. 11	57-10-51	01	002004 006100 107107 121503 904999
SPARS	57-12-00		
BRACKET INSTL	57-12-51	03	101106 108120 504903

 **BOEING**
757
PARTS CATALOG (MAINTENANCE)

CHAPTER 57 — WINGS

TABLE OF CONTENTS

SUBJECT	CC-SS-UU	FIGURE	EFFECT
RIB INSTL-INSPAR WING STA 177.50	57-12-01	01	101106 108120 504903
SPAR INSTL-WING SECT. 11 REAR	57-12-51	01	002004 006100 107107 121503 904999
SPAR INSTL-WING SECT. 11 REAR	57-12-51	02	101106 108120 504903


BOEING
 757
PARTS CATALOG (MAINTENANCE)

CHAPTER 57 — WINGS

TABLE OF CONTENTS

SUBJECT	CC-SS-UU	FIGURE	EFFECT
OUTER WING	57-20-00		
PANEL INSTL-WING DRY BAY BARRIER	57-20-51	05	002004 006999
RIB INSTL-L.G. TRUNNION SUPT. W.S. 204.50	57-20-52	01A	101106 108120 504903
STRUCTURE ASSY-MODEL 757 WING	57-20-52	01	002004 006100 107107 121503 904999
STRUCTURE INSTL-UNDERWING FRAME AND SPRT	57-20-51	01	002004 006999
SPARS	57-21-00		
BRACKET INSTL-POWER FEEDER STOP	57-21-51	05	101106 108120 504903
PROVISION INSTL-WIRE REAR SPAR	57-21-51	51A	101106 108120 504903
PROVISIONAL AND MLG E/E HARNESS INSTL-INBD WING REAR SPAR WIRE	57-21-51	51	101106 108120 504903
PROVISIONAL INSTL-WIRE REAR SPAR, WING	57-21-51	50	101106 108120 504903
SPAR ASSY-WING SECT. 12 REAR	57-21-50	01	103106
SPAR INSTL-REAR	57-21-51	04	101102 108120 504903
SPAR INSTL-SECT. 11 WING FRONT	57-21-51	03	002004 006100 107107 121503 904999
SPAR INSTL-SECT. 11 WING FRONT	57-21-51	03A	101106 108120 504903

 **BOEING**
757
PARTS CATALOG (MAINTENANCE)

CHAPTER 57 — WINGS

TABLE OF CONTENTS

SUBJECT	CC-SS-UU	FIGURE	EFFECT
SPAR INSTL-WING SECT. 12 FRONT	57-21-51	01	002004 006102 107107 121999
SPAR INSTL-WING SECT. 12 FRONT	57-21-51	02	108120 505903
SPAR INSTL-WING SECT. 12 FRONT	57-21-51	02A	103105
SPAR INSTL-WING SECT. 12 FRONT	57-21-51	02B	106106
WIRE INSTL-FRONT SPAR GND STUD BUILD-UP	57-21-52	01	002004 006100 103107 121503 904999
OUTBOARD LE SLAT MAIN TRACK SUPPORT RIBS	57-22-00		
BAFFLE INSTL-WING STA 258.5 INSPAR RIB	57-22-52	01	002004 006999
FUEL			
BARRIER INSTL VAPOR	57-22-53	01A	103106
BARRIER INSTL-STA 1037.67 VAPOR	57-22-53	01	002004 006102 107999
LEADING EDGE INSTL- OUTBD WING FXD	57-22-51	50	002004 006102 107999
RIB AND ROLLER INSTL-MAIN TRACK OUTBD	57-22-51	11	103106
FXD LE SPRT			
RIB AND ROLLER INSTL-MAIN TRACK OUTBD	57-22-51	11A	103106
FXD LE SPRT			
RIB INSTL- OUTBD FIXED LE CLOSURE WBL	57-22-51	51	101106 108120 504903
268.90			
RIB INSTL-FXD LE AIRLOAD OUTBD	57-22-51	04	103106
RIB INSTL-FXD LE AIRLOAD OUTBD	57-22-51	41	103106
RIB INSTL-FXD LE AIRLOAD OUTBD	57-22-51	41A	002004 006102 107999
RIB INSTL-FXD LE AIRLOAD OUTBD	57-22-51	41B	002004 006102 107999

 **BOEING**
757
PARTS CATALOG (MAINTENANCE)

CHAPTER 57 — WINGS

TABLE OF CONTENTS

SUBJECT	CC-SS-UU	FIGURE	EFFECT
RIB INSTL-FXD LE AIRLOAD OUTBD	57-22-51	41C	002004 006102 107999
RIB INSTL-FXD LE AIRLOAD OUTBD	57-22-51	41D	002004 006102 107999
RIB INSTL-FXD LE AIRLOAD OUTBD	57-22-51	41F	002004 006102 107999
RIB INSTL-FXD LE AIRLOAD OUTBD	57-22-51	41G	002004 006102 107999
RIB INSTL-FXD LE AIRLOAD OUTBD	57-22-51	41H	002004 006102 107999
RIB INSTL-MAIN TRACK OUTBD FXD LE SPRT	57-22-51	14	103106
RIB INSTL-MAIN TRACK OUTBD FXD LE SPRT	57-22-51	15	002004 006102 107999
RIB INSTL-MAIN TRACK OUTBD FXD LE SPRT	57-22-51	20	002004 006999
RIB INSTL-MAIN TRACK OUTBD FXD LE SPRT	57-22-51	25	002004 006102 107999
RIB INSTL-MAIN TRACK OUTBD FXD LE SPRT	57-22-51	30	002004 006999
RIB INSTL-SUPPORT	57-22-51	02	101102 108120 504903
ROLLER INSTL-OUTBD FXD LE WING	57-22-51	12	103106
ROLLER INSTL-OUTBD FXD LE WING	57-22-51	13	103106
ROPE FITTING INSTL-OUTBD FIXED LE WING	57-22-51	11B	103106
NACELLE STRUT ATTACH FITTING	57-24-00		
FITTING ASSY-INBD SIDE LOAD	57-24-52	01	002004 006999
FITTING ASSY-NAC ATTACHMENT OUTBD SIDELOAD	57-24-53	01	002004 006999
FITTING ASSY-NAC ATTACHMENT OUTBD SIDELOAD	57-24-53	02	106106



BOEING
757
PARTS CATALOG (MAINTENANCE)

CHAPTER 57 — WINGS

TABLE OF CONTENTS

SUBJECT	CC-SS-UU	FIGURE	EFFECT
SUPPORT INSTL-NAC	57-24-51	01	002004 006999
SUPPORT INSTL-NAC	57-24-51	01A	103106
SUPPORT INSTL-NAC	57-24-51	01B	103106
SUPPORT INSTL-NAC	57-24-51	01C	103106
SUPPORT INSTL-NAC	57-24-51	04	101106 108120 504903
VORTEX GENERATORS	57-25-00		
GENERATOR INSTL-WING VORTEX	57-25-01	01	002004 006999
AERODYNAMIC FAIRING	57-26-00		
PANEL INSTL-UNDERWING FAIRING OUTBD	57-26-51	01	002004 006999
ATTACH FITTING	57-27-00		
SPLICE INSTL-SECT. 11 LWR PNL BBL 70.5	57-27-53	01	002004 006999
SPLICE INSTL-SECT. 12 LWR PNL BBL 70.5	57-27-53	02	002004 006999

 **BOEING**
757
PARTS CATALOG (MAINTENANCE)

CHAPTER 57 — WINGS

TABLE OF CONTENTS

SUBJECT	CC-SS-UU	FIGURE	EFFECT
WINGTIP	57-31-00		
TIP ASSY AND INSTL-WING	57-31-01	01	002004 006102 106999
TIP INSTL-WING	57-31-01	04	103106


BOEING
 757
PARTS CATALOG (MAINTENANCE)

CHAPTER 57 — WINGS

TABLE OF CONTENTS

SUBJECT	CC-SS-UU	FIGURE	EFFECT
LEADING EDGE AND LEADING EDGE DEVICES	57-40-00		
LEADING EDGE INSTL-WING INBD FXD	57-40-00	01	002004 006100 107107 121503 904999
PROVISION INSTL-INBD/OUTBD FRONT SPAR WIRE	57-40-51	02	002004 006102 107999
PROVISION INSTL-INBD/OUTBD FRONT SPAR WIRE	57-40-51	03	101101
PROVISION INSTL-WIRE	57-40-51	03A	102102 108120 504903
WING LEADING EDGE	57-41-00		
COVER INSTL-WING LE GAP	57-41-53	01	002004 006999
DOOR INSTL - BLOW-OUT	57-41-51	06	101106 108120 504903
DOOR INSTL-THRM ANTI-ICING DUCT OUTBD FXD LE WING SEAL	57-41-51	05	002004 006999
DOOR INSTL-WING OUTBD LE BLOWOUT	57-41-51	10	002004 006999
PANEL ASSY-OUTBD FXD LE LOWER RH SKIN	57-41-01	01E	101102 108120 504903
PANEL INSTL-LWR WING HONEYCOMB	57-41-01	10	002004 006999
PANEL INSTL-OUTBD FXD LE LOWER RH SKIN	57-41-01	01D	101102 108120 504903
PANEL INSTL-OUTBD FXD LE LWR RH SKIN	57-41-01	01B	103106
PANEL INSTL-OUTBD FXD LE LWR RH SKIN	57-41-01	01C	103106
PANEL INSTL-OUTBD FXD LE LWR SKIN	57-41-01	01	002004 006999



BOEING
757
PARTS CATALOG (MAINTENANCE)

CHAPTER 57 — WINGS

TABLE OF CONTENTS

SUBJECT	CC-SS-UU	FIGURE	EFFECT
PANEL INSTL-OUTBD FXD LE LWR SKIN	57-41-01	01A	002004 006100 107107 121503 904999
PANEL INSTL-OUTBD WING LWR	57-41-01	50	002004 006999
PANEL INSTL-OUTBD WING UPR	57-41-01	20	002004 006999
PANEL INSTL-WING LE INBD LWR SKIN	57-41-01	02	002004 006999
RIB INSTL- WING LE INBD ISS 106.0 SEAL	57-41-51	50	002004 006999
RIB INSTL-ISS 119.00 INBD FXD LE AIRLOAD	57-41-51	23	002004 006102 107999
RIB INSTL-ISS 119.00 INBD FXD LE AIRLOAD	57-41-51	45	103106
RIB INSTL-ISS 150.52 FXD LE AIRLOAD	57-41-51	27A	002004 006102 107999
RIB INSTL-ISS 150.52 INBD FXD LE AIRLOAD	57-41-51	24B	103106
RIB INSTL-ISS 169.00 INBD FXD LE AIRLOAD	57-41-51	24C	103106
RIB INSTL-ISS 169.00 WING FXD LE AIRLOAD	57-41-51	25A	002004 006102 107999
RIB INSTL-ISS 213.30 FXD LE AIRLOAD	57-41-51	25B	002004 006102 107999
RIB INSTL-ISS 213.30 INBD FXD LE AIRLOAD	57-41-51	24D	103106
RIB INSTL-ISS 230.48 FXD LE AIRLOAD	57-41-51	27B	002004 006102 107999
RIB INSTL-ISS 230.48 INBD FXD LE AIRLOAD	57-41-51	24	103106
RIB INSTL-ISS 264.00 INBD FXD LE AIRLOAD	57-41-51	24A	103106
RIB INSTL-ISS 264.00 WING FXD LE AIRLOAD	57-41-51	27	002004 006102 107999
RIB INSTL-WING INBD FXD LE MAIN TRACK SPRT	57-41-51	25	002004 006999


BOEING
 757
PARTS CATALOG (MAINTENANCE)

CHAPTER 57 — WINGS

TABLE OF CONTENTS

SUBJECT	CC-SS-UU	FIGURE	EFFECT
RIB INSTL-WING INBD FXD LE MAIN TRACK SPRT	57-41-51	30	002004 006999
RIB INSTL-WING INBD FXD LE MAIN TRACK SPRT	57-41-51	35	002004 006999
RIB INSTL-WING LE END	57-41-51	03	002004 006999
SLAT ASSY-WING LE OSS 707.00 TO 436.60 (WINGS ONLY)	57-41-51	11	002004 006999
STRAKELET INSTL-WING INBD LE	57-41-02	01	002004 006999
LEADING EDGE SLATS	57-43-00		
SUPPORT INSTL-LE SLAT DRIVE INBD RIB AND INNER BODY TORQUE TUBE	57-43-52	01	002004 006999



BOEING
757
PARTS CATALOG (MAINTENANCE)

CHAPTER 57 — WINGS

TABLE OF CONTENTS

SUBJECT	CC-SS-UU	FIGURE	EFFECT
TRAILING EDGE AND TRAILING EDGE DEVICES	57-50-00		
RIB INSTL-WING TE	57-50-01	02	002004 006999
RIB INSTL-WING TE INBD DEFELECTION CONT	57-50-01	03	002004 006999
RIB INSTL-WING TE OUTBD DEFLECTION	57-50-01	01	002004 006999
STRUCTURE INSTL-WING FXD TE	57-50-00	01	002004 006100 107107 121503 904999
WING TRAILING EDGE	57-51-00		
DAM INSTL-WING TE AIR	57-51-01	11	002004 006100 107107 121503 904999
FAIRING INSTL-AIL. ACTR	57-51-11	01	002004 006999
FAIRING INSTL-WING TE MLG TRUN	57-51-10	06	103106
PANEL INSTL-AIR DAM LWR TE WING WS 440	57-51-01	10	101106 108120 504903
PANEL INSTL-LWR INBD TE	57-51-01	04	002004 006999
PANEL INSTL-LWR INBD TE ACCESS	57-51-01	01	002004 006999
PANEL INSTL-LWR OUTBD TE	57-51-01	06	002004 006999
PANEL INSTL-LWR WS 577	57-51-01	09	101106 108120 504903
PANEL INSTL-UPR INBD TE	57-51-01	03	002004 006999
PANEL INSTL-UPR OUTBD TE	57-51-01	05	002004 006999
SEAL INSTL-WING LWR INBD TE PNL	57-51-01	02	002004 006999

 **BOEING**
757
PARTS CATALOG (MAINTENANCE)

CHAPTER 57 — WINGS

TABLE OF CONTENTS

SUBJECT	CC-SS-UU	FIGURE	EFFECT
SUPPORT INSTL-MLG TRUNNION FAIRING	57-51-10	01	002004 006999
SUPPORT INSTL-WING INBD TE PNL	57-51-01	07	002004 006999
SUPPORT INSTL-WING INBD TE PNL	57-51-01	07A	002004 006999
SUPPORT INSTL-WING OUTBD TE PANEL	57-51-01	08	002004 006999
AILERON HINGE LINK	57-52-00		
RIB INSTL-AIL. HINGE SPRT	57-52-01	01	002004 006999
TRAILING EDGE FLAPS	57-53-00		
FLAP ASSY-INBD TE AFT (WINGS ONLY)	57-53-01	01	002004 006999
FLAP ASSY-OUTBD MAIN (WINGS ONLY)	57-53-10	51	002004 006999
SUPPORT INSTL-INBD MAIN FLAP OUTBD TRACK	57-53-51	05	002004 006999
TRACK INSTL-SPRT FTG BRACE UPR FLAP	57-53-52	01	002004 006999
LANDING GEAR ATTACH FITTINGS AND SUPPORT BEAM	57-54-00		
BEAM INSTL-MLG	57-54-03	02	002004 006999
FITTING INSTL-MLG BEAM STAB. AND ACTR ATTACHMENT SPRT	57-54-03	01	002004 006999
FITTING INSTL-STA 1080 SIDE STRUT FWD PICKUP	57-54-51	20	002004 006999
FITTING INSTL-STA 1120 LG UPLOCK	57-54-51	30	002004 006999
FITTING INSTL-STA 1139.819 LG BEAM ATTACH	57-54-51	35	002004 006999
SUPPORT INSTL-MLG BEAM OUTBD	57-54-03	10	002004 006999
SUPPORT INSTL-MLG FWD TRUN	57-54-05	01	101106 108120 504903

 **BOEING**
757
PARTS CATALOG (MAINTENANCE)

CHAPTER 57 — WINGS

TABLE OF CONTENTS

SUBJECT	CC-SS-UU	FIGURE	EFFECT
SUPPORT INSTL-MLG FWD TRUN	57-54-05	01A	002004 006100 107107 121503 904999
SUPPORT INSTL-SIDE STRUT STAB.	57-54-51	25	002004 006999

 **BOEING**
757
PARTS CATALOG (MAINTENANCE)

CHAPTER 57 — WINGS

TABLE OF CONTENTS

SUBJECT	CC-SS-UU	FIGURE	EFFECT
AILERONS	57-60-00		
FAIRLEAD AND GROMMET INSTL-WING AIL.	57-60-51	01	002004 006999
STIFFENER INSTL-AIL. PWR CONT UNIT	57-60-00	10	002004 006999



BOEING
757
PARTS CATALOG (MAINTENANCE)

CHAPTER 57 — WINGS

TABLE OF CONTENTS

SUBJECT	CC-SS-UU	FIGURE	EFFECT
SPOILERS	57-70-00		
SPOILER INSTL-INBD	57-70-01	01	002004 006999
SPOILER INSTL-OUTBD	57-70-01	02	002004 006999
SUPPORT ASSY-HINGE AND ACTR, SPOILER NO. 2 THRU 4	57-70-00	05	002004 006999
SUPPORT INSTL-WING TE SPOILER NO. 1 THRU 5 (SPOILER NO. 2 THRU 3 ONLY)	57-70-00	02	002004 006999
SUPPORT INSTL-WING TE SPOILER NO. 1 THRU 5 (SPOILER NO. 4 AND 5 ONLY)	57-70-00	04	002004 006999
SUPPORT INSTL-WING TE SPOILER NO. 1 THRU 5 (SPOILER NO. 4 AND 5 ONLY)	57-70-00	04A	002004 006999
SUPPORT INSTL-WING TE SPOILER NO. 1 THRU 5 (SPOILER ONLY)	57-70-00	01	002004 006999
SUPPORT INSTL-WING TE SPOILER NO. 6	57-70-00	03	002004 006999

WINGS - GENERAL

BRI
MAY 28/07

57-00-00
SECTION TITLE
PAGE 1

 **BOEING**
757
PARTS CATALOG (MAINTENANCE)

NON-ILLUSTRATED FIGURE

THE ITEMS REFLECTED IN THIS FIGURE ARE INTENTIONALLY
NON-ILLUSTRATED. THEY ARE REFERENCED TO EITHER A
NEXT HIGHER OR NEXT LOWER ASSEMBLY/INSTALLATION FIGURE.

Y 57000001 SHI 1 REV 080

WING INSTL-SECT. 10
FIGURE 1

57-00-00-01

BRI
MAY 28/07

57-00-00-01
PAGE 0



757

PARTS CATALOG (MAINTENANCE)

FIG ITEM	PART NUMBER	1 2 3 4 5 6 7	NOMENCLATURE	EFFECT FROM TO	UNITS PER ASSY
1			WING INSTL-SECT. 10	002004 006100 107107 121503 904999	
- 1	110N0001-1		WING INSTL- POSITION DATA: SECT. 10	002004 006100 107107 121503 904999	1
- 5	111N0001-1		.STRUCTURE ASSY-WING POSITION DATA: SECT. 11 FOR DETAILS SEE: 57-10-51-01	002004 006100 107107 121503 904999	1
- 10	112N0001-1		.STRUCTURE ASSY-MODEL 757 WING POSITION DATA: LH FOR DETAILS SEE: 57-20-52-01	002004 006100 107107 121503 904999	1
- 15	112N0001-2		.STRUCTURE ASSY-MODEL 757 WING POSITION DATA: RH FOR DETAILS SEE: 57-20-52-01	002004 006100 107107 121503 904999	1
- 20	112N1010-1		.WING INSTL-SPAR WING/BODY JOINT POSITION DATA: REAR LH FOR DETAILS SEE: 53-41-57-01	002004 107107 121503 904949 952952	1
- 20	112N1010-13		.WING INSTL-SPAR WING/BODY JOINT POSITION DATA: REAR LH FOR DETAILS SEE: 53-41-57-01	006100 950951 953999	1
- 25	112N1010-2		.WING INSTL-SPAR WING/BODY JOINT POSITION DATA: REAR RH FOR DETAILS SEE: 53-41-57-01	002004 107107 121503 904949 952952	1

MISSING ITEM NUMBERS NOT APPLICABLE

- ITEM NOT ILLUSTRATED

57-00-00-01

57-00-00
FIG. 01
PAGE 1
JAN 20/09

BRI



757

PARTS CATALOG (MAINTENANCE)

FIG ITEM	PART NUMBER	1 2 3 4 5 6 7	NOMENCLATURE	EFFECT FROM TO	UNITS PER ASSY
1					
- 25	112N1010-14		.WING INSTL-SPAR WING/BODY JOINT POSITION DATA: REAR RH FOR DETAILS SEE: 53-41-57-01	006100 950951 953999	1
- 30	112N1010-3		.SPLICE INSTL-SPAR WING/ BODY JOINT POSITION DATA: REAR LH FOR DETAILS SEE: 53-41-57-01	002004 107107 121503 904949 952952	1
- 30	112N1010-15		.SPLICE INSTL-SPAR WING/ BODY JOINT POSITION DATA: REAR LH FOR DETAILS SEE: 53-41-57-01	006100 950951 953999	1
- 35	112N1010-4		.SPLICE INSTL-SPAR WING/ BODY JOINT POSITION DATA: REAR RH FOR DETAILS SEE: 53-41-57-01	002004 107107 121503 904949 952952	1
- 35	112N1010-16		.SPLICE INSTL-SPAR WING/ BODY JOINT POSITION DATA: REAR RH FOR DETAILS SEE: 53-41-57-01	006100 950951 953999	1
- 40	112N2010-1		.WING INSTL-SPAR WING/BODY JOINT TERM. POSITION DATA: FRONT LH FOR DETAILS SEE: 53-41-57-02	107107 904949	1
- 40	112N2010-9		.WING INSTL-SPAR WING/BODY JOINT TERM. POSITION DATA: FRONT LH FOR DETAILS SEE: 53-41-57-02	002004 006100 121503 950999	1
- 45	112N2010-3		.SPLICE INSTL-SPAR WING/ BODY JOINT TERM. POSITION DATA: FRONT LH FOR DETAILS SEE: 53-41-57-02	107107 904949	1

MISSING ITEM NUMBERS NOT APPLICABLE

- ITEM NOT ILLUSTRATED

BRI

57-00-00-01

BOEING PROPRIETARY - Copyright © - Unpublished Work - See title page for details.

57-00-00
FIG. 01
PAGE 2
JAN 20/09



757

PARTS CATALOG (MAINTENANCE)

FIG ITEM	PART NUMBER	1 2 3 4 5 6 7	NOMENCLATURE	EFFECT FROM TO	UNITS PER ASSY
1					
- 45	112N2010-11		. SPLICE INSTL-SPAR WING/ BODY JOINT TERM. POSITION DATA: FRONT LH FOR DETAILS SEE: 53-41-57-02	002004 006100 121503 950999	1
- 50	112N2010-2		. WING INSTL-SPAR WING/ BODY JOINT TERM. POSITION DATA: FRONT RH FOR DETAILS SEE: 53-41-57-02	107107 904949	1
- 50	112N2010-10		. WING INSTL-SPAR WING/ BODY JOINT TERM. POSITION DATA: FRONT RH FOR DETAILS SEE: 53-41-57-02	002004 006100 121503 950999	1
- 55	112N2010-4		. SPLICE INSTL-SPAR WING/ BODY JOINT TERM. POSITION DATA: FRONT RH FOR DETAILS SEE: 53-41-57-02	107107 904949	1
- 55	112N2010-12		. SPLICE INSTL-SPAR WING/ BODY JOINT TERM. POSITION DATA: FRONT RH FOR DETAILS SEE: 53-41-57-02	002004 006100 121503 950999	1
- 60	112N4301-3		. SPLICE INSTL-PNL POSITION DATA: BODY BL 70.5 LWR LH FOR DETAILS SEE: 57-27-53-01	002004 006100 107107 121503 904999	1
- 65	112N4301-4		. SPLICE INSTL-PNL POSITION DATA: BODY BL 70.5 LWR RH FOR DETAILS SEE: 57-27-53-01	002004 006100 107107 121503 904999	1
- 70	113N1201-1		. SUPPORT INSTL-MAIN FLAP TRACK POSITION DATA: INBD LH FOR DETAILS SEE: 27-51-03-01	002004 006100 107107 121503 904999	1

MISSING ITEM NUMBERS NOT APPLICABLE

- ITEM NOT ILLUSTRATED

57-00-00-01

57-00-00
FIG. 01
PAGE 3
JAN 20/09

BRI



757

PARTS CATALOG (MAINTENANCE)

FIG ITEM	PART NUMBER	1 2 3 4 5 6 7	NOMENCLATURE	EFFECT FROM TO	UNITS PER ASSY
1					
- 75	113N1201-2		.SUPPORT INSTL-MAIN FLAP TRACK POSITION DATA: INBD RH FOR DETAILS SEE: 27-51-03-01	002004 006100 107107 121503 904999	1
- 80	113N2001-1		.FLAP INSTL-TE POSITION DATA: INBD LH FOR DETAILS SEE: 27-51-02-02	002004 006100 107107 121503 904999	1
- 85	113N2001-2		.FLAP INSTL-TE POSITION DATA: INBD RH FOR DETAILS SEE: 27-51-02-02A	002004 006100 107107 121503 904999	1
- 90	113N3001-1		.FLAP INSTL-TE POSITION DATA: OUTBD LH FOR DETAILS SEE: 27-51-14-01	002004 006100 107107 121503 904999	1
- 95	113N3001-2		.FLAP INSTL-TE POSITION DATA: OUTBD RH FOR DETAILS SEE: 27-51-14-01	002004 006100 107107 121503 904999	1
- 100	113N4000-1		.SPOILER INSTL- POSITION DATA: INBD LH FOR DETAILS SEE: 57-70-01-01	002004 107107 121503 904949 952952	1
- 100	113N4000-31		.SPOILER INSTL- POSITION DATA: INBD LH FOR DETAILS SEE: 57-70-01-01	006100 950951 953999	1
- 105	113N4000-2		.SPOILER INSTL- POSITION DATA: INBD RH FOR DETAILS SEE: 57-70-01-01	002004 107107 121503 904949 952952	1
- 105	113N4000-32		.SPOILER INSTL- POSITION DATA: INBD RH FOR DETAILS SEE: 57-70-01-01	006100 950951 953999	1

MISSING ITEM NUMBERS NOT APPLICABLE

- ITEM NOT ILLUSTRATED

57-00-00-01

57-00-00
FIG. 01
PAGE 4
JAN 20/09

BRI



757

PARTS CATALOG (MAINTENANCE)

FIG ITEM	PART NUMBER	1 2 3 4 5 6 7	NOMENCLATURE	EFFECT FROM TO	UNITS PER ASSY
1					
- 110	113N5000-1	.	SPOILER INSTL- POSITION DATA: OUTBD LH FOR DETAILS SEE: 57-70-01-02	002004 107107 121503 904949 952952	1
- 110	113N5000-39	.	SPOILER INSTL- POSITION DATA: OUTBD LH FOR DETAILS SEE: 57-70-01-02	006017 950951 953999	1
- 110	113N5000-97	.	SPOILER INSTL- POSITION DATA: OUTBD LH FOR DETAILS SEE: 57-70-01-02	018100	1
- 115	113N5000-2	.	SPOILER INSTL- POSITION DATA: OUTBD RH FOR DETAILS SEE: 57-70-01-02	002004 107107 121503 904949 952952	1
- 115	113N5000-40	.	SPOILER INSTL- POSITION DATA: OUTBD RH FOR DETAILS SEE: 57-70-01-02	006017 950951 953999	1
- 115	113N5000-98	.	SPOILER INSTL- POSITION DATA: OUTBD RH FOR DETAILS SEE: 57-70-01-02	018100	1
- 120	113N7000-1	.	AILERON INSTL- POSITION DATA: LH FOR DETAILS SEE: 27-11-21-01	002004 006100 107107 121503 904999	1
- 125	113N7000-2	.	AILERON INSTL- POSITION DATA: RH FOR DETAILS SEE: 27-11-21-01	002004 006100 107107 121503 904999	1
- 130	113N8100-1	.	DOOR INSTL-MLG STRUT POSITION DATA: LH FOR DETAILS SEE: 32-12-04-02	107107	1
- 130	113N8100-13	.	DOOR INSTL-MLG STRUT FOR DETAILS SEE: 32-12-04-02	002004 006100 121503 904999	1

MISSING ITEM NUMBERS NOT APPLICABLE

- ITEM NOT ILLUSTRATED

57-00-00-01

57-00-00
FIG. 01
PAGE 5
JAN 20/09

BRI



757

PARTS CATALOG (MAINTENANCE)

FIG ITEM	PART NUMBER	1 2 3 4 5 6 7	NOMENCLATURE	EFFECT FROM TO	UNITS PER ASSY
1					
- 135	113N8100-2		.DOOR INSTL-MLG STRUT POSITION DATA: RH FOR DETAILS SEE: 32-12-04-02	107107	1
- 135	113N8100-14		.DOOR INSTL-MLG STRUT FOR DETAILS SEE: 32-12-04-02	002004 006100 121503 904999	1
- 140	114N3001-1		.SLAT INSTL-WING LE NO. 5 POSITION DATA: INBD LH FOR DETAILS SEE: 27-81-01-01	002004 006100 107107 121503 904999	1
- 145	114N3001-2		.SLAT INSTL-WING LE NO. 6 POSITION DATA: INBD RH FOR DETAILS SEE: 27-81-01-01	002004 006100 107107 121503 904999	1
- 150	114N4001-1		.SLAT INSTL-WING LE POSITION DATA: OUTBD LH FOR DETAILS SEE: 27-81-02-05	002004 006100 107107 121503 904999	1
- 155	114N4001-2		.SLAT INSTL-WING LE POSITION DATA: OUTBD RH FOR DETAILS SEE: 27-81-02-05A	002004 006100 107107 121503 904999	1
- 220	119N0001-1		.TIP INSTL-WING POSITION DATA: LH FOR DETAILS SEE: 57-31-01-01	107107	1
- 220	119N0001-7		.TIP INSTL-WING POSITION DATA: LH FOR DETAILS SEE: 57-31-01-01	002004 006100 121503 904999	1
- 225	119N0001-2		.TIP INSTL-WING POSITION DATA: LH FOR DETAILS SEE: 57-31-01-01	107107	1
- 225	119N0001-8		.TIP INSTL-WING POSITION DATA: RH FOR DETAILS SEE: 57-31-01-01	002004 006100 121503 904999	1

MISSING ITEM NUMBERS NOT APPLICABLE

- ITEM NOT ILLUSTRATED

57-00-00-01

57-00-00
FIG. 01
PAGE 6
JAN 20/09

BRI



757

PARTS CATALOG (MAINTENANCE)

FIG ITEM	PART NUMBER	1 2 3 4 5 6 7	NOMENCLATURE	EFFECT FROM TO	UNITS PER ASSY
1					
- 230	113N1750-1		.FAIRING INSTL-MAIN FLAP POSITION DATA: INBD LH FOR DETAILS SEE: 27-51-30-01	107107	1
- 230	113N1750-15		.FAIRING INSTL-MAIN FLAP POSITION DATA: INBD LH FOR DETAILS SEE: 27-51-30-01	002004 121503 904949 952952	1
- 230	113N1750-21		.FAIRING INSTL-MAIN FLAP POSITION DATA: INBD LH FOR DETAILS SEE: 27-51-30-01	006100 950951 953999	1
- 235	113N1750-2		.FAIRING INSTL-MAIN FLAP POSITION DATA: INBD RH FOR DETAILS SEE: 27-51-30-01	107107	1
- 235	113N1750-16		.FAIRING INSTL-MAIN FLAP POSITION DATA: INBD RH FOR DETAILS SEE: 27-51-30-01	002004 121503 904949 952952	1
- 235	113N1750-22		.FAIRING INSTL-MAIN FLAP POSITION DATA: INBD RH FOR DETAILS SEE: 27-51-30-01	006100 950951 953999	1
- 240	113N1780-9		.PLATE INSTL-TE FLAP SEAL POSITION DATA: INBD LH FOR DETAILS SEE: 27-50-51-01	107107	1
- 240	113N1780-23		.PLATE INSTL-TE FLAP SEAL POSITION DATA: INBD LH FOR DETAILS SEE: 27-50-51-01	002004 006100 121503 904999	1
- 245	113N1780-10		.PLATE INSTL-TE FLAP SEAL POSITION DATA: INBD RH FOR DETAILS SEE: 27-50-51-01	107107	1

MISSING ITEM NUMBERS NOT APPLICABLE

- ITEM NOT ILLUSTRATED

BRI

57-00-00-01

BOEING PROPRIETARY - Copyright © - Unpublished Work - See title page for details.

57-00-00
FIG. 01
PAGE 7
JAN 20/09



757

PARTS CATALOG (MAINTENANCE)

FIG ITEM	PART NUMBER	1 2 3 4 5 6 7	NOMENCLATURE	EFFECT FROM TO	UNITS PER ASSY
1					
- 245	113N1780-24		.PLATE INSTL-TE FLAP SEAL POSITION DATA: INBD RH FOR DETAILS SEE: 27-50-51-01	002004 006100 121503 904999	1
- 250	113N1900-1		.FAIRING INSTL-AIL. ACTR POSITION DATA: LH FOR DETAILS SEE: 57-51-11-01	002004 006100 107107 121503 904999	1
- 255	113N1900-2		.FAIRING INSTL-AIL. ACTR POSITION DATA: RH FOR DETAILS SEE: 57-51-11-01	002004 006100 107107 121503 904999	1

MISSING ITEM NUMBERS NOT APPLICABLE

- ITEM NOT ILLUSTRATED

BRI

57-00-00-01

BOEING PROPRIETARY - Copyright © - Unpublished Work - See title page for details.

57-00-00
FIG. 01
PAGE 8
JAN 20/09

 **BOEING**
757
PARTS CATALOG (MAINTENANCE)

NON-ILLUSTRATED FIGURE

THE ITEMS REFLECTED IN THIS FIGURE ARE INTENTIONALLY
NON-ILLUSTRATED. THEY ARE REFERENCED TO EITHER A
NEXT HIGHER OR NEXT LOWER ASSEMBLY/INSTALLATION FIGURE.

COLLECTOR INSTL-WING TE STRUCTURES
FIGURE 5

57-00-00-05

BRI
MAY 28/07

57-00-00-05
PAGE 0



757

PARTS CATALOG (MAINTENANCE)

FIG ITEM	PART NUMBER	1 2 3 4 5 6 7	NOMENCLATURE	EFFECT FROM TO	UNITS PER ASSY
5			COLLECTOR INSTL-WING TE STRUCTURES	101102 108120 504903	
- 1	113N0005-201		COLLECTOR INSTL-WING TE STRUCTURES	101102 108120 504903	1
- 5	113N1001-201		.BEAM INSTL-MLG POSITION DATA: LH FOR DETAILS SEE: 57-54-03-02	101102 108120 504903	1
- 10	113N1001-202		.BEAM INSTL-MLG POSITION DATA: RH FOR DETAILS SEE: 57-54-03-02	101102 108120 504903	1
- 15	113N1050-401		.SUPPORT INSTL-MLG BEAM POSITION DATA: OUTBD LH FOR DETAILS SEE: 57-54-03-10	101101	1
- 15	113N1050-201		.SUPPORT INSTL-MLG BEAM POSITION DATA: OUTBD LH FOR DETAILS SEE: 57-54-03-10	102102 504903	1
- 15	113N1050-203		.SUPPORT INSTL-MLG BEAM POSITION DATA: OUTBD LH FOR DETAILS SEE: 57-54-03-10	108120	1
- 20	113N1050-402		.SUPPORT INSTL-MLG BEAM POSITION DATA: OUTBD RH FOR DETAILS SEE: 57-54-03-10	101101	1
- 20	113N1050-202		.SUPPORT INSTL-MLG BEAM POSITION DATA: OUTBD RH FOR DETAILS SEE: 57-54-03-10	102102 504903	1
- 20	113N1050-204		.SUPPORT INSTL-MLG BEAM POSITION DATA: OUTBD RH FOR DETAILS SEE: 57-54-03-10	108120	1

MISSING ITEM NUMBERS NOT APPLICABLE

- ITEM NOT ILLUSTRATED

57-00-00-05

57-00-00
FIG. 05
PAGE 1
JAN 20/09

BRI



757

PARTS CATALOG (MAINTENANCE)

FIG ITEM	PART NUMBER	1 2 3 4 5 6 7	NOMENCLATURE	EFFECT FROM TO	UNITS PER ASSY
5					
- 25	113N1060-201		.SUPPORT INSTL-MLG TRUN POSITION DATA: FWD LH FOR DETAILS SEE: 57-54-05-01	101102 504903	1
- 25	113N1060-203		.SUPPORT INSTL-MLG TRUN POSITION DATA: FWD LH FOR DETAILS SEE: 57-54-05-01	108120	1
- 30	113N1060-202		.SUPPORT INSTL-MLG TRUN POSITION DATA: FWD RH FOR DETAILS SEE: 57-54-05-01	101102 504903	1
- 30	113N1060-204		.SUPPORT INSTL-MLG TRUN POSITION DATA: FWD RH FOR DETAILS SEE: 57-54-05-01	108120	1
- 35	113N1090-401		.FITTING INSTL-MLG BEAM STAB. AND ACTR ATTACHMEN SPRT POSITION DATA: LH FOR DETAILS SEE: 57-54-03-01	101102 108120 504903	1
- 40	113N1090-402		.FITTING INSTL-MLG BEAM STAB. AND ACTR ATTACHMEN SPRT POSITION DATA: RH FOR DETAILS SEE: 57-54-03-01	101102 108120 504903	1
- 45	113N1100-401		.FITTING INSTL-MLG JURY AND BEAM STAB. SPRT POSITION DATA: LH FOR DETAILS SEE: 32-11-04-01	101102 108120 504903	1
- 50	113N1100-402		.FITTING INSTL-MLG JURY AND BEAM STAB. SPRT POSITION DATA: RH FOR DETAILS SEE: 32-11-04-01	101102 108120 504903	1

MISSING ITEM NUMBERS NOT APPLICABLE

- ITEM NOT ILLUSTRATED

57-00-00-05

57-00-00
FIG. 05
PAGE 2
JAN 20/09

BRI



757

PARTS CATALOG (MAINTENANCE)

FIG ITEM	PART NUMBER	1 2 3 4 5 6 7	NOMENCLATURE	EFFECT FROM TO	UNITS PER ASSY
5					
- 55	113N1200-401		.SUPPORT INSTL- POSITION DATA: INBD MAIN FLAP OUTBD TRACK LH FOR DETAILS SEE: 57-53-51-05	101102 108120 504903	1
- 60	113N1200-402		.SUPPORT INSTL- POSITION DATA: INBD MAIN FLAP OUTBD TRACK RH FOR DETAILS SEE: 57-53-51-05	101102 108120 504903	1
- 65	113N1201-401		.SUPPORT INSTL- POSITION DATA: INBD MAIN FLAP INBD TRACK LH FOR DETAILS SEE: 27-51-03-01	101101	1
- 65	113N1201-201		.SUPPORT INSTL- POSITION DATA: INBD MAIN FLAP INBD TRACK LH FOR DETAILS SEE: 27-51-03-01	102102 108120 504903	1
- 70	113N1201-402		.SUPPORT INSTL- POSITION DATA: INBD MAIN FLAP INBD TRACK RH FOR DETAILS SEE: 27-51-03-01	101101	1
- 70	113N1201-202		.SUPPORT INSTL- POSITION DATA: INBD MAIN FLAP INBD TRACK RH FOR DETAILS SEE: 27-51-03-01	102102 108120 504903	1
- 75	113N1300-209		.TRACK INSTL-FLAP POSITION DATA: OUTBD LH FOR DETAILS SEE: 27-51-15-05	101102 108120 504903	1
- 80	113N1300-210		.TRACK INSTL-FLAP POSITION DATA: OUTBD RH FOR DETAILS SEE: 27-51-15-05	101102 108120 504903	1

MISSING ITEM NUMBERS NOT APPLICABLE

- ITEM NOT ILLUSTRATED

57-00-00-05

57-00-00
FIG. 05
PAGE 3
JAN 20/09

BRI

BOEING PROPRIETARY - Copyright © - Unpublished Work - See title page for details.



757

PARTS CATALOG (MAINTENANCE)

FIG ITEM	PART NUMBER	1 2 3 4 5 6 7	NOMENCLATURE	EFFECT FROM TO	UNITS PER ASSY
5					
- 85	113N1300-203		.TRACK INSTL-FLAP POSITION DATA: OUTBD LH FOR DETAILS SEE: 27-51-15-05	101102 108120 504903	1
- 90	113N1300-204		.TRACK INSTL-FLAP POSITION DATA: OUTBD RH FOR DETAILS SEE: 27-51-15-05	101102 108120 504903	1
- 95	113N1300-211		.FITTING INSTL- POSITION DATA: WING BL 361.00 OUTBD FLAP LH FOR DETAILS SEE: 27-51-15-06A	101102 108120 504903	1
- 100	113N1300-212		.FITTING INSTL- POSITION DATA: WING BL 361.00 OUTBD FLAP RH FOR DETAILS SEE: 27-51-15-06A	101102 108120 504903	1
- 105	113N1300-213		.FITTING INSTL- POSITION DATA: WING BL 490.778 OUTBD FLAP LH FOR DETAILS SEE: 27-51-15-06A	101102 108120 504903	1
- 110	113N1300-214		.FITTING INSTL- POSITION DATA: WING BL 490.778 OUTBD FLAP RH FOR DETAILS SEE: 27-51-15-06A	101102 108120 504903	1
- 115	113N1350-13		.RIB INSTL-WING TE DEFLECTION CONT POSITION DATA: INBD LH FOR DETAILS SEE: 57-50-01-03	101102 108120 504903	1
- 120	113N1350-14		.RIB INSTL-WING TE DEFLECTION CONT POSITION DATA: INBD RH FOR DETAILS SEE: 57-50-01-03	101102 108120 504903	1

MISSING ITEM NUMBERS NOT APPLICABLE

- ITEM NOT ILLUSTRATED

57-00-00-05

57-00-00
FIG. 05
PAGE 4
JAN 20/09

BRI



757

PARTS CATALOG (MAINTENANCE)

FIG ITEM	PART NUMBER	1 2 3 4 5 6 7	NOMENCLATURE	EFFECT FROM TO	UNITS PER ASSY
5					
- 135	113N1400-201		.SUPPORT INSTL-TE SPOILER NO. 1 THRU 5 POSITION DATA: LH SIDE FOR DETAILS SEE: 57-70-00-01 57-70-00-02 57-70-00-04	101102 504504	1
- 135	113N1400-203		.SUPPORT INSTL-TE SPOILER NO. 1 THRU 5 POSITION DATA: LH SIDE FOR DETAILS SEE: 57-70-00-01 57-70-00-02 57-70-00-04	505903	1
- 135	113N1400-207		.SUPPORT INSTL-TE SPOILER NO. 1 THRU 5 POSITION DATA: LH SIDE FOR DETAILS SEE: 57-70-00-01 57-70-00-02 57-70-00-04	108120	1
- 140	113N1400-202		.SUPPORT INSTL-TE SPOILER NO. 1 THRU 5 POSITION DATA: RH SIDE FOR DETAILS SEE: 57-70-00-01 57-70-00-02 57-70-00-04A	101102 504504	1
- 140	113N1400-204		.SUPPORT INSTL-TE SPOILER NO. 1 THRU 5 POSITION DATA: RH SIDE FOR DETAILS SEE: 57-70-00-01 57-70-00-02 57-70-00-04A	505903	1
- 140	113N1400-208		.SUPPORT INSTL-TE SPOILER NO. 1 THRU 5 POSITION DATA: RH SIDE FOR DETAILS SEE: 57-70-00-01 57-70-00-02 57-70-00-04A	108120	1

MISSING ITEM NUMBERS NOT APPLICABLE

- ITEM NOT ILLUSTRATED

57-00-00-05

57-00-00
FIG. 05
PAGE 5
JAN 20/09

BRI



757

PARTS CATALOG (MAINTENANCE)

FIG ITEM	PART NUMBER	1 2 3 4 5 6 7	NOMENCLATURE	EFFECT FROM TO	UNITS PER ASSY
5					
- 145	113N1401-201		.SUPPORT INSTL-WING TE SPOILER NO. 6 POSITION DATA: LH FOR DETAILS SEE: 57-70-00-03	101102 108120 504903	1
- 150	113N1401-202		.SUPPORT INSTL-WING TE SPOILER NO. 6 POSITION DATA: RH FOR DETAILS SEE: 57-70-00-03	101102 108120 504903	1
- 157	113N1500-405		.RIB INSTL-AIL. HINGE SPRT POSITION DATA: LH FOR DETAILS SEE: 57-52-01-01	101102 108120 504903	1
- 163	113N1500-406		.RIB INSTL-AIL. HINGE SPRT POSITION DATA: RH FOR DETAILS SEE: 57-52-01-01	101102 108120 504903	1
- 185	113N1630-201		.SUPPORT INSTL- POSITION DATA: WING INBD TE PNL LH FOR DETAILS SEE: 57-51-01-07	101102 108120 504903	1
- 190	113N1630-202		.SUPPORT INSTL- POSITION DATA: WING INBD TE PNL RH FOR DETAILS SEE: 57-51-01-07A	101102 108120 504903	1
- 215	113N1660-401		.SUPPORT INSTL-WING TE PNL POSITION DATA: OUTBD LH FOR DETAILS SEE: 57-51-01-08	101102 108120 504903	1
- 220	113N1660-402		.SUPPORT INSTL-WING TE PNL POSITION DATA: OUTBD RH FOR DETAILS SEE: 57-51-01-08	101102 108120 504903	1

MISSING ITEM NUMBERS NOT APPLICABLE

- ITEM NOT ILLUSTRATED

57-00-00-05

57-00-00
FIG. 05
PAGE 6
JAN 20/09

BRI



757

PARTS CATALOG (MAINTENANCE)

FIG ITEM	PART NUMBER	1 2 3 4 5 6 7	NOMENCLATURE	EFFECT FROM TO	UNITS PER ASSY
5					
- 225	113N1710-201		. FAIRING INSTL-TE FLAP TRACK POSITION DATA: OUTBD LH FOR DETAILS SEE: 27-51-31-01	101102 108120 504903	1
- 230	113N1710-202		. FAIRING INSTL-TE FLAP TRACK POSITION DATA: OUTBD RH FOR DETAILS SEE: 27-51-31-01	101102 108120 504903	1
- 235	113N1730-201		. FAIRING INSTL-OUTBD TE FLAP POSITION DATA: INBD TRACK LH FOR DETAILS SEE: 27-51-31-02	101102 108120 504903	1
- 240	113N1730-202		. FAIRING INSTL-OUTBD TE FLAP POSITION DATA: INBD TRACK RH FOR DETAILS SEE: 27-51-31-02	101102 108120 504903	1
- 245	113N1750-403		. FAIRING INSTL-MAIN FLAP POSITION DATA: INBD LH FOR DETAILS SEE: 27-51-30-01	101102 108120 504903	1
- 245	113N1750-401		. FAIRING INSTL-MAIN FLAP POSITION DATA: INBD LH FOR DETAILS SEE: 27-51-30-01	101102 108120 504903	1
- 250	113N1750-404		. FAIRING INSTL-MAIN FLAP POSITION DATA: INBD RH FOR DETAILS SEE: 27-51-30-01	101102 108120 504903	1
- 250	113N1750-402		. FAIRING INSTL-MAIN FLAP POSITION DATA: INBD RH FOR DETAILS SEE: 27-51-30-01	101102 108120 504903	1

MISSING ITEM NUMBERS NOT APPLICABLE

- ITEM NOT ILLUSTRATED

57-00-00-05

57-00-00
FIG. 05
PAGE 7
JAN 20/09

BRI



757

PARTS CATALOG (MAINTENANCE)

FIG ITEM	PART NUMBER	1 2 3 4 5 6 7	NOMENCLATURE	EFFECT FROM TO	UNITS PER ASSY
5					
- 255	113N1800-405		.FAIRING INSTL-WING TE MLG TRUN POSITION DATA: LH FOR DETAILS SEE: 32-12-10-01	101102 108120 504903	1
- 255	113N1800-403		.FAIRING INSTL-WING TE MLG TRUN POSITION DATA: LH FOR DETAILS SEE: 32-12-10-01	101102 504903	1
- 255	113N1800-407		.FAIRING INSTL-WING TE MLG TRUN POSITION DATA: LH FOR DETAILS SEE: 32-12-10-01	108120	1
- 260	113N1800-406		.FAIRING INSTL-WING TE MLG TRUN POSITION DATA: RH FOR DETAILS SEE: 32-12-10-01	101102 108120 504903	1
- 260	113N1800-404		.FAIRING INSTL-WING TE MLG TRUN POSITION DATA: RH FOR DETAILS SEE: 32-12-10-01	101102 504903	1
- 260	113N1800-408		.FAIRING INSTL-WING TE MLG TRUN POSITION DATA: RH FOR DETAILS SEE: 32-12-10-01	108120	1
- 295	113N1944-401		.PANEL INSTL- POSITION DATA: LWR WS 577 LH SIDE FOR DETAILS SEE: 57-51-01-09	101102 108120 504903	1
- 300	113N1944-402		.PANEL INSTL- POSITION DATA: LWR WS 577 RH SIDE FOR DETAILS SEE: 57-51-01-09	101102 108120 504903	1

MISSING ITEM NUMBERS NOT APPLICABLE

- ITEM NOT ILLUSTRATED

57-00-00-05

57-00-00
FIG. 05
PAGE 8
JAN 20/09

BRI

BOEING PROPRIETARY - Copyright © - Unpublished Work - See title page for details.



757

PARTS CATALOG (MAINTENANCE)

FIG ITEM	PART NUMBER	1 2 3 4 5 6 7	NOMENCLATURE	EFFECT FROM TO	UNITS PER ASSY
5					
- 305	113N1945-401		.PANEL INSTL-AIR DAM WING TE POSITION DATA: LWR WS 440 LH FOR DETAILS SEE: 57-51-01-10	101102 108120 504903	1
- 310	113N1945-402		.PANEL INSTL-AIR DAM WING TE POSITION DATA: LWR WS 440 RH FOR DETAILS SEE: 57-51-01-10	101102 108120 504903	1
- 335	113N2001-203		.FLAP INSTL-TE POSITION DATA: INBD LH FOR DETAILS SEE: 27-51-02-02	101102 504504	1
- 335	113N2001-201		.FLAP INSTL-TE POSITION DATA: INBD LH FOR DETAILS SEE: 27-51-02-02	108120 505903	1
- 340	113N2001-204		.FLAP INSTL-TE POSITION DATA: INBD RH FOR DETAILS SEE: 27-51-02-02A	101102 504504	1
- 340	113N2001-202		.FLAP INSTL-TE POSITION DATA: INBD RH FOR DETAILS SEE: 27-51-02-02A	108120 505903	1
- 345	113N3001-203SP		.FLAP INSTL-TE POSITION DATA: OUTBD LH FOR DETAILS SEE: 27-51-14-01	101102 504903	1
- 345	113N3001-205SP		.FLAP INSTL-TE POSITION DATA: OUTBD LH FOR DETAILS SEE: 27-51-14-01	108120	1
- 350	113N3001-204SP		.FLAP INSTL-TE POSITION DATA: OUTBD RH FOR DETAILS SEE: 27-51-14-01	101102 504903	1

MISSING ITEM NUMBERS NOT APPLICABLE

- ITEM NOT ILLUSTRATED

57-00-00-05

57-00-00
FIG. 05
PAGE 9
JAN 20/09

BRI



757

PARTS CATALOG (MAINTENANCE)

FIG ITEM	PART NUMBER	1 2 3 4 5 6 7	NOMENCLATURE	EFFECT FROM TO	UNITS PER ASSY
5					
- 350	113N3001-206SP		.FLAP INSTL-TE POSITION DATA: OUTBD RH FOR DETAILS SEE: 27-51-14-01	108120	1
- 445	113N8100-201		.DOOR INSTL- FOR DETAILS SEE: 32-12-04-02	101102 504903	1
- 450	113N8100-202		.DOOR INSTL- FOR DETAILS SEE: 32-12-04-02	101102 504903	1
- 465	113N8100-203SP		.DOOR INSTL-MLG STRUT FOR DETAILS SEE: 32-12-04-02	108120	1
- 470	113N8100-204SP		.DOOR INSTL-MLG STRUT FOR DETAILS SEE: 32-12-04-02	108120	1
- 475	251N6045-3		.SUPPORT INSTL-CLIP POSITION DATA: LH FOR DETAILS SEE: 27-11-22-06	101102 108120 504903	1
- 480	251N6045-4		.SUPPORT INSTL-CLIP POSITION DATA: RH FOR DETAILS SEE: 27-11-22-06	101102 108120 504903	1

MISSING ITEM NUMBERS NOT APPLICABLE

- ITEM NOT ILLUSTRATED

57-00-00-05

57-00-00
FIG. 05
PAGE 10
JAN 20/09

BRI

 **BOEING**
757
PARTS CATALOG (MAINTENANCE)

NON-ILLUSTRATED FIGURE

THE ITEMS REFLECTED IN THIS FIGURE ARE INTENTIONALLY
NON-ILLUSTRATED. THEY ARE REFERENCED TO EITHER A
NEXT HIGHER OR NEXT LOWER ASSEMBLY/INSTALLATION FIGURE.

COLLECTOR INSTL-WING TE STRUCTURES
FIGURE 5B

57-00-00-05B

BRI
MAY 28/07

57-00-00-05B
PAGE 0



757

PARTS CATALOG (MAINTENANCE)

FIG ITEM	PART NUMBER	1 2 3 4 5 6 7	NOMENCLATURE	EFFECT FROM TO	UNITS PER ASSY
5B			COLLECTOR INSTL-WING TE STRUCTURES	101102 108120 504903	
- 1	113N0005-401		COLLECTOR INSTL-WING TE STRUCTURES	101102 108120 504903	1
- 25	113N1370-401		.RIB INSTL-WING DEFLECTION TE POSITION DATA: OUTBD LH FOR DETAILS SEE: 57-50-01-01	101102 108120 504903	1
- 30	113N1370-402		.RIB INSTL-WING DEFLECTION TE POSITION DATA: OUTBD RH FOR DETAILS SEE: 57-50-01-01	101102 108120 504903	1
- 35	113N1401-403		.SUPPORT INSTL-WING TE SPOILER NO. 6 POSITION DATA: LH FOR DETAILS SEE: 57-70-00-03	101102 108120 504903	1
- 40	113N1401-404		.SUPPORT INSTL-WING TE SPOILER NO. 6 POSITION DATA: RH FOR DETAILS SEE: 57-70-00-03	101102 108120 504903	1
- 45	113N1610-403		.PANEL INSTL-TE POSITION DATA: UPR INBD LH FOR DETAILS SEE: 57-51-01-03	101102 108120 504903	1
- 50	113N1610-404		.PANEL INSTL-TE POSITION DATA: UPR INBD RH FOR DETAILS SEE: 57-51-01-03	101102 108120 504903	1
- 55	113N1620-401		.PANEL INSTL-TE POSITION DATA: LWR INBD LH FOR DETAILS SEE: 57-51-01-04	101102 108120 504903	1

MISSING ITEM NUMBERS NOT APPLICABLE

- ITEM NOT ILLUSTRATED

57-00-00-05B

57-00-00
FIG. 05B
PAGE 1
JAN 20/09

BRI

BOEING PROPRIETARY - Copyright © - Unpublished Work - See title page for details.



757

PARTS CATALOG (MAINTENANCE)

FIG ITEM	PART NUMBER	1 2 3 4 5 6 7	NOMENCLATURE	EFFECT FROM TO	UNITS PER ASSY
5B					
- 60	113N1620-402		.PANEL INSTL-TE POSITION DATA: LWR INBD RH FOR DETAILS SEE: 57-51-01-04	101102 108120 504903	1
- 65	113N1640-403		.PANEL INSTL-TE POSITION DATA: UPR OUTBD LH FOR DETAILS SEE: 57-51-01-05	101102 108120 504903	1
- 70	113N1640-404		.PANEL INSTL-TE POSITION DATA: UPR OUTBD RH FOR DETAILS SEE: 57-51-01-05	101102 108120 504903	1
- 75	113N1650-405		.PANEL INSTL-TE POSITION DATA: LWR OUTBD LH FOR DETAILS SEE: 57-51-01-06	101101	1
- 75	113N1650-411		.PANEL INSTL-TE POSITION DATA: LWR OUTBD LH FOR DETAILS SEE: 57-51-01-06	102102 108120 504903	1
- 80	113N1650-406		.PANEL INSTL-TE POSITION DATA: LWR OUTBD RH FOR DETAILS SEE: 57-51-01-06	101101	1
- 80	113N1650-412		.PANEL INSTL-TE POSITION DATA: LWR OUTBD RH FOR DETAILS SEE: 57-51-01-06	102102 108120 504903	1
- 85	113N1710-405		.FAIRING INSTL-TE FLAP TRACK POSITION DATA: OUTBD LH FOR DETAILS SEE: 27-51-31-01	101102 108120 504903	1
- 90	113N1710-406		.FAIRING INSTL-TE FLAP TRACK POSITION DATA: OUTBD RH FOR DETAILS SEE: 27-51-31-01	101102 108120 504903	1

MISSING ITEM NUMBERS NOT APPLICABLE

- ITEM NOT ILLUSTRATED

57-00-00-05B

57-00-00
FIG. 05B
PAGE 2
JAN 20/09

BRI

BOEING PROPRIETARY - Copyright © - Unpublished Work - See title page for details.



757

PARTS CATALOG (MAINTENANCE)

FIG ITEM	PART NUMBER	1 2 3 4 5 6 7	NOMENCLATURE	EFFECT FROM TO	UNITS PER ASSY
5B					
- 95	113N1730-405		.FAIRING INSTL-FLAP POSITION DATA: INBD TRACK OUTBD TE LH FOR DETAILS SEE: 27-51-31-02	101102 108120 504903	1
- 100	113N1730-406		.FAIRING INSTL-FLAP POSITION DATA: INBD TRACK OUTBD TE RH FOR DETAILS SEE: 27-51-31-02	101102 108120 504903	1
- 105	113N1780-401		.PLATE INSTL-SEAL TE FLAP POSITION DATA: INBD LH FOR DETAILS SEE: 27-50-51-01	101102 108120 504903	1
- 110	113N1780-402		.PLATE INSTL-SEAL TE FLAP POSITION DATA: INBD RH FOR DETAILS SEE: 27-50-51-01	101102 108120 504903	1
- 115	113N1802-401		.SUPPORT INSTL-MLG TRUN FAIRING POSITION DATA: LH FOR DETAILS SEE: 57-51-10-01	101102 108120 504903	1
- 120	113N1802-402		.SUPPORT INSTL-MLG TRUN FAIRING POSITION DATA: RH FOR DETAILS SEE: 57-51-10-01	101102 108120 504903	1
- 125	113N1900-401		.FAIRING INSTL-AIL. ACTR POSITION DATA: LH FOR DETAILS SEE: 57-51-11-01	101102 108120 504903	1
- 130	113N1900-402		.FAIRING INSTL-AIL. ACTR POSITION DATA: RH FOR DETAILS SEE: 57-51-11-01	101102 108120 504903	1
- 135	113N1941-401		.SEAL INSTL-WING TE PNL POSITION DATA: LWR INBD LH FOR DETAILS SEE: 57-51-01-02	101102 108120 504903	1

MISSING ITEM NUMBERS NOT APPLICABLE

- ITEM NOT ILLUSTRATED

57-00-00-05B

57-00-00
FIG. 05B
PAGE 3
JAN 20/09

BRI

BOEING PROPRIETARY - Copyright © - Unpublished Work - See title page for details.



757

PARTS CATALOG (MAINTENANCE)

FIG ITEM	PART NUMBER	1 2 3 4 5 6 7	NOMENCLATURE	EFFECT FROM TO	UNITS PER ASSY
5B					
- 140	113N1941-402		.SEAL INSTL-WING TE PNL POSITION DATA: LWR INBD RH FOR DETAILS SEE: 57-51-01-02	101102 108120 504903	1
- 145	113N1950-401		.RIB INSTL-WING TE POSITION DATA: W STA 388 LH FOR DETAILS SEE: 57-50-01-02	101102 108120 504903	1
- 150	113N1950-402		.RIB INSTL-WING TE POSITION DATA: W STA 388 RH FOR DETAILS SEE: 57-50-01-02	101102 108120 504903	1
- 155	113N1989-401		.PANEL INSTL-ACCESS POSITION DATA: LWR INBD TE LH FOR DETAILS SEE: 57-51-01-01	101102 108120 504903	1
- 160	113N1989-402		.PANEL INSTL-ACCESS POSITION DATA: LWR INBD TE RH FOR DETAILS SEE: 57-51-01-01	101102 108120 504903	1
- 175	113N4000-401		.SPOILER INSTL- POSITION DATA: INBD LH FOR DETAILS SEE: 57-70-01-01	101102 108120 504903	1
- 180	113N4000-402		.SPOILER INSTL- POSITION DATA: INBD RH FOR DETAILS SEE: 57-70-01-01	101102 108120 504903	1
- 185	113N5000-97		.SPOILER INSTL- POSITION DATA: OUTBD LH FOR DETAILS SEE: 57-70-01-02	101102 504903	1
- 185	113N5000-99		.SPOILER INSTL- POSITION DATA: OUTBD LH FOR DETAILS SEE: 57-70-01-02	108120	1

MISSING ITEM NUMBERS NOT APPLICABLE

- ITEM NOT ILLUSTRATED

57-00-00-05B

57-00-00
FIG. 05B
PAGE 4
JAN 20/09

BRI

BOEING PROPRIETARY - Copyright © - Unpublished Work - See title page for details.



757

PARTS CATALOG (MAINTENANCE)

FIG ITEM	PART NUMBER	1 2 3 4 5 6 7	NOMENCLATURE	EFFECT FROM TO	UNITS PER ASSY
5B					
- 190	113N5000-98	.	SPOILER INSTL- POSITION DATA: OUTBD RH FOR DETAILS SEE: 57-70-01-02	101102 504903	1
- 190	113N5000-100	.	SPOILER INSTL- POSITION DATA: OUTBD RH FOR DETAILS SEE: 57-70-01-02	108120	1
- 195	113N7000-405	.	AILERON INSTL- POSITION DATA: LH FOR DETAILS SEE: 27-11-21-01	101102 108120 504903	1
- 200	113N7000-406	.	AILERON INSTL- POSITION DATA: RH FOR DETAILS SEE: 27-11-21-01	101102 108120 504903	1
- 215	113N8100-403SP	.	DOOR INSTL-MLG STRUT FOR DETAILS SEE: 32-12-04-02	101102 504903	1
- 220	113N8100-404SP	.	DOOR INSTL-MLG STRUT FOR DETAILS SEE: 32-12-04-02	101102 504903	1
- 225	113N8100-405	.	DOOR INSTL-MLG STRUT FOR DETAILS SEE: 32-12-04-02	101102 504903	1
- 230	113N8100-406	.	DOOR INSTL-MLG STRUT FOR DETAILS SEE: 32-12-04-02	101102 504903	1
- 235	113N8101-301	.	SEAL INSTL-MLG STRUT DOOR POSITION DATA: LH FOR DETAILS SEE: 32-12-04-01	101102 108120 504903	1
- 240	113N8101-302	.	SEAL INSTL-MLG STRUT DOOR POSITION DATA: RH FOR DETAILS SEE: 32-12-04-01	101102 108120 504903	1

MISSING ITEM NUMBERS NOT APPLICABLE

- ITEM NOT ILLUSTRATED

57-00-00-05B

57-00-00
FIG. 05B
PAGE 5
JAN 20/09

BRI

BOEING PROPRIETARY - Copyright © - Unpublished Work - See title page for details.

 **BOEING**
757
PARTS CATALOG (MAINTENANCE)

NON-ILLUSTRATED FIGURE

THE ITEMS REFLECTED IN THIS FIGURE ARE INTENTIONALLY
NON-ILLUSTRATED. THEY ARE REFERENCED TO EITHER A
NEXT HIGHER OR NEXT LOWER ASSEMBLY/INSTALLATION FIGURE.

COLLECTOR INSTL-WING LE STRUCTURES
FIGURE 10

57-00-00-10

BRI
MAY 28/07

57-00-00-10
PAGE 0



757

PARTS CATALOG (MAINTENANCE)

FIG ITEM	PART NUMBER	1 2 3 4 5 6 7	NOMENCLATURE	EFFECT FROM TO	UNITS PER ASSY
10			COLLECTOR INSTL-WING LE STRUCTURES	101102 108120 504903	
- 1	114N0005-201		COLLECTOR INSTL-WING LE STRUCTURES	101102 108120 504903	1
- 5	114N1101-401		.RIB INSTL-WING FXD LE MAIN TRACK SPRT POSITION DATA: ISS 134.0 INBD LH FOR DETAILS SEE: 57-41-51-25	101102 108120 504903	1
- 10	114N1101-402		.RIB INSTL-WING FXD LE MAIN TRACK SPRT POSITION DATA: ISS 134.0 INBD RH FOR DETAILS SEE: 57-41-51-25	101102 108120 504903	1
- 15	114N1104-401		.RIB INSTL-WING FXD LE MAIN TRACK SPRT POSITION DATA: ISS 191.0 INBD LH FOR DETAILS SEE: 57-41-51-30	101102 108120 504903	1
- 20	114N1104-402		.RIB INSTL-WING FXD LE MAIN TRACK SPRT POSITION DATA: ISS 191.0 INBD RH FOR DETAILS SEE: 57-41-51-30	101102 108120 504903	1
- 25	114N1107-403		.RIB INSTL-WING FXD LE MAIN TRACK SPRT POSITION DATA: ISS 247.0 INBD LH FOR DETAILS SEE: 57-41-51-35	101102 108120 504903	1
- 30	114N1107-404		.RIB INSTL-WING FXD LE MAIN TRACK SPRT POSITION DATA: ISS 247.0 INBD RH FOR DETAILS SEE: 57-41-51-35	101102 108120 504903	1
- 31	114N1207-401		.RIB INSTL-AIRLOAD WING FXD LE POSITION DATA: ISS 264.00 LH FOR DETAILS SEE: 57-41-51-27	101102 108120 504903	1

MISSING ITEM NUMBERS NOT APPLICABLE

- ITEM NOT ILLUSTRATED

57-00-00-10

57-00-00
FIG. 10
PAGE 1
JAN 20/09

BRI



757

PARTS CATALOG (MAINTENANCE)

FIG ITEM	PART NUMBER	1 2 3 4 5 6 7	NOMENCLATURE	EFFECT FROM TO	UNITS PER ASSY
10					
- 32	114N1207-402		.RIB INSTL-AIRLOAD WING FXD LE POSITION DATA: ISS 264.00 RH FOR DETAILS SEE: 57-41-51-27	101102 108120 504903	1
- 35	114N1201-3		.RIB INSTL-FXD LE AIRLOAD POSITION DATA: ISS 119.00 INBD LH FOR DETAILS SEE: 57-41-51-23	101102 108120 504903	1
- 40	114N1201-2		.RIB INSTL-FXD LE AIRLOAD POSITION DATA: ISS 119.00 INBD RH FOR DETAILS SEE: 57-41-51-23	101102 108120 504903	1
- 42	114N1211-401		.RIB INSTL-FXD LE AIRLOAD POSITION DATA: ISS 150.52 LH FOR DETAILS SEE: 57-41-51-27A	101102 108120 504903	1
- 43	114N1211-402		.RIB INSTL-FXD LE AIRLOAD POSITION DATA: ISS 150.52 RH FOR DETAILS SEE: 57-41-51-27A	101102 108120 504903	1
- 45	114N1301-403		.RIB INSTL-WING LE END POSITION DATA: ISS 104.22 LH FOR DETAILS SEE: 57-41-51-03	101102 504903	1
- 45	114N1301-407		.RIB INSTL-WING LE END POSITION DATA: ISS 104.22 LH FOR DETAILS SEE: 57-41-51-03	108120	1
- 47	114N1203-401		.RIB INSTL-FXD LE AIRLOAD POSITION DATA: ISS 169.00 LH FOR DETAILS SEE: 57-41-51-25A	101102 108120 504903	1
- 48	114N1203-402		.RIB INSTL-FXD LE AIRLOAD POSITION DATA: ISS 169.00 RH FOR DETAILS SEE: 57-41-51-25A	101102 108120 504903	1

MISSING ITEM NUMBERS NOT APPLICABLE

- ITEM NOT ILLUSTRATED

BRI

57-00-00-10

BOEING PROPRIETARY - Copyright © - Unpublished Work - See title page for details.

57-00-00
FIG. 10
PAGE 2
JAN 20/09



757

PARTS CATALOG (MAINTENANCE)

FIG ITEM	PART NUMBER	1 2 3 4 5 6 7	NOMENCLATURE	EFFECT FROM TO	UNITS PER ASSY
10					
- 50	114N1301-404		.RIB INSTL-WING LE END POSITION DATA: ISS 104.22 RH FOR DETAILS SEE: 57-41-51-03	101102 504903	1
- 50	114N1301-408		.RIB INSTL-WING LE END POSITION DATA: ISS 104.22 RH FOR DETAILS SEE: 57-41-51-03	108120	1
- 55	114N1303-403		.RIB INSTL-WING LE SEAL POSITION DATA: INBD ISS 106.0 LH FOR DETAILS SEE: 57-41-51-50	101102 108120 504903	1
- 60	114N1303-404		.RIB INSTL-WING LE SEAL POSITION DATA: INBD ISS 106.0 RH FOR DETAILS SEE: 57-41-51-50	101102 108120 504903	1
- 65	114N1401-401		.TRACK INSTL-WING LE AUX POSITION DATA: ISS 147.0 LH FOR DETAILS SEE: 27-81-11-05	101102 108120 504903	1
- 70	114N1401-402		.TRACK INSTL-WING LE AUX POSITION DATA: ISS 147.0 RH FOR DETAILS SEE: 27-81-11-05	101102 108120 504903	1
- 72	114N1205-3		.RIB INSTL-FXD LE AIRLOAD POSITION DATA: ISS 213.30 LH FOR DETAILS SEE: 57-41-51-25B	101102 108120 504903	1
- 73	114N1205-4		.RIB INSTL-FXD LE AIRLOAD POSITION DATA: ISS 213.30 RH FOR DETAILS SEE: 57-41-51-25B	101102 108120 504903	1
- 75	114N1406-401		.TRACK INSTL-WING LE AUX POSITION DATA: INBD ISS 234.0 LH FOR DETAILS SEE: 27-81-11-10	101102 108120 504903	1

MISSING ITEM NUMBERS NOT APPLICABLE

- ITEM NOT ILLUSTRATED

BRI

57-00-00-10

BOEING PROPRIETARY - Copyright © - Unpublished Work - See title page for details.

57-00-00
FIG. 10
PAGE 3
JAN 20/09



757

PARTS CATALOG (MAINTENANCE)

FIG ITEM	PART NUMBER	1 2 3 4 5 6 7	NOMENCLATURE	EFFECT FROM TO	UNITS PER ASSY
10					
- 80	114N1406-402		.TRACK INSTL-WING LE AUX POSITION DATA: INBD ISS 234.0 RH FOR DETAILS SEE: 27-81-11-10	101102 108120 504903	1
- 85	114N1501-403		.PANEL INSTL-WING LE SKIN POSITION DATA: LWR LH INBD FOR DETAILS SEE: 57-41-01-02	101102 504903	1
- 85	114N1501-405		.PANEL INSTL-WING LE SKIN POSITION DATA: LWR LH INBD FOR DETAILS SEE: 57-41-01-02	108120	1
- 90	114N1501-404		.PANEL INSTL-WING LE SKIN POSITION DATA: LWR RH INBD FOR DETAILS SEE: 57-41-01-02	101102 504903	1
- 90	114N1501-406		.PANEL INSTL-WING LE SKIN POSITION DATA: LWR RH INBD FOR DETAILS SEE: 57-41-01-02	108120	1
- 95	114N1509-25		.DOOR INSTL-BLOWOUT POSITION DATA: LH FOR DETAILS SEE: 57-41-51-06	101102 504903	1
- 95	114N1509-17		.DOOR INSTL-BLOWOUT POSITION DATA: LH FOR DETAILS SEE: 57-41-51-06	108120	1
- 100	114N1509-26		.DOOR INSTL-BLOWOUT POSITION DATA: RH FOR DETAILS SEE: 57-41-51-06	101102 504903	1
- 100	114N1509-18		.DOOR INSTL-BLOWOUT POSITION DATA: RH FOR DETAILS SEE: 57-41-51-06	108120	1

MISSING ITEM NUMBERS NOT APPLICABLE

- ITEM NOT ILLUSTRATED

57-00-00-10

57-00-00
FIG. 10
PAGE 4
JAN 20/09

BRI



757

PARTS CATALOG (MAINTENANCE)

FIG ITEM	PART NUMBER	1 2 3 4 5 6 7	NOMENCLATURE	EFFECT FROM TO	UNITS PER ASSY
10					
- 105	114N1701-401		.STRAKELET INSTL-WING LE POSITION DATA: INBD LH FOR DETAILS SEE: 57-41-02-01	101102 504903	1
- 105	114N1701-403		.STRAKELET INSTL-WING LE POSITION DATA: INBD LH FOR DETAILS SEE: 57-41-02-01	108120	1
- 110	114N1701-402		.STRAKELET INSTL-WING LE POSITION DATA: INBD RH FOR DETAILS SEE: 57-41-02-01	101102 504903	1
- 110	114N1701-404		.STRAKELET INSTL-WING LE POSITION DATA: INBD RH FOR DETAILS SEE: 57-41-02-01	108120	1
- 115	114N1801-403		.COVER INSTL-WING LE GAP POSITION DATA: LH FOR DETAILS SEE: 57-41-53-01	101101	1
- 115	114N1801-407		.COVER INSTL-WING LE GAP POSITION DATA: LH FOR DETAILS SEE: 57-41-53-01	102102 108120 504903	1
- 120	114N1801-404		.COVER INSTL-WING LE GAP POSITION DATA: RH FOR DETAILS SEE: 57-41-53-01	101101	1
- 120	114N1801-408		.COVER INSTL-WING LE GAP POSITION DATA: RH FOR DETAILS SEE: 57-41-53-01	102102 108120 504903	1
- 125	114N2002-401		.RIB INSTL-FXD LE SPRT MAIN TRACK POSITION DATA: OSS 809.46 OUTBD LH FOR DETAILS SEE: 57-22-51-15	101102 108120 504903	1

MISSING ITEM NUMBERS NOT APPLICABLE

- ITEM NOT ILLUSTRATED

57-00-00-10

57-00-00
FIG. 10
PAGE 5
JAN 20/09

BRI



757

PARTS CATALOG (MAINTENANCE)

FIG ITEM	PART NUMBER	1 2 3 4 5 6 7	NOMENCLATURE	EFFECT FROM TO	UNITS PER ASSY
10					
- 130	114N2002-402		.RIB INSTL-FXD LE SPRT MAIN TRACK POSITION DATA: OSS 809.46 OUTBD RH FOR DETAILS SEE: 57-22-51-15	101102 108120 504903	1
- 135	114N2003-401		.RIB INSTL-FXD LE SPRT POSITION DATA: MAIN TRACK OSS 736.70 OUTBD LH FOR DETAILS SEE: 57-22-51-15	101102 108120 504903	1
- 140	114N2003-402		.RIB INSTL-FXD LE SPRT POSITION DATA: MAIN TRACK OSS 736.70 OUTBD RH FOR DETAILS SEE: 57-22-51-15	101102 108120 504903	1
- 145	114N2004-403		.RIB INSTL-MAIN TRACK FXD LE POSITION DATA: OSS 677.50 OUTBD SPRT LH FOR DETAILS SEE: 57-22-51-20	101102 108120 504903	1
- 150	114N2004-404		.RIB INSTL-MAIN TRACK FXD LE POSITION DATA: OSS 677.50 OUTBD SPRT RH FOR DETAILS SEE: 57-22-51-20	101102 108120 504903	1
- 155	114N2005-403		.RIB INSTL-MAIN TRACK FXD LE SPRT POSITION DATA: OSS 605.30 OUTBD LH FOR DETAILS SEE: 57-22-51-20	101102 108120 504903	1
- 160	114N2005-404		.RIB INSTL-MAIN TRACK FXD LE SPRT POSITION DATA: OSS 605.30 OUTBD RH FOR DETAILS SEE: 57-22-51-20	101102 108120 504903	1
- 165	114N2006-403		.RIB INSTL-MAIN TRACK FXD LE POSITION DATA: OSS 542.70 OUTBD SPRT LH FOR DETAILS SEE: 57-22-51-25	101102 108120 504903	1

MISSING ITEM NUMBERS NOT APPLICABLE

- ITEM NOT ILLUSTRATED

57-00-00-10

57-00-00
FIG. 10
PAGE 6
JAN 20/09

BRI



757

PARTS CATALOG (MAINTENANCE)

FIG ITEM	PART NUMBER	1 2 3 4 5 6 7	NOMENCLATURE	EFFECT FROM TO	UNITS PER ASSY
10					
- 170	114N2006-404		.RIB INSTL-MAIN TRACK FXD LE POSITION DATA: OSS 542.70 OUTBD SPRT RH FOR DETAILS SEE: 57-22-51-25	101102 108120 504903	1
- 175	114N2007-403		.RIB INSTL-MAIN TRACK FXD LE POSITION DATA: OSS 471.30 OUTBD SPRT LH FOR DETAILS SEE: 57-22-51-25	101102 108120 504903	1
- 180	114N2007-404		.RIB INSTL-MAIN TRACK FXD LE POSITION DATA: OSS 471.30 OUTBD SPRT RH FOR DETAILS SEE: 57-22-51-25	101102 108120 504903	1
- 185	114N2008-403		.RIB INSTL-MAIN TRACK FXD LE SPRT POSITION DATA: OSS 404.80 OUTBD LH FOR DETAILS SEE: 57-22-51-30	101102 108120 504903	1
- 190	114N2008-404		.RIB INSTL-WAIN TRACK FXD LE SPRT POSITION DATA: OSS 404.80 OUTBD RH FOR DETAILS SEE: 57-22-51-30	101102 108120 504903	1
- 195	114N2010-401		.FITTING INSTL-WING FXD LE AUX TRACK SPRT POSITION DATA: OSS 797.46 LH FOR DETAILS SEE: 27-81-52-08	101102 108120 504903	1
- 200	114N2010-402		.FITTING INSTL-WING FXD LE AUX TRACK SPRT POSITION DATA: OSS 797.46 RH FOR DETAILS SEE: 27-81-52-08	101102 108120 504903	1
- 205	114N2011-401		.FITTING INSTL-WING FXD LE AUX TRACK SPRT POSITION DATA: OSS 748.70 LH FOR DETAILS SEE: 27-81-52-07	101102 108120 504903	1

MISSING ITEM NUMBERS NOT APPLICABLE

- ITEM NOT ILLUSTRATED

57-00-00-10

57-00-00
FIG. 10
PAGE 7
JAN 20/09

BRI

BOEING PROPRIETARY - Copyright © - Unpublished Work - See title page for details.



757

PARTS CATALOG (MAINTENANCE)

FIG ITEM	PART NUMBER	1 2 3 4 5 6 7	NOMENCLATURE	EFFECT FROM TO	UNITS PER ASSY
10					
- 210	114N2011-402		.FITTING INSTL-WING FXD LE AUX TRACK SPRT POSITION DATA: OSS 748.70 RH FOR DETAILS SEE: 27-81-52-07	101102 108120 504903	1
- 215	114N2012-403		.FITTING INSTL-WING FXD LE AUX TRACK SPRT POSITION DATA: 665.50 LH FOR DETAILS SEE: 27-81-52-06	101102 108120 504903	1
- 220	114N2012-404		.FITTING INSTL-WING FXD LE AUX TRACK SPRT POSITION DATA: 665.50 RH FOR DETAILS SEE: 27-81-52-06	101102 108120 504903	1
- 225	114N2013-403		.FITTING INSTL-WING FXD LE AUX TRACK SPRT POSITION DATA: OSS 617.30 LH FOR DETAILS SEE: 27-81-52-05	101102 108120 504903	1
- 230	114N2013-404		.FITTING INSTL-WING FXD LE AUX TRACK SPRT POSITION DATA: OSS 617.30 RH FOR DETAILS SEE: 27-81-52-05	101102 108120 504903	1
- 235	114N2014-403		.FITTING INSTL-WING FXD LE AUX TRACK SPRT POSITION DATA: OSS 530.70 LH FOR DETAILS SEE: 27-81-52-04	101102 108120 504903	1
- 240	114N2014-404		.FITTING INSTL-WING FXD LE AUX TRACK SPRT POSITION DATA: OSS 530.70 RH FOR DETAILS SEE: 27-81-52-04	101102 108120 504903	1
- 245	114N2015-403		.FITTING INSTL-WING FXD LE AUX TRACK SPRT POSITION DATA: OSS 483.30 LH FOR DETAILS SEE: 27-81-52-03	101102 108120 504903	1

MISSING ITEM NUMBERS NOT APPLICABLE

- ITEM NOT ILLUSTRATED

57-00-00-10

57-00-00
FIG. 10
PAGE 8
JAN 20/09

BRI



757

PARTS CATALOG (MAINTENANCE)

FIG ITEM	PART NUMBER	1 2 3 4 5 6 7	NOMENCLATURE	EFFECT FROM TO	UNITS PER ASSY
10					
- 250	114N2015-404		.FITTING INSTL-WING FXD LE AUX TRACK SPRT POSITION DATA: OSS 483.30 RH FOR DETAILS SEE: 27-81-52-03	101102 108120 504903	1
- 255	114N2016-403		.FITTING INSTL-WING FXD LE AUX TRACK SPRT POSITION DATA: OSS 392.80 LH FOR DETAILS SEE: 27-81-52-02	101102 108120 504903	1
- 260	114N2016-404		.FITTING INSTL-WING FXD LE AUX TRACK SPRT POSITION DATA: OSS 392.80 RH FOR DETAILS SEE: 27-81-52-02	101102 108120 504903	1
- 265	114N2017-405		.FITTING INSTL-WING FXD LE AUX TRACK SPRT POSITION DATA: OSS 356.50 LH REWORK DRAWING REF: 114N2240-1 FOR DETAILS SEE: 27-81-52-01	101102 108120 504903	1
- 270	114N2017-406		.FITTING INSTL-WING FXD LE AUX TRACK SPRT POSITION DATA: OSS 356.50 RH FOR DETAILS SEE: 27-81-52-01	101102 108120 504903	1
- 275	114N2018-403		.RIB INSTL- POSITION DATA: OSS 826.10 LH FOR DETAILS SEE: 57-22-51-02	101102 108120 504903	1
- 280	114N2018-404		.RIB INSTL- POSITION DATA: OSS 826.10 RH FOR DETAILS SEE: 57-22-51-02	101102 108120 504903	1
- 285	114N2019-403		.RIB INSTL- POSITION DATA: OSS 784.70 LH FOR DETAILS SEE: 57-22-51-02	101102 108120 504903	1

MISSING ITEM NUMBERS NOT APPLICABLE

- ITEM NOT ILLUSTRATED

57-00-00-10

57-00-00
FIG. 10
PAGE 9
JAN 20/09

BRI



757

PARTS CATALOG (MAINTENANCE)

FIG ITEM	PART NUMBER	1 2 3 4 5 6 7	NOMENCLATURE	EFFECT FROM TO	UNITS PER ASSY
10					
- 290	114N2019-404	.RIB INSTL-	POSITION DATA: OSS 784.70 RH FOR DETAILS SEE: 57-22-51-02	101102 108120 504903	1
- 295	114N2020-403	.RIB INSTL-	POSITION DATA: OSS 761.76 LH FOR DETAILS SEE: 57-22-51-02	101102 108120 504903	1
- 300	114N2020-404	.RIB INSTL-	POSITION DATA: OSS 761.76 RH FOR DETAILS SEE: 57-22-51-02	101102 108120 504903	1
- 305	114N2023-403	.RIB INSTL-	POSITION DATA: OSS 653.00 LH FOR DETAILS SEE: 57-22-51-02	101102 108120 504903	1
- 310	114N2023-404	.RIB INSTL-	POSITION DATA: OSS 653.00 RH FOR DETAILS SEE: 57-22-51-02	101102 108120 504903	1
- 315	114N2024-403	.RIB INSTL-	POSITION DATA: OSS 629.80 LH FOR DETAILS SEE: 57-22-51-02	101102 108120 504903	1
- 320	114N2024-404	.RIB INSTL-	POSITION DATA: OSS 629.80 RH FOR DETAILS SEE: 57-22-51-02	101102 108120 504903	1
- 321	114N2026-403	.RIB INSTL-FXD LE AIRLOAD	POSITION DATA: OSS 562.10 OUTBD LH FOR DETAILS SEE: 57-22-51-41G	101102 108120 504903	1
- 322	114N2026-404	.RIB INSTL-FXD LE AIRLOAD	POSITION DATA: OSS 562.10 OUTBD RH FOR DETAILS SEE: 57-22-51-41G	101102 108120 504903	1

MISSING ITEM NUMBERS NOT APPLICABLE

- ITEM NOT ILLUSTRATED

57-00-00-10

57-00-00
FIG. 10
PAGE 10
JAN 20/09

BRI



757

PARTS CATALOG (MAINTENANCE)

FIG ITEM	PART NUMBER	1 2 3 4 5 6 7	NOMENCLATURE	EFFECT FROM TO	UNITS PER ASSY
10					
- 325	114N2027-403	.RIB INSTL-	POSITION DATA: OSS 518.00 LH FOR DETAILS SEE: 57-22-51-02	101102 108120 504903	1
- 328	114N2029-403	.RIB INSTL-FXD LE AIRLOAD	POSITION DATA: OSS 453.60 OUTBD LH FOR DETAILS SEE: 57-22-51-41F	101102 108120 504903	1
- 329	114N2029-404	.RIB INSTL-FXD LE AIRLOAD	POSITION DATA: OSS 453.60 OUTBD RH FOR DETAILS SEE: 57-22-51-41F	101102 108120 504903	1
- 330	114N2031-403	.RIB INSTL-FXD LE AIRLOAD	POSITION DATA: OSS 421.90 OUTBD LH FOR DETAILS SEE: 57-22-51-41H	101102 108120 504903	1
- 331	114N2031-404	.RIB INSTL-FXD LE AIRLOAD	POSITION DATA: OSS 421.90 OUTBD RH FOR DETAILS SEE: 57-22-51-41H	101102 108120 504903	1
- 335	114N2032-403	.RIB INSTL-	POSITION DATA: OSS 384.30 LH FOR DETAILS SEE: 57-22-51-02	101102 108120 504903	1
- 340	114N2032-404	.RIB INSTL-	POSITION DATA: OSS 384.30 RH FOR DETAILS SEE: 57-22-51-02	101102 108120 504903	1
- 345	114N2033-403	.RIB INSTL-	POSITION DATA: OSS 329.25 LH FOR DETAILS SEE: 57-22-51-02	101102 108120 504903	1
- 350	114N2033-404	.RIB INSTL-	POSITION DATA: OSS 329.25 RH FOR DETAILS SEE: 57-22-51-02	101102 108120 504903	1

MISSING ITEM NUMBERS NOT APPLICABLE

- ITEM NOT ILLUSTRATED

57-00-00-10

57-00-00
FIG. 10
PAGE 11
JAN 20/09

BRI



757

PARTS CATALOG (MAINTENANCE)

FIG ITEM	PART NUMBER	1 2 3 4 5 6 7	NOMENCLATURE	EFFECT FROM TO	UNITS PER ASSY
10					
- 355	114N2036-405		.PANEL INSTL-FXD LE POSITION DATA: OUTBD LWR SKIN LH FOR DETAILS SEE: 57-41-01-01	101102 108120 504903	1
- 360	114N2036-406		.PANEL INSTL-FXD LE POSITION DATA: OUTBD LWR SKIN RH FOR DETAILS SEE: 57-41-01-01D 57-41-01-01E	101102 108120 504903	1
- 365	114N2038-401		.DOOR INSTL-WING OUTBD LE BLOWOUT POSITION DATA: LH FOR DETAILS SEE: 57-41-51-10	101102 108120 504903	1
- 370	114N2038-402		.DOOR INSTL-WING OUTBD LE BLOWOUT POSITION DATA: RH FOR DETAILS SEE: 57-41-51-10	101102 108120 504903	1
- 375	114N2039-401		.DOOR INSTL-FXD LE REFUELING ACCESS POSITION DATA: OUTBD R SIDE FOR DETAILS SEE: 52-49-02-10	101102 108120 504903	1
- 380	114N2121-403		.RIB INSTL-SPRT POSITION DATA: OSS 329.25 LH FOR DETAILS SEE: 57-22-51-02	101102 108120 504903	1
- 385	114N2121-404		.RIB INSTL-SPRT POSITION DATA: OSS 329.25 RH FOR DETAILS SEE: 57-22-51-02	101102 108120 504903	1
- 390	114N2124-401		.TRACK INSTL-FXD LE AUX POSITION DATA: OSS 748.70 OUTBD LH FOR DETAILS SEE: 27-81-13-01	101102 108120 504903	1
- 395	114N2124-402		.TRACK INSTL-FXD LE AUX POSITION DATA: OSS 748.70 OUTBD RH FOR DETAILS SEE: 27-81-13-01	101102 108120 504903	1

MISSING ITEM NUMBERS NOT APPLICABLE

- ITEM NOT ILLUSTRATED

BRI

57-00-00-10

BOEING PROPRIETARY - Copyright © - Unpublished Work - See title page for details.

57-00-00
FIG. 10
PAGE 12
JAN 20/09



757

PARTS CATALOG (MAINTENANCE)

FIG ITEM	PART NUMBER	1 2 3 4 5 6 7	NOMENCLATURE	EFFECT FROM TO	UNITS PER ASSY
10					
- 400	114N2124-403		.TRACK INSTL-FXD LE AUX POSITION DATA: OSS 797.46 OUTBD LH FOR DETAILS SEE: 27-81-13-01	101102 108120 504903	1
- 405	114N2124-404		.TRACK INSTL-FXD LE AUX POSITION DATA: OSS 797.46 OUTBD RH FOR DETAILS SEE: 27-81-13-01	101102 108120 504903	1
- 410	114N2124-405		.TRACK INSTL-FXD LE AUX POSITION DATA: OSS 665.50 OUTBD LH FOR DETAILS SEE: 27-81-13-01	101102 108120 504903	1
- 415	114N2124-406		.TRACK INSTL-FXD LE AUX POSITION DATA: OSS 665.50 OUTBD RH FOR DETAILS SEE: 27-81-13-01	101102 108120 504903	1
- 420	114N2124-407		.TRACK INSTL-FXD LE AUX POSITION DATA: OSS 617.30 OUTBD LH FOR DETAILS SEE: 27-81-13-01	101102 108120 504903	1
- 425	114N2124-408		.TRACK INSTL-FXD LE AUX POSITION DATA: OSS 617.30 OUTBD RH FOR DETAILS SEE: 27-81-13-01	101102 108120 504903	1
- 430	114N2124-409		.TRACK INSTL-FXD LE AUX POSITION DATA: OSS 530.70 OUTBD LH FOR DETAILS SEE: 27-81-13-01	101102 108120 504903	1
- 435	114N2124-410		.TRACK INSTL-FXD LE AUX POSITION DATA: OSS 530.70 OUTBD RH FOR DETAILS SEE: 27-81-13-01	101102 108120 504903	1
- 440	114N2124-411		.TRACK INSTL-FXD LE AUX POSITION DATA: OSS 483.30 OUTBD LH FOR DETAILS SEE: 27-81-13-01	101102 108120 504903	1

MISSING ITEM NUMBERS NOT APPLICABLE

- ITEM NOT ILLUSTRATED

57-00-00-10

57-00-00
FIG. 10
PAGE 13
JAN 20/09

BRI

BOEING PROPRIETARY - Copyright © - Unpublished Work - See title page for details.



757

PARTS CATALOG (MAINTENANCE)

FIG ITEM	PART NUMBER	1 2 3 4 5 6 7	NOMENCLATURE	EFFECT FROM TO	UNITS PER ASSY
10					
- 445	114N2124-412		.TRACK INSTL-FXD LE AUX POSITION DATA: OSS 483.30 OUTBD RH FOR DETAILS SEE: 27-81-13-01	101102 108120 504903	1
- 450	114N2124-413		.TRACK INSTL-FXD LE AUX POSITION DATA: OSS 392.80 OUTBD LH FOR DETAILS SEE: 27-81-13-01	101102 108120 504903	1
- 455	114N2124-414		.TRACK INSTL-FXD LE AUX POSITION DATA: OSS 392.80 OUTBD RH FOR DETAILS SEE: 27-81-13-01	101102 108120 504903	1
- 460	114N2124-415		.TRACK INSTL-FXD LE AUX POSITION DATA: OSS 356.50 OUTBD LH REWORK DRAWING REF: 114N2240-1 FOR DETAILS SEE: 27-81-13-01	101102 108120 504903	1
- 465	114N2124-416		.TRACK INSTL-FXD LE AUX POSITION DATA: OSS 356.50 OUTBD RH FOR DETAILS SEE: 27-81-13-01	101102 108120 504903	1
- 470	114N2125-403		.RIB INSTL-FUELING SYSTEM POSITION DATA: OUTBD WING RH FOR DETAILS SEE: 57-22-51-02	101102 108120 504903	1
- 475	114N2126-403		.RIB INSTL- POSITION DATA: OSS 838.37 LH FOR DETAILS SEE: 57-22-51-02	101102 108120 504903	1
- 480	114N2126-404		.RIB INSTL- POSITION DATA: OSS 838.37 RH FOR DETAILS SEE: 57-22-51-02	101102 108120 504903	1
- 485	114N2128-403		.RIB INSTL-CLOSURE POSITION DATA: WBL 268.90 LH FOR DETAILS SEE: 57-22-51-51	101101	1

MISSING ITEM NUMBERS NOT APPLICABLE

- ITEM NOT ILLUSTRATED

57-00-00-10

57-00-00
FIG. 10
PAGE 14
JAN 20/09

BRI



757

PARTS CATALOG (MAINTENANCE)

FIG ITEM	PART NUMBER	1 2 3 4 5 6 7	NOMENCLATURE	EFFECT FROM TO	UNITS PER ASSY
10					
- 485	114N2128-405		.RIB INSTL-CLOSURE POSITION DATA: WBL 268.90 LH FOR DETAILS SEE: 57-22-51-51	102102 108120 504903	1
- 490	114N2128-404		.RIB INSTL-CLOSURE POSITION DATA: WBL 268.90 RH FOR DETAILS SEE: 57-22-51-51	101101	1
- 490	114N2128-406		.RIB INSTL-CLOSURE POSITION DATA: WBL 268.90 RH FOR DETAILS SEE: 57-22-51-51	102102 108120 504903	1
- 495	114N2133-405		.DOOR INSTL-THRM ANTI-ICING DUCT FXD LE WING SEAL POSITION DATA: OUTBD LH FOR DETAILS SEE: 57-41-51-05	101102 504903	1
- 495	114N2133-407		.DOOR INSTL-THRM ANTI-ICING DUCT FXD LE WING SEAL POSITION DATA: OUTBD LH FOR DETAILS SEE: 57-41-51-05	108120	1
- 500	114N2133-406		.DOOR INSTL-THRM ANTI-ICING DUCT FXD LE WING SEAL POSITION DATA: OUTBD RH FOR DETAILS SEE: 57-41-51-05	101102 504903	1
- 500	114N2133-408		.DOOR INSTL-THRM ANTI-ICING DUCT FXD LE WING SEAL POSITION DATA: OUTBD RH FOR DETAILS SEE: 57-41-51-05	108120	1
- 505	114N3001-403		.SLAT INSTL-WING LE NO. 5 POSITION DATA: INBD LH FOR DETAILS SEE: 27-81-01-01	101101	1
- 505	114N3001-405		.SLAT INSTL-WING LE NO. 5 POSITION DATA: INBD LH FOR DETAILS SEE: 27-81-01-02	102102 108120 504903	1

MISSING ITEM NUMBERS NOT APPLICABLE

- ITEM NOT ILLUSTRATED

57-00-00-10

57-00-00
FIG. 10
PAGE 15
JAN 20/09

BRI



757

PARTS CATALOG (MAINTENANCE)

FIG ITEM	PART NUMBER	1 2 3 4 5 6 7	NOMENCLATURE	EFFECT FROM TO	UNITS PER ASSY
10					
- 510	114N3001-406		.SLAT INSTL-WING LE NO. 5 POSITION DATA: INBD RH FOR DETAILS SEE: 27-81-01-02	102102 108120 504903	1
- 510	114N3001-410		.SLAT INSTL-WING LE NO. 5 POSITION DATA: INBD RH FOR DETAILS SEE: 27-81-01-02	101101	1
- 515	114N4001-407		.SLAT INSTL-WING LE POSITION DATA: OUTBD LH FOR DETAILS SEE: 27-81-02-07	101101	1
- 515	114N4001-409		.SLAT INSTL-WING LE POSITION DATA: OUTBD LH FOR DETAILS SEE: 27-81-02-07	102102 504903	1
- 515	114N4001-411		.SLAT INSTL-WING LE POSITION DATA: OUTBD LH FOR DETAILS SEE: 27-81-02-07	108120	1
- 520	114N4001-410		.SLAT INSTL-WING LE POSITION DATA: OUTBD RH FOR DETAILS SEE: 27-81-02-07A	101102 504903	1
- 520	114N4001-412		.SLAT INSTL-WING LE POSITION DATA: OUTBD RH FOR DETAILS SEE: 27-81-02-07A	108120	1
- 540	114N2028-403		.RIB INSTL- POSITION DATA: OSS 495.06 LH FOR DETAILS SEE: 57-22-51-02	101102 108120 504903	1
- 541	114N2030-403		.RIB INSTL-FXD LE AIRLOAD POSITION DATA: OSS 438.10 OUTBD LH FOR DETAILS SEE: 57-22-51-41D	101102 504903	1

MISSING ITEM NUMBERS NOT APPLICABLE

- ITEM NOT ILLUSTRATED

57-00-00-10

57-00-00
FIG. 10
PAGE 16
JAN 20/09

BRI

BOEING PROPRIETARY - Copyright © - Unpublished Work - See title page for details.



757

PARTS CATALOG (MAINTENANCE)

FIG ITEM	PART NUMBER	1 2 3 4 5 6 7	NOMENCLATURE	EFFECT FROM TO	UNITS PER ASSY
10					
- 541	114N2030-405		.RIB INSTL-FXD LE AIRLOAD POSITION DATA: OSS 438.10 OUTBD LH FOR DETAILS SEE: 57-22-51-41D	108120	1
- 542	114N2030-404		.RIB INSTL-FXD LE AIRLOAD POSITION DATA: OSS 438.10 OUTBD RH FOR DETAILS SEE: 57-22-51-41D	101102 504903	1
- 542	114N2030-406		.RIB INSTL-FXD LE AIRLOAD POSITION DATA: OSS 438.10 OUTBD RH FOR DETAILS SEE: 57-22-51-41D	108120	1
- 595	114N1213-11		.RIB INSTL-FXD LE AIRLOAD POSITION DATA: ISS 230.48 LH FOR DETAILS SEE: 57-41-51-27B	101102 108120 504903	1
- 596	114N1213-12		.RIB INSTL-FXD LE AIRLOAD POSITION DATA: ISS 230.48 RH FOR DETAILS SEE: 57-41-51-27B	101102 108120 504903	1

MISSING ITEM NUMBERS NOT APPLICABLE

- ITEM NOT ILLUSTRATED

57-00-00-10

57-00-00
FIG. 10
PAGE 17
JAN 20/09

BRI

 **BOEING**
757
PARTS CATALOG (MAINTENANCE)

NON-ILLUSTRATED FIGURE

THE ITEMS REFLECTED IN THIS FIGURE ARE INTENTIONALLY
NON-ILLUSTRATED. THEY ARE REFERENCED TO EITHER A
NEXT HIGHER OR NEXT LOWER ASSEMBLY/INSTALLATION FIGURE.

COLLECTOR INSTL-WING LE STRUCTURES
FIGURE 10A

57-00-00-10A

BRI
MAY 28/07

57-00-00-10A
PAGE 0



757

PARTS CATALOG (MAINTENANCE)

FIG ITEM	PART NUMBER	1 2 3 4 5 6 7	NOMENCLATURE	EFFECT FROM TO	UNITS PER ASSY
10A			COLLECTOR INSTL-WING LE STRUCTURES	101102 108120 504903	
- 1	114N0005-2001		COLLECTOR INSTL-WING LE STRUCTURES CUSTOM OPTION	101102 108120 504903	RF
- 5	114N2009-4003		.RIB INSTL-SUPPORT POSITION DATA: LH FOR DETAILS SEE: 57-22-51-30	101102 108120 504903	1
- 10	114N2009-4004		.RIB INSTL-SUPPORT POSITION DATA: RH FOR DETAILS SEE: 57-22-51-30	101102 108120 504903	1

MISSING ITEM NUMBERS NOT APPLICABLE

- ITEM NOT ILLUSTRATED

BRI

57-00-00-10A

BOEING PROPRIETARY - Copyright © - Unpublished Work - See title page for details.

57-00-00
FIG. 10A
PAGE 1
JAN 20/09

 **BOEING**
757
PARTS CATALOG (MAINTENANCE)

NON-ILLUSTRATED FIGURE

THE ITEMS REFLECTED IN THIS FIGURE ARE INTENTIONALLY
NON-ILLUSTRATED. THEY ARE REFERENCED TO EITHER A
NEXT HIGHER OR NEXT LOWER ASSEMBLY/INSTALLATION FIGURE.

COLLECTOR INSTL-WING BOX STRUCTURE
FIGURE 15

57-00-00-15

BRI
MAY 28/07

57-00-00-15
PAGE 0



757

PARTS CATALOG (MAINTENANCE)

FIG ITEM	PART NUMBER	1 2 3 4 5 6 7	NOMENCLATURE	EFFECT FROM TO	UNITS PER ASSY
15			COLLECTOR INSTL-WING BOX STRUCTURE	101102 108120 504903	
- 1	110N0005-401		COLLECTOR INSTL-WING BOX STRUCTURE	101102 108120 504903	1
- 25	111N5104-401		.DOOR INSTL-BAFFLE WING POSITION DATA: SECT. 11 FOR DETAILS SEE: 57-10-52-01	101102 108120 504903	1
- 30	111N5104-402		.DOOR INSTL-BAFFLE WING POSITION DATA: SECT. 11 FOR DETAILS SEE: 57-10-52-01	101102 108120 504903	1
- 35	111N5104-403		.DOOR INSTL-BAFFLE WING POSITION DATA: SECT. 11 FOR DETAILS SEE: 57-10-52-01	101102 108120 504903	1
- 40	111N5301-401		.BEAM INSTL-WING POSITION DATA: LWR INTERNAL LH FOR DETAILS SEE: 57-10-53-01	101102 108120 504903	1
- 45	111N5301-402		.BEAM INSTL-WING POSITION DATA: LWR INTERNAL RH FOR DETAILS SEE: 57-10-53-01	101102 108120 504903	1
- 46	111N5410-401		.FITTING INSTL-TENSION WING POSITION DATA: SECT. 11 FOR DETAILS SEE: 57-10-51-01H	101102 108120 504903	1
- 47	111N5410-402		.FITTING INSTL-TENSION WING POSITION DATA: SECT. 11 FOR DETAILS SEE: 57-10-51-01H	101102 108120 504903	1
- 48	111N5410-403		.FITTING INSTL-TENSION WING POSITION DATA: SECT. 11 FOR DETAILS SEE: 57-10-51-01H	101102 108120 504903	1

MISSING ITEM NUMBERS NOT APPLICABLE

- ITEM NOT ILLUSTRATED

57-00-00-15

57-00-00
FIG. 15
PAGE 1
JAN 20/09

BRI



757

PARTS CATALOG (MAINTENANCE)

FIG ITEM	PART NUMBER	1 2 3 4 5 6 7	NOMENCLATURE	EFFECT FROM TO	UNITS PER ASSY
15					
- 49	111N5410-404		.FITTING INSTL-TENSION WING POSITION DATA: SECT. 11 FOR DETAILS SEE: 57-10-51-01H	101102 108120 504903	1
- 50	111N5410-405		.FITTING INSTL-TENSION WING POSITION DATA: SECT. 11 FOR DETAILS SEE: 57-10-51-01H	101102 108120 504903	1
- 100	112N1038-401		.STIFFENER INSTL-AIL. PWR CONT UNIT POSITION DATA: LH FOR DETAILS SEE: 57-60-00-10	101102 108120 504903	1
- 105	112N1038-402		.STIFFENER INSTL-AIL. PWR CONT UNIT POSITION DATA: RH FOR DETAILS SEE: 57-60-00-10	101102 108120 504903	1
- 180	112N3107-1		.GENERATOR INSTL-WING VORTEX POSITION DATA: LH FOR DETAILS SEE: 57-25-01-01	101102 108120 504903	1
- 185	112N3107-2		.GENERATOR INSTL-WING VORTEX POSITION DATA: RH FOR DETAILS SEE: 57-25-01-01	101102 108120 504903	1
- 240	112N5153-401		.BAFFLE INSTL-INSPAR RIB FUEL POSITION DATA: WING STA 258.5 LH FOR DETAILS SEE: 57-22-52-01	101102 108120 504903	1
- 245	112N5153-402		.BAFFLE INSTL-INSPAR RIB FUEL POSITION DATA: WING STA 258.5 RH FOR DETAILS SEE: 57-22-52-01	101102 108120 504903	1

MISSING ITEM NUMBERS NOT APPLICABLE

- ITEM NOT ILLUSTRATED

57-00-00-15

57-00-00
FIG. 15
PAGE 2
JAN 20/09

BRI

BOEING PROPRIETARY - Copyright © - Unpublished Work - See title page for details.



757

PARTS CATALOG (MAINTENANCE)

FIG ITEM	PART NUMBER	1 2 3 4 5 6 7	NOMENCLATURE	EFFECT FROM TO	UNITS PER ASSY
15 - 250	112N6001-403		.DOOR INSTL-WING SURF. TANK ACCESS POSITION DATA: LWR LH FOR DETAILS SEE: 28-11-01-01H 28-11-02-05 28-11-03-02	101102 108120 504903	1
- 255	112N6001-404		.DOOR INSTL-WING SURF. TANK ACCESS POSITION DATA: LWR LH FOR DETAILS SEE: 28-11-01-01H 28-11-02-05 28-11-03-02	101102 108120 504903	1
- 270	112N7021-401		.TUBING INSTL-NAC SPRT FTG LUB POSITION DATA: LH FOR DETAILS SEE: 54-51-52-05	101102 108120 504903	1
- 275	112N7021-402		.TUBING INSTL-NAC SPRT FTG LUB POSITION DATA: RH FOR DETAILS SEE: 54-51-52-05	101102 108120 504903	1
- 280	112N8001-61		.PANEL INSTL-WING DRY BAY BARRIER POSITION DATA: LH FOR DETAILS SEE: 57-20-51-05	101102 108120 504903	1
- 285	112N8001-62		.PANEL INSTL-WING DRY BAY BARRIER POSITION DATA: RH FOR DETAILS SEE: 57-20-51-05	101102 108120 504903	1
- 290	111N5409-401		.FITTING INSTL-TENSION WING POSITION DATA: SECT. 11, LH FOR DETAILS SEE: 57-10-51-02	101102 108120 504903	1

MISSING ITEM NUMBERS NOT APPLICABLE

- ITEM NOT ILLUSTRATED

BRI

57-00-00-15

BOEING PROPRIETARY - Copyright © - Unpublished Work - See title page for details.

57-00-00
FIG. 15
PAGE 3
JAN 20/09



757

PARTS CATALOG (MAINTENANCE)

FIG ITEM	PART NUMBER	1 2 3 4 5 6 7	NOMENCLATURE	EFFECT FROM TO	UNITS PER ASSY
15 - 295	111N5409-402		.FITTING INSTL-TENSION WING POSITION DATA: SECT. 11, RH FOR DETAILS SEE: 57-10-51-02	101102 108120 504903	1
- 300	111N5409-403		.FITTING INSTL-TENSION WING POSITION DATA: SECT. 11, RH FOR DETAILS SEE: 57-10-51-02	101102 108120 504903	1
- 445	119N0001-7		.TIP INSTL-WING POSITION DATA: LH FOR DETAILS SEE: 57-31-01-01	101101	1
- 450	119N0001-8		.TIP INSTL-WING POSITION DATA: RH FOR DETAILS SEE: 57-31-01-01	101101	1

MISSING ITEM NUMBERS NOT APPLICABLE

- ITEM NOT ILLUSTRATED

57-00-00-15

57-00-00
FIG. 15
PAGE 4
JAN 20/09

BRI

 **BOEING**
757
PARTS CATALOG (MAINTENANCE)

NON-ILLUSTRATED FIGURE

THE ITEMS REFLECTED IN THIS FIGURE ARE INTENTIONALLY
NON-ILLUSTRATED. THEY ARE REFERENCED TO EITHER A
NEXT HIGHER OR NEXT LOWER ASSEMBLY/INSTALLATION FIGURE.

COLLECTOR INSTL-WING BOX STRUCTURE
FIGURE 15B

57-00-00-15B

BRI
MAY 28/07

57-00-00-15B
PAGE 0

BOEING
757
PARTS CATALOG (MAINTENANCE)

FIG ITEM	PART NUMBER	1 2 3 4 5 6 7	NOMENCLATURE	EFFECT FROM TO	UNITS PER ASSY
15B			COLLECTOR INSTL-WING BOX STRUCTURE	101102 106106 108120 504903	
- 1	110N0005-3009		COLLECTOR INSTL-WING BOX STRUCTURE	101102 108120 504903	1
- 1	110N0005-4001		COLLECTOR INSTL-WING BOX STRUCTURE	101102 106106 108120 504903	1
- 5	110N0005-2001		COLLECTOR INSTL-WING BOX STRUCTURE	101102 108120 504903	1
- 10	112N7001-4001		.SUPPORT INSTL-NAC POSITION DATA: LH FOR DETAILS SEE: 57-24-51-01	101102 108120 504903	1
- 15	112N7001-4002		.SUPPORT INSTL-NAC POSITION DATA: RH FOR DETAILS SEE: 57-24-51-01	101102 108120 504903	1
- 20	111N1001-2001		.SPAR INSTL-WING POSITION DATA: SECT. 11 REAR FOR DETAILS SEE: 57-12-51-02	101102	1
- 20	111N1001-2003		.SPAR INSTL-WING POSITION DATA: SECT. 11 REAR FOR DETAILS SEE: 57-12-51-02	108120 504903	1
- 25	112N7021-4001		.TUBING INSTL-NAC SPRT FTG LUB POSITION DATA: LH FOR DETAILS SEE: 54-51-52-05	101102 108120 504903	1
- 30	112N7021-4002		.TUBING INSTL-NAC SPRT FTG LUB POSITION DATA: RH FOR DETAILS SEE: 54-51-52-05	101102 108120 504903	1

MISSING ITEM NUMBERS NOT APPLICABLE

- ITEM NOT ILLUSTRATED

BRI

57-00-00-15B

BOEING PROPRIETARY - Copyright © - Unpublished Work - See title page for details.

57-00-00
FIG. 15B
PAGE 1
JAN 20/09



757

PARTS CATALOG (MAINTENANCE)

FIG ITEM	PART NUMBER	1 2 3 4 5 6 7	NOMENCLATURE	EFFECT FROM TO	UNITS PER ASSY
15B					
- 35	112N7001-4010	.	SUPPORT INSTL-NAC FOR DETAILS SEE: 57-24-51-04	101102 106106 108120 504903	1
- 40	111N5409-4001	.	FITTING INSTL-TENSION WING POSITION DATA: SECT. 11, LH FOR DETAILS SEE: 57-10-51-02	101102 108120 504903	1
- 45	111N5409-4002	.	FITTING INSTL-TENSION WING POSITION DATA: SECT. 11, RH FOR DETAILS SEE: 57-10-51-02	101102 108120 504903	1
- 200	110N0005-4003		COLLECTOR INSTL-WING TIP COLOR 707 GRAY	101102 108120 504903	1
- 220	119N0001-9	.	TIP INSTL-WING COLOR 707 GRAY POSITION DATA: LH	102102 108120 504903	1
- 225	119N0001-10	.	TIP INSTL-WING COLOR 707 GRAY POSITION DATA: RH	102102 108120 504903	1
- 230	119N0001-15	..	TIP ASSY-WING POSITION DATA: LH FOR DETAILS SEE: 57-31-01-01	102102 108120 504903	1
- 235	119N0001-16	..	TIP ASSY-WING POSITION DATA: RH FOR DETAILS SEE: 57-31-01-01	102102 108120 504903	1

MISSING ITEM NUMBERS NOT APPLICABLE

- ITEM NOT ILLUSTRATED

57-00-00-15B

57-00-00
FIG. 15B
PAGE 2
JAN 20/09

BRI

BOEING PROPRIETARY - Copyright © - Unpublished Work - See title page for details.

 **BOEING**
757
PARTS CATALOG (MAINTENANCE)

NON-ILLUSTRATED FIGURE

THE ITEMS REFLECTED IN THIS FIGURE ARE INTENTIONALLY
NON-ILLUSTRATED. THEY ARE REFERENCED TO EITHER A
NEXT HIGHER OR NEXT LOWER ASSEMBLY/INSTALLATION FIGURE.

COLLECTOR INSTL-WING BOX STRUCTURE
FIGURE 20

57-00-00-20

BRI
MAY 28/07

57-00-00-20
PAGE 0



757

PARTS CATALOG (MAINTENANCE)

FIG ITEM	PART NUMBER	1 2 3 4 5 6 7	NOMENCLATURE	EFFECT FROM TO	UNITS PER ASSY
20			COLLECTOR INSTL-WING BOX STRUCTURE	101102 108120 504903	
- 1	110N0005-201		COLLECTOR INSTL-WING BOX STRUCTURE	101102 108120 504903	1
- 5	111N1001-201		.SPAR INSTL-WING POSITION DATA: SECT. 11 REAR FOR DETAILS SEE: 57-12-51-02	101101	1
- 5	111N1001-202		.SPAR INSTL-WING POSITION DATA: SECT. 11 REAR FOR DETAILS SEE: 57-12-51-02	102102	1
- 5	111N1001-203		.SPAR INSTL-WING POSITION DATA: SECT. 11 REAR FOR DETAILS SEE: 57-12-51-02	108120 504903	1
- 15	111N2001-201		.SPAR INSTL-WING POSITION DATA: SECT. 11 FRONT FOR DETAILS SEE: 57-21-51-03A	101102 108120 504903	1
- 20	111N4001-401		.PANEL INSTL-WING POSITION DATA: CTR SECT. FOR DETAILS SEE: 57-10-01-01	101102 108120 504903	1
- 25	112N1001-205		.SPAR INSTL- POSITION DATA: REAR LH FOR DETAILS SEE: 57-21-51-04	101102 108120 504903	1
- 30	112N1001-206		.SPAR INSTL- POSITION DATA: REAR RH FOR DETAILS SEE: 57-21-51-04	101102 108120 504903	1
- 35	112N1010-201		.FITTING INSTL-TERM. REAR SPAR JT POSITION DATA: LH FOR DETAILS SEE: 53-41-57-01	101102 108120 504903	1

MISSING ITEM NUMBERS NOT APPLICABLE

- ITEM NOT ILLUSTRATED

57-00-00-20

57-00-00
FIG. 20
PAGE 1
JAN 20/09

BRI



757

PARTS CATALOG (MAINTENANCE)

FIG ITEM	PART NUMBER	1 2 3 4 5 6 7	NOMENCLATURE	EFFECT FROM TO	UNITS PER ASSY
20					
- 40	112N1010-202		.FITTING INSTL-TERM REAR SPAR JT POSITION DATA: RH FOR DETAILS SEE: 53-41-57-01	101102 108120 504903	1
- 45	112N1010-203		.FITTING INSTL-TERM. REAR SPAR JT POSITION DATA: LH FOR DETAILS SEE: 53-41-57-01	101102 108120 504903	1
- 50	112N1010-204		.FITTING INSTL-TERM REAR SPAR JT POSITION DATA: RH FOR DETAILS SEE: 53-41-57-01	101102 108120 504903	1
- 55	112N1010-405		.FITTING INSTL-REAR SPAR WING/BODY JOINT TERM. POSITION DATA: SECT. 12 LH FOR DETAILS SEE: 53-41-57-01	101102 108120 504903	1
- 60	112N1010-406		.FITTING INSTL-REAR SPAR WING/BODY JOINT TERM. POSITION DATA: SECT. 12 RH FOR DETAILS SEE: 53-41-57-01	101102 108120 504903	1
- 65	112N1010-409		.FITTING INSTL-REAR SPAR WING/BODY JOINT TERM. POSITION DATA: LH FOR DETAILS SEE: 53-41-57-01	101102 108120 504903	1
- 70	112N1010-410		.FITTING INSTL-REAR SPAR WING/BODY JOINT TERM. POSITION DATA: RH FOR DETAILS SEE: 53-41-57-01	101102 108120 504903	1
- 75	112N2001-203		.SPAR INSTL-WING POSITION DATA: SECT. 12 FRONT LH FOR DETAILS SEE: 57-21-51-01	101102 504504	1

MISSING ITEM NUMBERS NOT APPLICABLE

- ITEM NOT ILLUSTRATED

BRI

57-00-00-20

BOEING PROPRIETARY - Copyright © - Unpublished Work - See title page for details.

57-00-00
FIG. 20
PAGE 2
JAN 20/09



757

PARTS CATALOG (MAINTENANCE)

FIG ITEM	PART NUMBER	1 2 3 4 5 6 7	NOMENCLATURE	EFFECT FROM TO	UNITS PER ASSY
20					
- 77	112N2001-205		.SPAR INSTL-WING POSITION DATA: SECT. 12 FRONT LH FOR DETAILS SEE: 57-21-51-01	505903	1
- 80	112N2001-204		.SPAR INSTL-WING POSITION DATA: SECT. 12 FRONT RH FOR DETAILS SEE: 57-21-51-01	101102 504504	1
- 85	112N2001-206		.SPAR INSTL-WING POSITION DATA: SECT. 12 FRONT RH FOR DETAILS SEE: 57-21-51-01	505903	1
- 90	112N2002-205		.SPAR ASSY-WING POSITION DATA: SECT. 12 FRONT LH FOR DETAILS SEE: 57-21-51-02	108120	1
- 100	112N2002-206		.SPAR ASSY-WING POSITION DATA: SECT. 12 FRONT RH FOR DETAILS SEE: 57-21-51-02	108120	1
- 105	112N2010-201		.FITTING INSTL-FRONT SPAR JOINT TERM. POSITION DATA: LH FOR DETAILS SEE: 53-41-57-02	101102 108120 504903	1
- 110	112N2010-202		.FITTING INSTL-FRONT SPAR JOINT TERM. POSITION DATA: RH FOR DETAILS SEE: 53-41-57-02	101102 108120 504903	1
- 115	112N2010-203		.FITTING INSTL-FRONT SPAR JOINT TERM. POSITION DATA: LH FOR DETAILS SEE: 53-41-57-02	101102 108120 504903	1
- 120	112N2010-204		.FITTING INSTL-FRONT SPAR JOINT TERM. POSITION DATA: RH FOR DETAILS SEE: 53-41-57-02	101102 108120 504903	1

MISSING ITEM NUMBERS NOT APPLICABLE

- ITEM NOT ILLUSTRATED

57-00-00-20

57-00-00
FIG. 20
PAGE 3
JAN 20/09

BRI



757

PARTS CATALOG (MAINTENANCE)

FIG ITEM	PART NUMBER	1 2 3 4 5 6 7	NOMENCLATURE	EFFECT FROM TO	UNITS PER ASSY
20					
- 125	112N2010-413		.FITTING INSTL-FRONT SPAR TERM. POSITION DATA: SECT. 12 LH FOR DETAILS SEE: 53-41-57-02	101102 108120 504903	1
- 130	112N2010-414		.FITTING INSTL-FRONT SPAR TERM. POSITION DATA: SECT. 12 RH FOR DETAILS SEE: 53-41-57-02	101102 108120 504903	1
- 135	112N2010-415		.FITTING INSTL-TERM. FRONT SPAR POSITION DATA: LH FOR DETAILS SEE: 53-41-57-02	101102 504903	1
- 135	112N2010-417		.FITTING INSTL-TERM. FRONT SPAR POSITION DATA: LH FOR DETAILS SEE: 53-41-57-02	108120	1
- 140	112N2010-416		.FITTING INSTL-TERM. FRONT SPAR POSITION DATA: RH FOR DETAILS SEE: 53-41-57-02	101102 504903	1
- 140	112N2010-418		.FITTING INSTL-TERM. FRONT SPAR POSITION DATA: RH FOR DETAILS SEE: 53-41-57-02	108120	1
- 145	112N2072-401		.BRACKET INSTL-POWER FEEDER STOP POSITION DATA: LH FOR DETAILS SEE: 57-21-51-05	101102 108120 504903	1
- 150	112N2072-402		.BRACKET INSTL-POWER FEEDER STOP POSITION DATA: RH FOR DETAILS SEE: 57-21-51-05	101102 108120 504903	1

MISSING ITEM NUMBERS NOT APPLICABLE

- ITEM NOT ILLUSTRATED

BRI

57-00-00-20

BOEING PROPRIETARY - Copyright © - Unpublished Work - See title page for details.

57-00-00
FIG. 20
PAGE 4
JAN 20/09



757

PARTS CATALOG (MAINTENANCE)

FIG ITEM	PART NUMBER	1 2 3 4 5 6 7	NOMENCLATURE	EFFECT FROM TO	UNITS PER ASSY
20					
- 155	112N3001-201		.PANEL INSTL-WING POSITION DATA: OUTBD UPR LH FOR DETAILS SEE: 57-41-01-20	108120	1
- 155	112N3001-401		.PANEL INSTL-WING POSITION DATA: OUTBD UPR LH FOR DETAILS SEE: 57-41-01-20	101102 504505	1
- 155	112N3001-403		.PANEL INSTL-WING POSITION DATA: OUTBD UPR LH FOR DETAILS SEE: 57-41-01-20	506903	1
- 160	112N3001-202		.PANEL INSTL-WING POSITION DATA: OUTBD UPR RH FOR DETAILS SEE: 57-41-01-20	108120	1
- 160	112N3001-402		.PANEL INSTL-WING POSITION DATA: OUTBD UPR RH FOR DETAILS SEE: 57-41-01-20	101102 504505	1
- 160	112N3001-404		.PANEL INSTL-WING POSITION DATA: OUTBD UPR RH FOR DETAILS SEE: 57-41-01-20	506903	1
- 165	112N4001-201		.PANEL INSTL-OUTBD WING POSITION DATA: LWR LH FOR DETAILS SEE: 57-41-01-50	101102 504903	1
- 165	112N4001-203		.PANEL INSTL-OUTBD WING POSITION DATA: LWR LH FOR DETAILS SEE: 57-41-01-50	108120	1
- 170	112N4001-202		.PANEL INSTL-OUTBD WING POSITION DATA: LWR RH FOR DETAILS SEE: 57-41-01-50	101102 504903	1

MISSING ITEM NUMBERS NOT APPLICABLE

- ITEM NOT ILLUSTRATED

57-00-00-20

57-00-00
FIG. 20
PAGE 5
JAN 20/09

BRI



757

PARTS CATALOG (MAINTENANCE)

FIG ITEM	PART NUMBER	1 2 3 4 5 6 7	NOMENCLATURE	EFFECT FROM TO	UNITS PER ASSY
20					
- 170	112N4001-204		.PANEL INSTL-OUTBD WING POSITION DATA: LWR RH FOR DETAILS SEE: 57-41-01-50	108120	1
- 175	112N4301-401		.SPLICE INSTL-PNL POSITION DATA: SECT. 12 LWR BBL 70.5 LH FOR DETAILS SEE: 57-27-53-02	101102 504504	1
- 180	112N4301-402		.SPLICE INSTL-PNL POSITION DATA: SECT. 12 LWR BBL 70.5 RH FOR DETAILS SEE: 57-27-53-02	101102 504504	1
- 185	112N4301-403		.SPLICE INSTL-PNL POSITION DATA: SECT. 11 LWR BBL 70.5 LH FOR DETAILS SEE: 57-27-53-01	101102 108120 504903	1
- 190	112N4301-404		.SPLICE INSTL-PNL POSITION DATA: SECT. 11 LWR BBL 70.5 RH FOR DETAILS SEE: 57-27-53-01	101102 108120 504903	1
- 195	112N4301-405		.SPLICE INSTL-PNL POSITION DATA: SECT. 12 LWR BBL 70.5 LH FOR DETAILS SEE: 57-27-53-02	108120 505903	1
- 200	112N4301-406		.SPLICE INSTL-PNL POSITION DATA: SECT. 12 LWR BBL 70.5 RH FOR DETAILS SEE: 57-27-53-02	108120 505903	1
- 205	112N4501-403		.PANEL INSTL-WING HONEYCOMB POSITION DATA: LWR LH FOR DETAILS SEE: 57-41-01-10	101102 108120 504903	1
- 210	112N4501-404		.PANEL INSTL-WING HONEYCOMB POSITION DATA: LWR RH FOR DETAILS SEE: 57-41-01-10	101102 108120 504903	1
- 215	112N5005-203		.RIB INSTL- FOR DETAILS SEE: 57-20-52-01A	101102 504903	1

MISSING ITEM NUMBERS NOT APPLICABLE

- ITEM NOT ILLUSTRATED

57-00-00-20

57-00-00
FIG. 20
PAGE 6
JAN 20/09

BRI



757

PARTS CATALOG (MAINTENANCE)

FIG ITEM	PART NUMBER	1 2 3 4 5 6 7	NOMENCLATURE	EFFECT FROM TO	UNITS PER ASSY
20					
- 215	112N5005-205		.RIB INSTL- FOR DETAILS SEE: 57-20-52-01A	108120	1
- 220	112N5005-204		.RIB INSTL- FOR DETAILS SEE: 57-20-52-01A	101102 504903	1
- 220	112N5005-206		.RIB INSTL- FOR DETAILS SEE: 57-20-52-01A	108120	1
- 225	112N7001-409		.SUPPORT INSTL-NAC POSITION DATA: LH FOR DETAILS SEE: 57-24-51-01	101102 504903	1
- 225	112N7001-411		.SUPPORT INSTL-NAC POSITION DATA: LH FOR DETAILS SEE: 57-24-51-01	108120	1
- 230	112N7001-410		.SUPPORT INSTL-NAC POSITION DATA: RH FOR DETAILS SEE: 57-24-51-01	101102 504903	1
- 230	112N7001-412		.SUPPORT INSTL-NAC POSITION DATA: RH FOR DETAILS SEE: 57-24-51-01	108120	1
- 235	251N1006-3		.GUARD INSTL-CABLE POSITION DATA: LH FOR DETAILS SEE: 27-11-17-01	101102 108120 504903	1
- 240	251N1006-4		.GUARD INSTL-CABLE POSITION DATA: RH FOR DETAILS SEE: 27-11-17-01	101102 108120 504903	1
- 245	251N1022-2		.BOX INSTL-LATERAL CONT SPRT FOR DETAILS SEE: 27-11-54-02	101102 108120 504903	1
- 250	251N1022-4		.FASTENER INSTL-LATERAL CONT SPRT FOR DETAILS SEE: 27-11-54-02	101102 108120 504903	1

MISSING ITEM NUMBERS NOT APPLICABLE

- ITEM NOT ILLUSTRATED

57-00-00-20

57-00-00
FIG. 20
PAGE 7
JAN 20/09

BRI



757

PARTS CATALOG (MAINTENANCE)

FIG ITEM	PART NUMBER	1 2 3 4 5 6 7	NOMENCLATURE	EFFECT FROM TO	UNITS PER ASSY
20					
- 270	251N6059-5		.GUARD INSTL-FLOOR BEAM CABLE POSITION DATA: STA 947 FOR DETAILS SEE: 57-10-51-05	101102 108120 504903	1
- 275	271N5052-3		.BRACKET INSTL-PRESSURE SENSITIVE FLOW LIMITER POSITION DATA: SECT 44 LH HYD SYS FOR DETAILS SEE: 29-11-59-01	101102 108120 504903	1
- 285	274N1001-9		.BRACKET INSTL- FOR DETAILS SEE: 32-42-09-01	101102 108120 504903	1
- 290	274N1002-19		.BRACKET INSTL- FOR DETAILS SEE: 32-42-10-01	101102 108120 504903	1
- 295	274N1002-20		.BRACKET INSTL- FOR DETAILS SEE: 32-42-10-01	101102 108120 504903	1
- 300	274N1003-16		.VALVE INSTL- FOR DETAILS SEE: 32-41-04-01	101102 504505	1
- 300	274N1003-18		.VALVE INSTL- FOR DETAILS SEE: 32-41-04-01	108120 506903	1
- 305	274N1028-10		.BRACKET INSTL- FOR DETAILS SEE: 57-12-51-03	101102 108120 504903	1
- 320	112N5004-201		.RIB INSTL-INSPAR WING STA 177.50 POSITION DATA: LH FOR DETAILS SEE: 57-12-01-01	101102 504903	1
- 320	112N5004-203		.RIB INSTL-INSPAR WING STA 177.50 POSITION DATA: LH FOR DETAILS SEE: 57-12-01-01	108120	1
- 325	112N5004-202		.RIB INSTL-INSPAR WING STA 177.50 POSITION DATA: RH FOR DETAILS SEE: 57-12-01-01	101102 504903	1

MISSING ITEM NUMBERS NOT APPLICABLE

- ITEM NOT ILLUSTRATED

57-00-00-20

57-00-00
FIG. 20
PAGE 8
JAN 20/09

BRI



757

PARTS CATALOG (MAINTENANCE)

FIG ITEM	PART NUMBER	1 2 3 4 5 6 7	NOMENCLATURE	EFFECT FROM TO	UNITS PER ASSY
20					
- 325	112N5004-204		.RIB INSTL-INSPAR WING STA 177.50 POSITION DATA: RH FOR DETAILS SEE: 57-12-01-01	108120	1
- 340	251N6049-3		.BRACKET INSTL-PULLEY POSITION DATA: WING STA 528 LH FOR DETAILS SEE: 27-11-22-10	101102 108120 504903	1
- 345	251N6049-4		.BRACKET INSTL-PULLEY POSITION DATA: WING STA 528 RH FOR DETAILS SEE: 27-11-22-10	101102 108120 504903	1
- 360	111N5412-401		.FITTING INSTL-TENSION WING POSITION DATA: SECT. 11, LH FOR DETAILS SEE: 57-10-51-01B	101102 108120 504903	1
- 365	111N5412-402		.FITTING INSTL-TENSION WING POSITION DATA: SECT. 11, RH FOR DETAILS SEE: 57-10-51-01B	101102 108120 504903	1
- 370	111N5414-401		.FITTING INSTL-TENSION WING POSITION DATA: SECT. 11, LH FOR DETAILS SEE: 57-10-51-01D	101102 108120 504903	1
- 375	111N5414-402		.FITTING INSTL-TENSION WING POSITION DATA: SECT. 11, RH FOR DETAILS SEE: 57-10-51-01D	101102 108120 504903	1
- 380	111N5413-401		.FITTING INSTL-TENSION WING POSITION DATA: SECT. 11, LH FOR DETAILS SEE: 57-10-51-01C	101102 108120 504903	1
- 385	111N5413-402		.FITTING INSTL-TENSION WING POSITION DATA: SECT. 11, RH FOR DETAILS SEE: 57-10-51-01C	101102 108120 504903	1

MISSING ITEM NUMBERS NOT APPLICABLE

- ITEM NOT ILLUSTRATED

BRI

57-00-00-20

BOEING PROPRIETARY - Copyright © - Unpublished Work - See title page for details.

57-00-00
FIG. 20
PAGE 9
JAN 20/09



757

PARTS CATALOG (MAINTENANCE)

FIG ITEM	PART NUMBER	1 2 3 4 5 6 7	NOMENCLATURE	EFFECT FROM TO	UNITS PER ASSY
20					
- 390	111N5411-405		. FITTING INSTL-TENSION WING POSITION DATA: SECT. 11 FOR DETAILS SEE: 57-10-51-01A	101102 108120 504903	1
- 395	111N5411-401		. FITTING INSTL-TENSION WING POSITION DATA: SECT. 11 FOR DETAILS SEE: 57-10-51-01A	101102 108120 504903	1
- 400	111N5411-402		. FITTING INSTL-TENSION WING POSITION DATA: SECT. 11 FOR DETAILS SEE: 57-10-51-01A	101102 108120 504903	1
- 405	111N5411-403		. FITTING INSTL-TENSION WING POSITION DATA: SECT. 11 FOR DETAILS SEE: 57-10-51-01A	101102 108120 504903	1
- 410	111N5411-404		. FITTING INSTL-TENSION WING POSITION DATA: SECT. 11 FOR DETAILS SEE: 57-10-51-01A	101102 108120 504903	1

MISSING ITEM NUMBERS NOT APPLICABLE

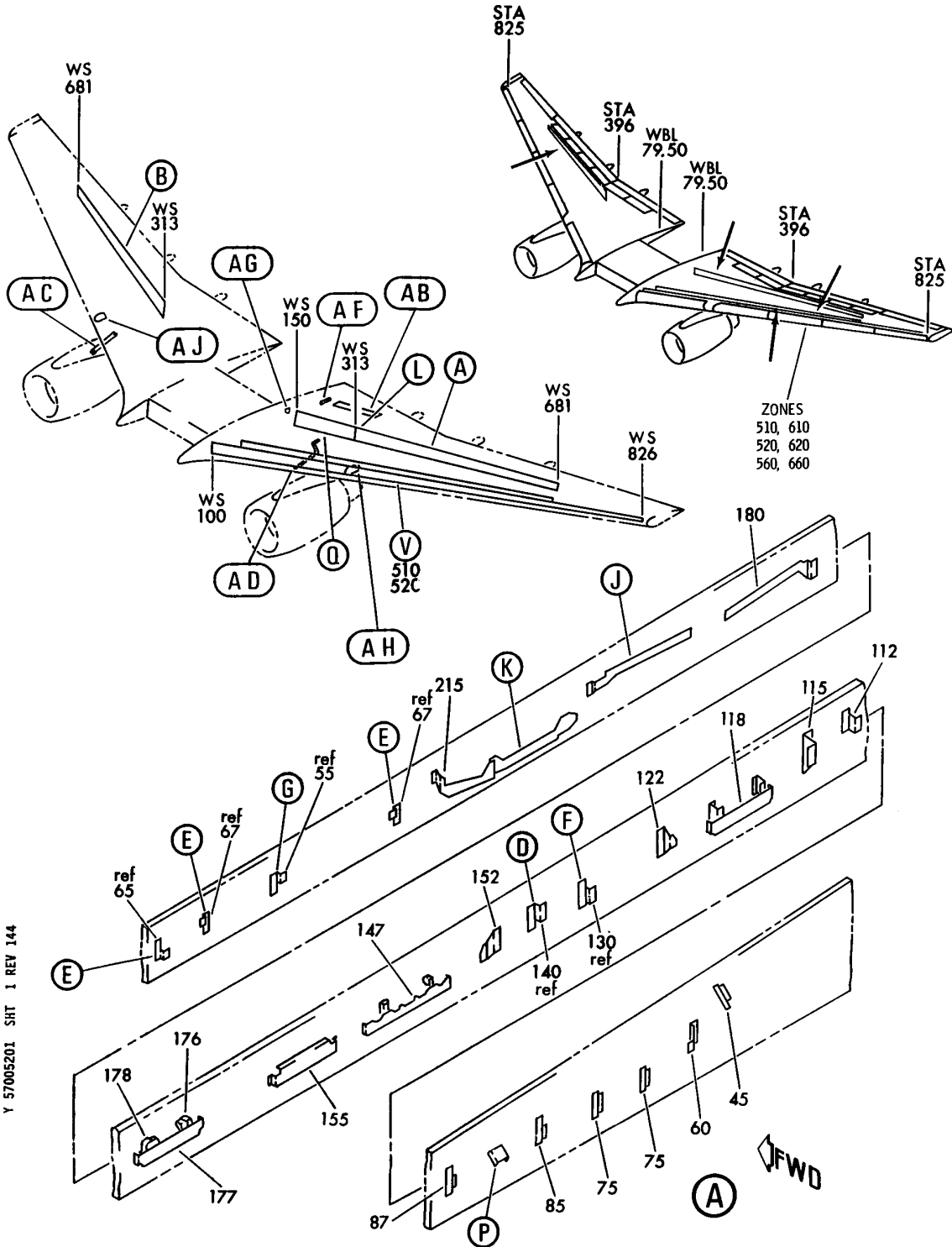
- ITEM NOT ILLUSTRATED

57-00-00-20

57-00-00
FIG. 20
PAGE 10
JAN 20/09

BRI


BOEING
 757
 PARTS CATALOG (MAINTENANCE)



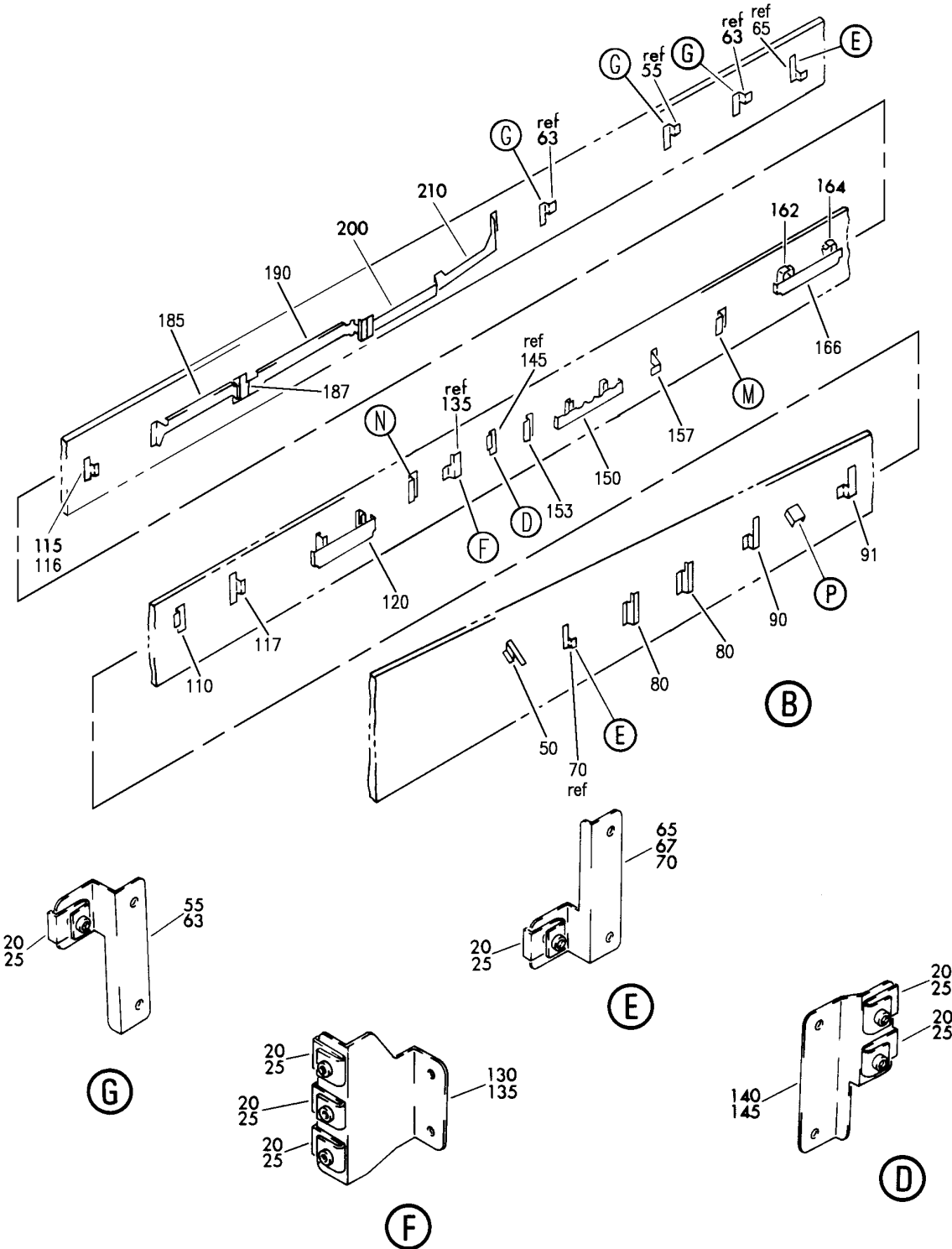
PROVISIONS INSTL-WING WIRE
 FIGURE 1 (SHEET 1)

57-00-52-01

BRI
 MAY 28/07

57-00-52-01
 PAGE 0

BOEING
757
PARTS CATALOG (MAINTENANCE)



Y 57005201 SHT 2 REV 270

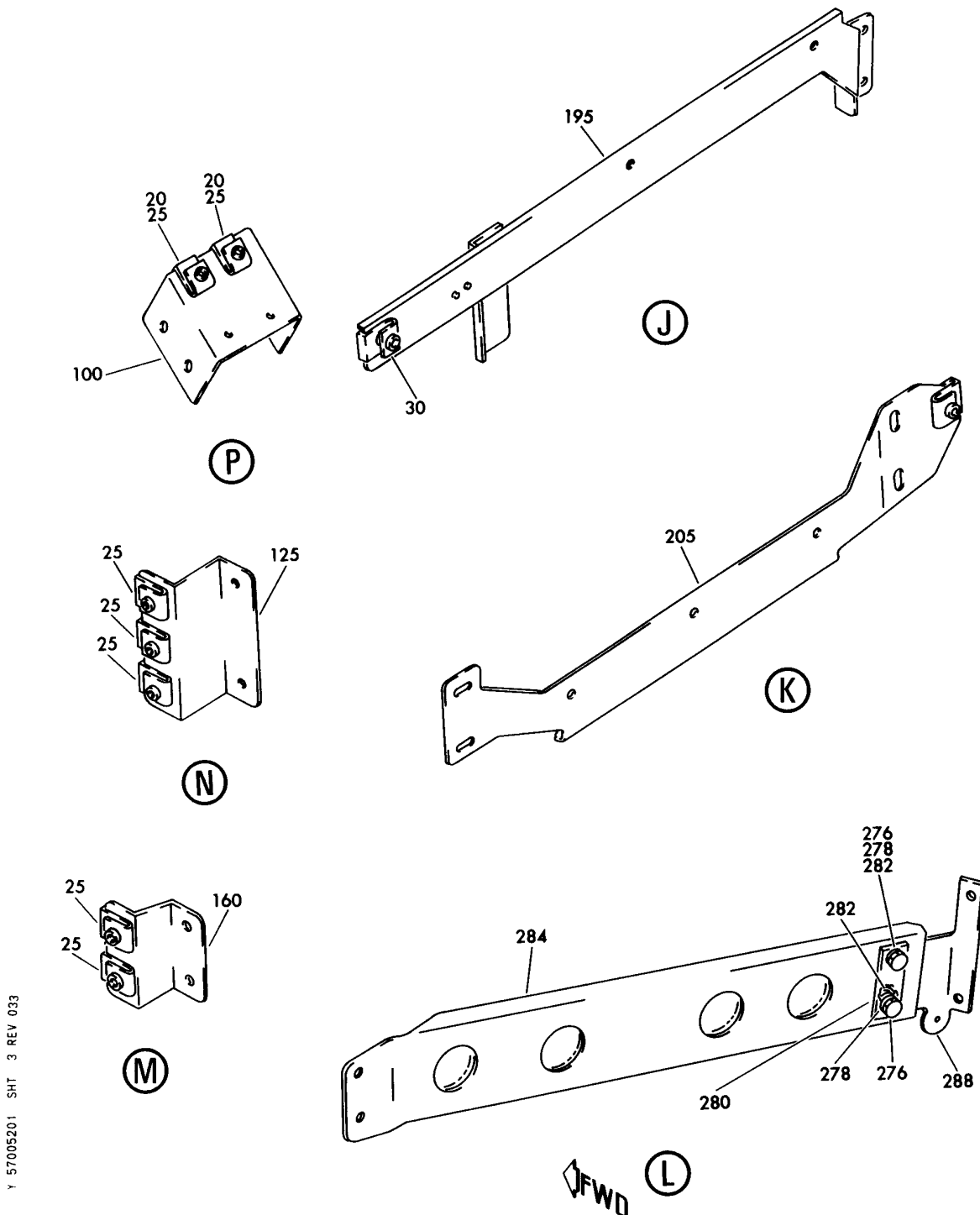
PROVISIONS INSTL-WING WIRE
FIGURE 1 (SHEET 2)

57-00-52-01

BRI
MAY 28/07

57-00-52-01
PAGE 0A

BOEING
757
PARTS CATALOG (MAINTENANCE)



Y 57005201 SHT 3 REV 033

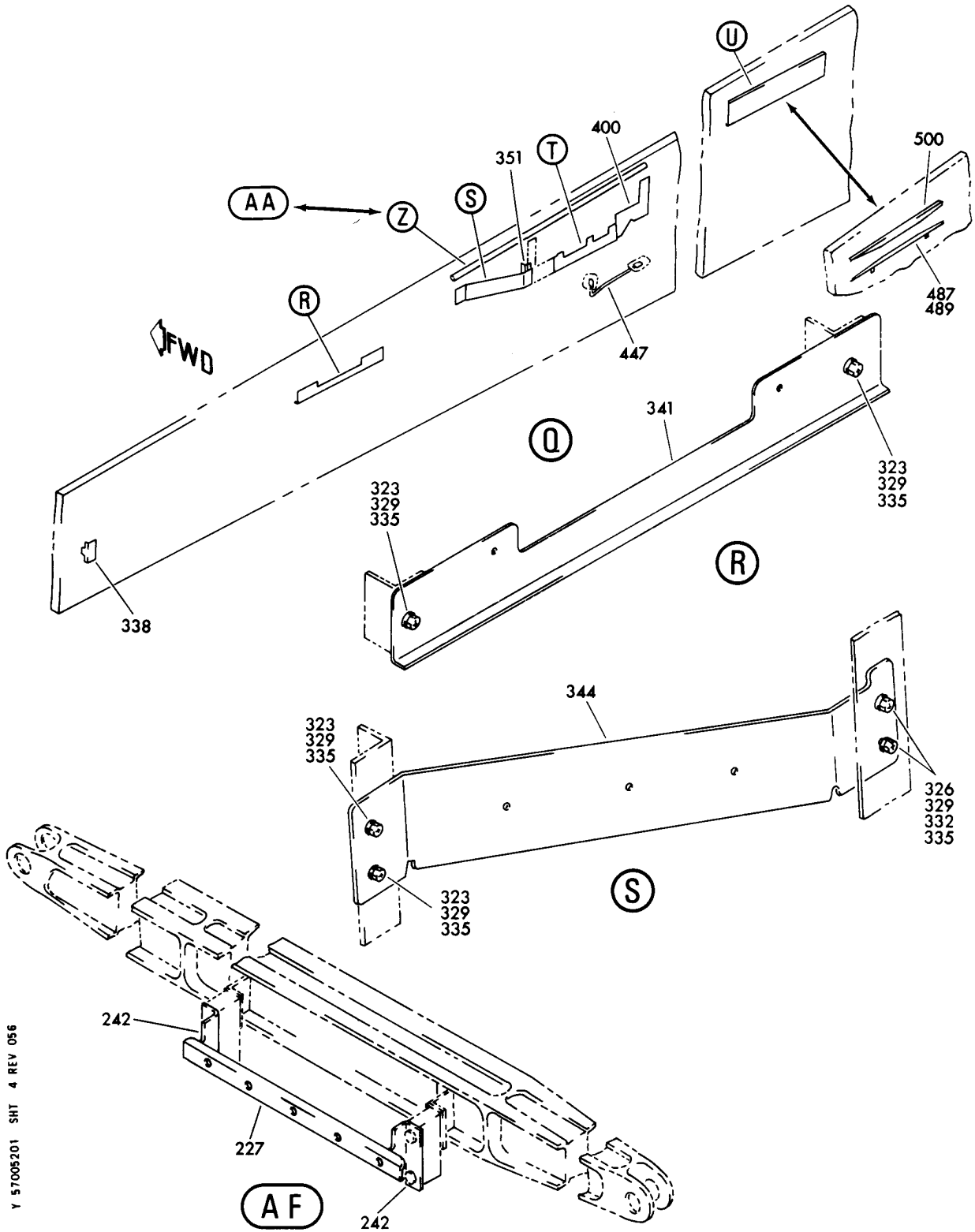
PROVISIONS INSTL-WING WIRE
FIGURE 1 (SHEET 3)

57-00-52-01

BRI
MAY 28/07

57-00-52-01
PAGE 0B

BOEING
757
PARTS CATALOG (MAINTENANCE)



Y 57005201 SHT 4 REV 056

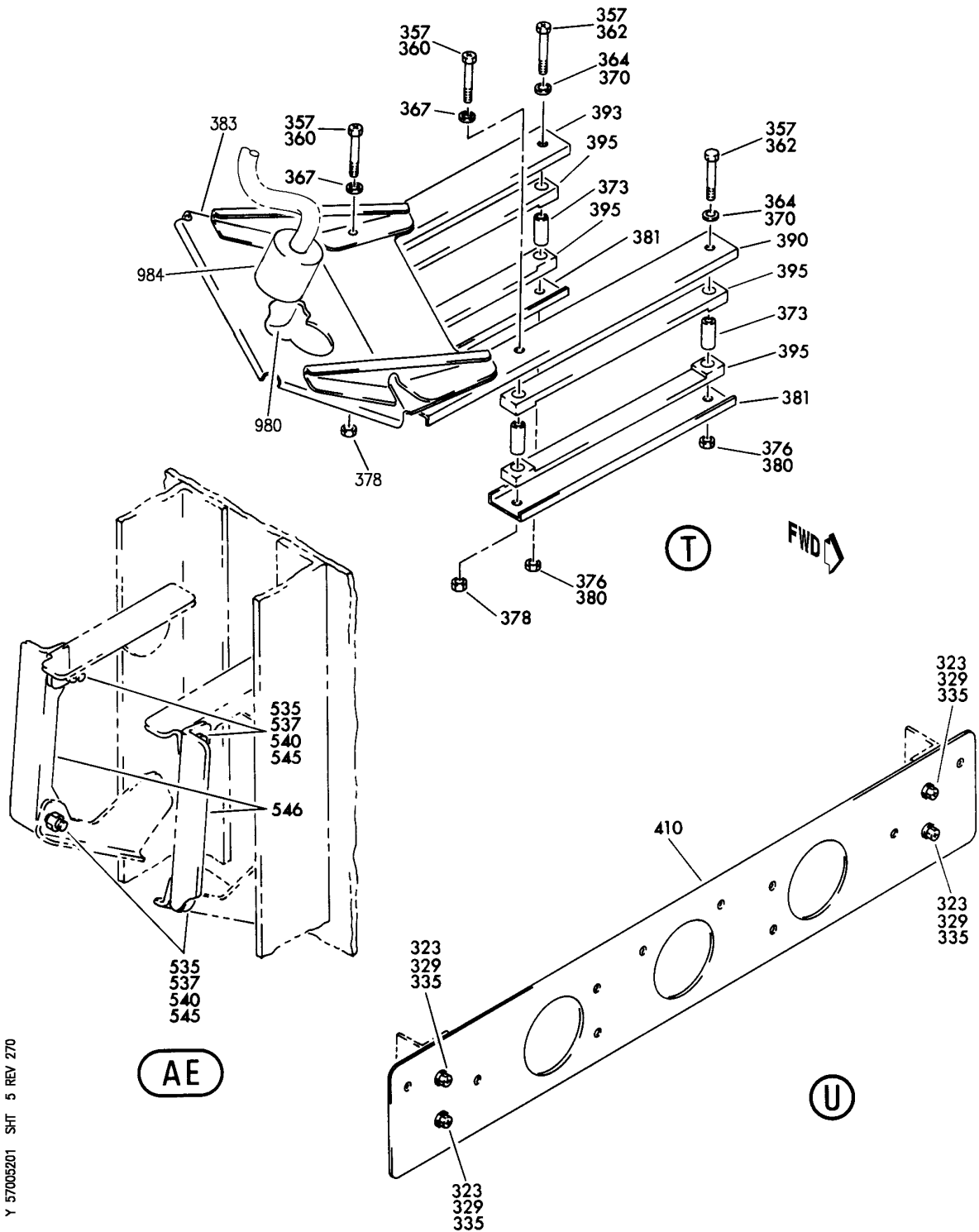
PROVISIONS INSTL-WING WIRE
FIGURE 1 (SHEET 4)

57-00-52-01

BRI
MAY 28/07

57-00-52-01
PAGE 0C

BOEING
757
PARTS CATALOG (MAINTENANCE)



Y 57005201 SHT 5 REV 270

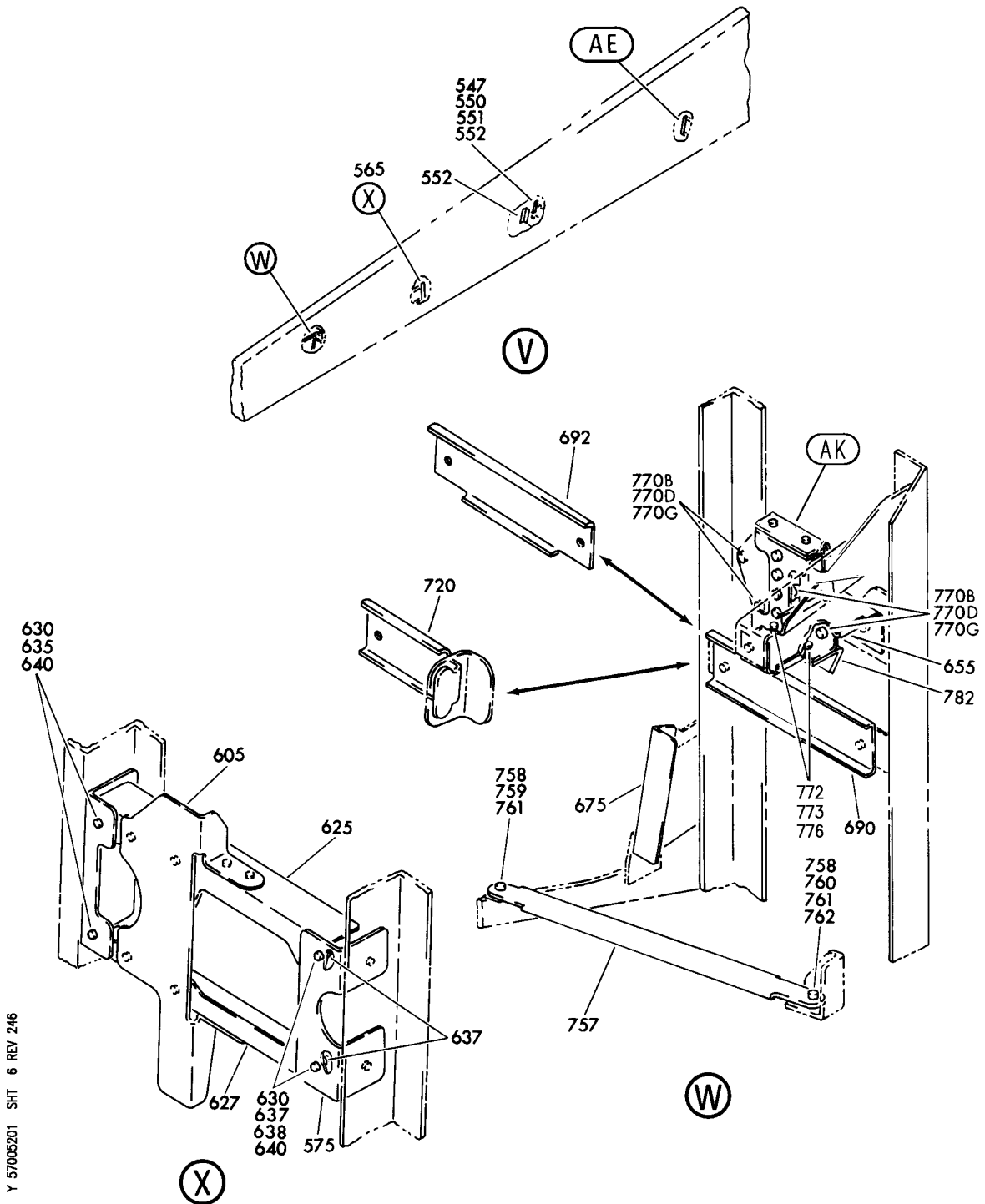
PROVISIONS INSTL-WING WIRE
FIGURE 1 (SHEET 5)

57-00-52-01

BRI
MAY 28/07

57-00-52-01
PAGE 0D

BOEING
757
PARTS CATALOG (MAINTENANCE)



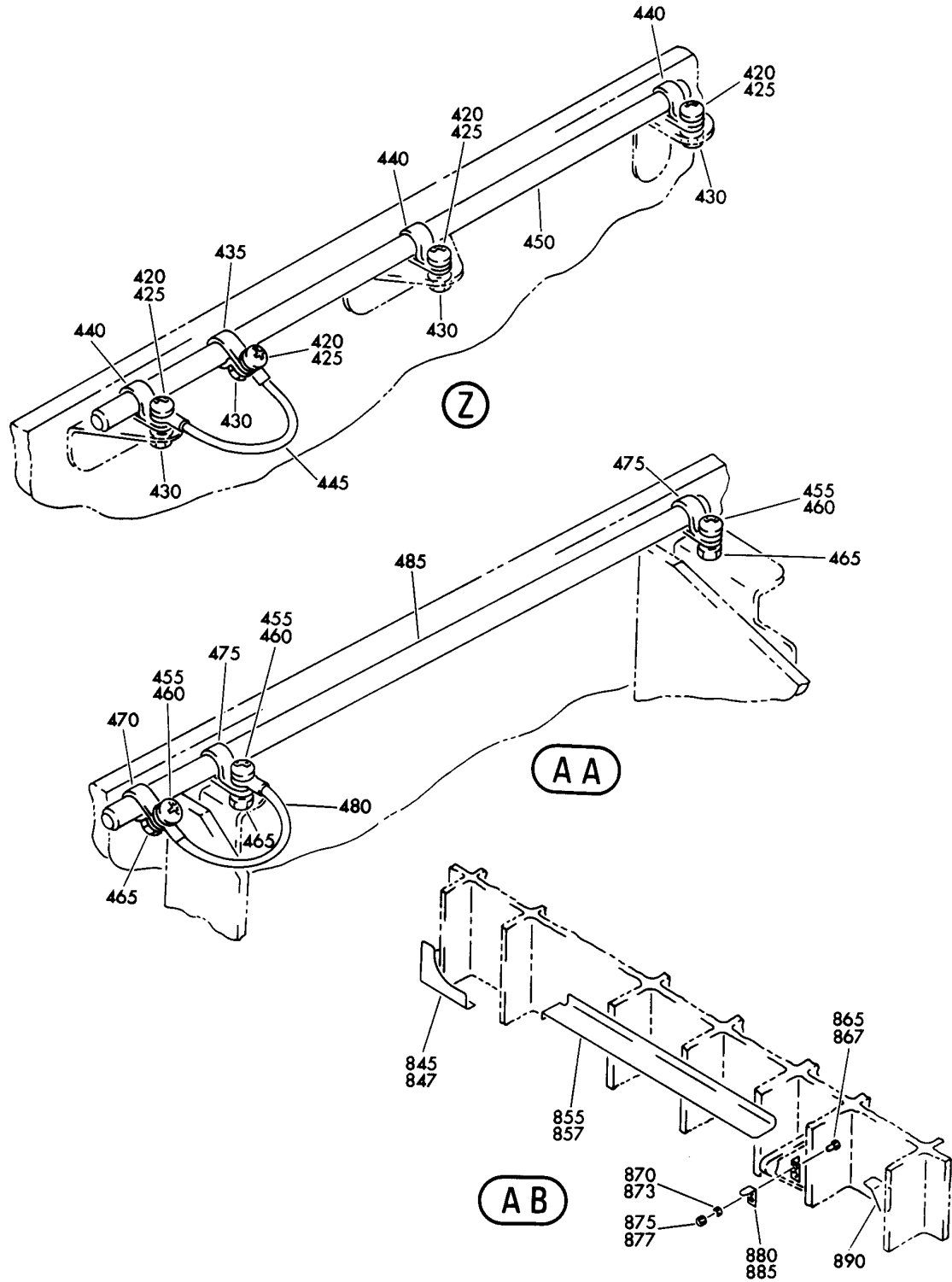
PROVISIONS INSTL-WING WIRE
FIGURE 1 (SHEET 6)

57-00-52-01

BRI
MAY 28/07

57-00-52-01
PAGE 0E

BOEING
757
PARTS CATALOG (MAINTENANCE)



Y 57005201 SH1 7 REV 049

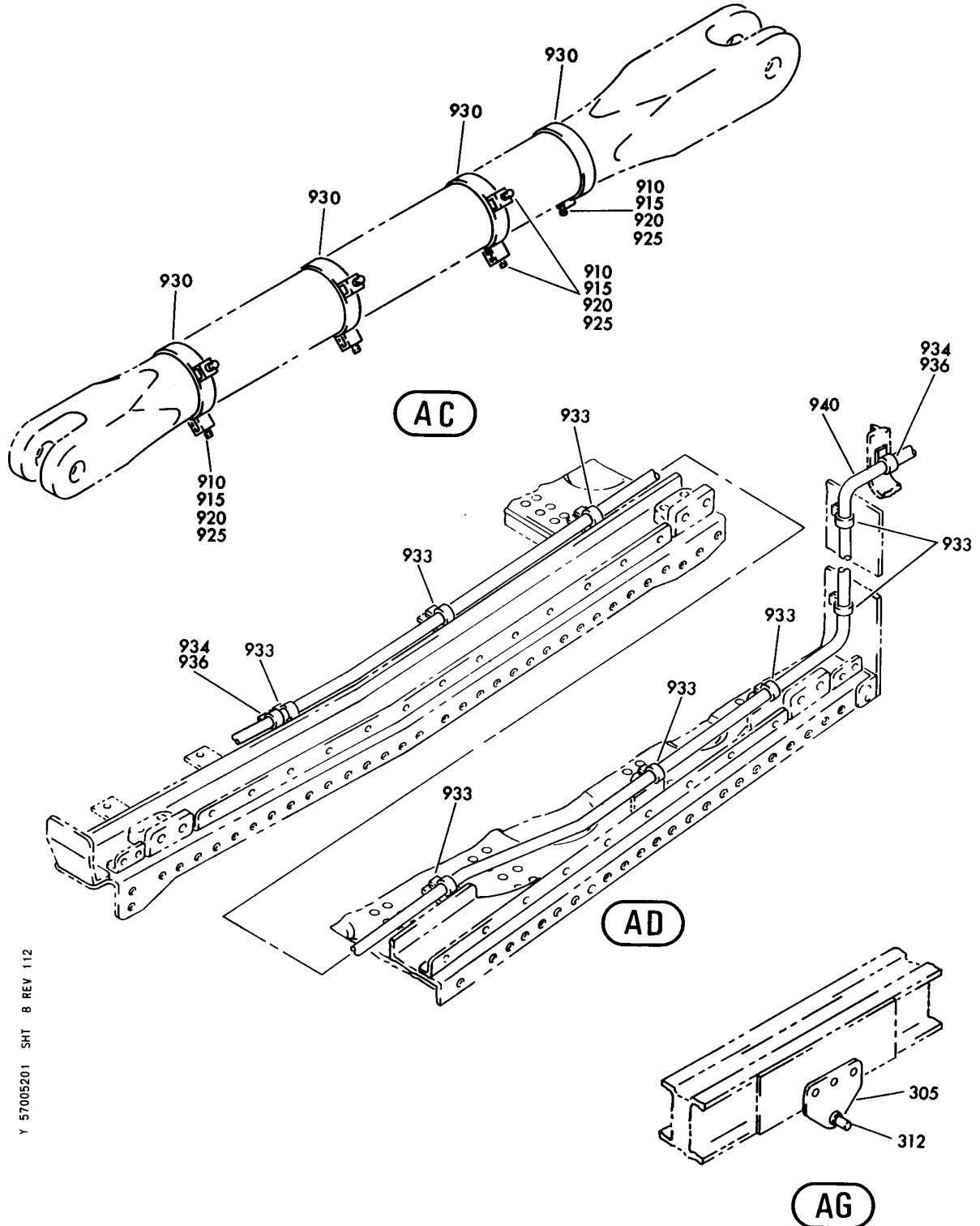
PROVISIONS INSTL-WING WIRE
FIGURE 1 (SHEET 7)

57-00-52-01

BRI
MAY 28/07

57-00-52-01
PAGE OF

BOEING
757
PARTS CATALOG (MAINTENANCE)



Y 57005201 SHT 8 REV 112

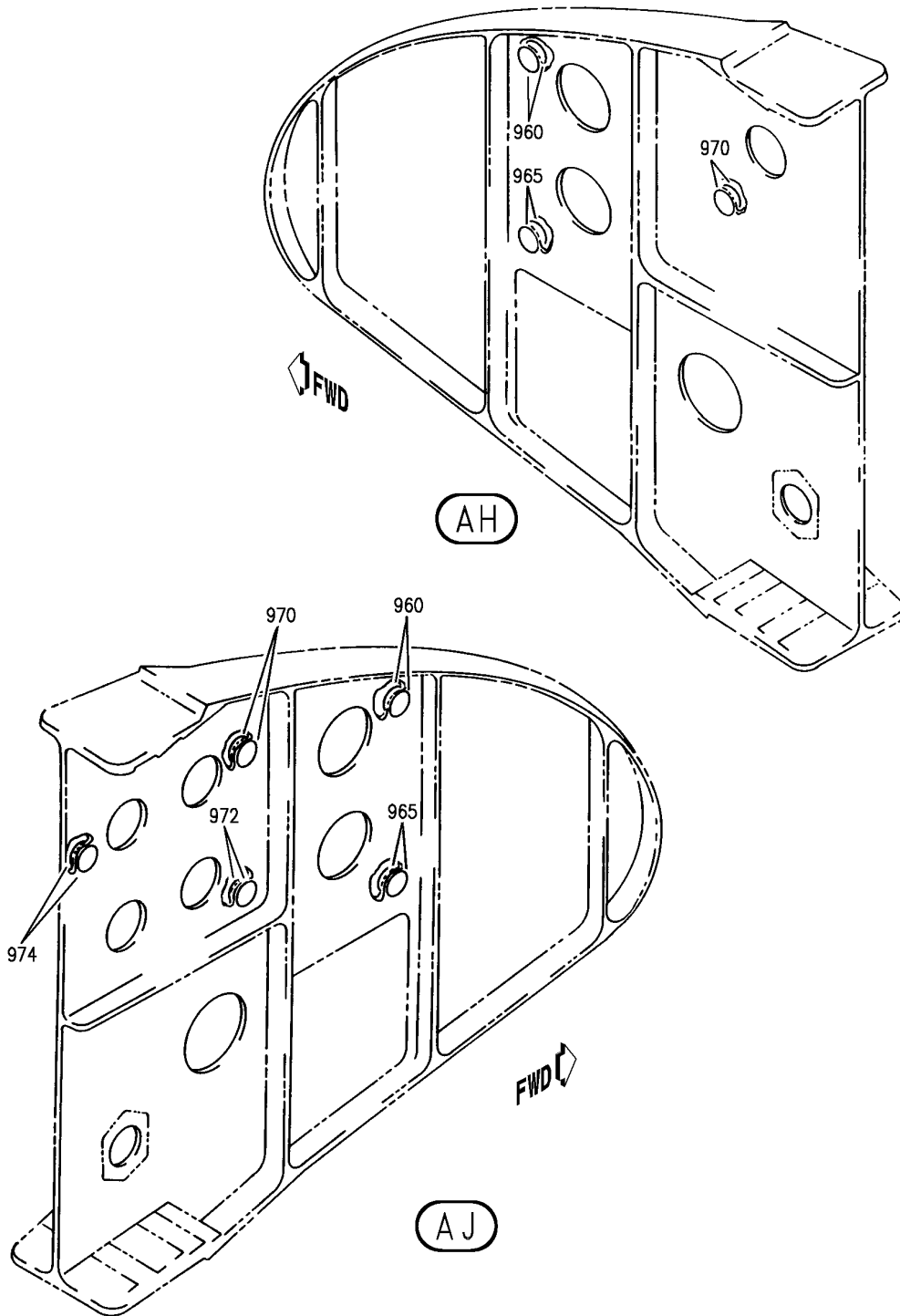
PROVISIONS INSTL-WING WIRE
FIGURE 1 (SHEET 8)

57-00-52-01

BRI
MAY 28/07

57-00-52-01
PAGE 0G

BOEING
757
PARTS CATALOG (MAINTENANCE)



Y 57005201 SHT 9 REV 270

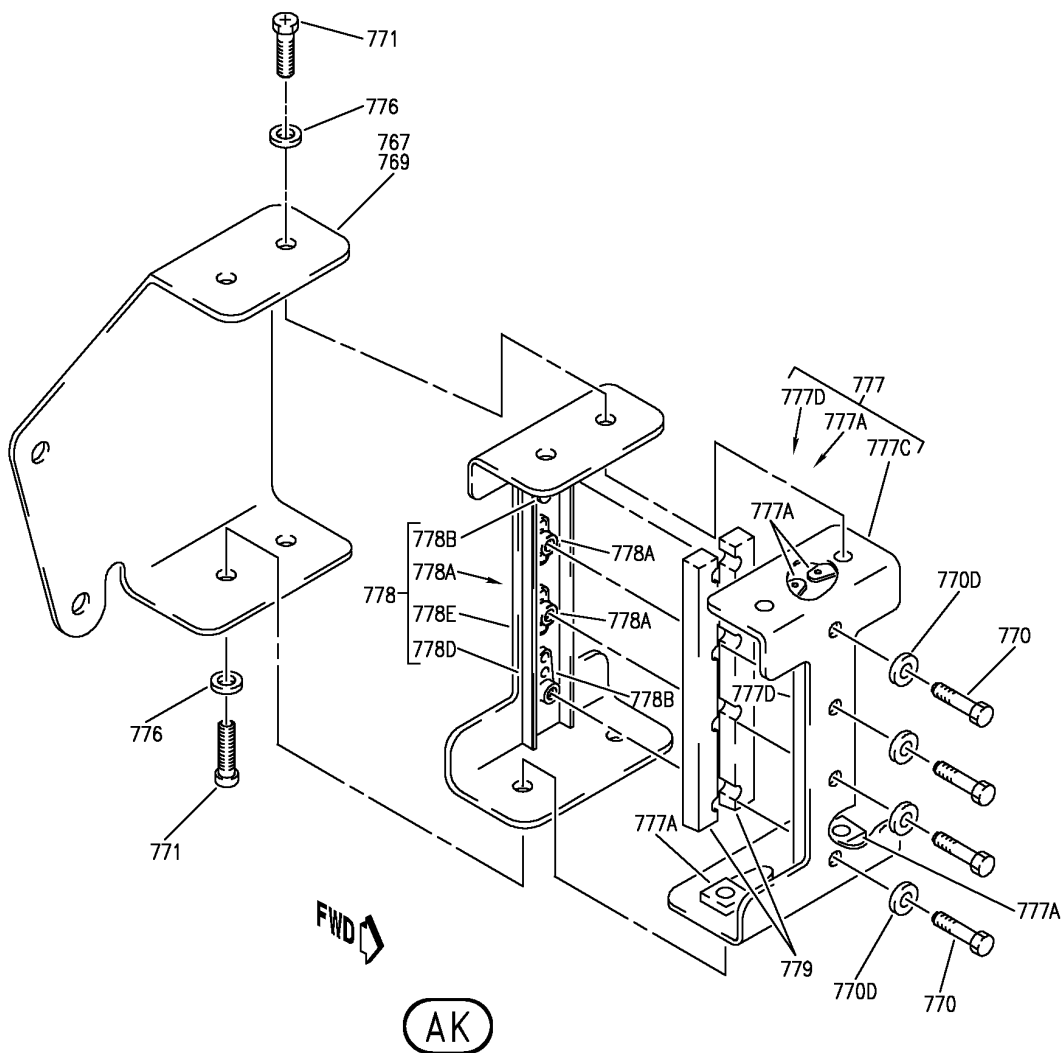
PROVISIONS INSTL-WING WIRE
FIGURE 1 (SHEET 9)

57-00-52-01

BRI
MAY 28/07

57-00-52-01
PAGE 0H

BOEING
757
PARTS CATALOG (MAINTENANCE)



Y 57005201 SH1 10 REV 246

PROVISIONS INSTL-WING WIRE
FIGURE 1 (SHEET 10)

57-00-52-01

BRI
MAY 28/07

57-00-52-01
PAGE 01



757

PARTS CATALOG (MAINTENANCE)

FIG ITEM	PART NUMBER	1 2 3 4 5 6 7	NOMENCLATURE	EFFECT FROM TO	UNITS PER ASSY
1			PROVISIONS INSTL-WING WIRE	002004 006102 107107 121999	
- 1	287N1100-1		PROVISIONS INSTL-WING WIRE POSITION DATA: LH FOR NHA SEE: 24-00-60-01	002004 006100 107107 121503 904999	RF
- 5	287N1100-2		PROVISIONS INSTL-WING WIRE POSITION DATA: RH FOR NHA SEE: 24-00-60-01	002004 006100 107107 121503 904999	RF
- 10	287N1301-3		.PROVISIONS INSTL-REAR SPAR POSITION DATA: LH	002004 006100 107107 121503 904999	1
- 15	287N1301-4		.PROVISIONS INSTL-REAR SPAR POSITION DATA: RH	002004 006100 107107 121503 904999	1
20	130069		..NUT- SUPPLIER CODE: V60119 SPECIFICATION NUMBER: BACN10FX16 OPTIONAL PART: A11330-6-3 V72962 A4972-6-02 V72962 A4972-6-02 V72962 POSITION DATA: LH SIDE	002004 006100 107107 121503 904999	11

MISSING ITEM NUMBERS NOT APPLICABLE

- ITEM NOT ILLUSTRATED

BRI

57-00-52-01

BOEING PROPRIETARY - Copyright © - Unpublished Work - See title page for details.

57-00-52
FIG. 01
PAGE 1
JAN 20/09



757

PARTS CATALOG (MAINTENANCE)

FIG ITEM	PART NUMBER	1 2 3 4 5 6 7	NOMENCLATURE	EFFECT FROM TO	UNITS PER ASSY
1 25	130069		..NUT- SUPPLIER CODE: V60119 SPECIFICATION NUMBER: BACN10FX16 OPTIONAL PART: A11330-6-3 V72962 A4972-6-02 V72962 A4972-6-02 V72962 POSITION DATA: RH SIDE	002004 006100 107107 121503 904999	18
30	BRC500-10-3		..NUT- SUPPLIER CODE: V52828 SPECIFICATION NUMBER: BACN10FX22 OPTIONAL PART: F49322-3-22 V15653 SL241-3-1 V97393 130062 V60119 A11330-10-3 V72962 POSITION DATA: LH SIDE	002004 006100 107107 121503 904999	1
45	287N1301-79		..BRACKET- POSITION DATA: LH SIDE	002004 006100 107107 121503 904999	1
50	287N1301-80		..BRACKET- POSITION DATA: RH SIDE	002004 006100 107107 121503 904999	1
55	287N1301-45		..BRACKET	002004 006100 107107 121503 904999	1

MISSING ITEM NUMBERS NOT APPLICABLE

- ITEM NOT ILLUSTRATED

57-00-52-01

57-00-52
 FIG. 01
 PAGE 2
 JAN 20/09

BRI

BOEING PROPRIETARY - Copyright © - Unpublished Work - See title page for details.

 **BOEING**
757
PARTS CATALOG (MAINTENANCE)

FIG ITEM	PART NUMBER	1 2 3 4 5 6 7	NOMENCLATURE	EFFECT FROM TO	UNITS PER ASSY
1					
60	287N1301-45	..	BRACKET- POSITION DATA: LH SIDE	002004 006100 107107 121503 904999	1
63	287N1301-45	..	BRACKET- POSITION DATA: RH SIDE	002004 006100 107107 121503 904999	2
65	287N1301-46	..	BRACKET	002004 006100 107107 121503 904999	1
67	287N1301-46	..	BRACKET- POSITION DATA: LH SIDE	002004 006100 107107 121503 904999	2
70	287N1301-293	..	BRACKET- POSITION DATA: RH SIDE	002004 006100 107107 121503 904999	1
75	287N1301-27	..	BRACKET- POSITION DATA: LH SIDE	002004 006100 107107 121503 904999	2
80	287N1301-28	..	BRACKET- POSITION DATA: RH SIDE	002004 006100 107107 121503 904999	2
85	287N1301-65	..	BRACKET- POSITION DATA: LH SIDE	002004 006100 107107 121503 904999	1
90	287N1301-66	..	BRACKET- POSITION DATA: RH SIDE	002004 006100 107107 121503 904999	1

MISSING ITEM NUMBERS NOT APPLICABLE

— ITEM NOT ILLUSTRATED

BRI

57-00-52-01

BOEING PROPRIETARY - Copyright © - Unpublished Work - See title page for details.

57-00-52
FIG. 01
PAGE 3
JAN 20/09



757

PARTS CATALOG (MAINTENANCE)

FIG ITEM	PART NUMBER	1 2 3 4 5 6 7	NOMENCLATURE	EFFECT FROM TO	UNITS PER ASSY
1					
100	287N1301-483	..	BRACKET ASSY-	002004 006100 107107 121503 904999	1
115	287N1301-358	..	BRACKET-	002004 006100 107107 121503 904999	1
117	287N1301-407	..	BRACKET- POSITION DATA: RH SIDE	107107	1
117	287N1301-660	..	BRACKET- POSITION DATA: RH SIDE	002004 006100 121503 904999	1
118	287N1307-45	..	BRACKET- POSITION DATA: LH SIDE	002004 006100 107107 121503 904999	1
120	287N1307-46	..	BRACKET- POSITION DATA: RH SIDE	002004 006100 107107 121503 904999	1
122	287N1307-2	..	BRACKET- POSITION DATA: LH SIDE	002004 006100 107107 121503 904999	1
125	287N1301-52	..	BRACKET ASSY- POSITION DATA: RH SIDE	002004 006100 107107 121503 904999	1
130	287N1301-29	..	BRACKET- POSITION DATA: LH SIDE	002004 006100 107107 121503 904999	1
135	287N1301-30	..	BRACKET- POSITION DATA: RH SIDE	002004 006100 107107 121503 904999	1

MISSING ITEM NUMBERS NOT APPLICABLE

- ITEM NOT ILLUSTRATED

57-00-52-01

57-00-52
FIG. 01
PAGE 4
JAN 20/09

BRI

BOEING PROPRIETARY - Copyright © - Unpublished Work - See title page for details.



757

PARTS CATALOG (MAINTENANCE)

FIG ITEM	PART NUMBER	1 2 3 4 5 6 7	NOMENCLATURE	EFFECT FROM TO	UNITS PER ASSY
1					
140	287N1301-59	..	BRACKET- POSITION DATA: LH SIDE	002004 006100 107107 121503 904999	1
145	287N1301-60	..	BRACKET- POSITION DATA: RH SIDE	002004 006100 107107 121503 904999	1
147	287N1307-48	..	BRACKET- POSITION DATA: LH SIDE	002004 006100 107107 121503 904999	1
150	287N1307-47	..	BRACKET- POSITION DATA: RH SIDE	002004 006100 107107 121503 904999	1
152	287N1307-11	..	BRACKET- POSITION DATA: LH SIDE	002004 006100 107107 121503 904999	1
153	287N1307-12	..	BRACKET- POSITION DATA: RH SIDE	002004 006100 107107 121503 904999	1
155	287N1301-625	..	BRACKET ASSY- POSITION DATA: LH SIDE	002004 006100 107107 121503 904999	1
157	287N1307-1	..	BRACKET- POSITION DATA: RH SIDE	002004 006100 107107 121503 904999	1
160	287N1301-308	..	BRACKET- POSITION DATA: RH SIDE	002004 006100 107107 121503 904999	1

MISSING ITEM NUMBERS NOT APPLICABLE

- ITEM NOT ILLUSTRATED

57-00-52-01

57-00-52
FIG. 01
PAGE 5
JAN 20/09

BRI

BOEING PROPRIETARY - Copyright © - Unpublished Work - See title page for details.



757

PARTS CATALOG (MAINTENANCE)

FIG ITEM	PART NUMBER	1 2 3 4 5 6 7	NOMENCLATURE	EFFECT FROM TO	UNITS PER ASSY
1					
162	287N1301-486		..BRACKET ASSY- POSITION DATA: RH SIDE	002004 006100 107107 121503 904999	1
164	287N1301-665		..BRACKET ASSY- POSITION DATA: RH SIDE	002004 006100 107107 121503 904999	1
166	287N1301-468		..BRACKET ASSY- POSITION DATA: RH SIDE	002004 006100 107107 121503 904999	1
166	287N1301-635		..BRACKET ASSY- POSITION DATA: RH SIDE	002004 006100 107107 121503 904999	1
176	287N1301-666		..BRACKET ASSY- POSITION DATA: LH SIDE	002004 006100 107107 121503 904999	1
177	287N1301-633		..BRACKET ASSY- POSITION DATA: LH SIDE	002004 006100 107107 121503 904999	1
178	287N1301-486		..BRACKET ASSY- POSITION DATA: LH SIDE	002004 006100 107107 121503 904999	1
180	287N1301-667		..BRACKET ASSY- POSITION DATA: LH SIDE	002004 006100 107107 121503 904999	1
185	287N1301-383		..BRACKET ASSY- POSITION DATA: RH SIDE	002004 006100 107107 121503 904999	1
187	287N1301-390		..BRACKET- POSITION DATA: RH SIDE	107107 904949 952952	1

MISSING ITEM NUMBERS NOT APPLICABLE

- ITEM NOT ILLUSTRATED

57-00-52-01

57-00-52
FIG. 01
PAGE 6
JAN 20/09

BRI

BOEING PROPRIETARY - Copyright © - Unpublished Work - See title page for details.



757

PARTS CATALOG (MAINTENANCE)

FIG ITEM	PART NUMBER	1 2 3 4 5 6 7	NOMENCLATURE	EFFECT FROM TO	UNITS PER ASSY
1					
187	287N1301-671		..BRACKET- POSITION DATA: RH SIDE	002004 006100 121503 950951 953999	1
190	287N1301-370		..BRACKET ASSY- POSITION DATA: RH SIDE	002004 006100 107107 121503 904999	1
195	287N1301-257		..BRACKET ASSY- POSITION DATA: LH SIDE	002004 006100 107107 121503 904999	1
200	287N1301-342		..BRACKET ASSY- POSITION DATA: RH SIDE	002004 006100 107107 121503 904999	1
210	287N1301-379		..BRACKET ASSY- POSITION DATA: RH SIDE	002004 006100 107107 121503 904999	1
215	287N1301-474		..BRACKET ASSY- POSITION DATA: LH SIDE	002004 006100 107107 121503 904999	1
- 220	287N1311-1		.PROVISION INSTL-REAR SPAR POSITION DATA: LH SIDE	002004 006100 107107 121503 904999	1
- 225	287N1311-2		.PROVISION INSTL-REAR SPAR POSITION DATA: RH SIDE	002004 006100 107107 121503 904999	1
227	287N1312-1		..CHANNEL	002004 006100 107107 121503 904999	1

MISSING ITEM NUMBERS NOT APPLICABLE

- ITEM NOT ILLUSTRATED

57-00-52-01

57-00-52
FIG. 01
PAGE 7
JAN 20/09

BRI

BOEING PROPRIETARY - Copyright © - Unpublished Work - See title page for details.



757

PARTS CATALOG (MAINTENANCE)

FIG ITEM	PART NUMBER	1 2 3 4 5 6 7	NOMENCLATURE	EFFECT FROM TO	UNITS PER ASSY
1			ATTACHING PARTS		
- 230	NAS623-3-4		.. SCREW	002004 006100 107107 121503 904999	2
- 232	BACW10P43AL		.. WASHER	002004 006100 107107 121503 904999	4
- 234	NAS43DD3-4		.. SPACER	002004 006100 107107 121503 904999	2
- 238	BRH10A3		.. NUT SUPPLIER CODE: V52828 SPECIFICATION NUMBER: BACN10J3 OPTIONAL PART: H10-3BAC V15653 NS202101-02 V80539 RMLH9075-3W V72962 VN303A02 V92215 96-02 V80539 T6S1032J V11815 -----*	002004 006100 107107 121503 904999	2
242	287N1312-2		.. BRACKET	002004 006100 107107 121503 904999	2
- 245	NAS1801-3-25		ATTACHING PARTS .. SCREW -----*	002004 006100 107107 121503 904999	4

MISSING ITEM NUMBERS NOT APPLICABLE

- ITEM NOT ILLUSTRATED

57-00-52-01

57-00-52
FIG. 01
PAGE 8
JAN 20/09

BRI



757

PARTS CATALOG (MAINTENANCE)

FIG ITEM	PART NUMBER	1 2 3 4 5 6 7	NOMENCLATURE	EFFECT FROM TO	UNITS PER ASSY
1 265	287N1201-1		.SUPPORT INSTL-FUEL QTY IND SYS INSPAR WIRE POSITION DATA: LH SIDE FOR DETAILS SEE: 28-41-09-01	107107 904949	1
265	287N1201-3		.SUPPORT INSTL-FUEL QTY IND SYS INSPAR WIRE POSITION DATA: LH SIDE FOR DETAILS SEE: 28-41-09-01	952952	1
265	287N1201-5		.SUPPORT INSTL-FUEL QTY IND SYS INSPAR WIRE POSITION DATA: LH SIDE FOR DETAILS SEE: 28-41-09-01	002004 121503	1
265	287N1201-9		.SUPPORT INSTL-FUEL QTY IND SYS INSPAR WIRE POSITION DATA: LH SIDE FOR DETAILS SEE: 28-41-09-01	006100 950951 953999	1
- 270	287N1201-2		.SUPPORT INSTL-FUEL QTY IND SYS INSPAR WIRE POSITION DATA: RH SIDE FOR DETAILS SEE: 28-41-09-01	107107 904949	1
- 270	287N1201-4		.SUPPORT INSTL-FUEL QTY IND SYS INSPAR WIRE POSITION DATA: RH SIDE FOR DETAILS SEE: 28-41-09-01	952952	1
- 270	287N1201-6		.SUPPORT INSTL-FUEL QTY IND SYS INSPAR WIRE POSITION DATA: RH SIDE FOR DETAILS SEE: 28-41-09-01	002004 121503	1
- 270	287N1201-10		.SUPPORT INSTL-FUEL QTY IND SYS INSPAR WIRE POSITION DATA: RH SIDE FOR DETAILS SEE: 28-41-09-01	006100 950951 953999	1

MISSING ITEM NUMBERS NOT APPLICABLE

- ITEM NOT ILLUSTRATED

57-00-52-01

57-00-52
FIG. 01
PAGE 9
JAN 20/09

BRI



757

PARTS CATALOG (MAINTENANCE)

FIG ITEM	PART NUMBER	1 2 3 4 5 6 7	NOMENCLATURE	EFFECT FROM TO	UNITS PER ASSY
1					
- 272	287N1309-1		.BRACKET INSTL-REAR SPAR WING POSITION DATA: IRSS325.0 TO IRS345.0 LH SIDE	002004 006100 107107 121503 904999	1
- 274	287N1309-2		.BRACKET INSTL-REAR SPAR WING POSITION DATA: IRSS325.0 TO IRSS345.0 RH SIDE	002004 006100 107107 121503 904999	1
276	BACB30LJ3U3		..BOLT	002004 006100 107107 121503 904999	2
278	AN960PD10L		..WASHER	002004 006100 107107 121503 904999	2
280	287N1309-13		..KEEPER-	002004 006100 107107 121503 904999	1
282	BACW10BP3APU		..WASHER-	002004 006100 107107 121503 904999	2
284	287N1309-3		..BRACKET ASSY- POSITION DATA: LH SIDE	002004 006100 107107 121503 904999	1
- 286	287N1309-18		..BRACKET ASSY- POSITION DATA: RH SIDE	002004 006100 107107 121503 904999	1
288	287N1309-5		..BRACKET ASSY- POSITION DATA: LH SIDE	002004 006100 107107 121503 904999	1

MISSING ITEM NUMBERS NOT APPLICABLE

- ITEM NOT ILLUSTRATED

57-00-52-01

57-00-52
FIG. 01
PAGE 10
JAN 20/09

BRI

BOEING PROPRIETARY - Copyright © - Unpublished Work - See title page for details.



757

PARTS CATALOG (MAINTENANCE)

FIG ITEM	PART NUMBER	1 2 3 4 5 6 7	NOMENCLATURE	EFFECT FROM TO	UNITS PER ASSY
1					
- 290	287N1309-6		..BRACKET ASSY- POSITION DATA: RH SIDE	002004 006100 107107 121503 904999	1
- 300	287N1301-657		.BRACKET INSTL-MLG BEAM POSITION DATA: LH SIDE	904949	1
- 302	287N1301-658		.BRACKET INSTL-MLG BEAM POSITION DATA: RH SIDE	904949	1
305	287N1301-656		..BRACKET ASSY ATTACHING PARTS	904949	1
- 310	BACR15FT5D		..RIVET- SIZE DETERMINED ON INSTL. -----*-----	904949	3
312	VNS1924CA1-8		...STUD SUPPLIER CODE: V5M902 SPECIFICATION NUMBER: BACS53B1EA1 OPTIONAL PART: VNS1924CA3-1-8 V92215	904949	1
- 315	287N1301-9		.PROVISIONS INSTL-REAR SPAR POSITION DATA: INBD LH	002004 006100 107107 121503 904999	1
- 320	287N1301-10		.PROVISIONS INSTL-REAR SPAR POSITION DATA: INBD RH	002004 006100 107107 121503 904999	1
323	NAS1801-3-6		..SCREW	002004 006100 107107 121503 904999	8
326	NAS1801-3-8		..SCREW	002004 006100 107107 121503 904999	2
329	AN960PD10L		..WASHER	002004 006100 107107 121503 904999	10

MISSING ITEM NUMBERS NOT APPLICABLE

- ITEM NOT ILLUSTRATED

57-00-52-01

57-00-52
FIG. 01
PAGE 11
JAN 20/09

BRI

BOEING PROPRIETARY - Copyright © - Unpublished Work - See title page for details.



757

PARTS CATALOG (MAINTENANCE)

FIG ITEM	PART NUMBER	1 2 3 4 5 6 7	NOMENCLATURE	EFFECT FROM TO	UNITS PER ASSY
1 332	AN960PD10		.. WASHER	002004 006100 107107 121503 904999	2
335	BRH10A3		.. NUT SUPPLIER CODE: V52828 SPECIFICATION NUMBER: BACN10JC3 OPTIONAL PART: H10-3BAC V15653 NS202101-02 V80539 RMLH9075-3W V72962 VN303A02 V92215 96-02 V80539 T6S1032J V11815	002004 006100 107107 121503 904999	10
338	287N1301-38		.. BRACKET	002004 006100 107107 121503 904999	1
341	287N1301-285		.. BRACKET	002004 006100 107107 121503 904999	1
344	287N1314-17		.. BRACKET ASSY- POSITION DATA: LH SIDE	002004 006100 107107 121503 904999	1
- 347	287N1301-623		.. BRACKET ASSY- POSITION DATA: RH SIDE	002004 006100 107107 121503 904999	1
351	287N1301-643		.. BRACKET- POSITION DATA: LH SIDE	002004 006100 107107 121503 904999	1

MISSING ITEM NUMBERS NOT APPLICABLE

- ITEM NOT ILLUSTRATED

57-00-52-01

57-00-52
FIG. 01
PAGE 12
JAN 20/09

BRI



757

PARTS CATALOG (MAINTENANCE)

FIG ITEM	PART NUMBER	1 2 3 4 5 6 7	NOMENCLATURE	EFFECT FROM TO	UNITS PER ASSY
1					
- 353	287N1301-644		.. BRACKET- POSITION DATA: RH SIDE	002004 006100 107107 121503 904999	1
- 355	BACR15FT5D		ATTACHING PARTS .. RIVET- SIZE DETERMINED ON INSTL.	002004 006100 107107 121503 904999	3
			-----*-----		
357	BACB30LM3U20		.. BOLT- OPTIONAL PART: BACB30LM3SU20	002004 006100 107107 121503 904999	4
357	BACB30LM3SU20		.. BOLT- OPTIONAL PART: BACB30LM3U20	002004 006100 107107 121503 904999	4
367	AN960C10L		.. WASHER	002004 006100 107107 121503 904999	2
370	AN960C10L		.. WASHER-	002004 006100 107107 121503 904999	2
373	NAS1056E6-037		.. SPACER-	002004 006100 107107 121503 904999	4

MISSING ITEM NUMBERS NOT APPLICABLE

- ITEM NOT ILLUSTRATED

57-00-52-01

57-00-52
FIG. 01
PAGE 13
JAN 20/09

BRI

BOEING PROPRIETARY - Copyright © - Unpublished Work - See title page for details.



757

PARTS CATALOG (MAINTENANCE)

FIG ITEM	PART NUMBER	1 2 3 4 5 6 7	NOMENCLATURE	EFFECT FROM TO	UNITS PER ASSY
1 378	BRH10C3M		..NUT SUPPLIER CODE: V52828 SPECIFICATION NUMBER: BACN10JC3CM OPTIONAL PART: T6C1032JM V11815 97E02 V80539 109LH9075-3W V72962 VN303D02 V92215 NS202101SE02 V80539 H01-3BAC V15653	002004 006100 107107 121503 904999	2
380	BRH10C3M		..NUT- SUPPLIER CODE: V52828 SPECIFICATION NUMBER: BACN10JC3CM OPTIONAL PART: T6C1032JM V11815 97E02 V80539 109LH9075-3W V72962 VN303D02 V92215 NS202101SE02 V80539 H01-3BAC V15653	002004 006100 107107 121503 904999	2
381	287N1301-477		..CHANNEL-	002004 006100 107107 121503 904999	2
383	287N1301-641		..BRACKET ASSY- POSITION DATA: LH SIDE ELECTRICAL EQUIP NUMBER: AW1240	107107 904949	1

MISSING ITEM NUMBERS NOT APPLICABLE

- ITEM NOT ILLUSTRATED

57-00-52-01

57-00-52
 FIG. 01
 PAGE 14
 JAN 20/09

BRI

BOEING PROPRIETARY - Copyright © - Unpublished Work - See title page for details.



757

PARTS CATALOG (MAINTENANCE)

FIG ITEM	PART NUMBER	1 2 3 4 5 6 7	NOMENCLATURE	EFFECT FROM TO	UNITS PER ASSY
1 383	287N1301-705		..BRACKET ASSY- POSITION DATA: LH SIDE ELECTRICAL EQUIP NUMBER: AW1240	002004 006100 121503 950999	1
- 385	287N1301-642		..BRACKET ASSY- POSITION DATA: RH SIDE ELECTRICAL EQUIP NUMBER: AW2240	107107 904949	1
- 385	287N1301-706		..BRACKET ASSY- POSITION DATA: RH SIDE ELECTRICAL EQUIP NUMBER: AW2240	002004 006100 121503 950999	1
390	287N1301-448		...BRACKET	002004 006100 107107 121503 904999	1
393	287N1301-455		...BRACKET-	002004 006100 107107 121503 904999	1
- 394	MS206155M		ATTACHING PARTS ...RIVET	002004 006100 107107 121503 904999	6
395	287N1301-496		-----*----- ..BLOCK-CLAMP	002004 006100 107107 121503 904999	4
400	287N1314-23		..BRACKET ASSY- POSITION DATA: LH SIDE	002004 006100 107107 121503 904999	1
- 405	287N1314-24		..BRACKET ASSY- POSITION DATA: RH SIDE	002004 006100 107107 121503 904999	1

MISSING ITEM NUMBERS NOT APPLICABLE

- ITEM NOT ILLUSTRATED

57-00-52-01

57-00-52
FIG. 01
PAGE 15
JAN 20/09

BRI

BOEING PROPRIETARY - Copyright © - Unpublished Work - See title page for details.



757

PARTS CATALOG (MAINTENANCE)

FIG ITEM	PART NUMBER	1 2 3 4 5 6 7	NOMENCLATURE	EFFECT FROM TO	UNITS PER ASSY
1	420	NAS1801-3-8	.. SCREW	002004 006100 107107 121503 904999	4
	425	AN960PD10L	.. WASHER	002004 006100 107107 121503 904999	4
	430	BRH10A3	.. NUT SUPPLIER CODE: V52828 SPECIFICATION NUMBER: BACN10JC3 OPTIONAL PART: H10-3BAC V15653 NS202101-02 V80539 RMLH9075-3W V72962 VN303A02 V92215 96-02 V80539 T6S1032J V11815	002004 006100 107107 121503 904999	4
	435	AN735-6	.. CLAMP-	002004 006100 107107 121503 904999	1
	440	S258T6	.. CLAMP- SUPPLIER CODE: V18076 SPECIFICATION NUMBER: BACC10DW6S OPTIONAL PART: TA4C44S6T V84971 475CS6 V83930 8084C6T V72285	002004 006100 107107 121503 904999	3

MISSING ITEM NUMBERS NOT APPLICABLE

- ITEM NOT ILLUSTRATED

BRI

57-00-52-01

BOEING PROPRIETARY - Copyright © - Unpublished Work - See title page for details.

57-00-52
FIG. 01
PAGE 16
JAN 20/09



757

PARTS CATALOG (MAINTENANCE)

FIG ITEM	PART NUMBER	1 2 3 4 5 6 7	NOMENCLATURE	EFFECT FROM TO	UNITS PER ASSY
1 445	940CW20-4		.. JUMPER ASSY- SUPPLIER CODE: V91812 SPECIFICATION NUMBER: BACJ40AB20-4 OPTIONAL PART: 100220-4 V1FF12 RBEJ40AB20-4 V1GK47	002004 006100 107107 121503 904999	1
447	940CW20-6		.. JUMPER ASSY- SUPPLIER CODE: V91812 SPECIFICATION NUMBER: BACJ40AB20-6 OPTIONAL PART: 100220-6 V1FF12 RBEJ40AB20-6 V1GK47	002004 006100 107107 121503 904999	1
- 448	AN960PD10L		ATTACHING PARTS .. WASHER	002004 006100 107107 121503 904999	2
- 449	MS21042L3		.. NUT	002004 006100 107107 121503 904999	2
450	287N1301-466		-----*----- .. CONDUIT-	002004 006100 107107 121503 904999	1
487	287N1301-617		.. BRACKET ASSY- POSITION DATA: LH SIDE	002004 006100 107107 121503 904999	1
489	287N1301-631		.. BRACKET- POSITION DATA: RH SIDE	002004 006100 107107 121503 904999	1

MISSING ITEM NUMBERS NOT APPLICABLE

- ITEM NOT ILLUSTRATED

57-00-52-01

57-00-52
FIG. 01
PAGE 17
JAN 20/09

BRI

BOEING PROPRIETARY - Copyright © - Unpublished Work - See title page for details.



757

PARTS CATALOG (MAINTENANCE)

FIG ITEM	PART NUMBER	1 2 3 4 5 6 7	NOMENCLATURE	EFFECT FROM TO	UNITS PER ASSY
1			ATTACHING PARTS		
- 492	NAS1801-3-6		.. SCREW	002004 006100 107107 121503 904999	3
- 494	AN960PD10L		.. WASHER	002004 006100 107107 121503 904999	3
- 496	BRH10A3		.. NUT SUPPLIER CODE: V52828 SPECIFICATION NUMBER: BACN10JC3 OPTIONAL PART: H10-3BAC V15653 NS202101-02 V80539 RMLH9075-3W V72962 VN303A02 V92215 96-02 V80539 T6S1032J V11815 -----*-----	002004 006100 107107 121503 904999	3
500	287N1301-602		.. BRACKET	002004 006100 107107 121503 904999	1
- 502	NAS1801-3-6		ATTACHING PARTS .. SCREW	002004 006100 107107 121503 904999	3
- 504	AN960PD10L		.. WASHER	002004 006100 107107 121503 904999	3

MISSING ITEM NUMBERS NOT APPLICABLE

- ITEM NOT ILLUSTRATED

BRI

57-00-52-01

BOEING PROPRIETARY - Copyright © - Unpublished Work - See title page for details.

57-00-52
FIG. 01
PAGE 18
JAN 20/09



757

PARTS CATALOG (MAINTENANCE)

FIG ITEM	PART NUMBER	1 2 3 4 5 6 7	NOMENCLATURE	EFFECT FROM TO	UNITS PER ASSY
1 - 506	BRH10A3		..NUT SUPPLIER CODE: V52828 SPECIFICATION NUMBER: BACN10JC3 OPTIONAL PART: H10-3BAC V15653 NS202101-02 V80539 RMLH9075-3W V72962 VN303A02 V92215 96-02 V80539 T6S1032J V11815 -----*-----	002004 006100 107107 121503 904999	3
510	287N1422-16		.PROVISION INSTL-WIRE RR POSITION DATA: LH FOR DETAILS SEE: 57-40-51-02	018100	1
510	287N1422-9		.PROVISION INSTL-WIRE RR POSITION DATA: LH FOR DETAILS SEE: 57-40-51-02	002004 006017 107107 121503 904999	1
- 515	287N1422-10		.PROVISION INSTL-WIRE RR POSITION DATA: RH FOR DETAILS SEE: 57-40-51-02	002004 006100 107107 121503 904999	1
782	287N1401-713		..BRACKET- POSITION DATA: LH	002004 006100 107107 121503 904999	1
- 784	287N1401-714		..BRACKET- POSITION DATA: RH	002004 006100 107107 121503 904999	1
- 800	287N4001-1		.SEAL INSTL-ELEC WIRING POSITION DATA: SECT. 14	002004 006100 107107 121503 904999	1

MISSING ITEM NUMBERS NOT APPLICABLE

- ITEM NOT ILLUSTRATED

57-00-52-01

57-00-52
 FIG. 01
 PAGE 19
 JAN 20/09

BRI

BOEING
757
PARTS CATALOG (MAINTENANCE)

FIG ITEM	PART NUMBER	1 2 3 4 5 6 7	NOMENCLATURE	EFFECT FROM TO	UNITS PER ASSY
1					
- 837	287N1305-7		.BRACKET INSTL-MLG SUPT BEAM POSITION DATA: LH SIDE	002004 006100 107107 121503 904999	1
- 843	287N1305-8		.BRACKET INSTL-MLG SUPT BEAM POSITION DATA: RH SIDE	002004 006100 107107 121503 904999	1
847	287N1307-29		..BRACKET- POSITION DATA: LH SIDE	002004 006100 107107 121503 904999	1
- 853	287N1307-30		..BRACKET- POSITION DATA: RH SIDE	002004 006100 107107 121503 904999	1
857	287N1307-25		..BRACKET ASSY- POSITION DATA: LH SIDE	002004 006100 107107 121503 904999	1
- 863	287N1307-26		..BRACKET ASSY- POSITION DATA: RH SIDE	002004 006100 107107 121503 904999	1
867	NAS1801-3-8		..SCREW	002004 006100 107107 121503 904999	2
873	AN960PD10L		..WASHER	002004 006100 107107 121503 904999	2

MISSING ITEM NUMBERS NOT APPLICABLE

- ITEM NOT ILLUSTRATED

BRI

57-00-52-01

BOEING PROPRIETARY - Copyright © - Unpublished Work - See title page for details.

57-00-52
FIG. 01
PAGE 20
JAN 20/09

 **BOEING**
757
PARTS CATALOG (MAINTENANCE)

FIG ITEM	PART NUMBER	1 2 3 4 5 6 7	NOMENCLATURE	EFFECT FROM TO	UNITS PER ASSY
1 877	BRH10A3	..	NUT SUPPLIER CODE: V52828 SPECIFICATION NUMBER: BACN10JC3 OPTIONAL PART: H10-3BAC V15653 NS202101-02 V80539 RMLH9075-3W V72962 VN303A02 V92215 96-02 V80539 T6S1032J V11815	002004 006100 107107 121503 904999	2
885	287N1307-39	..	BRACKET	002004 006100 107107 121503 904999	1
- 887	287N1301-615	..	BRACKET- POSITION DATA: RH SIDE	002004 006100 107107 121503 904999	1
890	287N1301-616	..	BRACKET- POSITION DATA: LH SIDE	002004 006100 107107 121503 904999	1
- 893	L8005K5	..	ATTACHING PARTS BOLT SUPPLIER CODE: V06725 SPECIFICATION NUMBER: BACB30MY5K5	002004 006100 107107 121503 904999	2

MISSING ITEM NUMBERS NOT APPLICABLE

- ITEM NOT ILLUSTRATED

BRI

57-00-52-01

BOEING PROPRIETARY - Copyright © - Unpublished Work - See title page for details.

57-00-52
FIG. 01
PAGE 21
JAN 20/09

 **BOEING**
757
PARTS CATALOG (MAINTENANCE)

FIG ITEM	PART NUMBER	1 2 3 4 5 6 7	NOMENCLATURE	EFFECT FROM TO	UNITS PER ASSY
1					
- 896	HL70-5	..	COLLAR SUPPLIER CODE: V5M902 SPECIFICATION NUMBER: BACC30M5 OPTIONAL PART: HL70-5 V73197 HL70-5 V92215 66014-5 V56878 HL70-5 V56878	002004 006100 107107 121503 904999	2
- 950	287N1070-1	.DECAL INSTL-	POSITION DATA: OSS 333.0 LH	011100	1
- 955	287N1070-2	.DECAL INSTL-	POSITION DATA: OSS 333.0 RH	011100	1
960	BAC27NEL0187	..DECAL-	POSITION DATA: LH SIDE PLACARD CONTENT: 1	011100	2
965	BAC27NEL0188	..DECAL-	POSITION DATA: LH SIDE PLACARD CONTENT: 2	011100	2
970	BAC27NEL0189	..DECAL-	POSITION DATA: LH SIDE PLACARD CONTENT: 3	011100	2
972	BAC27NEL0190	..DECAL-	POSITION DATA: RH SIDE PLACARD CONTENT: 4	011100	2
974	BAC27NEL0191	..DECAL-	POSITION DATA: RH SIDE PLACARD CONTENT: 5	011100	2
- 985	286N4910-012	WIRE BUNDLE ASSY-	REWORKED BY ALERT SB: 27A0130	904949	RF

MISSING ITEM NUMBERS NOT APPLICABLE

- ITEM NOT ILLUSTRATED

BRI

57-00-52-01

BOEING PROPRIETARY - Copyright © - Unpublished Work - See title page for details.

57-00-52
FIG. 01
PAGE 22
JAN 20/09



757

PARTS CATALOG (MAINTENANCE)

FIG ITEM	PART NUMBER	1 2 3 4 5 6 7	NOMENCLATURE	EFFECT FROM TO	UNITS PER ASSY
1					
- 988	280N3321-10901		.ID TAPE- PLACARD CONTENT: W4910-3001B-20, W4910-3001R-20 AND W4910-3001Y-20 POST ALERT SB: 27A0130	904949	1
- 990	BCREF101141		.PLUG- POSITION DATA: RH SIDE OVERLENGTH PART NUMBER: BACC63BP22B19P6L ELECTRICAL EQUIP NUMBER: D40442P WIRING DIAGRAM REF: 320911 REWORKED BY ALERT SB: 27A0130	904949	1
- 994	286N4212-015		WIRE BUNDLE ASSY- REWORKED BY ALERT SB: 27A0130	002004 006100 950999	1
- 994	286N4212-005		WIRE BUNDLE ASSY- REWORKED BY ALERT SB: 27A0130	904949	1
- 995	280N3321-10503		.TAPE-IDENT PLACARD CONTENT: W4212-3502 POST ALERT SB: 27A0130	002004 006100 904949	2
- 996	280N3321-10501		.TAPE-IDENT PLACARD CONTENT: D42062P POST ALERT SB: 27A0130	002004 006100 904949	1
- 997	280N3321-10502		.TAPE-IDENT PLACARD CONTENT: D40442J POST ALERT SB: 27A0130	002004 006100 904949	1
- 998	286N2644-010		WIRE BUNDLE ASSY- REWORKED BY ALERT SB: 27A0130	002004 006100 950999	1
- 998	286N2644-009		WIRE BUNDLE ASSY- REWORKED BY ALERT SB: 27A0130	107107	1

MISSING ITEM NUMBERS NOT APPLICABLE

- ITEM NOT ILLUSTRATED

57-00-52-01

57-00-52
FIG. 01
PAGE 23
JAN 20/09

BRI



757

PARTS CATALOG (MAINTENANCE)

FIG ITEM	PART NUMBER	1 2 3 4 5 6 7	NOMENCLATURE	EFFECT FROM TO	UNITS PER ASSY
1 - 999	BACC63BV22B19S6		.RECEPTACLE- POSITION DATA: RH SIDE ELECTRICAL EQUIP NUMBER: D40442J WIRING DIAGRAM REF: 320911 REWORKED BY ALERT SB: 27A0130	002004 006102 107107 121999	1

MISSING ITEM NUMBERS NOT APPLICABLE

- ITEM NOT ILLUSTRATED

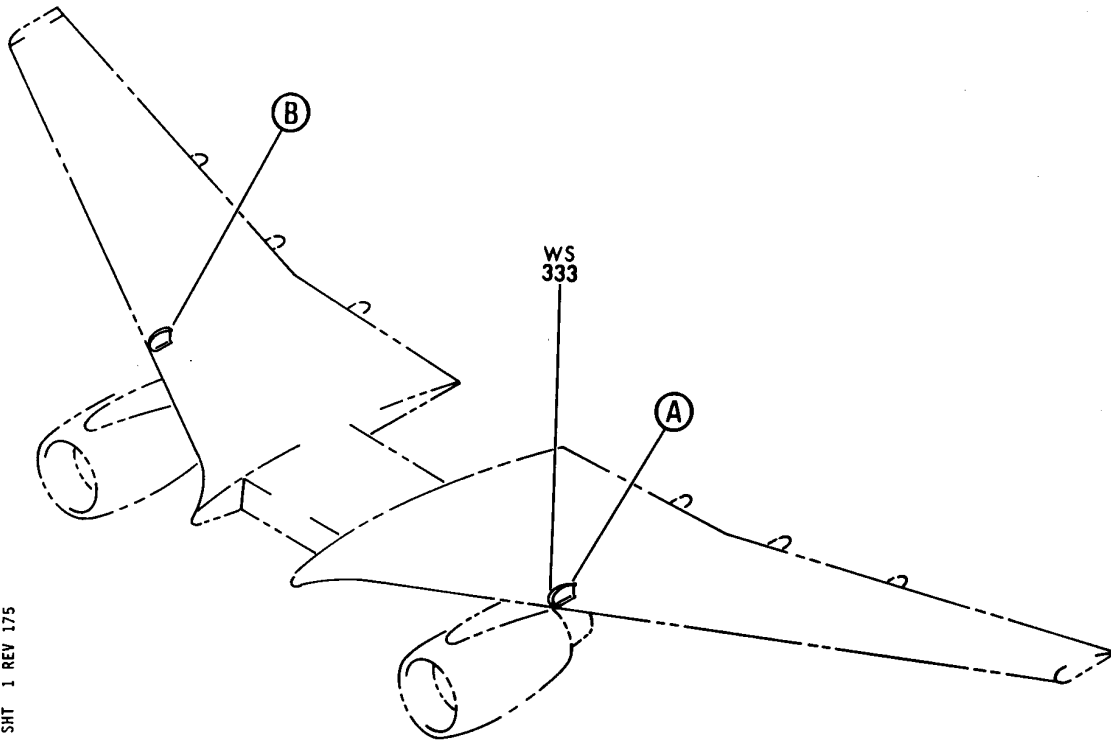
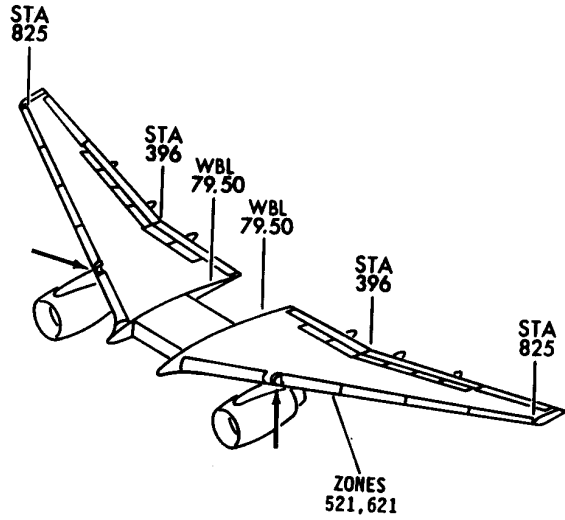
BRI

57-00-52-01

BOEING PROPRIETARY - Copyright © - Unpublished Work - See title page for details.

57-00-52
FIG. 01
PAGE 24
JAN 20/09

BOEING
757
PARTS CATALOG (MAINTENANCE)



Y 57005203 SHT 1 REV 175

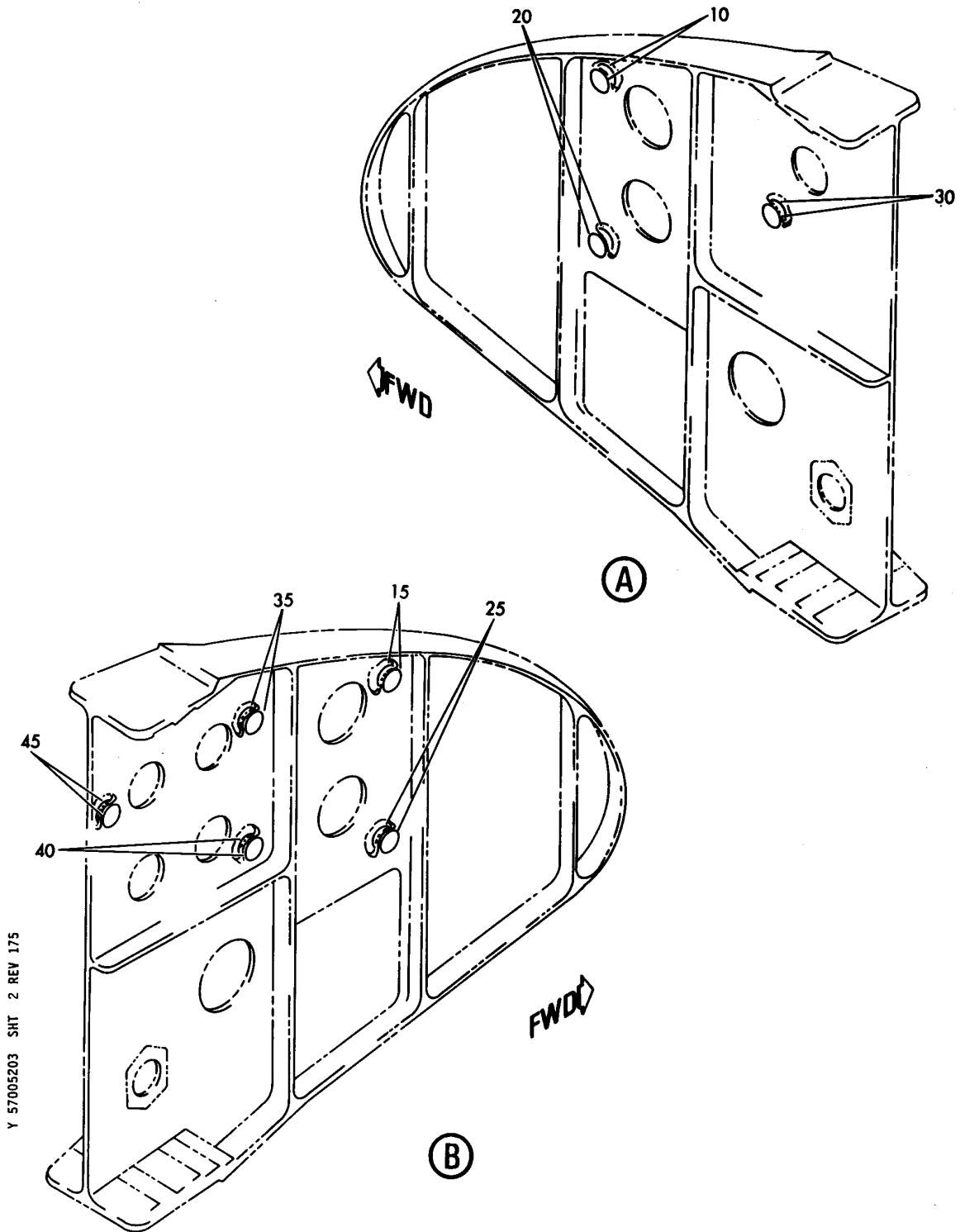
DECAL INSTL-WING OSS 333.00
FIGURE 3 (SHEET 1)

57-00-52-03

BRI
MAY 28/07

57-00-52-03
PAGE 0

BOEING
757
PARTS CATALOG (MAINTENANCE)



Y 57005203 SHT 2 REV 175

DECAL INSTL-WING OSS 333.00
FIGURE 3 (SHEET 2)

57-00-52-03

BRI
MAY 28/07

57-00-52-03
PAGE 0A



757

PARTS CATALOG (MAINTENANCE)

FIG ITEM	PART NUMBER	1 2 3 4 5 6 7	NOMENCLATURE	EFFECT FROM TO	UNITS PER ASSY
3			DECAL INSTL-WING OSS 333.00	101106 108120 504903	
- 1	287N1070-1		DECAL INSTL-WING POSITION DATA: OSS 333.00 LH FOR NHA SEE: 24-00-60-20	101102 108120 504903	RF
- 1	MODREF11030		DECAL INSTL-WING MODULE NUMBER: 287N1070-1 REV A POSITION DATA: OSS 333.00 LH	103106	1
- 5	287N1070-2		DECAL INSTL-WING POSITION DATA: OSS 333.00 RH FOR NHA SEE: 24-00-60-20	101102 108120 504903	RF
- 5	MODREF11031		DECAL INSTL-WING MODULE NUMBER: 287N1070-2 REV A POSITION DATA: OSS 333.00 RH	103106	1
10	BAC27NEL0187		.DECAL- POSITION DATA: LH SIDE PLACARD CONTENT: 1	101106 108120 504903	2
15	BAC27NEL0187		.DECAL- POSITION DATA: RH SIDE PLACARD CONTENT: 1	101106 108120 504903	2
20	BAC27NEL0188		.DECAL- POSITION DATA: LH SIDE PLACARD CONTENT: 2	101106 108120 504903	2
25	BAC27NEL0188		.DECAL- POSITION DATA: RH SIDE PLACARD CONTENT: 2	101106 108120 504903	2
30	BAC27NEL0189		.DECAL- POSITION DATA: LH SIDE PLACARD CONTENT: 3	101106 108120 504903	2

MISSING ITEM NUMBERS NOT APPLICABLE

- ITEM NOT ILLUSTRATED

57-00-52-03

57-00-52
FIG. 03
PAGE 1
JAN 20/09

BRI



757

PARTS CATALOG (MAINTENANCE)

FIG ITEM	PART NUMBER	1 2 3 4 5 6 7	NOMENCLATURE	EFFECT FROM TO	UNITS PER ASSY
3					
35	BAC27NEL0189	.DECAL-	POSITION DATA: RH SIDE PLACARD CONTENT: 3	101106 108120 504903	2
40	BAC27NEL0190	.DECAL-	POSITION DATA: RH SIDE PLACARD CONTENT: 4	101106 108120 504903	2
45	BAC27NEL0191	.DECAL-	POSITION DATA: RH SIDE PLACARD CONTENT: 5	101106 108120 504903	2

MISSING ITEM NUMBERS NOT APPLICABLE

- ITEM NOT ILLUSTRATED

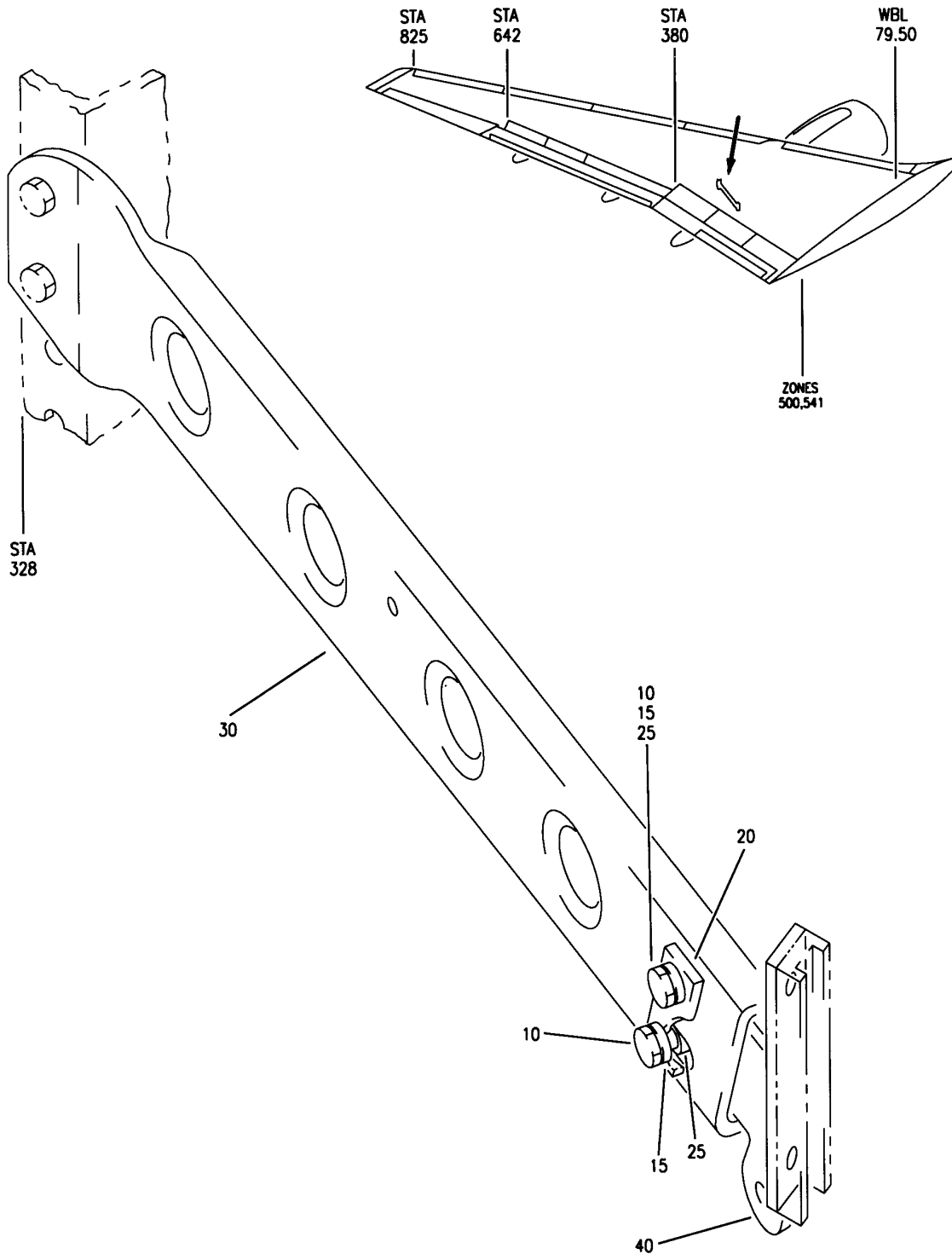
BRI

57-00-52-03

BOEING PROPRIETARY - Copyright © - Unpublished Work - See title page for details.

57-00-52
FIG. 03
PAGE 2
JAN 20/09

BOEING
757
PARTS CATALOG (MAINTENANCE)



Y 57005204 REV 180

BRACKET INSTL-REAR SPAR WING IRSS 325.0 - IRSS 345.0
FIGURE 4

57-00-52-04

BRI
MAY 28/07

57-00-52-04
PAGE 0



757

PARTS CATALOG (MAINTENANCE)

FIG ITEM	PART NUMBER	1 2 3 4 5 6 7	NOMENCLATURE	EFFECT FROM TO	UNITS PER ASSY
4			BRACKET INSTL-REAR SPAR WING IRSS 325.0 - IRSS 345.0	101106 108120 504903	
- 1	287N1309-19		BRACKET INSTL-REAR SPAR WING POSITION DATA: IRSS 325.0-IRSS 345.0 LH FOR NHA SEE: 24-00-60-20	101102 108120 504903	RF
- 1	MODREF11104		BRACKET INSTL-REAR SPAR WING MODULE NUMBER: 287N1309-19 REV A POSITION DATA: IRSS 325.0-IRSS 345.0 LH	103103	1
- 1	MODREF27807		BRACKET INSTL-REAR SPAR WING MODULE NUMBER: 287N1309-19 REV B POSITION DATA: IRSS 325.0-IRSS 345.0 LH	104106	1
- 5	287N1309-20		BRACKET INSTL-REAR SPAR WING POSITION DATA: IRSS 325.0-IRSS 345.0 LH FOR NHA SEE: 24-00-60-20	101102 108120 504903	RF
- 5	MODREF11105		BRACKET INSTL-REAR SPAR WING MODULE NUMBER: 287N1309-20 REV A POSITION DATA: IRSS 325.0-IRSS 345.0 RH	103103	1
- 5	MODREF27808		BRACKET INSTL-REAR SPAR WING MODULE NUMBER: 287N1309-20 REV B POSITION DATA: IRSS 325.0-IRSS 345.0 RH	104106	1
10	NAS6703U3		.BOLT	101106 108120 504903	2
15	NAS1149D0332J		.WASHER	101106 108120 504903	2
20	287N1309-13		.KEEPER	101106 108120 504903	1

MISSING ITEM NUMBERS NOT APPLICABLE

- ITEM NOT ILLUSTRATED

57-00-52-04

57-00-52
FIG. 04
PAGE 1
JAN 20/09

BRI



757

PARTS CATALOG (MAINTENANCE)

FIG ITEM	PART NUMBER	1 2 3 4 5 6 7	NOMENCLATURE	EFFECT FROM TO	UNITS PER ASSY
4	25 BACW10BP3APU		.WASHER	101106 108120 504903	2
	30 287N1309-21		.BRACKET ASSY- POSITION DATA: LH SIDE	101106 108120 504903	1
-	35 287N1309-22		.BRACKET ASSY- POSITION DATA: RH SIDE	101106 108120 504903	1
	40 287N1309-5		.BRACKET ASSY- POSITION DATA: LH SIDE	101106 108120 504903	1
-	45 287N1309-6		.BRACKET ASSY- POSITION DATA: RH SIDE	101106 108120 504903	1

MISSING ITEM NUMBERS NOT APPLICABLE

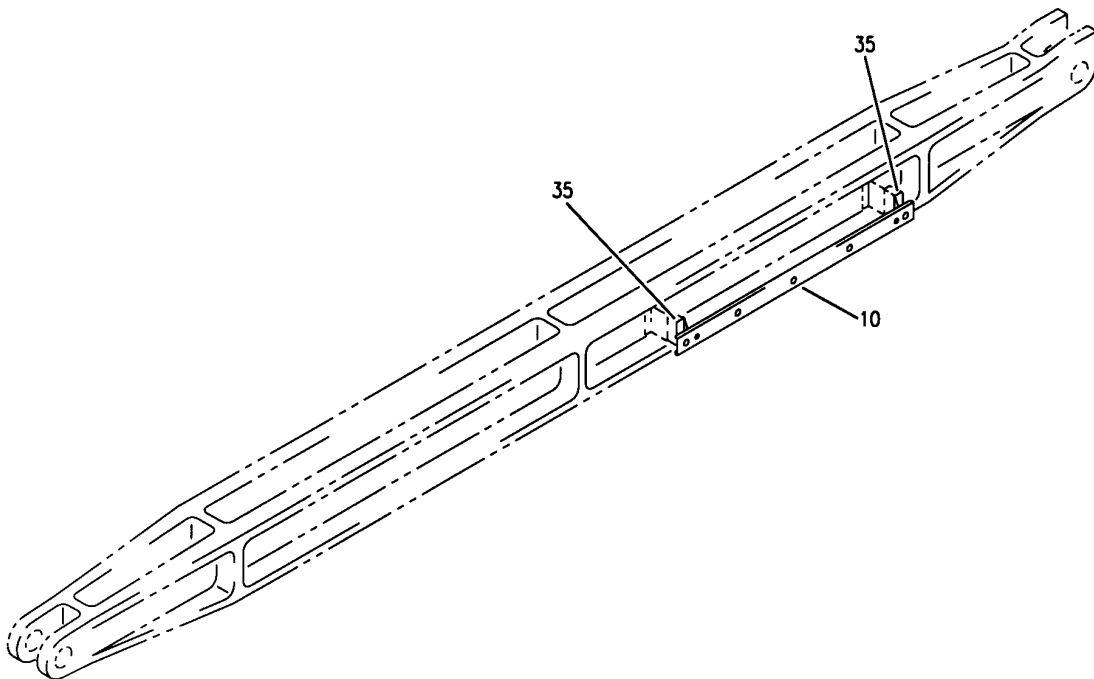
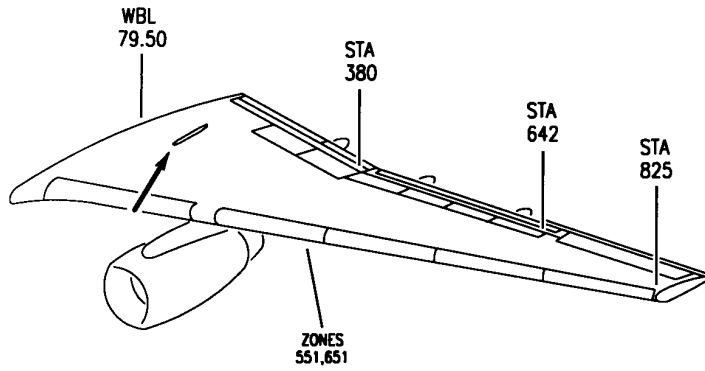
- ITEM NOT ILLUSTRATED

57-00-52-04

57-00-52
FIG. 04
PAGE 2
JAN 20/09

BRI

BOEING
757
PARTS CATALOG (MAINTENANCE)



Y 57005205 REV 182

PROVISION INSTL-REAR SPAR WING
FIGURE 5

57-00-52-05

BRI
MAY 28/07

57-00-52-05
PAGE 0



757

PARTS CATALOG (MAINTENANCE)

FIG ITEM	PART NUMBER	1 2 3 4 5 6 7	NOMENCLATURE	EFFECT FROM TO	UNITS PER ASSY
5			PROVISION INSTL-REAR SPAR WING	101102 108108 504903	
- 1	287N1311-1		PROVISION INSTL-REAR SPAR WING POSITION DATA: LH FOR NHA SEE: 24-00-60-20	101102 108108 504903	1
- 5	287N1311-2		PROVISION INSTL-REAR SPAR WING POSITION DATA: RH FOR NHA SEE: 24-00-60-20	101102 108108 504903	1
10	287N1312-1		.CHANNEL	101102 108108 504903	1
- 15	NAS623-3-4		ATTACHING PARTS .SCREW	101102 108108 504903	2
- 20	NAS43DD3-4		.SPACER	101102 108108 504903	2
- 25	BACW10P43AL		.WASHER	101102 108108 504903	4
- 30	BAC10JC3		.NUT	101102 108108 504903	2
35	287N1312-2		-----*----- .BRACKET	101102 108108 504903	2
- 40	NAS1801-3-26		ATTACHING PARTS .SCREW- -----*-----	101102 108108 504903	4

MISSING ITEM NUMBERS NOT APPLICABLE

- ITEM NOT ILLUSTRATED

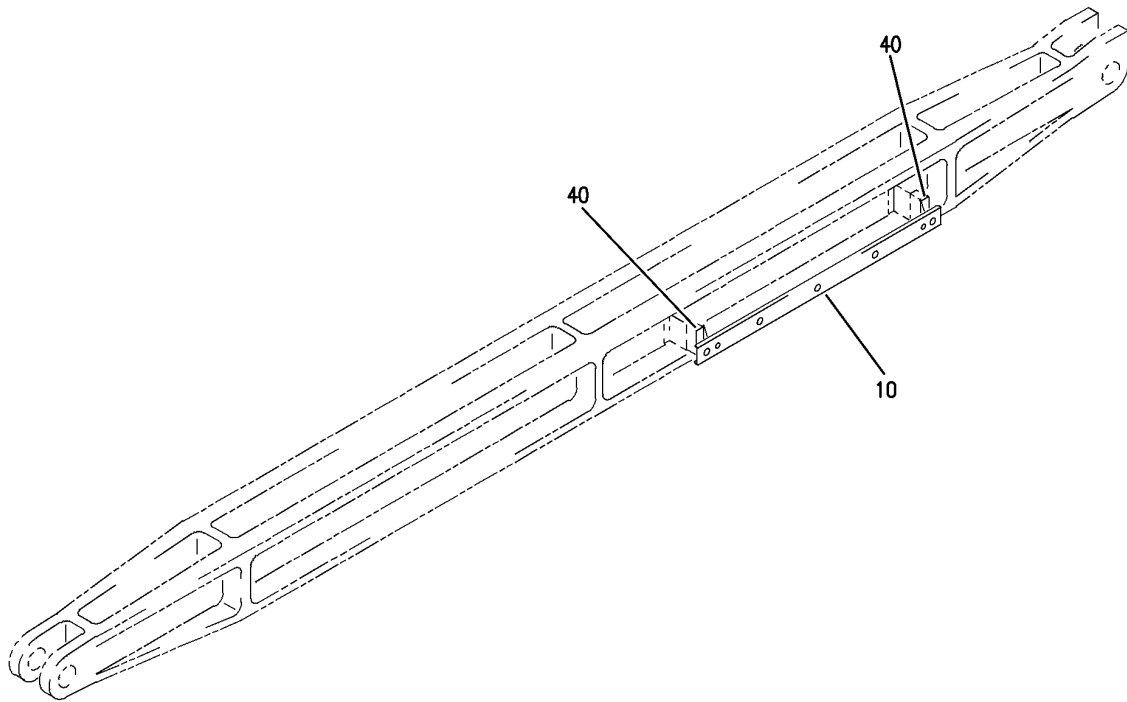
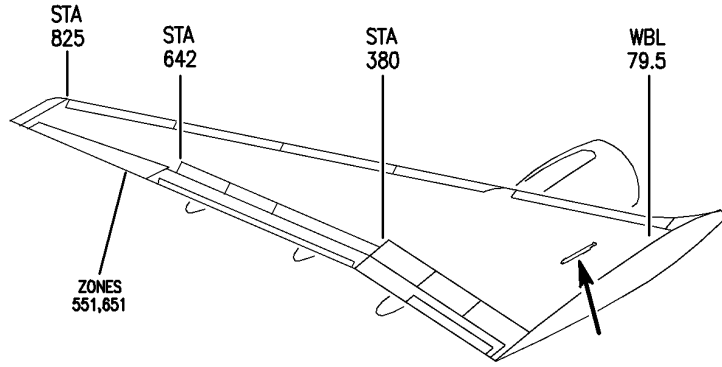
57-00-52-05

57-00-52
FIG. 05
PAGE 1
JAN 20/09

BRI

BOEING PROPRIETARY - Copyright © - Unpublished Work - See title page for details.

BOEING
757
PARTS CATALOG (MAINTENANCE)



Y 57005205A REV 237

PROVISION INSTL-REAR SPAR WING
FIGURE 5A

57-00-52-05A

BRI
JAN 20/09

57-00-52-05A
PAGE 0



757

PARTS CATALOG (MAINTENANCE)

FIG ITEM	PART NUMBER	1 2 3 4 5 6 7	NOMENCLATURE	EFFECT FROM TO	UNITS PER ASSY
5A			PROVISION INSTL-REAR SPAR WING	103106 109120	
- 1	287N1311-3		PROVISION INSTL-REAR SPAR WING POSITION DATA: LH FOR NHA SEE: 24-00-60-20	109120	1
- 1	MODREF11106		PROVISION INSTL-REAR SPAR WING MODULE NUMBER: 287N1311-3 REV A POSITION DATA: LH	103103	1
- 1	MODREF27809		PROVISION INSTL-REAR SPAR WING MODULE NUMBER: 287N1311-3 REV B POSITION DATA: LH	104106	1
- 5	287N1311-4		PROVISION INSTL-REAR SPAR WING POSITION DATA: RH FOR NHA SEE: 24-00-60-20	109120	1
- 5	MODREF11107		PROVISION INSTL-REAR SPAR WING MODULE NUMBER: 287N1311-4 REV A POSITION DATA: RH	103103	1
- 5	MODREF27810		PROVISION INSTL-REAR SPAR WING MODULE NUMBER: 287N1311-4 REV B POSITION DATA: RH	104106	1
10	287N1312-1		.CHANNEL	103106 109120	1
- 15	NAS623-3-3		ATTACHING PARTS .SCREW	103106 109120	2
- 20	NAS43DD3-4FC		.SPACER	103106 109120	2
- 25	BACW10P43AL		.WASHER	103106 109120	2
- 30	NAS1149D0332J		.WASHER	103106 109120	2

MISSING ITEM NUMBERS NOT APPLICABLE

- ITEM NOT ILLUSTRATED

57-00-52-05A

57-00-52
FIG. 05A
PAGE 1
JAN 20/09

BRI

BOEING PROPRIETARY - Copyright © - Unpublished Work - See title page for details.



757

PARTS CATALOG (MAINTENANCE)

FIG ITEM	PART NUMBER	1 2 3 4 5 6 7	NOMENCLATURE	EFFECT FROM TO	UNITS PER ASSY
5A - 35	PLH53CD		.NUT SUPPLIER CODE: VF0224 SPECIFICATION NUMBER: BACN10YR3CD OPTIONAL PART: H52732-3CD V15653 -----*-----	103106 109120	2
40	287N1312-3		.BRACKET- POSITION DATA: LH OPTIONAL PART: 287N1312-2	103106 109120	2
40	287N1312-2		.BRACKET- POSITION DATA: LH OPTIONAL PART: 287N1312-3	103106 109120	2
42	287N1312-3		.BRACKET- POSITION DATA: RH ATTACHING PARTS	103106 109120	2
- 45	NAS623-3-3		.SCREW	103106 109120	4
- 50	NAS43DD3-4FC		.SPACER	103106 109120	4
- 55	NAS1149D0332J		.WASHER	103106 109120	4
- 60	PLH53CD		.NUT SUPPLIER CODE: VF0224 SPECIFICATION NUMBER: BACN10YR3CD OPTIONAL PART: H52732-3CD V15653 -----*-----	103106 109120	4

MISSING ITEM NUMBERS NOT APPLICABLE

- ITEM NOT ILLUSTRATED

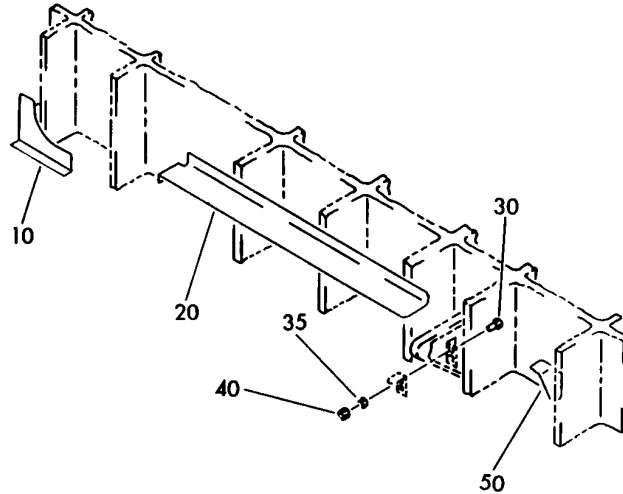
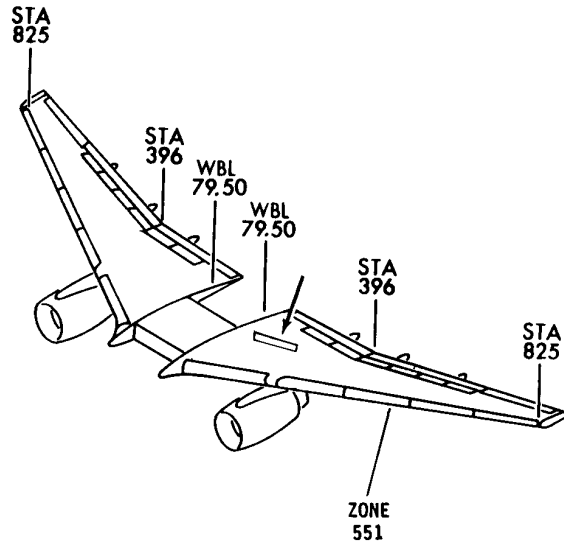
57-00-52-05A

57-00-52
FIG. 05A
PAGE 2
JAN 20/09

BRI

BOEING PROPRIETARY - Copyright © - Unpublished Work - See title page for details.

BOEING
757
PARTS CATALOG (MAINTENANCE)



Y 57005206 REV 190

MLG SUPT BEAM
FIGURE 6

57-00-52-06

BRI
MAY 28/07

57-00-52-06
PAGE 0



757

PARTS CATALOG (MAINTENANCE)

FIG ITEM	PART NUMBER	1 2 3 4 5 6 7	NOMENCLATURE	EFFECT FROM TO	UNITS PER ASSY
6			MLG SUPT BEAM	101106 108120 504903	
- 1	287N1305-7		BRACKET INSTL-MLG SUPT BEAM POSITION DATA: LH SIDE FOR NHA SEE: 24-00-60-20	101102 108120 504903	RF
- 1	MODREF21822		BRACKET INSTL-MLG SUPT BEAM MODULE NUMBER: 287N1305-7 REV A POSITION DATA: LH SIDE	103103	RF
- 1	MODREF29924		BRACKET INSTL-MLG SUPT BEAM MODULE NUMBER: 287N1305-7 REV B POSITION DATA: LH SIDE	104106	RF
- 5	287N1305-8		BRACKET INSTL-MLG SUPT BEAM POSITION DATA: RH SIDE FOR NHA SEE: 24-00-60-20	101102 108120 504903	RF
- 5	MODREF21823		BRACKET INSTL-MLG SUPT BEAM MODULE NUMBER: 287N1305-8 REV A POSITION DATA: RH SIDE	103103	RF
- 5	MODREF29925		BRACKET INSTL-MLG SUPT BEAM MODULE NUMBER: 287N1305-8 REV B POSITION DATA: RH SIDE	104106	RF
10	287N1307-29		.BRACKET- POSITION DATA: LH SIDE	101106 108120 504903	1
- 15	287N1307-30		.BRACKET- POSITION DATA: RH SIDE	101106 108120 504903	1
20	287N1307-25		.BRACKET ASSY- POSITION DATA: LH SIDE	101106 108120 504903	1

MISSING ITEM NUMBERS NOT APPLICABLE

- ITEM NOT ILLUSTRATED

57-00-52-06

57-00-52
FIG. 06
PAGE 1
JAN 20/09

BRI



757

PARTS CATALOG (MAINTENANCE)

FIG ITEM	PART NUMBER	1 2 3 4 5 6 7	NOMENCLATURE	EFFECT FROM TO	UNITS PER ASSY
6					
- 25	287N1307-26		.BRACKET ASSY- POSITION DATA: RH SIDE	101106 108120 504903	1
30	NAS1801-3-8		.SCREW	101106 108120 504903	2
35	AN960PD10L		.WASHER	101106 108120 504903	2
40	BRH10A3		.NUT SUPPLIER CODE: V52828 SPECIFICATION NUMBER: BACN10JC3 OPTIONAL PART: H10-3BAC V15653 NS202101-02 V80539 RMLH9075-3W V72962 VN303A02 V92215 96-02 V80539 T6S1032J V11815	101106 108120 504903	2
45	287N1307-39		.BRACKET	101106 108120 504903	1
50	287N1301-616		.BRACKET- POSITION DATA: LH SIDE	101106 108120 504903	1
- 55	287N1301-615		.BRACKET- POSITION DATA: RH SIDE	101106 108120 504903	1
- 60	L8005K5		ATTACHING PARTS .BOLT SUPPLIER CODE: V06725 SPECIFICATION NUMBER: BACB30MY5K5	101106 108120 504903	2

MISSING ITEM NUMBERS NOT APPLICABLE

- ITEM NOT ILLUSTRATED

57-00-52-06

57-00-52
FIG. 06
PAGE 2
JAN 20/09

BRI

BOEING PROPRIETARY - Copyright © - Unpublished Work - See title page for details.



757

PARTS CATALOG (MAINTENANCE)

FIG ITEM	PART NUMBER	1 2 3 4 5 6 7	NOMENCLATURE	EFFECT FROM TO	UNITS PER ASSY
6 - 65	HL70-5		. COLLAR SUPPLIER CODE: V5M902 SPECIFICATION NUMBER: BACC30M5 OPTIONAL PART: HL70-5 V73197 HL70-5 V92215 66014-5 V56878 HL70-5 V56878 -----*	101106 108120 504903	2

MISSING ITEM NUMBERS NOT APPLICABLE

- ITEM NOT ILLUSTRATED

BRI

57-00-52-06

BOEING PROPRIETARY - Copyright © - Unpublished Work - See title page for details.

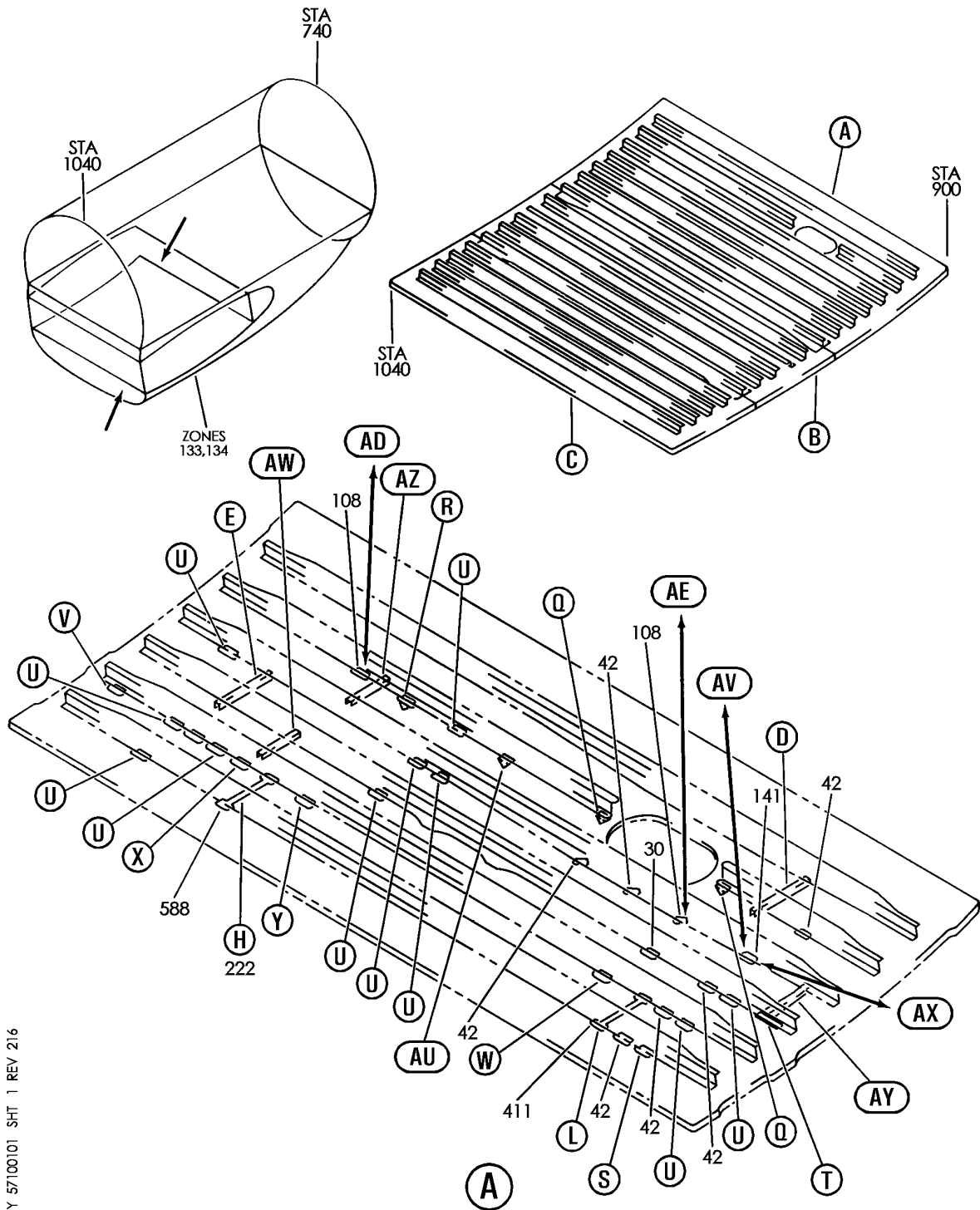
57-00-52
FIG. 06
PAGE 3
JAN 20/09

CENTER WING

BRI
MAY 28/07

57-10-00
SECTION TITLE
PAGE 1

BOEING
757
PARTS CATALOG (MAINTENANCE)



Y 57100101 SHT 1 REV 216

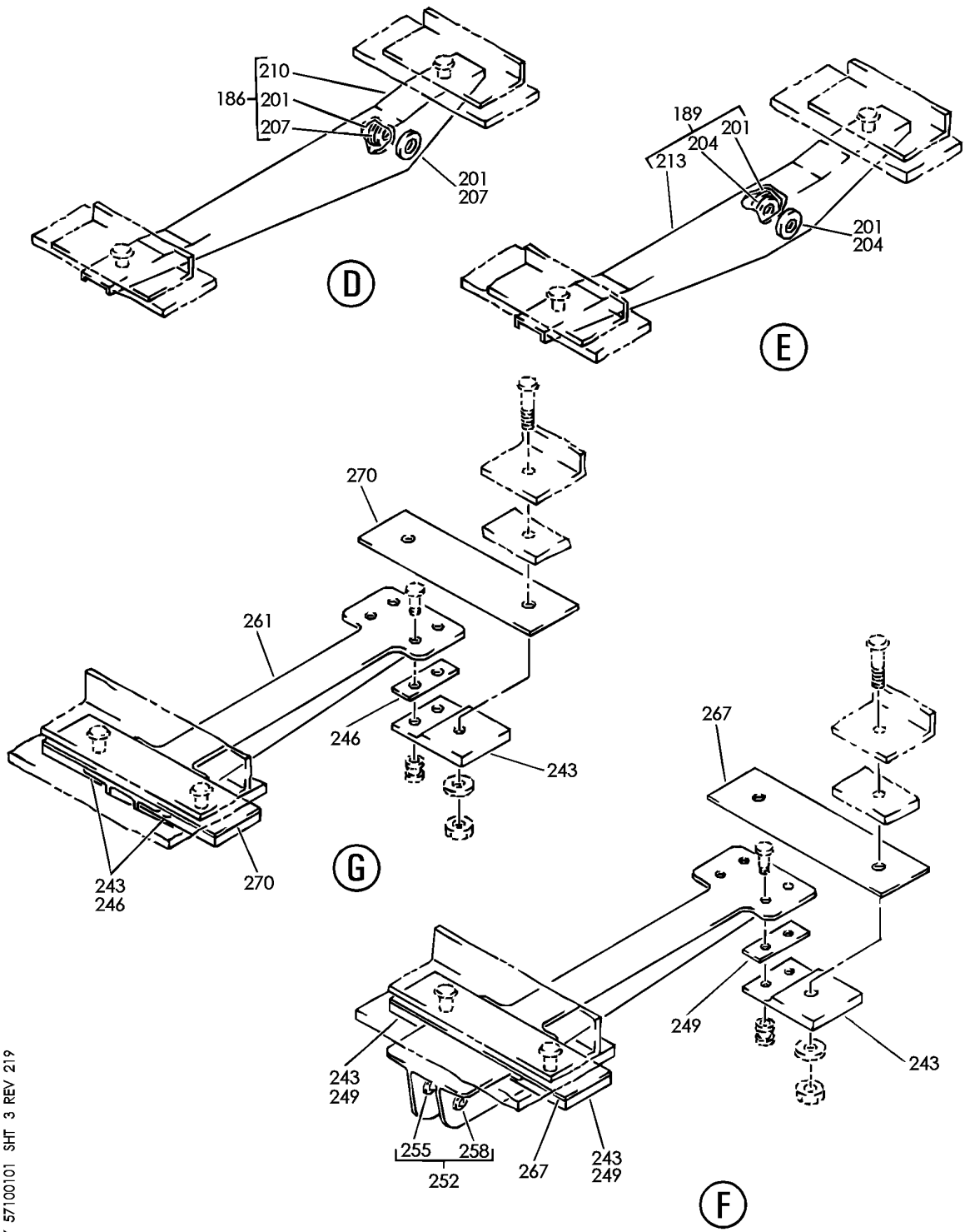
PANEL ASSY-WING CTR SECT. LWR
FIGURE 1 (SHEET 1)

57-10-01-01

BRI
MAY 28/07

57-10-01-01
PAGE 0

BOEING
757
PARTS CATALOG (MAINTENANCE)



Y 57100101 SHT 3 REV 219

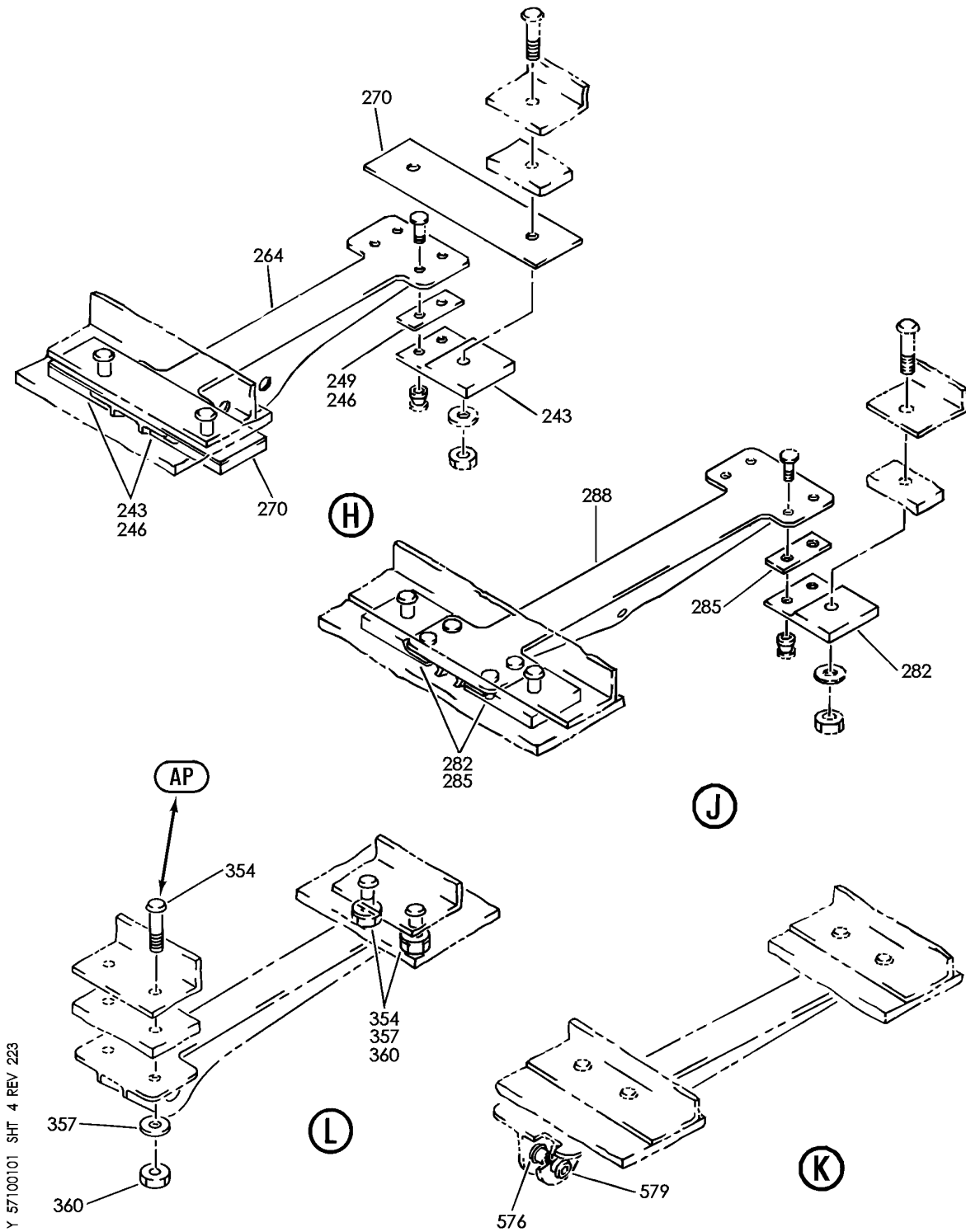
PANEL ASSY-WING CTR SECT. LWR
FIGURE 1 (SHEET 3)

57-10-01-01

BRI
MAY 28/07

57-10-01-01
PAGE 0B

BOEING
757
PARTS CATALOG (MAINTENANCE)



Y 57100101 SHT 4 REV 223

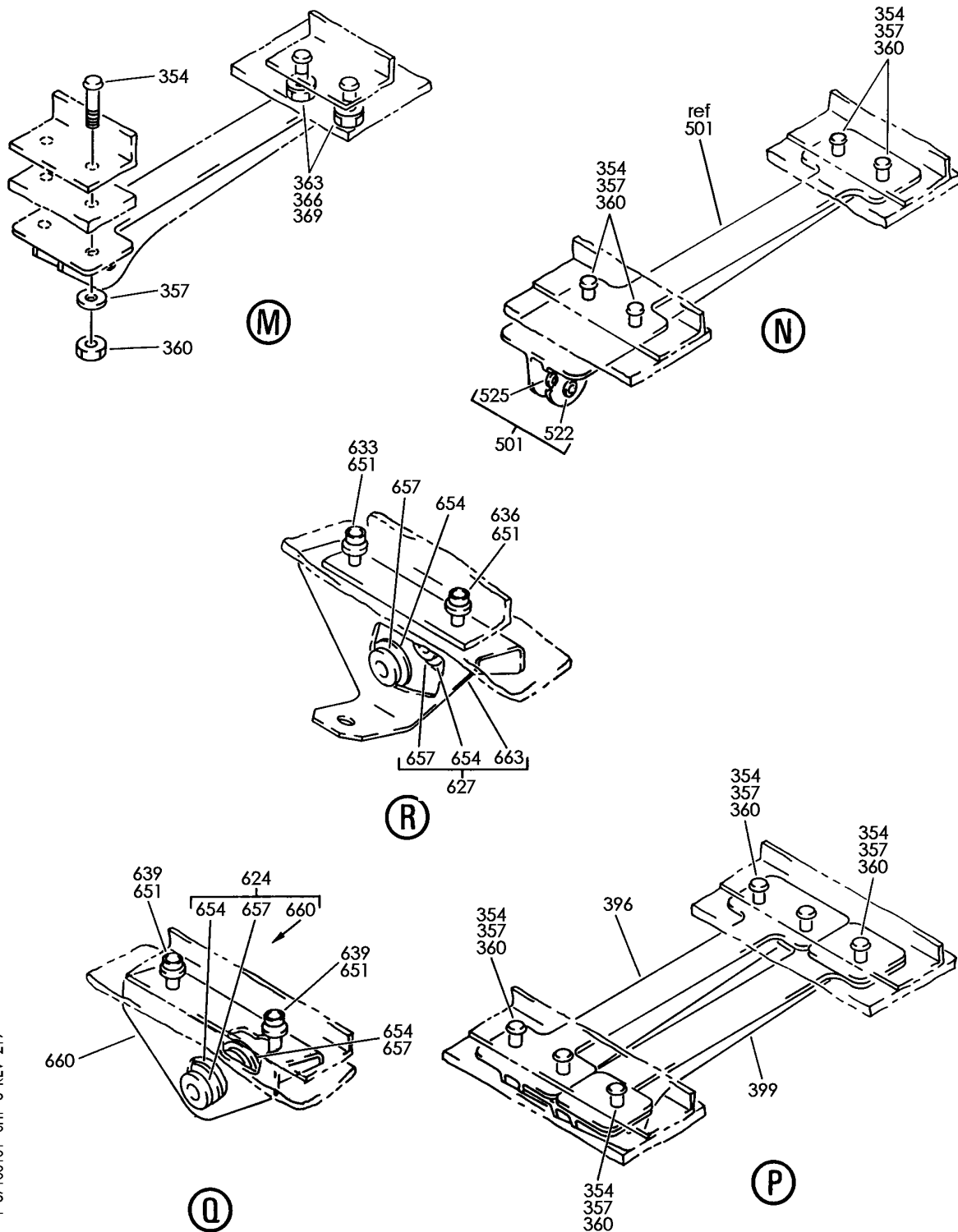
PANEL ASSY-WING CTR SECT. LWR
FIGURE 1 (SHEET 4)

57-10-01-01

BRI
MAY 28/07

57-10-01-01
PAGE 0C

BOEING
757
PARTS CATALOG (MAINTENANCE)



Y 57100101 SHT 5 REV 219

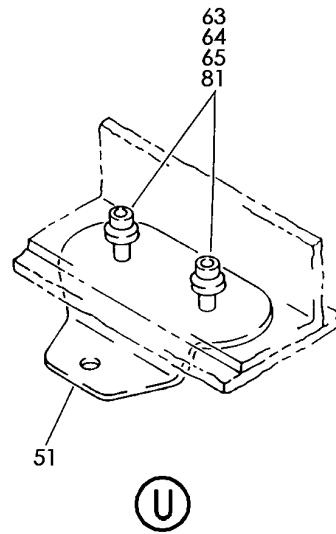
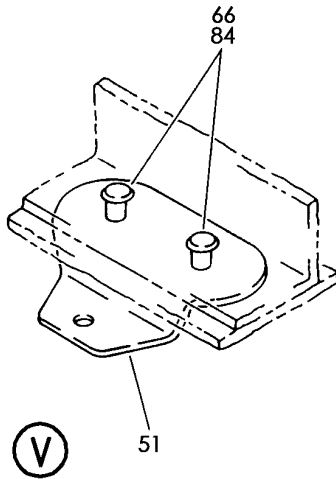
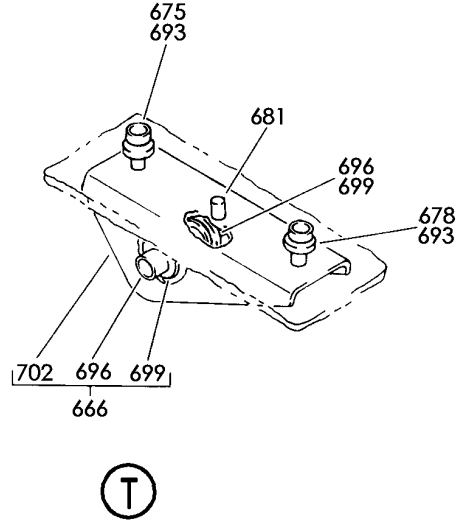
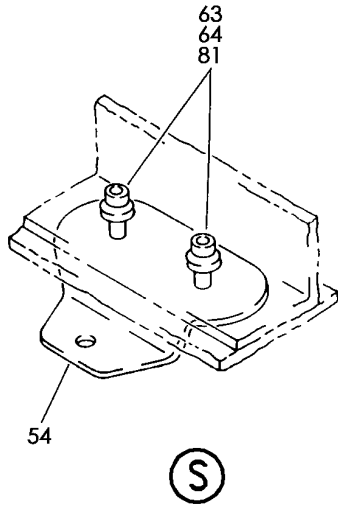
PANEL ASSY-WING CTR SECT. LWR
FIGURE 1 (SHEET 5)

57-10-01-01

BRI
MAY 28/07

57-10-01-01
PAGE 0D

BOEING
757
PARTS CATALOG (MAINTENANCE)



Y 57100101 SH 6 REV 223

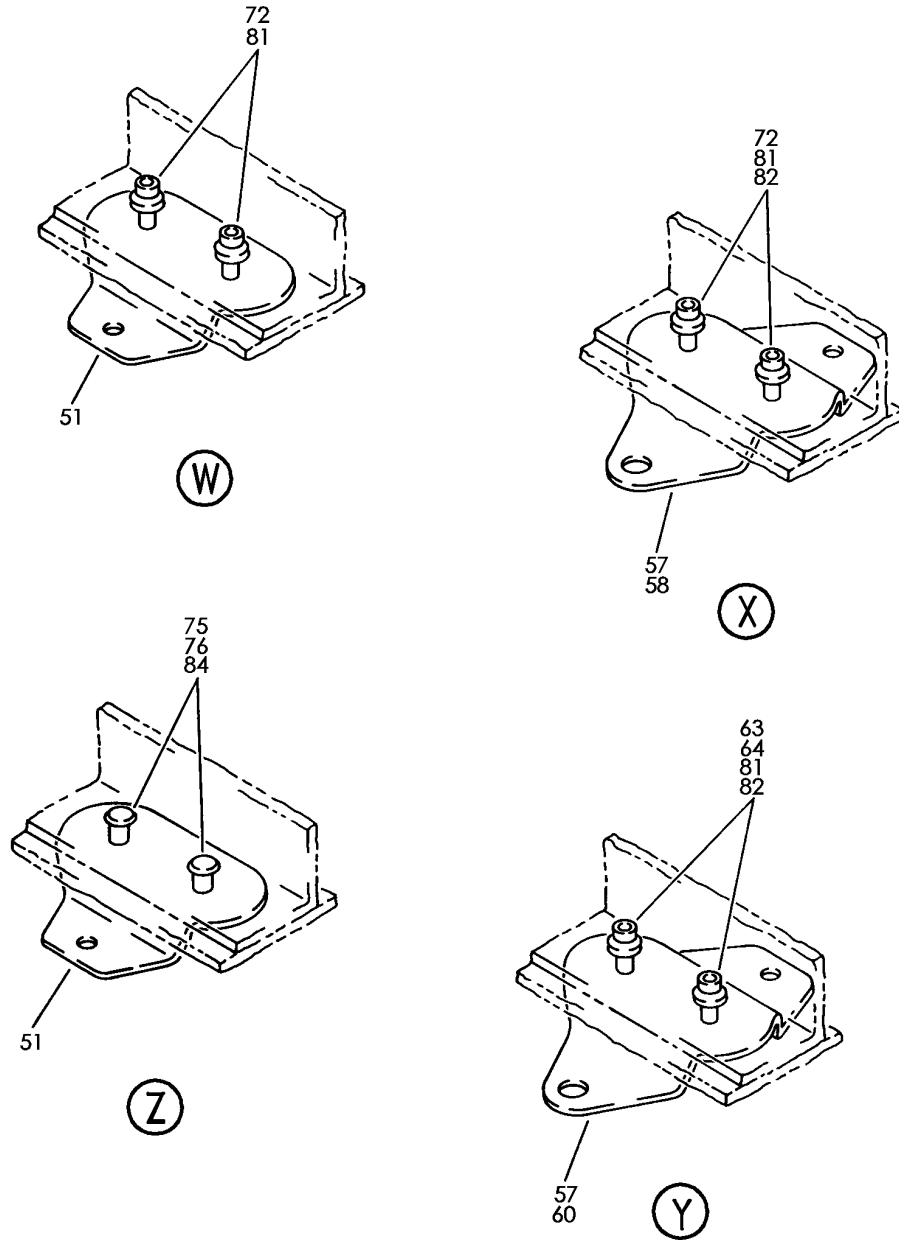
PANEL ASSY-WING CTR SECT. LWR
FIGURE 1 (SHEET 6)

57-10-01-01

BRI
MAY 28/07

57-10-01-01
PAGE 0E

BOEING
757
PARTS CATALOG (MAINTENANCE)



Y 57100101 SHT 7 REV 223

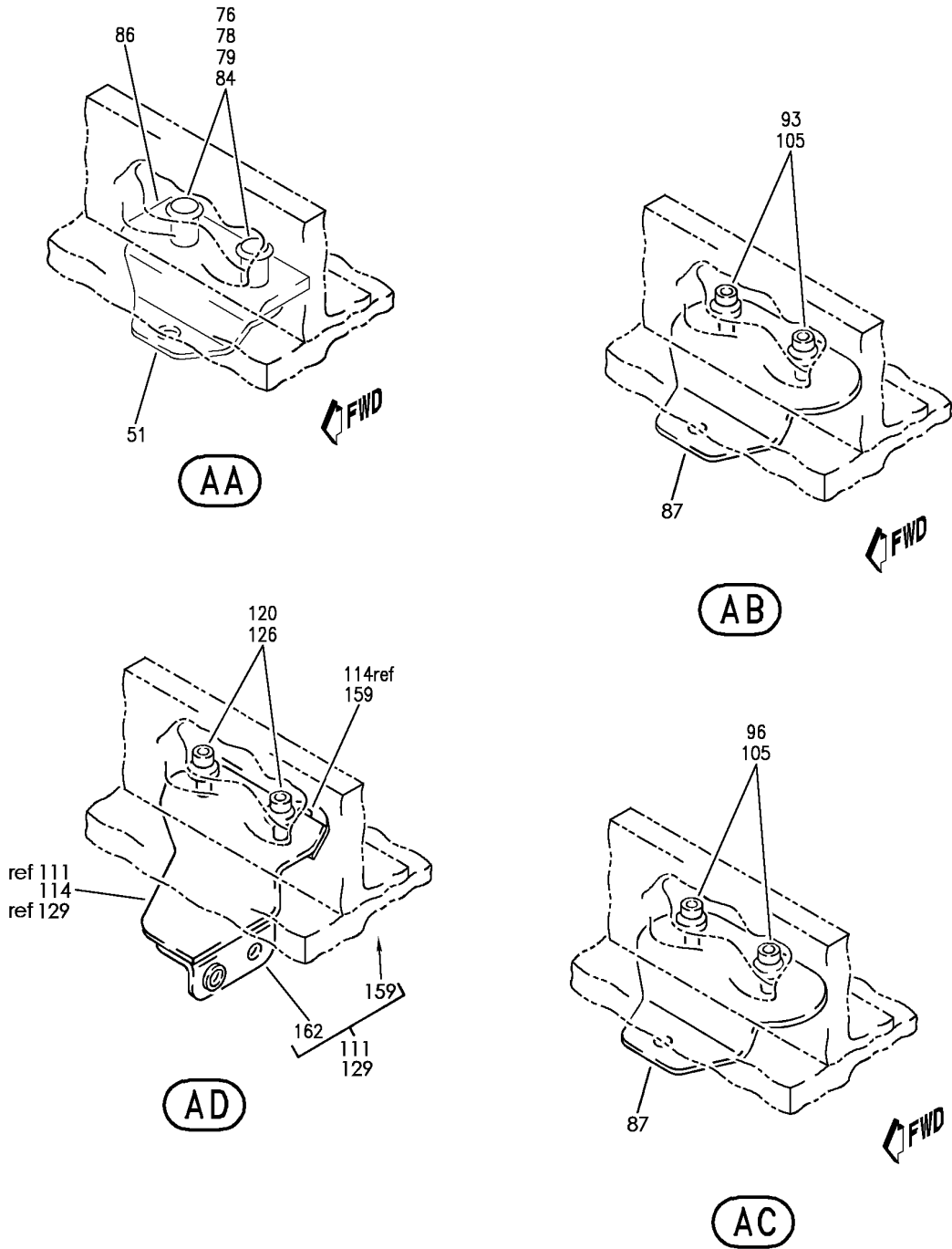
PANEL ASSY-WING CTR SECT. LWR
FIGURE 1 (SHEET 7)

57-10-01-01

BRI
MAY 28/07

57-10-01-01
PAGE OF

BOEING
757
PARTS CATALOG (MAINTENANCE)



Y 57100101 SH1 8 REV 259

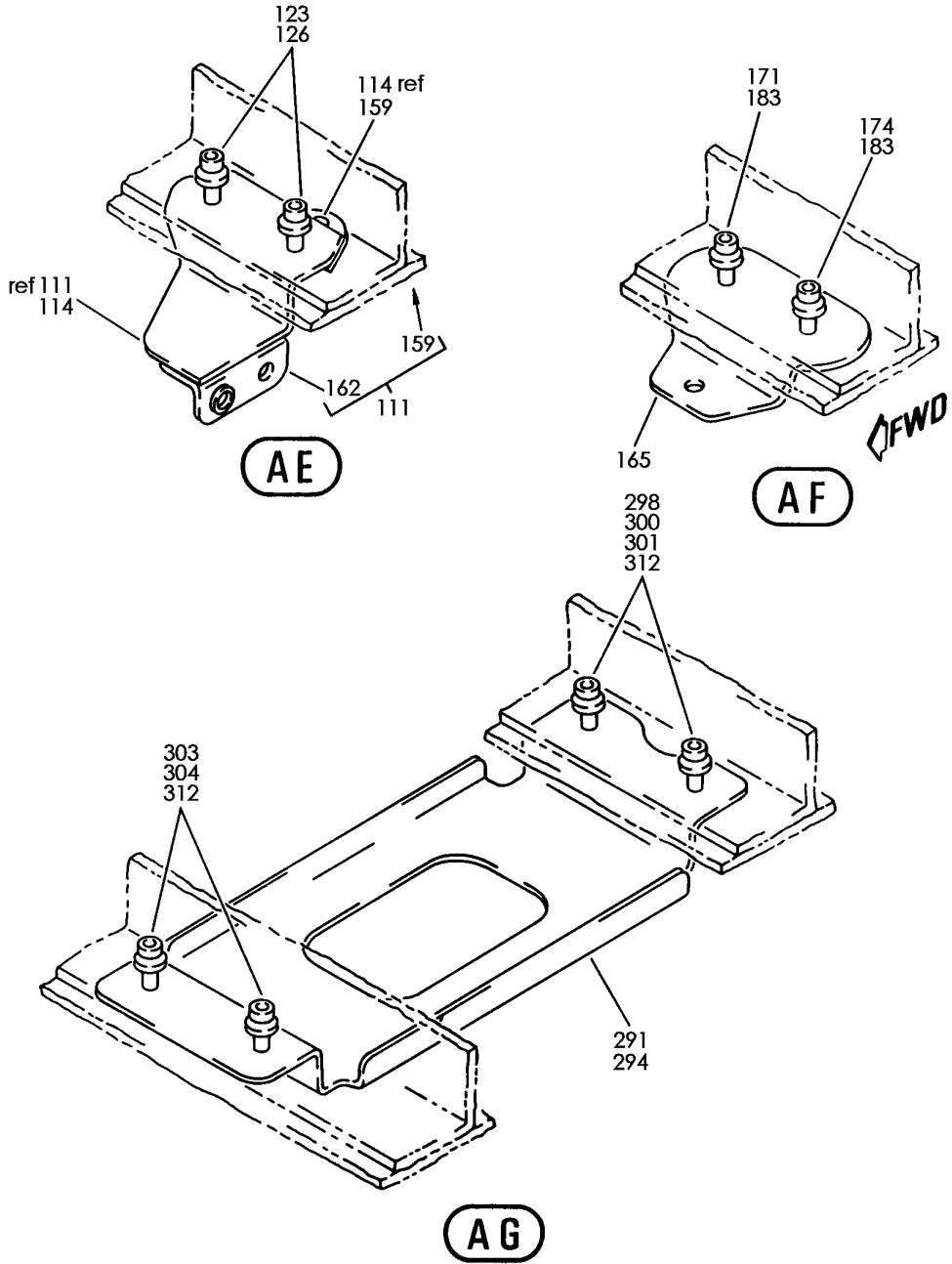
PANEL ASSY-WING CTR SECT. LWR
FIGURE 1 (SHEET 8)

57-10-01-01

BRI
MAY 28/07

57-10-01-01
PAGE 06

BOEING
757
PARTS CATALOG (MAINTENANCE)



Y 57100101 SHT 9 REV 223

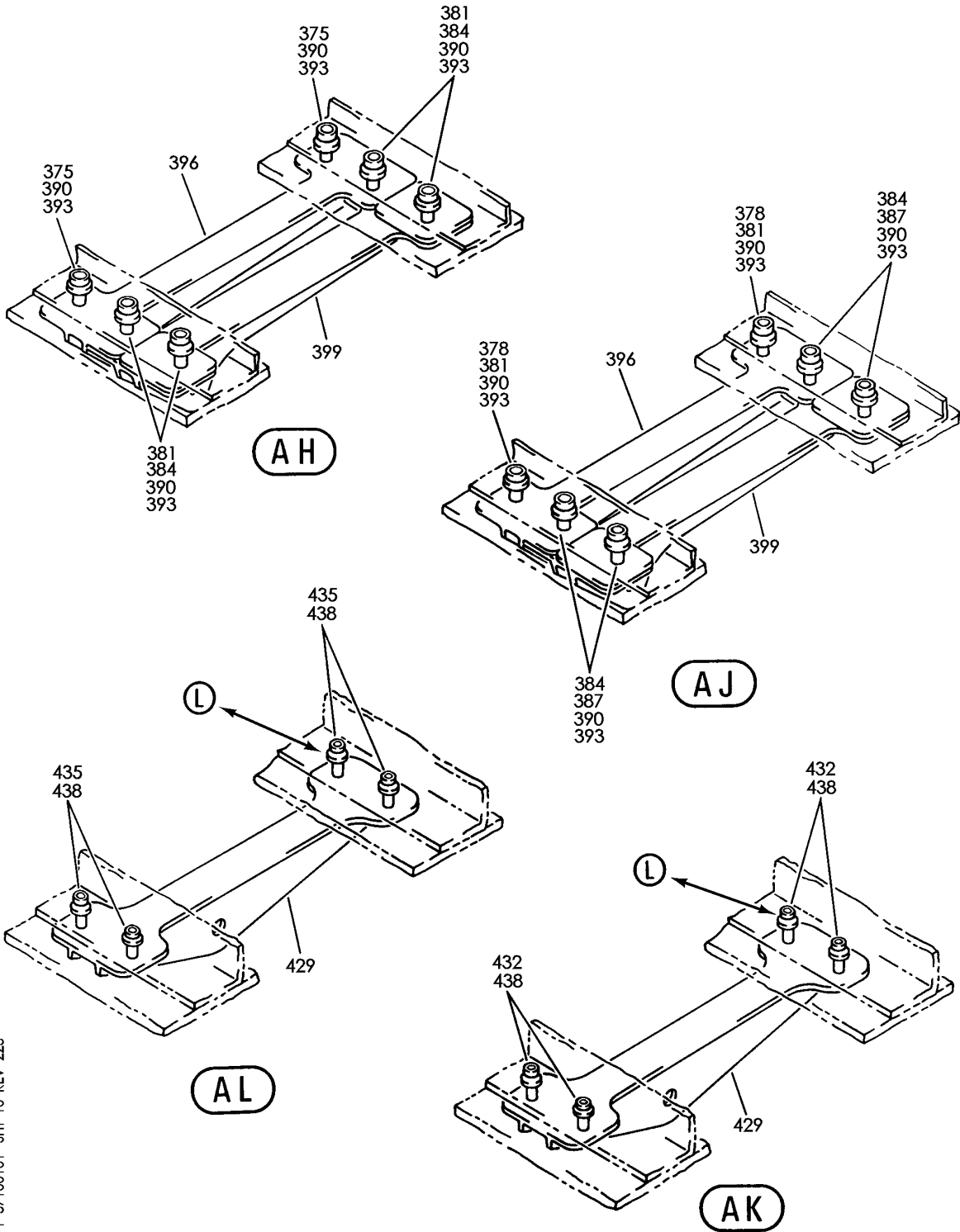
PANEL ASSY-WING CTR SECT. LWR
FIGURE 1 (SHEET 9)

57-10-01-01

BRI
MAY 28/07

57-10-01-01
PAGE 0H

BOEING
757
PARTS CATALOG (MAINTENANCE)



Y 57100101 SHT 10 REV 223

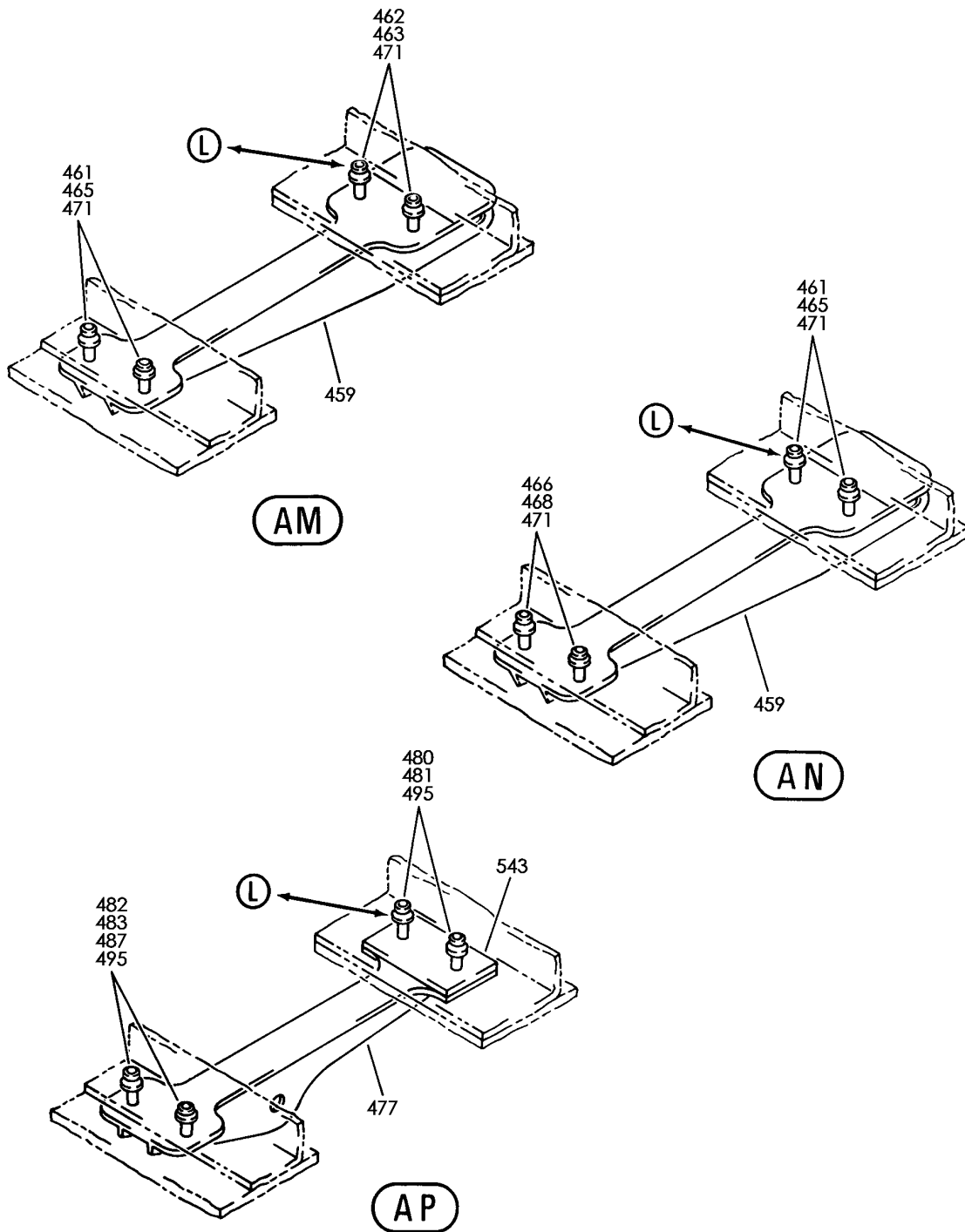
PANEL ASSY-WING CTR SECT. LWR
FIGURE 1 (SHEET 10)

57-10-01-01

BRI
MAY 28/07

57-10-01-01
PAGE 01

BOEING
757
PARTS CATALOG (MAINTENANCE)



Y 57100101 SHT 11 REV 223

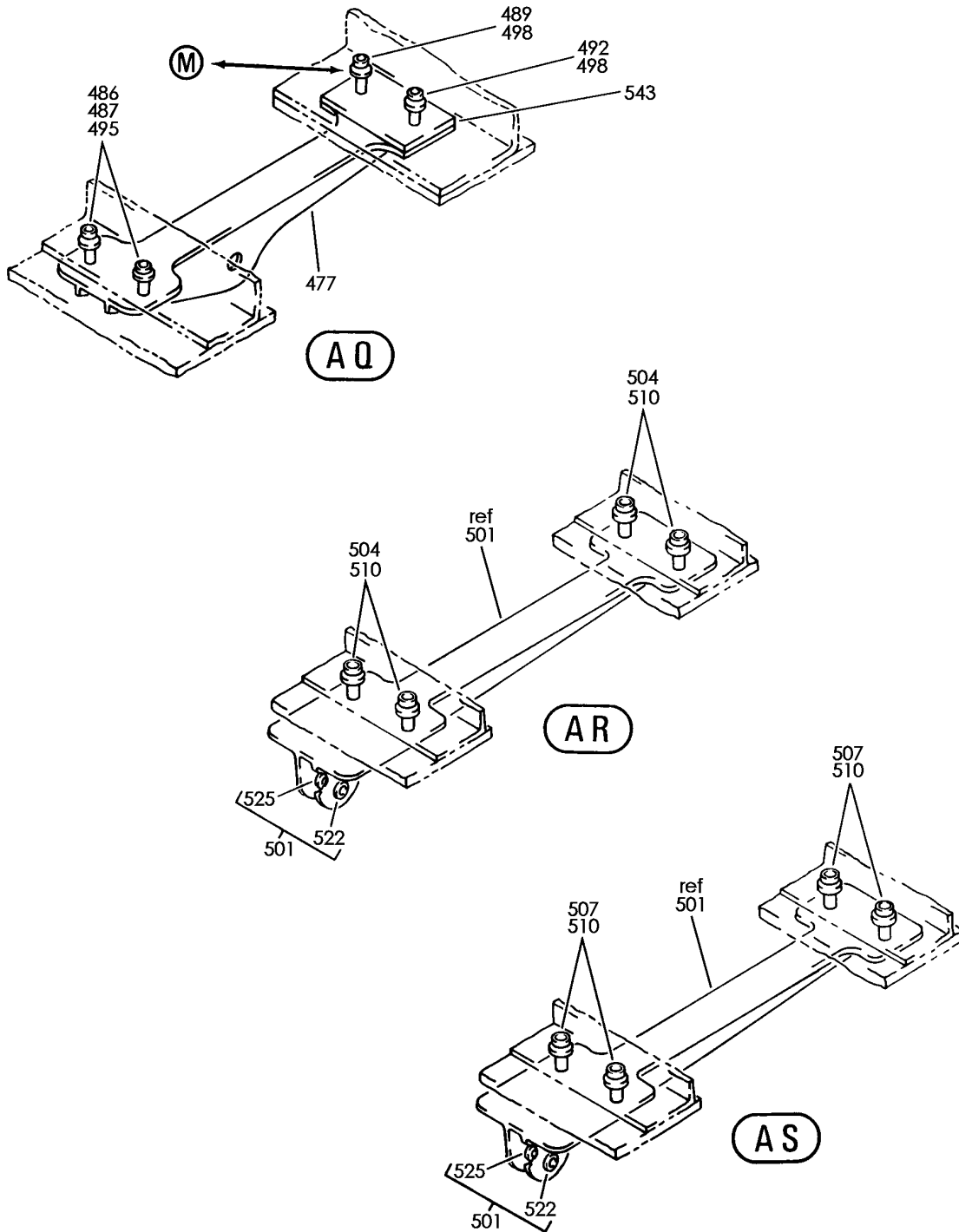
PANEL ASSY-WING CTR SECT. LWR
FIGURE 1 (SHEET 11)

57-10-01-01

BRI
MAY 28/07

57-10-01-01
PAGE 0J

BOEING
757
PARTS CATALOG (MAINTENANCE)



Y 57100101 SHT 12 REV 223

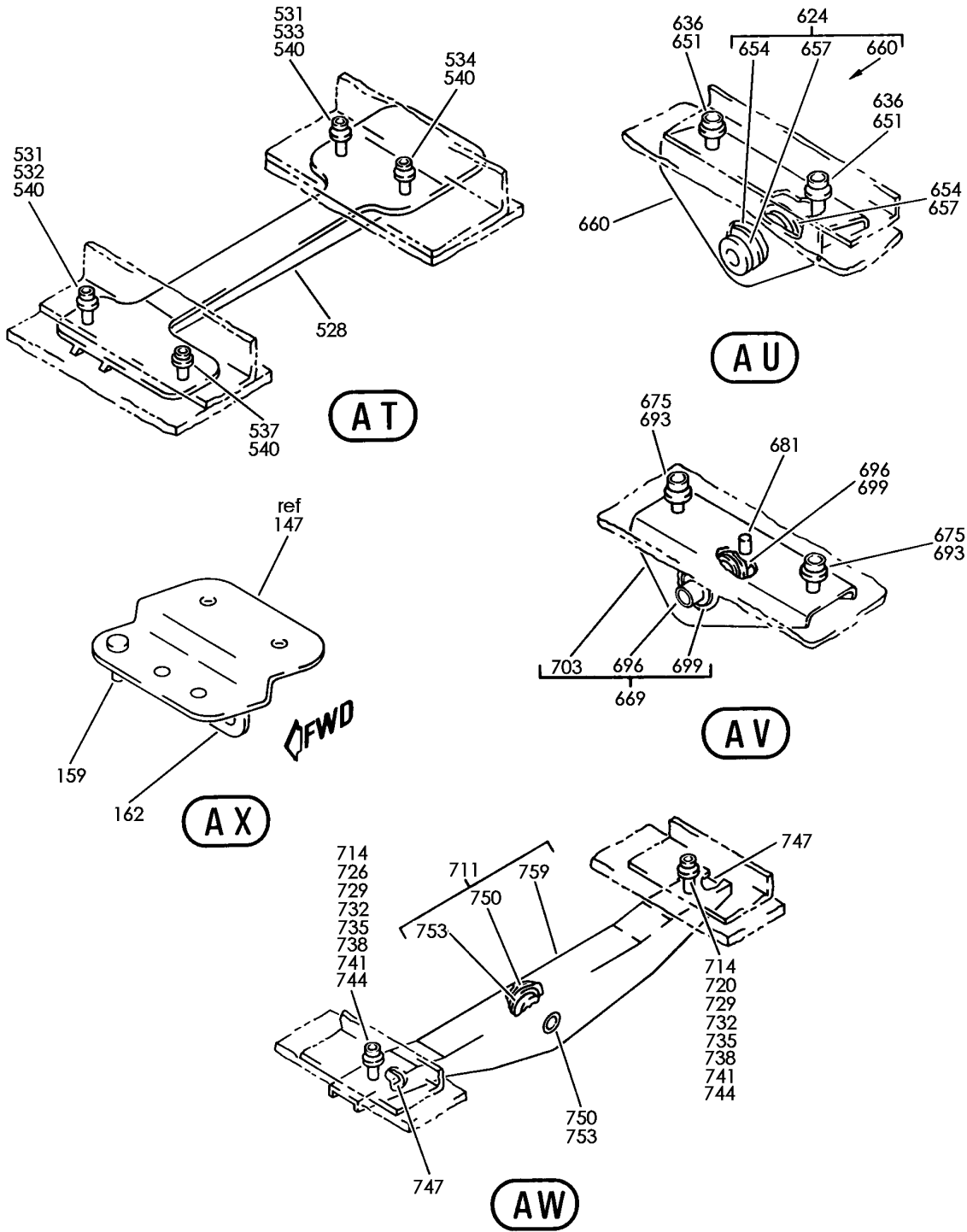
PANEL ASSY-WING CTR SECT. LWR
FIGURE 1 (SHEET 12)

57-10-01-01

BRI
MAY 28/07

57-10-01-01
PAGE OK

BOEING
757
PARTS CATALOG (MAINTENANCE)



Y 57100101 SHT 13 REV 223

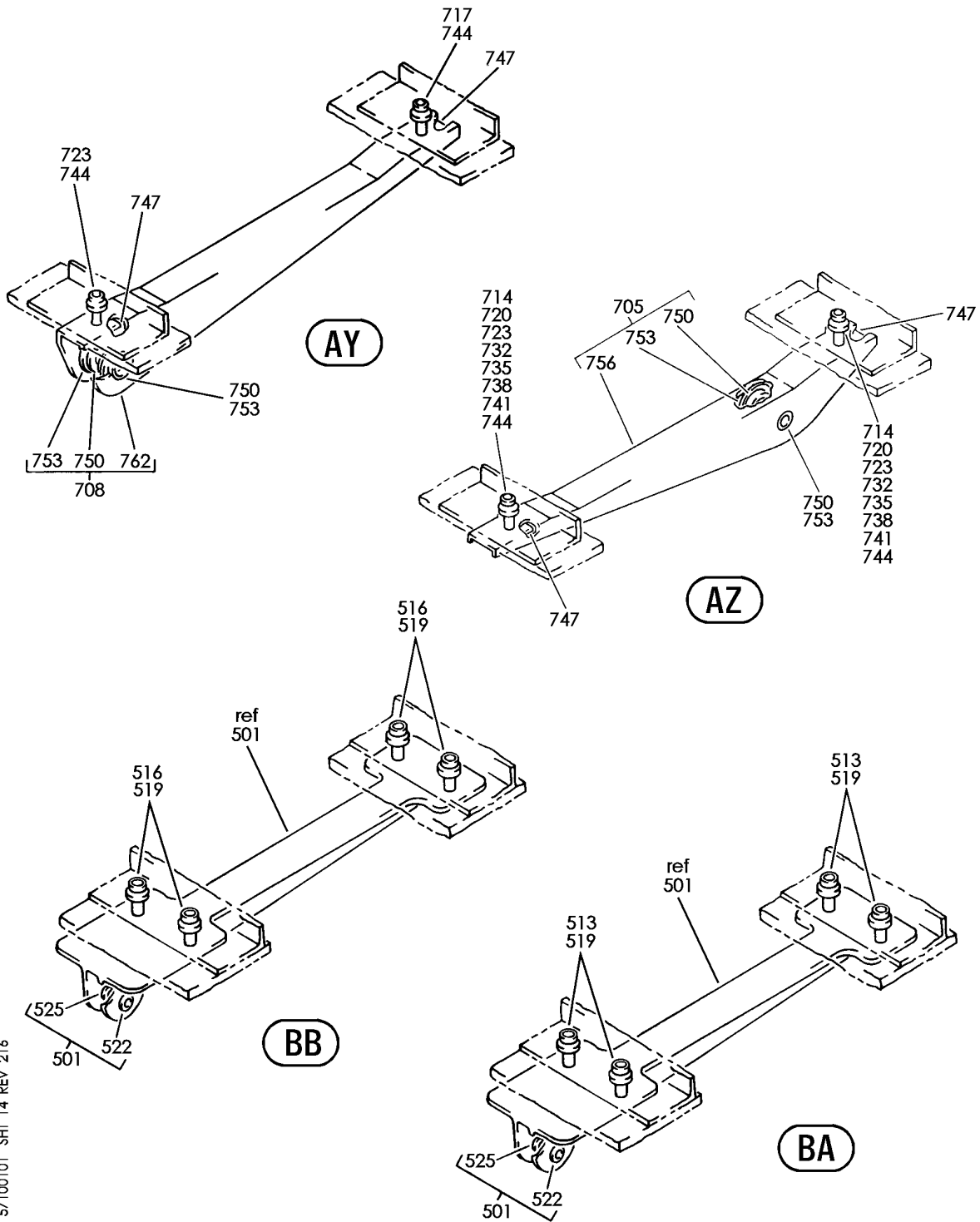
PANEL ASSY-WING CTR SECT. LWR
FIGURE 1 (SHEET 13)

57-10-01-01

BRI
MAY 28/07

57-10-01-01
PAGE 01

BOEING
757
PARTS CATALOG (MAINTENANCE)



Y 57100101 SHT 14 REV 216

PANEL ASSY-WING CTR SECT. LWR
FIGURE 1 (SHEET 14)

57-10-01-01

BRI
MAY 28/07

57-10-01-01
PAGE 0M



757

PARTS CATALOG (MAINTENANCE)

FIG ITEM	PART NUMBER	1 2 3 4 5 6 7	NOMENCLATURE	EFFECT FROM TO	UNITS PER ASSY
1			PANEL ASSY-WING CTR SECT. LWR	002004 006999	
- 1	111N4001-15		PANEL ASSY-WING POSITION DATA: CTR SECT. LWR FOR NHA SEE: 57-10-51-01	107107	RF
- 1	111N4001-18		PANEL ASSY-WING POSITION DATA: CTR SECT. FOR NHA SEE: 57-10-51-01	002004 006007 121503	RF
- 1	111N4001-19		PANEL ASSY-WING POSITION DATA: CTR SECT. FOR NHA SEE: 57-10-51-01	904949 952952 008010	RF
- 1	111N4001-22		PANEL ASSY-WING POSITION DATA: CTR SECT. FOR NHA SEE: 57-10-51-01	950951 953999	
- 1	111N4001-401		PANEL INSTL-WING POSITION DATA: CTR SECT. FOR NHA SEE: 57-10-51-01	011100	RF
- 1	MODREF1410		PANEL INSTL-WING MODULE NUMBER: 111N4001-401 REV A POSITION DATA: CTR SECT.	101102 108120 504903	RF
- 1	MODREF30006		PANEL INSTL-WING MODULE NUMBER: 111N4001-401 REV B POSITION DATA: CTR SECT.	103103	1
6	218N4022-1		.BRACKET	104106	1
- 9	L80010K9		ATTACHING PARTS .BOLT SUPPLIER CODE: V06725 SPECIFICATION NUMBER: BACB30MY10K9	002004 006999	1
				002004 006010 107107 121503 904999	2

MISSING ITEM NUMBERS NOT APPLICABLE

- ITEM NOT ILLUSTRATED

57-10-01-01

57-10-01
FIG. 01
PAGE 1
JAN 20/09

BRI



757

PARTS CATALOG (MAINTENANCE)

FIG ITEM	PART NUMBER	1 2 3 4 5 6 7	NOMENCLATURE	EFFECT FROM TO	UNITS PER ASSY
1					
- 9	HST10AG10-9		.BOLT SUPPLIER CODE: VOPTK6 SPECIFICATION NUMBER: BACB30VT10K9 OPTIONAL PART: HST10AG10-9 V06725 HST10AG10-9 V56878 HST10AG10-9 V73197 WC10K10-9 V60516	011106 108120 504903	2
- 12	AN960KD516L		.WASHER	002004 006010 107107 121503 904999	2
- 15	BRH10A5		.NUT- SUPPLIER CODE: V52828 SPECIFICATION NUMBER: BACN10JCS OPTIONAL PART: T6S524J V11815 96-054 V80539 RMLH9075-5W V72962 H10-5BAC V15653 BACC30M10	002004 006010 107107 121503 904999	2
- 15	HL79-10		.COLLAR- SUPPLIER CODE: V5M902 SPECIFICATION NUMBER: BACC30M10 OPTIONAL PART: HL79-10 V73197 HL79-10 V92215 66014-10 V56878 HL79-10 V56878 BACN10JCS	002004 006010 107107 121503 904999	2

MISSING ITEM NUMBERS NOT APPLICABLE

- ITEM NOT ILLUSTRATED

57-10-01-01

57-10-01
FIG. 01
PAGE 2
JAN 20/09

BRI



757

PARTS CATALOG (MAINTENANCE)

FIG ITEM	PART NUMBER	1 2 3 4 5 6 7	NOMENCLATURE	EFFECT FROM TO	UNITS PER ASSY
1					
- 15	VLC771-10		.COLLAR SUPPLIER CODE: V5M902 SPECIFICATION NUMBER: BACC30BP10 OPTIONAL PART: HST771-10 V73197 -----*-----	011106 108120 504903	2
18	218N4022-1		.BRACKET ATTACHING PARTS	002004 006999	2
- 21	BACR15BB10DD		.RIVET- SIZE DETERMINED ON INSTL.	002004 006010 107107 121503 904999	4
- 24	HST10AG10-8		.BOLT- SUPPLIER CODE: VOPTK6 SPECIFICATION NUMBER: BACB30VT10K8 OPTIONAL PART: HST10AG10-8 V06725 HST10AG10-8 V56878 HST10AG10-8 V73197 WC10K10-8 V60516	011106 108120 504903	4
- 27	VLC771-10		.COLLAR SUPPLIER CODE: V5M902 SPECIFICATION NUMBER: BACC30BP10 OPTIONAL PART: HST771-10 V73197 -----*-----	011106 108120 504903	4
30	218N4022-1		.BRACKET ATTACHING PARTS	107107	1
- 39	BACR15BB10DD		.RIVET- SIZE DETERMINED ON INSTL. -----*-----	107107	2
42	218N4022-1		.BRACKET	107107	6

MISSING ITEM NUMBERS NOT APPLICABLE

- ITEM NOT ILLUSTRATED

57-10-01-01

57-10-01
FIG. 01
PAGE 3
JAN 20/09

BRI

BOEING PROPRIETARY - Copyright © - Unpublished Work - See title page for details.



757

PARTS CATALOG (MAINTENANCE)

FIG ITEM	PART NUMBER	1 2 3 4 5 6 7	NOMENCLATURE	EFFECT FROM TO	UNITS PER ASSY
1			ATTACHING PARTS		
- 45	BACR15BB10DD		.RIVET- SIZE DETERMINED ON INSTL. -----*-----	107107	12
51	218N4022-1		.BRACKET	011106 108120 504903	22
54	218N4022-1		.BRACKET	011100	1
54	218N4022-16		.BRACKET	103106	1
57	218N4022-11		.BRACKET	002004 006100 107107 121503 904999	2
58	218N4022-11		.BRACKET	103106	1
60	218N4022-17		.BRACKET	103106	1
63	HST10AG10-8		ATTACHING PARTS .BOLT SUPPLIER CODE: VOPTK6 SPECIFICATION NUMBER: BACB30VT10K8 OPTIONAL PART: HST10AG10-8 V06725 HST10AG10-8 V56878 HST10AG10-8 V73197 WC10K10-8 V60516	011106 108120 504903	34
66	LGPL2SPV10-9AC		.BOLT SUPPLIER CODE: V17446 SPECIFICATION NUMBER: BACB30VN10K9 OPTIONAL PART: LGPL2SPV10-9AC V92215 81669V10K9 V56878 LGPL2SPV10-9AC V56878	011106 108120 504903	2
- 69	BACR15BB10DD		.RIVET- SIZE DETERMINED ON INSTL.	002004 006010 107107 121503 904999	52

MISSING ITEM NUMBERS NOT APPLICABLE

- ITEM NOT ILLUSTRATED

57-10-01-01

57-10-01
FIG. 01
PAGE 4
JAN 20/09

BRI

BOEING PROPRIETARY - Copyright © - Unpublished Work - See title page for details.



757

PARTS CATALOG (MAINTENANCE)

FIG ITEM	PART NUMBER	1 2 3 4 5 6 7	NOMENCLATURE	EFFECT FROM TO	UNITS PER ASSY
1	72 HST10AG10-10	.BOLT	SUPPLIER CODE: VOPTK6 SPECIFICATION NUMBER: BACB30VT10K10 OPTIONAL PART: HST10AG10-10 V06725 HST10AG10-10 V56878 HST10AG10-10 V73197 WC10K10-10 V60516	011106 108120 504903	4
	75 LGPL2SPV10-10AC	.BOLT	SUPPLIER CODE: V17446 SPECIFICATION NUMBER: BACB30VN10K10 OPTIONAL PART: LGPL2SPV10-10AC V92215 81669V10K10 V56878 LGPL2SPV10-10AC V56878	011106 108120 504903	4
	78 LGPL2SPV10-11AC	.BOLT	SUPPLIER CODE: V17446 SPECIFICATION NUMBER: BACB30VN10K11 OPTIONAL PART: LGPL2SPV10-11AC V92215 81669V10K11 V56878 LGPL2SPV10-11AC V56878	011106 108120 504903	6
	81 VLC771-10	.COLLAR	SUPPLIER CODE: V5M902 SPECIFICATION NUMBER: BACC30BP10 OPTIONAL PART: HST771-10 V73197	011106 108120 504903	38

MISSING ITEM NUMBERS NOT APPLICABLE

- ITEM NOT ILLUSTRATED

BRI

57-10-01-01

57-10-01
FIG. 01
PAGE 5
JAN 20/09



757

PARTS CATALOG (MAINTENANCE)

FIG ITEM	PART NUMBER	1 2 3 4 5 6 7	NOMENCLATURE	EFFECT FROM TO	UNITS PER ASSY
1	82 VLC771-10		.COLLAR SUPPLIER CODE: V5M902 SPECIFICATION NUMBER: BACC30BP10 OPTIONAL PART: HST771-10 V73197	002004 006100 107107 121503 904999	4
	84 3SLCC10		.COLLAR SUPPLIER CODE: V17446 SPECIFICATION NUMBER: BACC30BK10 OPTIONAL PART: 3SLCC10 V92215	011106 108120 504903	12
	87 218N4022-1		-----*----- .BRACKET	002004 006999	4
-	90 L80010K10		ATTACHING PARTS .BOLT SUPPLIER CODE: V06725 SPECIFICATION NUMBER: BACB30MY10K10	002004 006010 107107 121503 904999	8
	93 HST10AG10-10		.BOLT SUPPLIER CODE: VOPTK6 SPECIFICATION NUMBER: BACB30VT10K10 OPTIONAL PART: HST10AG10-10 V06725 HST10AG10-10 V56878 HST10AG10-10 V73197 WC10K10-10 V60516	011106 108120 504903	6

MISSING ITEM NUMBERS NOT APPLICABLE

- ITEM NOT ILLUSTRATED

BRI

57-10-01-01

BOEING PROPRIETARY - Copyright © - Unpublished Work - See title page for details.

57-10-01
FIG. 01
PAGE 6
JAN 20/09



757

PARTS CATALOG (MAINTENANCE)

FIG ITEM	PART NUMBER	1 2 3 4 5 6 7	NOMENCLATURE	EFFECT FROM TO	UNITS PER ASSY
1	96 HST10AG10-8		.BOLT- SUPPLIER CODE: VOPTK6 SPECIFICATION NUMBER: BACB30VT10K8 OPTIONAL PART: HST10AG10-8 V06725 HST10AG10-8 V56878 HST10AG10-8 V73197 WC10K10-8 V60516	011106 108120 504903	2
-	99 AN960KD516L		.WASHER	002004 006010 107107 121503 904999	8
-	102 BRH10A5		.NUT- SUPPLIER CODE: V52828 SPECIFICATION NUMBER: BACN10JCS OPTIONAL PART: T6S524J V11815 96-054 V80539 RMLH9075-5W V72962 H10-5BAC V15653 BACC30M10	002004 006010 107107 121503 904999	8
-	102 HL79-10		.COLLAR- SUPPLIER CODE: V5M902 SPECIFICATION NUMBER: BACC30M10 OPTIONAL PART: HL79-10 V73197 HL79-10 V92215 66014-10 V56878 HL79-10 V56878 BACN10JCS	002004 006010 107107 121503 904999	8

MISSING ITEM NUMBERS NOT APPLICABLE

- ITEM NOT ILLUSTRATED

57-10-01-01

57-10-01
FIG. 01
PAGE 7
JAN 20/09

BRI



757

PARTS CATALOG (MAINTENANCE)

FIG ITEM	PART NUMBER	1 2 3 4 5 6 7	NOMENCLATURE	EFFECT FROM TO	UNITS PER ASSY
1 105	VLC771-10		.COLLAR SUPPLIER CODE: V5M902 SPECIFICATION NUMBER: BACC30BP10 OPTIONAL PART: HST771-10 V73197 -----*-----	011106 108120 504903	8
111	218N4022-10		.SUPPORT ASSY ATTACHING PARTS	107107	2
- 117	BACR15BB10DD		.RIVET- SIZE DETERMINED ON INSTL. -----*-----	107107	4
129	218N4022-10		.SUPPORT ASSY ATTACHING PARTS	002004 006106 108999	1
- 132	BACR15BB10DD		.RIVET- SIZE DETERMINED ON INSTL.	002004 006010 121503 904999	2
- 135	HST10AG10-8		.BOLT SUPPLIER CODE: VOPTK6 SPECIFICATION NUMBER: BACB30VT10K8 OPTIONAL PART: HST10AG10-8 V06725 HST10AG10-8 V56878 HST10AG10-8 V73197 WC10K10-8 V60516	011106 108120 504903	2
- 138	VLC771-10		.COLLAR SUPPLIER CODE: V5M902 SPECIFICATION NUMBER: BACC30BP10 OPTIONAL PART: HST771-10 V73197 -----*-----	011106 108120 504903	2
141	218N4022-9		.SUPPORT ASSY	107107	2

MISSING ITEM NUMBERS NOT APPLICABLE

- ITEM NOT ILLUSTRATED

BRI

57-10-01-01

BOEING PROPRIETARY - Copyright © - Unpublished Work - See title page for details.

57-10-01
FIG. 01
PAGE 8
JAN 20/09



757

PARTS CATALOG (MAINTENANCE)

FIG ITEM	PART NUMBER	1 2 3 4 5 6 7	NOMENCLATURE	EFFECT FROM TO	UNITS PER ASSY
1			ATTACHING PARTS		
- 144	BACR15BB10DD		.RIVET- SIZE DETERMINED ON INSTL.	107107	4
			-----*-----		
147	218N4022-9		.SUPPORT ASSY	002004 006100 103106 121503 904999	1
- 150	LGPL2SPV10-10AC		ATTACHING PARTS .BOLT SUPPLIER CODE: V17446 SPECIFICATION NUMBER: BACB30VN10K10 OPTIONAL PART: LGPL2SPV10-10AC V92215 81669V10K10 V56878 LGPL2SPV10-10AC V56878	011106 108120 504903	2
- 153	3SLCC10		.COLLAR SUPPLIER CODE: V17446 SPECIFICATION NUMBER: BACC30BK10 OPTIONAL PART: 3SLCC10 V92215	011106 108120 504903	2
- 156	BACR15BB10DD		.RIVET- SIZE DETERMINED ON INSTL.	002004 006010 121503 904999	2
			-----*-----		
159	VNS1924CA1-8		..STUD SUPPLIER CODE: V5M902 SPECIFICATION NUMBER: BACS53B1EA1 OPTIONAL PART: VNS1924CA3-1-8 V92215	107107	1

MISSING ITEM NUMBERS NOT APPLICABLE

- ITEM NOT ILLUSTRATED

57-10-01-01

57-10-01
FIG. 01
PAGE 9
JAN 20/09

BRI

BOEING PROPRIETARY - Copyright © - Unpublished Work - See title page for details.



757

PARTS CATALOG (MAINTENANCE)

FIG ITEM	PART NUMBER	1 2 3 4 5 6 7	NOMENCLATURE	EFFECT FROM TO	UNITS PER ASSY
1 159	VNS1924CA1-8	..	STUD SUPPLIER CODE: V5M902 SPECIFICATION NUMBER: BACS53B1EA1 OPTIONAL PART: VNS1924CA3-1-8 V92215	002004 006106 108999	1
162	35410-23	..	FLANGE ASSY- SUPPLIER CODE: V73168	107107	1
162	35410-23	..	FLANGE ASSY- SUPPLIER CODE: V73168	002004 006106 108999	1
165	218N4022-1	.	BRACKET	002004 006999	1
- 168	BACB30MY12K	.	BOLT- ATTACHING PARTS SIZE DETERMINED ON INSTL.	002004 006010 107107 121503 904999	2
171	HST10AG12-11	.	BOLT SUPPLIER CODE: VOPTK6 SPECIFICATION NUMBER: BACB30VT12K11 OPTIONAL PART: HST10AG12-11 V06725 HST10AG12-11 V56878 HST10AG12-11 V73197 WC10K12-11 V60516	011106 108120 504903	1

MISSING ITEM NUMBERS NOT APPLICABLE

- ITEM NOT ILLUSTRATED

BRI

57-10-01-01

BOEING PROPRIETARY - Copyright © - Unpublished Work - See title page for details.

57-10-01
FIG. 01
PAGE 10
JAN 20/09



757

PARTS CATALOG (MAINTENANCE)

FIG ITEM	PART NUMBER	1 2 3 4 5 6 7	NOMENCLATURE	EFFECT FROM TO	UNITS PER ASSY
1 174	HST10AG12-12	.BOLT	SUPPLIER CODE: VOPTK6 SPECIFICATION NUMBER: BACB30VT12K12 OPTIONAL PART: HST10AG12-12 V06725 HST10AG12-12 V56878 HST10AG12-12 V73197 WC10K12-12 V60516	011106 108120 504903	1
- 177	AN960KD616L	.WASHER		002004 006010 107107 121503 904999	2
- 180	BRH10A6	.NUT-	SUPPLIER CODE: V52828 SPECIFICATION NUMBER: BACN10JC6 OPTIONAL PART: 96-064 V80539 RMLH9075-6 V72962 H10-6BAC V15653 BACC30M12	002004 006010 107107 121503 904999	2
- 180	HL79-12	.COLLAR-	SUPPLIER CODE: V5M902 SPECIFICATION NUMBER: BACC30M12 OPTIONAL PART: HL79-12 V73197 HL79-12 V92215 66014-12 V56878 HL79-12 V56878 BACN10JC6	002004 006010 107107 121503 904999	2

MISSING ITEM NUMBERS NOT APPLICABLE

- ITEM NOT ILLUSTRATED

57-10-01-01

57-10-01
FIG. 01
PAGE 11
JAN 20/09

BRI



757

PARTS CATALOG (MAINTENANCE)

FIG ITEM	PART NUMBER	1 2 3 4 5 6 7	NOMENCLATURE	EFFECT FROM TO	UNITS PER ASSY
1 183	VLC771-12		.COLLAR- SUPPLIER CODE: V5M902 SPECIFICATION NUMBER: BACC30BP12 OPTIONAL PART: HST771-12 V73197 -----*-----	011106 108120 504903	2
186	212N3024-6		.BRACKET ASSY-DUCT SPRT	002004 006010 107107 121503 904999	1
189	213N1104-5		.BRACKET ASSY-DUCT ATTACHING PARTS	002004 006999	1
- 192	BACB30MY10K		.BOLT- SIZE DETERMINED ON INSTL.	002004 006010 107107 121503 904999	4
- 192	HST10AG10-9		.BOLT SUPPLIER CODE: VOPTK6 SPECIFICATION NUMBER: BACB30VT10K9 OPTIONAL PART: HST10AG10-9 V06725 HST10AG10-9 V56878 HST10AG10-9 V73197 WC10K10-9 V60516	011106 108120 504903	4
- 195	AN960KD516L		.WASHER	002004 006010 107107 121503 904999	4

MISSING ITEM NUMBERS NOT APPLICABLE

- ITEM NOT ILLUSTRATED

BRI

57-10-01-01

BOEING PROPRIETARY - Copyright © - Unpublished Work - See title page for details.

57-10-01
FIG. 01
PAGE 12
JAN 20/09



757

PARTS CATALOG (MAINTENANCE)

FIG ITEM	PART NUMBER	1 2 3 4 5 6 7	NOMENCLATURE	EFFECT FROM TO	UNITS PER ASSY
1 - 198	BRH10A5		.NUT- SUPPLIER CODE: V52828 SPECIFICATION NUMBER: BACN10JCS OPTIONAL PART: T6S524J V11815 96-054 V80539 RMLH9075-5W V72962 H10-5BAC V15653 BACC30M10	002004 006010 107107 121503 904999	4
- 198	HL79-10		.COLLAR- SUPPLIER CODE: V5M902 SPECIFICATION NUMBER: BACC30M10 OPTIONAL PART: HL79-10 V73197 HL79-10 V92215 66014-10 V56878 HL79-10 V56878 BACN10JCS	002004 006010 107107 121503 904999	4
- 198	VLC771-10		.COLLAR SUPPLIER CODE: V5M902 SPECIFICATION NUMBER: BACC30BP10 OPTIONAL PART: HST771-10 V73197 -----*-----	011106 108120 504903	4
201	AN960PD616		..WASHER	002004 006999	2
204	BACB28X4C014		..BUSHING- USED ON: 213N1104-5	002004 006999	2
207	BACB28B4-248P		..BUSHING- USED ON: 212N3024-5 212N3024-6	002004 006999	2

MISSING ITEM NUMBERS NOT APPLICABLE

- ITEM NOT ILLUSTRATED

57-10-01-01

57-10-01
FIG. 01
PAGE 13
JAN 20/09

BRI



757

PARTS CATALOG (MAINTENANCE)

FIG ITEM	PART NUMBER	1 2 3 4 5 6 7	NOMENCLATURE	EFFECT FROM TO	UNITS PER ASSY
1					
210	212N3024-4	..	BRACKET- USED ON: 212N3024-5 212N3024-6	002004 006999	1
213	213N1104-2	..	BRACKET- USED ON: 213N1104-5	002004 006999	1
222	111N4001-5	.	BRACKET ASSY	002004 006100 107107 121503 904999	1
- 225	BACB30NW6K	.	ATTACHING PARTS BOLT- SIZE DETERMINED ON INSTL.	002004 006100 107107 121503 904999	24
- 234	HL79-6	.	COLLAR SUPPLIER CODE: V5M902 SPECIFICATION NUMBER: BACC30M6 OPTIONAL PART: HL79-6 V73197 HL79-6 V92215 66014-6 V56878 HL79-6 V56878	002004 006100 107107 121503 904999	24
243	111N4001-6	..	-----*----- PLATE-SPRT	002004 006100 107107 121503 904999	4
246	BACS40R6D15F	..	SHIM- USED ON: 111N4001-4 111N4001-5	002004 006100 107107 121503 904999	4
264	213N1010-4	..	BRACKET-AIR CONDITIONING PACK SPRT PROVISIONS USED ON: 111N4001-5	002004 006100 107107 121503 904999	1

MISSING ITEM NUMBERS NOT APPLICABLE

- ITEM NOT ILLUSTRATED

57-10-01-01

57-10-01
FIG. 01
PAGE 14
JAN 20/09

BRI

BOEING PROPRIETARY - Copyright © - Unpublished Work - See title page for details.



757

PARTS CATALOG (MAINTENANCE)

FIG ITEM	PART NUMBER	1 2 3 4 5 6 7	NOMENCLATURE	EFFECT FROM TO	UNITS PER ASSY
1					
270	111N4001-9		.. SPACER- USED ON: 111N4001-4 111N4001-5	002004 006100 107107 121503 904999	2
291	284N1810-19		.BRACKET ASSY-SPRT	002004 006999	1
294	284N1810-20		.BRACKET ASSY-SPRT	002004 006999	1
- 297	L80010K10		ATTACHING PARTS .BOLT SUPPLIER CODE: V06725 SPECIFICATION NUMBER: BACB30MY10K10	002004 006010 107107 121503 904999	8
300	HST10AG10-9		.BOLT SUPPLIER CODE: VOPTK6 SPECIFICATION NUMBER: BACB30VT10K9 OPTIONAL PART: HST10AG10-9 V06725 HST10AG10-9 V56878 HST10AG10-9 V73197 WC10K10-9 V60516	011106 108120 504903	4
303	HST10AG10-8		.BOLT SUPPLIER CODE: VOPTK6 SPECIFICATION NUMBER: BACB30VT10K8 OPTIONAL PART: HST10AG10-8 V06725 HST10AG10-8 V56878 HST10AG10-8 V73197 WC10K10-8 V60516	011106 108120 504903	4
- 306	AN960KD516L		.WASHER	002004 006010 107107 121503 904999	8

MISSING ITEM NUMBERS NOT APPLICABLE

- ITEM NOT ILLUSTRATED

57-10-01-01

57-10-01
FIG. 01
PAGE 15
JAN 20/09

BRI



757

PARTS CATALOG (MAINTENANCE)

FIG ITEM	PART NUMBER	1 2 3 4 5 6 7	NOMENCLATURE	EFFECT FROM TO	UNITS PER ASSY
1 - 309	BRH10A5		.NUT- SUPPLIER CODE: V52828 SPECIFICATION NUMBER: BACN10JCS OPTIONAL PART: T6S524J V11815 96-054 V80539 RMLH9075-5W V72962 H10-5BAC V15653 BACC30M10	002004 006010 107107 121503 904999	8
- 309	HL79-10		.COLLAR- SUPPLIER CODE: V5M902 SPECIFICATION NUMBER: BACC30M10 OPTIONAL PART: HL79-10 V73197 HL79-10 V92215 66014-10 V56878 HL79-10 V56878 BACN10JCS	002004 006010 107107 121503 904999	8
312	VLC771-10		.COLLAR SUPPLIER CODE: V5M902 SPECIFICATION NUMBER: BACC30BP10 OPTIONAL PART: HST771-10 V73197	011106 108120 504903	8
315	213N3038-1		-----*----- .BRACKET-DUCT SPRT	002004 006999	1
- 318	L80010K10		ATTACHING PARTS .BOLT SUPPLIER CODE: V06725 SPECIFICATION NUMBER: BACB30MY10K10	002004 006010 107107 121503 904999	2

MISSING ITEM NUMBERS NOT APPLICABLE

- ITEM NOT ILLUSTRATED

57-10-01-01

57-10-01
FIG. 01
PAGE 16
JAN 20/09

BRI



757

PARTS CATALOG (MAINTENANCE)

FIG ITEM	PART NUMBER	1 2 3 4 5 6 7	NOMENCLATURE	EFFECT FROM TO	UNITS PER ASSY
1					
- 318	HST10AG10-10	.	BOLT SUPPLIER CODE: VOPTK6 SPECIFICATION NUMBER: BACB30VT10K10 OPTIONAL PART: HST10AG10-10 V06725 HST10AG10-10 V56878 HST10AG10-10 V73197 WC10K10-10 V60516	011106 108120 504903	2
- 321	AN960KD516L	.	WASHER	002004 006010 107107 121503 904999	2
- 324	BRH10A5	.	NUT- SUPPLIER CODE: V52828 SPECIFICATION NUMBER: BACN10JCS OPTIONAL PART: T6S524J V11815 96-054 V80539 RMLH9075-5W V72962 H10-5BAC V15653 BACC30M10	002004 006010 107107 121503 904999	2
- 324	HL79-10	.	COLLAR- SUPPLIER CODE: V5M902 SPECIFICATION NUMBER: BACC30M10 OPTIONAL PART: HL79-10 V73197 HL79-10 V92215 66014-10 V56878 HL79-10 V56878 BACN10JCS	002004 006010 107107 121503 904999	2

MISSING ITEM NUMBERS NOT APPLICABLE

- ITEM NOT ILLUSTRATED

57-10-01-01

57-10-01
FIG. 01
PAGE 17
JAN 20/09

BRI



757

PARTS CATALOG (MAINTENANCE)

FIG ITEM	PART NUMBER	1 2 3 4 5 6 7	NOMENCLATURE	EFFECT FROM TO	UNITS PER ASSY
1					
- 324	VLC771-10		.COLLAR SUPPLIER CODE: V5M902 SPECIFICATION NUMBER: BACC30BP10 OPTIONAL PART: HST771-10 V73197	011106 108120 504903	2
327	213N3038-1		.BRACKET-DUCT SPRT ATTACHING PARTS	002004 006999	2
- 330	L80010K11		.BOLT SUPPLIER CODE: V06725 SPECIFICATION NUMBER: BACB30MY10K11	002004 006010 107107 121503 904999	4
- 330	HST10AG10-11		.BOLT SUPPLIER CODE: VOPTK6 SPECIFICATION NUMBER: BACB30VT10K11 OPTIONAL PART: HST10AG10-11 V06725 HST10AG10-11 V56878 HST10AG10-11 V73197 WC10K10-11 V60516	011106 108120 504903	4
- 333	AN960KD516L		.WASHER	002004 006010 107107 121503 904999	4

MISSING ITEM NUMBERS NOT APPLICABLE

- ITEM NOT ILLUSTRATED

57-10-01-01

57-10-01
FIG. 01
PAGE 18
JAN 20/09

BRI



757

PARTS CATALOG (MAINTENANCE)

FIG ITEM	PART NUMBER	1 2 3 4 5 6 7	NOMENCLATURE	EFFECT FROM TO	UNITS PER ASSY
1					
- 336	BRH10A5		.NUT- SUPPLIER CODE: V52828 SPECIFICATION NUMBER: BACN10JCS OPTIONAL PART: T6S524J V11815 96-054 V80539 RMLH9075-5W V72962 H10-5BAC V15653 BACC30M10	002004 006010 107107 121503 904999	4
- 336	HL79-10		.COLLAR- SUPPLIER CODE: V5M902 SPECIFICATION NUMBER: BACC30M10 OPTIONAL PART: HL79-10 V73197 HL79-10 V92215 66014-10 V56878 HL79-10 V56878 BACN10JCS	002004 006010 107107 121503 904999	4
- 336	VLC771-10		.COLLAR SUPPLIER CODE: V5M902 SPECIFICATION NUMBER: BACC30BP10 OPTIONAL PART: HST771-10 V73197	011106 108120 504903	4
			-----*-----		
339	213N3038-1		.BRACKET-DUCT SPRT	002004 006999	1
			ATTACHING PARTS		
- 342	BACB30MY12K		.BOLT- SIZE DETERMINED ON INSTL.	002004 006010 107107 121503 904999	2

MISSING ITEM NUMBERS NOT APPLICABLE

- ITEM NOT ILLUSTRATED

57-10-01-01

57-10-01
FIG. 01
PAGE 19
JAN 20/09

BRI



757

PARTS CATALOG (MAINTENANCE)

FIG ITEM	PART NUMBER	1 2 3 4 5 6 7	NOMENCLATURE	EFFECT FROM TO	UNITS PER ASSY
1					
- 342	HST10AG12-13	.BOLT	SUPPLIER CODE: VOPTK6 SPECIFICATION NUMBER: BACB30VT12K13 OPTIONAL PART: HST10AG12-13 V06725 HST10AG12-13 V56878 HST10AG12-13 V73197 WC10K12-13 V60516	011106 108120 504903	2
- 345	AN960KD616L	.WASHER		002004 006010 107107 121503 904999	2
- 348	BRH10A6	.NUT	SUPPLIER CODE: V52828 SPECIFICATION NUMBER: BACN10JC6 OPTIONAL PART: 96-064 V80539 RMLH9075-6 V72962 H10-6BAC V15653	002004 006010 107107 121503 904999	2
- 348	VLC771-12	.COLLAR	SUPPLIER CODE: V5M902 SPECIFICATION NUMBER: BACC30BP12 OPTIONAL PART: HST771-12 V73197	011106 108120 504903	2
- 351	BACF3H09NF013HN	.FILLER		002004 006017 121503 950999	1
		-----*-----			
354	BACB30MY10K	.BOLT-	SIZE DETERMINED ON INSTL.	002004 006010 107107 121503 904999	82

MISSING ITEM NUMBERS NOT APPLICABLE

- ITEM NOT ILLUSTRATED

57-10-01-01

57-10-01
FIG. 01
PAGE 20
JAN 20/09

BRI



757

PARTS CATALOG (MAINTENANCE)

FIG ITEM	PART NUMBER	1 2 3 4 5 6 7	NOMENCLATURE	EFFECT FROM TO	UNITS PER ASSY
1 357	AN960KD516L	.	WASHER	002004 006010 107107 121503 904999	82
360	BRH10A5	.	NUT SUPPLIER CODE: V52828 SPECIFICATION NUMBER: BACN10JC5 OPTIONAL PART: T6S524J V11815 96-054 V80539 RMLH9075-5W V72962 H10-5BAC V15653	002004 006010 107107 121503 904999	82
363	BACB30MY12K	.	BOLT- SIZE DETERMINED ON INSTL.	002004 006010 107107 121503 904999	2
366	AN960KD616L	.	WASHER	002004 006010 107107 121503 904999	2
369	BRH10A6	.	NUT SUPPLIER CODE: V52828 SPECIFICATION NUMBER: BACN10JC6 OPTIONAL PART: 96-064 V80539 RMLH9075-6 V72962 H10-6BAC V15653	002004 006010 107107 121503 904999	2

MISSING ITEM NUMBERS NOT APPLICABLE

- ITEM NOT ILLUSTRATED

BRI

57-10-01-01

BOEING PROPRIETARY - Copyright © - Unpublished Work - See title page for details.

57-10-01
FIG. 01
PAGE 21
JAN 20/09



757

PARTS CATALOG (MAINTENANCE)

FIG ITEM	PART NUMBER	1 2 3 4 5 6 7	NOMENCLATURE	EFFECT FROM TO	UNITS PER ASSY
1 375	HST10AG10-10	.BOLT	SUPPLIER CODE: VOPTK6 SPECIFICATION NUMBER: BACB30VT10K10 OPTIONAL PART: HST10AG10-10 V06725 HST10AG10-10 V56878 HST10AG10-10 V73197 WC10K10-10 V60516	011106 108120 504903	2
378	HST10AG10-11	.BOLT	SUPPLIER CODE: VOPTK6 SPECIFICATION NUMBER: BACB30VT10K11 OPTIONAL PART: HST10AG10-11 V06725 HST10AG10-11 V56878 HST10AG10-11 V73197 WC10K10-11 V60516	011106 108120 504903	2
384	HST10AG10-12	.BOLT	SUPPLIER CODE: VOPTK6 SPECIFICATION NUMBER: BACB30VT10K12 OPTIONAL PART: HST10AG10-12 V06725 HST10AG10-12 V56878 HST10AG10-12 V73197 WC10K10-12 V60516	011106 108120 504903	8

MISSING ITEM NUMBERS NOT APPLICABLE

- ITEM NOT ILLUSTRATED

57-10-01-01

57-10-01
FIG. 01
PAGE 22
JAN 20/09

BRI



757

PARTS CATALOG (MAINTENANCE)

FIG ITEM	PART NUMBER	1 2 3 4 5 6 7	NOMENCLATURE	EFFECT FROM TO	UNITS PER ASSY
1 390	VLC771-10		.COLLAR SUPPLIER CODE: V5M902 SPECIFICATION NUMBER: BACC30BP10 OPTIONAL PART: HST771-10 V73197	011106 108120 504903	12
396	213N1010-1		.BRACKET-AIR CONDITIONING PACK SPRT PROVISIONS	002004 006999	2
399	213N1010-13		.BRACKET-AIR CONDITIONING PACK SPRT PROVISIONS	002004 006999	2
402	213N1010-3		.BRACKET-AIR CONDITIONING PACK SPRT PROVISIONS ATTACHING PARTS	002004 006999	1
- 405	HST10AG10-12		.BOLT SUPPLIER CODE: VOPTK6 SPECIFICATION NUMBER: BACB30VT10K12 OPTIONAL PART: HST10AG10-12 V06725 HST10AG10-12 V56878 HST10AG10-12 V73197 WC10K10-12 V60516	011106 108120 504903	4
- 408	VLC771-10		.COLLAR SUPPLIER CODE: V5M902 SPECIFICATION NUMBER: BACC30BP10 OPTIONAL PART: HST771-10 V73197	011106 108120 504903	4
411	213N1010-4		-----*----- .BRACKET-AIR CONDITIONING PACK SPRT PROVISIONS	002004 006999	1

MISSING ITEM NUMBERS NOT APPLICABLE

- ITEM NOT ILLUSTRATED

BRI

57-10-01-01

BOEING PROPRIETARY - Copyright © - Unpublished Work - See title page for details.

57-10-01
FIG. 01
PAGE 23
JAN 20/09



757

PARTS CATALOG (MAINTENANCE)

FIG ITEM	PART NUMBER	1 2 3 4 5 6 7	NOMENCLATURE	EFFECT FROM TO	UNITS PER ASSY
1			ATTACHING PARTS		
- 414	HST10AG10-10		.BOLT SUPPLIER CODE: VOPTK6 SPECIFICATION NUMBER: BACB30VT10K10 OPTIONAL PART: HST10AG10-10 V06725 HST10AG10-10 V56878 HST10AG10-10 V73197 WC10K10-10 V60516	011106 108120 504903	4
- 417	VLC771-10		.COLLAR SUPPLIER CODE: V5M902 SPECIFICATION NUMBER: BACC30BP10 OPTIONAL PART: HST771-10 V73197	011106 108120 504903	4
			-----*-----		
420	213N1010-5		.BRACKET-AIR CONDITIONING PACK SPRT PROVISIONS	002004 006999	2
- 423	HST10AG10-10		ATTACHING PARTS .BOLT SUPPLIER CODE: VOPTK6 SPECIFICATION NUMBER: BACB30VT10K10 OPTIONAL PART: HST10AG10-10 V06725 HST10AG10-10 V56878 HST10AG10-10 V73197 WC10K10-10 V60516	011106 108120 504903	8

MISSING ITEM NUMBERS NOT APPLICABLE

- ITEM NOT ILLUSTRATED

57-10-01-01

57-10-01
FIG. 01
PAGE 24
JAN 20/09

BRI



757

PARTS CATALOG (MAINTENANCE)

FIG ITEM	PART NUMBER	1 2 3 4 5 6 7	NOMENCLATURE	EFFECT FROM TO	UNITS PER ASSY
1 - 426	VLC771-10		.COLLAR SUPPLIER CODE: V5M902 SPECIFICATION NUMBER: BACC30BP10 OPTIONAL PART: HST771-10 V73197 -----*-----	011106 108120 504903	8
429	213N1010-6		.BRACKET-AIR CONDITIONING PACK SPRT PROVISIONS ATTACHING PARTS	002004 006999	2
432	HST10AG10-11		.BOLT SUPPLIER CODE: VOPTK6 SPECIFICATION NUMBER: BACB30VT10K11 OPTIONAL PART: HST10AG10-11 V06725 HST10AG10-11 V56878 HST10AG10-11 V73197 WC10K10-11 V60516	011106 108120 504903	4
435	HST10AG10-9		.BOLT- SUPPLIER CODE: VOPTK6 SPECIFICATION NUMBER: BACB30VT10K9 OPTIONAL PART: HST10AG10-9 V06725 HST10AG10-9 V56878 HST10AG10-9 V73197 WC10K10-9 V60516	011106 108120 504903	4
438	VLC771-10		.COLLAR SUPPLIER CODE: V5M902 SPECIFICATION NUMBER: BACC30BP10 OPTIONAL PART: HST771-10 V73197 -----*-----	011106 108120 504903	8

MISSING ITEM NUMBERS NOT APPLICABLE

- ITEM NOT ILLUSTRATED

BRI

57-10-01-01

57-10-01
FIG. 01
PAGE 25
JAN 20/09



757

PARTS CATALOG (MAINTENANCE)

FIG ITEM	PART NUMBER	1 2 3 4 5 6 7	NOMENCLATURE	EFFECT FROM TO	UNITS PER ASSY
1 441	213N1010-7		.BRACKET-AIR CONDITIONING PACK SPRT PROVISIONS ATTACHING PARTS	002004 006999	2
- 442	HST10AG10-10		.BOLT SUPPLIER CODE: VOPTK6 SPECIFICATION NUMBER: BACB30VT10K10 OPTIONAL PART: HST10AG10-10 V06725 HST10AG10-10 V56878 HST10AG10-10 V73197 WC10K10-10 V60516	011106 108120 504903	2
- 443	HST10AG10-11		.BOLT SUPPLIER CODE: VOPTK6 SPECIFICATION NUMBER: BACB30VT10K11 OPTIONAL PART: HST10AG10-11 V06725 HST10AG10-11 V56878 HST10AG10-11 V73197 WC10K10-11 V60516	011106 108120 504903	2
- 444	HST10AG10-9		.BOLT SUPPLIER CODE: VOPTK6 SPECIFICATION NUMBER: BACB30VT10K9 OPTIONAL PART: HST10AG10-9 V06725 HST10AG10-9 V56878 HST10AG10-9 V73197 WC10K10-9 V60516	011106 108120 504903	4

MISSING ITEM NUMBERS NOT APPLICABLE

- ITEM NOT ILLUSTRATED

57-10-01-01

57-10-01
FIG. 01
PAGE 26
JAN 20/09

BRI



757

PARTS CATALOG (MAINTENANCE)

FIG ITEM	PART NUMBER	1 2 3 4 5 6 7	NOMENCLATURE	EFFECT FROM TO	UNITS PER ASSY
1					
- 447	VLC771-10		.COLLAR SUPPLIER CODE: V5M902 SPECIFICATION NUMBER: BACC30BP10 OPTIONAL PART: HST771-10 V73197 -----*-----	011106 108120 504903	8
450	213N1010-8		.BRACKET-AIR CONDITIONING PACK SPRT PROVISIONS ATTACHING PARTS	002004 006999	1
- 453	HST10AG10-11		.BOLT- SUPPLIER CODE: VOPTK6 SPECIFICATION NUMBER: BACB30VT10K11 OPTIONAL PART: HST10AG10-11 V06725 HST10AG10-11 V56878 HST10AG10-11 V73197 WC10K10-11 V60516	011106 108120 504903	4
- 456	VLC771-10		.COLLAR SUPPLIER CODE: V5M902 SPECIFICATION NUMBER: BACC30BP10 OPTIONAL PART: HST771-10 V73197 -----*-----	011106 108120 504903	4
459	213N1010-9		.BRACKET-AIR CONDITIONING PACK SPRT PROVISIONS	002004 006999	2

MISSING ITEM NUMBERS NOT APPLICABLE

- ITEM NOT ILLUSTRATED

BRI

57-10-01-01

BOEING PROPRIETARY - Copyright © - Unpublished Work - See title page for details.

57-10-01
FIG. 01
PAGE 27
JAN 20/09



757

PARTS CATALOG (MAINTENANCE)

FIG ITEM	PART NUMBER	1 2 3 4 5 6 7	NOMENCLATURE	EFFECT FROM TO	UNITS PER ASSY
1			ATTACHING PARTS		
462	HST10AG10-9		.BOLT SUPPLIER CODE: VOPTK6 SPECIFICATION NUMBER: BACB30VT10K9 OPTIONAL PART: HST10AG10-9 V06725 HST10AG10-9 V56878 HST10AG10-9 V73197 WC10K10-9 V60516	011106 108120 504903	2
465	HST10AG10-10		.BOLT SUPPLIER CODE: VOPTK6 SPECIFICATION NUMBER: BACB30VT10K10 OPTIONAL PART: HST10AG10-10 V06725 HST10AG10-10 V56878 HST10AG10-10 V73197 WC10K10-10 V60516	011106 108120 504903	4
468	HST10AG10-11		.BOLT SUPPLIER CODE: VOPTK6 SPECIFICATION NUMBER: BACB30VT10K11 OPTIONAL PART: HST10AG10-11 V06725 HST10AG10-11 V56878 HST10AG10-11 V73197 WC10K10-11 V60516	011106 108120 504903	2

MISSING ITEM NUMBERS NOT APPLICABLE

- ITEM NOT ILLUSTRATED

BRI

57-10-01-01

BOEING PROPRIETARY - Copyright © - Unpublished Work - See title page for details.

57-10-01
FIG. 01
PAGE 28
JAN 20/09



757

PARTS CATALOG (MAINTENANCE)

FIG ITEM	PART NUMBER	1 2 3 4 5 6 7	NOMENCLATURE	EFFECT FROM TO	UNITS PER ASSY
1 471	VLC771-10		.COLLAR SUPPLIER CODE: V5M902 SPECIFICATION NUMBER: BACC30BP10 OPTIONAL PART: HST771-10 V73197 -----*-----	011106 108120 504903	8
474	213N1010-10		.BRACKET-AIR CONDITIONING PACK SPRT PROVISIONS	002004 006999	1
477	213N1010-11		.BRACKET-AIR CONDITIONING PACK SPRT PROVISIONS	002004 006999	2
480	HST10AG10-13		.BOLT SUPPLIER CODE: VOPTK6 SPECIFICATION NUMBER: BACB30VT10K13 OPTIONAL PART: HST10AG10-13 V06725 HST10AG10-13 V56878 HST10AG10-13 V73197 WC10K10-13 V60516	011106 108120 504903	2
483	HST10AG10-11		.BOLT SUPPLIER CODE: VOPTK6 SPECIFICATION NUMBER: BACB30VT10K11 OPTIONAL PART: HST10AG10-11 V06725 HST10AG10-11 V56878 HST10AG10-11 V73197 WC10K10-11 V60516	011106 108120 504903	2

MISSING ITEM NUMBERS NOT APPLICABLE

- ITEM NOT ILLUSTRATED

57-10-01-01

57-10-01
FIG. 01
PAGE 29
JAN 20/09

BRI



757

PARTS CATALOG (MAINTENANCE)

FIG ITEM	PART NUMBER	1 2 3 4 5 6 7	NOMENCLATURE	EFFECT FROM TO	UNITS PER ASSY
1 486	HST10AG10-10	.BOLT	SUPPLIER CODE: VOPTK6 SPECIFICATION NUMBER: BACB30VT10K10 OPTIONAL PART: HST10AG10-10 V06725 HST10AG10-10 V56878 HST10AG10-10 V73197 WC10K10-10 V60516	011106 108120 504903	2
489	HST10AG12-12	.BOLT	SUPPLIER CODE: VOPTK6 SPECIFICATION NUMBER: BACB30VT12K12 OPTIONAL PART: HST10AG12-12 V06725 HST10AG12-12 V56878 HST10AG12-12 V73197 WC10K12-12 V60516	011106 108120 504903	1
492	HST10AG12-13	.BOLT	SUPPLIER CODE: VOPTK6 SPECIFICATION NUMBER: BACB30VT12K13 OPTIONAL PART: HST10AG12-13 V06725 HST10AG12-13 V56878 HST10AG12-13 V73197 WC10K12-13 V60516	002004 006999	1

MISSING ITEM NUMBERS NOT APPLICABLE

- ITEM NOT ILLUSTRATED

57-10-01-01

57-10-01
FIG. 01
PAGE 30
JAN 20/09

BRI



757

PARTS CATALOG (MAINTENANCE)

FIG ITEM	PART NUMBER	1 2 3 4 5 6 7	NOMENCLATURE	EFFECT FROM TO	UNITS PER ASSY
1 495	VLC771-10		.COLLAR SUPPLIER CODE: V5M902 SPECIFICATION NUMBER: BACC30BP10 OPTIONAL PART: HST771-10 V73197	011106 108120 504903	10
498	VLC771-12		.COLLAR SUPPLIER CODE: V5M902 SPECIFICATION NUMBER: BACC30BP12 OPTIONAL PART: HST771-12 V73197	011106 108120 504903	2
501	213N1010-17		-----*----- .BRACKET ASSY-AIR CONDITIONING PACK SPRT PROVISIONS ATTACHING PARTS	002004 006999	4
504	HST10AG10-12		.BOLT SUPPLIER CODE: VOPTK6 SPECIFICATION NUMBER: BACB30VT10K12 OPTIONAL PART: HST10AG10-12 V06725 HST10AG10-12 V56878 HST10AG10-12 V73197 WC10K10-12 V60516	011106 108120 504903	8
507	HST10AG10-11		.BOLT SUPPLIER CODE: VOPTK6 SPECIFICATION NUMBER: BACB30VT10K11 OPTIONAL PART: HST10AG10-11 V06725 HST10AG10-11 V56878 HST10AG10-11 V73197 WC10K10-11 V60516	011106 108120 504903	8

MISSING ITEM NUMBERS NOT APPLICABLE

- ITEM NOT ILLUSTRATED

57-10-01-01

57-10-01
FIG. 01
PAGE 31
JAN 20/09

BRI



757

PARTS CATALOG (MAINTENANCE)

FIG ITEM	PART NUMBER	1 2 3 4 5 6 7	NOMENCLATURE	EFFECT FROM TO	UNITS PER ASSY
1 510	VLC771-10		.COLLAR SUPPLIER CODE: V5M902 SPECIFICATION NUMBER: BACC30BP10 OPTIONAL PART: HST771-10 V73197 -----*-----	011106 108120 504903	16
522	BACB28AM06B010A		..BUSHING	002004 006999	1
525	BACB28AP04P010		..BUSHING	002004 006999	1
528	213N1025-1		.BRACKET-AIR CONDITIONING PACK SPRT PROVISIONS OPTIONAL PART: 213N1025-2	002004 101949 952952	1
528	213N1025-2		.BRACKET-AIR CONDITIONING PACK SPRT PROVISIONS OPTIONAL PART: 213N1025-1	006106 108120 504903 950951 953999	1
531	HST10AG10-12		ATTACHING PARTS .BOLT SUPPLIER CODE: VOPTK6 SPECIFICATION NUMBER: BACB30VT10K12 OPTIONAL PART: HST10AG10-12 V06725 HST10AG10-12 V56878 HST10AG10-12 V73197 WC10K10-12 V60516	011106 108120 504903	2

MISSING ITEM NUMBERS NOT APPLICABLE

- ITEM NOT ILLUSTRATED

57-10-01-01

57-10-01
FIG. 01
PAGE 32
JAN 20/09

BRI



757

PARTS CATALOG (MAINTENANCE)

FIG ITEM	PART NUMBER	1 2 3 4 5 6 7	NOMENCLATURE	EFFECT FROM TO	UNITS PER ASSY
1 534	HST10AG10-10	.BOLT-	SUPPLIER CODE: VOPTK6 SPECIFICATION NUMBER: BACB30VT10K10 OPTIONAL PART: HST10AG10-10 V06725 HST10AG10-10 V56878 HST10AG10-10 V73197 WC10K10-10 V60516	011106 108120 504903	1
537	HST10AG10-11	.BOLT-	SUPPLIER CODE: VOPTK6 SPECIFICATION NUMBER: BACB30VT10K11 OPTIONAL PART: HST10AG10-11 V06725 HST10AG10-11 V56878 HST10AG10-11 V73197 WC10K10-11 V60516	011106 108120 504903	1
540	VLC771-10	.COLLAR	SUPPLIER CODE: V5M902 SPECIFICATION NUMBER: BACC30BP10 OPTIONAL PART: HST771-10 V73197 -----*-----	011106 108120 504903	4
543	213N1012-1	.BRACKET-AIR CONDITIONING	PACK SPRT PROVISIONS	002004 006999	2
546	69-65400-1	.BUSHING		002004 006999	2
552	213N1010-15	.BRACKET ASSY-AIR	CONDITIONING PACK SPRT PROVISIONS ATTACHING PARTS	002004 006999	2
- 564	BACB30MY10K	.BOLT-	SIZE DETERMINED ON INSTL.	002004 006999	8
- 570	AN960KD516L	.WASHER		002004 006999	8

MISSING ITEM NUMBERS NOT APPLICABLE

- ITEM NOT ILLUSTRATED

57-10-01-01

57-10-01
FIG. 01
PAGE 33
JAN 20/09

BRI



757

PARTS CATALOG (MAINTENANCE)

FIG ITEM	PART NUMBER	1 2 3 4 5 6 7	NOMENCLATURE	EFFECT FROM TO	UNITS PER ASSY
1 - 573	BRH10A5	.NUT	SUPPLIER CODE: V52828 SPECIFICATION NUMBER: BACN10JC5 OPTIONAL PART: T6S524J V11815 96-054 V80539 RMLH9075-5W V72962 H10-5BAC V15653	002004 006999	8
576	BACB28AM06B010A	..BUSHING	-----*-----	002004 006999	1
579	BACB28AP04P010	..BUSHING-		002004 006999	1
582	213N1010-8	.BRACKET-AIR CONDITIONING PACK SPRT PROVISIONS		002004 006999	1
585	213N1010-3	.BRACKET-AIR CONDITIONING PACK SPRT PROVISIONS		002004 006999	1
588	213N1010-4	.BRACKET-AIR CONDITIONING PACK SPRT PROVISIONS		002004 006999	1
- 591	BACB30MY10K	.BOLT- ATTACHING PARTS SIZE DETERMINED ON INSTL.		002004 006010 107107 121503 904999	12
- 597	HST10AG10-12	.BOLT SUPPLIER CODE: VOPTK6 SPECIFICATION NUMBER: BACB30VT10K12 OPTIONAL PART: HST10AG10-12 V06725 HST10AG10-12 V56878 HST10AG10-12 V73197 WC10K10-12 V60516		011106 108120 504903	4

MISSING ITEM NUMBERS NOT APPLICABLE

- ITEM NOT ILLUSTRATED

57-10-01-01

57-10-01
FIG. 01
PAGE 34
JAN 20/09

BRI



757

PARTS CATALOG (MAINTENANCE)

FIG ITEM	PART NUMBER	1 2 3 4 5 6 7	NOMENCLATURE	EFFECT FROM TO	UNITS PER ASSY
1					
- 603	AN960KD516L	.	WASHER	002004 006010 107107 121503 904999	12
- 612	BRH10A5	.	NUT SUPPLIER CODE: V52828 SPECIFICATION NUMBER: BACN10JC5 OPTIONAL PART: T6S524J V11815 96-054 V80539 RMLH9075-5W V72962 H10-5BAC V15653	002004 006010 107107 121503 904999	12
- 621	VLC771-10	.	COLLAR SUPPLIER CODE: V5M902 SPECIFICATION NUMBER: BACC30BP10 OPTIONAL PART: HST771-10 V73197	011106 108120 504903	4
624	213N1109-1	-----*	.BRACKET ASSY	002004 006999	3
627	213N1109-2		.BRACKET ASSY	002004 006999	1
- 630	BACB30MY10K		ATTACHING PARTS .BOLT- SIZE DETERMINED ON INSTL.	002004 006010 107107 121503 904999	8

MISSING ITEM NUMBERS NOT APPLICABLE

- ITEM NOT ILLUSTRATED

57-10-01-01

57-10-01
FIG. 01
PAGE 35
JAN 20/09

BRI



757

PARTS CATALOG (MAINTENANCE)

FIG ITEM	PART NUMBER	1 2 3 4 5 6 7	NOMENCLATURE	EFFECT FROM TO	UNITS PER ASSY
1 633	HST10AG10-9	.BOLT	SUPPLIER CODE: VOPTK6 SPECIFICATION NUMBER: BACB30VT10K9 OPTIONAL PART: HST10AG10-9 V06725 HST10AG10-9 V56878 HST10AG10-9 V73197 WC10K10-9 V60516	011106 108120 504903	1
636	HST10AG10-8	.BOLT	SUPPLIER CODE: VOPTK6 SPECIFICATION NUMBER: BACB30VT10K8 OPTIONAL PART: HST10AG10-8 V06725 HST10AG10-8 V56878 HST10AG10-8 V73197 WC10K10-8 V60516	011106 108120 504903	3
639	HST10AG10-6	.BOLT	SUPPLIER CODE: VOPTK6 SPECIFICATION NUMBER: BACB30VT10K6 OPTIONAL PART: HST10AG10-6 V06725 HST10AG10-6 V56878 HST10AG10-6 V73197 WC10K10-6 V60516	011106 108120 504903	4
- 642	AN960D516L	.WASHER-	QUALIFIED OPTIONAL DATA: (BACC30BP10 OR BACC30M10 OPTIONAL TO AN960KD516L PLUS BACN10JC5)	002004 006010 107107 121503 904999	8

MISSING ITEM NUMBERS NOT APPLICABLE

- ITEM NOT ILLUSTRATED

57-10-01-01

57-10-01
FIG. 01
PAGE 36
JAN 20/09

BRI

 **BOEING**
757
PARTS CATALOG (MAINTENANCE)

FIG ITEM	PART NUMBER	1 2 3 4 5 6 7	NOMENCLATURE	EFFECT FROM TO	UNITS PER ASSY
1 - 645	BRH10A5		.NUT- SUPPLIER CODE: V52828 SPECIFICATION NUMBER: BACN10JC5 OPTIONAL PART: T6S524J V11815 96-054 V80539 RMLH9075-5W V72962 H10-5BAC V15653 QUALIFIED OPTIONAL DATA: (BACC30BP10 OR BACC30M10 OPTIONAL TO AN960KD516L PLUS BACN10JC5)	002004 006010 107107 121503 904999	8
- 648	HL79-10		.COLLAR- SUPPLIER CODE: V5M902 SPECIFICATION NUMBER: BACC30M10 OPTIONAL PART: HL79-10 V73197 HL79-10 V92215 66014-10 V56878 HL79-10 V56878 QUALIFIED OPTIONAL DATA: (BACC30M10 OPTIONAL TO AN960KD516L PLUS BACN10JC5)	002004 006010 107107 121503 904999	8
651	VLC771-10		.COLLAR- SUPPLIER CODE: V5M902 SPECIFICATION NUMBER: BACC30BP10 OPTIONAL PART: HST771-10 V73197 QUALIFIED OPTIONAL DATA: (BACC30BP10 OPTIONAL TO AN960KD516L PLUS BACN10JC5) -----*-----	011106 108120 504903	8

MISSING ITEM NUMBERS NOT APPLICABLE

- ITEM NOT ILLUSTRATED

BRI

57-10-01-01

BOEING PROPRIETARY - Copyright © - Unpublished Work - See title page for details.

57-10-01
FIG. 01
PAGE 37
JAN 20/09



757

PARTS CATALOG (MAINTENANCE)

FIG ITEM	PART NUMBER	1 2 3 4 5 6 7	NOMENCLATURE	EFFECT FROM TO	UNITS PER ASSY
1					
654	AN960PD616	..	WASHER	002004 006999	2
657	BACB28B4-248P	..	BUSHING	002004 006999	2
660	213N1109-3	..	BRACKET- USED ON: 213N1109-1	002004 006999	1
663	213N1109-4	..	BRACKET- USED ON: 213N1109-2	002004 006999	1
666	212N3034-1	.	BRACKET ASSY	008106 108120 504903 950951 953999	1
669	212N3034-2	.	BRACKET ASSY	008010 950951 953999	1
669	212N3034-4	.	BRACKET ASSY	011106 108120 504903	1
			ATTACHING PARTS		
- 672	BACB30MY10K	.	BOLT- SIZE DETERMINED ON INSTL.	008010 950951 953999	4
675	HST10AG10-10	.	BOLT SUPPLIER CODE: VOPTK6 SPECIFICATION NUMBER: BACB30VT10K10 OPTIONAL PART: HST10AG10-10 V06725 HST10AG10-10 V56878 HST10AG10-10 V73197 WC10K10-10 V60516	011106 108120 504903	3

MISSING ITEM NUMBERS NOT APPLICABLE

- ITEM NOT ILLUSTRATED

BRI

57-10-01-01

BOEING PROPRIETARY - Copyright © - Unpublished Work - See title page for details.

57-10-01
FIG. 01
PAGE 38
JAN 20/09



757

PARTS CATALOG (MAINTENANCE)

FIG ITEM	PART NUMBER	1 2 3 4 5 6 7	NOMENCLATURE	EFFECT FROM TO	UNITS PER ASSY
1 678	HST10AG10-11	.BOLT	SUPPLIER CODE: VOPTK6 SPECIFICATION NUMBER: BACB30VT10K11 OPTIONAL PART: HST10AG10-11 V06725 HST10AG10-11 V56878 HST10AG10-11 V73197 WC10K10-11 V60516	011106 108120 504903	1
681	BACR15FH10DD	.RIVET-	SIZE DETERMINED ON INSTL.	011106 108120 504903	2
- 684	AN960KD516L	.WASHER-	QUALIFIED OPTIONAL DATA: (BACC30BP10 OR BACC30M10 OPTIONAL TO AN960KD516L PLUS BACN10JC5)	008010 950951 953999	4
- 687	BRH10A5	.NUT-	SUPPLIER CODE: V52828 SPECIFICATION NUMBER: BACN10JC5 OPTIONAL PART: T6S524J V11815 96-054 V80539 RMLH9075-5W V72962 H10-5BAC V15653 QUALIFIED OPTIONAL DATA: (BACC30BP10 OR BACC30M10 OPTIONAL TO AN960KD516L PLUS BACN10JC5)	008010 950951 953999	4

MISSING ITEM NUMBERS NOT APPLICABLE

- ITEM NOT ILLUSTRATED

57-10-01-01

57-10-01
FIG. 01
PAGE 39
JAN 20/09

BRI



757

PARTS CATALOG (MAINTENANCE)

FIG ITEM	PART NUMBER	1 2 3 4 5 6 7	NOMENCLATURE	EFFECT FROM TO	UNITS PER ASSY
1 - 690	HL79-10		. COLLAR- SUPPLIER CODE: V5M902 SPECIFICATION NUMBER: BACC30M10 OPTIONAL PART: HL79-10 V73197 HL79-10 V92215 66014-10 V56878 HL79-10 V56878 QUALIFIED OPTIONAL DATA: (BACC30M10 OPTIONAL TO AN960KD516L PLUS BACN10JC5)	008010 950951 953999	4
693	VLC771-10		. COLLAR- SUPPLIER CODE: V5M902 SPECIFICATION NUMBER: BACC30BP10 OPTIONAL PART: HST771-10 V73197 QUALIFIED OPTIONAL DATA: (BACC30BP10 OPTIONAL TO AN960KD516L PLUS BACN10JC5)	011106 108120 504903	4
696	BACB28X4C013		-----*----- .. BUSHING	008106 108120 504903 950951 953999	2
699	AN960C616		.. WASHER	008106 108120 504903 950951 953999	2
702	212N3033-1		.. BRACKET- USED ON: 212N3034-1	008106 108120 504903 950951 953999	1

MISSING ITEM NUMBERS NOT APPLICABLE

- ITEM NOT ILLUSTRATED

57-10-01-01

57-10-01
FIG. 01
PAGE 40
JAN 20/09

BRI

BOEING PROPRIETARY - Copyright © - Unpublished Work - See title page for details.



757

PARTS CATALOG (MAINTENANCE)

FIG ITEM	PART NUMBER	1 2 3 4 5 6 7	NOMENCLATURE	EFFECT FROM TO	UNITS PER ASSY
1 703	212N3033-2	. .	BRACKET	008106 108120 504903 950951 953999	1
705	213N1009-3	. BRACKET ASSY-		008106 108120 504903 950951 953999	1
711	213N1009-4	. BRACKET ASSY- POST SERVICE BULLETIN: 21-0053		008106 108120 504903 950951 953999	1
714	BACB30MY10K	ATTACHING PARTS . BOLT-	SIZE DETERMINED ON INSTL. QUALIFIED OPTIONAL DATA: (BACB30MY10K USED WITH AN960KD516L AND BACN10JC5 OPT TO BACC30M)	008010 950951 953999	4
720	HST10AG10-10	. BOLT SUPPLIER CODE: VOPTK6 SPECIFICATION NUMBER: BACB30VT10K10 OPTIONAL PART: HST10AG10-10 V06725 HST10AG10-10 V56878 HST10AG10-10 V73197 WC10K10-10 V60516		011106 108120 504903	3

MISSING ITEM NUMBERS NOT APPLICABLE

- ITEM NOT ILLUSTRATED

BRI

57-10-01-01

BOEING PROPRIETARY - Copyright © - Unpublished Work - See title page for details.

57-10-01
FIG. 01
PAGE 41
JAN 20/09



757

PARTS CATALOG (MAINTENANCE)

FIG ITEM	PART NUMBER	1 2 3 4 5 6 7	NOMENCLATURE	EFFECT FROM TO	UNITS PER ASSY
1 726	HST10AG10-11	.BOLT	SUPPLIER CODE: VOPTK6 SPECIFICATION NUMBER: BACB30VT10K11 OPTIONAL PART: HST10AG10-11 V06725 HST10AG10-11 V56878 HST10AG10-11 V73197 WC10K10-11 V60516	011106 108120 504903	1
732	AN960KD516L	.WASHER-	QUALIFIED OPTIONAL DATA: (BACC30BP10 OR BACC30M10 OPTIONAL TO AN960KD516L PLUS BACN10JC5)	008010 950951 953999	4
735	BRH10A5	.NUT-	SUPPLIER CODE: V52828 SPECIFICATION NUMBER: BACN10JC5 OPTIONAL PART: T6S524J V11815 96-054 V80539 RMLH9075-5W V72962 H10-5BAC V15653 QUALIFIED OPTIONAL DATA: (BACC30BP10 OR BACC30M10 OPTIONAL TO AN960KD516L PLUS BACN10JC5)	008010 950951 953999	4

MISSING ITEM NUMBERS NOT APPLICABLE

- ITEM NOT ILLUSTRATED

57-10-01-01

57-10-01
FIG. 01
PAGE 42
JAN 20/09

BRI



757

PARTS CATALOG (MAINTENANCE)

FIG ITEM	PART NUMBER	1 2 3 4 5 6 7	NOMENCLATURE	EFFECT FROM TO	UNITS PER ASSY
1 738	HL79-10		. COLLAR- SUPPLIER CODE: V5M902 SPECIFICATION NUMBER: BACC30M10 OPTIONAL PART: HL79-10 V73197 HL79-10 V92215 66014-10 V56878 HL79-10 V56878 QUALIFIED OPTIONAL DATA: (BACC30M10 OPTIONAL TO AN960KD516L PLUS BACN10JC5)	008010 950951 953999	4
741	VLC771-10		. COLLAR- SUPPLIER CODE: V5M902 SPECIFICATION NUMBER: BACC30BP10 OPTIONAL PART: HST771-10 V73197 QUALIFIED OPTIONAL DATA: (BACC30BP10 OPTIONAL TO AN960KD516L PLUS BACN10JC5)	011106 108120 504903	4
750	BACB28X4C013		-----*----- .. BUSHING-	008106 108120 504903 950951 953999	2
753	AN960JD616		.. WASHER-	008106 108120 504903 950951 953999	2
756	213N1021-3		.. BRACKET- USED ON: 213N1009-3	008106 108120 504903 950951 953999	1

MISSING ITEM NUMBERS NOT APPLICABLE

- ITEM NOT ILLUSTRATED

57-10-01-01

57-10-01
FIG. 01
PAGE 43
JAN 20/09

BRI



757

PARTS CATALOG (MAINTENANCE)

FIG ITEM	PART NUMBER	1 2 3 4 5 6 7	NOMENCLATURE	EFFECT FROM TO	UNITS PER ASSY
1 759	213N1021-4		. . BRACKET- USED ON: 213N1009-4	008106 108120 504903 950951 953999	1

MISSING ITEM NUMBERS NOT APPLICABLE

- ITEM NOT ILLUSTRATED

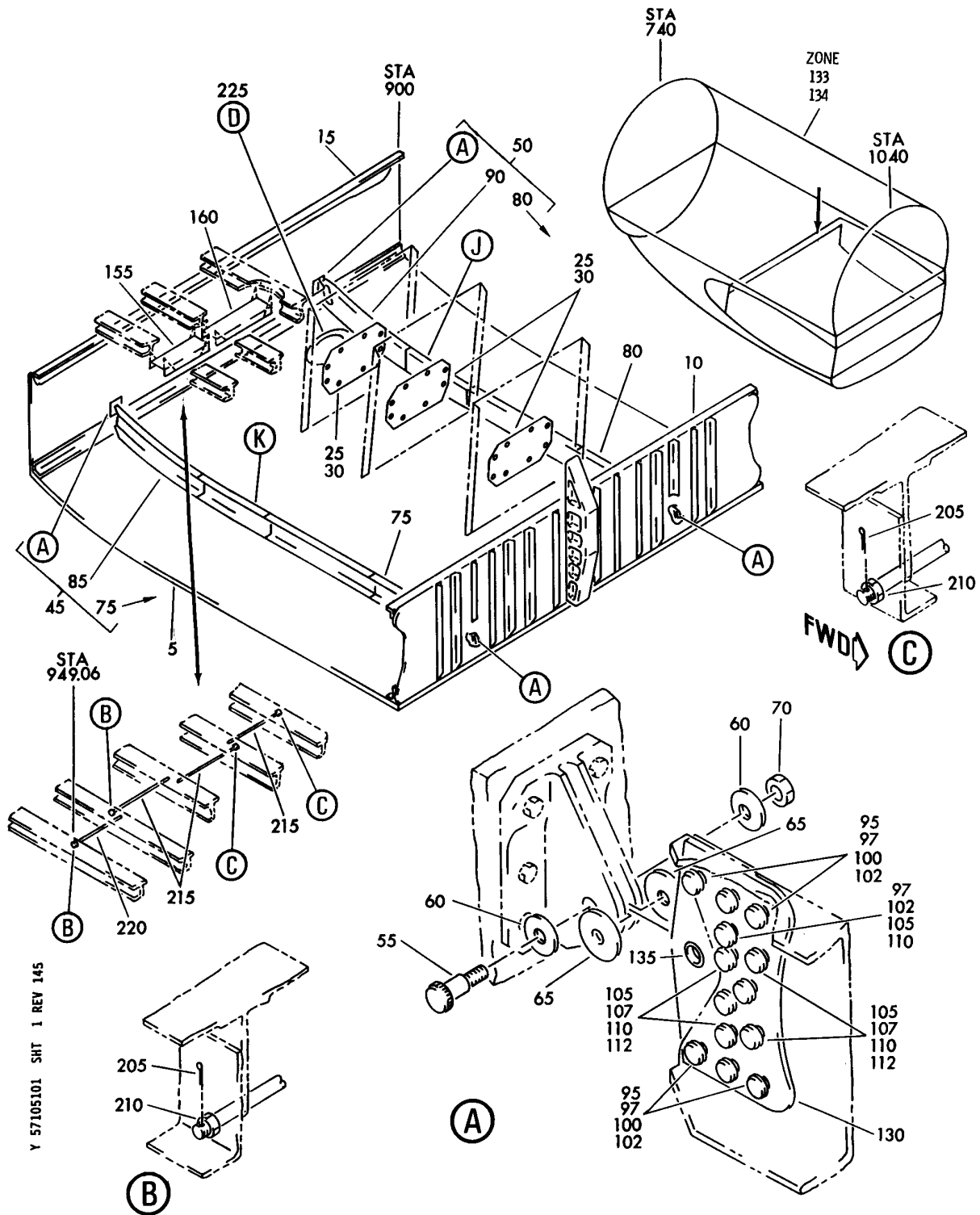
BRI

57-10-01-01

BOEING PROPRIETARY - Copyright © - Unpublished Work - See title page for details.

57-10-01
FIG. 01
PAGE 44
JAN 20/09

BOEING
757
PARTS CATALOG (MAINTENANCE)



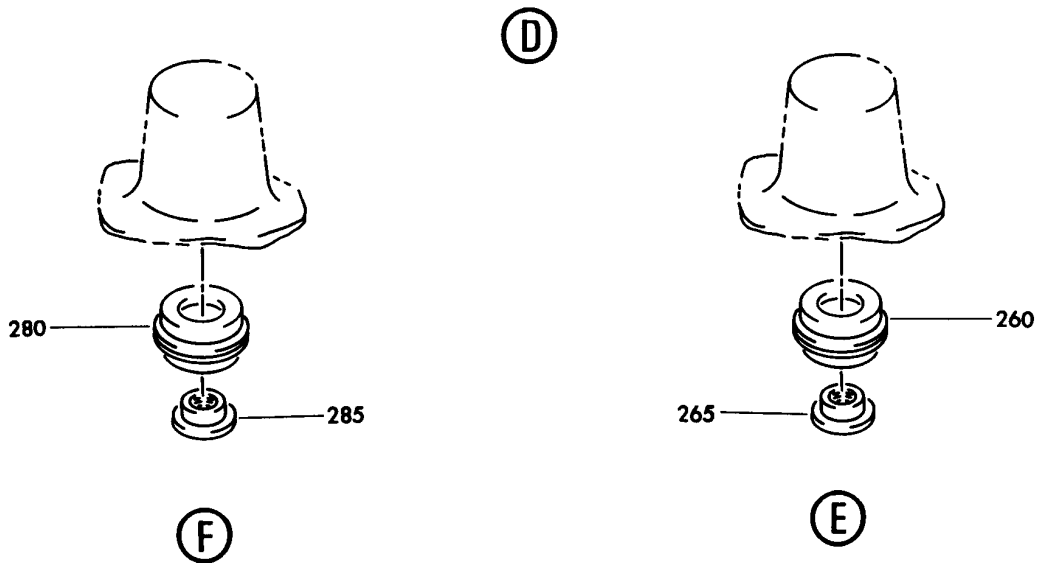
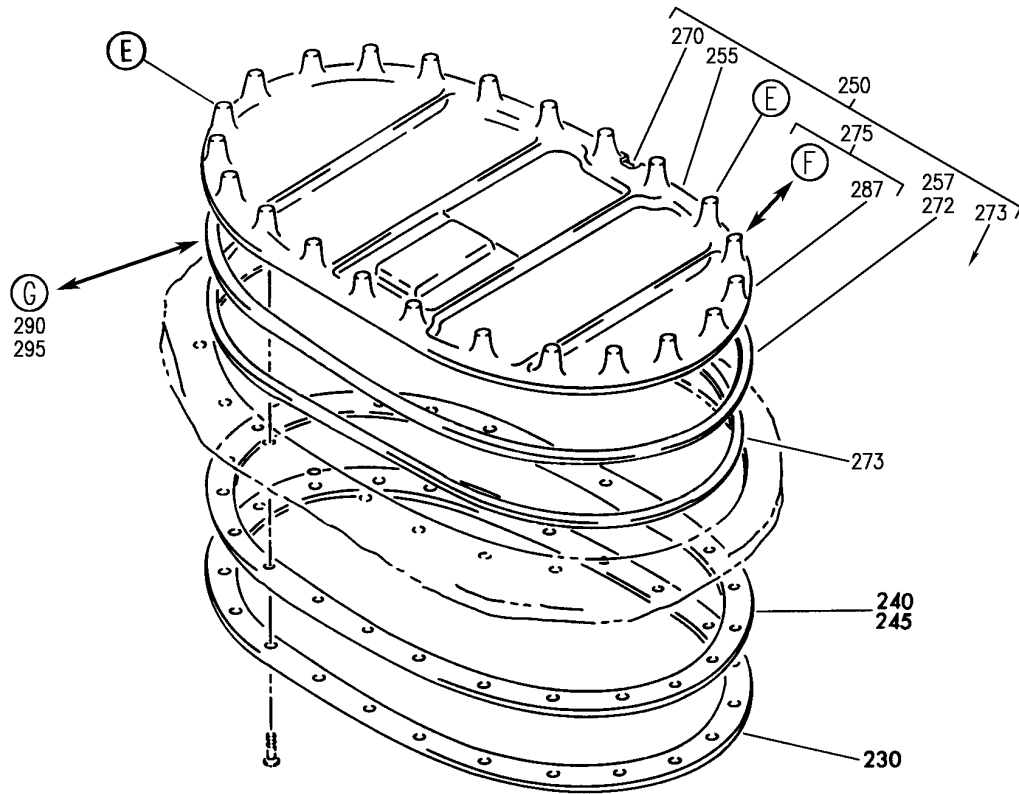
STRUCTURE ASSY-WING SECT. 11
FIGURE 1 (SHEET 1)

57-10-51-01

BRI
MAY 28/07

57-10-51-01
PAGE 0

BOEING
757
PARTS CATALOG (MAINTENANCE)



Y 57105101 SHT 2 REV 266

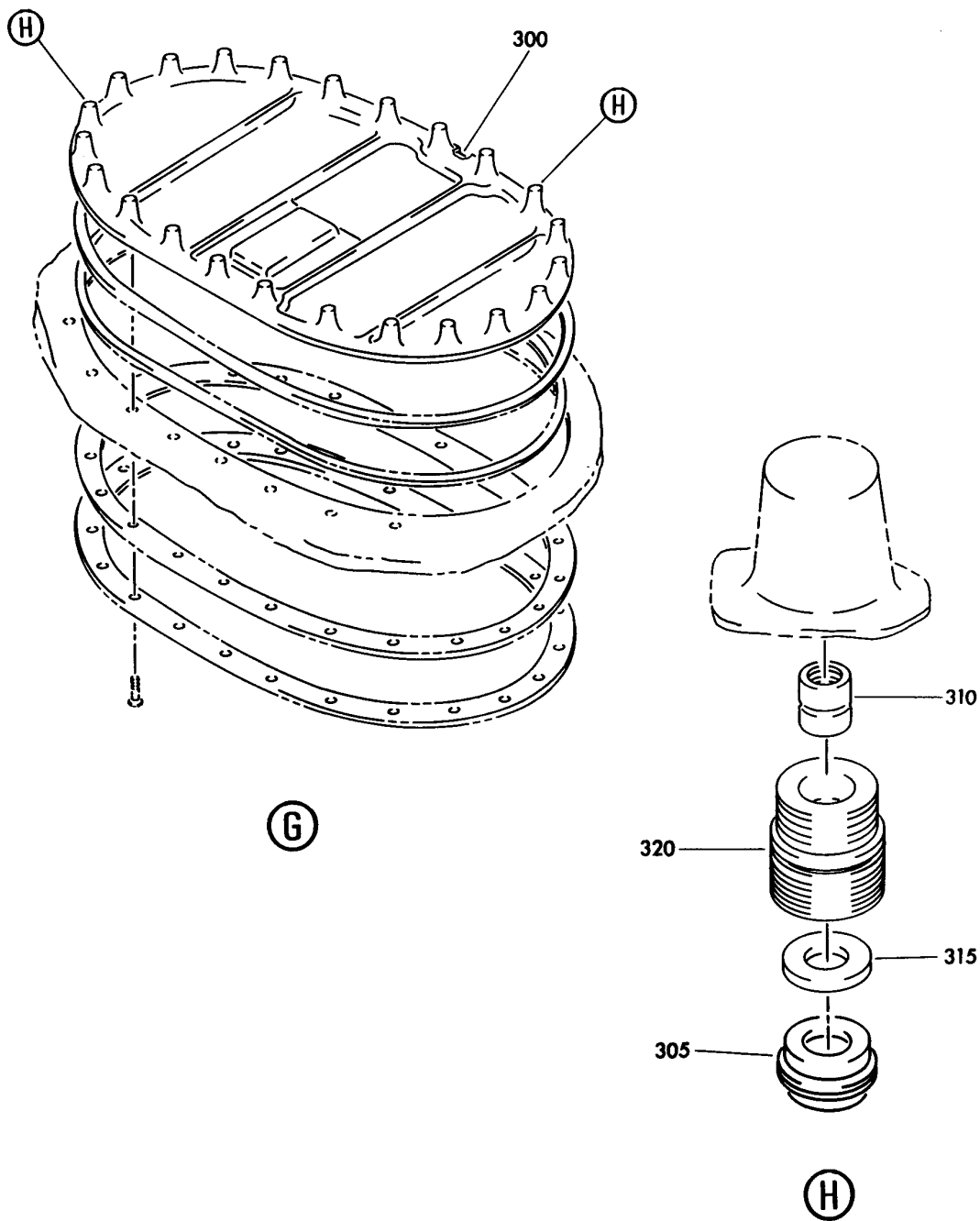
STRUCTURE ASSY-WING SECT. 11
FIGURE 1 (SHEET 2)

57-10-51-01

BRI
MAY 28/07

57-10-51-01
PAGE 0A

BOEING
757
PARTS CATALOG (MAINTENANCE)



Y 57105101 SHT 3 REV 141

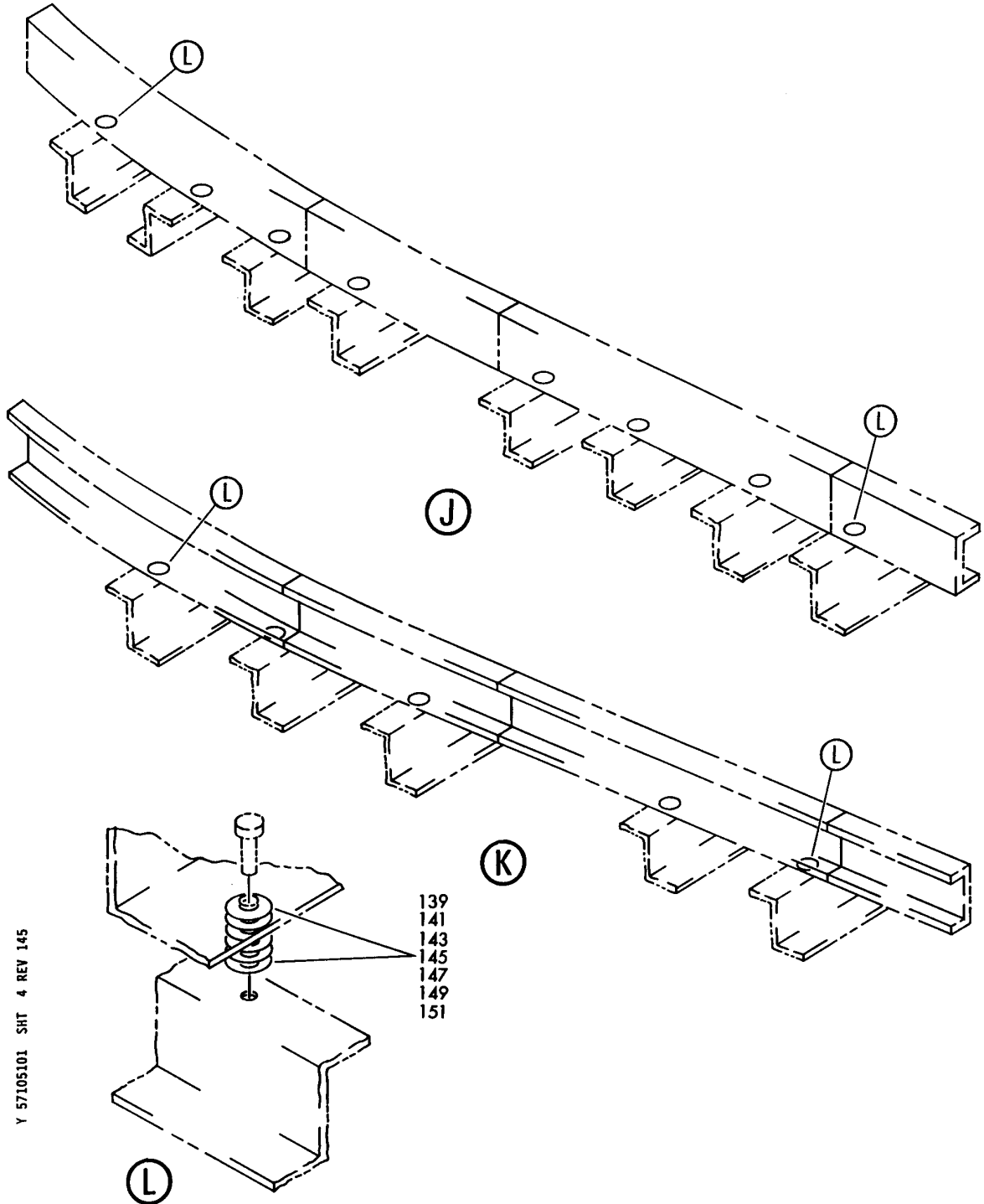
STRUCTURE ASSY-WING SECT. 11
FIGURE 1 (SHEET 3)

57-10-51-01

BRI
MAY 28/07

57-10-51-01
PAGE 0B

BOEING
757
PARTS CATALOG (MAINTENANCE)



STRUCTURE ASSY-WING SECT. 11
FIGURE 1 (SHEET 4)

57-10-51-01

BRI
MAY 28/07

57-10-51-01
PAGE 0C



757

PARTS CATALOG (MAINTENANCE)

FIG ITEM	PART NUMBER	1 2 3 4 5 6 7	NOMENCLATURE	EFFECT FROM TO	UNITS PER ASSY
1			STRUCTURE ASSY-WING SECT. 11	002004 006100 107107 121503 904999	
- 1	111N0001-1		STRUCTURE ASSY-WING POSITION DATA: SECT. 11 FOR NHA SEE: 57-00-00-01	002004 006100 107107 121503 904999	RF
5	111N4001-15		.PANEL ASSY-WING POSITION DATA: CTR SECT. FOR DETAILS SEE: 57-10-01-01	107107	1
5	111N4001-18		.PANEL ASSY-WING POSITION DATA: CTR SECT. FOR DETAILS SEE: 57-10-01-01	002004 006007 121503 904949	1
5	111N4001-19		.PANEL ASSY-WING POSITION DATA: CTR SECT. FOR DETAILS SEE: 57-10-01-01	952952 008010 950951 953999	1
5	111N4001-22		.PANEL ASSY-WING POSITION DATA: CTR SECT. FOR DETAILS SEE: 57-10-01-01	011100	1
10	111N1001-1		.SPAR INSTL-WING POSITION DATA: SECT.11 REAR FOR DETAILS SEE: 57-12-51-01	002004 006100 107107 121503 904999	1
15	111N2001-1		.SPAR INSTL- POSITION DATA: FRONT FOR DETAILS SEE: 57-21-51-03	002004 006100 107107 121503 904999	1
25	111N5104-1		.DOOR INSTL-BAFFLE	002004 006100 107107 121503 904999	3

MISSING ITEM NUMBERS NOT APPLICABLE

- ITEM NOT ILLUSTRATED

57-10-51-01

57-10-51
FIG. 01
PAGE 1
JAN 20/09

BRI



757

PARTS CATALOG (MAINTENANCE)

FIG ITEM	PART NUMBER	1 2 3 4 5 6 7	NOMENCLATURE	EFFECT FROM TO	UNITS PER ASSY
1	30	111N5104-2	.. DOOR ASSY	002004 006100 107107 121503 904999	1
-	35	BACB30NR4K4	ATTACHING PARTS .. BOLT	002004 006100 107107 121503 904999	8
-	40	AN960D416L	.. WASHER	002004 006100 107107 121503 904999	8
	45	111N5301-1	-----*----- .BEAM INSTL-INTERNAL POSITION DATA: LWR LH	002004 006100 107107 121503 904999	1
	50	111N5301-2	.BEAM INSTL-INTERNAL POSITION DATA: LWR RH	002004 006100 107107 121503 904999	1
	53	MS24665-304	.. PIN	002004 006100 107107 121503 904999	2
	55	BACB30LT6DU14	.. BOLT	002004 006100 107107 121503 904999	2
	60	111N5307-2	.. WASHER	002004 006100 107107 121503 904999	4
	65	111N5307-1	.. WASHER	002004 006100 107107 121503 904999	4

MISSING ITEM NUMBERS NOT APPLICABLE

- ITEM NOT ILLUSTRATED

57-10-51-01

57-10-51
FIG. 01
PAGE 2
JAN 20/09

BRI



757

PARTS CATALOG (MAINTENANCE)

FIG ITEM	PART NUMBER	1 2 3 4 5 6 7	NOMENCLATURE	EFFECT FROM TO	UNITS PER ASSY
1					
70	BACN10JD6ASU	..	NUT	002004 006100 107107 121503 904999	2
75	111N5301-3	..	BEAM ASSY- POSITION DATA: LH SIDE	002004 006100 107107 121503 904999	1
80	111N5301-4	..	BEAM ASSY- POSITION DATA: RH SIDE	002004 006100 107107 121503 904999	1
85	111N5301-9	..	BEAM ASSY- POSITION DATA: LH SIDE	002004 006100 107107 121503 904999	1
90	111N5301-10	..	BEAM ASSY- POSITION DATA: RH SIDE	002004 006100 107107 121503 904999	1
92	BACB30MY8K	..	ATTACHING PARTS BOLT- SIZE DETERMINED ON INSTL.	002004 006100 107107 121503 904999	41
93	HL79-8	..	COLLAR SUPPLIER CODE: V5M902 SPECIFICATION NUMBER: BACC30M8 OPTIONAL PART: HL79-8 V73197 HL79-8 V92215 66014-8 V56878 HL79-8 V56878 -----*	002004 006100 107107 121503 904999	41

MISSING ITEM NUMBERS NOT APPLICABLE

- ITEM NOT ILLUSTRATED

57-10-51-01

57-10-51
FIG. 01
PAGE 3
JAN 20/09

BRI

BOEING PROPRIETARY - Copyright © - Unpublished Work - See title page for details.



757

PARTS CATALOG (MAINTENANCE)

FIG ITEM	PART NUMBER	1 2 3 4 5 6 7	NOMENCLATURE	EFFECT FROM TO	UNITS PER ASSY
1	95	BACB30NX8K	...BOLT- SIZE DETERMINED ON INSTL. USED ON: 111N5301-3 111N5301-4	002004 006100 107107 121503 904999	6
	97	BACB30NX8K	...BOLT- SIZE DETERMINED ON INSTL. USED ON: 111N5301-9 111N5301-10	002004 006100 107107 121503 904999	7
	100	HL1187-8	...COLLAR- SUPPLIER CODE: V5M902 SPECIFICATION NUMBER: BACC30X8 OPTIONAL PART: HL87-8 V92215 HL87-8 V73197 HL1187-8 V56878 HL1187-8 V92215 HL87-8 V56878 HL1187-8 V73197 USED ON: 111N5301-3 111N5301-4	002004 006100 107107 121503 904999	6

MISSING ITEM NUMBERS NOT APPLICABLE

- ITEM NOT ILLUSTRATED

BRI

57-10-51-01

BOEING PROPRIETARY - Copyright © - Unpublished Work - See title page for details.

57-10-51
FIG. 01
PAGE 4
JAN 20/09



757

PARTS CATALOG (MAINTENANCE)

FIG ITEM	PART NUMBER	1 2 3 4 5 6 7	NOMENCLATURE	EFFECT FROM TO	UNITS PER ASSY
1 102	HL1187-8		... COLLAR- SUPPLIER CODE: V5M902 SPECIFICATION NUMBER: BACC30X8 OPTIONAL PART: HL87-8 V92215 HL87-8 V73197 HL1187-8 V56878 HL1187-8 V92215 HL87-8 V56878 HL1187-8 V73197 USED ON: 111N5301-9 111N5301-10	002004 006100 107107 121503 904999	7
105	BACB30NX6K		... BOLT- SIZE DETERMINED ON INSTL. USED ON: 111N5301-3 111N5301-4	002004 006100 107107 121503 904999	7
107	BACB30NX6K		... BOLT- SIZE DETERMINED ON INSTL. USED ON: 111N5301-9 111N5301-10	002004 006100 107107 121503 904999	6

MISSING ITEM NUMBERS NOT APPLICABLE

- ITEM NOT ILLUSTRATED

57-10-51-01

57-10-51
 FIG. 01
 PAGE 5
 JAN 20/09

BRI



757

PARTS CATALOG (MAINTENANCE)

FIG ITEM	PART NUMBER	1 2 3 4 5 6 7	NOMENCLATURE	EFFECT FROM TO	UNITS PER ASSY
1 110	HL1187-6		... COLLAR- SUPPLIER CODE: V5M902 SPECIFICATION NUMBER: BACC30X6 OPTIONAL PART: HL87-6 V92215 HL87-6 V73197 HL1187-6 V56878 HL1187-6 V92215 HL87-6 V56878 HL1187-6 V73197 USED ON: 111N5301-3 111N5301-4	002004 006100 107107 121503 904999	7
112	HL1187-6		... COLLAR- SUPPLIER CODE: V5M902 SPECIFICATION NUMBER: BACC30X6 OPTIONAL PART: HL87-6 V92215 HL87-6 V73197 HL1187-6 V56878 HL1187-6 V92215 HL87-6 V56878 HL1187-6 V73197 USED ON: 111N5301-9 111N5301-10	002004 006100 107107 121503 904999	6
130	111N5302-1		... PLATE ASSY	002004 006100 107107 121503 904999	1

MISSING ITEM NUMBERS NOT APPLICABLE

- ITEM NOT ILLUSTRATED

57-10-51-01

57-10-51
 FIG. 01
 PAGE 6
 JAN 20/09

BRI

 **BOEING**
757
PARTS CATALOG (MAINTENANCE)

FIG ITEM	PART NUMBER	1 2 3 4 5 6 7	NOMENCLATURE	EFFECT FROM TO	UNITS PER ASSY
1	135	BACB28Y6M030BUSHING	002004 006100 107107 121503 904999	1
- 137	112T5183-1	..SPACER INSTL		002004 006100 107107 121503 904999	13
139	112T5183-98	...WASHER-TAPERED		002004 006100 107107 121503 904999	AR
141	69B11260-2	...WASHER		002004 006100 107107 121503 904999	AR
143	69B11260-3	...WASHER		002004 006100 107107 121503 904999	AR
145	69B11260-4	...WASHER		002004 006100 107107 121503 904999	AR
147	69B11260-5	...WASHER		002004 006100 107107 121503 904999	AR
149	69B11260-6	...WASHER		002004 006100 107107 121503 904999	AR
151	69B11260-7	...WASHER		002004 006100 107107 121503 904999	AR

MISSING ITEM NUMBERS NOT APPLICABLE

- ITEM NOT ILLUSTRATED

BRI

57-10-51-01

BOEING PROPRIETARY - Copyright © - Unpublished Work - See title page for details.

57-10-51
FIG. 01
PAGE 7
JAN 20/09



757

PARTS CATALOG (MAINTENANCE)

FIG ITEM	PART NUMBER	1 2 3 4 5 6 7	NOMENCLATURE	EFFECT FROM TO	UNITS PER ASSY
1					
- 200	251N6059-5		. GUARD INSTL-FLOOR BEAM CABLE POSITION DATA: STA 947	002004 006100 107107 121503 904999	1
205	MS24665-134		.. PIN	002004 006100 107107 121503 904999	4
210	BACN10MG4		.. NUT	002004 006100 107107 121503 904999	4
215	251N6391-1		.. ROD	002004 006100 107107 121503 904999	2
220	251N6391-2		.. ROD	002004 006100 107107 121503 904999	2
225	65-47850-4		. DOOR INSTL-SURF. TANK ACCESS POSITION DATA: LWR	107107	1
225	65-47850-8		. DOOR INSTL-SURF. TANK ACCESS POSITION DATA: LWR	002004 006010 121503 904999	1
225	65-47850-12		. DOOR INSTL-SURF. TANK ACCESS POSITION DATA: LWR FOR DETAILS SEE: 28-11-01-01	011100	1
230	69-35343-1		.. RING-CLAMP OPTIONAL PART: 69-35343-5	107107	1
230	69-35343-5		.. RING-CLAMP OPTIONAL PART: 69-35343-1	002004 006100 107107 121503 904999	1

MISSING ITEM NUMBERS NOT APPLICABLE

- ITEM NOT ILLUSTRATED

57-10-51-01

57-10-51
FIG. 01
PAGE 8
JAN 20/09

BRI

BOEING PROPRIETARY - Copyright © - Unpublished Work - See title page for details.

BOEING
757
PARTS CATALOG (MAINTENANCE)

FIG ITEM	PART NUMBER	1 2 3 4 5 6 7	NOMENCLATURE	EFFECT FROM TO	UNITS PER ASSY
1			ATTACHING PARTS		
- 235	BACB30NN4K12		..BOLT	002004 006100 107107 121503 904999	23
240	15-20001C		-----*----- ..GASKET-KNITTED SUPPLIER CODE: V07700 SPECIFICATION NUMBER: 10-61421-4 OPTIONAL PART: 15-20001 V07700 15-201481 V07700 15-20001B V07700	107107	1
245	65C33095-1		..GASKET-WIRE MESH	002004 006100 121503 904999	1
245	65C33095-2		..GASKET-WIRE MESH	002004 006100 121503 904999	1
245	112W8216-1		..GASKET-WIRE MESH	002004 006100 121503 904999	1
250	8001-83		..DOOR ASSY- SUPPLIER CODE: V32455 SPECIFICATION NUMBER: 10-60031-83 QUALIFIED I/W DATA: 8001-83 IS INTERCHANGEABLE WITH 112N6101-1 TOGETHER WITH 65C33095-1 65C33150-2 OR -6 I/W 8001-83 AT WS327, WS383, WS411, WS439, WS495, WS523, WS580, AND RBBL 57 ON 757 ONLY	002004 006100 107107 121503 904999	1

R
R
R
R

MISSING ITEM NUMBERS NOT APPLICABLE

- ITEM NOT ILLUSTRATED

BRI

57-10-51-01

BOEING PROPRIETARY - Copyright © - Unpublished Work - See title page for details.

57-10-51
FIG. 01
PAGE 9
MAY 20/09



757

PARTS CATALOG (MAINTENANCE)

FIG ITEM	PART NUMBER	1 2 3 4 5 6 7	NOMENCLATURE	EFFECT FROM TO	UNITS PER ASSY
1					
250	112N6101-1	..	DOOR ASSY- QUALIFIED I/W DATA: 8001-83 INTERCHANGEABLE WITH 112N6101-1 TOGETHER WITH 65C33095-1 GASKET.	002004 006100 107107 121503 904999	1
250	8001-116	..	DOOR ASSY- SUPPLIER CODE: V32455 SPECIFICATION NUMBER: 10-60031-116	002004 006100 107107 121503 904999	1
250	112N6101-2	..	DOOR ASSY-	002004 006100 107107 121503 904999	1
255	112N6004-1	...	DOOR ASSY- USED ON: 112N6101-1	002004 006100 107107 121503 904999	1
257	112W8102-1	RING-PHENOLIC OPTIONAL PART: 112W8102-5	002004 006100 107107 121503 904999	1
257	112W8102-5	RING-PHENOLIC OPTIONAL PART: 112W8102-1	002004 006100 107107 121503 904999	1
260	63-8497	...	RETAINER ASSY-RETAINER USED ON: 112N6101-1	002004 006100 107107 121503 904999	23
265	K19079-4	...	NUT-SPECIAL SUPPLIER CODE: V15653 OPTIONAL PART: RM12LH3614-048 V72962 USED ON: 112N6101-1	002004 006100 107107 121503 904999	23

MISSING ITEM NUMBERS NOT APPLICABLE

- ITEM NOT ILLUSTRATED

57-10-51-01

57-10-51
FIG. 01
PAGE 10
MAY 20/09

BRI



757

PARTS CATALOG (MAINTENANCE)

FIG ITEM	PART NUMBER	1 2 3 4 5 6 7	NOMENCLATURE	EFFECT FROM TO	UNITS PER ASSY
1					
265	RM12LH3614-048	...	NUT-SPECIAL SUPPLIER CODE: V72962 OPTIONAL PART: K19079-4 V15653 USED ON: 112N6101-1	002004 006100 107107 121503 904999	23
270	69-77135-1	...	SEAL-FUEL USED ON: 112N6101-1	002004 006100 107107 121503 904999	1
272	10-60031-59	...	RING-PHENOLIC USED ON: 8001-83 8001-116	002004 006100 107107 121503 904999	1
273	10-60031-57	...	SEAL-PHENOLIC USED ON: 8001-83 8001-116	002004 006100 107107 121503 904999	1
275	65-76140-12	...	DOOR ASSY- USED ON: 8001-83 8001-116	002004 006100 107107 121503 904999	1
280	63-8497	RETAINER ASSY-RETAINER	002004 006010 107107 121503 904999	23
285	K19079-4	NUT-SPECIAL SUPPLIER CODE: V15653 OPTIONAL PART: RM12LH3614-048 V72962	002004 006010 107107 121503 904999	23
285	RM12LH3614-048	NUT-SPECIAL SUPPLIER CODE: V72962 OPTIONAL PART: K19079-4 V15653	002004 006010 107107 121503 904999	23

MISSING ITEM NUMBERS NOT APPLICABLE

- ITEM NOT ILLUSTRATED

57-10-51-01

57-10-51
FIG. 01
PAGE 11
MAY 20/09

BRI

BOEING PROPRIETARY - Copyright © - Unpublished Work - See title page for details.



757
PARTS CATALOG (MAINTENANCE)

FIG ITEM	PART NUMBER	1 2 3 4 5 6 7	NOMENCLATURE	EFFECT FROM TO	UNITS PER ASSY
1 287	65-76140-2	DOOR	002004 006100 107107 121503 904999	1

MISSING ITEM NUMBERS NOT APPLICABLE

- ITEM NOT ILLUSTRATED

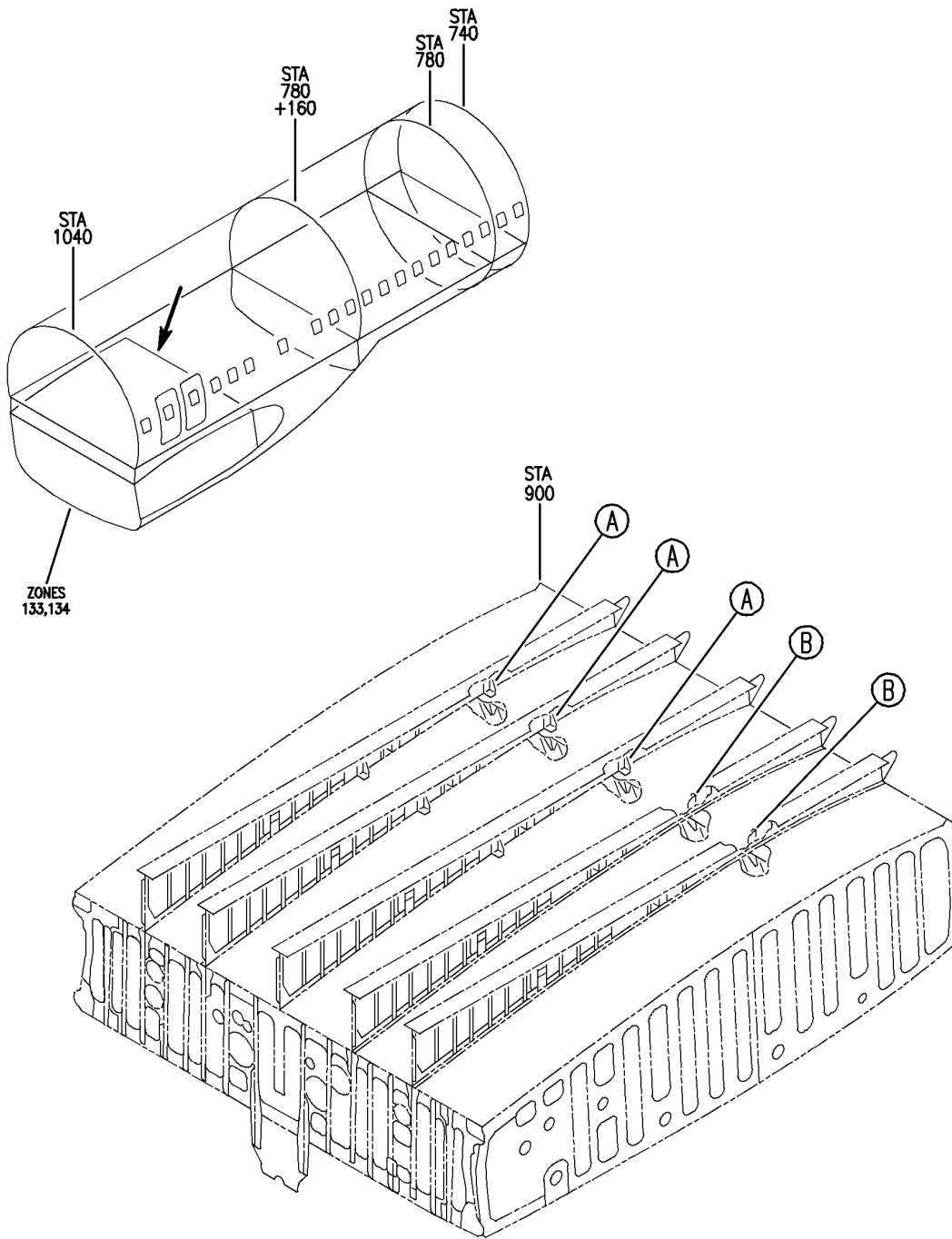
BRI

57-10-51-01

BOEING PROPRIETARY - Copyright © - Unpublished Work - See title page for details.

57-10-51
FIG. 01
PAGE 12
MAY 20/09

BOEING
757
PARTS CATALOG (MAINTENANCE)



Y 57105101A SHT 1 REV 243

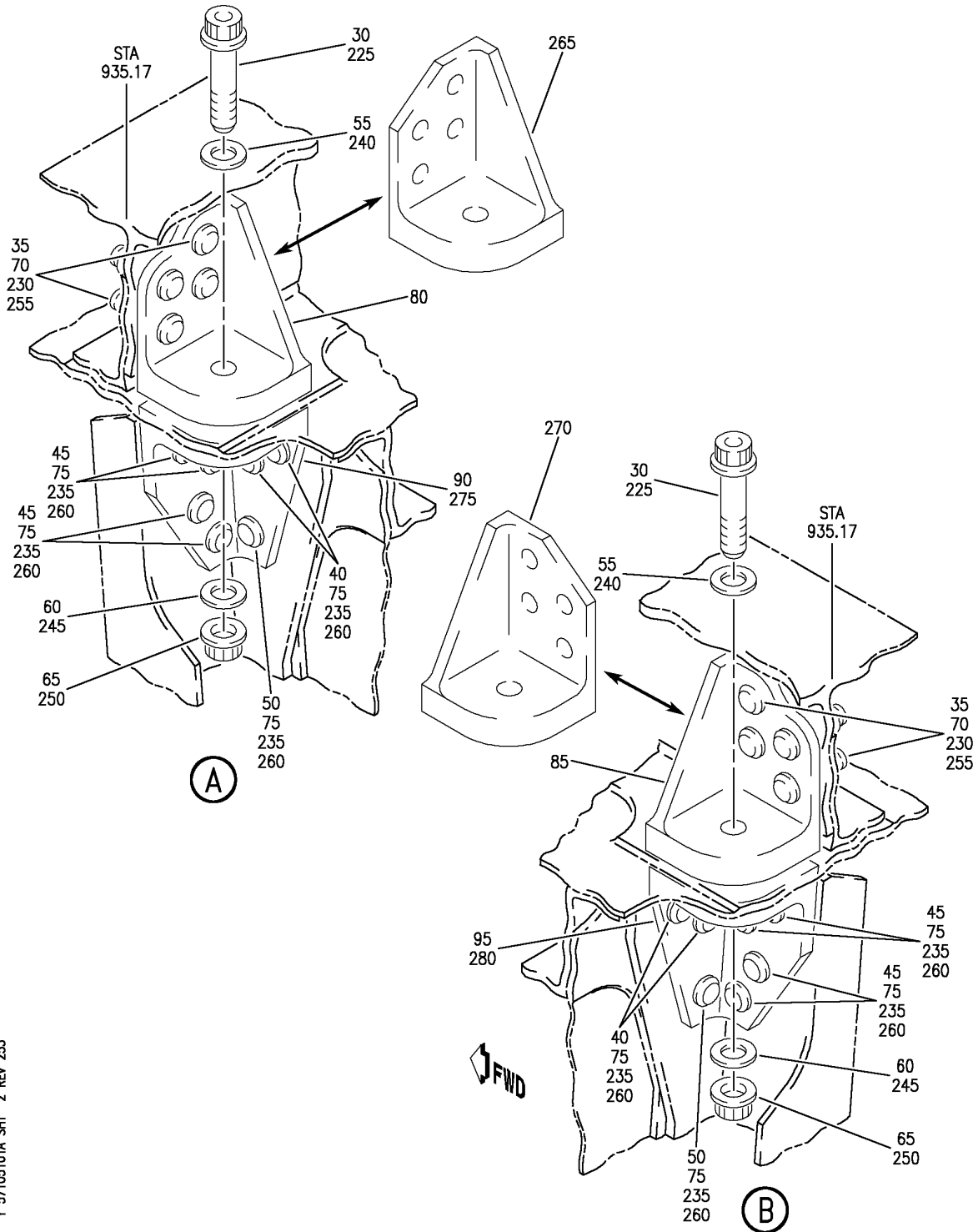
FITTING INSTL-TENSION WING SECT. 11
FIGURE 1A (SHEET 1)

BRI
MAY 28/07

57-10-51-01A

57-10-51-01A
PAGE 0

BOEING
757
PARTS CATALOG (MAINTENANCE)



Y 57105101A SHT 2 REV 253

FITTING INSTL-TENSION WING SECT. 11
FIGURE 1A (SHEET 2)

57-10-51-01A

BRI
MAY 28/07

57-10-51-01A
PAGE 0A



757

PARTS CATALOG (MAINTENANCE)

FIG ITEM	PART NUMBER	1 2 3 4 5 6 7	NOMENCLATURE	EFFECT FROM TO	UNITS PER ASSY
1A			FITTING INSTL-TENSION WING SECT. 11	101106 108120 504903	
- 200	111N5411-405		FITTING INSTL-TENSION WING POSITION DATA: SECT. 11 FOR NHA SEE: 57-00-00-20	101102 108120 504903	RF
- 200	MODREF1608		FITTING INSTL-TENSION WING MODULE NUMBER: 111N5411-405 REV A POSITION DATA: SECT. 11	103106	1
- 205	111N5411-401		FITTING INSTL-TENSION WING POSITION DATA: SECT. 11 FOR NHA SEE: 57-00-00-20	101102 108120 504903	RF
- 205	MODREF1604		FITTING INSTL-TENSION WING MODULE NUMBER: 111N5411-401 REV A POSITION DATA: SECT. 11	103103	1
- 205	MODREF26269		FITTING INSTL-TENSION WING MODULE NUMBER: 111N5411-401 REV B POSITION DATA: SECT. 11	104106	1
- 210	111N5411-402		FITTING INSTL-TENSION WING POSITION DATA: SECT. 11 FOR NHA SEE: 57-00-00-20	101102 108120 504903	RF
- 210	MODREF1605		FITTING INSTL-TENSION WING MODULE NUMBER: 111N5411-402 REV A POSITION DATA: SECT. 11	103103	1
- 210	MODREF26270		FITTING INSTL-TENSION WING MODULE NUMBER: 111N5411-402 REV B POSITION DATA: SECT. 11	104106	1
- 215	111N5411-403		FITTING INSTL-TENSION WING POSITION DATA: SECT. 11 FOR NHA SEE: 57-00-00-20	101102 108120 504903	RF

MISSING ITEM NUMBERS NOT APPLICABLE

- ITEM NOT ILLUSTRATED

57-10-51-01A

57-10-51
FIG. 01A
PAGE 1
JAN 20/09

BRI

BOEING PROPRIETARY - Copyright © - Unpublished Work - See title page for details.



757

PARTS CATALOG (MAINTENANCE)

FIG ITEM	PART NUMBER	1 2 3 4 5 6 7	NOMENCLATURE	EFFECT FROM TO	UNITS PER ASSY
1A					
- 215	MODREF1606		FITTING INSTL-TENSION WING MODULE NUMBER: 111N5411-403 REV A POSITION DATA: SECT. 11	103103	1
- 215	MODREF26271		FITTING INSTL-TENSION WING MODULE NUMBER: 111N5411-403 REV B POSITION DATA: SECT. 11	104106	1
- 220	111N5411-404		FITTING INSTL-TENSION WING POSITION DATA: SECT. 11 FOR NHA SEE: 57-00-00-20	101102 108120 504903	RF
- 220	MODREF1607		FITTING INSTL-TENSION WING MODULE NUMBER: 111N5411-404 REV A POSITION DATA: SECT. 11	103103	1
- 220	MODREF26272		FITTING INSTL-TENSION WING MODULE NUMBER: 111N5411-404 REV B POSITION DATA: SECT. 11	104106	1
225	BACB30LE8K24		.BOLT	101106 108120 504903	1
230	HST10AG10-10		.BOLT SUPPLIER CODE: VOPTK6 SPECIFICATION NUMBER: BACB30VT10K10 OPTIONAL PART: HST10AG10-10 V06725 HST10AG10-10 V56878 HST10AG10-10 V73197 WC10K10-10 V60516	101106 108120 504903	4
235	BACB30MY8K		.BOLT- SIZE DETERMINED ON INSTL.	101106 108120 504903	7
240	BACW10BP8CD		.WASHER	101106 108120 504903	1

MISSING ITEM NUMBERS NOT APPLICABLE

- ITEM NOT ILLUSTRATED

57-10-51-01A

57-10-51
FIG. 01A
PAGE 2
JAN 20/09

BRI

BOEING PROPRIETARY - Copyright © - Unpublished Work - See title page for details.



757

PARTS CATALOG (MAINTENANCE)

FIG ITEM	PART NUMBER	1 2 3 4 5 6 7	NOMENCLATURE	EFFECT FROM TO	UNITS PER ASSY
1 A					
245	BACW10BP8DP	.	WASHER	101106 108120 504903	1
250	BMN10HRCWD3-8	.	NUT SUPPLIER CODE: V97928 SPECIFICATION NUMBER: BACN10HR8CD OPTIONAL PART: H51560-8 V15653 67832CD820 V56878 102LH9031-8 V72962 BH00303CM8 V27238 BMN5024CWD38 V97928 SL7108C8 V11815 VCU0005D8 V06710 102LH90318 V72962 67832CD8 V56878 CR6030-8 VF0224	101106 108120 504903	1
255	BACC30BL10	.	COLLAR SUPPLIER CODE: V73197 SPECIFICATION NUMBER: BACC30BL10 OPTIONAL PART: HST79-10 V92215 HST79CY10 V56878 HST79CY10 V5M902	101106 108120 504903	4

MISSING ITEM NUMBERS NOT APPLICABLE

- ITEM NOT ILLUSTRATED

BRI

57-10-51-01A

BOEING PROPRIETARY - Copyright © - Unpublished Work - See title page for details.

57-10-51
FIG. 01A
PAGE 3
JAN 20/09



757

PARTS CATALOG (MAINTENANCE)

FIG ITEM	PART NUMBER	1 2 3 4 5 6 7	NOMENCLATURE	EFFECT FROM TO	UNITS PER ASSY
1A 260	HL79-8		. COLLAR SUPPLIER CODE: V5M902 SPECIFICATION NUMBER: BACC30M8 OPTIONAL PART: HL79-8 V73197 HL79-8 V92215 66014-8 V56878 HL79-8 V56878	101106 108120 504903	7
265	111N5224-5		. FITTING- USED ON: 111N5411-401 111N5411-403 111N5411-405 MODREF1604 MODREF26269 MODREF1606 MODREF26271 MODREF1608	101106 108120 504903	1
270	111N5224-6		. FITTING- USED ON: 111N5411-402 111N5411-404 MODREF1605 MODREF26270 MODREF1607 MODREF26272	101106 108120 504903	1
275	111N5132-5		. FITTING- OPTIONAL PART: 111N5132-7 USED ON: 111N5411-401 111N5411-403 111N5411-405 MODREF1604 MODREF26269 MODREF1606 MODREF26271 MODREF1608	101106 108120 504903	1

MISSING ITEM NUMBERS NOT APPLICABLE

- ITEM NOT ILLUSTRATED

BRI

57-10-51-01A

BOEING PROPRIETARY - Copyright © - Unpublished Work - See title page for details.

57-10-51
FIG. 01A
PAGE 4
JAN 20/09



757

PARTS CATALOG (MAINTENANCE)

FIG ITEM	PART NUMBER	1 2 3 4 5 6 7	NOMENCLATURE	EFFECT FROM TO	UNITS PER ASSY
1 A 275	111N5132-7		. FITTING- OPTIONAL PART: 111N5132-5 USED ON: 111N5411-401 111N5411-403 111N5411-405 MODREF1604 MODREF26269 MODREF26271 MODREF1608	101106 108120 504903	1
280	111N5132-6		. FITTING- OPTIONAL PART: 111N5132-8 USED ON: 111N5411-402 111N5411-404 MODREF1605 MODREF26270 MODREF1607 MODREF26272	101106 108120 504903	1
280	111N5132-8		. FITTING- OPTIONAL PART: 111N5132-6 USED ON: 111N5411-402 111N5411-404 MODREF1605 MODREF26270 MODREF1607 MODREF26272	101106 108120 504903	1

MISSING ITEM NUMBERS NOT APPLICABLE

- ITEM NOT ILLUSTRATED

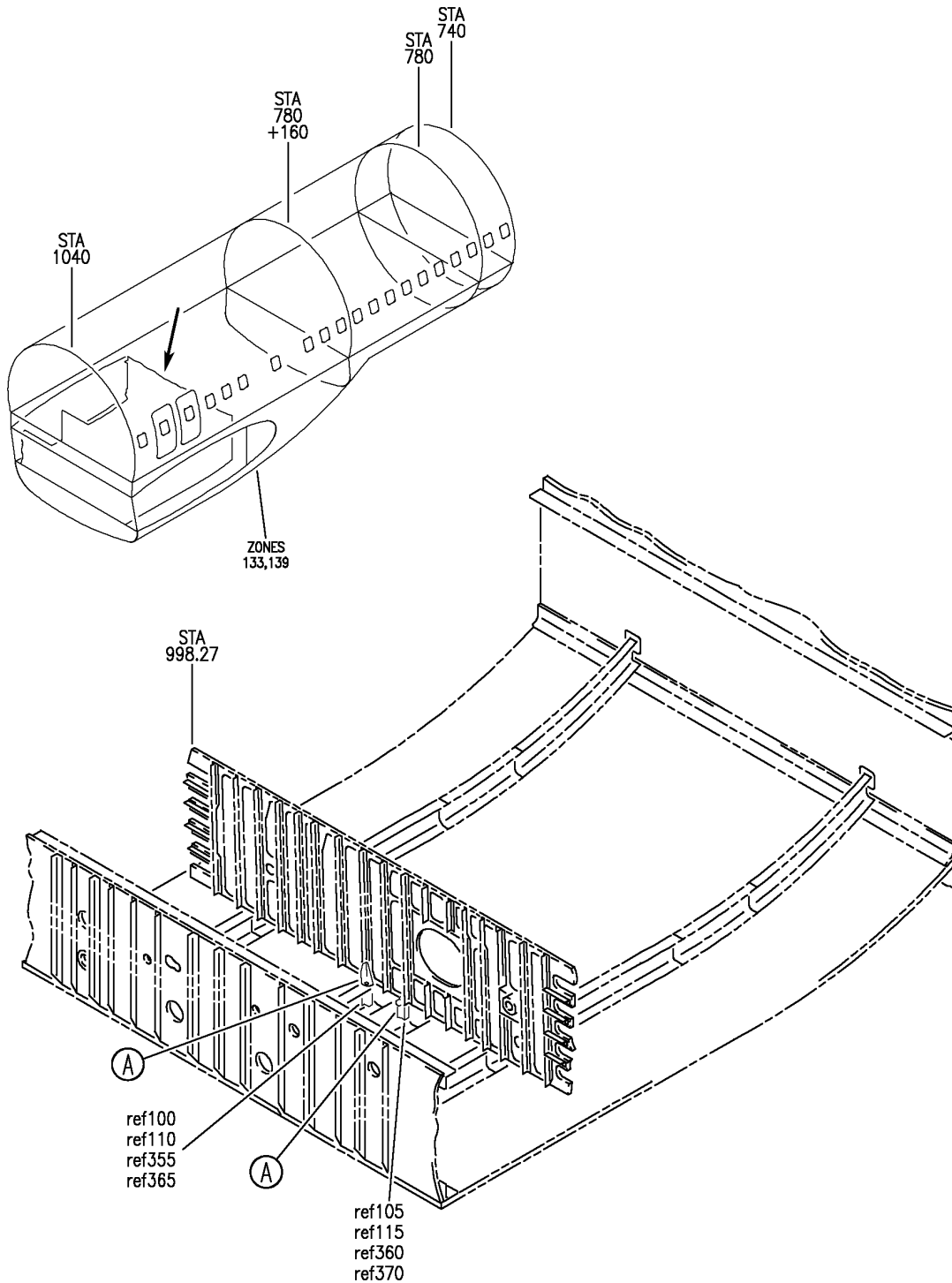
BRI

57-10-51-01A

BOEING PROPRIETARY - Copyright © - Unpublished Work - See title page for details.

57-10-51
FIG. 01A
PAGE 5
JAN 20/09

BOEING
757
PARTS CATALOG (MAINTENANCE)



Y 57105101B SHT 1 REV 252

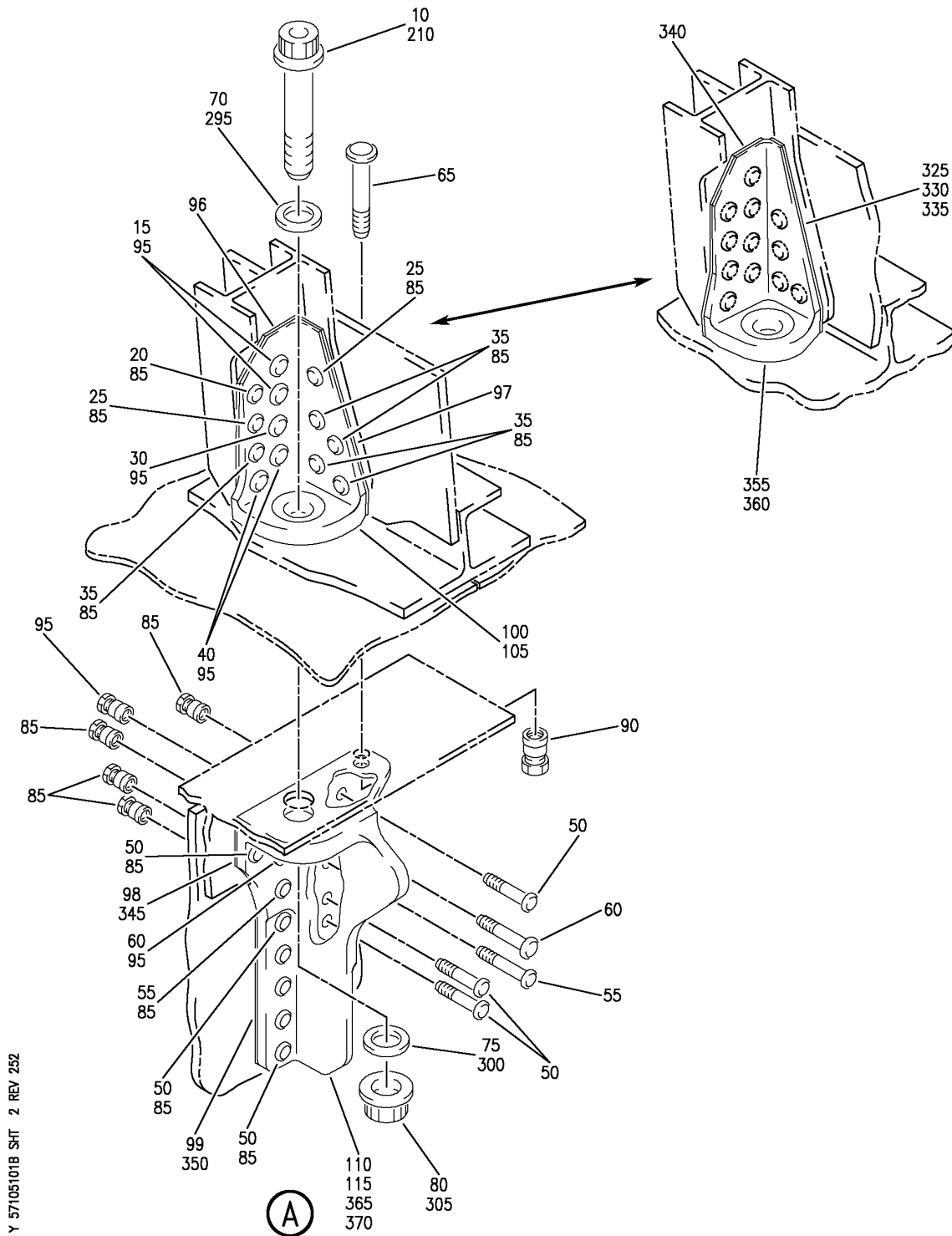
FITTING INSTL-TENSION WING SECT. 11
FIGURE 1B (SHEET 1)

BRI
MAY 28/07

57-10-51-01B

57-10-51-01B
PAGE 0

BOEING
757
PARTS CATALOG (MAINTENANCE)



Y 57105101B SHT 2 REV 252

FITTING INSTL-TENSION WING SECT. 11
FIGURE 1B (SHEET 2)

57-10-51-01B

BRI
MAY 28/07

57-10-51-01B
PAGE 0A



757

PARTS CATALOG (MAINTENANCE)

FIG ITEM	PART NUMBER	1 2 3 4 5 6 7	NOMENCLATURE	EFFECT FROM TO	UNITS PER ASSY
1B			FITTING INSTL-TENSION WING SECT. 11	101106 108120 504903	
- 200	111N5412-401		FITTING INSTL-TENSION WING POSITION DATA: SECT. 11, LH FOR NHA SEE: 57-00-00-20	101102 108120 504903	RF
- 200	MODREF1611		FITTING INSTL-TENSION WING MODULE NUMBER: 111N5412-401 REV A POSITION DATA: SECT. 11, LH	103103	1
- 200	MODREF26275		FITTING INSTL-TENSION WING MODULE NUMBER: 111N5412-401 REV B POSITION DATA: SECT. 11, LH	104106	1
- 205	111N5412-402		FITTING INSTL-TENSION WING POSITION DATA: SECT. 11, RH FOR NHA SEE: 57-00-00-20	101102 108120 504903	RF
- 205	MODREF1612		FITTING INSTL-TENSION WING MODULE NUMBER: 111N5412-402 REV A POSITION DATA: SECT. 11, RH	103103	1
- 205	MODREF26276		FITTING INSTL-TENSION WING MODULE NUMBER: 111N5412-402 REV B POSITION DATA: SECT. 11, RH	104106	1
210	BACB30LE10K40		.BOLT	101106 108120 504903	1
- 215	L80010K5		.BOLT SUPPLIER CODE: V06725 SPECIFICATION NUMBER: BACB30MY10K5	101106 108120 504903	1
- 220	L80010K6		.BOLT SUPPLIER CODE: V06725 SPECIFICATION NUMBER: BACB30MY10K6	101106 108120 504903	1

MISSING ITEM NUMBERS NOT APPLICABLE

- ITEM NOT ILLUSTRATED

57-10-51-01B

57-10-51
FIG. 01B
PAGE 1
JAN 20/09

BRI

BOEING PROPRIETARY - Copyright © - Unpublished Work - See title page for details.



757

PARTS CATALOG (MAINTENANCE)

FIG ITEM	PART NUMBER	1 2 3 4 5 6 7	NOMENCLATURE	EFFECT FROM TO	UNITS PER ASSY
1B					
- 225	L8008K6	.BOLT	SUPPLIER CODE: V06725 SPECIFICATION NUMBER: BACB30MY8K6	101106 108120 504903	1
- 230	L8008K7	.BOLT	SUPPLIER CODE: V06725 SPECIFICATION NUMBER: BACB30MY8K7	101106 108120 504903	1
- 235	L80010K7	.BOLT	SUPPLIER CODE: V06725 SPECIFICATION NUMBER: BACB30MY10K7	101106 108120 504903	1
- 240	L80010K8	.BOLT	SUPPLIER CODE: V06725 SPECIFICATION NUMBER: BACB30MY10K8	101106 108120 504903	2
- 245	L8008K8	.BOLT	SUPPLIER CODE: V06725 SPECIFICATION NUMBER: BACB30MY8K8	101106 108120 504903	1
- 250	L8008K11	.BOLT	SUPPLIER CODE: V06725 SPECIFICATION NUMBER: BACB30MY8K11	101106 108120 504903	2
- 255	L8008K13	.BOLT	SUPPLIER CODE: V06725 SPECIFICATION NUMBER: BACB30MY8K13	101106 108120 504903	2
- 260	L8008K14	.BOLT	SUPPLIER CODE: V06725 SPECIFICATION NUMBER: BACB30MY8K14	101106 108120 504903	2
- 265	H8008K10	.BOLT	SUPPLIER CODE: V06725 SPECIFICATION NUMBER: BACB30MY8K10	101106 108120 504903	8

MISSING ITEM NUMBERS NOT APPLICABLE

- ITEM NOT ILLUSTRATED

57-10-51-01B

57-10-51
FIG. 01B
PAGE 2
JAN 20/09

BRI

BOEING PROPRIETARY - Copyright © - Unpublished Work - See title page for details.



757

PARTS CATALOG (MAINTENANCE)

FIG ITEM	PART NUMBER	1 2 3 4 5 6 7	NOMENCLATURE	EFFECT FROM TO	UNITS PER ASSY
1B					
- 270	L800Y8K10		.BOLT SUPPLIER CODE: V06725 SPECIFICATION NUMBER: BACB30MY8K10Y	101106 108120 504903	1
- 275	L8008K9		.BOLT SUPPLIER CODE: V06725 SPECIFICATION NUMBER: BACB30MY8K9	101106 108120 504903	1
- 280	L800Y8K9		.BOLT SUPPLIER CODE: V06725 SPECIFICATION NUMBER: BACB30MY8K9Y	101106 108120 504903	1
- 285	L80010K13		.BOLT SUPPLIER CODE: V06725 SPECIFICATION NUMBER: BACB30MY10K13	101106 108120 504903	2

MISSING ITEM NUMBERS NOT APPLICABLE

- ITEM NOT ILLUSTRATED

BRI

57-10-51-01B

BOEING PROPRIETARY - Copyright © - Unpublished Work - See title page for details.

57-10-51
FIG. 01B
PAGE 3
JAN 20/09



757

PARTS CATALOG (MAINTENANCE)

FIG ITEM	PART NUMBER	1 2 3 4 5 6 7	NOMENCLATURE	EFFECT FROM TO	UNITS PER ASSY
1B - 290	HL1012AZ12-19	.BOLT	SUPPLIER CODE: VOPTK6 SPECIFICATION NUMBER: BACB30NX12K19 OPTIONAL PART: HL12VAZ12-19 V73197 HL12VAZ12-19 V92215 HL12VAZ12-19 V97928 L802-12K19 V06725 HL12VAZ12-19 V56878 HL1012AZ12-19 V06725 HL1012AZ12-19 V06950 HL1012AZ12-19 V17446 HL1012AZ12-19 V56878 HL1012AZ12-19 V60516 HL1012AZ12-19 V73197 HL1012AZ12-19 V97928	101106 108120 504903	2
295	BACW10BP10CD	.WASHER		101106 108120 504903	1
300	BACW10BP10DP	.WASHER		101106 108120 504903	1

MISSING ITEM NUMBERS NOT APPLICABLE

- ITEM NOT ILLUSTRATED

BRI

57-10-51-01B

BOEING PROPRIETARY - Copyright © - Unpublished Work - See title page for details.

57-10-51
FIG. 01B
PAGE 4
JAN 20/09



757

PARTS CATALOG (MAINTENANCE)

FIG ITEM	PART NUMBER	1 2 3 4 5 6 7	NOMENCLATURE	EFFECT FROM TO	UNITS PER ASSY
1B 305	CR590810	.	NUT SUPPLIER CODE: V62554 SPECIFICATION NUMBER: BACN10HR10CS OPTIONAL PART: H39953-10 V15653 109LH9031-10 V72962 BH00303-10 V27238 BMN10HRCPD3-10 V97928 SL7050910CS V11815 67832AS1018 V56878 BMN5024CPD3-10 V08524 SL7050910 V11815 BMN10HRCPD3-10 V97928 BH0030310 V27238 BMN5024CPD310 V97928 109LH903110 V72962 67832AS10 V56878	101106 108120 504903	1
- 310	HL79-8	.	COLLAR SUPPLIER CODE: V5M902 SPECIFICATION NUMBER: BACC30M8 OPTIONAL PART: HL79-8 V73197 HL79-8 V92215 66014-8 V56878 HL79-8 V56878	101106 108120 504903	18

MISSING ITEM NUMBERS NOT APPLICABLE

- ITEM NOT ILLUSTRATED

BRI

57-10-51-01B

BOEING PROPRIETARY - Copyright © - Unpublished Work - See title page for details.

57-10-51
FIG. 01B
PAGE 5
JAN 20/09



757

PARTS CATALOG (MAINTENANCE)

FIG ITEM	PART NUMBER	1 2 3 4 5 6 7	NOMENCLATURE	EFFECT FROM TO	UNITS PER ASSY
1B - 315	HL1187-12	.	COLLAR SUPPLIER CODE: V5M902 SPECIFICATION NUMBER: BACC30X12 OPTIONAL PART: HL1187-12 V73197 HL1187-12 V56878 HL1187-12 V92215 HL1187-12 V92215 HL87-12 V56878 HL87-12 V73197	101106 108120 504903	1
- 320	HL79-10	.	COLLAR SUPPLIER CODE: V5M902 SPECIFICATION NUMBER: BACC30M10 OPTIONAL PART: HL79-10 V73197 HL79-10 V92215 66014-10 V56878 HL79-10 V56878	101106 108120 504903	7
325	111N5412-4	.	SHIM	101106 108120 504903	1
330	111N5412-6	.	SHIM	101106 108120 504903	1
335	111N5412-7	.	SHIM	101106 108120 504903	1
340	111N5412-3	.	SHIM	101106 108120 504903	1
345	111N5412-5	.	SHIM	101106 108120 504903	1

MISSING ITEM NUMBERS NOT APPLICABLE

- ITEM NOT ILLUSTRATED

57-10-51-01B

57-10-51
FIG. 01B
PAGE 6
JAN 20/09

BRI

BOEING PROPRIETARY - Copyright © - Unpublished Work - See title page for details.



757

PARTS CATALOG (MAINTENANCE)

FIG ITEM	PART NUMBER	1 2 3 4 5 6 7	NOMENCLATURE	EFFECT FROM TO	UNITS PER ASSY
1B 350	BACS40R026F071F	.	SHIM	101106 108120 504903	1
355	111N5111-5	.	FITTING- POSITION DATA: LH SIDE	101106 108120 504903	1
360	111N5111-6	.	FITTING- POSITION DATA: RH SIDE	101106 108120 504903	1
365	111N5407-5	.	FITTING- POSITION DATA: LH SIDE	101106 108120 504903	1
370	111N5407-6	.	FITTING- POSITION DATA: RH SIDE	101106 108120 504903	1

MISSING ITEM NUMBERS NOT APPLICABLE

- ITEM NOT ILLUSTRATED

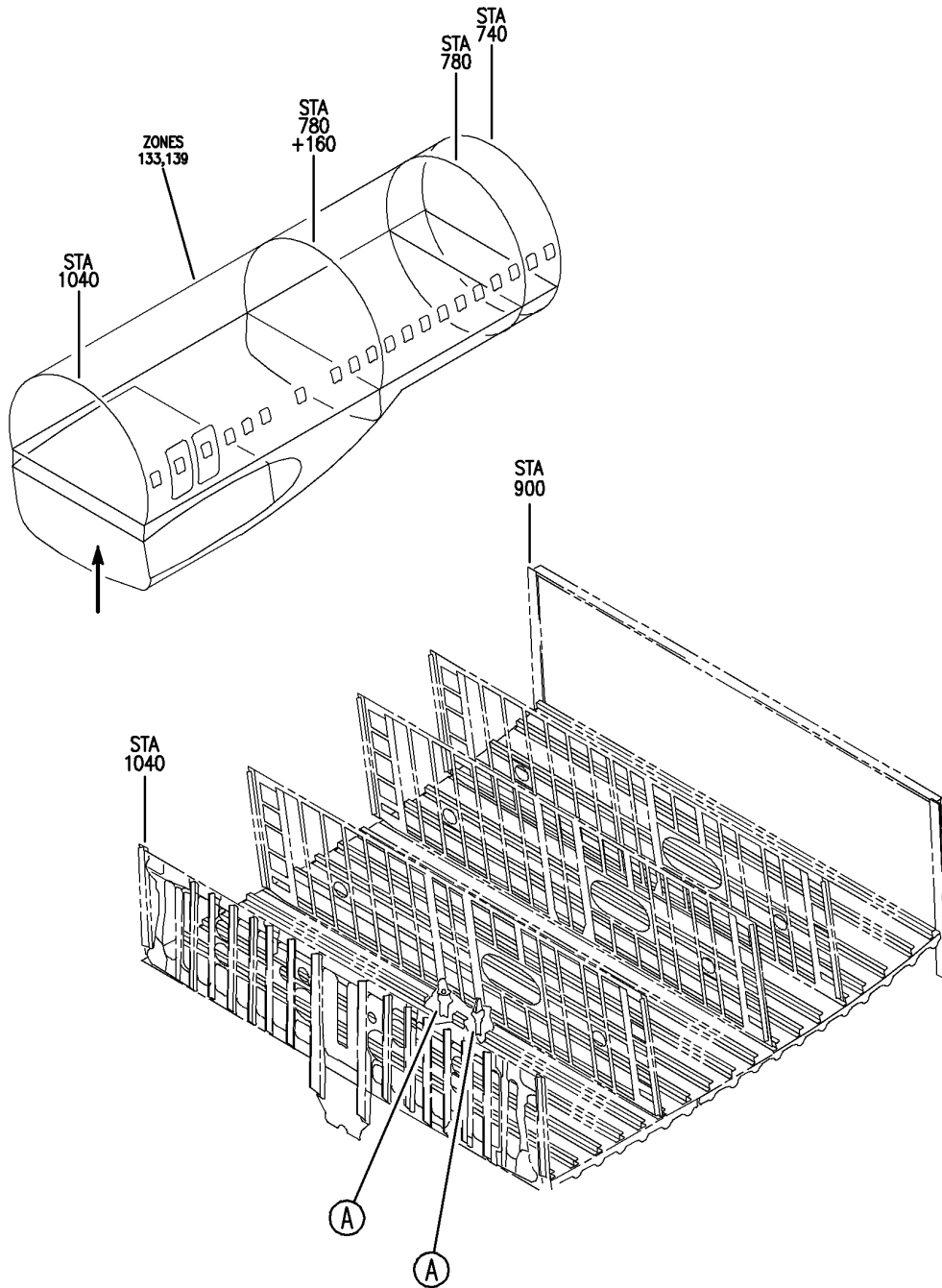
57-10-51-01B

57-10-51
FIG. 01B
PAGE 7
JAN 20/09

BRI

BOEING PROPRIETARY - Copyright © - Unpublished Work - See title page for details.

BOEING
757
PARTS CATALOG (MAINTENANCE)



Y 57105101C SHT 1 REV 243

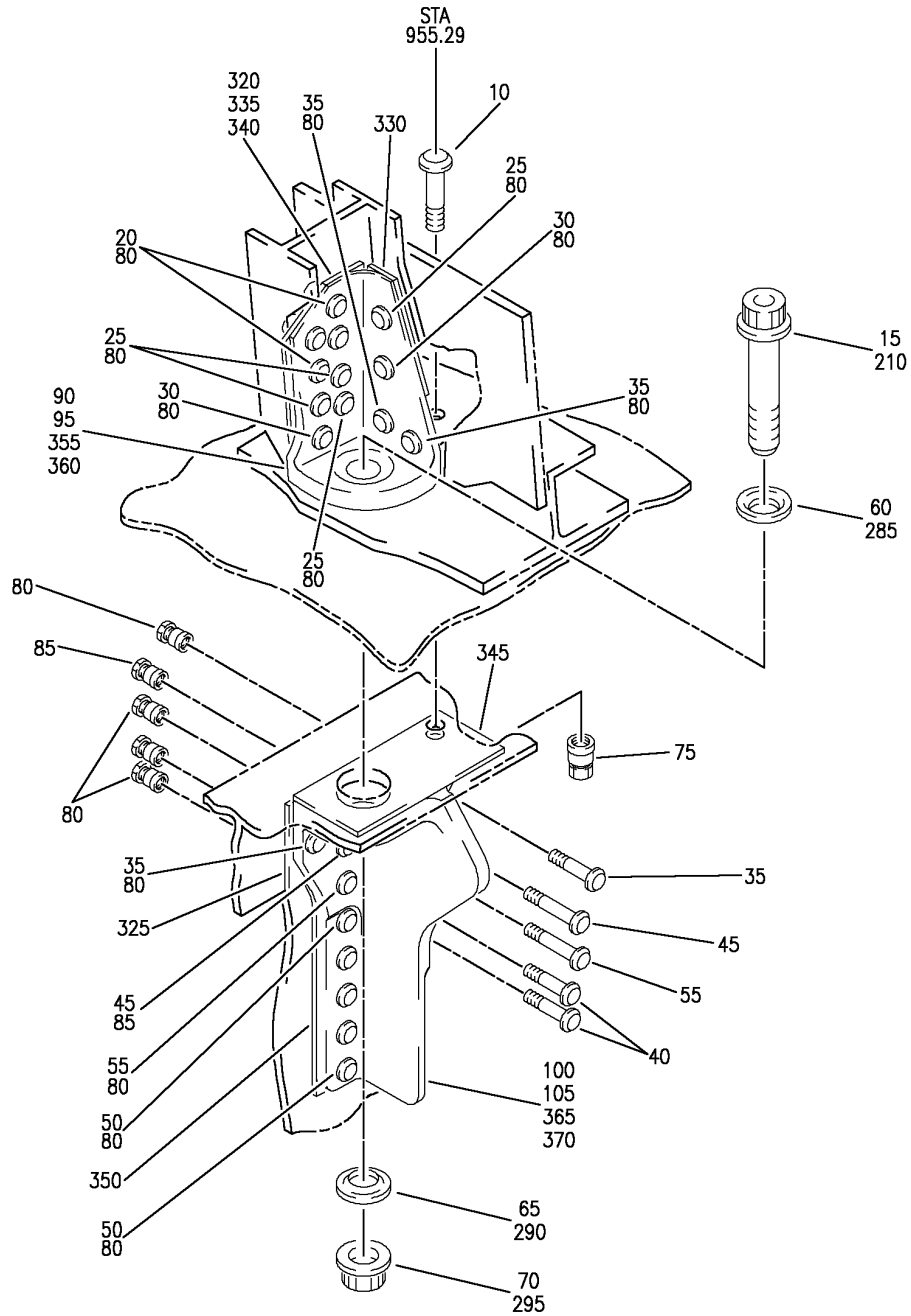
FITTING INSTL-TENSION WING SECT. 11
FIGURE 1C (SHEET 1)

BRI
MAY 28/07

57-10-51-01C

57-10-51-01C
PAGE 0

BOEING
757
PARTS CATALOG (MAINTENANCE)



(A)

Y 57105101C SHT 2 REV 253

FITTING INSTL-TENSION WING SECT. 11
FIGURE 1C (SHEET 2)

57-10-51-01C

BRI
MAY 28/07

57-10-51-01C
PAGE 0A



757

PARTS CATALOG (MAINTENANCE)

FIG ITEM	PART NUMBER	1 2 3 4 5 6 7	NOMENCLATURE	EFFECT FROM TO	UNITS PER ASSY
1C			FITTING INSTL-TENSION WING SECT. 11	101106 108120 504903	
- 200	111N5413-401		FITTING INSTL-TENSION WING POSITION DATA: SECT. 11, LH FOR NHA SEE: 57-00-00-20	101102 108120 504903	RF
- 200	MODREF1696		FITTING INSTL-TENSION WING MODULE NUMBER: 111N5413-401 REV A POSITION DATA: SECT. 11, LH	103103	1
- 200	MODREF26279		FITTING INSTL-TENSION WING MODULE NUMBER: 111N5413-401 REV B POSITION DATA: SECT. 11, LH	104106	1
- 205	111N5413-402		FITTING INSTL-TENSION WING POSITION DATA: SECT. 11, RH FOR NHA SEE: 57-00-00-20	101102 108120 504903	RF
- 205	MODREF1697		FITTING INSTL-TENSION WING MODULE NUMBER: 111N5413-402 REV A POSITION DATA: SECT. 11, RH	103103	1
- 205	MODREF26280		FITTING INSTL-TENSION WING MODULE NUMBER: 111N5413-402 REV B POSITION DATA: SECT. 11, RH	104106	1
210	BACB30LE8K35		.BOLT	101106 108120 504903	1
- 215	L80010K12		.BOLT SUPPLIER CODE: V06725 SPECIFICATION NUMBER: BACB30MY10K12	101106 108120 504903	1
- 220	L80010K13		.BOLT SUPPLIER CODE: V06725 SPECIFICATION NUMBER: BACB30MY10K13	101106 108120 504903	1

MISSING ITEM NUMBERS NOT APPLICABLE

- ITEM NOT ILLUSTRATED

BRI

57-10-51-01C

BOEING PROPRIETARY - Copyright © - Unpublished Work - See title page for details.

57-10-51
FIG. 01C
PAGE 1
JAN 20/09



757

PARTS CATALOG (MAINTENANCE)

FIG ITEM	PART NUMBER	1 2 3 4 5 6 7	NOMENCLATURE	EFFECT FROM TO	UNITS PER ASSY
1C					
- 225	H8008K10	.BOLT	SUPPLIER CODE: V06725 SPECIFICATION NUMBER: BACB30MY8K10	101106 108120 504903	1
- 230	L8008K11	.BOLT	SUPPLIER CODE: V06725 SPECIFICATION NUMBER: BACB30MY8K11	101106 108120 504903	2
- 235	L8008K12	.BOLT	SUPPLIER CODE: V06725 SPECIFICATION NUMBER: BACB30MY8K12	101106 108120 504903	2
- 240	L8008K13	.BOLT	SUPPLIER CODE: V06725 SPECIFICATION NUMBER: BACB30MY8K13	101106 108120 504903	1
- 245	L8008K4	.BOLT	SUPPLIER CODE: V06725 SPECIFICATION NUMBER: BACB30MY8K4	101106 108120 504903	1
- 250	L8008K5	.BOLT	SUPPLIER CODE: V06725 SPECIFICATION NUMBER: BACB30MY8K5	101106 108120 504903	3
- 255	L8008K6	.BOLT	SUPPLIER CODE: V06725 SPECIFICATION NUMBER: BACB30MY8K6	101106 108120 504903	2
- 260	L8008K7	.BOLT	SUPPLIER CODE: V06725 SPECIFICATION NUMBER: BACB30MY8K7	101106 108120 504903	4
- 265	L800Y8K8	.BOLT	SUPPLIER CODE: V06725 SPECIFICATION NUMBER: BACB30MY8K8Y	101106 108120 504903	1

MISSING ITEM NUMBERS NOT APPLICABLE

- ITEM NOT ILLUSTRATED

BRI

57-10-51-01C

BOEING PROPRIETARY - Copyright © - Unpublished Work - See title page for details.

57-10-51
FIG. 01C
PAGE 2
JAN 20/09



757

PARTS CATALOG (MAINTENANCE)

FIG ITEM	PART NUMBER	1 2 3 4 5 6 7	NOMENCLATURE	EFFECT FROM TO	UNITS PER ASSY
1C					
- 270	L8008K9	.BOLT	SUPPLIER CODE: V06725 SPECIFICATION NUMBER: BACB30MY8K9	101106 108120 504903	8
- 275	L800Y8K9	.BOLT	SUPPLIER CODE: V06725 SPECIFICATION NUMBER: BACB30MY8K9Y	101106 108120 504903	1
- 280	HL1012AZ10-17	.BOLT	SUPPLIER CODE: VOPTK6 SPECIFICATION NUMBER: BACB30NX10K17 OPTIONAL PART: HL12VAZ10-17 V73197 HL12VAZ10-17 V92215 HL12VAZ10-17 V97928 L802-10K17 V06725 HL12VAZ10-17 V56878 HL1012AZ10-17 V06725 HL1012AZ10-17 V06950 HL1012AZ10-17 V17446 HL1012AZ10-17 V56878 HL1012AZ10-17 V60516 HL1012AZ10-17 V73197 HL1012AZ10-17 V97928	101106 108120 504903	1
285	BACW10BP8CD	.WASHER		101106 108120 504903	1
290	BACW10BP8DP	.WASHER		101106 108120 504903	1

MISSING ITEM NUMBERS NOT APPLICABLE

- ITEM NOT ILLUSTRATED

57-10-51-01C

57-10-51
FIG. 01C
PAGE 3
JAN 20/09

BRI

BOEING PROPRIETARY - Copyright © - Unpublished Work - See title page for details.



757

PARTS CATALOG (MAINTENANCE)

FIG ITEM	PART NUMBER	1 2 3 4 5 6 7	NOMENCLATURE	EFFECT FROM TO	UNITS PER ASSY
1C 295	BMN10HRCWD3-8	.	NUT SUPPLIER CODE: V97928 SPECIFICATION NUMBER: BACN10HR8CD OPTIONAL PART: H51560-8 V15653 67832CD820 V56878 102LH9031-8 V72962 BH00303CM8 V27238 BMN5024CWD38 V97928 SL7108C8 V11815 VCU0005D8 V06710 102LH90318 V72962 67832CD8 V56878 CR6030-8 VF0224	101106 108120 504903	1
- 300	HL79-8	.	COLLAR SUPPLIER CODE: V5M902 SPECIFICATION NUMBER: BACC30M8 OPTIONAL PART: HL79-8 V73197 HL79-8 V92215 66014-8 V56878 HL79-8 V56878	101106 108120 504903	28

MISSING ITEM NUMBERS NOT APPLICABLE

- ITEM NOT ILLUSTRATED

BRI

57-10-51-01C

BOEING PROPRIETARY - Copyright © - Unpublished Work - See title page for details.

57-10-51
FIG. 01C
PAGE 4
JAN 20/09



757

PARTS CATALOG (MAINTENANCE)

FIG ITEM	PART NUMBER	1 2 3 4 5 6 7	NOMENCLATURE	EFFECT FROM TO	UNITS PER ASSY
1C - 305	HL79-10		.COLLAR SUPPLIER CODE: V5M902 SPECIFICATION NUMBER: BACC30M10 OPTIONAL PART: HL79-10 V73197 HL79-10 V92215 66014-10 V56878 HL79-10 V56878	101106 108120 504903	2
- 310	HL1187DU10		.COLLAR SUPPLIER CODE: V5M902 SPECIFICATION NUMBER: BACC30X10S OPTIONAL PART: HL87DU10 V56878 HL1187DU10 V92215 HL1187DU10 V56878 HL87DU10 V92215 HL87DU10 V73197 HL1187DU10 V73197	101106 108120 504903	1
320	111N5413-3		.SHIM	101106 108120 504903	1
325	111N5413-4		.SHIM	101106 108120 504903	1
330	111N5413-5		.SHIM	101106 108120 504903	1
335	111N5413-6		.SHIM	101106 108120 504903	1
340	111N5413-7		.SHIM	101106 108120 504903	1

MISSING ITEM NUMBERS NOT APPLICABLE

- ITEM NOT ILLUSTRATED

57-10-51-01C

57-10-51
FIG. 01C
PAGE 5
JAN 20/09

BRI

BOEING PROPRIETARY - Copyright © - Unpublished Work - See title page for details.



757

PARTS CATALOG (MAINTENANCE)

FIG ITEM	PART NUMBER	1 2 3 4 5 6 7	NOMENCLATURE	EFFECT FROM TO	UNITS PER ASSY
1C					
345	BACS40R022B043F	.	SHIM	101106 108120 504903	1
350	BACS40R026F063F	.	SHIM	101106 108120 504903	1
355	111N5121-3	.	FITTING- POSITION DATA: LH SIDE	101106 108120 504903	1
360	111N5121-4	.	FITTING- POSITION DATA: RH SIDE	101106 108120 504903	1
365	111N5408-5	.	FITTING- POSITION DATA: LH SIDE	101106 108120 504903	1
370	111N5408-6	.	FITTING- POSITION DATA: RH SIDE	101106 108120 504903	1

MISSING ITEM NUMBERS NOT APPLICABLE

- ITEM NOT ILLUSTRATED

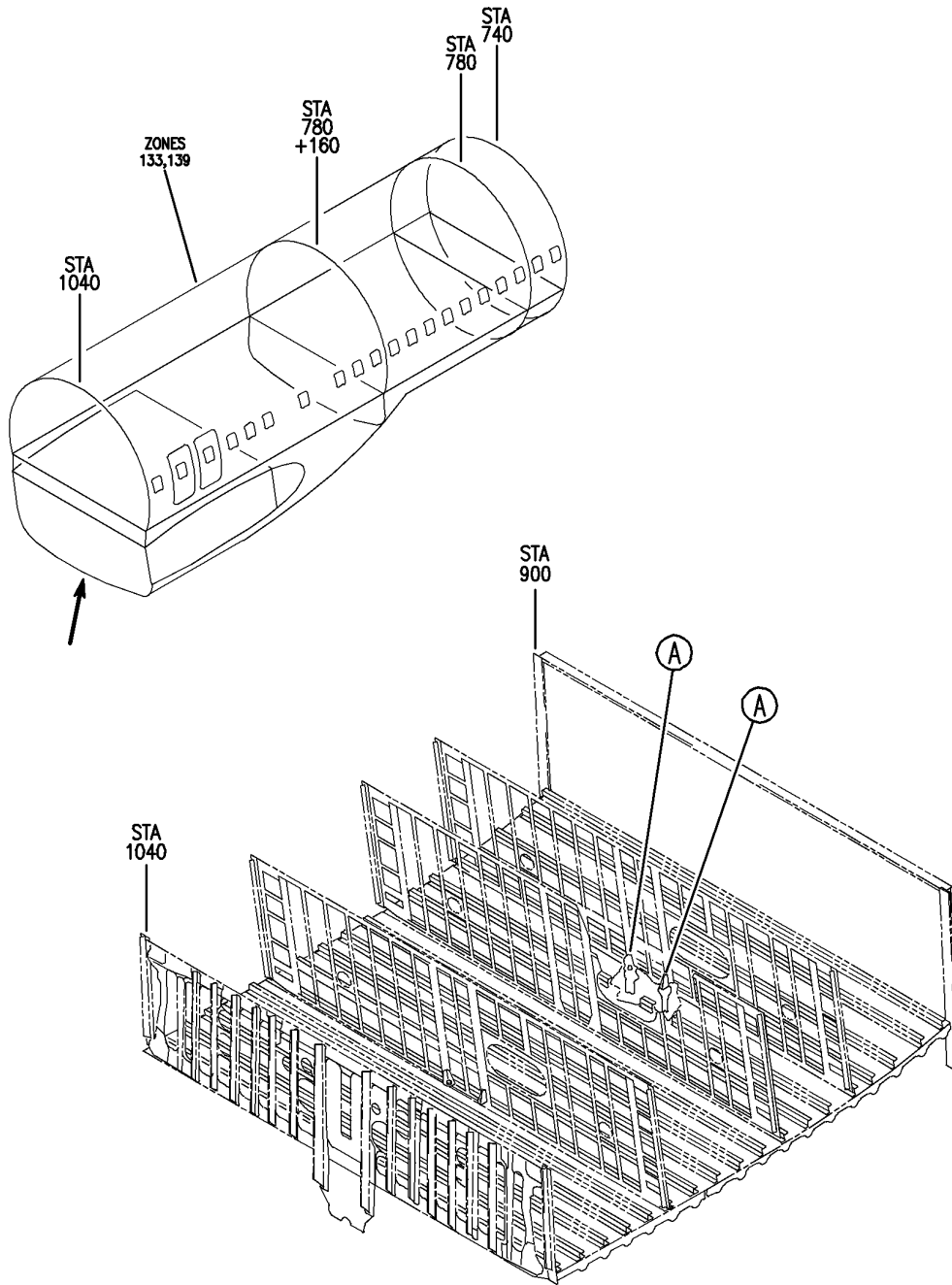
BRI

57-10-51-01C

BOEING PROPRIETARY - Copyright © - Unpublished Work - See title page for details.

57-10-51
FIG. 01C
PAGE 6
JAN 20/09

BOEING
757
PARTS CATALOG (MAINTENANCE)



Y 57105101D SHT 1 REV 243

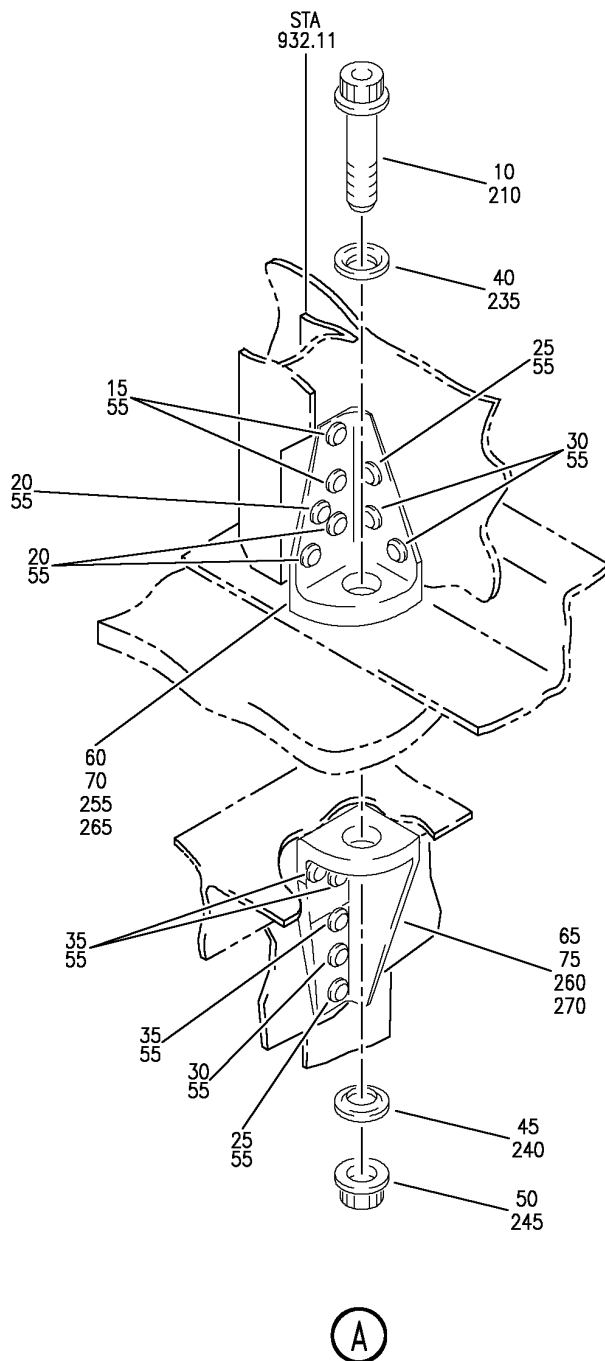
FITTING INSTL-TENSION WING SECT. 11
FIGURE 1D (SHEET 1)

BRI
MAY 28/07

57-10-51-01D

57-10-51-01D
PAGE 0

BOEING
757
PARTS CATALOG (MAINTENANCE)



Y 57105101D SHT 2 REV 252

FITTING INSTL-TENSION WING SECT. 11
 FIGURE 1D (SHEET 2)

57-10-51-01D

BRI
 MAY 28/07

57-10-51-01D
 PAGE 0A



757

PARTS CATALOG (MAINTENANCE)

FIG ITEM	PART NUMBER	1 2 3 4 5 6 7	NOMENCLATURE	EFFECT FROM TO	UNITS PER ASSY
1D			FITTING INSTL-TENSION WING SECT. 11	101106 108120 504903	
- 200	111N5414-401		FITTING INSTL-TENSION WING POSITION DATA: SECT. 11, LH FOR NHA SEE: 57-00-00-20	101102 108120 504903	RF
- 200	MODREF1700		FITTING INSTL-TENSION WING MODULE NUMBER: 111N5414-401 REV A POSITION DATA: SECT. 11, LH	103103	1
- 200	MODREF26283		FITTING INSTL-TENSION WING MODULE NUMBER: 111N5414-401 REV B POSITION DATA: SECT. 11, LH	104106	1
- 205	111N5414-402		FITTING INSTL-TENSION WING POSITION DATA: SECT. 11, RH FOR NHA SEE: 57-00-00-20	101102 108120 504903	RF
- 205	MODREF1701		FITTING INSTL-TENSION WING MODULE NUMBER: 111N5414-402 REV A POSITION DATA: SECT. 11, RH	103103	1
- 205	MODREF26284		FITTING INSTL-TENSION WING MODULE NUMBER: 111N5414-402 REV B POSITION DATA: SECT. 11, RH	104106	1
210	BACB30LE7K29		.BOLT	101102 104106 108120 504903	1
- 215	L8008K7		.BOLT SUPPLIER CODE: V06725 SPECIFICATION NUMBER: BACB30MY8K7	101102 104106 108120 504903	2
- 220	L8008K8		.BOLT SUPPLIER CODE: V06725 SPECIFICATION NUMBER: BACB30MY8K8	101102 104106 108120 504903	5

MISSING ITEM NUMBERS NOT APPLICABLE

- ITEM NOT ILLUSTRATED

BRI

57-10-51-01D

BOEING PROPRIETARY - Copyright © - Unpublished Work - See title page for details.

57-10-51
FIG. 01D
PAGE 1
JAN 20/09



757

PARTS CATALOG (MAINTENANCE)

FIG ITEM	PART NUMBER	1 2 3 4 5 6 7	NOMENCLATURE	EFFECT FROM TO	UNITS PER ASSY
1D					
- 225	L8008K9	.BOLT	SUPPLIER CODE: V06725 SPECIFICATION NUMBER: BACB30MY8K9	101102 104106 108120 504903	2
- 230	L8008K11	.BOLT	SUPPLIER CODE: V06725 SPECIFICATION NUMBER: BACB30MY8K11	101102 104106 108120 504903	4
235	BACW10BP7CD	.WASHER		101102 104106 108120 504903	1
240	BACW10BP7DP	.WASHER		101102 104106 108120 504903	1
245	BACW10HR7CD	.NUT		101102 104106 108120 504903	1
- 250	BACC30M	.COLLAR-	SIZE DETERMINED ON INSTL.	101102 104106 108120 504903	13
255	111N5131-3	.FITTING-	POSITION DATA: LH	101102 104106 108120 504903	1
260	111N5404-3	.FITTING-	POSITION DATA: LH	101102 104106 108120 504903	1
265	111N5131-4	.FITTING-	POSITION DATA: RH	101102 104106 108120 504903	1
270	111N5404-4	.FITTING-	POSITION DATA: RH	101102 104106 108120 504903	1

MISSING ITEM NUMBERS NOT APPLICABLE

- ITEM NOT ILLUSTRATED

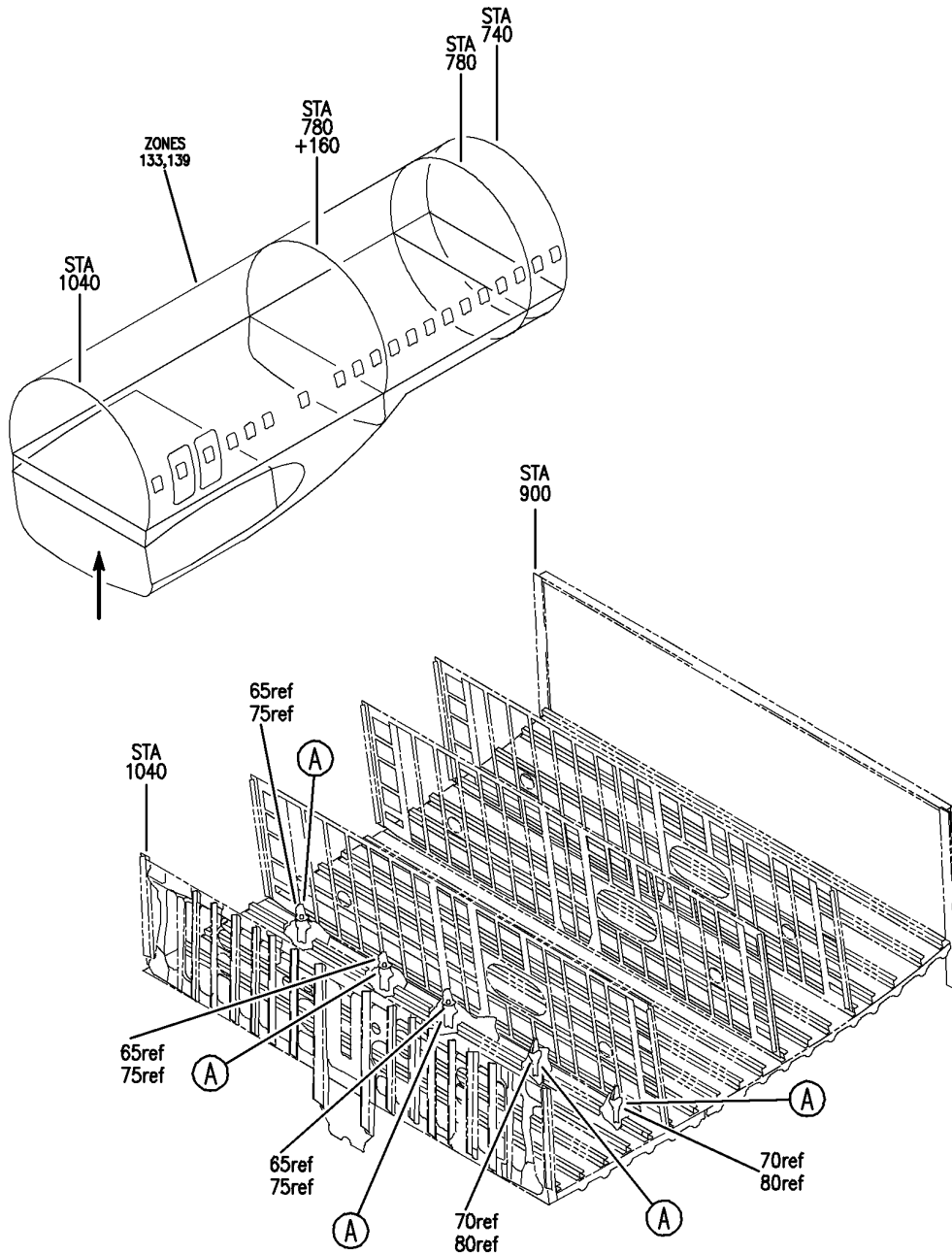
BRI

57-10-51-01D

BOEING PROPRIETARY - Copyright © - Unpublished Work - See title page for details.

57-10-51
FIG. 01D
PAGE 2
JAN 20/09

BOEING
757
PARTS CATALOG (MAINTENANCE)



Y 57105101H SHT 1 REV 247

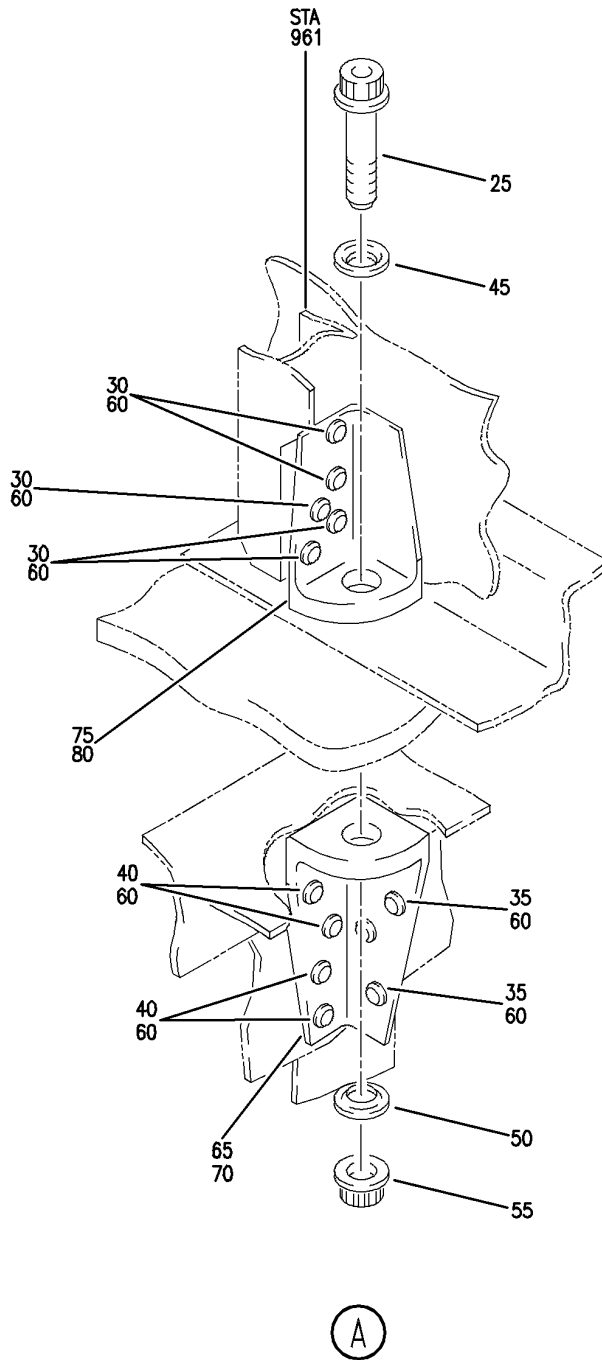
FITTING INSTL-TENSION WING SECT. 11
FIGURE 1H (SHEET 1)

BRI
MAY 28/07

57-10-51-01H

57-10-51-01H
PAGE 0

BOEING
 757
 PARTS CATALOG (MAINTENANCE)



Y 57105101H SHT 2 REV 247

FITTING INSTL-TENSION WING SECT. 11
 FIGURE 1H (SHEET 2)

57-10-51-01H

BRI
 MAY 28/07

57-10-51-01H
 PAGE 0A



757

PARTS CATALOG (MAINTENANCE)

FIG ITEM	PART NUMBER	1 2 3 4 5 6 7	NOMENCLATURE	EFFECT FROM TO	UNITS PER ASSY
1H			FITTING INSTL-TENSION WING SECT. 11	101106 108120 504903	
- 1	111N5410-401		FITTING INSTL-TENSION INSTL POSITION DATA: SECT. 11 FOR NHA SEE: 57-00-00-15	101102 108120 504903	RF
- 1	MODREF1594		FITTING INSTL-TENSION INSTL MODULE NUMBER: 111N5410-401 REV A POSITION DATA: SECT. 11	103103	1
- 1	MODREF26261		FITTING INSTL-TENSION INSTL MODULE NUMBER: 111N5410-401 REV B POSITION DATA: SECT. 11	104106	1
- 5	111N5410-402		FITTING INSTL-TENSION INSTL POSITION DATA: SECT. 11 FOR NHA SEE: 57-00-00-15	101102 108120 504903	RF
- 5	MODREF1595		FITTING INSTL-TENSION INSTL MODULE NUMBER: 111N5410-402 REV A POSITION DATA: SECT. 11	103103	1
- 5	MODREF26262		FITTING INSTL-TENSION INSTL MODULE NUMBER: 111N5410-402 REV B POSITION DATA: SECT. 11	104106	1
- 10	111N5410-403		FITTING INSTL-TENSION WING POSITION DATA: SECT. 11 FOR NHA SEE: 57-00-00-15	101102 108120 504903	RF
- 10	MODREF1596		FITTING INSTL-TENSION WING MODULE NUMBER: 111N5410-403 REV A POSITION DATA: SECT. 11	103103	1
- 10	MODREF26263		FITTING INSTL-TENSION WING MODULE NUMBER: 111N5410-403 REV B POSITION DATA: SECT. 11	104106	1

MISSING ITEM NUMBERS NOT APPLICABLE

- ITEM NOT ILLUSTRATED

57-10-51-01H

57-10-51
FIG. 01H
PAGE 1
JAN 20/09

BRI



757

PARTS CATALOG (MAINTENANCE)

FIG ITEM	PART NUMBER	1 2 3 4 5 6 7	NOMENCLATURE	EFFECT FROM TO	UNITS PER ASSY
1H					
- 15	111N5410-404		FITTING INSTL-TENSION WING POSITION DATA: SECT. 11 FOR NHA SEE: 57-00-00-15	101102 108120 504903	RF
- 15	MODREF1597		FITTING INSTL-TENSION WING MODULE NUMBER: 111N5410-404 REV A POSITION DATA: SECT. 11	103103	1
- 15	MODREF26264		FITTING INSTL-TENSION WING MODULE NUMBER: 111N5410-404 REV B POSITION DATA: SECT. 11	104106	1
- 20	111N5410-405		FITTING INSTL-TENSION WING POSITION DATA: SECT. 11 FOR NHA SEE: 57-00-00-15	101102 108120 504903	RF
- 20	MODREF1598		FITTING INSTL-TENSION WING MODULE NUMBER: 111N5410-405 REV A POSITION DATA: SECT. 11	103106	1
25	BACB30LE7K21		.BOLT	101106 108120 504903	1
- 29	L8008K5		.BOLT SUPPLIER CODE: V06725 SPECIFICATION NUMBER: BACB30MY8K5	104106	2
30	BACB30MY8K		.BOLT- SIZE DETERMINED ON INSTL.	101106 108120 504903	5
- 31	L8008K6		.BOLT SUPPLIER CODE: V06725 SPECIFICATION NUMBER: BACB30MY8K6	104106	4
- 32	L800Y8K6		.BOLT SUPPLIER CODE: V06725 SPECIFICATION NUMBER: BACB30MY8K6Y	104106	AR

MISSING ITEM NUMBERS NOT APPLICABLE

- ITEM NOT ILLUSTRATED

57-10-51-01H

57-10-51
FIG. 01H
PAGE 2
JAN 20/09

BRI

BOEING PROPRIETARY - Copyright © - Unpublished Work - See title page for details.



757

PARTS CATALOG (MAINTENANCE)

FIG ITEM	PART NUMBER	1 2 3 4 5 6 7	NOMENCLATURE	EFFECT FROM TO	UNITS PER ASSY
1H					
- 33	L8008K7		.BOLT SUPPLIER CODE: V06725 SPECIFICATION NUMBER: BACB30MY8K7	104106	4
- 34	L800Y8K7		.BOLT SUPPLIER CODE: V06725 SPECIFICATION NUMBER: BACB30MY8K7Y	104106	AR
35	BACB30MY8K		.BOLT- SIZE DETERMINED ON INSTL.	101106 108120 504903	3
- 36	L8008K8		.BOLT SUPPLIER CODE: V06725 SPECIFICATION NUMBER: BACB30MY8K8	104106	6
40	BACB30MY8K		.BOLT- SIZE DETERMINED ON INSTL.	101106 108120 504903	4
- 41	H8008K10		.BOLT SUPPLIER CODE: V06725 SPECIFICATION NUMBER: BACB30MY8K10	104106	4
- 42	L8008K11		.BOLT SUPPLIER CODE: V06725 SPECIFICATION NUMBER: BACB30MY8K11	104106	4
45	BACW10BP7CD		.WASHER	101106 108120 504903	1
50	BACW10BP7DP		.WASHER	101106 108120 504903	1

MISSING ITEM NUMBERS NOT APPLICABLE

- ITEM NOT ILLUSTRATED

BRI

57-10-51-01H

BOEING PROPRIETARY - Copyright © - Unpublished Work - See title page for details.

57-10-51
FIG. 01H
PAGE 3
JAN 20/09



757

PARTS CATALOG (MAINTENANCE)

FIG ITEM	PART NUMBER	1 2 3 4 5 6 7	NOMENCLATURE	EFFECT FROM TO	UNITS PER ASSY
1H 55	BMN10HRCWD3-7	.	NUT SUPPLIER CODE: V97928 SPECIFICATION NUMBER: BACN10HR7CD OPTIONAL PART: H51560-7 V15653 67832CD720 V56878 102LH9031-7 V72962 BH00303CM7 V27238 BMN5024CWD37 V97928 SL7108C7 V11815 VCU0005D7 V06710 102LH90317 V72962 67832CD7 V56878 CR6030-7 VF0224 BMN10HRCWD3-7 V97928	101106 108120 504903	1
60	BACB30M8	.	COLLAR	101106 108120 504903	12

MISSING ITEM NUMBERS NOT APPLICABLE

- ITEM NOT ILLUSTRATED

BRI

57-10-51-01H

BOEING PROPRIETARY - Copyright © - Unpublished Work - See title page for details.

57-10-51
FIG. 01H
PAGE 4
JAN 20/09



757

PARTS CATALOG (MAINTENANCE)

FIG ITEM	PART NUMBER	1 2 3 4 5 6 7	NOMENCLATURE	EFFECT FROM TO	UNITS PER ASSY
1H 65	111N5122-1		. FITTING- USED ON: 111N5410-301 111N5410-303 111N5410-305 111N5410-306 MODREF1589 MODREF26257 111N5410-308 MODREF1591 MODREF26259 111N5410-310 MODREF1593 111N5410-401 MODREF1594 MODREF26261 111N5410-403 MODREF1596 MODREF26263 111N5410-405 MODREF1598	101106 108120 504903	1
70	111N5122-2		. FITTING- USED ON: 111N5410-302 111N5410-304 111N5410-307 MODREF1590 MODREF26258 111N5410-309 MODREF1592 MODREF26260 111N5410-402 MODREF1595 MODREF26262 111N5410-404 MODREF1597 MODREF26264	101106 108120 504903	1

MISSING ITEM NUMBERS NOT APPLICABLE

- ITEM NOT ILLUSTRATED

BRI

57-10-51-01H

BOEING PROPRIETARY - Copyright © - Unpublished Work - See title page for details.

57-10-51
FIG. 01H
PAGE 5
JAN 20/09



757

PARTS CATALOG (MAINTENANCE)

FIG ITEM	PART NUMBER	1 2 3 4 5 6 7	NOMENCLATURE	EFFECT FROM TO	UNITS PER ASSY
1H 75	111N5223-1		. FITTING- USED ON: 111N5410-301 111N5410-303 111N5410-305 111N5410-306 MODREF1589 MODREF26257 111N5410-308 MODREF1591 MODREF26259 111N5410-310 MODREF1593 111N5410-401 MODREF1594 MODREF26261 111N5410-403 MODREF1596 MODREF26263 111N5410-405 MODREF1598	101106 108120 504903	1
80	111N5223-2		. FITTING- USED ON: 111N5410-302 111N5410-304 111N5410-307 MODREF1590 MODREF26258 111N5410-309 MODREF1592 MODREF26260 111N5410-402 MODREF1595 MODREF26262 111N5410-404 MODREF1597 MODREF26264	101106 108120 504903	1

MISSING ITEM NUMBERS NOT APPLICABLE

- ITEM NOT ILLUSTRATED

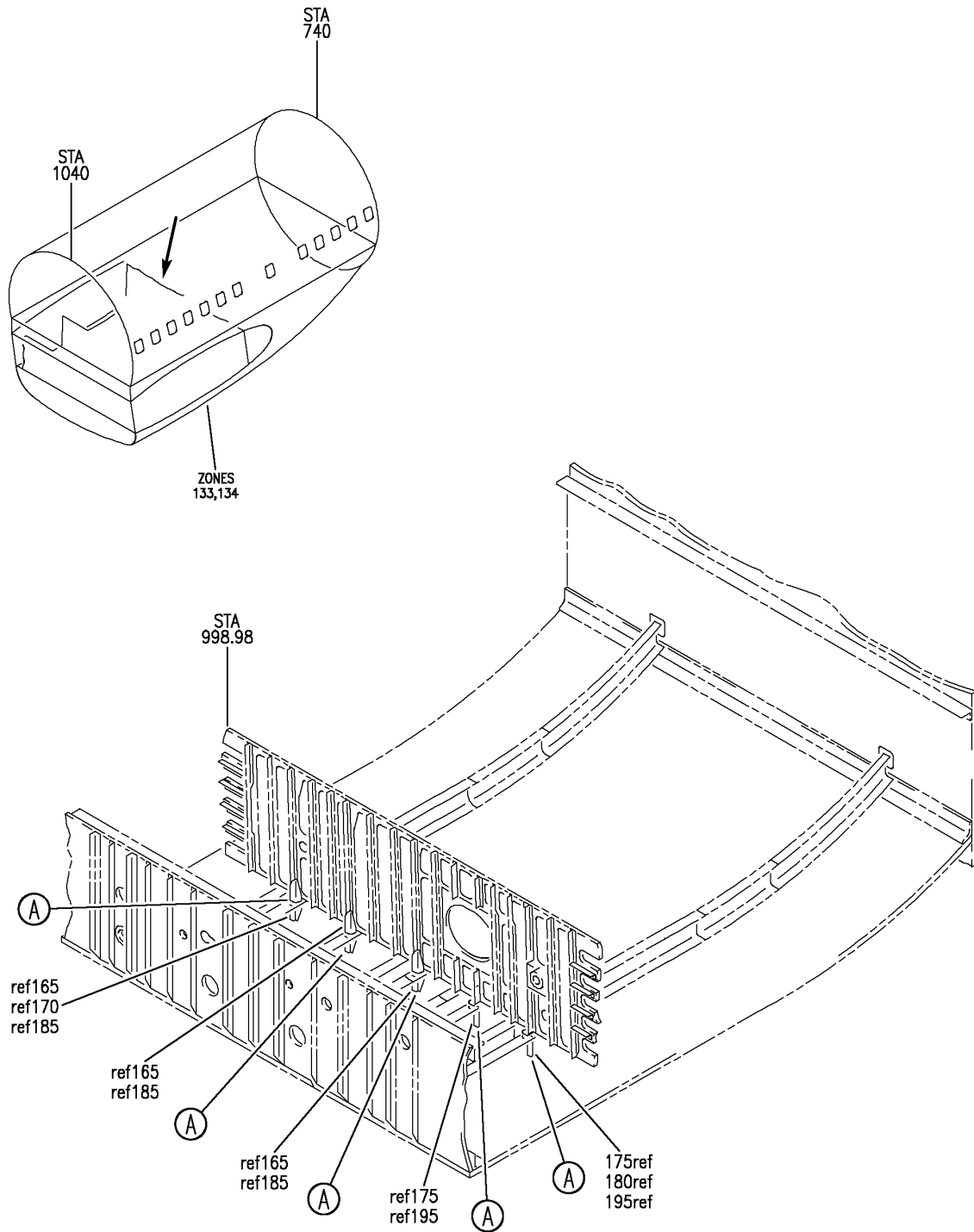
BRI

57-10-51-01H

BOEING PROPRIETARY - Copyright © - Unpublished Work - See title page for details.

57-10-51
FIG. 01H
PAGE 6
JAN 20/09

BOEING
757
PARTS CATALOG (MAINTENANCE)



Y 57105102 SH1 1 REV 332

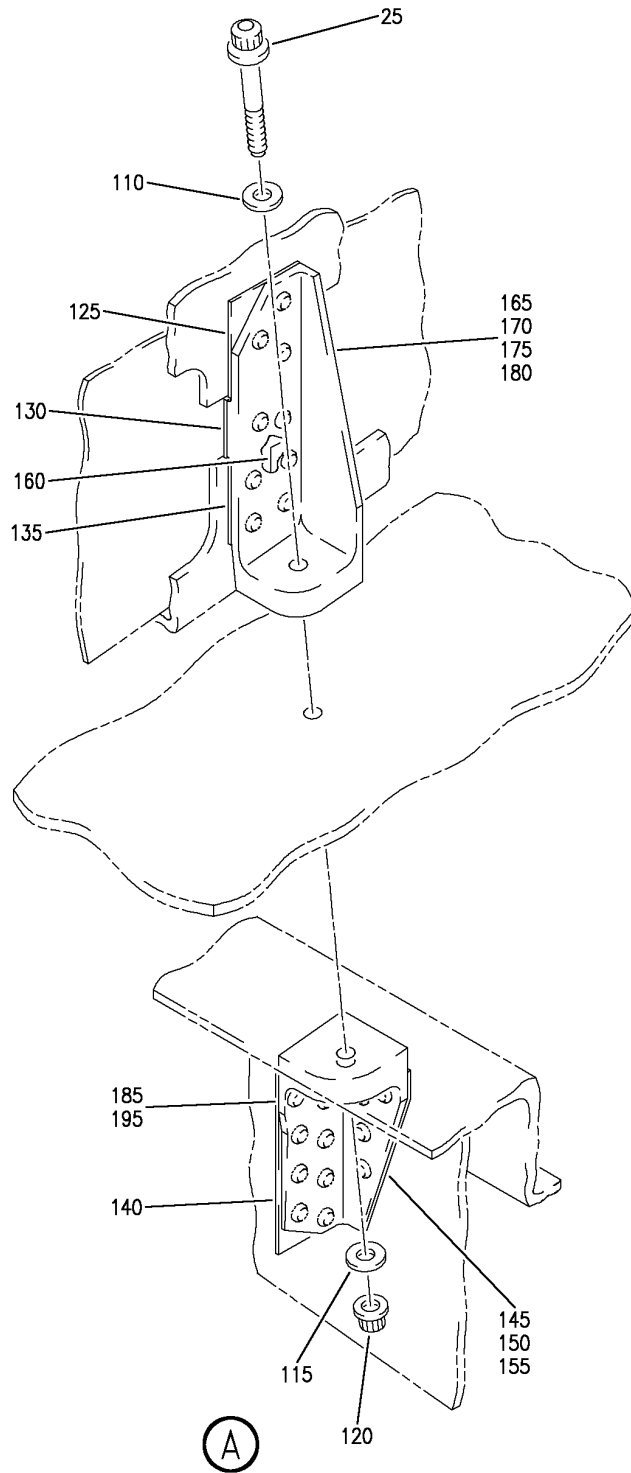
FITTING INSTL-SECT. 11 TENSION WING
FIGURE 2 (SHEET 1)

57-10-51-02

BRI
MAY 20/09

57-10-51-02
PAGE 0

BOEING
757
PARTS CATALOG (MAINTENANCE)



Y 57105102 SH1 2 REV 332

FITTING INSTL-SECT. 11 TENSION WING
 FIGURE 2 (SHEET 2)

57-10-51-02

BRI
 MAY 20/09

57-10-51-02
 PAGE 0A



757

PARTS CATALOG (MAINTENANCE)

FIG ITEM	PART NUMBER	1 2 3 4 5 6 7	NOMENCLATURE	EFFECT FROM TO	UNITS PER ASSY
2			FITTING INSTL-SECT. 11 TENSION WING	101106 108120 504903	
- 1	111N5409-4001		FITTING INSTL-TENSION WING POSITION DATA: SECT. 11, LH FOR NHA SEE: 57-00-00-15B	101102 108120 504903	RF
- 1	MODREF1505		FITTING INSTL-TENSION WING MODULE NUMBER: 111N5409-4001 REV A POSITION DATA: SECT.11, LH	103103	1
- 1	MODREF26253		FITTING INSTL-TENSION WING MODULE NUMBER: 111N5409-4001 REV B POSITION DATA: SECT.11, LH	104106	1
- 5	111N5409-4002		FITTING INSTL-TENSION WING POSITION DATA: SECT. 11, RH FOR NHA SEE: 57-00-00-15B	101102 108120 504903	RF
- 5	MODREF1506		FITTING INSTL-TENSION WING MODULE NUMBER: 111N5409-4002 REV A POSITION DATA: SECT.11, RH	103103	1
- 5	MODREF26254		FITTING INSTL-TENSION WING MODULE NUMBER: 111N5409-4002 REV B POSITION DATA: SECT.11, RH	104106	1
- 10	111N5409-401		FITTING INSTL-TENSION WING POSITION DATA: SECT. 11, LH FOR NHA SEE: 57-00-00-15	101102 108120 504903	RF
- 10	MODREF1507		FITTING INSTL-TENSION WING MODULE NUMBER: 111N5409-401 REV A POSITION DATA: SECT.11, LH	103103	1
- 10	MODREF26255		FITTING INSTL-TENSION WING MODULE NUMBER: 111N5409-401 REV B POSITION DATA: SECT.11, LH	104106	1

MISSING ITEM NUMBERS NOT APPLICABLE

- ITEM NOT ILLUSTRATED

57-10-51-02

57-10-51
FIG. 02
PAGE 1
JAN 20/09

BRI



757

PARTS CATALOG (MAINTENANCE)

FIG ITEM	PART NUMBER	1 2 3 4 5 6 7	NOMENCLATURE	EFFECT FROM TO	UNITS PER ASSY
2					
- 15	111N5409-402		FITTING INSTL-TENSION WING POSITION DATA: SECT. 11, RH FOR NHA SEE: 57-00-00-15	101102 108120 504903	RF
- 15	MODREF1508		FITTING INSTL-TENSION WING MODULE NUMBER: 111N5409-402 REV A POSITION DATA: SECT.11, RH	103103	1
- 15	MODREF26256		FITTING INSTL-TENSION WING MODULE NUMBER: 111N5409-402 REV B POSITION DATA: SECT.11, RH	104106	1
- 20	111N5409-403		FITTING INSTL-TENSION WING POSITION DATA: SECT. 11, RH FOR NHA SEE: 57-00-00-15	101102 108120 504903	RF
- 20	MODREF1509		FITTING INSTL-TENSION WING MODULE NUMBER: 111N5409-403 REV A POSITION DATA: SECT.11, RH	103106	1
25	BACB30LE8K29		.BOLT	101106 108120 504903	1
- 35	H8008K10		.BOLT- SUPPLIER CODE: V06725 SPECIFICATION NUMBER: BACB30MY8K10 USED ON: 111N5409-4001 111N5409-4002 MODREF1505 MODREF1506 MODREF26253 MODREF26254	101106 108120 504903	6

MISSING ITEM NUMBERS NOT APPLICABLE

- ITEM NOT ILLUSTRATED

BRI

57-10-51-02

BOEING PROPRIETARY - Copyright © - Unpublished Work - See title page for details.

57-10-51
FIG. 02
PAGE 2
JAN 20/09



757

PARTS CATALOG (MAINTENANCE)

FIG ITEM	PART NUMBER	1 2 3 4 5 6 7	NOMENCLATURE	EFFECT FROM TO	UNITS PER ASSY
2 - 40	H8008K10		.BOLT- SUPPLIER CODE: V06725 SPECIFICATION NUMBER: BACB30MY8K10 USED ON: 111N5409-301 111N5409-306 111N5409-401 111N5409-302 111N5409-307 111N5409-402 111N5409-305 111N5409-310 111N5409-403 MODREF1500 MODREF26249 MODREF1507 MODREF1501 MODREF26250 MODREF1508 MODREF1504 MODREF1509 MODREF26255 MODREF26256	101106 108120 504903	9
- 45	L800Y8K10		.BOLT SUPPLIER CODE: V06725 SPECIFICATION NUMBER: BACB30MY8K10Y	101106 108120 504903	1
- 55	L8008K13		.BOLT- SUPPLIER CODE: V06725 SPECIFICATION NUMBER: BACB30MY8K13 USED ON: 111N5409-4001 111N5409-4002 MODREF1505 MODREF1506 MODREF26253 MODREF26254	101106 108120 504903	1

MISSING ITEM NUMBERS NOT APPLICABLE

- ITEM NOT ILLUSTRATED

57-10-51-02

57-10-51
FIG. 02
PAGE 3
JAN 20/09

BRI



757

PARTS CATALOG (MAINTENANCE)

FIG ITEM	PART NUMBER	1 2 3 4 5 6 7	NOMENCLATURE	EFFECT FROM TO	UNITS PER ASSY
2					
- 60	L8008K12		.BOLT- SUPPLIER CODE: V06725 SPECIFICATION NUMBER: BACB30MY8K12 USED ON: 111N5409-4001 111N5409-4002 111N5409-401 111N5409-402 111N5409-403 111N5409-306 111N5409-307 111N5409-310 MODREF1505 MODREF26253 MODREF1506 MODREF26254 MODREF1500 MODREF26249 MODREF1501 MODREF26250 MODREF1504 MODREF1507 MODREF26255 MODREF1508 MODREF26256 MODREF1509	101106 108120 504903	2
- 60	L8008K12		.BOLT SUPPLIER CODE: V06725 SPECIFICATION NUMBER: BACB30MY8K12	101102 108120 504903	2
- 65	L8008K6		.BOLT SUPPLIER CODE: V06725 SPECIFICATION NUMBER: BACB30MY8K6	101106 108120 504903	3
- 70	L8008K7		.BOLT SUPPLIER CODE: V06725 SPECIFICATION NUMBER: BACB30MY8K7	101106 108120 504903	2

MISSING ITEM NUMBERS NOT APPLICABLE

- ITEM NOT ILLUSTRATED

57-10-51-02

57-10-51
FIG. 02
PAGE 4
JAN 20/09

BRI



757

PARTS CATALOG (MAINTENANCE)

FIG ITEM	PART NUMBER	1 2 3 4 5 6 7	NOMENCLATURE	EFFECT FROM TO	UNITS PER ASSY
2 - 75	L8008K8		.BOLT- SUPPLIER CODE: V06725 SPECIFICATION NUMBER: BACB30MY8K8 USED ON: 111N5409-303 111N5409-308 111N5409-1001 111N5409-4001 111N5409-302 111N5409-307 111N5409-402 111N5409-304 111N5409-309 111N5409-1002 111N5409-4002 MODREF1502 MODREF26251 MODREF1498 MODREF1505 MODREF1501 MODREF26250 MODREF1508 MODREF1503 MODREF26252 MODREF1499 MODREF1506 MODREF26253 MODREF26254 MODREF26256	101106 108120 504903	2
- 80	L8008K8		.BOLT- SUPPLIER CODE: V06725 SPECIFICATION NUMBER: BACB30MY8K8 USED ON: 111N5409-301 111N5409-306 111N5409-401 111N5409-305 111N5409-310 111N5409-403 MODREF1500 MODREF26249 MODREF1507 MODREF1504 MODREF1509 MODREF26255	101106 108120 504903	3

MISSING ITEM NUMBERS NOT APPLICABLE

- ITEM NOT ILLUSTRATED

57-10-51-02

57-10-51
FIG. 02
PAGE 5
JAN 20/09

BRI



757

PARTS CATALOG (MAINTENANCE)

FIG ITEM	PART NUMBER	1 2 3 4 5 6 7	NOMENCLATURE	EFFECT FROM TO	UNITS PER ASSY
2 - 90	L8008K9		.BOLT- SUPPLIER CODE: V06725 SPECIFICATION NUMBER: BACB30MY8K9 USED ON: 111N5409-4001 111N5409-4002 111N5409-302 111N5409-307 111N5409-402 MODREF1505 MODREF1506 MODREF1501 MODREF1508 MODREF26253 MODREF26254 MODREF26256	101106 108120 504903	3
- 100	L8008K9		.BOLT- SUPPLIER CODE: V06725 SPECIFICATION NUMBER: BACB30MY8K9 USED ON: 111N5409-301 111N5409-306 111N5409-401 111N5409-305 111N5409-310 111N5409-403 MODREF1500 MODREF26249 MODREF1507 MODREF1504 MODREF1509 MODREF26255	101106 108120 504903	2
- 105	L800Y8K9		.BOLT SUPPLIER CODE: V06725 SPECIFICATION NUMBER: BACB30MY8K9Y	101106 108120 504903	1
110	BACW10BP8CD		.WASHER	101106 108120 504903	1
115	BACW10BP8DP		.WASHER	101106 108120 504903	1

MISSING ITEM NUMBERS NOT APPLICABLE

- ITEM NOT ILLUSTRATED

57-10-51-02

57-10-51
FIG. 02
PAGE 6
JAN 20/09

BRI



757

PARTS CATALOG (MAINTENANCE)

FIG ITEM	PART NUMBER	1 2 3 4 5 6 7	NOMENCLATURE	EFFECT FROM TO	UNITS PER ASSY
2 120	BMN10HRCWD3-8	.NUT	SUPPLIER CODE: V97928 SPECIFICATION NUMBER: BACN10HR8CD OPTIONAL PART: H51560-8 V15653 67832CD820 V56878 102LH9031-8 V72962 BH00303CM8 V27238 BMN5024CWD38 V97928 SL7108C8 V11815 VCU0005D8 V06710 102LH90318 V72962 67832CD8 V56878 CR6030-8 VF0224	101106 108120 504903	1
125	BACS40R21C25F	.SHIM		101106 108120 504903	1
130	BACS40R15C22F	.SHIM		101106 108120 504903	1
135	BACS40R23C23F	.SHIM		101106 108120 504903	1
140	BACS40R19C50F	.SHIM		101106 108120 504903	1
145	111N5409-6	.SHIM		101106 108120 504903	1
150	111N5409-11	.SHIM		101106 108120 504903	1
155	111N5409-12	.SHIM		101106 108120 504903	1

MISSING ITEM NUMBERS NOT APPLICABLE

- ITEM NOT ILLUSTRATED

57-10-51-02

57-10-51
FIG. 02
PAGE 7
JAN 20/09

BRI

BOEING PROPRIETARY - Copyright © - Unpublished Work - See title page for details.



757

PARTS CATALOG (MAINTENANCE)

FIG ITEM	PART NUMBER	1 2 3 4 5 6 7	NOMENCLATURE	EFFECT FROM TO	UNITS PER ASSY
2					
160	111N5409-13	.	FILLER	101106 108120	1
165	111N5222-3	.	FITTING- USED ON: 111N5409-303 111N5409-308 111N5409-1001 111N5409-301 111N5409-306 111N5409-401 111N5409-305 111N5409-310 111N5409-403 MODREF1502 MODREF26251 MODREF1498 MODREF1500 MODREF26249 MODREF1507 MODREF1504 MODREF1509 MODREF26255	504903 101106 108120 504903	1
170	111N5222-11	.	FITTING- POSITION DATA: LH	101106 108120	1
175	111N5222-4	.	FITTING- USED ON: 111N5409-304 111N5409-309 111N5409-1002 111N5409-302 111N5409-307 111N5409-402 MODREF1501 MODREF26250 MODREF1508 MODREF1503 MODREF26252 MODREF1499 MODREF26256	504903 101106 108120 504903	1
180	111N5222-12	.	FITTING- POSITION DATA: RH	101106 108120 504903	1

MISSING ITEM NUMBERS NOT APPLICABLE

- ITEM NOT ILLUSTRATED

BRI

57-10-51-02

BOEING PROPRIETARY - Copyright © - Unpublished Work - See title page for details.

57-10-51
FIG. 02
PAGE 8
JAN 20/09



757

PARTS CATALOG (MAINTENANCE)

FIG ITEM	PART NUMBER	1 2 3 4 5 6 7	NOMENCLATURE	EFFECT FROM TO	UNITS PER ASSY
2 185	111N5112-5		. FITTING- USED ON: 111N5409-303 111N5409-308 111N5409-1001 111N5409-4001 111N5409-301 111N5409-306 111N5409-401 111N5409-305 111N5409-310 111N5409-403 MODREF1502 MODREF26251 MODREF1498 MODREF1505 MODREF1500 MODREF26249 MODREF1507 MODREF1504 MODREF1509 MODREF26253 MODREF26255	101106 108120 504903	1
195	111N5112-6		. FITTING- USED ON: 111N5409-304 111N5409-309 111N5409-1002 111N5409-4002 111N5409-302 111N5409-307 111N5409-402 MODREF1501 MODREF26250 MODREF1508 MODREF1503 MODREF26252 MODREF1499 MODREF1506 MODREF26254 MODREF26256	101106 108120 504903	1

MISSING ITEM NUMBERS NOT APPLICABLE

- ITEM NOT ILLUSTRATED

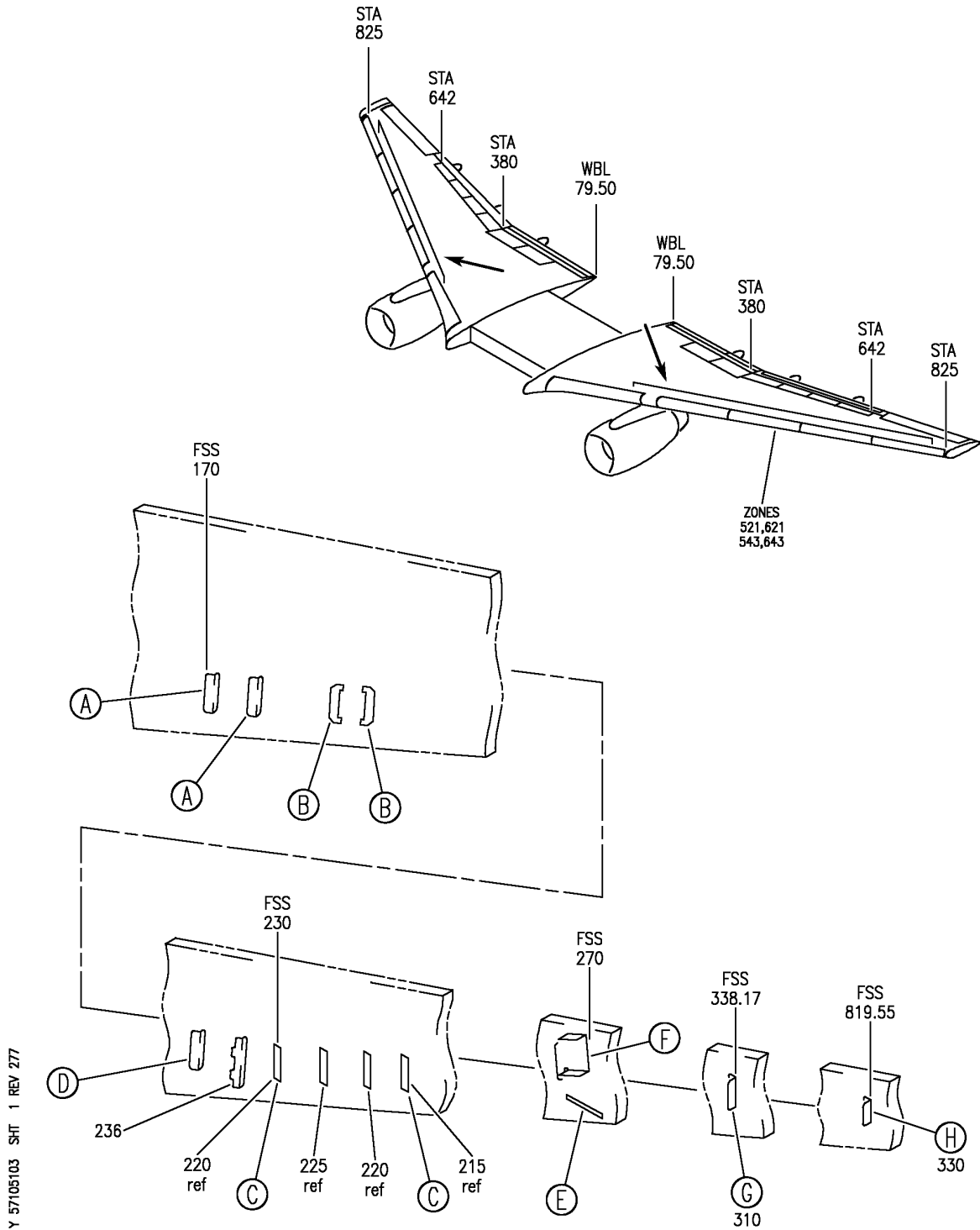
BRI

57-10-51-02

BOEING PROPRIETARY - Copyright © - Unpublished Work - See title page for details.

57-10-51
FIG. 02
PAGE 9
JAN 20/09

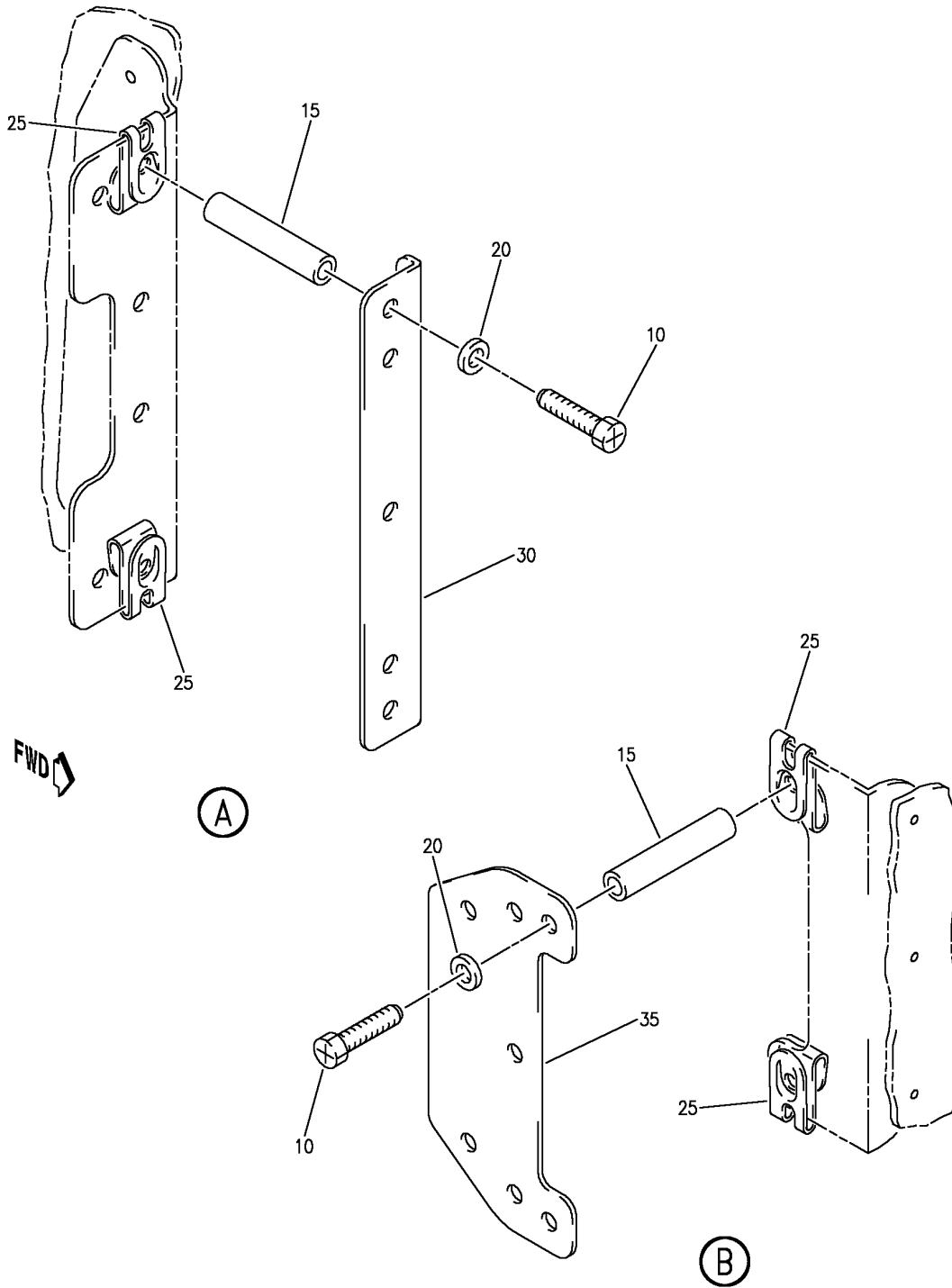
BOEING
757
PARTS CATALOG (MAINTENANCE)



PROVISION INSTL-WIRE
FIGURE 3 (SHEET 1)

57-10-51-03

BOEING
757
PARTS CATALOG (MAINTENANCE)



Y 57105103 SHT 2 REV 257

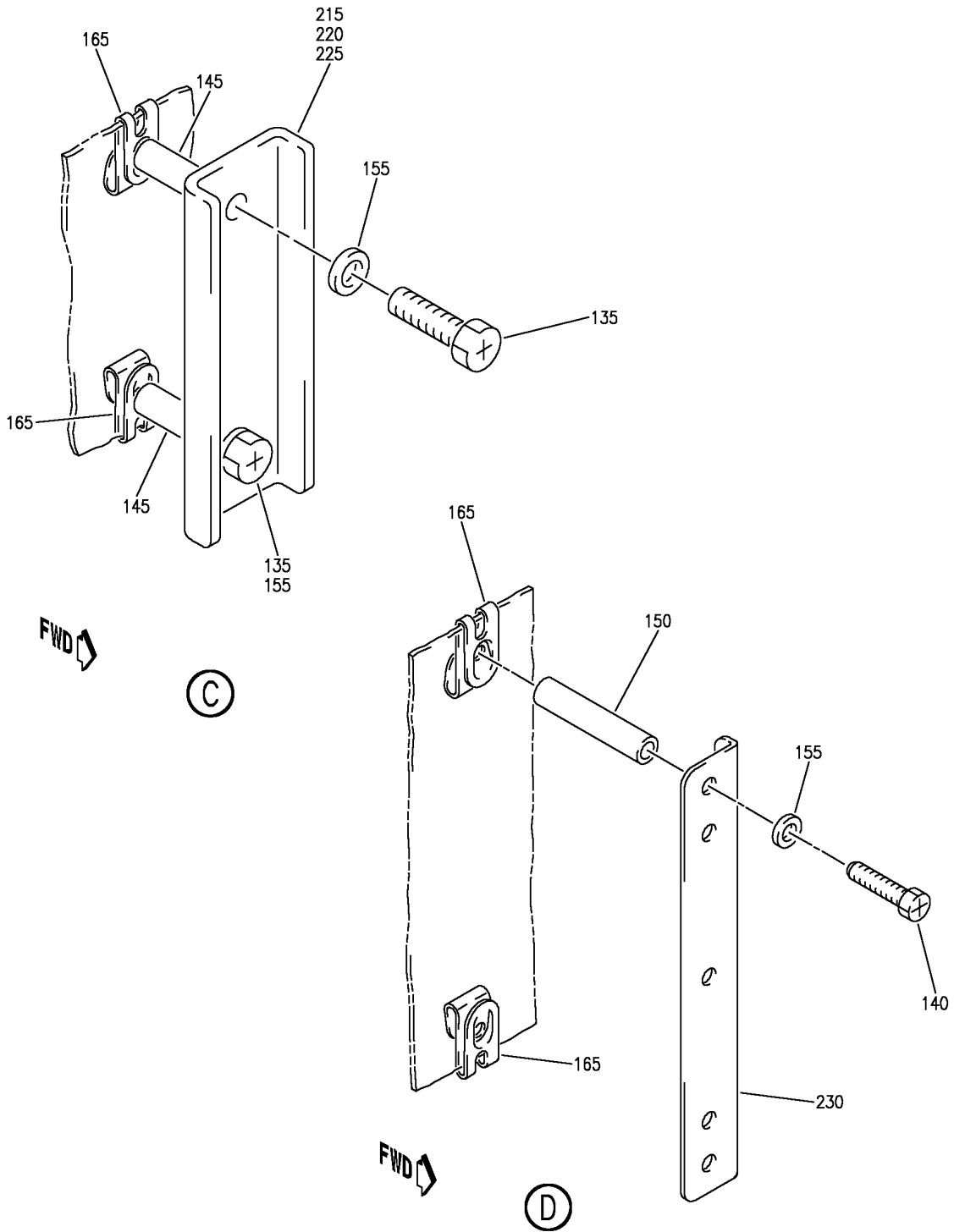
PROVISION INSTL-WIRE
FIGURE 3 (SHEET 2)

57-10-51-03

BRI
JAN 20/09

57-10-51-03
PAGE 0A

BOEING
757
PARTS CATALOG (MAINTENANCE)



Y 57105103 SHT 3 REV 257

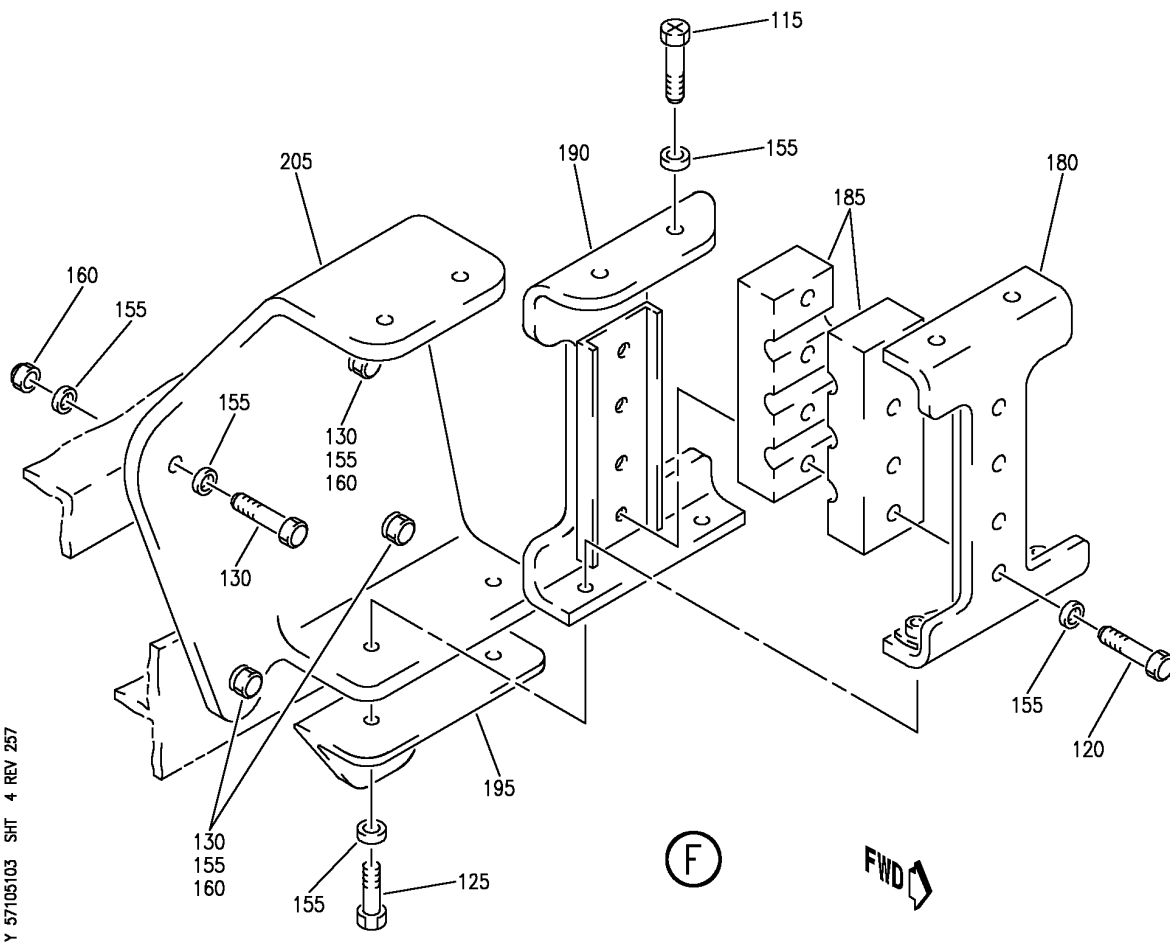
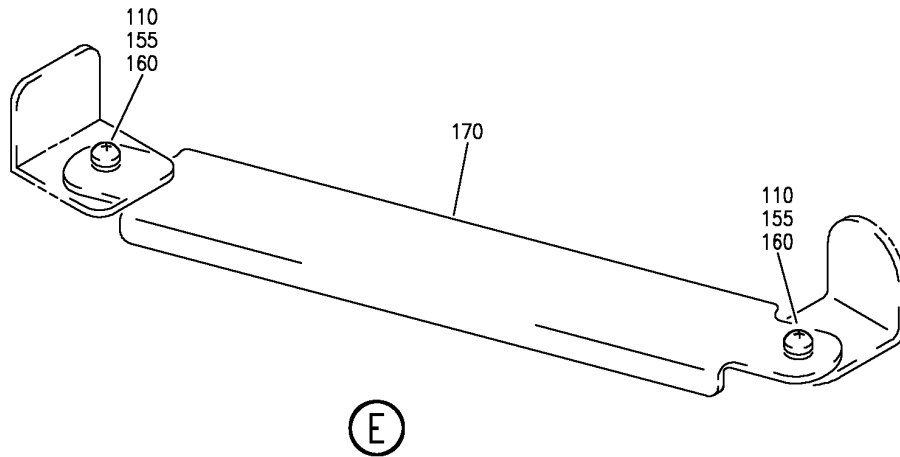
PROVISION INSTL-WIRE
FIGURE 3 (SHEET 3)

57-10-51-03

BRI
JAN 20/09

57-10-51-03
PAGE 0B

BOEING
757
PARTS CATALOG (MAINTENANCE)



Y 57105103 SHIT 4 REV 257

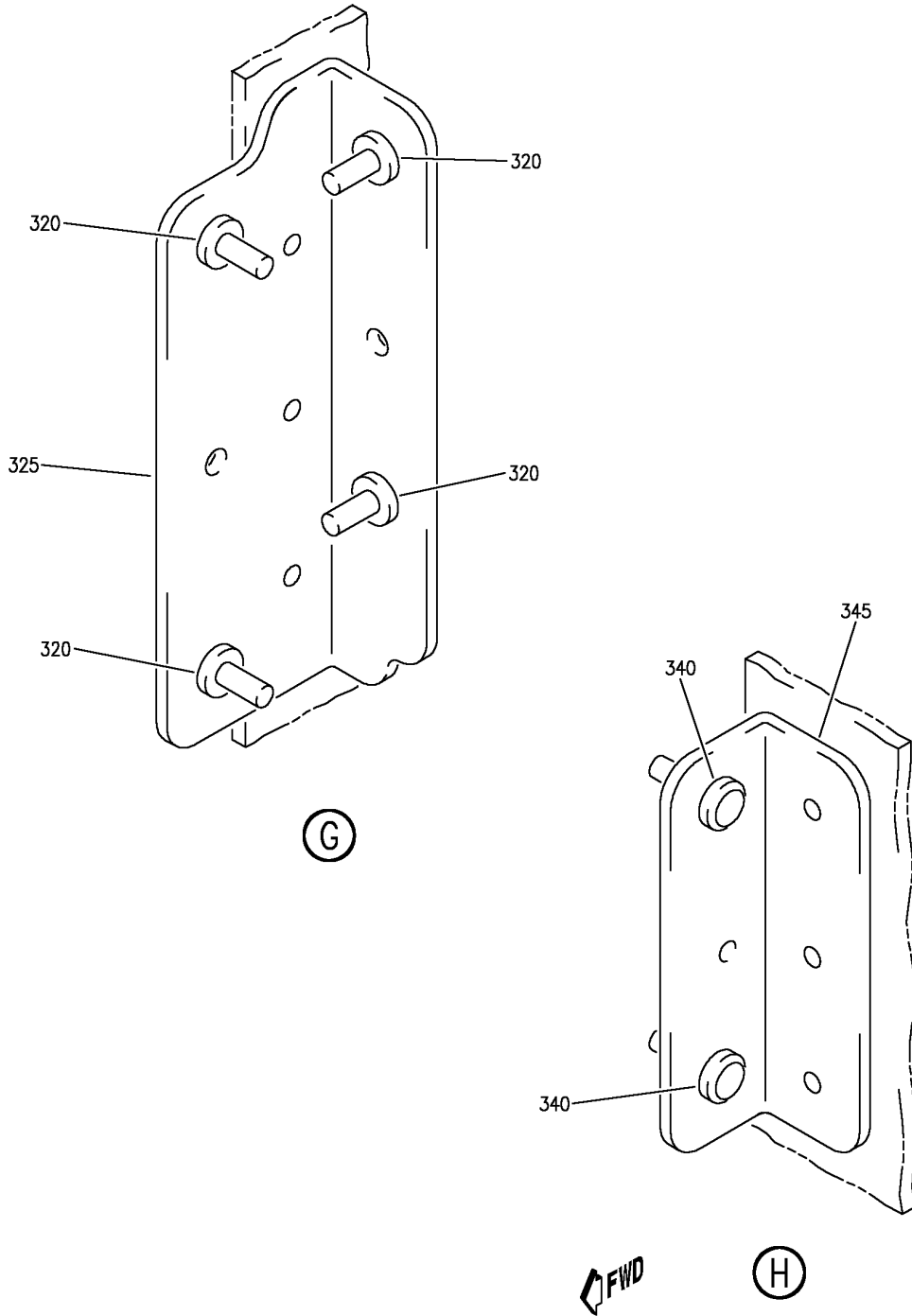
PROVISION INSTL-WIRE
FIGURE 3 (SHEET 4)

57-10-51-03

BRI
JAN 20/09

57-10-51-03
PAGE 0C

BOEING
757
PARTS CATALOG (MAINTENANCE)



Y 57105103 SH1 5 REV 257

PROVISION INSTL-WIRE
FIGURE 3 (SHEET 5)

57-10-51-03

BRI
JAN 20/09

57-10-51-03
PAGE 0D



757

PARTS CATALOG (MAINTENANCE)

FIG ITEM	PART NUMBER	1 2 3 4 5 6 7	NOMENCLATURE	EFFECT FROM TO	UNITS PER ASSY
3					
- 1	MODREF19993		PROVISION INSTL-WIRE PROVISION INSTL-WIRE MODULE NUMBER: 287N1428-3 REV A POSITION DATA: FRONT SPAR, LH SIDE FSS 100.00 TO 210.00	103106 103105	RF
- 1	MODREF31978		PROVISION INSTL-WIRE MODULE NUMBER: 287N1428-3 REV C POSITION DATA: FRONT SPAR, LH SIDE FSS 100.00 TO 210.00	106106	RF
- 5	MODREF19994		PROVISION INSTL-WIRE MODULE NUMBER: 287N1428-4 REV A POSITION DATA: FRONT SPAR, RH SIDE FSS 100.00 TO 210.00	103105	RF
- 5	MODREF31979		PROVISION INSTL-WIRE MODULE NUMBER: 287N1428-4 REV C POSITION DATA: FRONT SPAR, RH SIDE FSS 100.00 TO 210.00	106106	RF
10	BACS12GU3K35		.SCREW	103106	8
15	NAS42DD6-112FC		.SPACER	103106	8
20	NAS1149D0332J		.WASHER	103106	8
25	BACN10VR4CG		.NUT	103106	8
30	287N1442-47		.BRACKET	103106	2
35	287N1442-53		.BRACKET	103106	2
- 100	MODREF23854		PROVISION INSTL-WIRE MODULE NUMBER: 287N1428-5 REV B POSITION DATA: FRONT SPAR, LH SIDE FSS 210.00 TO 280.00	103103	RF
- 100	MODREF27815		PROVISION INSTL-WIRE MODULE NUMBER: 287N1428-5 REV C POSITION DATA: FRONT SPAR, LH SIDE FSS 210.00 TO 280.00	104105	RF
- 100	MODREF33268		PROVISION INSTL-WIRE MODULE NUMBER: 287N1428-5 REV E POSITION DATA: FRONT SPAR, LH SIDE FSS 210.00 TO 280.00	106106	RF

MISSING ITEM NUMBERS NOT APPLICABLE

- ITEM NOT ILLUSTRATED

57-10-51-03

57-10-51
FIG. 03
PAGE 1
JAN 20/09

BRI



757

PARTS CATALOG (MAINTENANCE)

FIG ITEM	PART NUMBER	1 2 3 4 5 6 7	NOMENCLATURE	EFFECT FROM TO	UNITS PER ASSY
3					
- 105	MODREF23855		PROVISION INSTL-WIRE MODULE NUMBER: 287N1428-6 REV B POSITION DATA: FRONT SPAR, RH SIDE FSS 210.00 TO 280.00	103103	RF
- 105	MODREF27816		PROVISION INSTL-WIRE MODULE NUMBER: 287N1428-6 REV C POSITION DATA: FRONT SPAR, RH SIDE FSS 210.00 TO 280.00	104105	RF
- 105	MODREF33269		PROVISION INSTL-WIRE MODULE NUMBER: 287N1428-6 REV E POSITION DATA: FRONT SPAR, RH SIDE FSS 210.00 TO 280.00	106106	RF
110	BACS12GU3K7	.SCREW		103106	2
115	BACS12GU3K9	.SCREW		103106	2
120	BACS12GU3K26	.SCREW		103106	4
125	BACS12GU3K10	.SCREW		103106	2
130	BACS12GU3K8	.SCREW		103106	4
135	BACS12GU3K20	.SCREW		103106	8
140	BACS12GU3K35	.SCREW		103106	2
145	NAS43DD3-52FC	.SPACER		103106	8
150	NAS43DD3-112FC	.SPACER		103106	2
155	NAS1149D0332J	.WASHER		103106	28
160	PLH53CD	.NUT		103106	6
			SUPPLIER CODE: VF0224 SPECIFICATION NUMBER: BACN10YR3CD OPTIONAL PART: H52732-3CD V15653		
165	BACN10VR4CG	.NUT		103106	10
170	287N1442-76	.BRACKET-	POSITION DATA: LH SIDE	103105	1
170	287N1442-81	.BRACKET-	POSITION DATA: LH SIDE	106106	1
- 175	287N1442-77	.BRACKET-	POSITION DATA: RH SIDE	103105	1
- 175	287N1442-82	.BRACKET-	POSITION DATA: RH SIDE	106106	1

MISSING ITEM NUMBERS NOT APPLICABLE

- ITEM NOT ILLUSTRATED

57-10-51-03

57-10-51
FIG. 03
PAGE 2
JAN 20/09

BRI

BOEING PROPRIETARY - Copyright © - Unpublished Work - See title page for details.



757

PARTS CATALOG (MAINTENANCE)

FIG ITEM	PART NUMBER	1 2 3 4 5 6 7	NOMENCLATURE	EFFECT FROM TO	UNITS PER ASSY
3					
180	287T1034-23		.BRACKET ASSY	103106	1
185	287N1421-7		.BLOCK	103106	2
190	287T1034-7		.BRACKET ASSY	103106	1
195	287T1401-713		.BRACKET ASSY- POSITION DATA: LH SIDE	103106	1
- 200	287T1401-714		.BRACKET ASSY- POSITION DATA: RH SIDE	103106	1
205	287N1117-1		.BRACKET- POSITION DATA: LH SIDE	103106	1
- 210	287N1117-2		.BRACKET- POSITION DATA: RH SIDE	103106	1
215	287N1401-733		.BRACKET	103106	1
220	287N1442-51		.BRACKET	103106	2
225	287N1401-467		.BRACKET	103106	1
230	287N1442-49		.BRACKET- POSITION DATA: LH SIDE	103106	1
- 235	287N1442-49		.BRACKET- POSITION DATA: RH SIDE	103106	1
236	287N1442-29		.BRACKET- POSITION DATA: LH SIDE	103106	1
- 238	287N1442-30		.BRACKET- POSITION DATA: RH SIDE	103106	1
- 239	BACR15FT5DC		ATTACHING PARTS .RIVET- SIZE DETERMINED ON INSTL. -----*-----	103106	6
- 300	MODREF19998		PROVISION INSTL-WIRE MODULE NUMBER: 287N1428-9 REV A POSITION DATA: FRONT SPAR, LH SIDE	103103	RF
- 300	MODREF27817		PROVISION INSTL-WIRE MODULE NUMBER: 287N1428-9 REV B POSITION DATA: FRONT SPAR, LH SIDE	104106	RF
- 305	MODREF19992		PROVISION INSTL-WIRE MODULE NUMBER: 287N1428-10 REV A POSITION DATA: FRONT SPAR, RH SIDE	103103	RF

MISSING ITEM NUMBERS NOT APPLICABLE

- ITEM NOT ILLUSTRATED

57-10-51-03

57-10-51
FIG. 03
PAGE 3
JAN 20/09

BRI

BOEING PROPRIETARY - Copyright © - Unpublished Work - See title page for details.



757

PARTS CATALOG (MAINTENANCE)

FIG ITEM	PART NUMBER	1 2 3 4 5 6 7	NOMENCLATURE	EFFECT FROM TO	UNITS PER ASSY
3					
- 305	MODREF27814		PROVISION INSTL-WIRE MODULE NUMBER: 287N1428-10 REV B POSITION DATA: FRONT SPAR, RH SIDE	104106	RF
310	287N1401-765		.BRACKET ASSY ATTACHING PARTS	103106	1
- 315	BACR15FT5DC		.RIVET- SIZE DETERMINED ON INSTL. -----*-----	103106	3
320	VNS1924CA1-8		..STUD-GND SUPPLIER CODE: V5M902 SPECIFICATION NUMBER: BACS53B1EA1 OPTIONAL PART: VNS1924CA3-1-8 V92215	103106	4
325	287N1401-764		..BRACKET	103106	1
330	287N1401-31		.BRACKET ASSY ATTACHING PARTS	103106	1
- 335	BACR15FT5DC		.RIVET- SIZE DETERMINED ON INSTL. -----*-----	103106	3
340	BACS53B1ES1		..STUD-GND	103106	2
345	287N1401-29		..BRACKET	103106	1

MISSING ITEM NUMBERS NOT APPLICABLE

- ITEM NOT ILLUSTRATED

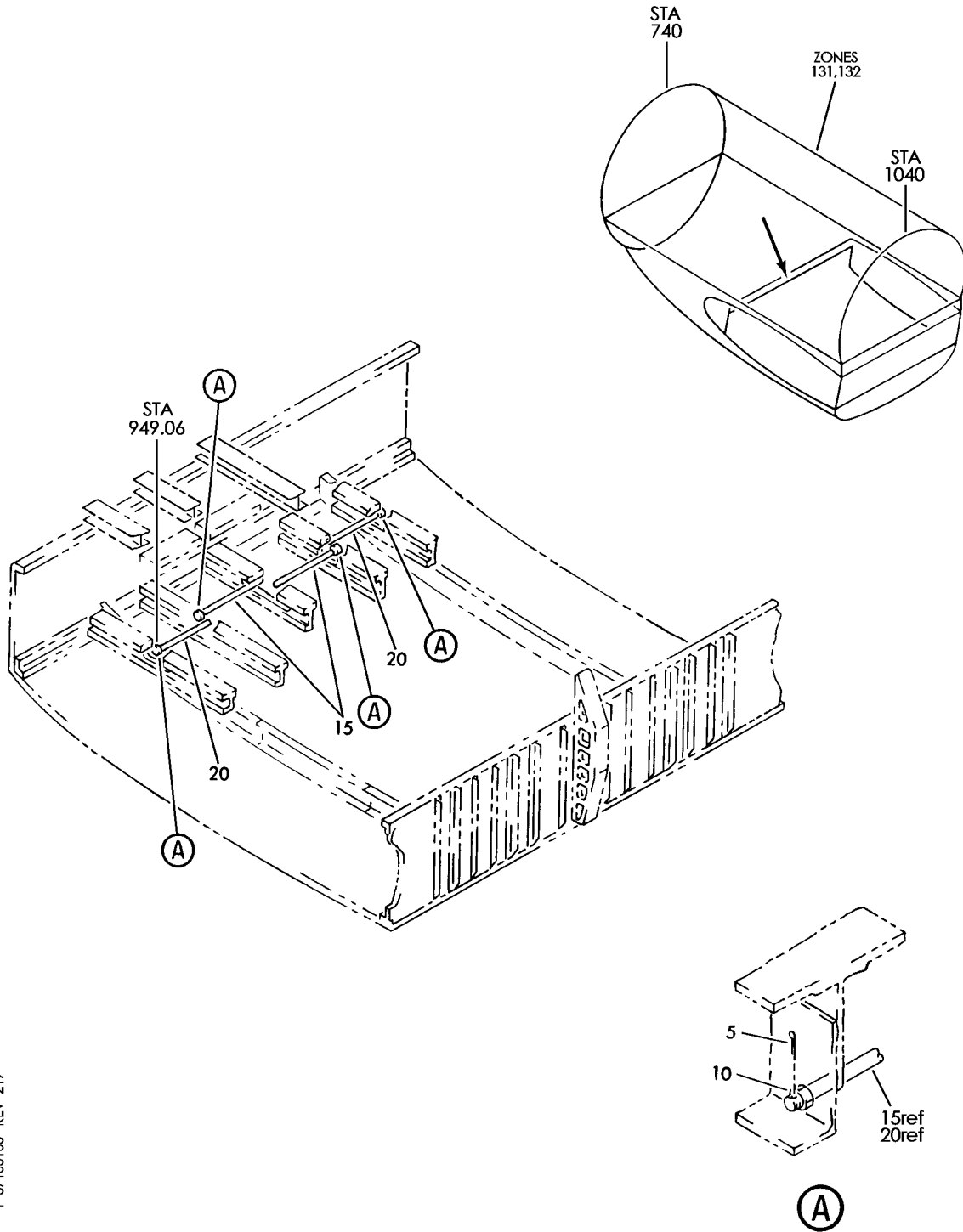
57-10-51-03

57-10-51
FIG. 03
PAGE 4
JAN 20/09

BRI

BOEING PROPRIETARY - Copyright © - Unpublished Work - See title page for details.

BOEING
757
PARTS CATALOG (MAINTENANCE)



Y 57105105 REV 219

GUARD INSTL-FLOOR BEAM CABLE
FIGURE 5

57-10-51-05

BRI
MAY 28/07

57-10-51-05
PAGE 0



757

PARTS CATALOG (MAINTENANCE)

FIG ITEM	PART NUMBER	1 2 3 4 5 6 7	NOMENCLATURE	EFFECT FROM TO	UNITS PER ASSY
5			GUARD INSTL-FLOOR BEAM CABLE	101106 108120 504903	
- 3	251N6059-5		GUARD INSTL-FLOOR BEAM CABLE POSITION DATA: STA 947 FOR NHA SEE: 57-00-00-20	101102 108120 504903	RF
- 3	MODREF8585		GUARD INSTL-FLOOR BEAM CABLE MODULE NUMBER: 251N6059-5 REV A POSITION DATA: STA 947	103106	1
5	MS24665-134		.PIN	101106 108120 504903	4
10	BACN10MG4		.NUT	101106 108120 504903	4
15	251N6391-1		.ROD	101106 108120 504903	2
20	251N6391-2		.ROD	101106 108120 504903	2

MISSING ITEM NUMBERS NOT APPLICABLE

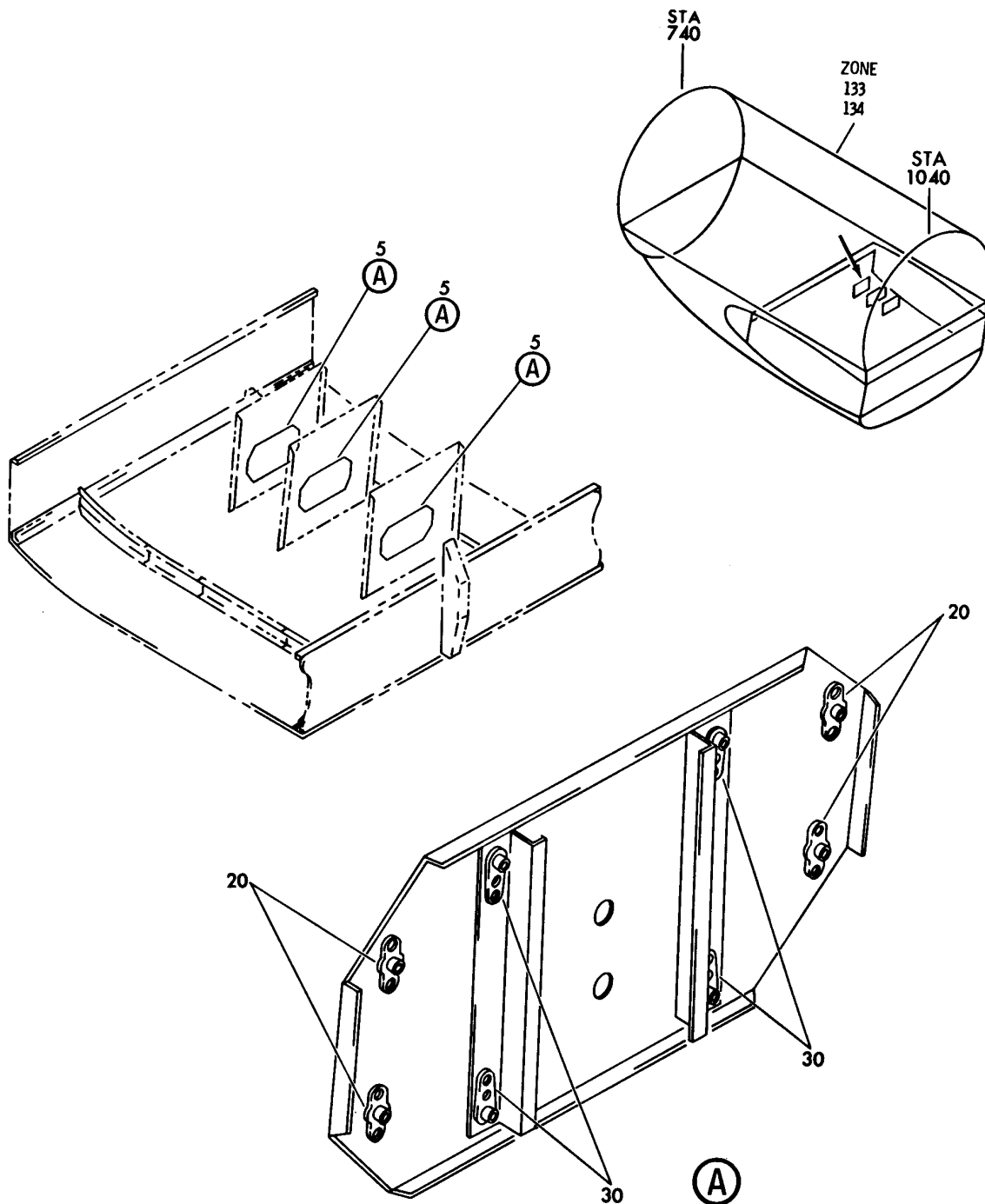
- ITEM NOT ILLUSTRATED

57-10-51-05

57-10-51
FIG. 05
PAGE 1
JAN 20/09

BRI

BOEING
757
PARTS CATALOG (MAINTENANCE)



Y 57105201 REV 181

DOOR INSTL-BAFFLE SECT. 11 WING
FIGURE 1

57-10-52-01

BRI
MAY 28/07

57-10-52-01
PAGE 0



757

PARTS CATALOG (MAINTENANCE)

FIG ITEM	PART NUMBER	1 2 3 4 5 6 7	NOMENCLATURE	EFFECT FROM TO	UNITS PER ASSY
1			DOOR INSTL-BAFFLE SECT. 11 WING	101106 108120 504903	
- 1	MODREF1419		DOOR INSTL-BAFFLE WING MODULE NUMBER: 111N5104-401 REV A POSITION DATA: SECT. 11	103106	1
- 1	111N5104-401		DOOR INSTL-BAFFLE WING POSITION DATA: SECT. 11 FOR NHA SEE: 57-00-00-15	101102 108120 504903	RF
- 2	111N5104-402		DOOR INSTL-BAFFLE WING POSITION DATA: SECT. 11 FOR NHA SEE: 57-00-00-15	101102 108120 504903	RF
- 2	MODREF1420		DOOR INSTL-BAFFLE WING MODULE NUMBER: 111N5104-402 REV A POSITION DATA: SECT. 11	103106	1
- 3	111N5104-403		DOOR INSTL-BAFFLE WING POSITION DATA: SECT. 11 FOR NHA SEE: 57-00-00-15	101102 108120 504903	RF
- 3	MODREF1421		DOOR INSTL-BAFFLE WING MODULE NUMBER: 111N5104-403 REV A POSITION DATA: SECT. 11	103106	1
	5 111N5104-2		.DOOR ASSY	101106 108120 504903	1
- 10	BACB30NR4K4		ATTACHING PARTS .BOLT	101106 108120 504903	8
- 15	AN960D416L		.WASHER	101106 108120 504903	8
			-----*-----		

MISSING ITEM NUMBERS NOT APPLICABLE

- ITEM NOT ILLUSTRATED

BRI

57-10-52-01

57-10-52
FIG. 01
PAGE 1
JAN 20/09



757

PARTS CATALOG (MAINTENANCE)

FIG ITEM	PART NUMBER	1 2 3 4 5 6 7	NOMENCLATURE	EFFECT FROM TO	UNITS PER ASSY
1 20	BRF200C4D		..NUTPLATE SUPPLIER CODE: V52828 SPECIFICATION NUMBER: BACN10JR4CFD OPTIONAL PART: K51602-4BAC V15653 NS202476-048 V80539 102F9201-4 V72962 T8092C428CD V11815 ATTACHING PARTS	101106 108120 504903	4
- 25	BACR15BA3D		..RIVET- SIZE DETERMINED ON INSTL. -----*-----	101106 108120 504903	8
30	BRF100C4D		..NUTPLATE SUPPLIER CODE: V52828 SPECIFICATION NUMBER: BACN10KB4CFD OPTIONAL PART: NS202478-048 V80539 102F9207P4 V72962 F51604-4 V15653 ATTACHING PARTS	101106 108120 504903	4
- 35	BACR15BA3D		..RIVET- SIZE DETERMINED ON INSTL. -----*-----	101106 108120 504903	8

MISSING ITEM NUMBERS NOT APPLICABLE

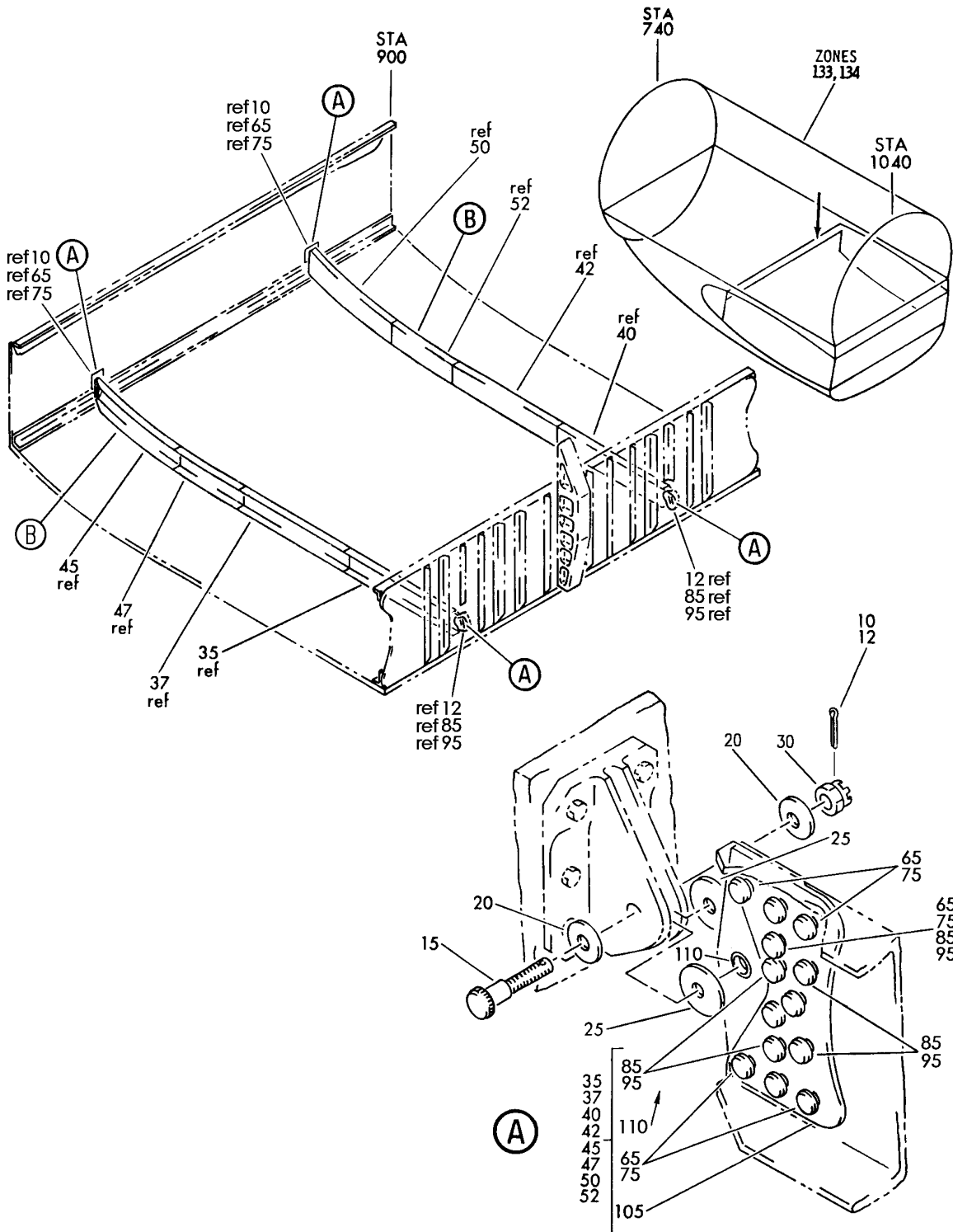
- ITEM NOT ILLUSTRATED

57-10-52-01

57-10-52
FIG. 01
PAGE 2
JAN 20/09

BRI

BOEING
757
PARTS CATALOG (MAINTENANCE)



Y 57105301 SH1 1 REV 252

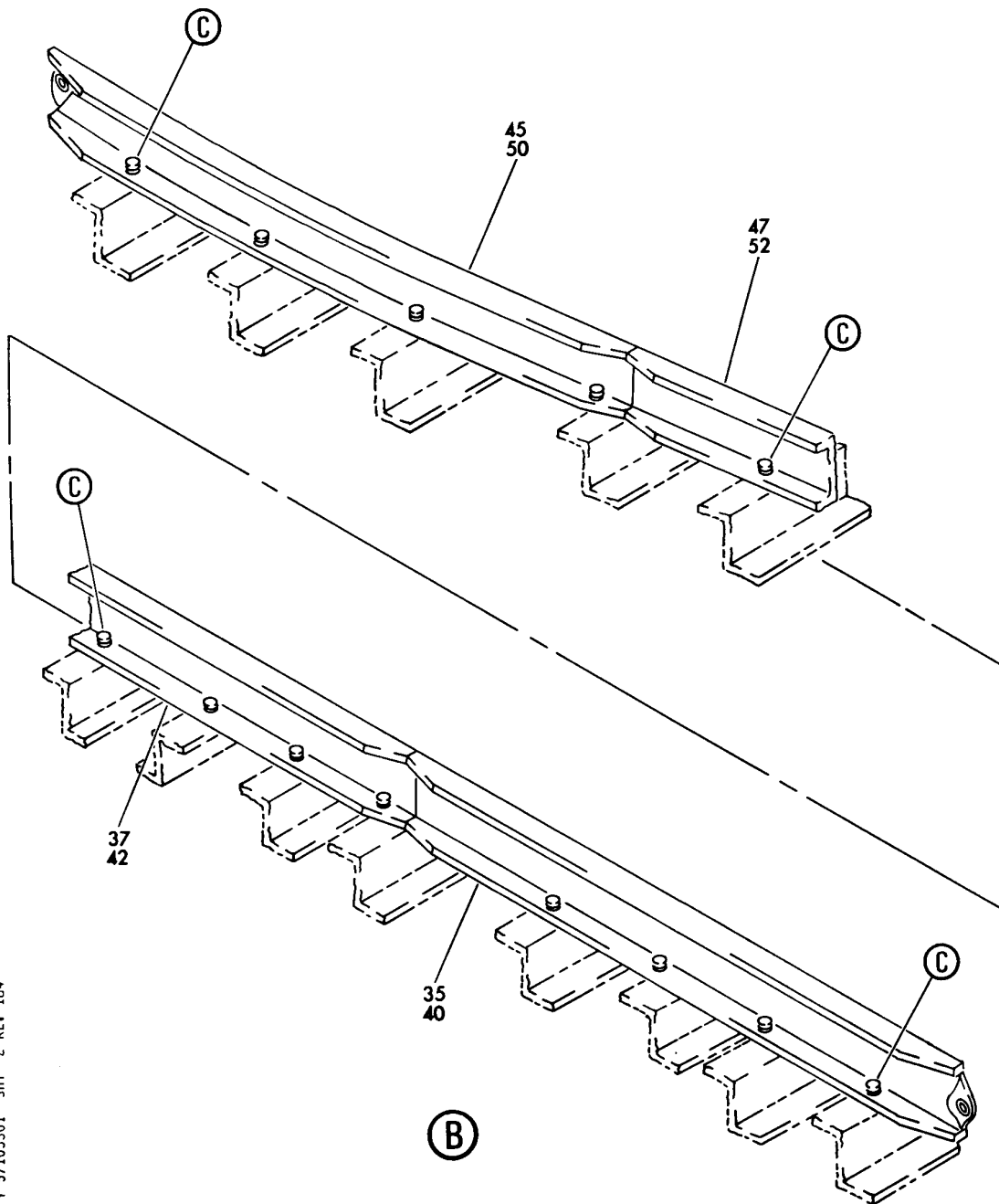
BEAM INSTL-SECT II, WING LWR INTERNAL
FIGURE 1 (SHEET 1)

57-10-53-01

BRI
MAY 28/07

57-10-53-01
PAGE 0

BOEING
757
PARTS CATALOG (MAINTENANCE)



Y 57105301 SHT 2 REV 184

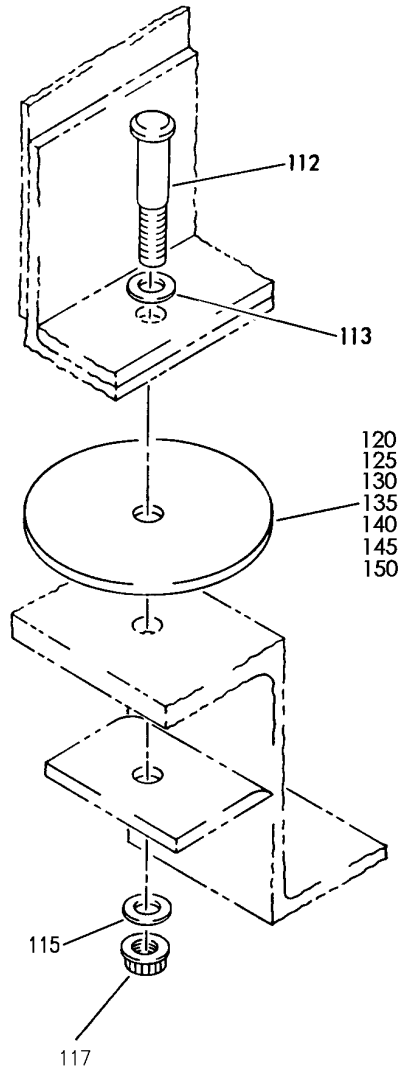
BEAM INSTL-SECT II, WING LWR INTERNAL
FIGURE 1 (SHEET 2)

57-10-53-01

BRI
MAY 28/07

57-10-53-01
PAGE 0A

BOEING
757
PARTS CATALOG (MAINTENANCE)



Ⓒ

Y 57105301 SH1 3 REV 252

BEAM INSTL-SECT II, WING LWR INTERNAL
FIGURE 1 (SHEET 3)

57-10-53-01

BRI
MAY 28/07

57-10-53-01
PAGE 0B



757

PARTS CATALOG (MAINTENANCE)

FIG ITEM	PART NUMBER	1 2 3 4 5 6 7	NOMENCLATURE	EFFECT FROM TO	UNITS PER ASSY
1			BEAM INSTL-SECT II, WING LWR INTERNAL	101106 108120 504903	
- 1	111N5301-401		BEAM INSTL-WING POSITION DATA: LWR INTERNAL LH FOR NHA SEE: 57-00-00-15	101102 108120 504903	RF
- 1	MODREF1492		BEAM INSTL-WING MODULE NUMBER: 111N5301-401 REV A POSITION DATA: LWR INTERNAL LH	103103	1
- 1	MODREF26241		BEAM INSTL-WING MODULE NUMBER: 111N5301-401 REV B POSITION DATA: LWR INTERNAL LH	104105	1
- 1	MODREF31742		BEAM INSTL-WING MODULE NUMBER: 111N5301-401 REV C POSITION DATA: LWR INTERNAL LH	106106	1
- 5	111N5301-402		BEAM INSTL-WING POSITION DATA: LWR INTERNAL RH FOR NHA SEE: 57-00-00-15	101102 108120 504903	RF
- 5	MODREF1493		BEAM INSTL-WING MODULE NUMBER: 111N5301-402 REV A POSITION DATA: LWR INTERNAL RH	103103	1
- 5	MODREF26242		BEAM INSTL-WING MODULE NUMBER: 111N5301-402 REV B POSITION DATA: LWR INTERNAL RH	104105	1
- 5	MODREF31743		BEAM INSTL-WING MODULE NUMBER: 111N5301-402 REV C POSITION DATA: LWR INTERNAL RH	106106	1
10	BACP18BC03A10P		.PIN-	101106 108120 504903	1
12	BACP18BC03A10P		.PIN	101106 108120 504903	1

MISSING ITEM NUMBERS NOT APPLICABLE

- ITEM NOT ILLUSTRATED

57-10-53-01

57-10-53
FIG. 01
PAGE 1
JAN 20/09

BRI

BOEING PROPRIETARY - Copyright © - Unpublished Work - See title page for details.

 **BOEING**
757
PARTS CATALOG (MAINTENANCE)

FIG ITEM	PART NUMBER	1 2 3 4 5 6 7	NOMENCLATURE	EFFECT FROM TO	UNITS PER ASSY
1					
15	BACB30LT6DU14	.	BOLT	101106 108120 504903	2
20	111N5307-2	.	WASHER	101106 108120 504903	4
25	111N5307-1	.	WASHER	101106 108120 504903	4
30	BACN10JD6ASU	.	NUT	101106 108120 504903	2
35	111N5301-3	.	BEAM ASSY- POSITION DATA: LH SIDE	101106 108120 504903	1
37	111N5301-5	.	BEAM ASSY- POSITION DATA: LH SIDE	101106 108120 504903	1
40	111N5301-80	.	BEAM ASSY- POSITION DATA: RH SIDE	101106 108120 504903	1
42	111N5301-82	.	BEAM ASSY- POSITION DATA: RH SIDE	101106 108120 504903	1
45	111N5301-9	.	BEAM ASSY- POSITION DATA: LH SIDE	101106 108120 504903	1
47	111N5301-7	.	BEAM ASSY- POSITION DATA: LH SIDE	101106 108120 504903	1
50	111N5301-10	.	BEAM ASSY- POSITION DATA: RH SIDE	101106 108120 504903	1
52	111N5301-8	.	BEAM ASSY- POSITION DATA: RH SIDE	101106 108120 504903	1
- 55	L8008K8	.	BOLT- SUPPLIER CODE: V06725 SPECIFICATION NUMBER: BACB30MY8K8	101106 108120 504903	41

MISSING ITEM NUMBERS NOT APPLICABLE

- ITEM NOT ILLUSTRATED

BRI

57-10-53-01

BOEING PROPRIETARY - Copyright © - Unpublished Work - See title page for details.

57-10-53
FIG. 01
PAGE 2
JAN 20/09



**757
PARTS CATALOG (MAINTENANCE)**

FIG ITEM	PART NUMBER	1 2 3 4 5 6 7	NOMENCLATURE	EFFECT FROM TO	UNITS PER ASSY
1 - 60	HL79-8		. COLLAR SUPPLIER CODE: V5M902 SPECIFICATION NUMBER: BACC30M8 OPTIONAL PART: HL79-8 V73197 HL79-8 V92215 66014-8 V56878 HL79-8 V56878	101106 108120 504903	41
65	HL1012AZ8-8		-----*----- . . BOLT- SUPPLIER CODE: VOPTK6 SPECIFICATION NUMBER: BACB30NX8K8 OPTIONAL PART: HL12VAZ8-8 V73197 HL12VAZ8-8 V92215 HL12VAZ8-8 V97928 L802-8K8 V06725 HL12VAZ8-8 V56878 HL1012AZ8-8 V06725 HL1012AZ8-8 V06950 HL1012AZ8-8 V17446 HL1012AZ8-8 V56878 HL1012AZ8-8 V60516 HL1012AZ8-8 V73197 HL1012AZ8-8 V97928	101106 108120 504903	13

MISSING ITEM NUMBERS NOT APPLICABLE

- ITEM NOT ILLUSTRATED

BRI

57-10-53-01

BOEING PROPRIETARY - Copyright © - Unpublished Work - See title page for details.

57-10-53
FIG. 01
PAGE 3
JAN 20/09



757

PARTS CATALOG (MAINTENANCE)

FIG ITEM	PART NUMBER	1 2 3 4 5 6 7	NOMENCLATURE	EFFECT FROM TO	UNITS PER ASSY
1	75 HL1187-8		.. COLLAR SUPPLIER CODE: V5M902 SPECIFICATION NUMBER: BACC30X8 OPTIONAL PART: HL87-8 V92215 HL87-8 V73197 HL1187-8 V56878 HL1187-8 V92215 HL87-8 V56878 HL1187-8 V73197	101106 108120 504903	13
85	HL1012AZ6-6		.. BOLT- SUPPLIER CODE: V97928 SPECIFICATION NUMBER: BACB30NX6K6 OPTIONAL PART: HL12VAZ6-6 V73197 HL12VAZ6-6 V92215 HL12VAZ6-6 V97928 L802-6K6 V06725 HL12VAZ6-6 V56878 HL1012AZ6-6 V0PTK6 HL1012AZ6-6 V06725 HL1012AZ6-6 V06950 HL1012AZ6-6 V17446 HL1012AZ6-6 V56878 HL1012AZ6-6 V60516 HL1012AZ6-6 V73197	101106 108120 504903	13

MISSING ITEM NUMBERS NOT APPLICABLE

- ITEM NOT ILLUSTRATED

BRI

57-10-53-01

BOEING PROPRIETARY - Copyright © - Unpublished Work - See title page for details.

57-10-53
 FIG. 01
 PAGE 4
 JAN 20/09



757

PARTS CATALOG (MAINTENANCE)

FIG ITEM	PART NUMBER	1 2 3 4 5 6 7	NOMENCLATURE	EFFECT FROM TO	UNITS PER ASSY
1	95 HL1187-6		.. COLLAR SUPPLIER CODE: V5M902 SPECIFICATION NUMBER: BACC30X6 OPTIONAL PART: HL87-6 V92215 HL87-6 V73197 HL1187-6 V56878 HL1187-6 V92215 HL87-6 V56878 HL1187-6 V73197	101106 108120 504903	13
105	111N5302-1		.. PLATE ASSY	101106 108120 504903	1
110	BACB28Y6M030		... BUSHING	101106 108120 504903	1
112	BACB30MR5K13		. BOLT	101106 108120 504903	13
113	BACW10BP5CD		. WASHER	101106 108120 504903	13
115	NAS1149D0563J		. WASHER-	101106 108120 504903	13
117	NAS1805-5L		. NUT	101106 108120 504903	13
120	112T5183-98		. WASHER-TAPERED	101106 108120 504903	AR
125	69B11260-2		. WASHER	101106 108120 504903	AR
130	69B11260-3		. WASHER	101106 108120 504903	AR
135	69B11260-4		. WASHER	101106 108120 504903	AR

MISSING ITEM NUMBERS NOT APPLICABLE

- ITEM NOT ILLUSTRATED

57-10-53-01

57-10-53
FIG. 01
PAGE 5
JAN 20/09

BRI

BOEING PROPRIETARY - Copyright © - Unpublished Work - See title page for details.



757

PARTS CATALOG (MAINTENANCE)

FIG ITEM	PART NUMBER	1 2 3 4 5 6 7	NOMENCLATURE	EFFECT FROM TO	UNITS PER ASSY
1					
140	69B11260-5	.	WASHER	101106 108120 504903	AR
145	69B11260-6	.	WASHER	101106 108120 504903	AR
150	69B11260-7	.	WASHER	101106 108120 504903	AR

MISSING ITEM NUMBERS NOT APPLICABLE

- ITEM NOT ILLUSTRATED

BRI

57-10-53-01

BOEING PROPRIETARY - Copyright © - Unpublished Work - See title page for details.

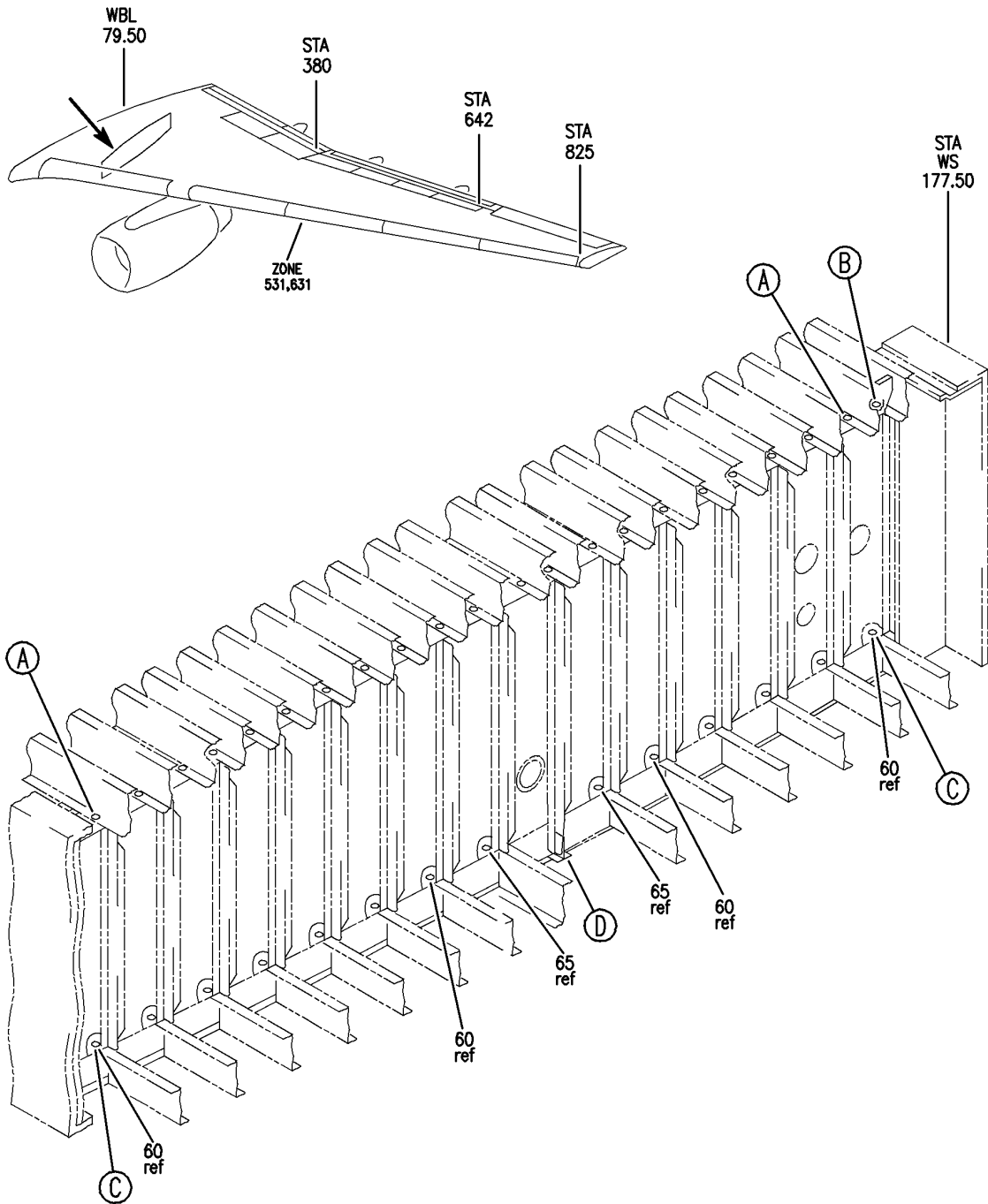
57-10-53
FIG. 01
PAGE 6
JAN 20/09

SPARS

BRI
MAY 28/07

57-12-00
SECTION TITLE
PAGE 1

BOEING
757
PARTS CATALOG (MAINTENANCE)



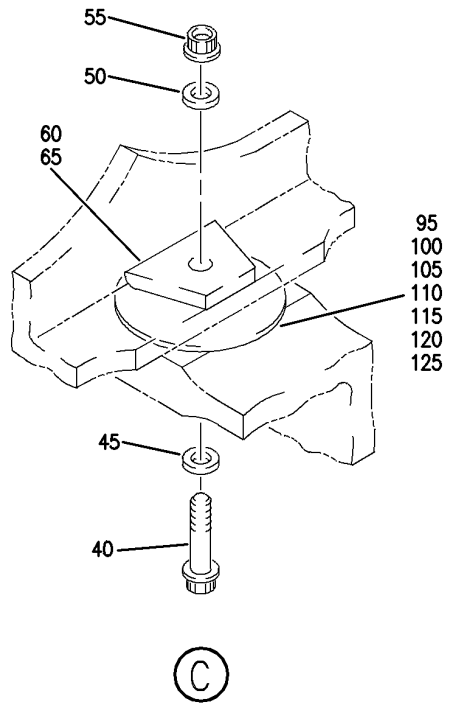
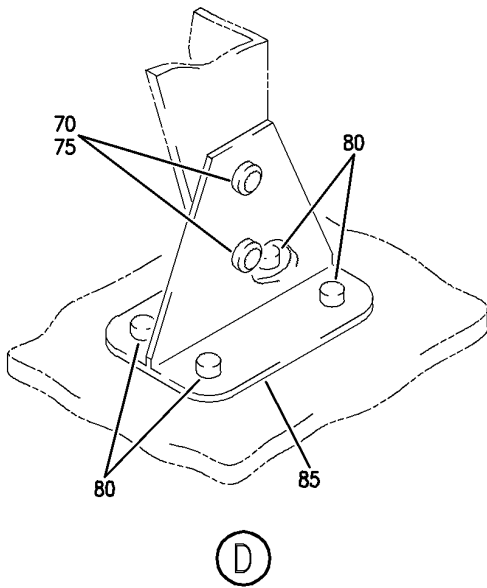
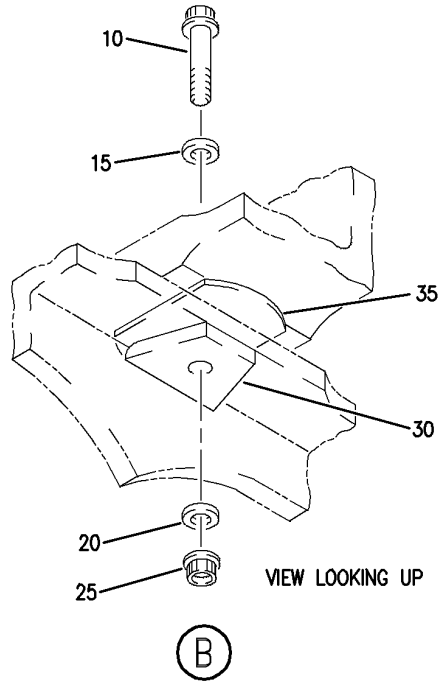
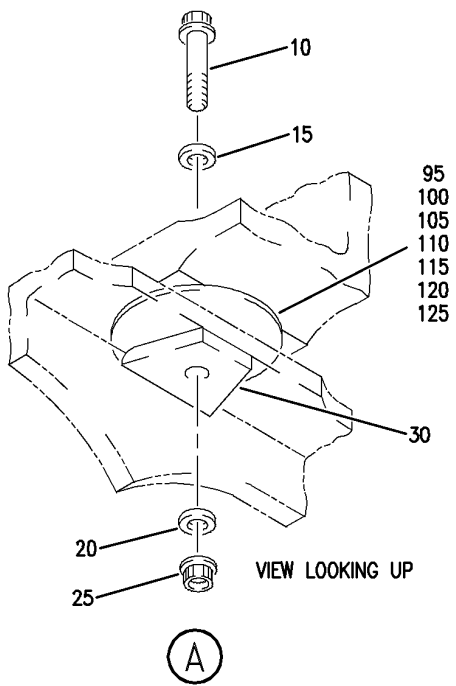
RIB INSTL-INSPAR WING STA 177.50
FIGURE 1 (SHEET 1)

57-12-01-01

BRI
MAY 28/07

57-12-01-01
PAGE 0

BOEING
757
PARTS CATALOG (MAINTENANCE)



Y 57120101 SHT 2 REV 226

RIB INSTL-INSPAR WING STA 177.50
FIGURE 1 (SHEET 2)

57-12-01-01

BRI
MAY 28/07

57-12-01-01
PAGE 0A



757

PARTS CATALOG (MAINTENANCE)

FIG ITEM	PART NUMBER	1 2 3 4 5 6 7	NOMENCLATURE	EFFECT FROM TO	UNITS PER ASSY
1			RIB INSTL-INSPAR WING STA 177.50	101106 108120 504903	
- 1	112N5004-201		RIB INSTL-INSPAR WING STA 177.50 POSITION DATA: LH FOR NHA SEE: 57-00-00-20	101102 504903	RF
- 1	112N5004-203		RIB INSTL-INSPAR WING STA 177.50 POSITION DATA: LH FOR NHA SEE: 57-00-00-20	108120	RF
- 1	MODREF425		RIB INSTL-INSPAR WING STA 177.50 MODULE NUMBER: 112N5004-205 REV A POSITION DATA: LH	103103	1
- 1	MODREF26388		RIB INSTL-INSPAR WING STA 177.50 MODULE NUMBER: 112N5004-205 REV B POSITION DATA: LH	104106	1
- 5	112N5004-202		RIB INSTL-INSPAR WING STA 177.50 POSITION DATA: RH FOR NHA SEE: 57-00-00-20	101102 504903	RF
- 5	112N5004-204		RIB INSTL-INSPAR WING STA 177.50 POSITION DATA: RH FOR NHA SEE: 57-00-00-20	108120	RF
- 5	MODREF426		RIB INSTL-INSPAR WING STA 177.50 MODULE NUMBER: 112N5004-206 REV A POSITION DATA: RH	103103	1

MISSING ITEM NUMBERS NOT APPLICABLE

- ITEM NOT ILLUSTRATED

57-12-01-01

57-12-01
FIG. 01
PAGE 1
JAN 20/09

BRI



757

PARTS CATALOG (MAINTENANCE)

FIG ITEM	PART NUMBER	1 2 3 4 5 6 7	NOMENCLATURE	EFFECT FROM TO	UNITS PER ASSY
1					
- 5	MODREF26389		RIB INSTL-INSPAR WING STA 177.50 MODULE NUMBER: 112N5004-206 REV B POSITION DATA: RH	104106	1
10	BACB30MR4K11		.BOLT	101106 108120 504903	22
15	BACW10BP4CD		.WASHER	101106 108120 504903	22
20	BACW10BP4DP		.WASHER	101106 108120 504903	22
25	NAS1805-4L		.NUT	101106 108120 504903	22
30	112N0201-9		. FILLER-RADIUS	101106 108120 504903	22
35	112T5183-3		. SHIM	101106 108120 504903	1
40	BACB30MR5K13		.BOLT	101106 108120 504903	14
45	BACW10BP5CD		.WASHER	101106 108120 504903	14
50	BACW10BP5DP		.WASHER	101106 108120 504903	14
55	NAS1805-5L		.NUT	101106 108120 504903	14
60	112N0201-1		. FILLER-RADIUS	101106 108120 504903	12
65	112N0201-2		. FILLER-RADIUS	101106 108120 504903	2

MISSING ITEM NUMBERS NOT APPLICABLE

- ITEM NOT ILLUSTRATED

BRI

57-12-01-01

BOEING PROPRIETARY - Copyright © - Unpublished Work - See title page for details.

57-12-01
FIG. 01
PAGE 2
JAN 20/09

 **BOEING**
757
PARTS CATALOG (MAINTENANCE)

FIG ITEM	PART NUMBER	1 2 3 4 5 6 7	NOMENCLATURE	EFFECT FROM TO	UNITS PER ASSY
1	70	HST10AG6-3	.BOLT SUPPLIER CODE: VOPTK6 SPECIFICATION NUMBER: BACB30VT6K3 OPTIONAL PART: HST10AG6-3 V06725 HST10AG6-3 V56878 HST10AG6-3 V73197 WC10K6-3 V60516	101106 108120 504903	2
	75	BACC30BL6	.COLLAR SUPPLIER CODE: V73197 SPECIFICATION NUMBER: BACC30BL6 OPTIONAL PART: HST79-6 V92215 HST79CY6 V56878 HST79CY6 V5M902	101106 108120 504903	2
	80	BACR15FH8DD	.RIVET	101106 108120 504903	4
	85	112N0202-2	ATTACHING PARTS .CLIP-TENSION	101106 108120 504903	1
-	90	112T5183-107	-----*----- .SPACER INSTL	101106 108120 504903	35
	95	112T5183-98	..WASHER-TAPERED	101106 108120 504903	AR
	100	69B11260-2	..WASHER	101106 108120 504903	AR
	105	69B11260-3	..WASHER	101106 108120 504903	AR
	110	69B11260-4	..WASHER	101106 108120 504903	AR

MISSING ITEM NUMBERS NOT APPLICABLE

- ITEM NOT ILLUSTRATED

BRI

57-12-01-01

BOEING PROPRIETARY - Copyright © - Unpublished Work - See title page for details.

57-12-01
FIG. 01
PAGE 3
JAN 20/09



757

PARTS CATALOG (MAINTENANCE)

FIG ITEM	PART NUMBER	1 2 3 4 5 6 7	NOMENCLATURE	EFFECT FROM TO	UNITS PER ASSY
1					
115	69B11260-5	. .	WASHER	101106 108120 504903	AR
120	69B11260-6	. .	WASHER	101106 108120 504903	AR
125	69B11260-7	. .	WASHER	101106 108120 504903	AR
- 130	112N5004-59	.RIB ASSY- POSITION DATA: LH SIDE USED ON: 112N5004-201		101102 504903	1
- 130	112N5004-61	.RIB ASSY- POSITION DATA: LH SIDE USED ON: 112N5004-203 112N5004-205 MODREF425 MODREF26388		103106 108120	1
- 135	112N5004-60	.RIB ASSY- POSITION DATA: RH SIDE USED ON: 112N5004-202		101102 504903	1
- 135	112N5004-62	.RIB ASSY- POSITION DATA: RH SIDE USED ON: 112N5004-204 112N5004-206 MODREF426 MODREF26389		103106 108120	1

MISSING ITEM NUMBERS NOT APPLICABLE

- ITEM NOT ILLUSTRATED

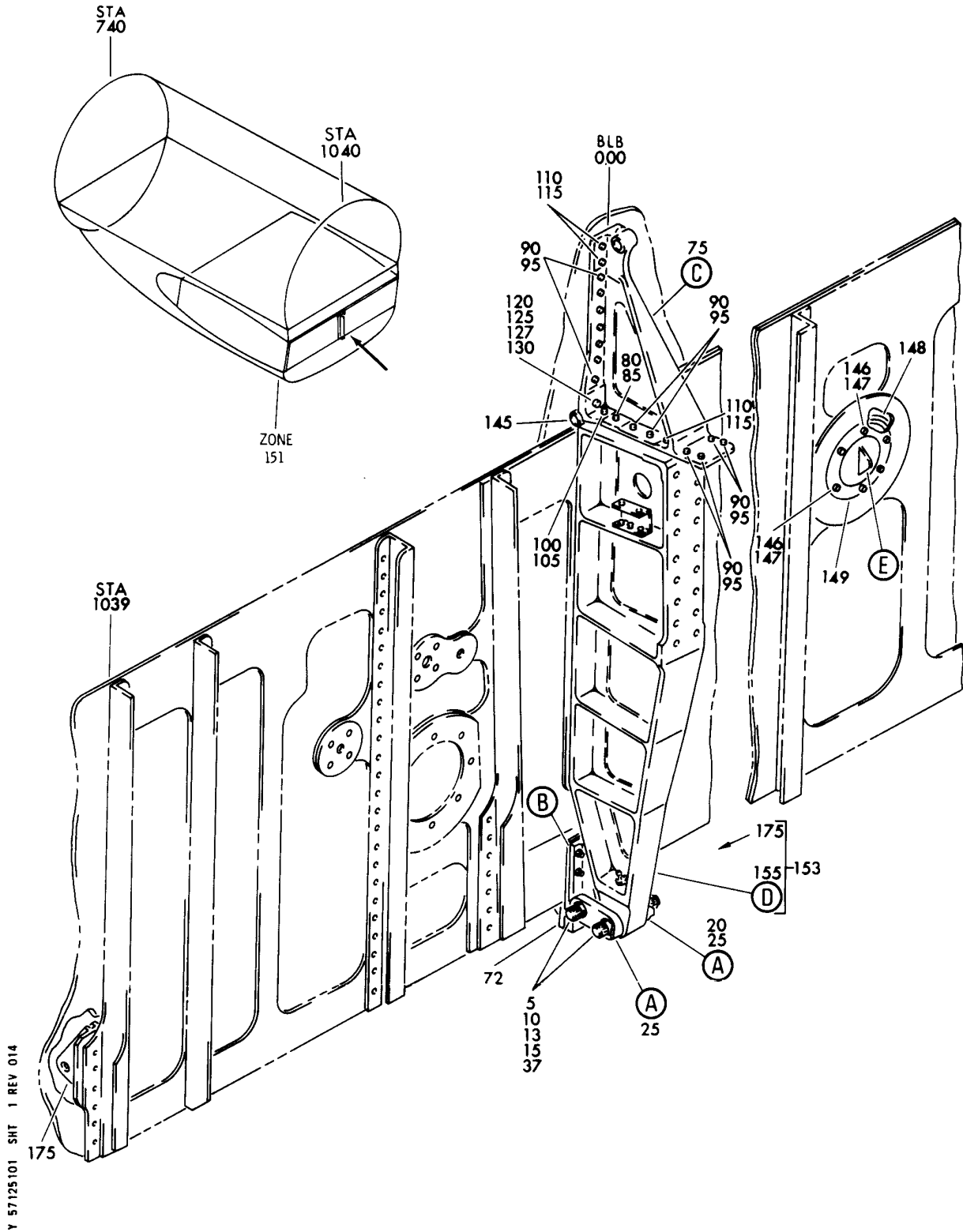
BRI

57-12-01-01

BOEING PROPRIETARY - Copyright © - Unpublished Work - See title page for details.

57-12-01
FIG. 01
PAGE 4
JAN 20/09

BOEING
757
PARTS CATALOG (MAINTENANCE)



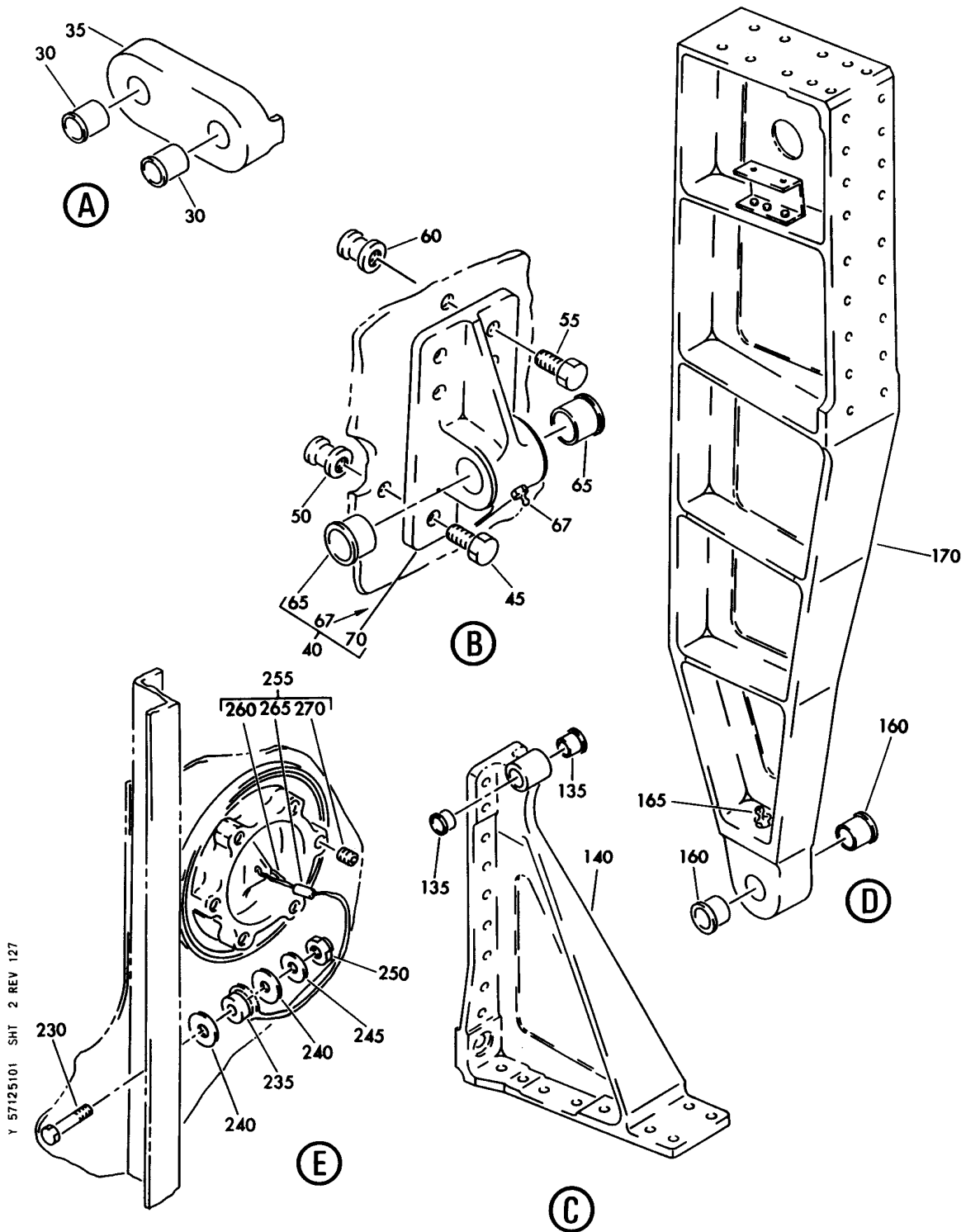
SPAR INSTL-WING SECT. 11 REAR
FIGURE 1 (SHEET 1)

57-12-51-01

BRI
MAY 28/07

57-12-51-01
PAGE 0

BOEING
757
PARTS CATALOG (MAINTENANCE)



Y 57125101 SH1 2 REV 127

SPAR INSTL-WING SECT. 11 REAR
FIGURE 1 (SHEET 2)

57-12-51-01

BRI
MAY 28/07

57-12-51-01
PAGE 0A



757

PARTS CATALOG (MAINTENANCE)

FIG ITEM	PART NUMBER	1 2 3 4 5 6 7	NOMENCLATURE	EFFECT FROM TO	UNITS PER ASSY
1			SPAR INSTL-WING SECT. 11 REAR	002004 006100 107107 121503 904999	
- 1	111N1001-1		SPAR INSTL-WING POSITION DATA: SECT. 11 REAR FOR NHA SEE: 57-10-51-01	002004 006100 107107 121503 904999	RF
5	BACB30LE9U46		.BOLT	002004 006100 107107 121503 904999	2
10	BACW10BP9DP		.WASHER	002004 006100 107107 121503 904999	2
13	BACW10BP9CD		.WASHER	002004 006100 107107 121503 904999	2

MISSING ITEM NUMBERS NOT APPLICABLE

- ITEM NOT ILLUSTRATED

BRI

57-12-51-01

BOEING PROPRIETARY - Copyright © - Unpublished Work - See title page for details.

57-12-51
FIG. 01
PAGE 1
JAN 20/09



757

PARTS CATALOG (MAINTENANCE)

FIG ITEM	PART NUMBER	1 2 3 4 5 6 7	NOMENCLATURE	EFFECT FROM TO	UNITS PER ASSY
1	15	BMN10HRCWD3-9	.NUT SUPPLIER CODE: V97928 SPECIFICATION NUMBER: BACN10HR9CD OPTIONAL PART: H51560-9 V15653 67832CD918 V56878 102LH9031-9 V72962 BH00303CM9 V27238 BMN5024CWD39 V97928 SL7108C9 V11815 VCU0005D9 V06710 102LH90319 V72962 67832CD9 V56878 67832CD9 V56878	002004 006100 107107 121503 904999	2
	20	111N1019-1	.LINK ASSY-PAIRED	002004 006100 107107 121503 904999	1
	25	111N1019-2	..LINK ASSY	002004 006100 107107 121503 904999	2
	30	BACB28AP09P048	...BUSHING-	002004 006100 107107 121503 904999	2
	35	111N1019-3	...LINK	002004 006100 107107 121503 904999	1

MISSING ITEM NUMBERS NOT APPLICABLE

- ITEM NOT ILLUSTRATED

57-12-51-01

57-12-51
FIG. 01
PAGE 2
JAN 20/09

BRI

BOEING PROPRIETARY - Copyright © - Unpublished Work - See title page for details.



757

PARTS CATALOG (MAINTENANCE)

FIG ITEM	PART NUMBER	1 2 3 4 5 6 7	NOMENCLATURE	EFFECT FROM TO	UNITS PER ASSY
1					
37	111N1027-1	.	SLEEVE- OPTIONAL PART: 111N1027-2	002004 006100 107107 121503 904999	2
37	111N1027-2	.	SLEEVE- OPTIONAL PART: 111N1027-1	002004 006100 107107 121503 904999	2
40	111N1017-1	.	FITTING ASSY- OPTIONAL PART: 111N1017-4	002004 006100 107107 121503 904999	1
40	111N1017-4	.	FITTING ASSY-	002004 006100 107107 121503 904999	1
45	BACB30NX12K		ATTACHING PARTS .BOLT- SIZE DETERMINED ON INSTL.	002004 006100 107107 121503 904999	2
50	HL1187-12	.	COLLAR SUPPLIER CODE: V5M902 SPECIFICATION NUMBER: BACC30X12 OPTIONAL PART: HL1187-12 V73197 HL1187-12 V56878 HL1187-12 V92215 HL1187-12 V92215 HL87-12 V56878 HL87-12 V73197	002004 006100 107107 121503 904999	2
55	BACB30MY10K	.	BOLT- SIZE DETERMINED ON INSTL.	002004 006100 107107 121503 904999	4

MISSING ITEM NUMBERS NOT APPLICABLE

- ITEM NOT ILLUSTRATED

57-12-51-01

57-12-51
FIG. 01
PAGE 3
JAN 20/09

BRI

BOEING PROPRIETARY - Copyright © - Unpublished Work - See title page for details.



757

PARTS CATALOG (MAINTENANCE)

FIG ITEM	PART NUMBER	1 2 3 4 5 6 7	NOMENCLATURE	EFFECT FROM TO	UNITS PER ASSY
1 60	HL79-10		. COLLAR SUPPLIER CODE: V5M902 SPECIFICATION NUMBER: BACC30M10 OPTIONAL PART: HL79-10 V73197 HL79-10 V92215 66014-10 V56878 HL79-10 V56878	002004 006100 107107 121503 904999	4
65	BACB28W12B071		-----*----- .. BUSHING	002004 006100 107107 121503 904999	2
67	MS15001-1		.. FITTING-LUBE	002004 006100 107107 121503 904999	1
70	111N1017-2		.. FITTING- USED ON: 111N1017-1	002004 006100 107107 121503 904999	1
70	111N1017-5		.. FITTING- USED ON: 111N1017-4	002004 006100 107107 121503 904999	1
72	111N1018-1		. FITTING	002004 006100 107107 121503 904999	1
75	111N1025-7		. FITTING ASSY- OPTIONAL PART: 111N1025-1 111N1025-9	002004 006100 107107 121503 904999	1

MISSING ITEM NUMBERS NOT APPLICABLE

- ITEM NOT ILLUSTRATED

57-12-51-01

57-12-51
FIG. 01
PAGE 4
JAN 20/09

BRI



757

PARTS CATALOG (MAINTENANCE)

FIG ITEM	PART NUMBER	1 2 3 4 5 6 7	NOMENCLATURE	EFFECT FROM TO	UNITS PER ASSY
1	75 111N1025-9		.FITTING ASSY- OPTIONAL PART: 111N1025-1 111N1025-7	002004 006100 107107 121503 904999	1
	80 BACB30MY10K		ATTACHING PARTS .BOLT- SIZE DETERMINED ON INSTL.	002004 006100 107107 121503 904999	2
	85 HL79-10		.COLLAR SUPPLIER CODE: V5M902 SPECIFICATION NUMBER: BACC30M10 OPTIONAL PART: HL79-10 V73197 HL79-10 V92215 66014-10 V56878 HL79-10 V56878	002004 006100 107107 121503 904999	2
	90 BACB30MY8K		.BOLT- SIZE DETERMINED ON INSTL.	002004 006100 107107 121503 904999	22
	95 HL79-8		.COLLAR SUPPLIER CODE: V5M902 SPECIFICATION NUMBER: BACC30M8 OPTIONAL PART: HL79-8 V73197 HL79-8 V92215 66014-8 V56878 HL79-8 V56878	002004 006100 107107 121503 904999	22
	100 BACB30NX10K		.BOLT- SIZE DETERMINED ON INSTL.	002004 006100 107107 121503 904999	2

MISSING ITEM NUMBERS NOT APPLICABLE

- ITEM NOT ILLUSTRATED

57-12-51-01

57-12-51
FIG. 01
PAGE 5
JAN 20/09

BRI

BOEING PROPRIETARY - Copyright © - Unpublished Work - See title page for details.



757

PARTS CATALOG (MAINTENANCE)

FIG ITEM	PART NUMBER	1 2 3 4 5 6 7	NOMENCLATURE	EFFECT FROM TO	UNITS PER ASSY
1 105	HL1187-10	.COLLAR	SUPPLIER CODE: V5M902 SPECIFICATION NUMBER: BACC30X10 OPTIONAL PART: HL1187-10 V56878 HL1187-10 V92215 HL1187-10 V73197 HL1187-10 V92215 HL87-10 V56878 HL1187-10 V73197	002004 006100 107107 121503 904999	2
110	BACB30NX8K	.BOLT-	SIZE DETERMINED ON INSTL.	002004 006100 107107 121503 904999	6
115	HL1187-8	.COLLAR	SUPPLIER CODE: V5M902 SPECIFICATION NUMBER: BACC30X8 OPTIONAL PART: HL87-8 V92215 HL87-8 V73197 HL1187-8 V56878 HL1187-8 V92215 HL87-8 V56878 HL1187-8 V73197	002004 006100 107107 121503 904999	6
120	BACB30LE6K17	.BOLT		002004 006100 107107 121503 904999	2

MISSING ITEM NUMBERS NOT APPLICABLE

- ITEM NOT ILLUSTRATED

57-12-51-01

57-12-51
FIG. 01
PAGE 6
JAN 20/09

BRI



757

PARTS CATALOG (MAINTENANCE)

FIG ITEM	PART NUMBER	1 2 3 4 5 6 7	NOMENCLATURE	EFFECT FROM TO	UNITS PER ASSY
1 125	BACW10BP6DP	.	WASHER	002004 006100 107107 121503 904999	2
127	BACW10BP6CD	.	WASHER	002004 006100 107107 121503 904999	2
130	BMN10HRCWD3-6	.	NUT SUPPLIER CODE: V97928 SPECIFICATION NUMBER: BACN10HR6CD OPTIONAL PART: H51560-6 V15653 67832CD624 V56878 102LH9031-6 V72962 BH00303CM6 V27238 SL7108C624 V11815 BMN5024CWD36 V97928 SL7108C6 V11815 102LH90316 V72962 67832CD6 V56878 VCU0005D6 V06710 CR60306 VF0224 CR60306 VF0224 -----*-----	002004 006100 107107 121503 904999	2
135	BACB28W6B050	.	BUSHING	002004 006100 107107 121503 904999	2

R
R
R
R
R
R
R
R
R
R
R
R
R
R
R
R
R
R
R
R
R
R
R

MISSING ITEM NUMBERS NOT APPLICABLE

- ITEM NOT ILLUSTRATED

BRI

57-12-51-01

57-12-51
FIG. 01
PAGE 7
MAY 20/09



757

PARTS CATALOG (MAINTENANCE)

FIG ITEM	PART NUMBER	1 2 3 4 5 6 7	NOMENCLATURE	EFFECT FROM TO	UNITS PER ASSY
1					
140	111N1025-6	..	FITTING- USED ON: 111N1025-7	002004 006100 107107 121503 904999	1
140	111N1025-8	..	FITTING- USED ON: 111N1025-9	002004 006100 107107 121503 904999	1
145	111N5228-3	.	TUBE-DRAIN	002004 006100 107107 121503 904999	1
146	BACB30NM4K3	.	BOLT	002004 006100 107107 121503 904999	6
147	AN960PD416	.	WASHER	002004 006100 107107 121503 904999	6
148	MS29513-245	.	PACKING	002004 006100 107107 121503 904999	1
149	111N1029-1	.	CLAMP RING	002004 006100 107107 121503 904999	1
153	111N1001-2	.	SPAR ASSY- POSITION DATA: REAR	002004 006100 107107 121503 904999	1
155	111N1024-4	..	BEAM ASSY-	107107	1
155	111N1401-1	..	BEAM ASSY-	107107	1
155	111N1401-4	..	BEAM ASSY- OPTIONAL PART: 111N1024-6	107107	1
155	111N1024-6	..	BEAM ASSY- OPTIONAL PART: 111N1401-4	002004 006100 121503 904999	1

MISSING ITEM NUMBERS NOT APPLICABLE

- ITEM NOT ILLUSTRATED

57-12-51-01

57-12-51
FIG. 01
PAGE 8
JAN 20/09

BRI

BOEING PROPRIETARY - Copyright © - Unpublished Work - See title page for details.



757

PARTS CATALOG (MAINTENANCE)

FIG ITEM	PART NUMBER	1 2 3 4 5 6 7	NOMENCLATURE	EFFECT FROM TO	UNITS PER ASSY
1					
160	BACB28W12B070	...	BUSHING	002004 006100 107107 121503 904999	2
165	MS15001-1	...	FITTING	002004 006100 107107 121503 904999	1
170	111N1024-5	...	BEAM- USED ON: 111N1024-4	002004 006100 107107 121503 904999	1
170	111N1401-2	...	BEAM-	002004 006100 107107 121503 904999	1
170	111N1401-5	...	BEAM- USED ON: 111N1401-4	002004 006100 107107 121503 904999	1
170	111N1024-7	...	BEAM- USED ON: 111N1024-6	002004 006100 121503 904999	1
175	111N1016-1	..	FITTING ASSY	002004 006100 107107 121503 904999	1
- 180	BACB30MY10K	..	ATTACHING PARTS BOLT- SIZE DETERMINED ON INSTL.	002004 006100 107107 121503 904999	6

MISSING ITEM NUMBERS NOT APPLICABLE

- ITEM NOT ILLUSTRATED

57-12-51-01

57-12-51
FIG. 01
PAGE 9
JAN 20/09

BRI

BOEING PROPRIETARY - Copyright © - Unpublished Work - See title page for details.



757

PARTS CATALOG (MAINTENANCE)

FIG ITEM	PART NUMBER	1 2 3 4 5 6 7	NOMENCLATURE	EFFECT FROM TO	UNITS PER ASSY
1 - 185	TLN12045	. .	NUT SUPPLIER CODE: V97928 SPECIFICATION NUMBER: BACN10WM5 OPTIONAL PART: LH10114B5 V72962 MN155 V73197 VN18615 V92215 H49702-5S V15653 W8505 V08524 H497025 V15653 -----*-----	002004 006100 107107 121503 904999	6
- 210	251N1022-2	.BOX	INSTL-LATERAL CONT SPRT FOR DETAILS SEE: 27-11-54-02	002004 006100 107107 121503 904999	1
- 215	251N1022-4	.FASTENER	INSTL-LATERAL CONT SPRT FOR DETAILS SEE: 27-11-54-02	002004 006100 107107 121503 904999	1
230	L8006K6	.BOLT	SUPPLIER CODE: V06725 SPECIFICATION NUMBER: BACB30MY6K6	002004 006100 107107 121503 904999	1
235	NAS42DD6-8	.SPACER-		002004 006100 107107 121503 904999	1
240	BACW10P166L	.WASHER		002004 006100 107107 121503 904999	2
245	AN960KD10L	.WASHER		002004 006100 107107 121503 904999	1

MISSING ITEM NUMBERS NOT APPLICABLE

- ITEM NOT ILLUSTRATED

57-12-51-01

57-12-51
FIG. 01
PAGE 10
JAN 20/09

BRI

BOEING PROPRIETARY - Copyright © - Unpublished Work - See title page for details.



757

PARTS CATALOG (MAINTENANCE)

FIG ITEM	PART NUMBER	1 2 3 4 5 6 7	NOMENCLATURE	EFFECT FROM TO	UNITS PER ASSY
1 250	BRH10C08M	.	NUT SUPPLIER CODE: V52828 SPECIFICATION NUMBER: BACN10JC08CM OPTIONAL PART: T6C832JM V11815 97E82 V80539 109LH9075-82W V72962 VN303D82 V92215 NS202101SE82 V80539 H01-08BAC V15653	002004 006100 107107 121503 904999	1
255	111N1028-4	.	DOOR ASSY-PURGE	002004 006100 107107 121503 904999	1
260	CL100-3B110	..	CABLE ASSY SUPPLIER CODE: V99862 SPECIFICATION NUMBER: BACC13Y3B110	002004 006100 107107 121503 904999	1
265	CL4F	..	FERRULE SUPPLIER CODE: V99862 SPECIFICATION NUMBER: BACF22U2 OPTIONAL PART: 325167 V00779	002004 006100 107107 121503 904999	1
270	NAS1395C4L	..	INSERT	002004 006100 107107 121503 904999	6

MISSING ITEM NUMBERS NOT APPLICABLE

- ITEM NOT ILLUSTRATED

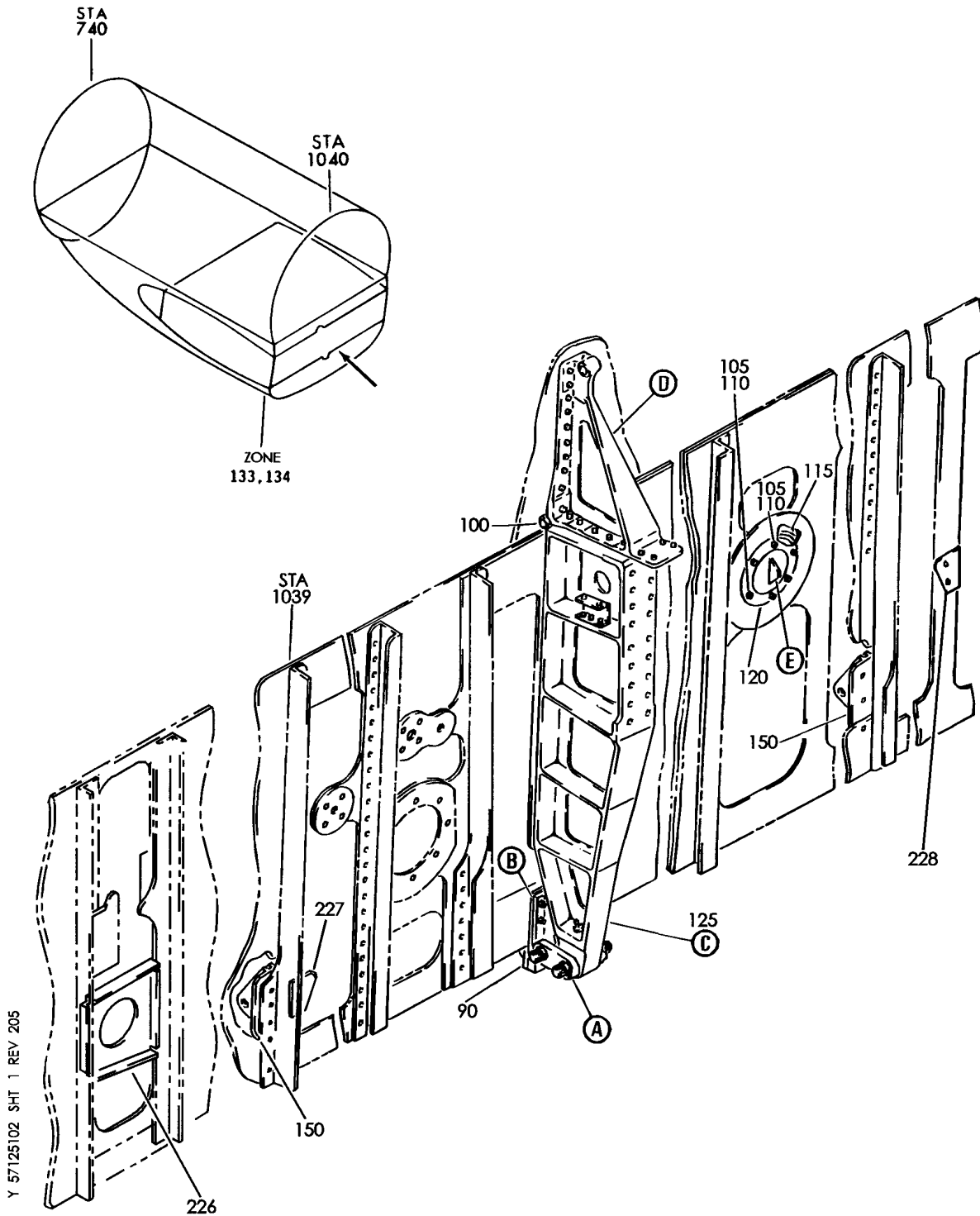
57-12-51-01

57-12-51
FIG. 01
PAGE 11
JAN 20/09

BRI

BOEING PROPRIETARY - Copyright © - Unpublished Work - See title page for details.

BOEING
757
PARTS CATALOG (MAINTENANCE)



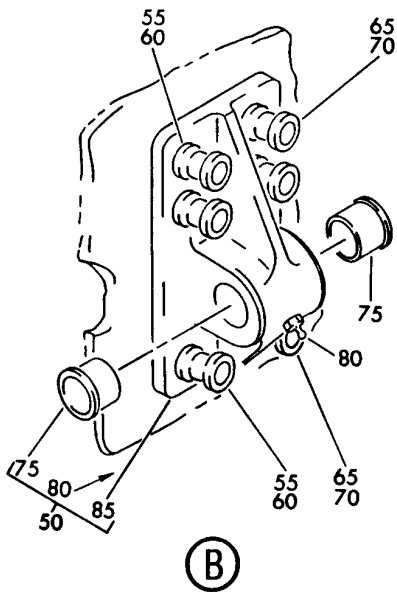
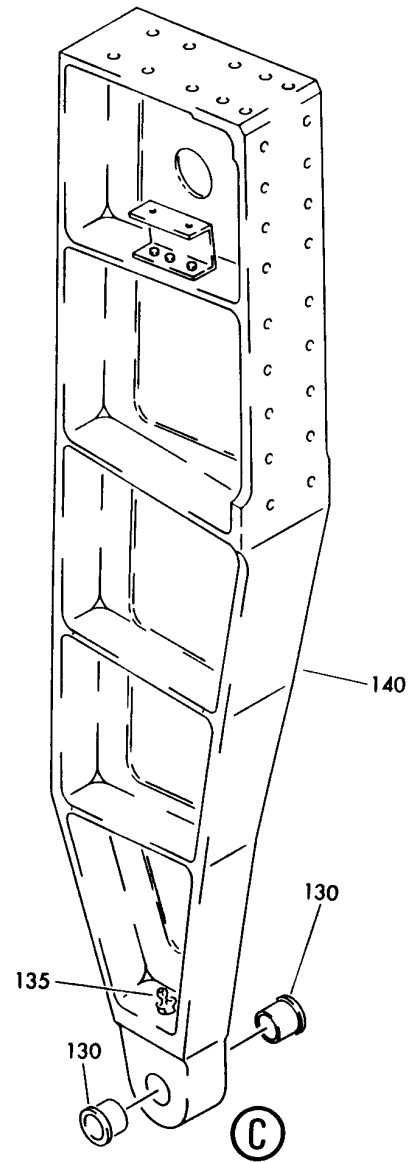
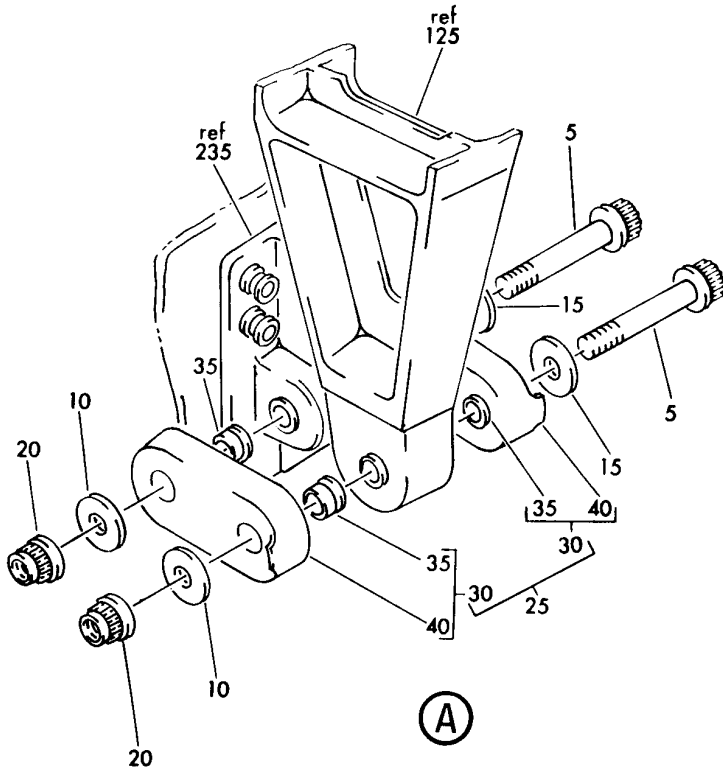
SPAR INSTL-WING SECT. 11 REAR
FIGURE 2 (SHEET 1)

57-12-51-02

BRI
MAY 28/07

57-12-51-02
PAGE 0

BOEING
757
PARTS CATALOG (MAINTENANCE)



Y 57125102 SHT 2 REV 182

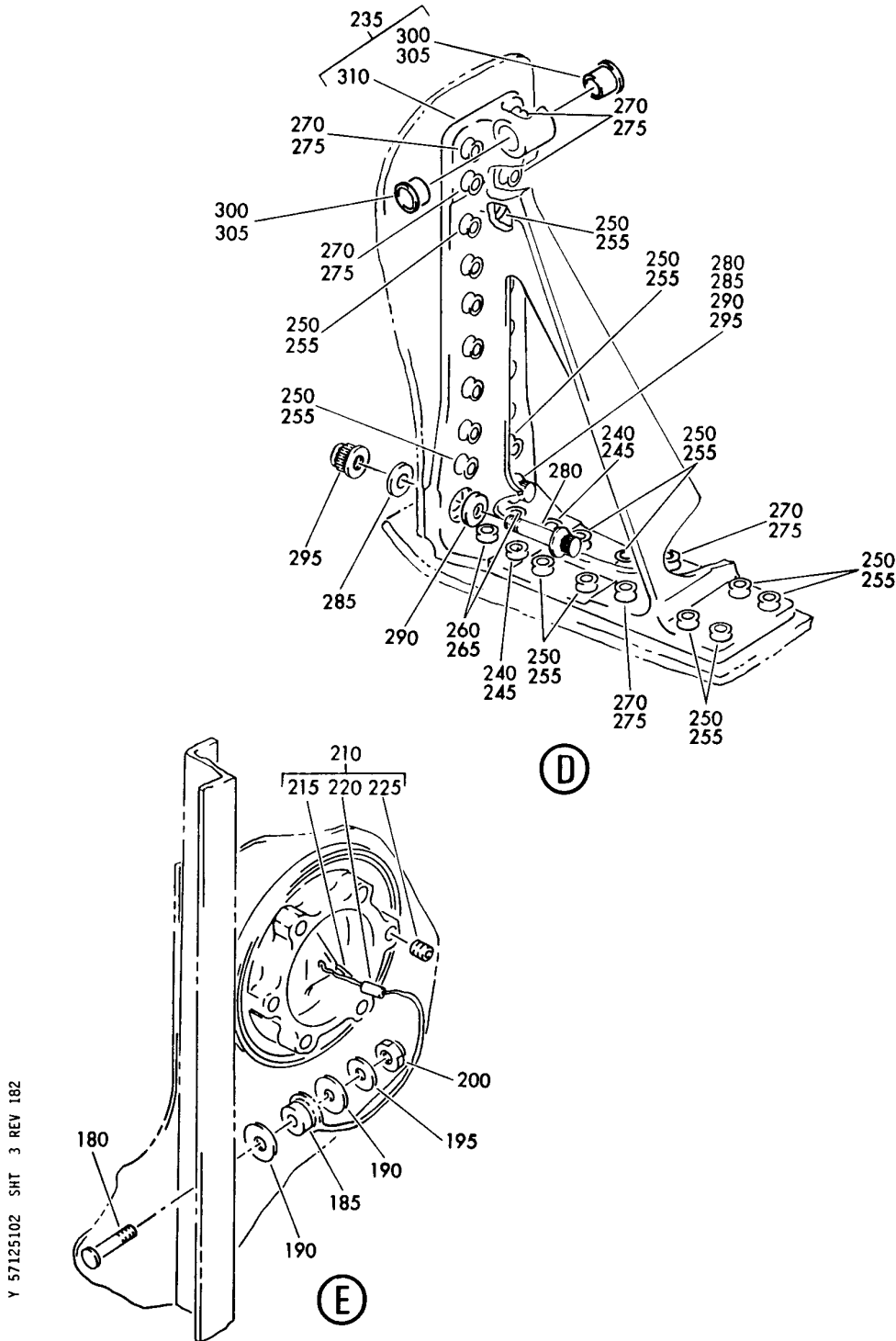
SPAR INSTL-WING SECT. 11 REAR
FIGURE 2 (SHEET 2)

57-12-51-02

BRI
MAY 28/07

57-12-51-02
PAGE 0A

BOEING
757
PARTS CATALOG (MAINTENANCE)



Y 57125102 SHT 3 REV 182

SPAR INSTL-WING SECT. 11 REAR
FIGURE 2 (SHEET 3)

57-12-51-02

BRI
MAY 28/07

57-12-51-02
PAGE 0B



757

PARTS CATALOG (MAINTENANCE)

FIG ITEM	PART NUMBER	1 2 3 4 5 6 7	NOMENCLATURE	EFFECT FROM TO	UNITS PER ASSY
2			SPAR INSTL-WING SECT. 11 REAR	101106 108120 504903	
- 1	111N1001-201		SPAR INSTL-WING POSITION DATA: SECT. 11 REAR FOR NHA SEE: 57-00-00-20	101101	RF
- 1	111N1001-202		SPAR INSTL-WING POSITION DATA: SECT. 11 REAR FOR NHA SEE: 57-00-00-20	102102	RF
- 1	111N1001-203		SPAR INSTL-WING POSITION DATA: SECT. 11 REAR FOR NHA SEE: 57-00-00-20	108120 504903	RF
- 1	MODREF1307		SPAR INSTL-WING MODULE NUMBER: 111N1001-203 REV A POSITION DATA: SECT. 11 REAR	103103	1
- 1	MODREF26220		SPAR INSTL-WING MODULE NUMBER: 111N1001-203 REV B POSITION DATA: SECT. 11 REAR	104106	1
5	BACB30LE9U46		.BOLT	101106 108120 504903	2
10	BACW10BP9DP		.WASHER	101106 108120 504903	2
15	BACW10BP9CD		.WASHER	101106 108120 504903	2

MISSING ITEM NUMBERS NOT APPLICABLE

- ITEM NOT ILLUSTRATED

BRI

57-12-51-02

BOEING PROPRIETARY - Copyright © - Unpublished Work - See title page for details.

57-12-51
FIG. 02
PAGE 1
JAN 20/09



757

PARTS CATALOG (MAINTENANCE)

FIG ITEM	PART NUMBER	1 2 3 4 5 6 7	NOMENCLATURE	EFFECT FROM TO	UNITS PER ASSY
2					
20	BMN10HRCWD3-9	.NUT-	SUPPLIER CODE: V97928 SPECIFICATION NUMBER: BACN10HR9CD OPTIONAL PART: H51560-9 V15653 67832CD918 V56878 102LH9031-9 V72962 BH00303CM9 V27238 BMN5024CWD39 V97928 SL7108C9 V11815 VCU0005D9 V06710 102LH90319 V72962 67832CD9 V56878 67832CD9 V56878	101106 108120 504903	2
25	111N1019-1	.LINK ASSY-PAIRED		101106 108120 504903	1
30	111N1019-2	..LINK ASSY		101106 108120 504903	2
35	BACB28AP09P048	...BUSHING		101106 108120 504903	2
40	111N1019-3	...LINK		101106 108120 504903	1
45	111N1027-1	.SLEEVE- OPTIONAL PART: 111N1027-2		101106 108120 504903	2
45	111N1027-2	.SLEEVE- OPTIONAL PART: 111N1027-1		101106 108120 504903	2
50	111N1017-4	.FITTING ASSY		101106 108120 504903	1

MISSING ITEM NUMBERS NOT APPLICABLE

- ITEM NOT ILLUSTRATED

57-12-51-02

57-12-51
FIG. 02
PAGE 2
JAN 20/09

BRI



757

PARTS CATALOG (MAINTENANCE)

FIG ITEM	PART NUMBER	1 2 3 4 5 6 7	NOMENCLATURE	EFFECT FROM TO	UNITS PER ASSY
2			ATTACHING PARTS		
55	BACB30NX12K		.BOLT- SIZE DETERMINED ON INSTL.	101106 108120 504903	2
60	HL1187-12		.COLLAR SUPPLIER CODE: V5M902 SPECIFICATION NUMBER: BACC30X12 OPTIONAL PART: HL1187-12 V73197 HL1187-12 V56878 HL1187-12 V92215 HL1187-12 V92215 HL87-12 V56878 HL87-12 V73197	101106 108120 504903	2
65	BACB30MY10K		.BOLT- SIZE DETERMINED ON INSTL.	101106 108120 504903	4
70	HL79-10		.COLLAR SUPPLIER CODE: V5M902 SPECIFICATION NUMBER: BACC30M10 OPTIONAL PART: HL79-10 V73197 HL79-10 V92215 66014-10 V56878 HL79-10 V56878	101106 108120 504903	4
75	BACB28W12B071		-----*----- ..BUSHING	101106 108120 504903	2
80	MS15001-1		..FITTING-LUBE	101106 108120 504903	1
85	111N1017-5		..FITTING	101106 108120 504903	1

MISSING ITEM NUMBERS NOT APPLICABLE

- ITEM NOT ILLUSTRATED

57-12-51-02

57-12-51
FIG. 02
PAGE 3
JAN 20/09

BRI

BOEING PROPRIETARY - Copyright © - Unpublished Work - See title page for details.



757

PARTS CATALOG (MAINTENANCE)

FIG ITEM	PART NUMBER	1 2 3 4 5 6 7	NOMENCLATURE	EFFECT FROM TO	UNITS PER ASSY
2					
90	111N1018-1	.	FITTING	101106 108120 504903	1
100	111N5228-3	.	TUBE-DRAIN	101106 108120 504903	1
105	BACB30NM4K3	.	BOLT	101106 108120 504903	6
110	NAS1149D0463J	.	WASHER	101106 108120 504903	6
115	MS29513-245	.	PACKING	101106 108120 504903	1
120	111N1029-1	.	CLAMP RING	101106 108120 504903	1
125	111N1401-4	.	BEAM ASSY- OPTIONAL PART: 111N1024-6	101106 108120 504903	1
125	111N1024-6	.	BEAM ASSY- OPTIONAL PART: 111N1401-4	101106 108120 504903	1
130	BACB28W12B070	..	BUSHING	101106 108120 504903	2
135	MS15001-1	..	FITTING	101106 108120 504903	1
140	111N1401-5	..	BEAM- USED ON: 111N1401-4	101106 108120 504903	1
140	111N1024-7	..	BEAM- USED ON: 111N1024-6	101106 108120 504903	1
150	111N1016-1	.	FITTING ASSY	101106 108120 504903	2
- 155	BACB30MY10K	.	ATTACHING PARTS BOLT- SIZE DETERMINED ON INSTL.	101106 108120 504903	12

MISSING ITEM NUMBERS NOT APPLICABLE

- ITEM NOT ILLUSTRATED

BRI

57-12-51-02

BOEING PROPRIETARY - Copyright © - Unpublished Work - See title page for details.

57-12-51
FIG. 02
PAGE 4
JAN 20/09



757

PARTS CATALOG (MAINTENANCE)

FIG ITEM	PART NUMBER	1 2 3 4 5 6 7	NOMENCLATURE	EFFECT FROM TO	UNITS PER ASSY
2 - 160	TLN12045		.NUT SUPPLIER CODE: V97928 SPECIFICATION NUMBER: BACN10WM5 OPTIONAL PART: LH10114B5 V72962 MN155 V73197 VN18615 V92215 H49702-5S V15653 W8505 V08524 H497025 V15653	101106 108120 504903	12
180	L8006K6		-----*----- .BOLT SUPPLIER CODE: V06725 SPECIFICATION NUMBER: BACB30MY6K6	101106 108120 504903	1
185	NAS42DD6-8FC		.SPACER-	101106 108120 504903	1
190	BACW10P166L		.WASHER	101106 108120 504903	2
195	NAS11498D0332J		.WASHER	101106 108120 504903	1

MISSING ITEM NUMBERS NOT APPLICABLE

- ITEM NOT ILLUSTRATED

57-12-51-02

57-12-51
FIG. 02
PAGE 5
JAN 20/09

BRI

BOEING PROPRIETARY - Copyright © - Unpublished Work - See title page for details.



757

PARTS CATALOG (MAINTENANCE)

FIG ITEM	PART NUMBER	1 2 3 4 5 6 7	NOMENCLATURE	EFFECT FROM TO	UNITS PER ASSY
2 200	BRH10C3M	.NUT-	SUPPLIER CODE: V52828 SPECIFICATION NUMBER: BACN10JC3CM OPTIONAL PART: T6C1032JM V11815 97E02 V80539 109LH9075-3W V72962 VN303D02 V92215 NS202101SE02 V80539 H01-3BAC V15653	101106 108120 504903	1
210	111N1028-4	.DOOR ASSY-PURGE		101106 108120 504903	1
215	CL100-3B110	..CABLE ASSY SUPPLIER CODE: V99862 SPECIFICATION NUMBER: BACC13Y3B110		101106 108120 504903	1
220	CL4F	..FERRULE SUPPLIER CODE: V99862 SPECIFICATION NUMBER: BACF22U2 OPTIONAL PART: 325167 V00779		101106 108120 504903	1
225	NAS1395C4L	..INSERT		101106 108120 504903	6
- 230	111N1001-2001	SPAR INSTL-WING POSITION DATA: SECT. 11 REAR FOR NHA SEE: 57-00-00-15B		101102	RF
- 230	111N1001-2003	SPAR INSTL-WING POSITION DATA: SECT. 11 REAR FOR NHA SEE: 57-00-00-15B		108120 504903	RF

MISSING ITEM NUMBERS NOT APPLICABLE

- ITEM NOT ILLUSTRATED

57-12-51-02

57-12-51
FIG. 02
PAGE 6
JAN 20/09

BRI



757

PARTS CATALOG (MAINTENANCE)

FIG ITEM	PART NUMBER	1 2 3 4 5 6 7	NOMENCLATURE	EFFECT FROM TO	UNITS PER ASSY
2					
- 230	MODREF1306		SPAR INSTL-WING MODULE NUMBER: 111N1001-2003 REV A POSITION DATA: SECT. 11 REAR	103103	1
- 230	MODREF25124		SPAR INSTL-WING MODULE NUMBER: 111N1001-2003 REV B POSITION DATA: SECT. 11 REAR	104106	1
235	111N1025-7		.FITTING ASSY- OPTIONAL PART: 111N1025-9	101106 108120 504903	1
235	111N1025-9		.FITTING ASSY- OPTIONAL PART: 111N1025-7	101106 108120 504903	1
240	BACB30MY10K		ATTACHING PARTS .BOLT- SIZE DETERMINED ON INSTL.	101106 108120 504903	2
245	HL79-10		.COLLAR SUPPLIER CODE: V5M902 SPECIFICATION NUMBER: BACC30M10 OPTIONAL PART: HL79-10 V73197 HL79-10 V92215 66014-10 V56878 HL79-10 V56878	101106 108120 504903	2
250	BACB30MY8K		.BOLT- SIZE DETERMINED ON INSTL.	101106 108120 504903	22

MISSING ITEM NUMBERS NOT APPLICABLE

- ITEM NOT ILLUSTRATED

BRI

57-12-51-02

BOEING PROPRIETARY - Copyright © - Unpublished Work - See title page for details.

57-12-51
FIG. 02
PAGE 7
JAN 20/09



757

PARTS CATALOG (MAINTENANCE)

FIG ITEM	PART NUMBER	1 2 3 4 5 6 7	NOMENCLATURE	EFFECT FROM TO	UNITS PER ASSY
2 255	HL79-8	.	COLLAR SUPPLIER CODE: V5M902 SPECIFICATION NUMBER: BACC30M8 OPTIONAL PART: HL79-8 V73197 HL79-8 V92215 66014-8 V56878 HL79-8 V56878	101106 108120 504903	22
260	BACB30NX10K	.	BOLT- SIZE DETERMINED ON INSTL.	101106 108120 504903	2
265	HL1187-10	.	COLLAR SUPPLIER CODE: V5M902 SPECIFICATION NUMBER: BACC30X10 OPTIONAL PART: HL1187-10 V56878 HL1187-10 V92215 HL1187-10 V73197 HL1187-10 V92215 HL87-10 V56878 HL1187-10 V73197	101106 108120 504903	2
270	BACB30NX8K	.	BOLT- SIZE DETERMINED ON INSTL.	101106 108120 504903	6

MISSING ITEM NUMBERS NOT APPLICABLE

- ITEM NOT ILLUSTRATED

57-12-51-02

57-12-51
FIG. 02
PAGE 8
JAN 20/09

BRI



757

PARTS CATALOG (MAINTENANCE)

FIG ITEM	PART NUMBER	1 2 3 4 5 6 7	NOMENCLATURE	EFFECT FROM TO	UNITS PER ASSY
2 275	HL1187-8	. COLLAR SUPPLIER CODE: V5M902 SPECIFICATION NUMBER: BACC30X8 OPTIONAL PART: HL87-8 V92215 HL87-8 V73197 HL1187-8 V56878 HL1187-8 V92215 HL87-8 V56878 HL1187-8 V73197		101106 108120 504903	6
280	BACB30LE6K17	. BOLT		101106 108120 504903	2
285	BACW10BP6DP	. WASHER		101106 108120 504903	2
290	BACW10BP6CD	. WASHER		101106 108120 504903	2

MISSING ITEM NUMBERS NOT APPLICABLE

- ITEM NOT ILLUSTRATED

BRI

57-12-51-02

BOEING PROPRIETARY - Copyright © - Unpublished Work - See title page for details.

57-12-51
FIG. 02
PAGE 9
JAN 20/09

BOEING
757
PARTS CATALOG (MAINTENANCE)

FIG ITEM	PART NUMBER	1 2 3 4 5 6 7	NOMENCLATURE	EFFECT FROM TO	UNITS PER ASSY
R R R R R R R R R R R R R R R R R	2 295	BMN10HRCWD3-6	.NUT SUPPLIER CODE: V97928 SPECIFICATION NUMBER: BACN10HR6CD OPTIONAL PART: H51560-6 V15653 67832CD624 V56878 102LH9031-6 V72962 BH00303CM6 V27238 SL7108C624 V11815 BMN5024CWD36 V97928 SL7108C6 V11815 102LH90316 V72962 67832CD6 V56878 VCU0005D6 V06710 CR60306 VF0224 CR60306 VF0224 -----*-----	101106 108120 504903	2
	300	BACB28W6B050	..BUSHING	101106 108120 504903	2
	310	111N1025-6	..FITTING- USED ON: 111N1025-7	101106 108120 504903	1
	310	111N1025-8	..FITTING- USED ON: 111N1025-9	101106 108120 504903	1

MISSING ITEM NUMBERS NOT APPLICABLE

— ITEM NOT ILLUSTRATED

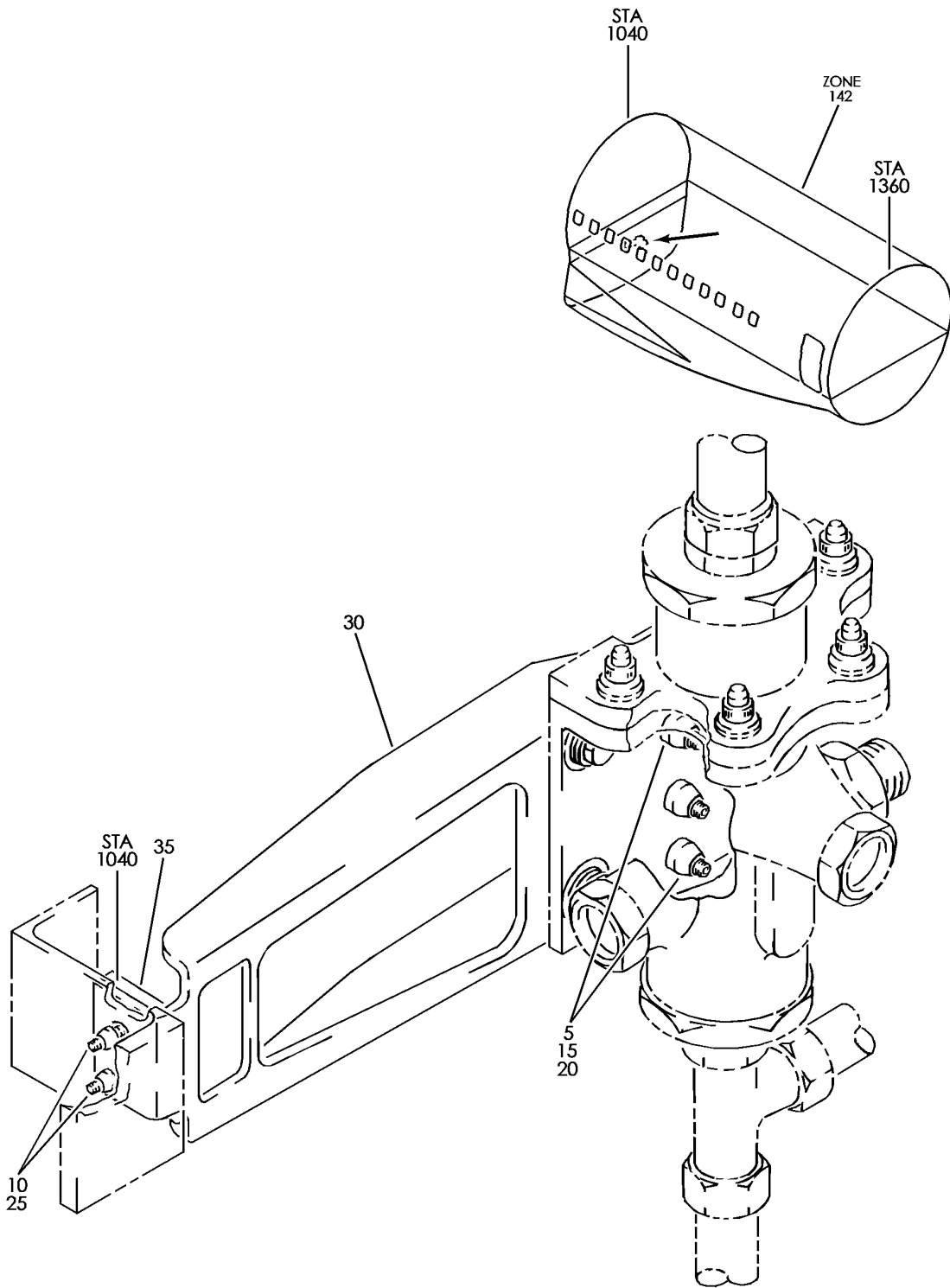
BRI

57-12-51-02

BOEING PROPRIETARY - Copyright © - Unpublished Work - See title page for details.

57-12-51
FIG. 02
PAGE 10
MAY 20/09

BOEING
757
PARTS CATALOG (MAINTENANCE)



Y 57125103 REV 220

BRACKET INSTL
FIGURE 3

57-12-51-03

BRI
MAY 28/07

57-12-51-03
PAGE 0



757

PARTS CATALOG (MAINTENANCE)

FIG ITEM	PART NUMBER	1 2 3 4 5 6 7	NOMENCLATURE	EFFECT FROM TO	UNITS PER ASSY
3			BRACKET INSTL	101106 108120 504903	
- 1	274N1028-10		BRACKET INSTL- FOR NHA SEE: 57-00-00-20	101102 108120 504903	RF
- 1	MODREF8548		BRACKET INSTL- MODULE NUMBER: 274N1028-10 REV A	103106	1
5	HL1012AZ6-3		.BOLT SUPPLIER CODE: V97928 SPECIFICATION NUMBER: BACB30NX6K3 OPTIONAL PART: HL12VAZ6-3 V73197 HL12VAZ6-3 V92215 HL12VAZ6-3 V97928 L802-6K3 V06725 HL12VAZ6-3 V56878 HL1012AZ6-3 VOPTK6 HL1012AZ6-3 V06725 HL1012AZ6-3 V06950 HL1012AZ6-3 V17446 HL1012AZ6-3 V56878 HL1012AZ6-3 V60516 HL1012AZ6-3 V73197	101106 108120 504903	3
10	BACB30UB6K5		.BOLT	101106 108120 504903	2
15	AN960PD6L		.WASHER	101106 108120 504903	3

MISSING ITEM NUMBERS NOT APPLICABLE

- ITEM NOT ILLUSTRATED

BRI

57-12-51-03

BOEING PROPRIETARY - Copyright © - Unpublished Work - See title page for details.

57-12-51
FIG. 03
PAGE 1
JAN 20/09



757

PARTS CATALOG (MAINTENANCE)

FIG ITEM	PART NUMBER	1 2 3 4 5 6 7	NOMENCLATURE	EFFECT FROM TO	UNITS PER ASSY
3 20	HL1187-6		.COLLAR SUPPLIER CODE: V5M902 SPECIFICATION NUMBER: BACC30X6 OPTIONAL PART: HL87-6 V92215 HL87-6 V73197 HL1187-6 V56878 HL1187-6 V92215 HL87-6 V56878 HL1187-6 V73197	101106 108120 504903	3
25	2TCC06		.COLLAR SUPPLIER CODE: V17446 SPECIFICATION NUMBER: BACC30BF6 OPTIONAL PART: 2TCC06 V92215	101106 108120 504903	2
30	274N1025-2		.BRACKET ASSY	101106 108120 504903	1
35	274N1029-1		.FILLER-RADIUS	101106 108120 504903	1

MISSING ITEM NUMBERS NOT APPLICABLE

- ITEM NOT ILLUSTRATED

BRI

57-12-51-03

BOEING PROPRIETARY - Copyright © - Unpublished Work - See title page for details.

57-12-51
FIG. 03
PAGE 2
JAN 20/09

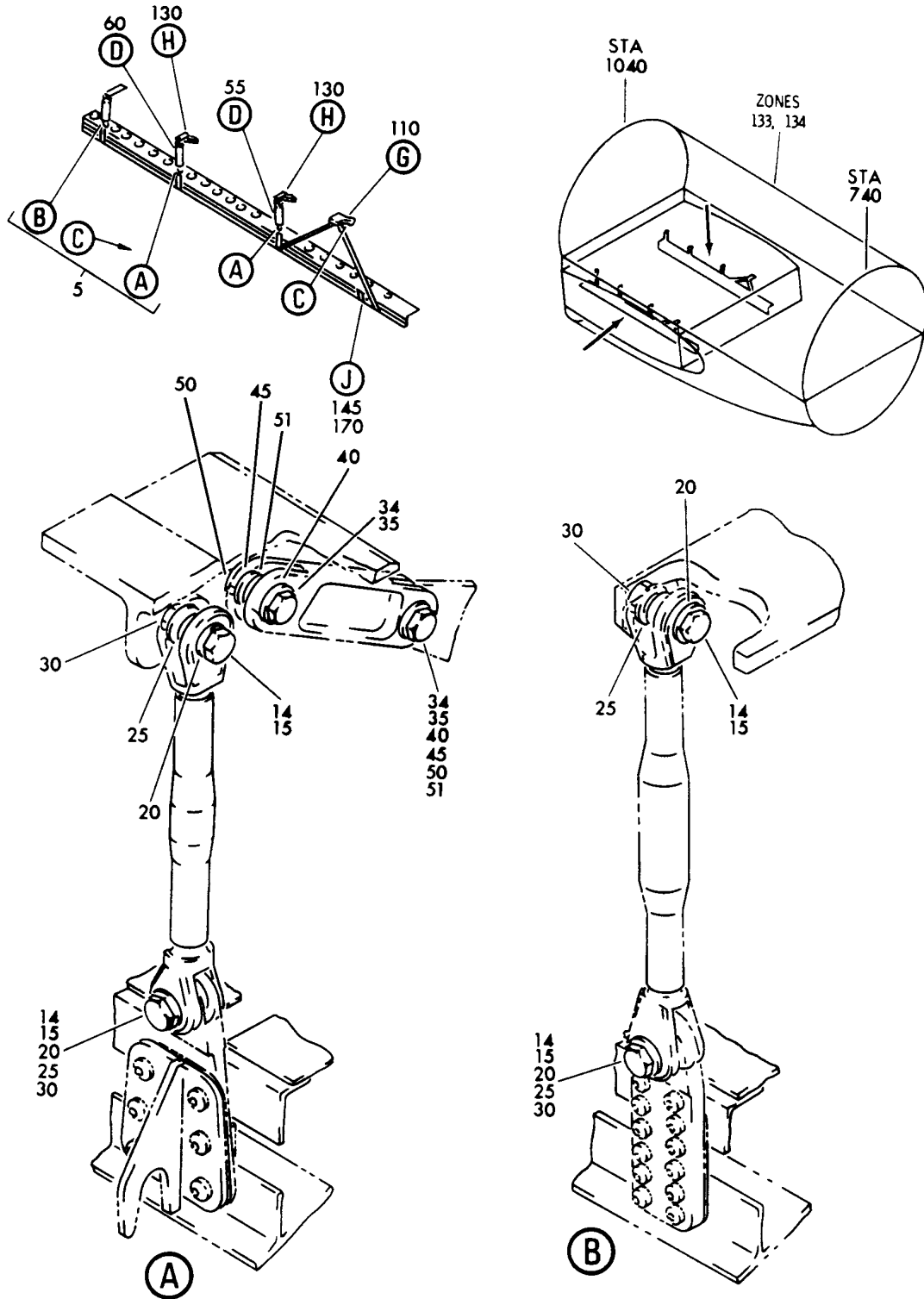
 **BOEING**
757
PARTS CATALOG (MAINTENANCE)

OUTER WING

BRI
MAY 28/07

57-20-00
SECTION TITLE
PAGE 1

BOEING
757
PARTS CATALOG (MAINTENANCE)



Y 57205101 SHT 1 REV 203

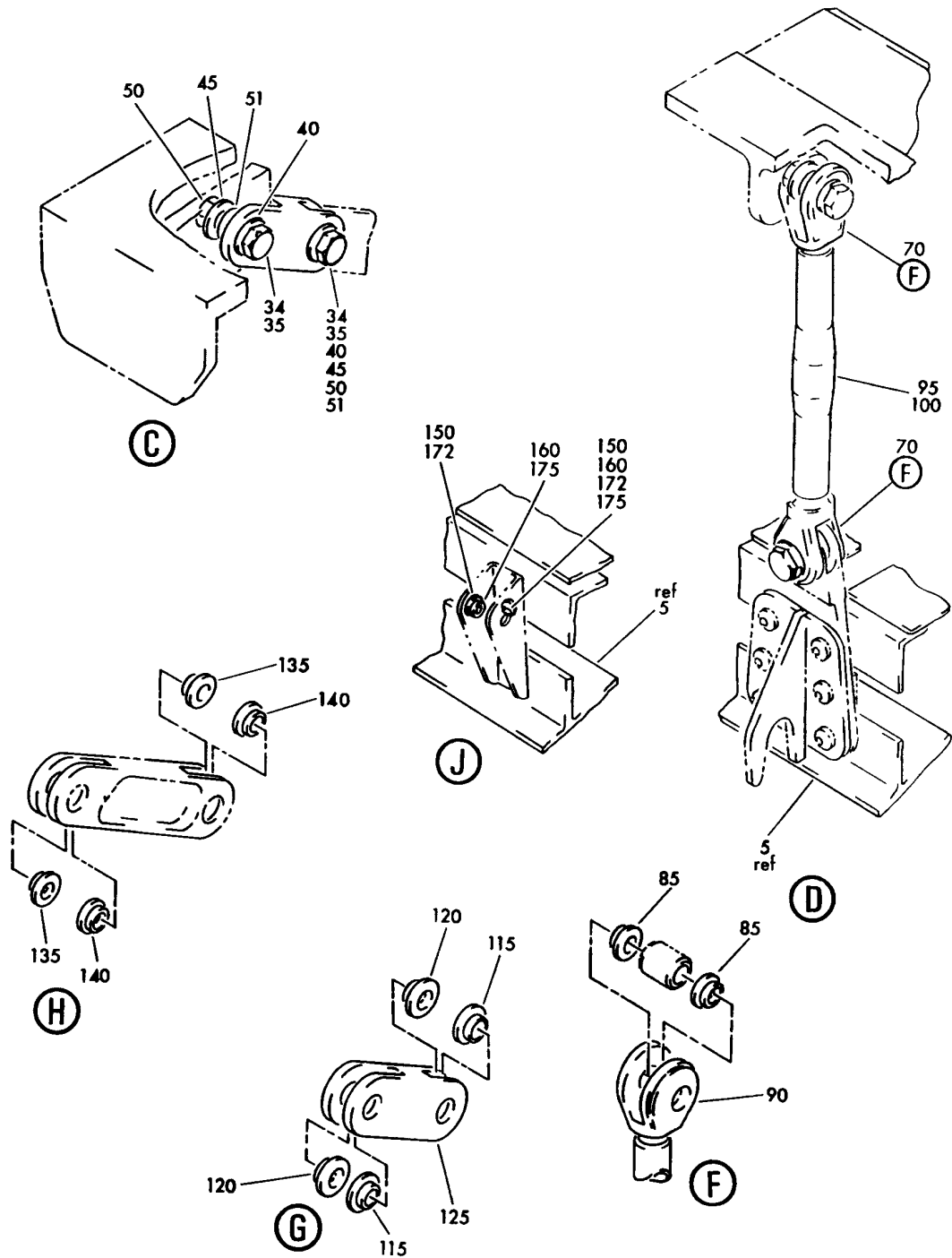
STRUCTURE INSTL-UNDERWING FRAME AND SPRT
FIGURE 1 (SHEET 1)

57-20-51-01

BRI
MAY 28/07

57-20-51-01
PAGE 0

BOEING
757
PARTS CATALOG (MAINTENANCE)



Y 57205101 SHT 2 REV 203

STRUCTURE INSTL-UNDERWING FRAME AND SPRT
FIGURE 1 (SHEET 2)

57-20-51-01

BRI
MAY 28/07

57-20-51-01
PAGE 0A



757

PARTS CATALOG (MAINTENANCE)

FIG ITEM	PART NUMBER	1 2 3 4 5 6 7	NOMENCLATURE	EFFECT FROM TO	UNITS PER ASSY
1			STRUCTURE INSTL-UNDERWING FRAME AND SPRT	002004 006999	
- 1	149N7320-1		STRUCTURE INSTL-UNDERWING FRAME AND SPRT POSITION DATA: LH VARIABLE DRAWING REF: 149N7320-88 FOR NHA SEE: 53-42-01-01	002004 006100 107107 121503 904999	RF
- 1	149N7320-409		STRUCTURE INSTL-FRAME SPRT POSITION DATA: LH FOR NHA SEE: 53-42-01-01A	108120	RF
- 1	149N7320-407		STRUCTURE INSTL-FRAME SPRT POSITION DATA: LH FOR NHA SEE: 53-42-01-01A	101102 504903	RF
- 1	MODREF6222		STRUCTURE INSTL-FRAME SPRT MODULE NUMBER: 149N7320-409 REV A POSITION DATA: LH	103103	1
- 1	MODREF26193		STRUCTURE INSTL-FRAME SPRT MODULE NUMBER: 149N7320-409 REV B POSITION DATA: LH	104105	1
- 1	MODREF33223		STRUCTURE INSTL-FRAME SPRT MODULE NUMBER: 149N7320-409 REV C POSITION DATA: LH	106106	1
- 3	149N7320-2		STRUCTURE INSTL-UNDERWING FRAME AND SPRT POSITION DATA: RH FOR NHA SEE: 53-42-01-01	002004 006100 107107 121503 904999	RF
- 3	149N7320-408		STRUCTURE INSTL-FRAME SPRT POSITION DATA: RH FOR NHA SEE: 53-42-01-01A	101102 504903	RF

MISSING ITEM NUMBERS NOT APPLICABLE

- ITEM NOT ILLUSTRATED

57-20-51-01

57-20-51
FIG. 01
PAGE 1
JAN 20/09

BRI



757

PARTS CATALOG (MAINTENANCE)

FIG ITEM	PART NUMBER	1 2 3 4 5 6 7	NOMENCLATURE	EFFECT FROM TO	UNITS PER ASSY
1					
- 3	149N7320-410		STRUCTURE INSTL-FRAME SPRT POSITION DATA: RH FOR NHA SEE: 53-42-01-01A	108120	RF
- 3	MODREF6223		STRUCTURE INSTL-FRAME SPRT MODULE NUMBER: 149N7320-410 REV A POSITION DATA: RH	103103	1
- 3	MODREF26194		STRUCTURE INSTL-FRAME SPRT MODULE NUMBER: 149N7320-410 REV B POSITION DATA: RH	104105	1
- 3	MODREF33224		STRUCTURE INSTL-FRAME SPRT MODULE NUMBER: 149N7320-410 REV C POSITION DATA: RH	106106	1
5	149N7320-111		.FRAME ASSY- POSITION DATA: LH SIDE	002004 006100 107107 121503 904999	1
5	149N7320-127		.FRAME ASSY- POSITION DATA: LH SIDE	101102 504903	1
5	149N7320-129		.FRAME ASSY- POSITION DATA: LH SIDE	103105 108120	1
5	149N7320-131		.FRAME ASSY- POSITION DATA: LH SIDE	106106	1
- 10	149N7320-112		.FRAME ASSY- POSITION DATA: RH SIDE	002004 006100 107107 121503 904999	1
- 10	149N7320-128		.FRAME ASSY- POSITION DATA: RH SIDE	101102 504903	1
- 10	149N7320-130		.FRAME ASSY- POSITION DATA: RH SIDE	103105 108120	1
- 10	149N7320-132		.FRAME ASSY- POSITION DATA: RH SIDE	106106	1

MISSING ITEM NUMBERS NOT APPLICABLE

- ITEM NOT ILLUSTRATED

57-20-51-01

57-20-51
FIG. 01
PAGE 2
JAN 20/09

BRI

 **BOEING**
757
PARTS CATALOG (MAINTENANCE)

FIG ITEM	PART NUMBER	1 2 3 4 5 6 7	NOMENCLATURE	EFFECT FROM TO	UNITS PER ASSY
1					
14	MS24665-285	..	PIN	002004 006100 107107 121503 904999	6
15	BACB30LJ6D15	..	BOLT-	002004 006100 107107 121503 904999	6
20	BACW10BN6SC	..	WASHER- POSITION DATA: UNDER HEAD	002004 006100 107107 121503 904999	6
25	BACW10BN6SP	..	WASHER- POSITION DATA: UNDER NUT	002004 006100 107107 121503 904999	6
30	BACN10JD6CD	..	NUT	002004 006100 107107 121503 904999	6
34	MS24665-134	..	PIN	002004 006100 107107 121503 904999	6
35	BACB30LJ5D16	..	BOLT	002004 006100 107107 121503 904999	6
40	BACW10BP5CD	..	WASHER- POSITION DATA: UNDER HEAD	002004 006100 107107 121503 904999	6
45	BACW10BP5DP	..	WASHER- POSITION DATA: UNDER NUT	002004 006100 107107 121503 904999	6

MISSING ITEM NUMBERS NOT APPLICABLE

— ITEM NOT ILLUSTRATED

BRI

57-20-51-01

BOEING PROPRIETARY - Copyright © - Unpublished Work - See title page for details.

57-20-51
FIG. 01
PAGE 3
JAN 20/09



757

PARTS CATALOG (MAINTENANCE)

FIG ITEM	PART NUMBER	1 2 3 4 5 6 7	NOMENCLATURE	EFFECT FROM TO	UNITS PER ASSY
1					
50	BACN10JD5CD	..	NUT	002004 006100 107107 121503 904999	6
51	BACB28AK05-035	..	BUSHING-	002004 006100 107107 121503 904999	6
55	149N7323-1	.STRUT	ASSY-A/C ACCESS DOOR	002004 006999	1
60	149N7323-2	.STRUT	ASSY-A/C ACCESS DOOR	002004 006999	1
65	149N7323-9	.STRUT	ASSY-A/C ACCESS DOOR	002004 006999	1
70	149N7323-4	..	END ASSY-FORK	002004 006999	2
- 75	L8008K13	..	BOLT ATTACHING PARTS SUPPLIER CODE: V06725 SPECIFICATION NUMBER: BACB30MY8K13	002004 006999	4
- 80	HL79-8	..	COLLAR SUPPLIER CODE: V5M902 SPECIFICATION NUMBER: BACC30M8 OPTIONAL PART: HL79-8 V73197 HL79-8 V92215 66014-8 V56878 HL79-8 V56878 -----*-----	002004 006999	4
85	BACB28AM06B013A	...	BUSHING	002004 006999	2
90	149N7323-5	...	END-FORK	002004 006999	1
95	149N7323-6	..	TUBE- USED ON: 149N7323-1	002004 006999	1
100	149N7323-7	..	TUBE- USED ON: 149N7323-2	002004 006999	1

MISSING ITEM NUMBERS NOT APPLICABLE

- ITEM NOT ILLUSTRATED

BRI

57-20-51-01

57-20-51
FIG. 01
PAGE 4
JAN 20/09



757

PARTS CATALOG (MAINTENANCE)

FIG ITEM	PART NUMBER	1 2 3 4 5 6 7	NOMENCLATURE	EFFECT FROM TO	UNITS PER ASSY
1					
105	149N7323-10		..TUBE- USED ON: 149N7323-9	002004 006999	1
110	149N7322-1		.LINK ASSY	002004 006999	1
115	BACB28AM07B010A		..BUSHING	002004 006999	2
120	BACB28AP05P010		..BUSHING	002004 006999	2
125	149N7322-2		..LINK	002004 006999	1
130	149N7131-1		.LINK ASSY	002004 006999	2
135	BACB28AP05P010		..BUSHING-	002004 006999	2
140	BACB28AM07B010A		..BUSHING-	002004 006999	2
170	212N3081-17		.BRACKET ASSY-	002004 006017 107107 121503 904999	1
170	212N3081-45		.BRACKET ASSY-	018106 108120 504903	1
172	AN960PD616		..WASHER	002004 006017 107107 121503 904999	2
172	BACW10BP6DP		..WASHER	018106 108120 504903	2
175	BACB28B4-248P		..BUSHING-	002004 006017 107107 121503 904999	2
175	BACB28X4C013		..BUSHING-	018106 108120 504903	2

MISSING ITEM NUMBERS NOT APPLICABLE

- ITEM NOT ILLUSTRATED

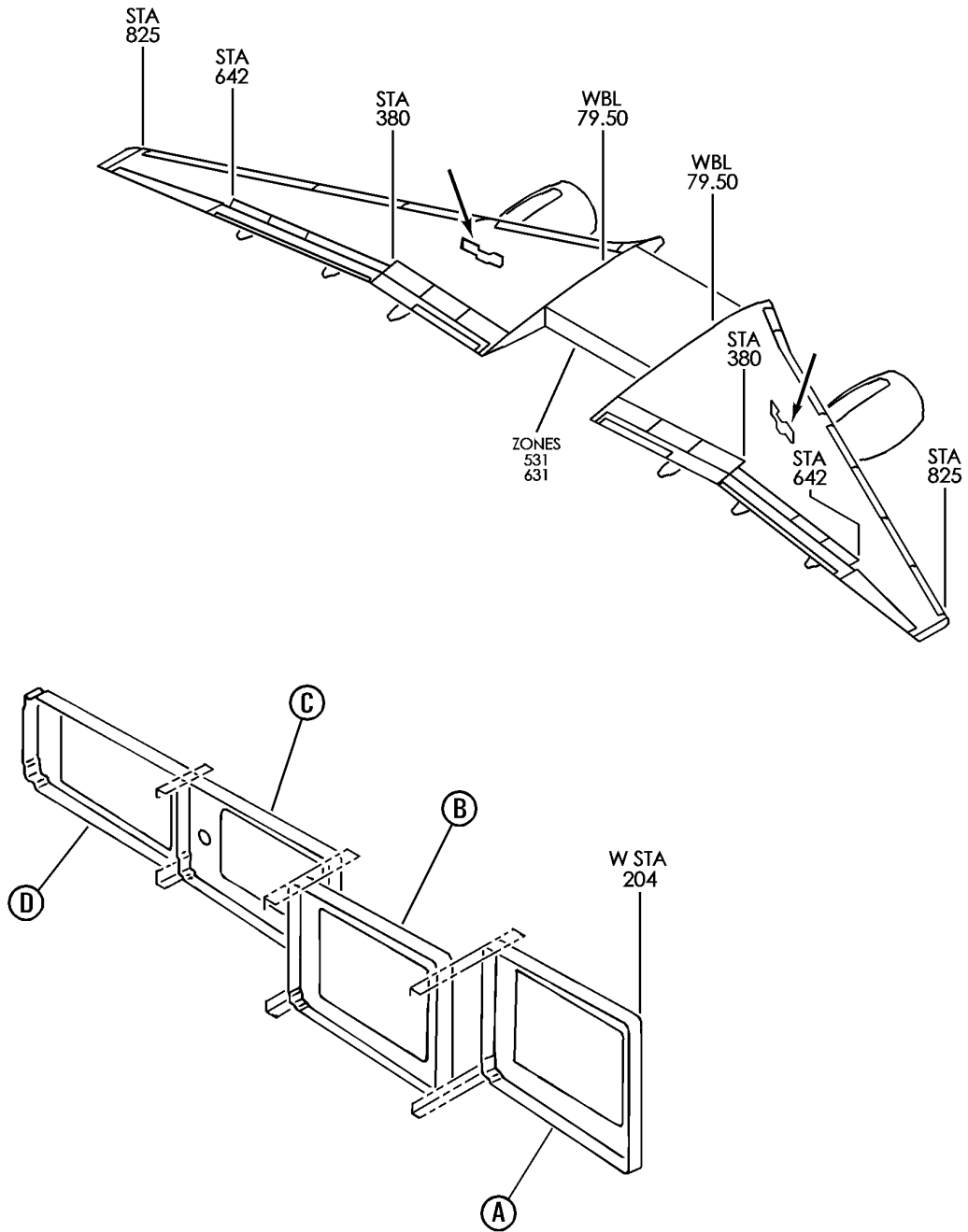
BRI

57-20-51-01

BOEING PROPRIETARY - Copyright © - Unpublished Work - See title page for details.

57-20-51
FIG. 01
PAGE 5
JAN 20/09

BOEING
757
PARTS CATALOG (MAINTENANCE)



Y 57205105 SHT 1 REV 216

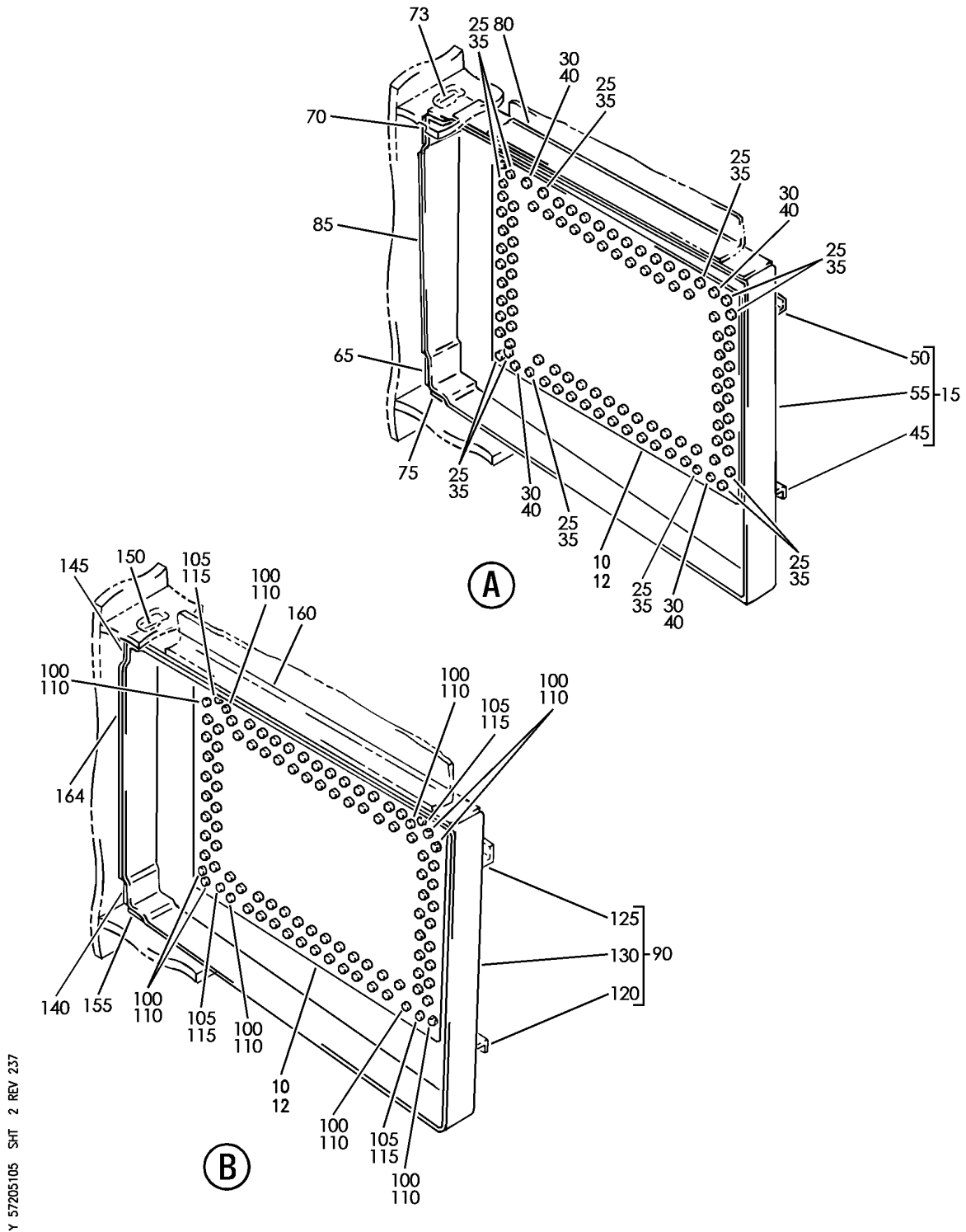
PANEL INSTL-WING DRY BAY BARRIER
FIGURE 5 (SHEET 1)

57-20-51-05

BRI
MAY 28/07

57-20-51-05
PAGE 0

BOEING
757
PARTS CATALOG (MAINTENANCE)



Y 57205105 SH 2 REV 237

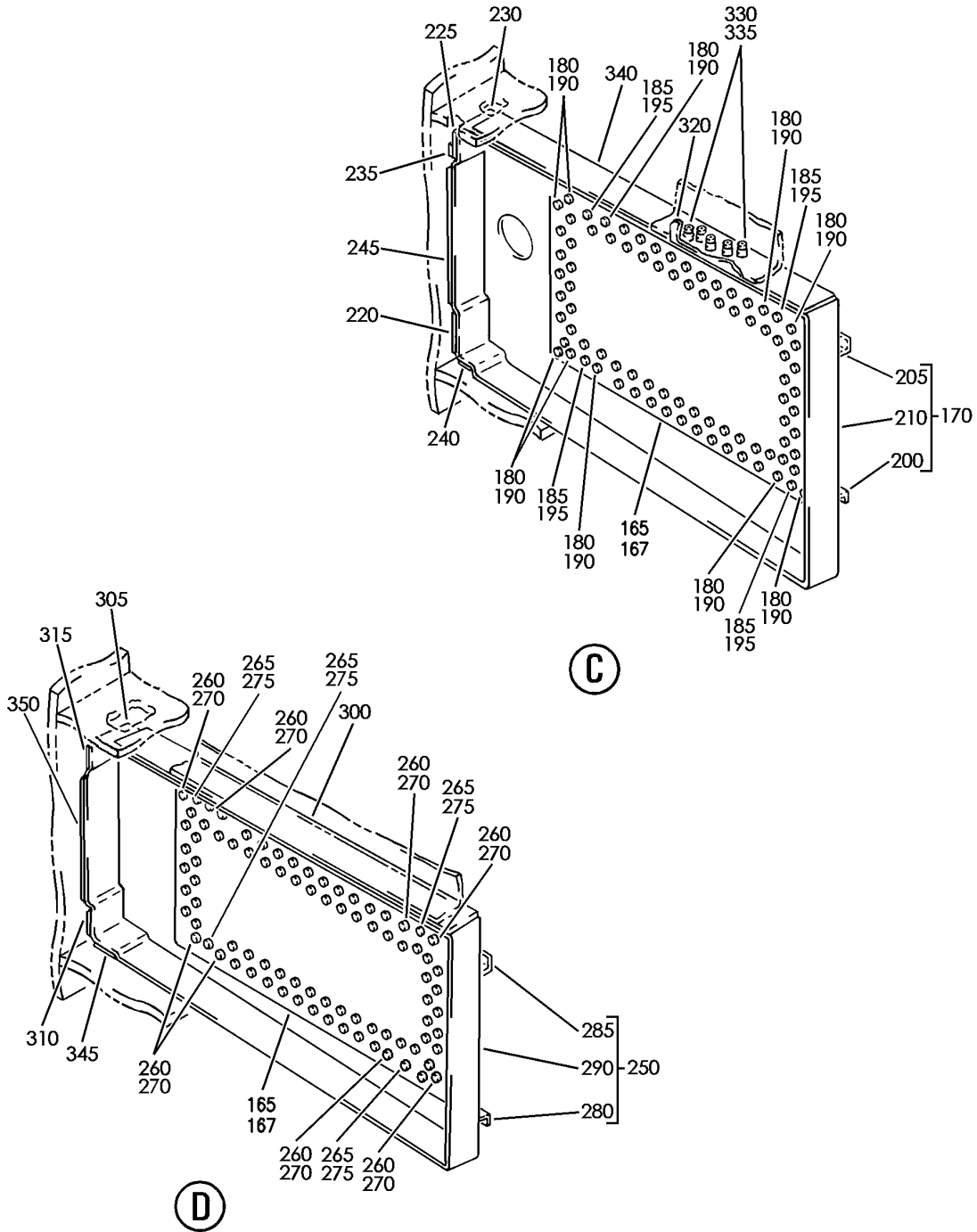
PANEL INSTL-WING DRY BAY BARRIER
FIGURE 5 (SHEET 2)

57-20-51-05

BRI
MAY 28/07

57-20-51-05
PAGE 0A

BOEING
757
PARTS CATALOG (MAINTENANCE)



Y 57205105 SHT 3 REV 237

PANEL INSTL-WING DRY BAY BARRIER
FIGURE 5 (SHEET 3)

57-20-51-05

BRI
MAY 28/07

57-20-51-05
PAGE 0B



757

PARTS CATALOG (MAINTENANCE)

FIG ITEM	PART NUMBER	1 2 3 4 5 6 7	NOMENCLATURE	EFFECT FROM TO	UNITS PER ASSY
5			PANEL INSTL-WING DRY BAY BARRIER	002004 006999	
- 1	112N8001-1		PANEL INSTL-WING DRY BAY BARRIER POSITION DATA: LH FOR NHA SEE: 57-20-52-01	107107	RF
- 1	112N8001-31		PANEL INSTL-WING DRY BAY BARRIER POSITION DATA: LH FOR NHA SEE: 57-20-52-01	002004 006100 121503 904999	RF
- 1	112N8001-61		PANEL INSTL-WING DRY BAY BARRIER POSITION DATA: LH FOR NHA SEE: 57-20-52-01	101102 108120 504903	RF
- 1	MODREF31351		PANEL INSTL-WING DRY BAY BARRIER MODULE NUMBER: 112N8001-73 REV B POSITION DATA: LH	103106	1
- 5	112N8001-2		PANEL INSTL-WING DRY BAY BARRIER POSITION DATA: RH FOR NHA SEE: 57-20-52-01	107107	RF
- 5	112N8001-32		PANEL INSTL-WING DRY BAY BARRIER POSITION DATA: RH FOR NHA SEE: 57-20-52-01	002004 006100 121503 904999	RF
- 5	112N8001-62		PANEL INSTL-WING DRY BAY BARRIER POSITION DATA: RH FOR NHA SEE: 57-00-00-15	101102 108120 504903	RF

MISSING ITEM NUMBERS NOT APPLICABLE

- ITEM NOT ILLUSTRATED

57-20-51-05

57-20-51
FIG. 05
PAGE 1
JAN 20/09

BRI

BOEING
757
PARTS CATALOG (MAINTENANCE)

FIG ITEM	PART NUMBER	1 2 3 4 5 6 7	NOMENCLATURE	EFFECT FROM TO	UNITS PER ASSY
5					
- 5	MODREF31352		PANEL INSTL-WING DRY BAY BARRIER MODULE NUMBER: 112N8001-74 REV B POSITION DATA: RH	103106	1
10	112N8005-1		.DOOR ASSY	107107	2
10	112N8005-3		.DOOR ASSY	002004 006100 121503 904999	2
10	112N8005-8		.DOOR ASSY	101106 108120 504903	2
12	112N8005-7		..GASKET	101106 108120 504903	1
15	112N8001-19		.PANEL ASSY- POSITION DATA: LH SIDE	107107	1
15	112N8001-33		.PANEL ASSY- POSITION DATA: LH SIDE	003004 006100 121503 904999	1
15	112N8001-53		.PANEL ASSY- POSITION DATA: LH SIDE	101106 108120 504903	1
- 20	112N8001-20		.PANEL ASSY- POSITION DATA: RH SIDE	107107	1
- 20	112N8001-34		.PANEL ASSY- POSITION DATA: RH SIDE	003004 006100 121503 904999	1
- 20	112N8001-54		.PANEL ASSY- POSITION DATA: RH SIDE ATTACHING PARTS	101106 108120 504903	1
25	BACB30NM3K6		.BOLT-	002004 006999	92
30	BACB30LM4-6		.BOLT-	002004 006999	4
35	AN960KD10L		.WASHER	002004 006999	92
40	AN960D416L		.WASHER	002004 006999	92
			-----*-----		

MISSING ITEM NUMBERS NOT APPLICABLE

- ITEM NOT ILLUSTRATED

BRI

57-20-51-05

BOEING PROPRIETARY - Copyright © - Unpublished Work - See title page for details.

57-20-51
FIG. 05
PAGE 2
JAN 20/09



757

PARTS CATALOG (MAINTENANCE)

FIG ITEM	PART NUMBER	1 2 3 4 5 6 7	NOMENCLATURE	EFFECT FROM TO	UNITS PER ASSY
5					
45	112N8007-1	..	CHANNEL	003004 006100 107107 121503 904999	1
45	112N8007-37	..	CHANNEL	101106 108120 504903	1
50	112N8007-2	..	CHANNEL	003004 006100 107107 121503 904999	1
50	112N8007-38	..	CHANNEL	101106 108120 504903	1
55	112N8002-1	..	PANEL ASSY- POSITION DATA: LH SIDE	002004 006100 107107 121503 904999	1
55	112N8002-5	..	PANEL ASSY- POSITION DATA: LH SIDE	101106 108120 504903	1
- 60	112N8002-2	..	PANEL ASSY- POSITION DATA: RH SIDE	002004 006100 107107 121503 904999	1
- 60	112N8002-6	..	PANEL ASSY- POSITION DATA: RH SIDE	101106 108120 504903	1
65	112N8008-1	.SHIM		002004 006999	1
70	112N8008-2	.SHIM		002004 006999	1
73	BACS40R12D16F	.SHIM		002004 006999	1
75	BACS40R12D16F	.SHIM		002004 006999	1
80	BACS40R15D248F	.SHIM		003004 006100 107107 121503 904999	1

MISSING ITEM NUMBERS NOT APPLICABLE

- ITEM NOT ILLUSTRATED

57-20-51-05

57-20-51
FIG. 05
PAGE 3
JAN 20/09

BRI



757

PARTS CATALOG (MAINTENANCE)

FIG ITEM	PART NUMBER	1 2 3 4 5 6 7	NOMENCLATURE	EFFECT FROM TO	UNITS PER ASSY
5					
85	BACS40R16E156F	.SHIM		003004 006100 107107 121503 904999	1
90	112N8001-21	.PANEL ASSY- POSITION DATA: LH SIDE		107107	1
90	112N8001-35	.PANEL ASSY- POSITION DATA: LH SIDE		003004 006100 121503 904999	1
90	112N8001-55	.PANEL ASSY- POSITION DATA: LH SIDE		101106 108120 504903	1
- 95	112N8001-22	.PANEL ASSY- POSITION DATA: RH SIDE		107107	1
- 95	112N8001-36	.PANEL ASSY- POSITION DATA: RH SIDE		003004 006100 121503 904999	1
- 95	112N8001-56	.PANEL ASSY- POSITION DATA: RH SIDE		101106 108120 504903	1
100	BACB30NM3K6	.BOLT	ATTACHING PARTS	002004 006999	92
105	BACB30LM4-5	.BOLT		002004 006999	4
110	AN960KD10L	.WASHER		002004 006999	92
115	AN960D416L	.WASHER		002004 006999	4
120	112N8007-3	-----*----- . . CHANNEL		003004 006100 107107 121503 904999	1
120	112N8007-39	. . CHANNEL		101106 108120 504903	1
125	112N8007-4	. . CHANNEL		003004 006100 107107 121503 904999	1

MISSING ITEM NUMBERS NOT APPLICABLE

- ITEM NOT ILLUSTRATED

57-20-51-05

57-20-51
FIG. 05
PAGE 4
JAN 20/09

BRI

BOEING PROPRIETARY - Copyright © - Unpublished Work - See title page for details.



757

PARTS CATALOG (MAINTENANCE)

FIG ITEM	PART NUMBER	1 2 3 4 5 6 7	NOMENCLATURE	EFFECT FROM TO	UNITS PER ASSY
5					
125	112N8007-40		.. CHANNEL	101106 108120 504903	1
130	112N8003-1		.. PANEL ASSY- POSITION DATA: LH SIDE	002004 006100 107107 121503 904999	1
130	112N8003-5		.. PANEL ASSY- POSITION DATA: LH SIDE	101106 108120 504903	1
- 135	112N8003-2		.. PANEL ASSY- POSITION DATA: RH SIDE	002004 006100 107107 121503 904999	1
- 135	112N8003-6		.. PANEL ASSY- POSITION DATA: RH SIDE	101106 108120 504903	1
140	112N8008-5		. SHIM	002004 006999	1
145	112N8008-6		. SHIM	002004 006999	1
150	BACS40R09D21F		. SHIM	002004 006999	1
155	BACS40R10D15F		. SHIM	002004 006999	1
160	BACS40R16D251F		. SHIM	003004 006100 107107 121503 904999	1
164	BACS40R16E156F		. SHIM	003004 006100 107107 121503 904999	1
165	112N8006-1		. DOOR ASSY	107107	2
165	112N8006-3		. DOOR ASSY	002004 006100 121503 904999	2
165	112N8006-8		. DOOR ASSY-	101102 108120 504903	2
165	112N8006-12		. DOOR ASSY-	103106	2
167	112N8006-7		.. GASKET-	101102 108120 504903	1

MISSING ITEM NUMBERS NOT APPLICABLE

- ITEM NOT ILLUSTRATED

57-20-51-05

57-20-51
FIG. 05
PAGE 5
JAN 20/09

BRI

BOEING PROPRIETARY - Copyright © - Unpublished Work - See title page for details.



757

PARTS CATALOG (MAINTENANCE)

FIG ITEM	PART NUMBER	1 2 3 4 5 6 7	NOMENCLATURE	EFFECT FROM TO	UNITS PER ASSY
5					
167	112N8006-9		.. GASKET-	103106	1
170	112N8001-23		.PANEL ASSY- POSITION DATA: LH SIDE	107107	1
170	112N8001-37		.PANEL ASSY- POSITION DATA: LH SIDE	003004 006100 121503 904999	1
170	112N8001-47		.PANEL ASSY- POSITION DATA: LH SIDE	101106 108120	1
170	112N8001-57		.PANEL ASSY- POSITION DATA: LH SIDE	504903 101102 108120	1
170	112N8001-69		.PANEL ASSY- POSITION DATA: LH SIDE	504903 103106	1
- 175	112N8001-24		.PANEL ASSY- POSITION DATA: RH SIDE	107107	1
- 175	112N8001-38		.PANEL ASSY- POSITION DATA: RH SIDE	003004 006100 121503 904999	1
- 175	112N8001-48		.PANEL ASSY- POSITION DATA: RH SIDE	101106 108120	1
- 175	112N8001-58		.PANEL ASSY- POSITION DATA: RH SIDE	504903 101102 108120	1
- 175	112N8001-70		.PANEL ASSY- POSITION DATA: RH SIDE	504903 103106	1
180	BACB30NM3K5		.ATTACHING PARTS .BOLT	002004 006999	80
185	BACB30LM4-5		.BOLT	002004 006999	4
190	AN960KD10L		.WASHER	002004 006999	80
195	AN960D416L		.WASHER	002004 006999	4
200	112N8007-5		-----*----- .. CHANNEL	002004 006100 103107 121503 904999	1

MISSING ITEM NUMBERS NOT APPLICABLE

- ITEM NOT ILLUSTRATED

57-20-51-05

57-20-51
FIG. 05
PAGE 6
JAN 20/09

BRI

BOEING PROPRIETARY - Copyright © - Unpublished Work - See title page for details.



757

PARTS CATALOG (MAINTENANCE)

FIG ITEM	PART NUMBER	1 2 3 4 5 6 7	NOMENCLATURE	EFFECT FROM TO	UNITS PER ASSY
5					
205	112N8007-6		.. CHANNEL	002004 006100 103107 121503 904999	1
210	112N8004-1		.. PANEL ASSY- POSITION DATA: LH SIDE	002004 006100 107107 121503 904999	1
210	112N8004-17		.. PANEL ASSY- POSITION DATA: LH SIDE	103106	1
210	112N8004-9		.. PANEL ASSY- POSITION DATA: LH SIDE	101106 108120 504903	1
210	112N8004-13		.. PANEL ASSY- POSITION DATA: LH SIDE	101102 108120 504903	1
- 215	112N8004-2		.. PANEL ASSY- POSITION DATA: RH SIDE	002004 006100 107107 121503 904999	1
- 215	112N8004-10		.. PANEL ASSY- POSITION DATA: RH SIDE	101106 108120 504903	1
- 215	112N8004-18		.. PANEL ASSY- POSITION DATA: RH SIDE	103106	1
- 215	112N8004-14		.. PANEL ASSY- POSITION DATA: RH SIDE	101102 108120 504903	1
220	112N8008-3		. SHIM	002004 006999	1
225	112N8008-4		. SHIM	002004 006999	1
230	BACS40R09D20F		. SHIM	002004 006999	1
235	BACS40R10E18F		. SHIM	002004 006999	1
240	BACS40R11D15F		. SHIM	002004 006999	1
245	BACS40R17E88F		. SHIM	003004 006100 107107 121503 904999	1

MISSING ITEM NUMBERS NOT APPLICABLE

- ITEM NOT ILLUSTRATED

57-20-51-05

57-20-51
FIG. 05
PAGE 7
JAN 20/09

BRI

BOEING PROPRIETARY - Copyright © - Unpublished Work - See title page for details.



757

PARTS CATALOG (MAINTENANCE)

FIG ITEM	PART NUMBER	1 2 3 4 5 6 7	NOMENCLATURE	EFFECT FROM TO	UNITS PER ASSY
5					
250	112N8001-29		.PANEL ASSY- POSITION DATA: LH SIDE	107107	1
250	112N8001-39		.PANEL ASSY- POSITION DATA: LH SIDE	002004 006017 121503 904999	1
250	112N8001-41		.PANEL ASSY- POSITION DATA: LH SIDE	018100	1
250	112N8001-59		.PANEL ASSY- POSITION DATA: LH SIDE	101102 108120 504903	1
250	112N8001-71		.PANEL ASSY- POSITION DATA: LH SIDE	103106	1
- 255	112N8001-30		.PANEL ASSY- POSITION DATA: RH SIDE	107107	1
- 255	112N8001-40		.PANEL ASSY- POSITION DATA: RH SIDE	002004 006017 121503 904999	1
- 255	112N8001-42		.PANEL ASSY- POSITION DATA: RH SIDE	018100	1
- 255	112N8001-60		.PANEL ASSY- POSITION DATA: RH SIDE	101102 108120 504903	1
- 255	112N8001-72		.PANEL ASSY- POSITION DATA: RH SIDE	103106	1
			ATTACHING PARTS		
260	BACB30NM3K4		.BOLT-	002004 006999	80
265	BACB30LM4-4		.BOLT-	002004 006999	4
270	AN960KD10L		.WASHER	002004 006999	80
275	AN960D416L		.WASHER	002004 006999	4
			-----*		
280	112N8007-7		.. CHANNEL	002004 006017 107107 121503 904999	1

MISSING ITEM NUMBERS NOT APPLICABLE

- ITEM NOT ILLUSTRATED

57-20-51-05

57-20-51
FIG. 05
PAGE 8
JAN 20/09

BRI

BOEING PROPRIETARY - Copyright © - Unpublished Work - See title page for details.

 **BOEING**
757
PARTS CATALOG (MAINTENANCE)

FIG ITEM	PART NUMBER	1 2 3 4 5 6 7	NOMENCLATURE	EFFECT FROM TO	UNITS PER ASSY
5					
280	112N8007-35	..	CHANNEL	018106 108120 504903	1
285	112N8007-8	..	CHANNEL	002004 006017 107107 121503 904999	1
285	112N8007-36	..	CHANNEL	018106 108120 504903	1
290	112N8004-7	..	PANEL ASSY- POSITION DATA: LH SIDE USED ON: 112N8001-29 112N8001-39 112N8001-41	002004 006100 107107 121503 904999	1
290	112N8004-15	..	PANEL ASSY- POSITION DATA: LH SIDE	101102 108120 504903	1
290	112N8004-19	..	PANEL ASSY- POSITION DATA: LH SIDE	103106	1
- 295	112N8004-8	..	PANEL ASSY- POSITION DATA: RH SIDE USED ON: 112N8001-30 112N8001-40 112N8001-42	002004 006100 107107 121503 904999	1
- 295	112N8004-16	..	PANEL ASSY- POSITION DATA: RH SIDE	101102 108120 504903	1
- 295	112N8004-20	..	PANEL ASSY- POSITION DATA: RH SIDE	103106	1
300	BACS40R15D254F	.SHIM		003004 006100 107107 121503 904999	1
305	BACS40R13D21F	.SHIM		002004 006999	1
310	112N8008-7	.SHIM		002004 006999	1
315	112N8008-8	.SHIM		002004 006999	1

MISSING ITEM NUMBERS NOT APPLICABLE

- ITEM NOT ILLUSTRATED

BRI

57-20-51-05

BOEING PROPRIETARY - Copyright © - Unpublished Work - See title page for details.

57-20-51
FIG. 05
PAGE 9
JAN 20/09



757

PARTS CATALOG (MAINTENANCE)

FIG ITEM	PART NUMBER	1 2 3 4 5 6 7	NOMENCLATURE	EFFECT FROM TO	UNITS PER ASSY
5	320 342N2116-26		.BRACKET- POSITION DATA: LH SIDE	003004 006100 107107 121503 904999	1
- 325	342N2116-25		.BRACKET- POSITION DATA: RH SIDE	003004 006100 107107 121503 904999	1
330	HLT336AP6-6		ATTACHING PARTS .PIN- SUPPLIER CODE: V73197	002004 006999	5
335	HL79-6		.COLLAR SUPPLIER CODE: V5M902 SPECIFICATION NUMBER: BACC30M6 OPTIONAL PART: HL79-6 V73197 HL79-6 V92215 66014-6 V56878 HL79-6 V56878	002004 006999	5
340	BACS40R15D249F		-----*----- .SHIM	003004 006100 107107 121503 904999	1
345	BACS40R15D16F		.SHIM	002004 006999	1
350	BACS40R18E88F		.SHIM	003004 006100 107107 121503 904999	1

MISSING ITEM NUMBERS NOT APPLICABLE

- ITEM NOT ILLUSTRATED

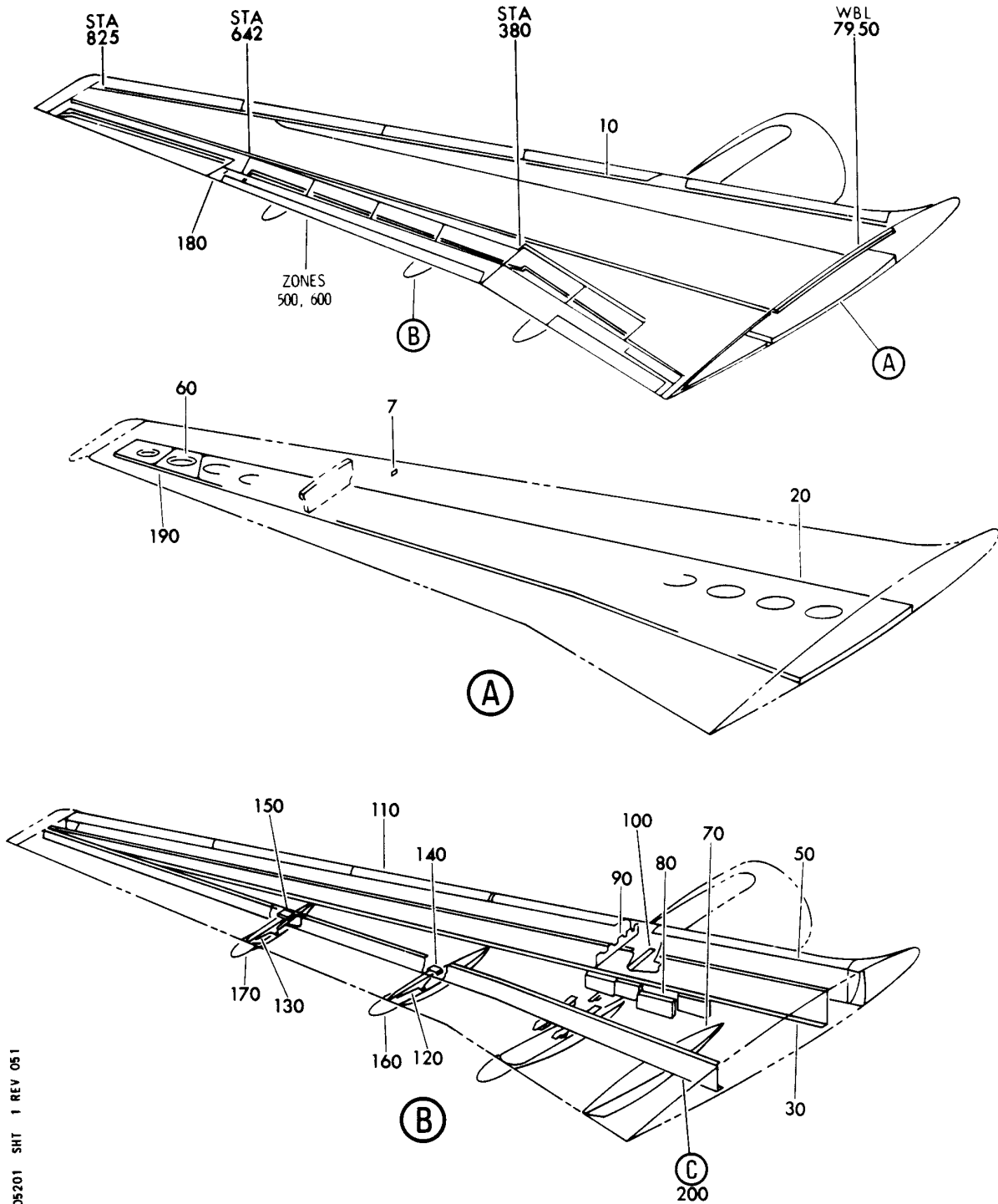
57-20-51-05

57-20-51
FIG. 05
PAGE 10
JAN 20/09

BRI

BOEING PROPRIETARY - Copyright © - Unpublished Work - See title page for details.

BOEING
757
PARTS CATALOG (MAINTENANCE)



Y 57205201 SH1 1 REV 051

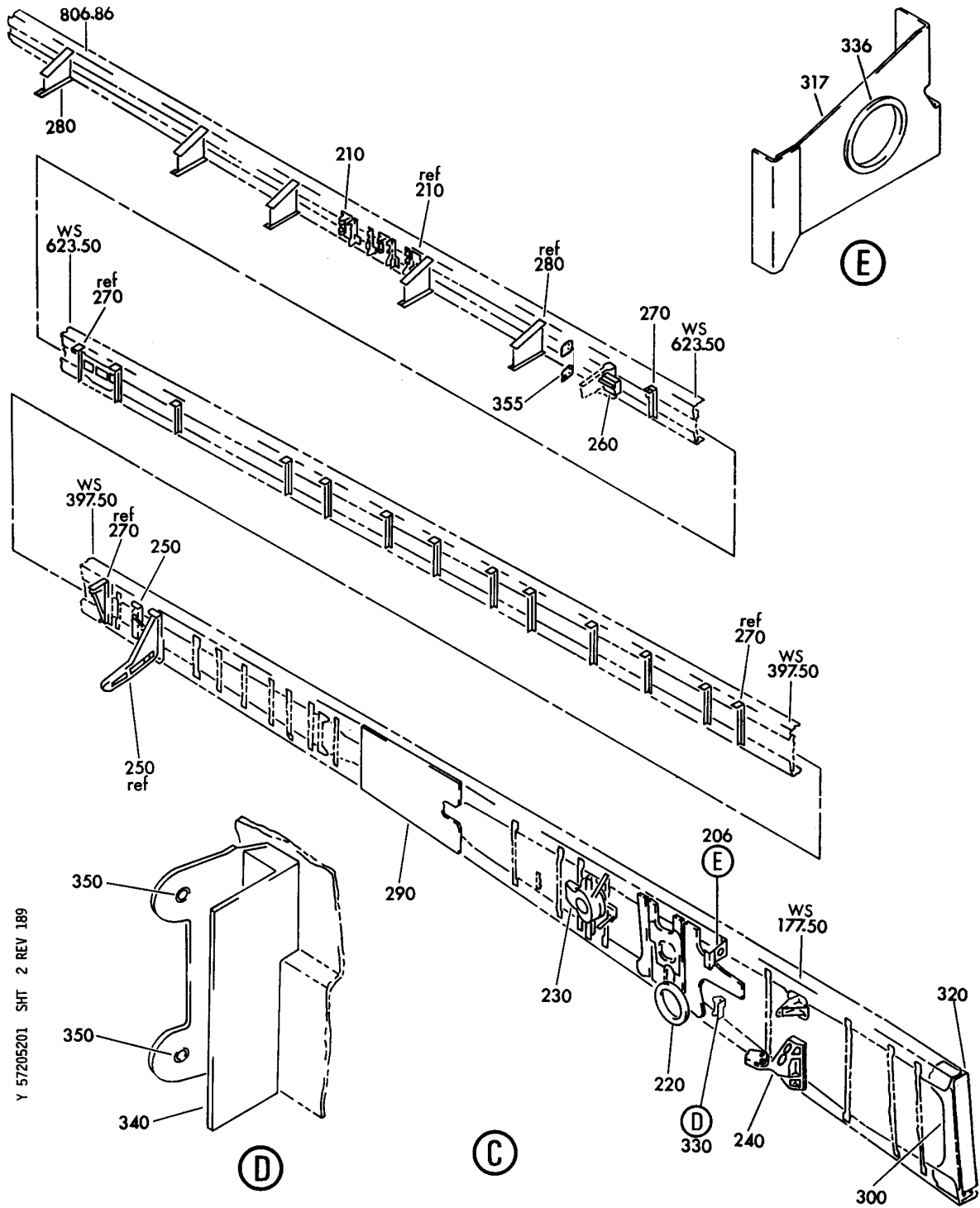
STRUCTURE ASSY-MODEL 757 WING
FIGURE 1 (SHEET 1)

57-20-52-01

BRI
MAY 28/07

57-20-52-01
PAGE 0

BOEING
757
PARTS CATALOG (MAINTENANCE)



STRUCTURE ASSY-MODEL 757 WING
FIGURE 1 (SHEET 2)

57-20-52-01

BRI
MAY 28/07

57-20-52-01
PAGE 0A



757

PARTS CATALOG (MAINTENANCE)

FIG ITEM	PART NUMBER	1 2 3 4 5 6 7	NOMENCLATURE	EFFECT FROM TO	UNITS PER ASSY
1			STRUCTURE ASSY-MODEL 757 WING	002004 006100 107107 121503 904999	
- 1	112N0001-1		STRUCTURE ASSY-WING POSITION DATA: LH FOR NHA SEE: 57-00-00-01	002004 006100 107107 121503 904999	RF
- 5	112N0001-2		STRUCTURE ASSY-WING POSITION DATA: RH FOR NHA SEE: 57-00-00-01	002004 006100 107107 121503 904999	RF
7	112N3107-1		.GENERATOR INSTL-WING VORTEX POSITION DATA: LH SIDE FOR DETAILS SEE: 57-25-01-01	002004 006100 107107 121503 904999	1
- 8	112N3107-2		.GENERATOR INSTL-WING VORTEX POSITION DATA: RH SIDE FOR DETAILS SEE: 57-25-01-01	002004 006100 107107 121503 904999	1
10	112N3001-5		.PANEL INSTL-WING POSITION DATA: OUTBD UPR LH SIDE FOR DETAILS SEE: 57-41-01-20	002004 006009 107107 121503 904949 952999	1
10	112N3001-13		.PANEL INSTL-WING POSITION DATA: OUTBD UPR LH SIDE FOR DETAILS SEE: 57-41-01-20	010012 950951	1
10	112N3001-23		.PANEL INSTL-WING POSITION DATA: OUTBD UPR LH SIDE FOR DETAILS SEE: 57-41-01-20	013100	1
- 15	112N3001-6		.PANEL INSTL-WING POSITION DATA: OUTBD UPR RH SIDE FOR DETAILS SEE: 57-41-01-20	002004 006009 107107 121503 904949 952999	1

MISSING ITEM NUMBERS NOT APPLICABLE

- ITEM NOT ILLUSTRATED

BRI

57-20-52-01

BOEING PROPRIETARY - Copyright © - Unpublished Work - See title page for details.

57-20-52
FIG. 01
PAGE 1
JAN 20/09



757

PARTS CATALOG (MAINTENANCE)

FIG ITEM	PART NUMBER	1 2 3 4 5 6 7	NOMENCLATURE	EFFECT FROM TO	UNITS PER ASSY
1					
- 15	112N3001-14		.PANEL INSTL-WING POSITION DATA: OUTBD UPR RH SIDE FOR DETAILS SEE: 57-41-01-20	010012 950951	1
- 15	112N3001-24		.PANEL INSTL-WING POSITION DATA: OUTBD UPR RH SIDE FOR DETAILS SEE: 57-41-01-20	013100	1
20	112N4001-1		.PANEL INSTL-WING POSITION DATA: OUTBD LWR LH SIDE FOR DETAILS SEE: 57-41-01-50	002004 006009 107107 121503 904949 952999	1
20	112N4001-11		.PANEL INSTL-WING POSITION DATA: OUTBD LWR LH SIDE FOR DETAILS SEE: 57-41-01-50	010012 950951	1
20	112N4001-17		.PANEL INSTL-WING POSITION DATA: OUTBD LWR LH SIDE FOR DETAILS SEE: 57-41-01-50	013100	1
- 25	112N4001-2		.PANEL INSTL-WING POSITION DATA: OUTBD LWR RH SIDE FOR DETAILS SEE: 57-41-01-50	002004 006009 107107 121503 904949 952999	1
- 25	112N4001-12		.PANEL INSTL-WING POSITION DATA: OUTBD LWR RH SIDE FOR DETAILS SEE: 57-41-01-50	010012 950951	1
- 25	112N4001-18		.PANEL INSTL-WING POSITION DATA: OUTBD LWR RH SIDE FOR DETAILS SEE: 57-41-01-50	013100	1
30	112N2001-7		.SPAR INSTL- POSITION DATA: SECT. 12 FRONT LH SIDE FOR DETAILS SEE: 57-21-51-01	002004 006100 107107 121503 904999	1

MISSING ITEM NUMBERS NOT APPLICABLE

- ITEM NOT ILLUSTRATED

57-20-52-01

57-20-52
FIG. 01
PAGE 2
JAN 20/09

BRI



757

PARTS CATALOG (MAINTENANCE)

FIG ITEM	PART NUMBER	1 2 3 4 5 6 7	NOMENCLATURE	EFFECT FROM TO	UNITS PER ASSY
1					
- 35	112N2001-8		.SPAR INSTL- POSITION DATA: SECT. 12 FRONT RH SIDE FOR DETAILS SEE: 57-21-51-01	002004 006100 107107 121503 904999	1
50	114N1001-1		.LEADING EDGE INSTL-FXD POSITION DATA: INBD LH SIDE FOR DETAILS SEE: 57-40-00-01	002004 006100 107107 121503 904999	1
- 55	114N1001-2		.LEADING EDGE INSTL-FXD POSITION DATA: INBD RH SIDE FOR DETAILS SEE: 57-40-00-01	002004 006100 107107 121503 904999	1
60	112N6001-3		.DOOR INSTL-ACCESS TANK POSITION DATA: LWR SURF. LH SIDE FOR DETAILS SEE: 28-11-01-01 28-11-02-04 28-11-03-01	107107	1
60	112N6001-7		.DOOR INSTL-ACCESS TANK POSITION DATA: LWR SURF. LH SIDE FOR DETAILS SEE: 28-11-01-01 28-11-02-04 28-11-03-01	002004 006010 121503 904999	1
60	112N6001-9		.DOOR INSTL-ACCESS TANK POSITION DATA: LWR SURF. LH SIDE FOR DETAILS SEE: 28-11-01-01 28-11-02-04 28-11-03-01	011100	1
- 65	112N6001-4		.DOOR INSTL-ACCESS TANK POSITION DATA: LWR SURF. RH SIDE FOR DETAILS SEE: 28-11-01-01 28-11-02-04 28-11-03-01	107107	1

MISSING ITEM NUMBERS NOT APPLICABLE

- ITEM NOT ILLUSTRATED

57-20-52-01

57-20-52
FIG. 01
PAGE 3
JAN 20/09

BRI

BOEING PROPRIETARY - Copyright © - Unpublished Work - See title page for details.



757

PARTS CATALOG (MAINTENANCE)

FIG ITEM	PART NUMBER	1 2 3 4 5 6 7	NOMENCLATURE	EFFECT FROM TO	UNITS PER ASSY
1					
- 65	112N6001-8		.DOOR INSTL-ACCESS TANK POSITION DATA: LWR SURF. RH SIDE FOR DETAILS SEE: 28-11-01-01 28-11-02-04 28-11-03-01	002004 006010 121503 904999	1
- 65	112N6001-10		.DOOR INSTL-ACCESS TANK POSITION DATA: LWR SURF. RH SIDE FOR DETAILS SEE: 28-11-01-01 28-11-02-04 28-11-03-01	011100	1
70	113N1800-11		.FAIRING INSTL-TE MLG TRUN POSITION DATA: LH SIDE FOR DETAILS SEE: 32-12-10-01	107107	1
70	113N1800-31		.FAIRING INSTL-TE MLG TRUN POSITION DATA: LH SIDE FOR DETAILS SEE: 32-12-10-01	904949	1
70	113N1800-41		.FAIRING INSTL-TE MLG TRUN POSITION DATA: LH SIDE FOR DETAILS SEE: 32-12-10-01	003004 006100 121503 950999	1
- 75	113N1800-12		.FAIRING INSTL-TE MLG TRUN POSITION DATA: RH SIDE FOR DETAILS SEE: 32-12-10-01	107107	1
- 75	113N1800-32		.FAIRING INSTL-TE MLG TRUN POSITION DATA: RH SIDE FOR DETAILS SEE: 32-12-10-01	904949	1
- 75	113N1800-42		.FAIRING INSTL-TE MLG TRUN POSITION DATA: RH SIDE FOR DETAILS SEE: 32-12-10-01	003004 006100 121503 950999	1

MISSING ITEM NUMBERS NOT APPLICABLE

- ITEM NOT ILLUSTRATED

57-20-52-01

57-20-52
FIG. 01
PAGE 4
JAN 20/09

BRI



757

PARTS CATALOG (MAINTENANCE)

FIG ITEM	PART NUMBER	1 2 3 4 5 6 7	NOMENCLATURE	EFFECT FROM TO	UNITS PER ASSY
1					
80	112N8001-1		.PANEL INSTL-DRY BAY BARRIER POSITION DATA: LH SIDE FOR DETAILS SEE: 57-20-51-05	107107	1
80	112N8001-31		.PANEL INSTL-DRY BAY BARRIER POSITION DATA: LH SIDE FOR DETAILS SEE: 57-20-51-05	002004 006100 121503 904999	1
- 85	112N8001-2		.PANEL INSTL-DRY BAY BARRIER POSITION DATA: RH SIDE FOR DETAILS SEE: 57-20-51-05	107107	1
- 85	112N8001-32		.PANEL INSTL-DRY BAY BARRIER POSITION DATA: RH SIDE FOR DETAILS SEE: 57-20-51-05	002004 006100 121503 904999	1
90	112N5153-1		.BAFFLE INSTL-INSPAR RIB FUEL POSITION DATA: STA 285.5 LH SIDE FOR DETAILS SEE: 57-22-52-01	002004 006100 107107 121503 904999	1
- 95	112N5153-2		.BAFFLE INSTL-INSPAR RIB FUEL POSITION DATA: STA 285.5 RH SIDE FOR DETAILS SEE: 57-22-52-01	002004 006100 107107 121503 904999	1
100	112N7001-1		.SUPPORT INSTL-NAC POSITION DATA: LH SIDE FOR DETAILS SEE: 57-24-51-01	002004 006100 107107 121503 904999	1
- 105	112N7001-2		.SUPPORT INSTL-NAC POSITION DATA: RH SIDE FOR DETAILS SEE: 57-24-51-01	002004 006100 107107 121503 904999	1

MISSING ITEM NUMBERS NOT APPLICABLE

- ITEM NOT ILLUSTRATED

57-20-52-01

57-20-52
FIG. 01
PAGE 5
JAN 20/09

BRI



757

PARTS CATALOG (MAINTENANCE)

FIG ITEM	PART NUMBER	1 2 3 4 5 6 7	NOMENCLATURE	EFFECT FROM TO	UNITS PER ASSY
1					
110	114N2001-1		.LEADING EDGE INSTL-FXD POSITION DATA: OUTBD LH SIDE FOR DETAILS SEE: 57-22-51-50	002004 006100 107107 121503 904999	1
- 115	114N2001-2		.LEADING EDGE INSTL-FXD POSITION DATA: OUTBD RH SIDE FOR DETAILS SEE: 57-22-51-50	002004 006100 107107 121503 904999	1
120	113N1300-1		.TRACK INSTL-FLAP POSITION DATA: WING BL 361.00 OUTBD LH SIDE FOR DETAILS SEE: 27-51-15-05	002004 006100 107107 121503 904999	1
- 125	113N1300-2		.TRACK INSTL-FLAP POSITION DATA: WING BL 361.00 OUTBD RH SIDE FOR DETAILS SEE: 27-51-15-05	002004 006100 107107 121503 904999	1
130	113N1300-3		.TRACK INSTL-FLAP POSITION DATA: WING BL 495.344 OUTBD LH SIDE FOR DETAILS SEE: 27-51-15-05	002004 006100 107107 121503 904999	1
- 135	113N1300-4		.TRACK INSTL-FLAP POSITION DATA: WING BL 495.344 OUTBD RH SIDE FOR DETAILS SEE: 27-51-15-05	002004 006100 107107 121503 904999	1
140	113N1300-5		.FITTING INSTL-FLAP POSITION DATA: WING BL 361.00 OUTBD LH SIDE FOR DETAILS SEE: 27-51-15-06	002004 006100 107107 121503 904999	1
- 145	113N1300-6		.FITTING INSTL-FLAP POSITION DATA: WING BL 361.00 OUTBD RH SIDE FOR DETAILS SEE: 27-51-15-06	002004 006100 107107 121503 904999	1

MISSING ITEM NUMBERS NOT APPLICABLE

- ITEM NOT ILLUSTRATED

57-20-52-01

57-20-52
FIG. 01
PAGE 6
JAN 20/09

BRI

 **BOEING**
757
PARTS CATALOG (MAINTENANCE)

FIG ITEM	PART NUMBER	1 2 3 4 5 6 7	NOMENCLATURE	EFFECT FROM TO	UNITS PER ASSY
1 150	113N1300-7		.FITTING INSTL-FLAP POSITION DATA: WING BL 490.778 OUTBD LH SIDE FOR DETAILS SEE: 27-51-15-06	002004 006100 107107 121503 904999	1
- 155	113N1300-8		.FITTING INSTL-FLAP POSITION DATA: WING BL 490.778 OUTBD RH SIDE FOR DETAILS SEE: 27-51-15-06	002004 006100 107107 121503 904999	1
160	113N1730-1		.FAIRING INSTL-OUTBD TE FLAP INBD TRACK POSITION DATA: LH SIDE FOR DETAILS SEE: 27-51-31-02	002004 006100 107107 121503 904999	1
- 165	113N1730-2		.FAIRING INSTL-OUTBD TE FLAP INBD TRACK POSITION DATA: RH SIDE FOR DETAILS SEE: 27-51-31-02	002004 006100 107107 121503 904999	1
170	113N1710-1		.FAIRING INSTL-OUTBD TE FLAP OUTBD TRACK POSITION DATA: LH SIDE FOR DETAILS SEE: 27-51-31-01	002004 006100 107107 121503 904999	1
- 175	113N1710-2		.FAIRING INSTL-OUTBD TE FLAP OUTBD TRACK POSITION DATA: RH SIDE FOR DETAILS SEE: 27-51-31-01	002004 006100 107107 121503 904999	1
180	113N1000-1		.STRUCTURE INSTL-FXD TE POSITION DATA: LH SIDE FOR DETAILS SEE: 57-50-00-01	002004 006100 107107 121503 904999	1
- 185	113N1000-2		.STRUCTURE INSTL-FXD TE POSITION DATA: RH SIDE FOR DETAILS SEE: 57-50-00-01	002004 006100 107107 121503 904999	1

MISSING ITEM NUMBERS NOT APPLICABLE

- ITEM NOT ILLUSTRATED

BRI

57-20-52-01

BOEING PROPRIETARY - Copyright © - Unpublished Work - See title page for details.

57-20-52
FIG. 01
PAGE 7
JAN 20/09



757

PARTS CATALOG (MAINTENANCE)

FIG ITEM	PART NUMBER	1 2 3 4 5 6 7	NOMENCLATURE	EFFECT FROM TO	UNITS PER ASSY
1					
190	112N4501-1		.PANEL INSTL-HONEYCOMB POSITION DATA: LWR LH SIDE FOR DETAILS SEE: 57-41-01-10	002004 006100 107107 121503 904999	1
- 195	112N4501-2		.PANEL INSTL-HONEYCOMB POSITION DATA: LWR RH SIDE FOR DETAILS SEE: 57-41-01-10	002004 006100 107107 121503 904999	1
200	112N1001-1		.SPAR INSTL- POSITION DATA: SECT. 12 REAR LH SIDE	002004 006100 107107 121503 904999	1
- 205	112N1001-2		.SPAR INSTL- POSITION DATA: SECT. 12 REAR RH SIDE	002004 006100 107107 121503 904999	1
210	112N1038-1		..STIFFENER INSTL-AIL. PWR CONT UNIT POSITION DATA: LH SIDE FOR DETAILS SEE: 57-60-00-10	002004 006100 107107 121503 904999	1
- 215	112N1038-2		..STIFFENER INSTL-AIL. PWR CONT UNIT POSITION DATA: RH SIDE FOR DETAILS SEE: 57-60-00-10	002004 006100 107107 121503 904999	1
220	113N1060-1		..SUPPORT INSTL-MLG TRUN POSITION DATA: FWD LH SIDE FOR DETAILS SEE: 57-54-05-01A	002004 006100 107107 121503 904999	1
- 225	113N1060-2		..SUPPORT INSTL-MLG TRUN POSITION DATA: FWD RH SIDE FOR DETAILS SEE: 57-54-05-01A	002004 006100 107107 121503 904999	1
230	113N1090-9		..FITTING INSTL-MLG BEAM STAB. AND ACTR ATTACHMENT SPRT POSITION DATA: LH SIDE FOR DETAILS SEE: 57-54-03-01	002004 006100 107107 121503 904999	1

MISSING ITEM NUMBERS NOT APPLICABLE

- ITEM NOT ILLUSTRATED

57-20-52-01

57-20-52
FIG. 01
PAGE 8
JAN 20/09

BRI



757

PARTS CATALOG (MAINTENANCE)

FIG ITEM	PART NUMBER	1 2 3 4 5 6 7	NOMENCLATURE	EFFECT FROM TO	UNITS PER ASSY
1					
- 235	113N1090-10		..FITTING INSTL-MLG BEAM STAB. AND ACTR ATTACHMENT SPRT POSITION DATA: RH SIDE FOR DETAILS SEE: 57-54-03-01	002004 006100 107107 121503 904999	1
240	113N1100-7		..FITTING INSTL-MLG JURY AND BEAM STAB. SPRT POSITION DATA: LH SIDE FOR DETAILS SEE: 32-11-04-01	002004 006100 107107 121503 904999	1
- 245	113N1100-8		..FITTING INSTL-MLG JURY AND BEAM STAB. SPRT POSITION DATA: RH SIDE FOR DETAILS SEE: 32-11-04-01	002004 006100 107107 121503 904999	1
250	113N1350-9		..RIB INSTL-TE DEFLECTION CONT POSITION DATA: INBD LH SIDE FOR DETAILS SEE: 57-50-01-03	002004 006016 107107 121503 904999	1
250	113N1350-13		..RIB INSTL-TE DEFLECTION CONT POSITION DATA: INBD LH SIDE FOR DETAILS SEE: 57-50-01-03	017100	1
- 255	113N1350-10		..RIB INSTL-TE DEFLECTION CONT POSITION DATA: INBD RH SIDE FOR DETAILS SEE: 57-50-01-03	002004 006016 107107 121503 904999	1
- 255	113N1350-14		..RIB INSTL-TE DEFLECTION CONT POSITION DATA: INBD RH SIDE FOR DETAILS SEE: 57-50-01-03	017100	1
260	113N1370-13		..RIB INSTL-TE DEFLECTION CONT POSITION DATA: OUTBD LH SIDE FOR DETAILS SEE: 57-50-01-01	002004 006100 107107 121503 904999	1

MISSING ITEM NUMBERS NOT APPLICABLE

- ITEM NOT ILLUSTRATED

57-20-52-01

57-20-52
FIG. 01
PAGE 9
JAN 20/09

BRI



757

PARTS CATALOG (MAINTENANCE)

FIG ITEM	PART NUMBER	1 2 3 4 5 6 7	NOMENCLATURE	EFFECT FROM TO	UNITS PER ASSY
1					
- 265	113N1370-14		..RIB INSTL-TE DEFLECTION CONT POSITION DATA: OUTBD RH SIDE FOR DETAILS SEE: 57-50-01-01	002004 006100 107107 121503 904999	1
270	113N1400-9		..SUPPORT INSTL-TE SPOILER NO. 1 THRU 5 POSITION DATA: LH SIDE FOR DETAILS SEE: 57-70-00-01 57-70-00-02 57-70-00-04	107107	1
270	113N1400-11		..SUPPORT INSTL-TE SPOILER NO. 1 THRU 5 POSITION DATA: LH SIDE FOR DETAILS SEE: 57-70-00-01 57-70-00-02 57-70-00-04	002004 006010 121503 904999	1
270	113N1400-17		..SUPPORT INSTL-TE SPOILER NO. 1 THRU 5 POSITION DATA: LH SIDE FOR DETAILS SEE: 57-70-00-01 57-70-00-02 57-70-00-04	011100	1
- 275	113N1400-10		..SUPPORT INSTL-TE SPOILER NO. 1 THRU 5 POSITION DATA: RH SIDE FOR DETAILS SEE: 57-70-00-01 57-70-00-02 57-70-00-04A	107107	1
- 275	113N1400-12		..SUPPORT INSTL-TE SPOILER NO. 1 THRU 5 POSITION DATA: RH SIDE FOR DETAILS SEE: 57-70-00-01 57-70-00-02 57-70-00-04A	002004 006010 121503 904999	1

MISSING ITEM NUMBERS NOT APPLICABLE

- ITEM NOT ILLUSTRATED

57-20-52-01

57-20-52
FIG. 01
PAGE 10
JAN 20/09

BRI



757

PARTS CATALOG (MAINTENANCE)

FIG ITEM	PART NUMBER	1 2 3 4 5 6 7	NOMENCLATURE	EFFECT FROM TO	UNITS PER ASSY
1					
- 275	113N1400-18		..SUPPORT INSTL-TE SPOILER NO. 1 THRU 5 POSITION DATA: RH SIDE FOR DETAILS SEE: 57-70-00-01 57-70-00-02 57-70-00-04A	011100	1
280	113N1500-1		..RIB INSTL-AIL. HINGE SPRT POSITION DATA: LH SIDE FOR DETAILS SEE: 57-52-01-01	002004 006100 107107 121503 904999	1
- 285	113N1500-2		..RIB INSTL-AIL. HINGE SPRT POSITION DATA: RH SIDE FOR DETAILS SEE: 57-52-01-01	002004 006100 107107 121503 904999	1
290	113N1050-1		..SUPPORT INSTL-MLG BEAM POSITION DATA: OUTBD LH SIDE FOR DETAILS SEE: 57-54-03-10	107107 904949	1
290	113N1050-21		..SUPPORT INSTL-MLG BEAM POSITION DATA: OUTBD LH SIDE FOR DETAILS SEE: 57-54-03-10	952952	1
290	113N1050-31		..SUPPORT INSTL-MLG BEAM POSITION DATA: OUTBD LH SIDE FOR DETAILS SEE: 57-54-03-10	003004 006100 121503 950951 953999	1
- 295	113N1050-2		..SUPPORT INSTL-MLG BEAM POSITION DATA: OUTBD RH SIDE FOR DETAILS SEE: 57-54-03-10	107107 904949	1
- 295	113N1050-22		..SUPPORT INSTL-MLG BEAM POSITION DATA: OUTBD RH SIDE FOR DETAILS SEE: 57-54-03-10	952952	1
- 295	113N1050-32		..SUPPORT INSTL-MLG BEAM POSITION DATA: OUTBD RH SIDE FOR DETAILS SEE: 57-54-03-10	003004 006100 121503 950951 953999	1

MISSING ITEM NUMBERS NOT APPLICABLE

- ITEM NOT ILLUSTRATED

57-20-52-01

57-20-52
FIG. 01
PAGE 11
JAN 20/09

BRI



757

PARTS CATALOG (MAINTENANCE)

FIG ITEM	PART NUMBER	1 2 3 4 5 6 7	NOMENCLATURE	EFFECT FROM TO	UNITS PER ASSY
1					
300	112N1010-5		..FITTING INSTL-TERM. POSITION DATA: LH SIDE FOR DETAILS SEE: 53-41-57-01	002004 107107 121503 904949 952952	1
300	112N1010-17		..FITTING INSTL-TERM. POSITION DATA: LH SIDE FOR DETAILS SEE: 53-41-57-01	006100 950951 953999	1
- 305	112N1010-6		..FITTING INSTL-TERM. POSITION DATA: RH SIDE FOR DETAILS SEE: 53-41-57-01	002004 107107 121503 904949 952952	1
- 305	112N1010-18		..FITTING INSTL-TERM. POSITION DATA: RH SIDE FOR DETAILS SEE: 53-41-57-01	006100 950951 953999	1
- 310	112N1002-17		..SPAR INSTL- POSITION DATA: SECT. 12 REAR LH SIDE	002004 006100 107107 121503 904999	1
- 315	112N1002-14		..SPAR INSTL- POSITION DATA: SECT. 12 REAR RH SIDE	002004 006100 107107 121503 904999	1
320	112N1010-7		...FITTING INSTL-SPAR WING/BODY JOINT TERM. POSITION DATA: REAR LH SIDE FOR DETAILS SEE: 53-41-57-01	002004 107107 121503 904949 952952	1
320	112N1010-19		...FITTING INSTL-SPAR WING/BODY JOINT TERM. POSITION DATA: REAR LH SIDE FOR DETAILS SEE: 53-41-57-01	006100 950951 953999	1
- 325	112N1010-8		...FITTING INSTL-SPAR WING/BODY JOINT TERM. POSITION DATA: REAR RH SIDE FOR DETAILS SEE: 53-41-57-01	002004 107107 121503 904949 952952	1

MISSING ITEM NUMBERS NOT APPLICABLE

- ITEM NOT ILLUSTRATED

57-20-52-01

57-20-52
FIG. 01
PAGE 12
JAN 20/09

BRI



757

PARTS CATALOG (MAINTENANCE)

FIG ITEM	PART NUMBER	1 2 3 4 5 6 7	NOMENCLATURE	EFFECT FROM TO	UNITS PER ASSY
1					
- 325	112N1010-20		... FITTING INSTL-SPAR WING/BODY JOINT TERM. POSITION DATA: REAR RH SIDE FOR DETAILS SEE: 53-41-57-01	006100 950951 953999	1
330	113N2031-1		... FITTING ASSY	003004 006100 107107 121503 904999	1
- 335	113N2031-2		... FITTING ASSY- POSITION DATA: RH SIDE	003004 006100 107107 121503 904999	1
340	113N2031-3	 FITTING- POSITION DATA: LH SIDE	003004 006100 107107 121503 904999	1
- 345	113N2031-4	 FITTING- POSITION DATA: RH SIDE	003004 006100 107107 121503 904999	1
350	BACB28AM04A025	 BUSHING	003004 006100 107107 121503 904999	2
355	251N1006-3		.. GUARD INSTL-CABLE POSITION DATA: LH SIDE FOR DETAILS SEE: 27-11-17-01	002004 006100 107107 121503 904999	1
- 360	251N1006-4		.. GUARD INSTL-CABLE POSITION DATA: RH SIDE FOR DETAILS SEE: 27-11-17-01	002004 006100 107107 121503 904999	1
364	251N6049-3		.. BRACKET INSTL-PULLEY POSITION DATA: WING STA 528 LH USED ON: 112N1001-1 FOR DETAILS SEE: 27-11-22-10	002004 006100 107107 121503 904999	1

MISSING ITEM NUMBERS NOT APPLICABLE

- ITEM NOT ILLUSTRATED

57-20-52-01

57-20-52
FIG. 01
PAGE 13
JAN 20/09

BRI



757

PARTS CATALOG (MAINTENANCE)

FIG ITEM	PART NUMBER	1 2 3 4 5 6 7	NOMENCLATURE	EFFECT FROM TO	UNITS PER ASSY
1 - 368	251N6049-4		..BRACKET INSTL-PULLEY POSITION DATA: WING STA 528 RH USED ON: 112N1001-2 FOR DETAILS SEE: 27-11-22-10	002004 006100 107107 121503 904999	1

MISSING ITEM NUMBERS NOT APPLICABLE

- ITEM NOT ILLUSTRATED

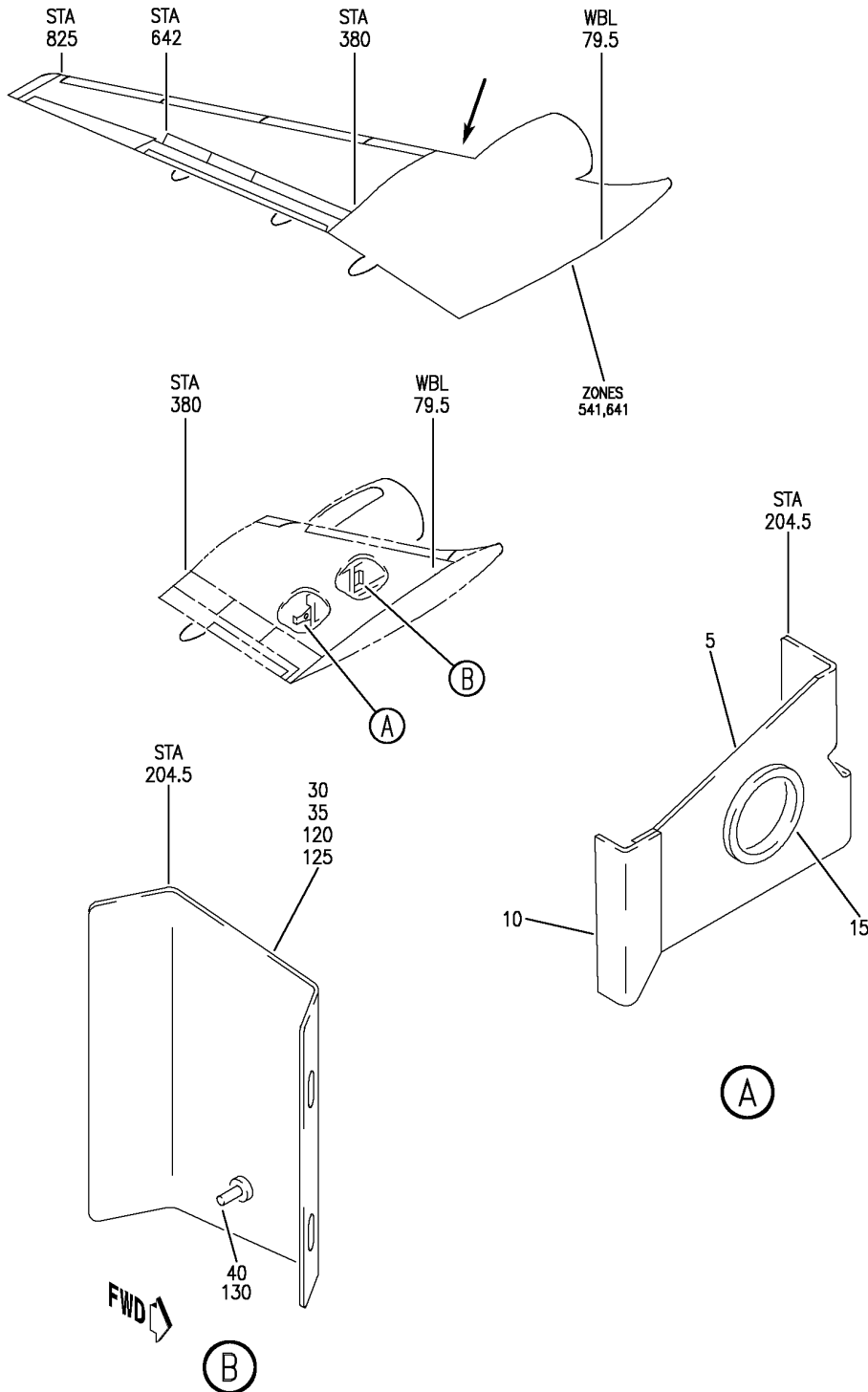
BRI

57-20-52-01

BOEING PROPRIETARY - Copyright © - Unpublished Work - See title page for details.

57-20-52
FIG. 01
PAGE 14
JAN 20/09

BOEING
757
PARTS CATALOG (MAINTENANCE)



Y 57205201A REV 252

RIB INSTL-L.G. TRUNNION SUPT. W.S. 204.50
FIGURE 1A

57-20-52-01A

BRI
MAY 28/07

57-20-52-01A
PAGE 0



757

PARTS CATALOG (MAINTENANCE)

FIG ITEM	PART NUMBER	1 2 3 4 5 6 7	NOMENCLATURE	EFFECT FROM TO	UNITS PER ASSY
1A			RIB INSTL-L.G. TRUNNION SUPT. W.S. 204.50	101106 108120 504903	
- 1	112N5005-203		RIB INSTL- POSITION DATA: LH FOR NHA SEE: 57-00-00-20	101102 504903	RF
- 1	112N5005-205		RIB INSTL- POSITION DATA: LH FOR NHA SEE: 57-00-00-20	108120	RF
- 1	MODREF429		RIB INSTL- MODULE NUMBER: 112N5005-207 REV A POSITION DATA: LH	103105	1
- 1	MODREF24697		RIB INSTL- MODULE NUMBER: 112N5005-207 REV B POSITION DATA: LH	106106	1
- 3	112N5005-204		RIB INSTL- POSITION DATA: RH FOR NHA SEE: 57-00-00-20	101102 504903	RF
- 3	112N5005-206		RIB INSTL- POSITION DATA: RH FOR NHA SEE: 57-00-00-20	108120	RF
- 3	MODREF430		RIB INSTL- MODULE NUMBER: 112N5005-208 REV A POSITION DATA: RH	103105	1
- 3	MODREF24698		RIB INSTL- MODULE NUMBER: 112N5005-208 REV B POSITION DATA: RH	106106	1
5	271N6056-33		.BRACKET ASSY- POSITION DATA: LH SIDE	101106 108120 504903	1
10	271N6056-36		.BRACKET ASSY- POSITION DATA: RH SIDE	101106 108120 504903	1

MISSING ITEM NUMBERS NOT APPLICABLE

- ITEM NOT ILLUSTRATED

57-20-52-01A

57-20-52
FIG. 01A
PAGE 1
JAN 20/09

BRI



757

PARTS CATALOG (MAINTENANCE)

FIG ITEM	PART NUMBER	1 2 3 4 5 6 7	NOMENCLATURE	EFFECT FROM TO	UNITS PER ASSY
1A					
15	BACG20AD1900	. .	GROMMET	101106 108120 504903	AR
- 20	112N5005-145	.RIB ASSY-	POSITION DATA: LH SIDE	101102 504903	1
- 20	112N5005-147	.RIB ASSY-	POSITION DATA: LH SIDE	103106 108120	1
- 25	112N5005-146	.RIB ASSY-	POSITION DATA: RH SIDE	101102 504903	1
- 25	112N5005-148	.RIB ASSY-	POSITION DATA: RH SIDE	103106 108120	1
30	343N2041-49	. .	BRACKET ASSY- POSITION DATA: LH SIDE	101106 108120 504903	1
35	343N2041-50	. .	BRACKET ASSY- POSITION DATA: RH SIDE	101106 108120 504903	1
40	VNS1924CA1-8	. . .	STUD-GROUNDING SUPPLIER CODE: V5M902 SPECIFICATION NUMBER: BACS53B1EA1 OPTIONAL PART: VNS1924CA3-1-8 V92215	101106 108120 504903	1

MISSING ITEM NUMBERS NOT APPLICABLE

- ITEM NOT ILLUSTRATED

BRI

57-20-52-01A

BOEING PROPRIETARY - Copyright © - Unpublished Work - See title page for details.

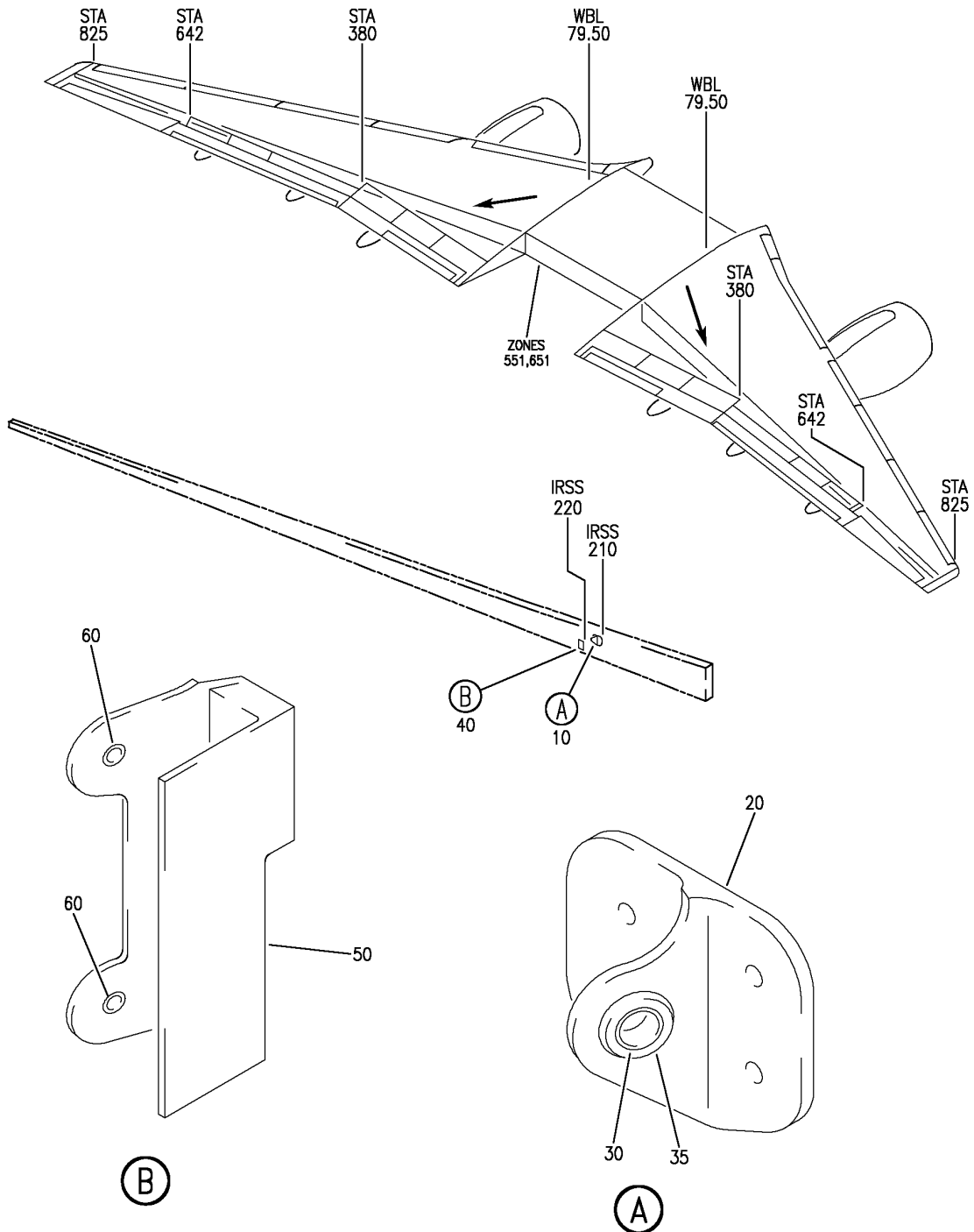
57-20-52
FIG. 01A
PAGE 2
JAN 20/09

SPARS

BRI
MAY 28/07

57-21-00
SECTION TITLE
PAGE 1

BOEING
757
PARTS CATALOG (MAINTENANCE)



Y 57215001 REV 258

SPAR ASSY-WING SECT. 12 REAR
FIGURE 1

57-21-50-01

BRI
JAN 20/09

57-21-50-01
PAGE 0



757

PARTS CATALOG (MAINTENANCE)

FIG ITEM	PART NUMBER	1 2 3 4 5 6 7	NOMENCLATURE	EFFECT FROM TO	UNITS PER ASSY
1			SPAR ASSY-WING SECT. 12 REAR	103106	
- 1	MODREF23236		SPAR ASSY- MODULE NUMBER: 112N1002-213 REV A POSITION DATA: REAR LH	103106	1
- 5	MODREF23237		SPAR ASSY- MODULE NUMBER: 112N1002-214 REV A POSITION DATA: REAR RH	103106	1
10	113N1690-5		.FITTING ASSY- POSITION DATA: LH SIDE	103106	1
- 15	113N1690-6		.FITTING ASSY- POSITION DATA: RH SIDE	103106	1
20	113N1690-7		..FITTING- POSITION DATA: LH SIDE	103106	1
- 25	113N1690-8		..FITTING- POSITION DATA: RH SIDE	103106	1
30	012T2400-30		..BUSHING	103106	1
35	BACB28AM08B012A		..BUSHING	103106	1
40	113N2031-1		.FITTING ASSY- POSITION DATA: LH SIDE	103106	1
- 45	113N2031-2		.FITTING ASSY- POSITION DATA: RH SIDE	103106	1
50	113N2031-3		..FITTING- POSITION DATA: LH SIDE	103106	1
- 55	113N2031-4		..FITTING- POSITION DATA: RH SIDE	103106	1
60	BACB28AM04A025		..BUSHING	103106	2

MISSING ITEM NUMBERS NOT APPLICABLE

- ITEM NOT ILLUSTRATED

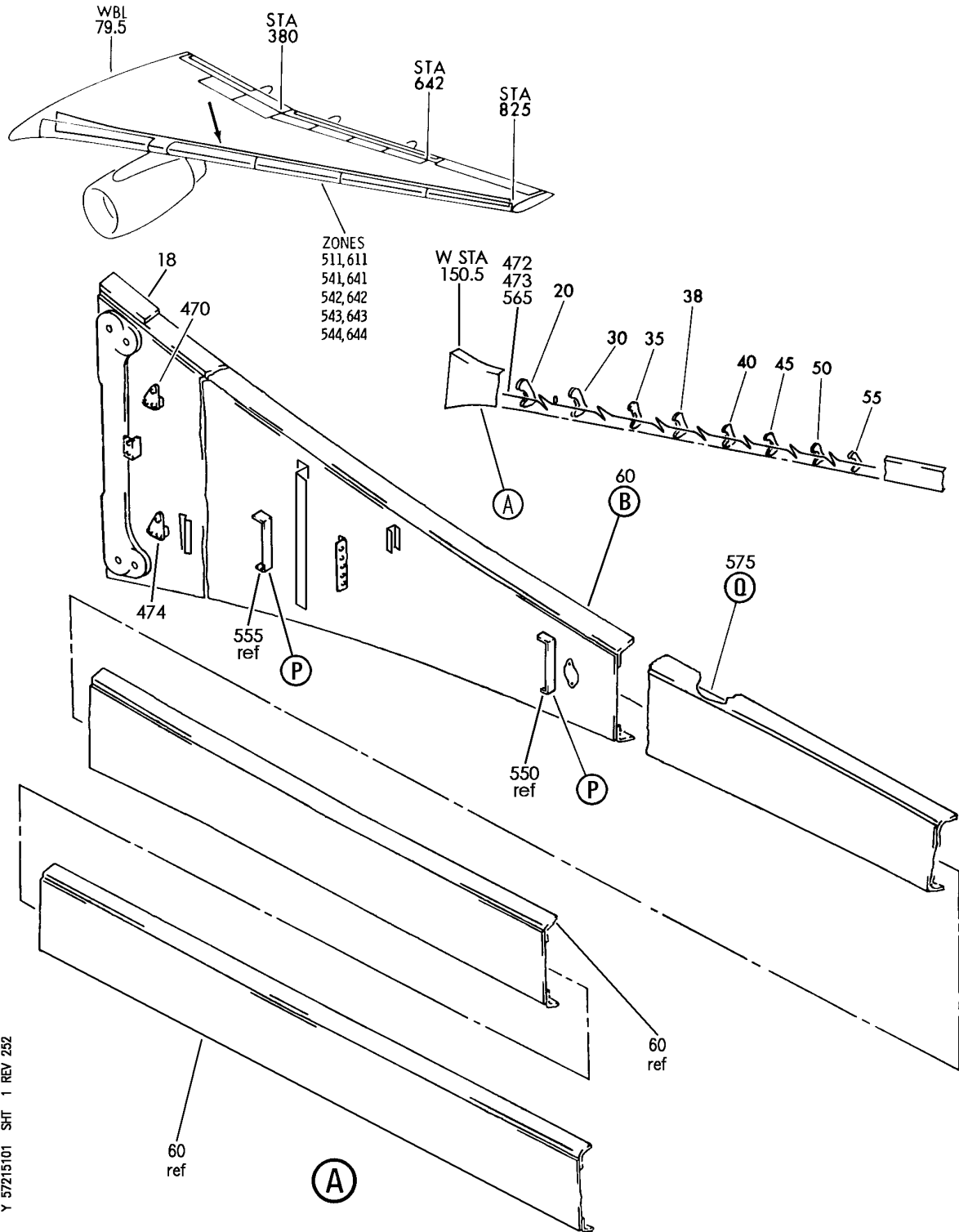
BRI

57-21-50-01

BOEING PROPRIETARY - Copyright © - Unpublished Work - See title page for details.

57-21-50
FIG. 01
PAGE 1
JAN 20/09


BOEING
 757
PARTS CATALOG (MAINTENANCE)



Y 57215101 SHT 1 REV 252

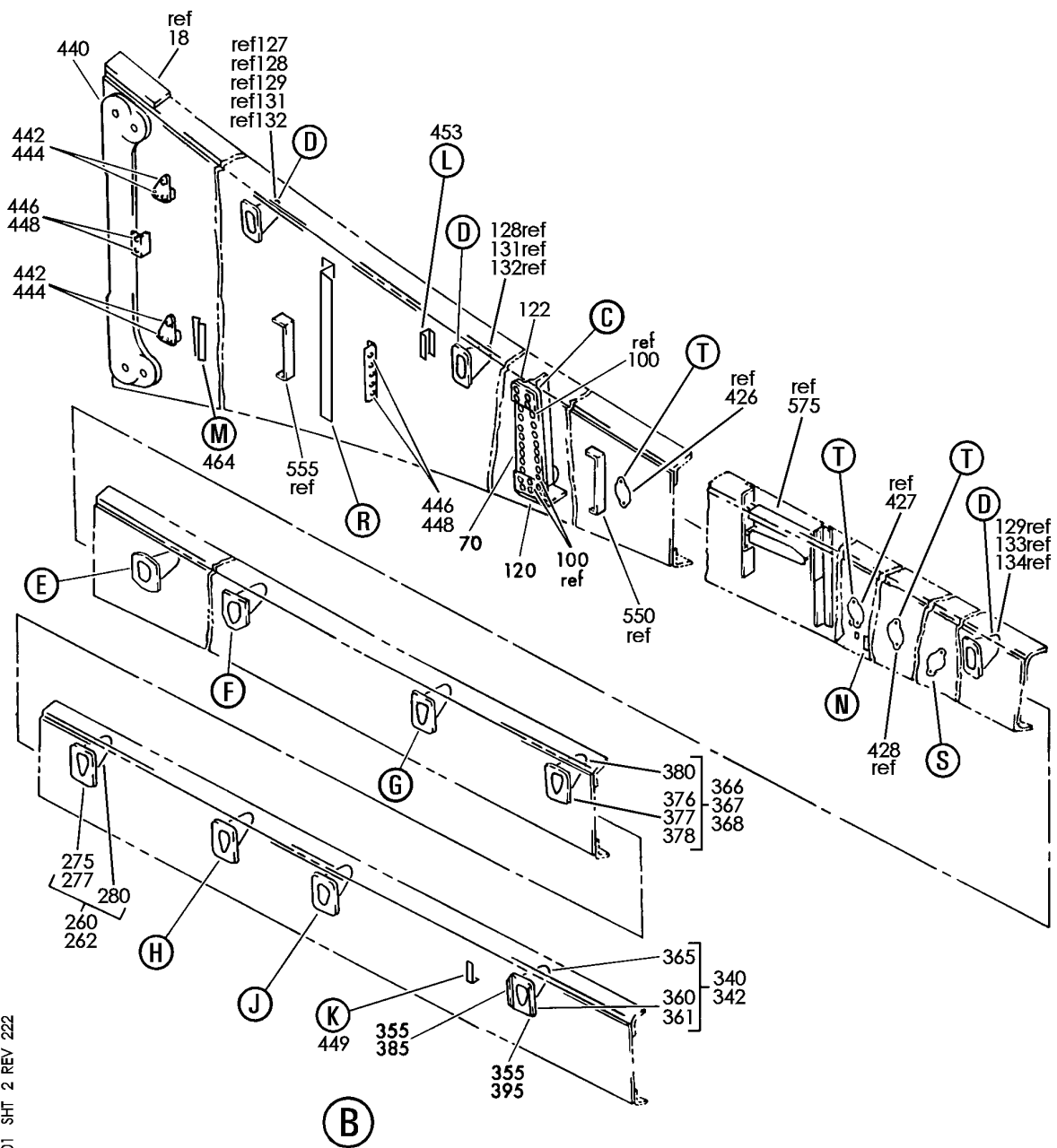
SPAR INSTL-WING SECT. 12 FRONT
FIGURE 1 (SHEET 1)

57-21-51-01

BRI
MAY 28/07

57-21-51-01
PAGE 0

BOEING
757
PARTS CATALOG (MAINTENANCE)



Y 57215101 SH1 2 REV 222

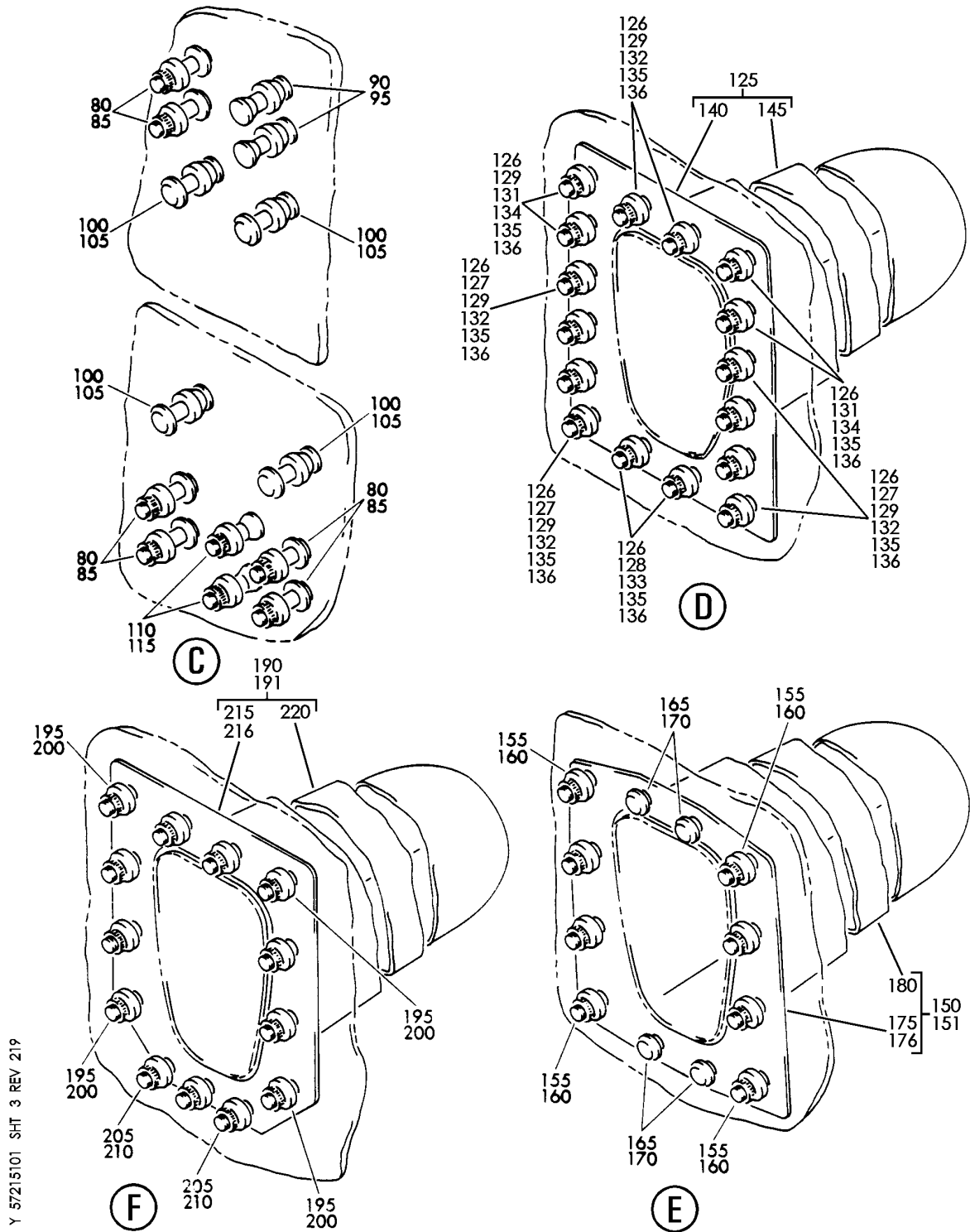
SPAR INSTL-WING SECT. 12 FRONT
FIGURE 1 (SHEET 2)

57-21-51-01

BRI
MAY 28/07

57-21-51-01
PAGE 0A

BOEING
757
PARTS CATALOG (MAINTENANCE)



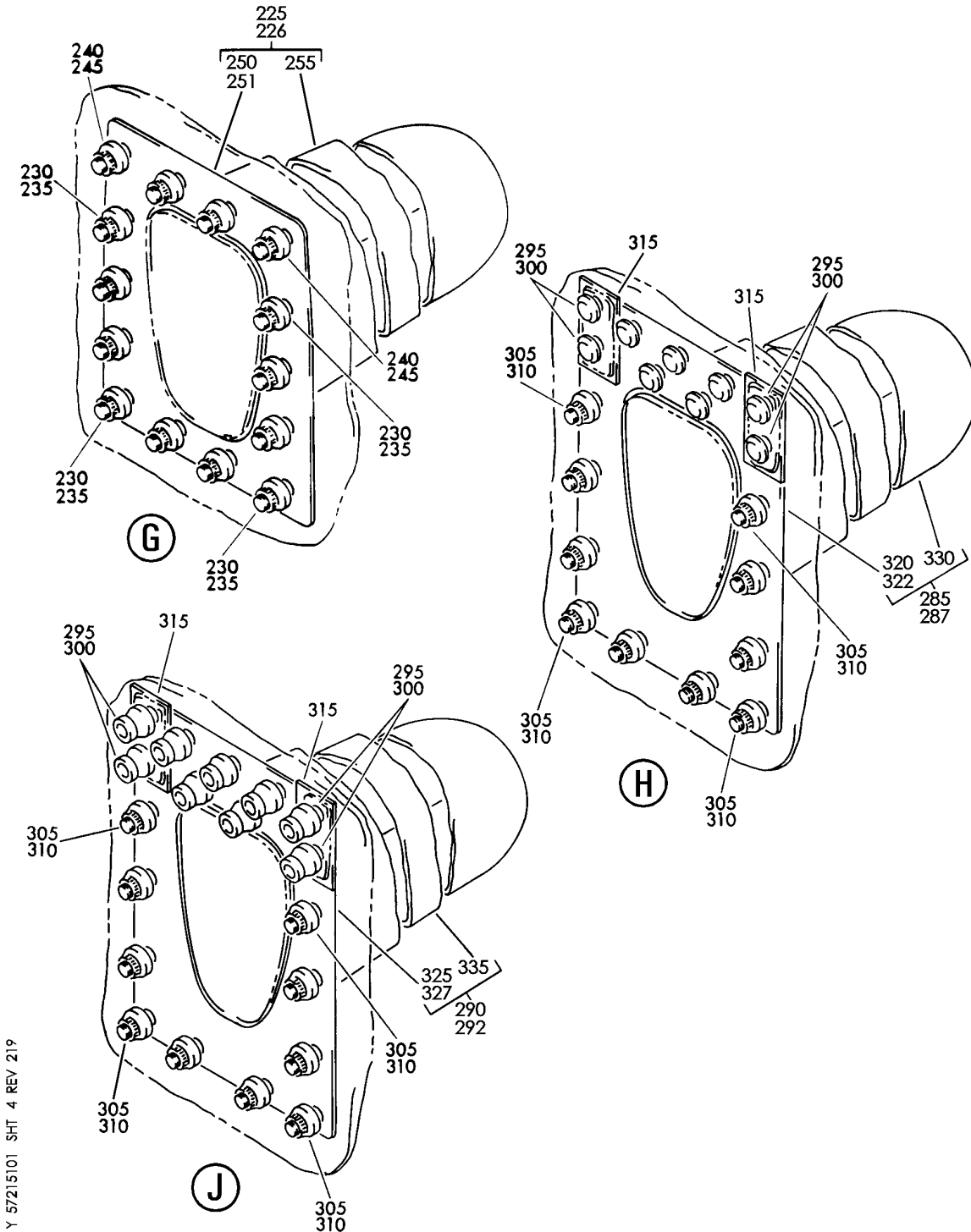
SPAR INSTL-WING SECT. 12 FRONT
FIGURE 1 (SHEET 3)

57-21-51-01

BRI
MAY 28/07

57-21-51-01
PAGE 0B

BOEING
757
PARTS CATALOG (MAINTENANCE)



Y 57215101 SHT 4 REV 219

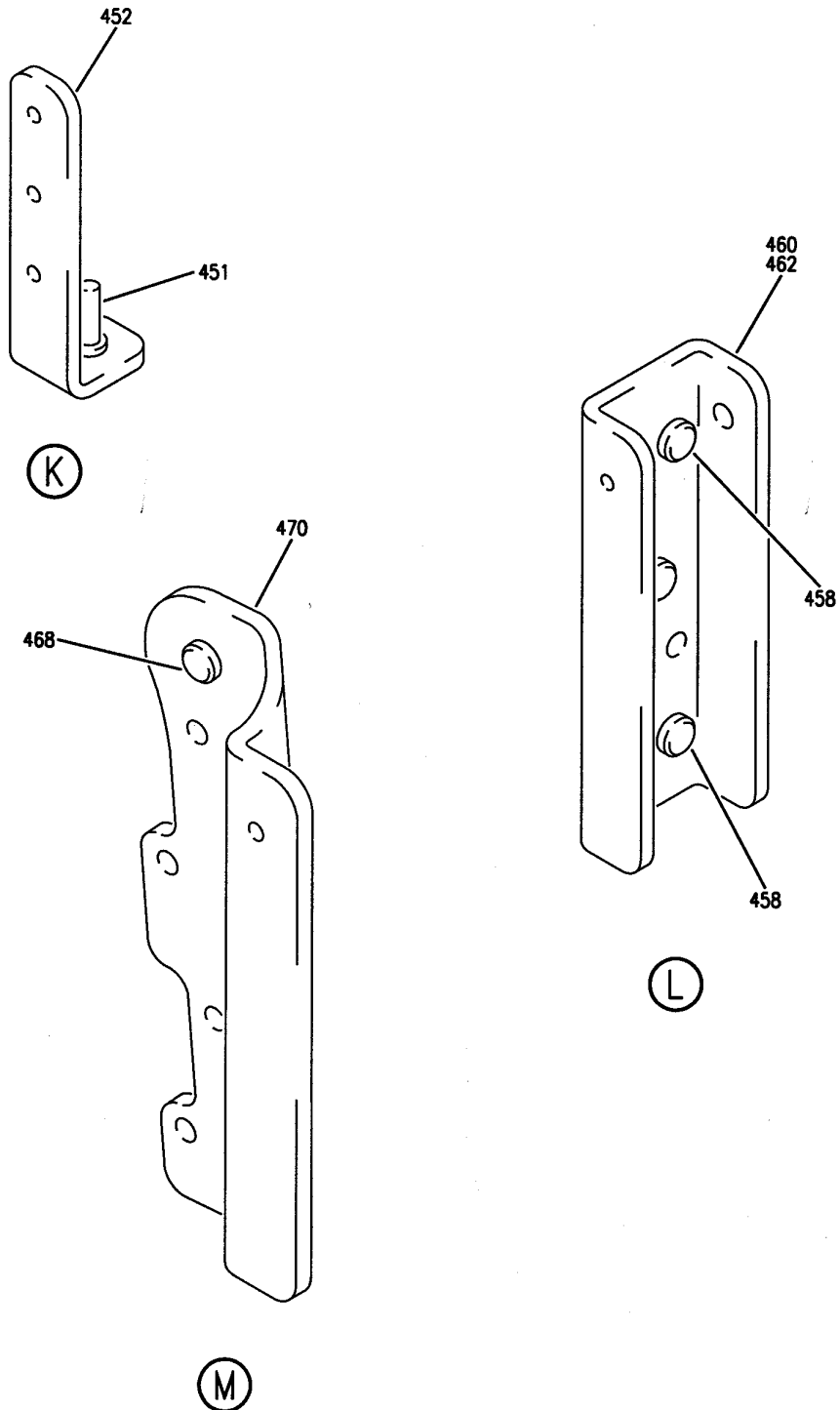
SPAR INSTL-WING SECT. 12 FRONT
FIGURE 1 (SHEET 4)

57-21-51-01

BRI
MAY 28/07

57-21-51-01
PAGE 0C

BOEING
757
PARTS CATALOG (MAINTENANCE)



Y 57215101 SHT 5 REV 222

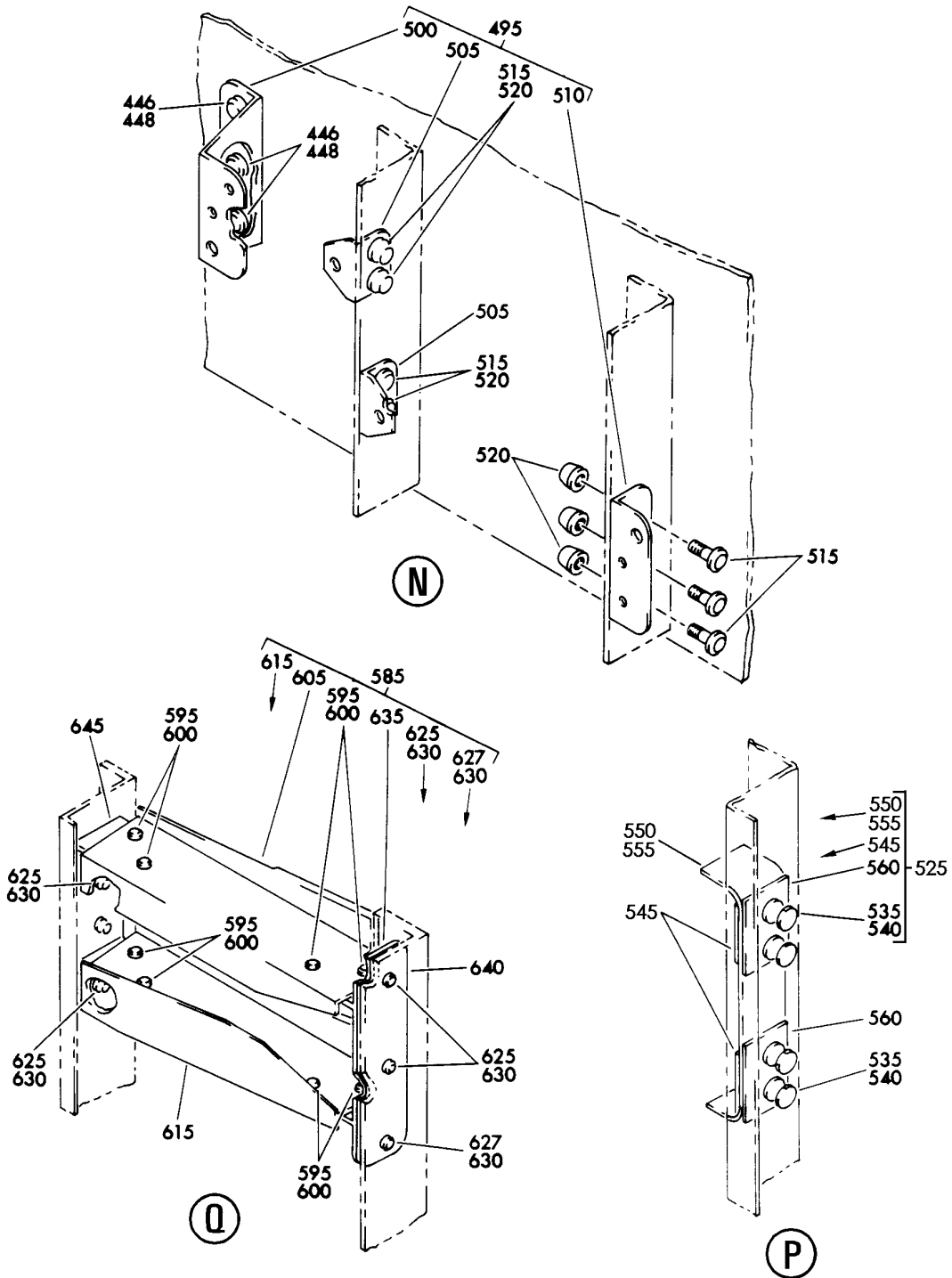
SPAR INSTL-WING SECT. 12 FRONT
FIGURE 1 (SHEET 5)

57-21-51-01

BRI
MAY 28/07

57-21-51-01
PAGE 0D

BOEING
757
PARTS CATALOG (MAINTENANCE)



Y 57215101 SHT 6 REV 219

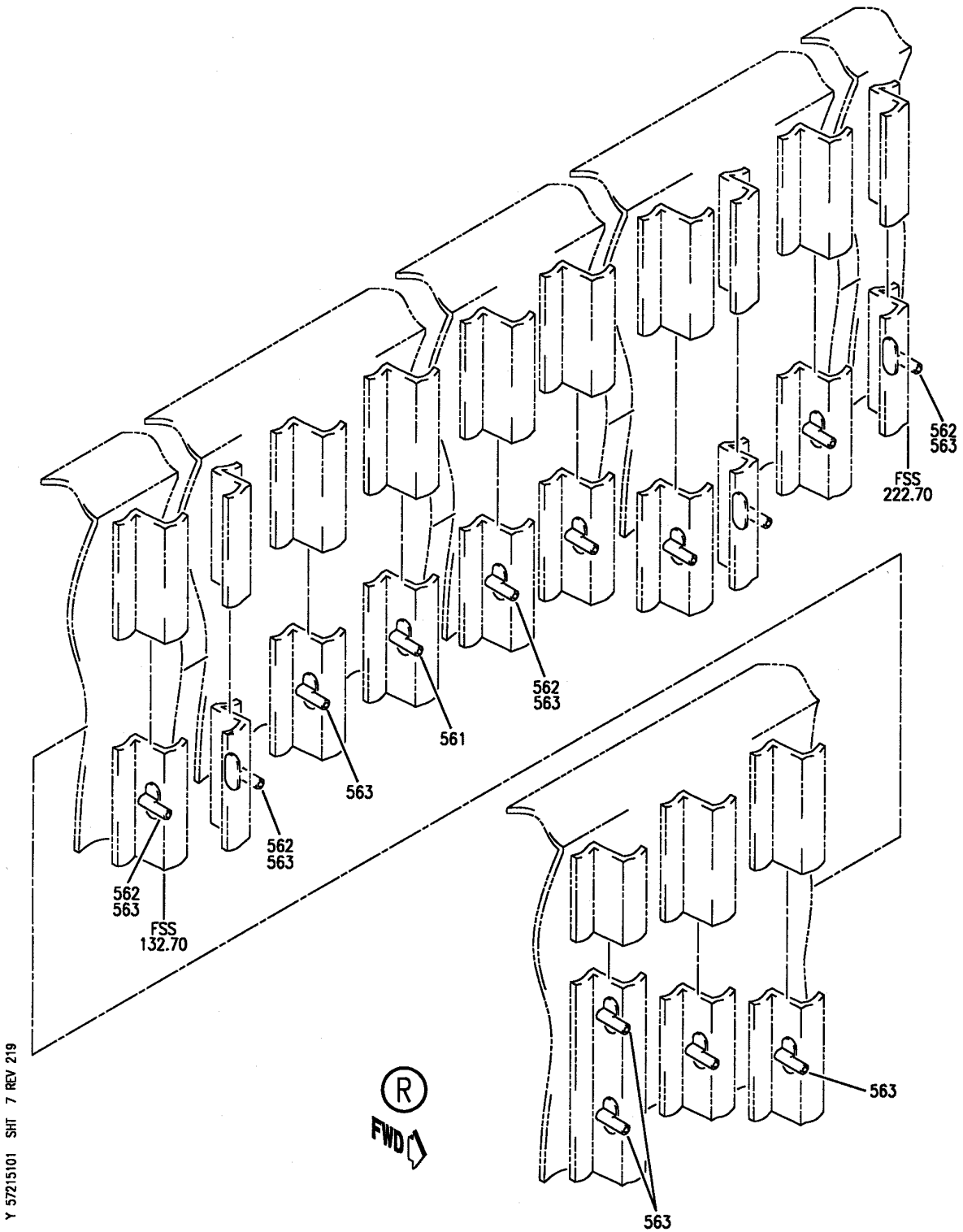
SPAR INSTL-WING SECT. 12 FRONT
FIGURE 1 (SHEET 6)

57-21-51-01

BRI
MAY 28/07

57-21-51-01
PAGE 0E

BOEING
757
PARTS CATALOG (MAINTENANCE)



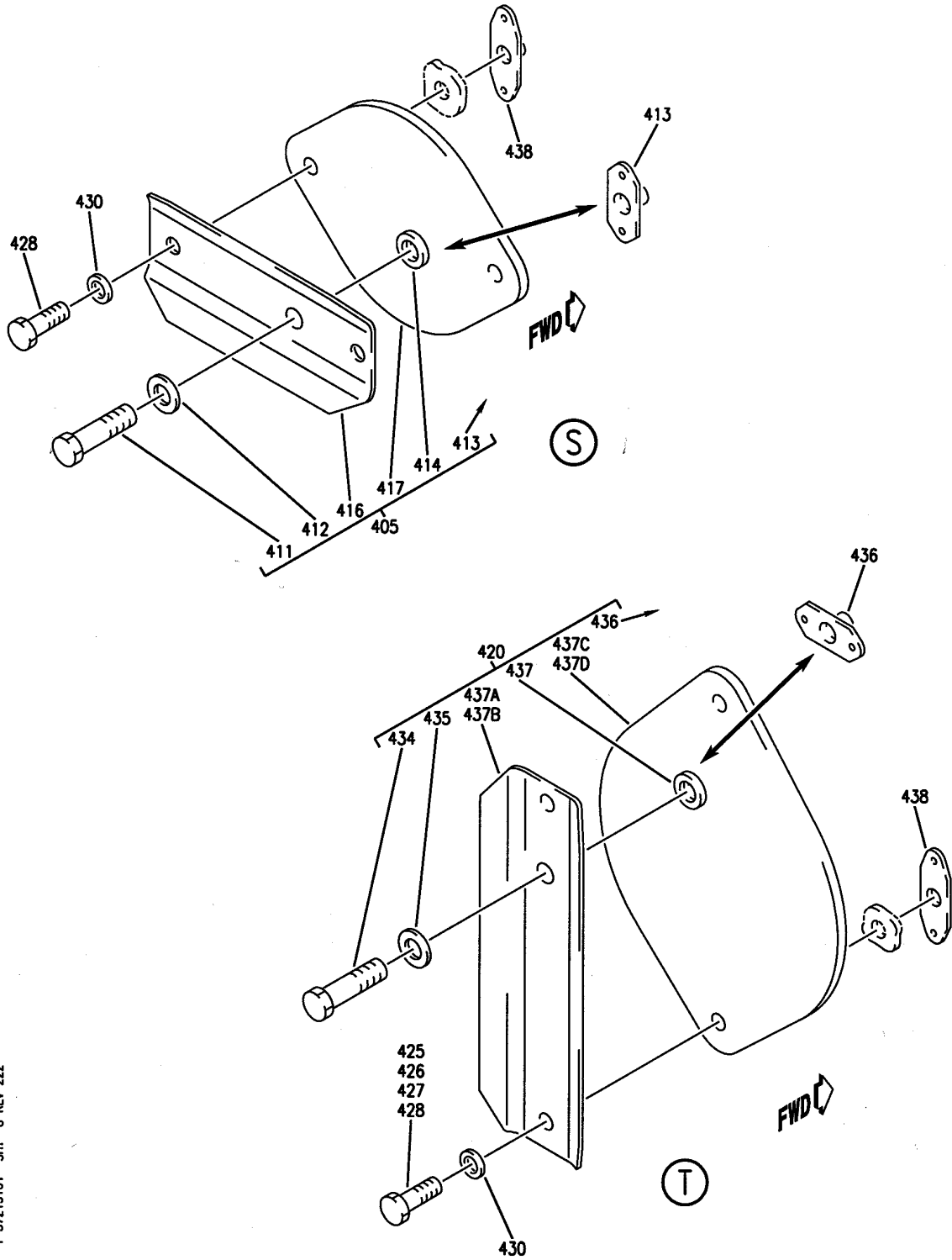
SPAR INSTL-WING SECT. 12 FRONT
FIGURE 1 (SHEET 7)

57-21-51-01

BRI
MAY 28/07

57-21-51-01
PAGE OF

BOEING
757
PARTS CATALOG (MAINTENANCE)



Y 57215101 SHT 8 REV 222

SPAR INSTL-WING SECT. 12 FRONT
FIGURE 1 (SHEET 8)

57-21-51-01

BRI
MAY 28/07

57-21-51-01
PAGE 08

 **BOEING**
757
PARTS CATALOG (MAINTENANCE)

FIG ITEM	PART NUMBER	1 2 3 4 5 6 7	NOMENCLATURE	EFFECT FROM TO	UNITS PER ASSY
1			SPAR INSTL-WING SECT. 12 FRONT	002004 006102 107107 121999	
- 1	112N2001-7		SPAR INSTL-WING POSITION DATA: SECT. 12 FRONT LH FOR NHA SEE: 57-20-52-01	002004 006100 107107 121503 904999	RF
- 1	112N2001-203		SPAR INSTL-WING POSITION DATA: SECT. 12 FRONT LH FOR NHA SEE: 57-00-00-20	101102 504504	RF
- 1	112N2001-205		SPAR INSTL-WING POSITION DATA: SECT. 12 FRONT LH FOR NHA SEE: 57-00-00-20	505903	RF
- 5	112N2001-8		SPAR INSTL-WING POSITION DATA: SECT. 12 FRONT RH FOR NHA SEE: 57-20-52-01	002004 006100 107107 121503 904999	RF
- 5	112N2001-204		SPAR INSTL-WING POSITION DATA: SECT. 12 FRONT RH FOR NHA SEE: 57-00-00-20	101102 504504	RF
- 5	112N2001-206		SPAR INSTL-WING POSITION DATA: SECT. 12 FRONT RH FOR NHA SEE: 57-00-00-20	505903	RF
18	112N2010-5		.FITTING INSTL-SPAR TERM. POSITION DATA: LH SIDE FOR DETAILS SEE: 53-41-57-02	107107 904949	1
18	112N2010-13		.FITTING INSTL-SPAR TERM. POSITION DATA: LH SIDE FOR DETAILS SEE: 53-41-57-02	002004 006100 121503 950999	1
- 19	112N2010-6		.FITTING INSTL-SPAR TERM. POSITION DATA: RH SIDE FOR DETAILS SEE: 53-41-57-02	107107 904949	1

MISSING ITEM NUMBERS NOT APPLICABLE

- ITEM NOT ILLUSTRATED

BRI

57-21-51-01

BOEING PROPRIETARY - Copyright © - Unpublished Work - See title page for details.

57-21-51
FIG. 01
PAGE 1
JAN 20/09



757

PARTS CATALOG (MAINTENANCE)

FIG ITEM	PART NUMBER	1 2 3 4 5 6 7	NOMENCLATURE	EFFECT FROM TO	UNITS PER ASSY
1					
- 19	112N2010-14		.FITTING INSTL-SPAR TERM. POSITION DATA: RH SIDE FOR DETAILS SEE: 53-41-57-02	002004 006100 121503 950999	1
20	114N2017-1		.FITTING INSTL-WING FXD LE AUX TRACK SPRT POSITION DATA: OSS 356.50 LH FOR DETAILS SEE: 27-81-52-01	002004 006100 107107 121503 904999	1
- 25	114N2017-2		.FITTING INSTL-WING FXD LE AUX TRACK SPRT POSITION DATA: OSS 356.50 RH FOR DETAILS SEE: 27-81-52-01	002004 006100 107107 121503 904999	1
30	114N2016-1		.FITTING INSTL-WING FXD LE AUX TRACK SPRT POSITION DATA: OSS 392.80 FOR DETAILS SEE: 27-81-52-02	002004 006100 107107 121503 904999	1
35	114N2015-1		.FITTING INSTL-WING FXD LE AUX TRACK SPRT POSITION DATA: SSO 483.30 FOR DETAILS SEE: 27-81-52-03	002004 006100 107107 121503 904999	1
38	114N2014-1		.FITTING INSTL-WING FXD LE AUX TRACK SPRT POSITION DATA: OSS 530.70 FOR DETAILS SEE: 27-81-52-04	002004 006100 107107 121503 904999	1
40	114N2013-1		.FITTING INSTL-WING FXD LE AUX TRACK SPRT POSITION DATA: OSS 617.30 FOR DETAILS SEE: 27-81-52-05	002004 006100 107107 121503 904999	1
45	114N2012-1		.FITTING INSTL-WING FXD LE AUX TRACK SPRT POSITION DATA: OSS 665.50 FOR DETAILS SEE: 27-81-52-06	002004 006100 107107 121503 904999	1

MISSING ITEM NUMBERS NOT APPLICABLE

- ITEM NOT ILLUSTRATED

57-21-51-01

57-21-51
FIG. 01
PAGE 2
JAN 20/09

BRI



757

PARTS CATALOG (MAINTENANCE)

FIG ITEM	PART NUMBER	1 2 3 4 5 6 7	NOMENCLATURE	EFFECT FROM TO	UNITS PER ASSY
1					
50	114N2011-1		.FITTING INSTL-WING FXD LE AUX TRACK SPRT POSITION DATA: OSS 748.70 FOR DETAILS SEE: 27-81-52-07	002004 006100 107107 121503 904999	1
55	114N2010-1		.FITTING INSTL-WING FXD LE AUX TRACK SPRT POSITION DATA: OSS 797.46 FOR DETAILS SEE: 27-81-52-08	002004 006100 107107 121503 904999	1
60	112N2002-15		.SPAR ASSY- POSITION DATA: LH SIDE	002004 006100 107107 121503 904999	1
60	112N2002-203		.SPAR ASSY- POSITION DATA: LH SIDE	101102 504504	1
- 63	112N2002-205		.SPAR ASSY- POSITION DATA: LH SIDE FOR DETAILS SEE: 57-21-51-02	505903	1
- 65	112N2002-16		.SPAR ASSY- POSITION DATA: RH SIDE	002004 006100 107107 121503 904999	1
- 65	112N2002-204		.SPAR ASSY- POSITION DATA: RH SIDE	101102 504504	1
- 68	112N2002-206		.SPAR ASSY- POSITION DATA: RH SIDE FOR DETAILS SEE: 57-21-51-02	505903	1
125	112N2046-1		..HOUSING ASSY-	002004 006102 107107 121504 904999	3

MISSING ITEM NUMBERS NOT APPLICABLE

- ITEM NOT ILLUSTRATED

BRI

57-21-51-01

BOEING PROPRIETARY - Copyright © - Unpublished Work - See title page for details.

57-21-51
FIG. 01
PAGE 3
JAN 20/09



757

PARTS CATALOG (MAINTENANCE)

FIG ITEM	PART NUMBER	1 2 3 4 5 6 7	NOMENCLATURE	EFFECT FROM TO	UNITS PER ASSY
1			ATTACHING PARTS		
126	HST10AG10-10	..	BOLT- SUPPLIER CODE: V0PTK6 SPECIFICATION NUMBER: BACB30VT10K10 OPTIONAL PART: HST10AG10-10 V06725 HST10AG10-10 V56878 HST10AG10-10 V73197 WC10K10-10 V60516	002004 006102 107107 121504 904999	48
135	BACN10BP10	..	NUT-	002004 006102 107107 121504 904999	48
140	112N2046-5	..	-----*----- FLANGE-	002004 006102 107107 121504 904999	1
145	112N2046-2	..	HOUSING ASSY	002004 006102 107107 121504 904999	1
150	112N2045-4	..	HOUSING ASSY-	002004 006102 107107 121504 904999	1

MISSING ITEM NUMBERS NOT APPLICABLE

- ITEM NOT ILLUSTRATED

BRI

57-21-51-01

BOEING PROPRIETARY - Copyright © - Unpublished Work - See title page for details.

57-21-51
FIG. 01
PAGE 4
JAN 20/09

BOEING
757
PARTS CATALOG (MAINTENANCE)

FIG ITEM	PART NUMBER	1 2 3 4 5 6 7	NOMENCLATURE	EFFECT FROM TO	UNITS PER ASSY
1			ATTACHING PARTS		
155	HST10AG10-10		..BOLT- SUPPLIER CODE: VOPTK6 SPECIFICATION NUMBER: BACB30VT10K10 OPTIONAL PART: HST10AG10-10 V06725 HST10AG10-10 V56878 HST10AG10-10 V73197 WC10K10-10 V60516	002004 006102 107107 121504 904999	8
160	VLC771-10		..COLLAR- SUPPLIER CODE: V5M902 SPECIFICATION NUMBER: BACC30BP10 OPTIONAL PART: HST771-10 V73197	002004 006102 107107 121504 904999	8
165	HST10AG8-8		..BOLT- SUPPLIER CODE: VOPTK6 SPECIFICATION NUMBER: BACB30VT8K8 OPTIONAL PART: HST10AG8-8 V06725 HST10AG8-8 V56878 HST10AG8-8 V73197 WC10K8-8 V60516	002004 006102 107107 121504 904999	4
170	VLC771-8		..COLLAR- SUPPLIER CODE: V5M902 SPECIFICATION NUMBER: BACC30BP8 OPTIONAL PART: HST771-8 V73197 -----*-----	002004 006102 107107 121504 904999	4

MISSING ITEM NUMBERS NOT APPLICABLE

— ITEM NOT ILLUSTRATED

BRI

57-21-51-01

BOEING PROPRIETARY - Copyright © - Unpublished Work - See title page for details.

57-21-51
FIG. 01
PAGE 5
JAN 20/09



757

PARTS CATALOG (MAINTENANCE)

FIG ITEM	PART NUMBER	1 2 3 4 5 6 7	NOMENCLATURE	EFFECT FROM TO	UNITS PER ASSY
1					
175	112N2045-14	...	FLANGE-	002004 006102 107107 121504 904999	1
180	112N2045-8	...	HOUSING ASSY	002004 006102 107107 121504 904999	1
190	112N2045-3	..	HOUSING ASSY-	002004 006102 107107 121504 904999	1
195	HST10AG10-10	..	ATTACHING PARTS BOLT- SUPPLIER CODE: VOPTK6 SPECIFICATION NUMBER: BACB30VT10K10 OPTIONAL PART: HST10AG10-10 V06725 HST10AG10-10 V56878 HST10AG10-10 V73197 WC10K10-10 V60516	002004 006102 107107 121504 904999	10
200	VLC771-10	..	COLLAR- SUPPLIER CODE: V5M902 SPECIFICATION NUMBER: BACC30BP10 OPTIONAL PART: HST771-10 V73197	002004 006102 107107 121504 904999	10

MISSING ITEM NUMBERS NOT APPLICABLE

- ITEM NOT ILLUSTRATED

57-21-51-01

57-21-51
FIG. 01
PAGE 6
JAN 20/09

BRI

BOEING PROPRIETARY - Copyright © - Unpublished Work - See title page for details.



757

PARTS CATALOG (MAINTENANCE)

FIG ITEM	PART NUMBER	1 2 3 4 5 6 7	NOMENCLATURE	EFFECT FROM TO	UNITS PER ASSY
1 205	HST10AG8-8	..	BOLT- SUPPLIER CODE: V0PTK6 SPECIFICATION NUMBER: BACB30VT8K8 OPTIONAL PART: HST10AG8-8 V06725 HST10AG8-8 V56878 HST10AG8-8 V73197 WC10K8-8 V60516	002004 006102 107107 121504 904999	3
210	VLC771-8	..	COLLAR- SUPPLIER CODE: V5M902 SPECIFICATION NUMBER: BACC30BP8 OPTIONAL PART: HST771-8 V73197	002004 006102 107107 121504 904999	3
215	112N2045-13	---	*----- ... FLANGE-	002004 006102 107107 121504 904999	1
220	112N2045-7	...	HOUSING ASSY	002004 006102 107107 121504 904999	1
225	112N2045-2	..	HOUSING ASSY-	002004 006102 107107 121504 904999	1

MISSING ITEM NUMBERS NOT APPLICABLE

- ITEM NOT ILLUSTRATED

BRI

57-21-51-01

BOEING PROPRIETARY - Copyright © - Unpublished Work - See title page for details.

57-21-51
FIG. 01
PAGE 7
JAN 20/09



757

PARTS CATALOG (MAINTENANCE)

FIG ITEM	PART NUMBER	1 2 3 4 5 6 7	NOMENCLATURE	EFFECT FROM TO	UNITS PER ASSY
1			ATTACHING PARTS		
230	HST10AG10-10		..BOLT- SUPPLIER CODE: VOPTK6 SPECIFICATION NUMBER: BACB30VT10K10 OPTIONAL PART: HST10AG10-10 V06725 HST10AG10-10 V56878 HST10AG10-10 V73197 WC10K10-10 V60516	002004 006102 107107 121504 904999	10
235	VLC771-10		..COLLAR- SUPPLIER CODE: V5M902 SPECIFICATION NUMBER: BACC30BP10 OPTIONAL PART: HST771-10 V73197	002004 006102 107107 121504 904999	10
240	HST10AG8-8		..BOLT- SUPPLIER CODE: VOPTK6 SPECIFICATION NUMBER: BACB30VT8K8 OPTIONAL PART: HST10AG8-8 V06725 HST10AG8-8 V56878 HST10AG8-8 V73197 WC10K8-8 V60516	002004 006102 107107 121504 904999	4
245	VLC771-8		..COLLAR- SUPPLIER CODE: V5M902 SPECIFICATION NUMBER: BACC30BP8 OPTIONAL PART: HST771-8 V73197 -----*-----	002004 006102 107107 121504 904999	4

MISSING ITEM NUMBERS NOT APPLICABLE

- ITEM NOT ILLUSTRATED

BRI

57-21-51-01

BOEING PROPRIETARY - Copyright © - Unpublished Work - See title page for details.

57-21-51
FIG. 01
PAGE 8
JAN 20/09

BOEING
757
PARTS CATALOG (MAINTENANCE)

FIG ITEM	PART NUMBER	1 2 3 4 5 6 7	NOMENCLATURE	EFFECT FROM TO	UNITS PER ASSY
1					
250	112N2045-12	...	FLANGE-	002004 006102 107107 121504 904999	1
255	112N2045-6	...	HOUSING ASSY	002004 006102 107107 121504 904999	1
260	112N2044-4	..	HOUSING ASSY-	002004 006102 107107 121504 904999	1
- 265	HST10AG8-8	..	ATTACHING PARTS BOLT- SUPPLIER CODE: VOPTK6 SPECIFICATION NUMBER: BACB30VT8K8 OPTIONAL PART: HST10AG8-8 V06725 HST10AG8-8 V56878 HST10AG8-8 V73197 WC10K8-8 V60516	002004 006102 107107 121504 904999	16
- 270	VLC771-8	..	COLLAR- SUPPLIER CODE: V5M902 SPECIFICATION NUMBER: BACC30BP8 OPTIONAL PART: HST771-8 V73197 -----*-----	002004 006102 107107 121504 904999	16
275	112N2044-14	...	FLANGE-	002004 006102 107107 121504 904999	1
280	112N2044-8	...	HOUSING ASSY	002004 006102 107107 121504 904999	1

MISSING ITEM NUMBERS NOT APPLICABLE

- ITEM NOT ILLUSTRATED

BRI

57-21-51-01

BOEING PROPRIETARY - Copyright © - Unpublished Work - See title page for details.

57-21-51
FIG. 01
PAGE 9
JAN 20/09



757

PARTS CATALOG (MAINTENANCE)

FIG ITEM	PART NUMBER	1 2 3 4 5 6 7	NOMENCLATURE	EFFECT FROM TO	UNITS PER ASSY
1 285	112N2044-3		..HOUSING ASSY-	002004 006102 107107 121504 904999	1
290	112N2044-2		..HOUSING ASSY-	002004 006102 107107 121504 904999	1
295	HST10AG6-8		ATTACHING PARTS ..BOLT-	002004 006102 107107 121504 904999	18
			SUPPLIER CODE: V0PTK6		
			SPECIFICATION NUMBER: BACB30VT6K8		
			OPTIONAL PART: HST10AG6-8		
			V06725		
			HST10AG6-8		
			V56878		
			HST10AG6-8		
			V73197		
			WC10K6-6		
			V60516		
300	VLC771-6		..COLLAR-	002004 006102 107107 121504 904999	18
			SUPPLIER CODE: V5M902		
			SPECIFICATION NUMBER: BACC30BP6		
			OPTIONAL PART: HST771-6		
			V73197		
305	L8008K8		..BOLT-	002004 006102 107107 121504 904999	20
			SUPPLIER CODE: V06725		
			SPECIFICATION NUMBER: BACB30MY8K8		

MISSING ITEM NUMBERS NOT APPLICABLE

- ITEM NOT ILLUSTRATED

57-21-51-01

57-21-51
FIG. 01
PAGE 10
JAN 20/09

BRI

 **BOEING**
757
PARTS CATALOG (MAINTENANCE)

FIG ITEM	PART NUMBER	1 2 3 4 5 6 7	NOMENCLATURE	EFFECT FROM TO	UNITS PER ASSY
1 305	HST10AG8-8	..	BOLT- SUPPLIER CODE: V0PTK6 SPECIFICATION NUMBER: BACB30VT8K8 OPTIONAL PART: HST10AG8-8 V06725 HST10AG8-8 V56878 HST10AG8-8 V73197 WC10K8-8 V60516	002004 006102 107107 121504 904999	20
310	VLC771-8	..	COLLAR- SUPPLIER CODE: V5M902 SPECIFICATION NUMBER: BACC30BP8 OPTIONAL PART: HST771-8 V73197 -----*-----	002004 006102 107107 121504 904999	20
315	BACS40R12C19F	..	SHIM	002004 006100 107107 121503 904999	AR
315	BACS40R012C019F	..	SHIM	101102 504504	AR
320	112N2044-13	...	FLANGE- USED ON: 112N2044-3	002004 006102 107107 121504 904999	1
325	112N2044-12	...	FLANGE- USED ON: 112N2044-2	002004 006102 107107 121504 904999	1
330	112N2044-7	...	HOUSING ASSY- USED ON: 112N2044-3 112N2044-19 112N2044-20	002004 006102 107107 121504 904999	1

MISSING ITEM NUMBERS NOT APPLICABLE

— ITEM NOT ILLUSTRATED

BRI

57-21-51-01

BOEING PROPRIETARY - Copyright © - Unpublished Work - See title page for details.

57-21-51
FIG. 01
PAGE 11
JAN 20/09



757

PARTS CATALOG (MAINTENANCE)

FIG ITEM	PART NUMBER	1 2 3 4 5 6 7	NOMENCLATURE	EFFECT FROM TO	UNITS PER ASSY
1					
335	112N2044-6		...HOUSING ASSY- USED ON: 112N2044-2 112N2044-17 112N2044-18	002004 006102 107107 121504 904999	1
340	112N2044-1		..HOUSING ASSY-	002004 006102 107107 121504 904999	1
- 345	HST10AG8-8		ATTACHING PARTS ..BOLT- SUPPLIER CODE: VOPTK6 SPECIFICATION NUMBER: BACB30VT8K8 OPTIONAL PART: HST10AG8-8 V06725 HST10AG8-8 V56878 HST10AG8-8 V73197 WC10K8-8 V60516	002004 006102 107107 121504 904999	14
- 350	BACC3OBL8		..COLLAR- SUPPLIER CODE: V73197 SPECIFICATION NUMBER: BACC3OBL8 OPTIONAL PART: HST79-8 V92215 HST79CY8 V56878 HST79CY8 V5M902	002004 006102 107107 121504 904999	14
355	BACS40R11C14F		-----*----- ..SHIM	002004 006100 107107 121503 904999	AR
355	BACS40R011C014F		..SHIM	101102 504504	AR

MISSING ITEM NUMBERS NOT APPLICABLE

- ITEM NOT ILLUSTRATED

BRI

57-21-51-01

BOEING PROPRIETARY - Copyright © - Unpublished Work - See title page for details.

57-21-51
FIG. 01
PAGE 12
JAN 20/09

BOEING
757
PARTS CATALOG (MAINTENANCE)

FIG ITEM	PART NUMBER	1 2 3 4 5 6 7	NOMENCLATURE	EFFECT FROM TO	UNITS PER ASSY
1					
360	112N2044-11		... FLANGE-	002004 006102 107107 121504 904999	1
365	112N2044-5		... HOUSING ASSY	002004 006102 107107 121504 904999	1
366	112N2045-1		.. HOUSING ASSY	002004 006102 107107 121504 904999	1
- 370	HST10AG8-8		ATTACHING PARTS .. BOLT-		
			SUPPLIER CODE: V0PTK6	002004 006102 107107	12
			SPECIFICATION NUMBER: BACB30VT8K8	121504 904999	
			OPTIONAL PART: HST10AG8-8		
			V06725		
			HST10AG8-8		
			V56878		
			HST10AG8-8		
			V73197		
			WC10K8-8		
			V60516		
- 375	VLC771-8		.. COLLAR-	002004	12
			SUPPLIER CODE: V5M902	006102 107107	
			SPECIFICATION NUMBER: BACC30BP8	121504 904999	
			OPTIONAL PART: HST771-8		
			V73197		
			-----*-----		
376	112N2045-11		... FLANGE	002004 006102 107107 121504 904999	1
380	112N2045-5		... HOUSING ASSY	002004 006102 107107 121504 904999	1

MISSING ITEM NUMBERS NOT APPLICABLE

- ITEM NOT ILLUSTRATED

BRI

57-21-51-01

BOEING PROPRIETARY - Copyright © - Unpublished Work - See title page for details.

57-21-51
FIG. 01
PAGE 13
JAN 20/09

BOEING
757
PARTS CATALOG (MAINTENANCE)

FIG ITEM	PART NUMBER	1 2 3 4 5 6 7	NOMENCLATURE	EFFECT FROM TO	UNITS PER ASSY
1 385	112N2035-65		.. STIFFENER-ANGLE ATTACH POSITION DATA: LH SIDE	002004 006102 107107 121504 904999	1
- 390	112N2035-66		.. STIFFENER-ANGLE ATTACH POSITION DATA: RH SIDE	002004 006102 107107 121504 904999	1
395	112N2035-67		.. STIFFENER-ANGLE ATTACH POSITION DATA: LH SIDE	002004 006102 107107 121504 904999	1
- 400	112N2035-68		.. STIFFENER-ANGLE ATTACH POSITION DATA: RH SIDE	002004 006102 107107 121504 904999	1
405	112N2052-2		.. COVER ASSY-	002004 006017 107107 121503 904999	1
405	112N2052-9		.. COVER ASSY- OPTIONAL PART: 112N2052-15	018102 504504	1
405	112N2052-15		.. COVER ASSY- OPTIONAL PART: 112N2052-9 ATTACHING PARTS	101102 504504	1
- 407	BACS12FA4K18		.. SCREW-	002004 006017 107107 121503 904999	2
- 407	BACB30NM4K10		.. BOLT	018102 504504	2
- 409	AN960PD416L		.. WASHER	002004 006017 107107 121503 904999	2
- 409	NAS1149D0463J		.. WASHER	018102 504504	2
			-----*-----		

MISSING ITEM NUMBERS NOT APPLICABLE

- ITEM NOT ILLUSTRATED

BRI

57-21-51-01

BOEING PROPRIETARY - Copyright © - Unpublished Work - See title page for details.

57-21-51
FIG. 01
PAGE 14
JAN 20/09



757

PARTS CATALOG (MAINTENANCE)

FIG ITEM	PART NUMBER	1 2 3 4 5 6 7	NOMENCLATURE	EFFECT FROM TO	UNITS PER ASSY
1					
411	BACB30NM8K4	...	BOLT- USED ON: 112N2052-15	101102 504504	1
411	BACB30NM8K8	...	BOLT- USED ON: 112N2052-9	018102 504504	1
412	BACW10BP8CD	...	WASHER	018102 504504	1
413	BACN10EJ8HS	...	NUTPLATE- USED ON: 112N2052-15	101102 504504	1
414	NAS1329H8K265L	...	RIVNUT- USED ON: 112N2052-9	018102 504504	1
416	112N2052-19	...	CHANNEL- USED ON: 112N2052-15	101102 504504	1
416	112N2052-12	...	CHANNEL- USED ON: 112N2052-9	018102 504504	1
417	112N2052-17	...	COVER- USED ON: 112N2052-15	101102 504504	1
417	112N2052-5	...	COVER- USED ON: 112N2052-9	018102 504504	1
420	112N2052-3	..	COVER ASSY-	002004 006017 107107 121503 904999	3
420	112N2052-10	..	COVER ASSY- OPTIONAL PART: 112N2052-16	018102 504504	3
420	112N2052-16	..	COVER ASSY- OPTIONAL PART: 112N2052-10 ATTACHING PARTS	101102 504504	3
425	BACS12FA4K18	..	SCREW-	002004 006017 107107 121503 904999	6
425	BACB30NM4K10	..	BOLT	018102 504504	6

MISSING ITEM NUMBERS NOT APPLICABLE

- ITEM NOT ILLUSTRATED

57-21-51-01

57-21-51
FIG. 01
PAGE 15
JAN 20/09

BRI



757

PARTS CATALOG (MAINTENANCE)

FIG ITEM	PART NUMBER	1 2 3 4 5 6 7	NOMENCLATURE	EFFECT FROM TO	UNITS PER ASSY
1					
430	AN960PD416L	..	WASHER	002004 006017 107107 121503 904999	6
430	NAS1149D0463J	..	WASHER	018102 504504	6
			-----*-----		
434	BACB30NM8K4	...BOLT-	USED ON: 112N2052-16	101102 504504	3
434	BACB30NM8K8	...BOLT-	USED ON: 112N2052-10	018102 504504	3
435	BACW10BP8CD	...WASHER		018102 504504	3
436	BACN10EJ8HS	...NUTPLATE-	USED ON: 112N2052-16	101102 504504	3
437	NAS1329H8K265L	...RIVNUT-	USED ON: 112N2052-10	018102 504504	3
437A	112N2052-20	...CHANNEL-	USED ON: 112N2052-16	101102 504504	3
437B	112N2052-11	...CHANNEL-	USED ON: 112N2052-10	018102 504504	3
437C	112N2052-18	...COVER-	USED ON: 112N2052-16	101102 504504	3
437D	112N2052-6	...COVER-	USED ON: 112N2052-10	018102 504504	3
438	112N2052-1	..	NUTPLATE	002004 006102 107107 121504 904999	8
			ATTACHING PARTS		
- 439	BACR15BA6AD6C	..	RIVET	002004 006102 107107 121504 904999	16
			-----*-----		

MISSING ITEM NUMBERS NOT APPLICABLE

- ITEM NOT ILLUSTRATED

BRI

57-21-51-01

57-21-51
FIG. 01
PAGE 16
JAN 20/09



757

PARTS CATALOG (MAINTENANCE)

FIG ITEM	PART NUMBER	1 2 3 4 5 6 7	NOMENCLATURE	EFFECT FROM TO	UNITS PER ASSY
1					
440	112N2010-7		..FITTING INSTL-TERM. FRONT SPAR POSITION DATA: LH SIDE FOR DETAILS SEE: 53-41-57-02	107107 904949	1
440	112N2010-15		..FITTING INSTL-TERM. FRONT SPAR POSITION DATA: LH SIDE FOR DETAILS SEE: 53-41-57-02	002004 006100 121503 950999	1
- 441	112N2010-8		..FITTING INSTL-TERM. FRONT SPAR POSITION DATA: RH SIDE FOR DETAILS SEE: 53-41-57-02	107107 904949	1
- 441	112N2010-16		..FITTING INSTL-TERM. FRONT SPAR POSITION DATA: RH SIDE FOR DETAILS SEE: 53-41-57-02	002004 006100 121503 950999	1
442	BACB30VT10K		..BOLT- SIZE DETERMINED ON INSTL.	002004 006100 107107 121503 904999	6
444	BACN10BP10		..NUT-	002004 006100 107107 121503 904999	6
446	BACB30VT8K		..BOLT- SIZE DETERMINED ON INSTL.	002004 006100 107107 121503 904999	10
448	BACN10BP8		..NUT-	002004 006100 107107 121503 904999	10

MISSING ITEM NUMBERS NOT APPLICABLE

- ITEM NOT ILLUSTRATED

57-21-51-01

57-21-51
FIG. 01
PAGE 17
JAN 20/09

BRI

BOEING PROPRIETARY - Copyright © - Unpublished Work - See title page for details.



757

PARTS CATALOG (MAINTENANCE)

FIG ITEM	PART NUMBER	1 2 3 4 5 6 7	NOMENCLATURE	EFFECT FROM TO	UNITS PER ASSY
1					
474	251N5014-1	.	SUPPORT INSTL-SLAT DRIVE POWER UNIT POSITION DATA: LE LH SIDE FOR DETAILS SEE: 27-81-07-02	002004 006100 107107 121503 904999	1
495	251N6038-3	.	BRACKET INSTL-PULLEY POSITION DATA: RH SIDE	002004 006100 107107 121503 904999	1
500	251N6258-5	..	BRACKET	002004 006100 107107 121503 904999	1
525	218N4010-5	.	PROVISION INSTL-WING DUCT LEAK DETECTION POSITION DATA: LE LH SIDE	002004 006100 107107 121503 904999	1
- 530	218N4010-6	.	PROVISION INSTL-WING DUCT LEAK DETECTION POSITION DATA: LE RH SIDE	002004 006100 107107 121503 904999	1

MISSING ITEM NUMBERS NOT APPLICABLE

- ITEM NOT ILLUSTRATED

BRI

57-21-51-01

BOEING PROPRIETARY - Copyright © - Unpublished Work - See title page for details.

57-21-51
FIG. 01
PAGE 18
JAN 20/09



757

PARTS CATALOG (MAINTENANCE)

FIG ITEM	PART NUMBER	1 2 3 4 5 6 7	NOMENCLATURE	EFFECT FROM TO	UNITS PER ASSY
1 535	HL1012AZ6-12	..	BOLT SUPPLIER CODE: V97928 SPECIFICATION NUMBER: BACB30NX6K12 OPTIONAL PART: L802-6K12 V06725 HL12VAZ6-12 V73197 HL12VAZ6-12 V92215 HL12VAZ6-12 V97928 HL12VAZ6-12 V56878 HL1012AZ6-12 V0PTK6 HL1012AZ6-12 V06725 HL1012AZ6-12 V06950 HL1012AZ6-12 V17446 HL1012AZ6-12 V56878 HL1012AZ6-12 V60516 HL1012AZ6-12 V73197	002004 006100 107107 121503 904999	8
540	HL1187-6	..	COLLAR SUPPLIER CODE: V5M902 SPECIFICATION NUMBER: BACC30X6 OPTIONAL PART: HL87-6 V92215 HL87-6 V73197 HL1187-6 V56878 HL1187-6 V92215 HL87-6 V56878 HL1187-6 V73197	002004 006100 107107 121503 904999	8

MISSING ITEM NUMBERS NOT APPLICABLE

- ITEM NOT ILLUSTRATED

57-21-51-01

57-21-51
FIG. 01
PAGE 19
JAN 20/09

BRI

BOEING
757
PARTS CATALOG (MAINTENANCE)

FIG ITEM	PART NUMBER	1 2 3 4 5 6 7	NOMENCLATURE	EFFECT FROM TO	UNITS PER ASSY
1					
545	212N3058-1	..	FILLER	002004 006100 107107 121503 904999	4
550	212N3057-3	..	BRACKET-	107107	1
550	212N3057-13	..	BRACKET-	002004 006100 121503 904999	1
555	212N3057-4	..	BRACKET-	107107	1
555	212N3057-12	..	BRACKET-	002004 006100 121503 904999	1
560	BACS40R10B18F	..	SHIM-	107107	4
560	218N4010-15	..	SHIM-	002004 006100 121503 904999	4
565	287N1422-1	.PROVISION	INSTL-WIRE POSITION DATA: LH SIDE FOR DETAILS SEE: 57-40-51-02	107107	1
565	287N1422-11	.PROVISION	INSTL-WIRE POSITION DATA: LH SIDE FOR DETAILS SEE: 57-40-51-02	002004 006100 121503 904999	1
- 570	287N1422-2	.PROVISION	INSTL-WIRE POSITION DATA: RH SIDE FOR DETAILS SEE: 57-40-51-02	107107	1
- 570	287N1422-12	.PROVISION	INSTL-WIRE POSITION DATA: RH SIDE FOR DETAILS SEE: 57-40-51-02	002004 006100 121503 904999	1
575	112N2072-1	.BRACKET	INSTL-PWR FEEDER STOP POSITION DATA: LH SIDE	002004 006100 107107 121503 904999	1

MISSING ITEM NUMBERS NOT APPLICABLE

- ITEM NOT ILLUSTRATED

BRI

57-21-51-01

BOEING PROPRIETARY - Copyright © - Unpublished Work - See title page for details.

57-21-51
FIG. 01
PAGE 20
JAN 20/09



757

PARTS CATALOG (MAINTENANCE)

FIG ITEM	PART NUMBER	1 2 3 4 5 6 7	NOMENCLATURE	EFFECT FROM TO	UNITS PER ASSY
1					
- 580	112N2072-2		.BRACKET INSTL-PWR FEEDER STOP POSITION DATA: RH SIDE	002004 006100 107107 121503 904999	1
585	112N2072-5		..BRACKET ASSY- POSITION DATA: LH SIDE	101102 504504	1
585	112N2072-7		..BRACKET ASSY- POSITION DATA: LH SIDE	002004 006100 107107 121503 904999	1
- 590	112N2072-6		..BRACKET ASSY- POSITION DATA: RH SIDE	101102 504504	1
- 590	112N2072-8		..BRACKET ASSY- POSITION DATA: RH SIDE	002004 006100 107107 121503 904999	1
595	BACB30MY6K		...BOLT- SIZE DETERMINED ON INSTL.	002004 006100 107107 121503 904999	8
600	HL79-6		...COLLAR SUPPLIER CODE: V5M902 SPECIFICATION NUMBER: BACC30M6 OPTIONAL PART: HL79-6 V73197 HL79-6 V92215 66014-6 V56878 HL79-6 V56878	002004 006100 107107 121503 904999	8
605	112N2070-1		...BEAM-STOP SPRT POSITION DATA: UPR LH SIDE	101102 504504	1
605	112N2073-1		...BEAM-STOP SPRT POSITION DATA: UPR LH SIDE	002004 006100 107107 121503 904999	1

MISSING ITEM NUMBERS NOT APPLICABLE

- ITEM NOT ILLUSTRATED

57-21-51-01

57-21-51
FIG. 01
PAGE 21
JAN 20/09

BRI

BOEING PROPRIETARY - Copyright © - Unpublished Work - See title page for details.



757

PARTS CATALOG (MAINTENANCE)

FIG ITEM	PART NUMBER	1 2 3 4 5 6 7	NOMENCLATURE	EFFECT FROM TO	UNITS PER ASSY
1					
- 610	112N2070-2	...	BEAM-STOP SPRT POSITION DATA: UPR RH SIDE	101102 504504	1
- 610	112N2073-2	...	BEAM-STOP SPRT POSITION DATA: UPR RH SIDE	002004 006100 107107 121503 904999	1
615	112N2070-3	...	BEAM-STOP SPRT POSITION DATA: LOWER LH SIDE	101102 504504	1
615	112N2074-1	...	BEAM-STOP SPRT POSITION DATA: LOWER LH SIDE	002004 006100 107107 121503 904999	1
- 620	112N2070-4	...	BEAM-STOP SPRT POSITION DATA: LOWER RH SIDE	101102 504504	1
- 620	112N2074-2	...	BEAM-STOP SPRT POSITION DATA: LOWER RH SIDE	002004 006100 107107 121503 904999	1
625	BACB30MY8K	...	BOLT- SIZE DETERMINED ON INSTL.	002004 006100 107107 121503 904999	2
627	BACB30NW8K	...	BOLT- SIZE DETERMINED ON INSTL.	002004 006100 107107 121503 904999	1
630	HL79-8	...	COLLAR SUPPLIER CODE: V5M902 SPECIFICATION NUMBER: BACC30M8 OPTIONAL PART: HL79-8 V73197 HL79-8 V92215 66014-8 V56878 HL79-8 V56878	002004 006100 107107 121503 904999	3

MISSING ITEM NUMBERS NOT APPLICABLE

- ITEM NOT ILLUSTRATED

57-21-51-01

57-21-51
FIG. 01
PAGE 22
JAN 20/09

BRI



757

PARTS CATALOG (MAINTENANCE)

FIG ITEM	PART NUMBER	1 2 3 4 5 6 7	NOMENCLATURE	EFFECT FROM TO	UNITS PER ASSY
1 635	112N2070-5	. . .	CLIP	002004 006100 107107 121503 904999	1
640	BACS40R11C51F	. . .	SHIM	002004 006100 107107 121503 904999	1
645	112N2070-6	. . .	CLIP	002004 006100 107107 121503 904999	1
- 650	BACB30MY8K	. . .	ATTACHING PARTS BOLT- SIZE DETERMINED ON INSTL.	002004 006100 107107 121503 904999	3
- 655	HL79-8	. . .	COLLAR SUPPLIER CODE: V5M902 SPECIFICATION NUMBER: BACC30M8 OPTIONAL PART: HL79-8 V73197 HL79-8 V92215 66014-8 V56878 HL79-8 V56878 -----*	002004 006100 107107 121503 904999	3

MISSING ITEM NUMBERS NOT APPLICABLE

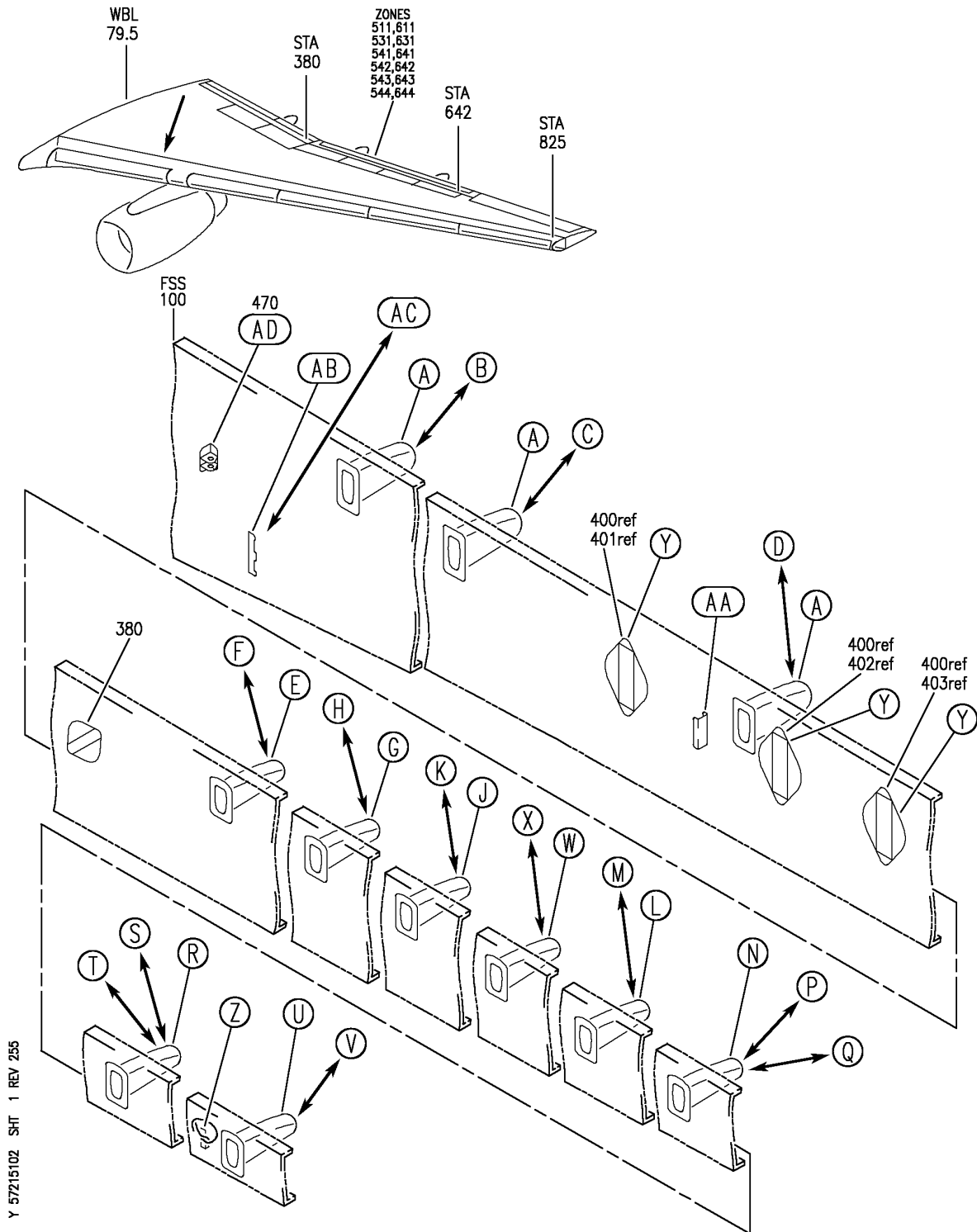
- ITEM NOT ILLUSTRATED

57-21-51-01

57-21-51
FIG. 01
PAGE 23
JAN 20/09

BRI


BOEING
 757
PARTS CATALOG (MAINTENANCE)



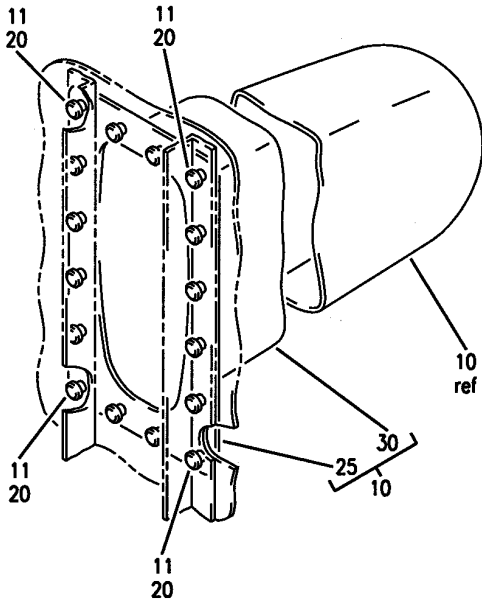
SPAR INSTL-WING SECT. 12 FRONT
 FIGURE 2 (SHEET 1)

57-21-51-02

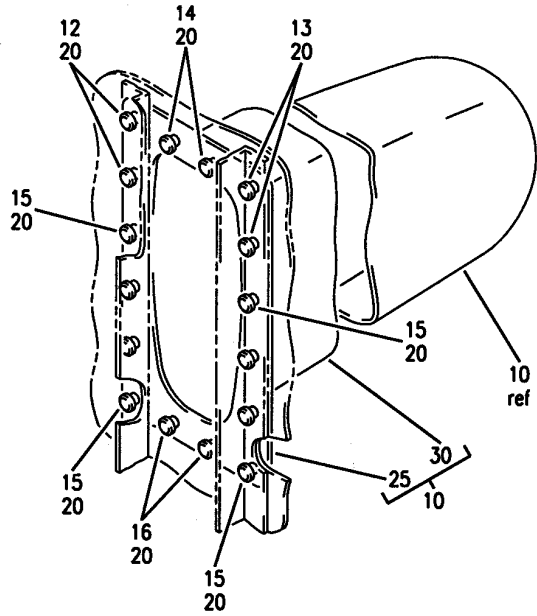
BRI
 JAN 20/09

57-21-51-02
 PAGE 0

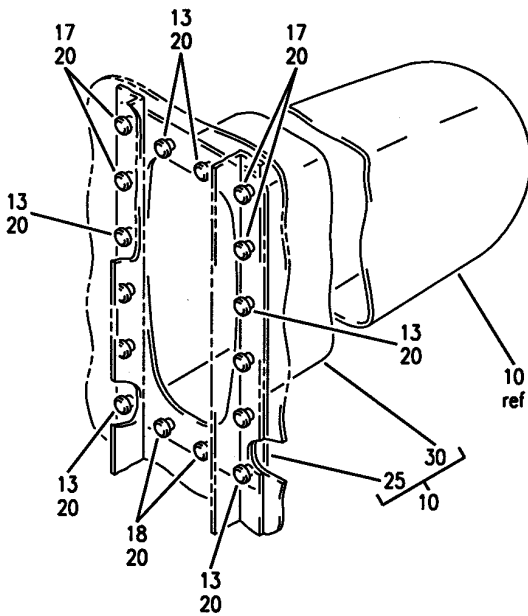

BOEING
 757
PARTS CATALOG (MAINTENANCE)



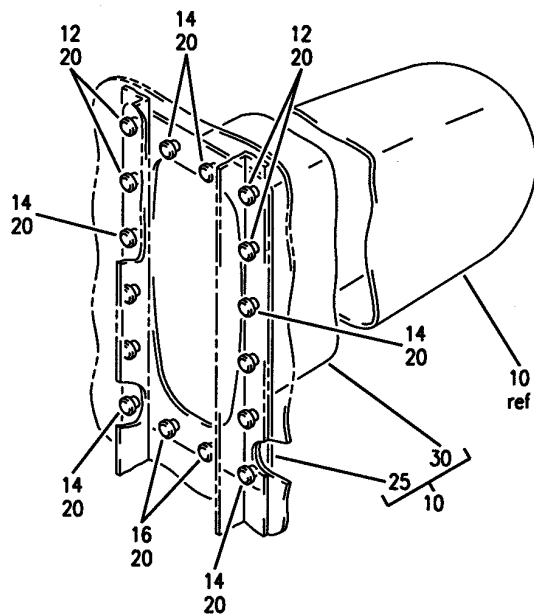
(A)



(B)



(C)



(D)

Y 57215102 SH1 2 REV 221

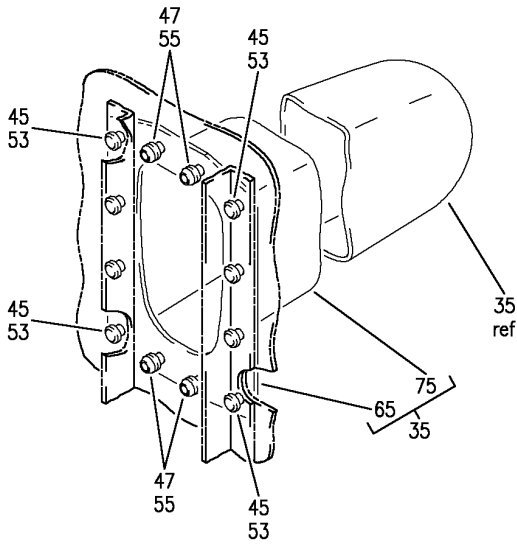
SPAR INSTL-WING SECT. 12 FRONT
FIGURE 2 (SHEET 2)

57-21-51-02

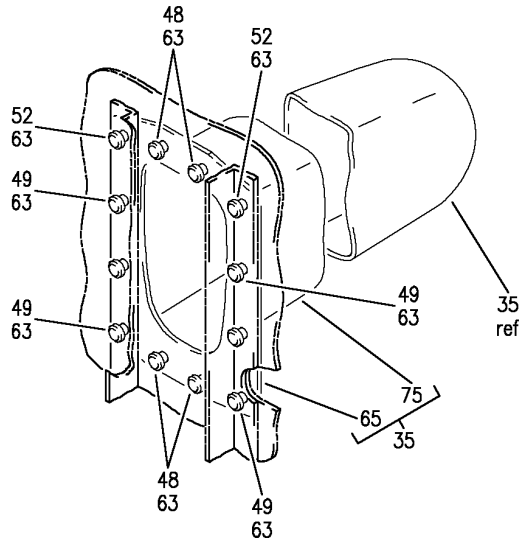
BRI
JAN 20/09

57-21-51-02
PAGE 0A

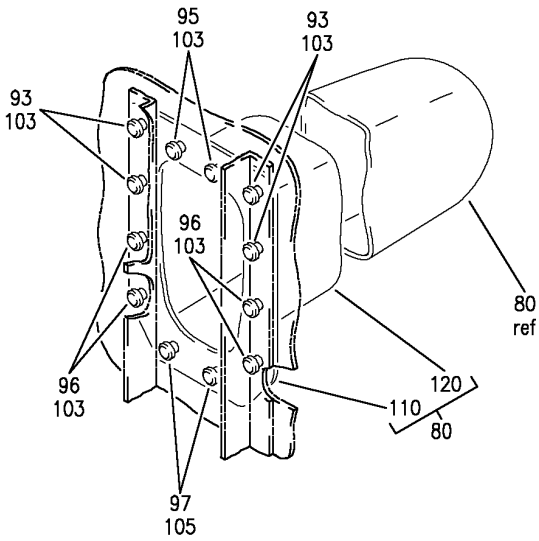
BOEING
757
PARTS CATALOG (MAINTENANCE)



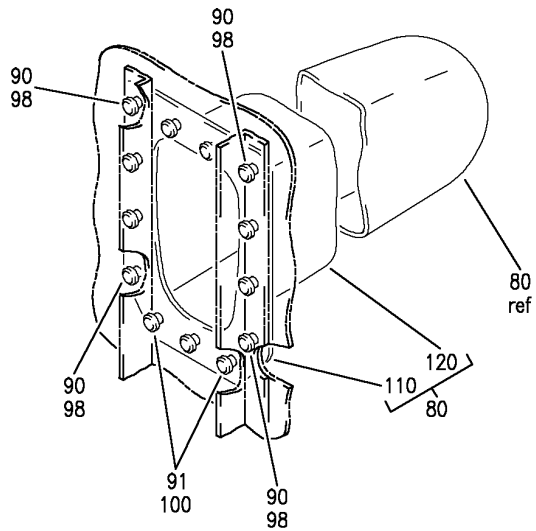
(E)



(F)



(H)



(G)

Y 57215102 SHT 3 REV 255

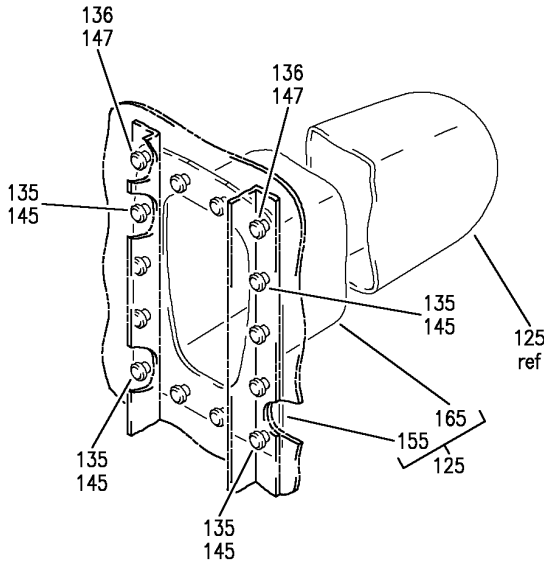
SPAR INSTL-WING SECT. 12 FRONT
FIGURE 2 (SHEET 3)

BRI
JAN 20/09

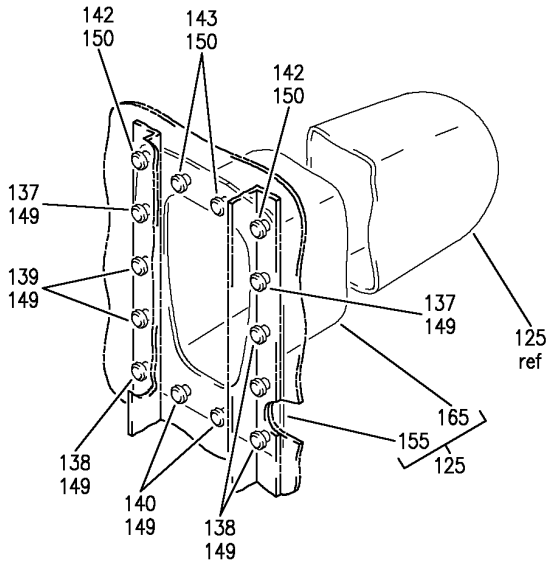
57-21-51-02

57-21-51-02
PAGE 0B

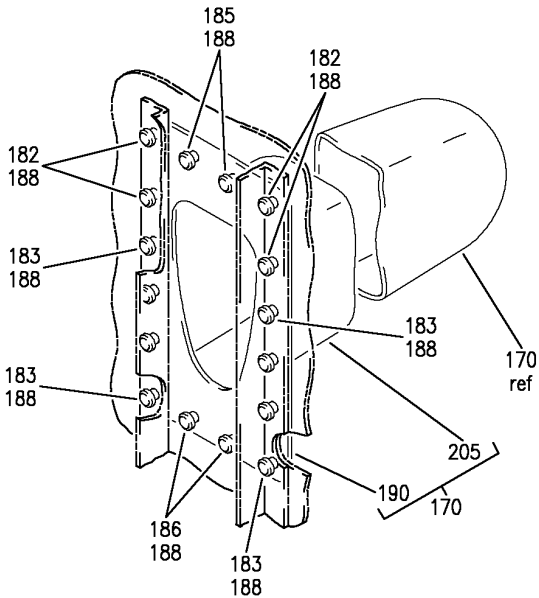
BOEING
757
PARTS CATALOG (MAINTENANCE)



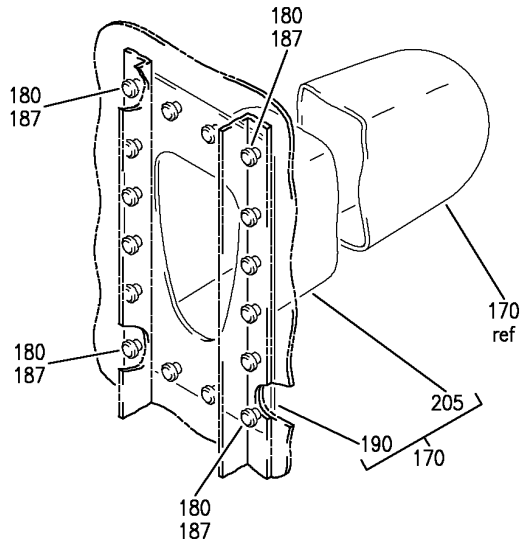
J



K



M



L

Y 57215102 SH1 4 REV 255

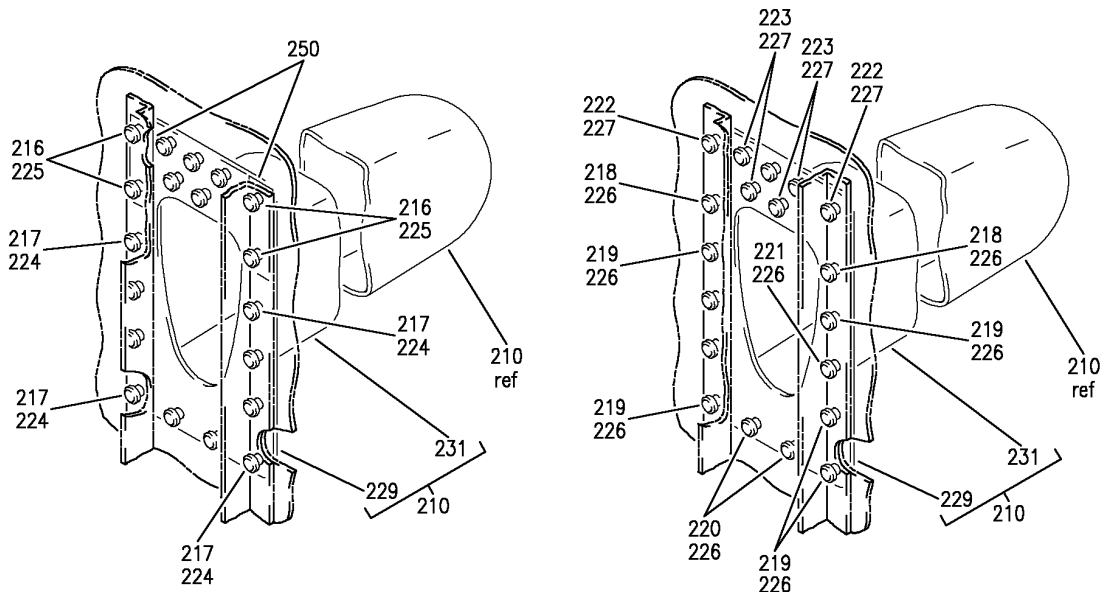
SPAR INSTL-WING SECT. 12 FRONT
FIGURE 2 (SHEET 4)

57-21-51-02

BRI
JAN 20/09

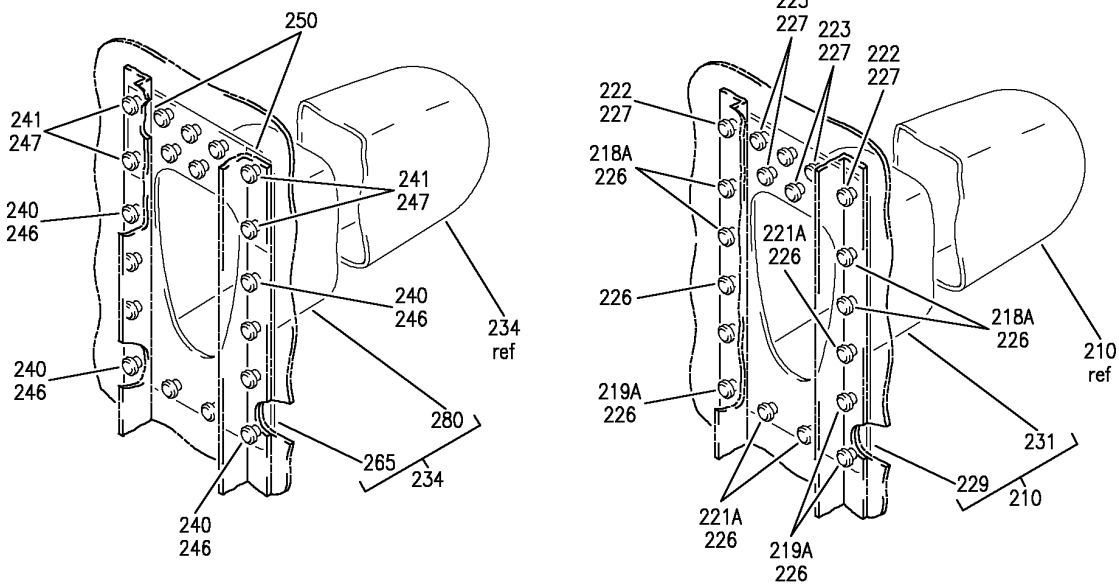
57-21-51-02
PAGE 0C

BOEING
757
PARTS CATALOG (MAINTENANCE)



N

P



R

Q

Y 57215102 SH1 5 REV 255

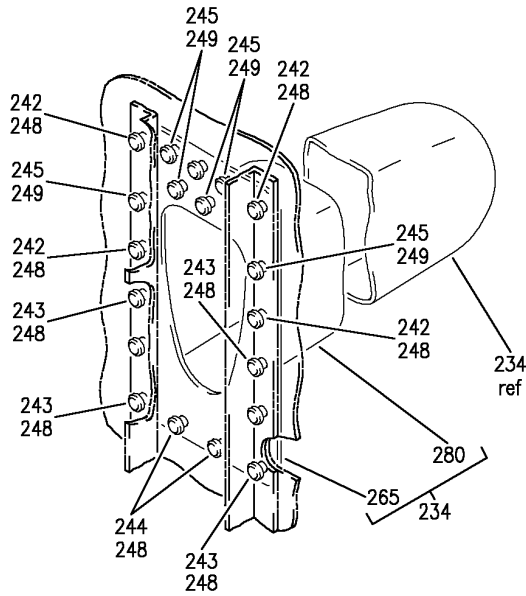
SPAR INSTL-WING SECT. 12 FRONT
FIGURE 2 (SHEET 5)

57-21-51-02

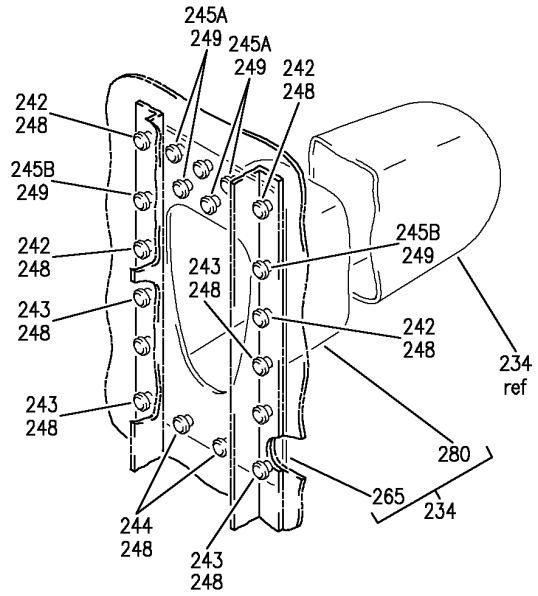
BRI
JAN 20/09

57-21-51-02
PAGE 0D

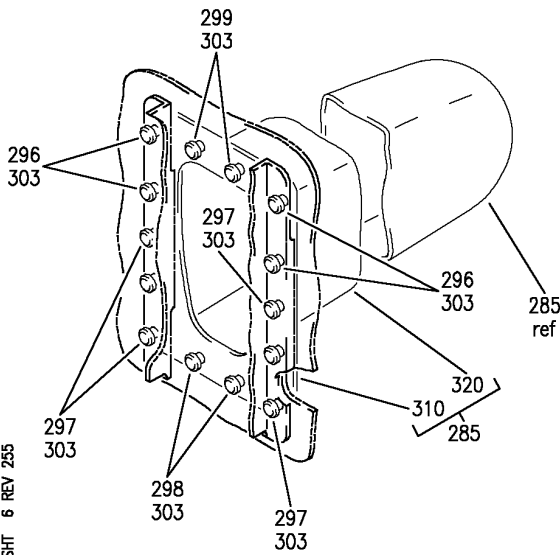
BOEING
757
PARTS CATALOG (MAINTENANCE)



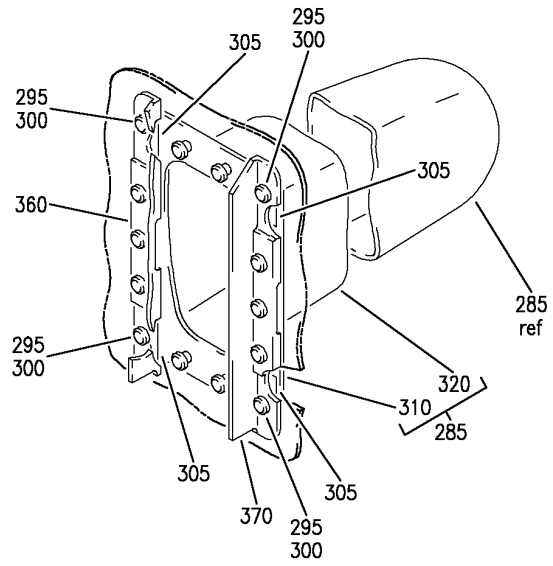
S



T



V



U

Y 57215102 SHT 6 REV 255

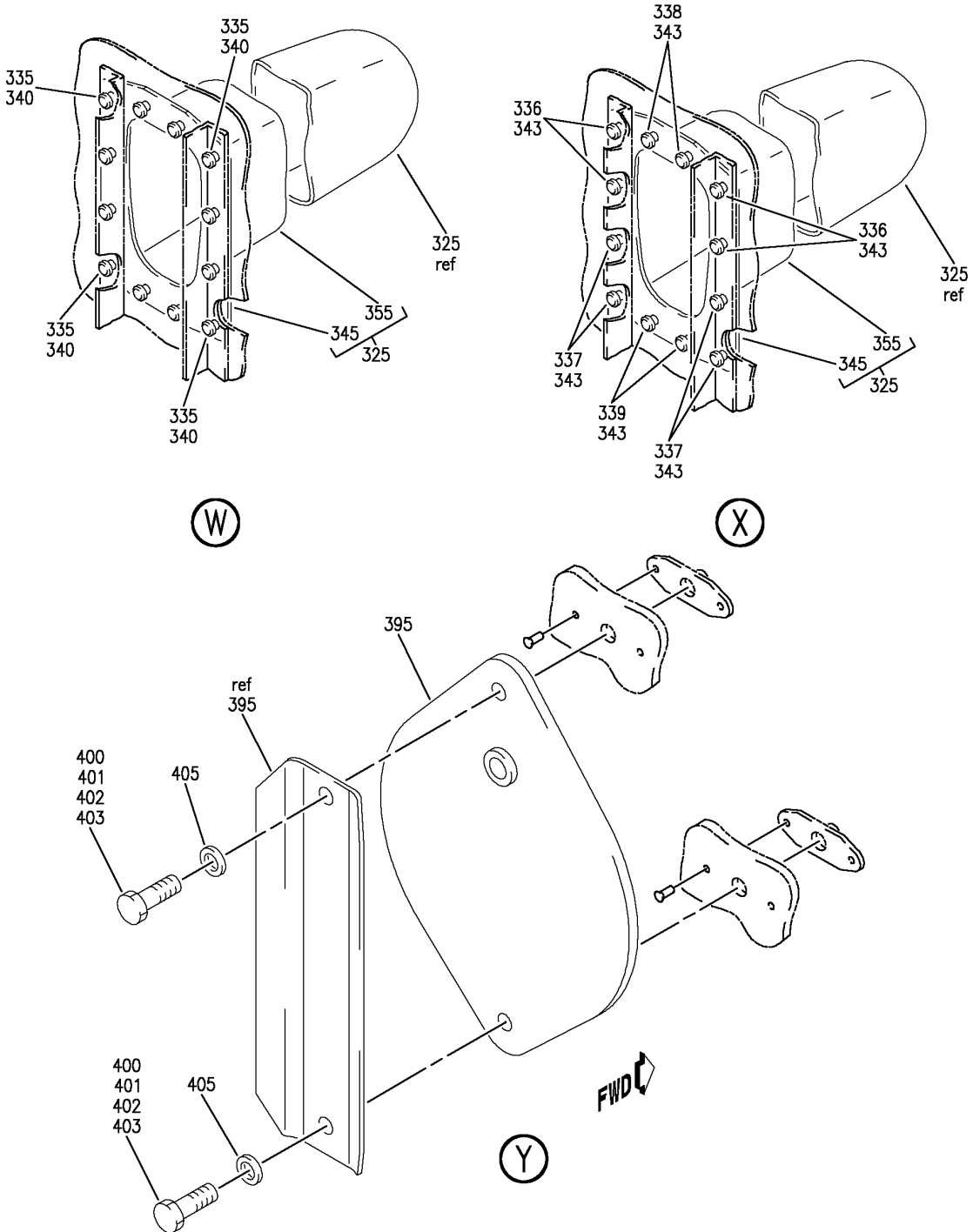
SPAR INSTL-WING SECT. 12 FRONT
FIGURE 2 (SHEET 6)

57-21-51-02

BRI
JAN 20/09

57-21-51-02
PAGE 0E

BOEING
757
PARTS CATALOG (MAINTENANCE)



Y 57215102 SH1 7 REV 255

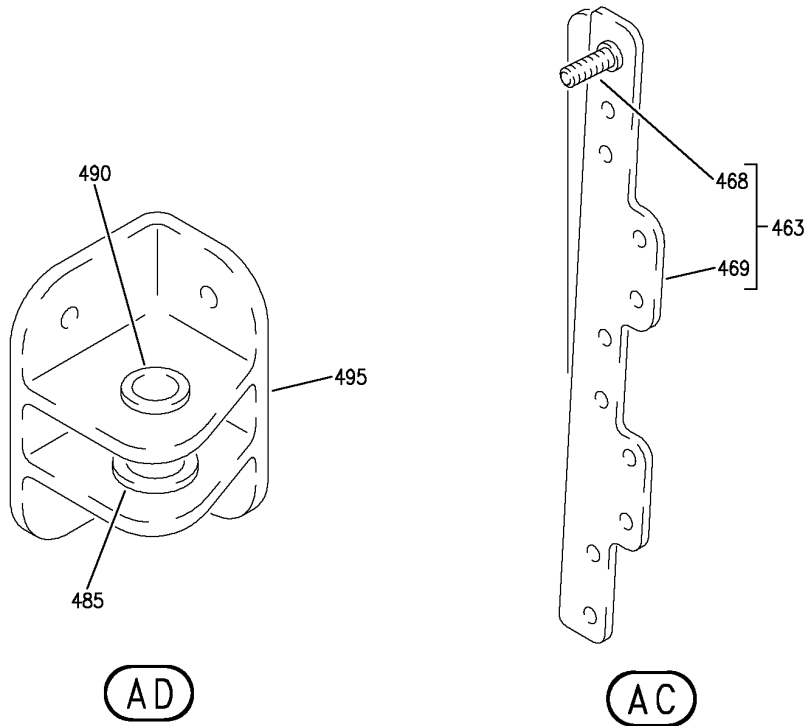
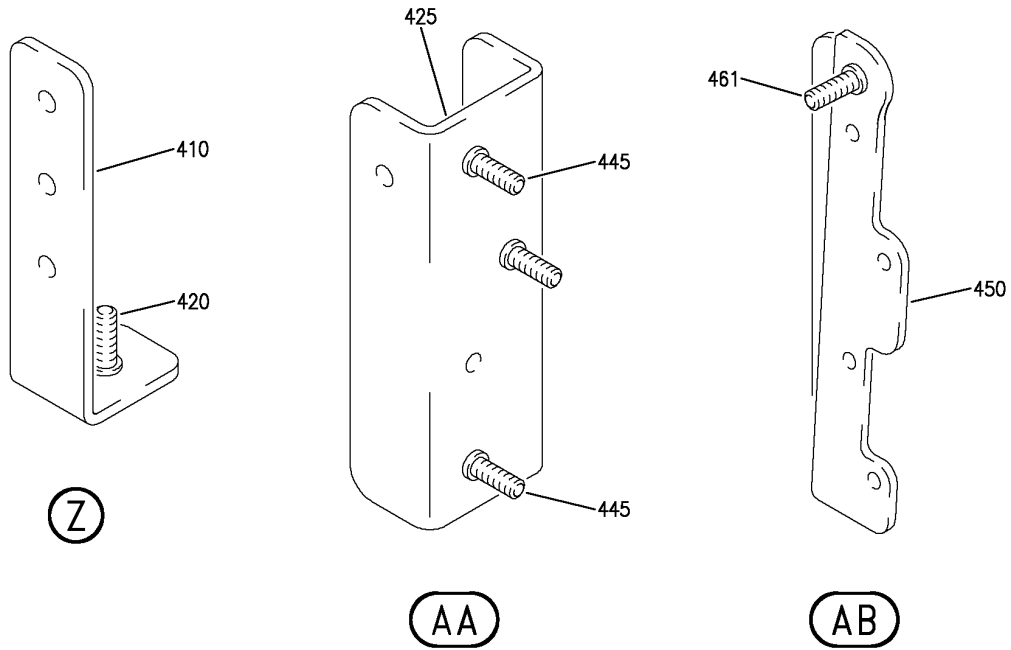
SPAR INSTL-WING SECT. 12 FRONT
FIGURE 2 (SHEET 7)

57-21-51-02

BRI
JAN 20/09

57-21-51-02
PAGE OF

BOEING
757
PARTS CATALOG (MAINTENANCE)



Y 57215102 SH1 8 REV 255

SPAR INSTL-WING SECT. 12 FRONT
FIGURE 2 (SHEET 8)

57-21-51-02

BRI
JAN 20/09

57-21-51-02
PAGE 06



757

PARTS CATALOG (MAINTENANCE)

FIG ITEM	PART NUMBER	1 2 3 4 5 6 7	NOMENCLATURE	EFFECT FROM TO	UNITS PER ASSY
2			SPAR INSTL-WING SECT. 12 FRONT	108120 505903	
- 1	112N2002-205		SPAR ASSY-WING POSITION DATA: SECT. 12 FRONT LH FOR NHA SEE: 57-00-00-20 57-21-51-01	108120 505903	RF
- 5	112N2002-206		SPAR ASSY-WING POSITION DATA: SECT. 12 FRONT RH FOR NHA SEE: 57-00-00-20 57-21-51-01	108120 505903	RF
10	112N2046-1		.HOUSING ASSY-	108120 505903	3
11	HST10AG10-10		ATTACHING PARTS .BOLT SUPPLIER CODE: VOPTK6 SPECIFICATION NUMBER: BACB30VT10K10 OPTIONAL PART: HST10AG10-10 V06725 HST10AG10-10 V56878 HST10AG10-10 V73197 WC10K10-10 V60516	108120 505903	48
20	3SLCC10		.COLLAR SUPPLIER CODE: V17446 SPECIFICATION NUMBER: BACC30BK10 OPTIONAL PART: 3SLCC10 V92215 -----*-----	108120 505903	48
25	112N2046-5		.. FLANGE	108120 505903	1
30	112N2046-2		..HOUSING ASSY	108120 505903	1
35	112N2045-4		.HOUSING ASSY-	108120 505903	1

MISSING ITEM NUMBERS NOT APPLICABLE

- ITEM NOT ILLUSTRATED

BRI

57-21-51-02

57-21-51
FIG. 02
PAGE 1
JAN 20/09



757

PARTS CATALOG (MAINTENANCE)

FIG ITEM	PART NUMBER	1 2 3 4 5 6 7	NOMENCLATURE	EFFECT FROM TO	UNITS PER ASSY
2			ATTACHING PARTS		
45	HST10AG10-10		.BOLT SUPPLIER CODE: VOPTK6 SPECIFICATION NUMBER: BACB30VT10K10 OPTIONAL PART: HST10AG10-10 V06725 HST10AG10-10 V56878 HST10AG10-10 V73197 WC10K10-10 V60516	108120 505903	8
47	HST10AG8-8		.BOLT SUPPLIER CODE: VOPTK6 SPECIFICATION NUMBER: BACB30VT8K8 OPTIONAL PART: HST10AG8-8 V06725 HST10AG8-8 V56878 HST10AG8-8 V73197 WC10K8-8 V60516	108120 505903	4
53	VLC771-10		.COLLAR- SUPPLIER CODE: V5M902 SPECIFICATION NUMBER: BACC30BP10 OPTIONAL PART: HST771-10 V73197 BACN10TN5K	108120 505903	8
55	VLC771-8		.COLLAR- SUPPLIER CODE: V5M902 SPECIFICATION NUMBER: BACC30BP8 OPTIONAL PART: HST771-8 V73197 BACN10TN4K	108120 505903	4

MISSING ITEM NUMBERS NOT APPLICABLE

- ITEM NOT ILLUSTRATED

57-21-51-02

57-21-51
FIG. 02
PAGE 2
JAN 20/09

BRI



757

PARTS CATALOG (MAINTENANCE)

FIG ITEM	PART NUMBER	1 2 3 4 5 6 7	NOMENCLATURE	EFFECT FROM TO	UNITS PER ASSY
2					
- 64	H39242-5K	.NUT-	SUPPLIER CODE: V15653 SPECIFICATION NUMBER: BACN10TN5K OPTIONAL PART: BH00700-5K V27238 TLN1200-5K V97928 BACC30BP10	108120 505903	8
- 64A	H39242-4K	.NUT-	SUPPLIER CODE: V15653 SPECIFICATION NUMBER: BACN10TN4K OPTIONAL PART: BACC30BP8 -----*-----	108120 505903	4
65	112N2045-14	..FLANGE		108120 505903	1
75	112N2045-8	..HOUSING ASSY		108120 505903	1
80	112N2045-3	.HOUSING ASSY-		108120 505903	1
90	HST10AG10-10	ATTACHING PARTS .BOLT	SUPPLIER CODE: VOPTK6 SPECIFICATION NUMBER: BACB30VT10K10 OPTIONAL PART: HST10AG10-10 V06725 HST10AG10-10 V56878 HST10AG10-10 V73197 WC10K10-10 V60516	108120 505903	10

MISSING ITEM NUMBERS NOT APPLICABLE

- ITEM NOT ILLUSTRATED

BRI

57-21-51-02

BOEING PROPRIETARY - Copyright © - Unpublished Work - See title page for details.

57-21-51
FIG. 02
PAGE 3
JAN 20/09

 **BOEING**
757
PARTS CATALOG (MAINTENANCE)

FIG ITEM	PART NUMBER	1 2 3 4 5 6 7	NOMENCLATURE	EFFECT FROM TO	UNITS PER ASSY
2 91	HST10AG8-8	.BOLT	SUPPLIER CODE: VOPTK6 SPECIFICATION NUMBER: BACB30VT8K8 OPTIONAL PART: HST10AG8-8 V06725 HST10AG8-8 V56878 HST10AG8-8 V73197 WC10K8-8 V60516	108120 505903	3
98	VLC771-10	.COLLAR-	SUPPLIER CODE: V5M902 SPECIFICATION NUMBER: BACC30BP10 OPTIONAL PART: HST771-10 V73197 BACN10TN5K	108120 505903	10
100	VLC771-8	.COLLAR-	SUPPLIER CODE: V5M902 SPECIFICATION NUMBER: BACC30BP8 OPTIONAL PART: HST771-8 V73197 BACN10TN4K	108120 505903	3
- 107	H39242-5K	.NUT-	SUPPLIER CODE: V15653 SPECIFICATION NUMBER: BACN10TN5K OPTIONAL PART: BH00700-5K V27238 TLN1200-5K V97928 BACC30BP10	108120 505903	10

MISSING ITEM NUMBERS NOT APPLICABLE

- ITEM NOT ILLUSTRATED

BRI

57-21-51-02

BOEING PROPRIETARY - Copyright © - Unpublished Work - See title page for details.

57-21-51
FIG. 02
PAGE 4
JAN 20/09



**757
PARTS CATALOG (MAINTENANCE)**

FIG ITEM	PART NUMBER	1 2 3 4 5 6 7	NOMENCLATURE	EFFECT FROM TO	UNITS PER ASSY
2 - 108	H39242-4K		.NUT- SUPPLIER CODE: V15653 SPECIFICATION NUMBER: BACN10TN4K OPTIONAL PART: BACC30BP8 -----*-----	108120 505903	3
110	112N2045-13		..FLANGE	108120 505903	1
120	112N2045-7		..HOUSING ASSY	108120 505903	1
125	112N2045-2		.HOUSING ASSY-	108120 505903	1
135	HST10AG10-10		ATTACHING PARTS .BOLT SUPPLIER CODE: VOPTK6 SPECIFICATION NUMBER: BACB30VT10K10 OPTIONAL PART: HST10AG10-10 V06725 HST10AG10-10 V56878 HST10AG10-10 V73197 WC10K10-10 V60516	108120 505903	10
136	HST10AG8-8		.BOLT SUPPLIER CODE: VOPTK6 SPECIFICATION NUMBER: BACB30VT8K8 OPTIONAL PART: HST10AG8-8 V06725 HST10AG8-8 V56878 HST10AG8-8 V73197 WC10K8-8 V60516	108120 505903	4

MISSING ITEM NUMBERS NOT APPLICABLE

- ITEM NOT ILLUSTRATED

BRI

57-21-51-02

BOEING PROPRIETARY - Copyright © - Unpublished Work - See title page for details.

57-21-51
FIG. 02
PAGE 5
JAN 20/09



757

PARTS CATALOG (MAINTENANCE)

FIG ITEM	PART NUMBER	1 2 3 4 5 6 7	NOMENCLATURE	EFFECT FROM TO	UNITS PER ASSY
2 145	VLC771-10		.COLLAR- SUPPLIER CODE: V5M902 SPECIFICATION NUMBER: BACC30BP10 OPTIONAL PART: HST771-10 V73197 BACN10TN5K	108120 505903	10
147	VLC771-8		.COLLAR- SUPPLIER CODE: V5M902 SPECIFICATION NUMBER: BACC30BP8 OPTIONAL PART: HST771-8 V73197 BACN10TN4K	108120 505903	4
- 153	H39242-5K		.NUT- SUPPLIER CODE: V15653 SPECIFICATION NUMBER: BACN10TN5K OPTIONAL PART: BH00700-5K V27238 TLN1200-5K V97928 BACC30BP10	108120 505903	10
- 154	H39242-4K		.NUT- SUPPLIER CODE: V15653 SPECIFICATION NUMBER: BACN10TN4K OPTIONAL PART: BACC30BP8	108120 505903	4
155	112N2045-12		..FLANGE	108120 505903	1
165	112N2045-6		..HOUSING ASSY	108120 505903	1
170	112N2044-4		.HOUSING ASSY-	108120 505903	1

MISSING ITEM NUMBERS NOT APPLICABLE

- ITEM NOT ILLUSTRATED

57-21-51-02

57-21-51
FIG. 02
PAGE 6
JAN 20/09

BRI



757

PARTS CATALOG (MAINTENANCE)

FIG ITEM	PART NUMBER	1 2 3 4 5 6 7	NOMENCLATURE	EFFECT FROM TO	UNITS PER ASSY
2			ATTACHING PARTS		
180	HST10AG8-8	.BOLT	SUPPLIER CODE: VOPTK6 SPECIFICATION NUMBER: BACB30VT8K8 OPTIONAL PART: HST10AG8-8 V06725 HST10AG8-8 V56878 HST10AG8-8 V73197 WC10K8-8 V60516	108120 505903	16
187	VLC771-8	.COLLAR-	SUPPLIER CODE: V5M902 SPECIFICATION NUMBER: BACC30BP8 OPTIONAL PART: HST771-8 V73197 BACN10TN4K	108120 505903	16
- 189	H39242-4K	.NUT-	SUPPLIER CODE: V15653 SPECIFICATION NUMBER: BACN10TN4K OPTIONAL PART: BACC30BP8 -----*-----	108120 505903	16
190	112N2044-14	..FLANGE		108120 505903	1
205	112N2044-8	..HOUSING ASSY		108120 505903	1
210	112N2044-3	.HOUSING ASSY-		108120 505903	1

MISSING ITEM NUMBERS NOT APPLICABLE

- ITEM NOT ILLUSTRATED

BRI

57-21-51-02

BOEING PROPRIETARY - Copyright © - Unpublished Work - See title page for details.

57-21-51
FIG. 02
PAGE 7
JAN 20/09



757

PARTS CATALOG (MAINTENANCE)

FIG ITEM	PART NUMBER	1 2 3 4 5 6 7	NOMENCLATURE	EFFECT FROM TO	UNITS PER ASSY
2			ATTACHING PARTS		
216	HST10AG6-6		.BOLT SUPPLIER CODE: VOPTK6 SPECIFICATION NUMBER: BACB30VT6K6 OPTIONAL PART: HST10AG6-6 V06725 HST10AG6-6 V56878 HST10AG6-6 V73197 WC10K6-6 V60516	108120 505903	9
217	HST10AG8-8		.BOLT SUPPLIER CODE: VOPTK6 SPECIFICATION NUMBER: BACB30VT8K8 OPTIONAL PART: HST10AG8-8 V06725 HST10AG8-8 V56878 HST10AG8-8 V73197 WC10K8-8 V60516	108120 505903	10
224	VLC771-8		.COLLAR- SUPPLIER CODE: V5M902 SPECIFICATION NUMBER: BACC30BP8 OPTIONAL PART: HST771-8 V73197 BACN10TN4K	108120 505903	10
225	VLC771-6		.COLLAR SUPPLIER CODE: V5M902 SPECIFICATION NUMBER: BACC30BP6 OPTIONAL PART: HST771-6 V73197	108120 505903	9

MISSING ITEM NUMBERS NOT APPLICABLE

- ITEM NOT ILLUSTRATED

57-21-51-02

57-21-51
FIG. 02
PAGE 8
JAN 20/09

BRI

BOEING PROPRIETARY - Copyright © - Unpublished Work - See title page for details.



757

PARTS CATALOG (MAINTENANCE)

FIG ITEM	PART NUMBER	1 2 3 4 5 6 7	NOMENCLATURE	EFFECT FROM TO	UNITS PER ASSY
2 - 228	H39242-4K		.NUT- SUPPLIER CODE: V15653 SPECIFICATION NUMBER: BACN10TN4K OPTIONAL PART: BACC30BP8 -----*-----	108120 505903	10
229	112N2044-13		..FLANGE- USED ON: 112N2044-3	108120 505903	1
231	112N2044-7		..HOUSING ASSY- USED ON: 112N2044-3 112N2044-19 112N2044-20	108120 505903	1
234	112N2044-2		.HOUSING ASSY- ATTACHING PARTS	108120 505903	1
240	HST10AG8-8		.BOLT SUPPLIER CODE: VOPTK6 SPECIFICATION NUMBER: BACB30VT8K8 OPTIONAL PART: HST10AG8-8 V06725 HST10AG8-8 V56878 HST10AG8-8 V73197 WC10K8-8 V60516	108120 505903	10
241	HST10AG6-6		.BOLT SUPPLIER CODE: VOPTK6 SPECIFICATION NUMBER: BACB30VT6K6 OPTIONAL PART: HST10AG6-6 V06725 HST10AG6-6 V56878 HST10AG6-6 V73197 WC10K6-6 V60516	108120 505903	9

MISSING ITEM NUMBERS NOT APPLICABLE

- ITEM NOT ILLUSTRATED

57-21-51-02

57-21-51
FIG. 02
PAGE 9
JAN 20/09

BRI



757

PARTS CATALOG (MAINTENANCE)

FIG ITEM	PART NUMBER	1 2 3 4 5 6 7	NOMENCLATURE	EFFECT FROM TO	UNITS PER ASSY
2 246	VLC771-8	.	COLLAR- SUPPLIER CODE: V5M902 SPECIFICATION NUMBER: BACC30BP8 OPTIONAL PART: HST771-8 V73197 BACN10TN4K	108120 505903	10
-246A	H39242-4K	.	NUT- SUPPLIER CODE: V15653 SPECIFICATION NUMBER: BACN10TN4K OPTIONAL PART: BACC30BP8	108120 505903	10
247	VLC771-6	.	COLLAR SUPPLIER CODE: V5M902 SPECIFICATION NUMBER: BACC30BP6 OPTIONAL PART: HST771-6 V73197	108120 505903	9
250	BACS40R012C019F	.	SHIM -----*-----	108120 505903	AR
265	112N2044-12	..	FLANGE- USED ON: 112N2044-2	108120 505903	1
280	112N2044-6	..	HOUSING ASSY- USED ON: 112N2044-2 112N2044-17 112N2044-18	108120 505903	1
285	112N2044-1	.	HOUSING ASSY-	108120 505903	1

MISSING ITEM NUMBERS NOT APPLICABLE

- ITEM NOT ILLUSTRATED

BRI

57-21-51-02

BOEING PROPRIETARY - Copyright © - Unpublished Work - See title page for details.

57-21-51
FIG. 02
PAGE 10
JAN 20/09



757

PARTS CATALOG (MAINTENANCE)

FIG ITEM	PART NUMBER	1 2 3 4 5 6 7	NOMENCLATURE	EFFECT FROM TO	UNITS PER ASSY
2			ATTACHING PARTS		
295	HST10AG8-8	.	BOLT	108120 505903	14
			SUPPLIER CODE: VOPTK6		
			SPECIFICATION NUMBER: BACB30VT8K8		
			OPTIONAL PART: HST10AG8-8		
			V06725		
			HST10AG8-8		
			V56878		
			HST10AG8-8		
			V73197		
			WC10K8-8		
			V60516		
300	BACC30BL8	.	COLLAR	108120 505903	14
			SUPPLIER CODE: V73197		
			SPECIFICATION NUMBER: BACC30BL8		
			OPTIONAL PART: HST79-8		
			V92215		
			HST79CY8		
			V56878		
			HST79CY8		
			V5M902		
			-----*-----		
305	BACS40R011C014F	.	SHIM	108120 505903	AR
310	112N2044-11	..	FLANGE	108120 505903	1
320	112N2044-5	..	HOUSING ASSY	108120 505903	1
325	112N2045-1	.	HOUSING ASSY-	108120 505903	1

MISSING ITEM NUMBERS NOT APPLICABLE

- ITEM NOT ILLUSTRATED

BRI

57-21-51-02

BOEING PROPRIETARY - Copyright © - Unpublished Work - See title page for details.

57-21-51
FIG. 02
PAGE 11
JAN 20/09



757

PARTS CATALOG (MAINTENANCE)

FIG ITEM	PART NUMBER	1 2 3 4 5 6 7	NOMENCLATURE	EFFECT FROM TO	UNITS PER ASSY
2			ATTACHING PARTS		
335	HST10AG8-8	.	BOLT SUPPLIER CODE: VOPTK6 SPECIFICATION NUMBER: BACB30VT8K8 OPTIONAL PART: HST10AG8-8 V06725 HST10AG8-8 V56878 HST10AG8-8 V73197 WC10K8-8 V60516	108120 505903	12
340	VLC771-8	.	COLLAR- SUPPLIER CODE: V5M902 SPECIFICATION NUMBER: BACC30BP8 OPTIONAL PART: HST771-8 V73197 BACN10TN4K	108120 505903	12
- 344	H39242-4K	.	NUT- SUPPLIER CODE: V15653 SPECIFICATION NUMBER: BACN10TN4K OPTIONAL PART: BACC30BP8 -----*-----	108120 505903	12
345	112N2045-11	..	FLANGE	108120 505903	1
355	112N2045-5	..	HOUSING ASSY	108120 505903	1
360	112N2035-65	.	STIFFENER-ANGLE ATTACH POSITION DATA: LH SIDE	108120 505903	1
- 365	112N2035-66	.	STIFFENER-ANGLE ATTACH POSITION DATA: RH SIDE	108120 505903	1
370	112N2035-67	.	STIFFENER-ANGLE ATTACH POSITION DATA: LH SIDE	108120 505903	1
- 375	112N2035-68	.	STIFFENER-ANGLE ATTACH POSITION DATA: RH SIDE	108120 505903	1

MISSING ITEM NUMBERS NOT APPLICABLE

- ITEM NOT ILLUSTRATED

57-21-51-02

57-21-51
FIG. 02
PAGE 12
JAN 20/09

BRI



757

PARTS CATALOG (MAINTENANCE)

FIG ITEM	PART NUMBER	1 2 3 4 5 6 7	NOMENCLATURE	EFFECT FROM TO	UNITS PER ASSY
2					
380	112N2052-9		.COVER ASSY- OPTIONAL PART: 112N2052-15	108120 505903	1
380	112N2052-15		.COVER ASSY- OPTIONAL PART: 112N2052-9	108120 505903	1
- 385	BACB30NM4K10		.BOLT-	108120 505903	2
- 390	NAS1149D0463J		.WASHER	108120 505903	2
			-----*-----		
395	112N2052-10		.COVER ASSY- OPTIONAL PART: 112N2052-16	108120 505903	3
395	112N2052-16		.COVER ASSY- OPTIONAL PART: 112N2052-10	108120 505903	3
400	BACB30NM4K10		.BOLT	108120 505903	6
405	NAS1149D0463J		.WASHER	108120 505903	6
			-----*-----		

MISSING ITEM NUMBERS NOT APPLICABLE

- ITEM NOT ILLUSTRATED

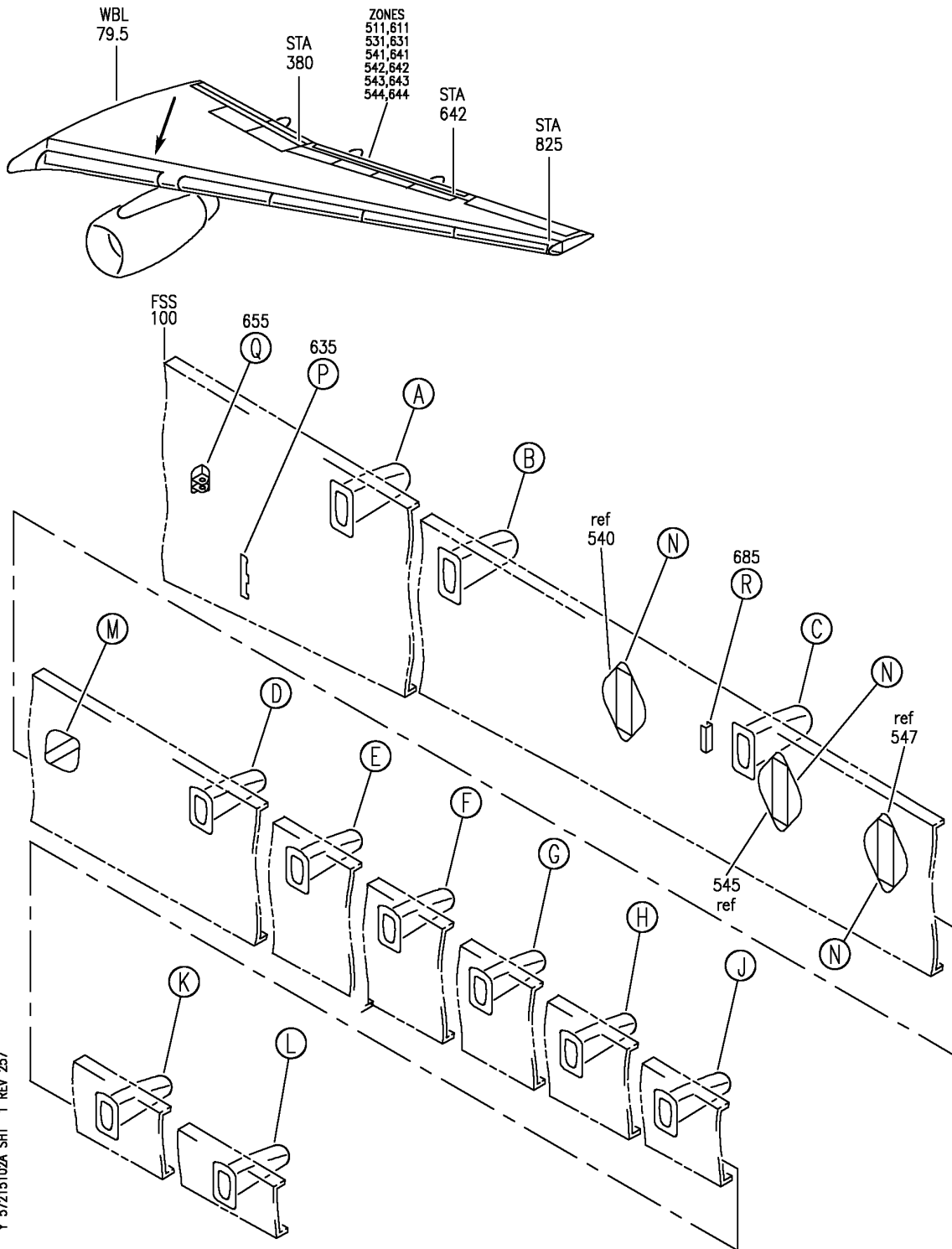
BRI

57-21-51-02

BOEING PROPRIETARY - Copyright © - Unpublished Work - See title page for details.

57-21-51
FIG. 02
PAGE 13
JAN 20/09

BOEING
757
PARTS CATALOG (MAINTENANCE)



Y 57215102A SHT 1 REV 257

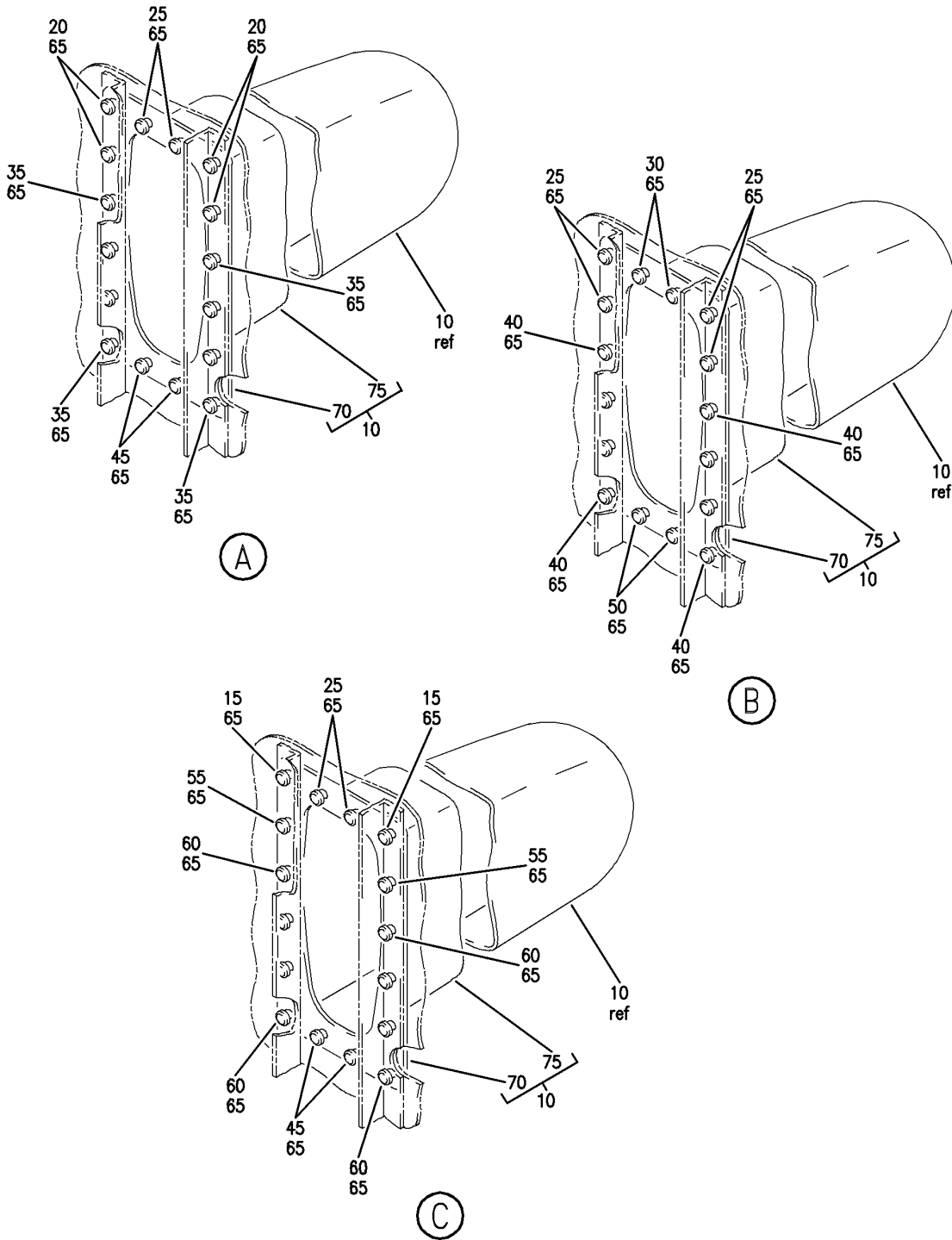
SPAR INSTL-WING SECT. 12 FRONT
FIGURE 2A (SHEET 1)

57-21-51-02A

BRI
JAN 20/09

57-21-51-02A
PAGE 0


BOEING
 757
PARTS CATALOG (MAINTENANCE)



Y 57215102A SH1 2 REV 244

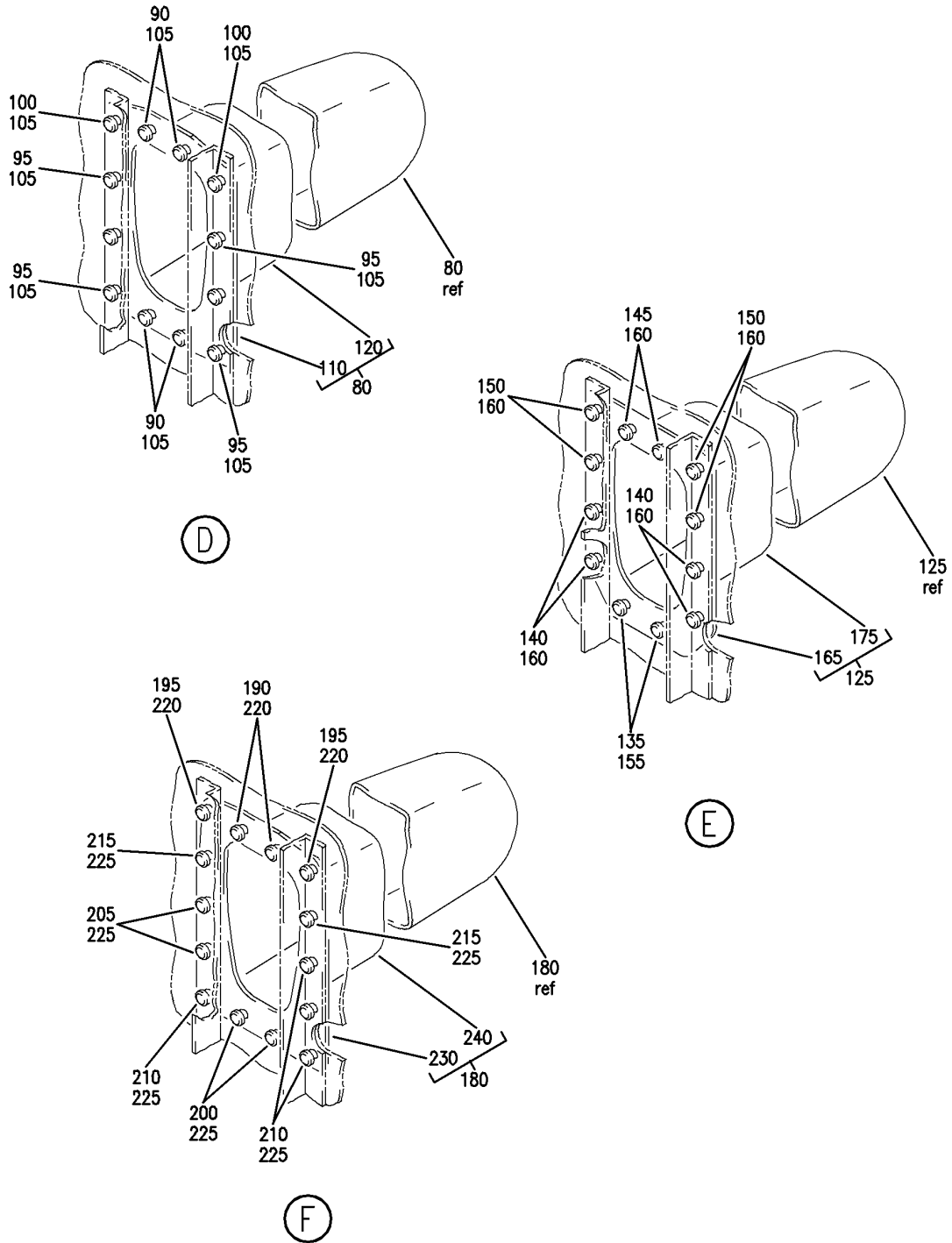
SPAR INSTL-WING SECT. 12 FRONT
FIGURE 2A (SHEET 2)

57-21-51-02A

BRI
JAN 20/09

57-21-51-02A
PAGE 0A

BOEING
757
PARTS CATALOG (MAINTENANCE)



Y 57215102A SHT 3 REV 244

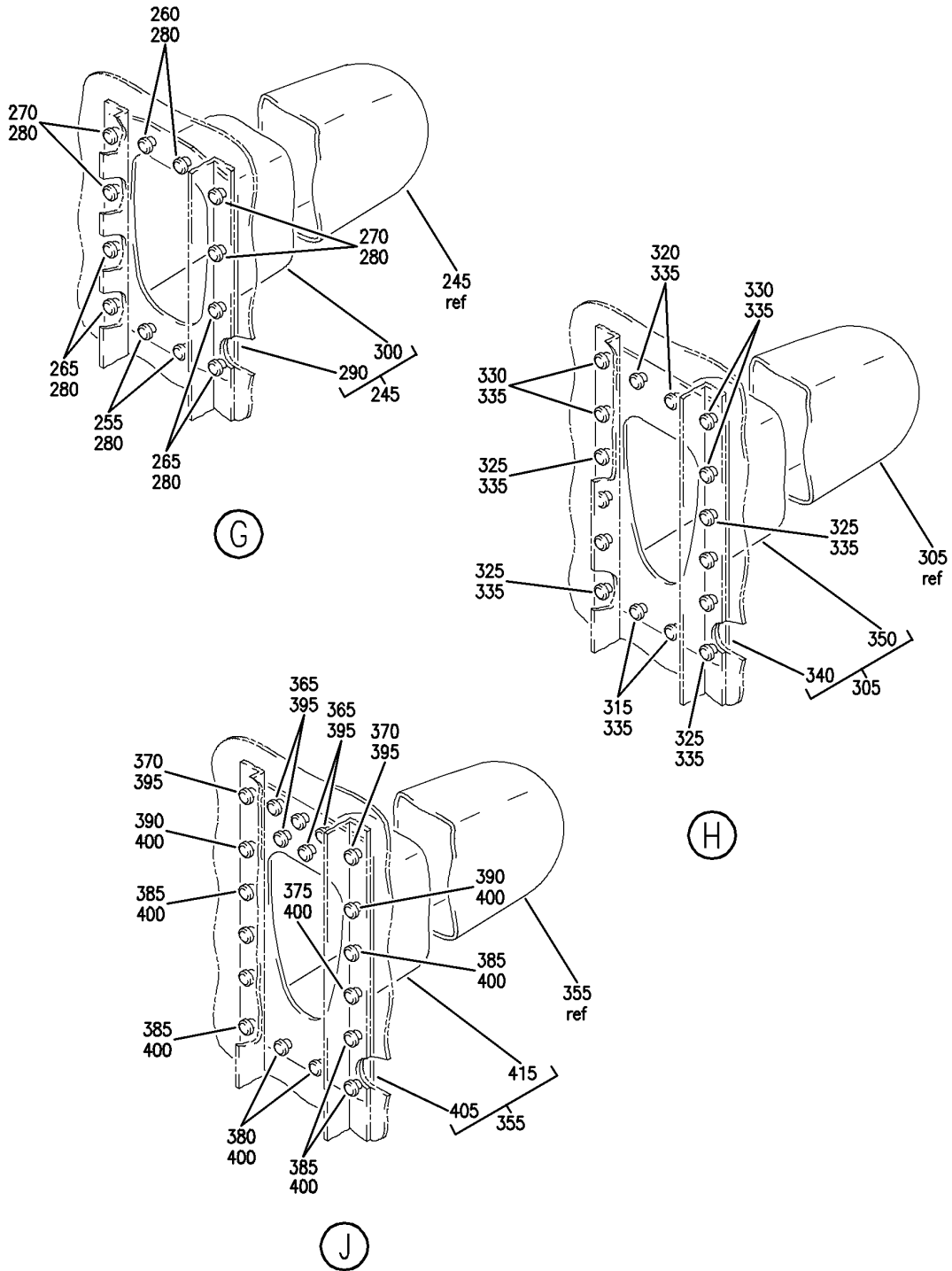
SPAR INSTL-WING SECT. 12 FRONT
FIGURE 2A (SHEET 3)

BRI
JAN 20/09

57-21-51-02A

57-21-51-02A
PAGE 0B

BOEING
757
PARTS CATALOG (MAINTENANCE)



Y 57215102A SH1 4 REV 244

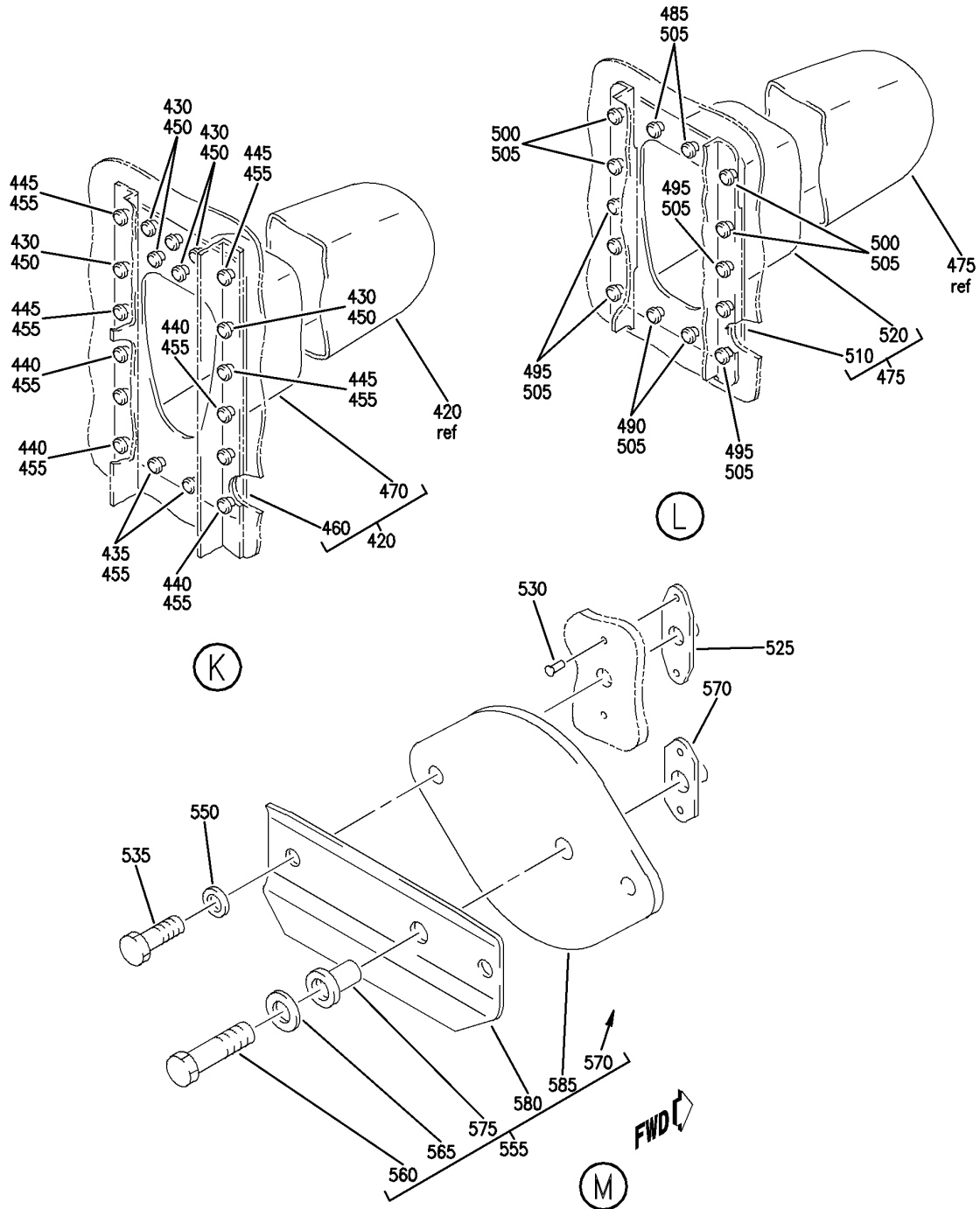
SPAR INSTL-WING SECT. 12 FRONT
FIGURE 2A (SHEET 4)

BRI
JAN 20/09

57-21-51-02A

57-21-51-02A
PAGE 0C


BOEING
 757
PARTS CATALOG (MAINTENANCE)



Y 57215102A SH1 5 REV 244

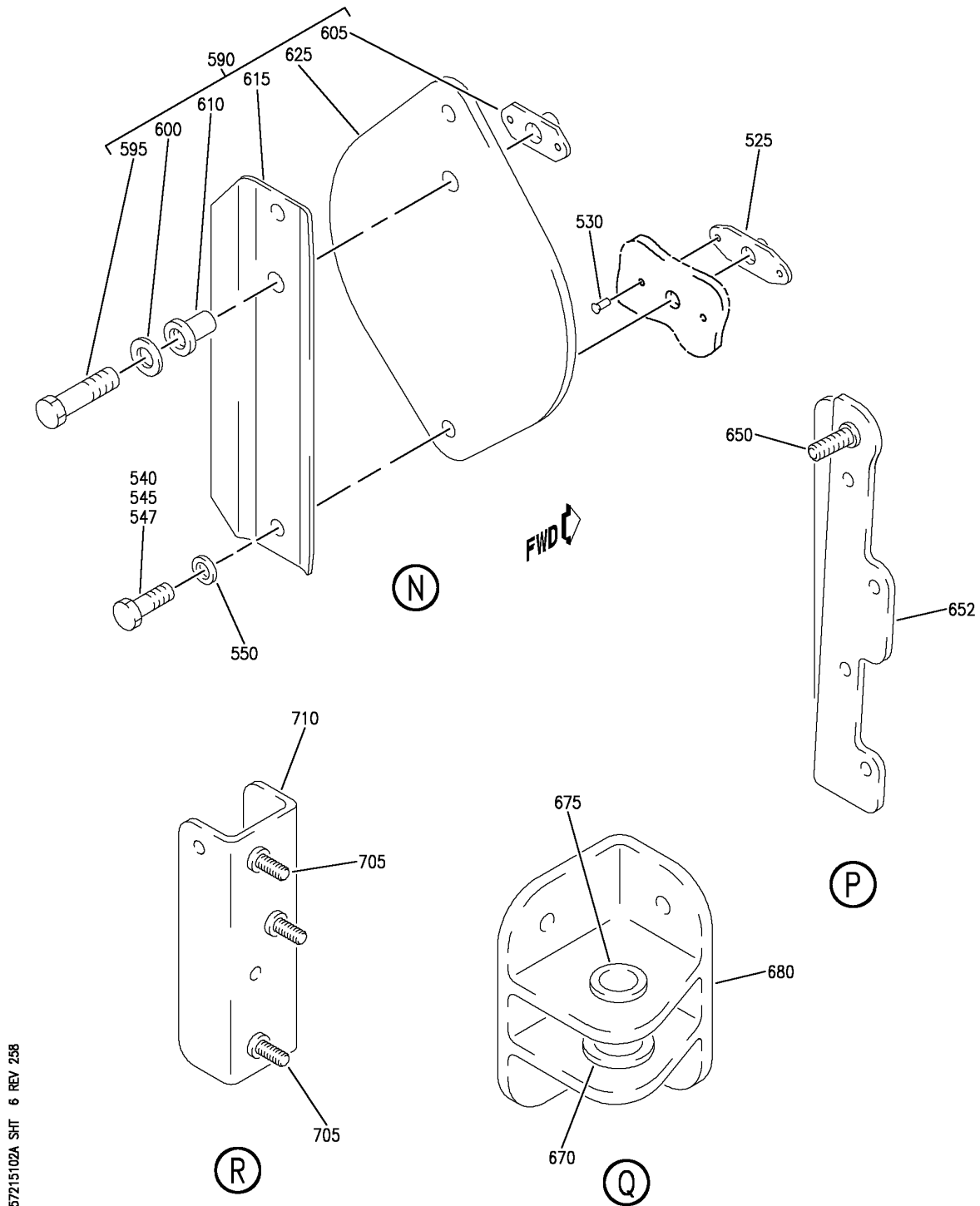
SPAR INSTL-WING SECT. 12 FRONT
FIGURE 2A (SHEET 5)

57-21-51-02A

BRI
JAN 20/09

57-21-51-02A
PAGE 0D

BOEING
757
PARTS CATALOG (MAINTENANCE)



SPAR INSTL-WING SECT. 12 FRONT
FIGURE 2A (SHEET 6)

57-21-51-02A

BRI
JAN 20/09

57-21-51-02A
PAGE 0E



757

PARTS CATALOG (MAINTENANCE)

FIG ITEM	PART NUMBER	1 2 3 4 5 6 7	NOMENCLATURE	EFFECT FROM TO	UNITS PER ASSY
2A			SPAR INSTL-WING SECT. 12 FRONT	103105	
- 1	MODREF33327		SPAR INSTL-WING MODULE NUMBER: 112N2002-207 REV B POSITION DATA: SECT. 12 FRONT LH	103105	1
- 5	MODREF33328		SPAR INSTL-WING MODULE NUMBER: 112N2002-208 REV B POSITION DATA: SECT. 12 FRONT RH	103105	1
10	112N2046-7		.HOUSING ASSY ATTACHING PARTS	103105	3
15	LGPL2SPV10-15AC		.BOLT- SUPPLIER CODE: V56878 SPECIFICATION NUMBER: BACB30VN10K15 OPTIONAL PART: LGPL2SPV10-15AC V17446 LGPL2SPV10-15AC V92215 81669V10K15 V56878 QUALIFIED OPTIONAL DATA: OPTIONAL BACB30VR10K15 WITH BACC30BK10 OPTIONAL BACB30VT10K15 WITH BACC30BP10 OPTIONAL BACB30VT10K15 WITH BACC30BL10	103105	2
15	BACB30VR10K15		.BOLT- QUALIFIED OPTIONAL DATA: OPTIONAL BACB30VN10K15 WITH BACC30BK10 OPTIONAL BACB30VT10K15 WITH BACC30BP10 OPTIONAL BACB30VT10K15 WITH BACC30BL10	103105	2

MISSING ITEM NUMBERS NOT APPLICABLE

- ITEM NOT ILLUSTRATED

57-21-51-02A

57-21-51
FIG. 02A
PAGE 1
JAN 20/09

BRI



757

PARTS CATALOG (MAINTENANCE)

FIG ITEM	PART NUMBER	1 2 3 4 5 6 7	NOMENCLATURE	EFFECT FROM TO	UNITS PER ASSY
2A 15	HST10AG10-15	.BOLT-	SUPPLIER CODE: VOPTK6 SPECIFICATION NUMBER: BACB30VT10K15 OPTIONAL PART: HST10AG10-15 V06725 HST10AG10-15 V56878 HST10AG10-15 V73197 WC10K10-15 V60516 QUALIFIED OPTIONAL DATA: OPTIONAL BACB30VN10K15 WITH BACC30BK10 OPTIONAL BACB30VR10K15 WITH BACC30BK10 OPTIONAL BACB30VT10K15 WITH BACC30BL10	103105	2
20	LGPL2SPV10-14AC	.BOLT-	SUPPLIER CODE: V17446 SPECIFICATION NUMBER: BACB30VN10K14 OPTIONAL PART: LGPL2SPV10-14AC V92215 81669V10K14 V56878 LGPL2SPV10-14AC V56878 QUALIFIED OPTIONAL DATA: OPTIONAL BACB30VR10K14 WITH BACC30BK10 OPTIONAL BACB30VT10K14 WITH BACC30BP10 OPTIONAL BACB30VT10K14 WITH BACC30BL10	103105	4

MISSING ITEM NUMBERS NOT APPLICABLE

- ITEM NOT ILLUSTRATED

57-21-51-02A

57-21-51
FIG. 02A
PAGE 2
JAN 20/09

BRI



757

PARTS CATALOG (MAINTENANCE)

FIG ITEM	PART NUMBER	1 2 3 4 5 6 7	NOMENCLATURE	EFFECT FROM TO	UNITS PER ASSY
2A 20	LGPS2SPV10-14AC	.BOLT-	SUPPLIER CODE: V17446 SPECIFICATION NUMBER: BACB30VR10K14 OPTIONAL PART: LGPS2SPV10-14AC V92215 111119V10K14 V80539 QUALIFIED OPTIONAL DATA: OPTIONAL BACB30VN10K14 WITH BACC30BK10 OPTIONAL BACB30VT10K14 WITH BACC30BP10 OPTIONAL BACB30VT10K14 WITH BACC30BL10	103105	4
20	HST10AG10-14	.BOLT-	SUPPLIER CODE: VOPTK6 SPECIFICATION NUMBER: BACB30VT10K14 OPTIONAL PART: HST10AG10-14 V06725 HST10AG10-14 V56878 HST10AG10-14 V73197 WC10K10-14 V60516 QUALIFIED OPTIONAL DATA: OPTIONAL BACB30VN10K14 WITH BACC30BK10 OPTIONAL BACB30VR10K14 WITH BACC30BK10 OPTIONAL BACB30VT10K14 WITH BACC30BL10	103105	4

MISSING ITEM NUMBERS NOT APPLICABLE

- ITEM NOT ILLUSTRATED

57-21-51-02A

57-21-51
FIG. 02A
PAGE 3
JAN 20/09

BRI

BOEING PROPRIETARY - Copyright © - Unpublished Work - See title page for details.



757

PARTS CATALOG (MAINTENANCE)

FIG ITEM	PART NUMBER	1 2 3 4 5 6 7	NOMENCLATURE	EFFECT FROM TO	UNITS PER ASSY
2A 25	LGPL2SPV10-12AC	.BOLT-	SUPPLIER CODE: V17446 SPECIFICATION NUMBER: BACB30VN10K12 OPTIONAL PART: LGPL2SPV10-12AC V92215 81669V10K12 V56878 LGPL2SPV10-12AC V56878 QUALIFIED OPTIONAL DATA: OPTIONAL BACB30VR10K12 WITH BACC30BK10 OPTIONAL BACB30VT10K12 WITH BACC30BP10 OPTIONAL BACB30VT10K12 WITH BACC30BL10	103105	8
25	BACB30VR10K12	.BOLT-	QUALIFIED OPTIONAL DATA: OPTIONAL BACB30VN10K12 WITH BACC30BK10 OPTIONAL BACB30VT10K12 WITH BACC30BP10 OPTIONAL BACB30VT10K12 WITH BACC30BL10	103105	8
25	HST10AG10-12	.BOLT-	SUPPLIER CODE: VOPTK6 SPECIFICATION NUMBER: BACB30VT10K12 OPTIONAL PART: HST10AG10-12 V06725 HST10AG10-12 V56878 HST10AG10-12 V73197 WC10K10-12 V60516 QUALIFIED OPTIONAL DATA: OPTIONAL BACB30VN10K12 WITH BACC30BK10 OPTIONAL BACB30VR10K12 WITH BACC30BK10 OPTIONAL BACB30VT10K12 WITH BACC30BL10	103105	8

MISSING ITEM NUMBERS NOT APPLICABLE

- ITEM NOT ILLUSTRATED

57-21-51-02A

57-21-51
FIG. 02A
PAGE 4
JAN 20/09

BRI

BOEING PROPRIETARY - Copyright © - Unpublished Work - See title page for details.



757

PARTS CATALOG (MAINTENANCE)

FIG ITEM	PART NUMBER	1 2 3 4 5 6 7	NOMENCLATURE	EFFECT FROM TO	UNITS PER ASSY
2A 30	LGPL2SPV10-10AC	.BOLT-	SUPPLIER CODE: V17446 SPECIFICATION NUMBER: BACB30VN10K10 OPTIONAL PART: LGPL2SPV10-10AC V92215 81669V10K10 V56878 LGPL2SPV10-10AC V56878 QUALIFIED OPTIONAL DATA: OPTIONAL BACB30VR10K10 WITH BACC30BK10 OPTIONAL BACB30VT10K10 WITH BACC30BP10 OPTIONAL BACB30VT10K10 WITH BACC30BL10	103105	2
30	BACB30VR10K10	.BOLT-	QUALIFIED OPTIONAL DATA: OPTIONAL BACB30VN10K10 WITH BACC30BK10 OPTIONAL BACB30VT10K10 WITH BACC30BP10 OPTIONAL BACB30VT10K10 WITH BACC30BL10	103105	2
30	HST10AG10-10	.BOLT-	SUPPLIER CODE: VOPTK6 SPECIFICATION NUMBER: BACB30VT10K10 OPTIONAL PART: HST10AG10-10 V06725 HST10AG10-10 V56878 HST10AG10-10 V73197 WC10K10-10 V60516 QUALIFIED OPTIONAL DATA: OPTIONAL BACB30VN10K10 WITH BACC30BK10 OPTIONAL BACB30VR10K10 WITH BACC30BK10 OPTIONAL BACB30VT10K10 WITH BACC30BL10	103105	2

MISSING ITEM NUMBERS NOT APPLICABLE

- ITEM NOT ILLUSTRATED

57-21-51-02A

57-21-51
FIG. 02A
PAGE 5
JAN 20/09

BRI

BOEING PROPRIETARY - Copyright © - Unpublished Work - See title page for details.



757

PARTS CATALOG (MAINTENANCE)

FIG ITEM	PART NUMBER	1 2 3 4 5 6 7	NOMENCLATURE	EFFECT FROM TO	UNITS PER ASSY
2A 35	LGPL2SPV10-9AC	.BOLT-	SUPPLIER CODE: V17446 SPECIFICATION NUMBER: BACB30VN10K9 OPTIONAL PART: LGPL2SPV10-9AC V92215 81669V10K9 V56878 LGPL2SPV10-9AC V56878 QUALIFIED OPTIONAL DATA: OPTIONAL BACB30VR10K9 WITH BACC30BK10 OPTIONAL BACB30VT10K9 WITH BACC30BP10 OPTIONAL BACB30VT10K9 WITH BACC30BL10	103105	8
35	BACB30VR10K9	.BOLT-	QUALIFIED OPTIONAL DATA: OPTIONAL BACB30VN10K9 WITH BACC30BK10 OPTIONAL BACB30VT10K9 WITH BACC30BP10 OPTIONAL BACB30VT10K9 WITH BACC30BL10	103105	8
35	HST10AG10-9	.BOLT-	SUPPLIER CODE: VOPTK6 SPECIFICATION NUMBER: BACB30VT10K9 OPTIONAL PART: HST10AG10-9 V06725 HST10AG10-9 V56878 HST10AG10-9 V73197 WC10K10-9 V60516 QUALIFIED OPTIONAL DATA: OPTIONAL BACB30VN10K9 WITH BACC30BK10 OPTIONAL BACB30VR10K9 WITH BACC30BK10 OPTIONAL BACB30VT10K9 WITH BACC30BL10	103105	8

MISSING ITEM NUMBERS NOT APPLICABLE

- ITEM NOT ILLUSTRATED

57-21-51-02A

57-21-51
FIG. 02A
PAGE 6
JAN 20/09

BRI

BOEING PROPRIETARY - Copyright © - Unpublished Work - See title page for details.



757

PARTS CATALOG (MAINTENANCE)

FIG ITEM	PART NUMBER	1 2 3 4 5 6 7	NOMENCLATURE	EFFECT FROM TO	UNITS PER ASSY
2A 40	LGPL2SPV10-8AC	.BOLT-	SUPPLIER CODE: V17446 SPECIFICATION NUMBER: BACB30VN10K8 OPTIONAL PART: LGPL2SPV10-8AC V92215 81669V10K8 V56878 LGPL2SPV10-8AC V56878 QUALIFIED OPTIONAL DATA: OPTIONAL BACB30VR10K8 WITH BACC30BK10 OPTIONAL BACB30VT10K8 WITH BACC30BP10 OPTIONAL BACB30VT10K8 WITH BACC30BL10	103105	8
40	BACB30VR10K8	.BOLT-	QUALIFIED OPTIONAL DATA: OPTIONAL BACB30VN10K8 WITH BACC30BK10 OPTIONAL BACB30VT10K8 WITH BACC30BP10 OPTIONAL BACB30VT10K8 WITH BACC30BL10	103105	8
40	HST10AG10-8	.BOLT-	SUPPLIER CODE: VOPTK6 SPECIFICATION NUMBER: BACB30VT10K8 OPTIONAL PART: HST10AG10-8 V06725 HST10AG10-8 V56878 HST10AG10-8 V73197 WC10K10-8 V60516 QUALIFIED OPTIONAL DATA: OPTIONAL BACB30VN10K8 WITH BACC30BK10 OPTIONAL BACB30VR10K8 WITH BACC30BK10 OPTIONAL BACB30VT10K8 WITH BACC30BL10	103105	8

MISSING ITEM NUMBERS NOT APPLICABLE

- ITEM NOT ILLUSTRATED

57-21-51-02A

57-21-51
FIG. 02A
PAGE 7
JAN 20/09

BRI



757

PARTS CATALOG (MAINTENANCE)

FIG ITEM	PART NUMBER	1 2 3 4 5 6 7	NOMENCLATURE	EFFECT FROM TO	UNITS PER ASSY
2A 45	LGPL2SPV10-7AC	.BOLT-	SUPPLIER CODE: V17446 SPECIFICATION NUMBER: BACB30VN10K7 OPTIONAL PART: LGPL2SPV10-7AC V92215 81669V10K7 V56858 LGPL2SPV10-7AC V56878 QUALIFIED OPTIONAL DATA: OPTIONAL BACB30VR10K7 WITH BACC30BK10 OPTIONAL BACB30VT10K7 WITH BACC30BP10 OPTIONAL BACB30VT10K7 WITH BACC30BL10	103105	4
45	BACB30VR10K7	.BOLT-	QUALIFIED OPTIONAL DATA: OPTIONAL BACB30VN10K7 WITH BACC30BK10 OPTIONAL BACB30VT10K7 WITH BACC30BP10 OPTIONAL BACB30VT10K7 WITH BACC30BL10	103105	4
45	HST10AG10-7	.BOLT-	SUPPLIER CODE: VOPTK6 SPECIFICATION NUMBER: BACB30VT10K7 OPTIONAL PART: HST10AG10-7 V06725 HST10AG10-7 V56878 HST10AG10-7 V73197 WC10K10-7 V60516 QUALIFIED OPTIONAL DATA: OPTIONAL BACB30VN10K7 WITH BACC30BK10 OPTIONAL BACB30VR10K7 WITH BACC30BK10 OPTIONAL BACB30VT10K7 WITH BACC30BL10	103105	4

MISSING ITEM NUMBERS NOT APPLICABLE

- ITEM NOT ILLUSTRATED

57-21-51-02A

57-21-51
FIG. 02A
PAGE 8
JAN 20/09

BRI

BOEING PROPRIETARY - Copyright © - Unpublished Work - See title page for details.



757

PARTS CATALOG (MAINTENANCE)

FIG ITEM	PART NUMBER	1 2 3 4 5 6 7	NOMENCLATURE	EFFECT FROM TO	UNITS PER ASSY
2A 50	LGPL2SPV10-5AC	.BOLT-	SUPPLIER CODE: V56878 SPECIFICATION NUMBER: BACB30VN10K5 OPTIONAL PART: 81669V10K5 V56878 LGPL2SPV10-5AC V92215 LGPL2SPV10-5AC V17446 QUALIFIED OPTIONAL DATA: OPTIONAL BACB30VR10K5 WITH BACC30BK10 OPTIONAL BACB30VT10K5 WITH BACC30BP10 OPTIONAL BACB30VT10K5 WITH BACC30BL10	103105	2
50	BACB30VR10K5	.BOLT-	QUALIFIED OPTIONAL DATA: OPTIONAL BACB30VN10K5 WITH BACC30BK10 OPTIONAL BACB30VT10K5 WITH BACC30BP10 OPTIONAL BACB30VT10K5 WITH BACC30BL10	103105	2
50	HST10AG10-5	.BOLT-	SUPPLIER CODE: VOPTK6 SPECIFICATION NUMBER: BACB30VT10K5 OPTIONAL PART: HST10AG10-5 V06725 HST10AG10-5 V56878 HST10AG10-5 V73197 WC10K10-5 V60516 QUALIFIED OPTIONAL DATA: OPTIONAL BACB30VN10K5 WITH BACC30BK10 OPTIONAL BACB30VR10K5 WITH BACC30BK10 OPTIONAL BACB30VT10K5 WITH BACC30BL10	103105	2

MISSING ITEM NUMBERS NOT APPLICABLE

- ITEM NOT ILLUSTRATED

57-21-51-02A

57-21-51
FIG. 02A
PAGE 9
JAN 20/09

BRI

BOEING PROPRIETARY - Copyright © - Unpublished Work - See title page for details.



757

PARTS CATALOG (MAINTENANCE)

FIG ITEM	PART NUMBER	1 2 3 4 5 6 7	NOMENCLATURE	EFFECT FROM TO	UNITS PER ASSY
2A 55	LGPL2SPV8-15AC	.BOLT-	SUPPLIER CODE: V17446 SPECIFICATION NUMBER: BACB30VN8K15 OPTIONAL PART: LGPL2SPV8-15AC V92215 81669V8K15 V56878 LGPL2SPV8-15AC V56878 QUALIFIED OPTIONAL DATA: OPTIONAL BACB30VR8K15 WITH BACC30BK10 OPTIONAL BACB30VT8K15 WITH BACC30BP10 OPTIONAL BACB30VT8K15 WITH BACC30BL10	103105	2
55	LGPS2SPV8-15AC	.BOLT-	SUPPLIER CODE: V17446 SPECIFICATION NUMBER: BACB30VR8K15 OPTIONAL PART: LGPS2SPV8-15AC V92215 111119V8K15 V80539 QUALIFIED OPTIONAL DATA: OPTIONAL BACB30VN8K15 WITH BACC30BK10 OPTIONAL BACB30VT8K15 WITH BACC30BP10 OPTIONAL BACB30VT8K15 WITH BACC30BL10	103105	2

MISSING ITEM NUMBERS NOT APPLICABLE

- ITEM NOT ILLUSTRATED

BRI

57-21-51-02A

BOEING PROPRIETARY - Copyright © - Unpublished Work - See title page for details.

57-21-51
FIG. 02A
PAGE 10
JAN 20/09



757

PARTS CATALOG (MAINTENANCE)

FIG ITEM	PART NUMBER	1 2 3 4 5 6 7	NOMENCLATURE	EFFECT FROM TO	UNITS PER ASSY
2A 55	HST10AG8-15	.BOLT-	SUPPLIER CODE: VOPTK6 SPECIFICATION NUMBER: BACB30VT8K15 OPTIONAL PART: HST10AG8-15 V06725 HST10AG8-15 V56878 HST10AG8-15 V73197 WC10K8-15 V60516 QUALIFIED OPTIONAL DATA: OPTIONAL BACB30VN8K15 WITH BACC30BK10 OPTIONAL BACB30VR8K15 WITH BACC30BK10 OPTIONAL BACB30VT8K15 WITH BACC30BL10	103105	2
60	LGPL2SPV8-10AC	.BOLT-	SUPPLIER CODE: V17446 SPECIFICATION NUMBER: BACB30VN8K10 OPTIONAL PART: LGPL2SPV8-10AC V92215 81669V8K10 V56878 LGPL2SPV8-10AC V56878 QUALIFIED OPTIONAL DATA: OPTIONAL BACB30VR8K10 WITH BACC30BK10 OPTIONAL BACB30VT8K10 WITH BACC30BP10 OPTIONAL BACB30VT8K10 WITH BACC30BL10	103105	8

MISSING ITEM NUMBERS NOT APPLICABLE

- ITEM NOT ILLUSTRATED

BRI

57-21-51-02A

BOEING PROPRIETARY - Copyright © - Unpublished Work - See title page for details.

57-21-51
 FIG. 02A
 PAGE 11
 JAN 20/09



757

PARTS CATALOG (MAINTENANCE)

FIG ITEM	PART NUMBER	1 2 3 4 5 6 7	NOMENCLATURE	EFFECT FROM TO	UNITS PER ASSY
2A 60	LGPS2SPV8-10AC	.BOLT-	SUPPLIER CODE: V17446 SPECIFICATION NUMBER: BACB30VR8K10 OPTIONAL PART: LGPS2SPV8-10AC V92215 111119V8K10 V80539 QUALIFIED OPTIONAL DATA: OPTIONAL BACB30VN8K10 WITH BACC30BK10 OPTIONAL BACB30VT8K10 WITH BACC30BP10 OPTIONAL BACB30VT8K10 WITH BACC30BL10	103105	8
60	HST10AG8-10	.BOLT-	SUPPLIER CODE: VOPTK6 SPECIFICATION NUMBER: BACB30VT8K10 OPTIONAL PART: HST10AG8-10 V06725 HST10AG8-10 V56878 HST10AG8-10 V73197 WC10K8-10 V60516 QUALIFIED OPTIONAL DATA: OPTIONAL BACB30VN8K10 WITH BACC30BK10 OPTIONAL BACB30VR8K10 WITH BACC30BK10 OPTIONAL BACB30VT8K10 WITH BACC30BL10	103105	8
65	3SLCC10	.COLLAR	SUPPLIER CODE: V17446 SPECIFICATION NUMBER: BACC30BK10 OPTIONAL PART: 3SLCC10 V92215	103105	48

MISSING ITEM NUMBERS NOT APPLICABLE

- ITEM NOT ILLUSTRATED

BRI

57-21-51-02A

BOEING PROPRIETARY - Copyright © - Unpublished Work - See title page for details.

57-21-51
FIG. 02A
PAGE 12
JAN 20/09



757

PARTS CATALOG (MAINTENANCE)

FIG ITEM	PART NUMBER	1 2 3 4 5 6 7	NOMENCLATURE	EFFECT FROM TO	UNITS PER ASSY
2A 65	VLC771-10	.COLLAR	SUPPLIER CODE: V5M902 SPECIFICATION NUMBER: BACC30BP10 OPTIONAL PART: HST771-10 V73197	103105	48
65	BACC30BL10	.COLLAR	SUPPLIER CODE: V73197 SPECIFICATION NUMBER: BACC30BL10 OPTIONAL PART: HST79-10 V92215 HST79CY10 V56878 HST79CY10 V5M902	103105	48
70	112N2046-9	..FLANGE	-----*-----	103105	1
75	112N2046-2	..HOUSING ASSY		103105	1
80	112N2045-21	.HOUSING ASSY-	POSITION DATA: LH SIDE	103105	1
- 85	112N2045-22	.HOUSING ASSY-	POSITION DATA: RH SIDE	103105	1
90	LGPL2SPV8-7AC	.BOLT	ATTACHING PARTS SUPPLIER CODE: V17446 SPECIFICATION NUMBER: BACB30VN8K7 OPTIONAL PART: LGPL2SPV8-7AC V92215 81669V8K7 V56878 LGPL2SPV8-7AC V56878	103105	4

MISSING ITEM NUMBERS NOT APPLICABLE

- ITEM NOT ILLUSTRATED

BRI

57-21-51-02A

BOEING PROPRIETARY - Copyright © - Unpublished Work - See title page for details.

57-21-51
FIG. 02A
PAGE 13
JAN 20/09



757

PARTS CATALOG (MAINTENANCE)

FIG ITEM	PART NUMBER	1 2 3 4 5 6 7	NOMENCLATURE	EFFECT FROM TO	UNITS PER ASSY
2A 95	LGPL2SPV8-10AC	.BOLT	SUPPLIER CODE: V17446 SPECIFICATION NUMBER: BACB30VN8K10 OPTIONAL PART: LGPL2SPV8-10AC V92215 81669V8K10 V56878 LGPL2SPV8-10AC V56878	103105	6
100	LGPL2SPV8-17AC	.BOLT	SUPPLIER CODE: V56878 SPECIFICATION NUMBER: BACB30VN8K17 OPTIONAL PART: LGPL2SPV8-17AC V17446 LGPL2SPV8-17AC V92215 81669V8K17 V56878	103105	2
105	3SLCC8	.COLLAR	SUPPLIER CODE: V17446 SPECIFICATION NUMBER: BACC30BK8 OPTIONAL PART: 3SLCC8 V92215	103105	12
110	112N2045-29	-----*----- .. FLANGE-	POSITION DATA: LH SIDE	103105	1
- 115	112N2045-30	.. FLANGE-	POSITION DATA: RH SIDE	103105	1
120	112N2045-8	.. HOUSING ASSY		103105	1
125	112N2045-19	. HOUSING ASSY-	POSITION DATA: LH SIDE	103105	1
- 130	112N2045-20	. HOUSING ASSY-	POSITION DATA: RH SIDE	103105	1

MISSING ITEM NUMBERS NOT APPLICABLE

- ITEM NOT ILLUSTRATED

57-21-51-02A

57-21-51
FIG. 02A
PAGE 14
JAN 20/09

BRI

BOEING PROPRIETARY - Copyright © - Unpublished Work - See title page for details.



757

PARTS CATALOG (MAINTENANCE)

FIG ITEM	PART NUMBER	1 2 3 4 5 6 7	NOMENCLATURE	EFFECT FROM TO	UNITS PER ASSY
2A			ATTACHING PARTS		
135	LGPL2SPV8-8AC	.BOLT	SUPPLIER CODE: V17446 SPECIFICATION NUMBER: BACB30VN8K8 OPTIONAL PART: LGPL2SPV8-8AC V92215 81669V8K8 V56878 LGPL2SPV8-8AC V56878	103105	2
140	LGPL2SPV10-12AC	.BOLT	SUPPLIER CODE: V17446 SPECIFICATION NUMBER: BACB30VN10K12 OPTIONAL PART: LGPL2SPV10-12AC V92215 81669V10K12 V56878 LGPL2SPV10-12AC V56878	103105	4
145	LGPL2SPV10-14AC	.BOLT	SUPPLIER CODE: V17446 SPECIFICATION NUMBER: BACB30VN10K14 OPTIONAL PART: LGPL2SPV10-14AC V92215 81669V10K14 V56878 LGPL2SPV10-14AC V56878	103105	2
150	LGPL2SPV10-18AC	.BOLT	SUPPLIER CODE: V56878 SPECIFICATION NUMBER: BACB30VN10K18 OPTIONAL PART: 81669V10K18 V56878 LGPL2SPV10-18AC V92215 LGPL2SPV10-18AC V17446	103105	4

MISSING ITEM NUMBERS NOT APPLICABLE

- ITEM NOT ILLUSTRATED

57-21-51-02A

57-21-51
FIG. 02A
PAGE 15
JAN 20/09

BRI

BOEING
757
PARTS CATALOG (MAINTENANCE)

FIG ITEM	PART NUMBER	1 2 3 4 5 6 7	NOMENCLATURE	EFFECT FROM TO	UNITS PER ASSY
2A 155	3SLCC8		.COLLAR SUPPLIER CODE: V17446 SPECIFICATION NUMBER: BACC30BK8 OPTIONAL PART: 3SLCC8 V92215	103105	2
160	3SLCC10		.COLLAR SUPPLIER CODE: V17446 SPECIFICATION NUMBER: BACC30BK10 OPTIONAL PART: 3SLCC10 V92215	103105	10
165	112N2045-27		-----*----- ..FLANGE- POSITION DATA: LH SIDE	103105	1
- 170	112N2045-28		..FLANGE- POSITION DATA: RH SIDE	103105	1
175	112N2045-7		..HOUSING ASSY	103105	1
180	112N2045-17		.HOUSING ASSY- POSITION DATA: LH SIDE	103105	1
- 185	112N2045-18		.HOUSING ASSY- POSITION DATA: RH SIDE	103105	1
190	LGPL2SPV8-15AC		ATTACHING PARTS .BOLT SUPPLIER CODE: V17446 SPECIFICATION NUMBER: BACB30VN8K15 OPTIONAL PART: LGPL2SPV8-15AC V92215 81669V8K15 V56878 LGPL2SPV8-15AC V56878	103105	2

MISSING ITEM NUMBERS NOT APPLICABLE

- ITEM NOT ILLUSTRATED

BRI

57-21-51-02A

BOEING PROPRIETARY - Copyright © - Unpublished Work - See title page for details.

57-21-51
FIG. 02A
PAGE 16
JAN 20/09



757

PARTS CATALOG (MAINTENANCE)

FIG ITEM	PART NUMBER	1 2 3 4 5 6 7	NOMENCLATURE	EFFECT FROM TO	UNITS PER ASSY
2A 195	LGPL2SPV8-19AC	.BOLT	SUPPLIER CODE: V17446 SPECIFICATION NUMBER: BACB30VN8K19 OPTIONAL PART: LGPL2SPV8-19AC V92215 81669V8K19 V56878 LGPL2SPV8-19AC V56878	103105	2
200	LGPL2SPV10-8AC	.BOLT	SUPPLIER CODE: V17446 SPECIFICATION NUMBER: BACB30VN10K8 OPTIONAL PART: LGPL2SPV10-8AC V92215 81669V10K8 V56878 LGPL2SPV10-8AC V56878	103105	2
205	LGPL2SPV10-12AC	.BOLT	SUPPLIER CODE: V17446 SPECIFICATION NUMBER: BACB30VN10K12 OPTIONAL PART: LGPL2SPV10-12AC V92215 81669V10K12 V56878 LGPL2SPV10-12AC V56878	103105	2
210	LGPL2SPV10-16AC	.BOLT	SUPPLIER CODE: V56878 SPECIFICATION NUMBER: BACB30VN10K16 OPTIONAL PART: LGPL2SPV10-16AC V17446 LGPL2SPV10-16AC V92215 81669V10K16 V56878	103105	4

MISSING ITEM NUMBERS NOT APPLICABLE

- ITEM NOT ILLUSTRATED

BRI

57-21-51-02A

BOEING PROPRIETARY - Copyright © - Unpublished Work - See title page for details.

57-21-51
FIG. 02A
PAGE 17
JAN 20/09



757

PARTS CATALOG (MAINTENANCE)

FIG ITEM	PART NUMBER	1 2 3 4 5 6 7	NOMENCLATURE	EFFECT FROM TO	UNITS PER ASSY
2A 215	LGPL2SPV10-19AC	.BOLT	SUPPLIER CODE: V56878 SPECIFICATION NUMBER: BACB30VN10K19 OPTIONAL PART: LGPL2SPV10-19AC V17446 LGPL2SPV10-19AC V92215 81669V10K19 V56878	103105	2
220	3SLCC8	.COLLAR	SUPPLIER CODE: V17446 SPECIFICATION NUMBER: BACC30BK8 OPTIONAL PART: 3SLCC8 V92215	103105	4
225	3SLCC10	.COLLAR	SUPPLIER CODE: V17446 SPECIFICATION NUMBER: BACC30BK10 OPTIONAL PART: 3SLCC10 V92215	103105	10
230	112N2045-25	-----*----- ..FLANGE-	POSITION DATA: LH SIDE	103105	1
- 235	112N2045-26	..FLANGE-	POSITION DATA: RH SIDE	103105	1
240	112N2045-6	..HOUSING ASSY		103105	1
245	112N2045-15	.HOUSING ASSY-	POSITION DATA: LH SIDE	103105	1
- 250	112N2045-16	.HOUSING ASSY-	POSITION DATA: RH SIDE	103105	1

MISSING ITEM NUMBERS NOT APPLICABLE

- ITEM NOT ILLUSTRATED

57-21-51-02A

57-21-51
FIG. 02A
PAGE 18
JAN 20/09

BRI



757

PARTS CATALOG (MAINTENANCE)

FIG ITEM	PART NUMBER	1 2 3 4 5 6 7	NOMENCLATURE	EFFECT FROM TO	UNITS PER ASSY
2A			ATTACHING PARTS		
255	LGPL2SPV8-8AC	.BOLT	SUPPLIER CODE: V17446 SPECIFICATION NUMBER: BACB30VN8K8 OPTIONAL PART: LGPL2SPV8-8AC V92215 81669V8K8 V56878 LGPL2SPV8-8AC V56878	103105	2
260	LGPL2SPV8-15AC	.BOLT	SUPPLIER CODE: V17446 SPECIFICATION NUMBER: BACB30VN8K15 OPTIONAL PART: LGPL2SPV8-15AC V92215 81669V8K15 V56878 LGPL2SPV8-15AC V56878	103105	2
265	LGPL2SPV8-16AC	.BOLT	SUPPLIER CODE: V17446 SPECIFICATION NUMBER: BACB30VN8K16 OPTIONAL PART: LGPL2SPV8-16AC V92215 81669V8K16 V56878 LGPL2SPV8-16AC V56878	103105	4
270	LGPL2SPV8-18AC	.BOLT	SUPPLIER CODE: V17446 SPECIFICATION NUMBER: BACB30VN8K18 OPTIONAL PART: LGPL2SPV8-18AC V56878 LGPL2SPV8-18AC V92215 81669V8K18 V56878	103105	4

MISSING ITEM NUMBERS NOT APPLICABLE

- ITEM NOT ILLUSTRATED

BRI

57-21-51-02A

BOEING PROPRIETARY - Copyright © - Unpublished Work - See title page for details.

57-21-51
FIG. 02A
PAGE 19
JAN 20/09



757

PARTS CATALOG (MAINTENANCE)

FIG ITEM	PART NUMBER	1 2 3 4 5 6 7	NOMENCLATURE	EFFECT FROM TO	UNITS PER ASSY
2A 280	3SLCC8	.	COLLAR SUPPLIER CODE: V17446 SPECIFICATION NUMBER: BACC30BK8 OPTIONAL PART: 3SLCC8 V92215 -----*-----	103105	12
290	112N2045-23	..	FLANGE- POSITION DATA: LH SIDE	103105	1
- 295	112N2045-24	..	FLANGE- POSITION DATA: RH SIDE	103105	1
300	112N2045-5	..	HOUSING ASSY	103105	1
305	112N2044-21	.	HOUSING ASSY- POSITION DATA: LH SIDE	103105	1
- 310	112N2044-22	.	HOUSING ASSY- POSITION DATA: RH SIDE	103105	1
315	LGPL2SPV8-11AC	.	BOLT ATTACHING PARTS SUPPLIER CODE: V17446 SPECIFICATION NUMBER: BACB30VN8K11 OPTIONAL PART: LGPL2SPV8-11AC V92215 81669V8K11 V56878 LGPL2SPV8-11AC V56878	103105	2
320	LGPL2SPV8-12AC	.	BOLT SUPPLIER CODE: V17446 SPECIFICATION NUMBER: BACB30VN8K12 OPTIONAL PART: LGPL2SPV8-12AC V92215 81669V8K12 V56878 LGPL2SPV8-12AC V56878	103105	2

MISSING ITEM NUMBERS NOT APPLICABLE

- ITEM NOT ILLUSTRATED

57-21-51-02A

57-21-51
FIG. 02A
PAGE 20
JAN 20/09

BRI



757

PARTS CATALOG (MAINTENANCE)

FIG ITEM	PART NUMBER	1 2 3 4 5 6 7	NOMENCLATURE	EFFECT FROM TO	UNITS PER ASSY
2A 325	LGPL2SPV8-15AC	.BOLT	SUPPLIER CODE: V17446 SPECIFICATION NUMBER: BACB30VN8K15 OPTIONAL PART: LGPL2SPV8-15AC V92215 81669V8K15 V56878 LGPL2SPV8-15AC V56878	103105	8
330	LGPL2SPV8-16AC	.BOLT	SUPPLIER CODE: V17446 SPECIFICATION NUMBER: BACB30VN8K16 OPTIONAL PART: LGPL2SPV8-16AC V92215 81669V8K16 V56878 LGPL2SPV8-16AC V56878	103105	4
335	3SLCC8	.COLLAR	SUPPLIER CODE: V17446 SPECIFICATION NUMBER: BACC30BK8 OPTIONAL PART: 3SLCC8 V92215	103105	16
340	112N2044-29	-----*----- ..FLANGE-	POSITION DATA: LH SIDE	103105	1
- 345	112N2044-30	..FLANGE-	POSITION DATA: RH SIDE	103105	1
350	112N2044-8	..HOUSING ASSY		103105	1
355	112N2044-19	.HOUSING ASSY-	POSITION DATA: LH SIDE	103105	1
- 360	112N2044-20	.HOUSING ASSY-	POSITION DATA: RH SIDE	103105	1

MISSING ITEM NUMBERS NOT APPLICABLE

- ITEM NOT ILLUSTRATED

57-21-51-02A

57-21-51
FIG. 02A
PAGE 21
JAN 20/09

BRI

BOEING PROPRIETARY - Copyright © - Unpublished Work - See title page for details.



757

PARTS CATALOG (MAINTENANCE)

FIG ITEM	PART NUMBER	1 2 3 4 5 6 7	NOMENCLATURE	EFFECT FROM TO	UNITS PER ASSY
2A			ATTACHING PARTS		
365	LGPL2SPV6-12AC	.BOLT	SUPPLIER CODE: V17446 SPECIFICATION NUMBER: BACB30VN6K12 OPTIONAL PART: LGPL2SPV6-12AC V92215 81669V6K12 V56878 LGPL2SPV6-12AC V56878	103105	5
370	BACB30VN6K15	.BOLT		103105	2
375	LGPL2SPV8-10AC	.BOLT	SUPPLIER CODE: V17446 SPECIFICATION NUMBER: BACB30VN8K10 OPTIONAL PART: LGPL2SPV8-10AC V92215 81669V8K10 V56878 LGPL2SPV8-10AC V56878	103105	1
380	LGPL2SPV8-11AC	.BOLT	SUPPLIER CODE: V17446 SPECIFICATION NUMBER: BACB30VN8K11 OPTIONAL PART: LGPL2SPV8-11AC V92215 81669V8K11 V56878 LGPL2SPV8-11AC V56878	103105	2

MISSING ITEM NUMBERS NOT APPLICABLE

- ITEM NOT ILLUSTRATED

BRI

57-21-51-02A

BOEING PROPRIETARY - Copyright © - Unpublished Work - See title page for details.

57-21-51
FIG. 02A
PAGE 22
JAN 20/09



757

PARTS CATALOG (MAINTENANCE)

FIG ITEM	PART NUMBER	1 2 3 4 5 6 7	NOMENCLATURE	EFFECT FROM TO	UNITS PER ASSY
2A 385	LGPL2SPV8-14AC	.BOLT	SUPPLIER CODE: V17446 SPECIFICATION NUMBER: BACB30VN8K14 OPTIONAL PART: LGPL2SPV8-14AC V92215 81669V8K14 V56878 LGPL2SPV8-14AC V56878	103105	7
390	LGPL2SPV8-15AC	.BOLT	SUPPLIER CODE: V17446 SPECIFICATION NUMBER: BACB30VN8K15 OPTIONAL PART: LGPL2SPV8-15AC V92215 81669V8K15 V56878 LGPL2SPV8-15AC V56878	103105	2
395	3SLCC6	.COLLAR	SUPPLIER CODE: V17446 SPECIFICATION NUMBER: BACC30BK6 OPTIONAL PART: 3SLCC6 V92215	103105	7
400	3SLCC8	.COLLAR	SUPPLIER CODE: V17446 SPECIFICATION NUMBER: BACC30BK8 OPTIONAL PART: 3SLCC8 V92215	103105	12
405	112N2044-27	-----*----- .. FLANGE-	POSITION DATA: LH SIDE	103105	1
- 410	112N2044-28	.. FLANGE-	POSITION DATA: RH SIDE	103105	1
415	112N2044-7	..HOUSING ASSY		103105	1

MISSING ITEM NUMBERS NOT APPLICABLE

- ITEM NOT ILLUSTRATED

57-21-51-02A

57-21-51
FIG. 02A
PAGE 23
JAN 20/09

BRI

BOEING PROPRIETARY - Copyright © - Unpublished Work - See title page for details.



757

PARTS CATALOG (MAINTENANCE)

FIG ITEM	PART NUMBER	1 2 3 4 5 6 7	NOMENCLATURE	EFFECT FROM TO	UNITS PER ASSY
2A 420	112N2044-17	.	HOUSING ASSY- POSITION DATA: LH SIDE	103105	1
- 425	112N2044-18	.	HOUSING ASSY- POSITION DATA: RH SIDE	103105	1
430	LGPL2SPV6-12AC	.	BOLT SUPPLIER CODE: V17446 SPECIFICATION NUMBER: BACB30VN6K12 OPTIONAL PART: LGPL2SPV6-12AC V92215 81669V6K12 V56878 LGPL2SPV6-12AC V56878	103105	7
435	LGPL2SPV8-8AC	.	BOLT SUPPLIER CODE: V17446 SPECIFICATION NUMBER: BACB30VN8K8 OPTIONAL PART: LGPL2SPV8-8AC V92215 81669V8K8 V56878 LGPL2SPV8-8AC V56878	103105	2
440	LGPL2SPV8-10AC	.	BOLT SUPPLIER CODE: V17446 SPECIFICATION NUMBER: BACB30VN8K10 OPTIONAL PART: LGPL2SPV8-10AC V92215 81669V8K10 V56878 LGPL2SPV8-10AC V56878	103105	6

MISSING ITEM NUMBERS NOT APPLICABLE

- ITEM NOT ILLUSTRATED

BRI

57-21-51-02A

BOEING PROPRIETARY - Copyright © - Unpublished Work - See title page for details.

57-21-51
FIG. 02A
PAGE 24
JAN 20/09



757

PARTS CATALOG (MAINTENANCE)

FIG ITEM	PART NUMBER	1 2 3 4 5 6 7	NOMENCLATURE	EFFECT FROM TO	UNITS PER ASSY
2A 445	LGPL2SPV8-12AC	.BOLT	SUPPLIER CODE: V17446 SPECIFICATION NUMBER: BACB30VN8K12 OPTIONAL PART: LGPL2SPV8-12AC V92215 81669V8K12 V56878 LGPL2SPV8-12AC V56878	103105	4
450	3SLCC6	.COLLAR	SUPPLIER CODE: V17446 SPECIFICATION NUMBER: BACC30BK6 OPTIONAL PART: 3SLCC6 V92215	103105	7
455	3SLCC8	.COLLAR	SUPPLIER CODE: V17446 SPECIFICATION NUMBER: BACC30BK8 OPTIONAL PART: 3SLCC8 V92215	103105	12
460	112N2044-25	..FLANGE-	-----*----- POSITION DATA: LH SIDE	103105	1
- 465	112N2044-26	..FLANGE-	POSITION DATA: RH SIDE	103105	1
470	112N2044-6	..HOUSING ASSY		103105	1
475	112N2044-15	.HOUSING ASSY-	POSITION DATA: LH SIDE	103105	1
- 480	112N2044-16	.HOUSING ASSY-	POSITION DATA: RH SIDE	103105	1

MISSING ITEM NUMBERS NOT APPLICABLE

- ITEM NOT ILLUSTRATED

57-21-51-02A

57-21-51
FIG. 02A
PAGE 25
JAN 20/09

BRI

BOEING PROPRIETARY - Copyright © - Unpublished Work - See title page for details.



757

PARTS CATALOG (MAINTENANCE)

FIG ITEM	PART NUMBER	1 2 3 4 5 6 7	NOMENCLATURE	EFFECT FROM TO	UNITS PER ASSY
2A			ATTACHING PARTS		
485	LGPL2SPV8-8AC	.BOLT	SUPPLIER CODE: V17446 SPECIFICATION NUMBER: BACB30VN8K8 OPTIONAL PART: LGPL2SPV8-8AC V92215 81669V8K8 V56878 LGPL2SPV8-8AC V56878	103105	2
490	LGPL2SPV8-9AC	.BOLT	SUPPLIER CODE: V17446 SPECIFICATION NUMBER: BACB30VN8K9 OPTIONAL PART: LGPL2SPV8-9AC V92215 81669V8K9 V56878 LGPL2SPV8-9AC V56878	103105	2
495	LGPL2SPV8-10AC	.BOLT	SUPPLIER CODE: V17446 SPECIFICATION NUMBER: BACB30VN8K10 OPTIONAL PART: LGPL2SPV8-10AC V92215 81669V8K10 V56878 LGPL2SPV8-10AC V56878	103105	6
500	LGPL2SPV8-11AC	.BOLT	SUPPLIER CODE: V17446 SPECIFICATION NUMBER: BACB30VN8K11 OPTIONAL PART: LGPL2SPV8-11AC V92215 81669V8K11 V56878 LGPL2SPV8-11AC V56878	103105	4

MISSING ITEM NUMBERS NOT APPLICABLE

- ITEM NOT ILLUSTRATED

57-21-51-02A

57-21-51
FIG. 02A
PAGE 26
JAN 20/09

BRI

BOEING PROPRIETARY - Copyright © - Unpublished Work - See title page for details.



757

PARTS CATALOG (MAINTENANCE)

FIG ITEM	PART NUMBER	1 2 3 4 5 6 7	NOMENCLATURE	EFFECT FROM TO	UNITS PER ASSY
2A 505	3SLCC8		.COLLAR SUPPLIER CODE: V17446 SPECIFICATION NUMBER: BACC30BK8 OPTIONAL PART: 3SLCC8 V92215 -----*-----	103105	14
510	112N2044-23		..FLANGE- POSITION DATA: LH SIDE	103105	1
- 515	112N2044-24		..FLANGE- POSITION DATA: RH SIDE	103105	1
520	112N2044-5		..HOUSING ASSY	103105	1
525	112N2052-1		.NUTPLATE ATTACHING PARTS	103105	8
530	BACR15BA6ADC		.RIVET- SIZE DETERMINED ON INSTL.	103105	16
535	BACB30NM4K10		.BOLT	103105	2
540	BACB30NM8K9		.BOLT	103105	2
545	BACB30NM8K10		.BOLT	103105	2
547	BACB30NM8K12		.BOLT	103105	2
550	NAS1149D0463J		.WASHER -----*-----	103105	8
555	112N2052-9		.COVER ASSY- OPTIONAL PART: 112N2052-15	103105	1
555	112N2052-15		.COVER ASSY- OPTIONAL PART: 112N2052-9	103105	1
560	BACB30NM8K4		..BOLT- USED ON: 112N2052-15	103105	1
560	BACB30NM8K8		..BOLT- USED ON: 112N2052-9	103105	1
565	BACW10BP8CD		..WASHER	103105	1
570	BACN10EJ8HS		..NUTPLATE- USED ON: 112N2052-15 ATTACHING PARTS	103105	1
- 572	BACR15CE5D		..RIVET- SIZE DETERMINED ON INSTL. USED ON: 112N2052-15 -----*-----	103105	2

MISSING ITEM NUMBERS NOT APPLICABLE

- ITEM NOT ILLUSTRATED

57-21-51-02A

57-21-51
FIG. 02A
PAGE 27
JAN 20/09

BRI

BOEING PROPRIETARY - Copyright © - Unpublished Work - See title page for details.



757

PARTS CATALOG (MAINTENANCE)

FIG ITEM	PART NUMBER	1 2 3 4 5 6 7	NOMENCLATURE	EFFECT FROM TO	UNITS PER ASSY
2A					
575	NAS1329H8K265L	..	RIVNUT- USED ON: 112N2052-9	103105	1
580	112N2052-12	..	CHANNEL- USED ON: 112N2052-9	103105	1
580	112N2052-19	..	CHANNEL- USED ON: 112N2052-15	103105	1
- 582	BACR15BB5AD	..	RIVET- ATTACHING PARTS SIZE DETERMINED ON INSTL. -----*-----	103105	1
585	112N2052-5	..	COVER- USED ON: 112N2052-9	103105	1
585	112N2052-17	..	COVER- USED ON: 112N2052-15	103105	1
590	112N2052-10	.COVER ASSY-	OPTIONAL PART: 112N2052-16	103105	3
590	112N2052-16	.COVER ASSY-	OPTIONAL PART: 112N2052-10	103105	3
595	BACB30NM8K4	..	BOLT- USED ON: 112N2052-16	103105	1
595	BACB30NM8K8	..	BOLT- USED ON: 112N2052-10	103105	1
600	BACW10BP8CD	..	WASHER	103105	1
605	BACN10EJ8HS	..	NUTPLATE- USED ON: 112N2052-16	103105	1
- 607	BACR15CE5D	..	RIVET- ATTACHING PARTS SIZE DETERMINED ON INSTL. USED ON: 112N2052-16 -----*-----	103105	2
610	NAS1329H8K265L	..	RIVNUT- USED ON: 112N2052-10	103105	1
615	112N2052-20	..	CHANNEL- USED ON: 112N2052-16	103105	1

MISSING ITEM NUMBERS NOT APPLICABLE

- ITEM NOT ILLUSTRATED

57-21-51-02A

57-21-51
FIG. 02A
PAGE 28
JAN 20/09

BRI

BOEING PROPRIETARY - Copyright © - Unpublished Work - See title page for details.

 **BOEING**
757
PARTS CATALOG (MAINTENANCE)

FIG ITEM	PART NUMBER	1 2 3 4 5 6 7	NOMENCLATURE	EFFECT FROM TO	UNITS PER ASSY
2A 615	112N2052-11		.. CHANNEL- USED ON: 112N2052-10 ATTACHING PARTS	103105	1
- 620	BACR15BB5AD		.. RIVET- SIZE DETERMINED ON INSTL. -----*-----	103105	3
625	112N2052-18		.. COVER- USED ON: 112N2052-16	103105	1
625	112N2052-6		.. COVER- USED ON: 112N2052-10	103105	1
635	287N1401-753		. BRACKET ASSY- POSITION DATA: LH SIDE ATTACHING PARTS	103105	1
- 640	LGPL2SPV8-6AC		. BOLT- SUPPLIER CODE: V17446 SPECIFICATION NUMBER: BACB30VN8K6 OPTIONAL PART: LGPL2SPV8-6AC V92215 81669V8K6 V56878 LGPL2SPV8-6AC V56878 QUALIFIED OPTIONAL DATA: OPTIONAL BACB30VR8K6 WITH BACC30BK8 OPTIONAL BACB30VT8K6 WITH BACC30BP8 OPTIONAL BACB30VT8K6 WITH BACC30BL8	103105	5

MISSING ITEM NUMBERS NOT APPLICABLE

- ITEM NOT ILLUSTRATED

BRI

57-21-51-02A

BOEING PROPRIETARY - Copyright © - Unpublished Work - See title page for details.

57-21-51
FIG. 02A
PAGE 29
JAN 20/09



757

PARTS CATALOG (MAINTENANCE)

FIG ITEM	PART NUMBER	1 2 3 4 5 6 7	NOMENCLATURE	EFFECT FROM TO	UNITS PER ASSY
2A - 640	111119V8K6		.BOLT- SUPPLIER CODE: V80539 SPECIFICATION NUMBER: BACB30VR8K6 OPTIONAL PART: LGPS2SPV8-6AC V17446 LGPS2SPV8-6AC V92215 QUALIFIED OPTIONAL DATA: OPTIONAL BACB30VN8K6 WITH BACC30BK8 OPTIONAL BACB30VT8K6 WITH BACC30BP8 OPTIONAL BACB30VT8K6 WITH BACC30BL8	103105	5
- 640	HST10AG8-6		.BOLT- SUPPLIER CODE: VOPTK6 SPECIFICATION NUMBER: BACB30VT8K6 OPTIONAL PART: HST10AG8-6 V06725 HST10AG8-6 V56878 HST10AG8-6 V73197 WC10K8-6 V60516 QUALIFIED OPTIONAL DATA: OPTIONAL BACB30VN8K6 WITH BACC30BK8 OPTIONAL BACB30VR8K6 WITH BACC30BK8 OPTIONAL BACB30VT8K6 WITH BACC30BL8	103105	5
- 645	3SLCC8		.COLLAR SUPPLIER CODE: V17446 SPECIFICATION NUMBER: BACC30BK8 OPTIONAL PART: 3SLCC8 V92215	103105	5

MISSING ITEM NUMBERS NOT APPLICABLE

- ITEM NOT ILLUSTRATED

57-21-51-02A

57-21-51
FIG. 02A
PAGE 30
JAN 20/09

BRI

 **BOEING**
757
PARTS CATALOG (MAINTENANCE)

FIG ITEM	PART NUMBER	1 2 3 4 5 6 7	NOMENCLATURE	EFFECT FROM TO	UNITS PER ASSY
2A - 645	VLC771-8	.	COLLAR SUPPLIER CODE: V5M902 SPECIFICATION NUMBER: BACC30BP8 OPTIONAL PART: HST771-8 V73197	103105	5
- 645	BACC30BL8	.	COLLAR SUPPLIER CODE: V73197 SPECIFICATION NUMBER: BACC30BL8 OPTIONAL PART: HST79-8 V92215 HST79CY8 V56878 HST79CY8 V5M902	103105	5
650	VNS1924CA1-8	..	STUD-GND SUPPLIER CODE: V5M902 SPECIFICATION NUMBER: BACS53B1EA1 OPTIONAL PART: VNS1924CA3-1-8 V92215	103105	1
652	287N1401-754	..	BRACKET	103105	1
655	251N5080-1	.	FITTING ASSY-MTG POSITION DATA: LH SIDE	103105	1

MISSING ITEM NUMBERS NOT APPLICABLE

- ITEM NOT ILLUSTRATED

BRI

57-21-51-02A

BOEING PROPRIETARY - Copyright © - Unpublished Work - See title page for details.

57-21-51
FIG. 02A
PAGE 31
JAN 20/09



757

PARTS CATALOG (MAINTENANCE)

FIG ITEM	PART NUMBER	1 2 3 4 5 6 7	NOMENCLATURE	EFFECT FROM TO	UNITS PER ASSY
2A			ATTACHING PARTS		
- 660	LGPL2SPV8-8AC		.BOLT- SUPPLIER CODE: V17446 SPECIFICATION NUMBER: BACB30VN8K8 OPTIONAL PART: LGPL2SPV8-8AC V92215 81669V8K8 V56878 LGPL2SPV8-8AC V56878 QUALIFIED OPTIONAL DATA: OPTIONAL BACB30VR8K8 WITH BACC30BK8 OPTIONAL BACB30VT8K8 WITH BACC30BP8 OPTIONAL BACB30VT8K8 WITH BACC30BL8	103105	2
- 660	LGPS2SPV8-8AC		.BOLT- SUPPLIER CODE: V17446 SPECIFICATION NUMBER: BACB30VR8K8 OPTIONAL PART: LGPS2SPV8-8AC V92215 111119V8K8 V80539 QUALIFIED OPTIONAL DATA: OPTIONAL BACB30VN8K8 WITH BACC30BK8 OPTIONAL BACB30VT8K8 WITH BACC30BP8 OPTIONAL BACB30VT8K8 WITH BACC30BL8	103105	2

MISSING ITEM NUMBERS NOT APPLICABLE

- ITEM NOT ILLUSTRATED

57-21-51-02A

57-21-51
FIG. 02A
PAGE 32
JAN 20/09

BRI



757

PARTS CATALOG (MAINTENANCE)

FIG ITEM	PART NUMBER	1 2 3 4 5 6 7	NOMENCLATURE	EFFECT FROM TO	UNITS PER ASSY
2A - 660	HST10AG8-8		.BOLT- SUPPLIER CODE: VOPTK6 SPECIFICATION NUMBER: BACB30VT8K8 OPTIONAL PART: HST10AG8-8 V06725 HST10AG8-8 V56878 HST10AG8-8 V73197 WC10K8-8 V60516 QUALIFIED OPTIONAL DATA: OPTIONAL BACB30VN8K8 WITH BACC30BK8 OPTIONAL BACB30VR8K8 WITH BACC30BK8 OPTIONAL BACB30VT8K8 WITH BACC30BL8	103105	2
- 665	3SLCC8		.COLLAR SUPPLIER CODE: V17446 SPECIFICATION NUMBER: BACC30BK8 OPTIONAL PART: 3SLCC8 V92215	103105	2
- 665	VLC771-8		.COLLAR SUPPLIER CODE: V5M902 SPECIFICATION NUMBER: BACC30BP8 OPTIONAL PART: HST771-8 V73197	103105	2

MISSING ITEM NUMBERS NOT APPLICABLE

- ITEM NOT ILLUSTRATED

57-21-51-02A

57-21-51
FIG. 02A
PAGE 33
JAN 20/09

BRI



757

PARTS CATALOG (MAINTENANCE)

FIG ITEM	PART NUMBER	1 2 3 4 5 6 7	NOMENCLATURE	EFFECT FROM TO	UNITS PER ASSY
2A - 665	BACC30BL8		.COLLAR SUPPLIER CODE: V73197 SPECIFICATION NUMBER: BACC30BL8 OPTIONAL PART: HST79-8 V92215 HST79CY8 V56878 HST79CY8 V5M902 -----*-----	103105	2
670	BACB28X5C016		..BUSHING	103105	1
675	BACB28Y5C030		..BUSHING	103105	1
680	251N5080-2		..FITTING- OPTIONAL PART: 251N5080-3	103105	1
680	251N5080-3		..FITTING- OPTIONAL PART: 251N5080-2	103105	1
685	287N1401-755		.BRACKET ASSY- POSITION DATA: LH SIDE	103105	1
- 690	287N1401-756		.BRACKET ASSY- POSITION DATA: RH SIDE	103105	1
- 695	BACB30VR8K7		ATTACHING PARTS .BOLT- QUALIFIED OPTIONAL DATA: OPTIONAL BACB30VN8K7 WITH BACC30BK8 OPTIONAL BACB30VT8K7 WITH BACC30BP8	103105	4

MISSING ITEM NUMBERS NOT APPLICABLE

- ITEM NOT ILLUSTRATED

57-21-51-02A

57-21-51
FIG. 02A
PAGE 34
JAN 20/09

BRI



757

PARTS CATALOG (MAINTENANCE)

FIG ITEM	PART NUMBER	1 2 3 4 5 6 7	NOMENCLATURE	EFFECT FROM TO	UNITS PER ASSY
2A - 695	LGPL2SPV8-7AC	.BOLT-	SUPPLIER CODE: V17446 SPECIFICATION NUMBER: BACB30VN8K7 OPTIONAL PART: LGPL2SPV8-7AC V92215 81669V8K7 V56878 LGPL2SPV8-7AC V56878 QUALIFIED OPTIONAL DATA: OPTIONAL BACB30VR8K7 WITH BACC30BK8 OPTIONAL BACB30VT8K7 WITH BACC30BP8	103105	4
- 695	HST10AG8-7	.BOLT-	SUPPLIER CODE: VOPTK6 SPECIFICATION NUMBER: BACB30VT8K7 OPTIONAL PART: HST10AG8-7 V06725 HST10AG8-7 V56878 HST10AG8-7 V73197 WC10K8-7 V60516 QUALIFIED OPTIONAL DATA: OPTIONAL BACB30VN8K7 WITH BACC30BK8 OPTIONAL BACB30VR8K7 WITH BACC30BK8	103105	4
- 700	3SLCC8	.COLLAR	SUPPLIER CODE: V17446 SPECIFICATION NUMBER: BACC30BK8 OPTIONAL PART: 3SLCC8 V92215	103105	4

MISSING ITEM NUMBERS NOT APPLICABLE

- ITEM NOT ILLUSTRATED

BRI

57-21-51-02A

BOEING PROPRIETARY - Copyright © - Unpublished Work - See title page for details.

57-21-51
FIG. 02A
PAGE 35
JAN 20/09



757

PARTS CATALOG (MAINTENANCE)

FIG ITEM	PART NUMBER	1 2 3 4 5 6 7	NOMENCLATURE	EFFECT FROM TO	UNITS PER ASSY
2A - 700	VLC771-8		. COLLAR SUPPLIER CODE: V5M902 SPECIFICATION NUMBER: BACC30BP8 OPTIONAL PART: HST771-8 V73197 -----*-----	103105	4
705	BACS53B1ES1		.. STUD-GND	103105	3
710	287N1401-757		.. BRACKET- USED ON: 287N1401-755	103105	1
- 715	287N1401-758		.. BRACKET- USED ON: 287N1401-756	103105	1

MISSING ITEM NUMBERS NOT APPLICABLE

- ITEM NOT ILLUSTRATED

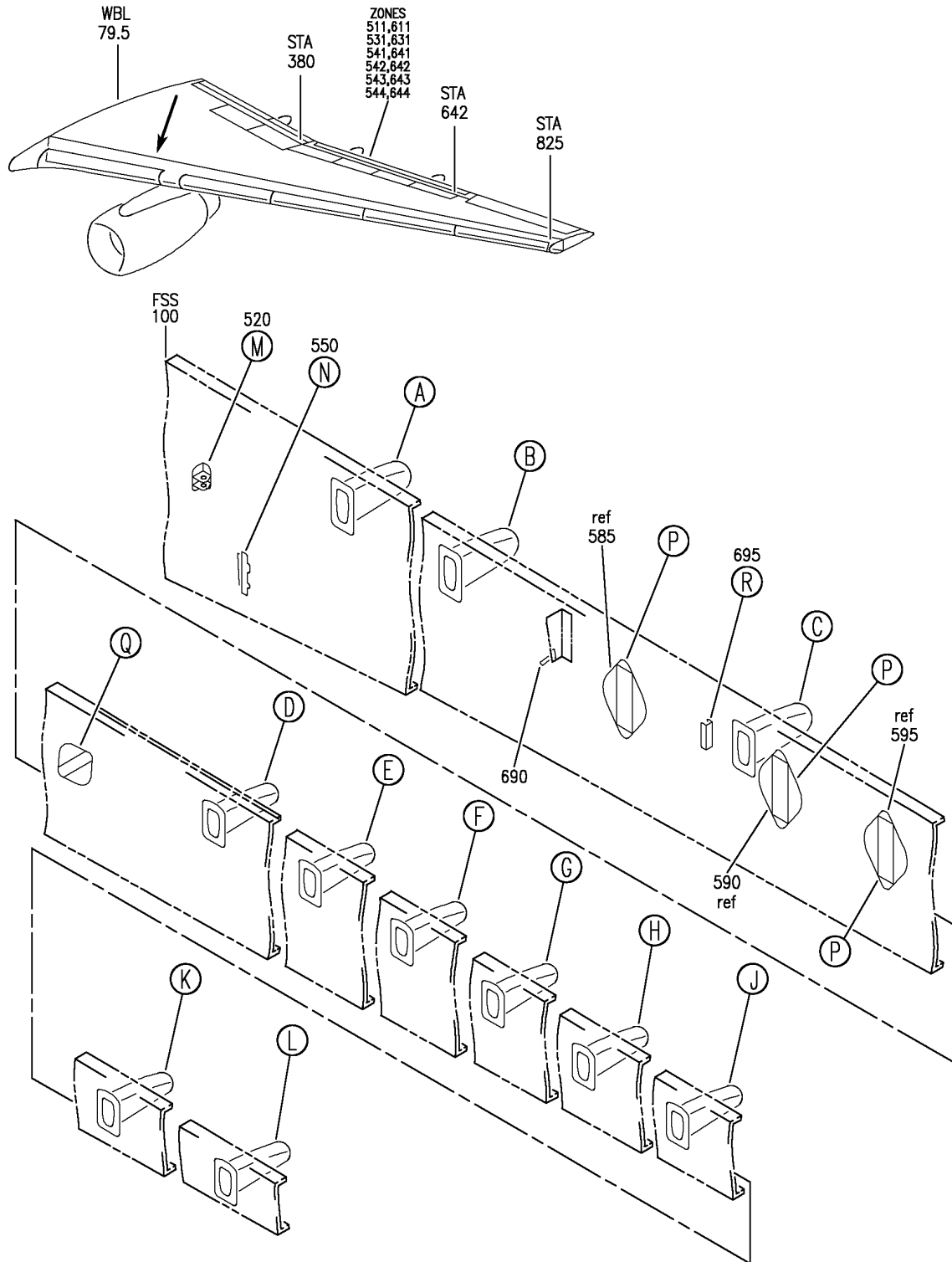
BRI

57-21-51-02A

BOEING PROPRIETARY - Copyright © - Unpublished Work - See title page for details.

57-21-51
FIG. 02A
PAGE 36
JAN 20/09


BOEING
 757
PARTS CATALOG (MAINTENANCE)



Y 57215102B SHT 1 REV 257

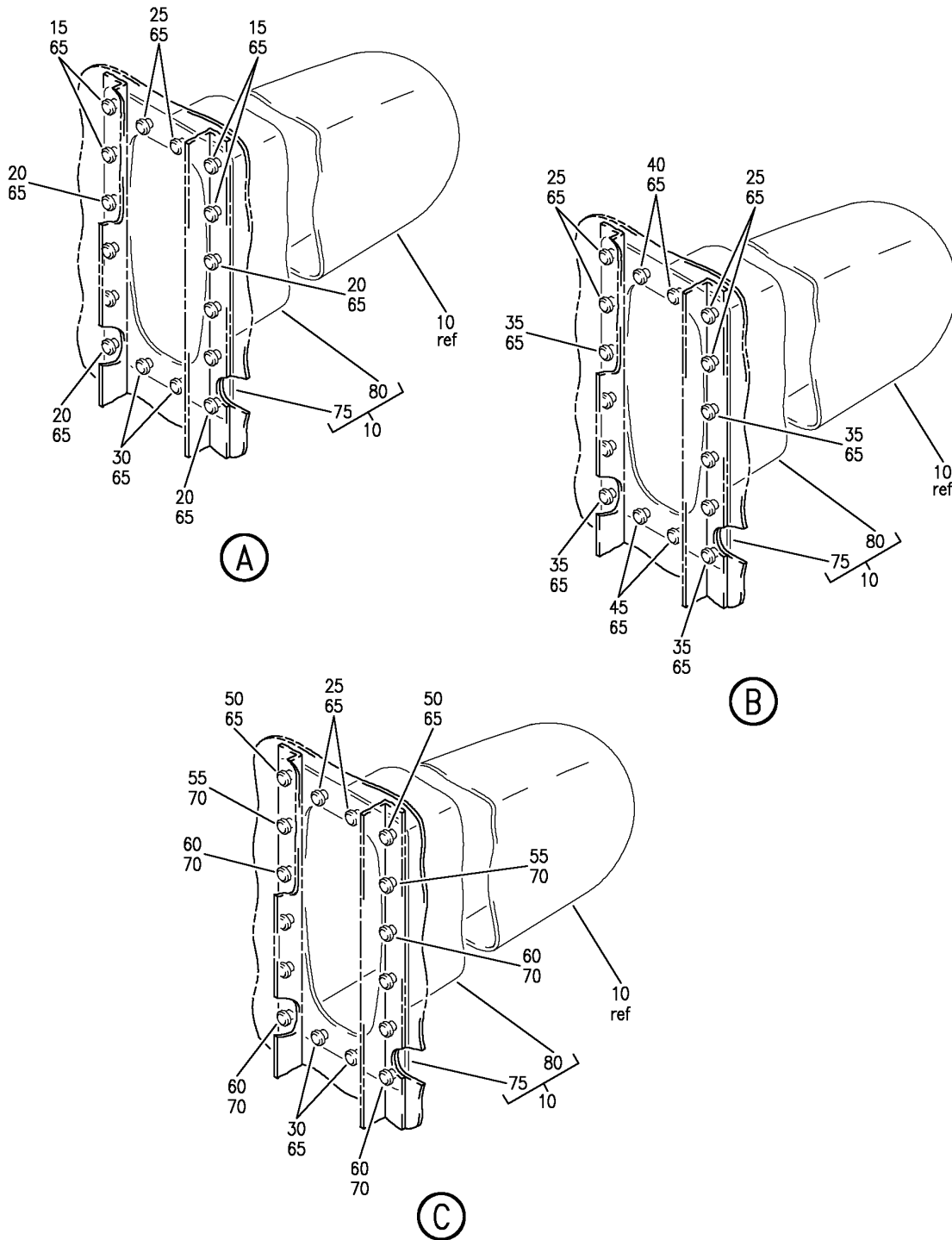
SPAR INSTL-WING SECT. 12 FRONT
 FIGURE 2B (SHEET 1)

57-21-51-02B

BRI
JAN 20/09

57-21-51-02B
 PAGE 0

BOEING
757
PARTS CATALOG (MAINTENANCE)



Y 57215102B SHT 2 REV 257

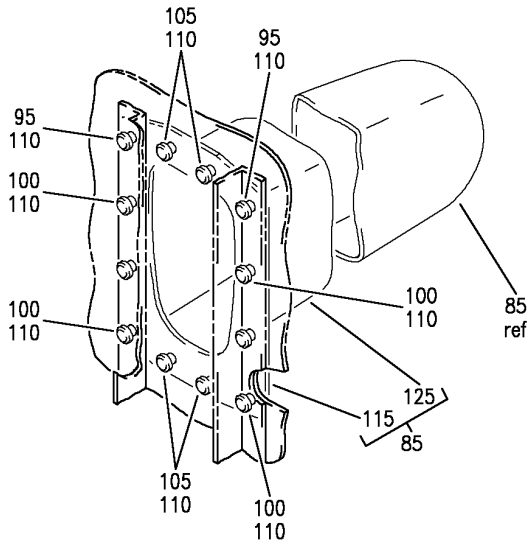
SPAR INSTL-WING SECT. 12 FRONT
FIGURE 2B (SHEET 2)

BRI
JAN 20/09

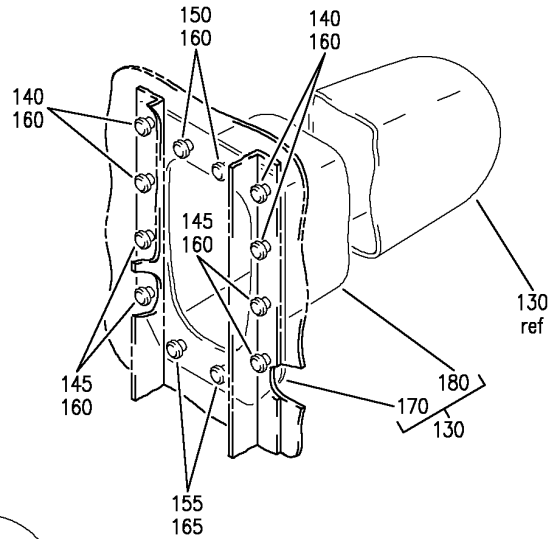
57-21-51-02B

57-21-51-02B
PAGE 0A

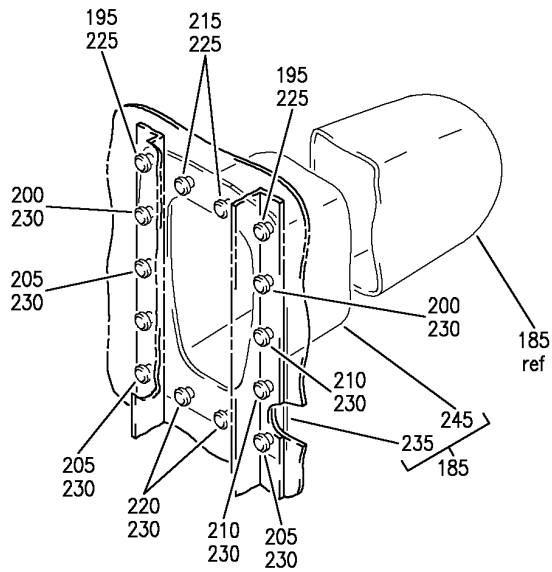
BOEING
757
PARTS CATALOG (MAINTENANCE)



(D)



(E)



(F)

Y 57215102B SHT 3 REV 257

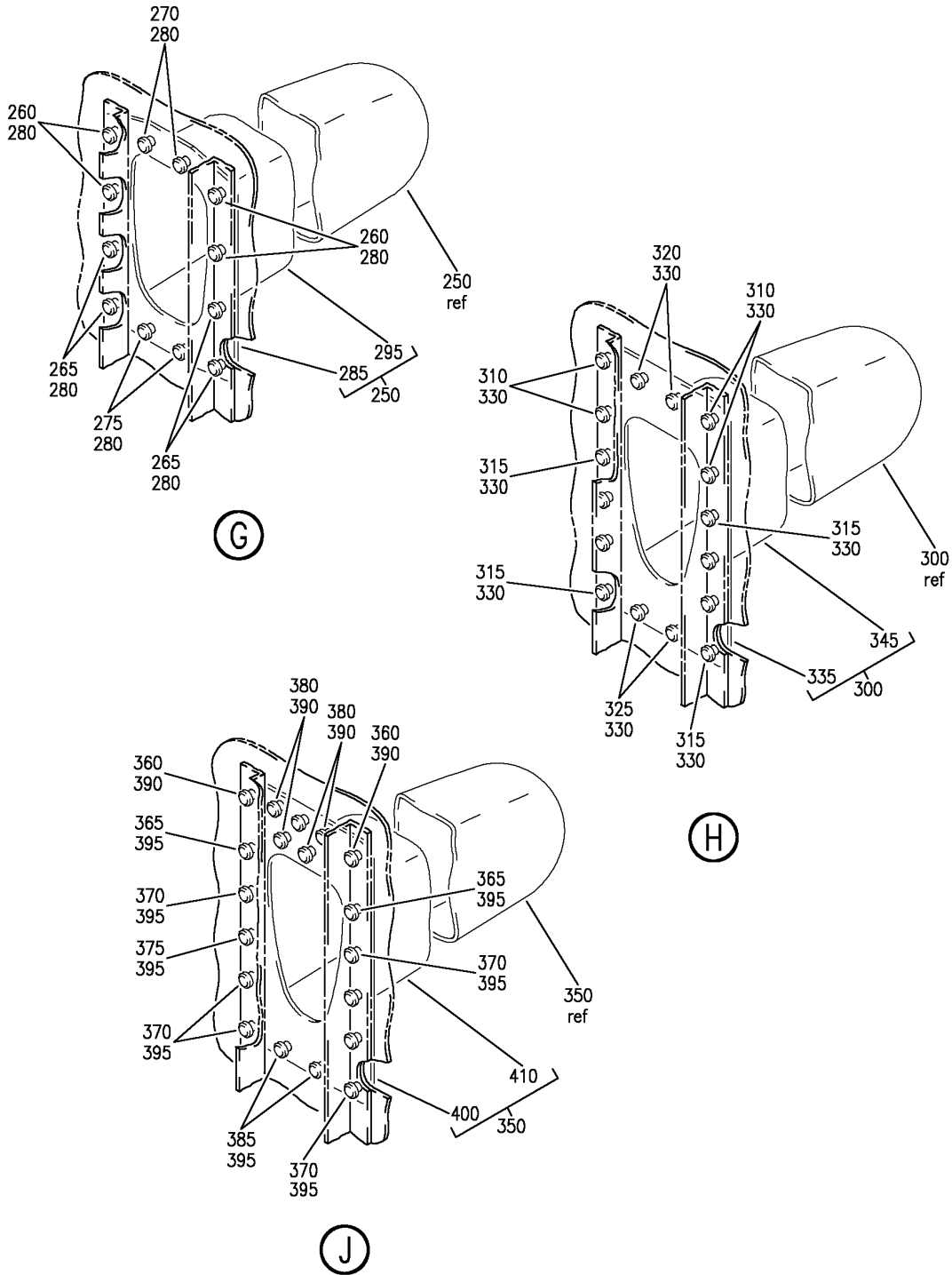
SPAR INSTL-WING SECT. 12 FRONT
FIGURE 2B (SHEET 3)

57-21-51-02B

BRI
JAN 20/09

57-21-51-02B
PAGE 0B

BOEING
757
PARTS CATALOG (MAINTENANCE)



Y 57215102B SHT 4 REV 257

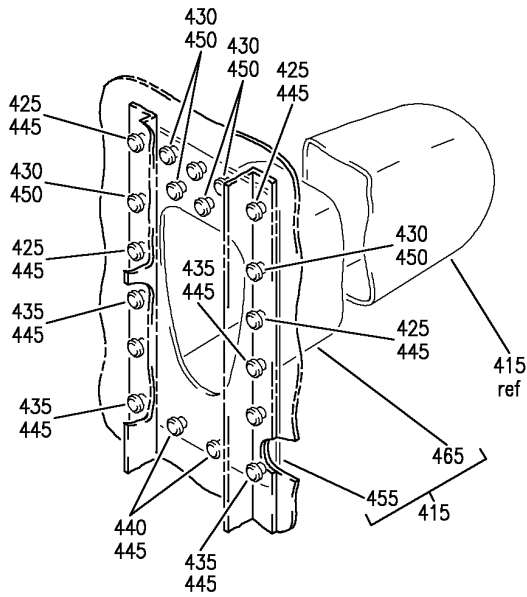
SPAR INSTL-WING SECT. 12 FRONT
FIGURE 2B (SHEET 4)

57-21-51-02B

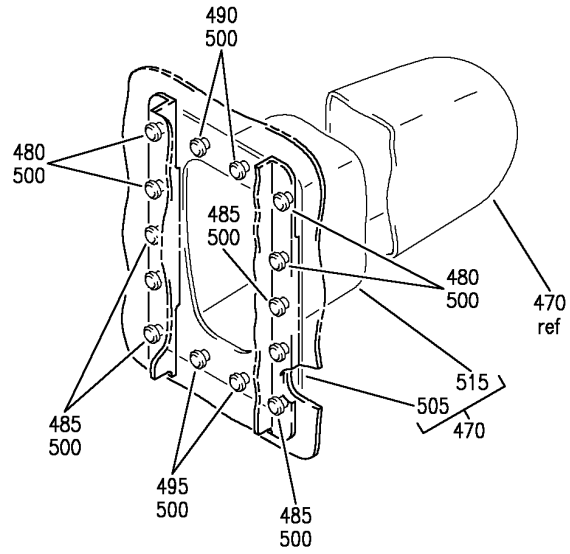
BRI
JAN 20/09

57-21-51-02B
PAGE 0C

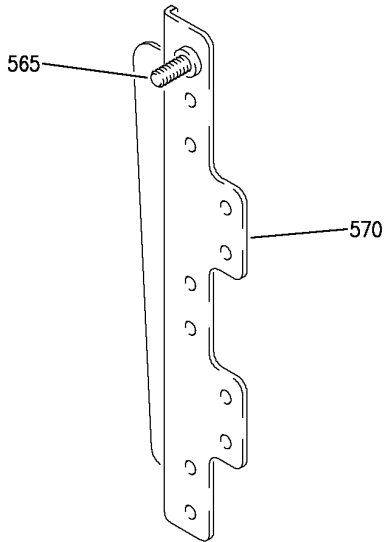

BOEING
 757
PARTS CATALOG (MAINTENANCE)



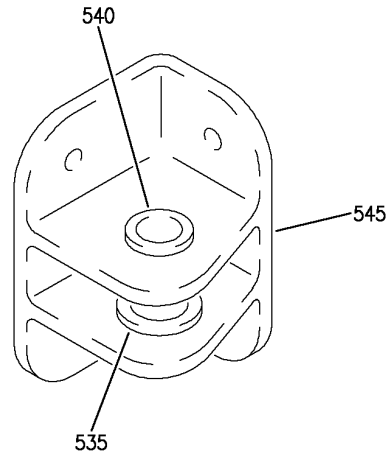
Ⓚ



Ⓛ



Ⓝ



Ⓜ

Y 57215102B SHT 5 REV 257

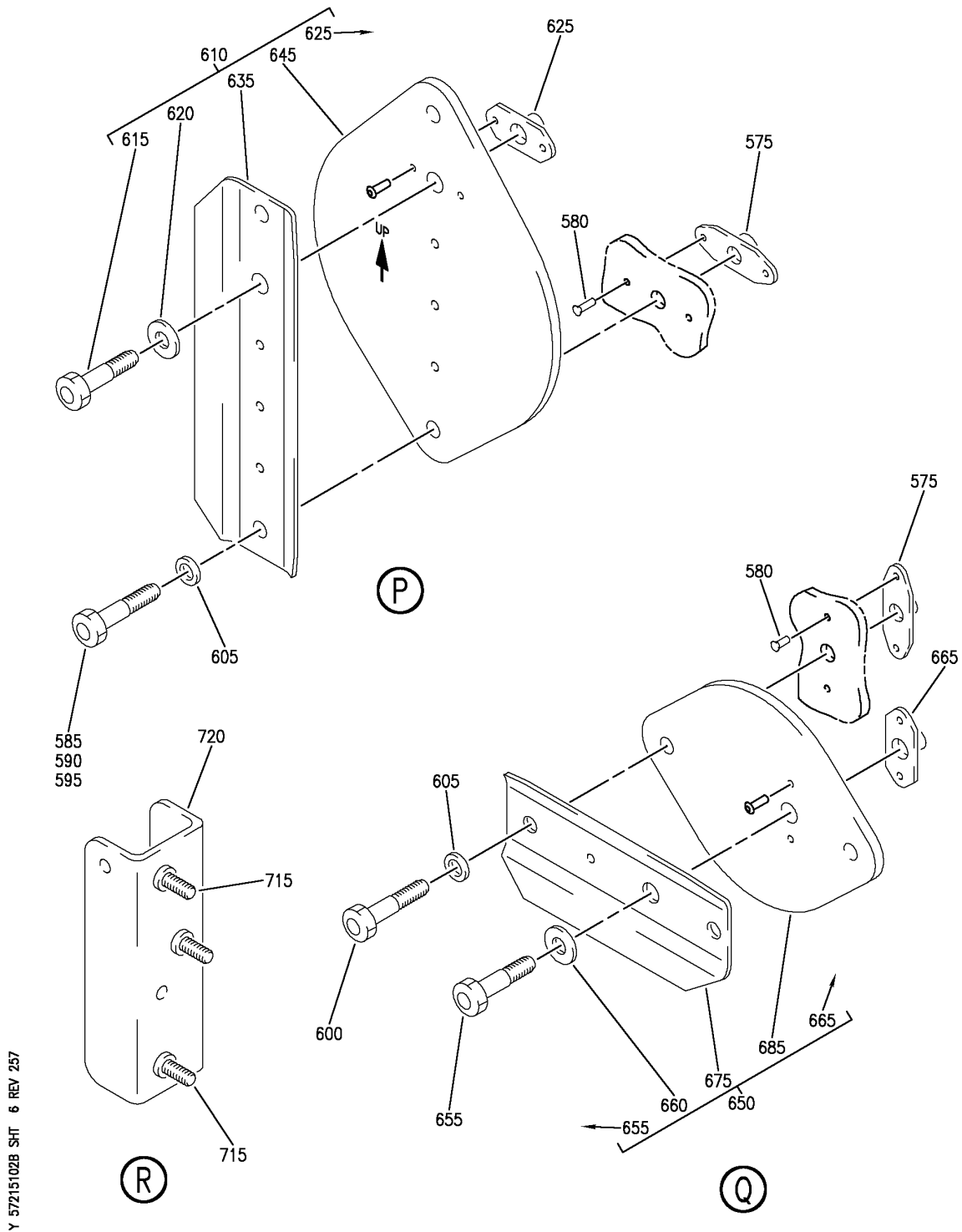
SPAR INSTL-WING SECT. 12 FRONT
FIGURE 2B (SHEET 5)

57-21-51-02B

BRI
JAN 20/09

57-21-51-02B
PAGE 0D

BOEING
757
PARTS CATALOG (MAINTENANCE)



Y 57215102B SHT 6 REV 257

SPAR INSTL-WING SECT. 12 FRONT
FIGURE 2B (SHEET 6)

57-21-51-02B

BRI
JAN 20/09

57-21-51-02B
PAGE 0E



757

PARTS CATALOG (MAINTENANCE)

FIG ITEM	PART NUMBER	1 2 3 4 5 6 7	NOMENCLATURE	EFFECT FROM TO	UNITS PER ASSY
2B			SPAR INSTL-WING SECT. 12 FRONT	106106	
- 1	MODREF32372		SPAR INSTL-WING MODULE NUMBER: 112N2002-209 REV C POSITION DATA: SECT. 12 FRONT LH	106106	1
- 5	MODREF32373		SPAR INSTL-WING MODULE NUMBER: 112N2002-210 REV D POSITION DATA: SECT. 12 FRONT RH	106106	1
10	112N2046-7		.HOUSING ASSY ATTACHING PARTS	106106	3
15	LGPL2SPV10-14AC		.BOLT- SUPPLIER CODE: V17446 SPECIFICATION NUMBER: BACB30VN10K14 OPTIONAL PART: LGPL2SPV10-14AC V92215 81669V10K14 V56878 LGPL2SPV10-14AC V56878 QUALIFIED OPTIONAL DATA: OPTIONAL BACB30VR10K14 WITH BACC30BK10 OPTIONAL BACB30VT10K14 WITH BACC30BP10 OPTIONAL BACB30VT10K14 WITH BACC30BL10	106106	4

MISSING ITEM NUMBERS NOT APPLICABLE

- ITEM NOT ILLUSTRATED

BRI

57-21-51-02B

BOEING PROPRIETARY - Copyright © - Unpublished Work - See title page for details.

57-21-51
FIG. 02B
PAGE 1
JAN 20/09



757

PARTS CATALOG (MAINTENANCE)

FIG ITEM	PART NUMBER	1 2 3 4 5 6 7	NOMENCLATURE	EFFECT FROM TO	UNITS PER ASSY
2B 15	LGPS2SPV10-14AC	.BOLT-	SUPPLIER CODE: V17446 SPECIFICATION NUMBER: BACB30VR10K14 OPTIONAL PART: LGPS2SPV10-14AC V92215 111119V10K14 V80539 QUALIFIED OPTIONAL DATA: OPTIONAL BACB30VN10K14 WITH BACC30BK10 OPTIONAL BACB30VT10K14 WITH BACC30BP10 OPTIONAL BACB30VT10K14 WITH BACC30BL10	106106	4
15	HST10AG10-14	.BOLT-	SUPPLIER CODE: VOPTK6 SPECIFICATION NUMBER: BACB30VT10K14 OPTIONAL PART: HST10AG10-14 V06725 HST10AG10-14 V56878 HST10AG10-14 V73197 WC10K10-14 V60516 QUALIFIED OPTIONAL DATA: OPTIONAL BACB30VN10K14 WITH BACC30BK10 OPTIONAL BACB30VR10K14 WITH BACC30BK10 OPTIONAL BACB30VT10K14 WITH BACC30BL10	106106	4

MISSING ITEM NUMBERS NOT APPLICABLE

- ITEM NOT ILLUSTRATED

57-21-51-02B

57-21-51
FIG. 02B
PAGE 2
JAN 20/09

BRI

BOEING PROPRIETARY - Copyright © - Unpublished Work - See title page for details.



757

PARTS CATALOG (MAINTENANCE)

FIG ITEM	PART NUMBER	1 2 3 4 5 6 7	NOMENCLATURE	EFFECT FROM TO	UNITS PER ASSY
2B 20	LGPL2SPV10-9AC	.BOLT-	SUPPLIER CODE: V17446 SPECIFICATION NUMBER: BACB30VN10K9 OPTIONAL PART: LGPL2SPV10-9AC V92215 81669V10K9 V56878 LGPL2SPV10-9AC V56878 QUALIFIED OPTIONAL DATA: OPTIONAL BACB30VR10K9 WITH BACC30BK10 OPTIONAL BACB30VT10K9 WITH BACC30BP10 OPTIONAL BACB30VT10K9 WITH BACC30BL10	106106	8
20	BACB30VR10K9	.BOLT-	QUALIFIED OPTIONAL DATA: OPTIONAL BACB30VN10K9 WITH BACC30BK10 OPTIONAL BACB30VT10K9 WITH BACC30BP10 OPTIONAL BACB30VT10K9 WITH BACC30BL10	106106	8
20	HST10AG10-9	.BOLT-	SUPPLIER CODE: VOPTK6 SPECIFICATION NUMBER: BACB30VT10K9 OPTIONAL PART: HST10AG10-9 V06725 HST10AG10-9 V56878 HST10AG10-9 V73197 WC10K10-9 V60516 QUALIFIED OPTIONAL DATA: OPTIONAL BACB30VN10K9 WITH BACC30BK10 OPTIONAL BACB30VR10K9 WITH BACC30BK10 OPTIONAL BACB30VT10K9 WITH BACC30BL10	106106	8

MISSING ITEM NUMBERS NOT APPLICABLE

- ITEM NOT ILLUSTRATED

57-21-51-02B

57-21-51
FIG. 02B
PAGE 3
JAN 20/09

BRI

BOEING PROPRIETARY - Copyright © - Unpublished Work - See title page for details.



757

PARTS CATALOG (MAINTENANCE)

FIG ITEM	PART NUMBER	1 2 3 4 5 6 7	NOMENCLATURE	EFFECT FROM TO	UNITS PER ASSY
2B 25	LGPL2SPV10-12AC	.BOLT-	SUPPLIER CODE: V17446 SPECIFICATION NUMBER: BACB30VN10K12 OPTIONAL PART: LGPL2SPV10-12AC V92215 81669V10K12 V56878 LGPL2SPV10-12AC V56878 QUALIFIED OPTIONAL DATA: OPTIONAL BACB30VR10K12 WITH BACC30BK10 OPTIONAL BACB30VT10K12 WITH BACC30BP10 OPTIONAL BACB30VT10K12 WITH BACC30BL10	106106	8
25	BACB30VR10K12	.BOLT-	QUALIFIED OPTIONAL DATA: OPTIONAL BACB30VN10K12 WITH BACC30BK10 OPTIONAL BACB30VT10K12 WITH BACC30BP10 OPTIONAL BACB30VT10K12 WITH BACC30BL10	106106	8
25	HST10AG10-12	.BOLT-	SUPPLIER CODE: VOPTK6 SPECIFICATION NUMBER: BACB30VT10K12 OPTIONAL PART: HST10AG10-12 V06725 HST10AG10-12 V56878 HST10AG10-12 V73197 WC10K10-12 V60516 QUALIFIED OPTIONAL DATA: OPTIONAL BACB30VN10K12 WITH BACC30BK10 OPTIONAL BACB30VR10K12 WITH BACC30BK10 OPTIONAL BACB30VT10K12 WITH BACC30BL10	106106	8

MISSING ITEM NUMBERS NOT APPLICABLE

- ITEM NOT ILLUSTRATED

57-21-51-02B

57-21-51
FIG. 02B
PAGE 4
JAN 20/09

BRI

BOEING PROPRIETARY - Copyright © - Unpublished Work - See title page for details.



757

PARTS CATALOG (MAINTENANCE)

FIG ITEM	PART NUMBER	1 2 3 4 5 6 7	NOMENCLATURE	EFFECT FROM TO	UNITS PER ASSY
2B 30	LGPL2SPV10-7AC	.BOLT-	SUPPLIER CODE: V17446 SPECIFICATION NUMBER: BACB30VN10K7 OPTIONAL PART: LGPL2SPV10-7AC V92215 81669V10K7 V56858 LGPL2SPV10-7AC V56878 QUALIFIED OPTIONAL DATA: OPTIONAL BACB30VR10K7 WITH BACC30BK10 OPTIONAL BACB30VT10K7 WITH BACC30BP10 OPTIONAL BACB30VT10K7 WITH BACC30BL10	106106	4
30	BACB30VR10K7	.BOLT-	QUALIFIED OPTIONAL DATA: OPTIONAL BACB30VN10K7 WITH BACC30BK10 OPTIONAL BACB30VT10K7 WITH BACC30BP10 OPTIONAL BACB30VT10K7 WITH BACC30BL10	106106	4
30	HST10AG10-7	.BOLT-	SUPPLIER CODE: VOPTK6 SPECIFICATION NUMBER: BACB30VT10K7 OPTIONAL PART: HST10AG10-7 V06725 HST10AG10-7 V56878 HST10AG10-7 V73197 WC10K10-7 V60516 QUALIFIED OPTIONAL DATA: OPTIONAL BACB30VN10K7 WITH BACC30BK10 OPTIONAL BACB30VR10K7 WITH BACC30BK10 OPTIONAL BACB30VT10K7 WITH BACC30BL10	106106	4

MISSING ITEM NUMBERS NOT APPLICABLE

- ITEM NOT ILLUSTRATED

57-21-51-02B

57-21-51
FIG. 02B
PAGE 5
JAN 20/09

BRI

BOEING PROPRIETARY - Copyright © - Unpublished Work - See title page for details.



757

PARTS CATALOG (MAINTENANCE)

FIG ITEM	PART NUMBER	1 2 3 4 5 6 7	NOMENCLATURE	EFFECT FROM TO	UNITS PER ASSY
2B 35	LGPL2SPV10-8AC	.BOLT-	SUPPLIER CODE: V17446 SPECIFICATION NUMBER: BACB30VN10K8 OPTIONAL PART: LGPL2SPV10-8AC V92215 81669V10K8 V56878 LGPL2SPV10-8AC V56878 QUALIFIED OPTIONAL DATA: OPTIONAL BACB30VR10K8 WITH BACC30BK10 OPTIONAL BACB30VT10K8 WITH BACC30BP10 OPTIONAL BACB30VT10K8 WITH BACC30BL10	106106	8
35	BACB30VR10K8	.BOLT-	QUALIFIED OPTIONAL DATA: OPTIONAL BACB30VN10K8 WITH BACC30BK10 OPTIONAL BACB30VT10K8 WITH BACC30BP10 OPTIONAL BACB30VT10K8 WITH BACC30BL10	106106	8
35	HST10AG10-8	.BOLT-	SUPPLIER CODE: VOPTK6 SPECIFICATION NUMBER: BACB30VT10K8 OPTIONAL PART: HST10AG10-8 V06725 HST10AG10-8 V56878 HST10AG10-8 V73197 WC10K10-8 V60516 QUALIFIED OPTIONAL DATA: OPTIONAL BACB30VN10K8 WITH BACC30BK10 OPTIONAL BACB30VR10K8 WITH BACC30BK10 OPTIONAL BACB30VT10K8 WITH BACC30BL10	106106	8

MISSING ITEM NUMBERS NOT APPLICABLE

- ITEM NOT ILLUSTRATED

57-21-51-02B

57-21-51
FIG. 02B
PAGE 6
JAN 20/09

BRI



757

PARTS CATALOG (MAINTENANCE)

FIG ITEM	PART NUMBER	1 2 3 4 5 6 7	NOMENCLATURE	EFFECT FROM TO	UNITS PER ASSY
2B 40	LGPL2SPV10-10AC	.BOLT-	SUPPLIER CODE: V17446 SPECIFICATION NUMBER: BACB30VN10K10 OPTIONAL PART: LGPL2SPV10-10AC V92215 81669V10K10 V56878 LGPL2SPV10-10AC V56878 QUALIFIED OPTIONAL DATA: OPTIONAL BACB30VR10K10 WITH BACC30BK10 OPTIONAL BACB30VT10K10 WITH BACC30BP10 OPTIONAL BACB30VT10K10 WITH BACC30BL10	106106	2
40	BACB30VR10K10	.BOLT-	QUALIFIED OPTIONAL DATA: OPTIONAL BACB30VN10K10 WITH BACC30BK10 OPTIONAL BACB30VT10K10 WITH BACC30BP10 OPTIONAL BACB30VT10K10 WITH BACC30BL10	106106	2
40	HST10AG10-10	.BOLT-	SUPPLIER CODE: VOPTK6 SPECIFICATION NUMBER: BACB30VT10K10 OPTIONAL PART: HST10AG10-10 V06725 HST10AG10-10 V56878 HST10AG10-10 V73197 WC10K10-10 V60516 QUALIFIED OPTIONAL DATA: OPTIONAL BACB30VN10K10 WITH BACC30BK10 OPTIONAL BACB30VR10K10 WITH BACC30BK10 OPTIONAL BACB30VT10K10 WITH BACC30BL10	106106	2

MISSING ITEM NUMBERS NOT APPLICABLE

- ITEM NOT ILLUSTRATED

57-21-51-02B

57-21-51
FIG. 02B
PAGE 7
JAN 20/09

BRI



757

PARTS CATALOG (MAINTENANCE)

FIG ITEM	PART NUMBER	1 2 3 4 5 6 7	NOMENCLATURE	EFFECT FROM TO	UNITS PER ASSY
2B 45	LGPL2SPV10-5AC	.BOLT-	SUPPLIER CODE: V56878 SPECIFICATION NUMBER: BACB30VN10K5 OPTIONAL PART: 81669V10K5 V56878 LGPL2SPV10-5AC V92215 LGPL2SPV10-5AC V17446 QUALIFIED OPTIONAL DATA: OPTIONAL BACB30VR10K5 WITH BACC30BK10 OPTIONAL BACB30VT10K5 WITH BACC30BP10 OPTIONAL BACB30VT10K5 WITH BACC30BL10	106106	2
45	BACB30VR10K5	.BOLT-	QUALIFIED OPTIONAL DATA: OPTIONAL BACB30VN10K5 WITH BACC30BK10 OPTIONAL BACB30VT10K5 WITH BACC30BP10 OPTIONAL BACB30VT10K5 WITH BACC30BL10	106106	2
45	HST10AG10-5	.BOLT-	SUPPLIER CODE: VOPTK6 SPECIFICATION NUMBER: BACB30VT10K5 OPTIONAL PART: HST10AG10-5 V06725 HST10AG10-5 V56878 HST10AG10-5 V73197 WC10K10-5 V60516 QUALIFIED OPTIONAL DATA: OPTIONAL BACB30VN10K5 WITH BACC30BK10 OPTIONAL BACB30VR10K5 WITH BACC30BK10 OPTIONAL BACB30VT10K5 WITH BACC30BL10	106106	2

MISSING ITEM NUMBERS NOT APPLICABLE

- ITEM NOT ILLUSTRATED

57-21-51-02B

57-21-51
FIG. 02B
PAGE 8
JAN 20/09

BRI



757

PARTS CATALOG (MAINTENANCE)

FIG ITEM	PART NUMBER	1 2 3 4 5 6 7	NOMENCLATURE	EFFECT FROM TO	UNITS PER ASSY
2B 50	LGPL2SPV10-15AC	.BOLT-	SUPPLIER CODE: V56878 SPECIFICATION NUMBER: BACB30VN10K15 OPTIONAL PART: LGPL2SPV10-15AC V17446 LGPL2SPV10-15AC V92215 81669V10K15 V56878 QUALIFIED OPTIONAL DATA: OPTIONAL BACB30VR10K15 WITH BACC30BK10 OPTIONAL BACB30VT10K15 WITH BACC30BP10 OPTIONAL BACB30VT10K15 WITH BACC30BL10	106106	2
50	BACB30VR10K15	.BOLT-	QUALIFIED OPTIONAL DATA: OPTIONAL BACB30VN10K15 WITH BACC30BK10 OPTIONAL BACB30VT10K15 WITH BACC30BP10 OPTIONAL BACB30VT10K15 WITH BACC30BL10	106106	2
50	HST10AG10-15	.BOLT-	SUPPLIER CODE: VOPTK6 SPECIFICATION NUMBER: BACB30VT10K15 OPTIONAL PART: HST10AG10-15 V06725 HST10AG10-15 V56878 HST10AG10-15 V73197 WC10K10-15 V60516 QUALIFIED OPTIONAL DATA: OPTIONAL BACB30VN10K15 WITH BACC30BK10 OPTIONAL BACB30VR10K15 WITH BACC30BK10 OPTIONAL BACB30VT10K15 WITH BACC30BL10	106106	2

MISSING ITEM NUMBERS NOT APPLICABLE

- ITEM NOT ILLUSTRATED

57-21-51-02B

57-21-51
FIG. 02B
PAGE 9
JAN 20/09

BRI



757

PARTS CATALOG (MAINTENANCE)

FIG ITEM	PART NUMBER	1 2 3 4 5 6 7	NOMENCLATURE	EFFECT FROM TO	UNITS PER ASSY
2B 55	LGPL2SPV8-15AC	.BOLT-	SUPPLIER CODE: V17446 SPECIFICATION NUMBER: BACB30VN8K15 OPTIONAL PART: LGPL2SPV8-15AC V92215 81669V8K15 V56878 LGPL2SPV8-15AC V56878 QUALIFIED OPTIONAL DATA: OPTIONAL BACB30VR8K15 WITH BACC30BK8 OPTIONAL BACB30VT8K15 WITH BACC30BP8 OPTIONAL BACB30VT8K15 WITH BACC30BL8	106106	2
55	LGPS2SPV8-15AC	.BOLT-	SUPPLIER CODE: V17446 SPECIFICATION NUMBER: BACB30VR8K15 OPTIONAL PART: LGPS2SPV8-15AC V92215 111119V8K15 V80539 QUALIFIED OPTIONAL DATA: OPTIONAL BACB30VN8K15 WITH BACC30BK8 OPTIONAL BACB30VT8K15 WITH BACC30BP8 OPTIONAL BACB30VT8K15 WITH BACC30BL8	106106	2

MISSING ITEM NUMBERS NOT APPLICABLE

- ITEM NOT ILLUSTRATED

BRI

57-21-51-02B

BOEING PROPRIETARY - Copyright © - Unpublished Work - See title page for details.

57-21-51
 FIG. 02B
 PAGE 10
 JAN 20/09



757

PARTS CATALOG (MAINTENANCE)

FIG ITEM	PART NUMBER	1 2 3 4 5 6 7	NOMENCLATURE	EFFECT FROM TO	UNITS PER ASSY
2B 55	HST10AG8-15	.BOLT-	SUPPLIER CODE: VOPTK6 SPECIFICATION NUMBER: BACB30VT8K15 OPTIONAL PART: HST10AG8-15 V06725 HST10AG8-15 V56878 HST10AG8-15 V73197 WC10K8-15 V60516 QUALIFIED OPTIONAL DATA: OPTIONAL BACB30VN8K15 WITH BACC30BK8 OPTIONAL BACB30VR8K15 WITH BACC30BK8 OPTIONAL BACB30VT8K15 WITH BACC30BL8	106106	2
60	LGPL2SPV8-10AC	.BOLT-	SUPPLIER CODE: V17446 SPECIFICATION NUMBER: BACB30VN8K10 OPTIONAL PART: LGPL2SPV8-10AC V92215 81669V8K10 V56878 LGPL2SPV8-10AC V56878 QUALIFIED OPTIONAL DATA: OPTIONAL BACB30VR8K10 WITH BACC30BK8 OPTIONAL BACB30VT8K10 WITH BACC30BP8 OPTIONAL BACB30VT8K10 WITH BACC30BL8	106106	8

MISSING ITEM NUMBERS NOT APPLICABLE

- ITEM NOT ILLUSTRATED

BRI

57-21-51-02B

BOEING PROPRIETARY - Copyright © - Unpublished Work - See title page for details.

57-21-51
FIG. 02B
PAGE 11
JAN 20/09

 **BOEING**
757
PARTS CATALOG (MAINTENANCE)

FIG ITEM	PART NUMBER	1 2 3 4 5 6 7	NOMENCLATURE	EFFECT FROM TO	UNITS PER ASSY
2B 60	LGPS2SPV8-10AC	.BOLT-	SUPPLIER CODE: V17446 SPECIFICATION NUMBER: BACB30VR8K10 OPTIONAL PART: LGPS2SPV8-10AC V92215 111119V8K10 V80539 QUALIFIED OPTIONAL DATA: OPTIONAL BACB30VN8K10 WITH BACC30BK8 OPTIONAL BACB30VT8K10 WITH BACC30BP8 OPTIONAL BACB30VT8K10 WITH BACC30BL8	106106	8
60	HST10AG8-10	.BOLT-	SUPPLIER CODE: VOPTK6 SPECIFICATION NUMBER: BACB30VT8K10 OPTIONAL PART: HST10AG8-10 V06725 HST10AG8-10 V56878 HST10AG8-10 V73197 WC10K8-10 V60516 QUALIFIED OPTIONAL DATA: OPTIONAL BACB30VN8K10 WITH BACC30BK8 OPTIONAL BACB30VR8K10 WITH BACC30BK8 OPTIONAL BACB30VT8K10 WITH BACC30BL8	106106	8
65	3SLCC10	.COLLAR-	SUPPLIER CODE: V17446 SPECIFICATION NUMBER: BACC30BK10 OPTIONAL PART: 3SLCC10 V92215 QUALIFIED OPTIONAL DATA: OPTIONAL WITH BACC30BP10 AND BACC30BL10	106106	38

MISSING ITEM NUMBERS NOT APPLICABLE

— ITEM NOT ILLUSTRATED

BRI

57-21-51-02B

BOEING PROPRIETARY - Copyright © - Unpublished Work - See title page for details.

57-21-51
FIG. 02B
PAGE 12
JAN 20/09



757

PARTS CATALOG (MAINTENANCE)

FIG ITEM	PART NUMBER	1 2 3 4 5 6 7	NOMENCLATURE	EFFECT FROM TO	UNITS PER ASSY
2B 65	VLC771-10	.	COLLAR- SUPPLIER CODE: V5M902 SPECIFICATION NUMBER: BACC30BP10 OPTIONAL PART: HST771-10 V73197 QUALIFIED OPTIONAL DATA: OPTIONAL WITH BACC30BK10 AND BACC30BL10	106106	38
65	BACC30BL10	.	COLLAR- SUPPLIER CODE: V73197 SPECIFICATION NUMBER: BACC30BL10 OPTIONAL PART: HST79-10 V92215 HST79CY10 V56878 HST79CY10 V5M902 QUALIFIED OPTIONAL DATA: OPTIONAL WITH BACC30BK10 AND BACC30BP10	106106	38
70	3SLCC8	.	COLLAR- SUPPLIER CODE: V17446 SPECIFICATION NUMBER: BACC30BK8 OPTIONAL PART: 3SLCC8 V92215 QUALIFIED OPTIONAL DATA: OPTIONAL WITH BACC30BP8 AND BACC30BL8	106106	10
70	VLC771-8	.	COLLAR- SUPPLIER CODE: V5M902 SPECIFICATION NUMBER: BACC30BP8 OPTIONAL PART: HST771-8 V73197 QUALIFIED OPTIONAL DATA: OPTIONAL WITH BACC30BK8 AND BACC30BL8	106106	10

MISSING ITEM NUMBERS NOT APPLICABLE

- ITEM NOT ILLUSTRATED

BRI

57-21-51-02B

BOEING PROPRIETARY - Copyright © - Unpublished Work - See title page for details.

57-21-51
FIG. 02B
PAGE 13
JAN 20/09



757

PARTS CATALOG (MAINTENANCE)

FIG ITEM	PART NUMBER	1 2 3 4 5 6 7	NOMENCLATURE	EFFECT FROM TO	UNITS PER ASSY
2B 70	BACC30BL8	.	COLLAR- SUPPLIER CODE: V73197 SPECIFICATION NUMBER: BACC30BL8 OPTIONAL PART: HST79-8 V92215 HST79CY8 V56878 HST79CY8 V5M902 QUALIFIED OPTIONAL DATA: OPTIONAL WITH BACC30BK8 AND BACC30BP8 -----*-----	106106	10
75	112N2046-9	..	FLANGE	106106	1
80	112N2046-2	..	HOUSING ASSY	106106	1
85	112N2045-21	.	HOUSING ASSY- POSITION DATA: LH SIDE	106106	1
- 90	112N2045-22	.	HOUSING ASSY- POSITION DATA: RH SIDE	106106	1
95	LGPL2SPV8-17AC	.	BOLT ATTACHING PARTS SUPPLIER CODE: V56878 SPECIFICATION NUMBER: BACB30VN8K17 OPTIONAL PART: LGPL2SPV8-17AC V17446 LGPL2SPV8-17AC V92215 81669V8K17 V56878	106106	2
100	LGPL2SPV8-10AC	.	BOLT SUPPLIER CODE: V17446 SPECIFICATION NUMBER: BACB30VN8K10 OPTIONAL PART: LGPL2SPV8-10AC V92215 81669V8K10 V56878 LGPL2SPV8-10AC V56878	106106	6

MISSING ITEM NUMBERS NOT APPLICABLE

- ITEM NOT ILLUSTRATED

57-21-51-02B

57-21-51
FIG. 02B
PAGE 14
JAN 20/09

BRI



757

PARTS CATALOG (MAINTENANCE)

FIG ITEM	PART NUMBER	1 2 3 4 5 6 7	NOMENCLATURE	EFFECT FROM TO	UNITS PER ASSY
2B 105	LGPL2SPV8-7AC	.BOLT	SUPPLIER CODE: V17446 SPECIFICATION NUMBER: BACB30VN8K7 OPTIONAL PART: LGPL2SPV8-7AC V92215 81669V8K7 V56878 LGPL2SPV8-7AC V56878	106106	4
110	3SLCC8	.COLLAR	SUPPLIER CODE: V17446 SPECIFICATION NUMBER: BACC30BK8 OPTIONAL PART: 3SLCC8 V92215 -----*-----	106106	12
115	112N2045-29	..FLANGE-	USED ON: 112N2045-21	106106	1
- 120	112N2045-30	..FLANGE-	USED ON: 112N2045-22	106106	1
125	112N2045-8	..HOUSING ASSY		106106	1
130	112N2045-19	.HOUSING ASSY-	POSITION DATA: LH SIDE	106106	1
- 135	112N2045-20	.HOUSING ASSY-	POSITION DATA: RH SIDE	106106	1
140	LGPL2SPV10-18AC	.BOLT	ATTACHING PARTS SUPPLIER CODE: V56878 SPECIFICATION NUMBER: BACB30VN10K18 OPTIONAL PART: 81669V10K18 V56878 LGPL2SPV10-18AC V92215 LGPL2SPV10-18AC V17446	106106	4

MISSING ITEM NUMBERS NOT APPLICABLE

- ITEM NOT ILLUSTRATED

57-21-51-02B

57-21-51
FIG. 02B
PAGE 15
JAN 20/09

BRI

BOEING PROPRIETARY - Copyright © - Unpublished Work - See title page for details.



757

PARTS CATALOG (MAINTENANCE)

FIG ITEM	PART NUMBER	1 2 3 4 5 6 7	NOMENCLATURE	EFFECT FROM TO	UNITS PER ASSY
2B 145	LGPL2SPV10-12AC	.BOLT	SUPPLIER CODE: V17446 SPECIFICATION NUMBER: BACB30VN10K12 OPTIONAL PART: LGPL2SPV10-12AC V92215 81669V10K12 V56878 LGPL2SPV10-12AC V56878	106106	4
150	LGPL2SPV10-14AC	.BOLT	SUPPLIER CODE: V17446 SPECIFICATION NUMBER: BACB30VN10K14 OPTIONAL PART: LGPL2SPV10-14AC V92215 81669V10K14 V56878 LGPL2SPV10-14AC V56878	106106	2
155	LGPL2SPV8-8AC	.BOLT	SUPPLIER CODE: V17446 SPECIFICATION NUMBER: BACB30VN8K8 OPTIONAL PART: LGPL2SPV8-8AC V92215 81669V8K8 V56878 LGPL2SPV8-8AC V56878	106106	2
160	3SLCC10	.COLLAR	SUPPLIER CODE: V17446 SPECIFICATION NUMBER: BACC30BK10 OPTIONAL PART: 3SLCC10 V92215	106106	10

MISSING ITEM NUMBERS NOT APPLICABLE

- ITEM NOT ILLUSTRATED

BRI

57-21-51-02B

BOEING PROPRIETARY - Copyright © - Unpublished Work - See title page for details.

57-21-51
FIG. 02B
PAGE 16
JAN 20/09



757

PARTS CATALOG (MAINTENANCE)

FIG ITEM	PART NUMBER	1 2 3 4 5 6 7	NOMENCLATURE	EFFECT FROM TO	UNITS PER ASSY
2B 165	3SLCC8		.COLLAR SUPPLIER CODE: V17446 SPECIFICATION NUMBER: BACC30BK8 OPTIONAL PART: 3SLCC8 V92215 -----*-----	106106	2
170	112N2045-27		..FLANGE- USED ON: 112N2045-19	106106	1
- 175	112N2045-28		..FLANGE- USED ON: 112N2045-20	106106	1
180	112N2045-7		..HOUSING ASSY	106106	1
185	112N2045-17		.HOUSING ASSY- POSITION DATA: LH SIDE	106106	1
- 190	112N2045-18		.HOUSING ASSY- POSITION DATA: RH SIDE	106106	1
195	LGPL2SPV8-19AC		ATTACHING PARTS .BOLT SUPPLIER CODE: V17446 SPECIFICATION NUMBER: BACB30VN8K19 OPTIONAL PART: LGPL2SPV8-19AC V92215 81669V8K19 V56878 LGPL2SPV8-19AC V56878	106106	2
200	LGPL2SPV10-19AC		.BOLT SUPPLIER CODE: V56878 SPECIFICATION NUMBER: BACB30VN10K19 OPTIONAL PART: LGPL2SPV10-19AC V17446 LGPL2SPV10-19AC V92215 81669V10K19 V56878	106106	2

MISSING ITEM NUMBERS NOT APPLICABLE

- ITEM NOT ILLUSTRATED

57-21-51-02B

57-21-51
FIG. 02B
PAGE 17
JAN 20/09

BRI

BOEING PROPRIETARY - Copyright © - Unpublished Work - See title page for details.



757

PARTS CATALOG (MAINTENANCE)

FIG ITEM	PART NUMBER	1 2 3 4 5 6 7	NOMENCLATURE	EFFECT FROM TO	UNITS PER ASSY
2B 205	LGPL2SPV10-16AC	.BOLT	SUPPLIER CODE: V56878 SPECIFICATION NUMBER: BACB30VN10K16 OPTIONAL PART: LGPL2SPV10-16AC V17446 LGPL2SPV10-16AC V92215 81669V10K16 V56878	106106	4
210	LGPL2SPV10-12AC	.BOLT	SUPPLIER CODE: V17446 SPECIFICATION NUMBER: BACB30VN10K12 OPTIONAL PART: LGPL2SPV10-12AC V92215 81669V10K12 V56878 LGPL2SPV10-12AC V56878	106106	2
215	LGPL2SPV8-15AC	.BOLT	SUPPLIER CODE: V17446 SPECIFICATION NUMBER: BACB30VN8K15 OPTIONAL PART: LGPL2SPV8-15AC V92215 81669V8K15 V56878 LGPL2SPV8-15AC V56878	106106	2
220	LGPL2SPV10-8AC	.BOLT	SUPPLIER CODE: V17446 SPECIFICATION NUMBER: BACB30VN10K8 OPTIONAL PART: LGPL2SPV10-8AC V92215 81669V10K8 V56878 LGPL2SPV10-8AC V56878	106106	2

MISSING ITEM NUMBERS NOT APPLICABLE

- ITEM NOT ILLUSTRATED

57-21-51-02B

57-21-51
FIG. 02B
PAGE 18
JAN 20/09

BRI



757

PARTS CATALOG (MAINTENANCE)

FIG ITEM	PART NUMBER	1 2 3 4 5 6 7	NOMENCLATURE	EFFECT FROM TO	UNITS PER ASSY
2B 225	3SLCC8	.	COLLAR SUPPLIER CODE: V17446 SPECIFICATION NUMBER: BACC30BK8 OPTIONAL PART: 3SLCC8 V92215	106106	4
230	3SLCC10	.	COLLAR SUPPLIER CODE: V17446 SPECIFICATION NUMBER: BACC30BK10 OPTIONAL PART: 3SLCC10 V92215	106106	10
235	112N2045-25	..	FLANGE- USED ON: 112N2045-17	106106	1
- 240	112N2045-26	..	FLANGE- USED ON: 112N2045-18	106106	1
245	112N2045-6	..	HOUSING ASSY	106106	1
250	112N2045-15	.	HOUSING ASSY- POSITION DATA: LH SIDE	106106	1
- 255	112N2045-16	.	HOUSING ASSY- POSITION DATA: RH SIDE	106106	1
260	LGPL2SPV8-18AC	.	BOLT ATTACHING PARTS SUPPLIER CODE: V17446 SPECIFICATION NUMBER: BACB30VN8K18 OPTIONAL PART: LGPL2SPV8-18AC V56878 LGPL2SPV8-18AC V92215 81669V8K18 V56878	106106	4

MISSING ITEM NUMBERS NOT APPLICABLE

- ITEM NOT ILLUSTRATED

57-21-51-02B

57-21-51
FIG. 02B
PAGE 19
JAN 20/09

BRI



757

PARTS CATALOG (MAINTENANCE)

FIG ITEM	PART NUMBER	1 2 3 4 5 6 7	NOMENCLATURE	EFFECT FROM TO	UNITS PER ASSY
2B 265	LGPL2SPV8-16AC	.BOLT	SUPPLIER CODE: V17446 SPECIFICATION NUMBER: BACB30VN8K16 OPTIONAL PART: LGPL2SPV8-16AC V92215 81669V8K16 V56878 LGPL2SPV8-16AC V56878	106106	4
270	LGPL2SPV8-15AC	.BOLT	SUPPLIER CODE: V17446 SPECIFICATION NUMBER: BACB30VN8K15 OPTIONAL PART: LGPL2SPV8-15AC V92215 81669V8K15 V56878 LGPL2SPV8-15AC V56878	106106	2
275	LGPL2SPV8-8AC	.BOLT	SUPPLIER CODE: V17446 SPECIFICATION NUMBER: BACB30VN8K8 OPTIONAL PART: LGPL2SPV8-8AC V92215 81669V8K8 V56878 LGPL2SPV8-8AC V56878	106106	2
280	3SLCC8	.COLLAR	SUPPLIER CODE: V17446 SPECIFICATION NUMBER: BACC30BK8 OPTIONAL PART: 3SLCC8 V92215	106106	12
285	112N2045-23	-----*----- .. FLANGE-	USED ON: 112N2045-15	106106	1

MISSING ITEM NUMBERS NOT APPLICABLE

- ITEM NOT ILLUSTRATED

BRI

57-21-51-02B

BOEING PROPRIETARY - Copyright © - Unpublished Work - See title page for details.

57-21-51
FIG. 02B
PAGE 20
JAN 20/09



757

PARTS CATALOG (MAINTENANCE)

FIG ITEM	PART NUMBER	1 2 3 4 5 6 7	NOMENCLATURE	EFFECT FROM TO	UNITS PER ASSY
2B					
- 290	112N2045-24		.. FLANGE- USED ON: 112N2045-16	106106	1
295	112N2045-5		.. HOUSING ASSY	106106	1
300	112N2044-21		. HOUSING ASSY- POSITION DATA: LH SIDE	106106	1
- 305	112N2044-22		. HOUSING ASSY- POSITION DATA: RH SIDE	106106	1
310	LGPL2SPV8-16AC		. BOLT ATTACHING PARTS SUPPLIER CODE: V17446 SPECIFICATION NUMBER: BACB30VN8K16 OPTIONAL PART: LGPL2SPV8-16AC V92215 81669V8K16 V56878 LGPL2SPV8-16AC V56878	106106	4
315	LGPL2SPV8-15AC		. BOLT SUPPLIER CODE: V17446 SPECIFICATION NUMBER: BACB30VN8K15 OPTIONAL PART: LGPL2SPV8-15AC V92215 81669V8K15 V56878 LGPL2SPV8-15AC V56878	106106	8
320	LGPL2SPV8-12AC		. BOLT SUPPLIER CODE: V17446 SPECIFICATION NUMBER: BACB30VN8K12 OPTIONAL PART: LGPL2SPV8-12AC V92215 81669V8K12 V56878 LGPL2SPV8-12AC V56878	106106	2

MISSING ITEM NUMBERS NOT APPLICABLE

- ITEM NOT ILLUSTRATED

57-21-51-02B

57-21-51
FIG. 02B
PAGE 21
JAN 20/09

BRI

BOEING PROPRIETARY - Copyright © - Unpublished Work - See title page for details.



757

PARTS CATALOG (MAINTENANCE)

FIG ITEM	PART NUMBER	1 2 3 4 5 6 7	NOMENCLATURE	EFFECT FROM TO	UNITS PER ASSY
2B 325	LGPL2SPV8-11AC	.BOLT	SUPPLIER CODE: V17446 SPECIFICATION NUMBER: BACB30VN8K11 OPTIONAL PART: LGPL2SPV8-11AC V92215 81669V8K11 V56878 LGPL2SPV8-11AC V56878	106106	2
330	3SLCC8	.COLLAR	SUPPLIER CODE: V17446 SPECIFICATION NUMBER: BACC30BK8 OPTIONAL PART: 3SLCC8 V92215	106106	16
335	112N2044-29	..FLANGE-	USED ON: 112N2044-21	106106	1
- 340	112N2044-30	..FLANGE-	USED ON: 112N2044-22	106106	1
345	112N2044-8	..HOUSING ASSY		106106	1
350	112N2044-19	.HOUSING ASSY-	POSITION DATA: LH SIDE	106106	1
- 355	112N2044-20	.HOUSING ASSY-	POSITION DATA: RH SIDE	106106	1
360	BACB30VN6K15	.BOLT	ATTACHING PARTS	106106	2
365	LGPL2SPV8-15AC	.BOLT	SUPPLIER CODE: V17446 SPECIFICATION NUMBER: BACB30VN8K15 OPTIONAL PART: LGPL2SPV8-15AC V92215 81669V8K15 V56878 LGPL2SPV8-15AC V56878	106106	2

MISSING ITEM NUMBERS NOT APPLICABLE

- ITEM NOT ILLUSTRATED

57-21-51-02B

57-21-51
FIG. 02B
PAGE 22
JAN 20/09

BRI

BOEING PROPRIETARY - Copyright © - Unpublished Work - See title page for details.



757

PARTS CATALOG (MAINTENANCE)

FIG ITEM	PART NUMBER	1 2 3 4 5 6 7	NOMENCLATURE	EFFECT FROM TO	UNITS PER ASSY
2B 370	LGPL2SPV8-14AC	.BOLT	SUPPLIER CODE: V17446 SPECIFICATION NUMBER: BACB30VN8K14 OPTIONAL PART: LGPL2SPV8-14AC V92215 81669V8K14 V56878 LGPL2SPV8-14AC V56878	106106	7
375	LGPL2SPV8-10AC	.BOLT	SUPPLIER CODE: V17446 SPECIFICATION NUMBER: BACB30VN8K10 OPTIONAL PART: LGPL2SPV8-10AC V92215 81669V8K10 V56878 LGPL2SPV8-10AC V56878	106106	1
380	LGPL2SPV6-12AC	.BOLT	SUPPLIER CODE: V17446 SPECIFICATION NUMBER: BACB30VN6K12 OPTIONAL PART: LGPL2SPV6-12AC V92215 81669V6K12 V56878 LGPL2SPV6-12AC V56878	106106	5
385	LGPL2SPV8-11AC	.BOLT	SUPPLIER CODE: V17446 SPECIFICATION NUMBER: BACB30VN8K11 OPTIONAL PART: LGPL2SPV8-11AC V92215 81669V8K11 V56878 LGPL2SPV8-11AC V56878	106106	2

MISSING ITEM NUMBERS NOT APPLICABLE

- ITEM NOT ILLUSTRATED

BRI

57-21-51-02B

BOEING PROPRIETARY - Copyright © - Unpublished Work - See title page for details.

57-21-51
FIG. 02B
PAGE 23
JAN 20/09



757

PARTS CATALOG (MAINTENANCE)

FIG ITEM	PART NUMBER	1 2 3 4 5 6 7	NOMENCLATURE	EFFECT FROM TO	UNITS PER ASSY
2B 390	3SLCC6		.COLLAR SUPPLIER CODE: V17446 SPECIFICATION NUMBER: BACC30BK6 OPTIONAL PART: 3SLCC6 V92215	106106	7
395	3SLCC8		.COLLAR SUPPLIER CODE: V17446 SPECIFICATION NUMBER: BACC30BK8 OPTIONAL PART: 3SLCC8 V92215	106106	12
400	112N2044-27		-----*----- .. FLANGE- USED ON: 112N2044-19	106106	1
- 405	112N2044-28		.. FLANGE- USED ON: 112N2044-20	106106	1
410	112N2044-7		.. HOUSING ASSY	106106	1
415	112N2044-17		.HOUSING ASSY- POSITION DATA: LH SIDE	106106	1
- 420	112N2044-18		.HOUSING ASSY- POSITION DATA: RH SIDE	106106	1
425	LGPL2SPV8-12AC		ATTACHING PARTS .BOLT SUPPLIER CODE: V17446 SPECIFICATION NUMBER: BACB30VN8K12 OPTIONAL PART: LGPL2SPV8-12AC V92215 81669V8K12 V56878 LGPL2SPV8-12AC V56878	106106	4

MISSING ITEM NUMBERS NOT APPLICABLE

- ITEM NOT ILLUSTRATED

57-21-51-02B

57-21-51
FIG. 02B
PAGE 24
JAN 20/09

BRI



757

PARTS CATALOG (MAINTENANCE)

FIG ITEM	PART NUMBER	1 2 3 4 5 6 7	NOMENCLATURE	EFFECT FROM TO	UNITS PER ASSY
2B 430	LGPL2SPV6-12AC	.BOLT	SUPPLIER CODE: V17446 SPECIFICATION NUMBER: BACB30VN6K12 OPTIONAL PART: LGPL2SPV6-12AC V92215 81669V6K12 V56878 LGPL2SPV6-12AC V56878	106106	7
435	LGPL2SPV8-10AC	.BOLT	SUPPLIER CODE: V17446 SPECIFICATION NUMBER: BACB30VN8K10 OPTIONAL PART: LGPL2SPV8-10AC V92215 81669V8K10 V56878 LGPL2SPV8-10AC V56878	106106	6
440	LGPL2SPV8-8AC	.BOLT	SUPPLIER CODE: V17446 SPECIFICATION NUMBER: BACB30VN8K8 OPTIONAL PART: LGPL2SPV8-8AC V92215 81669V8K8 V56878 LGPL2SPV8-8AC V56878	106106	2
445	3SLCC8	.COLLAR	SUPPLIER CODE: V17446 SPECIFICATION NUMBER: BACC30BK8 OPTIONAL PART: 3SLCC8 V92215	106106	12

MISSING ITEM NUMBERS NOT APPLICABLE

- ITEM NOT ILLUSTRATED

BRI

57-21-51-02B

BOEING PROPRIETARY - Copyright © - Unpublished Work - See title page for details.

57-21-51
FIG. 02B
PAGE 25
JAN 20/09



757

PARTS CATALOG (MAINTENANCE)

FIG ITEM	PART NUMBER	1 2 3 4 5 6 7	NOMENCLATURE	EFFECT FROM TO	UNITS PER ASSY
2B 450	3SLCC6		. COLLAR SUPPLIER CODE: V17446 SPECIFICATION NUMBER: BACC30BK6 OPTIONAL PART: 3SLCC6 V92215 -----*-----	106106	7
455	112N2044-25		.. FLANGE- USED ON: 112N2044-17	106106	1
- 460	112N2044-26		.. FLANGE- USED ON: 112N2044-18	106106	1
465	112N2044-6		.. HOUSING ASSY	106106	1
470	112N2044-15		. HOUSING ASSY- POSITION DATA: LH SIDE	106106	1
- 475	112N2044-16		. HOUSING ASSY- POSITION DATA: RH SIDE	106106	1
480	LGPL2SPV8-11AC		ATTACHING PARTS . BOLT SUPPLIER CODE: V17446 SPECIFICATION NUMBER: BACB30VN8K11 OPTIONAL PART: LGPL2SPV8-11AC V92215 81669V8K11 V56878 LGPL2SPV8-11AC V56878	106106	4
485	LGPL2SPV8-10AC		. BOLT SUPPLIER CODE: V17446 SPECIFICATION NUMBER: BACB30VN8K10 OPTIONAL PART: LGPL2SPV8-10AC V92215 81669V8K10 V56878 LGPL2SPV8-10AC V56878	106106	6

MISSING ITEM NUMBERS NOT APPLICABLE

- ITEM NOT ILLUSTRATED

57-21-51-02B

57-21-51
FIG. 02B
PAGE 26
JAN 20/09

BRI

BOEING PROPRIETARY - Copyright © - Unpublished Work - See title page for details.



757

PARTS CATALOG (MAINTENANCE)

FIG ITEM	PART NUMBER	1 2 3 4 5 6 7	NOMENCLATURE	EFFECT FROM TO	UNITS PER ASSY
2B 490	LGPL2SPV8-8AC	.BOLT	SUPPLIER CODE: V17446 SPECIFICATION NUMBER: BACB30VN8K8 OPTIONAL PART: LGPL2SPV8-8AC V92215 81669V8K8 V56878 LGPL2SPV8-8AC V56878	106106	2
495	LGPL2SPV8-9AC	.BOLT	SUPPLIER CODE: V17446 SPECIFICATION NUMBER: BACB30VN8K9 OPTIONAL PART: LGPL2SPV8-9AC V92215 81669V8K9 V56878 LGPL2SPV8-9AC V56878	106106	2
500	3SLCC8	.COLLAR	SUPPLIER CODE: V17446 SPECIFICATION NUMBER: BACC30BK8 OPTIONAL PART: 3SLCC8 V92215 -----*-----	106106	14
505	112N2044-23	..FLANGE-	USED ON: 112N2044-15	106106	1
- 510	112N2044-24	..FLANGE-	USED ON: 112N2044-16	106106	1
515	112N2044-5	..HOUSING ASSY		106106	1
520	251N5080-1	.FITTING ASSY-MTG	POSITION DATA: LH SIDE	106106	1

MISSING ITEM NUMBERS NOT APPLICABLE

- ITEM NOT ILLUSTRATED

57-21-51-02B

57-21-51
FIG. 02B
PAGE 27
JAN 20/09

BRI

BOEING PROPRIETARY - Copyright © - Unpublished Work - See title page for details.



757

PARTS CATALOG (MAINTENANCE)

FIG ITEM	PART NUMBER	1 2 3 4 5 6 7	NOMENCLATURE	EFFECT FROM TO	UNITS PER ASSY
2B			ATTACHING PARTS		
- 525	LGPL2SPV8-8AC		.BOLT- SUPPLIER CODE: V17446 SPECIFICATION NUMBER: BACB30VN8K8 OPTIONAL PART: LGPL2SPV8-8AC V92215 81669V8K8 V56878 LGPL2SPV8-8AC V56878 QUALIFIED OPTIONAL DATA: OPTIONAL BACB30VR8K8 WITH BACC30BK8 OPTIONAL BACB30VT8K8 WITH BACC30BP8 OPTIONAL BACB30VT8K8 WITH BACC30BL8	106106	2
- 525	LGPS2SPV8-8AC		.BOLT- SUPPLIER CODE: V17446 SPECIFICATION NUMBER: BACB30VR8K8 OPTIONAL PART: LGPS2SPV8-8AC V92215 111119V8K8 V80539 QUALIFIED OPTIONAL DATA: OPTIONAL BACB30VN8K8 WITH BACC30BK8 OPTIONAL BACB30VT80K8 WITH BACC30BP8 OPTIONAL BACB30VT8K8 WITH BACC30BL8	106106	2

MISSING ITEM NUMBERS NOT APPLICABLE

- ITEM NOT ILLUSTRATED

BRI

57-21-51-02B

BOEING PROPRIETARY - Copyright © - Unpublished Work - See title page for details.

57-21-51
FIG. 02B
PAGE 28
JAN 20/09



757

PARTS CATALOG (MAINTENANCE)

FIG ITEM	PART NUMBER	1 2 3 4 5 6 7	NOMENCLATURE	EFFECT FROM TO	UNITS PER ASSY
2B - 525	HST10AG8-8		.BOLT- SUPPLIER CODE: VOPTK6 SPECIFICATION NUMBER: BACB30VT8K8 OPTIONAL PART: HST10AG8-8 V06725 HST10AG8-8 V56878 HST10AG8-8 V73197 WC10K8-8 V60516 QUALIFIED OPTIONAL DATA: OPTIONAL BACB30VN8K8 WITH BACC30BK8 OPTIONAL BACB30VR8K8 WITH BACC30BK8 OPTIONAL BACB30VT8K8 WITH BACC30BL8	106106	2
- 530	3SLCC8		.COLLAR- SUPPLIER CODE: V17446 SPECIFICATION NUMBER: BACC30BK8 OPTIONAL PART: 3SLCC8 V92215 QUALIFIED OPTIONAL DATA: OPTIONAL WITH BACC30BP8 AND BACC30BL8	106106	2
- 530	VLC771-8		.COLLAR- SUPPLIER CODE: V5M902 SPECIFICATION NUMBER: BACC30BP8 OPTIONAL PART: HST771-8 V73197 QUALIFIED OPTIONAL DATA: OPTIONAL WITH BACC30BK8 AND BACC30BL8	106106	2

MISSING ITEM NUMBERS NOT APPLICABLE

- ITEM NOT ILLUSTRATED

BRI

57-21-51-02B

BOEING PROPRIETARY - Copyright © - Unpublished Work - See title page for details.

57-21-51
FIG. 02B
PAGE 29
JAN 20/09



**757
PARTS CATALOG (MAINTENANCE)**

FIG ITEM	PART NUMBER	1 2 3 4 5 6 7	NOMENCLATURE	EFFECT FROM TO	UNITS PER ASSY
2B - 530	BACC30BL8		.COLLAR- SUPPLIER CODE: V73197 SPECIFICATION NUMBER: BACC30BL8 OPTIONAL PART: HST79-8 V92215 HST79CY8 V56878 HST79CY8 V5M902 QUALIFIED OPTIONAL DATA: OPTIONAL WITH BACC30BK8 WITH BACC30BP8 -----*-----	106106	2
535	BACB28X5C016		..BUSHING	106106	1
540	BACB28Y5C030		..BUSHING	106106	1
545	251N5080-2		..FITTING	106106	1
550	287N1442-65		.BRACKET ASSY- POSITION DATA: LH SIDE ATTACHING PARTS	106106	1
- 555	LGPL2SPV8-6AC		.BOLT- SUPPLIER CODE: V17446 SPECIFICATION NUMBER: BACB30VN8K6 OPTIONAL PART: LGPL2SPV8-6AC V92215 81669V8K6 V56878 LGPL2SPV8-6AC V56878 QUALIFIED OPTIONAL DATA: OPTIONAL BACB30VR8K6 WITH BACC30BK8 OPTIONAL BACB30VT8K6 WITH BACC30BP8 OPTIONAL BACB30VT8K6 WITH BACC30BL8	106106	5

MISSING ITEM NUMBERS NOT APPLICABLE

- ITEM NOT ILLUSTRATED

BRI

57-21-51-02B

BOEING PROPRIETARY - Copyright © - Unpublished Work - See title page for details.

57-21-51
FIG. 02B
PAGE 30
JAN 20/09



757

PARTS CATALOG (MAINTENANCE)

FIG ITEM	PART NUMBER	1 2 3 4 5 6 7	NOMENCLATURE	EFFECT FROM TO	UNITS PER ASSY
2B - 555	111119V8K6		.BOLT- SUPPLIER CODE: V80539 SPECIFICATION NUMBER: BACB30VR8K6 OPTIONAL PART: LGPS2SPV8-6AC V17446 LGPS2SPV8-6AC V92215 QUALIFIED OPTIONAL DATA: OPTIONAL BACB30VN8K6 WITH BACC30BK8 OPTIONAL BACB30VT8K6 WITH BACC30BP8 OPTIONAL BACB30VT8K6 WITH BACC30BL8	106106	5
- 555	HST10AG8-6		.BOLT- SUPPLIER CODE: VOPTK6 SPECIFICATION NUMBER: BACB30VT8K6 OPTIONAL PART: HST10AG8-6 V06725 HST10AG8-6 V56878 HST10AG8-6 V73197 WC10K8-6 V60516 QUALIFIED OPTIONAL DATA: OPTIONAL BACB30VN8K6 WITH BACC30BK8 OPTIONAL BACB30VR8K6 WITH BACC30BK8 OPTIONAL BACB30VT8K6 WITH BACC30BL8	106106	5
- 560	3SLCC8		.COLLAR- SUPPLIER CODE: V17446 SPECIFICATION NUMBER: BACC30BK8 OPTIONAL PART: 3SLCC8 V92215 QUALIFIED OPTIONAL DATA: OPTIONAL WITH BACC30BP8 AND BACC30BL8	106106	5

MISSING ITEM NUMBERS NOT APPLICABLE

- ITEM NOT ILLUSTRATED

57-21-51-02B

57-21-51
FIG. 02B
PAGE 31
JAN 20/09

BRI



757

PARTS CATALOG (MAINTENANCE)

FIG ITEM	PART NUMBER	1 2 3 4 5 6 7	NOMENCLATURE	EFFECT FROM TO	UNITS PER ASSY
2B - 560	VLC771-8	.	COLLAR- SUPPLIER CODE: V5M902 SPECIFICATION NUMBER: BACC30BP8 OPTIONAL PART: HST771-8 V73197 QUALIFIED OPTIONAL DATA: OPTIONAL WITH BACC30BK8 AND BACC30BL8	106106	5
- 560	BACC30BL8	.	COLLAR- SUPPLIER CODE: V73197 SPECIFICATION NUMBER: BACC30BL8 OPTIONAL PART: HST79-8 V92215 HST79CY8 V56878 HST79CY8 V5M902 QUALIFIED OPTIONAL DATA: OPTIONAL WITH BACC30BK8 AND BACC30BP8	106106	5
565	BACS53B1ES1	..	STUD-GND	106106	1
570	287N1442-66	..	BRACKET- POSITION DATA: LH SIDE	106106	1
575	112N2052-1	.	NUTPLATE ATTACHING PARTS	106106	8
580	BACR15BA6ADC	.	RIVET- SIZE DETERMINED ON INSTL.	106106	16
585	BACB30NM8K9	.	BOLT	106106	2
590	BACB30NM8K10	.	BOLT	106106	2
595	BACB30NM8K12	.	BOLT	106106	2
600	BACB30NM4K10	.	BOLT	106106	2
605	NAS1149D0463J	.	WASHER	106106	8
610	112N2052-16	.	COVER ASSY	106106	3
615	BACB30NM8K4	..	BOLT	106106	1
620	BACW10BP8CD	..	WASHER	106106	1
625	BACN10EJ8HS	..	NUTPLATE ATTACHING PARTS	106106	1
- 630	BACR15CE5D	..	RIVET- SIZE DETERMINED ON INSTL.	106106	2

MISSING ITEM NUMBERS NOT APPLICABLE

- ITEM NOT ILLUSTRATED

57-21-51-02B

57-21-51
FIG. 02B
PAGE 32
JAN 20/09

BRI

BOEING PROPRIETARY - Copyright © - Unpublished Work - See title page for details.



757

PARTS CATALOG (MAINTENANCE)

FIG ITEM	PART NUMBER	1 2 3 4 5 6 7	NOMENCLATURE	EFFECT FROM TO	UNITS PER ASSY
2B					
635	112N2052-20	..	CHANNEL ATTACHING PARTS	106106	1
- 640	BACR15BB5AD	..	RIVET- SIZE DETERMINED ON INSTL. -----*-----	106106	3
645	112N2052-18	..	COVER	106106	1
650	112N2052-15	.	COVER ASSY	106106	1
655	BACB30NM8K4	..	BOLT	106106	1
660	BACW10BP8CD	..	WASHER	106106	1
665	BACN10EJ8HS	..	NUTPLATE ATTACHING PARTS	106106	1
- 670	BACR15CE5D	..	RIVET- SIZE DETERMINED ON INSTL. -----*-----	106106	1
675	112N2052-19	..	CHANNEL ATTACHING PARTS	106106	1
- 680	BACR15BB5AD	..	RIVET- SIZE DETERMINED ON INSTL. -----*-----	106106	1
685	112N2052-17	..	COVER	106106	1
690	WS1-332A16	.	NUTPLATE- SUPPLIER CODE: V04169 SPECIFICATION NUMBER: BACN10GH3A16 POSITION DATA: LH SIDE ATTACHING PARTS	106106	1
- 692	BACR15BB5AD	..	RIVET- SIZE DETERMINED ON INSTL. -----*-----	106106	2
695	287N1401-755	.	BRACKET ASSY- POSITION DATA: LH SIDE	106106	1
- 700	287N1401-756	.	BRACKET ASSY- POSITION DATA: RH SIDE ATTACHING PARTS	106106	1
- 705	BACB30VR8K7	.	BOLT- QUALIFIED OPTIONAL DATA: OPTIONAL BACB30VN8K7 WITH BACC30BK8 OPTIONAL BACB30VT8K7 WITH BACC30BP8	106106	4

MISSING ITEM NUMBERS NOT APPLICABLE

- ITEM NOT ILLUSTRATED

57-21-51-02B

57-21-51
FIG. 02B
PAGE 33
JAN 20/09

BRI

BOEING PROPRIETARY - Copyright © - Unpublished Work - See title page for details.



757

PARTS CATALOG (MAINTENANCE)

FIG ITEM	PART NUMBER	1 2 3 4 5 6 7	NOMENCLATURE	EFFECT FROM TO	UNITS PER ASSY
2B - 705	LGPL2SPV8-7AC	.BOLT-	SUPPLIER CODE: V17446 SPECIFICATION NUMBER: BACB30VN8K7 OPTIONAL PART: LGPL2SPV8-7AC V92215 81669V8K7 V56878 LGPL2SPV8-7AC V56878 QUALIFIED OPTIONAL DATA: OPTIONAL BACB30VR8K7 WITH BACC30BK8 OPTIONAL BACB30VT8K7 WITH BACC30BP8	106106	4
- 705	HST10AG8-7	.BOLT-	SUPPLIER CODE: VOPTK6 SPECIFICATION NUMBER: BACB30VT8K7 OPTIONAL PART: HST10AG8-7 V06725 HST10AG8-7 V56878 HST10AG8-7 V73197 WC10K8-7 V60516 QUALIFIED OPTIONAL DATA: OPTIONAL BACB30VR8K7 WITH BACC30BK8 OPTIONAL BACB30VN8K7 WITH BACC30BK8	106106	4
- 710	3SLCC8	.COLLAR-	SUPPLIER CODE: V17446 SPECIFICATION NUMBER: BACC30BK8 OPTIONAL PART: 3SLCC8 V92215 QUALIFIED OPTIONAL DATA: OPTIONAL WITH BACC30BP	106106	4

MISSING ITEM NUMBERS NOT APPLICABLE

- ITEM NOT ILLUSTRATED

57-21-51-02B

57-21-51
FIG. 02B
PAGE 34
JAN 20/09

BRI



757

PARTS CATALOG (MAINTENANCE)

FIG ITEM	PART NUMBER	1 2 3 4 5 6 7	NOMENCLATURE	EFFECT FROM TO	UNITS PER ASSY
2B - 710	VLC771-8		. COLLAR- SUPPLIER CODE: V5M902 SPECIFICATION NUMBER: BACC30BP8 OPTIONAL PART: HST771-8 V73197 QUALIFIED OPTIONAL DATA: OPTIONAL WITH BACC30BK8 -----*-----	106106	4
715	BACS53B1ES1		.. STUD-GND	106106	3
720	287N1401-757		.. BRACKET- USED ON: 287N1401-755	106106	1
- 725	287N1401-758		.. BRACKET- USED ON: 287N1401-756	106106	1

MISSING ITEM NUMBERS NOT APPLICABLE

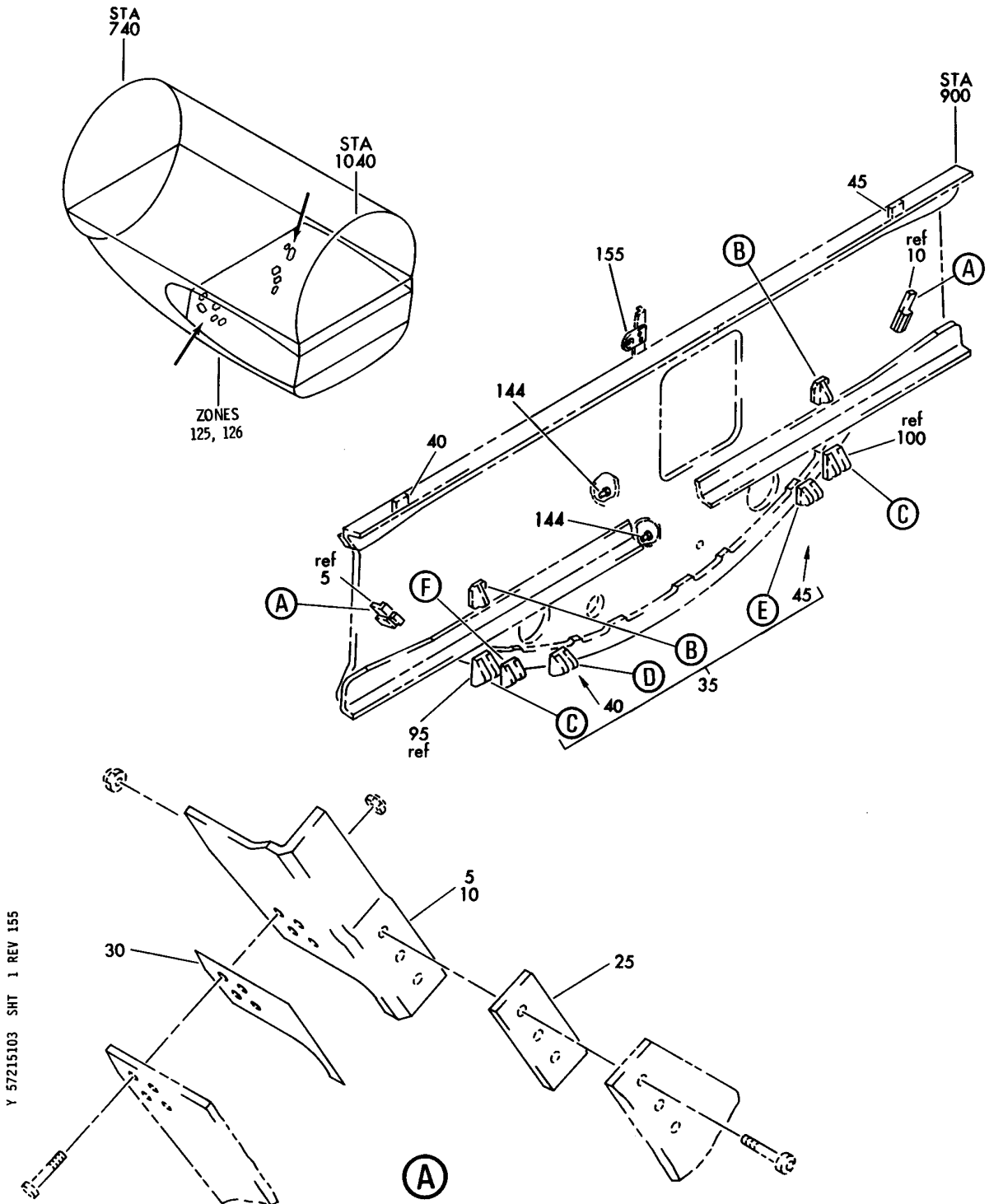
- ITEM NOT ILLUSTRATED

57-21-51-02B

57-21-51
FIG. 02B
PAGE 35
JAN 20/09

BRI

BOEING
757
PARTS CATALOG (MAINTENANCE)



Y 57215103 SHT 1 REV 155

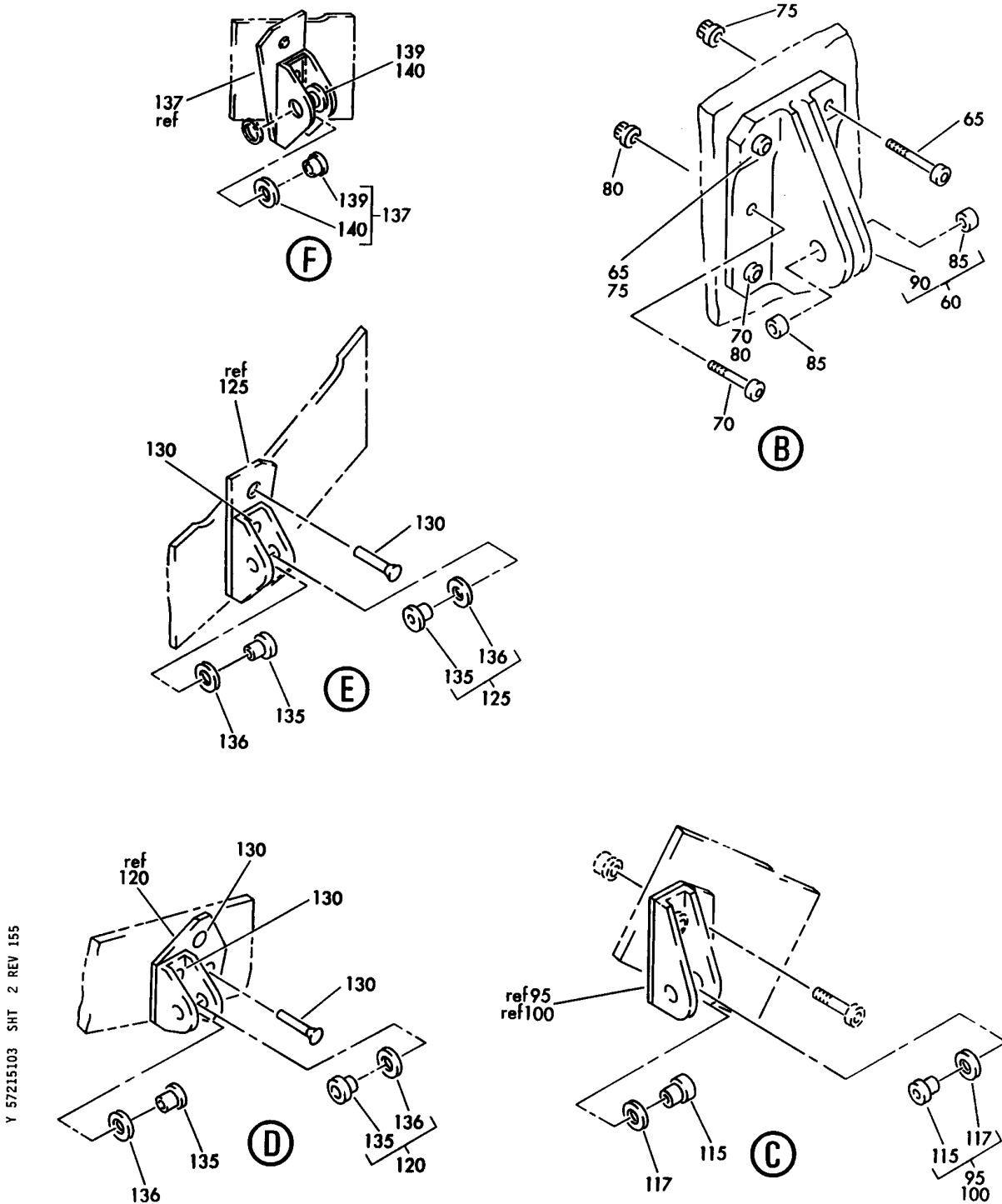
SPAR INSTL-SECT. 11 WING FRONT
FIGURE 3 (SHEET 1)

57-21-51-03

BRI
MAY 28/07

57-21-51-03
PAGE 0

BOEING
757
PARTS CATALOG (MAINTENANCE)



Y 57215103 SHT 2 REV 155

SPAR INSTL-SECT. 11 WING FRONT
FIGURE 3 (SHEET 2)

57-21-51-03

BRI
MAY 28/07

57-21-51-03
PAGE 0A



757

PARTS CATALOG (MAINTENANCE)

FIG ITEM	PART NUMBER	1 2 3 4 5 6 7	NOMENCLATURE	EFFECT FROM TO	UNITS PER ASSY
3			SPAR INSTL-SECT. 11 WING FRONT	002004 006100 107107 121503 904999	
- 1	111N2001-1		SPAR INSTL-WING POSITION DATA: SECT. 11 FRONT FOR NHA SEE: 57-10-51-01	002004 006100 107107 121503 904999	RF
	5 111N2009-3		.ANGLE-	002004 006100 107107 121503 904999	1
	5 111N2009-5		.ANGLE-	002004 006100 107107 121503 904999	1
	10 111N2009-4		.ANGLE-	002004 006100 107107 121503 904999	1
	10 111N2009-6		.ANGLE-	002004 006100 107107 121503 904999	1
- 15	BACB30MY8K		ATTACHING PARTS .BOLT- SIZE DETERMINED ON INSTL.	002004 006100 107107 121503 904999	12

MISSING ITEM NUMBERS NOT APPLICABLE

- ITEM NOT ILLUSTRATED

57-21-51-03

57-21-51
FIG. 03
PAGE 1
JAN 20/09

BRI



757

PARTS CATALOG (MAINTENANCE)

FIG ITEM	PART NUMBER	1 2 3 4 5 6 7	NOMENCLATURE	EFFECT FROM TO	UNITS PER ASSY
3 - 20	TLN12044		.NUT SUPPLIER CODE: V97928 SPECIFICATION NUMBER: BACN10WM4 OPTIONAL PART: LH10114B4 V72962 MN154 V73197 VN18614 V92215 H49702-4S V15653 W8504 V08524 H497024 V15653	002004 006100 107107 121503 904999	12
25	111N2001-7		-----*----- .SHIM- OPTIONAL PART: BACS40R14D33F	002004 006100 107107 121503 904999	AR
25	BACS40R14D33F		.SHIM- OPTIONAL PART: 111N2001-7	002004 006100 107107 121503 904999	AR
30	111N2001-8		.SHIM- OPTIONAL PART: BACS40R23D30F	002004 006100 107107 121503 904999	AR
30	BACS40R23D30F		.SHIM- OPTIONAL PART: 111N2001-8	002004 006100 107107 121503 904999	AR
35	111N2001-2		.SPAR ASSY- POSITION DATA: FRONT	107107	1
35	111N2001-13		.SPAR ASSY- POSITION DATA: FRONT	002004 006100 121503 904999	1

MISSING ITEM NUMBERS NOT APPLICABLE

- ITEM NOT ILLUSTRATED

57-21-51-03

57-21-51
FIG. 03
PAGE 2
JAN 20/09

BRI

BOEING PROPRIETARY - Copyright © - Unpublished Work - See title page for details.



757

PARTS CATALOG (MAINTENANCE)

FIG ITEM	PART NUMBER	1 2 3 4 5 6 7	NOMENCLATURE	EFFECT FROM TO	UNITS PER ASSY
3	60 111N1016-1		..FITTING ASSY	002004 006100 107107 121503 904999	2
	65 BACB30MY10K		ATTACHING PARTS ..BOLT- SIZE DETERMINED ON INSTL.	002004 006100 107107 121503 904999	4
	70 BACB30MY8K		..BOLT- SIZE DETERMINED ON INSTL.	002004 006100 107107 121503 904999	8
	75 TLN12045		..NUT SUPPLIER CODE: V97928 SPECIFICATION NUMBER: BACN10WM5 OPTIONAL PART: LH10114B5 V72962 MN155 V73197 VN18615 V92215 H49702-5S V15653 W8505 V08524 H497025 V15653	002004 006100 107107 121503 904999	4

MISSING ITEM NUMBERS NOT APPLICABLE

- ITEM NOT ILLUSTRATED

57-21-51-03

57-21-51
FIG. 03
PAGE 3
JAN 20/09

BRI



757

PARTS CATALOG (MAINTENANCE)

FIG ITEM	PART NUMBER	1 2 3 4 5 6 7	NOMENCLATURE	EFFECT FROM TO	UNITS PER ASSY
3 80	TLN12044	..	NUT SUPPLIER CODE: V97928 SPECIFICATION NUMBER: BACN10WM4 OPTIONAL PART: LH10114B4 V72962 MN154 V73197 VN18614 V92215 H49702-4S V15653 W8504 V08524 H497024 V15653 -----*	002004 006100 107107 121503 904999	8
85	BACB28Y6M015	...	BUSHING	002004 006100 107107 121503 904999	4
90	111N1016-2	...	FITTING	002004 006100 107107 121503 904999	2
95	212N3081-5	..	BRACKET ASSY-	002004 006014 107107 121503 904999	1
95	212N3081-39	..	BRACKET ASSY-	015100	1
100	212N3081-6	..	BRACKET ASSY-	002004 006014 107107 121503 904999	1
100	212N3081-40	..	BRACKET ASSY- ATTACHING PARTS	015100	1
- 105	BACB30MY8K	..	BOLT- SIZE DETERMINED ON INSTL.	002004 006100 107107 121503 904999	4

MISSING ITEM NUMBERS NOT APPLICABLE

- ITEM NOT ILLUSTRATED

57-21-51-03

57-21-51
FIG. 03
PAGE 4
JAN 20/09

BRI

BOEING PROPRIETARY - Copyright © - Unpublished Work - See title page for details.



757

PARTS CATALOG (MAINTENANCE)

FIG ITEM	PART NUMBER	1 2 3 4 5 6 7	NOMENCLATURE	EFFECT FROM TO	UNITS PER ASSY
3 - 110	HL79-8		.. COLLAR SUPPLIER CODE: V5M902 SPECIFICATION NUMBER: BACC30M8 OPTIONAL PART: HL79-8 V73197 HL79-8 V92215 66014-8 V56878 HL79-8 V56878	002004 006100 107107 121503 904999	4
115	BACB28B4-248P		-----*----- ... BUSHING-	002004 006014 107107 121503 904999	2
115	BACB28X4C013		... BUSHING-	015100	2
117	BACW10BP6DP		... WASHER	015100	2
120	212N3081-9		.. BRACKET ASSY-	002004 006014 107107 121503 904999	1
120	212N3081-41		.. BRACKET ASSY-	015100	1
125	212N3081-13		.. BRACKET ASSY-	107107 904949	1
125	212N3081-22		.. BRACKET ASSY-	002004 006014 121503 950999	1
125	212N3081-38		.. BRACKET ASSY- ATTACHING PARTS	015100	1
130	BACR15BB8DD		.. RIVET- SIZE DETERMINED ON INSTL.	002004 006100 107107 121503 904999	5
135	BACB28B4-248P		-----*----- ... BUSHING-	002004 006014 107107 121503 904999	4
135	BACB28X4C013		... BUSHING-	015100	4
136	BACW10BP6DP		... WASHER	015100	4

MISSING ITEM NUMBERS NOT APPLICABLE

- ITEM NOT ILLUSTRATED

57-21-51-03

57-21-51
FIG. 03
PAGE 5
JAN 20/09

BRI

BOEING PROPRIETARY - Copyright © - Unpublished Work - See title page for details.



757

PARTS CATALOG (MAINTENANCE)

FIG ITEM	PART NUMBER	1 2 3 4 5 6 7	NOMENCLATURE	EFFECT FROM TO	UNITS PER ASSY
3					
137	212N3081-20	..	BRACKET ASSY-	107107 904949	1
137	212N3081-21	..	BRACKET ASSY-	002004 006014 121503 950999	1
137	212N3081-37	..	BRACKET ASSY- ATTACHING PARTS	015100	1
- 138	BACR15BB8DD	..	RIVET- SIZE DETERMINED ON INSTL.	002004 006100 107107 121503 904999	2
			-----*-----		
139	BACB28B4-248P	...	BUSHING-	003004 006014 107107 121503 904999	2
139	BACB28X4C013	...	BUSHING-	015100	2
140	BACW10BP6DP	...	WASHER	015100	2
144	VNS1924CA2-8	.	STUD SUPPLIER CODE: V5M902 SPECIFICATION NUMBER: BACS53B1EA2 OPTIONAL PART: VNS1924CA3-2-8 V92215	002004 006100 107107 121503 904999	2
- 145	VNS1924CA1-8	.	STUD SUPPLIER CODE: V5M902 SPECIFICATION NUMBER: BACS53B1EA1 OPTIONAL PART: VNS1924CA3-1-8 V92215	002004 006100 107107 121503 904999	2
- 150	251N6053-5	.	FAIRLEAD INSTL	107107 904949	1
155	251N6194-5	..	FAIRLEAD	107107 904949	1

MISSING ITEM NUMBERS NOT APPLICABLE

- ITEM NOT ILLUSTRATED

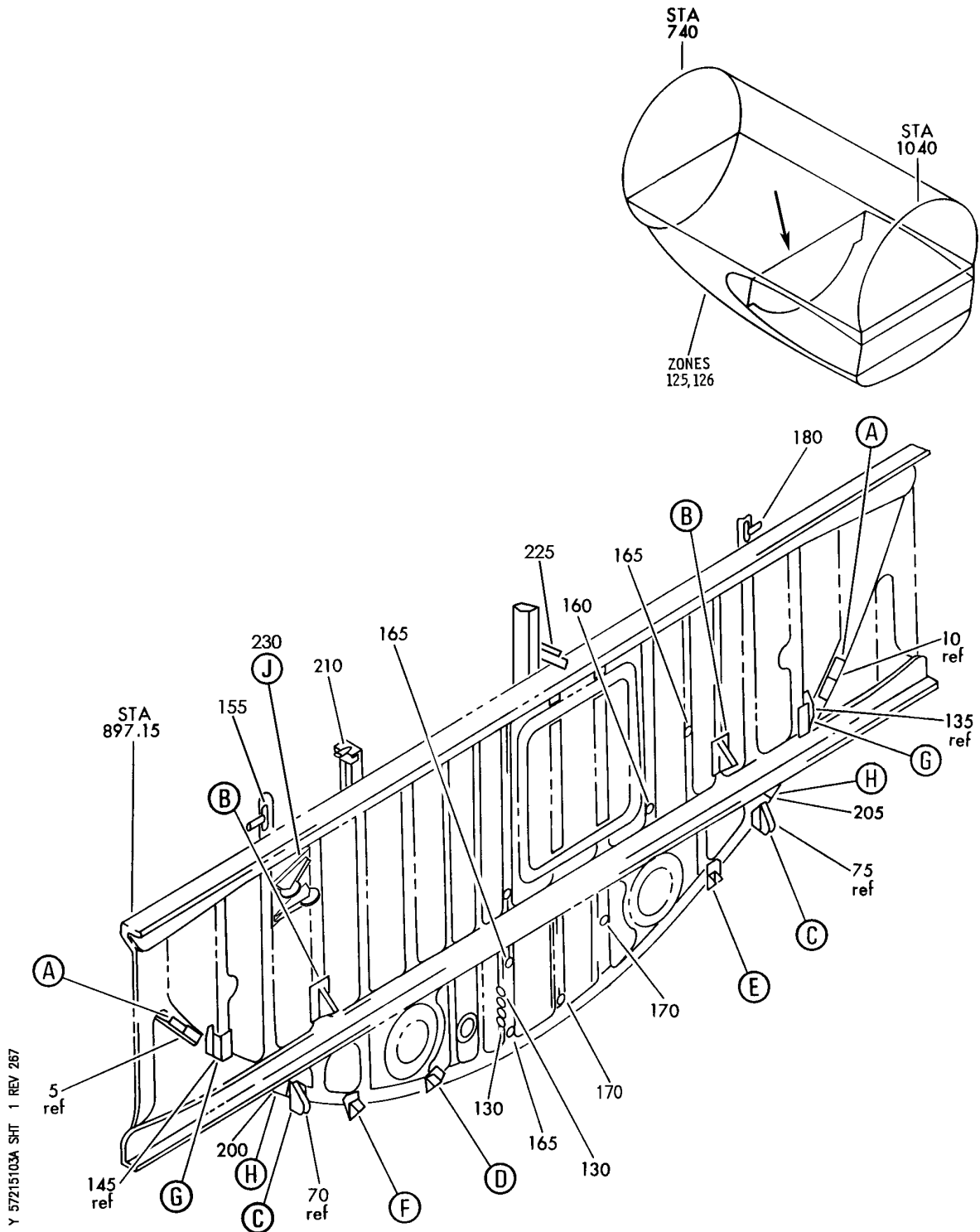
57-21-51-03

57-21-51
FIG. 03
PAGE 6
JAN 20/09

BRI

BOEING PROPRIETARY - Copyright © - Unpublished Work - See title page for details.

BOEING
757
PARTS CATALOG (MAINTENANCE)



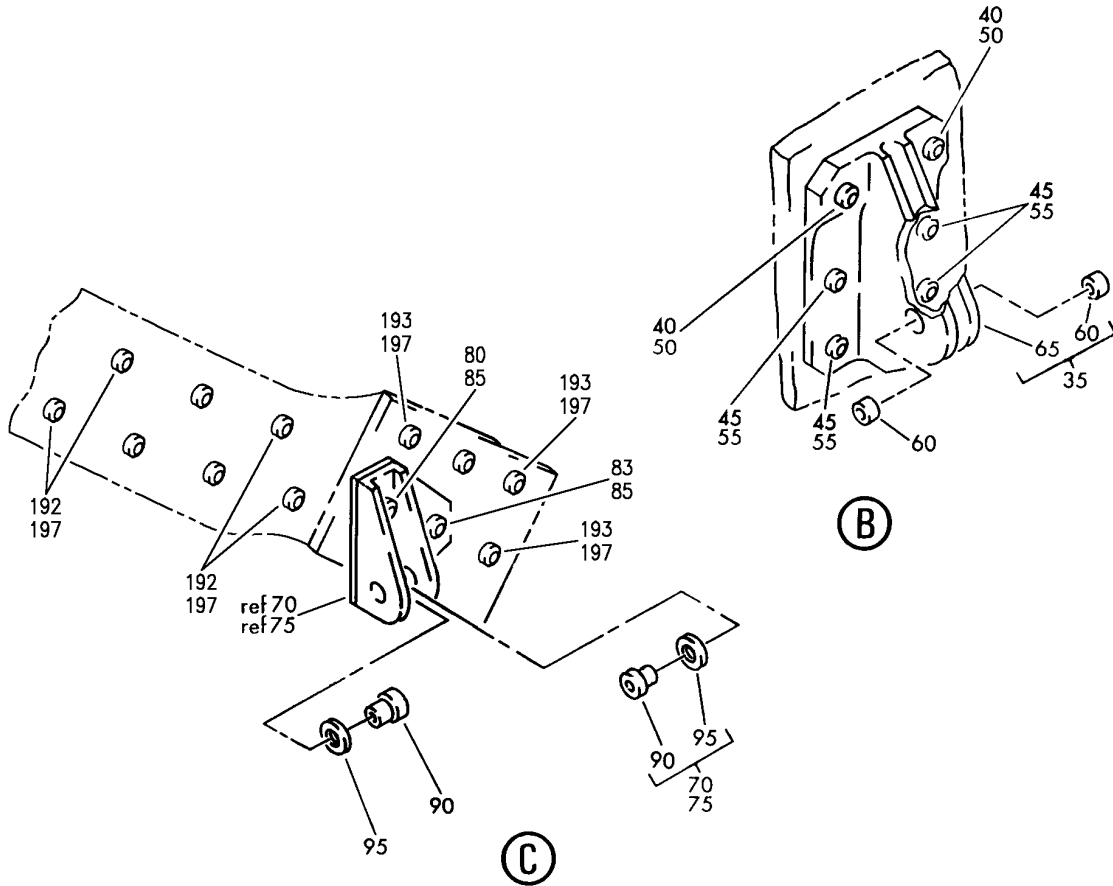
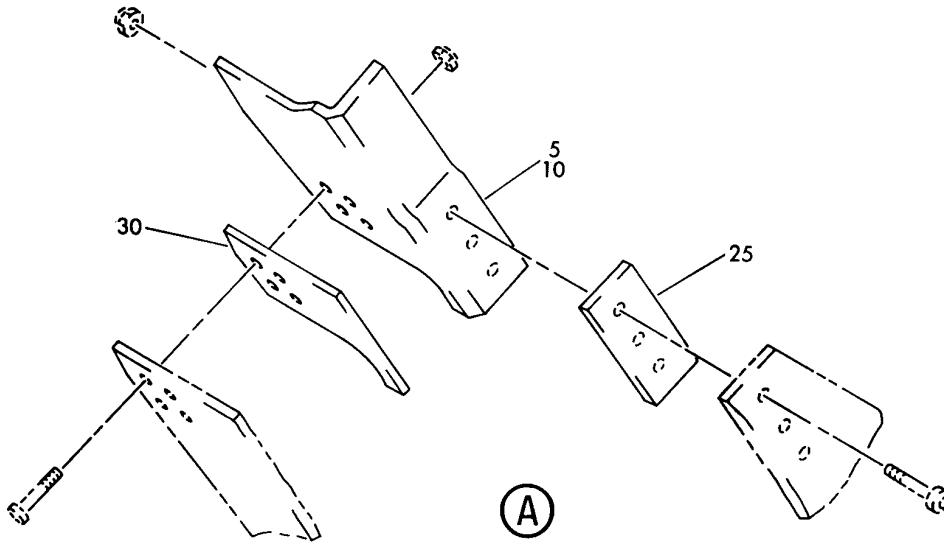
SPAR INSTL-SECT. 11 WING FRONT
FIGURE 3A (SHEET 1)

BRI
MAY 28/07

57-21-51-03A

57-21-51-03A
PAGE 0

BOEING
757
PARTS CATALOG (MAINTENANCE)



Y 57215103A SHT. 2 REV. 267

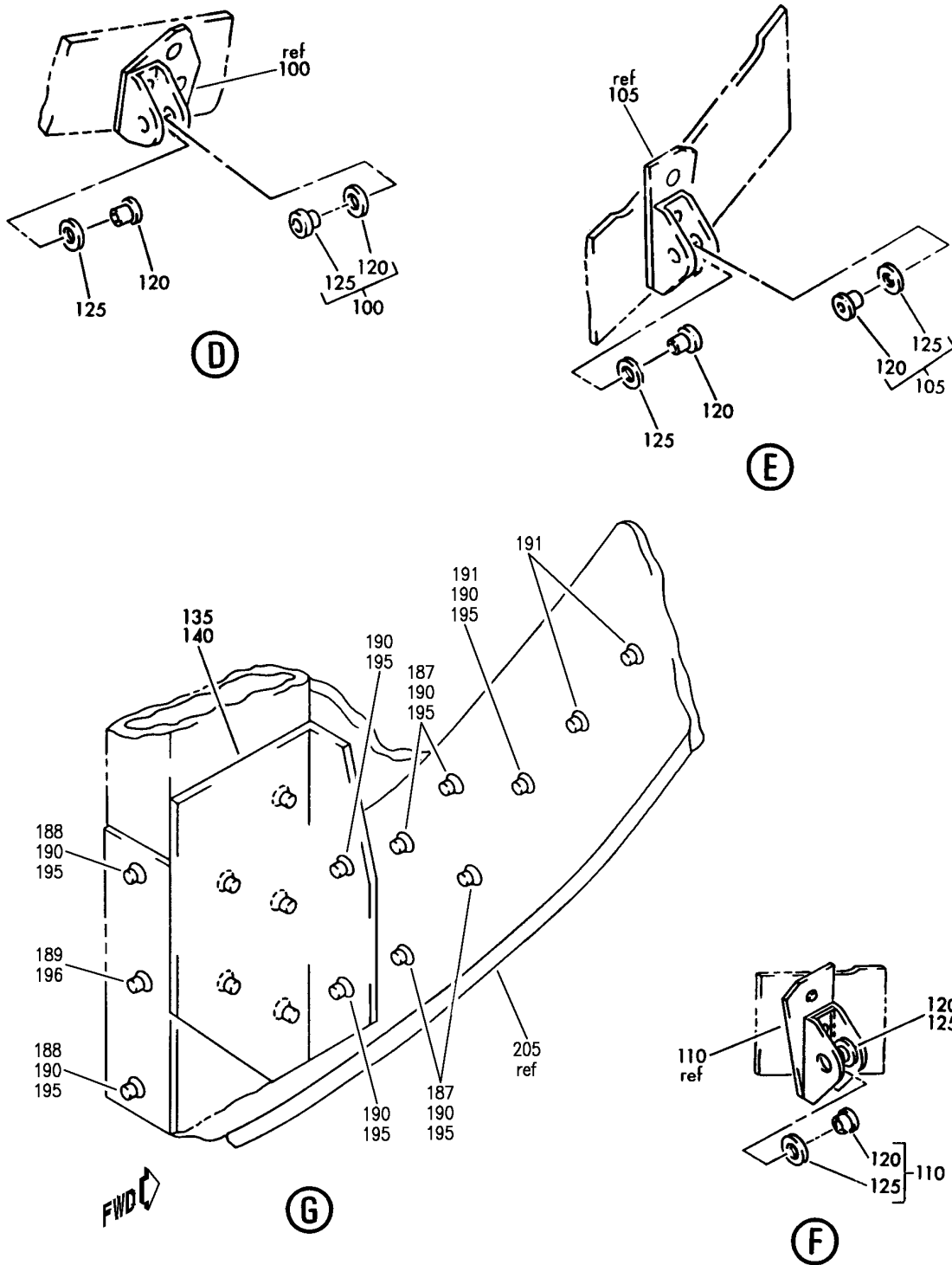
SPAR INSTL-SECT. 11 WING FRONT
FIGURE 3A (SHEET 2)

57-21-51-03A

BRI
MAY 28/07

57-21-51-03A
PAGE 0A

BOEING
757
PARTS CATALOG (MAINTENANCE)



Y 57215103A SHT. 3 REV 267

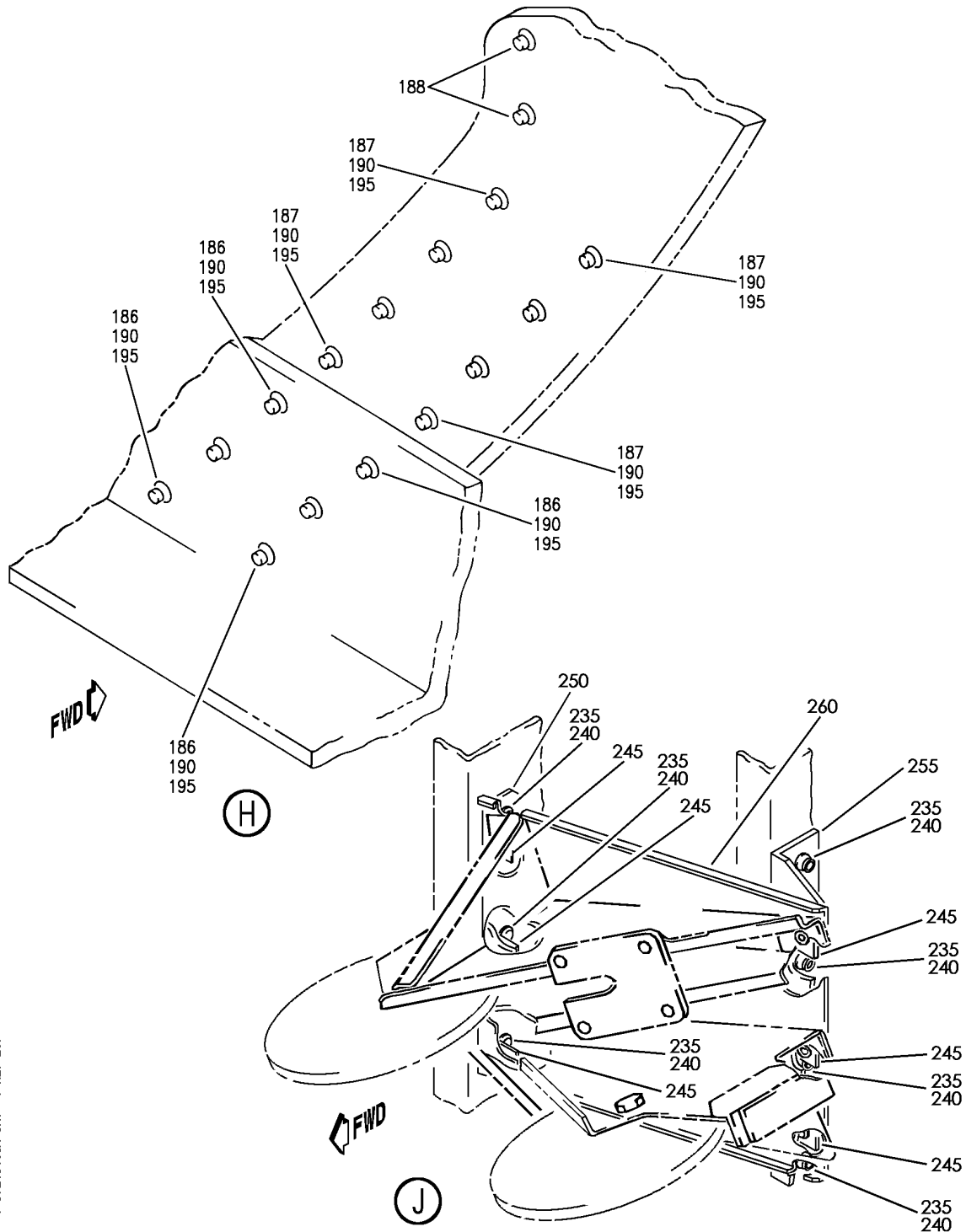
SPAR INSTL-SECT. 11 WING FRONT
FIGURE 3A (SHEET 3)

BRI
MAY 28/07

57-21-51-03A

57-21-51-03A
PAGE 0B

BOEING
757
PARTS CATALOG (MAINTENANCE)



Y 57215103A SHT 4 REV 267

SPAR INSTL-SECT. 11 WING FRONT
FIGURE 3A (SHEET 4)

57-21-51-03A

BRI
MAY 28/07

57-21-51-03A
PAGE 0C



757

PARTS CATALOG (MAINTENANCE)

FIG ITEM	PART NUMBER	1 2 3 4 5 6 7	NOMENCLATURE	EFFECT FROM TO	UNITS PER ASSY
3A			SPAR INSTL-SECT. 11 WING FRONT	101106 108120 504903	
- 1	111N2001-201		SPAR INSTL-WING POSITION DATA: SECT. 11 FRONT FOR NHA SEE: 57-00-00-20	101102 108120 504903	RF
- 1	MODREF1313		SPAR INSTL-WING MODULE NUMBER: 111N2001-201 REV A POSITION DATA: SECT. 11 FRONT	103103	1
- 1	MODREF25126		SPAR INSTL-WING MODULE NUMBER: 111N2001-201 REV B POSITION DATA: SECT. 11 FRONT	104106	1
5	111N2009-5		.ANGLE-	101106 108120 504903	1
5	111N2009-3		.ANGLE-	101106 108120 504903	1
10	111N2009-6		.ANGLE-	101106 108120 504903	1
10	111N2009-4		.ANGLE-	101106 108120 504903	1
- 15	L8008K8		ATTACHING PARTS .BOLT- SUPPLIER CODE: V06725 SPECIFICATION NUMBER: BACB30MY8K8	101106 108120 504903	6

MISSING ITEM NUMBERS NOT APPLICABLE

- ITEM NOT ILLUSTRATED

57-21-51-03A

57-21-51
FIG. 03A
PAGE 1
JAN 20/09

BRI



757

PARTS CATALOG (MAINTENANCE)

FIG ITEM	PART NUMBER	1 2 3 4 5 6 7	NOMENCLATURE	EFFECT FROM TO	UNITS PER ASSY
3A - 20	TLN12044		.NUT SUPPLIER CODE: V97928 SPECIFICATION NUMBER: BACN10WM4 OPTIONAL PART: LH10114B4 V72962 MN154 V73197 VN18614 V92215 H49702-4S V15653 W8504 V08524 H497024 V15653 -----*-----	101106 108120 504903	6
25	111N2001-7		.SHIM- OPTIONAL PART: BACS40R14D33F	101106 108120 504903	AR
25	BACS40R14D33F		.SHIM- OPTIONAL PART: 111N2001-7	101106 108120 504903	AR
30	111N2001-8		.SHIM- OPTIONAL PART: BACS40R23D30F	101106 108120 504903	AR
30	BACS40R23D30F		.SHIM- OPTIONAL PART: 111N2001-8	101106 108120 504903	AR
35	111N1016-1		.FITTING ASSY	101106 108120 504903	2
40	L80010K10		ATTACHING PARTS .BOLT- SUPPLIER CODE: V06725 SPECIFICATION NUMBER: BACB30MY10K10	101106 108120 504903	4
45	L8008K8		.BOLT- SUPPLIER CODE: V06725 SPECIFICATION NUMBER: BACB30MY8K8	101106 108120 504903	8

MISSING ITEM NUMBERS NOT APPLICABLE

- ITEM NOT ILLUSTRATED

57-21-51-03A

57-21-51
FIG. 03A
PAGE 2
JAN 20/09

BRI



757

PARTS CATALOG (MAINTENANCE)

FIG ITEM	PART NUMBER	1 2 3 4 5 6 7	NOMENCLATURE	EFFECT FROM TO	UNITS PER ASSY
3A 50	TLN12045	.NUT	SUPPLIER CODE: V97928 SPECIFICATION NUMBER: BACN10WM5 OPTIONAL PART: LH10114B5 V72962 MN155 V73197 VN18615 V92215 H49702-5S V15653 W8505 V08524 H497025 V15653	101106 108120 504903	4
55	TLN12044	.NUT	SUPPLIER CODE: V97928 SPECIFICATION NUMBER: BACN10WM4 OPTIONAL PART: LH10114B4 V72962 MN154 V73197 VN18614 V92215 H49702-4S V15653 W8504 V08524 H497024 V15653	101106 108120 504903	8
60	BACB28Y6M015	-----*----- ..BUSHING		101106 108120 504903	4
65	111N1016-2	..FITTING		101106 108120 504903	2
70	212N3081-39	.BRACKET ASSY		101106 108120 504903	1
75	212N3081-40	.BRACKET ASSY		101106 108120 504903	1

MISSING ITEM NUMBERS NOT APPLICABLE

- ITEM NOT ILLUSTRATED

57-21-51-03A

57-21-51
FIG. 03A
PAGE 3
JAN 20/09

BRI

BOEING PROPRIETARY - Copyright © - Unpublished Work - See title page for details.



757

PARTS CATALOG (MAINTENANCE)

FIG ITEM	PART NUMBER	1 2 3 4 5 6 7	NOMENCLATURE	EFFECT FROM TO	UNITS PER ASSY
3A			ATTACHING PARTS		
80	L8008K14	.BOLT-	SUPPLIER CODE: V06725	101106 108120 504903	2
83	L8008K12	.BOLT-	SUPPLIER CODE: V06725	101106 108120 504903	2
85	HL79-8	.COLLAR-	SUPPLIER CODE: V5M902	101106 108120 504903	4
			SPECIFICATION NUMBER: BACB30MY8K14		
			SPECIFICATION NUMBER: BACB30MY8K12		
			SPECIFICATION NUMBER: BACC30M8		
			OPTIONAL PART: HL79-8 V73197 HL79-8 V92215 66014-8 V56878 HL79-8 V56878		
			-----*-----		
90	BACB28X4C013	..BUSHING		101106 108120 504903	2
95	BACW10BP6DP	..WASHER		101106 108120 504903	2
100	212N3081-41	.BRACKET ASSY		101106 108120 504903	1
105	212N3081-38	.BRACKET ASSY		101106 108120 504903	1
110	212N3081-37	.BRACKET ASSY		101106 108120 504903	1
- 115	BACR15BB8DD	.RIVET-	ATTACHING PARTS SIZE DETERMINED ON INSTL.	101106 108120 504903	3
			-----*-----		
120	BACB28X4C013	..BUSHING		101106 108120 504903	2

MISSING ITEM NUMBERS NOT APPLICABLE

- ITEM NOT ILLUSTRATED

57-21-51-03A

57-21-51
FIG. 03A
PAGE 4
JAN 20/09

BRI

BOEING PROPRIETARY - Copyright © - Unpublished Work - See title page for details.



757

PARTS CATALOG (MAINTENANCE)

FIG ITEM	PART NUMBER	1 2 3 4 5 6 7	NOMENCLATURE	EFFECT FROM TO	UNITS PER ASSY
3A 125	BACW10BP6DP	. .	WASHER	101106 108120 504903	2
130	VNS1924CA2-8	. .	STUD SUPPLIER CODE: V5M902 SPECIFICATION NUMBER: BACS53B1EA2 OPTIONAL PART: VNS1924CA3-2-8 V92215	101106 108120 504903	4
135	111N2019-4	. .	CLIP	101106 108120 504903	1
140	111N2019-3	. .	CLIP	101106 108120 504903	1
- 145	L8008K8	. .	ATTACHING PARTS BOLT- SUPPLIER CODE: V06725 SPECIFICATION NUMBER: BACB30MY8K8	101106 108120 504903	4
- 150	TLN12044	. .	NUT- SUPPLIER CODE: V97928 SPECIFICATION NUMBER: BACN10WM4 OPTIONAL PART: LH10114B4 V72962 MN154 V73197 VN18614 V92215 H49702-4S V15653 W8504 V08524 H497024 V15653 SIZE DETERMINED ON INSTL. -----*-----	101106 108120 504903	4
155	BACN10GH3A14	. .	NUTPLATE-NUT	101106 108120 504903	1

MISSING ITEM NUMBERS NOT APPLICABLE

- ITEM NOT ILLUSTRATED

57-21-51-03A

57-21-51
FIG. 03A
PAGE 5
JAN 20/09

BRI

BOEING PROPRIETARY - Copyright © - Unpublished Work - See title page for details.



757

PARTS CATALOG (MAINTENANCE)

FIG ITEM	PART NUMBER	1 2 3 4 5 6 7	NOMENCLATURE	EFFECT FROM TO	UNITS PER ASSY
3A 160	WS1-332A8		.NUTPLATE SUPPLIER CODE: V04169 SPECIFICATION NUMBER: BACN10GH3A8	101106 108120 504903	1
165	BACN10GH3A6		.NUTPLATE	101106 108120 504903	3
170	WS1-332A16		.NUTPLATE-SPACER SUPPLIER CODE: V04169 SPECIFICATION NUMBER: BACN10GH3A16	101106 108120 504903	2
175	BACN10GH3A14		.NUTPLATE-SPACER	101106 108120 504903	1
180	BACN10GH3A10		.NUTPLATE SUPPLIER CODE: V04169 SPECIFICATION NUMBER: BACN10GH3A10	101106 108120 504903	1
- 185	BACR15BB8DD		ATTACHING PARTS .RIVET- SIZE DETERMINED ON INSTL.	101106 108120 504903	18
190	L8008K8		-----*----- .BOLT- SUPPLIER CODE: V06725 SPECIFICATION NUMBER: BACB30MY8K8	101106 108120 504903	46
192	L8008K6		.BOLT- SUPPLIER CODE: V06725 SPECIFICATION NUMBER: BACB30MY8K6	101106 108120 504903	14
193	H8008K10		.BOLT- SUPPLIER CODE: V06725 SPECIFICATION NUMBER: BACB30MY8K10	101106 108120 504903	8

MISSING ITEM NUMBERS NOT APPLICABLE

- ITEM NOT ILLUSTRATED

57-21-51-03A

57-21-51
FIG. 03A
PAGE 6
JAN 20/09

BRI

BOEING PROPRIETARY - Copyright © - Unpublished Work - See title page for details.



757

PARTS CATALOG (MAINTENANCE)

FIG ITEM	PART NUMBER	1 2 3 4 5 6 7	NOMENCLATURE	EFFECT FROM TO	UNITS PER ASSY
3A 195	TLN12044	.NUT	SUPPLIER CODE: V97928 SPECIFICATION NUMBER: BACN10WM4 OPTIONAL PART: LH10114B4 V72962 MN154 V73197 VN18614 V92215 H49702-4S V15653 W8504 V08524 H497024 V15653	101106 108120 504903	46
197	HL79-8	.COLLAR-	SUPPLIER CODE: V5M902 SPECIFICATION NUMBER: BACC30M8 OPTIONAL PART: HL79-8 V73197 HL79-8 V92215 66014-8 V56878 HL79-8 V56878	101106 108120 504903	22
200	111N2007-5	.CHORD-BODY		101106 108120 504903	1
205	111N2007-6	.CHORD-BODY		101106 108120 504903	1
210	T8059S1032B3	.NUTPLATE	SUPPLIER CODE: V52828 SPECIFICATION NUMBER: BACN10MK3-85 OPTIONAL PART: RM52LHA71-8-02 V72962	101106 108120 504903	1

MISSING ITEM NUMBERS NOT APPLICABLE

- ITEM NOT ILLUSTRATED

57-21-51-03A

57-21-51
FIG. 03A
PAGE 7
JAN 20/09

BRI

BOEING PROPRIETARY - Copyright © - Unpublished Work - See title page for details.



**757
PARTS CATALOG (MAINTENANCE)**

FIG ITEM	PART NUMBER	1 2 3 4 5 6 7 NOMENCLATURE	EFFECT FROM TO	UNITS PER ASSY
3A - 215	BACR15BB4DD	ATTACHING PARTS .RIVET- SIZE DETERMINED ON INSTL. -----*-----	101106 108120 504903	2

MISSING ITEM NUMBERS NOT APPLICABLE

- ITEM NOT ILLUSTRATED

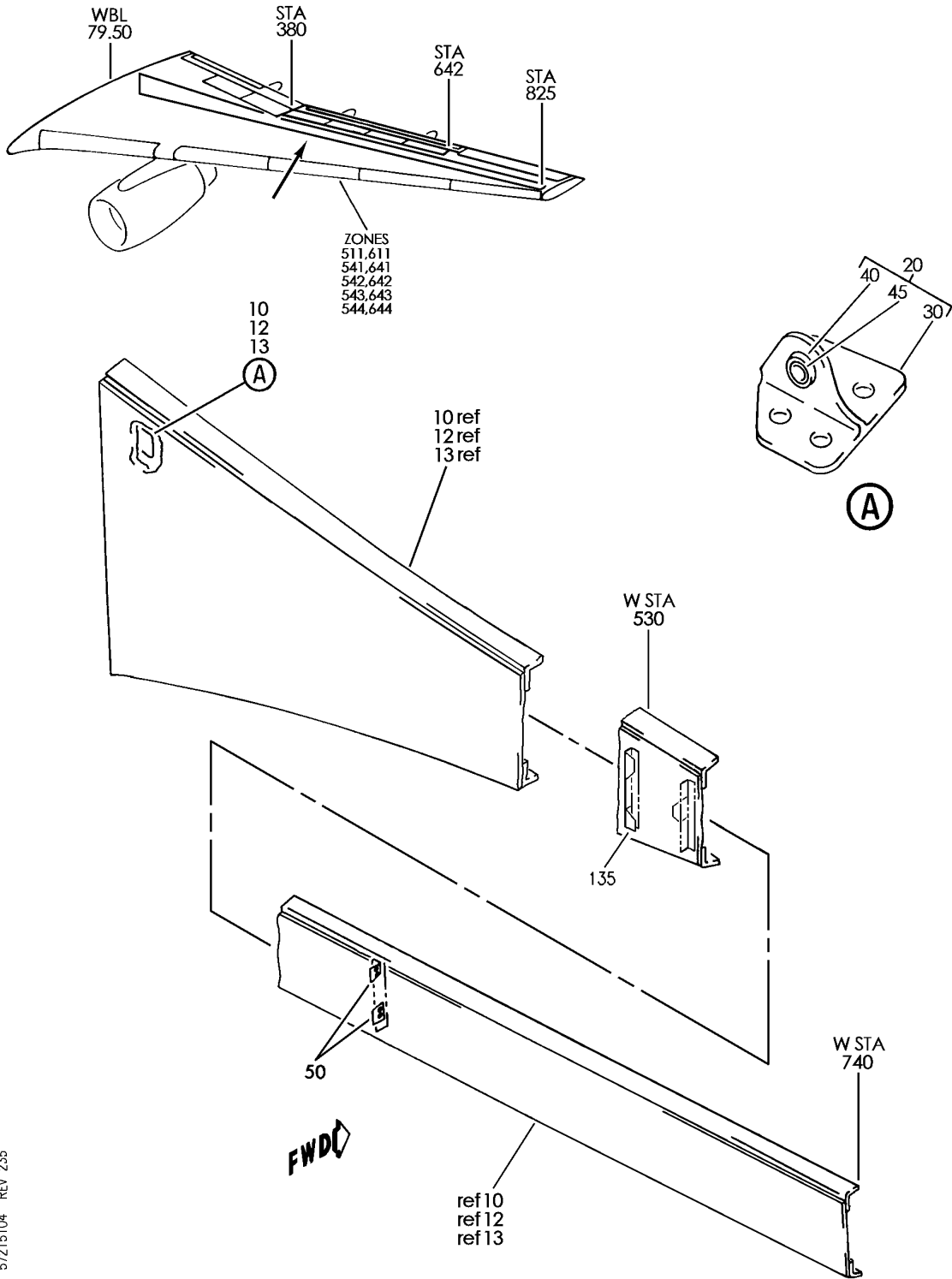
BRI

57-21-51-03A

BOEING PROPRIETARY - Copyright © - Unpublished Work - See title page for details.

57-21-51
FIG. 03A
PAGE 8
JAN 20/09


BOEING
 757
PARTS CATALOG (MAINTENANCE)



Y 57215104 REV 235

SPAR INSTL-REAR
 FIGURE 4

57-21-51-04

BRI
 MAY 28/07

57-21-51-04
 PAGE 0



757

PARTS CATALOG (MAINTENANCE)

FIG ITEM	PART NUMBER	1 2 3 4 5 6 7	NOMENCLATURE	EFFECT FROM TO	UNITS PER ASSY
4			SPAR INSTL-REAR	101102 108120 504903	
- 1	112N1001-205		SPAR INSTL- POSITION DATA: REAR LH FOR NHA SEE: 57-00-00-20	101102 108120 504903	RF
- 5	112N1001-206		SPAR INSTL- POSITION DATA: REAR RH FOR NHA SEE: 57-00-00-20	101102 108120 504903	RF
12	112N1002-205		. SPAR ASSY- POSITION DATA: REAR LH SIDE	101102 108120 504903	1
- 17	112N1002-206		. SPAR ASSY- POSITION DATA: REAR RH SIDE	101102 108120 504903	1
20	113N1690-5		.. FITTING ASSY- POSITION DATA: LH SIDE	101102 108120 504903	1
- 25	113N1690-6		.. FITTING ASSY- POSITION DATA: RH SIDE	101102 108120 504903	1
30	113N1690-7		... FITTING- POSITION DATA: LH SIDE	101102 108120 504903	1
- 35	113N1690-8		... FITTING- POSITION DATA: RH SIDE	101102 108120 504903	1
40	012T2400-30		... BUSHING	101102 108120 504903	1
45	BACB28AM08B012A		... BUSHING	101102 108120 504903	1

MISSING ITEM NUMBERS NOT APPLICABLE

- ITEM NOT ILLUSTRATED

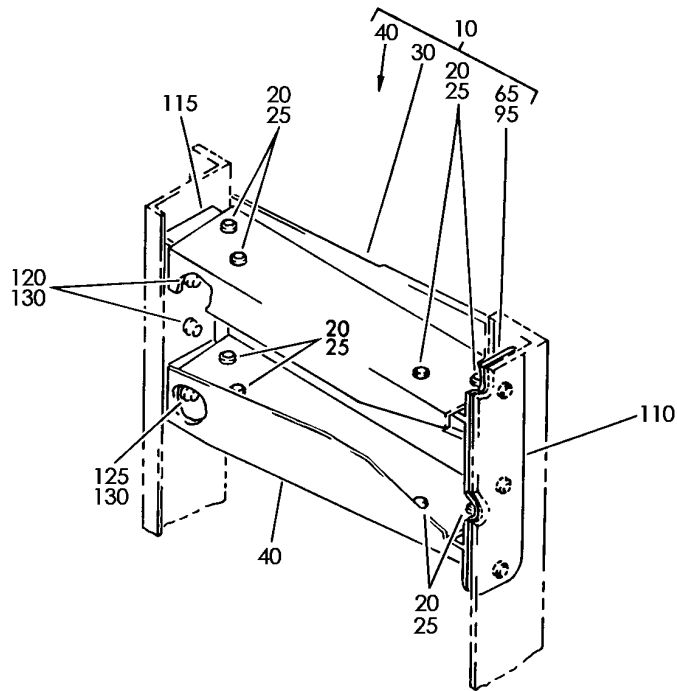
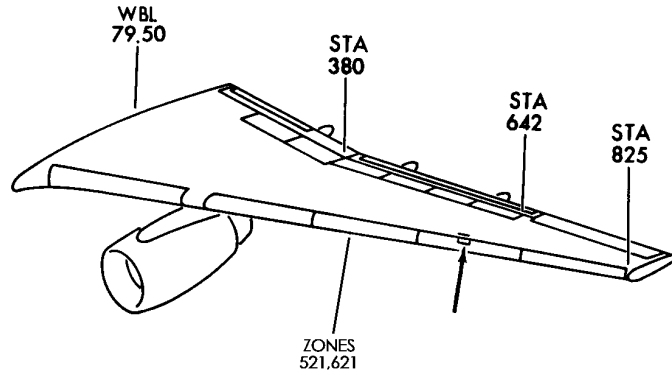
BRI

57-21-51-04

BOEING PROPRIETARY - Copyright © - Unpublished Work - See title page for details.

57-21-51
FIG. 04
PAGE 1
JAN 20/09

BOEING
757
PARTS CATALOG (MAINTENANCE)



Y 57215105 REV 219

BRACKET INSTL-POWER FEEDER STOP
FIGURE 5

57-21-51-05

BRI
MAY 28/07

57-21-51-05
PAGE 0



757

PARTS CATALOG (MAINTENANCE)

FIG ITEM	PART NUMBER	1 2 3 4 5 6 7	NOMENCLATURE	EFFECT FROM TO	UNITS PER ASSY
5			BRACKET INSTL-POWER FEEDER STOP	101106 108120 504903	
- 1	112N2072-401		BRACKET INSTL-POWER FEEDER STOP POSITION DATA: LH SIDE FOR NHA SEE: 57-00-00-20	101102 108120 504903	RF
- 1	MODREF118		BRACKET INSTL-POWER FEEDER STOP MODULE NUMBER: 112N2072-401 REV A POSITION DATA: LH SIDE	103106	1
- 5	112N2072-402		BRACKET INSTL-POWER FEEDER STOP POSITION DATA: RH SIDE FOR NHA SEE: 57-00-00-20	101102 108120 504903	RF
- 5	MODREF119		BRACKET INSTL-POWER FEEDER STOP MODULE NUMBER: 112N2072-402 REV A POSITION DATA: RH SIDE	103106	1
10	112N2072-7		.BRACKET ASSY- POSITION DATA: LH SIDE	101106 108120 504903	1
- 15	112N2072-8		.BRACKET ASSY- POSITION DATA: RH SIDE	101106 108120 504903	1
20	BACB30VT6K		..BOLT- SIZE DETERMINED ON INSTL.	101106 108120 504903	8
25	BACC30BL6		..COLLAR SUPPLIER CODE: V73197 SPECIFICATION NUMBER: BACC30BL6 OPTIONAL PART: HST79-6 V92215 HST79CY6 V56878 HST79CY6 V5M902	101106 108120 504903	8

MISSING ITEM NUMBERS NOT APPLICABLE

- ITEM NOT ILLUSTRATED

57-21-51-05

57-21-51
FIG. 05
PAGE 1
JAN 20/09

BRI



757

PARTS CATALOG (MAINTENANCE)

FIG ITEM	PART NUMBER	1 2 3 4 5 6 7	NOMENCLATURE	EFFECT FROM TO	UNITS PER ASSY
5	30 112N2073-1		..BEAM-STOP SPRT POSITION DATA: UPR LH SIDE	101106 108120 504903	1
- 35	112N2073-2		..BEAM-STOP SPRT POSITION DATA: UPR RH SIDE	101106 108120 504903	1
40	112N2074-1		..BEAM-STOP SPRT POSITION DATA: LOWER LH SIDE	101106 108120 504903	1
- 45	112N2074-2		..BEAM-STOP SPRT POSITION DATA: LOWER RH SIDE	101106 108120 504903	1
- 50	BACB30VT8K		..BOLT- SIZE DETERMINED ON INSTL.	101106 108120 504903	3
- 60	BACC30BL8		..COLLAR SUPPLIER CODE: V73197 SPECIFICATION NUMBER: BACC30BL8 OPTIONAL PART: HST79-8 V92215 HST79CY8 V56878 HST79CY8 V5M902 -----*-----	101106 108120 504903	3
65	112N2070-5		..CLIP	101106 108120 504903	1
110	BACS40R011C051F		.SHIM-	101106 108120 504903	1
115	112N2070-6		.CLIP	101106 108120 504903	1
120	BACB30VT8K		ATTACHING PARTS .BOLT- SIZE DETERMINED ON INSTL.	101106 108120 504903	2
125	BACB30VU8K		-----*----- .BOLT- SIZE DETERMINED ON INSTL.	101106 108120 504903	1

MISSING ITEM NUMBERS NOT APPLICABLE

- ITEM NOT ILLUSTRATED

57-21-51-05

57-21-51
FIG. 05
PAGE 2
JAN 20/09

BRI



757

PARTS CATALOG (MAINTENANCE)

FIG ITEM	PART NUMBER	1 2 3 4 5 6 7	NOMENCLATURE	EFFECT FROM TO	UNITS PER ASSY
5 130	BACC30BL8		ATTACHING PARTS . COLLAR SUPPLIER CODE: V73197 SPECIFICATION NUMBER: BACC30BL8 OPTIONAL PART: HST79-8 V92215 HST79CY8 V56878 HST79CY8 V5M902 -----*-----	101106 108120 504903	3

MISSING ITEM NUMBERS NOT APPLICABLE

- ITEM NOT ILLUSTRATED

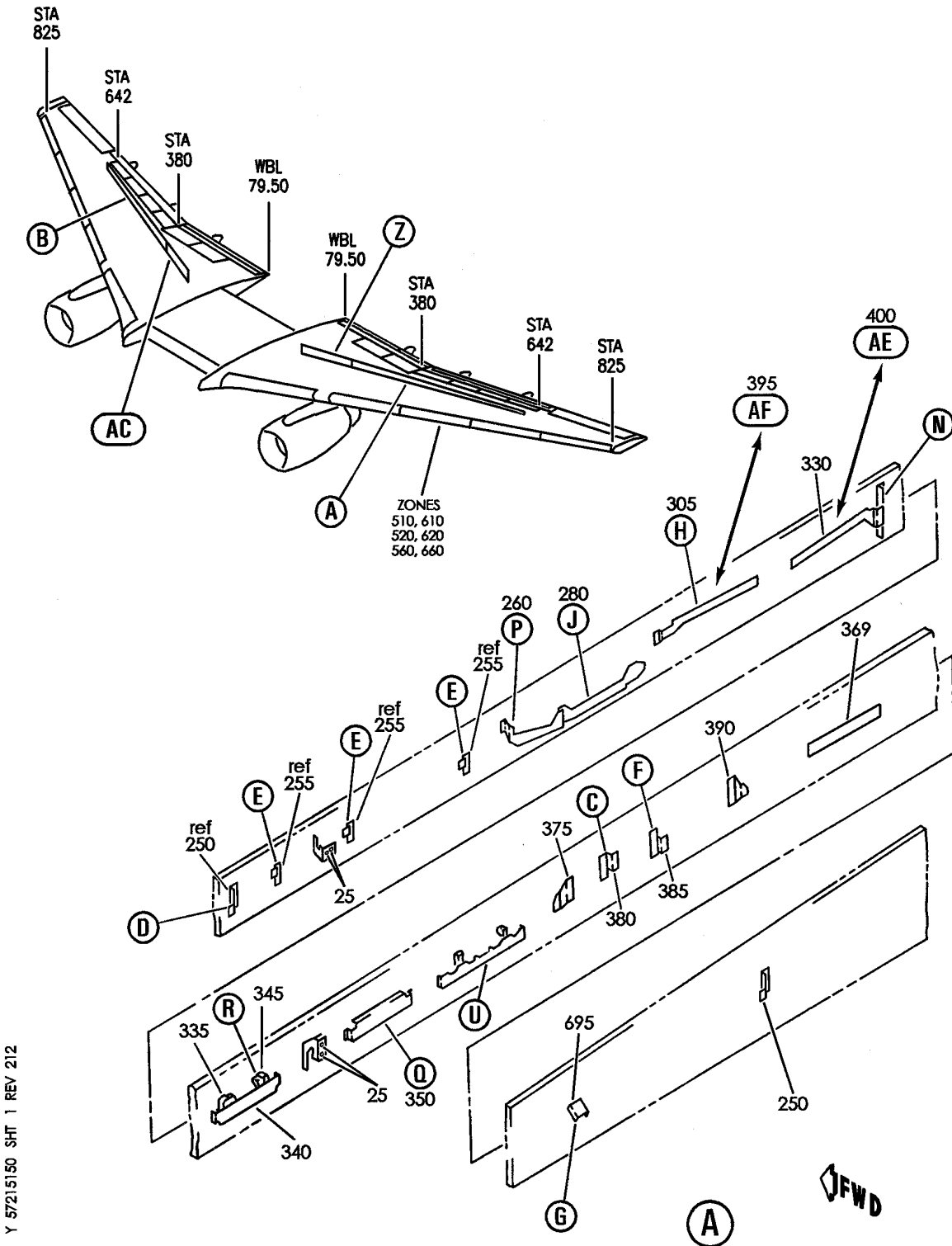
BRI

57-21-51-05

BOEING PROPRIETARY - Copyright © - Unpublished Work - See title page for details.

57-21-51
FIG. 05
PAGE 3
JAN 20/09


BOEING
 757
PARTS CATALOG (MAINTENANCE)



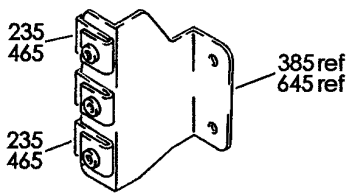
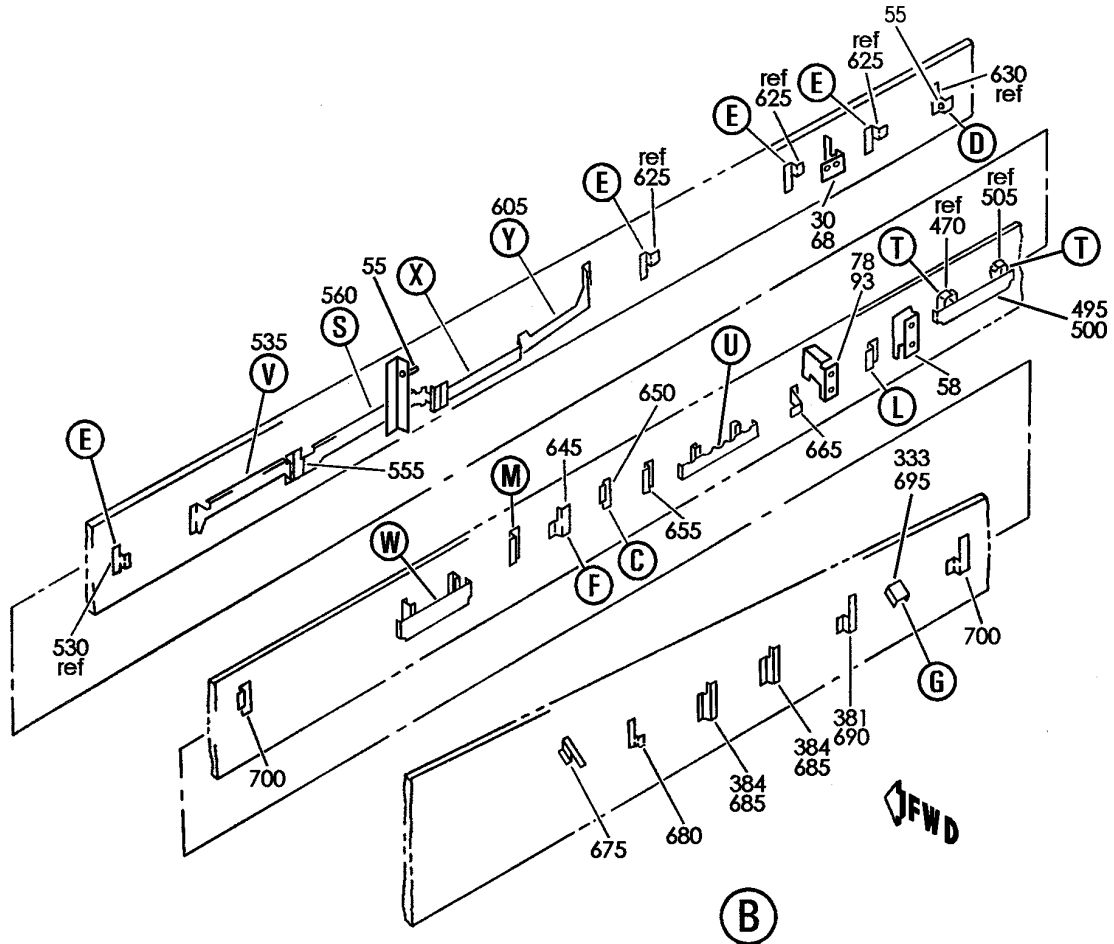
PROVISIONAL INSTL-WIRE REAR SPAR, WING
 FIGURE 50 (SHEET 1)

57-21-51-50

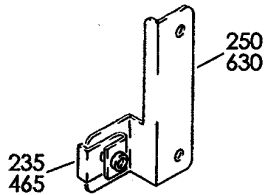
BRI
 MAY 28/07

57-21-51-50
 PAGE 0

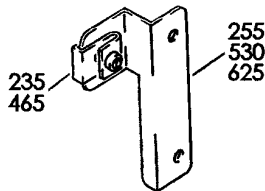
BOEING
757
PARTS CATALOG (MAINTENANCE)



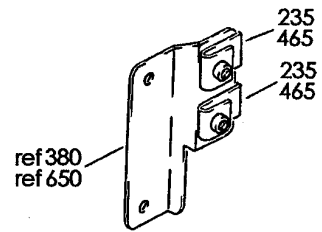
(F)



(D)



(E)



(C)

Y 57215150 SHT 2 REV 259

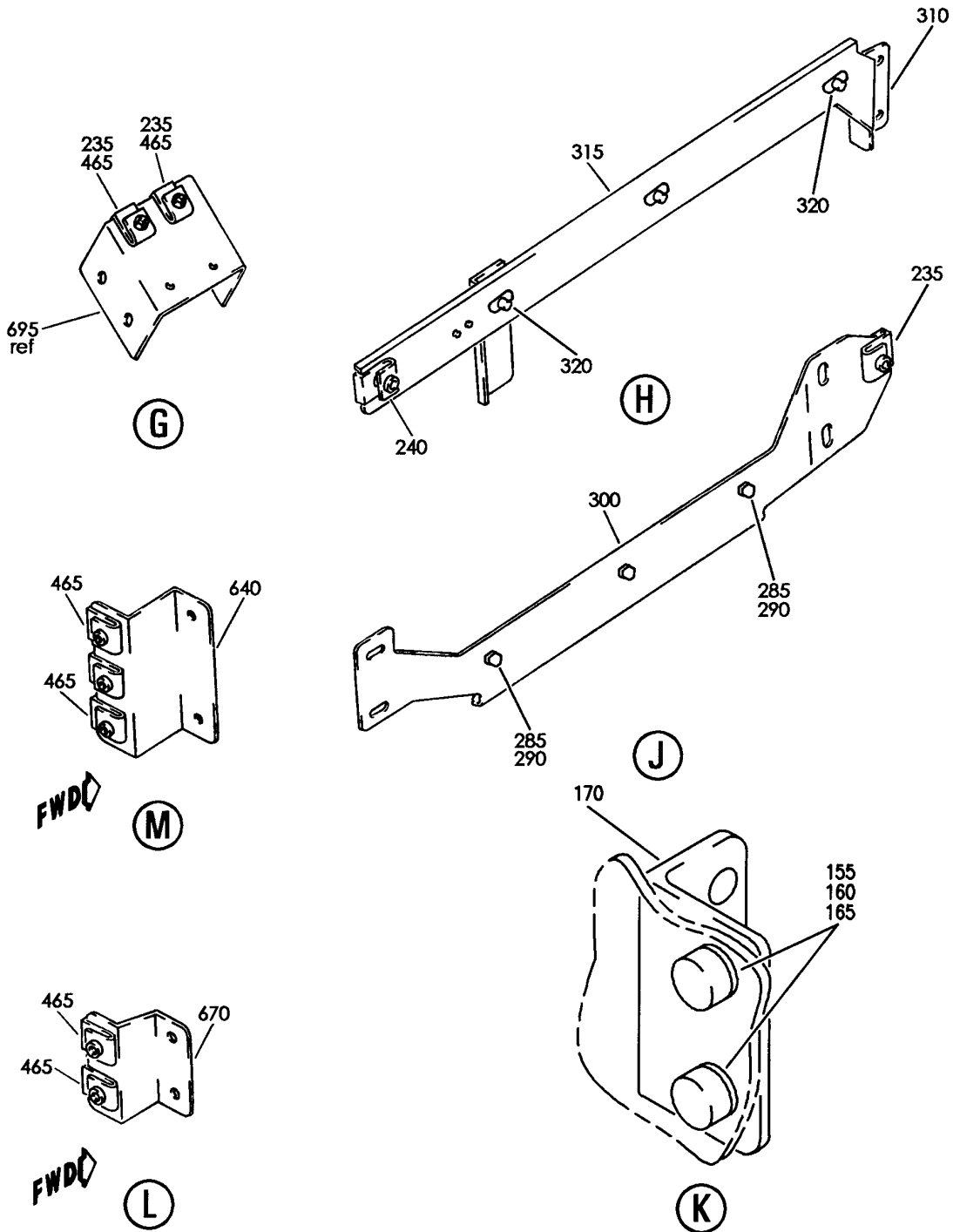
PROVISIONAL INSTL-WIRE REAR SPAR, WING
FIGURE 50 (SHEET 2)

57-21-51-50

BRI
MAY 28/07

57-21-51-50
PAGE 0A

BOEING
757
PARTS CATALOG (MAINTENANCE)



Y 57215150 SHT 3 REV 192

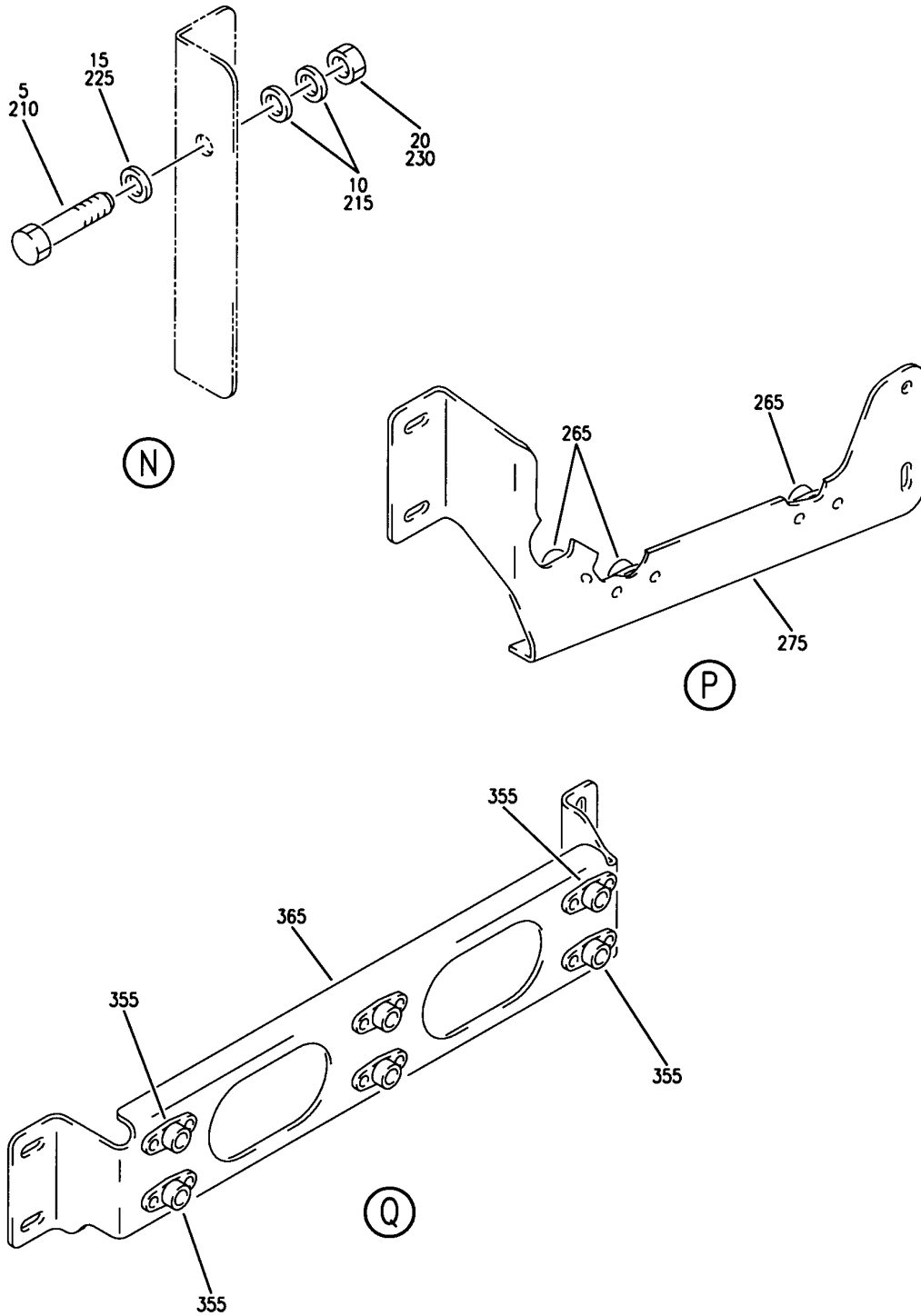
PROVISIONAL INSTL-WIRE REAR SPAR, WING
FIGURE 50 (SHEET 3)

57-21-51-50

BRI
MAY 28/07

57-21-51-50
PAGE 0B

BOEING
757
PARTS CATALOG (MAINTENANCE)



Y 57215150 SHT 4 REV 192

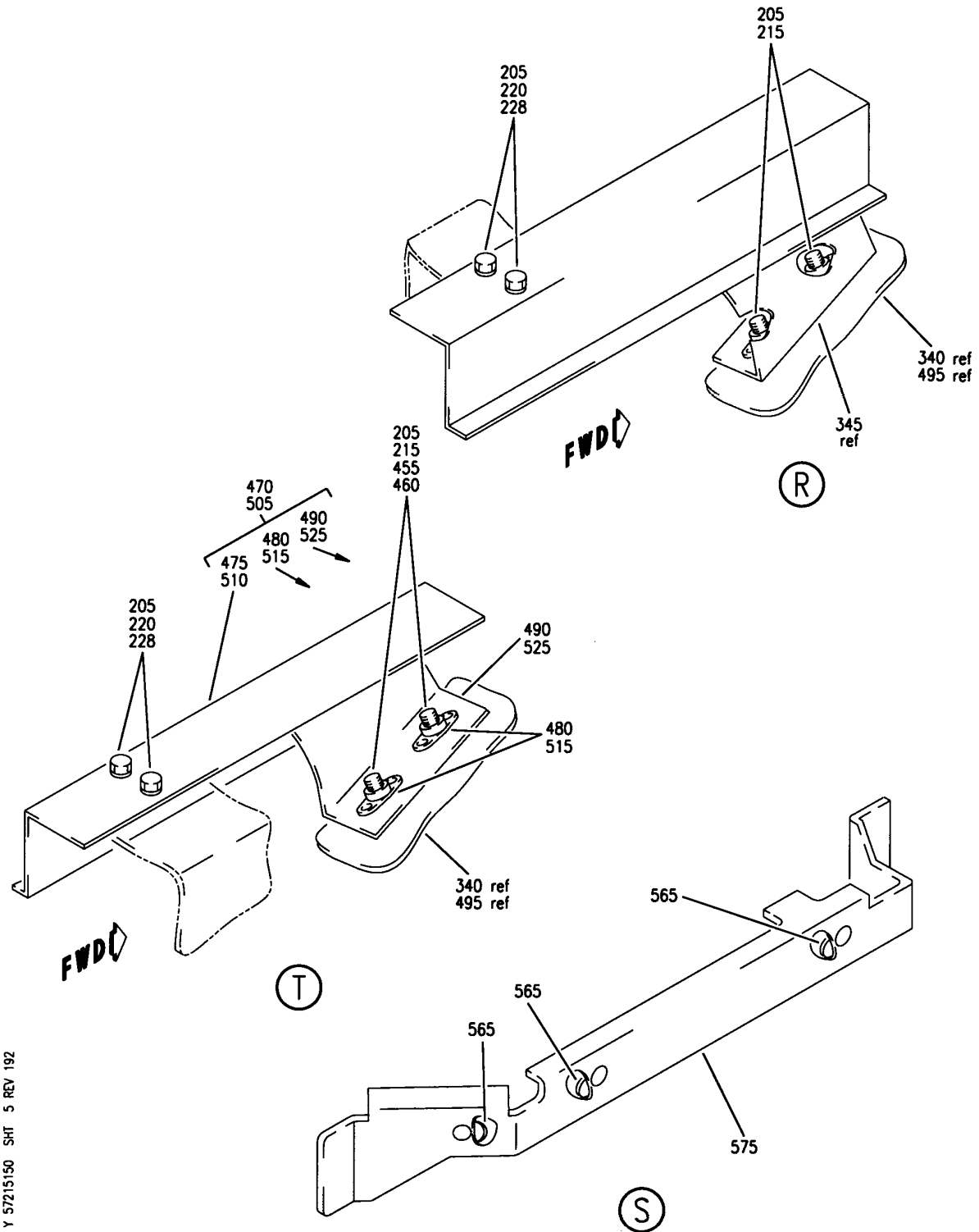
PROVISIONAL INSTL-WIRE REAR SPAR, WING
FIGURE 50 (SHEET 4)

57-21-51-50

BRI
MAY 28/07

57-21-51-50
PAGE 0C

BOEING
757
PARTS CATALOG (MAINTENANCE)



Y 57215150 SHT 5 REV 192

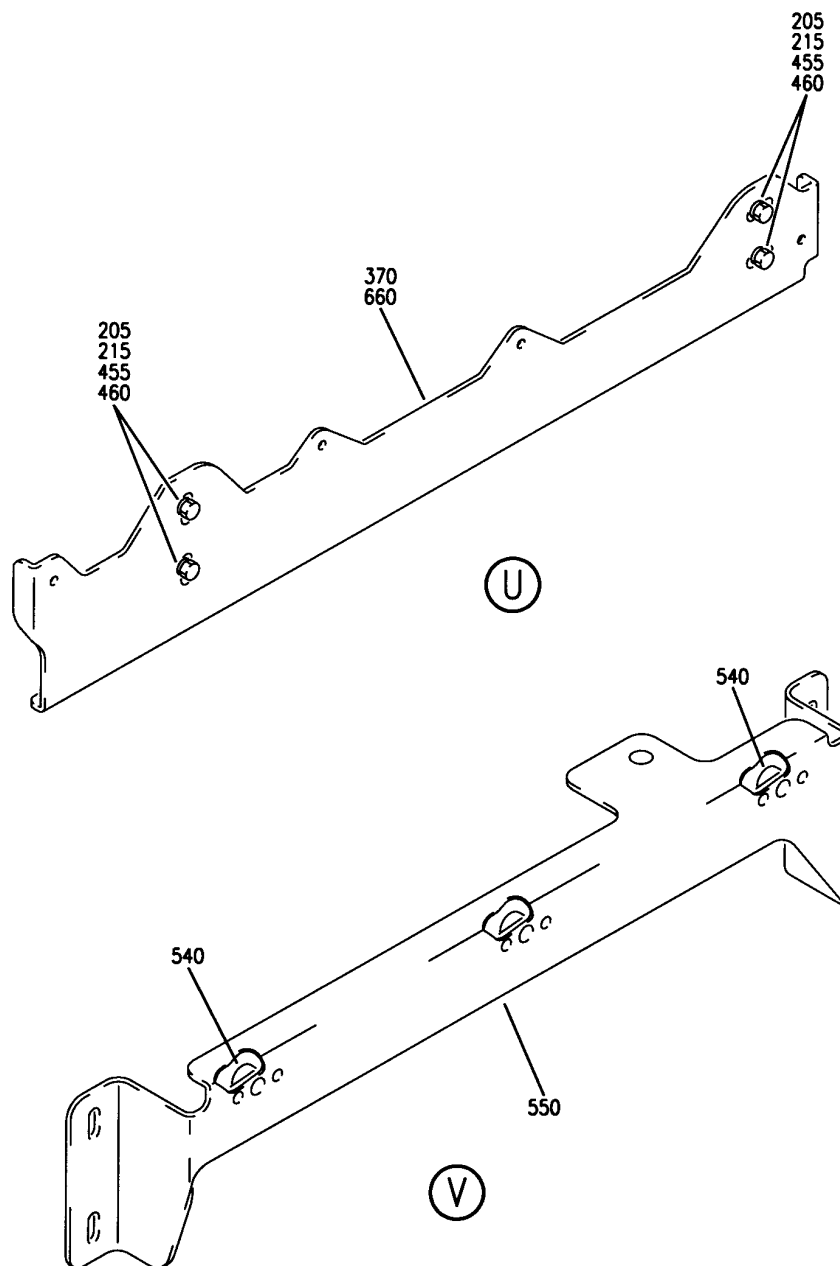
PROVISIONAL INSTL-WIRE REAR SPAR, WING
FIGURE 50 (SHEET 5)

57-21-51-50

BRI
MAY 28/07

57-21-51-50
PAGE 0D

BOEING
757
PARTS CATALOG (MAINTENANCE)



Y 57215150 SHT 6 REV 192

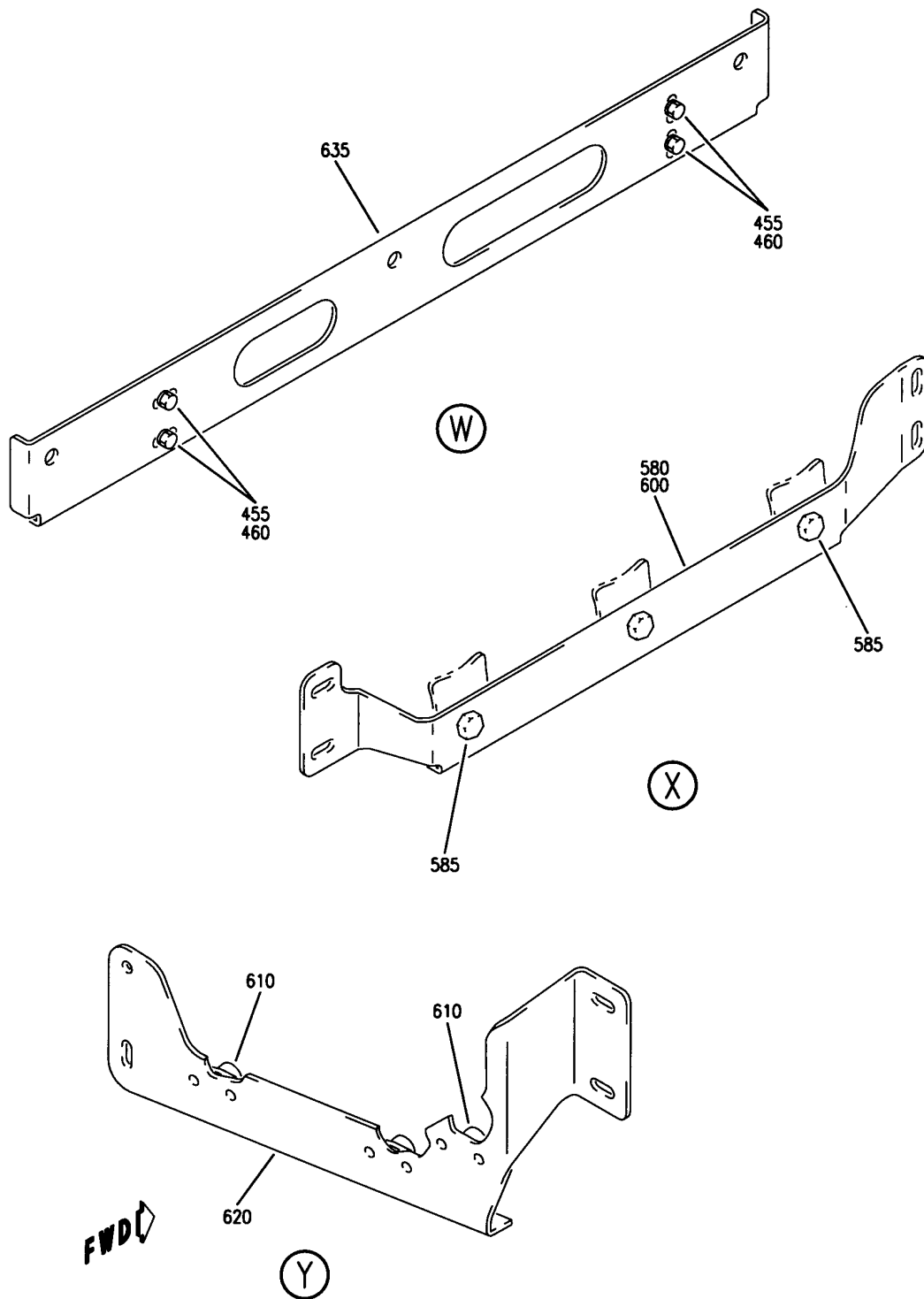
PROVISIONAL INSTL-WIRE REAR SPAR, WING
FIGURE 50 (SHEET 6)

57-21-51-50

BRI
MAY 28/07

57-21-51-50
PAGE 0E

BOEING
757
PARTS CATALOG (MAINTENANCE)



Y 57215150 SHT 7 REV 192

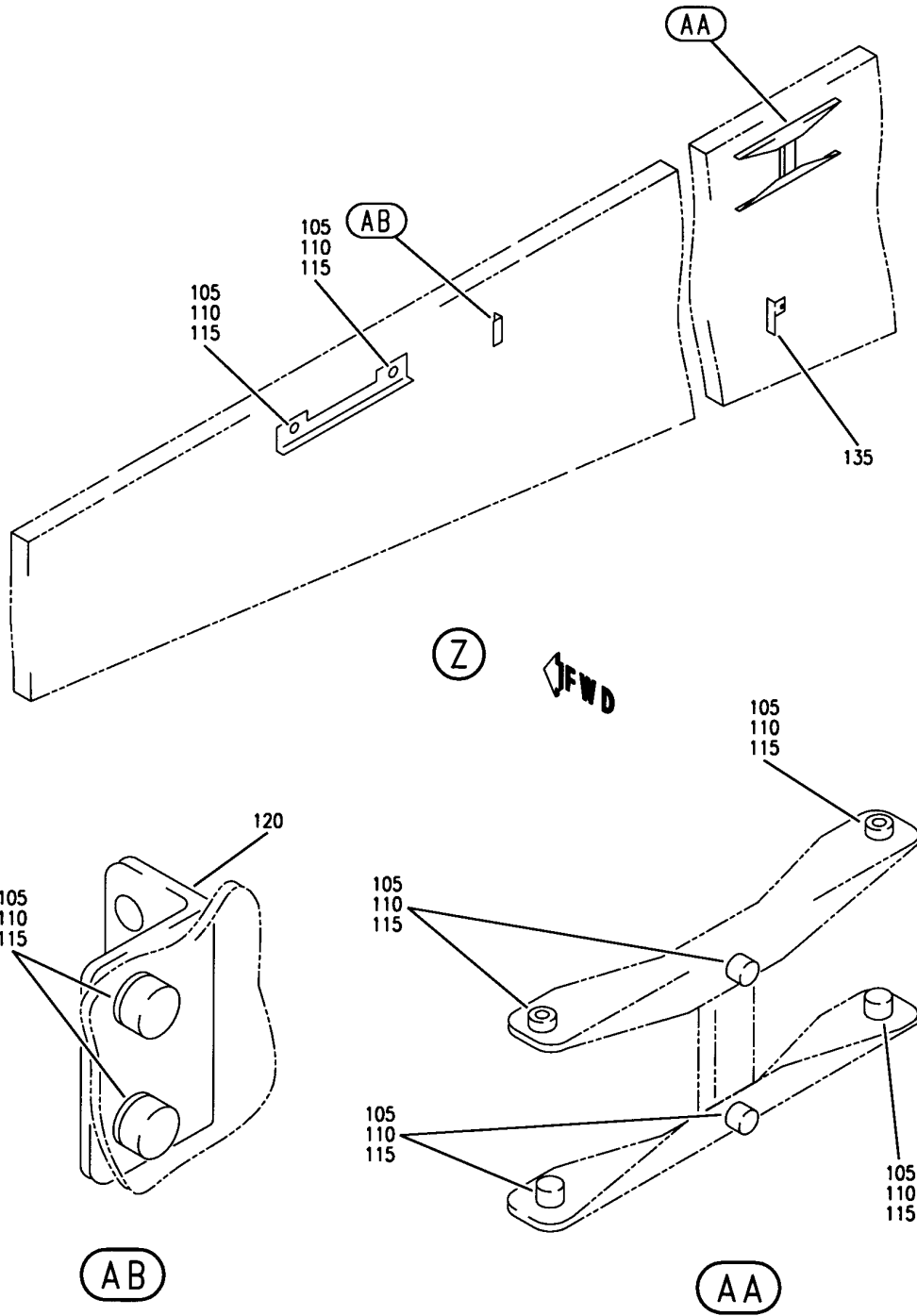
PROVISIONAL INSTL-WIRE REAR SPAR, WING
FIGURE 50 (SHEET 7)

57-21-51-50

BRI
MAY 28/07

57-21-51-50
PAGE OF

BOEING
757
PARTS CATALOG (MAINTENANCE)



Y 57215150 SHT 8 REV 192

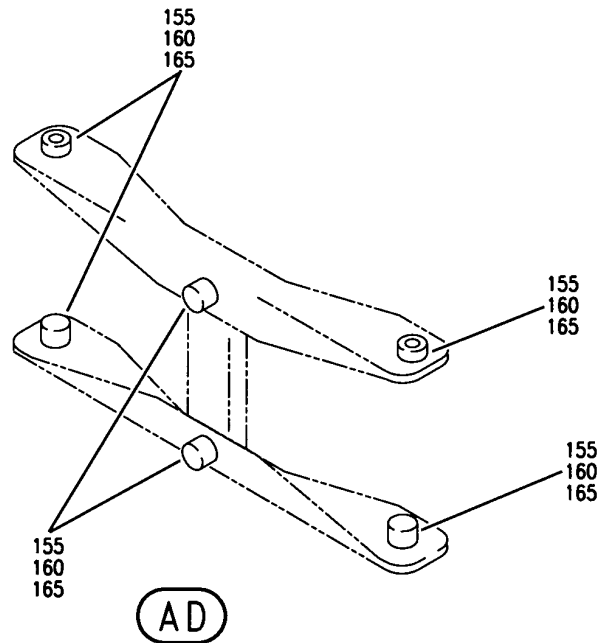
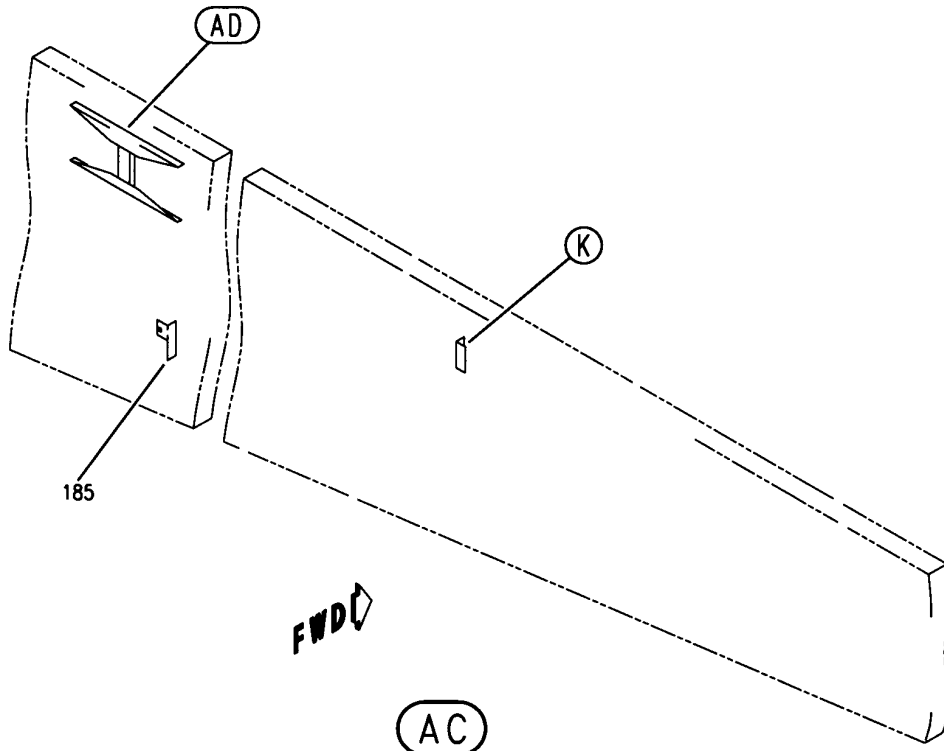
PROVISIONAL INSTL-WIRE REAR SPAR, WING
FIGURE 50 (SHEET 8)

57-21-51-50

BRI
MAY 28/07

57-21-51-50
PAGE 0G

BOEING
757
PARTS CATALOG (MAINTENANCE)



Y 57215150 SHT 9 REV 192

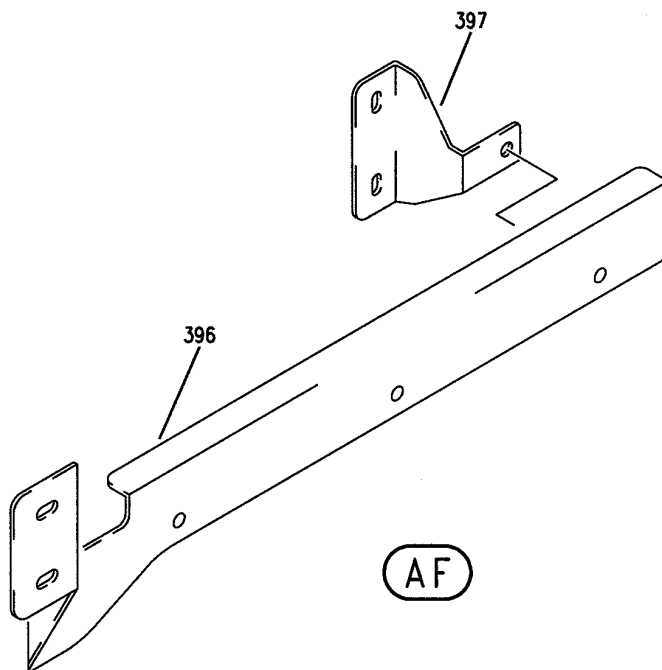
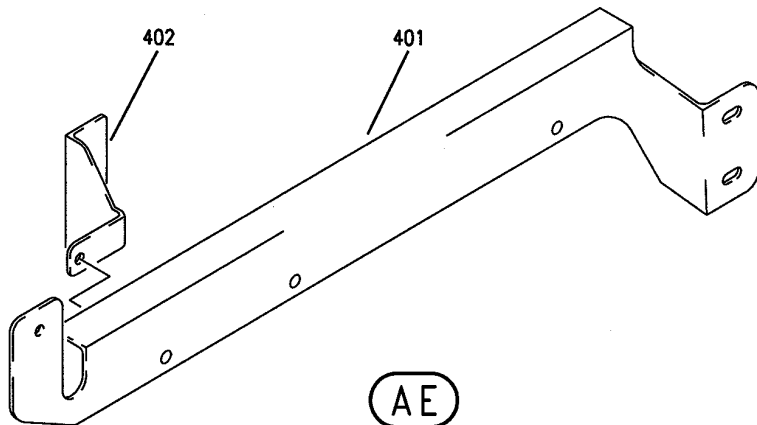
PROVISIONAL INSTL-WIRE REAR SPAR, WING
FIGURE 50 (SHEET 9)

57-21-51-50

BRI
MAY 28/07

57-21-51-50
PAGE 0H

BOEING
757
PARTS CATALOG (MAINTENANCE)



Y 57215150 SHT 10 REV 212

PROVISIONAL INSTL-WIRE REAR SPAR, WING
FIGURE 50 (SHEET 10)

57-21-51-50

BRI
MAY 28/07

57-21-51-50
PAGE 01



**757
PARTS CATALOG (MAINTENANCE)**

FIG ITEM	PART NUMBER	1 2 3 4 5 6 7	NOMENCLATURE	EFFECT FROM TO	UNITS PER ASSY
50			PROVISIONAL INSTL-WIRE REAR SPAR, WING	101106 108120 504903	
- 1	287N1301-691		PROVISION INSTL-WIRE POSITION DATA: REAR SPAR, WING LH SIDE FOR NHA SEE: 24-00-60-20B	101102 108120 504903	RF
- 1	MODREF11042		PROVISION INSTL-WIRE MODULE NUMBER: 287N1301-695 REV A POSITION DATA: REAR SPAR, WING LH SIDE	103103	1
- 1	MODREF33899		PROVISION INSTL-WIRE MODULE NUMBER: 287N1301-695 REV B POSITION DATA: REAR SPAR, WING LH SIDE	104106	1
5	NAS1801-3-12		.SCREW-	101103 108120 504903	1
5	BACS12GU3K12		.SCREW-	104106	1
10	NAS1149D0332J		.WASHER	101106 108120 504903	2
15	MS35338-43		.WASHER-	101103 108120 504903	1
15	BACW10EC3S		.WASHER-	104106	1
20	MS35650-305S		.NUT	101106 108120 504903	1
25	130069		.NUT SUPPLIER CODE: V60119 SPECIFICATION NUMBER: BACN10FX16 OPTIONAL PART: A11330-6-3 V72962 A4972-6-02 V72962 A4972-6-02 V72962	101106 108120 504903	4

MISSING ITEM NUMBERS NOT APPLICABLE

- ITEM NOT ILLUSTRATED

BRI

57-21-51-50

BOEING PROPRIETARY - Copyright © - Unpublished Work - See title page for details.

57-21-51
FIG. 50
PAGE 1
JAN 20/09



757

PARTS CATALOG (MAINTENANCE)

FIG ITEM	PART NUMBER	1 2 3 4 5 6 7	NOMENCLATURE	EFFECT FROM TO	UNITS PER ASSY
50					
30	287N1301-43		.BRACKET	101106 108120 504903	1
- 35	BACB30MY6K		ATTACHING PARTS .BOLT	101106 108120 504903	2
- 40	HL79-6		.COLLAR SUPPLIER CODE: V5M902 SPECIFICATION NUMBER: BACC30M6 OPTIONAL PART: HL79-6 V73197 HL79-6 V92215 66014-6 V56878 HL79-6 V56878	101106 108120 504903	2
- 45	130069		.NUT SUPPLIER CODE: V60119 SPECIFICATION NUMBER: BACN10FX16 OPTIONAL PART: A11330-6-3 V72962 A4972-6-02 V72962 A4972-6-02 V72962	101106 108120 504903	2
- 50	287N1301-692		-----*----- PROVISION INSTL-WIRE POSITION DATA: REAR SPAR, RH WING FOR NHA SEE: 24-00-60-20B	101102 108120 504903	RF
- 50	MODREF11043		PROVISION INSTL-WIRE MODULE NUMBER: 287N1301-696 REV A POSITION DATA: REAR SPAR, RH WING	103103	1
- 50	MODREF33923		PROVISION INSTL-WIRE MODULE NUMBER: 287N1301-696 REV B POSITION DATA: REAR SPAR, RH WING	104106	1

MISSING ITEM NUMBERS NOT APPLICABLE

- ITEM NOT ILLUSTRATED

57-21-51-50

57-21-51
FIG. 50
PAGE 2
JAN 20/09

BRI



757

PARTS CATALOG (MAINTENANCE)

FIG ITEM	PART NUMBER	1 2 3 4 5 6 7	NOMENCLATURE	EFFECT FROM TO	UNITS PER ASSY
50					
55	VNS1924CA1-8	.STUD-	SUPPLIER CODE: V5M902 SPECIFICATION NUMBER: BACS53B1EA1 OPTIONAL PART: VNS1924CA3-1-8 V92215	101103 108120 504903	2
55	BACS53B1ES1	.STUD-		104106	2
58	287N1301-694	.BRACKET		101106 108120 504903	1
- 60	BACB30MY6K	ATTACHING PARTS .BOLT		101106 108120 504903	2
- 63	HL79-6	.COLLAR	SUPPLIER CODE: V5M902 SPECIFICATION NUMBER: BACC30M6 OPTIONAL PART: HL79-6 V73197 HL79-6 V92215 66014-6 V56878 HL79-6 V56878	101106 108120 504903	2
- 65	130069	.NUT	SUPPLIER CODE: V60119 SPECIFICATION NUMBER: BACN10FX16 OPTIONAL PART: A11330-6-3 V72962 A4972-6-02 V72962 A4972-6-02 V72962	101106 108120 504903	2
68	287N1301-44	-----*----- .BRACKET ASSY		101106 108120 504903	1

MISSING ITEM NUMBERS NOT APPLICABLE

- ITEM NOT ILLUSTRATED

BRI

57-21-51-50

BOEING PROPRIETARY - Copyright © - Unpublished Work - See title page for details.

57-21-51
FIG. 50
PAGE 3
JAN 20/09



757

PARTS CATALOG (MAINTENANCE)

FIG ITEM	PART NUMBER	1 2 3 4 5 6 7	NOMENCLATURE	EFFECT FROM TO	UNITS PER ASSY
50			ATTACHING PARTS		
- 70	BACB30MY6K		.BOLT	101106 108120 504903	2
- 73	HL79-6		.COLLAR SUPPLIER CODE: V5M902 SPECIFICATION NUMBER: BACC30M6 OPTIONAL PART: HL79-6 V73197 HL79-6 V92215 66014-6 V56878 HL79-6 V56878	101106 108120 504903	2
- 75	130069		.NUT SUPPLIER CODE: V60119 SPECIFICATION NUMBER: BACN10FX16 OPTIONAL PART: A11330-6-3 V72962 A4972-6-02 V72962 A4972-6-02 V72962	101106 108120 504903	2
			-----*-----		
78	287N4106-288		.BRACKET	101106 108120 504903	1
- 80	L80010K10		ATTACHING PARTS .BOLT SUPPLIER CODE: V06725 SPECIFICATION NUMBER: BACB30MY10K10	101106 108120 504903	1
- 83	L8006K7		.BOLT SUPPLIER CODE: V06725 SPECIFICATION NUMBER: BACB30MY6K7	101106 108120 504903	1

MISSING ITEM NUMBERS NOT APPLICABLE

- ITEM NOT ILLUSTRATED

57-21-51-50

57-21-51
FIG. 50
PAGE 4
JAN 20/09

BRI



757

PARTS CATALOG (MAINTENANCE)

FIG ITEM	PART NUMBER	1 2 3 4 5 6 7	NOMENCLATURE	EFFECT FROM TO	UNITS PER ASSY
50 - 85	HL79-10		. COLLAR SUPPLIER CODE: V5M902 SPECIFICATION NUMBER: BACC30M10 OPTIONAL PART: HL79-10 V73197 HL79-10 V92215 66014-10 V56878 HL79-10 V56878	101106 108120 504903	1
- 88	HL79-6		. COLLAR SUPPLIER CODE: V5M902 SPECIFICATION NUMBER: BACC30M6 OPTIONAL PART: HL79-6 V73197 HL79-6 V92215 66014-6 V56878 HL79-6 V56878	101106 108120 504903	1
- 90	130069		. NUT SUPPLIER CODE: V60119 SPECIFICATION NUMBER: BACN10FX16 OPTIONAL PART: A11330-6-3 V72962 A4972-6-02 V72962 A4972-6-02 V72962	101106 108120 504903	2
93	287N4106-286		-----*----- . FILLER	101106 108120 504903	1

MISSING ITEM NUMBERS NOT APPLICABLE

- ITEM NOT ILLUSTRATED

BRI

57-21-51-50

BOEING PROPRIETARY - Copyright © - Unpublished Work - See title page for details.

57-21-51
FIG. 50
PAGE 5
JAN 20/09



757

PARTS CATALOG (MAINTENANCE)

FIG ITEM	PART NUMBER	1 2 3 4 5 6 7	NOMENCLATURE	EFFECT FROM TO	UNITS PER ASSY
50					
- 200	287N1301-681		PROVISIONAL INSTL-WIRE POSITION DATA: REAR SPAR, WING RH SIDE FOR NHA SEE: 24-00-60-20	101102 504505	RF
- 202	287N1301-710		PROVISIONAL INSTL-WIRE POSITION DATA: REAR SPAR, WING RH SIDE FOR NHA SEE: 24-00-60-20	108120 506903	RF
- 202	MODREF11045		PROVISIONAL INSTL-WIRE MODULE NUMBER: 287N1301-710 REV A POSITION DATA: REAR SPAR, WING RH SIDE	103106	1
205	NAS1801-3-8		.SCREW	101106 108120 504903	10
210	NAS1801-3-12		.SCREW	101106 108120 504903	1
215	NAS1149DN332J		.WASHER	101106 108120 504903	9
220	NAS1149D0316J		.WASHER	101106 108120 504903	4
225	MS353378-43		.WASHER	101106 108120 504903	1

MISSING ITEM NUMBERS NOT APPLICABLE

- ITEM NOT ILLUSTRATED

57-21-51-50

57-21-51
FIG. 50
PAGE 6
JAN 20/09

BRI



757

PARTS CATALOG (MAINTENANCE)

FIG ITEM	PART NUMBER	1 2 3 4 5 6 7	NOMENCLATURE	EFFECT FROM TO	UNITS PER ASSY
50 228	BRH10C3M	.NUT	SUPPLIER CODE: V52828 SPECIFICATION NUMBER: BACN10JC3CM OPTIONAL PART: T6C1032JM V11815 97E02 V80539 109LH9075-3W V72962 VN303D02 V92215 NS202101SE02 V80539 H01-3BAC V15653	101106 108120 504903	4
230	MS35650-3055	.NUT		101106 108120 504903	1
235	130069	.NUT	SUPPLIER CODE: V60119 SPECIFICATION NUMBER: BACN10FX16 OPTIONAL PART: A11330-6-3 V72962 A4972-6-02 V72962 A4972-6-02 V72962	101106 108120 504903	14
240	BRC500-10-3	.NUT	SUPPLIER CODE: V52828 SPECIFICATION NUMBER: BACN10FX22 OPTIONAL PART: F49322-3-22 V15653 SL241-3-1 V97393 130062 V60119 A11330-10-3 V72962	101106 108120 504903	1

MISSING ITEM NUMBERS NOT APPLICABLE

- ITEM NOT ILLUSTRATED

57-21-51-50

57-21-51
FIG. 50
PAGE 7
JAN 20/09

BRI



757

PARTS CATALOG (MAINTENANCE)

FIG ITEM	PART NUMBER	1 2 3 4 5 6 7	NOMENCLATURE	EFFECT FROM TO	UNITS PER ASSY
50					
245	BACS538B1EA1	.	STUD	101106 108120 504903	1
249	287N1301-358	.	BRACKET	101106 108120 504903	1
250	287N1301-675	.	BRACKET	101106 108120 504903	2
255	287N1301-676	.	BRACKET	101106 108120 504903	3
260	287N1301-474	.	BRACKET ASSY	101106 108120 504903	1
265	K1000-3BAC	..	NUTPLATE SUPPLIER CODE: V15653 SPECIFICATION NUMBER: BACN10JR3 OPTIONAL PART: NS103202-02 V80539 RMA9201-3 V72962 VN102A1-02 V92215 BR2000A3 V52828 T8088S1032 V11815 ATTACHING PARTS	101106 108120 504903	3
- 270	BACR15BA3AD	..	RIVET- SIZE DETERMINED ON INSTL. -----*-----	101106 108120 504903	6
275	287N1301-473	..	BRACKET	101106 108120 504903	1
280	287N1301-476	.	BRACKET ASSY	101106 108120 504903	1
285	NAS6603-2	..	BOLT	101106 108120 504903	3

MISSING ITEM NUMBERS NOT APPLICABLE

- ITEM NOT ILLUSTRATED

57-21-51-50

57-21-51
FIG. 50
PAGE 8
JAN 20/09

BRI

BOEING PROPRIETARY - Copyright © - Unpublished Work - See title page for details.



757

PARTS CATALOG (MAINTENANCE)

FIG ITEM	PART NUMBER	1 2 3 4 5 6 7	NOMENCLATURE	EFFECT FROM TO	UNITS PER ASSY
50					
290	6800-02		..RETAINER SUPPLIER CODE: V80539 SPECIFICATION NUMBER: BACR10G31 ATTACHING PARTS	101106 108120 504903	3
- 295	BACR15BA3D		..RIVET- SIZE DETERMINED ON INSTL. -----*-----	101106 108120 504903	6
300	287N1301-475		..BRACKET	101106 108120 504903	1
305	287N1301-257		.BRACKET ASSY	101102 504505	1
310	287N1301-247		..BRACKET	101102 504505	1
315	287N1301-51		..BRACKET	101102 504505	1
320	K1000-3BAC		..NUTPLATE SUPPLIER CODE: V15653 SPECIFICATION NUMBER: BACN10JR3 OPTIONAL PART: NS103202-02 V80539 RMA9201-3 V72962 VN102A1-02 V92215 BR2000A3 V52828 T8088S1032 V11815 ATTACHING PARTS	101102 504505	3
- 325	BACR15BA3AD		..RIVET- SIZE DETERMINED ON INSTL. -----*-----	101102 504505	6
330	287N1301-667		.BRACKET ASSY	101102 504505	1
333	287N1301-483		.BRACKET ASSY	101106 108120 504903	1
335	287N1301-486		.BRACKET ASSY	101106 108120 504903	1

MISSING ITEM NUMBERS NOT APPLICABLE

- ITEM NOT ILLUSTRATED

57-21-51-50

57-21-51
FIG. 50
PAGE 9
JAN 20/09

BRI

BOEING PROPRIETARY - Copyright © - Unpublished Work - See title page for details.



757

PARTS CATALOG (MAINTENANCE)

FIG ITEM	PART NUMBER	1 2 3 4 5 6 7	NOMENCLATURE	EFFECT FROM TO	UNITS PER ASSY
50					
340	287N1301-633	.	BRACKET ASSY	101106 108120 504903	1
345	287N1301-666	.	BRACKET ASSY	101106 108120 504903	1
350	287N1301-625	.	BRACKET ASSY	101106 108120 504903	1
355	K1000-3BAC	..	NUTPLATE SUPPLIER CODE: V15653 SPECIFICATION NUMBER: BACN10JR3 OPTIONAL PART: NS103202-02 V80539 RMA9201-3 V72962 VN102A1-02 V92215 BR2000A3 V52828 T8088S1032 V11815 ATTACHING PARTS	101106 108120 504903	6
- 360	BACR15BA3AD	..	RIVET- SIZE DETERMINED ON INSTL. -----*-----	101106 108120 504903	12
365	287N1301-626	..	BRACKET	101106 108120 504903	1
369	287N1307-45	.	BRACKET	101106 108120 504903	1
370	287N1307-48	.	BRACKET	101106 108120 504903	1
375	287N1307-11	.	BRACKET	101106 108120 504903	1
380	287N1301-59	.	BRACKET	101106 108120 504903	1
381	287N1301-65	.	BRACKET	101106 108120 504903	1

MISSING ITEM NUMBERS NOT APPLICABLE

- ITEM NOT ILLUSTRATED

57-21-51-50

57-21-51
FIG. 50
PAGE 10
JAN 20/09

BRI

BOEING PROPRIETARY - Copyright © - Unpublished Work - See title page for details.



757

PARTS CATALOG (MAINTENANCE)

FIG ITEM	PART NUMBER	1 2 3 4 5 6 7	NOMENCLATURE	EFFECT FROM TO	UNITS PER ASSY
50					
384	287N1301-27	.	BRACKET	101106 108120 504903	2
385	287N1301-29	.	BRACKET	101106 108120 504903	1
390	287N1307-2	.	BRACKET	101106 108120 504903	1
395	287N1089-29	.	BRACKET ASSY	103106 108120 506903	1
396	287N1085-44	..	BRACKET ASSY	103106 108120 506903	1
397	287N1085-48	..	BRACKET ASSY	103106 108120 506903	1
400	287N1089-30	.	BRACKET ASSY	103106 108120 506903	1
401	287N1085-46	..	BRACKET ASSY	103106 108120 506903	1
402	287N1085-49	..	BRACKET ASSY	103106 108120 506903	1
- 450	287N1301-682		PROVISIONAL INSTL-WIRE POSITION DATA: REAR SPAR, WING RH SIDE FOR NHA SEE: 24-00-60-20	101102 108120 504903	RF
- 450	MODREF11036		PROVISIONAL INSTL-WIRE MODULE NUMBER: 287N1301-682 REV A POSITION DATA: REAR SPAR, WING RH SIDE	103106	1
455	NAS1801-3-8	.	SCREW	101106 108120 504903	16
460	NAS1149DN332J	.	WASHER	101106 108120 504903	16

MISSING ITEM NUMBERS NOT APPLICABLE

- ITEM NOT ILLUSTRATED

BRI

57-21-51-50

BOEING PROPRIETARY - Copyright © - Unpublished Work - See title page for details.

57-21-51
FIG. 50
PAGE 11
JAN 20/09

 **BOEING**
757
PARTS CATALOG (MAINTENANCE)

FIG ITEM	PART NUMBER	1 2 3 4 5 6 7	NOMENCLATURE	EFFECT FROM TO	UNITS PER ASSY
50 465	130069		.NUT-CLIP SUPPLIER CODE: V60119 SPECIFICATION NUMBER: BACN10FX16 OPTIONAL PART: A11330-6-3 V72962 A4972-6-02 V72962 A4972-6-02 V72962	101106 108120 504903	17
470	287N1301-486		.BRACKET ASSY	101106 108120 504903	1
475	287N1301-485		..BRACKET	101106 108120 504903	1
480	K1000-3BAC		..NUTPLATE SUPPLIER CODE: V15653 SPECIFICATION NUMBER: BACN10JR3 OPTIONAL PART: NS103202-02 V80539 RMA9201-3 V72962 VN102A1-02 V92215 BR2000A3 V52828 T8088S1032 V11815 ATTACHING PARTS	101106 108120 504903	2
- 485	BACR15BA3AD		..RIVET- SIZE DETERMINED ON INSTL. -----*-----	101106 108120 504903	4
490	287N1301-381		..BRACKET	101106 108120 504903	1
495	287N1301-635		.BRACKET ASSY	101106 108120 504903	1
500	287N1301-634		..BRACKET	101106 108120 504903	1

MISSING ITEM NUMBERS NOT APPLICABLE

- ITEM NOT ILLUSTRATED

BRI

57-21-51-50

BOEING PROPRIETARY - Copyright © - Unpublished Work - See title page for details.

57-21-51
FIG. 50
PAGE 12
JAN 20/09



757

PARTS CATALOG (MAINTENANCE)

FIG ITEM	PART NUMBER	1 2 3 4 5 6 7	NOMENCLATURE	EFFECT FROM TO	UNITS PER ASSY
50					
505	287N1301-665	.	BRACKET ASSY	101106 108120 504903	1
510	287N1301-361	..	BRACKET	101106 108120 504903	1
515	K1000-3BAC	..	NUTPLATE SUPPLIER CODE: V15653 SPECIFICATION NUMBER: BACN10JR3 OPTIONAL PART: NS103202-02 V80539 RMA9201-3 V72962 VN102A1-02 V92215 BR2000A3 V52828 T8088S1032 V11815 ATTACHING PARTS	101106 108120 504903	2
- 520	BACR15BA3AD	..	RIVET- SIZE DETERMINED ON INSTL. -----*-----	101106 108120 504903	4
525	287N1301-662	..	BRACKET	101106 108120 504903	1
530	287N1301-358	..	BRACKET	101106 108120 504903	1
535	287N1301-383	..	BRACKET ASSY	101106 108120 504903	1

MISSING ITEM NUMBERS NOT APPLICABLE

- ITEM NOT ILLUSTRATED

57-21-51-50

57-21-51
FIG. 50
PAGE 13
JAN 20/09

BRI



757

PARTS CATALOG (MAINTENANCE)

FIG ITEM	PART NUMBER	1 2 3 4 5 6 7	NOMENCLATURE	EFFECT FROM TO	UNITS PER ASSY
50					
540	K1000-3BAC		..NUTPLATE SUPPLIER CODE: V15653 SPECIFICATION NUMBER: BACN10JR3 OPTIONAL PART: NS103202-02 V80539 RMA9201-3 V72962 VN102A1-02 V92215 BR2000A3 V52828 T8088S1032 V11815 ATTACHING PARTS	101106 108120 504903	3
- 545	BACR15BA3AD		..RIVET- SIZE DETERMINED ON INSTL. -----*-----	101106 108120 504903	6
550	287N1301-382		..BRACKET	101106 108120 504903	1
555	287N1301-671		.BRACKET	101106 108120 504903	1
560	287N1301-370		.BRACKET ASSY	101106 108120 504903	1
565	K1000-3BAC		..NUTPLATE SUPPLIER CODE: V15653 SPECIFICATION NUMBER: BACN10JR3 OPTIONAL PART: NS103202-02 V80539 RMA9201-3 V72962 VN102A1-02 V92215 BR2000A3 V52828 T8088S1032 V11815	101106 108120 504903	3

MISSING ITEM NUMBERS NOT APPLICABLE

- ITEM NOT ILLUSTRATED

57-21-51-50

57-21-51
FIG. 50
PAGE 14
JAN 20/09

BRI



757

PARTS CATALOG (MAINTENANCE)

FIG ITEM	PART NUMBER	1 2 3 4 5 6 7	NOMENCLATURE	EFFECT FROM TO	UNITS PER ASSY
50			ATTACHING PARTS		
- 570	BACR15BA3AD		..RIVET	101106 108120 504903	6
			-----*-----		
575	287N1301-369		..BRACKET	101106 108120 504903	1
580	287N1301-342		.BRACKET ASSY	101106 108120 504903	1
585	NAS6603-2		.BOLT	101106 108120 504903	3
			ATTACHING PARTS		
- 590	6800-02		..RETAINER	101106 108120 504903	6
			SUPPLIER CODE: V80539		
			SPECIFICATION NUMBER: BACR10G31		
- 595	BACR15BA3D		..RIVET-	101106 108120 504903	6
			SIZE DETERMINED ON INSTL.		
			-----*-----		
600	287N1301-341		..BRACKET	101106 108120 504903	1
605	287N1301-379		.BRACKET ASSY	101106 108120 504903	1
610	K1000-3BAC		..NUTPLATE	101106 108120 504903	3
			SUPPLIER CODE: V15653		
			SPECIFICATION NUMBER: BACN10JR3		
			OPTIONAL PART: NS103202-02		
			V80539		
			RMA9201-3		
			V72962		
			VN102A1-02		
			V92215		
			BR2000A3		
			V52828		
			T8088S1032		
			V11815		

MISSING ITEM NUMBERS NOT APPLICABLE

- ITEM NOT ILLUSTRATED

57-21-51-50

57-21-51
FIG. 50
PAGE 15
JAN 20/09

BRI



757

PARTS CATALOG (MAINTENANCE)

FIG ITEM	PART NUMBER	1 2 3 4 5 6 7	NOMENCLATURE	EFFECT FROM TO	UNITS PER ASSY
50			ATTACHING PARTS		
- 615	BACR15BA3AD		..RIVET- SIZE DETERMINED ON INSTL.	101106 108120 504903	6
			-----*-----		
620	287N1301-378		..BRACKET	101106 108120 504903	1
625	287N1301-675		.BRACKET	101106 108120 504903	3
630	287N1301-676		.BRACKET	101106 108120 504903	1
635	287N1307-46		.BRACKET	101106 108120 504903	1
640	287N1301-52		.BRACKET ASSY	101106 108120 504903	1
645	287N1301-30		.BRACKET	101106 108120 504903	1
650	287N1301-60		.BRACKET	101106 108120 504903	1
655	287N1307-12		.BRACKET	101106 108120 504903	1
660	287N1307-47		.BRACKET	101106 108120 504903	1
665	287N1307-1		.BRACKET	101106 108120 504903	1
670	287N1301-308		.BRACKET	101106 108120 504903	1
675	287N1301-80		.BRACKET	101106 108120 504903	1
680	287N1301-293		.BRACKET	101106 108120 504903	1
685	287N1301-28		.BRACKET	101106 108120 504903	2

MISSING ITEM NUMBERS NOT APPLICABLE

- ITEM NOT ILLUSTRATED

57-21-51-50

57-21-51
FIG. 50
PAGE 16
JAN 20/09

BRI



757

PARTS CATALOG (MAINTENANCE)

FIG ITEM	PART NUMBER	1 2 3 4 5 6 7	NOMENCLATURE	EFFECT FROM TO	UNITS PER ASSY
50					
690	287N1301-66	.	BRACKET	101106 108120 504903	2
695	287N1301-483	.	BRACKET ASSY	101106 108120 504903	2
700	287N1301-660	.	BRACKET	101106 108120 504903	1

MISSING ITEM NUMBERS NOT APPLICABLE

- ITEM NOT ILLUSTRATED

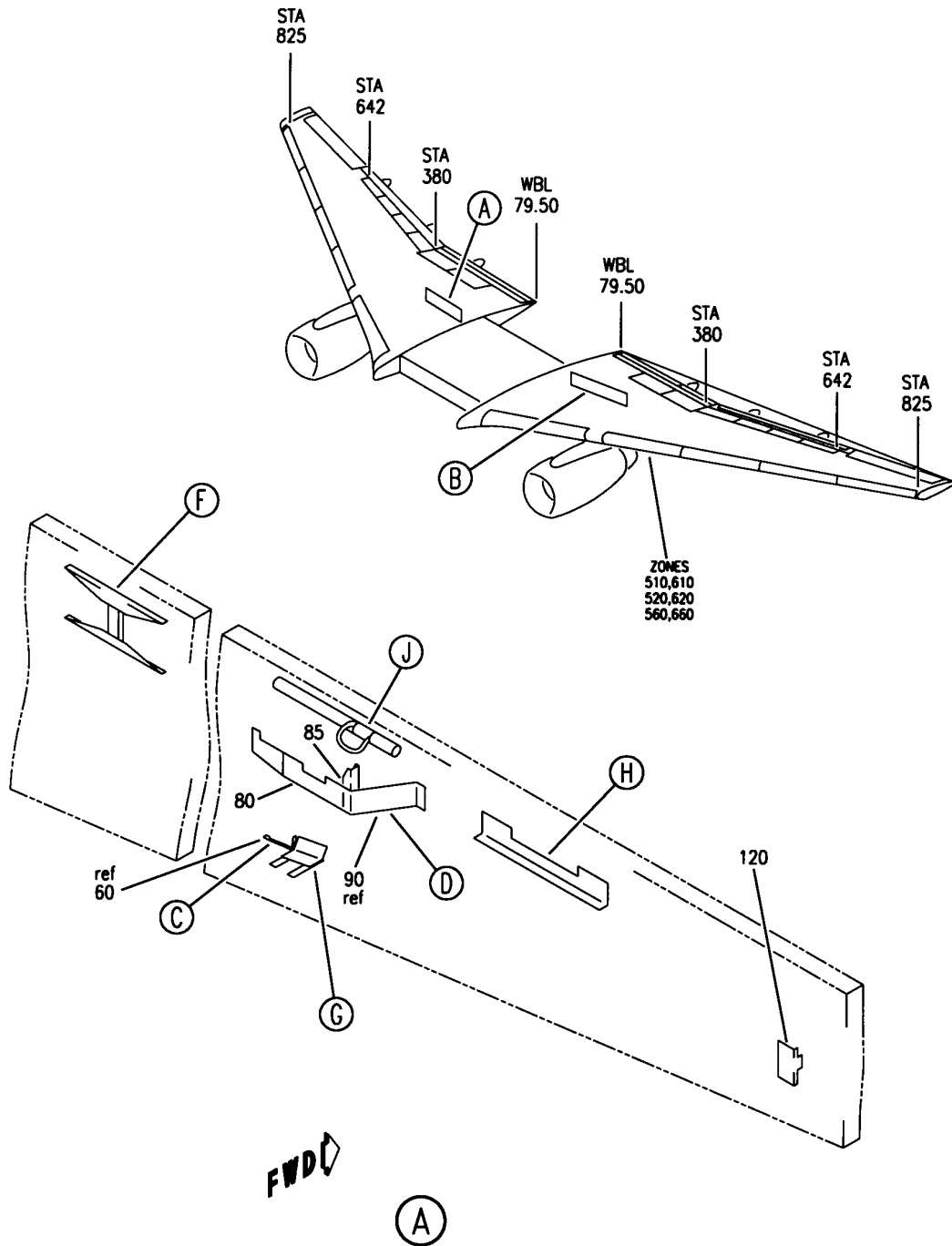
BRI

57-21-51-50

BOEING PROPRIETARY - Copyright © - Unpublished Work - See title page for details.

57-21-51
FIG. 50
PAGE 17
JAN 20/09

BOEING
757
PARTS CATALOG (MAINTENANCE)



Y 57215151 SHT 1 REV 192

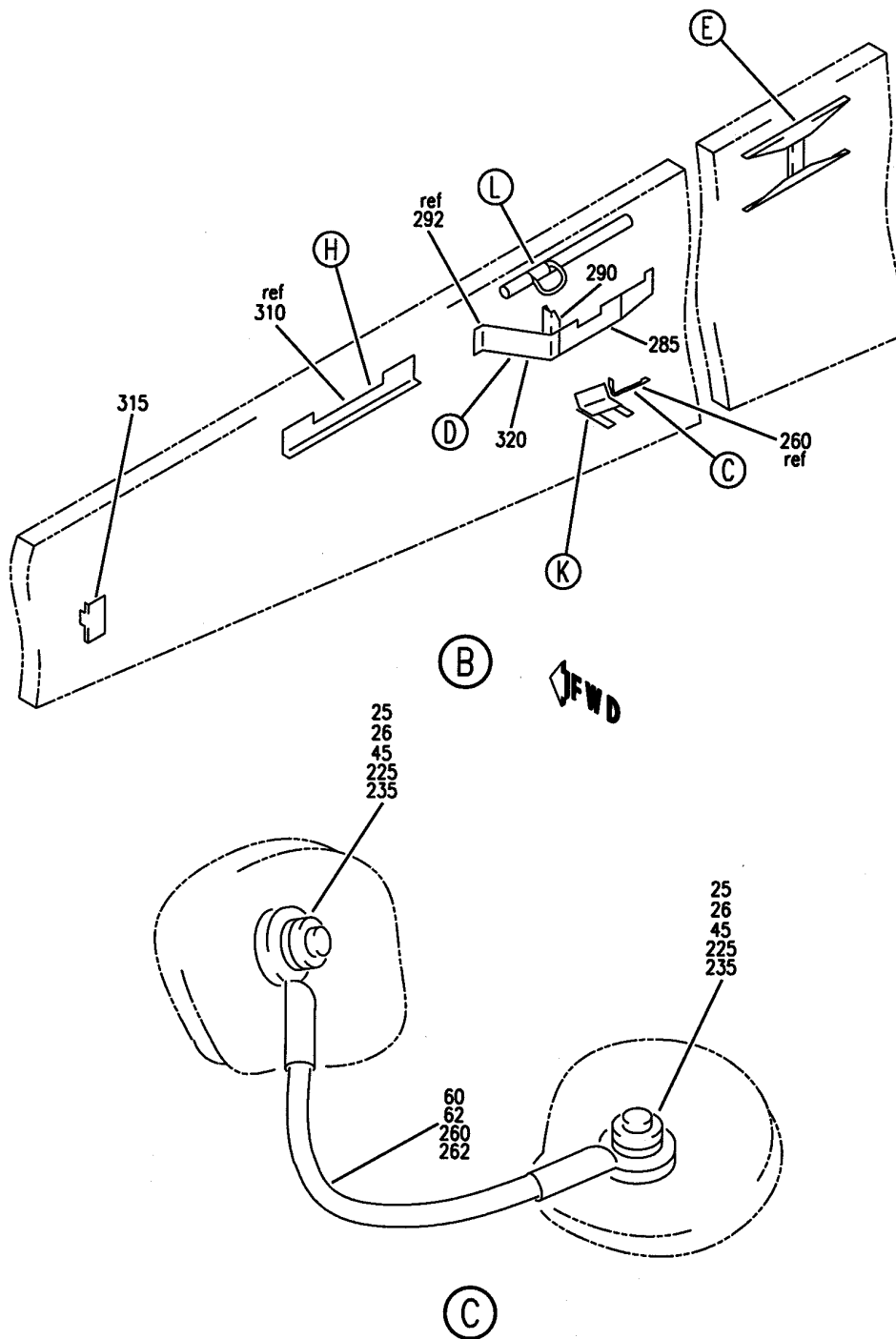
PROVISIONAL AND MLG E/E HARNESS INSTL-INBD WING REAR SPAR WIRE
FIGURE 51 (SHEET 1)

57-21-51-51

BRI
MAY 28/07

57-21-51-51
PAGE 0

BOEING
757
PARTS CATALOG (MAINTENANCE)



Y 57215151 SH 2 REV 215

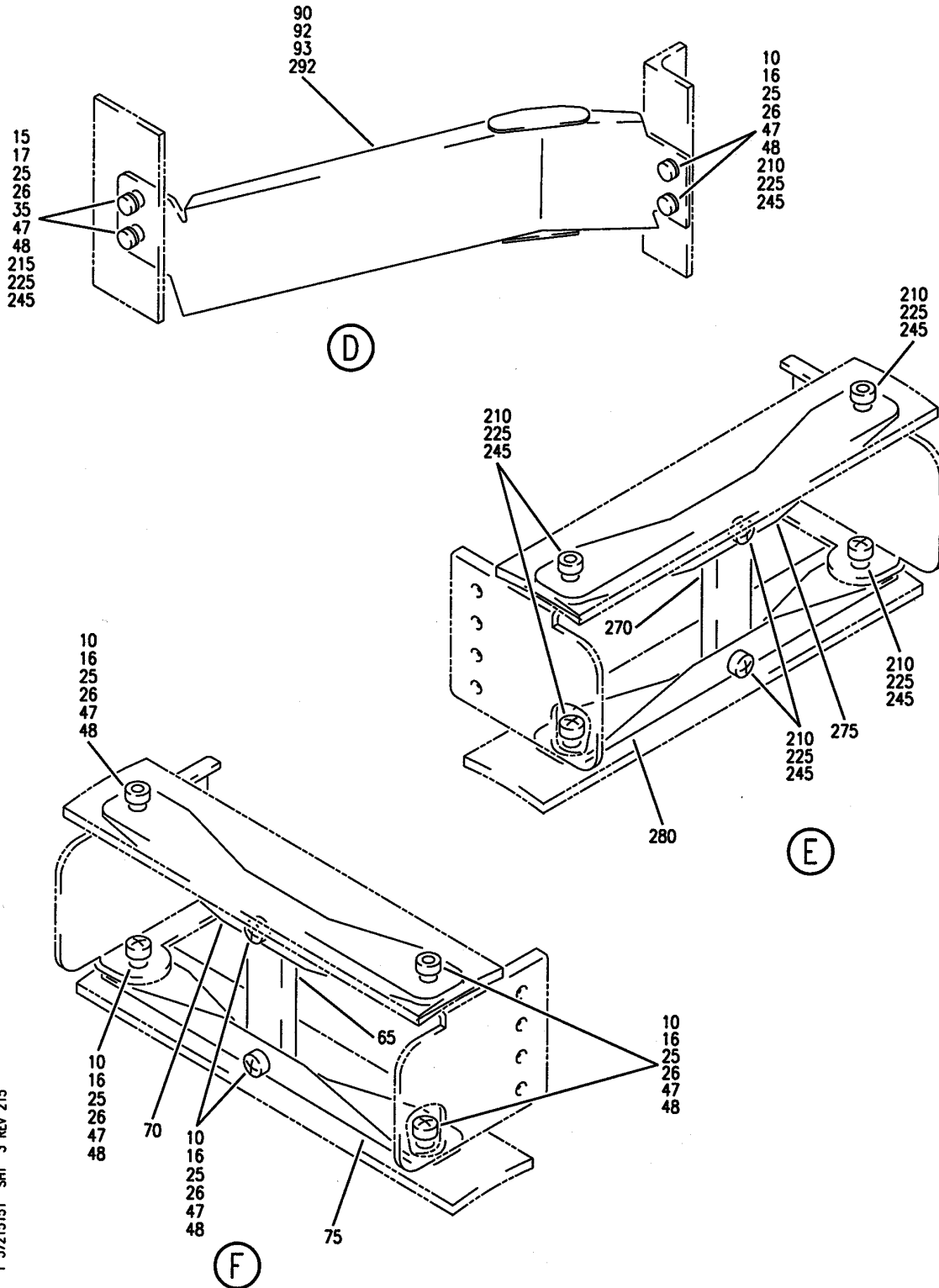
PROVISIONAL AND MLG E/E HARNESS INSTL-INBD WING REAR SPAR WIRE
FIGURE 51 (SHEET 2)

57-21-51-51

BRI
MAY 28/07

57-21-51-51
PAGE 0A

BOEING
757
PARTS CATALOG (MAINTENANCE)



Y 57215151 SHT 3 REV 215

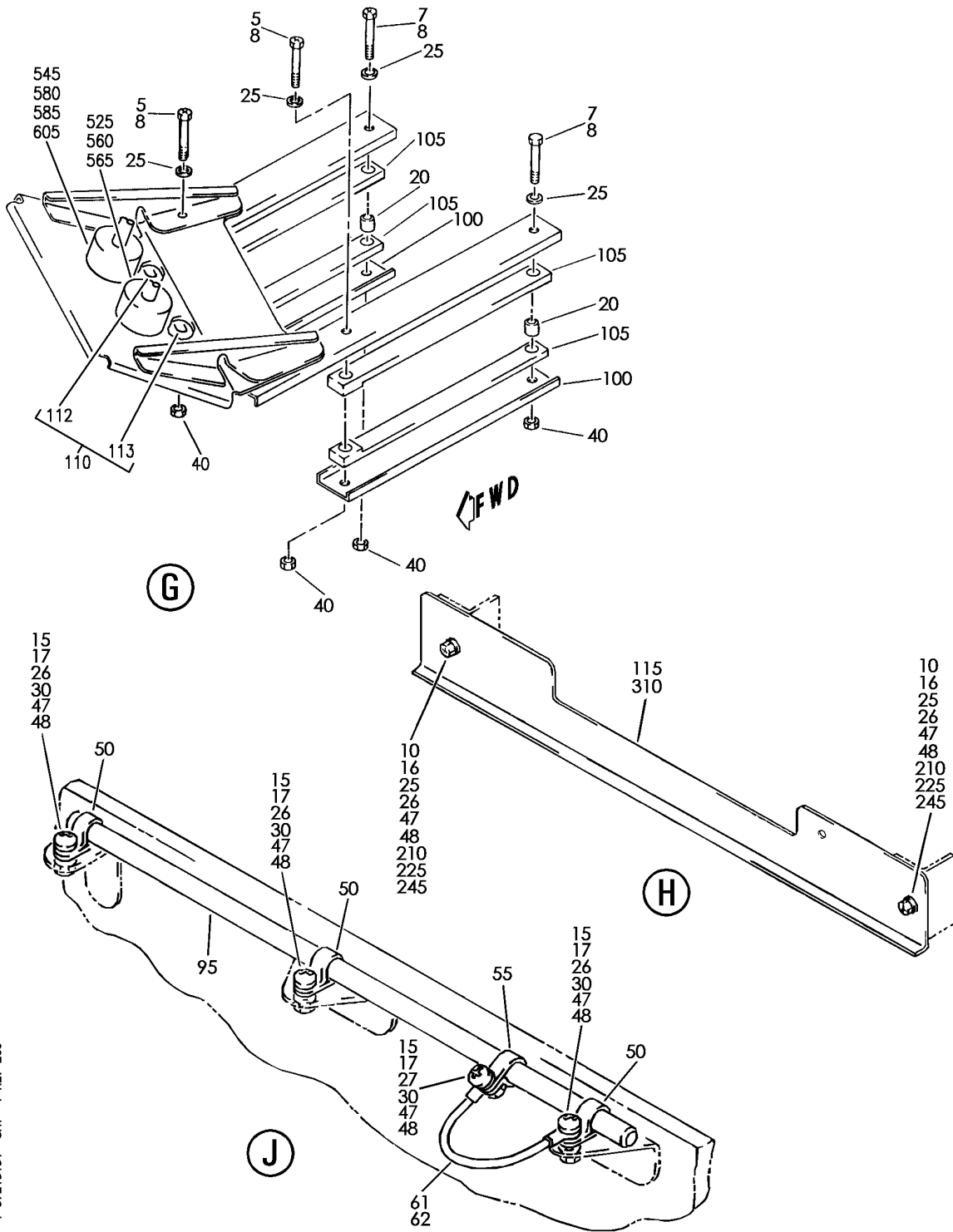
PROVISIONAL AND MLG E/E HARNESS INSTL-INBD WING REAR SPAR WIRE
FIGURE 51 (SHEET 3)

57-21-51-51

BRI
MAY 28/07

57-21-51-51
PAGE 0B


BOEING
 757
PARTS CATALOG (MAINTENANCE)



Y 57215151 SH- 4 REV 260

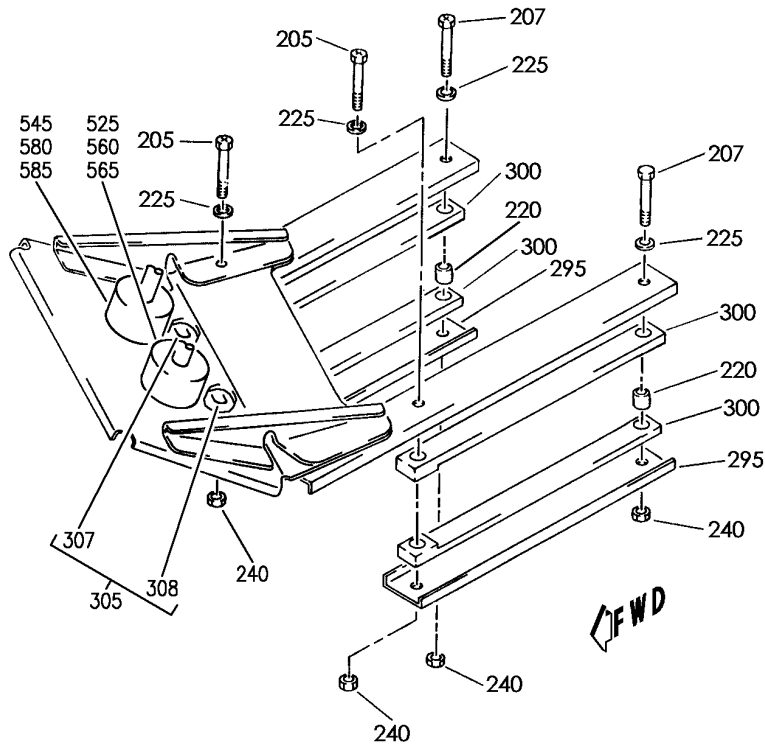
PROVISIONAL AND MLG E/E HARNESS INSTL-INBD WING REAR SPAR WIRE
 FIGURE 51 (SHEET 4)

57-21-51-51

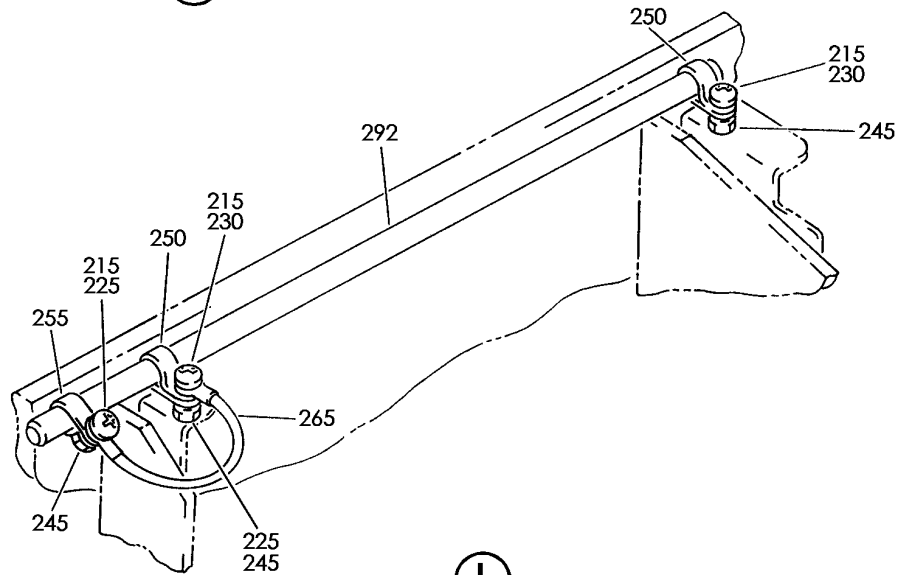
BRI
MAY 28/07

57-21-51-51
 PAGE 0C


BOEING
 757
PARTS CATALOG (MAINTENANCE)



(K)



(L)

Y 57215151 SH1 5 REV 248

PROVISIONAL AND MLG E/E HARNESS INSTL-INBD WING REAR SPAR WIRE
 FIGURE 51 (SHEET 5)

57-21-51-51

BRI
MAY 28/07

57-21-51-51
 PAGE 0D



757

PARTS CATALOG (MAINTENANCE)

FIG ITEM	PART NUMBER	1 2 3 4 5 6 7	NOMENCLATURE	EFFECT FROM TO	UNITS PER ASSY
51			PROVISIONAL AND MLG E/E HARNESS INSTL-INBD WING REAR SPAR WIRE	101106 108120 504903	
- 1	287N1301-683		PROVISIONAL INSTL-WIRE POSITION DATA: INBOARD REAR SPAR, WING RH SIDE	101102 108120 504903	RF
- 1	MODREF11044		PROVISIONAL INSTL-WIRE MODULE NUMBER: 287N1301-698 REV A POSITION DATA: INBOARD REAR SPAR, WING RH SIDE	103106	1
5	BACB30LM3U20		.BOLT- OPTIONAL PART: BACB30LM3SU20	101102 108120 504903	2
5	BACB30LM3SU20		.BOLT- OPTIONAL PART: BACB30LM3U20	101102 108120 504903	2
7	BACB30CMU20		.BOLT	101102 108120 504903	2
8	NAS6703U20		.BOLT	103106	4
10	NAS1801-3-6		.SCREW	101102 108120 504903	10
15	NAS1801-3-8		.SCREW	101102 108120 504903	6
16	BACS12GU3K6		.SCREW	103106	10
17	BACS12GU3K8		.SCREW	101106 108120 504903	6
25	NAS1149D0332J		.WASHER	101102 108120 504903	19
26	NAS1149D0332J		.WASHER	103106	21
27	NAS1149C0332B		.WASHER	103106	1
30	AN960C10L		.WASHER	101106 108120 504903	3
35	NAS1149D0363J		.WASHER	103106	2

MISSING ITEM NUMBERS NOT APPLICABLE

- ITEM NOT ILLUSTRATED

57-21-51-51

57-21-51
FIG. 51
PAGE 1
JAN 20/09

BRI



757

PARTS CATALOG (MAINTENANCE)

FIG ITEM	PART NUMBER	1 2 3 4 5 6 7	NOMENCLATURE	EFFECT FROM TO	UNITS PER ASSY
51 40	BRH10C3M	.NUT	SUPPLIER CODE: V52828 SPECIFICATION NUMBER: BACN10JC3M OPTIONAL PART: T6C1032JM V11815 97E02 V80539 109LH9075-3W V72962 VN303D02 V92215 NS202101SE02 V80539 H01-3BAC V15653	101106 108120 504903	4
45	MS21042L3	.NUT		101106 108120 504903	2
47	BRH10A3	.NUT	SUPPLIER CODE: V52828 SPECIFICATION NUMBER: BACN10JC3 OPTIONAL PART: H10-3BAC V15653 NS202101-02 V80539 RMLH9075-3W V72962 VN303A02 V92215 96-02 V80539 T6S1032J V11815	101102 108120 504903	16

MISSING ITEM NUMBERS NOT APPLICABLE

- ITEM NOT ILLUSTRATED

BRI

57-21-51-51

BOEING PROPRIETARY - Copyright © - Unpublished Work - See title page for details.

57-21-51
FIG. 51
PAGE 2
JAN 20/09



757

PARTS CATALOG (MAINTENANCE)

FIG ITEM	PART NUMBER	1 2 3 4 5 6 7	NOMENCLATURE	EFFECT FROM TO	UNITS PER ASSY
51 48	BRH10C3D	.NUT	SUPPLIER CODE: V52828 SPECIFICATION NUMBER: BACN10JC3CD OPTIONAL PART: T6C1032JCD V11815 NS202486-02 V80539 102LH9075-3W V72962 H51650-3BAC V15653	103106	16
50	BACC10GT3-06	.CLAMP		101106 108120 504903	3
55	AN735-6	.CLAMP		101106 108120 504903	1
60	940CW20-6	.JUMPER ASSY	SUPPLIER CODE: V91812 SPECIFICATION NUMBER: BACJ40AB20-6 OPTIONAL PART: 100220-6 V1FF12 RBEJ40AB20-6 V1GK47	101102 108120 504903	1
61	940CW20-4	.JUMPER ASSY	SUPPLIER CODE: V91812 SPECIFICATION NUMBER: BACJ40AB20-4 OPTIONAL PART: 100220-4 V1FF12 RBEJ40AB20-4 V1GK47	101106 108120 504903	1
62	RBEJ40D10-24	.JUMPER ASSY	SUPPLIER CODE: V1GK47 SPECIFICATION NUMBER: BACJ40D10-24 OPTIONAL PART: 4E24E V79550	103106	1

MISSING ITEM NUMBERS NOT APPLICABLE

- ITEM NOT ILLUSTRATED

57-21-51-51

57-21-51
FIG. 51
PAGE 3
JAN 20/09

BRI

 **BOEING**
757
PARTS CATALOG (MAINTENANCE)

FIG ITEM	PART NUMBER	1 2 3 4 5 6 7	NOMENCLATURE	EFFECT FROM TO	UNITS PER ASSY
51					
65	287N1301-600	.	CHANNEL	101106 108120 504903	1
70	287N1301-602	.	BRACKET	101106 108120 504903	1
75	287N1301-631	.	BRACKET	101106 108120 504903	1
80	287N1314-24	.	BRACKET ASSY	101106 108120 504903	1
85	287N1301-644	.	BRACKET	101106 108120 504903	1
90	287N1301-623	.	BRACKET ASSY	101102 108120 504903	1
93	287N1318-7	.	BRACKET ASSY-	103106	1
95	287N1301-466	.	CONDUIT	101106 108120 504903	1
100	287N1301-477	.	CHANNEL	101106 108120 504903	2
105	287N1301-496	.	BLOCK	101106 108120 504903	4
110	287N1301-706	.	BRACKET ASSY- ELECTRICAL EQUIP NUMBER: AW2240	101106 108120 504903	1
112	BAC27NEX0704	..	DECAL-VINYL PLACARD CONTENT: POS 1	101106 108120 504903	1
113	BAC27NEX0705	..	DECAL-VINYL PLACARD CONTENT: POS 2	101106 108120 504903	1
115	287N1301-285	.	BRACKET	101106 108120 504903	1
120	287N1301-38	.	BRACKET	101106 108120 504903	1
- 200	287N1301-684		PROVISIONAL INSTL-WIRE POSITION DATA: INBOARD REAR SPAR, WING LH SIDE FOR NHA SEE: 24-00-60-20B	101102 108120 504903	RF

MISSING ITEM NUMBERS NOT APPLICABLE

- ITEM NOT ILLUSTRATED

BRI

57-21-51-51

BOEING PROPRIETARY - Copyright © - Unpublished Work - See title page for details.

57-21-51
FIG. 51
PAGE 4
JAN 20/09



757

PARTS CATALOG (MAINTENANCE)

FIG ITEM	PART NUMBER	1 2 3 4 5 6 7	NOMENCLATURE	EFFECT FROM TO	UNITS PER ASSY
51					
- 200	MODREF11039		PROVISIONAL INSTL-WIRE MODULE NUMBER: 287N1301-687 REV A POSITION DATA: INBOARD REAR SPAR, WING LH SIDE	103106	1
- 203	BACB30LM3U18		.BOLT- OPTIONAL PART: NAS6703U18	101106 108120 504903	2
- 203	NAS6703U18		.BOLT- OPTIONAL PART: BACB30LM3U18	101106 108120 504903	2
205	BACB30LM3U20		.BOLT- OPTIONAL PART: BACB30LM3SU20	101106 108120 504903	2
205	BACB30LM3SU20		.BOLT- OPTIONAL PART: BACB30LM3U20	101106 108120 504903	2
207	BACB30CM3U20		.BOLT	101102 108120 504903	2
210	NAS1801-3-6		.SCREW	101106 108120 504903	10
215	NAS1801-3-8		.SCREW	101106 108120 504903	5
220	NAS1056E8-037		.SPACER	101106 108120 504903	1
225	NAS1149D0332J		.WASHER	101106 108120 504903	19
230	AN960C10L		.WASHER	101106 108120 504903	2
235	MS21042L3		.NUT	101106 108120 504903	2

MISSING ITEM NUMBERS NOT APPLICABLE

- ITEM NOT ILLUSTRATED

57-21-51-51

57-21-51
FIG. 51
PAGE 5
JAN 20/09

BRI

BOEING PROPRIETARY - Copyright © - Unpublished Work - See title page for details.



757

PARTS CATALOG (MAINTENANCE)

FIG ITEM	PART NUMBER	1 2 3 4 5 6 7	NOMENCLATURE	EFFECT FROM TO	UNITS PER ASSY
51 240	BRH10C3M	.NUT	SUPPLIER CODE: V52828 SPECIFICATION NUMBER: BACN10JC3M OPTIONAL PART: T6C1032JM V11815 97E02 V80539 109LH9075-3W V72962 VN303D02 V92215 NS202101SE02 V80539 H01-3BAC V15653	101106 108120 504903	4
245	BRH10A3	.NUT	SUPPLIER CODE: V52828 SPECIFICATION NUMBER: BACN10JC3 OPTIONAL PART: H10-3BAC V15653 NS202101-02 V80539 RMLH9075-3W V72962 VN303A02 V92215 96-02 V80539 T6S1032J V11815	101106 108120 504903	15
250	S258T6	.CLAMP-	SUPPLIER CODE: V18076 SPECIFICATION NUMBER: BACC10DW6S OPTIONAL PART: TA4C44S6T V84971 475CS6 V83930 8084C6T V72285	101106 108120 504903	2

MISSING ITEM NUMBERS NOT APPLICABLE

- ITEM NOT ILLUSTRATED

57-21-51-51

57-21-51
FIG. 51
PAGE 6
JAN 20/09

BRI



757

PARTS CATALOG (MAINTENANCE)

FIG ITEM	PART NUMBER	1 2 3 4 5 6 7	NOMENCLATURE	EFFECT FROM TO	UNITS PER ASSY
51					
255	AN735-6	.	CLAMP	101106 108120 504903	1
260	940CW20-6	.	JUMPER ASSY- SUPPLIER CODE: V91812 SPECIFICATION NUMBER: BACJ40AB20-6 OPTIONAL PART: 100220-6 V1FF12 RBEJ40AB20-6 V1GK47	101102 108120 504903	1
262	RBEJ40D10-24	.	JUMPER ASSY- SUPPLIER CODE: V1GK47 SPECIFICATION NUMBER: BACJ40D10-24 OPTIONAL PART: 4E24E V79550	103106	1
265	940CW20-4	.	JUMPER ASSY SUPPLIER CODE: V91812 SPECIFICATION NUMBER: BACJ40AB20-4 OPTIONAL PART: 100220-4 V1FF12 RBEJ40AB20-4 V1GK47	101106 108120 504903	1
270	287N1301-600	.	CHANNEL	101106 108120 504903	1
275	287N1301-602	.	BRACKET	101106 108120 504903	1
280	287N1301-617	.	BRACKET ASSY	101106 108120 504903	1
285	287N1314-23	.	BRACKET ASSY	101106 108120 504903	1
290	287N1301-643	.	BRACKET	101106 108120 504903	1
295	287N1301-477	.	CHANNEL	101106 108120 504903	2

MISSING ITEM NUMBERS NOT APPLICABLE

- ITEM NOT ILLUSTRATED

57-21-51-51

57-21-51
FIG. 51
PAGE 7
JAN 20/09

BRI

BOEING PROPRIETARY - Copyright © - Unpublished Work - See title page for details.

 **BOEING**
757
PARTS CATALOG (MAINTENANCE)

FIG ITEM	PART NUMBER	1 2 3 4 5 6 7	NOMENCLATURE	EFFECT FROM TO	UNITS PER ASSY
51					
300	287N1301-496	.	BLOCK	101106 108120 504903	4
305	287N1301-705	.	BRACKET ASSY- ELECTRICAL EQUIP NUMBER: AW1240	101106 108120 504903	1
307	BAC27NEX0704	..	DECAL-VINYL PLACARD CONTENT: POS 1	101106 108120 504903	1
308	BAC27NEX0705	..	DECAL-VINYL PLACARD CONTENT: POS 2	101106 108120 504903	1
310	287N1301-285	.	BRACKET	101106 108120 504903	1
315	287N1301-38	.	BRACKET	101106 108120 504903	1
320	287N1314-17	.	BRACKET ASSY	101102 108120 504903	1
325	287N1318-4	.	BRACKET ASSY ATTACHING PARTS	103106	1
- 520	BRH10C3M	.	NUT SUPPLIER CODE: V52828 SPECIFICATION NUMBER: BACN10JC3M OPTIONAL PART: T6C1032JM V11815 97E02 V80539 109LH9075-3W V72962 VN303D02 V92215 NS202101SE02 V80539 H01-3BAC V15653 -----*-----	103106	1

MISSING ITEM NUMBERS NOT APPLICABLE

- ITEM NOT ILLUSTRATED

BRI

57-21-51-51

BOEING PROPRIETARY - Copyright © - Unpublished Work - See title page for details.

57-21-51
FIG. 51
PAGE 8
JAN 20/09



757

PARTS CATALOG (MAINTENANCE)

FIG ITEM	PART NUMBER	1 2 3 4 5 6 7	NOMENCLATURE	EFFECT FROM TO	UNITS PER ASSY
51 525	BCREF101141		.. PLUG- OVERLENGTH PART NUMBER: BACC63BP22B19P6L ELECTRICAL EQUIP NUMBER: D40082P D40442P WIRING DIAGRAM REF: 320911 324211	103106	1
- 540	BRH10C3M		ATTACHING PARTS . NUT SUPPLIER CODE: V52828 SPECIFICATION NUMBER: BACN10JC3CM OPTIONAL PART: T6C1032JM V11815 97E02 V80539 109LH9075-3W V72962 VN303D02 V92215 NS202101SE02 V80539 H01-3BAC V15653	103106	1
545	BCREF101137		-----*----- .. PLUG- OVERLENGTH PART NUMBER: BACC63BP22B19PNL ELECTRICAL EQUIP NUMBER: D40084P D40434P WIRING DIAGRAM REF: 320912 324211	103106	1
565	BACC63BV22B19S6		.. RECEPTACLE- ELECTRICAL EQUIP NUMBER: D40082J D40442J WIRING DIAGRAM REF: 320911	103106	1

MISSING ITEM NUMBERS NOT APPLICABLE

- ITEM NOT ILLUSTRATED

BRI

57-21-51-51

BOEING PROPRIETARY - Copyright © - Unpublished Work - See title page for details.

57-21-51
FIG. 51
PAGE 9
JAN 20/09



757

PARTS CATALOG (MAINTENANCE)

FIG ITEM	PART NUMBER	1 2 3 4 5 6 7	NOMENCLATURE	EFFECT FROM TO	UNITS PER ASSY
51 585	BACC63BV22B19SN		. . RECEPTACLE- ELECTRICAL EQUIP NUMBER: D40084J D40434J WIRING DIAGRAM REF: 320912	103106	1
- 600	286N2644-304		WIRE BUNDLE ASSY- REWORKED BY ALERT SB: 27A0130R1	101102	RF
- 600	286N2644-315		WIRE BUNDLE ASSY	108120	RF
- 600	286N2644-322		WIRE BUNDLE ASSY	504903	RF
- 601	286N5716-601		WIRE BUNDLE ASSY	106106	RF
- 601	286N5716-602		WIRE BUNDLE ASSY	103105	RF
605	BACC63BV22B19S6		. RECEPTACLE- POSITION DATA: RH SIDE ELECTRICAL EQUIP NUMBER: D40442J WIRING DIAGRAM REF: 320911 REWORKED BY ALERT SB: 27A0130R1	101106 108120 504903	1
- 620	286N4212-344		WIRE BUNDLE ASSY- REWORKED BY ALERT SB: 27A0130	101102	1
- 625	280N3321-10502		. TAPE-IDENT PLACARD CONTENT: D40442J POST ALERT SB: 27A0130R1	101102	1
- 630	280N3321-10503		. TAPE-IDENT PLACARD CONTENT: W4212-3502 POST ALERT SB: 27A0130R1	101102	2
- 635	280N3321-10501		. TAPE-IDENT PLACARD CONTENT: D42062P POST ALERT SB: 27A0130	101102	2
640	BACC63BV22B19S6		. RECEPTACLE- POSITION DATA: RH SIDE ELECTRICAL EQUIP NUMBER: D40442J WIRING DIAGRAM REF: 320911 REWORKED BY ALERT SB: 27A0130	101102	1

MISSING ITEM NUMBERS NOT APPLICABLE

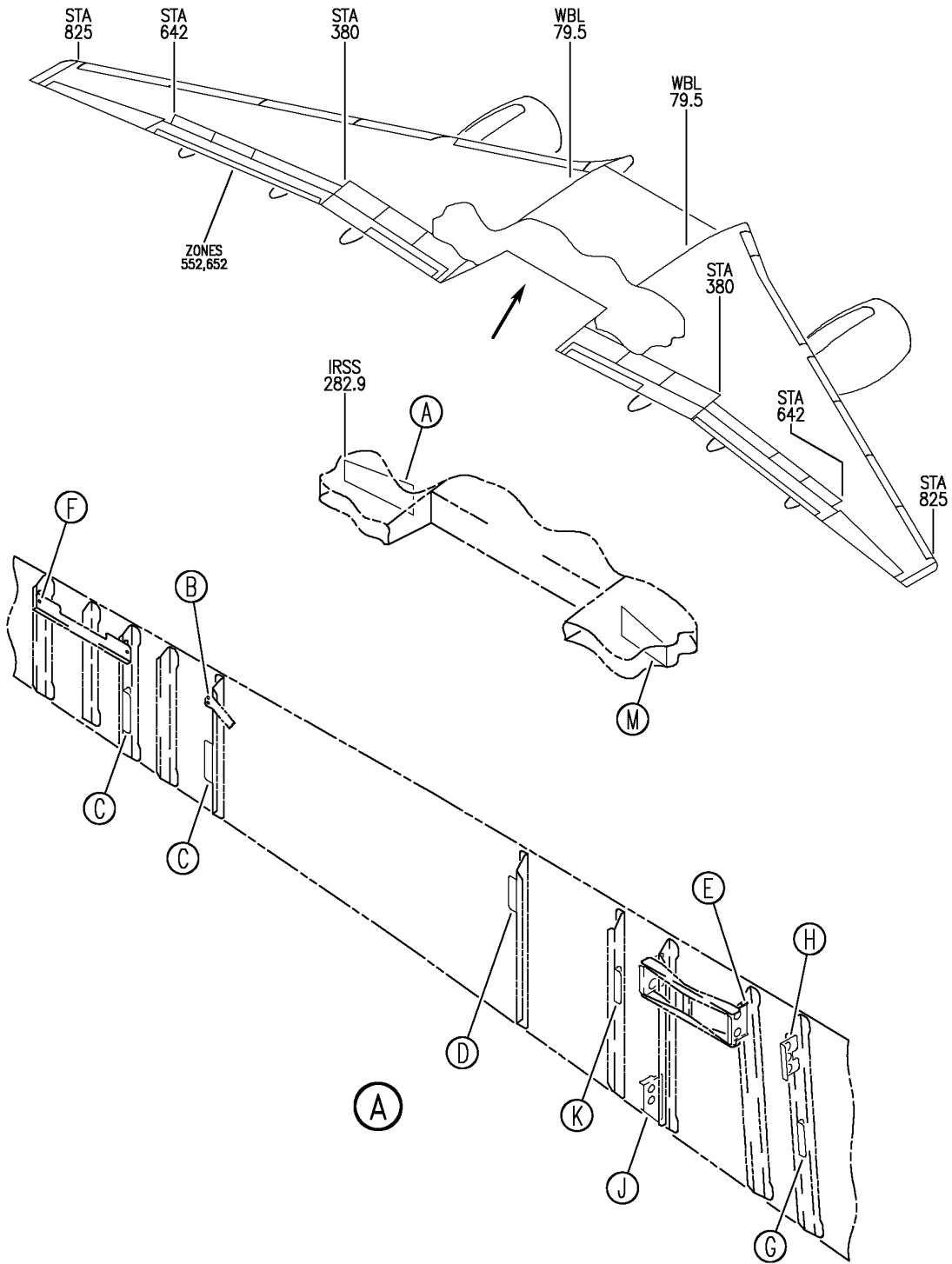
- ITEM NOT ILLUSTRATED

57-21-51-51

57-21-51
FIG. 51
PAGE 10
JAN 20/09

BRI

BOEING
757
PARTS CATALOG (MAINTENANCE)



Y 57215151A SHT 1 REV 248

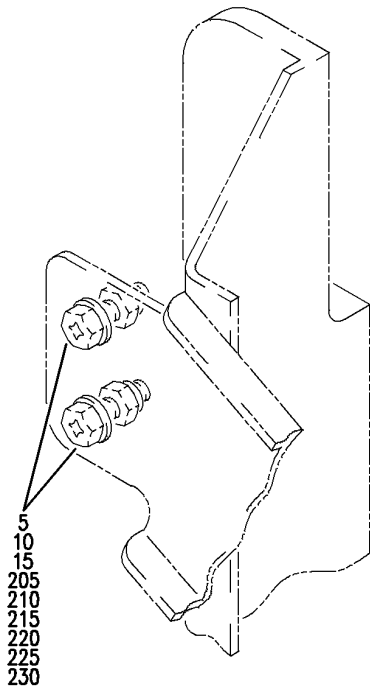
PROVISION INSTL-WIRE REAR SPAR
FIGURE 51A (SHEET 1)

57-21-51-51A

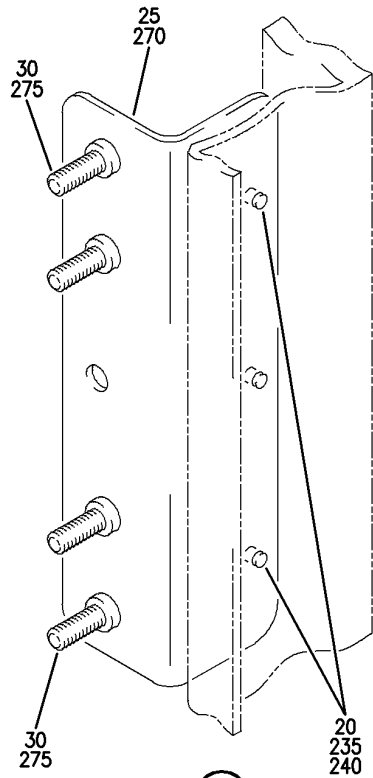
BRI
MAY 28/07

57-21-51-51A
PAGE 0

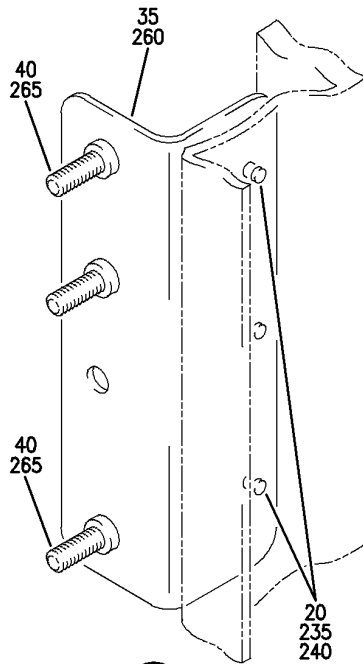
BOEING
757
PARTS CATALOG (MAINTENANCE)



(B)



(C)



(D)

Y 57215151A SHT 2 REV 248

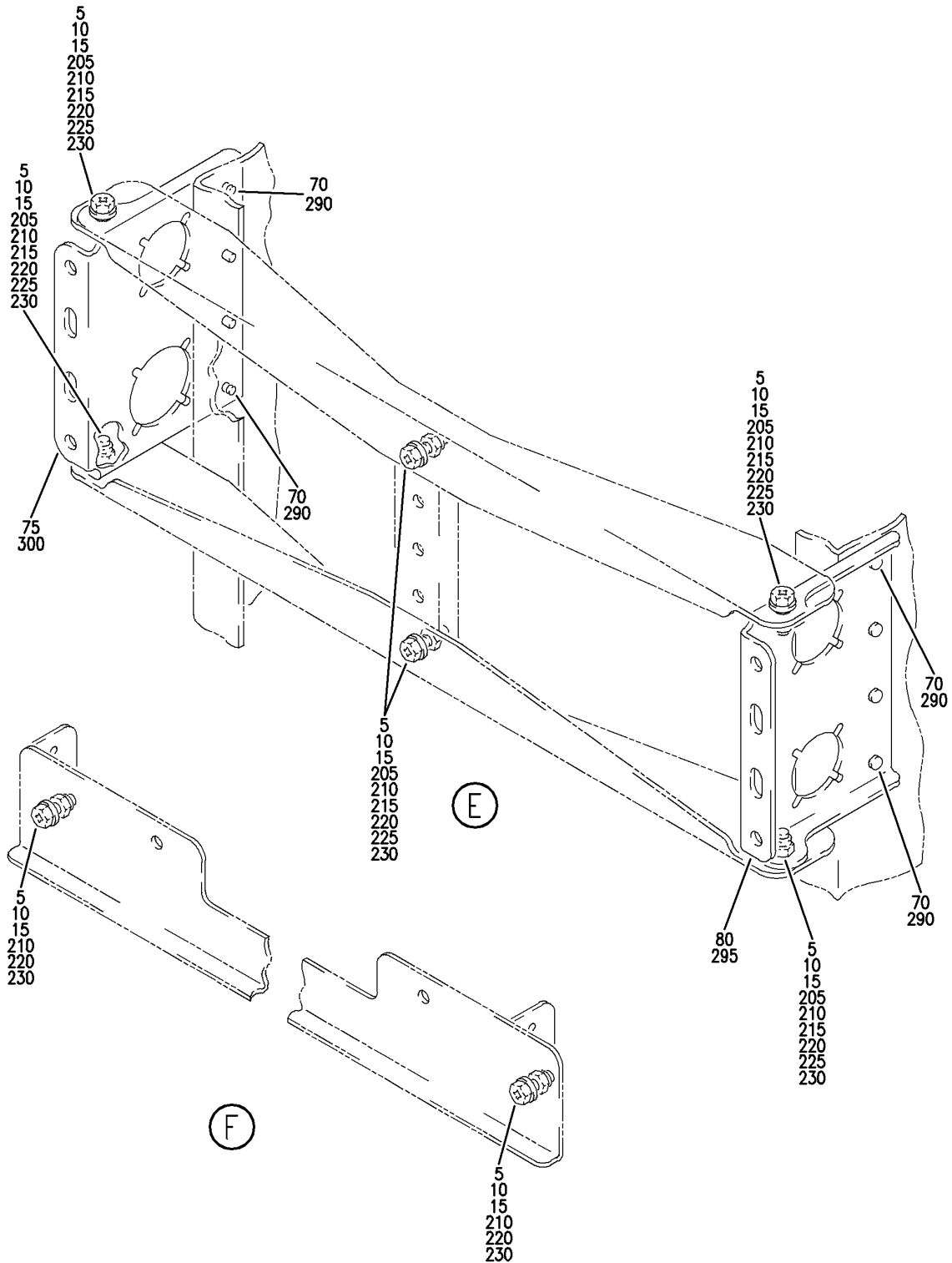
PROVISION INSTL-WIRE REAR SPAR
FIGURE 51A (SHEET 2)

57-21-51-51A

BRI
MAY 28/07

57-21-51-51A
PAGE 0A

BOEING
757
PARTS CATALOG (MAINTENANCE)



Y 57215151A SHT 3 REV 248

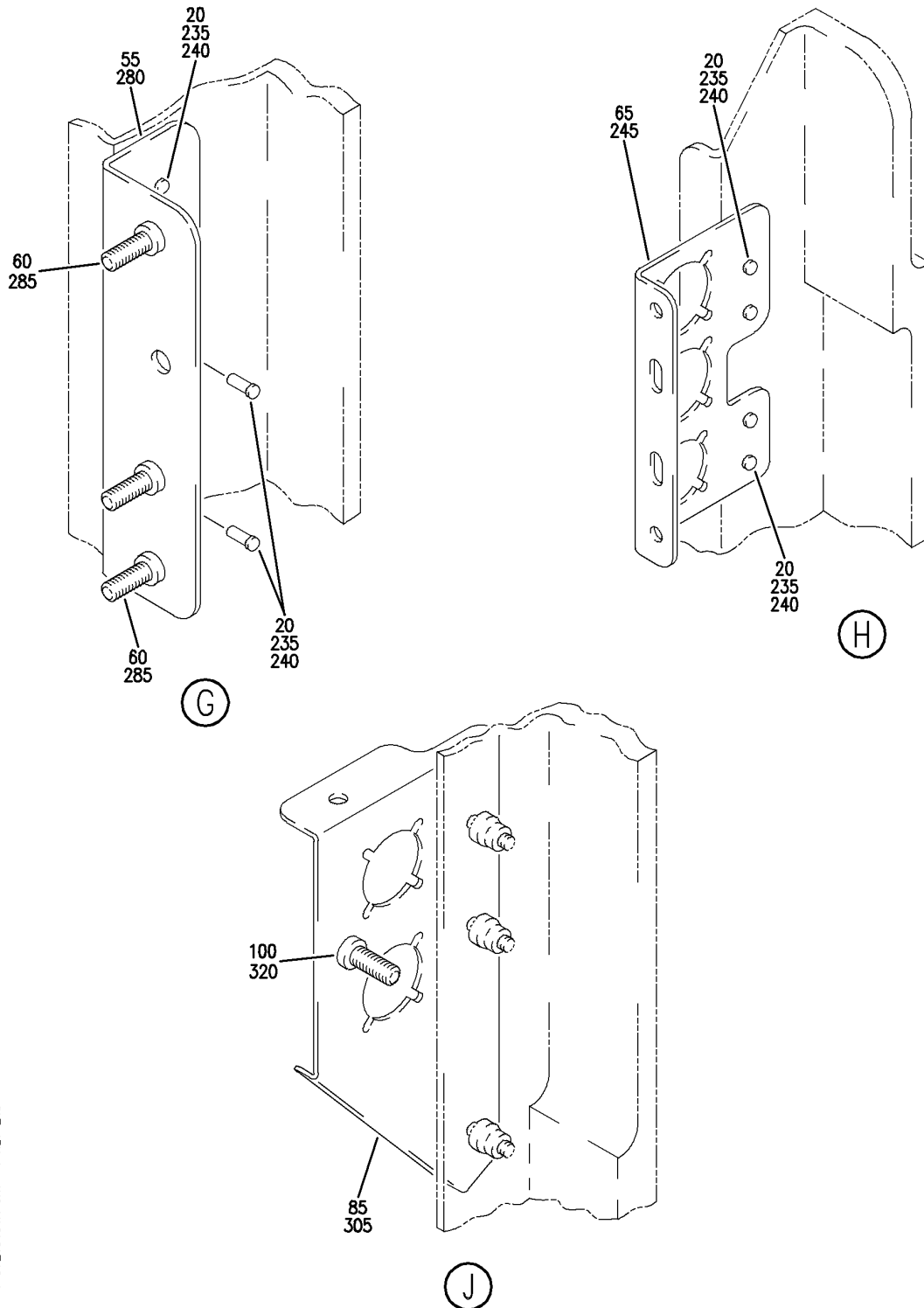
PROVISION INSTL-WIRE REAR SPAR
FIGURE 51A (SHEET 3)

57-21-51-51A

BRI
MAY 28/07

57-21-51-51A
PAGE 0B

BOEING
757
PARTS CATALOG (MAINTENANCE)



Y 57215151A SHT 4 REV 248

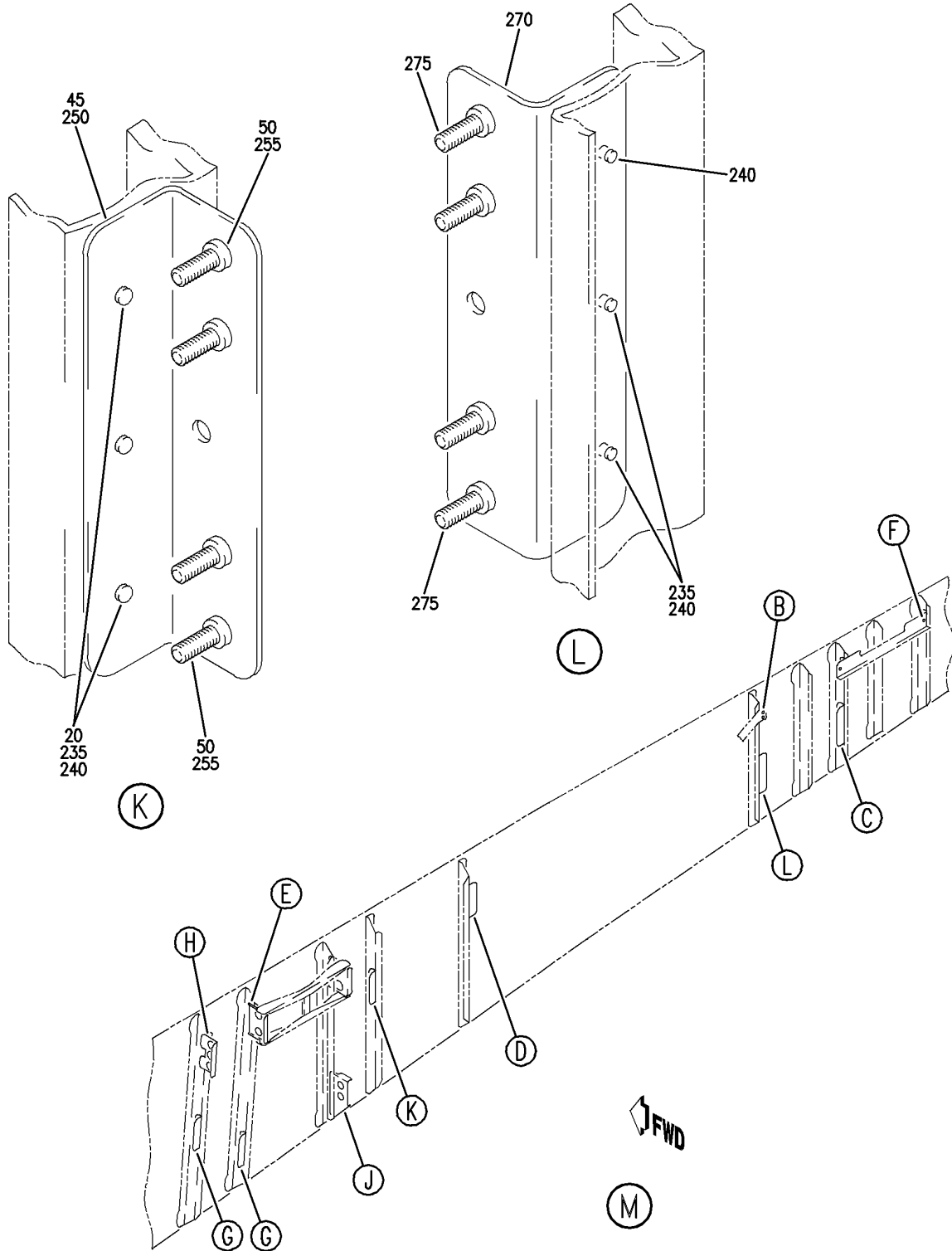
PROVISION INSTL-WIRE REAR SPAR
FIGURE 51A (SHEET 4)

57-21-51-51A

BRI
MAY 28/07

57-21-51-51A
PAGE 0C

BOEING
 757
 PARTS CATALOG (MAINTENANCE)



Y 57215151A SHT 5 REV 248

PROVISION INSTL-WIRE REAR SPAR
 FIGURE 51A (SHEET 5)

57-21-51-51A

BRI
 MAY 28/07

57-21-51-51A
 PAGE 0D



757

PARTS CATALOG (MAINTENANCE)

FIG ITEM	PART NUMBER	1 2 3 4 5 6 7	NOMENCLATURE	EFFECT FROM TO	UNITS PER ASSY
51A			PROVISION INSTL-WIRE REAR SPAR	101106 108120 504903	
- 1	287N1301-713		PROVISIONAL INSTL-WIRE POSITION DATA: REAR SPAR, L WING FOR NHA SEE: 24-00-60-20B	101102 108120 504903	RF
- 1	MODREF11103		PROVISIONAL INSTL-WIRE MODULE NUMBER: 287N1301-715 REV A POSITION DATA: REAR SPAR, L WING	103106	1
5	NAS1801-3-6		.SCREW	101106 108120 504903	10
10	NAS1149D0332J		.WASHER	101106 108120 504903	10
15	BACN10JC3-6		.NUT	101106 108120 504903	10
20	BACR15FT5D		.RIVET- SIZE DETERMINED ON INSTL.	101106 108120 504903	19
25	287N1301-133		.BRACKET ASSY	101106 108120 504903	2
30	VNS1924CA1-8		..STUD-GND SUPPLIER CODE: V5M902 SPECIFICATION NUMBER: BACS53B1EA1 OPTIONAL PART: VNS1924CA3-1-8 V92215	101106 108120 504903	4
35	287N1301-129		.BRACKET ASSY	101106 108120 504903	1
40	VNS1924CA1-8		..STUD-GND SUPPLIER CODE: V5M902 SPECIFICATION NUMBER: BACS53B1EA1 OPTIONAL PART: VNS1924CA3-1-8 V92215	101106 108120 504903	3

MISSING ITEM NUMBERS NOT APPLICABLE

- ITEM NOT ILLUSTRATED

57-21-51-51A

57-21-51
FIG. 51A
PAGE 1
JAN 20/09

BRI

BOEING PROPRIETARY - Copyright © - Unpublished Work - See title page for details.



757

PARTS CATALOG (MAINTENANCE)

FIG ITEM	PART NUMBER	1 2 3 4 5 6 7	NOMENCLATURE	EFFECT FROM TO	UNITS PER ASSY
51A					
45	287N1301-465	.	BRACKET ASSY	101106 108120 504903	1
50	VNS1924CA1-8	..	STUD-GND SUPPLIER CODE: V5M902 SPECIFICATION NUMBER: BACS53B1EA1 OPTIONAL PART: VNS1924CA3-1-8 V92215	101106 108120 504903	4
55	287N1301-131	.	BRACKET ASSY	101106 108120 504903	1
60	VNS1924CA1-8	..	STUD-GND SUPPLIER CODE: V5M902 SPECIFICATION NUMBER: BACS53B1EA1 OPTIONAL PART: VNS1924CA3-1-8 V92215	101106 108120 504903	3
65	287N4410-286	.	BRACKET ASSY	101106 108120 504903	1
70	BACR15FT5AD	.	RIVET-	101106 108120 504903	8
75	287N1301-668	.	BRACKET	101106 108120 504903	1
80	287N1301-670	.	BRACKET	101106 108120 504903	1
85	287N1313-11	.	BRACKET	101106 108120 504903	1
- 90	BACB30NX6K		ATTACHING PARTS .BOLT- SIZE DETERMINED ON INSTL.	101106 108120 504903	3

MISSING ITEM NUMBERS NOT APPLICABLE

- ITEM NOT ILLUSTRATED

57-21-51-51A

57-21-51
FIG. 51A
PAGE 2
JAN 20/09

BRI

BOEING PROPRIETARY - Copyright © - Unpublished Work - See title page for details.

 **BOEING**
757
PARTS CATALOG (MAINTENANCE)

FIG ITEM	PART NUMBER	1 2 3 4 5 6 7	NOMENCLATURE	EFFECT FROM TO	UNITS PER ASSY
51A - 95	HL1187-6		.COLLAR SUPPLIER CODE: V5M902 SPECIFICATION NUMBER: BACC30X6 OPTIONAL PART: HL87-6 V92215 HL87-6 V73197 HL1187-6 V56878 HL1187-6 V92215 HL87-6 V56878 HL1187-6 V73197 -----*-----	101106 108120 504903	3
100	BACS53B1ES1		..STUD-GND	101106 108120 504903	1
- 200	287N1301-714		PROVISIONAL INSTL-WIRE POSITION DATA: REAR SPAR, R WING FOR NHA SEE: 24-00-60-20B	101102 108120 504903	RF
- 200	MODREF11046		PROVISION INSTL-WIRE MODULE NUMBER: 287N1301-712 REV A POSITION DATA: REAR SPAR, R WING	103106	1
205	NAS1801-3-6		.SCREW	103106	8
210	NAS1801-3-6		.SCREW	101102 108120 504903	10
215	NAS1149D0332J		.WASHER	103106	8
220	NAS1149D0332J		.WASHER	101102 108120 504903	10

MISSING ITEM NUMBERS NOT APPLICABLE

- ITEM NOT ILLUSTRATED

BRI

57-21-51-51A

BOEING PROPRIETARY - Copyright © - Unpublished Work - See title page for details.

57-21-51
FIG. 51A
PAGE 3
JAN 20/09



757

PARTS CATALOG (MAINTENANCE)

FIG ITEM	PART NUMBER	1 2 3 4 5 6 7	NOMENCLATURE	EFFECT FROM TO	UNITS PER ASSY
51A 225	BRH10A3	.NUT	SUPPLIER CODE: V52828 SPECIFICATION NUMBER: BACN10JC3 OPTIONAL PART: H10-3BAC V15653 NS202101-02 V80539 RMLH9075-3W V72962 VN303A02 V92215 96-02 V80539 T6S1032J V11815	103106	8
230	BRH10A3	.NUT	SUPPLIER CODE: V52828 SPECIFICATION NUMBER: BACN10JC3 OPTIONAL PART: H10-3BAC V15653 NS202101-02 V80539 RMLH9075-3W V72962 VN303A02 V92215 96-02 V80539 T6S1032J V11815	101102 108120 504903	10
235	BACR15FT5D	.RIVET-	SIZE DETERMINED ON INSTL.	103106	21
240	BACR15FT5D	.RIVET-	SIZE DETERMINED ON INSTL.	101102 108120 504903	22
245	287N4410-285	.BRACKET ASSY		101106 108120 504903	1
250	287N1301-465	.BRACKET ASSY		101106 108120 504903	1

MISSING ITEM NUMBERS NOT APPLICABLE

- ITEM NOT ILLUSTRATED

57-21-51-51A

57-21-51
FIG. 51A
PAGE 4
JAN 20/09

BRI

BOEING PROPRIETARY - Copyright © - Unpublished Work - See title page for details.



757

PARTS CATALOG (MAINTENANCE)

FIG ITEM	PART NUMBER	1 2 3 4 5 6 7	NOMENCLATURE	EFFECT FROM TO	UNITS PER ASSY
51A 255	VNS1924CA1-8	..	STUD-GND SUPPLIER CODE: V5M902 SPECIFICATION NUMBER: BACS53B1EA1 OPTIONAL PART: VNS1924CA3-1-8 V92215	101106 108120 504903	4
260	287N1301-130	.	BRACKET ASSY	101106 108120 504903	1
265	VNS1924CA1-8	..	STUD-GND SUPPLIER CODE: V5M902 SPECIFICATION NUMBER: BACS53B1EA1 OPTIONAL PART: VNS1924CA3-1-8 V92215	101106 108120 504903	3
270	287N1301-133	.	BRACKET ASSY	101106 108120 504903	2
275	VNS1924CA1-8	..	STUD-GND SUPPLIER CODE: V5M902 SPECIFICATION NUMBER: BACS53B1EA1 OPTIONAL PART: VNS1924CA3-1-8 V92215	101106 108120 504903	4
280	287N1301-131	.	BRACKET ASSY	101106 108120 504903	2
285	VNS1924CA1-8	..	STUD-GND SUPPLIER CODE: V5M902 SPECIFICATION NUMBER: BACS53B1EA1 OPTIONAL PART: VNS1924CA3-1-8 V92215	101106 108120 504903	3
290	BACR15FT5AD	.	RIVET- SIZE DETERMINED ON INSTL.	101106 108120 504903	8
295	287N1301-669	.	BRACKET	101106 108120 504903	1

MISSING ITEM NUMBERS NOT APPLICABLE

- ITEM NOT ILLUSTRATED

57-21-51-51A

57-21-51
FIG. 51A
PAGE 5
JAN 20/09

BRI

BOEING PROPRIETARY - Copyright © - Unpublished Work - See title page for details.



757

PARTS CATALOG (MAINTENANCE)

FIG ITEM	PART NUMBER	1 2 3 4 5 6 7	NOMENCLATURE	EFFECT FROM TO	UNITS PER ASSY
51A 300	287N1301-668	.	BRACKET	101106 108120 504903	1
305	287N1313-12	.	BRACKET	101106 108120 504903	1
- 310	BACB30NX6K		ATTACHING PARTS .BOLT- SIZE DETERMINED ON INSTL.	101106 108120 504903	3
- 315	HL1187-6	.	COLLAR SUPPLIER CODE: V5M902 SPECIFICATION NUMBER: BACC30X6 OPTIONAL PART: HL87-6 V92215 HL87-6 V73197 HL1187-6 V56878 HL1187-6 V92215 HL87-6 V56878 HL1187-6 V73197 -----*	101106 108120 504903	3
320	BACS53B1ES1	.	STUD-GND	101106 108120 504903	1

MISSING ITEM NUMBERS NOT APPLICABLE

- ITEM NOT ILLUSTRATED

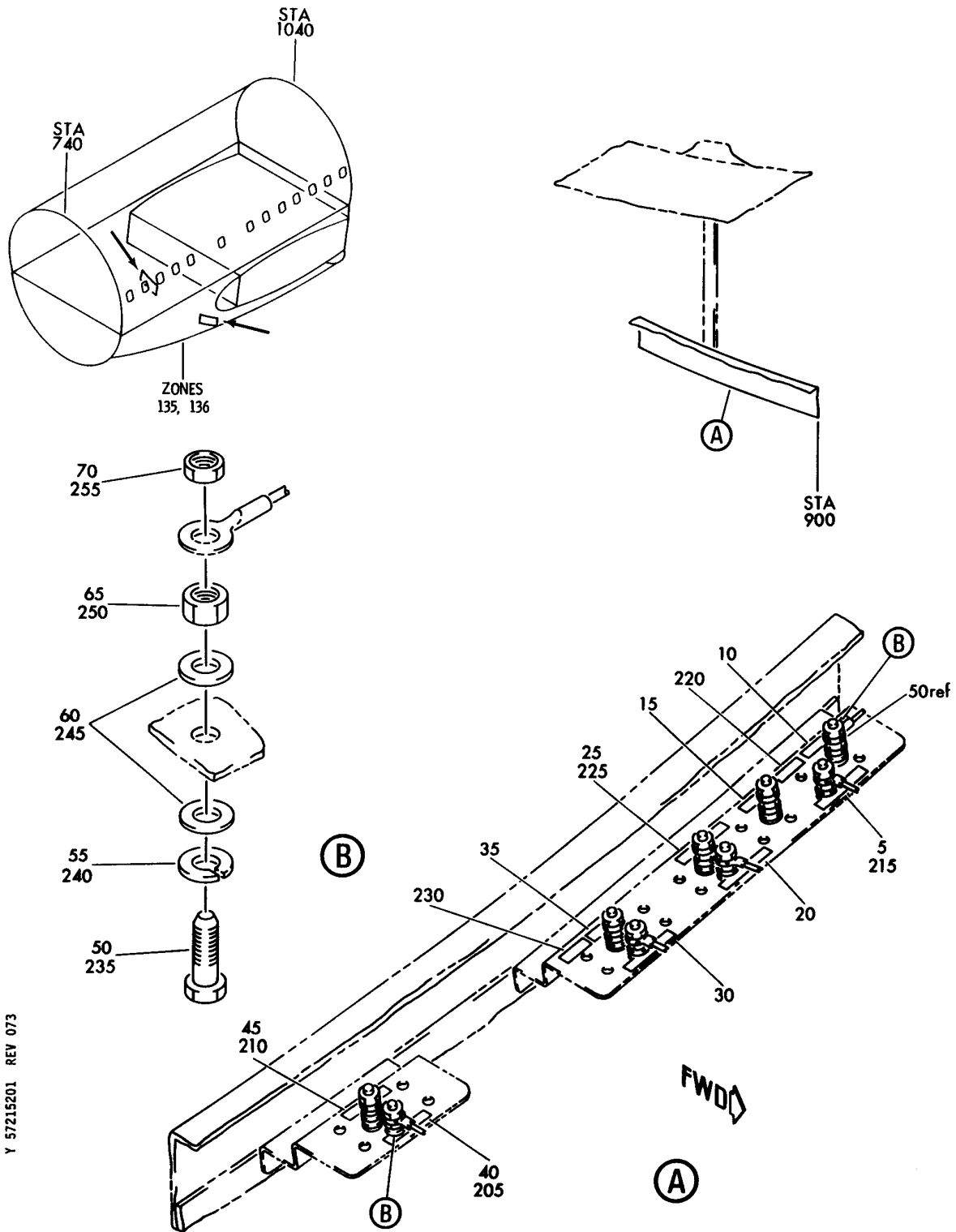
BRI

57-21-51-51A

BOEING PROPRIETARY - Copyright © - Unpublished Work - See title page for details.

57-21-51
FIG. 51A
PAGE 6
JAN 20/09

BOEING
757
PARTS CATALOG (MAINTENANCE)



Y 57215201 REV 073

WIRE INSTL-FRONT SPAR GND STUD BUILD-UP
FIGURE 1

57-21-52-01

BRI
MAY 28/07

57-21-52-01
PAGE 0



757

PARTS CATALOG (MAINTENANCE)

FIG ITEM	PART NUMBER	1 2 3 4 5 6 7	NOMENCLATURE	EFFECT FROM TO	UNITS PER ASSY
1			WIRE INSTL-FRONT SPAR GND STUD BUILD-UP	002004 006100 103107 121503 904999	
- 1	287N4316-1		WIRE INSTL-FRONT SPAR GND STUD BUILD-UP POSITION DATA: LH FOR NHA SEE: 24-00-60-01	002004 006100 103107 121503 904999	RF
5	BAC27NEL0891		.DECAL- PLACARD CONTENT: GD00679ST	002004 006100 103107 121503 904999	1
10	BAC27NEL0889		.DECAL- PLACARD CONTENT: GD00674ST	002004 006100 103107 121503 904999	1
15	BAC27NEL0896		.DECAL- PLACARD CONTENT: GD00796ST	002004 006100 103107 121503 904999	1
20	BAC27NEL0895		.DECAL- PLACARD CONTENT: GD00795AC	002004 006100 103107 121503 904999	1
25	BAC27NEL0887		.DECAL- PLACARD CONTENT: GD00672DC	002004 006100 103107 121503 904999	1
30	BAC27NEL0890		.DECAL- PLACARD CONTENT: GD00675DC	002004 006100 103107 121503 904999	1
35	BAC27NEL0888		.DECAL- PLACARD CONTENT: GD00673DC	002004 006100 103107 121503 904999	1

MISSING ITEM NUMBERS NOT APPLICABLE

- ITEM NOT ILLUSTRATED

57-21-52-01

57-21-52
FIG. 01
PAGE 1
JAN 20/09

BRI



757

PARTS CATALOG (MAINTENANCE)

FIG ITEM	PART NUMBER	1 2 3 4 5 6 7	NOMENCLATURE	EFFECT FROM TO	UNITS PER ASSY
1	40	BAC27NEL0897	.DECAL- PLACARD CONTENT: GD01870DC	002004 006100 103107 121503 904999	1
	45	BAC27NEL0898	.DECAL- PLACARD CONTENT: GD01871DC	002004 006100 103107 121503 904999	1
	50	NAS1801-3-14	.SCREW	002004 006100 103107 121503 904999	7
	55	MS35338-43	.WASHER	002004 006100 103107 121503 904999	7
	60	AN960D10L	.WASHER	002004 006100 103107 121503 904999	14
	65	MS35650-305T	.NUT	002004 006100 103107 121503 904999	7
	70	BRH10A3	.NUT SUPPLIER CODE: V52828 SPECIFICATION NUMBER: BACN10JC3 OPTIONAL PART: H10-3BAC V15653 NS202101-02 V80539 RMLH9075-3W V72962 VN303A02 V92215 96-02 V80539 T6S1032J V11815	002004 006100 103107 121503 904999	7

MISSING ITEM NUMBERS NOT APPLICABLE

- ITEM NOT ILLUSTRATED

57-21-52-01

57-21-52
FIG. 01
PAGE 2
JAN 20/09

BRI



757

PARTS CATALOG (MAINTENANCE)

FIG ITEM	PART NUMBER	1 2 3 4 5 6 7	NOMENCLATURE	EFFECT FROM TO	UNITS PER ASSY
1					
- 200	287N4316-2		WIRE INSTL-FRONT SPAR GND STUD BUILD-UP POSITION DATA: RH FOR NHA SEE: 24-00-60-01	002004 006100 103107 121503 904999	RF
205	BAC27NEL0899		.DECAL-GD01872DC	002004 006100 103107 121503 904999	1
210	BAC27NEL0900		.DECAL- PLACARD CONTENT: GD01873DC	002004 006100 103107 121503 904999	1
215	BAC27NEL0892		.DECAL- PLACARD CONTENT: GD00686DC	002004 006100 103107 121503 904999	1
220	BAC27NEL0886		.DECAL- PLACARD CONTENT: GD0654DC	002004 006100 103107 121503 904999	1
225	BAC27NEL0894		.DECAL- PLACARD CONTENT: GD00695AC	002004 006100 103107 121503 904999	1
230	BAC27NEL0893		.DECAL- PLACARD CONTENT: GD00694ST	002004 006100 103107 121503 904999	1
235	NAS1801-3-14		.SCREW	002004 006100 103107 121503 904999	6
240	MS35338-43		.WASHER	002004 006100 103107 121503 904999	6

MISSING ITEM NUMBERS NOT APPLICABLE

- ITEM NOT ILLUSTRATED

57-21-52-01

57-21-52
FIG. 01
PAGE 3
JAN 20/09

BRI

BOEING PROPRIETARY - Copyright © - Unpublished Work - See title page for details.



757

PARTS CATALOG (MAINTENANCE)

FIG ITEM	PART NUMBER	1 2 3 4 5 6 7	NOMENCLATURE	EFFECT FROM TO	UNITS PER ASSY
1					
245	AN960D10L	.	WASHER	002004 006100 103107 121503 904999	12
250	MS3560-305T	.	NUT	002004 006100 103107 121503 904999	6
255	BRH10A3	.	NUT SUPPLIER CODE: V52828 SPECIFICATION NUMBER: BACN10JC3 OPTIONAL PART: H10-3BAC V15653 NS202101-02 V80539 RMLH9075-3W V72962 VN303A02 V92215 96-02 V80539 T6S1032J V11815	002004 006100 103107 121503 904999	6

MISSING ITEM NUMBERS NOT APPLICABLE

- ITEM NOT ILLUSTRATED

BRI

57-21-52-01

BOEING PROPRIETARY - Copyright © - Unpublished Work - See title page for details.

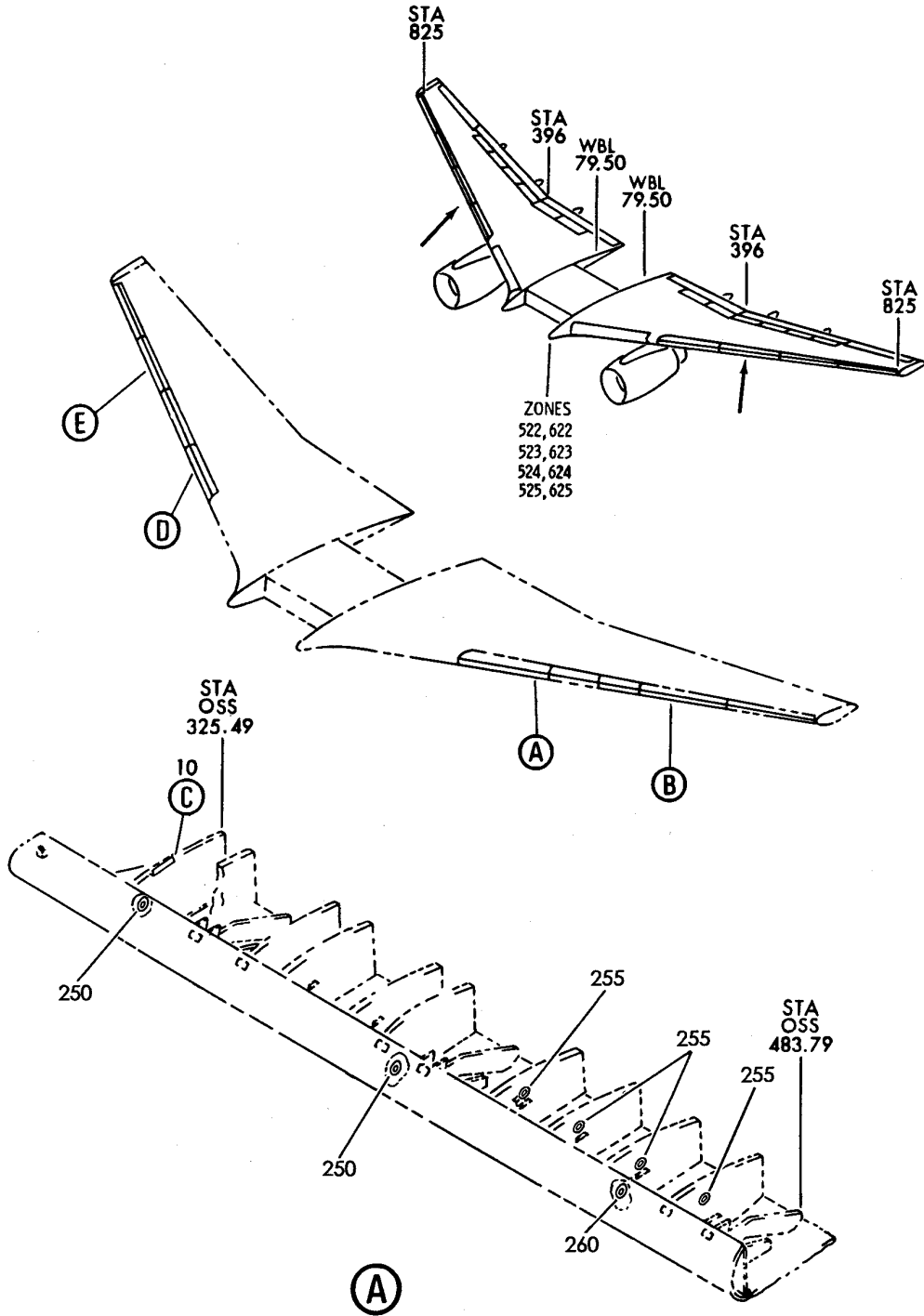
57-21-52
FIG. 01
PAGE 4
JAN 20/09

OUTBOARD LE SLAT MAIN TRACK SUPPORT RIBS

BRI
MAY 28/07

57-22-00
SECTION TITLE
PAGE 1

BOEING
757
PARTS CATALOG (MAINTENANCE)



Y 57225102 SHT 1 REV 211

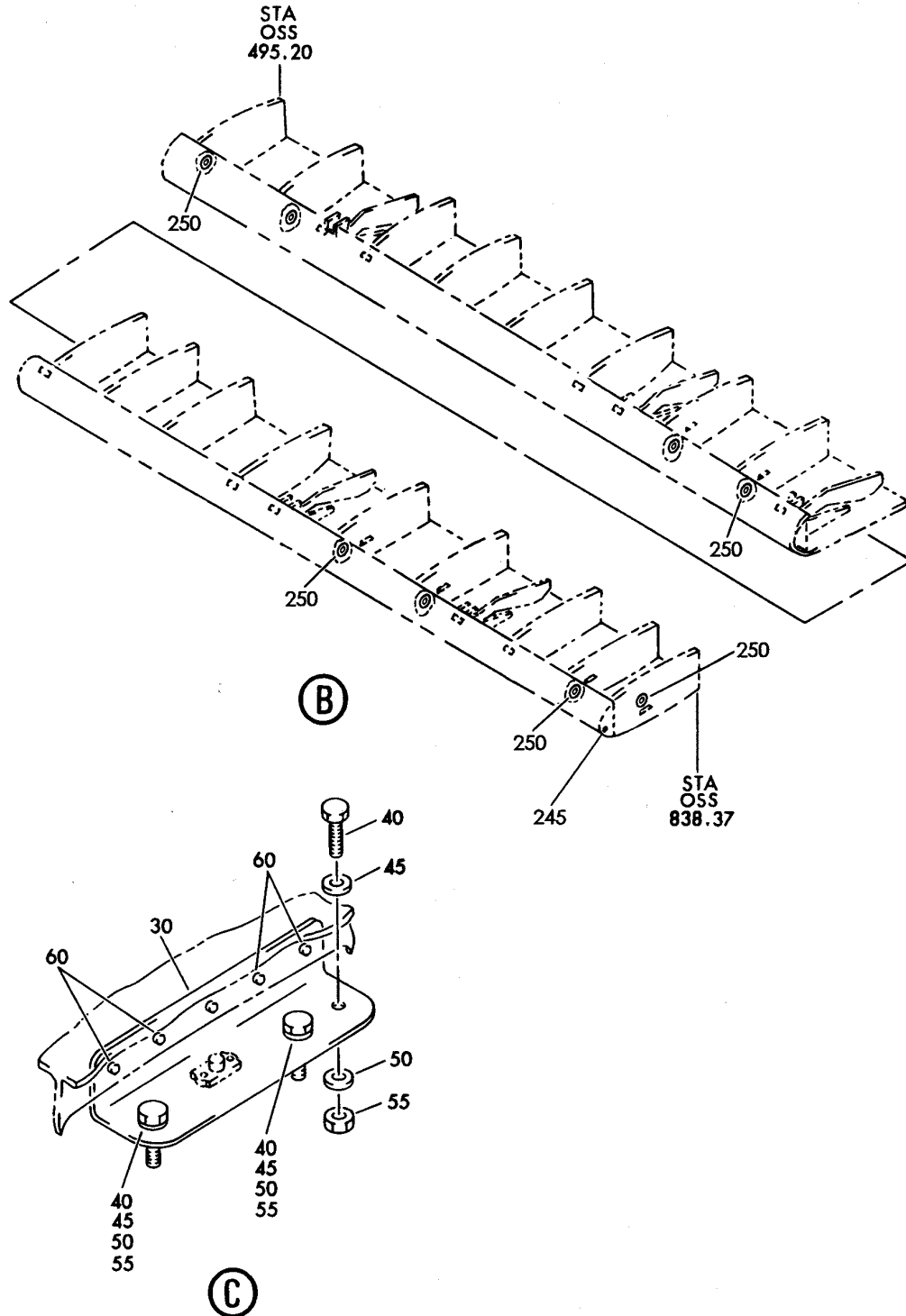
RIB INSTL-SUPPORT
FIGURE 2 (SHEET 1)

57-22-51-02

BRI
MAY 28/07

57-22-51-02
PAGE 0

BOEING
757
PARTS CATALOG (MAINTENANCE)



Y 57225102 SHT 2 REV 211

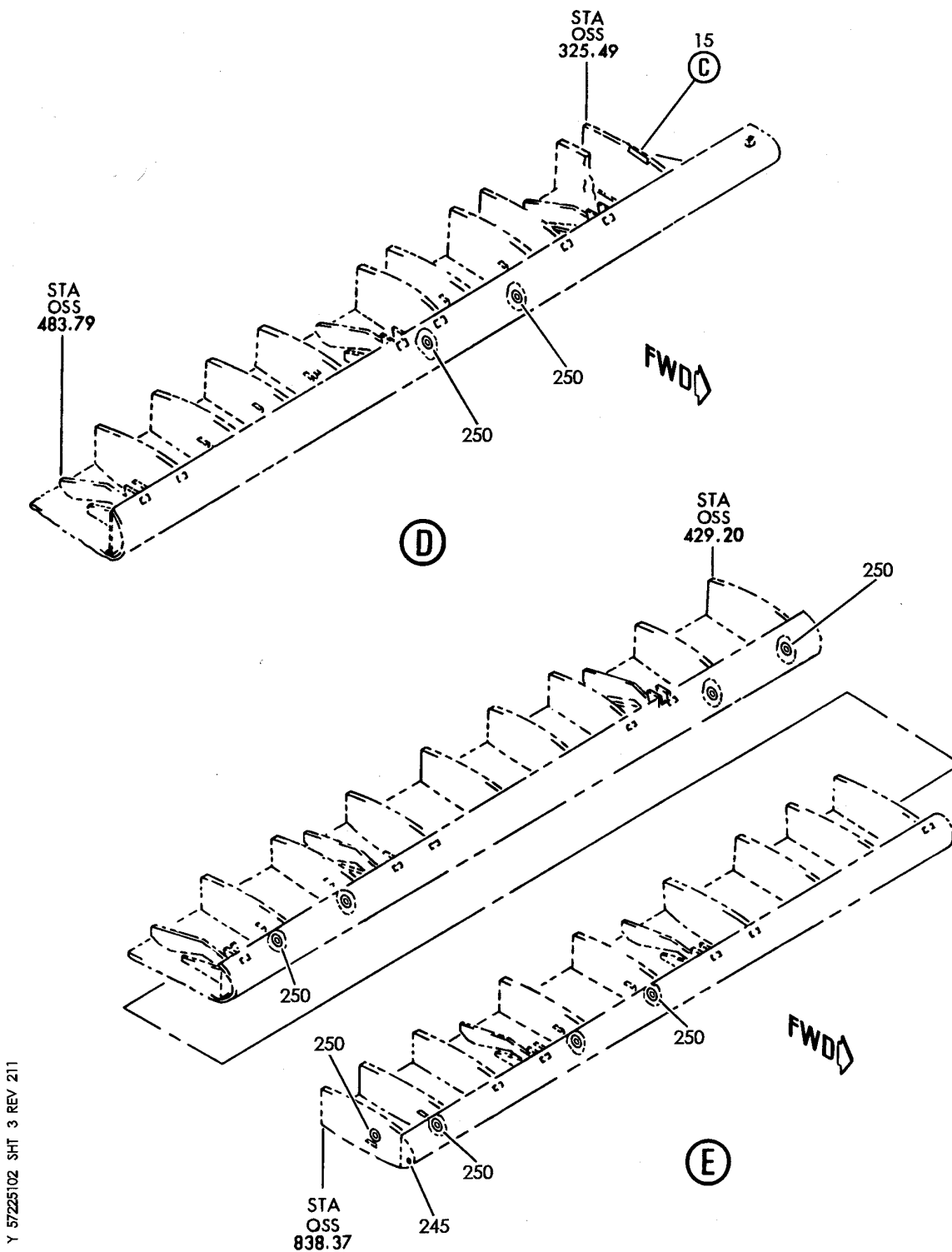
RIB INSTL-SUPPORT
FIGURE 2 (SHEET 2)

57-22-51-02

BRI
MAY 28/07

57-22-51-02
PAGE 0A

BOEING
 757
 PARTS CATALOG (MAINTENANCE)



RIB INSTL-SUPPORT
 FIGURE 2 (SHEET 3)

57-22-51-02

BRI
 MAY 28/07

57-22-51-02
 PAGE 0B



757

PARTS CATALOG (MAINTENANCE)

FIG ITEM	PART NUMBER	1 2 3 4 5 6 7	NOMENCLATURE	EFFECT FROM TO	UNITS PER ASSY
2			RIB INSTL-SUPPORT	101102 108120 504903	
- 1	114N2121-403		RIB INSTL-SUPPORT POSITION DATA: OSS 329.25 LH FOR NHA SEE: 57-00-00-10	101102 108120 504903	RF
- 5	114N2121-404		RIB INSTL-SUPPORT POSITION DATA: OSS 329.25 RH FOR NHA SEE: 57-00-00-10	101102 108120 504903	RF
10	312N5828-27		.BRACKET ASSY- POSITION DATA: LH SIDE	101102 108120 504903	1
- 15	312N5828-28		.BRACKET ASSY- POSITION DATA: RH SIDE	101102 108120 504903	1
- 20	BACB30MY5K		ATTACHING PARTS .BOLT- SIZE DETERMINED ON INSTL.	101102 108120 504903	5
- 25	HL70-5		.COLLAR SUPPLIER CODE: V5M902 SPECIFICATION NUMBER: BACC30M5 OPTIONAL PART: HL70-5 V73197 HL70-5 V92215 66014-5 V56878 HL70-5 V56878	101102 108120 504903	5
30	312N5828-29		-----*----- ..BRACKET- POSITION DATA: LH SIDE	101102 108120 504903	1
- 35	312N5828-30		..BRACKET- POSITION DATA: RH SIDE	101102 108120 504903	1
40	NAS1801-3-12		ATTACHING PARTS ..SCREW	101102 108120 504903	3

MISSING ITEM NUMBERS NOT APPLICABLE

- ITEM NOT ILLUSTRATED

57-22-51-02

57-22-51
FIG. 02
PAGE 1
JAN 20/09

BRI



757

PARTS CATALOG (MAINTENANCE)

FIG ITEM	PART NUMBER	1 2 3 4 5 6 7	NOMENCLATURE	EFFECT FROM TO	UNITS PER ASSY
2					
45	MS35338-43	..	WASHER	101102 108120 504903	3
50	AN960D10L	..	WASHER	101102 108120 504903	3
55	MS35650-305T	..	NUT	101102 108120 504903	3
60	VNS1924CA2-8	-----*	.STUD SUPPLIER CODE: V5M902 SPECIFICATION NUMBER: BACS53B1EA2 OPTIONAL PART: VNS1924CA3-2-8 V92215	101102 108120 504903	5
- 150	114N2018-403	RIB INSTL-	POSITION DATA: OSS 826.10 LH FOR NHA SEE: 57-00-00-10	101102 108120 504903	RF
- 155	114N2018-404	RIB INSTL-	POSITION DATA: OSS 826.10 RH FOR NHA SEE: 57-00-00-10	101102 108120 504903	RF
- 160	114N2019-403	RIB INSTL-	POSITION DATA: OSS 784.70 LH FOR NHA SEE: 57-00-00-10	101102 108120 504903	RF
- 165	114N2019-404	RIB INSTL-	POSITION DATA: OSS 784.70 RH FOR NHA SEE: 57-00-00-10	101102 108120 504903	RF
- 170	114N2020-403	RIB INSTL-	POSITION DATA: OSS 761.76 LH FOR NHA SEE: 57-00-00-10	101102 108120 504903	RF
- 175	114N2020-404	RIB INSTL-	POSITION DATA: OSS 761.76 RH FOR NHA SEE: 57-00-00-10	101102 108120 504903	RF

MISSING ITEM NUMBERS NOT APPLICABLE

- ITEM NOT ILLUSTRATED

57-22-51-02

57-22-51
FIG. 02
PAGE 2
JAN 20/09

BRI



757

PARTS CATALOG (MAINTENANCE)

FIG ITEM	PART NUMBER	1 2 3 4 5 6 7	NOMENCLATURE	EFFECT FROM TO	UNITS PER ASSY
2					
- 180	114N2023-403		RIB INSTL- POSITION DATA: OSS 653.00 LH FOR NHA SEE: 57-00-00-10	101102 108120 504903	RF
- 185	114N2023-404		RIB INSTL- POSITION DATA: OSS 653.00 RH FOR NHA SEE: 57-00-00-10	101102 108120 504903	RF
- 190	114N2024-403		RIB INSTL- POSITION DATA: OSS 629.80 LH FOR NHA SEE: 57-00-00-10	101102 108120 504903	RF
- 195	114N2024-404		RIB INSTL- POSITION DATA: OSS 629.80 RH FOR NHA SEE: 57-00-00-10	101102 108120 504903	RF
- 200	114N2027-403		RIB INSTL- POSITION DATA: OSS 518.00 LH FOR NHA SEE: 57-00-00-10	101102 108120 504903	RF
- 205	114N2028-403		RIB INSTL- POSITION DATA: OSS 495.06 LH FOR NHA SEE: 57-00-00-10	101102 108120 504903	RF
- 210	114N2032-404		RIB INSTL- POSITION DATA: OSS 384.30 RH FOR NHA SEE: 57-00-00-10	101102 108120 504903	RF
- 215	114N2032-403		RIB INSTL- POSITION DATA: OSS 384.30 LH FOR NHA SEE: 57-00-00-10	101102 108120 504903	RF
- 220	114N2033-403		RIB INSTL- POSITION DATA: OSS 329.25 LH FOR NHA SEE: 57-00-00-10	101102 108120 504903	RF

MISSING ITEM NUMBERS NOT APPLICABLE

- ITEM NOT ILLUSTRATED

57-22-51-02

57-22-51
FIG. 02
PAGE 3
JAN 20/09

BRI



757

PARTS CATALOG (MAINTENANCE)

FIG ITEM	PART NUMBER	1 2 3 4 5 6 7	NOMENCLATURE	EFFECT FROM TO	UNITS PER ASSY
2					
- 225	114N2033-404		RIB INSTL- POSITION DATA: OSS 365.00 RH FOR NHA SEE: 57-00-00-10	101102 108120 504903	RF
- 230	114N2125-403		RIB INSTL- POSITION DATA: OUTBD WING RH FOR NHA SEE: 57-00-00-10	101102 108120 504903	RF
- 235	114N2126-403		RIB INSTL- POSITION DATA: OSS 838.37 LH FOR NHA SEE: 57-00-00-10	101102 108120 504903	RF
- 240	114N2126-404		RIB INSTL- POSITION DATA: OSS 838.37 RH FOR NHA SEE: 57-00-00-10	101102 108120 504903	RF
245	VNS1924CA1-8		.STUD- SUPPLIER CODE: V5M902 SPECIFICATION NUMBER: BACS53B1EA1 OPTIONAL PART: VNS1924CA3-1-8 V92215 USED ON: 114N2033-401 114N2033-402	101102 108120 504903	1
250	BACG20ZB001275		.GROMMET	101102 108120 504903	1
255	BACG20ZB001275		.GROMMET- USED ON: 114N2125-401 114N2125-402 114N2125-403 114N2125-404 MODREF314	101102 108120 504903	4
260	BACG20ZB001150		.GROMMET- USED ON: 114N2125-401	101102 108120 504903	1

MISSING ITEM NUMBERS NOT APPLICABLE

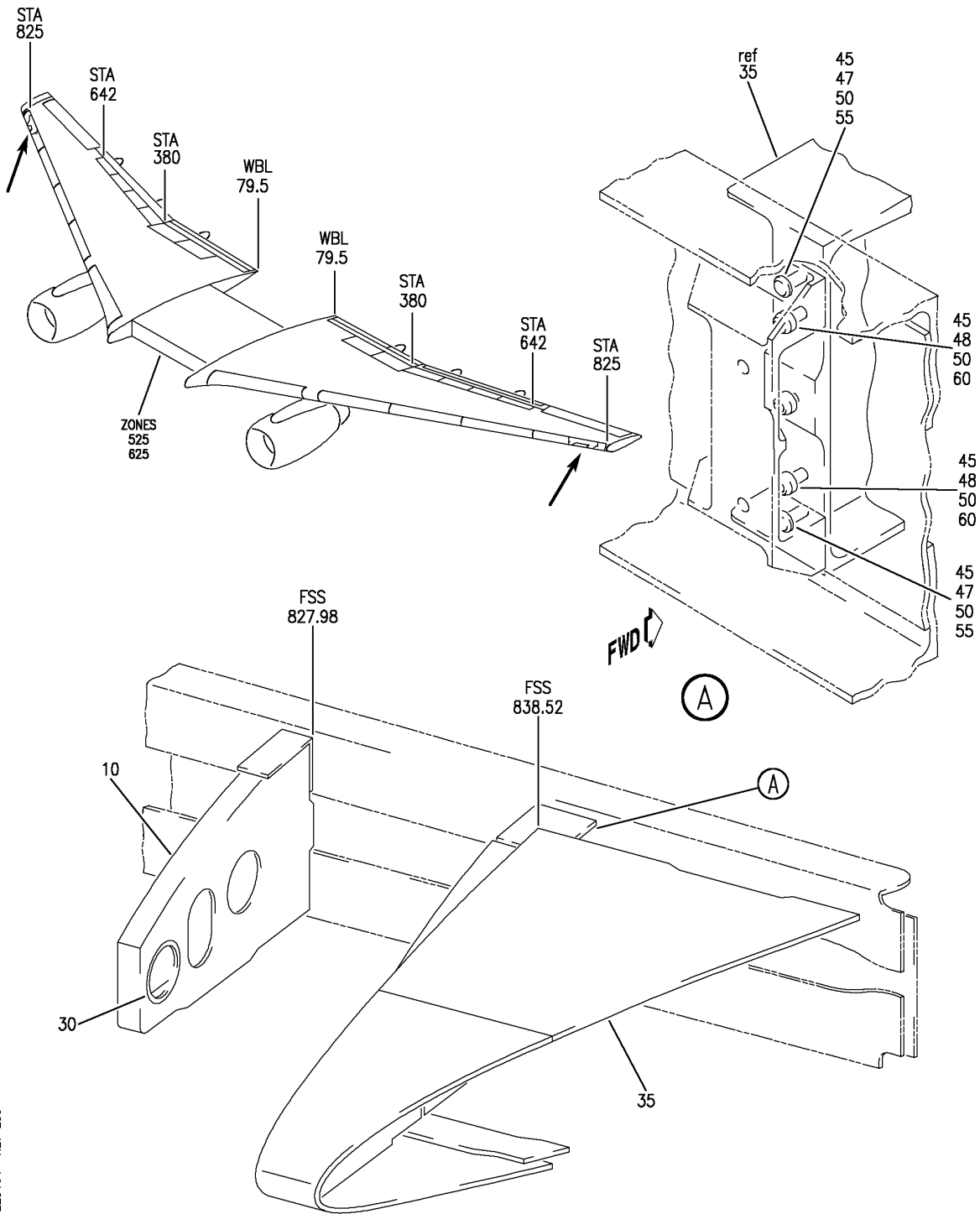
- ITEM NOT ILLUSTRATED

57-22-51-02

57-22-51
FIG. 02
PAGE 4
JAN 20/09

BRI


BOEING
 757
PARTS CATALOG (MAINTENANCE)



Y 57225104 REV 259

RIB INSTL-FXD LE AIRLOAD OUTBD
FIGURE 4

57-22-51-04

BRI
JAN 20/09

57-22-51-04
PAGE 0



757

PARTS CATALOG (MAINTENANCE)

FIG ITEM	PART NUMBER	1 2 3 4 5 6 7	NOMENCLATURE	EFFECT FROM TO	UNITS PER ASSY
4			RIB INSTL-FXD LE AIRLOAD OUTBD	103106	
- 1	MODREF518		RIB INSTL-FXD LE AIRLOAD MODULE NUMBER: 114N2285-301 REV A POSITION DATA: OSS 827.83 OSS 740.00 OUTBD LH	103103	1
- 1	MODREF26712		RIB INSTL-FXD LE AIRLOAD MODULE NUMBER: 114N2285-301 REV B POSITION DATA: OSS 827.83 OSS 740.00 OUTBD LH	104105	1
- 1	MODREF33219		RIB INSTL-FXD LE AIRLOAD MODULE NUMBER: 114N2285-301 REV C POSITION DATA: OSS 827.83 OSS 740.00 OUTBD LH	106106	1
- 5	MODREF33220		RIB INSTL-FXD LE AIRLOAD MODULE NUMBER: 114N2285-302 REV C POSITION DATA: OSS 827.83 OSS 740.00 OUTBD RH	106106	1
- 5	MODREF519		RIB INSTL-FXD LE AIRLOAD MODULE NUMBER: 114N2285-302 REV A POSITION DATA: OSS 827.83 OSS 740.00 OUTBD RH	103103	1
- 5	MODREF26713		RIB INSTL-FXD LE AIRLOAD MODULE NUMBER: 114N2285-302 REV B POSITION DATA: OSS 827.83 OSS 740.00 OUTBD RH	104105	1
10	114N2218-1		.RIB ASSY- POSITION DATA: LH SIDE	103106	1
- 15	114N2218-2		.RIB ASSY- POSITION DATA: RH SIDE	103106	1

MISSING ITEM NUMBERS NOT APPLICABLE

- ITEM NOT ILLUSTRATED

57-22-51-04

57-22-51
FIG. 04
PAGE 1
JAN 20/09

BRI

BOEING PROPRIETARY - Copyright © - Unpublished Work - See title page for details.



757

PARTS CATALOG (MAINTENANCE)

FIG ITEM	PART NUMBER	1 2 3 4 5 6 7	NOMENCLATURE	EFFECT FROM TO	UNITS PER ASSY
4			ATTACHING PARTS		
- 20	LGPL2SPV8-6AC	.BOLT	SUPPLIER CODE: V17446 SPECIFICATION NUMBER: BACB30VN8K6 OPTIONAL PART: LGPL2SPV8-6AC V92215 81669V8K6 V56878 LGPL2SPV8-6AC V56878	103106	5
- 25	3SLCC8	.COLLAR	SUPPLIER CODE: V17446 SPECIFICATION NUMBER: BACC30BK8 OPTIONAL PART: 3SLCC8 V92215	103106	5
		-----*-----			
30	BACG20ZB000500	.GROMMET		103106	1
35	114N2836-9	.RIB ASSY-	POSITION DATA: LH SIDE	103105	1
35	114N2836-11	.RIB ASSY-	POSITION DATA: LH SIDE	106106	1
- 40	114N2836-10	.RIB ASSY-	POSITION DATA: RH SIDE	103105	1
- 40	114N2836-12	.RIB ASSY-	POSITION DATA: RH SIDE	106106	1
			ATTACHING PARTS		
45	LGPL2SPV8-6AC	.BOLT	SUPPLIER CODE: V17446 SPECIFICATION NUMBER: BACB30VN8K6 OPTIONAL PART: LGPL2SPV8-6AC V92215 81669V8K6 V56878 LGPL2SPV8-6AC V56878	103106	5

MISSING ITEM NUMBERS NOT APPLICABLE

- ITEM NOT ILLUSTRATED

57-22-51-04

57-22-51
FIG. 04
PAGE 2
JAN 20/09

BRI



757

PARTS CATALOG (MAINTENANCE)

FIG ITEM	PART NUMBER	1 2 3 4 5 6 7	NOMENCLATURE	EFFECT FROM TO	UNITS PER ASSY
4 50	3SLCC8		. COLLAR SUPPLIER CODE: V17446 SPECIFICATION NUMBER: BACC30BK8 OPTIONAL PART: 3SLCC8 V92215 -----*-----	103106	5

MISSING ITEM NUMBERS NOT APPLICABLE

- ITEM NOT ILLUSTRATED

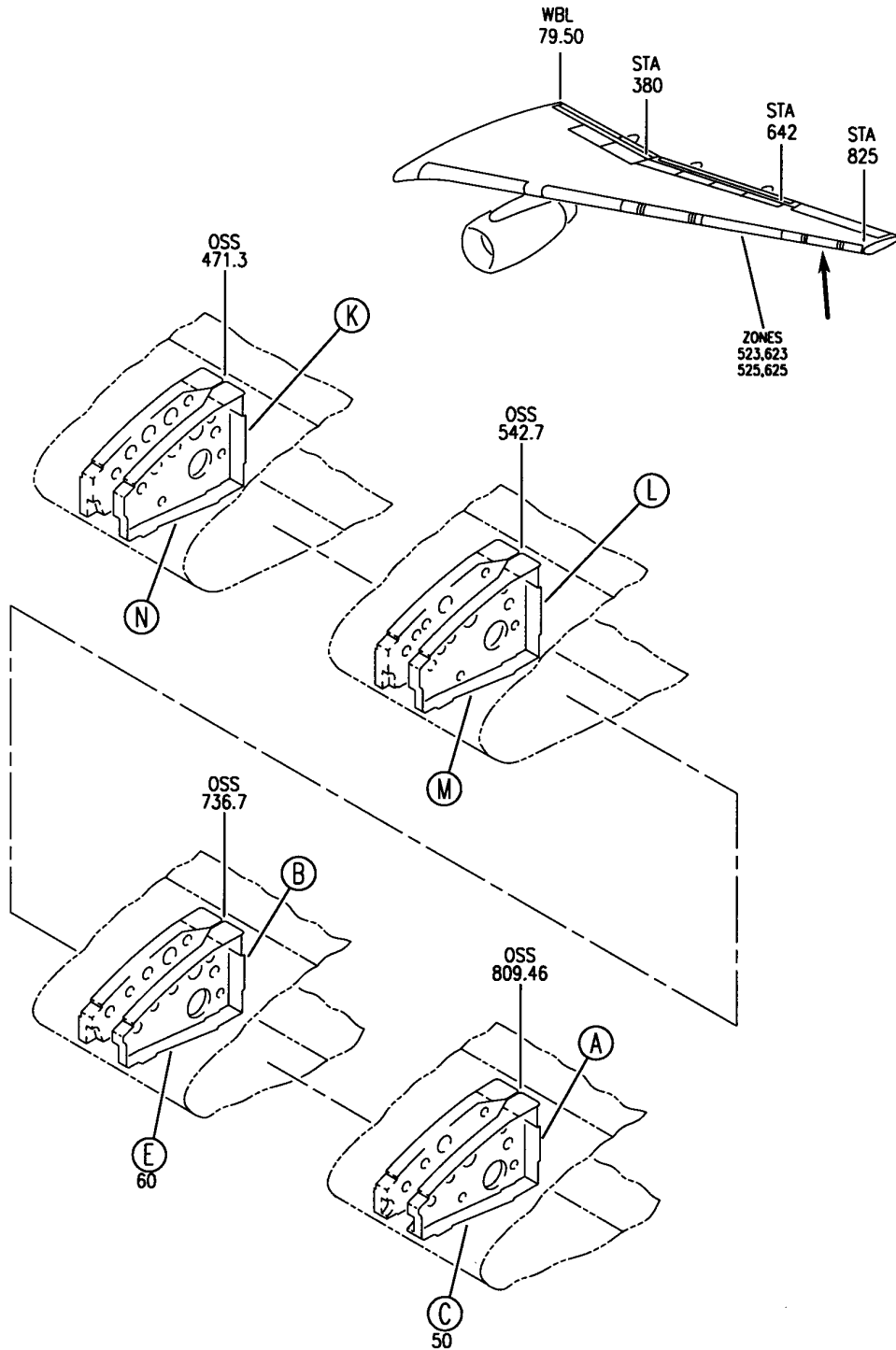
BRI

57-22-51-04

BOEING PROPRIETARY - Copyright © - Unpublished Work - See title page for details.

57-22-51
FIG. 04
PAGE 3
JAN 20/09

BOEING
757
PARTS CATALOG (MAINTENANCE)



Y 57225111 SH1 1 REV 210

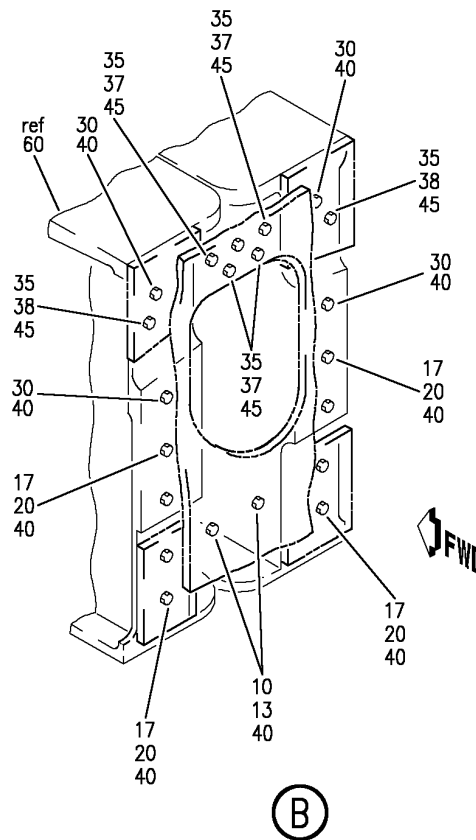
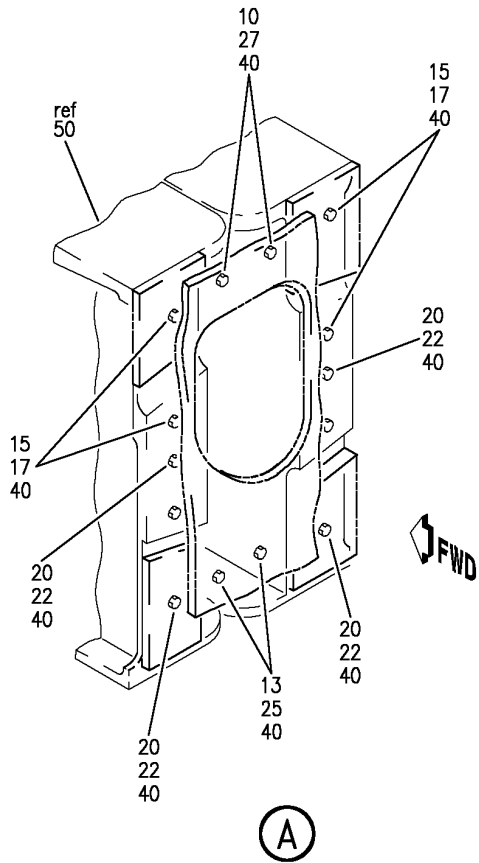
RIB AND ROLLER INSTL-MAIN TRACK OUTBD FXD LE SPRT
FIGURE 11 (SHEET 1)

57-22-51-11

BRI
JAN 20/09

57-22-51-11
PAGE 0

BOEING
757
PARTS CATALOG (MAINTENANCE)



Y 57225111 SHT 2 REV 255

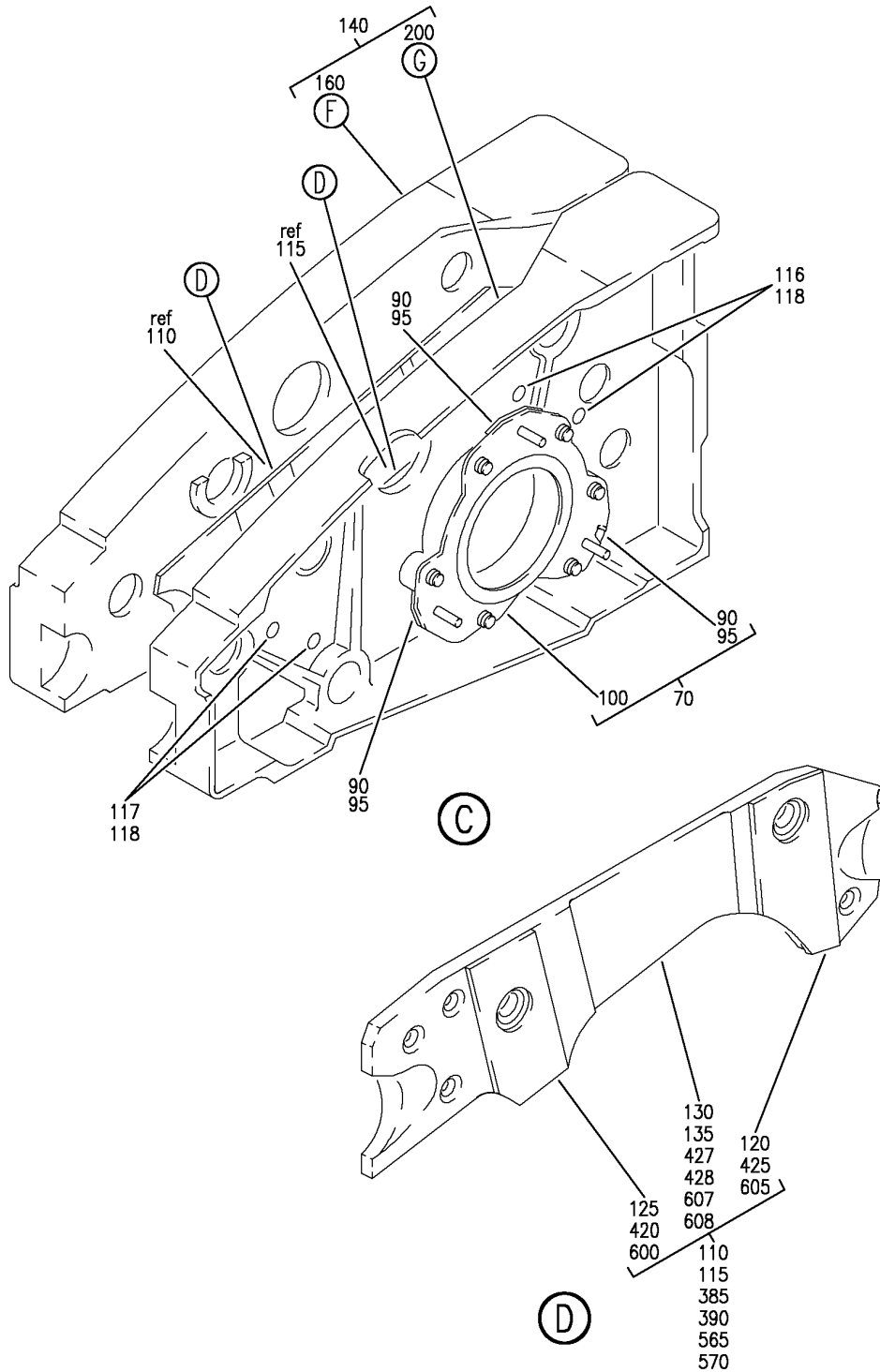
RIB AND ROLLER INSTL-MAIN TRACK OUTBD FXD LE SPRT
FIGURE 11 (SHEET 2)

57-22-51-11

BRI
JAN 20/09

57-22-51-11
PAGE 0A

BOEING
757
PARTS CATALOG (MAINTENANCE)



Y 57225111 SHT 3 REV 252

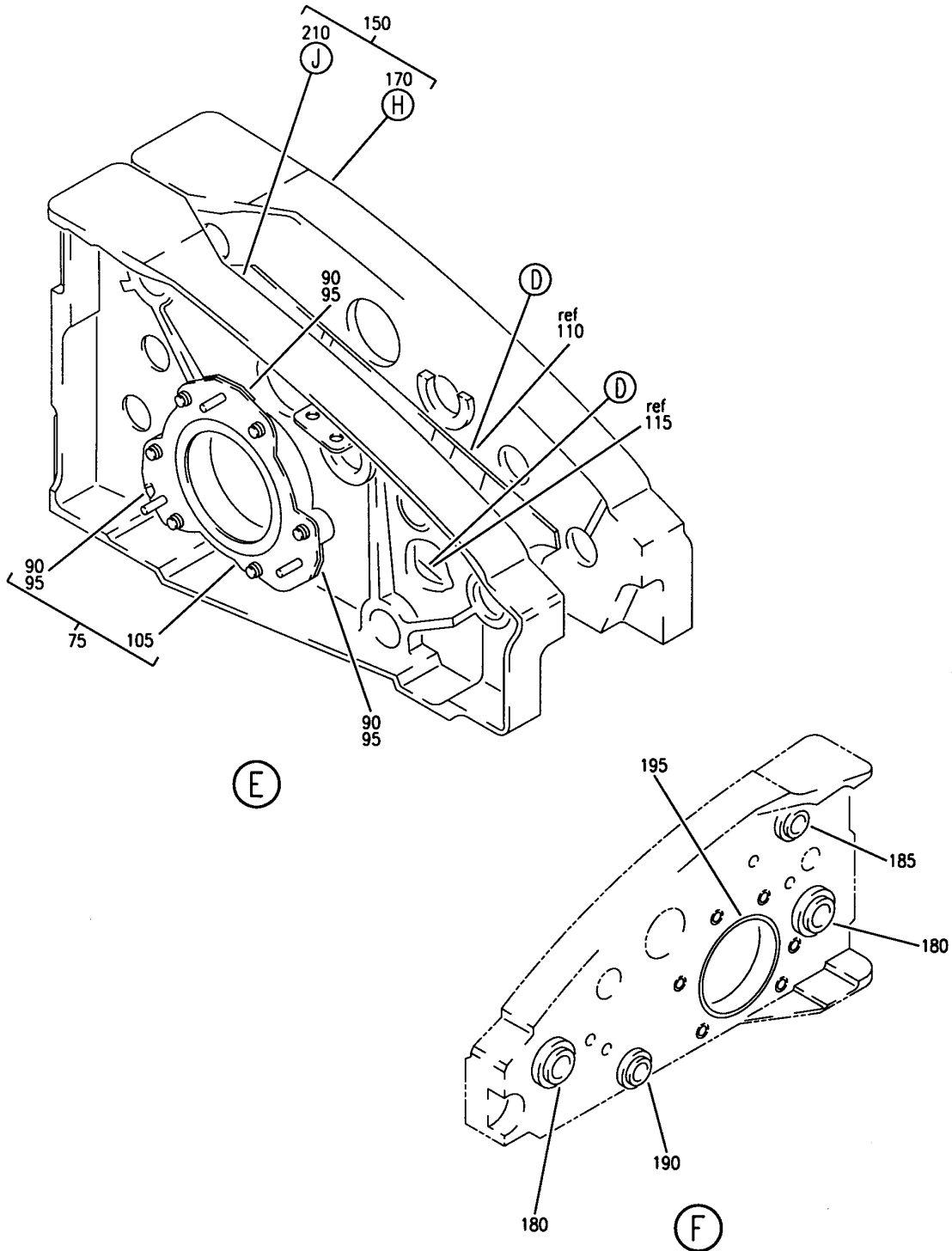
RIB AND ROLLER INSTL-MAIN TRACK OUTBD FXD LE SPRT
FIGURE 11 (SHEET 3)

57-22-51-11

BRI
JAN 20/09

57-22-51-11
PAGE 0B

BOEING
757
PARTS CATALOG (MAINTENANCE)



Y 57225111 SHT 4 REV 210

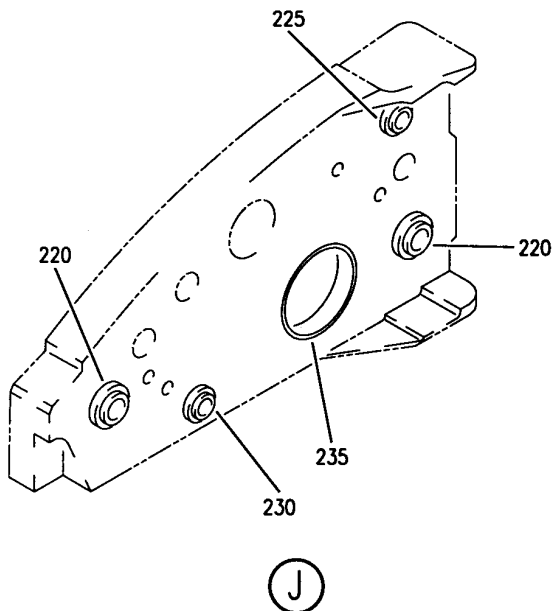
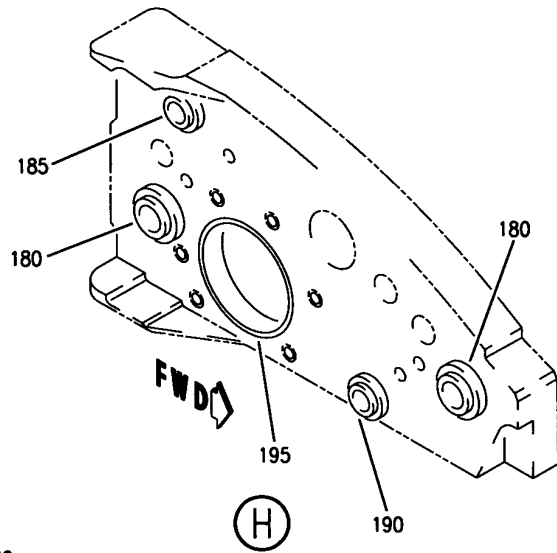
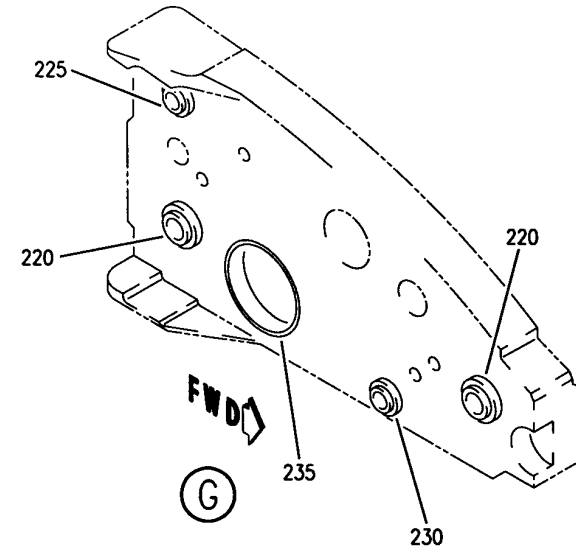
RIB AND ROLLER INSTL-MAIN TRACK OUTBD FXD LE SPRT
FIGURE 11 (SHEET 4)

57-22-51-11

BRI
JAN 20/09

57-22-51-11
PAGE 0C

BOEING
757
PARTS CATALOG (MAINTENANCE)



Y 57225111 SHT 5 REV 210

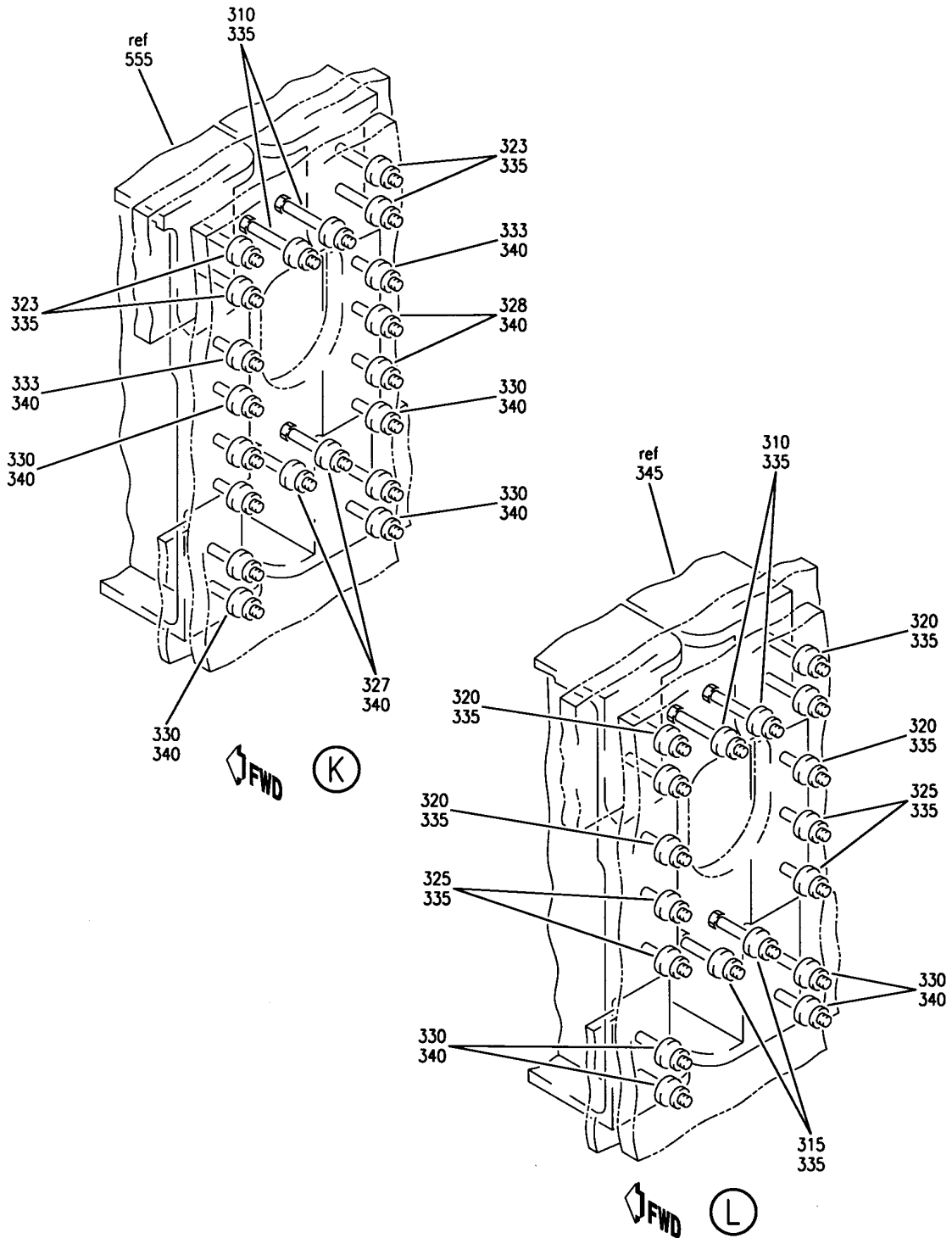
RIB AND ROLLER INSTL-MAIN TRACK OUTBD FXD LE SPRT
FIGURE 11 (SHEET 5)

57-22-51-11

BRI
JAN 20/09

57-22-51-11
PAGE 0D

BOEING
757
PARTS CATALOG (MAINTENANCE)



Y 57225111 SH1 6 REV 210

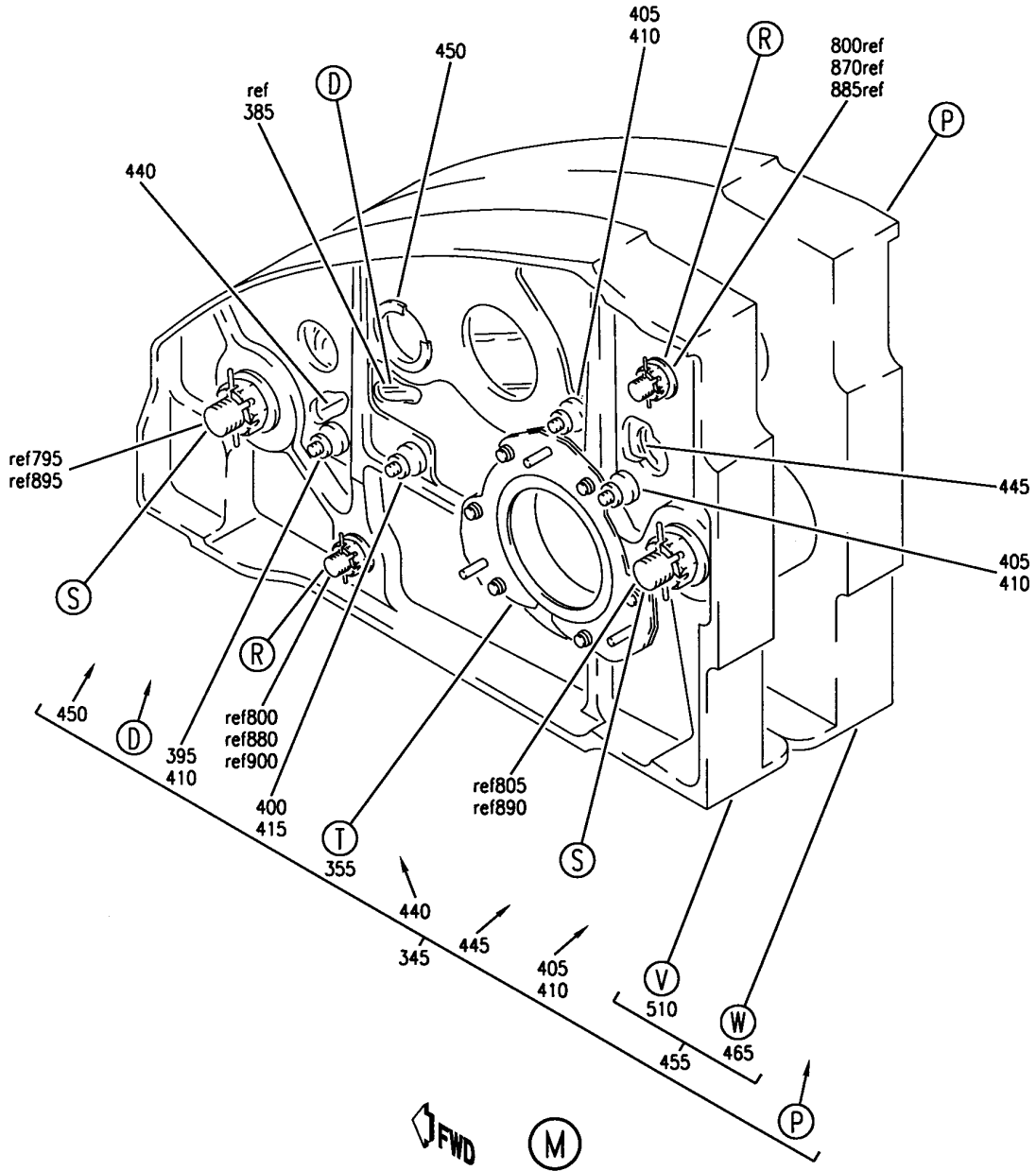
RIB AND ROLLER INSTL-MAIN TRACK OUTBD FXD LE SPRT
FIGURE 11 (SHEET 6)

57-22-51-11

BRI
JAN 20/09

57-22-51-11
PAGE 0E

BOEING
757
PARTS CATALOG (MAINTENANCE)



Y 57225111 SHT 7 REV 210

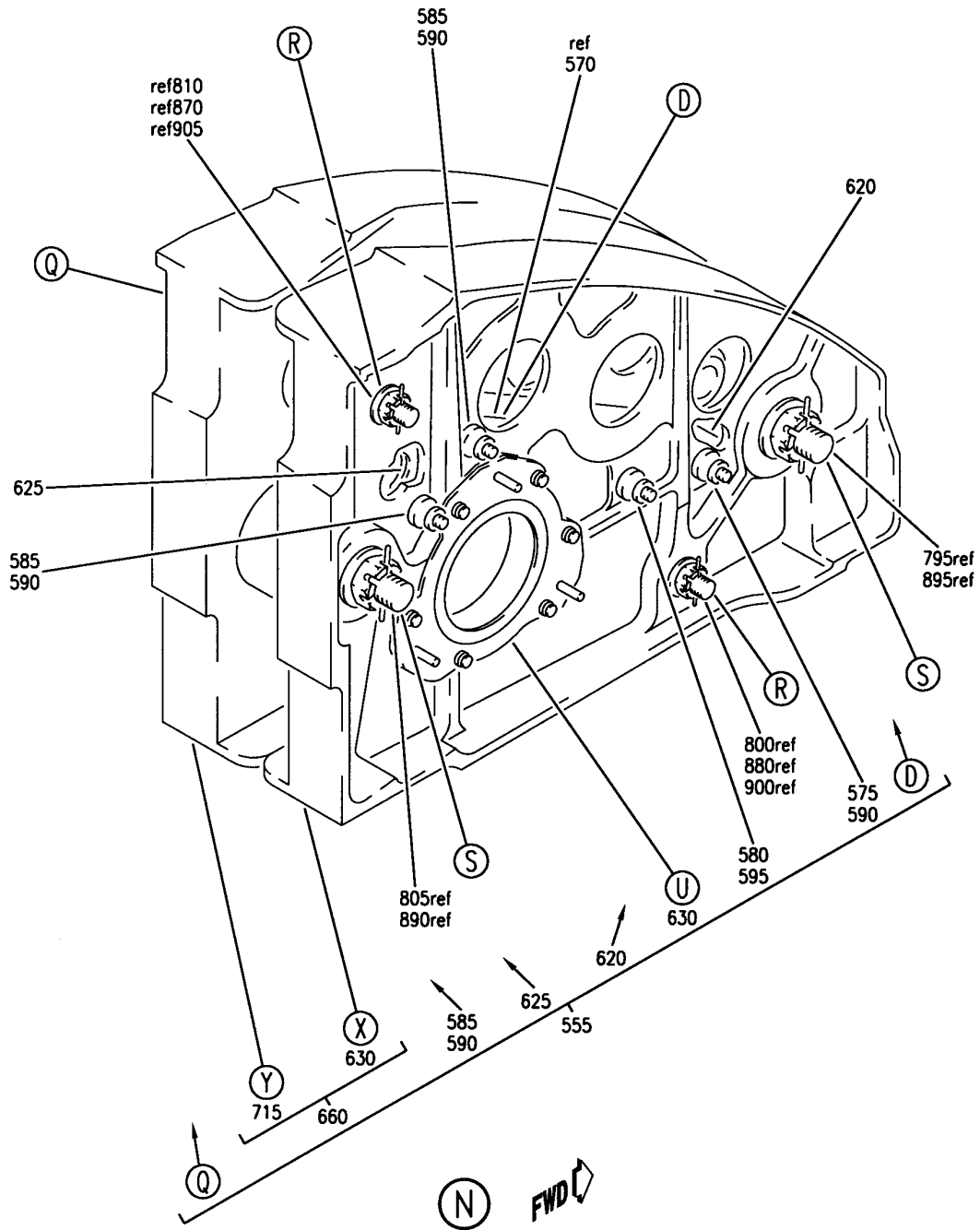
RIB AND ROLLER INSTL-MAIN TRACK OUTBD FXD LE SPRT
FIGURE 11 (SHEET 7)

57-22-51-11

BRI
JAN 20/09

57-22-51-11
PAGE OF

BOEING
757
PARTS CATALOG (MAINTENANCE)



Y 57225111 SHT 8 REV 210

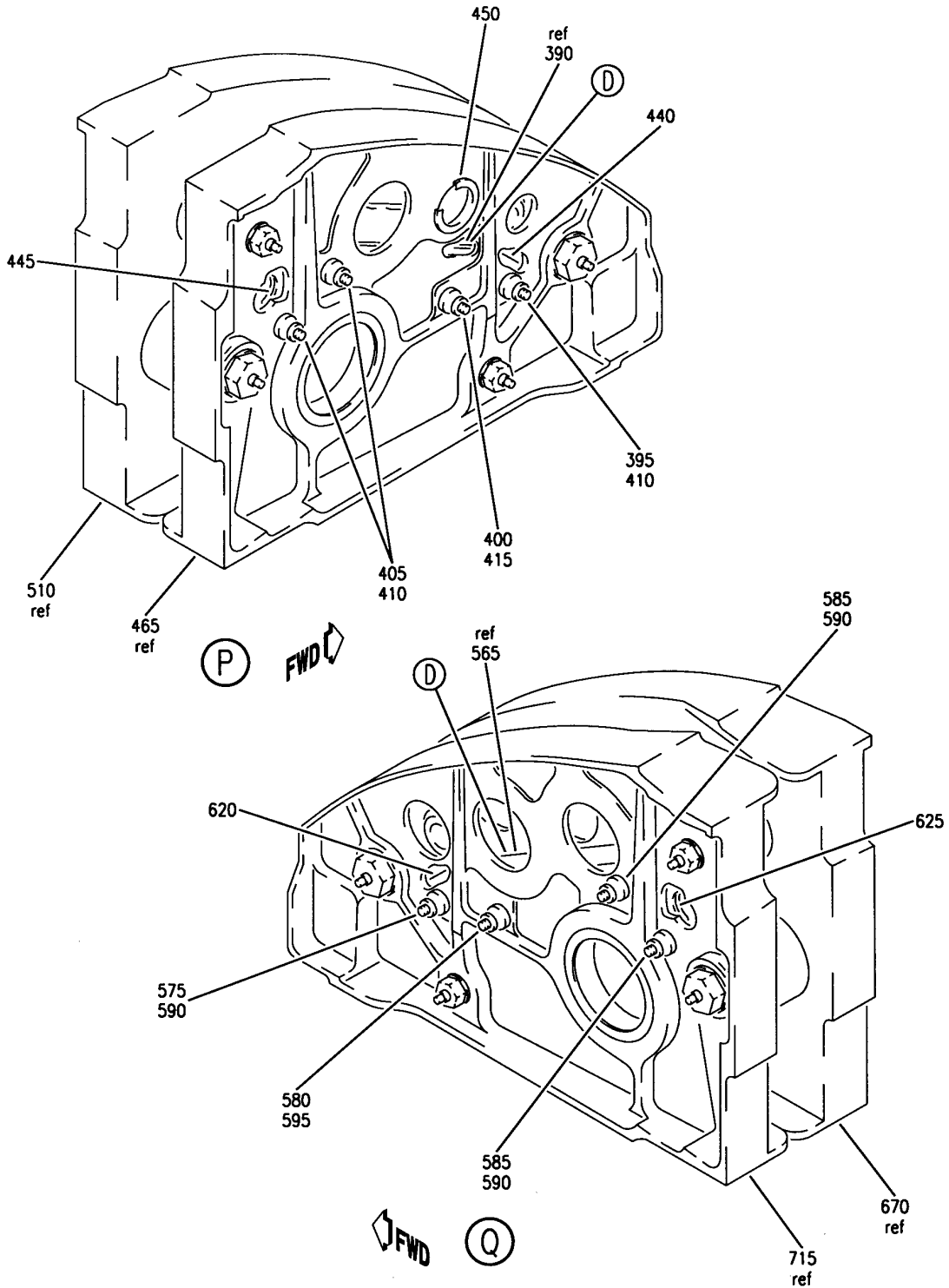
RIB AND ROLLER INSTL-MAIN TRACK OUTBD FXD LE SPRT
FIGURE 11 (SHEET 8)

57-22-51-11

BRI
JAN 20/09

57-22-51-11
PAGE 08

BOEING
757
PARTS CATALOG (MAINTENANCE)



Y 57225111 SHT 9 REV 210

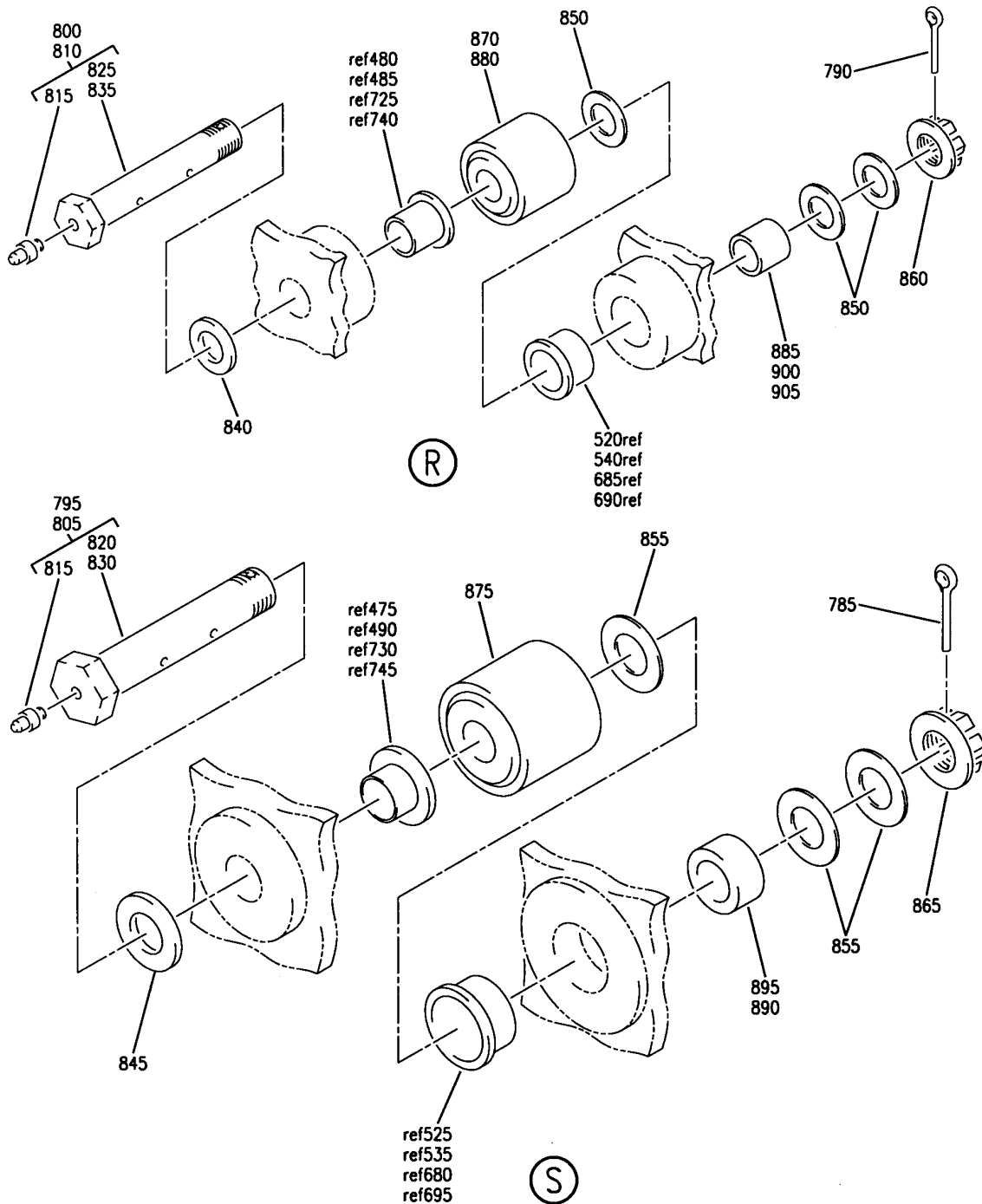
RIB AND ROLLER INSTL-MAIN TRACK OUTBD FXD LE SPRT
FIGURE 11 (SHEET 9)

57-22-51-11

BRI
JAN 20/09

57-22-51-11
PAGE 0H

BOEING
757
PARTS CATALOG (MAINTENANCE)



Y 57225111 SHT 10 REV 210

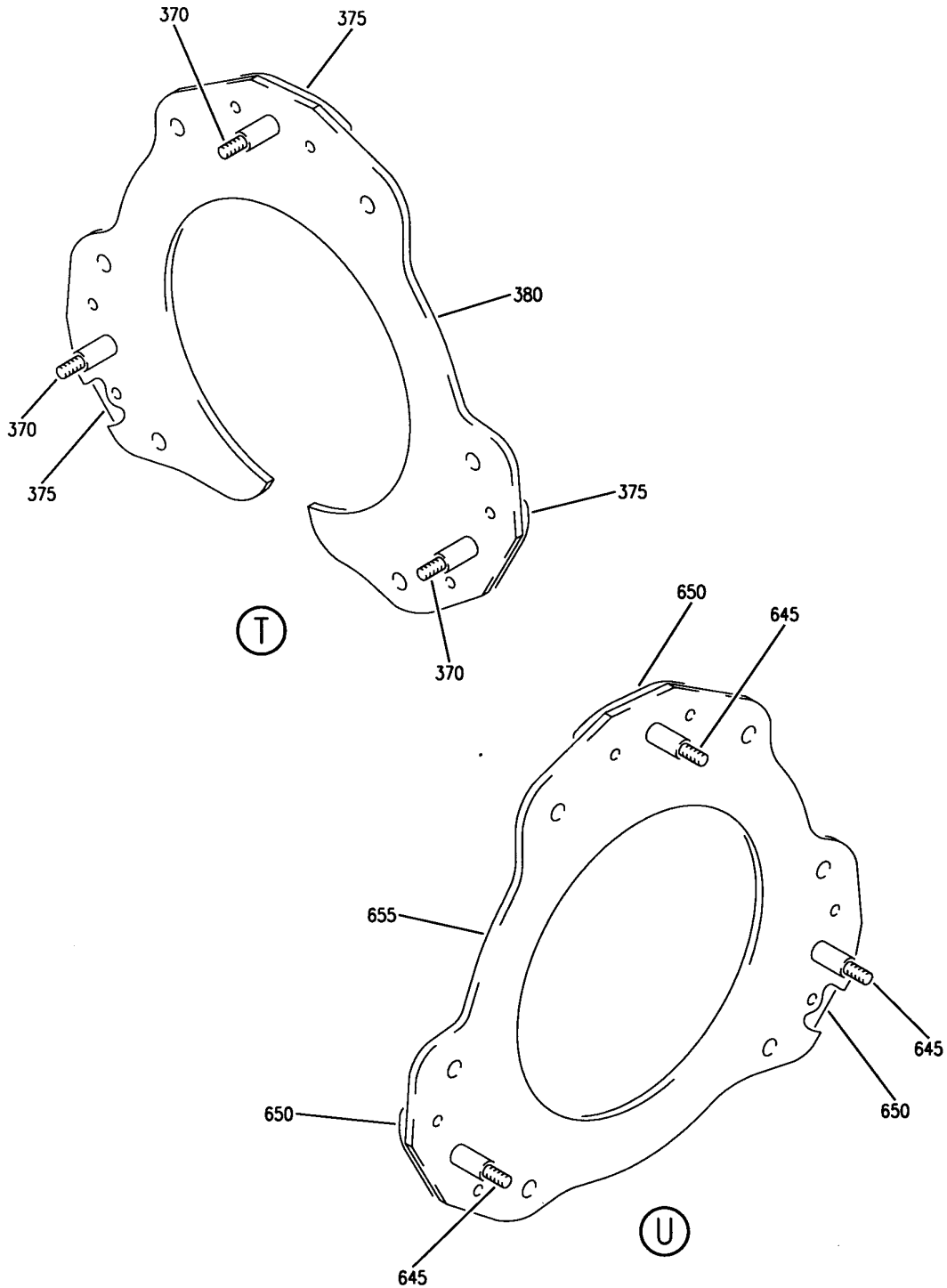
RIB AND ROLLER INSTL-MAIN TRACK OUTBD FXD LE SPRT
FIGURE 11 (SHEET 10)

57-22-51-11

BRI
JAN 20/09

57-22-51-11
PAGE 01

BOEING
757
PARTS CATALOG (MAINTENANCE)



Y 57225111 SHT 11 REV 210

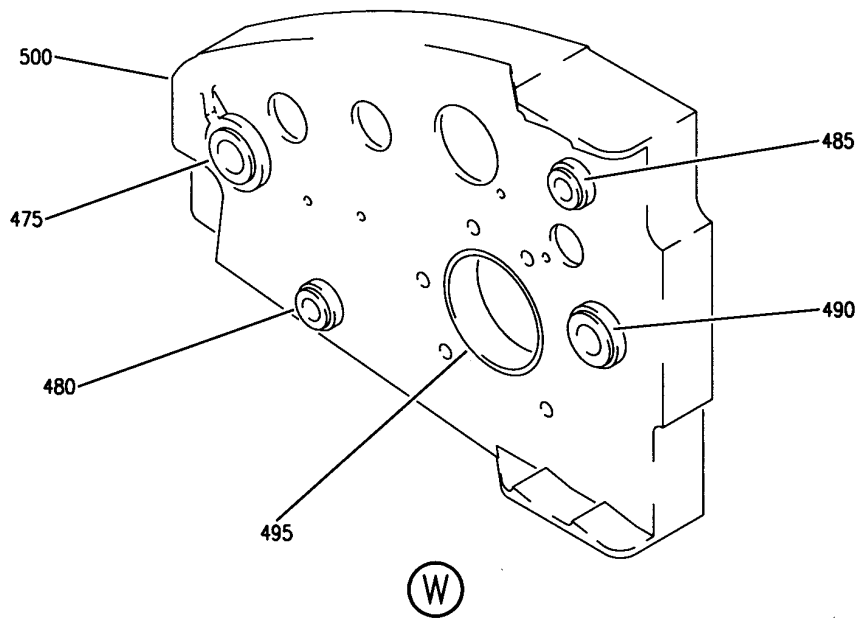
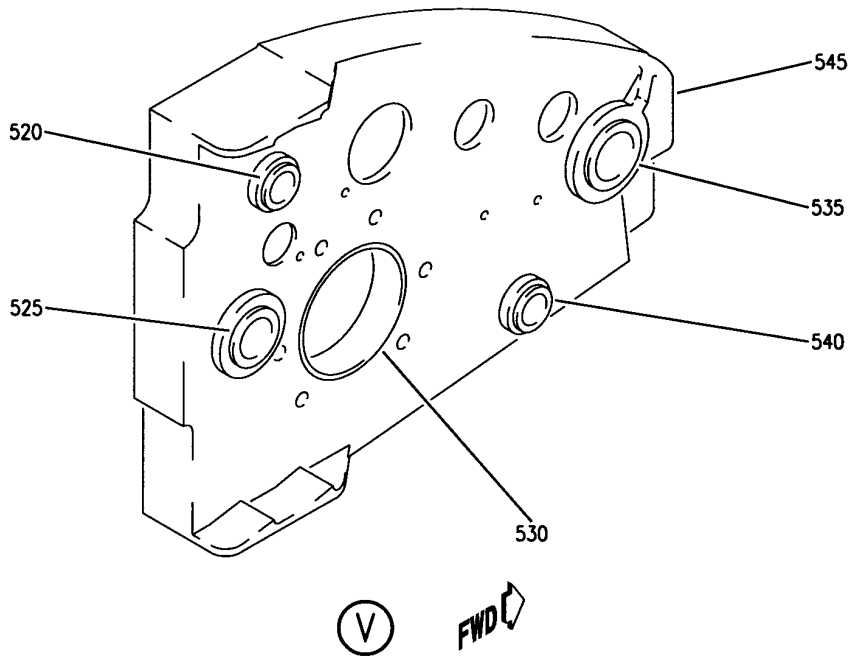
RIB AND ROLLER INSTL-MAIN TRACK OUTBD FXD LE SPRT
FIGURE 11 (SHEET 11)

57-22-51-11

BRI
JAN 20/09

57-22-51-11
PAGE 0J

BOEING
757
PARTS CATALOG (MAINTENANCE)



Y 57225111 SHT 12 REV 210

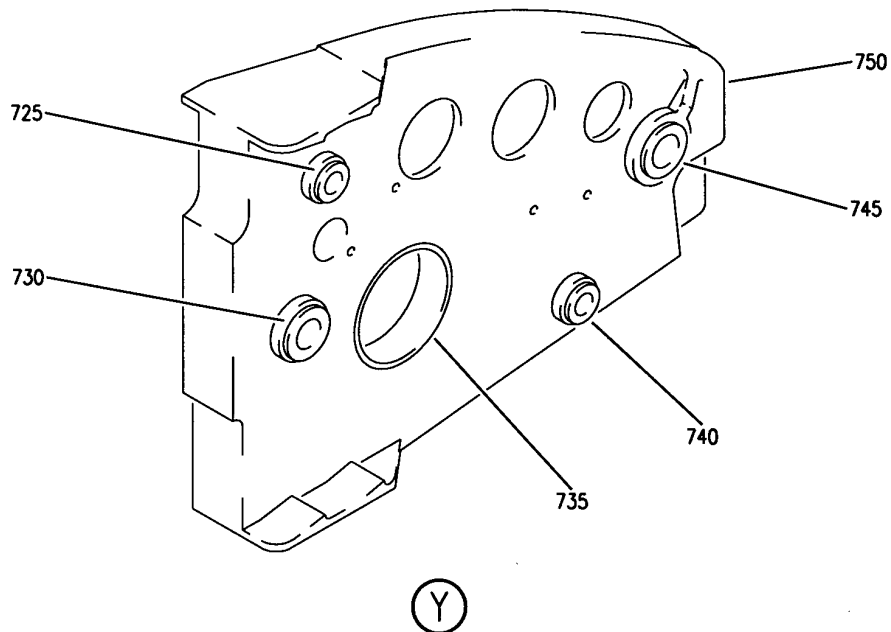
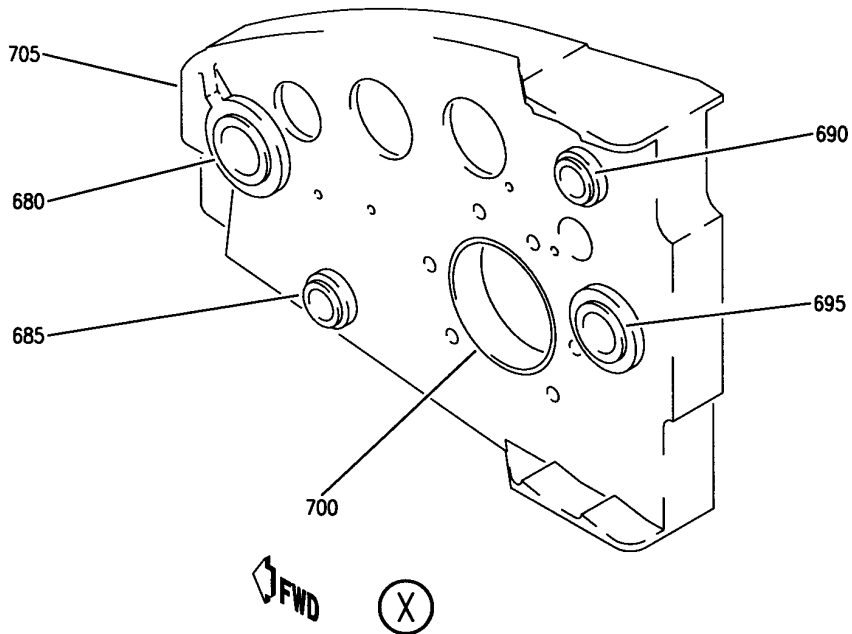
RIB AND ROLLER INSTL-MAIN TRACK OUTBD FXD LE SPRT
FIGURE 11 (SHEET 12)

57-22-51-11

BRI
JAN 20/09

57-22-51-11
PAGE OK

BOEING
757
PARTS CATALOG (MAINTENANCE)



Y 57225111 SH1 13 REV 210

RIB AND ROLLER INSTL-MAIN TRACK OUTBD FXD LE SPRT
FIGURE 11 (SHEET 13)

57-22-51-11

BRI
JAN 20/09

57-22-51-11
PAGE 01



757

PARTS CATALOG (MAINTENANCE)

FIG ITEM	PART NUMBER	1 2 3 4 5 6 7	NOMENCLATURE	EFFECT FROM TO	UNITS PER ASSY
11			RIB AND ROLLER INSTL-MAIN TRACK OUTBD FXD LE SPRT	103106	
- 1	MODREF402		RIB INSTL-MAIN TRACK FXD LE SPRT MODULE NUMBER: 114N2181-307 REV A POSITION DATA: OSS 736.70-OSS 809.46 OUTBD LH	103105	1
- 1	MODREF30131		RIB INSTL-MAIN TRACK FXD LE SPRT MODULE NUMBER: 114N2181-307 REV C POSITION DATA: OSS 736.70-OSS 809.46 OUTBD LH	106106	1
- 5	MODREF403		RIB INSTL-MAIN TRACK FXD LE SPRT MODULE NUMBER: 114N2181-308 REV A POSITION DATA: OSS 736.70-OSS 809.46 OUTBD RH	103105	1
- 5	MODREF30132		RIB INSTL-MAIN TRACK FXD LE SPRT MODULE NUMBER: 114N2181-308 REV C POSITION DATA: OSS 736.70-OSS 809.46 OUTBD RH	106106	1
10	LGPL2SPV8-8AC		.BOLT SUPPLIER CODE: V17446 SPECIFICATION NUMBER: BACB30VN8K8 OPTIONAL PART: LGPL2SPV8-8AC V92215 81669V8K8 V56878 LGPL2SPV8-8AC V56878	103105	4

MISSING ITEM NUMBERS NOT APPLICABLE

- ITEM NOT ILLUSTRATED

BRI

57-22-51-11

57-22-51
FIG. 11
PAGE 1
JAN 20/09



757

PARTS CATALOG (MAINTENANCE)

FIG ITEM	PART NUMBER	1 2 3 4 5 6 7	NOMENCLATURE	EFFECT FROM TO	UNITS PER ASSY
11					
13	HST10AG8-8	.BOLT	SUPPLIER CODE: VOPTK6 SPECIFICATION NUMBER: BACB30VT8K8 OPTIONAL PART: HST10AG8-8 V06725 HST10AG8-8 V56878 HST10AG8-8 V73197 WC10K8-8 V60516	106106	4
15	LGPL2SPV8-11AC	.BOLT	SUPPLIER CODE: V17446 SPECIFICATION NUMBER: BACB30VN8K11 OPTIONAL PART: LGPL2SPV8-11AC V92215 81669V8K11 V56878 LGPL2SPV8-11AC V56878	103105	4
17	HST10AG8-11	.BOLT	SUPPLIER CODE: VOPTK6 SPECIFICATION NUMBER: BACB30VT8K11 OPTIONAL PART: HST10AG8-11 V06725 HST10AG8-11 V56878 HST10AG8-11 V73197 WC10K8-11 V60516	106106	12

MISSING ITEM NUMBERS NOT APPLICABLE

- ITEM NOT ILLUSTRATED

BRI

57-22-51-11

BOEING PROPRIETARY - Copyright © - Unpublished Work - See title page for details.

57-22-51
FIG. 11
PAGE 2
JAN 20/09



757

PARTS CATALOG (MAINTENANCE)

FIG ITEM	PART NUMBER	1 2 3 4 5 6 7	NOMENCLATURE	EFFECT FROM TO	UNITS PER ASSY
11 20	LGPL2SPV8-10AC	.BOLT	SUPPLIER CODE: V17446 SPECIFICATION NUMBER: BACB30VN8K10 OPTIONAL PART: LGPL2SPV8-10AC V92215 81669V8K10 V56878 LGPL2SPV8-10AC V56878	103105	14
22	HST10AG8-10	.BOLT	SUPPLIER CODE: VOPTK6 SPECIFICATION NUMBER: BACB30VT8K10 OPTIONAL PART: HST10AG8-10 V06725 HST10AG8-10 V56878 HST10AG8-10 V73197 WC10K8-10 V60516	106106	6
25	LGPL2SPV8-9AC	.BOLT	SUPPLIER CODE: V17446 SPECIFICATION NUMBER: BACB30VN8K9 OPTIONAL PART: LGPL2SPV8-9AC V92215 81669V8K9 V56878 LGPL2SPV8-9AC V56878	103105	2

MISSING ITEM NUMBERS NOT APPLICABLE

- ITEM NOT ILLUSTRATED

57-22-51-11

57-22-51
FIG. 11
PAGE 3
JAN 20/09

BRI



757

PARTS CATALOG (MAINTENANCE)

FIG ITEM	PART NUMBER	1 2 3 4 5 6 7	NOMENCLATURE	EFFECT FROM TO	UNITS PER ASSY
11 27	HST10AG8-9	.BOLT	SUPPLIER CODE: VOPTK6 SPECIFICATION NUMBER: BACB30VT8K9 OPTIONAL PART: HST10AG8-9 V06725 HST10AG8-9 V56878 HST10AG8-9 V73197 WC10K8-9 V60516	106106	2
30	LGPL2SPV8-12AC	.BOLT-	SUPPLIER CODE: V17446 SPECIFICATION NUMBER: BACB30VN8K12 OPTIONAL PART: LGPL2SPV8-12AC V92215 81669V8K12 V56878 LGPL2SPV8-12AC V56878	103105	4
30	HST10AG8-13	.BOLT-	SUPPLIER CODE: VOPTK6 SPECIFICATION NUMBER: BACB30VT8K13 OPTIONAL PART: HST10AG8-13 V06725 HST10AG8-13 V56878 HST10AG8-13 V73197 WC10K8-13 V60516	106106	4

MISSING ITEM NUMBERS NOT APPLICABLE

- ITEM NOT ILLUSTRATED

BRI

57-22-51-11

BOEING PROPRIETARY - Copyright © - Unpublished Work - See title page for details.

57-22-51
FIG. 11
PAGE 4
JAN 20/09



757

PARTS CATALOG (MAINTENANCE)

FIG ITEM	PART NUMBER	1 2 3 4 5 6 7	NOMENCLATURE	EFFECT FROM TO	UNITS PER ASSY
11 35	LGPL2SPV6-12AC	.BOLT	SUPPLIER CODE: V17446 SPECIFICATION NUMBER: BACB30VN6K12 OPTIONAL PART: LGPL2SPV6-12AC V92215 81669V6K12 V56878 LGPL2SPV6-12AC V56878	103105	7
37	HST10AG6-10	.BOLT	SUPPLIER CODE: VOPTK6 SPECIFICATION NUMBER: BACB30VT6K10 OPTIONAL PART: HST10AG6-10 V06725 HST10AG6-10 V56878 HST10AG6-10 V73197 WC10K6-10 V60516	106106	5
38	HST10AG6-13	.BOLT	SUPPLIER CODE: VOPTK6 SPECIFICATION NUMBER: BACB30VT6K13 OPTIONAL PART: HST10AG6-13 V06725 HST10AG6-13 V56878 HST10AG6-13 V73197 WC10K6-13 V60516	106106	2
40	3SLCC8	.COLLAR-	SUPPLIER CODE: V17446 SPECIFICATION NUMBER: BACC30BK8 OPTIONAL PART: 3SLCC8 V92215	103105	28
40	BACN10ZV8	.NUT-		106106	28

MISSING ITEM NUMBERS NOT APPLICABLE

- ITEM NOT ILLUSTRATED

57-22-51-11

57-22-51
FIG. 11
PAGE 5
JAN 20/09

BRI

 **BOEING**
757
PARTS CATALOG (MAINTENANCE)

FIG ITEM	PART NUMBER	1 2 3 4 5 6 7	NOMENCLATURE	EFFECT FROM TO	UNITS PER ASSY
11					
45	3SLCC6		.COLLAR- SUPPLIER CODE: V17446 SPECIFICATION NUMBER: BACC30BK6 OPTIONAL PART: 3SLCC6 V92215	103105	7
45	CR6551-3		.COLLAR SUPPLIER CODE: VF0224 SPECIFICATION NUMBER: BACN10ZV3	106106	7
50	114N2161-13		.RIB ASSY-SPRT PAIR POSITION DATA: LH SIDE	103105	1
50	114N2161-19		.RIB ASSY-SPRT PAIR POSITION DATA: LH SIDE	106106	1
- 55	114N2161-14		.RIB ASSY-SPRT PAIR POSITION DATA: RH SIDE	103105	1
- 55	114N2161-20		.RIB ASSY-SPRT PAIR POSITION DATA: RH SIDE	106106	1
60	114N2162-1		.RIB INSTL-SPRT PAIR POSITION DATA: LH SIDE	103105	1
60	114N2162-5		.RIB INSTL-SPRT PAIR POSITION DATA: LH SIDE	106106	1
- 65	114N2162-2		.RIB INSTL-SPRT PAIR POSITION DATA: RH SIDE	103105	1
- 65	114N2162-6		.RIB INSTL-SPRT PAIR POSITION DATA: RH SIDE	106106	1
70	114N2064-10		..RING ASSY-ADPTR SLAT ACTR USED ON: 114N2161-13 114N2161-14 114N2161-19 114N2161-20	103106	1
75	114N2064-12		..RING ASSY-ADPTR SLAT ACTR USED ON: 114N2162-1 114N2162-2 114N2162-5 114N2162-6	103106	1

MISSING ITEM NUMBERS NOT APPLICABLE

- ITEM NOT ILLUSTRATED

BRI

57-22-51-11

BOEING PROPRIETARY - Copyright © - Unpublished Work - See title page for details.

57-22-51
FIG. 11
PAGE 6
JAN 20/09



757

PARTS CATALOG (MAINTENANCE)

FIG ITEM	PART NUMBER	1 2 3 4 5 6 7	NOMENCLATURE	EFFECT FROM TO	UNITS PER ASSY
11			ATTACHING PARTS		
- 80	BACR30NZ6K10	..	BOLT	103106	6
- 85	HL79-6	..	COLLAR	103106	6
			SUPPLIER CODE: V5M902		
			SPECIFICATION NUMBER: BACC30M6		
			OPTIONAL PART: HL79-6		
			V73197		
			HL79-6		
			V92215		
			66014-6		
			V56878		
			HL79-6		
			V56878		
			-----*-----		
90	6800D048	...	RETAINER	103106	3
			SUPPLIER CODE: V80539		
			SPECIFICATION NUMBER: BACR10G43		
95	BACB30NR4K7	...	BOLT	103106	3
100	114N2064-9	...	RING-	103106	1
			USED ON: 114N2064-10		
105	114N2064-11	...	RING-	103106	1
			USED ON: 114N2064-12		
110	114N2158-17	..	FITTING ASSY-STOP	103106	1
			POSITION DATA: LH SIDE		
115	114N2158-18	..	FITTING ASSY-STOP	103106	1
			POSITION DATA: RH SIDE		
116	HST11AG8-8	..	BOLT	103105	2
			SUPPLIER CODE: VOPTK6		
			SPECIFICATION NUMBER: BACB30VU8K8		
			OPTIONAL PART: HST11AG8-8		
			V73197		
			HST11AG8-8		
			V56878		
			HST11AG8-8		
			V06725		

MISSING ITEM NUMBERS NOT APPLICABLE

- ITEM NOT ILLUSTRATED

57-22-51-11

57-22-51
FIG. 11
PAGE 7
JAN 20/09

BRI



757

PARTS CATALOG (MAINTENANCE)

FIG ITEM	PART NUMBER	1 2 3 4 5 6 7	NOMENCLATURE	EFFECT FROM TO	UNITS PER ASSY
11 116	WC331K8-8	..	BOLT SUPPLIER CODE: V60516 SPECIFICATION NUMBER: BACB30YP8K8	106106	2
117	HST11AG8-7	..	BOLT SUPPLIER CODE: VOPTK6 SPECIFICATION NUMBER: BACB30VU8K7 OPTIONAL PART: HST11AG8-7 V06725 HST11AG8-7 V73197 HST11AG8-7 V56878	103105	2
117	WC331K8-7	..	BOLT SUPPLIER CODE: V60516 SPECIFICATION NUMBER: BACB30YP8K7	106106	2
118	BACC3OBL8	..	COLLAR SUPPLIER CODE: V73197 SPECIFICATION NUMBER: BACC3OBL8 OPTIONAL PART: HST79-8 V92215 HST79CY8 V56878 HST79CY8 V5M902	103105	4
118	BACN10ZV8	..	NUT -----*-----	106106	4
120	114N2159-2	...	STOP-RUBBING SLAT	103106	1
125	114N2159-3	...	RUBSTRIP-RUBBING SLAT	103106	1
130	114N2158-19	...	FITTING- POSITION DATA: LH SIDE	103106	1
135	114N2158-20	...	FITTING- POSITION DATA: RH SIDE	103106	1
140	114N2161-11	..	RIB ASSY-PAIR USED ON: 114N2161-13 114N2161-19	103106	1

MISSING ITEM NUMBERS NOT APPLICABLE

- ITEM NOT ILLUSTRATED

57-22-51-11

57-22-51
FIG. 11
PAGE 8
JAN 20/09

BRI

 **BOEING**
757
PARTS CATALOG (MAINTENANCE)

FIG ITEM	PART NUMBER	1 2 3 4 5 6 7	NOMENCLATURE	EFFECT FROM TO	UNITS PER ASSY
11					
- 145	114N2161-12	..	RIB ASSY-PAIR USED ON: 114N2161-14 114N2161-20	103106	1
150	114N2162-3	..	RIB ASSY-PAIR USED ON: 114N2162-1 114N2162-5	103106	1
- 155	114N2162-4	..	RIB ASSY-PAIR USED ON: 114N2162-2 114N2162-6	103106	1
160	114N2040-27	...	RIB ASSY-SPRT POSITION DATA: LH SIDE	103106	1
- 165	114N2040-28	...	RIB ASSY-SPRT POSITION DATA: RH SIDE	103106	1
170	114N2043-19	...	RIB ASSY-SPRT POSITION DATA: LH SIDE	103106	1
- 175	114N2043-20	...	RIB ASSY-SPRT POSITION DATA: RH SIDE	103106	1
180	BACB28AT14B038C	BUSHING	103106	2
185	BACB28AT11B072C	BUSHING	103106	1
190	BACB28AT11B059C	BUSHING	103106	1
195	114N2130-12	BUSHING- QUALIFIED I/W DATA: 114N2130-12 AFTER REAMING IS I/W 114N2130-1	103106	1
195	114N2130-1	BUSHING- QUALIFIED I/W DATA: 114N2130-12 AFTER REAMING IS I/W 114N2130-1	103106	1
200	114N2041-21	...	RIB ASSY-SPRT POSITION DATA: LH SIDE	103106	1
- 205	114N2041-22	...	RIB ASSY-SPRT POSITION DATA: RH SIDE	103106	1
210	114N2042-25	...	RIB ASSY-SPRT POSITION DATA: LH SIDE	103106	1
- 215	114N2042-26	...	RIB ASSY-SPRT POSITION DATA: RH SIDE	103106	1

MISSING ITEM NUMBERS NOT APPLICABLE

- ITEM NOT ILLUSTRATED

BRI

57-22-51-11

BOEING PROPRIETARY - Copyright © - Unpublished Work - See title page for details.

57-22-51
FIG. 11
PAGE 9
JAN 20/09

 **BOEING**
757
PARTS CATALOG (MAINTENANCE)

FIG ITEM	PART NUMBER	1 2 3 4 5 6 7	NOMENCLATURE	EFFECT FROM TO	UNITS PER ASSY
11					
220	BACB28AP10P046	BUSHING	103106	2
225	BACB28AP08P080	BUSHING	103106	1
230	BACB28AP08P067	BUSHING	103106	1
235	114N2130-10	BUSHING	103106	1
- 300	MODREF19123		RIB INSTL-MAIN TRACK FXD LE SPRT MODULE NUMBER: 114N2183-301 REV A POSITION DATA: OSS471.30-OSS542.70 OUTBD LH	103105	1
- 300	MODREF24596		RIB INSTL-MAIN TRACK FXD LE SPRT MODULE NUMBER: 114N2183-301 REV B POSITION DATA: OSS471.30-OSS542.70 OUTBD LH	106106	1
- 305	MODREF19124		RIB INSTL-MAIN TRACK FXD LE SPRT MODULE NUMBER: 114N2183-302 REV A POSITION DATA: OSS471.30-OSS542.70 OUTBD LH	103105	1
- 305	MODREF30135		RIB INSTL-MAIN TRACK FXD LE SPRT MODULE NUMBER: 114N2183-302 REV C POSITION DATA: OSS471.30-OSS542.70 OUTBD RH	106106	1
310	LGPL2SPV8-15AC	.BOLT-	SUPPLIER CODE: V17446 SPECIFICATION NUMBER: BACB30VN8K15 OPTIONAL PART: LGPL2SPV8-15AC V92215 81669V8K15 V56878 LGPL2SPV8-15AC V56878	103105	4

MISSING ITEM NUMBERS NOT APPLICABLE

- ITEM NOT ILLUSTRATED

BRI

57-22-51-11

BOEING PROPRIETARY - Copyright © - Unpublished Work - See title page for details.

57-22-51
FIG. 11
PAGE 10
JAN 20/09



757

PARTS CATALOG (MAINTENANCE)

FIG ITEM	PART NUMBER	1 2 3 4 5 6 7	NOMENCLATURE	EFFECT FROM TO	UNITS PER ASSY
11 310	HST10AG8-15	.BOLT-	SUPPLIER CODE: VOPTK6 SPECIFICATION NUMBER: BACB30VT8K15 OPTIONAL PART: HST10AG8-15 V06725 HST10AG8-15 V56878 HST10AG8-15 V73197 WC10K8-15 V60516	106106	4
315	LGPL2SPV8-8AC	.BOLT-	SUPPLIER CODE: V17446 SPECIFICATION NUMBER: BACB30VN8K8 OPTIONAL PART: LGPL2SPV8-8AC V92215 81669V8K8 V56878 LGPL2SPV8-8AC V56878	103105	2
315	HST10AG8-8	.BOLT-	SUPPLIER CODE: VOPTK6 SPECIFICATION NUMBER: BACB30VT8K8 OPTIONAL PART: HST10AG8-8 V06725 HST10AG8-8 V56878 HST10AG8-8 V73197 WC10K8-8 V60516	106106	2

MISSING ITEM NUMBERS NOT APPLICABLE

- ITEM NOT ILLUSTRATED

BRI

57-22-51-11

BOEING PROPRIETARY - Copyright © - Unpublished Work - See title page for details.

57-22-51
FIG. 11
PAGE 11
JAN 20/09



757

PARTS CATALOG (MAINTENANCE)

FIG ITEM	PART NUMBER	1 2 3 4 5 6 7	NOMENCLATURE	EFFECT FROM TO	UNITS PER ASSY
11 320	LGPL2SPV8-18AC	.BOLT-	SUPPLIER CODE: V17446 SPECIFICATION NUMBER: BACB30VN8K18 OPTIONAL PART: LGPL2SPV8-18AC V56878 LGPL2SPV8-18AC V92215 81669V8K18 V56878	103105	6
320	HST10AG8-18	.BOLT-	SUPPLIER CODE: VOPTK6 SPECIFICATION NUMBER: BACB30VT8K18 OPTIONAL PART: HST10AG8-18 V06725 HST10AG8-18 V56878 HST10AG8-18 V73197 WC10K8-18 V60516	106106	6
323	LGPL2SPV8-19AC	.BOLT-	SUPPLIER CODE: V17446 SPECIFICATION NUMBER: BACB30VN8K19 OPTIONAL PART: LGPL2SPV8-19AC V92215 81669V8K19 V56878 LGPL2SPV8-19AC V56878	103105	4

MISSING ITEM NUMBERS NOT APPLICABLE

- ITEM NOT ILLUSTRATED

BRI

57-22-51-11

BOEING PROPRIETARY - Copyright © - Unpublished Work - See title page for details.

57-22-51
FIG. 11
PAGE 12
JAN 20/09



757

PARTS CATALOG (MAINTENANCE)

FIG ITEM	PART NUMBER	1 2 3 4 5 6 7	NOMENCLATURE	EFFECT FROM TO	UNITS PER ASSY
11 323	HST10AG8-19		.BOLT- SUPPLIER CODE: VOPTK6 SPECIFICATION NUMBER: BACB30VT8K19 OPTIONAL PART: HST10AG8-19 V06725 HST10AG8-19 V56878 HST10AG8-19 V73197 WC10K8-19 V60516	106106	4
325	LGPL2SPV8-16AC		.BOLT- SUPPLIER CODE: V17446 SPECIFICATION NUMBER: BACB30VN8K16 OPTIONAL PART: LGPL2SPV8-16AC V92215 81669V8K16 V56878 LGPL2SPV8-16AC V56878	103105	4
325	HST10AG8-16		.BOLT- SUPPLIER CODE: V73197 SPECIFICATION NUMBER: BACB30VT8K16 OPTIONAL PART: HST10AG8-16 VOPTK6 HST10AG8-16 V06725 HST10AG8-16 V56878 WC10K8-16 V60516	106106	4

MISSING ITEM NUMBERS NOT APPLICABLE

- ITEM NOT ILLUSTRATED

BRI

57-22-51-11

BOEING PROPRIETARY - Copyright © - Unpublished Work - See title page for details.

57-22-51
FIG. 11
PAGE 13
JAN 20/09



757

PARTS CATALOG (MAINTENANCE)

FIG ITEM	PART NUMBER	1 2 3 4 5 6 7	NOMENCLATURE	EFFECT FROM TO	UNITS PER ASSY
11 327	LGPL2SPV10-8AC	.BOLT-	SUPPLIER CODE: V17446 SPECIFICATION NUMBER: BACB30VN10K8 OPTIONAL PART: LGPL2SPV10-8AC V92215 81669V10K8 V56878 LGPL2SPV10-8AC V56878	103105	2
327	HST10AG10-8	.BOLT-	SUPPLIER CODE: VOPTK6 SPECIFICATION NUMBER: BACB30VT10K8 OPTIONAL PART: HST10AG10-8 V06725 HST10AG10-8 V56878 HST10AG10-8 V73197 WC10K10-8 V60516	106106	2
328	LGPL2SPV10-12AC	.BOLT-	SUPPLIER CODE: V17446 SPECIFICATION NUMBER: BACB30VN10K12 OPTIONAL PART: LGPL2SPV10-12AC V92215 81669V10K12 V56878 LGPL2SPV10-12AC V56878	103105	2

MISSING ITEM NUMBERS NOT APPLICABLE

- ITEM NOT ILLUSTRATED

BRI

57-22-51-11

BOEING PROPRIETARY - Copyright © - Unpublished Work - See title page for details.

57-22-51
FIG. 11
PAGE 14
JAN 20/09



757

PARTS CATALOG (MAINTENANCE)

FIG ITEM	PART NUMBER	1 2 3 4 5 6 7	NOMENCLATURE	EFFECT FROM TO	UNITS PER ASSY
11 328	HST10AG10-12	.BOLT-	SUPPLIER CODE: VOPTK6 SPECIFICATION NUMBER: BACB30VT10K12 OPTIONAL PART: HST10AG10-12 V06725 HST10AG10-12 V56878 HST10AG10-12 V73197 WC10K10-12 V60516	106106	2
330	LGPL2SPV10-16AC	.BOLT-	SUPPLIER CODE: V56878 SPECIFICATION NUMBER: BACB30VN10K16 OPTIONAL PART: LGPL2SPV10-16AC V17446 LGPL2SPV10-16AC V92215 81669V10K16 V56878	103105	12
330	HST10AG10-16	.BOLT-	SUPPLIER CODE: VOPTK6 SPECIFICATION NUMBER: BACB30VT10K16 OPTIONAL PART: HST10AG10-16 V06725 HST10AG10-16 V56878 HST10AG10-16 V73197 WC10K10-16 V60516	106106	12

MISSING ITEM NUMBERS NOT APPLICABLE

- ITEM NOT ILLUSTRATED

BRI

57-22-51-11

BOEING PROPRIETARY - Copyright © - Unpublished Work - See title page for details.

57-22-51
FIG. 11
PAGE 15
JAN 20/09



757

PARTS CATALOG (MAINTENANCE)

FIG ITEM	PART NUMBER	1 2 3 4 5 6 7	NOMENCLATURE	EFFECT FROM TO	UNITS PER ASSY
11 333	LGPL2SPV10-19AC	.BOLT-	SUPPLIER CODE: V56878 SPECIFICATION NUMBER: BACB30VN10K19 OPTIONAL PART: LGPL2SPV10-19AC V17446 LGPL2SPV10-19AC V92215 81669V10K19 V56878	103105	2
333	HST10AG10-19	.BOLT-	SUPPLIER CODE: VOPTK6 SPECIFICATION NUMBER: BACB30VT10K19 OPTIONAL PART: HST10AG10-19 V06725 HST10AG10-19 V56878 HST10AG10-19 V73197 WC10K10-19 V60516	106106	2
335	3SLCC8	.COLLAR-	SUPPLIER CODE: V17446 SPECIFICATION NUMBER: BACC30BK8 OPTIONAL PART: 3SLCC8 V92215	103105	20
335 340	BACN10ZV8 3SLCC10	.NUT- .COLLAR-	SUPPLIER CODE: V17446 SPECIFICATION NUMBER: BACC30BK10 OPTIONAL PART: 3SLCC10 V92215	106106 103105	20 18
340 345	BACN10ZV10 114N2165-1	.NUT- .RIB ASSY-SUPPORT	POSITION DATA: LH SIDE	106106 103105	18 1

MISSING ITEM NUMBERS NOT APPLICABLE

- ITEM NOT ILLUSTRATED

57-22-51-11

57-22-51
FIG. 11
PAGE 16
JAN 20/09

BRI



757

PARTS CATALOG (MAINTENANCE)

FIG ITEM	PART NUMBER	1 2 3 4 5 6 7	NOMENCLATURE	EFFECT FROM TO	UNITS PER ASSY
11					
345	114N2165-5		.RIB ASSY-SUPPORT POSITION DATA: LH SIDE	106106	1
- 350	114N2165-2		.RIB ASSY-SUPPORT POSITION DATA: RH SIDE	103105	1
- 350	114N2165-6		.RIB ASSY-SUPPORT POSITION DATA: RH SIDE	106106	1
355	114N2064-8		..RING ASSY-ADAPTER ATTACHING PARTS	103106	1
- 360	HL523AZ6-10		..BOLT SUPPLIER CODE: V73197 SPECIFICATION NUMBER: BACB30NZ6K10 OPTIONAL PART: HL523AZ6-10 V06725 L804-6K10 V06725 HL523AZ6-10 V60516 HL523AZ6-10 V56878 HL523AZ6-10 V92215 HL523AZ6-10 V97928	103106	6
- 365	HL79-6		..COLLAR SUPPLIER CODE: V5M902 SPECIFICATION NUMBER: BACC30M6 OPTIONAL PART: HL79-6 V73197 HL79-6 V92215 66014-6 V56878 HL79-6 V56878	103106	6
370	BACB30NR4K7		-----*----- ...BOLT	103106	3

MISSING ITEM NUMBERS NOT APPLICABLE

- ITEM NOT ILLUSTRATED

BRI

57-22-51-11

BOEING PROPRIETARY - Copyright © - Unpublished Work - See title page for details.

57-22-51
FIG. 11
PAGE 17
JAN 20/09



757

PARTS CATALOG (MAINTENANCE)

FIG ITEM	PART NUMBER	1 2 3 4 5 6 7	NOMENCLATURE	EFFECT FROM TO	UNITS PER ASSY
11 375	6800D048		...RETAINER SUPPLIER CODE: V80539 SPECIFICATION NUMBER: BACR10G43	103106	3
380	114N2064-7		...RING-ADAPTER	103106	1
385	114N2158-4		..FITTING ASSY-STOP	103106	1
390	114N2158-3		..FITTING ASSY-STOP	103106	1
395	HST11AG8-7		ATTACHING PARTS ..BOLT- SUPPLIER CODE: VOPTK6 SPECIFICATION NUMBER: BACB30VU8K7 OPTIONAL PART: HST11AG8-7 V06725 HST11AG8-7 V73197 HST11AG8-7 V56878	103105	2
395	WC331K8-7		..BOLT- SUPPLIER CODE: V60516 SPECIFICATION NUMBER: BACB30YP8K7	106106	2
400	HST11AG10-7		..BOLT- SUPPLIER CODE: V56878 SPECIFICATION NUMBER: BACB30VU10K7 OPTIONAL PART: HST11AG10-7 V06725 HST11AG10-7 V73197 HST11AG10-7 VOPTK6	103105	2
400	WC331K10-7		..BOLT- SUPPLIER CODE: V60516 SPECIFICATION NUMBER: BACB30YP10K7	106106	2

MISSING ITEM NUMBERS NOT APPLICABLE

- ITEM NOT ILLUSTRATED

57-22-51-11

57-22-51
FIG. 11
PAGE 18
JAN 20/09

BRI



757

PARTS CATALOG (MAINTENANCE)

FIG ITEM	PART NUMBER	1 2 3 4 5 6 7	NOMENCLATURE	EFFECT FROM TO	UNITS PER ASSY
11 405	HST11AG8-8	..	BOLT- SUPPLIER CODE: V0PTK6 SPECIFICATION NUMBER: BACB30VU8K8 OPTIONAL PART: HST11AG8-8 V73197 HST11AG8-8 V56878 HST11AG8-8 V06725	103105	4
405	WC331K8-8	..	BOLT- SUPPLIER CODE: V60516 SPECIFICATION NUMBER: BACB30YP8K8	106106	4
410	BACC3OBL8	..	COLLAR- SUPPLIER CODE: V73197 SPECIFICATION NUMBER: BACC3OBL8 OPTIONAL PART: HST79-8 V92215 HST79CY8 V56878 HST79CY8 V5M902	103105	6
410	BACN10ZV8	..	NUT-	106106	6
415	BACC3OBL10	..	COLLAR- SUPPLIER CODE: V73197 SPECIFICATION NUMBER: BACC3OBL10 OPTIONAL PART: HST79-10 V92215 HST79CY10 V56878 HST79CY10 V5M902	103105	2
415	BACN10ZV10	..	NUT- -----*-----	106106	2
420	114N2159-1	...	STOP-RUBBING BLOCK SLAT	103106	1
425	114N2159-2	...	STOP-RUBBING BLOCK SLAT	103106	1
427	114N2158-12	...	FITTING	103106	1
428	114N2158-11	...	FITTING	103106	1
440	114N2176-11	..	SHIM	103106	2

MISSING ITEM NUMBERS NOT APPLICABLE

- ITEM NOT ILLUSTRATED

57-22-51-11

57-22-51
FIG. 11
PAGE 19
JAN 20/09

BRI

 **BOEING**
757
PARTS CATALOG (MAINTENANCE)

FIG ITEM	PART NUMBER	1 2 3 4 5 6 7	NOMENCLATURE	EFFECT FROM TO	UNITS PER ASSY
11					
445	114N2176-9	..	SHIM	103106	2
450	BACG20ZE00345	..	GROMMET	103106	2
455	114N2165-3	..	RIB ASSY-PAIR POSITION DATA: LH SIDE	103106	1
- 460	114N2165-4	..	RIB ASSY-PAIR POSITION DATA: RH SIDE	103106	1
465	114N2049-17	...	RIB ASSY-SUPPORT POSITION DATA: LH SIDE	103106	1
- 470	114N2049-18	...	RIB ASSY-SUPPORT POSITION DATA: RH SIDE	103106	1
475	BACB28AP12P066	BUSHING	103106	1
480	BACB28AP08P067	BUSHING	103106	1
485	BACB28AP08P080	BUSHING	103106	1
490	BACB28AP12P046	BUSHING	103106	1
495	114N2130-10	BUSHING	103106	1
500	114N2049-19	RIB- POSITION DATA: LH SIDE	103106	1
- 505	114N2049-20	RIB- POSITION DATA: RH SIDE	103106	1
510	114N2048-19	...	RIB ASSY- POSITION DATA: LH SIDE	103106	1
- 515	114N2048-20	...	RIB ASSY- POSITION DATA: RH SIDE	103106	1
520	BACB28AT11B072C	BUSHING	103106	1
525	BACB28AT17B038C	BUSHING	103106	1
530	114N2130-12	BUSHING	103106	1
535	BACB28AT17B058C	BUSHING	103106	1
540	BACB28AT11B059C	BUSHING	103106	1
545	114N2048-21	RIB- POSITION DATA: LH SIDE	103106	1
- 550	114N2048-22	RIB- POSITION DATA: RH SIDE	103106	1
555	114N2166-1	.RIB	ASSY-SUPPORT POSITION DATA: LH SIDE	103105	1
555	114N2166-5	.RIB	ASSY-SUPPORT POSITION DATA: LH SIDE	106106	1

MISSING ITEM NUMBERS NOT APPLICABLE

- ITEM NOT ILLUSTRATED

BRI

57-22-51-11

57-22-51
FIG. 11
PAGE 20
JAN 20/09



757

PARTS CATALOG (MAINTENANCE)

FIG ITEM	PART NUMBER	1 2 3 4 5 6 7	NOMENCLATURE	EFFECT FROM TO	UNITS PER ASSY
11					
- 560	114N2166-2	.RIB ASSY-SUPPORT		103105	1
		POSITION DATA:			
		RH SIDE			
- 560	114N2166-6	.RIB ASSY-SUPPORT		106106	1
		POSITION DATA:			
		RH SIDE			
565	114N2158-4	..FITTING ASSY		103106	1
570	114N2158-3	..FITTING ASSY		103106	1
		ATTACHING PARTS			
575	HST11AG8-7	..BOLT-		103105	2
		SUPPLIER CODE:			
		V0PTK6			
		SPECIFICATION NUMBER:			
		BACB30VU8K7			
		OPTIONAL PART:			
		HST11AG8-7			
		V06725			
		HST11AG8-7			
		V73197			
		HST11AG8-7			
		V56878			
575	WC331K8-7	..BOLT-		106106	2
		SUPPLIER CODE:			
		V60516			
		SPECIFICATION NUMBER:			
		BACB30YP8K7			
580	HST11AG10-7	..BOLT-		103105	2
		SUPPLIER CODE:			
		V56878			
		SPECIFICATION NUMBER:			
		BACB30VU10K7			
		OPTIONAL PART:			
		HST11AG10-7			
		V06725			
		HST11AG10-7			
		V73197			
		HST11AG10-7			
		V0PTK6			
580	WC331K10-7	..BOLT-		106106	2
		SUPPLIER CODE:			
		V60516			
		SPECIFICATION NUMBER:			
		BACB30YP10K7			

MISSING ITEM NUMBERS NOT APPLICABLE

- ITEM NOT ILLUSTRATED

BRI

57-22-51-11

BOEING PROPRIETARY - Copyright © - Unpublished Work - See title page for details.

57-22-51
FIG. 11
PAGE 21
JAN 20/09



757

PARTS CATALOG (MAINTENANCE)

FIG ITEM	PART NUMBER	1 2 3 4 5 6 7	NOMENCLATURE	EFFECT FROM TO	UNITS PER ASSY
11 585	HST11AG8-8	..	BOLT- SUPPLIER CODE: V0PTK6 SPECIFICATION NUMBER: BACB30VU8K8 OPTIONAL PART: HST11AG8-8 V73197 HST11AG8-8 V56878 HST11AG8-8 V06725	103105	4
585	WC331K8-8	..	BOLT- SUPPLIER CODE: V60516 SPECIFICATION NUMBER: BACB30YP8K8	106106	4
590	BACC3OBL8	..	COLLAR- SUPPLIER CODE: V73197 SPECIFICATION NUMBER: BACC3OBL8 OPTIONAL PART: HST79-8 V92215 HST79CY8 V56878 HST79CY8 V5M902	103105	6
590	BACN10ZV8	..	NUT-	106106	6
595	BACC3OBL10	..	COLLAR- SUPPLIER CODE: V73197 SPECIFICATION NUMBER: BACC3OBL10 OPTIONAL PART: HST79-10 V92215 HST79CY10 V56878 HST79CY10 V5M902	103105	2
595	BACN10ZV10	..	NUT- -----*-----	106106	2
600	114N2159-1	...	STOP-RUBBING BLOCK SLAT	103106	1
605	114N2159-2	...	STOP-RUBBING BLOCK SLAT	103106	1
607	114N2158-12	...	FITTING	103106	1
608	114N2158-11	...	FITTING	103106	1
620	114N2176-11	..	SHIM	103106	2

MISSING ITEM NUMBERS NOT APPLICABLE

- ITEM NOT ILLUSTRATED

57-22-51-11

57-22-51
FIG. 11
PAGE 22
JAN 20/09

BRI

 **BOEING**
757
PARTS CATALOG (MAINTENANCE)

FIG ITEM	PART NUMBER	1 2 3 4 5 6 7	NOMENCLATURE	EFFECT FROM TO	UNITS PER ASSY
11					
625	114N2176-9	..	SHIM	103106	2
630	114N2064-12	..	RING ASSY-ADAPTER ATTACHING PARTS	103106	1
- 635	HL523AZ6-10	..	BOLT SUPPLIER CODE: V73197 SPECIFICATION NUMBER: BACB30NZ6K10 OPTIONAL PART: HL523AZ6-10 V06725 L804-6K10 V06725 HL523AZ6-10 V60516 HL523AZ6-10 V56878 HL523AZ6-10 V92215 HL523AZ6-10 V97928	103106	6
- 640	HL79-6	..	COLLAR SUPPLIER CODE: V5M902 SPECIFICATION NUMBER: BACC30M6 OPTIONAL PART: HL79-6 V73197 HL79-6 V92215 66014-6 V56878 HL79-6 V56878 -----*-----	103106	6
645	BACB30NR4K7	...	BOLT	103106	3
650	6800D048	...	RETAINER SUPPLIER CODE: V80539 SPECIFICATION NUMBER: BACR10G43	103106	3
655	114N2064-11	...	RING-ADAPTER	103106	1
660	114N2166-3	..	RIB ASSY-PAIR POSITION DATA: LH SIDE	103106	1
- 665	114N2166-4	..	RIB ASSY-PAIR POSITION DATA: RH SIDE	103106	1

MISSING ITEM NUMBERS NOT APPLICABLE

- ITEM NOT ILLUSTRATED

BRI

57-22-51-11

BOEING PROPRIETARY - Copyright © - Unpublished Work - See title page for details.

57-22-51
FIG. 11
PAGE 23
JAN 20/09



757

PARTS CATALOG (MAINTENANCE)

FIG ITEM	PART NUMBER	1 2 3 4 5 6 7	NOMENCLATURE	EFFECT FROM TO	UNITS PER ASSY
11					
670	114N2051-19	...	RIB ASSY- POSITION DATA: LH SIDE	103106	1
- 675	114N2051-20	...	RIB ASSY- POSITION DATA: RH SIDE	103106	1
680	BACB28AT17B058C	BUSHING	103106	1
685	BACB28AT11B059C	BUSHING	103106	1
690	BACB28AT11B052C	BUSHING	103106	1
695	BACB28AT17B038C	BUSHING	103106	1
700	114N2130-12	BUSHING	103106	1
705	114N2051-21	RIB- POSITION DATA: LH SIDE	103106	1
- 710	114N2051-22	RIB- POSITION DATA: RH SIDE	103106	1
715	114N2050-17	...	RIB ASSY- POSITION DATA: LH SIDE	103106	1
- 720	114N2050-18	...	RIB ASSY- POSITION DATA: RH SIDE	103106	1
725	BACB28AP08P060	BUSHING-	103106	1
730	BACB28AT12B046	BUSHING	103106	1
735	114N2130-10	BUSHING	103106	1
740	BACB28AP08P067	BUSHING	103106	1
745	BACB28AP12P066	BUSHING	103106	1
750	114N2050-19	RIB- POSITION DATA: LH SIDE	103106	1
- 755	114N2050-20	RIB- POSITION DATA: RH SIDE	103106	1
- 775	MODREF414		ROLLER INSTL-FXD LE WING MODULE NUMBER: 114N2183-309 REV A POSITION DATA: OSS471.30 TO OSS542.70 OUTBD LH	103103	1
- 775	MODREF26694		ROLLER INSTL-FXD LE WING MODULE NUMBER: 114N2183-309 REV B POSITION DATA: OSS471.30 TO OSS542.70 OUTBD LH	104106	1

MISSING ITEM NUMBERS NOT APPLICABLE

- ITEM NOT ILLUSTRATED

57-22-51-11

57-22-51
FIG. 11
PAGE 24
JAN 20/09

BRI

 **BOEING**
757
PARTS CATALOG (MAINTENANCE)

FIG ITEM	PART NUMBER	1 2 3 4 5 6 7	NOMENCLATURE	EFFECT FROM TO	UNITS PER ASSY
11					
- 780	MODREF415		ROLLER INSTL-FXD LE WING MODULE NUMBER: 114N2183-310 REV A POSITION DATA: OSS471.30 TO OSS542.70 OUTBD RH	103103	1
- 780	MODREF26695		ROLLER INSTL-FXD LE WING MODULE NUMBER: 114N2183-310 REV B POSITION DATA: OSS471.30 TO OSS542.70 OUTBD RH	104106	1
785	BACP18BC04A12P	.PIN		103106	4
790	BACP18BC03A10P	.PIN		103106	4
795	114N1115-39	.BOLT ASSY		103106	2
800	114N1115-33	.BOLT ASSY		103106	3
805	114N1115-37	.BOLT ASSY		103106	2
810	114N1115-31	.BOLT ASSY		103106	1
815	MS15004-1	..FITTING		103106	1
820	114N1115-40	..BOLT-		103106	1
		USED ON:			
		114N1115-39			
825	114N1115-34	..BOLT-		103106	3
		USED ON:			
		114N1115-33			
830	114N1115-38	..BOLT-		103106	1
		USED ON:			
		114N1115-37			
835	114N1115-32	..BOLT-		103106	1
		USED ON:			
		114N1115-31			
840	BACW10BX8CK	.WASHER		103106	4
845	BACW10BX12CK	.WASHER		103106	4
850	NAS1149E0832R	.WASHER		103106	12
855	NAS1149E1232R	.WASHER		103106	12
860	THCR58CDBACH	.NUT		103106	4
		SUPPLIER CODE:			
		VF0224			
		SPECIFICATION NUMBER:			
		BACN11N108CD			
865	THCR512CDBACN	.NUT		103106	4
		SUPPLIER CODE:			
		VF0224			
		SPECIFICATION NUMBER:			
		BACN11N112CD			
870	BACB10GJ8J	.BEARING		103106	2

MISSING ITEM NUMBERS NOT APPLICABLE

- ITEM NOT ILLUSTRATED

BRI

57-22-51-11

57-22-51
FIG. 11
PAGE 25
JAN 20/09

BOEING PROPRIETARY - Copyright © - Unpublished Work - See title page for details.



757

PARTS CATALOG (MAINTENANCE)

FIG ITEM	PART NUMBER	1 2 3 4 5 6 7	NOMENCLATURE	EFFECT FROM TO	UNITS PER ASSY
11 875	ATL12SY		.BEARING SUPPLIER CODE: V60380 SPECIFICATION NUMBER: BACB10GJ12J	103106	4
880	60B00178-674		.ROLLER	103106	2
885	BACB28AK08-088		.BUSHING	103106	1
890	BACB28AK12-058		.BUSHING	103106	2
895	BACB28AK12-078		.BUSHING	103106	2
900	BACB28AK08-076		.BUSHING-	103106	2
905	BACB28AK08-068		.BUSHING-	103106	1

MISSING ITEM NUMBERS NOT APPLICABLE

- ITEM NOT ILLUSTRATED

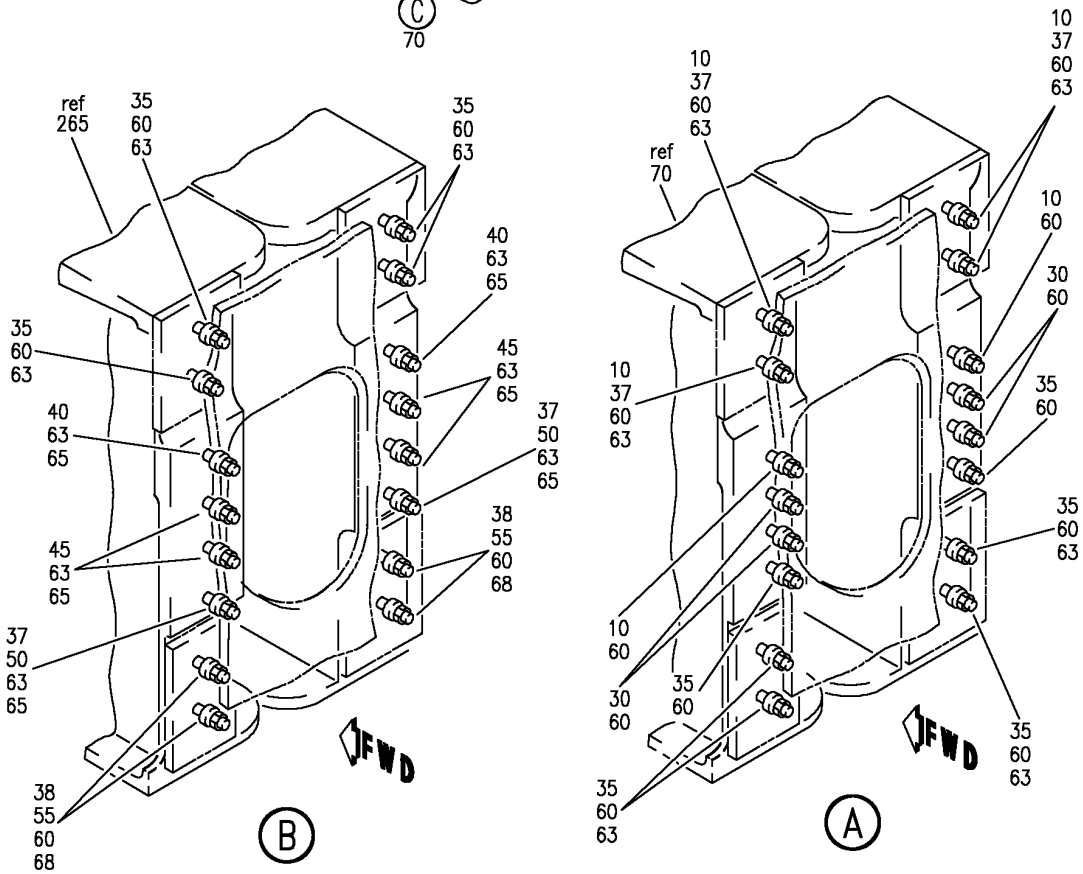
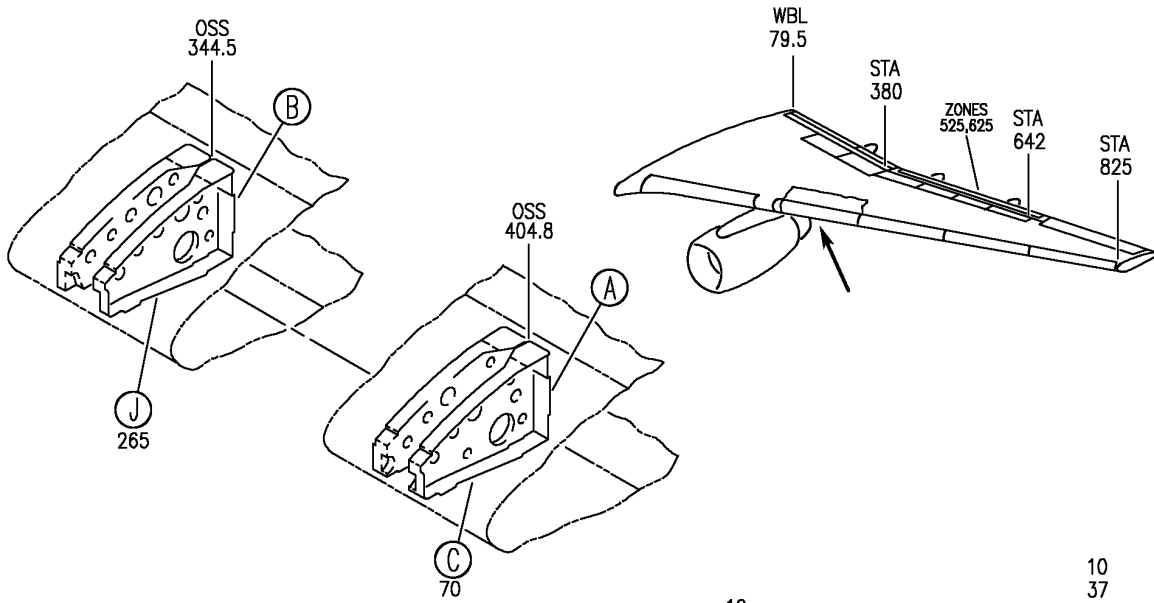
BRI

57-22-51-11

BOEING PROPRIETARY - Copyright © - Unpublished Work - See title page for details.

57-22-51
FIG. 11
PAGE 26
JAN 20/09

BOEING
757
PARTS CATALOG (MAINTENANCE)



Y 5722511A SHT 1 REV 245

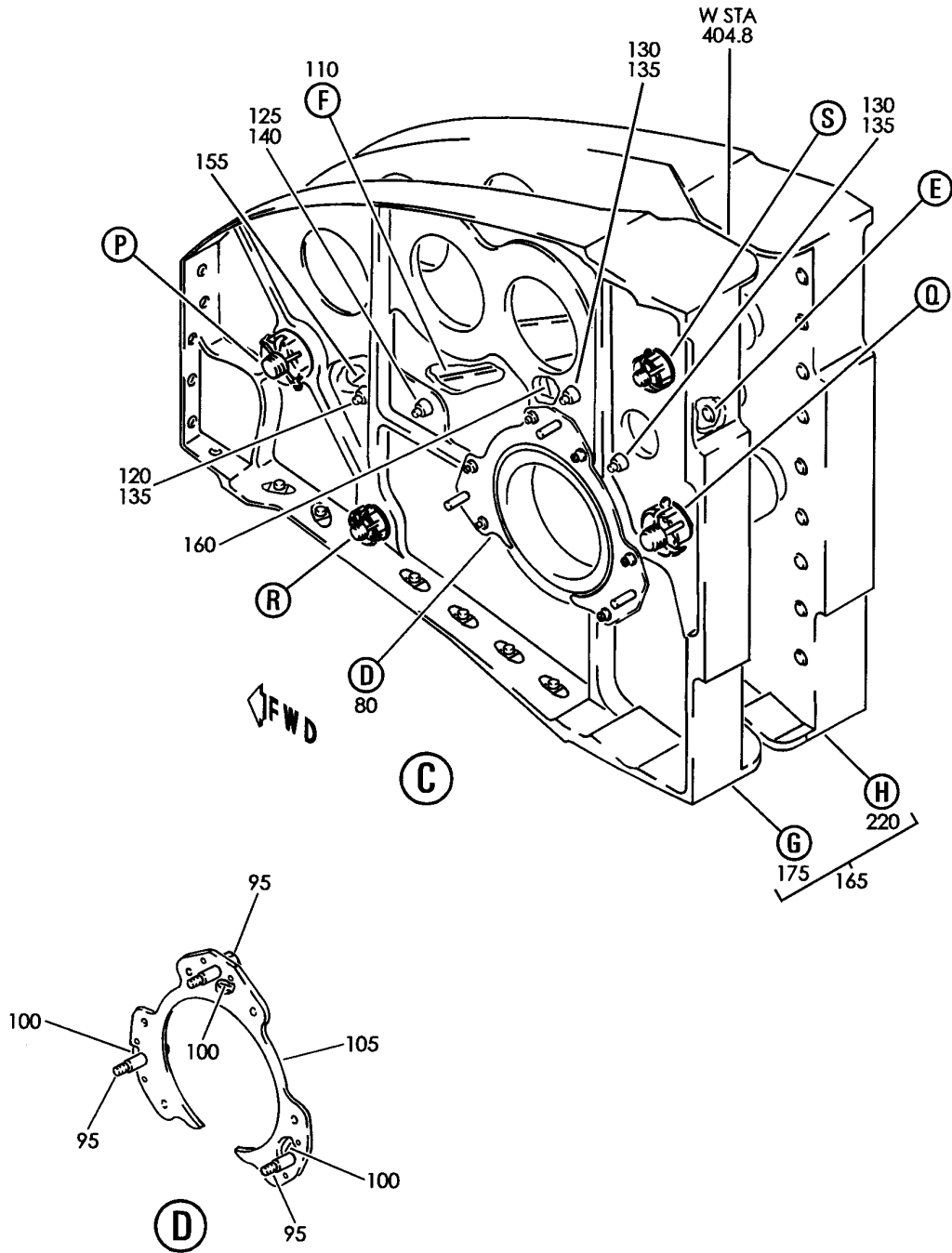
RIB AND ROLLER INSTL-MAIN TRACK OUTBD FXD LE SPRT
FIGURE 11A (SHEET 1)

57-22-51-11A

BRI
JAN 20/09

57-22-51-11A
PAGE 0

BOEING
757
PARTS CATALOG (MAINTENANCE)



Y 57225111A SHT 2 REV 209

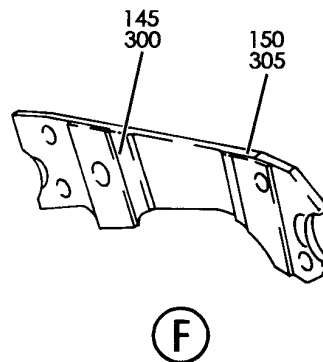
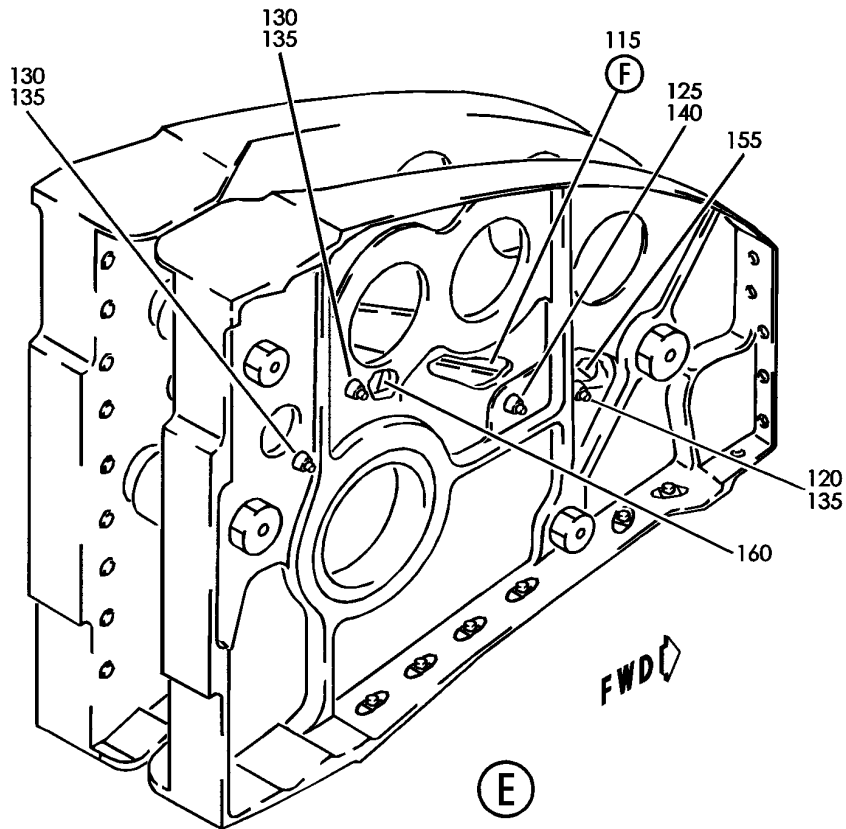
RIB AND ROLLER INSTL-MAIN TRACK OUTBD FXD LE SPRT
FIGURE 11A (SHEET 2)

57-22-51-11A

BRI
JAN 20/09

57-22-51-11A
PAGE 0A

BOEING
757
PARTS CATALOG (MAINTENANCE)



Y 57225111A SHT 3 REV 209

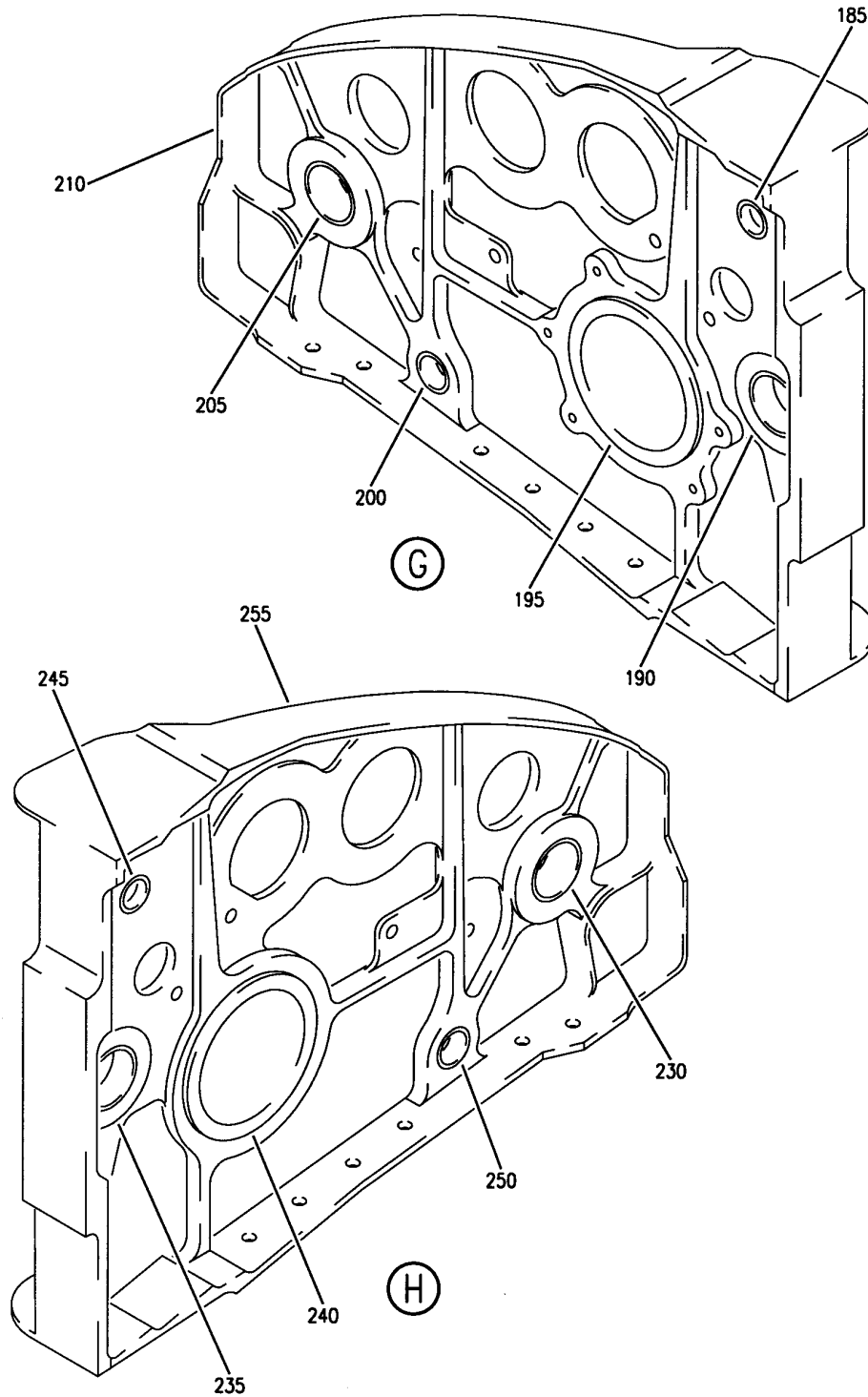
RIB AND ROLLER INSTL-MAIN TRACK OUTBD FXD LE SPRT
FIGURE 11A (SHEET 3)

57-22-51-11A

BRI
JAN 20/09

57-22-51-11A
PAGE 0B

BOEING
757
PARTS CATALOG (MAINTENANCE)



Y 5725111A SHT 4 REV 209

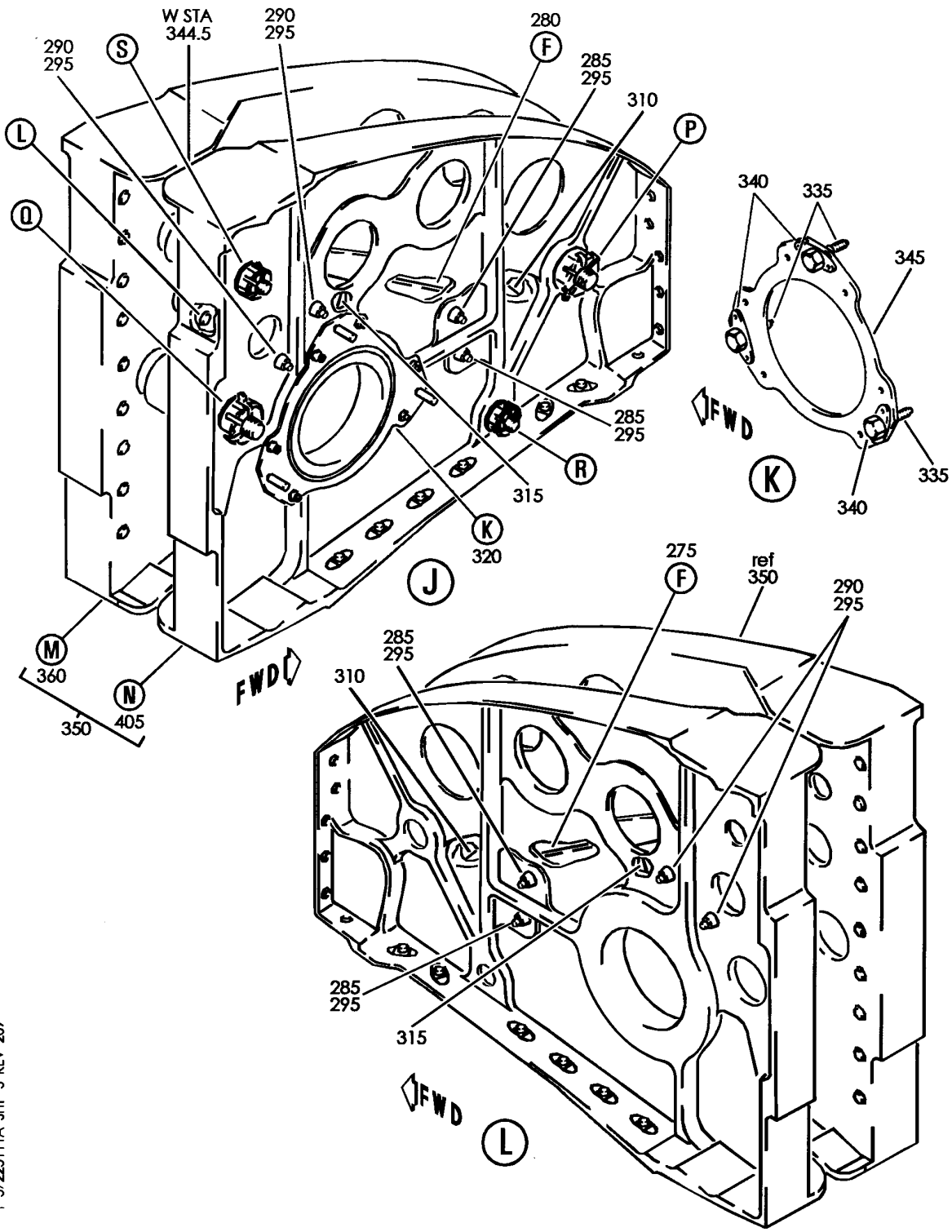
RIB AND ROLLER INSTL-MAIN TRACK OUTBD FXD LE SPRT
FIGURE 11A (SHEET 4)

57-22-51-11A

BRI
JAN 20/09

57-22-51-11A
PAGE 0C

BOEING
757
PARTS CATALOG (MAINTENANCE)



Y 57225111A SHT 5 REV 209

RIB AND ROLLER INSTL-MAIN TRACK OUTBD FXD LE SPRT
FIGURE 11A (SHEET 5)

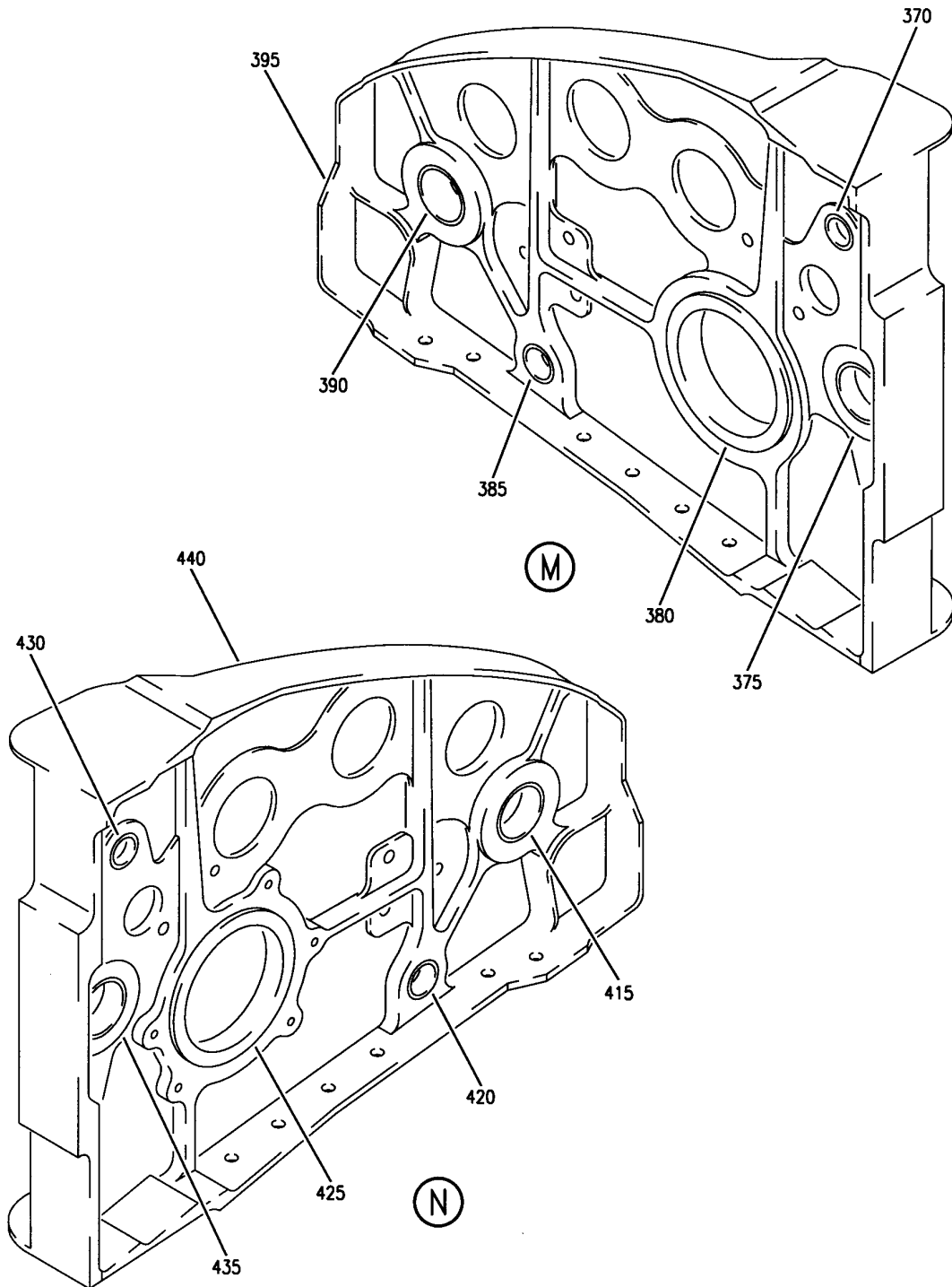
57-22-51-11A

BRI
JAN 20/09

57-22-51-11A
PAGE 0D

BOEING PROPRIETARY - Copyright © - Unpublished Work - See title page for details.

BOEING
757
PARTS CATALOG (MAINTENANCE)



Y 57225111A SHT 6 REV 209

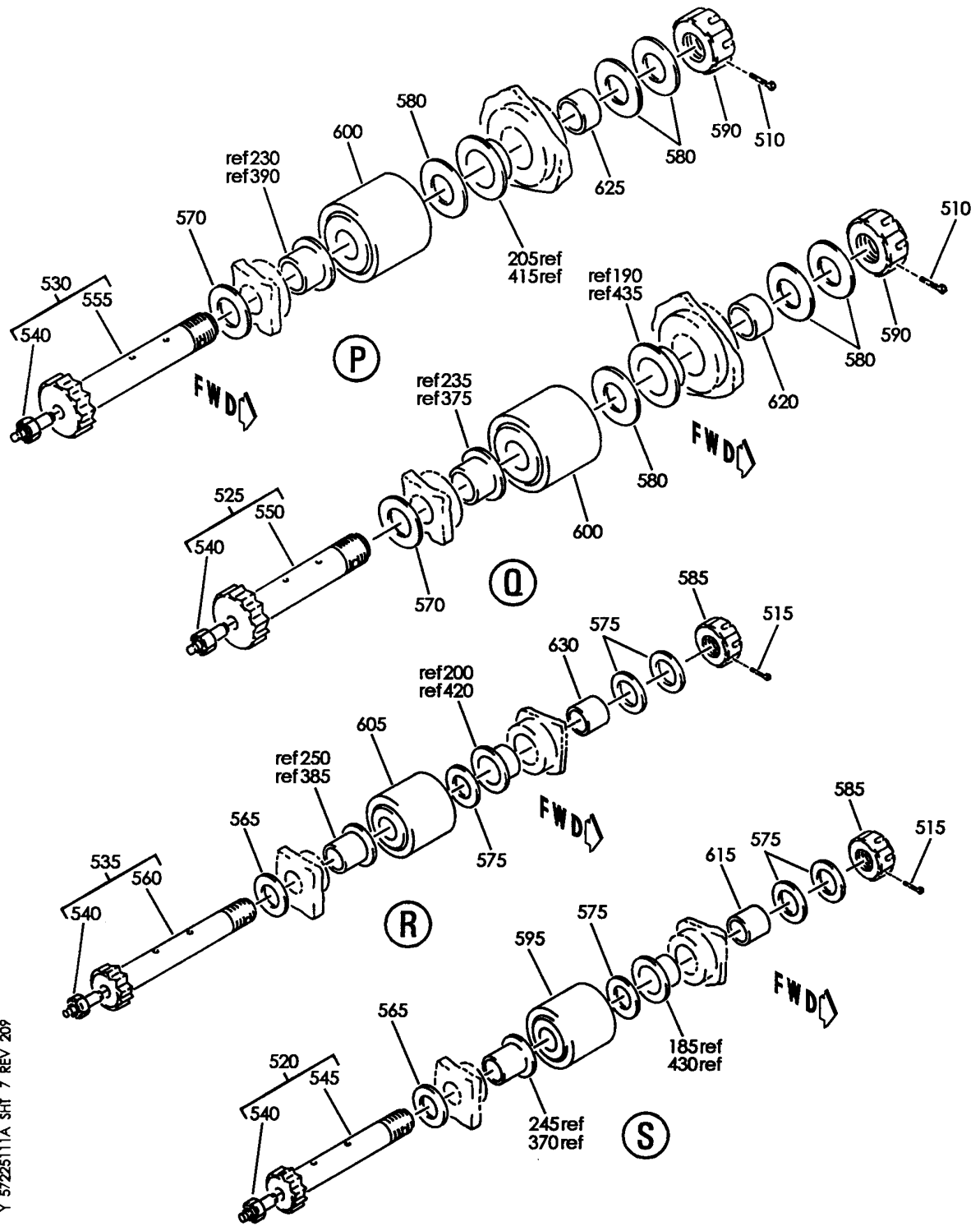
RIB AND ROLLER INSTL-MAIN TRACK OUTBD FXD LE SPRT
FIGURE 11A (SHEET 6)

57-22-51-11A

BRI
JAN 20/09

57-22-51-11A
PAGE 0E

BOEING
757
PARTS CATALOG (MAINTENANCE)



Y 5725111A SHT 7 REV 209

RIB AND ROLLER INSTL-MAIN TRACK OUTBD FXD LE SPRT
FIGURE 11A (SHEET 7)

57-22-51-11A

BRI
JAN 20/09

57-22-51-11A
PAGE OF



757

PARTS CATALOG (MAINTENANCE)

FIG ITEM	PART NUMBER	1 2 3 4 5 6 7	NOMENCLATURE	EFFECT FROM TO	UNITS PER ASSY
11A			RIB AND ROLLER INSTL-MAIN TRACK OUTBD FXD LE SPRT	103106	
- 1	MODREF19125		RIB INSTL-MAIN TRACK FXD LE SPRT MODULE NUMBER: 114N2184-313 REV A POSITION DATA: OSS344.50-OSS404.80 OUTBD LH	103105	1
- 1	MODREF24598		RIB INSTL-MAIN TRACK FXD LE SPRT MODULE NUMBER: 114N2184-313 REV B POSITION DATA: OSS344.50-OSS404.80 OUTBD LH	106106	1
- 5	MODREF19126		RIB INSTL-MAIN TRACK FXD LE SPRT MODULE NUMBER: 114N2184-314 REV A POSITION DATA: OSS344.50-OSS404.80 OUTBD RH	103105	1
- 5	MODREF24599		RIB INSTL-MAIN TRACK FXD LE SPRT MODULE NUMBER: 114N2184-314 REV B POSITION DATA: OSS344.50-OSS404.80 OUTBD RH	106106	1
10	LGPL2SPV10-18AC		.BOLT- SUPPLIER CODE: V56878 SPECIFICATION NUMBER: BACB30VN10K18 OPTIONAL PART: 81669V10K18 V56878 LGPL2SPV10-18AC V92215 LGPL2SPV10-18AC V17446	103105	6

MISSING ITEM NUMBERS NOT APPLICABLE

- ITEM NOT ILLUSTRATED

57-22-51-11A

57-22-51
FIG. 11A
PAGE 1
JAN 20/09

BRI

BOEING PROPRIETARY - Copyright © - Unpublished Work - See title page for details.



757

PARTS CATALOG (MAINTENANCE)

FIG ITEM	PART NUMBER	1 2 3 4 5 6 7	NOMENCLATURE	EFFECT FROM TO	UNITS PER ASSY
11A 10	HST10AG10-18	.BOLT-	SUPPLIER CODE: VOPTK6 SPECIFICATION NUMBER: BACB30VT10K18 OPTIONAL PART: HST10AG10-18 V06725 HST10AG10-18 V56878 HST10AG10-18 V73197 WC10K10-18 V60516	106106	6
- 15	LGPL2SPV10-14AC	.BOLT-	SUPPLIER CODE: V17446 SPECIFICATION NUMBER: BACB30VN10K14 OPTIONAL PART: LGPL2SPV10-14AC V92215 81669V10K14 V56878 LGPL2SPV10-14AC V56878	103105	2
- 15	HST10AG10-14	.BOLT-	SUPPLIER CODE: VOPTK6 SPECIFICATION NUMBER: BACB30VT10K14 OPTIONAL PART: HST10AG10-14 V06725 HST10AG10-14 V56878 HST10AG10-14 V73197 WC10K10-14 V60516	106106	2

MISSING ITEM NUMBERS NOT APPLICABLE

- ITEM NOT ILLUSTRATED

57-22-51-11A

57-22-51
FIG. 11A
PAGE 2
JAN 20/09

BRI

BOEING PROPRIETARY - Copyright © - Unpublished Work - See title page for details.



757

PARTS CATALOG (MAINTENANCE)

FIG ITEM	PART NUMBER	1 2 3 4 5 6 7	NOMENCLATURE	EFFECT FROM TO	UNITS PER ASSY
11A - 20	HST10AG8-8		.BOLT- SUPPLIER CODE: VOPTK6 SPECIFICATION NUMBER: BACB30VT8K8 OPTIONAL PART: HST10AG8-8 V06725 HST10AG8-8 V56878 HST10AG8-8 V73197 WC10K8-8 V60516	106106	2
- 25	LGPL2SPV8-7AC		.BOLT- SUPPLIER CODE: V17446 SPECIFICATION NUMBER: BACB30VN8K7 OPTIONAL PART: LGPL2SPV8-7AC V92215 81669V8K7 V56878 LGPL2SPV8-7AC V56878	103105	4
- 25	HST10AG8-7		.BOLT- SUPPLIER CODE: VOPTK6 SPECIFICATION NUMBER: BACB30VT8K7 OPTIONAL PART: HST10AG8-7 V06725 HST10AG8-7 V56878 HST10AG8-7 V73197 WC10K8-7 V60516	106106	4

MISSING ITEM NUMBERS NOT APPLICABLE

- ITEM NOT ILLUSTRATED

BRI

57-22-51-11A

BOEING PROPRIETARY - Copyright © - Unpublished Work - See title page for details.

57-22-51
FIG. 11A
PAGE 3
JAN 20/09



757

PARTS CATALOG (MAINTENANCE)

FIG ITEM	PART NUMBER	1 2 3 4 5 6 7	NOMENCLATURE	EFFECT FROM TO	UNITS PER ASSY
11A 30	LGPL2SPV10-12AC	.BOLT-	SUPPLIER CODE: V17446 SPECIFICATION NUMBER: BACB30VN10K12 OPTIONAL PART: LGPL2SPV10-12AC V92215 81669V10K12 V56878 LGPL2SPV10-12AC V56878	103105	4
30	HST10AG10-12	.BOLT-	SUPPLIER CODE: VOPTK6 SPECIFICATION NUMBER: BACB30VT10K12 OPTIONAL PART: HST10AG10-12 V06725 HST10AG10-12 V56878 HST10AG10-12 V73197 WC10K10-12 V60516	106106	4
37	LGPL2SPV10-17AC	.BOLT-	SUPPLIER CODE: V56878 SPECIFICATION NUMBER: BACB30VN10K17 OPTIONAL PART: LGPL2SPV10-17AC V17446 LGPL2SPV10-17AC V92215 81669V10K17 V56878	103105	6

MISSING ITEM NUMBERS NOT APPLICABLE

- ITEM NOT ILLUSTRATED

BRI

57-22-51-11A

BOEING PROPRIETARY - Copyright © - Unpublished Work - See title page for details.

57-22-51
FIG. 11A
PAGE 4
JAN 20/09



757

PARTS CATALOG (MAINTENANCE)

FIG ITEM	PART NUMBER	1 2 3 4 5 6 7	NOMENCLATURE	EFFECT FROM TO	UNITS PER ASSY
11A 37	HST10AG10-17	.BOLT-	SUPPLIER CODE: VOPTK6 SPECIFICATION NUMBER: BACB30VT10K17 OPTIONAL PART: HST10AG10-17 V06725 HST10AG10-17 V56878 HST10AG10-17 V73197 WC10K10-17 V60516	106106	6
38	BACB30WR5K15L	.BOLT-		103105	4
38	BACB30WR5K17L	.BOLT-		106106	4
40	LGPL2SPV8-17AC	.BOLT-	SUPPLIER CODE: V56878 SPECIFICATION NUMBER: BACB30VN8K17 OPTIONAL PART: LGPL2SPV8-17AC V17446 LGPL2SPV8-17AC V92215 81669V8K17 V56878	103105	2
40	HST10AG8-17	.BOLT-	SUPPLIER CODE: VOPTK6 SPECIFICATION NUMBER: BACB30VT8K17 OPTIONAL PART: HST10AG8-17 V06725 HST10AG8-17 V56878 HST10AG8-17 V73197 WC10K8-17 V60516	106106	2

MISSING ITEM NUMBERS NOT APPLICABLE

- ITEM NOT ILLUSTRATED

BRI

57-22-51-11A

BOEING PROPRIETARY - Copyright © - Unpublished Work - See title page for details.

57-22-51
FIG. 11A
PAGE 5
JAN 20/09



757

PARTS CATALOG (MAINTENANCE)

FIG ITEM	PART NUMBER	1 2 3 4 5 6 7	NOMENCLATURE	EFFECT FROM TO	UNITS PER ASSY
11A 45	LGPL2SPV8-10AC	.BOLT-	SUPPLIER CODE: V17446 SPECIFICATION NUMBER: BACB30VN8K10 OPTIONAL PART: LGPL2SPV8-10AC V92215 81669V8K10 V56878 LGPL2SPV8-10AC V56878	103105	6
45	HST10AG8-10	.BOLT-	SUPPLIER CODE: VOPTK6 SPECIFICATION NUMBER: BACB30VT8K10 OPTIONAL PART: HST10AG8-10 V06725 HST10AG8-10 V56878 HST10AG8-10 V73197 WC10K8-10 V60516	106106	6
50	LGPL2SPV8-15AC	.BOLT-	SUPPLIER CODE: V17446 SPECIFICATION NUMBER: BACB30VN8K15 OPTIONAL PART: LGPL2SPV8-15AC V92215 81669V8K15 V56878 LGPL2SPV8-15AC V56878	103105	2

MISSING ITEM NUMBERS NOT APPLICABLE

- ITEM NOT ILLUSTRATED

BRI

57-22-51-11A

BOEING PROPRIETARY - Copyright © - Unpublished Work - See title page for details.

57-22-51
FIG. 11A
PAGE 6
JAN 20/09



757

PARTS CATALOG (MAINTENANCE)

FIG ITEM	PART NUMBER	1 2 3 4 5 6 7	NOMENCLATURE	EFFECT FROM TO	UNITS PER ASSY
11A 50	HST10AG8-15		.BOLT- SUPPLIER CODE: VOPTK6 SPECIFICATION NUMBER: BACB30VT8K15 OPTIONAL PART: HST10AG8-15 V06725 HST10AG8-15 V56878 HST10AG8-15 V73197 WC10K8-15 V60516	106106	2
55	LGPL2SPV10-15AC		.BOLT- SUPPLIER CODE: V56878 SPECIFICATION NUMBER: BACB30VN10K15 OPTIONAL PART: LGPL2SPV10-15AC V17446 LGPL2SPV10-15AC V92215 81669V10K15 V56878	103105	4
55	HST10AG10-15		.BOLT- SUPPLIER CODE: VOPTK6 SPECIFICATION NUMBER: BACB30VT10K15 OPTIONAL PART: HST10AG10-15 V06725 HST10AG10-15 V56878 HST10AG10-15 V73197 WC10K10-15 V60516	106106	4
- 57	3SLCC10		.COLLAR- SUPPLIER CODE: V17446 SPECIFICATION NUMBER: BACC30BK10 OPTIONAL PART: 3SLCC10 V92215	103105	2

MISSING ITEM NUMBERS NOT APPLICABLE

- ITEM NOT ILLUSTRATED

57-22-51-11A

57-22-51
FIG. 11A
PAGE 7
JAN 20/09

BRI

BOEING PROPRIETARY - Copyright © - Unpublished Work - See title page for details.



757

PARTS CATALOG (MAINTENANCE)

FIG ITEM	PART NUMBER	1 2 3 4 5 6 7	NOMENCLATURE	EFFECT FROM TO	UNITS PER ASSY
11A - 57	KFN587-5BAC	.NUT-	SUPPLIER CODE: V15653 SPECIFICATION NUMBER: BACN10ZV5	106106	2
63	3SLCC10	.COLLAR-	SUPPLIER CODE: V17446 SPECIFICATION NUMBER: BACC30BK10 OPTIONAL PART: 3SLCC10 V92215	103105	20
63	KFN587-5BAC	.NUT-	SUPPLIER CODE: V15653 SPECIFICATION NUMBER: BACN10ZV5	106106	20
65	3SLCC8	.COLLAR-	SUPPLIER CODE: V17446 SPECIFICATION NUMBER: BACC30BK8 OPTIONAL PART: 3SLCC8 V92215	103105	10
65 - 67	BACN10ZV4 3SLCC8	.NUT- .COLLAR-	SUPPLIER CODE: V17446 SPECIFICATION NUMBER: BACC30BK8 OPTIONAL PART: 3SLCC8 V92215	106106 103105	10 6
- 67 68	BACN10ZV4 H39242-5K	.NUT- .NUT	SUPPLIER CODE: V15653 SPECIFICATION NUMBER: BACN10TN5K OPTIONAL PART: BH00700-5K V27238 TLN1200-5K V97928	106106 106106	6 4
70	114N2167-5	.RIB ASSY-	POSITION DATA: LH SIDE	103105	1

MISSING ITEM NUMBERS NOT APPLICABLE

- ITEM NOT ILLUSTRATED

57-22-51-11A

57-22-51
FIG. 11A
PAGE 8
JAN 20/09

BRI

BOEING PROPRIETARY - Copyright © - Unpublished Work - See title page for details.



757

PARTS CATALOG (MAINTENANCE)

FIG ITEM	PART NUMBER	1 2 3 4 5 6 7	NOMENCLATURE	EFFECT FROM TO	UNITS PER ASSY
11A 70	114N2167-9		.RIB ASSY- POSITION DATA: LH SIDE	106106	1
- 75	114N2167-6		.RIB ASSY- POSITION DATA: RH SIDE	103105	1
- 75	114N2167-10		.RIB ASSY- POSITION DATA: RH SIDE	106106	1
80	114N2064-8		..RING ASSY-ADPTR ATTACHING PARTS	103106	1
- 85	HL523AZ6-10		..BOLT SUPPLIER CODE: V73197 SPECIFICATION NUMBER: BACB30NZ6K10 OPTIONAL PART: HL523AZ6-10 V06725 L804-6K10 V06725 HL523AZ6-10 V60516 HL523AZ6-10 V56878 HL523AZ6-10 V92215 HL523AZ6-10 V97928	103106	6
- 90	HL79-6		..COLLAR SUPPLIER CODE: V5M902 SPECIFICATION NUMBER: BACC30M6 OPTIONAL PART: HL79-6 V73197 HL79-6 V92215 66014-6 V56878 HL79-6 V56878	103106	6
95	BACB30NR4K7		-----*----- ...BOLT	103106	3

MISSING ITEM NUMBERS NOT APPLICABLE

- ITEM NOT ILLUSTRATED

BRI

57-22-51-11A

BOEING PROPRIETARY - Copyright © - Unpublished Work - See title page for details.

57-22-51
FIG. 11A
PAGE 9
JAN 20/09



757

PARTS CATALOG (MAINTENANCE)

FIG ITEM	PART NUMBER	1 2 3 4 5 6 7	NOMENCLATURE	EFFECT FROM TO	UNITS PER ASSY
11A 100	6800D048	...	RETAINER SUPPLIER CODE: V80539 SPECIFICATION NUMBER: BACR10G43	103106	3
105	114N2064-7	...	RING	103106	1
110	114N2158-3	..	FITTING ASSY-STOP	103106	1
115	114N2158-4	..	FITTING ASSY-STOP	103106	1
120	HST11AG8-7	..	BOLT- ATTACHING PARTS SUPPLIER CODE: VOPTK6 SPECIFICATION NUMBER: BACB30VU8K7 OPTIONAL PART: HST11AG8-7 V06725 HST11AG8-7 V73197 HST11AG8-7 V56878	103105	2
120	WC331K8-7	..	BOLT- SUPPLIER CODE: V60516 SPECIFICATION NUMBER: BACB30YP8K7	106106	2
125	HST11AG10-7	..	BOLT- SUPPLIER CODE: V56878 SPECIFICATION NUMBER: BACB30VU10K7 OPTIONAL PART: HST11AG10-7 V06725 HST11AG10-7 V73197 HST11AG10-7 VOPTK6	103105	2
125	WC331K10-7	..	BOLT- SUPPLIER CODE: V60516 SPECIFICATION NUMBER: BACB30YP10K7	106106	2

MISSING ITEM NUMBERS NOT APPLICABLE

- ITEM NOT ILLUSTRATED

57-22-51-11A

57-22-51
FIG. 11A
PAGE 10
JAN 20/09

BRI

BOEING PROPRIETARY - Copyright © - Unpublished Work - See title page for details.



757

PARTS CATALOG (MAINTENANCE)

FIG ITEM	PART NUMBER	1 2 3 4 5 6 7	NOMENCLATURE	EFFECT FROM TO	UNITS PER ASSY
11A 130	HST11AG8-8	..	BOLT- SUPPLIER CODE: V0PTK6 SPECIFICATION NUMBER: BACB30VU8K8 OPTIONAL PART: HST11AG8-8 V73197 HST11AG8-8 V56878 HST11AG8-8 V06725	103105	4
130	WC331K8-8	..	BOLT- SUPPLIER CODE: V60516 SPECIFICATION NUMBER: BACB30YP8K8	106106	4
135	BACC3OBL8	..	COLLAR- SUPPLIER CODE: V73197 SPECIFICATION NUMBER: BACC3OBL8 OPTIONAL PART: HST79-8 V92215 HST79CY8 V56878 HST79CY8 V5M902	103105	6
135 140	BACN10ZV4 BACC3OBL10	..	NUT- COLLAR- SUPPLIER CODE: V73197 SPECIFICATION NUMBER: BACC3OBL10 OPTIONAL PART: HST79-10 V92215 HST79CY10 V56878 HST79CY10 V5M902	106106 103105	6 2
140	KFN587-5BAC	..	NUT- SUPPLIER CODE: V15653 SPECIFICATION NUMBER: BACN10ZV5	106106	2
145	114N2159-1	---	*----- ...STOP-RUBBING BLOCK SLAT	103106	1

MISSING ITEM NUMBERS NOT APPLICABLE

- ITEM NOT ILLUSTRATED

BRI

57-22-51-11A

BOEING PROPRIETARY - Copyright © - Unpublished Work - See title page for details.

57-22-51
FIG. 11A
PAGE 11
JAN 20/09



757

PARTS CATALOG (MAINTENANCE)

FIG ITEM	PART NUMBER	1 2 3 4 5 6 7	NOMENCLATURE	EFFECT FROM TO	UNITS PER ASSY
11A					
150	114N2159-2	...	STOP-RUBBING BLOCK SLAT	103106	1
155	114N2176-11	..	SHIM	103106	2
160	114N2176-9	..	SHIM	103106	2
165	114N2167-7	..	RIB ASSY-PAIR POSITION DATA: LH SIDE	103106	1
- 170	114N2167-8	..	RIB ASSY-PAIR POSITION DATA: RH SIDE	103106	1
175	114N2052-25	...	RIB ASSY- POSITION DATA: LH SIDE	103106	1
- 180	114N2052-26	...	RIB ASSY- POSITION DATA: RH SIDE	103106	1
185	BACB28AT11B052C	BUSHING	103106	1
190	BACB28AT17B038C	BUSHING	103106	1
195	114N2130-12	BUSHING	103106	1
200	BACB28AT11B059C	BUSHING	103106	1
205	BACB28AT17B058C	BUSHING	103106	1
210	114N2052-27	RIB- POSITION DATA: LH SIDE	103106	1
- 215	114N2052-28	RIB- POSITION DATA: RH SIDE	103106	1
220	114N2053-25	...	RIB ASSY- POSITION DATA: LH SIDE	103106	1
- 225	114N2053-26	...	RIB ASSY- POSITION DATA: RH SIDE	103106	1
230	BACB28AP12P066	BUSHING	103106	1
235	BACB28AP12P046	BUSHING	103106	1
240	114N2130-10	BUSHING	103106	1
245	BACB28AP08P060	BUSHING-	103106	1
250	BACB28AP12P046	BUSHING-	103106	1
255	114N2053-23	RIB- POSITION DATA: LH SIDE	103106	1
- 260	114N2053-24	RIB- POSITION DATA: RH SIDE	103106	1
265	114N2168-1	.RIB ASSY- POSITION DATA: LH SIDE		103105	1
265	114N2168-5	.RIB ASSY- POSITION DATA: LH SIDE		106106	1

MISSING ITEM NUMBERS NOT APPLICABLE

- ITEM NOT ILLUSTRATED

57-22-51-11A

57-22-51
FIG. 11A
PAGE 12
JAN 20/09

BRI

BOEING PROPRIETARY - Copyright © - Unpublished Work - See title page for details.



757

PARTS CATALOG (MAINTENANCE)

FIG ITEM	PART NUMBER	1 2 3 4 5 6 7	NOMENCLATURE	EFFECT FROM TO	UNITS PER ASSY
11A					
- 270	114N2168-2		.RIB ASSY- POSITION DATA: RH SIDE	103105	1
- 270	114N2168-6		.RIB ASSY- POSITION DATA: RH SIDE	106106	1
275	114N2158-4		..FITTING ASSY-STOP	103106	1
280	114N2158-3		..FITTING ASSY-STOP	103106	1
285	HST11AG8-7		..BOLT- SUPPLIER CODE: VOPTK6 SPECIFICATION NUMBER: BACB30VU8K7 OPTIONAL PART: HST11AG8-7 V06725 HST11AG8-7 V73197 HST11AG8-7 V56878	103105	4
285	WC331K8-7		..BOLT- SUPPLIER CODE: V60516 SPECIFICATION NUMBER: BACB30YP8K7	106106	4
290	HST11AG8-8		..BOLT- SUPPLIER CODE: VOPTK6 SPECIFICATION NUMBER: BACB30VU8K8 OPTIONAL PART: HST11AG8-8 V73197 HST11AG8-8 V56878 HST11AG8-8 V06725	103105	4
290	WC331K8-8		..BOLT- SUPPLIER CODE: V60516 SPECIFICATION NUMBER: BACB30YP8K8	106106	4
295	BACN10ZV4		..NUT-	106106	8

MISSING ITEM NUMBERS NOT APPLICABLE

- ITEM NOT ILLUSTRATED

BRI

57-22-51-11A

BOEING PROPRIETARY - Copyright © - Unpublished Work - See title page for details.

57-22-51
FIG. 11A
PAGE 13
JAN 20/09



757

PARTS CATALOG (MAINTENANCE)

FIG ITEM	PART NUMBER	1 2 3 4 5 6 7	NOMENCLATURE	EFFECT FROM TO	UNITS PER ASSY
11A 295	BACC3OBL8		.. COLLAR- SUPPLIER CODE: V73197 SPECIFICATION NUMBER: BACC3OBL8 OPTIONAL PART: HST79-8 V92215 HST79CY8 V56878 HST79CY8 V5M902 -----*-----	103105	8
300	114N2159-1		... STOP-RUBBING BLOCK SLAT	103106	1
305	114N2159-2		... STOP-RUBBING BLOCK SLAT	103106	1
310	114N2176-11		.. SHIM	103106	2
315	114N2176-9		.. SHIM	103106	2
320	114N2064-12		.. RING ASSY-ADPTR ATTACHING PARTS	103106	1
- 325	HL523AZ6-10		.. BOLT SUPPLIER CODE: V73197 SPECIFICATION NUMBER: BACB3ONZ6K10 OPTIONAL PART: HL523AZ6-10 V06725 L804-6K10 V06725 HL523AZ6-10 V60516 HL523AZ6-10 V56878 HL523AZ6-10 V92215 HL523AZ6-10 V97928	103106	6

MISSING ITEM NUMBERS NOT APPLICABLE

- ITEM NOT ILLUSTRATED

BRI

57-22-51-11A

BOEING PROPRIETARY - Copyright © - Unpublished Work - See title page for details.

57-22-51
FIG. 11A
PAGE 14
JAN 20/09



757

PARTS CATALOG (MAINTENANCE)

FIG ITEM	PART NUMBER	1 2 3 4 5 6 7	NOMENCLATURE	EFFECT FROM TO	UNITS PER ASSY
11A - 330	HL79-6	..	COLLAR SUPPLIER CODE: V5M902 SPECIFICATION NUMBER: BACC30M6 OPTIONAL PART: HL79-6 V73197 HL79-6 V92215 66014-6 V56878 HL79-6 V56878 -----*-----	103106	6
335	BACB30NR4K7	...	BOLT	103106	3
340	6800D048	...	RETAINER SUPPLIER CODE: V80539 SPECIFICATION NUMBER: BACR10G43	103106	3
345	114N2064-11	...	RING	103106	1
350	114N2168-3	..	RIB ASSY-PAIR POSITION DATA: LH SIDE	103106	1
- 355	114N2168-4	..	RIB ASSY-PAIR POSITION DATA: RH SIDE	103106	1
360	114N2054-19	...	RIB ASSY- POSITION DATA: LH SIDE	103106	1
- 365	114N2054-20	...	RIB ASSY- POSITION DATA: RH SIDE	103106	1
370	BACB28AP08P060	BUSHING	103106	1
375	BACB28AP12P046	BUSHING	103106	1
380	114N2130-10	BUSHING	103106	1
385	BACB28AP08P067	BUSHING	103106	1
390	BACB28AP12P066	BUSHING	103106	1
395	114N2054-21	RIB- POSITION DATA: LH SIDE	103106	1
- 400	114N2054-22	RIB- POSITION DATA: RH SIDE	103106	1
405	114N2055-19	...	RIB ASSY- POSITION DATA: LH SIDE	103106	1

MISSING ITEM NUMBERS NOT APPLICABLE

- ITEM NOT ILLUSTRATED

57-22-51-11A

57-22-51
FIG. 11A
PAGE 15
JAN 20/09

BRI

BOEING PROPRIETARY - Copyright © - Unpublished Work - See title page for details.



757

PARTS CATALOG (MAINTENANCE)

FIG ITEM	PART NUMBER	1 2 3 4 5 6 7	NOMENCLATURE	EFFECT FROM TO	UNITS PER ASSY
11A - 410	114N2055-20	...	RIB ASSY- POSITION DATA: RH SIDE	103106	1
415	BACB28AT17B058C	BUSHING	103106	1
420	BACB28AT11B059C	BUSHING	103106	1
425	114N2130-12	BUSHING	103106	1
430	BACB28AT11B052C	BUSHING	103106	1
435	BACB28AT17B038C	BUSHING	103106	1
440	114N2055-21	RIB- POSITION DATA: LH SIDE	103106	1
- 445	114N2055-22	RIB- POSITION DATA: RH SIDE	103106	1
- 500	MODREF422		ROLLER INSTL-FXD LE WING MODULE NUMBER: 114N2184-311 REV A POSITION DATA: OSS 344.50 TO OSS 404.80 OUTBD, LH	103103	1
- 500	MODREF26698		ROLLER INSTL-FXD LE WING MODULE NUMBER: 114N2184-311 REV B POSITION DATA: OSS 344.50 TO OSS 404.80 OUTBD, LH	104106	1
- 505	MODREF501		ROLLER INSTL-FXD LE WING MODULE NUMBER: 114N2184-312 REV A POSITION DATA: OSS 344.50 TO OSS 404.80 OUTBD, RH	103103	1
- 505	MODREF26699		ROLLER INSTL-FXD LE WING MODULE NUMBER: 114N2184-312 REV B POSITION DATA: OSS 344.50 TO OSS 404.80 OUTBD, RH	104106	1
510	BACP18BC04A12P	.PIN-		103106	4
515	BACP18BC03A10P	.PIN		104106	4
520	114N1115-31	.BOLT	ASSY	103106	2
525	114N1115-37	.BOLT	ASSY	103106	2
530	114N1115-39	.BOLT	ASSY	103106	2
535	114N1115-33	.BOLT	ASSY	103106	2
540	MS15004-1	..FITTING		103106	1
545	114N1115-32	..BOLT-		103106	1
			USED ON: 114N1115-31		

MISSING ITEM NUMBERS NOT APPLICABLE

- ITEM NOT ILLUSTRATED

57-22-51-11A

57-22-51
FIG. 11A
PAGE 16
JAN 20/09

BRI

BOEING PROPRIETARY - Copyright © - Unpublished Work - See title page for details.



757

PARTS CATALOG (MAINTENANCE)

FIG ITEM	PART NUMBER	1 2 3 4 5 6 7	NOMENCLATURE	EFFECT FROM TO	UNITS PER ASSY
11A 550	114N1115-38	..	BOLT- USED ON: 114N1115-37	103106	1
555	114N1115-40	..	BOLT- USED ON: 114N1115-39	103106	1
560	114N1115-34	..	BOLT- USED ON: 114N1115-33	103106	1
565	BACW10BX8CK	.	WASHER	103106	4
570	BACW10BX12CK	.	WASHER	103106	4
575	NAS1149E0832R	.	WASHER	103106	12
580	NAS1149E1232R	.	WASHER	103106	12
585	THCR58CDBACH	.	NUT SUPPLIER CODE: VF0224 SPECIFICATION NUMBER: BACN11N108CD	103106	4
590	THCR512CDBACN	.	NUT SUPPLIER CODE: VF0224 SPECIFICATION NUMBER: BACN11N112CD	103106	4
595	BACB10GJ8J	.	BEARING	103106	2
600	ATL12SY	.	BEARING SUPPLIER CODE: V60380 SPECIFICATION NUMBER: BACB10GJ12J	103106	4
605	60B00178-674	.	ROLLER	103106	2
615	BACB28AK08-068	.	BUSHING	103106	2
620	BACB28AK12-058	.	BUSHING	103106	2
625	BACB28AK12-078	.	BUSHING	103106	2
630	BACB28AK08-076	.	BUSHING	103106	2

MISSING ITEM NUMBERS NOT APPLICABLE

- ITEM NOT ILLUSTRATED

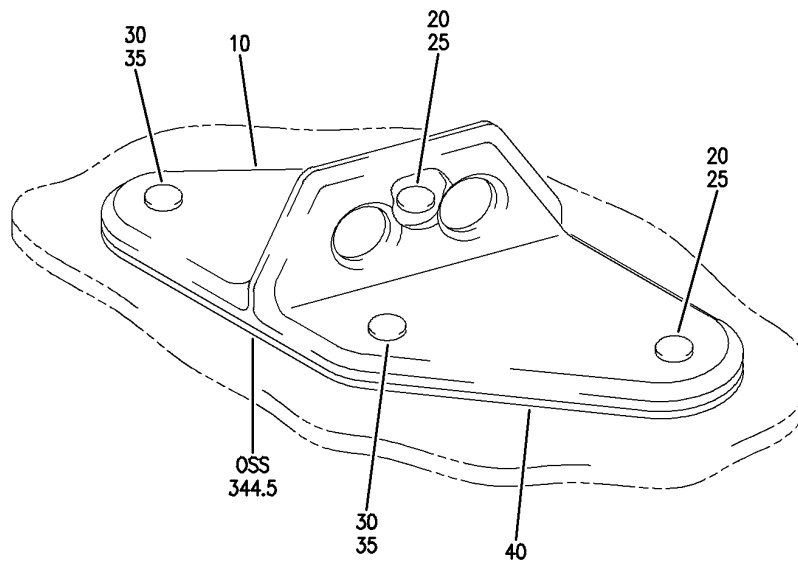
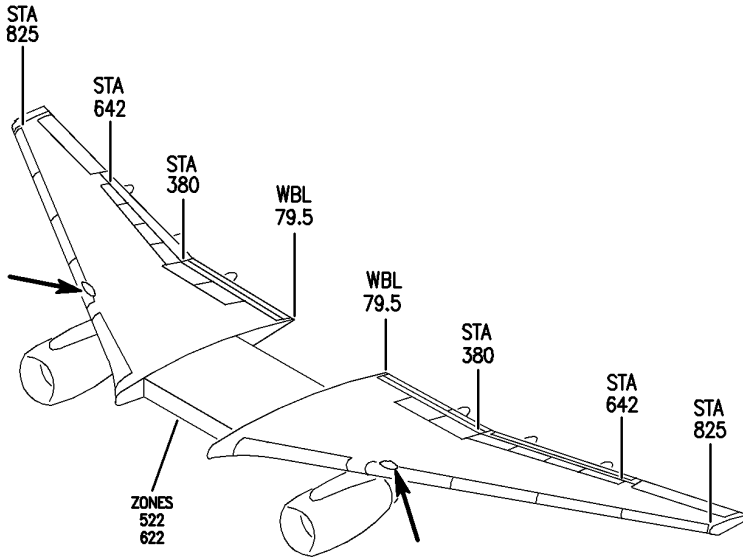
BRI

57-22-51-11A

BOEING PROPRIETARY - Copyright © - Unpublished Work - See title page for details.

57-22-51
FIG. 11A
PAGE 17
JAN 20/09

BOEING
757
PARTS CATALOG (MAINTENANCE)



Y 5722511B REV 241

ROPE FITTING INSTL-OUTBD FIXED LE WING
FIGURE 11B

57-22-51-11B

BRI
JAN 20/09

57-22-51-11B
PAGE 0

BOEING PROPRIETARY - Copyright © - Unpublished Work - See title page for details.



757

PARTS CATALOG (MAINTENANCE)

FIG ITEM	PART NUMBER	1 2 3 4 5 6 7	NOMENCLATURE	EFFECT FROM TO	UNITS PER ASSY
11B			ROPE FITTING INSTL-OUTBD FIXED LE WING	103106	
- 1	MODREF418		ROPE FITTING INSTL- FIXED LE WING MODULE NUMBER: 114N2184-305 REV A POSITION DATA: OSS 344.50 TO OSS 404.80 OUTBD LH	103103	1
- 1	MODREF26696		ROPE FITTING INSTL- FIXED LE WING MODULE NUMBER: 114N2184-305 REV B POSITION DATA: OSS 344.50 TO OSS 404.80 OUTBD LH	104106	1
- 5	MODREF419		ROPE FITTING INSTL- FIXED LE WING MODULE NUMBER: 114N2184-306 REV A POSITION DATA: OSS 344.50 TO OSS 404.80 OUTBD RH	103103	1
- 5	MODREF26697		ROPE FITTING INSTL- FIXED LE WING MODULE NUMBER: 114N2184-306 REV B POSITION DATA: OSS 344.50 TO OSS 404.80 OUTBD RH	104106	1
10	114N2204-7		.FITTING- POSITION DATA: LH SIDE	103106	1
- 15	114N2204-8		.FITTING- POSITION DATA: RH SIDE	103106	1

MISSING ITEM NUMBERS NOT APPLICABLE

- ITEM NOT ILLUSTRATED

BRI

57-22-51-11B

BOEING PROPRIETARY - Copyright © - Unpublished Work - See title page for details.

57-22-51
FIG. 11B
PAGE 1
JAN 20/09



757

PARTS CATALOG (MAINTENANCE)

FIG ITEM	PART NUMBER	1 2 3 4 5 6 7	NOMENCLATURE	EFFECT FROM TO	UNITS PER ASSY
11B			ATTACHING PARTS		
20	L804-10K20		.BOLT SUPPLIER CODE: V06725 SPECIFICATION NUMBER: BACB30NZ10K20 OPTIONAL PART: HL523AZ10-20 V56878 HL523AZ10-20 V73197 HL523AZ10-20 V92215 HL523AZ10-20 V97928 HL523AZ10-20 VOPTK6 HL523AZ10-20 V60516 HL523AZ10-20 V06725	103106	2
25	HL79-10		.COLLAR SUPPLIER CODE: V5M902 SPECIFICATION NUMBER: BACC30M10 OPTIONAL PART: HL79-10 V73197 HL79-10 V92215 66014-10 V56878 HL79-10 V56878	103106	2
30	HST11AG8-17		.BOLT SUPPLIER CODE: VOPTK6 SPECIFICATION NUMBER: BACB30VU8K17 OPTIONAL PART: HST11AG8-17 V73197 HST11AG8-17 V56878 HST11AG8-17 V06725	103106	2

MISSING ITEM NUMBERS NOT APPLICABLE

- ITEM NOT ILLUSTRATED

BRI

57-22-51-11B

BOEING PROPRIETARY - Copyright © - Unpublished Work - See title page for details.

57-22-51
FIG. 11B
PAGE 2
JAN 20/09



757

PARTS CATALOG (MAINTENANCE)

FIG ITEM	PART NUMBER	1 2 3 4 5 6 7	NOMENCLATURE	EFFECT FROM TO	UNITS PER ASSY
11B 35	BACC30BL8		.COLLAR SUPPLIER CODE: V73197 SPECIFICATION NUMBER: BACC30BL8 OPTIONAL PART: HST79-8 V92215 HST79CY8 V56878 HST79CY8 V5M902	103106	2
40	114N2176-79		-----*----- .SHIM	103106	1

MISSING ITEM NUMBERS NOT APPLICABLE

- ITEM NOT ILLUSTRATED

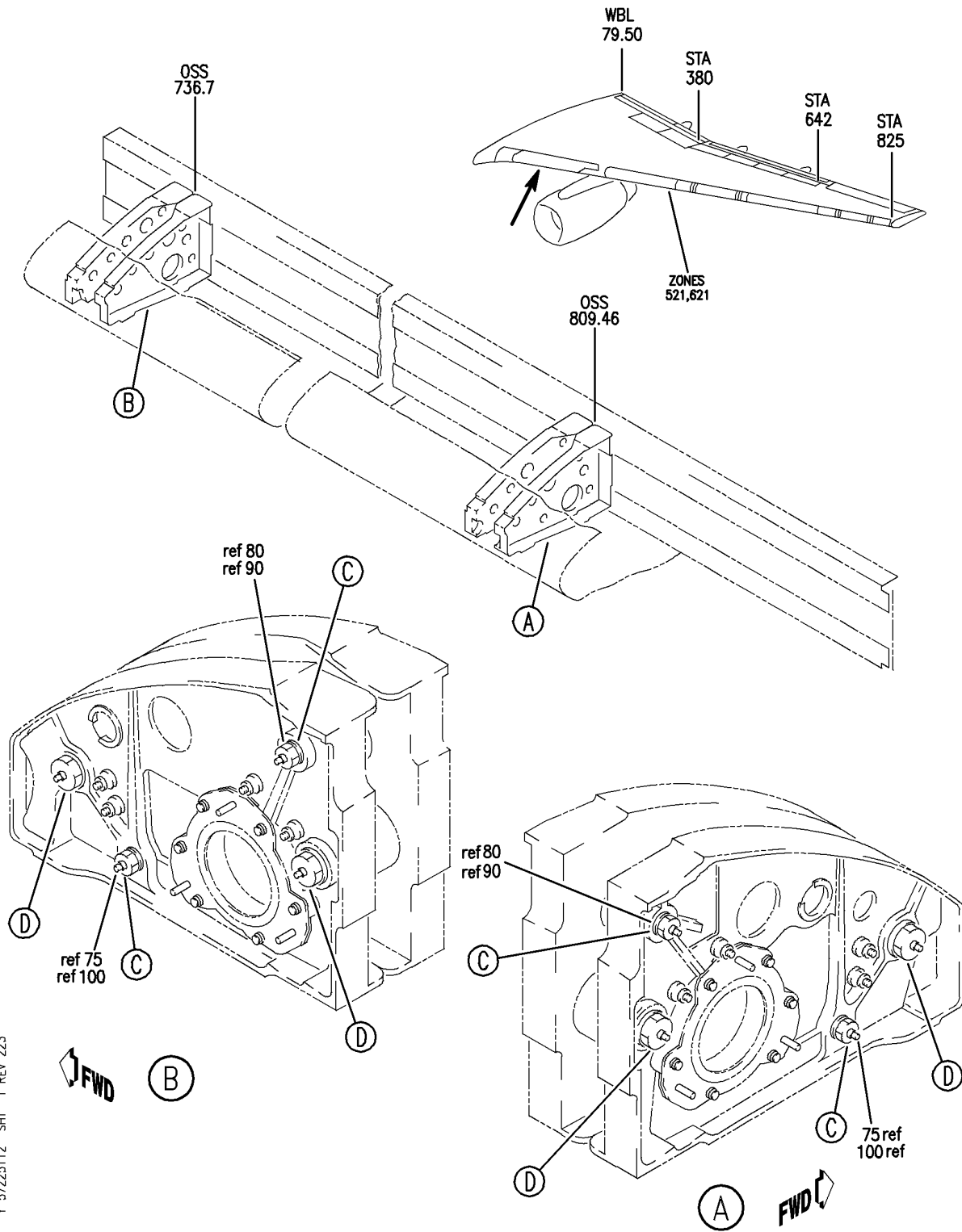
BRI

57-22-51-11B

BOEING PROPRIETARY - Copyright © - Unpublished Work - See title page for details.

57-22-51
FIG. 11B
PAGE 3
JAN 20/09

BOEING
757
PARTS CATALOG (MAINTENANCE)



Y 57225112 SH1 1 REV 223

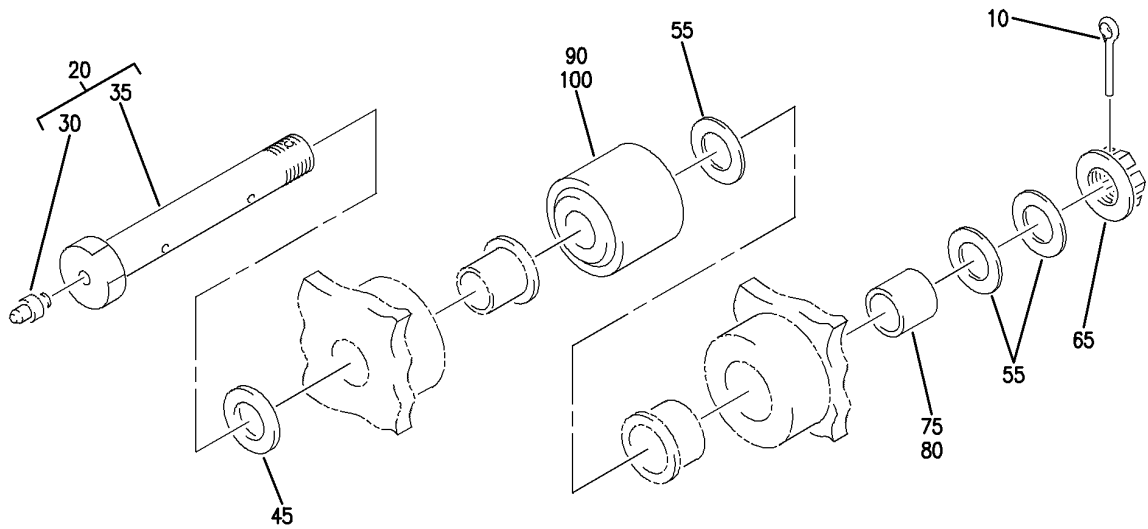
ROLLER INSTL-OUTBD FXD LE WING
FIGURE 12 (SHEET 1)

57-22-51-12

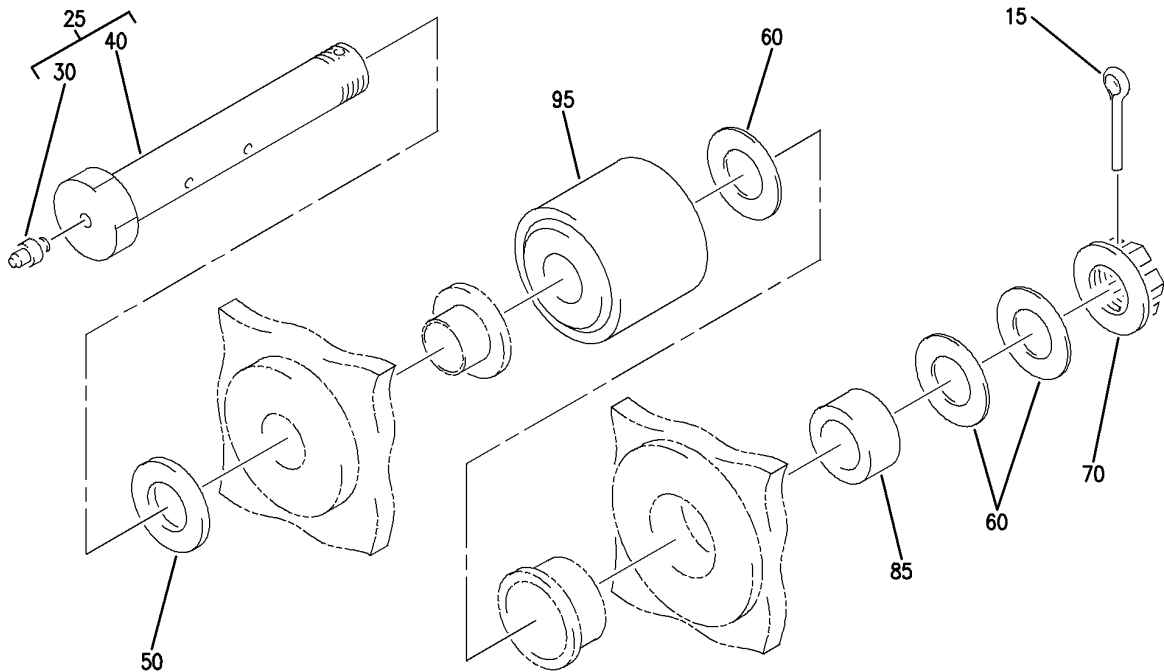
BRI
JAN 20/09

57-22-51-12
PAGE 0

BOEING
757
PARTS CATALOG (MAINTENANCE)



(C)



(D)

Y 57225112 SHT 2 REV 223

ROLLER INSTL-OUTBD FXD LE WING
FIGURE 12 (SHEET 2)

57-22-51-12

BRI
JAN 20/09

57-22-51-12
PAGE 0A



757

PARTS CATALOG (MAINTENANCE)

FIG ITEM	PART NUMBER	1 2 3 4 5 6 7	NOMENCLATURE	EFFECT FROM TO	UNITS PER ASSY
12			ROLLER INSTL-OUTBD FXD LE WING	103106	
- 1	MODREF404		ROLLER INSTL-FXD LE WING MODULE NUMBER: 114N2181-311 REV A POSITION DATA: OSS736.70 TO OSS809.46 OUTBD, LH	103103	1
- 1	MODREF31712		ROLLER INSTL-FXD LE WING MODULE NUMBER: 114N2181-311 REV C POSITION DATA: OSS736.70 TO OSS809.46 OUTBD, LH	104106	1
- 5	MODREF405		ROLLER INSTL-FXD LE WING MODULE NUMBER: 114N2181-312 REV A POSITION DATA: OSS736.70 TO OSS809.46 OUTBD, RH	103103	1
- 5	MODREF31713		ROLLER INSTL-FXD LE WING MODULE NUMBER: 114N2181-312 REV C POSITION DATA: OSS736.70 TO OSS809.46 OUTBD, RH	104106	1
10	BACP18BC03A10P		.PIN	103106	4
15	BACP18BC04A12P		.PIN	103106	4
20	114N1115-33		.BOLT ASSY	103106	4
25	114N1115-35		.BOLT ASSY	103106	4
30	MS15004-1		..FITTING	103106	1
35	114N1115-34		..BOLT- USED ON: 114N1115-33	103106	1
40	114N1115-36		..BOLT- USED ON: 114N1115-35	103106	1
45	BACW10BX8CK		.WASHER	103106	4
50	BACW10BX10CK		.WASHER	103106	4
55	NAS1149E0832R		.WASHER	103106	12
60	NAS1149E1032R		.WASHER	103106	12
65	THCR58CDBACH		.NUT SUPPLIER CODE: VF0224 SPECIFICATION NUMBER: BACN11N108CD	103106	4
70	BACN11N110CD		.NUT	103106	4
75	BACB28AK08-076		.BUSHING	103106	2
80	BACB28AK08-088		.BUSHING	103106	2

MISSING ITEM NUMBERS NOT APPLICABLE

- ITEM NOT ILLUSTRATED

57-22-51-12

57-22-51
FIG. 12
PAGE 1
JAN 20/09

BRI



757

PARTS CATALOG (MAINTENANCE)

FIG ITEM	PART NUMBER	1 2 3 4 5 6 7	NOMENCLATURE	EFFECT FROM TO	UNITS PER ASSY
12					
85	BACB28AK10-056	.	BUSHING	103106	4
90	ATL08SY	.	ROLLER-	103103	2
			SUPPLIER CODE: V21335		
			SPECIFICATION NUMBER: BACB10GJ08		
			OPTIONAL PART: CR08AL		
			V92563		
90	ATL8SY	.	BEARING-	104106	2
			SUPPLIER CODE: V60380		
			SPECIFICATION NUMBER: BACB10GJ08J		
95	ATL10SY	.	BEARING-	103103	4
			SUPPLIER CODE: V21335		
			SPECIFICATION NUMBER: BACB10GJ10		
			OPTIONAL PART: CR10AL		
			V92563		
95	ATL10SY	.	BEARING-	104106	4
			SUPPLIER CODE: V60380		
			SPECIFICATION NUMBER: BACB10GJ10J		
100	60B00178-674	.	ROLLER	103106	2

MISSING ITEM NUMBERS NOT APPLICABLE

- ITEM NOT ILLUSTRATED

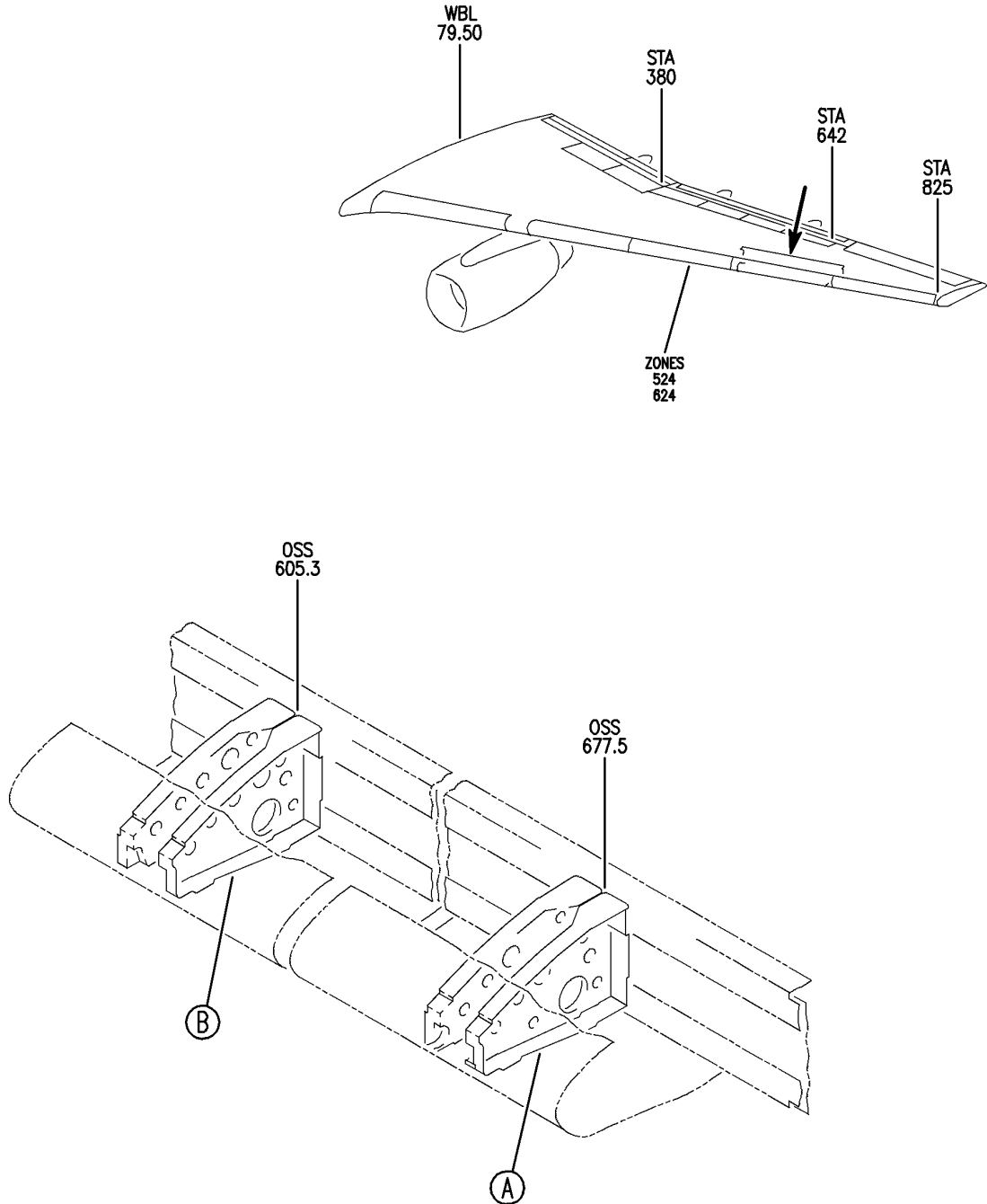
BRI

57-22-51-12

BOEING PROPRIETARY - Copyright © - Unpublished Work - See title page for details.

57-22-51
FIG. 12
PAGE 2
JAN 20/09

BOEING
757
PARTS CATALOG (MAINTENANCE)



Y 57225113 SHT 1 REV 224

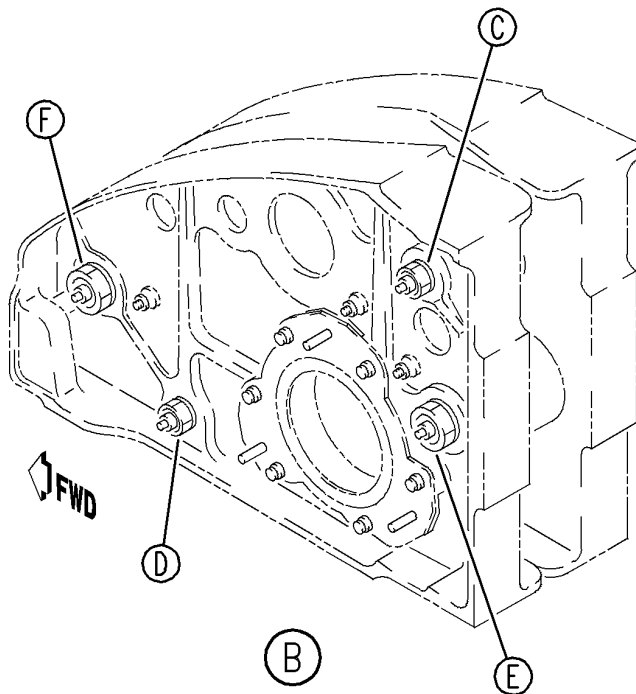
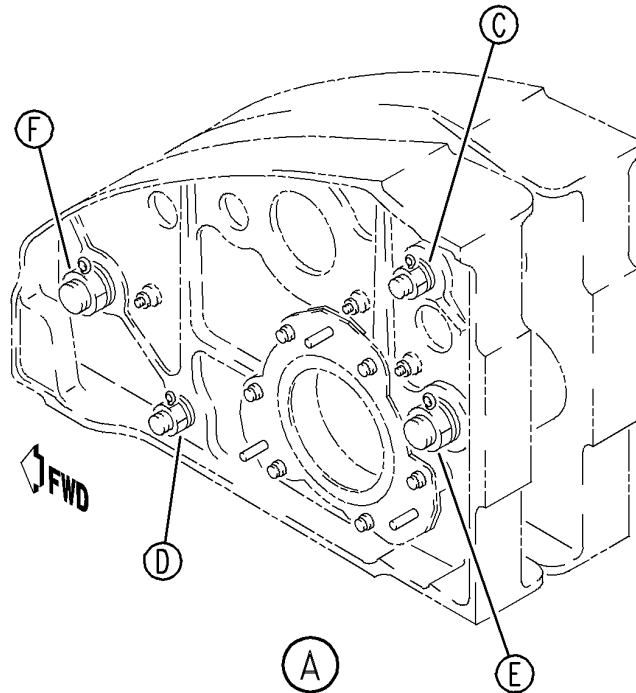
ROLLER INSTL-OUTBD FXD LE WING
FIGURE 13 (SHEET 1)

57-22-51-13

BRI
JAN 20/09

57-22-51-13
PAGE 0

BOEING
757
PARTS CATALOG (MAINTENANCE)



Y 57225113 SHT 2 REV 224

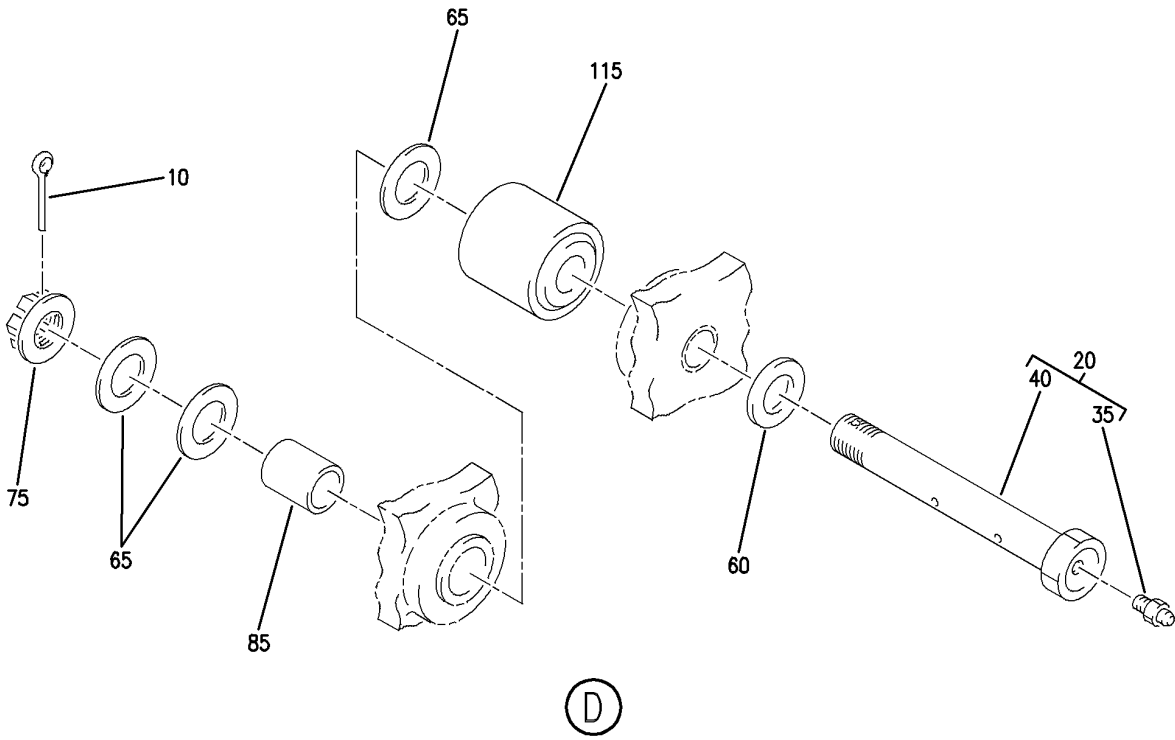
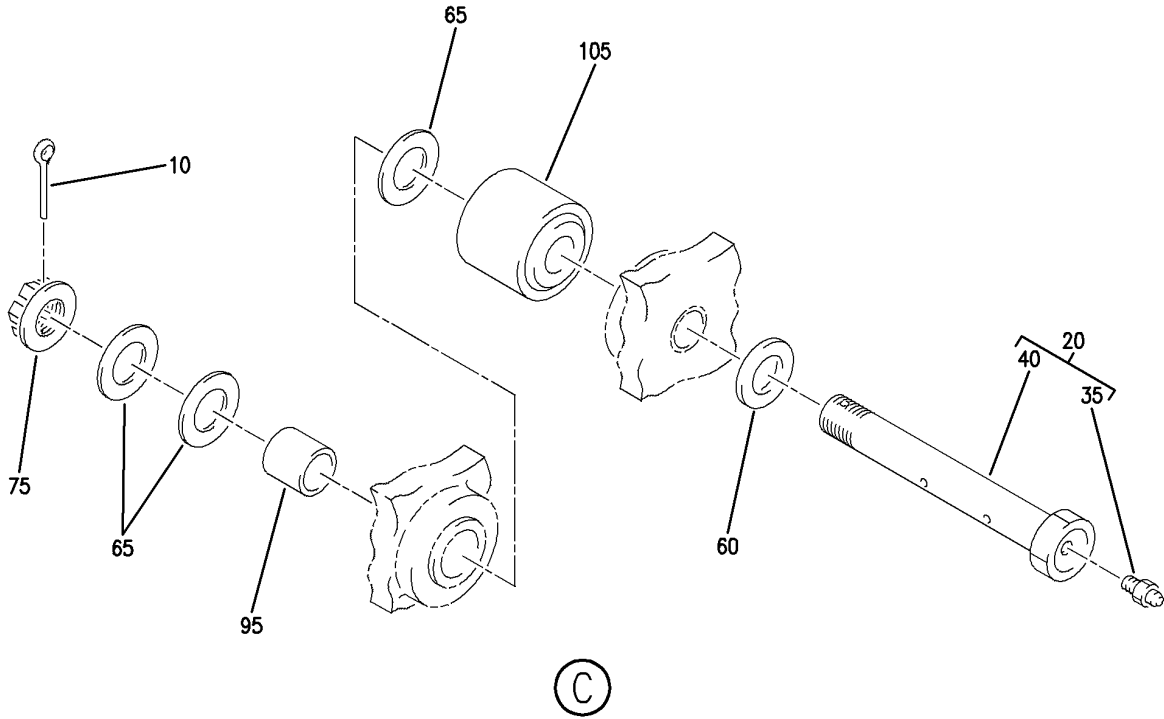
ROLLER INSTL-OUTBD FXD LE WING
FIGURE 13 (SHEET 2)

BRI
JAN 20/09

57-22-51-13

57-22-51-13
PAGE 0A

BOEING
757
PARTS CATALOG (MAINTENANCE)



Y 57225113 SHT 3 REV 224

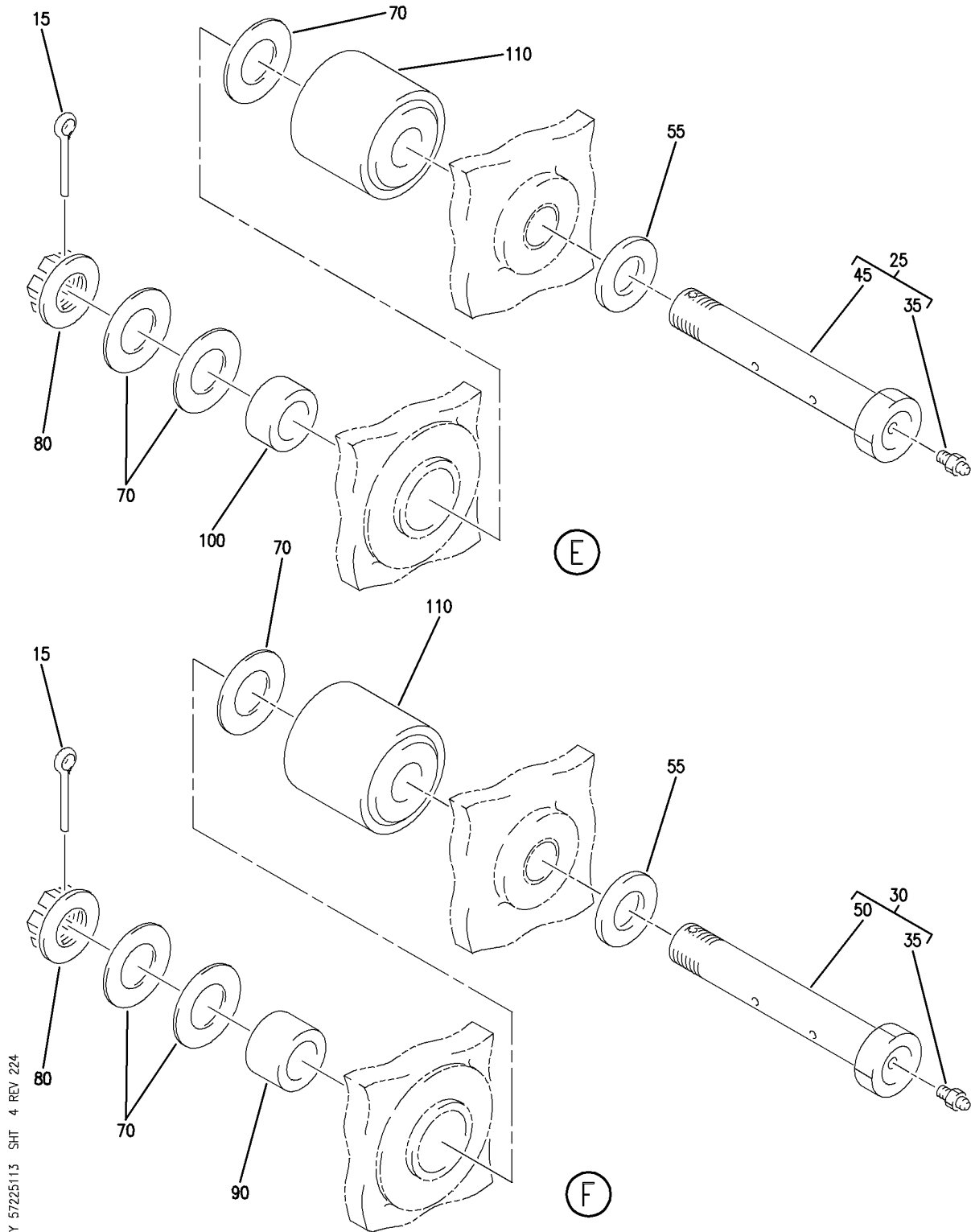
ROLLER INSTL-OUTBD FXD LE WING
FIGURE 13 (SHEET 3)

57-22-51-13

BRI
JAN 20/09

57-22-51-13
PAGE 0B

BOEING
757
PARTS CATALOG (MAINTENANCE)



Y 57225113 SHT 4 REV 224

ROLLER INSTL-OUTBD FXD LE WING
FIGURE 13 (SHEET 4)

57-22-51-13

BRI
JAN 20/09

57-22-51-13
PAGE 0C



757

PARTS CATALOG (MAINTENANCE)

FIG ITEM	PART NUMBER	1 2 3 4 5 6 7	NOMENCLATURE	EFFECT FROM TO	UNITS PER ASSY
13			ROLLER INSTL-OUTBD FXD LE WING	103106	
- 1	MODREF410		ROLLER INSTL-FXD LE WING MODULE NUMBER: 114N2182-307 REV A POSITION DATA: OSS605.30 TO OSS677.50 OUTBD, LH	103103	1
- 1	MODREF26692		ROLLER INSTL-FXD LE WING MODULE NUMBER: 114N2182-307 REV B POSITION DATA: OSS605.30 TO OSS677.50 OUTBD, LH	104106	1
- 5	MODREF411		ROLLER INSTL-FXD LE WING MODULE NUMBER: 114N2182-308 REV A POSITION DATA: OSS605.30 TO OSS677.50 OUTBD, RH	103103	1
- 5	MODREF26693		ROLLER INSTL-FXD LE WING MODULE NUMBER: 114N2182-308 REV B POSITION DATA: OSS605.30 TO OSS677.50 OUTBD, RH	104106	1
10	BACP18BC03A10P		.PIN	103106	4
15	BACP18BC04A12P		.PIN	103106	4
20	114N1115-33		.BOLT ASSY	103106	4
25	114N1115-37		.BOLT ASSY	103106	2
30	114N1115-39		.BOLT ASSY	103106	2
35	MS15004-1		..FITTING	103106	1
40	114N1115-34		..BOLT- USED ON: 114N1115-33	103106	1
45	114N1115-38		..BOLT- USED ON: 114N1115-37	103106	1
50	114N1115-40		..BOLT- USED ON: 114N1115-39	103106	1
55	BACW10BX12CK		.WASHER	103106	4
60	BACW10BX8CK		.WASHER	103106	4
65	NAS1149E0832R		.WASHER	103106	12
70	NAS1149E1232R		.WASHER	103106	12

MISSING ITEM NUMBERS NOT APPLICABLE

- ITEM NOT ILLUSTRATED

57-22-51-13

57-22-51
FIG. 13
PAGE 1
JAN 20/09

BRI



757

PARTS CATALOG (MAINTENANCE)

FIG ITEM	PART NUMBER	1 2 3 4 5 6 7	NOMENCLATURE	EFFECT FROM TO	UNITS PER ASSY
13					
75	THCR58CDBACH	.NUT	SUPPLIER CODE: VF0224 SPECIFICATION NUMBER: BACN11N108CD	103106	4
80	THCR512CDBACN	.NUT	SUPPLIER CODE: VF0224 SPECIFICATION NUMBER: BACN11N112CD	103106	4
85	BACB28AK08-076	.BUSHING		103106	2
90	BACB28AK12-078	.BUSHING		103106	2
95	BACB28AK08-088	.BUSHING		103106	2
100	BACB28AK12-058	.BUSHING		103106	2
105	BACB10GJ8J	.BEARING		103106	2
110	ATL12SY	.BEARING	SUPPLIER CODE: V60380 SPECIFICATION NUMBER: BACB10GJ12J	103106	4
115	60B00178-674	.ROLLER		103106	2

MISSING ITEM NUMBERS NOT APPLICABLE

- ITEM NOT ILLUSTRATED

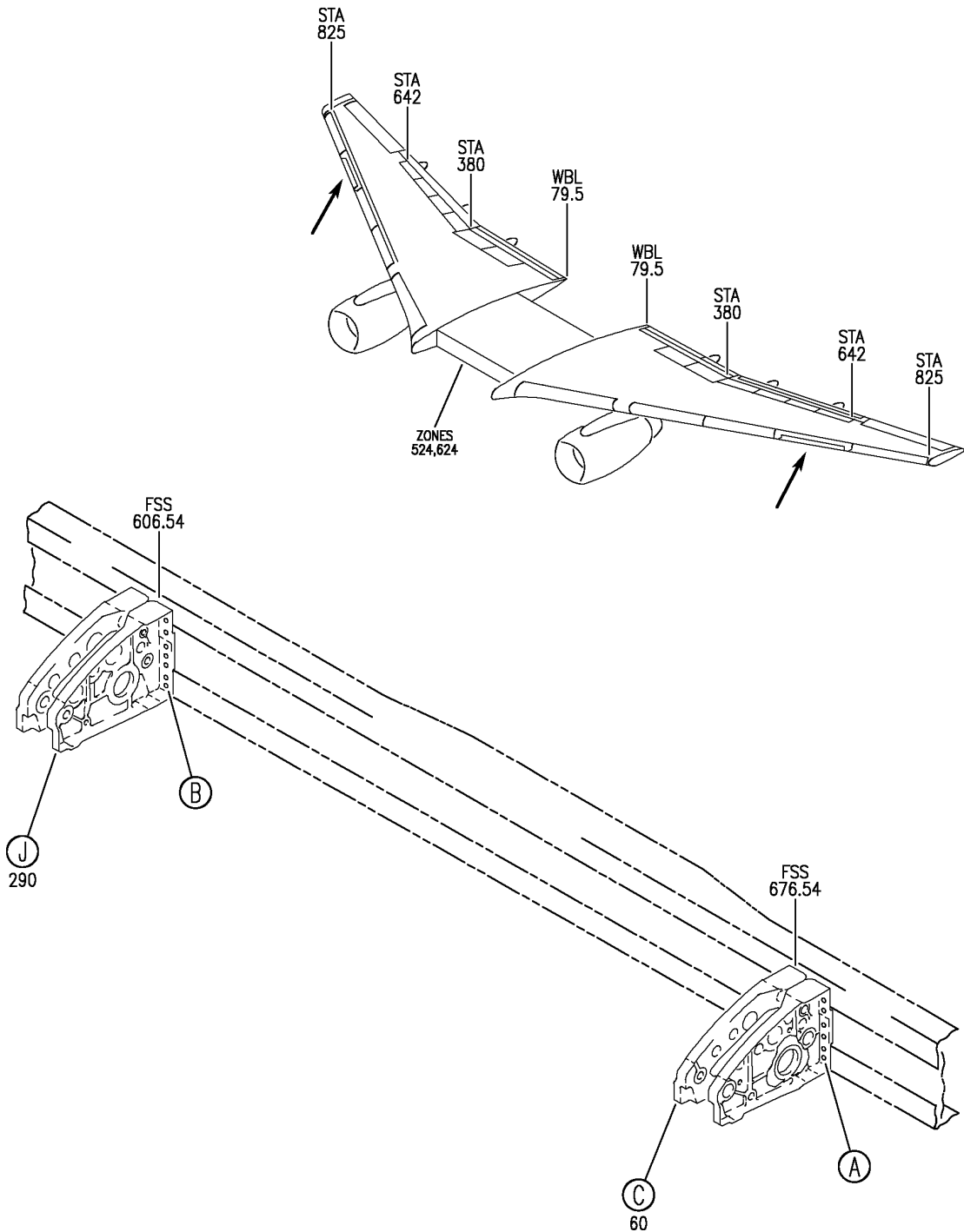
BRI

57-22-51-13

BOEING PROPRIETARY - Copyright © - Unpublished Work - See title page for details.

57-22-51
FIG. 13
PAGE 2
JAN 20/09

BOEING
757
PARTS CATALOG (MAINTENANCE)



Y 57225114 SHT 1 REV 246

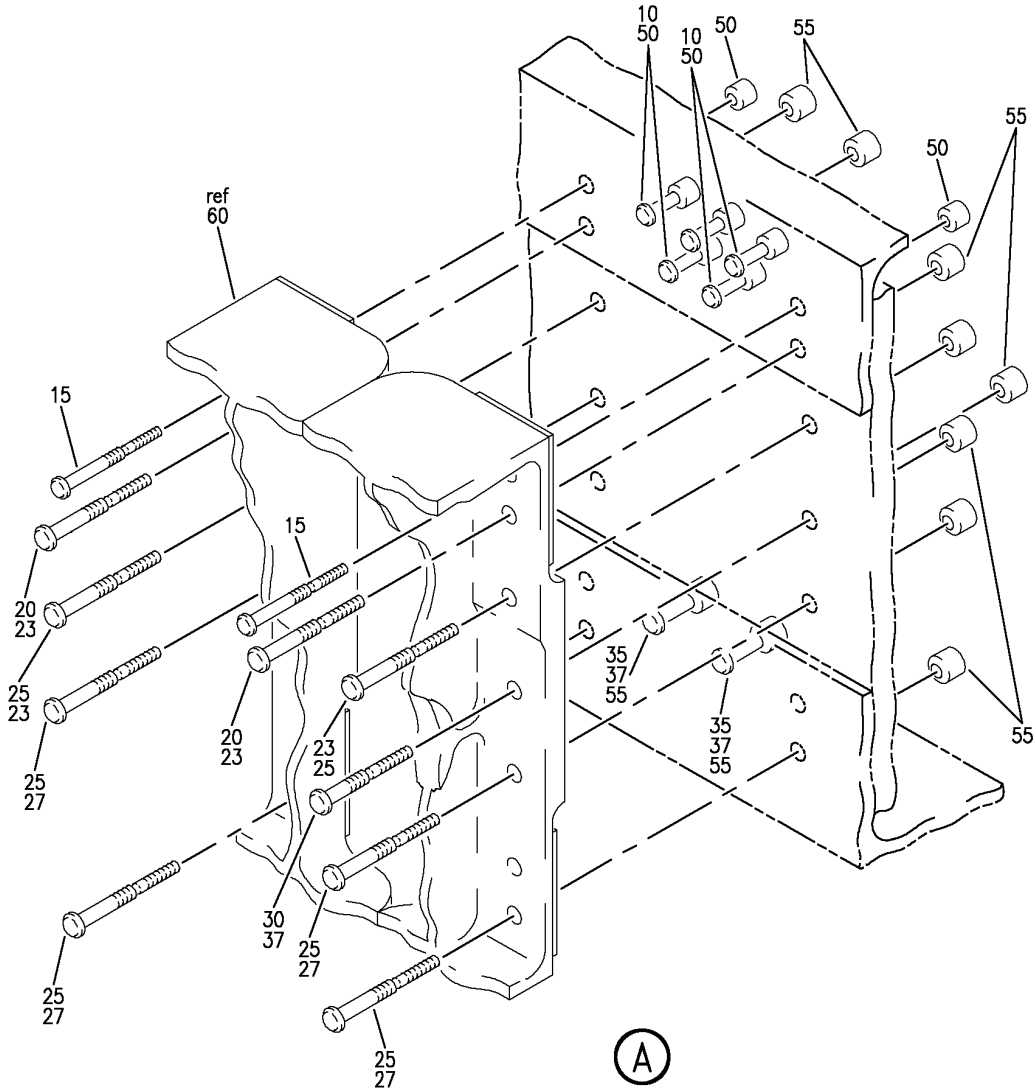
RIB INSTL-MAIN TRACK OUTBD FXD LE SPRT
FIGURE 14 (SHEET 1)

57-22-51-14

BRI
JAN 20/09

57-22-51-14
PAGE 0

BOEING
757
PARTS CATALOG (MAINTENANCE)



Y 57225114 SHT 2 REV 254

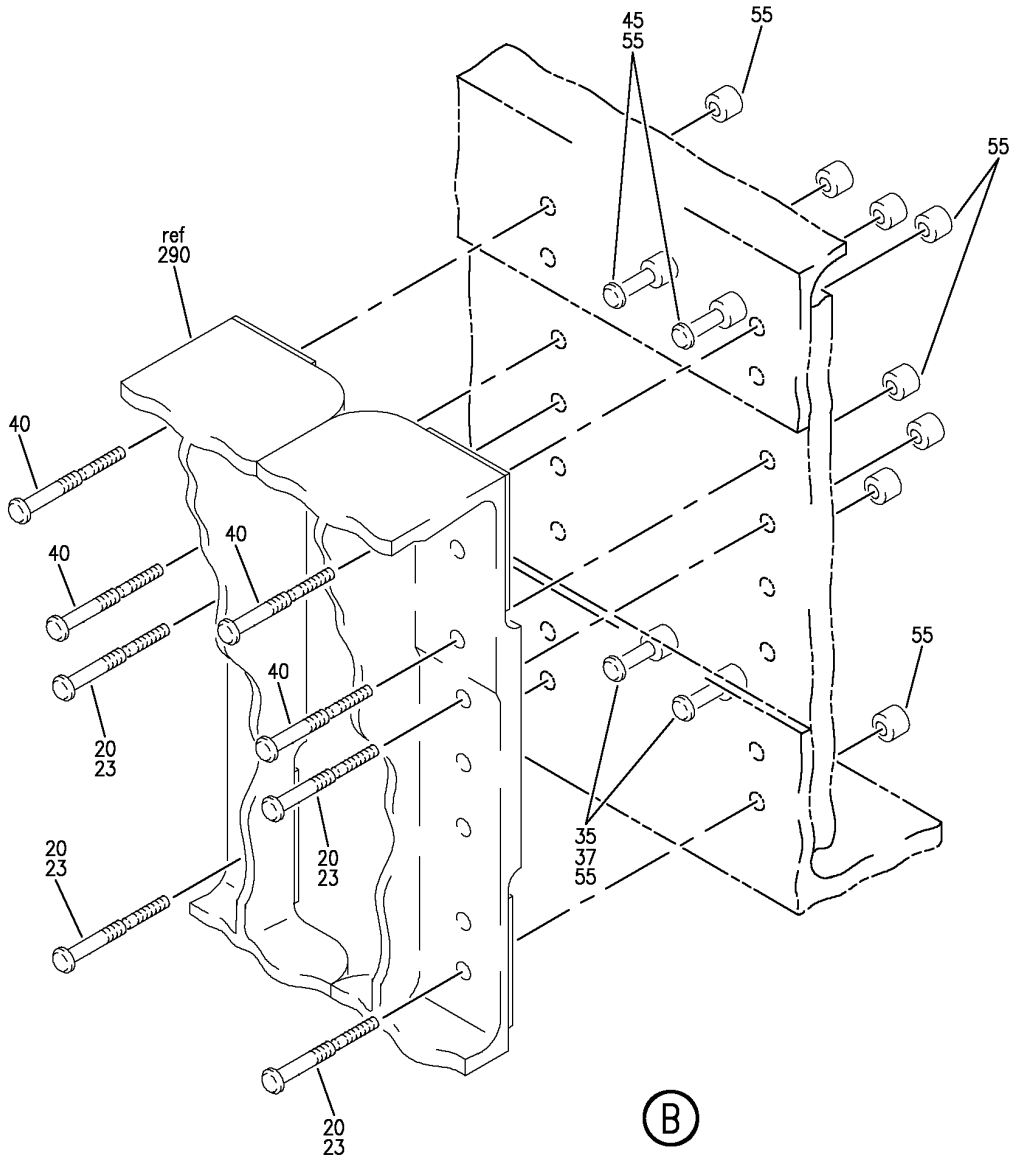
RIB INSTL-MAIN TRACK OUTBD FXD LE SPRT
FIGURE 14 (SHEET 2)

57-22-51-14

BRI
JAN 20/09

57-22-51-14
PAGE 0A

BOEING
757
PARTS CATALOG (MAINTENANCE)



Y 57225114 SHT 3 REV 254

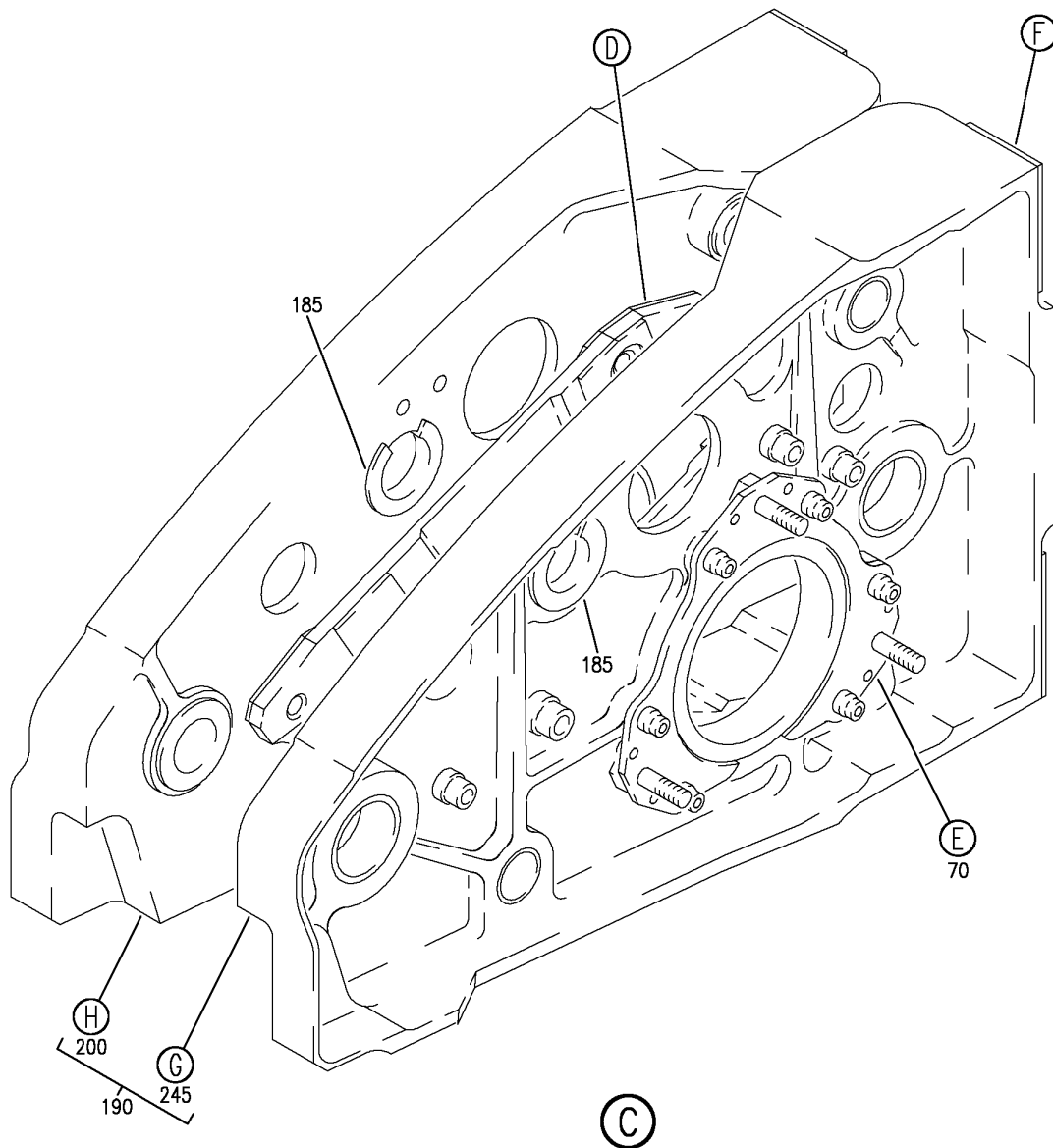
RIB INSTL-MAIN TRACK OUTBD FXD LE SPRT
FIGURE 14 (SHEET 3)

57-22-51-14

BRI
JAN 20/09

57-22-51-14
PAGE 0B

BOEING
757
PARTS CATALOG (MAINTENANCE)



Y 57225114 SHT 4 REV 246

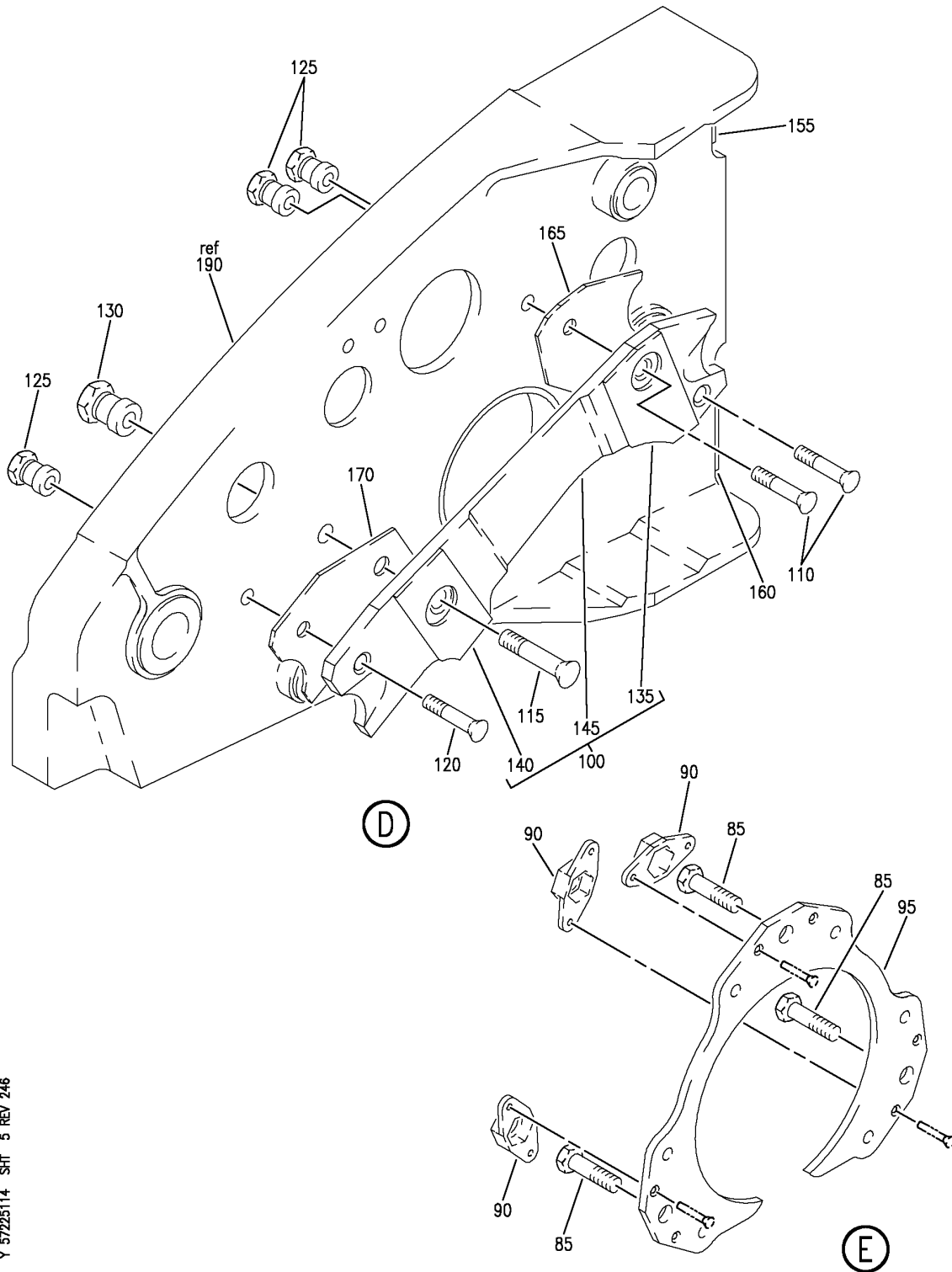
RIB INSTL-MAIN TRACK OUTBD FXD LE SPRT
FIGURE 14 (SHEET 4)

57-22-51-14

BRI
JAN 20/09

57-22-51-14
PAGE 0C

BOEING
757
PARTS CATALOG (MAINTENANCE)



Y 57225114 SHT 5 REV 246

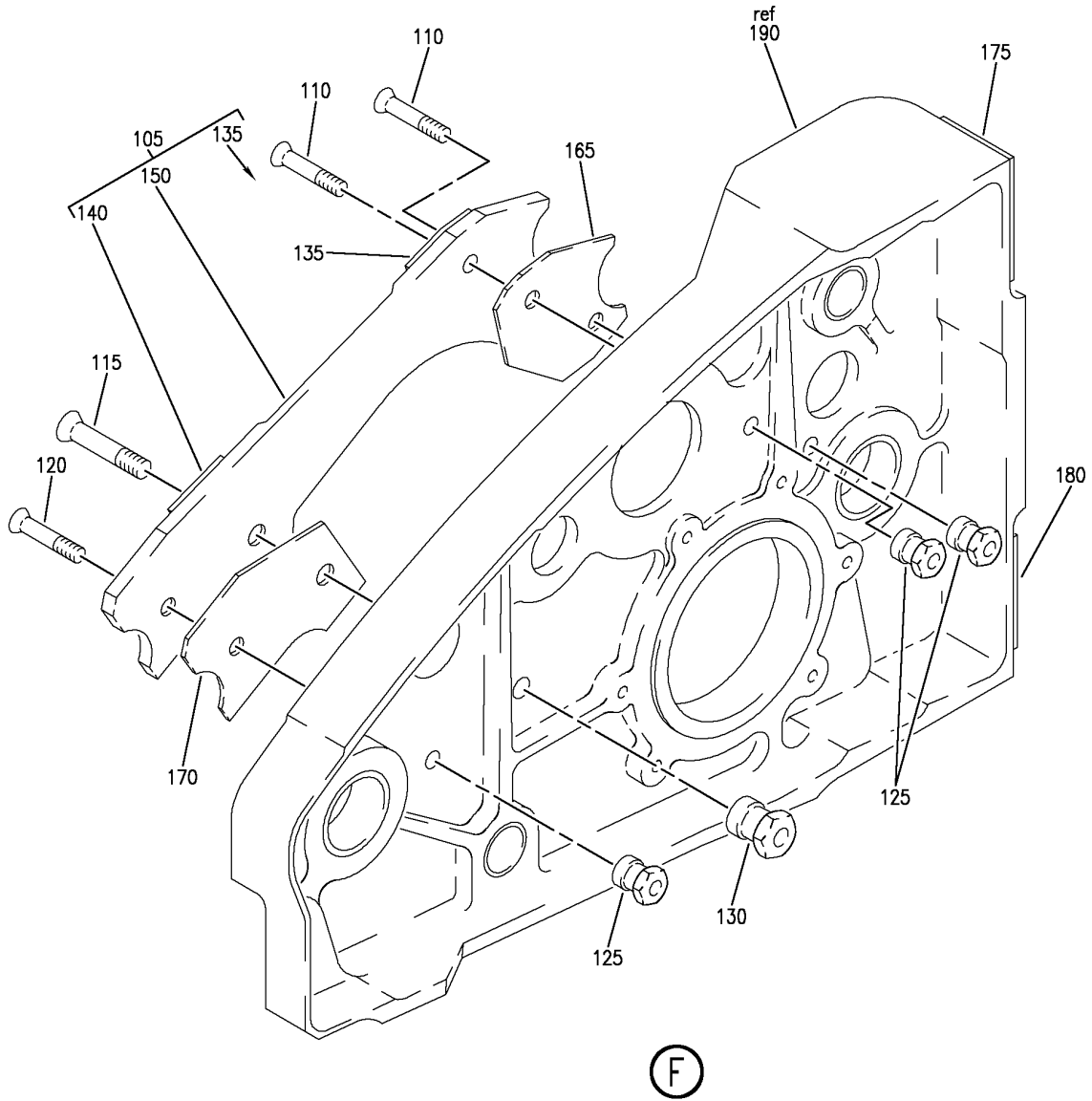
RIB INSTL-MAIN TRACK OUTBD FXD LE SPRT
FIGURE 14 (SHEET 5)

57-22-51-14

BRI
JAN 20/09

57-22-51-14
PAGE 0D

BOEING
757
PARTS CATALOG (MAINTENANCE)



Y 57225114 SHT 6 REV 246

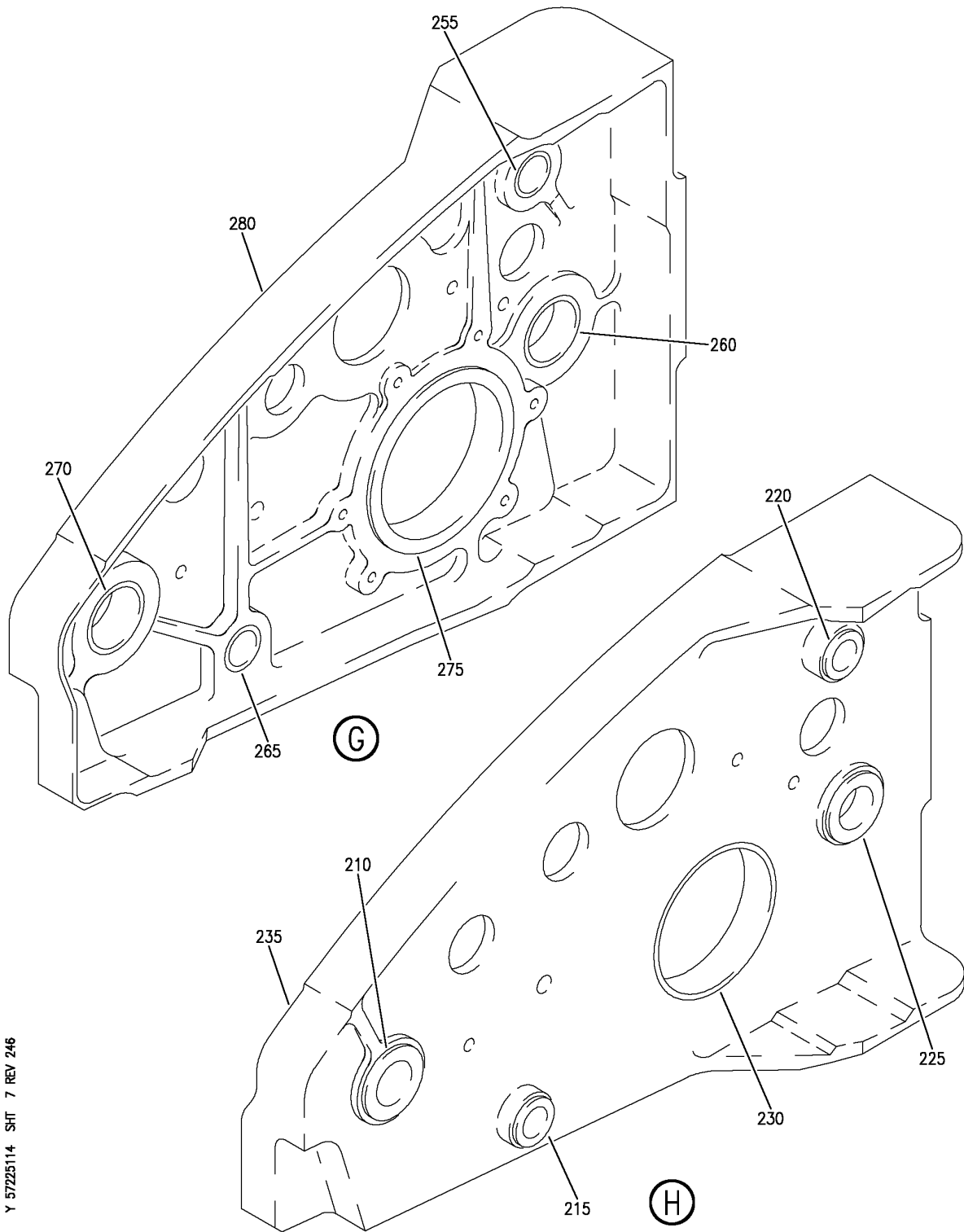
RIB INSTL-MAIN TRACK OUTBD FXD LE SPRT
FIGURE 14 (SHEET 6)

57-22-51-14

BRI
JAN 20/09

57-22-51-14
PAGE 0E

BOEING
757
PARTS CATALOG (MAINTENANCE)



Y 57225114 SHT 7 REV 246

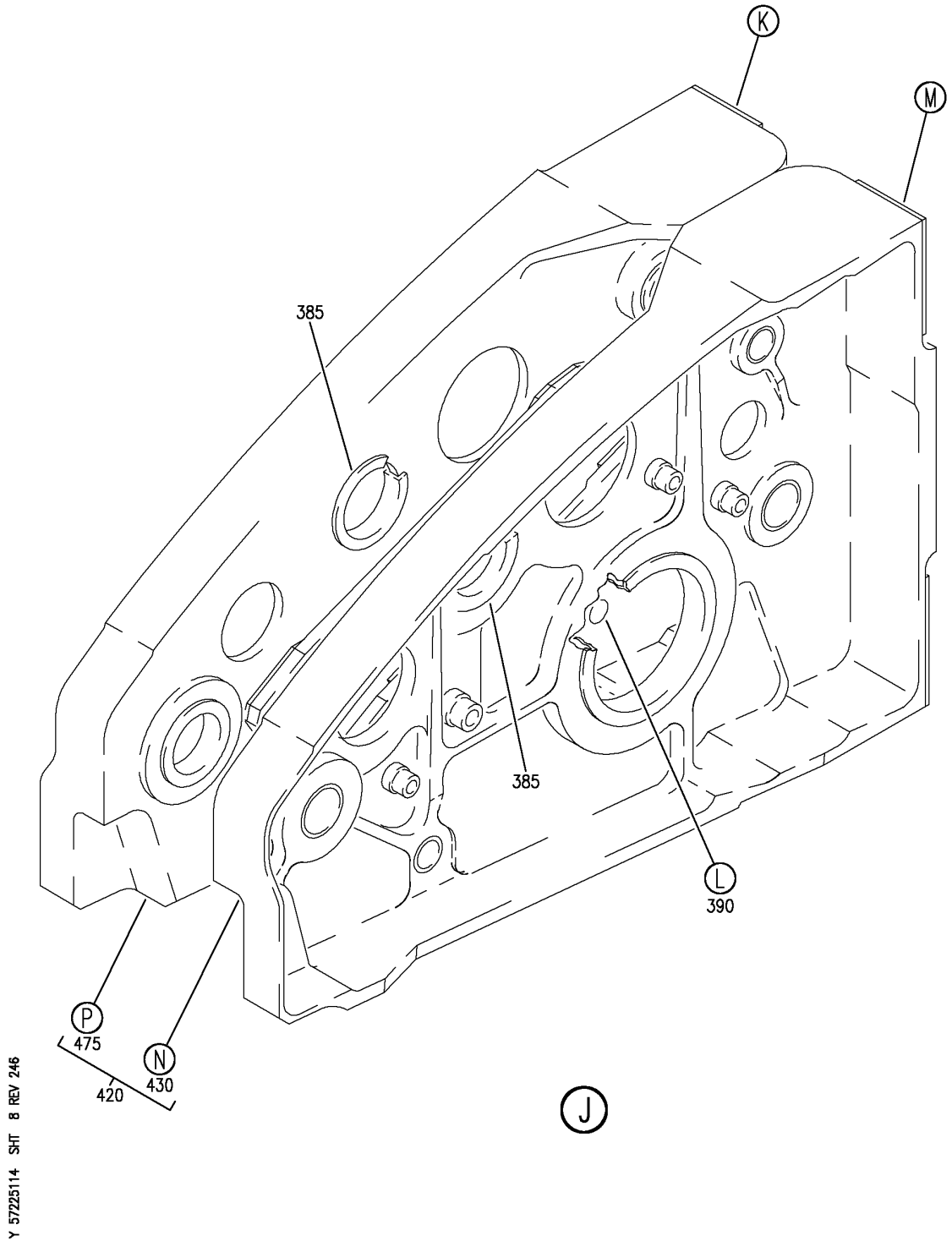
RIB INSTL-MAIN TRACK OUTBD FXD LE SPRT
FIGURE 14 (SHEET 7)

57-22-51-14

BRI
JAN 20/09

57-22-51-14
PAGE OF

BOEING
757
PARTS CATALOG (MAINTENANCE)



Y 57225114 SHT 8 REV 246

RIB INSTL-MAIN TRACK OUTBD FXD LE SPRT
FIGURE 14 (SHEET 8)

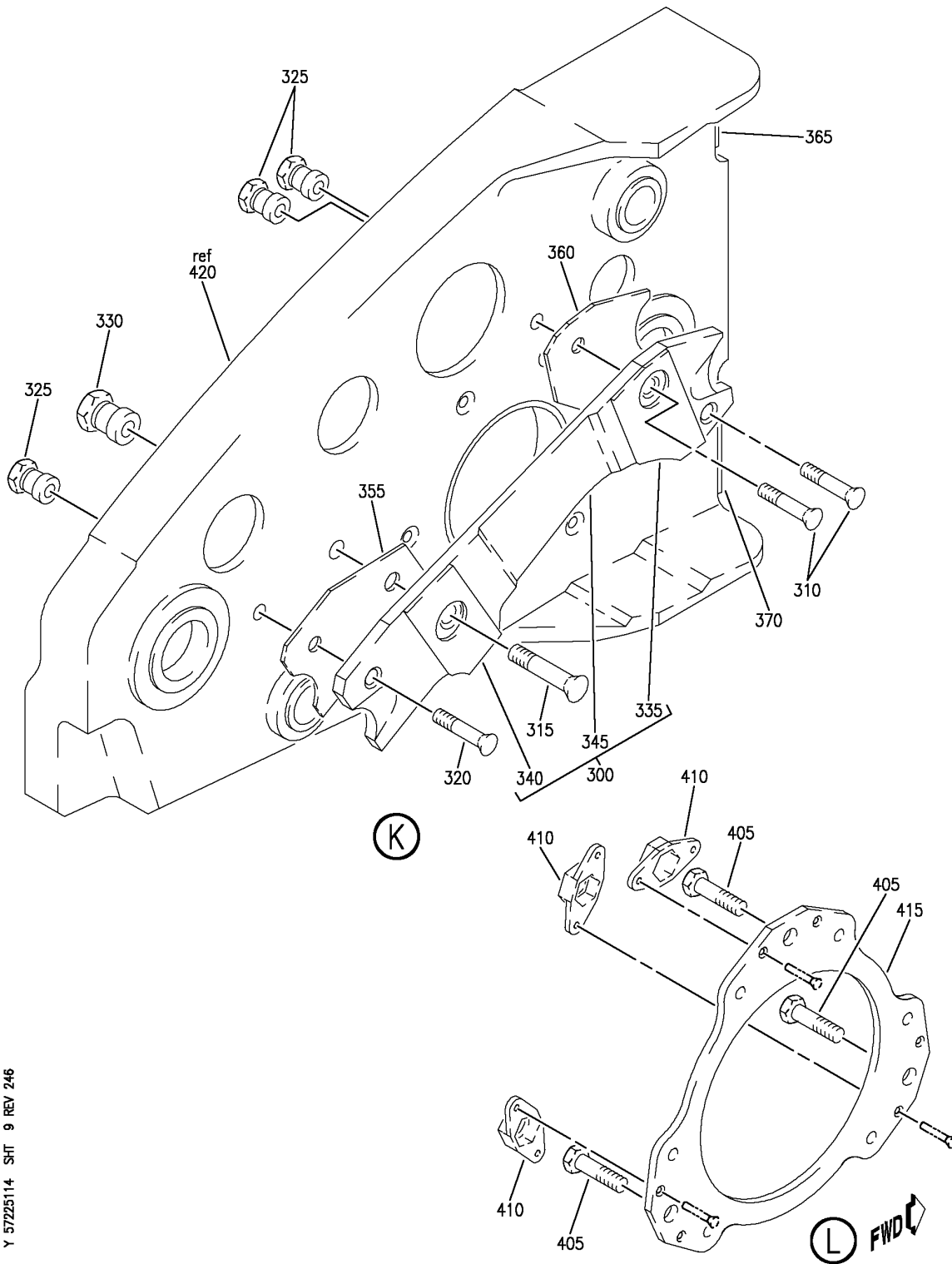
57-22-51-14

BRI
JAN 20/09

57-22-51-14
PAGE 06

BOEING PROPRIETARY - Copyright © - Unpublished Work - See title page for details.

BOEING
757
PARTS CATALOG (MAINTENANCE)



Y 57225114 SHT 9 REV 246

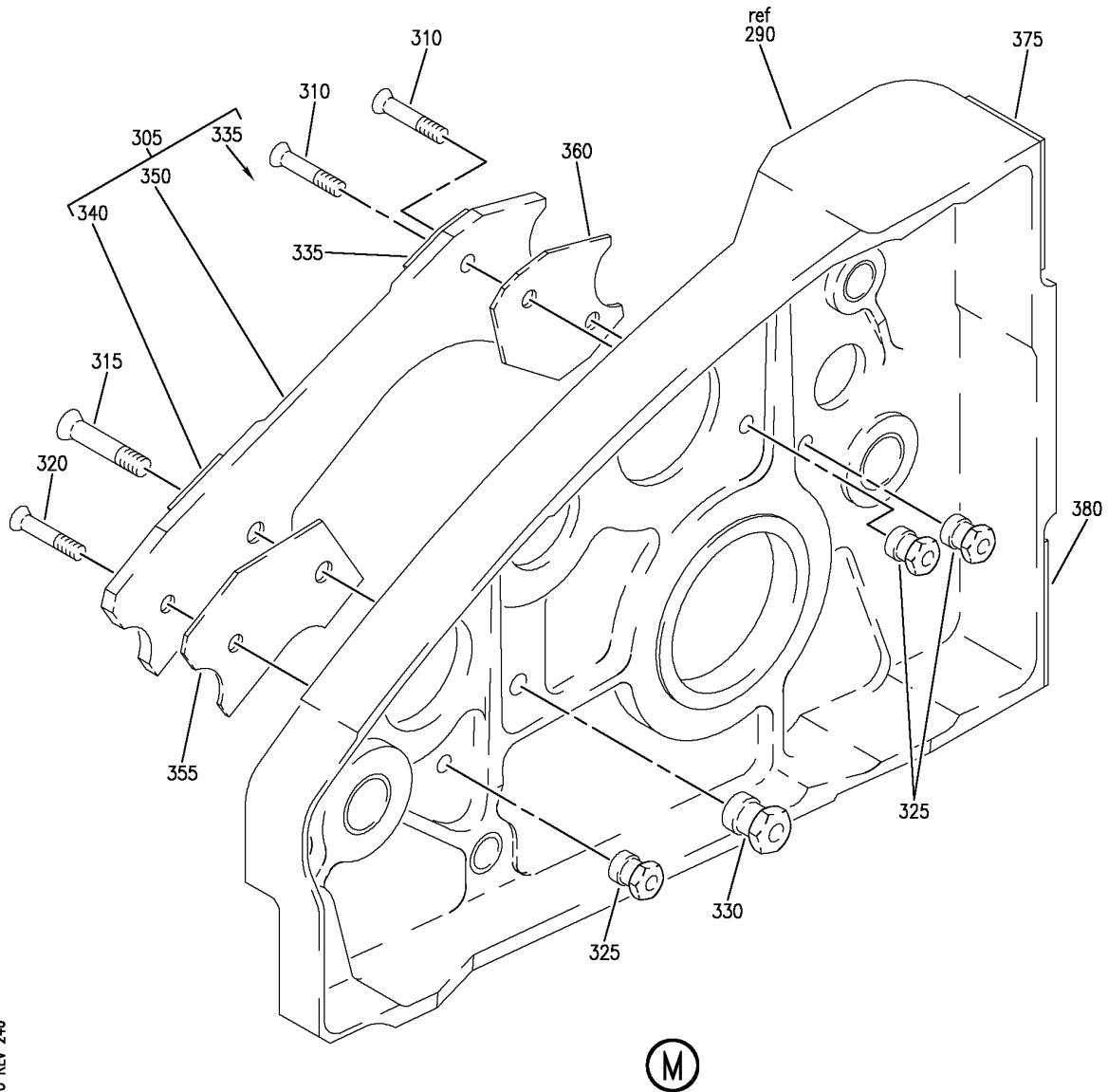
RIB INSTL-MAIN TRACK OUTBD FXD LE SPRT
FIGURE 14 (SHEET 9)

57-22-51-14

BRI
JAN 20/09

57-22-51-14
PAGE 0H

BOEING
757
PARTS CATALOG (MAINTENANCE)



Y 57225114 SHT 10 REV 246

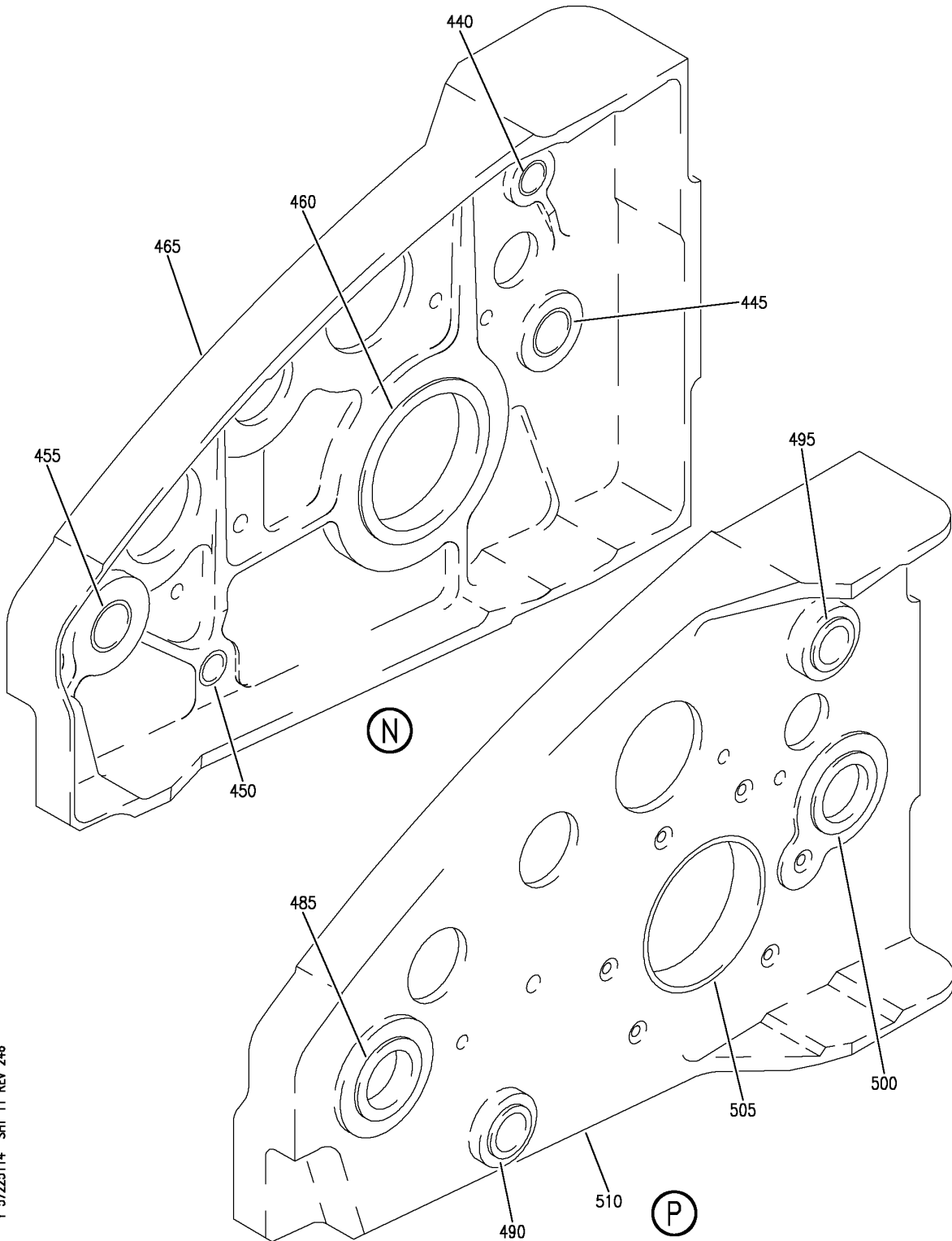
RIB INSTL-MAIN TRACK OUTBD FXD LE SPRT
FIGURE 14 (SHEET 10)

57-22-51-14

BRI
JAN 20/09

57-22-51-14
PAGE 01

BOEING
 757
 PARTS CATALOG (MAINTENANCE)



Y 57225114 SHT 11 REV 246

RIB INSTL-MAIN TRACK OUTBD FXD LE SPRT
 FIGURE 14 (SHEET 11)

57-22-51-14

BRI
 JAN 20/09

57-22-51-14
 PAGE 0J



757

PARTS CATALOG (MAINTENANCE)

FIG ITEM	PART NUMBER	1 2 3 4 5 6 7	NOMENCLATURE	EFFECT FROM TO	UNITS PER ASSY
14			RIB INSTL-MAIN TRACK OUTBD FXD LE SPRT	103106	
- 1	MODREF406		RIB INSTL-MAIN TRACK FXD LE SPRT MODULE NUMBER: 114N2182-301 REV A POSITION DATA: OSS605.30-OSS677.50 OUTBD LH	103105	1
- 1	MODREF30133		RIB INSTL-MAIN TRACK FXD LE SPRT MODULE NUMBER: 114N2182-301 REV C POSITION DATA: OUTBD LH	106106	1
- 5	MODREF407		RIB INSTL-MAIN TRACK FXD LE SPRT MODULE NUMBER: 114N2182-302 REV A POSITION DATA: OSS605.30-OSS677.50 OUTBD RH	103105	1
- 5	MODREF30134		RIB INSTL-MAIN TRACK FXD LE SPRT MODULE NUMBER: 114N2182-302 REV C POSITION DATA: OUTBD RH	106106	1
10	LGPL2SPV6-12AC		.BOLT- SUPPLIER CODE: V17446 SPECIFICATION NUMBER: BACB30VN6K12 OPTIONAL PART: LGPL2SPV6-12AC V92215 81669V6K12 V56878 LGPL2SPV6-12AC V56878	103105	5

MISSING ITEM NUMBERS NOT APPLICABLE

- ITEM NOT ILLUSTRATED

57-22-51-14

57-22-51
FIG. 14
PAGE 1
JAN 20/09

BRI



757

PARTS CATALOG (MAINTENANCE)

FIG ITEM	PART NUMBER	1 2 3 4 5 6 7	NOMENCLATURE	EFFECT FROM TO	UNITS PER ASSY
14 10	HST10AG6-12	.BOLT-	SUPPLIER CODE: VOPTK6 SPECIFICATION NUMBER: BACB30VT6K12 OPTIONAL PART: HST10AG6-12 V06725 HST10AG6-12 V56878 HST10AG6-12 V73197 WC10K6-12 V60516	106106	5
15	BACB30VN6K15	.BOLT-		103105	2
15	HST10AG6-15	.BOLT-	SUPPLIER CODE: VOPTK6 SPECIFICATION NUMBER: BACB30VT6K15 OPTIONAL PART: HST10AG6-15 V06725 HST10AG6-15 V56878 HST10AG6-15 V73197 WC10K6-15 V60516	106106	2
20	LGPL2SPV8-15AC	.BOLT-	SUPPLIER CODE: V17446 SPECIFICATION NUMBER: BACB30VN8K15 OPTIONAL PART: LGPL2SPV8-15AC V92215 81669V8K15 V56878 LGPL2SPV8-15AC V56878	103105	12

MISSING ITEM NUMBERS NOT APPLICABLE

- ITEM NOT ILLUSTRATED

57-22-51-14

57-22-51
FIG. 14
PAGE 2
JAN 20/09

BRI



757

PARTS CATALOG (MAINTENANCE)

FIG ITEM	PART NUMBER	1 2 3 4 5 6 7	NOMENCLATURE	EFFECT FROM TO	UNITS PER ASSY
14 23	HST10AG8-15	.BOLT-	SUPPLIER CODE: VOPTK6 SPECIFICATION NUMBER: BACB30VT8K15 OPTIONAL PART: HST10AG8-15 V06725 HST10AG8-15 V56878 HST10AG8-15 V73197 WC10K8-15 V60516	106106	14
25	LGPL2SPV8-14AC	.BOLT-	SUPPLIER CODE: V17446 SPECIFICATION NUMBER: BACB30VN8K14 OPTIONAL PART: LGPL2SPV8-14AC V92215 81669V8K14 V56878 LGPL2SPV8-14AC V56878	103105	9
27	LGPL2SPV8-14AC	.BOLT-	SUPPLIER CODE: V17446 SPECIFICATION NUMBER: BACB30VN8K14 OPTIONAL PART: LGPL2SPV8-14AC V92215 81669V8K14 V56878 LGPL2SPV8-14AC V56878	106106	7

MISSING ITEM NUMBERS NOT APPLICABLE

- ITEM NOT ILLUSTRATED

BRI

57-22-51-14

BOEING PROPRIETARY - Copyright © - Unpublished Work - See title page for details.

57-22-51
FIG. 14
PAGE 3
JAN 20/09



757

PARTS CATALOG (MAINTENANCE)

FIG ITEM	PART NUMBER	1 2 3 4 5 6 7	NOMENCLATURE	EFFECT FROM TO	UNITS PER ASSY
14 30	LGPL2SPV8-10AC	.BOLT	SUPPLIER CODE: V17446 SPECIFICATION NUMBER: BACB30VN8K10 OPTIONAL PART: LGPL2SPV8-10AC V92215 81669V8K10 V56878 LGPL2SPV8-10AC V56878	103106	1
35	LGPL2SPV8-11AC	.BOLT-	SUPPLIER CODE: V17446 SPECIFICATION NUMBER: BACB30VN8K11 OPTIONAL PART: LGPL2SPV8-11AC V92215 81669V8K11 V56878 LGPL2SPV8-11AC V56878	103105	4
37	HST10AG8-11	.BOLT-	SUPPLIER CODE: VOPTK6 SPECIFICATION NUMBER: BACB30VT8K11 OPTIONAL PART: HST10AG8-11 V06725 HST10AG8-11 V56878 HST10AG8-11 V73197 WC10K8-11 V60516	106106	5

MISSING ITEM NUMBERS NOT APPLICABLE

- ITEM NOT ILLUSTRATED

BRI

57-22-51-14

BOEING PROPRIETARY - Copyright © - Unpublished Work - See title page for details.

57-22-51
FIG. 14
PAGE 4
JAN 20/09



757

PARTS CATALOG (MAINTENANCE)

FIG ITEM	PART NUMBER	1 2 3 4 5 6 7	NOMENCLATURE	EFFECT FROM TO	UNITS PER ASSY
14 40	LGPL2SPV8-16AC	.BOLT-	SUPPLIER CODE: V17446 SPECIFICATION NUMBER: BACB30VN8K16 OPTIONAL PART: LGPL2SPV8-16AC V92215 81669V8K16 V56878 LGPL2SPV8-16AC V56878	103105	6
40	HST10AG8-16	.BOLT-	SUPPLIER CODE: V73197 SPECIFICATION NUMBER: BACB30VT8K16 OPTIONAL PART: HST10AG8-16 VOPTK6 HST10AG8-16 V06725 HST10AG8-16 V56878 WC10K8-16 V60516	106106	6
45	LGPL2SPV8-12AC	.BOLT-	SUPPLIER CODE: V17446 SPECIFICATION NUMBER: BACB30VN8K12 OPTIONAL PART: LGPL2SPV8-12AC V92215 81669V8K12 V56878 LGPL2SPV8-12AC V56878	103105	2

MISSING ITEM NUMBERS NOT APPLICABLE

- ITEM NOT ILLUSTRATED

BRI

57-22-51-14

BOEING PROPRIETARY - Copyright © - Unpublished Work - See title page for details.

57-22-51
FIG. 14
PAGE 5
JAN 20/09



757

PARTS CATALOG (MAINTENANCE)

FIG ITEM	PART NUMBER	1 2 3 4 5 6 7	NOMENCLATURE	EFFECT FROM TO	UNITS PER ASSY
14					
45	HST10AG8-13	.	BOLT- SUPPLIER CODE: VOPTK6 SPECIFICATION NUMBER: BACB30VT8K13 OPTIONAL PART: HST10AG8-13 V06725 HST10AG8-13 V56878 HST10AG8-13 V73197 WC10K8-13 V60516	106106	2
50	3SLCC6	.	COLLAR- SUPPLIER CODE: V17446 SPECIFICATION NUMBER: BACC30BK6 OPTIONAL PART: 3SLCC6 V92215	103105	7
50	CR6551-3	.	COLLAR- SUPPLIER CODE: VF0224 SPECIFICATION NUMBER: BACN10ZV3	106106	7
55	3SLCC8	.	COLLAR- SUPPLIER CODE: V17446 SPECIFICATION NUMBER: BACC30BK8 OPTIONAL PART: 3SLCC8 V92215	103105	34
55	BACN10ZV4	.	NUT-	106106	35
60	114N2163-1	.	RIB ASSY-SUPPORT POSITION DATA: LH SIDE	103105	1
60	114N2163-5	.	RIB ASSY-SUPPORT POSITION DATA: LH SIDE	106106	1
- 65	114N2163-2	.	RIB ASSY-SUPPORT POSITION DATA: RH SIDE	103105	1
- 65	114N2163-6	.	RIB ASSY-SUPPORT POSITION DATA: RH SIDE	106106	1
70	114N2064-8	..	RING ASSY-ADAPTER	103106	1

MISSING ITEM NUMBERS NOT APPLICABLE

- ITEM NOT ILLUSTRATED

57-22-51-14

57-22-51
FIG. 14
PAGE 6
JAN 20/09

BRI



757

PARTS CATALOG (MAINTENANCE)

FIG ITEM	PART NUMBER	1 2 3 4 5 6 7	NOMENCLATURE	EFFECT FROM TO	UNITS PER ASSY
14			ATTACHING PARTS		
- 75	HL523AZ6-10	..	BOLT SUPPLIER CODE: V73197 SPECIFICATION NUMBER: BACB30NZ6K10 OPTIONAL PART: HL523AZ6-10 V06725 L804-6K10 V06725 HL523AZ6-10 V60516 HL523AZ6-10 V56878 HL523AZ6-10 V92215 HL523AZ6-10 V97928	103106	6
- 80	HL79-6	..	COLLAR SUPPLIER CODE: V5M902 SPECIFICATION NUMBER: BACC30M6 OPTIONAL PART: HL79-6 V73197 HL79-6 V92215 66014-6 V56878 HL79-6 V56878	103106	6
85	BACB30NR4K7	...	BOLT	103106	3
90	6800D048	...	RETAINER SUPPLIER CODE: V80539 SPECIFICATION NUMBER: BACR10G43	103106	3
- 92	BACR15BA3AD	...	RIVET- SIZE DETERMINED ON INSTL. -----*-----	103106	6
95	114N2064-7	...	RING-ADAPTER	103106	1
100	114N2158-17	..	FITTING ASSY-STOP	103106	1
105	114N2158-18	..	FITTING ASSY-STOP	103106	1

MISSING ITEM NUMBERS NOT APPLICABLE

- ITEM NOT ILLUSTRATED

57-22-51-14

57-22-51
FIG. 14
PAGE 7
JAN 20/09

BRI



757

PARTS CATALOG (MAINTENANCE)

FIG ITEM	PART NUMBER	1 2 3 4 5 6 7	NOMENCLATURE	EFFECT FROM TO	UNITS PER ASSY
14			ATTACHING PARTS		
110	HST11AG8-8	..	BOLT- SUPPLIER CODE: VOPTK6 SPECIFICATION NUMBER: BACB30VU8K8 OPTIONAL PART: HST11AG8-8 V73197 HST11AG8-8 V56878 HST11AG8-8 V06725	103105	4
110	WC331K8-8	..	BOLT- SUPPLIER CODE: V60516 SPECIFICATION NUMBER: BACB30YP8K8	106106	4
115	HST11AG10-7	..	BOLT- SUPPLIER CODE: V56878 SPECIFICATION NUMBER: BACB30VU10K7 OPTIONAL PART: HST11AG10-7 V06725 HST11AG10-7 V73197 HST11AG10-7 VOPTK6	103105	2
115	WC331K10-7	..	BOLT- SUPPLIER CODE: V60516 SPECIFICATION NUMBER: BACB30YP10K7	106106	2
120	HST11AG8-7	..	BOLT- SUPPLIER CODE: VOPTK6 SPECIFICATION NUMBER: BACB30VU8K7 OPTIONAL PART: HST11AG8-7 V06725 HST11AG8-7 V73197 HST11AG8-7 V56878	103105	2

MISSING ITEM NUMBERS NOT APPLICABLE

- ITEM NOT ILLUSTRATED

BRI

57-22-51-14

BOEING PROPRIETARY - Copyright © - Unpublished Work - See title page for details.

57-22-51
FIG. 14
PAGE 8
JAN 20/09

 **BOEING**
757
PARTS CATALOG (MAINTENANCE)

FIG ITEM	PART NUMBER	1 2 3 4 5 6 7	NOMENCLATURE	EFFECT FROM TO	UNITS PER ASSY
14 120	WC331K8-7	..	BOLT- SUPPLIER CODE: V60516 SPECIFICATION NUMBER: BACB30YP8K7	106106	2
125	BACC3OBL8	..	COLLAR- SUPPLIER CODE: V73197 SPECIFICATION NUMBER: BACC3OBL8 OPTIONAL PART: HST79-8 V92215 HST79CY8 V56878 HST79CY8 V5M902 -----*-----	103105	6
125	BACN10ZV4	..	NUT- ATTACHING PARTS	106106	6
130	BACC3OBL10	..	COLLAR- SUPPLIER CODE: V73197 SPECIFICATION NUMBER: BACC3OBL10 OPTIONAL PART: HST79-10 V92215 HST79CY10 V56878 HST79CY10 V5M902	103105	2
130	KFN587-5BAC	..	NUT- SUPPLIER CODE: V15653 SPECIFICATION NUMBER: BACN10ZV5 -----*-----	106106	2
135	114N2159-2	...	STOP-RUBBING BLOCK SLAT	103106	1
140	114N2159-3	...	RUBSTRIP-RUBBING SLAT	103106	1
145	114N2158-19	...	FITTING- USED ON: 114N2158-17	103106	1
150	114N2158-20	...	FITTING- USED ON: 114N2158-18	103106	1
155	114N2176-37	..	SHIM	103106	1
160	114N2176-39	..	SHIM	103106	1
165	114N2176-75	..	SHIM	103106	2

MISSING ITEM NUMBERS NOT APPLICABLE

— ITEM NOT ILLUSTRATED

BRI

57-22-51-14

BOEING PROPRIETARY - Copyright © - Unpublished Work - See title page for details.

57-22-51
FIG. 14
PAGE 9
JAN 20/09



757

PARTS CATALOG (MAINTENANCE)

FIG ITEM	PART NUMBER	1 2 3 4 5 6 7	NOMENCLATURE	EFFECT FROM TO	UNITS PER ASSY
14					
170	114N2176-77	..	SHIM	103106	2
175	114N2176-41	..	SHIM	103106	1
180	114N2176-43	..	SHIM	103106	1
185	BACG20ZE000314	..	GROMMET	103106	2
190	114N2163-3	..	RIB ASSY-PAIR POSITION DATA: LH SIDE	103106	1
- 195	114N2163-4	..	RIB ASSY-PAIR POSITION DATA: RH SIDE	103106	1
200	114N2045-17	...	RIB ASSY-SUPPORT POSITION DATA: LH SIDE	103106	1
- 205	114N2045-18	...	RIB ASSY-SUPPORT POSITION DATA: RH SIDE	103106	1
210	BACB28AP12P066	BUSHING	103106	1
215	BACB28AP08P067	BUSHING	103106	1
220	BACB28AP08P080	BUSHING	103106	1
225	BACB28AP12P046	BUSHING	103106	1
230	114N2130-10	BUSHING	103106	1
235	114N2045-19	RIB- POSITION DATA: LH SIDE	103106	1
- 240	114N2045-20	RIB- POSITION DATA: RH SIDE	103106	1
245	114N2044-19	...	RIB ASSY-SUPPORT POSITION DATA: LH SIDE	103106	1
- 250	114N2044-20	...	RIB ASSY-SUPPORT POSITION DATA: RH SIDE	103106	1
255	BACB28AT11B072C	BUSHING	103106	1
260	BACB28AT17B038C	BUSHING	103106	1
265	BACB28AT11B059C	BUSHING	103106	1
270	BACB28AT17B058C	BUSHING	103106	1
275	114N2130-12	BUSHING	103106	1
280	114N2044-21	RIB- POSITION DATA: LH SIDE	103106	1
- 285	114N2044-22	RIB- POSITION DATA: RH SIDE	103106	1
290	114N2164-1	.	RIB ASSY-SUPPORT POSITION DATA: LH SIDE	103105	1

MISSING ITEM NUMBERS NOT APPLICABLE

- ITEM NOT ILLUSTRATED

57-22-51-14

57-22-51
FIG. 14
PAGE 10
JAN 20/09

BRI



757

PARTS CATALOG (MAINTENANCE)

FIG ITEM	PART NUMBER	1 2 3 4 5 6 7	NOMENCLATURE	EFFECT FROM TO	UNITS PER ASSY
14 290	114N2164-5		.RIB ASSY-SUPPORT POSITION DATA: LH SIDE	106106	1
- 295	114N2164-2		.RIB ASSY-SUPPORT POSITION DATA: RH SIDE	103105	1
- 295	114N2164-6		.RIB ASSY-SUPPORT POSITION DATA: RH SIDE	106106	1
300	114N2158-17		..FITTING ASSY	103106	1
305	114N2158-18		..FITTING ASSY	103106	1
310	HST11AG8-8		ATTACHING PARTS ..BOLT- SUPPLIER CODE: VOPTK6 SPECIFICATION NUMBER: BACB30VU8K8 OPTIONAL PART: HST11AG8-8 V73197 HST11AG8-8 V56878 HST11AG8-8 V06725	103105	4
310	WC331K8-8		..BOLT- SUPPLIER CODE: V60516 SPECIFICATION NUMBER: BACB30YP8K8	106106	4
315	HST11AG10-7		..BOLT- SUPPLIER CODE: V56878 SPECIFICATION NUMBER: BACB30VU10K7 OPTIONAL PART: HST11AG10-7 V06725 HST11AG10-7 V73197 HST11AG10-7 VOPTK6	103105	2
315	WC331K10-7		..BOLT- SUPPLIER CODE: V60516 SPECIFICATION NUMBER: BACB30YP10K7	106106	2

MISSING ITEM NUMBERS NOT APPLICABLE

- ITEM NOT ILLUSTRATED

57-22-51-14

57-22-51
FIG. 14
PAGE 11
JAN 20/09

BRI



757

PARTS CATALOG (MAINTENANCE)

FIG ITEM	PART NUMBER	1 2 3 4 5 6 7	NOMENCLATURE	EFFECT FROM TO	UNITS PER ASSY
14 320	HST11AG8-7	..	BOLT- SUPPLIER CODE: V0PTK6 SPECIFICATION NUMBER: BACB30VU8K7 OPTIONAL PART: HST11AG8-7 V06725 HST11AG8-7 V73197 HST11AG8-7 V56878	103105	2
320	WC331K8-7	..	BOLT- SUPPLIER CODE: V60516 SPECIFICATION NUMBER: BACB30YP8K7	106106	2
325	BACC30BL8	..	COLLAR- SUPPLIER CODE: V73197 SPECIFICATION NUMBER: BACC30BL8 OPTIONAL PART: HST79-8 V92215 HST79CY8 V56878 HST79CY8 V5M902	103105	6
325 330	BACN10ZV4 BACC30BL10	..	NUT- COLLAR- SUPPLIER CODE: V73197 SPECIFICATION NUMBER: BACC30BL10 OPTIONAL PART: HST79-10 V92215 HST79CY10 V56878 HST79CY10 V5M902	106106 103105	6 2
330	KFN587-5BAC	..	NUT- SUPPLIER CODE: V15653 SPECIFICATION NUMBER: BACN10ZV5	106106	2
335	114N2159-2	---	*----- ...STOP-RUBBING BLOCK	103106	1

MISSING ITEM NUMBERS NOT APPLICABLE

- ITEM NOT ILLUSTRATED

57-22-51-14

57-22-51
FIG. 14
PAGE 12
JAN 20/09

BRI



757

PARTS CATALOG (MAINTENANCE)

FIG ITEM	PART NUMBER	1 2 3 4 5 6 7	NOMENCLATURE	EFFECT FROM TO	UNITS PER ASSY
14					
340	114N2159-3	...	RUBSTRIP-RUBBING SLAT	103106	1
345	114N2158-19	...	FITTING- USED ON: 114N2158-17	103106	1
350	114N2158-20	...	FITTING- USED ON: 114N2158-18	103106	1
355	114N2176-77	..	SHIM	103106	2
360	114N2176-75	..	SHIM	103106	2
365	114N2176-45	..	SHIM	103106	1
370	114N2176-47	..	SHIM	103106	1
375	114N2176-49	..	SHIM	103106	1
380	114N2176-51	..	SHIM	103106	1
385	BACG20ZE000434	..	GROMMET	103106	2
390	114N2064-12	..	RING ASSY-ADAPTER ATTACHING PARTS	103106	1
- 395	HL523AZ6-10	..	BOLT SUPPLIER CODE: V73197 SPECIFICATION NUMBER: BACB30NZ6K10 OPTIONAL PART: HL523AZ6-10 V06725 L804-6K10 V06725 HL523AZ6-10 V60516 HL523AZ6-10 V56878 HL523AZ6-10 V92215 HL523AZ6-10 V97928	103106	6
- 400	HL79-6	..	COLLAR SUPPLIER CODE: V5M902 SPECIFICATION NUMBER: BACC30M6 OPTIONAL PART: HL79-6 V73197 HL79-6 V92215 66014-6 V56878 HL79-6 V56878 -----*-----	103106	6

MISSING ITEM NUMBERS NOT APPLICABLE

- ITEM NOT ILLUSTRATED

57-22-51-14

57-22-51
FIG. 14
PAGE 13
JAN 20/09

BRI

BOEING
757
PARTS CATALOG (MAINTENANCE)

FIG ITEM	PART NUMBER	1 2 3 4 5 6 7	NOMENCLATURE	EFFECT FROM TO	UNITS PER ASSY
14					
405	BACB30NR4K7	...	BOLT	103106	3
410	6800D048	...	RETAINER	103106	3
			SUPPLIER CODE: V80539		
			SPECIFICATION NUMBER: BACR10G43		
			ATTACHING PARTS		
- 412	BACR15BA3AD	...	RIVET-	103106	6
			SIZE DETERMINED ON INSTL. -----*-----		
415	114N2064-11	...	RING-ADAPTER	103106	1
420	114N2164-3	..	RIB ASSY-PAIR	103106	1
			POSITION DATA: LH SIDE		
- 425	114N2164-4	..	RIB ASSY-PAIR	103106	1
			POSITION DATA: RH SIDE		
430	114N2046-17	...	RIB ASSY-	103106	1
			POSITION DATA: LH SIDE		
- 435	114N2046-18	...	RIB ASSY-	103106	1
			POSITION DATA: RH SIDE		
440	BACB28AP08P080	BUSHING	103106	1
445	BACB28AP12P046	BUSHING	103106	1
450	BACB28AP08P067	BUSHING	103106	1
455	BACB28AP12P066	BUSHING	103106	1
460	114N2130-10	BUSHING	103106	1
465	114N2046-19	RIB ASSY-	103106	1
			POSITION DATA: LH SIDE		
- 470	114N2046-20	RIB ASSY-	103106	1
			POSITION DATA: RH SIDE		
475	114N2047-19	...	RIB ASSY-	103106	1
			POSITION DATA: LH SIDE		
- 480	114N2047-20	...	RIB ASSY-	103106	1
			POSITION DATA: RH SIDE		
485	BACB28AT17B058C	BUSHING	103106	1
490	BACB28AT11B059C	BUSHING	103106	1
495	BACB28AT11B072C	BUSHING	103106	1
500	BACB28AT17B038C	BUSHING	103106	1
505	114N2130-12	BUSHING	103106	1
510	114N2047-21	RIB-	103106	1
			POSITION DATA: LH SIDE		

MISSING ITEM NUMBERS NOT APPLICABLE

- ITEM NOT ILLUSTRATED

BRI

57-22-51-14

57-22-51
FIG. 14
PAGE 14
JAN 20/09



757

PARTS CATALOG (MAINTENANCE)

FIG ITEM	PART NUMBER	1 2 3 4 5 6 7	NOMENCLATURE	EFFECT FROM TO	UNITS PER ASSY
14 - 515	114N2047-22	RIB- POSITION DATA: RH SIDE	103106	1

MISSING ITEM NUMBERS NOT APPLICABLE

- ITEM NOT ILLUSTRATED

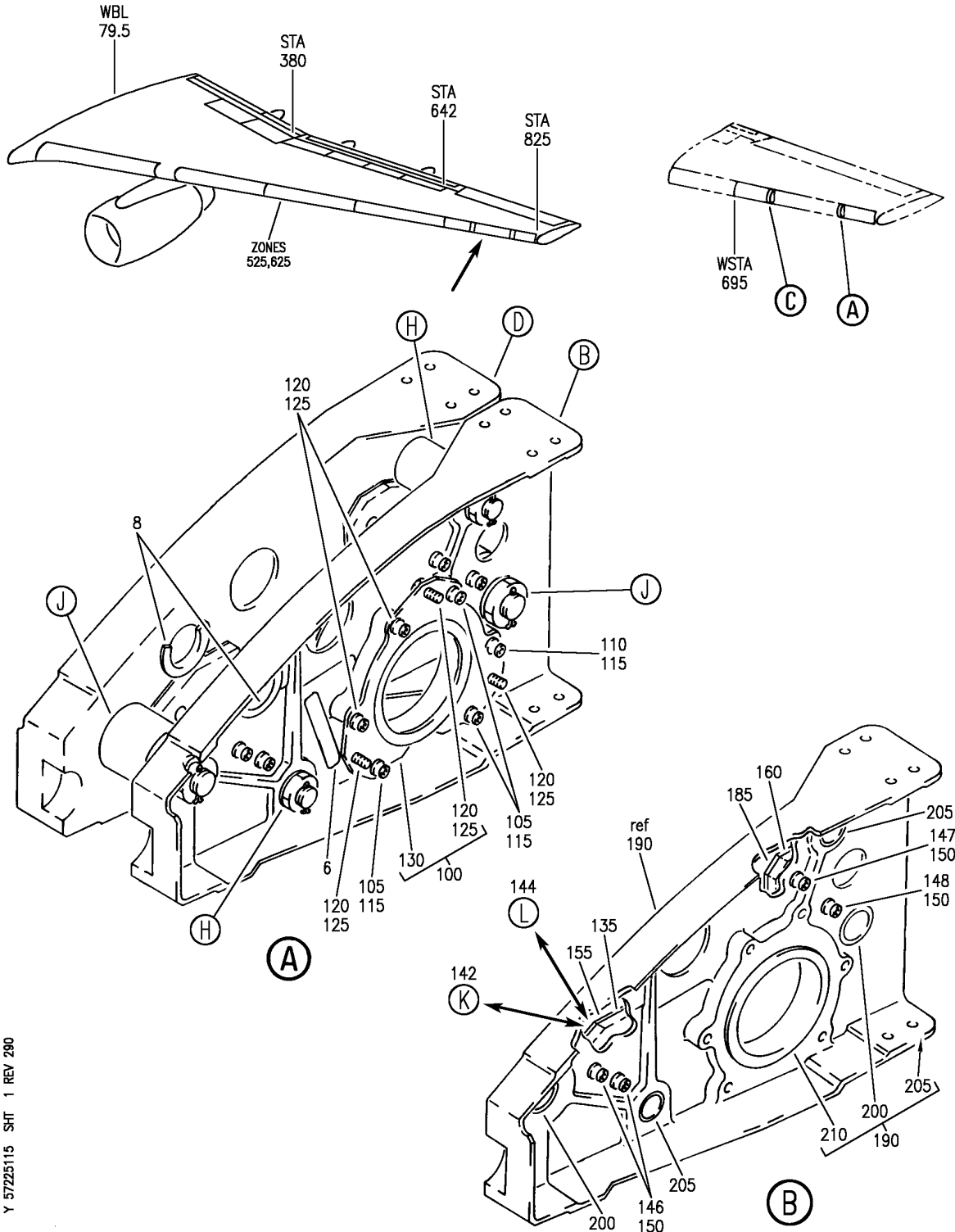
BRI

57-22-51-14

BOEING PROPRIETARY - Copyright © - Unpublished Work - See title page for details.

57-22-51
FIG. 14
PAGE 15
JAN 20/09

BOEING
757
PARTS CATALOG (MAINTENANCE)



Y 57225115 SHT 1 REV 290

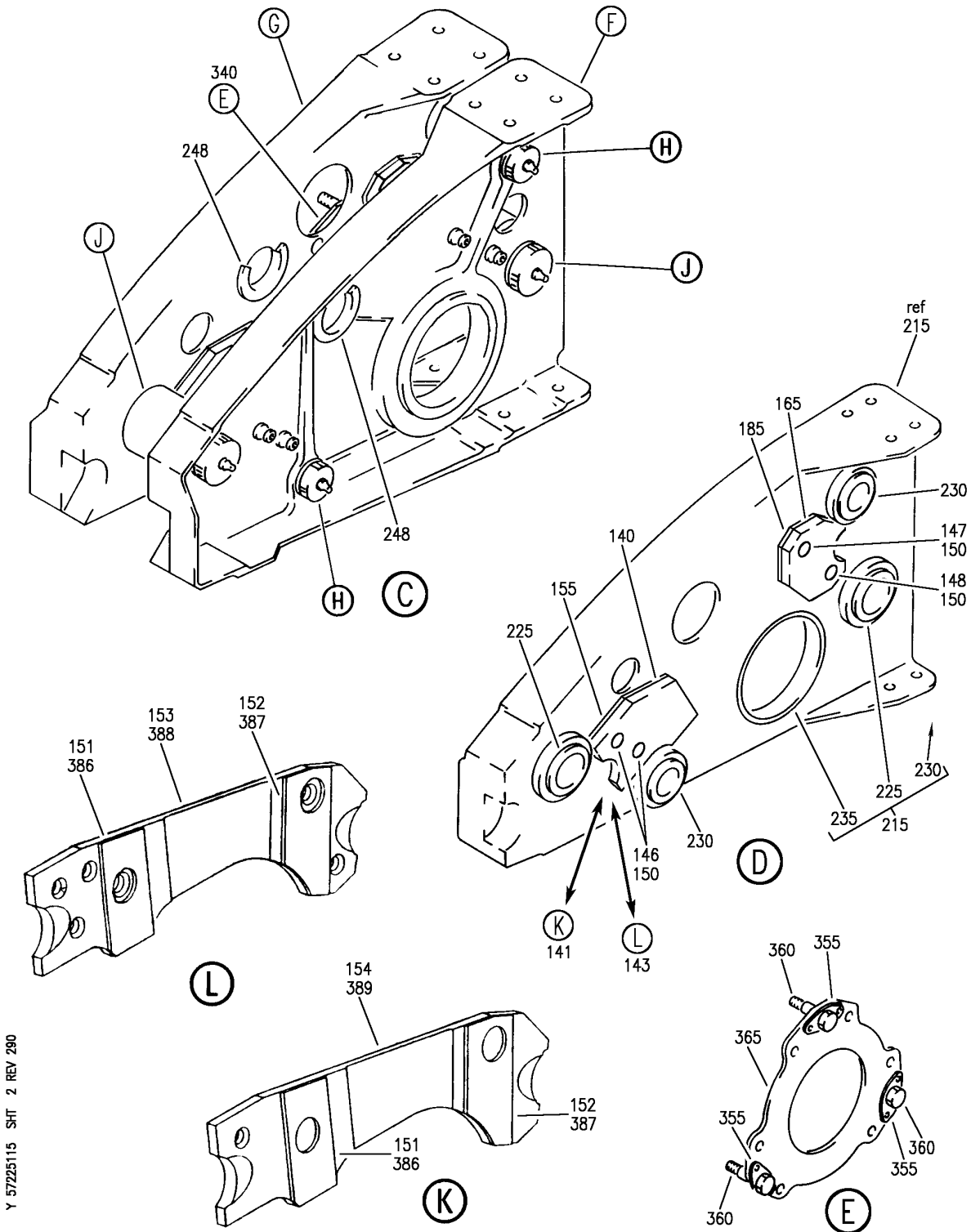
RIB INSTL-MAIN TRACK OUTBD FXD LE SPRT
FIGURE 15 (SHEET 1)

57-22-51-15

BRI
MAY 28/07

57-22-51-15
PAGE 0

BOEING
757
PARTS CATALOG (MAINTENANCE)



Y 57225115 SHT 2 REV 290

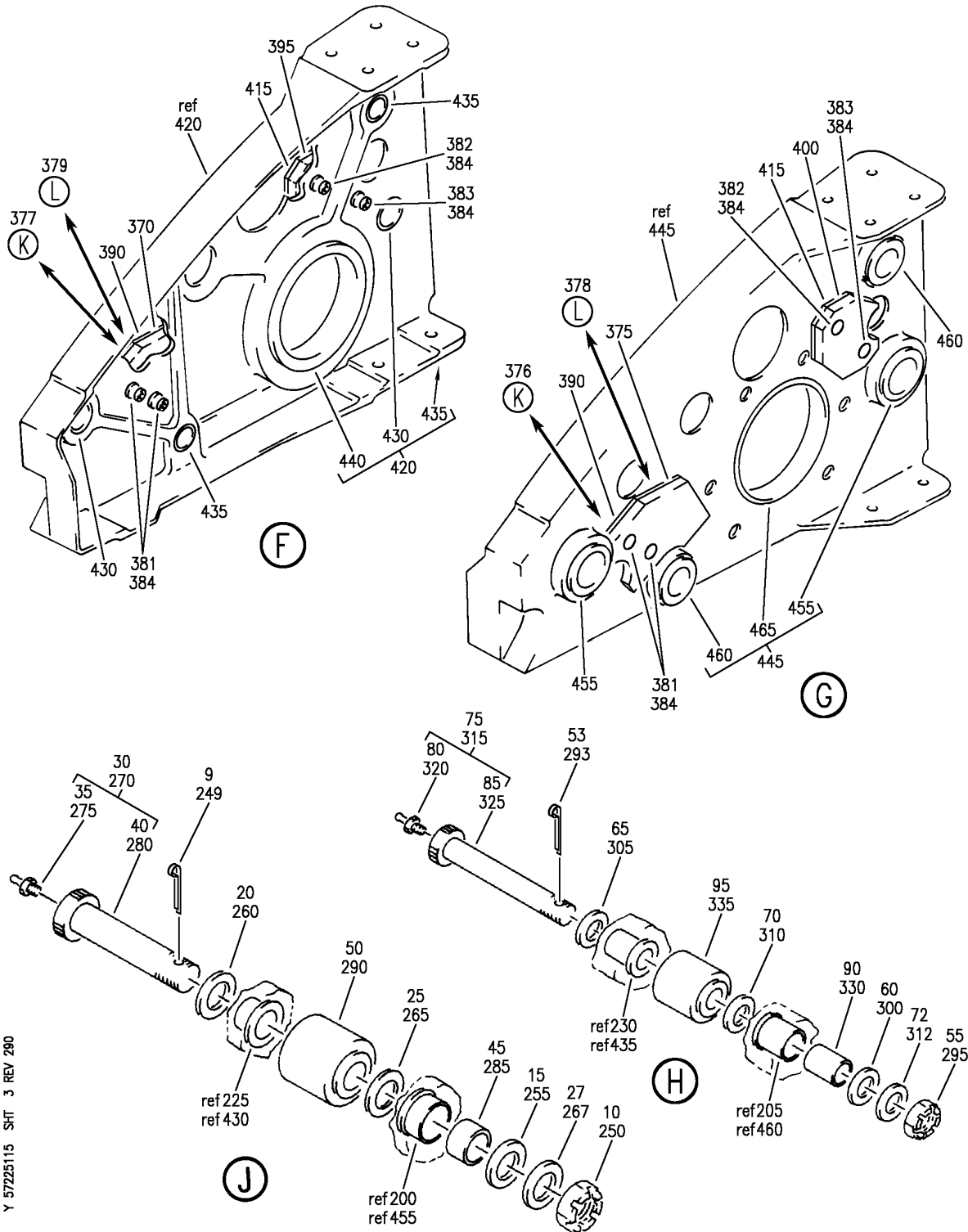
RIB INSTL-MAIN TRACK OUTBD FXD LE SPRT
FIGURE 15 (SHEET 2)

57-22-51-15

BRI
MAY 28/07

57-22-51-15
PAGE 0A

BOEING
757
PARTS CATALOG (MAINTENANCE)



Y 57225115 SH1 3 REV 290

RIB INSTL-MAIN TRACK OUTBD FXD LE SPRT
FIGURE 15 (SHEET 3)

57-22-51-15

BRI
MAY 28/07

57-22-51-15
PAGE 0B



757

PARTS CATALOG (MAINTENANCE)

FIG ITEM	PART NUMBER	1 2 3 4 5 6 7	NOMENCLATURE	EFFECT FROM TO	UNITS PER ASSY
15			RIB INSTL-MAIN TRACK OUTBD FXD LE SPRT	002004 006102 107999	
- 1	114N2002-1		RIB INSTL-FXD LE SPRT POSITION DATA: MAIN TRACK OSS 809.46 OUTBD LH FOR NHA SEE: 57-22-51-50	002004 006100 107107 121503 904999	RF
- 1	114N2002-401		RIB INSTL-SPRT MAIN TRACK FXD LE POSITION DATA: OSS 809.46 OUTBD LH FOR NHA SEE: 57-00-00-10	101102 108120 504903	RF
- 5	114N2002-2		RIB INSTL-FXD LE SPRT POSITION DATA: MAIN TRACK OSS 809.46 OUTBD RH FOR NHA SEE: 57-22-51-50	002004 006100 107107 121503 904999	RF
- 5	114N2002-402		RIB INSTL-SPRT MAIN TRACK FXD LE POSITION DATA: OSS 809.46 OUTBD RH FOR NHA SEE: 57-00-00-10	101102 108120 504903	RF
6	BAC27NCT0151		.MARKER-ALUMINUM FOIL- POSITION DATA: LH SIDE PLACARD CONTENT: TS5083-LEFT SLAT POSN SNSR	002004 006102 107999	1
- 7	BAC27NCT0150		.MARKER-ALUMINUM FOIL- POSITION DATA: RH SIDE PLACARD CONTENT: TS5047-RIGHT SLAT POSN SNSR	002004 006102 107999	1
8	BACG20ZC1275		.GROMMET	002004 006102 107999	2
9	MS24665-374		.PIN	002004 006102 107999	2
10	BACN10JD110ASU		.NUT	002004 006102 107999	2

MISSING ITEM NUMBERS NOT APPLICABLE

- ITEM NOT ILLUSTRATED

57-22-51-15

57-22-51
FIG. 15
PAGE 1
JAN 20/09

BRI

 **BOEING**
757
PARTS CATALOG (MAINTENANCE)

FIG ITEM	PART NUMBER	1 2 3 4 5 6 7	NOMENCLATURE	EFFECT FROM TO	UNITS PER ASSY
15					
15	BACW10BP10DP	.	WASHER	002004 006102 107999	2
20	BACW10BP10CD	.	WASHER	002004 006102 107999	2
25	NAS1149C1032R	.	WASHER-	002004 006102 107999	2
27	NAS1149C1032R	.	WASHER	101102 108120 504903	2
30	114N1115-21	.	BOLT ASSY-ROLLER SPRT	002004 006102 107999	2
35	MS15000-1	..	FITTING	002004 006102 107999	1
40	114N1115-22	..	BOLT	002004 006102 107999	1
45	BACB28AK10-056	.	BUSHING	002004 006102 107999	2
50	YAT10B	.	BEARING SUPPLIER CODE: V07484 SPECIFICATION NUMBER: BACB10EU10 OPTIONAL PART: 10AL2426 V92563 ATL10 V60380	002004 006102 107999	2
53	MS24665-304	.	PIN	002004 006102 107999	2
55	BACN10JD108ASU	.	NUT	002004 006102 107999	2
60	BACW10BP8DP	.	WASHER	002004 006102 107999	2
65	BACW10BP8CD	.	WASHER	002004 006102 107999	2
70	NAS1149C0832R	.	WASHER-	002004 006102 107999	2

MISSING ITEM NUMBERS NOT APPLICABLE

- ITEM NOT ILLUSTRATED

BRI

57-22-51-15

BOEING PROPRIETARY - Copyright © - Unpublished Work - See title page for details.

57-22-51
FIG. 15
PAGE 2
JAN 20/09



757

PARTS CATALOG (MAINTENANCE)

FIG ITEM	PART NUMBER	1 2 3 4 5 6 7	NOMENCLATURE	EFFECT FROM TO	UNITS PER ASSY
15					
72	NAS1149C0832R	.	WASHER	101102 108120 504903	2
75	114N1115-19	.	BOLT ASSY-ROLLER SPRT	002004 006102 107999	2
80	MS15000-1	..	FITTING	002004 006102 107999	1
85	114N1115-20	..	BOLT	002004 006102 107999	1
90	BACB28AK08-088	.	BUSHING	002004 006102 107999	2
95	YAT08B	.	BEARING SUPPLIER CODE: V07484 SPECIFICATION NUMBER: BACB10EU08 OPTIONAL PART: 8AL2022 V92563 ATL8 V60380	002004 006102 107999	2
100	114N2064-10	.	RING ASSY-ADPTR SLAT ACTR	002004 006102 107999	1
105	HL523AZ6-10	.	ATTACHING PARTS BOLT SUPPLIER CODE: V73197 SPECIFICATION NUMBER: BACB30NZ6K10 OPTIONAL PART: HL523AZ6-10 V06725 L804-6K10 V06725 HL523AZ6-10 V60516 HL523AZ6-10 V56878 HL523AZ6-10 V92215 HL523AZ6-10 V97928	002004 006102 107999	5

MISSING ITEM NUMBERS NOT APPLICABLE

- ITEM NOT ILLUSTRATED

BRI

57-22-51-15

57-22-51
FIG. 15
PAGE 3
JAN 20/09

BOEING
757
PARTS CATALOG (MAINTENANCE)

FIG ITEM	PART NUMBER	1 2 3 4 5 6 7	NOMENCLATURE	EFFECT FROM TO	UNITS PER ASSY
15 110	HL523AZ6-13	.BOLT	SUPPLIER CODE: V73197 SPECIFICATION NUMBER: BACB30NZ6K13 OPTIONAL PART: HL523AZ6-13 V06725 L804-6K13 V06725 HL523AZ6-13 V60516 HL523AZ6-13 V56878 HL523AZ6-13 V92215 HL523AZ6-13 V97928	002004 006102 107999	1
115	HL79-6	.COLLAR	SUPPLIER CODE: V5M902 SPECIFICATION NUMBER: BACC30M6 OPTIONAL PART: HL79-6 V73197 HL79-6 V92215 66014-6 V56878 HL79-6 V56878	002004 006102 107999	6
120	6800D048	-----*----- ..RETAINER	SUPPLIER CODE: V80539 SPECIFICATION NUMBER: BACR10G43	002004 006102 107999	3
125	BACB30NR4K7	..BOLT		002004 006102 107999	3
130	114N2064-9	..RING-		002004 006102 107999	1
135	114N2067-1	.FITTING-STOP		107107 904949	1
140	114N2067-2	.FITTING-STOP		107107 904949	1

MISSING ITEM NUMBERS NOT APPLICABLE

— ITEM NOT ILLUSTRATED

BRI

57-22-51-15

BOEING PROPRIETARY - Copyright © - Unpublished Work - See title page for details.

57-22-51
FIG. 15
PAGE 4
JAN 20/09



757

PARTS CATALOG (MAINTENANCE)

FIG ITEM	PART NUMBER	1 2 3 4 5 6 7	NOMENCLATURE	EFFECT FROM TO	UNITS PER ASSY
15			ATTACHING PARTS		
-140A	BACB30NW8K		.BOLT- SIZE DETERMINED ON INSTL. REWORK DRAWING REF: 114N2132-1 114N2132-2	002004 006102 107999	4
-140B	HL79-8		.COLLAR SUPPLIER CODE: V5M902 SPECIFICATION NUMBER: BACC30M8 OPTIONAL PART: HL79-8 V73197 HL79-8 V92215 66014-8 V56878 HL79-8 V56878	002004 006102 107999	4
			-----*-----		
141	114N2158-5		.FITTING ASSY-STOP REWORK DRAWING REF: 114N2132-1 114N2132-2	002004 006100 121503 950999	1
142	114N2158-6		.FITTING ASSY-STOP REWORK DRAWING REF: 114N2132-1 114N2132-2	002004 006100 121503 950999	1
143	114N2158-1		.FITTING ASSY-STOP	002004 006102 108903 950999	1
144	114N2158-2		.FITTING ASSY-STOP	002004 006102 108903 950999	1
151	114N2159-1		..STOP-RUBBING BLOCK SLAT	002004 006102 107999	1
152	114N2159-2		..STOP-RUBBING BLOCK SLAT	002004 006102 107999	1
153	114N2158-9		..FITTING- USED ON: 114N2158-1 114N2158-2	002004 006102 108903 950999	1

MISSING ITEM NUMBERS NOT APPLICABLE

- ITEM NOT ILLUSTRATED

57-22-51-15

57-22-51
FIG. 15
PAGE 5
JAN 20/09

BRI



757

PARTS CATALOG (MAINTENANCE)

FIG ITEM	PART NUMBER	1 2 3 4 5 6 7	NOMENCLATURE	EFFECT FROM TO	UNITS PER ASSY
15					
154	114N2158-14	..	FITTING- USED ON: 114N2158-6	002004 006100 121503 950999	1
154	114N2158-13	..	FITTING- USED ON: 114N2158-5	002004 006100 121503 950999	1
155	114N2002-4	.	SHIM-LAMINATED	002004 006102 107999	2
160	114N2067-7	.	FITTING-STOP	107107 904949	1
165	114N2067-8	.	FITTING-STOP	107107 904949	1
- 175	HL11VAZ8-9	.	ATTACHING PARTS BOLT SUPPLIER CODE: V56878 SPECIFICATION NUMBER: BACB30NW8K9 OPTIONAL PART: B30NW8K9 V97928 HL11VAZ8-9 V73197 HL11VAZ8-9 V92215 HL11VAZ8-9 V97928 L803-8K9 V06725 HL11VAZ8-9 VOPTK6 HL11VAZ8-9 V60516	107107 904949	4

MISSING ITEM NUMBERS NOT APPLICABLE

- ITEM NOT ILLUSTRATED

57-22-51-15

57-22-51
FIG. 15
PAGE 6
JAN 20/09

BRI



757

PARTS CATALOG (MAINTENANCE)

FIG ITEM	PART NUMBER	1 2 3 4 5 6 7	NOMENCLATURE	EFFECT FROM TO	UNITS PER ASSY
15 - 180	HL79-8		.COLLAR SUPPLIER CODE: V5M902 SPECIFICATION NUMBER: BACC30M8 OPTIONAL PART: HL79-8 V73197 HL79-8 V92215 66014-8 V56878 HL79-8 V56878	107107 904949	4
185	114N2002-3		-----*----- .SHIM-LAMINATED	002004 006102 107999	2
190	114N2040-11		.RIB ASSY-SPRT POSITION DATA: LH SIDE	107107 904949	1
190	114N2040-15		.RIB ASSY-SPRT POSITION DATA: LH SIDE	002004 006102 108903 950999	1
- 195	114N2040-12		.RIB ASSY-SPRT POSITION DATA: RH SIDE	107107 904949	1
- 195	114N2040-16		.RIB ASSY-SPRT POSITION DATA: RH SIDE	002004 006102 108903 950999	1
200	BACB28AM14B038A		..BUSHING	002004 006102 107999	2
205	BACB28AM11B072A		..BUSHING	002004 006102 107999	2
210	114N2130-12		..BUSHING-	002004 006102 107999	1
215	114N2041-9		.RIB ASSY-SPRT POSITION DATA: LH SIDE	107107 904949	1
215	114N2041-13		.RIB ASSY-SPRT POSITION DATA: LH SIDE	002004 006102 108903 950999	1

MISSING ITEM NUMBERS NOT APPLICABLE

- ITEM NOT ILLUSTRATED

57-22-51-15

57-22-51
FIG. 15
PAGE 7
JAN 20/09

BRI

BOEING PROPRIETARY - Copyright © - Unpublished Work - See title page for details.



757

PARTS CATALOG (MAINTENANCE)

FIG ITEM	PART NUMBER	1 2 3 4 5 6 7	NOMENCLATURE	EFFECT FROM TO	UNITS PER ASSY
15					
- 220	114N2041-10	.RIB ASSY-SPRT		107107	1
		POSITION DATA:		904949	
		RH SIDE			
- 220	114N2041-14	.RIB ASSY-SPRT		002004	1
		POSITION DATA:		006102	
		RH SIDE		108903	
				950999	
225	BACB28AP10P046	..BUSHING		002004	2
				006102	
				107999	
230	BACB28AP08P080	..BUSHING		002004	2
				006102	
				107999	
235	114N2130-10	..BUSHING-		002004	1
				006102	
				107999	
- 240	114N2003-1	RIB INSTL-FXD LE SPRT		002004	RF
		POSITION DATA:		006100	
		MAIN TRACK OSS 736.70		107107	
		OUTBD LH		121503	
		FOR NHA SEE:		904999	
		57-22-51-50			
- 240	114N2003-401	RIB INSTL-SPRT MAIN TRACK		101102	RF
		FXD LE		108120	
		POSITION DATA:		504903	
		OSS 736.70 OUTBD LH			
		FOR NHA SEE:			
		57-00-00-10			
- 245	114N2003-2	RIB INSTL-FXD LE SPRT		002004	RF
		POSITION DATA:		006100	
		MAIN TRACK OSS 736.70		107107	
		OUTBD RH		121503	
		FOR NHA SEE:		904999	
		57-22-51-50			
- 245	114N2003-402	RIB INSTL-SPRT MAIN TRACK		101102	RF
		FXD LE		108120	
		POSITION DATA:		504903	
		OSS 736.70 OUTBD RH			
		FOR NHA SEE:			
		57-00-00-10			
248	BACG20ZE1275	.GROMMET		002004	2
				006100	
				107107	
				121503	
				904999	
248	BACG30ZE001275	.GROMMET		101102	2
				108120	
				504903	

MISSING ITEM NUMBERS NOT APPLICABLE

- ITEM NOT ILLUSTRATED

57-22-51-15

57-22-51
FIG. 15
PAGE 8
JAN 20/09

BRI



757

PARTS CATALOG (MAINTENANCE)

FIG ITEM	PART NUMBER	1 2 3 4 5 6 7	NOMENCLATURE	EFFECT FROM TO	UNITS PER ASSY
15					
249	MS24665-374	.	PIN	002004 006100 107107 121503 904999	2
249	BACP18BC04A12P	.	PIN	101102 108120 504903	2
250	BACN10JD110ASU	.	NUT	002004 006102 107999	2
255	BACW10BP10DP	.	WASHER	002004 006102 107999	2
260	BACW10BP10CD	.	WASHER	002004 006102 107999	2
265	NAS1149C1032R	.	WASHER	002004 006102 107999	2
267	NAS1149C1032R	.	WASHER	101102 108120 504903	2
270	114N1115-21	.	BOLT ASSY-ROLLER SPRT	002004 006102 107999	2
275	MS15000-1	..	FITTING	002004 006102 107999	1
280	114N1115-22	..	BOLT	002004 006102 107999	1
285	BACB28AK10-056	.	BUSHING	002004 006102 107999	2
290	YAT10B	.	BEARING SUPPLIER CODE: V07484 SPECIFICATION NUMBER: BACB10EU10 OPTIONAL PART: 10AL2426 V92563 ATL10 V60380	002004 006102 107999	2

MISSING ITEM NUMBERS NOT APPLICABLE

- ITEM NOT ILLUSTRATED

57-22-51-15

57-22-51
FIG. 15
PAGE 9
JAN 20/09

BRI



757

PARTS CATALOG (MAINTENANCE)

FIG ITEM	PART NUMBER	1 2 3 4 5 6 7	NOMENCLATURE	EFFECT FROM TO	UNITS PER ASSY
15					
293	MS24665-304	.	PIN	002004 006100 107107 121503 904999	2
293	BACP18BC03A10P	.	PIN	101102 108120 504903	2
295	BACN10JD108ASU	.	NUT	002004 006102 107999	2
300	BACW10BP8DP	.	WASHER	002004 006102 107999	2
305	BACW10BP8CD	.	WASHER	002004 006102 107999	2
310	NAS1149C0832R	.	WASHER-	002004 006102 107999	2
312	NAS1149C0832R	.	WASHER	101102 108120 504903	2
315	114N1115-19	.	BOLT ASSY-ROLLER SPRT	002004 006102 107999	2
320	MS15000-1	..	FITTING	002004 006102 107999	1
325	114N1115-20	..	BOLT	002004 006102 107999	1
330	BACB28AK08-088	.	BUSHING	002004 006102 107999	2
335	YAT08B	.	BEARING SUPPLIER CODE: V07484 SPECIFICATION NUMBER: BACB10EU08 OPTIONAL PART: 8AL2022 V92563 ATL8 V60380	002004 006102 107999	2
340	114N2064-12	.	RING ASSY-ADPTR SLAT ACTR	002004 006102 107999	1

MISSING ITEM NUMBERS NOT APPLICABLE

- ITEM NOT ILLUSTRATED

57-22-51-15

57-22-51
FIG. 15
PAGE 10
JAN 20/09

BRI

BOEING PROPRIETARY - Copyright © - Unpublished Work - See title page for details.

 **BOEING**
757
PARTS CATALOG (MAINTENANCE)

FIG ITEM	PART NUMBER	1 2 3 4 5 6 7	NOMENCLATURE	EFFECT FROM TO	UNITS PER ASSY
15			ATTACHING PARTS		
- 345	HL523AZ6-10	.	BOLT SUPPLIER CODE: V73197 SPECIFICATION NUMBER: BACB30NZ6K10 OPTIONAL PART: HL523AZ6-10 V06725 L804-6K10 V06725 HL523AZ6-10 V60516 HL523AZ6-10 V56878 HL523AZ6-10 V92215 HL523AZ6-10 V97928	002004 006102 107999	6
- 350	HL79-6	.	COLLAR SUPPLIER CODE: V5M902 SPECIFICATION NUMBER: BACC30M6 OPTIONAL PART: HL79-6 V73197 HL79-6 V92215 66014-6 V56878 HL79-6 V56878	002004 006102 107999	6
355	6800D048	..	RETAINER SUPPLIER CODE: V80539 SPECIFICATION NUMBER: BACR10G43	002004 006102 107999	3
360	BACB30NR4K7	..	BOLT	002004 006102 107999	3
365	114N2064-11	..	RING-	002004 006102 107999	1
370	114N2067-1	.	FITTING-STOP	107107 904949	1
375	114N2067-2	.	FITTING-STOP	107107 904949	1

MISSING ITEM NUMBERS NOT APPLICABLE

- ITEM NOT ILLUSTRATED

BRI

57-22-51-15

BOEING PROPRIETARY - Copyright © - Unpublished Work - See title page for details.

57-22-51
FIG. 15
PAGE 11
JAN 20/09

 **BOEING**
757
PARTS CATALOG (MAINTENANCE)

FIG ITEM	PART NUMBER	1 2 3 4 5 6 7	NOMENCLATURE	EFFECT FROM TO	UNITS PER ASSY
15			ATTACHING PARTS		
-375A	HL11VAZ8-7		.BOLT- SUPPLIER CODE: V56878 SPECIFICATION NUMBER: BACB30NW8K7 OPTIONAL PART: B30NW8K7 V97928 HL11VAZ8-7 V73197 HL11VAZ8-7 V92215 HL11VAZ8-7 V97928 L803-8K7 V06725 HL11VAZ8-7 VOPTK6 HL11VAZ8-7 V60516	107107 904949	4
-375B	BACB30NW8K		.BOLT- SIZE DETERMINED ON INSTL. REWORK DRAWING REF: 114N2132-3 114N2132-4	002004 006102 108903 950999	4
-375C	HL79-8		.COLLAR SUPPLIER CODE: V5M902 SPECIFICATION NUMBER: BACC30M8 OPTIONAL PART: HL79-8 V73197 HL79-8 V92215 66014-8 V56878 HL79-8 V56878	002004 006102 107999	4
376	114N2158-5		-----*----- .FITTING ASSY-STOP REWORK DRAWING REF: 114N2132-3 114N2132-4	002004 006102 108903 950999	1
377	114N2158-6		.FITTING ASSY-STOP REWORK DRAWING REF: 114N2132-3 114N2132-4	002004 006102 108903 950999	1

MISSING ITEM NUMBERS NOT APPLICABLE

— ITEM NOT ILLUSTRATED

BRI

57-22-51-15

BOEING PROPRIETARY - Copyright © - Unpublished Work - See title page for details.

57-22-51
FIG. 15
PAGE 12
JAN 20/09

 **BOEING**
757
PARTS CATALOG (MAINTENANCE)

FIG ITEM	PART NUMBER	1 2 3 4 5 6 7	NOMENCLATURE	EFFECT FROM TO	UNITS PER ASSY
15					
378	114N2158-1	.	FITTING ASSY-STOP	002004 006102 108903 950999	1
379	114N2158-2	.	FITTING ASSY-STOP	002004 006102 108903 950999	1
386	114N2159-1	..	STOP-RUBBING BLOCK SLAT	002004 006102 108903 950999	1
387	114N2159-2	..	STOP-RUBBING BLOCK SLAT	002004 006102 108903 950999	1
388	114N2159-9	..	FITTING- USED ON: 114N2158-1	002004 006102 108903 950999	1
388	114N2159-10	..	FITTING- USED ON: 114N2158-2	002004 006102 108903 950999	1
389	114N2159-13	..	FITTING- USED ON: 114N2158-5	002004 006102 108903 950999	1
389	114N2159-14	..	FITTING- USED ON: 114N2158-6	002004 006102 108903 950999	1
390	114N2002-4	.	SHIM-LAMINATED	002004 006102 107999	2
395	114N2067-7	.	FITTING-STOP	107107 904949	1
400	114N2067-8	.	FITTING-STOP	107107 904949	1

MISSING ITEM NUMBERS NOT APPLICABLE

— ITEM NOT ILLUSTRATED

BRI

57-22-51-15

BOEING PROPRIETARY - Copyright © - Unpublished Work - See title page for details.

57-22-51
FIG. 15
PAGE 13
JAN 20/09

 **BOEING**
757
PARTS CATALOG (MAINTENANCE)

FIG ITEM	PART NUMBER	1 2 3 4 5 6 7	NOMENCLATURE	EFFECT FROM TO	UNITS PER ASSY
15			ATTACHING PARTS		
- 405	HL11VAZ8-8		.BOLT- SUPPLIER CODE: V60516 SPECIFICATION NUMBER: BACB30NW8K OPTIONAL PART: B30NW8K8 V97928 HL11VAZ8-8 V73197 HL11VAZ8-8 V92215 HL11VAZ8-8 V97928 L803-8K8 V06725 HL11VAZ8-8 VOPTK6 HL11VAZ8-8 V56878	107107 904949	4
- 405	BACB30NW8K		.BOLT- SIZE DETERMINED ON INSTL. REWORK DRAWING REF: 114N2132-3 114N2132-4	002004 006102 108903 950999	4
- 410	HL79-8		.COLLAR- SUPPLIER CODE: V5M902 SPECIFICATION NUMBER: BACC30M8 OPTIONAL PART: HL79-8 V73197 HL79-8 V92215 66014-8 V56878 HL79-8 V56878	107107 904949	4
415	114N2002-3		-----*----- .SHIM-LAMINATED	002004 006102 107999	2
420	114N2042-13		.RIB ASSY-SPRT POSITION DATA: LH SIDE	107107 904949	1

MISSING ITEM NUMBERS NOT APPLICABLE

- ITEM NOT ILLUSTRATED

BRI

57-22-51-15

BOEING PROPRIETARY - Copyright © - Unpublished Work - See title page for details.

57-22-51
FIG. 15
PAGE 14
JAN 20/09



757

PARTS CATALOG (MAINTENANCE)

FIG ITEM	PART NUMBER	1 2 3 4 5 6 7	NOMENCLATURE	EFFECT FROM TO	UNITS PER ASSY
15					
420	114N2042-17	.RIB ASSY-SPRT	POSITION DATA: LH SIDE	002004 006102 108903 950999	1
- 425	114N2042-14	.RIB ASSY-SPRT	POSITION DATA: RH SIDE	107107 904949	1
- 425	114N2042-18	.RIB ASSY-SPRT	POSITION DATA: RH SIDE	002004 006102 108903 950999	1
430	BACB28AP10P046	..BUSHING		002004 006102 107999	2
435	BACB28AP08P080	..BUSHING		002004 006102 107999	2
440	114N2130-10	..BUSHING-		002004 006102 107999	1
445	114N2043-11	.RIB ASSY-SPRT	POSITION DATA: LH SIDE	107107 904949	1
445	114N2043-15	.RIB ASSY-SPRT	POSITION DATA: LH SIDE	002004 006102 108903 950999	1
- 450	114N2043-12	.RIB ASSY-SPRT	POSITION DATA: RH SIDE	107107 904949	1
- 450	114N2043-16	.RIB ASSY-SPRT	POSITION DATA: RH SIDE	002004 006102 108903 950999	1
455	BACB28AM14B038A	..BUSHING		002004 006102 107999	2
460	BACB28AM11B072A	..BUSHING		002004 006102 107999	2
465	114N2130-12	..BUSHING-	QUALIFIED I/W DATA: 114N2130-12 AFTER REAMING IS I/W 114N2130-1	002004 006102 107999	1

MISSING ITEM NUMBERS NOT APPLICABLE

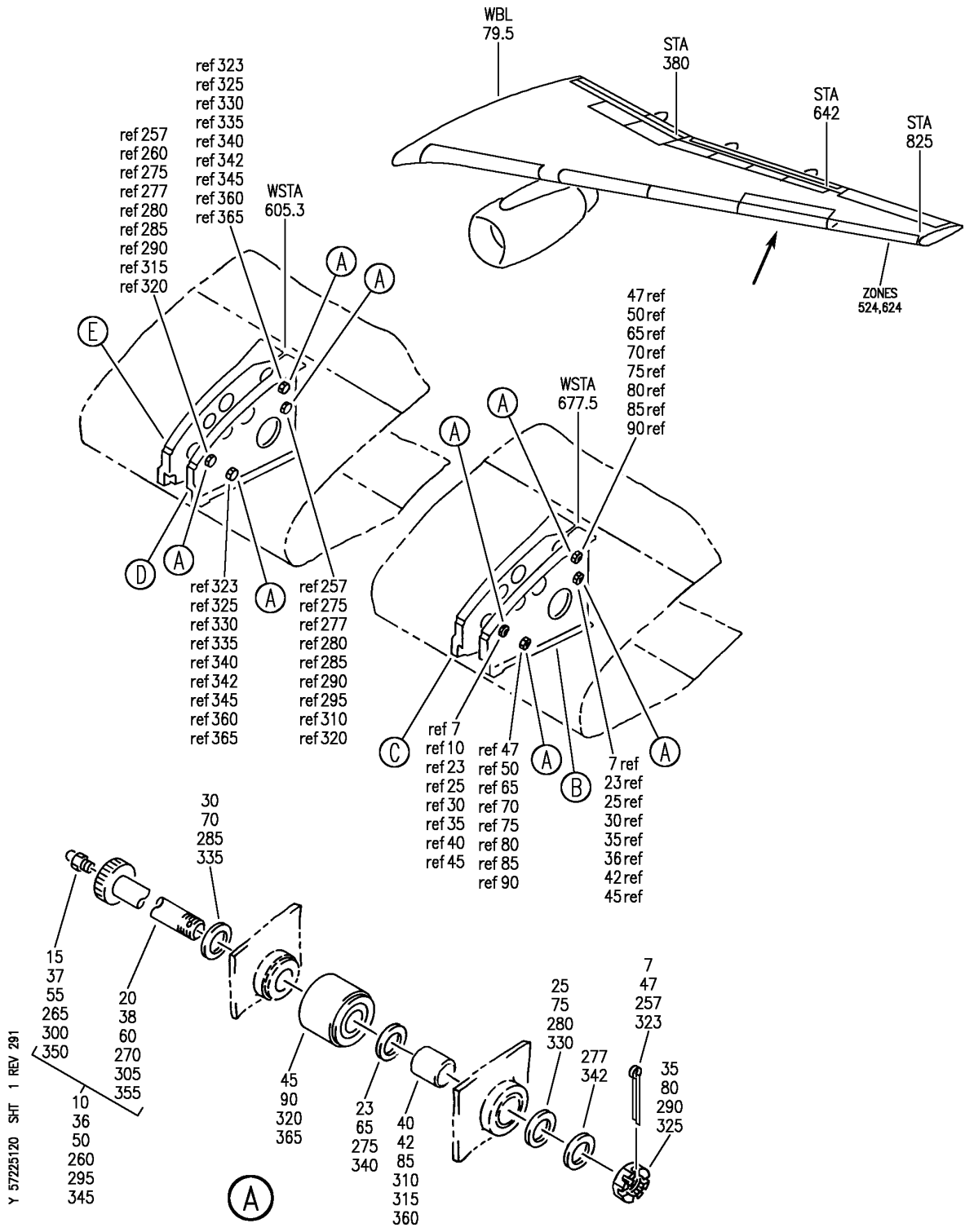
- ITEM NOT ILLUSTRATED

BRI

57-22-51-15

57-22-51
FIG. 15
PAGE 15
JAN 20/09

BOEING
757
PARTS CATALOG (MAINTENANCE)



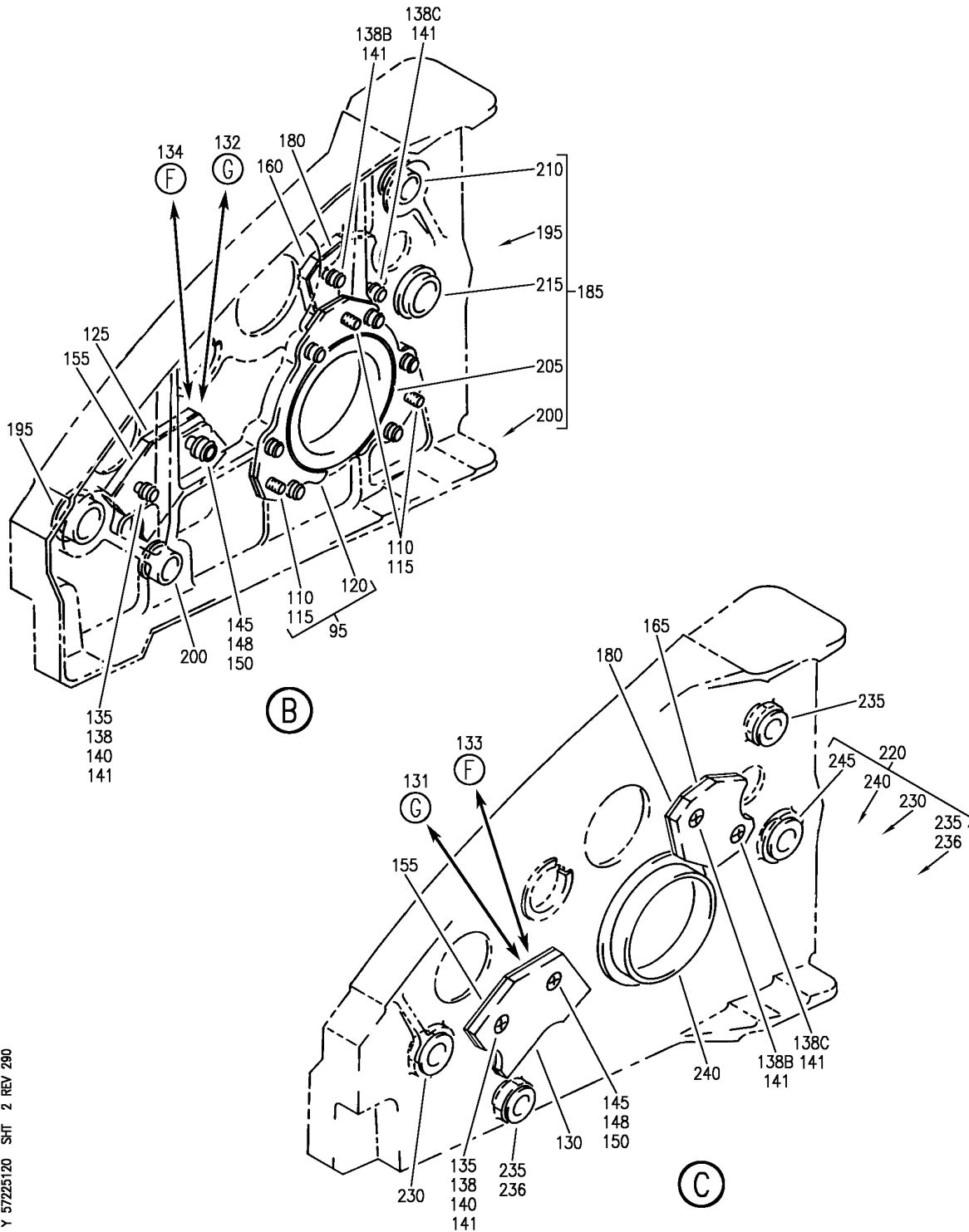
RIB INSTL-MAIN TRACK OUTBD FXD LE SPRT
FIGURE 20 (SHEET 1)

57-22-51-20

BRI
MAY 28/07

57-22-51-20
PAGE 0

BOEING
757
PARTS CATALOG (MAINTENANCE)



Y 57225120 SHT 2 REV 290

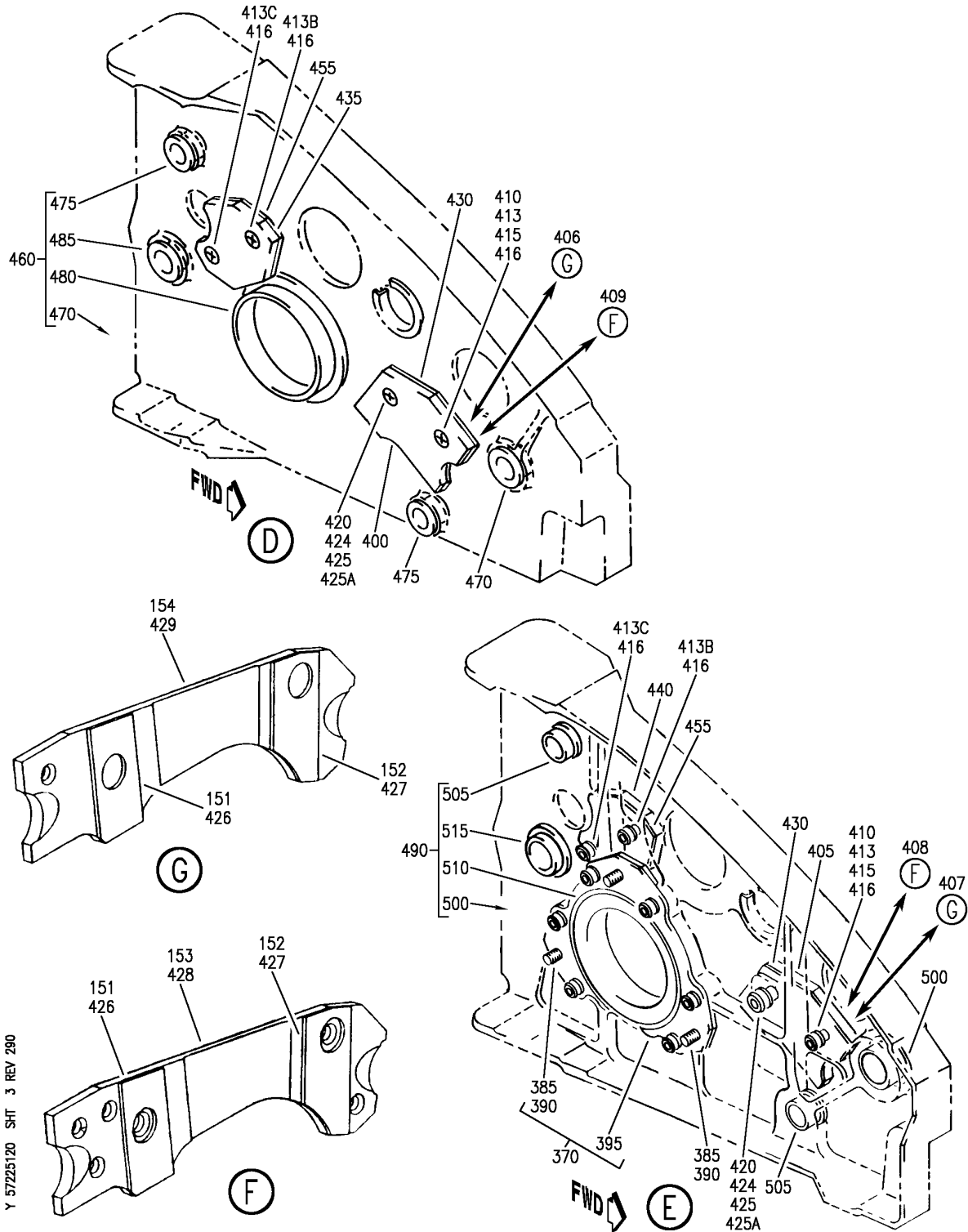
RIB INSTL-MAIN TRACK OUTBD FXD LE SPRT
FIGURE 20 (SHEET 2)

57-22-51-20

BRI
MAY 28/07

57-22-51-20
PAGE 0A

BOEING
757
PARTS CATALOG (MAINTENANCE)



Y 57225120 SHT 3 REV 290

RIB INSTL-MAIN TRACK OUTBD FXD LE SPRT
FIGURE 20 (SHEET 3)

57-22-51-20

BRI
MAY 28/07

57-22-51-20
PAGE 0B



757

PARTS CATALOG (MAINTENANCE)

FIG ITEM	PART NUMBER	1 2 3 4 5 6 7	NOMENCLATURE	EFFECT FROM TO	UNITS PER ASSY
20			RIB INSTL-MAIN TRACK OUTBD FXD LE SPRT	002004 006999	
- 1	114N2004-1		RIB INSTL-MAIN TRACK FXD LE SPRT POSITION DATA: OSS 677.50 OUTBD LH FOR NHA SEE: 57-22-51-50	002004 006100 107107 121503 904999	RF
- 1	114N2004-403		RIB INSTL-MAIN TRACK FXD LE POSITION DATA: OSS 677.50 OUTBD SPRT LH FOR NHA SEE: 57-00-00-10	101102 108120 504903	RF
- 5	114N2004-2		RIB INSTL-MAIN TRACK FXD LE SPRT POSITION DATA: OSS 677.50 OUTBD RH FOR NHA SEE: 57-22-51-50	002004 006100 107107 121503 904999	RF
- 5	114N2004-404		RIB INSTL-MAIN TRACK FXD LE POSITION DATA: OSS 677.50 OUTBD SPRT RH FOR NHA SEE: 57-00-00-10	101102 108120 504903	RF
7	MS24665-374		.PIN	002004 006100 107107 121503 904999	2
7	BACP18BC04A12P		.PIN	101102 108120 504903	2
10	114N1115-23		.BOLT ASSY-ROLLER SPRT	002004 006102 107999	1
15	MS15001-1		..FITTING-	002004 006102 107999	1
20	114N1115-24		..BOLT	002004 006102 107999	1
23	NAS1149C1032R		.WASHER-	002004 006102 107999	2
25	BACW10BP10DP		.WASHER	002004 006102 107999	2

MISSING ITEM NUMBERS NOT APPLICABLE

- ITEM NOT ILLUSTRATED

57-22-51-20

57-22-51
FIG. 20
PAGE 1
JAN 20/09

BRI



757

PARTS CATALOG (MAINTENANCE)

FIG ITEM	PART NUMBER	1 2 3 4 5 6 7	NOMENCLATURE	EFFECT FROM TO	UNITS PER ASSY
20					
30	BACW10BP10CD	.	WASHER	002004 006102 107999	2
35	BACN10JD110ASU	.	NUT	002004 006102 107999	2
36	114N1115-21	.	BOLT ASSY-ROLLER SPRT	002004 006102 107999	1
37	MS15001-1	..	FITTING-	002004 006102 107999	1
38	114N1115-22	..	BOLT	002004 006102 107999	1
40	BACB28AK10-076	.	BUSHING	002004 006102 107999	1
42	BACB28AK10-056	.	BUSHING	002004 006102 107999	1
45	YAT10B	.	BEARING SUPPLIER CODE: V07484 SPECIFICATION NUMBER: BACB10EU10 OPTIONAL PART: 10AL2426 V92563 ATL10 V60380	002004 006102 107999	2
47	MS24665-304	.	PIN	002004 006100 107107 121503 904999	2
47	BACP18CC03A10P	.	PIN	101102 108120 504903	2
50	114N1115-19	.	BOLT ASSY-ROLLER SPRT	002004 006102 107999	2
55	MS15001-1	..	FITTING-	002004 006102 107999	1
60	114N1115-20	..	BOLT	002004 006102 107999	1

MISSING ITEM NUMBERS NOT APPLICABLE

- ITEM NOT ILLUSTRATED

BRI

57-22-51-20

57-22-51
FIG. 20
PAGE 2
JAN 20/09



757

PARTS CATALOG (MAINTENANCE)

FIG ITEM	PART NUMBER	1 2 3 4 5 6 7	NOMENCLATURE	EFFECT FROM TO	UNITS PER ASSY
20					
65	NAS1149C0832R	.	WASHER-	002004 006102 107999	2
70	BACW10BP8CD	.	WASHER	002004 006102 107999	2
75	BACW10BP8DP	.	WASHER	002004 006102 107999	2
80	BACN10JD108ASU	.	NUT	002004 006102 107999	2
85	BACB28AK08-088	.	BUSHING	002004 006102 107999	2
90	YAT08B	.	BEARING SUPPLIER CODE: V07484 SPECIFICATION NUMBER: BACB10EU08 OPTIONAL PART: 8AL2022 V92563 ATL8 V60380	002004 006102 107999	2
95	114N2064-8	.	RING ASSY-ADPTR SLAT ACTR	002004 006102 107999	1
- 100	HL523AZ6-10	.	ATTACHING PARTS BOLT SUPPLIER CODE: V73197 SPECIFICATION NUMBER: BACB30NZ6K10 OPTIONAL PART: HL523AZ6-10 V06725 L804-6K10 V06725 HL523AZ6-10 V60516 HL523AZ6-10 V56878 HL523AZ6-10 V92215 HL523AZ6-10 V97928	002004 006102 107999	6

MISSING ITEM NUMBERS NOT APPLICABLE

- ITEM NOT ILLUSTRATED

BRI

57-22-51-20

57-22-51
FIG. 20
PAGE 3
JAN 20/09



757

PARTS CATALOG (MAINTENANCE)

FIG ITEM	PART NUMBER	1 2 3 4 5 6 7	NOMENCLATURE	EFFECT FROM TO	UNITS PER ASSY
20 - 105	HL79-6	.	COLLAR SUPPLIER CODE: V5M902 SPECIFICATION NUMBER: BACC30M6 OPTIONAL PART: HL79-6 V73197 HL79-6 V92215 66014-6 V56878 HL79-6 V56878 -----*-----	002004 006102 107999	6
110	6800D048	..	RETAINER SUPPLIER CODE: V80539 SPECIFICATION NUMBER: BACR10G43	002004 006102 107999	3
115	BACB30NR4K7	..	BOLT	002004 006102 107999	3
120	114N2064-7	..	RING-	002004 006100 107107 121503 904999	1
125	114N2067-1	.	FITTING-STOP	107107 904949	1
130	114N2067-2	.	FITTING-STOP	107107 904949	1
131	114N2158-5	.	FITTING ASSY-STOP REWORK DRAWING REF: 114N2132-5 114N2132-6	002004 006102 107999	1
132	114N2158-6	.	FITTING ASSY-STOP REWORK DRAWING REF: 114N2132-5 114N2132-6	002004 006102 107999	1
133	114N2158-1	.	FITTING ASSY-STOP	002004 006102 108903 950999	1
134	114N2158-2	.	FITTING ASSY-STOP	002004 006102 108903 950999	1

MISSING ITEM NUMBERS NOT APPLICABLE

- ITEM NOT ILLUSTRATED

57-22-51-20

57-22-51
FIG. 20
PAGE 4
JAN 20/09

BRI



757

PARTS CATALOG (MAINTENANCE)

FIG ITEM	PART NUMBER	1 2 3 4 5 6 7	NOMENCLATURE	EFFECT FROM TO	UNITS PER ASSY
20					
135	HL11VAZ8-7		ATTACHING PARTS .BOLT- SUPPLIER CODE: V56878 SPECIFICATION NUMBER: BACB30NW8K7 OPTIONAL PART: B30NW8K7 V97928 HL11VAZ8-7 V73197 HL11VAZ8-7 V92215 HL11VAZ8-7 V97928 L803-8K7 V06725 HL11VAZ8-7 VOPTK6 HL11VAZ8-7 V60516 BACB30NW8K7X	002004 006102 107999	2
135	HL111VAZ8-7		.BOLT- SUPPLIER CODE: V60516 SPECIFICATION NUMBER: BACB30NW8K7X OPTIONAL PART: HL11VAZ8-7X V73197 HL11VAZ8-7X V92215 L803-8K7X V06725 B30NW8K7X V97928 HL11VAZ8-7X V97928 HL11VAZ8-7X VOPTK6 HL11VAZ8-7X V60516 HL11VAZ8-7 V56878	002004 006100 121503 950999	2

MISSING ITEM NUMBERS NOT APPLICABLE

- ITEM NOT ILLUSTRATED

57-22-51-20

57-22-51
 FIG. 20
 PAGE 5
 JAN 20/09

BRI



757

PARTS CATALOG (MAINTENANCE)

FIG ITEM	PART NUMBER	1 2 3 4 5 6 7	NOMENCLATURE	EFFECT FROM TO	UNITS PER ASSY
20 140	HL79-8	.	COLLAR SUPPLIER CODE: V5M902 SPECIFICATION NUMBER: BACC30M8 OPTIONAL PART: HL79-8 V73197 HL79-8 V92215 66014-8 V56878 HL79-8 V56878	002004 006102 107999	2
145	HL11VAZ10-7	.	BOLT- SUPPLIER CODE: V60516 SPECIFICATION NUMBER: BACB30NW10K7 OPTIONAL PART: B30NW10K7 V97928 HL11VAZ10-7 V73197 HL11VAZ10-7 V92215 HL11VAZ10-7 V97928 L803-10K7 V06725 HL11VAZ10-7 VOPTK6 HL11VAZ10-7 V56878 BACB30NW10K7X	002004 006100 107107 121503 904999	2

MISSING ITEM NUMBERS NOT APPLICABLE

- ITEM NOT ILLUSTRATED

BRI

57-22-51-20

BOEING PROPRIETARY - Copyright © - Unpublished Work - See title page for details.

57-22-51
FIG. 20
PAGE 6
JAN 20/09



757

PARTS CATALOG (MAINTENANCE)

FIG ITEM	PART NUMBER	1 2 3 4 5 6 7	NOMENCLATURE	EFFECT FROM TO	UNITS PER ASSY
20 145	HL111VAZ10-7		.BOLT- SUPPLIER CODE: V60516 SPECIFICATION NUMBER: BACB30NW10K7X OPTIONAL PART: HL11VAZ10-7X VOPTK6 HL11VAZ10-7X V97928 B30NW10K7X V97928 L803-10K7X V06725 HL11VAZ10-7X V92215 HL11VAZ10-7X V73197 HL11VAZ10-7X V56878 HL11VAZ10-7X V60516 HL11VAZ10-7 V56878	002004 006100 121503 950999	2
145	HL11VAZ10-6		-----*----- .BOLT SUPPLIER CODE: V60516 SPECIFICATION NUMBER: BACB30NW10K6 OPTIONAL PART: B30NW10K6 V97928 HL11VAZ10-6 V73197 HL11VAZ10-6 V92215 HL11VAZ10-6 V97928 L803-10K6 V06725 HL11VAZ10-6 VOPTK6 HL11VAZ10-6 V56878	101102 108120 504903	2

MISSING ITEM NUMBERS NOT APPLICABLE

- ITEM NOT ILLUSTRATED

57-22-51-20

57-22-51
FIG. 20
PAGE 7
JAN 20/09

BRI

BOEING
757
PARTS CATALOG (MAINTENANCE)

FIG ITEM	PART NUMBER	1 2 3 4 5 6 7	NOMENCLATURE	EFFECT FROM TO	UNITS PER ASSY
20			ATTACHING PARTS		
150	HL79-10		. COLLAR SUPPLIER CODE: V5M902 SPECIFICATION NUMBER: BACC30M10 OPTIONAL PART: HL79-10 V73197 HL79-10 V92215 66014-10 V56878 HL79-10 V56878 -----*-----	002004 006102 107999	2
151	114N2159-1		.. STOP-RUBBING BLOCK SLAT USED ON: 114N2158-1 114N2158-2 114N2158-5 114N2158-6	002004 006102 108903 950999	1
152	114N2159-2		.. STOP-RUBBING BLOCK SLAT USED ON: 114N2158-1 114N2158-2 114N2158-5 114N2158-6	002004 006102 108903 950999	1
153	114N2158-9		.. FITTING- USED ON: 114N2158-1	002004 006102 108903 950999	1
153	114N2158-10		.. FITTING- USED ON: 114N2158-2	002004 006102 108903 950999	1
154	114N2158-13		.. FITTING- USED ON: 114N2158-5	101106 108120 504903	1
154	114N2158-14		.. FITTING- USED ON: 114N2158-6	101106 108120 504903	1
155	114N2002-4		. SHIM-LAMINATED	002004 006102 107999	2
160	114N2067-7		. FITTING-STOP	107107 904949	1
165	114N2067-8		. FITTING-STOP	107107 904949	1

MISSING ITEM NUMBERS NOT APPLICABLE

— ITEM NOT ILLUSTRATED

BRI

57-22-51-20

BOEING PROPRIETARY - Copyright © - Unpublished Work - See title page for details.

57-22-51
FIG. 20
PAGE 8
JAN 20/09

BOEING
757
PARTS CATALOG (MAINTENANCE)

FIG ITEM	PART NUMBER	1 2 3 4 5 6 7	NOMENCLATURE	EFFECT FROM TO	UNITS PER ASSY
20			ATTACHING PARTS		
- 170	HL11VAZ8-9		.BOLT- SUPPLIER CODE: V56878 SPECIFICATION NUMBER: BACB30NW8K9 OPTIONAL PART: B30NW8K9 V97928 HL11VAZ8-9 V73197 HL11VAZ8-9 V92215 HL11VAZ8-9 V97928 L803-8K9 V06725 HL11VAZ8-9 VOPTK6 HL11VAZ8-9 V60516	107107 904949	4
- 170	BACB30NW8K		.BOLT- SIZE DETERMINED ON INSTL. REWORK DRAWING REF: 114N2132-5 114N2132-6	002004 006100 121503 950999	4
- 175	HL79-8		.COLLAR SUPPLIER CODE: V5M902 SPECIFICATION NUMBER: BACC30M8 OPTIONAL PART: HL79-8 V73197 HL79-8 V92215 66014-8 V56878 HL79-8 V56878	002004 006100 107107 121503 904999	4
180	114N2002-3		-----*----- .SHIM-LAMINATED	002004 006102 107999	2
185	114N2044-5		.RIB ASSY-SPRT POSITION DATA: LH SIDE	107107 904949	1

MISSING ITEM NUMBERS NOT APPLICABLE

- ITEM NOT ILLUSTRATED

BRI

57-22-51-20

BOEING PROPRIETARY - Copyright © - Unpublished Work - See title page for details.

57-22-51
FIG. 20
PAGE 9
JAN 20/09



757

PARTS CATALOG (MAINTENANCE)

FIG ITEM	PART NUMBER	1 2 3 4 5 6 7	NOMENCLATURE	EFFECT FROM TO	UNITS PER ASSY
20					
185	114N2044-11	.RIB ASSY-SPRT POSITION DATA: LH SIDE		002004 006100 107107 121503 904999	1
185	114N2044-15	.RIB ASSY-SPRT POSITION DATA: LH SIDE		002004 006102 108903 950999	1
- 190	114N2044-12	.RIB ASSY-SPRT POSITION DATA: RH SIDE		107107 904949	1
- 190	114N2044-16	.RIB ASSY-SPRT POSITION DATA: RH SIDE		002004 006102 108903 950999	1
195	BACB28AM14B058A	..BUSHING-		002004 006102 107999	1
200	BACB28AM11B072A	..BUSHING-		002004 006102 107999	1
205	114N2130-12	..BUSHING		002004 006102 107999	1
210	BACB28AM11B052A	..BUSHING-		002004 006102 107999	1
215	BACB28AM14B038A	..BUSHING-		002004 006102 107999	1
220	114N2045-9	.RIB ASSY-SPRT POSITION DATA: LH SIDE		107107 904949	1
220	114N2045-13	.RIB ASSY-SPRT POSITION DATA: LH SIDE		002004 006102 108903 950999	1
- 225	114N2045-10	.RIB ASSY-SPRT POSITION DATA: RH SIDE		107107 904949	1
- 225	114N2045-14	.RIB ASSY-SPRT POSITION DATA: RH SIDE		002004 006102 108903 950999	1
230	BACB28AP10P066	..BUSHING-		002004 006102 107999	1

MISSING ITEM NUMBERS NOT APPLICABLE

- ITEM NOT ILLUSTRATED

57-22-51-20

57-22-51
FIG. 20
PAGE 10
JAN 20/09

BRI



757

PARTS CATALOG (MAINTENANCE)

FIG ITEM	PART NUMBER	1 2 3 4 5 6 7	NOMENCLATURE	EFFECT FROM TO	UNITS PER ASSY
20					
235	BACB28AP08P080	..	BUSHING	002004 006102 107999	2
240	114N2130-10	..	BUSHING	002004 006102 107999	1
245	BACB28AP10P046	..	BUSHING-	002004 006102 107999	1
- 250	114N2005-1		RIB INSTL-MAIN TRACK FXD LE SPRT POSITION DATA: OSS 605.30 OUTBD LH REWORK DRAWING REF: 114N2132-7 FOR NHA SEE: 57-22-51-50	002004 006100 107107 121503 904999	RF
- 250	114N2005-403		RIB INSTL-MAIN TRACK FXD LE SPRT POSITION DATA: OSS 605.30 OUTBD LH FOR NHA SEE: 57-00-00-10	101102 108120 504903	RF
- 255	114N2005-2		RIB INSTL-MAIN TRACK FXD LE POSITION DATA: OSS 605.30 OUTBD SPRT RH REWORK DRAWING REF: 114N2132-8 FOR NHA SEE: 57-22-51-50	002004 006100 107107 121503 904999	RF
- 255	114N2005-404		RIB INSTL-MAIN TRACK FXD LE POSITION DATA: OSS 605.30 OUTBD SPRT RH FOR NHA SEE: 57-00-00-10	101102 108120 504903	RF
257	MS24665-374	.	PIN	002004 006100 107107 121503 904999	2
257	BACP18BC04A12P	.	PIN	101102 108120 504903	2
260	114N1115-23	.	BOLT ASSY-ROLLER SPRT	002004 006102 107999	1
265	MS15001-1	..	FITTING-	002004 006102 107999	1

MISSING ITEM NUMBERS NOT APPLICABLE

- ITEM NOT ILLUSTRATED

BRI

57-22-51-20

57-22-51
FIG. 20
PAGE 11
JAN 20/09



757

PARTS CATALOG (MAINTENANCE)

FIG ITEM	PART NUMBER	1 2 3 4 5 6 7	NOMENCLATURE	EFFECT FROM TO	UNITS PER ASSY
20					
270	114N1115-24	. .	BOLT	002004 006102 107999	1
275	NAS1149C1032R	. .	WASHER-	002004 006102 107999	2
277	NAS1149C1032R	. .	WASHER	101102 108120 504903	2
280	BACW10BP10DP	. .	WASHER	002004 006102 107999	2
285	BACW10BP10CD	. .	WASHER	002004 006102 107999	2
290	BACN10JD110ASU	. .	NUT	002004 006102 107999	2
295	114N1115-21	. .	BOLT ASSY-ROLLER SPRT	002004 006102 107999	1
300	MS15001-1	. .	FITTING-	002004 006102 107999	1
305	114N1115-22	. .	BOLT	002004 006102 107999	1
310	BACB28AK10-056	. .	BUSHING	002004 006102 107999	1
315	BACB28AK10-076	. .	BUSHING	002004 006102 107999	1
320	YAT10B	. .	BEARING SUPPLIER CODE: V07484 SPECIFICATION NUMBER: BACB10EU10 OPTIONAL PART: 10AL2426 V92563 ATL10 V60380	002004 006102 107999	2
323	MS24665-304	. .	PIN	002004 006100 107107 121503 904999	2

MISSING ITEM NUMBERS NOT APPLICABLE

- ITEM NOT ILLUSTRATED

BRI

57-22-51-20

BOEING PROPRIETARY - Copyright © - Unpublished Work - See title page for details.

57-22-51
FIG. 20
PAGE 12
JAN 20/09



757

PARTS CATALOG (MAINTENANCE)

FIG ITEM	PART NUMBER	1 2 3 4 5 6 7	NOMENCLATURE	EFFECT FROM TO	UNITS PER ASSY
20					
323	BACP18BC04A12P	.PIN		101102 108120 504903	2
325	BACN10JD108ASU	.NUT		002004 006102 107999	2
330	BACW10BP8DP	.WASHER		002004 006102 107999	2
335	BACW10BP8CD	.WASHER		002004 006102 107999	2
340	NAS1149C0832R	.WASHER-		002004 006102 107999	2
342	NAS1149C0832R	.WASHER		101102 108120 504903	2
345	114N1115-19	.BOLT ASSY-ROLLER SPRT		002004 006102 107999	2
350	MS15001-1	..FITTING-		002004 006102 107999	1
355	114N1115-20	..BOLT		002004 006102 107999	1
360	BACB28AK08-088	.BUSHING		002004 006102 107999	2
365	YAT08B	.BEARING SUPPLIER CODE: V07484 SPECIFICATION NUMBER: BACB10EU08 OPTIONAL PART: 8AL2022 V92563 ATL8 V60380		002004 006102 107999	2
370	114N2064-12	.RING ASSY-ADPTR SLAT ACTR		002004 006102 107999	1

MISSING ITEM NUMBERS NOT APPLICABLE

- ITEM NOT ILLUSTRATED

BRI

57-22-51-20

BOEING PROPRIETARY - Copyright © - Unpublished Work - See title page for details.

57-22-51
FIG. 20
PAGE 13
JAN 20/09



757

PARTS CATALOG (MAINTENANCE)

FIG ITEM	PART NUMBER	1 2 3 4 5 6 7	NOMENCLATURE	EFFECT FROM TO	UNITS PER ASSY
20			ATTACHING PARTS		
- 375	HL523AZ6-10	.	BOLT SUPPLIER CODE: V73197 SPECIFICATION NUMBER: BACB30NZ6K10 OPTIONAL PART: HL523AZ6-10 V06725 L804-6K10 V06725 HL523AZ6-10 V60516 HL523AZ6-10 V56878 HL523AZ6-10 V92215 HL523AZ6-10 V97928	002004 006102 107999	6
- 380	HL79-6	.	COLLAR SUPPLIER CODE: V5M902 SPECIFICATION NUMBER: BACC30M6 OPTIONAL PART: HL79-6 V73197 HL79-6 V92215 66014-6 V56878 HL79-6 V56878	002004 006102 107999	6
385	6800D048	..	RETAINER SUPPLIER CODE: V80539 SPECIFICATION NUMBER: BACR10G43	002004 006102 107999	3
390	BACB30NR4K7	..	BOLT	002004 006102 107999	3
395	114N2064-11	..	RING-	002004 006102 107999	1
400	114N2067-1	.	FITTING-STOP	107107 904949	1
405	114N2067-2	.	FITTING-STOP	107107 904949	1

MISSING ITEM NUMBERS NOT APPLICABLE

- ITEM NOT ILLUSTRATED

57-22-51-20

57-22-51
FIG. 20
PAGE 14
JAN 20/09

BRI



757

PARTS CATALOG (MAINTENANCE)

FIG ITEM	PART NUMBER	1 2 3 4 5 6 7	NOMENCLATURE	EFFECT FROM TO	UNITS PER ASSY
20					
406	114N2158-5	.	FITTING ASSY-STOP REWORK DRAWING REF: 114N2132-7 114N2132-8	002004 006102 107999	1
407	114N2158-6	.	FITTING ASSY-STOP REWORK DRAWING REF: 114N2132-7 114N2132-8	002004 006102 107999	1
408	114N2158-1	.	FITTING ASSY-STOP	002004 006102 108903 950999	1
409	114N2158-2	.	FITTING ASSY-STOP	002004 006102 108903 950999	1
410	HL11VAZ8-8	.	ATTACHING PARTS BOLT- SUPPLIER CODE: V60516 SPECIFICATION NUMBER: BACB30NW8K8 OPTIONAL PART: B30NW8K8 V97928 HL11VAZ8-8 V73197 HL11VAZ8-8 V92215 HL11VAZ8-8 V97928 L803-8K8 V06725 HL11VAZ8-8 VOPTK6 HL11VAZ8-8 V56878 BACB30NW8K8X	002004 006102 107999	2

MISSING ITEM NUMBERS NOT APPLICABLE

- ITEM NOT ILLUSTRATED

BRI

57-22-51-20

57-22-51
FIG. 20
PAGE 15
JAN 20/09



757

PARTS CATALOG (MAINTENANCE)

FIG ITEM	PART NUMBER	1 2 3 4 5 6 7	NOMENCLATURE	EFFECT FROM TO	UNITS PER ASSY
20 410	HL111VAZ8-8	.BOLT	SUPPLIER CODE: V60516 SPECIFICATION NUMBER: BACB30NW8K8X OPTIONAL PART: HL11VAZ8-8X V73197 HL11VAZ8-8X V92215 L803-8K8X V06725 B30NW8K8X V97928 HL11VAZ8-8X V97928 HL11VAZ8-8X VOPTK6 HL11VAZ8-8X V60516	002004 006100 121503 950999	2
415	HL79-8	.COLLAR	SUPPLIER CODE: V5M902 SPECIFICATION NUMBER: BACC30M8 OPTIONAL PART: HL79-8 V73197 HL79-8 V92215 66014-8 V56878 HL79-8 V56878	002004 006102 107999	2

MISSING ITEM NUMBERS NOT APPLICABLE

- ITEM NOT ILLUSTRATED

BRI

57-22-51-20

BOEING PROPRIETARY - Copyright © - Unpublished Work - See title page for details.

57-22-51
FIG. 20
PAGE 16
JAN 20/09



757

PARTS CATALOG (MAINTENANCE)

FIG ITEM	PART NUMBER	1 2 3 4 5 6 7	NOMENCLATURE	EFFECT FROM TO	UNITS PER ASSY
20 420	HL11VAZ10-8	.BOLT-	SUPPLIER CODE: V60516 SPECIFICATION NUMBER: BACB30NW10K8 OPTIONAL PART: B30NW10K8 V97928 HL11VAZ10-8 V73197 HL11VAZ10-8 V92215 HL11VAZ10-8 V97928 L803-10K8 V06725 HL11VAZ10-8 VOPTK6 HL11VAZ10-8 V56878 BACB30NW10K8X	002004 006100 107107 121503 904999	2
420	HL111VAZ10-8	.BOLT-	SUPPLIER CODE: V60516 SPECIFICATION NUMBER: BACB30NW10K8X OPTIONAL PART: HL11VAZ10-8X V73197 HL11VAZ10-8X V92215 L803-10K8X V06725 B30NW10K8X V97928 HL11VAZ10-8X V97928 HL11VAZ10-8X VOPTK6 HL11VAZ10-8X V60516 HL11VAZ10-8X V56878 HL11VAZ10-8 V56878	002004 006100 121503 950999	2

MISSING ITEM NUMBERS NOT APPLICABLE

- ITEM NOT ILLUSTRATED

BRI

57-22-51-20

BOEING PROPRIETARY - Copyright © - Unpublished Work - See title page for details.

57-22-51
FIG. 20
PAGE 17
JAN 20/09



757

PARTS CATALOG (MAINTENANCE)

FIG ITEM	PART NUMBER	1 2 3 4 5 6 7	NOMENCLATURE	EFFECT FROM TO	UNITS PER ASSY
20 420	HL11VAZ10-7		.BOLT SUPPLIER CODE: V60516 SPECIFICATION NUMBER: BACB30NW10K7 OPTIONAL PART: B30NW10K7 V97928 HL11VAZ10-7 V73197 HL11VAZ10-7 V92215 HL11VAZ10-7 V97928 L803-10K7 V06725 HL11VAZ10-7 VOPTK6 HL11VAZ10-7 V56878	101102 108120 504903	2
425	HL79-10		.COLLAR SUPPLIER CODE: V5M902 SPECIFICATION NUMBER: BACC30M10 OPTIONAL PART: HL79-10 V73197 HL79-10 V92215 66014-10 V56878 HL79-10 V56878	002004 006102 107999	2
426	114N2159-1		-----*----- ..STOP-RUBBING BLOCK SLAT USED ON: 114N2158-1 114N2158-2 114N2158-5 114N2158-6	002004 006102 108903 950999	1
427	114N2159-2		..STOP-RUBBING BLOCK SLAT USED ON: 114N2158-1 114N2158-2 114N2158-5 114N2158-6	002004 006102 108903 950999	1

MISSING ITEM NUMBERS NOT APPLICABLE

- ITEM NOT ILLUSTRATED

BRI

57-22-51-20

BOEING PROPRIETARY - Copyright © - Unpublished Work - See title page for details.

57-22-51
FIG. 20
PAGE 18
JAN 20/09



757

PARTS CATALOG (MAINTENANCE)

FIG ITEM	PART NUMBER	1 2 3 4 5 6 7	NOMENCLATURE	EFFECT FROM TO	UNITS PER ASSY
20					
428	114N2158-9	..	FITTING- USED ON: 114N2158-1	002004 006102 108903 950999	1
428	114N2158-10	..	FITTING- USED ON: 114N2158-2	002004 006102 108903 950999	1
429	114N2158-14	..	FITTING- USED ON: 114N2158-6	101106 108120 504903	1
429	114N2158-13	..	FITTING- USED ON: 114N2158-5	101106 108120 504903	1
430	114N2002-4	.	SHIM-LAMINATED	002004 006102 107999	2
435	114N2067-7	.	FITTING-STOP	107107 904949	1
440	114N2067-8	.	FITTING-STOP	107107 904949	1
- 445	HL11VAZ8-9	.	ATTACHING PARTS BOLT- SUPPLIER CODE: V56878 SPECIFICATION NUMBER: BACB30NW8K9 OPTIONAL PART: B30NW8K9 V97928 HL11VAZ8-9 V73197 HL11VAZ8-9 V92215 HL11VAZ8-9 V97928 L803-8K9 V06725 HL11VAZ8-9 VOPTK6 HL11VAZ8-9 V60516	107107 904949	4

MISSING ITEM NUMBERS NOT APPLICABLE

- ITEM NOT ILLUSTRATED

57-22-51-20

57-22-51
FIG. 20
PAGE 19
JAN 20/09

BRI



757

PARTS CATALOG (MAINTENANCE)

FIG ITEM	PART NUMBER	1 2 3 4 5 6 7	NOMENCLATURE	EFFECT FROM TO	UNITS PER ASSY
20 - 445	HL11VAZ8-8		.BOLT- SUPPLIER CODE: V60516 SPECIFICATION NUMBER: BACB30NW8K8 OPTIONAL PART: B30NW8K8 V97928 HL11VAZ8-8 V73197 HL11VAZ8-8 V92215 HL11VAZ8-8 V97928 L803-8K8 V06725 HL11VAZ8-8 VOPTK6 HL11VAZ8-8 V56878 REWORK DRAWING REF: 114N2132-7 114N2132-8	107107 904949	4
- 450	HL79-8		.COLLAR SUPPLIER CODE: V5M902 SPECIFICATION NUMBER: BACC30M8 OPTIONAL PART: HL79-8 V73197 HL79-8 V92215 66014-8 V56878 HL79-8 V56878	107107 904949	4
455	114N2002-3		-----*----- .SHIM-LAMINATED	002004 006102 107999	2
460	114N2046-9		.RIB ASSY-SPRT POSITION DATA: LH SIDE	107107 904949	1
460	114N2046-13		.RIB ASSY-SPRT POSITION DATA: LH SIDE	002004 006102 108903 950999	1

MISSING ITEM NUMBERS NOT APPLICABLE

- ITEM NOT ILLUSTRATED

57-22-51-20

57-22-51
FIG. 20
PAGE 20
JAN 20/09

BRI

 **BOEING**
757
PARTS CATALOG (MAINTENANCE)

FIG ITEM	PART NUMBER	1 2 3 4 5 6 7	NOMENCLATURE	EFFECT FROM TO	UNITS PER ASSY
20					
- 465	114N2046-10	.RIB ASSY-SPRT	POSITION DATA: RH SIDE	107107 904949	1
- 465	114N2046-14	.RIB ASSY-SPRT	POSITION DATA: RH SIDE	002004 006102 108903 950999	1
470	BACB28AP10P066	..BUSHING-		002004 006102 107999	1
475	BACB28AP08P080	..BUSHING		002004 006102 107999	2
480	114N2130-10	..BUSHING		002004 006102 107999	1
485	BACB28AP10P046	..BUSHING-		002004 006102 107999	1
490	114N2047-11	.RIB ASSY-SPRT	POSITION DATA: LH SIDE	107107 904949	1
490	114N2047-15	.RIB ASSY-SPRT	POSITION DATA: LH SIDE	002004 006102 108903 950999	1
- 495	114N2047-12	.RIB ASSY-SPRT	POSITION DATA: RH SIDE	107107 904949	1
- 495	114N2047-16	.RIB ASSY-SPRT	POSITION DATA: RH SIDE	002004 006102 108903 950999	1
500	BACB28AM14B058A	..BUSHING-		002004 006102 107999	1
505	BACB28AM11B072A	..BUSHING-		002004 006102 107999	2
510	114N2130-12	..BUSHING		002004 006102 107999	1
515	BACB28AM14B038A	..BUSHING-		002004 006102 107999	1

MISSING ITEM NUMBERS NOT APPLICABLE

- ITEM NOT ILLUSTRATED

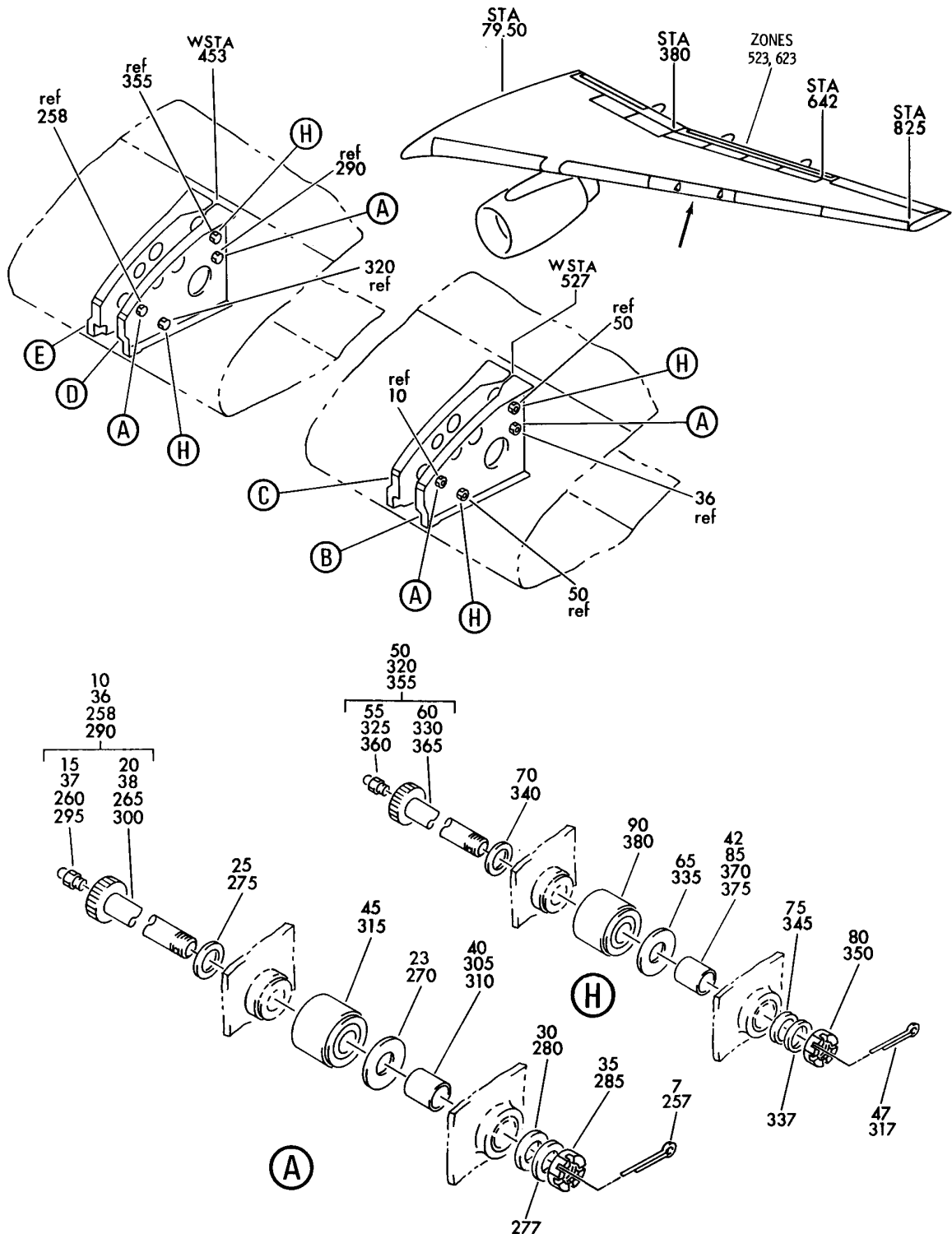
BRI

57-22-51-20

BOEING PROPRIETARY - Copyright © - Unpublished Work - See title page for details.

57-22-51
FIG. 20
PAGE 21
JAN 20/09


BOEING
 757
PARTS CATALOG (MAINTENANCE)



Y 57225125 SHT 1 REV 188

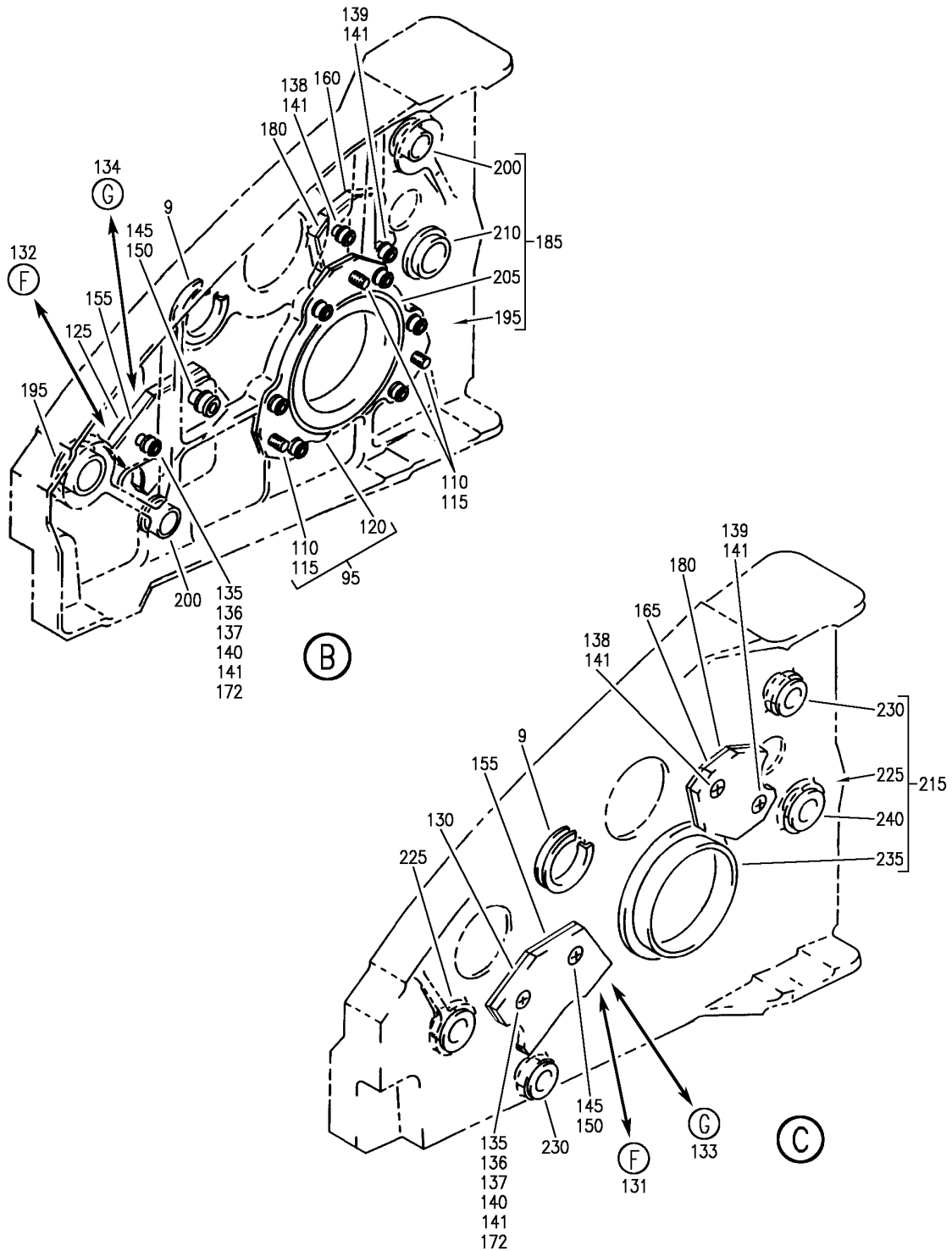
RIB INSTL-MAIN TRACK OUTBD FXD LE SPRT
 FIGURE 25 (SHEET 1)

57-22-51-25

BRI
MAY 28/07

57-22-51-25
 PAGE 0

BOEING 757 PARTS CATALOG (MAINTENANCE)



Y 57225125 SHT 2 REV 290

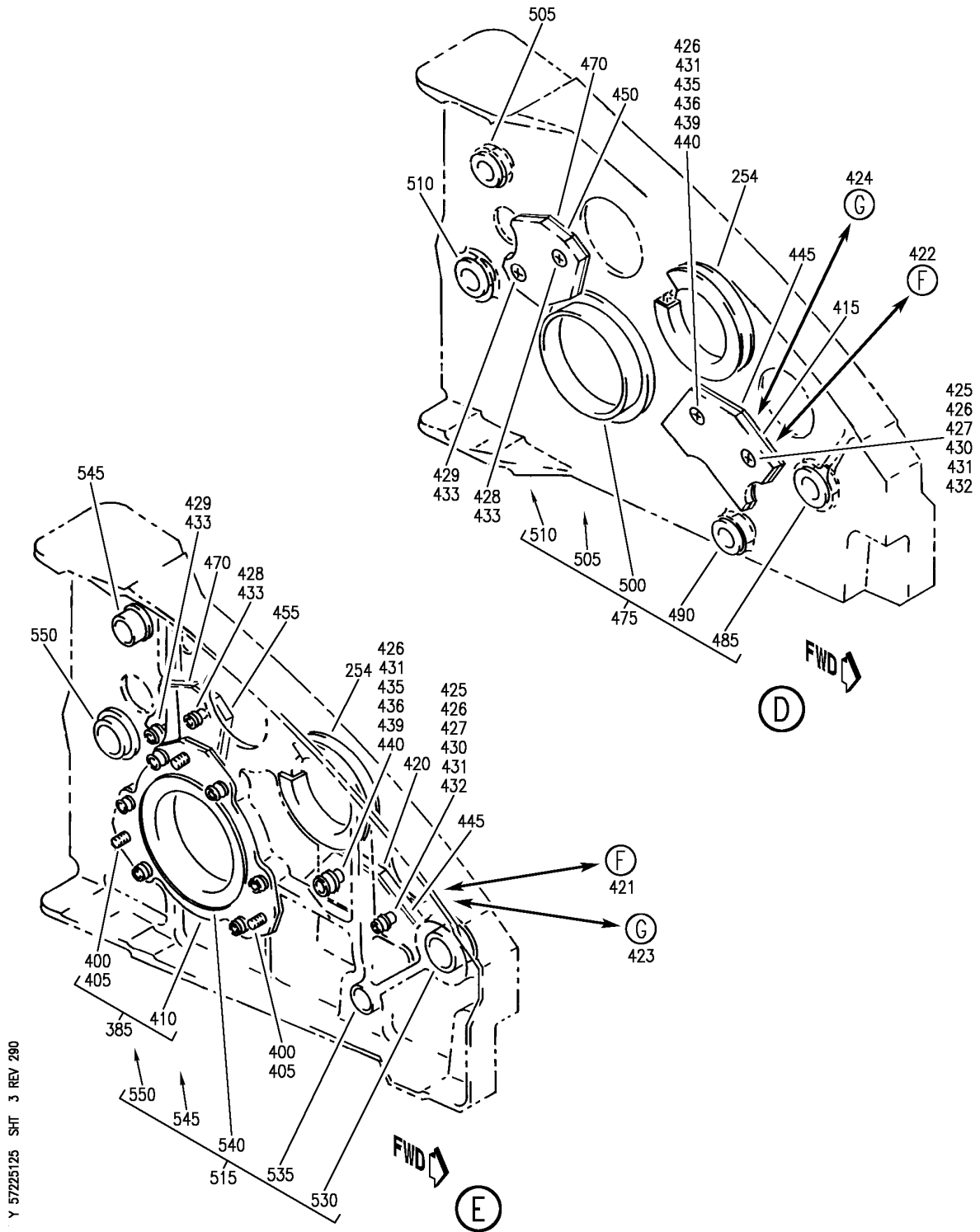
RIB INSTL-MAIN TRACK OUTBD FXD LE SPRT
FIGURE 25 (SHEET 2)

57-22-51-25

BRI
MAY 28/07

57-22-51-25
PAGE 0A

BOEING
757
PARTS CATALOG (MAINTENANCE)



Y 57225125 SH1 3 REV 290

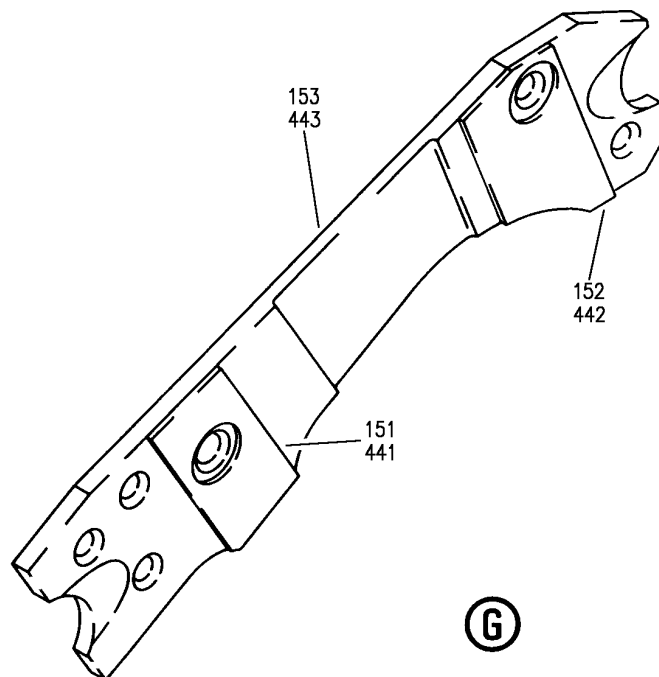
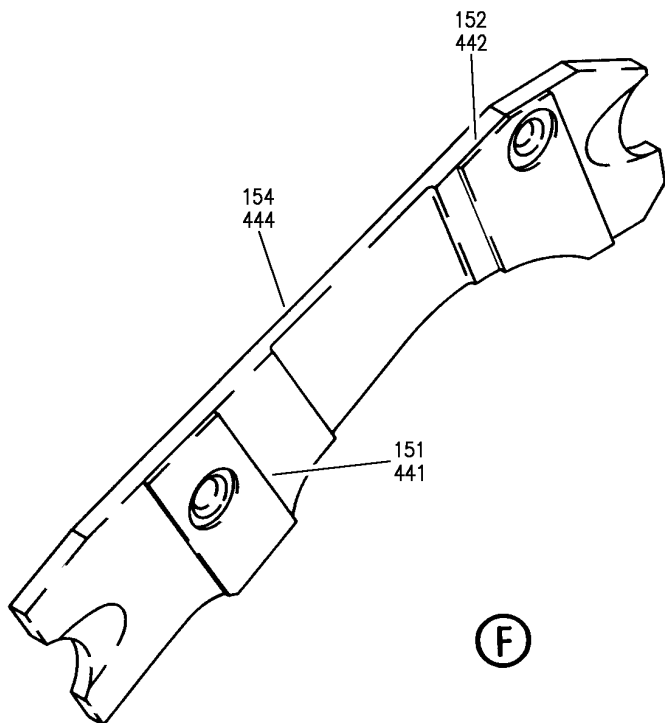
RIB INSTL-MAIN TRACK OUTBD FXD LE SPRT
FIGURE 25 (SHEET 3)

57-22-51-25

BRI
MAY 28/07

57-22-51-25
PAGE 0B

BOEING
757
PARTS CATALOG (MAINTENANCE)



Y 57225125 SH1 4 REV 290

RIB INSTL-MAIN TRACK OUTBD FXD LE SPRT
FIGURE 25 (SHEET 4)

57-22-51-25

BRI
MAY 28/07

57-22-51-25
PAGE 0C



757

PARTS CATALOG (MAINTENANCE)

FIG ITEM	PART NUMBER	1 2 3 4 5 6 7	NOMENCLATURE	EFFECT FROM TO	UNITS PER ASSY
25			RIB INSTL-MAIN TRACK OUTBD FXD LE SPRT	002004 006102 107999	
- 1	114N2006-1		RIB INSTL-MAIN TRACK OSS 542.70 FXD LE SPRT POSITION DATA: OUTBD LH FOR NHA SEE: 57-22-51-50	002004 006100 107107 121503 904999	RF
- 1	114N2006-403		RIB INSTL-MAIN TRACK FXD LE POSITION DATA: OSS 542.70 OUTBD SPRT LH FOR NHA SEE: 57-00-00-10	101102 108120 504903	RF
- 5	114N2006-2		RIB INSTL-MAIN TRACK OSS 542.70 FXD LE SPRT POSITION DATA: OUTBD RH FOR NHA SEE: 57-22-51-50	002004 006100 107107 121503 904999	RF
- 5	114N2006-404		RIB INSTL-MAIN TRACK FXD LE POSITION DATA: OSS 542.70 OUTBD SPRT RH FOR NHA SEE: 57-00-00-10	101102 108120 504903	RF
7	MS24665-374		.PIN	002004 006100 107107 121503 904999	2
7	BACP18BC04A12P		.PIN	101102 108120 504903	2
9	BACG20ZD1275		.GROMMET-	002004 006100 107107 121503 904999	2
9	BACG20ZD001275		.GROMMET	101102 108120 504903	2
10	114N1115-23		.BOLT ASSY-ROLLER SPRT	002004 006102 107999	1
15	MS15000-1		..FITTING	002004 006102 107999	1

MISSING ITEM NUMBERS NOT APPLICABLE

- ITEM NOT ILLUSTRATED

57-22-51-25

57-22-51
FIG. 25
PAGE 1
JAN 20/09

BRI



757

PARTS CATALOG (MAINTENANCE)

FIG ITEM	PART NUMBER	1 2 3 4 5 6 7	NOMENCLATURE	EFFECT FROM TO	UNITS PER ASSY
25					
20	114N1115-24	. .	BOLT	002004 006102 107999	1
23	AN960C1016L	. .	WASHER	002004 006100 107107 121503 904999	2
23	NAS1149C1032R	. .	WASHER	101102 108120 504903	2
25	BACW10BP10CD	. .	WASHER	002004 006102 107999	2
30	BACW10BP10DP	. .	WASHER	002004 006102 107999	2
35	BACN10JD110ASU	. .	NUT	002004 006102 107999	2
36	114N1115-21	. .	BOLT ASSY-ROLLER SPRT	002004 006102 107999	1
37	MS15000-1	. .	FITTING	002004 006102 107999	1
38	114N1115-22	. .	BOLT	002004 006102 107999	1
40	BACB28AK10-076	. .	BUSHING	002004 006102 107999	1
42	BACB28AK10-056	. .	BUSHING	002004 006102 107999	1
45	YAT10B	. .	BEARING SUPPLIER CODE: V07484 SPECIFICATION NUMBER: BACB10EU10 OPTIONAL PART: 10AL2426 V92563 ATL10 V60380	002004 006102 107999	1

MISSING ITEM NUMBERS NOT APPLICABLE

- ITEM NOT ILLUSTRATED

57-22-51-25

57-22-51
FIG. 25
PAGE 2
JAN 20/09

BRI

BOEING PROPRIETARY - Copyright © - Unpublished Work - See title page for details.



757

PARTS CATALOG (MAINTENANCE)

FIG ITEM	PART NUMBER	1 2 3 4 5 6 7	NOMENCLATURE	EFFECT FROM TO	UNITS PER ASSY
25					
47	MS24665-304	.	PIN	002004 006100 107107 121503 904999	2
47	BACP18BC03A10P	.	PIN	101102 108120 504903	2
50	114N1115-19	.	BOLT ASSY-ROLLER SPRT	002004 006102 107999	2
55	MS15000-1	..	FITTING	002004 006102 107999	1
60	114N1115-20	..	BOLT	002004 006102 107999	1
65	AN960C816L	.	WASHER	002004 006100 107107 121503 904999	2
65	NAS1149C0832R	.	WASHER	101102 108120 504903	2
70	BACW10BP8CD	.	WASHER	002004 006102 107999	2
75	BACW10BP8DP	.	WASHER	002004 006102 107999	2
80	BACN10JD108ASU	.	NUT	002004 006102 107999	2
85	BACB28AK08-088	.	BUSHING	002004 006102 107999	2
90	YAT08B	.	BEARING SUPPLIER CODE: V07484 SPECIFICATION NUMBER: BACB10EU08 OPTIONAL PART: 8AL2022 V92563 ATL8 V60380	002004 006102 107999	2

MISSING ITEM NUMBERS NOT APPLICABLE

- ITEM NOT ILLUSTRATED

57-22-51-25

57-22-51
FIG. 25
PAGE 3
JAN 20/09

BRI

BOEING PROPRIETARY - Copyright © - Unpublished Work - See title page for details.



757

PARTS CATALOG (MAINTENANCE)

FIG ITEM	PART NUMBER	1 2 3 4 5 6 7	NOMENCLATURE	EFFECT FROM TO	UNITS PER ASSY
25					
95	114N2064-8		.RING ASSY-ADPTR SLAT ACTR	002004 006102 107999	1
- 100	HL523AZ6-6		ATTACHING PARTS .BOLT		
			SUPPLIER CODE: V56878	002004 006102 107999	6
			SPECIFICATION NUMBER: BACB30NZ6K6		
			OPTIONAL PART: L804-6K6		
			V06725		
			HL523AZ6-6		
			V92215		
			HL523AZ6-6		
			V73197		
			HL523AZ6-6		
			V97928		
			HL523AZ6-6		
			V0PTK6		
			HL523AZ6-6		
			V06725		
			HL523AZ6-6		
			V60516		
- 105	HL79-6		.COLLAR	002004	6
			SUPPLIER CODE: V5M902	006102 107999	
			SPECIFICATION NUMBER: BACC30M6		
			OPTIONAL PART: HL79-6		
			V73197		
			HL79-6		
			V92215		
			66014-6		
			V56878		
			HL79-6		
			V56878		
			-----*-----		
110	6800D048		..RETAINER	002004	3
			SUPPLIER CODE: V80539	006102 107999	
			SPECIFICATION NUMBER: BACR10G43		
115	BACB30NR4K7		..BOLT	002004 006102 107999	3

MISSING ITEM NUMBERS NOT APPLICABLE

- ITEM NOT ILLUSTRATED

BRI

57-22-51-25

BOEING PROPRIETARY - Copyright © - Unpublished Work - See title page for details.

57-22-51
FIG. 25
PAGE 4
JAN 20/09



757

PARTS CATALOG (MAINTENANCE)

FIG ITEM	PART NUMBER	1 2 3 4 5 6 7	NOMENCLATURE	EFFECT FROM TO	UNITS PER ASSY
25					
120	114N2064-7	. .	RING-	002004 006102 107999	1
125	114N2067-1	. FITTING-	STOP	107107 904949	1
130	114N2067-2	. FITTING-	STOP	107107 904949	1
131	114N2158-7	. FITTING ASSY-	STOP REWORK DRAWING REF: 114N2132-9 114N2132-10	002004 006102 108903 950999	1
132	114N2158-8	. FITTING ASSY-	STOP REWORK DRAWING REF: 114N2132-9 114N2132-10	002004 006102 108903 950999	1
133	114N2158-3	. FITTING ASSY-	STOP	002004 006102 108903 950999	1
134	114N2158-4	. FITTING ASSY-	STOP	002004 006102 108903 950999	1
135	HL11VAZ8-8	ATTACHING PARTS . BOLT-	SUPPLIER CODE: V60516 SPECIFICATION NUMBER: BACB30NW8K8 OPTIONAL PART: B30NW8K8 V97928 HL11VAZ8-8 V73197 HL11VAZ8-8 V92215 HL11VAZ8-8 V97928 L803-8K8 V06725 HL11VAZ8-8 VOPTK6 HL11VAZ8-8 V56878 BACB30NW8K8X	002004 006100 107107 121503 904999	2

MISSING ITEM NUMBERS NOT APPLICABLE

- ITEM NOT ILLUSTRATED

57-22-51-25

57-22-51
FIG. 25
PAGE 5
JAN 20/09

BRI



757

PARTS CATALOG (MAINTENANCE)

FIG ITEM	PART NUMBER	1 2 3 4 5 6 7	NOMENCLATURE	EFFECT FROM TO	UNITS PER ASSY
25 135	HL111VAZ8-8	.BOLT	SUPPLIER CODE: V60516 SPECIFICATION NUMBER: BACB30NW8K8X OPTIONAL PART: HL11VAZ8-8X V73197 HL11VAZ8-8X V92215 L803-8K8X V06725 B30NW8K8X V97928 HL11VAZ8-8X V97928 HL11VAZ8-8X VOPTK6 HL11VAZ8-8X V60516	002004 006100 121503 950999	2
135	HL11VAZ8-7	-----*----- .BOLT	SUPPLIER CODE: V56878 SPECIFICATION NUMBER: BACB30NW8K7 OPTIONAL PART: B30NW8K7 V97928 HL11VAZ8-7 V73197 HL11VAZ8-7 V92215 HL11VAZ8-7 V97928 L803-8K7 V06725 HL11VAZ8-7 VOPTK6 HL11VAZ8-7 V60516	101102 108120 504903	2

MISSING ITEM NUMBERS NOT APPLICABLE

- ITEM NOT ILLUSTRATED

BRI

57-22-51-25

BOEING PROPRIETARY - Copyright © - Unpublished Work - See title page for details.

57-22-51
FIG. 25
PAGE 6
JAN 20/09



757

PARTS CATALOG (MAINTENANCE)

FIG ITEM	PART NUMBER	1 2 3 4 5 6 7	NOMENCLATURE	EFFECT FROM TO	UNITS PER ASSY
25			ATTACHING PARTS		
140	HL79-8		.COLLAR SUPPLIER CODE: V5M902 SPECIFICATION NUMBER: BACC30M8 OPTIONAL PART: HL79-8 V73197 HL79-8 V92215 66014-8 V56878 HL79-8 V56878	002004 006102 107999	2
145	HL11VAZ10-8		.BOLT- SUPPLIER CODE: V60516 SPECIFICATION NUMBER: BACB30NW10K8 OPTIONAL PART: B30NW10K8 V97928 HL11VAZ10-8 V73197 HL11VAZ10-8 V92215 HL11VAZ10-8 V97928 L803-10K8 V06725 HL11VAZ10-8 VOPTK6 HL11VAZ10-8 V56878 BACB30NW10K8X	002004 006100 107107 121503 904999	2

MISSING ITEM NUMBERS NOT APPLICABLE

- ITEM NOT ILLUSTRATED

BRI

57-22-51-25

BOEING PROPRIETARY - Copyright © - Unpublished Work - See title page for details.

57-22-51
FIG. 25
PAGE 7
JAN 20/09



757

PARTS CATALOG (MAINTENANCE)

FIG ITEM	PART NUMBER	1 2 3 4 5 6 7	NOMENCLATURE	EFFECT FROM TO	UNITS PER ASSY
25 145	HL111VAZ10-8	.BOLT	SUPPLIER CODE: V60516 SPECIFICATION NUMBER: BACB30NW10K8X OPTIONAL PART: HL11VAZ10-8X V73197 HL11VAZ10-8X V92215 L803-10K8X V06725 B30NW10K8X V97928 HL11VAZ10-8X V97928 HL11VAZ10-8X VOPTK6 HL11VAZ10-8X V60516 HL11VAZ10-8X V56878	002004 006100 121503 950999	2
145	HL11VAZ10-7	-----*----- .BOLT	SUPPLIER CODE: V60516 SPECIFICATION NUMBER: BACB30NW10K7 OPTIONAL PART: B30NW10K7 V97928 HL11VAZ10-7 V73197 HL11VAZ10-7 V92215 HL11VAZ10-7 V97928 L803-10K7 V06725 HL11VAZ10-7 VOPTK6 HL11VAZ10-7 V56878	101102 108120 504903	2

MISSING ITEM NUMBERS NOT APPLICABLE

- ITEM NOT ILLUSTRATED

BRI

57-22-51-25

BOEING PROPRIETARY - Copyright © - Unpublished Work - See title page for details.

57-22-51
FIG. 25
PAGE 8
JAN 20/09



757

PARTS CATALOG (MAINTENANCE)

FIG ITEM	PART NUMBER	1 2 3 4 5 6 7	NOMENCLATURE	EFFECT FROM TO	UNITS PER ASSY
25			ATTACHING PARTS		
150	HL79-10		. COLLAR SUPPLIER CODE: V5M902 SPECIFICATION NUMBER: BACC30M10 OPTIONAL PART: HL79-10 V73197 HL79-10 V92215 66014-10 V56878 HL79-10 V56878 -----*-----	002004 006102 107999	2
151	114N2159-1		.. STOP-RUBBING BLOCK SLAT	002004 006102 108903 950999	1
152	114N2159-2		.. STOP-RUBBING BLOCK SLAT	002004 006102 108903 950999	1
153	114N2158-12		.. FITTING- USED ON: 114N2158-4	002004 006102 108903 950999	1
153	114N2158-11		.. FITTING- USED ON: 114N2158-3	002004 006102 108903 950999	1
154	114N2158-15		.. FITTING- USED ON: 114N2158-7	002004 006102 108903 950999	1
154	114N2158-16		.. FITTING- USED ON: 114N2158-8	002004 006102 108903 950999	1
155	114N2002-4		. SHIM-LAMINATED	002004 006102 107999	2
160	114N2067-7		. FITTING-STOP	107107 904949	1
165	114N2067-8		. FITTING-STOP	107107 904949	1

MISSING ITEM NUMBERS NOT APPLICABLE

- ITEM NOT ILLUSTRATED

57-22-51-25

57-22-51
FIG. 25
PAGE 9
JAN 20/09

BRI

 **BOEING**
757
PARTS CATALOG (MAINTENANCE)

FIG ITEM	PART NUMBER	1 2 3 4 5 6 7	NOMENCLATURE	EFFECT FROM TO	UNITS PER ASSY
25			ATTACHING PARTS		
- 170	HL11VAZ8-8		.BOLT- SUPPLIER CODE: V60516 SPECIFICATION NUMBER: BACB30NW8K8 OPTIONAL PART: B30NW8K8 V97928 HL11VAZ8-8 V73197 HL11VAZ8-8 V92215 HL11VAZ8-8 V97928 L803-8K8 V06725 HL11VAZ8-8 VOPTK6 HL11VAZ8-8 V56878	107107 904949	4
- 170	BACB30NW8K		.BOLT- SIZE DETERMINED ON INSTL. REWORK DRAWING REF: 114N2132-9 114N2132-10	002004 006102 108903 950999	4
			-----*-----		
172	HL11VAZ8-9		.BOLT SUPPLIER CODE: V56878 SPECIFICATION NUMBER: BACB30NW8K9 OPTIONAL PART: B30NW8K9 V97928 HL11VAZ8-9 V73197 HL11VAZ8-9 V92215 HL11VAZ8-9 V97928 L803-8K9 V06725 HL11VAZ8-9 VOPTK6 HL11VAZ8-9 V60516	101102 108120 504903	2

MISSING ITEM NUMBERS NOT APPLICABLE

- ITEM NOT ILLUSTRATED

BRI

57-22-51-25

BOEING PROPRIETARY - Copyright © - Unpublished Work - See title page for details.

57-22-51
FIG. 25
PAGE 10
JAN 20/09



757

PARTS CATALOG (MAINTENANCE)

FIG ITEM	PART NUMBER	1 2 3 4 5 6 7	NOMENCLATURE	EFFECT FROM TO	UNITS PER ASSY
25			ATTACHING PARTS		
- 175	HL79-8		.COLLAR SUPPLIER CODE: V5M902 SPECIFICATION NUMBER: BACC30M8 OPTIONAL PART: HL79-8 V73197 HL79-8 V92215 66014-8 V56878 HL79-8 V56878 -----*-----	002004 006102 107999	4
180	114N2002-3		.SHIM-LAMINATED	002004 006102 107999	2
185	114N2048-11		.RIB ASSY-SPRT POSITION DATA: LH SIDE	107107 904949	1
185	114N2048-15		.RIB ASSY-SPRT POSITION DATA: LH SIDE	002004 006102 108903 950999	1
- 190	114N2048-12		.RIB ASSY-SPRT POSITION DATA: RH SIDE	107107 904949	1
- 190	114N2048-16		.RIB ASSY-SPRT POSITION DATA: RH SIDE	002004 006102 108903 950999	1
195	BACB28AM14B058A		..BUSHING-	002004 006102 107999	1
200	BACB28AM11B072A		..BUSHING-	002004 006102 107999	2
205	114N2130-12		..BUSHING	002004 006102 107999	1
210	BACB28AM14B038A		..BUSHING-	002004 006102 107999	1
215	114N2049-9		.RIB ASSY-SPRT POSITION DATA: LH SIDE	107107 904949	1

MISSING ITEM NUMBERS NOT APPLICABLE

- ITEM NOT ILLUSTRATED

57-22-51-25

57-22-51
FIG. 25
PAGE 11
JAN 20/09

BRI



757

PARTS CATALOG (MAINTENANCE)

FIG ITEM	PART NUMBER	1 2 3 4 5 6 7	NOMENCLATURE	EFFECT FROM TO	UNITS PER ASSY
25					
215	114N2049-13	.RIB ASSY-SPRT	POSITION DATA: LH SIDE	002004 006102 108903 950999	1
- 220	114N2049-10	.RIB ASSY-SPRT	POSITION DATA: RH SIDE	107107 904949	1
- 220	114N2049-14	.RIB ASSY-SPRT	POSITION DATA: RH SIDE	002004 006102 108903 950999	1
225	BACB28AP10P066	..BUSHING-		002004 006102 107999	1
230	BACB28AP08P080	..BUSHING-		002004 006102 107999	2
235	114N2130-12	..BUSHING		002004 006100 107107 121503 904999	1
240	BACB28AP10P046	..BUSHING-		002004 006102 107999	1
- 245	114N2007-1	RIB INSTL-MAIN TRACK OSS	471.30 FXD LE SPRT POSITION DATA: OUTBD LH FOR NHA SEE: 57-22-51-50	002004 006100 107107 121503 904999	RF
- 245	114N2007-403	RIB INSTL-MAIN TRACK FXD LE	POSITION DATA: OSS 471.30 OUTBD SPRT LH FOR NHA SEE: 57-00-00-10	101102 108120 504903	RF
- 250	114N2007-2	RIB INSTL-MAIN TRACK OSS	471.30 FXD LE SPRT POSITION DATA: OUTBD RH FOR NHA SEE: 57-22-51-50	002004 006100 107107 121503 904999	RF
- 250	114N2007-404	RIB INSTL-MAIN TRACK FXD LE	POSITION DATA: OSS 471.30 OUTBD SPRT RH FOR NHA SEE: 57-00-00-10	101102 108120 504903	RF

MISSING ITEM NUMBERS NOT APPLICABLE

- ITEM NOT ILLUSTRATED

BRI

57-22-51-25

57-22-51
FIG. 25
PAGE 12
JAN 20/09



757

PARTS CATALOG (MAINTENANCE)

FIG ITEM	PART NUMBER	1 2 3 4 5 6 7	NOMENCLATURE	EFFECT FROM TO	UNITS PER ASSY
25					
254	BACG20ZE1275	.	GROMMET- POSITION DATA: LH SIDE	002004 006100 107107 121503 904999	2
- 256	BACG20ZE1275	.	GROMMET- POSITION DATA: RH SIDE	002004 006014 107107 121503 904999	2
257	MS24665-374	.	PIN	002004 006100 107107 121503 904999	2
258	114N1115-23	.	BOLT ASSY-ROLLER SPRT	002004 006102 107999	1
260	MS15000-1	..	FITTING	002004 006102 107999	1
265	114N1115-24	..	BOLT	002004 006102 107999	1
270	NAS1149C1032R	.	WASHER-	002004 006102 107999	2
275	BACW10BP10CD	.	WASHER	002004 006102 107999	2
277	NAS1149C1032R	.	WASHER	101102 108120 504903	2
280	BACW10BP10DP	.	WASHER-	002004 006102 107999	2
285	BACN10JD110ASU	.	NUT	002004 006102 107999	2
290	114N1115-21	.	BOLT ASSY	002004 006102 107999	1
295	MS15000-1	..	FITTING	002004 006102 107999	1
300	114N1115-22	..	BOLT	002004 006102 107999	1

MISSING ITEM NUMBERS NOT APPLICABLE

- ITEM NOT ILLUSTRATED

57-22-51-25

57-22-51
FIG. 25
PAGE 13
JAN 20/09

BRI



757

PARTS CATALOG (MAINTENANCE)

FIG ITEM	PART NUMBER	1 2 3 4 5 6 7	NOMENCLATURE	EFFECT FROM TO	UNITS PER ASSY
25					
305	BACB28AK10-062	.	BUSHING	002004 006102 107999	1
310	BACB28AK10-076	.	BUSHING	002004 006102 107999	1
315	YAT10B	.	BEARING SUPPLIER CODE: V07484 SPECIFICATION NUMBER: BACB10EU10 OPTIONAL PART: 10AL2426 V92563 ATL10 V60380	002004 006102 107999	2
317	MS24665-304	.	PIN	002004 006100 107107 121503 904999	2
320	114N1115-19	.	BOLT ASSY-ROLLER SPRT	002004 006102 107999	1
325	MS15000-1	..	FITTING	002004 006102 107999	1
330	114N1115-20	..	BOLT	002004 006102 107999	1
335	NAS1149C0832R	.	WASHER-	002004 006102 107999	2
337	NAS1149C0832R	.	WASHER	101102 108120 504903	2
340	BACW10BP8CD	.	WASHER	002004 006102 107999	2
345	BACW10BP8DP	.	WASHER	002004 006102 107999	2
350	BACN10JD108ASU	.	NUT	002004 006102 107999	2
355	114N1115-17	.	BOLT ASSY	002004 006102 107999	1

MISSING ITEM NUMBERS NOT APPLICABLE

- ITEM NOT ILLUSTRATED

BRI

57-22-51-25

BOEING PROPRIETARY - Copyright © - Unpublished Work - See title page for details.

57-22-51
FIG. 25
PAGE 14
JAN 20/09



757

PARTS CATALOG (MAINTENANCE)

FIG ITEM	PART NUMBER	1 2 3 4 5 6 7	NOMENCLATURE	EFFECT FROM TO	UNITS PER ASSY
25					
360	MS15000-1	..	FITTING	002004 006102 107999	1
365	114N1115-18	..	BOLT	002004 006102 107999	1
370	BACB28AK08-088	.	BUSHING	002004 006102 107999	1
375	BACB28AK08-072	.	BUSHING	002004 006102 107999	1
380	YAT08B	.	BEARING SUPPLIER CODE: V07484 SPECIFICATION NUMBER: BACB10EU08 OPTIONAL PART: 8AL2022 V92563 ATL8 V60380	002004 006102 107999	1
385	114N2064-12	.	RING ASSY-ADPTR SLAT ACTR	002004 006102 107999	1
- 390	HL523AZ6-10	.	ATTACHING PARTS BOLT SUPPLIER CODE: V73197 SPECIFICATION NUMBER: BACB30NZ6K10 OPTIONAL PART: HL523AZ6-10 V06725 L804-6K10 V06725 HL523AZ6-10 V60516 HL523AZ6-10 V56878 HL523AZ6-10 V92215 HL523AZ6-10 V97928	002004 006102 107999	6

MISSING ITEM NUMBERS NOT APPLICABLE

- ITEM NOT ILLUSTRATED

BRI

57-22-51-25

BOEING PROPRIETARY - Copyright © - Unpublished Work - See title page for details.

57-22-51
FIG. 25
PAGE 15
JAN 20/09



757

PARTS CATALOG (MAINTENANCE)

FIG ITEM	PART NUMBER	1 2 3 4 5 6 7	NOMENCLATURE	EFFECT FROM TO	UNITS PER ASSY
25 - 395	HL79-6	.	COLLAR SUPPLIER CODE: V5M902 SPECIFICATION NUMBER: BACC30M6 OPTIONAL PART: HL79-6 V73197 HL79-6 V92215 66014-6 V56878 HL79-6 V56878 -----*-----	002004 006102 107999	6
400	6800D048	..	RETAINER SUPPLIER CODE: V80539 SPECIFICATION NUMBER: BACR10G43	002004 006102 107999	3
405	BACB30NR4K7	..	BOLT	002004 006102 107999	3
410	114N2064-11	..	RING-	002004 006102 107999	1
415	114N2067-1	.	FITTING-STOP	107107 904949	1
420	114N2067-2	.	FITTING-STOP	107107 904949	1
421	114N2158-7	.	FITTING ASSY-STOP REWORK DRAWING REF: 114N2132-11 114N2132-12	002004 006102 108903 950999	1
422	114N2158-8	.	FITTING ASSY-STOP REWORK DRAWING REF: 114N2132-11 114N2132-12	002004 006102 108903 950999	1
423	114N2158-3	.	FITTING ASSY-STOP	002004 006102 108903 950999	1
424	114N2158-4	.	FITTING ASSY-STOP	002004 006102 108903 950999	1

MISSING ITEM NUMBERS NOT APPLICABLE

- ITEM NOT ILLUSTRATED

57-22-51-25

57-22-51
FIG. 25
PAGE 16
JAN 20/09

BRI



757

PARTS CATALOG (MAINTENANCE)

FIG ITEM	PART NUMBER	1 2 3 4 5 6 7	NOMENCLATURE	EFFECT FROM TO	UNITS PER ASSY
25			ATTACHING PARTS		
425	HL11VAZ8-8		.BOLT- SUPPLIER CODE: V60516 SPECIFICATION NUMBER: BACB30NW8K8 OPTIONAL PART: B30NW8K8 V97928 HL11VAZ8-8 V73197 HL11VAZ8-8 V92215 HL11VAZ8-8 V97928 L803-8K8 V06725 HL11VAZ8-8 VOPTK6 HL11VAZ8-8 V56878 BACB30NW8K8X	002004 006102 107999	2
425	HL111VAZ8-8		.BOLT SUPPLIER CODE: V60516 SPECIFICATION NUMBER: BACB30NW8K8X OPTIONAL PART: HL11VAZ8-8X V73197 HL11VAZ8-8X V92215 L803-8K8X V06725 B30NW8K8X V97928 HL11VAZ8-8X V97928 HL11VAZ8-8X VOPTK6 HL11VAZ8-8X V60516	002004 006100 121503 950999	2

MISSING ITEM NUMBERS NOT APPLICABLE

- ITEM NOT ILLUSTRATED

BRI

57-22-51-25

BOEING PROPRIETARY - Copyright © - Unpublished Work - See title page for details.

57-22-51
FIG. 25
PAGE 17
JAN 20/09



757

PARTS CATALOG (MAINTENANCE)

FIG ITEM	PART NUMBER	1 2 3 4 5 6 7	NOMENCLATURE	EFFECT FROM TO	UNITS PER ASSY
25 430	HL79-8		.COLLAR SUPPLIER CODE: V5M902 SPECIFICATION NUMBER: BACC30M8 OPTIONAL PART: HL79-8 V73197 HL79-8 V92215 66014-8 V56878 HL79-8 V56878	002004 006102 107999	2
435	HL11VAZ10-8		.BOLT- SUPPLIER CODE: V60516 SPECIFICATION NUMBER: BACB30NW10K8 OPTIONAL PART: B30NW10K8 V97928 HL11VAZ10-8 V73197 HL11VAZ10-8 V92215 HL11VAZ10-8 V97928 L803-10K8 V06725 HL11VAZ10-8 VOPTK6 HL11VAZ10-8 V56878 BACB30NW10K8X	002004 006102 107999	2

MISSING ITEM NUMBERS NOT APPLICABLE

- ITEM NOT ILLUSTRATED

BRI

57-22-51-25

BOEING PROPRIETARY - Copyright © - Unpublished Work - See title page for details.

57-22-51
FIG. 25
PAGE 18
JAN 20/09



757

PARTS CATALOG (MAINTENANCE)

FIG ITEM	PART NUMBER	1 2 3 4 5 6 7	NOMENCLATURE	EFFECT FROM TO	UNITS PER ASSY
25 435	HL111VAZ10-8	.BOLT	SUPPLIER CODE: V60516 SPECIFICATION NUMBER: BACB30NW10K8X OPTIONAL PART: HL11VAZ10-8X V73197 HL11VAZ10-8X V92215 L803-10K8X V06725 B30NW10K8X V97928 HL11VAZ10-8X V97928 HL11VAZ10-8X VOPTK6 HL11VAZ10-8X V60516 HL11VAZ10-8X V56878	002004 006100 121503 950999	2
440	HL79-10	.COLLAR	SUPPLIER CODE: V5M902 SPECIFICATION NUMBER: BACC30M10 OPTIONAL PART: HL79-10 V73197 HL79-10 V92215 66014-10 V56878 HL79-10 V56878	002004 006102 107999	2
441	114N2159-1	-----*----- ..STOP-RUBBING BLOCK SLAT		002004 006102 108903 950999	1
442	114N2159-2	..STOP-RUBBING BLOCK SLAT		002004 006102 108903 950999	1
443	114N2158-12	..FITTING- USED ON: 114N2158-4		002004 006102 108903 950999	1

MISSING ITEM NUMBERS NOT APPLICABLE

- ITEM NOT ILLUSTRATED

57-22-51-25

57-22-51
FIG. 25
PAGE 19
JAN 20/09

BRI



757

PARTS CATALOG (MAINTENANCE)

FIG ITEM	PART NUMBER	1 2 3 4 5 6 7	NOMENCLATURE	EFFECT FROM TO	UNITS PER ASSY
25					
443	114N2158-11	..	FITTING- USED ON: 114N2158-3	002004 006102 108903 950999	1
444	114N2158-15	..	FITTING- USED ON: 114N2158-7	002004 006102 108903 950999	1
444	114N2158-16	..	FITTING- USED ON: 114N2158-8	002004 006102 108903 950999	1
445	114N2002-4	.	SHIM-LAMINATED	002004 006102 107999	2
450	114N2067-7	.	FITTING-STOP	107107 904949	1
455	114N2067-8	.	FITTING-STOP	107107 904949	1
- 460	HL11VAZ8-9		ATTACHING PARTS .BOLT- SUPPLIER CODE: V56878 SPECIFICATION NUMBER: BACB30NW8K9 OPTIONAL PART: B30NW8K9 V97928 HL11VAZ8-9 V73197 HL11VAZ8-9 V92215 HL11VAZ8-9 V97928 L803-8K9 V06725 HL11VAZ8-9 VOPTK6 HL11VAZ8-9 V60516	107107 904949	4
- 460	BACB30NW8K	.	BOLT- SIZE DETERMINED ON INSTL. REWORK DRAWING REF: 114N2132-11 114N2132-12	002004 006100 121503 950999	4

MISSING ITEM NUMBERS NOT APPLICABLE

- ITEM NOT ILLUSTRATED

BRI

57-22-51-25

BOEING PROPRIETARY - Copyright © - Unpublished Work - See title page for details.

57-22-51
FIG. 25
PAGE 20
JAN 20/09

 **BOEING**
757
PARTS CATALOG (MAINTENANCE)

FIG ITEM	PART NUMBER	1 2 3 4 5 6 7	NOMENCLATURE	EFFECT FROM TO	UNITS PER ASSY
25 - 465	HL79-8		.COLLAR SUPPLIER CODE: V5M902 SPECIFICATION NUMBER: BACC30M8 OPTIONAL PART: HL79-8 V73197 HL79-8 V92215 66014-8 V56878 HL79-8 V56878 -----*-----	002004 006100 107107 121503 904999	4
470	114N2002-3		.SHIM-LAMINATED	002004 006102 107999	2
475	114N2050-9		.RIB ASSY-SPRT POSITION DATA: LH SIDE	107107 904949	1
475	114N2050-13		.RIB ASSY-SPRT POSITION DATA: LH SIDE	002004 006102 108903 950999	1
- 480	114N2050-10		.RIB ASSY-SPRT POSITION DATA: RH SIDE	107107 904949	1
- 480	114N2050-14		.RIB ASSY-SPRT POSITION DATA: RH SIDE	002004 006102 108903 950999	1
485	BACB28AP10P066		..BUSHING-	002004 006102 107999	1
490	BACB28AP08P080		..BUSHING-	002004 006102 107999	1
500	114N2130-10		..BUSHING	002004 006102 107999	1
505	BACB28AP08P060		..BUSHING	002004 006102 107999	1
510	BACB28AP10P046		..BUSHING	002004 006102 107999	1

MISSING ITEM NUMBERS NOT APPLICABLE

- ITEM NOT ILLUSTRATED

BRI

57-22-51-25

BOEING PROPRIETARY - Copyright © - Unpublished Work - See title page for details.

57-22-51
FIG. 25
PAGE 21
JAN 20/09



757

PARTS CATALOG (MAINTENANCE)

FIG ITEM	PART NUMBER	1 2 3 4 5 6 7	NOMENCLATURE	EFFECT FROM TO	UNITS PER ASSY
25					
515	114N2051-11	.RIB ASSY-SPRT		107107	1
		POSITION DATA:		904949	
		LH SIDE			
515	114N2051-15	.RIB ASSY-SPRT		002004	1
		POSITION DATA:		006102	
		LH SIDE		108903	
				950999	
- 520	114N2051-12	.RIB ASSY-SPRT		107107	1
		POSITION DATA:		904949	
		RH SIDE			
- 520	114N2051-16	.RIB ASSY-SPRT		002004	1
		POSITION DATA:		006102	
		RH SIDE		108903	
				950999	
530	BACB28AM14B058A	..BUSHING-		002004	1
				006102	
				107999	
535	BACB28AM11B072A	..BUSHING-		002004	1
				006102	
				107999	
540	114N2130-12	..BUSHING		002004	1
				006102	
				107999	
545	BACB28AM11B052A	..BUSHING-		002004	1
				006102	
				107999	
550	BACB28AM14B038A	..BUSHING-		002004	1
				006102	
				107999	

MISSING ITEM NUMBERS NOT APPLICABLE

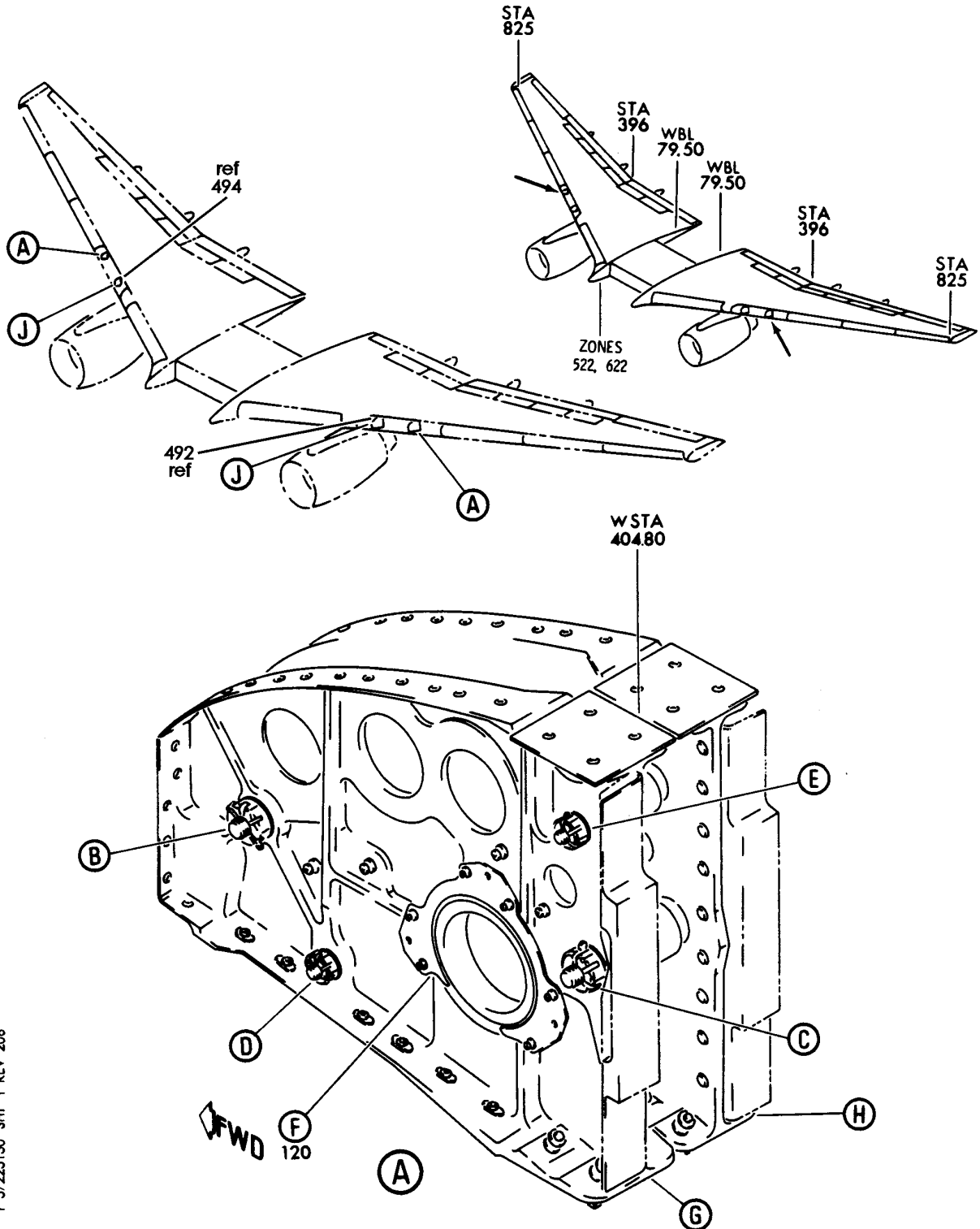
- ITEM NOT ILLUSTRATED

57-22-51-25

57-22-51
FIG. 25
PAGE 22
JAN 20/09

BRI

BOEING
757
PARTS CATALOG (MAINTENANCE)



Y 57225130 SHT 1 REV 206

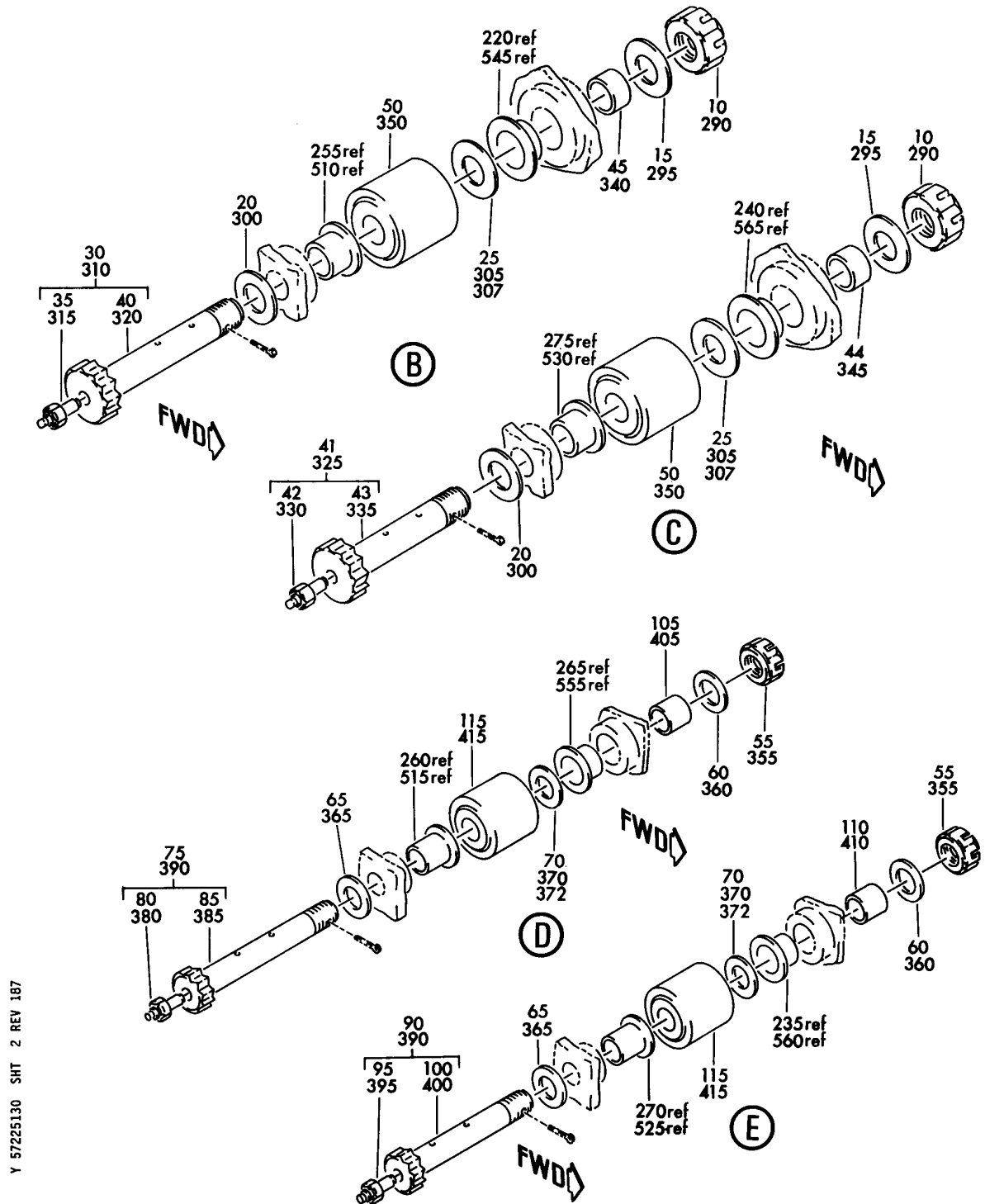
RIB INSTL-MAIN TRACK OUTBD FXD LE SPRT
FIGURE 30 (SHEET 1)

57-22-51-30

BRI
MAY 28/07

57-22-51-30
PAGE 0

BOEING
757
PARTS CATALOG (MAINTENANCE)



Y 57225130 SHT 2 REV 187

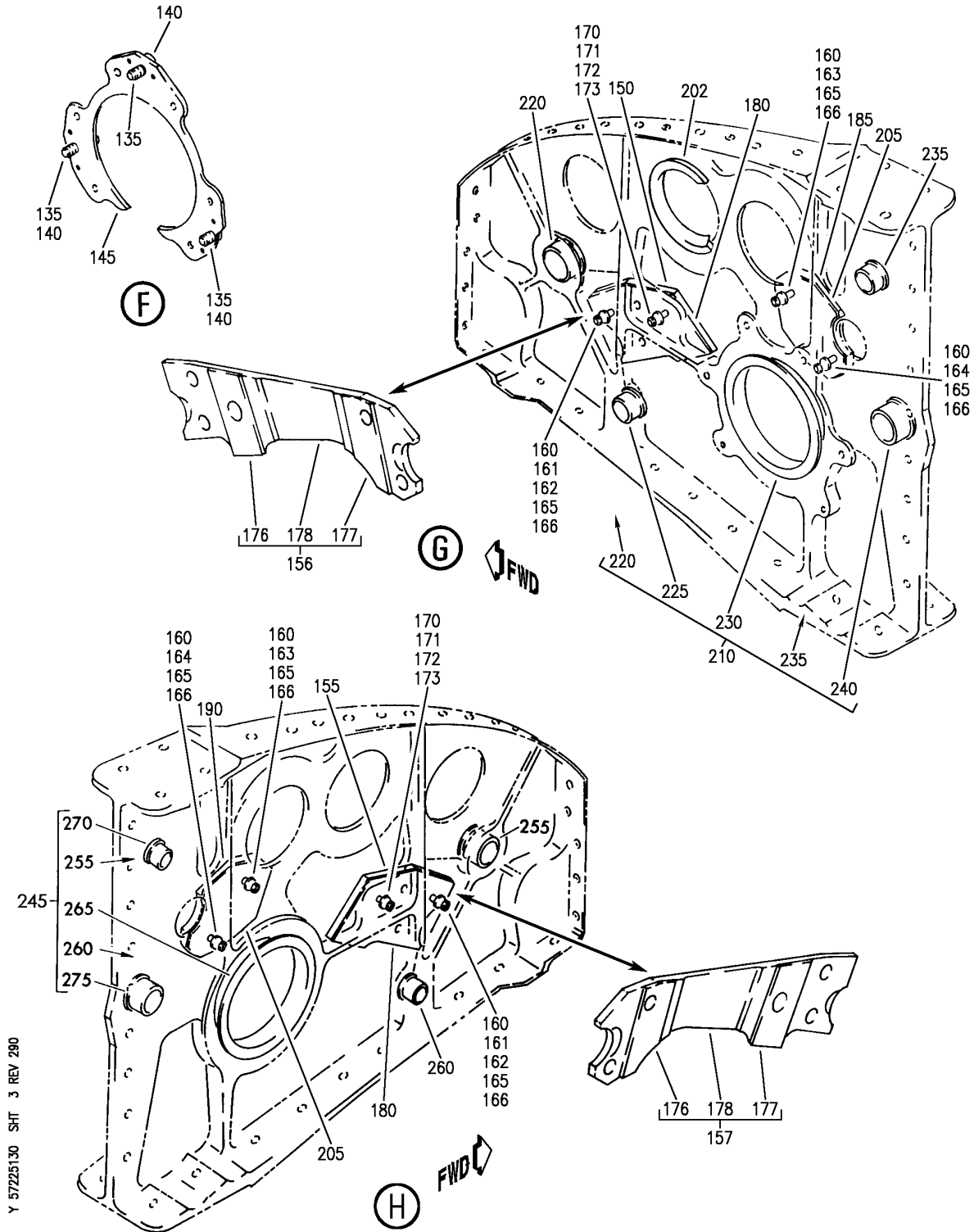
RIB INSTL-MAIN TRACK OUTBD FXD LE SPRT
FIGURE 30 (SHEET 2)

57-22-51-30

BRI
MAY 28/07

57-22-51-30
PAGE 0A

BOEING
757
PARTS CATALOG (MAINTENANCE)



Y 57225130 SH1 3 REV 290

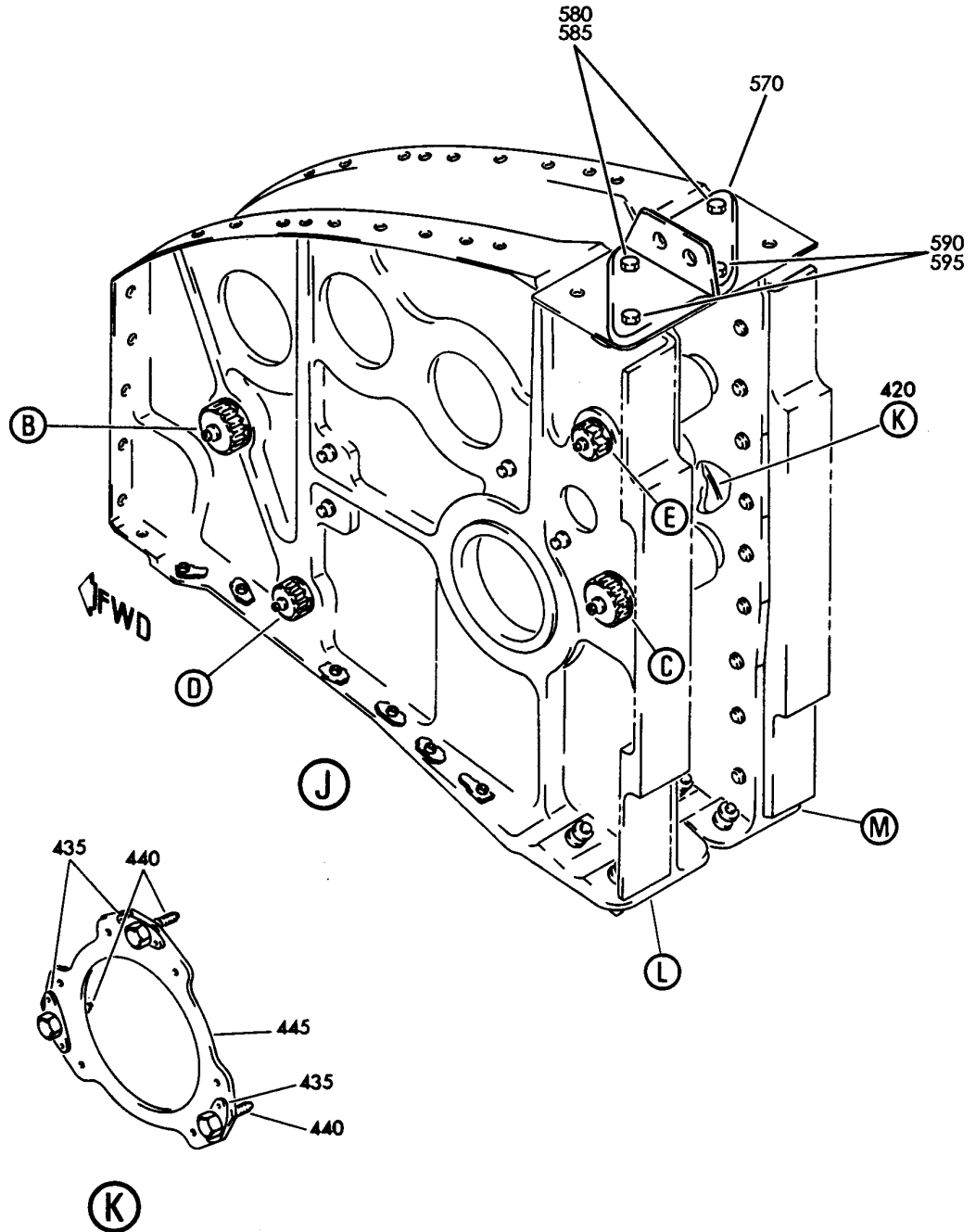
RIB INSTL-MAIN TRACK OUTBD FXD LE SPRT
FIGURE 30 (SHEET 3)

57-22-51-30

BRI
MAY 28/07

57-22-51-30
PAGE 0B

BOEING
757
PARTS CATALOG (MAINTENANCE)



Y 57225130 SHT 4 REV 206

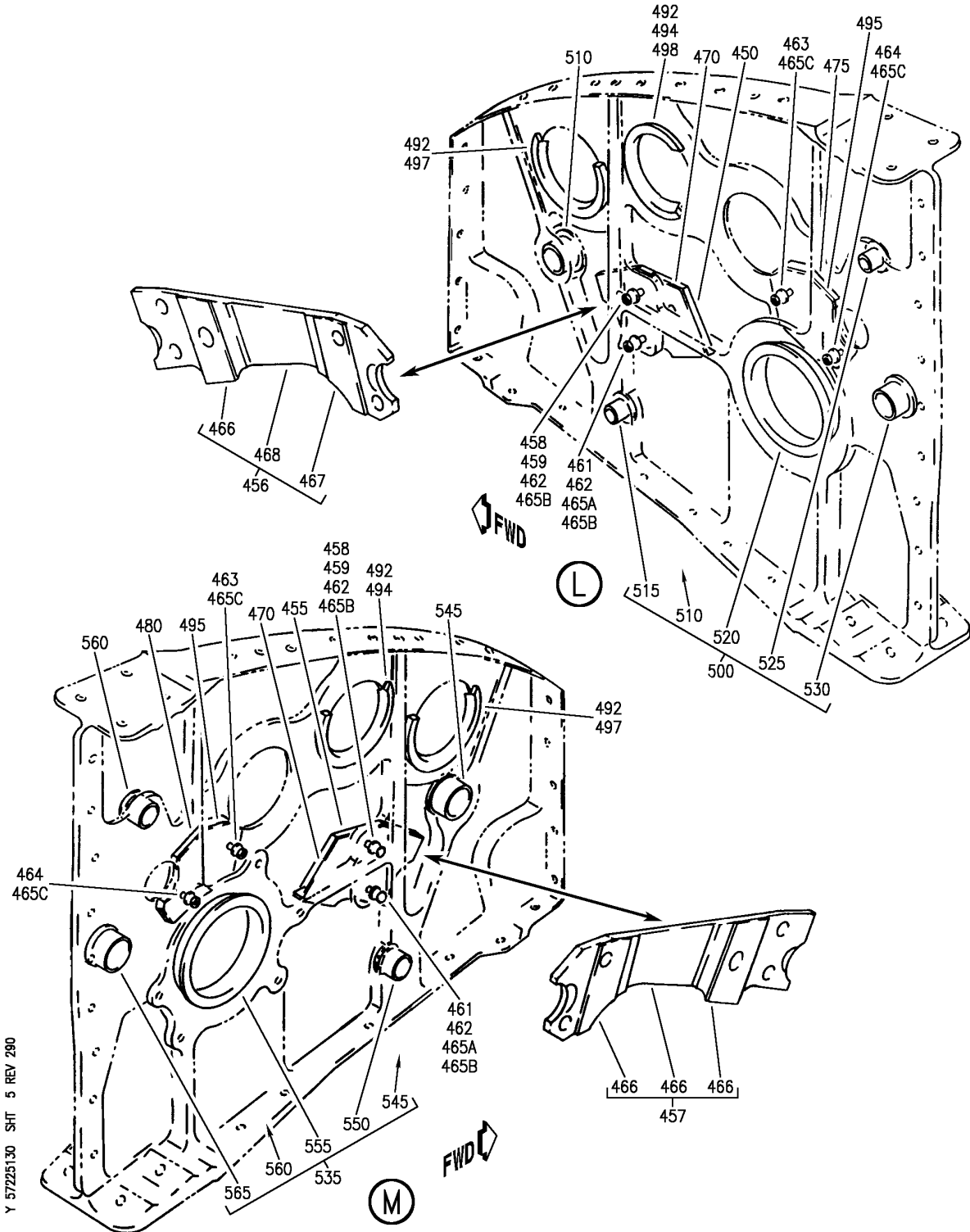
RIB INSTL-MAIN TRACK OUTBD FXD LE SPRT
FIGURE 30 (SHEET 4)

57-22-51-30

BRI
MAY 28/07

57-22-51-30
PAGE 0C

BOEING
757
PARTS CATALOG (MAINTENANCE)



Y 57225130 SH1 5 REV 290

RIB INSTL-MAIN TRACK OUTBD FXD LE SPRT
FIGURE 30 (SHEET 5)

57-22-51-30

BRI
MAY 28/07

57-22-51-30
PAGE 0D



757

PARTS CATALOG (MAINTENANCE)

FIG ITEM	PART NUMBER	1 2 3 4 5 6 7	NOMENCLATURE	EFFECT FROM TO	UNITS PER ASSY
30			RIB INSTL-MAIN TRACK OUTBD FXD LE SPRT	002004 006999	
- 1	114N2008-1		RIB INSTL-MAIN TRACK FXD LE SPRT POSITION DATA: OSS 404.80 OUTBD LH FOR NHA SEE: 57-22-51-50	002004 006100 107107 121503 904999	RF
- 1	114N2008-403		RIB INSTL-MAIN TRACK FXD LE SPRT POSITION DATA: OSS 404.80 OUTBD LH FOR NHA SEE: 57-00-00-10	101102 108120 504903	RF
- 5	114N2008-2		RIB INSTL-MAIN TRACK FXD LE SPRT POSITION DATA: OSS 404.80 OUTBD RH FOR NHA SEE: 57-22-51-50	002004 006100 107107 121503 904999	RF
- 5	114N2008-404		RIB INSTL-MAIN TRACK FXD LE SPRT POSITION DATA: OSS 404.80 OUTBD RH FOR NHA SEE: 57-00-00-10	101102 108120 504903	RF
10	BACN10JD110ASU		.NUT	002004 006102 107999	2
15	BACW10BP10DP		.WASHER	002004 006102 107999	2
20	BACW10BP10CD		.WASHER	002004 006102 107999	2
25	AN960C1016L		.WASHER	002004 006102 107999	2
30	114N1115-23		.BOLT ASSY-ROLLER SPRT	002004 006102 107999	1
35	MS15001-1		..FITTING-	002004 006102 107999	1
40	114N1115-24		..BOLT	002004 006102 107999	1

MISSING ITEM NUMBERS NOT APPLICABLE

- ITEM NOT ILLUSTRATED

57-22-51-30

57-22-51
FIG. 30
PAGE 1
JAN 20/09

BRI

 **BOEING**
757
PARTS CATALOG (MAINTENANCE)

FIG ITEM	PART NUMBER	1 2 3 4 5 6 7	NOMENCLATURE	EFFECT FROM TO	UNITS PER ASSY
30					
41	114N1115-21	.	BOLT ASSY-ROLLER SPRT	002004 006102 107999	1
42	MS15001-1	..	FITTING-	002004 006102 107999	1
43	114N1115-22	..	BOLT	002004 006102 107999	1
44	BACB28AK10-056	.	BUSHING	002004 006102 107999	1
45	BACB28AK10-076	.	BUSHING	002004 006102 107999	1
50	YAT10B	.	BEARING SUPPLIER CODE: V07484 SPECIFICATION NUMBER: BACB10EU10 OPTIONAL PART: 10AL2426 V92563 ATL10 V60380	002004 006102 107999	2
55	BACN10JD108ASU	.	NUT	002004 006102 107999	2
60	BACW10BP8DP	.	WASHER	002004 006102 107999	2
65	BACW10BP8CD	.	WASHER	002004 006102 107999	2
70	AN960C816L	.	WASHER	002004 006102 107999	2
75	114N1115-19	.	BOLT ASSY-ROLLER SPRT	002004 006102 107999	1
80	MS15001-1	..	FITTING-	002004 006102 107999	1
85	114N1115-20	..	BOLT	002004 006102 107999	1
90	114N1115-17	.	BOLT ASSY-ROLLER SPRT	002004 006102 107999	1

MISSING ITEM NUMBERS NOT APPLICABLE

— ITEM NOT ILLUSTRATED

BRI

57-22-51-30

BOEING PROPRIETARY - Copyright © - Unpublished Work - See title page for details.

57-22-51
FIG. 30
PAGE 2
JAN 20/09



757

PARTS CATALOG (MAINTENANCE)

FIG ITEM	PART NUMBER	1 2 3 4 5 6 7	NOMENCLATURE	EFFECT FROM TO	UNITS PER ASSY
30					
95	MS15001-1	..	FITTING-	002004 006102 107999	1
100	114N1115-18	..	BOLT	002004 006102 107999	1
105	BACB28AK08-088	.	BUSHING	002004 006102 107999	1
110	BACB28AK08-072	.	BUSHING	002004 006102 107999	1
115	YAT08B	.	BEARING SUPPLIER CODE: V07484 SPECIFICATION NUMBER: BACB10EU08 OPTIONAL PART: 8AL2022 V92563 ATL8 V60380	002004 006102 107999	2
120	114N2064-8	.	RING ASSY-ADPTR SLAT ACTR	002004 006102 107999	1
- 125	HL523AZ6-10	.	ATTACHING PARTS BOLT SUPPLIER CODE: V73197 SPECIFICATION NUMBER: BACB30NZ6K10 OPTIONAL PART: HL523AZ6-10 V06725 L804-6K10 V06725 HL523AZ6-10 V60516 HL523AZ6-10 V56878 HL523AZ6-10 V92215 HL523AZ6-10 V97928	002004 006102 107999	6

MISSING ITEM NUMBERS NOT APPLICABLE

- ITEM NOT ILLUSTRATED

BRI

57-22-51-30

BOEING PROPRIETARY - Copyright © - Unpublished Work - See title page for details.

57-22-51
FIG. 30
PAGE 3
JAN 20/09



757

PARTS CATALOG (MAINTENANCE)

FIG ITEM	PART NUMBER	1 2 3 4 5 6 7	NOMENCLATURE	EFFECT FROM TO	UNITS PER ASSY
30 - 130	HL79-6		. COLLAR SUPPLIER CODE: V5M902 SPECIFICATION NUMBER: BACC30M6 OPTIONAL PART: HL79-6 V73197 HL79-6 V92215 66014-6 V56878 HL79-6 V56878	002004 006102 107999	6
135	6800D048		-----*----- .. RETAINER SUPPLIER CODE: V80539 SPECIFICATION NUMBER: BACR10G43	002004 006102 107999	3
140	BACB30NR4K7		.. BOLT	002004 006102 107999	3
145	114N2064-7		.. RING-	002004 006102 107999	1
150	114N2067-1		. FITTING-STOP	107107 904949	1
155	114N2067-2		. FITTING-STOP	107107 904949	1
156	114N2158-7		. FITTING ASSY-STOP REWORK DRAWING REF: 114N2132-13 114N2132-14	002004 006102 108903 950999	1
156	114N2158-3		. FITTING ASSY-STOP FOR SPARES PROCURE: 114N2158-7	002004 006102 108903 950999	1
157	114N2158-8		. FITTING ASSY-STOP REWORK DRAWING REF: 114N2132-13 114N2132-14	002004 006102 108903 950999	1
157	114N2158-4		. FITTING ASSY-STOP FOR SPARES PROCURE: 114N2158-8	002004 006102 108903 950999	1

MISSING ITEM NUMBERS NOT APPLICABLE

- ITEM NOT ILLUSTRATED

57-22-51-30

57-22-51
FIG. 30
PAGE 4
JAN 20/09

BRI

BOEING PROPRIETARY - Copyright © - Unpublished Work - See title page for details.



757

PARTS CATALOG (MAINTENANCE)

FIG ITEM	PART NUMBER	1 2 3 4 5 6 7	NOMENCLATURE	EFFECT FROM TO	UNITS PER ASSY
30			ATTACHING PARTS		
160	HL11VAZ8-7		.BOLT- SUPPLIER CODE: V56878 SPECIFICATION NUMBER: BACB30NW8K7 OPTIONAL PART: B30NW8K7 V97928 HL11VAZ8-7 V73197 HL11VAZ8-7 V92215 HL11VAZ8-7 V97928 L803-8K7 V06725 HL11VAZ8-7 VOPTK6 HL11VAZ8-7 V60516	107107 904949	6
160	BACB30NW8K		.BOLT- SIZE DETERMINED ON INSTL. REWORK DRAWING REF: 114N2132-13 114N2132-14	002004 006102 108903 950999	6
165	HL79-8		.COLLAR SUPPLIER CODE: V5M902 SPECIFICATION NUMBER: BACC30M8 OPTIONAL PART: HL79-8 V73197 HL79-8 V92215 66014-8 V56878 HL79-8 V56878	002004 006102 107999	6

MISSING ITEM NUMBERS NOT APPLICABLE

- ITEM NOT ILLUSTRATED

BRI

57-22-51-30

BOEING PROPRIETARY - Copyright © - Unpublished Work - See title page for details.

57-22-51
FIG. 30
PAGE 5
JAN 20/09



757

PARTS CATALOG (MAINTENANCE)

FIG ITEM	PART NUMBER	1 2 3 4 5 6 7	NOMENCLATURE	EFFECT FROM TO	UNITS PER ASSY
30 170	HL11VAZ10-7	.BOLT-	SUPPLIER CODE: V60516 SPECIFICATION NUMBER: BACB30NW10K7 OPTIONAL PART: B30NW10K7 V97928 HL11VAZ10-7 V73197 HL11VAZ10-7 V92215 HL11VAZ10-7 V97928 L803-10K7 V06725 HL11VAZ10-7 VOPTK6 HL11VAZ10-7 V56878	107107 904949	2
170	BACB30NW10K	.BOLT-	SIZE DETERMINED ON INSTL. REWORK DRAWING REF: 114N2132-13 114N2132-14	002004 006102 108903 950999	2
172	HL79-10	.COLLAR	SUPPLIER CODE: V5M902 SPECIFICATION NUMBER: BACC30M10 OPTIONAL PART: HL79-10 V73197 HL79-10 V92215 66014-10 V56878 HL79-10 V56878	002004 006102 107999	2
176	114N2159-1	-----*----- ..STOP-RUBBING BLOCK SLAT		101102 108120 504903	1
177	114N2159-2	..STOP-RUBBING BLOCK SLAT		101102 108120 504903	1
178	114N2159-15	..FITTING- USED ON: 114N2158-7		101102 108120 504903	1

MISSING ITEM NUMBERS NOT APPLICABLE

- ITEM NOT ILLUSTRATED

57-22-51-30

57-22-51
FIG. 30
PAGE 6
JAN 20/09

BRI



757

PARTS CATALOG (MAINTENANCE)

FIG ITEM	PART NUMBER	1 2 3 4 5 6 7	NOMENCLATURE	EFFECT FROM TO	UNITS PER ASSY
30					
180	114N2002-4	.	SHIM-LAMINATED	002004 006102 107999	2
185	114N2067-7	.	FITTING-STOP	107107 904949	1
190	114N2067-8	.	FITTING-STOP	107107 904949	1
- 195	BACB30NW8K	.	ATTACHING PARTS BOLT- SIZE DETERMINED ON INSTL.	107107 904949	4
- 200	HL79-8	.	COLLAR SUPPLIER CODE: V5M902 SPECIFICATION NUMBER: BACC30M8 OPTIONAL PART: HL79-8 V73197 HL79-8 V92215 66014-8 V56878 HL79-8 V56878	107107 904949	4
202	BACG20ZE1275	.	-----*----- GROMMET- POSITION DATA: LH SIDE	002004 006102 107999	2
- 203	BACG20ZE1275	.	GROMMET- POSITION DATA: RH SIDE	002004 006014 107107 121503 904999	2
205	114N2002-3	.	SHIM-LAMINATED	002004 006102 107999	2
210	114N2052-17	.	RIB ASSY-SPRT POSITION DATA: LH SIDE	107107 904949	1
210	114N2052-21	.	RIB ASSY-SPRT POSITION DATA: LH SIDE	002004 006102 108903 950999	1
- 215	114N2052-18	.	RIB ASSY-SPRT POSITION DATA: RH SIDE	107107 904949	1

MISSING ITEM NUMBERS NOT APPLICABLE

- ITEM NOT ILLUSTRATED

BRI

57-22-51-30

57-22-51
FIG. 30
PAGE 7
JAN 20/09



757

PARTS CATALOG (MAINTENANCE)

FIG ITEM	PART NUMBER	1 2 3 4 5 6 7	NOMENCLATURE	EFFECT FROM TO	UNITS PER ASSY
30					
- 215	114N2052-22	.RIB ASSY-SPRT	POSITION DATA: RH SIDE	002004 006102 108903 950999	1
220	BACB28AM14B058A	..BUSHING-		002004 006102 107999	1
225	BACB28AM11B072A	..BUSHING-		002004 006102 107999	1
230	114N2130-1	..BUSHING		107107 904949	1
230	114N2130-12	..BUSHING		002004 006102 107999	1
235	BACB28AM11B052A	..BUSHING-		002004 006102 107999	1
240	BACB28AM14B038A	..BUSHING-		002004 006102 107999	1
245	114N2053-13	.RIB ASSY-SPRT	POSITION DATA: LH SIDE	107107 904949	1
245	114N2053-17	.RIB ASSY-SPRT	POSITION DATA: LH SIDE	002004 006102 108903 950999	1
- 250	114N2053-14	.RIB ASSY-SPRT	POSITION DATA: RH SIDE	107107 904949	1
- 250	114N2053-18	.RIB ASSY-SPRT	POSITION DATA: RH SIDE	002004 006102 108903 950999	1
255	BACB28AP10P066	..BUSHING-		002004 006102 107999	1
260	BACB28AP08P080	..BUSHING-		002004 006102 107999	1
265	114N2130-10	..BUSHING		002004 006102 107999	1
270	BACB28AP08P060	..BUSHING		002004 006102 107999	1

MISSING ITEM NUMBERS NOT APPLICABLE

- ITEM NOT ILLUSTRATED

57-22-51-30

57-22-51
FIG. 30
PAGE 8
JAN 20/09

BRI

BOEING PROPRIETARY - Copyright © - Unpublished Work - See title page for details.



757

PARTS CATALOG (MAINTENANCE)

FIG ITEM	PART NUMBER	1 2 3 4 5 6 7	NOMENCLATURE	EFFECT FROM TO	UNITS PER ASSY
30					
275	BACB28AP10P046		. . BUSHING-	002004 006102 107999	1
- 280	114N2009-1		RIB INSTL-MAIN TRACK FXD LE SPRT POSITION DATA: OSS 344.50 OUTBD LH FOR NHA SEE: 57-22-51-50	002004 006100 107107 121503 904999	RF
- 280	114N2009-4003		RIB INSTL-SUPPORT POSITION DATA: LH FOR NHA SEE: 57-00-00-10A	101102 108120 504903	RF
- 285	114N2009-2		RIB INSTL-MAIN TRACK FXD LE SPRT POSITION DATA: OSS 344.50 OUTBD RH FOR NHA SEE: 57-22-51-50	002004 006100 107107 121503 904999	RF
- 285	114N2009-4004		RIB INSTL-SUPPORT POSITION DATA: RH FOR NHA SEE: 57-00-00-10A	101102 108120 504903	RF
290	BACN10JD110ASU		.NUT	002004 006102 107999	2
295	BACW10BP10DP		.WASHER	002004 006102 107999	2
300	BACW10BP10CD		.WASHER	002004 006102 107999	2
305	NAS1149C1032R		.WASHER-	002004 006102 107999	2
307	NAS1149C1032R		.WASHER	101102 108120 504903	2
310	114N1115-23		.BOLT ASSY-ROLLER SPRT	002004 006102 107999	1
315	MS15001-1		. . FITTING-	002004 006102 107999	1
320	114N1115-24		. . BOLT	002004 006102 107999	1

MISSING ITEM NUMBERS NOT APPLICABLE

- ITEM NOT ILLUSTRATED

57-22-51-30

57-22-51
FIG. 30
PAGE 9
JAN 20/09

BRI



757

PARTS CATALOG (MAINTENANCE)

FIG ITEM	PART NUMBER	1 2 3 4 5 6 7	NOMENCLATURE	EFFECT FROM TO	UNITS PER ASSY
30					
325	114N1115-21	.	BOLT ASSY-ROLLER SPRT	002004 006102 107999	1
330	MS15001-1	..	FITTING-	002004 006102 107999	1
335	114N1115-22	..	BOLT	002004 006102 107999	1
340	BACB28AK10-076	.	BUSHING	002004 006102 107999	1
345	BACB28AK10-056	.	BUSHING	002004 006102 107999	1
350	YAT10B	.	BEARING SUPPLIER CODE: V07484 SPECIFICATION NUMBER: BACB10EU10 OPTIONAL PART: 10AL2426 V92563 ATL10 V60380	002004 006102 107999	2
355	BACN10JD108ASU	.	NUT	002004 006102 107999	2
360	BACW10BP8DP	.	WASHER	002004 006102 107999	2
365	BACW10BP8CD	.	WASHER	002004 006102 107999	2
370	NAS1149C0832R	.	WASHER-	002004 006102 107999	2
372	NAS1149C0832R	.	WASHER	101102 108120 504903	2
375	114N1115-19	.	BOLT ASSY-ROLLER SPRT	002004 006102 107999	1
380	MS15001-1	..	FITTING-	002004 006102 107999	1
385	114N1115-20	..	BOLT	002004 006102 107999	1

MISSING ITEM NUMBERS NOT APPLICABLE

- ITEM NOT ILLUSTRATED

BRI

57-22-51-30

BOEING PROPRIETARY - Copyright © - Unpublished Work - See title page for details.

57-22-51
FIG. 30
PAGE 10
JAN 20/09



757

PARTS CATALOG (MAINTENANCE)

FIG ITEM	PART NUMBER	1 2 3 4 5 6 7	NOMENCLATURE	EFFECT FROM TO	UNITS PER ASSY
30					
390	114N1115-17	.	BOLT ASSY-ROLLER SPRT	002004 006102 107999	1
395	MS15001-1	..	FITTING-	002004 006102 107999	1
400	114N1115-18	..	BOLT	002004 006102 107999	1
405	BACB28AK08-088	.	BUSHING	002004 006102 107999	1
410	BACB28AK08-068	.	BUSHING	002004 006102 107999	1
415	YAT08B	.	BEARING SUPPLIER CODE: V07484 SPECIFICATION NUMBER: BACB10EU08 OPTIONAL PART: 8AL2022 V92563 ATL8 V60380	002004 006102 107999	2
420	114N2064-12	.	RING ASSY-ADPTR SLAT ACTR	002004 006102 107999	1
- 425	HL523AZ6-10	.	ATTACHING PARTS BOLT SUPPLIER CODE: V73197 SPECIFICATION NUMBER: BACB30NZ6K10 OPTIONAL PART: HL523AZ6-10 V06725 L804-6K10 V06725 HL523AZ6-10 V60516 HL523AZ6-10 V56878 HL523AZ6-10 V92215 HL523AZ6-10 V97928	002004 006102 107999	6

MISSING ITEM NUMBERS NOT APPLICABLE

- ITEM NOT ILLUSTRATED

57-22-51-30

57-22-51
FIG. 30
PAGE 11
JAN 20/09

BRI



757

PARTS CATALOG (MAINTENANCE)

FIG ITEM	PART NUMBER	1 2 3 4 5 6 7	NOMENCLATURE	EFFECT FROM TO	UNITS PER ASSY
30 - 430	HL79-6		. COLLAR SUPPLIER CODE: V5M902 SPECIFICATION NUMBER: BACC30M6 OPTIONAL PART: HL79-6 V73197 HL79-6 V92215 66014-6 V56878 HL79-6 V56878	002004 006102 107999	6
435	6800D048		-----*----- .. RETAINER SUPPLIER CODE: V80539 SPECIFICATION NUMBER: BACR10G43	002004 006102 107999	3
440	BACB30NR4K7		.. BOLT	002004 006102 107999	3
445	114N2064-11		.. RING-	002004 006102 107999	1
450	114N2067-1		. FITTING-STOP	107107 904949	1
455	114N2067-2		. FITTING-STOP	107107 904949	1
456	114N2158-7		. FITTING ASSY-STOP REWORK DRAWING REF: 114N2132-15 114N2132-16	002004 006102 108903 950999	1
456	114N2158-3		. FITTING ASSY-STOP FOR SPARES PROCURE: 114N2158-7	002004 006102 108903 950999	1
457	114N2158-8		. FITTING ASSY-STOP REWORK DRAWING REF: 114N2132-15 114N2132-16	002004 006102 108903 950999	1
457	114N2158-4		. FITTING ASSY-STOP FOR SPARES PROCURE: 114N2158-8	002004 006102 108903 950999	1

MISSING ITEM NUMBERS NOT APPLICABLE

- ITEM NOT ILLUSTRATED

57-22-51-30

57-22-51
FIG. 30
PAGE 12
JAN 20/09

BRI

BOEING PROPRIETARY - Copyright © - Unpublished Work - See title page for details.



757

PARTS CATALOG (MAINTENANCE)

FIG ITEM	PART NUMBER	1 2 3 4 5 6 7	NOMENCLATURE	EFFECT FROM TO	UNITS PER ASSY
30			ATTACHING PARTS		
- 460	BACB30NW8K		.BOLT- SIZE DETERMINED ON INSTL.	002004 006102 107999	4
- 465	HL79-8		.COLLAR SUPPLIER CODE: V5M902 SPECIFICATION NUMBER: BACC30M8 OPTIONAL PART: HL79-8 V73197 HL79-8 V92215 66014-8 V56878 HL79-8 V56878 -----*-----	002004 006102 107999	4
466	114N2159-1		..STOP-RUBBING BLOCK SLAT	002004 006102 108903 950999	1
467	114N2159-2		..STOP-RUBBING BLOCK SLAT	002004 006102 108903 950999	1
468	114N2159-15		..FITTING	002004 006102 108903 950999	1
470	114N2002-4		.SHIM-LAMINATED	002004 006102 108903 950999	2
475	114N2067-7		.FITTING-STOP	107107 904949	1
480	114N2067-8		.FITTING-STOP	107107 904949	1
- 485	BACB30NW8K		ATTACHING PARTS .BOLT- SIZE DETERMINED ON INSTL.	107107 904949	4

MISSING ITEM NUMBERS NOT APPLICABLE

- ITEM NOT ILLUSTRATED

57-22-51-30

57-22-51
FIG. 30
PAGE 13
JAN 20/09

BRI

BOEING PROPRIETARY - Copyright © - Unpublished Work - See title page for details.



757

PARTS CATALOG (MAINTENANCE)

FIG ITEM	PART NUMBER	1 2 3 4 5 6 7	NOMENCLATURE	EFFECT FROM TO	UNITS PER ASSY
30 - 490	HL79-8		.COLLAR SUPPLIER CODE: V5M902 SPECIFICATION NUMBER: BACC30M8 OPTIONAL PART: HL79-8 V73197 HL79-8 V92215 66014-8 V56878 HL79-8 V56878 -----*-----	107107 904949	4
495	114N2002-3		.SHIM-LAMINATED	002004 006102 107999	2
497	BACG20ZE1275		.GROMMET	002004 006102 108903 950999	2
498	BACG20ZE1275		.GROMMET- POSITION DATA: LH SIDE	002004 006017 103107 121503 904999	2
- 499	BACG20ZE1275		.GROMMET- POSITION DATA: RH SIDE	002004 006017 103107 121503 904999	2
500	114N2054-11		.RIB ASSY-SPRT POSITION DATA: LH SIDE	107107 904949	1
500	114N2054-15		.RIB ASSY-SPRT POSITION DATA: LH SIDE	002004 006102 108903 950999	1
- 505	114N2054-12		.RIB ASSY-SPRT POSITION DATA: RH SIDE	107107 904949	1
- 505	114N2054-16		.RIB ASSY-SPRT POSITION DATA: RH SIDE	002004 006102 108903 950999	1
510	BACB28AP10P066		..BUSHING-	002004 006102 107999	1

MISSING ITEM NUMBERS NOT APPLICABLE

- ITEM NOT ILLUSTRATED

57-22-51-30

57-22-51
FIG. 30
PAGE 14
JAN 20/09

BRI



757

PARTS CATALOG (MAINTENANCE)

FIG ITEM	PART NUMBER	1 2 3 4 5 6 7	NOMENCLATURE	EFFECT FROM TO	UNITS PER ASSY
30					
515	BACB28AP08P080	..	BUSHING-	002004 006102 107999	1
520	114N2130-10	..	BUSHING	002004 006102 107999	1
525	BACB28AP08P060	..	BUSHING	002004 006102 107999	1
530	BACB28AP10P046	..	BUSHING-	002004 006102 107999	1
535	114N2055-11	.RIB ASSY-SPRT	POSITION DATA: LH SIDE	107107 904949	1
535	114N2055-15	.RIB ASSY-SPRT	POSITION DATA: LH SIDE	002004 006102 108903 950999	1
- 540	114N2055-12	.RIB ASSY-SPRT	POSITION DATA: RH SIDE	107107 904949	1
- 540	114N2055-16	.RIB ASSY-SPRT	POSITION DATA: RH SIDE	002004 006102 108903 950999	1
545	BACB28AM14B058A	..	BUSHING-	002004 006102 107999	1
550	BACB28AM11B072A	..	BUSHING-	002004 006102 107999	1
555	114N2130-12	..	BUSHING-	002004 006102 107999	1
560	BACB28AM11B052A	..	BUSHING-	002004 006102 107999	1
565	BACB28AM14B038A	..	BUSHING-	002004 006102 107999	1

MISSING ITEM NUMBERS NOT APPLICABLE

- ITEM NOT ILLUSTRATED

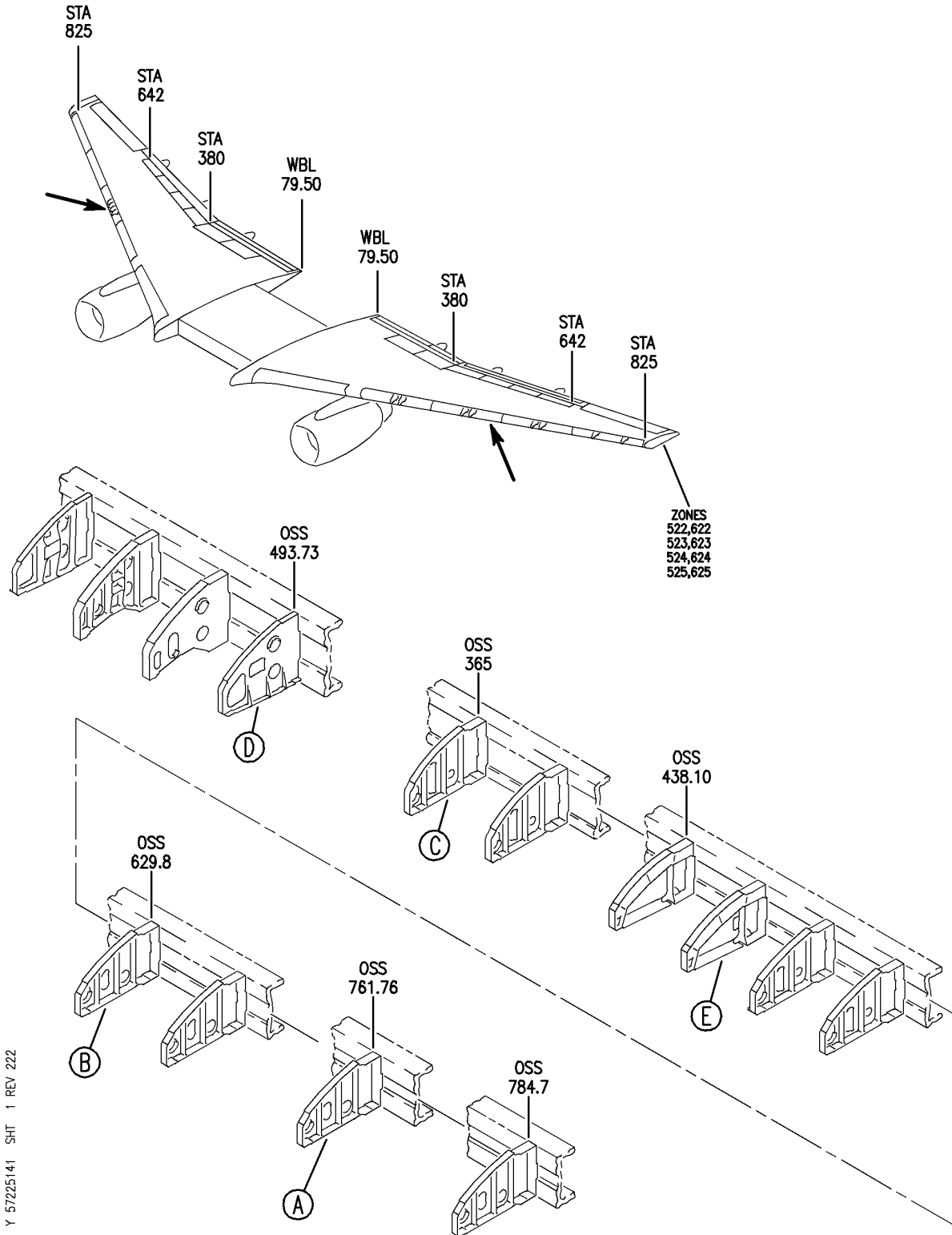
57-22-51-30

57-22-51
FIG. 30
PAGE 15
JAN 20/09

BRI

BOEING PROPRIETARY - Copyright © - Unpublished Work - See title page for details.


BOEING
 757
PARTS CATALOG (MAINTENANCE)



Y 57225141 SHT 1 REV 222

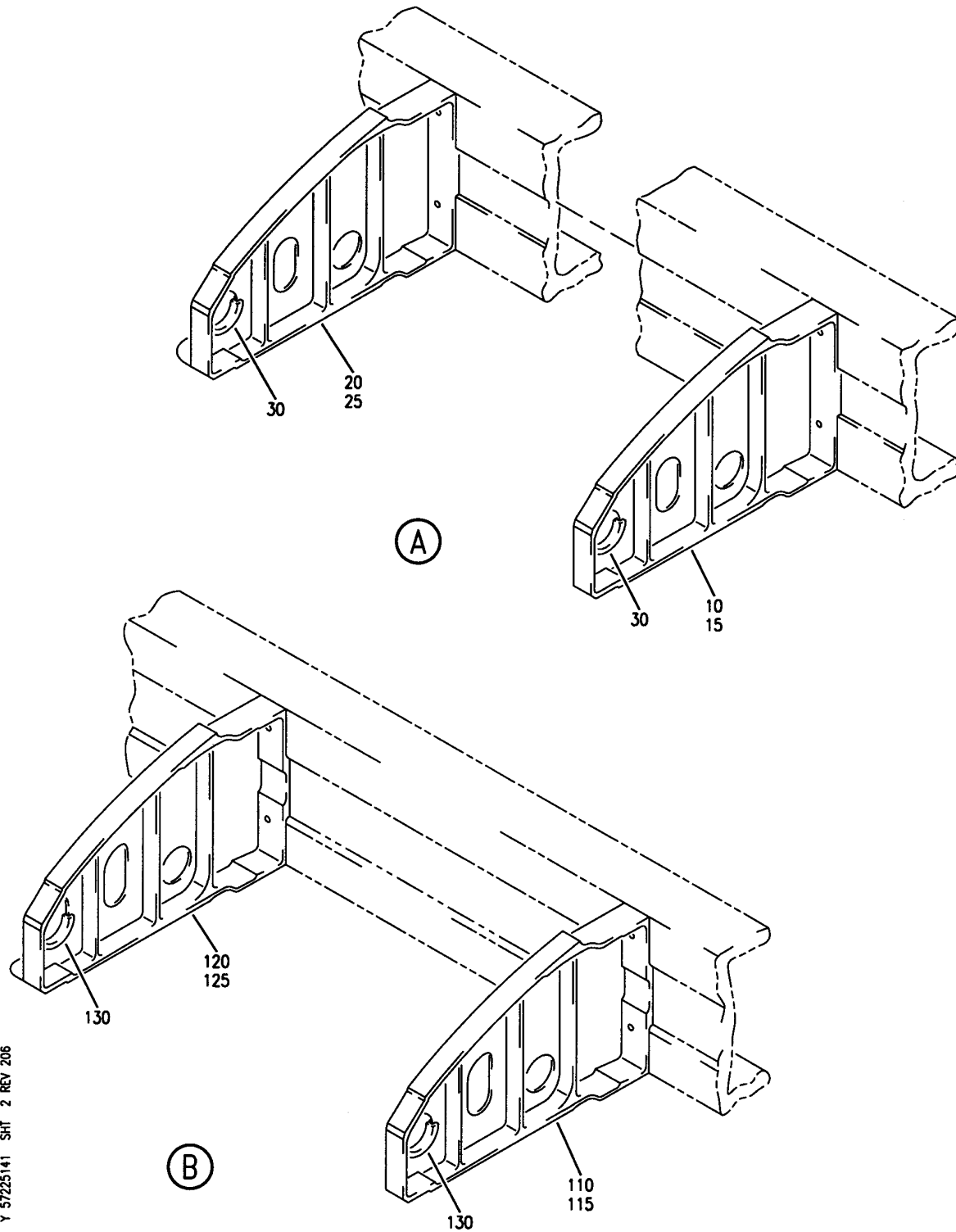
RIB INSTL-FXD LE AIRLOAD OUTBD
 FIGURE 41 (SHEET 1)

57-22-51-41

BRI
 JAN 20/09

57-22-51-41
 PAGE 0

BOEING
757
PARTS CATALOG (MAINTENANCE)



Y 57225141 SH1 2 REV 206

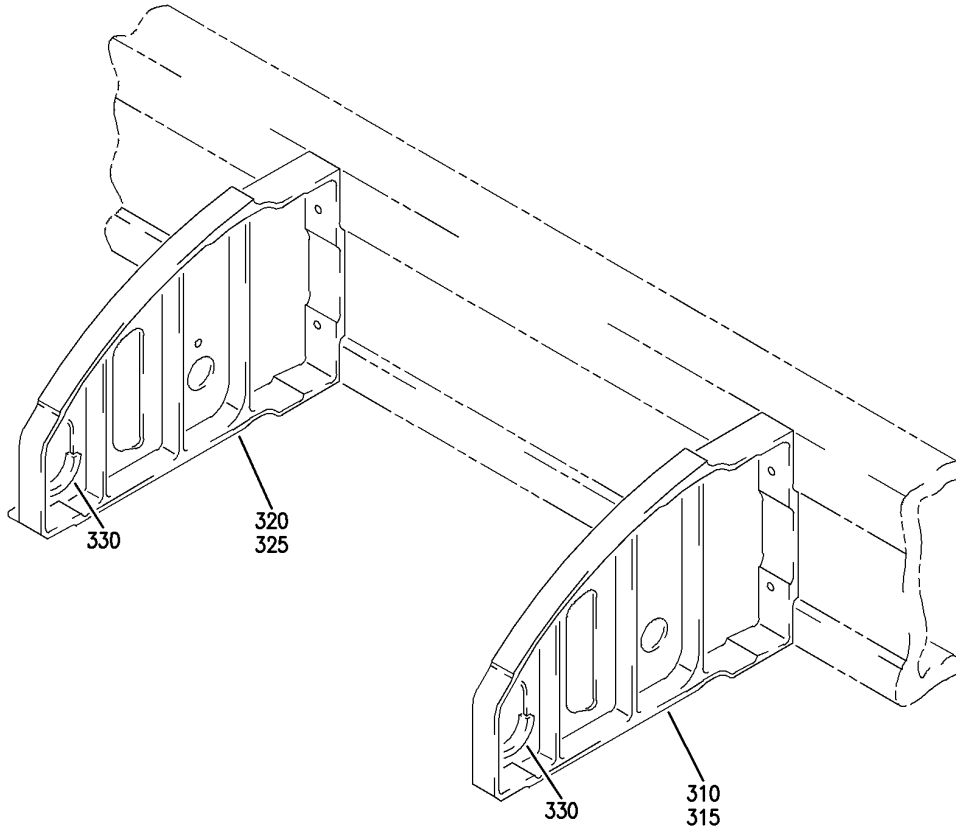
RIB INSTL-FXD LE AIRLOAD OUTBD
FIGURE 41 (SHEET 2)

57-22-51-41

BRI
JAN 20/09

57-22-51-41
PAGE 0A

BOEING
757
PARTS CATALOG (MAINTENANCE)



(C)

Y 57225141 SH1 3 REV 222

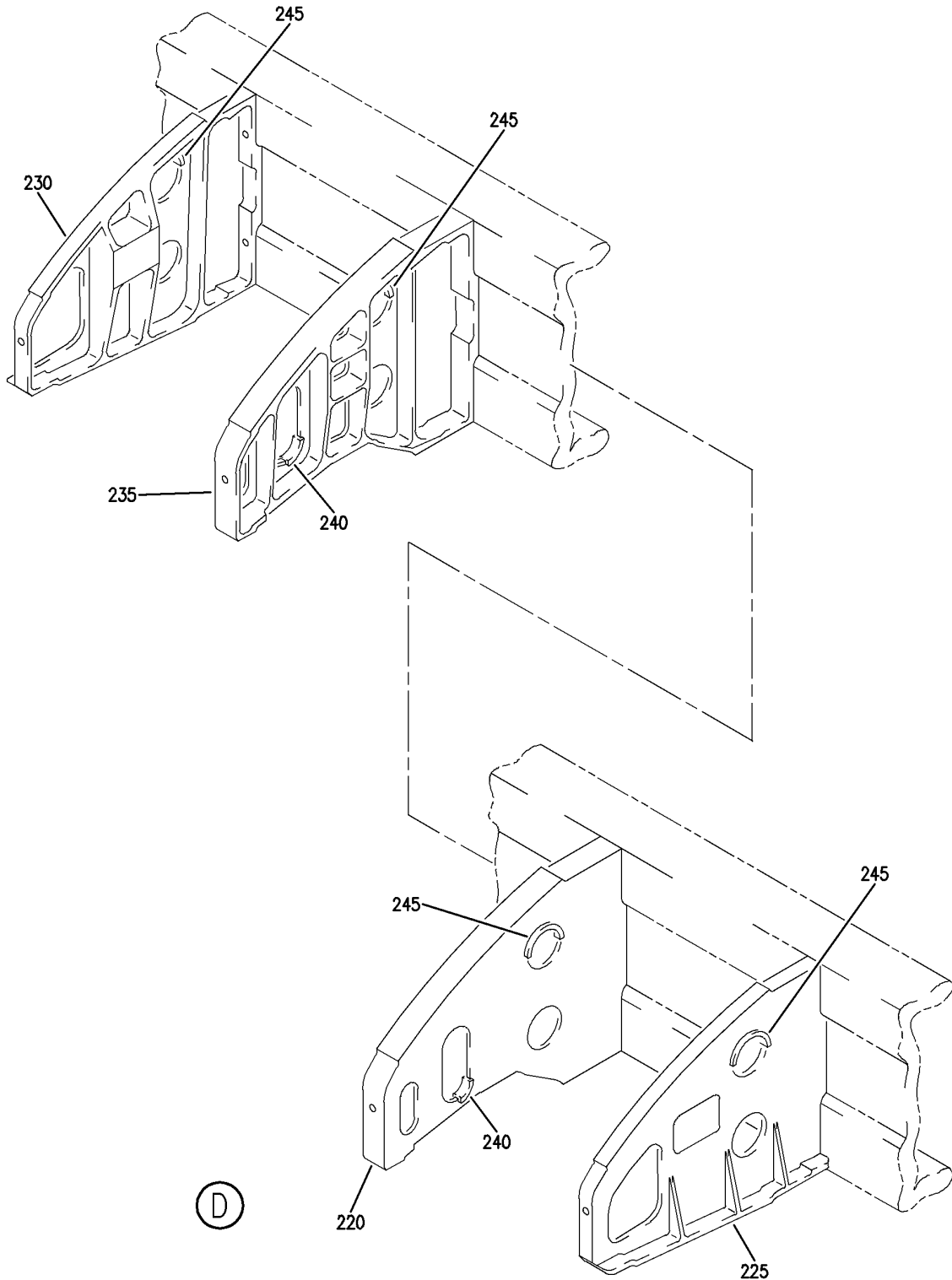
RIB INSTL-FXD LE AIRLOAD OUTBD
FIGURE 41 (SHEET 3)

BRI
JAN 20/09

57-22-51-41

57-22-51-41
PAGE 0B

BOEING
757
PARTS CATALOG (MAINTENANCE)



Y 57225141 SHT 4 REV 222

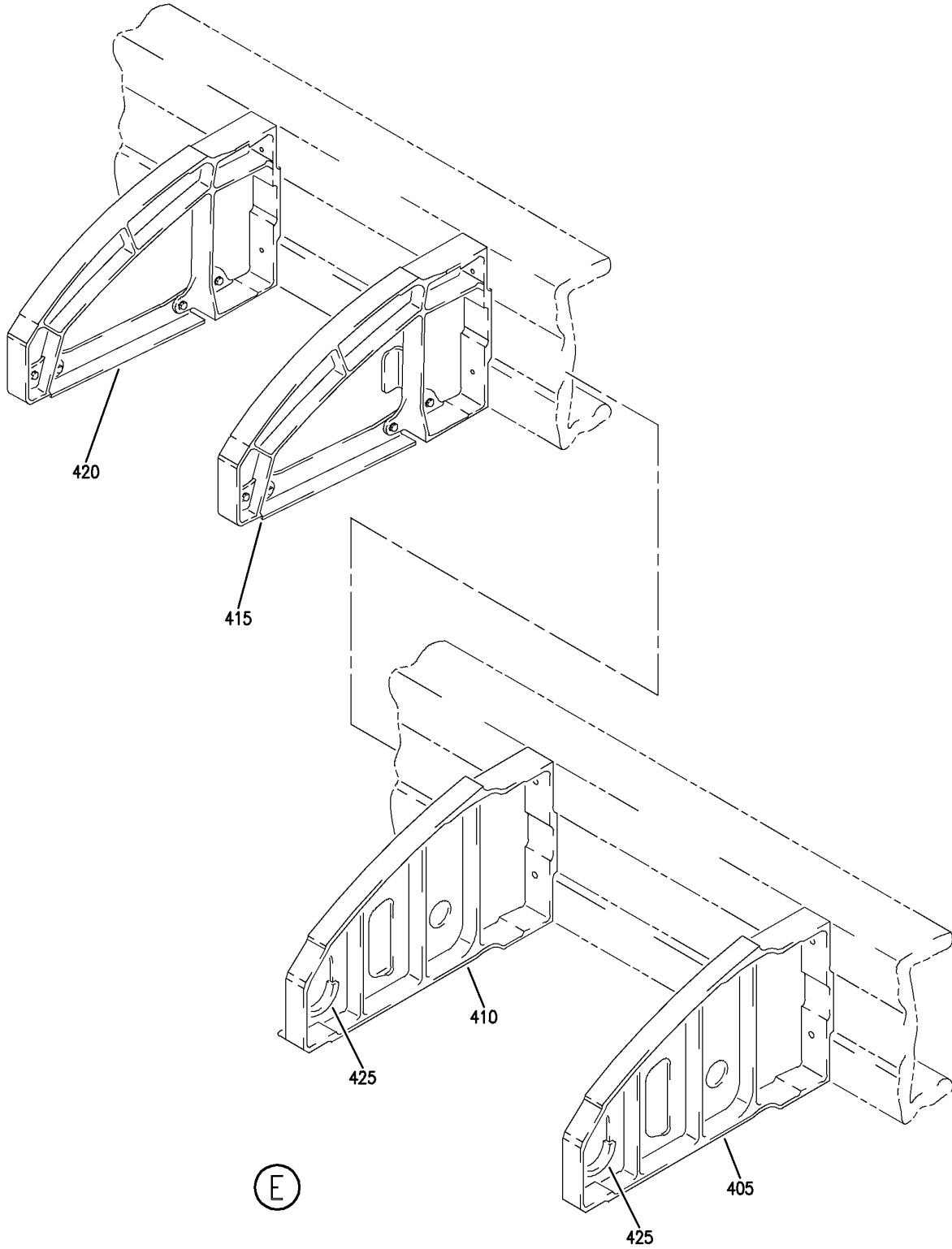
RIB INSTL-FXD LE AIRLOAD OUTBD
FIGURE 41 (SHEET 4)

57-22-51-41

BRI
JAN 20/09

57-22-51-41
PAGE 0C

BOEING
757
PARTS CATALOG (MAINTENANCE)



Y 57225141 SHT 5 REV 222

RIB INSTL-FXD LE AIRLOAD OUTBD
FIGURE 41 (SHEET 5)

BRI
JAN 20/09

57-22-51-41

57-22-51-41
PAGE 0D



757

PARTS CATALOG (MAINTENANCE)

FIG ITEM	PART NUMBER	1 2 3 4 5 6 7	NOMENCLATURE	EFFECT FROM TO	UNITS PER ASSY
41			RIB INSTL-FXD LE AIRLOAD OUTBD	103106	
- 1	MODREF510		RIB INSTL-FXD LE AIRLOAD MODULE NUMBER: 114N2281-301 REV A POSITION DATA: OSS 715.60 OSS 784.70 OUTBD LH	103103	1
- 1	MODREF26706		RIB INSTL-FXD LE AIRLOAD MODULE NUMBER: 114N2281-301 REV B POSITION DATA: OSS 715.60 OSS 784.70 OUTBD LH	104106	1
- 5	MODREF511		RIB INSTL-FXD LE AIRLOAD MODULE NUMBER: 114N2281-302 REV A POSITION DATA: OSS 715.60 OSS 784.70 OUTBD RH	103103	1
- 5	MODREF26707		RIB INSTL-FXD LE AIRLOAD MODULE NUMBER: 114N2281-302 REV B POSITION DATA: OSS 715.60 OSS 784.70 OUTBD RH	104106	1
10	114N2219-1		.RIB ASSY-AIRLOAD WING FXD LE POSITION DATA: OSS 784.70 OUTBD LH SIDE	103106	1
15	114N2219-2		.RIB ASSY-AIRLOAD WING FXD LE POSITION DATA: OSS 784.70 OUTBD RH SIDE	103106	1
20	114N2220-1		.RIB ASSY-AIRLOAD WING FXD LE POSITION DATA: OSS 761.76 OUTBD LH SIDE	103106	1
25	114N2220-2		.RIB ASSY-AIRLOAD WING FXD LE POSITION DATA: OSS 761.76 OUTBD RH SIDE	103106	1
30	BACG20ZB001275		..GROMMET	103106	1
- 100	MODREF512		RIB INSTL-FXD LE AIRLOAD MODULE NUMBER: 114N2282-301 REV A POSITION DATA: OSS 583.30 OSS 696.86 OUTBD LH	103103	1

MISSING ITEM NUMBERS NOT APPLICABLE

- ITEM NOT ILLUSTRATED

57-22-51-41

57-22-51
FIG. 41
PAGE 1
JAN 20/09

BRI



757

PARTS CATALOG (MAINTENANCE)

FIG ITEM	PART NUMBER	1 2 3 4 5 6 7	NOMENCLATURE	EFFECT FROM TO	UNITS PER ASSY
41					
- 100	MODREF26708		RIB INSTL-FXD LE AIRLOAD MODULE NUMBER: 114N2282-301 REV B POSITION DATA: OSS 583.30 OSS 696.86 OUTBD LH	104106	1
- 105	MODREF513		RIB INSTL-FXD LE AIRLOAD MODULE NUMBER: 114N2282-302 REV A POSITION DATA: OSS 583.30 OSS 696.86 OUTBD RH	103103	1
- 105	MODREF26709		RIB INSTL-FXD LE AIRLOAD MODULE NUMBER: 114N2282-302 REV B POSITION DATA: OSS 583.30 OSS 696.86 OUTBD RH	104106	1
110	114N2223-1		.RIB ASSY-AIRLOAD WING FXD LE POSITION DATA: OSS 653.00 OUTBD LH SIDE	103106	1
115	114N2223-2		.RIB ASSY-AIRLOAD WING FXD LE POSITION DATA: OSS 653.00 OUTBD RH SIDE	103106	1
120	114N2224-1		.RIB ASSY-AIRLOAD WING FXD LE POSITION DATA: OSS 629.80 OUTBD LH SIDE	103106	1
125	114N2224-2		.RIB ASSY-AIRLOAD WING FXD LE POSITION DATA: OSS 629.80 OUTBD RH SIDE	103106	1
130	BACG20ZB001275		..GROMMET	103106	1
- 205	MODREF19132		RIB INSTL-FXD LE AIRLOAD MODULE NUMBER: 114N2283-308 REV A POSITION DATA: OSS 438.10-OSS 562.10 OUTBD RH	103106	1
220	114N2239-3		.RIB ASSY-AIRLOAD REFUEL RECEPT SPRT FXD LE POSITION DATA: OSS 502.95 OUTBD RH SIDE	103106	1
225	114N2236-2		.RIB ASSY-AIRLOAD REFUEL RECEPT SPRT FXD LE POSITION DATA: OSS 493.73 OUTBD RH SIDE	103106	1

MISSING ITEM NUMBERS NOT APPLICABLE

- ITEM NOT ILLUSTRATED

57-22-51-41

57-22-51
FIG. 41
PAGE 2
JAN 20/09

BRI



757

PARTS CATALOG (MAINTENANCE)

FIG ITEM	PART NUMBER	1 2 3 4 5 6 7	NOMENCLATURE	EFFECT FROM TO	UNITS PER ASSY
41 230	114N2237-1		.RIB ASSY-AIRLOAD REFUEL RECEPT SPRT FXD LE POSITION DATA: OSS 523.66 OUTBD RH SIDE	103106	1
235	114N2238-1		.RIB ASSY-AIRLOAD REFUEL RECEPT SPRT FXD LE POSITION DATA: OSS 515.32 OUTBD RH SIDE	103106	1
240	BACG20ZB001150		..GROMMET- USED ON: 114N2238-1 114N2238-2 114N2239-3 114N2239-4	103106	1
245 - 300	BACG20ZB001275 MODREF19133		..GROMMET RIB INSTL-FXD LE AIRLOAD MODULE NUMBER: 114N2284-303 REV A POSITION DATA: OSS 325.50-OSS 421.90 OUTBD LH	103106 103103	1 1
- 300	MODREF26710		RIB INSTL-FXD LE AIRLOAD MODULE NUMBER: 114N2284-303 REV B POSITION DATA: OSS 325.50-OSS 421.90 OUTBD LH	104106	1
- 305	MODREF19134		RIB INSTL-FXD LE AIRLOAD MODULE NUMBER: 114N2284-304 REV A POSITION DATA: OSS 325.50-OSS 421.90 OUTBD RH	103103	1
- 305	MODREF26711		RIB INSTL-FXD LE AIRLOAD MODULE NUMBER: 114N2284-304 REV B POSITION DATA: OSS 325.50-OSS 421.90 OUTBD RH	104106	1
310	114N2232-1		.RIB ASSY-AIRLOAD WING FXD LE POSITION DATA: OSS 384.30 OUTBD LH SIDE	103106	1
315	114N2232-2		.RIB ASSY-AIRLOAD WING FXD LE POSITION DATA: OSS 384.30 OUTBD RH SIDE	103106	1

MISSING ITEM NUMBERS NOT APPLICABLE

- ITEM NOT ILLUSTRATED

57-22-51-41

57-22-51
FIG. 41
PAGE 3
JAN 20/09

BRI



757

PARTS CATALOG (MAINTENANCE)

FIG ITEM	PART NUMBER	1 2 3 4 5 6 7	NOMENCLATURE	EFFECT FROM TO	UNITS PER ASSY
41					
320	114N2233-1		.RIB ASSY-AIRLOAD WING FXD LE POSITION DATA: OSS 365.00 OUTBD LH SIDE	103106	1
325	114N2233-2		.RIB ASSY-AIRLOAD WING FXD LE POSITION DATA: OSS 365.00 OUTBD RH SIDE	103106	1
330	BACG20ZB001275		..GROMMET	103106	1
- 400	MODREF19131		RIB INSTL-FXD LE AIRLOAD MODULE NUMBER: 114N2283-307 REV A POSITION DATA: OSS 438.10-OSS 562.10 OUTBD LH	103106	1
405	114N2227-1		.RIB ASSY-AIRLOAD REFUEL RECEPT SPRT FXD LE POSITION DATA: OSS 518.00 OUTBD LH SIDE	103106	1
410	114N2228-1		.RIB ASSY-AIRLOAD REFUEL RECEPT SPRT FXD LE POSITION DATA: OSS 495.06 OUTBD LH SIDE	103106	1
415	114N2229-1		.RIB ASSY-AIRLOAD REFUEL RECEPT SPRT FXD LE POSITION DATA: OSS 453.60 OUTBD LH SIDE	103106	1
420	114N2230-5		.RIB ASSY-AIRLOAD REFUEL RECEPT SPRT FXD LE POSITION DATA: OSS 438.10 OUTBD LH SIDE	103106	1
425	BACG20ZB001275		..GROMMET- USED ON: 114N2227-1 114N2228-1	103106	1

MISSING ITEM NUMBERS NOT APPLICABLE

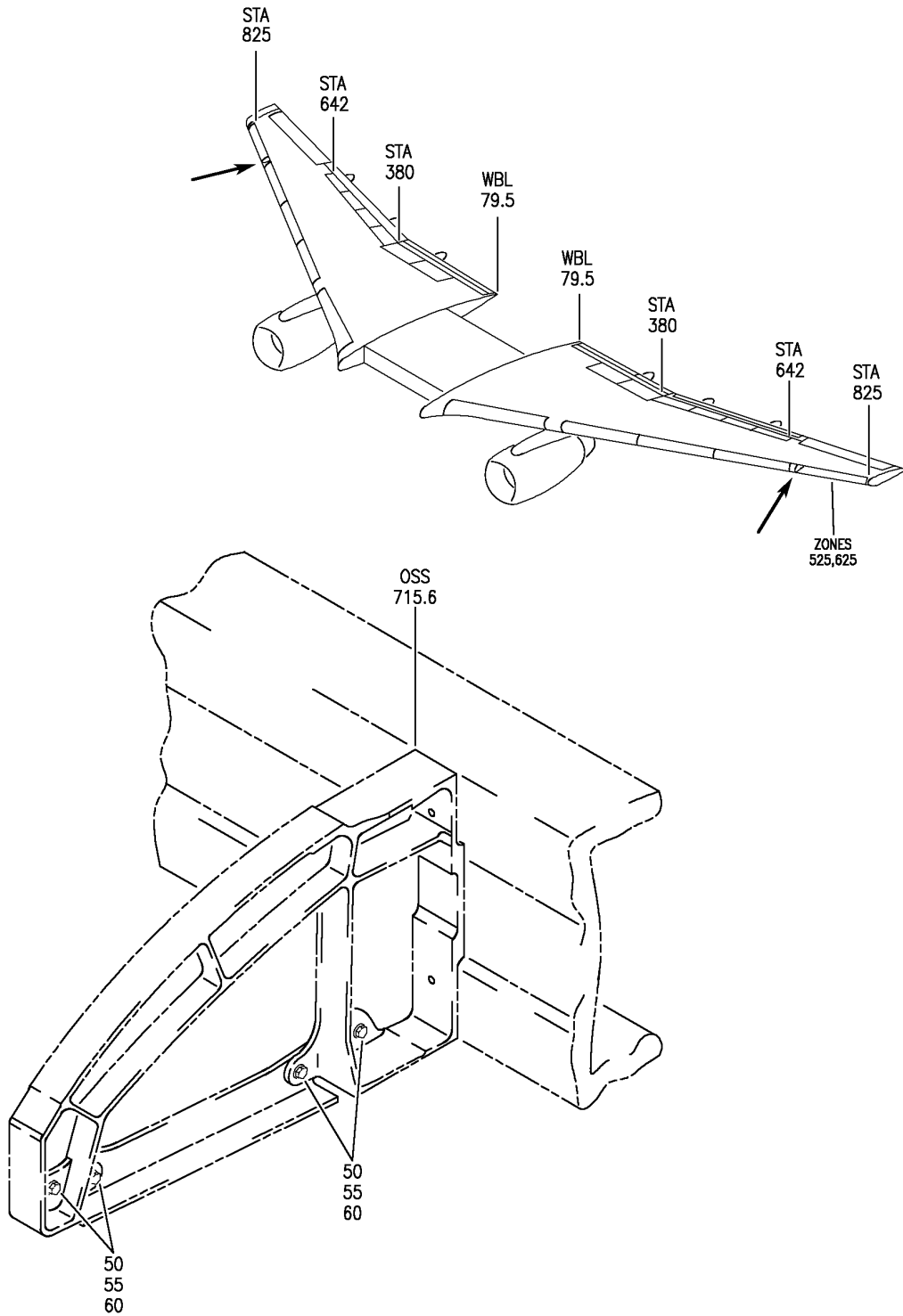
- ITEM NOT ILLUSTRATED

57-22-51-41

57-22-51
FIG. 41
PAGE 4
JAN 20/09

BRI

BOEING
757
PARTS CATALOG (MAINTENANCE)



Y 57225141A REV 247

RIB INSTL-FXD LE AIRLOAD OUTBD
FIGURE 41A

57-22-51-41A

BRI
MAY 28/07

57-22-51-41A
PAGE 0



757

PARTS CATALOG (MAINTENANCE)

FIG ITEM	PART NUMBER	1 2 3 4 5 6 7	NOMENCLATURE	EFFECT FROM TO	UNITS PER ASSY
41A			RIB INSTL-FXD LE AIRLOAD OUTBD	002004 006102 107999	
- 1	114N2021-1		RIB INSTL-FXD LE AIRLOAD POSITION DATA: OSS 715.60 OUTBD LH FOR NHA SEE: 57-22-51-50	002004 006100 107107 121503 904999	RF
- 1	114N2021-403		RIB INSTL-FXD LE AIRLOAD POSITION DATA: OSS 715.60 OUTBD LH FOR NHA SEE: 57-22-51-50	101102 108120 504903	RF
- 5	114N2021-2		RIB INSTL-FXD LE AIRLOAD POSITION DATA: OSS 715.60 OUTBD RH FOR NHA SEE: 57-22-51-50	002004 006100 107107 121503 904999	RF
- 5	114N2021-404		RIB INSTL-FXD LE AIRLOAD POSITION DATA: OSS 715.60 OUTBD RH FOR NHA SEE: 57-22-51-50	101102 108120 504903	RF
50	BACB30NM3K4		.BOLT	002004 006102 107999	4
55	AN960PD10		.WASHER	002004 006102 107999	4
60	NAS1805-3N		.NUT	002004 006102 107999	4

MISSING ITEM NUMBERS NOT APPLICABLE

- ITEM NOT ILLUSTRATED

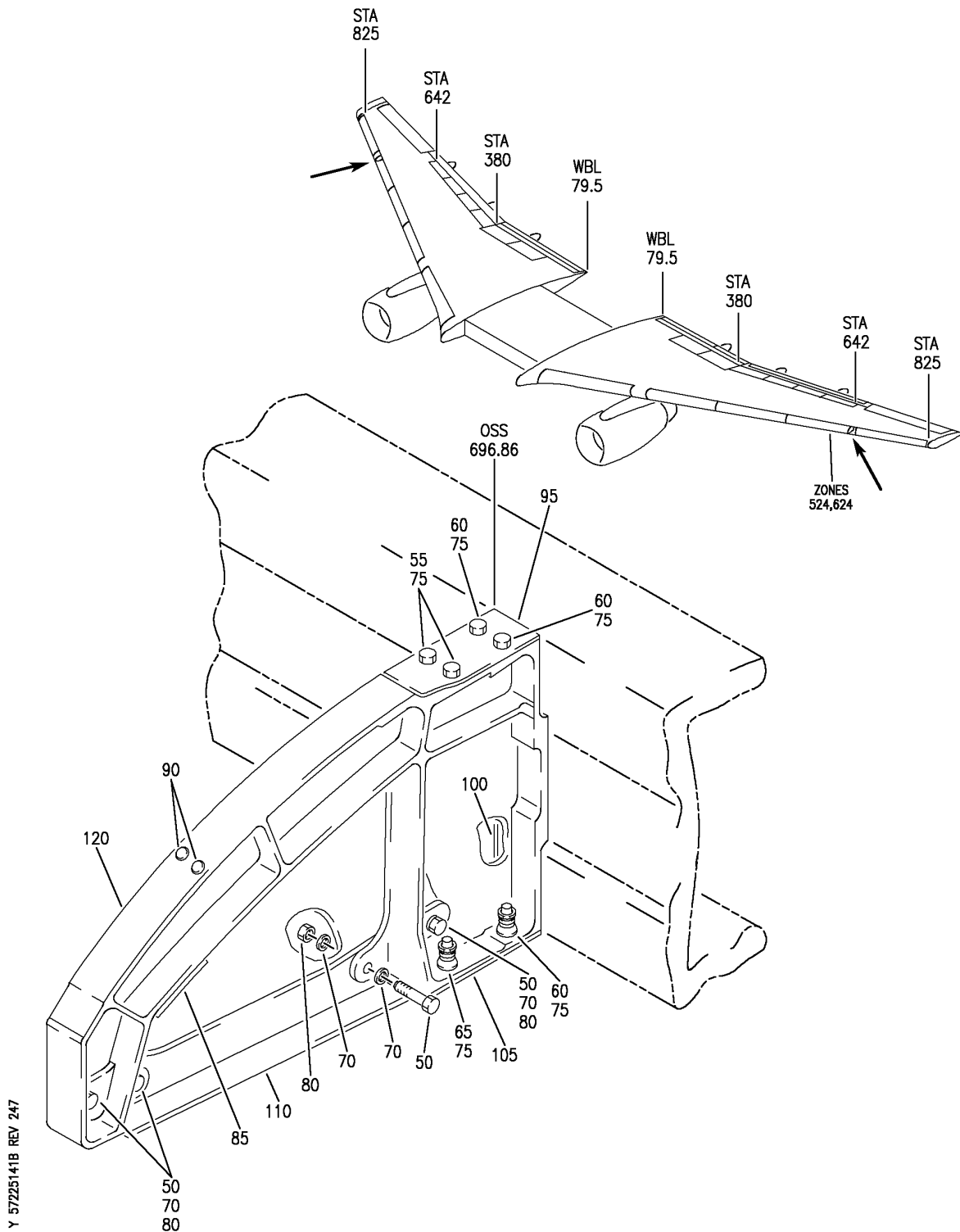
BRI

57-22-51-41A

BOEING PROPRIETARY - Copyright © - Unpublished Work - See title page for details.

57-22-51
FIG. 41A
PAGE 1
JAN 20/09

BOEING
757
PARTS CATALOG (MAINTENANCE)



RIB INSTL-FXD LE AIRLOAD OUTBD
FIGURE 41B

57-22-51-41B

BRI
MAY 28/07

57-22-51-41B
PAGE 0



757

PARTS CATALOG (MAINTENANCE)

FIG ITEM	PART NUMBER	1 2 3 4 5 6 7	NOMENCLATURE	EFFECT FROM TO	UNITS PER ASSY
41B			RIB INSTL-FXD LE AIRLOAD OUTBD	002004 006102 107999	
- 1	114N2022-1		RIB INSTL-FXD LE AIRLOAD POSITION DATA: OSS 696.86 OUTBD LH FOR NHA SEE: 57-22-51-50	002004 006100 107107 121503 904999	RF
- 1	114N2022-403		RIB INSTL-FXD LE AIRLOAD POSITION DATA: OSS 696.86 OUTBD LH FOR NHA SEE: 57-22-51-50	101102 108120 504903	RF
- 5	114N2022-2		RIB INSTL-FXD LE AIRLOAD POSITION DATA: OSS 696.86 OUTBD RH FOR NHA SEE: 57-22-51-50	002004 006100 107107 121503 904999	RF
- 5	114N2022-404		RIB INSTL-FXD LE AIRLOAD POSITION DATA: OSS 696.86 OUTBD RH FOR NHA SEE: 57-22-51-50	101102 108120 504903	RF
50	BACB30NM3K4		.BOLT	002004 006102 107999	4
55	HL11VAZ8-7		.BOLT SUPPLIER CODE: V56878 SPECIFICATION NUMBER: BACB30NW8K7 OPTIONAL PART: B30NW8K7 V97928 HL11VAZ8-7 V73197 HL11VAZ8-7 V92215 HL11VAZ8-7 V97928 L803-8K7 V06725 HL11VAZ8-7 VOPTK6 HL11VAZ8-7 V60516	002004 006102 107999	2

MISSING ITEM NUMBERS NOT APPLICABLE

- ITEM NOT ILLUSTRATED

57-22-51-41B

57-22-51
FIG. 41B
PAGE 1
JAN 20/09

BRI

BOEING PROPRIETARY - Copyright © - Unpublished Work - See title page for details.



757

PARTS CATALOG (MAINTENANCE)

FIG ITEM	PART NUMBER	1 2 3 4 5 6 7	NOMENCLATURE	EFFECT FROM TO	UNITS PER ASSY
41B 60	HL523AZ8-10	.BOLT	SUPPLIER CODE: V73197 SPECIFICATION NUMBER: BACB30NZ8K10 OPTIONAL PART: L804-8K10 V06725 HL523AZ8-10 V56878 HL523AZ8-10 V92215 HL523AZ8-10 V97928 HL523AZ8-10 VOPTK6 HL523AZ8-10 V60516 HL523AZ8-10 V06725	002004 006102 107999	3
65	HL523AZ8-6	.BOLT	SUPPLIER CODE: V73197 SPECIFICATION NUMBER: BACB30NZ8K6 OPTIONAL PART: L804-8K6 V06725 HL523AZ8-6 V56878 HL523AZ8-6 V92215 HL523AZ8-6 V97928 HL523AZ8-6 VOPTK6 HL523AZ8-6 V60516 HL523AZ8-6 V06725	002004 006102 107999	1
70	AN960PD10	.WASHER		002004 006100 107107 121503 904999	8
70	NAS1149D0363J	.WASHER		101102 108120 504903	8

MISSING ITEM NUMBERS NOT APPLICABLE

- ITEM NOT ILLUSTRATED

57-22-51-41B

57-22-51
FIG. 41B
PAGE 2
JAN 20/09

BRI

BOEING PROPRIETARY - Copyright © - Unpublished Work - See title page for details.



757

PARTS CATALOG (MAINTENANCE)

FIG ITEM	PART NUMBER	1 2 3 4 5 6 7	NOMENCLATURE	EFFECT FROM TO	UNITS PER ASSY
41B 75	HL79-8	.	COLLAR SUPPLIER CODE: V5M902 SPECIFICATION NUMBER: BACC30M8 OPTIONAL PART: HL79-8 V73197 HL79-8 V92215 66014-8 V56878 HL79-8 V56878	002004 006102 107999	6
80	NAS1805-3N	.	NUT	002004 006100 107107 121503 904999	4
80	NAS1805-3L	.	NUT	101102 108120 504903	4
85	287N1401-35	.	BRACKET	002004 006102 107999	1
90	NAS1399MW6-3	.	RIVET	002004 006102 107999	2
95	BACS40R023D026F	.	SHIM	002004 006102 107999	1
100	BACS40R008D077F	.	SHIM	002004 006102 107999	1
105	BACS40R011D029F	.	SHIM	002004 006102 107999	1
110	114N2097-3	.	CHORD-LWR POSITION DATA: LH USED ON: 114N2022-1 114N2022-401 114N2022-403 MODREF2199	002004 006102 107999	1

MISSING ITEM NUMBERS NOT APPLICABLE

- ITEM NOT ILLUSTRATED

57-22-51-41B

57-22-51
FIG. 41B
PAGE 3
JAN 20/09

BRI

BOEING PROPRIETARY - Copyright © - Unpublished Work - See title page for details.



757

PARTS CATALOG (MAINTENANCE)

FIG ITEM	PART NUMBER	1 2 3 4 5 6 7	NOMENCLATURE	EFFECT FROM TO	UNITS PER ASSY
41B - 115	114N2097-4		.CHORD-LWR POSITION DATA: RH USED ON: 114N2022-2 114N2022-402 114N2022-404 MODREF2200	002004 006102 107999	1
120	114N2082-1		.RIB-AIRLOAD POSITION DATA: LH USED ON: 114N2022-1 114N2022-401 114N2022-403 MODREF2199	002004 006102 107999	1
- 125	114N2082-2		.RIB-AIRLOAD POSITION DATA: RH USED ON: 114N2022-2 114N2022-402 114N2022-404 MODREF2200	002004 006102 107999	1

MISSING ITEM NUMBERS NOT APPLICABLE

- ITEM NOT ILLUSTRATED

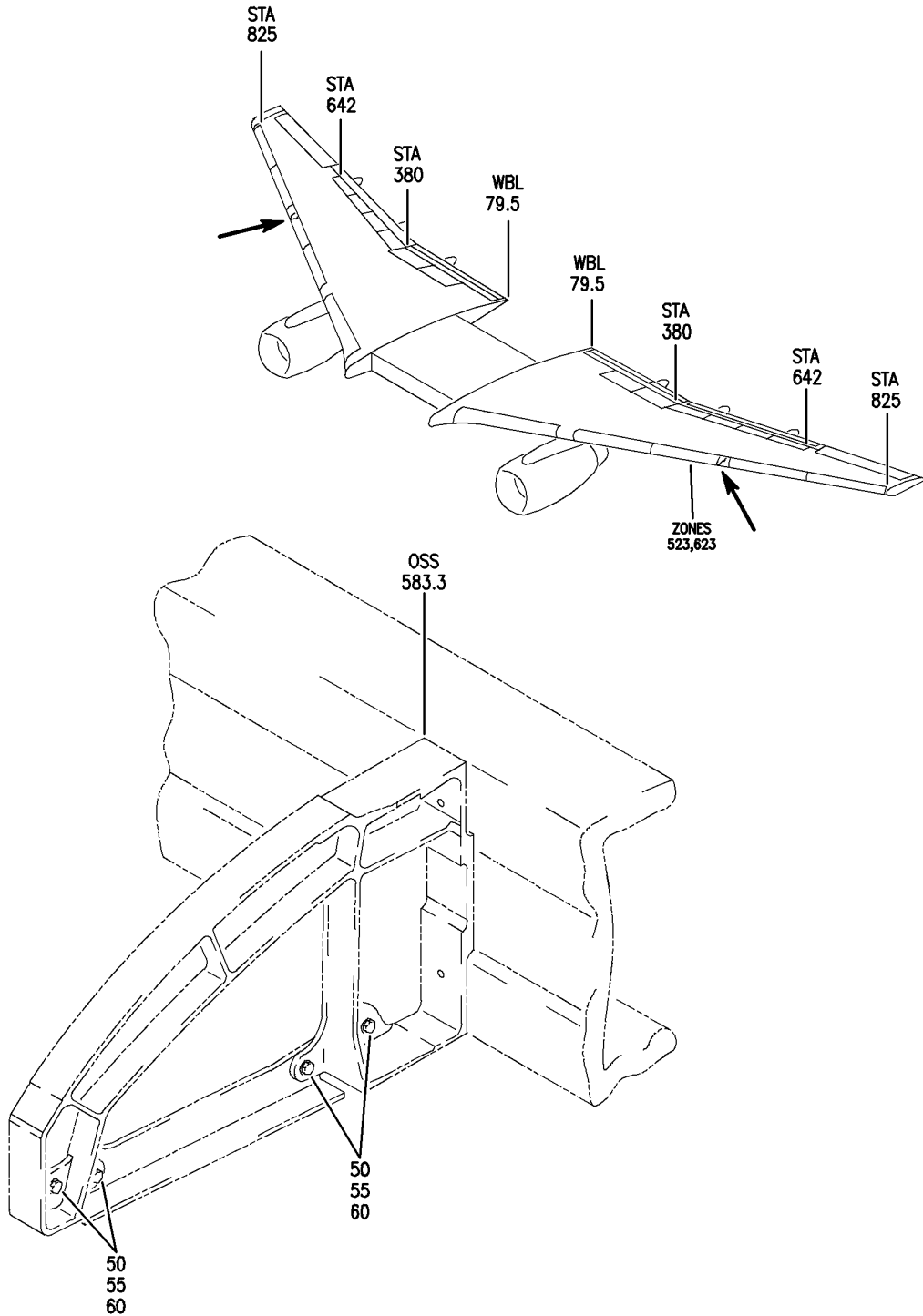
BRI

57-22-51-41B

BOEING PROPRIETARY - Copyright © - Unpublished Work - See title page for details.

57-22-51
FIG. 41B
PAGE 4
JAN 20/09

BOEING
757
PARTS CATALOG (MAINTENANCE)



Y 57225141C REV 247

RIB INSTL-FXD LE AIRLOAD OUTBD
FIGURE 41C

57-22-51-41C

BRI
MAY 28/07

57-22-51-41C
PAGE 0



757

PARTS CATALOG (MAINTENANCE)

FIG ITEM	PART NUMBER	1 2 3 4 5 6 7	NOMENCLATURE	EFFECT FROM TO	UNITS PER ASSY
41C			RIB INSTL-FXD LE AIRLOAD OUTBD	002004 006102 107999	
- 1	114N2025-1		RIB INSTL-FXD LE AIRLOAD POSITION DATA: OSS 583.30 OUTBD LH FOR NHA SEE: 57-22-51-50	002004 006100 107107 121503 904999	RF
- 1	114N2025-403		RIB INSTL-FXD LE AIRLOAD POSITION DATA: OSS 583.30 OUTBD LH FOR NHA SEE: 57-22-51-50	101102 108120 504903	RF
- 5	114N2025-2		RIB INSTL-FXD LE AIRLOAD POSITION DATA: OSS 583.30 OUTBD RH FOR NHA SEE: 57-22-51-50	002004 006100 107107 121503 904999	RF
- 5	114N2025-404		RIB INSTL-FXD LE AIRLOAD POSITION DATA: OSS 583.30 OUTBD RH FOR NHA SEE: 57-22-51-50	101102 108120 504903	RF
50	BACB30NM3K4		.BOLT	002004 006102 107999	4
55	AN960PD10		.WASHER	002004 006102 107999	4
60	NAS1805-3N		.NUT	002004 006102 107999	4

MISSING ITEM NUMBERS NOT APPLICABLE

- ITEM NOT ILLUSTRATED

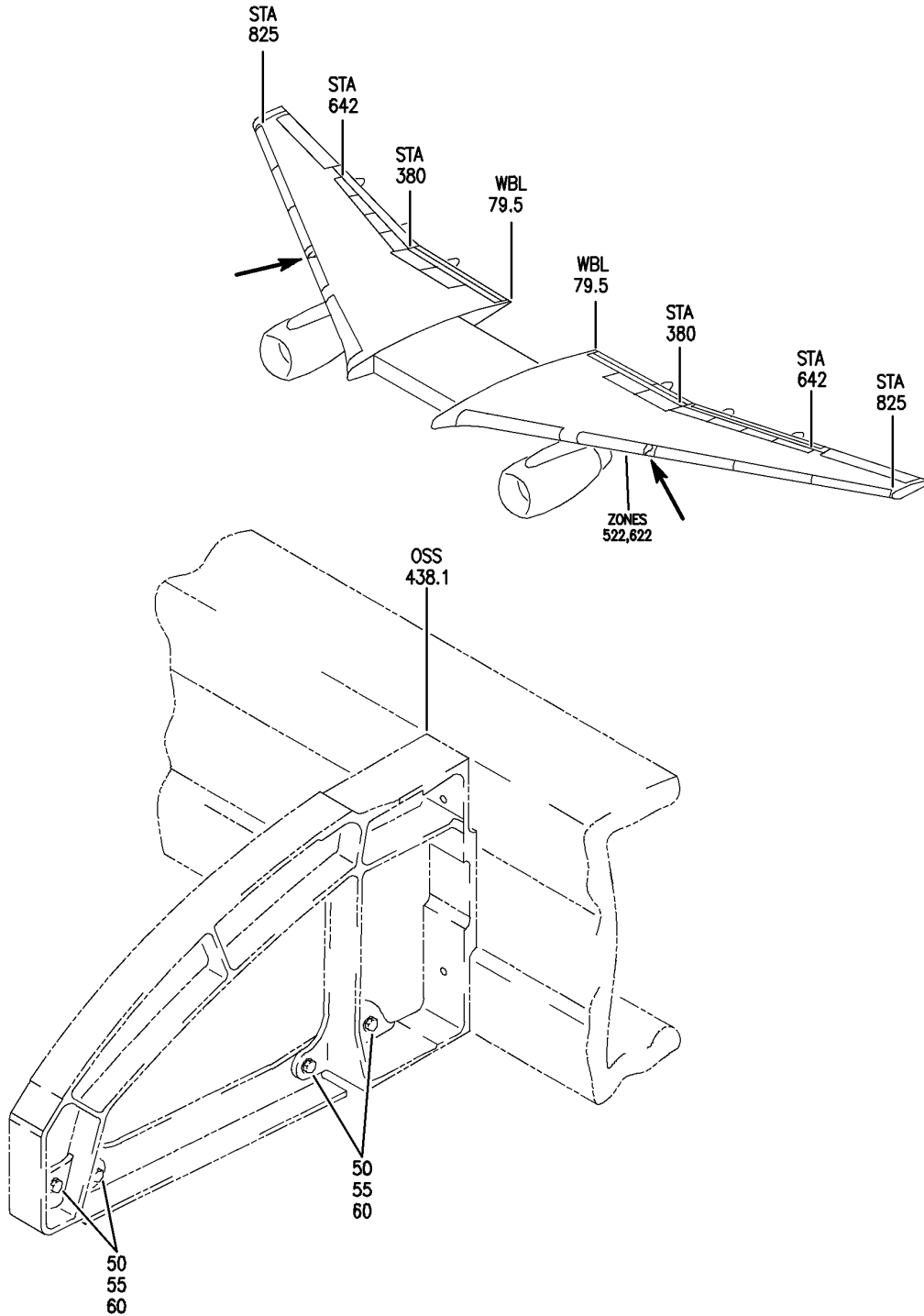
BRI

57-22-51-41C

BOEING PROPRIETARY - Copyright © - Unpublished Work - See title page for details.

57-22-51
FIG. 41C
PAGE 1
JAN 20/09

BOEING
757
PARTS CATALOG (MAINTENANCE)



Y 57225141D REV 247

RIB INSTL-FXD LE AIRLOAD OUTBD
FIGURE 41D

57-22-51-41D

BRI
MAY 28/07

57-22-51-41D
PAGE 0



757

PARTS CATALOG (MAINTENANCE)

FIG ITEM	PART NUMBER	1 2 3 4 5 6 7	NOMENCLATURE	EFFECT FROM TO	UNITS PER ASSY
41D			RIB INSTL-FXD LE AIRLOAD OUTBD	002004 006102 107999	
- 1	114N2030-1		RIB INSTL-FXD LE AIRLOAD POSITION DATA: OSS 438.10 OUTBD LH FOR NHA SEE: 57-22-51-50	002004 006100 107107 121503 904999	RF
- 1	114N2030-403		RIB INSTL-FXD LE AIRLOAD POSITION DATA: OSS 438.10 OUTBD LH FOR NHA SEE: 57-00-00-10	101102 504903	RF
- 1	114N2030-405		RIB INSTL-FXD LE AIRLOAD POSITION DATA: OSS 438.10 OUTBD LH FOR NHA SEE: 57-00-00-10	108120	RF
- 5	114N2030-2		RIB INSTL-FXD LE AIRLOAD POSITION DATA: OSS 438.10 OUTBD RH FOR NHA SEE: 57-22-51-50	002004 006100 107107 121503 904999	RF
- 5	114N2030-404		RIB INSTL-FXD LE AIRLOAD POSITION DATA: OSS 438.10 OUTBD RH FOR NHA SEE: 57-00-00-10	101102 504903	RF
- 5	114N2030-406		RIB INSTL-FXD LE AIRLOAD POSITION DATA: OSS 438.10 OUTBD RH FOR NHA SEE: 57-00-00-10	108120	RF
50	BACB30NM3K4		.BOLT	002004 006102 107999	4
55	AN960PD10		.WASHER	002004 006102 107999	4
60	NAS1805-3N		.NUT	002004 006102 107999	4

MISSING ITEM NUMBERS NOT APPLICABLE

- ITEM NOT ILLUSTRATED

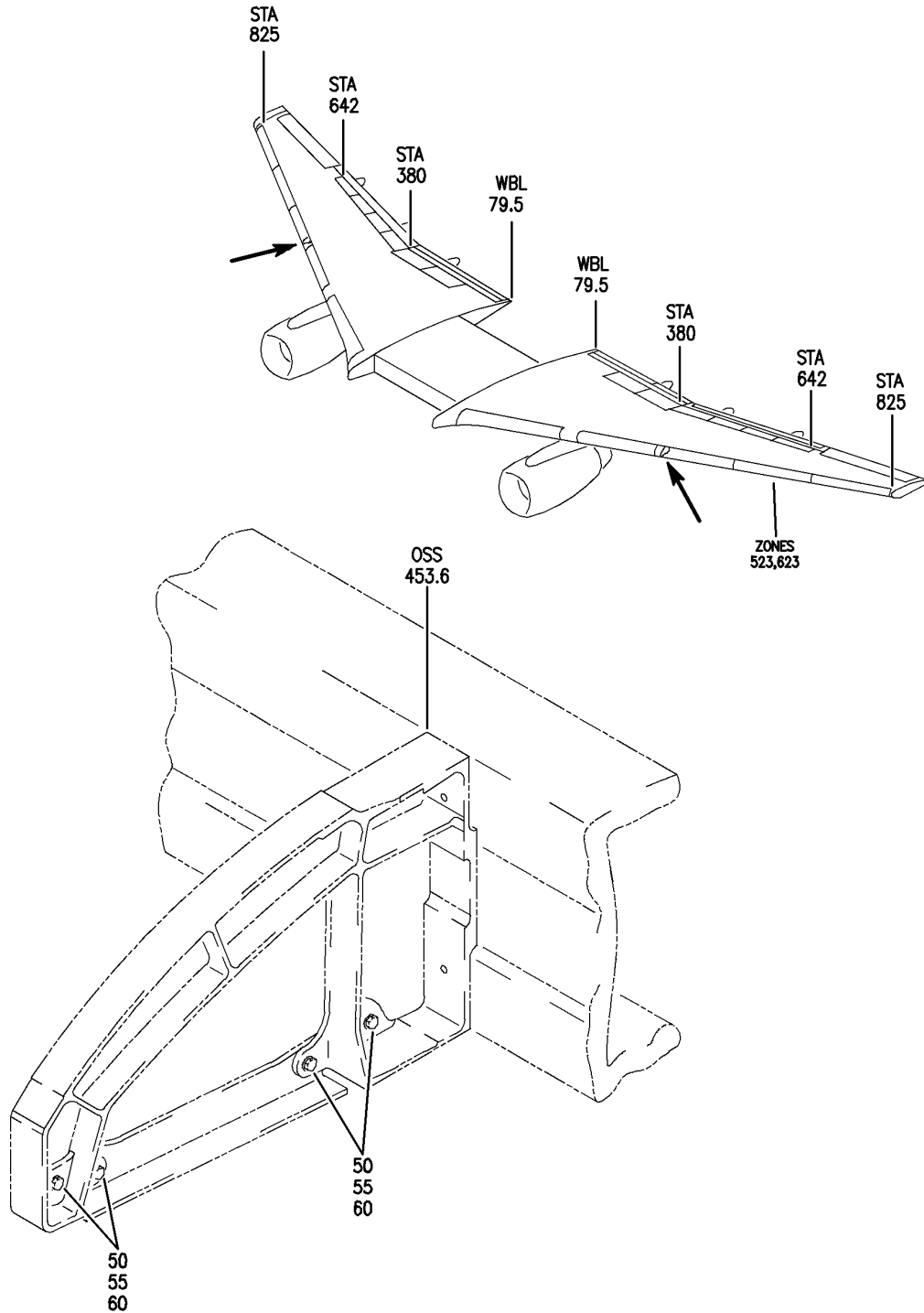
57-22-51-41D

57-22-51
FIG. 41D
PAGE 1
JAN 20/09

BRI

BOEING PROPRIETARY - Copyright © - Unpublished Work - See title page for details.

BOEING
757
PARTS CATALOG (MAINTENANCE)



Y 57225141F REV 248

RIB INSTL-FXD LE AIRLOAD OUTBD
FIGURE 41F

57-22-51-41F

BRI
MAY 28/07

57-22-51-41F
PAGE 0



757

PARTS CATALOG (MAINTENANCE)

FIG ITEM	PART NUMBER	1 2 3 4 5 6 7	NOMENCLATURE	EFFECT FROM TO	UNITS PER ASSY
41 F			RIB INSTL-FXD LE AIRLOAD OUTBD	002004 006102 107999	
- 1	114N2029-1		RIB INSTL-FXD LE AIRLOAD POSITION DATA: OSS 453.60 OUTBD LH FOR NHA SEE: 57-22-51-50	002004 006100 107107 121503 904999	RF
- 1	114N2029-403		RIB INSTL-FXD LE AIRLOAD POSITION DATA: OSS 453.60 OUTBD LH FOR NHA SEE: 57-00-00-10	101102 108120 504903	RF
- 5	114N2029-2		RIB INSTL-FXD LE AIRLOAD POSITION DATA: OSS 453.60 OUTBD RH FOR NHA SEE: 57-22-51-50	002004 006100 107107 121503 904999	RF
- 5	114N2029-404		RIB INSTL-FXD LE AIRLOAD POSITION DATA: OSS 453.60 OUTBD RH FOR NHA SEE: 57-00-00-10	101102 108120 504903	RF
50	BACB30NM3K4		.BOLT	002004 006102 107999	4
55	AN960PD10		.WASHER	002004 006100 107107 121503 904999	8
55	NAS1149D0363J		.WASHER	101102 108120 504903	8
60	NAS1805-3N		.NUT	002004 006100 107107 121503 904999	4
60	NAS1805-3L		.NUT	101102 108120 504903	4

MISSING ITEM NUMBERS NOT APPLICABLE

- ITEM NOT ILLUSTRATED

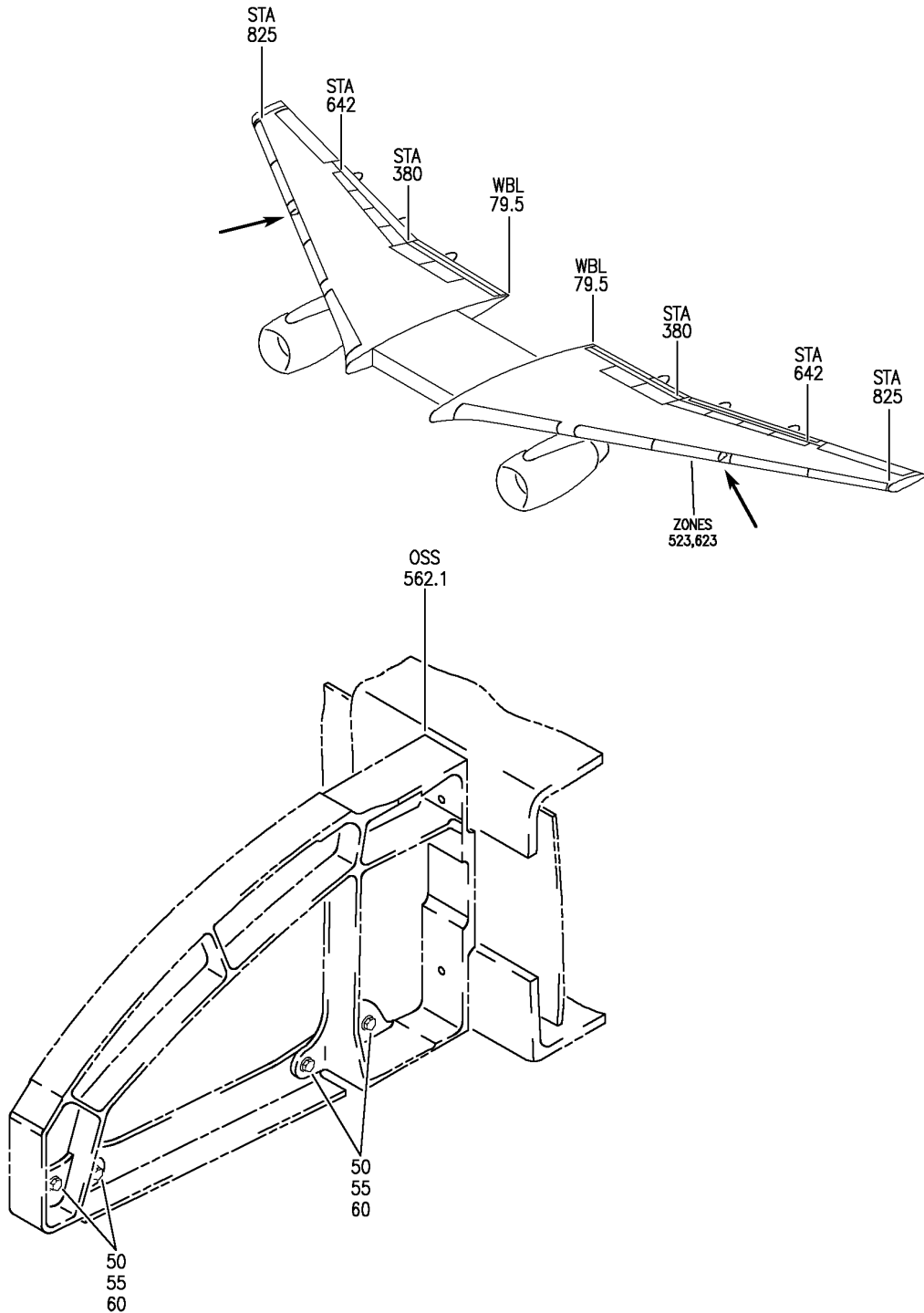
57-22-51-41F

57-22-51
FIG. 41F
PAGE 1
JAN 20/09

BRI

BOEING PROPRIETARY - Copyright © - Unpublished Work - See title page for details.

BOEING
757
PARTS CATALOG (MAINTENANCE)



Y 57225141G REV 248

RIB INSTL-FXD LE AIRLOAD OUTBD
FIGURE 41G

57-22-51-41G

BRI
MAY 28/07

57-22-51-41G
PAGE 0



757

PARTS CATALOG (MAINTENANCE)

FIG ITEM	PART NUMBER	1 2 3 4 5 6 7	NOMENCLATURE	EFFECT FROM TO	UNITS PER ASSY
41G			RIB INSTL-FXD LE AIRLOAD OUTBD	002004 006102 107999	
- 1	114N2026-1		RIB INSTL-FXD LE AIRLOAD POSITION DATA: OSS 562.10 OUTBD LH FOR NHA SEE: 57-22-51-50	002004 006100 107107 121503 904999	RF
- 1	114N2026-403		RIB INSTL-FXD LE AIRLOAD POSITION DATA: OSS 562.10 OUTBD LH FOR NHA SEE: 57-00-00-10	101102 108120 504903	RF
- 5	114N2026-2		RIB INSTL-FXD LE AIRLOAD POSITION DATA: OSS 562.10 OUTBD RH FOR NHA SEE: 57-22-51-50	002004 006100 107107 121503 904999	RF
- 5	114N2026-404		RIB INSTL-FXD LE AIRLOAD POSITION DATA: OSS 562.10 OUTBD RH FOR NHA SEE: 57-00-00-10	101102 108120 504903	RF
50	BACB30NM3K4		.BOLT	002004 006102 107999	4
55	AN960PD10		.WASHER	002004 006100 107107 121503 904999	8
55	NAS1149D0363J		.WASHER	101102 108120 504903	8
60	NAS1805-3N		.NUT	002004 006100 107107 121503 904999	4
60	NAS1805-3L		.NUT	101102 108120 504903	4

MISSING ITEM NUMBERS NOT APPLICABLE

- ITEM NOT ILLUSTRATED

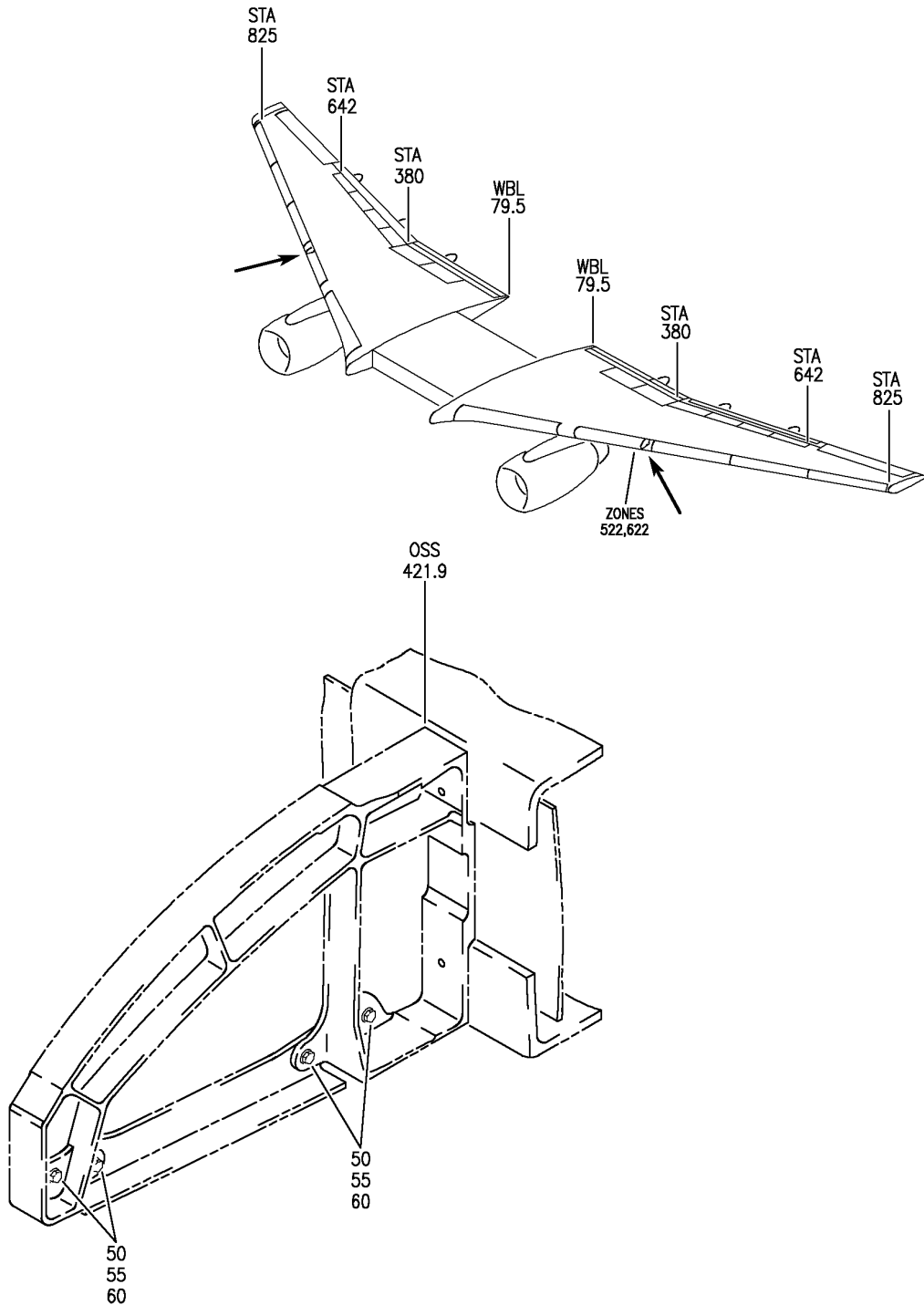
BRI

57-22-51-41G

BOEING PROPRIETARY - Copyright © - Unpublished Work - See title page for details.

57-22-51
FIG. 41G
PAGE 1
JAN 20/09

BOEING
757
PARTS CATALOG (MAINTENANCE)



Y 57225141H REV 248

RIB INSTL-FXD LE AIRLOAD OUTBD
FIGURE 41H

57-22-51-41H

BRI
MAY 28/07

57-22-51-41H
PAGE 0



757

PARTS CATALOG (MAINTENANCE)

FIG ITEM	PART NUMBER	1 2 3 4 5 6 7	NOMENCLATURE	EFFECT FROM TO	UNITS PER ASSY
41H			RIB INSTL-FXD LE AIRLOAD OUTBD	002004 006102 107999	
- 1	114N2031-1		RIB INSTL-FXD LE AIRLOAD POSITION DATA: OSS 421.90 OUTBD LH FOR NHA SEE: 57-22-51-50	002004 006100 107107 121503 904999	RF
- 1	114N2031-403		RIB INSTL-FXD LE AIRLOAD POSITION DATA: OSS 421.90 OUTBD LH FOR NHA SEE: 57-00-00-10	101102 108120 504903	RF
- 5	114N2031-2		RIB INSTL-FXD LE AIRLOAD POSITION DATA: OSS 421.90 OUTBD RH FOR NHA SEE: 57-22-51-50	002004 006100 107107 121503 904999	RF
- 5	114N2031-404		RIB INSTL-FXD LE AIRLOAD POSITION DATA: OSS 421.90 OUTBD RH FOR NHA SEE: 57-00-00-10	101102 108120 504903	RF
50	BACB30NM3K4		.BOLT	002004 006102 107999	4
55	AN960PD10		.WASHER	002004 006100 107107 121503 904999	8
55	NAS1149D0363J		.WASHER	101102 108120 504903	8
60	NAS1805-3N		.NUT	002004 006100 107107 121503 904999	4
60	NAS1805-3L		.NUT	101102 108120 504903	4

MISSING ITEM NUMBERS NOT APPLICABLE

- ITEM NOT ILLUSTRATED

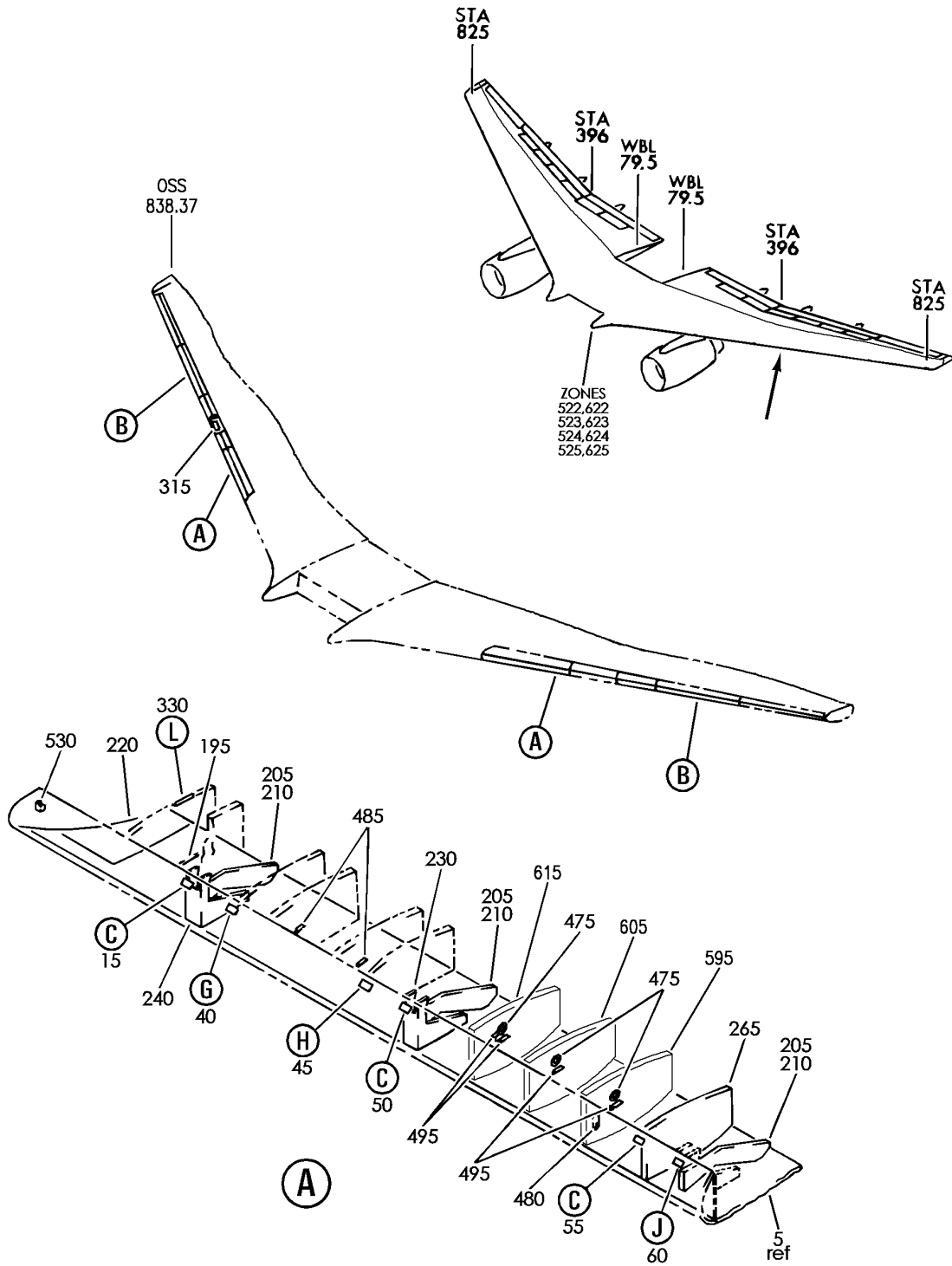
57-22-51-41H

57-22-51
FIG. 41H
PAGE 1
JAN 20/09

BRI

BOEING PROPRIETARY - Copyright © - Unpublished Work - See title page for details.

BOEING
757
PARTS CATALOG (MAINTENANCE)



Y 57225150 SH1 1 REV 248

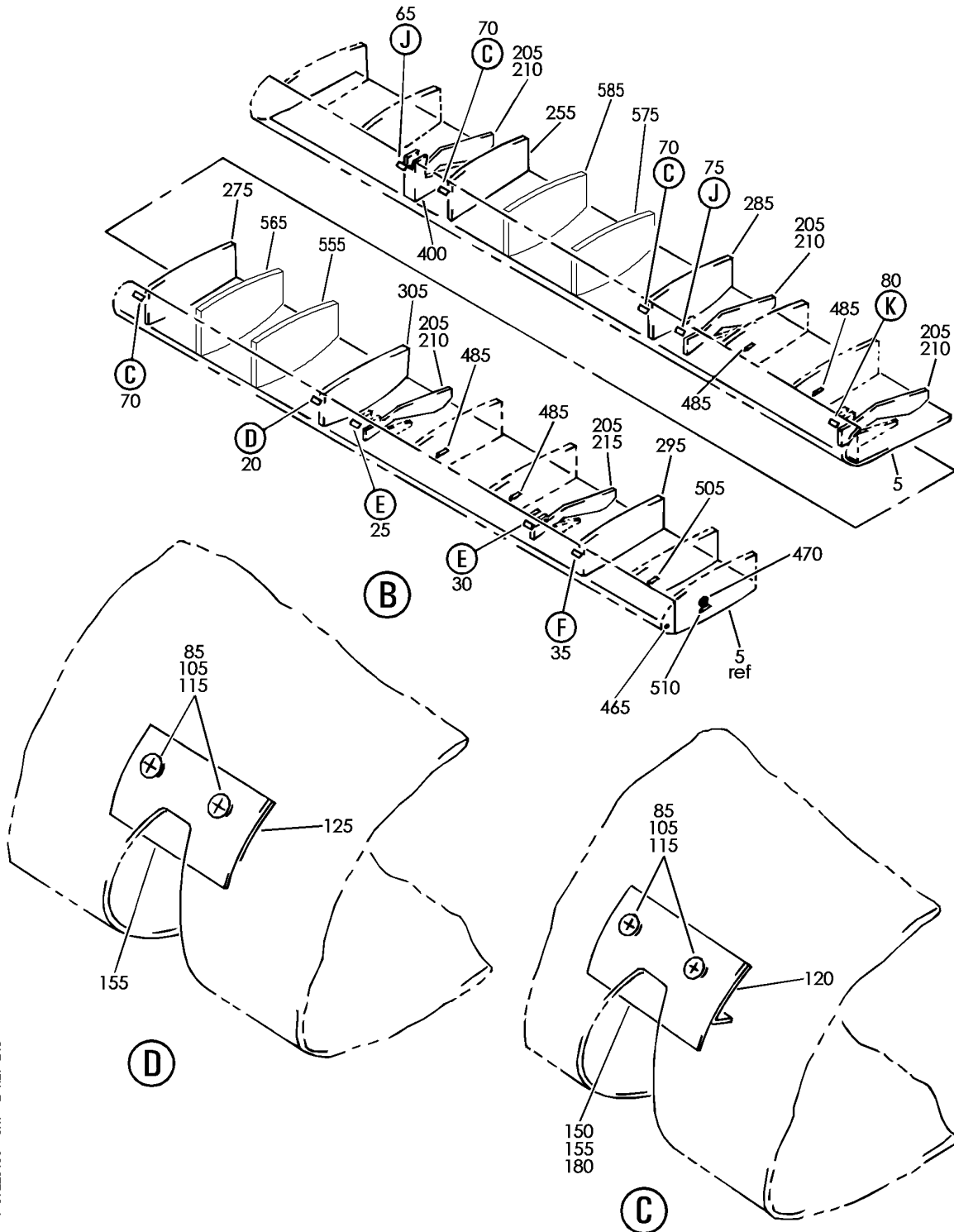
LEADING EDGE INSTL- OUTBD WING FXD
FIGURE 50 (SHEET 1)

57-22-51-50

BRI
MAY 28/07

57-22-51-50
PAGE 0

BOEING
757
PARTS CATALOG (MAINTENANCE)



Y 57225150 SH1 2 REV 248

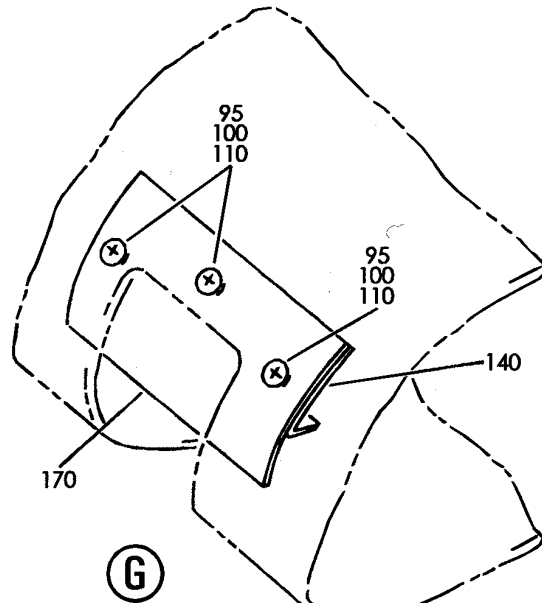
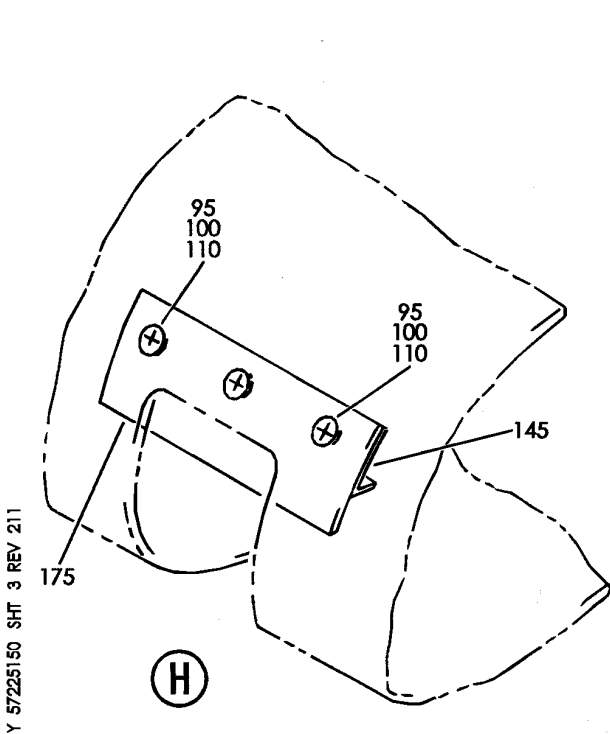
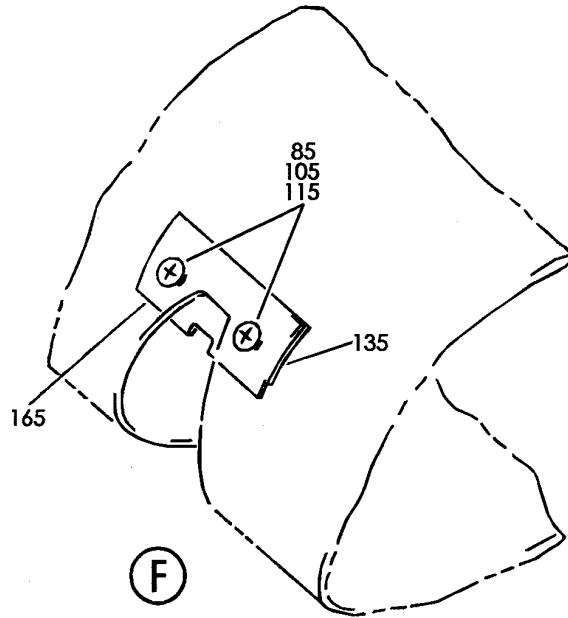
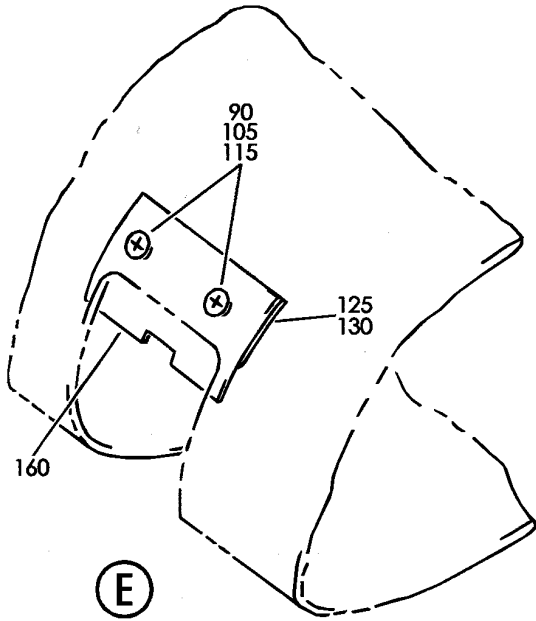
LEADING EDGE INSTL- OUTBD WING FXD
FIGURE 50 (SHEET 2)

57-22-51-50

BRI
MAY 28/07

57-22-51-50
PAGE 0A

BOEING
757
PARTS CATALOG (MAINTENANCE)



Y 57225150 SHF 3 REV 211

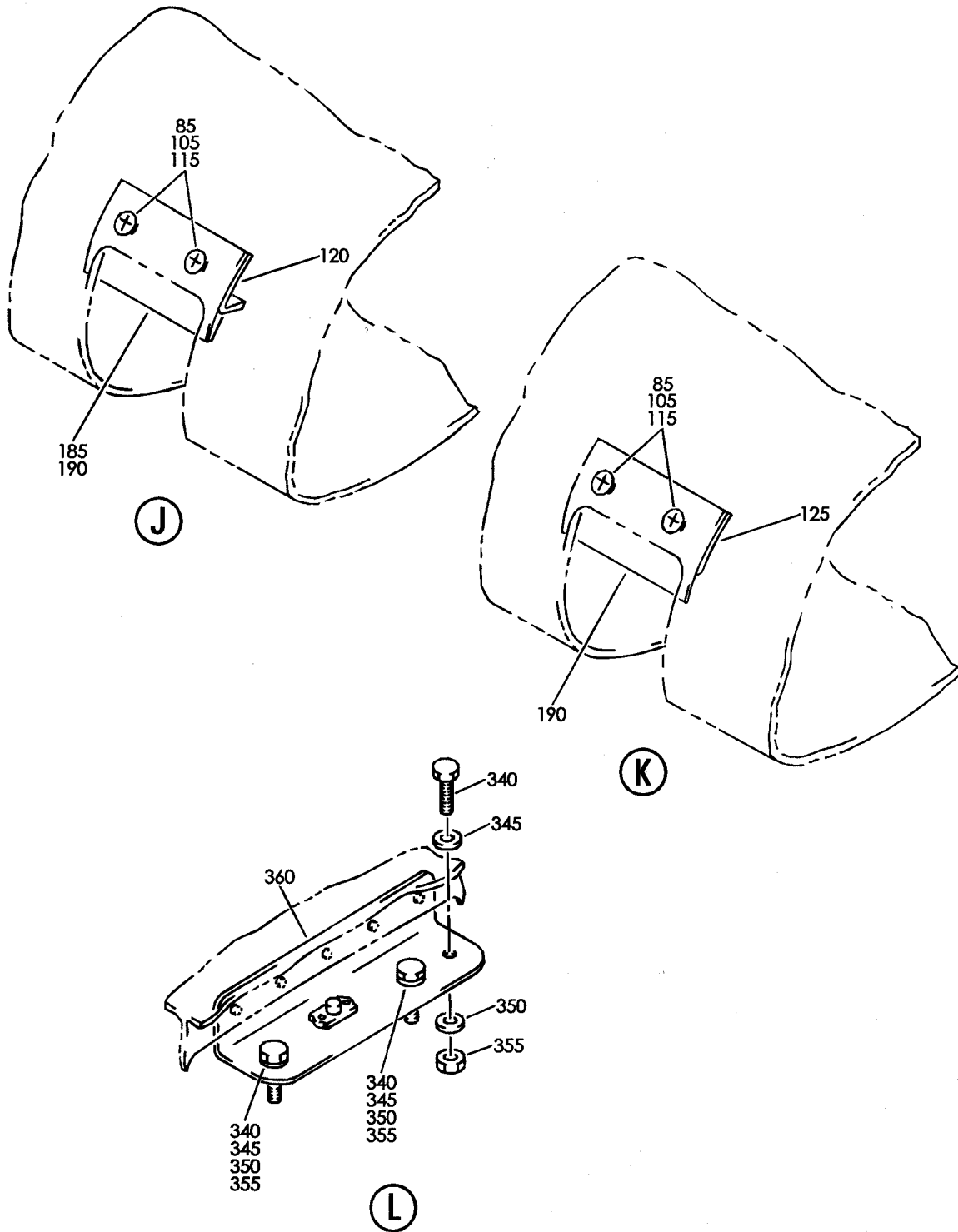
LEADING EDGE INSTL- OUTBD WING FXD
FIGURE 50 (SHEET 3)

57-22-51-50

BRI
MAY 28/07

57-22-51-50
PAGE 0B

BOEING
757
PARTS CATALOG (MAINTENANCE)



Y 57225150 SH 4 REV 211

LEADING EDGE INSTL- OUTBD WING FXD
FIGURE 50 (SHEET 4)

57-22-51-50

BRI
MAY 28/07

57-22-51-50
PAGE 0C



757

PARTS CATALOG (MAINTENANCE)

FIG ITEM	PART NUMBER	1 2 3 4 5 6 7	NOMENCLATURE	EFFECT FROM TO	UNITS PER ASSY
50			LEADING EDGE INSTL- OUTBD WING FXD	002004 006102 107999	
- 1	114N2001-1		LEADING EDGE INSTL-WING FXD POSITION DATA: OUTBD LH FOR NHA SEE: 57-20-52-01	002004 006100 107107 121503 904999	RF
- 3	114N2001-2		LEADING EDGE INSTL-WING FXD POSITION DATA: OUTBD RH FOR NHA SEE: 57-20-52-01	002004 006100 107107 121503 904999	RF
5	114N2036-31		.PANEL INSTL-SKIN POSITION DATA: LWR LH FOR DETAILS SEE: 57-41-01-01	002004 006100 107107 121503 904999	1
- 10	114N2036-32		.PANEL INSTL-SKIN POSITION DATA: LWR RH FOR DETAILS SEE: 57-41-01-01A	002004 006100 107107 121503 904999	1
15	114N2134-1		.SEAL INSTL-RESTORATION	107107	1
20	114N2134-10		.SEAL INSTL-RESTORATION	107107	1
25	114N2134-22		.SEAL INSTL-RESTORATION	107107	1
35	114N2134-13		.SEAL INSTL-RESTORATION	107107	1
40	114N2134-2		.SEAL INSTL-RESTORATION	107107	1
45	114N2134-3		.SEAL INSTL-RESTORATION	107107	1
50	114N2134-4		.SEAL INSTL-RESTORATION	107107	1
55	114N2134-5		.SEAL INSTL-RESTORATION	107107	1
60	114N2134-6		.SEAL INSTL-RESTORATION	107107	1
65	114N2134-7		.SEAL INSTL-RESTORATION	107107	1
70	114N2134-8		.SEAL INSTL-RESTORATION	107107	3
75	114N2134-9		.SEAL INSTL-RESTORATION	107107	1
80	114N2134-24		.SEAL INSTL-RESTORATION	107107	1
85	BACB30NN3K3		..BOLT- USED ON: 114N2134-1 114N2134-10 114N2134-13 114N2134-4 114N2134-5 114N2134-6 114N2134-7 114N2134-8 114N2134-9 114N2134-24	107107	2

MISSING ITEM NUMBERS NOT APPLICABLE

- ITEM NOT ILLUSTRATED

57-22-51-50

57-22-51
FIG. 50
PAGE 1
JAN 20/09

BRI



757

PARTS CATALOG (MAINTENANCE)

FIG ITEM	PART NUMBER	1 2 3 4 5 6 7	NOMENCLATURE	EFFECT FROM TO	UNITS PER ASSY
50					
90	BACB30NN3K3	..	BOLT- USED ON: 114N2134-12 114N2134-22	107107	2
95	BACB30NN3K3	..	BOLT- USED ON: 114N2134-2 114N2134-3	107107	3
195	114N2133-3	.D	DOOR INSTL-THRM ANTI-ICING DUCT SEAL POSITION DATA: LH FOR DETAILS SEE: 57-41-51-05	002004 006100 107107 121503 904999	1
- 200	114N2133-4	.D	DOOR INSTL-THRM ANTI-ICING DUCT SEAL POSITION DATA: RH FOR DETAILS SEE: 57-41-51-05	002004 006100 107107 121503 904999	1
210	114N2124-2	.T	TRACK INSTL-AUX FOR DETAILS SEE: 27-81-13-10	107107	7
210	114N2124-6	.T	TRACK INSTL-AUX FOR DETAILS SEE: 27-81-13-10	002004 006100 121503 904999	7
215	114N2124-5	.T	TRACK INSTL-AUX FOR DETAILS SEE: 27-81-13-10	107107	1
215	114N2124-7	.T	TRACK INSTL-AUX FOR DETAILS SEE: 27-81-13-10	002004 006100 121503 904999	1
220	114N2038-1	.D	DOOR INSTL-BLOW OUT POSITION DATA: LH FOR DETAILS SEE: 57-41-51-10	002004 006100 107107 121503 904999	1
- 225	114N2038-2	.D	DOOR INSTL-BLOW OUT POSITION DATA: RH FOR DETAILS SEE: 57-41-51-10	002004 006100 107107 121503 904999	1
230	114N2008-1	.R	RIB INSTL-MAIN TRACK SPRT POSITION DATA: OSS 404.80 LH FOR DETAILS SEE: 57-22-51-30	002004 006100 107107 121503 904999	1

MISSING ITEM NUMBERS NOT APPLICABLE

- ITEM NOT ILLUSTRATED

57-22-51-50

57-22-51
FIG. 50
PAGE 2
JAN 20/09

BRI



757

PARTS CATALOG (MAINTENANCE)

FIG ITEM	PART NUMBER	1 2 3 4 5 6 7	NOMENCLATURE	EFFECT FROM TO	UNITS PER ASSY
50					
- 235	114N2008-2		.RIB INSTL-MAIN TRACK SPRT POSITION DATA: OSS 404.80 RH FOR DETAILS SEE: 57-22-51-30	002004 006100 107107 121503 904999	1
240	114N2009-1		.RIB INSTL-MAIN TRACK SPRT POSITION DATA: OSS 344.50 LH FOR DETAILS SEE: 57-22-51-30	002004 006100 107107 121503 904999	1
- 250	114N2009-2		.RIB INSTL-MAIN TRACK SPRT POSITION DATA: OSS 344.50 RH FOR DETAILS SEE: 57-22-51-30	002004 006100 107107 121503 904999	1
255	114N2006-1		.RIB INSTL-MAIN TRACK SPRT POSITION DATA: OSS 542.70 LH FOR DETAILS SEE: 57-22-51-25	002004 006100 107107 121503 904999	1
- 260	114N2006-2		.RIB INSTL-MAIN TRACK SPRT POSITION DATA: OSS 542.70 RH FOR DETAILS SEE: 57-22-51-25	002004 006100 107107 121503 904999	1
265	114N2007-1		.RIB INSTL-MAIN TRACK SPRT POSITION DATA: OSS 471.30 LH FOR DETAILS SEE: 57-22-51-25	002004 006100 107107 121503 904999	1
- 270	114N2007-2		.RIB INSTL-MAIN TRACK SPRT POSITION DATA: OSS 471.30 RH FOR DETAILS SEE: 57-22-51-25	002004 006100 107107 121503 904999	1
275	114N2004-1		.RIB INSTL-MAIN TRACK SPRT POSITION DATA: OSS 677.50 LH FOR DETAILS SEE: 57-22-51-20	002004 006100 107107 121503 904999	1
- 280	114N2004-2		.RIB INSTL-MAIN TRACK SPRT POSITION DATA: OSS 677.50 RH FOR DETAILS SEE: 57-22-51-20	002004 006100 107107 121503 904999	1

MISSING ITEM NUMBERS NOT APPLICABLE

- ITEM NOT ILLUSTRATED

57-22-51-50

57-22-51
FIG. 50
PAGE 3
JAN 20/09

BRI



757

PARTS CATALOG (MAINTENANCE)

FIG ITEM	PART NUMBER	1 2 3 4 5 6 7	NOMENCLATURE	EFFECT FROM TO	UNITS PER ASSY
50 285	114N2005-1		.RIB INSTL-MAIN TRACK SPRT POSITION DATA: OSS 605.30 LH FOR DETAILS SEE: 57-22-51-20	002004 006100 107107 121503 904999	1
- 290	114N2005-2		.RIB INSTL-MAIN TRACK SPRT POSITION DATA: OSS 605.30 RH FOR DETAILS SEE: 57-22-51-20	002004 006100 107107 121503 904999	1
295	114N2002-1		.RIB INSTL-MAIN TRACK SPRT POSITION DATA: OSS 809.46 LH FOR DETAILS SEE: 57-22-51-15	002004 006100 107107 121503 904999	1
- 300	114N2002-2		.RIB INSTL-MAIN TRACK SPRT POSITION DATA: OSS 809.46 RH FOR DETAILS SEE: 57-22-51-15	002004 006100 107107 121503 904999	1
305	114N2003-1		.RIB INSTL-MAIN TRACK SPRT POSITION DATA: OSS 736.70 LH FOR DETAILS SEE: 57-22-51-15	002004 006100 107107 121503 904999	1
- 310	114N2003-2		.RIB INSTL-MAIN TRACK SPRT POSITION DATA: OSS 736.70 RH FOR DETAILS SEE: 57-22-51-15	002004 006100 107107 121503 904999	1
315	114N2039-29		.DOOR INSTL-REFUELING ACCESS POSITION DATA: R SIDE FOR DETAILS SEE: 52-49-02-10	002004 006100 107107 121503 904999	1
- 320	114N2121-1		.RIB INSTL- POSITION DATA: OSS 329.25 LH SIDE	002004 006100 107107 121503 904999	1
- 325	114N2121-2		.RIB INSTL- POSITION DATA: OSS 329.25 RH SIDE	002004 006100 107107 121503 904999	1

MISSING ITEM NUMBERS NOT APPLICABLE

- ITEM NOT ILLUSTRATED

57-22-51-50

57-22-51
FIG. 50
PAGE 4
JAN 20/09

BRI



757

PARTS CATALOG (MAINTENANCE)

FIG ITEM	PART NUMBER	1 2 3 4 5 6 7	NOMENCLATURE	EFFECT FROM TO	UNITS PER ASSY
50					
330	312N5828-27	..	BRACKET ASSY- POSITION DATA: LH SIDE	002004 006100 107107 121503 904999	1
- 335	312N5828-28	..	BRACKET ASSY- POSITION DATA: RH SIDE	002004 006100 107107 121503 904999	1
340	NAS1801-3-12	...	SCREW	002004 006100 107107 121503 904999	3
345	MS35338-43	...	WASHER	002004 006100 107107 121503 904999	3
350	AN960D10L	...	WASHER	002004 006100 107107 121503 904999	3
355	MS35650-305T	...	NUT	002004 006100 107107 121503 904999	3
360	312N5828-29	...	BRACKET- POSITION DATA: LH SIDE	002004 006100 107107 121503 904999	1
- 365	312N5828-30	...	BRACKET- POSITION DATA: RH SIDE	002004 006100 107107 121503 904999	1
- 370	114N2033-1	.RIB	INSTL- POSITION DATA: OSS 365.00 LH SIDE	002004 006100 107107 121503 904999	1

MISSING ITEM NUMBERS NOT APPLICABLE

- ITEM NOT ILLUSTRATED

57-22-51-50

57-22-51
FIG. 50
PAGE 5
JAN 20/09

BRI

 **BOEING**
757
PARTS CATALOG (MAINTENANCE)

FIG ITEM	PART NUMBER	1 2 3 4 5 6 7	NOMENCLATURE	EFFECT FROM TO	UNITS PER ASSY
50					
- 375	114N2033-2	.RIB INSTL-	POSITION DATA: OSS 365.00 RH SIDE	002004 006100 107107 121503 904999	1
- 380	114N2032-1	.RIB INSTL-	POSITION DATA: OSS 384.30 LH SIDE	002004 006100 107107 121503 904999	1
- 385	114N2032-2	.RIB INSTL-	POSITION DATA: OSS 384.30 RH SIDE	002004 006100 107107 121503 904999	1
- 390	114N2125-1	.RIB INSTL		002004 006100 107107 121503 904999	1
- 395	114N2028-1	.RIB INSTL-	POSITION DATA: OSS 495.06 LH SIDE	002004 006100 107107 121503 904999	1
400	114N2027-1	.RIB INSTL-	POSITION DATA: OSS 518.00 LH SIDE	002004 006100 107107 121503 904999	1
- 405	114N2024-1	.RIB INSTL-	POSITION DATA: OSS 629.80 LH SIDE	002004 006100 107107 121503 904999	1
- 410	114N2024-2	.RIB INSTL-	POSITION DATA: OSS 629.80 RH SIDE	002004 006100 107107 121503 904999	1
- 415	114N2023-1	.RIB INSTL-	POSITION DATA: OSS 653.00 LH SIDE	002004 006100 107107 121503 904999	1

MISSING ITEM NUMBERS NOT APPLICABLE

- ITEM NOT ILLUSTRATED

BRI

57-22-51-50

BOEING PROPRIETARY - Copyright © - Unpublished Work - See title page for details.

57-22-51
FIG. 50
PAGE 6
JAN 20/09



757

PARTS CATALOG (MAINTENANCE)

FIG ITEM	PART NUMBER	1 2 3 4 5 6 7	NOMENCLATURE	EFFECT FROM TO	UNITS PER ASSY
50					
- 420	114N2023-2	.RIB INSTL-	POSITION DATA: OSS 653.00 RH SIDE	002004 006100 107107 121503 904999	1
- 425	114N2020-1	.RIB INSTL-	POSITION DATA: OSS 761.76 LH SIDE	002004 006100 107107 121503 904999	1
- 430	114N2020-2	.RIB INSTL-	POSITION DATA: OSS 761.76 RH SIDE	002004 006100 107107 121503 904999	1
- 435	114N2019-1	.RIB INSTL-	POSITION DATA: OSS 748.70 LH SIDE	002004 006100 107107 121503 904999	1
- 440	114N2019-2	.RIB INSTL-	POSITION DATA: OSS 784.70 RH SIDE	002004 006100 107107 121503 904999	1
- 445	114N2018-1	.RIB INSTL-	POSITION DATA: OSS 826.10 LH SIDE	002004 006100 107107 121503 904999	1
- 450	114N2018-2	.RIB INSTL-	POSITION DATA: OSS 826.10 RH SIDE	002004 006100 107107 121503 904999	1
- 455	114N2126-1	.RIB INSTL-	POSITION DATA: OSS 838.37 LH SIDE	002004 006100 107107 121503 904999	1
- 460	114N2126-2	.RIB INSTL-	POSITION DATA: OSS 838.37 RH SIDE	002004 006100 107107 121503 904999	1

MISSING ITEM NUMBERS NOT APPLICABLE

- ITEM NOT ILLUSTRATED

57-22-51-50

57-22-51
FIG. 50
PAGE 7
JAN 20/09

BRI



757

PARTS CATALOG (MAINTENANCE)

FIG ITEM	PART NUMBER	1 2 3 4 5 6 7	NOMENCLATURE	EFFECT FROM TO	UNITS PER ASSY
50 465	VNS1924CA1-8	..	STUD- SUPPLIER CODE: V5M902 SPECIFICATION NUMBER: BACS53B1EA1 OPTIONAL PART: VNS1924CA3-1-8 V92215 USED ON: 114N2033-1 114N2033-2	002004 006100 107107 121503 904999	1
470	BACG20ZB001275	..	GROMMET- USED ON: 114N2018-1 114N2018-2	002004 006100 107107 121503 904999	1
475	BACG20ZB1275	..	GROMMET- USED ON: 114N2125-1	002004 006100 107107 121503 904999	3
480	BAC20ZB1150	..	GROMMET- USED ON: 114N2125-1	003004 006100 121503 904999	1
485	287N1401-37	..	BRACKET- USED ON: 114N2033-1 114N2033-2 114N2032-1 114N2032-2 114N2024-1 114N2024-2 114N2023-1 114N2023-2 114N2020-1 114N2020-2 114N2019-1 114N2019-2 114N2027-1 114N2028-1	002004 006100 107107 121503 904999	1
- 490	BACR15FT8D	..	ATTACHING PARTS RIVET- SIZE DETERMINED ON INSTL. -----*-----	002004 006100 107107 121503 904999	2

MISSING ITEM NUMBERS NOT APPLICABLE

- ITEM NOT ILLUSTRATED

57-22-51-50

57-22-51
FIG. 50
PAGE 8
JAN 20/09

BRI

BOEING PROPRIETARY - Copyright © - Unpublished Work - See title page for details.



757

PARTS CATALOG (MAINTENANCE)

FIG ITEM	PART NUMBER	1 2 3 4 5 6 7	NOMENCLATURE	EFFECT FROM TO	UNITS PER ASSY
50 495	287N1401-729		..BRACKET- USED ON: 114N2125-1	003004 006100 121503 904999	4
- 500	BACR15FT5D		ATTACHING PARTS ..RIVET- SIZE DETERMINED ON INSTL.	002004 006100 107107 121503 904999	8
			-----*-----		
505	287N1401-67		..BRACKET- USED ON: 114N2018-1 114N2018-2	002004 006100 107107 121503 904999	1
510	287N1401-47		..BRACKET- USED ON: 114N2126-1 114N2126-2	002004 006100 107107 121503 904999	1
- 515	BACR15FT5D		ATTACHING PARTS ..RIVET- SIZE DETERMINED ON INSTL.	002004 006100 107107 121503 904999	2
			-----*-----		
- 520	114N2128-1		.RIB INSTL-CLOSURE POSITION DATA: WBL 268.90 LH SIDE	002004 006100 107107 121503 904999	1
- 525	114N2128-2		.RIB INSTL-CLOSURE POSITION DATA: WBL 268.90 RH SIDE	002004 006100 107107 121503 904999	1
530	114N2177-1		..FITTING-ATTACHMENT POSITION DATA: LH SIDE	002004 006100 107107 121503 904999	1
- 535	114N2177-2		..FITTING-ATTACHMENT POSITION DATA: RH SIDE	002004 006100 107107 121503 904999	1

MISSING ITEM NUMBERS NOT APPLICABLE

- ITEM NOT ILLUSTRATED

57-22-51-50

57-22-51
FIG. 50
PAGE 9
JAN 20/09

BRI



757

PARTS CATALOG (MAINTENANCE)

FIG ITEM	PART NUMBER	1 2 3 4 5 6 7	NOMENCLATURE	EFFECT FROM TO	UNITS PER ASSY
50			ATTACHING PARTS		
- 540	L8008K7	..	BOLT SUPPLIER CODE: V06725 SPECIFICATION NUMBER: BACB30MY8K7	002004 006100 107107 121503 904999	4
- 545	AS46-4	..	WASHER SUPPLIER CODE: V10630 SPECIFICATION NUMBER: BACW10AU4 OPTIONAL PART: K19701P4 V15653 53488W428 V56878 6073-04 V72962 TLN1020L4W V08524	002004 006100 107107 121503 904999	4
- 550	H19700P4	..	NUT SUPPLIER CODE: V15653 SPECIFICATION NUMBER: BACN10MT4 OPTIONAL PART: 52LH6073-048 V72962 53488N428 V56878 TLN1020L4N V97928	002004 006100 107107 121503 904999	4
			-----*-----		
555	114N2021-1	.RIB	INSTL-FXD LE AIRLOAD POSITION DATA: OSS 715.60 OUTBD LH FOR DETAILS SEE: 57-22-51-41A	002004 006100 107107 121503 904999	1
555	114N2021-403	.RIB	INSTL-FXD LE AIRLOAD POSITION DATA: OSS 715.60 OUTBD LH FOR DETAILS SEE: 57-22-51-41A	101102 108120 504903	1
- 560	114N2021-2	.RIB	INSTL-FXD LE AIRLOAD POSITION DATA: OSS 715.60 OUTBD RH FOR DETAILS SEE: 57-22-51-41A	002004 006100 107107 121503 904999	1

MISSING ITEM NUMBERS NOT APPLICABLE

- ITEM NOT ILLUSTRATED

57-22-51-50

57-22-51
FIG. 50
PAGE 10
JAN 20/09

BRI



757

PARTS CATALOG (MAINTENANCE)

FIG ITEM	PART NUMBER	1 2 3 4 5 6 7	NOMENCLATURE	EFFECT FROM TO	UNITS PER ASSY
50					
- 560	114N2021-404		.RIB INSTL-FXD LE AIRLOAD POSITION DATA: OSS 715.60 OUTBD RH FOR DETAILS SEE: 57-22-51-41A	101102 108120 504903	1
565	114N2022-1		.RIB INSTL-FXD LE AIRLOAD POSITION DATA: OSS 696.86 OUTBD LH FOR DETAILS SEE: 57-22-51-41B	002004 006100 107107 121503 904999	1
565	114N2022-403		.RIB INSTL-FXD LE AIRLOAD POSITION DATA: OSS 696.86 OUTBD LH FOR DETAILS SEE: 57-22-51-41B	101102 108120 504903	1
- 570	114N2022-2		.RIB INSTL-FXD LE AIRLOAD POSITION DATA: OSS 696.86 OUTBD RH FOR DETAILS SEE: 57-22-51-41B	002004 006100 107107 121503 904999	1
- 570	114N2022-404		.RIB INSTL-FXD LE AIRLOAD POSITION DATA: OSS 696.86 OUTBD RH FOR DETAILS SEE: 57-22-51-41B	101102 108120 504903	1
575	114N2025-1		.RIB INSTL-FXD LE AIRLOAD POSITION DATA: OSS 583.30 OUTBD LH FOR DETAILS SEE: 57-22-51-41C	002004 006100 107107 121503 904999	1
575	114N2025-403		.RIB INSTL-FXD LE AIRLOAD POSITION DATA: OSS 583.30 OUTBD LH FOR DETAILS SEE: 57-22-51-41C	101102 108120 504903	1
- 580	114N2025-2		.RIB INSTL-FXD LE AIRLOAD POSITION DATA: OSS 583.30 OUTBD RH FOR DETAILS SEE: 57-22-51-41C	002004 006100 107107 121503 904999	1
- 580	114N2025-404		.RIB INSTL-FXD LE AIRLOAD POSITION DATA: OSS 583.30 OUTBD RH FOR DETAILS SEE: 57-22-51-41C	101102 108120 504903	1

MISSING ITEM NUMBERS NOT APPLICABLE

- ITEM NOT ILLUSTRATED

BRI

57-22-51-50

BOEING PROPRIETARY - Copyright © - Unpublished Work - See title page for details.

57-22-51
FIG. 50
PAGE 11
JAN 20/09



757

PARTS CATALOG (MAINTENANCE)

FIG ITEM	PART NUMBER	1 2 3 4 5 6 7	NOMENCLATURE	EFFECT FROM TO	UNITS PER ASSY
50					
585	114N2026-1		.RIB INSTL-FXD LE AIRLOAD POSITION DATA: OSS 562.10 OUTBD LH FOR DETAILS SEE: 57-22-51-41G	002004 006100 107107 121503 904999	1
- 590	114N2026-2		.RIB INSTL-FXD LE AIRLOAD POSITION DATA: OSS 562.10 OUTBD RH FOR DETAILS SEE: 57-22-51-41G	002004 006100 107107 121503 904999	1
595	114N2029-1		.RIB INSTL-FXD LE AIRLOAD POSITION DATA: OSS 453.60 OUTBD LH FOR DETAILS SEE: 57-22-51-41F	002004 006100 107107 121503 904999	1
- 600	114N2029-2		.RIB INSTL-FXD LE AIRLOAD POSITION DATA: OSS 453.60 OUTBD RH FOR DETAILS SEE: 57-22-51-41F	002004 006100 107107 121503 904999	1
605	114N2030-1		.RIB INSTL-FXD LE AIRLOAD POSITION DATA: OSS 438.10 OUTBD LH FOR DETAILS SEE: 57-22-51-41D	002004 006100 107107 121503 904999	1
- 610	114N2030-2		.RIB INSTL-FXD LE AIRLOAD POSITION DATA: OSS 438.10 OUTBD RH FOR DETAILS SEE: 57-22-51-41D	002004 006100 107107 121503 904999	1
615	114N2031-1		.RIB INSTL-FXD LE AIRLOAD POSITION DATA: OSS 421.90 OUTBD LH FOR DETAILS SEE: 57-22-51-41H	002004 006100 107107 121503 904999	1
- 620	114N2031-2		.RIB INSTL-FXD LE AIRLOAD POSITION DATA: OSS 421.90 OUTBD RH FOR DETAILS SEE: 57-22-51-41H	002004 006100 107107 121503 904999	1

MISSING ITEM NUMBERS NOT APPLICABLE

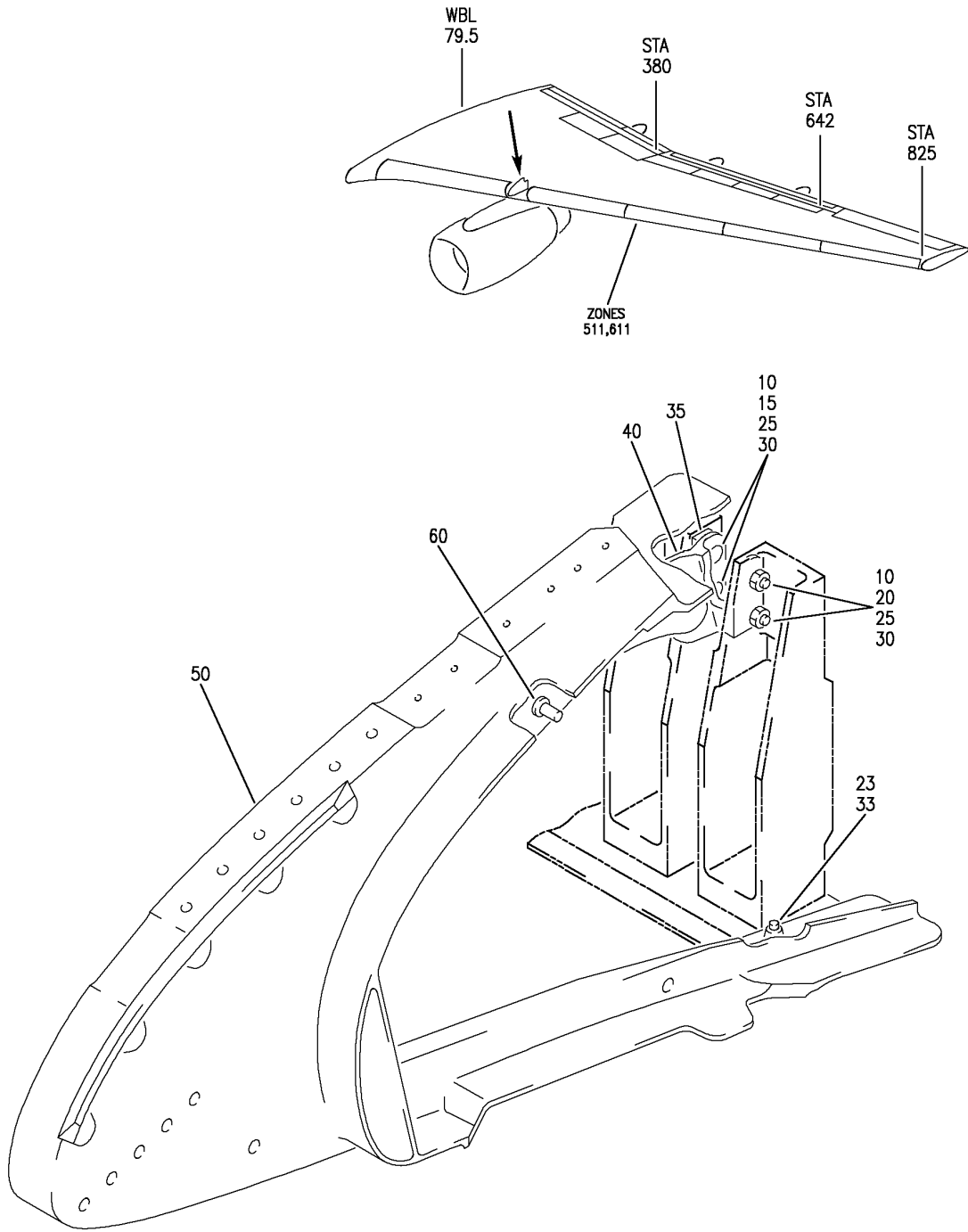
- ITEM NOT ILLUSTRATED

57-22-51-50

57-22-51
FIG. 50
PAGE 12
JAN 20/09

BRI

BOEING
 757
 PARTS CATALOG (MAINTENANCE)



Y 57225151 REV 255

RIB INSTL- OUTBD FIXED LE CLOSURE WBL 268.90
 FIGURE 51

57-22-51-51

BRI
 MAY 28/07

57-22-51-51
 PAGE 0



757

PARTS CATALOG (MAINTENANCE)

FIG ITEM	PART NUMBER	1 2 3 4 5 6 7	NOMENCLATURE	EFFECT FROM TO	UNITS PER ASSY
51			RIB INSTL- OUTBD FIXED LE CLOSURE WBL 268.90	101106 108120 504903	
- 1	114N2128-403		RIB INSTL-CLOSURE POSITION DATA: WBL 268.90 LH FOR NHA SEE: 57-00-00-10	101101	RF
- 1	114N2128-405		RIB INSTL-CLOSURE POSITION DATA: WBL 268.90 LH FOR NHA SEE: 57-00-00-10	102102 108120 504903	RF
- 1	MODREF19121		RIB INSTL-CLOSURE MODULE NUMBER: 114N2128-305 REV A POSITION DATA: WBL 268.90 LH	103103	1
- 1	MODREF26686		RIB INSTL-CLOSURE MODULE NUMBER: 114N2128-305 REV B POSITION DATA: WBL 268.90 LH	104105	1
- 1	MODREF33778		RIB INSTL-CLOSURE MODULE NUMBER: 114N2128-305 REV D POSITION DATA: WBL 268.90 LH	106106	1
- 5	114N2128-404		RIB INSTL-CLOSURE POSITION DATA: WBL 268.90 RH FOR NHA SEE: 57-00-00-10	101101	RF
- 5	114N2128-406		RIB INSTL-CLOSURE POSITION DATA: WBL 268.90 RH FOR NHA SEE: 57-00-00-10	102102 108120 504903	RF
- 5	MODREF19122		RIB INSTL-CLOSURE MODULE NUMBER: 114N2128-306 REV A POSITION DATA: WBL 268.90 RH	103103	1
- 5	MODREF26687		RIB INSTL-CLOSURE MODULE NUMBER: 114N2128-306 REV B POSITION DATA: WBL 268.90 RH	104105	1

MISSING ITEM NUMBERS NOT APPLICABLE

- ITEM NOT ILLUSTRATED

57-22-51-51

57-22-51
FIG. 51
PAGE 1
JAN 20/09

BRI



757

PARTS CATALOG (MAINTENANCE)

FIG ITEM	PART NUMBER	1 2 3 4 5 6 7	NOMENCLATURE	EFFECT FROM TO	UNITS PER ASSY
51					
- 5	MODREF33779		RIB INSTL-CLOSURE MODULE NUMBER: 114N2128-306 REV D POSITION DATA: WBL 268.90 RH	106106	1
10	L8008K7		.BOLT- SUPPLIER CODE: V06725 SPECIFICATION NUMBER: BACB30MY8K7	101102 108120 504903	4
15	HST10AG8-9		.BOLT- SUPPLIER CODE: VOPTK6 SPECIFICATION NUMBER: BACB30VT8K9 OPTIONAL PART: HST10AG8-9 V06725 HST10AG8-9 V56878 HST10AG8-9 V73197 WC10K8-9 V60516	103106	2
20	HST10AG8-8		.BOLT- SUPPLIER CODE: VOPTK6 SPECIFICATION NUMBER: BACB30VT8K8 OPTIONAL PART: HST10AG8-8 V06725 HST10AG8-8 V56878 HST10AG8-8 V73197 WC10K8-8 V60516	103106	2
23	BACB30WQ4K10L		.BOLT	103106	1

MISSING ITEM NUMBERS NOT APPLICABLE

- ITEM NOT ILLUSTRATED

57-22-51-51

57-22-51
FIG. 51
PAGE 2
JAN 20/09

BRI

BOEING PROPRIETARY - Copyright © - Unpublished Work - See title page for details.



757

PARTS CATALOG (MAINTENANCE)

FIG ITEM	PART NUMBER	1 2 3 4 5 6 7	NOMENCLATURE	EFFECT FROM TO	UNITS PER ASSY
51 25	AS46-4		.WASHER SUPPLIER CODE: V10630 SPECIFICATION NUMBER: BACW10AU4 OPTIONAL PART: K19701P4 V15653 53488W428 V56878 6073-04 V72962 TLN1020L4W V08524	101106 108120 504903	4
30	H19700P4		.NUT SUPPLIER CODE: V15653 SPECIFICATION NUMBER: BACN10MT4 OPTIONAL PART: 52LH6073-048 V72962 53488N428 V56878 TLN1020L4N V97928	101106 108120 504903	4
33	H39242-4K		.NUT SUPPLIER CODE: V15653 SPECIFICATION NUMBER: BACN10TN4K	103106	1
35	BACS40R011D021F		.SHIM	101106 108120 504903	1
40	114N2144-1		.FITTING-ATTACHMENT POSITION DATA: LH SIDE OPTIONAL PART: 114N2177-1	101102 108120 504903	1
40	114N2177-1		.FITTING-ATTACHMENT POSITION DATA: LH SIDE OPTIONAL PART: 114N2144-1	101102 108120 504903	1
40	114N2144-3		.FITTING-ATTACHMENT POSITION DATA: LH SIDE	103106	1

MISSING ITEM NUMBERS NOT APPLICABLE

- ITEM NOT ILLUSTRATED

57-22-51-51

57-22-51
FIG. 51
PAGE 3
JAN 20/09

BRI

BOEING PROPRIETARY - Copyright © - Unpublished Work - See title page for details.



757

PARTS CATALOG (MAINTENANCE)

FIG ITEM	PART NUMBER	1 2 3 4 5 6 7	NOMENCLATURE	EFFECT FROM TO	UNITS PER ASSY
51					
- 45	114N2144-2	.	FITTING-ATTACHMENT POSITION DATA: RH SIDE OPTIONAL PART: 114N2177-2	101102 108120 504903	1
- 45	114N2177-2	.	FITTING-ATTACHMENT POSITION DATA: RH SIDE OPTIONAL PART: 114N2144-2	101102 108120 504903	1
- 45	114N2144-4	.	FITTING-ATTACHMENT POSITION DATA: RH SIDE	103106	1
50	114N2128-15	.	RIB ASSY-CLOSURE POSITION DATA: LH SIDE	103105	1
50	114N2128-25	.	RIB ASSY-CLOSURE POSITION DATA: LH SIDE	106106	1
- 55	114N2128-16	.	RIB ASSY-CLOSURE POSITION DATA: RH SIDE	103105	1
- 55	114N2128-26	.	RIB ASSY-CLOSURE POSITION DATA: RH SIDE	106106	1
60	VNS1924CA1-8	..	STUD- SUPPLIER CODE: V5M902 SPECIFICATION NUMBER: BACS53B1EA1 OPTIONAL PART: VNS1924CA3-1-8 V92215	103105	1
60	BACS53B1ES1	..	STUD-	106106	1

MISSING ITEM NUMBERS NOT APPLICABLE

- ITEM NOT ILLUSTRATED

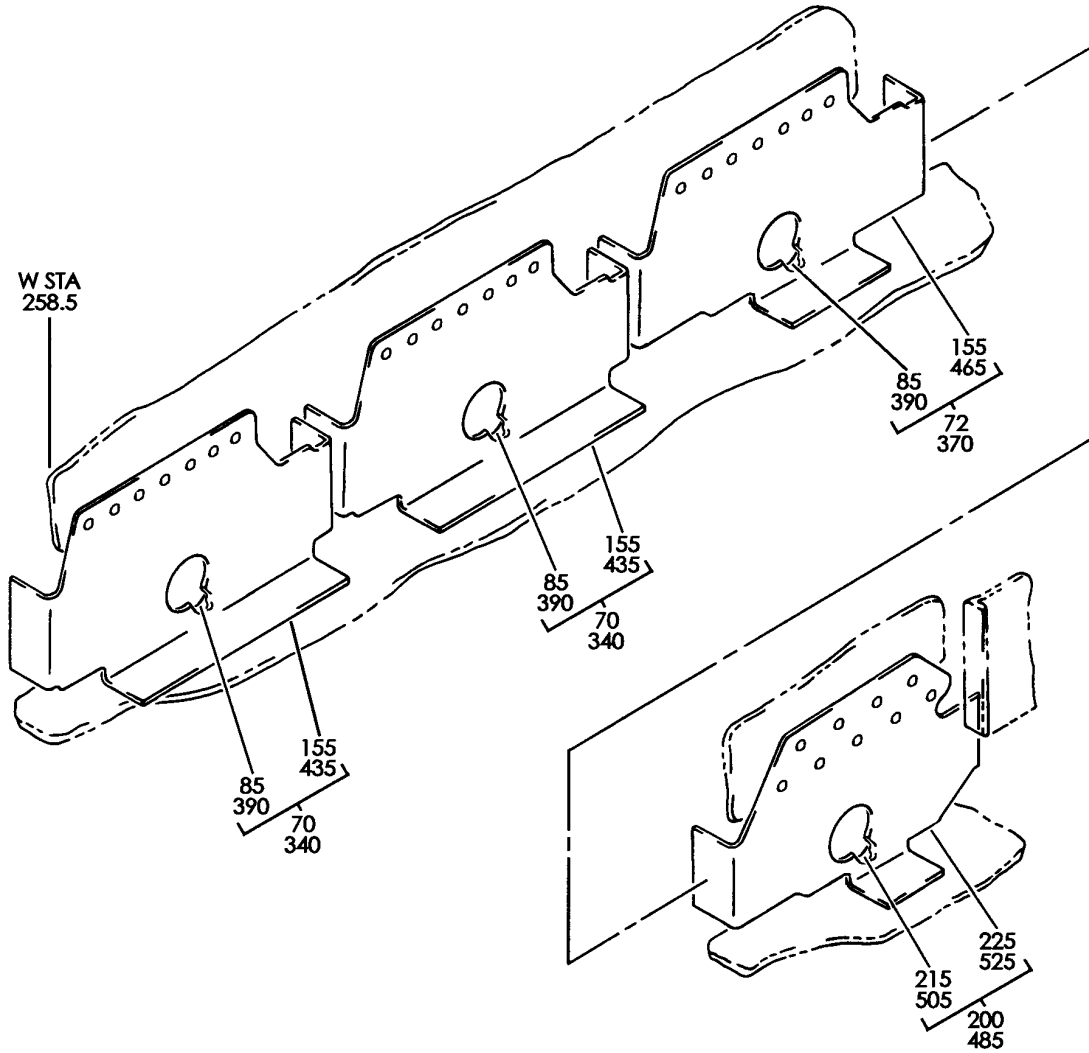
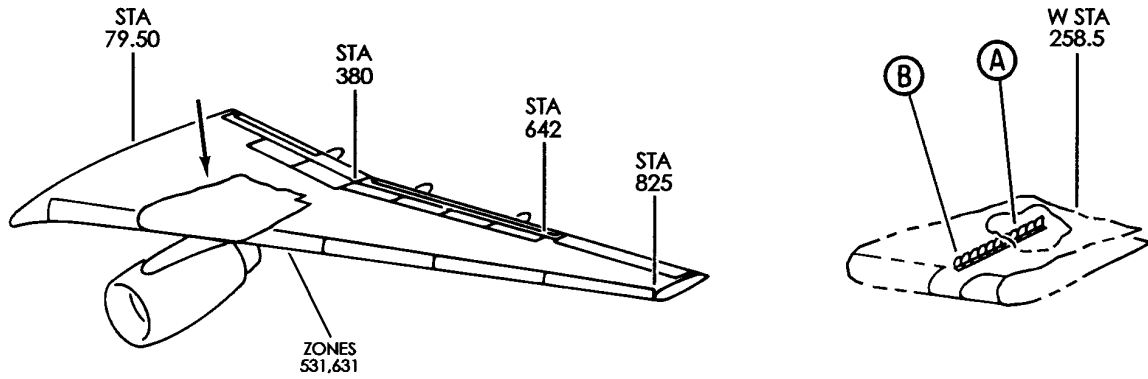
BRI

57-22-51-51

BOEING PROPRIETARY - Copyright © - Unpublished Work - See title page for details.

57-22-51
FIG. 51
PAGE 4
JAN 20/09

BOEING
757
PARTS CATALOG (MAINTENANCE)



(A)

Y 57225201 SHT 1 REV 208

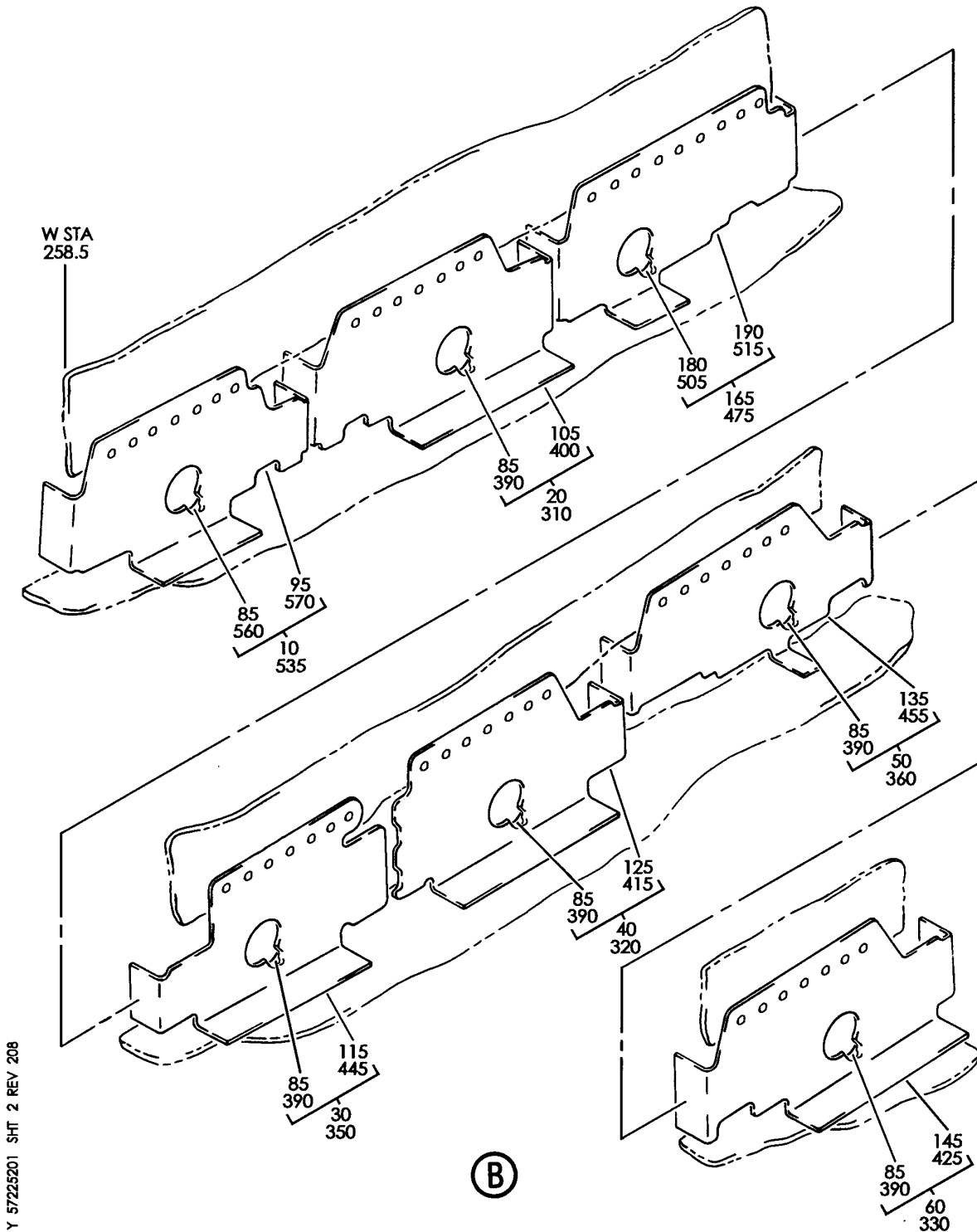
BAFFLE INSTL-WING STA 258.5 INSPAR RIB FUEL
FIGURE 1 (SHEET 1)

57-22-52-01

BRI
MAY 28/07

57-22-52-01
PAGE 0

BOEING
757
PARTS CATALOG (MAINTENANCE)



Y 57225201 SHT 2 REV 208

BAFFLE INSTL-WING STA 258.5 INSPAR RIB FUEL
FIGURE 1 (SHEET 2)

57-22-52-01

BRI
MAY 28/07

57-22-52-01
PAGE 0A



757

PARTS CATALOG (MAINTENANCE)

FIG ITEM	PART NUMBER	1 2 3 4 5 6 7	NOMENCLATURE	EFFECT FROM TO	UNITS PER ASSY
1			BAFFLE INSTL-WING STA 258.5 INSPAR RIB FUEL	002004 006999	
- 1	112N5153-1		BAFFLE INSTL-INSPAR RIB FUEL POSITION DATA: WING STA 258.5 LH FOR NHA SEE: 57-20-52-01	002004 006100 107107 121503 904999	RF
- 1	112N5153-401		BAFFLE INSTL-INSPAR RIB FUEL POSITION DATA: WING STA 258.5 LH FOR NHA SEE: 57-00-00-15	101102 108120 504903	RF
- 1	MODREF753		BAFFLE INSTL-INSPAR RIB FUEL MODULE NUMBER: 112N5153-401 REV A POSITION DATA: WING STA 258.5 LH FOR NHA SEE: 57-00-00-15	103103	1
- 1	MODREF26474		BAFFLE INSTL-INSPAR RIB FUEL MODULE NUMBER: 112N5153-401 REV B POSITION DATA: WING STA 258.5 LH FOR NHA SEE: 57-00-00-15	104106	1
- 5	112N5153-2		BAFFLE INSTL-INSPAR RIB FUEL POSITION DATA: WING STA 258.5 LH FOR NHA SEE: 57-20-52-01	002004 006100 107107 121503 904999	RF
- 5	112N5153-402		BAFFLE INSTL-INSPAR RIB FUEL POSITION DATA: WING STA 258.5 RH FOR NHA SEE: 57-00-00-15	101102 108120 504903	RF
- 5	MODREF754		BAFFLE INSTL-INSPAR RIB FUEL MODULE NUMBER: 112N5153-402 REV A POSITION DATA: WING STA 258.5 RH	103103	1

MISSING ITEM NUMBERS NOT APPLICABLE

- ITEM NOT ILLUSTRATED

57-22-52-01

57-22-52
FIG. 01
PAGE 1
JAN 20/09

BRI



757

PARTS CATALOG (MAINTENANCE)

FIG ITEM	PART NUMBER	1 2 3 4 5 6 7	NOMENCLATURE	EFFECT FROM TO	UNITS PER ASSY
1					
- 5	MODREF26475		BAFFLE INSTL-INSPAR RIB FUEL MODULE NUMBER: 112N5153-402 REV B POSITION DATA: WING STA 258.5 RH	104106	1
10	112N5154-5		.BAFFLE ASSY- POSITION DATA: LH SIDE	002004 006999	1
- 15	112N5154-6		.BAFFLE ASSY- POSITION DATA: RH SIDE	002004 006999	1
20	112N5154-17		.BAFFLE ASSY- POSITION DATA: LH SIDE	002004 006999	1
- 25	112N5154-18		.BAFFLE ASSY- POSITION DATA: RH SIDE	002004 006999	1
30	112N5154-13		.BAFFLE ASSY- POSITION DATA: LH SIDE	002004 006999	1
- 35	112N5154-14		.BAFFLE ASSY- POSITION DATA: RH SIDE	002004 006999	1
40	112N5154-11		.BAFFLE ASSY- POSITION DATA: LH SIDE	002004 006999	1
- 45	112N5154-12		.BAFFLE ASSY- POSITION DATA: RH SIDE	002004 006999	1
50	112N5154-9		.BAFFLE ASSY- POSITION DATA: LH SIDE	002004 006999	1
- 55	112N5154-10		.BAFFLE ASSY- POSITION DATA: RH SIDE	002004 006999	1
60	112N5154-7		.BAFFLE ASSY- POSITION DATA: LH SIDE	002004 006999	1
- 65	112N5154-8		.BAFFLE ASSY- POSITION DATA: RH SIDE	002004 006999	1
70	112N5154-3		.BAFFLE ASSY- POSITION DATA: LH SIDE	002004 006999	2
72	112N5154-37		.BAFFLE ASSY- POSITION DATA: LH SIDE	107107 904949 952952	1

MISSING ITEM NUMBERS NOT APPLICABLE

- ITEM NOT ILLUSTRATED

57-22-52-01

57-22-52
FIG. 01
PAGE 2
JAN 20/09

BRI

BOEING PROPRIETARY - Copyright © - Unpublished Work - See title page for details.



**757
PARTS CATALOG (MAINTENANCE)**

FIG ITEM	PART NUMBER	1 2 3 4 5 6 7	NOMENCLATURE	EFFECT FROM TO	UNITS PER ASSY
1	72 112N5154-41		.BAFFLE ASSY- POSITION DATA: LH SIDE	002004 006106 108903 950951 953999	1
-	75 112N5154-4		.BAFFLE ASSY- POSITION DATA: RH SIDE	002004 006999	2
-	77 112N5154-38		.BAFFLE ASSY- POSITION DATA: RH SIDE	107107 904949 952952	1
-	77 112N5154-42		.BAFFLE ASSY- POSITION DATA: RH SIDE	002004 006106 108903 950951 953999	1
-	80 BACR15FT5D		ATTACHING PARTS .RIVET- SIZE DETERMINED ON INSTL. -----*-----	002004 006999	63
	85 2S2568		..VALVE-CHK SUPPLIER CODE: V99240 OPTIONAL PART: 2790511-101 V92003	002004 006999	1
R R R R R R R R R R	85 2790511-101		..VALVE-CHK SUPPLIER CODE: V92003 FUNCTIONAL DESCRIPTION: PROVIDES ONE WAY FUEL FLOW OPTIONAL PART: 2790511-102 V92003 2S2568 V99240 24C112-7 V82829	002004 006999	1
	85 2790511-102		..VALVE-CHK SUPPLIER CODE: V92003 OPTIONAL PART: 2790511-101 V92003	002004 006999	1

MISSING ITEM NUMBERS NOT APPLICABLE

- ITEM NOT ILLUSTRATED

57-22-52-01

57-22-52
FIG. 01
PAGE 3
MAY 20/09

BRI

 **BOEING**
757
PARTS CATALOG (MAINTENANCE)

FIG ITEM	PART NUMBER	1 2 3 4 5 6 7	NOMENCLATURE	EFFECT FROM TO	UNITS PER ASSY
1					
85	24C112-7		.. VALVE-CHK SUPPLIER CODE: V99240 OPTIONAL PART: 2790511-101 V92003 ATTACHING PARTS	002004 006999	1
- 90	BACR15FT5AD		.. RIVET- SIZE DETERMINED ON INSTL. -----*-----	002004 006999	2
95	112N5154-25		.. BAFFLE- USED ON: 112N5154-5	002004 006999	1
- 100	112N5154-26		.. BAFFLE- USED ON: 112N5154-6	002004 006999	1
105	112N5154-19		.. BAFFLE- USED ON: 112N5154-17	002004 006999	1
- 110	112N5154-20		.. BAFFLE- USED ON: 112N5154-18	002004 006999	1
115	112N5154-33		.. BAFFLE- USED ON: 112N5154-13	002004 006999	1
- 120	112N5154-34		.. BAFFLE- USED ON: 112N5154-14	002004 006999	1
125	112N5154-31		.. BAFFLE- USED ON: 112N5154-11	002004 006999	1
- 130	112N5154-32		.. BAFFLE- USED ON: 112N5154-12	002004 006999	1
135	112N5154-29		.. BAFFLE- USED ON: 112N5154-9	002004 006999	1
- 140	112N5154-30		.. BAFFLE- USED ON: 112N5154-10	002004 006999	1
145	112N5154-27		.. BAFFLE- USED ON: 112N5154-7	002004 006999	1
- 150	112N5154-28		.. BAFFLE- USED ON: 112N5154-8	002004 006999	1
155	112N5154-23		.. BAFFLE- USED ON: 112N5154-3	002004 006999	1

MISSING ITEM NUMBERS NOT APPLICABLE

- ITEM NOT ILLUSTRATED

BRI

57-22-52-01

BOEING PROPRIETARY - Copyright © - Unpublished Work - See title page for details.

57-22-52
FIG. 01
PAGE 4
MAY 20/09



757

PARTS CATALOG (MAINTENANCE)

FIG ITEM	PART NUMBER	1 2 3 4 5 6 7	NOMENCLATURE	EFFECT FROM TO	UNITS PER ASSY
1					
- 160	112N5154-24		..BAFFLE- USED ON: 112N5154-4	002004 006999	1
165	112N5154-15		.BAFFLE ASSY- POSITION DATA: LH SIDE	002004 006999	1
- 170	112N5154-16		.BAFFLE ASSY- POSITION DATA: RH SIDE	002004 006999	1
- 175	BACR15FT5D		.BAFFLE ASSY- POSITION DATA: RH SIDE ATTACHING PARTS .RIVET- SIZE DETERMINED ON INSTL. -----*-----	002004 006999	9
180	2S2568		..VALVE-CHECK SUPPLIER CODE: V99240 OPTIONAL PART: 2790511-101 V92003	002004 006999	1
180	2790511-101		..VALVE-CHK SUPPLIER CODE: V92003 FUNCTIONAL DESCRIPTION: PROVIDES ONE WAY FUEL FLOW OPTIONAL PART: 2790511-102 V92003 2S2568 V99240 24C112-7 V82829	002004 006999	1
180	2790511-102		..VALVE-CHK SUPPLIER CODE: V92003 OPTIONAL PART: 2790511-101 V92003	002004 006999	1
180	24C112-7		..VALVE-CHK SUPPLIER CODE: V99240 OPTIONAL PART: 2790511-101 V92003	002004 006999	1
- 185	BACR15FT5AD		ATTACHING PARTS ..RIVET- SIZE DETERMINED ON INSTL. -----*-----	002004 006999	2

MISSING ITEM NUMBERS NOT APPLICABLE

- ITEM NOT ILLUSTRATED

57-22-52-01

57-22-52
FIG. 01
PAGE 5
MAY 20/09

BRI

BOEING
757
PARTS CATALOG (MAINTENANCE)

FIG ITEM	PART NUMBER	1 2 3 4 5 6 7	NOMENCLATURE	EFFECT FROM TO	UNITS PER ASSY
1					
190	112N5154-35		..BAFFLE- USED ON: 112N5154-15	002004 006999	1
- 195	112N5154-36		..BAFFLE- USED ON: 112N5154-16	002004 006999	1
200	112N5154-1		.BAFFLE ASSY- POSITION DATA: LH SIDE	002004 006999	1
- 205	112N5154-2		.BAFFLE ASSY- POSITION DATA: RH SIDE	002004 006999	1
- 210	BACR15FT6D		ATTACHING PARTS .RIVET- SIZE DETERMINED ON INSTL. -----*-----	002004 006999	9
215	2S2568		..VALVE-CHK SUPPLIER CODE: V99240 OPTIONAL PART: 2790511-101 V92003	002004 006999	1
215	2790511-101		..VALVE-CHK SUPPLIER CODE: V92003 FUNCTIONAL DESCRIPTION: PROVIDES ONE WAY FUEL FLOW OPTIONAL PART: 2790511-102 V92003 2S2568 V99240 24C112-7 V82829	002004 006999	1
215	2790511-102		..VALVE-CHK SUPPLIER CODE: V92003 OPTIONAL PART: 2790511-101 V92003	002004 006999	1
215	24C112-7		..VALVE-CHK SUPPLIER CODE: V99240 OPTIONAL PART: 2790511-101 V92003	002004 006999	1

R
R
R
R
R
R
R
R
R
R
R

MISSING ITEM NUMBERS NOT APPLICABLE

- ITEM NOT ILLUSTRATED

BRI

57-22-52-01

BOEING PROPRIETARY - Copyright © - Unpublished Work - See title page for details.

57-22-52
FIG. 01
PAGE 6
MAY 20/09



757

PARTS CATALOG (MAINTENANCE)

FIG ITEM	PART NUMBER	1 2 3 4 5 6 7	NOMENCLATURE	EFFECT FROM TO	UNITS PER ASSY
1			ATTACHING PARTS		
- 220	BACR15FT5AD		..RIVET- SIZE DETERMINED ON INSTL. -----*-----	002004 006999	2
225	112N5154-21		..BAFFLE- USED ON: 112N5154-1	002004 006999	1
- 230	112N5154-22		..BAFFLE- USED ON: 112N5154-2	002004 006999	1

MISSING ITEM NUMBERS NOT APPLICABLE

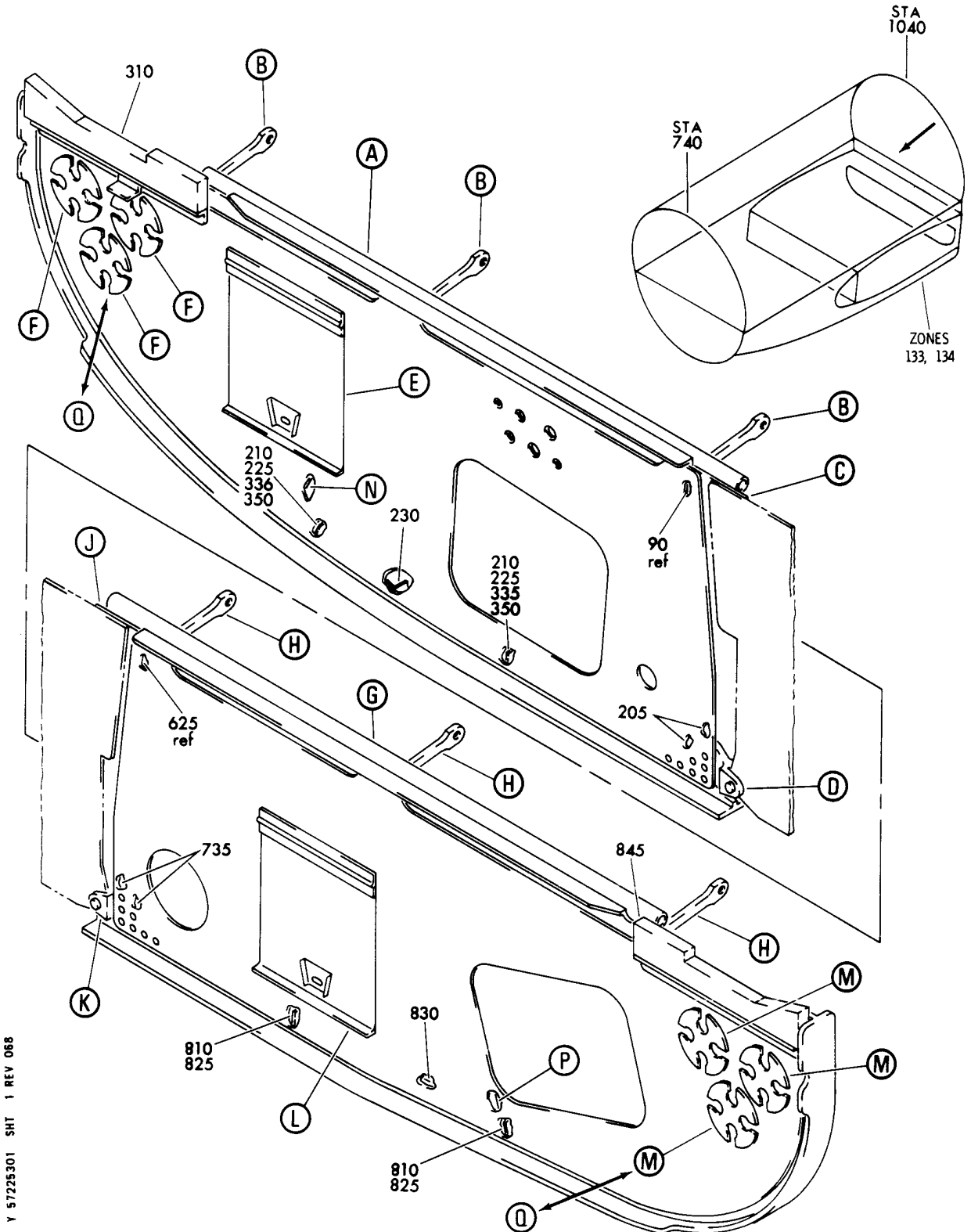
- ITEM NOT ILLUSTRATED

57-22-52-01

57-22-52
FIG. 01
PAGE 7
MAY 20/09

BRI

BOEING
757
PARTS CATALOG (MAINTENANCE)



V 5725301 SHT 1 REV 068

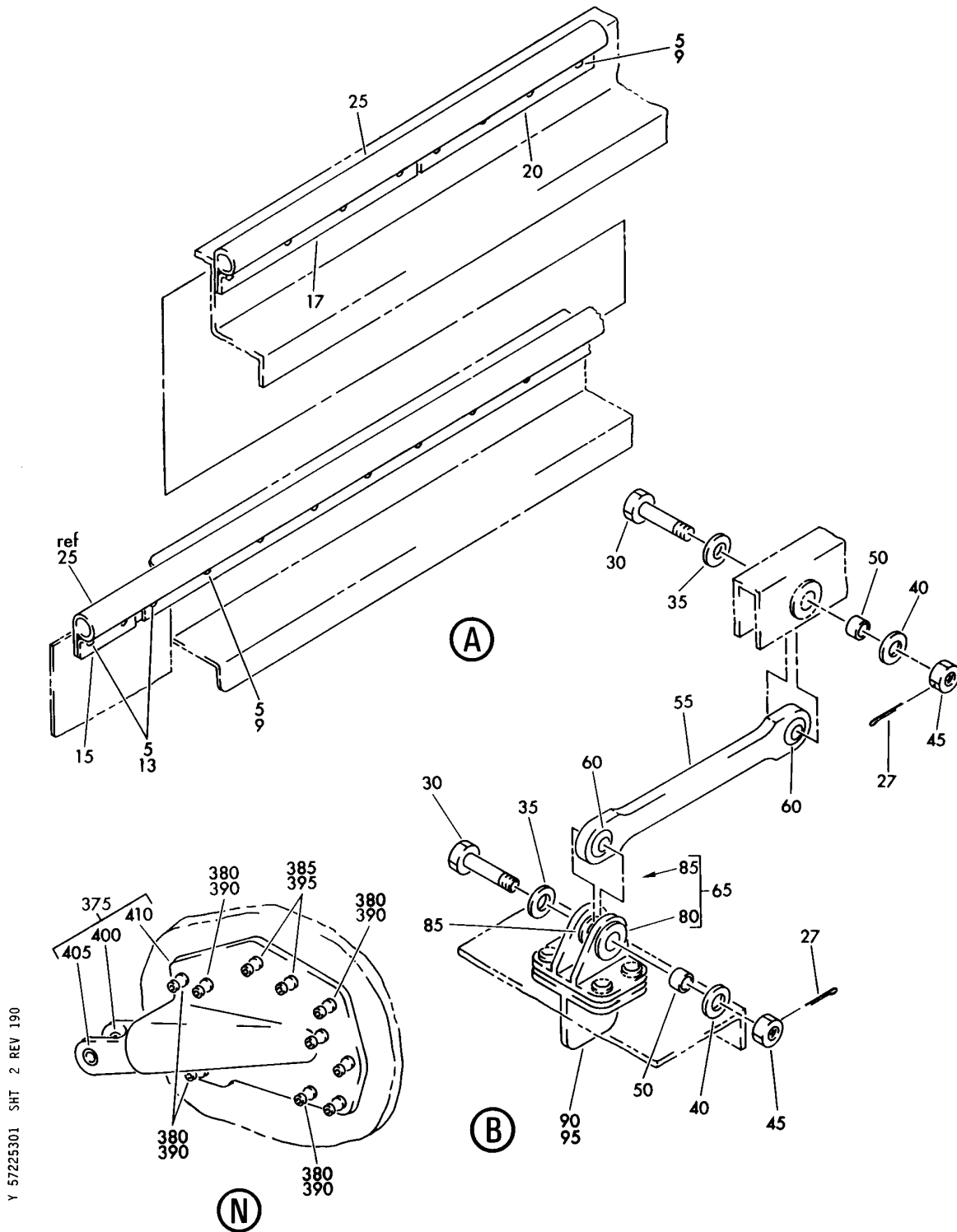
BARRIER INSTL-STA 1037.67 VAPOR
FIGURE 1 (SHEET 1)

57-22-53-01

BRI
MAY 28/07

57-22-53-01
PAGE 0

BOEING
757
PARTS CATALOG (MAINTENANCE)



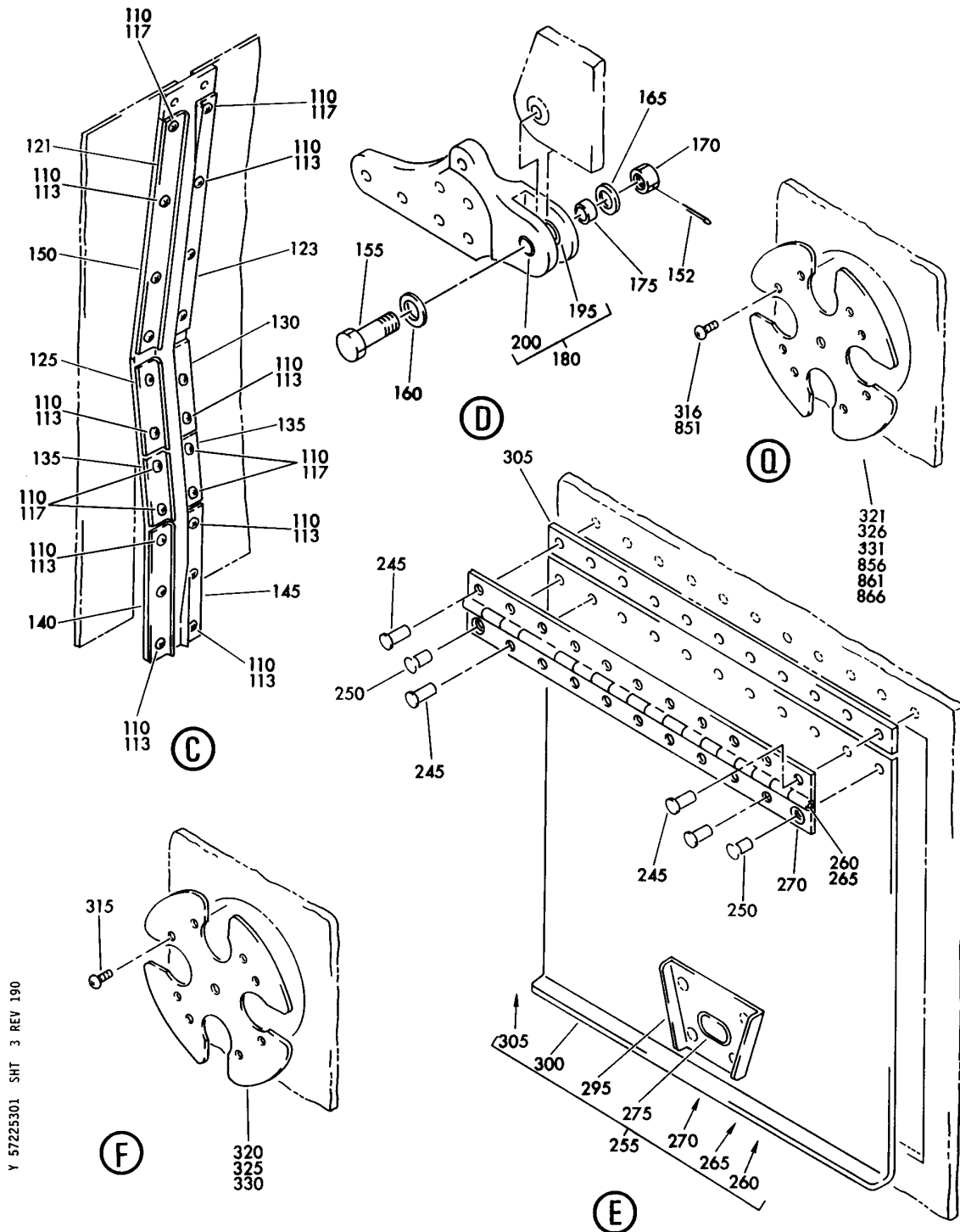
BARRIER INSTL-STA 1037.67 VAPOR
FIGURE 1 (SHEET 2)

57-22-53-01

BRI
MAY 28/07

57-22-53-01
PAGE 0A

BOEING
757
PARTS CATALOG (MAINTENANCE)



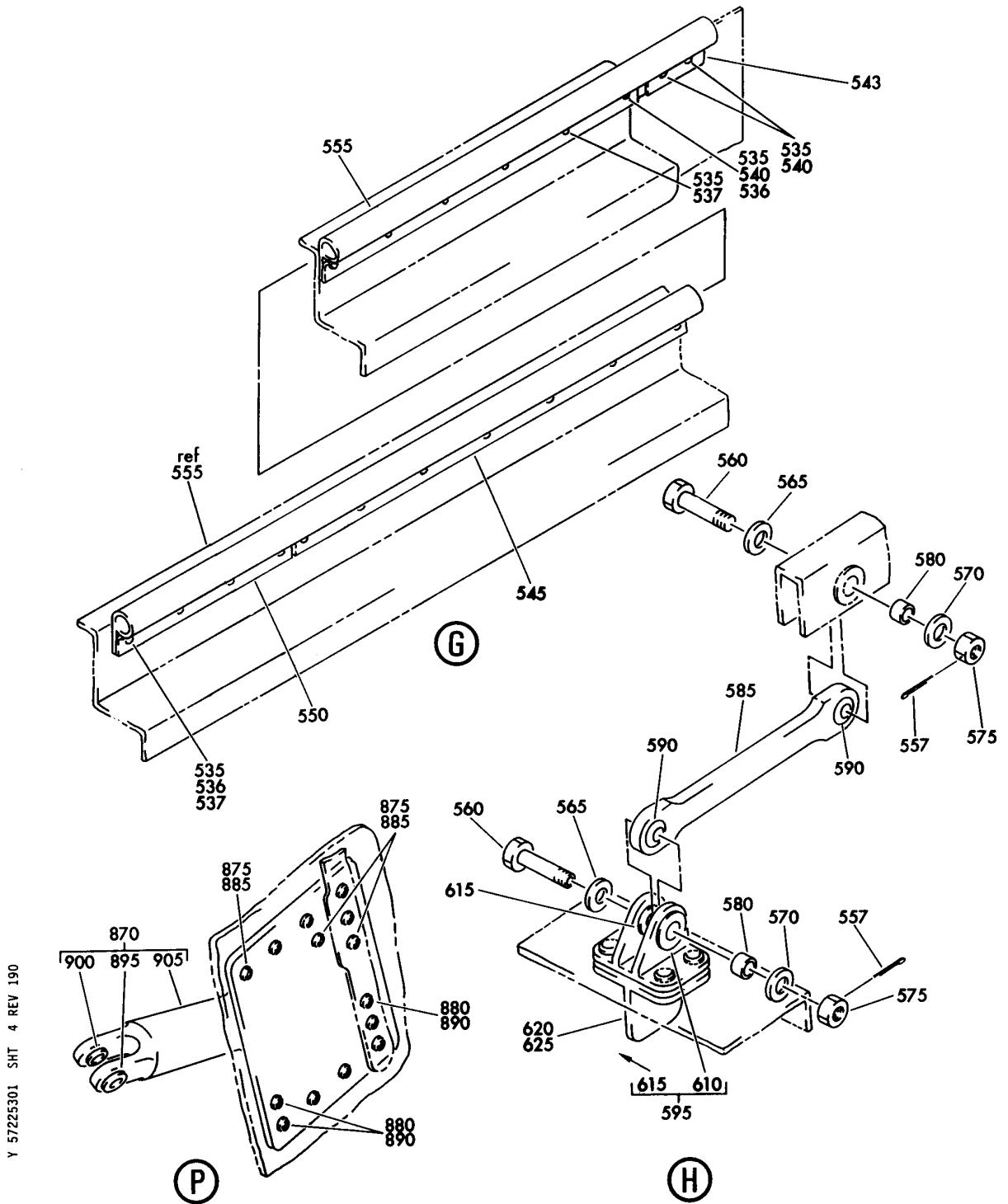
BARRIER INSTL-STA 1037.67 VAPOR
FIGURE 1 (SHEET 3)

57-22-53-01

BRI
MAY 28/07

57-22-53-01
PAGE 0B

BOEING
757
PARTS CATALOG (MAINTENANCE)



Y 57225301 SHT 4 REV 190

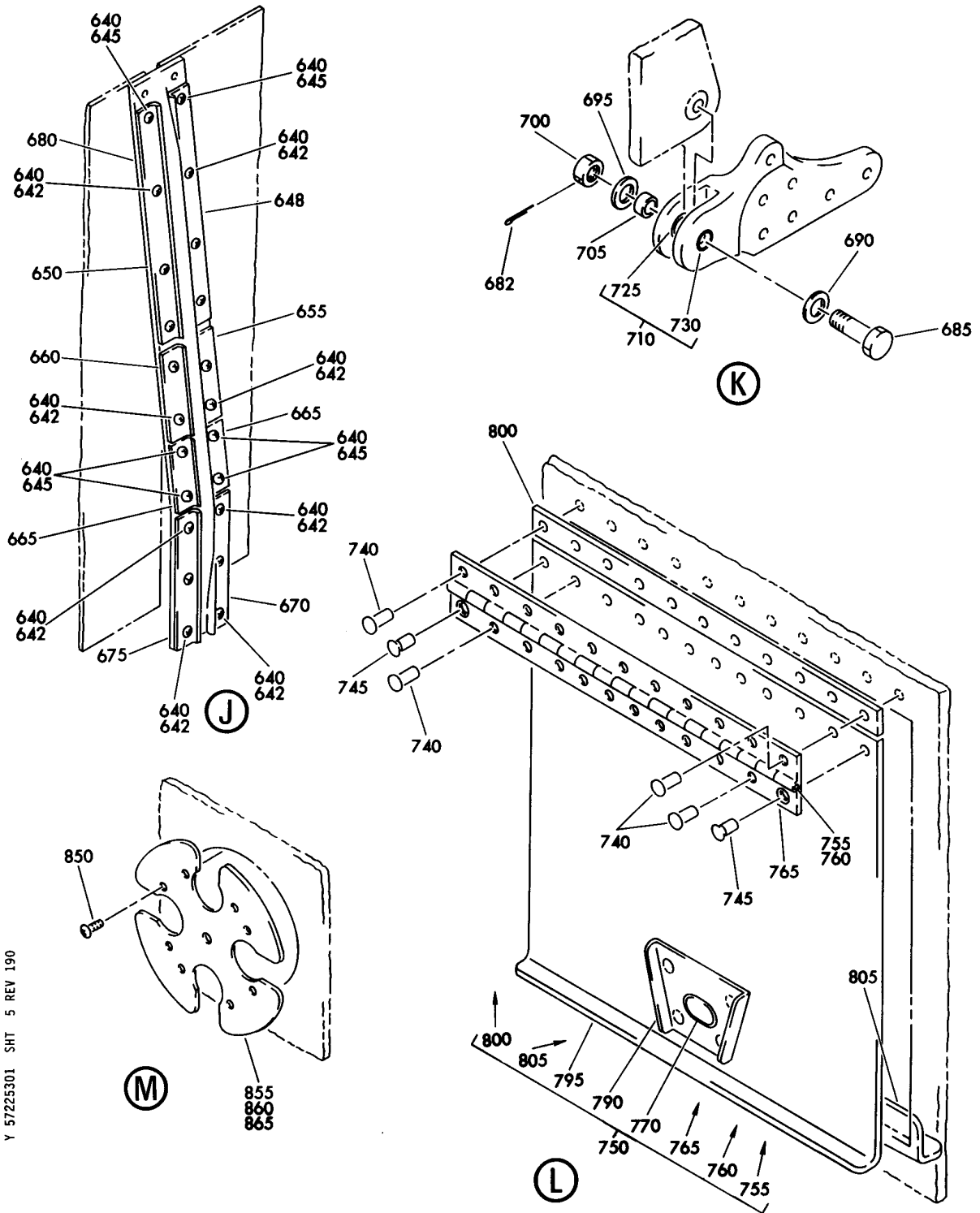
BARRIER INSTL-STA 1037.67 VAPOR
FIGURE 1 (SHEET 4)

57-22-53-01

BRI
MAY 28/07

57-22-53-01
PAGE 0C

BOEING
757
PARTS CATALOG (MAINTENANCE)



Y 57225301 SHT 5 REV 190

BARRIER INSTL-STA 1037.67 VAPOR
FIGURE 1 (SHEET 5)

57-22-53-01

BRI
MAY 28/07

57-22-53-01
PAGE 0D



757

PARTS CATALOG (MAINTENANCE)

FIG ITEM	PART NUMBER	1 2 3 4 5 6 7	NOMENCLATURE	EFFECT FROM TO	UNITS PER ASSY
1			BARRIER INSTL-STA 1037.67 VAPOR	002004 006102 107999	
- 1	149N7517-141		BARRIER INSTL-VAPOR POSITION DATA: STA 1037.67 FOR NHA SEE: 53-42-01-01	002004 006100 107107 121503 904999	RF
- 1	149N7517-405		BARRIER INSTL-VAPOR POSITION DATA: STA 1037.67 FOR NHA SEE: 53-42-01-01A	101102 108120 504903	RF
5	BACB30NT2K3		.BOLT	002004 006102 107999	18
9	BRF200C08D		.NUTPLATE SUPPLIER CODE: V52828 SPECIFICATION NUMBER: BACN10JR08CFD OPTIONAL PART: NS202476-82 V80539 102F9201-82 V72962 T8092C832CD V11815 K51602-08BAC V15653	002004 006102 107999	15
- 10	BACR15BA3AD		ATTACHING PARTS .RIVET	002004 006102 107999	30
13	BRF100C08D		-----*----- .NUT SUPPLIER CODE: V52828 SPECIFICATION NUMBER: BACN10KB08CFD OPTIONAL PART: NS202478-82 V80539 102F9207P82 V72962 F51604-08 V15653	002004 006102 107999	3

MISSING ITEM NUMBERS NOT APPLICABLE

- ITEM NOT ILLUSTRATED

BRI

57-22-53-01

57-22-53
FIG. 01
PAGE 1
JAN 20/09



**757
PARTS CATALOG (MAINTENANCE)**

FIG ITEM	PART NUMBER	1 2 3 4 5 6 7	NOMENCLATURE	EFFECT FROM TO	UNITS PER ASSY
1			ATTACHING PARTS		
- 14	BACR15BA3AD		.RIVET	002004 006102 107999	6
			-----*-----		
15	149N7517-51		.RETAINER	002004 006102 107999	1
17	149N7517-49		.RETAINER	002004 006102 107999	1
20	149N7517-47		.RETAINER	002004 006102 107999	1
25	149N7517-59		.SEAL- MANUFACTURED FROM: EXTR RUBBER F25.01 BAC1530-6 X 51.0 IN.	002004 006102 107999	1
27	MS24665-134		.PIN	002004 006102 107999	6
30	BACB30LJ4D14		.BOLT	002004 006102 107999	6
35	BACW10BP4CD		.WASHER	002004 006102 107999	6
40	BACW10BP4DP		.WASHER	002004 006102 107999	6
45	BACN10JD4CD		.NUT	002004 006102 107999	6
50	BACB28AK04-028		.BUSHING	002004 006102 107999	6
55	149N7520-1		.LINK ASSY	002004 006102 107999	3

MISSING ITEM NUMBERS NOT APPLICABLE

- ITEM NOT ILLUSTRATED

BRI

57-22-53-01

BOEING PROPRIETARY - Copyright © - Unpublished Work - See title page for details.

57-22-53
FIG. 01
PAGE 2
JAN 20/09



757

PARTS CATALOG (MAINTENANCE)

FIG ITEM	PART NUMBER	1 2 3 4 5 6 7	NOMENCLATURE	EFFECT FROM TO	UNITS PER ASSY
1 60	NES04B10GC	..	BEARING SUPPLIER CODE: V73134 SPECIFICATION NUMBER: BACB10FC04C OPTIONAL PART: NRRS04B10GC V73134 HT04VSBC VS0352 ADB4VNC V15860 KNDB4-66 V97613 KR4CNGBZC V50632	002004 006102 107999	2
65	149N7524-1	.C	CLEVIS ASSY	002004 006102 107999	3
- 70	BACB30MY6K	.B	ATTACHING PARTS BOLT- SIZE DETERMINED ON INSTL.	002004 006102 107999	12
- 75	HL79-6	.C	COLLAR SUPPLIER CODE: V5M902 SPECIFICATION NUMBER: BACC30M6 OPTIONAL PART: HL79-6 V73197 HL79-6 V92215 66014-6 V56878 HL79-6 V56878	002004 006102 107999	12
80	BACB28AM06B015A	..	-----*----- BUSHING	002004 006102 107999	1
85	BACB28AP04P014	..	BUSHING	002004 006102 107999	1
90	149N7517-31	.T	TEE	002004 006102 107999	1

MISSING ITEM NUMBERS NOT APPLICABLE

- ITEM NOT ILLUSTRATED

57-22-53-01

57-22-53
FIG. 01
PAGE 3
JAN 20/09

BRI

BOEING PROPRIETARY - Copyright © - Unpublished Work - See title page for details.



757

PARTS CATALOG (MAINTENANCE)

FIG ITEM	PART NUMBER	1 2 3 4 5 6 7	NOMENCLATURE	EFFECT FROM TO	UNITS PER ASSY
1	95 149N7517-30		. TEE	002004 006102 107999	2
- 100	BACB30MY6K		ATTACHING PARTS . BOLT- SIZE DETERMINED ON INSTL.	002004 006102 107999	12
- 105	HL79-6		. COLLAR SUPPLIER CODE: V5M902 SPECIFICATION NUMBER: BACC30M6 OPTIONAL PART: HL79-6 V73197 HL79-6 V92215 66014-6 V56878 HL79-6 V56878 -----*-----	002004 006102 107999	12
110	BACB30NT2K2		. BOLT	002004 006102 107999	22
113	BRF200C08D		. NUTPLATE SUPPLIER CODE: V52828 SPECIFICATION NUMBER: BACN10JR08CFD OPTIONAL PART: NS202476-82 V80539 102F9201-82 V72962 T8092C832CD V11815 K51602-08BAC V15653 ATTACHING PARTS	002004 006102 107999	16
- 114	BACR15BA3AD		. RIVET -----*-----	002004 006102 107999	32

MISSING ITEM NUMBERS NOT APPLICABLE

- ITEM NOT ILLUSTRATED

57-22-53-01

57-22-53
FIG. 01
PAGE 4
JAN 20/09

BRI



757

PARTS CATALOG (MAINTENANCE)

FIG ITEM	PART NUMBER	1 2 3 4 5 6 7	NOMENCLATURE	EFFECT FROM TO	UNITS PER ASSY
1 117	BRF100C08D	.	NUT SUPPLIER CODE: V52828 SPECIFICATION NUMBER: BACN10KB08CFD OPTIONAL PART: NS202478-82 V80539 102F9207P82 V72962 F51604-08 V15653 ATTACHING PARTS	002004 006102 107999	6
- 118	BACR15BA3AD	.	RIVET	002004 006102 107999	12
121	149N7517-65	-----*	.RETAINER	002004 006102 107999	1
123	149N7517-53	.	RETAINER	002004 006102 107999	1
125	149N7517-67	.	RETAINER	002004 006102 107999	1
130	149N7517-55	.	RETAINER	002004 006102 107999	1
135	149N7517-61	.	RETAINER	002004 006102 107999	2
140	149N7517-69	.	RETAINER	002004 006102 107999	1
145	149N7517-63	.	RETAINER	002004 006102 107999	1
150	149N7517-41	.	SEAL	002004 006102 107999	1
152	MS24665-134	.	PIN	002004 006102 107999	1
155	BACB30LJ5D19	.	BOLT-	002004 006102 107999	1

MISSING ITEM NUMBERS NOT APPLICABLE

- ITEM NOT ILLUSTRATED

57-22-53-01

57-22-53
FIG. 01
PAGE 5
JAN 20/09

BRI



757

PARTS CATALOG (MAINTENANCE)

FIG ITEM	PART NUMBER	1 2 3 4 5 6 7	NOMENCLATURE	EFFECT FROM TO	UNITS PER ASSY
1					
160	BACW10BP5CD	.	WASHER	002004 006102 107999	1
165	BACW10BP5DP	.	WASHER	002004 006102 107999	1
170	BACN10JD5CD	.	NUT	002004 006102 107999	1
175	BACB28AK05-032	.	BUSHING	002004 006102 107999	1
180	149N7402-5	.	FITTING ASSY-	002004 006102 107999	1
- 185	BACB30MY6K	.	BOLT- ATTACHING PARTS SIZE DETERMINED ON INSTL.	002004 006102 107999	7
- 190	HL79-6	.	COLLAR SUPPLIER CODE: V5M902 SPECIFICATION NUMBER: BACC30M6 OPTIONAL PART: HL79-6 V73197 HL79-6 V92215 66014-6 V56878 HL79-6 V56878 -----*-----	002004 006102 107999	7
195	BACB28AM07B017A	..	BUSHING	002004 006102 107999	1
200	BACB28AP05P028	..	BUSHING	002004 006102 107999	1
205	BACF3T02N17-8	.	FILLER	002004 006102 107999	2
230	149N7531-9	.	HOGOUT-	002004 006100 107107 121503 904999	1

MISSING ITEM NUMBERS NOT APPLICABLE

- ITEM NOT ILLUSTRATED

BRI

57-22-53-01

BOEING PROPRIETARY - Copyright © - Unpublished Work - See title page for details.

57-22-53
FIG. 01
PAGE 6
JAN 20/09

BOEING
757
PARTS CATALOG (MAINTENANCE)

FIG ITEM	PART NUMBER	1 2 3 4 5 6 7	NOMENCLATURE	EFFECT FROM TO	UNITS PER ASSY
1			ATTACHING PARTS		
- 235	BACB30MY6K		.BOLT- SIZE DETERMINED ON INSTL.	002004 006100 107107 121503 904999	6
- 240	HL79-6		.COLLAR SUPPLIER CODE: V5M902 SPECIFICATION NUMBER: BACC30M6 OPTIONAL PART: HL79-6 V73197 HL79-6 V92215 66014-6 V56878 HL79-6 V56878	002004 006100 107107 121503 904999	6
245	BACR15FT5D		-----*----- .RIVET- SIZE DETERMINED ON INSTL.	002004 006102 107999	20
250	BACR15BA5D		.RIVET- SIZE DETERMINED ON INSTL.	002004 006102 107999	2
255	149N7517-46		.DOOR ASSY	002004 006100 107107 121503 904999	1
260	MS20001P4-1100		..HINGE-	002004 006102 107999	1
265	MS20253P2-1075		..PIN-	002004 006102 107999	1
270	149N7517-81		..HINGE	002004 006102 107999	1
275	H2946-1		..LATCH ASSY- SUPPLIER CODE: V83014 SPECIFICATION NUMBER: S311T306-6	002004 006102 107999	1

MISSING ITEM NUMBERS NOT APPLICABLE

- ITEM NOT ILLUSTRATED

BRI

57-22-53-01

BOEING PROPRIETARY - Copyright © - Unpublished Work - See title page for details.

57-22-53
FIG. 01
PAGE 7
JAN 20/09

 **BOEING**
757
PARTS CATALOG (MAINTENANCE)

FIG ITEM	PART NUMBER	1 2 3 4 5 6 7	NOMENCLATURE	EFFECT FROM TO	UNITS PER ASSY
1			ATTACHING PARTS		
- 280	BACB30NT3K3	..	BOLT	002004 006102 107999	4
- 285	NAS1149D0316J	..	WASHER	002004 006102 107999	4
- 290	BRH10C3D	..	NUT- SUPPLIER CODE: V52828 SPECIFICATION NUMBER: BACN10JC3CD OPTIONAL PART: T6C1032JCD V11815 NS202486-02 V80539 102LH9075-3W V72962 H51650-3BAC V15653 -----*-----	002004 006102 107999	4
295	149N7517-95	..	SUPPORT-LATCH	002004 006102 107999	1
300	149N7517-86	..	DOOR	002004 006102 107999	1
305	BACF3F007G110NN	.	FILLER	002004 006102 107999	1
310	149N7517-35	.	BARRIER-SPONGE	002004 006102 107999	1
316	BACB30LK3K3	.	BOLT	002004 006100 107107 121503 904999	9
321	BACS45B30	.	PLATE	002004 006100 107107 121503 904999	1
326	BACS45B52	.	FILLER	002004 006100 107107 121503 904999	1

MISSING ITEM NUMBERS NOT APPLICABLE

- ITEM NOT ILLUSTRATED

BRI

57-22-53-01

BOEING PROPRIETARY - Copyright © - Unpublished Work - See title page for details.

57-22-53
FIG. 01
PAGE 8
JAN 20/09



757

PARTS CATALOG (MAINTENANCE)

FIG ITEM	PART NUMBER	1 2 3 4 5 6 7	NOMENCLATURE	EFFECT FROM TO	UNITS PER ASSY
1					
331	BACS45B40	.	PLATE	002004 006100 107107 121503 904999	1
335	149N7132-15	.	FITTING ASSY-LATCH	002004 006102 107999	1
336	149N7132-14	.	FITTING ASSY-LATCH	002004 006102 107999	1
- 340	BACB30MY6K	.	ATTACHING PARTS BOLT- SIZE DETERMINED ON INSTL.	002004 006102 107999	6
- 345	HL79-6	.	COLLAR SUPPLIER CODE: V5M902 SPECIFICATION NUMBER: BACC30M6 OPTIONAL PART: HL79-6 V73197 HL79-6 V92215 66014-6 V56878 HL79-6 V56878 -----*-----	002004 006102 107999	6
350	149N7132-20	..	STRIP-RUB	002004 006102 107999	1
375	149N7536-1	.	FITTING ASSY-AIR CONDITIONING DOOR HOLD OPEN ROD POSITION DATA: L	002004 006010 107107 121503 904999	1
375	149N7536-5	.	FITTING ASSY-AIR CONDITIONING DOOR HOLD OPEN ROD POSITION DATA: L	011102 108120 504903	1
380	BACB30NX6K	.	ATTACHING PARTS BOLT- SIZE DETERMINED ON INSTL.	002004 006102 107999	8

MISSING ITEM NUMBERS NOT APPLICABLE

- ITEM NOT ILLUSTRATED

57-22-53-01

57-22-53
FIG. 01
PAGE 9
JAN 20/09

BRI



757

PARTS CATALOG (MAINTENANCE)

FIG ITEM	PART NUMBER	1 2 3 4 5 6 7	NOMENCLATURE	EFFECT FROM TO	UNITS PER ASSY
1 385	BACB30NX8K		.BOLT- SIZE DETERMINED ON INSTL.	002004 006102 107999	2
390	HL1187-6		.COLLAR SUPPLIER CODE: V5M902 SPECIFICATION NUMBER: BACC30X6 OPTIONAL PART: HL87-6 V92215 HL87-6 V73197 HL1187-6 V56878 HL1187-6 V92215 HL87-6 V56878 HL1187-6 V73197	002004 006102 107999	8
395	HL1187-8		.COLLAR SUPPLIER CODE: V5M902 SPECIFICATION NUMBER: BACC30X8 OPTIONAL PART: HL87-8 V92215 HL87-8 V73197 HL1187-8 V56878 HL1187-8 V92215 HL87-8 V56878 HL1187-8 V73197	002004 006102 107999	2
400	BACB28AM07B018A		-----*----- ..BUSHING	002004 006102 107999	1
405	BACB28AP05P018		..BUSHING	002004 006102 107999	1
410	149N7536-2		..FITTING	002004 006102 107999	1

MISSING ITEM NUMBERS NOT APPLICABLE

- ITEM NOT ILLUSTRATED

57-22-53-01

57-22-53
FIG. 01
PAGE 10
JAN 20/09

BRI

BOEING PROPRIETARY - Copyright © - Unpublished Work - See title page for details.



757

PARTS CATALOG (MAINTENANCE)

FIG ITEM	PART NUMBER	1 2 3 4 5 6 7	NOMENCLATURE	EFFECT FROM TO	UNITS PER ASSY
1					
- 530	149N7517-142		BARRIER INSTL-VAPOR POSITION DATA: STA 1037.67 FOR NHA SEE: 53-42-01-01	002004 006100 107107 121503 904999	RF
- 530	149N7517-406		BARRIER INSTL-VAPOR POSITION DATA: STA 1037.67 FOR NHA SEE: 53-42-01-01A	101102 108120 504903	RF
535	BACB30NT2K3		.BOLT	002004 006102 107999	19
536	AN960JD8		.WASHER	002004 006102 107999	17
537	BRF200C08D		.NUTPLATE SUPPLIER CODE: V52828 SPECIFICATION NUMBER: BACN10JR08CFD OPTIONAL PART: NS202476-82 V80539 102F9201-82 V72962 T8092C832CD V11815 K51602-08BAC V15653	002004 006102 107999	16
- 538	BACR15BA3AD		ATTACHING PARTS .RIVET	002004 006102 107999	32
540	BRF100C08D		-----*----- .NUT SUPPLIER CODE: V52828 SPECIFICATION NUMBER: BACN10KB08CFD OPTIONAL PART: NS202478-82 V80539 102F9207P82 V72962 F51604-08 V15653	002004 006102 107999	3

MISSING ITEM NUMBERS NOT APPLICABLE

- ITEM NOT ILLUSTRATED

57-22-53-01

57-22-53
FIG. 01
PAGE 11
JAN 20/09

BRI

 **BOEING**
757
PARTS CATALOG (MAINTENANCE)

FIG ITEM	PART NUMBER	1 2 3 4 5 6 7	NOMENCLATURE	EFFECT FROM TO	UNITS PER ASSY
1			ATTACHING PARTS		
- 541	BACR15BA3AD		.RIVET	002004 006102 107999	6
			-----*-----		
543	149N7517-51		.RETAINER	002004 006102 107999	1
545	149N7517-50		.RETAINER	002004 006102 107999	1
550	149N7517-48		.RETAINER	002004 006102 107999	1
555	149N7517-60		.SEAL- MANUFACTURED FROM: EXTR RUBBER F25.01 BAC1530-6 X 51.0 IN.	002004 006102 107999	1
557	MS24665-134		.PIN	002004 006102 107999	6
560	BACB30LJ4D14		.BOLT	002004 006102 107999	6
565	BACW10BP4CD		.WASHER	002004 006102 107999	6
570	BACW10BP4DP		.WASHER	002004 006102 107999	6
575	BACN10JD4CD		.NUT	002004 006102 107999	6
580	BACB28AK04-028		.BUSHING	002004 006102 107999	6
585	149N7520-1		.LINK ASSY	002004 006102 107999	3

MISSING ITEM NUMBERS NOT APPLICABLE

- ITEM NOT ILLUSTRATED

BRI

57-22-53-01

BOEING PROPRIETARY - Copyright © - Unpublished Work - See title page for details.

57-22-53
FIG. 01
PAGE 12
JAN 20/09

 **BOEING**
757
PARTS CATALOG (MAINTENANCE)

FIG ITEM	PART NUMBER	1 2 3 4 5 6 7	NOMENCLATURE	EFFECT FROM TO	UNITS PER ASSY
1 590	NES04B10GC		.. BEARING SUPPLIER CODE: V73134 SPECIFICATION NUMBER: BACB10FC04C OPTIONAL PART: NRRS04B10GC V73134 HT04VSBC VS0352 ADB4VNC V15860 KNDB4-66 V97613 KR4CNGBZC V50632	002004 006102 107999	2
595	149N7524-1		. CLEVIS ASSY	002004 006102 107999	3
- 600	BACB30MY6K		ATTACHING PARTS . BOLT- SIZE DETERMINED ON INSTL.	002004 006102 107999	12
- 605	HL79-6		. COLLAR SUPPLIER CODE: V5M902 SPECIFICATION NUMBER: BACC30M6 OPTIONAL PART: HL79-6 V73197 HL79-6 V92215 66014-6 V56878 HL79-6 V56878	002004 006102 107999	12
610	BACB28AM06B015A		-----*----- .. BUSHING	002004 006102 107999	1
615	BACB28AP04P014		.. BUSHING	002004 006102 107999	1
620	149N7517-31		. TEE	002004 006102 107999	1

MISSING ITEM NUMBERS NOT APPLICABLE

- ITEM NOT ILLUSTRATED

BRI

57-22-53-01

BOEING PROPRIETARY - Copyright © - Unpublished Work - See title page for details.

57-22-53
FIG. 01
PAGE 13
JAN 20/09



757

PARTS CATALOG (MAINTENANCE)

FIG ITEM	PART NUMBER	1 2 3 4 5 6 7	NOMENCLATURE	EFFECT FROM TO	UNITS PER ASSY
1 625	149N7517-30		. TEE	002004 006102 107999	2
- 630	BACB30MY6K		ATTACHING PARTS . BOLT- SIZE DETERMINED ON INSTL.	002004 006102 107999	12
- 635	HL79-6		. COLLAR SUPPLIER CODE: V5M902 SPECIFICATION NUMBER: BACC30M6 OPTIONAL PART: HL79-6 V73197 HL79-6 V92215 66014-6 V56878 HL79-6 V56878 -----*-----	002004 006102 107999	12
640	BACB30NT2K2		. BOLT	002004 006102 107999	22
642	BRF200C08D		. NUTPLATE SUPPLIER CODE: V52828 SPECIFICATION NUMBER: BACN10JR08CFD OPTIONAL PART: NS202476-82 V80539 102F9201-82 V72962 T8092C832CD V11815 K51602-08BAC V15653	002004 006102 107999	16
- 643	BACR15BA3AD		ATTACHING PARTS . RIVET -----*-----	002004 006102 107999	32

MISSING ITEM NUMBERS NOT APPLICABLE

- ITEM NOT ILLUSTRATED

57-22-53-01

57-22-53
FIG. 01
PAGE 14
JAN 20/09

BRI



757

PARTS CATALOG (MAINTENANCE)

FIG ITEM	PART NUMBER	1 2 3 4 5 6 7	NOMENCLATURE	EFFECT FROM TO	UNITS PER ASSY
1 645	BRF100C08D	.	NUT SUPPLIER CODE: V52828 SPECIFICATION NUMBER: BACN10KB08CFD OPTIONAL PART: NS202478-82 V80539 102F9207P82 V72962 F51604-08 V15653 ATTACHING PARTS	002004 006102 107999	6
- 646	BACR15BA3AD	.	RIVET	002004 006102 107999	12
648	149N7517-65	-----*	.RETAINER	002004 006102 107999	1
650	149N7517-54	.	RETAINER	002004 006102 107999	1
655	149N7517-67	.	RETAINER-	002004 006102 107999	1
660	149N7517-56	.	RETAINER	002004 006102 107999	1
665	149N7517-61	.	RETAINER	002004 006102 107999	2
670	149N7517-69	.	RETAINER-	002004 006102 107999	1
675	149N7517-64	.	RETAINER	002004 006102 107999	1
680	149N7517-41	.	SEAL	002004 006102 107999	1
682	MS24665-134	.	PIN	002004 006102 107999	1
685	BACB30LJ5D19	.	BOLT-	002004 006102 107999	1

MISSING ITEM NUMBERS NOT APPLICABLE

- ITEM NOT ILLUSTRATED

57-22-53-01

57-22-53
FIG. 01
PAGE 15
JAN 20/09

BRI

 **BOEING**
757
PARTS CATALOG (MAINTENANCE)

FIG ITEM	PART NUMBER	1 2 3 4 5 6 7	NOMENCLATURE	EFFECT FROM TO	UNITS PER ASSY
1					
690	BACW10BP5CD	.	WASHER	002004 006102 107999	1
695	BACW10BP5DP	.	WASHER	002004 006102 107999	1
700	BACN10JD5CD	.	NUT	002004 006102 107999	1
705	BACB28AK05-032	.	BUSHING	002004 006102 107999	1
710	149N7402-6	.	FITTING ASSY-	002004 006102 107999	1
- 715	BACB30MY6K	.	ATTACHING PARTS BOLT- SIZE DETERMINED ON INSTL.	002004 006102 107999	7
- 720	HL79-6	.	COLLAR SUPPLIER CODE: V5M902 SPECIFICATION NUMBER: BACC30M6 OPTIONAL PART: HL79-6 V73197 HL79-6 V92215 66014-6 V56878 HL79-6 V56878 -----*-----	002004 006102 107999	7
725	BACB28AM07B017A	..	BUSHING	002004 006102 107999	1
730	BACB28AP05P028	..	BUSHING	002004 006102 107999	1
735	BACF3T02N17-8	.	FILLER	002004 006102 107999	2
740	BACR15FT5D	.	RIVET- SIZE DETERMINED ON INSTL.	002004 006102 107999	21
745	BACR15BA5D	.	RIVET- SIZE DETERMINED ON INSTL.	002004 006102 107999	2

MISSING ITEM NUMBERS NOT APPLICABLE

- ITEM NOT ILLUSTRATED

BRI

57-22-53-01

BOEING PROPRIETARY - Copyright © - Unpublished Work - See title page for details.

57-22-53
FIG. 01
PAGE 16
JAN 20/09



757

PARTS CATALOG (MAINTENANCE)

FIG ITEM	PART NUMBER	1 2 3 4 5 6 7	NOMENCLATURE	EFFECT FROM TO	UNITS PER ASSY
1					
750	149N7517-46	.	DOOR ASSY	002004 006100 107107 121503 904999	1
755	MS20001P4-1100	..	HINGE-	002004 006102 107999	1
760	MS20253P2-1075	..	PIN-	002004 006102 107999	1
765	149N7517-81	..	HINGE	002004 006102 107999	1
770	H2946-1	..	LATCH ASSY- SUPPLIER CODE: V83014 SPECIFICATION NUMBER: S311T306-6 ATTACHING PARTS	002004 006102 107999	1
- 775	BACB30NT3K3	..	BOLT	002004 006102 107999	4
- 780	NAS1149D0316J	..	WASHER	002004 006102 107999	4
- 785	BRH10C3D	..	NUT- SUPPLIER CODE: V52828 SPECIFICATION NUMBER: BACN10JC3CD OPTIONAL PART: T6C1032JCD V11815 NS202486-02 V80539 102LH9075-3W V72962 H51650-3BAC V15653 -----*-----	002004 006102 107999	4
790	149N7517-95	..	SUPPORT-LATCH	002004 006102 107999	1
795	149N7517-86	..	DOOR	002004 006102 107999	1

MISSING ITEM NUMBERS NOT APPLICABLE

- ITEM NOT ILLUSTRATED

BRI

57-22-53-01

57-22-53
FIG. 01
PAGE 17
JAN 20/09

 **BOEING**
757
PARTS CATALOG (MAINTENANCE)

FIG ITEM	PART NUMBER	1 2 3 4 5 6 7	NOMENCLATURE	EFFECT FROM TO	UNITS PER ASSY
1	800	BACF3F007G110NN	. FILLER	002004 006102 107999	1
	805	149N7517-87	. FILLER-RADIUS	002004 006102 107999	1
	810	149N7132-15	. FITTING ASSY-LATCH	002004 006102 107999	2
			ATTACHING PARTS		
-	815	BACB30MY6K	. BOLT- SIZE DETERMINED ON INSTL.	002004 006102 107999	6
-	820	HL79-6	. COLLAR SUPPLIER CODE: V5M902 SPECIFICATION NUMBER: BACC30M6 OPTIONAL PART: HL79-6 V73197 HL79-6 V92215 66014-6 V56878 HL79-6 V56878 -----*-----	002004 006102 107999	6
	825	149N7132-20	. . STRIP-RUB	002004 006102 107999	1
	830	149N7531-10	. HOGOUT-	002004 006100 107107 121503 904999	1
			ATTACHING PARTS		
-	835	L8006K3	. BOLT SUPPLIER CODE: V06725 SPECIFICATION NUMBER: BACB30MY6K3	002004 006100 107107 121503 904999	6

MISSING ITEM NUMBERS NOT APPLICABLE

- ITEM NOT ILLUSTRATED

BRI

57-22-53-01

BOEING PROPRIETARY - Copyright © - Unpublished Work - See title page for details.

57-22-53
FIG. 01
PAGE 18
JAN 20/09



757

PARTS CATALOG (MAINTENANCE)

FIG ITEM	PART NUMBER	1 2 3 4 5 6 7	NOMENCLATURE	EFFECT FROM TO	UNITS PER ASSY
1 - 840	HL79-6		.COLLAR SUPPLIER CODE: V5M902 SPECIFICATION NUMBER: BACC30M6 OPTIONAL PART: HL79-6 V73197 HL79-6 V92215 66014-6 V56878 HL79-6 V56878 -----*-----	002004 006100 107107 121503 904999	6
845	149N7517-35		.BARRIER-SPONGE	002004 006102 107999	1
851	BACB30LK3K3		.BOLT	002004 006100 107107 121503 904999	9
856	BACS45B30		.PLATE	002004 006100 107107 121503 904999	1
861	BACS45B52		.FILLER	002004 006100 107107 121503 904999	1
866	BACS45B40		.PLATE	002004 006100 107107 121503 904999	1
870	149N7538-1		.FITTING ASSY-AIR CONDITIONING DOOR HOLD OPEN ROD POSITION DATA: R	002004 006102 107999	1
875	BACB30NX8K		ATTACHING PARTS .BOLT- SIZE DETERMINED ON INSTL.	002004 006102 107999	7

MISSING ITEM NUMBERS NOT APPLICABLE

- ITEM NOT ILLUSTRATED

57-22-53-01

57-22-53
FIG. 01
PAGE 19
JAN 20/09

BRI



757

PARTS CATALOG (MAINTENANCE)

FIG ITEM	PART NUMBER	1 2 3 4 5 6 7	NOMENCLATURE	EFFECT FROM TO	UNITS PER ASSY
1	880		.BOLT- SIZE DETERMINED ON INSTL.	002004 006102 107999	7
	885		.COLLAR SUPPLIER CODE: V5M902 SPECIFICATION NUMBER: BACC30X8 OPTIONAL PART: HL87-8 V92215 HL87-8 V73197 HL1187-8 V56878 HL1187-8 V92215 HL87-8 V56878 HL1187-8 V73197	002004 006102 107999	7
	890		.COLLAR SUPPLIER CODE: V5M902 SPECIFICATION NUMBER: BACC30X6 OPTIONAL PART: HL87-6 V92215 HL87-6 V73197 HL1187-6 V56878 HL1187-6 V92215 HL87-6 V56878 HL1187-6 V73197	002004 006102 107999	7
	895		-----*----- ..BUSHING	002004 006102 107999	1
	900		..BUSHING	002004 006102 107999	1
	905		..FITTING	002004 006102 107999	1

MISSING ITEM NUMBERS NOT APPLICABLE

- ITEM NOT ILLUSTRATED

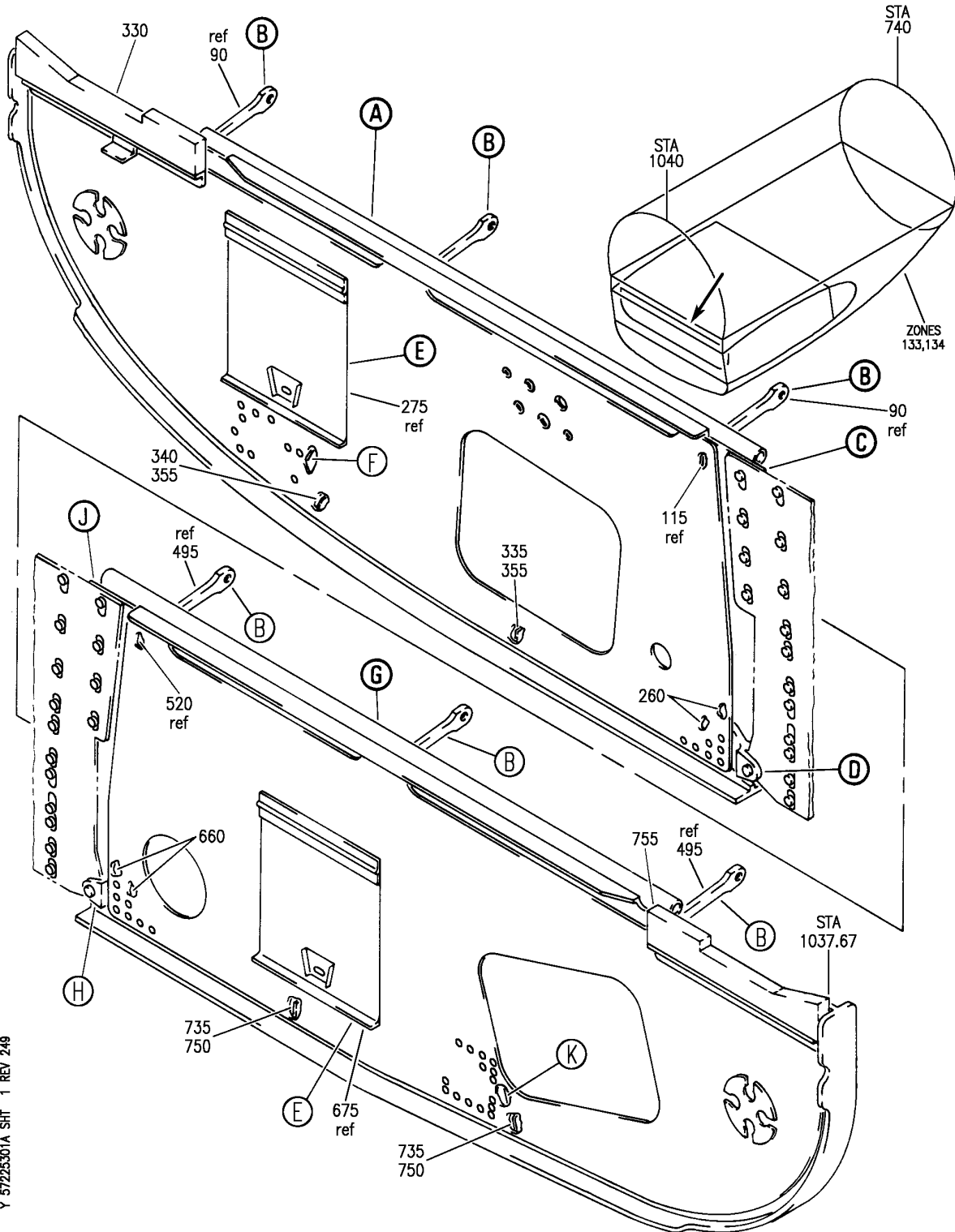
57-22-53-01

57-22-53
FIG. 01
PAGE 20
JAN 20/09

BRI

BOEING PROPRIETARY - Copyright © - Unpublished Work - See title page for details.

BOEING
757
PARTS CATALOG (MAINTENANCE)



Y 57225301A SHT 1 REV 249

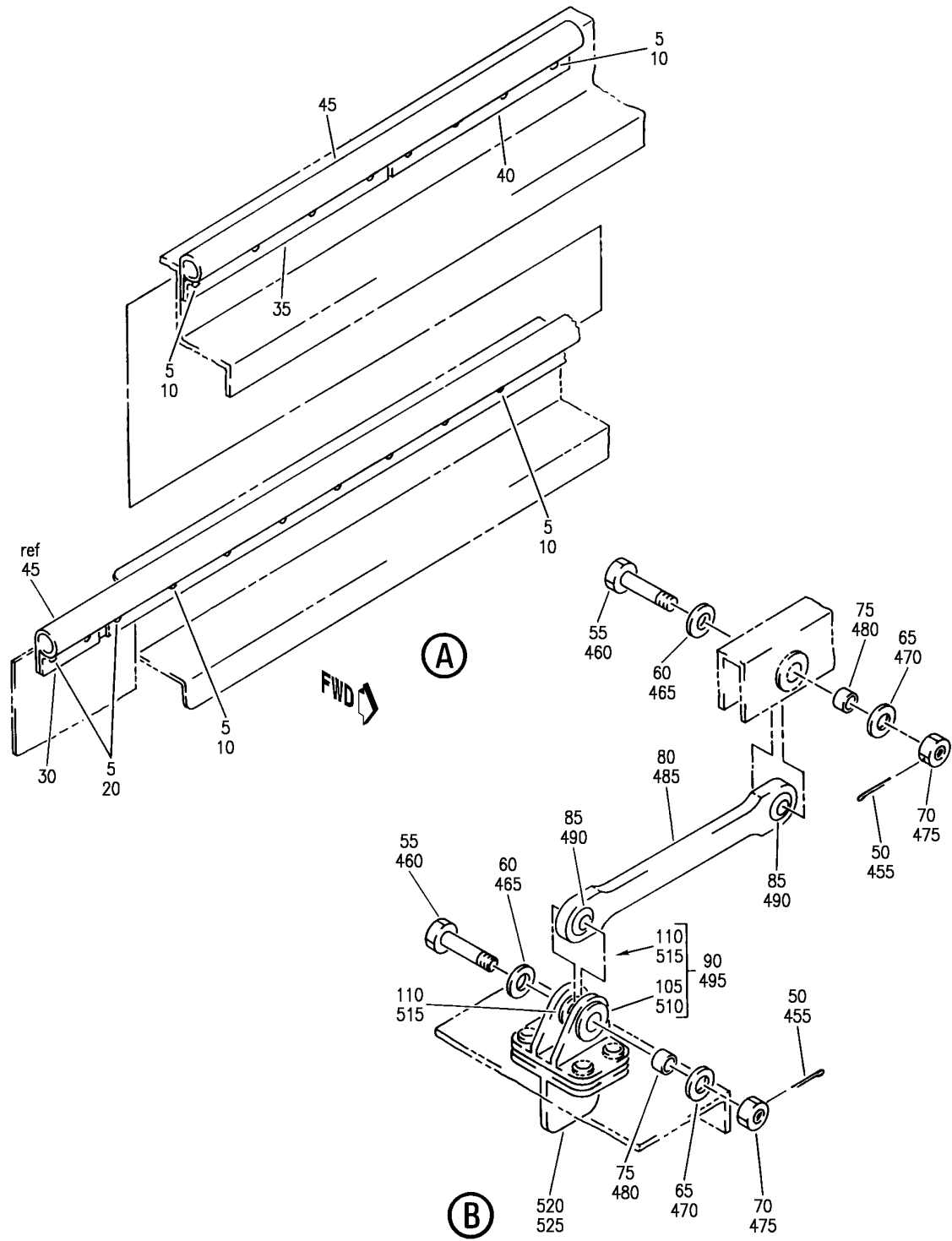
BARRIER INSTL VAPOR
FIGURE 1A (SHEET 1)

57-22-53-01A

BRI
JAN 20/09

57-22-53-01A
PAGE 0

BOEING
757
PARTS CATALOG (MAINTENANCE)



Y 57225301A SHT 2 REV 249

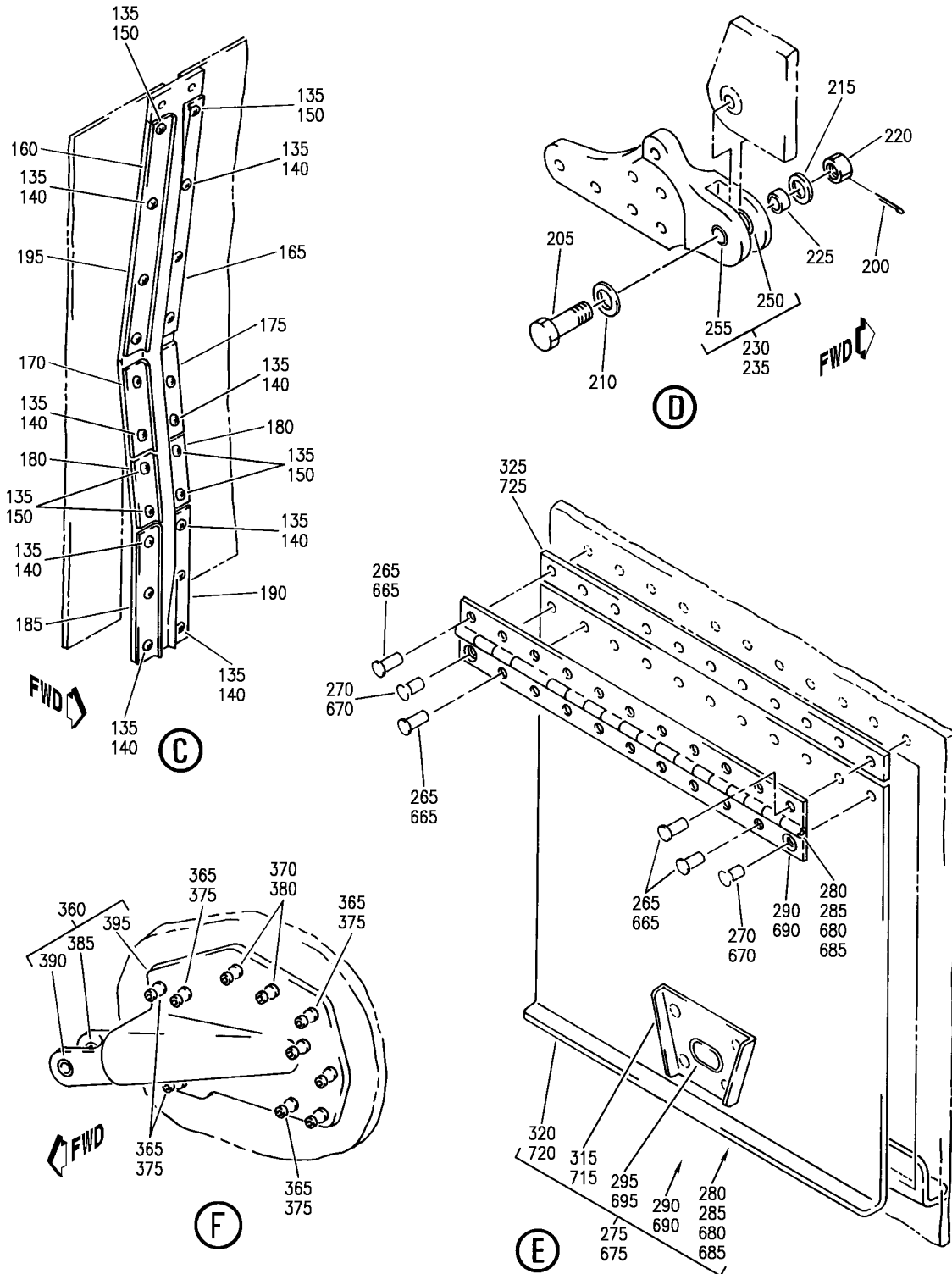
BARRIER INSTL VAPOR
FIGURE 1A (SHEET 2)

57-22-53-01A

BRI
JAN 20/09

57-22-53-01A
PAGE 0A

BOEING
757
PARTS CATALOG (MAINTENANCE)



Y 57225301A SHT 3 REV 249

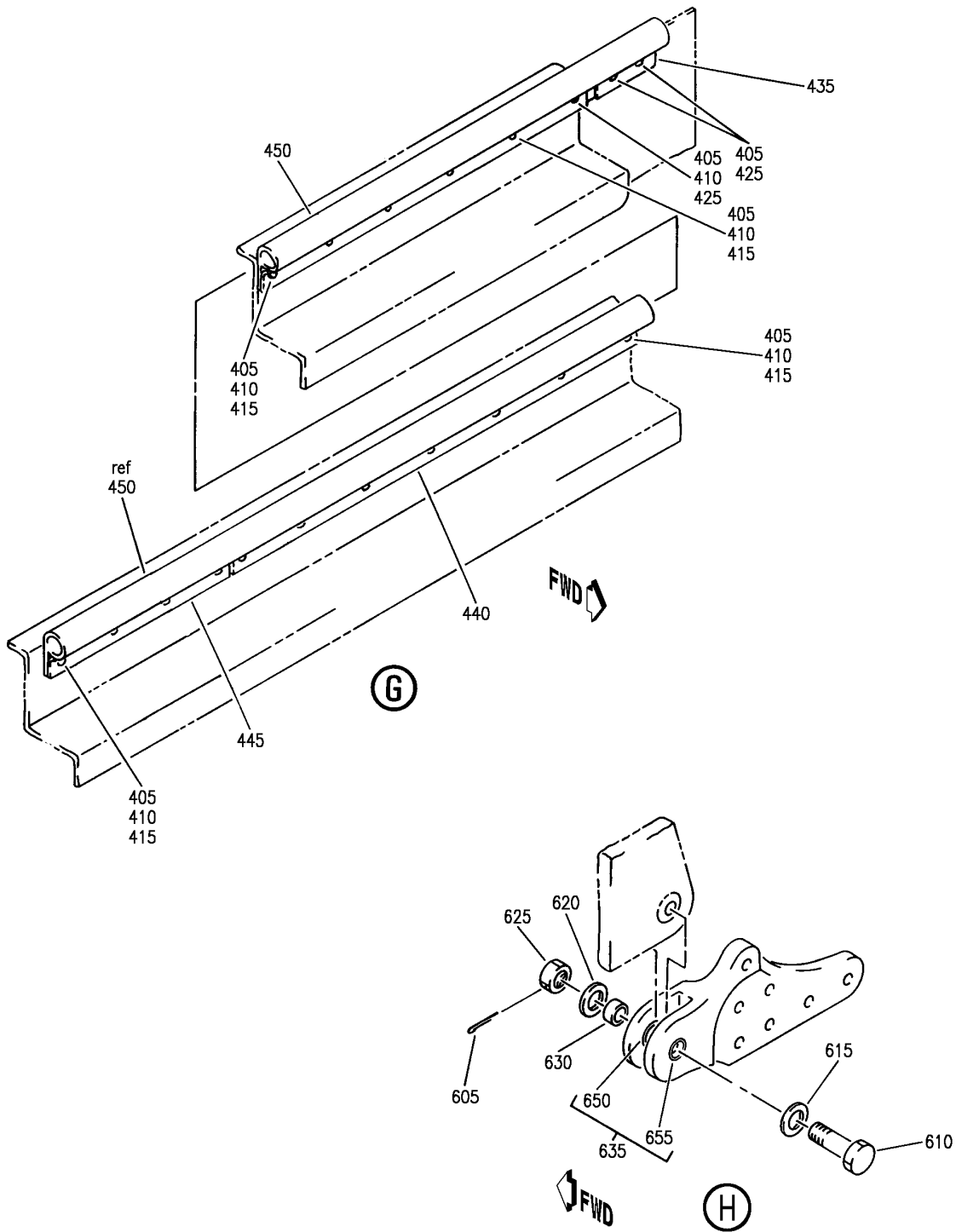
BARRIER INSTL VAPOR
FIGURE 1A (SHEET 3)

57-22-53-01A

BRI
JAN 20/09

57-22-53-01A
PAGE 0B

BOEING
757
PARTS CATALOG (MAINTENANCE)



Y 57225301A SHT 4 REV 249

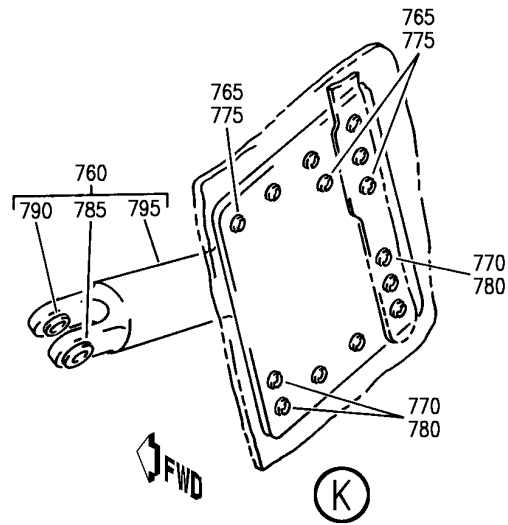
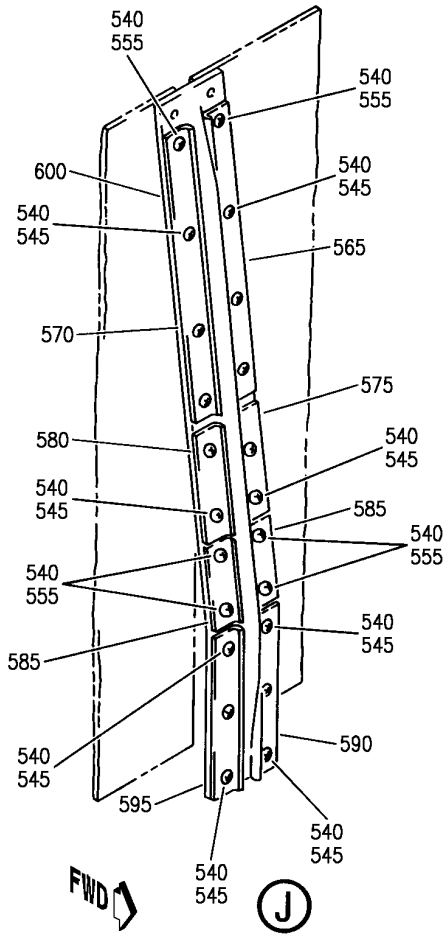
BARRIER INSTL VAPOR
FIGURE 1A (SHEET 4)

57-22-53-01A

BRI
JAN 20/09

57-22-53-01A
PAGE 0C

BOEING
757
PARTS CATALOG (MAINTENANCE)



Y 57225301A SHT 5 REV 249

BARRIER INSTL VAPOR
FIGURE 1A (SHEET 5)

57-22-53-01A

BRI
JAN 20/09

57-22-53-01A
PAGE 0D



757

PARTS CATALOG (MAINTENANCE)

FIG ITEM	PART NUMBER	1 2 3 4 5 6 7	NOMENCLATURE	EFFECT FROM TO	UNITS PER ASSY
1 A			BARRIER INSTL VAPOR	103106	
- 1	MODREF21269		BARRIER INSTL-VAPOR MODULE NUMBER: 149N7517-407 REV A POSITION DATA: STA 1037.67, LH SIDE	103103	1
- 1	MODREF26201		BARRIER INSTL-VAPOR MODULE NUMBER: 149N7517-407 REV B POSITION DATA: STA 1037.67, LH SIDE	104106	1
5	BACB30NT2K3		.BOLT	103106	18
10	BRF200C08D		.NUTPLATE SUPPLIER CODE: V52828 SPECIFICATION NUMBER: BACN10JR08CFD OPTIONAL PART: NS202476-82 V80539 102F9201-82 V72962 T8092C832CD V11815 K51602-08BAC V15653	103106	15
- 15	BACR15BA3AD		ATTACHING PARTS .RIVET -----*-----	103106	30
20	BRF100C08D		.NUT SUPPLIER CODE: V52828 SPECIFICATION NUMBER: BACN10KB08CFD OPTIONAL PART: NS202478-82 V80539 102F9207P82 V72962 F51604-08 V15653	103106	3
- 25	BACR15BA3AD		ATTACHING PARTS .RIVET -----*-----	103106	6
30	149N7517-51		.RETAINER	103106	1
35	149N7517-49		.RETAINER	103106	1
40	149N7517-47		.RETAINER	103106	1

MISSING ITEM NUMBERS NOT APPLICABLE

- ITEM NOT ILLUSTRATED

57-22-53-01A

57-22-53
FIG. 01A
PAGE 1
JAN 20/09

BRI

BOEING PROPRIETARY - Copyright © - Unpublished Work - See title page for details.



757

PARTS CATALOG (MAINTENANCE)

FIG ITEM	PART NUMBER	1 2 3 4 5 6 7	NOMENCLATURE	EFFECT FROM TO	UNITS PER ASSY
1 A					
45	149N7517-59	.	SEAL- MANUFACTURED FROM: EXTR RUBBER F25.01 BAC1530-6 X 51.0 IN.	103106	1
50	MS24665-134	.	PIN	103106	6
55	BACB30LJ4D14	.	BOLT	103106	6
60	BACW10BP4CD	.	WASHER	103106	6
65	BACW10BP4DP	.	WASHER	103106	6
70	BACN10JD4CD	.	NUT	103106	6
75	BACB28AK04-028	.	BUSHING	103106	6
80	149N7520-1	.	LINK ASSY	103106	3
85	NES04B10GC	..	BEARING SUPPLIER CODE: V73134 SPECIFICATION NUMBER: BACB10FC04C OPTIONAL PART: NRRS04B10GC V73134 HT04VSBC VS0352 ADB4VNC V15860 KNDB4-66 V97613 KR4CNGBZC V50632	103106	2
90	149N7524-1	.	CLEVIS ASSY ATTACHING PARTS	103106	3
- 95	BACB30MY6K	.	BOLT- SIZE DETERMINED ON INSTL.	103106	12
- 100	HL79-6	.	COLLAR SUPPLIER CODE: V5M902 SPECIFICATION NUMBER: BACC30M6 OPTIONAL PART: HL79-6 V73197 HL79-6 V92215 66014-6 V56878 HL79-6 V56878	103106	12
105	BACB28AM06B015A	..	BUSHING	103106	1
110	BACB28AP04P014	..	BUSHING	103106	1
			-----*-----		

MISSING ITEM NUMBERS NOT APPLICABLE

- ITEM NOT ILLUSTRATED

57-22-53-01A

57-22-53
FIG. 01A
PAGE 2
JAN 20/09

BRI

BOEING PROPRIETARY - Copyright © - Unpublished Work - See title page for details.

 **BOEING**
757
PARTS CATALOG (MAINTENANCE)

FIG ITEM	PART NUMBER	1 2 3 4 5 6 7	NOMENCLATURE	EFFECT FROM TO	UNITS PER ASSY
1 A					
115	149N7517-31	.TEE		103106	1
120	149N7517-30	.TEE		103106	2
			ATTACHING PARTS		
- 125	BACB30MY6K	.BOLT-		103106	12
			SIZE DETERMINED ON INSTL.		
- 130	HL79-6	.COLLAR		103106	12
			SUPPLIER CODE: V5M902		
			SPECIFICATION NUMBER: BACC30M6		
			OPTIONAL PART: HL79-6		
			V73197		
			HL79-6		
			V92215		
			66014-6		
			V56878		
			HL79-6		
			V56878		
			-----*-----		
135	BACB30NT2K2	.BOLT		103106	22
140	BRF200C08D	.NUTPLATE		103106	16
			SUPPLIER CODE: V52828		
			SPECIFICATION NUMBER: BACN10JR08CFD		
			OPTIONAL PART: NS202476-82		
			V80539		
			102F9201-82		
			V72962		
			T8092C832CD		
			V11815		
			K51602-08BAC		
			V15653		
			ATTACHING PARTS		
- 145	BACR15BA3AD	.RIVET		103106	32
			-----*-----		

MISSING ITEM NUMBERS NOT APPLICABLE

- ITEM NOT ILLUSTRATED

BRI

57-22-53-01A

BOEING PROPRIETARY - Copyright © - Unpublished Work - See title page for details.

57-22-53
FIG. 01A
PAGE 3
JAN 20/09



757

PARTS CATALOG (MAINTENANCE)

FIG ITEM	PART NUMBER	1 2 3 4 5 6 7	NOMENCLATURE	EFFECT FROM TO	UNITS PER ASSY
1A 150	BRF100C08D	.	NUT SUPPLIER CODE: V52828 SPECIFICATION NUMBER: BACN10KB08CFD OPTIONAL PART: NS202478-82 V80539 102F9207P82 V72962 F51604-08 V15653	103106	6
- 155	BACR15BA3AD	.	RIVET -----*-----	103106	12
160	149N7517-65	.	RETAINER	103106	1
165	149N7517-53	.	RETAINER	103106	1
170	149N7517-67	.	RETAINER	103106	1
175	149N7517-55	.	RETAINER	103106	1
180	149N7517-61	.	RETAINER	103106	2
185	149N7517-69	.	RETAINER	103106	1
190	149N7517-63	.	RETAINER	103106	1
195	149N7517-41	.	SEAL	103106	1
200	MS24665-134	.	PIN	103106	1
205	BACB30LJ5D19	.	BOLT-	103106	1
210	BACW10BP5CD	.	WASHER	103106	1
215	BACW10BP5DP	.	WASHER	103106	1
220	BACN10JD5CD	.	NUT	103106	1
225	BACB28AK05-032	.	BUSHING	103106	1
230	149N7402-5	.	FITTING ASSY- ATTACHING PARTS	103106	1
- 240	BACB30MY6K	.	BOLT- SIZE DETERMINED ON INSTL.	103106	7
- 245	HL79-6	.	COLLAR SUPPLIER CODE: V5M902 SPECIFICATION NUMBER: BACC30M6 OPTIONAL PART: HL79-6 V73197 HL79-6 V92215 66014-6 V56878 HL79-6 V56878	103106	7
250	BACB28AM07B017A	..	BUSHING- -----*-----	103106	1

MISSING ITEM NUMBERS NOT APPLICABLE

- ITEM NOT ILLUSTRATED

57-22-53-01A

57-22-53
FIG. 01A
PAGE 4
JAN 20/09

BRI

BOEING PROPRIETARY - Copyright © - Unpublished Work - See title page for details.



757

PARTS CATALOG (MAINTENANCE)

FIG ITEM	PART NUMBER	1 2 3 4 5 6 7	NOMENCLATURE	EFFECT FROM TO	UNITS PER ASSY
1 A					
255	BACB28AP05P028	..	BUSHING	103106	1
260	BACF3T02N17-8	.	FILLER	103106	2
265	BACR15FT5D	.RIVET-		103106	20
			SIZE DETERMINED ON INSTL.		
270	BACR15BA5D	.RIVET-		103106	2
			SIZE DETERMINED ON INSTL.		
275	149N7517-150	.DOOR	ASSY	103106	1
280	MS20001P4-1100	..HINGE-		103106	1
285	MS20253P2-1075	..PIN-		103106	1
290	149N7517-81	..HINGE		103106	1
295	H2946-1	..LATCH ASSY-		103106	1
			SUPPLIER CODE: V83014		
			SPECIFICATION NUMBER: S311T306-6		
			ATTACHING PARTS		
- 300	BACB30NT3K3	..BOLT		103106	4
- 305	NAS1149D0316J	..WASHER		103106	4
- 310	BRH10C3D	..NUT-		103106	4
			SUPPLIER CODE: V52828		
			SPECIFICATION NUMBER: BACN10JC3CD		
			OPTIONAL PART: T6C1032JCD		
			V11815		
			NS202486-02		
			V80539		
			102LH9075-3W		
			V72962		
			H51650-3BAC		
			V15653		
			-----*-----		
315	149N7517-95	..SUPPORT-LATCH		103106	1
320	149N7517-86	..DOOR		103106	1
325	BACF3F007G110NN	.FILLER		103106	1
330	149N7517-35	.BARRIER-SPONGE		103106	1
335	149N7132-15	.FITTING ASSY-LATCH		103106	1
340	149N7132-14	.FITTING ASSY-LATCH		103106	1
			ATTACHING PARTS		
- 345	BACB30MY6K	.BOLT-		103106	6
			SIZE DETERMINED ON INSTL.		

MISSING ITEM NUMBERS NOT APPLICABLE

- ITEM NOT ILLUSTRATED

BRI

57-22-53-01A

BOEING PROPRIETARY - Copyright © - Unpublished Work - See title page for details.

57-22-53
FIG. 01A
PAGE 5
JAN 20/09



757

PARTS CATALOG (MAINTENANCE)

FIG ITEM	PART NUMBER	1 2 3 4 5 6 7	NOMENCLATURE	EFFECT FROM TO	UNITS PER ASSY
1 A - 350	HL79-6		. COLLAR SUPPLIER CODE: V5M902 SPECIFICATION NUMBER: BACC30M6 OPTIONAL PART: HL79-6 V73197 HL79-6 V92215 66014-6 V56878 HL79-6 V56878 -----*-----	103106	6
355	149N7132-20		. . STRIP-RUB	103106	1
360	149N7536-5		. FITTING ASSY-AIR CONDITIONING DOOR HOLD OPEN ROD POSITION DATA: L ATTACHING PARTS	103106	1
365	BACB30NX6K		. BOLT- SIZE DETERMINED ON INSTL.	103106	8
370	BACB30NX8K		. BOLT- SIZE DETERMINED ON INSTL.	103106	2
375	HL1187-6		. COLLAR SUPPLIER CODE: V5M902 SPECIFICATION NUMBER: BACC30X6 OPTIONAL PART: HL87-6 V92215 HL87-6 V73197 HL1187-6 V56878 HL1187-6 V92215 HL87-6 V56878 HL1187-6 V73197	103106	8

MISSING ITEM NUMBERS NOT APPLICABLE

- ITEM NOT ILLUSTRATED

BRI

57-22-53-01A

BOEING PROPRIETARY - Copyright © - Unpublished Work - See title page for details.

57-22-53
FIG. 01A
PAGE 6
JAN 20/09



757

PARTS CATALOG (MAINTENANCE)

FIG ITEM	PART NUMBER	1 2 3 4 5 6 7	NOMENCLATURE	EFFECT FROM TO	UNITS PER ASSY
1 A 380	HL1187-8		.COLLAR SUPPLIER CODE: V5M902 SPECIFICATION NUMBER: BACC30X8 OPTIONAL PART: HL87-8 V92215 HL87-8 V73197 HL1187-8 V56878 HL1187-8 V92215 HL87-8 V56878 HL1187-8 V73197 -----*	103106	2
385	BACB28AM07B018A		..BUSHING	103106	1
390	BACB28AP05P018		..BUSHING	103106	1
395	149N7536-2		..FITTING	103106	1
- 400	MODREF21270		BARRIER INSTL-VAPOR MODULE NUMBER: 149N7517-408 REV A POSITION DATA: STA 1037.67, RH SIDE	103103	1
- 400	MODREF26202		BARRIER INSTL-VAPOR MODULE NUMBER: 149N7517-408 REV B POSITION DATA: STA 1037.67, RH SIDE	104106	1
405	BACB30NT2K3		.BOLT	103106	19
410	AN960JD8		.WASHER	103106	17
415	BRF200C08D		.NUTPLATE SUPPLIER CODE: V52828 SPECIFICATION NUMBER: BACN10JR08CFD OPTIONAL PART: NS202476-82 V80539 102F9201-82 V72962 T8092C832CD V11815 K51602-08BAC V15653	103106	16

MISSING ITEM NUMBERS NOT APPLICABLE

- ITEM NOT ILLUSTRATED

57-22-53-01A

57-22-53
FIG. 01A
PAGE 7
JAN 20/09

BRI

 **BOEING**
757
PARTS CATALOG (MAINTENANCE)

FIG ITEM	PART NUMBER	1 2 3 4 5 6 7	NOMENCLATURE	EFFECT FROM TO	UNITS PER ASSY
1 A			ATTACHING PARTS		
- 420	BACR15BA3AD		.RIVET	103106	32
			-----*-----		
425	BRF100C08D		.NUT	103106	3
			SUPPLIER CODE: V52828		
			SPECIFICATION NUMBER: BACN10KB08CFD		
			OPTIONAL PART: NS202478-82		
			V80539		
			102F9207P82		
			V72962		
			F51604-08		
			V15653		
			ATTACHING PARTS		
- 430	BACR15BA3AD		.RIVET	103106	6
			-----*-----		
435	149N7517-51		.RETAINER	103106	1
440	149N7517-50		.RETAINER	103106	1
445	149N7517-48		.RETAINER	103106	1
450	149N7517-60		.SEAL-	103106	1
			MANUFACTURED FROM: EXTR RUBBER F25.01 BAC1530-6 X 51.0 IN.		
455	MS24665-134		.PIN	103106	6
460	BACB30LJ4D14		.BOLT	103106	6
465	BACW10BP4CD		.WASHER	103106	6
470	BACW10BP4DP		.WASHER	103106	6
475	BACN10JD4CD		.NUT	103106	6
480	BACB28AK04-028		.BUSHING	103106	6
485	149N7520-1		.LINK ASSY	103106	3
490	NES04B10GC		..BEARING	103106	2
			SUPPLIER CODE: V73134		
			SPECIFICATION NUMBER: BACB10FC04C		
			OPTIONAL PART: NRRS04B10GC		
			V73134		
			HT04VSBC		
			VS0352		
			ADB4VNC		
			V15860		
			KNDB4-66		
			V97613		
			KR4CNGBZC		
			V50632		

MISSING ITEM NUMBERS NOT APPLICABLE

- ITEM NOT ILLUSTRATED

BRI

57-22-53-01A

BOEING PROPRIETARY - Copyright © - Unpublished Work - See title page for details.

57-22-53
FIG. 01A
PAGE 8
JAN 20/09

 **BOEING**
757
PARTS CATALOG (MAINTENANCE)

FIG ITEM	PART NUMBER	1 2 3 4 5 6 7	NOMENCLATURE	EFFECT FROM TO	UNITS PER ASSY
1A					
495	149N7524-1		.CLEVIS ASSY ATTACHING PARTS	103106	3
- 500	BACB30MY6K		.BOLT- SIZE DETERMINED ON INSTL.	103106	12
- 505	HL79-6		.COLLAR SUPPLIER CODE: V5M902 SPECIFICATION NUMBER: BACC30M6 OPTIONAL PART: HL79-6 V73197 HL79-6 V92215 66014-6 V56878 HL79-6 V56878 -----*-----	103106	12
510	BACB28AM06B015A		..BUSHING	103106	1
515	BACB28AP04P014		..BUSHING	103106	1
520	149N7517-31		.TEE	103106	1
525	149N7517-30		.TEE ATTACHING PARTS	103106	2
- 530	BACB30MY6K		.BOLT- SIZE DETERMINED ON INSTL.	103106	12
- 535	HL79-6		.COLLAR SUPPLIER CODE: V5M902 SPECIFICATION NUMBER: BACC30M6 OPTIONAL PART: HL79-6 V73197 HL79-6 V92215 66014-6 V56878 HL79-6 V56878 -----*-----	103106	12
540	BACB30NT2K2		.BOLT	103106	22

MISSING ITEM NUMBERS NOT APPLICABLE

- ITEM NOT ILLUSTRATED

BRI

57-22-53-01A

BOEING PROPRIETARY - Copyright © - Unpublished Work - See title page for details.

57-22-53
FIG. 01A
PAGE 9
JAN 20/09

 **BOEING**
757
PARTS CATALOG (MAINTENANCE)

FIG ITEM	PART NUMBER	1 2 3 4 5 6 7	NOMENCLATURE	EFFECT FROM TO	UNITS PER ASSY
1 A 545	BRF200C08D	.	NUTPLATE SUPPLIER CODE: V52828 SPECIFICATION NUMBER: BACN10JR08CFD OPTIONAL PART: NS202476-82 V80539 102F9201-82 V72962 T8092C832CD V11815 K51602-08BAC V15653 ATTACHING PARTS	103106	16
- 550	BACR15BA3AD	.	RIVET	103106	32
			-----*-----		
555	BRF100C08D	.	NUT SUPPLIER CODE: V52828 SPECIFICATION NUMBER: BACN10KB08CFD OPTIONAL PART: NS202478-82 V80539 102F9207P82 V72962 F51604-08 V15653 ATTACHING PARTS	103106	6
- 560	BACR15BA3AD	.	RIVET	103106	12
			-----*-----		
565	149N7517-65	.	RETAINER	103106	1
570	049N7517-54	.	RETAINER	103106	1
575	149N7517-67	.	RETAINER-	103106	1
580	149N7517-56	.	RETAINER	103106	1
585	149N7517-61	.	RETAINER	103106	2
590	149N7517-69	.	RETAINER-	103106	1
595	149N7517-64	.	RETAINER	103106	1
600	149N7517-41	.	SEAL	103106	1
605	MS24665-134	.	PIN	103106	1
610	BACB30LJ5D19	.	BOLT-	103106	1
615	BACW10BP5CD	.	WASHER	103106	1
620	BACW10BP5DP	.	WASHER	103106	1
625	BACN10JD5CD	.	NUT	103106	1
630	BACB28AK05-032	.	BUSHING	103106	1
635	149N7402-6	.	FITTING ASSY-	103106	1

MISSING ITEM NUMBERS NOT APPLICABLE

- ITEM NOT ILLUSTRATED

BRI

57-22-53-01A

BOEING PROPRIETARY - Copyright © - Unpublished Work - See title page for details.

57-22-53
FIG. 01A
PAGE 10
JAN 20/09

 **BOEING**
757
PARTS CATALOG (MAINTENANCE)

FIG ITEM	PART NUMBER	1 2 3 4 5 6 7	NOMENCLATURE	EFFECT FROM TO	UNITS PER ASSY
1 A			ATTACHING PARTS		
- 640	BACB30MY6K	.	BOLT- SIZE DETERMINED ON INSTL.	103106	7
- 645	HL79-6	.	COLLAR SUPPLIER CODE: V5M902 SPECIFICATION NUMBER: BACC30M6 OPTIONAL PART: HL79-6 V73197 HL79-6 V92215 66014-6 V56878 HL79-6 V56878 -----*-----	103106	7
650	BACB28AM07B017A	..	BUSHING-	103106	1
655	BACB28AP05P028	..	BUSHING	103106	1
660	BACF3T02N17-8	.	FILLER	103106	2
665	BACR15FT5D	.	RIVET- SIZE DETERMINED ON INSTL.	103106	21
670	BACR15BA5D	.	RIVET- SIZE DETERMINED ON INSTL.	103106	2
675	149N7517-150	.	DOOR ASSY	103106	1
680	MS20001P4-1100	..	HINGE-	103106	1
685	MS20253P2-1075	..	PIN-	103106	1
690	149N7517-81	..	HINGE	103106	1
695	H2946-1	..	LATCH ASSY- SUPPLIER CODE: V83014 SPECIFICATION NUMBER: S311T306-6 ATTACHING PARTS	103106	1
- 700	BACB30NT3K3	..	BOLT	103106	4
- 705	NAS1149D0316J	..	WASHER	103106	4

MISSING ITEM NUMBERS NOT APPLICABLE

- ITEM NOT ILLUSTRATED

BRI

57-22-53-01A

BOEING PROPRIETARY - Copyright © - Unpublished Work - See title page for details.

57-22-53
FIG. 01A
PAGE 11
JAN 20/09

 **BOEING**
757
PARTS CATALOG (MAINTENANCE)

FIG ITEM	PART NUMBER	1 2 3 4 5 6 7	NOMENCLATURE	EFFECT FROM TO	UNITS PER ASSY
1A - 710	BRH10C3D	..	NUT- SUPPLIER CODE: V52828 SPECIFICATION NUMBER: BACN10JC3CD OPTIONAL PART: T6C1032JCD V11815 NS202486-02 V80539 102LH9075-3W V72962 H51650-3BAC V15653 -----*-----	103106	4
715	149N7517-95	..	SUPPORT-LATCH	103106	1
720	149N7517-86	..	DOOR	103106	1
725	BACF3F007G110NN	.	FILLER	103106	1
730	149N7517-87	.	FILLER-RADIUS	103106	1
735	149N7132-15	.	FITTING ASSY-LATCH ATTACHING PARTS	103106	2
- 740	BACB30MY6K	.	BOLT- SIZE DETERMINED ON INSTL.	103106	6
- 745	HL79-6	.	COLLAR SUPPLIER CODE: V5M902 SPECIFICATION NUMBER: BACC30M6 OPTIONAL PART: HL79-6 V73197 HL79-6 V92215 66014-6 V56878 HL79-6 V56878 -----*-----	103106	6
750	149N7132-20	..	STRIP-RUB	103106	1
755	149N7517-35	.	BARRIER-SPONGE	103106	1
760	149N7538-1	.	FITTING ASSY-AIR CONDITIONING DOOR HOLD OPEN ROD POSITION DATA: R ATTACHING PARTS	103106	1
765	BACB30NX8K	.	BOLT- SIZE DETERMINED ON INSTL.	103106	7

MISSING ITEM NUMBERS NOT APPLICABLE

- ITEM NOT ILLUSTRATED

BRI

57-22-53-01A

BOEING PROPRIETARY - Copyright © - Unpublished Work - See title page for details.

57-22-53
FIG. 01A
PAGE 12
JAN 20/09



757

PARTS CATALOG (MAINTENANCE)

FIG ITEM	PART NUMBER	1 2 3 4 5 6 7	NOMENCLATURE	EFFECT FROM TO	UNITS PER ASSY
1A					
770	BACB30NX6X		.BOLT- SIZE DETERMINED ON INSTL.	103106	7
775	HL1187-8		.COLLAR SUPPLIER CODE: V5M902 SPECIFICATION NUMBER: BACC30X8 OPTIONAL PART: HL87-8 V92215 HL87-8 V73197 HL1187-8 V56878 HL1187-8 V92215 HL87-8 V56878 HL1187-8 V73197	103106	7
780	HL1187-6		.COLLAR SUPPLIER CODE: V5M902 SPECIFICATION NUMBER: BACC30X6 OPTIONAL PART: HL87-6 V92215 HL87-6 V73197 HL1187-6 V56878 HL1187-6 V92215 HL87-6 V56878 HL1187-6 V73197	103106	7
785	BACB28AM07B018A		-----*----- ..BUSHING	103106	1
790	BACB28AP05P018		..BUSHING	103106	1
795	149N7538-2		..FITTING	103106	1

MISSING ITEM NUMBERS NOT APPLICABLE

- ITEM NOT ILLUSTRATED

BRI

57-22-53-01A

BOEING PROPRIETARY - Copyright © - Unpublished Work - See title page for details.

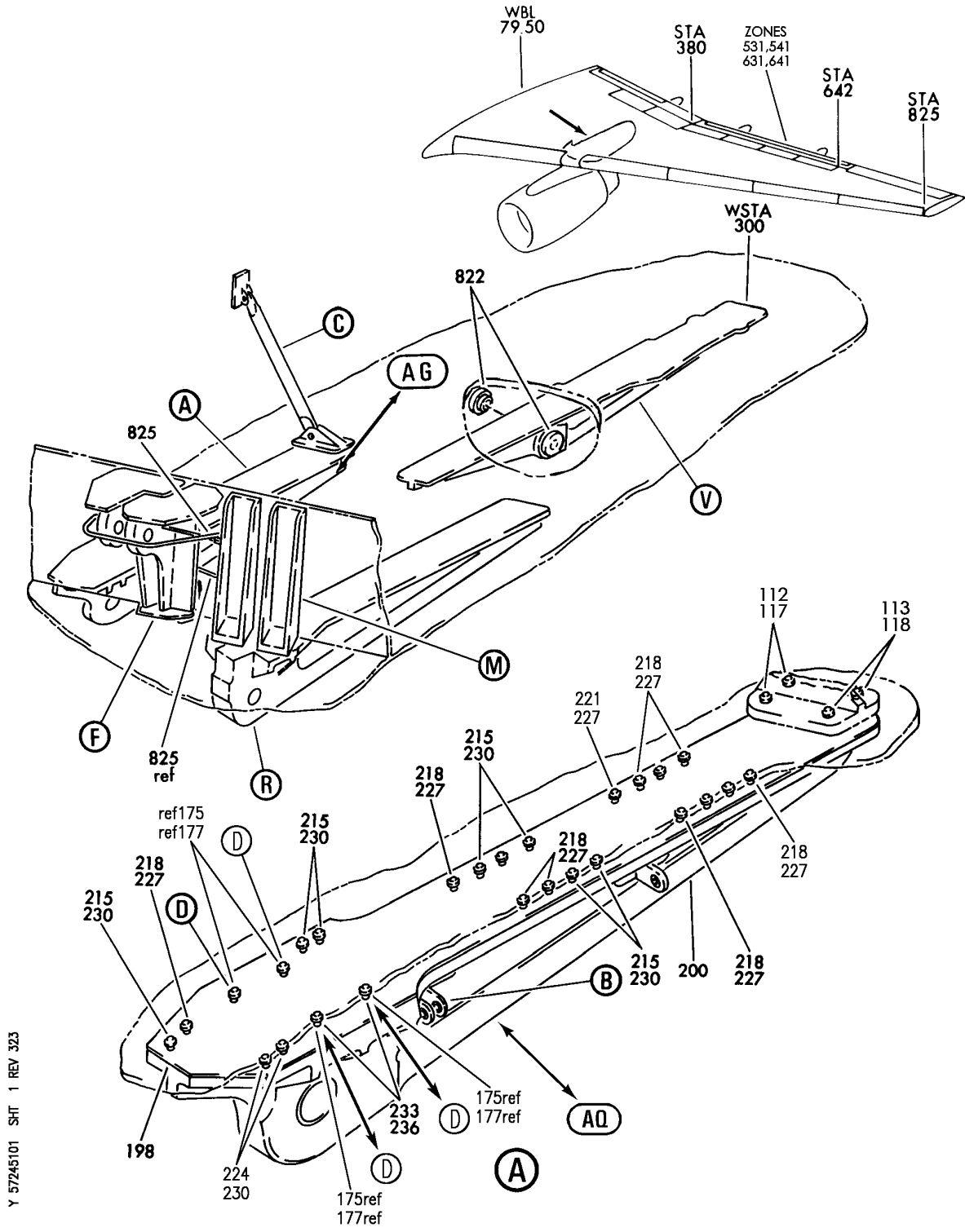
57-22-53
FIG. 01A
PAGE 13
JAN 20/09

NACELLE STRUT ATTACH FITTING

BRI
MAY 28/07

57-24-00
SECTION TITLE
PAGE 1

BOEING
757
PARTS CATALOG (MAINTENANCE)



Y 57245101 SHT 1 REV 323

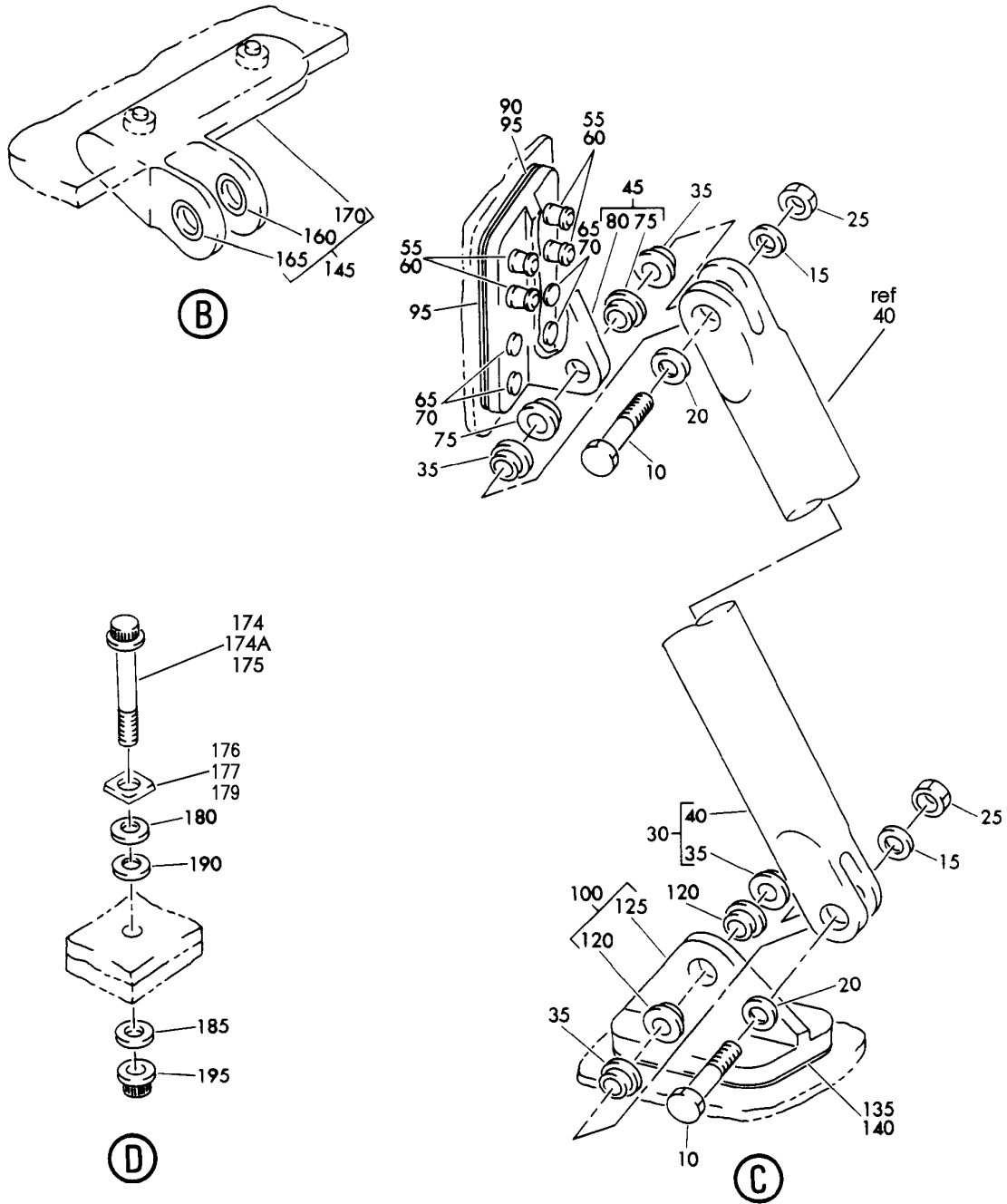
SUPPORT INSTL-NAC
FIGURE 1 (SHEET 1)

57-24-51-01

BRI
MAY 20/08

57-24-51-01
PAGE 0

BOEING
757
PARTS CATALOG (MAINTENANCE)



Y 57245101 SHT 2 REV 323

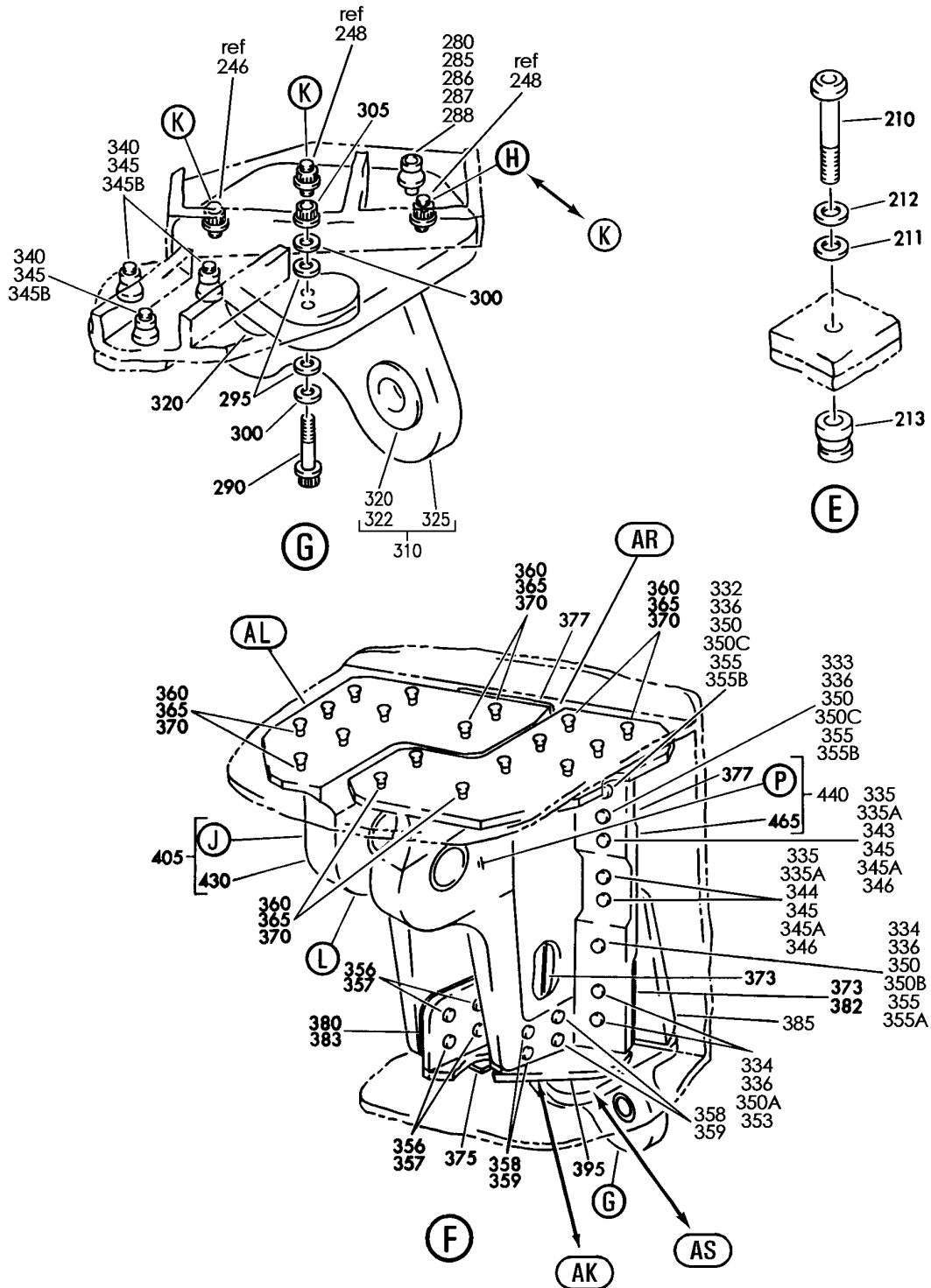
SUPPORT INSTL-NAC
FIGURE 1 (SHEET 2)

57-24-51-01

BRI
MAY 20/08

57-24-51-01
PAGE 0A


BOEING
 757
PARTS CATALOG (MAINTENANCE)



Y 57245101 SH1 3 REV 323

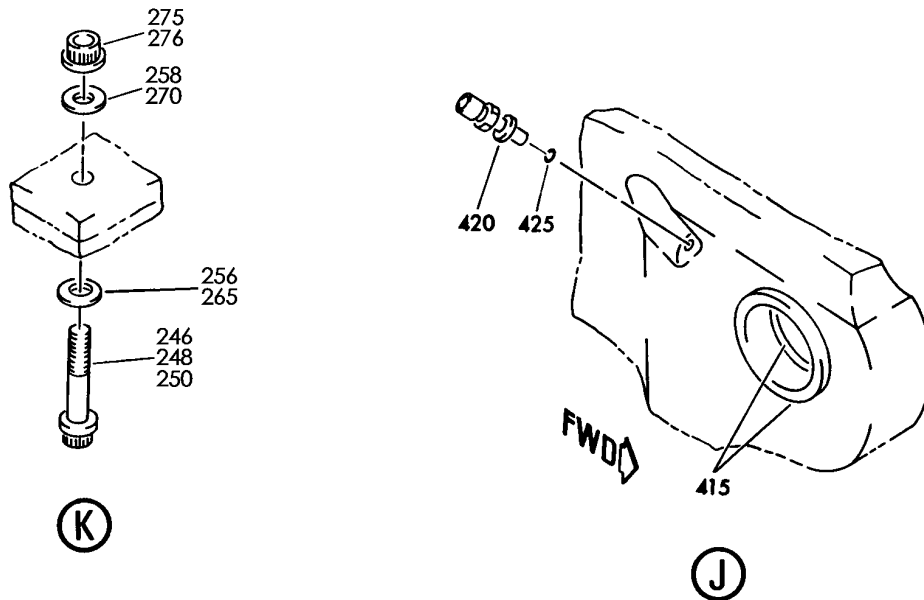
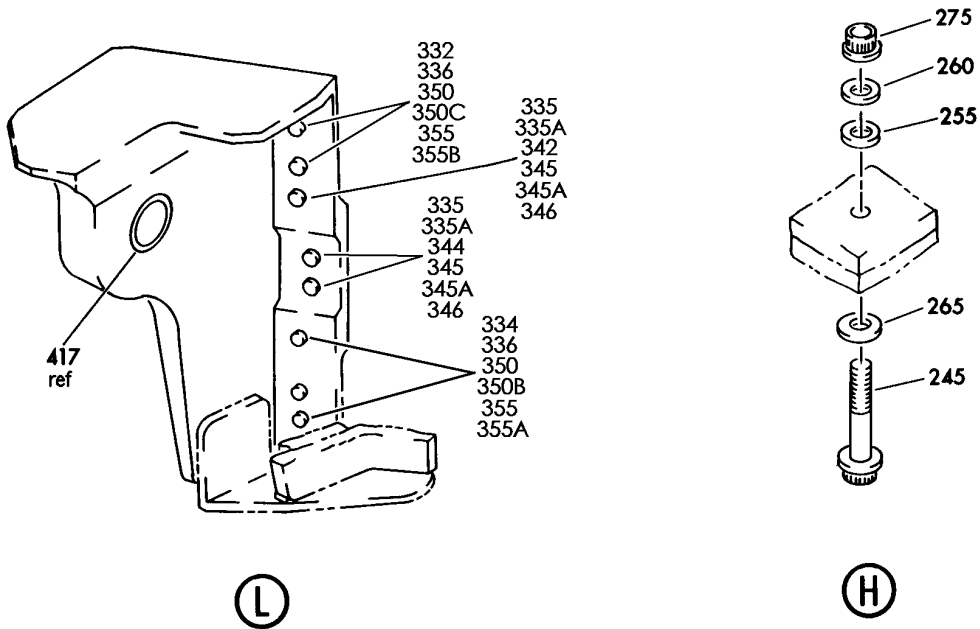
SUPPORT INSTL-NAC
FIGURE 1 (SHEET 3)

57-24-51-01

BRI
MAY 20/08

57-24-51-01
PAGE 0B


BOEING
 757
PARTS CATALOG (MAINTENANCE)



Y 57245101 SH 4 REV 232

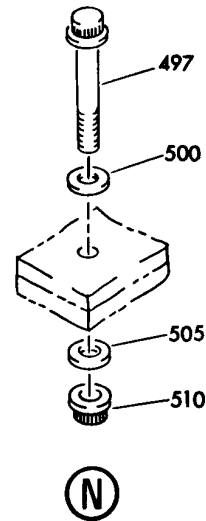
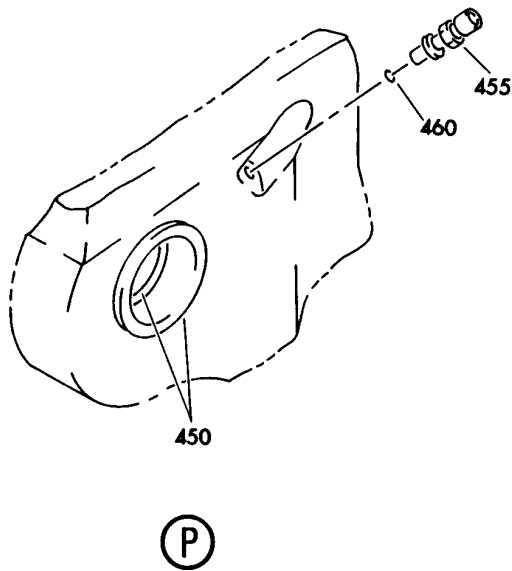
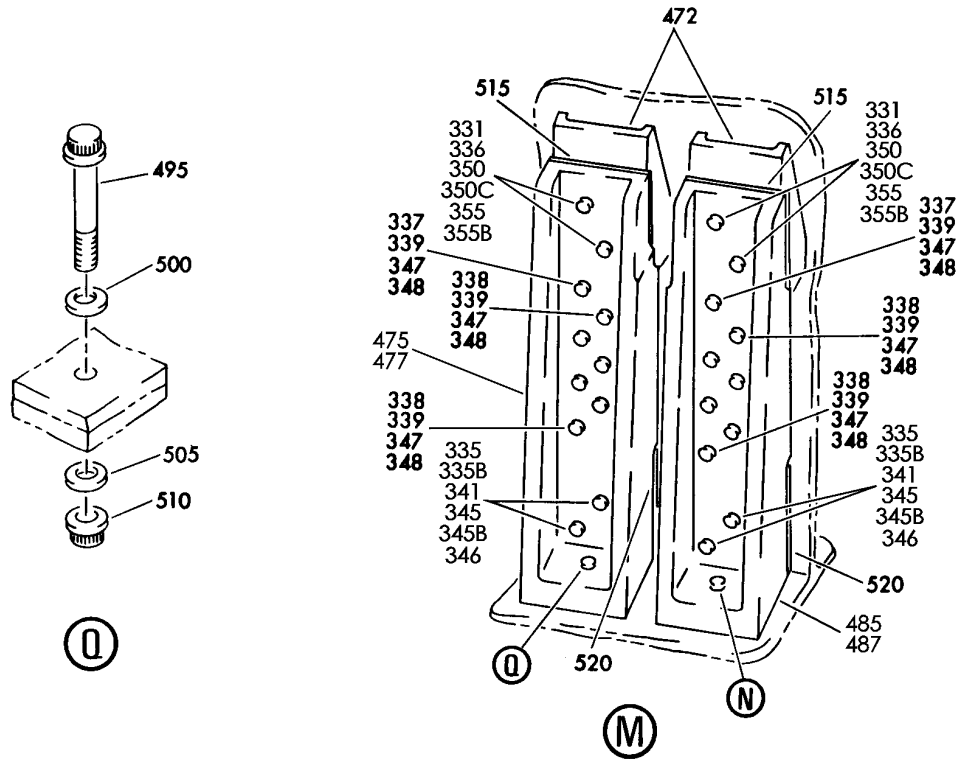
SUPPORT INSTL-NAC
FIGURE 1 (SHEET 4)

57-24-51-01

BRI
MAY 28/07

57-24-51-01
PAGE 0C

BOEING
757
PARTS CATALOG (MAINTENANCE)



Y 57245101 SHT 5 REV 225

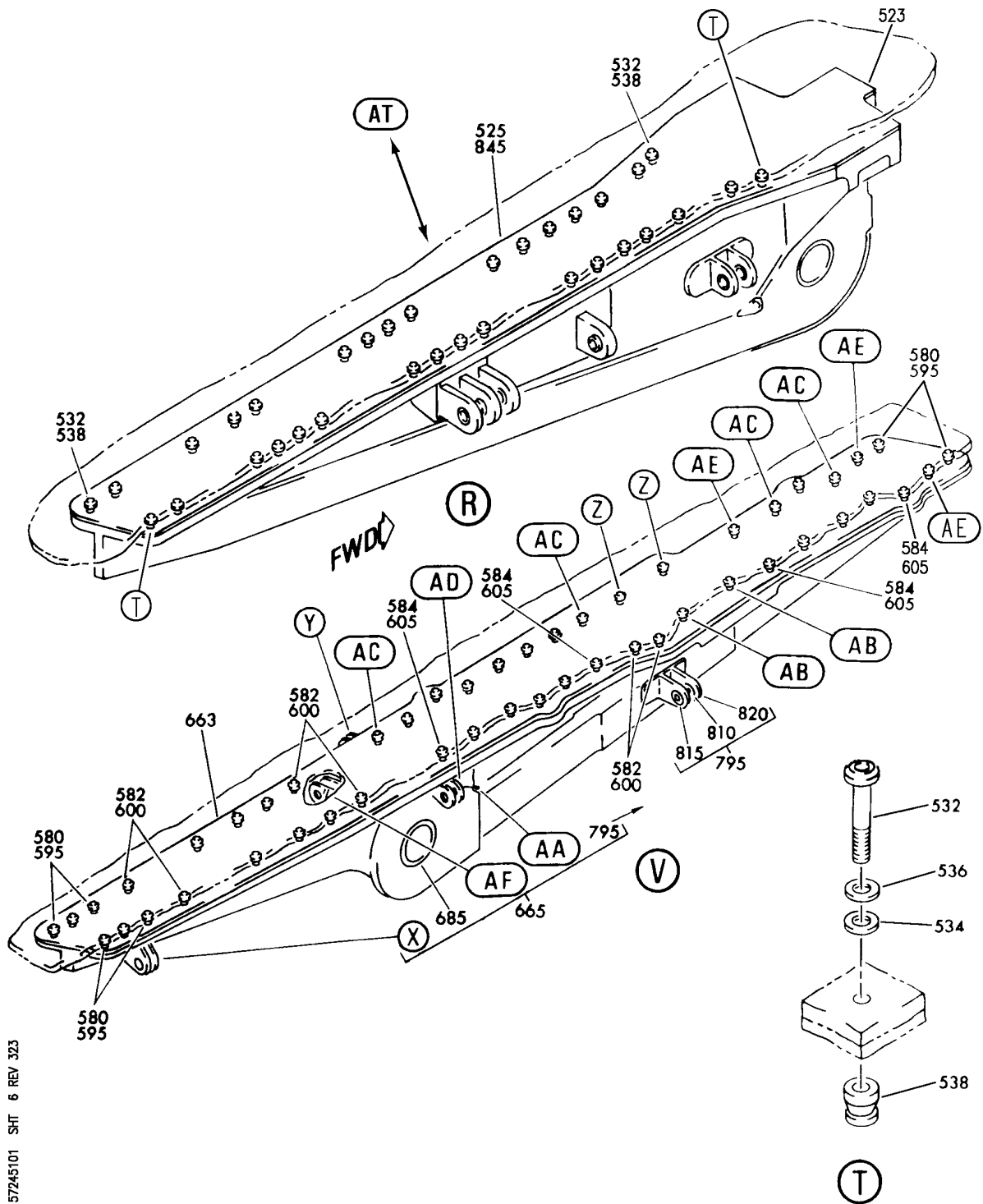
SUPPORT INSTL-NAC
FIGURE 1 (SHEET 5)

57-24-51-01

BRI
MAY 28/07

57-24-51-01
PAGE 0D

BOEING
757
PARTS CATALOG (MAINTENANCE)



Y 57245101 SHT 6 REV 323

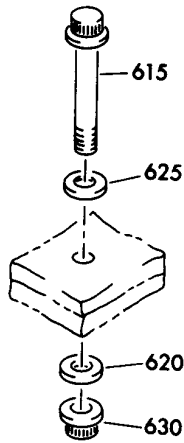
SUPPORT INSTL-NAC
FIGURE 1 (SHEET 6)

57-24-51-01

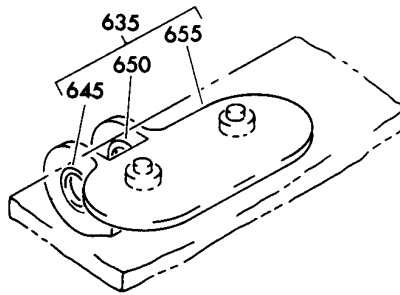
BRI
MAY 20/08

57-24-51-01
PAGE 0E

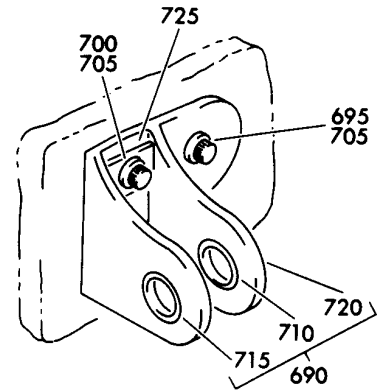
BOEING
757
PARTS CATALOG (MAINTENANCE)



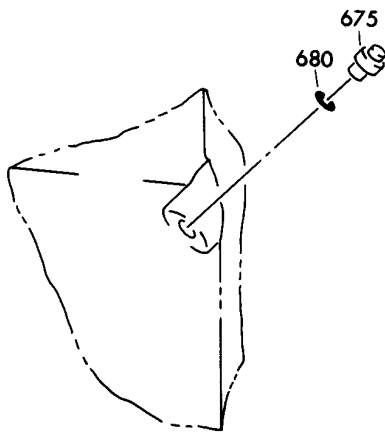
AB



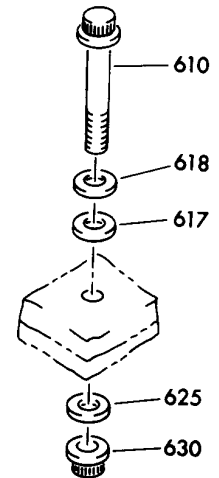
Y



X



AA



Z

Y 57245101 SH1 7 REV 036

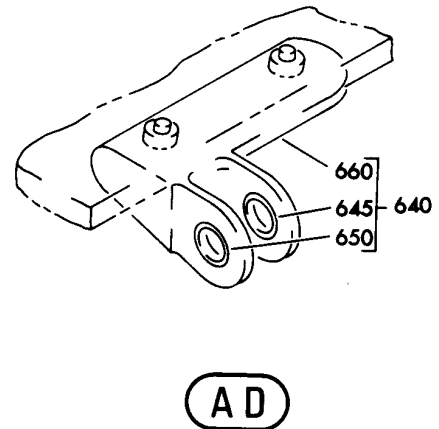
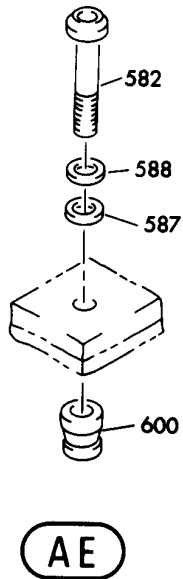
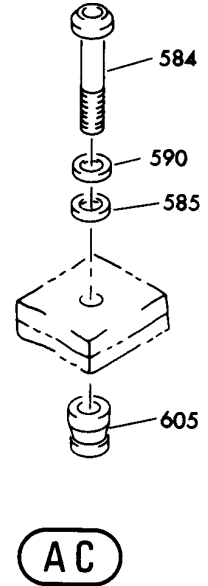
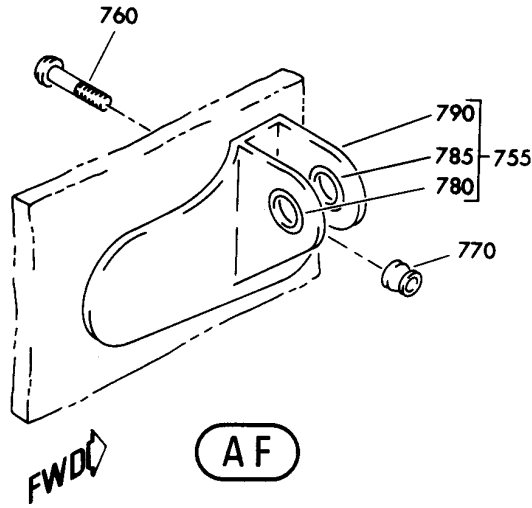
SUPPORT INSTL-NAC
FIGURE 1 (SHEET 7)

57-24-51-01

BRI
MAY 28/07

57-24-51-01
PAGE OF

BOEING
757
PARTS CATALOG (MAINTENANCE)



Y 57245101 SHT 8 REV 036

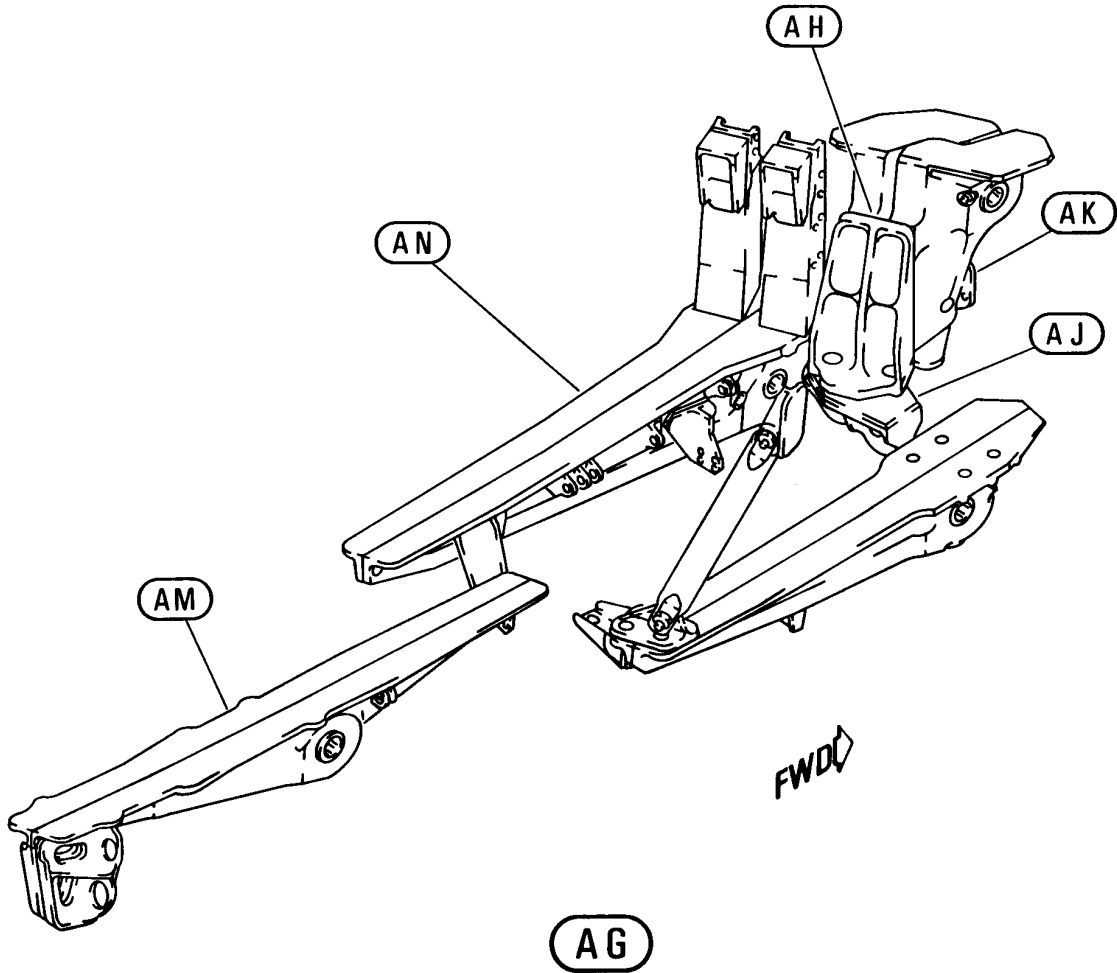
SUPPORT INSTL-NAC
FIGURE 1 (SHEET 8)

57-24-51-01

BRI
MAY 28/07

57-24-51-01
PAGE 06

BOEING
757
PARTS CATALOG (MAINTENANCE)



Y 57245101 SHT 9 REV 181

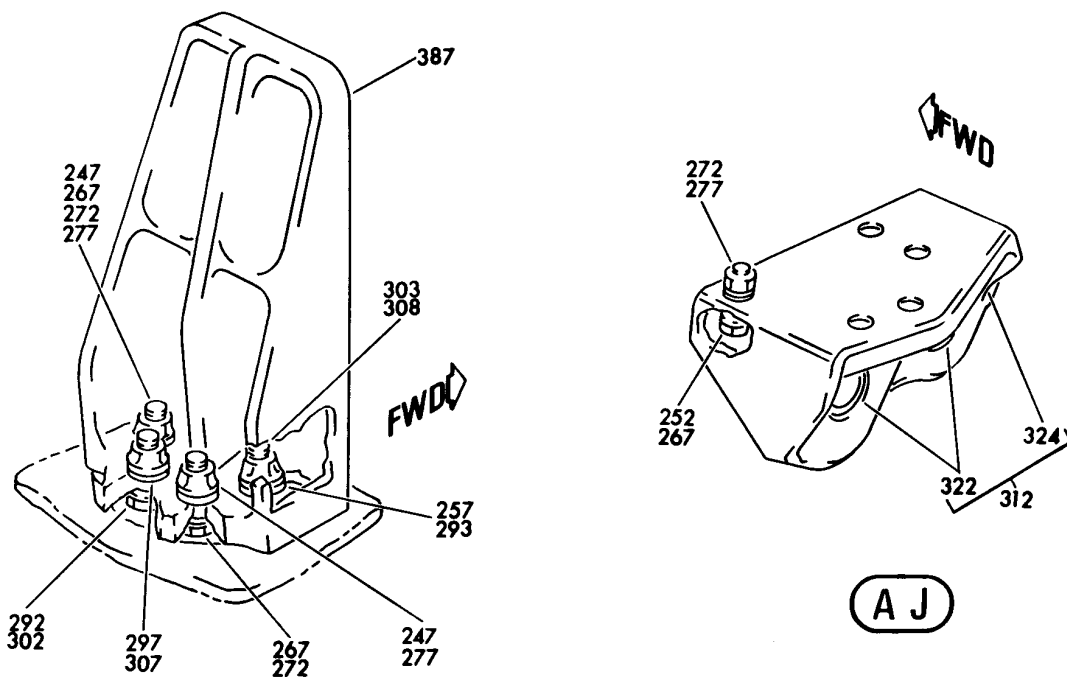
SUPPORT INSTL-NAC
FIGURE 1 (SHEET 9)

57-24-51-01

BRI
MAY 28/07

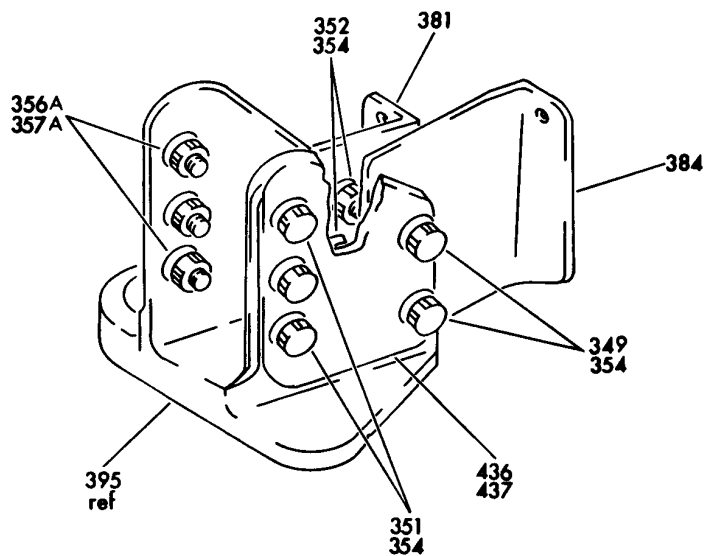
57-24-51-01
PAGE 0H

BOEING
757
PARTS CATALOG (MAINTENANCE)



AH

AJ



AK

Y 57245101 SHT 10 REV 181

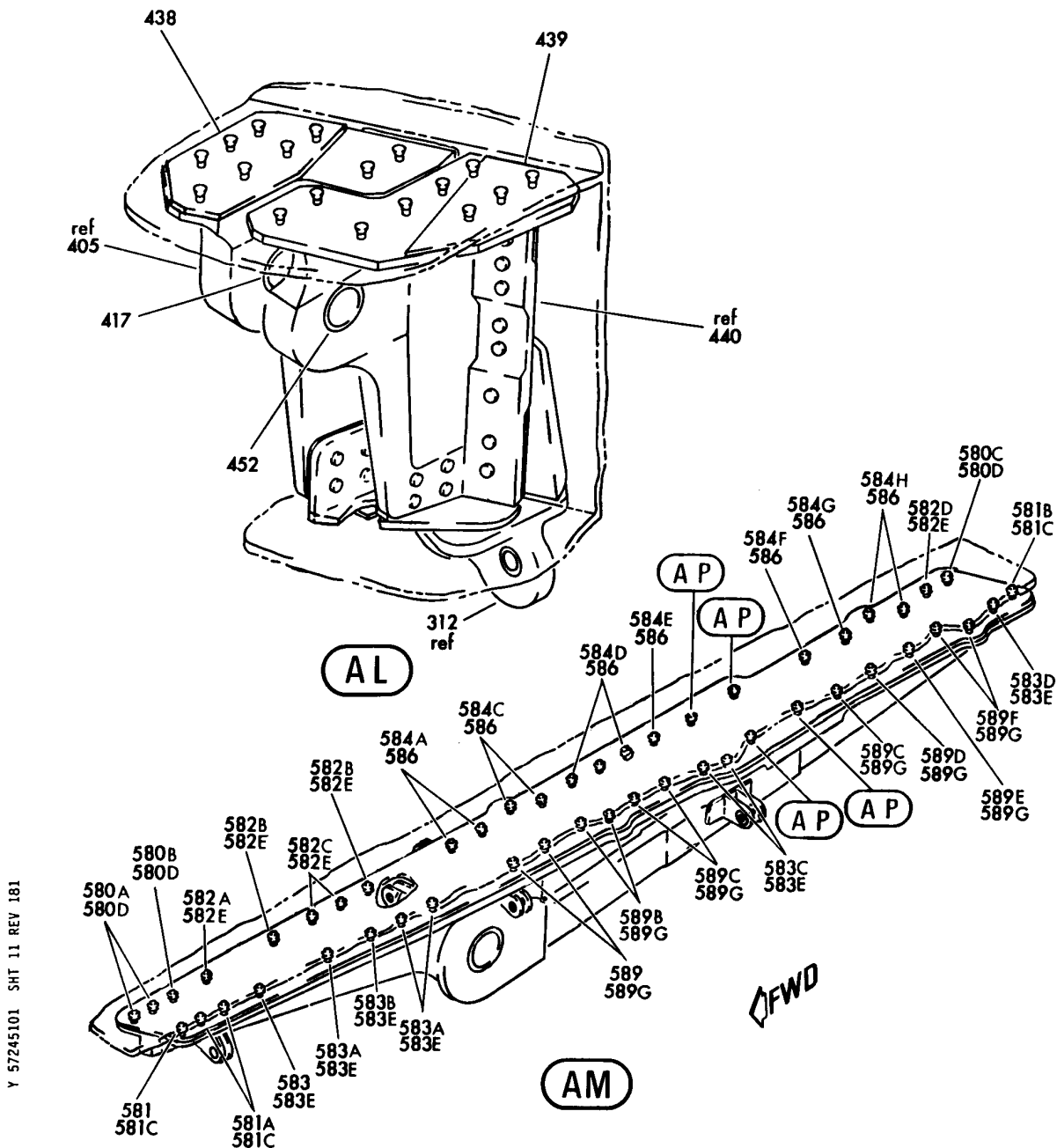
SUPPORT INSTL-NAC
FIGURE 1 (SHEET 10)

57-24-51-01

BRI
MAY 28/07

57-24-51-01
PAGE 01


BOEING
 757
PARTS CATALOG (MAINTENANCE)



Y 57245101 SHT 11 REV 181

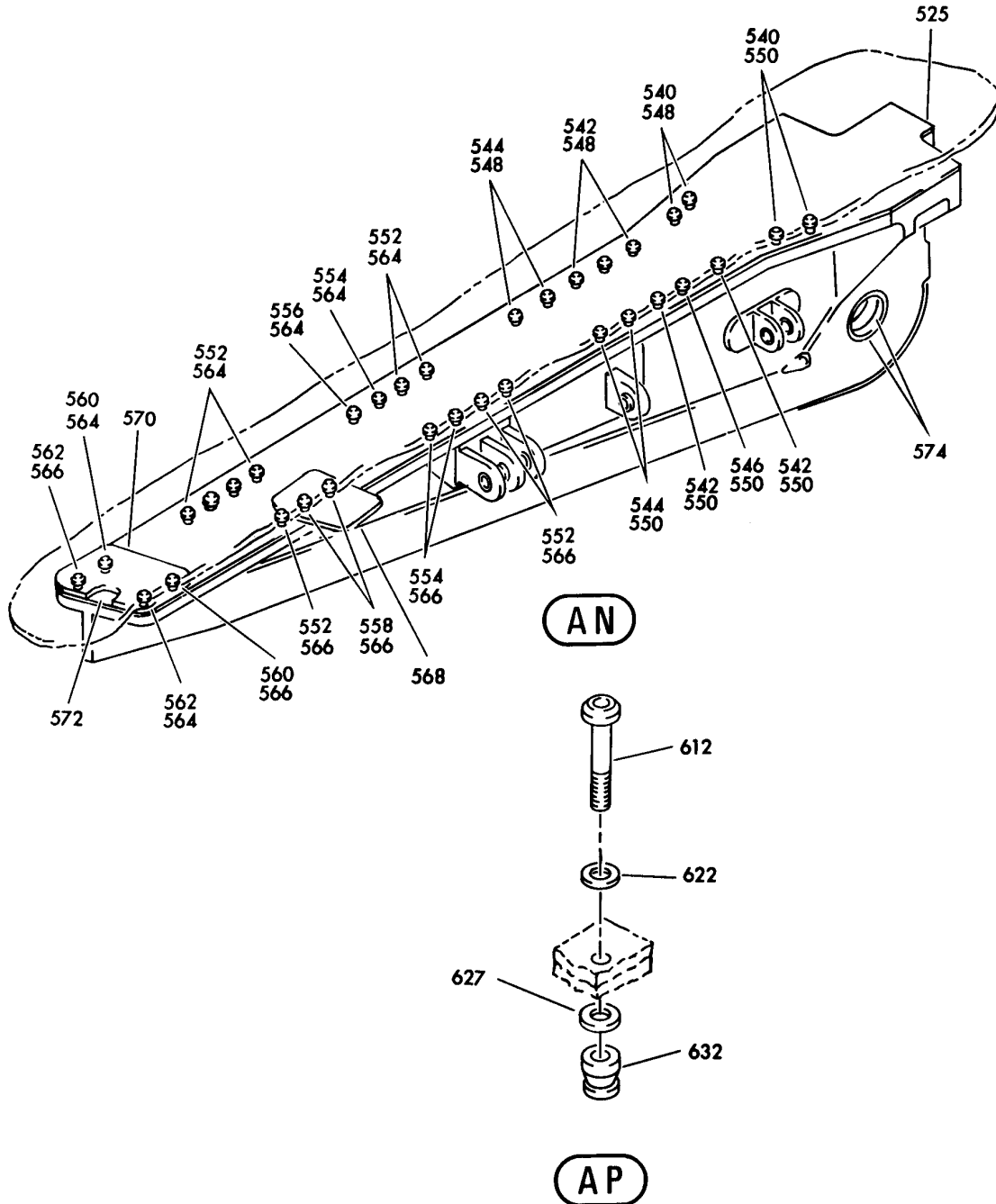
SUPPORT INSTL-NAC
FIGURE 1 (SHEET 11)

57-24-51-01

BRI
MAY 28/07

57-24-51-01
PAGE 0J

BOEING
757
PARTS CATALOG (MAINTENANCE)



Y 57245101 SHT 12 REV 181

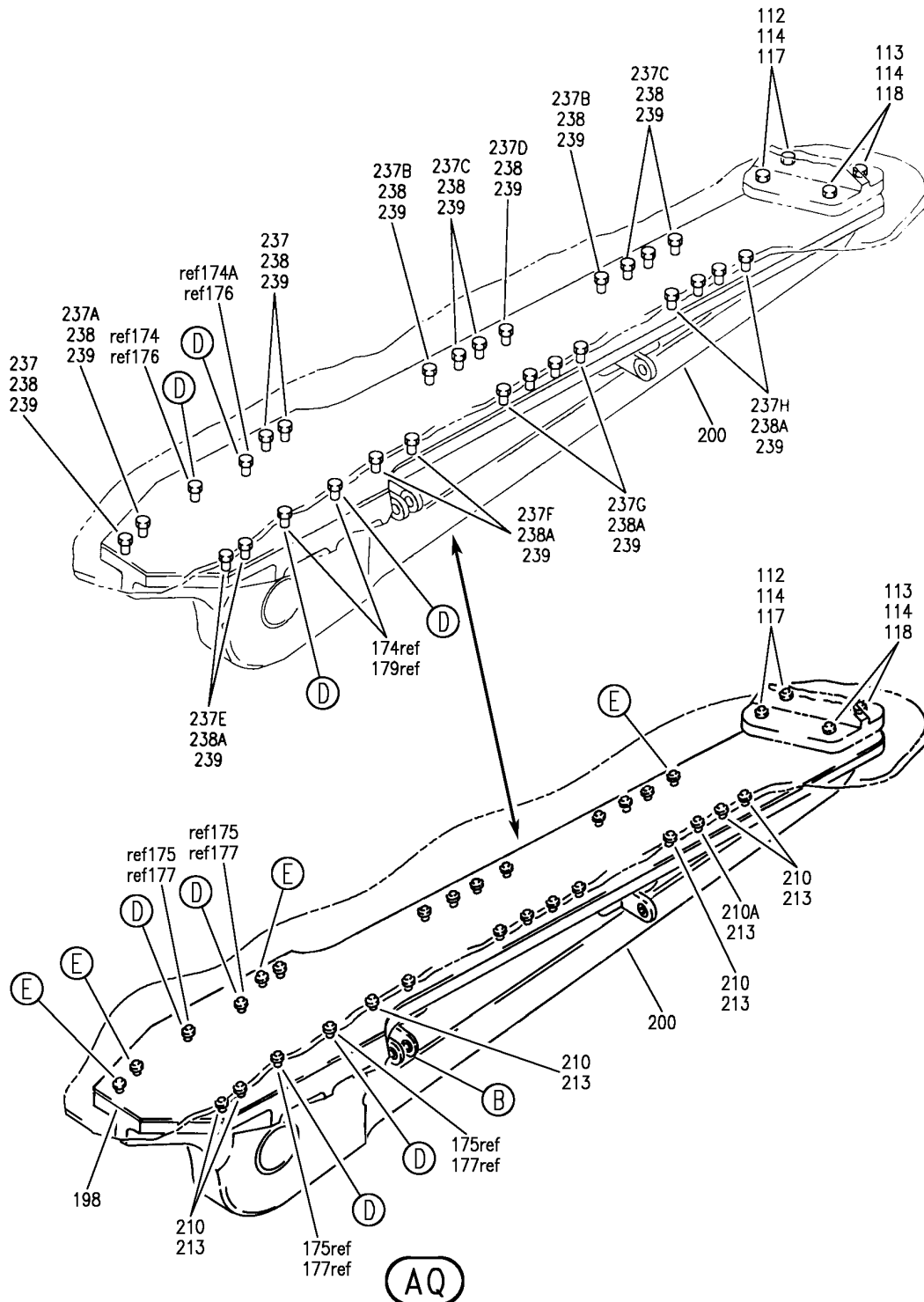
SUPPORT INSTL-NAC
FIGURE 1 (SHEET 12)

57-24-51-01

BRI
MAY 28/07

57-24-51-01
PAGE OK

BOEING
757
PARTS CATALOG (MAINTENANCE)



Y 57245101 SHT 13 REV 323

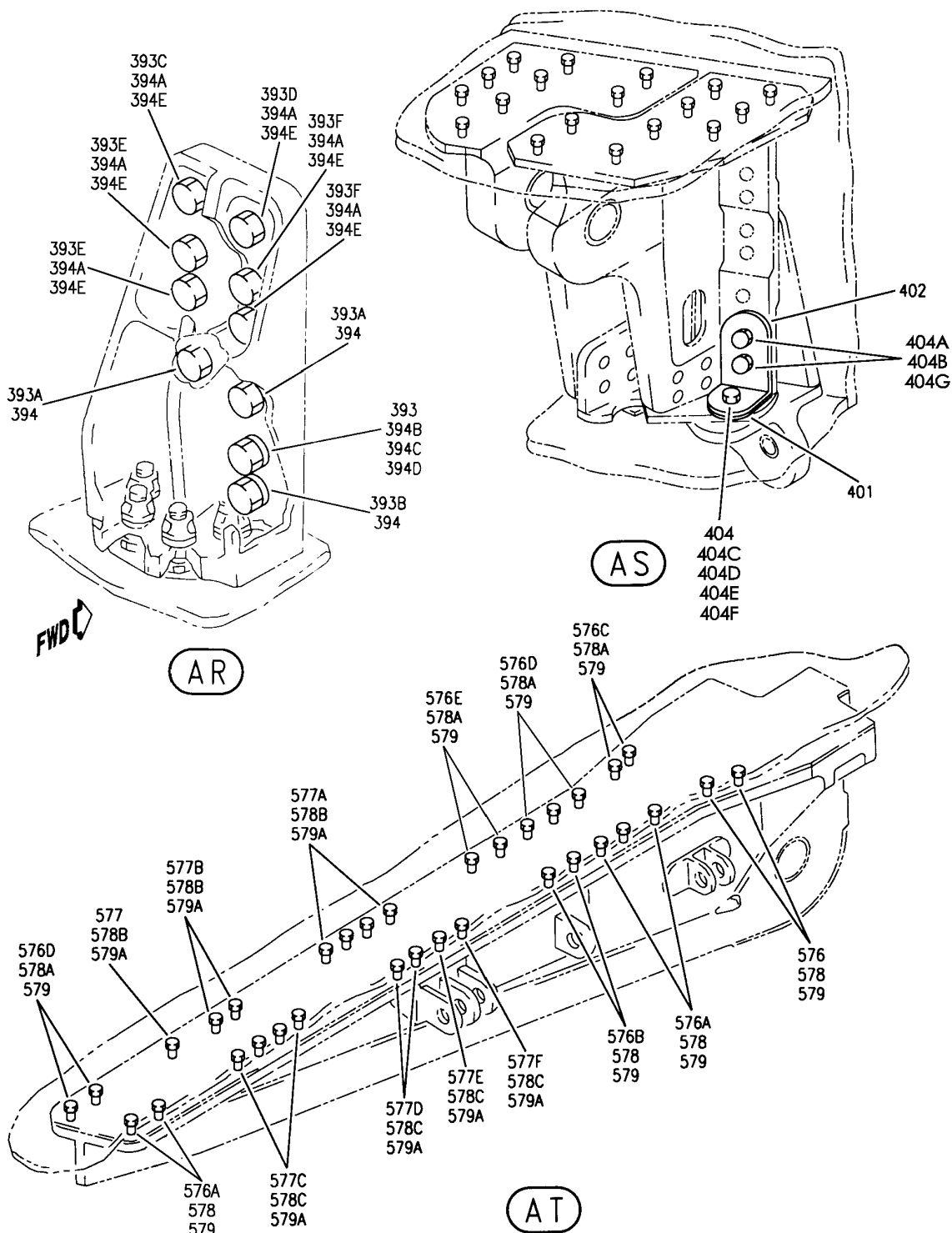
SUPPORT INSTL-NAC
FIGURE 1 (SHEET 13)

57-24-51-01

BRI
MAY 20/08

57-24-51-01
PAGE 01

BOEING
757
PARTS CATALOG (MAINTENANCE)



Y 57245101 SHT 14 REV 323

SUPPORT INSTL-NAC
FIGURE 1 (SHEET 14)

57-24-51-01

BRI
MAY 20/08

57-24-51-01
PAGE 0M



757

PARTS CATALOG (MAINTENANCE)

FIG ITEM	PART NUMBER	1 2 3 4 5 6 7	NOMENCLATURE	EFFECT FROM TO	UNITS PER ASSY
1			SUPPORT INSTL-NAC	002004 006999	
- 1	112N7001-1		SUPPORT INSTL-NAC POSITION DATA: LH FOR NHA SEE: 57-20-52-01	002004 006100 107107 121503 904999	RF
- 1	112N7001-409		SUPPORT INSTL-NAC POSITION DATA: LH FOR NHA SEE: 57-00-00-20	101102 504903	RF
- 1	112N7001-411		SUPPORT INSTL-NAC POSITION DATA: LH FOR NHA SEE: 57-00-00-20	108120	RF
- 5	112N7001-2		SUPPORT INSTL-NAC POSITION DATA: RH FOR NHA SEE: 57-20-52-01	002004 006100 107107 121503 904999	RF
- 5	112N7001-410		SUPPORT INSTL-NAC POSITION DATA: RH FOR NHA SEE: 57-00-00-20	101102 504903	RF
- 5	112N7001-412		SUPPORT INSTL-NAC POSITION DATA: RH FOR NHA SEE: 57-00-00-20	108120	RF
10	BACB30PW8-26		.BOLT	002004 006102 107999	2
15	AN960PD716L		.WASHER	002004 006100 107107 121503 904999	2
15	NAS1149D0763J		.WASHER	101102 108120 504903	2
20	AN960PD816L		.WASHER	002004 006100 107107 121503 904999	2

MISSING ITEM NUMBERS NOT APPLICABLE

- ITEM NOT ILLUSTRATED

57-24-51-01

57-24-51
FIG. 01
PAGE 1
JAN 20/09

BRI



757

PARTS CATALOG (MAINTENANCE)

FIG ITEM	PART NUMBER	1 2 3 4 5 6 7	NOMENCLATURE	EFFECT FROM TO	UNITS PER ASSY
1					
20	NAS1149D0816J	.	WASHER	101102 108120 504903	2
25	BRH10A7	.	NUT SUPPLIER CODE: V52828 SPECIFICATION NUMBER: BACN10JC7 OPTIONAL PART: H10-7BAC V15653 RMLH9075-7 V72962 96-070 V80539	002004 006100 107107 121503 904999	2
25	BACN10JC7CD	.	NUT	101102 108120 504903	2
30	112N7023-5	.	STRUT ASSY- OPTIONAL PART: 112N7023-12	002004 006102 107999	1
30	112N7023-12	.	STRUT ASSY- OPTIONAL PART: 112N7023-5	002004 006102 107999	1
35	BACB28AM08B033	..	BUSHING-	002004 006102 107999	4
40	112N7023-6	..	STRUT	002004 006102 107999	1
45	112N7023-3	.	FITTING ASSY- POSITION DATA: UPR LH SIDE OPTIONAL PART: 112N7030-9	002004 006102 107999	1
45	112N7030-9	.	FITTING ASSY- POSITION DATA: LH SIDE OPTIONAL PART: 112N7023-3	002004 006102 107999	1
- 50	112N7023-4	.	FITTING ASSY- POSITION DATA: UPR RH SIDE OPTIONAL PART: 112N7030-10	002004 006102 107999	1

MISSING ITEM NUMBERS NOT APPLICABLE

- ITEM NOT ILLUSTRATED

57-24-51-01

57-24-51
FIG. 01
PAGE 2
JAN 20/09

BRI



757

PARTS CATALOG (MAINTENANCE)

FIG ITEM	PART NUMBER	1 2 3 4 5 6 7	NOMENCLATURE	EFFECT FROM TO	UNITS PER ASSY
1					
- 50	112N7030-10		.FITTING ASSY- POSITION DATA: RH SIDE OPTIONAL PART: 112N7023-4 ATTACHING PARTS	002004 006102 107999	1
55	BACB30NX8K		.BOLT- SIZE DETERMINED ON INSTL.	002004 006100 107107 121503 904999	4
55	HL1012AZ8-8		.BOLT SUPPLIER CODE: VOPTK6 SPECIFICATION NUMBER: BACB30NX8K OPTIONAL PART: HL12VAZ8-8 V73197 HL12VAZ8-8 V92215 HL12VAZ8-8 V97928 L802-8K8 V06725 HL12VAZ8-8 V56878 HL1012AZ8-8 V06725 HL1012AZ8-8 V06950 HL1012AZ8-8 V17446 HL1012AZ8-8 V56878 HL1012AZ8-8 V60516 HL1012AZ8-8 V73197 HL1012AZ8-8 V97928	101102 108120 504903	4

MISSING ITEM NUMBERS NOT APPLICABLE

- ITEM NOT ILLUSTRATED

57-24-51-01

57-24-51
FIG. 01
PAGE 3
JAN 20/09

BRI



757

PARTS CATALOG (MAINTENANCE)

FIG ITEM	PART NUMBER	1 2 3 4 5 6 7	NOMENCLATURE	EFFECT FROM TO	UNITS PER ASSY
1 60	HL1187-8		.COLLAR SUPPLIER CODE: V5M902 SPECIFICATION NUMBER: BACC30X8 OPTIONAL PART: HL87-8 V92215 HL87-8 V73197 HL1187-8 V56878 HL1187-8 V92215 HL87-8 V56878 HL1187-8 V73197	002004 006102 107999	4
65	BACB30NX10K		.BOLT- SIZE DETERMINED ON INSTL.	002004 006100 107107 121503 904999	4

MISSING ITEM NUMBERS NOT APPLICABLE

- ITEM NOT ILLUSTRATED

BRI

57-24-51-01

BOEING PROPRIETARY - Copyright © - Unpublished Work - See title page for details.

57-24-51
FIG. 01
PAGE 4
JAN 20/09

 **BOEING**
757
PARTS CATALOG (MAINTENANCE)

FIG ITEM	PART NUMBER	1 2 3 4 5 6 7	NOMENCLATURE	EFFECT FROM TO	UNITS PER ASSY
1 65	HL1012AZ10-14	.BOLT	SUPPLIER CODE: VOPTK6 SPECIFICATION NUMBER: BACB30NX10K14 OPTIONAL PART: HL12VAZ10-14 V73197 HL12VAZ10-14 V92215 HL12VAZ10-14 V97928 L802-10K14 V06725 HL12VAZ10-14 V56878 HL1012AZ10-14 V06725 HL1012AZ10-14 V06950 HL1012AZ10-14 V17446 HL1012AZ10-14 V56878 HL1012AZ10-14 V60516 HL1012AZ10-14 V73197 HL1012AZ10-14 V97928	101102 108120 504903	4
70	HL1187-10	.COLLAR	SUPPLIER CODE: V5M902 SPECIFICATION NUMBER: BACC30X10 OPTIONAL PART: HL1187-10 V56878 HL1187-10 V92215 HL1187-10 V73197 HL1187-10 V92215 HL87-10 V56878 HL1187-10 V73197 -----*	002004 006102 107999	4

MISSING ITEM NUMBERS NOT APPLICABLE

— ITEM NOT ILLUSTRATED

BRI

57-24-51-01

BOEING PROPRIETARY - Copyright © - Unpublished Work - See title page for details.

57-24-51
FIG. 01
PAGE 5
JAN 20/09

 **BOEING**
757
PARTS CATALOG (MAINTENANCE)

FIG ITEM	PART NUMBER	1 2 3 4 5 6 7	NOMENCLATURE	EFFECT FROM TO	UNITS PER ASSY
1					
75	BACB28AM08B031	..	BUSHING-	002004 006102 107999	2
80	112N7023-9	..	FITTING- USED ON: 112N7023-3	002004 006102 107999	1
80	112N7030-7	..	FITTING- USED ON: 112N7030-9	002004 006102 107999	1
- 85	112N7023-10	..	FITTING- USED ON: 112N7023-4	002004 006102 107999	1
- 85	112N7030-8	..	FITTING- USED ON: 112N7030-10	002004 006102 107999	1
90	BACS40R20B29F	.	SHIM	002004 006102 107999	AR
95	BACS40R24B30F	.	SHIM-	002004 006102 107999	2
100	112N7023-1	.	FITTING ASSY- POSITION DATA: LWR LH SIDE OPTIONAL PART: 112N7029-1	002004 006100 107107 121503 904999	1
100	112N7029-1	.	FITTING ASSY- POSITION DATA: LH SIDE OPTIONAL PART: 112N7023-1	002004 006100 107107 121503 904999	1
100	112N7029-7	.	FITTING ASSY- POSITION DATA: LH SIDE	101102 108120 504903	1
- 105	112N7023-2	.	FITTING ASSY- POSITION DATA: LWR RH SIDE OPTIONAL PART: 112N7029-2	002004 006100 107107 121503 904999	1
- 105	112N7029-2	.	FITTING ASSY- POSITION DATA: RH SIDE OPTIONAL PART: 112N7023-2	002004 006100 107107 121503 904999	1
- 105	112N7029-8	.	FITTING ASSY- POSITION DATA: RH SIDE	101102 108120 504903	1

MISSING ITEM NUMBERS NOT APPLICABLE

- ITEM NOT ILLUSTRATED

BRI

57-24-51-01

BOEING PROPRIETARY - Copyright © - Unpublished Work - See title page for details.

57-24-51
FIG. 01
PAGE 6
JAN 20/09



757

PARTS CATALOG (MAINTENANCE)

FIG ITEM	PART NUMBER	1 2 3 4 5 6 7	NOMENCLATURE	EFFECT FROM TO	UNITS PER ASSY
1			ATTACHING PARTS		
- 110	BACB30NX10K		.BOLT- SIZE DETERMINED ON INSTL. PRE SERVICE BULLETIN: 54-0035	002004 006100 952999	4
112	HLT422AP12-21		.BOLT SUPPLIER CODE: V60516 SPECIFICATION NUMBER: BACB30YK12K21 OPTIONAL PART: HLT422AP12-21 V06725 HLT422AP12-21 V97928	101102 108120 504903	2
112	BACB30YK10K22		.BOLT- POST SERVICE BULLETIN: 54-0035	002004 006100 107107 121503 904951	2
113	HLT422AP12-20		.BOLT SUPPLIER CODE: V60516 SPECIFICATION NUMBER: BACB30YK12K20 OPTIONAL PART: HLT422AP12-20 V06725 HLT422AP12-20 V97928	101102 108120 504903	2
113	HLT422AP10-21		.BOLT- SUPPLIER CODE: V60516 SPECIFICATION NUMBER: BACB30YK10K21 OPTIONAL PART: HLT422AP10-21 V06725 HLT422AP10-21 V97928 POST SERVICE BULLETIN: 54-0035	002004 006100 107107 121503 904951	2
114	BACW10BP5DP		.WASHER- POST SERVICE BULLETIN: 54-0035	002004 006100 107107 121503 904951	4

MISSING ITEM NUMBERS NOT APPLICABLE

- ITEM NOT ILLUSTRATED

57-24-51-01

57-24-51
FIG. 01
PAGE 7
JAN 20/09

BRI



757

PARTS CATALOG (MAINTENANCE)

FIG ITEM	PART NUMBER	1 2 3 4 5 6 7	NOMENCLATURE	EFFECT FROM TO	UNITS PER ASSY
1 - 115	HL1187-10		. COLLAR- SUPPLIER CODE: V5M902 SPECIFICATION NUMBER: BACC30X10 OPTIONAL PART: HL1187-10 V56878 HL1187-10 V92215 HL1187-10 V73197 HL1187-10 V92215 HL87-10 V56878 HL1187-10 V73197 PRE SERVICE BULLETIN: 54-0035	002004 006100 952999	4
117	HL75-12APBW		. COLLAR- SUPPLIER CODE: V73197	101102 108120 504903	2
117	HL75-10APBW		. COLLAR- SUPPLIER CODE: V73197 POST SERVICE BULLETIN: 54-0035	002004 006100 107107 121503 904951	2
118	BACC30CP12C		. COLLAR	101102 108120 504903	2
118	BACC30CP10C		. COLLAR- POST SERVICE BULLETIN: 54-0035	002004 006100 107107 121503 904951	2
120	BACB28AM08B031		-----*----- .. BUSHING-	002004 006100 107107 121503 904999	2
120	BACB28AT08B031A		.. BUSHING-	101102 108120 504903	2

MISSING ITEM NUMBERS NOT APPLICABLE

- ITEM NOT ILLUSTRATED

BRI

57-24-51-01

BOEING PROPRIETARY - Copyright © - Unpublished Work - See title page for details.

57-24-51
FIG. 01
PAGE 8
JAN 20/09



757

PARTS CATALOG (MAINTENANCE)

FIG ITEM	PART NUMBER	1 2 3 4 5 6 7	NOMENCLATURE	EFFECT FROM TO	UNITS PER ASSY
1					
125	112N7023-7	..	FITTING- USED ON: 112N7023-1	002004 006100 107107 121503 904999	1
125	112N7029-3	..	FITTING- USED ON: 112N7029-1	002004 006100 107107 121503 904999	1
125	112N7029-9	..	FITTING-	101102 108120 504903	1
- 130	112N7023-8	..	FITTING- USED ON: 112N7023-2	002004 006100 107107 121503 904999	1
- 130	112N7029-4	..	FITTING- USED ON: 112N7029-2	002004 006100 107107 121503 904999	1
- 130	112N7029-10	..	FITTING-	101102 108120 504903	1
135	112N7001-3	.	SHIM-	002004 006100 107107 121503 904999	1
135	112N7042-1	.	SHIM-	101102 108120 504903	1
140	112N7001-4	.	SHIM-	002004 006100 107107 121503 904999	1
140	112N7042-2	.	SHIM-	101102 108120 504903	1
145	313N5028-3	.	BRACKET ASSY- POSITION DATA: RH SIDE	002004 006100 107107 121503 904999	1

MISSING ITEM NUMBERS NOT APPLICABLE

- ITEM NOT ILLUSTRATED

57-24-51-01

57-24-51
FIG. 01
PAGE 9
JAN 20/09

BRI



757

PARTS CATALOG (MAINTENANCE)

FIG ITEM	PART NUMBER	1 2 3 4 5 6 7	NOMENCLATURE	EFFECT FROM TO	UNITS PER ASSY
1			ATTACHING PARTS		
- 150	BACB30NX10K		.BOLT- SIZE DETERMINED ON INSTL.	002004 006100 107107 121503 904999	2
- 150	HLT422AP10-21		.BOLT SUPPLIER CODE: V60516 SPECIFICATION NUMBER: BACB30YK10K21 OPTIONAL PART: HLT422AP10-21 V06725 HLT422AP10-21 V97928	101102 108120 504903	2
- 155	HL1187-10		.COLLAR- SUPPLIER CODE: V5M902 SPECIFICATION NUMBER: BACC30X10 OPTIONAL PART: HL1187-10 V56878 HL1187-10 V92215 HL1187-10 V73197 HL1187-10 V92215 HL87-10 V56878 HL1187-10 V73197	002004 006100 107107 121503 904999	2
- 155	BACC30CP10C		.COLLAR-	101102 108120 504903	2
160	BACB28X7M009		-----*----- ..BUSHING	002004 006102 107999	1
165	BACB28X5M009		..BUSHING	002004 006102 107999	1
170	313N5028-4		..BRACKET	002004 006102 107999	1

MISSING ITEM NUMBERS NOT APPLICABLE

- ITEM NOT ILLUSTRATED

BRI

57-24-51-01

BOEING PROPRIETARY - Copyright © - Unpublished Work - See title page for details.

57-24-51
FIG. 01
PAGE 10
JAN 20/09



757

PARTS CATALOG (MAINTENANCE)

FIG ITEM	PART NUMBER	1 2 3 4 5 6 7	NOMENCLATURE	EFFECT FROM TO	UNITS PER ASSY
1					
174	BACB30US10K38	.BOLT-	POST SERVICE BULLETIN: 54-0035	002004 006100 107107 121503 904951	3
174A	BACB30US10K38	.BOLT-	POSITION DATA: FAR SIDE POST SERVICE BULLETIN: 54-0035	002004 006100 107107 121503 904951	1
175	BACB30LE10K36	.BOLT-	PRE SERVICE BULLETIN: 54-0035	002004 006100 952999	4
175	BACB30US10K39	.BOLT-		101102 108120 504903	4
176	112N7038-7	.FILLER-RADIUS	POSITION DATA: LH POST SERVICE BULLETIN: 54-0035	002004 006100 107503 904951	2
177	112N7038-1	.FILLER-RADIUS	PRE SERVICE BULLETIN: 54-0035	002004 006100 952999	4
- 178	112N7038-8	.FILLER-RADIUS	POSITION DATA: RH POST SERVICE BULLETIN: 54-0035	002004 006100 107503 904951	2
179	112N7038-5	.FILLER-RADIUS	POSITION DATA: LH POST SERVICE BULLETIN: 54-0035	002004 006100 107503 904951	2
-179A	112N7038-6	.FILLER-RADIUS	POSITION DATA: RH POST SERVICE BULLETIN: 54-0035	002004 006100 107503 904951	2
180	BACW10BP10DP	.WASHER		101102 108120 504903	4
180	BACW10BP10CD	.WASHER-	POSITION DATA: UNDER HEAD OF BOLT POST SERVICE BULLETIN: 54-0035	002004 006100 107107 121503 904951	4

MISSING ITEM NUMBERS NOT APPLICABLE

- ITEM NOT ILLUSTRATED

57-24-51-01

57-24-51
FIG. 01
PAGE 11
JAN 20/09

BRI



757

PARTS CATALOG (MAINTENANCE)

FIG ITEM	PART NUMBER	1 2 3 4 5 6 7	NOMENCLATURE	EFFECT FROM TO	UNITS PER ASSY
1	185 BACW10BP10DP	.	WASHER-	002004 006100 107107 121503 904999	4
	185 BACW10BP10CD	.	WASHER-	101102 108120 504903	4
	190 BACW10BP10DP	.	WASHER- POST SERVICE BULLETIN: 54-0035	002004 006100 107107 121503 904951	4
	195 H9610	.	NUT SUPPLIER CODE: V15653 SPECIFICATION NUMBER: BACN10HR10 OPTIONAL PART: H96-10 V15653 RMLH22-10 V72962 67832-1018 V56878 BH00302-10 V27238 RMLH2210 V72962 BMNN10HR10 V97928 VAL2800910 V06710 6783210 V56878 BH0030210 V27238 VAL2800910 V06710	002004 006100 107107 121503 904999	4

MISSING ITEM NUMBERS NOT APPLICABLE

- ITEM NOT ILLUSTRATED

BRI

57-24-51-01

BOEING PROPRIETARY - Copyright © - Unpublished Work - See title page for details.

57-24-51
FIG. 01
PAGE 12
JAN 20/09



757

PARTS CATALOG (MAINTENANCE)

FIG ITEM	PART NUMBER	1 2 3 4 5 6 7	NOMENCLATURE	EFFECT FROM TO	UNITS PER ASSY
1 195	BMN5024CWD310	.NUT	SUPPLIER CODE: V97928 SPECIFICATION NUMBER: BACN10HR10CD OPTIONAL PART: H51560-10 V15653 102LH9031-10 V72962 67832CD1018 V56878 BH00303CM10 V27238 SL7108C10 V11815 VCU0005D10 V06710 BMN10HRCWD3-10 V97928 102LH903110 V72962 102LH903110 V72962	101102 108120 504903	4
198	112N7024-1	.SHIM-LAMINATED	OPTIONAL PART: 112N7024-4 112N7024-5	002004 006102 107999	1
198	112N7024-4	.SHIM-LAMINATED	OPTIONAL PART: 112N7024-1 112N7024-5	101102 108120 504903	1
198	112N7024-5	.SHIM-LAMINATED	OPTIONAL PART: 112N7024-1 112N7024-4	101102 108120 504903	1
200	112N7003-57	.FITTING ASSY-SIDE LOAD	POSITION DATA: LH SIDE FOR DETAILS SEE: 57-24-52-01	002004 006100 121503 950999	1
200	112N7003-51	.FITTING ASSY-SIDE LOAD	POSITION DATA: LH SIDE FOR DETAILS SEE: 57-24-52-01	107107 904949	1

MISSING ITEM NUMBERS NOT APPLICABLE

- ITEM NOT ILLUSTRATED

57-24-51-01

57-24-51
FIG. 01
PAGE 13
JAN 20/09

BRI



757

PARTS CATALOG (MAINTENANCE)

FIG ITEM	PART NUMBER	1 2 3 4 5 6 7	NOMENCLATURE	EFFECT FROM TO	UNITS PER ASSY
1 200	112N7039-39		.FITTING ASSY-SIDE LOAD POSITION DATA: LH SIDE FOR DETAILS SEE: 57-24-52-01	101102 108120 504903	1
- 205	112N7003-58		.FITTING ASSY-SIDE LOAD POSITION DATA: RH SIDE FOR DETAILS SEE: 57-24-52-01	002004 006100 121503 950999	1
- 205	112N7003-52		.FITTING ASSY-SIDE LOAD POSITION DATA: RH SIDE FOR DETAILS SEE: 57-24-52-01	002004 006100 107107 121503 904999	1
- 205	112N7003-55		.FITTING ASSY-SIDE LOAD POSITION DATA: RH SIDE FOR DETAILS SEE: 57-24-52-01	107107 904949	1
210	BACB30NX10K		ATTACHING PARTS .BOLT- SIZE DETERMINED ON INSTL. PRE SERVICE BULLETIN: 54-0035	002004 006100 952999	23
210A	BACB30NX10K		.BOLT- SIZE DETERMINED ON INSTL. PRE SERVICE BULLETIN: 54-0035	002004 006100 952999	1
211	K29646-5		.WASHER- SUPPLIER CODE: V15653 SPECIFICATION NUMBER: BACW10CA5CV OPTIONAL PART: 70188-5 V56878 922007-5 V60119 942007-5 V60119 PRE SERVICE BULLETIN: 54-0035	002004 006100 952999	12

MISSING ITEM NUMBERS NOT APPLICABLE

- ITEM NOT ILLUSTRATED

BRI

57-24-51-01

57-24-51
FIG. 01
PAGE 14
JAN 20/09



757

PARTS CATALOG (MAINTENANCE)

FIG ITEM	PART NUMBER	1 2 3 4 5 6 7	NOMENCLATURE	EFFECT FROM TO	UNITS PER ASSY
1 212	K29913-5		.WASHER- SUPPLIER CODE: V15653 SPECIFICATION NUMBER: BACW10CA5CC OPTIONAL PART: 70191-5 V56878 922008-5 V60119 942008-5 V60119 PRE SERVICE BULLETIN: 54-0035	002004 006100 952999	12
213	HL1187-10		.COLLAR- SUPPLIER CODE: V5M902 SPECIFICATION NUMBER: BACC30X10 OPTIONAL PART: HL1187-10 V56878 HL1187-10 V92215 HL1187-10 V73197 HL1187-10 V92215 HL87-10 V56878 HL1187-10 V73197 PRE SERVICE BULLETIN: 54-0035	002004 006100 952999	24
215	HLT422AP10-16		.BOLT SUPPLIER CODE: V60516 SPECIFICATION NUMBER: BACB30YK10K16 OPTIONAL PART: HLT422AP10-16 V06725 HLT422AP10-16 V97928	101102 108120 504903	8

MISSING ITEM NUMBERS NOT APPLICABLE

- ITEM NOT ILLUSTRATED

BRI

57-24-51-01

BOEING PROPRIETARY - Copyright © - Unpublished Work - See title page for details.

57-24-51
FIG. 01
PAGE 15
JAN 20/09



757

PARTS CATALOG (MAINTENANCE)

FIG ITEM	PART NUMBER	1 2 3 4 5 6 7	NOMENCLATURE	EFFECT FROM TO	UNITS PER ASSY
1 218	HLT422AP10-17	.BOLT	SUPPLIER CODE: V60516 SPECIFICATION NUMBER: BACB30YK10K17 OPTIONAL PART: HLT422AP10-17 V06725 HLT422AP10-17 V97928	101102 108120 504903	11
221	HLT422AP10-18	.BOLT	SUPPLIER CODE: V60516 SPECIFICATION NUMBER: BACB30YK10K18 OPTIONAL PART: HLT422AP10-18 V06725 HLT422AP10-18 V97928	101102 108120 504903	1
224	HLT422AP10-23	.BOLT	SUPPLIER CODE: V60516 SPECIFICATION NUMBER: BACB30YK10K23 OPTIONAL PART: HLT422AP10-23 V06725 HLT422AP10-23 V97928	101102 108120 504903	2
227	HL75-10APBW	.COLLAR-	SUPPLIER CODE: V73197	101102 108120 504903	12
230	BACC30CP10C	.COLLAR		101102 108120 504903	10
233	HLT422AP10-18	.BOLT-	SUPPLIER CODE: V60516 SPECIFICATION NUMBER: BACB30YK10K18 OPTIONAL PART: HLT422AP10-18 V06725 HLT422AP10-18 V97928 POSITION DATA: LH SIDE	101102 108120 504903	2

MISSING ITEM NUMBERS NOT APPLICABLE

- ITEM NOT ILLUSTRATED

57-24-51-01

57-24-51
FIG. 01
PAGE 16
JAN 20/09

BRI



757

PARTS CATALOG (MAINTENANCE)

FIG ITEM	PART NUMBER	1 2 3 4 5 6 7	NOMENCLATURE	EFFECT FROM TO	UNITS PER ASSY
1					
236	BACC30CP10C	.	COLLAR- POSITION DATA: LH SIDE	101102 108120 504903	2
237	HLT422AP10-18	.	BOLT- SUPPLIER CODE: V60516 SPECIFICATION NUMBER: BACB30YK10K18 OPTIONAL PART: HLT422AP10-18 V06725 HLT422AP10-18 V97928 POST SERVICE BULLETIN: 54-0035	002004 006100 107107 121503 904951	3
237A	HLT422AP10-19	.	BOLT- SUPPLIER CODE: V60516 SPECIFICATION NUMBER: BACB30YK10K19 OPTIONAL PART: HLT422AP10-19 V06725 HLT422AP10-19 V97928 POST SERVICE BULLETIN: 54-0035	002004 006100 107107 121503 904951	1
237B	HLT422AP10-17	.	BOLT- SUPPLIER CODE: V60516 SPECIFICATION NUMBER: BACB30YK10K17 OPTIONAL PART: HLT422AP10-17 V06725 HLT422AP10-17 V97928 POST SERVICE BULLETIN: 54-0035	002004 006100 107107 121503 904951	2

MISSING ITEM NUMBERS NOT APPLICABLE

- ITEM NOT ILLUSTRATED

BRI

57-24-51-01

BOEING PROPRIETARY - Copyright © - Unpublished Work - See title page for details.

57-24-51
FIG. 01
PAGE 17
JAN 20/09



757

PARTS CATALOG (MAINTENANCE)

FIG ITEM	PART NUMBER	1 2 3 4 5 6 7	NOMENCLATURE	EFFECT FROM TO	UNITS PER ASSY
1 237C	HLT422AP10-16	.BOLT-	SUPPLIER CODE: V60516 SPECIFICATION NUMBER: BACB30YK10K16 OPTIONAL PART: HLT422AP10-16 V06725 HLT422AP10-16 V97928 POST SERVICE BULLETIN: 54-0035	002004 006100 107107 121503 904951	5
237D	HLT422AP10-15	.BOLT-	SUPPLIER CODE: V60516 SPECIFICATION NUMBER: BACB30YK10K15 OPTIONAL PART: HLT422AP10-15 V97928 HLT422AP10-15 V06725 POST SERVICE BULLETIN: 54-0035	002004 006100 107107 121503 904951	1
237E	HLT422AP10-23	.BOLT-	SUPPLIER CODE: V60516 SPECIFICATION NUMBER: BACB30YK10K23 OPTIONAL PART: HLT422AP10-23 V06725 HLT422AP10-23 V97928 POST SERVICE BULLETIN: 54-0035	002004 006100 107107 121503 904951	2
237F	HLT422AP10-18	.BOLT-	SUPPLIER CODE: V60516 SPECIFICATION NUMBER: BACB30YK10K18 OPTIONAL PART: HLT422AP10-18 V06725 HLT422AP10-18 V97928 POST SERVICE BULLETIN: 54-0035	002004 006100 107107 121503 904951	2

MISSING ITEM NUMBERS NOT APPLICABLE

- ITEM NOT ILLUSTRATED

BRI

57-24-51-01

57-24-51
FIG. 01
PAGE 18
JAN 20/09



757

PARTS CATALOG (MAINTENANCE)

FIG ITEM	PART NUMBER	1 2 3 4 5 6 7	NOMENCLATURE	EFFECT FROM TO	UNITS PER ASSY
1 237G	HLT422AP10-16	.BOLT-	SUPPLIER CODE: V60516 SPECIFICATION NUMBER: BACB30YK10K16 OPTIONAL PART: HLT422AP10-16 V06725 HLT422AP10-16 V97928 POST SERVICE BULLETIN: 54-0035	002004 006100 107107 121503 904951	4
237H	HLT422AP10-14	.BOLT-	SUPPLIER CODE: V60516 SPECIFICATION NUMBER: BACB30YK10K14 OPTIONAL PART: HLT422AP10-14 V97928 HLT422AP10-14 V06725 POST SERVICE BULLETIN: 54-0035	002004 006100 107107 121503 904951	4
238	HL75-10APBW	.COLLAR-	SUPPLIER CODE: V73197 POST SERVICE BULLETIN: 54-0035	002004 006100 107107 121503 904951	12
238A	BACC30CP10C	.COLLAR-	POST SERVICE BULLETIN: 54-0035	002004 006100 107107 121503 904951	12
239	BACW10BP5DP	.WASHER-	POST SERVICE BULLETIN: 54-0035	002004 006100 107107 121503 904951	24
240	BACB30US8K33	-----*----- .BOLT		101102 108120 504903	1
245	BACB30LE7K34	.BOLT-	PRE SERVICE BULLETIN: 54-0035	002004 006100 952999	1

MISSING ITEM NUMBERS NOT APPLICABLE

- ITEM NOT ILLUSTRATED

57-24-51-01

57-24-51
FIG. 01
PAGE 19
JAN 20/09

BRI

BOEING PROPRIETARY - Copyright © - Unpublished Work - See title page for details.



757

PARTS CATALOG (MAINTENANCE)

FIG ITEM	PART NUMBER	1 2 3 4 5 6 7	NOMENCLATURE	EFFECT FROM TO	UNITS PER ASSY
1					
246	BACB30US7K33X	.BOLT-	POST SERVICE BULLETIN: 54-0035	002004 006100 107107 121503 904951	1
247	BACB30US7K34	.BOLT		101102 108120 504903	2
248	BACB30US7K34X	.BOLT-	POST SERVICE BULLETIN: 54-0035	002004 006100 107107 121503 904951	2
250	BACB30LE7K30	.BOLT-	PRE SERVICE BULLETIN: 54-0035	002004 006100 952999	2
252	BACB30US7K30	.BOLT		101102 108120 504903	1
255	K29913-7	.WASHER-	SUPPLIER CODE: V15653 SPECIFICATION NUMBER: BACW10CA7CC OPTIONAL PART: 70191-7 V56878 922008-7 V60119 942008-7 V60119 PRE SERVICE BULLETIN: 54-0035	002004 006100 952999	1
256	BACW10BP71CD	.WASHER-	POSITION DATA: UNDER THE HEAD OF THE BOLT POST SERVICE BULLETIN: 54-0035	002004 006100 107107 121503 904951	3
257	BACW10BP8DP	.WASHER		101102 108120 504903	1
258	BACW10BP71DP	.WASHER-	POSITION DATA: UNDER THE NUT POST SERVICE BULLETIN: 54-0035	002004 006100 107107 121503 904951	3

MISSING ITEM NUMBERS NOT APPLICABLE

- ITEM NOT ILLUSTRATED

57-24-51-01

57-24-51
FIG. 01
PAGE 20
JAN 20/09

BRI



757

PARTS CATALOG (MAINTENANCE)

FIG ITEM	PART NUMBER	1 2 3 4 5 6 7	NOMENCLATURE	EFFECT FROM TO	UNITS PER ASSY
1 260	K29646-7		.WASHER- SUPPLIER CODE: V15653 SPECIFICATION NUMBER: BACW10CA7CV OPTIONAL PART: 70188-7 V56878 922007-7 V60119 942007-7 V60119 PRE SERVICE BULLETIN: 54-0035	002004 006100 952999	1
265	BACW10BP7CD		.WASHER- PRE SERVICE BULLETIN: 54-0035	002004 006100 952999	3
267	BACW10BP7CD		.WASHER	101102 108120 504903	3
270	BACW10BP7DP		.WASHER- PRE SERVICE BULLETIN: 54-0035	002004 006100 952999	2
272	BACW10BP7DP		.WASHER	101102 108120 504903	3

MISSING ITEM NUMBERS NOT APPLICABLE

- ITEM NOT ILLUSTRATED

BRI

57-24-51-01

BOEING PROPRIETARY - Copyright © - Unpublished Work - See title page for details.

57-24-51
FIG. 01
PAGE 21
JAN 20/09



757

PARTS CATALOG (MAINTENANCE)

FIG ITEM	PART NUMBER	1 2 3 4 5 6 7	NOMENCLATURE	EFFECT FROM TO	UNITS PER ASSY
1 273	BMN10HRCWD3-8	.NUT	SUPPLIER CODE: V97928 SPECIFICATION NUMBER: BACN10HR8CD OPTIONAL PART: H51560-8 V15653 67832CD820 V56878 102LH9031-8 V72962 BH00303CM8 V27238 BMN5024CWD38 V97928 SL7108C8 V11815 VCU0005D8 V06710 102LH90318 V72962 67832CD8 V56878 CR6030-8 VF0224	101102 108120 504903	1

MISSING ITEM NUMBERS NOT APPLICABLE

- ITEM NOT ILLUSTRATED

BRI

57-24-51-01

BOEING PROPRIETARY - Copyright © - Unpublished Work - See title page for details.

57-24-51
FIG. 01
PAGE 22
JAN 20/09



757

PARTS CATALOG (MAINTENANCE)

FIG ITEM	PART NUMBER	1 2 3 4 5 6 7	NOMENCLATURE	EFFECT FROM TO	UNITS PER ASSY
1 275	BH003027		.NUT- SUPPLIER CODE: V27238 SPECIFICATION NUMBER: BACN10HR7 OPTIONAL PART: BMNN10HR7 V97928 H967 V15653 RMLH227 V72962 VAL280097 V06710 678327 V56878 H96-7 V15653 RMLH22-7 V72962 67832-720 V56878 BMNN10HR7 V97928 BH00302-7 V27238 CR5906-7 VF0224 PRE SERVICE BULLETIN: 54-0035	002004 006100 952999	3

MISSING ITEM NUMBERS NOT APPLICABLE

- ITEM NOT ILLUSTRATED

BRI

57-24-51-01

BOEING PROPRIETARY - Copyright © - Unpublished Work - See title page for details.

57-24-51
FIG. 01
PAGE 23
JAN 20/09



757

PARTS CATALOG (MAINTENANCE)

FIG ITEM	PART NUMBER	1 2 3 4 5 6 7 NOMENCLATURE	EFFECT FROM TO	UNITS PER ASSY
1 276	BMN10HRCWD3-7	.NUT- SUPPLIER CODE: V97928 SPECIFICATION NUMBER: BACN10HR7CD OPTIONAL PART: H51560-7 V15653 67832CD720 V56878 102LH9031-7 V72962 BH00303CM7 V27238 BMN5024CWD37 V97928 SL7108C7 V11815 VCU0005D7 V06710 102LH90317 V72962 67832CD7 V56878 CR6030-7 VF0224 BMN10HRCWD3-7 V97928 POST SERVICE BULLETIN: 54-0035	002004 006100 107107 121503 904951	3

MISSING ITEM NUMBERS NOT APPLICABLE

- ITEM NOT ILLUSTRATED

BRI

57-24-51-01

BOEING PROPRIETARY - Copyright © - Unpublished Work - See title page for details.

57-24-51
FIG. 01
PAGE 24
JAN 20/09



757

PARTS CATALOG (MAINTENANCE)

FIG ITEM	PART NUMBER	1 2 3 4 5 6 7	NOMENCLATURE	EFFECT FROM TO	UNITS PER ASSY
1 277	BMN10HRCWD3-7	.NUT	SUPPLIER CODE: V97928 SPECIFICATION NUMBER: BACN10HR7CD OPTIONAL PART: H51560-7 V15653 67832CD720 V56878 102LH9031-7 V72962 BH00303CM7 V27238 BMN5024CWD37 V97928 SL7108C7 V11815 VCU0005D7 V06710 102LH90317 V72962 67832CD7 V56878 CR6030-7 VF0224 BMN10HRCWD3-7 V97928	101102 108120 504903	3
280	BACB30NX12K	.BOLT-	SIZE DETERMINED ON INSTL. PRE SERVICE BULLETIN: 54-0035	002004 006100 952999	1
280	BACB30US6K35X	.BOLT-	POST SERVICE BULLETIN: 54-0035	002004 006100 107107 121503 904951	1

MISSING ITEM NUMBERS NOT APPLICABLE

- ITEM NOT ILLUSTRATED

57-24-51-01

57-24-51
FIG. 01
PAGE 25
JAN 20/09

BRI

BOEING PROPRIETARY - Copyright © - Unpublished Work - See title page for details.



757

PARTS CATALOG (MAINTENANCE)

FIG ITEM	PART NUMBER	1 2 3 4 5 6 7	NOMENCLATURE	EFFECT FROM TO	UNITS PER ASSY
1 285	HL1187-12		.COLLAR- SUPPLIER CODE: V5M902 SPECIFICATION NUMBER: BACC30X12 OPTIONAL PART: HL1187-12 V73197 HL1187-12 V56878 HL1187-12 V92215 HL1187-12 V92215 HL87-12 V56878 HL87-12 V73197 PRE SERVICE BULLETIN: 54-0035	002004 006100 952999	1
286	BACW10BP61CD		.WASHER- POSITION DATA: UNDER THE HEAD OF THE BOLT POST SERVICE BULLETIN: 54-0035	002004 006100 107107 121503 904951	1
287	BACW10BP61DP		.WASHER- POSITION DATA: UNDER THE NUT POST SERVICE BULLETIN: 54-0035	002004 006100 107107 121503 904951	1

MISSING ITEM NUMBERS NOT APPLICABLE

- ITEM NOT ILLUSTRATED

BRI

57-24-51-01

BOEING PROPRIETARY - Copyright © - Unpublished Work - See title page for details.

57-24-51
FIG. 01
PAGE 26
JAN 20/09

BOEING
757
PARTS CATALOG (MAINTENANCE)

FIG ITEM	PART NUMBER	1 2 3 4 5 6 7	NOMENCLATURE	EFFECT FROM TO	UNITS PER ASSY
R R R R R R R R R R R R R R R R	1 288	BMN10HRCWD3-6	.NUT- SUPPLIER CODE: V97928 SPECIFICATION NUMBER: BACN10HR6CD OPTIONAL PART: H51560-6 V15653 67832CD624 V56878 102LH9031-6 V72962 BH00303CM6 V27238 SL7108C624 V11815 BMN5024CWD36 V97928 SL7108C6 V11815 102LH90316 V72962 67832CD6 V56878 VCU0005D6 V06710 CR60306 VF0224 CR60306 VF0224 POST SERVICE BULLETIN: 54-0035	002004 006100 107107 121503 904951	1
	290	BACB30LE8K35	.BOLT-	002004 006100 107107 121503 904999	1
	292	BACB30US6K35	.BOLT	101102 108120 504903	1
	293	BACB30US8K33	.BOLT	101102 108120 504903	1

MISSING ITEM NUMBERS NOT APPLICABLE

— ITEM NOT ILLUSTRATED

57-24-51-01

57-24-51
FIG. 01
PAGE 27
MAY 20/09

BRI



757

PARTS CATALOG (MAINTENANCE)

FIG ITEM	PART NUMBER	1 2 3 4 5 6 7	NOMENCLATURE	EFFECT FROM TO	UNITS PER ASSY
1 295	K29913-8		.WASHER SUPPLIER CODE: V15653 SPECIFICATION NUMBER: BACW10CA8CC OPTIONAL PART: 70191-8 V56878 922008-8 V60119 942008-8 V60119	002004 006100 107107 121503 904999	2
297	BACW10BP6DP		.WASHER	101102 108120 504903	1
302	BACW10BP6CD		.WASHER	101102 108120 504903	1
303	BACW10BP8DP		.WASHER	101102 108120 504903	1
305	BH003028		.NUT SUPPLIER CODE: V27238 SPECIFICATION NUMBER: BACN10HR8 OPTIONAL PART: H96-8 V15653 RMLH22-8 V72962 67832-820 V56878 BH00302-8 V27238 BMNN10HR8 V97928 H968 V15653 RMLH228 V72962 VAL280098 V06710 678328 V56878 CR5906-8 VF0224	002004 006100 107107 121503 904999	1

MISSING ITEM NUMBERS NOT APPLICABLE

- ITEM NOT ILLUSTRATED

57-24-51-01

57-24-51
FIG. 01
PAGE 28
JAN 20/09

BRI



757
PARTS CATALOG (MAINTENANCE)

FIG ITEM	PART NUMBER	1 2 3 4 5 6 7	NOMENCLATURE	EFFECT FROM TO	UNITS PER ASSY
R R	1 307		BMN10HRCWD3-6 .NUT SUPPLIER CODE: V97928 SPECIFICATION NUMBER: BACN10HR6CD OPTIONAL PART: H51560-6 V15653 67832CD624 V56878 102LH9031-6 V72962 BH00303CM6 V27238 SL7108C624 V11815 BMN5024CWD36 V97928 SL7108C6 V11815 102LH90316 V72962 67832CD6 V56878 VCU0005D6 V06710 CR60306 VF0224 CR60306 VF0224	101102 108120 504903	1

MISSING ITEM NUMBERS NOT APPLICABLE

- ITEM NOT ILLUSTRATED

57-24-51-01

BRI

57-24-51
FIG. 01
PAGE 29
MAY 20/09



757

PARTS CATALOG (MAINTENANCE)

FIG ITEM	PART NUMBER	1 2 3 4 5 6 7	NOMENCLATURE	EFFECT FROM TO	UNITS PER ASSY
1 308	BMN10HRCWD3-8	.NUT	SUPPLIER CODE: V97928 SPECIFICATION NUMBER: BACN10HR8CD OPTIONAL PART: H51560-8 V15653 67832CD820 V56878 102LH9031-8 V72962 BH00303CM8 V27238 BMN5024CWD38 V97928 SL7108C8 V11815 VCU0005D8 V06710 102LH90318 V72962 67832CD8 V56878 CR6030-8 VF0224	101102 108120 504903	1
310	012N8887-9	.FITTING ASSY-	POSITION DATA: LH SIDE POST SERVICE BULLETIN: 54-0035	002004 006100 107107 121503 950951	1
310	112N7013-5	.FITTING ASSY-	POSITION DATA: LH SIDE OPTIONAL PART: 112N7013-9 PRE SERVICE BULLETIN: 54-0035	002004 006017 904949 952999	1
310	112N7013-9	.FITTING ASSY-	POSITION DATA: LH SIDE OPTIONAL PART: 112N7013-5 PRE SERVICE BULLETIN: 54-0035	016100	1
312	112N7041-1	.FITTING ASSY-	POSITION DATA: LH SIDE	101102 108120 504903	1

MISSING ITEM NUMBERS NOT APPLICABLE

- ITEM NOT ILLUSTRATED

57-24-51-01

57-24-51
FIG. 01
PAGE 30
JAN 20/09

BRI



757

PARTS CATALOG (MAINTENANCE)

FIG ITEM	PART NUMBER	1 2 3 4 5 6 7	NOMENCLATURE	EFFECT FROM TO	UNITS PER ASSY
1					
- 315	012N8887-10		. FITTING ASSY- POSITION DATA: RH SIDE POST SERVICE BULLETIN: 54-0035	002004 006100 107107 121503 950951	1
- 315	112N7013-6		. FITTING ASSY- POSITION DATA: RH SIDE OPTIONAL PART: 112N7013-10 PRE SERVICE BULLETIN: 54-0035	002004 006017 904949 952999	1
- 315	112N7013-10		. FITTING ASSY- POSITION DATA: RH SIDE OPTIONAL PART: 112N7013-6 PRE SERVICE BULLETIN: 54-0035	016100	1
- 317	112N7041-2		. FITTING ASSY- POSITION DATA: RH SIDE	101102 108120 504903	1
320	BNG12H306		.. BEARING- SUPPLIER CODE: V16746 SPECIFICATION NUMBER: 60B00180-306 OPTIONAL PART: ABC12V101 VS0352 ASB12V4 V15860 NSSG12BA V73134 KSB12-12 V97613 PRE SERVICE BULLETIN: 54-0035	002004 006100 904949 952999	2
320	BNG12H333		.. BEARING- SUPPLIER CODE: V16746 SPECIFICATION NUMBER: 60B00180-333 PRE SERVICE BULLETIN: 54-0035	002004 006100 904949 952999	2

MISSING ITEM NUMBERS NOT APPLICABLE

- ITEM NOT ILLUSTRATED

BRI

57-24-51-01

BOEING PROPRIETARY - Copyright © - Unpublished Work - See title page for details.

57-24-51
FIG. 01
PAGE 31
JAN 20/09



757

PARTS CATALOG (MAINTENANCE)

FIG ITEM	PART NUMBER	1 2 3 4 5 6 7	NOMENCLATURE	EFFECT FROM TO	UNITS PER ASSY
1 322	ASSB12V4008		.. BEARING- SUPPLIER CODE: V15860 SPECIFICATION NUMBER: 60B00180-334 OPTIONAL PART: WC12DG5 V56644 POST SERVICE BULLETIN: 54-0035	002004 006102 107903 950951	2
324	112N7041-3		.. FITTING- POSITION DATA: LH SIDE	101102 108120 504903	1
325	012N8887-11		.. FITTING- POSITION DATA: LH SIDE POST SERVICE BULLETIN: 54-0035	002004 006100 107107 121503 904951	1
325	112N7013-7		.. FITTING- POSITION DATA: LH SIDE PRE SERVICE BULLETIN: 54-0035	002004 006100 952999	1
- 328	112N7041-4		.. FITTING- POSITION DATA: RH SIDE	101102 108120 504903	1
- 330	012N8887-12		.. FITTING- POSITION DATA: RH SIDE POST SERVICE BULLETIN: 54-0035	002004 006100 107107 121503 904951	1
- 330	112N7013-8		.. FITTING- POSITION DATA: RH SIDE PRE SERVICE BULLETIN: 54-0035	002004 006100 952999	1

MISSING ITEM NUMBERS NOT APPLICABLE

- ITEM NOT ILLUSTRATED

BRI

57-24-51-01

57-24-51
FIG. 01
PAGE 32
JAN 20/09



757

PARTS CATALOG (MAINTENANCE)

FIG ITEM	PART NUMBER	1 2 3 4 5 6 7	NOMENCLATURE	EFFECT FROM TO	UNITS PER ASSY
1 331	HL1012AZ14-27	.	BOLT SUPPLIER CODE: VOPTK6 SPECIFICATION NUMBER: BACB30NX14K27 OPTIONAL PART: HL12VAZ14-27 V73197 HL12VAZ14-27 V92215 HL12VAZ14-27 V97928 L802-14K27 V06725 HL12VAZ14-27 V56878 HL1012AZ14-27 V06725 HL1012AZ14-27 V06950 HL1012AZ14-27 V17446 HL1012AZ14-27 V56878 HL1012AZ14-27 V60516 HL1012AZ14-27 V73197 HL1012AZ14-27 V97928	101102 108120 504903	4

MISSING ITEM NUMBERS NOT APPLICABLE

- ITEM NOT ILLUSTRATED

BRI

57-24-51-01

BOEING PROPRIETARY - Copyright © - Unpublished Work - See title page for details.

57-24-51
FIG. 01
PAGE 33
JAN 20/09



757

PARTS CATALOG (MAINTENANCE)

FIG ITEM	PART NUMBER	1 2 3 4 5 6 7	NOMENCLATURE	EFFECT FROM TO	UNITS PER ASSY
1 332	HL1012AZ14-18	.BOLT	SUPPLIER CODE: VOPTK6 SPECIFICATION NUMBER: BACB30NX14K18 OPTIONAL PART: HL12VAZ14-18 V73197 HL12VAZ14-18 V92215 HL12VAZ14-18 V97928 L802-14K18 V06725 HL12VAZ14-18 V56878 HL1012AZ14-18 V06725 HL1012AZ14-18 V06950 HL1012AZ14-18 V17446 HL1012AZ14-18 V56878 HL1012AZ14-18 V60516 HL1012AZ14-18 V73197 HL1012AZ14-18 V97928	101102 108120 504903	3

MISSING ITEM NUMBERS NOT APPLICABLE

- ITEM NOT ILLUSTRATED

BRI

57-24-51-01

BOEING PROPRIETARY - Copyright © - Unpublished Work - See title page for details.

57-24-51
FIG. 01
PAGE 34
JAN 20/09



757

PARTS CATALOG (MAINTENANCE)

FIG ITEM	PART NUMBER	1 2 3 4 5 6 7	NOMENCLATURE	EFFECT FROM TO	UNITS PER ASSY
1 333	HL1012AZ14-20	.	BOLT SUPPLIER CODE: VOPTK6 SPECIFICATION NUMBER: BACB30NX14K20 OPTIONAL PART: HL12VAZ14-20 V73197 HL12VAZ14-20 V92215 HL12VAZ14-20 V97928 L802-14K20 V06725 HL12VAZ14-20 V56878 HL1012AZ14-20 V06725 HL1012AZ14-20 V06950 HL1012AZ14-20 V17446 HL1012AZ14-20 V56878 HL1012AZ14-20 V60516 HL1012AZ14-20 V73197 HL1012AZ14-20 V97928	101102 108120 504903	1

MISSING ITEM NUMBERS NOT APPLICABLE

- ITEM NOT ILLUSTRATED

BRI

57-24-51-01

BOEING PROPRIETARY - Copyright © - Unpublished Work - See title page for details.

57-24-51
 FIG. 01
 PAGE 35
 JAN 20/09



757

PARTS CATALOG (MAINTENANCE)

FIG ITEM	PART NUMBER	1 2 3 4 5 6 7	NOMENCLATURE	EFFECT FROM TO	UNITS PER ASSY
1 334	HL1012AZ14-24	.BOLT	SUPPLIER CODE: VOPTK6 SPECIFICATION NUMBER: BACB30NX14K24 OPTIONAL PART: HL12VAZ14-24 V73197 HL12VAZ14-24 V92215 L802-14K24 V06725 HL12VAZ14-24 V97928 HL12VAZ14-24 V56878 HL1012AZ14-24 V06725 HL1012AZ14-24 V06950 HL1012AZ14-24 V17446 HL1012AZ14-24 V56878 HL1012AZ14-24 V60516 HL1012AZ14-24 V73197 HL1012AZ14-24 V97928	101102 108120 504903	6
335	BACB30NX12K	.BOLT-	SIZE DETERMINED ON INSTL. PRE SERVICE BULLETIN: 54-0035	002004 006100 904949 952999	10

MISSING ITEM NUMBERS NOT APPLICABLE

- ITEM NOT ILLUSTRATED

57-24-51-01

57-24-51
FIG. 01
PAGE 36
JAN 20/09

BRI

BOEING PROPRIETARY - Copyright © - Unpublished Work - See title page for details.



757

PARTS CATALOG (MAINTENANCE)

FIG ITEM	PART NUMBER	1 2 3 4 5 6 7	NOMENCLATURE	EFFECT FROM TO	UNITS PER ASSY
1 336	HL1187-14		.COLLAR SUPPLIER CODE: V5M902 SPECIFICATION NUMBER: BACC30X14 OPTIONAL PART: HL1187-14 V56878 HL1187-14 V92215 HL1187-14 V73197 HL1187-14 V92215 HL87-14 V56878 HL1187-14 V73197	101102 108120 504903	14
337	HL1012AZ10-14		.BOLT SUPPLIER CODE: VOPTK6 SPECIFICATION NUMBER: BACB30NX10K14 OPTIONAL PART: HL12VAZ10-14 V73197 HL12VAZ10-14 V92215 HL12VAZ10-14 V97928 L802-10K14 V06725 HL12VAZ10-14 V56878 HL1012AZ10-14 V06725 HL1012AZ10-14 V06950 HL1012AZ10-14 V17446 HL1012AZ10-14 V56878 HL1012AZ10-14 V60516 HL1012AZ10-14 V73197 HL1012AZ10-14 V97928	101102 108120 504903	2

MISSING ITEM NUMBERS NOT APPLICABLE

- ITEM NOT ILLUSTRATED

57-24-51-01

57-24-51
FIG. 01
PAGE 37
JAN 20/09

BRI



757

PARTS CATALOG (MAINTENANCE)

FIG ITEM	PART NUMBER	1 2 3 4 5 6 7	NOMENCLATURE	EFFECT FROM TO	UNITS PER ASSY
1 338	HL1012AZ10-9	.	BOLT- SUPPLIER CODE: VOPTK6 SPECIFICATION NUMBER: BACB30NX10K9 OPTIONAL PART: HL12VAZ10-9 V73197 HL12VAZ10-9 V92215 HL12VAZ10-9 V97928 L802-10K9 V06725 HL12VAZ10-9 V56878 HL1012AZ10-9 V06725 HL1012AZ10-9 V06950 HL1012AZ10-9 V17446 HL1012AZ10-9 V56878 HL1012AZ10-9 V60516 HL1012AZ10-9 V73197 HL1012AZ10-9 V97928 QUALIFIED OPTIONAL DATA: ACCEPTABLE TO USE BACB30UB10K9 LOCKBOLT WITH BACC30BF10 COLLAR AS OPTIONAL PART TO BACB30NX10K9 HI-LOK AND BACC30X10 COLLAR	101102 108120 504903	12

MISSING ITEM NUMBERS NOT APPLICABLE

- ITEM NOT ILLUSTRATED

BRI

57-24-51-01

BOEING PROPRIETARY - Copyright © - Unpublished Work - See title page for details.

57-24-51
FIG. 01
PAGE 38
JAN 20/09



757

PARTS CATALOG (MAINTENANCE)

FIG ITEM	PART NUMBER	1 2 3 4 5 6 7	NOMENCLATURE	EFFECT FROM TO	UNITS PER ASSY
1 339	HL1187-10		.COLLAR- SUPPLIER CODE: V5M902 SPECIFICATION NUMBER: BACC30X10 OPTIONAL PART: HL1187-10 V56878 HL1187-10 V92215 HL1187-10 V73197 HL1187-10 V92215 HL87-10 V56878 HL1187-10 V73197 QUALIFIED OPTIONAL DATA: ACCEPTABLE TO USE BACB30UB10K9 LOCKBOLT WITH BACC30BF10 COLLAR AS OPTIONAL PART TO BACB30NX10K9 HI-LOK AND BACC30X10 COLLAR	101102 108120 504903	14
340	BACB30NY12K		.BOLT- SIZE DETERMINED ON INSTL.	002004 006100 107107 121503 904999	3

MISSING ITEM NUMBERS NOT APPLICABLE

- ITEM NOT ILLUSTRATED

BRI

57-24-51-01

BOEING PROPRIETARY - Copyright © - Unpublished Work - See title page for details.

57-24-51
FIG. 01
PAGE 39
JAN 20/09



757

PARTS CATALOG (MAINTENANCE)

FIG ITEM	PART NUMBER	1 2 3 4 5 6 7	NOMENCLATURE	EFFECT FROM TO	UNITS PER ASSY
1 341	HL1012AZ12-17		.BOLT- SUPPLIER CODE: VOPTK6 SPECIFICATION NUMBER: BACB30NX12K17 OPTIONAL PART: HL12VAZ12-17 V73197 HL12VAZ12-17 V92215 HL12VAZ12-17 V97928 L802-12K17 V06725 HL12VAZ12-17 V56878 HL1012AZ12-17 V06725 HL1012AZ12-17 V06950 HL1012AZ12-17 V17446 HL1012AZ12-17 V56878 HL1012AZ12-17 V60516 HL1012AZ12-17 V73197 HL1012AZ12-17 V97928 QUALIFIED OPTIONAL DATA: ACCEPTABLE TO USE BACB30UB12K17 LOCKBOLT WITH BACC30BF12 COLLAR AS OPTIONAL PART TO BACB30NX12K17 HI-LOK AND BACC30X12 COLLAR	101102 108120 504903	4

MISSING ITEM NUMBERS NOT APPLICABLE

- ITEM NOT ILLUSTRATED

BRI

57-24-51-01

BOEING PROPRIETARY - Copyright © - Unpublished Work - See title page for details.

57-24-51
FIG. 01
PAGE 40
JAN 20/09



757

PARTS CATALOG (MAINTENANCE)

FIG ITEM	PART NUMBER	1 2 3 4 5 6 7	NOMENCLATURE	EFFECT FROM TO	UNITS PER ASSY
1 342	HL1012AZ12-24		.BOLT SUPPLIER CODE: VOPTK6 SPECIFICATION NUMBER: BACB30NX12K24 OPTIONAL PART: HL12VAZ12-24 V73197 HL12VAZ12-24 V92215 HL12VAZ12-24 V97928 L802-12K24 V06725 HL12VAZ12-24 V56878 HL1012AZ12-24 V06725 HL1012AZ12-24 V06950 HL1012AZ12-24 V17446 HL1012AZ12-24 V56878 HL1012AZ12-24 V60516 HL1012AZ12-24 V73197 HL1012AZ12-24 V97928	101102 108120 504903	1

MISSING ITEM NUMBERS NOT APPLICABLE

- ITEM NOT ILLUSTRATED

BRI

57-24-51-01

BOEING PROPRIETARY - Copyright © - Unpublished Work - See title page for details.

57-24-51
FIG. 01
PAGE 41
JAN 20/09



757

PARTS CATALOG (MAINTENANCE)

FIG ITEM	PART NUMBER	1 2 3 4 5 6 7	NOMENCLATURE	EFFECT FROM TO	UNITS PER ASSY
1 343	HL1012AZ12-27	.BOLT	SUPPLIER CODE: VOPTK6 SPECIFICATION NUMBER: BACB30NX12K27 OPTIONAL PART: HL12VAZ12-27 V73197 HL12VAZ12-27 V92215 HL12VAZ12-27 V97928 L802-12K27 V06725 HL12VAZ12-27 V56878 HL1012AZ12-27 V06725 HL1012AZ12-27 V06950 HL1012AZ12-27 V17446 HL1012AZ12-27 V56878 HL1012AZ12-27 V60516 HL1012AZ12-27 V73197 HL1012AZ12-27 V97928	101102 108120 504903	1

MISSING ITEM NUMBERS NOT APPLICABLE

- ITEM NOT ILLUSTRATED

BRI

57-24-51-01

BOEING PROPRIETARY - Copyright © - Unpublished Work - See title page for details.

57-24-51
FIG. 01
PAGE 42
JAN 20/09



757

PARTS CATALOG (MAINTENANCE)

FIG ITEM	PART NUMBER	1 2 3 4 5 6 7 NOMENCLATURE	EFFECT FROM TO	UNITS PER ASSY
1 344	HL1012AZ12-20	.BOLT SUPPLIER CODE: VOPTK6 SPECIFICATION NUMBER: BACB30NX12K20 OPTIONAL PART: HL12VAZ12-20 V73197 HL12VAZ12-20 V92215 HL12VAZ12-20 V97928 L802-12K20 V06725 HL12VAZ12-20 V56878 HL1012AZ12-20 V06725 HL1012AZ12-20 V06950 HL1012AZ12-20 V17446 HL1012AZ12-20 V56878 HL1012AZ12-20 V60516 HL1012AZ12-20 V73197 HL1012AZ12-20 V97928	101102 108120 504903	4

MISSING ITEM NUMBERS NOT APPLICABLE

- ITEM NOT ILLUSTRATED

BRI

57-24-51-01

BOEING PROPRIETARY - Copyright © - Unpublished Work - See title page for details.

57-24-51
FIG. 01
PAGE 43
JAN 20/09



757

PARTS CATALOG (MAINTENANCE)

FIG ITEM	PART NUMBER	1 2 3 4 5 6 7	NOMENCLATURE	EFFECT FROM TO	UNITS PER ASSY
1 345	HL1187-12		. COLLAR- SUPPLIER CODE: V5M902 SPECIFICATION NUMBER: BACC30X12 OPTIONAL PART: HL1187-12 V73197 HL1187-12 V56878 HL1187-12 V92215 HL1187-12 V92215 HL87-12 V56878 HL87-12 V73197 PRE SERVICE BULLETIN: 54-0035	002004 006100 904949 952999	8
345B	HL1187-12		. COLLAR SUPPLIER CODE: V5M902 SPECIFICATION NUMBER: BACC30X12 OPTIONAL PART: HL1187-12 V73197 HL1187-12 V56878 HL1187-12 V92215 HL1187-12 V92215 HL87-12 V56878 HL87-12 V73197	950951	7

MISSING ITEM NUMBERS NOT APPLICABLE

- ITEM NOT ILLUSTRATED

BRI

57-24-51-01

BOEING PROPRIETARY - Copyright © - Unpublished Work - See title page for details.

57-24-51
FIG. 01
PAGE 44
JAN 20/09



757

PARTS CATALOG (MAINTENANCE)

FIG ITEM	PART NUMBER	1 2 3 4 5 6 7	NOMENCLATURE	EFFECT FROM TO	UNITS PER ASSY
1 346	HL1187-12		.COLLAR- SUPPLIER CODE: V5M902 SPECIFICATION NUMBER: BACC30X12 OPTIONAL PART: HL1187-12 V73197 HL1187-12 V56878 HL1187-12 V92215 HL1187-12 V92215 HL87-12 V56878 HL87-12 V73197 QUALIFIED OPTIONAL DATA: ACCEPTABLE TO USE BACB30UB12K17 LOCKBOLT WITH BACC30BF12 COLLAR AS OPTIONAL PART TO BACB30NX12K17 HI-LOK AND BACC30X12 COLLAR	101102 108120 504903	10
347	BACB30NX10K		.BOLT- SIZE DETERMINED ON INSTL.	002004 006100 107107 121503 904999	14
348	HL1187-10		.COLLAR SUPPLIER CODE: V5M902 SPECIFICATION NUMBER: BACC30X10 OPTIONAL PART: HL1187-10 V56878 HL1187-10 V92215 HL1187-10 V73197 HL1187-10 V92215 HL87-10 V56878 HL1187-10 V73197	002004 006100 107107 121503 904999	14

MISSING ITEM NUMBERS NOT APPLICABLE

- ITEM NOT ILLUSTRATED

BRI

57-24-51-01

BOEING PROPRIETARY - Copyright © - Unpublished Work - See title page for details.

57-24-51
FIG. 01
PAGE 45
JAN 20/09



757

PARTS CATALOG (MAINTENANCE)

FIG ITEM	PART NUMBER	1 2 3 4 5 6 7	NOMENCLATURE	EFFECT FROM TO	UNITS PER ASSY
1 349	HLT420AP12-13	.BOLT-	SUPPLIER CODE: V60516 SPECIFICATION NUMBER: BACB30YL12K13 OPTIONAL PART: HLT420AP12-13 V06725 HLT420AP12-13 V97928	101102 108120 504903	2
350	BACB30NX14K	.BOLT-	SIZE DETERMINED ON INSTL.	002004 006100 107107 121503 904999	12
350A	BACB30NX14K	.BOLT-	SIZE DETERMINED ON INSTL. PRE SERVICE BULLETIN: 54-0035	002004 006100 952999	2
351	HLT420AP12-12	.BOLT-	SUPPLIER CODE: V60516 SPECIFICATION NUMBER: BACB30YL12K12 OPTIONAL PART: HLT420AP12-12 V06725 HLT420AP12-12 V97928	101102 108120 504903	3
352	L80014K11	.BOLT	SUPPLIER CODE: V06725 SPECIFICATION NUMBER: BACB30MY14K11	101102 108120 504903	4

MISSING ITEM NUMBERS NOT APPLICABLE

- ITEM NOT ILLUSTRATED

BRI

57-24-51-01

BOEING PROPRIETARY - Copyright © - Unpublished Work - See title page for details.

57-24-51
FIG. 01
PAGE 46
JAN 20/09



757

PARTS CATALOG (MAINTENANCE)

FIG ITEM	PART NUMBER	1 2 3 4 5 6 7	NOMENCLATURE	EFFECT FROM TO	UNITS PER ASSY
1 353	HL1187-14		.COLLAR- SUPPLIER CODE: V5M902 SPECIFICATION NUMBER: BACC30X14 OPTIONAL PART: HL1187-14 V56878 HL1187-14 V92215 HL1187-14 V73197 HL1187-14 V92215 HL87-14 V56878 HL1187-14 V73197 NAS1805-7 PRE SERVICE BULLETIN: 54-0035	002004 006100 952999	2
353	NAS1805-7		.NUT- OPTIONAL PART: BACC30X14 PRE SERVICE BULLETIN: 54-0035	002004 006100 952999	2
354	BACC30CQ12C		.COLLAR-	101102 108120 504903	7
355	HL1187-14		.COLLAR- SUPPLIER CODE: V5M902 SPECIFICATION NUMBER: BACC30X14 OPTIONAL PART: HL1187-14 V56878 HL1187-14 V92215 HL1187-14 V73197 HL1187-14 V92215 HL87-14 V56878 HL1187-14 V73197 PRE SERVICE BULLETIN: 54-0035	002004 006100 904949 952999	12

MISSING ITEM NUMBERS NOT APPLICABLE

- ITEM NOT ILLUSTRATED

57-24-51-01

57-24-51
FIG. 01
PAGE 47
JAN 20/09

BRI



757

PARTS CATALOG (MAINTENANCE)

FIG ITEM	PART NUMBER	1 2 3 4 5 6 7	NOMENCLATURE	EFFECT FROM TO	UNITS PER ASSY
1 356	BACB30NX12K		.BOLT- SIZE DETERMINED ON INSTL.	002004 006100 107107 121503 904999	4
356A	L80016K10		.BOLT SUPPLIER CODE: V06725 SPECIFICATION NUMBER: BACB30MY16K10	101102 108120 504903	3
357	HL1187-12		.COLLAR SUPPLIER CODE: V5M902 SPECIFICATION NUMBER: BACC30X12 OPTIONAL PART: HL1187-12 V73197 HL1187-12 V56878 HL1187-12 V92215 HL1187-12 V92215 HL87-12 V56878 HL87-12 V73197	002004 006100 107107 121503 904999	4
357A	HL79-16		.COLLAR SUPPLIER CODE: V5M902 SPECIFICATION NUMBER: BACC30M16 OPTIONAL PART: HL79-16 V73197 HL79-16 V92215 66014-16 V56878 HL79-16 V56878	101102 108120 504903	3
358	BACB30NX14K		.BOLT- SIZE DETERMINED ON INSTL.	002004 006100 107107 121503 904999	4

MISSING ITEM NUMBERS NOT APPLICABLE

- ITEM NOT ILLUSTRATED

BRI

57-24-51-01

BOEING PROPRIETARY - Copyright © - Unpublished Work - See title page for details.

57-24-51
FIG. 01
PAGE 48
JAN 20/09



757

PARTS CATALOG (MAINTENANCE)

FIG ITEM	PART NUMBER	1 2 3 4 5 6 7	NOMENCLATURE	EFFECT FROM TO	UNITS PER ASSY
1 359	HL1187-14		.COLLAR SUPPLIER CODE: V5M902 SPECIFICATION NUMBER: BACC30X14 OPTIONAL PART: HL1187-14 V56878 HL1187-14 V92215 HL1187-14 V73197 HL1187-14 V92215 HL87-14 V56878 HL1187-14 V73197	002004 006100 107107 121503 904999	4
360	BACB30NU9K14		.BOLT-	002004 006100 107107 121503 904999	18
360	BACB30NU9K16		.BOLT-	002004 006102 107999	18
365	BACW10BP9P		.WASHER	002004 006102 107999	18
370	69235-918CD		.NUT SUPPLIER CODE: V92215 SPECIFICATION NUMBER: BACN10JC9CD OPTIONAL PART: 102LH9074-9 V72962 BMN4122CPD8-9 V97928 H51650-9BAC V15653	002004 006102 107999	18
373	BACS40R21C34F		.SHIM	002004 006102 107999	2
375	BACS40R13C15F		.SHIM	002004 006100 107107 121503 904999	2

MISSING ITEM NUMBERS NOT APPLICABLE

- ITEM NOT ILLUSTRATED

57-24-51-01

57-24-51
FIG. 01
PAGE 49
JAN 20/09

BRI

BOEING PROPRIETARY - Copyright © - Unpublished Work - See title page for details.



757

PARTS CATALOG (MAINTENANCE)

FIG ITEM	PART NUMBER	1 2 3 4 5 6 7	NOMENCLATURE	EFFECT FROM TO	UNITS PER ASSY
1					
377	BACS40R21C38F	.	SHIM	002004 006102 107999	2
380	112N7001-5	.	SHIM	002004 006100 107107 121503 904999	1
381	312N5828-39	.	BRACKET- POSITION DATA: LH SIDE	101102 108120 504903	1
-381A	312N5828-40	.	BRACKET- POSITION DATA: RH SIDE	101102 108120 504903	1
382	112N2049-11	.	SHIM- PRE SERVICE BULLETIN: 54-0035	002004 006100 952999	AR
382	112N2049-12	.	SHIM- POST SERVICE BULLETIN: 54-0035	002004 006102 107951	AR
383	112N7001-6	.	SHIM	002004 006100 107107 121503 904999	1
384	312N5828-43	.	BRACKET- POSITION DATA: LH SIDE	101102 108120 504903	1
-384A	312N5828-44	.	BRACKET- POSITION DATA: RH SIDE	101102 108120 504903	1
385	112N7020-1	.	FITTING-SIDE LINK SPRT POSITION DATA: LH SIDE PRE SERVICE BULLETIN: 54-0035	002004 006100 952999	1
385	012N8888-3	.	FITTING-SIDE LINK SPRT POSITION DATA: LH SIDE SERVICE BULLETIN OPT DATA: 012N8888-1 POST SERVICE BULLETIN: 54-0035	002004 006100 107107 121503 904951	1

MISSING ITEM NUMBERS NOT APPLICABLE

- ITEM NOT ILLUSTRATED

BRI

57-24-51-01

57-24-51
FIG. 01
PAGE 50
JAN 20/09



757

PARTS CATALOG (MAINTENANCE)

FIG ITEM	PART NUMBER	1 2 3 4 5 6 7	NOMENCLATURE	EFFECT FROM TO	UNITS PER ASSY
1 385	012N8888-1		.FITTING-SIDE LINK SPRT POSITION DATA: LH SIDE SERVICE BULLETIN OPT DATA: 012N8888-3 POST SERVICE BULLETIN: 54-0035	002004 006100 107107 121503 904951	1
387	112N7043-1		.FITTING-SIDE LINK SPRT POSITION DATA: LH SIDE	101102 108120 504903	1
- 390	112N7020-2		.FITTING-SIDE LINK SPRT POSITION DATA: RH SIDE PRE SERVICE BULLETIN: 54-0035	002004 006100 952999	1
- 390	012N8888-4		.FITTING-SIDE LINK SPRT POSITION DATA: RH SIDE SERVICE BULLETIN OPT DATA: 012N8888-2 POST SERVICE BULLETIN: 54-0035	002004 006100 107107 121503 904951	1
- 390	012N8888-2		.FITTING-SIDE LINK SPRT POSITION DATA: RH SIDE SERVICE BULLETIN OPT DATA: 012N8888-4 POST SERVICE BULLETIN: 54-0035	002004 006100 107107 121503 904951	1
- 392	112N7043-2		.FITTING-SIDE LINK SPRT POSITION DATA: RH SIDE	101102 108120 504903	1
393	BACB30US7K25X		.ATTACHING PARTS .BOLT- POST SERVICE BULLETIN: 54-0035	002004 006100 107107 121503 904951	1
393A	BACB30NX14K24X		.BOLT- POST SERVICE BULLETIN: 54-0035	002004 006100 107107 121503 904951	2
393B	BACB30NX14K22X		.BOLT- POST SERVICE BULLETIN: 54-0035	002004 006100 107107 121503 904951	1

MISSING ITEM NUMBERS NOT APPLICABLE

- ITEM NOT ILLUSTRATED

57-24-51-01

57-24-51
FIG. 01
PAGE 51
JAN 20/09

BRI



757

PARTS CATALOG (MAINTENANCE)

FIG ITEM	PART NUMBER	1 2 3 4 5 6 7	NOMENCLATURE	EFFECT FROM TO	UNITS PER ASSY
1 393C	BACB30NX12K24X	.BOLT-	POST SERVICE BULLETIN: 54-0035	002004 006100 107107 121503 904951	1
393D	BACB30NX12K27X	.BOLT-	POST SERVICE BULLETIN: 54-0035	002004 006100 107107 121503 904951	1
393E	HL1022AZ12-19	.BOLT-	SUPPLIER CODE: V06725 SPECIFICATION NUMBER: BACB30NX12K19X OPTIONAL PART: HL1022AZ12-19 V56878 HL1022AZ12-19 V73197 HL1022AZ12-19 V97928 HL112VAZ12-19 V06725 HL112VAZ12-19 V56878 HL112VAZ12-19 V73197 HL112VAZ12-19 V92215 HL112VAZ12-19 V97928 HL112AZ12-19X V60516 HL112AZ12-19X V73197 HL112AZ12-19X V92215 HL112AZ12-19X V97928 POST SERVICE BULLETIN: 54-0035	002004 006100 107107 121503 904951	2
393F	BACB30NX12K20X	.BOLT-	POST SERVICE BULLETIN: 54-0035	002004 006100 107107 121503 904951	2

MISSING ITEM NUMBERS NOT APPLICABLE

- ITEM NOT ILLUSTRATED

57-24-51-01

57-24-51
FIG. 01
PAGE 52
JAN 20/09

BRI



757

PARTS CATALOG (MAINTENANCE)

FIG ITEM	PART NUMBER	1 2 3 4 5 6 7	NOMENCLATURE	EFFECT FROM TO	UNITS PER ASSY
1 394	HL1187-14		. COLLAR- SUPPLIER CODE: V5M902 SPECIFICATION NUMBER: BACC30X14 OPTIONAL PART: HL1187-14 V56878 HL1187-14 V92215 HL1187-14 V73197 HL1187-14 V92215 HL87-14 V56878 HL1187-14 V73197 POST SERVICE BULLETIN: 54-0035	002004 006100 107107 121503 904951	3
394B	BACW10BP71CD		. WASHER- POSITION DATA: UNDER THE HEAD OF THE BOLT POST SERVICE BULLETIN: 54-0035	002004 006100 107107 121503 904951	1
394C	BACW10BP71DP		. WASHER- POSITION DATA: UNDER THE NUT POST SERVICE BULLETIN: 54-0035	002004 006100 107107 121503 904951	1

MISSING ITEM NUMBERS NOT APPLICABLE

- ITEM NOT ILLUSTRATED

BRI

57-24-51-01

BOEING PROPRIETARY - Copyright © - Unpublished Work - See title page for details.

57-24-51
FIG. 01
PAGE 53
JAN 20/09



757

PARTS CATALOG (MAINTENANCE)

FIG ITEM	PART NUMBER	1 2 3 4 5 6 7	NOMENCLATURE	EFFECT FROM TO	UNITS PER ASSY
1 394D	BH003027		.NUT- SUPPLIER CODE: V27238 SPECIFICATION NUMBER: BACN10HR7 OPTIONAL PART: BMNN10HR7 V97928 H967 V15653 RMLH227 V72962 VAL280097 V06710 678327 V56878 H96-7 V15653 RMLH22-7 V72962 67832-720 V56878 BMNN10HR7 V97928 BH00302-7 V27238 CR5906-7 VF0224 POST SERVICE BULLETIN: 54-0035	002004 006100 107107 121503 904951	1
394E	HL1087-12		.COLLAR- SUPPLIER CODE: V9N513 SPECIFICATION NUMBER: BACC30BH12 OPTIONAL PART: HL1087-12 V92215 HL1087-12 V73197 HL1087-12 V56878 POST SERVICE BULLETIN: 54-0035 -----*-----	002004 006100 107107 121503 904951	6

MISSING ITEM NUMBERS NOT APPLICABLE

- ITEM NOT ILLUSTRATED

BRI

57-24-51-01

BOEING PROPRIETARY - Copyright © - Unpublished Work - See title page for details.

57-24-51
FIG. 01
PAGE 54
JAN 20/09

BOEING
757
PARTS CATALOG (MAINTENANCE)

FIG ITEM	PART NUMBER	1 2 3 4 5 6 7	NOMENCLATURE	EFFECT FROM TO	UNITS PER ASSY
1					
395	112N7017-1		.SHEAR TIE-DRAG FTG POSITION DATA: FWD LH SIDE	002004 006100 107107 121503 904999	1
395	112N7017-5		.SHEAR TIE-DRAG FTG POSITION DATA: FWD LH SIDE	101102 108120 504903	1
- 400	112N7017-2		.SHEAR TIE-DRAG FTG POSITION DATA: FWD RH SIDE	002004 006100 107107 121503 904999	1
- 400	112N7017-6		.SHEAR TIE-DRAG FTG POSITION DATA: FWD RH SIDE	101102 108120 504903	1
401	BACS40R015B021F		.SHIM-LAMINATED POST SERVICE BULLETIN: 54-0035	002004 006100 107107 121503 904951	AR
402	012N8886-1		.CLIP- POSITION DATA: LH SIDE POST SERVICE BULLETIN: 54-0035	002004 006100 107107 121503 904951	1
- 403	012N8886-2		.CLIP- POSITION DATA: RH SIDE POST SERVICE BULLETIN: 54-0035	002004 006100 107107 121503 904951	1
404	BACB30US6K37		ATTACHING PARTS .BOLT- POST SERVICE BULLETIN: 54-0035	002004 006100 107107 121503 904951	1

MISSING ITEM NUMBERS NOT APPLICABLE

- ITEM NOT ILLUSTRATED

BRI

57-24-51-01

BOEING PROPRIETARY - Copyright © - Unpublished Work - See title page for details.

57-24-51
FIG. 01
PAGE 55
JAN 20/09



757

PARTS CATALOG (MAINTENANCE)

FIG ITEM	PART NUMBER	1 2 3 4 5 6 7	NOMENCLATURE	EFFECT FROM TO	UNITS PER ASSY
1 404A	HL1022AZ14-26		.BOLT- SUPPLIER CODE: V06725 SPECIFICATION NUMBER: BACB30NX14K26X OPTIONAL PART: HL1022AZ14-26 V56878 HL1022AZ14-26 V73197 HL1022AZ14-26 V97928 HL112VAZ14-26 V06725 HL112VAZ14-26 V56878 HL112VAZ14-26 V73197 HL112VAZ14-26 V92215 HL112VAZ14-26 V97928 HL1022AZ14-26 V17446 HL1022AZ14-26 V56878 HL1022AZ14-26 V73197 HL1022AZ14-26 V97928 POST SERVICE BULLETIN: 54-0035	002004 006100 107107 121503 904951	2
404C	BACW10BP6CD		.WASHER- POSITION DATA: UNDER THE HEAD OF THE BOLT POST SERVICE BULLETIN: 54-0035	002004 006100 107107 121503 904951	1
404D	BACW10BP6DP		.WASHER- POSITION DATA: UNDER THE NUT POST SERVICE BULLETIN: 54-0035	002004 006100 107107 121503 904951	1

MISSING ITEM NUMBERS NOT APPLICABLE

- ITEM NOT ILLUSTRATED

BRI

57-24-51-01

BOEING PROPRIETARY - Copyright © - Unpublished Work - See title page for details.

57-24-51
FIG. 01
PAGE 56
JAN 20/09

BOEING
757
PARTS CATALOG (MAINTENANCE)

FIG ITEM	PART NUMBER	1 2 3 4 5 6 7	NOMENCLATURE	EFFECT FROM TO	UNITS PER ASSY
R R R R R R R R R R R R R R R R R R	1 404E	BMN10HRCWD3-6	.NUT- SUPPLIER CODE: V97928 SPECIFICATION NUMBER: BACN10HR6CD OPTIONAL PART: H51560-6 V15653 67832CD624 V56878 102LH9031-6 V72962 BH00303CM6 V27238 SL7108C624 V11815 BMN5024CWD36 V97928 SL7108C6 V11815 102LH90316 V72962 67832CD6 V56878 VCU0005D6 V06710 CR60306 VF0224 CR60306 VF0224 POST SERVICE BULLETIN: 54-0035	002004 006100 107107 121503 904951	1
	404F	BACB28U6B125	.BUSHING- POST SERVICE BULLETIN: 54-0035	002004 006100 107107 121503 904951	1
	404G	HL1087-14	.COLLAR- SUPPLIER CODE: V73197 SPECIFICATION NUMBER: BACC30BH14 POST SERVICE BULLETIN: 54-0035 -----*-----	002004 006100 107107 121503 904951	2

MISSING ITEM NUMBERS NOT APPLICABLE

— ITEM NOT ILLUSTRATED

BRI

57-24-51-01

BOEING PROPRIETARY - Copyright © - Unpublished Work - See title page for details.

57-24-51
FIG. 01
PAGE 57
MAY 20/09



757

PARTS CATALOG (MAINTENANCE)

FIG ITEM	PART NUMBER	1 2 3 4 5 6 7	NOMENCLATURE	EFFECT FROM TO	UNITS PER ASSY
1					
405	112N7007-1		.FITTING ASSY- POSITION DATA: LH SIDE OPTIONAL PART: 112N7007-11	002004 006010 107107 121503 904999	1
405	112N7007-11		.FITTING ASSY- POSITION DATA: LH SIDE OPTIONAL PART: 112N7007-1 112N7007-27	002004 006100 107107 121503 904999	1
405	112N7007-27		.FITTING ASSY- POSITION DATA: LH SIDE OPTIONAL PART: 112N7007-11	017100	1
405	112N7007-47		.FITTING ASSY- POSITION DATA: LH SIDE	101102 108120 504903	1
- 410	112N7007-2		.FITTING ASSY- POSITION DATA: RH SIDE OPTIONAL PART: 112N7007-12 112N7007-28	002004 006010 107107 121503 904999	1
- 410	112N7007-12		.FITTING ASSY- POSITION DATA: RH SIDE OPTIONAL PART: 112N7007-2 112N7007-28	002004 006100 107107 121503 904999	1
- 410	112N7007-28		.FITTING ASSY- POSITION DATA: RH SIDE OPTIONAL PART: 112N7007-12	017100	1
- 410	112N7007-48		.FITTING ASSY- POSITION DATA: RH SIDE	101102 108120 504903	1
415	112N7022-4		..BUSHING- PRE SERVICE BULLETIN: 54-0026R1	002004 006100 904949	2

MISSING ITEM NUMBERS NOT APPLICABLE

- ITEM NOT ILLUSTRATED

BRI

57-24-51-01

BOEING PROPRIETARY - Copyright © - Unpublished Work - See title page for details.

57-24-51
FIG. 01
PAGE 58
JAN 20/09



757

PARTS CATALOG (MAINTENANCE)

FIG ITEM	PART NUMBER	1 2 3 4 5 6 7	NOMENCLATURE	EFFECT FROM TO	UNITS PER ASSY
1 415	112N7022-5	..	BUSHING- QUALIFIED I/W DATA: QUANTITY (2) OF 112N7022-5 IS REPLACED BY QUANTITY (1) OF G12N7022-6 ONE-WAY FORWARD PRE SERVICE BULLETIN: 54-0026R1	002004 006100 904949	2
417	112N7022-6	..	BUSHING- QUALIFIED I/W DATA: QUANTITY (2) OF 112N7022-5 IS REPLACED BY QUANTITY (1) OF 112N7022-6 ONE-WAY FORWARD SERVICE BULLETIN OPT DATA: 112N7022-7 POST SERVICE BULLETIN: 54-0026 54-0026R1	002004 006100 107107 121503 904999	1
417	112N7022-7	..	BUSHING- SERVICE BULLETIN OPT DATA: 112N7022-6 POST SERVICE BULLETIN: 54-0026R1	002004 006102 108120 504952	1
420	69B15853-1	..	ADAPTOR-LUBE	002004 006102 107999	1
425	MS29512-02	..	PACKING-	002004 006102 107999	1
430	112N7007-5	..	FITTING- USED ON: 112N7007-1	002004 006010 107107 121503 904999	1
430	112N7007-13	..	FITTING- USED ON: 112N7007-11	002004 006100 107107 121503 904999	1
430	112N7007-49	..	FITTING- POSITION DATA: FWD LH SIDE	101102 108120 504903	1

MISSING ITEM NUMBERS NOT APPLICABLE

- ITEM NOT ILLUSTRATED

57-24-51-01

57-24-51
FIG. 01
PAGE 59
JAN 20/09

BRI

BOEING PROPRIETARY - Copyright © - Unpublished Work - See title page for details.



757

PARTS CATALOG (MAINTENANCE)

FIG ITEM	PART NUMBER	1 2 3 4 5 6 7	NOMENCLATURE	EFFECT FROM TO	UNITS PER ASSY
1					
- 435	112N7007-6		.. FITTING- USED ON: 112N7007-2	002004 006010 107107 121503 904999	1
- 435	112N7007-14		.. FITTING- USED ON: 112N7007-12	002004 006100 107107 121503 904999	1
- 435	112N7007-50		.. FITTING- POSITION DATA: FWD RH SIDE	101102 108120 504903	1
436	112N7042-3		. SHIM	101102 108120 504903	AR
437	112N7042-4		. SHIM	101102 108120 504903	1
438	112N7032-1		. SHIM- QUALIFIED OPTIONAL DATA: (USED ONE SHIM ONLY. IF GAP IN ANY AREA EXCEEDS .36, USE ONE 112N7032-3 SHIM. IF GAP IN AY AREA IS LESS THAN OR EQUAL TO .36, USE ONE 112N7032-1 SHIM. ALTER SHIM AS REQUIRED)	002004 006102 107999	1
438	112N7032-3		. SHIM- QUALIFIED OPTIONAL DATA: (USED ONE SHIM ONLY. IF GAP IN ANY AREA EXCEEDS .36, USE ONE 112N7032-3 SHIM. IF GAP IN AY AREA IS LESS THAN OR EQUAL TO .36, USE ONE 112N7032-1 SHIM. ALTER SHIM AS REQUIRED)	002004 006102 108903 950951 953999	1
439	112N7032-2		. SHIM- QUALIFIED OPTIONAL DATA: (USED ONE SHIM ONLY. IF GAP IN ANY AREA EXCEEDS .36, USE ONE 112N7032-4 SHIM. IF GAP IN AY AREA IS LESS THAN OR EQUAL TO .36, USE ONE 112N7032-2 SHIM. ALTER SHIM AS REQUIRED)	002004 006102 107999	1

MISSING ITEM NUMBERS NOT APPLICABLE

- ITEM NOT ILLUSTRATED

57-24-51-01

57-24-51
FIG. 01
PAGE 60
JAN 20/09

BRI



757

PARTS CATALOG (MAINTENANCE)

FIG ITEM	PART NUMBER	1 2 3 4 5 6 7	NOMENCLATURE	EFFECT FROM TO	UNITS PER ASSY
1 439	112N7032-4		.SHIM- QUALIFIED OPTIONAL DATA: (USED ONE SHIM ONLY. IF GAP IN ANY AREA EXCEEDS .36, USE ONE 112N7032-4 SHIM. IF GAP IN AY AREA IS LESS THAN OR EQUAL TO .36, USE ONE 112N7032-2 SHIM. ALTER SHIM AS REQUIRED)	002004 006102 108903 950951 953999	1
440	112N7009-1		.FITTING ASSY- POSITION DATA: LH SIDE OPTIONAL PART: 112N7009-11	002004 006010 107107 121503 904999	1
440	112N7009-11		.FITTING ASSY- POSITION DATA: LH SIDE OPTIONAL PART: 112N7009-1 112N7009-27	002004 006100 107107 121503 904999	1
440	112N7009-27		.FITTING ASSY- POSITION DATA: LH SIDE OPTIONAL PART: 112N7009-11	017100	1
440	112N7009-39		.FITTING ASSY- POSITION DATA: LH SIDE	101102 108120 504903	1
- 445	112N7009-2		.FITTING ASSY- POSITION DATA: RH SIDE OPTIONAL PART: 112N7009-12	002004 006010 107107 121503 904999	1
- 445	112N7009-12		.FITTING ASSY- POSITION DATA: RH SIDE OPTIONAL PART: 112N7009-28	002004 006100 107107 121503 904999	1
- 445	112N7009-28		.FITTING ASSY- POSITION DATA: RH SIDE OPTIONAL PART: 112N7009-12	017100	1
- 445	112N7009-40		.FITTING ASSY- POSITION DATA: RH SIDE	101102 108120 504903	1

MISSING ITEM NUMBERS NOT APPLICABLE

- ITEM NOT ILLUSTRATED

57-24-51-01

57-24-51
FIG. 01
PAGE 61
JAN 20/09

BRI



757

PARTS CATALOG (MAINTENANCE)

FIG ITEM	PART NUMBER	1 2 3 4 5 6 7	NOMENCLATURE	EFFECT FROM TO	UNITS PER ASSY
1					
450	112N7022-4	..	BUSHING- PRE SERVICE BULLETIN: 54-0026R1	002004 006100 904949	2
450	112N7022-5	..	BUSHING- QUALIFIED I/W DATA: QUANTITY (2) OF 112N7022-5 IS REPLACED BY QUANTITY (1) OF 112N7022-6 ONE-WAY FORWARD PRE SERVICE BULLETIN: 54-0026R1	002004 006100 904949	2
452	112N7022-6	..	BUSHING- QUALIFIED I/W DATA: QUANTITY (2) OF 112N7022-5 IS REPLACED BY QUANTITY (1) OF 112N7022-6 ONE-WAY FORWARD SERVICE BULLETIN OPT DATA: 112N7022-7 POST SERVICE BULLETIN: 54-0026 54-0026R1	002004 006100 107107 121503 904999	1
452	112N7022-7	..	BUSHING- SERVICE BULLETIN OPT DATA: 112N7022-6 POST SERVICE BULLETIN: 54-0026R1	002004 006102 108120 504952	1
455	69B15853-1	..	ADAPTOR-LUBE	002004 006102 107999	1
460	MS29512-02	..	PACKING-	002004 006102 107999	1
465	112N7009-5	..	FITTING- POSITION DATA: LH SIDE USED ON: 112N7009-1	002004 006010 107107 121503 904999	1
465	112N7009-13	..	FITTING- POSITION DATA: LH SIDE USED ON: 112N7009-11	002004 006100 107107 121503 904999	1

MISSING ITEM NUMBERS NOT APPLICABLE

- ITEM NOT ILLUSTRATED

BRI

57-24-51-01

57-24-51
FIG. 01
PAGE 62
JAN 20/09



757

PARTS CATALOG (MAINTENANCE)

FIG ITEM	PART NUMBER	1 2 3 4 5 6 7	NOMENCLATURE	EFFECT FROM TO	UNITS PER ASSY
1					
465	112N7009-23	..	FITTING- POSITION DATA: LH SIDE	002004 006015 107107 121503 904999	1
465	112N7009-41	..	FITTING- POSITION DATA: FWD LH SIDE	101102 108120 504903	1
- 470	112N7009-6	..	FITTING- POSITION DATA: RH SIDE USED ON: 112N7009-2	002004 006010 107107 121503 904999	1
- 470	112N7009-14	..	FITTING- POSITION DATA: RH SIDE USED ON: 112N7009-12	002004 006100 107107 121503 904999	1
- 470	112N7009-24	..	FITTING- POSITION DATA: RH SIDE	002004 006015 107107 121503 904999	1
- 471	112N7009-42	..	FITTING- POSITION DATA: FWD RH SIDE	101102 108120 504903	1
472	112N7026-1	.	FITTING- POSITION DATA: LH SIDE OPTIONAL PART: 112N7033-1	002004 006102 107999	2
472	112N7033-1	.	FITTING- POSITION DATA: LH SIDE OPTIONAL PART: 112N7026-1	002004 006102 107999	2
- 473	112N7026-2	.	FITTING- POSITION DATA: RH SIDE OPTIONAL PART: 112N7033-2	002004 006102 107999	2
- 473	112N7033-2	.	FITTING- POSITION DATA: RH SIDE OPTIONAL PART: 112N7026-2	002004 006102 107999	2

MISSING ITEM NUMBERS NOT APPLICABLE

- ITEM NOT ILLUSTRATED

57-24-51-01

57-24-51
FIG. 01
PAGE 63
JAN 20/09

BRI



757

PARTS CATALOG (MAINTENANCE)

FIG ITEM	PART NUMBER	1 2 3 4 5 6 7	NOMENCLATURE	EFFECT FROM TO	UNITS PER ASSY
1			ATTACHING PARTS		
- 474	BACB30NY12K		.BOLT- SIZE DETERMINED ON INSTL.	002004 006102 107999	4
			-----*-----		
475	112N7036-1		.FITTING-SPRT POSITION DATA: LH SIDE	002004 006100 107107 121503 904999	1
475	112N7015-15		.FITTING-SPRT POSITION DATA: LH SIDE OPTIONAL PART: 112N7036-7	002004 006102 121999	1
475	112N7036-7		.FITTING-SPRT POSITION DATA: LH SIDE OPTIONAL PART: 112N7015-15 112N7036-15 112N7015-19	002004 006102 107107 121999	1
475	112N7015-19		.FITTING-SPRT POSITION DATA: LH SIDE OPTIONAL PART: 112N7036-7 112N7036-15	101102 504903	1
475	112N7036-15		.FITTING-SPRT POSITION DATA: LH SIDE OPTIONAL PART: 112N7036-7 112N7015-19	101102 504903	1
475	112N7036-17		.FITTING-SPRT POSITION DATA: LH SIDE OPTIONAL PART: 112N7036-9 112N7015-17	101102 504903	1
477	112N7036-19		.FITTING-SPRT POSITION DATA: LH SIDE	108120	1
- 480	112N7036-2		.FITTING-SPRT POSITION DATA: RH SIDE	002004 006100 107107 121503 904999	1

MISSING ITEM NUMBERS NOT APPLICABLE

- ITEM NOT ILLUSTRATED

57-24-51-01

57-24-51
FIG. 01
PAGE 64
JAN 20/09

BRI

BOEING PROPRIETARY - Copyright © - Unpublished Work - See title page for details.



757

PARTS CATALOG (MAINTENANCE)

FIG ITEM	PART NUMBER	1 2 3 4 5 6 7	NOMENCLATURE	EFFECT FROM TO	UNITS PER ASSY
1					
- 480	112N7036-8	.	FITTING-SPRT POSITION DATA: RH SIDE OPTIONAL PART: 112N7015-16 112N7036-16 112N7015-20	002004 006102 107107 121999	1
- 480	112N7015-16	.	FITTING-SPRT POSITION DATA: RH SIDE OPTIONAL PART: 112N7036-8	002004 006102 121999	1
- 480	112N7015-20	.	FITTING-SPRT POSITION DATA: RH SIDE OPTIONAL PART: 112N7036-8 112N7036-16	101102 504903	1
- 480	112N7036-16	.	FITTING-SPRT POSITION DATA: RH SIDE OPTIONAL PART: 112N7036-8 112N7015-18	101102 504903	1
- 480	112N7036-18	.	FITTING-SPRT POSITION DATA: RH SIDE OPTIONAL PART: 112N7036-10 112N7015-18	101102 504903	1
- 482	112N7036-20	.	FITTING-SPRT POSITION DATA: RH SIDE	108120	1
485	112N7036-3	.	FITTING-SPRT POSITION DATA: LH SIDE	002004 006100 107107 121503 904999	1
485	112N7036-9	.	FITTING-SPRT POSITION DATA: LH SIDE OPTIONAL PART: 112N7015-17 112N7036-17	002004 006102 107107 121999	1

MISSING ITEM NUMBERS NOT APPLICABLE

- ITEM NOT ILLUSTRATED

57-24-51-01

57-24-51
FIG. 01
PAGE 65
JAN 20/09

BRI

BOEING PROPRIETARY - Copyright © - Unpublished Work - See title page for details.



757

PARTS CATALOG (MAINTENANCE)

FIG ITEM	PART NUMBER	1 2 3 4 5 6 7	NOMENCLATURE	EFFECT FROM TO	UNITS PER ASSY
1					
485	112N7015-17	.	FITTING-SPRT POSITION DATA: LH SIDE OPTIONAL PART: 112N7036-9 112N7036-17	002004 006102 121999	1
487	112N7036-21	.	FITTING-SPRT POSITION DATA: LH SIDE	108120	1
- 490	112N7036-4	.	FITTING-SPRT POSITION DATA: RH SIDE	002004 006100 107107 121503 904999	1
- 490	112N7036-10	.	FITTING-SPRT POSITION DATA: RH SIDE OPTIONAL PART: 112N7015-18 112N7036-18	002004 006102 107107 121999	1
- 490	112N7015-18	.	FITTING-SPRT POSITION DATA: RH SIDE OPTIONAL PART: 112N7036-10 112N7036-18	002004 006102 121999	1
- 492	112N7036-22	.	FITTING-SPRT POSITION DATA: RH SIDE ATTACHING PARTS	108120	1
495	BACB30US14K39	.	BOLT-	002004 006100 107107 121503 904999	1
495	BACB30US14K38	.	BOLT-	101102 504903	1
497	BACB30US14K41	.	BOLT-	002004 006100 107107 121503 904999	1
497	BACB30US14K42	.	BOLT-	101102 504903	1
500	BACW10BP14CD	.	WASHER	101102 504903	2

MISSING ITEM NUMBERS NOT APPLICABLE

- ITEM NOT ILLUSTRATED

BRI

57-24-51-01

BOEING PROPRIETARY - Copyright © - Unpublished Work - See title page for details.

57-24-51
FIG. 01
PAGE 66
JAN 20/09



757

PARTS CATALOG (MAINTENANCE)

FIG ITEM	PART NUMBER	1 2 3 4 5 6 7	NOMENCLATURE	EFFECT FROM TO	UNITS PER ASSY
1					
500	BACW10BP14C	.	WASHER	002004 006100 107107 121503 904999	2
505	BACW10BP14DP	.	WASHER	101102 504903	2
505	BACW10BP14P	.	WASHER	002004 006100 107107 121503 904999	2
510	CR590614	.	NUT SUPPLIER CODE: V62554 SPECIFICATION NUMBER: BACN10HR14 OPTIONAL PART: H96-14 V15653 RMLH22-14 V72962 67832-1414 V56878 BMNN10HR14 V97928 BH0030214 V27238 H9614 V15653 RMLH2214 V72962 VAL2800914 V06710 6783214 V56878	002004 006100 107107 121503 904999	2

MISSING ITEM NUMBERS NOT APPLICABLE

- ITEM NOT ILLUSTRATED

BRI

57-24-51-01

BOEING PROPRIETARY - Copyright © - Unpublished Work - See title page for details.

57-24-51
FIG. 01
PAGE 67
JAN 20/09



757

PARTS CATALOG (MAINTENANCE)

FIG ITEM	PART NUMBER	1 2 3 4 5 6 7	NOMENCLATURE	EFFECT FROM TO	UNITS PER ASSY
1 510	H51560-14	.NUT	SUPPLIER CODE: V15653 SPECIFICATION NUMBER: BACN10HR14CD OPTIONAL PART: 102CH9031-14 V72962 67832CD1414 V56878 BH00303CM14 V27238 BMN5024CWD314 V97928 CR603014 V62554 SL7108C14 V11815 VCU0005D14 V06710 102LH903114 V72962 67832CD14 V56878 102LH9031-14 V72962	101102 504903	2
515	BACS40R27C33F	.SHIM	-----*	002004 006102 107999	2
520	BACS40R32C36F	.SHIM		002004 006102 107999	2
523	112N7024-2	.SHIM-LAMINATED OPTIONAL PART: 112N7024-6 112N7024-7		002004 006102 107999	1
523	112N7024-6	.SHIM-LAMINATED OPTIONAL PART: 112N7024-2 112N7024-7		101102 108120 504903	1
523	112N7024-7	.SHIM-LAMINATED OPTIONAL PART: 112N7024-2 112N7024-6		101102 108120 504903	1

MISSING ITEM NUMBERS NOT APPLICABLE

- ITEM NOT ILLUSTRATED

57-24-51-01

57-24-51
FIG. 01
PAGE 68
JAN 20/09

BRI



757

PARTS CATALOG (MAINTENANCE)

FIG ITEM	PART NUMBER	1 2 3 4 5 6 7	NOMENCLATURE	EFFECT FROM TO	UNITS PER ASSY
1 525	112N7005-29	.	FITTING ASSY-NAC ATTACHMENT SIDELOAD POSITION DATA: OUTBD LH SIDE FOR DETAILS SEE: 57-24-53-01	107107	1
525	112N7005-33	.	FITTING ASSY-NAC ATTACHMENT SIDELOAD POSITION DATA: OUTBD LH SIDE FOR DETAILS SEE: 57-24-53-01	002004 006100 121503 904999	1
- 530	112N7005-28	.	FITTING ASSY-NAC ATTACHMENT SIDELOAD POSITION DATA: OUTBD RH SIDE OPTIONAL PART: 112N7005-34 FOR DETAILS SEE: 57-24-53-01	002004 006100 107107 121503 904999	1
- 530	112N7005-34	.	FITTING ASSY-NAC ATTACHMENT SIDELOAD POSITION DATA: OUTBD RH SIDE OPTIONAL PART: 112N7005-28 FOR DETAILS SEE: 57-24-53-01	002004 006100 107107 121503 904999	1
- 530	112N7040-2	.	FITTING ASSY-NAC ATTACHMENT SIDELOAD POSITION DATA: OUTBD RH SIDE FOR DETAILS SEE: 57-24-53-01	101102 108120 504903	1
532	BACB30NX10K	.	BOLT- SIZE DETERMINED ON INSTL. PRE SERVICE BULLETIN: 54-0035	002004 006100 952999	33

MISSING ITEM NUMBERS NOT APPLICABLE

- ITEM NOT ILLUSTRATED

BRI

57-24-51-01

57-24-51
FIG. 01
PAGE 69
JAN 20/09



757

PARTS CATALOG (MAINTENANCE)

FIG ITEM	PART NUMBER	1 2 3 4 5 6 7	NOMENCLATURE	EFFECT FROM TO	UNITS PER ASSY
1 534	K29913-5		.WASHER- SUPPLIER CODE: V15653 SPECIFICATION NUMBER: BACW10CA5CC OPTIONAL PART: 70191-5 V56878 922008-5 V60119 942008-5 V60119 PRE SERVICE BULLETIN: 54-0035	002004 006100 952999	17
536	K29646-5		.WASHER- SUPPLIER CODE: V15653 SPECIFICATION NUMBER: BACW10CA5CV OPTIONAL PART: 70188-5 V56878 922007-5 V60119 942007-5 V60119 PRE SERVICE BULLETIN: 54-0035	002004 006100 952999	17
538	HL1187-10		.COLLAR- SUPPLIER CODE: V5M902 SPECIFICATION NUMBER: BACC30X10 OPTIONAL PART: HL1187-10 V56878 HL1187-10 V92215 HL1187-10 V73197 HL1187-10 V92215 HL87-10 V56878 HL1187-10 V73197 PRE SERVICE BULLETIN: 54-0035	002004 006100 952999	33

MISSING ITEM NUMBERS NOT APPLICABLE

- ITEM NOT ILLUSTRATED

BRI

57-24-51-01

BOEING PROPRIETARY - Copyright © - Unpublished Work - See title page for details.

57-24-51
FIG. 01
PAGE 70
JAN 20/09



757

PARTS CATALOG (MAINTENANCE)

FIG ITEM	PART NUMBER	1 2 3 4 5 6 7	NOMENCLATURE	EFFECT FROM TO	UNITS PER ASSY
1 540	HLT422AP10-24	.BOLT	SUPPLIER CODE: V60516 SPECIFICATION NUMBER: BACB30YK10K24 OPTIONAL PART: HLT422AP10-24 V06725 HLT422AP10-24 V97928	101102 108120 504903	4
542	HLT422AP10-20	.BOLT	SUPPLIER CODE: V60516 SPECIFICATION NUMBER: BACB30YK10K20 OPTIONAL PART: HLT422AP10-20 V06725 HLT422AP10-20 V97928	101102 108120 504903	5
544	HLT422AP10-19	.BOLT	SUPPLIER CODE: V60516 SPECIFICATION NUMBER: BACB30YK10K19 OPTIONAL PART: HLT422AP10-19 V06725 HLT422AP10-19 V97928	101102 108120 504903	4
546	HLT422AP10-21	.BOLT	SUPPLIER CODE: V60516 SPECIFICATION NUMBER: BACB30YK10K21 OPTIONAL PART: HLT422AP10-21 V06725 HLT422AP10-21 V97928	101102 108120 504903	1
548	HL75-10APBW	.COLLAR-	SUPPLIER CODE: V73197	101102 108120 504903	7
550	BACC30CP10C	.COLLAR		101102 108120 504903	7

MISSING ITEM NUMBERS NOT APPLICABLE

- ITEM NOT ILLUSTRATED

57-24-51-01

57-24-51
FIG. 01
PAGE 71
JAN 20/09

BRI



757

PARTS CATALOG (MAINTENANCE)

FIG ITEM	PART NUMBER	1 2 3 4 5 6 7	NOMENCLATURE	EFFECT FROM TO	UNITS PER ASSY
1 552	HLT422AP12-18	.BOLT	SUPPLIER CODE: V60516 SPECIFICATION NUMBER: BACB30YK12K18 OPTIONAL PART: HLT422AP12-18 V06725 HLT422AP12-18 V97928	101102 108120 504903	9
554	HLT422AP12-17	.BOLT	SUPPLIER CODE: V60516 SPECIFICATION NUMBER: BACB30YK12K17 OPTIONAL PART: HLT422AP12-17 V06725 HLT422AP12-17 V97928	101102 108120 504903	3
556	HLT422AP12-16	.BOLT	SUPPLIER CODE: V60516 SPECIFICATION NUMBER: BACB30YK12K16 OPTIONAL PART: HLT422AP12-16 V06725 HLT422AP12-16 V97928	101102 108120 504903	1
558	HLT422AP12-25	.BOLT	SUPPLIER CODE: V60516 SPECIFICATION NUMBER: BACB30YK12K25 OPTIONAL PART: HLT422AP12-25 V06725 HLT422AP12-25 V97928	101102 108120 504903	2

MISSING ITEM NUMBERS NOT APPLICABLE

- ITEM NOT ILLUSTRATED

BRI

57-24-51-01

BOEING PROPRIETARY - Copyright © - Unpublished Work - See title page for details.

57-24-51
FIG. 01
PAGE 72
JAN 20/09



757

PARTS CATALOG (MAINTENANCE)

FIG ITEM	PART NUMBER	1 2 3 4 5 6 7	NOMENCLATURE	EFFECT FROM TO	UNITS PER ASSY
1 560	HLT422AP12-21	.BOLT	SUPPLIER CODE: V60516 SPECIFICATION NUMBER: BACB30YK12K21 OPTIONAL PART: HLT422AP12-21 V06725 HLT422AP12-21 V97928	101102 108120 504903	2
562	HLT422AP12-20	.BOLT	SUPPLIER CODE: V60516 SPECIFICATION NUMBER: BACB30YK12K20 OPTIONAL PART: HLT422AP12-20 V06725 HLT422AP12-20 V97928	101102 108120 504903	2
564	HL75-12APBW	.COLLAR-	SUPPLIER CODE: V73197	101102 108120 504903	10
566	BACC30CP12C	.COLLAR		101102 108120 504903	9
568	112N7028-11	-----*----- .FILLER		101102 108120 504903	1
570	112N7028-7	.FILLER		101102 108120 504903	1
572	112N7028-9	.FILLER		101102 108120 504903	1
574	112N7035-3	.BUSHING		101102 108120 504903	2

MISSING ITEM NUMBERS NOT APPLICABLE

- ITEM NOT ILLUSTRATED

57-24-51-01

57-24-51
FIG. 01
PAGE 73
JAN 20/09

BRI

BOEING PROPRIETARY - Copyright © - Unpublished Work - See title page for details.



757

PARTS CATALOG (MAINTENANCE)

FIG ITEM	PART NUMBER	1 2 3 4 5 6 7	NOMENCLATURE	EFFECT FROM TO	UNITS PER ASSY
1			ATTACHING PARTS		
576	HLT422AP10-26	.BOLT-	SUPPLIER CODE: V60516	002004 006100 107107	2
			SPECIFICATION NUMBER: BACB30YK10K26	121503 904951	
			OPTIONAL PART: HLT422AP10-26 V06725 HLT422AP10-26 V97928		
576A	BACB30YK10K22	.BOLT-	POST SERVICE BULLETIN: 54-0035	002004 006100 107107 121503 904951	5
576B	HLT422AP10-21	.BOLT-	SUPPLIER CODE: V60516	002004 006100 107107	2
			SPECIFICATION NUMBER: BACB30YK10K21	121503 904951	
			OPTIONAL PART: HLT422AP10-21 V06725 HLT422AP10-21 V97928		
576C	HLT422AP10-25	.BOLT-	POST SERVICE BULLETIN: 54-0035	002004 006100 107107 121503 904951	2
			SUPPLIER CODE: V06725		
			SPECIFICATION NUMBER: BACB30YK10K25		
			OPTIONAL PART: HLT422AP10-25 V97928 HLT422AP10-25 V60516		
			POST SERVICE BULLETIN: 54-0035		

MISSING ITEM NUMBERS NOT APPLICABLE

- ITEM NOT ILLUSTRATED

57-24-51-01

57-24-51
FIG. 01
PAGE 74
JAN 20/09

BRI



757

PARTS CATALOG (MAINTENANCE)

FIG ITEM	PART NUMBER	1 2 3 4 5 6 7	NOMENCLATURE	EFFECT FROM TO	UNITS PER ASSY
1 576D	HLT422AP10-21	.BOLT-	SUPPLIER CODE: V60516 SPECIFICATION NUMBER: BACB30YK10K21 OPTIONAL PART: HLT422AP10-21 V06725 HLT422AP10-21 V97928 POST SERVICE BULLETIN: 54-0035	002004 006100 107107 121503 904951	5
576E	HLT422AP10-20	.BOLT-	SUPPLIER CODE: V60516 SPECIFICATION NUMBER: BACB30YK10K20 OPTIONAL PART: HLT422AP10-20 V06725 HLT422AP10-20 V97928 POST SERVICE BULLETIN: 54-0035	002004 006100 107107 121503 904951	2
577	HLT422AP12-16	.BOLT-	SUPPLIER CODE: V60516 SPECIFICATION NUMBER: BACB30YK12K16 OPTIONAL PART: HLT422AP12-16 V06725 HLT422AP12-16 V97928 POST SERVICE BULLETIN: 54-0035	002004 006100 107107 121503 904951	1
577A	HLT422AP12-18	.BOLT-	SUPPLIER CODE: V60516 SPECIFICATION NUMBER: BACB30YK12K18 OPTIONAL PART: HLT422AP12-18 V06725 HLT422AP12-18 V97928 POST SERVICE BULLETIN: 54-0035	002004 006100 107107 121503 904951	4

MISSING ITEM NUMBERS NOT APPLICABLE

- ITEM NOT ILLUSTRATED

BRI

57-24-51-01

57-24-51
FIG. 01
PAGE 75
JAN 20/09



757

PARTS CATALOG (MAINTENANCE)

FIG ITEM	PART NUMBER	1 2 3 4 5 6 7	NOMENCLATURE	EFFECT FROM TO	UNITS PER ASSY
1 577B	HLT422AP12-23	.BOLT-	SUPPLIER CODE: V60516 SPECIFICATION NUMBER: BACB30YK12K23 OPTIONAL PART: HLT422AP12-23 V97928 HLT422AP12-23 V06725 POST SERVICE BULLETIN: 54-0035	002004 006100 107107 121503 904951	2
577C	HLT422AP12-17	.BOLT-	SUPPLIER CODE: V60516 SPECIFICATION NUMBER: BACB30YK12K17 OPTIONAL PART: HLT422AP12-17 V06725 HLT422AP12-17 V97928 POST SERVICE BULLETIN: 54-0035	002004 006100 107107 121503 904951	4
577D	HLT422AP12-18	.BOLT-	SUPPLIER CODE: V60516 SPECIFICATION NUMBER: BACB30YK12K18 OPTIONAL PART: HLT422AP12-18 V06725 HLT422AP12-18 V97928 POST SERVICE BULLETIN: 54-0035	002004 006100 107107 121503 904951	2
577E	HLT422AP12-19	.BOLT-	SUPPLIER CODE: V60516 SPECIFICATION NUMBER: BACB30YK12K19 OPTIONAL PART: HLT422AP12-19 V06725 HLT422AP12-19 V97928 POST SERVICE BULLETIN: 54-0035	002004 006100 107107 121503 904951	1

MISSING ITEM NUMBERS NOT APPLICABLE

- ITEM NOT ILLUSTRATED

57-24-51-01

57-24-51
FIG. 01
PAGE 76
JAN 20/09

BRI



757

PARTS CATALOG (MAINTENANCE)

FIG ITEM	PART NUMBER	1 2 3 4 5 6 7	NOMENCLATURE	EFFECT FROM TO	UNITS PER ASSY
1 577F	HLT422AP12-20	.BOLT-	SUPPLIER CODE: V60516 SPECIFICATION NUMBER: BACB30YK12K20 OPTIONAL PART: HLT422AP12-20 V06725 HLT422AP12-20 V97928 POST SERVICE BULLETIN: 54-0035	002004 006100 107107 121503 904951	1
578	HL75-10APBW	.COLLAR-	SUPPLIER CODE: V73197 POST SERVICE BULLETIN: 54-0035	002004 006100 107107 121503 904951	9
578A	BACC30CP10C	.COLLAR-	POST SERVICE BULLETIN: 54-0035	002004 006100 107107 121503 904951	9
578B	BACC30CP12C	.COLLAR-	POST SERVICE BULLETIN: 54-0035	002004 006100 107107 121503 904951	7
578C	HL75-12APBW	.COLLAR-	SUPPLIER CODE: V73197 POST SERVICE BULLETIN: 54-0035	002004 006100 107107 121503 904951	8
579	BACW10BP5DP	.WASHER-	POST SERVICE BULLETIN: 54-0035	002004 006100 107107 121503 904951	18
579A	BACW10BP6DP	.WASHER-	POST SERVICE BULLETIN: 54-0035	002004 006100 107107 121503 904951	15
580	BACB30NX8K	-----*----- .BOLT-	SIZE DETERMINED ON INSTL.	002004 006100 107107 121503 904999	8

MISSING ITEM NUMBERS NOT APPLICABLE

- ITEM NOT ILLUSTRATED

BRI

57-24-51-01

57-24-51
FIG. 01
PAGE 77
JAN 20/09



757

PARTS CATALOG (MAINTENANCE)

FIG ITEM	PART NUMBER	1 2 3 4 5 6 7	NOMENCLATURE	EFFECT FROM TO	UNITS PER ASSY
1 580A	HL1013-8-10	.BOLT	SUPPLIER CODE: V60516 SPECIFICATION NUMBER: BACB30NY8K10 OPTIONAL PART: HL13VAZ8-10 V73197 HL13VAZ8-10 V92215 HL13VAZ8-10 V97928 L801-8K10 V06725 HL13VAZ8-10 V60516 L801-8K10 VOPTK6 HL13VAZ8-10 V17446 HL1013AZ8-10 V60516 HL13V8-10 V56878	101102 108120 504903	2
580B	HL1013AZ8-11	.BOLT	SUPPLIER CODE: V60516 SPECIFICATION NUMBER: BACB30NY8K11 OPTIONAL PART: HL13VAZ8-11 V73197 HL13VAZ8-11 V92215 HL13VAZ8-11 V97928 L801-8K11 V06725 HL13VAZ8-11 V60516 L801-8K11 VOPTK6 HL13VAZ8-11 V17446 HL13VAZ8-11 V56878	101102 108120 504903	1

MISSING ITEM NUMBERS NOT APPLICABLE

- ITEM NOT ILLUSTRATED

BRI

57-24-51-01

BOEING PROPRIETARY - Copyright © - Unpublished Work - See title page for details.

57-24-51
FIG. 01
PAGE 78
JAN 20/09



**757
PARTS CATALOG (MAINTENANCE)**

FIG ITEM	PART NUMBER	1 2 3 4 5 6 7	NOMENCLATURE	EFFECT FROM TO	UNITS PER ASSY
1 580C	HL1030AZ8-12	.BOLT	SUPPLIER CODE: V60516 SPECIFICATION NUMBER: BACB30NY8K12 OPTIONAL PART: HL13VAZ8-12 V73197 HL13VAZ8-12 V92215 HL13VAZ8-12 V97928 L801-8K12 V06725 HL13VAZ8-12 V60516 L801-8K12 V0PTK6 HL13VAZ8-12 V17446 HL1013AZ8-12 V60516 HL13VAZ8-12 V56878	101102 108120 504903	1
580D	HL75-8APBW	.COLLAR-	SUPPLIER CODE: V73197	101102 108120 504903	4

MISSING ITEM NUMBERS NOT APPLICABLE

— ITEM NOT ILLUSTRATED

BRI

57-24-51-01

BOEING PROPRIETARY - Copyright © - Unpublished Work - See title page for details.

57-24-51
FIG. 01
PAGE 79
JAN 20/09



757

PARTS CATALOG (MAINTENANCE)

FIG ITEM	PART NUMBER	1 2 3 4 5 6 7	NOMENCLATURE	EFFECT FROM TO	UNITS PER ASSY
1 581	HL1012AZ8-9		.BOLT SUPPLIER CODE: VOPTK6 SPECIFICATION NUMBER: BACB30NX8K9 OPTIONAL PART: HL12VAZ8-9 V73197 HL12VAZ8-9 V92215 HL12VAZ8-9 V97928 L802-8K9 V06725 HL12VAZ8-9 V56878 HL1012AZ8-9 V06725 HL1012AZ8-9 V06950 HL1012AZ8-9 V17446 HL1012AZ8-9 V56878 HL1012AZ8-9 V60516 HL1012AZ8-9 V73197 HL1012AZ8-9 V97928	101102 108120 504903	1

MISSING ITEM NUMBERS NOT APPLICABLE

- ITEM NOT ILLUSTRATED

BRI

57-24-51-01

BOEING PROPRIETARY - Copyright © - Unpublished Work - See title page for details.

57-24-51
FIG. 01
PAGE 80
JAN 20/09



757

PARTS CATALOG (MAINTENANCE)

FIG ITEM	PART NUMBER	1 2 3 4 5 6 7	NOMENCLATURE	EFFECT FROM TO	UNITS PER ASSY
1 581A	HL1012AZ8-10	.	BOLT SUPPLIER CODE: VOPTK6 SPECIFICATION NUMBER: BACB30NX8K10 OPTIONAL PART: HL12VAZ8-10 V73197 HL12VAZ8-10 V92215 HL12VAZ8-10 V97928 L802-8K10 V06725 HL12VAZ8-10 V56878 HL1012AZ8-10 V06725 HL1012AZ8-10 V06950 HL1012AZ8-10 V17446 HL1012AZ8-10 V56878 HL1012AZ8-10 V60516 HL1012AZ8-10 V73197 HL1012AZ8-10 V97928	101102 108120 504903	2

MISSING ITEM NUMBERS NOT APPLICABLE

- ITEM NOT ILLUSTRATED

BRI

57-24-51-01

BOEING PROPRIETARY - Copyright © - Unpublished Work - See title page for details.

57-24-51
FIG. 01
PAGE 81
JAN 20/09



757

PARTS CATALOG (MAINTENANCE)

FIG ITEM	PART NUMBER	1 2 3 4 5 6 7	NOMENCLATURE	EFFECT FROM TO	UNITS PER ASSY
1 581B	HL1012AZ8-12	.BOLT	SUPPLIER CODE: V97928 SPECIFICATION NUMBER: BACB30NX8K12 OPTIONAL PART: HL12VAZ8-12 V73197 HL12VAZ8-12 V92215 HL12VAZ8-12 V97928 L802-8K12 V06725 HL12VAZ8-12 V56878 HL1012AZ8-12 V73197 HL1012AZ8-12 V60516 HL1012AZ8-12 V56878 HL1012AZ8-12 V17446 HL1012AZ8-12 V06950 HL1012AZ8-12 V06725 HL1012AZ8-12 V0PTK6	101102 108120 504903	1
581C	HL1187-8	.COLLAR	SUPPLIER CODE: V5M902 SPECIFICATION NUMBER: BACC30X8 OPTIONAL PART: HL87-8 V92215 HL87-8 V73197 HL1187-8 V56878 HL1187-8 V92215 HL87-8 V56878 HL1187-8 V73197	101102 108120 504903	4

MISSING ITEM NUMBERS NOT APPLICABLE

- ITEM NOT ILLUSTRATED

57-24-51-01

57-24-51
FIG. 01
PAGE 82
JAN 20/09

BRI



757

PARTS CATALOG (MAINTENANCE)

FIG ITEM	PART NUMBER	1 2 3 4 5 6 7	NOMENCLATURE	EFFECT FROM TO	UNITS PER ASSY
1 582	BACB30NX10K		.BOLT- SIZE DETERMINED ON INSTL.	002004 006100 107107 121503 904999	15
582A	HL13VAZ10-9		.BOLT SUPPLIER CODE: V56878 SPECIFICATION NUMBER: BACB30NY10K9 OPTIONAL PART: HL13VAZ10-9 V73197 HL13VAZ10-9 V92215 HL13VAZ10-9 V97928 L801-10K9 V06725 L801-10K9 VOPTK6 HL13VAZ10-9 V60516 HL13VAZ10-9 V17446	101102 108120 504903	1
582B	HL13VAZ10-15		.BOLT SUPPLIER CODE: V56878 SPECIFICATION NUMBER: BACB30NY10K15 OPTIONAL PART: HL13VAZ10-15 V73197 HL13VAZ10-15 V92215 HL13VAZ10-15 V97928 L801-10K15 V06725 HL13VAZ10-15 V60516 HL13VAZ10-15 V17446 L801-10K15 VOPTK6	101102 108120 504903	2

MISSING ITEM NUMBERS NOT APPLICABLE

- ITEM NOT ILLUSTRATED

BRI

57-24-51-01

BOEING PROPRIETARY - Copyright © - Unpublished Work - See title page for details.

57-24-51
FIG. 01
PAGE 83
JAN 20/09



757

PARTS CATALOG (MAINTENANCE)

FIG ITEM	PART NUMBER	1 2 3 4 5 6 7	NOMENCLATURE	EFFECT FROM TO	UNITS PER ASSY
1 582C	HL13VAZ10-14	.BOLT	SUPPLIER CODE: V56878 SPECIFICATION NUMBER: BACB30NY10K14 OPTIONAL PART: HL13VAZ10-14 V73197 HL13VAZ10-14 V92215 HL13VAZ10-14 V97928 L801-10K14 V06725 HL13VAZ10-14 V60516 L801-10K14 VOPTK6 HL13VAZ10-14 V17446	101102 108120 504903	2
582D	HL13VAZ10-12	.BOLT	SUPPLIER CODE: V56878 SPECIFICATION NUMBER: BACB30NY10K12 OPTIONAL PART: HL13VAZ10-12 V73197 HL13VAZ10-12 V92215 HL13VAZ10-12 V97928 L801-10K12 V06725 HL13VAZ10-12 V60516 L801-10K12 VOPTK6 LH13VAZ10-12 V17446 HL1013AZ10-12 V60516	101102 108120 504903	1
582E	HL75-10APBW	.COLLAR-	SUPPLIER CODE: V73197	101102 108120 504903	6

MISSING ITEM NUMBERS NOT APPLICABLE

- ITEM NOT ILLUSTRATED

57-24-51-01

57-24-51
FIG. 01
PAGE 84
JAN 20/09

BRI



757

PARTS CATALOG (MAINTENANCE)

FIG ITEM	PART NUMBER	1 2 3 4 5 6 7	NOMENCLATURE	EFFECT FROM TO	UNITS PER ASSY
1 583	HL1012AZ10-8	.	BOLT SUPPLIER CODE: VOPTK6 SPECIFICATION NUMBER: BACB30NX10K8 OPTIONAL PART: HL12VAZ10-8 V73197 HL12VAZ10-8 V92215 HL12VAZ10-8 V97928 L802-10K8 V06725 HL12VAZ10-8 V56878 HL1012AZ10-8 V06725 HL1012AZ10-8 V06950 HL1012AZ10-8 V17446 HL1012AZ10-8 V56878 HL1012AZ10-8 V60516 HL1012AZ10-8 V73197 HL1012AZ10-8 V97928	101102 108120 504903	1

MISSING ITEM NUMBERS NOT APPLICABLE

- ITEM NOT ILLUSTRATED

BRI

57-24-51-01

BOEING PROPRIETARY - Copyright © - Unpublished Work - See title page for details.

57-24-51
FIG. 01
PAGE 85
JAN 20/09



757

PARTS CATALOG (MAINTENANCE)

FIG ITEM	PART NUMBER	1 2 3 4 5 6 7	NOMENCLATURE	EFFECT FROM TO	UNITS PER ASSY
1 583A	HL1012AZ10-14	.	BOLT SUPPLIER CODE: VOPTK6 SPECIFICATION NUMBER: BACB30NX10K14 OPTIONAL PART: HL12VAZ10-14 V73197 HL12VAZ10-14 V92215 HL12VAZ10-14 V97928 L802-10K14 V06725 HL12VAZ10-14 V56878 HL1012AZ10-14 V06725 HL1012AZ10-14 V06950 HL1012AZ10-14 V17446 HL1012AZ10-14 V56878 HL1012AZ10-14 V60516 HL1012AZ10-14 V73197 HL1012AZ10-14 V97928	101102 108120 504903	3

MISSING ITEM NUMBERS NOT APPLICABLE

- ITEM NOT ILLUSTRATED

BRI

57-24-51-01

BOEING PROPRIETARY - Copyright © - Unpublished Work - See title page for details.

57-24-51
FIG. 01
PAGE 86
JAN 20/09



757

PARTS CATALOG (MAINTENANCE)

FIG ITEM	PART NUMBER	1 2 3 4 5 6 7	NOMENCLATURE	EFFECT FROM TO	UNITS PER ASSY
1 583B	HL1012AZ10-13	.BOLT	SUPPLIER CODE: VOPTK6 SPECIFICATION NUMBER: BACB30NX10K13 OPTIONAL PART: HL12VAZ10-13 V73197 HL12VAZ10-13 V92215 HL12VAZ10-13 V97928 L802-10K13 V06725 HL12VAZ10-13 V56878 HL1012AZ10-13 V06725 HL1012AZ10-13 V06950 HL1012AZ10-13 V17446 HL1012AZ10-13 V56878 HL1012AZ10-13 V60516 HL1012AZ10-13 V73197 HL1012AZ10-13 V97928	101102 108120 504903	1

MISSING ITEM NUMBERS NOT APPLICABLE

- ITEM NOT ILLUSTRATED

BRI

57-24-51-01

BOEING PROPRIETARY - Copyright © - Unpublished Work - See title page for details.

57-24-51
FIG. 01
PAGE 87
JAN 20/09



757

PARTS CATALOG (MAINTENANCE)

FIG ITEM	PART NUMBER	1 2 3 4 5 6 7	NOMENCLATURE	EFFECT FROM TO	UNITS PER ASSY
1 583C	HL1012AZ10-21	.	BOLT SUPPLIER CODE: VOPTK6 SPECIFICATION NUMBER: BACB30NX10K21 OPTIONAL PART: HL12VAZ10-21 V73197 HL12VAZ10-21 V92215 HL12VAZ10-21 V97928 L802-10K21 V06725 HL12VAZ10-21 V56878 HL1012AZ10-21 V06725 HL1012AZ10-21 V06950 HL1012AZ10-21 V17446 HL1012AZ10-21 V56878 HL1012AZ10-21 V60516 HL1012AZ10-21 V73197 HL1012AZ10-21 V97928	101102 108120 504903	2

MISSING ITEM NUMBERS NOT APPLICABLE

- ITEM NOT ILLUSTRATED

BRI

57-24-51-01

BOEING PROPRIETARY - Copyright © - Unpublished Work - See title page for details.

57-24-51
FIG. 01
PAGE 88
JAN 20/09



757

PARTS CATALOG (MAINTENANCE)

FIG ITEM	PART NUMBER	1 2 3 4 5 6 7	NOMENCLATURE	EFFECT FROM TO	UNITS PER ASSY
1 583D	HL1012AZ10-12	.BOLT	SUPPLIER CODE: VOPTK6 SPECIFICATION NUMBER: BACB30NX10K12 OPTIONAL PART: HL12VAZ10-12 V73197 HL12VAZ10-12 V92215 HL12VAZ10-12 V97928 L802-10K12 V06725 HL12VAZ10-12 V56878 HL1012AZ10-12 V06725 HL1012AZ10-12 V06950 HL1012AZ10-12 V17446 HL1012AZ10-12 V56878 HL1012AZ10-12 V60516 HL1012AZ10-12 V73197 HL1012AZ10-12 V97928	101102 108120 504903	1
583E	HL1187-10	.COLLAR	SUPPLIER CODE: V5M902 SPECIFICATION NUMBER: BACC30X10 OPTIONAL PART: HL1187-10 V56878 HL1187-10 V92215 HL1187-10 V73197 HL1187-10 V92215 HL87-10 V56878 HL1187-10 V73197	101102 108120 504903	8

MISSING ITEM NUMBERS NOT APPLICABLE

- ITEM NOT ILLUSTRATED

BRI

57-24-51-01

BOEING PROPRIETARY - Copyright © - Unpublished Work - See title page for details.

57-24-51
FIG. 01
PAGE 89
JAN 20/09



757

PARTS CATALOG (MAINTENANCE)

FIG ITEM	PART NUMBER	1 2 3 4 5 6 7	NOMENCLATURE	EFFECT FROM TO	UNITS PER ASSY
1 584	BACB30NX12K		.BOLT- SIZE DETERMINED ON INSTL.	002004 006100 107107 121503 904999	22
584A	HL13VAZ12-17		.BOLT- SUPPLIER CODE: V56878 SPECIFICATION NUMBER: BACB30NY12K17 OPTIONAL PART: HL13VAZ12-17 V73197 HL13VAZ12-17 V92215 L801-12K17 V06725 HL13VAZ12-17 V97928 HL13VAZ12-17 V60516 HL13VAZ12-17 V17446 L801-12K17 VOPTK6 POSITION DATA: LH SIDE	101102 108120 504903	2
-584B	HL13VAZ12-20		.BOLT- SUPPLIER CODE: V56878 SPECIFICATION NUMBER: BACB30NY12K20 OPTIONAL PART: L801-12K20 VOPTK6 L801-12K20 V06725 HL13VAZ12-20 V73197 HL13VAZ12-20 V92215 HL13VAZ12-20 V97928 HL13VAZ12-20 V60516 HL13VAZ12-20 V17446 POSITION DATA: RH SIDE	101102 108120 504903	2

MISSING ITEM NUMBERS NOT APPLICABLE

- ITEM NOT ILLUSTRATED

57-24-51-01

57-24-51
FIG. 01
PAGE 90
JAN 20/09

BRI



757

PARTS CATALOG (MAINTENANCE)

FIG ITEM	PART NUMBER	1 2 3 4 5 6 7	NOMENCLATURE	EFFECT FROM TO	UNITS PER ASSY
1 584C	HL13VAZ12-21	.BOLT	SUPPLIER CODE: V56878 SPECIFICATION NUMBER: BACB30NY12K21 OPTIONAL PART: HL13VAZ12-21 V73197 HL13VAZ12-21 V92215 L801-12K21 V06725 HL13VAZ12-21 V97928 HL13VAZ12-21 V60516 L801-12K21 VOPTK6 HL13VAZ12-21 V17446	101102 108120 504903	2
584D	HL13VAZ12-15	.BOLT	SUPPLIER CODE: V56878 SPECIFICATION NUMBER: BACB30NY12K15 OPTIONAL PART: HL13VAZ12-15 V73197 HL13VAZ12-15 V92215 HL13VAZ12-15 V97928 L801-12K15 V06725 HL13VAZ12-15 V60516 HL13VAZ12-15 V17446 L801-12K15 VOPTK6	101102 108120 504903	3

MISSING ITEM NUMBERS NOT APPLICABLE

- ITEM NOT ILLUSTRATED

BRI

57-24-51-01

BOEING PROPRIETARY - Copyright © - Unpublished Work - See title page for details.

57-24-51
FIG. 01
PAGE 91
JAN 20/09



757

PARTS CATALOG (MAINTENANCE)

FIG ITEM	PART NUMBER	1 2 3 4 5 6 7	NOMENCLATURE	EFFECT FROM TO	UNITS PER ASSY
1 584E	HL13VAZ12-20	.BOLT	SUPPLIER CODE: V56878 SPECIFICATION NUMBER: BACB30NY12K20 OPTIONAL PART: L801-12K20 VOPTK6 L801-12K20 V06725 HL13VAZ12-20 V73197 HL13VAZ12-20 V92215 HL13VAZ12-20 V97928 HL13VAZ12-20 V60516 HL13VAZ12-20 V17446	101102 108120 504903	1
584F	HL13VAZ12-14	.BOLT	SUPPLIER CODE: V56878 SPECIFICATION NUMBER: BACB30NY12K14 OPTIONAL PART: HL13VAZ12-14 V73197 HL13VAZ12-14 V92215 HL13VAZ12-14 V97928 L801-12K14 V06725 HL13VAZ12-14 V60516 HL13VAZ12-14 V17446 L801-12K14 VOPTK6	101102 108120 504903	1

MISSING ITEM NUMBERS NOT APPLICABLE

- ITEM NOT ILLUSTRATED

BRI

57-24-51-01

BOEING PROPRIETARY - Copyright © - Unpublished Work - See title page for details.

57-24-51
FIG. 01
PAGE 92
JAN 20/09



757

PARTS CATALOG (MAINTENANCE)

FIG ITEM	PART NUMBER	1 2 3 4 5 6 7	NOMENCLATURE	EFFECT FROM TO	UNITS PER ASSY
1 584G	HL13VAZ12-13	.BOLT	SUPPLIER CODE: V56878 SPECIFICATION NUMBER: BACB30NY12K13 OPTIONAL PART: HL13VAZ12-13 V73197 HL13VAZ12-13 V92215 HL13VAZ12-13 V97928 L801-12K13 V06725 HL13VAZ12-13 V60516 HL13VAZ12-13 V17446 L801-12K13 VOPTK6	101102 108120 504903	1
584H	HL13VAZ12-18	.BOLT	SUPPLIER CODE: V17446 SPECIFICATION NUMBER: BACB30NY12K18 OPTIONAL PART: L801-12K18 VOPTK6 HL13VAZ12-18 V60516 HL13VAZ12-18 V97928 L801-12K18 V06725 HL13VAZ12-18 V92215 HL13VAZ12-18 V73197 HL13VAZ12-18 V56878	101102 108120 504903	2

MISSING ITEM NUMBERS NOT APPLICABLE

- ITEM NOT ILLUSTRATED

BRI

57-24-51-01

BOEING PROPRIETARY - Copyright © - Unpublished Work - See title page for details.

57-24-51
FIG. 01
PAGE 93
JAN 20/09



757

PARTS CATALOG (MAINTENANCE)

FIG ITEM	PART NUMBER	1 2 3 4 5 6 7	NOMENCLATURE	EFFECT FROM TO	UNITS PER ASSY
1 585	K29913-6		.WASHER SUPPLIER CODE: V15653 SPECIFICATION NUMBER: BACW10CA6CC OPTIONAL PART: 70191-6 V56878 922008-6 V60119 942008-6 V60119	002004 006100 107107 121503 904999	11
586	HL75-12APBW		.COLLAR- SUPPLIER CODE: V73197	101102 108120 504903	12
587	K29913-5		.WASHER SUPPLIER CODE: V15653 SPECIFICATION NUMBER: BACW10CA5CC OPTIONAL PART: 70191-5 V56878 922008-5 V60119 942008-5 V60119	002004 006100 107107 121503 904999	3
588	K29646-5		.WASHER SUPPLIER CODE: V15653 SPECIFICATION NUMBER: BACW10CA5CV OPTIONAL PART: 70188-5 V56878 922007-5 V60119 942007-5 V60119	002004 006100 107107 121503 904999	3

MISSING ITEM NUMBERS NOT APPLICABLE

- ITEM NOT ILLUSTRATED

BRI

57-24-51-01

BOEING PROPRIETARY - Copyright © - Unpublished Work - See title page for details.

57-24-51
FIG. 01
PAGE 94
JAN 20/09



757

PARTS CATALOG (MAINTENANCE)

FIG ITEM	PART NUMBER	1 2 3 4 5 6 7	NOMENCLATURE	EFFECT FROM TO	UNITS PER ASSY
1 589	HL1012AZ12-20		.BOLT- SUPPLIER CODE: VOPTK6 SPECIFICATION NUMBER: BACB30NX12K20 OPTIONAL PART: HL12VAZ12-20 V73197 HL12VAZ12-20 V92215 HL12VAZ12-20 V97928 L802-12K20 V06725 HL12VAZ12-20 V56878 HL1012AZ12-20 V06725 HL1012AZ12-20 V06950 HL1012AZ12-20 V17446 HL1012AZ12-20 V56878 HL1012AZ12-20 V60516 HL1012AZ12-20 V73197 HL1012AZ12-20 V97928 POSITION DATA: LH SIDE	101102 108120 504903	2

MISSING ITEM NUMBERS NOT APPLICABLE

- ITEM NOT ILLUSTRATED

BRI

57-24-51-01

BOEING PROPRIETARY - Copyright © - Unpublished Work - See title page for details.

57-24-51
FIG. 01
PAGE 95
JAN 20/09



757

PARTS CATALOG (MAINTENANCE)

FIG ITEM	PART NUMBER	1 2 3 4 5 6 7	NOMENCLATURE	EFFECT FROM TO	UNITS PER ASSY
1 -589A	HL1012AZ12-17	.	BOLT- SUPPLIER CODE: VOPTK6 SPECIFICATION NUMBER: BACB30NX12K17 OPTIONAL PART: HL12VAZ12-17 V73197 HL12VAZ12-17 V92215 HL12VAZ12-17 V97928 L802-12K17 V06725 HL12VAZ12-17 V56878 HL1012AZ12-17 V06725 HL1012AZ12-17 V06950 HL1012AZ12-17 V17446 HL1012AZ12-17 V56878 HL1012AZ12-17 V60516 HL1012AZ12-17 V73197 HL1012AZ12-17 V97928 POSITION DATA: RH SIDE	101102 108120 504903	2

MISSING ITEM NUMBERS NOT APPLICABLE

- ITEM NOT ILLUSTRATED

BRI

57-24-51-01

BOEING PROPRIETARY - Copyright © - Unpublished Work - See title page for details.

57-24-51
 FIG. 01
 PAGE 96
 JAN 20/09



757

PARTS CATALOG (MAINTENANCE)

FIG ITEM	PART NUMBER	1 2 3 4 5 6 7	NOMENCLATURE	EFFECT FROM TO	UNITS PER ASSY
1 589B	HL1012AZ12-21	.	BOLT SUPPLIER CODE: VOPTK6 SPECIFICATION NUMBER: BACB30NX12K21 OPTIONAL PART: HL12VAZ12-21 V73197 HL12VAZ12-21 V92215 HL12VAZ12-21 V97928 L802-12K21 V06725 HL12VAZ12-21 V56878 HL1012AZ12-21 V06725 HL1012AZ12-21 V06950 HL1012AZ12-21 V17446 HL1012AZ12-21 V56878 HL1012AZ12-21 V60516 HL1012AZ12-21 V73197 HL1012AZ12-21 V97928	101102 108120 504903	2

MISSING ITEM NUMBERS NOT APPLICABLE

- ITEM NOT ILLUSTRATED

BRI

57-24-51-01

BOEING PROPRIETARY - Copyright © - Unpublished Work - See title page for details.

57-24-51
FIG. 01
PAGE 97
JAN 20/09



757

PARTS CATALOG (MAINTENANCE)

FIG ITEM	PART NUMBER	1 2 3 4 5 6 7 NOMENCLATURE	EFFECT FROM TO	UNITS PER ASSY
1 589C	HL1012AZ12-15	.BOLT SUPPLIER CODE: VOPTK6 SPECIFICATION NUMBER: BACB30NX12K15 OPTIONAL PART: HL12VAZ12-15 V73197 HL12VAZ12-15 V92215 HL12VAZ12-15 V97928 L802-12K15 V06725 HL12VAZ12-15 V56878 HL12AZ12-15 V06725 HL12AZ12-15 V06950 HL1012AZ12-15 V17446 HL1012AZ12-15 V56878 HL1012AZ12-15 V60516 HL1012AZ12-15 V73197 HL1012AZ12-15 V97928	101102 108120 504903	3

MISSING ITEM NUMBERS NOT APPLICABLE

- ITEM NOT ILLUSTRATED

BRI

57-24-51-01

BOEING PROPRIETARY - Copyright © - Unpublished Work - See title page for details.

57-24-51
FIG. 01
PAGE 98
JAN 20/09



757

PARTS CATALOG (MAINTENANCE)

FIG ITEM	PART NUMBER	1 2 3 4 5 6 7	NOMENCLATURE	EFFECT FROM TO	UNITS PER ASSY
1 589D	HL1012AZ12-14	.	BOLT SUPPLIER CODE: VOPTK6 SPECIFICATION NUMBER: BACB30NX12K14 OPTIONAL PART: HL12VAZ12-14 V73197 HL12VAZ12-14 V92215 HL12VAZ12-14 V97928 L802-12K14 V06725 HL12VAZ12-14 V56878 HL1012AZ12-14 V06725 HL1012AZ12-14 V06950 HL1012AZ12-14 V17446 HL1012AZ12-14 V56878 HL1012AZ12-14 V60516 HL1012AZ12-14 V73197 HL1012AZ12-14 V97928	101102 108120 504903	1

MISSING ITEM NUMBERS NOT APPLICABLE

- ITEM NOT ILLUSTRATED

BRI

57-24-51-01

BOEING PROPRIETARY - Copyright © - Unpublished Work - See title page for details.

57-24-51
FIG. 01
PAGE 99
JAN 20/09



757

PARTS CATALOG (MAINTENANCE)

FIG ITEM	PART NUMBER	1 2 3 4 5 6 7	NOMENCLATURE	EFFECT FROM TO	UNITS PER ASSY
1 589E	HL1012AZ12-13	.BOLT	SUPPLIER CODE: VOPTK6 SPECIFICATION NUMBER: BACB30NX12K13 OPTIONAL PART: HL12VAZ12-13 V73197 HL12VAZ12-13 V92215 HL12VAZ12-13 V97928 L802-12K13 V06725 HL12VAZ12-13 V56878 HL1012AZ12-13 V06725 HL1012AZ12-13 V06950 HL1012AZ12-13 V17446 HL1012AZ12-13 V56878 HL1012AZ12-13 V60516 HL1012AZ12-13 V73197 HL1012AZ12-13 V97928	101102 108120 504903	1

MISSING ITEM NUMBERS NOT APPLICABLE

- ITEM NOT ILLUSTRATED

BRI

57-24-51-01

BOEING PROPRIETARY - Copyright © - Unpublished Work - See title page for details.

57-24-51
FIG. 01
PAGE 100
JAN 20/09



757

PARTS CATALOG (MAINTENANCE)

FIG ITEM	PART NUMBER	1 2 3 4 5 6 7	NOMENCLATURE	EFFECT FROM TO	UNITS PER ASSY
1 589F	HL1012AZ12-18	.BOLT	SUPPLIER CODE: VOPTK6 SPECIFICATION NUMBER: BACB30NX12K18 OPTIONAL PART: HL12VAZ12-18 V73197 HL12VAZ12-18 V92215 HL12VAZ12-18 V97928 L802-12K18 V06725 HL12VAZ12-18 V56878 HL1012AZ12-18 V06725 HL1012AZ12-18 V06950 HL1012AZ12-18 V17446 HL1012AZ12-18 V56878 HL1012AZ12-18 V60516 HL1012AZ12-18 V73197 HL1012AZ12-18 V97928	101102 108120 504903	2
589G	HL1187-12	.COLLAR	SUPPLIER CODE: V5M902 SPECIFICATION NUMBER: BACC30X12 OPTIONAL PART: HL1187-12 V73197 HL1187-12 V56878 HL1187-12 V92215 HL1187-12 V92215 HL87-12 V56878 HL87-12 V73197	101102 108120 504903	11

MISSING ITEM NUMBERS NOT APPLICABLE

- ITEM NOT ILLUSTRATED

57-24-51-01

57-24-51
FIG. 01
PAGE 101
JAN 20/09

BRI



757

PARTS CATALOG (MAINTENANCE)

FIG ITEM	PART NUMBER	1 2 3 4 5 6 7	NOMENCLATURE	EFFECT FROM TO	UNITS PER ASSY
1 590	K29646-6		.WASHER SUPPLIER CODE: V15653 SPECIFICATION NUMBER: BACW10CA6CV OPTIONAL PART: 70188-6 V56878 922007-6 V60119 942007-6 V60119	002004 006100 107107 121503 904999	11
595	HL1187-8		.COLLAR SUPPLIER CODE: V5M902 SPECIFICATION NUMBER: BACC30X8 OPTIONAL PART: HL87-8 V92215 HL87-8 V73197 HL1187-8 V56878 HL1187-8 V92215 HL87-8 V56878 HL1187-8 V73197	002004 006100 107107 121503 904999	8
600	HL1187-10		.COLLAR SUPPLIER CODE: V5M902 SPECIFICATION NUMBER: BACC30X10 OPTIONAL PART: HL1187-10 V56878 HL1187-10 V92215 HL1187-10 V73197 HL1187-10 V92215 HL87-10 V56878 HL1187-10 V73197	002004 006100 107107 121503 904999	15

MISSING ITEM NUMBERS NOT APPLICABLE

- ITEM NOT ILLUSTRATED

57-24-51-01

57-24-51
FIG. 01
PAGE 102
JAN 20/09

BRI



757

PARTS CATALOG (MAINTENANCE)

FIG ITEM	PART NUMBER	1 2 3 4 5 6 7	NOMENCLATURE	EFFECT FROM TO	UNITS PER ASSY
1 605	HL1187-12		.COLLAR SUPPLIER CODE: V5M902 SPECIFICATION NUMBER: BACC30X12 OPTIONAL PART: HL1187-12 V73197 HL1187-12 V56878 HL1187-12 V92215 HL1187-12 V92215 HL87-12 V56878 HL87-12 V73197	002004 006100 107107 121503 904999	22
610	BACB30LE8K32		.BOLT-	002004 006100 107107 121503 904999	2
612	BACB30LE8K30		.BOLT	101102 108120 504903	4
615	BACB30LE8K30		.BOLT	002004 006100 107107 121503 904999	2
617	K29913-8		.WASHER SUPPLIER CODE: V15653 SPECIFICATION NUMBER: BACW10CA8CC OPTIONAL PART: 70191-8 V56878 922008-8 V60119 942008-8 V60119	002004 006100 107107 121503 904999	2

MISSING ITEM NUMBERS NOT APPLICABLE

- ITEM NOT ILLUSTRATED

57-24-51-01

57-24-51
FIG. 01
PAGE 103
JAN 20/09

BRI



757

PARTS CATALOG (MAINTENANCE)

FIG ITEM	PART NUMBER	1 2 3 4 5 6 7	NOMENCLATURE	EFFECT FROM TO	UNITS PER ASSY
1 618	K29646-8	.	WASHER SUPPLIER CODE: V15653 SPECIFICATION NUMBER: BACW10CA8CV OPTIONAL PART: 70188-8 V56878 922007-8 V60119 942007-8 V60119	002004 006100 107107 121503 904999	2
620	BACW10BP8CD	.	WASHER	002004 006100 107107 121503 904999	2
622	BACW10BP8CD	.	WASHER	101102 108120 504903	4
625	BACW10BP8DP	.	WASHER	002004 006100 107107 121503 904999	4
627	BACW10BP8DP	.	WASHER	002004 006100 107107 121503 904999	4

MISSING ITEM NUMBERS NOT APPLICABLE

- ITEM NOT ILLUSTRATED

BRI

57-24-51-01

BOEING PROPRIETARY - Copyright © - Unpublished Work - See title page for details.

57-24-51
FIG. 01
PAGE 104
JAN 20/09



757

PARTS CATALOG (MAINTENANCE)

FIG ITEM	PART NUMBER	1 2 3 4 5 6 7	NOMENCLATURE	EFFECT FROM TO	UNITS PER ASSY
1 630	BH003028	.	NUT SUPPLIER CODE: V27238 SPECIFICATION NUMBER: BACN10HR8 OPTIONAL PART: H96-8 V15653 RMLH22-8 V72962 67832-820 V56878 BH00302-8 V27238 BMNN10HR8 V97928 H968 V15653 RMLH228 V72962 VAL280098 V06710 678328 V56878 CR5906-8 VF0224	002004 006100 107107 121503 904999	4

MISSING ITEM NUMBERS NOT APPLICABLE

- ITEM NOT ILLUSTRATED

BRI

57-24-51-01

BOEING PROPRIETARY - Copyright © - Unpublished Work - See title page for details.

57-24-51
FIG. 01
PAGE 105
JAN 20/09



757

PARTS CATALOG (MAINTENANCE)

FIG ITEM	PART NUMBER	1 2 3 4 5 6 7	NOMENCLATURE	EFFECT FROM TO	UNITS PER ASSY
1 632	BH003028	.	NUT SUPPLIER CODE: V27238 SPECIFICATION NUMBER: BACN10HR8 OPTIONAL PART: H96-8 V15653 RMLH22-8 V72962 67832-820 V56878 BH00302-8 V27238 BMNN10HR8 V97928 H968 V15653 RMLH228 V72962 VAL280098 V06710 678328 V56878 CR5906-8 VF0224	101102 108120 504903	4
635	313N5028-9	.	BRACKET ASSY- POSITION DATA: RH SIDE	002004 006102 107999	1
640	313N5028-7	.	BRACKET ASSY- POSITION DATA: LH SIDE	002004 006102 107999	1
645	BACB28X7M009	..	BUSHING	002004 006102 107999	1
650	BACB28X5M009	..	BUSHING	002004 006102 107999	1
655	313N5028-10	..	BRACKET- POSITION DATA: RH SIDE	002004 006102 107999	1
660	313N5028-8	..	BRACKET- POSITION DATA: LH SIDE	002004 006102 107999	1
663	112N7024-3	.	SHIM-LAMINATED OPTIONAL PART: 112N7024-8 112N7024-9	002004 006102 107999	1

MISSING ITEM NUMBERS NOT APPLICABLE

- ITEM NOT ILLUSTRATED

57-24-51-01

57-24-51
FIG. 01
PAGE 106
JAN 20/09

BRI

BOEING PROPRIETARY - Copyright © - Unpublished Work - See title page for details.



757

PARTS CATALOG (MAINTENANCE)

FIG ITEM	PART NUMBER	1 2 3 4 5 6 7	NOMENCLATURE	EFFECT FROM TO	UNITS PER ASSY
1					
663	112N7024-8		. SHIM-LAMINATED OPTIONAL PART: 112N7024-3 112N7024-9	101102 108120 504903	1
663	112N7024-9		. SHIM-LAMINATED OPTIONAL PART: 112N7024-3 112N7024-8	101102 108120 504903	1
665	112N7011-23		. FITTING ASSY-DRAG POSITION DATA: AFT LH SIDE	003004 006100 107107 121503 904999	1
665	112N7011-25		. FITTING ASSY-DRAG POSITION DATA: AFT LH SIDE	101102 108120 504903	1
- 670	112N7011-24		. FITTING ASSY-DRAG POSITION DATA: AFT RH SIDE	003004 006100 107107 121503 904999	1
- 670	112N7011-26		. FITTING ASSY-DRAG POSITION DATA: AFT RH SIDE	101102 108120 504903	1
675	69B15853-1		.. ADAPTOR-LUBE	002004 006102 107999	1
680	MS29512-02		.. PACKING	002004 006102 107999	1
685	112N7022-3		.. BUSHING-	002004 006102 107999	2
690	313N5028-19		.. BRACKET ASSY- USED ON: 112N7011-23 112N7011-24 112N7011-25 112N7011-26	002004 006102 107999	1

MISSING ITEM NUMBERS NOT APPLICABLE

- ITEM NOT ILLUSTRATED

BRI

57-24-51-01

BOEING PROPRIETARY - Copyright © - Unpublished Work - See title page for details.

57-24-51
FIG. 01
PAGE 107
JAN 20/09



757

PARTS CATALOG (MAINTENANCE)

FIG ITEM	PART NUMBER	1 2 3 4 5 6 7	NOMENCLATURE	EFFECT FROM TO	UNITS PER ASSY
1			ATTACHING PARTS		
695	HL1012AZ8-12		..BOLT	002004	1
			SUPPLIER CODE:	006102	
			V97928	107999	
			SPECIFICATION NUMBER:		
			BACB30NX8K12		
			OPTIONAL PART:		
			HL12VAZ8-12		
			V73197		
			HL12VAZ8-12		
			V92215		
			HL12VAZ8-12		
			V97928		
			L802-8K12		
			V06725		
			HL12VAZ8-12		
			V56878		
			HL1012AZ8-12		
			V73197		
			HL1012AZ8-12		
			V60516		
			HL1012AZ8-12		
			V56878		
			HL1012AZ8-12		
			V17446		
			HL1012AZ8-12		
			V06950		
			HL1012AZ8-12		
			V06725		
			HL1012AZ8-12		
			V0PTK6		

MISSING ITEM NUMBERS NOT APPLICABLE

- ITEM NOT ILLUSTRATED

BRI

57-24-51-01

BOEING PROPRIETARY - Copyright © - Unpublished Work - See title page for details.

57-24-51
FIG. 01
PAGE 108
JAN 20/09



757

PARTS CATALOG (MAINTENANCE)

FIG ITEM	PART NUMBER	1 2 3 4 5 6 7	NOMENCLATURE	EFFECT FROM TO	UNITS PER ASSY
1 700	HL1012AZ8-14	..	BOLT SUPPLIER CODE: VOPTK6 SPECIFICATION NUMBER: BACB30NX8K14 OPTIONAL PART: HL12VAZ8-14 V73197 HL12VAZ8-14 V92215 HL12VAZ8-14 V97928 L802-8K14 V06725 HL12VAZ8-14 V56878 HL1012AZ8-14 V06725 HL1012AZ8-14 V06950 HL1012AZ8-14 V17446 HL1012AZ8-14 V56878 HL1012AZ8-14 V60516 HL1012AZ8-14 V73197 HL1012AZ8-14 V97928	002004 006102 107999	1
705	BACB30NX8	..	COLLAR	002004 006102 107999	2
710	BACB28X7M012	-----*	...BUSHING	002004 006102 107999	1
715	BACB28X5M012	...	BUSHING	002004 006102 107999	1
720	313N5028-18	...	BRACKET- USED ON: 313N5028-19	002004 006102 107999	1
725	313N5028-15	..	FILLER	002004 006102 107999	1
755	313N5028-16	..	BRACKET ASSY-	002004 006102 107999	1

MISSING ITEM NUMBERS NOT APPLICABLE

- ITEM NOT ILLUSTRATED

57-24-51-01

57-24-51
FIG. 01
PAGE 109
JAN 20/09

BRI

BOEING PROPRIETARY - Copyright © - Unpublished Work - See title page for details.



757

PARTS CATALOG (MAINTENANCE)

FIG ITEM	PART NUMBER	1 2 3 4 5 6 7 NOMENCLATURE	EFFECT FROM TO	UNITS PER ASSY
1 760	HL1012AZ10-18	ATTACHING PARTS ..BOLT SUPPLIER CODE: VOPTK6 SPECIFICATION NUMBER: BACB30NX10K18 OPTIONAL PART: HL12VAZ10-18 V73197 HL12VAZ10-18 V92215 HL12VAZ10-18 V97928 L802-10K18 V06725 HL12VAZ10-18 V56878 HL1012AZ10-18 V06725 HL1012AZ10-18 V06950 HL1012AZ10-18 V17446 HL1012AZ10-18 V56878 HL1012AZ10-18 V60516 HL1012AZ10-18 V73197 HL1012AZ10-18 V97928	002004 006102 107999	1

MISSING ITEM NUMBERS NOT APPLICABLE

- ITEM NOT ILLUSTRATED

BRI

57-24-51-01

BOEING PROPRIETARY - Copyright © - Unpublished Work - See title page for details.

57-24-51
FIG. 01
PAGE 110
JAN 20/09



757

PARTS CATALOG (MAINTENANCE)

FIG ITEM	PART NUMBER	1 2 3 4 5 6 7	NOMENCLATURE	EFFECT FROM TO	UNITS PER ASSY
1 770	HL1187-10		.. COLLAR SUPPLIER CODE: V5M902 SPECIFICATION NUMBER: BACC30X10 OPTIONAL PART: HL1187-10 V56878 HL1187-10 V92215 HL1187-10 V73197 HL1187-10 V92215 HL87-10 V56878 HL1187-10 V73197 -----*-----	002004 006102 107999	1
780	BACB28X7M009		... BUSHING	002004 006102 107999	1
785	BACB28X5M009		... BUSHING	002004 006102 107999	1
790	313N5028-17		... BRACKET-	002004 006102 107999	1
795	313N5028-13		.. BRACKET ASSY	002004 006102 107999	1

MISSING ITEM NUMBERS NOT APPLICABLE

- ITEM NOT ILLUSTRATED

BRI

57-24-51-01

BOEING PROPRIETARY - Copyright © - Unpublished Work - See title page for details.

57-24-51
 FIG. 01
 PAGE 111
 JAN 20/09



757

PARTS CATALOG (MAINTENANCE)

FIG ITEM	PART NUMBER	1 2 3 4 5 6 7	NOMENCLATURE	EFFECT FROM TO	UNITS PER ASSY
1			ATTACHING PARTS		
- 800	HL1012AZ8-15	..	BOLT	002004	2
			SUPPLIER CODE:	006102	
			V0PTK6	107999	
			SPECIFICATION NUMBER:		
			BACB30NX8K15		
			OPTIONAL PART:		
			HL12VAZ8-15		
			V73197		
			HL12VAZ8-15		
			V92215		
			HL12VAZ8-15		
			V97928		
			L802-8K15		
			V06725		
			HL12VAZ8-15		
			V56878		
			HL1012AZ8-15		
			V06725		
			HL1012AZ8-15		
			V06950		
			HL1012AZ8-15		
			V17446		
			HL1012AZ8-15		
			V56878		
			HL1012AZ8-15		
			V60516		
			HL1012AZ8-15		
			V73197		
			HL1012AZ8-15		
			V97928		

MISSING ITEM NUMBERS NOT APPLICABLE

- ITEM NOT ILLUSTRATED

BRI

57-24-51-01

BOEING PROPRIETARY - Copyright © - Unpublished Work - See title page for details.

57-24-51
FIG. 01
PAGE 112
JAN 20/09



757

PARTS CATALOG (MAINTENANCE)

FIG ITEM	PART NUMBER	1 2 3 4 5 6 7	NOMENCLATURE	EFFECT FROM TO	UNITS PER ASSY
1 - 805	HL1187-8	..	COLLAR SUPPLIER CODE: V5M902 SPECIFICATION NUMBER: BACC30X8 OPTIONAL PART: HL87-8 V92215 HL87-8 V73197 HL1187-8 V56878 HL1187-8 V92215 HL87-8 V56878 HL1187-8 V73197 -----*	002004 006102 107999	2
810	BACB28X7M012	...	BUSHING	002004 006102 107999	1
815	BACB28X5M012	...	BUSHING	002004 006102 107999	1
820	313N5028-14	...	BRACKET	002004 006102 107999	1
822	112N7022-8	.	BUSHING	101102 108120 504903	2
- 835	112N7001-4001		SUPPORT INSTL-NAC POSITION DATA: LH FOR NHA SEE: 57-00-00-15B	101102 108120 504903	RF
- 835	MODREF864		SUPPORT INSTL-NAC MODULE NUMBER: 112N7001-4001 REV A POSITION DATA: LH	103105	1
- 835	MODREF24981		SUPPORT INSTL-NAC MODULE NUMBER: 112N7001-4001 REV B POSITION DATA: LH	106106	1

MISSING ITEM NUMBERS NOT APPLICABLE

- ITEM NOT ILLUSTRATED

57-24-51-01

57-24-51
FIG. 01
PAGE 113
JAN 20/09

BRI



757

PARTS CATALOG (MAINTENANCE)

FIG ITEM	PART NUMBER	1 2 3 4 5 6 7	NOMENCLATURE	EFFECT FROM TO	UNITS PER ASSY
1					
- 840	112N7001-4002		SUPPORT INSTL-NAC POSITION DATA: RH FOR NHA SEE: 57-00-00-15B	101102 108120 504903	RF
- 840	MODREF865		SUPPORT INSTL-NAC MODULE NUMBER: 112N7001-4002 REV A POSITION DATA: RH	103105	1
- 840	MODREF24982		SUPPORT INSTL-NAC MODULE NUMBER: 112N7001-4002 REV B POSITION DATA: RH	106106	1
845	112N7040-1		.FITTING ASSY-NAC ATTACHMENT SIDELOAD POSITION DATA: OUTBD LH SIDE FOR DETAILS SEE: 57-24-53-01	101105 108120 504903	1
845	112N7040-23		.FITTING ASSY-NAC ATTACHMENT SIDELOAD POSITION DATA: OUTBD LH SIDE FOR DETAILS SEE: 57-24-53-02	106106	1
- 850	112N7039-30		.FITTING ASSY-NAC ATTACHMENT SIDELOAD POSITION DATA: INBD RH SIDE FOR DETAILS SEE: 57-24-52-01	101106 108120 504903	1

MISSING ITEM NUMBERS NOT APPLICABLE

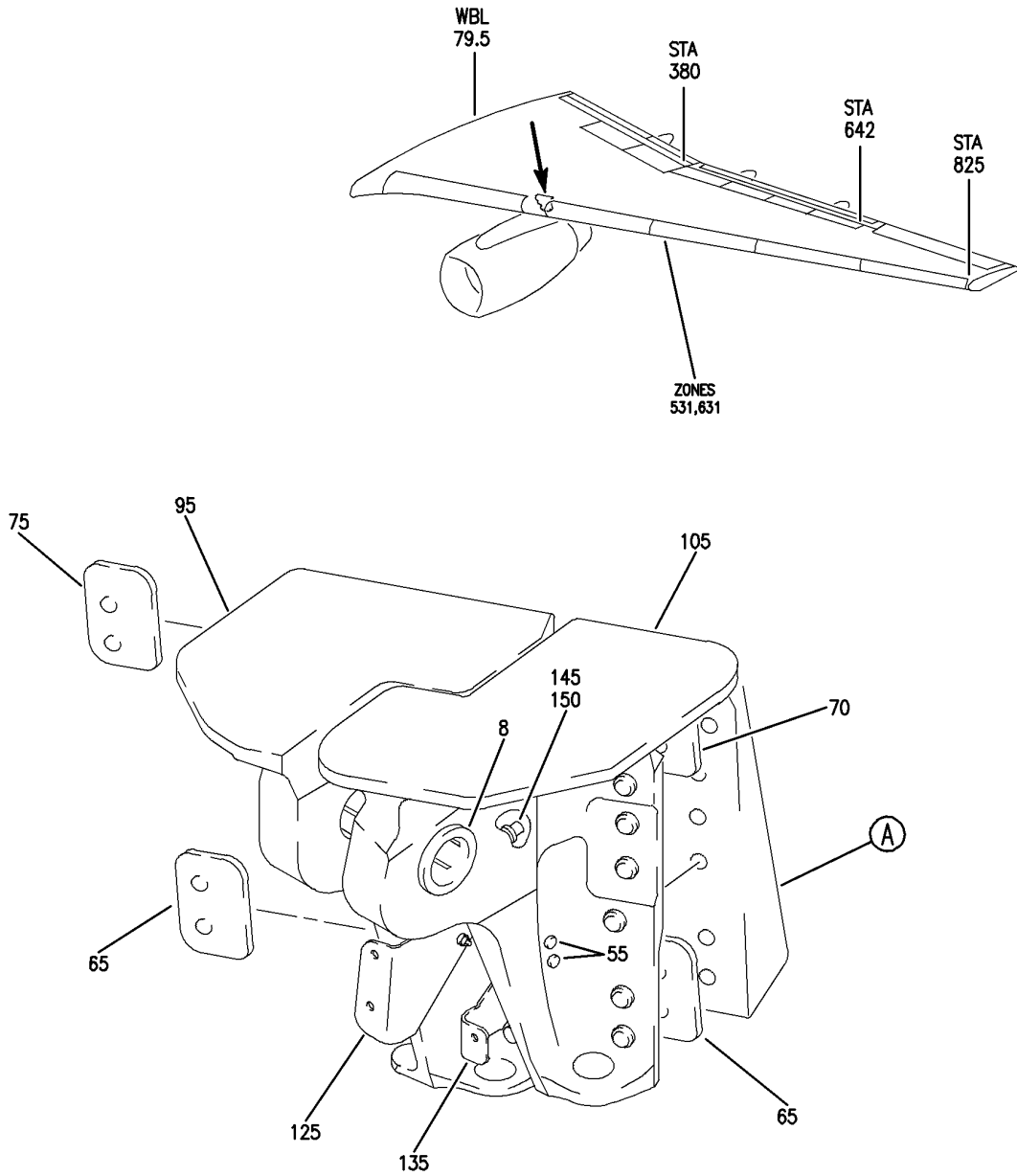
- ITEM NOT ILLUSTRATED

BRI

57-24-51-01

57-24-51
FIG. 01
PAGE 114
JAN 20/09

BOEING
757
PARTS CATALOG (MAINTENANCE)



Y 57245101A SH1 1 REV 244

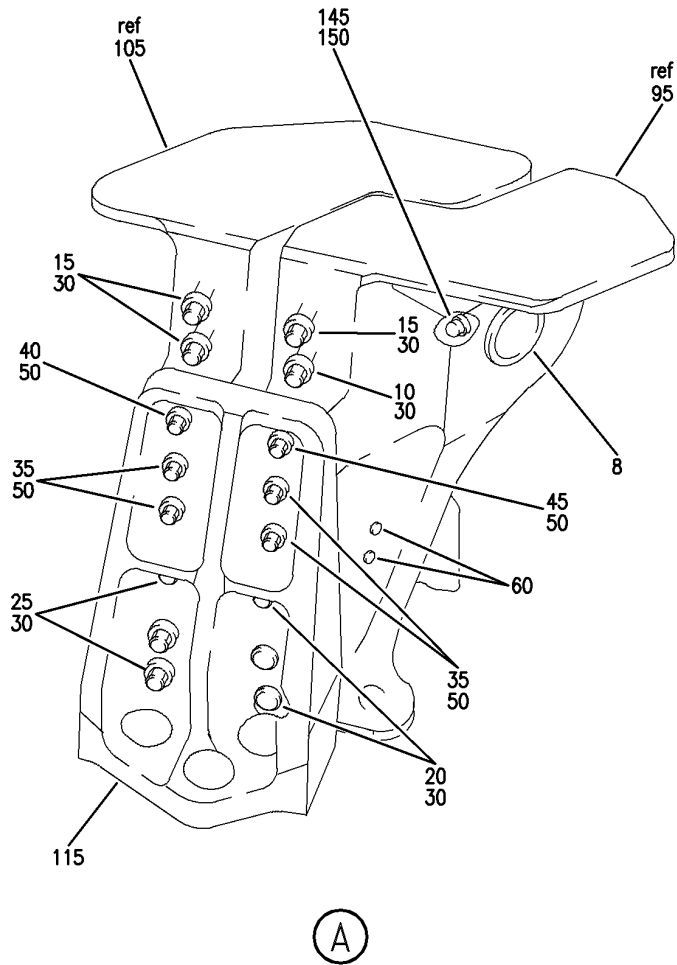
SUPPORT INSTL-NAC
 FIGURE 1A (SHEET 1)

57-24-51-01A

BRI
 JAN 20/09

57-24-51-01A
 PAGE 0

BOEING
757
PARTS CATALOG (MAINTENANCE)



Y 57245101A SH1 2 REV 243

SUPPORT INSTL-NAC
FIGURE 1A (SHEET 2)

57-24-51-01A

BRI
JAN 20/09

57-24-51-01A
PAGE 0A



757

PARTS CATALOG (MAINTENANCE)

FIG ITEM	PART NUMBER	1 2 3 4 5 6 7	NOMENCLATURE	EFFECT FROM TO	UNITS PER ASSY
1 A					
- 1	MODREF946		SUPPORT INSTL-NAC SUPPORT INSTL-NAC MODULE NUMBER: 112N7001-413 REV A POSITION DATA: LH	103106 103103	1
- 1	MODREF26498		SUPPORT INSTL-NAC MODULE NUMBER: 112N7001-413 REV B POSITION DATA: LH	104106	RF
- 5	MODREF947		SUPPORT INSTL-NAC MODULE NUMBER: 112N7001-414 REV A POSITION DATA: RH	103103	1
- 5	MODREF26499		SUPPORT INSTL-NAC MODULE NUMBER: 112N7001-414 REV B POSITION DATA: RH	104106	RF
8	112N7022-7		.BUSHING	103106	2

MISSING ITEM NUMBERS NOT APPLICABLE

- ITEM NOT ILLUSTRATED

BRI

57-24-51-01A

BOEING PROPRIETARY - Copyright © - Unpublished Work - See title page for details.

57-24-51
FIG. 01A
PAGE 1
JAN 20/09



757

PARTS CATALOG (MAINTENANCE)

FIG ITEM	PART NUMBER	1 2 3 4 5 6 7	NOMENCLATURE	EFFECT FROM TO	UNITS PER ASSY
1 A 10	HL1012AZ14-23	.BOLT	SUPPLIER CODE: VOPTK6 SPECIFICATION NUMBER: BACB30NX14K23 OPTIONAL PART: HL12VAZ14-23 V73197 HL12VAZ14-23 V92215 HL12VAZ14-23 V97928 L802-14K23 V06725 HL12VAZ14-23 V56878 HL1012AZ14-23 V06725 HL1012AZ14-23 V06950 HL1012AZ14-23 V17446 HL1012AZ14-23 V56878 HL1012AZ14-23 V60516 HL1012AZ14-23 V73197 HL1012AZ14-23 V97928	103106	1

MISSING ITEM NUMBERS NOT APPLICABLE

- ITEM NOT ILLUSTRATED

BRI

57-24-51-01A

BOEING PROPRIETARY - Copyright © - Unpublished Work - See title page for details.

57-24-51
FIG. 01A
PAGE 2
JAN 20/09



757

PARTS CATALOG (MAINTENANCE)

FIG ITEM	PART NUMBER	1 2 3 4 5 6 7	NOMENCLATURE	EFFECT FROM TO	UNITS PER ASSY
1 A 15	HL1012AZ14-20	.BOLT	SUPPLIER CODE: VOPTK6 SPECIFICATION NUMBER: BACB30NX14K20 OPTIONAL PART: HL12VAZ14-20 V73197 HL12VAZ14-20 V92215 HL12VAZ14-20 V97928 L802-14K20 V06725 HL12VAZ14-20 V56878 HL1012AZ14-20 V06725 HL1012AZ14-20 V06950 HL1012AZ14-20 V17446 HL1012AZ14-20 V56878 HL1012AZ14-20 V60516 HL1012AZ14-20 V73197 HL1012AZ14-20 V97928	103106	3

MISSING ITEM NUMBERS NOT APPLICABLE

- ITEM NOT ILLUSTRATED

BRI

57-24-51-01A

BOEING PROPRIETARY - Copyright © - Unpublished Work - See title page for details.

57-24-51
FIG. 01A
PAGE 3
JAN 20/09



757

PARTS CATALOG (MAINTENANCE)

FIG ITEM	PART NUMBER	1 2 3 4 5 6 7	NOMENCLATURE	EFFECT FROM TO	UNITS PER ASSY
1 A 20	HL1012AZ14-30	.BOLT	SUPPLIER CODE: VOPTK6 SPECIFICATION NUMBER: BACB30NX14K30 OPTIONAL PART: HL12VAZ14-30 V97928 L802-14K30 V06725 HL12VAZ14-30 V92215 HL12VAZ14-30 V73197 HL1012AZ14-30 V06725 HL1012AZ14-30 V06950 HL1012AZ14-30 V17446 HL1012AZ14-30 V56878 HL1012AZ14-30 V60516 HL1012AZ14-30 V73197 HL1012AZ14-30 V97928	103106	3

MISSING ITEM NUMBERS NOT APPLICABLE

- ITEM NOT ILLUSTRATED

BRI

57-24-51-01A

BOEING PROPRIETARY - Copyright © - Unpublished Work - See title page for details.

57-24-51
FIG. 01A
PAGE 4
JAN 20/09



757

PARTS CATALOG (MAINTENANCE)

FIG ITEM	PART NUMBER	1 2 3 4 5 6 7	NOMENCLATURE	EFFECT FROM TO	UNITS PER ASSY
1 A 25	HL1012AZ14-29	.BOLT	SUPPLIER CODE: VOPTK6 SPECIFICATION NUMBER: BACB30NX14K29 OPTIONAL PART: HL12VAZ14-29 V73197 HL12VAZ14-29 V92215 HL12VAZ14-29 V97928 L802-14K29 V06725 HL12VAZ14-29 V56878 HL1012AZ14-29 V06725 HL1012AZ14-29 V06950 HL1012AZ14-29 V17446 HL1012AZ14-29 V56878 HL1012AZ14-29 V60516 HL1012AZ14-29 V73197 HL1012AZ14-29 V97928	103106	3
30	BACN10YT7CD	.NUT		103106	10

MISSING ITEM NUMBERS NOT APPLICABLE

- ITEM NOT ILLUSTRATED

BRI

57-24-51-01A

BOEING PROPRIETARY - Copyright © - Unpublished Work - See title page for details.

57-24-51
 FIG. 01A
 PAGE 5
 JAN 20/09



757

PARTS CATALOG (MAINTENANCE)

FIG ITEM	PART NUMBER	1 2 3 4 5 6 7 NOMENCLATURE	EFFECT FROM TO	UNITS PER ASSY
1 A 35	HL1012AZ12-22	.BOLT SUPPLIER CODE: VOPTK6 SPECIFICATION NUMBER: BACB30NX12K22 OPTIONAL PART: HL12VAZ12-22 V73197 HL12VAZ12-22 V92215 HL12VAZ12-22 V97928 L802-12K22 V06725 HL12VAZ12-22 V56878 HL1012AZ12-22 V06725 HL1012AZ12-22 V06950 HL1012AZ12-22 V17446 HL1012AZ12-22 V56878 HL1012AZ12-22 V60516 HL1012AZ12-22 V73197 HL1012AZ12-22 V97928	103106	4

MISSING ITEM NUMBERS NOT APPLICABLE

- ITEM NOT ILLUSTRATED

BRI

57-24-51-01A

BOEING PROPRIETARY - Copyright © - Unpublished Work - See title page for details.

57-24-51
 FIG. 01A
 PAGE 6
 JAN 20/09



757

PARTS CATALOG (MAINTENANCE)

FIG ITEM	PART NUMBER	1 2 3 4 5 6 7 NOMENCLATURE	EFFECT FROM TO	UNITS PER ASSY
1 A 40	HL1012AZ12-26	.BOLT SUPPLIER CODE: VOPTK6 SPECIFICATION NUMBER: BACB30NX12K26 OPTIONAL PART: HL12VAZ12-26 V73197 HL12VAZ12-26 V92215 HL12VAZ12-26 V97928 L802-12K26 V06725 HL1012AZ12-26 V56878 HL1012AZ12-26 V06725 HL1012AZ12-26 V06950 HL1012AZ12-26 V17446 HL12AZ12-26 V56878 HL1012AZ12-26 V60516 HL1012AZ12-26 V73197 HL1012AZ12-26 V97928	103106	1

MISSING ITEM NUMBERS NOT APPLICABLE

- ITEM NOT ILLUSTRATED

BRI

57-24-51-01A

BOEING PROPRIETARY - Copyright © - Unpublished Work - See title page for details.

57-24-51
 FIG. 01A
 PAGE 7
 JAN 20/09



757

PARTS CATALOG (MAINTENANCE)

FIG ITEM	PART NUMBER	1 2 3 4 5 6 7	NOMENCLATURE	EFFECT FROM TO	UNITS PER ASSY
1 A 45	HL1012AZ12-30	.BOLT	SUPPLIER CODE: VOPTK6 SPECIFICATION NUMBER: BACB30NX12K30 OPTIONAL PART: HL12VAZ12-30 V73197 HL12VAZ12-30 V92215 HL12VAZ12-30 V97928 L802-12K30 V06725 HL12VAZ12-30 V56878 HL1012AZ12-30 V06725 HL1012AZ12-30 V06950 HL1012AZ12-30 V17446 HL1012AZ12-30 V56878 HL1012AZ12-30 V60516 HL1012AZ12-30 V73197 HL1012AZ12-30 V97928	103106	1
50	BACN10YT6CD	.NUT		103106	6
55	HL1012AZ5-8	.BOLT	SUPPLIER CODE: V60516 SPECIFICATION NUMBER: BACB30NX5HK8	103106	2
60	HL1012AZ5-9	.BOLT	SUPPLIER CODE: V60516 SPECIFICATION NUMBER: BACB30NX5HK9	103106	2
65	BACS40R022C042F	.SHIM		103106	2
70	BACS40R020C036F	.SHIM		103106	1
75	BACS40R022C037F	.SHIM		103106	1
95	112N7007-51	.FITTING-	POSITION DATA: LH SIDE	103106	1

MISSING ITEM NUMBERS NOT APPLICABLE

- ITEM NOT ILLUSTRATED

57-24-51-01A

57-24-51
FIG. 01A
PAGE 8
JAN 20/09

BRI

BOEING PROPRIETARY - Copyright © - Unpublished Work - See title page for details.

 **BOEING**
757
PARTS CATALOG (MAINTENANCE)

FIG ITEM	PART NUMBER	1 2 3 4 5 6 7	NOMENCLATURE	EFFECT FROM TO	UNITS PER ASSY
1A					
- 100	112N7007-52		.FITTING- POSITION DATA: RH SIDE	103106	1
105	112N7009-45		.FITTING- POSITION DATA: LH SIDE	103106	1
- 110	112N7009-46		.FITTING- POSITION DATA: RH SIDE	103106	1
115	112N7043-5		.FITTING- POSITION DATA: LH SIDE	103106	1
- 120	112N7043-6		.FITTING- POSITION DATA: RH SIDE	103106	1
125	312N5828-49		.BRACKET- POSITION DATA: LH SIDE	103106	1
- 130	312N5828-50		.BRACKET- POSITION DATA: RH SIDE	103106	1
135	312N5828-47		.BRACKET- POSITION DATA: LH SIDE	103106	1
- 140	312N5828-48		.BRACKET- POSITION DATA: RH SIDE	103106	1
145	69B15853-1		.ADAPTOR	103106	2
150	MS29512-02		.PACKING	103106	2

MISSING ITEM NUMBERS NOT APPLICABLE

- ITEM NOT ILLUSTRATED

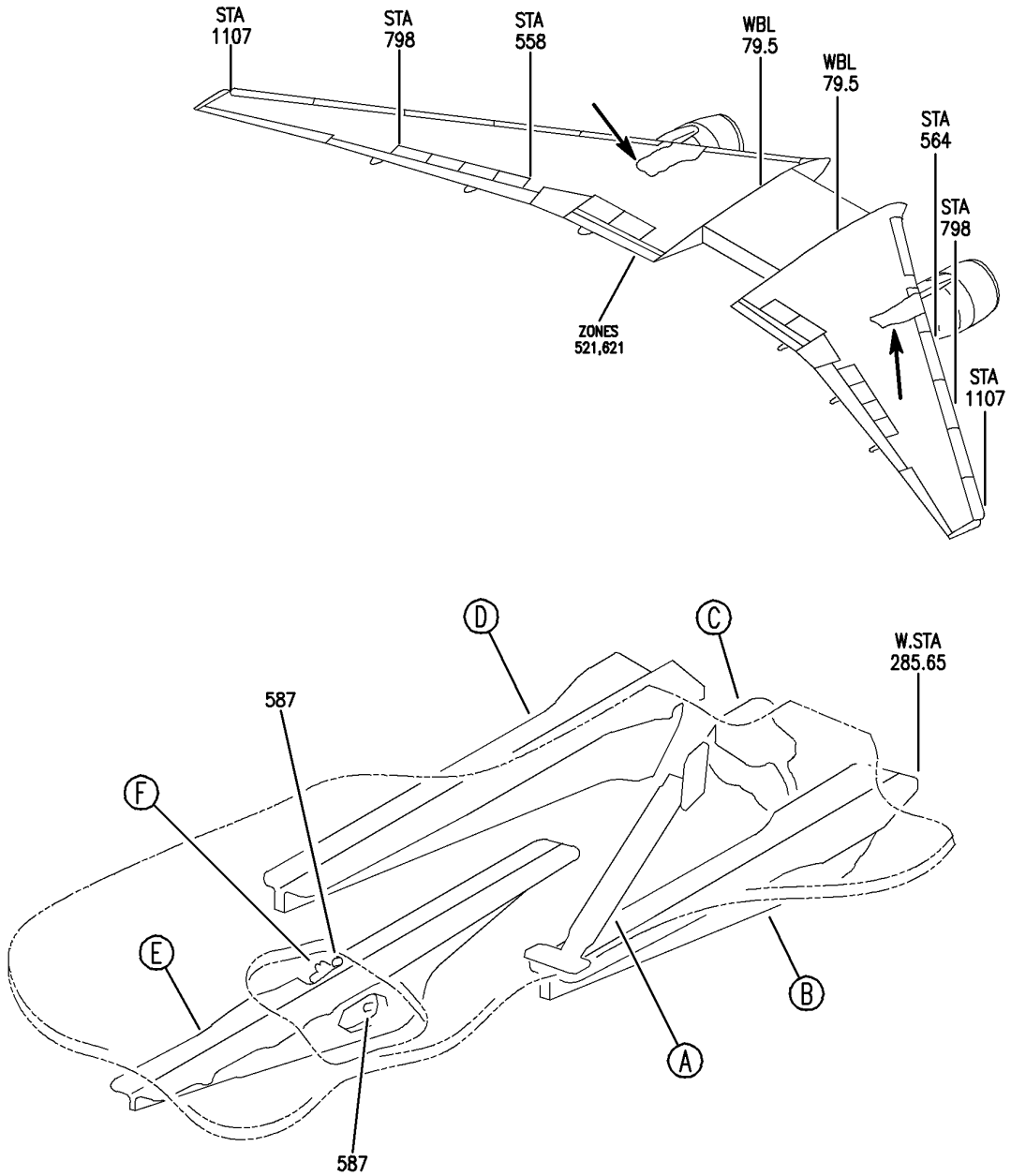
BRI

57-24-51-01A

BOEING PROPRIETARY - Copyright © - Unpublished Work - See title page for details.

57-24-51
FIG. 01A
PAGE 9
JAN 20/09

BOEING
757
PARTS CATALOG (MAINTENANCE)



Y 57245101B SHT 1 REV 243

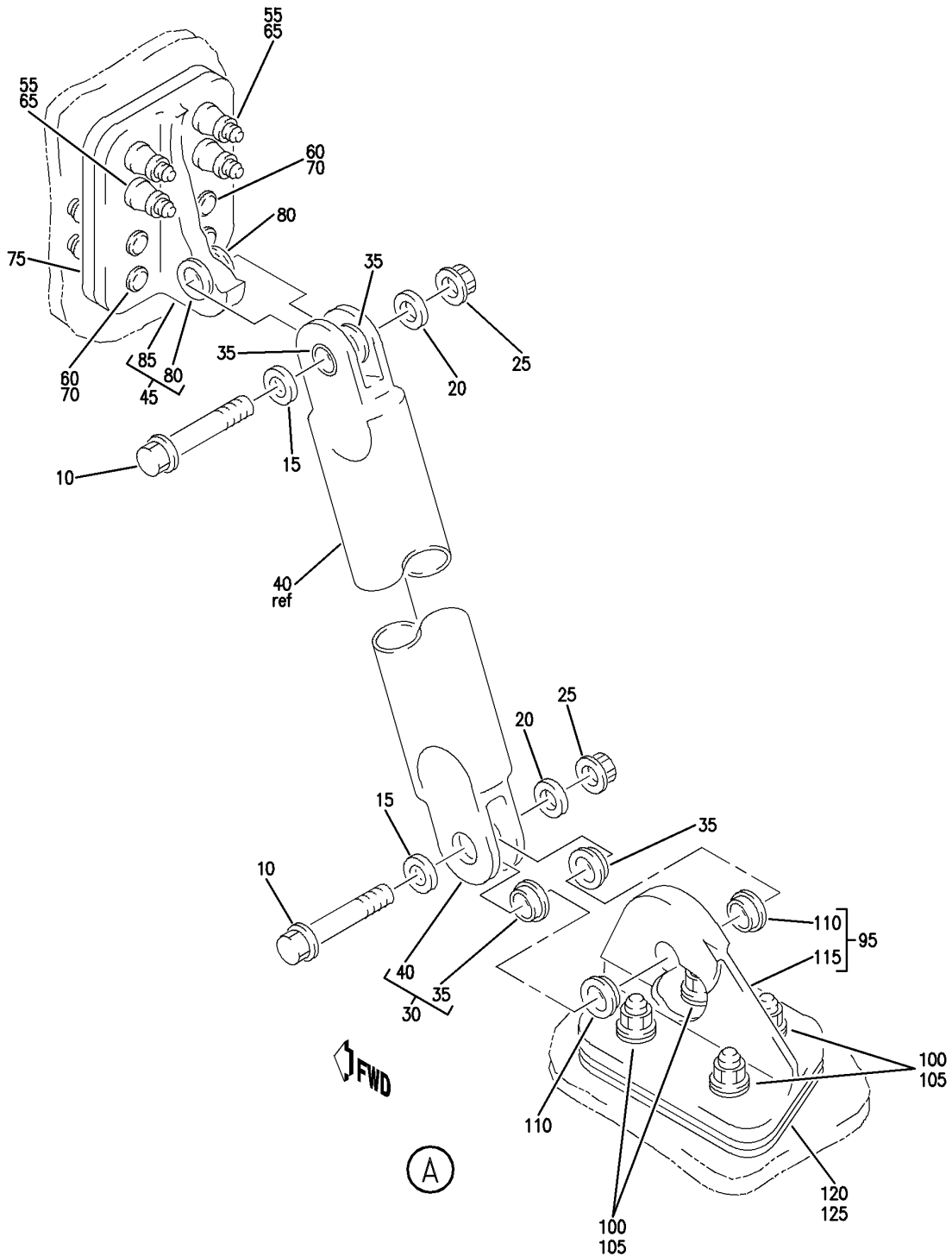
SUPPORT INSTL-NAC
FIGURE 1B (SHEET 1)

57-24-51-01B

BRI
JAN 20/09

57-24-51-01B
PAGE 0

BOEING
757
PARTS CATALOG (MAINTENANCE)



Y 57245101B SHT 2 REV 243

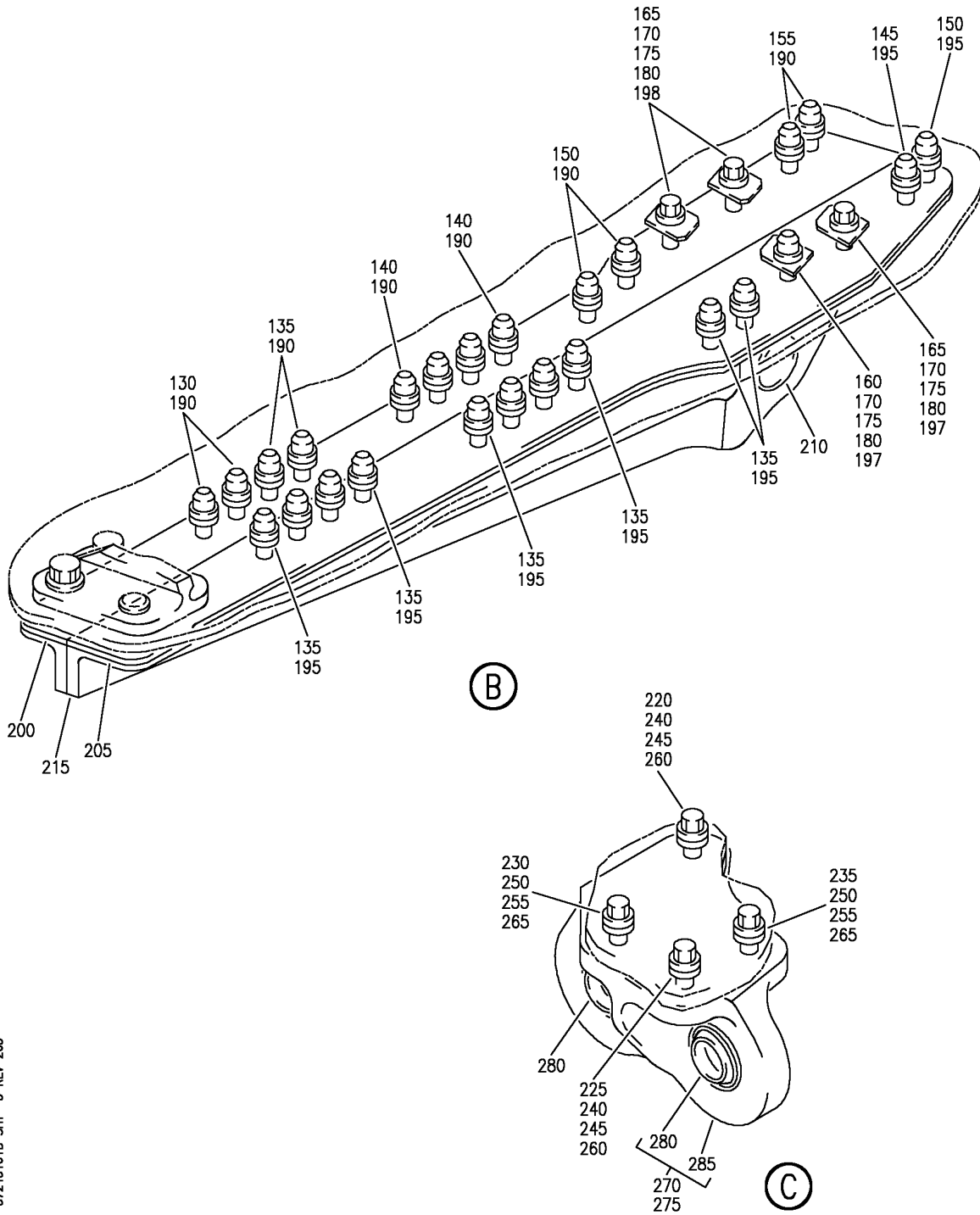
SUPPORT INSTL-NAC
FIGURE 1B (SHEET 2)

57-24-51-01B

BRI
JAN 20/09

57-24-51-01B
PAGE 0A

BOEING
757
PARTS CATALOG (MAINTENANCE)



Y 57245101B SHT 3 REV 263

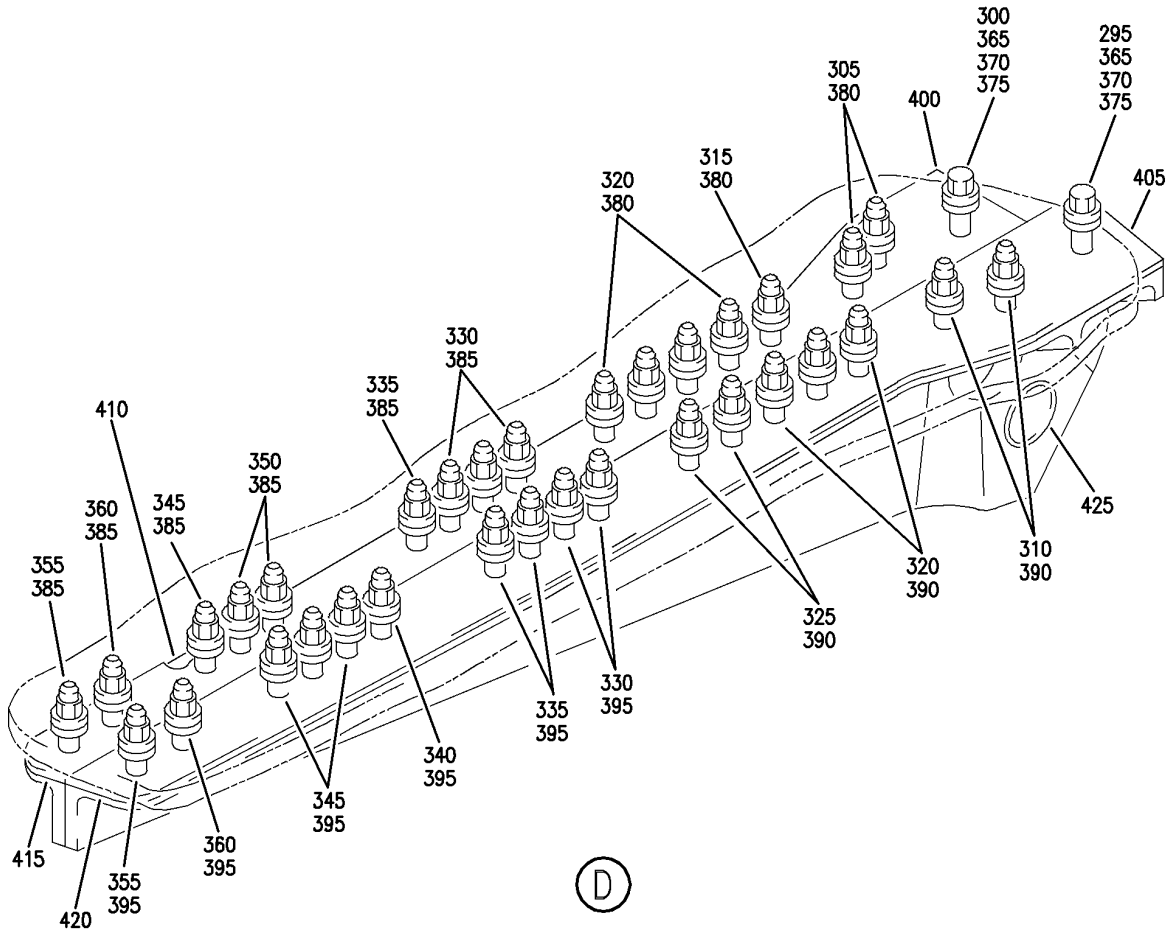
SUPPORT INSTL-NAC
FIGURE 1B (SHEET 3)

57-24-51-01B

BRI
JAN 20/09

57-24-51-01B
PAGE 0B

BOEING
757
PARTS CATALOG (MAINTENANCE)



Y 57245101B SH1 4 REV 243

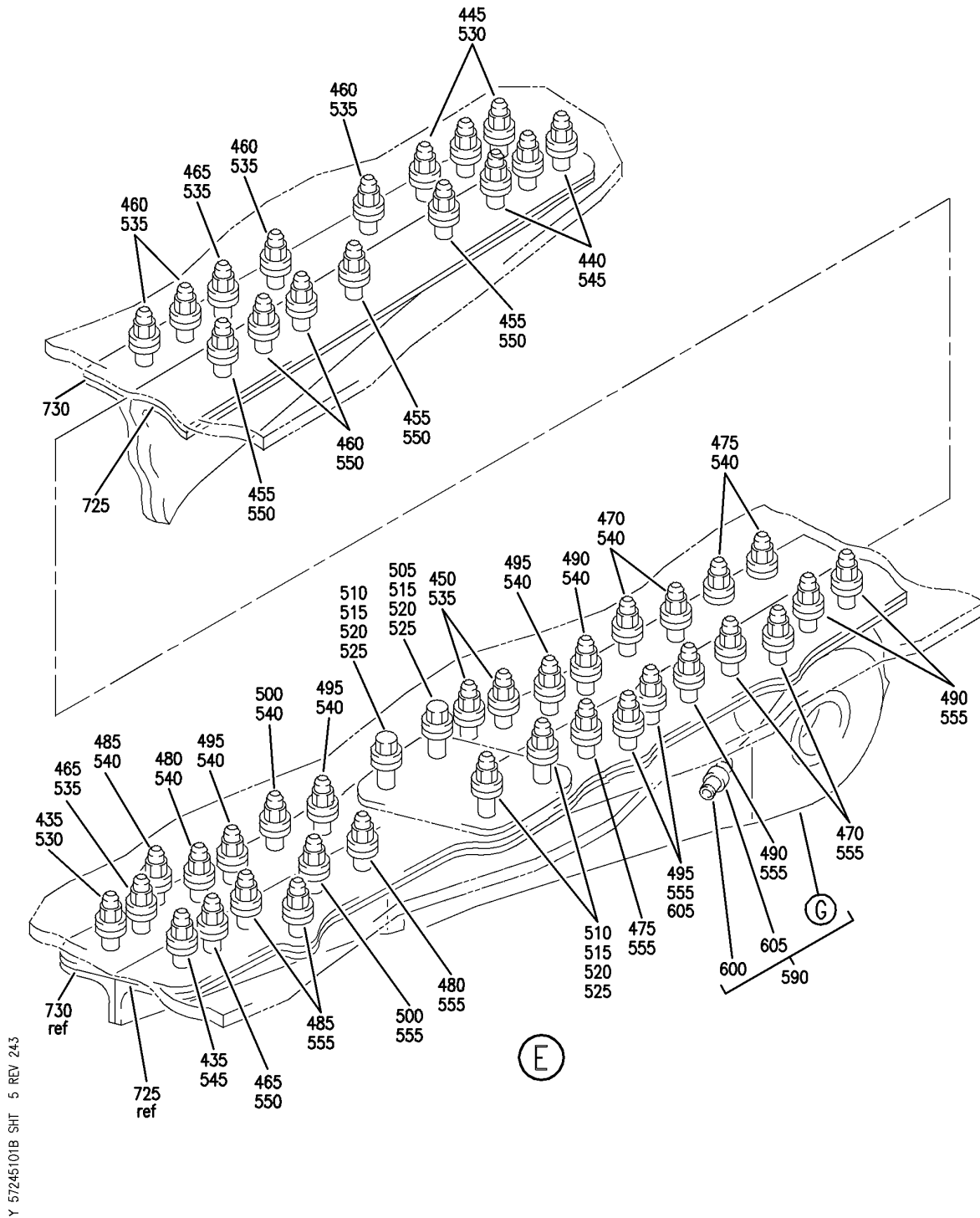
SUPPORT INSTL-NAC
FIGURE 1B (SHEET 4)

57-24-51-01B

BRI
JAN 20/09

57-24-51-01B
PAGE 0C

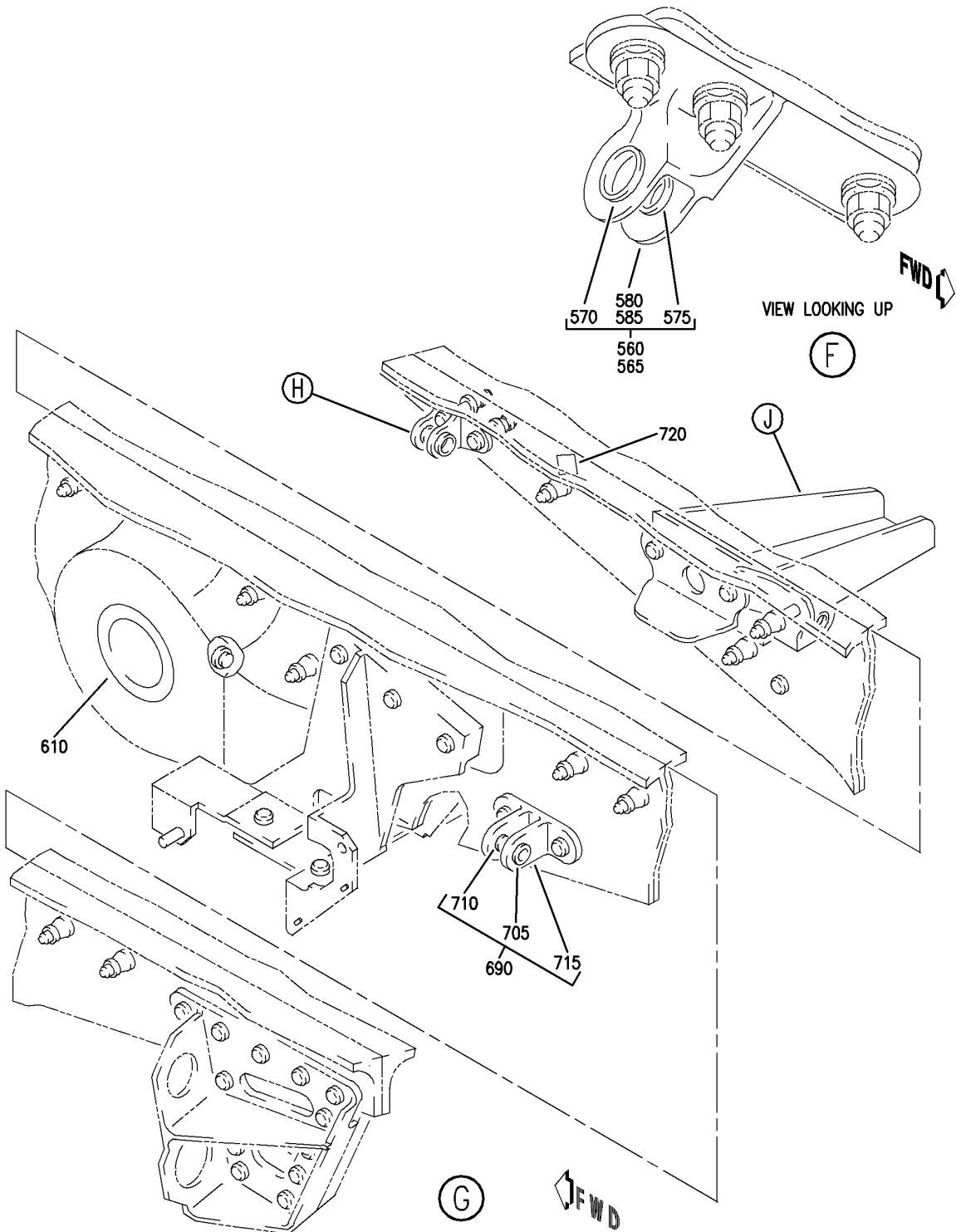
BOEING
757
PARTS CATALOG (MAINTENANCE)



SUPPORT INSTL-NAC
FIGURE 1B (SHEET 5)

57-24-51-01B

BOEING
757
PARTS CATALOG (MAINTENANCE)



Y 57245101B SH1 6 REV 243

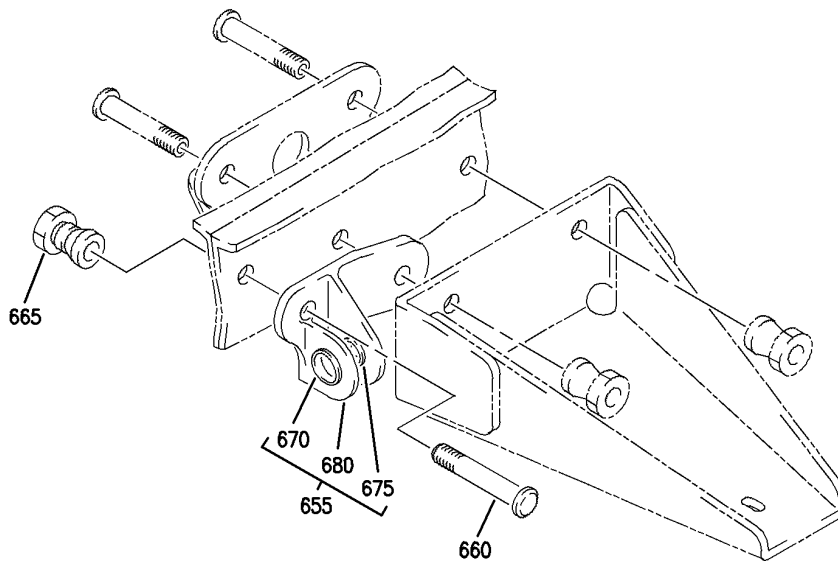
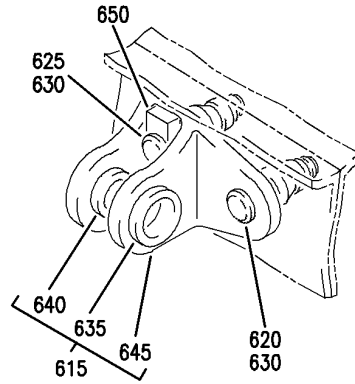
SUPPORT INSTL-NAC
FIGURE 1B (SHEET 6)

57-24-51-01B

BRI
JAN 20/09

57-24-51-01B
PAGE 0E

BOEING
757
PARTS CATALOG (MAINTENANCE)



Y 57245101B SHT 7 REV 243

SUPPORT INSTL-NAC
FIGURE 1B (SHEET 7)

57-24-51-01B

BRI
JAN 20/09

57-24-51-01B
PAGE OF



757

PARTS CATALOG (MAINTENANCE)

FIG ITEM	PART NUMBER	1 2 3 4 5 6 7	NOMENCLATURE	EFFECT FROM TO	UNITS PER ASSY
1B					
- 1	MODREF948		SUPPORT INSTL-NAC SUPPORT INSTL-NAC MODULE NUMBER: 112N7001-415 REV A POSITION DATA: LH	103106 103105	1
- 1	MODREF24985		SUPPORT INSTL-NAC MODULE NUMBER: 112N7001-415 REV B POSITION DATA: LH	106106	1
- 5	MODREF949		SUPPORT INSTL-NAC MODULE NUMBER: 112N7001-416 REV A POSITION DATA: RH	103105	1
- 5	MODREF24986		SUPPORT INSTL-NAC MODULE NUMBER: 112N7001-416 REV B POSITION DATA: RH	106106	1
10	BACB30PW8-27		.BOLT	103106	2
15	BACW10BN8AC		.WASHER	103106	2
20	BACW10BN7AP		.WASHER	103106	2
25	BACN10JC7CD		.NUT	103106	2
30	112N7023-12		.STRUT ASSY	103106	1
35	BACB28AT08B033C		..BUSHING	103106	4
40	112N7023-6		..STRUT	103106	1
45	112N7030-19		.FITTING ASSY- POSITION DATA: LH SIDE	103106	1
- 50	112N7030-20		.FITTING ASSY- POSITION DATA: RH SIDE	103106	1

MISSING ITEM NUMBERS NOT APPLICABLE

- ITEM NOT ILLUSTRATED

BRI

57-24-51-01B

BOEING PROPRIETARY - Copyright © - Unpublished Work - See title page for details.

57-24-51
FIG. 01B
PAGE 1
JAN 20/09



757

PARTS CATALOG (MAINTENANCE)

FIG ITEM	PART NUMBER	1 2 3 4 5 6 7	NOMENCLATURE	EFFECT FROM TO	UNITS PER ASSY
1B 55	HL1012AZ8-8		ATTACHING PARTS .BOLT SUPPLIER CODE: VOPTK6 SPECIFICATION NUMBER: BACB30NX8K8 OPTIONAL PART: HL12VAZ8-8 V73197 HL12VAZ8-8 V92215 HL12VAZ8-8 V97928 L802-8K8 V06725 HL12VAZ8-8 V56878 HL1012AZ8-8 V06725 HL1012AZ8-8 V06950 HL1012AZ8-8 V17446 HL1012AZ8-8 V56878 HL1012AZ8-8 V60516 HL1012AZ8-8 V73197 HL1012AZ8-8 V97928	103106	4

MISSING ITEM NUMBERS NOT APPLICABLE

- ITEM NOT ILLUSTRATED

BRI

57-24-51-01B

BOEING PROPRIETARY - Copyright © - Unpublished Work - See title page for details.

57-24-51
FIG. 01B
PAGE 2
JAN 20/09



757

PARTS CATALOG (MAINTENANCE)

FIG ITEM	PART NUMBER	1 2 3 4 5 6 7	NOMENCLATURE	EFFECT FROM TO	UNITS PER ASSY
1B 60	HL1012AZ10-14	.BOLT	SUPPLIER CODE: VOPTK6 SPECIFICATION NUMBER: BACB30NX10K14 OPTIONAL PART: HL12VAZ10-14 V73197 HL12VAZ10-14 V92215 HL12VAZ10-14 V97928 L802-10K14 V06725 HL12VAZ10-14 V56878 HL1012AZ10-14 V06725 HL1012AZ10-14 V06950 HL1012AZ10-14 V17446 HL1012AZ10-14 V56878 HL1012AZ10-14 V60516 HL1012AZ10-14 V73197 HL1012AZ10-14 V97928	103106	4
65	HL1087-8	.COLLAR	SUPPLIER CODE: V9N513 SPECIFICATION NUMBER: BACC30BH8 OPTIONAL PART: HL1087-8 V92215 HL1087-8 V73197 HL1087-8 V56878	103106	4

MISSING ITEM NUMBERS NOT APPLICABLE

- ITEM NOT ILLUSTRATED

BRI

57-24-51-01B

BOEING PROPRIETARY - Copyright © - Unpublished Work - See title page for details.

57-24-51
 FIG. 01B
 PAGE 3
 JAN 20/09



757

PARTS CATALOG (MAINTENANCE)

FIG ITEM	PART NUMBER	1 2 3 4 5 6 7	NOMENCLATURE	EFFECT FROM TO	UNITS PER ASSY
1B 70	HL1087-10	.	COLLAR SUPPLIER CODE: V9N513 SPECIFICATION NUMBER: BACC30BH10 OPTIONAL PART: HL1087-10 V92215 HL1087-10 V73197 HL1087-10 V56878 -----*-----	103106	4
75	BACS40R024B030F	.	SHIM	103106	1
80	BACB28AT08B031C	..	BUSHING	103106	2
85	112N7030-7	..	FITTING- POSITION DATA: LH SIDE	103106	1
- 90	112N7030-8	..	FITTING- POSITION DATA: RH SIDE	103106	1
95	112N7029-7	.	FITTING ASSY- POSITION DATA: LH SIDE	103106	1
- 97	112N7029-8	.	FITTING ASSY- POSITION DATA: RH SIDE	103106	1
100	HLT422AP12-21	.	BOLT ATTACHING PARTS SUPPLIER CODE: V60516 SPECIFICATION NUMBER: BACB30YK12K21 OPTIONAL PART: HLT422AP12-21 V06725 HLT422AP12-21 V97928	103106	4
105	BACC30CP12C	.	COLLAR -----*-----	103106	4
110	BACB28AT08B031A	..	BUSHING	103106	2
115	112N7029-9	..	FITTING- POSITION DATA: LH SIDE	103106	1
120	112N7042-1	.	SHIM	103106	AR
125	112N7042-2	.	SHIM	103106	AR

MISSING ITEM NUMBERS NOT APPLICABLE

- ITEM NOT ILLUSTRATED

57-24-51-01B

57-24-51
FIG. 01B
PAGE 4
JAN 20/09

BRI

BOEING PROPRIETARY - Copyright © - Unpublished Work - See title page for details.



757

PARTS CATALOG (MAINTENANCE)

FIG ITEM	PART NUMBER	1 2 3 4 5 6 7	NOMENCLATURE	EFFECT FROM TO	UNITS PER ASSY
1B 130	HLT422AP10-15	.BOLT	SUPPLIER CODE: V60516 SPECIFICATION NUMBER: BACB30YK10K15 OPTIONAL PART: HLT422AP10-15 V97928 HLT422AP10-15 V06725	103106	2
135	HLT422AP10-16	.BOLT	SUPPLIER CODE: V60516 SPECIFICATION NUMBER: BACB30YK10K16 OPTIONAL PART: HLT422AP10-16 V06725 HLT422AP10-16 V97928	103106	12
140	HLT422AP10-17	.BOLT	SUPPLIER CODE: V60516 SPECIFICATION NUMBER: BACB30YK10K17 OPTIONAL PART: HLT422AP10-17 V06725 HLT422AP10-17 V97928	103106	4
145	HLT422AP10-18	.BOLT	SUPPLIER CODE: V60516 SPECIFICATION NUMBER: BACB30YK10K18 OPTIONAL PART: HLT422AP10-18 V06725 HLT422AP10-18 V97928	103106	1

MISSING ITEM NUMBERS NOT APPLICABLE

- ITEM NOT ILLUSTRATED

BRI

57-24-51-01B

BOEING PROPRIETARY - Copyright © - Unpublished Work - See title page for details.

57-24-51
FIG. 01B
PAGE 5
JAN 20/09



757

PARTS CATALOG (MAINTENANCE)

FIG ITEM	PART NUMBER	1 2 3 4 5 6 7	NOMENCLATURE	EFFECT FROM TO	UNITS PER ASSY
1B 150	HLT422AP10-19	.BOLT	SUPPLIER CODE: V60516 SPECIFICATION NUMBER: BACB30YK10K19 OPTIONAL PART: HLT422AP10-19 V06725 HLT422AP10-19 V97928	103106	3
155	HLT422AP10-25	.BOLT	SUPPLIER CODE: V06725 SPECIFICATION NUMBER: BACB30YK10K25 OPTIONAL PART: HLT422AP10-25 V97928 HLT422AP10-25 V60516	103106	2
160	BACB30US10K32	.BOLT-		103105	1
160	BACB30US10K37	.BOLT-		106106	1
165	BACB30US10K34	.BOLT-		103105	3
165	BACB30US10K39	.BOLT-		106106	3
170	BACW10BP10CD	.WASHER		103106	4
175	BACW10BP10DP	.WASHER		103106	4

MISSING ITEM NUMBERS NOT APPLICABLE

- ITEM NOT ILLUSTRATED

BRI

57-24-51-01B

BOEING PROPRIETARY - Copyright © - Unpublished Work - See title page for details.

57-24-51
FIG. 01B
PAGE 6
JAN 20/09



757

PARTS CATALOG (MAINTENANCE)

FIG ITEM	PART NUMBER	1 2 3 4 5 6 7	NOMENCLATURE	EFFECT FROM TO	UNITS PER ASSY
1B 180	BMN5024CWD310	.NUT	SUPPLIER CODE: V97928 SPECIFICATION NUMBER: BACN10HR10CD OPTIONAL PART: H51560-10 V15653 102LH9031-10 V72962 67832CD1018 V56878 BH00303CM10 V27238 SL7108C10 V11815 VCU0005D10 V06710 BMN10HRCWD3-10 V97928 102LH903110 V72962 102LH903110 V72962	103106	4
190	BACC30CP10C	.COLLAR		103106	12
195	HL75-10APBW	.COLLAR-	SUPPLIER CODE: V73197	103106	12
197	112N7038-7	.FILLER-RADIUS	POSITION DATA: LH	106106	2
198	112N7038-5	.FILLER-RADIUS	POSITION DATA: LH	106106	2
200	112N7024-4	.SHIM-LAMINATED		103106	AR
205	112N7024-5	.SHIM-LAMINATED		103106	AR
210	112N7035-3	.BUSHING		103106	1
215	112N7039-39	.FITTING ASSY-	POSITION DATA: LH SIDE FOR DETAILS SEE: 57-24-52-01	103106	1
220	BACB30US8K32	.BOLT		103106	1
225	BACB30US8K44	.BOLT		103106	1
230	BACB30US9K40	.BOLT		103106	1
235	BACB30US9K44	.BOLT		103106	1
240	BACW10BP8CD	.WASHER		103106	2
245	BACW10BP8DP	.WASHER		103106	2
250	BACW10BP9CD	.WASHER		103106	2

MISSING ITEM NUMBERS NOT APPLICABLE

- ITEM NOT ILLUSTRATED

57-24-51-01B

57-24-51
FIG. 01B
PAGE 7
JAN 20/09

BRI

BOEING PROPRIETARY - Copyright © - Unpublished Work - See title page for details.



757

PARTS CATALOG (MAINTENANCE)

FIG ITEM	PART NUMBER	1 2 3 4 5 6 7	NOMENCLATURE	EFFECT FROM TO	UNITS PER ASSY
1B					
255	BACW10BP9DP	.	WASHER	103106	2
260	BMN10HRCWD3-8	.	NUT	103106	2
			SUPPLIER CODE: V97928		
			SPECIFICATION NUMBER: BACN10HR8CD		
			OPTIONAL PART: H51560-8		
			V15653		
			67832CD820		
			V56878		
			102LH9031-8		
			V72962		
			BH00303CM8		
			V27238		
			BMN5024CWD38		
			V97928		
			SL7108C8		
			V11815		
			VCU0005D8		
			V06710		
			102LH90318		
			V72962		
			67832CD8		
			V56878		
			CR6030-8		
			VF0224		

MISSING ITEM NUMBERS NOT APPLICABLE

- ITEM NOT ILLUSTRATED

BRI

57-24-51-01B

BOEING PROPRIETARY - Copyright © - Unpublished Work - See title page for details.

57-24-51
FIG. 01B
PAGE 8
JAN 20/09



757

PARTS CATALOG (MAINTENANCE)

FIG ITEM	PART NUMBER	1 2 3 4 5 6 7	NOMENCLATURE	EFFECT FROM TO	UNITS PER ASSY
1B 265	BMN10HRCWD3-9	.NUT	SUPPLIER CODE: V97928 SPECIFICATION NUMBER: BACN10HR9CD OPTIONAL PART: H51560-9 V15653 67832CD918 V56878 102LH9031-9 V72962 BH00303CM9 V27238 BMN5024CWD39 V97928 SL7108C9 V11815 VCU0005D9 V06710 102LH90319 V72962 67832CD9 V56878 67832CD9 V56878	103106	2
270	112N7041-13	.FITTING ASSY-	POSITION DATA: LH SIDE	103106	1
275	112N7041-14	.FITTING ASSY-	POSITION DATA: RH SIDE	103106	1
280	ASSB12V4008	..BEARING-	SUPPLIER CODE: V15860 SPECIFICATION NUMBER: 60B00180-334 OPTIONAL PART: WC12DG5 V56644	103106	2
285	112N7041-15	..FITTING-	POSITION DATA: LH SIDE	103106	1
- 290	112N7041-16	..FITTING-	POSITION DATA: RH SIDE	103106	1
295	BACB30US14K40	.BOLT		103106	1
300	BACB30US14K42	.BOLT		103106	1

MISSING ITEM NUMBERS NOT APPLICABLE

- ITEM NOT ILLUSTRATED

57-24-51-01B

57-24-51
FIG. 01B
PAGE 9
JAN 20/09

BRI

BOEING PROPRIETARY - Copyright © - Unpublished Work - See title page for details.



757

PARTS CATALOG (MAINTENANCE)

FIG ITEM	PART NUMBER	1 2 3 4 5 6 7	NOMENCLATURE	EFFECT FROM TO	UNITS PER ASSY
1B 305	HLT422AP10-26	.BOLT	SUPPLIER CODE: V60516 SPECIFICATION NUMBER: BACB30YK10K26 OPTIONAL PART: HLT422AP10-26 V06725 HLT422AP10-26 V97928	103106	2
310	HLT422AP10-25	.BOLT	SUPPLIER CODE: V06725 SPECIFICATION NUMBER: BACB30YK10K25 OPTIONAL PART: HLT422AP10-25 V97928 HLT422AP10-25 V60516	103106	2
315	HLT422AP10-21	.BOLT	SUPPLIER CODE: V60516 SPECIFICATION NUMBER: BACB30YK10K21 OPTIONAL PART: HLT422AP10-21 V06725 HLT422AP10-21 V97928	103106	1
320	HLT422AP10-20	.BOLT	SUPPLIER CODE: V60516 SPECIFICATION NUMBER: BACB30YK10K20 OPTIONAL PART: HLT422AP10-20 V06725 HLT422AP10-20 V97928	103106	7

MISSING ITEM NUMBERS NOT APPLICABLE

- ITEM NOT ILLUSTRATED

BRI

57-24-51-01B

BOEING PROPRIETARY - Copyright © - Unpublished Work - See title page for details.

57-24-51
FIG. 01B
PAGE 10
JAN 20/09



757

PARTS CATALOG (MAINTENANCE)

FIG ITEM	PART NUMBER	1 2 3 4 5 6 7	NOMENCLATURE	EFFECT FROM TO	UNITS PER ASSY
1B 325	HLT422AP10-19	.BOLT	SUPPLIER CODE: V60516 SPECIFICATION NUMBER: BACB30YK10K19 OPTIONAL PART: HLT422AP10-19 V06725 HLT422AP10-19 V97928	103106	2
330	HLT422AP12-18	.BOLT	SUPPLIER CODE: V60516 SPECIFICATION NUMBER: BACB30YK12K18 OPTIONAL PART: HLT422AP12-18 V06725 HLT422AP12-18 V97928	103106	5
335	HLT422AP12-17	.BOLT	SUPPLIER CODE: V60516 SPECIFICATION NUMBER: BACB30YK12K17 OPTIONAL PART: HLT422AP12-17 V06725 HLT422AP12-17 V97928	103106	3
340	HLT422AP12-16	.BOLT	SUPPLIER CODE: V60516 SPECIFICATION NUMBER: BACB30YK12K16 OPTIONAL PART: HLT422AP12-16 V06725 HLT422AP12-16 V97928	103106	1

MISSING ITEM NUMBERS NOT APPLICABLE

- ITEM NOT ILLUSTRATED

BRI

57-24-51-01B

BOEING PROPRIETARY - Copyright © - Unpublished Work - See title page for details.

57-24-51
FIG. 01B
PAGE 11
JAN 20/09



757

PARTS CATALOG (MAINTENANCE)

FIG ITEM	PART NUMBER	1 2 3 4 5 6 7	NOMENCLATURE	EFFECT FROM TO	UNITS PER ASSY
1B 345	HLT422AP12-15	.BOLT	SUPPLIER CODE: V60516 SPECIFICATION NUMBER: BACB30YK12K15 OPTIONAL PART: HLT422AP12-15 V97928 HLT422AP12-15 V06725	103106	4
350	HLT422AP12-23	.BOLT	SUPPLIER CODE: V60516 SPECIFICATION NUMBER: BACB30YK12K23 OPTIONAL PART: HLT422AP12-23 V97928 HLT422AP12-23 V06725	103106	2
355	HLT422AP12-20	.BOLT	SUPPLIER CODE: V60516 SPECIFICATION NUMBER: BACB30YK12K20 OPTIONAL PART: HLT422AP12-20 V06725 HLT422AP12-20 V97928	103106	2
360	HLT422AP12-21	.BOLT	SUPPLIER CODE: V60516 SPECIFICATION NUMBER: BACB30YK12K21 OPTIONAL PART: HLT422AP12-21 V06725 HLT422AP12-21 V97928	103106	2
365	BACW10BP14CD	.WASHER		103106	2
370	BACW10BP14DP	.WASHER		103106	2

MISSING ITEM NUMBERS NOT APPLICABLE

- ITEM NOT ILLUSTRATED

BRI

57-24-51-01B

BOEING PROPRIETARY - Copyright © - Unpublished Work - See title page for details.

57-24-51
FIG. 01B
PAGE 12
JAN 20/09



757

PARTS CATALOG (MAINTENANCE)

FIG ITEM	PART NUMBER	1 2 3 4 5 6 7	NOMENCLATURE	EFFECT FROM TO	UNITS PER ASSY
1B 375	H39953-14	.	NUT SUPPLIER CODE: V15653 SPECIFICATION NUMBER: BACN10HR14CS OPTIONAL PART: 109LH9031-14 V72962 67832AS1414 V56878 BH0030314 V27238 BMN5024CPD314 V97928 CR590814 V62554 SL7050914 V11815 109LH903114 V72962 67832AS14 V56878 104LH9031-14 V72962	103106	2
380	BACC30CP10C	.	COLLAR	103106	7
385	BACC30CP12C	.	COLLAR	103106	9
390	HL75-10APBW	.	COLLAR- SUPPLIER CODE: V73197	103106	7
395	HL75-12APBW	.	COLLAR- SUPPLIER CODE: V73197	103106	10
400	112N7024-6	.	SHIM-LAMINATED	103106	AR
405	112N7024-7	.	SHIM-LAMINATED	103106	AR
410	112N7028-11	.	FILLER- POSITION DATA: LH	103106	1
415	112N7028-9	.	FILLER- POSITION DATA: LH	103106	1
420	112N7028-7	.	FILLER- POSITION DATA: LH	103106	1
425	112N7035-3	.	BUSHING	103106	1
- 430	112N7040-2	.	FITTING ASSY- POSITION DATA: RH SIDE FOR DETAILS SEE: 57-24-53-01	103105	1

MISSING ITEM NUMBERS NOT APPLICABLE

- ITEM NOT ILLUSTRATED

57-24-51-01B

57-24-51
FIG. 01B
PAGE 13
JAN 20/09

BRI

BOEING PROPRIETARY - Copyright © - Unpublished Work - See title page for details.



757

PARTS CATALOG (MAINTENANCE)

FIG ITEM	PART NUMBER	1 2 3 4 5 6 7	NOMENCLATURE	EFFECT FROM TO	UNITS PER ASSY
1B - 430	112N7040-24		.FITTING ASSY-NAC ATTACHMENT SIDELOAD POSITION DATA: RH SIDE FOR DETAILS SEE: 57-24-53-02	106106	1
435	HL1012AZ8-12		.BOLT SUPPLIER CODE: V97928 SPECIFICATION NUMBER: BACB30NX8K12 OPTIONAL PART: HL12VAZ8-12 V73197 HL12VAZ8-12 V92215 HL12VAZ8-12 V97928 L802-8K12 V06725 HL12VAZ8-12 V56878 HL1012AZ8-12 V73197 HL1012AZ8-12 V60516 HL1012AZ8-12 V56878 HL1012AZ8-12 V17446 HL1012AZ8-12 V06950 HL1012AZ8-12 V06725 HL1012AZ8-12 VOPTK6	103106	2

MISSING ITEM NUMBERS NOT APPLICABLE

- ITEM NOT ILLUSTRATED

BRI

57-24-51-01B

BOEING PROPRIETARY - Copyright © - Unpublished Work - See title page for details.

57-24-51
FIG. 01B
PAGE 14
JAN 20/09



757

PARTS CATALOG (MAINTENANCE)

FIG ITEM	PART NUMBER	1 2 3 4 5 6 7	NOMENCLATURE	EFFECT FROM TO	UNITS PER ASSY
1B 440	HL1012AZ8-11	.	BOLT SUPPLIER CODE: VOPTK6 SPECIFICATION NUMBER: BACB30NX8K11 OPTIONAL PART: HL12VAZ8-11 V73197 HL12VAZ8-11 V92215 HL12VAZ8-11 V97928 L802-8K11 V06725 HL12VAZ8-11 V56878 HL1012AZ8-11 V06725 HL1012AZ8-11 V06950 HL1012AZ8-11 V17446 HL1012AZ8-11 V56878 HL1012AZ8-11 V60516 HL1012AZ8-11 V73197 HL1012AZ8-11 V97928	103106	3

MISSING ITEM NUMBERS NOT APPLICABLE

- ITEM NOT ILLUSTRATED

BRI

57-24-51-01B

BOEING PROPRIETARY - Copyright © - Unpublished Work - See title page for details.

57-24-51
FIG. 01B
PAGE 15
JAN 20/09



757

PARTS CATALOG (MAINTENANCE)

FIG ITEM	PART NUMBER	1 2 3 4 5 6 7	NOMENCLATURE	EFFECT FROM TO	UNITS PER ASSY
1B 445	HL1012AZ8-10	.	BOLT SUPPLIER CODE: VOPTK6 SPECIFICATION NUMBER: BACB30NX8K10 OPTIONAL PART: HL12VAZ8-10 V73197 HL12VAZ8-10 V92215 HL12VAZ8-10 V97928 L802-8K10 V06725 HL12VAZ8-10 V56878 HL1012AZ8-10 V06725 HL1012AZ8-10 V06950 HL1012AZ8-10 V17446 HL1012AZ8-10 V56878 HL1012AZ8-10 V60516 HL1012AZ8-10 V73197 HL1012AZ8-10 V97928	103106	3

MISSING ITEM NUMBERS NOT APPLICABLE

- ITEM NOT ILLUSTRATED

BRI

57-24-51-01B

BOEING PROPRIETARY - Copyright © - Unpublished Work - See title page for details.

57-24-51
FIG. 01B
PAGE 16
JAN 20/09



757

PARTS CATALOG (MAINTENANCE)

FIG ITEM	PART NUMBER	1 2 3 4 5 6 7	NOMENCLATURE	EFFECT FROM TO	UNITS PER ASSY
1B 450	HL1012AZ10-21	.	BOLT SUPPLIER CODE: VOPTK6 SPECIFICATION NUMBER: BACB30NX10K21 OPTIONAL PART: HL12VAZ10-21 V73197 HL12VAZ10-21 V92215 HL12VAZ10-21 V97928 L802-10K21 V06725 HL12VAZ10-21 V56878 HL1012AZ10-21 V06725 HL1012AZ10-21 V06950 HL1012AZ10-21 V17446 HL1012AZ10-21 V56878 HL1012AZ10-21 V60516 HL1012AZ10-21 V73197 HL1012AZ10-21 V97928	103106	2

MISSING ITEM NUMBERS NOT APPLICABLE

- ITEM NOT ILLUSTRATED

BRI

57-24-51-01B

BOEING PROPRIETARY - Copyright © - Unpublished Work - See title page for details.

57-24-51
FIG. 01B
PAGE 17
JAN 20/09



757

PARTS CATALOG (MAINTENANCE)

FIG ITEM	PART NUMBER	1 2 3 4 5 6 7	NOMENCLATURE	EFFECT FROM TO	UNITS PER ASSY
1B 455	HL1012AZ10-15	.	BOLT SUPPLIER CODE: VOPTK6 SPECIFICATION NUMBER: BACB30NX10K15 OPTIONAL PART: HL12VAZ10-15 V73197 HL12VAZ10-15 V92215 HL12VAZ10-15 V97928 L802-10K15 V06725 HL12VAZ10-15 V56878 HL1012AZ10-15 V06725 HL1012AZ10-15 V06950 HL1012AZ10-15 V17446 HL1012AZ10-15 V56878 HL1012AZ10-15 V60516 HL1012AZ10-15 V73197 HL1012AZ10-15 V97928	103106	3

MISSING ITEM NUMBERS NOT APPLICABLE

- ITEM NOT ILLUSTRATED

BRI

57-24-51-01B

BOEING PROPRIETARY - Copyright © - Unpublished Work - See title page for details.

57-24-51
FIG. 01B
PAGE 18
JAN 20/09



757

PARTS CATALOG (MAINTENANCE)

FIG ITEM	PART NUMBER	1 2 3 4 5 6 7 NOMENCLATURE	EFFECT FROM TO	UNITS PER ASSY
1B 460	HL1012AZ10-14	.BOLT SUPPLIER CODE: VOPTK6 SPECIFICATION NUMBER: BACB30NX10K14 OPTIONAL PART: HL12VAZ10-14 V73197 HL12VAZ10-14 V92215 HL12VAZ10-14 V97928 L802-10K14 V06725 HL12VAZ10-14 V56878 HL1012AZ10-14 V06725 HL1012AZ10-14 V06950 HL1012AZ10-14 V17446 HL1012AZ10-14 V56878 HL1012AZ10-14 V60516 HL1012AZ10-14 V73197 HL1012AZ10-14 V97928	103106	6

MISSING ITEM NUMBERS NOT APPLICABLE

- ITEM NOT ILLUSTRATED

BRI

57-24-51-01B

BOEING PROPRIETARY - Copyright © - Unpublished Work - See title page for details.

57-24-51
FIG. 01B
PAGE 19
JAN 20/09



757

PARTS CATALOG (MAINTENANCE)

FIG ITEM	PART NUMBER	1 2 3 4 5 6 7 NOMENCLATURE	EFFECT FROM TO	UNITS PER ASSY
1B 465	HL1012AZ10-13	.BOLT SUPPLIER CODE: VOPTK6 SPECIFICATION NUMBER: BACB30NX10K13 OPTIONAL PART: HL12VAZ10-13 V73197 HL12VAZ10-13 V92215 HL12VAZ10-13 V97928 L802-10K13 V06725 HL12VAZ10-13 V56878 HL1012AZ10-13 V06725 HL1012AZ10-13 V06950 HL1012AZ10-13 V17446 HL1012AZ10-13 V56878 HL1012AZ10-13 V60516 HL1012AZ10-13 V73197 HL1012AZ10-13 V97928	103106	3

MISSING ITEM NUMBERS NOT APPLICABLE

- ITEM NOT ILLUSTRATED

BRI

57-24-51-01B

BOEING PROPRIETARY - Copyright © - Unpublished Work - See title page for details.

57-24-51
 FIG. 01B
 PAGE 20
 JAN 20/09



757

PARTS CATALOG (MAINTENANCE)

FIG ITEM	PART NUMBER	1 2 3 4 5 6 7 NOMENCLATURE	EFFECT FROM TO	UNITS PER ASSY
1B 470	HL1012AZ12-21	.BOLT SUPPLIER CODE: VOPTK6 SPECIFICATION NUMBER: BACB30NX12K21 OPTIONAL PART: HL12VAZ12-21 V73197 HL12VAZ12-21 V92215 HL12VAZ12-21 V97928 L802-12K21 V06725 HL12VAZ12-21 V56878 HL1012AZ12-21 V06725 HL1012AZ12-21 V06950 HL1012AZ12-21 V17446 HL1012AZ12-21 V56878 HL1012AZ12-21 V60516 HL1012AZ12-21 V73197 HL1012AZ12-21 V97928	103106	4

MISSING ITEM NUMBERS NOT APPLICABLE

- ITEM NOT ILLUSTRATED

BRI

57-24-51-01B

BOEING PROPRIETARY - Copyright © - Unpublished Work - See title page for details.

57-24-51
FIG. 01B
PAGE 21
JAN 20/09



757

PARTS CATALOG (MAINTENANCE)

FIG ITEM	PART NUMBER	1 2 3 4 5 6 7 NOMENCLATURE	EFFECT FROM TO	UNITS PER ASSY
1B 475	HL1012AZ12-20	.BOLT SUPPLIER CODE: VOPTK6 SPECIFICATION NUMBER: BACB30NX12K20 OPTIONAL PART: HL12VAZ12-20 V73197 HL12VAZ12-20 V92215 HL12VAZ12-20 V97928 L802-12K20 V06725 HL12VAZ12-20 V56878 HL1012AZ12-20 V06725 HL1012AZ12-20 V06950 HL1012AZ12-20 V17446 HL1012AZ12-20 V56878 HL1012AZ12-20 V60516 HL1012AZ12-20 V73197 HL1012AZ12-20 V97928	103106	3

MISSING ITEM NUMBERS NOT APPLICABLE

- ITEM NOT ILLUSTRATED

BRI

57-24-51-01B

BOEING PROPRIETARY - Copyright © - Unpublished Work - See title page for details.

57-24-51
FIG. 01B
PAGE 22
JAN 20/09



757

PARTS CATALOG (MAINTENANCE)

FIG ITEM	PART NUMBER	1 2 3 4 5 6 7 NOMENCLATURE	EFFECT FROM TO	UNITS PER ASSY
1B 480	HL1012AZ12-19	.BOLT SUPPLIER CODE: VOPTK6 SPECIFICATION NUMBER: BACB30NX12K19 OPTIONAL PART: HL12VAZ12-19 V73197 HL12VAZ12-19 V92215 HL12VAZ12-19 V97928 L802-12K19 V06725 HL12VAZ12-19 V56878 HL1012AZ12-19 V06725 HL1012AZ12-19 V06950 HL1012AZ12-19 V17446 HL1012AZ12-19 V56878 HL1012AZ12-19 V60516 HL1012AZ12-19 V73197 HL1012AZ12-19 V97928	103106	2

MISSING ITEM NUMBERS NOT APPLICABLE

- ITEM NOT ILLUSTRATED

BRI

57-24-51-01B

BOEING PROPRIETARY - Copyright © - Unpublished Work - See title page for details.

57-24-51
 FIG. 01B
 PAGE 23
 JAN 20/09



757

PARTS CATALOG (MAINTENANCE)

FIG ITEM	PART NUMBER	1 2 3 4 5 6 7	NOMENCLATURE	EFFECT FROM TO	UNITS PER ASSY
1B 485	HL1012AZ12-18	.BOLT	SUPPLIER CODE: VOPTK6 SPECIFICATION NUMBER: BACB30NX12K18 OPTIONAL PART: HL12VAZ12-18 V73197 HL12VAZ12-18 V92215 HL12VAZ12-18 V97928 L802-12K18 V06725 HL12VAZ12-18 V56878 HL1012AZ12-18 V06725 HL1012AZ12-18 V06950 HL1012AZ12-18 V17446 HL1012AZ12-18 V56878 HL1012AZ12-18 V60516 HL1012AZ12-18 V73197 HL1012AZ12-18 V97928	103106	3

MISSING ITEM NUMBERS NOT APPLICABLE

- ITEM NOT ILLUSTRATED

BRI

57-24-51-01B

BOEING PROPRIETARY - Copyright © - Unpublished Work - See title page for details.

57-24-51
FIG. 01B
PAGE 24
JAN 20/09



757

PARTS CATALOG (MAINTENANCE)

FIG ITEM	PART NUMBER	1 2 3 4 5 6 7	NOMENCLATURE	EFFECT FROM TO	UNITS PER ASSY
1B 490	HL1012AZ12-17		.BOLT SUPPLIER CODE: VOPTK6 SPECIFICATION NUMBER: BACB30NX12K17 OPTIONAL PART: HL12VAZ12-17 V73197 HL12VAZ12-17 V92215 HL12VAZ12-17 V97928 L802-12K17 V06725 HL12VAZ12-17 V56878 HL1012AZ12-17 V06725 HL1012AZ12-17 V06950 HL1012AZ12-17 V17446 HL1012AZ12-17 V56878 HL1012AZ12-17 V60516 HL1012AZ12-17 V73197 HL1012AZ12-17 V97928	103106	4

MISSING ITEM NUMBERS NOT APPLICABLE

- ITEM NOT ILLUSTRATED

BRI

57-24-51-01B

BOEING PROPRIETARY - Copyright © - Unpublished Work - See title page for details.

57-24-51
FIG. 01B
PAGE 25
JAN 20/09



757

PARTS CATALOG (MAINTENANCE)

FIG ITEM	PART NUMBER	1 2 3 4 5 6 7	NOMENCLATURE	EFFECT FROM TO	UNITS PER ASSY
1B 495	HL1012AZ12-15	.BOLT	SUPPLIER CODE: VOPTK6 SPECIFICATION NUMBER: BACB30NX12K15 OPTIONAL PART: HL12VAZ12-15 V73197 HL12VAZ12-15 V92215 HL12VAZ12-15 V97928 L802-12K15 V06725 HL12VAZ12-15 V56878 HL12AZ12-15 V06725 HL12AZ12-15 V06950 HL1012AZ12-15 V17446 HL1012AZ12-15 V56878 HL1012AZ12-15 V60516 HL1012AZ12-15 V73197 HL1012AZ12-15 V97928	103106	5

MISSING ITEM NUMBERS NOT APPLICABLE

- ITEM NOT ILLUSTRATED

BRI

57-24-51-01B

BOEING PROPRIETARY - Copyright © - Unpublished Work - See title page for details.

57-24-51
FIG. 01B
PAGE 26
JAN 20/09



757

PARTS CATALOG (MAINTENANCE)

FIG ITEM	PART NUMBER	1 2 3 4 5 6 7	NOMENCLATURE	EFFECT FROM TO	UNITS PER ASSY
1B 500	HL1012AZ12-14	.BOLT	SUPPLIER CODE: VOPTK6 SPECIFICATION NUMBER: BACB30NX12K14 OPTIONAL PART: HL12VAZ12-14 V73197 HL12VAZ12-14 V92215 HL12VAZ12-14 V97928 L802-12K14 V06725 HL12VAZ12-14 V56878 HL1012AZ12-14 V06725 HL1012AZ12-14 V06950 HL1012AZ12-14 V17446 HL1012AZ12-14 V56878 HL1012AZ12-14 V60516 HL1012AZ12-14 V73197 HL1012AZ12-14 V97928	103106	2
505	BACB30LE8K30	.BOLT		103106	1
510	BACB30LE8K29	.BOLT		103106	3
515	BACW10BP8CD	.WASHER		103106	4
520	BACW10BP8DP	.WASHER		103106	4

MISSING ITEM NUMBERS NOT APPLICABLE

- ITEM NOT ILLUSTRATED

57-24-51-01B

57-24-51
FIG. 01B
PAGE 27
JAN 20/09

BRI



757

PARTS CATALOG (MAINTENANCE)

FIG ITEM	PART NUMBER	1 2 3 4 5 6 7	NOMENCLATURE	EFFECT FROM TO	UNITS PER ASSY
1B 525	BMN10HRCWD3-8	.	NUT SUPPLIER CODE: V97928 SPECIFICATION NUMBER: BACN10HR8CD OPTIONAL PART: H51560-8 V15653 67832CD820 V56878 102LH9031-8 V72962 BH00303CM8 V27238 BMN5024CWD38 V97928 SL7108C8 V11815 VCU0005D8 V06710 102LH90318 V72962 67832CD8 V56878 CR6030-8 VF0224	103106	4
530	HL1087-8	.	COLLAR SUPPLIER CODE: V9N513 SPECIFICATION NUMBER: BACC30BH8 OPTIONAL PART: HL1087-8 V92215 HL1087-8 V73197 HL1087-8 V56878	103106	4

MISSING ITEM NUMBERS NOT APPLICABLE

- ITEM NOT ILLUSTRATED

BRI

57-24-51-01B

BOEING PROPRIETARY - Copyright © - Unpublished Work - See title page for details.

57-24-51
FIG. 01B
PAGE 28
JAN 20/09



757

PARTS CATALOG (MAINTENANCE)

FIG ITEM	PART NUMBER	1 2 3 4 5 6 7	NOMENCLATURE	EFFECT FROM TO	UNITS PER ASSY
1B 535	HL1087-10	.	COLLAR SUPPLIER CODE: V9N513 SPECIFICATION NUMBER: BACC30BH10 OPTIONAL PART: HL1087-10 V92215 HL1087-10 V73197 HL1087-10 V56878	103106	8
540	HL1087-12	.	COLLAR SUPPLIER CODE: V9N513 SPECIFICATION NUMBER: BACC30BH12 OPTIONAL PART: HL1087-12 V92215 HL1087-12 V73197 HL1087-12 V56878	103106	11
545	HL75-8APBW	.	COLLAR- SUPPLIER CODE: V73197	103106	4
550	HL75-10APBW	.	COLLAR- SUPPLIER CODE: V73197	103106	6
555	HL75-12APBW	.	COLLAR- SUPPLIER CODE: V73197	103106	12
560	313N5028-9	.	BRACKET ASSY- POSITION DATA: RH SIDE	103106	1
565	313N5028-7	.	BRACKET ASSY- POSITION DATA: LH SIDE	103106	1
570	BACB28X7M009	..	BUSHING	103106	1
575	BACB28X5M009	..	BUSHING	103106	1
580	313N5028-10	..	BRACKET- POSITION DATA: RH SIDE	103106	1
585	313N5028-8	..	BRACKET- POSITION DATA: LH SIDE	103106	1
587	112N7022-8	.	BUSHING	103106	2

MISSING ITEM NUMBERS NOT APPLICABLE

- ITEM NOT ILLUSTRATED

57-24-51-01B

57-24-51
FIG. 01B
PAGE 29
JAN 20/09

BRI

BOEING PROPRIETARY - Copyright © - Unpublished Work - See title page for details.



757

PARTS CATALOG (MAINTENANCE)

FIG ITEM	PART NUMBER	1 2 3 4 5 6 7	NOMENCLATURE	EFFECT FROM TO	UNITS PER ASSY
1B 590	112N7011-25	.	FITTING ASSY-DRAG POSITION DATA: AFT LH SIDE	103106	1
- 595	112N7011-26	.	FITTING ASSY-DRAG POSITION DATA: AFT RH SIDE	103106	1
600	69B15853-1	..	ADAPTOR-LUBE	103106	1
605	MS29512-02	..	PACKING	103106	1
610	112N7022-3	..	BUSHING	103106	2
615	313N5028-19	..	BRACKET ASSY	103106	1
620	HL1012AZ8-12	..	BOLT ATTACHING PARTS SUPPLIER CODE: V97928 SPECIFICATION NUMBER: BACB30NX8K12 OPTIONAL PART: HL12VAZ8-12 V73197 HL12VAZ8-12 V92215 HL12VAZ8-12 V97928 L802-8K12 V06725 HL12VAZ8-12 V56878 HL1012AZ8-12 V73197 HL1012AZ8-12 V60516 HL1012AZ8-12 V56878 HL1012AZ8-12 V17446 HL1012AZ8-12 V06950 HL1012AZ8-12 V06725 HL1012AZ8-12 V0PTK6	103106	1

MISSING ITEM NUMBERS NOT APPLICABLE

- ITEM NOT ILLUSTRATED

BRI

57-24-51-01B

BOEING PROPRIETARY - Copyright © - Unpublished Work - See title page for details.

57-24-51
FIG. 01B
PAGE 30
JAN 20/09



757

PARTS CATALOG (MAINTENANCE)

FIG ITEM	PART NUMBER	1 2 3 4 5 6 7	NOMENCLATURE	EFFECT FROM TO	UNITS PER ASSY
1B 625	HL1012AZ8-14	..	BOLT SUPPLIER CODE: VOPTK6 SPECIFICATION NUMBER: BACB30NX8K14 OPTIONAL PART: HL12VAZ8-14 V73197 HL12VAZ8-14 V92215 HL12VAZ8-14 V97928 L802-8K14 V06725 HL12VAZ8-14 V56878 HL1012AZ8-14 V06725 HL1012AZ8-14 V06950 HL1012AZ8-14 V17446 HL1012AZ8-14 V56878 HL1012AZ8-14 V60516 HL1012AZ8-14 V73197 HL1012AZ8-14 V97928	103106	1
630	BACB30NX8	..	COLLAR -----*-----	103106	2
635	BACB28X7M012	...	BUSHING	103106	1
640	BACB28X5M012	...	BUSHING	103106	1
645	313N5028-18	...	BRACKET	103106	1
650	313N5028-15	..	FILLER	103106	1
655	313N5028-16	..	BRACKET ASSY	103106	1

MISSING ITEM NUMBERS NOT APPLICABLE

- ITEM NOT ILLUSTRATED

BRI

57-24-51-01B

BOEING PROPRIETARY - Copyright © - Unpublished Work - See title page for details.

57-24-51
FIG. 01B
PAGE 31
JAN 20/09



757

PARTS CATALOG (MAINTENANCE)

FIG ITEM	PART NUMBER	1 2 3 4 5 6 7 NOMENCLATURE	EFFECT FROM TO	UNITS PER ASSY
1B 660	HL1012AZ10-18	ATTACHING PARTS ..BOLT SUPPLIER CODE: VOPTK6 SPECIFICATION NUMBER: BACB30NX10K18 OPTIONAL PART: HL12VAZ10-18 V73197 HL12VAZ10-18 V92215 HL12VAZ10-18 V97928 L802-10K18 V06725 HL12VAZ10-18 V56878 HL1012AZ10-18 V06725 HL1012AZ10-18 V06950 HL1012AZ10-18 V17446 HL1012AZ10-18 V56878 HL1012AZ10-18 V60516 HL1012AZ10-18 V73197 HL1012AZ10-18 V97928	103106	1

MISSING ITEM NUMBERS NOT APPLICABLE

- ITEM NOT ILLUSTRATED

BRI

57-24-51-01B

BOEING PROPRIETARY - Copyright © - Unpublished Work - See title page for details.

57-24-51
FIG. 01B
PAGE 32
JAN 20/09



757

PARTS CATALOG (MAINTENANCE)

FIG ITEM	PART NUMBER	1 2 3 4 5 6 7	NOMENCLATURE	EFFECT FROM TO	UNITS PER ASSY
1B 665	HL1187-10	..	COLLAR SUPPLIER CODE: V5M902 SPECIFICATION NUMBER: BACC30X10 OPTIONAL PART: HL1187-10 V56878 HL1187-10 V92215 HL1187-10 V73197 HL1187-10 V92215 HL87-10 V56878 HL1187-10 V73197 -----*	103106	1
670	BACB28X7M009	...	BUSHING	103106	1
675	BACB28X5M009	...	BUSHING	103106	1
680	313N5028-17	...	BRACKET	103106	1
690	313N5028-13	..	BRACKET ASSY	103106	1

MISSING ITEM NUMBERS NOT APPLICABLE

- ITEM NOT ILLUSTRATED

BRI

57-24-51-01B

BOEING PROPRIETARY - Copyright © - Unpublished Work - See title page for details.

57-24-51
FIG. 01B
PAGE 33
JAN 20/09



757

PARTS CATALOG (MAINTENANCE)

FIG ITEM	PART NUMBER	1 2 3 4 5 6 7 NOMENCLATURE	EFFECT FROM TO	UNITS PER ASSY
1B - 695	HL1012AZ8-15	ATTACHING PARTS ..BOLT SUPPLIER CODE: VOPTK6 SPECIFICATION NUMBER: BACB30NX8K15 OPTIONAL PART: HL12VAZ8-15 V73197 HL12VAZ8-15 V92215 HL12VAZ8-15 V97928 L802-8K15 V06725 HL12VAZ8-15 V56878 HL1012AZ8-15 V06725 HL1012AZ8-15 V06950 HL1012AZ8-15 V17446 HL1012AZ8-15 V56878 HL1012AZ8-15 V60516 HL1012AZ8-15 V73197 HL1012AZ8-15 V97928	103106	2

MISSING ITEM NUMBERS NOT APPLICABLE

- ITEM NOT ILLUSTRATED

57-24-51-01B

57-24-51
FIG. 01B
PAGE 34
JAN 20/09

BRI

BOEING PROPRIETARY - Copyright © - Unpublished Work - See title page for details.



757

PARTS CATALOG (MAINTENANCE)

FIG ITEM	PART NUMBER	1 2 3 4 5 6 7	NOMENCLATURE	EFFECT FROM TO	UNITS PER ASSY
1B - 700	HL1187-8		.. COLLAR SUPPLIER CODE: V5M902 SPECIFICATION NUMBER: BACC30X8 OPTIONAL PART: HL87-8 V92215 HL87-8 V73197 HL1187-8 V56878 HL1187-8 V92215 HL87-8 V56878 HL1187-8 V73197 -----*-----	103106	2
705	BACB28X7M012		... BUSHING	103106	1
710	BACB28X5M012		... BUSHING	103106	1
715	313N5028-14		... BRACKET	103106	1
720	112N0201-31		. FILLER-RADIUS	103106	1
725	112N7024-8		. SHIM-LAMINATED	103106	AR
730	112N7024-9		. SHIM-LAMINATED	103106	AR

MISSING ITEM NUMBERS NOT APPLICABLE

- ITEM NOT ILLUSTRATED

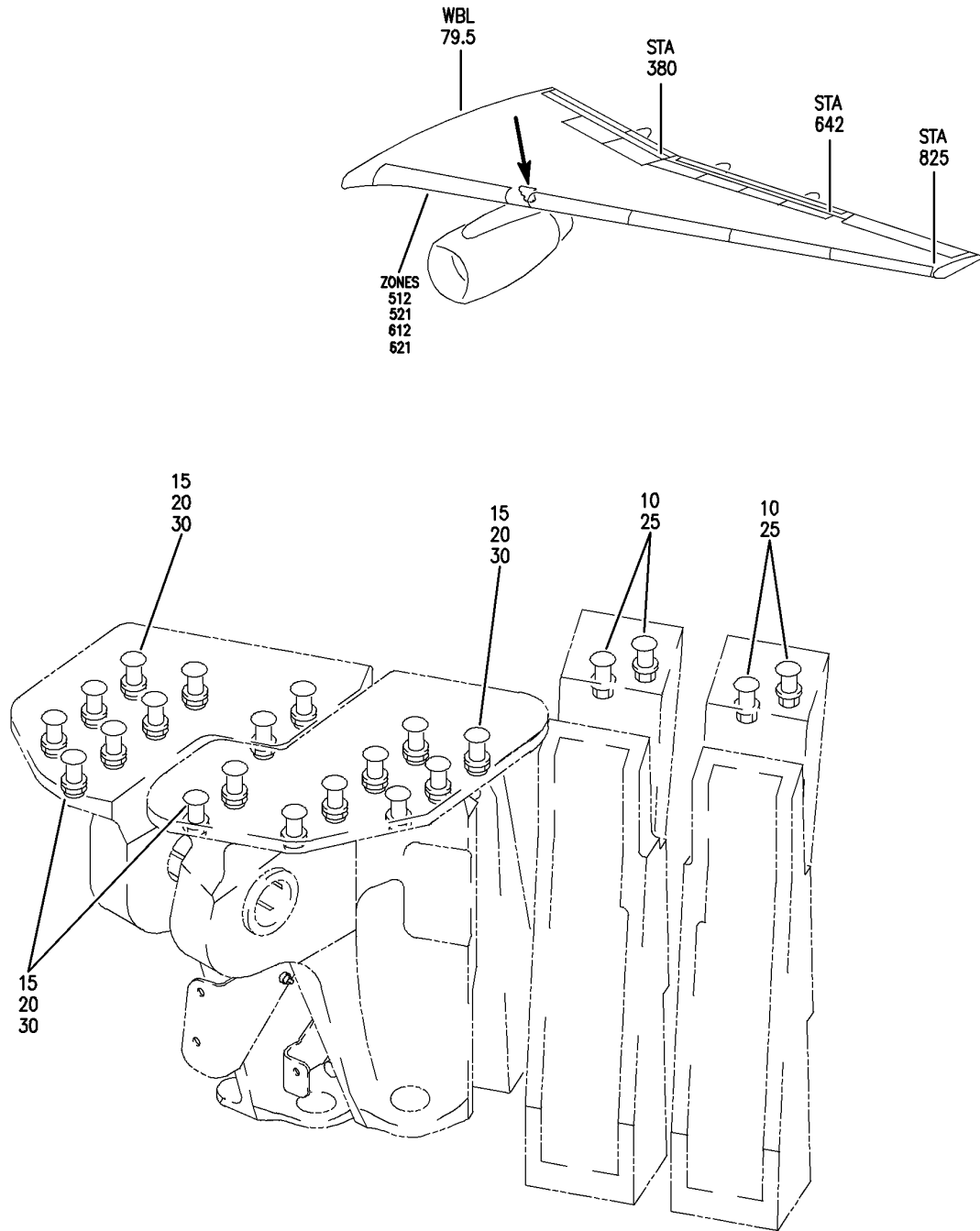
BRI

57-24-51-01B

BOEING PROPRIETARY - Copyright © - Unpublished Work - See title page for details.

57-24-51
 FIG. 01B
 PAGE 35
 JAN 20/09

BOEING
757
PARTS CATALOG (MAINTENANCE)



Y 57245101C REV 243

SUPPORT INSTL-NAC
FIGURE 1C

57-24-51-01C

BRI
JAN 20/09

57-24-51-01C
PAGE 0



757

PARTS CATALOG (MAINTENANCE)

FIG ITEM	PART NUMBER	1 2 3 4 5 6 7	NOMENCLATURE	EFFECT FROM TO	UNITS PER ASSY
1C					
- 1	MODREF950		SUPPORT INSTL-NAC SUPPORT INSTL-NAC MODULE NUMBER: 112N7001-417 REV A POSITION DATA: LH	103106 103103	1
- 1	MODREF26500		SUPPORT INSTL-NAC MODULE NUMBER: 112N7001-417 REV B POSITION DATA: LH	104106	RF
- 5	MODREF951		SUPPORT INSTL-NAC MODULE NUMBER: 112N7001-418 REV A POSITION DATA: RH	103103	1
- 5	MODREF26501		SUPPORT INSTL-NAC MODULE NUMBER: 112N7001-418 REV B POSITION DATA: RH	104106	RF
10	HL13VAZ12-18		.BOLT SUPPLIER CODE: V17446 SPECIFICATION NUMBER: BACB30NY12K18 OPTIONAL PART: L801-12K18 VOPTK6 HL13VAZ12-18 V60516 HL13VAZ12-18 V97928 L801-12K18 V06725 HL13VAZ12-18 V92215 HL13VAZ12-18 V73197 HL13VAZ12-18 V56878	103106	4
15	BACW10BP9DP		.WASHER	103106	18
20	BACB30NU9K15		.BOLT-	103106	18

MISSING ITEM NUMBERS NOT APPLICABLE

- ITEM NOT ILLUSTRATED

BRI

57-24-51-01C

BOEING PROPRIETARY - Copyright © - Unpublished Work - See title page for details.

57-24-51
FIG. 01C
PAGE 1
JAN 20/09



757

PARTS CATALOG (MAINTENANCE)

FIG ITEM	PART NUMBER	1 2 3 4 5 6 7	NOMENCLATURE	EFFECT FROM TO	UNITS PER ASSY
1C 25	HL1087-12		.COLLAR SUPPLIER CODE: V9N513 SPECIFICATION NUMBER: BACC30BH12 OPTIONAL PART: HL1087-12 V92215 HL1087-12 V73197 HL1087-12 V56878	103106	4
30	69235-918CD		.NUT SUPPLIER CODE: V92215 SPECIFICATION NUMBER: BACN10JC9CD OPTIONAL PART: 102LH9074-9 V72962 BMN4122CPD8-9 V97928 H51650-9BAC V15653	103106	18

MISSING ITEM NUMBERS NOT APPLICABLE

- ITEM NOT ILLUSTRATED

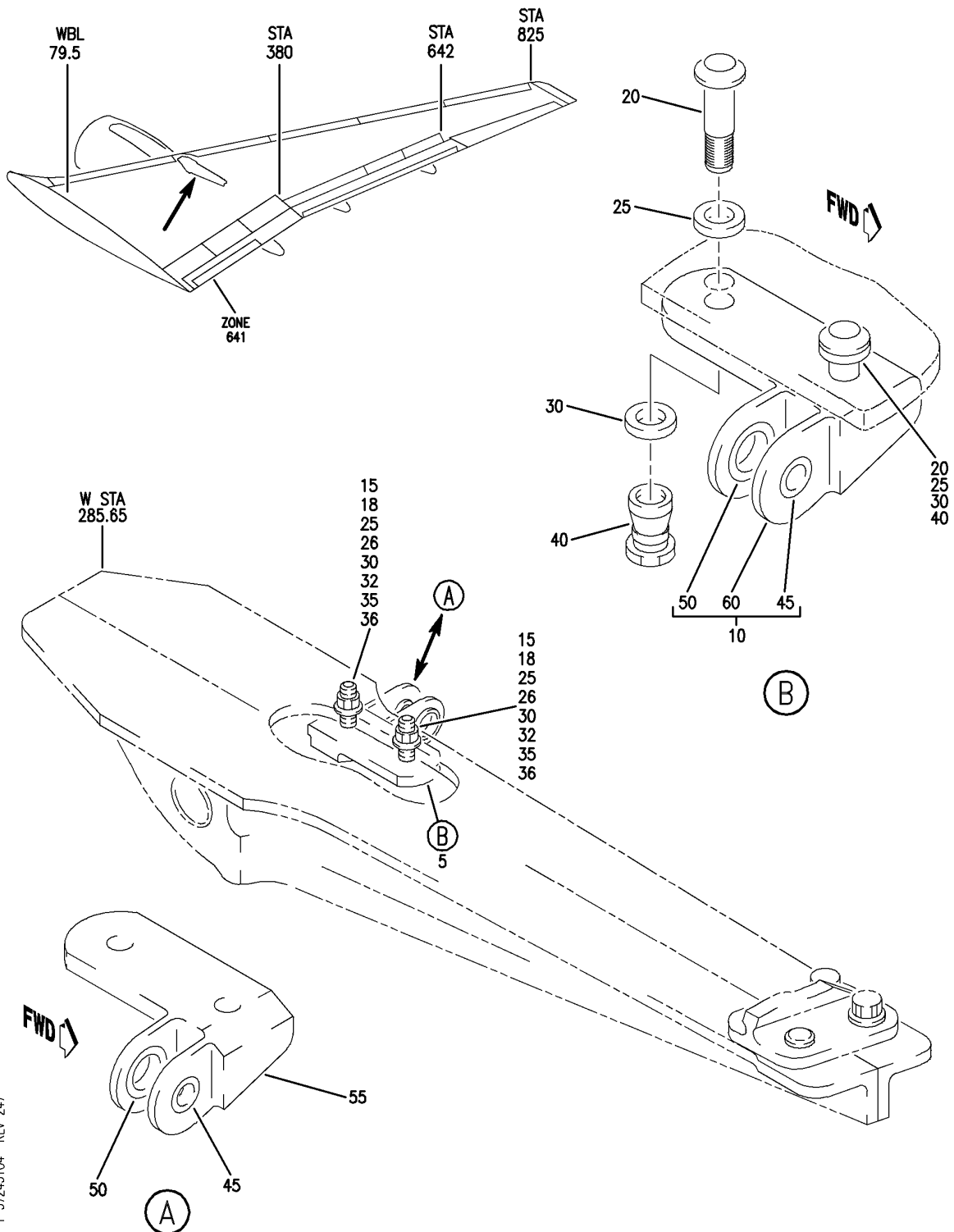
BRI

57-24-51-01C

BOEING PROPRIETARY - Copyright © - Unpublished Work - See title page for details.

57-24-51
FIG. 01C
PAGE 2
JAN 20/09

BOEING
757
PARTS CATALOG (MAINTENANCE)



SUPPORT INSTL-NAC
FIGURE 4

57-24-51-04

BRI
MAY 28/07

57-24-51-04
PAGE 0



757

PARTS CATALOG (MAINTENANCE)

FIG ITEM	PART NUMBER	1 2 3 4 5 6 7	NOMENCLATURE	EFFECT FROM TO	UNITS PER ASSY
4			SUPPORT INSTL-NAC	101106 108120 504903	
- 1	112N7001-4010		SUPPORT INSTL-NAC FOR NHA SEE: 57-00-00-15B	101102 108120 504903	RF
- 1	MODREF943		SUPPORT INSTL-NAC MODULE NUMBER: 112N7001-4010 REV A	103103	1
- 1	MODREF26497		SUPPORT INSTL-NAC MODULE NUMBER: 112N7001-4010 REV B	104106	1
10	313N5028-21		.BRACKET ASSY	101106 108120 504903	1
20	BACB30YK10K22		ATTACHING PARTS .BOLT	101106 108120 504903	2
40	BACC30CP10C		.COLLAR	101106 108120 504903	2
45	BACB28X5M009		-----*----- ..BUSHING	101106 108120 504903	1
50	BACB28X7M009		..BUSHING	101106 108120 504903	1
60	313N5028-20		..BRACKET	101106 108120 504903	1

MISSING ITEM NUMBERS NOT APPLICABLE

- ITEM NOT ILLUSTRATED

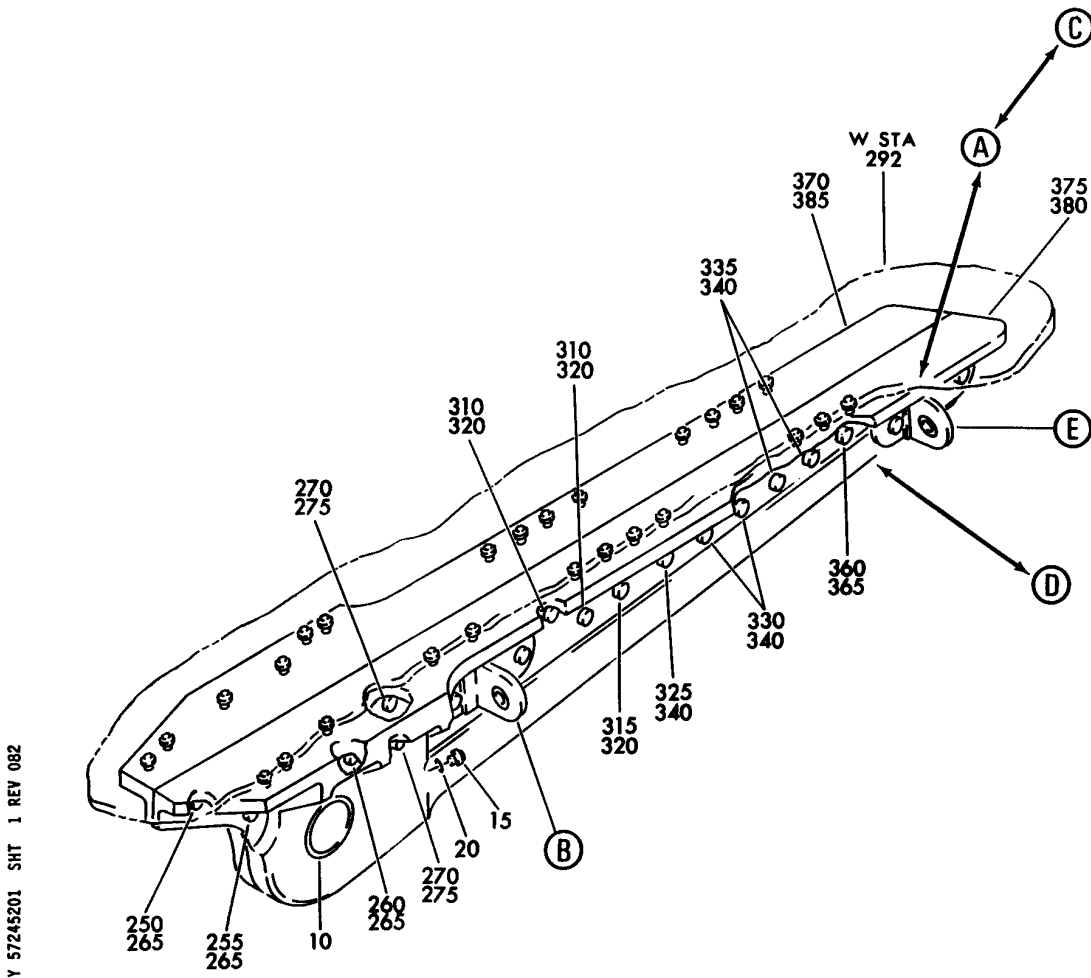
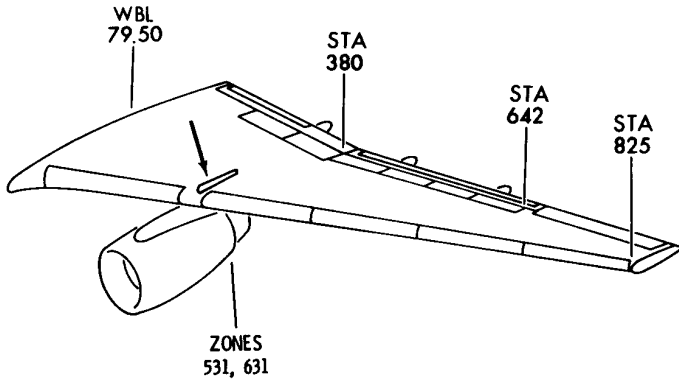
BRI

57-24-51-04

BOEING PROPRIETARY - Copyright © - Unpublished Work - See title page for details.

57-24-51
FIG. 04
PAGE 1
JAN 20/09

BOEING
757
PARTS CATALOG (MAINTENANCE)



Y 57245201 SHT 1 REV 082

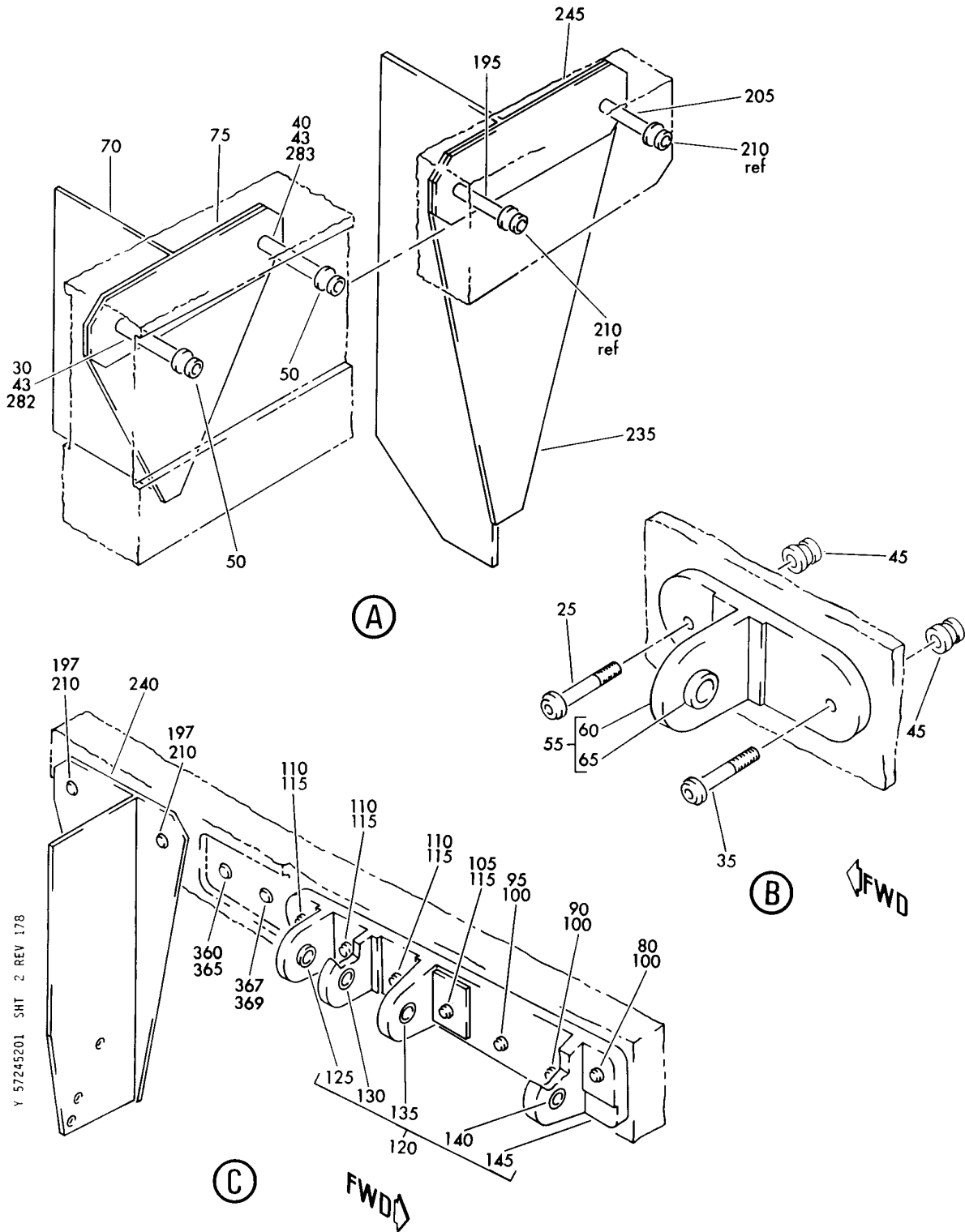
FITTING ASSY-INBD SIDE LOAD
FIGURE 1 (SHEET 1)

57-24-52-01

BRI
MAY 28/07

57-24-52-01
PAGE 0

BOEING
757
PARTS CATALOG (MAINTENANCE)



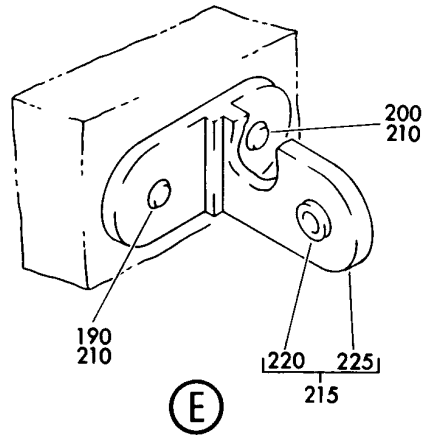
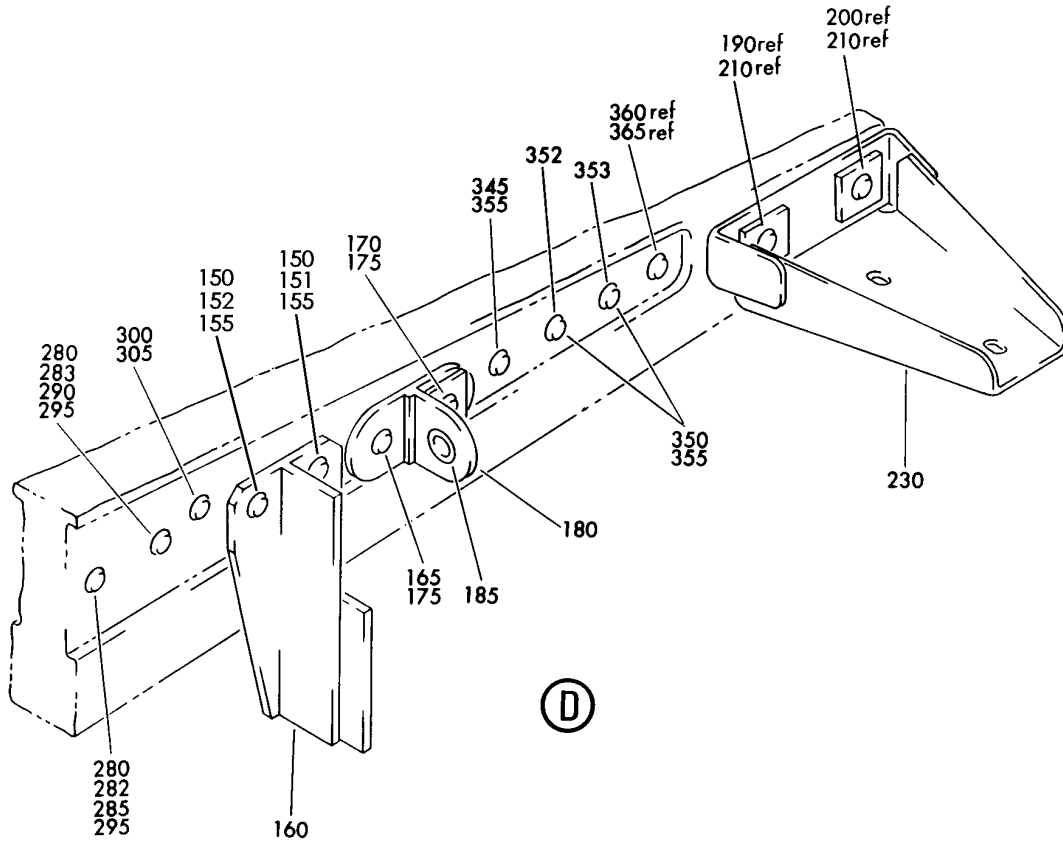
FITTING ASSY-INBD SIDE LOAD
FIGURE 1 (SHEET 2)

57-24-52-01

BRI
MAY 28/07

57-24-52-01
PAGE 0A

BOEING
757
PARTS CATALOG (MAINTENANCE)



Y 57245201 SH1 3 REV 245

FITTING ASSY-INBD SIDE LOAD
FIGURE 1 (SHEET 3)

57-24-52-01

BRI
MAY 28/07

57-24-52-01
PAGE 0B



757

PARTS CATALOG (MAINTENANCE)

FIG ITEM	PART NUMBER	1 2 3 4 5 6 7	NOMENCLATURE	EFFECT FROM TO	UNITS PER ASSY
1			FITTING ASSY-INBD SIDE LOAD	002004 006999	
- 1	112N7003-57		FITTING ASSY-SIDE LOAD POSITION DATA: INBD LH FOR NHA SEE: 57-24-51-01	002004 006100 121503 950999	RF
- 1	112N7003-51		FITTING ASSY-SIDE LOAD POSITION DATA: INBD LH FOR NHA SEE: 57-24-51-01	107107 904949	RF
- 1	112N7039-39		FITTING ASSY-SIDE LOAD POSITION DATA: LH FOR NHA SEE: 57-24-51-01 57-24-51-01B	101106 108120 504903	RF
- 5	112N7003-58		FITTING ASSY-SIDE LOAD POSITION DATA: INBD RH FOR NHA SEE: 57-24-51-01	002004 006100 121503 950999	RF
- 5	112N7003-52		FITTING ASSY-SIDE LOAD POSITION DATA: INBD RH FOR NHA SEE: 57-24-51-01	002004 006100 107107 121503 904999	RF
- 5	112N7003-55		FITTING ASSY-SIDE LOAD POSITION DATA: INBD RH FOR NHA SEE: 57-24-51-01	002004 006100 107107 121503 904999	RF
- 6	112N7039-30		FITTING ASSY-NAC ATTACHMENT SIDeload POSITION DATA: INBD RH FOR NHA SEE: 57-24-51-01	101106 108120 504903	RF
10	112N7035-1		.BUSHING-	002004 006100 107107 121503 904999	1
15	69B15853-1		.ADAPTOR-LUBE	002004 006999	1
20	MS29512-02		.PACKING	002004 006999	1

MISSING ITEM NUMBERS NOT APPLICABLE

- ITEM NOT ILLUSTRATED

57-24-52-01

57-24-52
FIG. 01
PAGE 1
JAN 20/09

BRI



757

PARTS CATALOG (MAINTENANCE)

FIG ITEM	PART NUMBER	1 2 3 4 5 6 7	NOMENCLATURE	EFFECT FROM TO	UNITS PER ASSY
1 43	HL1012AZ10-25		.BOLT- SUPPLIER CODE: VOPTK6 SPECIFICATION NUMBER: BACB30NX10K25 OPTIONAL PART: HL12VAZ10-25 V73197 HL12VAZ10-25 V92215 HL12VAZ10-25 V97928 L802-10K25 V06725 HL12VAZ10-25 V56878 HL1012AZ10-25 V06725 HL1012AZ10-25 V06950 HL1012AZ10-25 V17446 HL1012AZ10-25 V56878 HL1012AZ10-25 V60516 HL1012AZ10-25 V73197 HL1012AZ10-25 V97928 POSITION DATA: RH SIDE	002004 006999	2
70	271N2092-1		.BRACKET-L AND R SYS FILTER MODULE MTG POSITION DATA: RH SIDE	002004 006999	1
75	271N2097-1		.SHIM-MTG BRKT POSITION DATA: RH SIDE	002004 006999	1

MISSING ITEM NUMBERS NOT APPLICABLE

- ITEM NOT ILLUSTRATED

BRI

57-24-52-01

BOEING PROPRIETARY - Copyright © - Unpublished Work - See title page for details.

57-24-52
FIG. 01
PAGE 2
SEP 20/08



757

PARTS CATALOG (MAINTENANCE)

FIG ITEM	PART NUMBER	1 2 3 4 5 6 7 NOMENCLATURE	EFFECT FROM TO	UNITS PER ASSY
1 80	HL1012AZ10-25	.BOLT- SUPPLIER CODE: VOPTK6 SPECIFICATION NUMBER: BACB30NX10K25 OPTIONAL PART: HL12VAZ10-25 V73197 HL12VAZ10-25 V92215 HL12VAZ10-25 V97928 L802-10K25 V06725 HL12VAZ10-25 V56878 HL1012AZ10-25 V06725 HL1012AZ10-25 V06950 HL1012AZ10-25 V17446 HL1012AZ10-25 V56878 HL1012AZ10-25 V60516 HL1012AZ10-25 V73197 HL1012AZ10-25 V97928 POSITION DATA: RH SIDE	002004 006100 107107 121503 904999	1

MISSING ITEM NUMBERS NOT APPLICABLE

- ITEM NOT ILLUSTRATED

BRI

57-24-52-01

BOEING PROPRIETARY - Copyright © - Unpublished Work - See title page for details.

57-24-52
FIG. 01
PAGE 3
JAN 20/09



757

PARTS CATALOG (MAINTENANCE)

FIG ITEM	PART NUMBER	1 2 3 4 5 6 7	NOMENCLATURE	EFFECT FROM TO	UNITS PER ASSY
1 80	HL1012AZ10-23	.	BOLT- SUPPLIER CODE: VOPTK6 SPECIFICATION NUMBER: BACB30NX10K23 OPTIONAL PART: HL12VAZ10-23 V73197 HL12VAZ10-23 V92215 HL12VAZ10-23 V97928 L802-10K23 V06725 HL12VAZ10-23 V56878 HL1012AZ10-23 V06725 HL1012AZ10-23 V06950 HL1012AZ10-23 V17446 HL1012AZ10-23 V56878 HL1012AZ10-23 V60516 HL1012AZ10-23 V73197 HL1012AZ10-23 V97928 POSITION DATA: RH SIDE	101106 108120 504903	1

MISSING ITEM NUMBERS NOT APPLICABLE

- ITEM NOT ILLUSTRATED

BRI

57-24-52-01

BOEING PROPRIETARY - Copyright © - Unpublished Work - See title page for details.

57-24-52
 FIG. 01
 PAGE 4
 JAN 20/09



757

PARTS CATALOG (MAINTENANCE)

FIG ITEM	PART NUMBER	1 2 3 4 5 6 7	NOMENCLATURE	EFFECT FROM TO	UNITS PER ASSY
1 90	HL1012AZ10-23		.BOLT- SUPPLIER CODE: VOPTK6 SPECIFICATION NUMBER: BACB30NX10K23 OPTIONAL PART: HL12VAZ10-23 V73197 HL12VAZ10-23 V92215 HL12VAZ10-23 V97928 L802-10K23 V06725 HL12VAZ10-23 V56878 HL1012AZ10-23 V06725 HL1012AZ10-23 V06950 HL1012AZ10-23 V17446 HL1012AZ10-23 V56878 HL1012AZ10-23 V60516 HL1012AZ10-23 V73197 HL1012AZ10-23 V97928 POSITION DATA: RH SIDE	002004 006999	1

MISSING ITEM NUMBERS NOT APPLICABLE

- ITEM NOT ILLUSTRATED

BRI

57-24-52-01

BOEING PROPRIETARY - Copyright © - Unpublished Work - See title page for details.

57-24-52
FIG. 01
PAGE 5
SEP 20/08



757

PARTS CATALOG (MAINTENANCE)

FIG ITEM	PART NUMBER	1 2 3 4 5 6 7	NOMENCLATURE	EFFECT FROM TO	UNITS PER ASSY
1 95	HL1012AZ10-22		.BOLT- SUPPLIER CODE: VOPTK6 SPECIFICATION NUMBER: BACB30NX10K22 OPTIONAL PART: HL12VAZ10-22 V73197 HL12VAZ10-22 V92215 HL12VAZ10-22 V97928 L802-10K22 V06725 HL12VAZ10-22 V56878 HL1012AZ10-22 V06725 HL1012AZ10-22 V06950 HL1012AZ10-22 V17446 HL1012AZ10-22 V56878 HL1012AZ10-22 V60516 HL1012AZ10-22 V73197 HL1012AZ10-22 V97928 POSITION DATA: RH SIDE	002004 006999	1

MISSING ITEM NUMBERS NOT APPLICABLE

- ITEM NOT ILLUSTRATED

BRI

57-24-52-01

BOEING PROPRIETARY - Copyright © - Unpublished Work - See title page for details.

57-24-52
FIG. 01
PAGE 6
SEP 20/08



757

PARTS CATALOG (MAINTENANCE)

FIG ITEM	PART NUMBER	1 2 3 4 5 6 7	NOMENCLATURE	EFFECT FROM TO	UNITS PER ASSY
1 100	HL1187-10		. COLLAR- SUPPLIER CODE: V5M902 SPECIFICATION NUMBER: BACC30X10 OPTIONAL PART: HL1187-10 V56878 HL1187-10 V92215 HL1187-10 V73197 HL1187-10 V92215 HL87-10 V56878 HL1187-10 V73197 POSITION DATA: RH SIDE	002004 006999	3

MISSING ITEM NUMBERS NOT APPLICABLE

- ITEM NOT ILLUSTRATED

BRI

57-24-52-01

BOEING PROPRIETARY - Copyright © - Unpublished Work - See title page for details.

57-24-52
FIG. 01
PAGE 7
JAN 20/09



757

PARTS CATALOG (MAINTENANCE)

FIG ITEM	PART NUMBER	1 2 3 4 5 6 7	NOMENCLATURE	EFFECT FROM TO	UNITS PER ASSY
1 105	HL1012AZ8-24		.BOLT- SUPPLIER CODE: VOPTK6 SPECIFICATION NUMBER: BACB30NX8K24 OPTIONAL PART: HL12VAZ8-24 V73197 HL12VAZ8-24 V92215 HL12VAZ8-24 V97928 L802-8K24 V06725 HL12VAZ8-24 V56878 HL1012AZ8-24 V06725 HL1012AZ8-24 V06950 HL1012AZ8-24 V17446 HL1012AZ8-24 V56878 HL1012AZ8-24 V60516 HL1012AZ8-24 V73197 HL1012AZ8-24 V97928 POSITION DATA: RH SIDE	002004 006999	1

MISSING ITEM NUMBERS NOT APPLICABLE

- ITEM NOT ILLUSTRATED

BRI

57-24-52-01

BOEING PROPRIETARY - Copyright © - Unpublished Work - See title page for details.

57-24-52
FIG. 01
PAGE 8
SEP 20/08



757

PARTS CATALOG (MAINTENANCE)

FIG ITEM	PART NUMBER	1 2 3 4 5 6 7 NOMENCLATURE	EFFECT FROM TO	UNITS PER ASSY
1 110	HL1012AZ8-22	.BOLT- SUPPLIER CODE: VOPTK6 SPECIFICATION NUMBER: BACB30NX8K22 OPTIONAL PART: HL12VAZ8-22 V73197 HL12VAZ8-22 V92215 HL12VAZ8-22 V97928 L802-8K22 V06725 HL12VAZ8-22 V56878 HL1012AZ8-22 V06725 HL1012AZ8-22 V06950 HL1012AZ8-22 V17446 HL1012AZ8-22 V56878 HL1012AZ8-22 V60516 HL1012AZ8-22 V76197 HL1012AZ8-22 V97928 POSITION DATA: RH SIDE	002004 006999	3

MISSING ITEM NUMBERS NOT APPLICABLE

- ITEM NOT ILLUSTRATED

BRI

57-24-52-01

BOEING PROPRIETARY - Copyright © - Unpublished Work - See title page for details.

57-24-52
FIG. 01
PAGE 9
SEP 20/08



757

PARTS CATALOG (MAINTENANCE)

FIG ITEM	PART NUMBER	1 2 3 4 5 6 7	NOMENCLATURE	EFFECT FROM TO	UNITS PER ASSY
1 115	HL1187-8	.	COLLAR- SUPPLIER CODE: V5M902 SPECIFICATION NUMBER: BACC30X8 OPTIONAL PART: HL87-8 V92215 HL87-8 V73197 HL1187-8 V56878 HL1187-8 V92215 HL87-8 V56878 HL1187-8 V73197 POSITION DATA: RH SIDE	002004 006999	4
120	271N2038-1	.	SUPPORT ASSY-R SYS ENG DRIVEN PUMP PRESSURE CD FILTER MODULE POSITION DATA: RH SIDE	002004 006999	1
125	BACB28X4C038	..	BUSHING	002004 006999	1
130	BACB28X4C028	..	BUSHING	002004 006999	1
135	BACB28X4C023	..	BUSHING	002004 006999	1
140	BACB28X6M023	..	BUSHING	002004 006999	1
145	271N2038-2	..	SUPPORT- OPTIONAL PART: 271N2038-3	002004 006999	1
145	271N2038-3	..	SUPPORT- OPTIONAL PART: 271N2038-2	002004 006999	1

MISSING ITEM NUMBERS NOT APPLICABLE

- ITEM NOT ILLUSTRATED

57-24-52-01

57-24-52
FIG. 01
PAGE 10
SEP 20/08

BRI

BOEING PROPRIETARY - Copyright © - Unpublished Work - See title page for details.



757

PARTS CATALOG (MAINTENANCE)

FIG ITEM	PART NUMBER	1 2 3 4 5 6 7 NOMENCLATURE	EFFECT FROM TO	UNITS PER ASSY
1 150	HL1012AZ10-26	.BOLT- SUPPLIER CODE: VOPTK6 SPECIFICATION NUMBER: BACB30NX10K26 OPTIONAL PART: HL12VAZ10-26 V73197 HL12VAZ10-26 V92215 HL12VAZ10-26 V97928 L802-10K26 V06725 HL12VAZ10-26 V56878 HL1012AZ10-26 V06725 HL1012AZ10-26 V06950 HL1012AZ10-26 V17446 HL1012AZ10-26 V56878 HL1012AZ10-26 V60516 HL1012AZ10-26 V73197 HL1012AZ10-26 V97928 POSITION DATA: LH SIDE	002004 006999	2

MISSING ITEM NUMBERS NOT APPLICABLE

- ITEM NOT ILLUSTRATED

BRI

57-24-52-01

BOEING PROPRIETARY - Copyright © - Unpublished Work - See title page for details.

57-24-52
FIG. 01
PAGE 11
SEP 20/08



757

PARTS CATALOG (MAINTENANCE)

FIG ITEM	PART NUMBER	1 2 3 4 5 6 7	NOMENCLATURE	EFFECT FROM TO	UNITS PER ASSY
1 151	HL1012AZ10-22		.BOLT SUPPLIER CODE: VOPTK6 SPECIFICATION NUMBER: BACB30NX10K22 OPTIONAL PART: HL12VAZ10-22 V73197 HL12VAZ10-22 V92215 HL12VAZ10-22 V97928 L802-10K22 V06725 HL12VAZ10-22 V56878 HL1012AZ10-22 V06725 HL1012AZ10-22 V06950 HL1012AZ10-22 V17446 HL1012AZ10-22 V56878 HL1012AZ10-22 V60516 HL1012AZ10-22 V73197 HL1012AZ10-22 V97928	101106 108120 504903	1

MISSING ITEM NUMBERS NOT APPLICABLE

- ITEM NOT ILLUSTRATED

BRI

57-24-52-01

BOEING PROPRIETARY - Copyright © - Unpublished Work - See title page for details.

57-24-52
FIG. 01
PAGE 12
JAN 20/09



757

PARTS CATALOG (MAINTENANCE)

FIG ITEM	PART NUMBER	1 2 3 4 5 6 7 NOMENCLATURE	EFFECT FROM TO	UNITS PER ASSY
1 152	HL1012AZ10-23	.BOLT SUPPLIER CODE: VOPTK6 SPECIFICATION NUMBER: BACB30NX10K23 OPTIONAL PART: HL12VAZ10-23 V73197 HL12VAZ10-23 V92215 HL12VAZ10-23 V97928 L802-10K23 V06725 HL12VAZ10-23 V56878 HL1012AZ10-23 V06725 HL1012AZ10-23 V06950 HL1012AZ10-23 V17446 HL1012AZ10-23 V56878 HL1012AZ10-23 V60516 HL1012AZ10-23 V73197 HL1012AZ10-23 V97928	101106 108120 504903	1

MISSING ITEM NUMBERS NOT APPLICABLE

- ITEM NOT ILLUSTRATED

BRI

57-24-52-01

BOEING PROPRIETARY - Copyright © - Unpublished Work - See title page for details.

57-24-52
FIG. 01
PAGE 13
JAN 20/09



**757
PARTS CATALOG (MAINTENANCE)**

FIG ITEM	PART NUMBER	1 2 3 4 5 6 7	NOMENCLATURE	EFFECT FROM TO	UNITS PER ASSY
1 155	HL1187-10		.COLLAR- SUPPLIER CODE: V5M902 SPECIFICATION NUMBER: BACC30X10 OPTIONAL PART: HL1187-10 V56878 HL1187-10 V92215 HL1187-10 V73197 HL1187-10 V92215 HL87-10 V56878 HL1187-10 V73197 POSITION DATA: LH SIDE	002004 006999	2
160	271N6318-1		.BRACKET ASSY-L NAC HYDR TUBING POSITION DATA: LH SIDE	002004 006999	1

MISSING ITEM NUMBERS NOT APPLICABLE

— ITEM NOT ILLUSTRATED

BRI

57-24-52-01

BOEING PROPRIETARY - Copyright © - Unpublished Work - See title page for details.

57-24-52
FIG. 01
PAGE 14
JAN 20/09



757

PARTS CATALOG (MAINTENANCE)

FIG ITEM	PART NUMBER	1 2 3 4 5 6 7	NOMENCLATURE	EFFECT FROM TO	UNITS PER ASSY
1 165	HL1012AZ8-22		.BOLT- SUPPLIER CODE: VOPTK6 SPECIFICATION NUMBER: BACB30NX8K22 OPTIONAL PART: HL12VAZ8-22 V73197 HL12VAZ8-22 V92215 HL12VAZ8-22 V97928 L802-8K22 V06725 HL12VAZ8-22 V56878 HL1012AZ8-22 V06725 HL1012AZ8-22 V06950 HL1012AZ8-22 V17446 HL1012AZ8-22 V56878 HL1012AZ8-22 V60516 HL1012AZ8-22 V76197 HL1012AZ8-22 V97928 POSITION DATA: LH SIDE	002004 006100 107107 121503 904999	1

MISSING ITEM NUMBERS NOT APPLICABLE

- ITEM NOT ILLUSTRATED

BRI

57-24-52-01

BOEING PROPRIETARY - Copyright © - Unpublished Work - See title page for details.

57-24-52
FIG. 01
PAGE 15
JAN 20/09



757

PARTS CATALOG (MAINTENANCE)

FIG ITEM	PART NUMBER	1 2 3 4 5 6 7	NOMENCLATURE	EFFECT FROM TO	UNITS PER ASSY
1 165	HL1012AZ8-24	.BOLT	SUPPLIER CODE: VOPTK6 SPECIFICATION NUMBER: BACB30NX8K24 OPTIONAL PART: HL12VAZ8-24 V73197 HL12VAZ8-24 V92215 HL12VAZ8-24 V97928 L802-8K24 V06725 HL12VAZ8-24 V56878 HL1012AZ8-24 V06725 HL1012AZ8-24 V06950 HL1012AZ8-24 V17446 HL1012AZ8-24 V56878 HL1012AZ8-24 V60516 HL1012AZ8-24 V73197 HL1012AZ8-24 V97928	101106 108120 504903	1

MISSING ITEM NUMBERS NOT APPLICABLE

- ITEM NOT ILLUSTRATED

BRI

57-24-52-01

BOEING PROPRIETARY - Copyright © - Unpublished Work - See title page for details.

57-24-52
FIG. 01
PAGE 16
JAN 20/09



757

PARTS CATALOG (MAINTENANCE)

FIG ITEM	PART NUMBER	1 2 3 4 5 6 7 NOMENCLATURE	EFFECT FROM TO	UNITS PER ASSY
1 170	HL1012AZ8-23	.BOLT- SUPPLIER CODE: VOPTK6 SPECIFICATION NUMBER: BACB30NX8K23 OPTIONAL PART: HL12VAZ8-23 V73197 HL12VAZ8-23 V92215 HL12VAZ8-23 V97928 L802-8K23 V06725 HL12VAZ8-23 V56878 HL1012AZ8-23 V06725 HL1012AZ8-23 V06950 HL1012AZ8-23 V17446 HL1012AZ8-23 V56878 HL1012AZ8-23 V60516 HL1012AZ8-23 V73197 HL1012AZ8-23 V97928 POSITION DATA: LH SIDE	002004 006100 107107 121503 904999	1

MISSING ITEM NUMBERS NOT APPLICABLE

- ITEM NOT ILLUSTRATED

BRI

57-24-52-01

BOEING PROPRIETARY - Copyright © - Unpublished Work - See title page for details.

57-24-52
FIG. 01
PAGE 17
JAN 20/09



757

PARTS CATALOG (MAINTENANCE)

FIG ITEM	PART NUMBER	1 2 3 4 5 6 7 NOMENCLATURE	EFFECT FROM TO	UNITS PER ASSY
1 170	HL1012AZ8-22	.BOLT- SUPPLIER CODE: VOPTK6 SPECIFICATION NUMBER: BACB30NX8K22 OPTIONAL PART: HL12VAZ8-22 V73197 HL12VAZ8-22 V92215 HL12VAZ8-22 V97928 L802-8K22 V06725 HL12VAZ8-22 V56878 HL1012AZ8-22 V06725 HL1012AZ8-22 V06950 HL1012AZ8-22 V17446 HL1012AZ8-22 V56878 HL1012AZ8-22 V60516 HL1012AZ8-22 V76197 HL1012AZ8-22 V97928 POSITION DATA: LH SIDE	101106 108120 504903	1

MISSING ITEM NUMBERS NOT APPLICABLE

- ITEM NOT ILLUSTRATED

BRI

57-24-52-01

BOEING PROPRIETARY - Copyright © - Unpublished Work - See title page for details.

57-24-52
FIG. 01
PAGE 18
JAN 20/09

BOEING
757
PARTS CATALOG (MAINTENANCE)

FIG ITEM	PART NUMBER	1 2 3 4 5 6 7	NOMENCLATURE	EFFECT FROM TO	UNITS PER ASSY
1 175	HL1187-8		.. COLLAR- SUPPLIER CODE: V5M902 SPECIFICATION NUMBER: BACC30X8 OPTIONAL PART: HL87-8 V92215 HL87-8 V73197 HL1187-8 V56878 HL1187-8 V92215 HL87-8 V56878 HL1187-8 V73197 POSITION DATA: LH SIDE	002004 006999	2
180	271N2036-1		. SUPPORT ASSY-L SYS ENG DRIVEN PUMP PRESSURE CD FILTER MODULE LINK POSITION DATA: LH SIDE	002004 006999	1
185	AG4VCR		.. BEARING SUPPLIER CODE: V15860 SPECIFICATION NUMBER: BACB10AG4 OPTIONAL PART: BSSN4797S V81376 HSBG4-117 V02758 NG4F V73134 NC4G2 V56644 BNG4E111 V16746 ABG4V5 VS0352 03-505-04E033 V09455	002004 006999	1

R
R
R
R
R
R
R
R
R
R
R
R
R
R
R
R
R
R
R
R
R
R

MISSING ITEM NUMBERS NOT APPLICABLE

- ITEM NOT ILLUSTRATED

57-24-52-01

57-24-52
FIG. 01
PAGE 19
MAY 20/09

BRI



757

PARTS CATALOG (MAINTENANCE)

FIG ITEM	PART NUMBER	1 2 3 4 5 6 7 NOMENCLATURE	EFFECT FROM TO	UNITS PER ASSY
1 190	HL1012AZ10-22	.BOLT- SUPPLIER CODE: VOPTK6 SPECIFICATION NUMBER: BACB30NX10K22 OPTIONAL PART: HL12VAZ10-22 V73197 HL12VAZ10-22 V92215 HL12VAZ10-22 V97928 L802-10K22 V06725 HL12VAZ10-22 V56878 HL1012AZ10-22 V06725 HL1012AZ10-22 V06950 HL1012AZ10-22 V17446 HL1012AZ10-22 V56878 HL1012AZ10-22 V60516 HL1012AZ10-22 V73197 HL1012AZ10-22 V97928 POSITION DATA: LH SIDE	101106 108120 504903	1

MISSING ITEM NUMBERS NOT APPLICABLE

- ITEM NOT ILLUSTRATED

BRI

57-24-52-01

BOEING PROPRIETARY - Copyright © - Unpublished Work - See title page for details.

57-24-52
FIG. 01
PAGE 20
JAN 20/09



757

PARTS CATALOG (MAINTENANCE)

FIG ITEM	PART NUMBER	1 2 3 4 5 6 7	NOMENCLATURE	EFFECT FROM TO	UNITS PER ASSY
1 190	HL1012AZ10-23		.BOLT- SUPPLIER CODE: VOPTK6 SPECIFICATION NUMBER: BACB30NX10K23 OPTIONAL PART: HL12VAZ10-23 V73197 HL12VAZ10-23 V92215 HL12VAZ10-23 V97928 L802-10K23 V06725 HL12VAZ10-23 V56878 HL1012AZ10-23 V06725 HL1012AZ10-23 V06950 HL1012AZ10-23 V17446 HL1012AZ10-23 V56878 HL1012AZ10-23 V60516 HL1012AZ10-23 V73197 HL1012AZ10-23 V97928 POSITION DATA: LH SIDE	002004 006100 107107 121503 904999	1

MISSING ITEM NUMBERS NOT APPLICABLE

- ITEM NOT ILLUSTRATED

BRI

57-24-52-01

BOEING PROPRIETARY - Copyright © - Unpublished Work - See title page for details.

57-24-52
FIG. 01
PAGE 21
JAN 20/09



757

PARTS CATALOG (MAINTENANCE)

FIG ITEM	PART NUMBER	1 2 3 4 5 6 7 NOMENCLATURE	EFFECT FROM TO	UNITS PER ASSY
1 197	HL1012AZ10-22	.BOLT- SUPPLIER CODE: VOPTK6 SPECIFICATION NUMBER: BACB30NX10K22 OPTIONAL PART: HL12VAZ10-22 V73197 HL12VAZ10-22 V92215 HL12VAZ10-22 V97928 L802-10K22 V06725 HL12VAZ10-22 V56878 HL1012AZ10-22 V06725 HL1012AZ10-22 V06950 HL1012AZ10-22 V17446 HL1012AZ10-22 V56878 HL1012AZ10-22 V60516 HL1012AZ10-22 V73197 HL1012AZ10-22 V97928 POSITION DATA: RH SIDE	002004 006100 103107 121503 904999	2

MISSING ITEM NUMBERS NOT APPLICABLE

- ITEM NOT ILLUSTRATED

BRI

57-24-52-01

BOEING PROPRIETARY - Copyright © - Unpublished Work - See title page for details.

57-24-52
FIG. 01
PAGE 22
JAN 20/09



757

PARTS CATALOG (MAINTENANCE)

FIG ITEM	PART NUMBER	1 2 3 4 5 6 7	NOMENCLATURE	EFFECT FROM TO	UNITS PER ASSY
1 200	HL1012AZ10-22		.BOLT- SUPPLIER CODE: VOPTK6 SPECIFICATION NUMBER: BACB30NX10K22 OPTIONAL PART: HL12VAZ10-22 V73197 HL12VAZ10-22 V92215 HL12VAZ10-22 V97928 L802-10K22 V06725 HL12VAZ10-22 V56878 HL1012AZ10-22 V06725 HL1012AZ10-22 V06950 HL1012AZ10-22 V17446 HL1012AZ10-22 V56878 HL1012AZ10-22 V60516 HL1012AZ10-22 V73197 HL1012AZ10-22 V97928 POSITION DATA: LH SIDE	002004 006999	1

MISSING ITEM NUMBERS NOT APPLICABLE

- ITEM NOT ILLUSTRATED

BRI

57-24-52-01

BOEING PROPRIETARY - Copyright © - Unpublished Work - See title page for details.

57-24-52
FIG. 01
PAGE 23
SEP 20/08



757

PARTS CATALOG (MAINTENANCE)

FIG ITEM	PART NUMBER	1 2 3 4 5 6 7	NOMENCLATURE	EFFECT FROM TO	UNITS PER ASSY
1 210	HL1187-10		.COLLAR- SUPPLIER CODE: V5M902 SPECIFICATION NUMBER: BACC30X10 OPTIONAL PART: HL1187-10 V56878 HL1187-10 V92215 HL1187-10 V73197 HL1187-10 V92215 HL87-10 V56878 HL1187-10 V73197	002004 006999	2
230	271N6321-1		.BRACKET ASSY-L AND R NAC HYDR TUBING POSITION DATA: LH SIDE	002004 006100 107107 121503 904999	1
230	271N6321-15		.BRACKET ASSY-L AND R NAC HYDR TUBING POSITION DATA: LH SIDE	101106 108120 504903	1
240	271N2069-2		.SUPPORT ASSY-L AND R SYS GND SVCE DISC. POSITION DATA: RH SIDE	107107	1
240	271N2069-7		.SUPPORT ASSY-L AND R SYS GND SVCE DISC. POSITION DATA: RH SIDE	002004 006106 108999	1

MISSING ITEM NUMBERS NOT APPLICABLE

- ITEM NOT ILLUSTRATED

57-24-52-01

57-24-52
FIG. 01
PAGE 24
JAN 20/09

BRI

 **BOEING**
757
PARTS CATALOG (MAINTENANCE)

FIG ITEM	PART NUMBER	1 2 3 4 5 6 7 NOMENCLATURE	EFFECT FROM TO	UNITS PER ASSY
1 250	HL1012AZ12-15	.BOLT- SUPPLIER CODE: VOPTK6 SPECIFICATION NUMBER: BACB30NX12K15 OPTIONAL PART: HL12VAZ12-15 V73197 HL12VAZ12-15 V92215 HL12VAZ12-15 V97928 L802-12K15 V06725 HL12VAZ12-15 V56878 HL12AZ12-15 V06725 HL12AZ12-15 V06950 HL1012AZ12-15 V17446 HL1012AZ12-15 V56878 HL1012AZ12-15 V60516 HL1012AZ12-15 V73197 HL1012AZ12-15 V97928	002004 006100 107107 121503 904999	1

MISSING ITEM NUMBERS NOT APPLICABLE

— ITEM NOT ILLUSTRATED

BRI

57-24-52-01

BOEING PROPRIETARY - Copyright © - Unpublished Work - See title page for details.

57-24-52
FIG. 01
PAGE 25
JAN 20/09



757

PARTS CATALOG (MAINTENANCE)

FIG ITEM	PART NUMBER	1 2 3 4 5 6 7	NOMENCLATURE	EFFECT FROM TO	UNITS PER ASSY
1 250	HL1012AZ12-14	.	BOLT- SUPPLIER CODE: VOPTK6 SPECIFICATION NUMBER: BACB30NX12K14 OPTIONAL PART: HL12VAZ12-14 V73197 HL12VAZ12-14 V92215 HL12VAZ12-14 V97928 L802-12K14 V06725 HL12VAZ12-14 V56878 HL1012AZ12-14 V06725 HL1012AZ12-14 V06950 HL1012AZ12-14 V17446 HL1012AZ12-14 V56878 HL1012AZ12-14 V60516 HL1012AZ12-14 V73197 HL1012AZ12-14 V97928	101106 108120 504903	1

MISSING ITEM NUMBERS NOT APPLICABLE

- ITEM NOT ILLUSTRATED

BRI

57-24-52-01

BOEING PROPRIETARY - Copyright © - Unpublished Work - See title page for details.

57-24-52
FIG. 01
PAGE 26
JAN 20/09



757

PARTS CATALOG (MAINTENANCE)

FIG ITEM	PART NUMBER	1 2 3 4 5 6 7	NOMENCLATURE	EFFECT FROM TO	UNITS PER ASSY
1 255	HL1012AZ12-22	.BOLT	SUPPLIER CODE: VOPTK6 SPECIFICATION NUMBER: BACB30NX12K22 OPTIONAL PART: HL12VAZ12-22 V73197 HL12VAZ12-22 V92215 HL12VAZ12-22 V97928 L802-12K22 V06725 HL12VAZ12-22 V56878 HL1012AZ12-22 V06725 HL1012AZ12-22 V06950 HL1012AZ12-22 V17446 HL1012AZ12-22 V56878 HL1012AZ12-22 V60516 HL1012AZ12-22 V73197 HL1012AZ12-22 V97928	002004 006999	1

MISSING ITEM NUMBERS NOT APPLICABLE

- ITEM NOT ILLUSTRATED

BRI

57-24-52-01

BOEING PROPRIETARY - Copyright © - Unpublished Work - See title page for details.

57-24-52
FIG. 01
PAGE 27
SEP 20/08



757

PARTS CATALOG (MAINTENANCE)

FIG ITEM	PART NUMBER	1 2 3 4 5 6 7 NOMENCLATURE	EFFECT FROM TO	UNITS PER ASSY
1 260	HL1012AZ12-23	.BOLT- SUPPLIER CODE: VOPTK6 SPECIFICATION NUMBER: BACB30NX12K23 OPTIONAL PART: HL12VAZ12-23 V73197 HL12VAZ12-23 V92215 HL12VAZ12-23 V97928 L802-12K23 V06725 HL12VAZ12-23 V56878 HL1012AZ12-23 V06725 HL1012AZ12-23 V06950 HL1012AZ12-23 V17446 HL1012AZ12-23 V56878 HL1012AZ12-23 V60516 HL1012AZ12-23 V73197 HL1012AZ12-23 V97928	002004 006100 107107 121503 904999	1

MISSING ITEM NUMBERS NOT APPLICABLE

- ITEM NOT ILLUSTRATED

BRI

57-24-52-01

BOEING PROPRIETARY - Copyright © - Unpublished Work - See title page for details.

57-24-52
FIG. 01
PAGE 28
JAN 20/09



757

PARTS CATALOG (MAINTENANCE)

FIG ITEM	PART NUMBER	1 2 3 4 5 6 7	NOMENCLATURE	EFFECT FROM TO	UNITS PER ASSY
1 260	HL1012AZ12-22		.BOLT- SUPPLIER CODE: VOPTK6 SPECIFICATION NUMBER: BACB30NX12K22 OPTIONAL PART: HL12VAZ12-22 V73197 HL12VAZ12-22 V92215 HL12VAZ12-22 V97928 L802-12K22 V06725 HL12VAZ12-22 V56878 HL1012AZ12-22 V06725 HL1012AZ12-22 V06950 HL1012AZ12-22 V17446 HL1012AZ12-22 V56878 HL1012AZ12-22 V60516 HL1012AZ12-22 V73197 HL1012AZ12-22 V97928	101106 108120 504903	1
265	HL1187-12		.COLLAR SUPPLIER CODE: V5M902 SPECIFICATION NUMBER: BACC30X12 OPTIONAL PART: HL1187-12 V73197 HL1187-12 V56878 HL1187-12 V92215 HL1187-12 V92215 HL87-12 V56878 HL87-12 V73197	002004 006999	3

MISSING ITEM NUMBERS NOT APPLICABLE

- ITEM NOT ILLUSTRATED

BRI

57-24-52-01

BOEING PROPRIETARY - Copyright © - Unpublished Work - See title page for details.

57-24-52
FIG. 01
PAGE 29
JAN 20/09



757

PARTS CATALOG (MAINTENANCE)

FIG ITEM	PART NUMBER	1 2 3 4 5 6 7	NOMENCLATURE	EFFECT FROM TO	UNITS PER ASSY
1 270	HL1012AZ10-21	.BOLT	SUPPLIER CODE: VOPTK6 SPECIFICATION NUMBER: BACB30NX10K21 OPTIONAL PART: HL12VAZ10-21 V73197 HL12VAZ10-21 V92215 HL12VAZ10-21 V97928 L802-10K21 V06725 HL12VAZ10-21 V56878 HL1012AZ10-21 V06725 HL1012AZ10-21 V06950 HL1012AZ10-21 V17446 HL1012AZ10-21 V56878 HL1012AZ10-21 V60516 HL1012AZ10-21 V73197 HL1012AZ10-21 V97928	002004 006999	2
275	HL1187-10	.COLLAR	SUPPLIER CODE: V5M902 SPECIFICATION NUMBER: BACC30X10 OPTIONAL PART: HL1187-10 V56878 HL1187-10 V92215 HL1187-10 V73197 HL1187-10 V92215 HL87-10 V56878 HL1187-10 V73197	002004 006999	2

MISSING ITEM NUMBERS NOT APPLICABLE

- ITEM NOT ILLUSTRATED

57-24-52-01

57-24-52
FIG. 01
PAGE 30
JAN 20/09

BRI



757

PARTS CATALOG (MAINTENANCE)

FIG ITEM	PART NUMBER	1 2 3 4 5 6 7 NOMENCLATURE	EFFECT FROM TO	UNITS PER ASSY
1 280	HL1012AZ10-25	.BOLT- SUPPLIER CODE: VOPTK6 SPECIFICATION NUMBER: BACB30NX10K25 OPTIONAL PART: HL12VAZ10-25 V73197 HL12VAZ10-25 V92215 HL12VAZ10-25 V97928 L802-10K25 V06725 HL12VAZ10-25 V56878 HL1012AZ10-25 V06725 HL1012AZ10-25 V06950 HL1012AZ10-25 V17446 HL1012AZ10-25 V56878 HL1012AZ10-25 V60516 HL1012AZ10-25 V73197 HL1012AZ10-25 V97928 POSITION DATA: LH SIDE	002004 006100 107107 121503 904999	2

MISSING ITEM NUMBERS NOT APPLICABLE

- ITEM NOT ILLUSTRATED

BRI

57-24-52-01

BOEING PROPRIETARY - Copyright © - Unpublished Work - See title page for details.

57-24-52
FIG. 01
PAGE 31
JAN 20/09



757

PARTS CATALOG (MAINTENANCE)

FIG ITEM	PART NUMBER	1 2 3 4 5 6 7	NOMENCLATURE	EFFECT FROM TO	UNITS PER ASSY
1 282	HL1012AZ10-20		.BOLT- SUPPLIER CODE: VOPTK6 SPECIFICATION NUMBER: BACB30NX10K20 OPTIONAL PART: HL12VAZ10-20 V73197 HL12VAZ10-20 V92215 HL12VAZ10-20 V97928 L802-10K20 V06725 HL12VAZ10-20 V56878 HL1012AZ10-20 V06725 HL1012AZ10-20 V06950 HL1012AZ10-20 V17446 HL1012AZ10-20 V56878 HL1012AZ10-20 V60516 HL1012AZ10-20 V73197 HL1012AZ10-20 V97928 POSITION DATA: LH SIDE	101106 108120 504903	2

MISSING ITEM NUMBERS NOT APPLICABLE

- ITEM NOT ILLUSTRATED

BRI

57-24-52-01

BOEING PROPRIETARY - Copyright © - Unpublished Work - See title page for details.

57-24-52
FIG. 01
PAGE 32
JAN 20/09



757

PARTS CATALOG (MAINTENANCE)

FIG ITEM	PART NUMBER	1 2 3 4 5 6 7 NOMENCLATURE	EFFECT FROM TO	UNITS PER ASSY
1 283	HL1012AZ10-19	.BOLT- SUPPLIER CODE: VOPTK6 SPECIFICATION NUMBER: BACB30NX10K19 OPTIONAL PART: HL12VAZ10-19 V73197 HL12VAZ10-19 V92215 HL12VAZ10-19 V97928 L802-10K19 V06725 HL12VAZ10-19 V56878 HL1012AZ10-19 V06725 HL1012AZ10-19 V06950 HL1012AZ10-19 V17446 HL1012AZ10-19 V56878 HL1012AZ10-19 V60516 HL1012AZ10-19 V73197 HL1012AZ10-19 V97928 POSITION DATA: LH SIDE	101106 108120 504903	2

MISSING ITEM NUMBERS NOT APPLICABLE

- ITEM NOT ILLUSTRATED

BRI

57-24-52-01

BOEING PROPRIETARY - Copyright © - Unpublished Work - See title page for details.

57-24-52
FIG. 01
PAGE 33
JAN 20/09



757

PARTS CATALOG (MAINTENANCE)

FIG ITEM	PART NUMBER	1 2 3 4 5 6 7	NOMENCLATURE	EFFECT FROM TO	UNITS PER ASSY
1 295	HL1187-10		. COLLAR- SUPPLIER CODE: V5M902 SPECIFICATION NUMBER: BACC30X10 OPTIONAL PART: HL1187-10 V56878 HL1187-10 V92215 HL1187-10 V73197 HL1187-10 V92215 HL87-10 V56878 HL1187-10 V73197 POSITION DATA: LH SIDE	002004 006999	2

MISSING ITEM NUMBERS NOT APPLICABLE

- ITEM NOT ILLUSTRATED

BRI

57-24-52-01

BOEING PROPRIETARY - Copyright © - Unpublished Work - See title page for details.

57-24-52
FIG. 01
PAGE 34
JAN 20/09



757

PARTS CATALOG (MAINTENANCE)

FIG ITEM	PART NUMBER	1 2 3 4 5 6 7	NOMENCLATURE	EFFECT FROM TO	UNITS PER ASSY
1 300	HL1012AZ10-19		.BOLT- SUPPLIER CODE: VOPTK6 SPECIFICATION NUMBER: BACB30NX10K19 OPTIONAL PART: HL12VAZ10-19 V73197 HL12VAZ10-19 V92215 HL12VAZ10-19 V97928 L802-10K19 V06725 HL12VAZ10-19 V56878 HL1012AZ10-19 V06725 HL1012AZ10-19 V06950 HL1012AZ10-19 V17446 HL1012AZ10-19 V56878 HL1012AZ10-19 V60516 HL1012AZ10-19 V73197 HL1012AZ10-19 V97928 POSITION DATA: LH SIDE	002004 006100 107107 121503 904999	1

MISSING ITEM NUMBERS NOT APPLICABLE

- ITEM NOT ILLUSTRATED

BRI

57-24-52-01

BOEING PROPRIETARY - Copyright © - Unpublished Work - See title page for details.

57-24-52
FIG. 01
PAGE 35
JAN 20/09



757

PARTS CATALOG (MAINTENANCE)

FIG ITEM	PART NUMBER	1 2 3 4 5 6 7	NOMENCLATURE	EFFECT FROM TO	UNITS PER ASSY
1 300	HL1012AZ10-18		.BOLT- SUPPLIER CODE: VOPTK6 SPECIFICATION NUMBER: BACB30NX10K18 OPTIONAL PART: HL12VAZ10-18 V73197 HL12VAZ10-18 V92215 HL12VAZ10-18 V97928 L802-10K18 V06725 HL12VAZ10-18 V56878 HL1012AZ10-18 V06725 HL1012AZ10-18 V06950 HL1012AZ10-18 V17446 HL1012AZ10-18 V56878 HL1012AZ10-18 V60516 HL1012AZ10-18 V73197 HL1012AZ10-18 V97928 POSITION DATA: LH SIDE	101106 108120 504903	1

MISSING ITEM NUMBERS NOT APPLICABLE

- ITEM NOT ILLUSTRATED

BRI

57-24-52-01

BOEING PROPRIETARY - Copyright © - Unpublished Work - See title page for details.

57-24-52
FIG. 01
PAGE 36
JAN 20/09



757

PARTS CATALOG (MAINTENANCE)

FIG ITEM	PART NUMBER	1 2 3 4 5 6 7	NOMENCLATURE	EFFECT FROM TO	UNITS PER ASSY
1 305	HL1187-10		. COLLAR- SUPPLIER CODE: V5M902 SPECIFICATION NUMBER: BACC30X10 OPTIONAL PART: HL1187-10 V56878 HL1187-10 V92215 HL1187-10 V73197 HL1187-10 V92215 HL87-10 V56878 HL1187-10 V73197 POSITION DATA: LH SIDE	002004 006999	1

MISSING ITEM NUMBERS NOT APPLICABLE

- ITEM NOT ILLUSTRATED

BRI

57-24-52-01

BOEING PROPRIETARY - Copyright © - Unpublished Work - See title page for details.

57-24-52
FIG. 01
PAGE 37
JAN 20/09



757

PARTS CATALOG (MAINTENANCE)

FIG ITEM	PART NUMBER	1 2 3 4 5 6 7 NOMENCLATURE	EFFECT FROM TO	UNITS PER ASSY
1 345	HL1012AZ8-17	.BOLT- SUPPLIER CODE: VOPTK6 SPECIFICATION NUMBER: BACB30NX8K17 OPTIONAL PART: HL12VAZ8-17 V73197 HL12VAZ8-17 V92215 HL12VAZ8-17 V97928 L802-8K17 V06725 HL12VAZ8-17 V86878 HL1012AZ8-17 V06725 HL1012AZ8-17 V06950 HL1012AZ8-17 V17446 HL1012AZ8-17 V56878 HL1012AZ8-17 V60516 HL1012AZ8-17 V73197 HL1012AZ8-17 V97928 POSITION DATA: LH SIDE	002004 006100 107107 121503 904999	1

MISSING ITEM NUMBERS NOT APPLICABLE

- ITEM NOT ILLUSTRATED

BRI

57-24-52-01

BOEING PROPRIETARY - Copyright © - Unpublished Work - See title page for details.

57-24-52
FIG. 01
PAGE 38
JAN 20/09



757

PARTS CATALOG (MAINTENANCE)

FIG ITEM	PART NUMBER	1 2 3 4 5 6 7 NOMENCLATURE	EFFECT FROM TO	UNITS PER ASSY
1 345	HL1012AZ8-16	.BOLT- SUPPLIER CODE: V97928 SPECIFICATION NUMBER: BACB30NX8K16 OPTIONAL PART: HL12VAZ8-16 V73197 HL12VAZ8-16 V92215 HL12VAZ8-16 V97928 L802-8K16 V06725 HL1012AZ8-16 VOPTK6 HL1012AZ8-16 V06725 HL1012AZ8-16 V06950 HL1012AZ8-16 V17446 HL1012AZ8-16 V56878 HL12VAZ8-16 V56878 HL1012AZ8-16 V60516 HL1012AZ8-16 V73197 POSITION DATA: LH SIDE	101106 108120 504903	1

MISSING ITEM NUMBERS NOT APPLICABLE

- ITEM NOT ILLUSTRATED

BRI

57-24-52-01

BOEING PROPRIETARY - Copyright © - Unpublished Work - See title page for details.

57-24-52
FIG. 01
PAGE 39
JAN 20/09



757

PARTS CATALOG (MAINTENANCE)

FIG ITEM	PART NUMBER	1 2 3 4 5 6 7	NOMENCLATURE	EFFECT FROM TO	UNITS PER ASSY
1 350	HL1012AZ8-16		.BOLT- SUPPLIER CODE: V97928 SPECIFICATION NUMBER: BACB30NX8K16 OPTIONAL PART: HL12VAZ8-16 V73197 HL12VAZ8-16 V92215 HL12VAZ8-16 V97928 L802-8K16 V06725 HL1012AZ8-16 VOPTK6 HL1012AZ8-16 V06725 HL1012AZ8-16 V06950 HL1012AZ8-16 V17446 HL1012AZ8-16 V56878 HL12VAZ8-16 V56878 HL1012AZ8-16 V60516 HL1012AZ8-16 V73197 POSITION DATA: LH SIDE	002004 006100 107107 121503 904999	2

MISSING ITEM NUMBERS NOT APPLICABLE

- ITEM NOT ILLUSTRATED

BRI

57-24-52-01

BOEING PROPRIETARY - Copyright © - Unpublished Work - See title page for details.

57-24-52
FIG. 01
PAGE 40
JAN 20/09



757

PARTS CATALOG (MAINTENANCE)

FIG ITEM	PART NUMBER	1 2 3 4 5 6 7	NOMENCLATURE	EFFECT FROM TO	UNITS PER ASSY
1 352	HL1012AZ8-16		.BOLT- SUPPLIER CODE: V97928 SPECIFICATION NUMBER: BACB30NX8K16 OPTIONAL PART: HL12VAZ8-16 V73197 HL12VAZ8-16 V92215 HL12VAZ8-16 V97928 L802-8K16 V06725 HL1012AZ8-16 VOPTK6 HL1012AZ8-16 V06725 HL1012AZ8-16 V06950 HL1012AZ8-16 V17446 HL1012AZ8-16 V56878 HL12VAZ8-16 V56878 HL1012AZ8-16 V60516 HL1012AZ8-16 V73197 POSITION DATA: LH SIDE	101106 108120 504903	1

MISSING ITEM NUMBERS NOT APPLICABLE

- ITEM NOT ILLUSTRATED

BRI

57-24-52-01

BOEING PROPRIETARY - Copyright © - Unpublished Work - See title page for details.

57-24-52
FIG. 01
PAGE 41
JAN 20/09



757

PARTS CATALOG (MAINTENANCE)

FIG ITEM	PART NUMBER	1 2 3 4 5 6 7 NOMENCLATURE	EFFECT FROM TO	UNITS PER ASSY
1 353	HL1012AZ8-15	.BOLT- SUPPLIER CODE: VOPTK6 SPECIFICATION NUMBER: BACB30NX8K15 OPTIONAL PART: HL12VAZ8-15 V73197 HL12VAZ8-15 V92215 HL12VAZ8-15 V97928 L802-8K15 V06725 HL12VAZ8-15 V56878 HL1012AZ8-15 V06725 HL1012AZ8-15 V06950 HL1012AZ8-15 V17446 HL1012AZ8-15 V56878 HL1012AZ8-15 V60516 HL1012AZ8-15 V73197 HL1012AZ8-15 V97928 POSITION DATA: LH SIDE	101106 108120 504903	1

MISSING ITEM NUMBERS NOT APPLICABLE

- ITEM NOT ILLUSTRATED

BRI

57-24-52-01

BOEING PROPRIETARY - Copyright © - Unpublished Work - See title page for details.

57-24-52
FIG. 01
PAGE 42
JAN 20/09



757

PARTS CATALOG (MAINTENANCE)

FIG ITEM	PART NUMBER	1 2 3 4 5 6 7	NOMENCLATURE	EFFECT FROM TO	UNITS PER ASSY
1 355	HL1187-8		. COLLAR- SUPPLIER CODE: V5M902 SPECIFICATION NUMBER: BACC30X8 OPTIONAL PART: HL87-8 V92215 HL87-8 V73197 HL1187-8 V56878 HL1187-8 V92215 HL87-8 V56878 HL1187-8 V73197 POSITION DATA: LH SIDE	002004 006999	3

MISSING ITEM NUMBERS NOT APPLICABLE

- ITEM NOT ILLUSTRATED

BRI

57-24-52-01

BOEING PROPRIETARY - Copyright © - Unpublished Work - See title page for details.

57-24-52
FIG. 01
PAGE 43
SEP 20/08



757

PARTS CATALOG (MAINTENANCE)

FIG ITEM	PART NUMBER	1 2 3 4 5 6 7	NOMENCLATURE	EFFECT FROM TO	UNITS PER ASSY
1 360	HL1012AZ8-15	.BOLT	SUPPLIER CODE: VOPTK6 SPECIFICATION NUMBER: BACB30NX8K15 OPTIONAL PART: HL12VAZ8-15 V73197 HL12VAZ8-15 V92215 HL12VAZ8-15 V97928 L802-8K15 V06725 HL12VAZ8-15 V56878 HL1012AZ8-15 V06725 HL1012AZ8-15 V06950 HL1012AZ8-15 V17446 HL1012AZ8-15 V56878 HL1012AZ8-15 V60516 HL1012AZ8-15 V73197 HL1012AZ8-15 V97928	002004 006999	1
365	HL1187-8	.COLLAR	SUPPLIER CODE: V5M902 SPECIFICATION NUMBER: BACC30X8 OPTIONAL PART: HL87-8 V92215 HL87-8 V73197 HL1187-8 V56878 HL1187-8 V92215 HL87-8 V56878 HL1187-8 V73197	002004 006999	1

MISSING ITEM NUMBERS NOT APPLICABLE

- ITEM NOT ILLUSTRATED

57-24-52-01

57-24-52
FIG. 01
PAGE 44
SEP 20/08

BRI



757

PARTS CATALOG (MAINTENANCE)

FIG ITEM	PART NUMBER	1 2 3 4 5 6 7 NOMENCLATURE	EFFECT FROM TO	UNITS PER ASSY
1 367	HL1012AZ8-16	.BOLT- SUPPLIER CODE: V97928 SPECIFICATION NUMBER: BACB30NX8K16 OPTIONAL PART: HL12VAZ8-16 V73197 HL12VAZ8-16 V92215 HL12VAZ8-16 V97928 L802-8K16 V06725 HL1012AZ8-16 VOPTK6 HL1012AZ8-16 V06725 HL1012AZ8-16 V06950 HL1012AZ8-16 V17446 HL1012AZ8-16 V56878 HL12VAZ8-16 V56878 HL1012AZ8-16 V60516 HL1012AZ8-16 V73197 POSITION DATA: RH SIDE	002004 006999	1

MISSING ITEM NUMBERS NOT APPLICABLE

- ITEM NOT ILLUSTRATED

BRI

57-24-52-01

BOEING PROPRIETARY - Copyright © - Unpublished Work - See title page for details.

57-24-52
FIG. 01
PAGE 45
SEP 20/08

 **BOEING**
757
PARTS CATALOG (MAINTENANCE)

FIG ITEM	PART NUMBER	1 2 3 4 5 6 7	NOMENCLATURE	EFFECT FROM TO	UNITS PER ASSY
1 369	HL1187-8		.COLLAR- SUPPLIER CODE: V5M902 SPECIFICATION NUMBER: BACC30X8 OPTIONAL PART: HL87-8 V92215 HL87-8 V73197 HL1187-8 V56878 HL1187-8 V92215 HL87-8 V56878 HL1187-8 V73197 POSITION DATA: RH SIDE	002004 006999	1
370	112N7003-23		.FITTING HALF- POSITION DATA: INBD LH SIDE	002004 006100 107107 121503 904999	1
370	112N7039-27		.FITTING HALF- POSITION DATA: INBD LH SIDE OPTIONAL PART: 112N7039-9	101106 108120 504903	1
370	112N7039-9		.FITTING HALF- POSITION DATA: INBD LH SIDE OPTIONAL PART: 112N7039-27	101106 108120 504903	1
375	112N7003-24		.FITTING HALF- POSITION DATA: INBD RH SIDE	002004 006100 107107 121503 904999	1
375	112N7039-28		.FITTING HALF- POSITION DATA: INBD RH SIDE OPTIONAL PART: 112N7039-10	002004 006999	1

MISSING ITEM NUMBERS NOT APPLICABLE

— ITEM NOT ILLUSTRATED

BRI

57-24-52-01

BOEING PROPRIETARY - Copyright © - Unpublished Work - See title page for details.

57-24-52
FIG. 01
PAGE 46
JAN 20/09



757

PARTS CATALOG (MAINTENANCE)

FIG ITEM	PART NUMBER	1 2 3 4 5 6 7	NOMENCLATURE	EFFECT FROM TO	UNITS PER ASSY
1					
375	112N7039-10		. FITTING HALF- POSITION DATA: INBD RH SIDE OPTIONAL PART: 112N7039-28	002004 006999	1
380	112N7003-25		. FITTING HALF- POSITION DATA: OUTBD LH SIDE	002004 006100 107107 121503 904999	1
380	112N7039-17		. FITTING HALF- POSITION DATA: OUTBD LH SIDE OPTIONAL PART: 112N7039-19	101106 108120 504903	1
380	112N7039-19		. FITTING HALF- POSITION DATA: OUTBD LH SIDE OPTIONAL PART: 112N7039-17	101106 108120 504903	1
385	112N7003-26		. FITTING HALF- POSITION DATA: OUTBD RH SIDE	002004 006100 107107 121503 904999	1
385	112N7039-20		. FITTING HALF- POSITION DATA: OUTBD RH SIDE OPTIONAL PART: 112N7039-32	101106 108120 504903	1
385	112N7039-32		. FITTING HALF- POSITION DATA: OUTBD RH SIDE OPTIONAL PART: 112N7039-20	101106 108120 504903	1

MISSING ITEM NUMBERS NOT APPLICABLE

- ITEM NOT ILLUSTRATED

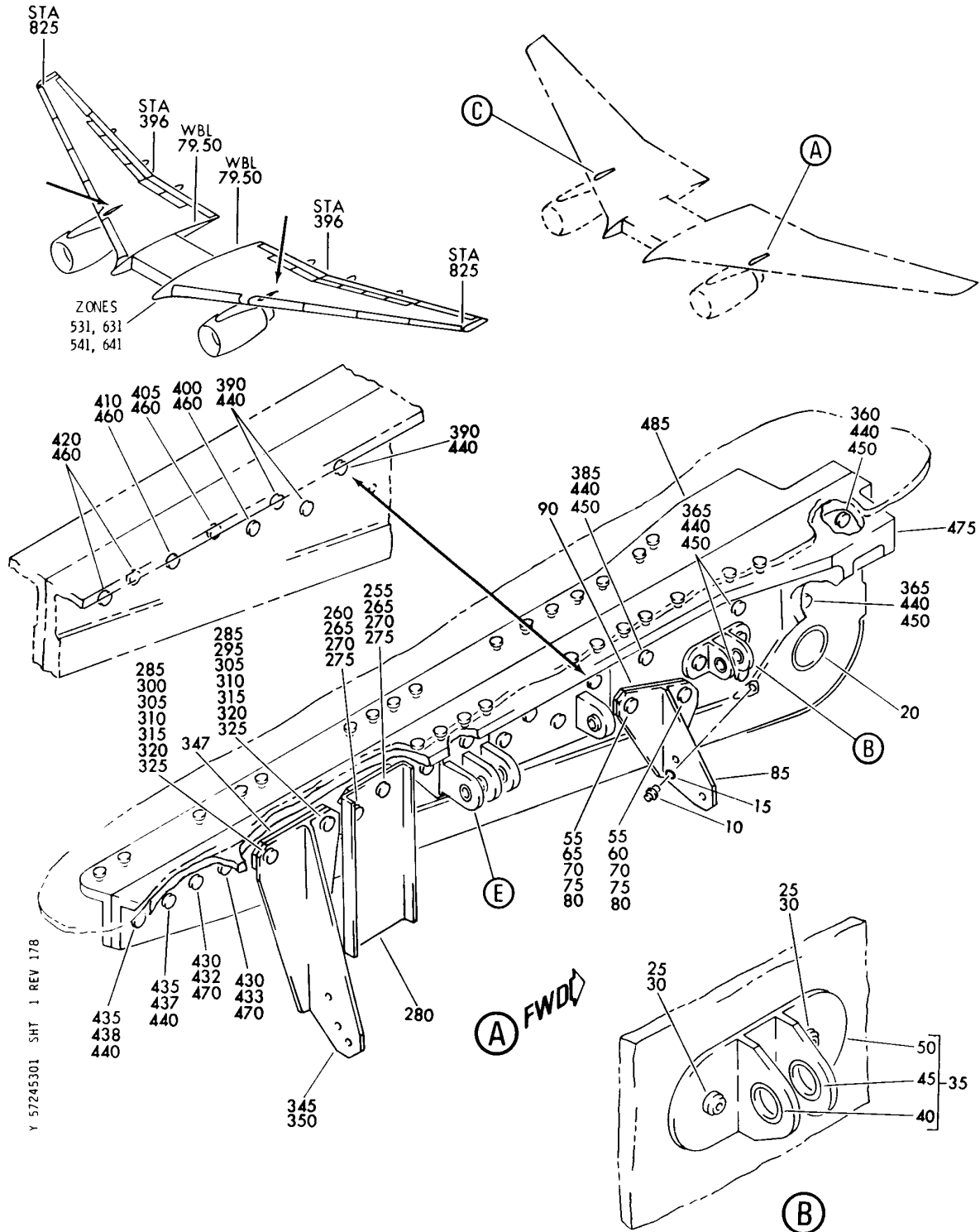
BRI

57-24-52-01

BOEING PROPRIETARY - Copyright © - Unpublished Work - See title page for details.

57-24-52
FIG. 01
PAGE 47
JAN 20/09

BOEING
757
PARTS CATALOG (MAINTENANCE)



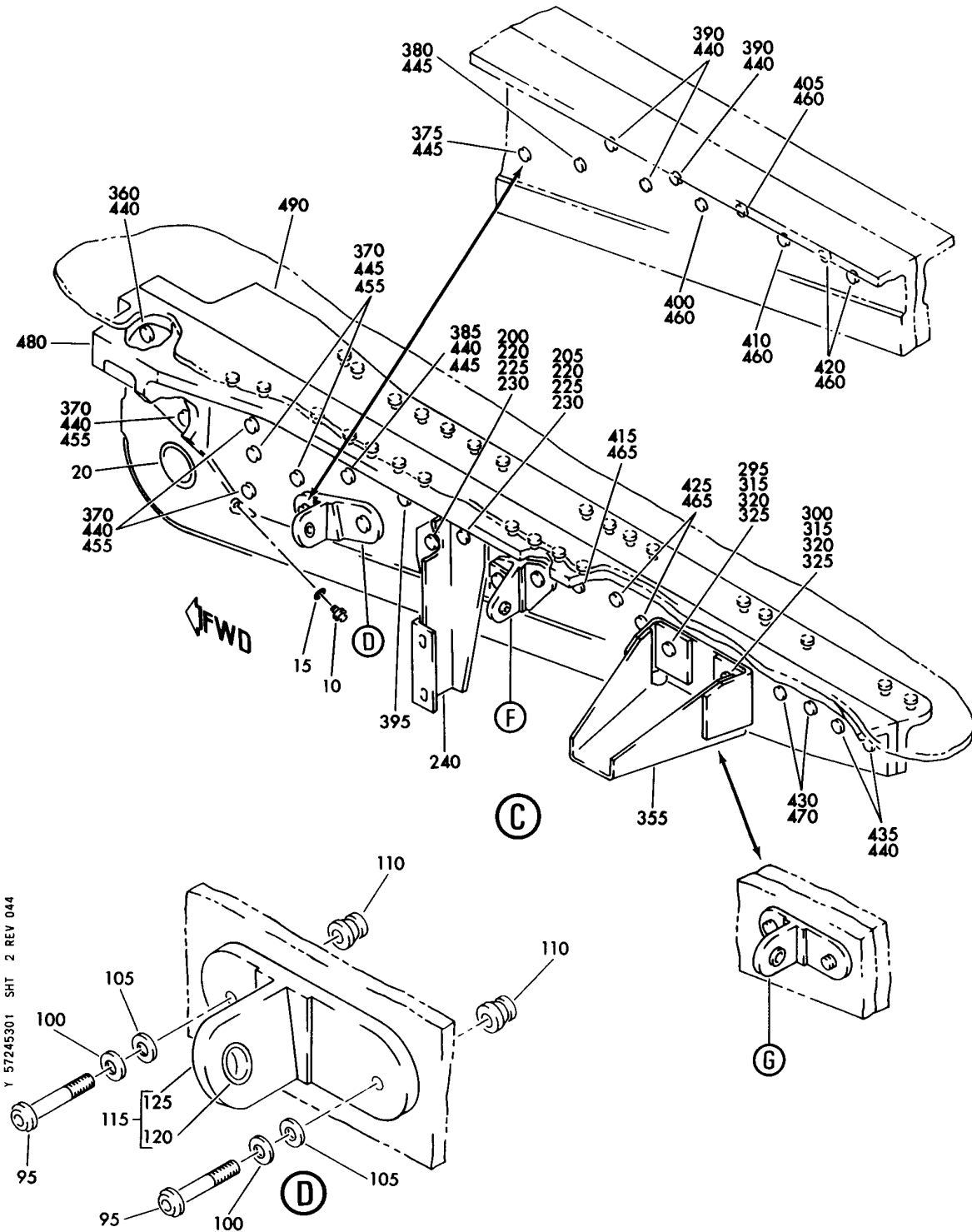
FITTING ASSY-NAC ATTACHMENT OUTBD SIDELOAD
FIGURE 1 (SHEET 1)

57-24-53-01

BRI
MAY 28/07

57-24-53-01
PAGE 0


BOEING
 757
PARTS CATALOG (MAINTENANCE)



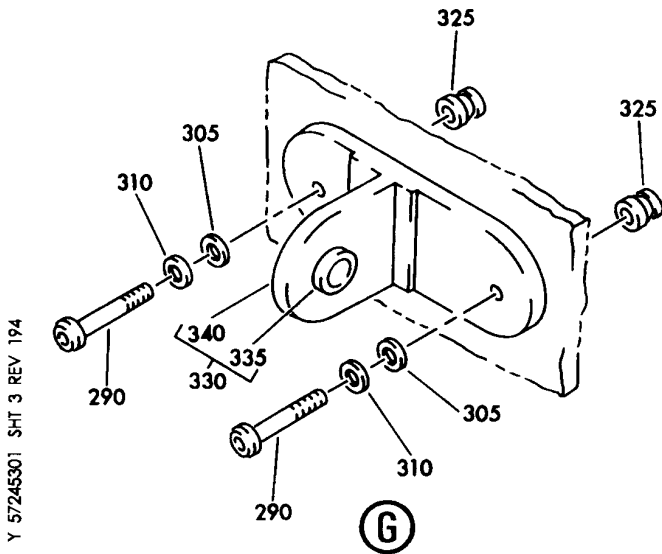
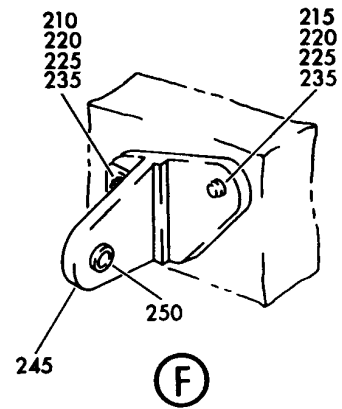
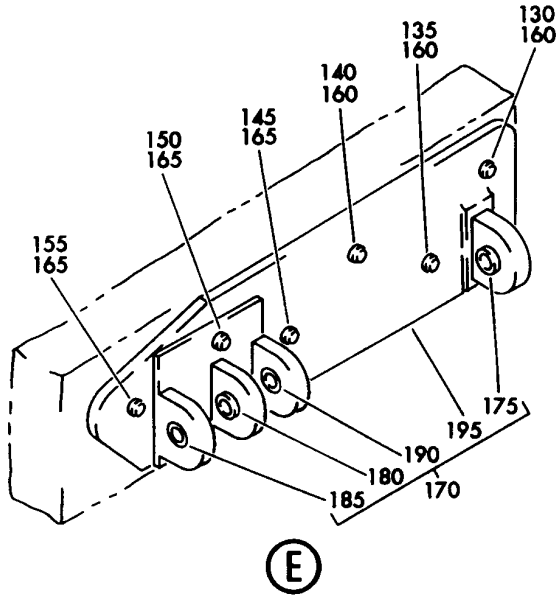
FITTING ASSY-NAC ATTACHMENT OUTBD SIDELOAD
 FIGURE 1 (SHEET 2)

57-24-53-01

BRI
 MAY 28/07

57-24-53-01
 PAGE 0A

BOEING
757
PARTS CATALOG (MAINTENANCE)



Y 57245301 SH1 3 REV 194

FITTING ASSY-NAC ATTACHMENT OUTBD SIDELOAD
FIGURE 1 (SHEET 3)

57-24-53-01

BRI
MAY 28/07

57-24-53-01
PAGE 0B



757

PARTS CATALOG (MAINTENANCE)

FIG ITEM	PART NUMBER	1 2 3 4 5 6 7	NOMENCLATURE	EFFECT FROM TO	UNITS PER ASSY
1			FITTING ASSY-NAC ATTACHMENT OUTBD SIDELOAD	002004 006999	
- 1	112N7005-29		FITTING ASSY-NAC ATTACHMENT SIDELOAD POSITION DATA: OUTBD LH FOR NHA SEE: 57-24-51-01	107107	RF
- 1	112N7005-33		FITTING ASSY-NAC ATTACHMENT SIDELOAD POSITION DATA: OUTBD LH FOR NHA SEE: 57-24-51-01	002004 006100 121503 904999	RF
- 1	112N7040-1		FITTING ASSY-NAC ATTACHMENT SIDELOAD POSITION DATA: OUTBD LH FOR NHA SEE: 57-24-51-01	101105 108120 504903	RF
- 5	112N7005-28		FITTING ASSY-NAC ATTACHMENT SIDELOAD POSITION DATA: OUTBD RH OPTIONAL PART: 112N7005-34 FOR NHA SEE: 57-24-51-01	002004 006100 107107 121503 904999	RF
- 5	112N7005-34		FITTING ASSY-NAC ATTACHMENT SIDELOAD POSITION DATA: OUTBD RH OPTIONAL PART: 112N7005-28 FOR NHA SEE: 57-24-51-01	002004 006100 107107 121503 904999	RF
- 5	112N7040-2		FITTING ASSY-NAC ATTACHMENT SIDELOAD POSITION DATA: OUTBD RH FOR NHA SEE: 57-24-51-01 57-24-51-01B	101105 108120 504903	RF
10	69B15853-1		.ADAPTOR-LUBE	002004 006105 107999	1
15	MS29512-02		.PACKING	002004 006105 107999	1

MISSING ITEM NUMBERS NOT APPLICABLE

- ITEM NOT ILLUSTRATED

BRI

57-24-53-01

57-24-53
FIG. 01
PAGE 1
JAN 20/09



757

PARTS CATALOG (MAINTENANCE)

FIG ITEM	PART NUMBER	1 2 3 4 5 6 7	NOMENCLATURE	EFFECT FROM TO	UNITS PER ASSY
1					
20	112N7035-1	.	BUSHING-	002004 006100 107107 121503 904999	1
25	HL1012AZ12-26	.	BOLT- SUPPLIER CODE: VOPTK6 SPECIFICATION NUMBER: BACB30NX12K26 OPTIONAL PART: HL12VAZ12-26 V73197 HL12VAZ12-26 V92215 HL12VAZ12-26 V97928 L802-12K26 V06725 HL1012AZ12-26 V56878 HL1012AZ12-26 V06725 HL1012AZ12-26 V06950 HL1012AZ12-26 V17446 HL12AZ12-26 V56878 HL1012AZ12-26 V60516 HL1012AZ12-26 V73197 HL1012AZ12-26 V97928 POSITION DATA: LH SIDE	002004 006105 107999	2

MISSING ITEM NUMBERS NOT APPLICABLE

- ITEM NOT ILLUSTRATED

BRI

57-24-53-01

BOEING PROPRIETARY - Copyright © - Unpublished Work - See title page for details.

57-24-53
FIG. 01
PAGE 2
JAN 20/09



757

PARTS CATALOG (MAINTENANCE)

FIG ITEM	PART NUMBER	1 2 3 4 5 6 7	NOMENCLATURE	EFFECT FROM TO	UNITS PER ASSY
1	30 HL1187-12		. COLLAR- SUPPLIER CODE: V5M902 SPECIFICATION NUMBER: BACC30X12 OPTIONAL PART: HL1187-12 V73197 HL1187-12 V56878 HL1187-12 V92215 HL1187-12 V92215 HL87-12 V56878 HL87-12 V73197 POSITION DATA: LH SIDE	002004 006105 107999	2
	35 313N5028-1		. BRACKET ASSY-STRUT FAIRING POSITION DATA: AFT LH SIDE	002004 006105 107999	1
	40 BACB28X5M009		.. BUSHING	002004 006105 107999	1
	45 BACB28X7M009		.. BUSHING	002004 006105 107999	1
	50 313N5028-2		.. BRACKET	002004 006105 107999	1

MISSING ITEM NUMBERS NOT APPLICABLE

- ITEM NOT ILLUSTRATED

BRI

57-24-53-01

BOEING PROPRIETARY - Copyright © - Unpublished Work - See title page for details.

57-24-53
FIG. 01
PAGE 3
JAN 20/09



757

PARTS CATALOG (MAINTENANCE)

FIG ITEM	PART NUMBER	1 2 3 4 5 6 7	NOMENCLATURE	EFFECT FROM TO	UNITS PER ASSY
1 60	HL1012AZ12-28	.	BOLT- SUPPLIER CODE: VOPTK6 SPECIFICATION NUMBER: BACB30NX12K28 OPTIONAL PART: HL12VAZ12-28 V73197 HL12VAZ12-28 V92215 HL12VAZ12-28 V97928 L802-12K28 V06725 HL1012AZ12-28 V56878 HL1012AZ12-28 V06725 HL1012AZ12-28 V06950 HL1012AZ12-28 V17446 HL12AZ12-28 V56878 HL1012AZ12-28 V60516 HL1012AZ12-28 V73197 HL1012AZ12-28 V97928 POSITION DATA: LH SIDE	002004 006100 107107 121503 904999	1

MISSING ITEM NUMBERS NOT APPLICABLE

- ITEM NOT ILLUSTRATED

BRI

57-24-53-01

BOEING PROPRIETARY - Copyright © - Unpublished Work - See title page for details.

57-24-53
FIG. 01
PAGE 4
JAN 20/09



757

PARTS CATALOG (MAINTENANCE)

FIG ITEM	PART NUMBER	1 2 3 4 5 6 7	NOMENCLATURE	EFFECT FROM TO	UNITS PER ASSY
1 60	HL1012AZ12-30		.BOLT- SUPPLIER CODE: VOPTK6 SPECIFICATION NUMBER: BACB30NX12K30 OPTIONAL PART: HL12VAZ12-30 V73197 HL12VAZ12-30 V92215 HL12VAZ12-30 V97928 L802-12K30 V06725 HL12VAZ12-30 V56878 HL1012AZ12-30 V06725 HL1012AZ12-30 V06950 HL1012AZ12-30 V17446 HL1012AZ12-30 V56878 HL1012AZ12-30 V60516 HL1012AZ12-30 V73197 HL1012AZ12-30 V97928 POSITION DATA: LH SIDE	101106 108120 504903	1

MISSING ITEM NUMBERS NOT APPLICABLE

- ITEM NOT ILLUSTRATED

BRI

57-24-53-01

BOEING PROPRIETARY - Copyright © - Unpublished Work - See title page for details.

57-24-53
FIG. 01
PAGE 5
JAN 20/09



757

PARTS CATALOG (MAINTENANCE)

FIG ITEM	PART NUMBER	1 2 3 4 5 6 7	NOMENCLATURE	EFFECT FROM TO	UNITS PER ASSY
1 65	HL1012AZ12-27		.BOLT- SUPPLIER CODE: VOPTK6 SPECIFICATION NUMBER: BACB30NX12K27 OPTIONAL PART: HL12VAZ12-27 V73197 HL12VAZ12-27 V92215 HL12VAZ12-27 V97928 L802-12K27 V06725 HL12VAZ12-27 V56878 HL1012AZ12-27 V06725 HL1012AZ12-27 V06950 HL1012AZ12-27 V17446 HL1012AZ12-27 V56878 HL1012AZ12-27 V60516 HL1012AZ12-27 V73197 HL1012AZ12-27 V97928 POSITION DATA: LH SIDE	002004 006105 107999	1
70	K29646-6		.WASHER- SUPPLIER CODE: V15653 SPECIFICATION NUMBER: BACW10CA6CV OPTIONAL PART: 70188-6 V56878 922007-6 V60119 942007-6 V60119 POSITION DATA: LH SIDE	002004 006105 107999	2

MISSING ITEM NUMBERS NOT APPLICABLE

- ITEM NOT ILLUSTRATED

57-24-53-01

57-24-53
FIG. 01
PAGE 6
JAN 20/09

BRI



757

PARTS CATALOG (MAINTENANCE)

FIG ITEM	PART NUMBER	1 2 3 4 5 6 7	NOMENCLATURE	EFFECT FROM TO	UNITS PER ASSY
1 75	K29913-6		.WASHER- SUPPLIER CODE: V15653 SPECIFICATION NUMBER: BACW10CA6CC OPTIONAL PART: 70191-6 V56878 922008-6 V60119 942008-6 V60119 POSITION DATA: LH SIDE	002004 006105 107999	2
80	HL1187-12		.COLLAR- SUPPLIER CODE: V5M902 SPECIFICATION NUMBER: BACC30X12 OPTIONAL PART: HL1187-12 V73197 HL1187-12 V56878 HL1187-12 V92215 HL1187-12 V92215 HL87-12 V56878 HL87-12 V73197 POSITION DATA: LH SIDE	002004 006105 107999	2
90	271N2097-2		.SHIM-MTG BRKT POSITION DATA: LH SIDE	002004 006105 107999	1

MISSING ITEM NUMBERS NOT APPLICABLE

- ITEM NOT ILLUSTRATED

BRI

57-24-53-01

BOEING PROPRIETARY - Copyright © - Unpublished Work - See title page for details.

57-24-53
FIG. 01
PAGE 7
JAN 20/09



757

PARTS CATALOG (MAINTENANCE)

FIG ITEM	PART NUMBER	1 2 3 4 5 6 7	NOMENCLATURE	EFFECT FROM TO	UNITS PER ASSY
1 130	HL1012AZ12-26		.BOLT- SUPPLIER CODE: VOPTK6 SPECIFICATION NUMBER: BACB30NX12K26 OPTIONAL PART: HL12VAZ12-26 V73197 HL12VAZ12-26 V92215 HL12VAZ12-26 V97928 L802-12K26 V06725 HL1012AZ12-26 V56878 HL1012AZ12-26 V06725 HL1012AZ12-26 V06950 HL1012AZ12-26 V17446 HL12AZ12-26 V56878 HL1012AZ12-26 V60516 HL1012AZ12-26 V73197 HL1012AZ12-26 V97928 POSITION DATA: LH SIDE	002004 006105 107999	1

MISSING ITEM NUMBERS NOT APPLICABLE

- ITEM NOT ILLUSTRATED

57-24-53-01

57-24-53
FIG. 01
PAGE 8
JAN 20/09

BRI



757

PARTS CATALOG (MAINTENANCE)

FIG ITEM	PART NUMBER	1 2 3 4 5 6 7	NOMENCLATURE	EFFECT FROM TO	UNITS PER ASSY
1 135	HL1012AZ12-25		.BOLT- SUPPLIER CODE: VOPTK6 SPECIFICATION NUMBER: BACB30NX12K25 OPTIONAL PART: HL12VAZ12-25 V73197 HL12VAZ12-25 V92215 HL12VAZ12-25 V97928 L802-12K25 V06725 HL12VAZ12-25 V56878 HL1012AZ12-25 V06725 HL1012AZ12-25 V06950 HL1012AZ12-25 V17446 HL1012AZ12-25 V56878 HL1012AZ12-25 V60516 HL1012AZ12-25 V73197 HL1012AZ12-25 V97928 POSITION DATA: LH SIDE	002004 006105 107999	1

MISSING ITEM NUMBERS NOT APPLICABLE

- ITEM NOT ILLUSTRATED

BRI

57-24-53-01

BOEING PROPRIETARY - Copyright © - Unpublished Work - See title page for details.

57-24-53
FIG. 01
PAGE 9
JAN 20/09



757

PARTS CATALOG (MAINTENANCE)

FIG ITEM	PART NUMBER	1 2 3 4 5 6 7 NOMENCLATURE	EFFECT FROM TO	UNITS PER ASSY
1 140	HL1012AZ12-24	.BOLT- SUPPLIER CODE: VOPTK6 SPECIFICATION NUMBER: BACB30NX12K24 OPTIONAL PART: HL12VAZ12-24 V73197 HL12VAZ12-24 V92215 HL12VAZ12-24 V97928 L802-12K24 V06725 HL12VAZ12-24 V56878 HL1012AZ12-24 V06725 HL1012AZ12-24 V06950 HL1012AZ12-24 V17446 HL1012AZ12-24 V56878 HL1012AZ12-24 V60516 HL1012AZ12-24 V73197 HL1012AZ12-24 V97928 POSITION DATA: LH SIDE	002004 006100 107107 121503 904999	1

MISSING ITEM NUMBERS NOT APPLICABLE

- ITEM NOT ILLUSTRATED

BRI

57-24-53-01

BOEING PROPRIETARY - Copyright © - Unpublished Work - See title page for details.

57-24-53
FIG. 01
PAGE 10
JAN 20/09



757

PARTS CATALOG (MAINTENANCE)

FIG ITEM	PART NUMBER	1 2 3 4 5 6 7 NOMENCLATURE	EFFECT FROM TO	UNITS PER ASSY
1 140	HL1012AZ12-25	.BOLT- SUPPLIER CODE: VOPTK6 SPECIFICATION NUMBER: BACB30NX12K25 OPTIONAL PART: HL12VAZ12-25 V73197 HL12VAZ12-25 V92215 HL12VAZ12-25 V97928 L802-12K25 V06725 HL12VAZ12-25 V56878 HL1012AZ12-25 V06725 HL1012AZ12-25 V06950 HL1012AZ12-25 V17446 HL1012AZ12-25 V56878 HL1012AZ12-25 V60516 HL1012AZ12-25 V73197 HL1012AZ12-25 V97928 POSITION DATA: LH SIDE	101105 108120 504903	1

MISSING ITEM NUMBERS NOT APPLICABLE

- ITEM NOT ILLUSTRATED

BRI

57-24-53-01

BOEING PROPRIETARY - Copyright © - Unpublished Work - See title page for details.

57-24-53
FIG. 01
PAGE 11
JAN 20/09



757

PARTS CATALOG (MAINTENANCE)

FIG ITEM	PART NUMBER	1 2 3 4 5 6 7	NOMENCLATURE	EFFECT FROM TO	UNITS PER ASSY
1 145	HL1012AZ10-23		.BOLT- SUPPLIER CODE: VOPTK6 SPECIFICATION NUMBER: BACB30NX10K23 OPTIONAL PART: HL12VAZ10-23 V73197 HL12VAZ10-23 V92215 HL12VAZ10-23 V97928 L802-10K23 V06725 HL12VAZ10-23 V56878 HL1012AZ10-23 V06725 HL1012AZ10-23 V06950 HL1012AZ10-23 V17446 HL1012AZ10-23 V56878 HL1012AZ10-23 V60516 HL1012AZ10-23 V73197 HL1012AZ10-23 V97928 POSITION DATA: LH SIDE	002004 006100 107107 121503 904999	1

MISSING ITEM NUMBERS NOT APPLICABLE

- ITEM NOT ILLUSTRATED

BRI

57-24-53-01

BOEING PROPRIETARY - Copyright © - Unpublished Work - See title page for details.

57-24-53
FIG. 01
PAGE 12
JAN 20/09



757

PARTS CATALOG (MAINTENANCE)

FIG ITEM	PART NUMBER	1 2 3 4 5 6 7 NOMENCLATURE	EFFECT FROM TO	UNITS PER ASSY
1 145	HL1012AZ10-24	.BOLT- SUPPLIER CODE: VOPTK6 SPECIFICATION NUMBER: BACB30NX10K24 OPTIONAL PART: HL12VAZ10-24 V73197 HL12VAZ10-24 V92215 HL12VAZ10-24 V97928 L802-10K24 V06725 HL12VAZ10-24 V56878 HL1012AZ10-24 V06725 HL1012AZ10-24 V06950 HL1012AZ10-24 V17446 HL1012AZ10-24 V56878 HL1012AZ10-24 V60516 HL1012AZ10-24 V73197 HL1012AZ10-24 V97928 POSITION DATA: LH SIDE	101105 108120 504903	1

MISSING ITEM NUMBERS NOT APPLICABLE

- ITEM NOT ILLUSTRATED

BRI

57-24-53-01

BOEING PROPRIETARY - Copyright © - Unpublished Work - See title page for details.

57-24-53
FIG. 01
PAGE 13
JAN 20/09



757

PARTS CATALOG (MAINTENANCE)

FIG ITEM	PART NUMBER	1 2 3 4 5 6 7	NOMENCLATURE	EFFECT FROM TO	UNITS PER ASSY
1 150	HL1012AZ10-22		.BOLT- SUPPLIER CODE: VOPTK6 SPECIFICATION NUMBER: BACB30NX10K22 OPTIONAL PART: HL12VAZ10-22 V73197 HL12VAZ10-22 V92215 HL12VAZ10-22 V97928 L802-10K22 V06725 HL12VAZ10-22 V56878 HL1012AZ10-22 V06725 HL1012AZ10-22 V06950 HL1012AZ10-22 V17446 HL1012AZ10-22 V56878 HL1012AZ10-22 V60516 HL1012AZ10-22 V73197 HL1012AZ10-22 V97928 POSITION DATA: LH SIDE	002004 006100 107107 121503 904999	1

MISSING ITEM NUMBERS NOT APPLICABLE

- ITEM NOT ILLUSTRATED

BRI

57-24-53-01

BOEING PROPRIETARY - Copyright © - Unpublished Work - See title page for details.

57-24-53
FIG. 01
PAGE 14
JAN 20/09



757

PARTS CATALOG (MAINTENANCE)

FIG ITEM	PART NUMBER	1 2 3 4 5 6 7	NOMENCLATURE	EFFECT FROM TO	UNITS PER ASSY
1 150	HL1012AZ10-24		.BOLT- SUPPLIER CODE: VOPTK6 SPECIFICATION NUMBER: BACB30NX10K24 OPTIONAL PART: HL12VAZ10-24 V73197 HL12VAZ10-24 V92215 HL12VAZ10-24 V97928 L802-10K24 V06725 HL12VAZ10-24 V56878 HL1012AZ10-24 V06725 HL1012AZ10-24 V06950 HL1012AZ10-24 V17446 HL1012AZ10-24 V56878 HL1012AZ10-24 V60516 HL1012AZ10-24 V73197 HL1012AZ10-24 V97928 POSITION DATA: LH SIDE	101105 108120 504903	1

MISSING ITEM NUMBERS NOT APPLICABLE

- ITEM NOT ILLUSTRATED

BRI

57-24-53-01

BOEING PROPRIETARY - Copyright © - Unpublished Work - See title page for details.

57-24-53
FIG. 01
PAGE 15
JAN 20/09



757

PARTS CATALOG (MAINTENANCE)

FIG ITEM	PART NUMBER	1 2 3 4 5 6 7 NOMENCLATURE	EFFECT FROM TO	UNITS PER ASSY
1 155	HL1012AZ10-21	.BOLT- SUPPLIER CODE: VOPTK6 SPECIFICATION NUMBER: BACB30NX10K21 OPTIONAL PART: HL12VAZ10-21 V73197 HL12VAZ10-21 V92215 HL12VAZ10-21 V97928 L802-10K21 V06725 HL12VAZ10-21 V56878 HL1012AZ10-21 V06725 HL1012AZ10-21 V06950 HL1012AZ10-21 V17446 HL1012AZ10-21 V56878 HL1012AZ10-21 V60516 HL1012AZ10-21 V73197 HL1012AZ10-21 V97928 POSITION DATA: LH SIDE	002004 006100 107107 121503 904999	1

MISSING ITEM NUMBERS NOT APPLICABLE

- ITEM NOT ILLUSTRATED

BRI

57-24-53-01

BOEING PROPRIETARY - Copyright © - Unpublished Work - See title page for details.

57-24-53
FIG. 01
PAGE 16
JAN 20/09



757

PARTS CATALOG (MAINTENANCE)

FIG ITEM	PART NUMBER	1 2 3 4 5 6 7	NOMENCLATURE	EFFECT FROM TO	UNITS PER ASSY
1 155	HL1012AZ10-23		.BOLT- SUPPLIER CODE: VOPTK6 SPECIFICATION NUMBER: BACB30NX10K23 OPTIONAL PART: HL12VAZ10-23 V73197 HL12VAZ10-23 V92215 HL12VAZ10-23 V97928 L802-10K23 V06725 HL12VAZ10-23 V56878 HL1012AZ10-23 V06725 HL1012AZ10-23 V06950 HL1012AZ10-23 V17446 HL1012AZ10-23 V56878 HL1012AZ10-23 V60516 HL1012AZ10-23 V73197 HL1012AZ10-23 V97928 POSITION DATA: LH SIDE	101105 108120 504903	1

MISSING ITEM NUMBERS NOT APPLICABLE

- ITEM NOT ILLUSTRATED

BRI

57-24-53-01

BOEING PROPRIETARY - Copyright © - Unpublished Work - See title page for details.

57-24-53
FIG. 01
PAGE 17
JAN 20/09



757

PARTS CATALOG (MAINTENANCE)

FIG ITEM	PART NUMBER	1 2 3 4 5 6 7	NOMENCLATURE	EFFECT FROM TO	UNITS PER ASSY
1 160	HL1187-12		. COLLAR- SUPPLIER CODE: V5M902 SPECIFICATION NUMBER: BACC30X12 OPTIONAL PART: HL1187-12 V73197 HL1187-12 V56878 HL1187-12 V92215 HL1187-12 V92215 HL87-12 V56878 HL87-12 V73197 POSITION DATA: LH SIDE	002004 006105 107999	3
165	HL1187-10		. COLLAR- SUPPLIER CODE: V5M902 SPECIFICATION NUMBER: BACC30X10 OPTIONAL PART: HL1187-10 V56878 HL1187-10 V92215 HL1187-10 V73197 HL1187-10 V92215 HL87-10 V56878 HL1187-10 V73197 POSITION DATA: LH SIDE	002004 006105 107999	3
170	271N2035-1		. SUPPORT ASSY-L SYS ENG DRIVEN PUMP PRESSURE CD FILTER MODULE POSITION DATA: LH SIDE	002004 006105 107999	1
175	BACB28X4C023		.. BUSHING	002004 006105 107999	1

MISSING ITEM NUMBERS NOT APPLICABLE

- ITEM NOT ILLUSTRATED

57-24-53-01

57-24-53
FIG. 01
PAGE 18
JAN 20/09

BRI



757

PARTS CATALOG (MAINTENANCE)

FIG ITEM	PART NUMBER	1 2 3 4 5 6 7	NOMENCLATURE	EFFECT FROM TO	UNITS PER ASSY
1					
180	BACB28X4C028	..	BUSHING	002004 006105 107999	1
185	BACB28X4C038	..	BUSHING	002004 006105 107999	1
190	BACB28X6M023	..	BUSHING	002004 006105 107999	1
195	271N2035-2	..	SUPPORT- MANUFACTURED FROM: 271N2035-4 OPTIONAL PART: 271N2035-3	002004 006105 107999	1
195	271N2035-3	..	SUPPORT- MANUFACTURED FROM: 271N2035-5 OPTIONAL PART: 271N2035-2	002004 006105 107999	1

MISSING ITEM NUMBERS NOT APPLICABLE

- ITEM NOT ILLUSTRATED

BRI

57-24-53-01

BOEING PROPRIETARY - Copyright © - Unpublished Work - See title page for details.

57-24-53
FIG. 01
PAGE 19
JAN 20/09



757

PARTS CATALOG (MAINTENANCE)

FIG ITEM	PART NUMBER	1 2 3 4 5 6 7	NOMENCLATURE	EFFECT FROM TO	UNITS PER ASSY
1 200	HL1012AZ12-30		.BOLT- SUPPLIER CODE: VOPTK6 SPECIFICATION NUMBER: BACB30NX12K30 OPTIONAL PART: HL12VAZ12-30 V73197 HL12VAZ12-30 V92215 HL12VAZ12-30 V97928 L802-12K30 V06725 HL12VAZ12-30 V56878 HL1012AZ12-30 V06725 HL1012AZ12-30 V06950 HL1012AZ12-30 V17446 HL1012AZ12-30 V56878 HL1012AZ12-30 V60516 HL1012AZ12-30 V73197 HL1012AZ12-30 V97928 POSITION DATA: RH SIDE	002004 006105 107999	1

MISSING ITEM NUMBERS NOT APPLICABLE

- ITEM NOT ILLUSTRATED

BRI

57-24-53-01

BOEING PROPRIETARY - Copyright © - Unpublished Work - See title page for details.

57-24-53
FIG. 01
PAGE 20
JAN 20/09



757

PARTS CATALOG (MAINTENANCE)

FIG ITEM	PART NUMBER	1 2 3 4 5 6 7	NOMENCLATURE	EFFECT FROM TO	UNITS PER ASSY
1 205	HL1012AZ12-29		.BOLT- SUPPLIER CODE: VOPTK6 SPECIFICATION NUMBER: BACB30NX12K29 OPTIONAL PART: HL12VAZ12-29 V73197 HL12VAZ12-29 V92215 HL12VAZ12-29 V97928 L802-12K29 V06725 HL12VAZ12-29 V56878 HL1012AZ12-29 V06725 HL1012AZ12-29 V06950 HL1012AZ12-29 V17445 HL1012AZ12-29 V56878 HL1012AZ12-29 V60516 HL1012AZ12-29 V73197 HL1012AZ12-29 V97928 POSITION DATA: RH SIDE	002004 006100 107107 121503 904999	1

MISSING ITEM NUMBERS NOT APPLICABLE

- ITEM NOT ILLUSTRATED

BRI

57-24-53-01

BOEING PROPRIETARY - Copyright © - Unpublished Work - See title page for details.

57-24-53
FIG. 01
PAGE 21
JAN 20/09



757

PARTS CATALOG (MAINTENANCE)

FIG ITEM	PART NUMBER	1 2 3 4 5 6 7	NOMENCLATURE	EFFECT FROM TO	UNITS PER ASSY
1 205	HL1012AZ12-30		.BOLT- SUPPLIER CODE: VOPTK6 SPECIFICATION NUMBER: BACB30NX12K30 OPTIONAL PART: HL12VAZ12-30 V73197 HL12VAZ12-30 V92215 HL12VAZ12-30 V97928 L802-12K30 V06725 HL12VAZ12-30 V56878 HL1012AZ12-30 V06725 HL1012AZ12-30 V06950 HL1012AZ12-30 V17446 HL1012AZ12-30 V56878 HL1012AZ12-30 V60516 HL1012AZ12-30 V73197 HL1012AZ12-30 V97928 POSITION DATA: RH SIDE	101105 108120 504903	1

MISSING ITEM NUMBERS NOT APPLICABLE

- ITEM NOT ILLUSTRATED

BRI

57-24-53-01

BOEING PROPRIETARY - Copyright © - Unpublished Work - See title page for details.

57-24-53
FIG. 01
PAGE 22
JAN 20/09



757

PARTS CATALOG (MAINTENANCE)

FIG ITEM	PART NUMBER	1 2 3 4 5 6 7	NOMENCLATURE	EFFECT FROM TO	UNITS PER ASSY
1 210	HL1012AZ10-28		.BOLT- SUPPLIER CODE: VOPTK6 SPECIFICATION NUMBER: BACB30NX10K28 OPTIONAL PART: HL12VAZ10-28 V73197 HL12VAZ10-28 V92215 HL12VAZ10-28 V97928 L802-10K28 V06725 HL12VAZ10-28 V56878 HL1012AZ10-28 V06725 HL1012AZ10-28 V06950 HL1012AZ10-28 V17446 HL1012AZ10-28 V56878 HL1012AZ10-28 V60516 HL1012AZ10-28 V73197 HL1012AZ10-28 V97928 POSITION DATA: RH SIDE	002004 006100 107107 121503 904999	1

MISSING ITEM NUMBERS NOT APPLICABLE

- ITEM NOT ILLUSTRATED

BRI

57-24-53-01

BOEING PROPRIETARY - Copyright © - Unpublished Work - See title page for details.

57-24-53
FIG. 01
PAGE 23
JAN 20/09



757

PARTS CATALOG (MAINTENANCE)

FIG ITEM	PART NUMBER	1 2 3 4 5 6 7	NOMENCLATURE	EFFECT FROM TO	UNITS PER ASSY
1 210	HL1012AZ10-29		.BOLT- SUPPLIER CODE: VOPTK6 SPECIFICATION NUMBER: BACB30NX10K29 OPTIONAL PART: HL12VAZ10-29 V73197 HL12VAZ10-29 V92215 HL12VAZ10-29 V97928 L802-10K29 V06725 HL12VAZ10-29 V56878 HL1012AZ10-29 V06725 HL1012AZ10-29 V06950 HL1012AZ10-29 V17446 HL1012AZ10-29 V56878 HL1012AZ10-29 V60516 HL1012AZ10-29 V73197 HL1012AZ10-29 V97928 POSITION DATA: RH SIDE	101105 108120 504903	1

MISSING ITEM NUMBERS NOT APPLICABLE

- ITEM NOT ILLUSTRATED

BRI

57-24-53-01

BOEING PROPRIETARY - Copyright © - Unpublished Work - See title page for details.

57-24-53
FIG. 01
PAGE 24
JAN 20/09



757

PARTS CATALOG (MAINTENANCE)

FIG ITEM	PART NUMBER	1 2 3 4 5 6 7	NOMENCLATURE	EFFECT FROM TO	UNITS PER ASSY
1 215	HL1012AZ10-25		.BOLT- SUPPLIER CODE: VOPTK6 SPECIFICATION NUMBER: BACB30NX10K25 OPTIONAL PART: HL12VAZ10-25 V73197 HL12VAZ10-25 V92215 HL12VAZ10-25 V97928 L802-10K25 V06725 HL12VAZ10-25 V56878 HL1012AZ10-25 V06725 HL1012AZ10-25 V06950 HL1012AZ10-25 V17446 HL1012AZ10-25 V56878 HL1012AZ10-25 V60516 HL1012AZ10-25 V73197 HL1012AZ10-25 V97928 POSITION DATA: RH SIDE	002004 006100 107107 121503 904999	1

MISSING ITEM NUMBERS NOT APPLICABLE

- ITEM NOT ILLUSTRATED

BRI

57-24-53-01

BOEING PROPRIETARY - Copyright © - Unpublished Work - See title page for details.

57-24-53
FIG. 01
PAGE 25
JAN 20/09



757

PARTS CATALOG (MAINTENANCE)

FIG ITEM	PART NUMBER	1 2 3 4 5 6 7	NOMENCLATURE	EFFECT FROM TO	UNITS PER ASSY
1 215	HL1012AZ10-26		.BOLT- SUPPLIER CODE: VOPTK6 SPECIFICATION NUMBER: BACB30NX10K26 OPTIONAL PART: HL12VAZ10-26 V73197 HL12VAZ10-26 V92215 HL12VAZ10-26 V97928 L802-10K26 V06725 HL12VAZ10-26 V56878 HL1012AZ10-26 V06725 HL1012AZ10-26 V06950 HL1012AZ10-26 V17446 HL1012AZ10-26 V56878 HL1012AZ10-26 V60516 HL1012AZ10-26 V73197 HL1012AZ10-26 V97928 POSITION DATA: RH SIDE	101105 108120 504903	1
220	K29646-6		.WASHER- SUPPLIER CODE: V15653 SPECIFICATION NUMBER: BACW10CA6CV OPTIONAL PART: 70188-6 V56878 922007-6 V60119 942007-6 V60119 POSITION DATA: RH SIDE	002004 006105 107999	4

MISSING ITEM NUMBERS NOT APPLICABLE

- ITEM NOT ILLUSTRATED

57-24-53-01

57-24-53
FIG. 01
PAGE 26
JAN 20/09

BRI



757

PARTS CATALOG (MAINTENANCE)

FIG ITEM	PART NUMBER	1 2 3 4 5 6 7	NOMENCLATURE	EFFECT FROM TO	UNITS PER ASSY
1 225	K29913-6		.WASHER- SUPPLIER CODE: V15653 SPECIFICATION NUMBER: BACW10CA6CC OPTIONAL PART: 70191-6 V56878 922008-6 V60119 942008-6 V60119 POSITION DATA: RH SIDE	002004 006105 107999	4
230	HL1187-12		.COLLAR- SUPPLIER CODE: V5M902 SPECIFICATION NUMBER: BACC30X12 OPTIONAL PART: HL1187-12 V73197 HL1187-12 V56878 HL1187-12 V92215 HL1187-12 V92215 HL87-12 V56878 HL87-12 V73197 POSITION DATA: RH SIDE	002004 006105 107999	2

MISSING ITEM NUMBERS NOT APPLICABLE

- ITEM NOT ILLUSTRATED

BRI

57-24-53-01

BOEING PROPRIETARY - Copyright © - Unpublished Work - See title page for details.

57-24-53
FIG. 01
PAGE 27
JAN 20/09



757

PARTS CATALOG (MAINTENANCE)

FIG ITEM	PART NUMBER	1 2 3 4 5 6 7	NOMENCLATURE	EFFECT FROM TO	UNITS PER ASSY
1 235	HL1187-10		.COLLAR- SUPPLIER CODE: V5M902 SPECIFICATION NUMBER: BACC30X10 OPTIONAL PART: HL1187-10 V56878 HL1187-10 V92215 HL1187-10 V73197 HL1187-10 V92215 HL87-10 V56878 HL1187-10 V73197 POSITION DATA: RH SIDE	002004 006105 107999	2
240	271N6319-1		.BRACKET ASSY-HYDR TUBING R NAC POSITION DATA: RH SIDE	002004 006105 107999	1
245	271N2037-1		.SUPPORT ASSY-R SYS ENG DRIVEN PUMP PRESSURE CD FILTER MODULE LINK POSITION DATA: RH SIDE	002004 006105 107999	1

MISSING ITEM NUMBERS NOT APPLICABLE

- ITEM NOT ILLUSTRATED

BRI

57-24-53-01

BOEING PROPRIETARY - Copyright © - Unpublished Work - See title page for details.

57-24-53
FIG. 01
PAGE 28
JAN 20/09



757

PARTS CATALOG (MAINTENANCE)

FIG ITEM	PART NUMBER	1 2 3 4 5 6 7	NOMENCLATURE	EFFECT FROM TO	UNITS PER ASSY
R R	1 250	AG4VCR	.. BEARING- SUPPLIER CODE: V15860 SPECIFICATION NUMBER: BACB10AG4 OPTIONAL PART: BSSN4797S V81376 HSBG4-117 V02758 NG4F V73134 NC4G2 V56644 BNG4E111 V16746 ABG4V5 VS0352 03-505-04E033 V09455 BACB10AG4M	002004 006105 107999	1
	250	ABG4V5-12	.. BEARING- SUPPLIER CODE: VS0352 SPECIFICATION NUMBER: BACB10AG4M OPTIONAL PART: AG4VCR12 V15860 BSSN4797SM2 V81376 HSBG4-117M V02758 NG4FM V73134 NC4G2DM V56644 KSBG4-25CRD5 V97613 BNG4ME111 V16746 03-505-04E035 V09455 BACB10AG4	002004 006105 107999	1

MISSING ITEM NUMBERS NOT APPLICABLE

- ITEM NOT ILLUSTRATED

57-24-53-01

57-24-53
FIG. 01
PAGE 29
MAY 20/09

BRI



757

PARTS CATALOG (MAINTENANCE)

FIG ITEM	PART NUMBER	1 2 3 4 5 6 7 NOMENCLATURE	EFFECT FROM TO	UNITS PER ASSY
1 255	HL1012AZ10-27	.BOLT- SUPPLIER CODE: VOPTK6 SPECIFICATION NUMBER: BACB30NX10K27 OPTIONAL PART: HL12VAZ10-27 V73197 HL12VAZ10-27 V92215 HL12VAZ10-27 V97928 L802-10K27 V06725 HL12VAZ10-27 V56878 HL1012AZ10-27 V06725 HL1012AZ10-27 V06950 HL1012AZ10-27 V17446 HL1012AZ10-27 V56878 HL1012AZ10-27 V60516 HL1012AZ10-27 V73197 HL1012AZ10-27 V97928 POSITION DATA: LH SIDE	002004 006100 121503 904999	1

MISSING ITEM NUMBERS NOT APPLICABLE

- ITEM NOT ILLUSTRATED

BRI

57-24-53-01

BOEING PROPRIETARY - Copyright © - Unpublished Work - See title page for details.

57-24-53
FIG. 01
PAGE 30
JAN 20/09



757

PARTS CATALOG (MAINTENANCE)

FIG ITEM	PART NUMBER	1 2 3 4 5 6 7	NOMENCLATURE	EFFECT FROM TO	UNITS PER ASSY
1 255	HL1012AZ10-18		.BOLT- SUPPLIER CODE: VOPTK6 SPECIFICATION NUMBER: BACB30NX10K18 OPTIONAL PART: HL12VAZ10-18 V73197 HL12VAZ10-18 V92215 HL12VAZ10-18 V97928 L802-10K18 V06725 HL12VAZ10-18 V56878 HL1012AZ10-18 V06725 HL1012AZ10-18 V06950 HL1012AZ10-18 V17446 HL1012AZ10-18 V56878 HL1012AZ10-18 V60516 HL1012AZ10-18 V73197 HL1012AZ10-18 V97928 POSITION DATA: LH SIDE	101105 108120 504903	1

MISSING ITEM NUMBERS NOT APPLICABLE

- ITEM NOT ILLUSTRATED

BRI

57-24-53-01

BOEING PROPRIETARY - Copyright © - Unpublished Work - See title page for details.

57-24-53
FIG. 01
PAGE 31
JAN 20/09



757

PARTS CATALOG (MAINTENANCE)

FIG ITEM	PART NUMBER	1 2 3 4 5 6 7 NOMENCLATURE	EFFECT FROM TO	UNITS PER ASSY
1 260	HL1012AZ10-26	.BOLT- SUPPLIER CODE: VOPTK6 SPECIFICATION NUMBER: BACB30NX10K26 OPTIONAL PART: HL12VAZ10-26 V73197 HL12VAZ10-26 V92215 HL12VAZ10-26 V97928 L802-10K26 V06725 HL12VAZ10-26 V56878 HL1012AZ10-26 V06725 HL1012AZ10-26 V06950 HL1012AZ10-26 V17446 HL1012AZ10-26 V56878 HL1012AZ10-26 V60516 HL1012AZ10-26 V73197 HL1012AZ10-26 V97928 POSITION DATA: LH SIDE	002004 006100 121503 904999	1

MISSING ITEM NUMBERS NOT APPLICABLE

- ITEM NOT ILLUSTRATED

BRI

57-24-53-01

BOEING PROPRIETARY - Copyright © - Unpublished Work - See title page for details.

57-24-53
FIG. 01
PAGE 32
JAN 20/09



757

PARTS CATALOG (MAINTENANCE)

FIG ITEM	PART NUMBER	1 2 3 4 5 6 7	NOMENCLATURE	EFFECT FROM TO	UNITS PER ASSY
1 260	HL1012AZ10-18		.BOLT- SUPPLIER CODE: VOPTK6 SPECIFICATION NUMBER: BACB30NX10K18 OPTIONAL PART: HL12VAZ10-18 V73197 HL12VAZ10-18 V92215 HL12VAZ10-18 V97928 L802-10K18 V06725 HL12VAZ10-18 V56878 HL1012AZ10-18 V06725 HL1012AZ10-18 V06950 HL1012AZ10-18 V17446 HL1012AZ10-18 V56878 HL1012AZ10-18 V60516 HL1012AZ10-18 V73197 HL1012AZ10-18 V97928	101105 108120 504903	1
265	K29646-6		.WASHER- SUPPLIER CODE: V15653 SPECIFICATION NUMBER: BACW10CA6CV OPTIONAL PART: 70188-6 V56878 922007-6 V60119 942007-6 V60119 POSITION DATA: LH SIDE	002004 006100 107107 121503 904999	2

MISSING ITEM NUMBERS NOT APPLICABLE

- ITEM NOT ILLUSTRATED

BRI

57-24-53-01

BOEING PROPRIETARY - Copyright © - Unpublished Work - See title page for details.

57-24-53
FIG. 01
PAGE 33
JAN 20/09



757

PARTS CATALOG (MAINTENANCE)

FIG ITEM	PART NUMBER	1 2 3 4 5 6 7	NOMENCLATURE	EFFECT FROM TO	UNITS PER ASSY
1 270	K29913-6		.WASHER- SUPPLIER CODE: V15653 SPECIFICATION NUMBER: BACW10CA6CC OPTIONAL PART: 70191-6 V56878 922008-6 V60119 942008-6 V60119 POSITION DATA: LH SIDE	002004 006100 107107 121503 904999	2
275	HL1187-10		.COLLAR- SUPPLIER CODE: V5M902 SPECIFICATION NUMBER: BACC30X10 OPTIONAL PART: HL1187-10 V56878 HL1187-10 V92215 HL1187-10 V73197 HL1187-10 V92215 HL87-10 V56878 HL1187-10 V73197 POSITION DATA: LH SIDE	002004 006100 107107 121503 904999	2

MISSING ITEM NUMBERS NOT APPLICABLE

- ITEM NOT ILLUSTRATED

BRI

57-24-53-01

BOEING PROPRIETARY - Copyright © - Unpublished Work - See title page for details.

57-24-53
FIG. 01
PAGE 34
JAN 20/09



757

PARTS CATALOG (MAINTENANCE)

FIG ITEM	PART NUMBER	1 2 3 4 5 6 7	NOMENCLATURE	EFFECT FROM TO	UNITS PER ASSY
1 295	HL1012AZ10-25		.BOLT- SUPPLIER CODE: VOPTK6 SPECIFICATION NUMBER: BACB30NX10K25 OPTIONAL PART: HL12VAZ10-25 V73197 HL12VAZ10-25 V92215 HL12VAZ10-25 V97928 L802-10K25 V06725 HL12VAZ10-25 V56878 HL1012AZ10-25 V06725 HL1012AZ10-25 V06950 HL1012AZ10-25 V17446 HL1012AZ10-25 V56878 HL1012AZ10-25 V60516 HL1012AZ10-25 V73197 HL1012AZ10-25 V97928	002004 006100 107107 121503 904999	1

MISSING ITEM NUMBERS NOT APPLICABLE

- ITEM NOT ILLUSTRATED

BRI

57-24-53-01

BOEING PROPRIETARY - Copyright © - Unpublished Work - See title page for details.

57-24-53
FIG. 01
PAGE 35
JAN 20/09



757

PARTS CATALOG (MAINTENANCE)

FIG ITEM	PART NUMBER	1 2 3 4 5 6 7	NOMENCLATURE	EFFECT FROM TO	UNITS PER ASSY
1 300	HL1012AZ10-24		.BOLT- SUPPLIER CODE: V0PTK6 SPECIFICATION NUMBER: BACB30NX10K24 OPTIONAL PART: HL12VAZ10-24 V73197 HL12VAZ10-24 V92215 HL12VAZ10-24 V97928 L802-10K24 V06725 HL12VAZ10-24 V56878 HL1012AZ10-24 V06725 HL1012AZ10-24 V06950 HL1012AZ10-24 V17446 HL1012AZ10-24 V56878 HL1012AZ10-24 V60516 HL1012AZ10-24 V73197 HL1012AZ10-24 V97928	002004 006100 107107 121503 904999	1
315	K29646-6		.WASHER- SUPPLIER CODE: V15653 SPECIFICATION NUMBER: BACW10CA6CV OPTIONAL PART: 70188-6 V56878 922007-6 V60119 942007-6 V60119	002004 006100 107107 121503 904999	2

MISSING ITEM NUMBERS NOT APPLICABLE

- ITEM NOT ILLUSTRATED

BRI

57-24-53-01

BOEING PROPRIETARY - Copyright © - Unpublished Work - See title page for details.

57-24-53
FIG. 01
PAGE 36
JAN 20/09



757

PARTS CATALOG (MAINTENANCE)

FIG ITEM	PART NUMBER	1 2 3 4 5 6 7	NOMENCLATURE	EFFECT FROM TO	UNITS PER ASSY
1 320	K29913-6		.WASHER- SUPPLIER CODE: V15653 SPECIFICATION NUMBER: BACW10CA6CC OPTIONAL PART: 70191-6 V56878 922008-6 V60119 942008-6 V60119	002004 006100 107107 121503 904999	2
325	HL1187-10		.COLLAR- SUPPLIER CODE: V5M902 SPECIFICATION NUMBER: BACC30X10 OPTIONAL PART: HL1187-10 V56878 HL1187-10 V92215 HL1187-10 V73197 HL1187-10 V92215 HL87-10 V56878 HL1187-10 V73197	002004 006101 103503 505999	2
350	271N2069-1		.SUPPORT ASSY-L AND R SYS GND SVCE DISC. POSITION DATA: LH SIDE	107107	1
350	271N2069-9		.SUPPORT ASSY-L AND R SYS GND SVCE DISC. POSITION DATA: LH SIDE	002004 006105 108999	1
355	271N6321-2		.BRACKET ASSY-L AND R NAC HYDR TUBING POSITION DATA: RH SIDE	002004 006105 107999	1

MISSING ITEM NUMBERS NOT APPLICABLE

- ITEM NOT ILLUSTRATED

57-24-53-01

57-24-53
FIG. 01
PAGE 37
JAN 20/09

BRI



757

PARTS CATALOG (MAINTENANCE)

FIG ITEM	PART NUMBER	1 2 3 4 5 6 7	NOMENCLATURE	EFFECT FROM TO	UNITS PER ASSY
1 360	HL1012AZ12-30		.BOLT SUPPLIER CODE: VOPTK6 SPECIFICATION NUMBER: BACB30NX12K30 OPTIONAL PART: HL12VAZ12-30 V73197 HL12VAZ12-30 V92215 HL12VAZ12-30 V97928 L802-12K30 V06725 HL12VAZ12-30 V56878 HL1012AZ12-30 V06725 HL1012AZ12-30 V06950 HL1012AZ12-30 V17446 HL1012AZ12-30 V56878 HL1012AZ12-30 V60516 HL1012AZ12-30 V73197 HL1012AZ12-30 V97928	002004 006105 107999	1

MISSING ITEM NUMBERS NOT APPLICABLE

- ITEM NOT ILLUSTRATED

BRI

57-24-53-01

BOEING PROPRIETARY - Copyright © - Unpublished Work - See title page for details.

57-24-53
FIG. 01
PAGE 38
JAN 20/09



757

PARTS CATALOG (MAINTENANCE)

FIG ITEM	PART NUMBER	1 2 3 4 5 6 7	NOMENCLATURE	EFFECT FROM TO	UNITS PER ASSY
1 365	HL1012AZ12-24		.BOLT- SUPPLIER CODE: VOPTK6 SPECIFICATION NUMBER: BACB30NX12K24 OPTIONAL PART: HL12VAZ12-24 V73197 HL12VAZ12-24 V92215 HL12VAZ12-24 V97928 L802-12K24 V06725 HL12VAZ12-24 V56878 HL1012AZ12-24 V06725 HL1012AZ12-24 V06950 HL1012AZ12-24 V17446 HL1012AZ12-24 V56878 HL1012AZ12-24 V60516 HL1012AZ12-24 V73197 HL1012AZ12-24 V97928 POSITION DATA: LH SIDE	002004 006105 107999	3

MISSING ITEM NUMBERS NOT APPLICABLE

- ITEM NOT ILLUSTRATED

BRI

57-24-53-01

BOEING PROPRIETARY - Copyright © - Unpublished Work - See title page for details.

57-24-53
FIG. 01
PAGE 39
JAN 20/09



757

PARTS CATALOG (MAINTENANCE)

FIG ITEM	PART NUMBER	1 2 3 4 5 6 7	NOMENCLATURE	EFFECT FROM TO	UNITS PER ASSY
1 370	HL1012AZ12-24		.BOLT- SUPPLIER CODE: VOPTK6 SPECIFICATION NUMBER: BACB30NX12K24 OPTIONAL PART: HL12VAZ12-24 V73197 HL12VAZ12-24 V92215 HL12VAZ12-24 V97928 L802-12K24 V06725 HL12VAZ12-24 V56878 HL1012AZ12-24 V06725 HL1012AZ12-24 V06950 HL1012AZ12-24 V17446 HL1012AZ12-24 V56878 HL1012AZ12-24 V60516 HL1012AZ12-24 V73197 HL1012AZ12-24 V97928 POSITION DATA: RH SIDE	002004 006105 107999	5

MISSING ITEM NUMBERS NOT APPLICABLE

- ITEM NOT ILLUSTRATED

BRI

57-24-53-01

BOEING PROPRIETARY - Copyright © - Unpublished Work - See title page for details.

57-24-53
FIG. 01
PAGE 40
JAN 20/09



757

PARTS CATALOG (MAINTENANCE)

FIG ITEM	PART NUMBER	1 2 3 4 5 6 7	NOMENCLATURE	EFFECT FROM TO	UNITS PER ASSY
1 375	HL1012AZ12-24		.BOLT- SUPPLIER CODE: VOPTK6 SPECIFICATION NUMBER: BACB30NX12K24 OPTIONAL PART: HL12VAZ12-24 V73197 HL12VAZ12-24 V92215 HL12VAZ12-24 V97928 L802-12K24 V06725 HL12VAZ12-24 V56878 HL1012AZ12-24 V06725 HL1012AZ12-24 V06950 HL1012AZ12-24 V17446 HL1012AZ12-24 V56878 HL1012AZ12-24 V60516 HL1012AZ12-24 V73197 HL1012AZ12-24 V97928 POSITION DATA: RH SIDE	002004 006105 107999	1

MISSING ITEM NUMBERS NOT APPLICABLE

- ITEM NOT ILLUSTRATED

BRI

57-24-53-01

BOEING PROPRIETARY - Copyright © - Unpublished Work - See title page for details.

57-24-53
FIG. 01
PAGE 41
JAN 20/09



757

PARTS CATALOG (MAINTENANCE)

FIG ITEM	PART NUMBER	1 2 3 4 5 6 7 NOMENCLATURE	EFFECT FROM TO	UNITS PER ASSY
1 380	HL1012AZ12-23	.BOLT- SUPPLIER CODE: VOPTK6 SPECIFICATION NUMBER: BACB30NX12K23 OPTIONAL PART: HL12VAZ12-23 V73197 HL12VAZ12-23 V92215 HL12VAZ12-23 V97928 L802-12K23 V06725 HL12VAZ12-23 V56878 HL1012AZ12-23 V06725 HL1012AZ12-23 V06950 HL1012AZ12-23 V17446 HL1012AZ12-23 V56878 HL1012AZ12-23 V60516 HL1012AZ12-23 V73197 HL1012AZ12-23 V97928 POSITION DATA: RH SIDE	002004 006105 107999	1

MISSING ITEM NUMBERS NOT APPLICABLE

- ITEM NOT ILLUSTRATED

BRI

57-24-53-01

BOEING PROPRIETARY - Copyright © - Unpublished Work - See title page for details.

57-24-53
FIG. 01
PAGE 42
JAN 20/09



757

PARTS CATALOG (MAINTENANCE)

FIG ITEM	PART NUMBER	1 2 3 4 5 6 7 NOMENCLATURE	EFFECT FROM TO	UNITS PER ASSY
1 385	HL1012AZ12-23	.BOLT SUPPLIER CODE: VOPTK6 SPECIFICATION NUMBER: BACB30NX12K23 OPTIONAL PART: HL12VAZ12-23 V73197 HL12VAZ12-23 V92215 HL12VAZ12-23 V97928 L802-12K23 V06725 HL12VAZ12-23 V56878 HL1012AZ12-23 V06725 HL1012AZ12-23 V06950 HL1012AZ12-23 V17446 HL1012AZ12-23 V56878 HL1012AZ12-23 V60516 HL1012AZ12-23 V73197 HL1012AZ12-23 V97928	002004 006105 107999	1

MISSING ITEM NUMBERS NOT APPLICABLE

- ITEM NOT ILLUSTRATED

BRI

57-24-53-01

BOEING PROPRIETARY - Copyright © - Unpublished Work - See title page for details.

57-24-53
FIG. 01
PAGE 43
JAN 20/09



757

PARTS CATALOG (MAINTENANCE)

FIG ITEM	PART NUMBER	1 2 3 4 5 6 7 NOMENCLATURE	EFFECT FROM TO	UNITS PER ASSY
1 395	HL1012AZ12-21	.BOLT- SUPPLIER CODE: VOPTK6 SPECIFICATION NUMBER: BACB30NX12K21 OPTIONAL PART: HL12VAZ12-21 V73197 HL12VAZ12-21 V92215 HL12VAZ12-21 V97928 L802-12K21 V06725 HL12VAZ12-21 V56878 HL1012AZ12-21 V06725 HL1012AZ12-21 V06950 HL1012AZ12-21 V17446 HL1012AZ12-21 V56878 HL1012AZ12-21 V60516 HL1012AZ12-21 V73197 HL1012AZ12-21 V97928 POSITION DATA: RH SIDE	002004 006100 107107 121503 904999	1

MISSING ITEM NUMBERS NOT APPLICABLE

- ITEM NOT ILLUSTRATED

BRI

57-24-53-01

BOEING PROPRIETARY - Copyright © - Unpublished Work - See title page for details.

57-24-53
FIG. 01
PAGE 44
JAN 20/09



757

PARTS CATALOG (MAINTENANCE)

FIG ITEM	PART NUMBER	1 2 3 4 5 6 7 NOMENCLATURE	EFFECT FROM TO	UNITS PER ASSY
1 395	HL1012AZ12-23	.BOLT- SUPPLIER CODE: VOPTK6 SPECIFICATION NUMBER: BACB30NX12K23 OPTIONAL PART: HL12VAZ12-23 V73197 HL12VAZ12-23 V92215 HL12VAZ12-23 V97928 L802-12K23 V06725 HL12VAZ12-23 V56878 HL1012AZ12-23 V06725 HL1012AZ12-23 V06950 HL1012AZ12-23 V17446 HL1012AZ12-23 V56878 HL1012AZ12-23 V60516 HL1012AZ12-23 V73197 HL1012AZ12-23 V97928 POSITION DATA: RH SIDE	101105 108120 504903	1

MISSING ITEM NUMBERS NOT APPLICABLE

- ITEM NOT ILLUSTRATED

BRI

57-24-53-01

BOEING PROPRIETARY - Copyright © - Unpublished Work - See title page for details.

57-24-53
FIG. 01
PAGE 45
JAN 20/09



757

PARTS CATALOG (MAINTENANCE)

FIG ITEM	PART NUMBER	1 2 3 4 5 6 7	NOMENCLATURE	EFFECT FROM TO	UNITS PER ASSY
1 415	HL1012AZ10-18		.BOLT- SUPPLIER CODE: VOPTK6 SPECIFICATION NUMBER: BACB30NX10K18 OPTIONAL PART: HL12VAZ10-18 V73197 HL12VAZ10-18 V92215 HL12VAZ10-18 V97928 L802-10K18 V06725 HL12VAZ10-18 V56878 HL1012AZ10-18 V06725 HL1012AZ10-18 V06950 HL1012AZ10-18 V17446 HL1012AZ10-18 V56878 HL1012AZ10-18 V60516 HL1012AZ10-18 V73197 HL1012AZ10-18 V97928 POSITION DATA: RH SIDE	002004 006100 107107 121503 904999	1

MISSING ITEM NUMBERS NOT APPLICABLE

- ITEM NOT ILLUSTRATED

BRI

57-24-53-01

BOEING PROPRIETARY - Copyright © - Unpublished Work - See title page for details.

57-24-53
FIG. 01
PAGE 46
JAN 20/09



757

PARTS CATALOG (MAINTENANCE)

FIG ITEM	PART NUMBER	1 2 3 4 5 6 7 NOMENCLATURE	EFFECT FROM TO	UNITS PER ASSY
1 415	HL1012AZ10-19	.BOLT- SUPPLIER CODE: VOPTK6 SPECIFICATION NUMBER: BACB30NX10K19 OPTIONAL PART: HL12VAZ10-19 V73197 HL12VAZ10-19 V92215 HL12VAZ10-19 V97928 L802-10K19 V06725 HL12VAZ10-19 V56878 HL1012AZ10-19 V06725 HL1012AZ10-19 V06950 HL1012AZ10-19 V17446 HL1012AZ10-19 V56878 HL1012AZ10-19 V60516 HL1012AZ10-19 V73197 HL1012AZ10-19 V97928 POSITION DATA: RH SIDE	101105 108120 504903	1

MISSING ITEM NUMBERS NOT APPLICABLE

- ITEM NOT ILLUSTRATED

BRI

57-24-53-01

BOEING PROPRIETARY - Copyright © - Unpublished Work - See title page for details.

57-24-53
FIG. 01
PAGE 47
JAN 20/09



757

PARTS CATALOG (MAINTENANCE)

FIG ITEM	PART NUMBER	1 2 3 4 5 6 7	NOMENCLATURE	EFFECT FROM TO	UNITS PER ASSY
1 420	HL1012AZ10-17		.BOLT SUPPLIER CODE: VOPTK6 SPECIFICATION NUMBER: BACB30NX10K17 OPTIONAL PART: HL12VAZ10-17 V73197 HL12VAZ10-17 V92215 HL12VAZ10-17 V97928 L802-10K17 V06725 HL12VAZ10-17 V56878 HL1012AZ10-17 V06725 HL1012AZ10-17 V06950 HL1012AZ10-17 V17446 HL1012AZ10-17 V56878 HL1012AZ10-17 V60516 HL1012AZ10-17 V73197 HL1012AZ10-17 V97928	002004 006100 121503 904999	2

MISSING ITEM NUMBERS NOT APPLICABLE

- ITEM NOT ILLUSTRATED

BRI

57-24-53-01

BOEING PROPRIETARY - Copyright © - Unpublished Work - See title page for details.

57-24-53
FIG. 01
PAGE 48
JAN 20/09



757

PARTS CATALOG (MAINTENANCE)

FIG ITEM	PART NUMBER	1 2 3 4 5 6 7 NOMENCLATURE	EFFECT FROM TO	UNITS PER ASSY
1 425	HL1012AZ10-17	.BOLT- SUPPLIER CODE: VOPTK6 SPECIFICATION NUMBER: BACB30NX10K17 OPTIONAL PART: HL12VAZ10-17 V73197 HL12VAZ10-17 V92215 HL12VAZ10-17 V97928 L802-10K17 V06725 HL12VAZ10-17 V56878 HL1012AZ10-17 V06725 HL1012AZ10-17 V06950 HL1012AZ10-17 V17446 HL1012AZ10-17 V56878 HL1012AZ10-17 V60516 HL1012AZ10-17 V73197 HL1012AZ10-17 V97928 POSITION DATA: RH SIDE	002004 006100 107107 121503 904999	2

MISSING ITEM NUMBERS NOT APPLICABLE

- ITEM NOT ILLUSTRATED

BRI

57-24-53-01

BOEING PROPRIETARY - Copyright © - Unpublished Work - See title page for details.

57-24-53
FIG. 01
PAGE 49
JAN 20/09



757

PARTS CATALOG (MAINTENANCE)

FIG ITEM	PART NUMBER	1 2 3 4 5 6 7	NOMENCLATURE	EFFECT FROM TO	UNITS PER ASSY
1 425	HL1012AZ10-18		.BOLT- SUPPLIER CODE: VOPTK6 SPECIFICATION NUMBER: BACB30NX10K18 OPTIONAL PART: HL12VAZ10-18 V73197 HL12VAZ10-18 V92215 HL12VAZ10-18 V97928 L802-10K18 V06725 HL12VAZ10-18 V56878 HL1012AZ10-18 V06725 HL1012AZ10-18 V06950 HL1012AZ10-18 V17446 HL1012AZ10-18 V56878 HL1012AZ10-18 V60516 HL1012AZ10-18 V73197 HL1012AZ10-18 V97928 POSITION DATA: RH SIDE	101105 108120 504903	2

MISSING ITEM NUMBERS NOT APPLICABLE

- ITEM NOT ILLUSTRATED

BRI

57-24-53-01

BOEING PROPRIETARY - Copyright © - Unpublished Work - See title page for details.

57-24-53
FIG. 01
PAGE 50
JAN 20/09



757

PARTS CATALOG (MAINTENANCE)

FIG ITEM	PART NUMBER	1 2 3 4 5 6 7	NOMENCLATURE	EFFECT FROM TO	UNITS PER ASSY
1 430	HL1012AZ8-14	.	BOLT SUPPLIER CODE: VOPTK6 SPECIFICATION NUMBER: BACB30NX8K14 OPTIONAL PART: HL12VAZ8-14 V73197 HL12VAZ8-14 V92215 HL12VAZ8-14 V97928 L802-8K14 V06725 HL12VAZ8-14 V56878 HL1012AZ8-14 V06725 HL1012AZ8-14 V06950 HL1012AZ8-14 V17446 HL1012AZ8-14 V56878 HL1012AZ8-14 V60516 HL1012AZ8-14 V73197 HL1012AZ8-14 V97928	002004 006100 107107 121503 904999	2

MISSING ITEM NUMBERS NOT APPLICABLE

- ITEM NOT ILLUSTRATED

BRI

57-24-53-01

BOEING PROPRIETARY - Copyright © - Unpublished Work - See title page for details.

57-24-53
FIG. 01
PAGE 51
JAN 20/09



757

PARTS CATALOG (MAINTENANCE)

FIG ITEM	PART NUMBER	1 2 3 4 5 6 7	NOMENCLATURE	EFFECT FROM TO	UNITS PER ASSY
1 432	HL1012AZ8-15	.	BOLT SUPPLIER CODE: VOPTK6 SPECIFICATION NUMBER: BACB30NX8K15 OPTIONAL PART: HL12VAZ8-15 V73197 HL12VAZ8-15 V92215 HL12VAZ8-15 V97928 L802-8K15 V06725 HL12VAZ8-15 V56878 HL1012AZ8-15 V06725 HL1012AZ8-15 V06950 HL1012AZ8-15 V17446 HL1012AZ8-15 V56878 HL1012AZ8-15 V60516 HL1012AZ8-15 V73197 HL1012AZ8-15 V97928	101105 108120 504903	1

MISSING ITEM NUMBERS NOT APPLICABLE

- ITEM NOT ILLUSTRATED

BRI

57-24-53-01

BOEING PROPRIETARY - Copyright © - Unpublished Work - See title page for details.

57-24-53
FIG. 01
PAGE 52
JAN 20/09



**757
PARTS CATALOG (MAINTENANCE)**

FIG ITEM	PART NUMBER	1 2 3 4 5 6 7 NOMENCLATURE	EFFECT FROM TO	UNITS PER ASSY
1 433	HL1012AZ8-14	.BOLT SUPPLIER CODE: VOPTK6 SPECIFICATION NUMBER: BACB30NX8K14 OPTIONAL PART: HL12VAZ8-14 V73197 HL12VAZ8-14 V92215 HL12VAZ8-14 V97928 L802-8K14 V06725 HL12VAZ8-14 V56878 HL1012AZ8-14 V06725 HL1012AZ8-14 V06950 HL1012AZ8-14 V17446 HL1012AZ8-14 V56878 HL1012AZ8-14 V60516 HL1012AZ8-14 V73197 HL1012AZ8-14 V97928	101105 108120 504903	1

MISSING ITEM NUMBERS NOT APPLICABLE

— ITEM NOT ILLUSTRATED

BRI

57-24-53-01

BOEING PROPRIETARY - Copyright © - Unpublished Work - See title page for details.

57-24-53
FIG. 01
PAGE 53
JAN 20/09



757

PARTS CATALOG (MAINTENANCE)

FIG ITEM	PART NUMBER	1 2 3 4 5 6 7	NOMENCLATURE	EFFECT FROM TO	UNITS PER ASSY
1 435	HL1012AZ12-16		.BOLT- SUPPLIER CODE: VOPTK6 SPECIFICATION NUMBER: BACB30NX12K16 OPTIONAL PART: HL12VAZ12-16 V73197 HL12VAZ12-16 V92215 HL12VAZ12-16 V97928 L802-12K16 V06725 HL12VAZ12-16 V56878 HL1012AZ12-16 V06725 HL1012AZ12-16 V06950 HL1012AZ12-16 V17446 HL1012AZ12-16 V56878 HL1012AZ12-16 V60516 HL1012AZ12-16 V73197 HL1012AZ12-16 V97928	002004 006100 107107 121503 904999	2

MISSING ITEM NUMBERS NOT APPLICABLE

- ITEM NOT ILLUSTRATED

BRI

57-24-53-01

BOEING PROPRIETARY - Copyright © - Unpublished Work - See title page for details.

57-24-53
FIG. 01
PAGE 54
JAN 20/09



**757
PARTS CATALOG (MAINTENANCE)**

FIG ITEM	PART NUMBER	1 2 3 4 5 6 7 NOMENCLATURE	EFFECT FROM TO	UNITS PER ASSY
1 437	HL1012AZ12-16	.BOLT SUPPLIER CODE: VOPTK6 SPECIFICATION NUMBER: BACB30NX12K16 OPTIONAL PART: HL12VAZ12-16 V73197 HL12VAZ12-16 V92215 HL12VAZ12-16 V97928 L802-12K16 V06725 HL12VAZ12-16 V56878 HL1012AZ12-16 V06725 HL1012AZ12-16 V06950 HL1012AZ12-16 V17446 HL1012AZ12-16 V56878 HL1012AZ12-16 V60516 HL1012AZ12-16 V73197 HL1012AZ12-16 V97928	101105 108120 504903	1

MISSING ITEM NUMBERS NOT APPLICABLE

— ITEM NOT ILLUSTRATED

BRI

57-24-53-01

BOEING PROPRIETARY - Copyright © - Unpublished Work - See title page for details.

57-24-53
FIG. 01
PAGE 55
JAN 20/09



757

PARTS CATALOG (MAINTENANCE)

FIG ITEM	PART NUMBER	1 2 3 4 5 6 7	NOMENCLATURE	EFFECT FROM TO	UNITS PER ASSY
1 438	HL1012AZ12-15		.BOLT- SUPPLIER CODE: VOPTK6 SPECIFICATION NUMBER: BACB30NX12K15 OPTIONAL PART: HL12VAZ12-15 V73197 HL12VAZ12-15 V92215 HL12VAZ12-15 V97928 L802-12K15 V06725 HL12VAZ12-15 V56878 HL12AZ12-15 V06725 HL12AZ12-15 V06950 HL1012AZ12-15 V17446 HL1012AZ12-15 V56878 HL1012AZ12-15 V60516 HL1012AZ12-15 V73197 HL1012AZ12-15 V97928	101105 108120 504903	1

MISSING ITEM NUMBERS NOT APPLICABLE

- ITEM NOT ILLUSTRATED

BRI

57-24-53-01

BOEING PROPRIETARY - Copyright © - Unpublished Work - See title page for details.

57-24-53
FIG. 01
PAGE 56
JAN 20/09



757

PARTS CATALOG (MAINTENANCE)

FIG ITEM	PART NUMBER	1 2 3 4 5 6 7	NOMENCLATURE	EFFECT FROM TO	UNITS PER ASSY
1 450	HL1187-12		. COLLAR- SUPPLIER CODE: V5M902 SPECIFICATION NUMBER: BACC30X12 OPTIONAL PART: HL1187-12 V73197 HL1187-12 V56878 HL1187-12 V92215 HL1187-12 V92215 HL87-12 V56878 HL87-12 V73197 POSITION DATA: LH SIDE	002004 006105 107999	5
455	HL1187-12		. COLLAR- SUPPLIER CODE: V5M902 SPECIFICATION NUMBER: BACC30X12 OPTIONAL PART: HL1187-12 V73197 HL1187-12 V56878 HL1187-12 V92215 HL1187-12 V92215 HL87-12 V56878 HL87-12 V73197 POSITION DATA: RH SIDE	002004 006105 107999	5

MISSING ITEM NUMBERS NOT APPLICABLE

- ITEM NOT ILLUSTRATED

BRI

57-24-53-01

BOEING PROPRIETARY - Copyright © - Unpublished Work - See title page for details.

57-24-53
FIG. 01
PAGE 57
JAN 20/09



**757
PARTS CATALOG (MAINTENANCE)**

FIG ITEM	PART NUMBER	1 2 3 4 5 6 7	NOMENCLATURE	EFFECT FROM TO	UNITS PER ASSY
1 465	HL1187-10		.COLLAR- SUPPLIER CODE: V5M902 SPECIFICATION NUMBER: BACC30X10 OPTIONAL PART: HL1187-10 V56878 HL1187-10 V92215 HL1187-10 V73197 HL1187-10 V92215 HL87-10 V56878 HL1187-10 V73197 POSITION DATA: RH SIDE	002004 006105 107999	3
470	HL1187-8		.COLLAR SUPPLIER CODE: V5M902 SPECIFICATION NUMBER: BACC30X8 OPTIONAL PART: HL87-8 V92215 HL87-8 V73197 HL1187-8 V56878 HL1187-8 V92215 HL87-8 V56878 HL1187-8 V73197	002004 006105 107999	2
475	112N7005-5		.FITTING HALF- POSITION DATA: INBD LH SIDE USED ON: 112N7005-1 112N7005-15 112N7005-25 112N7005-29	107107	1

MISSING ITEM NUMBERS NOT APPLICABLE

- ITEM NOT ILLUSTRATED

BRI

57-24-53-01

BOEING PROPRIETARY - Copyright © - Unpublished Work - See title page for details.

57-24-53
FIG. 01
PAGE 58
JAN 20/09



757

PARTS CATALOG (MAINTENANCE)

FIG ITEM	PART NUMBER	1 2 3 4 5 6 7	NOMENCLATURE	EFFECT FROM TO	UNITS PER ASSY
1					
475	112N7005-37	.	FITTING HALF- POSITION DATA: INBD LH SIDE	002004 006100 121503 904999	1
475	112N7040-5	.	FITTING HALF- POSITION DATA: INBD LH SIDE	101105 108120 504903	1
480	112N7005-6	.	FITTING HALF- POSITION DATA: INBD RH SIDE USED ON: 112N7005-2 112N7005-16 112N7005-26 112N7005-28	107107	1
480	112N7005-38	.	FITTING HALF- POSITION DATA: INBD RH SIDE USED ON: 112N7005-34	002004 006100 107107 121503 904999	1
480	112N7040-6	.	FITTING HALF- POSITION DATA: INBD RH SIDE OPTIONAL PART: 112N7040-10	101105 108120 504903	1
480	112N7040-10	.	FITTING HALF- POSITION DATA: INBD RH SIDE OPTIONAL PART: 112N7040-6	101105 108120 504903	1
485	112N7005-7	.	FITTING HALF- POSITION DATA: OUTBD LH SIDE USED ON: 112N7005-1 112N7005-15 112N7005-25 112N7005-29	107107	1
485	112N7005-39	.	FITTING HALF- POSITION DATA: OUTBD LH SIDE	002004 006100 121503 904999	1
485	112N7040-3	.	FITTING HALF- POSITION DATA: OUTBD LH SIDE OPTIONAL PART: 112N7040-7	101105 108120 504903	1

MISSING ITEM NUMBERS NOT APPLICABLE

- ITEM NOT ILLUSTRATED

57-24-53-01

57-24-53
FIG. 01
PAGE 59
JAN 20/09

BRI



757

PARTS CATALOG (MAINTENANCE)

FIG ITEM	PART NUMBER	1 2 3 4 5 6 7	NOMENCLATURE	EFFECT FROM TO	UNITS PER ASSY
1					
485	112N7040-7		. FITTING HALF- POSITION DATA: OUTBD LH SIDE OPTIONAL PART: 112N7040-3	101105 108120 504903	1
490	112N7005-8		. FITTING HALF- POSITION DATA: OUTBD RH SIDE USED ON: 112N7005-2 112N7005-16 112N7005-26 112N7005-28	107107	1
490	112N7005-40		. FITTING HALF- POSITION DATA: OUTBD RH SIDE USED ON: 112N7005-34	002004 006100 107107 121503 904999	1
490	112N7040-4		. FITTING HALF- POSITION DATA: OUTBD RH SIDE OPTIONAL PART: 112N7040-8	101105 108120 504903	1
490	112N7040-8		. FITTING HALF- POSITION DATA: OUTBD RH SIDE OPTIONAL PART: 112N7040-4	101105 108120 504903	1

MISSING ITEM NUMBERS NOT APPLICABLE

- ITEM NOT ILLUSTRATED

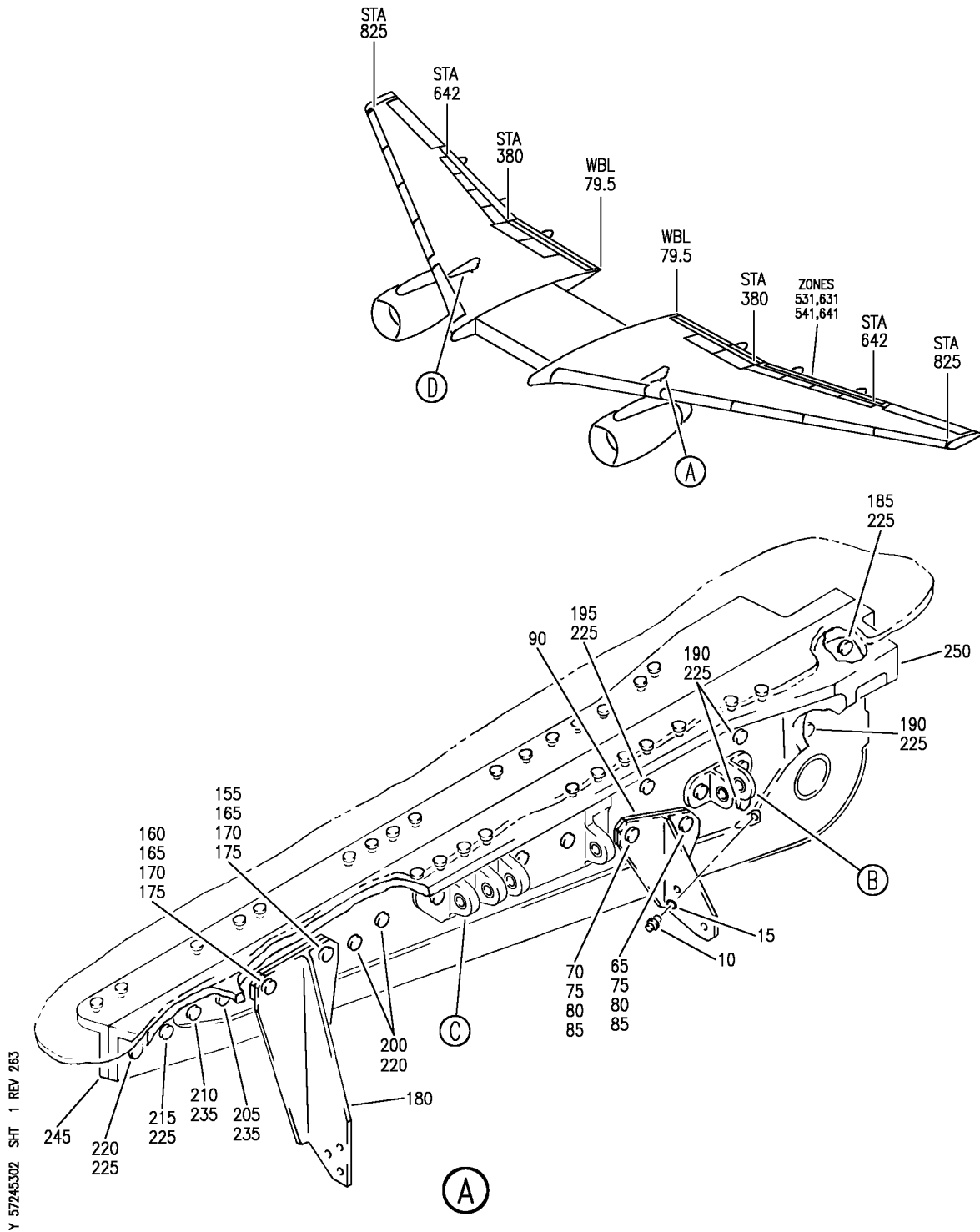
BRI

57-24-53-01

BOEING PROPRIETARY - Copyright © - Unpublished Work - See title page for details.

57-24-53
FIG. 01
PAGE 60
JAN 20/09

BOEING
757
PARTS CATALOG (MAINTENANCE)



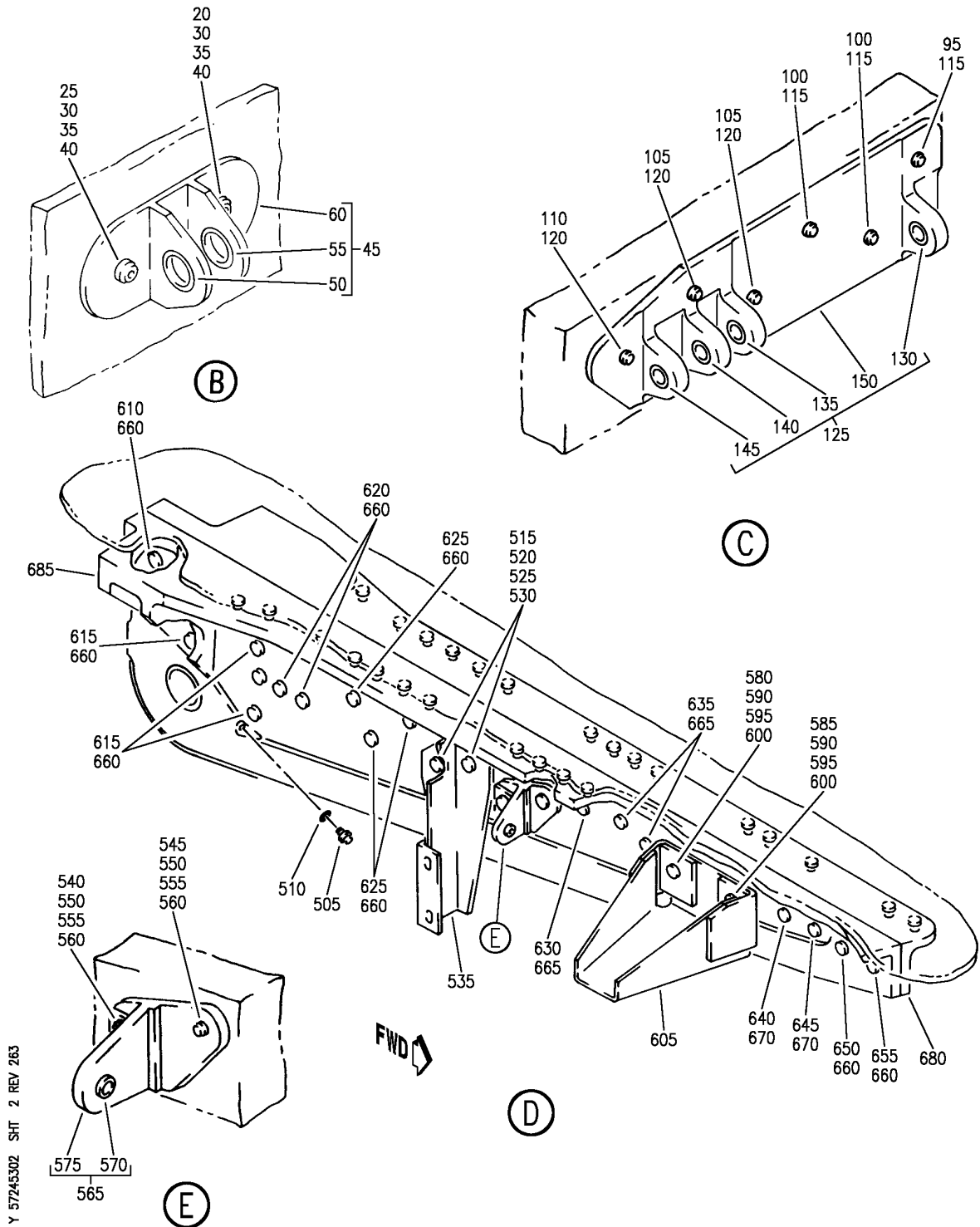
FITTING ASSY-NAC ATTACHMENT OUTBD SIDELOAD
FIGURE 2 (SHEET 1)

57-24-53-02

BRI
JAN 20/09

57-24-53-02
PAGE 0

BOEING
757
PARTS CATALOG (MAINTENANCE)



FITTING ASSY-NAC ATTACHMENT OUTBD SIDELOAD
FIGURE 2 (SHEET 2)

57-24-53-02

BRI
JAN 20/09

57-24-53-02
PAGE 0A



757

PARTS CATALOG (MAINTENANCE)

FIG ITEM	PART NUMBER	1 2 3 4 5 6 7	NOMENCLATURE	EFFECT FROM TO	UNITS PER ASSY
2			FITTING ASSY-NAC ATTACHMENT OUTBD SIDELOAD	106106	
1	112N7040-23		FITTING ASSY-NAC ATTACHMENT SIDELOAD POSITION DATA: OUTBD LH FOR NHA SEE: 57-24-51-01	106106	RF
10	69B15853-1		.ADAPTOR-LUBE	106106	1
15	MS29512-02		.PACKING	106106	1
20	HL1012AZ12-27		.BOLT SUPPLIER CODE: VOPTK6 SPECIFICATION NUMBER: BACB30NX12K27 OPTIONAL PART: HL12VAZ12-27 V73197 HL12VAZ12-27 V92215 HL12VAZ12-27 V97928 L802-12K27 V06725 HL12VAZ12-27 V56878 HL1012AZ12-27 V06725 HL1012AZ12-27 V06950 HL1012AZ12-27 V17446 HL1012AZ12-27 V56878 HL1012AZ12-27 V60516 HL1012AZ12-27 V73197 HL1012AZ12-27 V97928	106106	1

MISSING ITEM NUMBERS NOT APPLICABLE

- ITEM NOT ILLUSTRATED

57-24-53-02

57-24-53
FIG. 02
PAGE 1
JAN 20/09

BRI



757

PARTS CATALOG (MAINTENANCE)

FIG ITEM	PART NUMBER	1 2 3 4 5 6 7	NOMENCLATURE	EFFECT FROM TO	UNITS PER ASSY
2 25	HL1012AZ12-26	.BOLT	SUPPLIER CODE: VOPTK6 SPECIFICATION NUMBER: BACB30NX12K26 OPTIONAL PART: HL12VAZ12-26 V73197 HL12VAZ12-26 V92215 HL12VAZ12-26 V97928 L802-12K26 V06725 HL1012AZ12-26 V56878 HL1012AZ12-26 V06725 HL1012AZ12-26 V06950 HL1012AZ12-26 V17446 HL12AZ12-26 V56878 HL1012AZ12-26 V60516 HL1012AZ12-26 V73197 HL1012AZ12-26 V97928	106106	1
30	K29913-6	.WASHER	SUPPLIER CODE: V15653 SPECIFICATION NUMBER: BACW10CA6CC OPTIONAL PART: 70191-6 V56878 922008-6 V60119 942008-6 V60119	106106	2

MISSING ITEM NUMBERS NOT APPLICABLE

- ITEM NOT ILLUSTRATED

BRI

57-24-53-02

BOEING PROPRIETARY - Copyright © - Unpublished Work - See title page for details.

57-24-53
 FIG. 02
 PAGE 2
 JAN 20/09



757

PARTS CATALOG (MAINTENANCE)

FIG ITEM	PART NUMBER	1 2 3 4 5 6 7	NOMENCLATURE	EFFECT FROM TO	UNITS PER ASSY
2					
35	K29646-6	.	WASHER SUPPLIER CODE: V15653 SPECIFICATION NUMBER: BACW10CA6CV OPTIONAL PART: 70188-6 V56878 922007-6 V60119 942007-6 V60119	106106	2
40	HL1187-12	.	COLLAR SUPPLIER CODE: V5M902 SPECIFICATION NUMBER: BACC30X12 OPTIONAL PART: HL1187-12 V73197 HL1187-12 V56878 HL1187-12 V92215 HL1187-12 V92215 HL87-12 V56878 HL87-12 V73197	106106	2
45	313N5028-1	.	BRACKET ASSY-STRUT FAIRING WING ATTACHMENT POSITION DATA: AFT	106106	1
50	BACB28X5M009	..	BUSHING	106106	1
55	BACB28X7M009	..	BUSHING	106106	1
60	313N5028-2	..	BRACKET	106106	1

MISSING ITEM NUMBERS NOT APPLICABLE

- ITEM NOT ILLUSTRATED

BRI

57-24-53-02

BOEING PROPRIETARY - Copyright © - Unpublished Work - See title page for details.

57-24-53
FIG. 02
PAGE 3
JAN 20/09



757

PARTS CATALOG (MAINTENANCE)

FIG ITEM	PART NUMBER	1 2 3 4 5 6 7	NOMENCLATURE	EFFECT FROM TO	UNITS PER ASSY
2 65	HL1012AZ12-31	.BOLT	SUPPLIER CODE: VOPTK6 SPECIFICATION NUMBER: BACB30NX12K31 OPTIONAL PART: HL12VAZ12-31 V73197 HL12VAZ12-31 V92215 HL12VAZ12-31 V97928 L802-12K31 V06725 HL12VAZ12-31 V56878 HL1012AZ12-31 V06725 HL1012AZ12-31 V06950 HL1012AZ12-31 V17446 HL1012AZ12-31 V56878 HL1012AZ12-31 V60516 HL1012AZ12-31 V73197 HL1012AZ12-31 V97928	106106	1

MISSING ITEM NUMBERS NOT APPLICABLE

- ITEM NOT ILLUSTRATED

BRI

57-24-53-02

BOEING PROPRIETARY - Copyright © - Unpublished Work - See title page for details.

57-24-53
FIG. 02
PAGE 4
JAN 20/09



757

PARTS CATALOG (MAINTENANCE)

FIG ITEM	PART NUMBER	1 2 3 4 5 6 7	NOMENCLATURE	EFFECT FROM TO	UNITS PER ASSY
2 70	HL1012AZ12-30	.BOLT	SUPPLIER CODE: VOPTK6 SPECIFICATION NUMBER: BACB30NX12K30 OPTIONAL PART: HL12VAZ12-30 V73197 HL12VAZ12-30 V92215 HL12VAZ12-30 V97928 L802-12K30 V06725 HL12VAZ12-30 V56878 HL1012AZ12-30 V06725 HL1012AZ12-30 V06950 HL1012AZ12-30 V17446 HL1012AZ12-30 V56878 HL1012AZ12-30 V60516 HL1012AZ12-30 V73197 HL1012AZ12-30 V97928	106106	1
75	K29913-6	.WASHER	SUPPLIER CODE: V15653 SPECIFICATION NUMBER: BACW10CA6CC OPTIONAL PART: 70191-6 V56878 922008-6 V60119 942008-6 V60119	106106	2

MISSING ITEM NUMBERS NOT APPLICABLE

- ITEM NOT ILLUSTRATED

BRI

57-24-53-02

BOEING PROPRIETARY - Copyright © - Unpublished Work - See title page for details.

57-24-53
 FIG. 02
 PAGE 5
 JAN 20/09



757

PARTS CATALOG (MAINTENANCE)

FIG ITEM	PART NUMBER	1 2 3 4 5 6 7	NOMENCLATURE	EFFECT FROM TO	UNITS PER ASSY
2 80	K29646-6		.WASHER SUPPLIER CODE: V15653 SPECIFICATION NUMBER: BACW10CA6CV OPTIONAL PART: 70188-6 V56878 922007-6 V60119 942007-6 V60119	106106	2
85	HL1187-12		.COLLAR SUPPLIER CODE: V5M902 SPECIFICATION NUMBER: BACC30X12 OPTIONAL PART: HL1187-12 V73197 HL1187-12 V56878 HL1187-12 V92215 HL1187-12 V92215 HL87-12 V56878 HL87-12 V73197	106106	2
90	271N2092-2		.BRACKET-SYS FILTER MODULE MOUNTING	106106	1

MISSING ITEM NUMBERS NOT APPLICABLE

- ITEM NOT ILLUSTRATED

BRI

57-24-53-02

BOEING PROPRIETARY - Copyright © - Unpublished Work - See title page for details.

57-24-53
FIG. 02
PAGE 6
JAN 20/09



**757
PARTS CATALOG (MAINTENANCE)**

FIG ITEM	PART NUMBER	1 2 3 4 5 6 7	NOMENCLATURE	EFFECT FROM TO	UNITS PER ASSY
2 95	HL1012AZ12-26	.	BOLT SUPPLIER CODE: VOPTK6 SPECIFICATION NUMBER: BACB30NX12K26 OPTIONAL PART: HL12VAZ12-26 V73197 HL12VAZ12-26 V92215 HL12VAZ12-26 V97928 L802-12K26 V06725 HL1012AZ12-26 V56878 HL1012AZ12-26 V06725 HL1012AZ12-26 V06950 HL1012AZ12-26 V17446 HL12AZ12-26 V56878 HL1012AZ12-26 V60516 HL1012AZ12-26 V73197 HL1012AZ12-26 V97928	106106	1

MISSING ITEM NUMBERS NOT APPLICABLE

— ITEM NOT ILLUSTRATED

BRI

57-24-53-02

BOEING PROPRIETARY - Copyright © - Unpublished Work - See title page for details.

57-24-53
FIG. 02
PAGE 7
JAN 20/09



**757
PARTS CATALOG (MAINTENANCE)**

FIG ITEM	PART NUMBER	1 2 3 4 5 6 7	NOMENCLATURE	EFFECT FROM TO	UNITS PER ASSY
2 100	HL1012AZ12-25	.	BOLT SUPPLIER CODE: VOPTK6 SPECIFICATION NUMBER: BACB30NX12K25 OPTIONAL PART: HL12VAZ12-25 V73197 HL12VAZ12-25 V92215 HL12VAZ12-25 V97928 L802-12K25 V06725 HL12VAZ12-25 V56878 HL1012AZ12-25 V06725 HL1012AZ12-25 V06950 HL1012AZ12-25 V17446 HL1012AZ12-25 V56878 HL1012AZ12-25 V60516 HL1012AZ12-25 V73197 HL1012AZ12-25 V97928	106106	2

MISSING ITEM NUMBERS NOT APPLICABLE

— ITEM NOT ILLUSTRATED

BRI

57-24-53-02

BOEING PROPRIETARY - Copyright © - Unpublished Work - See title page for details.

57-24-53
FIG. 02
PAGE 8
JAN 20/09



757

PARTS CATALOG (MAINTENANCE)

FIG ITEM	PART NUMBER	1 2 3 4 5 6 7	NOMENCLATURE	EFFECT FROM TO	UNITS PER ASSY
2 105	HL1012AZ10-24	.BOLT	SUPPLIER CODE: VOPTK6 SPECIFICATION NUMBER: BACB30NX10K24 OPTIONAL PART: HL12VAZ10-24 V73197 HL12VAZ10-24 V92215 HL12VAZ10-24 V97928 L802-10K24 V06725 HL12VAZ10-24 V56878 HL1012AZ10-24 V06725 HL1012AZ10-24 V06950 HL1012AZ10-24 V17446 HL1012AZ10-24 V56878 HL1012AZ10-24 V60516 HL1012AZ10-24 V73197 HL1012AZ10-24 V97928	106106	2

MISSING ITEM NUMBERS NOT APPLICABLE

- ITEM NOT ILLUSTRATED

BRI

57-24-53-02

BOEING PROPRIETARY - Copyright © - Unpublished Work - See title page for details.

57-24-53
FIG. 02
PAGE 9
JAN 20/09



757

PARTS CATALOG (MAINTENANCE)

FIG ITEM	PART NUMBER	1 2 3 4 5 6 7	NOMENCLATURE	EFFECT FROM TO	UNITS PER ASSY
2 110	HL1012AZ10-23	.BOLT	SUPPLIER CODE: VOPTK6 SPECIFICATION NUMBER: BACB30NX10K23 OPTIONAL PART: HL12VAZ10-23 V73197 HL12VAZ10-23 V92215 HL12VAZ10-23 V97928 L802-10K23 V06725 HL12VAZ10-23 V56878 HL1012AZ10-23 V06725 HL1012AZ10-23 V06950 HL1012AZ10-23 V17446 HL1012AZ10-23 V56878 HL1012AZ10-23 V60516 HL1012AZ10-23 V73197 HL1012AZ10-23 V97928	106106	1
115	HL1187-12	.COLLAR	SUPPLIER CODE: V5M902 SPECIFICATION NUMBER: BACC30X12 OPTIONAL PART: HL1187-12 V73197 HL1187-12 V56878 HL1187-12 V92215 HL1187-12 V92215 HL87-12 V56878 HL87-12 V73197	106106	3

MISSING ITEM NUMBERS NOT APPLICABLE

- ITEM NOT ILLUSTRATED

57-24-53-02

57-24-53
 FIG. 02
 PAGE 10
 JAN 20/09

BRI



757

PARTS CATALOG (MAINTENANCE)

FIG ITEM	PART NUMBER	1 2 3 4 5 6 7	NOMENCLATURE	EFFECT FROM TO	UNITS PER ASSY
2 120	HL1187-10		. COLLAR SUPPLIER CODE: V5M902 SPECIFICATION NUMBER: BACC30X10 OPTIONAL PART: HL1187-10 V56878 HL1187-10 V92215 HL1187-10 V73197 HL1187-10 V92215 HL87-10 V56878 HL1187-10 V73197	106106	3
125	271N2035-1		. SUPPORT ASSY-LEFT SYS EDP PRESS/ GD. FILTER MODULE	106106	1
130	BACB28X4C038		.. BUSHING	106106	1
135	BACB28X4C028		.. BUSHING	106106	1
140	BACB28X4C023		.. BUSHING	106106	1
145	BACB28X6M023		.. BUSHING	106106	1
150	271N2035-2		.. SUPPORT- MANUFACTURED FROM: 271N2035-4 OPTIONAL PART: 271N2035-3	106106	1
150	271N2035-3		.. SUPPORT- MANUFACTURED FROM: 271N2035-5 OPTIONAL PART: 271N2035-2	106106	1

MISSING ITEM NUMBERS NOT APPLICABLE

- ITEM NOT ILLUSTRATED

57-24-53-02

57-24-53
FIG. 02
PAGE 11
JAN 20/09

BRI



757

PARTS CATALOG (MAINTENANCE)

FIG ITEM	PART NUMBER	1 2 3 4 5 6 7	NOMENCLATURE	EFFECT FROM TO	UNITS PER ASSY
2 155	HL1012AZ10-25	.BOLT	SUPPLIER CODE: VOPTK6 SPECIFICATION NUMBER: BACB30NX10K25 OPTIONAL PART: HL12VAZ10-25 V73197 HL12VAZ10-25 V92215 HL12VAZ10-25 V97928 L802-10K25 V06725 HL12VAZ10-25 V56878 HL1012AZ10-25 V06725 HL1012AZ10-25 V06950 HL1012AZ10-25 V17446 HL1012AZ10-25 V56878 HL1012AZ10-25 V60516 HL1012AZ10-25 V73197 HL1012AZ10-25 V97928	106106	1

MISSING ITEM NUMBERS NOT APPLICABLE

- ITEM NOT ILLUSTRATED

BRI

57-24-53-02

BOEING PROPRIETARY - Copyright © - Unpublished Work - See title page for details.

57-24-53
FIG. 02
PAGE 12
JAN 20/09



757

PARTS CATALOG (MAINTENANCE)

FIG ITEM	PART NUMBER	1 2 3 4 5 6 7	NOMENCLATURE	EFFECT FROM TO	UNITS PER ASSY
2 160	HL1012AZ10-24	.BOLT	SUPPLIER CODE: VOPTK6 SPECIFICATION NUMBER: BACB30NX10K24 OPTIONAL PART: HL12VAZ10-24 V73197 HL12VAZ10-24 V92215 HL12VAZ10-24 V97928 L802-10K24 V06725 HL12VAZ10-24 V56878 HL1012AZ10-24 V06725 HL1012AZ10-24 V06950 HL1012AZ10-24 V17446 HL1012AZ10-24 V56878 HL1012AZ10-24 V60516 HL1012AZ10-24 V73197 HL1012AZ10-24 V97928	106106	1
165	K29913-5	.WASHER	SUPPLIER CODE: V15653 SPECIFICATION NUMBER: BACW10CA5CC OPTIONAL PART: 70191-5 V56878 922008-5 V60119 942008-5 V60119	106106	2

MISSING ITEM NUMBERS NOT APPLICABLE

- ITEM NOT ILLUSTRATED

BRI

57-24-53-02

BOEING PROPRIETARY - Copyright © - Unpublished Work - See title page for details.

57-24-53
 FIG. 02
 PAGE 13
 JAN 20/09



757

PARTS CATALOG (MAINTENANCE)

FIG ITEM	PART NUMBER	1 2 3 4 5 6 7	NOMENCLATURE	EFFECT FROM TO	UNITS PER ASSY
2 170	K29646-5	.	WASHER SUPPLIER CODE: V15653 SPECIFICATION NUMBER: BACW10CA5CV OPTIONAL PART: 70188-5 V56878 922007-5 V60119 942007-5 V60119	106106	2
175	HL1187-10	.	COLLAR SUPPLIER CODE: V5M902 SPECIFICATION NUMBER: BACC30X10 OPTIONAL PART: HL1187-10 V56878 HL1187-10 V92215 HL1187-10 V73197 HL1187-10 V92215 HL87-10 V56878 HL1187-10 V73197	106106	2
180	271N2069-9	.	SUPPORT ASSY-L AND R SYS GND SVCE DISC.	106106	1

MISSING ITEM NUMBERS NOT APPLICABLE

- ITEM NOT ILLUSTRATED

BRI

57-24-53-02

BOEING PROPRIETARY - Copyright © - Unpublished Work - See title page for details.

57-24-53
FIG. 02
PAGE 14
JAN 20/09



757

PARTS CATALOG (MAINTENANCE)

FIG ITEM	PART NUMBER	1 2 3 4 5 6 7	NOMENCLATURE	EFFECT FROM TO	UNITS PER ASSY
2 185	HL1012AZ12-29	.BOLT	SUPPLIER CODE: VOPTK6 SPECIFICATION NUMBER: BACB30NX12K29 OPTIONAL PART: HL12VAZ12-29 V73197 HL12VAZ12-29 V92215 HL12VAZ12-29 V97928 L802-12K29 V06725 HL12VAZ12-29 V56878 HL1012AZ12-29 V06725 HL1012AZ12-29 V06950 HL1012AZ12-29 V17445 HL1012AZ12-29 V56878 HL1012AZ12-29 V60516 HL1012AZ12-29 V73197 HL1012AZ12-29 V97928	106106	1

MISSING ITEM NUMBERS NOT APPLICABLE

- ITEM NOT ILLUSTRATED

BRI

57-24-53-02

BOEING PROPRIETARY - Copyright © - Unpublished Work - See title page for details.

57-24-53
FIG. 02
PAGE 15
JAN 20/09



757

PARTS CATALOG (MAINTENANCE)

FIG ITEM	PART NUMBER	1 2 3 4 5 6 7	NOMENCLATURE	EFFECT FROM TO	UNITS PER ASSY
2 190	HL1012AZ12-25	.BOLT	SUPPLIER CODE: VOPTK6 SPECIFICATION NUMBER: BACB30NX12K25 OPTIONAL PART: HL12VAZ12-25 V73197 HL12VAZ12-25 V92215 HL12VAZ12-25 V97928 L802-12K25 V06725 HL12VAZ12-25 V56878 HL1012AZ12-25 V06725 HL1012AZ12-25 V06950 HL1012AZ12-25 V17446 HL1012AZ12-25 V56878 HL1012AZ12-25 V60516 HL1012AZ12-25 V73197 HL1012AZ12-25 V97928	106106	3

MISSING ITEM NUMBERS NOT APPLICABLE

- ITEM NOT ILLUSTRATED

BRI

57-24-53-02

BOEING PROPRIETARY - Copyright © - Unpublished Work - See title page for details.

57-24-53
FIG. 02
PAGE 16
JAN 20/09



757

PARTS CATALOG (MAINTENANCE)

FIG ITEM	PART NUMBER	1 2 3 4 5 6 7 NOMENCLATURE	EFFECT FROM TO	UNITS PER ASSY
2 195	HL1012AZ12-23	.BOLT SUPPLIER CODE: VOPTK6 SPECIFICATION NUMBER: BACB30NX12K23 OPTIONAL PART: HL12VAZ12-23 V73197 HL12VAZ12-23 V92215 HL12VAZ12-23 V97928 L802-12K23 V06725 HL12VAZ12-23 V56878 HL1012AZ12-23 V06725 HL1012AZ12-23 V06950 HL1012AZ12-23 V17446 HL1012AZ12-23 V56878 HL1012AZ12-23 V60516 HL1012AZ12-23 V73197 HL1012AZ12-23 V97928	106106	1

MISSING ITEM NUMBERS NOT APPLICABLE

- ITEM NOT ILLUSTRATED

BRI

57-24-53-02

BOEING PROPRIETARY - Copyright © - Unpublished Work - See title page for details.

57-24-53
FIG. 02
PAGE 17
JAN 20/09



757

PARTS CATALOG (MAINTENANCE)

FIG ITEM	PART NUMBER	1 2 3 4 5 6 7	NOMENCLATURE	EFFECT FROM TO	UNITS PER ASSY
2 200	HL1012AZ10-18	.BOLT	SUPPLIER CODE: VOPTK6 SPECIFICATION NUMBER: BACB30NX10K18 OPTIONAL PART: HL12VAZ10-18 V73197 HL12VAZ10-18 V92215 HL12VAZ10-18 V97928 L802-10K18 V06725 HL12VAZ10-18 V56878 HL1012AZ10-18 V06725 HL1012AZ10-18 V06950 HL1012AZ10-18 V17446 HL1012AZ10-18 V56878 HL1012AZ10-18 V60516 HL1012AZ10-18 V73197 HL1012AZ10-18 V97928	106106	2

MISSING ITEM NUMBERS NOT APPLICABLE

- ITEM NOT ILLUSTRATED

BRI

57-24-53-02

BOEING PROPRIETARY - Copyright © - Unpublished Work - See title page for details.

57-24-53
FIG. 02
PAGE 18
JAN 20/09



757

PARTS CATALOG (MAINTENANCE)

FIG ITEM	PART NUMBER	1 2 3 4 5 6 7	NOMENCLATURE	EFFECT FROM TO	UNITS PER ASSY
2 205	HL1012AZ8-15	.BOLT	SUPPLIER CODE: VOPTK6 SPECIFICATION NUMBER: BACB30NX8K15 OPTIONAL PART: HL12VAZ8-15 V73197 HL12VAZ8-15 V92215 HL12VAZ8-15 V97928 L802-8K15 V06725 HL12VAZ8-15 V56878 HL1012AZ8-15 V06725 HL1012AZ8-15 V06950 HL1012AZ8-15 V17446 HL1012AZ8-15 V56878 HL1012AZ8-15 V60516 HL1012AZ8-15 V73197 HL1012AZ8-15 V97928	106106	1

MISSING ITEM NUMBERS NOT APPLICABLE

- ITEM NOT ILLUSTRATED

BRI

57-24-53-02

BOEING PROPRIETARY - Copyright © - Unpublished Work - See title page for details.

57-24-53
FIG. 02
PAGE 19
JAN 20/09



757

PARTS CATALOG (MAINTENANCE)

FIG ITEM	PART NUMBER	1 2 3 4 5 6 7	NOMENCLATURE	EFFECT FROM TO	UNITS PER ASSY
2 210	HL1012AZ8-14	.BOLT	SUPPLIER CODE: VOPTK6 SPECIFICATION NUMBER: BACB30NX8K14 OPTIONAL PART: HL12VAZ8-14 V73197 HL12VAZ8-14 V92215 HL12VAZ8-14 V97928 L802-8K14 V06725 HL12VAZ8-14 V56878 HL1012AZ8-14 V06725 HL1012AZ8-14 V06950 HL1012AZ8-14 V17446 HL1012AZ8-14 V56878 HL1012AZ8-14 V60516 HL1012AZ8-14 V73197 HL1012AZ8-14 V97928	106106	1

MISSING ITEM NUMBERS NOT APPLICABLE

- ITEM NOT ILLUSTRATED

BRI

57-24-53-02

BOEING PROPRIETARY - Copyright © - Unpublished Work - See title page for details.

57-24-53
FIG. 02
PAGE 20
JAN 20/09



757

PARTS CATALOG (MAINTENANCE)

FIG ITEM	PART NUMBER	1 2 3 4 5 6 7 NOMENCLATURE	EFFECT FROM TO	UNITS PER ASSY
2 215	HL1012AZ12-16	.BOLT SUPPLIER CODE: VOPTK6 SPECIFICATION NUMBER: BACB30NX12K16 OPTIONAL PART: HL12VAZ12-16 V73197 HL12VAZ12-16 V92215 HL12VAZ12-16 V97928 L802-12K16 V06725 HL12VAZ12-16 V56878 HL1012AZ12-16 V06725 HL1012AZ12-16 V06950 HL1012AZ12-16 V17446 HL1012AZ12-16 V56878 HL1012AZ12-16 V60516 HL1012AZ12-16 V73197 HL1012AZ12-16 V97928	106106	1

MISSING ITEM NUMBERS NOT APPLICABLE

- ITEM NOT ILLUSTRATED

BRI

57-24-53-02

BOEING PROPRIETARY - Copyright © - Unpublished Work - See title page for details.

57-24-53
 FIG. 02
 PAGE 21
 JAN 20/09



757

PARTS CATALOG (MAINTENANCE)

FIG ITEM	PART NUMBER	1 2 3 4 5 6 7	NOMENCLATURE	EFFECT FROM TO	UNITS PER ASSY
2 220	HL1012AZ12-15	.BOLT	SUPPLIER CODE: VOPTK6 SPECIFICATION NUMBER: BACB30NX12K15 OPTIONAL PART: HL12VAZ12-15 V73197 HL12VAZ12-15 V92215 HL12VAZ12-15 V97928 L802-12K15 V06725 HL12VAZ12-15 V56878 HL12AZ12-15 V06725 HL12AZ12-15 V06950 HL1012AZ12-15 V17446 HL1012AZ12-15 V56878 HL1012AZ12-15 V60516 HL1012AZ12-15 V73197 HL1012AZ12-15 V97928	106106	1
225	HL1187-12	.COLLAR	SUPPLIER CODE: V5M902 SPECIFICATION NUMBER: BACC30X12 OPTIONAL PART: HL1187-12 V73197 HL1187-12 V56878 HL1187-12 V92215 HL1187-12 V92215 HL87-12 V56878 HL87-12 V73197	106106	7

MISSING ITEM NUMBERS NOT APPLICABLE

- ITEM NOT ILLUSTRATED

57-24-53-02

57-24-53
 FIG. 02
 PAGE 22
 JAN 20/09

BRI



757

PARTS CATALOG (MAINTENANCE)

FIG ITEM	PART NUMBER	1 2 3 4 5 6 7	NOMENCLATURE	EFFECT FROM TO	UNITS PER ASSY
2 230	HL1187-10		. COLLAR SUPPLIER CODE: V5M902 SPECIFICATION NUMBER: BACC30X10 OPTIONAL PART: HL1187-10 V56878 HL1187-10 V92215 HL1187-10 V73197 HL1187-10 V92215 HL87-10 V56878 HL1187-10 V73197	106106	2
235	HL1187-8		. COLLAR SUPPLIER CODE: V5M902 SPECIFICATION NUMBER: BACC30X8 OPTIONAL PART: HL87-8 V92215 HL87-8 V73197 HL1187-8 V56878 HL1187-8 V92215 HL87-8 V56878 HL1187-8 V73197	106106	2
- 240	112N7040-35		. FITTING ASSY- OPTIONAL PART: 112N7040-37	106106	1
- 240	112N7040-37		. FITTING ASSY- OPTIONAL PART: 112N7040-35	106106	1
245	112N7040-25		.. FITTING-HALF POSITION DATA: OUTBD USED ON: 112N7040-35	106106	1

MISSING ITEM NUMBERS NOT APPLICABLE

- ITEM NOT ILLUSTRATED

57-24-53-02

57-24-53
FIG. 02
PAGE 23
JAN 20/09

BRI



757

PARTS CATALOG (MAINTENANCE)

FIG ITEM	PART NUMBER	1 2 3 4 5 6 7	NOMENCLATURE	EFFECT FROM TO	UNITS PER ASSY
2					
245	112N7040-29	..	FITTING-HALF POSITION DATA: OUTBD USED ON: 112N7040-37	106106	1
250	112N7040-27	..	FITTING-HALF POSITION DATA: INBD USED ON: 112N7040-35	106106	1
250	112N7040-31	..	FITTING-HALF POSITION DATA: INBD USED ON: 112N7040-37	106106	1
- 500	112N7040-24		FITTING ASSY-NAC ATTACHMENT SIDELOAD POSITION DATA: OUTBD RH FOR NHA SEE: 57-24-51-01B	106106	RF
505	69B15853-1	.ADAPTOR-LUBE		106106	1
510	MS29512-02	.PACKING		106106	1

MISSING ITEM NUMBERS NOT APPLICABLE

- ITEM NOT ILLUSTRATED

BRI

57-24-53-02

BOEING PROPRIETARY - Copyright © - Unpublished Work - See title page for details.

57-24-53
FIG. 02
PAGE 24
JAN 20/09



757

PARTS CATALOG (MAINTENANCE)

FIG ITEM	PART NUMBER	1 2 3 4 5 6 7	NOMENCLATURE	EFFECT FROM TO	UNITS PER ASSY
2 515	HL1012AZ12-30	.BOLT	SUPPLIER CODE: VOPTK6 SPECIFICATION NUMBER: BACB30NX12K30 OPTIONAL PART: HL12VAZ12-30 V73197 HL12VAZ12-30 V92215 HL12VAZ12-30 V97928 L802-12K30 V06725 HL12VAZ12-30 V56878 HL1012AZ12-30 V06725 HL1012AZ12-30 V06950 HL1012AZ12-30 V17446 HL1012AZ12-30 V56878 HL1012AZ12-30 V60516 HL1012AZ12-30 V73197 HL1012AZ12-30 V97928	106106	2
520	K29913-6	.WASHER	SUPPLIER CODE: V15653 SPECIFICATION NUMBER: BACW10CA6CC OPTIONAL PART: 70191-6 V56878 922008-6 V60119 942008-6 V60119	106106	2

MISSING ITEM NUMBERS NOT APPLICABLE

- ITEM NOT ILLUSTRATED

57-24-53-02

57-24-53
 FIG. 02
 PAGE 25
 JAN 20/09

BRI



757

PARTS CATALOG (MAINTENANCE)

FIG ITEM	PART NUMBER	1 2 3 4 5 6 7	NOMENCLATURE	EFFECT FROM TO	UNITS PER ASSY
2 525	K29646-6		.WASHER SUPPLIER CODE: V15653 SPECIFICATION NUMBER: BACW10CA6CV OPTIONAL PART: 70188-6 V56878 922007-6 V60119 942007-6 V60119	106106	2
530	HL1187-12		.COLLAR SUPPLIER CODE: V5M902 SPECIFICATION NUMBER: BACC30X12 OPTIONAL PART: HL1187-12 V73197 HL1187-12 V56878 HL1187-12 V92215 HL1187-12 V92215 HL87-12 V56878 HL87-12 V73197	106106	2
535	271N6319-1		.BRACKET ASSY-HYDR TUBING	106106	1

MISSING ITEM NUMBERS NOT APPLICABLE

- ITEM NOT ILLUSTRATED

BRI

57-24-53-02

BOEING PROPRIETARY - Copyright © - Unpublished Work - See title page for details.

57-24-53
FIG. 02
PAGE 26
JAN 20/09

 **BOEING**
757
PARTS CATALOG (MAINTENANCE)

FIG ITEM	PART NUMBER	1 2 3 4 5 6 7 NOMENCLATURE	EFFECT FROM TO	UNITS PER ASSY
2 540	HL1012AZ10-29	.BOLT SUPPLIER CODE: VOPTK6 SPECIFICATION NUMBER: BACB30NX10K29 OPTIONAL PART: HL12VAZ10-29 V73197 HL12VAZ10-29 V92215 HL12VAZ10-29 V97928 L802-10K29 V06725 HL12VAZ10-29 V56878 HL1012AZ10-29 V06725 HL1012AZ10-29 V06950 HL1012AZ10-29 V17446 HL1012AZ10-29 V56878 HL1012AZ10-29 V60516 HL1012AZ10-29 V73197 HL1012AZ10-29 V97928	106106	1

MISSING ITEM NUMBERS NOT APPLICABLE

— ITEM NOT ILLUSTRATED

BRI

57-24-53-02

BOEING PROPRIETARY - Copyright © - Unpublished Work - See title page for details.

57-24-53
FIG. 02
PAGE 27
JAN 20/09



757

PARTS CATALOG (MAINTENANCE)

FIG ITEM	PART NUMBER	1 2 3 4 5 6 7	NOMENCLATURE	EFFECT FROM TO	UNITS PER ASSY
2 545	HL1012AZ10-26	.BOLT	SUPPLIER CODE: VOPTK6 SPECIFICATION NUMBER: BACB30NX10K26 OPTIONAL PART: HL12VAZ10-26 V73197 HL12VAZ10-26 V92215 HL12VAZ10-26 V97928 L802-10K26 V06725 HL12VAZ10-26 V56878 HL1012AZ10-26 V06725 HL1012AZ10-26 V06950 HL1012AZ10-26 V17446 HL1012AZ10-26 V56878 HL1012AZ10-26 V60516 HL1012AZ10-26 V73197 HL1012AZ10-26 V97928	106106	1
550	K29913-5	.WASHER	SUPPLIER CODE: V15653 SPECIFICATION NUMBER: BACW10CA5CC OPTIONAL PART: 70191-5 V56878 922008-5 V60119 942008-5 V60119	106106	2

MISSING ITEM NUMBERS NOT APPLICABLE

- ITEM NOT ILLUSTRATED

BRI

57-24-53-02

BOEING PROPRIETARY - Copyright © - Unpublished Work - See title page for details.

57-24-53
FIG. 02
PAGE 28
JAN 20/09



757

PARTS CATALOG (MAINTENANCE)

FIG ITEM	PART NUMBER	1 2 3 4 5 6 7	NOMENCLATURE	EFFECT FROM TO	UNITS PER ASSY
2 555	K29646-5		.WASHER SUPPLIER CODE: V15653 SPECIFICATION NUMBER: BACW10CA5CV OPTIONAL PART: 70188-5 V56878 922007-5 V60119 942007-5 V60119	106106	2
560	HL1187-10		.COLLAR SUPPLIER CODE: V5M902 SPECIFICATION NUMBER: BACC30X10 OPTIONAL PART: HL1187-10 V56878 HL1187-10 V92215 HL1187-10 V73197 HL1187-10 V92215 HL87-10 V56878 HL1187-10 V73197	106106	2
565	271N2037-1		.SUPPORT ASSY-SYS EDP PRESSURE CD FILTER MODULE LINK	106106	1

MISSING ITEM NUMBERS NOT APPLICABLE

- ITEM NOT ILLUSTRATED

57-24-53-02

57-24-53
FIG. 02
PAGE 29
JAN 20/09

BRI



757

PARTS CATALOG (MAINTENANCE)

FIG ITEM	PART NUMBER	1 2 3 4 5 6 7	NOMENCLATURE	EFFECT FROM TO	UNITS PER ASSY
R R	2 570	AG4VCR	.. BEARING- SUPPLIER CODE: V15860 SPECIFICATION NUMBER: BACB10AG4 OPTIONAL PART: BSSN4797S V81376 HSBG4-117 V02758 NG4F V73134 NC4G2 V56644 BNG4E111 V16746 ABG4V5 VS0352 03-505-04E033 V09455 BACB10AG4M	106106	1
	570	ABG4V5-12	.. BEARING- SUPPLIER CODE: VS0352 SPECIFICATION NUMBER: BACB10AG4M OPTIONAL PART: AG4VCR12 V15860 BSSN4797SM2 V81376 HSBG4-117M V02758 NG4FM V73134 NC4G2DM V56644 KSBG4-25CRD5 V97613 BNG4ME111 V16746 03-505-04E035 V09455 BACB10AG4	106106	1
	575	271N2037-2	.. SUPPORT- OPTIONAL PART: 271N2037-3	106106	1

MISSING ITEM NUMBERS NOT APPLICABLE

- ITEM NOT ILLUSTRATED

57-24-53-02

57-24-53
FIG. 02
PAGE 30
MAY 20/09

BRI



757

PARTS CATALOG (MAINTENANCE)

FIG ITEM	PART NUMBER	1 2 3 4 5 6 7	NOMENCLATURE	EFFECT FROM TO	UNITS PER ASSY
2 575	271N2037-3		.. SUPPORT- OPTIONAL PART: 271N2037-2	106106	1
580	HL1012AZ10-27		.BOLT SUPPLIER CODE: VOPTK6 SPECIFICATION NUMBER: BACB30NX10K27 OPTIONAL PART: HL12VAZ10-27 V73197 HL12VAZ10-27 V92215 HL12VAZ10-27 V97928 L802-10K27 V06725 HL12VAZ10-27 V56878 HL1012AZ10-27 V06725 HL1012AZ10-27 V06950 HL1012AZ10-27 V17446 HL1012AZ10-27 V56878 HL1012AZ10-27 V60516 HL1012AZ10-27 V73197 HL1012AZ10-27 V97928	106106	1

MISSING ITEM NUMBERS NOT APPLICABLE

- ITEM NOT ILLUSTRATED

BRI

57-24-53-02

BOEING PROPRIETARY - Copyright © - Unpublished Work - See title page for details.

57-24-53
FIG. 02
PAGE 31
JAN 20/09



757

PARTS CATALOG (MAINTENANCE)

FIG ITEM	PART NUMBER	1 2 3 4 5 6 7	NOMENCLATURE	EFFECT FROM TO	UNITS PER ASSY
2 585	HL1012AZ10-25		.BOLT SUPPLIER CODE: VOPTK6 SPECIFICATION NUMBER: BACB30NX10K25 OPTIONAL PART: HL12VAZ10-25 V73197 HL12VAZ10-25 V92215 HL12VAZ10-25 V97928 L802-10K25 V06725 HL12VAZ10-25 V56878 HL1012AZ10-25 V06725 HL1012AZ10-25 V06950 HL1012AZ10-25 V17446 HL1012AZ10-25 V56878 HL1012AZ10-25 V60516 HL1012AZ10-25 V73197 HL1012AZ10-25 V97928	106106	1
590	K29913-5		.WASHER SUPPLIER CODE: V15653 SPECIFICATION NUMBER: BACW10CA5CC OPTIONAL PART: 70191-5 V56878 922008-5 V60119 942008-5 V60119	106106	2

MISSING ITEM NUMBERS NOT APPLICABLE

- ITEM NOT ILLUSTRATED

BRI

57-24-53-02

BOEING PROPRIETARY - Copyright © - Unpublished Work - See title page for details.

57-24-53
FIG. 02
PAGE 32
JAN 20/09



757

PARTS CATALOG (MAINTENANCE)

FIG ITEM	PART NUMBER	1 2 3 4 5 6 7	NOMENCLATURE	EFFECT FROM TO	UNITS PER ASSY
2 595	K29646-5		.WASHER SUPPLIER CODE: V15653 SPECIFICATION NUMBER: BACW10CA5CV OPTIONAL PART: 70188-5 V56878 922007-5 V60119 942007-5 V60119	106106	2
600	HL1187-10		.COLLAR SUPPLIER CODE: V5M902 SPECIFICATION NUMBER: BACC30X10 OPTIONAL PART: HL1187-10 V56878 HL1187-10 V92215 HL1187-10 V73197 HL1187-10 V92215 HL87-10 V56878 HL1187-10 V73197	106106	2
605	271N6321-2		.BRACKET ASSY- HYDR TUBING	106106	1

MISSING ITEM NUMBERS NOT APPLICABLE

- ITEM NOT ILLUSTRATED

BRI

57-24-53-02

BOEING PROPRIETARY - Copyright © - Unpublished Work - See title page for details.

57-24-53
FIG. 02
PAGE 33
JAN 20/09



**757
PARTS CATALOG (MAINTENANCE)**

FIG ITEM	PART NUMBER	1 2 3 4 5 6 7	NOMENCLATURE	EFFECT FROM TO	UNITS PER ASSY
2 610	HL1012AZ12-29	.	BOLT SUPPLIER CODE: VOPTK6 SPECIFICATION NUMBER: BACB30NX12K29 OPTIONAL PART: HL12VAZ12-29 V73197 HL12VAZ12-29 V92215 HL12VAZ12-29 V97928 L802-12K29 V06725 HL12VAZ12-29 V56878 HL1012AZ12-29 V06725 HL1012AZ12-29 V06950 HL1012AZ12-29 V17445 HL1012AZ12-29 V56878 HL1012AZ12-29 V60516 HL1012AZ12-29 V73197 HL1012AZ12-29 V97928	106106	1

MISSING ITEM NUMBERS NOT APPLICABLE

— ITEM NOT ILLUSTRATED

BRI

57-24-53-02

BOEING PROPRIETARY - Copyright © - Unpublished Work - See title page for details.

57-24-53
 FIG. 02
 PAGE 34
 JAN 20/09



757

PARTS CATALOG (MAINTENANCE)

FIG ITEM	PART NUMBER	1 2 3 4 5 6 7	NOMENCLATURE	EFFECT FROM TO	UNITS PER ASSY
2 615	HL1012AZ12-25	.	BOLT SUPPLIER CODE: VOPTK6 SPECIFICATION NUMBER: BACB30NX12K25 OPTIONAL PART: HL12VAZ12-25 V73197 HL12VAZ12-25 V92215 HL12VAZ12-25 V97928 L802-12K25 V06725 HL12VAZ12-25 V56878 HL1012AZ12-25 V06725 HL1012AZ12-25 V06950 HL1012AZ12-25 V17446 HL1012AZ12-25 V56878 HL1012AZ12-25 V60516 HL1012AZ12-25 V73197 HL1012AZ12-25 V97928	106106	4

MISSING ITEM NUMBERS NOT APPLICABLE

- ITEM NOT ILLUSTRATED

BRI

57-24-53-02

BOEING PROPRIETARY - Copyright © - Unpublished Work - See title page for details.

57-24-53
FIG. 02
PAGE 35
JAN 20/09



757

PARTS CATALOG (MAINTENANCE)

FIG ITEM	PART NUMBER	1 2 3 4 5 6 7	NOMENCLATURE	EFFECT FROM TO	UNITS PER ASSY
2 620	HL1012AZ12-24	.BOLT	SUPPLIER CODE: VOPTK6 SPECIFICATION NUMBER: BACB30NX12K24 OPTIONAL PART: HL12VAZ12-24 V73197 HL12VAZ12-24 V92215 HL12VAZ12-24 V97928 L802-12K24 V06725 HL12VAZ12-24 V56878 HL1012AZ12-24 V06725 HL1012AZ12-24 V06950 HL1012AZ12-24 V17446 HL1012AZ12-24 V56878 HL1012AZ12-24 V60516 HL1012AZ12-24 V73197 HL1012AZ12-24 V97928	106106	2

MISSING ITEM NUMBERS NOT APPLICABLE

- ITEM NOT ILLUSTRATED

BRI

57-24-53-02

BOEING PROPRIETARY - Copyright © - Unpublished Work - See title page for details.

57-24-53
FIG. 02
PAGE 36
JAN 20/09



757

PARTS CATALOG (MAINTENANCE)

FIG ITEM	PART NUMBER	1 2 3 4 5 6 7 NOMENCLATURE	EFFECT FROM TO	UNITS PER ASSY
2 625	HL1012AZ12-23	.BOLT SUPPLIER CODE: VOPTK6 SPECIFICATION NUMBER: BACB30NX12K23 OPTIONAL PART: HL12VAZ12-23 V73197 HL12VAZ12-23 V92215 HL12VAZ12-23 V97928 L802-12K23 V06725 HL12VAZ12-23 V56878 HL1012AZ12-23 V06725 HL1012AZ12-23 V06950 HL1012AZ12-23 V17446 HL1012AZ12-23 V56878 HL1012AZ12-23 V60516 HL1012AZ12-23 V73197 HL1012AZ12-23 V97928	106106	3

MISSING ITEM NUMBERS NOT APPLICABLE

- ITEM NOT ILLUSTRATED

BRI

57-24-53-02

BOEING PROPRIETARY - Copyright © - Unpublished Work - See title page for details.

57-24-53
 FIG. 02
 PAGE 37
 JAN 20/09



757

PARTS CATALOG (MAINTENANCE)

FIG ITEM	PART NUMBER	1 2 3 4 5 6 7	NOMENCLATURE	EFFECT FROM TO	UNITS PER ASSY
2 630	HL1012AZ10-19	.BOLT	SUPPLIER CODE: VOPTK6 SPECIFICATION NUMBER: BACB30NX10K19 OPTIONAL PART: HL12VAZ10-19 V73197 HL12VAZ10-19 V92215 HL12VAZ10-19 V97928 L802-10K19 V06725 HL12VAZ10-19 V56878 HL1012AZ10-19 V06725 HL1012AZ10-19 V06950 HL1012AZ10-19 V17446 HL1012AZ10-19 V56878 HL1012AZ10-19 V60516 HL1012AZ10-19 V73197 HL1012AZ10-19 V97928	106106	1

MISSING ITEM NUMBERS NOT APPLICABLE

- ITEM NOT ILLUSTRATED

BRI

57-24-53-02

BOEING PROPRIETARY - Copyright © - Unpublished Work - See title page for details.

57-24-53
FIG. 02
PAGE 38
JAN 20/09



757

PARTS CATALOG (MAINTENANCE)

FIG ITEM	PART NUMBER	1 2 3 4 5 6 7 NOMENCLATURE	EFFECT FROM TO	UNITS PER ASSY
2 635	HL1012AZ10-18	.BOLT SUPPLIER CODE: VOPTK6 SPECIFICATION NUMBER: BACB30NX10K18 OPTIONAL PART: HL12VAZ10-18 V73197 HL12VAZ10-18 V92215 HL12VAZ10-18 V97928 L802-10K18 V06725 HL12VAZ10-18 V56878 HL1012AZ10-18 V06725 HL1012AZ10-18 V06950 HL1012AZ10-18 V17446 HL1012AZ10-18 V56878 HL1012AZ10-18 V60516 HL1012AZ10-18 V73197 HL1012AZ10-18 V97928	106106	2

MISSING ITEM NUMBERS NOT APPLICABLE

- ITEM NOT ILLUSTRATED

BRI

57-24-53-02

BOEING PROPRIETARY - Copyright © - Unpublished Work - See title page for details.

57-24-53
 FIG. 02
 PAGE 39
 JAN 20/09



757

PARTS CATALOG (MAINTENANCE)

FIG ITEM	PART NUMBER	1 2 3 4 5 6 7	NOMENCLATURE	EFFECT FROM TO	UNITS PER ASSY
2 640	HL1012AZ8-15	.BOLT	SUPPLIER CODE: VOPTK6 SPECIFICATION NUMBER: BACB30NX8K15 OPTIONAL PART: HL12VAZ8-15 V73197 HL12VAZ8-15 V92215 HL12VAZ8-15 V97928 L802-8K15 V06725 HL12VAZ8-15 V56878 HL1012AZ8-15 V06725 HL1012AZ8-15 V06950 HL1012AZ8-15 V17446 HL1012AZ8-15 V56878 HL1012AZ8-15 V60516 HL1012AZ8-15 V73197 HL1012AZ8-15 V97928	106106	1

MISSING ITEM NUMBERS NOT APPLICABLE

- ITEM NOT ILLUSTRATED

BRI

57-24-53-02

BOEING PROPRIETARY - Copyright © - Unpublished Work - See title page for details.

57-24-53
FIG. 02
PAGE 40
JAN 20/09



757

PARTS CATALOG (MAINTENANCE)

FIG ITEM	PART NUMBER	1 2 3 4 5 6 7	NOMENCLATURE	EFFECT FROM TO	UNITS PER ASSY
2 645	HL1012AZ8-14	.BOLT	SUPPLIER CODE: VOPTK6 SPECIFICATION NUMBER: BACB30NX8K14 OPTIONAL PART: HL12VAZ8-14 V73197 HL12VAZ8-14 V92215 HL12VAZ8-14 V97928 L802-8K14 V06725 HL12VAZ8-14 V56878 HL1012AZ8-14 V06725 HL1012AZ8-14 V06950 HL1012AZ8-14 V17446 HL1012AZ8-14 V56878 HL1012AZ8-14 V60516 HL1012AZ8-14 V73197 HL1012AZ8-14 V97928	106106	1

MISSING ITEM NUMBERS NOT APPLICABLE

- ITEM NOT ILLUSTRATED

BRI

57-24-53-02

BOEING PROPRIETARY - Copyright © - Unpublished Work - See title page for details.

57-24-53
FIG. 02
PAGE 41
JAN 20/09



757

PARTS CATALOG (MAINTENANCE)

FIG ITEM	PART NUMBER	1 2 3 4 5 6 7	NOMENCLATURE	EFFECT FROM TO	UNITS PER ASSY
2 650	HL1012AZ12-16	.BOLT	SUPPLIER CODE: VOPTK6 SPECIFICATION NUMBER: BACB30NX12K16 OPTIONAL PART: HL12VAZ12-16 V73197 HL12VAZ12-16 V92215 HL12VAZ12-16 V97928 L802-12K16 V06725 HL12VAZ12-16 V56878 HL1012AZ12-16 V06725 HL1012AZ12-16 V06950 HL1012AZ12-16 V17446 HL1012AZ12-16 V56878 HL1012AZ12-16 V60516 HL1012AZ12-16 V73197 HL1012AZ12-16 V97928	106106	1

MISSING ITEM NUMBERS NOT APPLICABLE

- ITEM NOT ILLUSTRATED

BRI

57-24-53-02

BOEING PROPRIETARY - Copyright © - Unpublished Work - See title page for details.

57-24-53
FIG. 02
PAGE 42
JAN 20/09



757

PARTS CATALOG (MAINTENANCE)

FIG ITEM	PART NUMBER	1 2 3 4 5 6 7	NOMENCLATURE	EFFECT FROM TO	UNITS PER ASSY
2 655	HL1012AZ12-15	.BOLT	SUPPLIER CODE: VOPTK6 SPECIFICATION NUMBER: BACB30NX12K15 OPTIONAL PART: HL12VAZ12-15 V73197 HL12VAZ12-15 V92215 HL12VAZ12-15 V97928 L802-12K15 V06725 HL12VAZ12-15 V56878 HL12AZ12-15 V06725 HL12AZ12-15 V06950 HL1012AZ12-15 V17446 HL1012AZ12-15 V56878 HL1012AZ12-15 V60516 HL1012AZ12-15 V73197 HL1012AZ12-15 V97928	106106	1
660	HL1187-12	.COLLAR	SUPPLIER CODE: V5M902 SPECIFICATION NUMBER: BACC30X12 OPTIONAL PART: HL1187-12 V73197 HL1187-12 V56878 HL1187-12 V92215 HL1187-12 V92215 HL87-12 V56878 HL87-12 V73197	106106	12

MISSING ITEM NUMBERS NOT APPLICABLE

- ITEM NOT ILLUSTRATED

57-24-53-02

57-24-53
 FIG. 02
 PAGE 43
 JAN 20/09

BRI



757

PARTS CATALOG (MAINTENANCE)

FIG ITEM	PART NUMBER	1 2 3 4 5 6 7	NOMENCLATURE	EFFECT FROM TO	UNITS PER ASSY
2 665	HL1187-10		. COLLAR SUPPLIER CODE: V5M902 SPECIFICATION NUMBER: BACC30X10 OPTIONAL PART: HL1187-10 V56878 HL1187-10 V92215 HL1187-10 V73197 HL1187-10 V92215 HL87-10 V56878 HL1187-10 V73197	106106	3
670	HL1187-8		. COLLAR SUPPLIER CODE: V5M902 SPECIFICATION NUMBER: BACC30X8 OPTIONAL PART: HL87-8 V92215 HL87-8 V73197 HL1187-8 V56878 HL1187-8 V92215 HL87-8 V56878 HL1187-8 V73197	106106	2
- 675	112N7040-36		. FITTING ASSY- OPTIONAL PART: 112N7040-38	106106	1
- 675	112N7040-38		. FITTING ASSY- OPTIONAL PART: 112N7040-36	106106	1
680	112N7040-26		.. FITTING-HALF POSITION DATA: OUTBD USED ON: 112N7040-36	106106	1

MISSING ITEM NUMBERS NOT APPLICABLE

- ITEM NOT ILLUSTRATED

57-24-53-02

57-24-53
FIG. 02
PAGE 44
JAN 20/09

BRI



757

PARTS CATALOG (MAINTENANCE)

FIG ITEM	PART NUMBER	1 2 3 4 5 6 7	NOMENCLATURE	EFFECT FROM TO	UNITS PER ASSY
2 680	112N7040-30		.. FITTING-HALF POSITION DATA: OUTBD USED ON: 112N7040-38	106106	1
685	112N7040-28		.. FITTING-HALF POSITION DATA: INBD USED ON: 112N7040-36	106106	1
685	112N7040-32		.. FITTING-HALF POSITION DATA: INBD USED ON: 112N7040-38	106106	1

MISSING ITEM NUMBERS NOT APPLICABLE

- ITEM NOT ILLUSTRATED

BRI

57-24-53-02

BOEING PROPRIETARY - Copyright © - Unpublished Work - See title page for details.

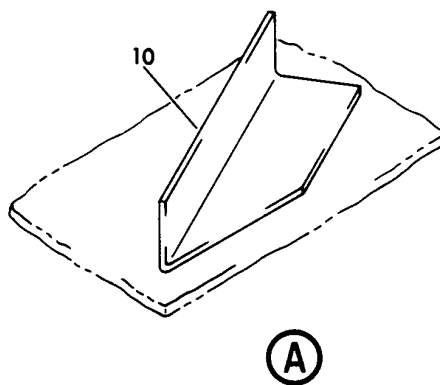
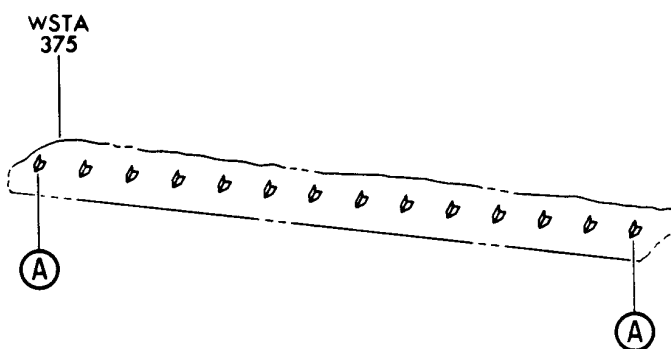
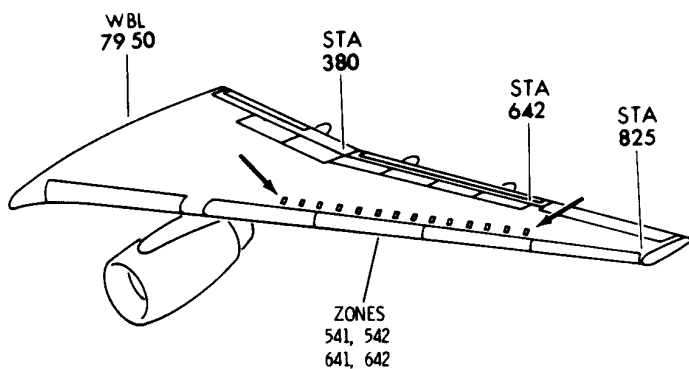
57-24-53
FIG. 02
PAGE 45
JAN 20/09

VORTEX GENERATORS

BRI
MAY 28/07

57-25-00
SECTION TITLE
PAGE 1

BOEING
757
PARTS CATALOG (MAINTENANCE)



Y 57250101 REV 298

GENERATOR INSTL-WING VORTEX
FIGURE 1

57-25-01-01

BRI
MAY 28/07

57-25-01-01
PAGE 0



757

PARTS CATALOG (MAINTENANCE)

FIG ITEM	PART NUMBER	1 2 3 4 5 6 7	NOMENCLATURE	EFFECT FROM TO	UNITS PER ASSY
1			GENERATOR INSTL-WING VORTEX	002004 006999	
- 1	112N3107-1		GENERATOR INSTL-WING VORTEX POSITION DATA: LH FOR NHA SEE: 57-20-52-01 57-00-00-15	002004 006102 107999	RF
- 1	MODREF132		GENERATOR INSTL-WING VORTEX MODULE NUMBER: 112N3107-1 REV A POSITION DATA: LH	103103	1
- 1	MODREF26342		GENERATOR INSTL-WING VORTEX MODULE NUMBER: 112N3107-1 REV B POSITION DATA: LH	104106	1
- 5	112N3107-2		GENERATOR INSTL-WING VORTEX POSITION DATA: RH FOR NHA SEE: 57-20-52-01 57-00-00-15	002004 006102 107999	RF
- 5	MODREF133		GENERATOR INSTL-WING VORTEX MODULE NUMBER: 112N3107-2 REV A POSITION DATA: RH	103103	1
- 5	MODREF26343		GENERATOR INSTL-WING VORTEX MODULE NUMBER: 112N3107-2 REV B POSITION DATA: RH	104106	1
10	112N3106-1		.GENERATOR-WING VORTEX POSITION DATA: LH SIDE MANUFACTURED FROM: EXTRUSION ALUM AND10133-0501 2.10 LONG 2024-T3511	002004 006999	14
- 15	112N3106-2		.GENERATOR-WING VORTEX POSITION DATA: RH SIDE MANUFACTURED FROM: EXTRUSION ALUM AND10133-0501 2.10 LONG 2024-T3511	002004 006999	14

MISSING ITEM NUMBERS NOT APPLICABLE

- ITEM NOT ILLUSTRATED

57-25-01-01

57-25-01
FIG. 01
PAGE 1
JAN 20/09

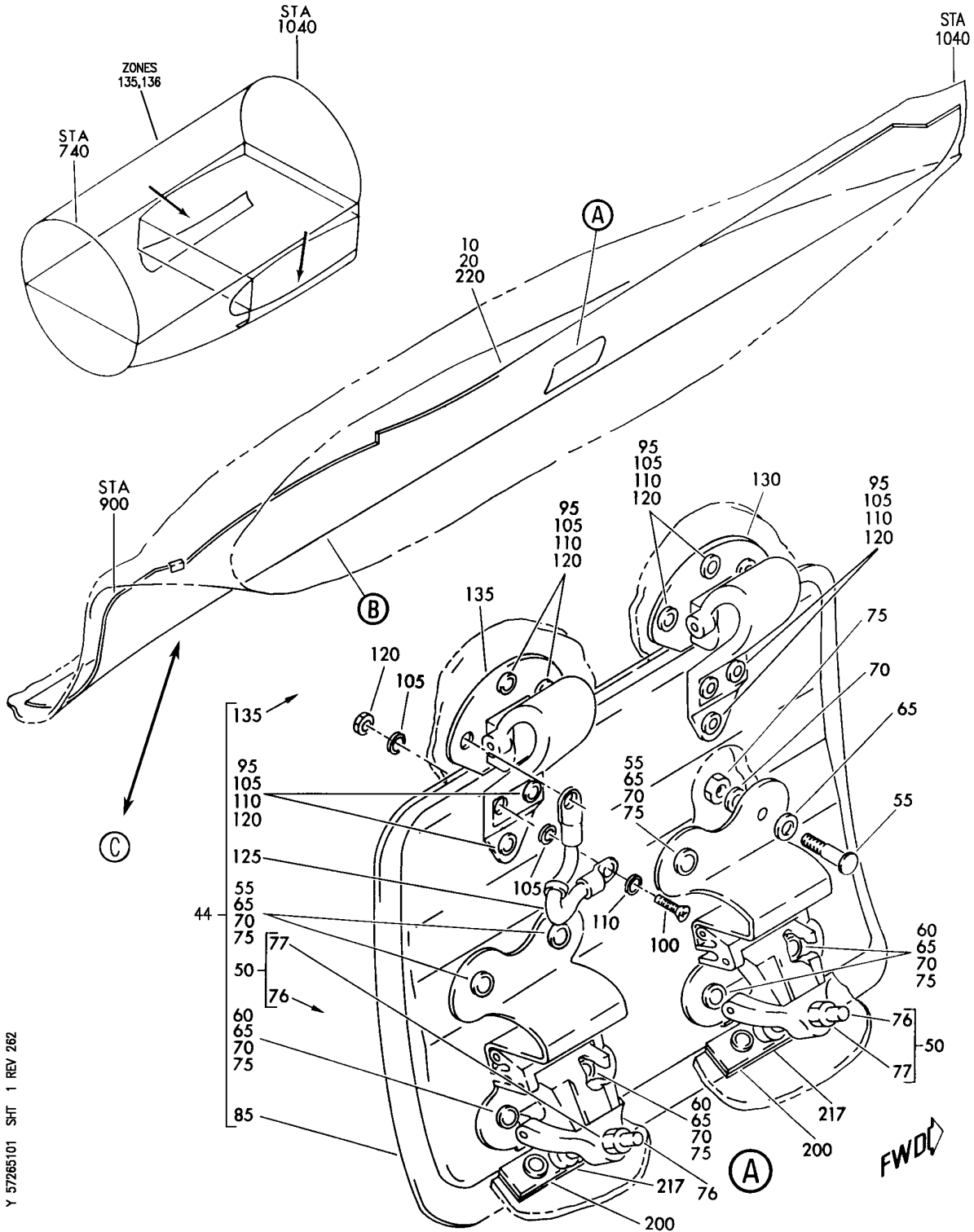
BRI

AERODYNAMIC FAIRING

BRI
MAY 28/07

57-26-00
SECTION TITLE
PAGE 1


BOEING
 757
PARTS CATALOG (MAINTENANCE)



Y 57265101 SHT 1 REV 262

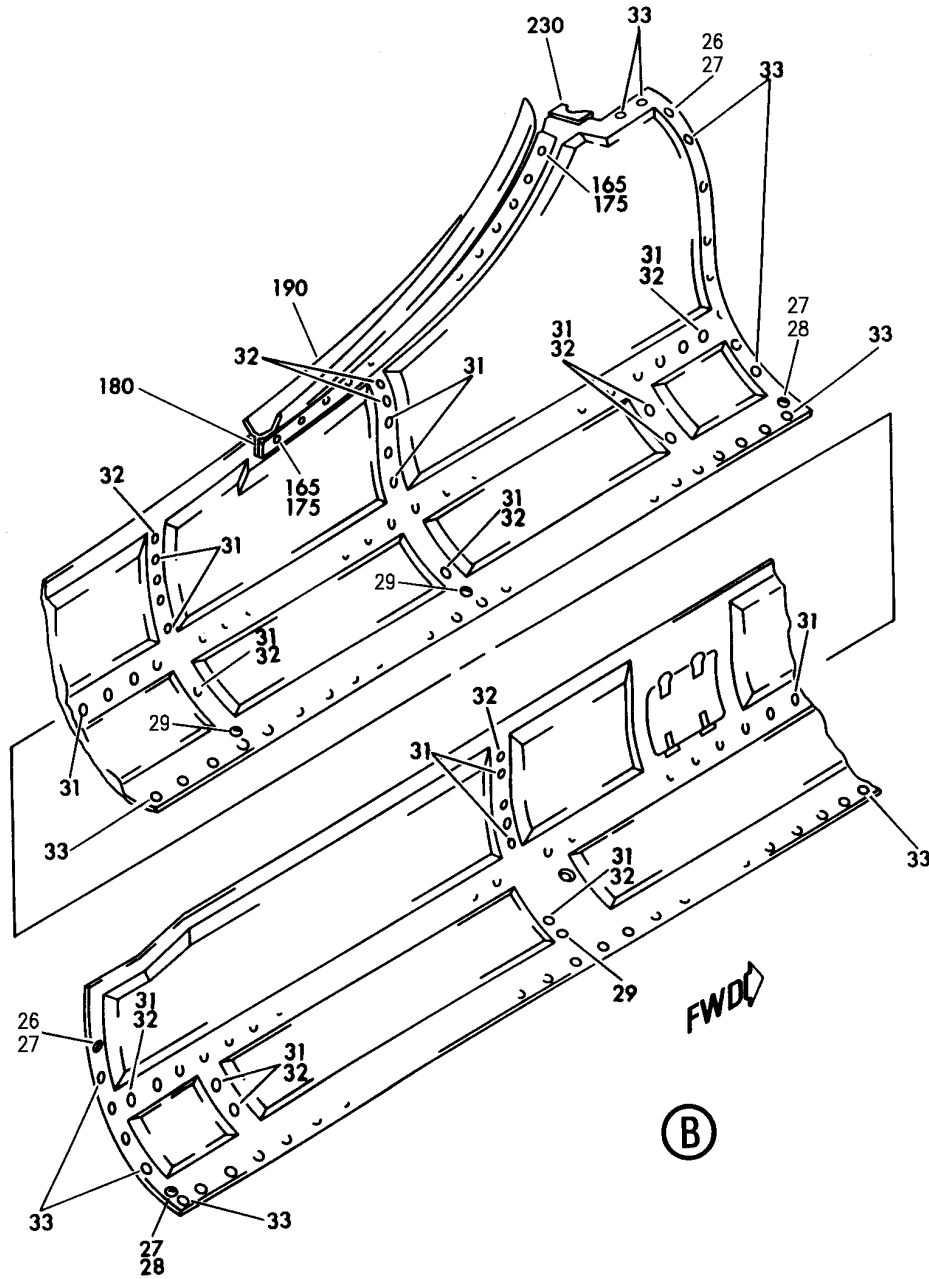
PANEL INSTL-UNDERWING FAIRING OUTBD
 FIGURE 1 (SHEET 1)

57-26-51-01

BRI
 MAY 28/07

57-26-51-01
 PAGE 0

BOEING
757
PARTS CATALOG (MAINTENANCE)



Y 57265101 SH1 2 REV 262

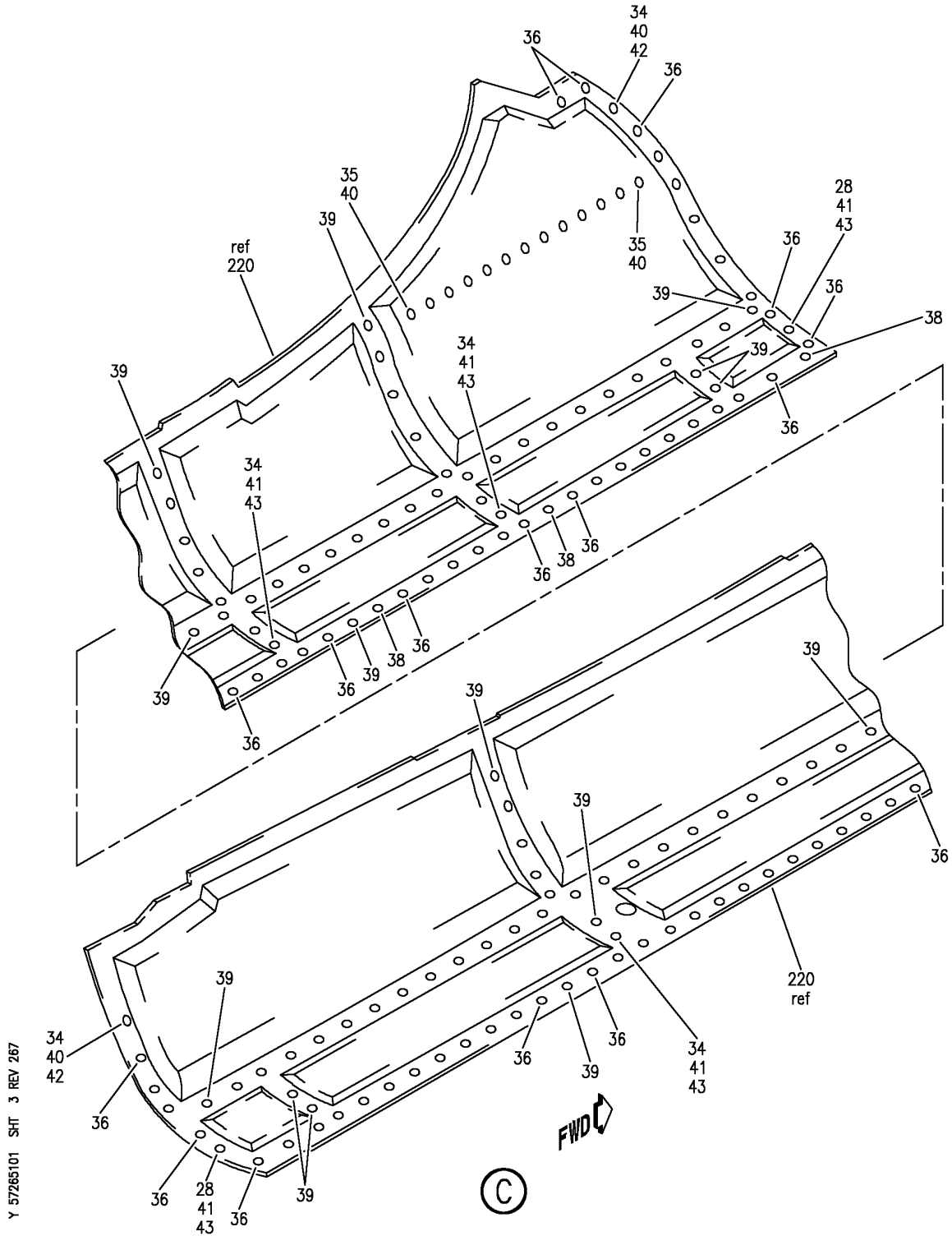
PANEL INSTL-UNDERWING FAIRING OUTBD
FIGURE 1 (SHEET 2)

57-26-51-01

BRI
MAY 28/07

57-26-51-01
PAGE 0A

BOEING
757
PARTS CATALOG (MAINTENANCE)



PANEL INSTL-UNDERWING FAIRING OUTBD
FIGURE 1 (SHEET 3)

57-26-51-01

BRI
MAY 28/07

57-26-51-01
PAGE 0B

 **BOEING**
757
PARTS CATALOG (MAINTENANCE)

FIG ITEM	PART NUMBER	1 2 3 4 5 6 7	NOMENCLATURE	EFFECT FROM TO	UNITS PER ASSY
1			PANEL INSTL-UNDERWING FAIRING OUTBD	002004 006999	
- 1	149N7410-63		PANEL INSTL-UNDERWING FAIRING POSITION DATA: OUTBD LH ACCESS PANEL NUMBER: 193FL 193GL FOR NHA SEE: 53-42-01-01	107107 904949	RF
- 1	149N7410-77		PANEL INSTL-UNDERWING FAIRING POSITION DATA: OUTBD LH ACCESS PANEL NUMBER: 193FL 193GL FOR NHA SEE: 53-42-01-01	002004 006100 121503 950999	RF
- 1	149N7410-401		PANEL INSTL-UNDERWING FAIRING POSITION DATA: OUTBD LH FOR NHA SEE: 53-42-01-01A	101101	RF
- 1	149N7410-403		PANEL INSTL-UNDERWING FAIRING POSITION DATA: OUTBD LH FOR NHA SEE: 53-42-01-01A	102102 108120 504903	RF
- 1	MODREF6226		PANEL INSTL-UNDERWING FAIRING MODULE NUMBER: 149N7410-403 REV A POSITION DATA: OUTBD LH	103103	1
- 1	MODREF26197		PANEL INSTL-UNDERWING FAIRING MODULE NUMBER: 149N7410-403 REV B POSITION DATA: OUTBD LH	104105	1

MISSING ITEM NUMBERS NOT APPLICABLE

- ITEM NOT ILLUSTRATED

BRI

57-26-51-01

BOEING PROPRIETARY - Copyright © - Unpublished Work - See title page for details.

57-26-51
FIG. 01
PAGE 1
JAN 20/09



757

PARTS CATALOG (MAINTENANCE)

FIG ITEM	PART NUMBER	1 2 3 4 5 6 7	NOMENCLATURE	EFFECT FROM TO	UNITS PER ASSY
1					
- 1	MODREF33454		PANEL INSTL-UNDERWING FAIRING MODULE NUMBER: 149N7410-403 REV D POSITION DATA: OUTBD LH	106106	1
- 5	149N7410-64		PANEL INSTL-UNDERWING FAIRING POSITION DATA: OUTBD RH ACCESS PANEL NUMBER: 194CR 194DR FOR NHA SEE: 53-42-01-01	107107 904949	RF
- 5	149N7410-78		PANEL INSTL-UNDERWING FAIRING POSITION DATA: OUTBD RH ACCESS PANEL NUMBER: 194CR 194DR FOR NHA SEE: 53-42-01-01	002004 006100 121503 950999	RF
- 5	149N7410-402		PANEL INSTL-UNDERWING FAIRING POSITION DATA: OUTBD RH FOR NHA SEE: 53-42-01-01A	101101	RF
- 5	149N7410-404		PANEL INSTL-UNDERWING FAIRING POSITION DATA: OUTBD RH FOR NHA SEE: 53-42-01-01A	102102 108120 504903	RF
- 5	MODREF6227		PANEL INSTL-UNDERWING FAIRING MODULE NUMBER: 149N7410-404 REV A POSITION DATA: OUTBD RH	103103	1
- 5	MODREF26198		PANEL INSTL-UNDERWING FAIRING MODULE NUMBER: 149N7410-404 REV B POSITION DATA: OUTBD RH	104105	1

MISSING ITEM NUMBERS NOT APPLICABLE

- ITEM NOT ILLUSTRATED

57-26-51-01

57-26-51
FIG. 01
PAGE 2
JAN 20/09

BRI



757

PARTS CATALOG (MAINTENANCE)

FIG ITEM	PART NUMBER	1 2 3 4 5 6 7	NOMENCLATURE	EFFECT FROM TO	UNITS PER ASSY
1					
- 5	MODREF33455		PANEL INSTL-UNDERWING FAIRING MODULE NUMBER: 149N7410-404 REV D POSITION DATA: OUTBD RH	106106	1
10	149N7410-51		.PLATE-COVER POSITION DATA: LH SIDE	002004 006999	1
- 15	149N7410-52		.PLATE-COVER POSITION DATA: RH SIDE	002004 006999	1
- 17	BACB30LH2-4		.BOLT ATTACHING PARTS	002004 006999	2
			-----*-----		
20	149N7410-65		.PANEL ASSY- POSITION DATA: LH SIDE	107107	1
20	149N7410-73		.PANEL ASSY- POSITION DATA: LH SIDE	904949	1
20	149N7410-89		.PANEL ASSY- POSITION DATA: LH SIDE	006100 950951 953999	1
20	149N7410-93		.PANEL ASSY- POSITION DATA: LH SIDE	002004 121503 952952	1
20	149N7410-97		.PANEL ASSY- POSITION DATA: LH SIDE	101101	1
20	149N7410-105		.PANEL ASSY- POSITION DATA: LH SIDE	102105 108120 504903	1
20	149N7410-111		.PANEL ASSY- POSITION DATA: LH SIDE	106106	1
- 25	149N7410-66		.PANEL ASSY- POSITION DATA: RH SIDE	107107	1
- 25	149N7410-74		.PANEL ASSY- POSITION DATA: RH SIDE	904949	1
- 25	149N7410-90		.PANEL ASSY- POSITION DATA: RH SIDE	006100 950951 953999	1
- 25	149N7410-94		.PANEL ASSY- POSITION DATA: RH SIDE	002004 121503 952952	1

MISSING ITEM NUMBERS NOT APPLICABLE

- ITEM NOT ILLUSTRATED

57-26-51-01

57-26-51
FIG. 01
PAGE 3
JAN 20/09

BRI



757

PARTS CATALOG (MAINTENANCE)

FIG ITEM	PART NUMBER	1 2 3 4 5 6 7	NOMENCLATURE	EFFECT FROM TO	UNITS PER ASSY
1					
- 25	149N7410-98		.PANEL ASSY- POSITION DATA: RH SIDE	101101	1
- 25	149N7410-106		.PANEL ASSY- POSITION DATA: RH SIDE	102105 108120 504903	1
- 25	149N7410-112		.PANEL ASSY- POSITION DATA: RH SIDE ATTACHING PARTS	106106	1
26	BACB30LH3-4		.BOLT	002004 006105 108903 950999	2
27	BACB30LR3-4		.BOLT	107107 904949	4
28	BACB30LH3-5		.BOLT	002004 006105 108903 950999	2
28	BACB30LH3-5		.BOLT	106106	2
29	BACB30LR3-3		.BOLT	107107 904949	3
29	BACB30LH3-4		.BOLT	002004 006105 108903 950999	3
31	BACB30NN3K3		.BOLT	107107 904949	72
32	BACB30NN3K3		.BOLT	002004 006105 108903 950999	67
33	BACB30NN3K4		.BOLT	002004 006105 107999	65
34	BACB30LH3-4		.BOLT	106106	5
35	BACB30NN3K10		.BOLT	106106	13
36	BACB30NN3K4		.BOLT	106106	60
38	BACB30NN3K5		.BOLT	106106	3
39	BACB30NN3K3		.BOLT	106106	69
40	BACW10UC10P		.WASHER	106106	15
41	D79530S10C		.WASHER- SUPPLIER CODE: V97928	002004 006105 108903 950999	5
42	BACW10UC103P		.WASHER-	002004 006105 107999	2

MISSING ITEM NUMBERS NOT APPLICABLE

- ITEM NOT ILLUSTRATED

57-26-51-01

57-26-51
FIG. 01
PAGE 4
JAN 20/09

BRI

BOEING PROPRIETARY - Copyright © - Unpublished Work - See title page for details.



757

PARTS CATALOG (MAINTENANCE)

FIG ITEM	PART NUMBER	1 2 3 4 5 6 7	NOMENCLATURE	EFFECT FROM TO	UNITS PER ASSY
1					
43	BACW10UC103P	.	WASHER	107107 904949	5
43	D79530S10C	.	WASHER- SUPPLIER CODE: V97928	002004 006105 108903 950999	5
		-----*			
44	149N7410-27	..	PANEL ASSY-DOOR POSITION DATA: LH SIDE	002004 107107 121503 904949 952952	1
44	149N7410-83	..	PANEL ASSY-DOOR POSITION DATA: LH SIDE QUALIFIED I/W DATA: 149N7410-83 T/W 149N7410-31 I/W 149N7410-91 T/W 149N7111-202 T/W BACS40V006E015(SHIM	002004 107107 121503 904949 952952	1
44	149N7410-91	..	PANEL ASSY-DOOR POSITION DATA: LH SIDE QUALIFIED I/W DATA: 149N7410-83 T/W 149N7410-31 I/W 149N7410-91 T/W 149N7111-202 T/W BACS40V006E015(SHIM	006105 108120 504903 950951 953999	1
- 45	149N7410-28	..	PANEL ASSY-DOOR POSITION DATA: RH SIDE	002004 107107 121503 904949 952952	1
- 45	149N7410-84	..	PANEL ASSY-DOOR POSITION DATA: RH SIDE QUALIFIED I/W DATA: 149N7410-84 T/W 149N7410-31 I/W 149N7410-92 T/W 149N7111-202 T/W BACS40V006E015(SHIM	002004 107107 121503 904949 952952	1

MISSING ITEM NUMBERS NOT APPLICABLE

- ITEM NOT ILLUSTRATED

BRI

57-26-51-01

BOEING PROPRIETARY - Copyright © - Unpublished Work - See title page for details.

57-26-51
FIG. 01
PAGE 5
JAN 20/09



757

PARTS CATALOG (MAINTENANCE)

FIG ITEM	PART NUMBER	1 2 3 4 5 6 7	NOMENCLATURE	EFFECT FROM TO	UNITS PER ASSY
1					
- 45	149N7410-92	..	PANEL ASSY-DOOR QUALIFIED I/W DATA: 149N7410-84 T/W 149N7410-31 I/W 149N7410-92 T/W 149N7111-202 T/W BACS40V006E015(SHIM	006105 108120 504903 950951 953999	1
50	H2989-1-220	...	LATCH ASSY- SUPPLIER CODE: V83014	002004 006100 103105 107107 121503 904999	2
50	H3451-1-220	...	LATCH ASSY- SUPPLIER CODE: V83014	002004 006105 107999	2
55	BACB30NN3K4	...	BOLT	002004 006105 107999	4
60	BACB30NN3K5	...	BOLT	002004 006105 107999	4
65	BACW10UC103P	...	WASHER-	107107 904949	8
65	BACW10UC10P	...	WASHER-	002004 006105 108903 950999	8
70	BACW10BP3NDP	...	WASHER	002004 006105 107999	8
75	NAS1805-3N	...	NUT-	002004 006105 107999	8
85	149N7410-29*	PANEL ASSY-BOND DOOR POSITION DATA: LH SIDE	107107 904949	1
85	149N7410-85*	PANEL ASSY-BOND DOOR POSITION DATA: LH SIDE	002004 006105 108903 950999	1
- 90	149N7410-30*	PANEL ASSY-BOND DOOR POSITION DATA: RH SIDE	107107 904949	1

MISSING ITEM NUMBERS NOT APPLICABLE

- ITEM NOT ILLUSTRATED

57-26-51-01

57-26-51
FIG. 01
PAGE 6
JAN 20/09

BRI

BOEING PROPRIETARY - Copyright © - Unpublished Work - See title page for details.



757

PARTS CATALOG (MAINTENANCE)

FIG ITEM	PART NUMBER	1 2 3 4 5 6 7	NOMENCLATURE	EFFECT FROM TO	UNITS PER ASSY
1					
- 90	149N7410-86	...	PANEL ASSY-BOND DOOR POSITION DATA: RH SIDE	002004 006105 108903 950999	1
95	BACB30LR2-5	...	BOLT-	107107 904949	10
95	BACB30LH2-5	...	BOLT-	002004 006105 108903 950999	10
100	BACB30LR2-6	...	BOLT-	107107 904949	2
100	BACB30LH2-6	...	BOLT-	002004 006105 108903 950999	2
105	BACW10BP2NDP	...	WASHER	002004 006105 107999	14
110	BACW10UC81P	...	WASHER	002004 006105 107999	12
120	BRH10C08D	...	NUT SUPPLIER CODE: V52828 SPECIFICATION NUMBER: BACN10JC08CD OPTIONAL PART: H51650-08BAC V15653 102LH9075-82W V72962 NS202486-82 V80539 T6C832JCD V11815	107107 904949	12
120	PLH508CD	...	NUT SUPPLIER CODE: VF0224 SPECIFICATION NUMBER: BACN10YR08CD OPTIONAL PART: H52732-08CD V15653	002004 006105 108903 950999	12

MISSING ITEM NUMBERS NOT APPLICABLE

- ITEM NOT ILLUSTRATED

57-26-51-01

57-26-51
FIG. 01
PAGE 7
JAN 20/09

BRI



757

PARTS CATALOG (MAINTENANCE)

FIG ITEM	PART NUMBER	1 2 3 4 5 6 7	NOMENCLATURE	EFFECT FROM TO	UNITS PER ASSY
1	125 940CW20-5		...JUMPER ASSY SUPPLIER CODE: V91812 SPECIFICATION NUMBER: BACJ40AB20-5 OPTIONAL PART: 100220-5 V1FF12 RBEJ40AB20-5 V1GK47	002004 006105 107999	1
130	149N7410-36		...HINGE-	002004 006105 107999	1
135	149N7410-35		...HINGE-	002004 006105 107999	1
165	BACB30LH2-2		..BOLT-	002004 006999	14
175	BRH10C08D		..NUT SUPPLIER CODE: V52828 SPECIFICATION NUMBER: BACN10JC08CD OPTIONAL PART: H51650-08BAC V15653 102LH9075-82W V72962 NS202486-82 V80539 T6C832JCD V11815	107107 904949	14
175	PLH508CD		..NUT SUPPLIER CODE: VF0224 SPECIFICATION NUMBER: BACN10YR08CD OPTIONAL PART: H52732-08CD V15653	002004 006106 108903 950999	14
180	149N7410-25		..RETAINER-SEAL	002004 006999	1
190	149N7410-23		..SEAL- POSITION DATA: LH SIDE	002004 006999	1
190	149N7410-95		..SEAL- POSITION DATA: LH SIDE	002004 006999	1

MISSING ITEM NUMBERS NOT APPLICABLE

- ITEM NOT ILLUSTRATED

57-26-51-01

57-26-51
FIG. 01
PAGE 8
JAN 20/09

BRI

BOEING PROPRIETARY - Copyright © - Unpublished Work - See title page for details.



757

PARTS CATALOG (MAINTENANCE)

FIG ITEM	PART NUMBER	1 2 3 4 5 6 7	NOMENCLATURE	EFFECT FROM TO	UNITS PER ASSY
1					
- 195	149N7410-24	..	SEAL- POSITION DATA: RH SIDE	002004 006999	1
- 195	149N7410-96	..	SEAL- POSITION DATA: RH SIDE	002004 006999	1
200	149N7410-31	..	STRIKER-LATCH	002004 107107 121503 904949 952952	2
200	149N7111-202	..	STRIKER-LATCH ACCESS PANEL NUMBER: 193GL 194DR	006105 108120 504903 950951 953999	2
			ATTACHING PARTS		
- 205	BACB30LR2-3	..	BOLT-	107107 904949	4
- 205	BACB30LH2-3	..	BOLT-	002004 121503 952952	4
- 207	BACR15GA5-10	..	RIVET-	006105 108120 504903 950951 953999	4
- 210	BACW10BP2NDP	..	WASHER	002004 006105 107999	4
- 215	BRH10C08D	..	NUT SUPPLIER CODE: V52828 SPECIFICATION NUMBER: BACN10JC08CD OPTIONAL PART: H51650-08BAC V15653 102LH9075-82W V72962 NS202486-82 V80539 T6C832JCD V11815	107107 904949	4

MISSING ITEM NUMBERS NOT APPLICABLE

- ITEM NOT ILLUSTRATED

BRI

57-26-51-01

BOEING PROPRIETARY - Copyright © - Unpublished Work - See title page for details.

57-26-51
FIG. 01
PAGE 9
JAN 20/09

 **BOEING**
757
PARTS CATALOG (MAINTENANCE)

FIG ITEM	PART NUMBER	1 2 3 4 5 6 7	NOMENCLATURE	EFFECT FROM TO	UNITS PER ASSY
1					
- 215	PLH508CD		..NUT SUPPLIER CODE: VFO224 SPECIFICATION NUMBER: BACN10YR08CD OPTIONAL PART: H52732-08CD V15653 -----*-----	002004 006105 108903 950999	4
217	BACS40V006E015		..SHIM	006105 108120 504903 950951 953999 107107	2
220	149N7410-67		..PANEL ASSY-BOND POSITION DATA: LH SIDE USED ON: 149N7410-65		1
220	149N7410-75		..PANEL ASSY-BOND POSITION DATA: LH SIDE USED ON: 149N7410-73	904949	1
220	149N7410-81		..PANEL ASSY-BOND POSITION DATA: LH SIDE USED ON: 149N7410-79 149N7410-89	002004 006105 108903 950999	1
220	149N7410-113		..PANEL ASSY-BOND POSITION DATA: LH SIDE	106106	1
- 225	149N7410-68		..PANEL ASSY-BOND POSITION DATA: RH SIDE USED ON: 149N7410-66	107107	1
- 225	149N7410-76		..PANEL ASSY-BOND POSITION DATA: RH SIDE USED ON: 149N7410-74	904949	1
- 225	149N7410-82		..PANEL ASSY-BOND POSITION DATA: RH SIDE USED ON: 149N7410-80 149N7410-90	002004 006105 108903 950999	1

MISSING ITEM NUMBERS NOT APPLICABLE

- ITEM NOT ILLUSTRATED

BRI

57-26-51-01

BOEING PROPRIETARY - Copyright © - Unpublished Work - See title page for details.

57-26-51
FIG. 01
PAGE 10
JAN 20/09



757

PARTS CATALOG (MAINTENANCE)

FIG ITEM	PART NUMBER	1 2 3 4 5 6 7	NOMENCLATURE	EFFECT FROM TO	UNITS PER ASSY
1					
- 225	149N7410-114		.. PANEL ASSY-BOND POSITION DATA: RH SIDE	106106	1
	230 149N7410-53		. PLATE-SPLICE	002004 006999	1
- 235	BACB30LH2-3		ATTACHING PARTS . BOLT	002004 006999	4
- 240	BACW10BP2NDP		. WASHER	002004 006999	4
- 245	BRH10C08D		. NUT SUPPLIER CODE: V52828 SPECIFICATION NUMBER: BACN10JC08CD OPTIONAL PART: H51650-08BAC V15653 102LH9075-82W V72962 NS202486-82 V80539 T6C832JCD V11815	107107 904949	4
- 245	PLH508CD		. NUT SUPPLIER CODE: VF0224 SPECIFICATION NUMBER: BACN10YR08CD OPTIONAL PART: H52732-08CD V15653 -----*-----	002004 006106 108903 950999	4

MISSING ITEM NUMBERS NOT APPLICABLE

- ITEM NOT ILLUSTRATED

BRI

57-26-51-01

BOEING PROPRIETARY - Copyright © - Unpublished Work - See title page for details.

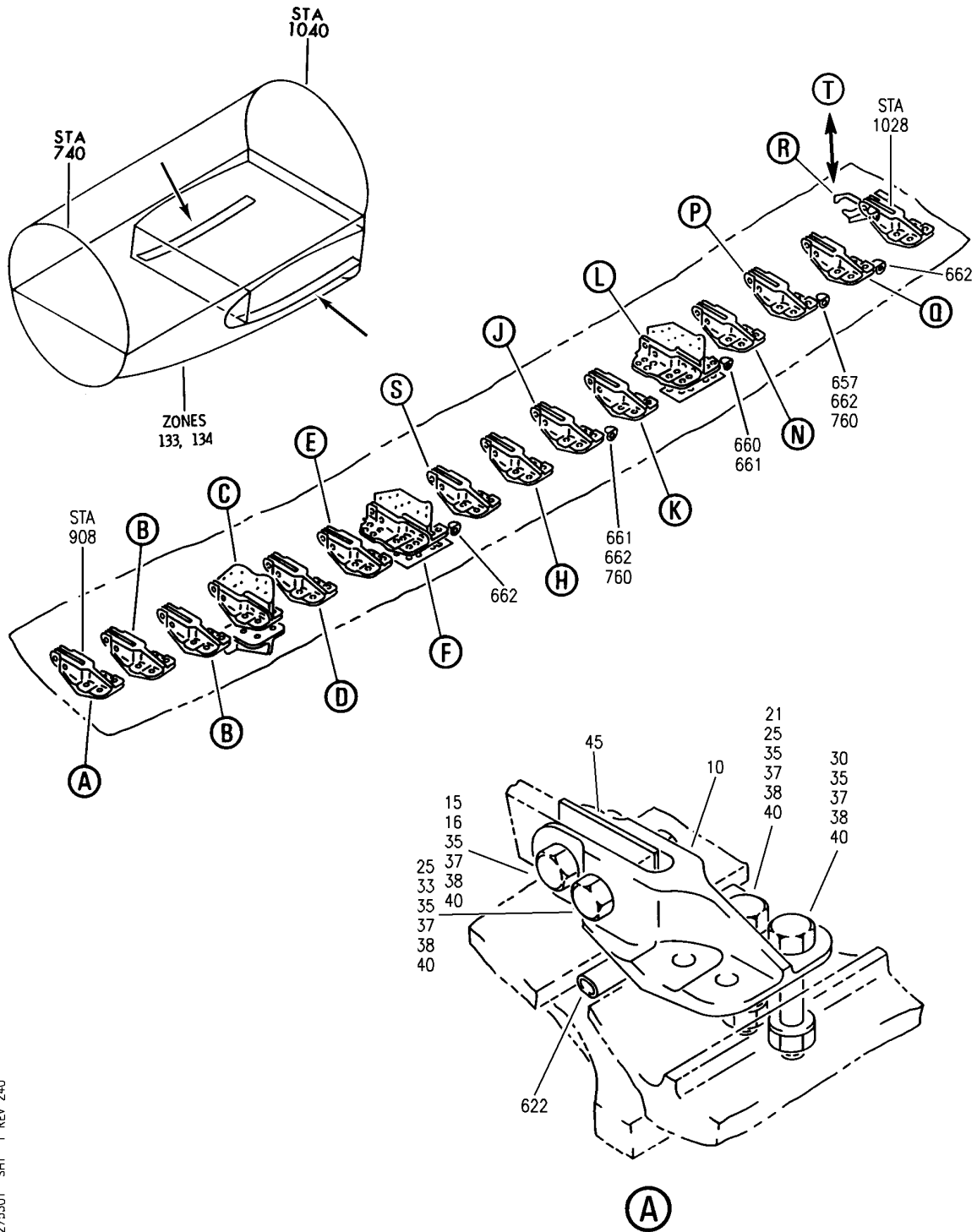
57-26-51
FIG. 01
PAGE 11
JAN 20/09

ATTACH FITTING

BRI
MAY 28/07

57-27-00
SECTION TITLE
PAGE 1

BOEING
757
PARTS CATALOG (MAINTENANCE)



Y 57275301 SHT 1 REV 240

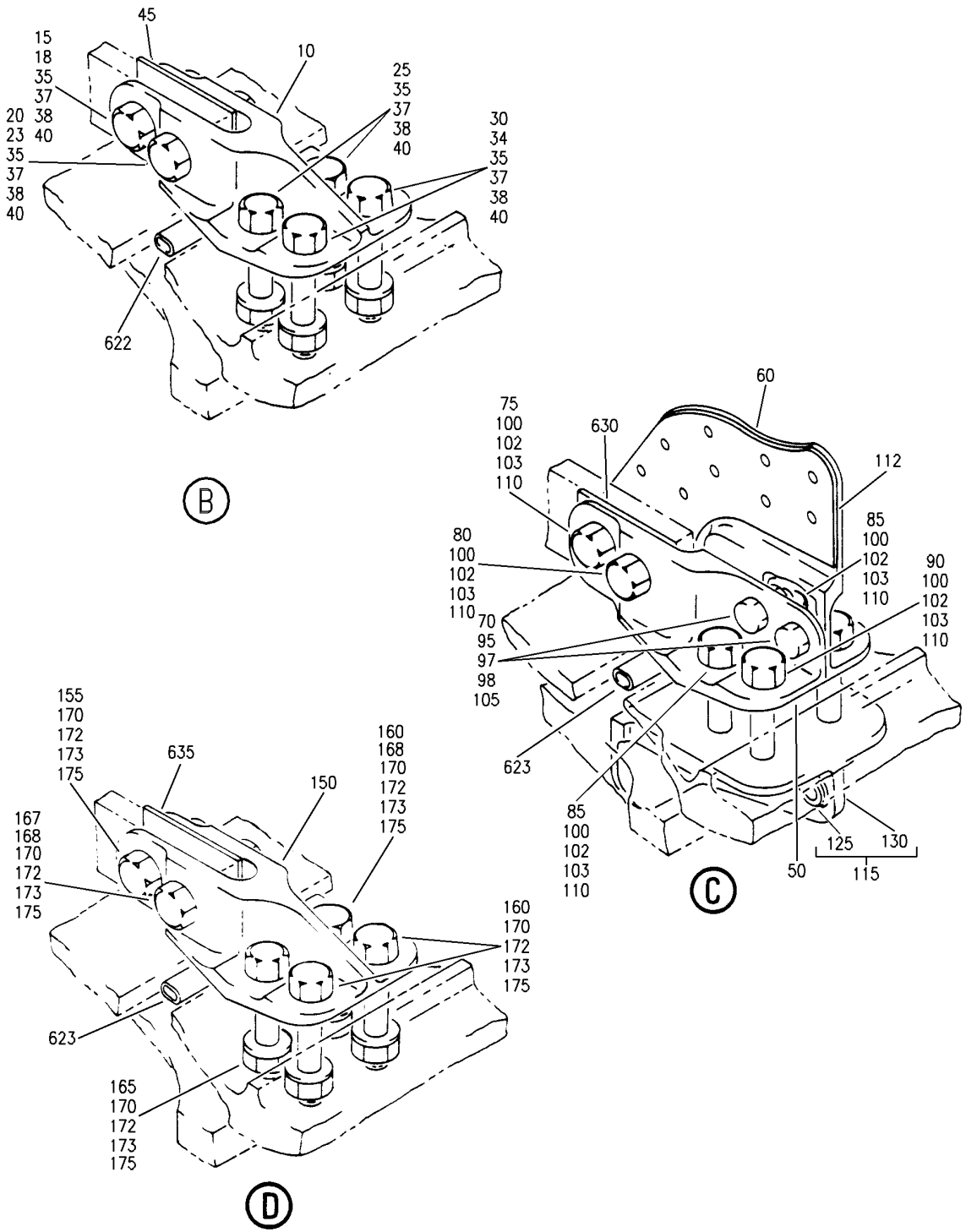
SPLICE INSTL-SECT. 11 LWR PNL BBL 70.5
FIGURE 1 (SHEET 1)

57-27-53-01

BRI
MAY 28/07

57-27-53-01
PAGE 0


BOEING
 757
PARTS CATALOG (MAINTENANCE)



Y 57275301 SHT 2 REV 240

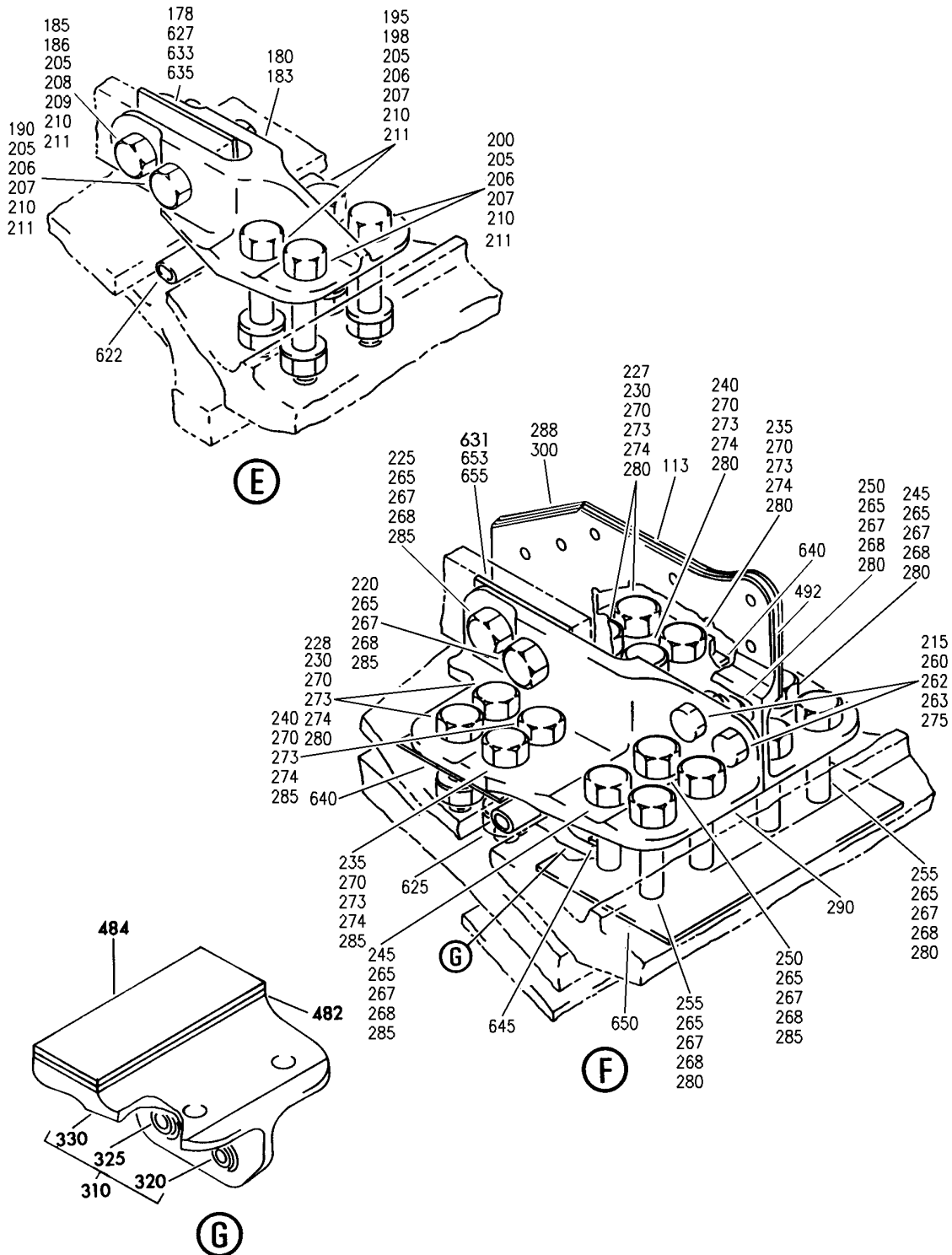
SPLICE INSTL-SECT. 11 LWR PNL BBL 70.5
 FIGURE 1 (SHEET 2)

57-27-53-01

BRI
 MAY 28/07

57-27-53-01
 PAGE 0A

BOEING
757
PARTS CATALOG (MAINTENANCE)



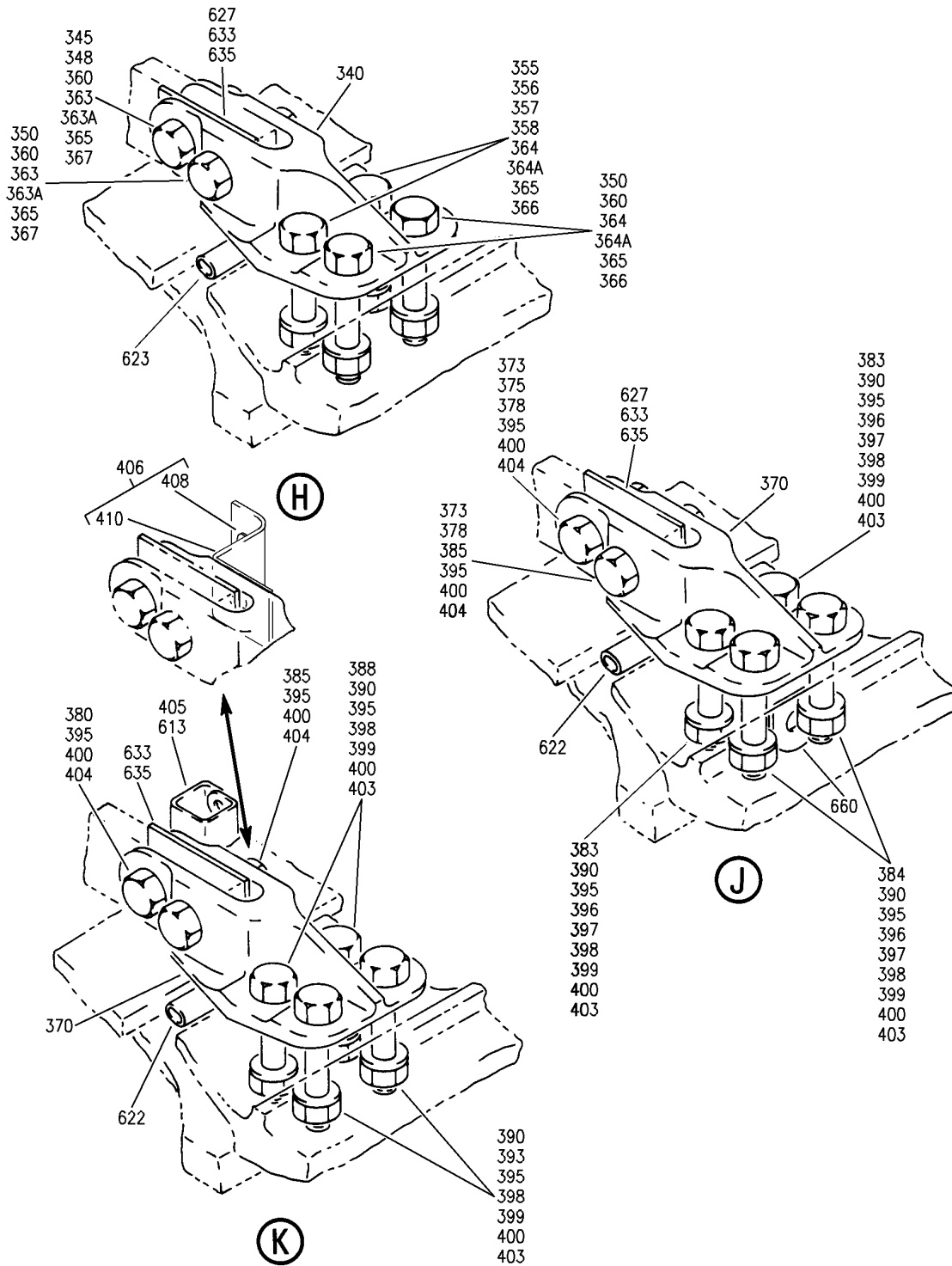
SPLICE INSTL-SECT. 11 LWR PNL BBL 70.5
FIGURE 1 (SHEET 3)

57-27-53-01

BRI
MAY 28/07

57-27-53-01
PAGE 0B


BOEING
 757
PARTS CATALOG (MAINTENANCE)



Y 57275301 SH 4 REV 240

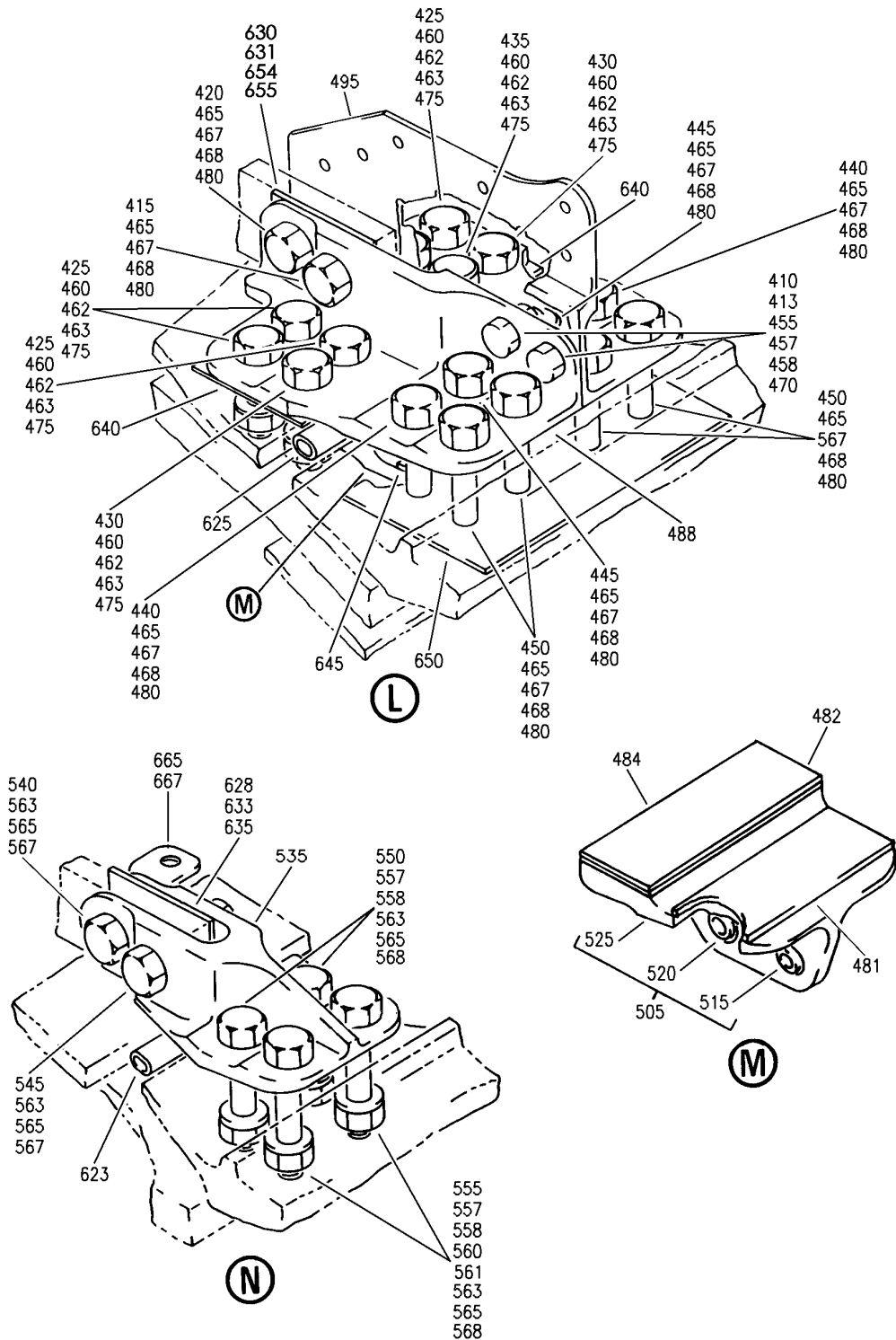
SPLICE INSTL-SECT. 11 LWR PNL BBL 70.5
 FIGURE 1 (SHEET 4)

57-27-53-01

BRI
 MAY 28/07

57-27-53-01
 PAGE 0C

BOEING
757
PARTS CATALOG (MAINTENANCE)



Y 57275301 SH1 5 REV 245

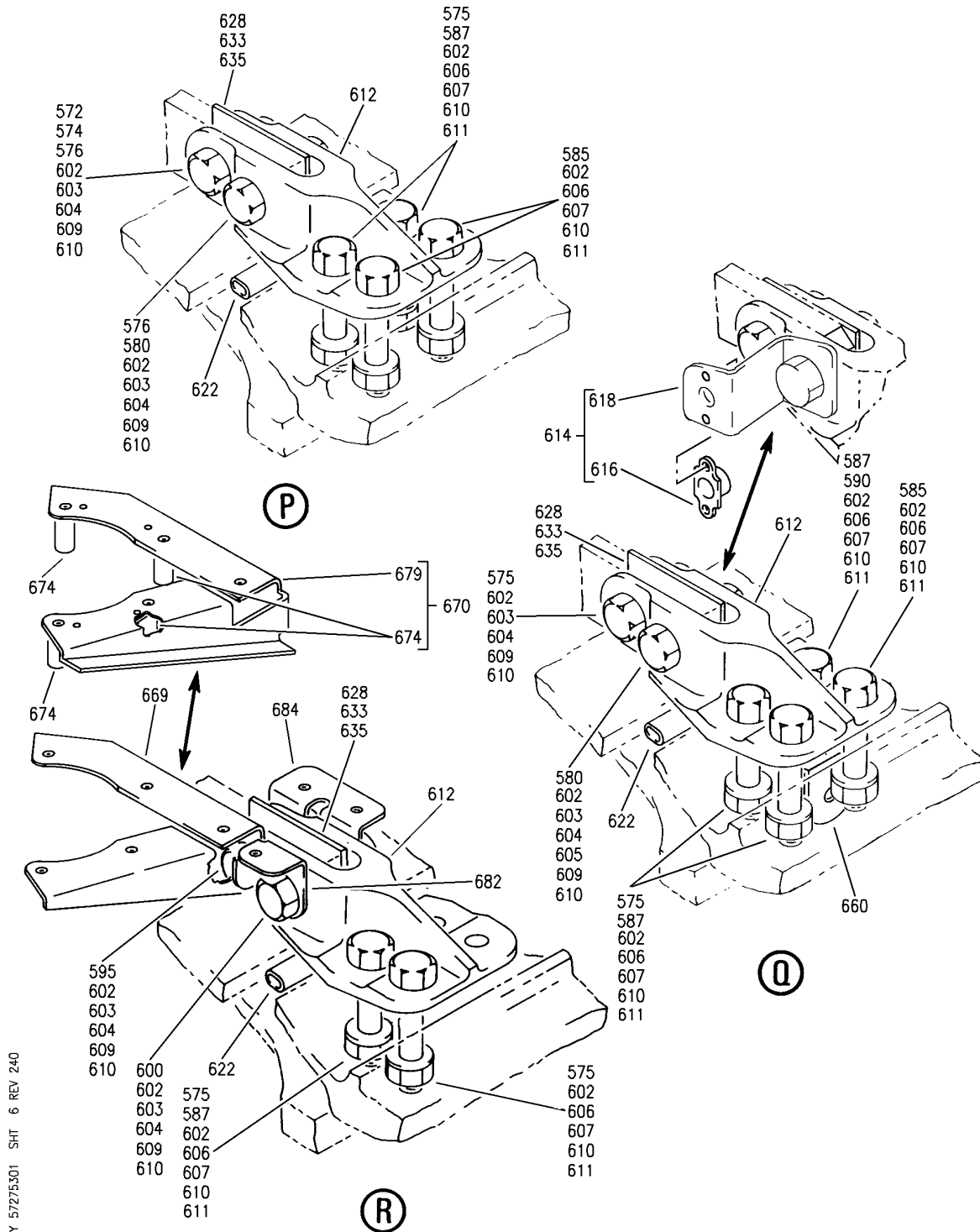
SPLICE INSTL-SECT. 11 LWR PNL BBL 70.5
FIGURE 1 (SHEET 5)

57-27-53-01

BRI
MAY 28/07

57-27-53-01
PAGE 0D

BOEING
757
PARTS CATALOG (MAINTENANCE)



Y 57275301 SHT 6 REV 240

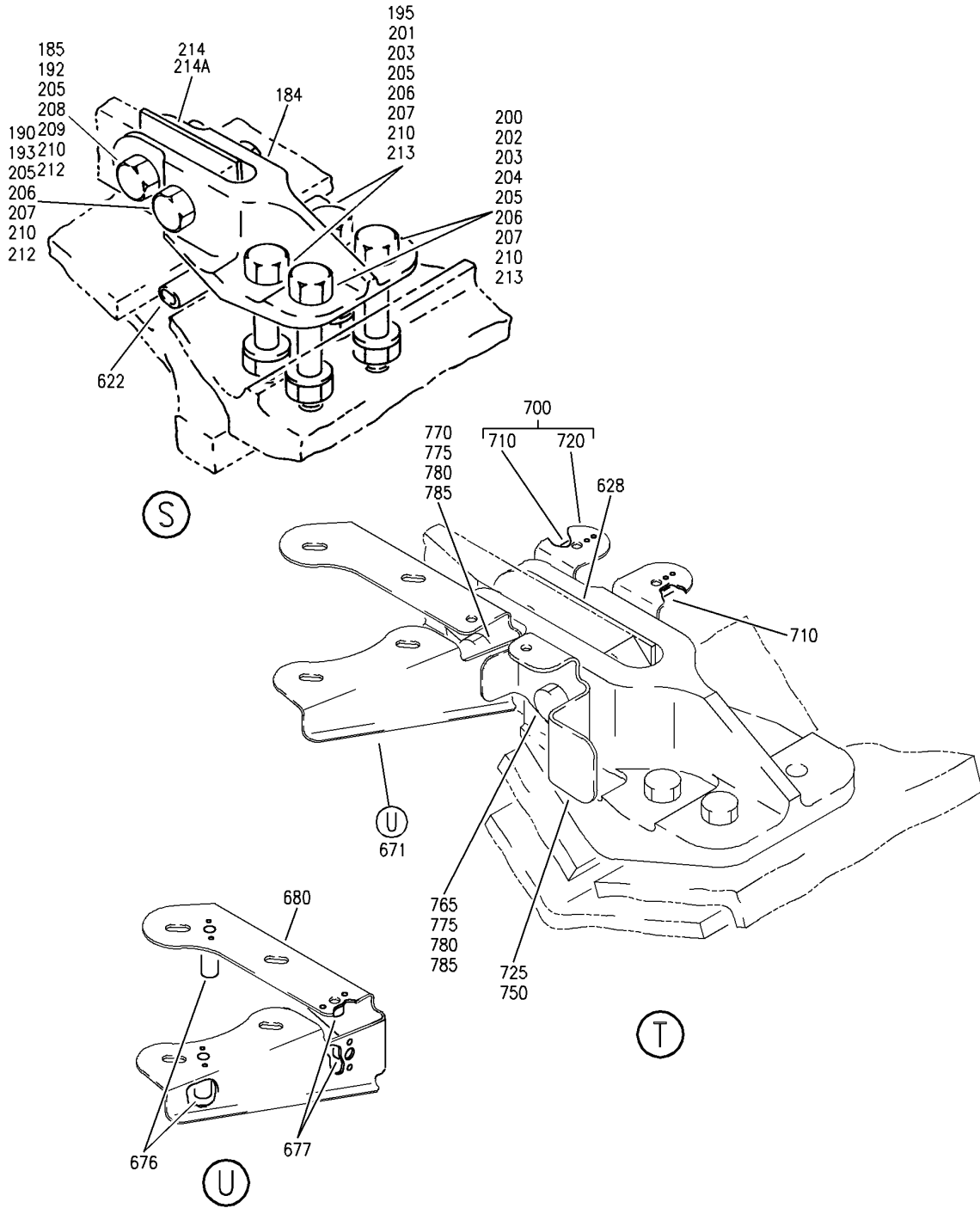
SPLICE INSTL-SECT. 11 LWR PNL BBL 70.5
FIGURE 1 (SHEET 6)

57-27-53-01

BRI
MAY 28/07

57-27-53-01
PAGE 0E

BOEING
757
PARTS CATALOG (MAINTENANCE)



Y 57275301 SHT 7 REV 240

SPLICE INSTL-SECT. 11 LWR PNL BBL 70.5
 FIGURE 1 (SHEET 7)

57-27-53-01

BRI
 MAY 28/07

57-27-53-01
 PAGE OF



757

PARTS CATALOG (MAINTENANCE)

FIG ITEM	PART NUMBER	1 2 3 4 5 6 7	NOMENCLATURE	EFFECT FROM TO	UNITS PER ASSY
1			SPLICE INSTL-SECT. 11 LWR PNL BBL 70.5	002004 006999	
- 1	112N4301-3		SPLICE INSTL-PNL POSITION DATA: SECT. 11 LWR BBL 70.5 LH FOR NHA SEE: 57-00-00-01	002004 006100 107107 121503 904999	RF
- 1	112N4301-403		SPLICE INSTL-PNL 200 PASS. POSITION DATA: SECT. 11 LWR BBL 70.5 LH FOR NHA SEE: 57-00-00-20	101102 108120 504903	RF
- 1	MODREF321		SPLICE INSTL-PNL 200 PASS. MODULE NUMBER: 112N4301-403 REV A POSITION DATA: SECT. 11 LWR BBL 70.5 LH	103103	1
- 1	MODREF26371		SPLICE INSTL-PNL 200 PASS. MODULE NUMBER: 112N4301-403 REV B POSITION DATA: SECT. 11 LWR BBL 70.5 LH	104106	1
- 5	112N4301-4		SPLICE INSTL-PNL POSITION DATA: SECT. 11 LWR BBL 70.5 RH FOR NHA SEE: 57-00-00-01	002004 006100 107107 121503 904999	RF
- 5	112N4301-404		SPLICE INSTL-PNL 200 PASS. POSITION DATA: SECT. 11 LWR BBL 70.5 RH FOR NHA SEE: 57-00-00-20	101102 108120 504903	RF
- 5	MODREF322		SPLICE INSTL-PNL 200 PASS. MODULE NUMBER: 112N4301-404 REV A POSITION DATA: SECT. 11 LWR BBL 70.5 RH	103103	1
- 5	MODREF26372		SPLICE INSTL-PNL 200 PASS. MODULE NUMBER: 112N4301-404 REV B POSITION DATA: SECT. 11 LWR BBL 70.5 RH	104106	1
10	111N4312-1		.FITTING	002004 006999	3

MISSING ITEM NUMBERS NOT APPLICABLE

- ITEM NOT ILLUSTRATED

BRI

57-27-53-01

57-27-53
FIG. 01
PAGE 1
JAN 20/09



757

PARTS CATALOG (MAINTENANCE)

FIG ITEM	PART NUMBER	1 2 3 4 5 6 7	NOMENCLATURE	EFFECT FROM TO	UNITS PER ASSY
1			ATTACHING PARTS		
15	BACB30NM7K19		.BOLT	002004 006100 103107 121503 904999	3
20	BACB30NM7K23		.BOLT	002004 006100 103107 121503 904999	3
25	BACB30NM7K22		.BOLT	002004 006100 103107 121503 904999	5
30	BACB30NM7K21		.BOLT	002004 006100 103107 121503 904999	5
35	BACW10BP7P		.WASHER- MISCELLANEOUS DATA: A MANIMUM OF (1) TO A MAXIMUM OF (3) WASHERS MAY BE USED UNDER NUT	002004 006100 103107 121503 904999	16
40	NAS1805-7N		.NUT	002004 006100 107107 121503 904999	16
40	NAS1805-7L		.NUT	101106 108120 504903	16
45	BACS40R16C29F		-----*----- .SHIM	002004 006100 107107 121503 904999	3
45	BACS40R016C029F		.SHIM	101106 108120 504903	3
50	111N4311-3		.FITTING- POSITION DATA: LH SIDE	002004 006999	1
- 55	111N4311-4		.FITTING- POSITION DATA: RH SIDE	002004 006999	1

MISSING ITEM NUMBERS NOT APPLICABLE

- ITEM NOT ILLUSTRATED

57-27-53-01

57-27-53
FIG. 01
PAGE 2
JAN 20/09

BRI



757

PARTS CATALOG (MAINTENANCE)

FIG ITEM	PART NUMBER	1 2 3 4 5 6 7	NOMENCLATURE	EFFECT FROM TO	UNITS PER ASSY
1	60 111N4311-1		. FITTING- POSITION DATA: LH SIDE	002004 006999	1
-	65 111N4311-2		. FITTING- POSITION DATA: RH SIDE ATTACHING PARTS	002004 006999	1
	70 BACB30NM5K6		. BOLT	002004 006999	2
	75 BACB30NM7K22		. BOLT	002004 006999	1
	80 BACB30NM7K27		. BOLT	002004 006999	1
	85 BACB30NM7K30		. BOLT	002004 006100 103107 121503 904999	2
	90 BACB30NM7K28		. BOLT	002004 006100 103107 121503 904999	2
	95 BACW10BP5P		. WASHER- MISCELLANEOUS DATA: A MANIMUM OF (1) TO A MAXIMUM OF (3) WASHERS MAY BE USED UNDER NUT	002004 006100 103107 121503 904999	2
	100 BACW10BP7P		. WASHER- MISCELLANEOUS DATA: A MANIMUM OF (1) TO A MAXIMUM OF (3) WASHERS MAY BE USED UNDER NUT	002004 006100 103107 121503 904999	6
	105 NAS1805-5N		. NUT	002004 006100 107107 121503 904999	2
	105 NAS1805-5L		. NUT	101106 108120 504903	2
	110 NAS1805-7N		. NUT	002004 006100 107107 121503 904999	6

MISSING ITEM NUMBERS NOT APPLICABLE

- ITEM NOT ILLUSTRATED

57-27-53-01

57-27-53
FIG. 01
PAGE 3
JAN 20/09

BRI

BOEING PROPRIETARY - Copyright © - Unpublished Work - See title page for details.



757

PARTS CATALOG (MAINTENANCE)

FIG ITEM	PART NUMBER	1 2 3 4 5 6 7	NOMENCLATURE	EFFECT FROM TO	UNITS PER ASSY
1					
110	NAS1805-7L	.	NUT	101106 108120 504903	6
			-----*-----		
112	112N3306-19	.	SHIM	002004 006999	AR
113	BACS40R019C31F	.	SHIM	002004 006999	1
115	111N4316-7	.	FITTING ASSY-ATTACH POSITION DATA: FWD LH SIDE	002004 006999	1
- 120	111N4316-8	.	FITTING ASSY-ATTACH POSITION DATA: FWD RH SIDE	002004 006999	1
125	NES05B10GC	..	BEARING SUPPLIER CODE: V73134 SPECIFICATION NUMBER: BACB10FC05C OPTIONAL PART: KR5ACNGBZC V50632 NRRS05B10GC V73134 HT05VSBC VS0352 ADB5VNC V15860 KNDB5-66 V97613	002004 006999	1
130	111N4316-9	..	FITTING- USED ON: 111N4316-7	002004 006999	1
- 135	111N4316-10	..	FITTING- USED ON: 111N4316-8	002004 006999	1
150	111N4310-1	.	FITTING	002004 006999	1
155	BACB30NM8K20	.	BOLT ATTACHING PARTS	002004 006100 103107 121503 904999	1
160	BACB30NM8K25	.	BOLT	002004 006100 103107 121503 904999	3

MISSING ITEM NUMBERS NOT APPLICABLE

- ITEM NOT ILLUSTRATED

57-27-53-01

57-27-53
FIG. 01
PAGE 4
JAN 20/09

BRI

BOEING PROPRIETARY - Copyright © - Unpublished Work - See title page for details.



757

PARTS CATALOG (MAINTENANCE)

FIG ITEM	PART NUMBER	1 2 3 4 5 6 7	NOMENCLATURE	EFFECT FROM TO	UNITS PER ASSY
1					
165	BACB30NM8K23	.BOLT		002004 006100 103107 121503 904999	1
167	BACB30NM8K24	.BOLT		002004 006100 103107 121503 904999	1
170	BACW10BP8P	.WASHER-		002004	6
			MISCELLANEOUS DATA: A MANIMUM OF (1) TO A MAXIMUM OF (3) WASHERS MAY BE USED UNDER NUT	006100 103107 121503 904999	
175	NAS1805-8N	.NUT		002004 006100 107107 121503 904999	6
175	NAS1805-8L	.NUT		101106 108120 504903	6
180	111N4308-1	-----*----- .FITTING		002004 006100 103107 121503 904999	2
185	BACB30NM8K20	.BOLT	ATTACHING PARTS	002004 006100 103107 121503 904999	2
190	BACB30NM8K25	.BOLT		002004 006100 103107 121503 904999	2
195	BACB30NM8K24	.BOLT		002004 006100 103107 121503 904999	4

MISSING ITEM NUMBERS NOT APPLICABLE

- ITEM NOT ILLUSTRATED

57-27-53-01

57-27-53
FIG. 01
PAGE 5
JAN 20/09

BRI

BOEING PROPRIETARY - Copyright © - Unpublished Work - See title page for details.

 **BOEING**
757
PARTS CATALOG (MAINTENANCE)

FIG ITEM	PART NUMBER	1 2 3 4 5 6 7	NOMENCLATURE	EFFECT FROM TO	UNITS PER ASSY
1					
200	BACB30NM8K23	.	BOLT	002004 006100 103107 121503 904999	4
203	BACB30NM8K29	.	BOLT	002004 006100 103107 121503 904999	4
205	BACW10BP8P	.	WASHER- MISCELLANEOUS DATA: A MANIMUM OF (1) TO A MAXIMUM OF (3) WASHERS MAY BE USED UNDER NUT	002004 006100 103107 121503 904999	12
210	NAS1805-8N	.	NUT	002004 006100 107107 121503 904999	12
210	NAS1805-8L	.	NUT	101106 108120 504903	12
			-----*-----		
215	BACB30NM5K8	.	BOLT-	002004 006999	2
220	BACB30NM8K27	.	BOLT	002004 006100 103107 121503 904999	1
225	BACB30NM8K22	.	BOLT-	002004 006100 103107 121503 904999	1
230	BACB30NN7K17	.	BOLT-	002004 006999	4
235	BACB30NN7K19	.	BOLT-	002004 006999	2
240	BACB30NM7K26	.	BOLT	002004 006999	2
245	BACB30NM8K29	.	BOLT	002004 006100 103107 121503 904999	2

MISSING ITEM NUMBERS NOT APPLICABLE

— ITEM NOT ILLUSTRATED

BRI

57-27-53-01

BOEING PROPRIETARY - Copyright © - Unpublished Work - See title page for details.

57-27-53
FIG. 01
PAGE 6
JAN 20/09



757

PARTS CATALOG (MAINTENANCE)

FIG ITEM	PART NUMBER	1 2 3 4 5 6 7	NOMENCLATURE	EFFECT FROM TO	UNITS PER ASSY
1					
250	BACB30NM8K34	.	BOLT	002004 006100 103107 121503 904999	2
255	BACB30NM8K32	.	BOLT	002004 006100 103107 121503 904999	4
260	BACW10BP5P	.	WASHER- MISCELLANEOUS DATA: A MANIMUM OF (1) TO A MAXIMUM OF (3) WASHERS MAY BE USED UNDER NUT	002004 006100 103107 121503 904999	2
265	BACW10BP8P	.	WASHER- MISCELLANEOUS DATA: A MANIMUM OF (1) TO A MAXIMUM OF (3) WASHERS MAY BE USED UNDER NUT	002004 006100 103107 121503 904999	10
270	BACW10BP7P	.	WASHER- MISCELLANEOUS DATA: A MANIMUM OF (1) TO A MAXIMUM OF (3) WASHERS MAY BE USED UNDER NUT	002004 006100 103107 121503 904999	8
275	NAS1805-5N	.	NUT	002004 006100 107107 121503 904999	2
275	NAS1805-5L	.	NUT	101106 108120 504903	2
280	NAS1805-8N	.	NUT	002004 006100 107107 121503 904999	10
280	NAS1805-8L	.	NUT	101106 108120 504903	10
285	NAS1805-7N	.	NUT	002004 006100 107107 121503 904999	8
285	NAS1805-7L	.	NUT	101106 108120 504903	8

MISSING ITEM NUMBERS NOT APPLICABLE

- ITEM NOT ILLUSTRATED

BRI

57-27-53-01

57-27-53
FIG. 01
PAGE 7
JAN 20/09

 **BOEING**
757
PARTS CATALOG (MAINTENANCE)

FIG ITEM	PART NUMBER	1 2 3 4 5 6 7	NOMENCLATURE	EFFECT FROM TO	UNITS PER ASSY
1					
290	111N4309-3		.FITTING- POSITION DATA: LH SIDE	002004 006999	1
- 295	111N4309-4		.FITTING- POSITION DATA: RH SIDE	002004 006999	1
300	111N4309-1		.FITTING- POSITION DATA: LH SIDE	002004 006999	1
- 305	111N4309-2		.FITTING- POSITION DATA: RH SIDE	002004 006999	1
310	111N4317-11		.FITTING ASSY-ATTACH POSITION DATA: MID LH SIDE OPTIONAL PART: 111N4314-5	002004 006106 108999	1
310	111N4317-7		.FITTING ASSY-ATTACH POSITION DATA: MID LH SIDE	107107	1
310	111N4314-5		.FITTING ASSY-ATTACH POSITION DATA: MID LH SIDE OPTIONAL PART: 111N4317-11	002004 006106 108999	1
- 315	111N4317-12		.FITTING ASSY-ATTACH POSITION DATA: MID RH SIDE OPTIONAL PART: 111N4314-6	002004 006106 108999	1
- 315	111N4317-8		.FITTING ASSY-ATTACH POSITION DATA: MID RH SIDE	107107	1
- 315	111N4314-6		.FITTING ASSY-ATTACH POSITION DATA: MID RH SIDE OPTIONAL PART: 111N4317-12	002004 006106 108999	1

MISSING ITEM NUMBERS NOT APPLICABLE

- ITEM NOT ILLUSTRATED

BRI

57-27-53-01

BOEING PROPRIETARY - Copyright © - Unpublished Work - See title page for details.

57-27-53
FIG. 01
PAGE 8
JAN 20/09



757

PARTS CATALOG (MAINTENANCE)

FIG ITEM	PART NUMBER	1 2 3 4 5 6 7	NOMENCLATURE	EFFECT FROM TO	UNITS PER ASSY
1 320	NES05B10GC	..	BEARING SUPPLIER CODE: V73134 SPECIFICATION NUMBER: BACB10FC05C OPTIONAL PART: KR5ACNGBZC V50632 NRRS05B10GC V73134 HT05VSBC VS0352 ADB5VNC V15860 KNDB5-66 V97613	002004 006999	1
325	NES06B10GC	..	BEARING SUPPLIER CODE: V73134 SPECIFICATION NUMBER: BACB10FC06C OPTIONAL PART: NRRS06B10GC V73134 HT06VSBC VS0352 ADB6VNC V15860 KNDB6-66 V97613 KR6CNGBZC V50632	002004 006999	1
330	111N4314-3	..	BRACKET- USED ON: 111N4314-1	002004 006999	1
330	111N4317-13	..	FITTING- USED ON: 111N4317-11	002004 006999	1
330	111N4317-9	..	FITTING- USED ON: 111N4317-7	002004 006999	1
- 335	111N4314-4	..	BRACKET- USED ON: 111N4314-2	002004 006999	1
- 335	111N4317-14	..	FITTING- USED ON: 111N4317-12	002004 006999	1

MISSING ITEM NUMBERS NOT APPLICABLE

- ITEM NOT ILLUSTRATED

57-27-53-01

57-27-53
FIG. 01
PAGE 9
JAN 20/09

BRI



757

PARTS CATALOG (MAINTENANCE)

FIG ITEM	PART NUMBER	1 2 3 4 5 6 7	NOMENCLATURE	EFFECT FROM TO	UNITS PER ASSY
1					
- 335	111N4317-10		.. FITTING- USED ON: 111N4317-8	002004 006999	1
340	111N4306-1		. FITTING	002004 006100 103107 121503 904999	1
345	BACB30NM8K21		ATTACHING PARTS . BOLT	002004 006100 103107 121503 904999	1
350	BACB30NM8K26		. BOLT	002004 006100 103107 121503 904999	3
355	BACB30NM8K24		. BOLT	002004 006100 103107 121503 904999	2
360	BACW10BP8P		. WASHER- MISCELLANEOUS DATA: A MANIMUM OF (1) TO A MAXIMUM OF (3) WASHERS MAY BE USED UNDER NUT	002004 006100 103107 121503 904999	6
365	NAS1805-8N		. NUT	002004 006100 107107 121503 904999	6
365	NAS1805-8L		. NUT	101106 108120 504903	6
370	111N4305-1		-----*----- . FITTING	002004 006100 103107 121503 904999	2
375	BACB30NM8K21		ATTACHING PARTS . BOLT	002004 006100 103107 121503 904999	1

MISSING ITEM NUMBERS NOT APPLICABLE

- ITEM NOT ILLUSTRATED

BRI

57-27-53-01

BOEING PROPRIETARY - Copyright © - Unpublished Work - See title page for details.

57-27-53
FIG. 01
PAGE 10
JAN 20/09



757

PARTS CATALOG (MAINTENANCE)

FIG ITEM	PART NUMBER	1 2 3 4 5 6 7	NOMENCLATURE	EFFECT FROM TO	UNITS PER ASSY
1					
380	BACB30NM8K22	.	BOLT	002004 006100 103107 121503 904999	1
385	BACB30NM8K26	.	BOLT	002004 006100 103107 121503 904999	3
390	BACB30NM8K24	.	BOLT	002004 006100 103107 121503 904999	7
395	BACW10BP8P	.	WASHER	002004 006100 103107 121503 904999	12
400	NAS1805-8N	.	NUT	002004 006100 107107 121503 904999	12
400	NAS1805-8L	.	NUT	101106 108120 504903	12
			-----*-----		
405	343N2040-1	.	SUPPORT-(FUELS)	107107	1
405	343N2040-2	.	SUPPORT-(FUELS)	002004 006100 121503 904999	1
413	BACB30NM5K8	.	BOLT	002004 006999	2
415	BACB30NM8K30	.	BOLT	002004 006999	1
420	BACB30NM8K25	.	BOLT	002004 006999	1
425	BACB30NN7K19	.	BOLT	002004 006100 103107 121503 904999	4

MISSING ITEM NUMBERS NOT APPLICABLE

- ITEM NOT ILLUSTRATED

BRI

57-27-53-01

57-27-53
FIG. 01
PAGE 11
JAN 20/09



757

PARTS CATALOG (MAINTENANCE)

FIG ITEM	PART NUMBER	1 2 3 4 5 6 7	NOMENCLATURE	EFFECT FROM TO	UNITS PER ASSY
1					
430	BACB30NN7K21	.	BOLT-	002004 006100 103107 121503 904999	2
435	BACB30NM7K28	.	BOLT	002004 006100 103107 121503 904999	2
440	BACB30NM8K32	.	BOLT	002004 006100 103107 121503 904999	2
445	BACB30NM8K37	.	BOLT	002004 006100 103107 121503 904999	2
450	BACB30NM8K36	.	BOLT	002004 006100 103107 121503 904999	4
455	BACW10BP5P	.	WASHER- MISCELLANEOUS DATA: A MANIMUM OF (1) TO A MAXIMUM OF (3) WASHERS MAY BE USED UNDER NUT	002004 006100 103107 121503 904999	2
460	BACW10BP7P	.	WASHER- MISCELLANEOUS DATA: A MANIMUM OF (1) TO A MAXIMUM OF (3) WASHERS MAY BE USED UNDER NUT	002004 006100 103107 121503 904999	8
465	BACW10BP8P	.	WASHER- MISCELLANEOUS DATA: A MANIMUM OF (1) TO A MAXIMUM OF (3) WASHERS MAY BE USED UNDER NUT	002004 006100 103107 121503 904999	10
470	NAS1805-5N	.	NUT	002004 006100 107107 121503 904999	2
470	NAS1805-5L	.	NUT	101106 108120 504903	2

MISSING ITEM NUMBERS NOT APPLICABLE

- ITEM NOT ILLUSTRATED

57-27-53-01

57-27-53
FIG. 01
PAGE 12
JAN 20/09

BRI



757

PARTS CATALOG (MAINTENANCE)

FIG ITEM	PART NUMBER	1 2 3 4 5 6 7	NOMENCLATURE	EFFECT FROM TO	UNITS PER ASSY
1					
475	NAS1805-7N	.	NUT	002004 006100 107107 121503 904999	8
475	NAS1805-7L	.	NUT	101106 108120 504903	8
480	NAS1805-8N	.	NUT	002004 006100 107107 121503 904999	10
480	NAS1805-8L	.	NUT	101106 108120 504903	10
481	BACS40R16C50F	.	SHIM	002004 006100 107107 121503 904999	1
481	BACS40R016C050F	.	SHIM	101106 108120 504903	1
482	BACS40R22B56F	.	SHIM- QUALIFIED OPTIONAL DATA: (OPTIONAL, USE BACS40R22D56F IF GAP EXCEEDS .062 WITH NO COMBINATION OF OTHER SHIMS ALLOWED)	002004 006100 107107 121503 904999	AR
482	BACS40R22C56F	.	SHIM- QUALIFIED OPTIONAL DATA: (OPTIONAL, USE BACS40R22D56F IF GAP EXCEEDS .062 WITH NO COMBINATION OF OTHER SHIMS ALLOWED)	002004 006100 107107 121503 904999	AR
482	BACS40R22D56F	.	SHIM- QUALIFIED OPTIONAL DATA: (OPTIONAL, USE BACS40R22D56F IF GAP EXCEEDS .062 WITH NO COMBINATION OF OTHER SHIMS ALLOWED)	002004 006100 107107 121503 904999	AR

MISSING ITEM NUMBERS NOT APPLICABLE

- ITEM NOT ILLUSTRATED

BRI

57-27-53-01

57-27-53
FIG. 01
PAGE 13
JAN 20/09



757

PARTS CATALOG (MAINTENANCE)

FIG ITEM	PART NUMBER	1 2 3 4 5 6 7	NOMENCLATURE	EFFECT FROM TO	UNITS PER ASSY
1 482	BACS40R022B056F	.SHIM-	QUALIFIED OPTIONAL DATA: (OPTIONAL, USE BACS40R022D056F IF GAP EXCEEDS .062 WITH NO COMBINATION OF OTHER SHIMS ALLOWED)	101106 108120 504903	AR
482	BACS40R022C056F	.SHIM-	QUALIFIED OPTIONAL DATA: (OPTIONAL, USE BACS40R022D056F IF GAP EXCEEDS .062 WITH NO COMBINATION OF OTHER SHIMS ALLOWED)	101106 108120 504903	AR
482	BACS40R022D056F	.SHIM-	QUALIFIED OPTIONAL DATA: (OPTIONAL, USE BACS40R022D056F IF GAP EXCEEDS .062 WITH NO COMBINATION OF OTHER SHIMS ALLOWED)	101106 108120 504903	AR
484	112N4301-9	.SHIM-	QUALIFIED OPTIONAL DATA: (OPTIONAL, USE BACS40R22D56F IF GAP EXCEEDS .062 WITH NO COMBINATION OF OTHER SHIMS ALLOWED)	002004 006999	2
488	111N4304-3	.FITTING-	POSITION DATA: LH SIDE	002004 006100 103107 121503 904999	1
- 490	111N4304-4	.FITTING-	POSITION DATA: RH SIDE	002004 006100 103107 121503 904999	1
492	112N3306-18	.SHIM		002004 006999	AR
495	111N4304-1	.FITTING-	POSITION DATA: LH SIDE	002004 006100 103107 121503 904999	1

MISSING ITEM NUMBERS NOT APPLICABLE

- ITEM NOT ILLUSTRATED

57-27-53-01

57-27-53
FIG. 01
PAGE 14
JAN 20/09

BRI



757

PARTS CATALOG (MAINTENANCE)

FIG ITEM	PART NUMBER	1 2 3 4 5 6 7	NOMENCLATURE	EFFECT FROM TO	UNITS PER ASSY
1					
- 500	111N4304-2		.FITTING- POSITION DATA: RH SIDE	002004 006100 103107 121503 904999	1
505	111N4315-1		.FITTING ASSY-ATTACH POSITION DATA: AFT LH SIDE OPTIONAL PART: 111N4318-7	002004 006999	1
505	111N4318-17		.FITTING ASSY-ATTACH POSITION DATA: AFT LH SIDE OPTIONAL PART: 111N4315-5	002004 006999	1
505	111N4318-11		.FITTING ASSY-ATTACH POSITION DATA: AFT LH SIDE	002004 006999	1
505	111N4315-5		.FITTING ASSY-ATTACH POSITION DATA: AFT LH SIDE OPTIONAL PART: 111N4318-17	101106 108120 504903	1
- 510	111N4315-2		.FITTING ASSY-ATTACH POSITION DATA: AFT RH SIDE OPTIONAL PART: 111N4318-8	002004 006999	1
- 510	111N4318-18		.FITTING ASSY-ATTACH POSITION DATA: AFT RH SIDE OPTIONAL PART: 111N4315-6	002004 006999	1
- 510	111N4318-12		.FITTING ASSY-ATTACH POSITION DATA: AFT RH SIDE	002004 006999	1
- 510	111N4315-6		.FITTING ASSY-ATTACH POSITION DATA: AFT RH SIDE OPTIONAL PART: 111N4318-18	101106 108120 504903	1

MISSING ITEM NUMBERS NOT APPLICABLE

- ITEM NOT ILLUSTRATED

57-27-53-01

57-27-53
FIG. 01
PAGE 15
JAN 20/09

BRI



757

PARTS CATALOG (MAINTENANCE)

FIG ITEM	PART NUMBER	1 2 3 4 5 6 7	NOMENCLATURE	EFFECT FROM TO	UNITS PER ASSY
1 515	NES05B10GC	..	BEARING SUPPLIER CODE: V73134 SPECIFICATION NUMBER: BACB10FC05C OPTIONAL PART: KR5ACNGBZC V50632 NRRS05B10GC V73134 HT05VSBC VS0352 ADB5VNC V15860 KNDB5-66 V97613	002004 006999	1
520	NES06B10GC	..	BEARING SUPPLIER CODE: V73134 SPECIFICATION NUMBER: BACB10FC06C OPTIONAL PART: NRRS06B10GC V73134 HT06VSBC VS0352 ADB6VNC V15860 KNDB6-66 V97613 KR6CNGBZC V50632	002004 006999	1
525	111N4315-3	..	BRACKET- USED ON: 111N4315-1	002004 006999	1
525	111N4318-19	..	FITTING- USED ON: 111N4318-17	002004 006999	1
525	111N4318-9	..	FITTING- USED ON: 111N4318-7	002004 006999	1
525	111N4318-13	..	FITTING- USED ON: 111N4318-11	002004 006999	1
525	111N4315-7	..	FITTING- USED ON: 111N4315-5	101106 108120 504903	1

MISSING ITEM NUMBERS NOT APPLICABLE

- ITEM NOT ILLUSTRATED

57-27-53-01

57-27-53
FIG. 01
PAGE 16
JAN 20/09

BRI

BOEING PROPRIETARY - Copyright © - Unpublished Work - See title page for details.



757

PARTS CATALOG (MAINTENANCE)

FIG ITEM	PART NUMBER	1 2 3 4 5 6 7	NOMENCLATURE	EFFECT FROM TO	UNITS PER ASSY
1					
- 530	111N4315-4	..	BRACKET- USED ON: 111N4315-2 USED ON: 111N4318-2	002004 006999	1
- 530	111N4318-20	..	FITTING- USED ON: 111N4318-18	002004 006999	1
- 530	111N4318-10	..	FITTING- USED ON: 111N4318-8	002004 006999	1
- 530	111N4318-14	..	FITTING- USED ON: 111N4318-12	002004 006999	1
- 530	111N4315-8	..	FITTING- USED ON: 111N4315-6	101106 108120 504903	1
535	111N4303-1	.	FITTING	002004 006100 103107 121503 904999	1
			ATTACHING PARTS		
540	BACB30NM8K28	.	BOLT	002004 006100 103107 121503 904999	1
545	BACB30NM8K34	.	BOLT	002004 006100 103107 121503 904999	1
550	BACB30NM8K27	.	BOLT	002004 006100 103107 121503 904999	2
555	BACB30NM8K29	.	BOLT	002004 006100 103107 121503 904999	2
563	BACW10BP8P	.	WASHER	002004 006100 103107 121503 904999	6

MISSING ITEM NUMBERS NOT APPLICABLE

- ITEM NOT ILLUSTRATED

57-27-53-01

57-27-53
FIG. 01
PAGE 17
JAN 20/09

BRI

BOEING PROPRIETARY - Copyright © - Unpublished Work - See title page for details.



757

PARTS CATALOG (MAINTENANCE)

FIG ITEM	PART NUMBER	1 2 3 4 5 6 7	NOMENCLATURE	EFFECT FROM TO	UNITS PER ASSY
1					
563	BACW10BP8CD	.	WASHER	002004 006100 103107 121503 904999	6
565	NAS1805-8N	.	NUT	002004 006100 107107 121503 904999	6
565	NAS1805-8L	.	NUT	101106 108120 504903	6
			-----*-----		
572	BACB30NM8K30	.	BOLT-(LH SIDE)	002004 006999	1
574	BACB30NM8K28	.	BOLT-(RH SIDE)	002004 006999	1
575	BACB30NM8K28	.	BOLT	002004 006100 103107 121503 904999	6
580	BACB30NM8K34	.	BOLT	002004 006100 103107 121503 904999	2
585	BACB30NM8K27	.	BOLT	002004 006100 103107 121503 904999	4
590	BACB30NM8K29	.	BOLT	002004 006100 103107 121503 904999	1
595	BACB30NM8K30	.	BOLT	002004 006100 103107 121503 904999	1
600	BACB30NM8K36	.	BOLT	002004 006100 103107 121503 904999	1

MISSING ITEM NUMBERS NOT APPLICABLE

- ITEM NOT ILLUSTRATED

57-27-53-01

57-27-53
FIG. 01
PAGE 18
JAN 20/09

BRI

BOEING PROPRIETARY - Copyright © - Unpublished Work - See title page for details.

 **BOEING**
757
PARTS CATALOG (MAINTENANCE)

FIG ITEM	PART NUMBER	1 2 3 4 5 6 7	NOMENCLATURE	EFFECT FROM TO	UNITS PER ASSY
1					
602	BACW10BP8P	.	WASHER	002004 006100 103107 121503 904999	16
610	NAS1805-8N	.	NUT	002004 006100 107107 121503 904999	16
610	NAS1805-8L	.	NUT	101106 108120 504903	16
612	111N4302-1	.	FITTING	002004 006100 103107 121503 904999	3
613	343N2040-1	.	SUPPORT-(LH SIDE)	107107	1
613	343N2040-2	.	SUPPORT-	002004 006100 121503 904999	1
622	69B12056-7	.	TUBE	002004 006999	10
623	112N4314-1	.	TUBE	002004 006999	4
625	69B12056-11	.	TUBE	002004 006999	2
630	BACS40R19C31F	.	SHIM	002004 006100 107107 121503 904999	1
630	BACS40R019C031F	.	SHIM	101106 108120 504903	1
635	BACS40R19C35F	.	SHIM	002004 006100 107107 121503 904999	10
635	BACS40R019C035F	.	SHIM	101106 108120 504903	10

MISSING ITEM NUMBERS NOT APPLICABLE

— ITEM NOT ILLUSTRATED

BRI

57-27-53-01

BOEING PROPRIETARY - Copyright © - Unpublished Work - See title page for details.

57-27-53
FIG. 01
PAGE 19
JAN 20/09



757

PARTS CATALOG (MAINTENANCE)

FIG ITEM	PART NUMBER	1 2 3 4 5 6 7	NOMENCLATURE	EFFECT FROM TO	UNITS PER ASSY
1					
640	BACS40R31C31F	.	SHIM	002004 006100 107107 121503 904999	4
640	BACS40R031C031F	.	SHIM	101106 108120 504903	4
641	BACS40R31E31F	.	SHIM	002004 006100 107107 121503 904999	4
641	BACS40R031E031F	.	SHIM	101106 108120 504903	4
645	BACS40R16C48F	.	SHIM-	002004 006100 107107 121503 904999	2
645	BACS40R016C048F	.	SHIM	101106 108120 504903	2
650	BACS40R42E80F	.	SHIM-	002004 006100 107107 121503 904999	2
650	BACS40R042E080F	.	SHIM	101106 108120 504903	2
655	BACS40R21C38F	.	SHIM	002004 006100 107107 121503 904999	2
655	BACS40R021C038F	.	SHIM	101106 108120 504903	2
657	287N4901-5	.	BRACKET- POSITION DATA: LH SIDE USED ON: 112N4301-3	002004 006010 107107 121503 904999	1

MISSING ITEM NUMBERS NOT APPLICABLE

- ITEM NOT ILLUSTRATED

BRI

57-27-53-01

57-27-53
FIG. 01
PAGE 20
JAN 20/09



757

PARTS CATALOG (MAINTENANCE)

FIG ITEM	PART NUMBER	1 2 3 4 5 6 7	NOMENCLATURE	EFFECT FROM TO	UNITS PER ASSY
1 661	287N4901-5		.BRACKET- POSITION DATA: RH SIDE USED ON: 112N4301-4	011100	2
662	287N4901-5		.BRACKET- POSITION DATA: RH SIDE USED ON: 112N4301-4	002004 006010 107107 121503 904999	4
665	343N2041-3		.BRACKET	002004 006100 103107 121503 904999	1
669	343N2009-31		.BRACKET- POSITION DATA: LH SIDE	002004 006999	1
-669A	343N2009-32		.BRACKET- POSITION DATA: RH SIDE	002004 006999	1
682	343N2009-39		.CLIP ASSY- POSITION DATA: LH SIDE	002004 006999	1
- 683	343N2009-40		.CLIP ASSY- POSITION DATA: RH SIDE	002004 006999	1
700	343N2009-35		.CLIP ASSY-(FUELS) POSITION DATA: LH SIDE	002004 006999	1
- 705	343N2009-36		.CLIP ASSY-(FUELS) POSITION DATA: RH SIDE	002004 006999	1
710	F2000-3BC		..NUTPLATE- SUPPLIER CODE: V15653 SPECIFICATION NUMBER: BACN10KB3FR OPTIONAL PART: NS103185-02BC V80539 RMF9207-3BC V72962 T8114S1032SBC V11815 VN151A2-02 V92215 BRF100A3K V52828	002004 006102 107999	2

MISSING ITEM NUMBERS NOT APPLICABLE

- ITEM NOT ILLUSTRATED

57-27-53-01

57-27-53
FIG. 01
PAGE 21
JAN 20/09

BRI

BOEING
757
PARTS CATALOG (MAINTENANCE)

FIG ITEM	PART NUMBER	1 2 3 4 5 6 7	NOMENCLATURE	EFFECT FROM TO	UNITS PER ASSY
1			ATTACHING PARTS		
- 715	BACR15BA3ADC		..RIVET- SIZE DETERMINED ON INSTL.	002004 006102 107999	4
			-----*-----		
720	343N2009-33		..CLIP- POSITION DATA: LH SIDE	002004 006999	1
- 723	343N2009-34		..CLIP- POSITION DATA: RH SIDE	002004 006999	1
760	287N4901-5		.BRACKET-(ELEC.) POSITION DATA: RH	101106 108120 504903	2
765	BACB30NM8K17		ATTACHING PARTS .BOLT	101106 108120 504903	1
770	BACB30NM8K16		.BOLT	101106 108120 504903	1
775	BACW10BP8CD		.WASHER- MISCELLANEOUS DATA: A MINIMUM OF (1) TO A MAXIMUM (3) WASHERS MAY USED UNDER NUT INSTALL CSK WASHER ADJACENT TO BOLT HEAD SO CSK MATES WITH BOLT HEAD RADIUS	101106 108120 504903	2
780	BACW10BP8DP		.WASHER- MISCELLANEOUS DATA: A MINIMUM OF (1) TO A MAXIMUM (3) WASHERS MAY USED UNDER NUT INSTALL CSK WASHER ADJACENT TO BOLT HEAD SO CSK MATES WITH BOLT HEAD RADIUS	101106 108120 504903	2
785	NAS1805-8L		.NUT	101106 108120 504903	2
			-----*-----		

MISSING ITEM NUMBERS NOT APPLICABLE

- ITEM NOT ILLUSTRATED

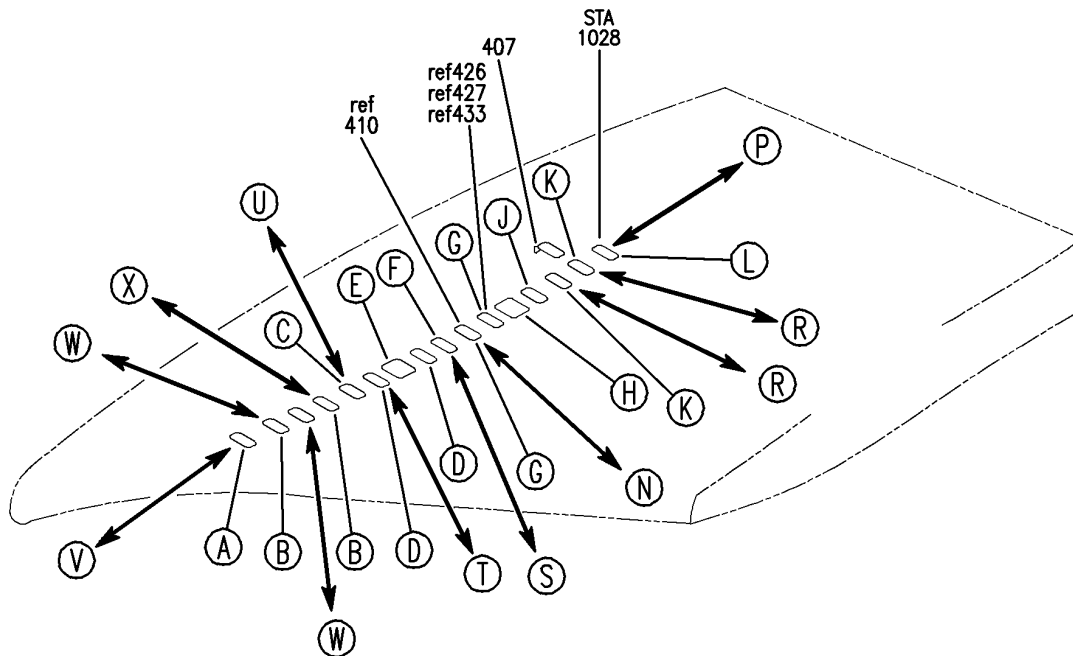
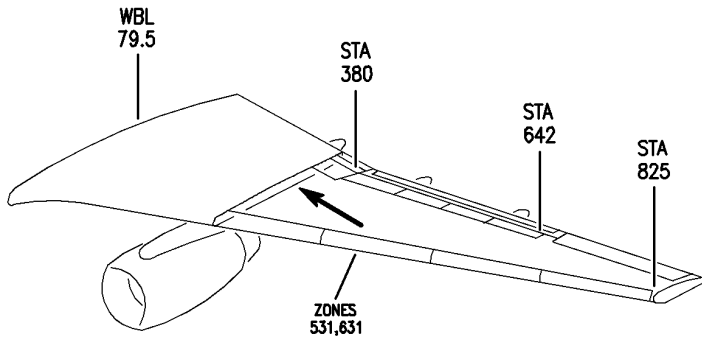
BRI

57-27-53-01

BOEING PROPRIETARY - Copyright © - Unpublished Work - See title page for details.

57-27-53
FIG. 01
PAGE 22
JAN 20/09

BOEING
757
PARTS CATALOG (MAINTENANCE)



Y 57275302 SH1 1 REV 240

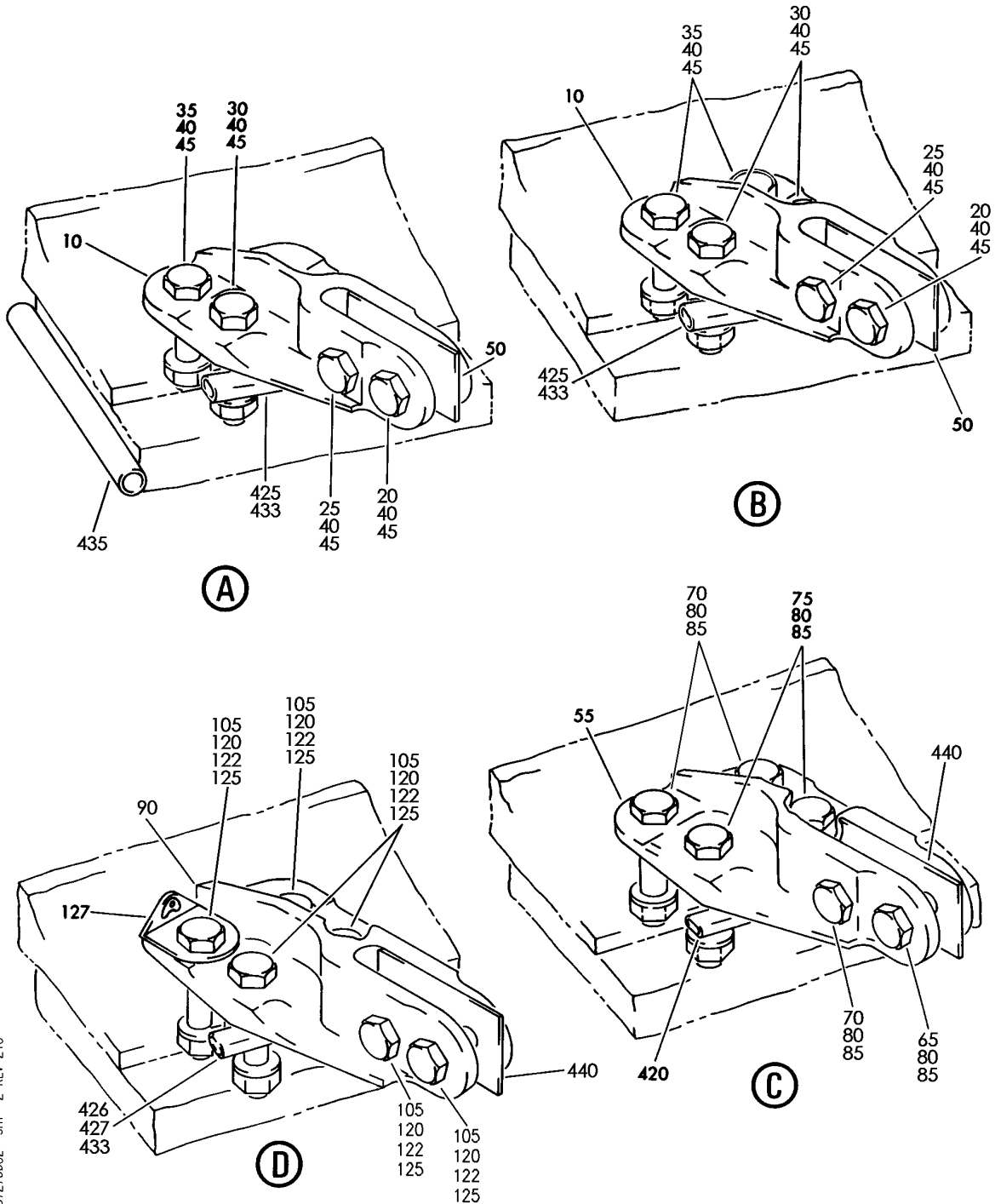
SPLICE INSTL-SECT. 12 LWR PNL BBL 70.5
FIGURE 2 (SHEET 1)

57-27-53-02

BRI
MAY 28/07

57-27-53-02
PAGE 0

BOEING
757
PARTS CATALOG (MAINTENANCE)



Y 57275302 SHT 2 REV 240

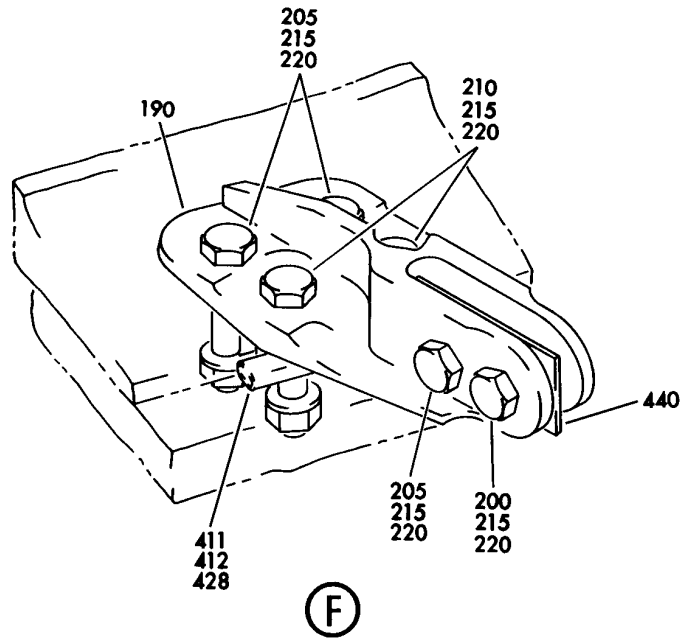
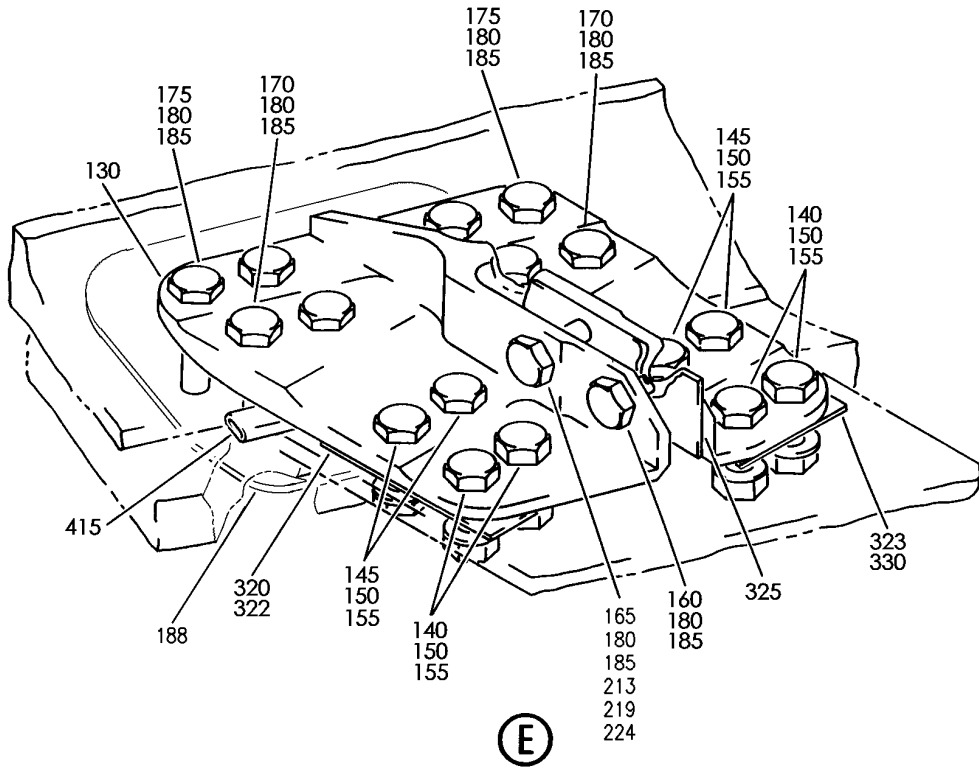
SPLICE INSTL-SECT. 12 LWR PNL BBL 70.5
FIGURE 2 (SHEET 2)

57-27-53-02

BRI
MAY 28/07

57-27-53-02
PAGE 0A

BOEING
757
PARTS CATALOG (MAINTENANCE)



Y 57275302 SHT 3 REV 240

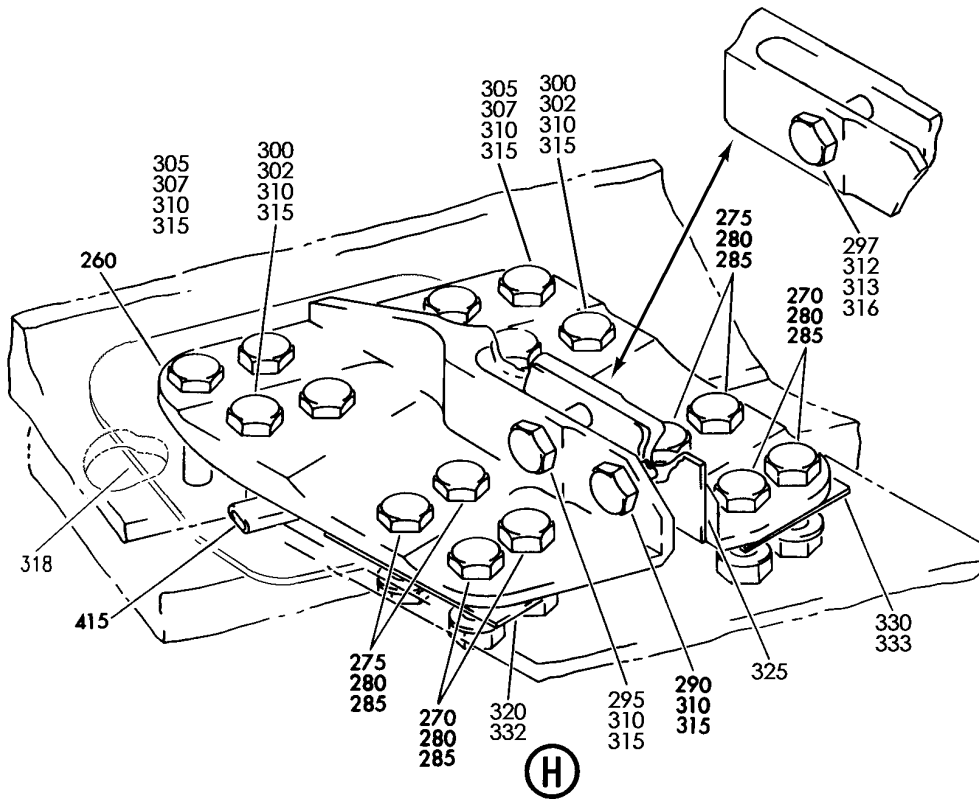
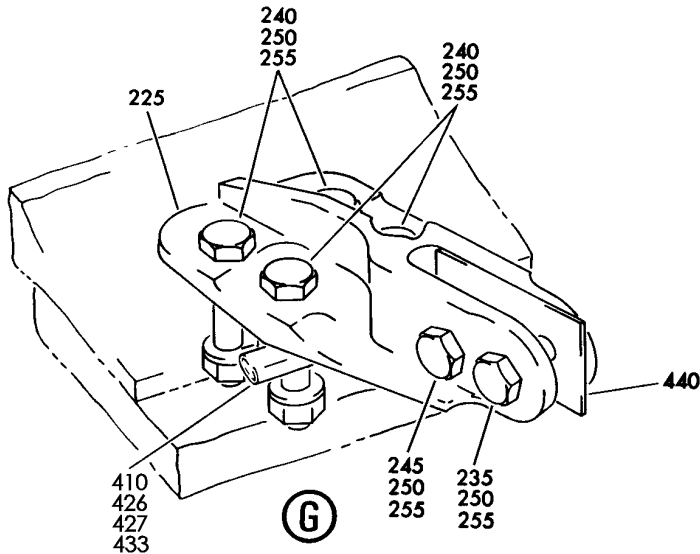
SPLICE INSTL-SECT. 12 LWR PNL BBL 70.5
FIGURE 2 (SHEET 3)

57-27-53-02

BRI
MAY 28/07

57-27-53-02
PAGE 0B

BOEING
757
PARTS CATALOG (MAINTENANCE)



Y 57275302 SH1 4 REV 240

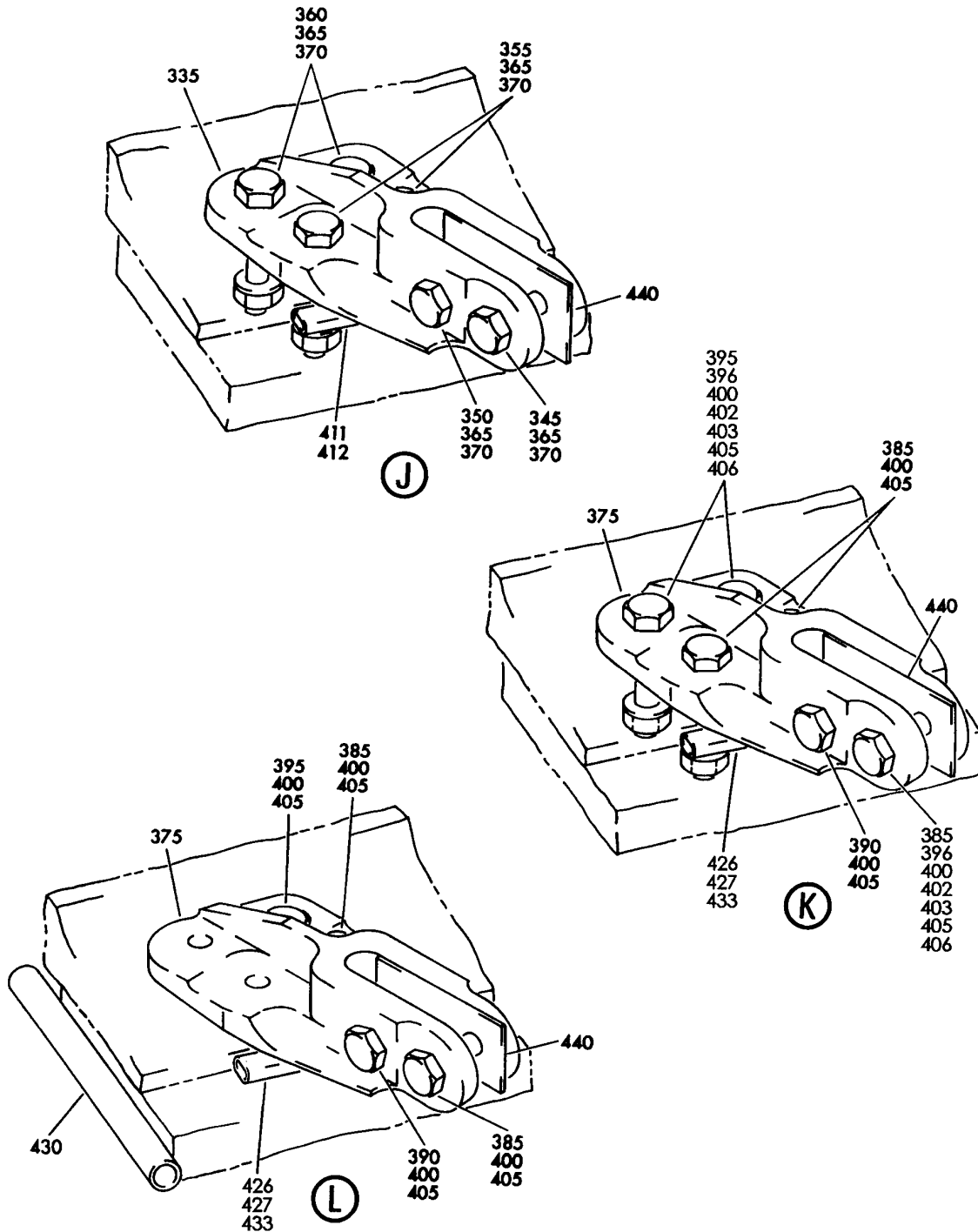
SPLICE INSTL-SECT. 12 LWR PNL BBL 70.5
FIGURE 2 (SHEET 4)

57-27-53-02

BRI
MAY 28/07

57-27-53-02
PAGE 0C

BOEING
757
PARTS CATALOG (MAINTENANCE)



Y 57275302 SH1 5 REV 211

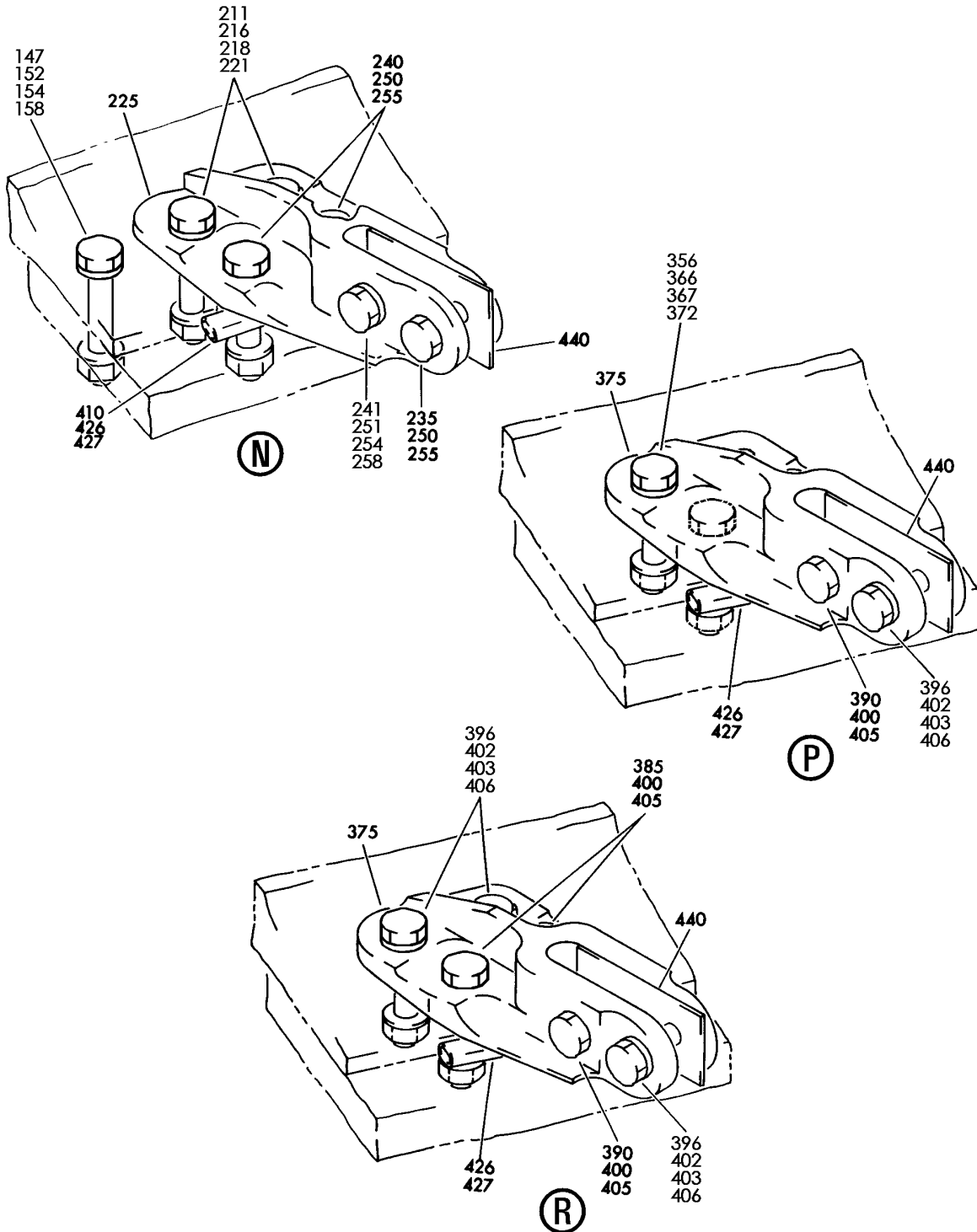
SPLICE INSTL-SECT. 12 LWR PNL BBL 70.5
FIGURE 2 (SHEET 5)

57-27-53-02

BRI
MAY 28/07

57-27-53-02
PAGE 0D

BOEING
757
PARTS CATALOG (MAINTENANCE)



Y 57275302 SHT 6 REV 240

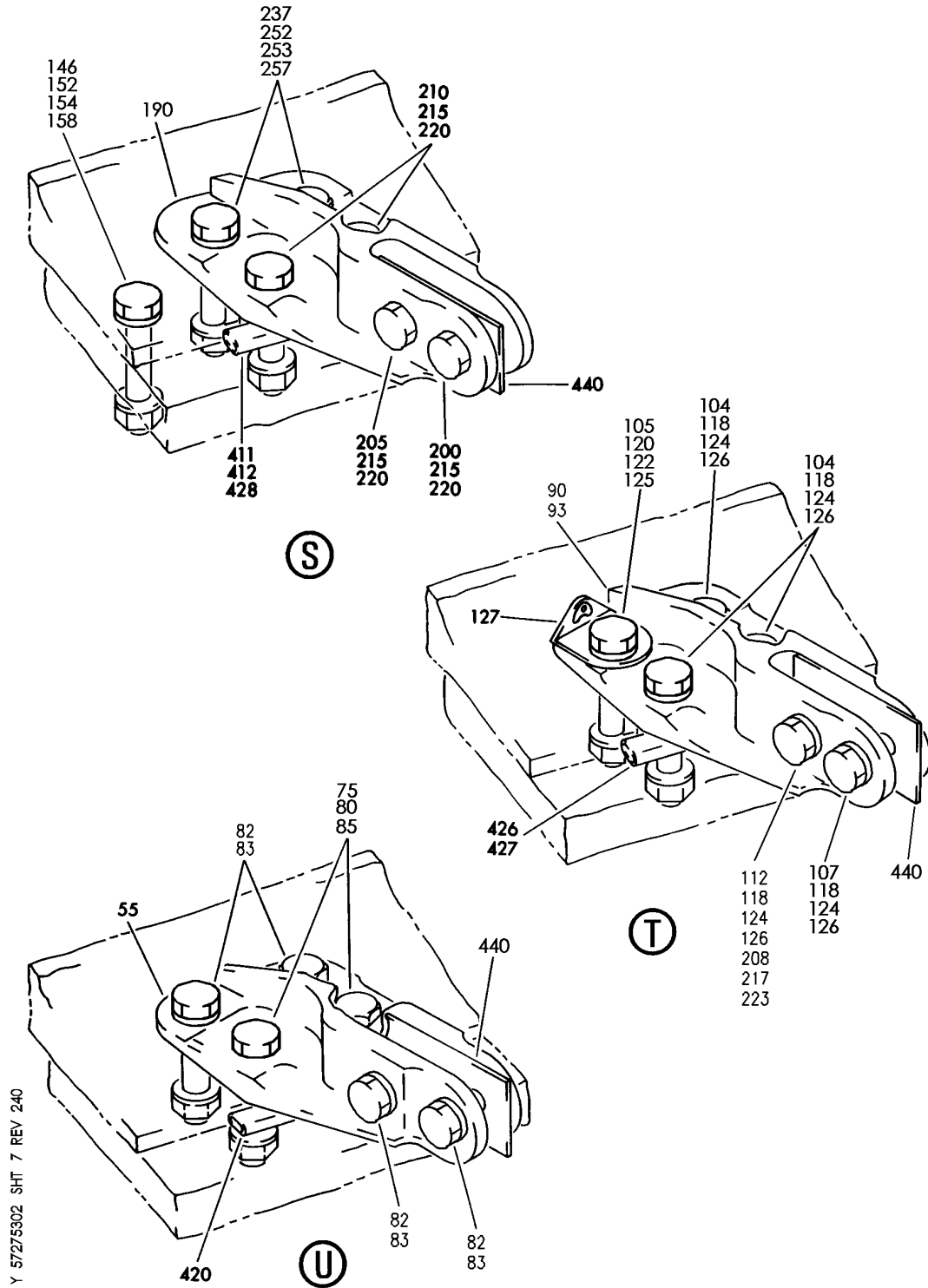
SPLICE INSTL-SECT. 12 LWR PNL BBL 70.5
FIGURE 2 (SHEET 6)

57-27-53-02

BRI
MAY 28/07

57-27-53-02
PAGE 0E

BOEING
757
PARTS CATALOG (MAINTENANCE)



Y 57275302 SHT 7 REV 240

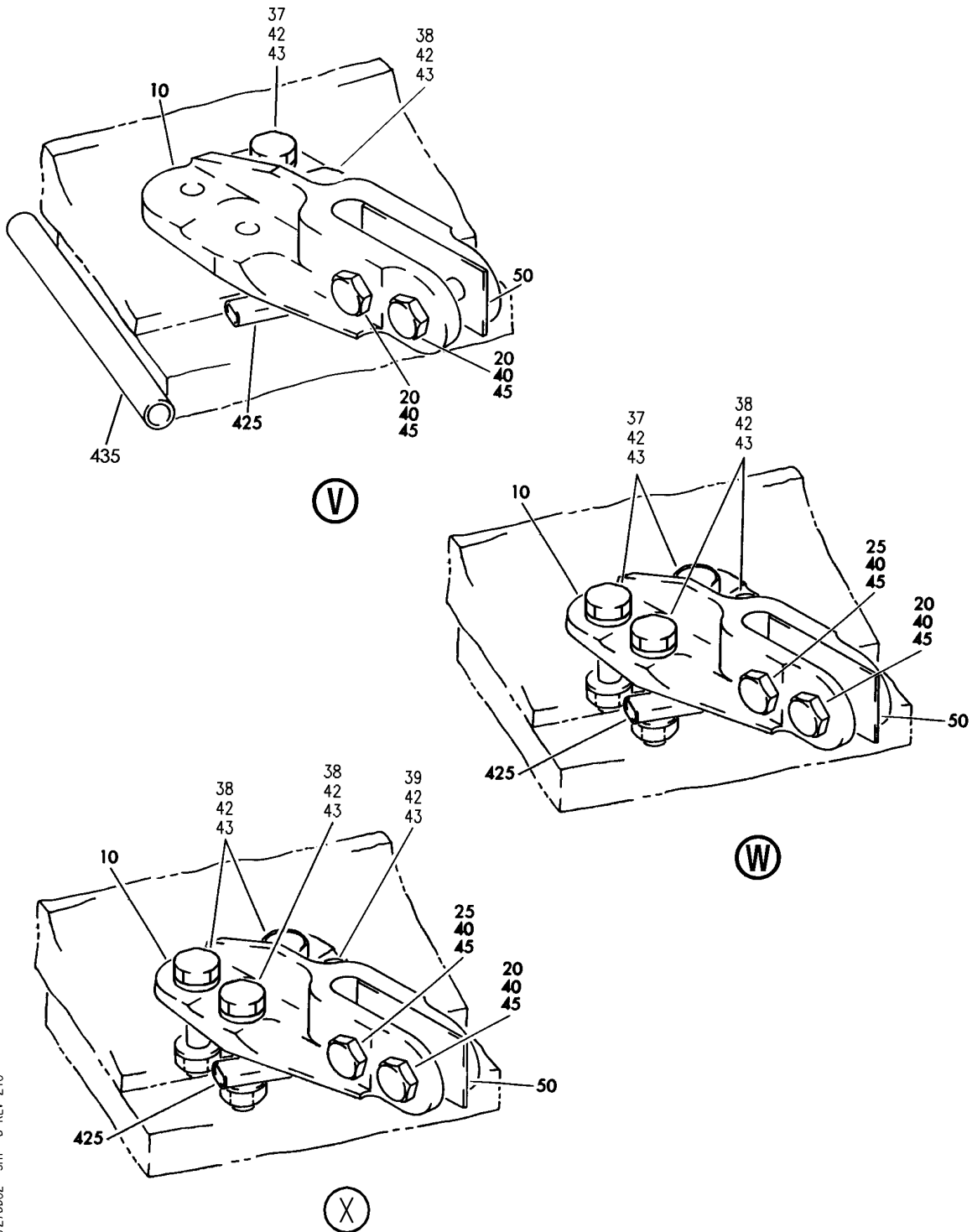
SPLICE INSTL-SECT. 12 LWR PNL BBL 70.5
FIGURE 2 (SHEET 7)

57-27-53-02

BRI
MAY 28/07

57-27-53-02
PAGE OF

BOEING
757
PARTS CATALOG (MAINTENANCE)



Y 57275302 SHT 8 REV 240

SPLICE INSTL-SECT. 12 LWR PNL BBL 70.5
FIGURE 2 (SHEET 8)

57-27-53-02

BRI
MAY 28/07

57-27-53-02
PAGE 0G



757

PARTS CATALOG (MAINTENANCE)

FIG ITEM	PART NUMBER	1 2 3 4 5 6 7	NOMENCLATURE	EFFECT FROM TO	UNITS PER ASSY
2			SPLICE INSTL-SECT. 12 LWR PNL BBL 70.5	002004 006999	
- 1	112N4301-1		SPLICE INSTL-PNL POSITION DATA: SECT. 12 LWR BBL 70.5 LH FOR NHA SEE: 57-41-01-50	002004 006100 107107 121503 904999	RF
- 1	112N4301-401		SPLICE INSTL-PNL POSITION DATA: SECT. 12 LWR BBL 70.5 LH FOR NHA SEE: 57-00-00-20	101102 504504	RF
- 1	112N4301-405		SPLICE INSTL-PNL POSITION DATA: SECT. 12 LWR BBL 70.5 LH FOR NHA SEE: 57-00-00-20	108120 505903	RF
- 1	MODREF323		SPLICE INSTL-PNL MODULE NUMBER: 112N4301-407 REV A POSITION DATA: SECT. 12 LWR BBL 70.5 LH	103103	1
- 1	MODREF26373		SPLICE INSTL-PNL MODULE NUMBER: 112N4301-407 REV B POSITION DATA: SECT. 12 LWR BBL 70.5 LH	104106	1
- 5	112N4301-2		SPLICE INSTL-PNL POSITION DATA: SECT. 12 LWR BBL 70.5 RH FOR NHA SEE: 57-41-01-50	002004 006100 107107 121503 904999	RF
- 5	112N4301-402		SPLICE INSTL-PNL POSITION DATA: SECT. 12 LWR BBL 70.5 RH FOR NHA SEE: 57-00-00-20	101102 504504	RF
- 5	112N4301-406		SPLICE INSTL-PNL POSITION DATA: SECT. 12 LWR BBL 70.5 RH FOR NHA SEE: 57-00-00-20	108120 505903	RF
- 5	MODREF324		SPLICE INSTL-PNL MODULE NUMBER: 112N4301-408 REV A POSITION DATA: SECT. 12 LWR BBL 70.5 RH	103103	1

MISSING ITEM NUMBERS NOT APPLICABLE

- ITEM NOT ILLUSTRATED

57-27-53-02

57-27-53
FIG. 02
PAGE 1
JAN 20/09

BRI



757

PARTS CATALOG (MAINTENANCE)

FIG ITEM	PART NUMBER	1 2 3 4 5 6 7	NOMENCLATURE	EFFECT FROM TO	UNITS PER ASSY
2					
- 5	MODREF26374		SPLICE INSTL-PNL MODULE NUMBER: 112N4301-408 REV B POSITION DATA: SECT. 12 LWR BBL 70.5 RH	104106	1
10	112N4313-1		.FITTING- POSITION DATA: LH SIDE	002004 006999	4
- 15	112N4313-2		.FITTING- POSITION DATA: RH SIDE ATTACHING PARTS	002004 006999	4
20	BACB30NM7K19		.BOLT-	002004 006999	4
25	BACB30NM7K23		.BOLT-	002004 006999	4
30	BACB30NM7K22		.BOLT	002004 006999	7
35	BACB30NM7K21		.BOLT-	002004 006999	7
40	BACW10BP7P		.WASHER- MISCELLANEOUS DATA: A MINIMUM OF (1) TO A MAXIMUM (3) WASHERS MAY USED UNDER NUT INSTALL CSK WASHER ADJACENT TO BOLT HEAD SO CSK MATES WITH BOLT HEAD RADIUS	002004 006999	AR
45	NAS1805-7N		.NUT	002004 006100 107107 121503 904999	22
45	NAS1805-7L		.NUT	101106 108120 504903	22
50	BACS40R16C30F		-----*----- .SHIM	002004 006100 107107 121503 904999	4
50	BACS40R016C030F		.SHIM	101106 108120 504903	4
55	112N4312-1		.FITTING- POSITION DATA: LH SIDE	002004 006999	1

MISSING ITEM NUMBERS NOT APPLICABLE

- ITEM NOT ILLUSTRATED

57-27-53-02

57-27-53
FIG. 02
PAGE 2
JAN 20/09

BRI



757

PARTS CATALOG (MAINTENANCE)

FIG ITEM	PART NUMBER	1 2 3 4 5 6 7	NOMENCLATURE	EFFECT FROM TO	UNITS PER ASSY
2					
- 60	112N4312-2		.FITTING- POSITION DATA: RH SIDE ATTACHING PARTS	002004 006999	1
65	BACB30NM8K20		.BOLT-	002004 006999	1
70	BACB30NM8K25		.BOLT	002004 006999	3
75	BACB30NM8K23		.BOLT-	002004 006999	2
80	BACW10BP8P		.WASHER- MISCELLANEOUS DATA: A MINIMUM OF (1) TO A MAXIMUM (3) WASHERS MAY USED UNDER NUT INSTALL CSK WASHER ADJACENT TO BOLT HEAD SO CSK MATES WITH BOLT HEAD RADIUS	002004 006999	6
85	NAS1805-8N		.NUT	002004 006100 107107 121503 904999	6
85	NAS1805-8L		.NUT	101106 108120 504903	6
90	112N4310-1		-----*----- .FITTING- POSITION DATA: LH SIDE	002004 006999	2
- 95	112N4310-2		.FITTING- POSITION DATA: RH SIDE ATTACHING PARTS	002004 006999	2
100	BACB30NM8K20		.BOLT-	002004 006999	2
105	BACB30NM8K23		.BOLT	002004 006999	4
110	BACB30NM8K24		.BOLT	002004 006999	4
115	BACB30NM8K25		.BOLT	002004 006999	2
120	BACW10BP8P		.WASHER	002004 006999	12
125	NAS1805-8N		.NUT	002004 006100 107107 121503 904999	12

MISSING ITEM NUMBERS NOT APPLICABLE

- ITEM NOT ILLUSTRATED

57-27-53-02

57-27-53
FIG. 02
PAGE 3
JAN 20/09

BRI

BOEING PROPRIETARY - Copyright © - Unpublished Work - See title page for details.



757

PARTS CATALOG (MAINTENANCE)

FIG ITEM	PART NUMBER	1 2 3 4 5 6 7	NOMENCLATURE	EFFECT FROM TO	UNITS PER ASSY
2					
125	NAS1805-8L	.	NUT	101106 108120 504903	12
			-----*-----		
130	112N4311-1	.	FITTING- POSITION DATA: LH SIDE	002004 006999	1
- 135	112N4311-2	.	FITTING- POSITION DATA: RH SIDE ATTACHING PARTS	002004 006999	1
140	BACB30NN7K17	.	BOLT	002004 006999	4
145	BACB30NN7K19	.	BOLT	002004 006999	4
150	BACW10BP7P	.	WASHER	002004 006999	8
155	NAS1805-7N	.	NUT	002004 006100 107107 121503 904999	8
155	NAS1805-7L	.	NUT	101106 108120 504903	8
160	BACB30NM8K20	.	BOLT	002004 006999	1
165	BACB30NM8K24	.	BOLT	002004 006999	1
170	BACB30NM8K28	.	BOLT	002004 006999	4
175	BACB30NM8K30	.	BOLT	002004 006999	4
180	BACW10BP8P	.	WASHER	002004 006999	10
185	NAS1805-8N	.	NUT	002004 006100 107107 121503 904999	10
185	NAS1805-8L	.	NUT	101106 108120 504903	10
			-----*-----		
188	112N4303-1	.	PLATE-SPLICE POSITION DATA: LH SIDE	002004 006999	1

MISSING ITEM NUMBERS NOT APPLICABLE

- ITEM NOT ILLUSTRATED

57-27-53-02

57-27-53
FIG. 02
PAGE 4
JAN 20/09

BRI

BOEING PROPRIETARY - Copyright © - Unpublished Work - See title page for details.



757

PARTS CATALOG (MAINTENANCE)

FIG ITEM	PART NUMBER	1 2 3 4 5 6 7	NOMENCLATURE	EFFECT FROM TO	UNITS PER ASSY
2					
- 189	112N4303-2		.PLATE-SPLICE POSITION DATA: RH SIDE	002004 006999	1
190	112N4309-1		.FITTING- POSITION DATA: LH SIDE	002004 006999	1
- 195	112N4309-2		.FITTING- POSITION DATA: RH SIDE ATTACHING PARTS	002004 006999	1
200	BACB30NM8K21		.BOLT	002004 006999	1
205	BACB30NM8K26		.BOLT	002004 006999	3
210	BACB30NM8K24		.BOLT	002004 006999	2
215	BACW10BP8P		.WASHER	002004 006999	6
220	NAS1805-8N		.NUT	002004 006100 107107 121503 904999	6
220	NAS1805-8L		.NUT	002004 006999	6
225	112N4308-1		-----*----- .FITTING- POSITION DATA: LH SIDE	002004 006999	2
- 230	112N4308-2		.FITTING- POSITION DATA: RH SIDE ATTACHING PARTS	002004 006999	2
235	BACB30NM8K21		.BOLT	002004 006999	2
240	BACB30NM8K24		.BOLT	002004 006999	8
245	BACB30NM8K26		.BOLT	002004 006999	2
250	BACW10BP8P		.WASHER	002004 006999	12
255	NAS1805-8N		.NUT	002004 006100 107107 121503 904999	12

MISSING ITEM NUMBERS NOT APPLICABLE

- ITEM NOT ILLUSTRATED

57-27-53-02

57-27-53
FIG. 02
PAGE 5
JAN 20/09

BRI

 **BOEING**
757
PARTS CATALOG (MAINTENANCE)

FIG ITEM	PART NUMBER	1 2 3 4 5 6 7	NOMENCLATURE	EFFECT FROM TO	UNITS PER ASSY
2					
255	NAS1805-8L	.	NUT	101106 108120 504903	12
			-----*-----		
260	112N4307-1	.	FITTING- POSITION DATA: LH SIDE	002004 006999	1
- 265	112N4307-2	.	FITTING- POSITION DATA: RH SIDE ATTACHING PARTS	002004 006999	1
270	BACB30NN7K19	.	BOLT	002004 006999	4
275	BACB30NN7K21	.	BOLT-	002004 006999	4
280	BACW10BP7P	.	WASHER	002004 006999	8
285	NAS1805-7N	.	NUT	002004 006100 107107 121503 904999	8
285	NAS1805-7L	.	NUT	101106 108120 504903	8
290	BACB30NM8K21	.	BOLT	002004 006999	1
295	BACB30NM8K25	.	BOLT	002004 006999	1
300	BACB30NM8K32	.	BOLT	002004 006999	4
305	BACB30NM8K36	.	BOLT	002004 006999	4
310	BACW10BP8P	.	WASHER	002004 006999	10
315	NAS1805-8N	.	NUT	002004 006100 107107 121503 904999	10
315	NAS1805-8L	.	NUT	101106 108120 504903	10
			-----*-----		
318	112N4303-5	.	PLATE-SPLICE POSITION DATA: LH SIDE	002004 006999	1

MISSING ITEM NUMBERS NOT APPLICABLE

- ITEM NOT ILLUSTRATED

BRI

57-27-53-02

57-27-53
FIG. 02
PAGE 6
JAN 20/09

BOEING PROPRIETARY - Copyright © - Unpublished Work - See title page for details.



757

PARTS CATALOG (MAINTENANCE)

FIG ITEM	PART NUMBER	1 2 3 4 5 6 7	NOMENCLATURE	EFFECT FROM TO	UNITS PER ASSY
2					
- 319	112N4303-6		.PLATE-SPLICE POSITION DATA: RH SIDE	002004 006999	1
320	BACS40R31C38F		.SHIM- OPTIONAL PART: BACS40R31E38F	002004 006100 107107 121503 904999	2
320	BACS40R31E38F		.SHIM- OPTIONAL PART: BACS40R31C38F	002004 006100 107107 121503 904999	2
320	BACS40R031C038F		.SHIM	101106 108120 504903	2
325	BACS40R20C45F		.SHIM	002004 006100 107107 121503 904999	2
325	BACS40R020C045F		.SHIM	101106 108120 504903	2
330	BACS40R31C36F		.SHIM- OPTIONAL PART: BACS40R31E36F	002004 006100 107107 121503 904999	2
330	BACS40R31E36F		.SHIM- OPTIONAL PART: BACS40R31C36F	002004 006100 107107 121503 904999	2
330	BACS40R031C036F		.SHIM	101106 108120 504903	2
335	112N4306-1		.FITTING- POSITION DATA: LH SIDE	002004 006999	1
- 340	112N4306-2		.FITTING- POSITION DATA: RH SIDE ATTACHING PARTS	002004 006999	1
345	BACB30NM8K28		.BOLT	002004 006999	1
350	BACB30NM8K34		.BOLT	002004 006999	1

MISSING ITEM NUMBERS NOT APPLICABLE

- ITEM NOT ILLUSTRATED

57-27-53-02

57-27-53
FIG. 02
PAGE 7
JAN 20/09

BRI

BOEING PROPRIETARY - Copyright © - Unpublished Work - See title page for details.



757

PARTS CATALOG (MAINTENANCE)

FIG ITEM	PART NUMBER	1 2 3 4 5 6 7	NOMENCLATURE	EFFECT FROM TO	UNITS PER ASSY
2					
355	BACB30NM8K27	.BOLT		002004 006999	2
360	BACB30NM8K29	.BOLT		002004 006999	2
365	BACW10BP8P	.WASHER		002004 006999	6
370	NAS1805-8N	.NUT		002004 006100 107107 121503 904999	6
370	NAS1805-8L	.NUT		101106 108120 504903	6
			-----*-----		
375	112N4305-1	.FITTING-	POSITION DATA: LH SIDE	002004 006999	3
- 380	112N4305-2	.FITTING-	POSITION DATA: RH SIDE ATTACHING PARTS	002004 006999	3
385	BACB30NM8K28	.BOLT		002004 006999	8
390	BACB30NM8K34	.BOLT		002004 006999	3
395	BACB30NM8K27	.BOLT		002004 006999	5
400	BACW10BP8P	.WASHER		002004 006999	16
405	NAS1805-8N	.NUT		002004 006100 107107 121503 904999	16
405	NAS1805-8L	.NUT		101106 108120 504903	16
			-----*-----		
410	112N4314-1	.TUBE-DRAIN		002004 006999	1
411	112N4314-1	.TUBE-DRAIN	POSITION DATA: LH SIDE QUALIFIED OPTIONAL DATA: (69B12056-10 (QTY 1) OPT TO 112N4314-1 (QTY 1) AND 69B12056-7 (QTY 1))	002004 006999	2

MISSING ITEM NUMBERS NOT APPLICABLE

- ITEM NOT ILLUSTRATED

57-27-53-02

57-27-53
FIG. 02
PAGE 8
JAN 20/09

BRI



757

PARTS CATALOG (MAINTENANCE)

FIG ITEM	PART NUMBER	1 2 3 4 5 6 7	NOMENCLATURE	EFFECT FROM TO	UNITS PER ASSY
2					
411	69B12056-10	.	TUBE-DRAIN POSITION DATA: LH SIDE QUALIFIED OPTIONAL DATA: (69B12056-10 (QTY 1) OPT TO 112N4314-1 (QTY 1) AND 69B12056-7 (QTY 1))	002004 006999	2
411	69B12056-7	.	TUBE-DRAIN POSITION DATA: LH SIDE QUALIFIED OPTIONAL DATA: (69B12056-10 (QTY 1) OPT TO 112N4314-1 (QTY 1) AND 69B12056-7 (QTY 1))	002004 006999	2
412	112N4314-1	.	TUBE-DRAIN POSITION DATA: RH SIDE QUALIFIED OPTIONAL DATA: (69B12056-10 (QTY 1) OPT TO 112N4314-1 (QTY 1) AND 69B12056-7 (QTY 1))	002004 006999	2
412	69B12056-10	.	TUBE-DRAIN POSITION DATA: RH SIDE QUALIFIED OPTIONAL DATA: (69B12056-10 (QTY 1) OPT TO 112N4314-1 (QTY 1) AND 69B12056-7 (QTY 1))	002004 006999	2
412	69B12056-7	.	TUBE-DRAIN POSITION DATA: RH SIDE QUALIFIED OPTIONAL DATA: (69B12056-10 (QTY 1) OPT TO 112N4314-1 (QTY 1) AND 69B12056-7 (QTY 1))	002004 006999	2
415	112N4314-2	.	TUBE-DRAIN	002004 006999	2
420	69B12056-10	.	TUBE-DRAIN	002004 006999	1
425	69B12056-7	.	TUBE-DRAIN	002004 006102 107107 121504 904999	4
426	69B12056-7	.	TUBE-DRAIN POSITION DATA: LH SIDE OPTIONAL PART: 112N4314-1	002004 006102 107107 121504 904999	6

MISSING ITEM NUMBERS NOT APPLICABLE

- ITEM NOT ILLUSTRATED

57-27-53-02

57-27-53
FIG. 02
PAGE 9
JAN 20/09

BRI

BOEING PROPRIETARY - Copyright © - Unpublished Work - See title page for details.



757

PARTS CATALOG (MAINTENANCE)

FIG ITEM	PART NUMBER	1 2 3 4 5 6 7	NOMENCLATURE	EFFECT FROM TO	UNITS PER ASSY
2					
426	112N4314-1	.	TUBE-DRAIN POSITION DATA: LH SIDE OPTIONAL PART: 69B12056-7	002004 006102 107107 121504 904999	6
427	69B12056-7	.	TUBE-DRAIN POSITION DATA: RH SIDE OPTIONAL PART: 112N4314-1	002004 006102 107107 121504 904999	6
427	112N4314-1	.	TUBE-DRAIN POSITION DATA: RH SIDE OPTIONAL PART: 69B12056-7	002004 006102 107107 121504 904999	6
428	69B12056-7	.	TUBE-DRAIN OPTIONAL PART: 69B12056-10	002004 006999	1
428	69B12056-10	.	TUBE-DRAIN OPTIONAL PART: 69B12056-7	002004 006999	1
430	112N4304-1	.	TUBE-DRAIN POSITION DATA: AFT	002004 006100 121503 904999	1
433	69B12056-7	.	TUBE-DRAIN	108120 505903	10
435	112N4304-3	.	TUBE-DRAIN POSITION DATA: FWD	002004 006100 121503 904999	1
440	BACS40R019C035F	.	SHIM	002004 006100 107107 121503 904999	10

MISSING ITEM NUMBERS NOT APPLICABLE

- ITEM NOT ILLUSTRATED

BRI

57-27-53-02

BOEING PROPRIETARY - Copyright © - Unpublished Work - See title page for details.

57-27-53
FIG. 02
PAGE 10
JAN 20/09

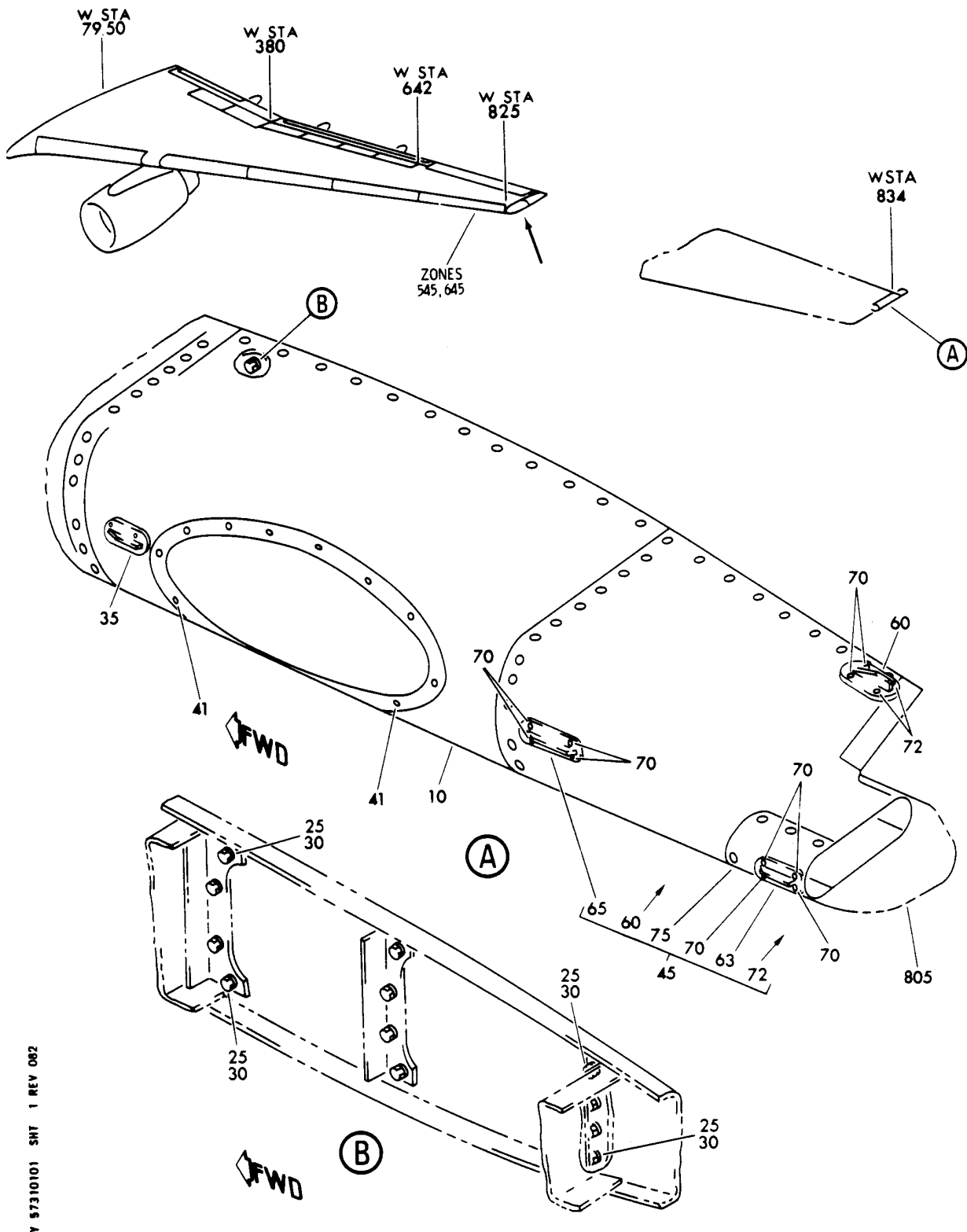
 **BOEING**
757
PARTS CATALOG (MAINTENANCE)

WINGTIP

BRI
MAY 28/07

57-31-00
SECTION TITLE
PAGE 1

BOEING
757
PARTS CATALOG (MAINTENANCE)



Y 57310101 SH1 1 REV 082

TIP ASSY AND INSTL-WING
FIGURE 1

57-31-01-01

BRI
MAY 28/07

57-31-01-01
PAGE 0



757

PARTS CATALOG (MAINTENANCE)

FIG ITEM	PART NUMBER	1 2 3 4 5 6 7	NOMENCLATURE	EFFECT FROM TO	UNITS PER ASSY
1			TIP ASSY AND INSTL-WING	002004 006102 106999 107107	
- 1	119N0001-1		TIP INSTL-WING POSITION DATA: LH FOR NHA SEE: 57-00-00-01		RF
- 1	119N0001-7		TIP INSTL-WING POSITION DATA: LH FOR NHA SEE: 57-00-00-01 57-00-00-15	002004 006101 121503 904999	RF
- 1	119N0001-15		TIP ASSY-WING POSITION DATA: LH FOR NHA SEE: 57-00-00-15B	102102 106106 108120 504903	RF
- 5	119N0001-2		TIP INSTL-WING POSITION DATA: RH FOR NHA SEE: 57-00-00-01	107107	RF
- 5	119N0001-8		TIP INSTL-WING POSITION DATA: RH FOR NHA SEE: 57-00-00-01 57-00-00-15	002004 006101 121503 904999	RF
- 5	119N0001-16		TIP ASSY-WING POSITION DATA: RH FOR NHA SEE: 57-00-00-15B	102102 106106 108120 504903	RF
10	119N0002-5SP		.MID ASSY-WING TIP POSITION DATA: LH SIDE QUALIFIED I/W DATA: -5SP I/W -3 SUBJECT TO COLOR PREFERENCE	002004 006102 106106 108999	1
10	119N0002-3		.MID ASSY-WING TIP POSITION DATA: LH SIDE QUALIFIED I/W DATA: -5SP I/W -3 SUBJECT TO COLOR PREFERENCE	107107	1

MISSING ITEM NUMBERS NOT APPLICABLE

- ITEM NOT ILLUSTRATED

BRI

57-31-01-01

BOEING PROPRIETARY - Copyright © - Unpublished Work - See title page for details.

57-31-01
FIG. 01
PAGE 1
JAN 20/09

BOEING
757
PARTS CATALOG (MAINTENANCE)

FIG ITEM	PART NUMBER	1 2 3 4 5 6 7	NOMENCLATURE	EFFECT FROM TO	UNITS PER ASSY
1					
- 15	119N0002-6SP		.MID ASSY-WING TIP POSITION DATA: RH SIDE QUALIFIED I/W DATA: -6SP I/W -4 SUBJECT TO COLOR PREFERENCE	002004 006102 106106 108999	1
- 15	119N0002-4		.MID ASSY-WING TIP POSITION DATA: RH SIDE QUALIFIED I/W DATA: -6SP I/W -4 SUBJECT TO COLOR PREFERENCE	107107	1
25	BACB30NM3K5		.BOLT-	002004 006102 106999	12
30	BACW10BP3CD		.WASHER-	002004 006102 106999	12
35	611R6A		-----*----- ..RETAINER-STATIC DISCHARGER SUPPLIER CODE: V55635 OPTIONAL PART: 81-2155-2 V99321 72-641-2 V63563	002004 006102 106999	1
35	81-2155-2		..BASE-STATIC DISCHARGER SUPPLIER CODE: V99321 OPTIONAL PART: 611R6A V55635	002004 006102 106999	1
35	72-461-2		..BASE-STATIC DISCHARGER SUPPLIER CODE: V63563 OPTIONAL PART: 611R6A V55635	002004 006102 106999	1
35	611-1006		..RETAINER-STATIC DISCHARGER SUPPLIER CODE: V55635	002004 006102 106999	1
35	16288		..RETAINER-STATIC DISCHARGER SUPPLIER CODE: V55635	002004 006102 106999	1

MISSING ITEM NUMBERS NOT APPLICABLE

- ITEM NOT ILLUSTRATED

BRI

57-31-01-01

BOEING PROPRIETARY - Copyright © - Unpublished Work - See title page for details.

57-31-01
FIG. 01
PAGE 2
JAN 20/09

 **BOEING**
757
PARTS CATALOG (MAINTENANCE)

FIG ITEM	PART NUMBER	1 2 3 4 5 6 7	NOMENCLATURE	EFFECT FROM TO	UNITS PER ASSY
1			ATTACHING PARTS		
- 40	BACR15BA4AD		..RIVET- SIZE DETERMINED ON INSTL.	002004 006102 106999	4
			-----*-----		
41	BRFR220C3-2D		..NUTPLATE-PLATE SUPPLIER CODE: V52828 SPECIFICATION NUMBER: BACN10KE3B2CD OPTIONAL PART: F51747-3-2CD V15653 102A9213-2-3 V72962 NS202493-02-2 V80539	002004 006102 106999	16
			ATTACHING PARTS		
- 42	BACR15BA3AD		..RIVET- SIZE DETERMINED ON INSTL.	002004 006102 106999	32
			-----*-----		
45	119N0003-11SP		.AFT ASSY-WING TIP POSITION DATA: LH SIDE QUALIFIED I/W DATA: -11SP I/W -9 SUBJECT TO COLOR PREFERENCE	002004 006102 106106 108999	1
45	119N0003-9		.AFT ASSY-WING TIP POSITION DATA: LH SIDE QUALIFIED I/W DATA: -11SP I/W -9 SUBJECT TO COLOR PREFERENCE	107107	1
- 50	119N0003-12SP		.AFT ASSY-WING TIP POSITION DATA: RH SIDE QUALIFIED I/W DATA: -12SP I/W -10 SUBJECT TO COLOR PREFERENCE	002004 006102 106106 108999	1
- 50	119N0003-10		.AFT ASSY-WING TIP POSITION DATA: RH SIDE QUALIFIED I/W DATA: -12SP I/W -10 SUBJECT TO COLOR PREFERENCE	107107	1

MISSING ITEM NUMBERS NOT APPLICABLE

- ITEM NOT ILLUSTRATED

BRI

57-31-01-01

BOEING PROPRIETARY - Copyright © - Unpublished Work - See title page for details.

57-31-01
FIG. 01
PAGE 3
JAN 20/09



757

PARTS CATALOG (MAINTENANCE)

FIG ITEM	PART NUMBER	1 2 3 4 5 6 7	NOMENCLATURE	EFFECT FROM TO	UNITS PER ASSY
1			ATTACHING PARTS		
- 55	BACB30NN3K4		.BOLT-	002004 006102 106999	60
60	610R9A		-----*----- ..RETAINER-STATIC DISCHARGER SUPPLIER CODE: V55635 MISCELLANEOUS DATA: 610R9A IS THE VENDOR'S MODEL NUMBER, NOT THE PART NUMBER. THE CORRECT PART NUMBER IS 16335 PER DAYTON-GRANGER, INC. AN ELR WILL BE WRITTEN TO CORRECT ANY DRAWINGS THAT CALL OUT 610R9A. OPTIONAL PART: 72-457 V99321	002004 006102 106999	1
60	72-457		..BASE-STATIC DISCHARGER SUPPLIER CODE: V99321 OPTIONAL PART: 610R9A V55635	002004 006102 106999	1
63	610R2A		..RETAINER-STATIC DISCHARGER SUPPLIER CODE: V55635 OPTIONAL PART: DH2321 V99321	002004 006102 106999	1
63	DH2321		..BASE-STATIC DISCHARGER SUPPLIER CODE: V99321 OPTIONAL PART: 610R2A V55635	002004 006102 106999	1
65	611R10A		..RETAINER-STATIC DISCHARGER SUPPLIER CODE: V55635 OPTIONAL PART: 81-2155-6 V99321 72-461-6 V63563	002004 006102 106999	1

MISSING ITEM NUMBERS NOT APPLICABLE

- ITEM NOT ILLUSTRATED

57-31-01-01

57-31-01
FIG. 01
PAGE 4
JAN 20/09

BRI



757

PARTS CATALOG (MAINTENANCE)

FIG ITEM	PART NUMBER	1 2 3 4 5 6 7	NOMENCLATURE	EFFECT FROM TO	UNITS PER ASSY
1					
65	81-2155-6		..BASE-STATIC DISCHARGER SUPPLIER CODE: V99321 OPTIONAL PART: 611R10A V55635	002004 006102 106999	1
65	72-461-6		..BASE-STATIC DISCHARGER SUPPLIER CODE: V63563 OPTIONAL PART: 611R10A V55635	002004 006102 106999	1
70	BACR15BA4AD		ATTACHING PARTS ..RIVET- SIZE DETERMINED ON INSTL.	002004 006102 106999	10
72	BACR15CE4D		..RIVET- SIZE DETERMINED ON INSTL.	002004 006102 106999	2
75	119N0003-5		-----*----- ..DOOR-ACCESS POSITION DATA: LH SIDE	002004 006102 106999	1
- 80	119N0003-6		..DOOR-ACCESS POSITION DATA: RH SIDE ATTACHING PARTS	002004 006102 106999	1
- 85	BACB30NN3K4		..BOLT	002004 006102 106999	3
805			-----*----- ILLUSTRATION REFERENCE: DISCHARGER INSTL-WING, VERT. AND HORIZ. STAB. STATIC 23-61-01-01	002004 006102 106999	RF

MISSING ITEM NUMBERS NOT APPLICABLE

- ITEM NOT ILLUSTRATED

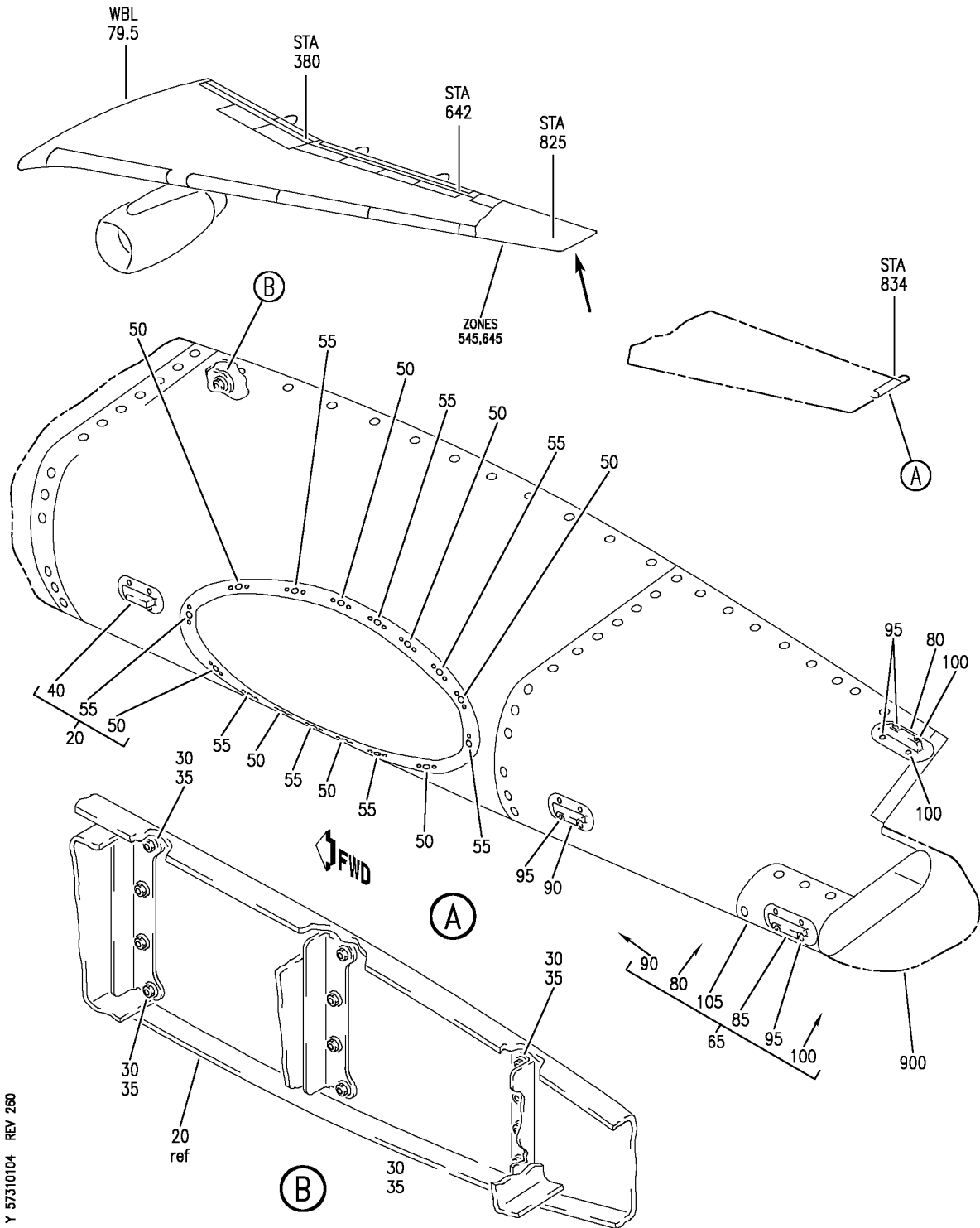
BRI

57-31-01-01

BOEING PROPRIETARY - Copyright © - Unpublished Work - See title page for details.

57-31-01
FIG. 01
PAGE 5
JAN 20/09

BOEING
757
PARTS CATALOG (MAINTENANCE)



Y 57310104 REV 260

TIP INSTL-WING
FIGURE 4

57-31-01-04

BRI
JAN 20/09

57-31-01-04
PAGE 0



757

PARTS CATALOG (MAINTENANCE)

FIG ITEM	PART NUMBER	1 2 3 4 5 6 7	NOMENCLATURE	EFFECT FROM TO	UNITS PER ASSY
4			TIP INSTL-WING	103106	
- 1	MODREF626		TIP INSTL-WING MODULE NUMBER: 119N0001-9 REV A POSITION DATA: LH	103103	1
- 1	MODREF26721		TIP INSTL-WING MODULE NUMBER: 119N0001-9 REV B POSITION DATA: LH	104106	1
- 5	MODREF623		TIP INSTL-WING MODULE NUMBER: 119N0001-10 REV A POSITION DATA: RH	103103	1
- 5	MODREF30029		TIP INSTL-WING MODULE NUMBER: 119N0001-10 REV B POSITION DATA: RH	104106	1
- 10	119N0001-15		.TIP ASSY-WING POSITION DATA: LH	103106	1
- 15	119N0001-16		.TIP ASSY-WING POSITION DATA: RH	103106	1
20	119N0002-5SP		..MID ASSY-WING TIP POSITION DATA: LH SIDE QUALIFIED I/W DATA: -5SP I/W -3 SUBJECT TO COLOR PREFERENCE.	103106	1
20	119N0002-3		..MID ASSY-WING TIP POSITION DATA: LH SIDE QUALIFIED I/W DATA: -5SP I/W -3 SUBJECT TO COLOR PREFERENCE.	103106	1
- 25	119N0002-6SP		..MID ASSY-WING TIP POSITION DATA: RH SIDE QUALIFIED I/W DATA: -5SP I/W -3 SUBJECT TO COLOR PREFERENCE.	103106	1

MISSING ITEM NUMBERS NOT APPLICABLE

- ITEM NOT ILLUSTRATED

57-31-01-04

57-31-01
FIG. 04
PAGE 1
JAN 20/09

BRI

BOEING
757
PARTS CATALOG (MAINTENANCE)

FIG ITEM	PART NUMBER	1 2 3 4 5 6 7	NOMENCLATURE	EFFECT FROM TO	UNITS PER ASSY
4 - 25	119N0002-4		..MID ASSY-WING TIP POSITION DATA: RH SIDE QUALIFIED I/W DATA: -6SP I/W -4 SUBJECT TO COLOR PREFERNCE. ATTACHING PARTS	103106	1
30	BACB30NM3K5		..BOLT	103106	12
35	BACW10BP3CD		..WASHER	103106	12
			-----*-----		
40	611R6A		...RETAINER-STATIC DISCHARGER SUPPLIER CODE: V55635 OPTIONAL PART: 81-2155-2 V99321 72-461-2 V63563	103106	1
40	81-2155-2		...BASE-STATIC DISCHARGER SUPPLIER CODE: V99321 OPTIONAL PART: 611R6A V55635 72-461-2 V63563	103106	1
40	72-461-2		...BASE-STATIC DISCHARGER SUPPLIER CODE: V63563 OPTIONAL PART: 611R6A V55635 81-2155-2 V99321	103106	1
40	611-1006		...RETAINER-STATIC DISCHARGER SUPPLIER CODE: V55635	103106	1
40	16288		...RETAINER-STATIC DISCHARGER SUPPLIER CODE: V55635	103106	1
- 45	BACR15BA4AD		ATTACHING PARTS ...RIVET- SIZE DETERMINED ON INSTL. -----*-----	103106	4

MISSING ITEM NUMBERS NOT APPLICABLE

- ITEM NOT ILLUSTRATED

BRI

57-31-01-04

BOEING PROPRIETARY - Copyright © - Unpublished Work - See title page for details.

57-31-01
FIG. 04
PAGE 2
JAN 20/09



757

PARTS CATALOG (MAINTENANCE)

FIG ITEM	PART NUMBER	1 2 3 4 5 6 7	NOMENCLATURE	EFFECT FROM TO	UNITS PER ASSY
4 50	BRFR220C3-2D	...	NUTPLATE-PLATE SUPPLIER CODE: V52828 SPECIFICATION NUMBER: BACN10KE3B2CD OPTIONAL PART: F51747-3-2CD V15653 102A9213-2-3 V72962 NS202493-02-2 V80539	103106	8
55	BRFR220C3-5D	...	NUTPLATE-PLATE SUPPLIER CODE: V52828 SPECIFICATION NUMBER: BACN10KE3B5CD OPTIONAL PART: F51747-3-5CD V15653 102A9213-5-3 V72962 NS202493-02-5 V80539	103106	8
- 60	BACR15BA3AD	...	RIVET- SIZE DETERMINED ON INSTL. -----*-----	103106	32
65	119N0003-11SP	..	AFT ASSY-WING TIP POSITION DATA: LH SIDE QUALIFIED I/W DATA: -11SP I/W -9 SUBJECT TO COLOR PREFERENCE.	103106	1
65	119N0003-9	..	AFT ASSY-WING TIP POSITION DATA: LH SIDE QUALIFIED I/W DATA: -11SP I/W -9 SUBJECT TO COLOR PREFERENCE.	103106	1
- 70	119N0003-12SP	..	AFT ASSY-WING TIP POSITION DATA: RH SIDE QUALIFIED I/W DATA: -12SP I/W -10SP SUBJECT TO COLOR PREFERENCE.	103106	1

MISSING ITEM NUMBERS NOT APPLICABLE

- ITEM NOT ILLUSTRATED

57-31-01-04

57-31-01
FIG. 04
PAGE 3
JAN 20/09

BRI



757

PARTS CATALOG (MAINTENANCE)

FIG ITEM	PART NUMBER	1 2 3 4 5 6 7	NOMENCLATURE	EFFECT FROM TO	UNITS PER ASSY
4					
- 70	119N0003-10		..AFT ASSY-WING TIP POSITION DATA: RH SIDE QUALIFIED I/W DATA: -12SP I/W -10 SUBJECT TO COLOR PREFERENCE. ATTACHING PARTS	103106	1
- 75	BACB30NN3K4		..BOLT -----*-----	103106	60
80	610R9A		...RETAINER-STATIC DISCHARGER SUPPLIER CODE: V55635 MISCELLANEOUS DATA: 610R9A IS THE VENDOR'S MODEL NUMBER, NOT THE PART NUMBER. THE CORRECT PART NUMBER IS 16335 PER DAYTON-GRANGER, INC. AN ELR WILL BE WRITTEN TO CORRECT ANY DRAWINGS THAT CALL OUT 610R9A. OPTIONAL PART: 72-457 V99321	103106	1
80	72-457		...BASE-STATIC DISCHARGER SUPPLIER CODE: V99321 OPTIONAL PART: 610R9A V55635	103106	1
85	610R2A		...RETAINER-STATIC DISCHARGER SUPPLIER CODE: V55635 MISCELLANEOUS DATA: 610R2A IS THE VENDOR'S MODEL NUMBER, NOT THE PART NUMBER. THE CORRECT PART NUMBER IS 16900 PER DAYTON-GRANGER, INC. AN ELR WILL BE WRITTEN TO CORRECT ANY DRAWINGS THAT CALL OUT 610R2A. OPTIONAL PART: DH2321 V99321	103106	1

MISSING ITEM NUMBERS NOT APPLICABLE

- ITEM NOT ILLUSTRATED

57-31-01-04

57-31-01
FIG. 04
PAGE 4
JAN 20/09

BRI

 **BOEING**
757
PARTS CATALOG (MAINTENANCE)

FIG ITEM	PART NUMBER	1 2 3 4 5 6 7	NOMENCLATURE	EFFECT FROM TO	UNITS PER ASSY
4					
85	DH2321		...BASE-STATIC DISCHARGER SUPPLIER CODE: V99321 OPTIONAL PART: 610R2A V55635	103106	1
90	611R10A		...RETAINER-STATIC DISCHARGER SUPPLIER CODE: V55635 MISCELLANEOUS DATA: 611R10A IS THE VENDOR'S MODEL NUMBER, NOT THE PART NUMBER. THE CORRECT PART NUMBER IS 16292 PER DAYTON-GRANGER, INC. AN ELR WILL BE WRITTEN TO CORRECT ANY DRAWINGS THAT CALL OUT 611R10A. OPTIONAL PART: 81-2155-6 V99321 72-461-6 V63563	103106	1
90	81-2155-6		...BASE-STATIC DISCHARGER SUPPLIER CODE: V99321 OPTIONAL PART: 611R10A V55635 72-461-6 V63563	103106	1
90	72-461-6		...BASE-STATIC DISCHARGER SUPPLIER CODE: V63563 OPTIONAL PART: 611R10A V55635 81-2155-6 V99321	103106	1
95	BACR15BA4AD		ATTACHING PARTS ...RIVET-	103106	10
100	BACR15CE4D		SIZE DETERMINED ON INSTL. ...RIVET-	103106	2
			SIZE DETERMINED ON INSTL. -----*-----		
105	119N0003-5		...DOOR-ACCESS POSITION DATA: LH SIDE	103106	1

MISSING ITEM NUMBERS NOT APPLICABLE

— ITEM NOT ILLUSTRATED

BRI

57-31-01-04

BOEING PROPRIETARY - Copyright © - Unpublished Work - See title page for details.

57-31-01
FIG. 04
PAGE 5
JAN 20/09



757

PARTS CATALOG (MAINTENANCE)

FIG ITEM	PART NUMBER	1 2 3 4 5 6 7	NOMENCLATURE	EFFECT FROM TO	UNITS PER ASSY
4					
- 110	119N0003-6		... DOOR-ACCESS POSITION DATA: RH SIDE ATTACHING PARTS	103106	1
- 115	BACB30NN3K4		... BOLT -----*-----	103106	3
900			ILLUSTRATION REFERENCE: DISCHARGER INSTL-WING, VERT. AND HORIZ. STAB. STATIC 23-61-01-01	103106	RF

MISSING ITEM NUMBERS NOT APPLICABLE

- ITEM NOT ILLUSTRATED

BRI

57-31-01-04

BOEING PROPRIETARY - Copyright © - Unpublished Work - See title page for details.

57-31-01
FIG. 04
PAGE 6
JAN 20/09

LEADING EDGE AND LEADING EDGE DEVICES

BRI
MAY 28/07

57-40-00
SECTION TITLE
PAGE 1

 **BOEING**
757
PARTS CATALOG (MAINTENANCE)

NON-ILLUSTRATED FIGURE

THE ITEMS REFLECTED IN THIS FIGURE ARE INTENTIONALLY
NON-ILLUSTRATED. THEY ARE REFERENCED TO EITHER A
NEXT HIGHER OR NEXT LOWER ASSEMBLY/INSTALLATION FIGURE.

LEADING EDGE INSTL-WING INBD FXD
FIGURE 1

57-40-00-01

BRI
MAY 28/07

57-40-00-01
PAGE 0



757

PARTS CATALOG (MAINTENANCE)

FIG ITEM	PART NUMBER	1 2 3 4 5 6 7	NOMENCLATURE	EFFECT FROM TO	UNITS PER ASSY
1			LEADING EDGE INSTL-WING INBD FXD	002004 006100 107107 121503 904999	
- 1	114N1001-1		LEADING EDGE INSTL-WING FXD POSITION DATA: INBD LH FOR NHA SEE: 57-20-52-01	002004 006100 107107 121503 904999	RF
- 5	114N1001-2		LEADING EDGE INSTL-WING FXD POSITION DATA: INBD RH FOR NHA SEE: 57-20-52-01	002004 006100 107107 121503 904999	RF
- 10	114N1101-1		.RIB INSTL-MAIN TRACK SPRT POSITION DATA: ISS 134.0 LH SIDE FOR DETAILS SEE: 57-41-51-25	002004 006100 107107 121503 904999	1
- 15	114N1101-2		.RIB INSTL-MAIN TRACK SPRT POSITION DATA: ISS 134.0 RH SIDE FOR DETAILS SEE: 57-41-51-25	002004 006100 107107 121503 904999	1
- 20	114N1104-1		.RIB INSTL-MAIN TRACK SPRT POSITION DATA: ISS 191.0 LH SIDE FOR DETAILS SEE: 57-41-51-30	002004 006100 107107 121503 904999	1
- 25	114N1104-2		.RIB INSTL-MAIN TRACK SPRT POSITION DATA: ISS 191.0 RH SIDE FOR DETAILS SEE: 57-41-51-30	002004 006100 107107 121503 904999	1
- 30	114N1107-1		.RIB INSTL-MAIN TRACK SPRT POSITION DATA: ISS 247.0 LH SIDE FOR DETAILS SEE: 57-41-51-35	002004 006100 107107 121503 904999	1
- 35	114N1107-2		.RIB INSTL-MAIN TRACK SPRT POSITION DATA: ISS 247.0 RH SIDE FOR DETAILS SEE: 57-41-51-35	002004 006100 107107 121503 904999	1

MISSING ITEM NUMBERS NOT APPLICABLE

- ITEM NOT ILLUSTRATED

57-40-00-01

57-40-00
FIG. 01
PAGE 1
JAN 20/09

BRI



757

PARTS CATALOG (MAINTENANCE)

FIG ITEM	PART NUMBER	1 2 3 4 5 6 7	NOMENCLATURE	EFFECT FROM TO	UNITS PER ASSY
1					
- 40	114N1301-1		.RIB INSTL-END POSITION DATA: ISS 104.22 LH SIDE FOR DETAILS SEE: 57-41-51-03	002004 006100 107107 121503 904999	1
- 45	114N1301-2		.RIB INSTL-END POSITION DATA: ISS 104.22 RH SIDE FOR DETAILS SEE: 57-41-51-03	002004 006100 107107 121503 904999	1
- 50	114N1303-1		.RIB INSTL-SEAL POSITION DATA: ISS 106.0 LH SIDE FOR DETAILS SEE: 57-41-51-50	002004 006100 107107 121503 904999	1
- 55	114N1303-2		.RIB INSTL-SEAL POSITION DATA: ISS 106.0 RH SIDE FOR DETAILS SEE: 57-41-51-50	002004 006100 107107 121503 904999	1
- 60	114N1401-1		.TRACK INSTL-AUX POSITION DATA: ISS 147.0 LH SIDE FOR DETAILS SEE: 27-81-11-05	002004 107107 121503 904949 952952	1
- 65	114N1401-5		.TRACK INSTL-AUX POSITION DATA: ISS 147.0 LH SIDE FOR DETAILS SEE: 27-81-11-05	006100 950951 953999	1
- 70	114N1401-2		.TRACK INSTL-AUX POSITION DATA: ISS 147.0 RH SIDE FOR DETAILS SEE: 27-81-11-05	002004 107107 121503 904949 952952	1
- 75	114N1401-6		.TRACK INSTL-AUX POSITION DATA: ISS 147.0 RH SIDE FOR DETAILS SEE: 27-81-11-05	006100 950951 953999	1
- 80	114N1406-1		.TRACK INSTL-AUX POSITION DATA: ISS 234.0 LH SIDE FOR DETAILS SEE: 27-81-11-10	002004 107107 121503 904949 952952	1

MISSING ITEM NUMBERS NOT APPLICABLE

- ITEM NOT ILLUSTRATED

57-40-00-01

57-40-00
FIG. 01
PAGE 2
JAN 20/09

BRI



757

PARTS CATALOG (MAINTENANCE)

FIG ITEM	PART NUMBER	1 2 3 4 5 6 7	NOMENCLATURE	EFFECT FROM TO	UNITS PER ASSY
1					
- 85	114N1406-5		.TRACK INSTL-AUX POSITION DATA: ISS 234.0 LH SIDE FOR DETAILS SEE: 27-81-11-10	006100 950951 953999	1
- 90	114N1406-2		.TRACK INSTL-AUX POSITION DATA: ISS 234.0 RH SIDE FOR DETAILS SEE: 27-81-11-10	002004 107107 121503 904949 952952	1
- 95	114N1406-6		.TRACK INSTL-AUX POSITION DATA: ISS 234.0 RH SIDE FOR DETAILS SEE: 27-81-11-10	006100 950951 953999	1
- 115	114N1501-31		.PANEL INSTL-SKIN POSITION DATA: LOWER LH SIDE FOR DETAILS SEE: 57-41-01-02	002004 006100 107107 121503 904999	1
- 135	114N1501-32		.PANEL INSTL-SKIN POSITION DATA: LOWER RH SIDE FOR DETAILS SEE: 57-41-01-02	002004 006100 107107 121503 904999	1
- 145	114N1701-29		.STRAKELET INSTL- POSITION DATA: LH SIDE FOR DETAILS SEE: 57-41-02-01	002004 006100 107107 121503 904999	1
- 155	114N1701-30		.STRAKELET INSTL- POSITION DATA: RH SIDE FOR DETAILS SEE: 57-41-02-01	002004 006100 107107 121503 904999	1
- 160	114N1801-1		.COVER INSTL-GAP POSITION DATA: LH SIDE FOR DETAILS SEE: 57-41-53-01	002004 006100 107107 121503 904999	1
- 165	114N1801-2		.COVER INSTL-GAP POSITION DATA: RH SIDE FOR DETAILS SEE: 57-41-53-01	002004 006100 107107 121503 904999	1

MISSING ITEM NUMBERS NOT APPLICABLE

- ITEM NOT ILLUSTRATED

57-40-00-01

57-40-00
FIG. 01
PAGE 3
JAN 20/09

BRI

BOEING PROPRIETARY - Copyright © - Unpublished Work - See title page for details.



757

PARTS CATALOG (MAINTENANCE)

FIG ITEM	PART NUMBER	1 2 3 4 5 6 7	NOMENCLATURE	EFFECT FROM TO	UNITS PER ASSY
1					
- 170	114N1201-1		.RIB INSTL-FIXED LE AIRLOAD POSITION DATA: ISS 119.00 INBD LH SIDE FOR DETAILS SEE: 57-41-51-23	002004 006100 107107 121503 904999	1
- 175	114N1201-2		.RIB INSTL-FIXED LE AIRLOAD POSITION DATA: ISS 119.00 INBD RH SIDE FOR DETAILS SEE: 57-41-51-23	002004 006100 107107 121503 904999	1
- 180	114N1203-1		.RIB INSTL-FIXED LE AIRLOAD POSITION DATA: ISS 169.00 LH FOR DETAILS SEE: 57-41-51-25A	002004 006100 107107 121503 904999	1
- 185	114N1203-2		.RIB INSTL-FIXED LE AIRLOAD POSITION DATA: ISS 169.00 RH FOR DETAILS SEE: 57-41-51-25A	002004 006100 107107 121503 904999	1
- 190	114N1205-3		.RIB INSTL-FIXED LE AIRLOAD POSITION DATA: ISS 213.30 LH FOR DETAILS SEE: 57-41-51-25B	002004 006100 107107 121503 904999	1
- 195	114N1205-4		.RIB INSTL-FIXED LE AIRLOAD POSITION DATA: ISS 213.30 RH FOR DETAILS SEE: 57-41-51-25B	002004 006100 107107 121503 904999	1
- 200	114N1207-1		.RIB INSTL-AIRLOAD WING FXD LE POSITION DATA: ISS 264.00 LH FOR DETAILS SEE: 57-41-51-27	002004 006100 107107 121503 904999	1
- 205	114N1207-2		.RIB INSTL-AIRLOAD WING FXD LE POSITION DATA: ISS 264.00 RH FOR DETAILS SEE: 57-41-51-27	002004 006100 107107 121503 904999	1
- 210	114N1211-1		.RIB INSTL-FXD LE AIRLOAD POSITION DATA: ISS 150.52 LH FOR DETAILS SEE: 57-41-51-27A	002004 006100 107107 121503 904999	1

MISSING ITEM NUMBERS NOT APPLICABLE

- ITEM NOT ILLUSTRATED

57-40-00-01

57-40-00
FIG. 01
PAGE 4
JAN 20/09

BRI



757

PARTS CATALOG (MAINTENANCE)

FIG ITEM	PART NUMBER	1 2 3 4 5 6 7	NOMENCLATURE	EFFECT FROM TO	UNITS PER ASSY
1					
- 215	114N1211-2		.RIB INSTL-FXD LE AIRLOAD POSITION DATA: ISS 150.52 RH FOR DETAILS SEE: 57-41-51-27A	002004 006100 107107 121503 904999	1
- 220	114N1213-1		.RIB INSTL-FXD LE AIRLOAD POSITION DATA: ISS 230.48 LH FOR DETAILS SEE: 57-41-51-27B	002004 006100 107107 121503 904999	1
- 225	114N1213-2		.RIB INSTL-FXD LE AIRLOAD POSITION DATA: ISS 230.48 RH FOR DETAILS SEE: 57-41-51-27B	002004 006100 107107 121503 904999	1

MISSING ITEM NUMBERS NOT APPLICABLE

- ITEM NOT ILLUSTRATED

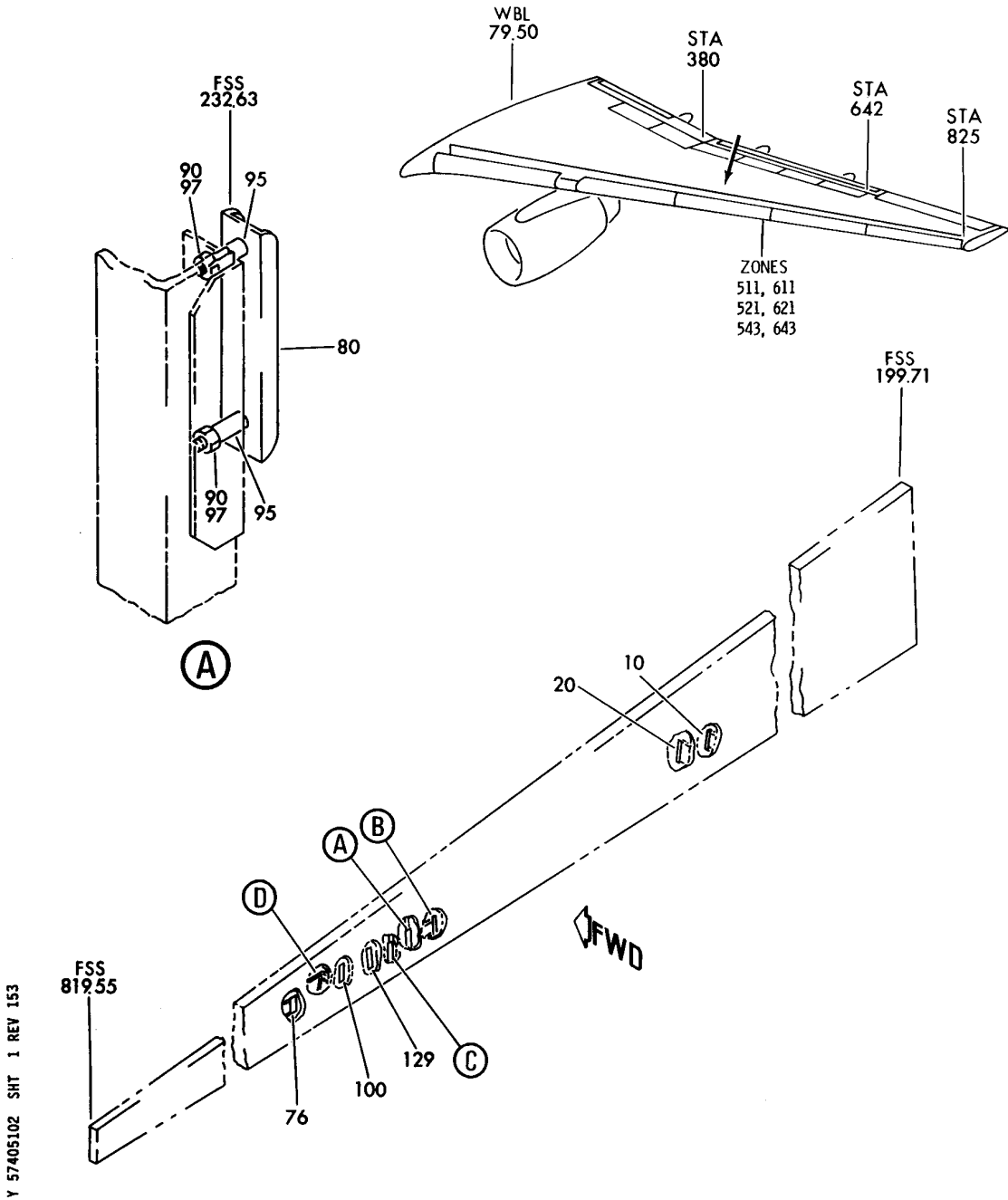
BRI

57-40-00-01

BOEING PROPRIETARY - Copyright © - Unpublished Work - See title page for details.

57-40-00
FIG. 01
PAGE 5
JAN 20/09

BOEING
757
PARTS CATALOG (MAINTENANCE)



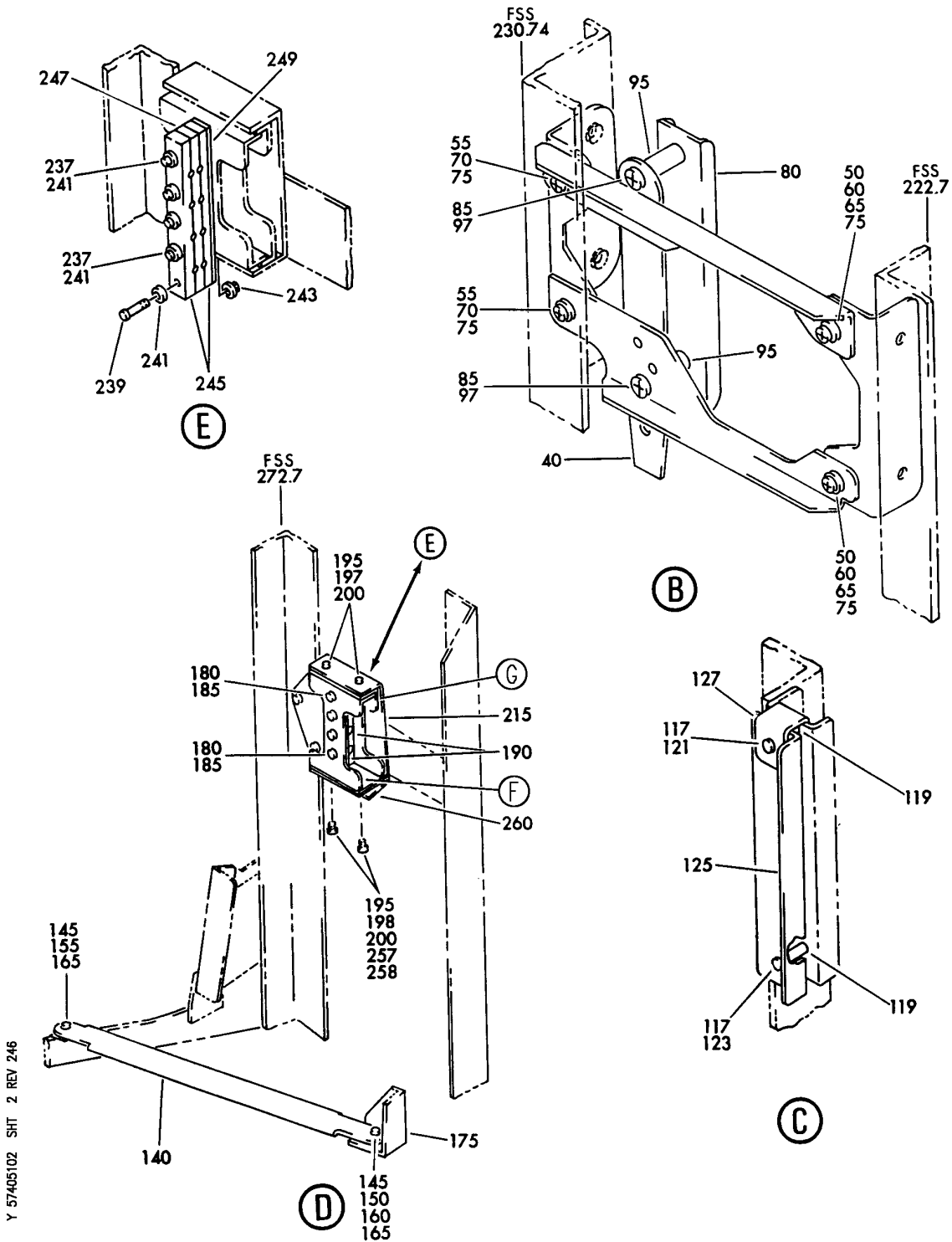
PROVISION INSTL-INBD/OUTBD FRONT SPAR WIRE
FIGURE 2 (SHEET 1)

57-40-51-02

BRI
MAY 28/07

57-40-51-02
PAGE 0

BOEING
757
PARTS CATALOG (MAINTENANCE)



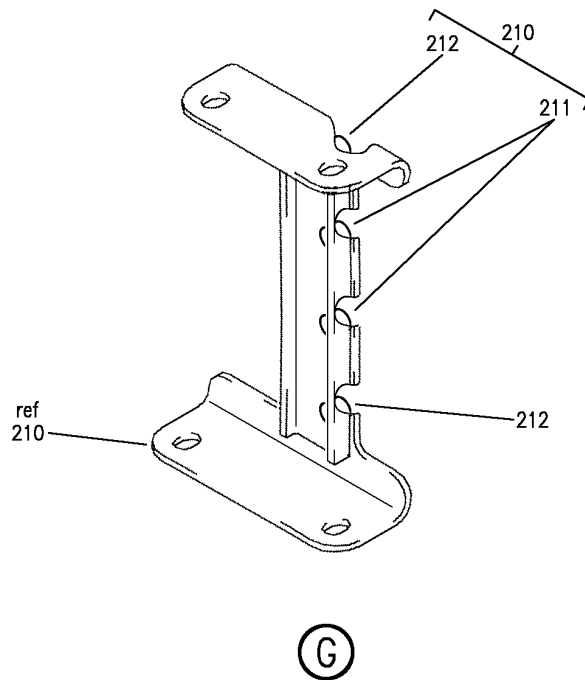
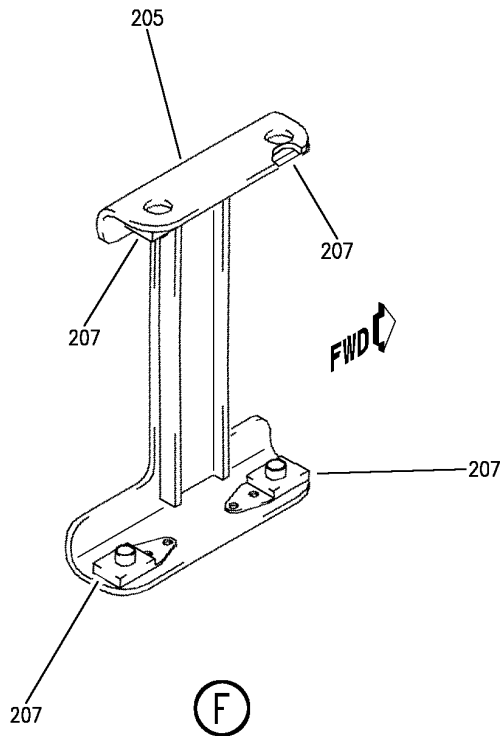
PROVISION INSTL-INBD/OUTBD FRONT SPAR WIRE
FIGURE 2 (SHEET 2)

57-40-51-02

BRI
MAY 28/07

57-40-51-02
PAGE 0A

BOEING
757
PARTS CATALOG (MAINTENANCE)



Y 57405102 SHT 3 REV 246

PROVISION INSTL-INBD/OUTBD FRONT SPAR WIRE
FIGURE 2 (SHEET 3)

57-40-51-02

BRI
MAY 28/07

57-40-51-02
PAGE 0B



757

PARTS CATALOG (MAINTENANCE)

FIG ITEM	PART NUMBER	1 2 3 4 5 6 7	NOMENCLATURE	EFFECT FROM TO	UNITS PER ASSY
2			PROVISION INSTL-INBD/OUTBD FRONT SPAR WIRE	002004 006102 107999	
- 1	287N1422-1		PROVISION INSTL-SPAR WIRE POSITION DATA: INBD/OUTBD FRONT LH FOR NHA SEE: 57-21-51-01	107107	RF
- 1	287N1422-11		PROVISION INSTL-SPAR WIRE POSITION DATA: INBD/OUTBD FRONT LH FOR NHA SEE: 57-21-51-01	002004 006100 121503 904999	RF
- 5	287N1422-2		PROVISION INSTL-SPAR WIRE POSITION DATA: INBD/OUTBD FRONT RH FOR NHA SEE: 57-21-51-01	107107	RF
- 5	287N1422-12		PROVISION INSTL-SPAR WIRE POSITION DATA: INBD/OUTBD FRONT RH FOR NHA SEE: 57-21-51-01	002004 006100 121503 904999	RF
10	287N1401-448		.BRACKET- POSITION DATA: LH SIDE	002004 006100 107107 121503 904999	1
- 15	287N1401-75		.BRACKET- POSITION DATA: RH SIDE	002004 006100 107107 121503 904999	1
20	287N1401-75		.BRACKET- POSITION DATA: LH SIDE	002004 006100 107107 121503 904999	1
- 25	NAS623-3-2		ATTACHING PARTS .SCREW	002004 006100 107107 121503 904999	4
- 30	AN960PD10L		.WASHER	002004 006100 107107 121503 904999	8

MISSING ITEM NUMBERS NOT APPLICABLE

- ITEM NOT ILLUSTRATED

57-40-51-02

57-40-51
FIG. 02
PAGE 1
JAN 20/09

BRI

 **BOEING**
757
PARTS CATALOG (MAINTENANCE)

FIG ITEM	PART NUMBER	1 2 3 4 5 6 7	NOMENCLATURE	EFFECT FROM TO	UNITS PER ASSY
2					
- 30	NAS1149D0332J	.	WASHER	002004 006100 107107 121503 904999	8
- 35	BRH10A3	.	NUT SUPPLIER CODE: V52828 SPECIFICATION NUMBER: BACN10JC3 OPTIONAL PART: H10-3BAC V15653 NS202101-02 V80539 RMLH9075-3W V72962 VN303A02 V92215 96-02 V80539 T6S1032J V11815 -----*-----	002004 006100 107107 121503 904999	4
40	287N1422-5	.	BRACKET ASSY- POSITION DATA: LH SIDE	002004 006100 107107 121503 904999	1
- 45	287N1422-6	.	BRACKET ASSY- POSITION DATA: RH SIDE	002004 006100 107107 121503 904999	1
50	NAS623-3-3	.	ATTACHING PARTS SCREW	002004 006100 107107 121503 904999	2
55	NAS623-3-2	.	SCREW	002004 006100 107107 121503 904999	2

MISSING ITEM NUMBERS NOT APPLICABLE

- ITEM NOT ILLUSTRATED

BRI

57-40-51-02

BOEING PROPRIETARY - Copyright © - Unpublished Work - See title page for details.

57-40-51
FIG. 02
PAGE 2
JAN 20/09



757

PARTS CATALOG (MAINTENANCE)

FIG ITEM	PART NUMBER	1 2 3 4 5 6 7	NOMENCLATURE	EFFECT FROM TO	UNITS PER ASSY
2	60 NAS43DD3-5	.	SPACER	002004 006100 107107 121503 904999	2
	65 BACW10P43AL	.	WASHER	002004 006100 107107 121503 904999	2
	70 AN960PD10L	.	WASHER	002004 006100 107107 121503 904999	2
	75 BRH10A3	.	NUT SUPPLIER CODE: V52828 SPECIFICATION NUMBER: BACN10JC3 OPTIONAL PART: H10-3BAC V15653 NS202101-02 V80539 RMLH9075-3W V72962 VN303A02 V92215 96-02 V80539 T6S1032J V11815 -----*-----	002004 006100 107107 121503 904999	4
	76 287N1401-734	.	BRACKET	002004 006100 121503 904999	1
-	77 NAS1801-3-8	.	ATTACHING PARTS SCREW	002004 006100 121503 904999	2
-	78 NAS43DD3-32	.	SPACER	002004 006100 121503 904999	2

MISSING ITEM NUMBERS NOT APPLICABLE

- ITEM NOT ILLUSTRATED

57-40-51-02

57-40-51
FIG. 02
PAGE 3
JAN 20/09

BRI



757

PARTS CATALOG (MAINTENANCE)

FIG ITEM	PART NUMBER	1 2 3 4 5 6 7	NOMENCLATURE	EFFECT FROM TO	UNITS PER ASSY
2 - 79	BRC500-8-3	.NUT	SUPPLIER CODE: V52828 SPECIFICATION NUMBER: BACN10FX21 OPTIONAL PART: F49322-3-21 V15653 SL240-3-1 V97393 130061 V60119 A11330-8-3 V72962 -----*-----	002004 006100 121503 904999	2
80	287N1401-467	.BRACKET		002004 006100 107107 121503 904999	2
85	NAS1801-3-24	.SCREW	ATTACHING PARTS	002004 006100 107107 121503 904999	2
90	NAS1801-3-20	.SCREW		002004 006100 107107 121503 904999	2
95	NAS43DD3-52	.SPACER		002004 006100 107107 121503 904999	4

MISSING ITEM NUMBERS NOT APPLICABLE

- ITEM NOT ILLUSTRATED

57-40-51-02

57-40-51
FIG. 02
PAGE 4
JAN 20/09

BRI



757

PARTS CATALOG (MAINTENANCE)

FIG ITEM	PART NUMBER	1 2 3 4 5 6 7	NOMENCLATURE	EFFECT FROM TO	UNITS PER ASSY
2 97	BRH10A3		.NUT SUPPLIER CODE: V52828 SPECIFICATION NUMBER: BACN10JC3 OPTIONAL PART: H10-3BAC V15653 NS202101-02 V80539 RMLH9075-3W V72962 VN303A02 V92215 96-02 V80539 T6S1032J V11815 -----*-----	002004 006100 107107 121503 904999	4
100	287N1401-460		.BRACKET- ATTACHING PARTS	107107	1
- 105	NAS1801-3-18		.SCREW-	107107	2
- 110	NAS43DD3-52		.SPACER-	107107	2
- 115	BRC500-8-3		.NUT- SUPPLIER CODE: V52828 SPECIFICATION NUMBER: BACN10FX21 OPTIONAL PART: F49322-3-21 V15653 SL240-3-1 V97393 130061 V60119 A11330-8-3 V72962 -----*-----	107107	2
117	NAS1801-3-18		.SCREW	002004 006100 121503 904999	2
119	NAS43DD3-32		.SPACER	002004 006100 121503 904999	2

MISSING ITEM NUMBERS NOT APPLICABLE

- ITEM NOT ILLUSTRATED

57-40-51-02

57-40-51
FIG. 02
PAGE 5
JAN 20/09

BRI



757

PARTS CATALOG (MAINTENANCE)

FIG ITEM	PART NUMBER	1 2 3 4 5 6 7	NOMENCLATURE	EFFECT FROM TO	UNITS PER ASSY
2					
121	MS21042L3	.	NUT-	002004 006100 121503 904999	1
123	BRC500-8-3	.	NUT SUPPLIER CODE: V52828 SPECIFICATION NUMBER: BACN10FX21 OPTIONAL PART: F49322-3-21 V15653 SL240-3-1 V97393 130061 V60119 A11330-8-3 V72962	002004 006100 121503 904999	1
125	287N1401-733	.	BRACKET	002004 006100 121503 904999	1
127	287N1401-739	.	CHANNEL	002004 006100 121503 904999	1
129	287N1401-464	.	BRACKET	002004 006100 107107 121503 904999	1
- 131	NAS1801-3-20	.	ATTACHING PARTS SCREW	002004 006100 107107 121503 904999	2
- 133	NAS43DD3-56	.	SPACER	002004 006100 107107 121503 904999	2

MISSING ITEM NUMBERS NOT APPLICABLE

- ITEM NOT ILLUSTRATED

57-40-51-02

57-40-51
FIG. 02
PAGE 6
JAN 20/09

BRI



**757
PARTS CATALOG (MAINTENANCE)**

FIG ITEM	PART NUMBER	1 2 3 4 5 6 7	NOMENCLATURE	EFFECT FROM TO	UNITS PER ASSY
2 - 135	BRC500-8-3		.NUT SUPPLIER CODE: V52828 SPECIFICATION NUMBER: BACN10FX21 OPTIONAL PART: F49322-3-21 V15653 SL240-3-1 V97393 130061 V60119 A11330-8-3 V72962 -----*-----	002004 006100 107107 121503 904999	2
140	287N1401-484		.BRACKET	002004 006100 107107 121503 904999	1
145	NAS623-3-2		ATTACHING PARTS .SCREW	002004 006100 107107 121503 904999	2
150	NAS43DD3-4		.SPACER	002004 006100 107107 121503 904999	1
155	AN960PD10L		.WASHER	002004 006100 107107 121503 904999	1
160	BACW10P43AL		.WASHER	002004 006100 107107 121503 904999	1

MISSING ITEM NUMBERS NOT APPLICABLE

- ITEM NOT ILLUSTRATED

BRI

57-40-51-02

BOEING PROPRIETARY - Copyright © - Unpublished Work - See title page for details.

57-40-51
FIG. 02
PAGE 7
JAN 20/09



757

PARTS CATALOG (MAINTENANCE)

FIG ITEM	PART NUMBER	1 2 3 4 5 6 7	NOMENCLATURE	EFFECT FROM TO	UNITS PER ASSY
2 165	BRH10A3		.NUT SUPPLIER CODE: V52828 SPECIFICATION NUMBER: BACN10JC3 OPTIONAL PART: H10-3BAC V15653 NS202101-02 V80539 RMLH9075-3W V72962 VN303A02 V92215 96-02 V80539 T6S1032J V11815	002004 006100 107107 121503 904999	2
- 170	287N1401-723		-----*----- .BRACKET ASSY- POSITION DATA: RH SIDE	002004 006100 107107 121503 904999	1
175	287N1401-724		.BRACKET ASSY- POSITION DATA: LH SIDE	002004 006100 107107 121503 904999	1
180	BACB30NE3-22		.BOLT	002004 006100 107107 121503 904999	4
185	AN960PD10		.WASHER	002004 006100 107107 121503 904999	4
190	287N1421-7		.BLOCK	002004 006100 107107 121503 904999	2
195	NAS1801-3-10		.SCREW-	002004 006100 107107 121503 904999	4

MISSING ITEM NUMBERS NOT APPLICABLE

- ITEM NOT ILLUSTRATED

57-40-51-02

57-40-51
FIG. 02
PAGE 8
JAN 20/09

BRI



757

PARTS CATALOG (MAINTENANCE)

FIG ITEM	PART NUMBER	1 2 3 4 5 6 7	NOMENCLATURE	EFFECT FROM TO	UNITS PER ASSY
2					
197	NAS1801-3-10	.	SCREW	002004 006100 107107 121503 904999	2
198	NAS1801-3-12	.	SCREW-	002004 006100 107107 121503 904999	2
200	AN960PD10	.	WASHER	002004 006100 107107 121503 904999	4
205	287T1034-23	.	BRACKET ASSY- OPTIONAL PART: 287T1034-9	002004 006100 107107 121503 904999	1
205	287T1034-9	.	BRACKET ASSY- OPTIONAL PART: 287T1034-23	002004 006100 107107 121503 904999	1
207	K2000-3	..	NUTPLATE SUPPLIER CODE: V15653 SPECIFICATION NUMBER: BACN10KB3 OPTIONAL PART: NS103184-02 V80539 RMA9207-3 V72962 T8109S1032 V11815 VN101A1-02 V92215 BR1000A3 V52828	002004 006100 107107 121503 904999	4
- 208	BACR15BA3AD	..	RIVET- SIZE DETERMINED ON INSTL. -----*-----	002004 006100 107107 121503 904999	8

MISSING ITEM NUMBERS NOT APPLICABLE

- ITEM NOT ILLUSTRATED

57-40-51-02

57-40-51
FIG. 02
PAGE 9
JAN 20/09

BRI



757

PARTS CATALOG (MAINTENANCE)

FIG ITEM	PART NUMBER	1 2 3 4 5 6 7	NOMENCLATURE	EFFECT FROM TO	UNITS PER ASSY
2					
210	287T1034-7		.BRACKET ASSY-	002004 006100 107107 121503 904999	1
211	T8076S1032		..NUTPLATE SUPPLIER CODE: V11815 SPECIFICATION NUMBER: BACN10JP3A OPTIONAL PART: MK1000-3BAC V15653 NS103197-02 V80539 RMA9201M3 V72962 VN202A1-02 V92215 BRM200A3 V52828	002004 006100 107107 121503 904999	2
212	T8077S1032		..NUTPLATE SUPPLIER CODE: V11815 SPECIFICATION NUMBER: BACN10JP3B OPTIONAL PART: MK2000-3BAC V15653 NS103198-02 V80539 RMA9207-3 V72962 VN201A1-02 V92215 BRM100A3 V52828 ATTACHING PARTS	002004 006100 107107 121503 904999	2
- 213	BACR15BA3AD		..RIVET- SIZE DETERMINED ON INSTL.	002004 006100 107107 121503 904999	8
215	287N1117-1		-----*----- .BRACKET- POSITION DATA: LH SIDE	002004 006100 107107 121503 904999	1

MISSING ITEM NUMBERS NOT APPLICABLE

- ITEM NOT ILLUSTRATED

57-40-51-02

57-40-51
FIG. 02
PAGE 10
JAN 20/09

BRI



757

PARTS CATALOG (MAINTENANCE)

FIG ITEM	PART NUMBER	1 2 3 4 5 6 7	NOMENCLATURE	EFFECT FROM TO	UNITS PER ASSY
2 - 220	287N1117-2		.BRACKET- POSITION DATA: RH SIDE	002004 006100 107107 121503 904999	1
- 225	BACB30NE3-6		.ATTACHING PARTS .BOLT	002004 006100 107107 121503 904999	4
- 230	AN960PD10		.WASHER	002004 006100 107107 121503 904999	8
- 235	BRH10A3		.NUT SUPPLIER CODE: V52828 SPECIFICATION NUMBER: BACN10JC3 OPTIONAL PART: H10-3BAC V15653 NS202101-02 V80539 RMLH9075-3W V72962 VN303A02 V92215 96-02 V80539 T6S1032J V11815 -----*-----	002004 006100 107107 121503 904999	4
- 250	287N1422-16		PROVISION INSTL-WIRE RR POSITION DATA: LH FOR NHA SEE: 57-00-52-01 24-00-60-20G	018102 108120 504903	RF
- 250	287N1422-9		PROVISION INSTL-WIRE RR POSITION DATA: LH FOR NHA SEE: 57-00-52-01	002004 006017 107107 121503 904999	RF

MISSING ITEM NUMBERS NOT APPLICABLE

- ITEM NOT ILLUSTRATED

BRI

57-40-51-02

BOEING PROPRIETARY - Copyright © - Unpublished Work - See title page for details.

57-40-51
FIG. 02
PAGE 11
JAN 20/09



757

PARTS CATALOG (MAINTENANCE)

FIG ITEM	PART NUMBER	1 2 3 4 5 6 7	NOMENCLATURE	EFFECT FROM TO	UNITS PER ASSY
2					
- 255	287N1422-10		PROVISION INSTL-WIRE RR POSITION DATA: RH FOR NHA SEE: 57-00-52-01 24-00-60-20G	002004 006102 107999	RF
257	NAS1801-3-12		.SCREW	002004 006102 107999	2
258	NAS1149D0332J		.WASHER- POSITION DATA: LH SIDE	018102 108120 504903	2
258	AN960PD10		.WASHER	002004 006017 107107 121503 904999	2
- 259	AN960PD10		.WASHER- POSITION DATA: RH SIDE	018102 108120 504903	2
260	287N1401-713		.BRACKET- POSITION DATA: LH SIDE	002004 006102 107999	1
- 265	287N1401-714		.BRACKET- POSITION DATA: RH SIDE	002004 006102 107999	1

MISSING ITEM NUMBERS NOT APPLICABLE

- ITEM NOT ILLUSTRATED

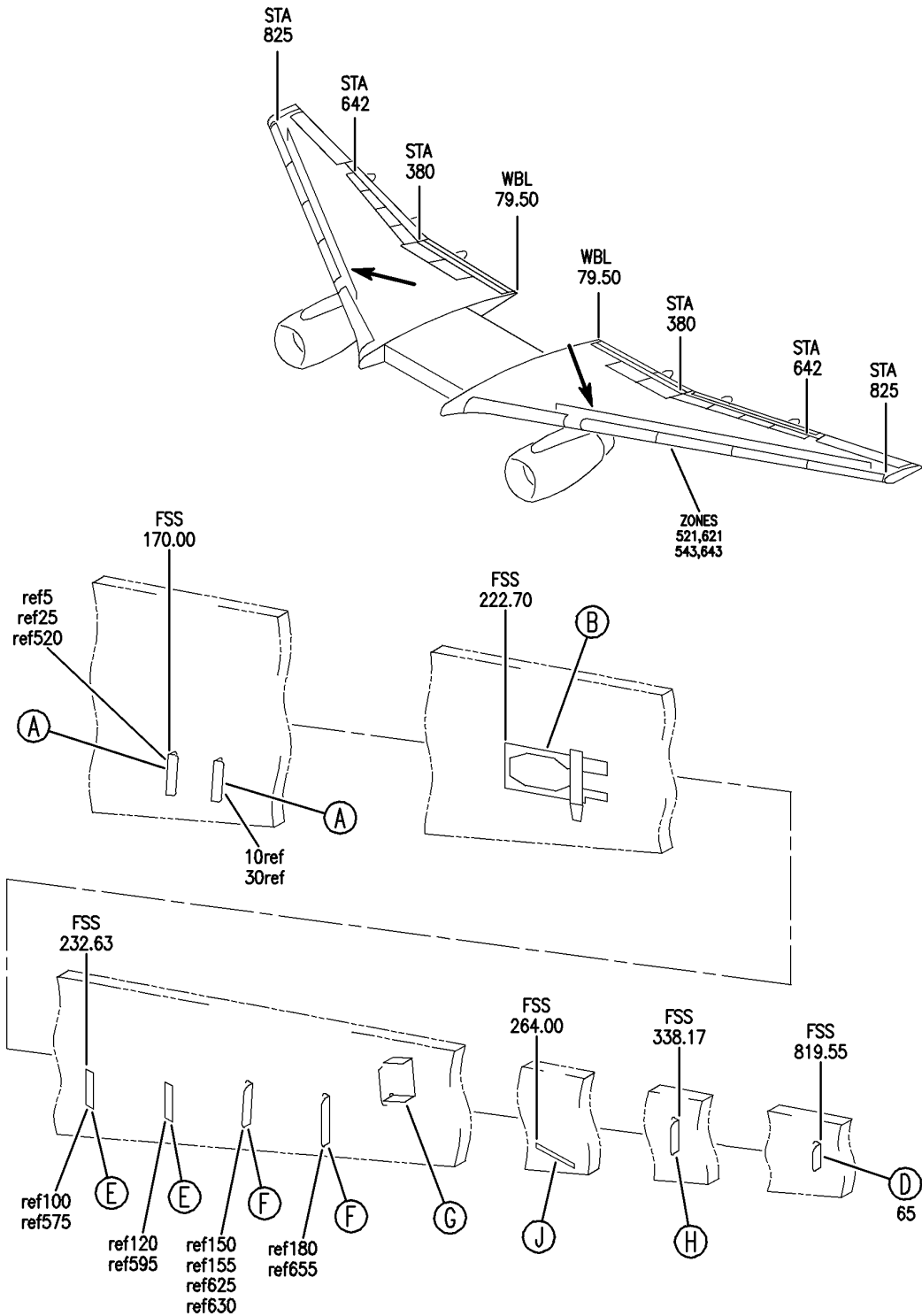
BRI

57-40-51-02

BOEING PROPRIETARY - Copyright © - Unpublished Work - See title page for details.

57-40-51
FIG. 02
PAGE 12
JAN 20/09


BOEING
 757
PARTS CATALOG (MAINTENANCE)



Y 57405103 SH1 1 REV 225

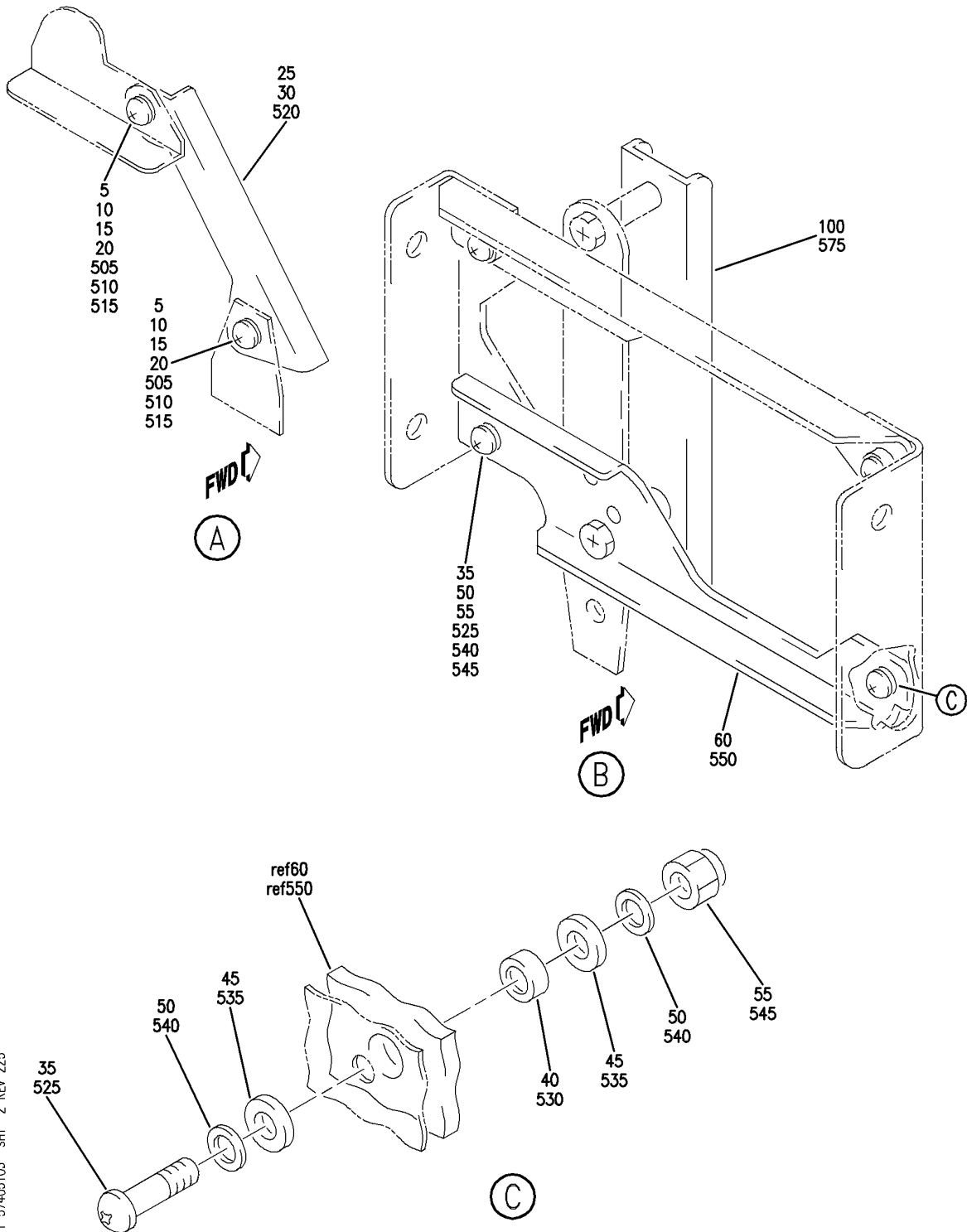
PROVISION INSTL-INBD/OUTBD FRONT SPAR WIRE
 FIGURE 3 (SHEET 1)

57-40-51-03

BRI
MAY 28/07

57-40-51-03
 PAGE 0

BOEING
757
PARTS CATALOG (MAINTENANCE)



Y 57405103 SH1 2 REV 225

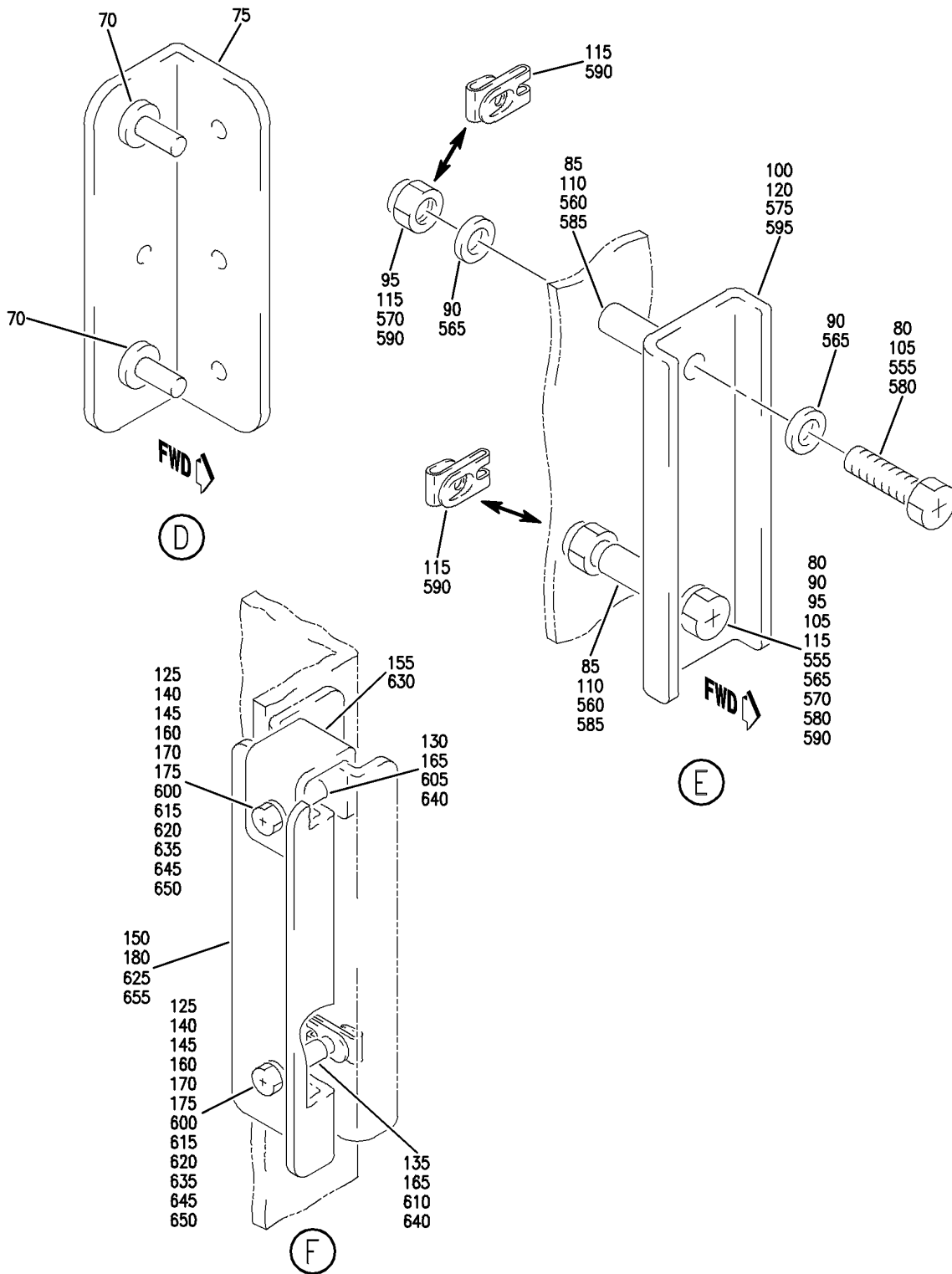
PROVISION INSTL-INBD/OUTBD FRONT SPAR WIRE
FIGURE 3 (SHEET 2)

57-40-51-03

BRI
MAY 28/07

57-40-51-03
PAGE 0A


BOEING
 757
PARTS CATALOG (MAINTENANCE)



Y 57405103 SHT 3 REV 225

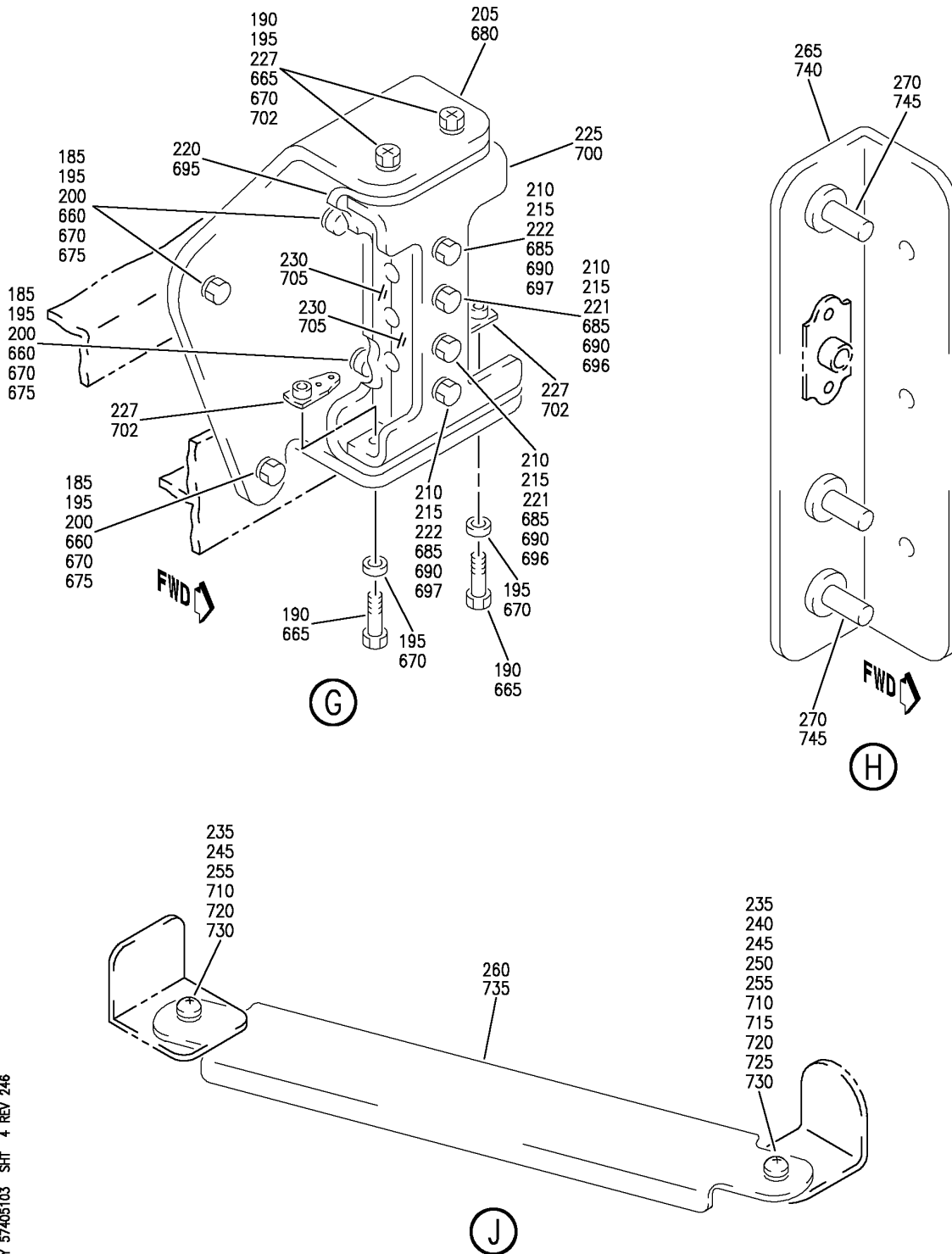
PROVISION INSTL-INBD/OUTBD FRONT SPAR WIRE
 FIGURE 3 (SHEET 3)

57-40-51-03

BRI
 MAY 28/07

57-40-51-03
 PAGE 0B


BOEING
 757
PARTS CATALOG (MAINTENANCE)



Y 57405103 SHT 4 REV 246

PROVISION INSTL-INBD/OUTBD FRONT SPAR WIRE
FIGURE 3 (SHEET 4)

57-40-51-03

BRI
MAY 28/07

57-40-51-03
PAGE 0C



757

PARTS CATALOG (MAINTENANCE)

FIG ITEM	PART NUMBER	1 2 3 4 5 6 7	NOMENCLATURE	EFFECT FROM TO	UNITS PER ASSY
3			PROVISION INSTL-INBD/OUTBD FRONT SPAR WIRE	101101	
- 1	287N1422-37		PROVISION INSTL-SPAR WIRE POSITION DATA: INBD/OUTBD FRONT LH FOR NHA SEE: 24-00-60-20B	101101	RF
5	NAS623-3-3	.SCREW		101101	2
10	NAS623-3-2	.SCREW		101101	2
15	NAS1149D0332J	.WASHER		101101	8
20	BRH10C3D	.NUT		101101	4
			SUPPLIER CODE: V52828 SPECIFICATION NUMBER: BACN10JC3CD OPTIONAL PART: T6C1032JCD V11815 NS202486-02 V80539 102LH9075-3W V72962 H51650-3BAC V15653		
25	287N1401-448	.BRACKET		101101	1
30	287N1401-75	.BRACKET		101101	1
35	NAS623-3-3	.SCREW		101101	2
40	NAS43DD3-5FC	.SPACER		101101	1
45	BACW10P43AL	.WASHER		101101	2
50	NAS1149D0332J	.WASHER		101101	3
55	BRH10C3D	.NUT		101101	2
			SUPPLIER CODE: V52828 SPECIFICATION NUMBER: BACN10JC3CD OPTIONAL PART: T6C1032JCD V11815 NS202486-02 V80539 102LH9075-3W V72962 H51650-3BAC V15653		
60	287N1422-5	.BRACKET ASSY		101101	1
65	287N1401-31	.BRACKET ASSY-GND		101101	1

MISSING ITEM NUMBERS NOT APPLICABLE

- ITEM NOT ILLUSTRATED

57-40-51-03

57-40-51
FIG. 03
PAGE 1
MAY 28/07

BRI



757

PARTS CATALOG (MAINTENANCE)

FIG ITEM	PART NUMBER	1 2 3 4 5 6 7	NOMENCLATURE	EFFECT FROM TO	UNITS PER ASSY
3			ATTACHING PARTS		
- 67	BACR15FT5D		.RIVET-	101101	3
			SIZE DETERMINED ON INSTL.		
			-----*-----		
70	VNS1924CA1-8		..STUD	101101	2
			SUPPLIER CODE:		
			V5M902		
			SPECIFICATION NUMBER:		
			BACS53B1EA1		
			OPTIONAL PART:		
			VNS1924CA3-1-8		
			V92215		
75	287N1401-29		..BRACKET	101101	1
80	NAS1801-3-20		.SCREW	101101	2
85	NAS43DD3-52FC		.SPACER	101101	2
90	NAS1149D0332J		.WASHER	101101	4
95	BRH10C3D		.NUT	101101	2
			SUPPLIER CODE:		
			V52828		
			SPECIFICATION NUMBER:		
			BACN10JC3CD		
			OPTIONAL PART:		
			T6C1032JCD		
			V11815		
			NS202486-02		
			V80539		
			102LH9075-3W		
			V72962		
			H51650-3BAC		
			V15653		
100	287N1401-467		.BRACKET	101101	2
105	NAS1801-3-20		.SCREW	101101	2
110	NAS43DD3-56FC		.SPACER	101101	2
115	BRC600-8-3		.NUT	101101	2
			SUPPLIER CODE:		
			V52828		
			SPECIFICATION NUMBER:		
			BACN10YD1		
			OPTIONAL PART:		
			130120		
			V60119		
120	287N1401-464		.BRACKET	101101	1
125	NAS1801-3-21		.SCREW	101101	2
130	NAS43DD3-40FC		.SPACER	101101	1
135	NAS43DD3-56FC		.SPACER	101101	1
140	NAS1149D0332J		.WASHER	101101	2

MISSING ITEM NUMBERS NOT APPLICABLE

- ITEM NOT ILLUSTRATED

57-40-51-03

57-40-51
FIG. 03
PAGE 2
MAY 28/07

BRI



757

PARTS CATALOG (MAINTENANCE)

FIG ITEM	PART NUMBER	1 2 3 4 5 6 7	NOMENCLATURE	EFFECT FROM TO	UNITS PER ASSY
3					
145	BRC600-8-3	.NUT	SUPPLIER CODE: V52828 SPECIFICATION NUMBER: BACN10YD1 OPTIONAL PART: 130120 V60119	101101	2
150	287N1401-733	.BRACKET		101101	1
155	287N1401-739	.CHANNEL		101101	1
160	NAS1801-3-24	.SCREW		101101	2
165	NAS43DD3-32FC	.SPACER		101101	2
170	NAS1149D0363J	.WASHER		101101	2
175	BRC600-8-3	.NUT	SUPPLIER CODE: V52828 SPECIFICATION NUMBER: BACN10YD1 OPTIONAL PART: 130120 V60119	101101	2
180	287N1401-734	.BRACKET		101101	1
185	NAS6603-6	.BOLT		101101	4
190	NAS1801-3-10	.SCREW		101101	4
195	NAS1149D0363J	.WASHER		101101	8
200	BRH10C3D	.NUT	SUPPLIER CODE: V52828 SPECIFICATION NUMBER: BACN10JC3CD OPTIONAL PART: T6C1032JCD V11815 NS202486-02 V80539 102LH9075-3W V72962 H51650-3BAC V15653	101101	4
205	287N1117-1	.BRACKET		101101	1
210	NAS6603-22	.BOLT		101101	4
215	NAS1149D0363J	.WASHER		101101	4
220	287T1034-7	.BRACKET ASSY		101101	1

MISSING ITEM NUMBERS NOT APPLICABLE

- ITEM NOT ILLUSTRATED

57-40-51-03

57-40-51
FIG. 03
PAGE 3
MAY 28/07

BRI

BOEING PROPRIETARY - Copyright © - Unpublished Work - See title page for details.



757

PARTS CATALOG (MAINTENANCE)

FIG ITEM	PART NUMBER	1 2 3 4 5 6 7	NOMENCLATURE	EFFECT FROM TO	UNITS PER ASSY
3 221	T8076S1032		..NUTPLATE SUPPLIER CODE: V11815 SPECIFICATION NUMBER: BACN10JP3A OPTIONAL PART: MK1000-3BAC V15653 NS103197-02 V80539 RMA9201M3 V72962 VN202A1-02 V92215 BRM200A3 V52828	101101	2
222	T8077S1032		..NUTPLATE SUPPLIER CODE: V11815 SPECIFICATION NUMBER: BACN10JP3B OPTIONAL PART: MK2000-3BAC V15653 NS103198-02 V80539 RMA9207-3 V72962 VN201A1-02 V92215 BRM100A3 V52828	101101	2
- 223	BACR15BA3AD		ATTACHING PARTS ..RIVET- SIZE DETERMINED ON INSTL. -----*-----	101101	8
225	287T1034-23		.BRACKET ASSY- OPTIONAL PART: 287T1034-9	101101	1
225	287T1034-9		.BRACKET ASSY- OPTIONAL PART: 287T1034-23	101101	1

MISSING ITEM NUMBERS NOT APPLICABLE

- ITEM NOT ILLUSTRATED

57-40-51-03

57-40-51
FIG. 03
PAGE 4
MAY 28/07

BRI

BOEING PROPRIETARY - Copyright © - Unpublished Work - See title page for details.



**757
PARTS CATALOG (MAINTENANCE)**

FIG ITEM	PART NUMBER	1 2 3 4 5 6 7	NOMENCLATURE	EFFECT FROM TO	UNITS PER ASSY
3 227	K2000-3		..NUTPLATE SUPPLIER CODE: V15653 SPECIFICATION NUMBER: BACN10KB3 OPTIONAL PART: NS103184-02 V80539 RMA9207-3 V72962 T8109S1032 V11815 VN101A1-02 V92215 BR1000A3 V52828 ATTACHING PARTS	101101	4
- 228	BACR15BA3AD		..RIVET- SIZE DETERMINED ON INSTL. -----*-----	101101	8
230	287N1421-7		.BLOCK	101101	2
235	NAS623-3-3		.SCREW	101101	2
240	NAS43DD3-4FC		.SPACER	101101	1
245	NAS1149D0332J		.WASHER	101101	3
250	BACW10P43AL		.WASHER	101101	1
255	BRH10C3D		.NUT SUPPLIER CODE: V52828 SPECIFICATION NUMBER: BACN10JC3CD OPTIONAL PART: T6C1032JCD V11815 NS202486-02 V80539 102LH9075-3W V72962 H51650-3BAC V15653	101101	2
260	287N1401-484		.BRACKET	101101	1
265	287N1401-720		.BRACKET ASSY	101101	1
270	BACS53B1ES1		..STUD-	101101	3
- 500	287N1422-38		PROVISION INSTL-SPAR WIRE POSITION DATA: INBD/OUTBD FRONT RH FOR NHA SEE: 24-00-60-20B	101101	RF
505	NAS623-3-2		.SCREW	101101	2

MISSING ITEM NUMBERS NOT APPLICABLE

- ITEM NOT ILLUSTRATED

57-40-51-03

57-40-51
FIG. 03
PAGE 5
MAY 28/07

BRI

BOEING PROPRIETARY - Copyright © - Unpublished Work - See title page for details.



757

PARTS CATALOG (MAINTENANCE)

FIG ITEM	PART NUMBER	1 2 3 4 5 6 7	NOMENCLATURE	EFFECT FROM TO	UNITS PER ASSY
3					
510	NAS1149D0332J	.	WASHER	101101	4
515	BRH10C3D	.	NUT	101101	2
			SUPPLIER CODE: V52828		
			SPECIFICATION NUMBER: BACN10JC3CD		
			OPTIONAL PART: T6C1032JCD		
			V11815		
			NS202486-02		
			V80539		
			102LH9075-3W		
			V72962		
			H51650-3BAC		
			V15653		
520	287N1401-75	.	BRACKET	101101	1
525	NAS623-3-3	.	SCREW	101101	2
530	NAS43DD3-5FC	.	SPACER	101101	1
535	BACW10P43AL	.	WASHER	101101	2
540	NAS1149D0332J	.	WASHER	101101	3
545	BRH10C3D	.	NUT	101101	2
			SUPPLIER CODE: V52828		
			SPECIFICATION NUMBER: BACN10JC3CD		
			OPTIONAL PART: T6C1032JCD		
			V11815		
			NS202486-02		
			V80539		
			102LH9075-3W		
			V72962		
			H51650-3BAC		
			V15653		
550	287N1422-6	.	BRACKET ASSY	101101	1
555	NAS1801-3-20	.	SCREW	101101	2
560	NAS43DD3-52FC	.	SPACER	101101	2
565	NAS1149D0332J	.	WASHER	101101	4

MISSING ITEM NUMBERS NOT APPLICABLE

- ITEM NOT ILLUSTRATED

57-40-51-03

57-40-51
FIG. 03
PAGE 6
MAY 28/07

BRI

BOEING PROPRIETARY - Copyright © - Unpublished Work - See title page for details.



757

PARTS CATALOG (MAINTENANCE)

FIG ITEM	PART NUMBER	1 2 3 4 5 6 7	NOMENCLATURE	EFFECT FROM TO	UNITS PER ASSY
3 570	BRH10C3D	.NUT	SUPPLIER CODE: V52828 SPECIFICATION NUMBER: BACN10JC3CD OPTIONAL PART: T6C1032JCD V11815 NS202486-02 V80539 102LH9075-3W V72962 H51650-3BAC V15653	101101	2
575	287N1401-467	.BRACKET		101101	2
580	NAS1801-3-20	.SCREW		101101	2
585	NAS43DD3-56FC	.SPACER		101101	2
590	BRC600-8-3	.NUT	SUPPLIER CODE: V52828 SPECIFICATION NUMBER: BACN10YD1 OPTIONAL PART: 130120 V60119	101101	2
595	287N1401-464	.BRACKET		101101	1
600	NAS1801-3-21	.SCREW		101101	2
605	NAS43DD3-40FC	.SPACER		101101	1
610	NAS43DD3-56FC	.SPACER		101101	1
615	NAS1149D0332J	.WASHER		101101	2
620	BRC600-8-3	.NUT	SUPPLIER CODE: V52828 SPECIFICATION NUMBER: BACN10YD1 OPTIONAL PART: 130120 V60119	101101	2
625	287N1401-733	.BRACKET		101101	1
- 630	287N1401-739	.CHANNEL		101101	1
635	NAS1801-3-24	.SCREW		101101	2
640	NAS43DD3-32FC	.SPACER		101101	2
645	NAS1149D0363J	.WASHER		101101	2

MISSING ITEM NUMBERS NOT APPLICABLE

- ITEM NOT ILLUSTRATED

57-40-51-03

57-40-51
FIG. 03
PAGE 7
MAY 28/07

BRI



757

PARTS CATALOG (MAINTENANCE)

FIG ITEM	PART NUMBER	1 2 3 4 5 6 7	NOMENCLATURE	EFFECT FROM TO	UNITS PER ASSY
3 650	BRC600-8-3	.NUT	SUPPLIER CODE: V52828 SPECIFICATION NUMBER: BACN10YD1 OPTIONAL PART: 130120 V60119	101101	2
655	287N1401-734	.BRACKET		101101	1
660	NAS6603-6	.BOLT		101101	4
665	NAS1801-3-10	.SCREW		101101	4
670	NAS1149D0363J	.WASHER		101101	8
675	BRH10C3D	.NUT	SUPPLIER CODE: V52828 SPECIFICATION NUMBER: BACN10JC3CD OPTIONAL PART: T6C1032JCD V11815 NS202486-02 V80539 102LH9075-3W V72962 H51650-3BAC V15653	101101	4
680	287N1117-2	.BRACKET		101101	1
685	NAS6603-22	.BOLT		101101	4
690	NAS1149D0363J	.WASHER		101101	4
695	287T1034-7	.BRACKET ASSY		101101	1
696	T8076S1032	..NUTPLATE	SUPPLIER CODE: V11815 SPECIFICATION NUMBER: BACN10JP3A OPTIONAL PART: MK1000-3BAC V15653 NS103197-02 V80539 RMA9201M3 V72962 VN202A1-02 V92215 BRM200A3 V52828	101101	2

MISSING ITEM NUMBERS NOT APPLICABLE

- ITEM NOT ILLUSTRATED

57-40-51-03

57-40-51
FIG. 03
PAGE 8
MAY 28/07

BRI

 **BOEING**
757
PARTS CATALOG (MAINTENANCE)

FIG ITEM	PART NUMBER	1 2 3 4 5 6 7	NOMENCLATURE	EFFECT FROM TO	UNITS PER ASSY
3 697	T8077S1032		..NUTPLATE SUPPLIER CODE: V11815 SPECIFICATION NUMBER: BACN10JP3B OPTIONAL PART: MK2000-3BAC V15653 NS103198-02 V80539 RMA9207-3 V72962 VN201A1-02 V92215 BRM100A3 V52828 ATTACHING PARTS	101101	2
- 698	BACR15BA3AD		..RIVET- SIZE DETERMINED ON INSTL. -----*-----	101101	8
700	287T1034-23		.BRACKET ASSY- OPTIONAL PART: 287T1034-9	101101	1
700	287T1034-9		.BRACKET ASSY- OPTIONAL PART: 287T1034-23	101101	1
702	K2000-3		..NUTPLATE SUPPLIER CODE: V15653 SPECIFICATION NUMBER: BACN10KB3 OPTIONAL PART: NS103184-02 V80539 RMA9207-3 V72962 T8109S1032 V11815 VN101A1-02 V92215 BR1000A3 V52828 ATTACHING PARTS	101101	4
- 703	BACR15BA3AD		..RIVET- SIZE DETERMINED ON INSTL. -----*-----	101101	8
705	287N1421-7		.BLOCK	101101	2
710	NAS623-3-3		.SCREW	101101	2
715	NAS43DD3-4FC		.SPACER	101101	1

MISSING ITEM NUMBERS NOT APPLICABLE

- ITEM NOT ILLUSTRATED

BRI

57-40-51-03

BOEING PROPRIETARY - Copyright © - Unpublished Work - See title page for details.

57-40-51
FIG. 03
PAGE 9
MAY 28/07



757

PARTS CATALOG (MAINTENANCE)

FIG ITEM	PART NUMBER	1 2 3 4 5 6 7	NOMENCLATURE	EFFECT FROM TO	UNITS PER ASSY
3					
720	NAS1149D0332J	.	WASHER	101101	3
725	BACW10P43AL	.	WASHER	101101	1
730	BRH10C3D	.	NUT	101101	2
			SUPPLIER CODE: V52828		
			SPECIFICATION NUMBER: BACN10JC3CD		
			OPTIONAL PART: T6C1032JCD		
			V11815		
			NS202486-02		
			V80539		
			102LH9075-3W		
			V72962		
			H51650-3BAC		
			V15653		
735	287N1401-484	.	BRACKET	101101	1
740	287N1401-720	.	BRACKET ASSY	101101	1
745	BACS53B1ES1	..	STUD-	101101	3

MISSING ITEM NUMBERS NOT APPLICABLE

- ITEM NOT ILLUSTRATED

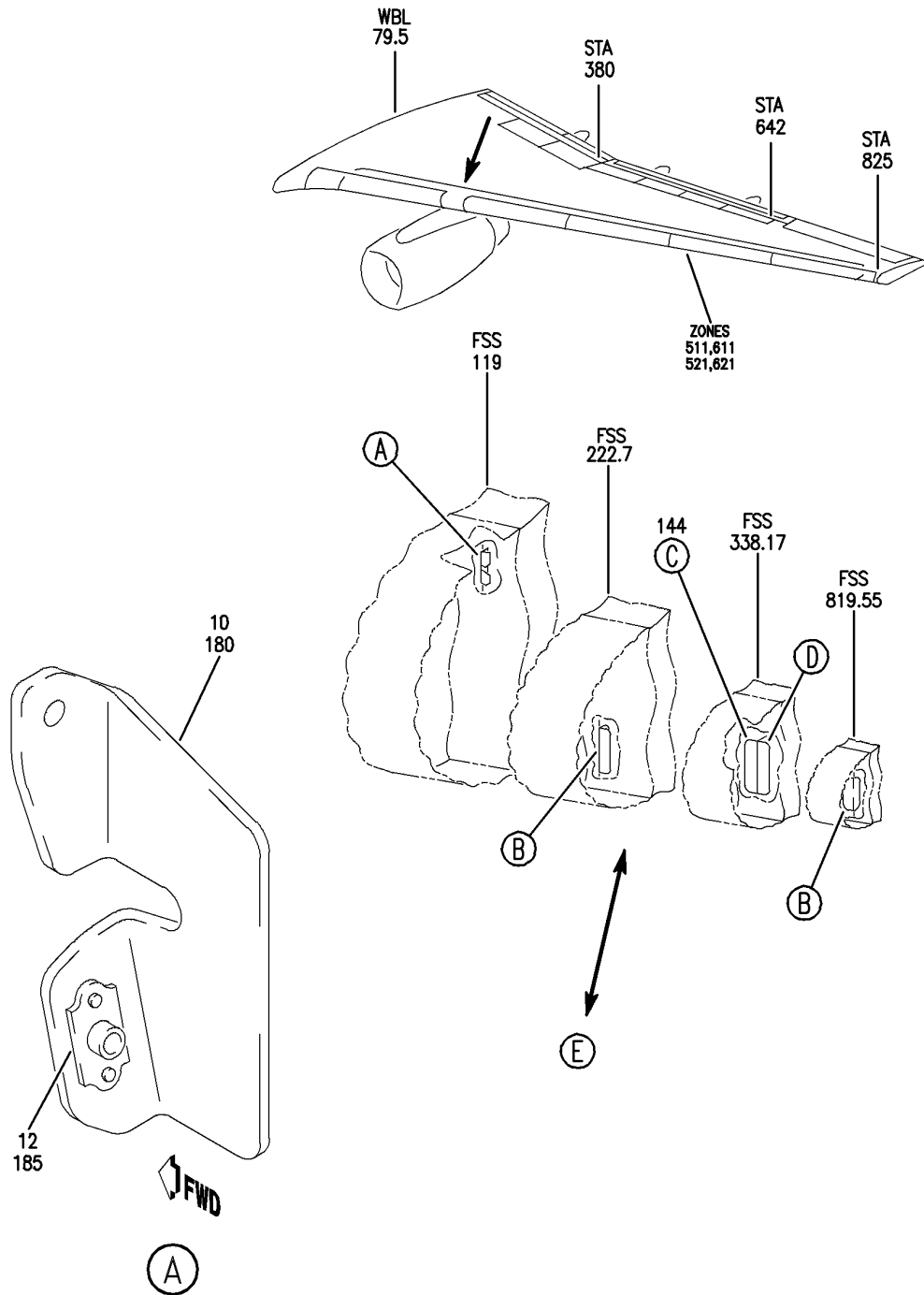
57-40-51-03

57-40-51
FIG. 03
PAGE 10
MAY 28/07

BRI

BOEING PROPRIETARY - Copyright © - Unpublished Work - See title page for details.

BOEING
757
PARTS CATALOG (MAINTENANCE)



Y 57405103A SH1 1 REV 246

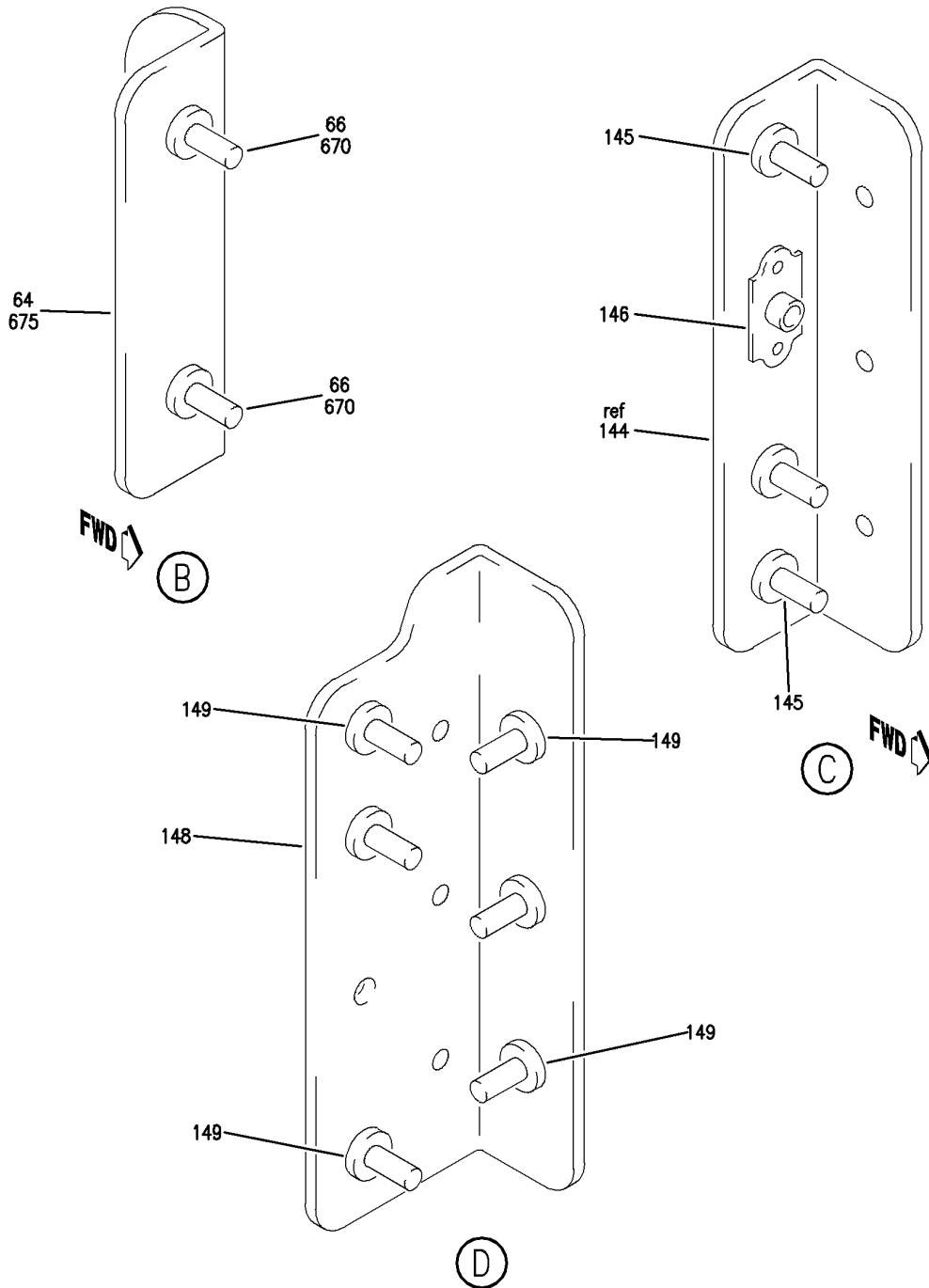
PROVISION INSTL-WIRE
FIGURE 3A (SHEET 1)

57-40-51-03A

BRI
MAY 28/07

57-40-51-03A
PAGE 0

BOEING
757
PARTS CATALOG (MAINTENANCE)



Y 57405103A SH1 2 REV 246

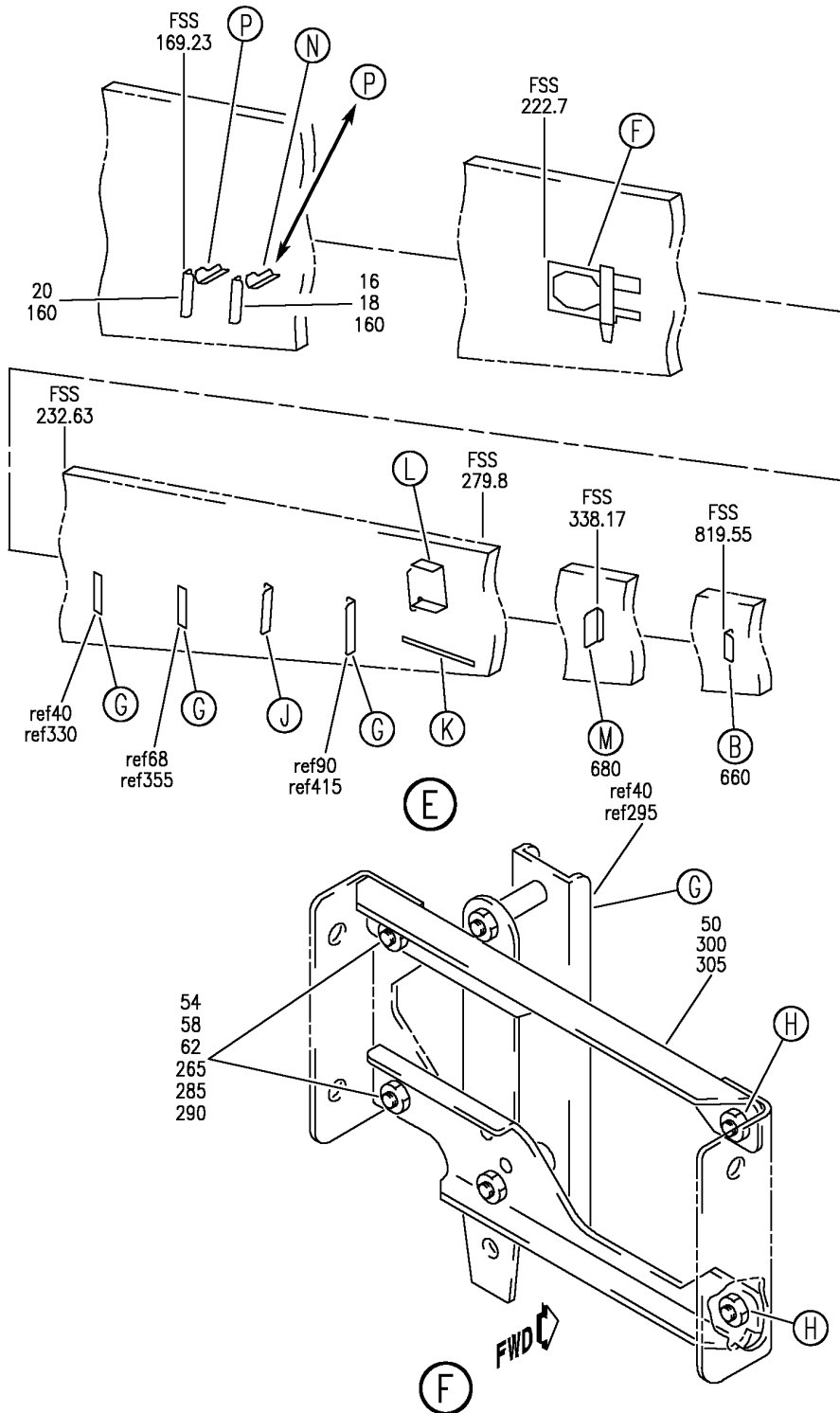
PROVISION INSTL-WIRE
FIGURE 3A (SHEET 2)

57-40-51-03A

BRI
MAY 28/07

57-40-51-03A
PAGE 0A

BOEING
757
PARTS CATALOG (MAINTENANCE)



Y 57405103A SH1 3 REV 246

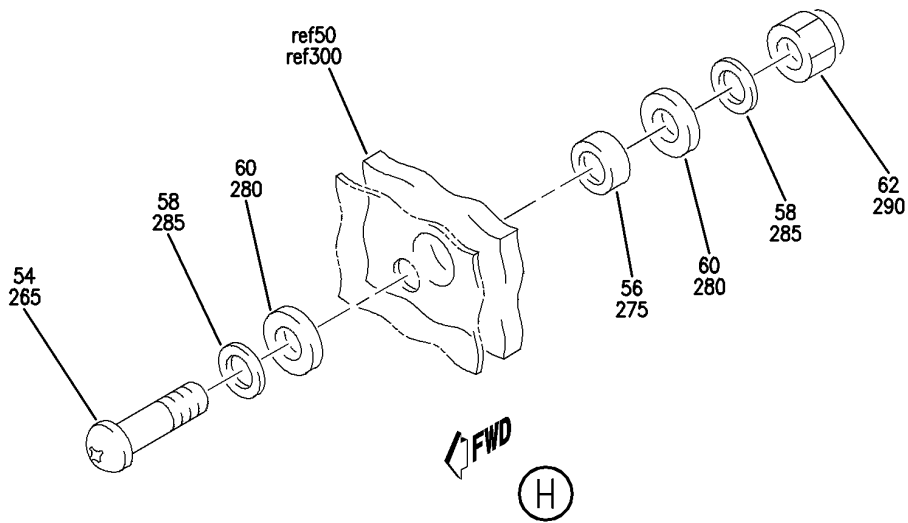
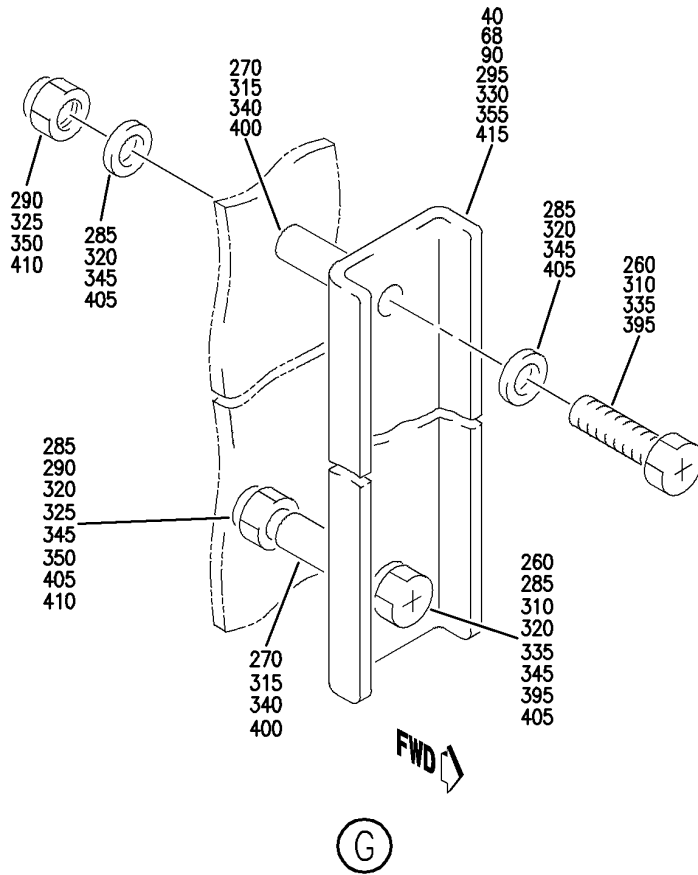
PROVISION INSTL-WIRE
FIGURE 3A (SHEET 3)

57-40-51-03A

BRI
MAY 28/07

57-40-51-03A
PAGE 0B

BOEING
757
PARTS CATALOG (MAINTENANCE)



Y 57405103A SH1 4 REV 246

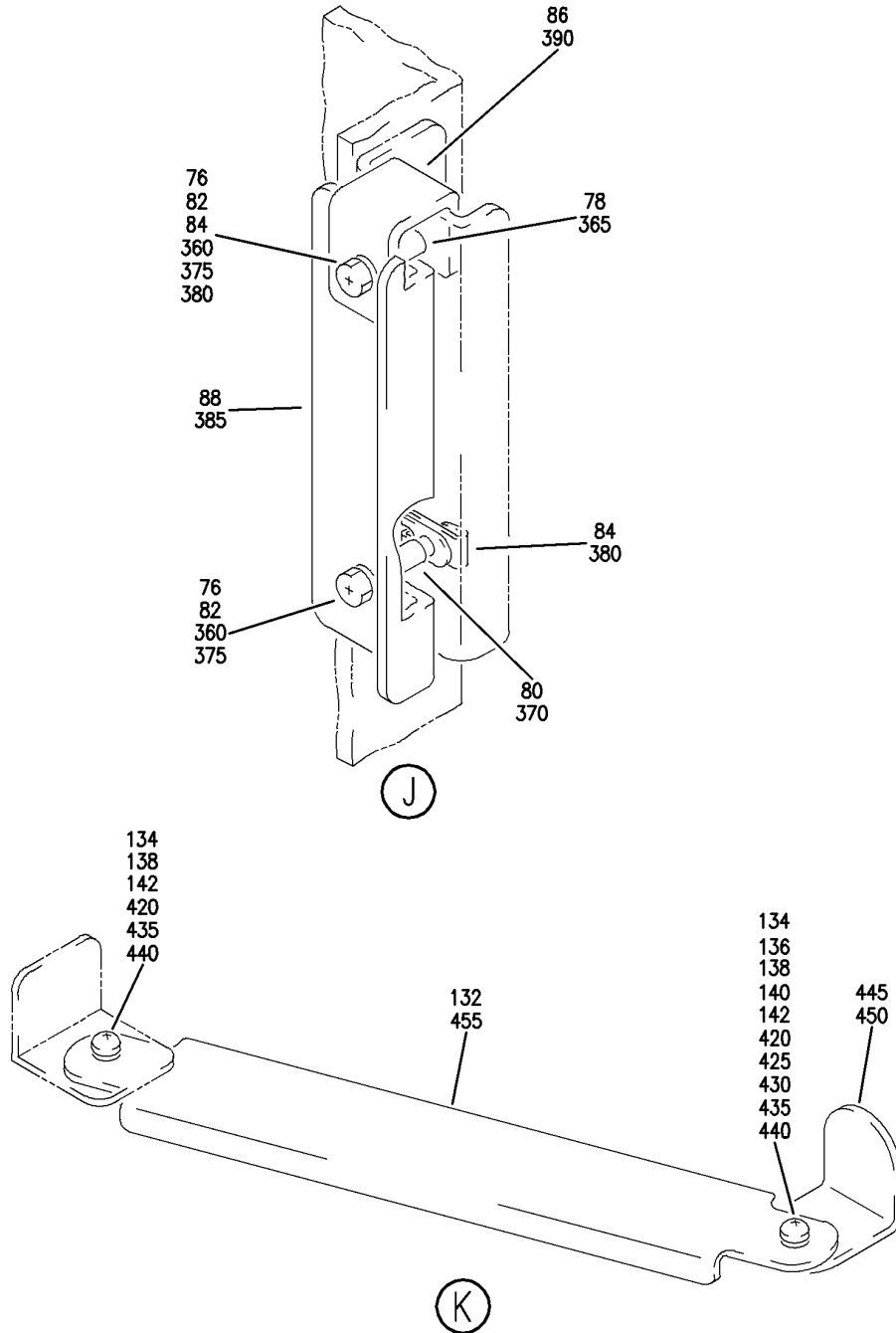
PROVISION INSTL-WIRE
FIGURE 3A (SHEET 4)

57-40-51-03A

BRI
MAY 28/07

57-40-51-03A
PAGE 0C

BOEING
757
PARTS CATALOG (MAINTENANCE)



Y 57405103A SH1 5 REV 246

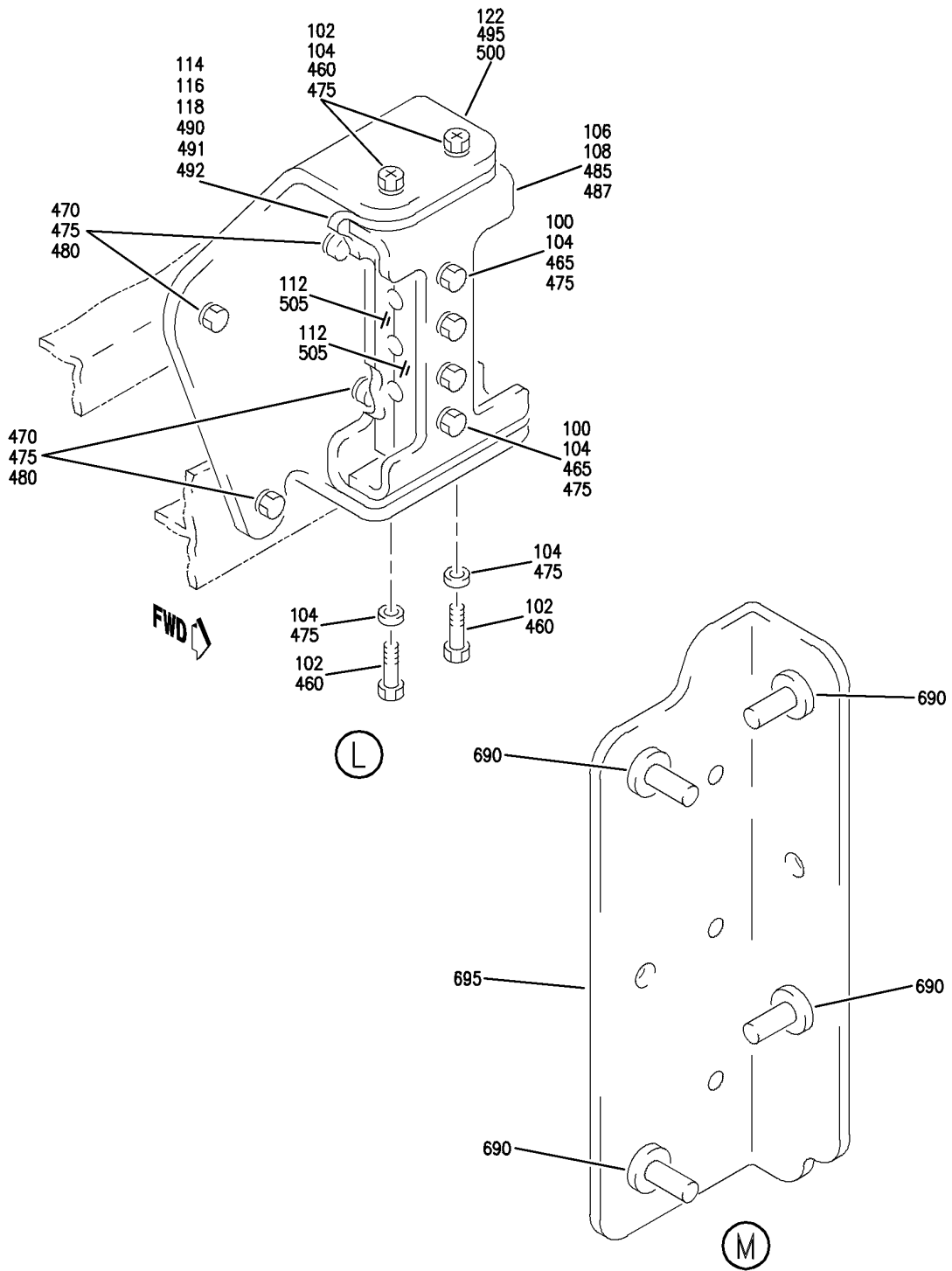
PROVISION INSTL-WIRE
FIGURE 3A (SHEET 5)

57-40-51-03A

BRI
MAY 28/07

57-40-51-03A
PAGE 0D

BOEING
757
PARTS CATALOG (MAINTENANCE)



Y 57405103A SH1 6 REV 246

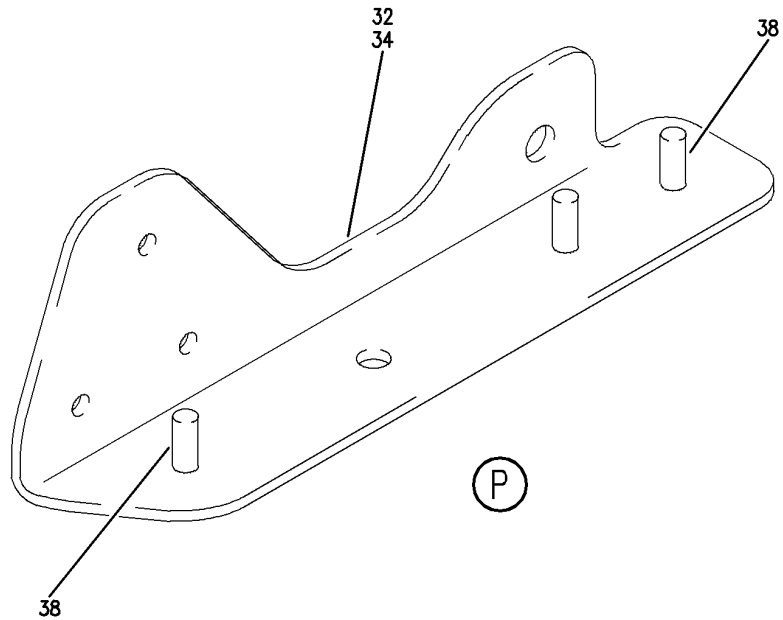
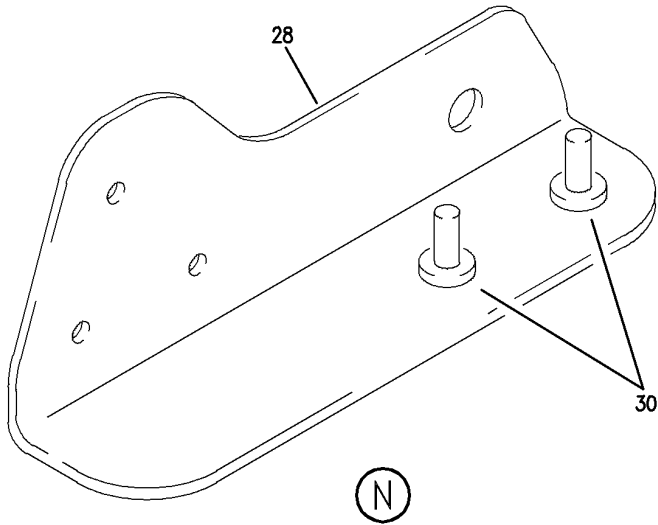
PROVISION INSTL-WIRE
FIGURE 3A (SHEET 6)

57-40-51-03A

BRI
MAY 28/07

57-40-51-03A
PAGE 0E

BOEING
757
PARTS CATALOG (MAINTENANCE)



Y 57405103A SH1 7 REV 246

PROVISION INSTL-WIRE
FIGURE 3A (SHEET 7)

57-40-51-03A

BRI
MAY 28/07

57-40-51-03A
PAGE OF

 **BOEING**
757
PARTS CATALOG (MAINTENANCE)

FIG ITEM	PART NUMBER	1 2 3 4 5 6 7	NOMENCLATURE	EFFECT FROM TO	UNITS PER ASSY
3A			PROVISION INSTL-WIRE	102102 108120 504903	
- 1	287N1422-33		PROVISION INSTL-SPAR WIRE POSITION DATA: FRONT LH FOR NHA SEE: 24-00-60-20B	102102 108120 504903	RF
- 5	287N1422-34		PROVISION INSTL-SPAR WIRE POSITION DATA: FRONT RH FOR NHA SEE: 24-00-60-20B	102102 108120 504903	RF
10	287N1415-3		.BRACKET ASSY- POSITION DATA: LH SIDE	102102 108120 504903	1
12	BRF200A3		..NUTPLATE SUPPLIER CODE: V52828 SPECIFICATION NUMBER: BACN10JR3F OPTIONAL PART: NS103203-02 V80539 RMF9201-3 V72962 VN152A1-02 V92215 T8091S1032 V11815 F5000-3BAC V15653 ATTACHING PARTS	102102 108120 504903	1
- 14	BACR15BA3AD		..RIVET- SIZE DETERMINED ON INSTL. -----*-----	102102 108120 504903	2
16	287N1085-41		.BRACKET- POSITION DATA: LH SIDE	102102 108120 504903	1
18	287N1401-75		.BRACKET- POSITION DATA: RH SIDE	102102 108120 504903	1
20	287N1401-75		.BRACKET	102102 108120 504903	1

MISSING ITEM NUMBERS NOT APPLICABLE

- ITEM NOT ILLUSTRATED

BRI

57-40-51-03A

BOEING PROPRIETARY - Copyright © - Unpublished Work - See title page for details.

57-40-51
FIG. 03A
PAGE 1
JAN 20/09



**757
PARTS CATALOG (MAINTENANCE)**

FIG ITEM	PART NUMBER	1 2 3 4 5 6 7	NOMENCLATURE	EFFECT FROM TO	UNITS PER ASSY
3A			ATTACHING PARTS		
- 22	NAS623-3-3		.SCREW- OPTIONAL PART: BACS12GU3K8	102102 108120 504903	4
- 22	BACS12GU3K8		.SCREW- OPTIONAL PART: NAS623-3-3	102102 108120 504903	4
- 24	NAS1149D0332J		.WASHER	102102 108120 504903	8
- 26	BRH10C3D		.NUT SUPPLIER CODE: V52828 SPECIFICATION NUMBER: BACN10JC3CD OPTIONAL PART: T6C1032JCD V11815 NS202486-02 V80539 102LH9075-3W V72962 H51650-3BAC V15653	102102 108120 504903	4
			-----*-----		
28	287N1085-42		.BRACKET ASSY- POSITION DATA: LH SIDE	102102 108120 504903	1
30	VNS1924CA1-8		..STUD SUPPLIER CODE: V5M902 SPECIFICATION NUMBER: BACS53B1EA1 OPTIONAL PART: VNS1924CA3-1-8 V92215	102102 108120 504903	2
32	287N1401-351		.BRACKET ASSY-GND POSITION DATA: RH SIDE	102102 108120 504903	1
34	287N1401-352		.BRACKET ASSY-GND POSITION DATA: LH SIDE	102102 108120 504903	1
- 36	287N1401-351		.BRACKET ASSY-GND POSITION DATA: RH SIDE	102102 108120 504903	1

MISSING ITEM NUMBERS NOT APPLICABLE

- ITEM NOT ILLUSTRATED

BRI

57-40-51-03A

BOEING PROPRIETARY - Copyright © - Unpublished Work - See title page for details.

57-40-51
FIG. 03A
PAGE 2
JAN 20/09

 **BOEING**
757
PARTS CATALOG (MAINTENANCE)

FIG ITEM	PART NUMBER	1 2 3 4 5 6 7	NOMENCLATURE	EFFECT FROM TO	UNITS PER ASSY
3A					
38	VNS1924CA1-8	. .	STUD SUPPLIER CODE: V5M902 SPECIFICATION NUMBER: BACS53B1EA1 OPTIONAL PART: VNS1924CA3-1-8 V92215	102102 108120 504903	3
40	287N1401-467	. BRACKET		102102 108120 504903	2
- 42	NAS1801-3-20	. SCREW	ATTACHING PARTS	102102 108120 504903	4
- 44	NAS43DD3-52FC	. SPACER		102102 108120 504903	4
- 46	NAS1149D0332J	. WASHER		102102 108120 504903	8
- 48	BRH10C3D	. NUT	SUPPLIER CODE: V52828 SPECIFICATION NUMBER: BACN10JC3CD OPTIONAL PART: T6C1032JCD V11815 NS202486-02 V80539 102LH9075-3W V72962 H51650-3BAC V15653	102102 108120 504903	4
50	287N1422-5	. BRACKET ASSY-	-----*----- POSITION DATA: LH SIDE	102102 108120 504903	1
- 52	287N1422-6	. BRACKET ASSY-	POSITION DATA: RH SIDE ATTACHING PARTS	102102 108120 504903	1
54	NAS623-3-5	. SCREW		102102 108120 504903	4
56	NAS43DD3-52FC	. SPACER		102102 108120 504903	4

MISSING ITEM NUMBERS NOT APPLICABLE

- ITEM NOT ILLUSTRATED

BRI

57-40-51-03A

BOEING PROPRIETARY - Copyright © - Unpublished Work - See title page for details.

57-40-51
FIG. 03A
PAGE 3
JAN 20/09



757

PARTS CATALOG (MAINTENANCE)

FIG ITEM	PART NUMBER	1 2 3 4 5 6 7	NOMENCLATURE	EFFECT FROM TO	UNITS PER ASSY
3A					
58	NAS1149D0332J	.	WASHER	102102 108120 504903	8
60	BACW10P43AL	.	WASHER	102102 108120 504903	2
62	BRH10C3D	.	NUT SUPPLIER CODE: V52828 SPECIFICATION NUMBER: BACN10JC3CD OPTIONAL PART: T6C1032JCD V11815 NS202486-02 V80539 102LH9075-3W V72962 H51650-3BAC V15653 -----*-----	102102 108120 504903	4
64	287N1401-31	.	BRACKET ASSY	102102 108120 504903	2
66	VNS1924CA1-8	..	STUD SUPPLIER CODE: V5M902 SPECIFICATION NUMBER: BACS53B1EA1 OPTIONAL PART: VNS1924CA3-1-8 V92215	102102 108120 504903	2
68	287N1401-464	.	BRACKET	102102 108120 504903	1
- 70	NAS1801-3-20	.	ATTACHING PARTS SCREW	102102 108120 504903	2
- 72	NAS43DD3-56FC	.	SPACER	102102 108120 504903	2

MISSING ITEM NUMBERS NOT APPLICABLE

- ITEM NOT ILLUSTRATED

57-40-51-03A

57-40-51
FIG. 03A
PAGE 4
JAN 20/09

BRI

BOEING PROPRIETARY - Copyright © - Unpublished Work - See title page for details.



757

PARTS CATALOG (MAINTENANCE)

FIG ITEM	PART NUMBER	1 2 3 4 5 6 7	NOMENCLATURE	EFFECT FROM TO	UNITS PER ASSY
3A					
- 74	BRC600-8-3	.NUT	SUPPLIER CODE: V52828 SPECIFICATION NUMBER: BACN10YD1 OPTIONAL PART: 130120 V60119 -----*-----	102102 108120 504903	2
76	NAS1801-3-21	.SCREW		102102 108120 504903	2
78	NAS43DD3-40FC	.SPACER		102102 108120 504903	1
80	NAS43DD3-56FC	.SPACER		102102 108120 504903	1
82	NAS1149D0363J	.WASHER		102102 108120 504903	2
84	BRC600-8-3	.NUT	SUPPLIER CODE: V52828 SPECIFICATION NUMBER: BACN10YD1 OPTIONAL PART: 130120 V60119	102102 108120 504903	2
86	287N1401-739	.CHANNEL		102102 108120 504903	1
88	287N1401-733	.BRACKET		102102 108120 504903	1
90	287N1401-734	.BRACKET		102102 108120 504903	1
- 92	NAS1801-3-24	.SCREW	ATTACHING PARTS	102102 108120 504903	2
- 94	NAS43DD3-32FC	.SPACER		102102 108120 504903	2
- 96	NAS1149D0363J	.WASHER		102102 108120 504903	2

MISSING ITEM NUMBERS NOT APPLICABLE

- ITEM NOT ILLUSTRATED

57-40-51-03A

57-40-51
FIG. 03A
PAGE 5
JAN 20/09

BRI

BOEING PROPRIETARY - Copyright © - Unpublished Work - See title page for details.



757

PARTS CATALOG (MAINTENANCE)

FIG ITEM	PART NUMBER	1 2 3 4 5 6 7	NOMENCLATURE	EFFECT FROM TO	UNITS PER ASSY
3A - 98	BRC600-8-3	.NUT	SUPPLIER CODE: V52828 SPECIFICATION NUMBER: BACN10YD1 OPTIONAL PART: 130120 V60119 -----*-----	102102 108120 504903	2
100	NAS6603-22	.BOLT		102102 108120 504903	4
102	NAS1801-3-10	.SCREW		102102 108120 504903	4
104	NAS1149D0363J	.WASHER		102102 108120 504903	8
106	287T1034-23	.BRACKET ASSY		102102 108120 504903	1
108	K2000-3	..NUTPLATE	SUPPLIER CODE: V15653 SPECIFICATION NUMBER: BACN10KB3 OPTIONAL PART: NS103184-02 V80539 RMA9207-3 V72962 T8109S1032 V11815 VN101A1-02 V92215 BR1000A3 V52828	102102 108120 504903	4
- 110	BACR15BA3AD	..RIVET-	ATTACHING PARTS SIZE DETERMINED ON INSTL. -----*-----	102102 108120 504903	8
112	287N1421-7	.BLOCK		102102 108120 504903	2
114	287T1034-7	.BRACKET ASSY		102102 108120 504903	1

MISSING ITEM NUMBERS NOT APPLICABLE

- ITEM NOT ILLUSTRATED

57-40-51-03A

57-40-51
FIG. 03A
PAGE 6
JAN 20/09

BRI

BOEING PROPRIETARY - Copyright © - Unpublished Work - See title page for details.



757

PARTS CATALOG (MAINTENANCE)

FIG ITEM	PART NUMBER	1 2 3 4 5 6 7	NOMENCLATURE	EFFECT FROM TO	UNITS PER ASSY
3A 116	T8076S1032		..NUTPLATE SUPPLIER CODE: V11815 SPECIFICATION NUMBER: BACN10JP3A OPTIONAL PART: MK1000-3BAC V15653 NS103197-02 V80539 RMA9201M3 V72962 VN202A1-02 V92215 BRM200A3 V52828	102102 108120 504903	2
118	T8077S1032		..NUTPLATE SUPPLIER CODE: V11815 SPECIFICATION NUMBER: BACN10JP3B OPTIONAL PART: MK2000-3BAC V15653 NS103198-02 V80539 RMA9207-3 V72962 VN201A1-02 V92215 BRM100A3 V52828	102102 108120 504903	2
- 120	BACR15BA3AD		ATTACHING PARTS ..RIVET- SIZE DETERMINED ON INSTL. -----*-----	102102 108120 504903	8
122	287N1117-1		.BRACKET- POSITION DATA: LH SIDE	102102 108120 504903	1
- 124	287N1117-2		.BRACKET- POSITION DATA: RH SIDE	102102 108120 504903	1
- 126	NAS6603-6		ATTACHING PARTS .BOLT	102102 108120 504903	4

MISSING ITEM NUMBERS NOT APPLICABLE

- ITEM NOT ILLUSTRATED

57-40-51-03A

57-40-51
FIG. 03A
PAGE 7
JAN 20/09

BRI

BOEING PROPRIETARY - Copyright © - Unpublished Work - See title page for details.



757

PARTS CATALOG (MAINTENANCE)

FIG ITEM	PART NUMBER	1 2 3 4 5 6 7	NOMENCLATURE	EFFECT FROM TO	UNITS PER ASSY
3A					
- 128	NAS1149D0363J	.	WASHER	102102 108120 504903	8
- 130	BRH10C3D	.	NUT SUPPLIER CODE: V52828 SPECIFICATION NUMBER: BACN10JC3CD OPTIONAL PART: T6C1032JCD V11815 NS202486-02 V80539 102LH9075-3W V72962 H51650-3BAC V15653 -----*-----	102102 108120 504903	4
132	287N1401-484	.	BRACKET	102102 108120 504903	1
134	NAS623-3-3	.	ATTACHING PARTS SCREW- OPTIONAL PART: BACS12GU3K8	102102 108120 504903	2
134	BACS12GU3K8	.	SCREW- OPTIONAL PART: NAS623-3-3	102102 108120 504903	2
136	NAS43DD3-4FC	.	SPACER	102102 108120 504903	1
138	NAS1149D0332J	.	WASHER	102102 108120 504903	3
140	BACW10P43AL	.	WASHER	102102 108120 504903	1

MISSING ITEM NUMBERS NOT APPLICABLE

- ITEM NOT ILLUSTRATED

BRI

57-40-51-03A

BOEING PROPRIETARY - Copyright © - Unpublished Work - See title page for details.

57-40-51
FIG. 03A
PAGE 8
JAN 20/09



757

PARTS CATALOG (MAINTENANCE)

FIG ITEM	PART NUMBER	1 2 3 4 5 6 7	NOMENCLATURE	EFFECT FROM TO	UNITS PER ASSY
3A 142	BRH10C3D	.	NUT SUPPLIER CODE: V52828 SPECIFICATION NUMBER: BACN10JC3CD OPTIONAL PART: T6C1032JCD V11815 NS202486-02 V80539 102LH9075-3W V72962 H51650-3BAC V15653 -----*-----	102102 108120 504903	2
144	287N1401-720	.	BRACKET ASSY	102102 108120 504903	1
145	VNS1924CA1-8	..	STUD- SUPPLIER CODE: V5M902 SPECIFICATION NUMBER: BACS53B1EA1 OPTIONAL PART: VNS1924CA3-1-8 V92215	102102 108120 504903	3
146	MF53049-3	..	NUTPLATE SUPPLIER CODE: V15653 SPECIFICATION NUMBER: BACN10JN3 OPTIONAL PART: BRFM20A3 V52828 MF1000-3BAC V15653 NS103218-02 V80539 RMF9201M3 V72962 VN252A02 V92215 T8124S3S V11815	102102 108120 504903	1
- 147	BACR15BA3AD	..	RIVET- ATTACHING PARTS SIZE DETERMINED ON INSTL. -----*-----	102102 108120 504903	2

MISSING ITEM NUMBERS NOT APPLICABLE

- ITEM NOT ILLUSTRATED

57-40-51-03A

57-40-51
FIG. 03A
PAGE 9
JAN 20/09

BRI

BOEING PROPRIETARY - Copyright © - Unpublished Work - See title page for details.



757

PARTS CATALOG (MAINTENANCE)

FIG ITEM	PART NUMBER	1 2 3 4 5 6 7	NOMENCLATURE	EFFECT FROM TO	UNITS PER ASSY
3A 148	287N1401-487	.	BRACKET ASSY	102102 108120	1
149	VNS1924CA1-8	..	STUD- SUPPLIER CODE: V5M902 SPECIFICATION NUMBER: BACS53B1EA1 OPTIONAL PART: VNS1924CA3-1-8 V92215	504903 102102 108120 504903	6

MISSING ITEM NUMBERS NOT APPLICABLE

- ITEM NOT ILLUSTRATED

BRI

57-40-51-03A

BOEING PROPRIETARY - Copyright © - Unpublished Work - See title page for details.

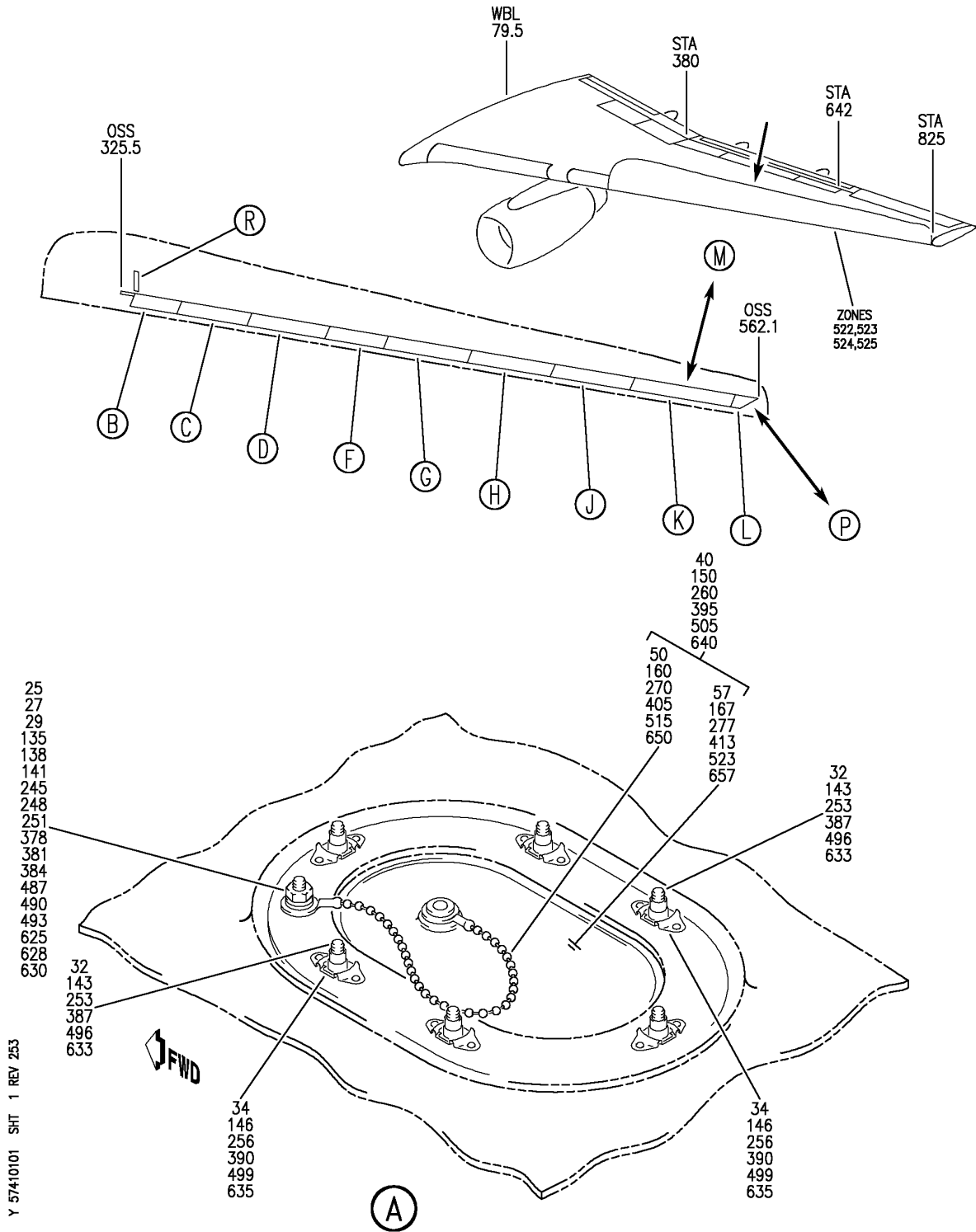
57-40-51
FIG. 03A
PAGE 10
JAN 20/09

WING LEADING EDGE

BRI
MAY 28/07

57-41-00
SECTION TITLE
PAGE 1

BOEING
757
PARTS CATALOG (MAINTENANCE)



Y 57410101 SH1 1 REV 253

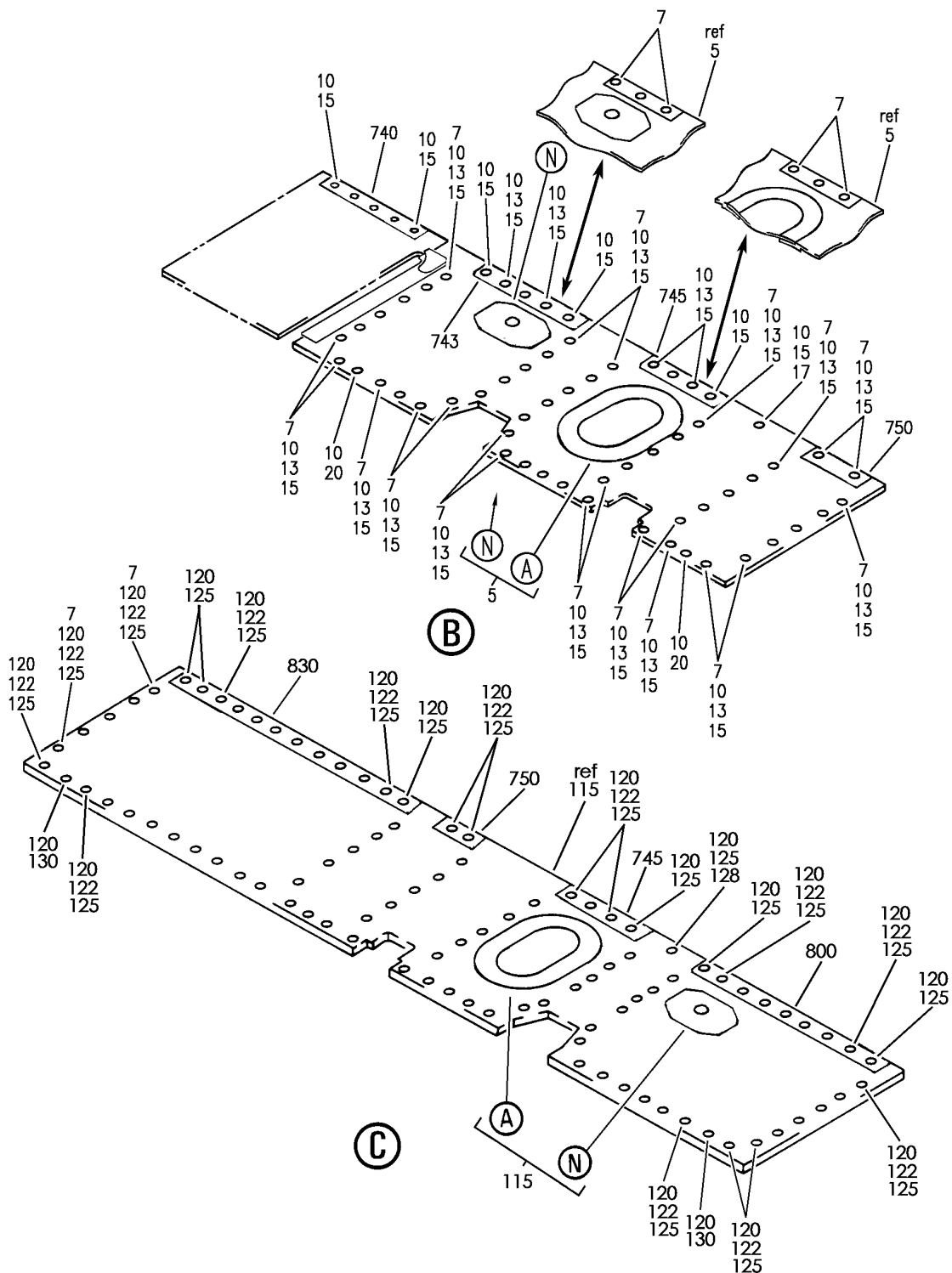
PANEL INSTL-OUTBD FXD LE LWR SKIN
FIGURE 1 (SHEET 1)

57-41-01-01

BRI
MAY 28/07

57-41-01-01
PAGE 0

BOEING
757
PARTS CATALOG (MAINTENANCE)



Y 57410101 SHT 2 REV 270

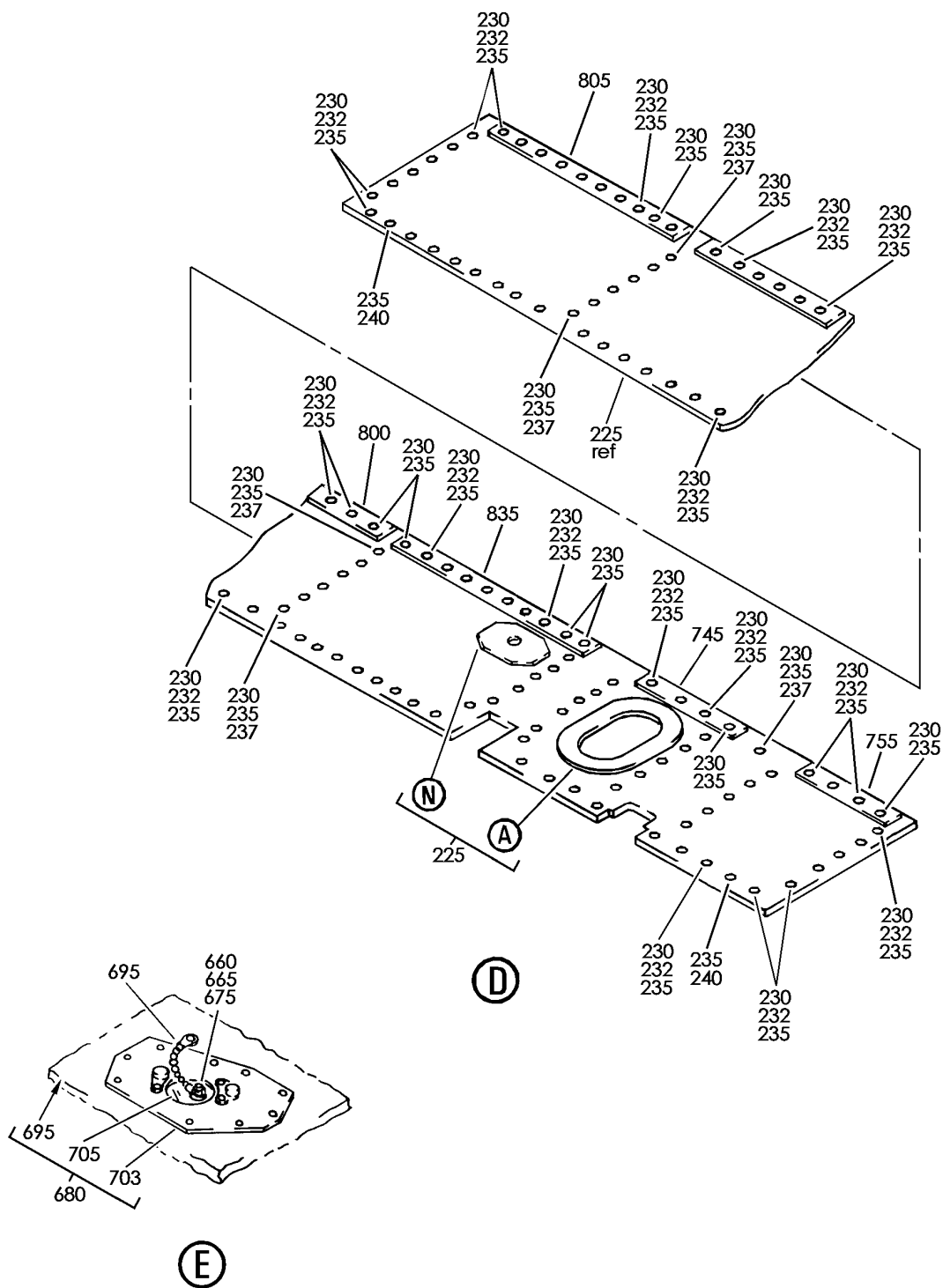
PANEL INSTL-OUTBD FIXD LE LWR SKIN
FIGURE 1 (SHEET 2)

57-41-01-01

BRI
MAY 28/07

57-41-01-01
PAGE 0A

BOEING
757
PARTS CATALOG (MAINTENANCE)



Y 57410101 SHT 3 REV 224

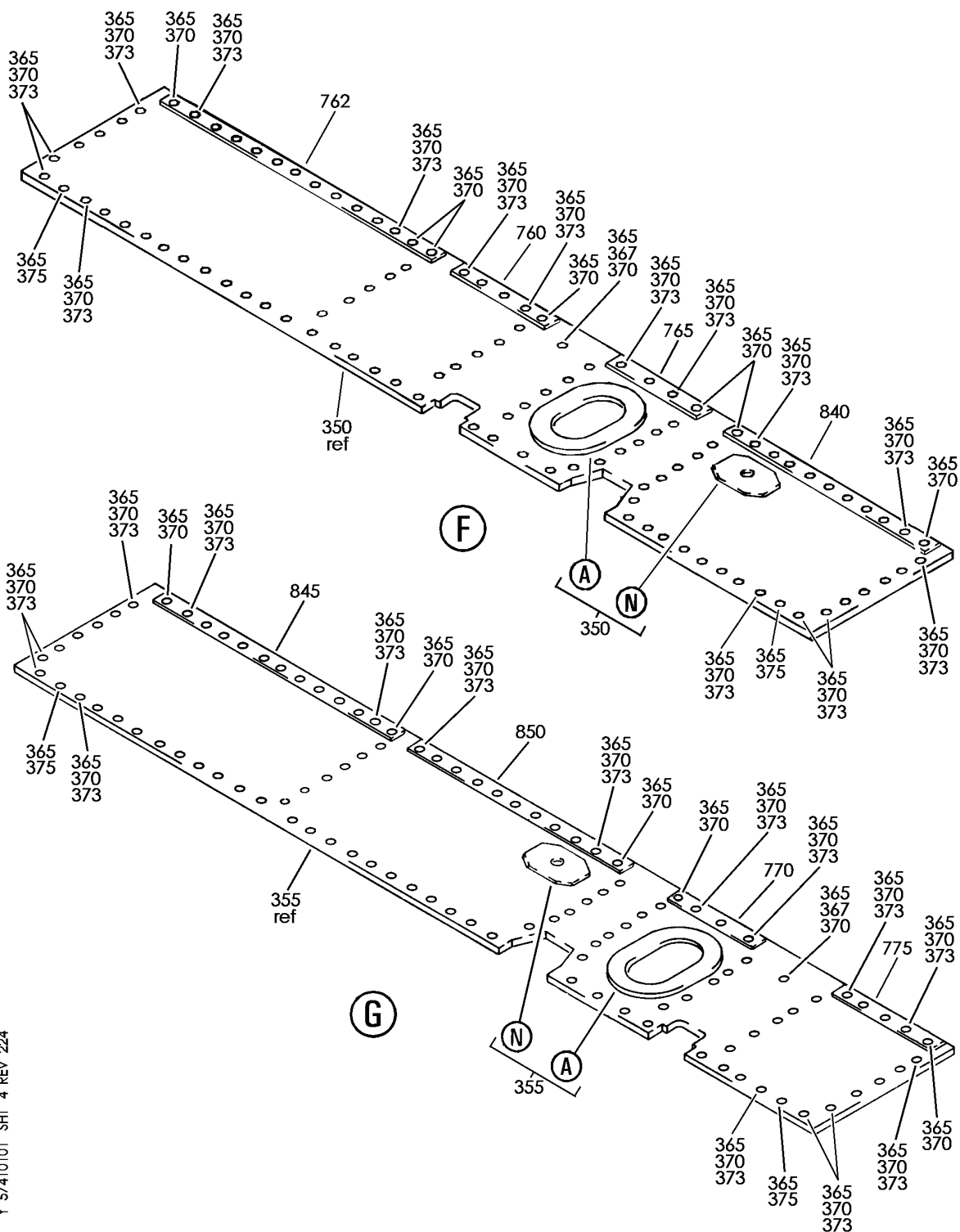
PANEL INSTL-OUTBD FXD LE LWR SKIN
FIGURE 1 (SHEET 3)

57-41-01-01

BRI
MAY 28/07

57-41-01-01
PAGE 0B

BOEING
757
PARTS CATALOG (MAINTENANCE)



Y 57410101 SH1 4 REV 224

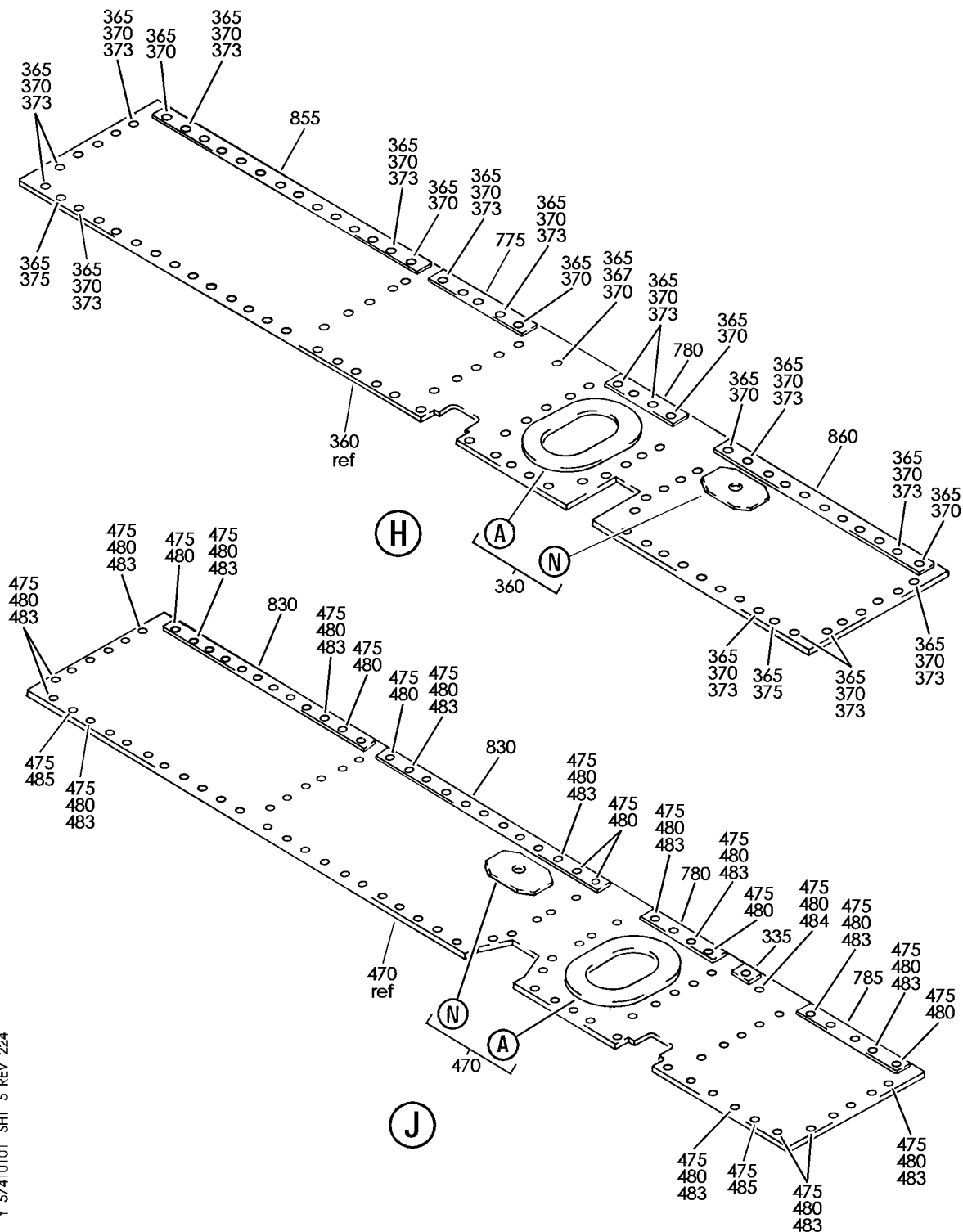
PANEL INSTL-OUTBD FXD LE LWR SKIN
FIGURE 1 (SHEET 4)

57-41-01-01

BRI
MAY 28/07

57-41-01-01
PAGE 0C

BOEING
757
PARTS CATALOG (MAINTENANCE)



Y 57410101 SH1 5 REV 224

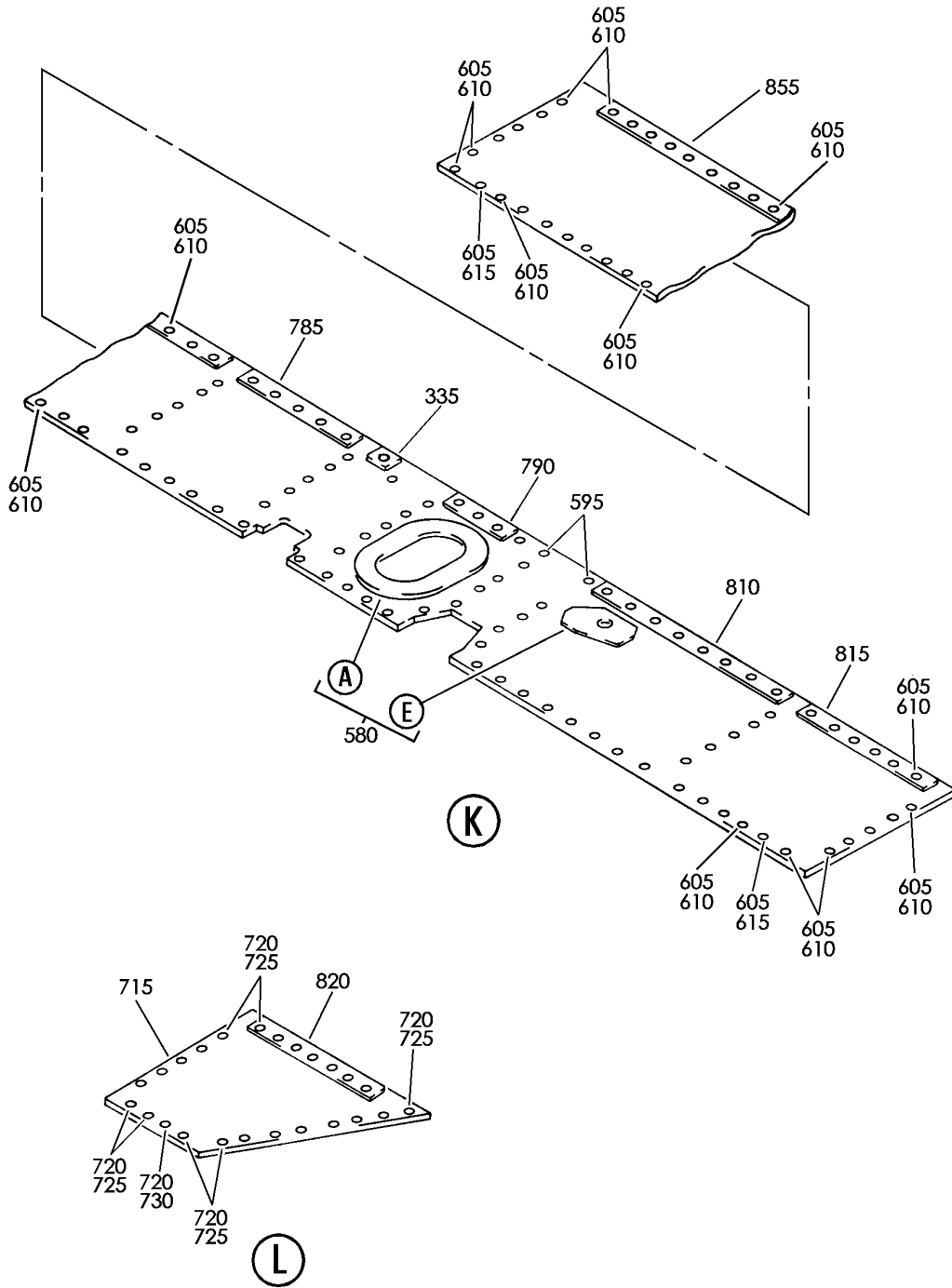
PANEL INSTL-OUTBD FXD LE LWR SKIN
FIGURE 1 (SHEET 5)

57-41-01-01

BRI
MAY 28/07

57-41-01-01
PAGE 0D

BOEING
757
PARTS CATALOG (MAINTENANCE)



Y 57410101 SHT 6 REV 224

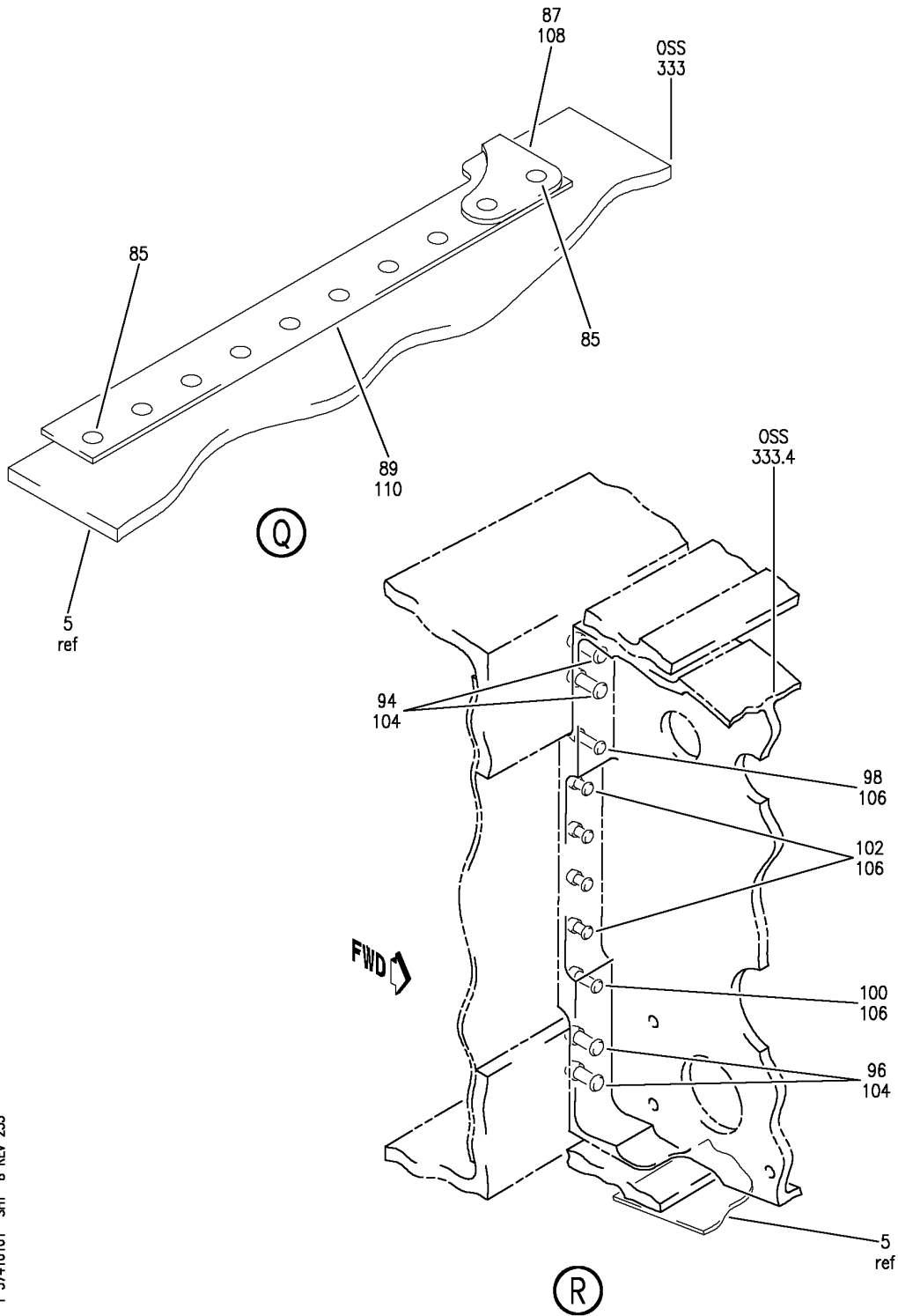
PANEL INSTL-OUTBD FXD LE LWR SKIN
FIGURE 1 (SHEET 6)

57-41-01-01

BRI
MAY 28/07

57-41-01-01
PAGE 0E

BOEING
757
PARTS CATALOG (MAINTENANCE)



Y 57410101 SHIT 8 REV 253

PANEL INSTL-OUTBD FXD LE LWR SKIN
FIGURE 1 (SHEET 8)

57-41-01-01

BRI
MAY 28/07

57-41-01-01
PAGE 08



757

PARTS CATALOG (MAINTENANCE)

FIG ITEM	PART NUMBER	1 2 3 4 5 6 7	NOMENCLATURE	EFFECT FROM TO	UNITS PER ASSY
1			PANEL INSTL-OUTBD FXD LE LWR SKIN	002004 006999	
- 1	114N2036-31		PANEL INSTL-FXD LE SKIN POSITION DATA: OUTBD LWR LH FOR NHA SEE: 57-22-51-50	002004 006100 107107 121503 904999	RF
- 1	114N2036-405		PANEL INSTL-FXD LE SKIN POSITION DATA: OUTBD LWR LH FOR NHA SEE: 57-00-00-10	101102 108120 504903	RF
- 1	MODREF116		PANEL INSTL-FXD LE SKIN MODULE NUMBER: 114N2036-305 REV A POSITION DATA: OUTBD LWR LH	103103	1
- 1	MODREF26666		PANEL INSTL-FXD LE SKIN MODULE NUMBER: 114N2036-305 REV B POSITION DATA: OUTBD LWR LH	104105	1
- 1	MODREF31900		PANEL INSTL-FXD LE SKIN MODULE NUMBER: 114N2036-305 REV D POSITION DATA: OUTBD LWR LH	106106	1
5	114N2202-11		.PANEL ASSY-	002004 006100 107107 121503 904999	1
5	114N2202-23		.PANEL ASSY-	106106	1
5	114N2202-21		.PANEL ASSY-	101105 108120 504903	1
10	BACB30NN3K5		ATTACHING PARTS .BOLT-	002004 006100 107107 121503 904999	63
13	BACB30NN3K5		.BOLT-	103106	53
15	BACB30NN3K5		.BOLT-	101106 108120 504903	61
17	BACB30NN4K5		.BOLT	103106	1

MISSING ITEM NUMBERS NOT APPLICABLE

- ITEM NOT ILLUSTRATED

57-41-01-01

57-41-01
FIG. 01
PAGE 1
JAN 20/09

BRI



757

PARTS CATALOG (MAINTENANCE)

FIG ITEM	PART NUMBER	1 2 3 4 5 6 7	NOMENCLATURE	EFFECT FROM TO	UNITS PER ASSY
1	20 BACB30LR4-5	.	BOLT-	002004 006999	2
			-----*-----		
	25 BACB30NN3K3	..	BOLT	002004 006999	1
	27 AN960PD10L	..	WASHER- USED ON: 114N2202-17	002004 006100 107107 121503 904999	1
	27 NAS1149D0316J	..	WASHER- USED ON: 114N2202-21	101106 108120 504903	1
	29 BRH10C3D	..	NUT SUPPLIER CODE: V52828 SPECIFICATION NUMBER: BACN10JC3CD OPTIONAL PART: T6C1032JCD V11815 NS202486-02 V80539 102LH9075-3W V72962 H51650-3BAC V15653	002004 006999	1
	32 BACB30NN3K5	..	BOLT	002004 006999	6
	34 BRFR220C3-2D	..	NUTPLATE SUPPLIER CODE: V52828 SPECIFICATION NUMBER: BACN10KE3B2CD OPTIONAL PART: F51747-3-2CD V15653 102A9213-2-3 V72962 NS202493-02-2 V80539	002004 006999	6
-	37 BACR15BA3AD	..	RIVET- ATTACHING PARTS SIZE DETERMINED ON INSTL. -----*-----	002004 006999	12

MISSING ITEM NUMBERS NOT APPLICABLE

- ITEM NOT ILLUSTRATED

57-41-01-01

57-41-01
FIG. 01
PAGE 2
JAN 20/09

BRI

BOEING PROPRIETARY - Copyright © - Unpublished Work - See title page for details.



757

PARTS CATALOG (MAINTENANCE)

FIG ITEM	PART NUMBER	1 2 3 4 5 6 7	NOMENCLATURE	EFFECT FROM TO	UNITS PER ASSY
1	40 114N2069-1		.. COVER ASSY-ACCESS USED ON: 114N2202-1 114N2202-9 USED ON: 114N2202-11	002004 006999	1
	40 114N2069-5		.. COVER ASSY-ACCESS USED ON: 114N2202-17 114N2202-21	002004 006999	1
	50 NAS1201C10B14B		... CHAIN ASSY ATTACHING PARTS	002004 006999	1
-	55 BACR15BA6D		... RIVET- SIZE DETERMINED ON INSTL. -----*-----	002004 006999	1
	57 114N2069-2		... COVER- USED ON: 114N2069-1	002004 006999	1
	57 114N2069-6		... COVER- USED ON: 114N2069-5	002004 006999	1
	60 BACS12ER04K6		.. SCREW-	002004 006999	1
	65 AN960KD4		.. WASHER-	002004 006105 107999	1
	65 NAS1149DN432J		.. WASHER-	106106	1
	70 BRH10C04D		.. NUT- SUPPLIER CODE: V52828 SPECIFICATION NUMBER: BACN10JCO4CD OPTIONAL PART: H51650-04BAC V15653 102LH9075-40W V72962 NS202486-40 V80539 T6C440JCD V11815 T6C440JCD V11815	002004 006999	1
	75 114N2208-1		.. DOOR ASSY- USED ON: 114N2202-11	002004 006100 107107 121503 904999	1

MISSING ITEM NUMBERS NOT APPLICABLE

- ITEM NOT ILLUSTRATED

57-41-01-01

57-41-01
FIG. 01
PAGE 3
JAN 20/09

BRI

BOEING PROPRIETARY - Copyright © - Unpublished Work - See title page for details.



757

PARTS CATALOG (MAINTENANCE)

FIG ITEM	PART NUMBER	1 2 3 4 5 6 7	NOMENCLATURE	EFFECT FROM TO	UNITS PER ASSY
1	75 114N2208-13		.. DOOR ASSY- USED ON: 114N2202-17 114N2202-21 ATTACHING PARTS	101106 108120 504903	1
-	76 BACR15BA5AD		.. RIVET- SIZE DETERMINED ON INSTL. -----*-----	002004 006999	10
	77 NAS1201C6B10B		... CHAIN ASSY ATTACHING PARTS	002004 006999	1
-	78 BACS12ER04K6		... SCREW	002004 006999	1
-	79 AN960KD4		... WASHER	002004 006999	1
-	80 BRH10C04D		... NUT SUPPLIER CODE: V52828 SPECIFICATION NUMBER: BACN10JC04CD OPTIONAL PART: H51650-04BAC V15653 102LH9075-40W V72962 NS202486-40 V80539 T6C440JCD V11815 T6C440JCD V11815 -----*-----	002004 006999	1
	81 114N2208-3		... DOOR- USED ON: 114N2208-1	002004 006100 107107 121503 904999	1
	81 114N2208-14		... DOOR- USED ON: 114N2208-13 ATTACHING PARTS	101106 108120 504903	1
-	82 BACB30LH3-3		... BOLT -----*-----	002004 006999	2
	85 BACR15BA6D		.. RIVET- SIZE DETERMINED ON INSTL.	106106	10
	87 114N2207-5		.. RETAINER	106106	1
	89 114N2137-2		.. DOOR STOP	106106	1

MISSING ITEM NUMBERS NOT APPLICABLE

- ITEM NOT ILLUSTRATED

57-41-01-01

57-41-01
FIG. 01
PAGE 4
JAN 20/09

BRI

BOEING PROPRIETARY - Copyright © - Unpublished Work - See title page for details.



757

PARTS CATALOG (MAINTENANCE)

FIG ITEM	PART NUMBER	1 2 3 4 5 6 7	NOMENCLATURE	EFFECT FROM TO	UNITS PER ASSY
1 94	LGPL2SPV10-12AC	.BOLT	SUPPLIER CODE: V17446 SPECIFICATION NUMBER: BACB30VN10K12 OPTIONAL PART: LGPL2SPV10-12AC V92215 81669V10K12 V56878 LGPL2SPV10-12AC V56878	103105	2
96	LGPL2SPV10-11AC	.BOLT	SUPPLIER CODE: V17446 SPECIFICATION NUMBER: BACB30VN10K11 OPTIONAL PART: LGPL2SPV10-11AC V92215 81669V10K11 V56878 LGPL2SPV10-11AC V56878	103105	2
98	LGPL2SPV8-12AC	.BOLT	SUPPLIER CODE: V17446 SPECIFICATION NUMBER: BACB30VN8K12 OPTIONAL PART: LGPL2SPV8-12AC V92215 81669V8K12 V56878 LGPL2SPV8-12AC V56878	103105	1
100	LGPL2SPV8-11AC	.BOLT	SUPPLIER CODE: V17446 SPECIFICATION NUMBER: BACB30VN8K11 OPTIONAL PART: LGPL2SPV8-11AC V92215 81669V8K11 V56878 LGPL2SPV8-11AC V56878	103105	1

MISSING ITEM NUMBERS NOT APPLICABLE

- ITEM NOT ILLUSTRATED

BRI

57-41-01-01

BOEING PROPRIETARY - Copyright © - Unpublished Work - See title page for details.

57-41-01
FIG. 01
PAGE 5
JAN 20/09



757

PARTS CATALOG (MAINTENANCE)

FIG ITEM	PART NUMBER	1 2 3 4 5 6 7	NOMENCLATURE	EFFECT FROM TO	UNITS PER ASSY
1					
102	LGPL2SPV8-6AC	.BOLT	SUPPLIER CODE: V17446 SPECIFICATION NUMBER: BACB30VN8K6 OPTIONAL PART: LGPL2SPV8-6AC V92215 81669V8K6 V56878 LGPL2SPV8-6AC V56878	103105	4
104	3SLCC10	.COLLAR	SUPPLIER CODE: V17446 SPECIFICATION NUMBER: BACC30BK10 OPTIONAL PART: 3SLCC10 V92215	103105	4
106	3SLCC8	.COLLAR	SUPPLIER CODE: V17446 SPECIFICATION NUMBER: BACC30BK8 OPTIONAL PART: 3SLCC8 V92215	103105	6
108	114N2207-5	.RETAINER		103105	1
110	114N2137-2	.DOOR STOP		103105	1
115	114N2201-13	.PANEL ASSY-		002004 006100 107107 121503 904999	1
115	114N2201-19	.PANEL ASSY-		101106 108120 504903	1
120	BACB30NN3K5	ATTACHING PARTS .BOLT-		002004 006100 107107 121503 904999	94
122	BACB30NN3K5	.BOLT-		103106	85
125	BACB30NN3K5	.BOLT-		101106 108120 504903	92
128	BACB30NN4K5	.BOLT		103106	1

MISSING ITEM NUMBERS NOT APPLICABLE

- ITEM NOT ILLUSTRATED

57-41-01-01

57-41-01
FIG. 01
PAGE 6
JAN 20/09

BRI



757

PARTS CATALOG (MAINTENANCE)

FIG ITEM	PART NUMBER	1 2 3 4 5 6 7	NOMENCLATURE	EFFECT FROM TO	UNITS PER ASSY
1					
130	BACB30LR4-5	.	BOLT-	002004 006999	2
			-----*-----		
135	BACB30NN3K3	..	BOLT	002004 006999	1
138	AN960PD10L	..	WASHER- USED ON: 114N2201-13	002004 006100 107107 121503 904999	1
138	NAS1149D0316J	..	WASHER- USED ON: 114N2201-19	101106 108120 504903	1
141	BRH10C3D	..	NUT SUPPLIER CODE: V52828 SPECIFICATION NUMBER: BACN10JC3CD OPTIONAL PART: T6C1032JCD V11815 NS202486-02 V80539 102LH9075-3W V72962 H51650-3BAC V15653	002004 006999	1
143	BACB30NN3K5	..	BOLT	002004 006999	6
146	BRFR220C3-2D	..	NUTPLATE SUPPLIER CODE: V52828 SPECIFICATION NUMBER: BACN10KE3B2CD OPTIONAL PART: F51747-3-2CD V15653 102A9213-2-3 V72962 NS202493-02-2 V80539	002004 006999	6
- 148	BACR15BA3AD	..	RIVET- ATTACHING PARTS SIZE DETERMINED ON INSTL. -----*-----	002004 006999	12

MISSING ITEM NUMBERS NOT APPLICABLE

- ITEM NOT ILLUSTRATED

57-41-01-01

57-41-01
FIG. 01
PAGE 7
JAN 20/09

BRI

BOEING PROPRIETARY - Copyright © - Unpublished Work - See title page for details.

BOEING
757
PARTS CATALOG (MAINTENANCE)

FIG ITEM	PART NUMBER	1 2 3 4 5 6 7	NOMENCLATURE	EFFECT FROM TO	UNITS PER ASSY
1					
150	114N2069-1	..	COVER ASSY-ACCESS USED ON: 114N2201-1 114N2201-11 USED ON: 114N2201-13	002004 006999	1
150	114N2069-5	..	COVER ASSY-ACCESS USED ON: 114N2201-19	002004 006999	1
160	NAS1201C10B14B	...	CHAIN ASSY ATTACHING PARTS	002004 006999	1
- 165	BACR15BA6D	...	RIVET- SIZE DETERMINED ON INSTL. -----*-----	002004 006999	1
167	114N2069-2	...	COVER- USED ON: 114N2069-1	002004 006999	1
167	114N2069-6	...	COVER- USED ON: 114N2069-5	002004 006999	1
170	BACS12ER04K6	..	SCREW-	002004 006999	1
175	AN960KD4	..	WASHER-	002004 006999	1
180	BRH10C04D	..	NUT- SUPPLIER CODE: V52828 SPECIFICATION NUMBER: BACN10JCO4CD OPTIONAL PART: H51650-04BAC V15653 102LH9075-40W V72962 NS202486-40 V80539 T6C440JCD V11815 T6C440JCD V11815	002004 006999	1
185	114N2208-1	..	DOOR ASSY- USED ON: 114N2201-13	002004 006100 107107 121503 904999	1
185	114N2208-13	..	DOOR ASSY- USED ON: 114N2201-19	101106 108120 504903	1

MISSING ITEM NUMBERS NOT APPLICABLE

- ITEM NOT ILLUSTRATED

BRI

57-41-01-01

BOEING PROPRIETARY - Copyright © - Unpublished Work - See title page for details.

57-41-01
FIG. 01
PAGE 8
JAN 20/09



757

PARTS CATALOG (MAINTENANCE)

FIG ITEM	PART NUMBER	1 2 3 4 5 6 7	NOMENCLATURE	EFFECT FROM TO	UNITS PER ASSY
1			ATTACHING PARTS		
- 190	BACR15BA5D	..	RIVET- SIZE DETERMINED ON INSTL. -----*-----	002004 006999	10
195	NAS1201C6B10B	...	CHAIN ASSY	002004 006999	1
			ATTACHING PARTS		
- 200	BACS12ER04K6	...	SCREW	002004 006999	1
- 205	AN960KD4	...	WASHER	002004 006999	1
- 210	BRH10C04D	...	NUT SUPPLIER CODE: V52828 SPECIFICATION NUMBER: BACN10JC04CD OPTIONAL PART: H51650-04BAC V15653 102LH9075-40W V72962 NS202486-40 V80539 T6C440JCD V11815 T6C440JCD V11815 -----*-----	002004 006999	1
215	114N2208-3	...	DOOR- USED ON: 114N2208-1	002004 006100 107107 121503 904999	1
215	114N2208-14	...	DOOR- USED ON: 114N2208-13	101106 108120 504903	1
- 220	BACB30LH3-3	...	ATTACHING PARTS BOLT	002004 006999	2
225	114N2115-11	.	PANEL ASSY- -----*-----	002004 006100 107107 121503 904999	1
225	114N2115-15	.	PANEL ASSY-	101106 108120 504903	1

MISSING ITEM NUMBERS NOT APPLICABLE

- ITEM NOT ILLUSTRATED

57-41-01-01

57-41-01
FIG. 01
PAGE 9
JAN 20/09

BRI

BOEING PROPRIETARY - Copyright © - Unpublished Work - See title page for details.

 **BOEING**
757
PARTS CATALOG (MAINTENANCE)

FIG ITEM	PART NUMBER	1 2 3 4 5 6 7	NOMENCLATURE	EFFECT FROM TO	UNITS PER ASSY
1			ATTACHING PARTS		
230	BACB30NN3K5		.BOLT-	101106 108120 504903	117
232	BACB30NN3K5		.BOLT-	103106	95
235	BACB30NN3K5		.BOLT-	002004 006100 107107 121503 904999	119
237	BACB30NN4K5		.BOLT	103106	13
240	BACB30LR4-5		.BOLT-	002004 006999	2
			-----*-----		
245	BACB30NN3K3		..BOLT	002004 006999	1
248	AN960PD10L		..WASHER	002004 006999	1
251	BRH10C3D		..NUT	002004 006999	1
			SUPPLIER CODE: V52828		
			SPECIFICATION NUMBER: BACN10JC3CD		
			OPTIONAL PART: T6C1032JCD V11815 NS202486-02 V80539 102LH9075-3W V72962 H51650-3BAC V15653		
253	BACB30NN3K5		..BOLT	002004 006999	6
256	BRFR220C3-2D		..NUTPLATE	002004 006999	6
			SUPPLIER CODE: V52828		
			SPECIFICATION NUMBER: BACN10KE3B2CD		
			OPTIONAL PART: F51747-3-2CD V15653 102A9213-2-3 V72962 NS202493-02-2 V80539		

MISSING ITEM NUMBERS NOT APPLICABLE

— ITEM NOT ILLUSTRATED

BRI

57-41-01-01

BOEING PROPRIETARY - Copyright © - Unpublished Work - See title page for details.

57-41-01
FIG. 01
PAGE 10
JAN 20/09



757

PARTS CATALOG (MAINTENANCE)

FIG ITEM	PART NUMBER	1 2 3 4 5 6 7	NOMENCLATURE	EFFECT FROM TO	UNITS PER ASSY
1			ATTACHING PARTS		
- 258	BACR15BA3AD	..	RIVET- SIZE DETERMINED ON INSTL. -----*-----	002004 006999	12
260	114N2069-1	..	COVER ASSY-ACCESS USED ON: 114N2115-1 114N2115-9 USED ON: 114N2115-11	002004 006999	1
260	114N2069-5	..	COVER ASSY-ACCESS USED ON: 114N2115-15	002004 006999	1
270	NAS1201C10B14B	...	CHAIN ASSY	002004 006999	1
			ATTACHING PARTS		
- 275	BACR15BA6D	...	RIVET- SIZE DETERMINED ON INSTL. -----*-----	002004 006999	1
277	114N2069-2	...	COVER- USED ON: 114N2069-1	002004 006999	1
277	114N2069-6	...	COVER- USED ON: 114N2069-5	002004 006999	1
280	BACS12ER04K6	..	SCREW-	002004 006999	1
285	AN960KD4	..	WASHER-	002004 006999	1
290	BRH10C04D	..	NUT- SUPPLIER CODE: V52828 SPECIFICATION NUMBER: BACN10JCO4CD OPTIONAL PART: H51650-04BAC V15653 102LH9075-40W V72962 NS202486-40 V80539 T6C440JCD V11815 T6C440JCD V11815	002004 006999	1

MISSING ITEM NUMBERS NOT APPLICABLE

- ITEM NOT ILLUSTRATED

57-41-01-01

57-41-01
FIG. 01
PAGE 11
JAN 20/09

BRI



757

PARTS CATALOG (MAINTENANCE)

FIG ITEM	PART NUMBER	1 2 3 4 5 6 7	NOMENCLATURE	EFFECT FROM TO	UNITS PER ASSY
1					
295	114N2208-1	..	DOOR ASSY- USED ON: 114N2115-11	002004 006100 107107 121503 904999	1
295	114N2208-13	..	DOOR ASSY- USED ON: 114N2115-15 ATTACHING PARTS	101106 108120 504903	1
- 300	BACR15BA5D	..	RIVET- SIZE DETERMINED ON INSTL. -----*-----	002004 006999	10
305	NAS1201C6B10B	...	CHAIN ASSY ATTACHING PARTS	002004 006999	1
- 310	BACS12ER04K6	...	SCREW	002004 006999	1
- 315	AN960KD4	...	WASHER	002004 006999	1
- 320	BRH10C04D	...	NUT SUPPLIER CODE: V52828 SPECIFICATION NUMBER: BACN10JCO4CD OPTIONAL PART: H51650-04BAC V15653 102LH9075-40W V72962 NS202486-40 V80539 T6C440JCD V11815 T6C440JCD V11815 -----*-----	002004 006999	1
325	114N2208-3	...	DOOR- USED ON: 114N2208-1	002004 006100 107107 121503 904999	1
325	114N2208-14	...	DOOR- USED ON: 114N2208-13 ATTACHING PARTS	101106 108120 504903	1
- 330	BACB30LH3-3	...	BOLT -----*-----	002004 006999	2

MISSING ITEM NUMBERS NOT APPLICABLE

- ITEM NOT ILLUSTRATED

57-41-01-01

57-41-01
FIG. 01
PAGE 12
JAN 20/09

BRI

BOEING PROPRIETARY - Copyright © - Unpublished Work - See title page for details.

 **BOEING**
757
PARTS CATALOG (MAINTENANCE)

FIG ITEM	PART NUMBER	1 2 3 4 5 6 7	NOMENCLATURE	EFFECT FROM TO	UNITS PER ASSY
1					
335	114N2036-37		. FILLER ASSY	002004 006102 107999	2
- 345	BACB30NN3K5		ATTACHING PARTS . BOLT	002004 006102 107999	2
			-----*-----		
350	114N2113-11		. PANEL ASSY-	002004 006100 107107 121503 904999	1
350	114N2113-15		. PANEL ASSY-	101106 108120 504903	1
355	114N2112-13		. PANEL ASSY-	002004 006100 107107 121503 904999	1
355	114N2112-19		. PANEL ASSY-	101106 108120 504903	1
360	114N2111-13		. PANEL ASSY-	002004 006100 107107 121503 904999	1
360	114N2111-19		. PANEL ASSY	101106 108120 504903	1
			ATTACHING PARTS		
365	BACB30NN3K5		. BOLT-	002004 006100 107107 121503 904999	318
367	BACB30NN4K5		. BOLT	103106	3
370	BACB30NN3K5		. BOLT-	101106 108120 504903	312
373	BACB30NN3K5		. BOLT-	103106	291
375	BACB30LR4-5		. BOLT-	002004 006999	6
			-----*-----		
378	BACB30NN3K3		. . BOLT	002004 006999	1

MISSING ITEM NUMBERS NOT APPLICABLE

- ITEM NOT ILLUSTRATED

BRI

57-41-01-01

BOEING PROPRIETARY - Copyright © - Unpublished Work - See title page for details.

57-41-01
FIG. 01
PAGE 13
JAN 20/09



757

PARTS CATALOG (MAINTENANCE)

FIG ITEM	PART NUMBER	1 2 3 4 5 6 7	NOMENCLATURE	EFFECT FROM TO	UNITS PER ASSY
1					
381	AN960PD10L	..	WASHER	002004 006999	1
384	BRH10C3D	..	NUT SUPPLIER CODE: V52828 SPECIFICATION NUMBER: BACN10JC3CD OPTIONAL PART: T6C1032JCD V11815 NS202486-02 V80539 102LH9075-3W V72962 H51650-3BAC V15653	002004 006999	1
387	BACB30NN3K5	..	BOLT	002004 006999	6
390	BRFR220C3-2D	..	NUTPLATE SUPPLIER CODE: V52828 SPECIFICATION NUMBER: BACN10KE3B2CD OPTIONAL PART: F51747-3-2CD V15653 102A9213-2-3 V72962 NS202493-02-2 V80539	002004 006999	6
- 393	BACR15BA3AD	..	ATTACHING PARTS RIVET- SIZE DETERMINED ON INSTL. -----*-----	002004 006999	12
395	114N2069-1	..	COVER ASSY-ACCESS USED ON: 114N2111-1 114N2111-11 114N2112-1 114N2112-11 114N2113-1 114N2113-9 USED ON: 114N2113-11 114N2112-13 114N2111-13	002004 006999	1

MISSING ITEM NUMBERS NOT APPLICABLE

- ITEM NOT ILLUSTRATED

57-41-01-01

57-41-01
FIG. 01
PAGE 14
JAN 20/09

BRI

BOEING PROPRIETARY - Copyright © - Unpublished Work - See title page for details.

 **BOEING**
757
PARTS CATALOG (MAINTENANCE)

FIG ITEM	PART NUMBER	1 2 3 4 5 6 7	NOMENCLATURE	EFFECT FROM TO	UNITS PER ASSY
1					
395	114N2069-5	..	COVER ASSY-ACCESS USED ON: 114N2111-19 114N2112-19 114N2113-15	002004 006999	1
405	NAS1201C10B14B	...	CHAIN ASSY ATTACHING PARTS	002004 006999	1
- 410	BACR15BA6D	...	RIVET- SIZE DETERMINED ON INSTL. -----*-----	002004 006999	1
413	114N2069-2	...	COVER- USED ON: 114N2069-1	002004 006999	1
413	114N2069-6	...	COVER- USED ON: 114N2069-5	002004 006999	1
415	BACS12ER04K6	..	SCREW-	002004 006999	1
420	AN960KD4	..	WASHER-	002004 006999	1
425	BRH10C04D	..	NUT- SUPPLIER CODE: V52828 SPECIFICATION NUMBER: BACN10JCO4CD OPTIONAL PART: H51650-04BAC V15653 102LH9075-40W V72962 NS202486-40 V80539 T6C440JCD V11815 T6C440JCD V11815	002004 006999	1
430	114N2208-1	..	DOOR ASSY- USED ON: 114N2111-13 114N2112-13 114N2113-11	002004 006100 107107 121503 904999	1
430	114N2208-13	..	DOOR ASSY- USED ON: 114N2111-19 114N2112-19 114N2113-15	101106 108120 504903	1

MISSING ITEM NUMBERS NOT APPLICABLE

- ITEM NOT ILLUSTRATED

BRI

57-41-01-01

BOEING PROPRIETARY - Copyright © - Unpublished Work - See title page for details.

57-41-01
FIG. 01
PAGE 15
JAN 20/09



757

PARTS CATALOG (MAINTENANCE)

FIG ITEM	PART NUMBER	1 2 3 4 5 6 7	NOMENCLATURE	EFFECT FROM TO	UNITS PER ASSY
1			ATTACHING PARTS		
- 435	BACR15BA5D	..	RIVET- SIZE DETERMINED ON INSTL. -----*-----	002004 006999	10
440	NAS1201C6B10B	...	CHAIN ASSY	002004 006999	1
			ATTACHING PARTS		
- 445	BACS12ER04K6	...	SCREW	002004 006999	1
- 450	AN960KD4	...	WASHER	002004 006999	1
- 455	BRH10C04D	...	NUT SUPPLIER CODE: V52828 SPECIFICATION NUMBER: BACN10JC04CD OPTIONAL PART: H51650-04BAC V15653 102LH9075-40W V72962 NS202486-40 V80539 T6C440JCD V11815 T6C440JCD V11815 -----*-----	002004 006999	1
460	114N2208-3	...	DOOR- USED ON: 114N2208-1	002004 006100 107107 121503 904999	1
460	114N2208-14	...	DOOR- USED ON: 114N2208-13	101106 108120 504903	1
- 465	BACB30LH3-3	...	ATTACHING PARTS BOLT -----*-----	002004 006999	2
470	114N2110-13	.	PANEL ASSY-	002004 006100 107107 121503 904999	1
470	114N2110-19	.	PANEL ASSY	101106 108120 504903	1

MISSING ITEM NUMBERS NOT APPLICABLE

- ITEM NOT ILLUSTRATED

57-41-01-01

57-41-01
FIG. 01
PAGE 16
JAN 20/09

BRI

BOEING PROPRIETARY - Copyright © - Unpublished Work - See title page for details.



757

PARTS CATALOG (MAINTENANCE)

FIG ITEM	PART NUMBER	1 2 3 4 5 6 7	NOMENCLATURE	EFFECT FROM TO	UNITS PER ASSY
1			ATTACHING PARTS		
475	BACB30NN3K5		.BOLT-	002004 006100 107107 121503 904999	104
480	BACB30NN3K5		.BOLT-	101106 108120 504903	102
483	BACB30NN3K5		.BOLT-	103106	93
484	BACB30NN4K5		.BOLT	103106	1
485	BACB30LR4-5		.BOLT-	002004 006999	2
			-----*-----		
487	BACB30NN3K3		..BOLT	002004 006999	1
490	NAS1149D0316J		..WASHER-	002004 006999	1
493	BRH10C3D		..NUT	002004 006999	1
			SUPPLIER CODE: V52828		
			SPECIFICATION NUMBER: BACN10JC3CD		
			OPTIONAL PART: T6C1032JCD		
			V11815		
			NS202486-02		
			V80539		
			102LH9075-3W		
			V72962		
			H51650-3BAC		
			V15653		
496	BACB30NN3K5		..BOLT	002004 006999	6
499	BRFR220C3-2D		..NUTPLATE	002004 006999	6
			SUPPLIER CODE: V52828		
			SPECIFICATION NUMBER: BACN10KE3B2CD		
			OPTIONAL PART: F51747-3-2CD		
			V15653		
			102A9213-2-3		
			V72962		
			NS202493-02-2		
			V80539		

MISSING ITEM NUMBERS NOT APPLICABLE

- ITEM NOT ILLUSTRATED

57-41-01-01

57-41-01
FIG. 01
PAGE 17
JAN 20/09

BRI

BOEING
757
PARTS CATALOG (MAINTENANCE)

FIG ITEM	PART NUMBER	1 2 3 4 5 6 7	NOMENCLATURE	EFFECT FROM TO	UNITS PER ASSY
1			ATTACHING PARTS		
- 502	BACR15BA3AD		..RIVET- SIZE DETERMINED ON INSTL. -----*-----	002004 006999	6
505	114N2069-1		..COVER ASSY-ACCESS USED ON: 114N2110-1 114N2110-11 USED ON: 114N2110-13	002004 006999	1
505	114N2069-5		..COVER ASSY-ACCESS USED ON: 114N2110-19	002004 006999	1
515	NAS1201C10B14B		...CHAIN ASSY	002004 006999	1
			ATTACHING PARTS		
- 520	BACR15BA6D		...RIVET- SIZE DETERMINED ON INSTL. -----*-----	002004 006999	1
523	114N2069-2		...COVER- USED ON: 114N2069-1	002004 006999	1
523	114N2069-6		...COVER- USED ON: 114N2069-5	002004 006999	1
525	BACS12ER04K6		..SCREW-	002004 006999	1
530	NAS1149DN432J		..WASHER-	002004 006999	1
535	BRH10C04D		..NUT- SUPPLIER CODE: V52828 SPECIFICATION NUMBER: BACN10JCO4CD OPTIONAL PART: H51650-04BAC V15653 102LH9075-40W V72962 NS202486-40 V80539 T6C440JCD V11815 T6C440JCD V11815	002004 006999	1

MISSING ITEM NUMBERS NOT APPLICABLE

- ITEM NOT ILLUSTRATED

BRI

57-41-01-01

BOEING PROPRIETARY - Copyright © - Unpublished Work - See title page for details.

57-41-01
FIG. 01
PAGE 18
JAN 20/09



757

PARTS CATALOG (MAINTENANCE)

FIG ITEM	PART NUMBER	1 2 3 4 5 6 7	NOMENCLATURE	EFFECT FROM TO	UNITS PER ASSY
1					
540	114N2208-1		.. DOOR ASSY- USED ON: 114N2110-13	002004 006100 107107 121503 904999	1
540	114N2208-13		.. DOOR ASSY- USED ON: 114N2110-19 ATTACHING PARTS	101106 108120 504903	1
- 545	BACR15BA5D		.. RIVET- SIZE DETERMINED ON INSTL. -----*-----	002004 006999	10
550	NAS1201C6B10B		... CHAIN ASSY ATTACHING PARTS	002004 006999	1
- 555	BACS12ER04K6		... SCREW	002004 006999	1
- 560	AN960KD4		... WASHER	002004 006999	1
- 565	BRH10C04D		... NUT SUPPLIER CODE: V52828 SPECIFICATION NUMBER: BACN10JCO4CD OPTIONAL PART: H51650-04BAC V15653 102LH9075-40W V72962 NS202486-40 V80539 T6C440JCD V11815 T6C440JCD V11815 -----*-----	002004 006999	1
570	114N2208-3		... DOOR- USED ON: 114N2208-1	002004 006100 107107 121503 904999	1
570	114N2208-14		... DOOR- USED ON: 114N2208-13 ATTACHING PARTS	101106 108120 504903	1
- 575	BACB30LH3-3		... BOLT -----*-----	002004 006999	2

MISSING ITEM NUMBERS NOT APPLICABLE

- ITEM NOT ILLUSTRATED

57-41-01-01

57-41-01
FIG. 01
PAGE 19
JAN 20/09

BRI

BOEING PROPRIETARY - Copyright © - Unpublished Work - See title page for details.

BOEING
757
PARTS CATALOG (MAINTENANCE)

FIG ITEM	PART NUMBER	1 2 3 4 5 6 7 NOMENCLATURE	EFFECT FROM TO	UNITS PER ASSY
1				
580	114N2109-19	. PANEL ASSY-	002004 006100 107107 121503 904999	1
580	114N2109-27	. PANEL ASSY-	101102 108120 504903	1
580	114N2109-29	. PANEL ASSY ATTACHING PARTS	103106	1
585	BACB30NN4K9	. BOLT	103106	4
592	BACB30NN3K6	. BOLT	103106	101
595	BACB30NN4K8	. BOLT-	002004 006999	2
597	BACB30NN4K5	. BOLT	103106	1
600	BACB30LR4-9	. BOLT	103106	1
605	BACB30NN3K5	. BOLT-	002004 006100 107107 121503 904999	113
610	BACB30NN3K5	. BOLT-	101106 108120 504903	111
615	BACB30LR4-5	. BOLT-	101106 108120 504903	2
620	BACB30LR4-5	. BOLT	103106	2
625	BACB30NN3K3	-----*----- .. BOLT	002004 006999	1
628	NAS1149D0316J	.. WASHER-	002004 006999	1
630	BRH10C3D	.. NUT SUPPLIER CODE: V52828 SPECIFICATION NUMBER: BACN10JC3CD OPTIONAL PART: T6C1032JCD V11815 NS202486-02 V80539 102LH9075-3W V72962 H51650-3BAC V15653	002004 006999	1
633	BACB30NN3K5	.. BOLT	002004 006999	6

MISSING ITEM NUMBERS NOT APPLICABLE

— ITEM NOT ILLUSTRATED

BRI

57-41-01-01

BOEING PROPRIETARY - Copyright © - Unpublished Work - See title page for details.

57-41-01
FIG. 01
PAGE 20
JAN 20/09

 **BOEING**
757
PARTS CATALOG (MAINTENANCE)

FIG ITEM	PART NUMBER	1 2 3 4 5 6 7	NOMENCLATURE	EFFECT FROM TO	UNITS PER ASSY
1 635	BRFR220C3-2D		..NUTPLATE SUPPLIER CODE: V52828 SPECIFICATION NUMBER: BACN10KE3B2CD OPTIONAL PART: F51747-3-2CD V15653 102A9213-2-3 V72962 NS202493-02-2 V80539 ATTACHING PARTS	002004 006999	6
- 638	BACR15BA3AD		..RIVET- SIZE DETERMINED ON INSTL. -----*-----	002004 006999	12
640	114N2069-1		..COVER ASSY-ACCESS USED ON: 114N2109-13 114N2109-17 USED ON: 114N2109-19	002004 006999	1
640	114N2069-5		..COVER ASSY-ACCESS USED ON: 114N2109-29 USED ON: 114N2109-27	002004 006999	1
650	NAS1201C10B14B		...CHAIN ASSY ATTACHING PARTS	002004 006999	1
- 655	BACR15BA6D		...RIVET- SIZE DETERMINED ON INSTL. -----*-----	002004 006999	1
657	114N2069-2		...COVER- USED ON: 114N2069-1	002004 006999	1
657	114N2069-6		...COVER- USED ON: 114N2069-5	002004 006999	1
660	BACS12ER04K6		..SCREW-	002004 006999	1
665	NAS1149DN432J		..WASHER-	002004 006999	1

MISSING ITEM NUMBERS NOT APPLICABLE

- ITEM NOT ILLUSTRATED

BRI

57-41-01-01

BOEING PROPRIETARY - Copyright © - Unpublished Work - See title page for details.

57-41-01
FIG. 01
PAGE 21
JAN 20/09



757

PARTS CATALOG (MAINTENANCE)

FIG ITEM	PART NUMBER	1 2 3 4 5 6 7	NOMENCLATURE	EFFECT FROM TO	UNITS PER ASSY
1 675	BRH10C04D	..	NUT- SUPPLIER CODE: V52828 SPECIFICATION NUMBER: BACN10JCO4CD OPTIONAL PART: H51650-04BAC V15653 102LH9075-40W V72962 NS202486-40 V80539 T6C440JCD V11815 T6C440JCD V11815	002004 006999	1
680	114N2208-9	..	DOOR ASSY- USED ON: 114N2109-19 POST SERVICE BULLETIN: 57-0009	002004 006100 107107 121503 904999	1
685	114N2208-15	..	DOOR ASSY- USED ON: 114N2109-29 USED ON: 114N2109-27 ATTACHING PARTS	101106 108120 504903	1
- 690	BACR15BA5D	..	RIVET- SIZE DETERMINED ON INSTL. -----*-----	002004 006999	9
695	NAS1201C6B10B	...	CHAIN ASSY ATTACHING PARTS	002004 006999	1
- 700	BACR15BA4D	...	RIVET -----*-----	002004 006999	1
705	114N2208-8	...	DOOR ATTACHING PARTS	002004 006100 107107 121503 904999	1
705	114N2208-17	...	DOOR ATTACHING PARTS	101106 108120 504903	1
- 710	BACB30LH3-3	...	BOLT -----*-----	002004 006999	2

MISSING ITEM NUMBERS NOT APPLICABLE

- ITEM NOT ILLUSTRATED

57-41-01-01

57-41-01
FIG. 01
PAGE 22
JAN 20/09

BRI

BOEING PROPRIETARY - Copyright © - Unpublished Work - See title page for details.



757

PARTS CATALOG (MAINTENANCE)

FIG ITEM	PART NUMBER	1 2 3 4 5 6 7	NOMENCLATURE	EFFECT FROM TO	UNITS PER ASSY
1					
715	114N2101-11	.	PANEL ASSY-	002004 006102 107999	1
715	114N2101-15	.	PANEL ASSY ATTACHING PARTS	103106	1
725	BACB30NN3K5	.	BOLT-	002004 006102 107999	23
730	BACB30LR4-5	.	BOLT-	002004 006102 107999	1
732	BACB30NN3K5	.	BOLT-	103106	8
735	BACB30NN3K6	.	BOLT	103106	13
736	BACB30NN4K9	.	BOLT	103106	1
738	BACB30LR4-9	.	BOLT	103106	1
			-----*-----		
740	114N2036-26	.	CHANNEL-GANG	002004 006102 107999	1
743	114N2036-25	.	CHANNEL-GANG	002004 006102 107999	1
745	114N2036-20	.	CHANNEL-GANG	002004 006102 107999	3
750	114N2036-24	.	CHANNEL-GANG	002004 006102 107999	2
755	114N2036-29	.	CHANNEL-GANG	002004 006102 107999	1
760	114N2036-17	.	CHANNEL-GANG	002004 006102 107999	1
762	114N2036-18	.	CHANNEL-GANG	002004 006102 107999	1
765	114N2036-16	.	CHANNEL-GANG	002004 006102 107999	1
770	114N2036-12	.	CHANNEL-GANG	002004 006102 107999	1
775	114N2036-7	.	CHANNEL-GANG	002004 006102 107999	2
780	114N2036-9	.	CHANNEL-GANG	002004 006102 107999	2

MISSING ITEM NUMBERS NOT APPLICABLE

- ITEM NOT ILLUSTRATED

57-41-01-01

57-41-01
FIG. 01
PAGE 23
JAN 20/09

BRI

BOEING PROPRIETARY - Copyright © - Unpublished Work - See title page for details.



757

PARTS CATALOG (MAINTENANCE)

FIG ITEM	PART NUMBER	1 2 3 4 5 6 7	NOMENCLATURE	EFFECT FROM TO	UNITS PER ASSY
1					
785	114N2036-28	.	CHANNEL-GANG	002004 006102 107999	2
790	114N2036-6	.	CHANNEL-GANG	002004 006102 107999	1
- 795	BACR15BA6AD		ATTACHING PARTS .RIVET- SIZE DETERMINED ON INSTL.	002004 006102 107999	36
			-----*-----		
800	114N2036-22	.	CHANNEL-GANG	002004 006102 107999	2
805	114N2036-23	.	CHANNEL-GANG	002004 006102 107999	1
810	114N2036-5	.	CHANNEL-GANG	002004 006102 107999	1
815	114N2036-4	.	CHANNEL-GANG	002004 006102 107999	1
820	114N2036-3	.	CHANNEL-GANG	002004 006102 107999	1
- 825	BACR15BA6AD		ATTACHING PARTS .RIVET- SIZE DETERMINED ON INSTL.	002004 006102 107999	18
			-----*-----		
830	114N2036-10	.	CHANNEL-GANG	002004 006102 107999	3
835	114N2036-21	.	CHANNEL-GANG	002004 006102 107999	1
840	114N2036-15	.	CHANNEL-GANG	002004 006102 107999	1
845	114N2036-14	.	CHANNEL-GANG	002004 006102 107999	1
850	114N2036-13	.	CHANNEL-GANG	002004 006102 107999	1
855	114N2036-8	.	CHANNEL-GANG	002004 006102 107999	2

MISSING ITEM NUMBERS NOT APPLICABLE

- ITEM NOT ILLUSTRATED

57-41-01-01

57-41-01
FIG. 01
PAGE 24
JAN 20/09

BRI

BOEING PROPRIETARY - Copyright © - Unpublished Work - See title page for details.



757

PARTS CATALOG (MAINTENANCE)

FIG ITEM	PART NUMBER	1 2 3 4 5 6 7	NOMENCLATURE	EFFECT FROM TO	UNITS PER ASSY
1 860	114N2036-11		. CHANNEL-GANG	002004 006102 107999	1
- 865	BACR15BA6AD		ATTACHING PARTS . RIVET- SIZE DETERMINED ON INSTL. -----*-----	002004 006102 107999	40

MISSING ITEM NUMBERS NOT APPLICABLE

- ITEM NOT ILLUSTRATED

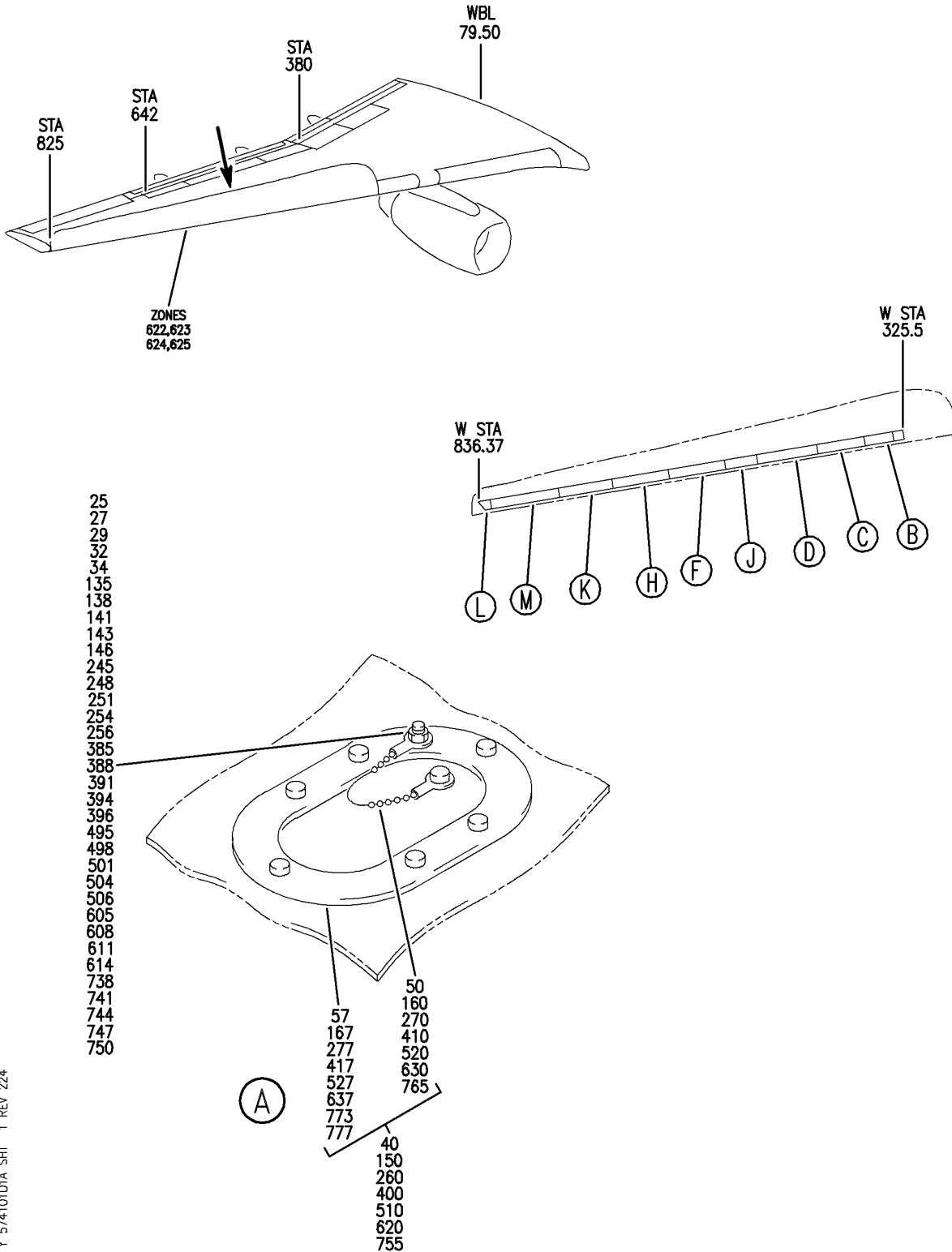
BRI

57-41-01-01

BOEING PROPRIETARY - Copyright © - Unpublished Work - See title page for details.

57-41-01
FIG. 01
PAGE 25
JAN 20/09

BOEING
757
PARTS CATALOG (MAINTENANCE)



Y 57410101A SHT 1 REV 224

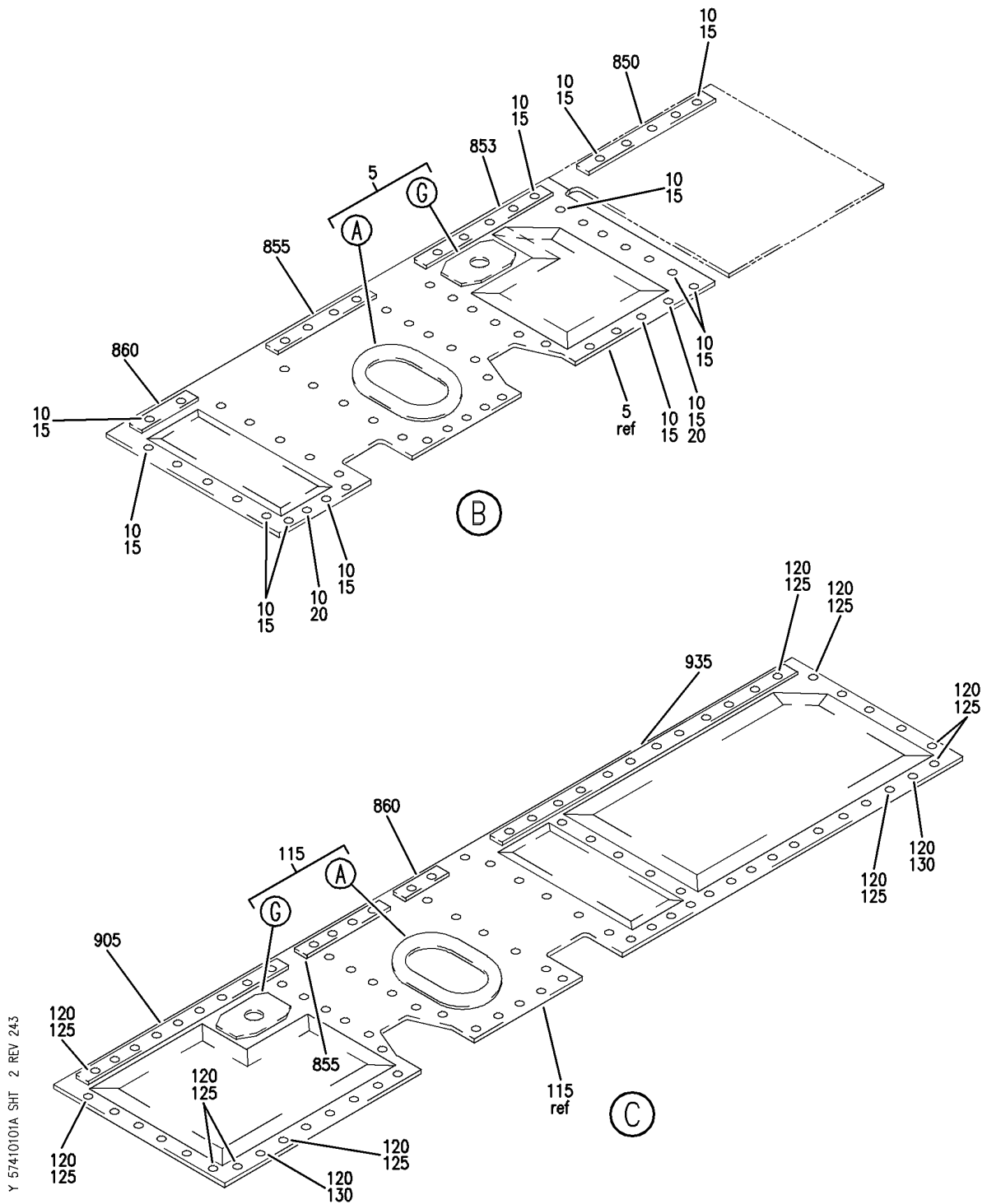
PANEL INSTL-OUTBD FXD LE LWR SKIN
FIGURE 1A (SHEET 1)

57-41-01-01A

BRI
MAY 28/07

57-41-01-01A
PAGE 0

BOEING
757
PARTS CATALOG (MAINTENANCE)



Y 57410101A SH1 2 REV 243

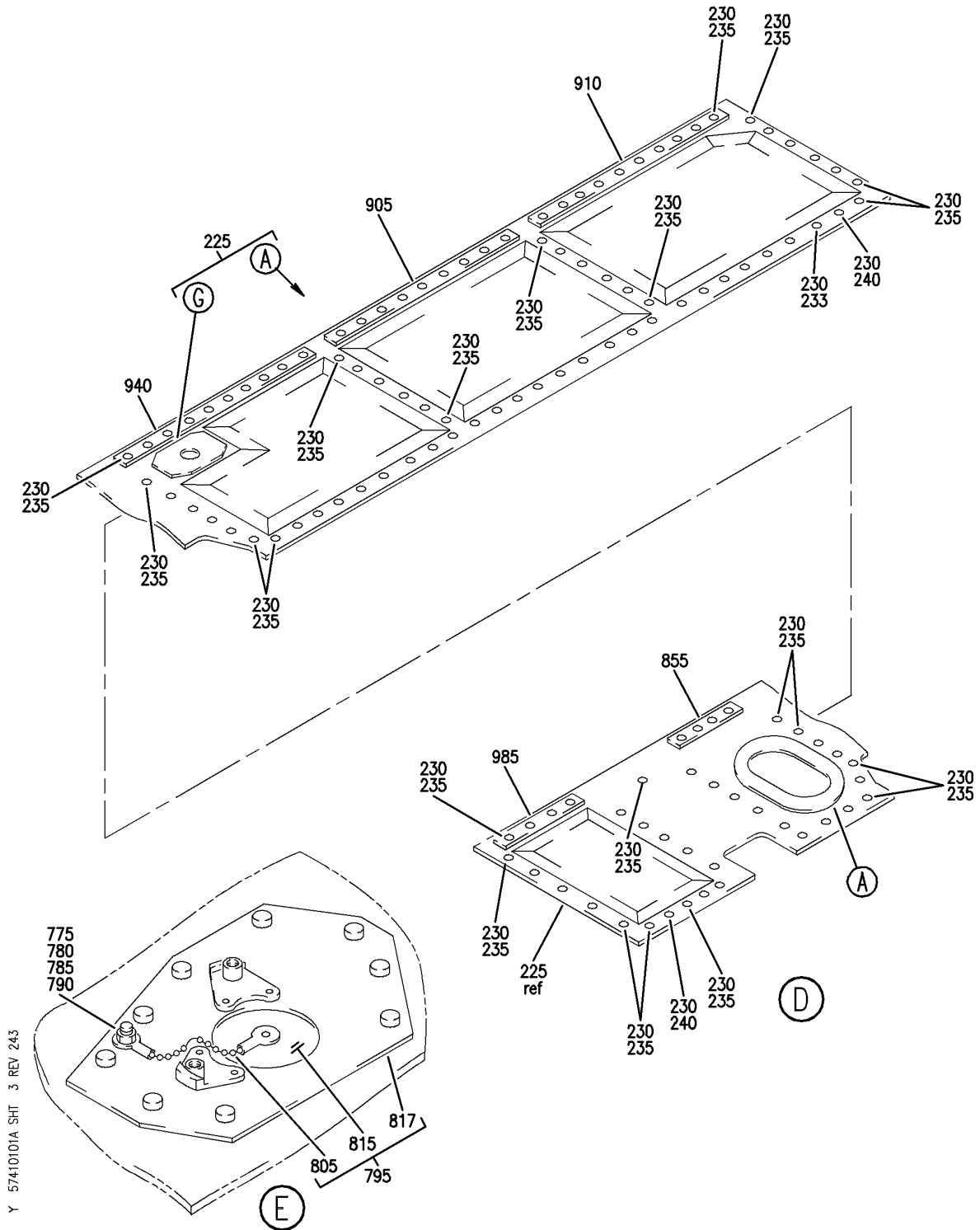
PANEL INSTL-OUTBD FXD LE LWR SKIN
FIGURE 1A (SHEET 2)

57-41-01-01A

BRI
MAY 28/07

57-41-01-01A
PAGE 0A

BOEING
757
PARTS CATALOG (MAINTENANCE)



Y 57410101A SHT 3 REV 243

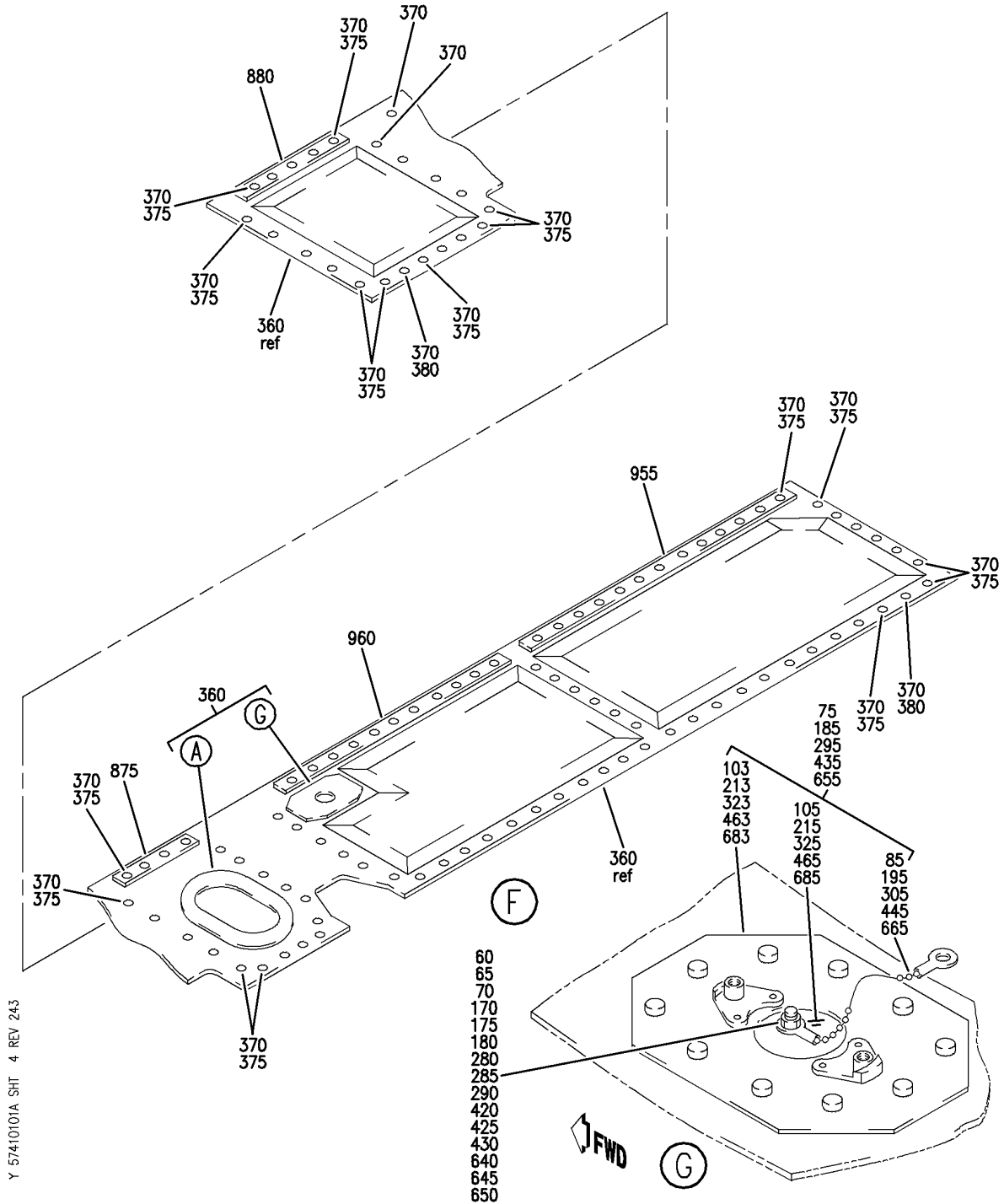
PANEL INSTL-OUTBD FXD LE LWR SKIN
FIGURE 1A (SHEET 3)

57-41-01-01A

BRI
MAY 28/07

57-41-01-01A
PAGE 0B

BOEING
757
PARTS CATALOG (MAINTENANCE)



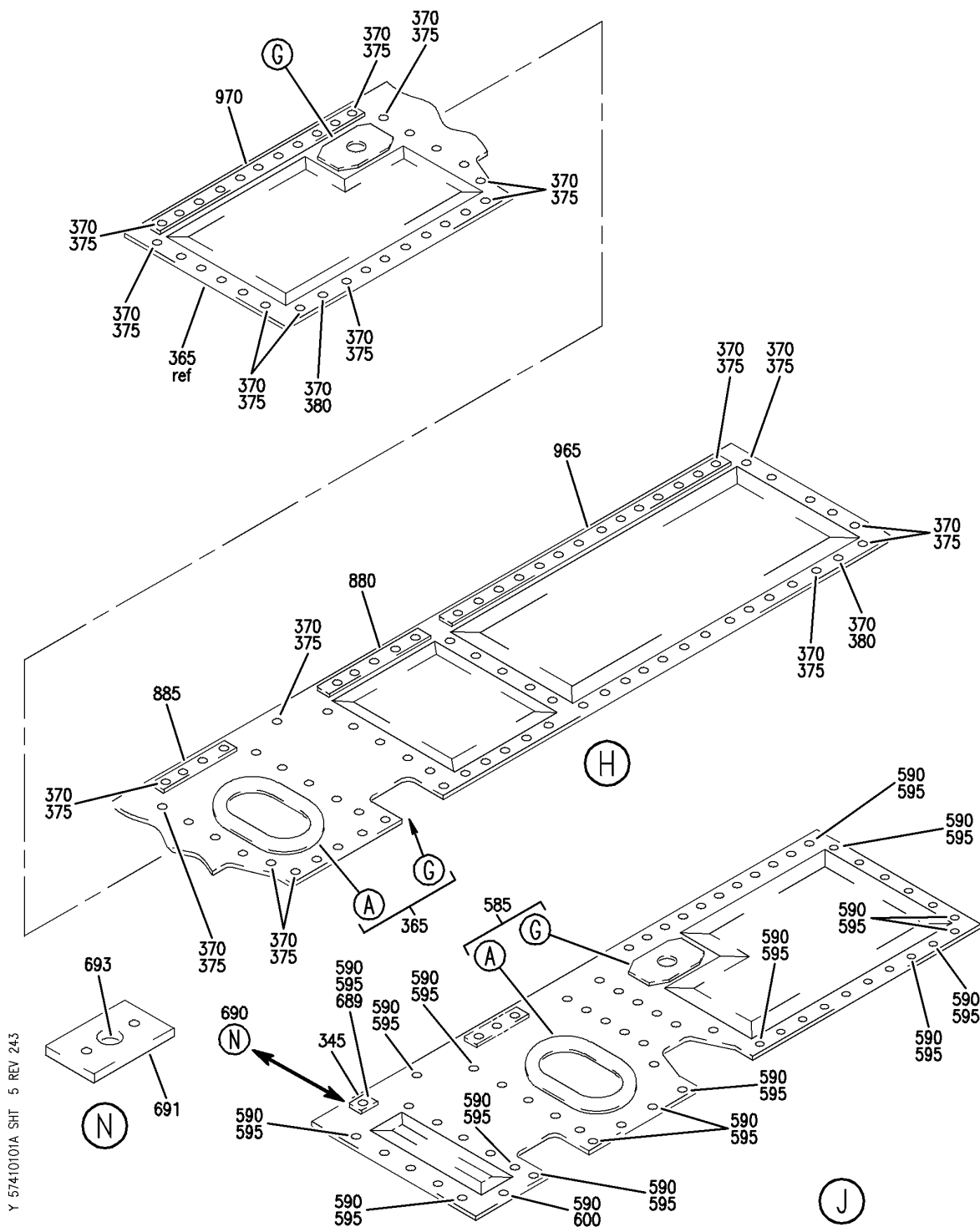
PANEL INSTL-OUTBD FXD LE LWR SKIN
FIGURE 1A (SHEET 4)

57-41-01-01A

BRI
MAY 28/07

57-41-01-01A
PAGE 0C

BOEING
757
PARTS CATALOG (MAINTENANCE)



Y 57410101A SH1 5 REV 243

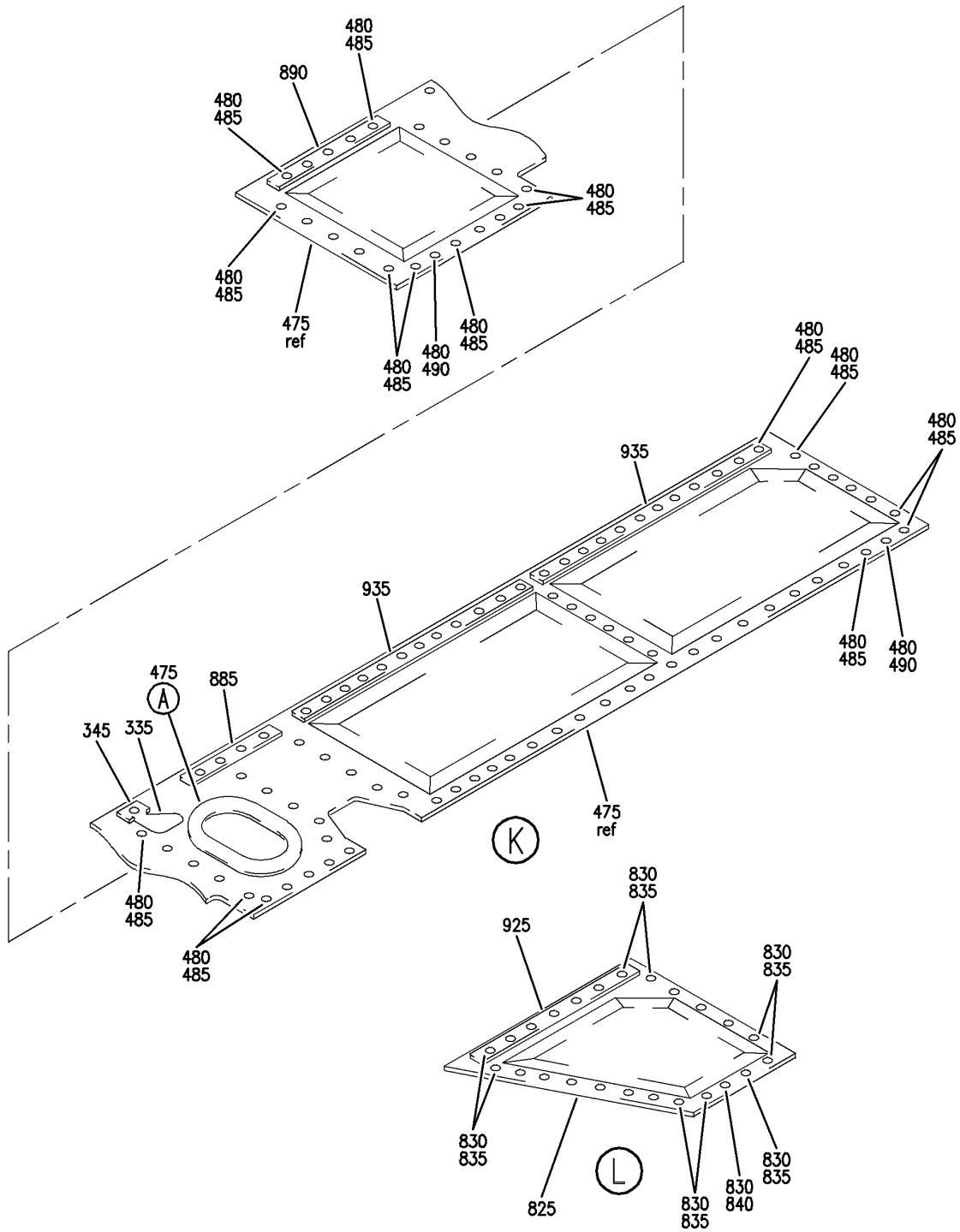
PANEL INSTL-OUTBD FXD LE LWR SKIN
FIGURE 1A (SHEET 5)

57-41-01-01A

BRI
MAY 28/07

57-41-01-01A
PAGE 0D

BOEING
757
PARTS CATALOG (MAINTENANCE)



Y 57410101A SH1 6 REV 243

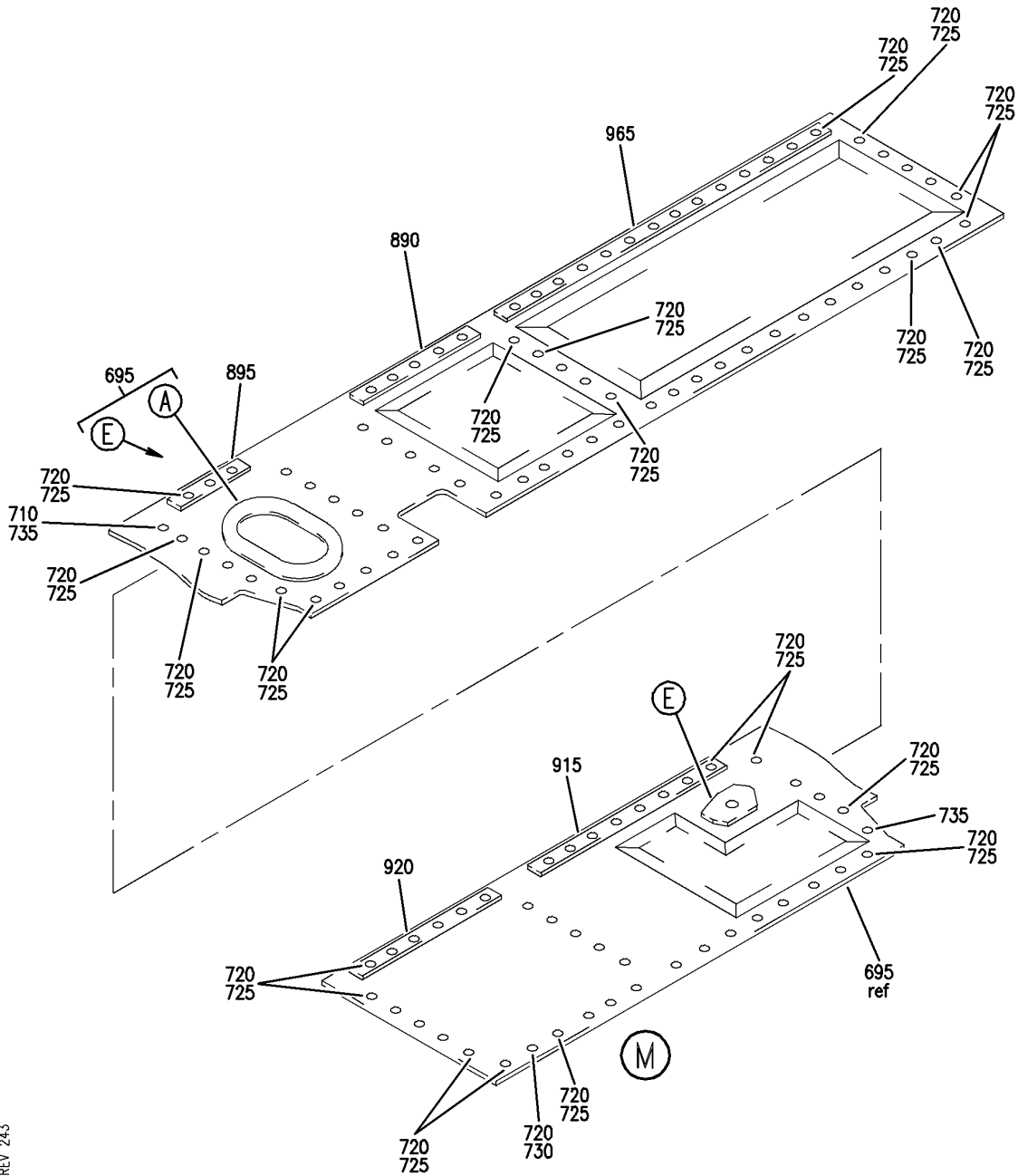
PANEL INSTL-OUTBD FXD LE LWR SKIN
FIGURE 1A (SHEET 6)

57-41-01-01A

BRI
MAY 28/07

57-41-01-01A
PAGE 0E


BOEING
 757
PARTS CATALOG (MAINTENANCE)



Y 57410101A SH1 7 REV 243

PANEL INSTL-OUTBD FXD LE LWR SKIN
 FIGURE 1A (SHEET 7)

57-41-01-01A

BRI
MAY 28/07

57-41-01-01A
PAGE OF



757

PARTS CATALOG (MAINTENANCE)

FIG ITEM	PART NUMBER	1 2 3 4 5 6 7	NOMENCLATURE	EFFECT FROM TO	UNITS PER ASSY
1 A			PANEL INSTL-OUTBD FXD LE LWR SKIN	002004 006100 107107 121503 904999	
- 1	114N2036-32		PANEL INSTL-FXD LE SKIN POSITION DATA: OUTBD LWR RH FOR NHA SEE: 57-22-51-50	002004 006100 107107 121503 904999	RF
5	114N2202-12		.PANEL ASSY-	002004 006100 107107 121503 904999	1
15	BACB30NN3K5		ATTACHING PARTS .BOLT-	002004 006100 107107 121503 904999	61
20	BACB30LR4-5		.BOLT-	002004 006100 107107 121503 904999	2
25	BACB30NN3K3		-----*----- . . BOLT	002004 006100 107107 121503 904999	1
27	AN960PD10L		. . WASHER	002004 006100 107107 121503 904999	1

MISSING ITEM NUMBERS NOT APPLICABLE

- ITEM NOT ILLUSTRATED

BRI

57-41-01-01A

BOEING PROPRIETARY - Copyright © - Unpublished Work - See title page for details.

57-41-01
FIG. 01A
PAGE 1
JAN 20/09



757

PARTS CATALOG (MAINTENANCE)

FIG ITEM	PART NUMBER	1 2 3 4 5 6 7	NOMENCLATURE	EFFECT FROM TO	UNITS PER ASSY
1 A 29	BRH10C3D	..	NUT SUPPLIER CODE: V52828 SPECIFICATION NUMBER: BACN10JC3CD OPTIONAL PART: T6C1032JCD V11815 NS202486-02 V80539 102LH9075-3W V72962 H51650-3BAC V15653	002004 006100 107107 121503 904999	1
32	BACB30NN3K5	..	BOLT	002004 006100 107107 121503 904999	6
34	BRFR220C3-2D	..	NUTPLATE SUPPLIER CODE: V52828 SPECIFICATION NUMBER: BACN10KE3B2CD OPTIONAL PART: F51747-3-2CD V15653 102A9213-2-3 V72962 NS202493-02-2 V80539 ATTACHING PARTS	002004 006100 107107 121503 904999	6
- 37	BACR15BA3AD	..	RIVET- SIZE DETERMINED ON INSTL.	002004 006100 107107 121503 904999	12
40	114N2069-1	..	-----*----- COVER ASSY-ACCESS USED ON: 114N2202-2 114N2202-10 USED ON: 114N2202-12	002004 006100 107107 121503 904999	1
40	114N2069-5	..	COVER ASSY-ACCESS	002004 006100 107107 121503 904999	1

MISSING ITEM NUMBERS NOT APPLICABLE

- ITEM NOT ILLUSTRATED

BRI

57-41-01-01A

BOEING PROPRIETARY - Copyright © - Unpublished Work - See title page for details.

57-41-01
FIG. 01A
PAGE 2
JAN 20/09



757

PARTS CATALOG (MAINTENANCE)

FIG ITEM	PART NUMBER	1 2 3 4 5 6 7	NOMENCLATURE	EFFECT FROM TO	UNITS PER ASSY
1A					
50	NAS1201C10B14B	...	CHAIN ASSY	002004 006100 107107 121503 904999	1
- 55	BACR15BA6D	...	ATTACHING PARTS RIVET- SIZE DETERMINED ON INSTL.	002004 006100 107107 121503 904999	1
			-----*-----		
57	114N2069-2	...	COVER- USED ON: 114N2069-1	002004 006100 107107 121503 904999	1
57	114N2069-6	...	COVER- USED ON: 114N2069-5	002004 006100 107107 121503 904999	1
60	BACS12ER04K6	..	SCREW-	002004 006100 107107 121503 904999	1
65	AN960KD4	..	WASHER-	002004 006100 107107 121503 904999	1
70	BRH10C04D	..	NUT- SUPPLIER CODE: V52828 SPECIFICATION NUMBER: BACN10JCO4CD OPTIONAL PART: H51650-04BAC V15653 102LH9075-40W V72962 NS202486-40 V80539 T6C440JCD V11815 T6C440JCD V11815	002004 006100 107107 121503 904999	1

MISSING ITEM NUMBERS NOT APPLICABLE

- ITEM NOT ILLUSTRATED

BRI

57-41-01-01A

BOEING PROPRIETARY - Copyright © - Unpublished Work - See title page for details.

57-41-01
FIG. 01A
PAGE 3
JAN 20/09



757

PARTS CATALOG (MAINTENANCE)

FIG ITEM	PART NUMBER	1 2 3 4 5 6 7	NOMENCLATURE	EFFECT FROM TO	UNITS PER ASSY
1A 75	114N2208-1		.. DOOR ASSY- USED ON: 114N2202-12	002004 006100 107107 121503 904999	1
- 80	BACR15BA5D		ATTACHING PARTS .. RIVET- SIZE DETERMINED ON INSTL.	002004 006100 107107 121503 904999	10
85	NAS1201C6B10B		-----*----- ... CHAIN ASSY	002004 006100 107107 121503 904999	1
- 90	BACS12ER04K6		ATTACHING PARTS ... SCREW	002004 006100 107107 121503 904999	1
- 95	AN960KD4		... WASHER	002004 006100 107107 121503 904999	1
- 100	BRH10C04D		... NUT SUPPLIER CODE: V52828 SPECIFICATION NUMBER: BACN10JC04CD OPTIONAL PART: H51650-04BAC V15653 102LH9075-40W V72962 NS202486-40 V80539 T6C440JCD V11815 T6C440JCD V11815 -----*-----	002004 006100 107107 121503 904999	1

MISSING ITEM NUMBERS NOT APPLICABLE

- ITEM NOT ILLUSTRATED

BRI

57-41-01-01A

BOEING PROPRIETARY - Copyright © - Unpublished Work - See title page for details.

57-41-01
FIG. 01A
PAGE 4
JAN 20/09



757

PARTS CATALOG (MAINTENANCE)

FIG ITEM	PART NUMBER	1 2 3 4 5 6 7	NOMENCLATURE	EFFECT FROM TO	UNITS PER ASSY
1A 103	114N2208-5	. . .	DOUBLER	002004 006100 107107 121503 904999	1
105	114N2208-3	. . .	DOOR- USED ON: 114N2208-1	002004 006100 107107 121503 904999	1
- 110	BACB30LH3-3	. . .	ATTACHING PARTS BOLT	002004 006100 107107 121503 904999	2
115	114N2201-14	. . .	-----*----- PANEL ASSY-	002004 006100 107107 121503 904999	1
125	BACB30NN3K5	. . .	ATTACHING PARTS BOLT-	002004 006100 107107 121503 904999	92
130	BACB30LR4-5	. . .	BOLT-	002004 006100 107107 121503 904999	2
135	BACB30NN3K3	. . .	-----*----- BOLT	002004 006100 107107 121503 904999	1
138	AN960PD10L	. . .	WASHER	002004 006100 107107 121503 904999	1

MISSING ITEM NUMBERS NOT APPLICABLE

- ITEM NOT ILLUSTRATED

BRI

57-41-01-01A

BOEING PROPRIETARY - Copyright © - Unpublished Work - See title page for details.

57-41-01
FIG. 01A
PAGE 5
JAN 20/09



757

PARTS CATALOG (MAINTENANCE)

FIG ITEM	PART NUMBER	1 2 3 4 5 6 7	NOMENCLATURE	EFFECT FROM TO	UNITS PER ASSY
1A 141	BRH10C3D	..	NUT SUPPLIER CODE: V52828 SPECIFICATION NUMBER: BACN10JC3CD OPTIONAL PART: T6C1032JCD V11815 NS202486-02 V80539 102LH9075-3W V72962 H51650-3BAC V15653	002004 006100 107107 121503 904999	1
143	BACB30NN3K5	..	BOLT	002004 006100 107107 121503 904999	6
146	BRFR220C3-2D	..	NUTPLATE SUPPLIER CODE: V52828 SPECIFICATION NUMBER: BACN10KE3B2CD OPTIONAL PART: F51747-3-2CD V15653 102A9213-2-3 V72962 NS202493-02-2 V80539 ATTACHING PARTS	002004 006100 107107 121503 904999	6
- 148	BACR15BA3AD	..	RIVET- SIZE DETERMINED ON INSTL.	002004 006100 107107 121503 904999	12
150	114N2069-1	..	-----*----- COVER ASSY-ACCESS USED ON: 114N2201-2 114N2201-12 USED ON: 114N2201-14	002004 006100 107107 121503 904999	1
150	114N2069-5	..	COVER ASSY-ACCESS	002004 006100 107107 121503 904999	1

MISSING ITEM NUMBERS NOT APPLICABLE

- ITEM NOT ILLUSTRATED

57-41-01-01A

57-41-01
FIG. 01A
PAGE 6
JAN 20/09

BRI

BOEING PROPRIETARY - Copyright © - Unpublished Work - See title page for details.

BOEING
757
PARTS CATALOG (MAINTENANCE)

FIG ITEM	PART NUMBER	1 2 3 4 5 6 7	NOMENCLATURE	EFFECT FROM TO	UNITS PER ASSY
1A 160	NAS1201C10B14B	...	CHAIN ASSY	002004 006100 107107 121503 904999	1
- 165	BACR15BA6D	...	ATTACHING PARTS RIVET- SIZE DETERMINED ON INSTL.	002004 006100 107107 121503 904999	1
167	114N2069-2	-----*----- ...	COVER- USED ON: 114N2069-1	002004 006100 107107 121503 904999	1
167	114N2069-6	...	COVER- USED ON: 114N2069-5	002004 006100 107107 121503 904999	1
170	BACS12ER04K6	..	SCREW-	002004 006100 107107 121503 904999	1
175	AN960KD4	..	WASHER-	002004 006100 107107 121503 904999	1
180	BRH10C04D	..	NUT- SUPPLIER CODE: V52828 SPECIFICATION NUMBER: BACN10JCO4CD OPTIONAL PART: H51650-04BAC V15653 102LH9075-40W V72962 NS202486-40 V80539 T6C440JCD V11815 T6C440JCD V11815	002004 006100 107107 121503 904999	1

MISSING ITEM NUMBERS NOT APPLICABLE

- ITEM NOT ILLUSTRATED

BRI

57-41-01-01A

BOEING PROPRIETARY - Copyright © - Unpublished Work - See title page for details.

57-41-01
FIG. 01A
PAGE 7
JAN 20/09



757

PARTS CATALOG (MAINTENANCE)

FIG ITEM	PART NUMBER	1 2 3 4 5 6 7	NOMENCLATURE	EFFECT FROM TO	UNITS PER ASSY
1A 185	114N2208-1		.. DOOR ASSY- USED ON: 114N2201-14	002004 006100 107107 121503 904999	1
- 190	BACR15BA5D		ATTACHING PARTS .. RIVET- SIZE DETERMINED ON INSTL.	002004 006100 107107 121503 904999	10
195	NAS1201C6B10B		-----*----- ... CHAIN ASSY	002004 006100 107107 121503 904999	1
- 200	BACS12ER04K6		ATTACHING PARTS ... SCREW	002004 006100 107107 121503 904999	1
- 205	AN960KD4		... WASHER	002004 006100 107107 121503 904999	1
- 210	BRH10C04D		... NUT SUPPLIER CODE: V52828 SPECIFICATION NUMBER: BACN10JC04CD OPTIONAL PART: H51650-04BAC V15653 102LH9075-40W V72962 NS202486-40 V80539 T6C440JCD V11815 T6C440JCD V11815 -----*-----	002004 006100 107107 121503 904999	1

MISSING ITEM NUMBERS NOT APPLICABLE

- ITEM NOT ILLUSTRATED

BRI

57-41-01-01A

BOEING PROPRIETARY - Copyright © - Unpublished Work - See title page for details.

57-41-01
FIG. 01A
PAGE 8
JAN 20/09



757

PARTS CATALOG (MAINTENANCE)

FIG ITEM	PART NUMBER	1 2 3 4 5 6 7	NOMENCLATURE	EFFECT FROM TO	UNITS PER ASSY
1 A					
213	114N2208-5	. . .	DOUBLER	002004 006100 107107 121503 904999	1
215	114N2208-3	. . .	DOOR- USED ON: 114N2208-1	002004 006100 107107 121503 904999	1
- 220	BACB30LH3-3	. . .	ATTACHING PARTS BOLT	002004 006100 107107 121503 904999	2
225	114N2119-11	. . .	-----*----- PANEL ASSY-	002004 006100 107107 121503 904999	1
225	114N2119-14	. . .	PANEL ASSY-	002004 006100 107107 121503 904999	1
235	BACB30NN3K5	. . .	ATTACHING PARTS BOLT-	002004 006100 107107 121503 904999	117
240	BACB30LR4-5	. . .	BOLT-	002004 006100 107107 121503 904999	2
245	BACB30NN3K3	. . .	-----*----- BOLT	002004 006100 107107 121503 904999	1
248	AN960PD10L	. . .	WASHER	002004 006100 107107 121503 904999	1

MISSING ITEM NUMBERS NOT APPLICABLE

- ITEM NOT ILLUSTRATED

BRI

57-41-01-01A

BOEING PROPRIETARY - Copyright © - Unpublished Work - See title page for details.

57-41-01
FIG. 01A
PAGE 9
JAN 20/09



**757
PARTS CATALOG (MAINTENANCE)**

FIG ITEM	PART NUMBER	1 2 3 4 5 6 7	NOMENCLATURE	EFFECT FROM TO	UNITS PER ASSY
1A 251	BRH10C3D	..	NUT SUPPLIER CODE: V52828 SPECIFICATION NUMBER: BACN10JC3CD OPTIONAL PART: T6C1032JCD V11815 NS202486-02 V80539 102LH9075-3W V72962 H51650-3BAC V15653	002004 006100 107107 121503 904999	1
254	BACB30NN3K5	..	BOLT	002004 006100 107107 121503 904999	6
256	BRFR220C3-2D	..	NUTPLATE SUPPLIER CODE: V52828 SPECIFICATION NUMBER: BACN10KE3B2CD OPTIONAL PART: F51747-3-2CD V15653 102A9213-2-3 V72962 NS202493-02-2 V80539	002004 006100 107107 121503 904999	6
- 258	BACR15BA3AD	..	RIVET- ATTACHING PARTS SIZE DETERMINED ON INSTL.	002004 006100 107107 121503 904999	12
260	114N2069-1	..	-----*----- COVER ASSY-ACCESS USED ON: 114N2119-1 114N2119-9	002004 006100 107107 121503 904999	1
260	114N2069-5	..	COVER ASSY-ACCESS	002004 006100 107107 121503 904999	1

MISSING ITEM NUMBERS NOT APPLICABLE

- ITEM NOT ILLUSTRATED

BRI

57-41-01-01A

BOEING PROPRIETARY - Copyright © - Unpublished Work - See title page for details.

57-41-01
FIG. 01A
PAGE 10
JAN 20/09



757

PARTS CATALOG (MAINTENANCE)

FIG ITEM	PART NUMBER	1 2 3 4 5 6 7	NOMENCLATURE	EFFECT FROM TO	UNITS PER ASSY
1A 270	NAS1201C10B14B	...	CHAIN ASSY	002004 006100 107107 121503 904999	1
- 275	BACR15BA6D	...	ATTACHING PARTS RIVET- SIZE DETERMINED ON INSTL.	002004 006100 107107 121503 904999	1
277	114N2069-2	-----*----- ...	COVER- USED ON: 114N2069-1	002004 006100 107107 121503 904999	1
277	114N2069-6	...	COVER- USED ON: 114N2069-5	002004 006100 107107 121503 904999	1
280	BACS12ER04K6	..	SCREW-	002004 006100 107107 121503 904999	1
285	AN960KD4	..	WASHER-	002004 006100 107107 121503 904999	1
290	BRH10C04D	..	NUT- SUPPLIER CODE: V52828 SPECIFICATION NUMBER: BACN10JCO4CD OPTIONAL PART: H51650-04BAC V15653 102LH9075-40W V72962 NS202486-40 V80539 T6C440JCD V11815 T6C440JCD V11815	002004 006100 107107 121503 904999	1

MISSING ITEM NUMBERS NOT APPLICABLE

- ITEM NOT ILLUSTRATED

BRI

57-41-01-01A

BOEING PROPRIETARY - Copyright © - Unpublished Work - See title page for details.

57-41-01
FIG. 01A
PAGE 11
JAN 20/09



757

PARTS CATALOG (MAINTENANCE)

FIG ITEM	PART NUMBER	1 2 3 4 5 6 7	NOMENCLATURE	EFFECT FROM TO	UNITS PER ASSY
1A 295	114N2208-1	..	DOOR ASSY- USED ON: 114N2119-11	002004 006100 107107 121503 904999	1
295	114N2208-13	..	DOOR ASSY- USED ON: 114N2119-14	002004 006100 107107 121503 904999	1
- 300	BACR15BA5D	..	ATTACHING PARTS RIVET- SIZE DETERMINED ON INSTL.	002004 006100 107107 121503 904999	10
305	NAS1201C6B10B	... -----*-----	CHAIN ASSY	002004 006100 107107 121503 904999	1
- 310	BACS12ER04K6	...	ATTACHING PARTS SCREW	002004 006100 107107 121503 904999	1
- 315	AN960KD4	...	WASHER	002004 006100 107107 121503 904999	1

MISSING ITEM NUMBERS NOT APPLICABLE

- ITEM NOT ILLUSTRATED

BRI

57-41-01-01A

BOEING PROPRIETARY - Copyright © - Unpublished Work - See title page for details.

57-41-01
FIG. 01A
PAGE 12
JAN 20/09



757

PARTS CATALOG (MAINTENANCE)

FIG ITEM	PART NUMBER	1 2 3 4 5 6 7	NOMENCLATURE	EFFECT FROM TO	UNITS PER ASSY
1 A - 320	BRH10C04D		...NUT SUPPLIER CODE: V52828 SPECIFICATION NUMBER: BACN10JC04CD OPTIONAL PART: H51650-04BAC V15653 102LH9075-40W V72962 NS202486-40 V80539 T6C440JCD V11815 T6C440JCD V11815 -----*-----	002004 006100 107107 121503 904999	1
323	114N2208-5		...DOUBLER	002004 006100 107107 121503 904999	1
325	114N2208-3		...DOOR- USED ON: 114N2208-1	002004 006100 107107 121503 904999	1
- 330	BACB30LH3-3		ATTACHING PARTS ...BOLT	002004 006100 107107 121503 904999	2
335	114N2151-19		.CLIP	107107	1
335	114N2151-22		.CLIP	002004 006017 121503 904999	1
345	114N2036-37		.FILLER ASSY	002004 006100 107107 121503 904999	2

MISSING ITEM NUMBERS NOT APPLICABLE

- ITEM NOT ILLUSTRATED

BRI

57-41-01-01A

BOEING PROPRIETARY - Copyright © - Unpublished Work - See title page for details.

57-41-01
FIG. 01A
PAGE 13
JAN 20/09



757

PARTS CATALOG (MAINTENANCE)

FIG ITEM	PART NUMBER	1 2 3 4 5 6 7	NOMENCLATURE	EFFECT FROM TO	UNITS PER ASSY
1 A			ATTACHING PARTS		
- 355	BACB30NN3K5		.BOLT	002004 006100 107107 121503 904999	2
360	114N2112-14		-----*----- .PANEL ASSY-	002004 006100 107107 121503 904999	1
365	114N2111-14		.PANEL ASSY-	002004 006100 107107 121503 904999	1
375	BACB30NN3K5		ATTACHING PARTS .BOLT-	002004 006100 107107 121503 904999	208
380	BACB30LR4-5		.BOLT-	002004 006100 107107 121503 904999	4
385	BACB30NN3K3		-----*----- ..BOLT	002004 006100 107107 121503 904999	1
388	AN960PD10L		..WASHER	002004 006100 107107 121503 904999	1

MISSING ITEM NUMBERS NOT APPLICABLE

- ITEM NOT ILLUSTRATED

BRI

57-41-01-01A

BOEING PROPRIETARY - Copyright © - Unpublished Work - See title page for details.

57-41-01
FIG. 01A
PAGE 14
JAN 20/09



757

PARTS CATALOG (MAINTENANCE)

FIG ITEM	PART NUMBER	1 2 3 4 5 6 7	NOMENCLATURE	EFFECT FROM TO	UNITS PER ASSY
1 A 391	BRH10C3D		..NUT SUPPLIER CODE: V52828 SPECIFICATION NUMBER: BACN10JC3CD OPTIONAL PART: T6C1032JCD V11815 NS202486-02 V80539 102LH9075-3W V72962 H51650-3BAC V15653	002004 006100 107107 121503 904999	1
394	BACB30NN3K5		..BOLT	002004 006100 107107 121503 904999	6
396	BRFR220C3-2D		..NUTPLATE SUPPLIER CODE: V52828 SPECIFICATION NUMBER: BACN10KE3B2CD OPTIONAL PART: F51747-3-2CD V15653 102A9213-2-3 V72962 NS202493-02-2 V80539	002004 006100 107107 121503 904999	6
- 398	BACR15BA3AD		ATTACHING PARTS ..RIVET- SIZE DETERMINED ON INSTL.	002004 006100 107107 121503 904999	12
400	114N2069-1		-----*----- ..COVER ASSY-ACCESS USED ON: 114N2111-2 114N2111-12 114N2112-2 114N2112-12 USED ON: 114N2111-14 114N2112-14	002004 006100 107107 121503 904999	1

MISSING ITEM NUMBERS NOT APPLICABLE

- ITEM NOT ILLUSTRATED

BRI

57-41-01-01A

BOEING PROPRIETARY - Copyright © - Unpublished Work - See title page for details.

57-41-01
FIG. 01A
PAGE 15
JAN 20/09

BOEING
757
PARTS CATALOG (MAINTENANCE)

FIG ITEM	PART NUMBER	1 2 3 4 5 6 7	NOMENCLATURE	EFFECT FROM TO	UNITS PER ASSY
1 A 400	114N2069-5		..COVER ASSY-ACCESS	002004 006100 107107 121503 904999	1
410	NAS1201C10B14B		...CHAIN ASSY	002004 006100 107107 121503 904999	2
- 415	BACR15BA6D		ATTACHING PARTS ...RIVET- SIZE DETERMINED ON INSTL.	002004 006100 107107 121503 904999	1
417	114N2069-2		-----*----- ...COVER- USED ON: 114N2069-1	002004 006100 107107 121503 904999	1
417	114N2069-6		...COVER- USED ON: 114N2069-5	002004 006100 107107 121503 904999	1
420	BACS12ER04K6		..SCREW-	002004 006100 107107 121503 904999	1
425	AN960KD4		..WASHER-	002004 006100 107107 121503 904999	1

MISSING ITEM NUMBERS NOT APPLICABLE

- ITEM NOT ILLUSTRATED

BRI

57-41-01-01A

BOEING PROPRIETARY - Copyright © - Unpublished Work - See title page for details.

57-41-01
FIG. 01A
PAGE 16
JAN 20/09



757

PARTS CATALOG (MAINTENANCE)

FIG ITEM	PART NUMBER	1 2 3 4 5 6 7	NOMENCLATURE	EFFECT FROM TO	UNITS PER ASSY
1 A 430	BRH10C04D		..NUT- SUPPLIER CODE: V52828 SPECIFICATION NUMBER: BACN10JCO4CD OPTIONAL PART: H51650-04BAC V15653 102LH9075-40W V72962 NS202486-40 V80539 T6C440JCD V11815 T6C440JCD V11815	002004 006100 107107 121503 904999	1
435	114N2208-1		..DOOR ASSY- USED ON: 114N2111-14 114N2112-14	002004 006100 107107 121503 904999	1
- 440	BACR15BA5D		ATTACHING PARTS ..RIVET- SIZE DETERMINED ON INSTL.	002004 006100 107107 121503 904999	10
445	NAS1201C6B10B		-----*----- ...CHAIN ASSY	002004 006100 107107 121503 904999	1
- 450	BACS12ER04K6		ATTACHING PARTS ...SCREW	002004 006100 107107 121503 904999	1
- 455	AN960KD4		...WASHER	002004 006100 107107 121503 904999	1

MISSING ITEM NUMBERS NOT APPLICABLE

- ITEM NOT ILLUSTRATED

BRI

57-41-01-01A

BOEING PROPRIETARY - Copyright © - Unpublished Work - See title page for details.

57-41-01
FIG. 01A
PAGE 17
JAN 20/09



757

PARTS CATALOG (MAINTENANCE)

FIG ITEM	PART NUMBER	1 2 3 4 5 6 7	NOMENCLATURE	EFFECT FROM TO	UNITS PER ASSY
1 A - 460	BRH10C04D		...NUT SUPPLIER CODE: V52828 SPECIFICATION NUMBER: BACN10JC04CD OPTIONAL PART: H51650-04BAC V15653 102LH9075-40W V72962 NS202486-40 V80539 T6C440JCD V11815 T6C440JCD V11815 -----*-----	002004 006100 107107 121503 904999	1
463	114N2208-5		...DOUBLER	002004 006100 107107 121503 904999	1
465	114N2208-3		...DOOR- USED ON: 114N2208-1	002004 006100 107107 121503 904999	1
- 470	BACB30LH3-3		ATTACHING PARTS ...BOLT	002004 006100 107107 121503 904999	2
475	114N2110-14		-----*----- .PANEL ASSY-	002004 006100 107107 121503 904999	1
485	BACB30NN3K5		ATTACHING PARTS .BOLT-	002004 006100 107107 121503 904999	101

MISSING ITEM NUMBERS NOT APPLICABLE

- ITEM NOT ILLUSTRATED

BRI

57-41-01-01A

BOEING PROPRIETARY - Copyright © - Unpublished Work - See title page for details.

57-41-01
FIG. 01A
PAGE 18
JAN 20/09



757

PARTS CATALOG (MAINTENANCE)

FIG ITEM	PART NUMBER	1 2 3 4 5 6 7	NOMENCLATURE	EFFECT FROM TO	UNITS PER ASSY
1 A 490	BACB30LR4-5	.	BOLT-	002004 006100 107107 121503 904999	2
495	BACB30NN3K3	-----*	.. BOLT	002004 006100 107107 121503 904999	1
498	NAS1149D0316J	..	WASHER-	002004 006100 107107 121503 904999	1
501	BRH10C3D	..	NUT SUPPLIER CODE: V52828 SPECIFICATION NUMBER: BACN10JC3CD OPTIONAL PART: T6C1032JCD V11815 NS202486-02 V80539 102LH9075-3W V72962 H51650-3BAC V15653	002004 006100 107107 121503 904999	1
504	BACB30NN3K5	..	BOLT	002004 006100 107107 121503 904999	6
506	BRFR220C3-2D	..	NUTPLATE SUPPLIER CODE: V52828 SPECIFICATION NUMBER: BACN10KE3B2CD OPTIONAL PART: F51747-3-2CD V15653 102A9213-2-3 V72962 NS202493-02-2 V80539	002004 006100 107107 121503 904999	6

MISSING ITEM NUMBERS NOT APPLICABLE

- ITEM NOT ILLUSTRATED

BRI

57-41-01-01A

BOEING PROPRIETARY - Copyright © - Unpublished Work - See title page for details.

57-41-01
FIG. 01A
PAGE 19
JAN 20/09



757

PARTS CATALOG (MAINTENANCE)

FIG ITEM	PART NUMBER	1 2 3 4 5 6 7	NOMENCLATURE	EFFECT FROM TO	UNITS PER ASSY
1 A			ATTACHING PARTS		
- 508	BACR15BA3AD		..RIVET- SIZE DETERMINED ON INSTL.	002004 006100 107107 121503 904999	12
			-----*-----		
510	114N2069-1		..COVER ASSY-ACCESS USED ON: 114N2110-2 114N2110-12 USED ON: 114N2110-14	002004 006100 107107 121503 904999	1
510	114N2069-5		..COVER ASSY-ACCESS	002004 006100 107107 121503 904999	1
517	114N2069-2		...COVER- USED ON: 114N2069-1	002004 006100 107107 121503 904999	1
517	114N2069-9		...COVER- USED ON: 114N2069-5	002004 006100 107107 121503 904999	1
520	NAS1201C10B14B		...CHAIN ASSY	002004 006100 107107 121503 904999	1
			ATTACHING PARTS		
- 525	BACR15BA6D		...RIVET- SIZE DETERMINED ON INSTL.	002004 006100 107107 121503 904999	1
			-----*-----		
530	BACS12ER04K6		..SCREW-	002004 006100 107107 121503 904999	1

MISSING ITEM NUMBERS NOT APPLICABLE

- ITEM NOT ILLUSTRATED

BRI

57-41-01-01A

BOEING PROPRIETARY - Copyright © - Unpublished Work - See title page for details.

57-41-01
FIG. 01A
PAGE 20
JAN 20/09



757

PARTS CATALOG (MAINTENANCE)

FIG ITEM	PART NUMBER	1 2 3 4 5 6 7	NOMENCLATURE	EFFECT FROM TO	UNITS PER ASSY
1 A 535	NAS1149DN432J	..	WASHER-	002004 006100 107107 121503 904999	1
540	BRH10C04D	..	NUT- SUPPLIER CODE: V52828 SPECIFICATION NUMBER: BACN10JC04CD OPTIONAL PART: H51650-04BAC V15653 102LH9075-40W V72962 NS202486-40 V80539 T6C440JCD V11815 T6C440JCD V11815	002004 006100 107107 121503 904999	1
545	114N2208-1	..	DOOR ASSY- USED ON: 114N2110-14	002004 006100 107107 121503 904999	1
- 550	BACR15BA5D	..	ATTACHING PARTS RIVET- SIZE DETERMINED ON INSTL.	002004 006100 107107 121503 904999	10
555	NAS1201C6B10B	..	-----*----- CHAIN ASSY	002004 006100 107107 121503 904999	1
- 560	BACS12ER04K6	..	ATTACHING PARTS SCREW	002004 006100 107107 121503 904999	1
- 565	AN960KD4	..	WASHER	002004 006100 107107 121503 904999	1

MISSING ITEM NUMBERS NOT APPLICABLE

- ITEM NOT ILLUSTRATED

57-41-01-01A

57-41-01
FIG. 01A
PAGE 21
JAN 20/09

BRI

BOEING PROPRIETARY - Copyright © - Unpublished Work - See title page for details.



757

PARTS CATALOG (MAINTENANCE)

FIG ITEM	PART NUMBER	1 2 3 4 5 6 7	NOMENCLATURE	EFFECT FROM TO	UNITS PER ASSY
1 A - 570	BRH10C04D		...NUT SUPPLIER CODE: V52828 SPECIFICATION NUMBER: BACN10JC04CD OPTIONAL PART: H51650-04BAC V15653 102LH9075-40W V72962 NS202486-40 V80539 T6C440JCD V11815 T6C440JCD V11815 -----*-----	002004 006100 107107 121503 904999	1
573	114N2208-5		...DOUBLER	002004 006100 107107 121503 904999	1
575	114N2208-3		...DOOR- USED ON: 114N2208-1	002004 006100 107107 121503 904999	1
- 580	BACB30LH3-3		ATTACHING PARTS ...BOLT	002004 006100 107107 121503 904999	2
585	114N2114-9		-----*----- .PANEL ASSY-	002004 006100 107107 121503 904999	1
595	BACB30NN3K5		ATTACHING PARTS .BOLT-	002004 006100 107107 121503 904999	53

MISSING ITEM NUMBERS NOT APPLICABLE

- ITEM NOT ILLUSTRATED

BRI

57-41-01-01A

BOEING PROPRIETARY - Copyright © - Unpublished Work - See title page for details.

57-41-01
FIG. 01A
PAGE 22
JAN 20/09



757

PARTS CATALOG (MAINTENANCE)

FIG ITEM	PART NUMBER	1 2 3 4 5 6 7	NOMENCLATURE	EFFECT FROM TO	UNITS PER ASSY
1 A 600	BACB30LR4-5	.	BOLT-	002004 006100 107107 121503 904999	2
605	BACB30NN3K3	-----*	.. BOLT	002004 006100 107107 121503 904999	1
608	AN960PD10L	..	WASHER	002004 006100 107107 121503 904999	1
611	BRH10C3D	..	NUT SUPPLIER CODE: V52828 SPECIFICATION NUMBER: BACN10JC3CD OPTIONAL PART: T6C1032JCD V11815 NS202486-02 V80539 102LH9075-3W V72962 H51650-3BAC V15653	002004 006100 107107 121503 904999	1
614	BACB30NN3K5	..	BOLT	002004 006100 107107 121503 904999	6
620	114N2069-1	..	COVER ASSY-ACCESS USED ON: 114N2114-1 114N2114-7 USED ON: 114N2114-9	002004 006100 107107 121503 904999	1
620	114N2069-5	..	COVER ASSY-ACCESS	002004 006100 107107 121503 904999	1

MISSING ITEM NUMBERS NOT APPLICABLE

- ITEM NOT ILLUSTRATED

BRI

57-41-01-01A

BOEING PROPRIETARY - Copyright © - Unpublished Work - See title page for details.

57-41-01
FIG. 01A
PAGE 23
JAN 20/09



757

PARTS CATALOG (MAINTENANCE)

FIG ITEM	PART NUMBER	1 2 3 4 5 6 7	NOMENCLATURE	EFFECT FROM TO	UNITS PER ASSY
1A 627	114N2069-2	...	COVER- USED ON: 114N2069-1	002004 006100 107107 121503 904999	1
627	114N2069-6	...	COVER- USED ON: 114N2069-5	002004 006100 107107 121503 904999	1
630	NAS1201C10B14B	...	CHAIN ASSY	002004 006100 107107 121503 904999	1
- 635	BACR15BA6D	...	ATTACHING PARTS RIVET- SIZE DETERMINED ON INSTL.	002004 006100 107107 121503 904999	1
640	BACS12ER04K6*	SCREW-	002004 006100 107107 121503 904999	1
645	AN960KD4	..	WASHER-	002004 006100 107107 121503 904999	1
650	BRH10C04D	..	NUT- SUPPLIER CODE: V52828 SPECIFICATION NUMBER: BACN10JCO4CD OPTIONAL PART: H51650-04BAC V15653 102LH9075-40W V72962 NS202486-40 V80539 T6C440JCD V11815 T6C440JCD V11815	002004 006100 107107 121503 904999	1

MISSING ITEM NUMBERS NOT APPLICABLE

- ITEM NOT ILLUSTRATED

BRI

57-41-01-01A

BOEING PROPRIETARY - Copyright © - Unpublished Work - See title page for details.

57-41-01
FIG. 01A
PAGE 24
JAN 20/09



757

PARTS CATALOG (MAINTENANCE)

FIG ITEM	PART NUMBER	1 2 3 4 5 6 7	NOMENCLATURE	EFFECT FROM TO	UNITS PER ASSY
1A 655	114N2208-1		.. DOOR ASSY- USED ON: 114N2114-9	002004 006100 107107 121503 904999	1
- 660	BACR15BA5D		ATTACHING PARTS .. RIVET- SIZE DETERMINED ON INSTL.	002004 006100 107107 121503 904999	10
665	NAS1201C6B10B		-----*----- ... CHAIN ASSY	002004 006100 107107 121503 904999	1
- 670	BACS12ER04K6		ATTACHING PARTS ... SCREW	002004 006100 107107 121503 904999	1
- 675	AN960KD4		... WASHER	002004 006100 107107 121503 904999	1
- 680	BRH10C04D		... NUT SUPPLIER CODE: V52828 SPECIFICATION NUMBER: BACN10JC04CD OPTIONAL PART: H51650-04BAC V15653 102LH9075-40W V72962 NS202486-40 V80539 T6C440JCD V11815 T6C440JCD V11815 -----*-----	002004 006100 107107 121503 904999	1

MISSING ITEM NUMBERS NOT APPLICABLE

- ITEM NOT ILLUSTRATED

BRI

57-41-01-01A

BOEING PROPRIETARY - Copyright © - Unpublished Work - See title page for details.

57-41-01
FIG. 01A
PAGE 25
JAN 20/09

BOEING
757
PARTS CATALOG (MAINTENANCE)

FIG ITEM	PART NUMBER	1 2 3 4 5 6 7	NOMENCLATURE	EFFECT FROM TO	UNITS PER ASSY
1A 683	114N2208-5	...	DOUBLER	002004 006100 107107 121503 904999	1
685	114N2208-3	...	DOOR- USED ON: 114N2208-1	002004 006100 107107 121503 904999	1
- 687	BACB30LH3-3	...	BOLT	002004 006100 107107 121503 904999	2
689	BACB30NN3K5	.	BOLT	018100	1
690	114N2036-37	.	FILLER ASSY	018100	1
691	MF53050-3CD	..	NUTPLATE SUPPLIER CODE: V15653 SPECIFICATION NUMBER: BACN10JN3CD OPTIONAL PART: BRFM20C3D V52828 102F9201M3 V72962 NS202487-02 V80539 MF51637-3 V15653	018100	1
- 692	BACR15BA3AD	..	RIVET- ATTACHING PARTS SIZE DETERMINED ON INSTL. -----*-----	018100	2
693	BACF3F010L010AC	..	FILLER	018100	1
695	114N2109-20	.	PANEL ASSY-	002004 006100 107107 121503 904999	1
710	BACB30NN4K8	.	BOLT	002004 006100 107107 121503 904999	2

MISSING ITEM NUMBERS NOT APPLICABLE

- ITEM NOT ILLUSTRATED

BRI

57-41-01-01A

BOEING PROPRIETARY - Copyright © - Unpublished Work - See title page for details.

57-41-01
FIG. 01A
PAGE 26
JAN 20/09



757

PARTS CATALOG (MAINTENANCE)

FIG ITEM	PART NUMBER	1 2 3 4 5 6 7	NOMENCLATURE	EFFECT FROM TO	UNITS PER ASSY
1 A			ATTACHING PARTS		
725	BACB30NN3K5		.BOLT-	002004 006100 107107 121503 904999	111
730	BACB30LR4-5		.BOLT-	002004 006100 107107 121503 904999	2
738	BACB30NN3K3		-----*----- ..BOLT	002004 006100 107107 121503 904999	1
741	NAS1149D0316J		..WASHER-	002004 006100 107107 121503 904999	1
744	BRH10C3D		..NUT SUPPLIER CODE: V52828 SPECIFICATION NUMBER: BACN10JC3CD OPTIONAL PART: T6C1032JCD V11815 NS202486-02 V80539 102LH9075-3W V72962 H51650-3BAC V15653	002004 006100 107107 121503 904999	1
747	BACB30NN3K5		..BOLT	002004 006100 107107 121503 904999	6

MISSING ITEM NUMBERS NOT APPLICABLE

- ITEM NOT ILLUSTRATED

BRI

57-41-01-01A

BOEING PROPRIETARY - Copyright © - Unpublished Work - See title page for details.

57-41-01
FIG. 01A
PAGE 27
JAN 20/09

 **BOEING**
757
PARTS CATALOG (MAINTENANCE)

FIG ITEM	PART NUMBER	1 2 3 4 5 6 7	NOMENCLATURE	EFFECT FROM TO	UNITS PER ASSY
1A 750	BRFR220C3-2D		..NUTPLATE SUPPLIER CODE: V52828 SPECIFICATION NUMBER: BACN10KE3B2CD OPTIONAL PART: F51747-3-2CD V15653 102A9213-2-3 V72962 NS202493-02-2 V80539 ATTACHING PARTS	002004 006100 107107 121503 904999	6
- 753	BACR15BA3AD		..RIVET- SIZE DETERMINED ON INSTL.	002004 006100 107107 121503 904999	12
			-----*-----		
755	114N2069-1		..COVER ASSY-ACCESS USED ON: 114N2109-14 114N2109-18 USED ON: 114N2109-20	002004 006100 107107 121503 904999	1
755	114N2069-5		..COVER ASSY-ACCESS	002004 006100 107107 121503 904999	1
765	NAS1201C10B14B		...CHAIN ASSY	002004 006100 107107 121503 904999	1
			ATTACHING PARTS		
- 770	BACR15BA6D		...RIVET- SIZE DETERMINED ON INSTL.	002004 006100 107107 121503 904999	1
			-----*-----		
773	114N2069-2		...COVER- USED ON: 114N2069-1	002004 006100 107107 121503 904999	1

MISSING ITEM NUMBERS NOT APPLICABLE

- ITEM NOT ILLUSTRATED

BRI

57-41-01-01A

BOEING PROPRIETARY - Copyright © - Unpublished Work - See title page for details.

57-41-01
FIG. 01A
PAGE 28
JAN 20/09



757

PARTS CATALOG (MAINTENANCE)

FIG ITEM	PART NUMBER	1 2 3 4 5 6 7	NOMENCLATURE	EFFECT FROM TO	UNITS PER ASSY
1A 773	114N2069-6	...	COVER- USED ON: 114N2069-5	002004 006100 107107 121503 904999	1
775	BACS12ER04K6	..	SCREW-	002004 006100 107107 121503 904999	1
780	NAS1149DN432J	..	WASHER-	002004 006100 107107 121503 904999	1
790	BRH10C04D	..	NUT- SUPPLIER CODE: V52828 SPECIFICATION NUMBER: BACN10JCO4CD OPTIONAL PART: H51650-04BAC V15653 102LH9075-40W V72962 NS202486-40 V80539 T6C440JCD V11815 T6C440JCD V11815	002004 006100 107107 121503 904999	1
795	114N2208-10	..	DOOR ASSY-	002004 006100 107107 121503 904999	1
- 800	BACR15BA5D	..	ATTACHING PARTS RIVET- SIZE DETERMINED ON INSTL.	002004 006100 107107 121503 904999	9
805	NAS1201C6B10B	-----*	...CHAIN ASSY	002004 006100 107107 121503 904999	1

MISSING ITEM NUMBERS NOT APPLICABLE

- ITEM NOT ILLUSTRATED

57-41-01-01A

57-41-01
FIG. 01A
PAGE 29
JAN 20/09

BRI

BOEING PROPRIETARY - Copyright © - Unpublished Work - See title page for details.



757

PARTS CATALOG (MAINTENANCE)

FIG ITEM	PART NUMBER	1 2 3 4 5 6 7	NOMENCLATURE	EFFECT FROM TO	UNITS PER ASSY
1 A			ATTACHING PARTS		
- 810	BACR15BA4D		...RIVET	002004 006100 107107 121503 904999	1
815	114N2208-12		-----*----- ...DOOR	002004 006100 107107 121503 904999	1
817	114N2208-11		...DOUBLER	002004 006100 107107 121503 904999	1
- 820	BACB30LH3-3		ATTACHING PARTS ...BOLT	002004 006100 107107 121503 904999	2
825	114N2101-12		-----*----- .PANEL ASSY-	002004 006100 107107 121503 904999	1
835	BACB30NN3K5		ATTACHING PARTS .BOLT-	002004 006100 107107 121503 904999	23
840	BACB30LR4-5		.BOLT-	002004 006100 107107 121503 904999	1
850	114N2036-26		-----*----- .CHANNEL-GANG	002004 006100 107107 121503 904999	1

MISSING ITEM NUMBERS NOT APPLICABLE

- ITEM NOT ILLUSTRATED

BRI

57-41-01-01A

BOEING PROPRIETARY - Copyright © - Unpublished Work - See title page for details.

57-41-01
FIG. 01A
PAGE 30
JAN 20/09



757

PARTS CATALOG (MAINTENANCE)

FIG ITEM	PART NUMBER	1 2 3 4 5 6 7	NOMENCLATURE	EFFECT FROM TO	UNITS PER ASSY
1 A					
853	114N2036-25	.	CHANNEL-GANG	002004 006100 107107 121503 904999	1
855	114N2036-20	.	CHANNEL-GANG	002004 006100 107107 121503 904999	3
860	114N2036-24	.	CHANNEL-GANG	002004 006100 107107 121503 904999	2
870	114N2036-16	.	CHANNEL-GANG	002004 006100 107107 121503 904999	1
875	114N2036-12	.	CHANNEL-GANG	002004 006100 107107 121503 904999	1
877	114N2036-17	.	CHANNEL-GANG	002004 006100 107107 121503 904999	1
880	114N2036-7	.	CHANNEL-GANG	002004 006100 107107 121503 904999	2
885	114N2036-9	.	CHANNEL-GANG	002004 006100 107107 121503 904999	2
890	114N2036-28	.	CHANNEL-GANG	002004 006100 107107 121503 904999	2

MISSING ITEM NUMBERS NOT APPLICABLE

- ITEM NOT ILLUSTRATED

BRI

57-41-01-01A

BOEING PROPRIETARY - Copyright © - Unpublished Work - See title page for details.

57-41-01
FIG. 01A
PAGE 31
JAN 20/09

 **BOEING**
757
PARTS CATALOG (MAINTENANCE)

FIG ITEM	PART NUMBER	1 2 3 4 5 6 7	NOMENCLATURE	EFFECT FROM TO	UNITS PER ASSY
1A 895	114N2036-6	.	CHANNEL-GANG	002004 006100 107107 121503 904999	1
- 900	BACR15BA6AD	.	ATTACHING PARTS RIVET- SIZE DETERMINED ON INSTL.	002004 006100 107107 121503 904999	34
905	114N2036-22	-----*-----	.CHANNEL-GANG	002004 006100 107107 121503 904999	2
910	114N2036-23	.	CHANNEL-GANG	002004 006100 107107 121503 904999	1
915	114N2036-5	.	CHANNEL-GANG	002004 006100 107107 121503 904999	1
917	114N2036-29	.	CHANNEL-ANG	002004 006100 107107 121503 904999	1
920	114N2036-4	.	CHANNEL-GANG	002004 006100 107107 121503 904999	1
925	114N2036-3	.	CHANNEL-GANG	002004 006100 107107 121503 904999	1
- 930	BACR15BA6AD	.	ATTACHING PARTS RIVET- SIZE DETERMINED ON INSTL.	002004 006100 107107 121503 904999	18
		-----*-----			

MISSING ITEM NUMBERS NOT APPLICABLE

- ITEM NOT ILLUSTRATED

BRI

57-41-01-01A

BOEING PROPRIETARY - Copyright © - Unpublished Work - See title page for details.

57-41-01
FIG. 01A
PAGE 32
JAN 20/09

BOEING
757
PARTS CATALOG (MAINTENANCE)

FIG ITEM	PART NUMBER	1 2 3 4 5 6 7	NOMENCLATURE	EFFECT FROM TO	UNITS PER ASSY
1 A 935	114N2036-10	.	CHANNEL-GANG	002004 006100 107107 121503 904999	3
940	114N2036-21	.	CHANNEL-GANG	002004 006100 107107 121503 904999	1
945	114N2036-18	.	CHANNEL-GANG	002004 006100 107107 121503 904999	1
950	114N2036-15	.	CHANNEL-GANG	002004 006100 107107 121503 904999	1
955	114N2036-14	.	CHANNEL-GANG	002004 006100 107107 121503 904999	1
960	114N2036-13	.	CHANNEL-GANG	002004 006100 107107 121503 904999	1
965	114N2036-8	.	CHANNEL-GANG	002004 006100 107107 121503 904999	2
970	114N2036-11	.	CHANNEL-GANG	002004 006100 107107 121503 904999	1
- 975	BACR15BA6AD	.	ATTACHING PARTS RIVET- SIZE DETERMINED ON INSTL. -----*-----	002004 006100 107107 121503 904999	44

MISSING ITEM NUMBERS NOT APPLICABLE

- ITEM NOT ILLUSTRATED

BRI

57-41-01-01A

BOEING PROPRIETARY - Copyright © - Unpublished Work - See title page for details.

57-41-01
FIG. 01A
PAGE 33
JAN 20/09



757

PARTS CATALOG (MAINTENANCE)

FIG ITEM	PART NUMBER	1 2 3 4 5 6 7	NOMENCLATURE	EFFECT FROM TO	UNITS PER ASSY
1 A 980	114N2036-29	.	CHANNEL-GANG	002004 006100 107107 121503 904999	1
985	114N2036-27	.	CHANNEL-AANG	002004 006100 107107 121503 904999	1
990	114N2036-17	.	CHANNEL-GANG	002004 006100 107107 121503 904999	1
- 995	BACR15BA6AD		ATTACHING PARTS .RIVET- SIZE DETERMINED ON INSTL. -----*-----	002004 006100 107107 121503 904999	6

MISSING ITEM NUMBERS NOT APPLICABLE

- ITEM NOT ILLUSTRATED

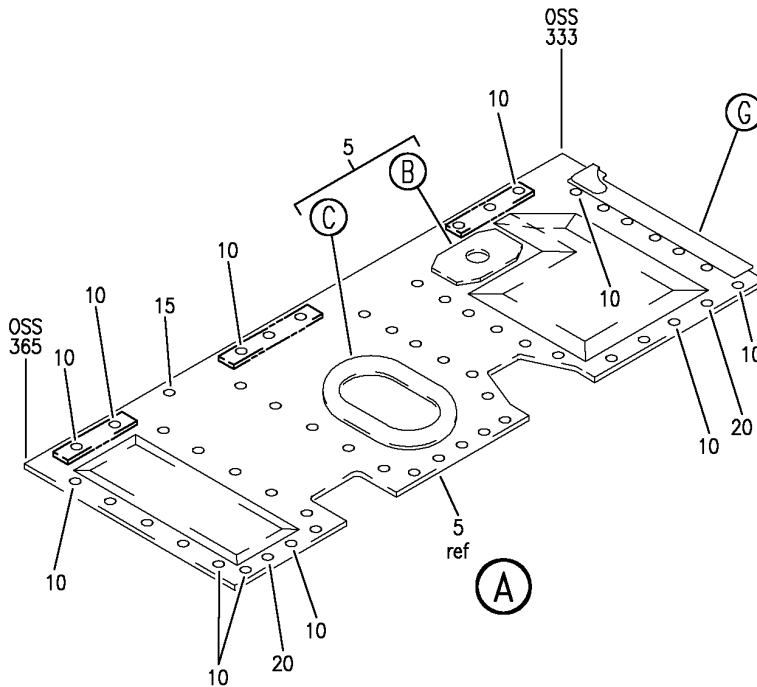
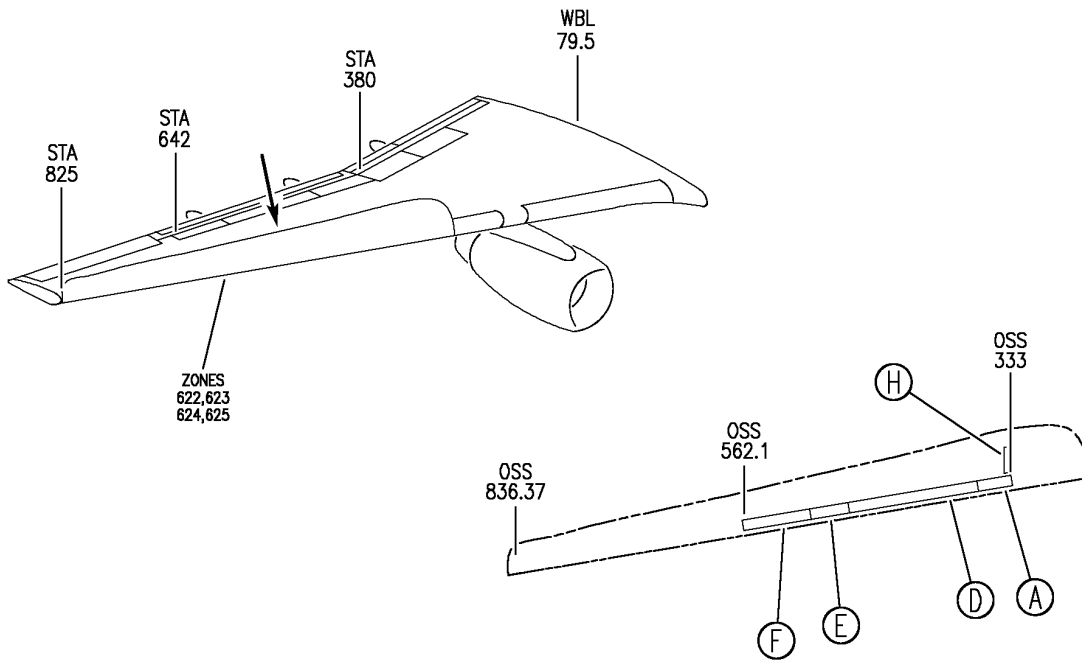
BRI

57-41-01-01A

BOEING PROPRIETARY - Copyright © - Unpublished Work - See title page for details.

57-41-01
FIG. 01A
PAGE 34
JAN 20/09

BOEING
757
PARTS CATALOG (MAINTENANCE)



Y 57410101B SHT 1 REV 253

PANEL INSTL-OUTBD FXD LE LWR RH SKIN
FIGURE 1B (SHEET 1)

57-41-01-01B

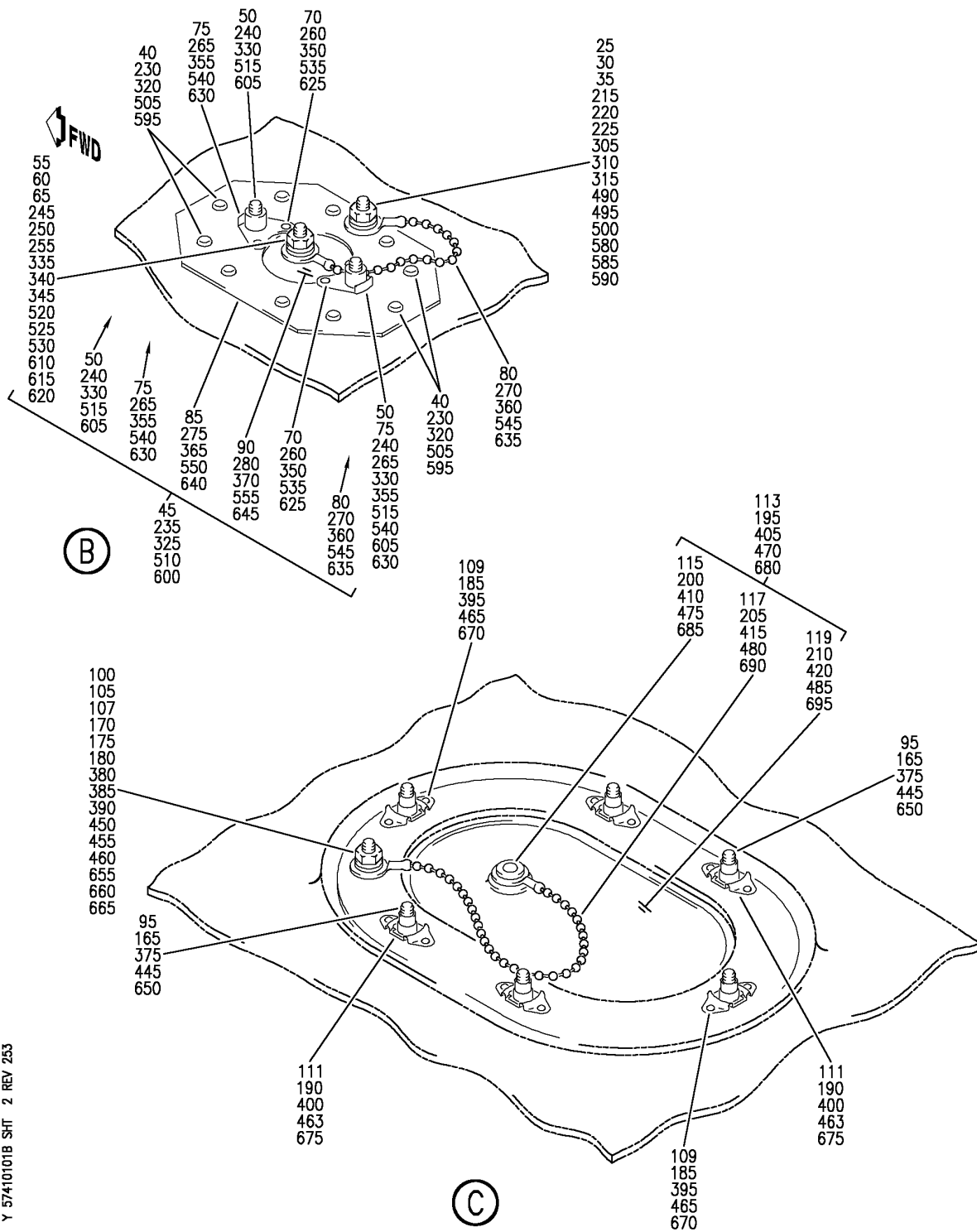
BRI
JAN 20/09

57-41-01-01B
PAGE 0

BOEING

757

PARTS CATALOG (MAINTENANCE)



Y 57410101B SHT 2 REV 253

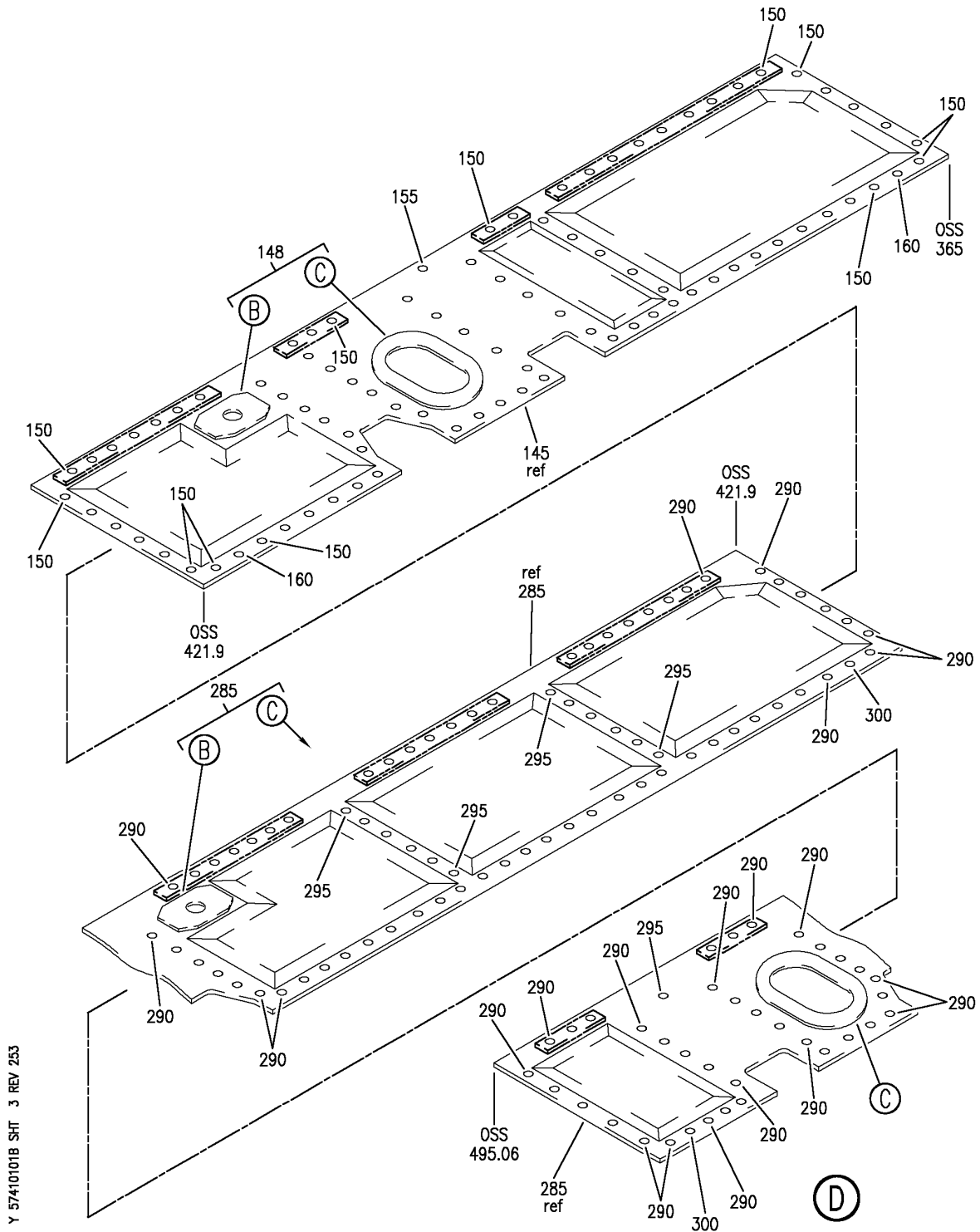
PANEL INSTL-OUTBD FXD LE LWR RH SKIN
FIGURE 1B (SHEET 2)

57-41-01-01B

BRI
JAN 20/09

57-41-01-01B
PAGE 0A


BOEING
 757
PARTS CATALOG (MAINTENANCE)



Y 57410101B SHT 3 REV 253

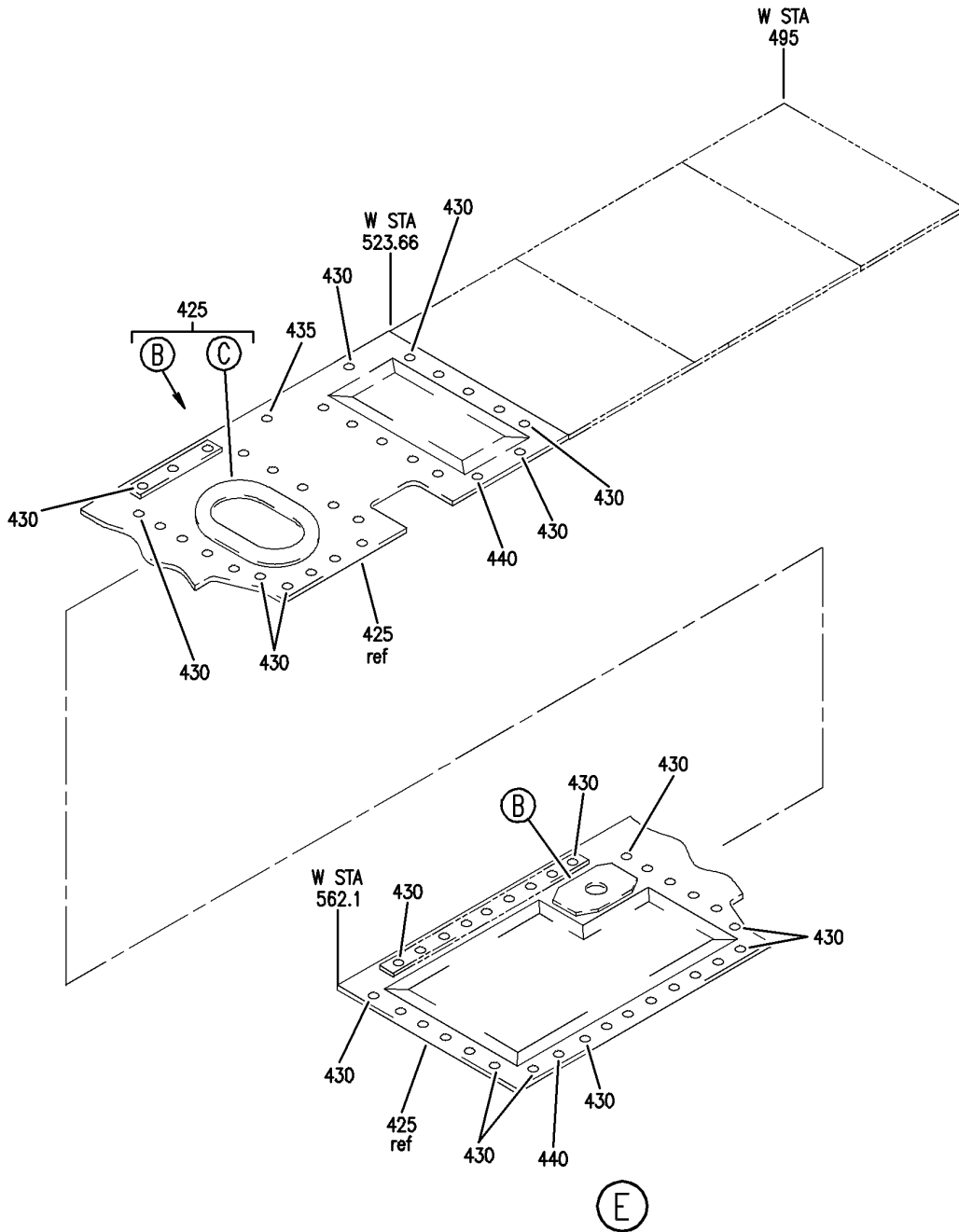
PANEL INSTL-OUTBD FXD LE LWR RH SKIN
 FIGURE 1B (SHEET 3)

57-41-01-01B

BRI
 JAN 20/09

57-41-01-01B
 PAGE 0B

BOEING
757
PARTS CATALOG (MAINTENANCE)



Y 57410101B SHIT 4 REV 243

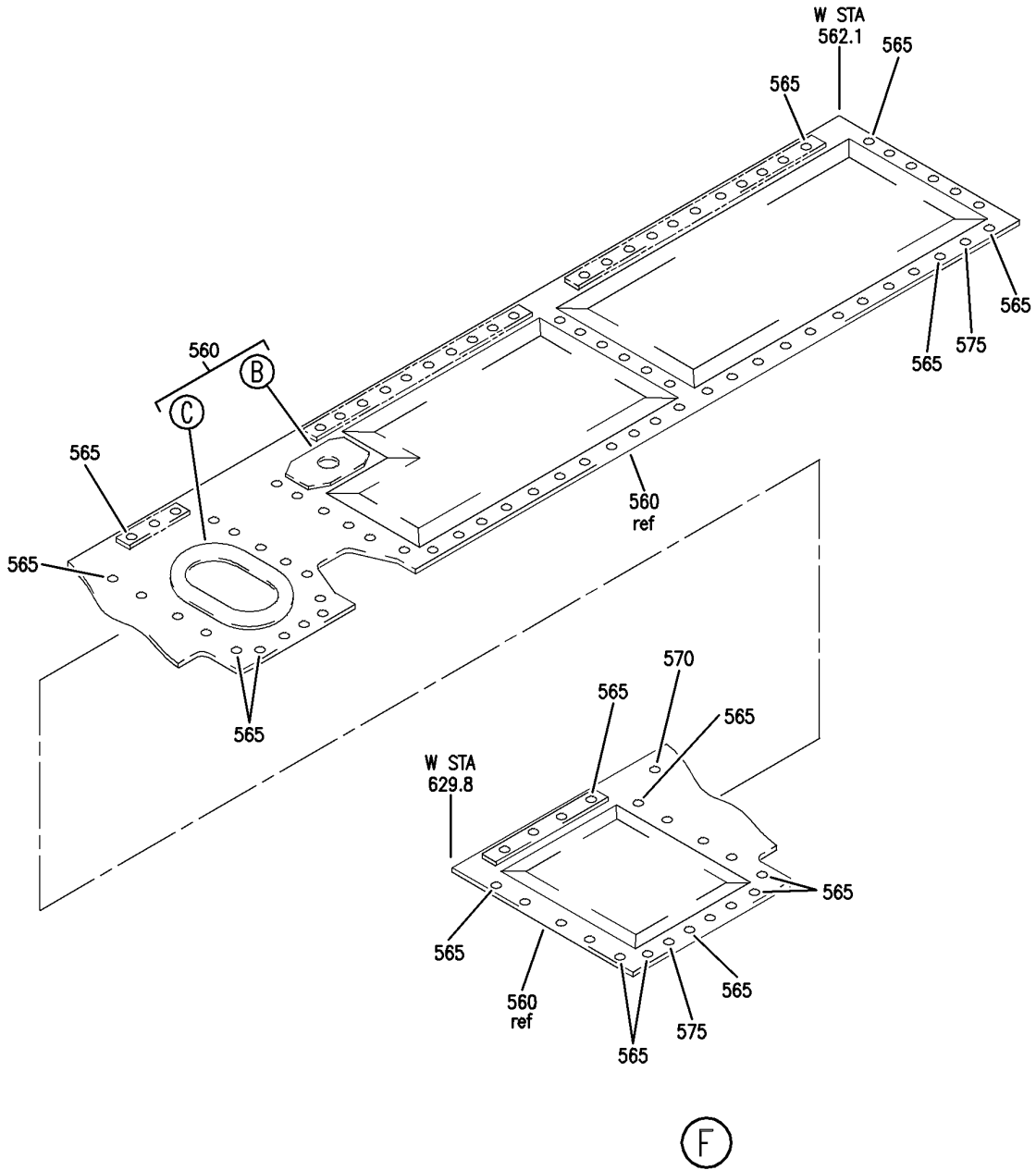
PANEL INSTL-OUTBD FXD LE LWR RH SKIN
FIGURE 1B (SHEET 4)

57-41-01-01B

BRI
JAN 20/09

57-41-01-01B
PAGE 0C

BOEING
757
PARTS CATALOG (MAINTENANCE)



Y 57410101B SHT 5 REV 243

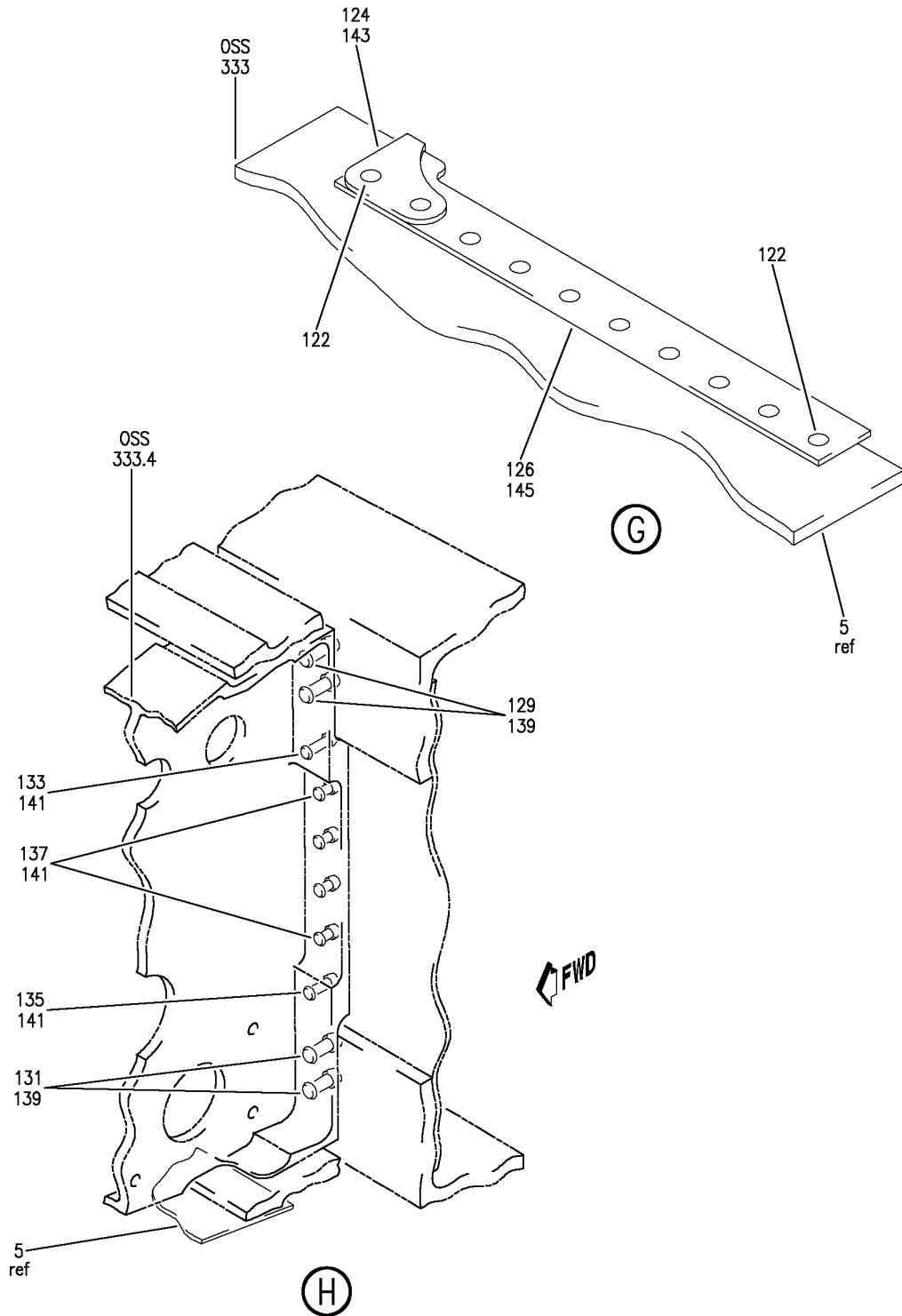
PANEL INSTL-OUTBD FXD LE LWR RH SKIN
FIGURE 1B (SHEET 5)

57-41-01-01B

BRI
JAN 20/09

57-41-01-01B
PAGE 0D

BOEING
 757
 PARTS CATALOG (MAINTENANCE)



Y 57410101B SHT 6 REV 253

PANEL INSTL-OUTBD FXD LE LWR RH SKIN
 FIGURE 1B (SHEET 6)

57-41-01-01B

BRI
 JAN 20/09

57-41-01-01B
 PAGE 0E



757

PARTS CATALOG (MAINTENANCE)

FIG ITEM	PART NUMBER	1 2 3 4 5 6 7	NOMENCLATURE	EFFECT FROM TO	UNITS PER ASSY
1B			PANEL INSTL-OUTBD FXD LE LWR RH SKIN	103106	
- 1	MODREF117		PANEL INSTL-FXD LE SKIN MODULE NUMBER: 114N2036-306 REV A POSITION DATA: OUTBD LWR RH	103103	1
- 1	MODREF26667		PANEL INSTL-FXD LE SKIN MODULE NUMBER: 114N2036-306 REV B POSITION DATA: OUTBD LWR RH	104105	1
- 1	MODREF31901		PANEL INSTL-FXD LE SKIN MODULE NUMBER: 114N2036-306 REV D POSITION DATA: OUTBD LWR RH	106106	1
5	114N2202-22		.PANEL ASSY-	103105	1
5	114N2202-24		.PANEL ASSY- ATTACHING PARTS	106106	1
10	BACB30NN3K5		.BOLT	103106	34
15	BACB30NN4K5		.BOLT	103106	1
20	BACB30LR4-5		.BOLT	103106	2
			-----*-----		
25	BACS12ER04K6		.. SCREW	103106	1
30	AN960KD4		.. WASHER-	103105	1
30	NAS1149DN432J		.. WASHER-	106106	1
35	BRH10C04D		.. NUT	103106	1
			SUPPLIER CODE: V52828 SPECIFICATION NUMBER: BACN10JCO4CD OPTIONAL PART: H51650-04BAC V15653 102LH9075-40W V72962 NS202486-40 V80539 T6C440JCD V11815 T6C440JCD V11815		
40	BACR15BA5AD		.. RIVET- SIZE DETERMINED ON INSTL.	103106	10
45	114N2208-13		.. DOOR ASSY	103106	1
50	BACB30LH3-3		... BOLT	103106	2
55	BACS12ER04K6		... SCREW	103106	1
60	AN960KD4		... WASHER	103106	1

MISSING ITEM NUMBERS NOT APPLICABLE

- ITEM NOT ILLUSTRATED

57-41-01-01B

57-41-01
FIG. 01B
PAGE 1
JAN 20/09

BRI

BOEING PROPRIETARY - Copyright © - Unpublished Work - See title page for details.

 **BOEING**
757
PARTS CATALOG (MAINTENANCE)

FIG ITEM	PART NUMBER	1 2 3 4 5 6 7	NOMENCLATURE	EFFECT FROM TO	UNITS PER ASSY
1B 65	BRH10C04D	...	NUT SUPPLIER CODE: V52828 SPECIFICATION NUMBER: BACN10JC04CD OPTIONAL PART: H51650-04BAC V15653 102LH9075-40W V72962 NS202486-40 V80539 T6C440JCD V11815 T6C440JCD V11815	103106	1
70	BACR15BA3AD	...	RIVET- SIZE DETERMINED ON INSTL.	103106	4
75	F51753-3CD	...	NUTPLATE SUPPLIER CODE: V15653 SPECIFICATION NUMBER: BACN10KE3DCD OPTIONAL PART: NS202495-02 V80539	103106	2
80	NAS1201C6B10B	...	CHAIN ASSY	103106	1
85	114N2208-5	...	DOUBLER	103106	1
90	114N2208-14	...	DOOR	103106	1
95	BACB30NN3K5	..	BOLT	103106	6
100	BACB30NN3K3	..	BOLT	103106	1
105	NAS1149D0316J	..	WASHER-	103106	1
107	BRH10C3D	..	NUT SUPPLIER CODE: V52828 SPECIFICATION NUMBER: BACN10JC3CD OPTIONAL PART: T6C1032JCD V11815 NS202486-02 V80539 102LH9075-3W V72962 H51650-3BAC V15653	103106	1
109	BACR15BA3AD	..	RIVET- SIZE DETERMINED ON INSTL.	103106	12

MISSING ITEM NUMBERS NOT APPLICABLE

— ITEM NOT ILLUSTRATED

BRI

57-41-01-01B

BOEING PROPRIETARY - Copyright © - Unpublished Work - See title page for details.

57-41-01
FIG. 01B
PAGE 2
JAN 20/09



757

PARTS CATALOG (MAINTENANCE)

FIG ITEM	PART NUMBER	1 2 3 4 5 6 7	NOMENCLATURE	EFFECT FROM TO	UNITS PER ASSY
1B 111	BRFR220C3-2D	..	NUTPLATE SUPPLIER CODE: V52828 SPECIFICATION NUMBER: BACN10KE3B2CD OPTIONAL PART: F51747-3-2CD V15653 102A9213-2-3 V72962 NS202493-02-2 V80539	103106	6
113	114N2069-5	..	COVER ASSY-ACCESS	103106	1
113	114N2069-1	..	COVER ASSY-ACCESS	103106	1
115	BACR15BA6D	...	RIVET- SIZE DETERMINED ON INSTL.	103106	1
117	NAS1201C10B14B	...	CHAIN ASSY-BEAD	103106	1
119	114N2069-6	...	COVER- USED ON: 114N2069-5	103106	1
119	114N2069-2	...	COVER- USED ON: 114N2069-1	103106	1
122	BACR15BA6D	..	RIVET- SIZE DETERMINED ON INSTL.	106106	10
124	114N2207-6	..	RETAINER-	106106	1
126	114N2137-2	..	DOOR STOP	106106	1
129	LGPL2SPV10-12AC	.BOLT	SUPPLIER CODE: V17446 SPECIFICATION NUMBER: BACB30VN10K12 OPTIONAL PART: LGPL2SPV10-12AC V92215 81669V10K12 V56878 LGPL2SPV10-12AC V56878	103105	2

MISSING ITEM NUMBERS NOT APPLICABLE

- ITEM NOT ILLUSTRATED

BRI

57-41-01-01B

BOEING PROPRIETARY - Copyright © - Unpublished Work - See title page for details.

57-41-01
FIG. 01B
PAGE 3
JAN 20/09



757

PARTS CATALOG (MAINTENANCE)

FIG ITEM	PART NUMBER	1 2 3 4 5 6 7	NOMENCLATURE	EFFECT FROM TO	UNITS PER ASSY
1B 131	LGPL2SPV10-11AC	.BOLT	SUPPLIER CODE: V17446 SPECIFICATION NUMBER: BACB30VN10K11 OPTIONAL PART: LGPL2SPV10-11AC V92215 81669V10K11 V56878 LGPL2SPV10-11AC V56878	103105	2
133	LGPL2SPV8-12AC	.BOLT	SUPPLIER CODE: V17446 SPECIFICATION NUMBER: BACB30VN8K12 OPTIONAL PART: LGPL2SPV8-12AC V92215 81669V8K12 V56878 LGPL2SPV8-12AC V56878	103105	1
135	LGPL2SPV8-11AC	.BOLT	SUPPLIER CODE: V17446 SPECIFICATION NUMBER: BACB30VN8K11 OPTIONAL PART: LGPL2SPV8-11AC V92215 81669V8K11 V56878 LGPL2SPV8-11AC V56878	103105	1
137	LGPL2SPV8-6AC	.BOLT	SUPPLIER CODE: V17446 SPECIFICATION NUMBER: BACB30VN8K6 OPTIONAL PART: LGPL2SPV8-6AC V92215 81669V8K6 V56878 LGPL2SPV8-6AC V56878	103105	4

MISSING ITEM NUMBERS NOT APPLICABLE

- ITEM NOT ILLUSTRATED

BRI

57-41-01-01B

BOEING PROPRIETARY - Copyright © - Unpublished Work - See title page for details.

57-41-01
FIG. 01B
PAGE 4
JAN 20/09



757

PARTS CATALOG (MAINTENANCE)

FIG ITEM	PART NUMBER	1 2 3 4 5 6 7	NOMENCLATURE	EFFECT FROM TO	UNITS PER ASSY
1B 139	3SLCC10	.	COLLAR SUPPLIER CODE: V17446 SPECIFICATION NUMBER: BACC30BK10 OPTIONAL PART: 3SLCC10 V92215	103105	4
141	3SLCC8	.	COLLAR SUPPLIER CODE: V17446 SPECIFICATION NUMBER: BACC30BK8 OPTIONAL PART: 3SLCC8 V92215	103105	6
143	114N2207-6	.	RETAINER	103105	1
145	114N2137-2	.	DOOR STOP	103105	1
148	114N2201-20	.	PANEL ASSY ATTACHING PARTS	103106	1
150	BACB30NN3K5	.	BOLT -----*-----	103106	104
155	BACB30NN4K5	.	BOLT ATTACHING PARTS	103106	1
160	BACB30LR4-5	.	BOLT -----*-----	103106	2
165	BACB30NN3K5	..	BOLT	103106	6
170	BACB30NN3K3	..	BOLT	103106	1
175	NAS1149D0316J	..	WASHER-	103106	1
180	BRH10C3D	..	NUT SUPPLIER CODE: V52828 SPECIFICATION NUMBER: BACN10JC3CD OPTIONAL PART: T6C1032JCD V11815 NS202486-02 V80539 102LH9075-3W V72962 H51650-3BAC V15653	103106	1
185	BACR15BA3AD	..	RIVET- SIZE DETERMINED ON INSTL.	103106	12

MISSING ITEM NUMBERS NOT APPLICABLE

- ITEM NOT ILLUSTRATED

57-41-01-01B

57-41-01
FIG. 01B
PAGE 5
JAN 20/09

BRI

BOEING PROPRIETARY - Copyright © - Unpublished Work - See title page for details.



757

PARTS CATALOG (MAINTENANCE)

FIG ITEM	PART NUMBER	1 2 3 4 5 6 7	NOMENCLATURE	EFFECT FROM TO	UNITS PER ASSY
1B 190	BRFR220C3-2D	..	NUTPLATE SUPPLIER CODE: V52828 SPECIFICATION NUMBER: BACN10KE3B2CD OPTIONAL PART: F51747-3-2CD V15653 102A9213-2-3 V72962 NS202493-02-2 V80539	103106	6
195	114N2069-5	..	COVER ASSY-ACCESS	103106	1
195	114N2069-1	..	COVER ASSY-ACCESS	103106	1
200	BACR15BA6D	...	RIVET- SIZE DETERMINED ON INSTL.	103106	1
205	NAS1201C10B14B	...	CHAIN ASSY-BEAD	103106	1
210	114N2069-6	...	COVER- USED ON: 114N2069-5	103106	1
210	114N2069-2	...	COVER- USED ON: 114N2069-1	103106	1
215	BACS12ER04K6	..	SCREW	103106	1
220	AN960KD4	..	WASHER	103106	1
225	BRH10C04D	..	NUT SUPPLIER CODE: V52828 SPECIFICATION NUMBER: BACN10JCO4CD OPTIONAL PART: H51650-04BAC V15653 102LH9075-40W V72962 NS202486-40 V80539 T6C440JCD V11815 T6C440JCD V11815	103106	1
230	BACR15BA5AD	..	RIVET- SIZE DETERMINED ON INSTL.	103106	10
235	114N2208-13	..	DOOR ASSY	103106	1
240	BACB30LH3-3	...	BOLT	103106	2
245	BACS12ER04K6	...	SCREW	103106	1
250	AN960KD4	...	WASHER	103106	1

MISSING ITEM NUMBERS NOT APPLICABLE

- ITEM NOT ILLUSTRATED

57-41-01-01B

57-41-01
FIG. 01B
PAGE 6
JAN 20/09

BRI

BOEING PROPRIETARY - Copyright © - Unpublished Work - See title page for details.



757

PARTS CATALOG (MAINTENANCE)

FIG ITEM	PART NUMBER	1 2 3 4 5 6 7	NOMENCLATURE	EFFECT FROM TO	UNITS PER ASSY
1B 255	BRH10C04D	...	NUT SUPPLIER CODE: V52828 SPECIFICATION NUMBER: BACN10JC04CD OPTIONAL PART: H51650-04BAC V15653 102LH9075-40W V72962 NS202486-40 V80539 T6C440JCD V11815 T6C440JCD V11815	103106	1
260	BACR15BA3AD	...	RIVET- SIZE DETERMINED ON INSTL.	103106	4
265	F51753-3CD	...	NUTPLATE SUPPLIER CODE: V15653 SPECIFICATION NUMBER: BACN10KE3DCD OPTIONAL PART: NS202495-02 V80539	103106	2
270	NAS1201C6B10B	...	CHAIN ASSY	103106	1
275	114N2208-5	...	DOUBLER	103106	1
280	114N2208-14	...	DOOR	103106	1
285	114N2119-14	.	PANEL ASSY-	103106	1
285	114N2119-11	.	PANEL ASSY- ATTACHING PARTS	103106	1
290	BACB30NN3K5	.	BOLT	103106	91
295	BACB30NN4K5	.	BOLT	103106	13
300	BACB30LR4-5	.	BOLT	103106	2
			-----*-----		
305	BACS12ER04K6	..	SCREW	103106	1
310	AN960KD4	..	WASHER	103106	1

MISSING ITEM NUMBERS NOT APPLICABLE

- ITEM NOT ILLUSTRATED

57-41-01-01B

57-41-01
FIG. 01B
PAGE 7
JAN 20/09

BRI

BOEING PROPRIETARY - Copyright © - Unpublished Work - See title page for details.



757

PARTS CATALOG (MAINTENANCE)

FIG ITEM	PART NUMBER	1 2 3 4 5 6 7	NOMENCLATURE	EFFECT FROM TO	UNITS PER ASSY
1B 315	BRH10C04D	..	NUT SUPPLIER CODE: V52828 SPECIFICATION NUMBER: BACN10JCO4CD OPTIONAL PART: H51650-04BAC V15653 102LH9075-40W V72962 NS202486-40 V80539 T6C440JCD V11815 T6C440JCD V11815	103106	1
320	BACR15BA5AD	..	RIVET- SIZE DETERMINED ON INSTL.	103106	10
325	114N2208-13	..	DOOR ASSY- USED ON: 114N2119-14	103106	1
325	114N2208-1	..	DOOR ASSY- USED ON: 114N2119-11	103106	1
330	BACB30LH3-3	...	BOLT	103106	2
335	BACS12ER04K6	...	SCREW	103106	1
340	AN960KD4	...	WASHER	103106	1
345	BRH10C04D	...	NUT SUPPLIER CODE: V52828 SPECIFICATION NUMBER: BACN10JCO4CD OPTIONAL PART: H51650-04BAC V15653 102LH9075-40W V72962 NS202486-40 V80539 T6C440JCD V11815 T6C440JCD V11815	103106	1
350	BACR15BA3AD	...	RIVET- SIZE DETERMINED ON INSTL.	103106	4

MISSING ITEM NUMBERS NOT APPLICABLE

- ITEM NOT ILLUSTRATED

BRI

57-41-01-01B

BOEING PROPRIETARY - Copyright © - Unpublished Work - See title page for details.

57-41-01
FIG. 01B
PAGE 8
JAN 20/09



757

PARTS CATALOG (MAINTENANCE)

FIG ITEM	PART NUMBER	1 2 3 4 5 6 7	NOMENCLATURE	EFFECT FROM TO	UNITS PER ASSY
1B 355	F51753-3CD	...	NUTPLATE SUPPLIER CODE: V15653 SPECIFICATION NUMBER: BACN10KE3DCD OPTIONAL PART: NS202495-02 V80539	103106	2
360	NAS1201C6B10B	...	CHAIN ASSY	103106	1
365	114N2208-5	...	DOUBLER	103106	1
370	114N2208-14	...	DOOR	103106	1
375	BACB30NN3K5	..	BOLT	103106	6
380	BACB30NN3K3	..	BOLT	103106	1
385	AN960PD10L	..	WASHER	103106	1
390	BRH10C3D	..	NUT SUPPLIER CODE: V52828 SPECIFICATION NUMBER: BACN10JC3CD OPTIONAL PART: T6C1032JCD V11815 NS202486-02 V80539 102LH9075-3W V72962 H51650-3BAC V15653	103106	1
395	BACR15BA3AD	..	RIVET- SIZE DETERMINED ON INSTL.	103106	12
400	BRFR220C3-2D	..	NUTPLATE SUPPLIER CODE: V52828 SPECIFICATION NUMBER: BACN10KE3B2CD OPTIONAL PART: F51747-3-2CD V15653 102A9213-2-3 V72962 NS202493-02-2 V80539	103106	6
405	114N2069-5	..	COVER ASSY-ACCESS	103106	1
405	114N2069-1	..	COVER ASSY-ACCESS	103106	1
410	BACR15BA6D	...	RIVET- SIZE DETERMINED ON INSTL.	103106	1
415	NAS1201C10B14B	...	CHAIN ASSY-BEAD	103106	1

MISSING ITEM NUMBERS NOT APPLICABLE

- ITEM NOT ILLUSTRATED

57-41-01-01B

57-41-01
FIG. 01B
PAGE 9
JAN 20/09

BRI

BOEING PROPRIETARY - Copyright © - Unpublished Work - See title page for details.



757

PARTS CATALOG (MAINTENANCE)

FIG ITEM	PART NUMBER	1 2 3 4 5 6 7	NOMENCLATURE	EFFECT FROM TO	UNITS PER ASSY
1B					
420	114N2069-6	...	COVER- USED ON: 114N2069-5	103106	1
420	114N2069-2	...	COVER- USED ON: 114N2069-1	103106	1
425	114N2114-14	.	PANEL ASSY ATTACHING PARTS	103106	1
430	BACB30NN3K5	.	BOLT	103106	87
435	BACB30NN4K5	.	BOLT	103106	1
440	BACB30LR4-5	.	BOLT	103106	2
			-----*-----		
445	BACB30NN3K5	..	BOLT	103106	6
450	BACB30NN3K3	..	BOLT	103106	1
455	AN960PD10L	..	WASHER	103106	1
460	BRH10C3D	..	NUT	103106	1
			SUPPLIER CODE: V52828		
			SPECIFICATION NUMBER: BACN10JC3CD		
			OPTIONAL PART: T6C1032JCD		
			V11815		
			NS202486-02		
			V80539		
			102LH9075-3W		
			V72962		
			H51650-3BAC		
			V15653		
465	BACR15BA3AD	..	RIVET- SIZE DETERMINED ON INSTL.	103106	12
470	114N2069-5	..	COVER ASSY-ACCESS	103106	1
470	114N2069-1	..	COVER ASSY-ACCESS	103106	1
475	BACR15BA6D	...	RIVET- SIZE DETERMINED ON INSTL.	103106	1
480	NAS1201C10B14B	...	CHAIN ASSY-BEAD	103106	1
485	114N2069-6	...	COVER- USED ON: 114N2069-5	103106	1
485	114N2069-2	...	COVER- USED ON: 114N2069-1	103106	1
490	BACS12ER04K6	..	SCREW	103106	1
495	AN960KD4	..	WASHER	103106	1

MISSING ITEM NUMBERS NOT APPLICABLE

- ITEM NOT ILLUSTRATED

57-41-01-01B

57-41-01
FIG. 01B
PAGE 10
JAN 20/09

BRI

BOEING PROPRIETARY - Copyright © - Unpublished Work - See title page for details.



757

PARTS CATALOG (MAINTENANCE)

FIG ITEM	PART NUMBER	1 2 3 4 5 6 7	NOMENCLATURE	EFFECT FROM TO	UNITS PER ASSY
1B 500	BRH10C04D	..	NUT SUPPLIER CODE: V52828 SPECIFICATION NUMBER: BACN10JCO4CD OPTIONAL PART: H51650-04BAC V15653 102LH9075-40W V72962 NS202486-40 V80539 T6C440JCD V11815 T6C440JCD V11815	103106	1
505	BACR15BA5AD	..	RIVET- SIZE DETERMINED ON INSTL.	103106	10
510	114N2208-13	..	DOOR ASSY	103106	1
515	BACB30LH3-3	...	BOLT	103106	2
520	BACS12ER04K6	...	SCREW	103106	1
525	AN960KD4	...	WASHER	103106	1
530	BRH10C04D	...	NUT SUPPLIER CODE: V52828 SPECIFICATION NUMBER: BACN10JCO4CD OPTIONAL PART: H51650-04BAC V15653 102LH9075-40W V72962 NS202486-40 V80539 T6C440JCD V11815 T6C440JCD V11815	103106	1
535	BACR15BA3AD	...	RIVET- SIZE DETERMINED ON INSTL.	103106	4
540	F51753-3CD	...	NUTPLATE SUPPLIER CODE: V15653 SPECIFICATION NUMBER: BACN10KE3DCD OPTIONAL PART: NS202495-02 V80539	103106	2
545	NAS1201C6B10B	...	CHAIN ASSY	103106	1

MISSING ITEM NUMBERS NOT APPLICABLE

- ITEM NOT ILLUSTRATED

BRI

57-41-01-01B

BOEING PROPRIETARY - Copyright © - Unpublished Work - See title page for details.

57-41-01
FIG. 01B
PAGE 11
JAN 20/09

 **BOEING**
757
PARTS CATALOG (MAINTENANCE)

FIG ITEM	PART NUMBER	1 2 3 4 5 6 7	NOMENCLATURE	EFFECT FROM TO	UNITS PER ASSY
1B					
550	114N2208-5	...	DOUBLER	103106	1
555	114N2208-14	...	DOOR	103106	1
560	114N2112-20	.PANEL ASSY		103106	1
			ATTACHING PARTS		
565	BACB30NN3K5	.BOLT		103106	98
570	BACB30NN4K5	.BOLT		103106	1
575	BACB30LR4-5	.BOLT		103106	1
		-----*			
580	BACS12ER04K6	..	SCREW	103106	1
585	AN960KD4	..	WASHER	103106	1
590	BRH10C04D	..	NUT	103106	1
			SUPPLIER CODE: V52828		
			SPECIFICATION NUMBER: BACN10JCO4CD		
			OPTIONAL PART: H51650-04BAC		
			V15653		
			102LH9075-40W		
			V72962		
			NS202486-40		
			V80539		
			T6C440JCD		
			V11815		
			T6C440JCD		
			V11815		
595	BACR15BA5AD	..	RIVET-	103106	10
			SIZE DETERMINED ON INSTL.		
600	114N2208-13	..	DOOR ASSY	103106	1
605	BACB30LH3-3	...	BOLT	103106	2
610	BACS12ER04K6	...	SCREW	103106	1
615	AN960KD4	...	WASHER	103106	1
620	BRH10C04D	...	NUT	103106	1
			SUPPLIER CODE: V52828		
			SPECIFICATION NUMBER: BACN10JCO4CD		
			OPTIONAL PART: H51650-04BAC		
			V15653		
			102LH9075-40W		
			V72962		
			NS202486-40		
			V80539		
			T6C440JCD		
			V11815		
			T6C440JCD		
			V11815		

MISSING ITEM NUMBERS NOT APPLICABLE

— ITEM NOT ILLUSTRATED

BRI

57-41-01-01B

BOEING PROPRIETARY - Copyright © - Unpublished Work - See title page for details.

57-41-01
FIG. 01B
PAGE 12
JAN 20/09



757

PARTS CATALOG (MAINTENANCE)

FIG ITEM	PART NUMBER	1 2 3 4 5 6 7	NOMENCLATURE	EFFECT FROM TO	UNITS PER ASSY
1B					
625	BACR15BA3AD	...	RIVET- SIZE DETERMINED ON INSTL.	103106	4
630	F51753-3CD	...	NUTPLATE SUPPLIER CODE: V15653 SPECIFICATION NUMBER: BACN10KE3DCD OPTIONAL PART: NS202495-02 V80539	103106	2
635	NAS1201C6B10B	...	CHAIN ASSY	103106	1
640	114N2208-5	...	DOUBLER	103106	1
645	114N2208-14	...	DOOR	103106	1
650	BACB30NN3K5	..	BOLT	103106	6
655	BACB30NN3K3	..	BOLT	103106	1
660	AN960PD10L	..	WASHER	103106	1
665	BRH10C3D	..	NUT SUPPLIER CODE: V52828 SPECIFICATION NUMBER: BACN10JC3CD OPTIONAL PART: T6C1032JCD V11815 NS202486-02 V80539 102LH9075-3W V72962 H51650-3BAC V15653	103106	1
670	BACR15BA3AD	..	RIVET- SIZE DETERMINED ON INSTL.	103106	12
675	BRFR220C3-2D	..	NUTPLATE SUPPLIER CODE: V52828 SPECIFICATION NUMBER: BACN10KE3B2CD OPTIONAL PART: F51747-3-2CD V15653 102A9213-2-3 V72962 NS202493-02-2 V80539	103106	6
680	114N2069-5	..	COVER ASSY-ACCESS	103106	1
680	114N2069-1	..	COVER ASSY-ACCESS	103106	1
685	BACR15BA6D	...	RIVET- SIZE DETERMINED ON INSTL.	103106	1
690	NAS1201C10B14B	...	CHAIN ASSY-BEAD	103106	1

MISSING ITEM NUMBERS NOT APPLICABLE

- ITEM NOT ILLUSTRATED

57-41-01-01B

57-41-01
FIG. 01B
PAGE 13
JAN 20/09

BRI

BOEING PROPRIETARY - Copyright © - Unpublished Work - See title page for details.



757
PARTS CATALOG (MAINTENANCE)

FIG ITEM	PART NUMBER	1 2 3 4 5 6 7	NOMENCLATURE	EFFECT FROM TO	UNITS PER ASSY
1B 695	114N2069-6		...COVER- USED ON: 114N2069-5	103106	1
695	114N2069-2		...COVER- USED ON: 114N2069-1	103106	1

MISSING ITEM NUMBERS NOT APPLICABLE

— ITEM NOT ILLUSTRATED

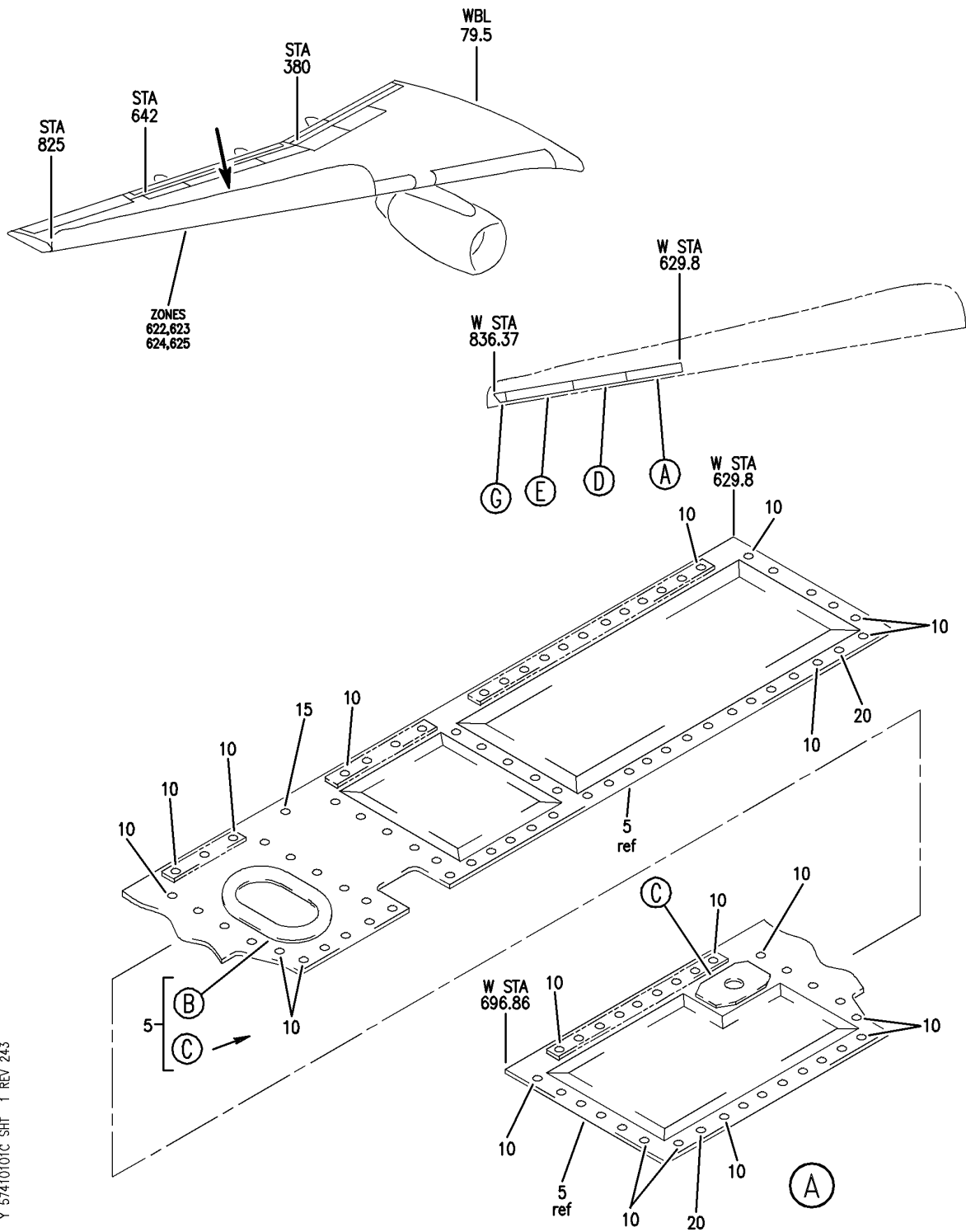
BRI

57-41-01-01B

BOEING PROPRIETARY - Copyright © - Unpublished Work - See title page for details.

57-41-01
FIG. 01B
PAGE 14
JAN 20/09

BOEING
 757
 PARTS CATALOG (MAINTENANCE)



Y 57410101C SHT 1 REV 243

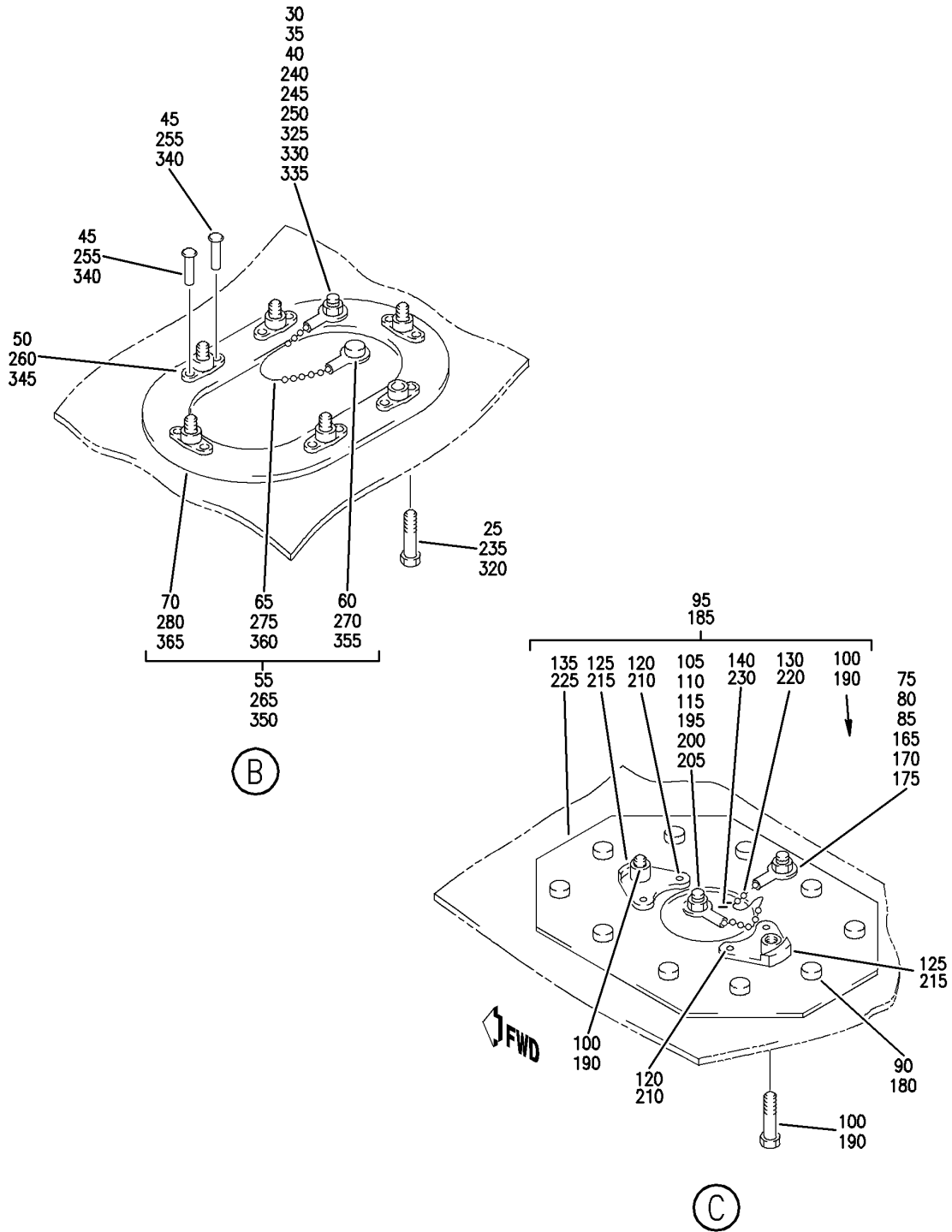
PANEL INSTL-OUTBD FXD LE LWR RH SKIN
 FIGURE 1C (SHEET 1)

57-41-01-01C

BRI
 JAN 20/09

57-41-01-01C
 PAGE 0

BOEING
757
PARTS CATALOG (MAINTENANCE)



Y 57410101C SHT 2 REV 243

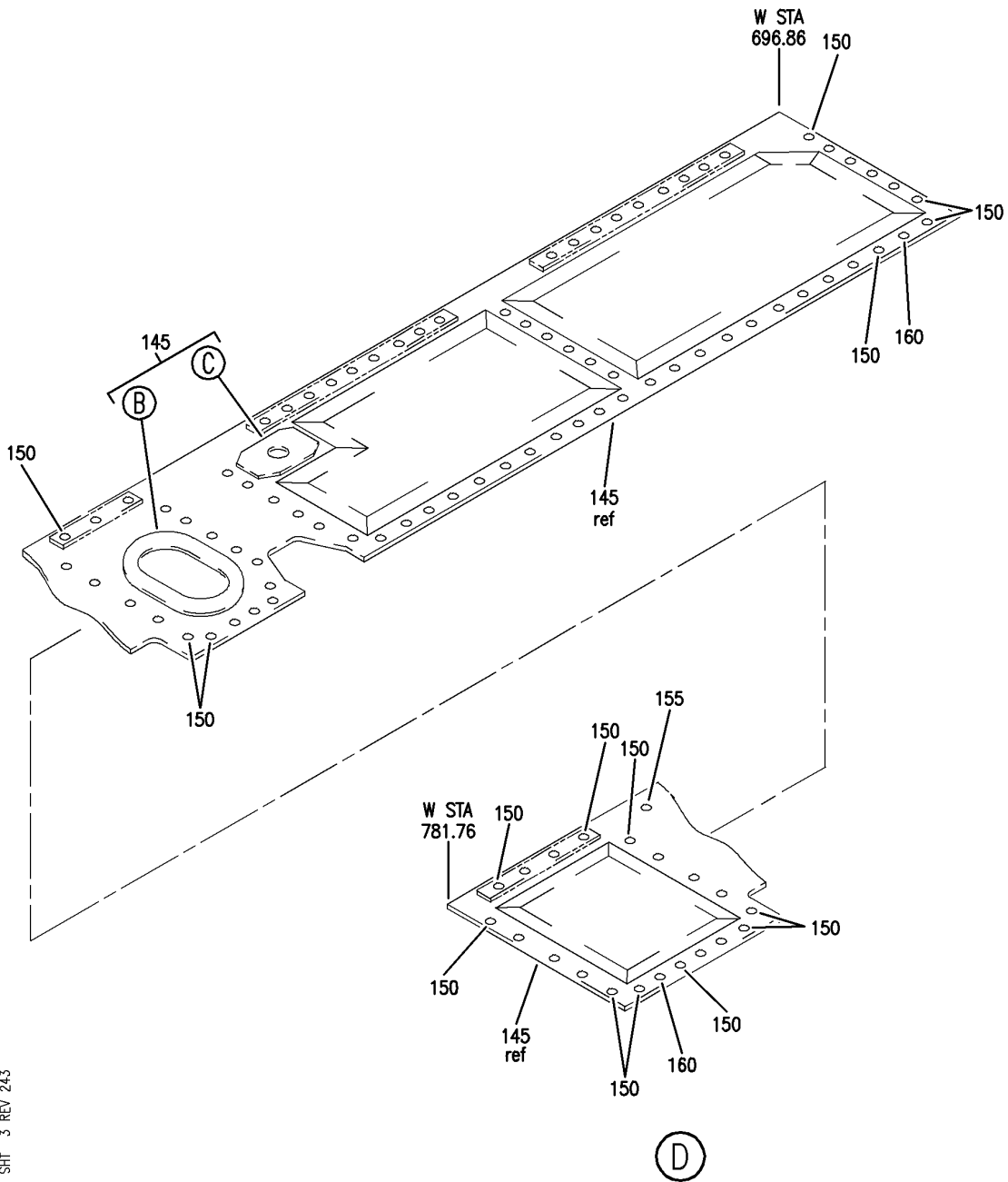
PANEL INSTL-OUTBD FXD LE LWR RH SKIN
FIGURE 1C (SHEET 2)

57-41-01-01C

BRI
JAN 20/09

57-41-01-01C
PAGE 0A

BOEING
 757
 PARTS CATALOG (MAINTENANCE)



Y 57410101C SHT 3 REV 243

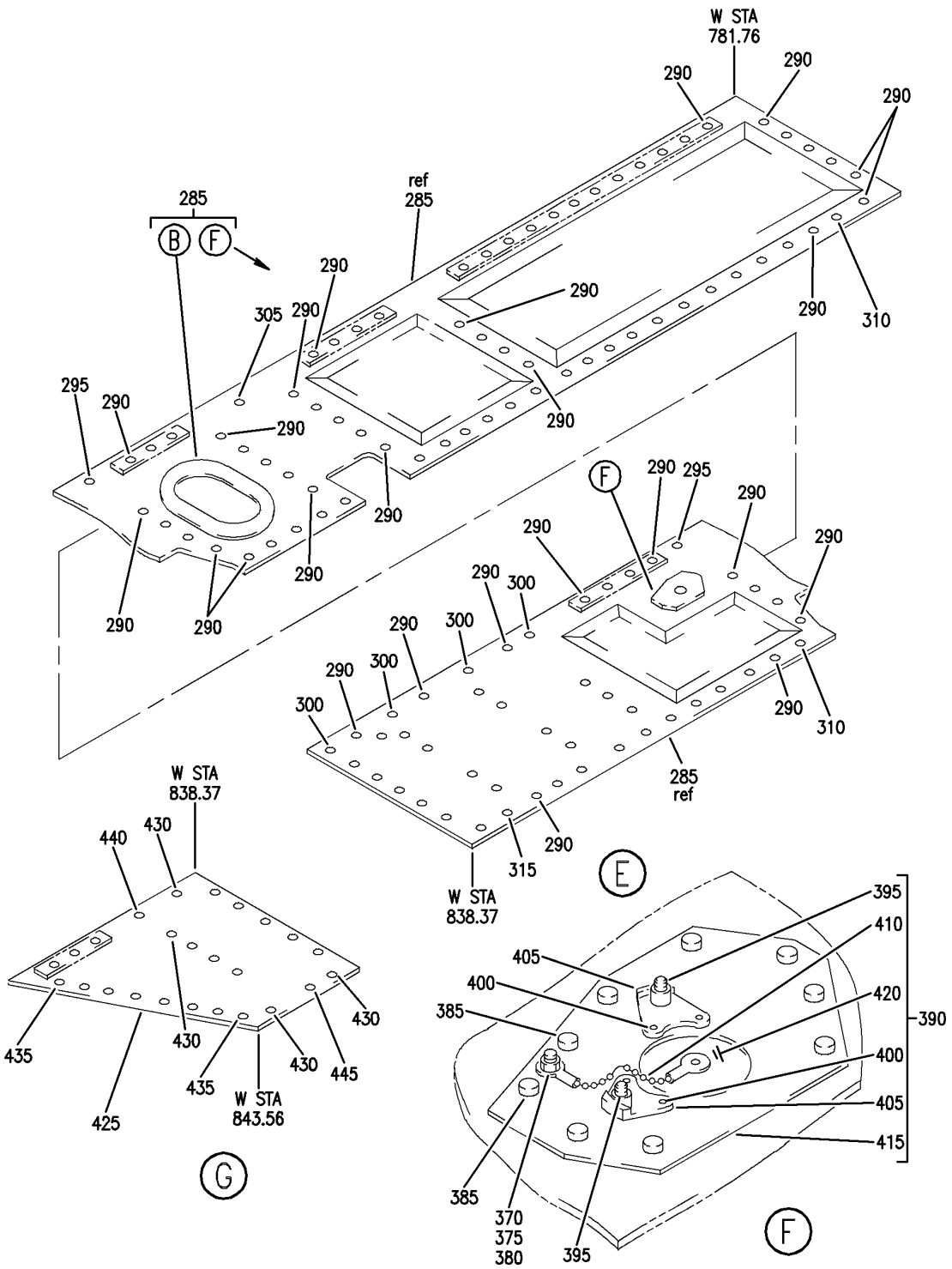
PANEL INSTL-OUTBD FXD LE LWR RH SKIN
 FIGURE 1C (SHEET 3)

57-41-01-01C

BRI
 JAN 20/09

57-41-01-01C
 PAGE 0B


BOEING
 757
PARTS CATALOG (MAINTENANCE)



Y 57410101C SHT 4 REV 243

PANEL INSTL-OUTBD FXD LE LWR RH SKIN
 FIGURE 1C (SHEET 4)

57-41-01-01C

BRI
 JAN 20/09

57-41-01-01C
 PAGE 0C



757

PARTS CATALOG (MAINTENANCE)

FIG ITEM	PART NUMBER	1 2 3 4 5 6 7	NOMENCLATURE	EFFECT FROM TO	UNITS PER ASSY
1C			PANEL INSTL-OUTBD FXD LE LWR RH SKIN	103106	
- 1	MODREF117		PANEL INSTL-FXD LE SKIN MODULE NUMBER: 114N2036-306 REV A POSITION DATA: OUTBD LWR RH	103103	1
- 1	MODREF26667		PANEL INSTL-FXD LE SKIN MODULE NUMBER: 114N2036-306 REV B POSITION DATA: OUTBD LWR RH	104105	1
- 1	MODREF31901		PANEL INSTL-FXD LE SKIN MODULE NUMBER: 114N2036-306 REV D POSITION DATA: OUTBD LWR RH	106106	1
5	114N2111-20		.PANEL ASSY ATTACHING PARTS	103106	1
10	BACB30NN3K5		.BOLT	103106	97
15	BACB30NN3K5		.BOLT	103106	1
20	BACB30LR4-5		.BOLT	103106	2
			-----*-----		
25	BACB30NN3K5		..BOLT	103106	6
30	BACB30NN3K3		..BOLT	103106	1
35	AN960PD10L		..WASHER	103106	1
40	BRH10C3D		..NUT	103106	1
			SUPPLIER CODE: V52828 SPECIFICATION NUMBER: BACN10JC3CD OPTIONAL PART: T6C1032JCD V11815 NS202486-02 V80539 102LH9075-3W V72962 H51650-3BAC V15653		
45	BACR15BA3AD		..RIVET- SIZE DETERMINED ON INSTL.	103106	12

MISSING ITEM NUMBERS NOT APPLICABLE

- ITEM NOT ILLUSTRATED

BRI

57-41-01-01C

BOEING PROPRIETARY - Copyright © - Unpublished Work - See title page for details.

57-41-01
FIG. 01C
PAGE 1
JAN 20/09



757

PARTS CATALOG (MAINTENANCE)

FIG ITEM	PART NUMBER	1 2 3 4 5 6 7	NOMENCLATURE	EFFECT FROM TO	UNITS PER ASSY
1C					
50	BRFR220C3-2D	..	NUTPLATE SUPPLIER CODE: V52828 SPECIFICATION NUMBER: BACN10KE3B2CD OPTIONAL PART: F51747-3-2CD V15653 102A9213-2-3 V72962 NS202493-02-2 V80539	103106	6
55	114N2069-5	..	COVER ASSY-ACCESS	103106	1
55	114N2069-1	..	COVER ASSY-ACCESS	103106	1
60	BACR15BA6D	...	RIVET- SIZE DETERMINED ON INSTL.	103106	1
65	NAS1201C10B14B	...	CHAIN ASSY-BEAD	103106	1
70	114N2069-6	...	COVER- USED ON: 114N2069-5	103106	1
70	114N2069-2	...	COVER- USED ON: 114N2069-1	103106	1
75	BACS12ER04K6	..	SCREW	103106	1
80	AN960KD4	..	WASHER	103106	1
85	BRH10C04D	..	NUT SUPPLIER CODE: V52828 SPECIFICATION NUMBER: BACN10JCO4CD OPTIONAL PART: H51650-04BAC V15653 102LH9075-40W V72962 NS202486-40 V80539 T6C440JCD V11815 T6C440JCD V11815	103106	1
90	BACR15BA5AD	..	RIVET- SIZE DETERMINED ON INSTL.	103106	10
95	114N2208-13	..	DOOR ASSY	103106	1
100	BACB30LH3-3	...	BOLT	103106	2
105	BACS12ER04K6	...	SCREW	103106	1
110	AN960KD4	...	WASHER	103106	1

MISSING ITEM NUMBERS NOT APPLICABLE

- ITEM NOT ILLUSTRATED

BRI

57-41-01-01C

BOEING PROPRIETARY - Copyright © - Unpublished Work - See title page for details.

57-41-01
FIG. 01C
PAGE 2
JAN 20/09



757

PARTS CATALOG (MAINTENANCE)

FIG ITEM	PART NUMBER	1 2 3 4 5 6 7	NOMENCLATURE	EFFECT FROM TO	UNITS PER ASSY
1C 115	BRH10C04D	...	NUT SUPPLIER CODE: V52828 SPECIFICATION NUMBER: BACN10JC04CD OPTIONAL PART: H51650-04BAC V15653 102LH9075-40W V72962 NS202486-40 V80539 T6C440JCD V11815 T6C440JCD V11815	103106	1
120	BACR15BA3AD	...	RIVET- SIZE DETERMINED ON INSTL.	103106	4
125	F51753-3CD	...	NUTPLATE SUPPLIER CODE: V15653 SPECIFICATION NUMBER: BACN10KE3DCD OPTIONAL PART: NS202495-02 V80539	103106	2
130	NAS1201C6B10B	...	CHAIN ASSY	103106	1
135	114N2208-5	...	DOUBLER	103106	1
140	114N2208-14	...	DOOR	103106	1
145	114N2110-20	.	PANEL ASSY ATTACHING PARTS	103106	1
150	BACB30NN3K5	.	BOLT	103106	95
155	BACB30NN4K5	.	BOLT	103106	1
160	BACB30LR4-5	.	BOLT	103106	2
165	BACS12ER04K6	..	SCREW	103106	1
170	NAS1149DN432J	..	WASHER-	103106	1

MISSING ITEM NUMBERS NOT APPLICABLE

- ITEM NOT ILLUSTRATED

BRI

57-41-01-01C

BOEING PROPRIETARY - Copyright © - Unpublished Work - See title page for details.

57-41-01
FIG. 01C
PAGE 3
JAN 20/09



757

PARTS CATALOG (MAINTENANCE)

FIG ITEM	PART NUMBER	1 2 3 4 5 6 7	NOMENCLATURE	EFFECT FROM TO	UNITS PER ASSY
1C 175	BRH10C04D	..	NUT SUPPLIER CODE: V52828 SPECIFICATION NUMBER: BACN10JCO4CD OPTIONAL PART: H51650-04BAC V15653 102LH9075-40W V72962 NS202486-40 V80539 T6C440JCD V11815 T6C440JCD V11815	103106	1
180	BACR15BA5AD	..	RIVET- SIZE DETERMINED ON INSTL.	103106	10
185	114N2208-13	..	DOOR ASSY	103106	1
190	BACB30LH3-3	...	BOLT	103106	2
195	BACS12ER04K6	...	SCREW	103106	1
200	AN960KD4	...	WASHER	103106	1
205	BRH10C04D	...	NUT SUPPLIER CODE: V52828 SPECIFICATION NUMBER: BACN10JCO4CD OPTIONAL PART: H51650-04BAC V15653 102LH9075-40W V72962 NS202486-40 V80539 T6C440JCD V11815 T6C440JCD V11815	103106	1
210	BACR15BA3AD	...	RIVET- SIZE DETERMINED ON INSTL.	103106	4
215	F51753-3CD	...	NUTPLATE SUPPLIER CODE: V15653 SPECIFICATION NUMBER: BACN10KE3DCD OPTIONAL PART: NS202495-02 V80539	103106	2
220	NAS1201C6B10B	...	CHAIN ASSY	103106	1

MISSING ITEM NUMBERS NOT APPLICABLE

- ITEM NOT ILLUSTRATED

BRI

57-41-01-01C

BOEING PROPRIETARY - Copyright © - Unpublished Work - See title page for details.

57-41-01
FIG. 01C
PAGE 4
JAN 20/09



757

PARTS CATALOG (MAINTENANCE)

FIG ITEM	PART NUMBER	1 2 3 4 5 6 7	NOMENCLATURE	EFFECT FROM TO	UNITS PER ASSY
1C					
225	114N2208-5	...	DOUBLER	103106	1
230	114N2208-14	...	DOOR	103106	1
235	BACB30NN3K5	..	BOLT	103106	6
240	BACB30NN3K3	..	BOLT	103106	1
245	NAS1149D0316J	..	WASHER-	103106	1
250	BRH10C3D	..	NUT	103106	1
			SUPPLIER CODE: V52828		
			SPECIFICATION NUMBER: BACN10JC3CD		
			OPTIONAL PART: T6C1032JCD		
			V11815		
			NS202486-02		
			V80539		
			102LH9075-3W		
			V72962		
			H51650-3BAC		
			V15653		
255	BACR15BA3AD	..	RIVET-	103106	12
			SIZE DETERMINED ON INSTL.		
260	BRFR220C3-2D	..	NUTPLATE	103106	6
			SUPPLIER CODE: V52828		
			SPECIFICATION NUMBER: BACN10KE3B2CD		
			OPTIONAL PART: F51747-3-2CD		
			V15653		
			102A9213-2-3		
			V72962		
			NS202493-02-2		
			V80539		
265	114N2069-5	..	COVER ASSY-ACCESS	103106	1
265	114N2069-1	..	COVER ASSY-ACCESS	103106	1
270	BACR15BA6D	...	RIVET-	103106	1
			SIZE DETERMINED ON INSTL.		
275	NAS1201C10B14B	...	CHAIN ASSY-BEAD	103106	1
280	114N2069-6	...	COVER-	103106	1
			USED ON: 114N2069-5		
280	114N2069-2	...	COVER-	103106	1
			USED ON: 114N2069-1		
285	114N2109-30	.	PANEL ASSY	103106	1
			ATTACHING PARTS		
290	BACB30NN3K6	.	BOLT	103106	104
295	BACB30NN4K8	.	BOLT	103106	2
300	BACB30NN4K9	.	BOLT	103106	4

MISSING ITEM NUMBERS NOT APPLICABLE

- ITEM NOT ILLUSTRATED

57-41-01-01C

57-41-01
FIG. 01C
PAGE 5
JAN 20/09

BRI

BOEING PROPRIETARY - Copyright © - Unpublished Work - See title page for details.



757

PARTS CATALOG (MAINTENANCE)

FIG ITEM	PART NUMBER	1 2 3 4 5 6 7	NOMENCLATURE	EFFECT FROM TO	UNITS PER ASSY
1C					
305	BACB30NN4K5	.BOLT		103106	1
310	BACB30LR4-5	.BOLT		103106	2
315	BACB30LR4-9	.BOLT		103106	1
		-----*-----			
320	BACB30NN3K5	..BOLT		103106	6
325	BACB30NN3K3	..BOLT		103106	1
330	NAS1149D0316J	..WASHER-		103106	1
335	BRH10C3D	..NUT		103106	1
		SUPPLIER CODE:			
		V52828			
		SPECIFICATION NUMBER:			
		BACN10JC3CD			
		OPTIONAL PART:			
		T6C1032JCD			
		V11815			
		NS202486-02			
		V80539			
		102LH9075-3W			
		V72962			
		H51650-3BAC			
		V15653			
340	BACR15BA6ADC	..RIVET-		103106	12
		SIZE DETERMINED ON INSTL.			
345	BRFR220C3-2D	..NUTPLATE		103106	6
		SUPPLIER CODE:			
		V52828			
		SPECIFICATION NUMBER:			
		BACN10KE3B2CD			
		OPTIONAL PART:			
		F51747-3-2CD			
		V15653			
		102A9213-2-3			
		V72962			
		NS202493-02-2			
		V80539			
350	114N2069-5	..COVER ASSY-ACCESS		103106	1
350	114N2069-1	..COVER ASSY-ACCESS		103106	1
355	BACR15BA6D	...RIVET-		103106	1
		SIZE DETERMINED ON INSTL.			
360	NAS1201C10B14B	...CHAIN ASSY-BEAD		103106	1
365	114N2069-6	...COVER-		103106	1
		USED ON:			
		114N2069-5			
365	114N2069-2	...COVER-		103106	1
		USED ON:			
		114N2069-1			
370	BACS12ER04K6	..SCREW		103106	1
375	NAS1149DN432J	..WASHER-		103106	1

MISSING ITEM NUMBERS NOT APPLICABLE

- ITEM NOT ILLUSTRATED

57-41-01-01C

57-41-01
FIG. 01C
PAGE 6
JAN 20/09

BRI

BOEING PROPRIETARY - Copyright © - Unpublished Work - See title page for details.



757

PARTS CATALOG (MAINTENANCE)

FIG ITEM	PART NUMBER	1 2 3 4 5 6 7	NOMENCLATURE	EFFECT FROM TO	UNITS PER ASSY
1C 380	BRH10C04D	..	NUT SUPPLIER CODE: V52828 SPECIFICATION NUMBER: BACN10JCO4CD OPTIONAL PART: H51650-04BAC V15653 102LH9075-40W V72962 NS202486-40 V80539 T6C440JCD V11815 T6C440JCD V11815	103106	1
385	BACR15BA5AD	..	RIVET- SIZE DETERMINED ON INSTL.	103106	9
390	114N2208-16	..	DOOR ASSY	103106	1
395	BACB30LH3-3	...	BOLT	103106	2
400	BACR15BA3AD	...	RIVET- SIZE DETERMINED ON INSTL.	103106	4
405	F51753-3CD	...	NUTPLATE SUPPLIER CODE: V15653 SPECIFICATION NUMBER: BACN10KE3DCD OPTIONAL PART: NS202495-02 V80539	103106	2
410	NAS1201C6B10B	...	CHAIN ASSY	103106	1
415	114N2208-11	...	DOUBLER	103106	1
420	114N2208-18	...	DOOR	103106	1
425	114N2101-16	.	PANEL ASSY ATTACHING PARTS	103106	1
430	BACB30NN3K6	.	BOLT	103106	12
435	BACB30NN3K5	.	BOLT	103106	8
440	BACB30NN4K9	.	BOLT	103106	1
445	BACB30LR4-9	.	BOLT	103106	1
			-----*-----		

MISSING ITEM NUMBERS NOT APPLICABLE

- ITEM NOT ILLUSTRATED

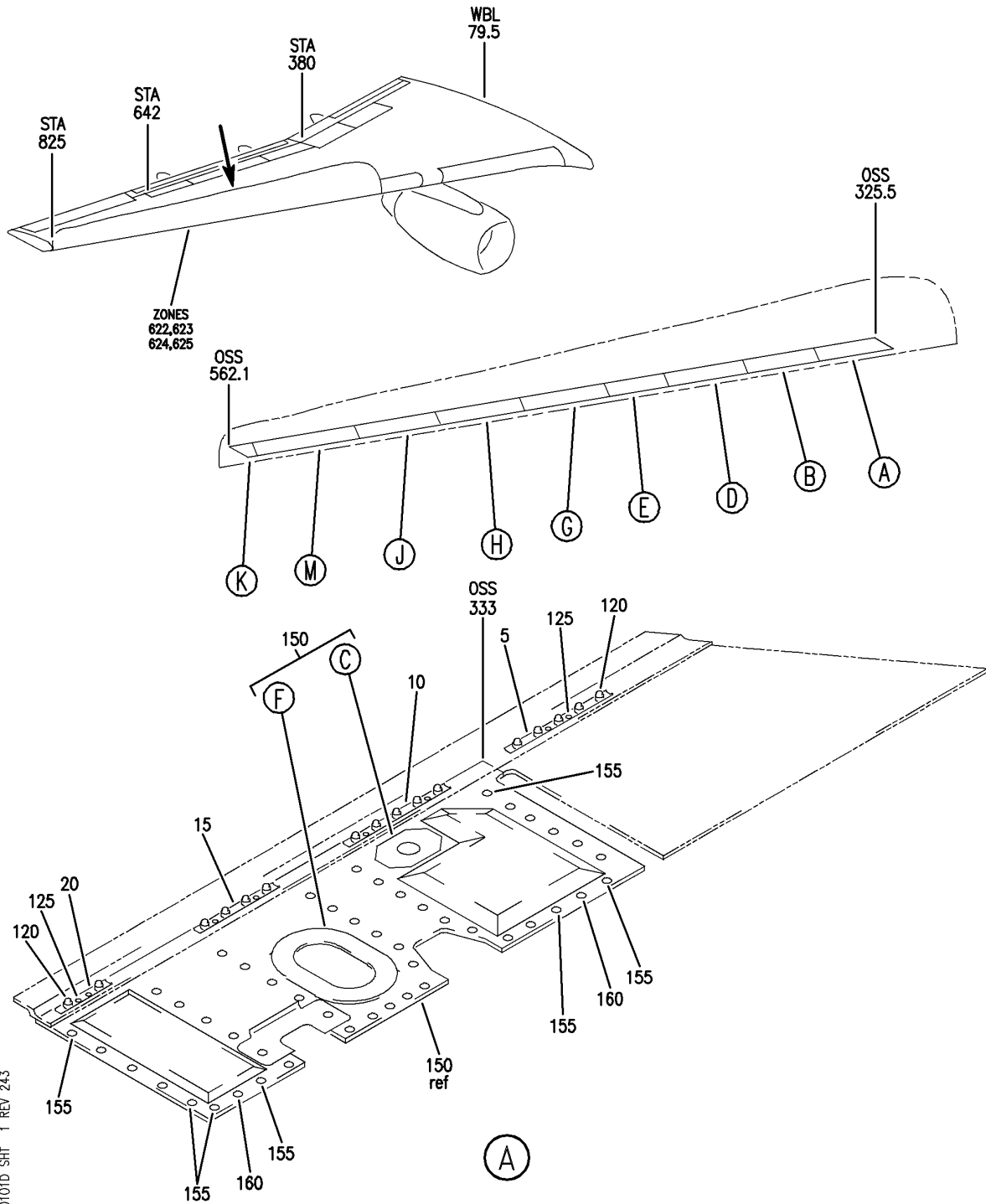
BRI

57-41-01-01C

BOEING PROPRIETARY - Copyright © - Unpublished Work - See title page for details.

57-41-01
FIG. 01C
PAGE 7
JAN 20/09


BOEING
 757
PARTS CATALOG (MAINTENANCE)



Y 57410101D SHT 1 REV 243

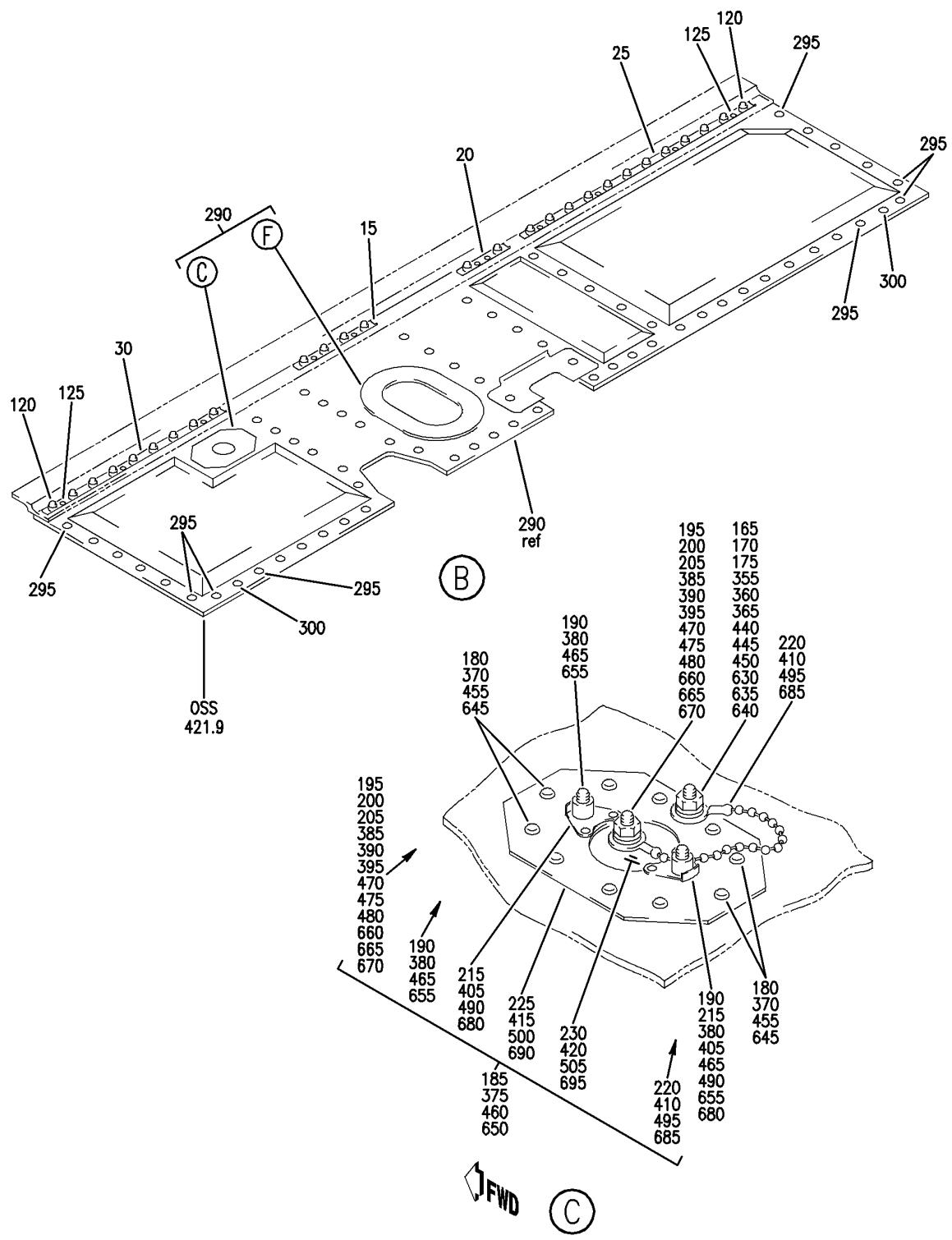
PANEL INSTL-OUTBD FXD LE LOWER RH SKIN
 FIGURE 1D (SHEET 1)

57-41-01-01D

BRI
 MAY 28/07

57-41-01-01D
 PAGE 0

BOEING
 757
 PARTS CATALOG (MAINTENANCE)



Y 57410101D SH1 2 REV 243

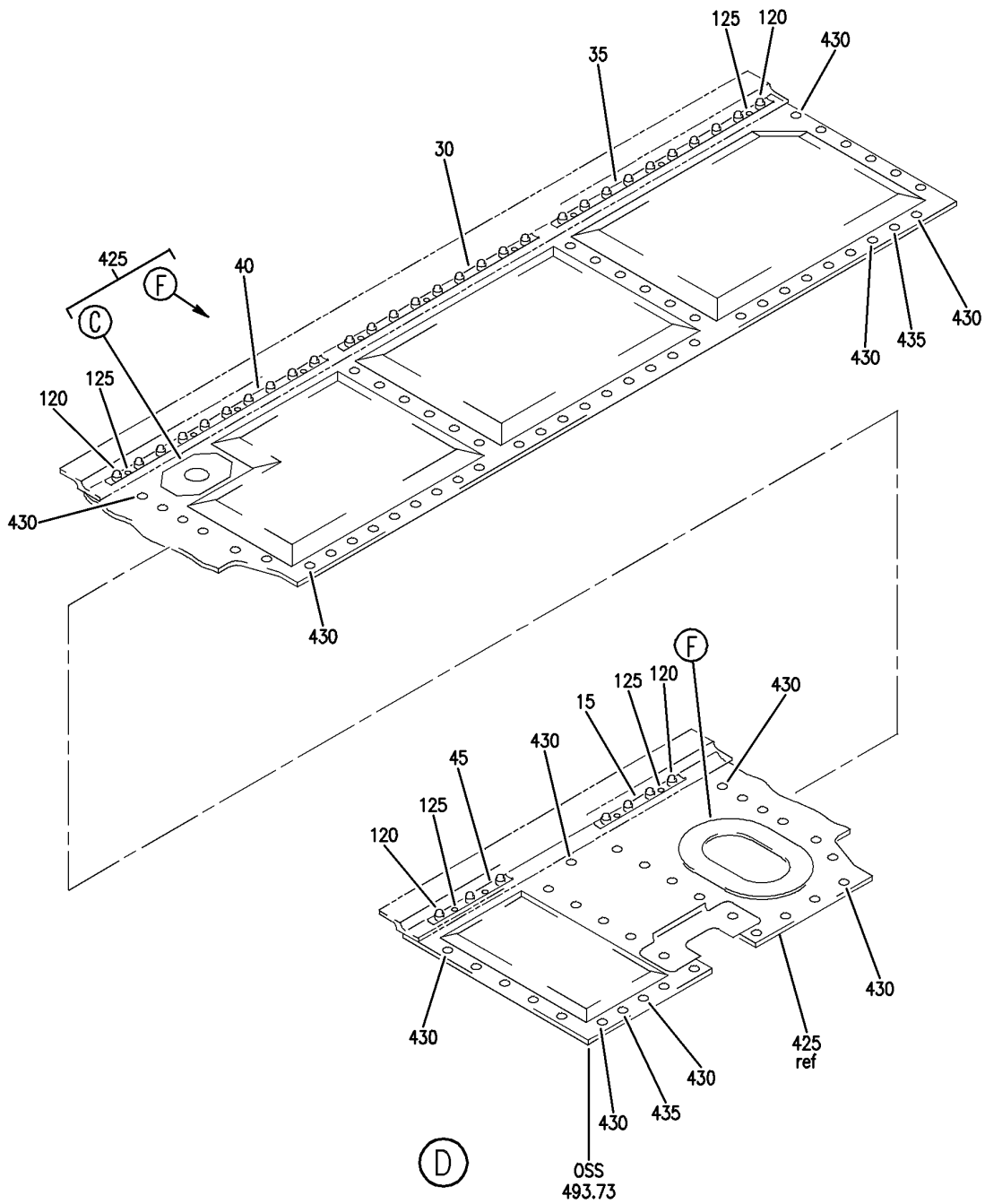
PANEL INSTL-OUTBD FXD LE LOWER RH SKIN
 FIGURE 1D (SHEET 2)

57-41-01-01D

BRI
 MAY 28/07

57-41-01-01D
 PAGE 0A

BOEING
757
PARTS CATALOG (MAINTENANCE)



Y 57410101D SHIT 3 REV 243

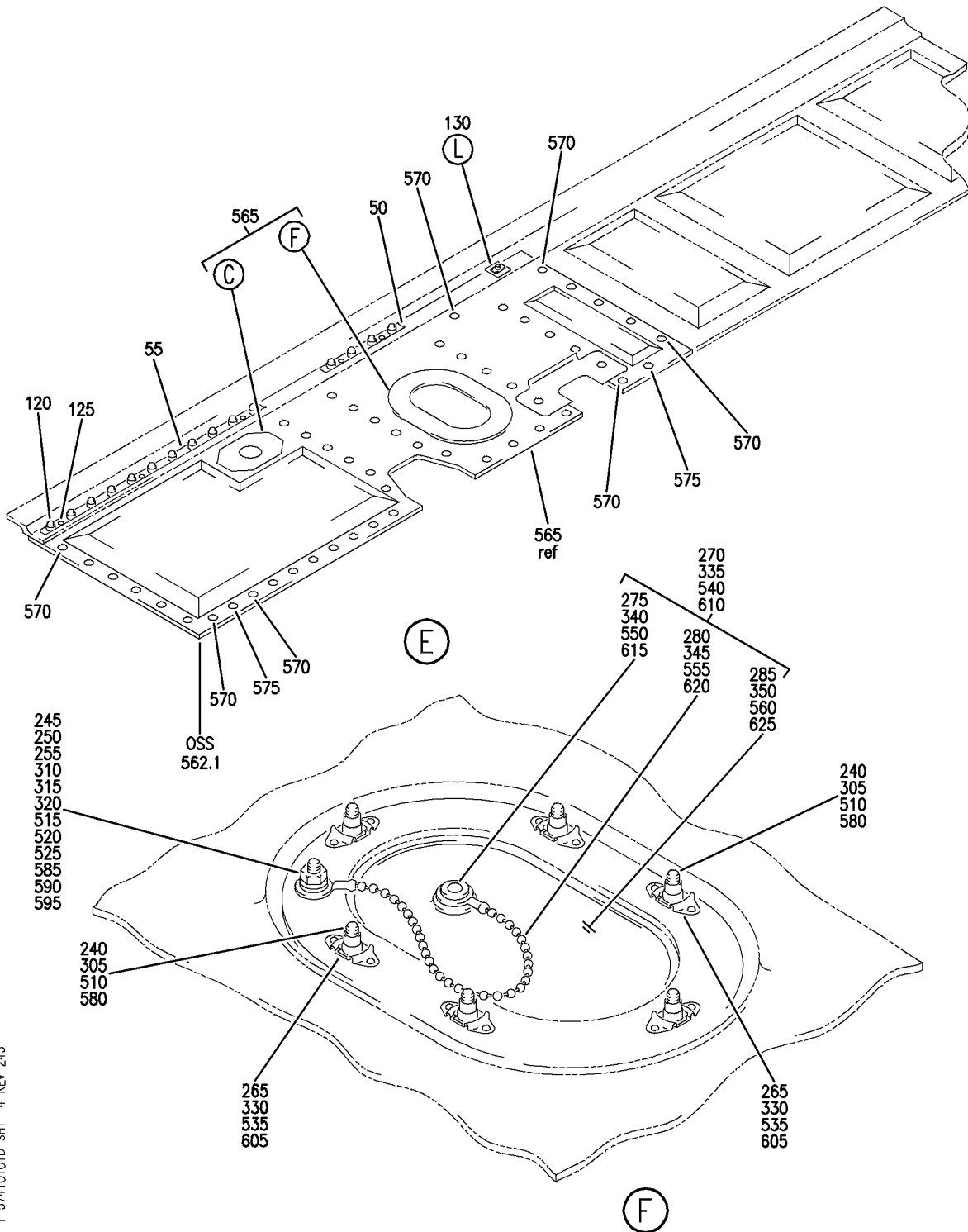
PANEL INSTL-OUTBD FXD LE LOWER RH SKIN
FIGURE 1D (SHEET 3)

57-41-01-01D

BRI
MAY 28/07

57-41-01-01D
PAGE 0B

BOEING
757
PARTS CATALOG (MAINTENANCE)



Y 57410101D SHIT 4 REV 243

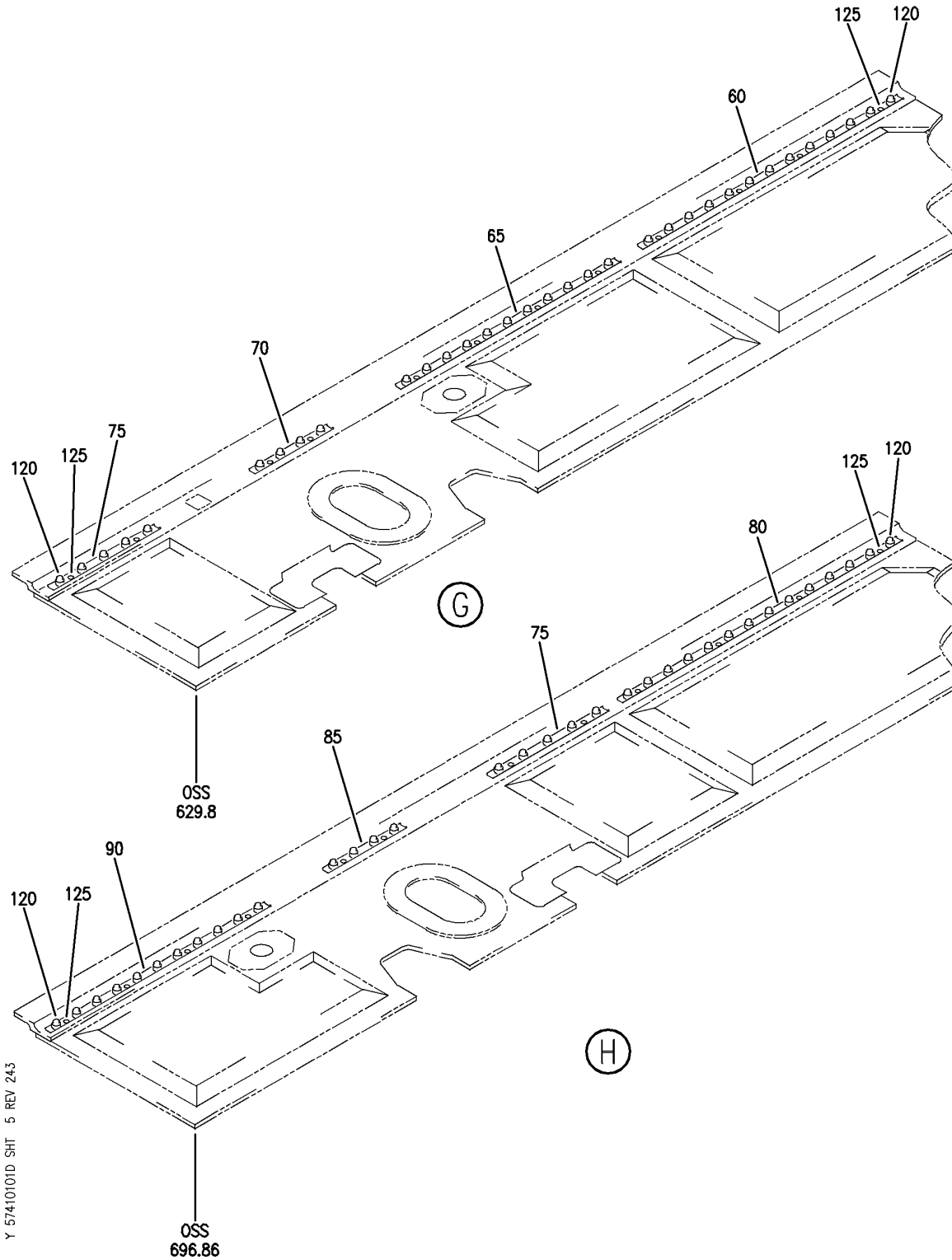
PANEL INSTL-OUTBD FXD LE LOWER RH SKIN
FIGURE 1D (SHEET 4)

57-41-01-01D

BRI
MAY 28/07

57-41-01-01D
PAGE 0C

BOEING
757
PARTS CATALOG (MAINTENANCE)



Y 57410101D SHT 5 REV 243

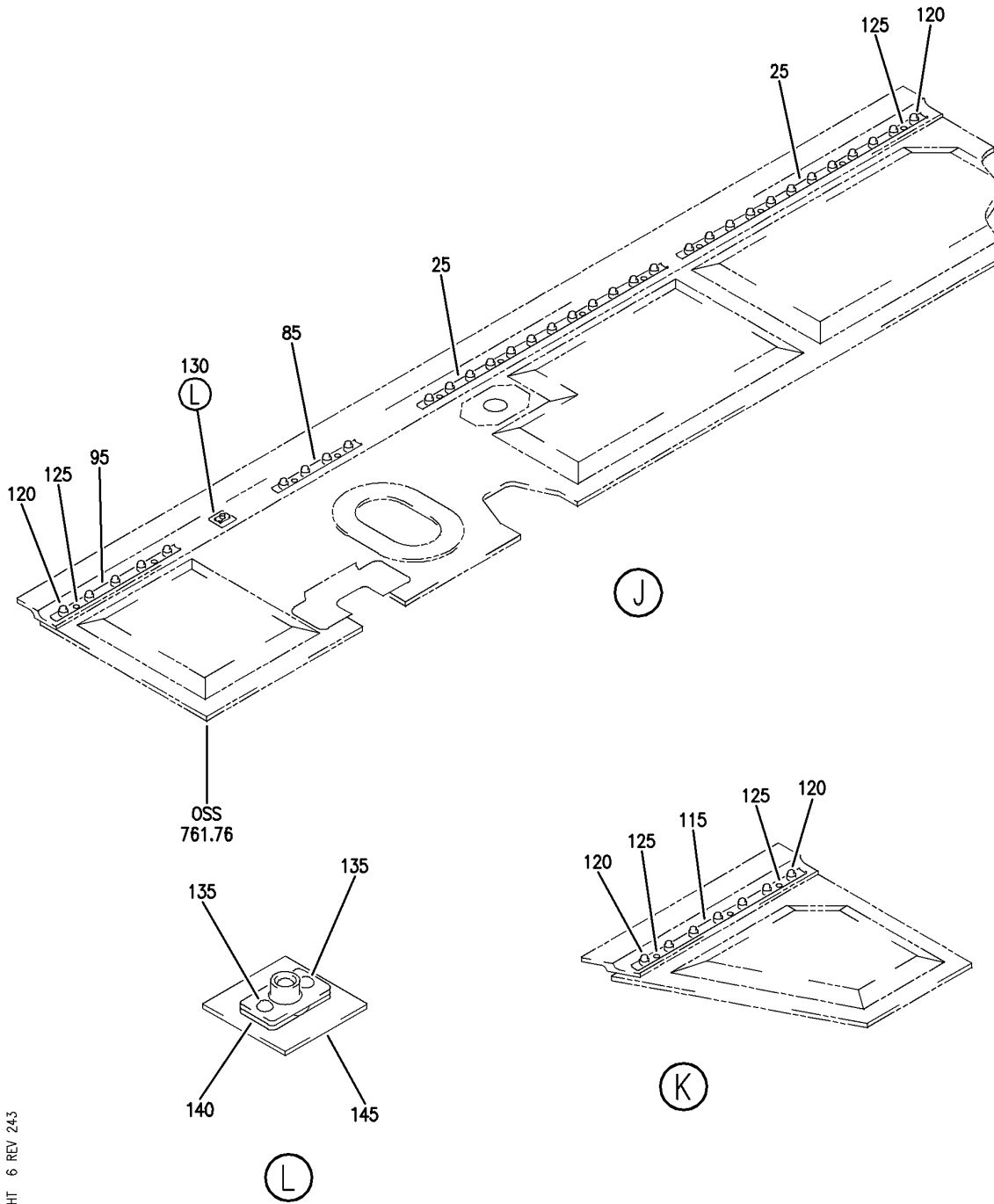
PANEL INSTL-OUTBD FXD LE LOWER RH SKIN
FIGURE 1D (SHEET 5)

57-41-01-01D

BRI
MAY 28/07

57-41-01-01D
PAGE 0D

BOEING
757
PARTS CATALOG (MAINTENANCE)



Y 57410101D SHT 6 REV 243

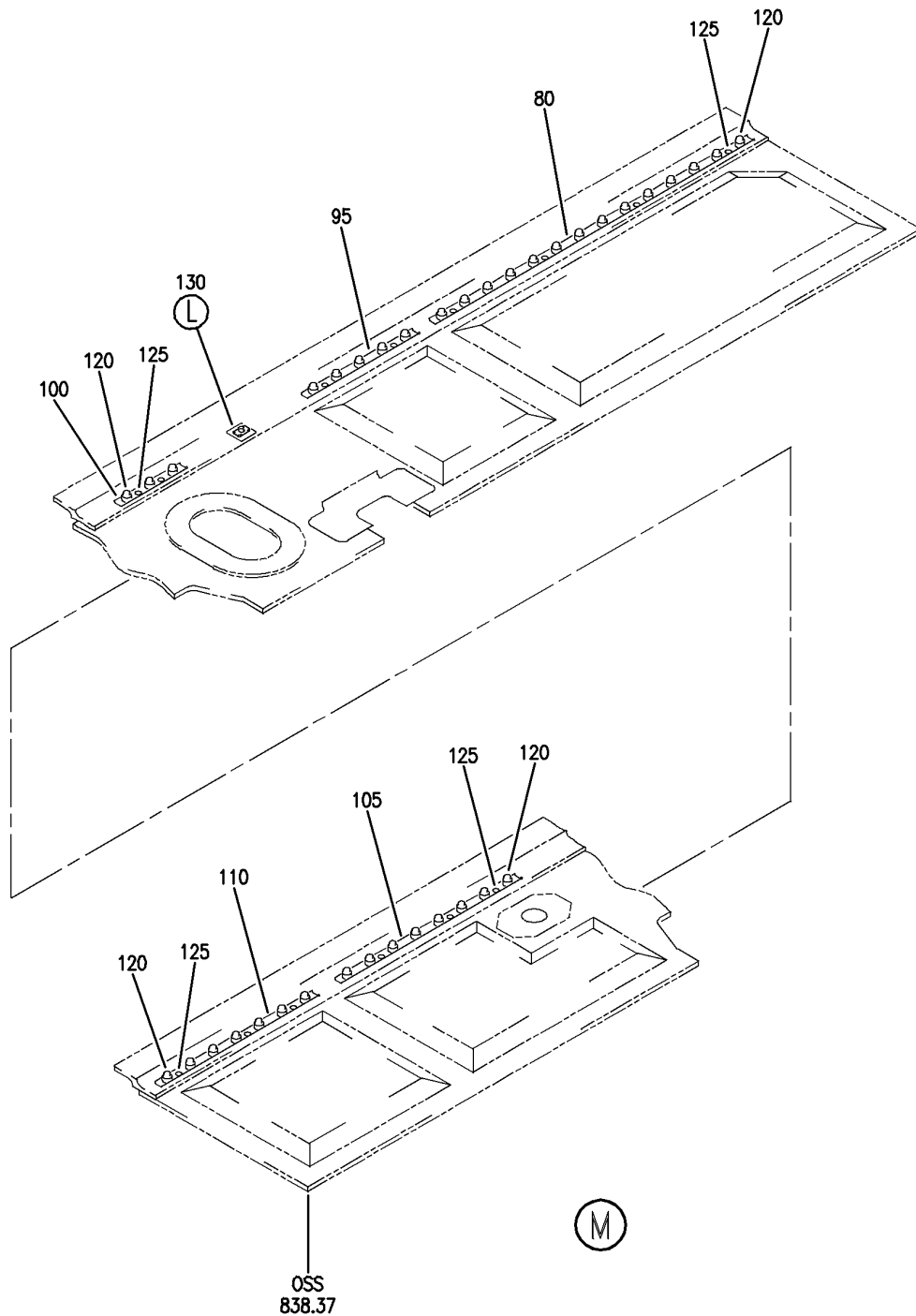
PANEL INSTL-OUTBD FXD LE LOWER RH SKIN
FIGURE 1D (SHEET 6)

57-41-01-01D

BRI
MAY 28/07

57-41-01-01D
PAGE 0E

BOEING
757
PARTS CATALOG (MAINTENANCE)



Y 57410101D SHT 7 REV 243

PANEL INSTL-OUTBD FXD LE LOWER RH SKIN
FIGURE 1D (SHEET 7)

57-41-01-01D

BRI
MAY 28/07

57-41-01-01D
PAGE OF



757

PARTS CATALOG (MAINTENANCE)

FIG ITEM	PART NUMBER	1 2 3 4 5 6 7	NOMENCLATURE	EFFECT FROM TO	UNITS PER ASSY
1D			PANEL INSTL-OUTBD FXD LE LOWER RH SKIN	101102 108120 504903	
- 1	114N2036-406		PANEL INSTL-FXD LE SKIN POSITION DATA: OUTBD LWR RH FOR NHA/ADDITIONAL DET SEE: 57-00-00-10	101102 108120 504903	RF
5	114N2036-26		.CHANNEL-GANG	101102 108120 504903	1
10	114N2036-25		.CHANNEL-GANG	101102 108120 504903	1
15	114N2036-20		.CHANNEL-GANG	101102 108120 504903	3
20	114N2036-24		.CHANNEL-GANG	101102 108120 504903	2
25	114N2036-10		.CHANNEL-GANG	101102 108120 504903	3
30	114N2036-22		.CHANNEL-GANG	101102 108120 504903	2
35	114N2036-23		.CHANNEL-GANG	101102 108120 504903	1
40	114N2036-21		.CHANNEL-GANG	101102 108120 504903	1
45	114N2036-27		.CHANNEL-GANG	101102 108120 504903	1
50	114N2036-16		.CHANNEL-GANG	101102 108120 504903	1
55	114N2036-15		.CHANNEL-GANG	101102 108120 504903	1
60	114N2036-14		.CHANNEL-GANG	101102 108120 504903	1
65	114N2036-13		.CHANNEL-GANG	101102 108120 504903	1

MISSING ITEM NUMBERS NOT APPLICABLE

- ITEM NOT ILLUSTRATED

BRI

57-41-01-01D

BOEING PROPRIETARY - Copyright © - Unpublished Work - See title page for details.

57-41-01
FIG. 01D
PAGE 1
JAN 20/09

 **BOEING**
757
PARTS CATALOG (MAINTENANCE)

FIG ITEM	PART NUMBER	1 2 3 4 5 6 7	NOMENCLATURE	EFFECT FROM TO	UNITS PER ASSY
1D					
70	114N2036-12	.	CHANNEL-GANG	101102 108120 504903	1
75	114N2036-7	.	CHANNEL-GANG	101102 108120 504903	2
80	114N2036-8	.	CHANNEL-GANG	101102 108120 504903	2
85	114N2036-9	.	CHANNEL-GANG	101102 108120 504903	2
90	114N2036-11	.	CHANNEL-GANG	101102 108120 504903	1
95	114N2036-28	.	CHANNEL-GANG	101102 108120 504903	2
100	114N2036-6	.	CHANNEL-GANG	101102 108120 504903	1
105	114N2036-5	.	CHANNEL-GANG	101102 108120 504903	1
110	114N2036-4	.	CHANNEL-GANG	101102 108120 504903	1
115	114N2036-3	.	CHANNEL-GANG	101102 108120 504903	1
120	BACB30NN3K5		ATTACHING PARTS .BOLT	101102 108120 504903	238
125	BACR15BA6AD	.	RIVET- SIZE DETERMINED ON INSTL.	101102 108120 504903	91
130	114N2036-37	-----*-----	.FILLER ASSY	101102 108120 504903	3
135	BACR15BA3AD	..	RIVET- SIZE DETERMINED ON INSTL.	101102 108120 504903	2

MISSING ITEM NUMBERS NOT APPLICABLE

— ITEM NOT ILLUSTRATED

BRI

57-41-01-01D

BOEING PROPRIETARY - Copyright © - Unpublished Work - See title page for details.

57-41-01
FIG. 01D
PAGE 2
JAN 20/09



757

PARTS CATALOG (MAINTENANCE)

FIG ITEM	PART NUMBER	1 2 3 4 5 6 7	NOMENCLATURE	EFFECT FROM TO	UNITS PER ASSY
1D 140	MF53050-3CD		..NUTPLATE SUPPLIER CODE: V15653 SPECIFICATION NUMBER: BACN10JN3CD OPTIONAL PART: BRFM20C3D V52828 102F9201M3 V72962 NS202487-02 V80539 MF51637-3 V15653	101102 108120 504903	1
145	BACF3F010L010AC		..FILLER	101102 108120 504903	1
150	114N2202-22		.PANEL ASSY-	101102 108120 504903	1
155	BACB30NN3K5		ATTACHING PARTS .BOLT	101102 108120 504903	45
160	BACB30LR4-5		.BOLT	101102 108120 504903	2
165	BACS12ER04K6		-----*----- ..SCREW	101102 108120 504903	1
170	AN960KD4		..WASHER	101102 108120 504903	1

MISSING ITEM NUMBERS NOT APPLICABLE

- ITEM NOT ILLUSTRATED

BRI

57-41-01-01D

BOEING PROPRIETARY - Copyright © - Unpublished Work - See title page for details.

57-41-01
FIG. 01D
PAGE 3
JAN 20/09



757

PARTS CATALOG (MAINTENANCE)

FIG ITEM	PART NUMBER	1 2 3 4 5 6 7	NOMENCLATURE	EFFECT FROM TO	UNITS PER ASSY
1D 175	BRH10C04D	..	NUT SUPPLIER CODE: V52828 SPECIFICATION NUMBER: BACN10JC04CD OPTIONAL PART: H51650-04BAC V15653 102LH9075-40W V72962 NS202486-40 V80539 T6C440JCD V11815 T6C440JCD V11815	101102 108120 504903	1
180	BACR15BA5AD	..	RIVET- SIZE DETERMINED ON INSTL.	101102 108120 504903	10
185	114N2208-13	..	DOOR ASSY-	101102 108120 504903	1
190	BACB30LH3-3	...	BOLT	101102 108120 504903	2
195	BACS12ER04K6	...	SCREW	101102 108120 504903	1
200	AN960KD4	...	WASHER	101102 108120 504903	1
205	BRH10C04D	...	NUT SUPPLIER CODE: V52828 SPECIFICATION NUMBER: BACN10JC04CD OPTIONAL PART: H51650-04BAC V15653 102LH9075-40W V72962 NS202486-40 V80539 T6C440JCD V11815 T6C440JCD V11815	101102 108120 504903	1

MISSING ITEM NUMBERS NOT APPLICABLE

- ITEM NOT ILLUSTRATED

BRI

57-41-01-01D

BOEING PROPRIETARY - Copyright © - Unpublished Work - See title page for details.

57-41-01
FIG. 01D
PAGE 4
JAN 20/09

 **BOEING**
757
PARTS CATALOG (MAINTENANCE)

FIG ITEM	PART NUMBER	1 2 3 4 5 6 7	NOMENCLATURE	EFFECT FROM TO	UNITS PER ASSY
1D 215	F51753-3CD	...	NUTPLATE SUPPLIER CODE: V15653 SPECIFICATION NUMBER: BACN10KE3DCD OPTIONAL PART: NS202495-02 V80539 ATTACHING PARTS	101102 108120 504903	2
- 217	BACR15BA3AD	...	RIVET- SIZE DETERMINED ON INSTL.	101102 108120 504903	4
			-----*-----		
220	NAS1201C6B10B	...	CHAIN ASSY	101102 108120 504903	1
225	114N2208-5	...	DOUBLER	101102 108120 504903	1
230	114N2208-14	...	DOOR- USED ON: 114N2208-13	101102 108120 504903	1
240	BACB30NN3K5	..	BOLT	101102 108120 504903	6
245	BACB30NN3K3	..	BOLT	101102 108120 504903	1
250	NAS1149D0316J	..	WASHER- USED ON: 114N2202-22	101102 108120 504903	1
255	BRH10C3D	..	NUT SUPPLIER CODE: V52828 SPECIFICATION NUMBER: BACN10JC3CD OPTIONAL PART: T6C1032JCD V11815 NS202486-02 V80539 102LH9075-3W V72962 H51650-3BAC V15653	101102 108120 504903	1

MISSING ITEM NUMBERS NOT APPLICABLE

- ITEM NOT ILLUSTRATED

BRI

57-41-01-01D

BOEING PROPRIETARY - Copyright © - Unpublished Work - See title page for details.

57-41-01
FIG. 01D
PAGE 5
JAN 20/09



757

PARTS CATALOG (MAINTENANCE)

FIG ITEM	PART NUMBER	1 2 3 4 5 6 7	NOMENCLATURE	EFFECT FROM TO	UNITS PER ASSY
1D 265	BRFR220C3-2D		..NUTPLATE SUPPLIER CODE: V52828 SPECIFICATION NUMBER: BACN10KE3B2CD OPTIONAL PART: F51747-3-2CD V15653 102A9213-2-3 V72962 NS202493-02-2 V80539 ATTACHING PARTS	101102 108120 504903	6
- 267	BACR15BA3AD		..RIVET- SIZE DETERMINED ON INSTL. -----*-----	101102 108120 504903	12
270	114N2069-1		..COVER ASSY-ACCESS	101102 108120 504903	1
270	114N2069-5		..COVER ASSY-ACCESS	101102 108120 504903	1
275	BACR15BA6D		...RIVET- SIZE DETERMINED ON INSTL.	101102 108120 504903	1
280	NAS1201C10B14B		...CHAIN ASSY-BEAD	101102 108120 504903	1
285	114N2069-2		...COVER- USED ON: 114N2069-1	101102 108120 504903	1
285	114N2069-6		...COVER- USED ON: 114N2069-5	101102 108120 504903	1
290	114N2201-20		.PANEL ASSY- ATTACHING PARTS	101102 108120 504903	1
295	BACB30NN3K5		.BOLT	101102 108120 504903	65
300	BACB30LR4-5		.BOLT	101102 108120 504903	2
305	BACB30NN3K5		..BOLT	101102 108120 504903	6

MISSING ITEM NUMBERS NOT APPLICABLE

- ITEM NOT ILLUSTRATED

57-41-01-01D

57-41-01
FIG. 01D
PAGE 6
JAN 20/09

BRI

BOEING PROPRIETARY - Copyright © - Unpublished Work - See title page for details.

BOEING
757
PARTS CATALOG (MAINTENANCE)

FIG ITEM	PART NUMBER	1 2 3 4 5 6 7	NOMENCLATURE	EFFECT FROM TO	UNITS PER ASSY
1D					
310	BACB30NN3K3	..	BOLT	101102 108120 504903	1
315	NAS1149D0316J	..	WASHER- USED ON: 114N2201-20	101102 108120 504903	1
320	BRH10C3D	..	NUT SUPPLIER CODE: V52828 SPECIFICATION NUMBER: BACN10JC3CD OPTIONAL PART: T6C1032JCD V11815 NS202486-02 V80539 102LH9075-3W V72962 H51650-3BAC V15653	101102 108120 504903	1
330	BRFR220C3-2D	..	NUTPLATE SUPPLIER CODE: V52828 SPECIFICATION NUMBER: BACN10KE3B2CD OPTIONAL PART: F51747-3-2CD V15653 102A9213-2-3 V72962 NS202493-02-2 V80539	101102 108120 504903	6
- 332	BACR15BA3AD	..	RIVET- SIZE DETERMINED ON INSTL. -----*-----	101102 108120 504903	12
335	114N2069-1	..	COVER ASSY-ACCESS	101102 108120 504903	1
335	114N2069-5	..	COVER ASSY-ACCESS	101102 108120 504903	1
340	BACR15BA6D	...	RIVET- SIZE DETERMINED ON INSTL.	101102 108120 504903	1
345	NAS1201C10B14B	...	CHAIN ASSY-BEAD	101102 108120 504903	1

MISSING ITEM NUMBERS NOT APPLICABLE

- ITEM NOT ILLUSTRATED

BRI

57-41-01-01D

BOEING PROPRIETARY - Copyright © - Unpublished Work - See title page for details.

57-41-01
FIG. 01D
PAGE 7
JAN 20/09



757

PARTS CATALOG (MAINTENANCE)

FIG ITEM	PART NUMBER	1 2 3 4 5 6 7	NOMENCLATURE	EFFECT FROM TO	UNITS PER ASSY
1D					
350	114N2069-2	...	COVER- USED ON: 114N2069-1	101102 108120 504903	1
350	114N2069-6	...	COVER- USED ON: 114N2069-5	101102 108120 504903	1
355	BACS12ER04K6	..	SCREW	101102 108120 504903	1
360	AN960KD4	..	WASHER	101102 108120 504903	1
365	BRH10C04D	..	NUT SUPPLIER CODE: V52828 SPECIFICATION NUMBER: BACN10JCO4CD OPTIONAL PART: H51650-04BAC V15653 102LH9075-40W V72962 NS202486-40 V80539 T6C440JCD V11815 T6C440JCD V11815	101102 108120 504903	1
370	BACR15BA5AD	..	RIVET- SIZE DETERMINED ON INSTL.	101102 108120 504903	10
375	114N2208-13	..	DOOR ASSY-	101102 108120 504903	1
380	BACB30LH3-3	...	BOLT	101102 108120 504903	2
385	BACS12ER04K6	...	SCREW	101102 108120 504903	1
390	AN960KD4	...	WASHER	101102 108120 504903	1

MISSING ITEM NUMBERS NOT APPLICABLE

- ITEM NOT ILLUSTRATED

BRI

57-41-01-01D

BOEING PROPRIETARY - Copyright © - Unpublished Work - See title page for details.

57-41-01
FIG. 01D
PAGE 8
JAN 20/09

 **BOEING**
757
PARTS CATALOG (MAINTENANCE)

FIG ITEM	PART NUMBER	1 2 3 4 5 6 7	NOMENCLATURE	EFFECT FROM TO	UNITS PER ASSY
1D 395	BRH10C04D	...	NUT SUPPLIER CODE: V52828 SPECIFICATION NUMBER: BACN10JC04CD OPTIONAL PART: H51650-04BAC V15653 102LH9075-40W V72962 NS202486-40 V80539 T6C440JCD V11815 T6C440JCD V11815	101102 108120 504903	1
405	F51753-3CD	...	NUTPLATE SUPPLIER CODE: V15653 SPECIFICATION NUMBER: BACN10KE3DCD OPTIONAL PART: NS202495-02 V80539 ATTACHING PARTS	101102 108120 504903	2
- 407	BACR15BA3AD	...	RIVET- SIZE DETERMINED ON INSTL. -----*-----	101102 108120 504903	4
410	NAS1201C6B10B	...	CHAIN ASSY	101102 108120 504903	1
415	114N2208-5	...	DOUBLER	101102 108120 504903	1
420	114N2208-14	...	DOOR- USED ON: 114N2208-13	101102 108120 504903	1
425	114N2119-11	.	PANEL ASSY- USED ON: 114N2036-402	101102 108120 504903	1
425	114N2119-14	.	PANEL ASSY- USED ON: 114N2036-406 114N2036-408 ATTACHING PARTS	101102 108120 504903	1
430	BACB30NN3K5	.	BOLT ATTACHING PARTS	101102 108120 504903	80

MISSING ITEM NUMBERS NOT APPLICABLE

- ITEM NOT ILLUSTRATED

BRI

57-41-01-01D

BOEING PROPRIETARY - Copyright © - Unpublished Work - See title page for details.

57-41-01
FIG. 01D
PAGE 9
JAN 20/09

BOEING
757
PARTS CATALOG (MAINTENANCE)

FIG ITEM	PART NUMBER	1 2 3 4 5 6 7	NOMENCLATURE	EFFECT FROM TO	UNITS PER ASSY
1D 435	BACB30LR4-5	.	BOLT	101102 108120 504903	2
440	BACS12ER04K6	-----*	.. SCREW	101102 108120 504903	1
445	AN960KD4	..	WASHER	101102 108120 504903	1
450	BRH10C04D	..	NUT SUPPLIER CODE: V52828 SPECIFICATION NUMBER: BACN10JCO4CD OPTIONAL PART: H51650-04BAC V15653 102LH9075-40W V72962 NS202486-40 V80539 T6C440JCD V11815 T6C440JCD V11815	101102 108120 504903	1
455	BACR15BA5AD	..	RIVET- SIZE DETERMINED ON INSTL.	101102 108120 504903	10
460	114N2208-1	..	DOOR ASSY- USED ON: 114N2119-11 USED ON: 114N2119-11	101102 108120 504903	1
460	114N2208-13	..	DOOR ASSY- USED ON: 114N2119-14 USED ON: 114N2119-14	101102 108120 504903	1
465	BACB30LH3-3	...	BOLT	101102 108120 504903	2
470	BACS12ER04K6	...	SCREW	101102 108120 504903	1
475	AN960KD4	...	WASHER	101102 108120 504903	1

MISSING ITEM NUMBERS NOT APPLICABLE

— ITEM NOT ILLUSTRATED

BRI

57-41-01-01D

BOEING PROPRIETARY - Copyright © - Unpublished Work - See title page for details.

57-41-01
FIG. 01D
PAGE 10
JAN 20/09



757

PARTS CATALOG (MAINTENANCE)

FIG ITEM	PART NUMBER	1 2 3 4 5 6 7	NOMENCLATURE	EFFECT FROM TO	UNITS PER ASSY
1 D 480	BRH10C04D	...	NUT SUPPLIER CODE: V52828 SPECIFICATION NUMBER: BACN10JC04CD OPTIONAL PART: H51650-04BAC V15653 102LH9075-40W V72962 NS202486-40 V80539 T6C440JCD V11815 T6C440JCD V11815	101102 108120 504903	1
490	F51753-3CD	...	NUTPLATE SUPPLIER CODE: V15653 SPECIFICATION NUMBER: BACN10KE3DCD OPTIONAL PART: NS202495-02 V80539 ATTACHING PARTS	101102 108120 504903	2
- 492	BACR15BA3AD	...	RIVET- SIZE DETERMINED ON INSTL. -----*-----	101102 108120 504903	4
495	NAS1201C6B10B	...	CHAIN ASSY	101102 108120 504903	1
500	114N2208-5	...	DOUBLER	101102 108120 504903	1
505	114N2208-14	...	DOOR- USED ON: 114N2208-13	101102 108120 504903	1
510	BACB30NN3K5	..	BOLT	101102 108120 504903	6
515	BACB30NN3K3	..	BOLT	101102 108120 504903	1
520	AN960PD10L	..	WASHER	101102 108120 504903	1

MISSING ITEM NUMBERS NOT APPLICABLE

- ITEM NOT ILLUSTRATED

BRI

57-41-01-01D

BOEING PROPRIETARY - Copyright © - Unpublished Work - See title page for details.

57-41-01
FIG. 01D
PAGE 11
JAN 20/09

BOEING
757
PARTS CATALOG (MAINTENANCE)

FIG ITEM	PART NUMBER	1 2 3 4 5 6 7	NOMENCLATURE	EFFECT FROM TO	UNITS PER ASSY
1D 525	BRH10C3D	..	NUT SUPPLIER CODE: V52828 SPECIFICATION NUMBER: BACN10JC3CD OPTIONAL PART: T6C1032JCD V11815 NS202486-02 V80539 102LH9075-3W V72962 H51650-3BAC V15653	101102 108120 504903	1
535	BRFR220C3-2D	..	NUTPLATE SUPPLIER CODE: V52828 SPECIFICATION NUMBER: BACN10KE3B2CD OPTIONAL PART: F51747-3-2CD V15653 102A9213-2-3 V72962 NS202493-02-2 V80539 ATTACHING PARTS	101102 108120 504903	6
- 537	BACR15BA3AD	..	RIVET- SIZE DETERMINED ON INSTL. -----*-----	101102 108120 504903	12
540	114N2069-1	..	COVER ASSY-ACCESS USED ON: 114N2119-11	101102 108120 504903	1
540	114N2069-5	..	COVER ASSY-ACCESS USED ON: 114N2119-14	101102 108120 504903	1
550	BACR15BA6D	...	RIVET- SIZE DETERMINED ON INSTL.	101102 108120 504903	1
555	NAS1201C10B14B	...	CHAIN ASSY-BEAD	101102 108120 504903	1
560	114N2069-2	...	COVER- USED ON: 114N2069-1	101102 108120 504903	1
560	114N2069-6	...	COVER- USED ON: 114N2069-5	101102 108120 504903	1

MISSING ITEM NUMBERS NOT APPLICABLE

- ITEM NOT ILLUSTRATED

BRI

57-41-01-01D

BOEING PROPRIETARY - Copyright © - Unpublished Work - See title page for details.

57-41-01
FIG. 01D
PAGE 12
JAN 20/09

BOEING
757
PARTS CATALOG (MAINTENANCE)

FIG ITEM	PART NUMBER	1 2 3 4 5 6 7	NOMENCLATURE	EFFECT FROM TO	UNITS PER ASSY
1D 565	114N2114-14		. PANEL ASSY-	101102 108120 504903	1
570	BACB30NN3K5		ATTACHING PARTS . BOLT	101102 108120 504903	48
575	BACB30LR4-5		. BOLT	101102 108120 504903	2
580	BACB30NN3K5		-----*----- .. BOLT	101102 108120 504903	6
585	BACB30NN3K3		.. BOLT	101102 108120 504903	1
590	AN960PD10L		.. WASHER	101102 108120 504903	1
595	BRH10C3D		.. NUT SUPPLIER CODE: V52828 SPECIFICATION NUMBER: BACN10JC3CD OPTIONAL PART: T6C1032JCD V11815 NS202486-02 V80539 102LH9075-3W V72962 H51650-3BAC V15653	101102 108120 504903	1
605	BRFR220C3-2D		.. NUTPLATE SUPPLIER CODE: V52828 SPECIFICATION NUMBER: BACN10KE3B2CD OPTIONAL PART: F51747-3-2CD V15653 102A9213-2-3 V72962 NS202493-02-2 V80539	101102 108120 504903	6

MISSING ITEM NUMBERS NOT APPLICABLE

— ITEM NOT ILLUSTRATED

BRI

57-41-01-01D

BOEING PROPRIETARY - Copyright © - Unpublished Work - See title page for details.

57-41-01
FIG. 01D
PAGE 13
JAN 20/09



757

PARTS CATALOG (MAINTENANCE)

FIG ITEM	PART NUMBER	1 2 3 4 5 6 7	NOMENCLATURE	EFFECT FROM TO	UNITS PER ASSY
1D			ATTACHING PARTS		
- 607	BACR15BA3AD	..	RIVET- SIZE DETERMINED ON INSTL.	101102 108120 504903	12
610	114N2069-5	..	-----*----- COVER ASSY-ACCESS	101102 108120 504903	1
615	BACR15BA6D	...	RIVET- SIZE DETERMINED ON INSTL.	101102 108120 504903	1
620	NAS1201C10B14B	...	CHAIN ASSY-BEAD	101102 108120 504903	1
625	114N2069-2	...	COVER- USED ON: 114N2069-1	101102 108120 504903	1
625	114N2069-6	...	COVER- USED ON: 114N2069-5	101102 108120 504903	1
630	BACS12ER04K6	..	SCREW	101102 108120 504903	1
635	AN960KD4	..	WASHER	101102 108120 504903	1
640	BRH10C04D	..	NUT SUPPLIER CODE: V52828 SPECIFICATION NUMBER: BACN10JCO4CD OPTIONAL PART: H51650-04BAC V15653 102LH9075-40W V72962 NS202486-40 V80539 T6C440JCD V11815 T6C440JCD V11815	101102 108120 504903	1
645	BACR15BA5AD	..	RIVET- SIZE DETERMINED ON INSTL.	101102 108120 504903	10
650	114N2208-13	..	DOOR ASSY-	101102 108120 504903	1

MISSING ITEM NUMBERS NOT APPLICABLE

- ITEM NOT ILLUSTRATED

BRI

57-41-01-01D

BOEING PROPRIETARY - Copyright © - Unpublished Work - See title page for details.

57-41-01
FIG. 01D
PAGE 14
JAN 20/09



757

PARTS CATALOG (MAINTENANCE)

FIG ITEM	PART NUMBER	1 2 3 4 5 6 7	NOMENCLATURE	EFFECT FROM TO	UNITS PER ASSY
1D 655	BACB30LH3-3	...	BOLT	101102 108120 504903	2
660	BACS12ER04K6	...	SCREW	101102 108120 504903	1
665	AN960KD4	...	WASHER	101102 108120 504903	1
670	BRH10C04D	...	NUT SUPPLIER CODE: V52828 SPECIFICATION NUMBER: BACN10JC04CD OPTIONAL PART: H51650-04BAC V15653 102LH9075-40W V72962 NS202486-40 V80539 T6C440JCD V11815 T6C440JCD V11815	101102 108120 504903	1
680	F51753-3CD	...	NUTPLATE SUPPLIER CODE: V15653 SPECIFICATION NUMBER: BACN10KE3DCD OPTIONAL PART: NS202495-02 V80539 ATTACHING PARTS	101102 108120 504903	2
- 682	BACR15BA3AD	...	RIVET- SIZE DETERMINED ON INSTL. -----*-----	101102 108120 504903	4
685	NAS1201C6B10B	...	CHAIN ASSY	101102 108120 504903	1
690	114N2208-5	...	DOUBLER	101102 108120 504903	1
695	114N2208-14	...	DOOR- USED ON: 114N2208-13	101102 108120 504903	1

MISSING ITEM NUMBERS NOT APPLICABLE

- ITEM NOT ILLUSTRATED

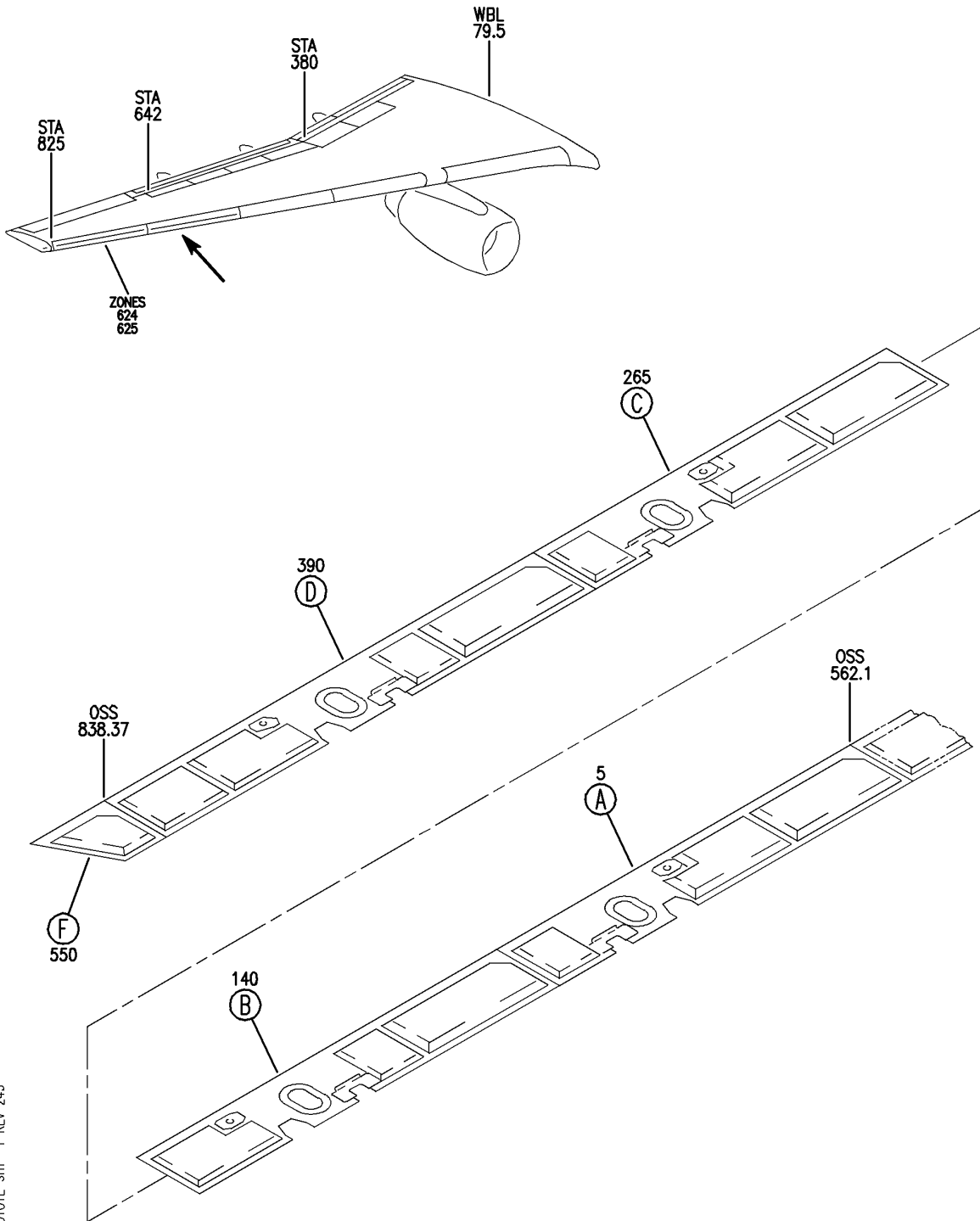
BRI

57-41-01-01D

BOEING PROPRIETARY - Copyright © - Unpublished Work - See title page for details.

57-41-01
FIG. 01D
PAGE 15
JAN 20/09

BOEING
757
PARTS CATALOG (MAINTENANCE)



Y 57410101E SHT 1 REV 243

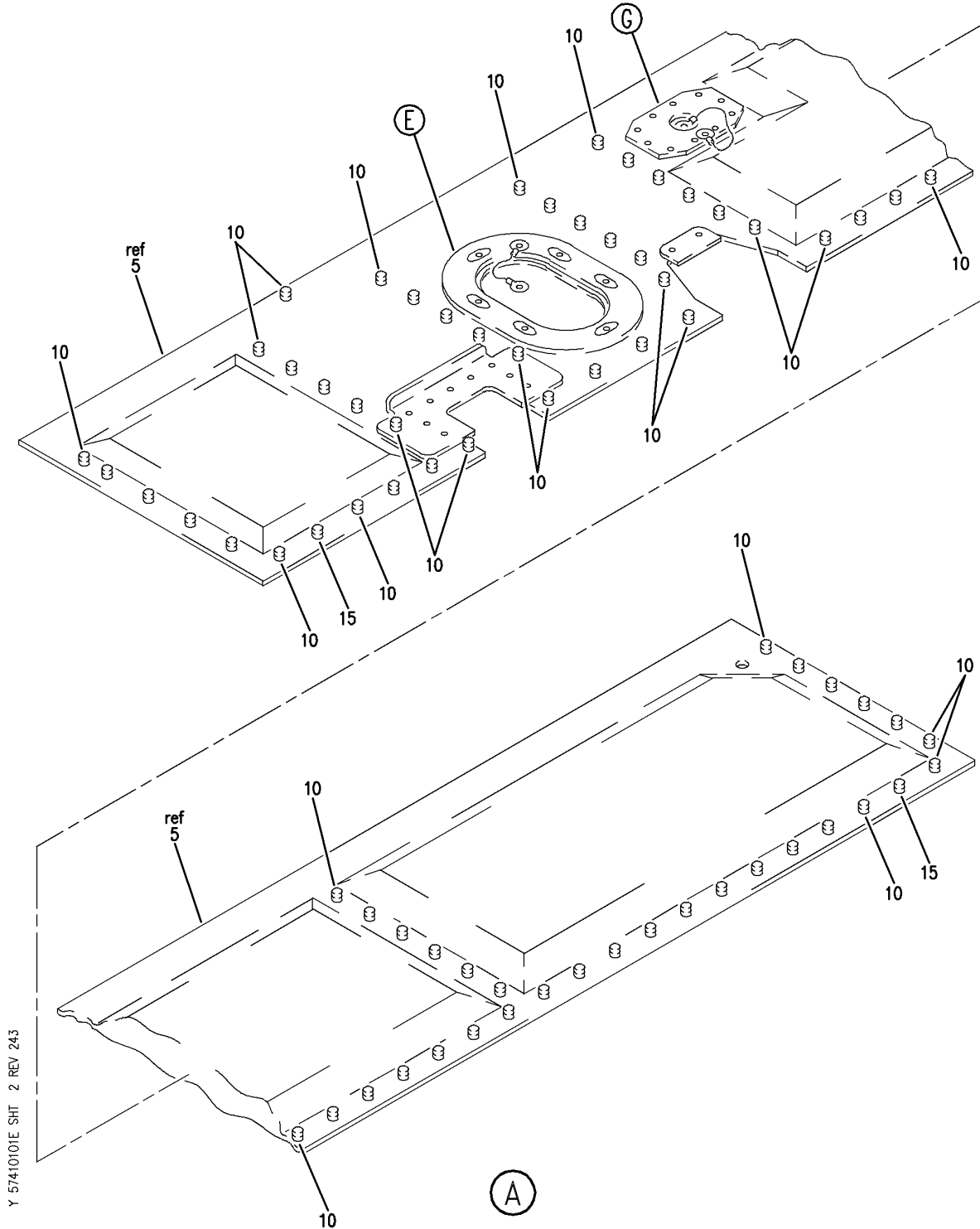
PANEL ASSY-OUTBD FXD LE LOWER RH SKIN
FIGURE 1E (SHEET 1)

BRI
MAY 28/07

57-41-01-01E

57-41-01-01E
PAGE 0

BOEING
757
PARTS CATALOG (MAINTENANCE)



Y 57410101E SHT 2 REV 243

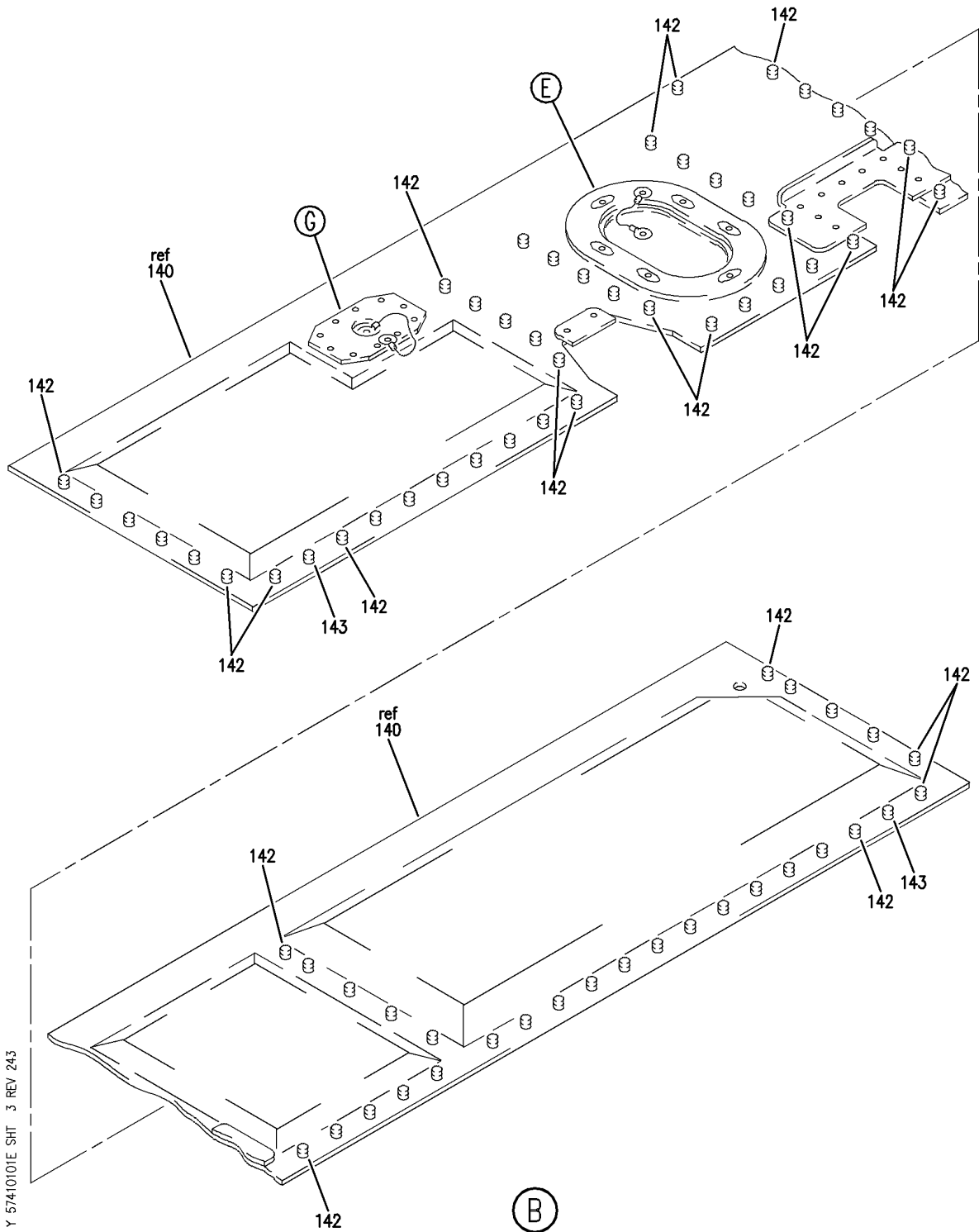
PANEL ASSY-OUTBD FXD LE LOWER RH SKIN
FIGURE 1E (SHEET 2)

BRI
MAY 28/07

57-41-01-01E

57-41-01-01E
PAGE 0A

BOEING
757
PARTS CATALOG (MAINTENANCE)



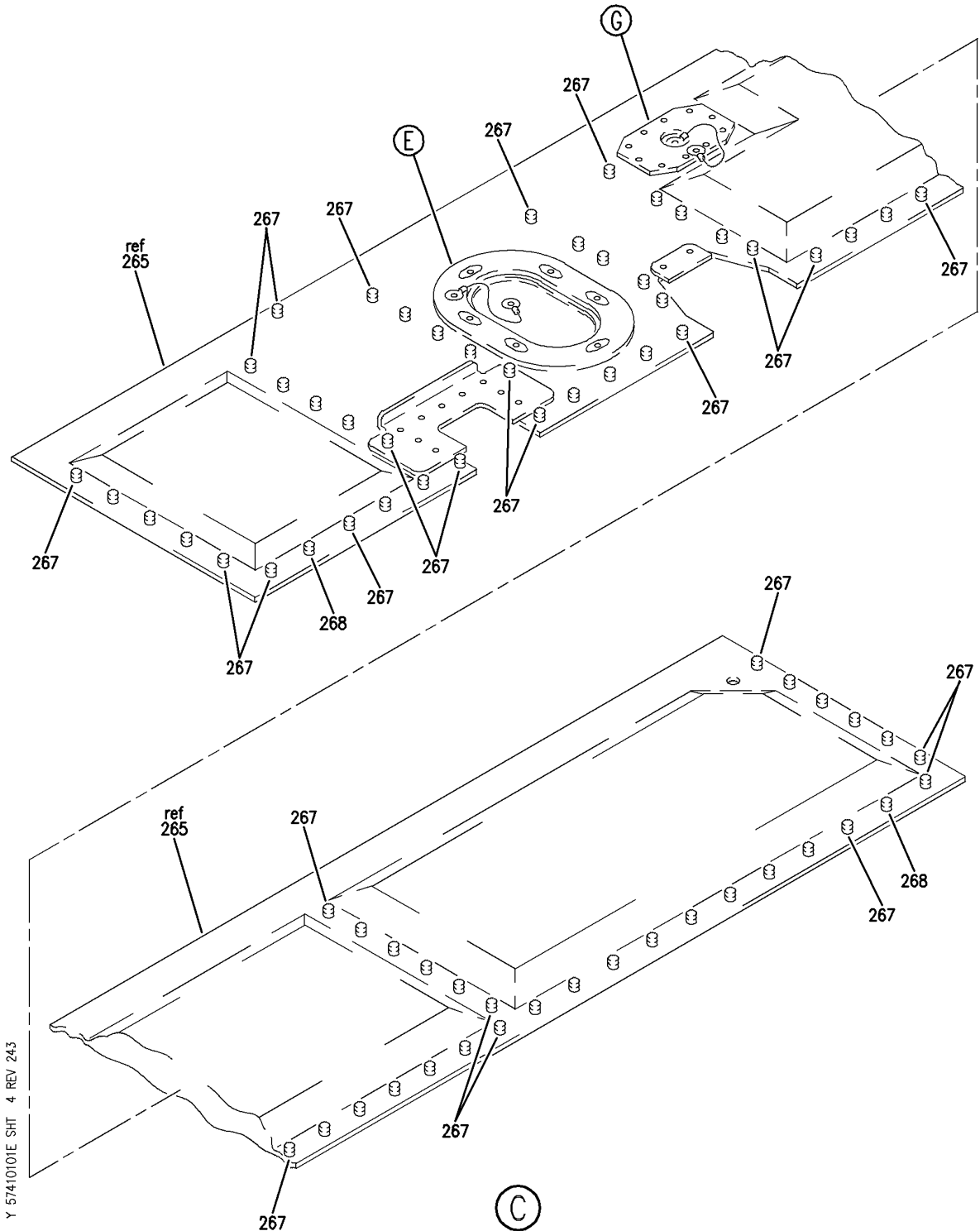
PANEL ASSY-OUTBD FXD LE LOWER RH SKIN
FIGURE 1E (SHEET 3)

57-41-01-01E

BRI
MAY 28/07

57-41-01-01E
PAGE 0B

BOEING
757
PARTS CATALOG (MAINTENANCE)



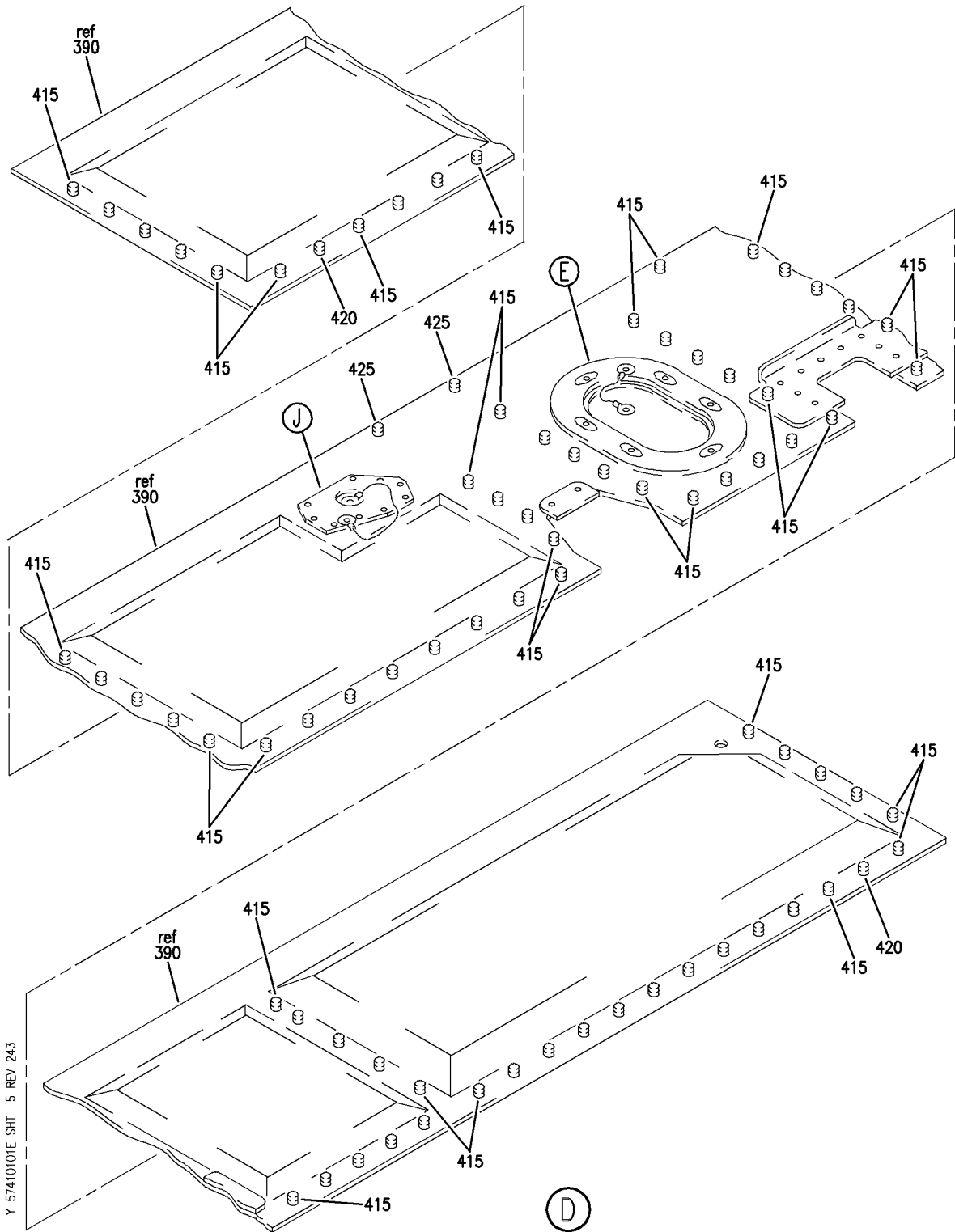
PANEL ASSY-OUTBD FXD LE LOWER RH SKIN
FIGURE 1E (SHEET 4)

57-41-01-01E

BRI
MAY 28/07

57-41-01-01E
PAGE 0C

BOEING
757
PARTS CATALOG (MAINTENANCE)



Y 57410101E SHT 5 REV 243

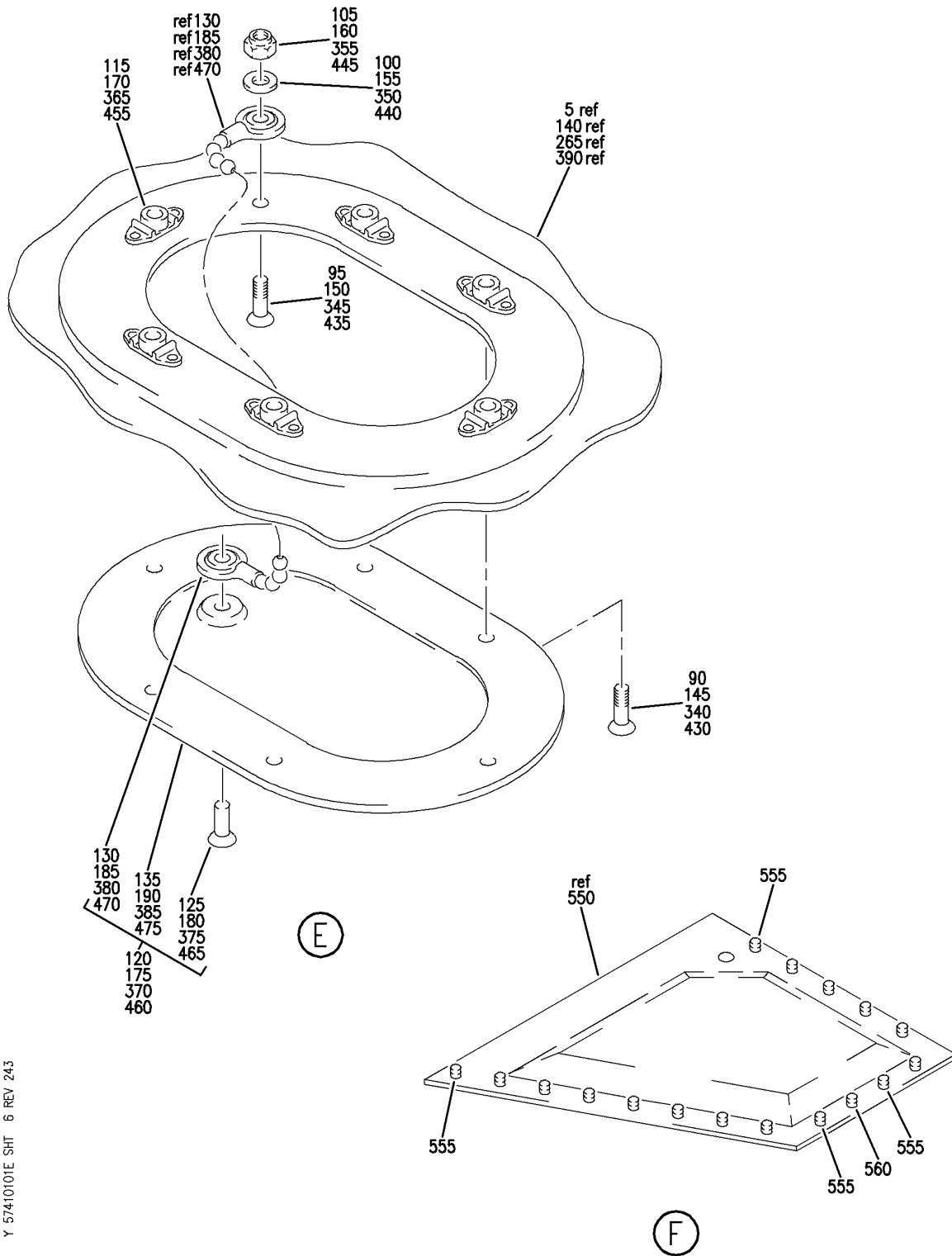
PANEL ASSY-OUTBD FXD LE LOWER RH SKIN
FIGURE 1E (SHEET 5)

57-41-01-01E

BRI
MAY 28/07

57-41-01-01E
PAGE 0D


BOEING
 757
PARTS CATALOG (MAINTENANCE)



Y 57410101E SH1 6 REV 243

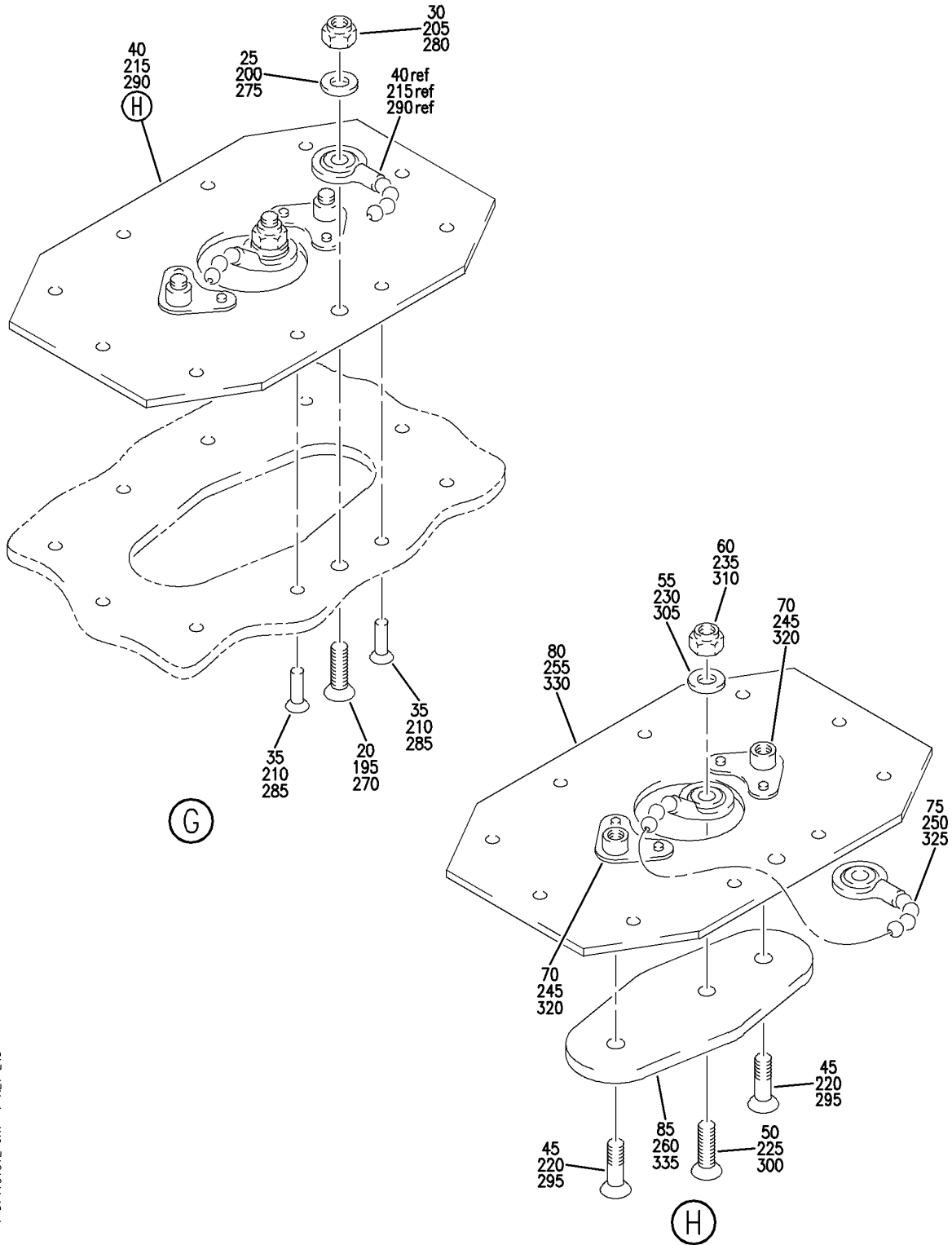
PANEL ASSY-OUTBD FXD LE LOWER RH SKIN
 FIGURE 1E (SHEET 6)

57-41-01-01E

BRI
MAY 28/07

57-41-01-01E
 PAGE 0E

BOEING
757
PARTS CATALOG (MAINTENANCE)



Y 57410101E SHT 7 REV 243

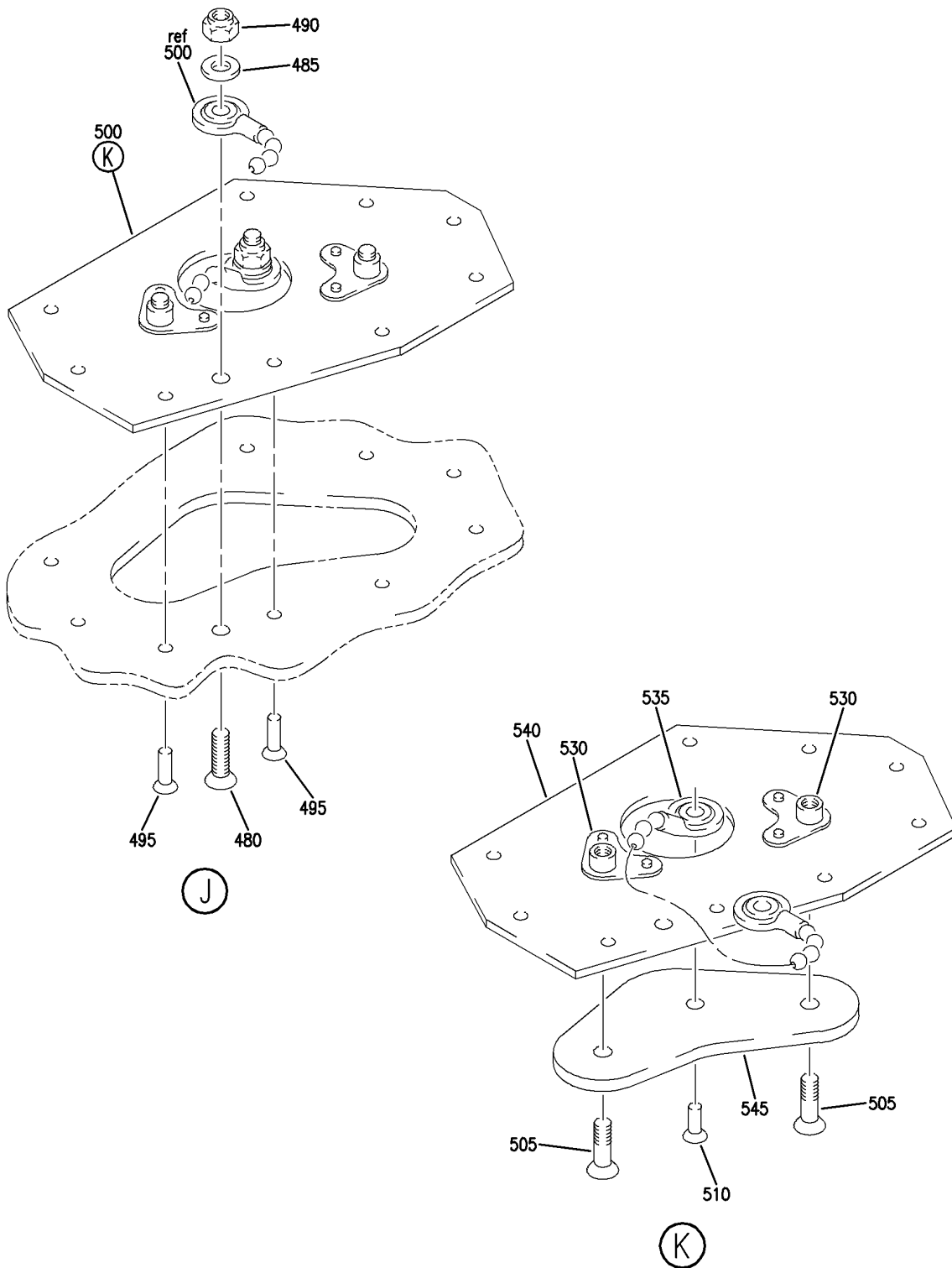
PANEL ASSY-OUTBD FXD LE LOWER RH SKIN
FIGURE 1E (SHEET 7)

57-41-01-01E

BRI
MAY 28/07

57-41-01-01E
PAGE OF

BOEING
757
PARTS CATALOG (MAINTENANCE)



Y 57410101E SHT 8 REV 243

PANEL ASSY-OUTBD FXD LE LOWER RH SKIN
FIGURE 1E (SHEET 8)

BRI
MAY 28/07

57-41-01-01E

57-41-01-01E
PAGE 0G



757

PARTS CATALOG (MAINTENANCE)

FIG ITEM	PART NUMBER	1 2 3 4 5 6 7	NOMENCLATURE	EFFECT FROM TO	UNITS PER ASSY
1E			PANEL ASSY-OUTBD FXD LE LOWER RH SKIN	101102 108120 504903	
- 1	114N2036-406		PANEL INSTL-FXD LE SKIN POSITION DATA: OUTBD LWR RH FOR NHA/ADDITIONAL DET SEE: 57-00-00-10	101102 108120 504903	RF
5	114N2112-20		.PANEL ASSY-	101102 108120 504903	1
10	BACB30NN3K5		ATTACHING PARTS .BOLT	101102 108120 504903	71
15	BACB30LR4-5		.BOLT	101102 108120 504903	2
20	BACS12ER04K6		-----*----- ..SCREW	101102 108120 504903	1
25	AN960KD4		..WASHER	101102 108120 504903	1
30	BRH10C04D		..NUT SUPPLIER CODE: V52828 SPECIFICATION NUMBER: BACN10JCO4CD OPTIONAL PART: H51650-04BAC V15653 102LH9075-40W V72962 NS202486-40 V80539 T6C440JCD V11815 T6C440JCD V11815	101102 108120 504903	1
35	BACR15BA5AD		..RIVET- SIZE DETERMINED ON INSTL.	101102 108120 504903	10
40	114N2208-13		..DOOR ASSY-	101102 108120 504903	1

MISSING ITEM NUMBERS NOT APPLICABLE

- ITEM NOT ILLUSTRATED

BRI

57-41-01-01E

BOEING PROPRIETARY - Copyright © - Unpublished Work - See title page for details.

57-41-01
FIG. 01E
PAGE 1
JAN 20/09



757

PARTS CATALOG (MAINTENANCE)

FIG ITEM	PART NUMBER	1 2 3 4 5 6 7	NOMENCLATURE	EFFECT FROM TO	UNITS PER ASSY
1E					
45	BACB30LH3-3	...	BOLT	101102 108120 504903	2
50	BACS12ER04K6	...	SCREW	101102 108120 504903	1
55	AN960KD4	...	WASHER	101102 108120 504903	1
60	BRH10C04D	...	NUT SUPPLIER CODE: V52828 SPECIFICATION NUMBER: BACN10JC04CD OPTIONAL PART: H51650-04BAC V15653 102LH9075-40W V72962 NS202486-40 V80539 T6C440JCD V11815 T6C440JCD V11815	101102 108120 504903	1
70	F51753-3CD	...	NUTPLATE SUPPLIER CODE: V15653 SPECIFICATION NUMBER: BACN10KE3DCD OPTIONAL PART: NS202495-02 V80539	101102 108120 504903	2
72	BACR15BA3AD	...	RIVET- SIZE DETERMINED ON INSTL.	101102 108120 504903	4
75	NAS1201C6B10B	...	CHAIN ASSY	101102 108120 504903	1
80	114N2208-5	...	DOUBLER	101102 108120 504903	1
85	114N2208-14	...	DOOR- USED ON: 114N2208-13	101102 108120 504903	1
90	BACB30NN3K5	..	BOLT	101102 108120 504903	6

MISSING ITEM NUMBERS NOT APPLICABLE

- ITEM NOT ILLUSTRATED

BRI

57-41-01-01E

BOEING PROPRIETARY - Copyright © - Unpublished Work - See title page for details.

57-41-01
FIG. 01E
PAGE 2
JAN 20/09



757

PARTS CATALOG (MAINTENANCE)

FIG ITEM	PART NUMBER	1 2 3 4 5 6 7	NOMENCLATURE	EFFECT FROM TO	UNITS PER ASSY
1E					
95	BACB30NN3K3	..	BOLT	101102 108120 504903	1
100	AN960PD10L	..	WASHER	101102 108120 504903	1
105	BRH10C3D	..	NUT SUPPLIER CODE: V52828 SPECIFICATION NUMBER: BACN10JC3CD OPTIONAL PART: T6C1032JCD V11815 NS202486-02 V80539 102LH9075-3W V72962 H51650-3BAC V15653	101102 108120 504903	1
115	BRFR220C3-2D	..	NUTPLATE SUPPLIER CODE: V52828 SPECIFICATION NUMBER: BACN10KE3B2CD OPTIONAL PART: F51747-3-2CD V15653 102A9213-2-3 V72962 NS202493-02-2 V80539	101102 108120 504903	6
117	BACR15BA3AD	..	RIVET- SIZE DETERMINED ON INSTL.	101102 108120 504903	12
120	114N2069-1	..	COVER ASSY-ACCESS	101102 108120 504903	1
120	114N2069-5	..	COVER ASSY-ACCESS	101102 108120 504903	1
125	BACR15BA6D	...	RIVET- SIZE DETERMINED ON INSTL.	101102 108120 504903	1
130	NAS1201C10B14B	...	CHAIN ASSY-BEAD	101102 108120 504903	1

MISSING ITEM NUMBERS NOT APPLICABLE

- ITEM NOT ILLUSTRATED

BRI

57-41-01-01E

BOEING PROPRIETARY - Copyright © - Unpublished Work - See title page for details.

57-41-01
FIG. 01E
PAGE 3
JAN 20/09



757

PARTS CATALOG (MAINTENANCE)

FIG ITEM	PART NUMBER	1 2 3 4 5 6 7	NOMENCLATURE	EFFECT FROM TO	UNITS PER ASSY
1E					
135	114N2069-2	...	COVER- USED ON: 114N2069-1	101102 108120 504903	1
135	114N2069-6	...	COVER- USED ON: 114N2069-5	101102 108120 504903	1
140	114N2111-20	.	PANEL ASSY-	101102 108120 504903	1
			ATTACHING PARTS		
142	BACB30NN3K5	.	BOLT	101102 108120 504903	70
143	BACB30LR4-5	.	BOLT	101102 108120 504903	2
			-----*-----		
145	BACB30NN3K5	..	BOLT	101102 108120 504903	6
150	BACB30NN3K3	..	BOLT	101102 108120 504903	1
155	AN960PD10L	..	WASHER	101102 108120 504903	1
160	BRH10C3D	..	NUT SUPPLIER CODE: V52828 SPECIFICATION NUMBER: BACN10JC3CD OPTIONAL PART: T6C1032JCD V11815 NS202486-02 V80539 102LH9075-3W V72962 H51650-3BAC V15653	101102 108120 504903	1

MISSING ITEM NUMBERS NOT APPLICABLE

- ITEM NOT ILLUSTRATED

BRI

57-41-01-01E

BOEING PROPRIETARY - Copyright © - Unpublished Work - See title page for details.

57-41-01
FIG. 01E
PAGE 4
JAN 20/09



757

PARTS CATALOG (MAINTENANCE)

FIG ITEM	PART NUMBER	1 2 3 4 5 6 7	NOMENCLATURE	EFFECT FROM TO	UNITS PER ASSY
1E 170	BRFR220C3-2D	..	NUTPLATE SUPPLIER CODE: V52828 SPECIFICATION NUMBER: BACN10KE3B2CD OPTIONAL PART: F51747-3-2CD V15653 102A9213-2-3 V72962 NS202493-02-2 V80539	101102 108120 504903	6
172	BACR15BA3AD	..	RIVET- SIZE DETERMINED ON INSTL.	101102 108120 504903	12
175	114N2069-1	..	COVER ASSY-ACCESS	101102 108120 504903	1
175	114N2069-5	..	COVER ASSY-ACCESS	101102 108120 504903	1
180	BACR15BA6D	...	RIVET- SIZE DETERMINED ON INSTL.	101102 108120 504903	1
185	NAS1201C10B14B	...	CHAIN ASSY-BEAD	101102 108120 504903	1
190	114N2069-2	...	COVER- USED ON: 114N2069-1	101102 108120 504903	1
190	114N2069-6	...	COVER- USED ON: 114N2069-5	101102 108120 504903	1
195	BACS12ER04K6	..	SCREW	101102 108120 504903	1
200	AN960KD4	...	WASHER	101102 108120 504903	1

MISSING ITEM NUMBERS NOT APPLICABLE

- ITEM NOT ILLUSTRATED

BRI

57-41-01-01E

BOEING PROPRIETARY - Copyright © - Unpublished Work - See title page for details.

57-41-01
FIG. 01E
PAGE 5
JAN 20/09



757

PARTS CATALOG (MAINTENANCE)

FIG ITEM	PART NUMBER	1 2 3 4 5 6 7	NOMENCLATURE	EFFECT FROM TO	UNITS PER ASSY
1E 205	BRH10C04D	..	NUT SUPPLIER CODE: V52828 SPECIFICATION NUMBER: BACN10JCO4CD OPTIONAL PART: H51650-04BAC V15653 102LH9075-40W V72962 NS202486-40 V80539 T6C440JCD V11815 T6C440JCD V11815	101102 108120 504903	1
210	BACR15BA5AD	..	RIVET- SIZE DETERMINED ON INSTL.	101102 108120 504903	10
215	114N2208-13	..	DOOR ASSY-	101102 108120 504903	1
220	BACB30LH3-3	...	BOLT	101102 108120 504903	2
225	BACS12ER04K6	...	SCREW	101102 108120 504903	1
230	AN960KD4	...	WASHER	101102 108120 504903	1
235	BRH10C04D	...	NUT SUPPLIER CODE: V52828 SPECIFICATION NUMBER: BACN10JCO4CD OPTIONAL PART: H51650-04BAC V15653 102LH9075-40W V72962 NS202486-40 V80539 T6C440JCD V11815 T6C440JCD V11815	101102 108120 504903	1

MISSING ITEM NUMBERS NOT APPLICABLE

- ITEM NOT ILLUSTRATED

BRI

57-41-01-01E

BOEING PROPRIETARY - Copyright © - Unpublished Work - See title page for details.

57-41-01
FIG. 01E
PAGE 6
JAN 20/09



757

PARTS CATALOG (MAINTENANCE)

FIG ITEM	PART NUMBER	1 2 3 4 5 6 7	NOMENCLATURE	EFFECT FROM TO	UNITS PER ASSY
1E 245	F51753-3CD	...	NUTPLATE SUPPLIER CODE: V15653 SPECIFICATION NUMBER: BACN10KE3DCD OPTIONAL PART: NS202495-02 V80539	101102 108120 504903	2
247	BACR15BA3AD	...	RIVET- SIZE DETERMINED ON INSTL.	101102 108120 504903	4
250	NAS1201C6B10B	...	CHAIN ASSY	101102 108120 504903	1
255	114N2208-5	...	DOUBLER	101102 108120 504903	1
260	114N2208-14	...	DOOR- USED ON: 114N2208-13	101102 108120 504903	1
265	114N2110-20	.	PANEL ASSY- ATTACHING PARTS	101102 108120 504903	1
267	BACB30NN3K5	.	BOLT	101102 108120 504903	69
268	BACB30LR4-5	.	BOLT	101102 108120 504903	2
270	BACS12ER04K6	..	SCREW	101102 108120 504903	1
275	NAS1149DN432J	..	WASHER-	101102 108120 504903	1

MISSING ITEM NUMBERS NOT APPLICABLE

- ITEM NOT ILLUSTRATED

BRI

57-41-01-01E

BOEING PROPRIETARY - Copyright © - Unpublished Work - See title page for details.

57-41-01
FIG. 01E
PAGE 7
JAN 20/09



757

PARTS CATALOG (MAINTENANCE)

FIG ITEM	PART NUMBER	1 2 3 4 5 6 7	NOMENCLATURE	EFFECT FROM TO	UNITS PER ASSY
1E 280	BRH10C04D	..	NUT SUPPLIER CODE: V52828 SPECIFICATION NUMBER: BACN10JCO4CD OPTIONAL PART: H51650-04BAC V15653 102LH9075-40W V72962 NS202486-40 V80539 T6C440JCD V11815 T6C440JCD V11815	101102 108120 504903	1
285	BACR15BA5AD	..	RIVET- SIZE DETERMINED ON INSTL.	101102 108120 504903	10
290	114N2208-13	..	DOOR ASSY-	101102 108120 504903	1
295	BACB30LH3-3	...	BOLT	101102 108120 504903	2
300	BACS12ER04K6	...	SCREW	101102 108120 504903	1
305	AN960KD4	...	WASHER	101102 108120 504903	1
310	BRH10C04D	...	NUT SUPPLIER CODE: V52828 SPECIFICATION NUMBER: BACN10JCO4CD OPTIONAL PART: H51650-04BAC V15653 102LH9075-40W V72962 NS202486-40 V80539 T6C440JCD V11815 T6C440JCD V11815	101102 108120 504903	1

MISSING ITEM NUMBERS NOT APPLICABLE

- ITEM NOT ILLUSTRATED

BRI

57-41-01-01E

BOEING PROPRIETARY - Copyright © - Unpublished Work - See title page for details.

57-41-01
FIG. 01E
PAGE 8
JAN 20/09



757

PARTS CATALOG (MAINTENANCE)

FIG ITEM	PART NUMBER	1 2 3 4 5 6 7	NOMENCLATURE	EFFECT FROM TO	UNITS PER ASSY
1E 320	F51753-3CD	...	NUTPLATE SUPPLIER CODE: V15653 SPECIFICATION NUMBER: BACN10KE3DCD OPTIONAL PART: NS202495-02 V80539	101102 108120 504903	2
322	BACR15BA3AD	...	RIVET- SIZE DETERMINED ON INSTL.	101102 108120 504903	4
325	NAS1201C6B10B	...	CHAIN ASSY	101102 108120 504903	1
330	114N2208-5	...	DOUBLER	101102 108120 504903	1
335	114N2208-14	...	DOOR- USED ON: 114N2208-13	101102 108120 504903	1
340	BACB30NN3K5	..	BOLT	101102 108120 504903	6
345	BACB30NN3K3	..	BOLT	101102 108120 504903	1
350	NAS1149D0316J	..	WASHER-	101102 108120 504903	1
355	BRH10C3D	..	NUT SUPPLIER CODE: V52828 SPECIFICATION NUMBER: BACN10JC3CD OPTIONAL PART: T6C1032JCD V11815 NS202486-02 V80539 102LH9075-3W V72962 H51650-3BAC V15653	101102 108120 504903	1

MISSING ITEM NUMBERS NOT APPLICABLE

- ITEM NOT ILLUSTRATED

BRI

57-41-01-01E

BOEING PROPRIETARY - Copyright © - Unpublished Work - See title page for details.

57-41-01
FIG. 01E
PAGE 9
JAN 20/09

 **BOEING**
757
PARTS CATALOG (MAINTENANCE)

FIG ITEM	PART NUMBER	1 2 3 4 5 6 7	NOMENCLATURE	EFFECT FROM TO	UNITS PER ASSY
1E 365	BRFR220C3-2D	..	NUTPLATE SUPPLIER CODE: V52828 SPECIFICATION NUMBER: BACN10KE3B2CD OPTIONAL PART: F51747-3-2CD V15653 102A9213-2-3 V72962 NS202493-02-2 V80539	101102 108120 504903	6
367	BACR15BA3AD	..	RIVET- SIZE DETERMINED ON INSTL.	101102 108120 504903	12
370	114N2069-1	..	COVER ASSY-ACCESS	101102 108120 504903	1
370	114N2069-5	..	COVER ASSY-ACCESS	101102 108120 504903	1
375	BACR15BA6D	...	RIVET- SIZE DETERMINED ON INSTL.	101102 108120 504903	1
380	NAS1201C10B14B	...	CHAIN ASSY-BEAD	101102 108120 504903	1
385	114N2069-2	...	COVER- USED ON: 114N2069-1	101102 108120 504903	1
385	114N2069-6	...	COVER- USED ON: 114N2069-5	101102 108120 504903	1
390	114N2109-28	.	PANEL ASSY-	101102 108120 504903	1
415	BACB30NN3K5	.	ATTACHING PARTS BOLT	101102 108120 504903	76
420	BACB30LR4-5	.	BOLT	101102 108120 504903	2
425	BACB30NN4K8	.	BOLT	101102 108120 504903	2
			-----*-----		

MISSING ITEM NUMBERS NOT APPLICABLE

— ITEM NOT ILLUSTRATED

BRI

57-41-01-01E

BOEING PROPRIETARY - Copyright © - Unpublished Work - See title page for details.

57-41-01
FIG. 01E
PAGE 10
JAN 20/09

 **BOEING**
757
PARTS CATALOG (MAINTENANCE)

FIG ITEM	PART NUMBER	1 2 3 4 5 6 7	NOMENCLATURE	EFFECT FROM TO	UNITS PER ASSY
1E					
430	BACB30NN3K5	..	BOLT	101102 108120 504903	6
435	BACB30NN3K3	..	BOLT	101102 108120 504903	1
440	NAS1149D0316J	..	WASHER-	101102 108120 504903	1
445	BRH10C3D	..	NUT SUPPLIER CODE: V52828 SPECIFICATION NUMBER: BACN10JC3CD OPTIONAL PART: T6C1032JCD V11815 NS202486-02 V80539 102LH9075-3W V72962 H51650-3BAC V15653	101102 108120 504903	1
455	BRFR220C3-2D	..	NUTPLATE SUPPLIER CODE: V52828 SPECIFICATION NUMBER: BACN10KE3B2CD OPTIONAL PART: F51747-3-2CD V15653 102A9213-2-3 V72962 NS202493-02-2 V80539	101102 108120 504903	6
457	BACR15BA3AD	..	RIVET- SIZE DETERMINED ON INSTL.	101102 108120 504903	12
460	114N2069-1	..	COVER ASSY-ACCESS	101102 108120 504903	1
460	114N2069-5	..	COVER ASSY-ACCESS	101102 108120 504903	1
465	BACR15BA6D	...	RIVET- SIZE DETERMINED ON INSTL.	101102 108120 504903	1

MISSING ITEM NUMBERS NOT APPLICABLE

- ITEM NOT ILLUSTRATED

BRI

57-41-01-01E

BOEING PROPRIETARY - Copyright © - Unpublished Work - See title page for details.

57-41-01
FIG. 01E
PAGE 11
JAN 20/09

 **BOEING**
757
PARTS CATALOG (MAINTENANCE)

FIG ITEM	PART NUMBER	1 2 3 4 5 6 7	NOMENCLATURE	EFFECT FROM TO	UNITS PER ASSY
1E					
470	NAS1201C10B14B	...	CHAIN ASSY-BEAD	101102 108120 504903	1
475	114N2069-2	...	COVER- USED ON: 114N2069-1	101102 108120 504903	1
475	114N2069-6	...	COVER- USED ON: 114N2069-5	101102 108120 504903	1
480	BACS12ER04K6	..	SCREW	101102 108120 504903	1
485	NAS1149DN432J	..	WASHER-	101102 108120 504903	1
490	BRH10C04D	..	NUT SUPPLIER CODE: V52828 SPECIFICATION NUMBER: BACN10JCO4CD OPTIONAL PART: H51650-04BAC V15653 102LH9075-40W V72962 NS202486-40 V80539 T6C440JCD V11815 T6C440JCD V11815	101102 108120 504903	1
495	BACR15BA5AD	..	RIVET- SIZE DETERMINED ON INSTL.	101102 108120 504903	9
500	114N2208-13	..	DOOR ASSY-	101102 108120 504903	1
505	BACB30LH3-3	...	BOLT	101102 108120 504903	2
510	BACR15BA4AD	...	RIVET- SIZE DETERMINED ON INSTL.	101102 108120 504903	1

MISSING ITEM NUMBERS NOT APPLICABLE

- ITEM NOT ILLUSTRATED

BRI

57-41-01-01E

BOEING PROPRIETARY - Copyright © - Unpublished Work - See title page for details.

57-41-01
FIG. 01E
PAGE 12
JAN 20/09

BOEING
757
PARTS CATALOG (MAINTENANCE)

FIG ITEM	PART NUMBER	1 2 3 4 5 6 7	NOMENCLATURE	EFFECT FROM TO	UNITS PER ASSY
1E 530	F51753-3CD		...NUTPLATE SUPPLIER CODE: V15653 SPECIFICATION NUMBER: BACN10KE3DCD OPTIONAL PART: NS202495-02 V80539 ATTACHING PARTS	101102 108120 504903	2
- 532	BACR15BA3AD		...RIVET- SIZE DETERMINED ON INSTL. -----*-----	101102 108120 504903	4
535	NAS1201C6B10B		...CHAIN ASSY	101102 108120 504903	1
540	114N2208-11		...DOUBLER-	101102 108120 504903	1
545	114N2208-14		...DOOR- USED ON: 114N2208-13	101102 108120 504903	1
550	114N2101-12		.PANEL ASSY	101102 108120 504903	1
560	BACB30LR4-5		ATTACHING PARTS .BOLT -----*-----	101102 108120 504903	1

MISSING ITEM NUMBERS NOT APPLICABLE

- ITEM NOT ILLUSTRATED

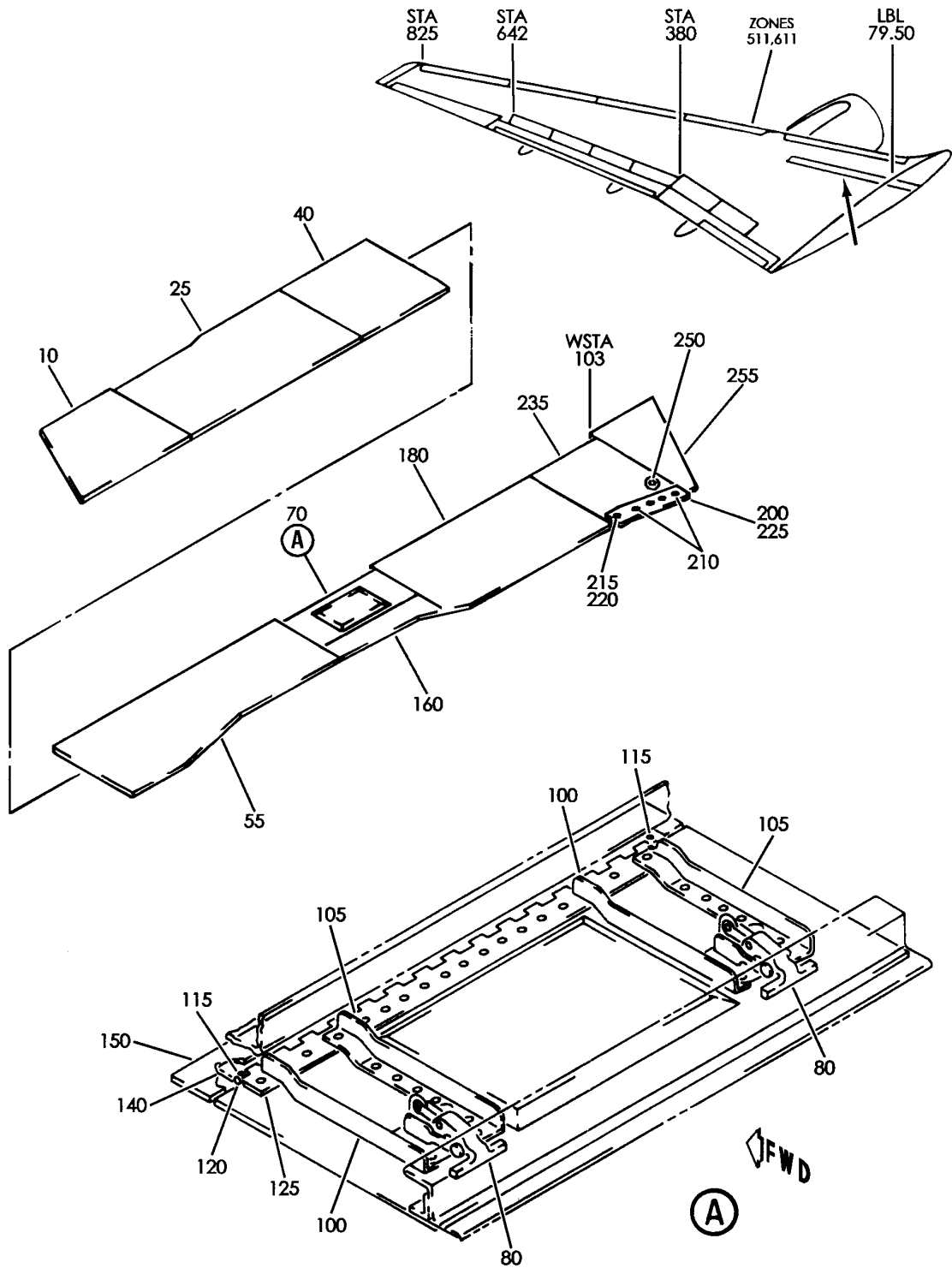
BRI

57-41-01-01E

BOEING PROPRIETARY - Copyright © - Unpublished Work - See title page for details.

57-41-01
FIG. 01E
PAGE 13
JAN 20/09

BOEING
757
PARTS CATALOG (MAINTENANCE)



Y 57410102 REV 210

PANEL INSTL-WING LE INBD LWR SKIN
FIGURE 2

57-41-01-02

BRI
MAY 28/07

57-41-01-02
PAGE 0



757

PARTS CATALOG (MAINTENANCE)

FIG ITEM	PART NUMBER	1 2 3 4 5 6 7	NOMENCLATURE	EFFECT FROM TO	UNITS PER ASSY
2			PANEL INSTL-WING LE INBD LWR SKIN	002004 006999	
- 1	114N1501-31		PANEL INSTL-WING LE SKIN POSITION DATA: LWR LH INBD	002004 006100 107107	RF
- 1	114N1501-403		FOR NHA SEE: 57-40-00-01 PANEL INSTL-WING LE SKIN POSITION DATA: LWR LH INBD	121503 904999 101102 504903	RF
- 1	114N1501-405		FOR NHA SEE: 57-00-00-10 PANEL INSTL-WING LE SKIN POSITION DATA: LWR LH INBD	108120	RF
- 1	MODREF24376		FOR NHA SEE: 57-00-00-10 PANEL INSTL-WING LE SKIN MODULE NUMBER: 114N1501-307 REV B POSITION DATA: LWR LH INBD	103103	1
- 1	MODREF26655		PANEL INSTL-WING LE SKIN MODULE NUMBER: 114N1501-307 REV C POSITION DATA: LWR LH INBD	104106	1
- 5	114N1501-32		PANEL INSTL-WING LE SKIN POSITION DATA: LWR RH INBD	002004 006100 107107	RF
- 5	114N1501-404		FOR NHA SEE: 57-40-00-01 PANEL INSTL-WING LE SKIN POSITION DATA: LWR LH INBD	121503 904999 101102 504903	RF
- 5	114N1501-406		FOR NHA SEE: 57-00-00-10 PANEL INSTL-WING LE SKIN POSITION DATA: LWR LH INBD	108120	RF
- 5	MODREF24377		FOR NHA SEE: 57-00-00-10 PANEL INSTL-WING LE SKIN MODULE NUMBER: 114N1501-306 REV B POSITION DATA: LWR RH INBD	103103	1

MISSING ITEM NUMBERS NOT APPLICABLE

- ITEM NOT ILLUSTRATED

57-41-01-02

57-41-01
FIG. 02
PAGE 1
JAN 20/09

BRI

 **BOEING**
757
PARTS CATALOG (MAINTENANCE)

FIG ITEM	PART NUMBER	1 2 3 4 5 6 7	NOMENCLATURE	EFFECT FROM TO	UNITS PER ASSY
2					
- 5	MODREF26656		PANEL INSTL-WING LE SKIN MODULE NUMBER: 114N1501-306 REV C POSITION DATA: LWR RH INBD	104106	1
10	114N1517-7		.PANEL ASSY- POSITION DATA: LH SIDE	002004 006999	1
- 15	114N1517-8		.PANEL ASSY- POSITION DATA: RH SIDE	002004 006999	1
- 20	BACB30NN3K4		ATTACHING PARTS .BOLT	002004 006999	27
			-----*-----		
25	114N1519-9		.PANEL ASSY- POSITION DATA: LH SIDE	002004 006999	1
- 30	114N1519-10		.PANEL ASSY- POSITION DATA: RH SIDE	002004 006999	1
- 35	BACB30NN3K4		ATTACHING PARTS .BOLT	002004 006999	36
			-----*-----		
40	114N1518-13		.PANEL ASSY- POSITION DATA: LH SIDE	002004 006999	1
- 45	114N1518-14		.PANEL ASSY- POSITION DATA: RH SIDE	002004 006999	1
- 50	BACB30NN3K4		ATTACHING PARTS .BOLT	002004 006999	25
			-----*-----		
55	114N1506-17		.PANEL ASSY- POSITION DATA: LH SIDE	002004 006102 107999	1
55	114N1525-1		.PANEL ASSY- POSITION DATA: LH SIDE	002004 006102 107999	1
55	114N1527-5		.PANEL ASSY- POSITION DATA: LH SIDE	103106	1
- 60	114N1506-18		.PANEL ASSY- POSITION DATA: RH SIDE	002004 006999	1

MISSING ITEM NUMBERS NOT APPLICABLE

- ITEM NOT ILLUSTRATED

BRI

57-41-01-02

BOEING PROPRIETARY - Copyright © - Unpublished Work - See title page for details.

57-41-01
FIG. 02
PAGE 2
JAN 20/09



757

PARTS CATALOG (MAINTENANCE)

FIG ITEM	PART NUMBER	1 2 3 4 5 6 7	NOMENCLATURE	EFFECT FROM TO	UNITS PER ASSY
2					
- 60	114N1527-1		.PANEL ASSY- POSITION DATA: RH SIDE ATTACHING PARTS	002004 006999	1
- 65	BACB30NN3K4		.BOLT	002004 006999	42
			-----*-----		
70	114N1509-5		.DOOR INSTL-BLOWOUT POSITION DATA: LH SIDE	002004 006100 107107 121503 904999	1
70	114N1509-13		.DOOR INSTL-BLOWOUT POSITION DATA: LH SIDE	002004 006100 107107 121503 904999	1
- 75	114N1509-6		.DOOR INSTL-BLOWOUT POSITION DATA: RH SIDE	002004 006100 107107 121503 904999	1
- 75	114N1509-14		.DOOR INSTL-BLOWOUT POSITION DATA: RH	002004 006100 107107 121503 904999	1
80	H2902-3		..LATCH- SUPPLIER CODE: V83014 SPECIFICATION NUMBER: S311T306-3 ATTACHING PARTS	002004 006100 107107 121503 904999	2
- 85	BACB30LU06-3		..BOLT	002004 006100 107107 121503 904999	8
- 90	AN960PD6L		..WASHER	002004 006100 107107 121503 904999	8

MISSING ITEM NUMBERS NOT APPLICABLE

- ITEM NOT ILLUSTRATED

57-41-01-02

57-41-01
FIG. 02
PAGE 3
JAN 20/09

BRI

BOEING PROPRIETARY - Copyright © - Unpublished Work - See title page for details.



757

PARTS CATALOG (MAINTENANCE)

FIG ITEM	PART NUMBER	1 2 3 4 5 6 7	NOMENCLATURE	EFFECT FROM TO	UNITS PER ASSY
2 - 95	BRH10C06D		..NUT SUPPLIER CODE: V52828 SPECIFICATION NUMBER: BACN10JCO6CD OPTIONAL PART: T6C632JCD V11815 NS202486-62 V80539 102LH9075-62W V72962 H51650-06BAC V15653 -----*-----	002004 006100 107107 121503 904999	8
100	114N1514-1		..ANGLE	002004 006100 107107 121503 904999	2
105	114N1514-2		..ANGLE	002004 006100 107107 121503 904999	2
- 110	BACR15BA5D		ATTACHING PARTS ..RIVET- SIZE DETERMINED ON INSTL. -----*-----	002004 006100 107107 121503 904999	24
115	MS16562-1		..PIN	002004 006100 107107 121503 904999	2
120	MS20253P2-1631		..PIN	002004 006100 107107 121503 904999	2
125	114N1509-4		..HINGE-	002004 006100 107107 121503 904999	1

MISSING ITEM NUMBERS NOT APPLICABLE

- ITEM NOT ILLUSTRATED

57-41-01-02

57-41-01
FIG. 02
PAGE 4
JAN 20/09

BRI

BOEING PROPRIETARY - Copyright © - Unpublished Work - See title page for details.



757

PARTS CATALOG (MAINTENANCE)

FIG ITEM	PART NUMBER	1 2 3 4 5 6 7	NOMENCLATURE	EFFECT FROM TO	UNITS PER ASSY
2 125	114N1509-8	..	HINGE-	002004 006100 107107 121503 904999	1
- 130	BACR15BA5D	..	ATTACHING PARTS RIVET- SIZE DETERMINED ON INSTL.	002004 006100 107107 121503 904999	15
- 135	BACS4OR08C166F	..	SHIM	002004 006100 107107 121503 904999	1
140	114N1509-3	..	-----*----- HINGE-	002004 006100 107107 121503 904999	1
140	114N1509-7	..	HINGE-	002004 006100 107107 121503 904999	1
- 145	BACB30NN3K3	..	ATTACHING PARTS BOLT	002004 006100 107107 121503 904999	11
150	114N1515-1	..	-----*----- FILLER- POSITION DATA: LH SIDE	002004 006100 107107 121503 904999	1
150	114N1515-3	..	FILLER- POSITION DATA: LH SIDE	002004 006100 107107 121503 904999	1
- 155	114N1515-2	..	FILLER- POSITION DATA: RH SIDE	002004 006100 107107 121503 904999	1

MISSING ITEM NUMBERS NOT APPLICABLE

- ITEM NOT ILLUSTRATED

57-41-01-02

57-41-01
FIG. 02
PAGE 5
JAN 20/09

BRI

BOEING PROPRIETARY - Copyright © - Unpublished Work - See title page for details.



757

PARTS CATALOG (MAINTENANCE)

FIG ITEM	PART NUMBER	1 2 3 4 5 6 7	NOMENCLATURE	EFFECT FROM TO	UNITS PER ASSY
2					
- 155	114N1515-4	..	FILLER- POSITION DATA: RH SIDE	002004 006100 107107 121503 904999	1
160	114N1505-17	.PANEL ASSY-	POSITION DATA: LH SIDE	002004 006102 107999	1
160	114N1524-1	.PANEL ASSY-	POSITION DATA: LH SIDE	108120	1
160	114N1526-5	.PANEL ASSY-	POSITION DATA: LH SIDE	103106	1
- 165	114N1505-18	.PANEL ASSY-	POSITION DATA: RH SIDE	002004 006999	1
- 165	114N1526-1	.PANEL ASSY-	POSITION DATA: RH SIDE	002004 006999	1
- 170	BACB30NN3K4	.BOLT	ATTACHING PARTS	002004 006999	14
		-----*-----			
180	114N1504-13	.PANEL ASSY-	POSITION DATA: LH SIDE	002004 006102 107999	1
180	114N1523-1	.PANEL ASSY-	POSITION DATA: LH SIDE	002004 006102 107999	1
180	114N1523-9	.PANEL ASSY-	POSITION DATA: LH SIDE	103106	1
- 185	114N1504-14	.PANEL ASSY-	POSITION DATA: RH SIDE	002004 006999	1
- 185	114N1523-2	.PANEL ASSY-	POSITION DATA: RH SIDE	002004 006999	1
- 190	BACB30NN3K4	.BOLT	ATTACHING PARTS	002004 006999	33
		-----*-----			
200	114N1511-1	.CHANNEL ASSY-SPLICE	POSITION DATA: LH SIDE	002004 006100 107107 121503 904999	1

MISSING ITEM NUMBERS NOT APPLICABLE

- ITEM NOT ILLUSTRATED

57-41-01-02

57-41-01
FIG. 02
PAGE 6
JAN 20/09

BRI

BOEING PROPRIETARY - Copyright © - Unpublished Work - See title page for details.



757

PARTS CATALOG (MAINTENANCE)

FIG ITEM	PART NUMBER	1 2 3 4 5 6 7	NOMENCLATURE	EFFECT FROM TO	UNITS PER ASSY
2					
200	114N1511-9		.CHANNEL ASSY-SPLICE POSITION DATA: LH SIDE	101106 108120 504903	1
- 205	114N1511-2		.CHANNEL ASSY-SPLICE POSITION DATA: RH SIDE	002004 006100 107107 121503 904999	1
- 205	114N1511-10		.CHANNEL ASSY-SPLICE POSITION DATA: RH SIDE ATTACHING PARTS	101106 108120 504903	1
210	BACB30NN3K4		.BOLT	002004 006999	4
215	HL11VAZ6-3		.BOLT- SUPPLIER CODE: V60516 SPECIFICATION NUMBER: BACB30NW6K3 OPTIONAL PART: B30NW6K3 V97928 HL11VAZ6-3 V73197 HL11VAZ6-3 V92215 HL11VAZ6-3 V97928 L803-6K3 V06725 HL11VAZ6-3 VOPTK6 HL11VAZ6-3 V56878	002004 006999	1
220	HL79-6		.COLLAR SUPPLIER CODE: V5M902 SPECIFICATION NUMBER: BACC30M6 OPTIONAL PART: HL79-6 V73197 HL79-6 V92215 66014-6 V56878 HL79-6 V56878 -----*	002004 006999	1

MISSING ITEM NUMBERS NOT APPLICABLE

- ITEM NOT ILLUSTRATED

BRI

57-41-01-02

BOEING PROPRIETARY - Copyright © - Unpublished Work - See title page for details.

57-41-01
FIG. 02
PAGE 7
JAN 20/09



757

PARTS CATALOG (MAINTENANCE)

FIG ITEM	PART NUMBER	1 2 3 4 5 6 7	NOMENCLATURE	EFFECT FROM TO	UNITS PER ASSY
2					
225	114N1511-3	..	FITTING- POSITION DATA: LH SIDE	002004 006100 107107 121503 904999	1
225	114N1511-11	..	FITTING- POSITION DATA: LH SIDE	101106 108120 504903	1
- 230	114N1511-4	..	FITTING- POSITION DATA: RH SIDE	002004 006100 107107 121503 904999	1
- 230	114N1511-12	..	FITTING- POSITION DATA: RH SIDE	101106 108120 504903	1
235	114N1522-1	.PANEL ASSY-	POSITION DATA: LH SIDE	002004 006999	1
235	114N1522-9	.PANEL ASSY-	POSITION DATA: LH SIDE	002004 006999	1
- 240	114N1522-2	.PANEL ASSY-	POSITION DATA: RH SIDE	002004 006999	1
- 240	114N1522-10	.PANEL ASSY-	POSITION DATA: RH SIDE	002004 006999	1
- 245	BACB30NN3K4	.BOLT	ATTACHING PARTS	002004 006999	23
		-----*-----			
250	114N2152-5	..	WASHER- USED ON: 114N1522-1 114N1522-2	002004 006999	1
250	114N2152-9	..	WASHER- USED ON: 114N1522-9 114N1522-10	002004 006999	1
255	114N1502-25	.PANEL ASSY-	POSITION DATA: LH SIDE	002004 006999	1
255	114N1521-1	.PANEL ASSY-	POSITION DATA: LH SIDE	002004 006999	1
- 260	114N1502-26	.PANEL ASSY-	POSITION DATA: RH SIDE	002004 006999	1

MISSING ITEM NUMBERS NOT APPLICABLE

- ITEM NOT ILLUSTRATED

57-41-01-02

57-41-01
FIG. 02
PAGE 8
JAN 20/09

BRI

BOEING PROPRIETARY - Copyright © - Unpublished Work - See title page for details.



757

PARTS CATALOG (MAINTENANCE)

FIG ITEM	PART NUMBER	1 2 3 4 5 6 7	NOMENCLATURE	EFFECT FROM TO	UNITS PER ASSY
2 - 260	114N1521-2		.PANEL ASSY- POSITION DATA: RH SIDE	002004 006999	1
- 265	BACB30NN3K4		.BOLT -----*-----	002004 006999	31

MISSING ITEM NUMBERS NOT APPLICABLE

- ITEM NOT ILLUSTRATED

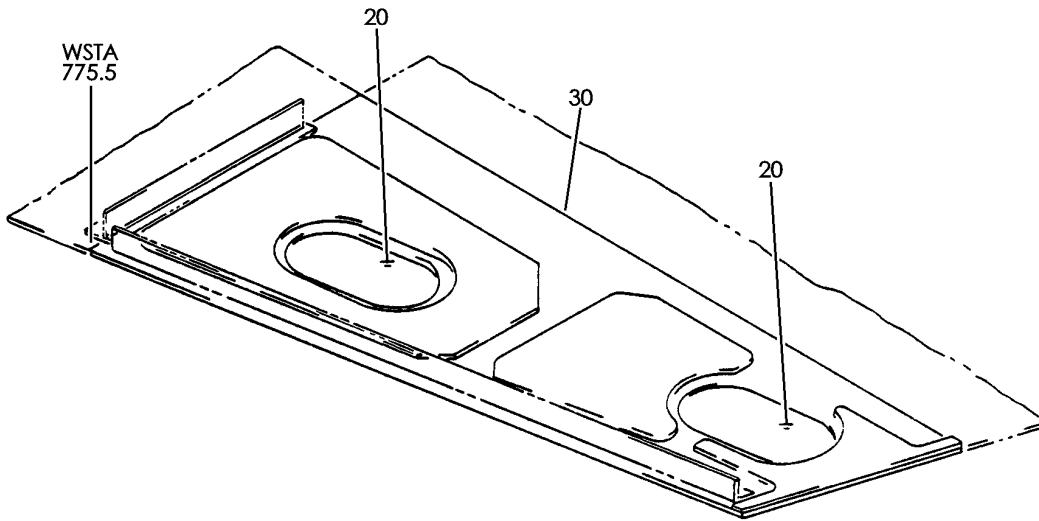
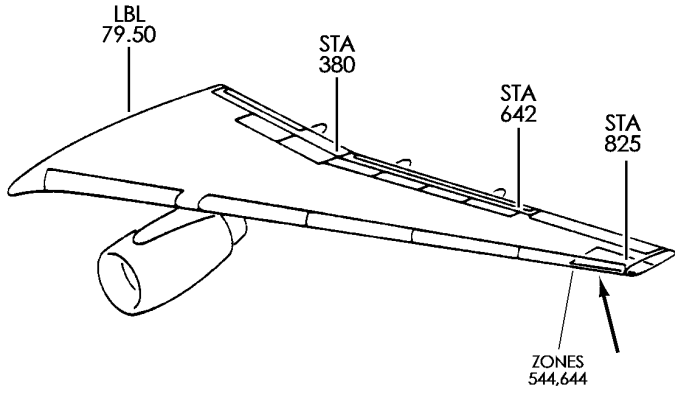
BRI

57-41-01-02

BOEING PROPRIETARY - Copyright © - Unpublished Work - See title page for details.

57-41-01
FIG. 02
PAGE 9
JAN 20/09

BOEING
757
PARTS CATALOG (MAINTENANCE)



Y 57410110 REV 213

PANEL INSTL-LWR WING HONEYCOMB
FIGURE 10

57-41-01-10

BRI
MAY 28/07

57-41-01-10
PAGE 0



757

PARTS CATALOG (MAINTENANCE)

FIG ITEM	PART NUMBER	1 2 3 4 5 6 7	NOMENCLATURE	EFFECT FROM TO	UNITS PER ASSY
10			PANEL INSTL-LWR WING HONEYCOMB	002004 006999	
- 1	112N4501-1		PANEL INSTL-WING HONEYCOMB POSITION DATA: LWR LH FOR NHA SEE: 57-20-52-01	002004 006100 107107 121503 904999	RF
- 1	112N4501-403		PANEL INSTL-WING HONEYCOMB POSITION DATA: LWR LH FOR NHA SEE: 57-00-00-20	101102 108120 504903	RF
- 1	MODREF327		PANEL INSTL-WING HONEYCOMB MODULE NUMBER: 112N4501-403 REV A POSITION DATA: LWR LH	103103	1
- 1	MODREF26377		PANEL INSTL-WING HONEYCOMB MODULE NUMBER: 112N4501-403 REV B POSITION DATA: LWR LH	104106	1
- 10	112N4501-2		PANEL INSTL-WING HONEYCOMB POSITION DATA: LWR RH FOR NHA SEE: 57-20-52-01	002004 006100 107107 121503 904999	RF
- 10	112N4501-404		PANEL INSTL-WING HONEYCOMB POSITION DATA: LWR RH FOR NHA SEE: 57-00-00-20	101102 108120 504903	RF
- 10	MODREF328		PANEL INSTL-WING HONEYCOMB MODULE NUMBER: 112N4501-404 REV A POSITION DATA: LWR RH	103103	1
- 10	MODREF26378		PANEL INSTL-WING HONEYCOMB MODULE NUMBER: 112N4501-404 REV B POSITION DATA: LWR RH	104106	1
20	112N4505-1		.DOOR-ACCESS OPTIONAL PART: 112N4505-3	002004 006999	2
20	112N4505-3		.DOOR-ACCESS	002004 006999	2
20	112N4505-5		.DOOR-ACCESS	002004 006999	2

MISSING ITEM NUMBERS NOT APPLICABLE

- ITEM NOT ILLUSTRATED

57-41-01-10

57-41-01
FIG. 10
PAGE 1
JAN 20/09

BRI



757

PARTS CATALOG (MAINTENANCE)

FIG ITEM	PART NUMBER	1 2 3 4 5 6 7	NOMENCLATURE	EFFECT FROM TO	UNITS PER ASSY
10			ATTACHING PARTS		
- 25	BACB30NN3K3		.BOLT	002004 006999	40
			-----*-----		
30	112N4502-3		.PANEL ASSY- POSITION DATA: LH SIDE	002004 006100 107107 121503 904999	1
30	112N4502-5		.PANEL ASSY- POSITION DATA: LH SIDE	101106 108120 504903	1
- 35	112N4502-4		.PANEL ASSY- POSITION DATA: RH SIDE	002004 006100 107107 121503 904999	1
- 35	112N4502-6		.PANEL ASSY- POSITION DATA: RH SIDE	101106 108120 504903	1

MISSING ITEM NUMBERS NOT APPLICABLE

- ITEM NOT ILLUSTRATED

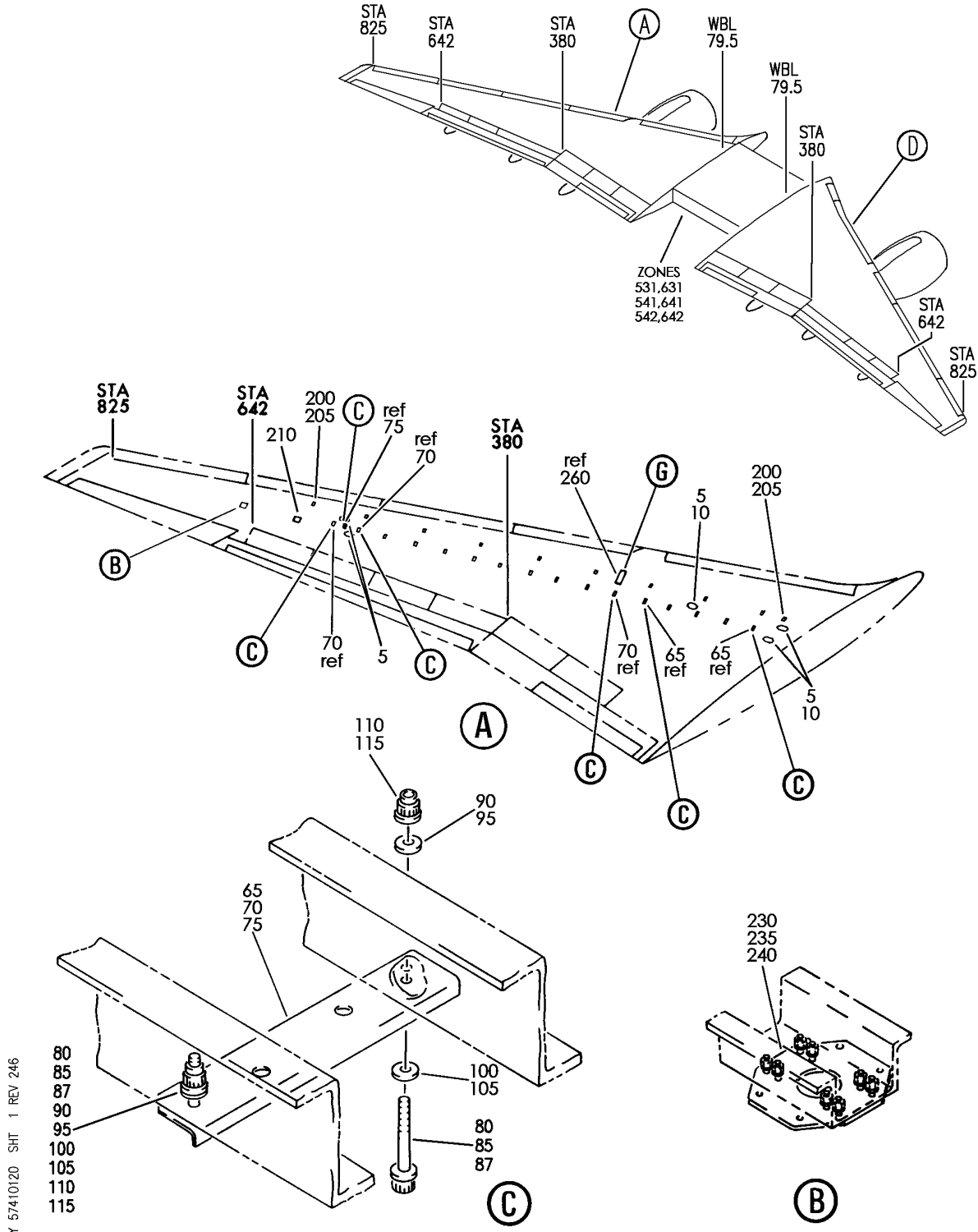
BRI

57-41-01-10

BOEING PROPRIETARY - Copyright © - Unpublished Work - See title page for details.

57-41-01
FIG. 10
PAGE 2
JAN 20/09

BOEING
 757
 PARTS CATALOG (MAINTENANCE)



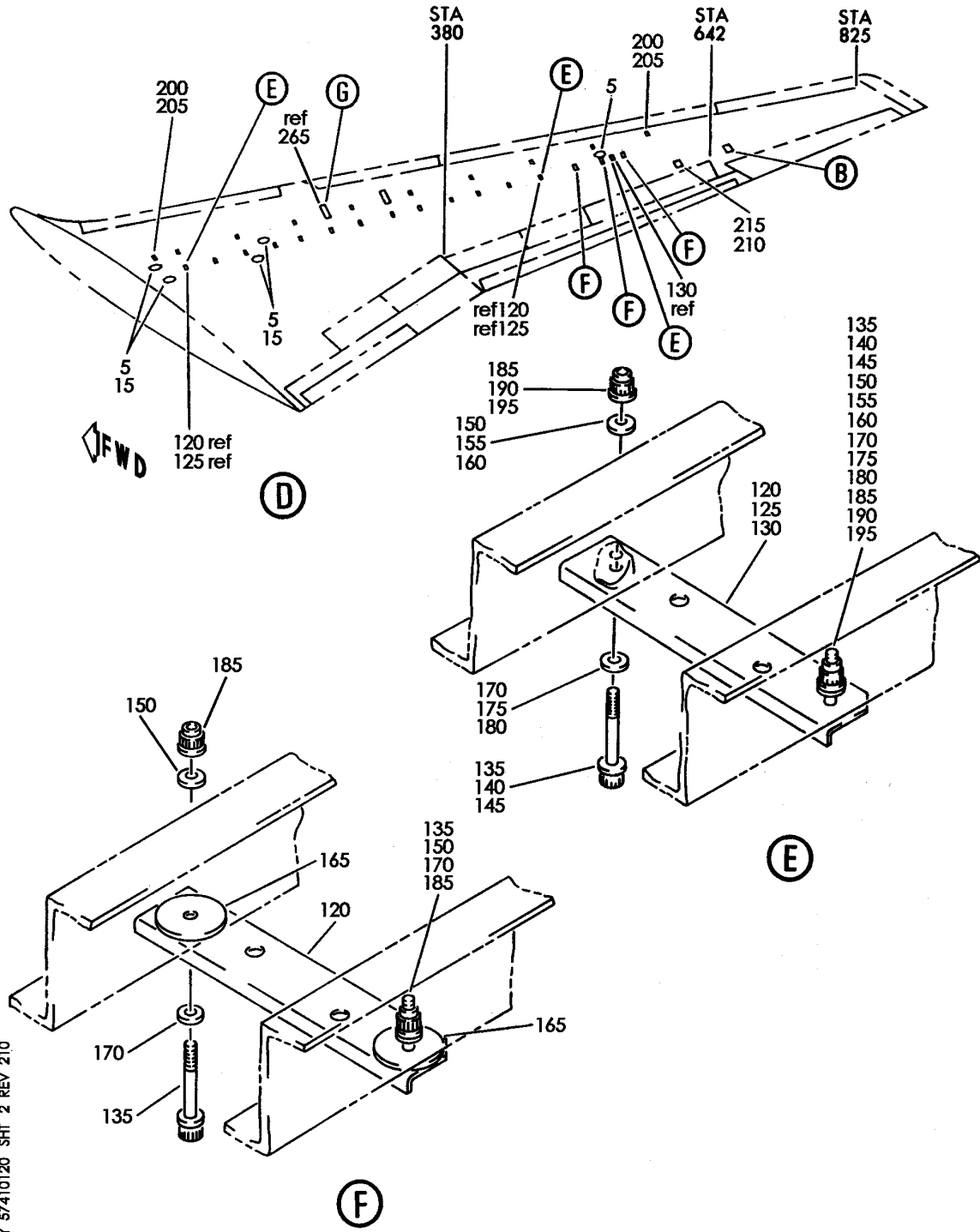
PANEL INSTL-OUTBD WING UPR
 FIGURE 20 (SHEET 1)

57-41-01-20

BRI
 MAY 28/07

57-41-01-20
 PAGE 0

BOEING
757
PARTS CATALOG (MAINTENANCE)



Y 57410120 SHT 2 REV 210

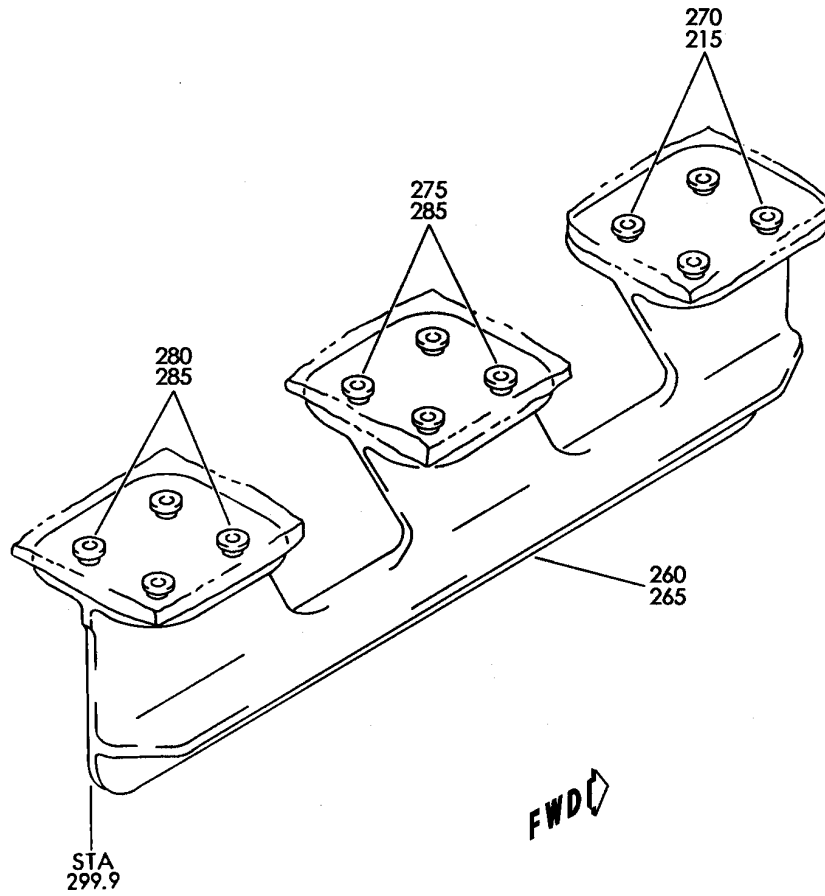
PANEL INSTL-OUTBD WING UPR
FIGURE 20 (SHEET 2)

57-41-01-20

BRI
MAY 28/07

57-41-01-20
PAGE 0A

BOEING
757
PARTS CATALOG (MAINTENANCE)



ⓐ

Y 57410120 SHT 3 REV 210

PANEL INSTL-OUTBD WING UPR
FIGURE 20 (SHEET 3)

57-41-01-20

BRI
MAY 28/07

57-41-01-20
PAGE 0B



757

PARTS CATALOG (MAINTENANCE)

FIG ITEM	PART NUMBER	1 2 3 4 5 6 7	NOMENCLATURE	EFFECT FROM TO	UNITS PER ASSY
20			PANEL INSTL-OUTBD WING UPR	002004	
- 1	112N3001-5		PANEL INSTL-WING POSITION DATA: OUTBD UPR LH FOR NHA SEE: 57-20-52-01	006999 002004 006009 107107 121503 904949 952999	RF
- 1	112N3001-13		PANEL INSTL-WING POSITION DATA: OUTBD UPR LH FOR NHA SEE: 57-20-52-01	010012 950951	RF
- 1	112N3001-23		PANEL INSTL-WING POSITION DATA: OUTBD UPR LH FOR NHA SEE: 57-20-52-01	013100	RF
- 1	112N3001-401		PANEL INSTL-WING POSITION DATA: OUTBD UPR LH FOR NHA SEE: 57-00-00-20	101102 504505	RF
- 1	112N3001-403		PANEL INSTL-WING POSITION DATA: OUTBD UPR LH FOR NHA SEE: 57-00-00-20	506903	RF
- 1	112N3001-201		PANEL INSTL-WING POSITION DATA: OUTBD UPR LH FOR NHA SEE: 57-00-00-20	108120	RF
- 2	MODREF122		PANEL INSTL-WING MODULE NUMBER: 112N3001-205 REV A POSITION DATA: OUTBD UPR LH	103103	1
- 2	MODREF26338		PANEL INSTL-WING MODULE NUMBER: 112N3001-205 REV B POSITION DATA: OUTBD UPR LH	104106	1
- 3	112N3001-6		PANEL INSTL-WING POSITION DATA: OUTBD UPR RH FOR NHA SEE: 57-20-52-01	002004 006009 107107 121503 904949 952999	RF

MISSING ITEM NUMBERS NOT APPLICABLE

- ITEM NOT ILLUSTRATED

57-41-01-20

57-41-01
FIG. 20
PAGE 1
JAN 20/09

BRI



757

PARTS CATALOG (MAINTENANCE)

FIG ITEM	PART NUMBER	1 2 3 4 5 6 7	NOMENCLATURE	EFFECT FROM TO	UNITS PER ASSY
20					
- 3	112N3001-14		PANEL INSTL-WING POSITION DATA: OUTBD UPR RH FOR NHA SEE: 57-20-52-01	010012 950951	RF
- 3	112N3001-24		PANEL INSTL-WING POSITION DATA: OUTBD UPR RH FOR NHA SEE: 57-20-52-01	013100	RF
- 3	112N3001-402		PANEL INSTL-WING POSITION DATA: OUTBD UPR RH FOR NHA SEE: 57-20-52-01	101102 504505	RF
- 3	112N3001-404		PANEL INSTL-WING POSITION DATA: OUTBD UPR RH FOR NHA SEE: 57-00-00-20	506903	RF
- 3	112N3001-202		PANEL INSTL-WING POSITION DATA: OUTBD UPR RH FOR NHA SEE: 57-00-00-20	108120	RF
- 4	MODREF123		PANEL INSTL-WING MODULE NUMBER: 112N3001-206 REV A POSITION DATA: OUTBD UPR RH	103103	1
- 4	MODREF26339		PANEL INSTL-WING MODULE NUMBER: 112N3001-206 REV B POSITION DATA: OUTBD UPR RH	104106	1
10	112N3402-1		.PLATE-STGR VENT COVER POSITION DATA: LH SIDE	002004 006999	3
15	112N3402-1		.PLATE-STGR VENT COVER POSITION DATA: RH SIDE	002004 006999	4

MISSING ITEM NUMBERS NOT APPLICABLE

- ITEM NOT ILLUSTRATED

57-41-01-20

57-41-01
FIG. 20
PAGE 2
JAN 20/09

BRI

BOEING PROPRIETARY - Copyright © - Unpublished Work - See title page for details.



757

PARTS CATALOG (MAINTENANCE)

FIG ITEM	PART NUMBER	1 2 3 4 5 6 7	NOMENCLATURE	EFFECT FROM TO	UNITS PER ASSY
20			ATTACHING PARTS		
- 25	BACB30NT3K5		.BOLT- POSITION DATA: LH SIDE QUALIFIED OPTIONAL DATA: BACB30NT3K5 WITH BACW10BN3AP AND BACN10JC3CD OPTIONAL TO BACB30NM3K5 WITH BACW10BN3AP AND BACN10JC3CD	002004 006102 107107 121999	24
- 25	BACB30NM3K5		.BOLT- POSITION DATA: LH SIDE QUALIFIED OPTIONAL DATA: BACB30NT3K5 WITH BACW10BN3AP AND BACN10JC3CD OPTIONAL TO BACB30NM3K5 WITH BACW10BN3AP AND BACN10JC3CD	002004 006102 107107 121999	24
- 25	BACB30NT3K5		.BOLT- POSITION DATA: LH SIDE QUALIFIED OPTIONAL DATA: BACB30NT3K5 WITH BACW10BN3AP OPTIONAL TO BACB30NM3K5 WITH BACW10BN3AP.	103106 108120	24
- 25	BACB30NM3K5		.BOLT- POSITION DATA: LH SIDE QUALIFIED OPTIONAL DATA: BACB30NT3K5 WITH BACW10BN3AP OPTIONAL TO BACB30NM3K5 WITH BACW10BN3AP.	103106 108120	24
- 30	BACB30NT3K5		.BOLT- POSITION DATA: RH SIDE QUALIFIED OPTIONAL DATA: BACB30NT3K5 WITH BACW10BN3AP AND BACN10JC3CD OPTIONAL TO BACB30NM3K5 WITH BACW10BN3AP AND BACN10JC3CD	002004 006102 107107 121999	32

MISSING ITEM NUMBERS NOT APPLICABLE

- ITEM NOT ILLUSTRATED

57-41-01-20

57-41-01
FIG. 20
PAGE 3
JAN 20/09

BRI



757

PARTS CATALOG (MAINTENANCE)

FIG ITEM	PART NUMBER	1 2 3 4 5 6 7	NOMENCLATURE	EFFECT FROM TO	UNITS PER ASSY
20					
- 30	BACB30NM3K5		.BOLT- POSITION DATA: RH SIDE QUALIFIED OPTIONAL DATA: BACB30NT3K5 WITH BACN10BN3AP AND BACN10JC3CD OPTIONAL TO BACB30NM3K5 WITH BACW10BN3AP AND BACN10JC3CD	002004 006102 107107 121999	32
- 30	BACB30NT3K5		.BOLT- POSITION DATA: RH SIDE QUALIFIED OPTIONAL DATA: BACB30NT3K5 WITH BACW10BN3AP OPTIONAL TO BACB30NM3K5 WITH BACW10BN3AP.	103106 108120	32
- 30	BACB30NM3K5		.BOLT- POSITION DATA: RH SIDE QUALIFIED OPTIONAL DATA: BACB30NT3K5 WITH BACW10BN3AP OPTIONAL TO BACB30NM3K5 WITH BACW10BN3AP.	103106 108120	32
- 40	BACW10BN3AP		.WASHER- POSITION DATA: LH SIDE QUALIFIED OPTIONAL DATA: BACB30NT3K5 WITH BACW10BN3AP AND BACN10JC3CD OPTIONAL TO BACB30NM3K5 WITH BACW10BN3AP AND BACN10JC3CD	002004 006102 107107 121999	24
- 40	BACW10BN3AP		.WASHER- POSITION DATA: LH SIDE QUALIFIED OPTIONAL DATA: BACB30NT3K5 WITH BACW10BN3AP OPTIONAL TO BACB30NM3K5 WITH BACW10BN3AP.	103106 108120	24

MISSING ITEM NUMBERS NOT APPLICABLE

- ITEM NOT ILLUSTRATED

BRI

57-41-01-20

BOEING PROPRIETARY - Copyright © - Unpublished Work - See title page for details.

57-41-01
FIG. 20
PAGE 4
JAN 20/09



757

PARTS CATALOG (MAINTENANCE)

FIG ITEM	PART NUMBER	1 2 3 4 5 6 7	NOMENCLATURE	EFFECT FROM TO	UNITS PER ASSY
20					
- 45	BACW10BN3AP		.WASHER- POSITION DATA: RH SIDE QUALIFIED OPTIONAL DATA: BACB30NT3K5 WITH BACW10BN3AP AND BACN10JC3CD OPTIONAL TO BACB30NM3K5 WITH BACW10BN3AP AND BACN10JC3CD	002004 006102 107107 121999	32
- 45	BACW10BN3AP		.WASHER- POSITION DATA: RH SIDE QUALIFIED OPTIONAL DATA: BACB30NT3K5 WITH BACW10BN3AP OPTIONAL TO BACB30NM3K5 WITH BACW10BN3AP.	103106 108120	32
- 50	BRH10C3D		.NUT- SUPPLIER CODE: V52828 SPECIFICATION NUMBER: BACN10JC3CD OPTIONAL PART: T6C1032JCD V11815 NS202486-02 V80539 102LH9075-3W V72962 H51650-3BAC V15653 POSITION DATA: LH SIDE QUALIFIED OPTIONAL DATA: BACB30NT3K5 WITH BACW10BN3AP AND BACN10JC3CD OPTIONAL TO BACB30NM3K5 WITH BACW10BN3AP AND BACN10JC3CD	103106 108120	24

MISSING ITEM NUMBERS NOT APPLICABLE

- ITEM NOT ILLUSTRATED

BRI

57-41-01-20

BOEING PROPRIETARY - Copyright © - Unpublished Work - See title page for details.

57-41-01
FIG. 20
PAGE 5
JAN 20/09



757

PARTS CATALOG (MAINTENANCE)

FIG ITEM	PART NUMBER	1 2 3 4 5 6 7	NOMENCLATURE	EFFECT FROM TO	UNITS PER ASSY
20 - 60	BRH10C3D		.NUT- SUPPLIER CODE: V52828 SPECIFICATION NUMBER: BACN10JC3CD OPTIONAL PART: T6C1032JCD V11815 NS202486-02 V80539 102LH9075-3W V72962 H51650-3BAC V15653 POSITION DATA: RH SIDE QUALIFIED OPTIONAL DATA: BACB30NT3K5 WITH BACW10JC3AP AND BACN10JC3CD OPTIONAL TO BACB30NM3K5 WITH BACW10BN3AP AND BACN10JC3CD	002004 006102 107107 121999	32
- 60	BRH10C3D		.NUT- SUPPLIER CODE: V52828 SPECIFICATION NUMBER: BACN10JC3CD OPTIONAL PART: T6C1032JCD V11815 NS202486-02 V80539 102LH9075-3W V72962 H51650-3BAC V15653 POSITION DATA: RH SIDE QUALIFIED OPTIONAL DATA: BACB30NT3K5 WITH BACW10JC3AP AND BACN10JC3CD OPTIONAL TO BACB30NM3K5 WITH BACW10BN3AP AND BACN10JC3CD -----*-----	103106 108120	32

MISSING ITEM NUMBERS NOT APPLICABLE

- ITEM NOT ILLUSTRATED

57-41-01-20

57-41-01
FIG. 20
PAGE 6
JAN 20/09

BRI



757

PARTS CATALOG (MAINTENANCE)

FIG ITEM	PART NUMBER	1 2 3 4 5 6 7	NOMENCLATURE	EFFECT FROM TO	UNITS PER ASSY
20					
65	112N3403-1		.BRACKET-HYDR SPRT POSITION DATA: LH SIDE	002004 006999	5
70	112N3403-3		.BRACKET-HYDR SPRT POSITION DATA: LH SIDE	002004 006999	11
75	112N3403-3		.BRACKET-HYDR SPRT POSITION DATA: LH SIDE	107107 904949	1
75	112N3403-5		.BRACKET-HYDR SPRT POSITION DATA: LH SIDE	002004 006106 108903 950999	1
			ATTACHING PARTS		
80	BACB30MR4K6		.BOLT	002004 006999	32
85	BACB30MR4K6		.BOLT	002004 006999	2
90	AN960PD416L		.WASHER	002004 006100 107107 121503 904999	32
90	NAS1149D0416J		.WASHER	101106 108120 504903	32
95	AN960PD416L		.WASHER-	002004 006100 107107 121503 904999	2
95	NAS1149D0416J		.WASHER-	101106 108120 504903	2
100	BACW10BN4AC		.WASHER	002004 006999	32
105	BACW10BN4AC		.WASHER	002004 006999	2
110	NAS1805-4N		.NUT	002004 006009 107107 121503 904949 952999	32
110	NAS1805-4L		.NUT	010106 108120 504903 950951	32

MISSING ITEM NUMBERS NOT APPLICABLE

- ITEM NOT ILLUSTRATED

57-41-01-20

57-41-01
FIG. 20
PAGE 7
JAN 20/09

BRI

BOEING PROPRIETARY - Copyright © - Unpublished Work - See title page for details.



757

PARTS CATALOG (MAINTENANCE)

FIG ITEM	PART NUMBER	1 2 3 4 5 6 7	NOMENCLATURE	EFFECT FROM TO	UNITS PER ASSY
20					
115	NAS1805-4N	.	NUT-	002004 006009 107107 121503 904949 952999	2
115	NAS1805-4L	.	NUT-	010106 108120 504903 950951	2
120	112N3403-2	-----*-----	.BRACKET-HYDR SPRT POSITION DATA: RH SIDE	101106 108120 504903	16
130	112N3403-2	.	.BRACKET-HYDR SPRT POSITION DATA: RH SIDE	107107 904949	1
130	112N3403-4	.	.BRACKET-HYDR SPRT POSITION DATA: RH SIDE	002004 006106 108903 950999	1
135	BACB30MR4K6	.	ATTACHING PARTS BOLT	101106 108120 504903	32
145	BACB30MR4K6	.	BOLT	002004 006999	2
150	AN960PD416L	.	WASHER	002004 006100 107107 121503 904999	32
150	NAS1149D0416J	.	WASHER	101106 108120 504903	32
160	AN960PD416L	.	WASHER-	002004 006100 107107 121503 904999	2
160	NAS1149D0416J	.	WASHER-	101106 108120 504903	2
170	BACW10BN4AC	.	WASHER	103106 108120	32
180	BACW10BN4AC	.	WASHER	002004 006999	2

MISSING ITEM NUMBERS NOT APPLICABLE

- ITEM NOT ILLUSTRATED

57-41-01-20

57-41-01
FIG. 20
PAGE 8
JAN 20/09

BRI

BOEING PROPRIETARY - Copyright © - Unpublished Work - See title page for details.

BOEING
757
PARTS CATALOG (MAINTENANCE)

FIG ITEM	PART NUMBER	1 2 3 4 5 6 7	NOMENCLATURE	EFFECT FROM TO	UNITS PER ASSY
20 185	NAS1805-4N	.	NUT-	002004 006009 107107 121503 904949 952999	32
185	NAS1805-4L	.	NUT-	010106 108120 504903 950951	32
195	NAS1805-4N	.	NUT-	002004 006009 107107 121503 904949 952999	2
195	NAS1805-4L	.	NUT-	010106 108120 504903 950951	2
260	112N3010-1	-----*-----	.FITTING-SPRT POSITION DATA: LH SIDE	101106 108120 504903	1
265	112N3010-2	.	FITTING-SPRT POSITION DATA: RH SIDE	101106 108120 504903	1
270	L804-10K10	.	BOLT SUPPLIER CODE: V06725 SPECIFICATION NUMBER: BACB30NZ10K10 OPTIONAL PART: HL523AZ10-10 V56878 HL523AZ10-10 V73197 HL523AZ10-10 V92215 HL523AZ10-10 V97928 HL523AZ10-10 V0PTK6 HL523AZ10-10 V06725 HL523AZ10-10 V60516	101106 108120 504903	4

MISSING ITEM NUMBERS NOT APPLICABLE

— ITEM NOT ILLUSTRATED

BRI

57-41-01-20

BOEING PROPRIETARY - Copyright © - Unpublished Work - See title page for details.

57-41-01
FIG. 20
PAGE 9
JAN 20/09



757

PARTS CATALOG (MAINTENANCE)

FIG ITEM	PART NUMBER	1 2 3 4 5 6 7	NOMENCLATURE	EFFECT FROM TO	UNITS PER ASSY
20 275	HL523AZ10-9	.BOLT	SUPPLIER CODE: V06725 SPECIFICATION NUMBER: BACB30NZ10K9 OPTIONAL PART: HL523AZ10-9 V56878 HL523AZ10-9 V73197 L804-10K9 V06725 HL523AZ10-9 V92215 HL523AZ10-9 V97928 HL523AZ10-9 VOPTK6 HL523AZ10-9 V60516	101106 108120 504903	4
280	HL523AZ10-8	.BOLT	SUPPLIER CODE: V56878 SPECIFICATION NUMBER: BACB30NZ10K8 OPTIONAL PART: L804-10K8 V06725 L804-10K8 V06725 HL523AZ10-8 V73197 HL523AZ10-8 V97928 HL523AZ10-8 V06725 HL523AZ10-8 VOPTK6 HL523AZ10-8 V60516	101106 108120 504903	4

MISSING ITEM NUMBERS NOT APPLICABLE

- ITEM NOT ILLUSTRATED

BRI

57-41-01-20

BOEING PROPRIETARY - Copyright © - Unpublished Work - See title page for details.

57-41-01
FIG. 20
PAGE 10
JAN 20/09



757

PARTS CATALOG (MAINTENANCE)

FIG ITEM	PART NUMBER	1 2 3 4 5 6 7	NOMENCLATURE	EFFECT FROM TO	UNITS PER ASSY
20 285	HL79-10		. COLLAR SUPPLIER CODE: V5M902 SPECIFICATION NUMBER: BACC30M10 OPTIONAL PART: HL79-10 V73197 HL79-10 V92215 66014-10 V56878 HL79-10 V56878 -----*-----	101106 108120 504903	12

MISSING ITEM NUMBERS NOT APPLICABLE

- ITEM NOT ILLUSTRATED

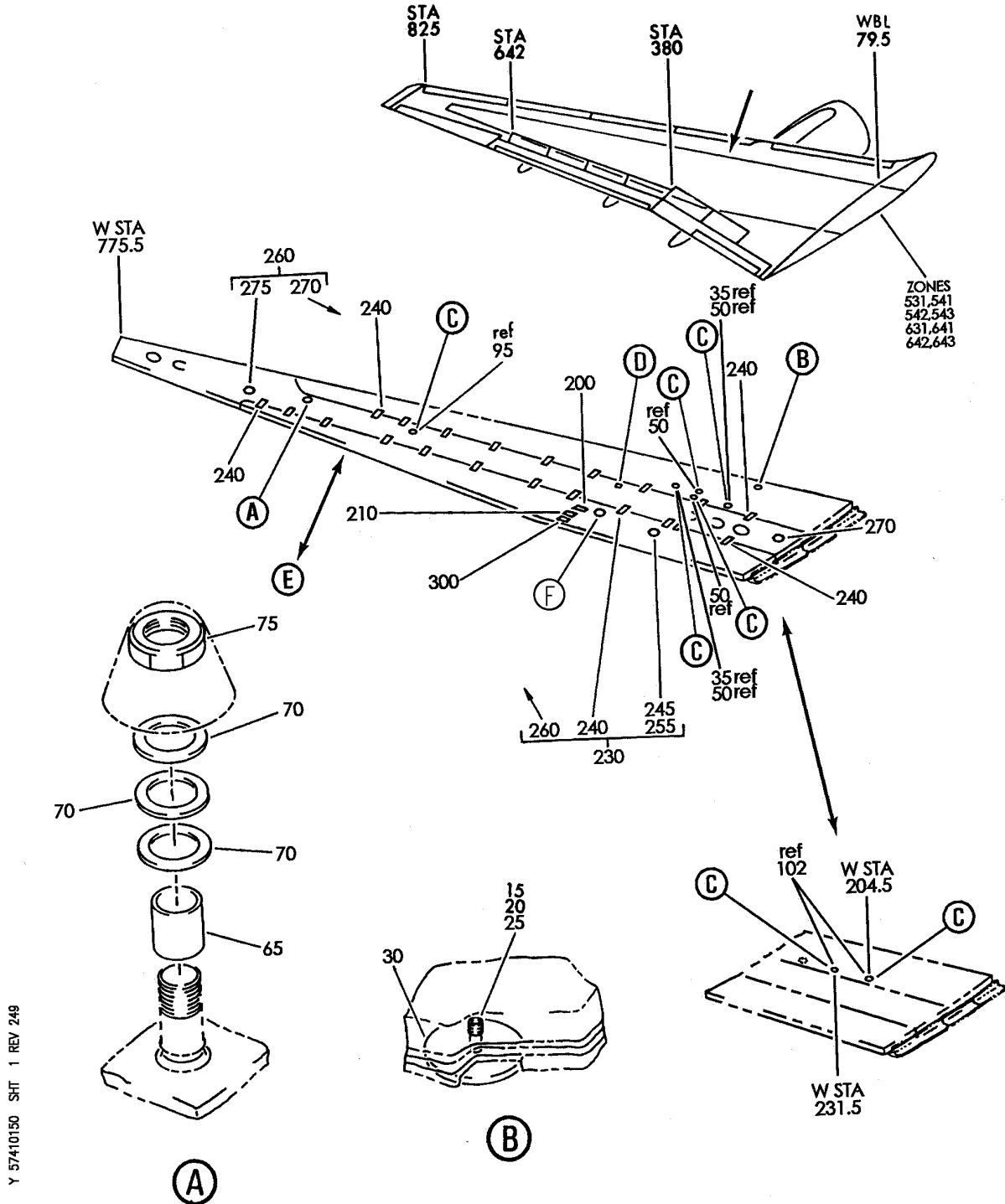
BRI

57-41-01-20

BOEING PROPRIETARY - Copyright © - Unpublished Work - See title page for details.

57-41-01
FIG. 20
PAGE 11
JAN 20/09


BOEING
 757
 PARTS CATALOG (MAINTENANCE)



Y 57410150 SHT 1 REV 249

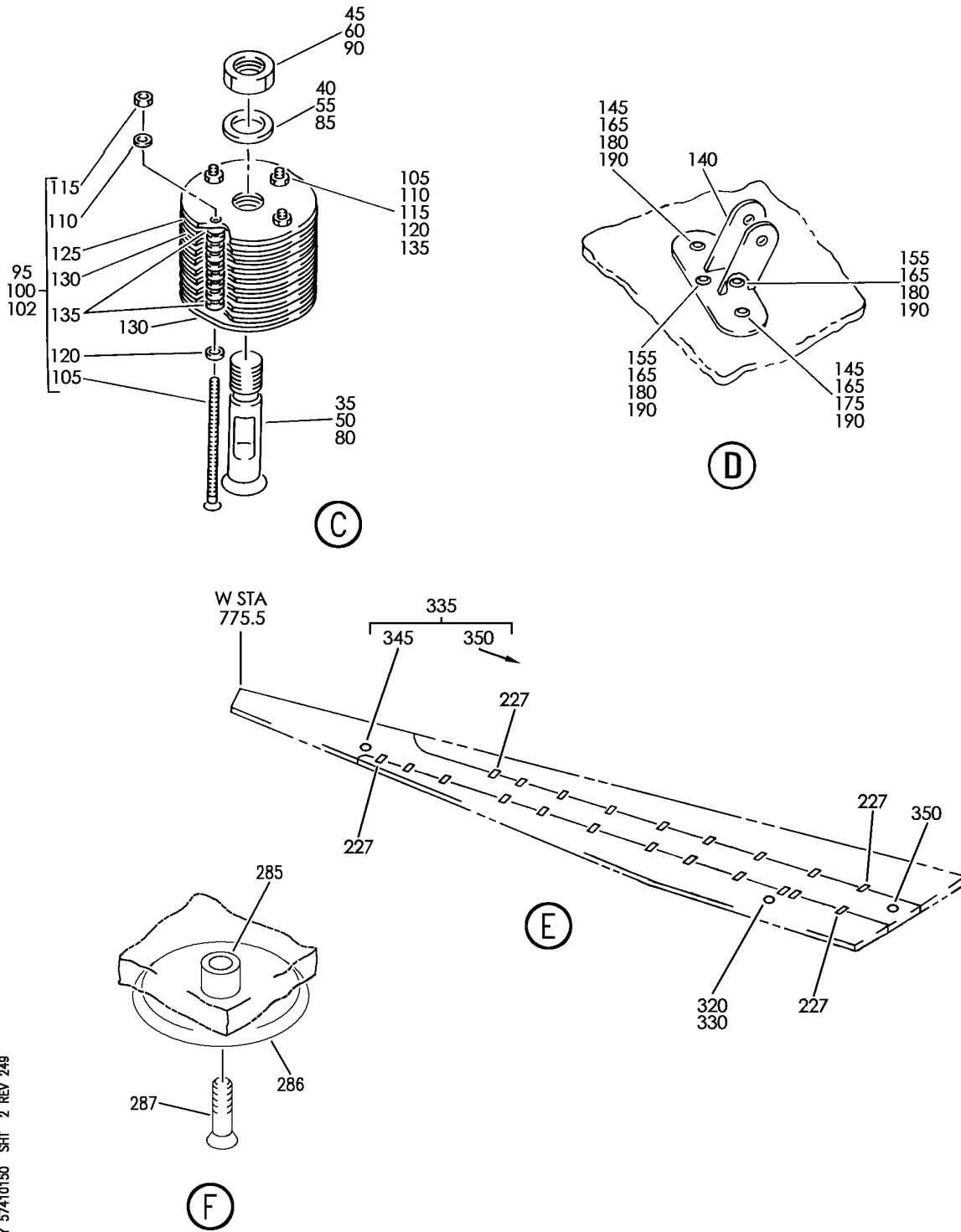
PANEL INSTL-OUTBD WING LWR
 FIGURE 50 (SHEET 1)

57-41-01-50

BRI
 MAY 28/07

57-41-01-50
 PAGE 0


BOEING
 757
PARTS CATALOG (MAINTENANCE)



Y 57410150 SHT 2 REV 249

PANEL INSTL-OUTBD WING LWR
 FIGURE 50 (SHEET 2)

57-41-01-50

BRI
 MAY 28/07

57-41-01-50
 PAGE 0A



757

PARTS CATALOG (MAINTENANCE)

FIG ITEM	PART NUMBER	1 2 3 4 5 6 7	NOMENCLATURE	EFFECT FROM TO	UNITS PER ASSY
50			PANEL INSTL-OUTBD WING LWR	002004 006999	
- 5	112N4001-1		PANEL INSTL-OUTBD WING POSITION DATA: LWR LH FOR NHA SEE: 57-20-52-01	002004 006009 107107 121503 904949 952999	RF
- 5	112N4001-11		PANEL INSTL-OUTBD WING POSITION DATA: LWR LH FOR NHA SEE: 57-20-52-01	010012 950951	RF
- 5	112N4001-17		PANEL INSTL-OUTBD WING POSITION DATA: LWR LH FOR NHA SEE: 57-20-52-01	013100	RF
- 5	112N4001-201		PANEL INSTL-OUTBD WING POSITION DATA: LWR LH FOR NHA SEE: 57-00-00-20	101102 504903	RF
- 5	112N4001-203		PANEL INSTL-OUTBD WING POSITION DATA: LWR LH FOR NHA SEE: 57-00-00-20	108120	RF
- 5	MODREF229		PANEL INSTL-OUTBD WING MODULE NUMBER: 112N4001-205 REV A POSITION DATA: LWR LH	103103	1
- 6	MODREF30007		PANEL INSTL-OUTBD WING MODULE NUMBER: 112N4001-205 REV B POSITION DATA: LWR LH	104106	1
- 10	112N4001-2		PANEL INSTL-OUTBD WING POSITION DATA: LWR RH FOR NHA SEE: 57-20-52-01	002004 006009 107107 121503 904949 952999	RF
- 10	112N4001-12		PANEL INSTL-OUTBD WING POSITION DATA: LWR RH FOR NHA SEE: 57-20-52-01	010012 950951	RF

MISSING ITEM NUMBERS NOT APPLICABLE

- ITEM NOT ILLUSTRATED

57-41-01-50

57-41-01
FIG. 50
PAGE 1
JAN 20/09

BRI



757

PARTS CATALOG (MAINTENANCE)

FIG ITEM	PART NUMBER	1 2 3 4 5 6 7	NOMENCLATURE	EFFECT FROM TO	UNITS PER ASSY
50					
- 10	112N4001-18		PANEL INSTL-OUTBD WING POSITION DATA: LWR RH FOR NHA SEE: 57-20-52-01	013100	RF
- 10	112N4001-202		PANEL INSTL-OUTBD WING POSITION DATA: LWR RH FOR NHA SEE: 57-00-00-20	101102 504903	RF
- 10	112N4001-204		PANEL INSTL-OUTBD WING POSITION DATA: LWR RH FOR NHA SEE: 57-00-00-20	108120	RF
- 10	MODREF230		PANEL INSTL-OUTBD WING MODULE NUMBER: 112N4001-206 REV A POSITION DATA: LWR RH	103103	1
- 11	MODREF26364		PANEL INSTL-OUTBD WING MODULE NUMBER: 112N4001-206 REV B POSITION DATA: LWR RH	104106	1
50	112N4004-2		.FITTING-FLAME	002004 006999	4
55	AN960PD1216		.WASHER	002004 006100 107107 121503 904999	4
55	NAS1149D1290J		.WASHER	101106 108120 504903 002004	4
60	BMN4122AD3-12		.NUT SUPPLIER CODE: V97928 SPECIFICATION NUMBER: BACN10JC12 OPTIONAL PART: H10-12BAC V15653 RMLH9074-12 V72962 48FT1216 V56878	006100 107107 121503 904999	4

MISSING ITEM NUMBERS NOT APPLICABLE

- ITEM NOT ILLUSTRATED

BRI

57-41-01-50

57-41-01
FIG. 50
PAGE 2
JAN 20/09



757

PARTS CATALOG (MAINTENANCE)

FIG ITEM	PART NUMBER	1 2 3 4 5 6 7	NOMENCLATURE	EFFECT FROM TO	UNITS PER ASSY
50					
60	69235-1216CD	.NUT	SUPPLIER CODE: V92215 SPECIFICATION NUMBER: BACN10JC12CD OPTIONAL PART: 102LH9074-12 V72962 BMN4122CPD8-12 V97928 H51650-12BAC V15653	101106 108120 504903	4
100	341T0020-3	.ARRESTOR ASSY	-----*-----	010012 101106 108120 504903 950951	4
105	NAS514P832-16	..SCREW		010012 101106 108120 504903 950951	4
110	AN960PD8L	..WASHER		010012 101106 108120 504903 950951	4
115	BRH10A08	..NUT	SUPPLIER CODE: V52828 SPECIFICATION NUMBER: BACN10JC08 OPTIONAL PART: H10-08BAC V15653 NS202101-82 V80539 RMLH9075-82W V72962 VN303A82 V92215 96-82 V80539 T6S832J V11815	010012 101106 108120 504903 950951	4

MISSING ITEM NUMBERS NOT APPLICABLE

- ITEM NOT ILLUSTRATED

57-41-01-50

57-41-01
FIG. 50
PAGE 3
JAN 20/09

BRI

BOEING PROPRIETARY - Copyright © - Unpublished Work - See title page for details.



757

PARTS CATALOG (MAINTENANCE)

FIG ITEM	PART NUMBER	1 2 3 4 5 6 7	NOMENCLATURE	EFFECT FROM TO	UNITS PER ASSY
50					
120	341T0020-4	..	SPACER-COUNTERSUNK	010012 101106 108120 504903 950951	4
125	341T0020-1	..	PLATE	010012 101106 108120 504903 950951	1
130	341T0020-2	..	PLATE	010012 101106 108120 504903 950951	9
135	69B92273-3	..	SPACER	010012 101106 108120 504903 950951	36
140	271N5029-1	.	FITTING-SPRT POSITION DATA: LH SIDE OPTIONAL PART: 271N5029-4	002004 006999	1
140	271N5029-4	.	FITTING-SPRT POSITION DATA: LH SIDE OPTIONAL PART: 271N5029-1	002004 006999	1
145	HST10AG10-10	.	ATTACHING PARTS BOLT SUPPLIER CODE: VOPTK6 SPECIFICATION NUMBER: BACB30VT10K10 OPTIONAL PART: HST10AG10-10 V06725 HST10AG10-10 V56878 HST10AG10-10 V73197 WC10K10-10 V60516	101106 108120 504903	2

MISSING ITEM NUMBERS NOT APPLICABLE

- ITEM NOT ILLUSTRATED

57-41-01-50

57-41-01
FIG. 50
PAGE 4
JAN 20/09

BRI

BOEING PROPRIETARY - Copyright © - Unpublished Work - See title page for details.



757

PARTS CATALOG (MAINTENANCE)

FIG ITEM	PART NUMBER	1 2 3 4 5 6 7	NOMENCLATURE	EFFECT FROM TO	UNITS PER ASSY
50					
- 150	L80010K10		.BOLT SUPPLIER CODE: V06725 SPECIFICATION NUMBER: BACB30MY10K10	002004 006100 107107 121503 904999	4
155	HST11AG10-9		.BOLT SUPPLIER CODE: V06725 SPECIFICATION NUMBER: BACB30VU10K9 OPTIONAL PART: HST11AG10-9 V73197 HST11AG10-9 VOPTK6 HST11AG10-9 V56878	101102 108120 504903	2
155	WC331K10-9		.BOLT SUPPLIER CODE: V60516 SPECIFICATION NUMBER: BACB30YP10K9	103106	2
- 160	HL79-10		.COLLAR SUPPLIER CODE: V5M902 SPECIFICATION NUMBER: BACC30M10 OPTIONAL PART: HL79-10 V73197 HL79-10 V92215 66014-10 V56878 HL79-10 V56878	002004 006100 107107 121503 904999	4
165	VLC771-10		.COLLAR- SUPPLIER CODE: V5M902 SPECIFICATION NUMBER: BACC30BP10 OPTIONAL PART: HST771-10 V73197 -----*	101106 108120 504903	4

MISSING ITEM NUMBERS NOT APPLICABLE

- ITEM NOT ILLUSTRATED

57-41-01-50

57-41-01
FIG. 50
PAGE 5
JAN 20/09

BRI

BOEING PROPRIETARY - Copyright © - Unpublished Work - See title page for details.



757

PARTS CATALOG (MAINTENANCE)

FIG ITEM	PART NUMBER	1 2 3 4 5 6 7	NOMENCLATURE	EFFECT FROM TO	UNITS PER ASSY
50					
- 170	271N5031-1		. FITTING-SPRT POSITION DATA: RH SIDE OPTIONAL PART: 271N5031-4	002004 006999	1
- 170	271N5031-4		. FITTING-SPRT POSITION DATA: RH SIDE OPTIONAL PART: 271N5031-1	002004 006999	1
175	HST10AG10-10		ATTACHING PARTS . BOLT SUPPLIER CODE: VOPTK6 SPECIFICATION NUMBER: BACB30VT10K10 OPTIONAL PART: HST10AG10-10 V06725 HST10AG10-10 V56878 HST10AG10-10 V73197 WC10K10-10 V60516	101106 108120 504903	1
180	HST11AG10-9		. BOLT SUPPLIER CODE: V06725 SPECIFICATION NUMBER: BACB30VU10K9 OPTIONAL PART: HST11AG10-9 V73197 HST11AG10-9 VOPTK6 HST11AG10-9 V56878	101102 108120 504903	3
180	WC331K10-9		. BOLT SUPPLIER CODE: V60516 SPECIFICATION NUMBER: BACB30YP10K9	103106	3

MISSING ITEM NUMBERS NOT APPLICABLE

- ITEM NOT ILLUSTRATED

57-41-01-50

57-41-01
FIG. 50
PAGE 6
JAN 20/09

BRI

 **BOEING**
757
PARTS CATALOG (MAINTENANCE)

FIG ITEM	PART NUMBER	1 2 3 4 5 6 7	NOMENCLATURE	EFFECT FROM TO	UNITS PER ASSY
50 - 185	HL11VAZ10-9		.BOLT SUPPLIER CODE: V60516 SPECIFICATION NUMBER: BACB30NW10K9 OPTIONAL PART: B30NW10K9 V97928 HL11VAZ10-9 V73197 HL11VAZ10-9 V92215 HL11VAZ10-9 V97928 L803-10K9 V06725 HL11VAZ10-9 VOPTK6 HL11VAZ10-9 V56878	002004 006100 107107 121503 904999	4
190	VLC771-10		.COLLAR- SUPPLIER CODE: V5M902 SPECIFICATION NUMBER: BACC30BP10 OPTIONAL PART: HST771-10 V73197	101106 108120 504903	4
- 195	TLN12045		.NUT SUPPLIER CODE: V97928 SPECIFICATION NUMBER: BACN10WM5 OPTIONAL PART: LH10114B5 V72962 MN155 V73197 VN18615 V92215 H49702-5S V15653 W8505 V08524 H497025 V15653 -----*	002004 006100 107107 121503 904999	4

MISSING ITEM NUMBERS NOT APPLICABLE

- ITEM NOT ILLUSTRATED

BRI

57-41-01-50

BOEING PROPRIETARY - Copyright © - Unpublished Work - See title page for details.

57-41-01
FIG. 50
PAGE 7
JAN 20/09



757

PARTS CATALOG (MAINTENANCE)

FIG ITEM	PART NUMBER	1 2 3 4 5 6 7	NOMENCLATURE	EFFECT FROM TO	UNITS PER ASSY
50					
200	271N6317-11		.BRACKET-HYDR POSITION DATA: LH SIDE	002004 006999	1
- 205	271N6317-12		.BRACKET-HYDR POSITION DATA: RH SIDE	002004 006999	1
210	271N6317-7		.BRACKET-HYDR POSITION DATA: LH SIDE	002004 006999	1
- 215	271N6317-8		.BRACKET-HYDR POSITION DATA: RH SIDE	002004 006999	1
- 220	L80010K9		ATTACHING PARTS .BOLT SUPPLIER CODE: V06725 SPECIFICATION NUMBER: BACB30MY10K9	002004 006100 107107 121503 904999	6
- 220	HST10AG10-9		.BOLT SUPPLIER CODE: VOPTK6 SPECIFICATION NUMBER: BACB30VT10K9 OPTIONAL PART: HST10AG10-9 V06725 HST10AG10-9 V56878 HST10AG10-9 V73197 WC10K10-9 V60516	101106 108120 504903	6
- 225	HL79-10		.COLLAR SUPPLIER CODE: V5M902 SPECIFICATION NUMBER: BACC30M10 OPTIONAL PART: HL79-10 V73197 HL79-10 V92215 66014-10 V56878 HL79-10 V56878	002004 006100 107107 121503 904999	6

MISSING ITEM NUMBERS NOT APPLICABLE

- ITEM NOT ILLUSTRATED

57-41-01-50

57-41-01
FIG. 50
PAGE 8
JAN 20/09

BRI

BOEING PROPRIETARY - Copyright © - Unpublished Work - See title page for details.



757

PARTS CATALOG (MAINTENANCE)

FIG ITEM	PART NUMBER	1 2 3 4 5 6 7	NOMENCLATURE	EFFECT FROM TO	UNITS PER ASSY
50					
- 225	VLC771-10		.COLLAR SUPPLIER CODE: V5M902 SPECIFICATION NUMBER: BACC30BP10 OPTIONAL PART: HST771-10 V73197 -----*-----	101106 108120 504903	6
227	69-66768-2		.SEAL INSTL	101106 108120 504903	21
230	112N4001-3		.PANEL ASSY- POSITION DATA: LH SIDE	002004 006009 107107 121503 904949 952999	1
230	112N4001-13		.PANEL ASSY- POSITION DATA: LH SIDE	010012 950951	1
230	112N4001-19		.PANEL ASSY- POSITION DATA: LH SIDE	013100	1
- 235	112N4001-4		.PANEL ASSY- POSITION DATA: RH SIDE	002004 006009 107107 121503 904949 952999	1
- 235	112N4001-14		.PANEL ASSY- POSITION DATA: RH SIDE	010012 950951	1
- 235	112N4001-20		.PANEL ASSY- POSITION DATA: RH SIDE	013100	1
240	69-66768-2		..SEAL INSTL	002004 006100 107107 121503 904999	21
245	112N4101-25		..SKIN ASSY-MACH POSITION DATA: AFT LH SIDE	107107	1
245	112N4101-33		..SKIN ASSY-MACH POSITION DATA: AFT LH SIDE	002004 006009 121503 904949 952999	1

MISSING ITEM NUMBERS NOT APPLICABLE

- ITEM NOT ILLUSTRATED

57-41-01-50

57-41-01
FIG. 50
PAGE 9
JAN 20/09

BRI

BOEING PROPRIETARY - Copyright © - Unpublished Work - See title page for details.



757

PARTS CATALOG (MAINTENANCE)

FIG ITEM	PART NUMBER	1 2 3 4 5 6 7	NOMENCLATURE	EFFECT FROM TO	UNITS PER ASSY
50					
245	112N4101-37	..	SKIN ASSY-MACH POSITION DATA: AFT LH SIDE	010100 950951	1
- 250	112N4101-2	..	SKIN ASSY-MACH POSITION DATA: AFT RH SIDE	107107	1
- 250	112N4101-8	..	SKIN ASSY-MACH POSITION DATA: AFT RH SIDE OPTIONAL PART: 112N4101-14	107107	1
- 250	112N4101-14	..	SKIN ASSY-MACH POSITION DATA: AFT RH SIDE	107107	1
- 250	112N4101-30	..	SKIN ASSY-MACH POSITION DATA: AFT RH SIDE	107107	1
- 250	112N4101-26	..	SKIN ASSY-MACH POSITION DATA: AFT RH SIDE	107107	1
- 250	112N4101-34	..	SKIN ASSY-MACH POSITION DATA: AFT RH SIDE	002004 006009 121503 904949 952999	1
- 250	112N4101-38	..	SKIN ASSY-MACH POSITION DATA: AFT RH SIDE	010100 950951	1
255	69-65400-1	...	BUSHING-DRAIN	002004 006100 107107 121503 904999	1
255	69-65400-7	...	BUSHING-DRAIN	002004 006100 107107 121503 904999	1
260	112N4102-33	..	SKIN ASSY-MACH POSITION DATA: LH SIDE	107107	1
260	112N4102-41	..	SKIN ASSY-MACH POSITION DATA: LH SIDE	002004 121503 904949 952952	1
260	112N4102-49	..	SKIN ASSY-MACH POSITION DATA: LH SIDE	006009 953999	1

MISSING ITEM NUMBERS NOT APPLICABLE

- ITEM NOT ILLUSTRATED

57-41-01-50

57-41-01
FIG. 50
PAGE 10
JAN 20/09

BRI

 **BOEING**
757
PARTS CATALOG (MAINTENANCE)

FIG ITEM	PART NUMBER	1 2 3 4 5 6 7	NOMENCLATURE	EFFECT FROM TO	UNITS PER ASSY
50					
260	112N4102-53	..	SKIN ASSY-MACH POSITION DATA: LH SIDE	010100 950951	1
- 265	112N4102-34	..	SKIN ASSY-MACH POSITION DATA: RH SIDE	107107	1
- 265	112N4102-42	..	SKIN ASSY-MACH POSITION DATA: RH SIDE	002004 121503 904949 952952	1
- 265	112N4102-50	..	SKIN ASSY-MACH POSITION DATA: RH SIDE	006009 953999	1
- 265	112N4102-54	..	SKIN ASSY-MACH POSITION DATA: RH SIDE	010100 950951	1
270	69B92320-5	...	FITTING	002004 006100 107107 121503 904999	1
275	69-65400-4	...	BUSHING-DRAIN POSITION DATA: LH SIDE	002004 006100 107107 121503 904999	1
- 280	69-65400-4	...	BUSHING-DRAIN POSITION DATA: RH SIDE	002004 006100 107107 121503 904999	1
285	112N5169-3	.	BUSHING	002004 006999	1
286	66-15398-1	.	FILLER-JACK PAD MISCELLANEOUS DATA: TRUE NHA 112N5009	002004 006999	1
287	BACB30LU3-6	.	BOLT- MISCELLANEOUS DATA: TRUE NHA 112N5009	002004 006999	1
- 290	112N4301-1	.	SPLICE INSTL-PNL POSITION DATA: SECT. 12 LWR BBL 70.5 LH FOR DETAILS SEE: 57-27-53-02	002004 006100 107107 121503 904999	1
- 295	112N4301-2	.	SPLICE INSTL-PNL POSITION DATA: SECT. 12 LWR BBL 70.5 RH FOR DETAILS SEE: 57-27-53-02	002004 006100 107107 121503 904999	1

MISSING ITEM NUMBERS NOT APPLICABLE

- ITEM NOT ILLUSTRATED

BRI

57-41-01-50

BOEING PROPRIETARY - Copyright © - Unpublished Work - See title page for details.

57-41-01
FIG. 50
PAGE 11
JAN 20/09



757

PARTS CATALOG (MAINTENANCE)

FIG ITEM	PART NUMBER	1 2 3 4 5 6 7	NOMENCLATURE	EFFECT FROM TO	UNITS PER ASSY
50					
300	271N6317-15		.BRACKET-HYDR POSITION DATA: LH SIDE	101106 108120 504903	1
- 305	271N6317-16		.BRACKET-HYDR POSITION DATA: RH SIDE	101106 108120 504903	1
- 310	HST10AG10-9		.BOLT SUPPLIER CODE: VOPTK6 SPECIFICATION NUMBER: BACB30VT10K9 OPTIONAL PART: HST10AG10-9 V06725 HST10AG10-9 V56878 HST10AG10-9 V73197 WC10K10-9 V60516	101106 108120 504903	3
- 315	VLC771-10		.COLLAR SUPPLIER CODE: V5M902 SPECIFICATION NUMBER: BACC30BP10 OPTIONAL PART: HST771-10 V73197 -----*-----	101106 108120 504903	3
320	112N4101-37		.SKIN ASSY-MACH POSITION DATA: AFT LH SIDE	101106 108120 504903	1
- 325	112N4101-38		.SKIN ASSY-MACH POSITION DATA: AFT RH SIDE	101106 108120 504903	1
330	69-65400-1		..BUSHING-DRAIN	101106 108120 504903	1
330	69-65400-7		..BUSHING-DRAIN	101106 108120 504903	1
335	112N4102-57		.SKIN ASSY-MACH POSITION DATA: LH SIDE	101106 108120 504903	1
- 340	112N4102-58		.SKIN ASSY-MACH POSITION DATA: RH SIDE	101106 108120 504903	1

MISSING ITEM NUMBERS NOT APPLICABLE

- ITEM NOT ILLUSTRATED

57-41-01-50

57-41-01
FIG. 50
PAGE 12
JAN 20/09

BRI



757

PARTS CATALOG (MAINTENANCE)

FIG ITEM	PART NUMBER	1 2 3 4 5 6 7	NOMENCLATURE	EFFECT FROM TO	UNITS PER ASSY
50					
345	69-65400-4	..	BUSHING-DRAIN OPTIONAL PART: 69-65400-8	101106 108120 504903	1
345	69-65400-8	..	BUSHING-DRAIN OPTIONAL PART: 69-65400-4	101106 108120 504903	1
350	69B92320-5	..	FITTING	101106 108120 504903	1

MISSING ITEM NUMBERS NOT APPLICABLE

- ITEM NOT ILLUSTRATED

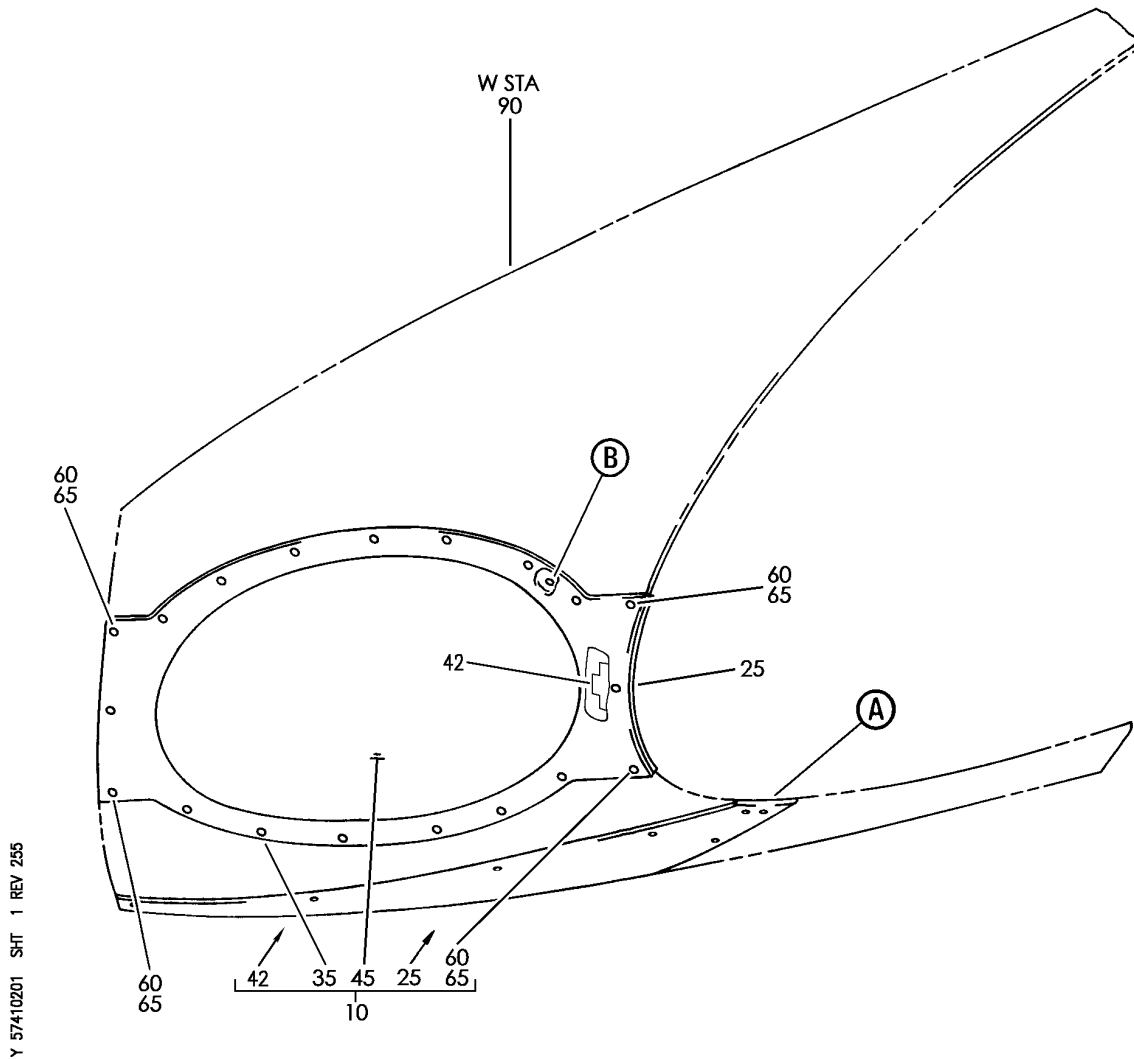
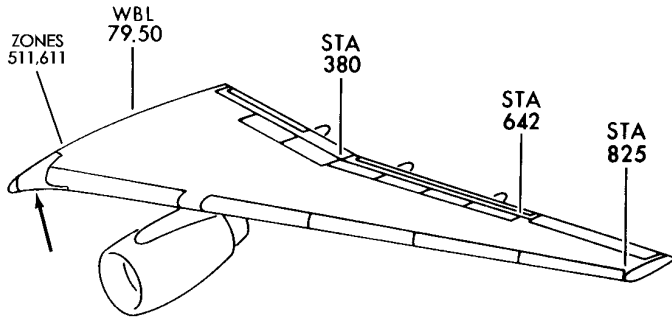
BRI

57-41-01-50

BOEING PROPRIETARY - Copyright © - Unpublished Work - See title page for details.

57-41-01
FIG. 50
PAGE 13
JAN 20/09

BOEING
757
PARTS CATALOG (MAINTENANCE)



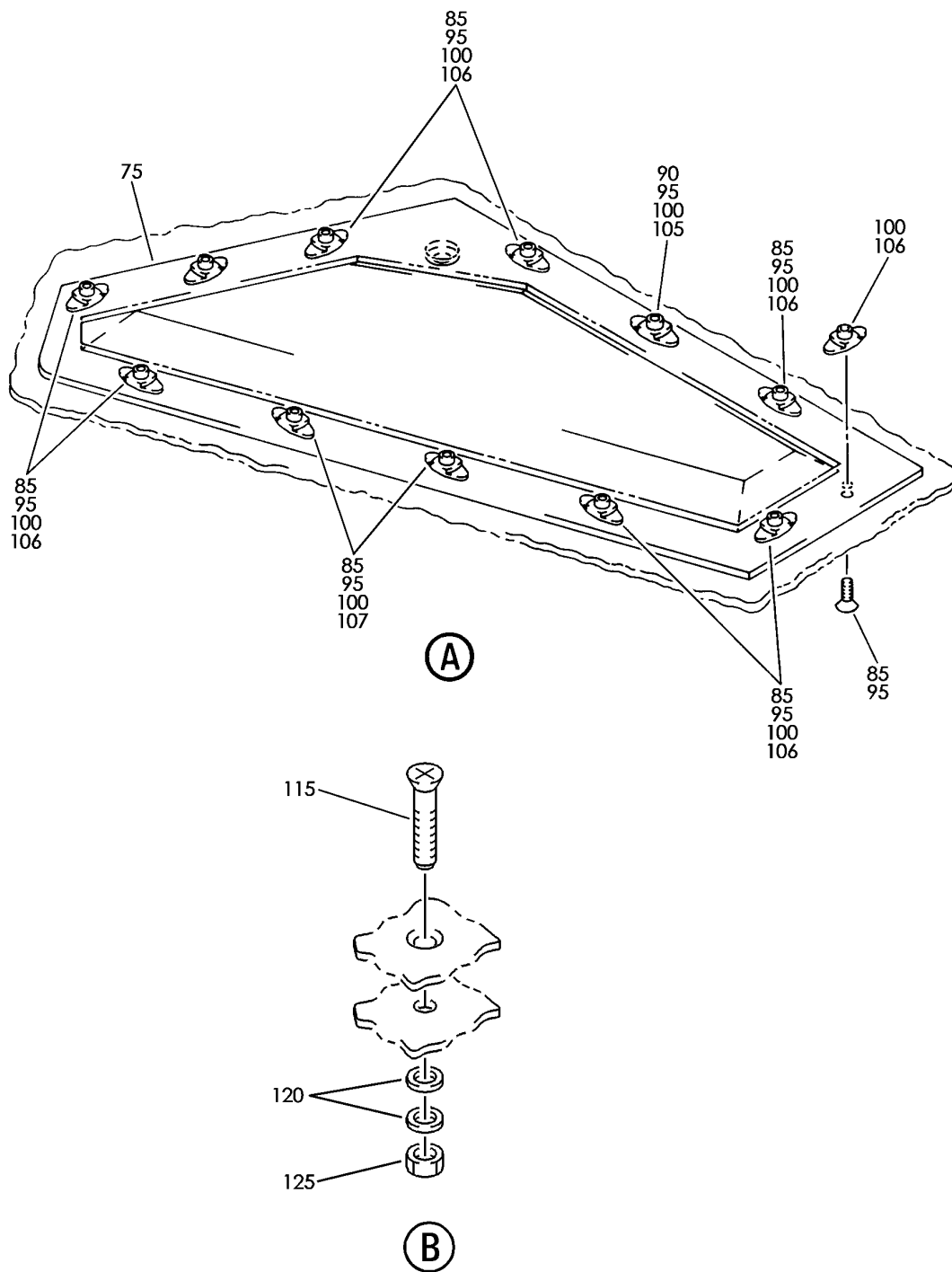
STRAKELET INSTL-WING INBD LE
FIGURE 1 (SHEET 1)

BRI
MAY 28/07

57-41-02-01

57-41-02-01
PAGE 0

BOEING
757
PARTS CATALOG (MAINTENANCE)



Y 57410201 SHT. 2 REV 212

STRAKELET INSTL-WING INBD LE
FIGURE 1 (SHEET 2)

57-41-02-01

BRI
MAY 28/07

57-41-02-01
PAGE 0A



757

PARTS CATALOG (MAINTENANCE)

FIG ITEM	PART NUMBER	1 2 3 4 5 6 7	NOMENCLATURE	EFFECT FROM TO	UNITS PER ASSY
1			STRAKELET INSTL-WING INBD LE	002004 006999	
- 1	114N1701-29		STRAKELET INSTL-WING LE POSITION DATA: INBD LH FOR NHA SEE: 57-40-00-01	002004 006100 107107 121503 904999	RF
- 1	114N1701-401		STRAKELET INSTL-WING LE POSITION DATA: INBD LH FOR NHA SEE: 57-00-00-10	101102 504903	RF
- 1	114N1701-403		STRAKELET INSTL-WING LE POSITION DATA: INBD LH FOR NHA SEE: 57-00-00-10	108120	RF
- 1	MODREF24190		STRAKELET INSTL-WING LE MODULE NUMBER: 114N1701-305 REV B POSITION DATA: INBD LH	103103	1
- 1	MODREF32533		STRAKELET INSTL-WING LE MODULE NUMBER: 114N1701-305 REV D POSITION DATA: INBD LH	106106	1
- 1	MODREF30016		STRAKELET INSTL-WING LE MODULE NUMBER: 114N1701-305 REV C POSITION DATA: INBD LH	104105	1
- 5	114N1701-30		STRAKELET INSTL-WING LE POSITION DATA: INBD RH FOR NHA SEE: 57-40-00-01	002004 006100 107107 121503 904999	RF
- 5	114N1701-402		STRAKELET INSTL-WING LE POSITION DATA: INBD RH FOR NHA SEE: 57-00-00-10	101102 504903	RF
- 5	114N1701-404		STRAKELET INSTL-WING LE POSITION DATA: INBD RH FOR NHA SEE: 57-00-00-10	108120	RF

MISSING ITEM NUMBERS NOT APPLICABLE

- ITEM NOT ILLUSTRATED

BRI

57-41-02-01

57-41-02
FIG. 01
PAGE 1
JAN 20/09



757

PARTS CATALOG (MAINTENANCE)

FIG ITEM	PART NUMBER	1 2 3 4 5 6 7	NOMENCLATURE	EFFECT FROM TO	UNITS PER ASSY
1					
- 5	MODREF24191		STRAKELET INSTL-WING LE MODULE NUMBER: 114N1701-306 REV B POSITION DATA: INBD RH	103103	1
- 5	MODREF26659		STRAKELET INSTL-WING LE MODULE NUMBER: 114N1701-306 REV C POSITION DATA: INBD RH	104105	1
- 5	MODREF32534		STRAKELET INSTL-WING LE MODULE NUMBER: 114N1701-306 REV D POSITION DATA: INBD RH	106106	1
10	114N1703-17		.LENS ASSY-LDG LT POSITION DATA: LH SIDE	002004 006999	1
10	114N1703-23		.LENS ASSY-LDG LT POSITION DATA: LH SIDE	002004 006999	1
- 15	114N1703-18		.LENS ASSY-LDG LT POSITION DATA: RH SIDE	002004 006999	1
- 15	114N1703-24		.LENS ASSY-LDG LT POSITION DATA: RH SIDE	002004 006999	1
- 20	BACB30NN3K5		ATTACHING PARTS .BOLT	002004 006999	19
- 23	CA1810C		.NUT-ANCHOR TWIN LUG SUPPLIER CODE: V26390 OPTIONAL PART: CA1812C V26390	002004 006999	19
- 23	CA1812C		.NUT-ANCHOR SINGLE LUG SUPPLIER CODE: V26390 OPTIONAL PART: CA1810C V26390	002004 006999	19
25	114N1703-13		-----*----- ..FRAME- POSITION DATA: LH SIDE	002004 006999	1
- 30	114N1703-14		..FRAME- POSITION DATA: RH SIDE	002004 006999	1

MISSING ITEM NUMBERS NOT APPLICABLE

- ITEM NOT ILLUSTRATED

57-41-02-01

57-41-02
FIG. 01
PAGE 2
JAN 20/09

BRI

BOEING PROPRIETARY - Copyright © - Unpublished Work - See title page for details.



757

PARTS CATALOG (MAINTENANCE)

FIG ITEM	PART NUMBER	1 2 3 4 5 6 7	NOMENCLATURE	EFFECT FROM TO	UNITS PER ASSY
1					
35	114N1703-19		.. PLATE-COVER POSITION DATA: LH SIDE USED ON: 114N1703-17	002004 006999	1
35	114N1703-21		.. PLATE-COVER POSITION DATA: LH SIDE USED ON: 114N1703-23	002004 006999	1
- 40	114N1703-20		.. PLATE-COVER POSITION DATA: RH SIDE USED ON: 114N1703-18	002004 006999	1
- 40	114N1703-22		.. PLATE-COVER POSITION DATA: RH SIDE USED ON: 114N1703-24	002004 006999	1
42	114T0130-10		.. TETHER ASSY- POSITION DATA: LH SIDE	002004 006999	1
- 43	114T0130-9		.. TETHER ASSY- POSITION DATA: RH SIDE	002004 006999	1
- 44	BACR15CE5AD		ATTACHING PARTS .. RIVET	002004 006999	2
			-----*-----		
45	114N1704-3		.. LENS- POSITION DATA: LH SIDE QUALIFIED I/W DATA: USE NHA 114N1703-23 FOR GOSMETIC APPEARANCE. G14N1704-3 CAN REPLACE GUT NOT BE REPLACED BY -5. ADD EXTRA SEALANT AND FAIR SQUEEZE OUT AT INDEXING TAB. USED ON: 114N1703-1 114N1703-11 114N1703-23	103106 108120	1

MISSING ITEM NUMBERS NOT APPLICABLE

- ITEM NOT ILLUSTRATED

57-41-02-01

57-41-02
FIG. 01
PAGE 3
JAN 20/09

BRI

BOEING PROPRIETARY - Copyright © - Unpublished Work - See title page for details.



757

PARTS CATALOG (MAINTENANCE)

FIG ITEM	PART NUMBER	1 2 3 4 5 6 7	NOMENCLATURE	EFFECT FROM TO	UNITS PER ASSY
1 45	114N1704-5		.. LENS- POSITION DATA: LH SIDE QUALIFIED I/W DATA: USE NHA 114N1703-23 FOR COSMETIC APPEARANCE. 114N1704-3 CAN REPLACE BUT NOT BE REPLACED BY -5. ADD EXTRA SEALANT AND FAIR SQUEEZE OUT AT INDEXING TAB. USED ON: 114N1703-17	002004 006999	1
- 50	114N1704-4		.. LENS- POSITION DATA: RH SIDE QUALIFIED I/W DATA: USE NHA 114N1703-24 FOR COSMETIC APPEARANCE. 114N1704-4 CAN REPLACE BUT NOT BE REPLACED BY -6, ADD EXTRA SEALANT AND FAIR SQUEEZE OUR AT INDEXING TAB. USED ON: 114N1703-2 114N1703-12 114N1703-24	103106 108120	1
- 50	114N1704-6		.. LENS- POSITION DATA: RH SIDE QUALIFIED I/W DATA: USE NHA 114N1703-24 FOR COSMETIC APPEARANCE. 114N1704-4 CAN REPLACE BUT NOT BE REPLACED BY -6, ADD EXTRA SEALANT AND FAIR SQUEEZE OUR AT INDEXING TAB. USED ON: 114N1703-18	002004 006999	1
60	CA1820-2C		.. STUD- SUPPLIER CODE: V26390	002004 006999	19
65	CA1826-1C		.. RING-RETAINING SUPPLIER CODE: V26390	002004 006999	19

MISSING ITEM NUMBERS NOT APPLICABLE

- ITEM NOT ILLUSTRATED

57-41-02-01

57-41-02
FIG. 01
PAGE 4
JAN 20/09

BRI



757

PARTS CATALOG (MAINTENANCE)

FIG ITEM	PART NUMBER	1 2 3 4 5 6 7	NOMENCLATURE	EFFECT FROM TO	UNITS PER ASSY
1	75 114N1712-9		.PANEL ASSY-LDG LT ACCESS POSITION DATA: LH SIDE	002004 006999	1
	75 114N1712-11		.PANEL ASSY-LDG LT ACCESS POSITION DATA: LH SIDE	002004 006999	1
-	80 114N1712-10		.PANEL ASSY-LDG LT ACCESS POSITION DATA: RH SIDE	002004 006999	1
-	80 114N1712-12		.PANEL ASSY-LDG LT ACCESS POSITION DATA: RH SIDE	002004 006999	1
	85 BACB30NN3K3		.BOLT	002004 006999	11
	90 BACB30LR4-3		.BOLT	002004 006999	1
	105 BRFR220C4-2D		-----*----- .NUTPLATE SUPPLIER CODE: V52828 SPECIFICATION NUMBER: BACN10KE4B2CD OPTIONAL PART: F51747-4-2CD V15653 102A9213-2-4 V72962 NS202493-048-2 V80539	002004 006999	1
	106 BRFR220C3-2D		.NUTPLATE SUPPLIER CODE: V52828 SPECIFICATION NUMBER: BACN10KE3B2CD OPTIONAL PART: F51747-3-2CD V15653 102A9213-2-3 V72962 NS202493-02-2 V80539	002004 006999	9

MISSING ITEM NUMBERS NOT APPLICABLE

- ITEM NOT ILLUSTRATED

BRI

57-41-02-01

BOEING PROPRIETARY - Copyright © - Unpublished Work - See title page for details.

57-41-02
FIG. 01
PAGE 5
JAN 20/09



757

PARTS CATALOG (MAINTENANCE)

FIG ITEM	PART NUMBER	1 2 3 4 5 6 7	NOMENCLATURE	EFFECT FROM TO	UNITS PER ASSY
1 107	BRFR120C3-2D		.NUTPLATE SUPPLIER CODE: V52828 SPECIFICATION NUMBER: BACN10KE3E2CD OPTIONAL PART: 102F9216-2-3 V72962 F51751-3-2CD V15653 NS202494-02-2 V80539 ATTACHING PARTS	002004 006999	2
- 110	BACR15BA3AD		.RIVET- SIZE DETERMINED ON INSTL. -----*-----	002004 006999	12
115	BACB30NN3K4		.BOLT	002004 006999	1
120	AN960PD10		.WASHER-	002004 006999	2
125	BRH10A3		.NUT- SUPPLIER CODE: V52828 SPECIFICATION NUMBER: BACN10JC3 OPTIONAL PART: H10-3BAC V15653 NS202101-02 V80539 RMLH9075-3W V72962 VN303A02 V92215 96-02 V80539 T6S1032J V11815	002004 006999	1

MISSING ITEM NUMBERS NOT APPLICABLE

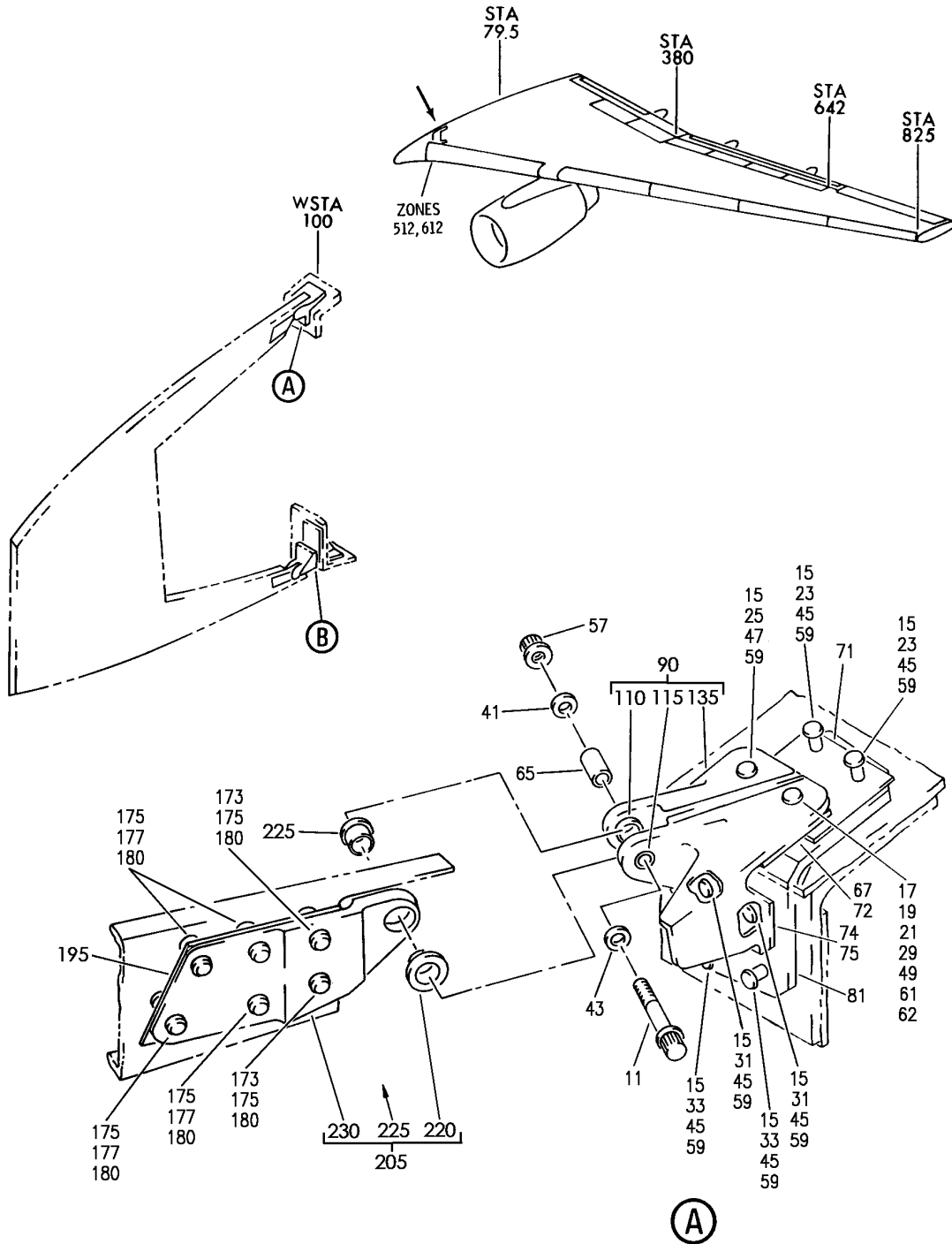
- ITEM NOT ILLUSTRATED

57-41-02-01

57-41-02
FIG. 01
PAGE 6
JAN 20/09

BRI

BOEING
757
PARTS CATALOG (MAINTENANCE)



Y 57415103 SHT 1 REV 246

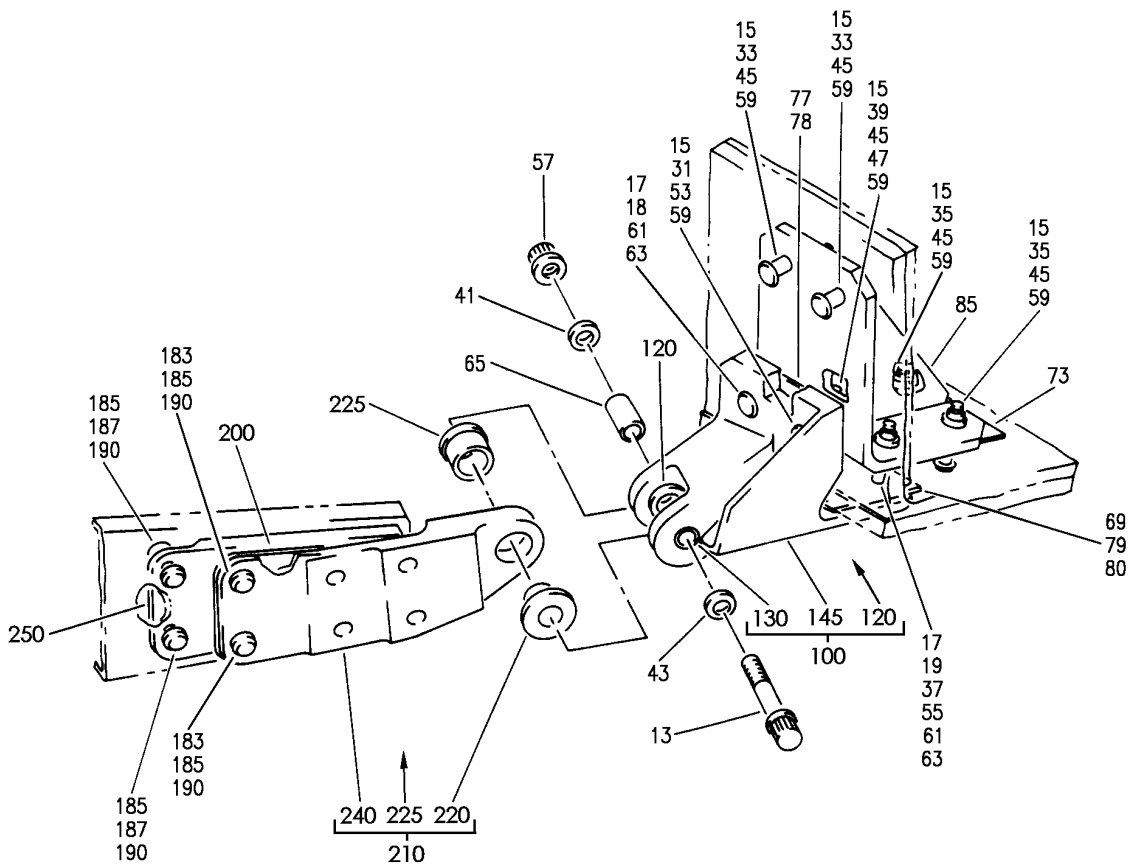
RIB INSTL-WING LE END
FIGURE 3 (SHEET 1)

57-41-51-03

BRI
MAY 28/07

57-41-51-03
PAGE 0

BOEING
757
PARTS CATALOG (MAINTENANCE)



(B)

Y 57415103 SHT 2 REV 246

RIB INSTL-WING LE END
FIGURE 3 (SHEET 2)

57-41-51-03

BRI
MAY 28/07

57-41-51-03
PAGE 0A



757

PARTS CATALOG (MAINTENANCE)

FIG ITEM	PART NUMBER	1 2 3 4 5 6 7	NOMENCLATURE	EFFECT FROM TO	UNITS PER ASSY
3			RIB INSTL-WING LE END	002004 006999	
- 1	114N1301-1		RIB INSTL-WING LE END POSITION DATA: ISS 104.22 LH FOR NHA SEE: 57-40-00-01	002004 006100 107107 121503 904999	RF
- 1	114N1301-403		RIB INSTL-WING LE END POSITION DATA: ISS 104.22 LH FOR NHA SEE: 57-00-00-10	101102 504903	RF
- 1	114N1301-407		RIB INSTL-WING LE END POSITION DATA: ISS 104.22 LH FOR NHA SEE: 57-00-00-10	108120	RF
- 1	MODREF19113		RIB INSTL-WING LE END MODULE NUMBER: 114N1301-307 REV A POSITION DATA: ISS 104.22 LH	103103	1
- 1	MODREF26643		RIB INSTL-WING LE END MODULE NUMBER: 114N1301-307 REV B POSITION DATA: ISS 104.22 LH	104106	1
- 5	114N1301-2		RIB INSTL-WING LE END POSITION DATA: ISS 104.22 RH FOR NHA SEE: 57-40-00-01	002004 006100 107107 121503 904999	RF
- 5	114N1301-404		RIB INSTL-WING LE END POSITION DATA: ISS 104.22 RH FOR NHA SEE: 57-00-00-10	101102 504903	RF
- 5	114N1301-408		RIB INSTL-WING LE END POSITION DATA: ISS 104.22 RH FOR NHA SEE: 57-00-00-10	108120	RF
- 5	MODREF19114		RIB INSTL-WING LE END MODULE NUMBER: 114N1301-308 REV A POSITION DATA: ISS 104.22 RH	103103	1

MISSING ITEM NUMBERS NOT APPLICABLE

- ITEM NOT ILLUSTRATED

57-41-51-03

57-41-51
FIG. 03
PAGE 1
JAN 20/09

BRI



757

PARTS CATALOG (MAINTENANCE)

FIG ITEM	PART NUMBER	1 2 3 4 5 6 7	NOMENCLATURE	EFFECT FROM TO	UNITS PER ASSY
3					
- 5	MODREF26644		RIB INSTL-WING LE END MODULE NUMBER: 114N1301-308 REV B POSITION DATA: ISS 104.22 RH	104106	1
11	BACB30LE6U19		.BOLT	002004 006999	1
13	BACB30LE6U20		.BOLT	002004 006999	1
15	BACB30MY10K		.BOLT- SIZE DETERMINED ON INSTL.	002004 006102 107999	13
17	BACB30MY12K		.BOLT- SIZE DETERMINED ON INSTL.	002004 006100 107107 121503 904999	3
19	BACB30MY12K		.BOLT- SIZE DETERMINED ON INSTL.	101102 108120 504903	2
21	WC331K12-18		.BOLT SUPPLIER CODE: V60516 SPECIFICATION NUMBER: BACB30YP12K18	101106 108120 504903	1
23	HST10AG10-14		.BOLT SUPPLIER CODE: VOPTK6 SPECIFICATION NUMBER: BACB30VT10K14 OPTIONAL PART: HST10AG10-14 V06725 HST10AG10-14 V56878 HST10AG10-14 V73197 WC10K10-14 V60516	103106	2

MISSING ITEM NUMBERS NOT APPLICABLE

- ITEM NOT ILLUSTRATED

BRI

57-41-51-03

BOEING PROPRIETARY - Copyright © - Unpublished Work - See title page for details.

57-41-51
FIG. 03
PAGE 2
JAN 20/09



757

PARTS CATALOG (MAINTENANCE)

FIG ITEM	PART NUMBER	1 2 3 4 5 6 7	NOMENCLATURE	EFFECT FROM TO	UNITS PER ASSY
3 25	HL1012AZ10-18	.BOLT	SUPPLIER CODE: VOPTK6 SPECIFICATION NUMBER: BACB30NX10K18 OPTIONAL PART: HL12VAZ10-18 V73197 HL12VAZ10-18 V92215 HL12VAZ10-18 V97928 L802-10K18 V06725 HL12VAZ10-18 V56878 HL1012AZ10-18 V06725 HL1012AZ10-18 V06950 HL1012AZ10-18 V17446 HL1012AZ10-18 V56878 HL1012AZ10-18 V60516 HL1012AZ10-18 V73197 HL1012AZ10-18 V97928	103106	1
29	HST10AG12-18	.BOLT	SUPPLIER CODE: VOPTK6 SPECIFICATION NUMBER: BACB30VT12K18 OPTIONAL PART: HST10AG12-18 V06725 HST10AG12-18 V56878 HST10AG12-18 V73197 WC10K10-18 V60516	103106	1

MISSING ITEM NUMBERS NOT APPLICABLE

- ITEM NOT ILLUSTRATED

57-41-51-03

57-41-51
 FIG. 03
 PAGE 3
 JAN 20/09

BRI



757

PARTS CATALOG (MAINTENANCE)

FIG ITEM	PART NUMBER	1 2 3 4 5 6 7	NOMENCLATURE	EFFECT FROM TO	UNITS PER ASSY
3	31	HST10AG10-18	.BOLT SUPPLIER CODE: VOPTK6 SPECIFICATION NUMBER: BACB30VT10K18 OPTIONAL PART: HST10AG10-18 V06725 HST10AG10-18 V56878 HST10AG10-18 V73197 WC10K10-18 V60516	103106	3
	33	HST10AG10-12	.BOLT SUPPLIER CODE: VOPTK6 SPECIFICATION NUMBER: BACB30VT10K12 OPTIONAL PART: HST10AG10-12 V06725 HST10AG10-12 V56878 HST10AG10-12 V73197 WC10K10-12 V60516	103106	4
	35	HST10AG10-16	.BOLT SUPPLIER CODE: VOPTK6 SPECIFICATION NUMBER: BACB30VT10K16 OPTIONAL PART: HST10AG10-16 V06725 HST10AG10-16 V56878 HST10AG10-16 V73197 WC10K10-16 V60516	103106	2

MISSING ITEM NUMBERS NOT APPLICABLE

- ITEM NOT ILLUSTRATED

57-41-51-03

57-41-51
FIG. 03
PAGE 4
JAN 20/09

BRI



757

PARTS CATALOG (MAINTENANCE)

FIG ITEM	PART NUMBER	1 2 3 4 5 6 7	NOMENCLATURE	EFFECT FROM TO	UNITS PER ASSY
3	37 HST10AG12-21	.BOLT	SUPPLIER CODE: V73197 SPECIFICATION NUMBER: BACB30VT12K21 OPTIONAL PART: HST10AG12-21 V56878 HST10AG12-21 V06725 HST10AG12-21 VOPTK6 WC10K12-21 V60516	103106	1
	39 HL1012AZ10-21	.BOLT	SUPPLIER CODE: VOPTK6 SPECIFICATION NUMBER: BACB30NX10K21 OPTIONAL PART: HL12VAZ10-21 V73197 HL12VAZ10-21 V92215 HL12VAZ10-21 V97928 L802-10K21 V06725 HL12VAZ10-21 V56878 HL1012AZ10-21 V06725 HL1012AZ10-21 V06950 HL1012AZ10-21 V17446 HL1012AZ10-21 V56878 HL1012AZ10-21 V60516 HL1012AZ10-21 V73197 HL1012AZ10-21 V97928	103106	1
	41 BACW10BP6DP	.WASHER		002004 006999	2
	43 BACW10BP6CD	.WASHER		002004 006999	2

MISSING ITEM NUMBERS NOT APPLICABLE

- ITEM NOT ILLUSTRATED

57-41-51-03

57-41-51
FIG. 03
PAGE 5
JAN 20/09

BRI



757

PARTS CATALOG (MAINTENANCE)

FIG ITEM	PART NUMBER	1 2 3 4 5 6 7	NOMENCLATURE	EFFECT FROM TO	UNITS PER ASSY
3	45 VLC771-10		.COLLAR SUPPLIER CODE: V5M902 SPECIFICATION NUMBER: BACC30BP10 OPTIONAL PART: HST771-10 V73197	103106	11
	47 HL1087-10		.COLLAR SUPPLIER CODE: V9N513 SPECIFICATION NUMBER: BACC30BH10 OPTIONAL PART: HL1087-10 V92215 HL1087-10 V73197 HL1087-10 V56878	103106	2
	49 VLC771-12		.COLLAR SUPPLIER CODE: V5M902 SPECIFICATION NUMBER: BACC30BP12 OPTIONAL PART: HST771-12 V73197	101106 108120 504903	1
	53 VLC771-12		.COLLAR SUPPLIER CODE: V5M902 SPECIFICATION NUMBER: BACC30BP12 OPTIONAL PART: HST771-12 V73197	103106	1
	55 VLC771-12		.COLLAR SUPPLIER CODE: V5M902 SPECIFICATION NUMBER: BACC30BP12 OPTIONAL PART: HST771-12 V73197	103106	1

MISSING ITEM NUMBERS NOT APPLICABLE

- ITEM NOT ILLUSTRATED

57-41-51-03

57-41-51
FIG. 03
PAGE 6
JAN 20/09

BRI



757

PARTS CATALOG (MAINTENANCE)

FIG ITEM	PART NUMBER	1 2 3 4 5 6 7	NOMENCLATURE	EFFECT FROM TO	UNITS PER ASSY
3 57	BMN10HRCWD3-6	.NUT	SUPPLIER CODE: V97928 SPECIFICATION NUMBER: BACN10HR6CD OPTIONAL PART: H51560-6 V15653 67832CD624 V56878 102LH9031-6 V72962 BH00303CM6 V27238 SL7108C624 V11815 BMN5024CWD36 V97928 SL7108C6 V11815 102LH90316 V72962 67832CD6 V56878 VCU0005D6 V06710 CR60306 VF0224 CR60306 VF0224	002004 006999	2
	59	TLN12045	.NUT SUPPLIER CODE: V97928 SPECIFICATION NUMBER: BACN10WM5 OPTIONAL PART: LH10114B5 V72962 MN155 V73197 VN18615 V92215 H49702-5S V15653 W8505 V08524 H497025 V15653	002004 006102 107999	13

MISSING ITEM NUMBERS NOT APPLICABLE

- ITEM NOT ILLUSTRATED

57-41-51-03

57-41-51
FIG. 03
PAGE 7
MAY 20/09

BRI



757

PARTS CATALOG (MAINTENANCE)

FIG ITEM	PART NUMBER	1 2 3 4 5 6 7	NOMENCLATURE	EFFECT FROM TO	UNITS PER ASSY
3					
61	TLN12046	.NUT	SUPPLIER CODE: V97928 SPECIFICATION NUMBER: BACN10WM6 OPTIONAL PART: LH10114B6 V72962 MN156 V73197 VN18616 V92215 H49702-6S V15653 W8506 V08524 H497026 V15653	002004 006100 107107 121503 904999	3
63	TLN12046	.NUT	SUPPLIER CODE: V97928 SPECIFICATION NUMBER: BACN10WM6 OPTIONAL PART: LH10114B6 V72962 MN156 V73197 VN18616 V92215 H49702-6S V15653 W8506 V08524 H497026 V15653	101102 108120 504903	2
65	BACB28AK06-087	.BUSHING		002004 006999	2
67	BACF3T02B24-28	.FILLER		103106	1
69	BACF3T02D22-27	.FILLER		103106	1
71	BACS40R24B26F	.SHIM		002004 006102 107107 121999	1
71	BACS40R024B026F	.SHIM		108120	1
71	BACS40R024C026F	.SHIM		103106	1
72	BACS40R024B028F	.SHIM		103106	1

MISSING ITEM NUMBERS NOT APPLICABLE

- ITEM NOT ILLUSTRATED

57-41-51-03

57-41-51
FIG. 03
PAGE 8
JAN 20/09

BRI

BOEING PROPRIETARY - Copyright © - Unpublished Work - See title page for details.



757

PARTS CATALOG (MAINTENANCE)

FIG ITEM	PART NUMBER	1 2 3 4 5 6 7	NOMENCLATURE	EFFECT FROM TO	UNITS PER ASSY
3					
73	BACS40R24B30F	.SHIM		002004 006102 107107 121999	1
73	BACS40R024B030F	.SHIM		103106 108120	1
74	BACF3F017D028AN	.FILLER		103106	1
75	BACS40R13C28F	.SHIM		002004 006102 107107 121999	1
75	BACS40R013C028F	.SHIM		108120	1
75	BACS40R017C028F	.SHIM		103106	1
77	BACS40R12C24F	.SHIM		002004 006102 107107 121999	1
77	BACS40R012C024F	.SHIM		108120	1
78	BACF3F022D027AN	.FILLER		103106	1
79	BACS40R16C24F	.SHIM		002004 006102 107107 121999	1
79	BACS40R016C024F	.SHIM		108120	1
80	BACS40R022C027F	.SHIM		103106	1
81	112N2047-1	.FITTING-CHORD SPRT POSITION DATA: LH SIDE		002004 006999	1
- 83	112N2047-2	.FITTING-CHORD SPRT POSITION DATA: RH SIDE		002004 006999	1
85	112N2048-1	.FITTING-CHORD SPRT POSITION DATA: LH SIDE		002004 006999	1
85	112N2048-5	.FITTING-CHORD SPRT POSITION DATA: LH SIDE		002004 006999	1
- 87	112N2048-2	.FITTING-CHORD SPRT POSITION DATA: RH SIDE		002004 006999	1
- 87	112N2048-6	.FITTING-CHORD SPRT POSITION DATA: RH SIDE		002004 006999	1
90	114N1317-7	.FITTING ASSY- POSITION DATA: UPR LH SIDE		002004 006015 107107 121503 904999	1

MISSING ITEM NUMBERS NOT APPLICABLE

- ITEM NOT ILLUSTRATED

57-41-51-03

57-41-51
FIG. 03
PAGE 9
JAN 20/09

BRI

BOEING PROPRIETARY - Copyright © - Unpublished Work - See title page for details.



757

PARTS CATALOG (MAINTENANCE)

FIG ITEM	PART NUMBER	1 2 3 4 5 6 7	NOMENCLATURE	EFFECT FROM TO	UNITS PER ASSY
3					
90	114N1317-11	.	FITTING ASSY- POSITION DATA: UPR LH SIDE	016100 103106	1
- 95	114N1317-8	.	FITTING ASSY- POSITION DATA: UPR RH SIDE	002004 006015 107107 121503 904999	1
- 95	114N1317-12	.	FITTING ASSY- POSITION DATA: UPR RH SIDE	016100 103106	1
100	114N1308-1	.	FITTING ASSY- POSITION DATA: LWR LH SIDE	002004 006999	1
- 105	114N1308-2	.	FITTING ASSY- POSITION DATA: LWR RH SIDE	002004 006999	1
110	BACB28AM09B021A	..	BUSHING- POSITION DATA: UPR	002004 006015 107107 121503 904999	1
110	BACB28AT09B021C	..	BUSHING- POSITION DATA: UPR	016100 103106	1
115	BACB28AP06P021	..	BUSHING- POSITION DATA: UPR	002004 006999	1
120	BACB28AM09B024A	..	BUSHING- POSITION DATA: LWR LH SIDE	002004 006999	1
- 125	BACB28AT09B024C	..	BUSHING- POSITION DATA: LWR RH SIDE	002004 006999	1
130	BACB28AP06P024	..	BUSHING- POSITION DATA: LWR	002004 006999	1
135	114N1317-9	..	FITTING- POSITION DATA: UPR LH SIDE USED ON: 114N1317-7	002004 006015 107107 121503 904999	1
135	114N1317-13	..	FITTING- POSITION DATA: UPR LH SIDE USED ON: 114N1317-7	016100 103106	1

MISSING ITEM NUMBERS NOT APPLICABLE

- ITEM NOT ILLUSTRATED

57-41-51-03

57-41-51
FIG. 03
PAGE 10
JAN 20/09

BRI

BOEING PROPRIETARY - Copyright © - Unpublished Work - See title page for details.



757

PARTS CATALOG (MAINTENANCE)

FIG ITEM	PART NUMBER	1 2 3 4 5 6 7	NOMENCLATURE	EFFECT FROM TO	UNITS PER ASSY
3					
- 140	114N1317-10	..	FITTING- POSITION DATA: UPR RH SIDE USED ON: 114N1317-8	002004 006015 107107 121503 904999	1
- 140	114N1317-14	..	FITTING- POSITION DATA: UPR RH SIDE USED ON: 114N1317-8	016100 103106	1
145	114N1308-3	..	FITTING- POSITION DATA: LWR LH SIDE	002004 006999	1
- 150	114N1308-4	..	FITTING- POSITION DATA: LWR LH SIDE	002004 006999	1
173	HST10AG6-7	.BOLT	SUPPLIER CODE: VOPTK6 SPECIFICATION NUMBER: BACB30VT6K7 OPTIONAL PART: HST10AG6-7 V06725 HST10AG6-7 V56878 HST10AG6-7 V73197 WC10K6-7 V60516	103106	2
175	BACB30MY6K	.BOLT-	SIZE DETERMINED ON INSTL.	002004 006102 107999	6
177	HST10AG6-4	.BOLT	SUPPLIER CODE: V06725 SPECIFICATION NUMBER: BACB30VT6K4 OPTIONAL PART: HST10AG6-4 V73197 HST10AG6-4 V56878 HST10AG6-4 VOPTK6 WC10K6-4 V60516	103106	4

MISSING ITEM NUMBERS NOT APPLICABLE

- ITEM NOT ILLUSTRATED

57-41-51-03

57-41-51
FIG. 03
PAGE 11
JAN 20/09

BRI



757

PARTS CATALOG (MAINTENANCE)

FIG ITEM	PART NUMBER	1 2 3 4 5 6 7	NOMENCLATURE	EFFECT FROM TO	UNITS PER ASSY
3 180	HL79-6		.COLLAR- SUPPLIER CODE: V5M902 SPECIFICATION NUMBER: BACC30M6 OPTIONAL PART: HL79-6 V73197 HL79-6 V92215 66014-6 V56878 HL79-6 V56878	002004 006102 107999	6
180	BACC30BL6		.COLLAR- SUPPLIER CODE: V73197 SPECIFICATION NUMBER: BACC30BL6 OPTIONAL PART: HST79-6 V92215 HST79CY6 V56878 HST79CY6 V5M902	103106	6
183	HST10AG8-7		.BOLT SUPPLIER CODE: VOPTK6 SPECIFICATION NUMBER: BACB30VT8K7 OPTIONAL PART: HST10AG8-7 V06725 HST10AG8-7 V56878 HST10AG8-7 V73197 WC10K8-7 V60516	103106	2
185	BACB30MY8K		.BOLT- SIZE DETERMINED ON INSTL.	002004 006102 107999	4

MISSING ITEM NUMBERS NOT APPLICABLE

- ITEM NOT ILLUSTRATED

57-41-51-03

57-41-51
FIG. 03
PAGE 12
JAN 20/09

BRI

BOEING PROPRIETARY - Copyright © - Unpublished Work - See title page for details.



757

PARTS CATALOG (MAINTENANCE)

FIG ITEM	PART NUMBER	1 2 3 4 5 6 7	NOMENCLATURE	EFFECT FROM TO	UNITS PER ASSY
3 187	HST10AG8-3	.BOLT	SUPPLIER CODE: VOPTK6 SPECIFICATION NUMBER: BACB30VT8K3 OPTIONAL PART: HST10AG8-3 V06725 HST10AG8-3 V56878 HST10AG8-3 V73197 WC10K8-3 V60516	103106	2
190	HL79-8	.COLLAR-	SUPPLIER CODE: V5M902 SPECIFICATION NUMBER: BACC30M8 OPTIONAL PART: HL79-8 V73197 HL79-8 V92215 66014-8 V56878 HL79-8 V56878	002004 006102 107999	4
190	BACC30BL8	.COLLAR-	SUPPLIER CODE: V73197 SPECIFICATION NUMBER: BACC30BL8 OPTIONAL PART: HST79-8 V92215 HST79CY8 V56878 HST79CY8 V5M902	103106	4
195	114N1301-3	.SHIM		002004 006999	1
200	114N1301-4	.SHIM		002004 006999	1
205	114N1312-1	.FITTING ASSY-END RIB	POSITION DATA: LH SIDE	002004 006999	1

MISSING ITEM NUMBERS NOT APPLICABLE

- ITEM NOT ILLUSTRATED

57-41-51-03

57-41-51
FIG. 03
PAGE 13
JAN 20/09

BRI



757

PARTS CATALOG (MAINTENANCE)

FIG ITEM	PART NUMBER	1 2 3 4 5 6 7	NOMENCLATURE	EFFECT FROM TO	UNITS PER ASSY
3					
- 207	114N1312-2		.FITTING ASSY-END RIB POSITION DATA: RH SIDE	002004 006999	1
210	114N1311-7		.FITTING ASSY-ATTACH POSITION DATA: LH SIDE	002004 006999	1
- 215	114N1311-8		.FITTING ASSY-ATTACH POSITION DATA: RH SIDE	002004 006999	1
220	BACB28AM11B036A		..BUSHING	002004 006999	1
225	BACB28AA9B043		..BUSHING	002004 006999	1
230	114N1312-3		..FITTING- POSITION DATA: LH SIDE USED ON: 114N1312-1	002004 006999	1
- 235	114N1312-4		..FITTING- POSITION DATA: RH SIDE USED ON: 114N1312-2	002004 006999	1
240	114N1311-9		..FITTING- POSITION DATA: LH SIDE USED ON: 114N1311-7	002004 006999	1
- 245	114N1311-10		..FITTING- POSITION DATA: RH SIDE USED ON: 114N1311-8	002004 006999	1
250	114N1311-5		.FITTING- POSITION DATA: LH SIDE	002004 006999	1
- 255	114N1311-6		.FITTING- POSITION DATA: RH SIDE	002004 006999	1

MISSING ITEM NUMBERS NOT APPLICABLE

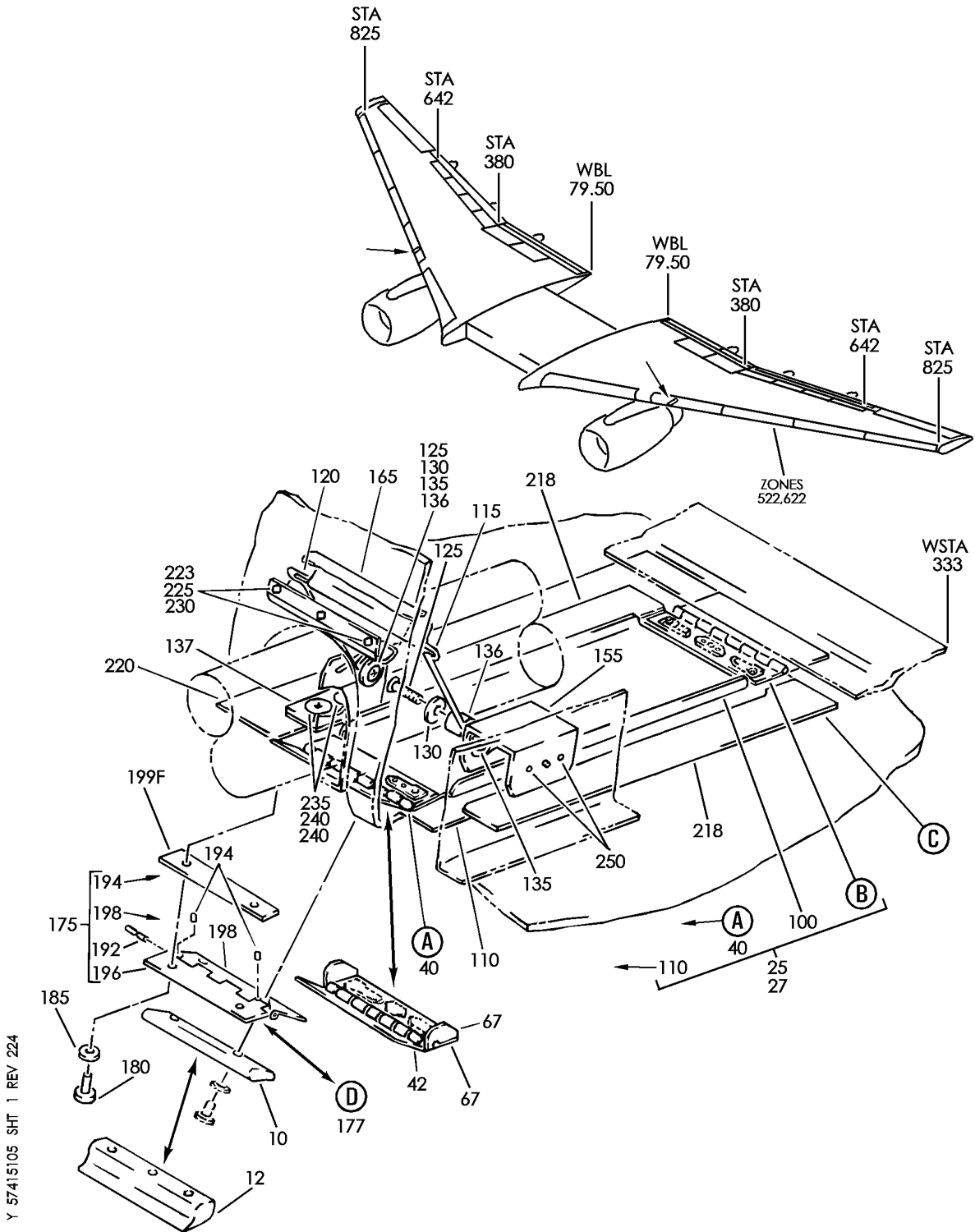
- ITEM NOT ILLUSTRATED

57-41-51-03

57-41-51
FIG. 03
PAGE 14
JAN 20/09

BRI

BOEING PROPRIETARY - Copyright © - Unpublished Work - See title page for details.

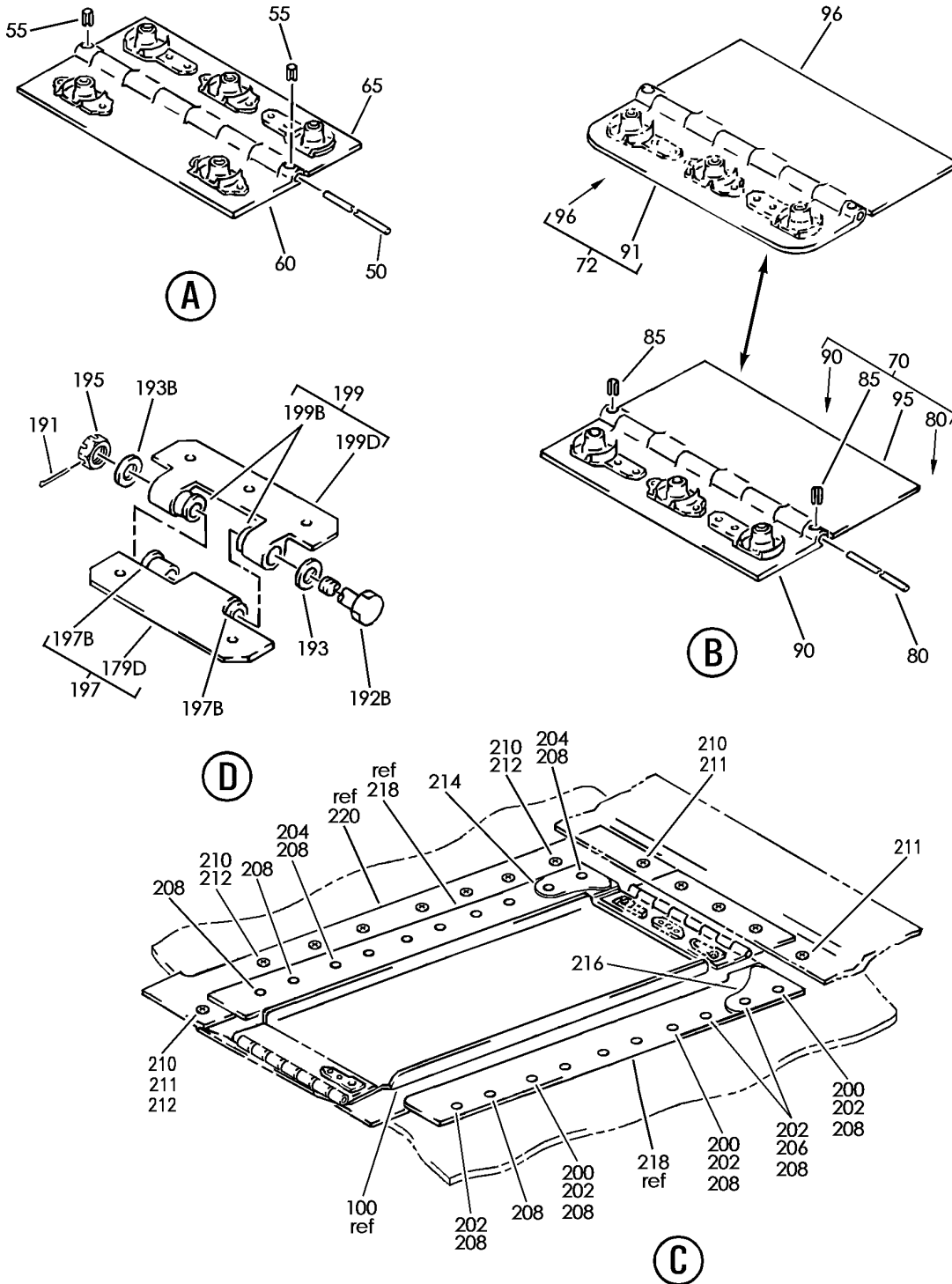


Y 57415105 SHT 1 REV 224

DOOR INSTL-TRM ANTI-ICING DUCT OUTBD FXD LE WING SEAL
FIGURE 5 (SHEET 1)

57-41-51-05

BOEING
 757
 PARTS CATALOG (MAINTENANCE)



Y 57415105 SH1 2 REV 263

DOOR INSTL-THRM ANTI-ICING DUCT OUTBD FXD LE WING SEAL
 FIGURE 5 (SHEET 2)

57-41-51-05

BRI
 MAY 28/07

57-41-51-05
 PAGE 0A



757

PARTS CATALOG (MAINTENANCE)

FIG ITEM	PART NUMBER	1 2 3 4 5 6 7	NOMENCLATURE	EFFECT FROM TO	UNITS PER ASSY
5			DOOR INSTL-THRM ANTI-ICING DUCT OUTBD FXD LE WING SEAL	002004 006999	
- 1	114N2133-3		DOOR INSTL-THRM ANTI-ICING DUCT FXD LE WING SEAL POSITION DATA: OUTBD LH FOR NHA SEE: 57-22-51-50	002004 006100 107107 121503 904999	RF
- 1	114N2133-405		DOOR INSTL-THRM ANTI-ICING DUCT FXD LE WING SEAL POSITION DATA: OUTBD LH FOR NHA SEE: 57-00-00-10	101102 504903	RF
- 1	114N2133-407		DOOR INSTL-THRM ANTI-ICING DUCT FXD LE WING SEAL POSITION DATA: OUTBD LH FOR NHA SEE: 57-00-00-10	108120	RF
- 1	MODREF398		DOOR INSTL-THRM ANTI-ICING DUCT FXD LE WING SEAL MODULE NUMBER: 114N2133-301 REV A POSITION DATA: OUTBD LH	103103	1
- 1	MODREF26688		DOOR INSTL-THRM ANTI-ICING DUCT FXD LE WING SEAL MODULE NUMBER: 114N2133-301 REV B POSITION DATA: OUTBD LH	104105	1
- 1	MODREF33010		DOOR INSTL-THRM ANTI-ICING DUCT FXD LE WING SEAL MODULE NUMBER: 114N2133-301 REV C POSITION DATA: OUTBD LH	106106	1
- 5	114N2133-4		DOOR INSTL-THRM ANTI-ICING DUCT FXD LE WING SEAL POSITION DATA: OUTBD RH FOR NHA SEE: 57-22-51-50	002004 006100 107107 121503 904999	RF

MISSING ITEM NUMBERS NOT APPLICABLE

- ITEM NOT ILLUSTRATED

57-41-51-05

57-41-51
FIG. 05
PAGE 1
JAN 20/09

BRI



757

PARTS CATALOG (MAINTENANCE)

FIG ITEM	PART NUMBER	1 2 3 4 5 6 7	NOMENCLATURE	EFFECT FROM TO	UNITS PER ASSY
5					
- 5	114N2133-406		DOOR INSTL-THRM ANTI-ICING DUCT FXD LE WING SEAL POSITION DATA: OUTBD RH FOR NHA SEE: 57-00-00-10	101102 504903	RF
- 5	114N2133-408		DOOR INSTL-THRM ANTI-ICING DUCT FXD LE WING SEAL POSITION DATA: OUTBD RH FOR NHA SEE: 57-00-00-10	108120	RF
- 5	MODREF399		DOOR INSTL-THRM ANTI-ICING DUCT FXD LE WING SEAL MODULE NUMBER: 114N2133-302 REV A POSITION DATA: OUTBD RH	103103	1
- 5	MODREF26689		DOOR INSTL-THRM ANTI-ICING DUCT FXD LE WING SEAL MODULE NUMBER: 114N2133-302 REV B POSITION DATA: OUTBD RH	104105	1
- 5	MODREF33011		DOOR INSTL-THRM ANTI-ICING DUCT FXD LE WING SEAL MODULE NUMBER: 114N2133-302 REV C POSITION DATA: OUTBD RH	106106	1
12	114N1728-1		.RETAINER- POSITION DATA: LH SIDE	002004 006999	1
- 13	114N1728-2		.RETAINER- POSITION DATA: RH SIDE	002004 006999	1
- 17	BACB30NN3K3		ATTACHING PARTS .BOLT-	002004 006999	3
- 19	AN960KD10L		.WASHER-	002004 006999	3
- 19	NAS1149D0332J		.WASHER-	103106	3

MISSING ITEM NUMBERS NOT APPLICABLE

- ITEM NOT ILLUSTRATED

57-41-51-05

57-41-51
FIG. 05
PAGE 2
JAN 20/09

BRI

BOEING PROPRIETARY - Copyright © - Unpublished Work - See title page for details.

BOEING
757
PARTS CATALOG (MAINTENANCE)

FIG ITEM	PART NUMBER	1 2 3 4 5 6 7	NOMENCLATURE	EFFECT FROM TO	UNITS PER ASSY
5 - 22	BRH10C3D		.NUT- SUPPLIER CODE: V52828 SPECIFICATION NUMBER: BACN10JC3CD OPTIONAL PART: T6C1032JCD V11815 NS202486-02 V80539 102LH9075-3W V72962 H51650-3BAC V15653 -----*-----	002004 006999	3
	27 114N1729-5		.DOOR ASSY- POSITION DATA: LH SIDE	002004 006999	1
	27 114N1729-9		.DOOR ASSY- POSITION DATA: LH SIDE	002004 006999	1
	27 114N1729-11		.DOOR ASSY- POSITION DATA: LH SIDE	002004 006999	1
	27 114N1729-13		.DOOR ASSY- POSITION DATA: LH SIDE	002004 006999	1
- 28	114N1729-6		.DOOR ASSY- POSITION DATA: RH SIDE	002004 006999	1
- 28	114N1729-10		.DOOR ASSY- POSITION DATA: RH SIDE	002004 006999	1
- 28	114N1729-12		.DOOR ASSY- POSITION DATA: RH SIDE	002004 006999	1
- 28	114N1729-14		.DOOR ASSY- POSITION DATA: RH SIDE	002004 006999	1
- 32	BACB30NN3K5		.BOLT ATTACHING PARTS -----*-----	002004 006999	3
	42 114N1726-7		..HINGE ASSY- POSITION DATA: LH SIDE	002004 006999	1
- 43	114N1726-8		..HINGE ASSY- POSITION DATA: RH SIDE	002004 006999	1

MISSING ITEM NUMBERS NOT APPLICABLE

- ITEM NOT ILLUSTRATED

BRI

57-41-51-05

BOEING PROPRIETARY - Copyright © - Unpublished Work - See title page for details.

57-41-51
FIG. 05
PAGE 3
JAN 20/09



757

PARTS CATALOG (MAINTENANCE)

FIG ITEM	PART NUMBER	1 2 3 4 5 6 7	NOMENCLATURE	EFFECT FROM TO	UNITS PER ASSY
5			ATTACHING PARTS		
- 45	BACB30NN3K4	..	BOLT	002004 006999	3
			-----*-----		
50	MS20253P3-320	...	PIN-	002004 006999	1
55	MS16562-190	...	PIN-	002004 006999	2
60	114N1726-11	...	HINGE HALF- POSITION DATA: LH SIDE	002004 006999	1
- 61	114N1726-12	...	HINGE HALF- POSITION DATA: RH SIDE	002004 006999	1
65	114N1726-9	...	HINGE HALF-	002004 006999	1
67	114N2207-1	..	RETAINER- USED ON: 114N1729-5 114N1729-6 114N1729-9 114N1729-10	002004 006999	1
67	114N2207-7	..	RETAINER- USED ON: 114N1729-11 114N1729-12 114N1729-13 114N1729-14	002004 006999	1
72	114N1726-1	..	HINGE ASSY- POSITION DATA: LH SIDE	002004 006999	1
72	114N1726-13	..	HINGE ASSY- POSITION DATA: LH SIDE	002004 006999	1
- 73	114N1726-2	..	HINGE ASSY- POSITION DATA: RH SIDE	002004 006999	1
- 73	114N1726-14	..	HINGE ASSY- POSITION DATA: RH SIDE	002004 006999	1
- 75	BACB30NN3K5	..	BOLT-	002004 006999	3
			-----*-----		
80	MS20253P3-320	...	PIN-	002004 006999	1
85	MS16562-190	...	PIN-	002004 006999	2

MISSING ITEM NUMBERS NOT APPLICABLE

- ITEM NOT ILLUSTRATED

57-41-51-05

57-41-51
FIG. 05
PAGE 4
JAN 20/09

BRI

BOEING PROPRIETARY - Copyright © - Unpublished Work - See title page for details.



757

PARTS CATALOG (MAINTENANCE)

FIG ITEM	PART NUMBER	1 2 3 4 5 6 7	NOMENCLATURE	EFFECT FROM TO	UNITS PER ASSY
5					
91	114N1726-3	...	HINGE HALF- POSITION DATA: LH SIDE	002004 006999	1
91	114N1726-15	...	HINGE HALF- POSITION DATA: LH SIDE	002004 006999	1
- 92	114N1726-4	...	HINGE HALF- POSITION DATA: RH SIDE	002004 006999	1
- 92	114N1726-16	...	HINGE HALF- POSITION DATA: RH SIDE	002004 006999	1
96	114N1726-5	...	HINGE HALF- POSITION DATA: LH SIDE	002004 006999	1
96	114N1726-17	...	HINGE HALF- POSITION DATA: LH SIDE	002004 006999	1
- 97	114N1726-6	...	HINGE HALF- POSITION DATA: RH SIDE	002004 006999	1
- 97	114N1726-18	...	HINGE HALF- POSITION DATA: RH SIDE	002004 006999	1
100	114N1729-4	..	CHANNEL-	002004 006999	1
			ATTACHING PARTS		
- 105	BACR15BA5D	..	RIVET- SIZE DETERMINED ON INSTL. -----*-----	002004 006999	16
110	114N1729-3	..	DOOR-	002004 006999	1
110	114N1729-7	..	DOOR-	002004 006999	1
			ATTACHING PARTS		
125	BACB30NN3K14	.	BOLT-	107107	2
130	114N2149-1	.	WASHER-	107107	2
135	114N2149-2	.	WASHER-	107107	2
			-----*-----		
136	NAS43DD3-32	.	SPACER-	107107	2
			ATTACHING PARTS		
- 150	BACB30NN3K5	.	BOLT-	107107	2
- 163	BACR15FT6D	.	RIVET- SIZE DETERMINED ON INSTL.	107107	2
- 170	BACB30NN3K2	.	BOLT-	107107	3
			-----*-----		
177	114N1727-1	.	HINGE ASSY-	002004 006999	1

MISSING ITEM NUMBERS NOT APPLICABLE

- ITEM NOT ILLUSTRATED

57-41-51-05

57-41-51
FIG. 05
PAGE 5
JAN 20/09

BRI

BOEING PROPRIETARY - Copyright © - Unpublished Work - See title page for details.

 **BOEING**
757
PARTS CATALOG (MAINTENANCE)

FIG ITEM	PART NUMBER	1 2 3 4 5 6 7	NOMENCLATURE	EFFECT FROM TO	UNITS PER ASSY
5			ATTACHING PARTS		
180	BACB30NM3K3	.	BOLT	002004 006999	2
185	AN960PD10L	.	WASHER-	002004 006999	2
185	AN960KD10L	.	WASHER-	002004 006999	2
185	NAS1149D0332J	.	WASHER-	103106	2
191	MS24665-153	..	PIN-COTTER	002004 006999	1
192B	BACB30LJ3DSU42	..	BOLT-	002004 006999	1
193	BACW10BP3CD	..	WASHER-	002004 006999	1
193B	BACW10BP3DP	..	WASHER-	002004 006999	1
195	BACN10JD103CD	..	NUT-	002004 006999	1
197	114N1727-3	..	HINGE ASSY-	002004 006999	1
197B	BACB28X3M040	...	BUSHING-	002004 006999	2
197D	114N1727-5	...	HINGE-	002004 006999	1
199	114N1727-2	..	HINGE ASSY-	002004 006999	1
199B	BACB28X3M040	...	BUSHING-	002004 006999	2
199D	114N1727-4	...	HINGE-	002004 006999	1
200	BACR15BA6AD	.	RIVET- SIZE DETERMINED ON INSTL.	002004 006102 107107 121999	6
204	BACR15BA6D	.	RIVET- SIZE DETERMINED ON INSTL.	002004 006102 107107 121999	8
206	BACR15BA6D	.	RIVET- SIZE DETERMINED ON INSTL.	002004 006102 107107 121999	2
208	BACR15BA6DC	.	RIVET- SIZE DETERMINED ON INSTL.	108120	20
210	BACB30NN3K5	.	BOLT	103105 108120	9
211	BACB30NN3K5	.	BOLT	106106	6
212	BACB30NN3K5	.	BOLT	108120	8

MISSING ITEM NUMBERS NOT APPLICABLE

— ITEM NOT ILLUSTRATED

57-41-51-05

57-41-51
FIG. 05
PAGE 6
JAN 20/09

BRI

BOEING PROPRIETARY - Copyright © - Unpublished Work - See title page for details.



757

PARTS CATALOG (MAINTENANCE)

FIG ITEM	PART NUMBER	1 2 3 4 5 6 7	NOMENCLATURE	EFFECT FROM TO	UNITS PER ASSY
5					
214	114N2207-3	.	RETAINER	002004 006999	1
216	114N2207-5	.	RETAINER- POSITION DATA: LH SIDE	002004 006105 107999	1
- 217	114N2207-6	.	RETAINER- POSITION DATA: RH SIDE	002004 006105 107999	1
218	114N2137-2	.	DOOR STOP	002004 006102 107999	2
220	114N2137-3	.	PANEL-	002004 006100 121503 950999	1
220	114N2137-5	.	PANEL-	002004 006100 121503 950999	1
220	114N2137-6	.	PANEL	108120	1

MISSING ITEM NUMBERS NOT APPLICABLE

- ITEM NOT ILLUSTRATED

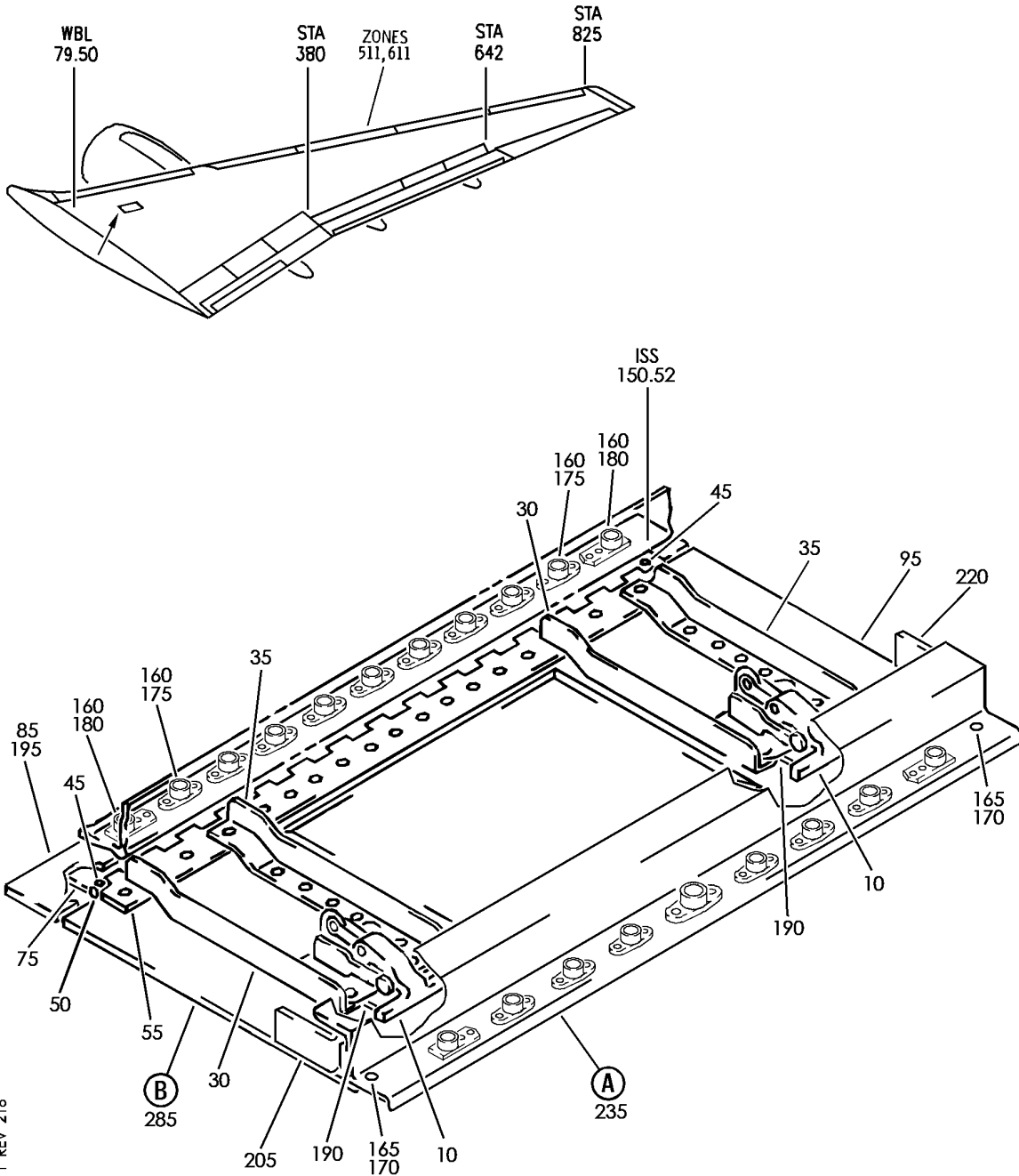
57-41-51-05

57-41-51
FIG. 05
PAGE 7
JAN 20/09

BRI

BOEING PROPRIETARY - Copyright © - Unpublished Work - See title page for details.

BOEING
757
PARTS CATALOG (MAINTENANCE)



Y 57415106 SHT 1 REV 218

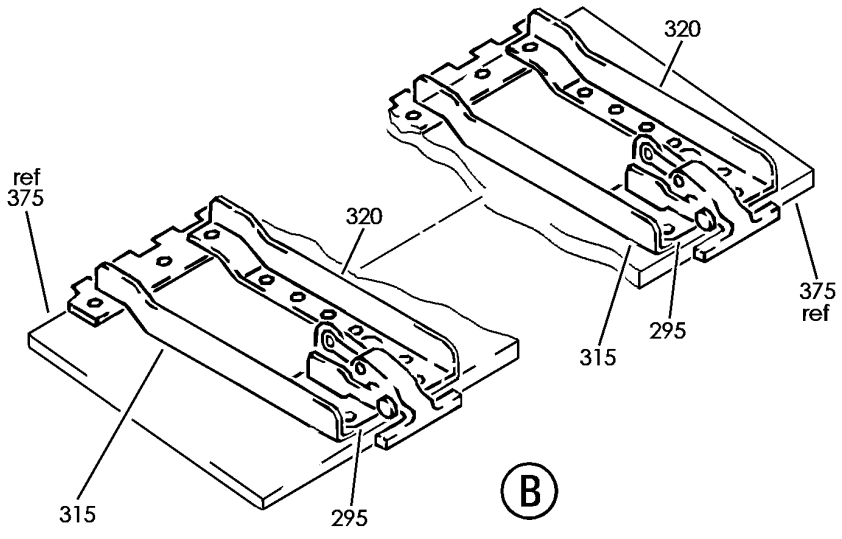
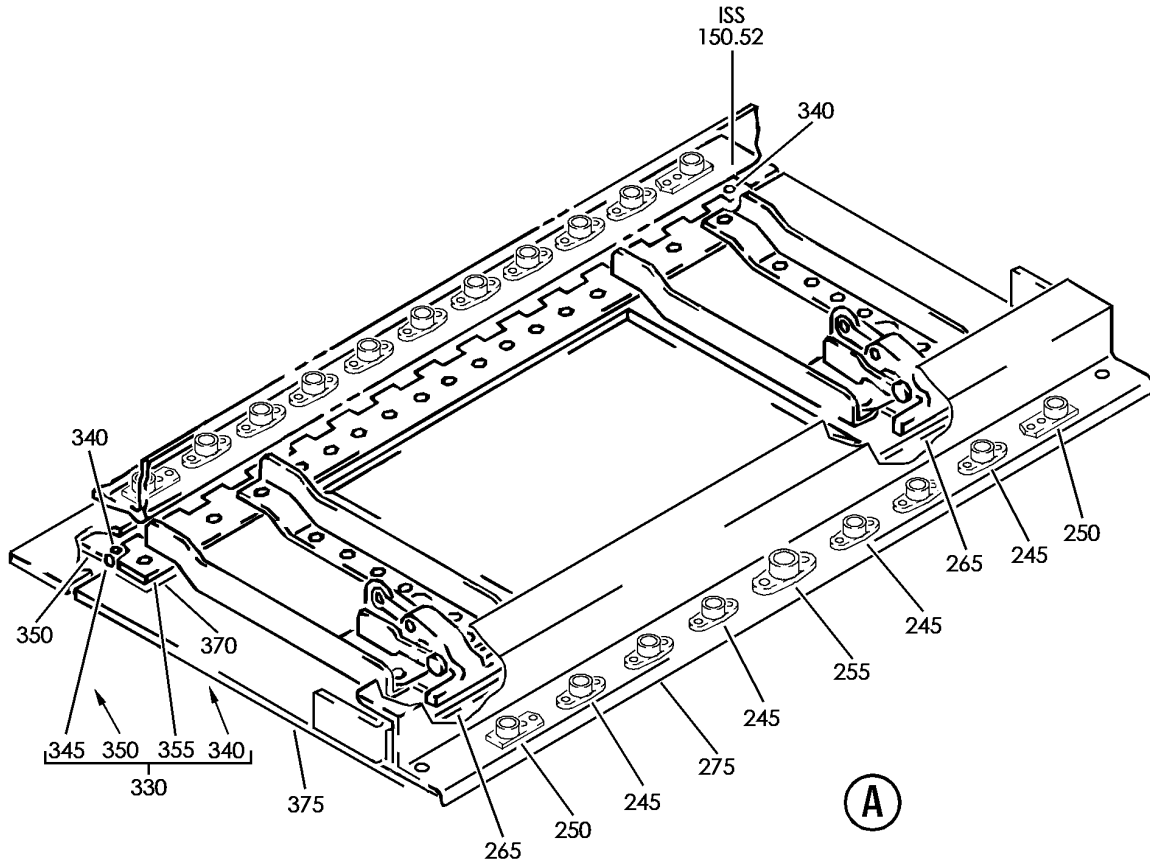
DOOR INSTL - BLOW-OUT
FIGURE 6 (SHEET 1)

57-41-51-06

BRI
MAY 28/07

57-41-51-06
PAGE 0

BOEING
757
PARTS CATALOG (MAINTENANCE)



Y 57415106 SHT 2 REV 218

DOOR INSTL - BLOW-OUT
FIGURE 6 (SHEET 2)

57-41-51-06

BRI
MAY 28/07

57-41-51-06
PAGE 0A



757

PARTS CATALOG (MAINTENANCE)

FIG ITEM	PART NUMBER	1 2 3 4 5 6 7	NOMENCLATURE	EFFECT FROM TO	UNITS PER ASSY
6			DOOR INSTL - BLOW-OUT	101106 108120 504903	
- 1	114N1509-25		DOOR INSTL-BLOWOUT WING LE POSITION DATA: INBD LH FOR NHA SEE: 57-00-00-10	101102 504903	RF
- 5	114N1509-26		DOOR INSTL-BLOWOUT WING LE POSITION DATA: INBD RH FOR NHA SEE: 57-00-00-10	101102 504903	RF
10	H2902-3		.LATCH- SUPPLIER CODE: V83014 SPECIFICATION NUMBER: S311T306-3 ATTACHING PARTS	101102 504903	2
- 15	BACB30LU06-3		.BOLT	101102 504903	8
- 20	NAS1149DN632J		.WASHER	101102 504903	8
- 25	BRH10C06D		.NUT SUPPLIER CODE: V52828 SPECIFICATION NUMBER: BACN10JC06CD OPTIONAL PART: T6C632JCD V11815 NS202486-62 V80539 102LH9075-62W V72962 H51650-06BAC V15653 -----*-----	101102 504903	8
30	114N1514-7		.ANGLE	101102 504903	2
35	114N1514-8		.ANGLE	101102 504903	2
- 40	BACR15BA5D		ATTACHING PARTS .RIVET- SIZE DETERMINED ON INSTL. -----*-----	101102 504903	24
45	MS16562-1		.PIN	101102 504903	2

MISSING ITEM NUMBERS NOT APPLICABLE

- ITEM NOT ILLUSTRATED

57-41-51-06

57-41-51
FIG. 06
PAGE 1
JAN 20/09

BRI

 **BOEING**
757
PARTS CATALOG (MAINTENANCE)

FIG ITEM	PART NUMBER	1 2 3 4 5 6 7	NOMENCLATURE	EFFECT FROM TO	UNITS PER ASSY
6					
50	MS20253P2-1612	.PIN		101102 504903	1
55	114N1509-12	.HINGE- POSITION DATA: LH SIDE		101102 504903	1
- 60	114N1509-15	.HINGE- POSITION DATA: RH SIDE		101102 504903	1
- 65	BACR15BA5D	.RIVET- SIZE DETERMINED ON INSTL.	ATTACHING PARTS	101102 504903	14
- 70	BACS40R008C164F	.SHIM		101102 504903	1
		-----*-----			
75	114N1509-11	.HINGE		101102 504903	1
			ATTACHING PARTS		
- 80	BACB30NN3K3	.BOLT		101102 504903	11
		-----*-----			
85	114N1515-5	.FILLER- POSITION DATA: LH SIDE		101102 504903	1
- 90	114N1515-6	.FILLER- POSITION DATA: RH SIDE		101102 504903	1
95	114N1513-9	.PANEL ASSY- POSITION DATA: LH SIDE		101102 504903	1
- 100	114N1513-10	.PANEL ASSY- POSITION DATA: RH SIDE		101102 504903	1
- 150	114N1509-17	DOOR INSTL-BLOW OUT POSITION DATA: LH		108120	RF
- 150	MODREF1873	FOR NHA SEE: 57-00-00-10 DOOR INSTL-BLOW OUT MODULE NUMBER: 114N1509-17 REV A POSITION DATA: LH		103105	1
- 150	MODREF30129	DOOR INSTL-BLOW OUT MODULE NUMBER: 114N1509-17 REV C POSITION DATA: LH		106106	1

MISSING ITEM NUMBERS NOT APPLICABLE

- ITEM NOT ILLUSTRATED

BRI

57-41-51-06

BOEING PROPRIETARY - Copyright © - Unpublished Work - See title page for details.

57-41-51
FIG. 06
PAGE 2
JAN 20/09



757

PARTS CATALOG (MAINTENANCE)

FIG ITEM	PART NUMBER	1 2 3 4 5 6 7	NOMENCLATURE	EFFECT FROM TO	UNITS PER ASSY
6					
- 155	114N1509-18		DOOR INSTL-BLOW OUT POSITION DATA: RH FOR NHA SEE: 57-00-00-10	108120	RF
- 155	MODREF1874		DOOR INSTL-BLOW OUT MODULE NUMBER: 114N1509-18 REV A POSITION DATA: RH	103105	1
- 155	MODREF30130		DOOR INSTL-BLOW OUT MODULE NUMBER: 114N1509-18 REV C POSITION DATA: RH	106106	1
160	BACB30NN3K3		.BOLT	103106 108120	11
165	HL13VAZ6-3		.BOLT SUPPLIER CODE: V56878 SPECIFICATION NUMBER: BACB30NY6K3 OPTIONAL PART: HL13VAZ6-3 V73197 HL13VAZ6-3 V92215 HL13VAZ6-3 V97928 L801-6K3 V06725 HL13VAZ6-3 V60516 L801-6K3 VOPTK6 HL13VAZ6-3 V17446	103106 108120	2

MISSING ITEM NUMBERS NOT APPLICABLE

- ITEM NOT ILLUSTRATED

57-41-51-06

57-41-51
FIG. 06
PAGE 3
JAN 20/09

BRI



757

PARTS CATALOG (MAINTENANCE)

FIG ITEM	PART NUMBER	1 2 3 4 5 6 7	NOMENCLATURE	EFFECT FROM TO	UNITS PER ASSY
6 170	HL1187-6		.COLLAR- SUPPLIER CODE: V5M902 SPECIFICATION NUMBER: BACC30X6 OPTIONAL PART: HL87-6 V92215 HL87-6 V73197 HL1187-6 V56878 HL1187-6 V92215 HL87-6 V56878 HL1187-6 V73197	103105 108120	2
170	HL1087-6		.COLLAR- SUPPLIER CODE: V73197 SPECIFICATION NUMBER: BACC30BH6 OPTIONAL PART: HL1087-6 V56878 HL1087-6 V92215 HL1087-6 V9N513	106106	2
175	BRFR220C3-2D		.NUTPLATE SUPPLIER CODE: V52828 SPECIFICATION NUMBER: BACN10KE3B2CD OPTIONAL PART: F51747-3-2CD V15653 102A9213-2-3 V72962 NS202493-02-2 V80539	103106 108120	9

MISSING ITEM NUMBERS NOT APPLICABLE

- ITEM NOT ILLUSTRATED

57-41-51-06

57-41-51
FIG. 06
PAGE 4
JAN 20/09

BRI



757

PARTS CATALOG (MAINTENANCE)

FIG ITEM	PART NUMBER	1 2 3 4 5 6 7	NOMENCLATURE	EFFECT FROM TO	UNITS PER ASSY
6 180	BRFR120C3-2D		.NUTPLATE SUPPLIER CODE: V52828 SPECIFICATION NUMBER: BACN10KE3E2CD OPTIONAL PART: 102F9216-2-3 V72962 F51751-3-2CD V15653 NS202494-02-2 V80539 ATTACHING PARTS	103106 108120	2
- 185	BACR15BA3AD		.RIVET- SIZE DETERMINED ON INSTL. -----*-----	103106 108120	22
190	BACS40R004E008F		.SHIM	103106 108120	2
195	114N1515-5		.FILLER- POSITION DATA: LH SIDE	103106 108120	1
- 200	114N1515-6		.FILLER- POSITION DATA: RH SIDE	103106 108120	1
205	114N1514-3		.ANGLE- POSITION DATA: LH SIDE	103106 108120	1
- 210	114N1514-4		.ANGLE- POSITION DATA: RH SIDE ATTACHING PARTS	103106 108120	1
- 215	BACR15FT6D		.RIVET- SIZE DETERMINED ON INSTL. -----*-----	103106 108120	2
220	114N1514-9		.ANGLE- POSITION DATA: LH SIDE	103106 108120	1
- 225	114N1514-10		.ANGLE- POSITION DATA: RH SIDE ATTACHING PARTS	103106 108120	1
- 230	BACR15FT6D		.RIVET- SIZE DETERMINED ON INSTL. -----*-----	103106 108120	2
235	114N1509-23		.BEAM ASSY- POSITION DATA: LH SIDE	103105 108120	1

MISSING ITEM NUMBERS NOT APPLICABLE

- ITEM NOT ILLUSTRATED

57-41-51-06

57-41-51
FIG. 06
PAGE 5
JAN 20/09

BRI

BOEING PROPRIETARY - Copyright © - Unpublished Work - See title page for details.



757

PARTS CATALOG (MAINTENANCE)

FIG ITEM	PART NUMBER	1 2 3 4 5 6 7	NOMENCLATURE	EFFECT FROM TO	UNITS PER ASSY
6					
235	114N1512-5		.BEAM ASSY- POSITION DATA: LH SIDE	106106	1
- 240	114N1509-24		.BEAM ASSY- POSITION DATA: RH SIDE	103105 108120	1
- 240	114N1512-6		.BEAM ASSY- POSITION DATA: RH SIDE	106106	1
245	BRFR220C3-2D		..NUTPLATE SUPPLIER CODE: V52828 SPECIFICATION NUMBER: BACN10KE3B2CD OPTIONAL PART: F51747-3-2CD V15653 102A9213-2-3 V72962 NS202493-02-2 V80539	103106 108120	6
250	BRFR120C3-2D		..NUTPLATE SUPPLIER CODE: V52828 SPECIFICATION NUMBER: BACN10KE3E2CD OPTIONAL PART: 102F9216-2-3 V72962 F51751-3-2CD V15653 NS202494-02-2 V80539	103106 108120	2
255	BRFR220C4-2D		..NUTPLATE SUPPLIER CODE: V52828 SPECIFICATION NUMBER: BACN10KE4B2CD OPTIONAL PART: F51747-4-2CD V15653 102A9213-2-4 V72962 NS202493-048-2 V80539	103106 108120	1
- 260	BACR15BA3AD		ATTACHING PARTS ..RIVET- SIZE DETERMINED ON INSTL. -----*-----	103106 108120	18

MISSING ITEM NUMBERS NOT APPLICABLE

- ITEM NOT ILLUSTRATED

57-41-51-06

57-41-51
FIG. 06
PAGE 6
JAN 20/09

BRI

BOEING
757
PARTS CATALOG (MAINTENANCE)

FIG ITEM	PART NUMBER	1 2 3 4 5 6 7	NOMENCLATURE	EFFECT FROM TO	UNITS PER ASSY
6					
265	114N1514-5	..	ANGLE	103106 108120	2
- 270	BACR15FT6D	..	RIVET- ATTACHING PARTS SIZE DETERMINED ON INSTL. -----*-----	103106 108120	4
275	114N1512-1	..	BEAM- POSITION DATA: LH SIDE	103105 108120	1
275	114N1512-3	..	BEAM- POSITION DATA: LH SIDE	106106	1
- 280	114N1512-2	..	BEAM- POSITION DATA: RH SIDE	103105 108120	1
- 280	114N1512-4	..	BEAM- POSITION DATA: RH SIDE	106106	1
285	114N1509-19	.D	DOOR ASSY- POSITION DATA: LH SIDE	103106 108120	1
- 290	114N1509-20	.D	DOOR ASSY- POSITION DATA: RH SIDE	103106 108120	1
295	H2902-3	..	LATCH- SUPPLIER CODE: V83014 SPECIFICATION NUMBER: S311T306-3 ATTACHING PARTS	103106 108120	2
- 300	BACB30LU06-3	..	BOLT	103106 108120	8
- 305	NAS1149DN632J	..	WASHER	103106 108120	8
- 310	BRH10C06D	..	NUT SUPPLIER CODE: V52828 SPECIFICATION NUMBER: BACN10JC06CD OPTIONAL PART: T6C632JCD V11815 NS202486-62 V80539 102LH9075-62W V72962 H51650-06BAC V15653 -----*-----	103106 108120	8

MISSING ITEM NUMBERS NOT APPLICABLE

- ITEM NOT ILLUSTRATED

BRI

57-41-51-06

BOEING PROPRIETARY - Copyright © - Unpublished Work - See title page for details.

57-41-51
FIG. 06
PAGE 7
JAN 20/09



757

PARTS CATALOG (MAINTENANCE)

FIG ITEM	PART NUMBER	1 2 3 4 5 6 7	NOMENCLATURE	EFFECT FROM TO	UNITS PER ASSY
6					
315	114N1514-7	..	ANGLE- OPTIONAL PART: 114N1514-11	103106 108120	2
315	114N1514-11	..	ANGLE- OPTIONAL PART: 114N1514-7	103106 108120	2
320	114N1514-8	..	ANGLE- OPTIONAL PART: 114N1514-12	103106 108120	2
320	114N1514-12	..	ANGLE- OPTIONAL PART: 114N1514-8 ATTACHING PARTS	103106 108120	2
- 325	BACR15BA5D	..	RIVET- SIZE DETERMINED ON INSTL. -----*-----	103106 108120	24
330	114N1509-21	..	HINGE ASSY- POSITION DATA: LH SIDE	103106 108120	1
- 335	114N1509-22	..	HINGE ASSY- POSITION DATA: RH SIDE	103106 108120	1
340	MS16562-1	...	PIN	103106 108120	2
345	MS20253P2	...	HINGE PIN	103106 108120	1
350	114N1509-11	...	HINGE	103106 108120	1
355	114N1509-12	...	HINGE- POSITION DATA: LH SIDE	103106 108120	1
- 360	114N1509-15	...	HINGE- POSITION DATA: RH SIDE ATTACHING PARTS	103106 108120	1
- 365	BACR15BA5D	...	RIVET- SIZE DETERMINED ON INSTL. -----*-----	103106 108120	14
370	BACS40R008C164F	..	SHIM	103106 108120	1
375	114N1513-9	..	PANEL ASSY- POSITION DATA: LH SIDE	103106 108120	1
- 380	114N1513-10	..	PANEL ASSY- POSITION DATA: RH SIDE	103106 108120	1

MISSING ITEM NUMBERS NOT APPLICABLE

- ITEM NOT ILLUSTRATED

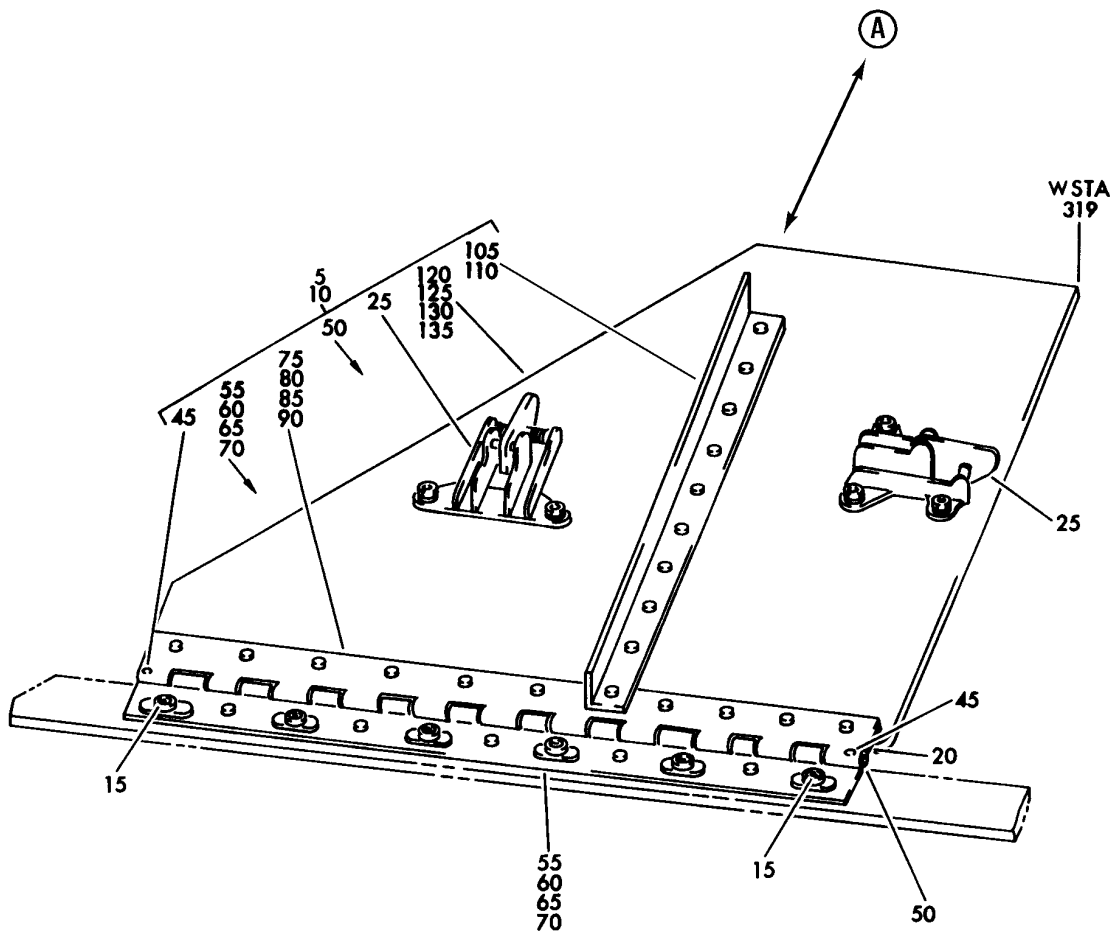
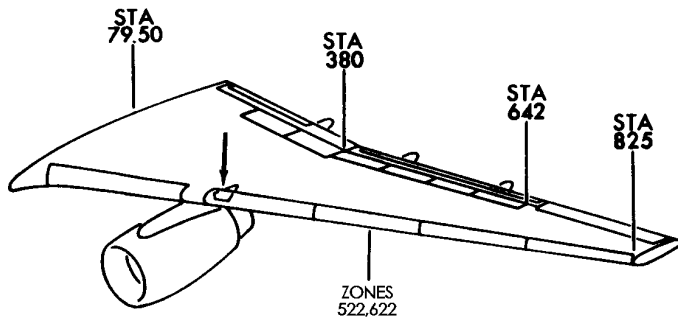
57-41-51-06

57-41-51
FIG. 06
PAGE 8
JAN 20/09

BRI

BOEING PROPRIETARY - Copyright © - Unpublished Work - See title page for details.

BOEING
757
PARTS CATALOG (MAINTENANCE)



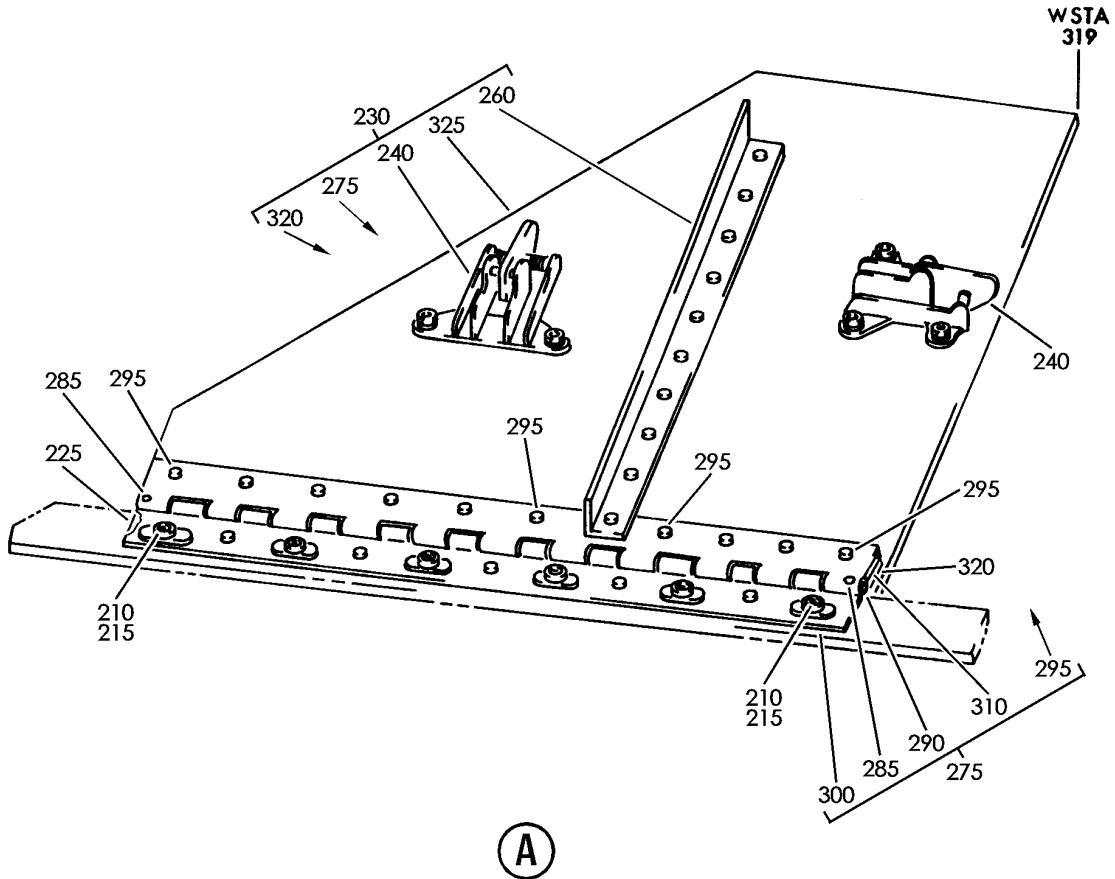
Y 57415110 SHT 1 REV 224

DOOR INSTL-WING OUTBD LE BLOWOUT
FIGURE 10 (SHEET 1)

57-41-51-10

BRI
MAY 28/07

57-41-51-10
PAGE 0



Y 57415110 SHT 2 REV 224

DOOR INSTL-WING OUTBD LE BLOWOUT
FIGURE 10 (SHEET 2)

57-41-51-10

BRI
MAY 28/07

57-41-51-10
PAGE 0A



757

PARTS CATALOG (MAINTENANCE)

FIG ITEM	PART NUMBER	1 2 3 4 5 6 7	NOMENCLATURE	EFFECT FROM TO	UNITS PER ASSY
10			DOOR INSTL-WING OUTBD LE BLOWOUT	002004 006999	
- 1	114N2038-1		DOOR INSTL-WING LE BLOWOUT POSITION DATA: OUTBD LH FOR NHA SEE: 57-22-51-50	002004 006100 107107 121503 904999	RF
- 1	114N2038-401		DOOR INSTL-WING LE BLOWOUT POSITION DATA: OUTBD LH FOR NHA SEE: 57-00-00-10	101102 108120 504903	RF
- 3	114N2038-2		DOOR INSTL-WING LE BLOWOUT POSITION DATA: OUTBD RH FOR NHA SEE: 57-22-51-50	002004 006100 107107 121503 904999	RF
- 3	114N2038-402		DOOR INSTL-WING LE BLOWOUT POSITION DATA: OUTBD RH FOR NHA SEE: 57-00-00-10	101102 108120 504903	RF
5	114N2038-19		.DOOR ASSY- POSITION DATA: LH SIDE	002004 006102 108903 950999	1
5	114N2038-9		.DOOR ASSY- POSITION DATA: LH SIDE	107107 904949	1
10	114N2038-20		.DOOR ASSY- POSITION DATA: RH SIDE	002004 006102 108903 950999	1
10	114N2038-10		.DOOR ASSY- POSITION DATA: RH SIDE	107107 904949	1
15	BACB30NN3K4		ATTACHING PARTS .BOLT	002004 006102 107999	6
20	BACS40R10C105F		.SHIM-	002004 006102 107999	AR
			-----*-----		

MISSING ITEM NUMBERS NOT APPLICABLE

- ITEM NOT ILLUSTRATED

BRI

57-41-51-10

57-41-51
FIG. 10
PAGE 1
JAN 20/09



757

PARTS CATALOG (MAINTENANCE)

FIG ITEM	PART NUMBER	1 2 3 4 5 6 7	NOMENCLATURE	EFFECT FROM TO	UNITS PER ASSY
10					
25	H2902-5		.. LATCH-PRESSURE RELIEF SUPPLIER CODE: V83014 SPECIFICATION NUMBER: S311T306-4 OPTIONAL PART: TL22013-104 VOCBU7	002004 006102 107999	2
25	TL22013-104		.. LATCH-PRESSURE RELIEF SUPPLIER CODE: VOCBU7 SPECIFICATION NUMBER: S311T306-4 OPTIONAL PART: H2902-5 V83014 ATTACHING PARTS	002004 006102 107999	2
- 30	BACB30LU06-3		.. BOLT	002004 006102 107999	8
- 35	AN960PD6L		.. WASHER	002004 006102 107999	8
- 40	BRH10C06D		.. NUT SUPPLIER CODE: V52828 SPECIFICATION NUMBER: BACN10JC06CD OPTIONAL PART: T6C632JCD V11815 NS202486-62 V80539 102LH9075-62W V72962 H51650-06BAC V15653 -----*-----	002004 006102 107999	8
45	MS16562-1		.. PIN	002004 006102 107999	2
50	MS20253P2-950		.. PIN-HINGE	002004 006102 107999	1
55	114N2038-23		.. HINGE HALF- POSITION DATA: LH SIDE	002004 006102 108903 950999	1

MISSING ITEM NUMBERS NOT APPLICABLE

- ITEM NOT ILLUSTRATED

57-41-51-10

57-41-51
FIG. 10
PAGE 2
JAN 20/09

BRI

BOEING PROPRIETARY - Copyright © - Unpublished Work - See title page for details.

BOEING
757
PARTS CATALOG (MAINTENANCE)

FIG ITEM	PART NUMBER	1 2 3 4 5 6 7	NOMENCLATURE	EFFECT FROM TO	UNITS PER ASSY
10					
60	114N2038-13	..	HINGE HALF- POSITION DATA: LH SIDE	107107 904949	1
65	114N2038-24	..	HINGE HALF- POSITION DATA: RH SIDE	002004 006102 108903 950999	1
70	114N2038-14	..	HINGE HALF- POSITION DATA: RH SIDE	107107 904949	1
75	114N2038-25	..	HINGE HALF- POSITION DATA: LH SIDE	002004 006102 108903 950999	1
80	114N2038-15	..	HINGE HALF- POSITION DATA: LH SIDE	107107 904949	1
85	114N2038-26	..	HINGE HALF- POSITION DATA: RH SIDE	002004 006102 108903 950999	1
90	114N2038-16	..	HINGE HALF- POSITION DATA: RH SIDE ATTACHING PARTS	107107 904949	1
- 95	BACR15BA5D	..	RIVET- SIZE DETERMINED ON INSTL.	002004 006102 107999	11
- 100	BACS40R08C100F	..	SHIM-	002004 006102 107999	AR
			-----*-----		
105	114N2038-5	..	ANGLE- POSITION DATA: LH SIDE	002004 006102 107999	1
110	114N2038-6	..	ANGLE- POSITION DATA: RH SIDE ATTACHING PARTS	002004 006102 107999	1
- 115	BACR15BA5D	..	RIVET- SIZE DETERMINED ON INSTL.	002004 006102 107999	9
			-----*-----		
120	114N2038-21	..	DOOR- POSITION DATA: LH SIDE	002004 006102 108903 950999	1

MISSING ITEM NUMBERS NOT APPLICABLE

- ITEM NOT ILLUSTRATED

BRI

57-41-51-10

BOEING PROPRIETARY - Copyright © - Unpublished Work - See title page for details.

57-41-51
FIG. 10
PAGE 3
JAN 20/09

BOEING
757
PARTS CATALOG (MAINTENANCE)

FIG ITEM	PART NUMBER	1 2 3 4 5 6 7	NOMENCLATURE	EFFECT FROM TO	UNITS PER ASSY
10					
125	114N2038-11	..	DOOR- POSITION DATA: LH DOOR	107107 904949	1
130	114N2038-22	..	DOOR- POSITION DATA: RH SIDE	002004 006102 108903 950999	1
135	114N2038-12	..	DOOR- POSITION DATA: RH SIDE	107107 904949	1
- 200	MODREF195		DOOR INSTL-WING LE BLOWOUT MODULE NUMBER: 114N2038-301 REV A POSITION DATA: OUTBD LH	103103	1
- 200	MODREF26668		DOOR INSTL-WING LE BLOWOUT MODULE NUMBER: 114N2038-301 REV B POSITION DATA: OUTBD LH	104106	1
- 205	MODREF196		DOOR INSTL-WING LE BLOWOUT MODULE NUMBER: 114N2038-302 REV A POSITION DATA: OUTBD RH	103103	1
- 205	MODREF26669		DOOR INSTL-WING LE BLOWOUT MODULE NUMBER: 114N2038-302 REV B POSITION DATA: OUTBD RH	104106	1
210	BACB30NN3K4	.	BOLT	103106	6
215	BRFR220C3-2D	.	NUTPLATE SUPPLIER CODE: V52828 SPECIFICATION NUMBER: BACN10KE3B2CD OPTIONAL PART: F51747-3-2CD V15653 102A9213-2-3 V72962 NS202493-02-2 V80539	103106	6
- 220	BACR15BA3ADC		ATTACHING PARTS .RIVET- SIZE DETERMINED ON INSTL. -----*-----	103106	12
225	BACS40R010C105F	.	SHIM	103106	AR

MISSING ITEM NUMBERS NOT APPLICABLE

- ITEM NOT ILLUSTRATED

BRI

57-41-51-10

BOEING PROPRIETARY - Copyright © - Unpublished Work - See title page for details.

57-41-51
FIG. 10
PAGE 4
JAN 20/09



757

PARTS CATALOG (MAINTENANCE)

FIG ITEM	PART NUMBER	1 2 3 4 5 6 7	NOMENCLATURE	EFFECT FROM TO	UNITS PER ASSY
10					
230	114N2038-27		.DOOR ASSY- POSITION DATA: LH SIDE	103106	1
- 235	114N2038-28		.DOOR ASSY- POSITION DATA: RH SIDE	103106	1
240	H2902-5		..LATCH-PRESSURE SUPPLIER CODE: V83014 SPECIFICATION NUMBER: S311T306-4 OPTIONAL PART: TL22013-104 VOCBU7	103106	2
240	TL22013-104		..LATCH-PRESSURE SUPPLIER CODE: VOCBU7 SPECIFICATION NUMBER: S311T306-4 OPTIONAL PART: H2902-5 V83014	103106	2
- 245	BACB30LU06-3		ATTACHING PARTS ..BOLT	103106	8
- 250	NAS1149DN616J		..WASHER	103106	8
- 255	BRH10C06D		..NUT SUPPLIER CODE: V52828 SPECIFICATION NUMBER: BACN10JCO6CD OPTIONAL PART: T6C632JCD V11815 NS202486-62 V80539 102LH9075-62W V72962 H51650-06BAC V15653	103106	8
260	114N2038-5		-----*----- ..ANGLE- POSITION DATA: LH SIDE	103106	1
- 265	114N2038-6		..ANGLE- POSITION DATA: RH SIDE	103106	1

MISSING ITEM NUMBERS NOT APPLICABLE

- ITEM NOT ILLUSTRATED

57-41-51-10

57-41-51
FIG. 10
PAGE 5
JAN 20/09

BRI

BOEING PROPRIETARY - Copyright © - Unpublished Work - See title page for details.



757

PARTS CATALOG (MAINTENANCE)

FIG ITEM	PART NUMBER	1 2 3 4 5 6 7	NOMENCLATURE	EFFECT FROM TO	UNITS PER ASSY
10			ATTACHING PARTS		
- 270	BACR15BA5ADC		..RIVET- SIZE DETERMINED ON INSTL. -----*-----	103106	10
275	114N2038-29		..HINGE ASSY- POSITION DATA: LH SIDE	103106	1
- 280	114N2038-30		..HINGE ASSY- POSITION DATA: RH SIDE	103106	1
285	MS16562-1		...PIN	103106	2
290	MS20253P2-950		...PIN	103106	1
295	BACR15BA5ADC		...RIVET- SIZE DETERMINED ON INSTL.	103106	10
300	114N2038-23		...HINGE HALF- POSITION DATA: LH SIDE	103106	1
- 305	114N2038-24		...HINGE HALF- POSITION DATA: RH SIDE	103106	1
310	114N2038-25		...HINGE HALF- POSITION DATA: LH SIDE	103106	1
- 315	114N2038-26		...HINGE HALF- POSITION DATA: RH SIDE	103106	1
320	BACS40R008C100F		..SHIM	103106	AR
325	114N2038-21		..DOOR- POSITION DATA: LH SIDE	103106	1
- 330	114N2038-22		..DOOR- POSITION DATA: RH SIDE	103106	1

MISSING ITEM NUMBERS NOT APPLICABLE

- ITEM NOT ILLUSTRATED

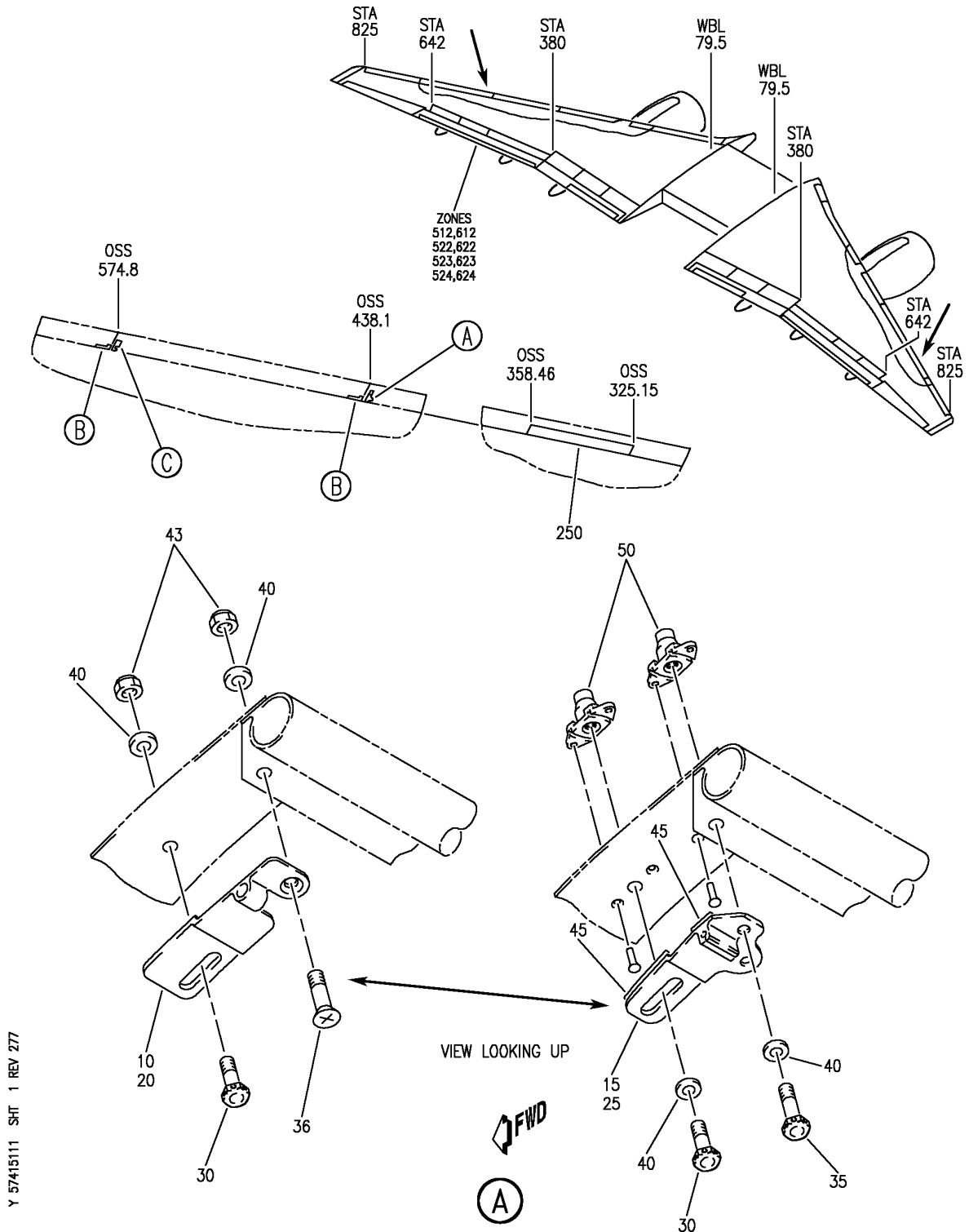
57-41-51-10

57-41-51
FIG. 10
PAGE 6
JAN 20/09

BRI

BOEING PROPRIETARY - Copyright © - Unpublished Work - See title page for details.

BOEING
757
PARTS CATALOG (MAINTENANCE)



Y 57415111 SH1 1 REV 277

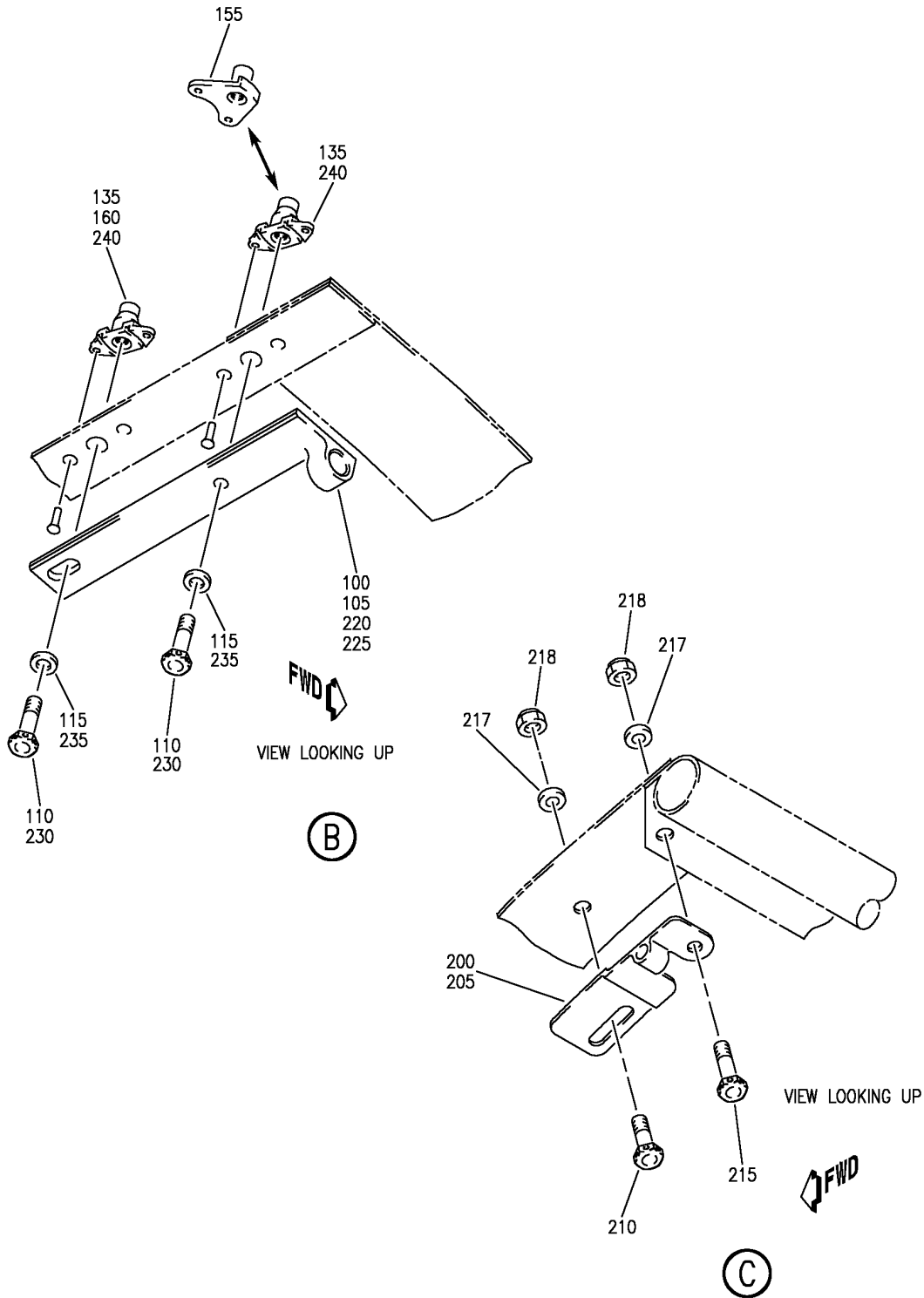
SLAT ASSY-WING LE OSS 707.00 TO 436.60 (WINGS ONLY)
FIGURE 11 (SHEET 1)

57-41-51-11

BRI
MAY 28/07

57-41-51-11
PAGE 0

BOEING
757
PARTS CATALOG (MAINTENANCE)



Y 57415111 SH- 2 REV 277

SLAT ASSY-WING LE OSS 707.00 TO 436.60 (WINGS ONLY)
FIGURE 11 (SHEET 2)

57-41-51-11

BRI
MAY 28/07

57-41-51-11
PAGE 0A



757

PARTS CATALOG (MAINTENANCE)

FIG ITEM	PART NUMBER	1 2 3 4 5 6 7	NOMENCLATURE	EFFECT FROM TO	UNITS PER ASSY
11			SLAT ASSY-WING LE OSS 707.00 TO 436.60 (WINGS ONLY)	002004 006999	
- 1	114N4005-203SP		SLAT ASSY-NO. 4 (WINGS ONLY) POSITION DATA: LH SIDE COMPONENT MAINT MANUAL REF: 57-43-28 QUALIFIED I/W DATA: 114N4005-157 CAN BE REPLACED BY 114N4005-203SP IF 218N1071-1 ON SLAT IS USED WITH 218N1011-1, -2, -3, OR -4 ON FIXED LEADING EDGE. IF 218N1071-4 IS ON SLAT, 218N1011-4 MUST BE USED ON FIXED LEADING EDGE 114N4005-191SP INTERCHANGEABLE WITH 114N4005-203SP IF SERVICE BULLETINS 757-27-0126 AND 757-57-0056 AND 757-57-0057 ARE INCORPORATED. 114N4005-193SP INTERCHANGEABLE WITH 114N4005-203SP IF SERVICE BULLETINS 757-27-0126 AND 757-57-0056 AND 757-57-0057 ARE INCORPORATED. REWORKED BY SB: 53-0049 FOR NHA/OTHER SYS DET SEE: 27-81-02-05 27-81-02-07	002004 006999	RF

MISSING ITEM NUMBERS NOT APPLICABLE

- ITEM NOT ILLUSTRATED

57-41-51-11

57-41-51
FIG. 11
PAGE 1
JAN 20/09

BRI



757

PARTS CATALOG (MAINTENANCE)

FIG ITEM	PART NUMBER	1 2 3 4 5 6 7	NOMENCLATURE	EFFECT FROM TO	UNITS PER ASSY
11 - 1	114N4005-213SP		SLAT ASSY-NO. 4 (WINGS ONLY) POSITION DATA: LH SIDE COMPONENT MAINT MANUAL REF: 57-43-28 QUALIFIED I/W DATA: 114N4005-157 CAN BE REPLACED BY 114N4005-213SP IF 218N1071-1 ON SLAT IS USED WITH 218N1011-1, -2, -3, OR -4 ON FIXED LEADING EDGE. IF 218N1071-4 IS ON SLAT, 218N1011-4 MUST BE USED ON FIXED LEADING EDGE 114N4005-191SP INTERCHANGEABLE WITH 114N4005-213SP IF SERVICE BULLETINS 757-27-0126 AND 757-57-0056 AND 757-57-0057 ARE INCORPORATED. 114N4005-193SP INTERCHANGEABLE WITH 114N4005-213SP IF SERVICE BULLETINS 757-27-0126 AND 757-57-0056 AND 757-57-0057 ARE INCORPORATED. REWORKED BY SB: 57-0049 FOR NHA/OTHER SYS DET SEE: 27-81-02-05 27-81-02-07	002004 006999	RF

MISSING ITEM NUMBERS NOT APPLICABLE

- ITEM NOT ILLUSTRATED

BRI

57-41-51-11

BOEING PROPRIETARY - Copyright © - Unpublished Work - See title page for details.

57-41-51
FIG. 11
PAGE 2
JAN 20/09



757

PARTS CATALOG (MAINTENANCE)

FIG ITEM	PART NUMBER	1 2 3 4 5 6 7	NOMENCLATURE	EFFECT FROM TO	UNITS PER ASSY
11 - 1	114N4005-229SP		SLAT ASSY-NO. 4 (WINGS ONLY) POSITION DATA: LH SIDE COMPONENT MAINT MANUAL REF: 57-43-28 QUALIFIED I/W DATA: THE -231SP OR -209SP OR -197SP CAN REPLACE -229SP SUBJECT TO CUSTOMER ACCEPTANCE OF WEIGHT PENALTY 114N4005-191SP CAN REPLACE OR BE REPLACED BY 114N4005-229SP IF SERVICE BULLETINS 757-27-0126, 757-57-0056 AND 757-57-0057 ARE INCORPORATED ON 114N4005-191SP. POST SERVICE BULLETIN: 27-0126 REWORKED BY SB: 57-0049 FOR NHA/OTHER SYS DET SEE: 27-81-02-05 27-81-02-07	002004 006999	RF

MISSING ITEM NUMBERS NOT APPLICABLE

- ITEM NOT ILLUSTRATED

BRI

57-41-51-11

BOEING PROPRIETARY - Copyright © - Unpublished Work - See title page for details.

57-41-51
FIG. 11
PAGE 3
JAN 20/09



757

PARTS CATALOG (MAINTENANCE)

FIG ITEM	PART NUMBER	1 2 3 4 5 6 7	NOMENCLATURE	EFFECT FROM TO	UNITS PER ASSY
11 - 5	114N4005-204SP		SLAT ASSY-NO. 7 (WINGS ONLY) POSITION DATA: RH SIDE COMPONENT MAINT MANUAL REF: 57-43-28 QUALIFIED I/W DATA: 114N4005-158 CAN BE REPLACED BY 114N4005-204SP IF 218N1071-1 ON SLAT IS USED WITH 218N1011-1, -2, -3, OR -4 ON FIXED LEADING EDGE. IF 218N1071-4 IS ON SLAT, 218N1011-4 MUST BE USED ON FIXED LEADING EDGE 114N4005-192SP INTERCHANGEABLE WITH 114N4005-204SP IF SERVICE BULLETINS 757-27-0126 AND 757-57-0056 AND 757-57-0057 ARE INCORPORATED. 114N4005-194SP INTERCHANGEABLE WITH 114N4005-204SP IF SERVICE BULLETINS 757-27-0126 AND 757-57-0056 AND 757-57-0057 ARE INCORPORATED. REWORKED BY SB: 57-0049 FOR NHA/OTHER SYS DET SEE: 27-81-02-05A 27-81-02-07A	002004 006999	RF

MISSING ITEM NUMBERS NOT APPLICABLE

- ITEM NOT ILLUSTRATED

57-41-51-11

57-41-51
FIG. 11
PAGE 4
JAN 20/09

BRI



757

PARTS CATALOG (MAINTENANCE)

FIG ITEM	PART NUMBER	1 2 3 4 5 6 7	NOMENCLATURE	EFFECT FROM TO	UNITS PER ASSY
11 - 5	114N4005-214SP		SLAT ASSY-NO. 7 (WINGS ONLY) POSITION DATA: RH SIDE COMPONENT MAINT MANUAL REF: 57-43-28 QUALIFIED I/W DATA: 114N4005-158 CAN BE REPLACED BY 114N4005-214SP IF 218N1071-1 ON SLAT IS USED WITH 218N1011-1, -2, -3, OR -4 ON FIXED LEADING EDGE. IF 218N1071-4 IS ON SLAT, 218N1011-4 MUST BE USED ON FIXED LEADING EDGE 114N4005-192SP INTERCHANGEABLE WITH 114N4005-214SP IF SERVICE BULLETINS 757-27-0126 AND 757-57-0056 AND 757-57-0057 ARE INCORPORATED. 114N4005-194SP INTERCHANGEABLE WITH 114N4005-214SP IF SERVICE BULLETINS 757-27-0126 AND 757-57-0056 AND 757-57-0057 ARE INCORPORATED. REWORKED BY SB: 57-0049 FOR NHA/OTHER SYS DET SEE: 27-81-02-05A 27-81-02-07A	002004 006999	RF

MISSING ITEM NUMBERS NOT APPLICABLE

- ITEM NOT ILLUSTRATED

57-41-51-11

57-41-51
FIG. 11
PAGE 5
JAN 20/09

BRI



757

PARTS CATALOG (MAINTENANCE)

FIG ITEM	PART NUMBER	1 2 3 4 5 6 7	NOMENCLATURE	EFFECT FROM TO	UNITS PER ASSY
11 - 5	114N4005-230SP		SLAT ASSY-NO. 7 (WINGS ONLY) POSITION DATA: RH SIDE COMPONENT MAINT MANUAL REF: 57-43-28 QUALIFIED I/W DATA: THE -232SP OR -210SP OR -198SP CAN REPLACE -230SP SUBJECT TO CUSTOMER ACCEPTANCE OF WEIGHT PENALTY POST SERVICE BULLETIN: 27-0126 REWORKED BY SB: 57-0049 FOR NHA/OTHER SYS DET SEE: 27-81-02-05A 27-81-02-07A	002004 006999	RF
10	251N5220-7		.CABLE GUIDE- POSITION DATA: LH SIDE USED ON: 114N4005-197SP 114N4005-203SP 114N4005-209SP 114N4005-213SP	002004 006999	1
15	251N5220-9		.CABLE GUIDE- POSITION DATA: LH SIDE USED ON: 114N4005-229SP 114N4005-231SP POST SERVICE BULLETIN: 27-0126	002004 006999	1
20	251N5220-8		.CABLE GUIDE- POSITION DATA: RH SIDE USED ON: 114N4005-198SP 114N4005-204SP 114N4005-210SP 114N4005-214SP	002004 006999	1

MISSING ITEM NUMBERS NOT APPLICABLE

- ITEM NOT ILLUSTRATED

57-41-51-11

57-41-51
FIG. 11
PAGE 6
JAN 20/09

BRI



757

PARTS CATALOG (MAINTENANCE)

FIG ITEM	PART NUMBER	1 2 3 4 5 6 7	NOMENCLATURE	EFFECT FROM TO	UNITS PER ASSY
11					
25	251N5220-10		.CABLE GUIDE- POSITION DATA: RH SIDE USED ON: 114N4005-230SP 114N4005-232SP POST SERVICE BULLETIN: 27-0126 ATTACHING PARTS	002004 006999	1
30	BACB30NM3K5		.BOLT- POST SERVICE BULLETIN: 27-0126	002004 006999	1
35	BACB30NM3K7		.BOLT- USED ON: 114N4005-229SP 114N4005-231SP POST SERVICE BULLETIN: 27-0126	002004 006999	1
36	BACB30NN3K7		.BOLT- USED ON: 114N4005-197SP 114N4005-203SP 114N4005-209SP 114N4005-213SP	002004 006999	1
40	NAS1149D0332K		.WASHER- POST SERVICE BULLETIN: 27-0126	002004 006100 904949	2
40	NAS1149D0363J		.WASHER-	002004 006999	2
43	BRH10C3D		.NUT- SUPPLIER CODE: V52828 SPECIFICATION NUMBER: BACN10JC3CD OPTIONAL PART: T6C1032JCD V11815 NS202486-02 V80539 102LH9075-3W V72962 H51650-3BAC V15653 -----*-----	002004 006999	2
45	BACS40REF		.SHIM- POST SERVICE BULLETIN: 27-0126	002004 006100 904949	2

MISSING ITEM NUMBERS NOT APPLICABLE

- ITEM NOT ILLUSTRATED

57-41-51-11

57-41-51
FIG. 11
PAGE 7
JAN 20/09

BRI

BOEING PROPRIETARY - Copyright © - Unpublished Work - See title page for details.



757

PARTS CATALOG (MAINTENANCE)

FIG ITEM	PART NUMBER	1 2 3 4 5 6 7	NOMENCLATURE	EFFECT FROM TO	UNITS PER ASSY
11 50	BRFR220C3-2D		.NUTPLATE- SUPPLIER CODE: V52828 SPECIFICATION NUMBER: BACN10KE3B2CD OPTIONAL PART: F51747-3-2CD V15653 102A9213-2-3 V72962 NS202493-02-2 V80539 POST SERVICE BULLETIN: 27-0126 ATTACHING PARTS	002004 006999	2
- 55	BACR15BA3AD3		.RIVET- POST SERVICE BULLETIN: 27-0126	002004 006100 904949	4
- 55	BACR15BA3AD		.RIVET- SIZE DETERMINED ON INSTL. -----*-----	002004 006999	4
- 90	114N4003-201SP		SLAT ASSY-NO. 2 (WINGS ONLY) POSITION DATA: LH SIDE COMPONENT MAINT MANUAL REF: 57-43-18 QUALIFIED I/W DATA: 114N4003-171 INTERCHANGEABLE WITH -201SP OR -221SP IF SERVICE BULLETINS 757-27-0126 AND 757-57-0057 ARE INCORPORATED ON OLDER SLATS 114N4003-189SP OR -191SP OR -193SP OR -203SP IS INTERCHANGEABLE WITH 114N4003-201SP IF SERVICE BULLETINS 757-27-0126 AND 757-57-0057 ARE INCORPORATED ON OLDER SLATS FOR NHA/OTHER SYS DET SEE: 27-81-02-05 27-81-02-07	002004 006999	RF

MISSING ITEM NUMBERS NOT APPLICABLE

- ITEM NOT ILLUSTRATED

57-41-51-11

57-41-51
FIG. 11
PAGE 8
JAN 20/09

BRI



757

PARTS CATALOG (MAINTENANCE)

FIG ITEM	PART NUMBER	1 2 3 4 5 6 7	NOMENCLATURE	EFFECT FROM TO	UNITS PER ASSY
11 - 90	114N4003-221SP		SLAT ASSY-NO. 2 (WINGS ONLY) POSITION DATA: LH SIDE COMPONENT MAINT MANUAL REF: 57-43-18 POST SERVICE BULLETIN: 27-0126 FOR NHA/OTHER SYS DET SEE: 27-81-02-05 27-81-02-07	002004 006999	RF
- 95	114N4003-202SP		SLAT ASSY-NO. 9 (WINGS ONLY) POSITION DATA: RH SIDE COMPONENT MAINT MANUAL REF: 57-43-18 QUALIFIED I/W DATA: 114N4003-172 INTERCHANGEABLE WITH -202SP OR -222SP IF SERVICE BULLETINS 757-27-0126 AND 757-57-0057 ARE INCORPORATED 114N4003-190SP OR -192SP OR -194SP OR -204SP IS INTERCHANGEABLE WITH 114N4003-202SP IF SERVICE BULLETINS -27-0126 AND 757-57-0057 ARE INCORPORATED ON OLDER SLATS FOR NHA/OTHER SYS DET SEE: 27-81-02-05A 27-81-02-07A	002004 006999	RF
- 95	114N4003-222SP		SLAT ASSY-NO. 9 (WINGS ONLY) POSITION DATA: RH SIDE COMPONENT MAINT MANUAL REF: 57-43-18 POST SERVICE BULLETIN: 27-0126 FOR NHA/OTHER SYS DET SEE: 27-81-02-05A 27-81-02-07A	002004 006999	RF

MISSING ITEM NUMBERS NOT APPLICABLE

- ITEM NOT ILLUSTRATED

57-41-51-11

57-41-51
FIG. 11
PAGE 9
SEP 20/08

BRI



757

PARTS CATALOG (MAINTENANCE)

FIG ITEM	PART NUMBER	1 2 3 4 5 6 7	NOMENCLATURE	EFFECT FROM TO	UNITS PER ASSY
11 100	251N5220-1		.CABLE GUIDE- POSITION DATA: LH SIDE USED ON: 114N4003-197SP 114N4003-201SP 114N4003-207SP	002004 006102 107107 121999	1
100	251N5220-11		.CABLE GUIDE- POSITION DATA: LH SIDE USED ON: 114N4003-221SP 114N4003-223SP POST SERVICE BULLETIN: 27-0126	002004 006999	1
105	251N5220-2		.CABLE GUIDE- POSITION DATA: RH SIDE USED ON: 114N4003-198SP 114N4003-202SP 114N4003-208SP	002004 006102 107107 121999	1
105	251N5220-12		.CABLE GUIDE- POSITION DATA: RH SIDE USED ON: 114N4003-222SP 114N4003-224SP POST SERVICE BULLETIN: 27-0126 ATTACHING PARTS	002004 006999	1
110	BACB30NM3K7		.BOLT- POST SERVICE BULLETIN: 27-0126	002004 006999	2
115	AN960KD10L		.WASHER- USED ON: 114N4003-201SP 114N4003-202SP	002004 006999	2
115	NAS1149D0332J		.WASHER- USED ON: 114N4003-197SP 114N4003-198SP 114N4003-207SP 114N4003-208SP 114N4003-223SP 114N4003-224SP 114N4003-221SP 114N4003-222SP	002004 006999	2

MISSING ITEM NUMBERS NOT APPLICABLE

- ITEM NOT ILLUSTRATED

57-41-51-11

57-41-51
FIG. 11
PAGE 10
JAN 20/09

BRI



757

PARTS CATALOG (MAINTENANCE)

FIG ITEM	PART NUMBER	1 2 3 4 5 6 7	NOMENCLATURE	EFFECT FROM TO	UNITS PER ASSY
11					
115	NAS1149D0332K		.WASHER- POST SERVICE BULLETIN: 27-0126 -----*-----	002004 006100 904949	2
135	BRFR220C3-2D		.NUTPLATE SUPPLIER CODE: V52828 SPECIFICATION NUMBER: BACN10KE3B2CD OPTIONAL PART: F51747-3-2CD V15653 102A9213-2-3 V72962 NS202493-02-2 V80539 ATTACHING PARTS	002004 006999	2
- 140	BACR15BA3AD		.RIVET -----*-----	002004 006999	4
- 180	114N4004-191SP		SLAT ASSY-NO.3 (WINGS ONLY) POSITION DATA: LH SIDE COMPONENT MAINT MANUAL REF: 57-43-24 QUALIFIED I/W DATA: -191SP INTERCHANGEABLE WITH -165SP IF S/B 757-27-0126 AND 757-57-0057 ARE INCORPORATED 114N4004-181SP INTERCHANGEABLE WITH 114N4004-191SP IF SERVICE BULLETINS 757-27-0126 AND 757-57-0057 ARE INCORPORATED. FOR NHA/OTHER SYS DET SEE: 27-81-02-05 27-81-02-07	002004 006903 950999	RF

MISSING ITEM NUMBERS NOT APPLICABLE

- ITEM NOT ILLUSTRATED

57-41-51-11

57-41-51
FIG. 11
PAGE 11
JAN 20/09

BRI



757

PARTS CATALOG (MAINTENANCE)

FIG ITEM	PART NUMBER	1 2 3 4 5 6 7	NOMENCLATURE	EFFECT FROM TO	UNITS PER ASSY
11 - 180	114N4004-215SP		SLAT ASSY-NO.3 (WINGS ONLY) POSITION DATA: LH SIDE COMPONENT MAINT MANUAL REF: 57-43-24 QUALIFIED I/W DATA: -215SP INTERCHANGEABLE WITH -165SP IF S/B 757-27-0126 AND 757-57-0057 ARE INCORPORATED 114N4004-181SP INTERCHANGEABLE WITH 114N4004-215SP IF SERVICE BULLETINS 757-27-0126 AND 757-57-0057 ARE INCORPORATED. POST SERVICE BULLETIN: 27-0126 FOR NHA/OTHER SYS DET SEE: 27-81-02-05 27-81-02-07	002004 006999	RF
- 190	114N4004-192SP		SLAT ASSY-NO.8 (WINGS ONLY) POSITION DATA: RH SIDE COMPONENT MAINT MANUAL REF: 57-43-24 QUALIFIED I/W DATA: 192SP INTERCHANGEABLE WITH -166SP IF S/B 757-27-0126 AND 757-57-0057 ARE INCORPORATED 114N4004-182SP INTERCHANGEABLE WITH 114N4004-192SP IF SERVICE BULLETINS 757-27-0126 AND 757-57-0057 ARE INCORPORATED. FOR NHA/OTHER SYS DET SEE: 27-81-02-05A 27-81-02-07A	002004 006903 950999	RF

MISSING ITEM NUMBERS NOT APPLICABLE

- ITEM NOT ILLUSTRATED

BRI

57-41-51-11

BOEING PROPRIETARY - Copyright © - Unpublished Work - See title page for details.

57-41-51
FIG. 11
PAGE 12
JAN 20/09



757

PARTS CATALOG (MAINTENANCE)

FIG ITEM	PART NUMBER	1 2 3 4 5 6 7	NOMENCLATURE	EFFECT FROM TO	UNITS PER ASSY
11 - 190	114N4004-216SP		SLAT ASSY-NO.8 (WINGS ONLY) POSITION DATA: RH SIDE COMPONENT MAINT MANUAL REF: 57-43-24 QUALIFIED I/W DATA: -216SP INTERCHANGEABLE WITH -166SP IF S/B 757-27-0126 AND 757-57-0057 ARE INCORPORATED 114N4004-182SP INTERCHANGEABLE WITH 114N4004-216SP IF SERVICE BULLETINS 757-27-0126 AND 757-57-0057 ARE INCORPORATED. POST SERVICE BULLETIN: 27-0126 FOR NHA/OTHER SYS DET SEE: 27-81-02-05A 27-81-02-07A	002004 006999	RF
200	251N5220-5		.CABLE GUIDE- POSITION DATA: LH SIDE POST SERVICE BULLETIN: 27-0126	002004 006999	1
205	251N5220-6		.CABLE GUIDE- POSITION DATA: RH SIDE POST SERVICE BULLETIN: 27-0126	002004 006999	1
210	BACB30NM3K5		ATTACHING PARTS .BOLT	002004 006999	1
215	BACB30NM3K7		.BOLT	002004 006999	1
217	NAS1149D0363K		.WASHER-	002004 006903 950999	2
217	NAS1149D0332K		.WASHER- POST SERVICE BULLETIN: 27-0126	002004 006100 904949	2

MISSING ITEM NUMBERS NOT APPLICABLE

- ITEM NOT ILLUSTRATED

57-41-51-11

57-41-51
FIG. 11
PAGE 13
JAN 20/09

BRI



757

PARTS CATALOG (MAINTENANCE)

FIG ITEM	PART NUMBER	1 2 3 4 5 6 7	NOMENCLATURE	EFFECT FROM TO	UNITS PER ASSY
11 218	BRH10C3D	.NUT	SUPPLIER CODE: V52828 SPECIFICATION NUMBER: BACN10JC3CD OPTIONAL PART: T6C1032JCD V11815 NS202486-02 V80539 102LH9075-3W V72962 H51650-3BAC V15653	002004 006999	2
220	251N5220-3	-----*----- .CABLE GUIDE-	POSITION DATA: LH SIDE USED ON: 114N4004-187SP 114N4004-191SP 114N4004-201SP	002004 006903 950999	1
220	251N5220-13	.CABLE GUIDE-	POSITION DATA: LH SIDE USED ON: 114N4004-215SP 114N4004-217SP POST SERVICE BULLETIN: 27-0126	002004 006999	1
225	251N5220-4	.CABLE GUIDE-	POSITION DATA: RH SIDE USED ON: 114N4004-188SP 114N4004-192SP 114N4004-202SP	002004 006903 950999	1
225	251N5220-14	.CABLE GUIDE-	POSITION DATA: RH SIDE USED ON: 114N4004-216SP 114N4004-218SP POST SERVICE BULLETIN: 27-0126	002004 006999	1

MISSING ITEM NUMBERS NOT APPLICABLE

- ITEM NOT ILLUSTRATED

57-41-51-11

57-41-51
FIG. 11
PAGE 14
JAN 20/09

BRI



757

PARTS CATALOG (MAINTENANCE)

FIG ITEM	PART NUMBER	1 2 3 4 5 6 7	NOMENCLATURE	EFFECT FROM TO	UNITS PER ASSY
11			ATTACHING PARTS		
230	BACB30NM3K7		.BOLT- USED ON: 114N4004-191SP 114N4004-192SP 114N4004-215SP 114N4004-216SP POST SERVICE BULLETIN: 27-0126	002004 006999	2
235	NAS1149D0332K		.WASHER- USED ON: 114N4004-191SP 114N4004-192SP 114N4004-215SP 114N4004-216SP POST SERVICE BULLETIN: 27-0126	002004 006999	2
240	BRFR220C3-2D		-----*----- .NUTPLATE SUPPLIER CODE: V52828 SPECIFICATION NUMBER: BACN10KE3B2CD OPTIONAL PART: F51747-3-2CD V15653 102A9213-2-3 V72962 NS202493-02-2 V80539	002004 006999	2
- 245	BACR15BA3AD		ATTACHING PARTS .RIVET	002004 006999	4
250	114N4046-65		-----*----- .SEAL- ALTERED FROM PART NUMBER: 10-60754-481 MANUFACTURED FROM: EXTR RUBBER F25.01 10-60754-481	002004 006999	1
- 255	114N4046-66		.SEAL- ALTERED FROM PART NUMBER: 10-60754-481 MANUFACTURED FROM: EXTR RUBBER F25.01 10-60754-482	002004 006999	1

MISSING ITEM NUMBERS NOT APPLICABLE

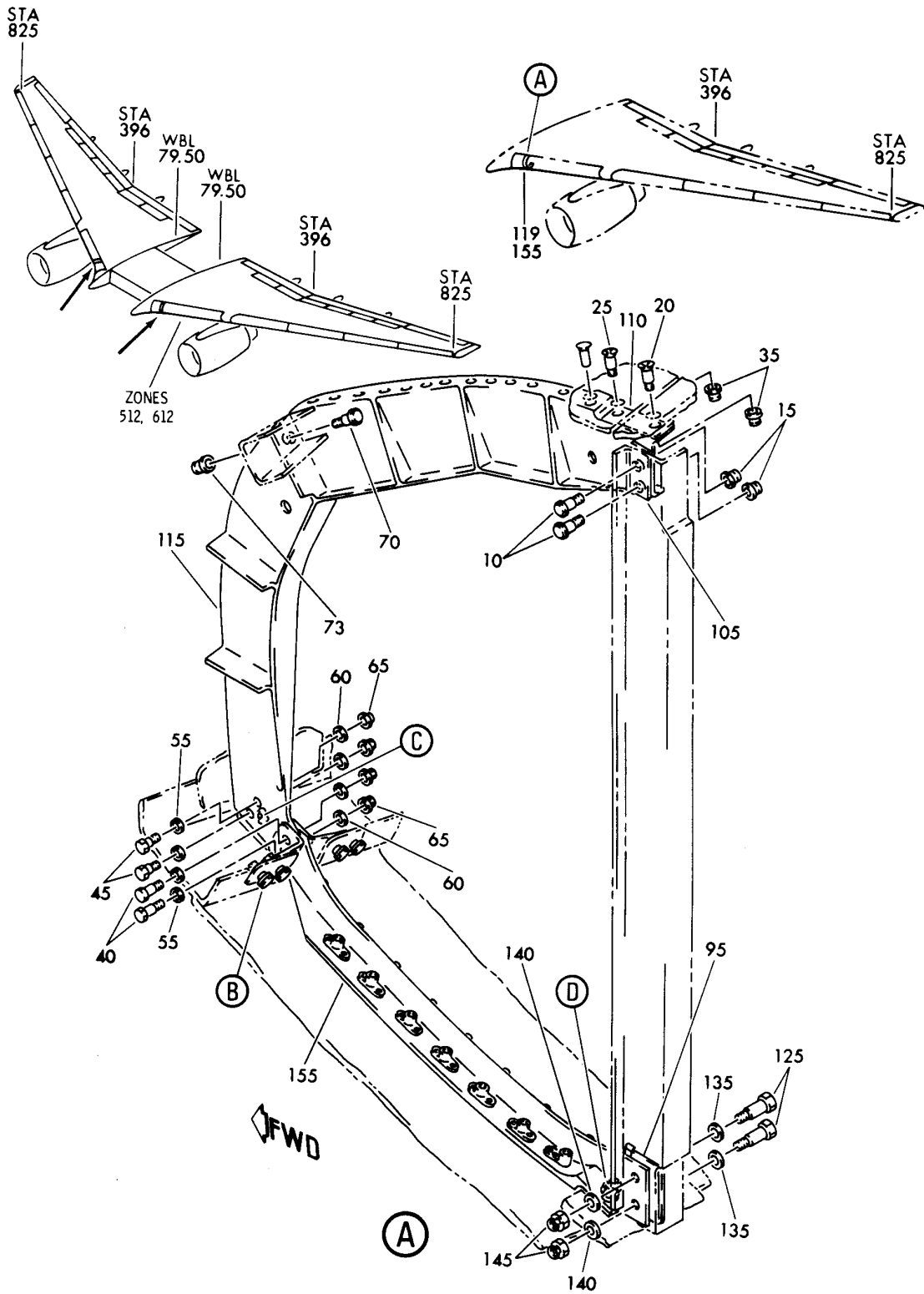
- ITEM NOT ILLUSTRATED

57-41-51-11

57-41-51
FIG. 11
PAGE 15
SEP 20/08

BRI

BOEING
757
PARTS CATALOG (MAINTENANCE)



Y 57415123 SHT 1 REV 021

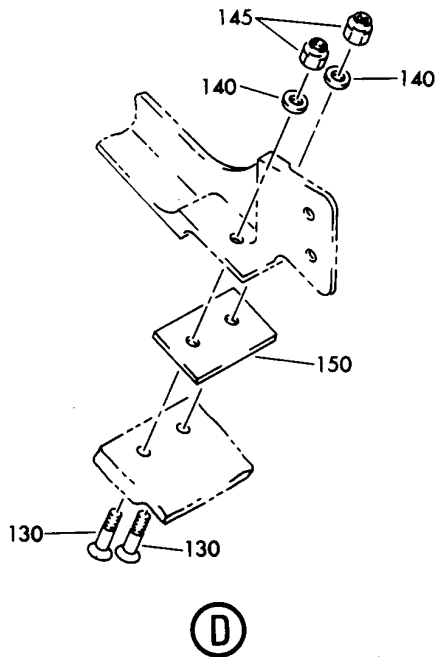
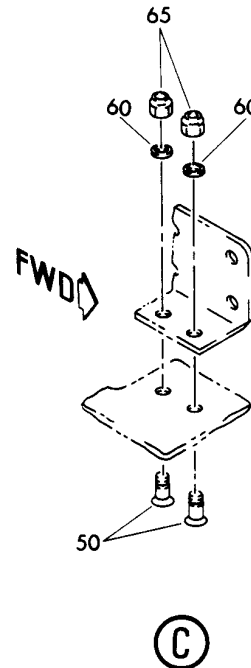
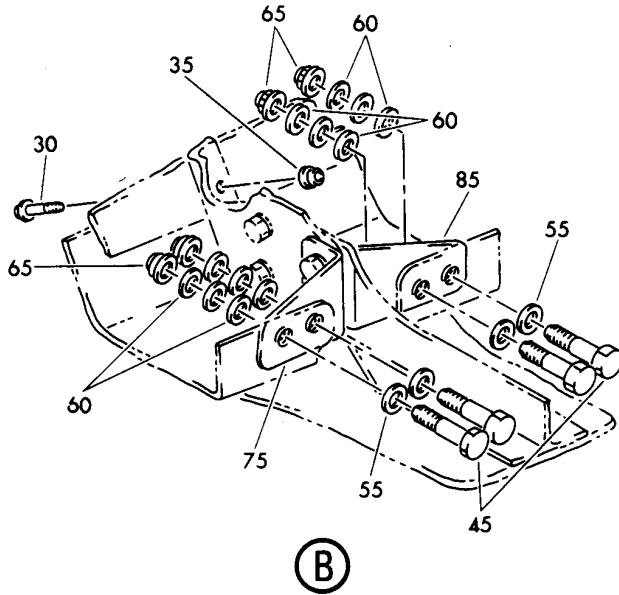
RIB INSTL-ISS 119.00 INBD FXD LE AIRLOAD
FIGURE 23 (SHEET 1)

57-41-51-23

BRI
MAY 28/07

57-41-51-23
PAGE 0

BOEING
757
PARTS CATALOG (MAINTENANCE)



Y 57415123 SHT 2 REV 010

RIB INSTL-ISS 119.00 INBD FXD LE AIRLOAD
FIGURE 23 (SHEET 2)

57-41-51-23

BRI
MAY 28/07

57-41-51-23
PAGE 0A



757

PARTS CATALOG (MAINTENANCE)

FIG ITEM	PART NUMBER	1 2 3 4 5 6 7	NOMENCLATURE	EFFECT FROM TO	UNITS PER ASSY
23			RIB INSTL-ISS 119.00 INBD FXD LE AIRLOAD	002004 006102 107999	
- 1	114N1201-1		RIB INSTL-FXD LE AIRLOAD POSITION DATA: ISS 119.00 INBD LH FOR NHA SEE: 57-40-00-01	002004 006100 107107 121503 904999	RF
- 1	114N1201-3		RIB INSTL-AIRLOAD FXD LE POSITION DATA: ISS 119.00 INBD LH FOR NHA SEE: 57-00-00-10	101102 108120 504903	RF
- 5	114N1201-2		RIB INSTL-AIRLOAD FXD LE POSITION DATA: ISS 119.00 INBD RH FOR NHA SEE: 57-40-00-01 57-00-00-10	002004 006102 107999	RF
10	L80010K5		.BOLT SUPPLIER CODE: V06725 SPECIFICATION NUMBER: BACB30MY10K5	002004 006102 107999	2
15	HL79-10		.COLLAR SUPPLIER CODE: V5M902 SPECIFICATION NUMBER: BACC30M10 OPTIONAL PART: HL79-10 V73197 HL79-10 V92215 66014-10 V56878 HL79-10 V56878	002004 006102 107999	2

MISSING ITEM NUMBERS NOT APPLICABLE

- ITEM NOT ILLUSTRATED

57-41-51-23

57-41-51
FIG. 23
PAGE 1
JAN 20/09

BRI



757

PARTS CATALOG (MAINTENANCE)

FIG ITEM	PART NUMBER	1 2 3 4 5 6 7	NOMENCLATURE	EFFECT FROM TO	UNITS PER ASSY
23					
20	HL523AZ6-9	.BOLT	SUPPLIER CODE: V73197 SPECIFICATION NUMBER: BACB30NZ6K9 OPTIONAL PART: L804-6K9 V06725 HL523AZ6-9 V56878 HL523AZ6-9 V92215 HL523AZ6-9 V97928 HL523AZ6-9 VOPTK6 HL523AZ6-9 V60516 HL523AZ6-9 V06725	002004 006102 107999	1
25	HL11VAZ6-9	.BOLT	SUPPLIER CODE: V60516 SPECIFICATION NUMBER: BACB30NW6K9 OPTIONAL PART: B30NW6K9 V97928 HL11VAZ6-9 V73197 HL11VAZ6-9 V92215 HL11VAZ6-9 V97928 L803-6K9 V06725 HL11VAZ6-9 VOPTK6 HL11VAZ6-9 V56878	002004 006102 107999	1
30	L8006K5	.BOLT	SUPPLIER CODE: V06725 SPECIFICATION NUMBER: BACB30MY6K5	002004 006102 107999	1

MISSING ITEM NUMBERS NOT APPLICABLE

- ITEM NOT ILLUSTRATED

57-41-51-23

57-41-51
FIG. 23
PAGE 2
JAN 20/09

BRI



757

PARTS CATALOG (MAINTENANCE)

FIG ITEM	PART NUMBER	1 2 3 4 5 6 7	NOMENCLATURE	EFFECT FROM TO	UNITS PER ASSY
23					
35	HL79-6		.COLLAR SUPPLIER CODE: V5M902 SPECIFICATION NUMBER: BACC30M6 OPTIONAL PART: HL79-6 V73197 HL79-6 V92215 66014-6 V56878 HL79-6 V56878	002004 006102 107999	3
40	BACB30NM3K9		.BOLT	002004 006102 107999	2
45	BACB30NM3K5		.BOLT	002004 006102 107999	6
50	BACB30NN3K4		.BOLT-	002004 006102 107999	2
55	BACW10BP3CD		.WASHER	002004 006102 107999	8
60	BACW10BP3DP		.WASHER	002004 006102 107999	10
65	NAS1805-3N		.NUT- USED ON: 114N1201-1 114N1201-2	002004 006100 107107 121503 904999	10
65	NAS1805-3N		.NUT- USED ON: 114N1201-2 MODREF1659	101102 108120 504903	10
65	NAS1805-3L		.NUT- USED ON: 114N1201-3 MODREF1660	101102 108120 504903	10
70	L8006K3		.BOLT SUPPLIER CODE: V06725 SPECIFICATION NUMBER: BACB30MY6K3	002004 006102 107999	1

MISSING ITEM NUMBERS NOT APPLICABLE

- ITEM NOT ILLUSTRATED

57-41-51-23

57-41-51
FIG. 23
PAGE 3
JAN 20/09

BRI

BOEING PROPRIETARY - Copyright © - Unpublished Work - See title page for details.



757

PARTS CATALOG (MAINTENANCE)

FIG ITEM	PART NUMBER	1 2 3 4 5 6 7	NOMENCLATURE	EFFECT FROM TO	UNITS PER ASSY
23					
73	HL79-6		.COLLAR SUPPLIER CODE: V5M902 SPECIFICATION NUMBER: BACC30M6 OPTIONAL PART: HL79-6 V73197 HL79-6 V92215 66014-6 V56878 HL79-6 V56878	002004 006102 107999	1
75	114N1219-19		.BRACKET- POSITION DATA: LH SIDE	002004 006102 107999	1
- 80	114N1219-20		.BRACKET- POSITION DATA: RH SIDE	002004 006102 107999	1
85	114N1219-21		.BRACKET- POSITION DATA: LH SIDE	002004 006102 107999	1
- 90	114N1219-22		.BRACKET- POSITION DATA: RH SIDE	002004 006102 107999	1
95	BACS40R10D21F		.SHIM	002004 006102 107999	1
105	BACS40R10D18F		.SHIM	002004 006102 107999	1
110	BACS40R09D26F		.SHIM-	002004 006102 107999	1
115	114N1202-1		.RIB- POSITION DATA: LH SIDE	002004 006102 107999	1
- 120	114N1202-2		.RIB- POSITION DATA: RH SIDE	002004 006102 107999	1
125	BACB30NM4K7		.BOLT	002004 006102 107999	2
130	BACB30LH4-4		.BOLT	002004 006102 107999	2

MISSING ITEM NUMBERS NOT APPLICABLE

- ITEM NOT ILLUSTRATED

57-41-51-23

57-41-51
FIG. 23
PAGE 4
JAN 20/09

BRI

BOEING PROPRIETARY - Copyright © - Unpublished Work - See title page for details.



757

PARTS CATALOG (MAINTENANCE)

FIG ITEM	PART NUMBER	1 2 3 4 5 6 7	NOMENCLATURE	EFFECT FROM TO	UNITS PER ASSY
23					
135	BACW10BP4CD	.	WASHER	002004 006102 107999	2
140	BACW10BP4DP	.	WASHER	002004 006102 107999	4
145	NAS1805-4N	.	NUT- USED ON: 114N1201-1 114N1201-2	002004 006100 107107 121503 904999	4
145	NAS1805-4N	.	NUT- USED ON: 114N1201-2 MODREF1659	101102 108120 504903	4
145	NAS1805-4L	.	NUT- USED ON: 114N1201-3 MODREF1660	101102 108120 504903	4
150	BACS40R13D18F	.	SHIM	002004 006102 107999	1
155	114N1209-11	.	CHORD- POSITION DATA: LH SIDE	002004 006102 107999	1
- 160	114N1209-12	.	CHORD- POSITION DATA: RH SIDE	002004 006102 107999	1

MISSING ITEM NUMBERS NOT APPLICABLE

- ITEM NOT ILLUSTRATED

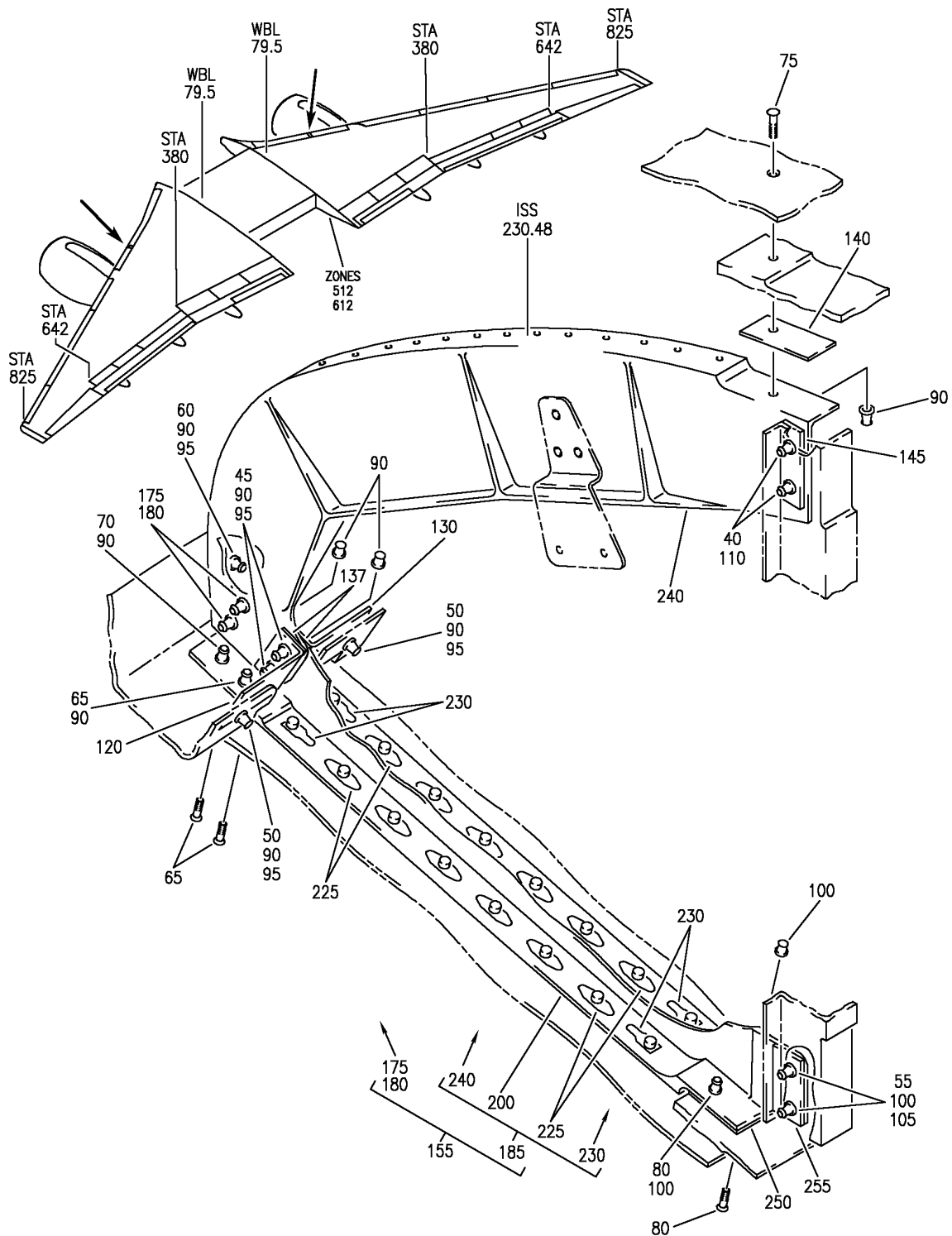
BRI

57-41-51-23

BOEING PROPRIETARY - Copyright © - Unpublished Work - See title page for details.

57-41-51
FIG. 23
PAGE 5
JAN 20/09

BOEING
757
PARTS CATALOG (MAINTENANCE)



Y 57415124 REV 254

RIB INSTL-ISS 230.48 INBD FXD LE AIRLOAD
FIGURE 24

57-41-51-24

BRI
JAN 20/09

57-41-51-24
PAGE 0



757

PARTS CATALOG (MAINTENANCE)

FIG ITEM	PART NUMBER	1 2 3 4 5 6 7	NOMENCLATURE	EFFECT FROM TO	UNITS PER ASSY
24			RIB INSTL-ISS 230.48 INBD FXD LE AIRLOAD	103106	
- 1	MODREF19111		RIB INSTL-FXD LE AIRLOAD MODULE NUMBER: 114N1213-307 REV A POSITION DATA: ISS 230.48 INBD LH	103103	1
- 1	MODREF26641		RIB INSTL-FXD LE AIRLOAD MODULE NUMBER: 114N1213-307 REV B POSITION DATA: ISS 230.48 INBD LH	104105	1
- 1	MODREF31619		RIB INSTL-FXD LE AIRLOAD MODULE NUMBER: 114N1213-307 REV C POSITION DATA: ISS 230.48 INBD LH	106106	1
- 5	MODREF19112		RIB INSTL-FXD LE AIRLOAD MODULE NUMBER: 114N1213-308 REV A POSITION DATA: ISS 230.48 INBD RH	103103	1
- 5	MODREF26642		RIB INSTL-FXD LE AIRLOAD MODULE NUMBER: 114N1213-308 REV B POSITION DATA: ISS 230.48 INBD RH	104105	1
- 5	MODREF31620		RIB INSTL-FXD LE AIRLOAD MODULE NUMBER: 114N1213-308 REV C POSITION DATA: ISS 230.48 INBD RH	106106	1
40	HST10AG10-6		.BOLT SUPPLIER CODE: VOPTK6 SPECIFICATION NUMBER: BACB30VT10K6 OPTIONAL PART: HST10AG10-6 V06725 HST10AG10-6 V56878 HST10AG10-6 V73197 WC10K10-6 V60516	103106	2

MISSING ITEM NUMBERS NOT APPLICABLE

- ITEM NOT ILLUSTRATED

57-41-51-24

57-41-51
FIG. 24
PAGE 1
JAN 20/09

BRI



757

PARTS CATALOG (MAINTENANCE)

FIG ITEM	PART NUMBER	1 2 3 4 5 6 7	NOMENCLATURE	EFFECT FROM TO	UNITS PER ASSY
24 45	HST10AG6-8	.BOLT	SUPPLIER CODE: VOPTK6 SPECIFICATION NUMBER: BACB30VT6K8 OPTIONAL PART: HST10AG6-8 V06725 HST10AG6-8 V56878 HST10AG6-8 V73197 WC10K6-6 V60516	103106	2
50	HST10AG6-4	.BOLT	SUPPLIER CODE: V06725 SPECIFICATION NUMBER: BACB30VT6K4 OPTIONAL PART: HST10AG6-4 V73197 HST10AG6-4 V56878 HST10AG6-4 VOPTK6 WC10K6-4 V60516	103106	2
55	HST10AG8-5	.BOLT	SUPPLIER CODE: VOPTK6 SPECIFICATION NUMBER: BACB30VT8K5 OPTIONAL PART: HST10AG8-5 V06725 HST10AG8-5 V56878 HST10AG8-5 V73197 WC10K8-5 V60516	103106	2

MISSING ITEM NUMBERS NOT APPLICABLE

- ITEM NOT ILLUSTRATED

57-41-51-24

57-41-51
FIG. 24
PAGE 2
JAN 20/09

BRI



757

PARTS CATALOG (MAINTENANCE)

FIG ITEM	PART NUMBER	1 2 3 4 5 6 7	NOMENCLATURE	EFFECT FROM TO	UNITS PER ASSY
24 60	HST10AG6-5	.BOLT	SUPPLIER CODE: VOPTK6 SPECIFICATION NUMBER: BACB30VT6K5 OPTIONAL PART: HST10AG6-5 V06725 HST10AG6-5 V56878 HST10AG6-5 V73197 WC10K6-5 V60516	103106	1
95	BACC30BL6	.COLLAR	SUPPLIER CODE: V73197 SPECIFICATION NUMBER: BACC30BL6 OPTIONAL PART: HST79-6 V92215 HST79CY6 V56878 HST79CY6 V5M902	103106	5
105	BACC30BL8	.COLLAR	SUPPLIER CODE: V73197 SPECIFICATION NUMBER: BACC30BL8 OPTIONAL PART: HST79-8 V92215 HST79CY8 V56878 HST79CY8 V5M902	103106	2

MISSING ITEM NUMBERS NOT APPLICABLE

- ITEM NOT ILLUSTRATED

BRI

57-41-51-24

BOEING PROPRIETARY - Copyright © - Unpublished Work - See title page for details.

57-41-51
FIG. 24
PAGE 3
JAN 20/09



757

PARTS CATALOG (MAINTENANCE)

FIG ITEM	PART NUMBER	1 2 3 4 5 6 7	NOMENCLATURE	EFFECT FROM TO	UNITS PER ASSY
24 110	BACC30BL10	.COLLAR	SUPPLIER CODE: V73197 SPECIFICATION NUMBER: BACC30BL10 OPTIONAL PART: HST79-10 V92215 HST79CY10 V56878 HST79CY10 V5M902	103106	2
120	114N1219-1	.BRACKET-	POSITION DATA: LH SIDE	103106	1
- 125	114N1219-2	.BRACKET-	POSITION DATA: RH SIDE	103106	1
130	114N1219-3	.BRACKET-	POSITION DATA: LH SIDE	103106	1
- 135	114N1219-4	.BRACKET-	POSITION DATA: RH SIDE	103106	1
137	BACS40R009X017F	.SHIM		106106	2
140	BACS40R010D027F	.SHIM		103106	1
145	BACS40R010D020F	.SHIM		103106	1
155	114N1213-15	.RIB ASSY-AIRLOAD	POSITION DATA: LH SIDE	103106	1
- 160	114N1213-16	.RIB ASSY-AIRLOAD	POSITION DATA: RH SIDE	103106	1
175	HST10AG6-4	..BOLT	SUPPLIER CODE: V06725 SPECIFICATION NUMBER: BACB30VT6K4 OPTIONAL PART: HST10AG6-4 V73197 HST10AG6-4 V56878 HST10AG6-4 V0PTK6 WC10K6-4 V60516	103106	2

MISSING ITEM NUMBERS NOT APPLICABLE

- ITEM NOT ILLUSTRATED

57-41-51-24

57-41-51
FIG. 24
PAGE 4
JAN 20/09

BRI



757

PARTS CATALOG (MAINTENANCE)

FIG ITEM	PART NUMBER	1 2 3 4 5 6 7	NOMENCLATURE	EFFECT FROM TO	UNITS PER ASSY
24 180	BACC30BL6	..	COLLAR SUPPLIER CODE: V73197 SPECIFICATION NUMBER: BACC30BL6 OPTIONAL PART: HST79-6 V92215 HST79CY6 V56878 HST79CY6 V5M902	103106	2
185	114N1213-7	..	CHORD ASSY-LWR POSITION DATA: LH SIDE	103106	1
- 190	114N1213-8	..	CHORD ASSY-LWR POSITION DATA: RH SIDE	103106	1
200	114N1209-43	...	RIB-CHORD POSITION DATA: LH SIDE	103106	1
- 210	114N1209-44	...	RIB-CHORD POSITION DATA: RH SIDE	103106	1
225	BRFR220C3-2D	...	NUTPLATE SUPPLIER CODE: V52828 SPECIFICATION NUMBER: BACN10KE3B2CD OPTIONAL PART: F51747-3-2CD V15653 102A9213-2-3 V72962 NS202493-02-2 V80539	103106	12
230	BRFR120C3-2D	...	NUTPLATE SUPPLIER CODE: V52828 SPECIFICATION NUMBER: BACN10KE3E2CD OPTIONAL PART: 102F9216-2-3 V72962 F51751-3-2CD V15653 NS202494-02-2 V80539	103106	4

MISSING ITEM NUMBERS NOT APPLICABLE

- ITEM NOT ILLUSTRATED

57-41-51-24

57-41-51
FIG. 24
PAGE 5
JAN 20/09

BRI



757

PARTS CATALOG (MAINTENANCE)

FIG ITEM	PART NUMBER	1 2 3 4 5 6 7	NOMENCLATURE	EFFECT FROM TO	UNITS PER ASSY
24			ATTACHING PARTS		
- 235	BACR15BA3AD	...	RIVET- SIZE DETERMINED ON INSTL. -----*-----	103106	16
240	114N1214-7	...	RIB- POSITION DATA: LH SIDE	103106	1
- 245	114N1214-8	...	RIB- POSITION DATA: RH SIDE	103106	1
250	BACS40R014D020F	.SHIM		103106	1
255	BACS40R010D019F	.SHIM		103106	1

MISSING ITEM NUMBERS NOT APPLICABLE

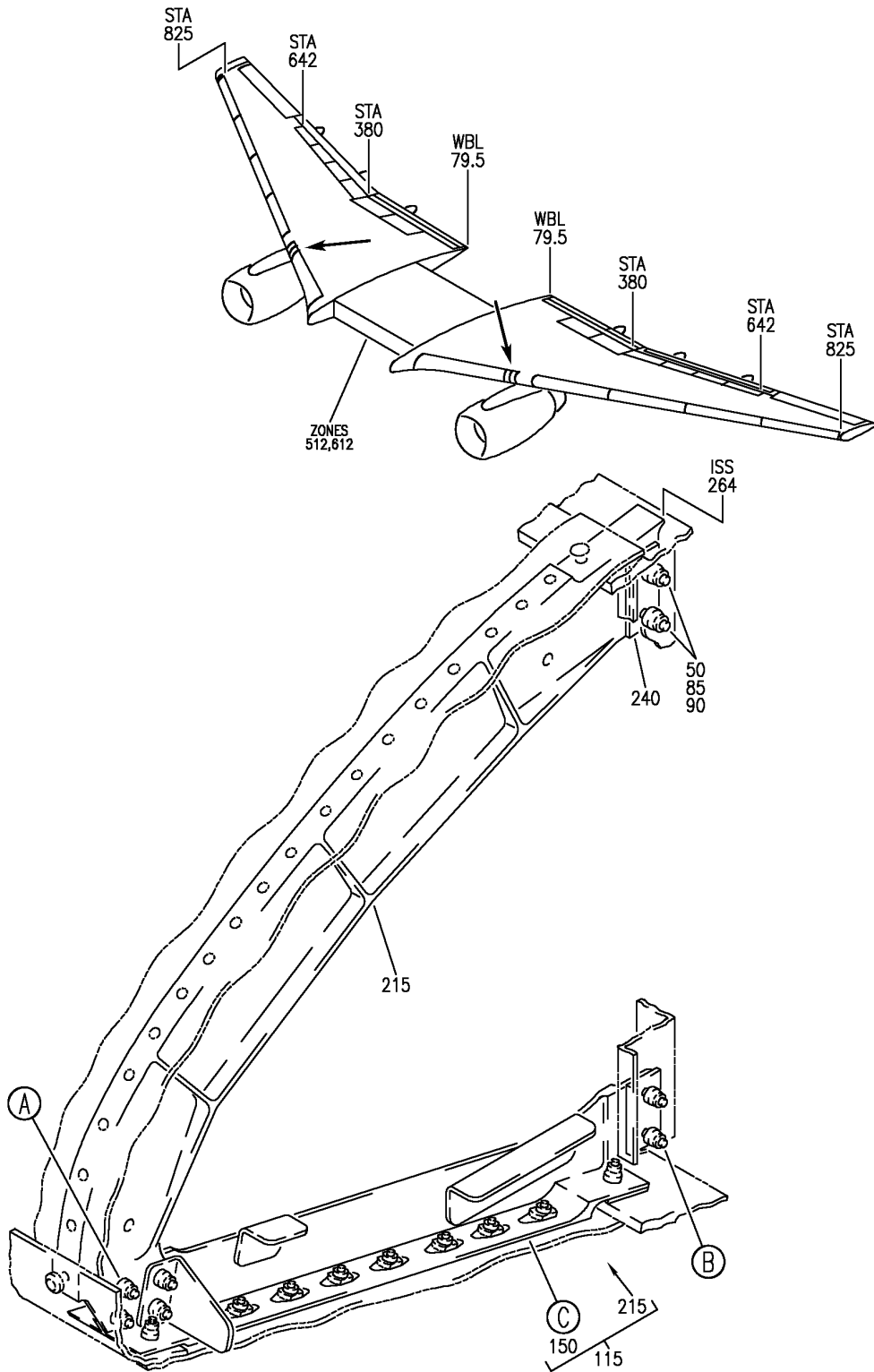
- ITEM NOT ILLUSTRATED

57-41-51-24

57-41-51
FIG. 24
PAGE 6
JAN 20/09

BRI

BOEING
757
PARTS CATALOG (MAINTENANCE)



Y 57415124A SHT 1 REV 245

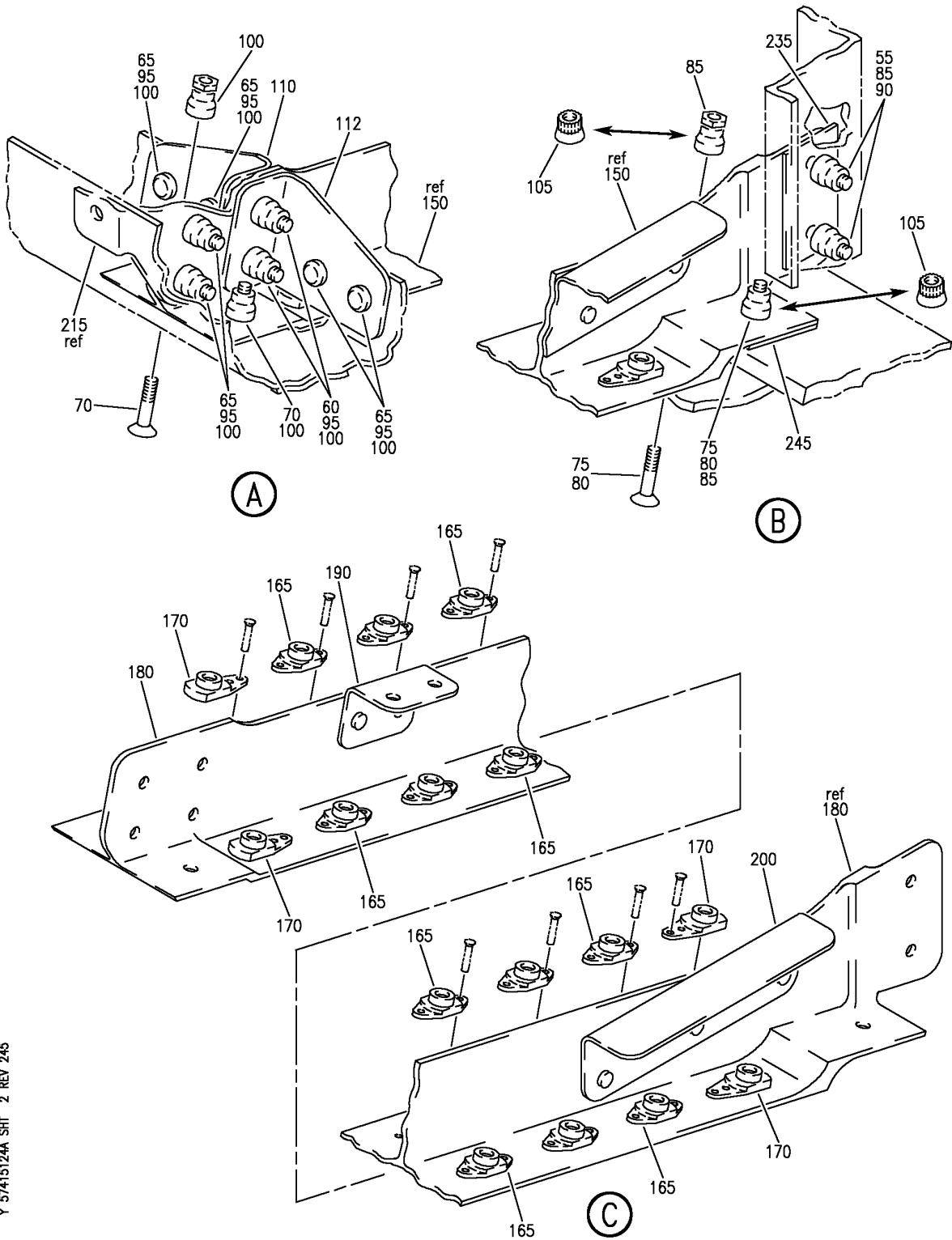
RIB INSTL-ISS 264.00 INBD FXD LE AIRLOAD
FIGURE 24A (SHEET 1)

57-41-51-24A

BRI
JAN 20/09

57-41-51-24A
PAGE 0

BOEING
757
PARTS CATALOG (MAINTENANCE)



Y 57415124A SHT 2 REV 245

RIB INSTL-ISS 264.00 INBD FXD LE AIRLOAD
FIGURE 24A (SHEET 2)

57-41-51-24A

BRI
JAN 20/09

57-41-51-24A
PAGE 0A



757

PARTS CATALOG (MAINTENANCE)

FIG ITEM	PART NUMBER	1 2 3 4 5 6 7	NOMENCLATURE	EFFECT FROM TO	UNITS PER ASSY
24A			RIB INSTL-ISS 264.00 INBD FXD LE AIRLOAD	103106	
- 1	MODREF19107		RIB INSTL-FXD LE AIRLOAD ISS 264.00 INBD LH MODULE NUMBER: 114N1207-309 REV A	103103	1
- 1	MODREF26637		RIB INSTL-FXD LE AIRLOAD ISS 264.00 INBD LH MODULE NUMBER: 114N1207-309 REV B	104106	1
- 5	MODREF19108		RIB INSTL-FXD LE AIRLOAD ISS 264.00 INBD RH MODULE NUMBER: 114N1207-310 REV A	103103	1
- 5	MODREF26638		RIB INSTL-FXD LE AIRLOAD ISS 264.00 INBD RH MODULE NUMBER: 114N1207-310 REV B	104106	1
50	HST10AG8-6		.BOLT SUPPLIER CODE: VOPTK6 SPECIFICATION NUMBER: BACB30VT8K6 OPTIONAL PART: HST10AG8-6 V06725 HST10AG8-6 V56878 HST10AG8-6 V73197 WC10K8-6 V60516	103106	2
55	HST10AG8-5		.BOLT SUPPLIER CODE: VOPTK6 SPECIFICATION NUMBER: BACB30VT8K5 OPTIONAL PART: HST10AG8-5 V06725 HST10AG8-5 V56878 HST10AG8-5 V73197 WC10K8-5 V60516	103106	2

MISSING ITEM NUMBERS NOT APPLICABLE

- ITEM NOT ILLUSTRATED

BRI

57-41-51-24A

BOEING PROPRIETARY - Copyright © - Unpublished Work - See title page for details.

57-41-51
FIG. 24A
PAGE 1
JAN 20/09



757

PARTS CATALOG (MAINTENANCE)

FIG ITEM	PART NUMBER	1 2 3 4 5 6 7	NOMENCLATURE	EFFECT FROM TO	UNITS PER ASSY
24A 60	HST10AG6-8	.BOLT	SUPPLIER CODE: VOPTK6 SPECIFICATION NUMBER: BACB30VT6K8 OPTIONAL PART: HST10AG6-8 V06725 HST10AG6-8 V56878 HST10AG6-8 V73197 WC10K6-6 V60516	103106	2
65	HST10AG6-4	.BOLT	SUPPLIER CODE: V06725 SPECIFICATION NUMBER: BACB30VT6K4 OPTIONAL PART: HST10AG6-4 V73197 HST10AG6-4 V56878 HST10AG6-4 VOPTK6 WC10K6-4 V60516	103106	6
70	WC331K6-4	.BOLT	SUPPLIER CODE: V60516 SPECIFICATION NUMBER: BACB30YP6K4	103106	2
75 90	BACB30WQ4K10L BACC30BL8	.BOLT .COLLAR	SUPPLIER CODE: V73197 SPECIFICATION NUMBER: BACC30BL8 OPTIONAL PART: HST79-8 V92215 HST79CY8 V56878 HST79CY8 V5M902	103106 103106	2 4

MISSING ITEM NUMBERS NOT APPLICABLE

- ITEM NOT ILLUSTRATED

57-41-51-24A

57-41-51
FIG. 24A
PAGE 2
JAN 20/09

BRI

BOEING PROPRIETARY - Copyright © - Unpublished Work - See title page for details.

 **BOEING**
757
PARTS CATALOG (MAINTENANCE)

FIG ITEM	PART NUMBER	1 2 3 4 5 6 7	NOMENCLATURE	EFFECT FROM TO	UNITS PER ASSY
24A 100	BACC30BL6	.	COLLAR SUPPLIER CODE: V73197 SPECIFICATION NUMBER: BACC30BL6 OPTIONAL PART: HST79-6 V92215 HST79CY6 V56878 HST79CY6 V5M902	103106	10
105	H39242-4K	.	NUT SUPPLIER CODE: V15653 SPECIFICATION NUMBER: BACN10TN4K	103106	2
110	114N1219-11	.	BRACKET	103106	1
112	114N1219-15	.	BRACKET	103106	1
115	114N1207-9	.	RIB ASSY- POSITION DATA: LH SIDE	103106	1
- 120	114N1207-10	.	RIB ASSY- POSITION DATA: RH SIDE	103106	1
150	114N1207-7	..	CHORD ASSY-LWR POSITION DATA: LH SIDE	103106	1
- 155	114N1207-8	..	CHORD ASSY-LWR POSITION DATA: RH SIDE	103106	1
165	BRFR220C3-2D	...	NUTPLATE SUPPLIER CODE: V52828 SPECIFICATION NUMBER: BACN10KE3B2CD OPTIONAL PART: F51747-3-2CD V15653 102A9213-2-3 V72962 NS202493-02-2 V80539	103106	12

MISSING ITEM NUMBERS NOT APPLICABLE

- ITEM NOT ILLUSTRATED

BRI

57-41-51-24A

BOEING PROPRIETARY - Copyright © - Unpublished Work - See title page for details.

57-41-51
FIG. 24A
PAGE 3
JAN 20/09



757

PARTS CATALOG (MAINTENANCE)

FIG ITEM	PART NUMBER	1 2 3 4 5 6 7	NOMENCLATURE	EFFECT FROM TO	UNITS PER ASSY
24A 170	BRFR120C3-2D	...	NUTPLATE SUPPLIER CODE: V52828 SPECIFICATION NUMBER: BACN10KE3E2CD OPTIONAL PART: 102F9216-2-3 V72962 F51751-3-2CD V15653 NS202494-02-2 V80539 ATTACHING PARTS	103106	4
- 175	BACR15BA3AD	...	RIVET- SIZE DETERMINED ON INSTL. -----*-----	103106	32
180	114N1209-45	...	CHORD- POSITION DATA: LH SIDE	103106	1
- 185	114N1209-46	...	CHORD- POSITION DATA: RH SIDE	103106	1
190	287N1401-390	...	BRACKET ATTACHING PARTS	103106	1
- 195	BACR15BB5AD	...	RIVET- SIZE DETERMINED ON INSTL. -----*-----	103106	2
200	287N1401-497	...	BRACKET- POSITION DATA: LH SIDE	103106	1
- 205	287N1401-498	...	BRACKET- POSITION DATA: RH SIDE ATTACHING PARTS	103106	1
- 210	BACR15BB5AD	...	RIVET- SIZE DETERMINED ON INSTL. -----*-----	103106	3
215	114N1208-3	..	RIB- POSITION DATA: LH SIDE	103106	1
- 220	114N1208-4	..	RIB- POSITION DATA: RH SIDE	103106	1
235	BACS40R010D019F	.	SHIM	103106	1
240	BACS40R010D023F	.	SHIM	103106	1
245	BACS40R014D020F	.	SHIM	103106	1

MISSING ITEM NUMBERS NOT APPLICABLE

- ITEM NOT ILLUSTRATED

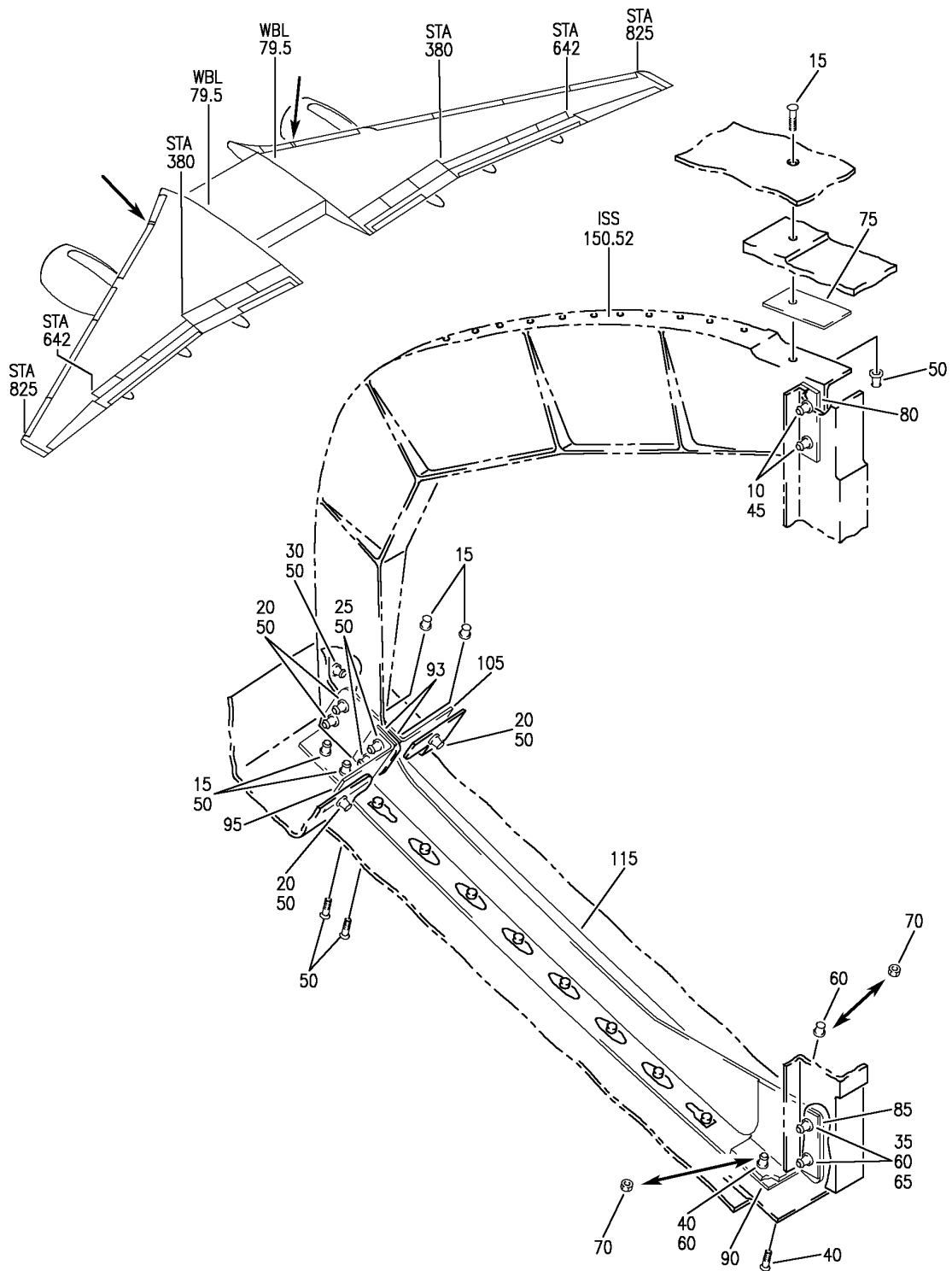
57-41-51-24A

57-41-51
FIG. 24A
PAGE 4
JAN 20/09

BRI

BOEING PROPRIETARY - Copyright © - Unpublished Work - See title page for details.

BOEING
757
PARTS CATALOG (MAINTENANCE)



Y 57415124B REV 254

RIB INSTL-ISS 150.52 INBD FXD LE AIRLOAD
FIGURE 24B

BRI
JAN 20/09

57-41-51-24B

57-41-51-24B
PAGE 0



757

PARTS CATALOG (MAINTENANCE)

FIG ITEM	PART NUMBER	1 2 3 4 5 6 7	NOMENCLATURE	EFFECT FROM TO	UNITS PER ASSY
24B			RIB INSTL-ISS 150.52 INBD FXD LE AIRLOAD	103106	
- 1	MODREF19109		RIB INSTL-FXD LE AIRLOAD MODULE NUMBER: 114N1211-307 REV A POSITION DATA: ISS 150.52 INBD LH	103103	1
- 1	MODREF26639		RIB INSTL-FXD LE AIRLOAD MODULE NUMBER: 114N1211-307 REV B POSITION DATA: ISS 150.52 INBD LH	104105	1
- 1	MODREF31617		RIB INSTL-FXD LE AIRLOAD MODULE NUMBER: 114N1211-307 REV C POSITION DATA: ISS 150.52 INBD LH	106106	1
- 5	MODREF19110		RIB INSTL-FXD LE AIRLOAD MODULE NUMBER: 114N1211-308 REV A POSITION DATA: ISS 150.52 INBD RH	103103	1
- 5	MODREF26640		RIB INSTL-FXD LE AIRLOAD MODULE NUMBER: 114N1211-308 REV B POSITION DATA: ISS 150.52 INBD RH	104105	1
- 5	MODREF31618		RIB INSTL-FXD LE AIRLOAD MODULE NUMBER: 114N1211-308 REV C POSITION DATA: ISS 150.52 INBD RH	106106	1
10	HST10AG10-6		.BOLT SUPPLIER CODE: VOPTK6 SPECIFICATION NUMBER: BACB30VT10K6 OPTIONAL PART: HST10AG10-6 V06725 HST10AG10-6 V56878 HST10AG10-6 V73197 WC10K10-6 V60516	103106	2

MISSING ITEM NUMBERS NOT APPLICABLE

- ITEM NOT ILLUSTRATED

57-41-51-24B

57-41-51
FIG. 24B
PAGE 1
JAN 20/09

BRI

BOEING PROPRIETARY - Copyright © - Unpublished Work - See title page for details.



757

PARTS CATALOG (MAINTENANCE)

FIG ITEM	PART NUMBER	1 2 3 4 5 6 7	NOMENCLATURE	EFFECT FROM TO	UNITS PER ASSY
24B 15	WC331K6-4	.BOLT	SUPPLIER CODE: V60516 SPECIFICATION NUMBER: BACB30YP6K4	103106	5
20	HST10AG6-4	.BOLT	SUPPLIER CODE: V06725 SPECIFICATION NUMBER: BACB30VT6K4 OPTIONAL PART: HST10AG6-4 V73197 HST10AG6-4 V56878 HST10AG6-4 VOPTK6 WC10K6-4 V60516	103106	4
25	HST10AG6-8	.BOLT	SUPPLIER CODE: VOPTK6 SPECIFICATION NUMBER: BACB30VT6K8 OPTIONAL PART: HST10AG6-8 V06725 HST10AG6-8 V56878 HST10AG6-8 V73197 WC10K6-6 V60516	103106	2
30	HST10AG6-5	.BOLT	SUPPLIER CODE: VOPTK6 SPECIFICATION NUMBER: BACB30VT6K5 OPTIONAL PART: HST10AG6-5 V06725 HST10AG6-5 V56878 HST10AG6-5 V73197 WC10K6-5 V60516	103106	1

MISSING ITEM NUMBERS NOT APPLICABLE

- ITEM NOT ILLUSTRATED

57-41-51-24B

57-41-51
FIG. 24B
PAGE 2
JAN 20/09

BRI

BOEING PROPRIETARY - Copyright © - Unpublished Work - See title page for details.



757

PARTS CATALOG (MAINTENANCE)

FIG ITEM	PART NUMBER	1 2 3 4 5 6 7	NOMENCLATURE	EFFECT FROM TO	UNITS PER ASSY
24B 35	HST10AG8-5	.BOLT	SUPPLIER CODE: VOPTK6 SPECIFICATION NUMBER: BACB30VT8K5 OPTIONAL PART: HST10AG8-5 V06725 HST10AG8-5 V56878 HST10AG8-5 V73197 WC10K8-5 V60516	103106	2
40 45	BACB30WQ4K8L BACC30BL10	.BOLT .COLLAR	SUPPLIER CODE: V73197 SPECIFICATION NUMBER: BACC30BL10 OPTIONAL PART: HST79-10 V92215 HST79CY10 V56878 HST79CY10 V5M902	103106 103106	2 2
50	BACC30BL6	.COLLAR	SUPPLIER CODE: V73197 SPECIFICATION NUMBER: BACC30BL6 OPTIONAL PART: HST79-6 V92215 HST79CY6 V56878 HST79CY6 V5M902	103106	12

MISSING ITEM NUMBERS NOT APPLICABLE

- ITEM NOT ILLUSTRATED

BRI

57-41-51-24B

BOEING PROPRIETARY - Copyright © - Unpublished Work - See title page for details.

57-41-51
FIG. 24B
PAGE 3
JAN 20/09



757

PARTS CATALOG (MAINTENANCE)

FIG ITEM	PART NUMBER	1 2 3 4 5 6 7	NOMENCLATURE	EFFECT FROM TO	UNITS PER ASSY
24B 65	BACC30BL8	.	COLLAR SUPPLIER CODE: V73197 SPECIFICATION NUMBER: BACC30BL8 OPTIONAL PART: HST79-8 V92215 HST79CY8 V56878 HST79CY8 V5M902	103106	2
70	H39242-4K	.	NUT SUPPLIER CODE: V15653 SPECIFICATION NUMBER: BACN10TN4K	103106	2
75	BACS40R009D026F	.	SHIM	103106	1
80	BACS40R010D023F	.	SHIM	103106	1
85	BACS40R010D019F	.	SHIM	103106	1
90	BACS40R013D020F	.	SHIM	103106	1
93	BACS40R009X017F	.	SHIM-	106106	AR
95	114N1219-1	.	BRACKET- POSITION DATA: LH SIDE	103106	1
- 100	114N1219-2	.	BRACKET- POSITION DATA: RH SIDE	103106	1
105	114N1219-3	.	BRACKET- POSITION DATA: LH SIDE	103106	1
- 110	114N1219-4	.	BRACKET- POSITION DATA: RH SIDE	103106	1
115	114N1211-9	.	RIB ASSY- POSITION DATA: LH SIDE	103106	1
- 120	114N1211-10	.	RIB ASSY- POSITION DATA: RH SIDE	103106	1

MISSING ITEM NUMBERS NOT APPLICABLE

- ITEM NOT ILLUSTRATED

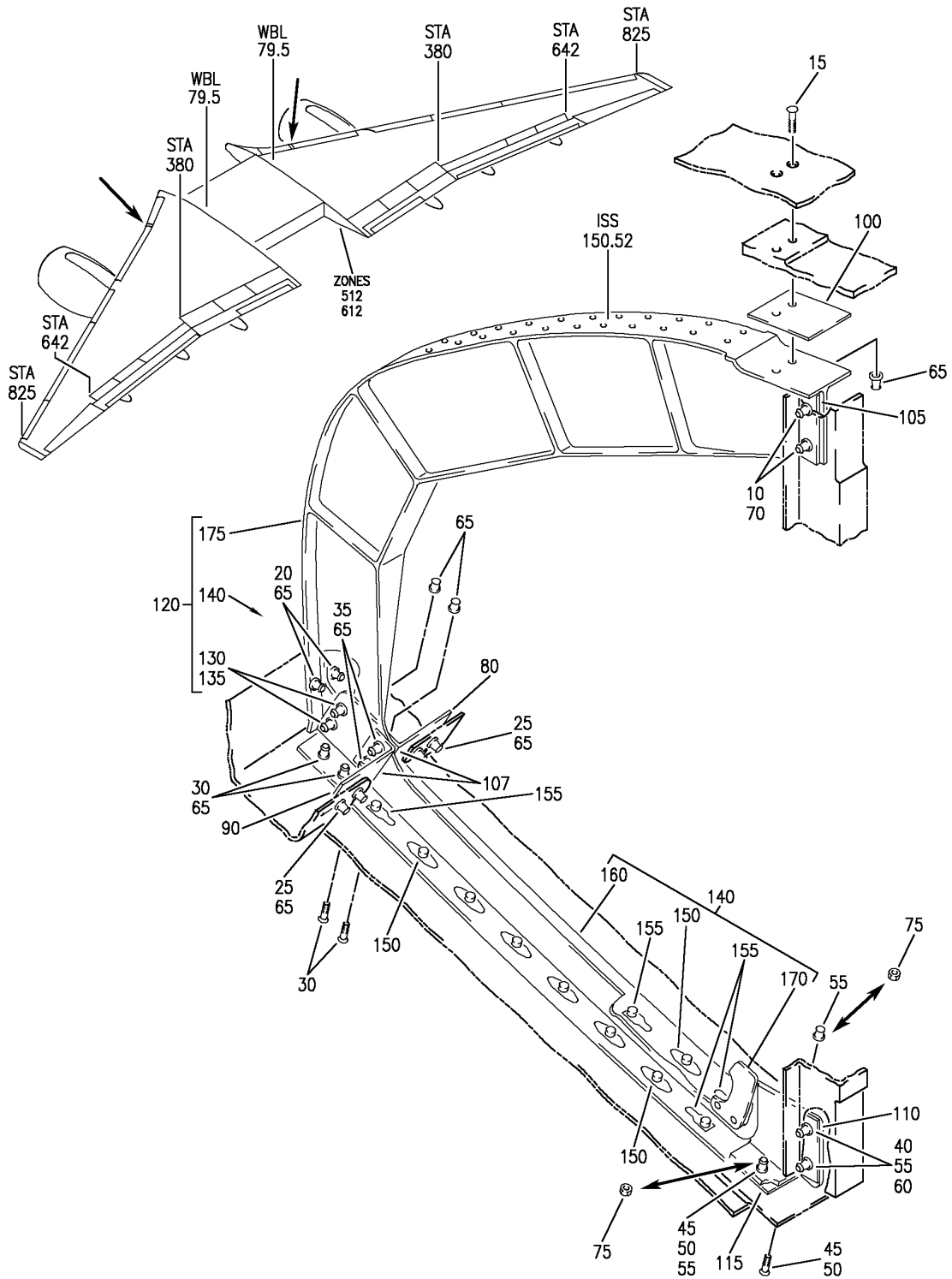
57-41-51-24B

57-41-51
FIG. 24B
PAGE 4
JAN 20/09

BRI

BOEING PROPRIETARY - Copyright © - Unpublished Work - See title page for details.

BOEING
757
PARTS CATALOG (MAINTENANCE)



Y 57415124C REV 254

RIB INSTL-ISS 169.00 INBD FXD LE AIRLOAD
FIGURE 24C

57-41-51-24C

BRI
JAN 20/09

57-41-51-24C
PAGE 0

 **BOEING**
757
PARTS CATALOG (MAINTENANCE)

FIG ITEM	PART NUMBER	1 2 3 4 5 6 7	NOMENCLATURE	EFFECT FROM TO	UNITS PER ASSY
24C			RIB INSTL-ISS 169.00 INBD FXD LE AIRLOAD	103106	
- 1	MODREF19103		RIB INSTL-ISS 169.00 FXD LE AIRLOAD MODULE NUMBER: 114N1203-307 REV A POSITION DATA: INBD LH	103103	1
- 1	MODREF26633		RIB INSTL-ISS 169.00 FXD LE AIRLOAD MODULE NUMBER: 114N1203-307 REV B POSITION DATA: INBD LH	104105	1
- 1	MODREF31645		RIB INSTL-ISS 169.00 FXD LE AIRLOAD MODULE NUMBER: 114N1203-307 REV C POSITION DATA: INBD LH	106106	1
- 5	MODREF19104		RIB INSTL-ISS 169.00 FXD LE AIRLOAD MODULE NUMBER: 114N1203-308 REV A POSITION DATA: INBD RH	103103	1
- 5	MODREF26634		RIB INSTL-ISS 169.00 FXD LE AIRLOAD MODULE NUMBER: 114N1203-308 REV B POSITION DATA: INBD RH	104105	1
- 5	MODREF31646		RIB INSTL-ISS 169.00 FXD LE AIRLOAD MODULE NUMBER: 114N1203-308 REV C POSITION DATA: INBD RH	106106	1
10	BACB30VT106K		.BOLT	103106	2
15	WC331K6-9		.BOLT SUPPLIER CODE: V60516 SPECIFICATION NUMBER: BACB30YP6K9	103106	2

MISSING ITEM NUMBERS NOT APPLICABLE

- ITEM NOT ILLUSTRATED

BRI

57-41-51-24C

BOEING PROPRIETARY - Copyright © - Unpublished Work - See title page for details.

57-41-51
FIG. 24C
PAGE 1
JAN 20/09



757

PARTS CATALOG (MAINTENANCE)

FIG ITEM	PART NUMBER	1 2 3 4 5 6 7	NOMENCLATURE	EFFECT FROM TO	UNITS PER ASSY
24C 20	HST10AG6-5	.BOLT	SUPPLIER CODE: VOPTK6 SPECIFICATION NUMBER: BACB30VT6K5 OPTIONAL PART: HST10AG6-5 V06725 HST10AG6-5 V56878 HST10AG6-5 V73197 WC10K6-5 V60516	103106	2
25	HST10AG6-4	.BOLT	SUPPLIER CODE: V06725 SPECIFICATION NUMBER: BACB30VT6K4 OPTIONAL PART: HST10AG6-4 V73197 HST10AG6-4 V56878 HST10AG6-4 VOPTK6 WC10K6-4 V60516	103106	4
30	WC331K6-4	.BOLT	SUPPLIER CODE: V60516 SPECIFICATION NUMBER: BACB30YP6K4	103106	4
35	HST10AG6-8	.BOLT	SUPPLIER CODE: VOPTK6 SPECIFICATION NUMBER: BACB30VT6K8 OPTIONAL PART: HST10AG6-8 V06725 HST10AG6-8 V56878 HST10AG6-8 V73197 WC10K6-6 V60516	103106	2

MISSING ITEM NUMBERS NOT APPLICABLE

- ITEM NOT ILLUSTRATED

57-41-51-24C

57-41-51
FIG. 24C
PAGE 2
JAN 20/09

BRI

BOEING PROPRIETARY - Copyright © - Unpublished Work - See title page for details.



757

PARTS CATALOG (MAINTENANCE)

FIG ITEM	PART NUMBER	1 2 3 4 5 6 7	NOMENCLATURE	EFFECT FROM TO	UNITS PER ASSY
24C 40	HST10AG8-8	.BOLT	SUPPLIER CODE: VOPTK6 SPECIFICATION NUMBER: BACB30VT8K8 OPTIONAL PART: HST10AG8-8 V06725 HST10AG8-8 V56878 HST10AG8-8 V73197 WC10K8-8 V60516	103106	2
50	BACB30WQ4K8L	.BOLT		103106	2
60	BACC30BL8	.COLLAR	SUPPLIER CODE: V73197 SPECIFICATION NUMBER: BACC30BL8 OPTIONAL PART: HST79-8 V92215 HST79CY8 V56878 HST79CY8 V5M902	103106	2
65	BACC30BL6	.COLLAR	SUPPLIER CODE: V73197 SPECIFICATION NUMBER: BACC30BL6 OPTIONAL PART: HST79-6 V92215 HST79CY6 V56878 HST79CY6 V5M902	103106	14
75	H39242-4K	.NUT	SUPPLIER CODE: V15653 SPECIFICATION NUMBER: BACN10TN4K	103106	2
80	114N1219-17	.BRACKET-	POSITION DATA: LH SIDE	103105	1

MISSING ITEM NUMBERS NOT APPLICABLE

- ITEM NOT ILLUSTRATED

57-41-51-24C

57-41-51
FIG. 24C
PAGE 3
JAN 20/09

BRI

BOEING PROPRIETARY - Copyright © - Unpublished Work - See title page for details.



757

PARTS CATALOG (MAINTENANCE)

FIG ITEM	PART NUMBER	1 2 3 4 5 6 7	NOMENCLATURE	EFFECT FROM TO	UNITS PER ASSY
24C					
80	114N1219-31		.BRACKET- POSITION DATA: LH SIDE	106106	1
- 85	114N1219-18		.BRACKET- POSITION DATA: RH SIDE	103105	1
- 85	114N1219-32		.BRACKET- POSITION DATA: RH SIDE	106106	1
90	114N1219-13		.BRACKET- POSITION DATA: LH SIDE	103105	1
90	114N1219-29		.BRACKET- POSITION DATA: LH SIDE	106106	1
- 95	114N1219-14		.BRACKET- POSITION DATA: RH SIDE	103105	1
- 95	114N1219-30		.BRACKET- POSITION DATA: RH SIDE	106106	1
100	BACS40R019D026F		.SHIM	103106	1
105	BACS40R010D023F		.SHIM	103106	1
107	BACS40R010X017F		.SHIM	106106	2
110	BACS40R010D019F		.SHIM	103106	1
115	BACS40R013D020F		.SHIM	103106	1
120	114N1203-11		.RIB ASSY-AIRLOAD POSITION DATA: LH SIDE	103105	1
120	114N1203-15		.RIB ASSY-AIRLOAD POSITION DATA: LH SIDE	106106	1
- 125	114N1203-12		.RIB ASSY-AIRLOAD POSITION DATA: RH SIDE	103105	1
- 125	114N1203-16		.RIB ASSY-AIRLOAD POSITION DATA: RH SIDE	106106	1

MISSING ITEM NUMBERS NOT APPLICABLE

- ITEM NOT ILLUSTRATED

57-41-51-24C

57-41-51
FIG. 24C
PAGE 4
JAN 20/09

BRI

BOEING PROPRIETARY - Copyright © - Unpublished Work - See title page for details.



757

PARTS CATALOG (MAINTENANCE)

FIG ITEM	PART NUMBER	1 2 3 4 5 6 7	NOMENCLATURE	EFFECT FROM TO	UNITS PER ASSY
24C 130	HST10AG6-4	..	BOLT SUPPLIER CODE: V06725 SPECIFICATION NUMBER: BACB30VT6K4 OPTIONAL PART: HST10AG6-4 V73197 HST10AG6-4 V56878 HST10AG6-4 VOPTK6 WC10K6-4 V60516	103106	2
135	BACC30BL6	..	COLLAR SUPPLIER CODE: V73197 SPECIFICATION NUMBER: BACC30BL6 OPTIONAL PART: HST79-6 V92215 HST79CY6 V56878 HST79CY6 V5M902	103106	2
140	114N1203-9	..	CHORD ASSY-LWR POSITION DATA: LH SIDE	103105	1
140	114N1203-13	..	CHORD ASSY-LWR POSITION DATA: LH SIDE	106106	1
- 145	114N1203-10	..	CHORD ASSY-LWR POSITION DATA: RH SIDE	103105	1
- 145	114N1203-14	..	CHORD ASSY-LWR POSITION DATA: RH SIDE	106106	1

MISSING ITEM NUMBERS NOT APPLICABLE

- ITEM NOT ILLUSTRATED

BRI

57-41-51-24C

BOEING PROPRIETARY - Copyright © - Unpublished Work - See title page for details.

57-41-51
FIG. 24C
PAGE 5
JAN 20/09



757

PARTS CATALOG (MAINTENANCE)

FIG ITEM	PART NUMBER	1 2 3 4 5 6 7	NOMENCLATURE	EFFECT FROM TO	UNITS PER ASSY
24C 150	BRFR220C3-2D	...	NUTPLATE SUPPLIER CODE: V52828 SPECIFICATION NUMBER: BACN10KE3B2CD OPTIONAL PART: F51747-3-2CD V15653 102A9213-2-3 V72962 NS202493-02-2 V80539	103106	7
155	BRFR120C3-2D	...	NUTPLATE SUPPLIER CODE: V52828 SPECIFICATION NUMBER: BACN10KE3E2CD OPTIONAL PART: 102F9216-2-3 V72962 F51751-3-2CD V15653 NS202494-02-2 V80539	103106	4
160	114N1209-39	...	CHORD- POSITION DATA: LH SIDE	103106	1
- 165	114N1209-40	...	CHORD- POSITION DATA: RH SIDE	103106	1
170	287N1401-43	...	BRACKET	103105	1
175	114N1204-3	..	RIB- POSITION DATA: LH SIDE	103106	1
- 180	114N1204-4	..	RIB- POSITION DATA: RH SIDE	103106	1

MISSING ITEM NUMBERS NOT APPLICABLE

- ITEM NOT ILLUSTRATED

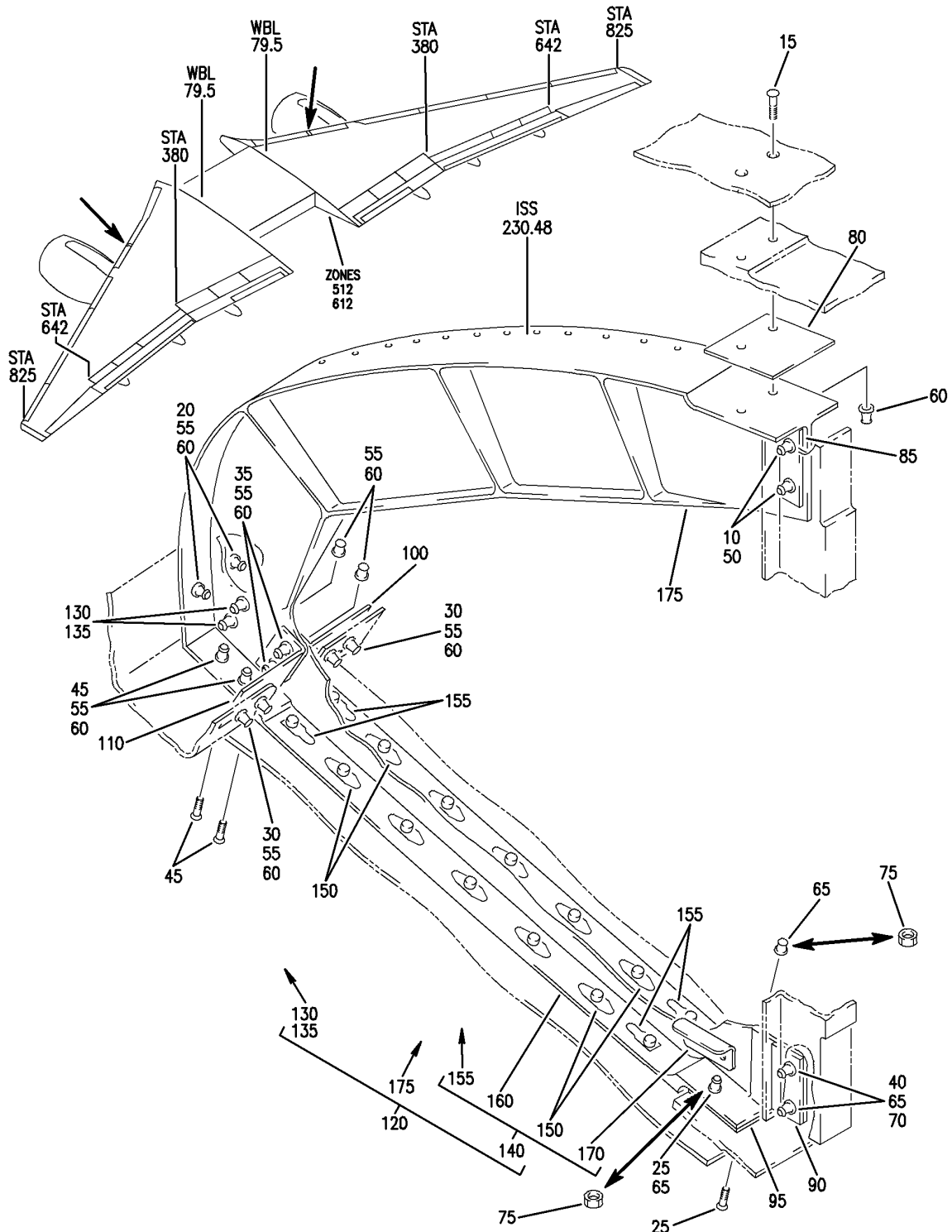
BRI

57-41-51-24C

BOEING PROPRIETARY - Copyright © - Unpublished Work - See title page for details.

57-41-51
FIG. 24C
PAGE 6
JAN 20/09


BOEING
 757
PARTS CATALOG (MAINTENANCE)



Y 57415124D REV 245

RIB INSTL-ISS 213.30 INBD FXD LE AIRLOAD
FIGURE 24D

57-41-51-24D

BRI
JAN 20/09

57-41-51-24D
PAGE 0



757

PARTS CATALOG (MAINTENANCE)

FIG ITEM	PART NUMBER	1 2 3 4 5 6 7	NOMENCLATURE	EFFECT FROM TO	UNITS PER ASSY
24D			RIB INSTL-ISS 213.30 INBD FXD LE AIRLOAD	103106	
- 1	MODREF19105		RIB INSTL-ISS 213.30 FXD LE AIRLOAD MODULE NUMBER: 114N1205-307 REV A POSITION DATA: INBD LH	103103	1
- 1	MODREF26635		RIB INSTL-ISS 213.30 FXD LE AIRLOAD MODULE NUMBER: 114N1205-307 REV B POSITION DATA: INBD LH	104106	1
- 5	MODREF19106		RIB INSTL-ISS 213.30 FXD LE AIRLOAD MODULE NUMBER: 114N1205-308 REV A POSITION DATA: INBD RH	103103	1
- 5	MODREF26636		RIB INSTL-ISS 213.30 FXD LE AIRLOAD MODULE NUMBER: 114N1205-308 REV B POSITION DATA: INBD RH	104106	1
10	HST10AG10-6		.BOLT SUPPLIER CODE: VOPTK6 SPECIFICATION NUMBER: BACB30VT10K6 OPTIONAL PART: HST10AG10-6 V06725 HST10AG10-6 V56878 HST10AG10-6 V73197 WC10K10-6 V60516	103106	2
15	WC331K6-9		.BOLT SUPPLIER CODE: V60516 SPECIFICATION NUMBER: BACB30YP6K9	103106	2

MISSING ITEM NUMBERS NOT APPLICABLE

- ITEM NOT ILLUSTRATED

57-41-51-24D

57-41-51
FIG. 24D
PAGE 1
JAN 20/09

BRI

BOEING PROPRIETARY - Copyright © - Unpublished Work - See title page for details.



757

PARTS CATALOG (MAINTENANCE)

FIG ITEM	PART NUMBER	1 2 3 4 5 6 7	NOMENCLATURE	EFFECT FROM TO	UNITS PER ASSY
24D 20	HST10AG6-5	.BOLT	SUPPLIER CODE: VOPTK6 SPECIFICATION NUMBER: BACB30VT6K5 OPTIONAL PART: HST10AG6-5 V06725 HST10AG6-5 V56878 HST10AG6-5 V73197 WC10K6-5 V60516	103106	2
25 30	BACB30WQ4K8L HST10AG6-4	.BOLT .BOLT	SUPPLIER CODE: V06725 SPECIFICATION NUMBER: BACB30VT6K4 OPTIONAL PART: HST10AG6-4 V73197 HST10AG6-4 V56878 HST10AG6-4 VOPTK6 WC10K6-4 V60516	103106 103106	2 4
35	HST10AG6-8	.BOLT	SUPPLIER CODE: VOPTK6 SPECIFICATION NUMBER: BACB30VT6K8 OPTIONAL PART: HST10AG6-8 V06725 HST10AG6-8 V56878 HST10AG6-8 V73197 WC10K6-6 V60516	103106	2

MISSING ITEM NUMBERS NOT APPLICABLE

- ITEM NOT ILLUSTRATED

BRI

57-41-51-24D

BOEING PROPRIETARY - Copyright © - Unpublished Work - See title page for details.

57-41-51
FIG. 24D
PAGE 2
JAN 20/09



757

PARTS CATALOG (MAINTENANCE)

FIG ITEM	PART NUMBER	1 2 3 4 5 6 7	NOMENCLATURE	EFFECT FROM TO	UNITS PER ASSY
24D 40	HST10AG8-6	.BOLT	SUPPLIER CODE: VOPTK6 SPECIFICATION NUMBER: BACB30VT8K6 OPTIONAL PART: HST10AG8-6 V06725 HST10AG8-6 V56878 HST10AG8-6 V73197 WC10K8-6 V60516	103106	2
45	WC331K6-4	.BOLT	SUPPLIER CODE: V60516 SPECIFICATION NUMBER: BACB30YP6K4	103106	4
50	BACC30BL10	.COLLAR	SUPPLIER CODE: V73197 SPECIFICATION NUMBER: BACC30BL10 OPTIONAL PART: HST79-10 V92215 HST79CY10 V56878 HST79CY10 V5M902	103106	2
55	BACC30BL6	.COLLAR	SUPPLIER CODE: V73197 SPECIFICATION NUMBER: BACC30BL6 OPTIONAL PART: HST79-6 V92215 HST79CY6 V56878 HST79CY6 V5M902	103106	12

MISSING ITEM NUMBERS NOT APPLICABLE

- ITEM NOT ILLUSTRATED

BRI

57-41-51-24D

BOEING PROPRIETARY - Copyright © - Unpublished Work - See title page for details.

57-41-51
FIG. 24D
PAGE 3
JAN 20/09



757

PARTS CATALOG (MAINTENANCE)

FIG ITEM	PART NUMBER	1 2 3 4 5 6 7	NOMENCLATURE	EFFECT FROM TO	UNITS PER ASSY
24D 70	BACC30BL8	.	COLLAR SUPPLIER CODE: V73197 SPECIFICATION NUMBER: BACC30BL8 OPTIONAL PART: HST79-8 V92215 HST79CY8 V56878 HST79CY8 V5M902	103106	2
75	H39242-4K	.	NUT SUPPLIER CODE: V15653 SPECIFICATION NUMBER: BACN10TN4K	103106	2
80	BACS40R019D026F	.	SHIM	103106	1
85	BACS40R013D026F	.	SHIM	103106	1
90	BACS40R011E021F	.	SHIM	103106	1
95	BACS40R015D021F	.	SHIM	103106	1
100	114N1219-1	.	BRACKET- POSITION DATA: LH SIDE	103106	1
- 105	114N1219-2	.	BRACKET- POSITION DATA: RH SIDE	103106	1
110	114N1219-3	.	BRACKET- POSITION DATA: LH SIDE	103106	1
- 115	114N1219-4	.	BRACKET- POSITION DATA: RH SIDE	103106	1
120	114N1205-11	.	RIB ASSY-AIRLOAD POSITION DATA: LH SIDE	103106	1
- 125	114N1205-12	.	RIB ASSY-AIRLOAD POSITION DATA: RH SIDE	103106	1

MISSING ITEM NUMBERS NOT APPLICABLE

- ITEM NOT ILLUSTRATED

BRI

57-41-51-24D

BOEING PROPRIETARY - Copyright © - Unpublished Work - See title page for details.

57-41-51
FIG. 24D
PAGE 4
JAN 20/09



757

PARTS CATALOG (MAINTENANCE)

FIG ITEM	PART NUMBER	1 2 3 4 5 6 7	NOMENCLATURE	EFFECT FROM TO	UNITS PER ASSY
24D 130	HST10AG6-4	..	BOLT SUPPLIER CODE: V06725 SPECIFICATION NUMBER: BACB30VT6K4 OPTIONAL PART: HST10AG6-4 V73197 HST10AG6-4 V56878 HST10AG6-4 VOPTK6 WC10K6-4 V60516	103106	2
135	BACC30BL6	..	COLLAR SUPPLIER CODE: V73197 SPECIFICATION NUMBER: BACC30BL6 OPTIONAL PART: HST79-6 V92215 HST79CY6 V56878 HST79CY6 V5M902	103106	2
140	114N1205-9	..	CHORD ASSY-LWR POSITION DATA: LH SIDE	103106	1
- 145	114N1205-10	..	CHORD ASSY-LWR POSITION DATA: RH SIDE	103106	1
150	BRFR220C3-2D	...	NUTPLATE SUPPLIER CODE: V52828 SPECIFICATION NUMBER: BACN10KE3B2CD OPTIONAL PART: F51747-3-2CD V15653 102A9213-2-3 V72962 NS202493-02-2 V80539	103106	10

MISSING ITEM NUMBERS NOT APPLICABLE

- ITEM NOT ILLUSTRATED

BRI

57-41-51-24D

BOEING PROPRIETARY - Copyright © - Unpublished Work - See title page for details.

57-41-51
FIG. 24D
PAGE 5
JAN 20/09



757

PARTS CATALOG (MAINTENANCE)

FIG ITEM	PART NUMBER	1 2 3 4 5 6 7	NOMENCLATURE	EFFECT FROM TO	UNITS PER ASSY
24D 155	BRFR120C3-2D	...	NUTPLATE SUPPLIER CODE: V52828 SPECIFICATION NUMBER: BACN10KE3E2CD OPTIONAL PART: 102F9216-2-3 V72962 F51751-3-2CD V15653 NS202494-02-2 V80539	103106	4
160	114N1209-41	...	CHORD-RIB POSITION DATA: LH SIDE	103106	1
- 165	114N1209-42	...	CHORD-RIB POSITION DATA: RH SIDE	103106	1
170	287N1401-51	...	BRACKET	103106	1
175	114N1206-5	..	RIB- POSITION DATA: LH SIDE	103106	1
- 180	114N1206-6	..	RIB- POSITION DATA: RH SIDE	103106	1

MISSING ITEM NUMBERS NOT APPLICABLE

- ITEM NOT ILLUSTRATED

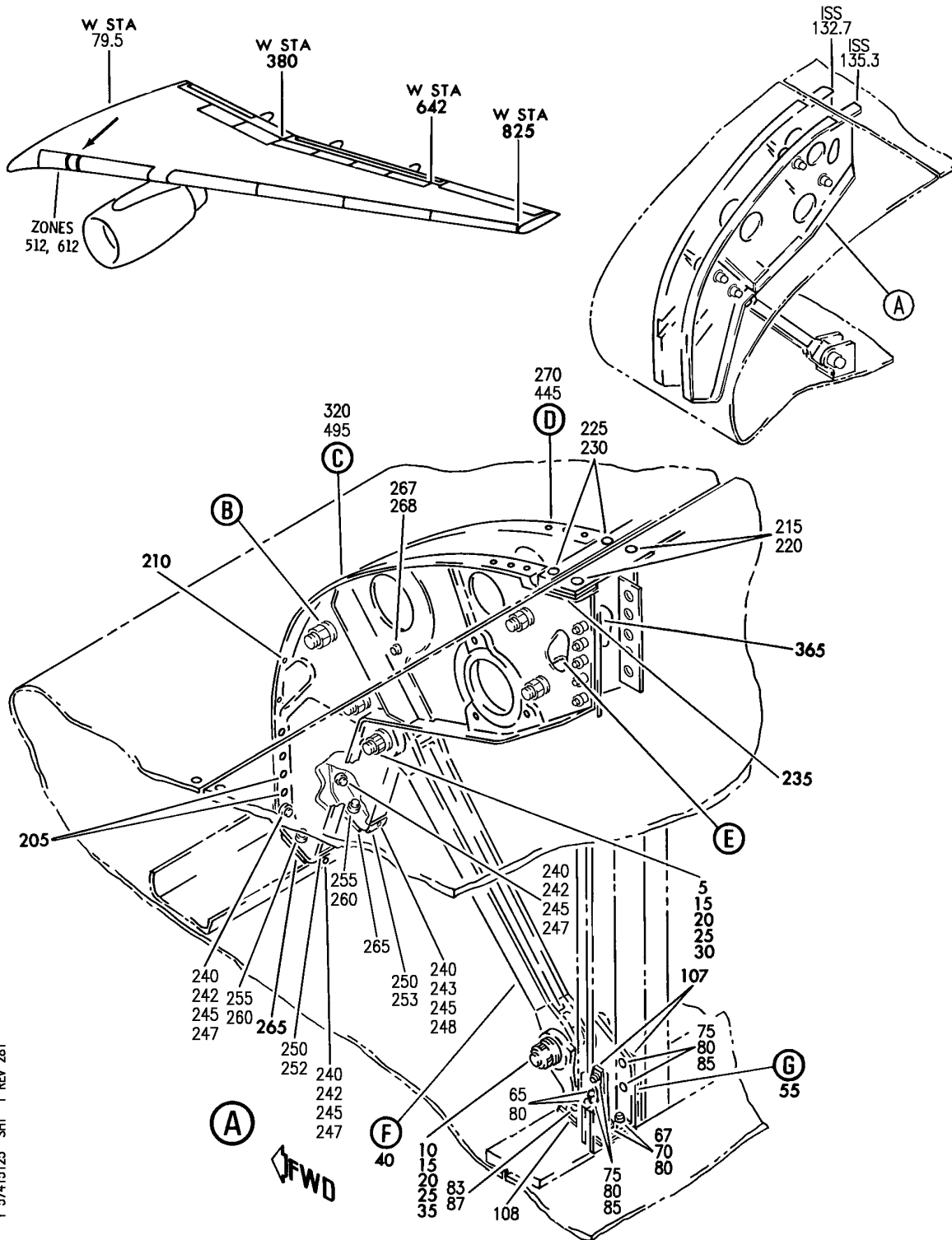
BRI

57-41-51-24D

BOEING PROPRIETARY - Copyright © - Unpublished Work - See title page for details.

57-41-51
FIG. 24D
PAGE 6
JAN 20/09

BOEING
757
PARTS CATALOG (MAINTENANCE)



Y 57415125 SH1 1 REV 281

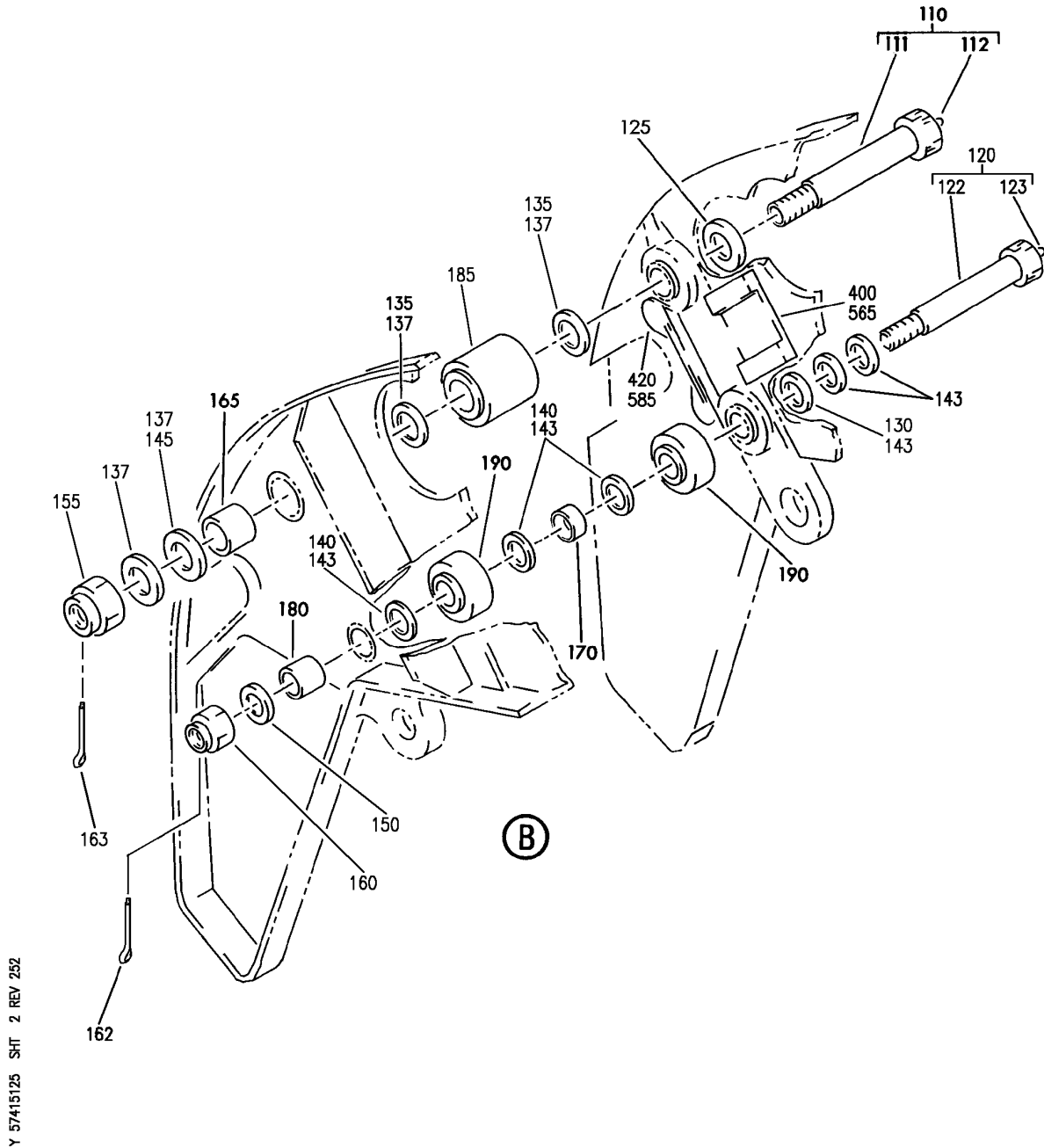
RIB INSTL-WING INBD FXD LE MAIN TRACK SPRT
FIGURE 25 (SHEET 1)

57-41-51-25

BRI
MAY 28/07

57-41-51-25
PAGE 0

BOEING
757
PARTS CATALOG (MAINTENANCE)



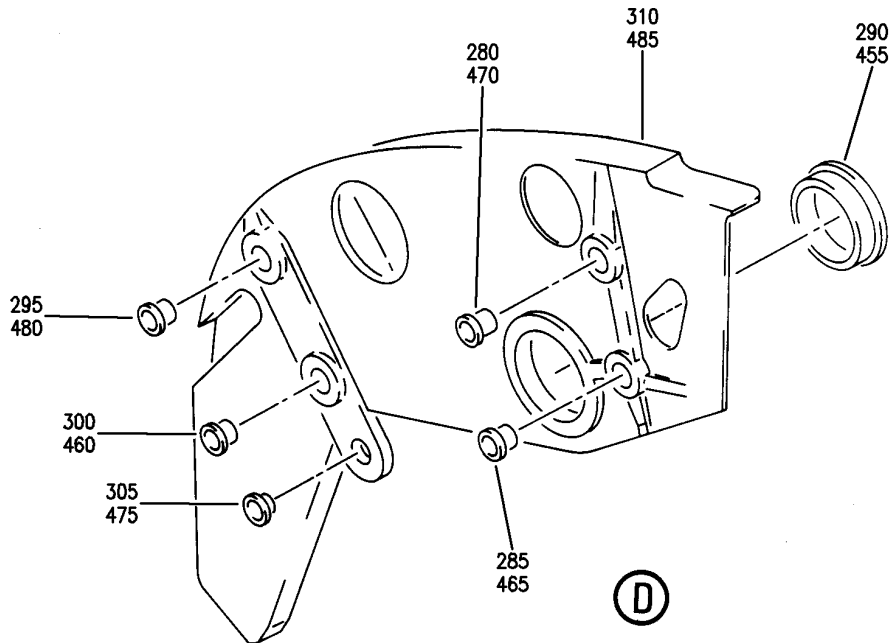
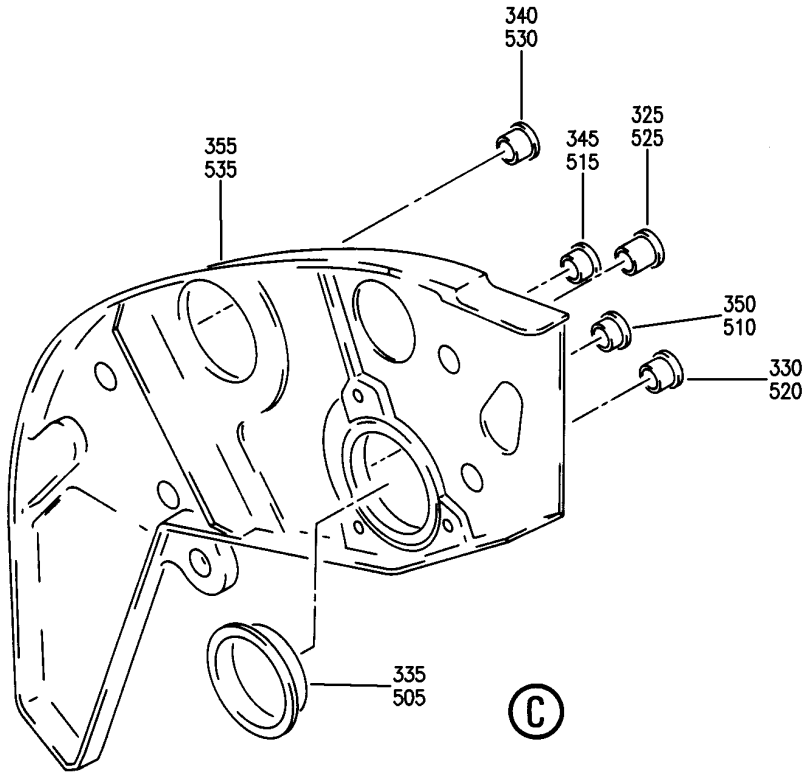
BRI
MAY 28/07

RIB INSTL-WING INBD FXD LE MAIN TRACK SPRT
FIGURE 25 (SHEET 2)

57-41-51-25

57-41-51-25
PAGE 0A

BOEING
 757
 PARTS CATALOG (MAINTENANCE)



Y 57415125 SHT 3 REV 245

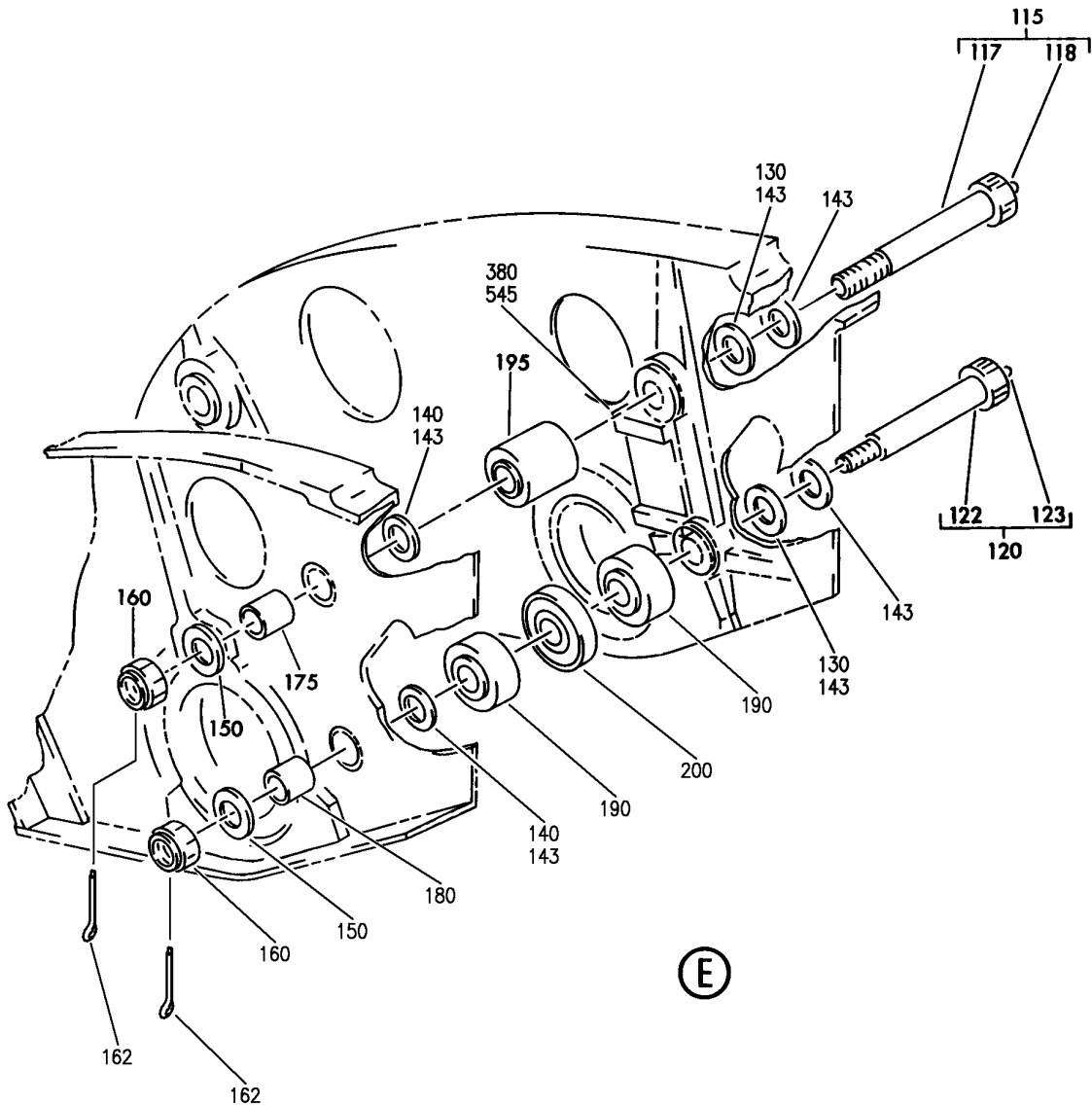
RIB INSTL-WING INBD FXD LE MAIN TRACK SPRT
 FIGURE 25 (SHEET 3)

57-41-51-25

BRI
 MAY 28/07

57-41-51-25
 PAGE 0B

BOEING
757
PARTS CATALOG (MAINTENANCE)



Y 57415125 SHT 4 REV 245

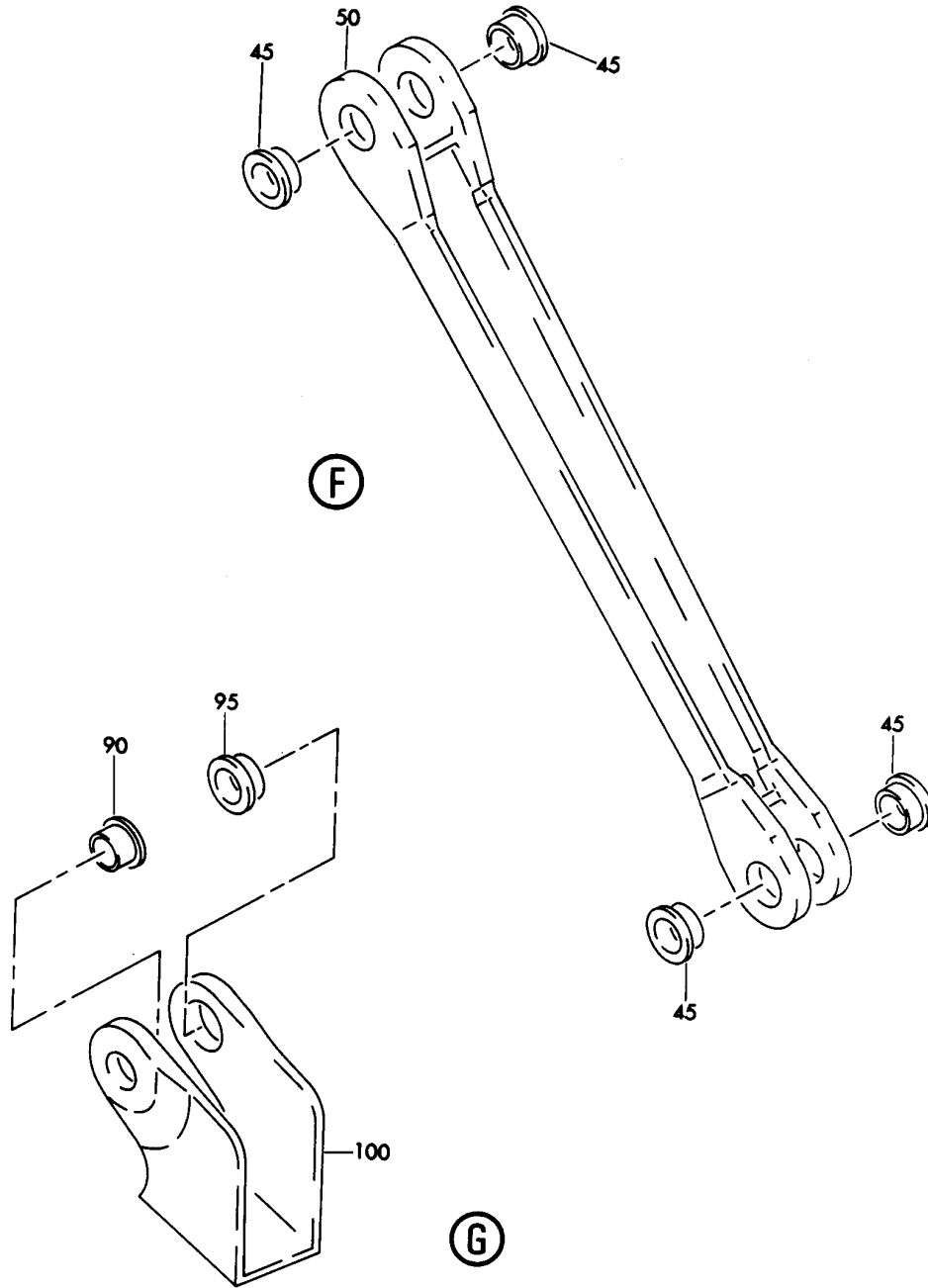
RIB INSTL-WING INBD FXD LE MAIN TRACK SPRT
FIGURE 25 (SHEET 4)

57-41-51-25

BRI
MAY 28/07

57-41-51-25
PAGE 0C

BOEING
757
PARTS CATALOG (MAINTENANCE)



Y 57415125 SHT 5 REV 006

RIB INSTL-WING INBD FXD LE MAIN TRACK SPRT
FIGURE 25 (SHEET 5)

57-41-51-25

BRI
MAY 28/07

57-41-51-25
PAGE 0D



757

PARTS CATALOG (MAINTENANCE)

FIG ITEM	PART NUMBER	1 2 3 4 5 6 7	NOMENCLATURE	EFFECT FROM TO	UNITS PER ASSY
25			RIB INSTL-WING INBD FXD LE MAIN TRACK SPRT	002004 006999	
- 1	114N1101-1		RIB INSTL-WING FXD LE MAIN TRACK SPRT POSITION DATA: ISS 134.0 INBD LH FOR NHA SEE: 57-40-00-01	002004 006100 107107 121503 904999	RF
- 1	114N1101-401		RIB INSTL-MAIN TRACK SPRT WING FXD LE POSITION DATA: ISS 134.0 INBD LH FOR NHA SEE: 57-00-00-10	101102 108120 504903	RF
- 1	MODREF24699		RIB INSTL-WING FXD LE MAIN TRACK SPRT MODULE NUMBER: 114N1101-303 REV B POSITION DATA: ISS 134.0 INBD LH FOR NHA SEE: 57-00-00-10	103106	1
- 3	114N1101-2		RIB INSTL-WING FXD LE MAIN TRACK SPRT POSITION DATA: ISS 134.0 INBD RH FOR NHA SEE: 57-40-00-01	002004 006100 107107 121503 904999	RF
- 3	114N1101-402		RIB INSTL-MAIN TRACK SPRT WING FXD LE POSITION DATA: ISS 134.0 INBD RH FOR NHA SEE: 57-00-00-10	101102 108120 504903	RF
- 3	MODREF24700		RIB INSTL-WING FXD LE MAIN TRACK SPRT MODULE NUMBER: 114N1101-304 REV B POSITION DATA: ISS 134.0 INBD RH FOR NHA SEE: 57-00-00-10	103103	1
- 3	MODREF26624		RIB INSTL-WING FXD LE MAIN TRACK SPRT MODULE NUMBER: 114N1101-304 REV C POSITION DATA: ISS 134.0 INBD RH	104106	1
5	BACB30LE10U46		.BOLT	002004 006999	1
10	BACB30LE10U41		.BOLT	002004 006999	1

MISSING ITEM NUMBERS NOT APPLICABLE

- ITEM NOT ILLUSTRATED

57-41-51-25

57-41-51
FIG. 25
PAGE 1
JAN 20/09

BRI



757

PARTS CATALOG (MAINTENANCE)

FIG ITEM	PART NUMBER	1 2 3 4 5 6 7	NOMENCLATURE	EFFECT FROM TO	UNITS PER ASSY
25					
15	BACW10BP10CD	.	WASHER- POSITION DATA: UNDER HEAD	002004 006999	2
20	BACW10BP10DP	.	WASHER	002004 006999	2
25	BMN5024CWD310	.	NUT SUPPLIER CODE: V97928 SPECIFICATION NUMBER: BACN10HR10CD OPTIONAL PART: H51560-10 V15653 102LH9031-10 V72962 67832CD1018 V56878 BH00303CM10 V27238 SL7108C10 V11815 VCU0005D10 V06710 BMN10HRCWD3-10 V97928 102LH903110 V72962 102LH903110 V72962	002004 006999	2
30	BACB28AK10-197	.	BUSHING	002004 006999	1
35	BACB28AK10-207	.	BUSHING	002004 006999	1
40	114N1110-1	.	LINK ASSY- OPTIONAL PART: 114N1419-1	002004 006102 107999	1
40	114N1419-1	.	LINK ASSY- OPTIONAL PART: 114N1110-1	002004 006102 107999	1
40	114N1110-11	.	LINK ASSY-	103106	1
45	BACB28AM14B031A	..	BUSHING-	002004 006102 107999	4
45	BACB28AT14B034C	..	BUSHING-	103106	4
50	114N1110-2	..	LINK- USED ON: 114N1110-1	002004 006102 107999	1

MISSING ITEM NUMBERS NOT APPLICABLE

- ITEM NOT ILLUSTRATED

57-41-51-25

57-41-51
FIG. 25
PAGE 2
JAN 20/09

BRI

BOEING PROPRIETARY - Copyright © - Unpublished Work - See title page for details.



757

PARTS CATALOG (MAINTENANCE)

FIG ITEM	PART NUMBER	1 2 3 4 5 6 7	NOMENCLATURE	EFFECT FROM TO	UNITS PER ASSY
25					
50	114N1419-2		..LINK- USED ON: 114N1419-1	002004 006102 107999	1
50	114N1110-12		..LINK-	103106	1
55	114N1111-1		.FITTING ASSY-LINK POSITION DATA: LH SIDE	002004 006102 107999	1
55	114N1111-17		.FITTING ASSY-LINK POSITION DATA: LH SIDE	103106	1
- 60	114N1111-2		.FITTING ASSY-LINK POSITION DATA: RH SIDE	002004 006102 107999	1
- 60	114N1111-18		.FITTING ASSY-LINK POSITION DATA: RH SIDE	103106	1
65	HL523AZ8-8		.BOLT ATTACHING PARTS SUPPLIER CODE: V73197 SPECIFICATION NUMBER: BACB30NZ8K8 OPTIONAL PART: L804-8K8 V06725 HL523AZ8-8 V56878 HL523AZ8-8 V92215 HL523AZ8-8 V97928 HL523AZ8-8 VOPTK6 HL523AZ8-8 V60516 HL523AZ8-8 V06725	002004 006102 107999	2
67	BACB30WQ4K8L		.BOLT-	103106	1

MISSING ITEM NUMBERS NOT APPLICABLE

- ITEM NOT ILLUSTRATED

57-41-51-25

57-41-51
FIG. 25
PAGE 3
JAN 20/09

BRI

BOEING PROPRIETARY - Copyright © - Unpublished Work - See title page for details.



757

PARTS CATALOG (MAINTENANCE)

FIG ITEM	PART NUMBER	1 2 3 4 5 6 7	NOMENCLATURE	EFFECT FROM TO	UNITS PER ASSY
25 70	HL523AZ8-10	.BOLT	SUPPLIER CODE: V73197 SPECIFICATION NUMBER: BACB30NZ8K10 OPTIONAL PART: L804-8K10 V06725 HL523AZ8-10 V56878 HL523AZ8-10 V92215 HL523AZ8-10 V97928 HL523AZ8-10 VOPTK6 HL523AZ8-10 V60516 HL523AZ8-10 V06725	002004 006102 107999	2
75	L8008K6	.BOLT-	SUPPLIER CODE: V06725 SPECIFICATION NUMBER: BACB30MY8K6	002004 006102 107999	4
75	HST10AG8-6	.BOLT-	SUPPLIER CODE: VOPTK6 SPECIFICATION NUMBER: BACB30VT8K6 OPTIONAL PART: HST10AG8-6 V06725 HST10AG8-6 V56878 HST10AG8-6 V73197 WC10K8-6 V60516	103106	4

MISSING ITEM NUMBERS NOT APPLICABLE

- ITEM NOT ILLUSTRATED

57-41-51-25

57-41-51
FIG. 25
PAGE 4
JAN 20/09

BRI



757

PARTS CATALOG (MAINTENANCE)

FIG ITEM	PART NUMBER	1 2 3 4 5 6 7	NOMENCLATURE	EFFECT FROM TO	UNITS PER ASSY
25 80	HL79-8	. COLLAR SUPPLIER CODE: V5M902 SPECIFICATION NUMBER: BACC30M8 OPTIONAL PART: HL79-8 V73197 HL79-8 V92215 66014-8 V56878 HL79-8 V56878		002004 006102 107999	8
85	BACC30BL8	. COLLAR SUPPLIER CODE: V73197 SPECIFICATION NUMBER: BACC30BL8 OPTIONAL PART: HST79-8 V92215 HST79CY8 V56878 HST79CY8 V5M902		103106	4
87	H39242-4K	. NUT SUPPLIER CODE: V15653 SPECIFICATION NUMBER: BACN10TN4K -----*-----		103106	1
90	BACB28AP10P033	.. BUSHING		002004 006999	1
95	BACB28AM14B033A	.. BUSHING-		002004 006102 107999	1
95	BACB28AT14B033C	.. BUSHING-		103106	1
100	114N1111-7	.. FITTING- POSITION DATA: LH SIDE		002004 006102 107999	1
100	114N1111-19	.. FITTING- POSITION DATA: LH SIDE		103106	1
- 105	114N1111-8	.. FITTING- POSITION DATA: RH SIDE		002004 006102 107999	1

MISSING ITEM NUMBERS NOT APPLICABLE

- ITEM NOT ILLUSTRATED

57-41-51-25

57-41-51
FIG. 25
PAGE 5
JAN 20/09

BRI

BOEING PROPRIETARY - Copyright © - Unpublished Work - See title page for details.

 **BOEING**
757
PARTS CATALOG (MAINTENANCE)

FIG ITEM	PART NUMBER	1 2 3 4 5 6 7	NOMENCLATURE	EFFECT FROM TO	UNITS PER ASSY
25					
- 105	114N1111-20		.. FITTING- POSITION DATA: RH SIDE	103106	1
107	BACS40R012D025F		.SHIM-	002004 006999	2
108	BACS40R022C027F		.SHIM	002004 006999	1
110	114N1115-1		.BOLT ASSY-	002004 006102 107999	1
110	114N1115-27		.BOLT ASSY-	103106	1
111	114N1115-4		..BOLT-	002004 006102 107999	1
111	114N1115-28		..BOLT-	103106	1
112	MS15001-1		.. FITTING-	002004 006102 107999	1
112	MS15004-1		.. FITTING-	103106	1
115	114N1115-2		.BOLT ASSY-	002004 006102 107999	1
115	114N1115-25		.BOLT ASSY-	103106	1
117	114N1115-26		..BOLT-	103106	1
117	114N1115-5		..BOLT-	002004 006102 107999	1
118	MS15004-1		.. FITTING-	103106	1
118	MS15001-1		.. FITTING-	002004 006102 107999	1
120	114N1115-3		.BOLT ASSY-	002004 006102 107999	2
120	114N1115-29		.BOLT ASSY-	103106	2
122	114N1115-30		..BOLT-	103106	1
122	114N1115-6		..BOLT-	002004 006102 107999	1
123	MS15001-1		.. FITTING-	002004 006102 107999	1
123	MS15004-1		.. FITTING-	103106	1
125	BACW10BP10CD		.WASHER- POSITION DATA: UNDER HEAD	002004 006102 107999	1
125	BACW10BX10CK		.WASHER- POSITION DATA: UNDER HEAD	103106	1

MISSING ITEM NUMBERS NOT APPLICABLE

- ITEM NOT ILLUSTRATED

BRI

57-41-51-25

BOEING PROPRIETARY - Copyright © - Unpublished Work - See title page for details.

57-41-51
FIG. 25
PAGE 6
JAN 20/09



757

PARTS CATALOG (MAINTENANCE)

FIG ITEM	PART NUMBER	1 2 3 4 5 6 7	NOMENCLATURE	EFFECT FROM TO	UNITS PER ASSY
25					
130	BACW10BP8CD	.WASHER-	POSITION DATA: UNDER HEAD	002004 006102 107999	3
130	BACW10BX8CK	.WASHER-	POSITION DATA: UNDER HEAD	103106	3
135	AN960C1016L	.WASHER-		002004 006100 107107 121503 904999	2
135	NAS1149C1032R	.WASHER-		101102 108120 504903	2
137	NAS1149E1032R	.WASHER		103106	4
140	AN960C816L	.WASHER-		002004 006100 107107 121503 904999	5
140	NAS1149C0832R	.WASHER-		101102 108120 504903	5
143	NAS1149E0832R	.WASHER		103106	12
145	BACW10BP10DP	.WASHER		002004 006102 107999	1
150	BACW10BP8DP	.WASHER		002004 006102 107999	3
155	BACN10JD110CD	.NUT-		002004 006102 107999	1
155	BACN11N110CD	.NUT-		103106	1
160	BACN10JD108CD	.NUT-		002004 006102 107999	3
160	THCR58CDBACH	.NUT-	SUPPLIER CODE: VF0224 SPECIFICATION NUMBER: BACN11N108CD	103106	3
162	MS24665-302	.PIN		002004 006100 107107 121503 904999	3

MISSING ITEM NUMBERS NOT APPLICABLE

- ITEM NOT ILLUSTRATED

57-41-51-25

57-41-51
FIG. 25
PAGE 7
JAN 20/09

BRI

BOEING PROPRIETARY - Copyright © - Unpublished Work - See title page for details.

 **BOEING**
757
PARTS CATALOG (MAINTENANCE)

FIG ITEM	PART NUMBER	1 2 3 4 5 6 7	NOMENCLATURE	EFFECT FROM TO	UNITS PER ASSY
25					
162	BACP18BC03A08P	.PIN		101102 108120 504903	3
162	BACP18BC03A10P	.PIN		103106	3
163	MS24665-374	.PIN		002004 006100 107107 121503 904999	1
163	BACP18BC04A12P	.PIN		101106 108120 504903	1
165	BACB28AK10-070	.BUSHING		002004 006999	1
170	BACB28AK08-037	.BUSHING		002004 006999	1
175	BACB28AK08-085	.BUSHING		002004 006999	1
180	BACB28AK08-060	.BUSHING-		002004 006999	2
185	YAT10B	.BEARING-	SUPPLIER CODE: V07484 SPECIFICATION NUMBER: BACB10EU10 OPTIONAL PART: 10AL2426 V92563 ATL10 V60380	002004 006102 107999	1
185	ATL10SY	.BEARING-	SUPPLIER CODE: V60380 SPECIFICATION NUMBER: BACB10GJ10J	103106	1
190	ATF8	.BEARING-	SUPPLIER CODE: V60380 SPECIFICATION NUMBER: BACB10ET08 OPTIONAL PART: 8AFC1021 V92563 YAF08B V07484	002004 006102 107999	4

MISSING ITEM NUMBERS NOT APPLICABLE

— ITEM NOT ILLUSTRATED

BRI

57-41-51-25

BOEING PROPRIETARY - Copyright © - Unpublished Work - See title page for details.

57-41-51
FIG. 25
PAGE 8
JAN 20/09



757

PARTS CATALOG (MAINTENANCE)

FIG ITEM	PART NUMBER	1 2 3 4 5 6 7	NOMENCLATURE	EFFECT FROM TO	UNITS PER ASSY
25 190	CR8AFC	.	ROLLER- SUPPLIER CODE: V92563 SPECIFICATION NUMBER: 60B00178-661 OPTIONAL PART: ATF8SY V60380 YR1516XC1 V07484	103106	4
190	ATF8SY	.	ROLLER- SUPPLIER CODE: V60380 SPECIFICATION NUMBER: BACB10GH08J OPTIONAL PART: ATF08SY V60380 CR8AFC V92563 ATF8SY V60380 YR1516XC1 V07484	103106	4
190	ATF8SY	.	ROLLER- SUPPLIER CODE: V60380 SPECIFICATION NUMBER: 60B00178-661 OPTIONAL PART: CR8AFC V92563 OPTIONAL PART: BACB10GH08J	103106	4
190	YR1516XC1	.	ROLLER- SUPPLIER CODE: V07484 SPECIFICATION NUMBER: 60B00178-661 OPTIONAL PART: CR8AFC V92563 ATF8SY V60380 OPTIONAL PART: BACB10GH08J	103106	4

MISSING ITEM NUMBERS NOT APPLICABLE

- ITEM NOT ILLUSTRATED

BRI

57-41-51-25

BOEING PROPRIETARY - Copyright © - Unpublished Work - See title page for details.

57-41-51
FIG. 25
PAGE 9
JAN 20/09



757

PARTS CATALOG (MAINTENANCE)

FIG ITEM	PART NUMBER	1 2 3 4 5 6 7	NOMENCLATURE	EFFECT FROM TO	UNITS PER ASSY
25 195	YAT08B		.BEARING- SUPPLIER CODE: V07484 SPECIFICATION NUMBER: BACB10EU08 OPTIONAL PART: 8AL2022 V92563 ATL8 V60380	002004 006102 107999	1
195	ATL8SY		.BEARING- SUPPLIER CODE: V60380 SPECIFICATION NUMBER: BACB10GJ08J	103106	1
200	114N1116-1		.SPACER-DOWNSTOP	002004 006999	1
205	BACR15BA6AD		.RIVET- SIZE DETERMINED ON INSTL.	002004 006102 107999	46
205	BACR15BA6ADC		.RIVET- SIZE DETERMINED ON INSTL.	103106	46
210	BACR15FT6AD		.RIVET- SIZE DETERMINED ON INSTL.	002004 006102 107999	2
210	BACR15BA6ADC		.RIVET- SIZE DETERMINED ON INSTL. OPTIONAL PART: MS21140U0604P	103106	2
- 213	MS21140U0604P		.BOLT- OPTIONAL PART: BACR15BA6ADC	103106	2

MISSING ITEM NUMBERS NOT APPLICABLE

- ITEM NOT ILLUSTRATED

57-41-51-25

57-41-51
FIG. 25
PAGE 10
JAN 20/09

BRI



757

PARTS CATALOG (MAINTENANCE)

FIG ITEM	PART NUMBER	1 2 3 4 5 6 7	NOMENCLATURE	EFFECT FROM TO	UNITS PER ASSY
25 215	HL523AZ10-9	.BOLT	SUPPLIER CODE: V06725 SPECIFICATION NUMBER: BACB30NZ10K9 OPTIONAL PART: HL523AZ10-9 V56878 HL523AZ10-9 V73197 L804-10K9 V06725 HL523AZ10-9 V92215 HL523AZ10-9 V97928 HL523AZ10-9 VOPTK6 HL523AZ10-9 V60516	002004 006102 107999	2
220	HL79-10	.COLLAR	SUPPLIER CODE: V5M902 SPECIFICATION NUMBER: BACC30M10 OPTIONAL PART: HL79-10 V73197 HL79-10 V92215 66014-10 V56878 HL79-10 V56878	002004 006102 107999	2

MISSING ITEM NUMBERS NOT APPLICABLE

- ITEM NOT ILLUSTRATED

57-41-51-25

57-41-51
FIG. 25
PAGE 11
JAN 20/09

BRI



757

PARTS CATALOG (MAINTENANCE)

FIG ITEM	PART NUMBER	1 2 3 4 5 6 7	NOMENCLATURE	EFFECT FROM TO	UNITS PER ASSY
25 225	HL11VAZ8-9	.BOLT-	SUPPLIER CODE: V56878 SPECIFICATION NUMBER: BACB30NW8K9 OPTIONAL PART: B30NW8K9 V97928 HL11VAZ8-9 V73197 HL11VAZ8-9 V92215 HL11VAZ8-9 V97928 L803-8K9 V06725 HL11VAZ8-9 VOPTK6 HL11VAZ8-9 V60516	002004 006102 107999	2
225	WC331K8-9	.BOLT-	SUPPLIER CODE: V60516 SPECIFICATION NUMBER: BACB30YP8K9	103106	2
230	HL79-8	.COLLAR-	SUPPLIER CODE: V5M902 SPECIFICATION NUMBER: BACC30M8 OPTIONAL PART: HL79-8 V73197 HL79-8 V92215 66014-8 V56878 HL79-8 V56878	002004 006102 107999	2

MISSING ITEM NUMBERS NOT APPLICABLE

- ITEM NOT ILLUSTRATED

57-41-51-25

57-41-51
FIG. 25
PAGE 12
JAN 20/09

BRI



757

PARTS CATALOG (MAINTENANCE)

FIG ITEM	PART NUMBER	1 2 3 4 5 6 7	NOMENCLATURE	EFFECT FROM TO	UNITS PER ASSY
25 230	BACC30BL8		.COLLAR- SUPPLIER CODE: V73197 SPECIFICATION NUMBER: BACC30BL8 OPTIONAL PART: HST79-8 V92215 HST79CY8 V56878 HST79CY8 V5M902	103106	2
235	BACS40R012D026F		.SHIM-	002004 006999	2
240	L8006K5		.BOLT- SUPPLIER CODE: V06725 SPECIFICATION NUMBER: BACB30MY6K5	002004 006102 107999	4
242	HST10AG6-5		.BOLT SUPPLIER CODE: VOPTK6 SPECIFICATION NUMBER: BACB30VT6K5 OPTIONAL PART: HST10AG6-5 V06725 HST10AG6-5 V56878 HST10AG6-5 V73197 WC10K6-5 V60516	103106	3
243	HST10AG6-6		.BOLT SUPPLIER CODE: VOPTK6 SPECIFICATION NUMBER: BACB30VT6K6 OPTIONAL PART: HST10AG6-6 V06725 HST10AG6-6 V56878 HST10AG6-6 V73197 WC10K6-6 V60516	103106	1

MISSING ITEM NUMBERS NOT APPLICABLE

- ITEM NOT ILLUSTRATED

57-41-51-25

57-41-51
FIG. 25
PAGE 13
JAN 20/09

BRI



757

PARTS CATALOG (MAINTENANCE)

FIG ITEM	PART NUMBER	1 2 3 4 5 6 7	NOMENCLATURE	EFFECT FROM TO	UNITS PER ASSY
25 245	HL79-6	.	COLLAR- SUPPLIER CODE: V5M902 SPECIFICATION NUMBER: BACC30M6 OPTIONAL PART: HL79-6 V73197 HL79-6 V92215 66014-6 V56878 HL79-6 V56878	002004 006102 107999	4
247	BACC30BL6	.	COLLAR SUPPLIER CODE: V73197 SPECIFICATION NUMBER: BACC30BL6 OPTIONAL PART: HST79-6 V92215 HST79CY6 V56878 HST79CY6 V5M902	103106	3
248	BACC30BL6	.	COLLAR SUPPLIER CODE: V73197 SPECIFICATION NUMBER: BACC30BL6 OPTIONAL PART: HST79-6 V92215 HST79CY6 V56878 HST79CY6 V5M902	103106	1
250	BACS40R007D008F	.	SHIM-	002004 006102 107999	2
252	BACS40R007D008F	.	SHIM	103106	1
253	BACS40R007E008F	.	SHIM	103106	1

MISSING ITEM NUMBERS NOT APPLICABLE

- ITEM NOT ILLUSTRATED

57-41-51-25

57-41-51
FIG. 25
PAGE 14
JAN 20/09

BRI



757

PARTS CATALOG (MAINTENANCE)

FIG ITEM	PART NUMBER	1 2 3 4 5 6 7	NOMENCLATURE	EFFECT FROM TO	UNITS PER ASSY
25 255	HL11VAZ6-4	.BOLT-	SUPPLIER CODE: V60516 SPECIFICATION NUMBER: BACB30NW6K4 OPTIONAL PART: B30NW6K4 V97928 HL11VAZ6-4 V73197 HL11VAZ6-4 V92215 HL11VAZ6-4 V97928 L803-6K4 V06725 HL11VAZ6-4 VOPTK6 HL11VAZ6-4 V56878	002004 006102 107999	2
255	WC331K6-4	.BOLT-	SUPPLIER CODE: V60516 SPECIFICATION NUMBER: BACB30YP6K4	103106	2
260	HL82-6APBW	.COLLAR-	SUPPLIER CODE: V5M902 SPECIFICATION NUMBER: BACC30AG6 OPTIONAL PART: HL82-6APBW V92215 HL82-6APBW V56878 HL82-6APBW V73197	002004 006102 107999	2

MISSING ITEM NUMBERS NOT APPLICABLE

- ITEM NOT ILLUSTRATED

57-41-51-25

57-41-51
FIG. 25
PAGE 15
JAN 20/09

BRI



757

PARTS CATALOG (MAINTENANCE)

FIG ITEM	PART NUMBER	1 2 3 4 5 6 7	NOMENCLATURE	EFFECT FROM TO	UNITS PER ASSY
25 260	HST826AW	.COLLAR-	SUPPLIER CODE: V5M902 SPECIFICATION NUMBER: BACC30BQ6 OPTIONAL PART: HST826AW V56878 HST826AW V73197 HST82CY6APBW V73197 HST82CY6APBW V56878	103106	2
265	BACS40R008D010F	.SHIM-		002004 006999	2
267	L8008K4	.BOLT	SUPPLIER CODE: V06725 SPECIFICATION NUMBER: BACB30MY8K4	002004 006102 107999	1
267	HST10AG8-4	.BOLT	SUPPLIER CODE: VOPTK6 SPECIFICATION NUMBER: BACB30VT8K4 OPTIONAL PART: HST10AG8-4 V06725 HST10AG8-4 V56878 HST10AG8-4 V73197 WC10K8-4 V60516	103106	1
268	HL79-8	.COLLAR	SUPPLIER CODE: V5M902 SPECIFICATION NUMBER: BACC30M8 OPTIONAL PART: HL79-8 V73197 HL79-8 V92215 66014-8 V56878 HL79-8 V56878	002004 006102 107999	1

MISSING ITEM NUMBERS NOT APPLICABLE

- ITEM NOT ILLUSTRATED

57-41-51-25

57-41-51
FIG. 25
PAGE 16
JAN 20/09

BRI



757

PARTS CATALOG (MAINTENANCE)

FIG ITEM	PART NUMBER	1 2 3 4 5 6 7	NOMENCLATURE	EFFECT FROM TO	UNITS PER ASSY
25 268	BACC30BL8	.	COLLAR SUPPLIER CODE: V73197 SPECIFICATION NUMBER: BACC30BL8 OPTIONAL PART: HST79-8 V92215 HST79CY8 V56878 HST79CY8 V5M902	103106	1
270	114N1102-9	.	RIB ASSY- POSITION DATA: LH SIDE	002004 006102 107999	1
- 275	114N1102-10	.	RIB ASSY- POSITION DATA: RH SIDE	002004 006102 107999	1
280	BACB28AP08P067	..	BUSHING	002004 006102 107999	1
285	BACB28AP08P048	..	BUSHING	002004 006102 107999	1
290	114N2130-10	..	BUSHING- QUALIFIED I/W DATA: 114N2130-10 AFTER REAMING IS I/W 114N2130-7	002004 006102 107999	1
295	BACB28AP10P051	..	BUSHING	002004 006102 107999	1
300	BACB28AP08P049	..	BUSHING	002004 006102 107999	1
305	BACB28AP10P031	..	BUSHING	002004 006102 107999	1
310	114N1102-11	..	RIB- POSITION DATA: LH SIDE	002004 006102 107999	1
- 315	114N1102-12	..	RIB- POSITION DATA: RH SIDE	002004 006102 107999	1
320	114N1103-9	.	RIB ASSY- POSITION DATA: LH SIDE	002004 006102 107999	1

MISSING ITEM NUMBERS NOT APPLICABLE

- ITEM NOT ILLUSTRATED

57-41-51-25

57-41-51
FIG. 25
PAGE 17
JAN 20/09

BRI

BOEING PROPRIETARY - Copyright © - Unpublished Work - See title page for details.



757

PARTS CATALOG (MAINTENANCE)

FIG ITEM	PART NUMBER	1 2 3 4 5 6 7	NOMENCLATURE	EFFECT FROM TO	UNITS PER ASSY
25					
- 322	114N1103-10		.RIB ASSY- POSITION DATA: RH SIDE	002004 006102 107999	1
325	BACB28AM11B063A		..BUSHING	002004 006102 107999	1
330	BACB28AM11B037A		..BUSHING	002004 006102 107999	1
335	114N2130-11		..BUSHING- QUALIFIED I/W DATA: 114N2130-11 AFTER REAMING IS I/W 114N2130-1	002004 006102 107999	1
340	BACB28AM14B046A		..BUSHING	002004 006102 107999	1
345	BACB28AM11B040A		..BUSHING	002004 006102 107999	1
350	BACB28AP10P031		..BUSHING	002004 006102 107999	1
355	114N1103-11		..RIB- POSITION DATA: LH SIDE	002004 006102 107999	1
- 360	114N1103-12		..RIB- POSITION DATA: RH SIDE	002004 006102 107999	1
365	BACS40R012D058F		.SHIM-	002004 006999	2
- 370	L8008K6		ATTACHING PARTS .BOLT- SUPPLIER CODE: V06725 SPECIFICATION NUMBER: BACB30MY8K6	002004 006102 107999	10

MISSING ITEM NUMBERS NOT APPLICABLE

- ITEM NOT ILLUSTRATED

57-41-51-25

57-41-51
FIG. 25
PAGE 18
JAN 20/09

BRI

BOEING PROPRIETARY - Copyright © - Unpublished Work - See title page for details.



757

PARTS CATALOG (MAINTENANCE)

FIG ITEM	PART NUMBER	1 2 3 4 5 6 7	NOMENCLATURE	EFFECT FROM TO	UNITS PER ASSY
25 - 370	HST10AG8-6	.BOLT-	SUPPLIER CODE: VOPTK6 SPECIFICATION NUMBER: BACB30VT8K6 OPTIONAL PART: HST10AG8-6 V06725 HST10AG8-6 V56878 HST10AG8-6 V73197 WC10K8-6 V60516	103106	10
- 375	HL79-8	.COLLAR-	SUPPLIER CODE: V5M902 SPECIFICATION NUMBER: BACC30M8 OPTIONAL PART: HL79-8 V73197 HL79-8 V92215 66014-8 V56878 HL79-8 V56878	002004 006102 107999	10
- 375	BACC30BL8	.COLLAR-	SUPPLIER CODE: V73197 SPECIFICATION NUMBER: BACC30BL8 OPTIONAL PART: HST79-8 V92215 HST79CY8 V56878 HST79CY8 V5M902	103106	10
380	114N1113-3	-----*----- .PAD-SIDE LOAD		002004 006102 107999	2

MISSING ITEM NUMBERS NOT APPLICABLE

- ITEM NOT ILLUSTRATED

BRI

57-41-51-25

BOEING PROPRIETARY - Copyright © - Unpublished Work - See title page for details.

57-41-51
FIG. 25
PAGE 19
JAN 20/09

 **BOEING**
757
PARTS CATALOG (MAINTENANCE)

FIG ITEM	PART NUMBER	1 2 3 4 5 6 7	NOMENCLATURE	EFFECT FROM TO	UNITS PER ASSY
25			ATTACHING PARTS		
- 385	L8008K6		.BOLT SUPPLIER CODE: V06725 SPECIFICATION NUMBER: BACB30MY8K6	002004 006102 107999	4
- 390	HL79-8		.COLLAR SUPPLIER CODE: V5M902 SPECIFICATION NUMBER: BACC30M8 OPTIONAL PART: HL79-8 V73197 HL79-8 V92215 66014-8 V56878 HL79-8 V56878 -----*-----	002004 006102 107999	4
- 395	BACS40R013C022F		.SHIM-	002004 006102 107999	2
400	114N1113-4		.PAD-SIDE LOAD	002004 006102 107999	2
- 405	L8008K6		ATTACHING PARTS .BOLT SUPPLIER CODE: V06725 SPECIFICATION NUMBER: BACB30MY8K6	002004 006102 107999	4
- 410	HL79-8		.COLLAR SUPPLIER CODE: V5M902 SPECIFICATION NUMBER: BACC30M8 OPTIONAL PART: HL79-8 V73197 HL79-8 V92215 66014-8 V56878 HL79-8 V56878 -----*-----	002004 006102 107999	4

MISSING ITEM NUMBERS NOT APPLICABLE

- ITEM NOT ILLUSTRATED

BRI

57-41-51-25

BOEING PROPRIETARY - Copyright © - Unpublished Work - See title page for details.

57-41-51
FIG. 25
PAGE 20
JAN 20/09

 **BOEING**
757
PARTS CATALOG (MAINTENANCE)

FIG ITEM	PART NUMBER	1 2 3 4 5 6 7	NOMENCLATURE	EFFECT FROM TO	UNITS PER ASSY
25					
- 415	BACS40R016C022F	.SHIM-		002004 006102 107999	2
420	114N1112-1	.FITTING-UPSTOP		002004 006102 107999	2
- 425	L8006K4	ATTACHING PARTS .BOLT		002004 006102 107999	4
		SUPPLIER CODE: V06725			
		SPECIFICATION NUMBER: BACB30MY6K4			
- 430	HL79-6	.COLLAR		002004 006102 107999	4
		SUPPLIER CODE: V5M902			
		SPECIFICATION NUMBER: BACC30M6			
		OPTIONAL PART: HL79-6 V73197 HL79-6 V92215 66014-6 V56878 HL79-6 V56878			
- 435	114N1101-5	-----*----- .RIB PAIR ASSY-		103106	1
		POSITION DATA: LH SIDE			
- 440	114N1101-6	.RIB PAIR ASSY-		103106	1
		POSITION DATA: RH SIDE			
445	114N1102-15	..RIB ASSY-		103106	1
		POSITION DATA: LH SIDE			
- 450	114N1102-16	..RIB ASSY-		103106	1
		POSITION DATA: RH SIDE			
455	114N2130-10	...BUSHING-		103106	1
		QUALIFIED I/W DATA: 114N2130-10 AFTER REAMING IS I/W 114N2130-7			
460	BACB28AP08P048	...BUSHING		103106	1
465	BACB28AP08P051	...BUSHING		103106	1
470	BACB28AP08P072	...BUSHING		103106	1
475	BACB28AP10P031	...BUSHING		103106	1
480	BACB28AP10P052	...BUSHING		103106	1

MISSING ITEM NUMBERS NOT APPLICABLE

- ITEM NOT ILLUSTRATED

BRI

57-41-51-25

BOEING PROPRIETARY - Copyright © - Unpublished Work - See title page for details.

57-41-51
FIG. 25
PAGE 21
JAN 20/09



757

PARTS CATALOG (MAINTENANCE)

FIG ITEM	PART NUMBER	1 2 3 4 5 6 7	NOMENCLATURE	EFFECT FROM TO	UNITS PER ASSY
25					
485	114N1102-17	...	RIB- POSITION DATA: LH SIDE	103106	1
- 490	114N1102-18	...	RIB- POSITION DATA: RH SIDE	103106	1
495	114N1103-13	..	RIB ASSY- POSITION DATA: LH SIDE	103106	1
- 500	114N1103-14	..	RIB ASSY- POSITION DATA: RH SIDE	103106	1
505	114N2130-11	...	BUSHING- QUALIFIED I/W DATA: 114N2130-11 AFTER REAMING IS I/W 114N2130-1	103106	1
510	BACB28AP10P031	...	BUSHING	103106	1
515	BACB28AT11B039C	...	BUSHING	103106	1
520	BACB28AT11B042C	...	BUSHING	103106	1
525	BACB28AT11B064C	...	BUSHING	103106	1
530	BACB28AT14B046C	...	BUSHING	103106	1
535	114N1103-15	...	RIB- POSITION DATA: LH SIDE	103106	1
- 540	114N1103-16	...	RIB- POSITION DATA: RH SIDE	103106	1
545	114N1113-3	..	PAD-LOAD ATTACHING PARTS	103106	2
- 550	HST10AG8-6	..	BOLT SUPPLIER CODE: VOPTK6 SPECIFICATION NUMBER: BACB30VT8K6 OPTIONAL PART: HST10AG8-6 V06725 HST10AG8-6 V56878 HST10AG8-6 V73197 WC10K8-6 V60516	103106	4

MISSING ITEM NUMBERS NOT APPLICABLE

- ITEM NOT ILLUSTRATED

57-41-51-25

57-41-51
FIG. 25
PAGE 22
JAN 20/09

BRI

BOEING PROPRIETARY - Copyright © - Unpublished Work - See title page for details.



757

PARTS CATALOG (MAINTENANCE)

FIG ITEM	PART NUMBER	1 2 3 4 5 6 7	NOMENCLATURE	EFFECT FROM TO	UNITS PER ASSY
25 - 555	BACC30BL8		.. COLLAR SUPPLIER CODE: V73197 SPECIFICATION NUMBER: BACC30BL8 OPTIONAL PART: HST79-8 V92215 HST79CY8 V56878 HST79CY8 V5M902 -----*-----	103106	4
- 560	BACS40R013D022F		.. SHIM	103106	2
565	114N1113-4		.. PAD-LOAD ATTACHING PARTS	103106	2
- 570	HST10AG8-6		.. BOLT SUPPLIER CODE: VOPTK6 SPECIFICATION NUMBER: BACB30VT8K6 OPTIONAL PART: HST10AG8-6 V06725 HST10AG8-6 V56878 HST10AG8-6 V73197 WC10K8-6 V60516	103106	4
- 575	BACC30BL8		.. COLLAR SUPPLIER CODE: V73197 SPECIFICATION NUMBER: BACC30BL8 OPTIONAL PART: HST79-8 V92215 HST79CY8 V56878 HST79CY8 V5M902 -----*-----	103106	4
- 580	BACS40R016D022F		.. SHIM	103106	2
585	114N1112-1		.. FITTING-UPSTOP	103106	2

MISSING ITEM NUMBERS NOT APPLICABLE

- ITEM NOT ILLUSTRATED

57-41-51-25

57-41-51
FIG. 25
PAGE 23
JAN 20/09

BRI



757

PARTS CATALOG (MAINTENANCE)

FIG ITEM	PART NUMBER	1 2 3 4 5 6 7	NOMENCLATURE	EFFECT FROM TO	UNITS PER ASSY
25			ATTACHING PARTS		
- 590	HST10AG6-4	..	BOLT SUPPLIER CODE: V06725 SPECIFICATION NUMBER: BACB30VT6K4 OPTIONAL PART: HST10AG6-4 V73197 HST10AG6-4 V56878 HST10AG6-4 V0PTK6 WC10K6-4 V60516	103106	4
- 595	BACC3OBL6	..	COLLAR SUPPLIER CODE: V73197 SPECIFICATION NUMBER: BACC3OBL6 OPTIONAL PART: HST79-6 V92215 HST79CY6 V56878 HST79CY6 V5M902 -----*-----	103106	4

MISSING ITEM NUMBERS NOT APPLICABLE

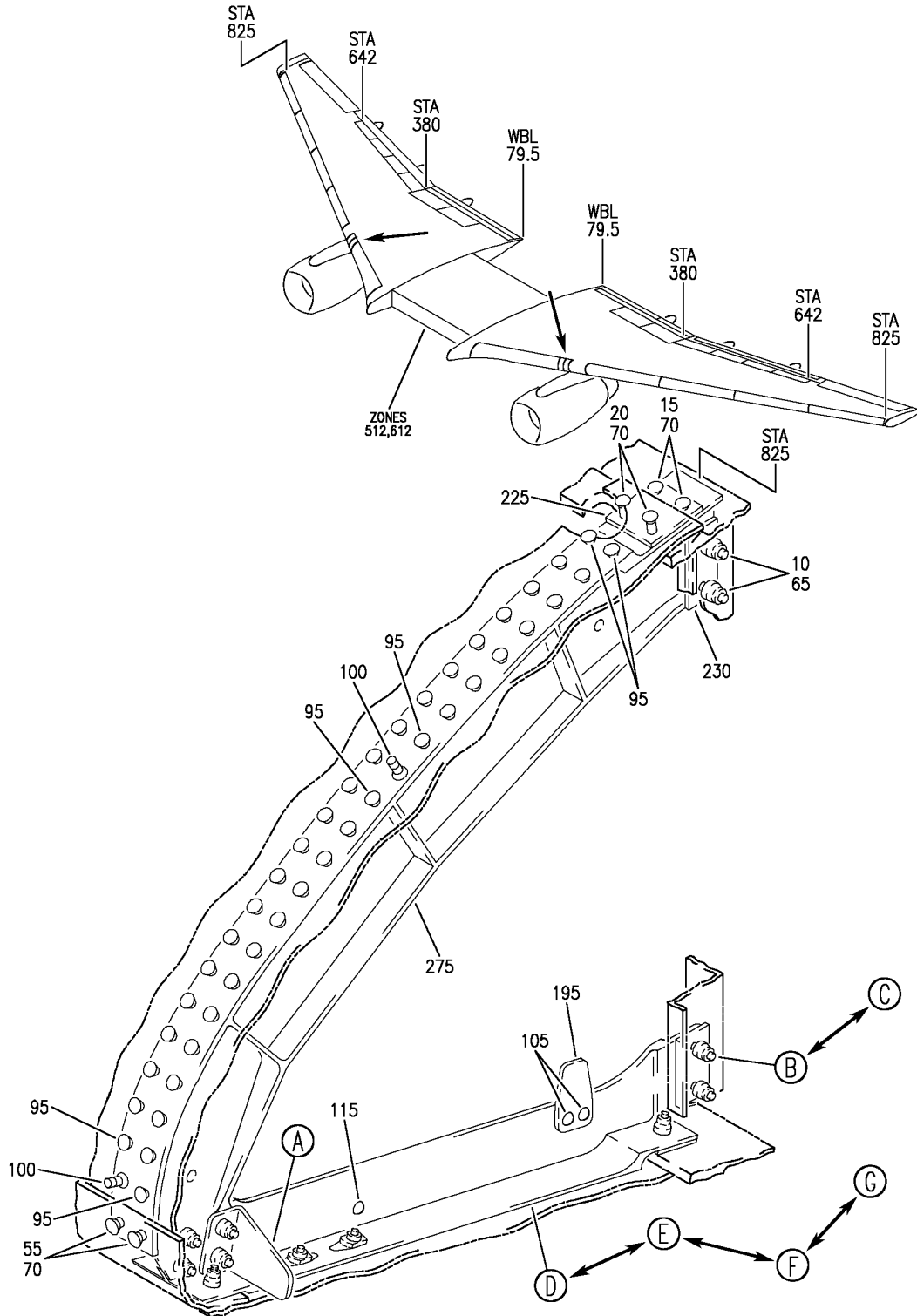
- ITEM NOT ILLUSTRATED

57-41-51-25

57-41-51
FIG. 25
PAGE 24
JAN 20/09

BRI

BOEING
757
PARTS CATALOG (MAINTENANCE)



Y 57415125A SHT 1 REV 245

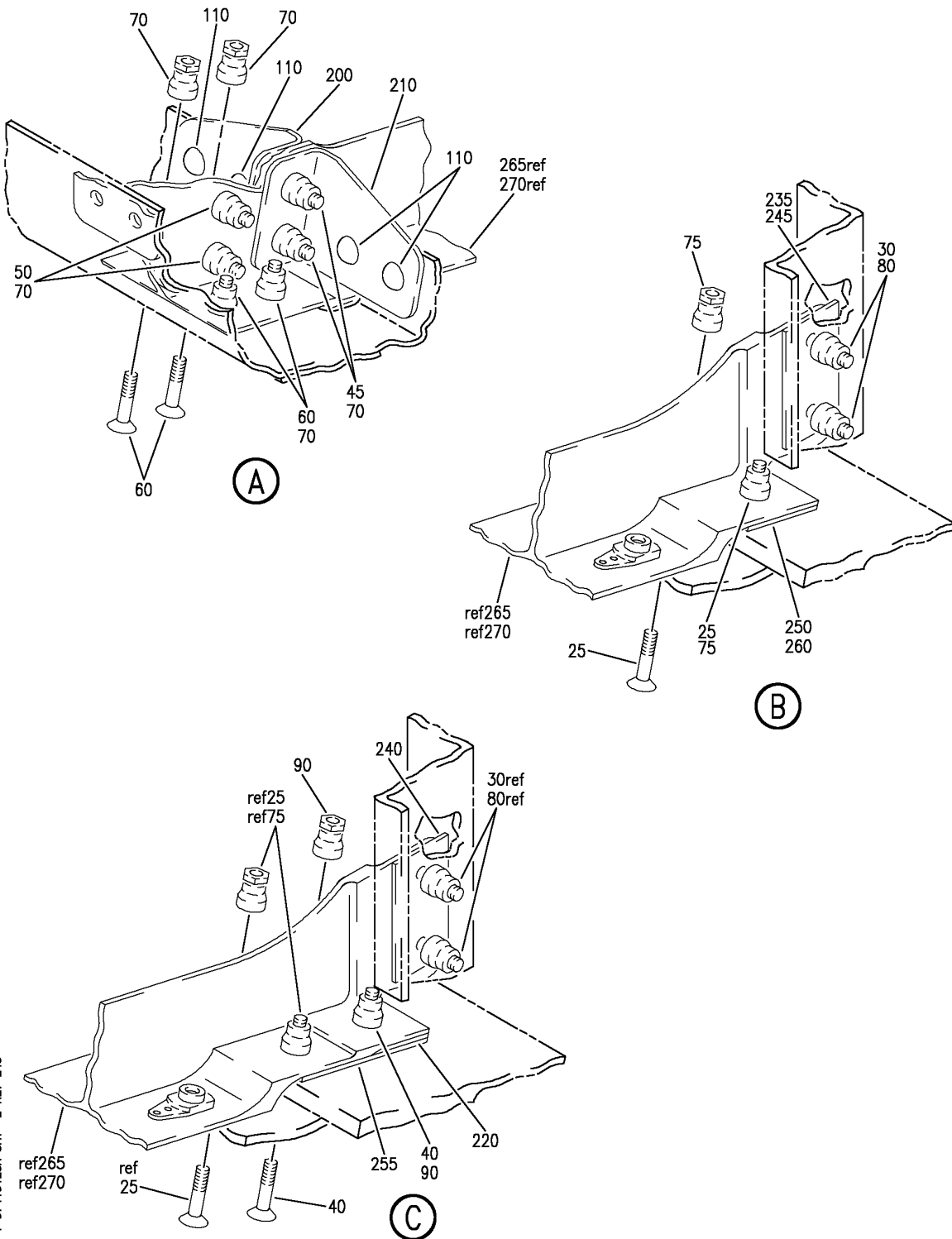
RIB INSTL-ISS 169.00 WING FXD LE AIRLOAD
FIGURE 25A (SHEET 1)

57-41-51-25A

BRI
MAY 28/07

57-41-51-25A
PAGE 0

BOEING
757
PARTS CATALOG (MAINTENANCE)



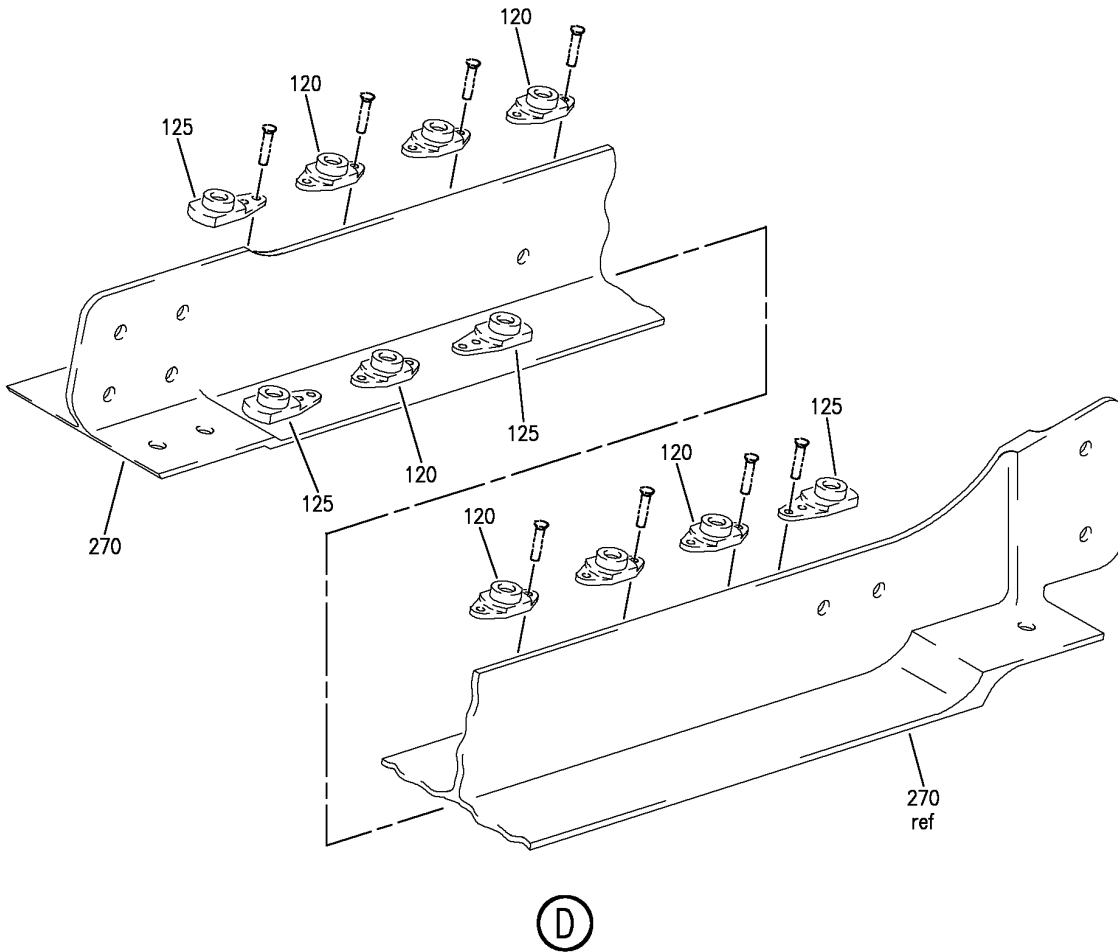
RIB INSTL-ISS 169.00 WING FXD LE AIRLOAD
FIGURE 25A (SHEET 2)

BRI
MAY 28/07

57-41-51-25A

57-41-51-25A
PAGE 0A

BOEING
757
PARTS CATALOG (MAINTENANCE)



Y 57415125A SH1 3 REV 245

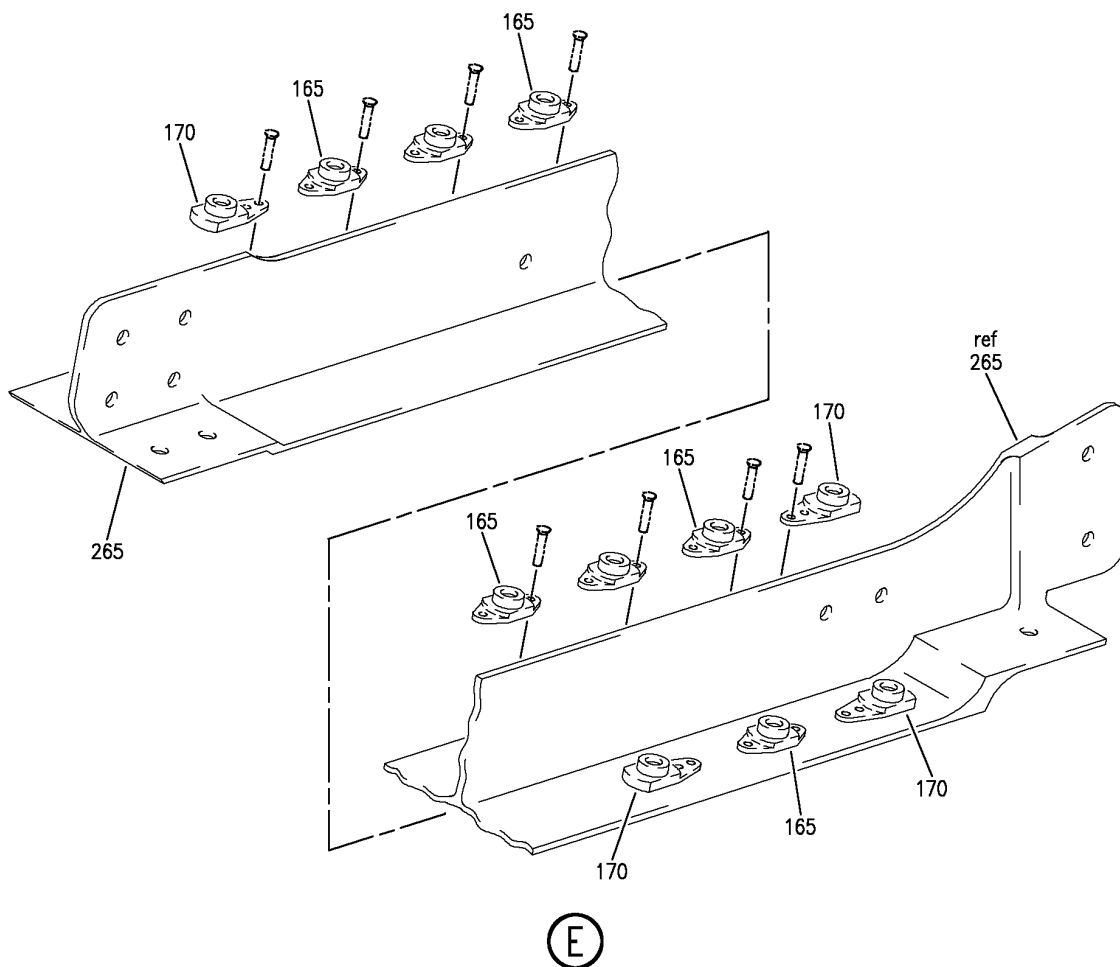
RIB INSTL-ISS 169.00 WING FXD LE AIRLOAD
FIGURE 25A (SHEET 3)

57-41-51-25A

BRI
MAY 28/07

57-41-51-25A
PAGE 0B

BOEING
757
PARTS CATALOG (MAINTENANCE)



Y 57415125A SHIT 4 REV 245

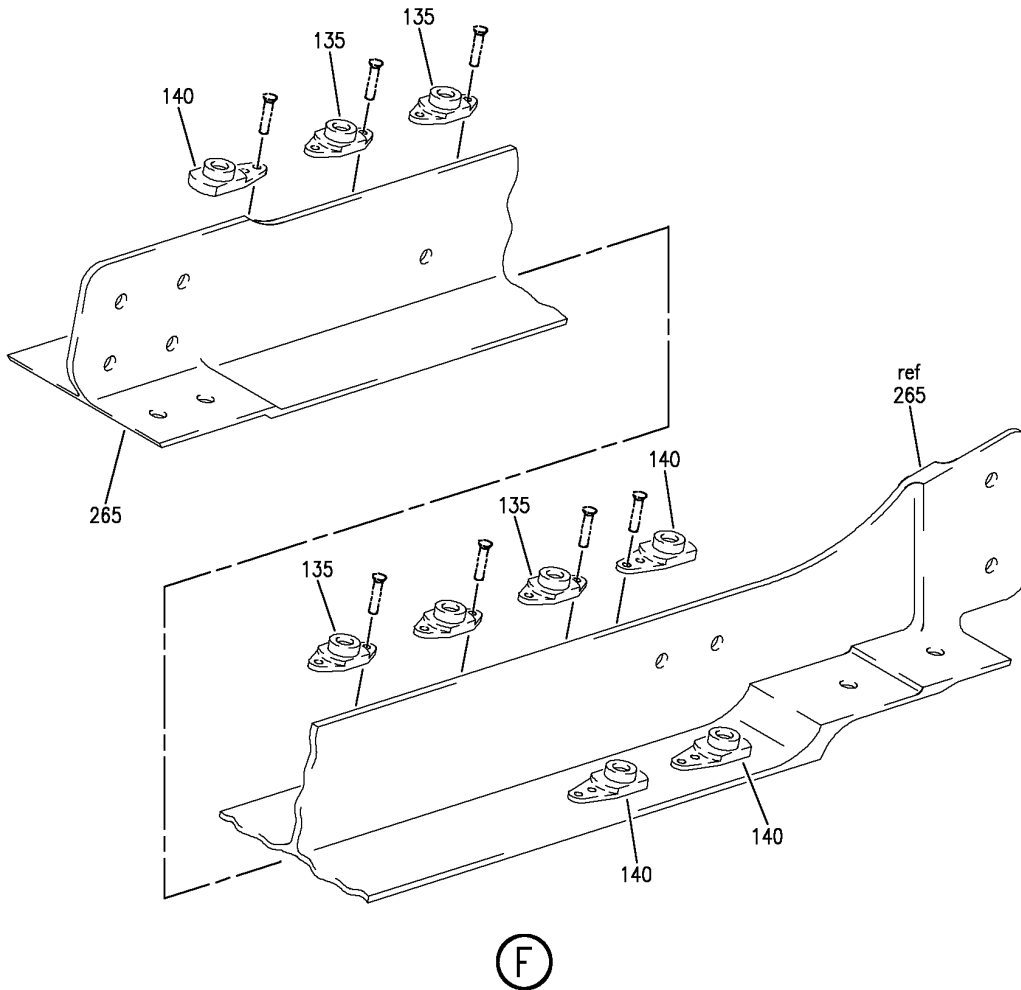
RIB INSTL-ISS 169.00 WING FXD LE AIRLOAD
FIGURE 25A (SHEET 4)

57-41-51-25A

BRI
MAY 28/07

57-41-51-25A
PAGE 0C

BOEING
757
PARTS CATALOG (MAINTENANCE)



Y 57415125A SH1 5 REV 245

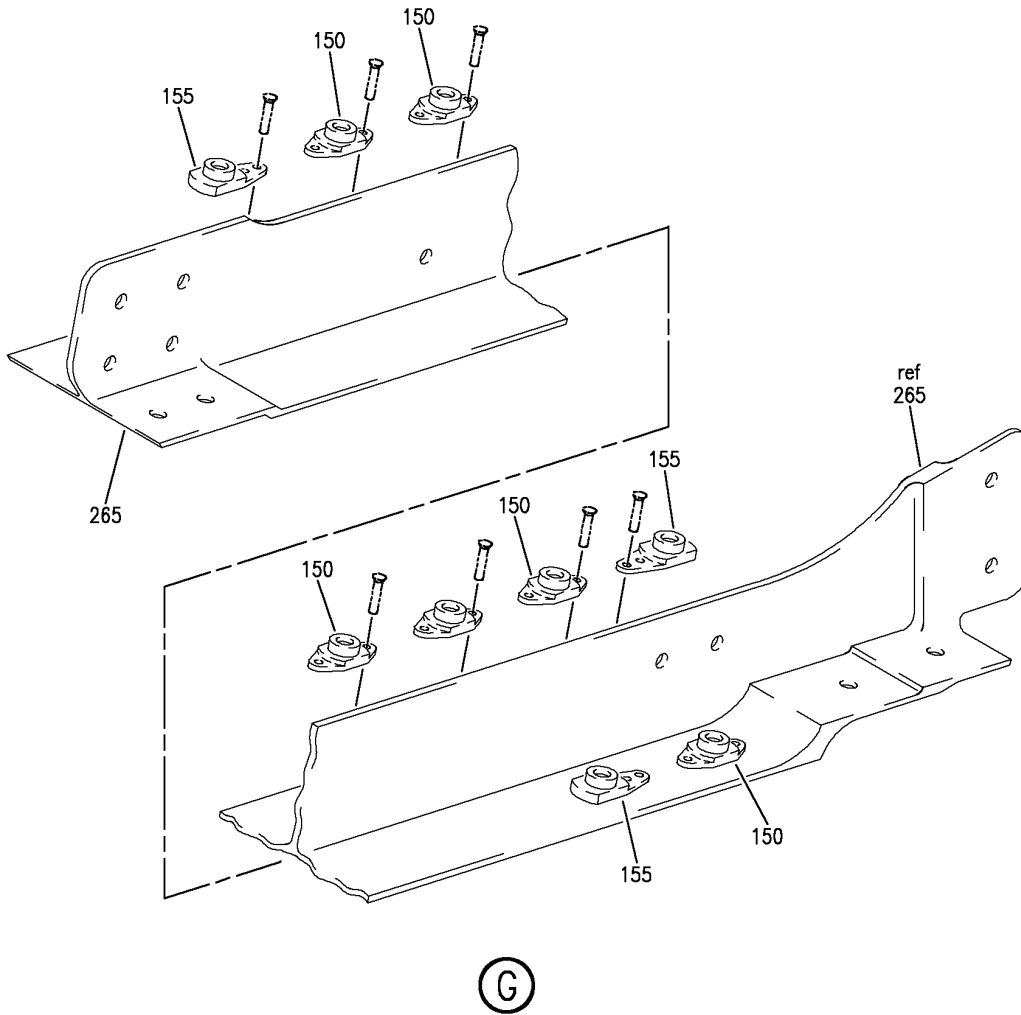
RIB INSTL-ISS 169.00 WING FXD LE AIRLOAD
FIGURE 25A (SHEET 5)

57-41-51-25A

BRI
MAY 28/07

57-41-51-25A
PAGE 0D

BOEING
757
PARTS CATALOG (MAINTENANCE)



Y 57415125A SH1 6 REV 245

RIB INSTL-ISS 169.00 WING FXD LE AIRLOAD
FIGURE 25A (SHEET 6)

57-41-51-25A

BRI
MAY 28/07

57-41-51-25A
PAGE 0E



757

PARTS CATALOG (MAINTENANCE)

FIG ITEM	PART NUMBER	1 2 3 4 5 6 7	NOMENCLATURE	EFFECT FROM TO	UNITS PER ASSY
25A			RIB INSTL-ISS 169.00 WING FXD LE AIRLOAD	002004 006102 107999	
- 1	114N1203-1		RIB INSTL-AIRLOAD WING FXD LE POSITION DATA: ISS 169.00 LH FOR NHA SEE: 57-40-00-01	002004 006100 107107 121503 904999	RF
- 1	114N1203-401		RIB INSTL-AIRLOAD WING FXD LE POSITION DATA: ISS 169.00 LH FOR NHA SEE: 57-00-00-10	101102 108120 504903	RF
- 5	114N1203-2		RIB INSTL-AIRLOAD WING FXD LE POSITION DATA: ISS 169.00 RH FOR NHA SEE: 57-40-00-01	002004 006100 107107 121503 904999	RF
- 5	114N1203-402		RIB INSTL-AIRLOAD WING FXD LE POSITION DATA: ISS 169.00 RH FOR NHA SEE: 57-00-00-10	101102 108120 504903	RF
10	L80010K6		.BOLT SUPPLIER CODE: V06725 SPECIFICATION NUMBER: BACB30MY10K6	002004 006102 107999	2

MISSING ITEM NUMBERS NOT APPLICABLE

- ITEM NOT ILLUSTRATED

57-41-51-25A

57-41-51
FIG. 25A
PAGE 1
JAN 20/09

BRI



757

PARTS CATALOG (MAINTENANCE)

FIG ITEM	PART NUMBER	1 2 3 4 5 6 7	NOMENCLATURE	EFFECT FROM TO	UNITS PER ASSY
25A 15	HL523AZ6-9	.BOLT	SUPPLIER CODE: V73197 SPECIFICATION NUMBER: BACB30NZ6K9 OPTIONAL PART: L804-6K9 V06725 HL523AZ6-9 V56878 HL523AZ6-9 V92215 HL523AZ6-9 V97928 HL523AZ6-9 V0PTK6 HL523AZ6-9 V60516 HL523AZ6-9 V06725	002004 006102 107999	2
20	HL11VAZ6-9	.BOLT	SUPPLIER CODE: V60516 SPECIFICATION NUMBER: BACB30NW6K9 OPTIONAL PART: B30NW6K9 V97928 HL11VAZ6-9 V73197 HL11VAZ6-9 V92215 HL11VAZ6-9 V97928 L803-6K9 V06725 HL11VAZ6-9 V0PTK6 HL11VAZ6-9 V56878	002004 006102 107999	2

MISSING ITEM NUMBERS NOT APPLICABLE

- ITEM NOT ILLUSTRATED

57-41-51-25A

57-41-51
FIG. 25A
PAGE 2
JAN 20/09

BRI

BOEING PROPRIETARY - Copyright © - Unpublished Work - See title page for details.



757

PARTS CATALOG (MAINTENANCE)

FIG ITEM	PART NUMBER	1 2 3 4 5 6 7	NOMENCLATURE	EFFECT FROM TO	UNITS PER ASSY
25A 25	HL523AZ8-8	.BOLT	SUPPLIER CODE: V73197 SPECIFICATION NUMBER: BACB30NZ8K8 OPTIONAL PART: L804-8K8 V06725 HL523AZ8-8 V56878 HL523AZ8-8 V92215 HL523AZ8-8 V97928 HL523AZ8-8 V0PTK6 HL523AZ8-8 V60516 HL523AZ8-8 V06725	002004 006102 107999	2
30	L80010K7	.BOLT-	SUPPLIER CODE: V06725 SPECIFICATION NUMBER: BACB30MY10K7 POSITION DATA: LH SIDE	002004 006102 107999	2
- 35	L8008K5	.BOLT-	SUPPLIER CODE: V06725 SPECIFICATION NUMBER: BACB30MY8K5 POSITION DATA: RH SIDE	002004 006102 107999	2

MISSING ITEM NUMBERS NOT APPLICABLE

- ITEM NOT ILLUSTRATED

57-41-51-25A

57-41-51
FIG. 25A
PAGE 3
JAN 20/09

BRI



757

PARTS CATALOG (MAINTENANCE)

FIG ITEM	PART NUMBER	1 2 3 4 5 6 7	NOMENCLATURE	EFFECT FROM TO	UNITS PER ASSY
25A 40	HL523AZ8-12	.BOLT-	SUPPLIER CODE: V73197 SPECIFICATION NUMBER: BACB30NZ8K12 OPTIONAL PART: L804-8K12 V06725 HL523AZ8-12 V56878 HL523AZ8-12 V92215 HL523AZ8-12 V97928 HL523AZ8-12 V0PTK6 HL523-12 V06725 HL523AZ8-12 V97928 POSITION DATA: LH SIDE	002004 006102 107999	2
45	L8006K8	.BOLT	SUPPLIER CODE: V06725 SPECIFICATION NUMBER: BACB30MY6K8	002004 006102 107999	2
50	L8006K4	.BOLT	SUPPLIER CODE: V06725 SPECIFICATION NUMBER: BACB30MY6K4	002004 006102 107999	2
55	L8006K5	.BOLT	SUPPLIER CODE: V06725 SPECIFICATION NUMBER: BACB30MY6K5	002004 006102 107999	2

MISSING ITEM NUMBERS NOT APPLICABLE

- ITEM NOT ILLUSTRATED

57-41-51-25A

57-41-51
FIG. 25A
PAGE 4
JAN 20/09

BRI



757

PARTS CATALOG (MAINTENANCE)

FIG ITEM	PART NUMBER	1 2 3 4 5 6 7	NOMENCLATURE	EFFECT FROM TO	UNITS PER ASSY
25A 60	HL11VAZ6-4	.BOLT	SUPPLIER CODE: V60516 SPECIFICATION NUMBER: BACB30NW6K4 OPTIONAL PART: B30NW6K4 V97928 HL11VAZ6-4 V73197 HL11VAZ6-4 V92215 HL11VAZ6-4 V97928 L803-6K4 V06725 HL11VAZ6-4 VOPTK6 HL11VAZ6-4 V56878	002004 006102 107999	4
65	HL79-10	.COLLAR	SUPPLIER CODE: V5M902 SPECIFICATION NUMBER: BACC30M10 OPTIONAL PART: HL79-10 V73197 HL79-10 V92215 66014-10 V56878 HL79-10 V56878	002004 006102 107999	2
70	HL79-6	.COLLAR	SUPPLIER CODE: V5M902 SPECIFICATION NUMBER: BACC30M6 OPTIONAL PART: HL79-6 V73197 HL79-6 V92215 66014-6 V56878 HL79-6 V56878	002004 006102 107999	14

MISSING ITEM NUMBERS NOT APPLICABLE

- ITEM NOT ILLUSTRATED

BRI

57-41-51-25A

BOEING PROPRIETARY - Copyright © - Unpublished Work - See title page for details.

57-41-51
FIG. 25A
PAGE 5
JAN 20/09



757

PARTS CATALOG (MAINTENANCE)

FIG ITEM	PART NUMBER	1 2 3 4 5 6 7	NOMENCLATURE	EFFECT FROM TO	UNITS PER ASSY
25A 75	HL79-8	.	COLLAR SUPPLIER CODE: V5M902 SPECIFICATION NUMBER: BACC30M8 OPTIONAL PART: HL79-8 V73197 HL79-8 V92215 66014-8 V56878 HL79-8 V56878	002004 006102 107999	2
80	HL79-10	.	COLLAR- SUPPLIER CODE: V5M902 SPECIFICATION NUMBER: BACC30M10 OPTIONAL PART: HL79-10 V73197 HL79-10 V92215 66014-10 V56878 HL79-10 V56878 POSITION DATA: LH SIDE	002004 006102 107999	2
- 85	HL79-8	.	COLLAR- SUPPLIER CODE: V5M902 SPECIFICATION NUMBER: BACC30M8 OPTIONAL PART: HL79-8 V73197 HL79-8 V92215 66014-8 V56878 HL79-8 V56878 POSITION DATA: RH SIDE	002004 006102 107999	2

MISSING ITEM NUMBERS NOT APPLICABLE

- ITEM NOT ILLUSTRATED

57-41-51-25A

57-41-51
FIG. 25A
PAGE 6
JAN 20/09

BRI

BOEING PROPRIETARY - Copyright © - Unpublished Work - See title page for details.



757

PARTS CATALOG (MAINTENANCE)

FIG ITEM	PART NUMBER	1 2 3 4 5 6 7	NOMENCLATURE	EFFECT FROM TO	UNITS PER ASSY
25A 90	HL79-8	.	COLLAR- SUPPLIER CODE: V5M902 SPECIFICATION NUMBER: BACC30M8 OPTIONAL PART: HL79-8 V73197 HL79-8 V92215 66014-8 V56878 HL79-8 V56878 POSITION DATA: LH SIDE	002004 006102 107999	2
95	BACR15BA6AD	.	RIVET- SIZE DETERMINED ON INSTL.	002004 006102 107999	42
100	NAS1399MW6-4	.	RIVET- SIZE DETERMINED ON INSTL.	002004 006102 107999	2
105	BACR15FT5D	.	RIVET- SIZE DETERMINED ON INSTL.	002004 006102 107999	2
110	BACR15FT6D	.	RIVET- SIZE DETERMINED ON INSTL.	002004 006102 107999	4
115	BACR15BB3AD	.	RIVET- SIZE DETERMINED ON INSTL.	002004 006102 107999	1
135	BRFR220C3-2D	.	NUTPLATE- SUPPLIER CODE: V52828 SPECIFICATION NUMBER: BACN10KE3B2CD OPTIONAL PART: F51747-3-2CD V15653 102A9213-2-3 V72962 NS202493-02-2 V80539 POSITION DATA: LH SIDE	002004 006100 107107 121503 904999	5

MISSING ITEM NUMBERS NOT APPLICABLE

- ITEM NOT ILLUSTRATED

57-41-51-25A

57-41-51
FIG. 25A
PAGE 7
JAN 20/09

BRI

BOEING PROPRIETARY - Copyright © - Unpublished Work - See title page for details.



757

PARTS CATALOG (MAINTENANCE)

FIG ITEM	PART NUMBER	1 2 3 4 5 6 7	NOMENCLATURE	EFFECT FROM TO	UNITS PER ASSY
25A 140	BRFR120C3-2D		.NUTPLATE- SUPPLIER CODE: V52828 SPECIFICATION NUMBER: BACN10KE3E2CD OPTIONAL PART: 102F9216-2-3 V72962 F51751-3-2CD V15653 NS202494-02-2 V80539 POSITION DATA: LH SIDE ATTACHING PARTS	002004 006100 107107 121503 904999	4
- 145	BACR15BA3AD		.RIVET- POSITION DATA: LH SIDE SIZE DETERMINED ON INSTL.	002004 006100 107107 121503 904999	18
150	BRFR220C3-2D		-----*----- .NUTPLATE- SUPPLIER CODE: V52828 SPECIFICATION NUMBER: BACN10KE3B2CD OPTIONAL PART: F51747-3-2CD V15653 102A9213-2-3 V72962 NS202493-02-2 V80539 POSITION DATA: LH SIDE	101102 108120 504903	6
155	BRFR120C3-2D		.NUTPLATE- SUPPLIER CODE: V52828 SPECIFICATION NUMBER: BACN10KE3E2CD OPTIONAL PART: 102F9216-2-3 V72962 F51751-3-2CD V15653 NS202494-02-2 V80539 POSITION DATA: LH SIDE	101102 108120 504903	3

MISSING ITEM NUMBERS NOT APPLICABLE

- ITEM NOT ILLUSTRATED

57-41-51-25A

57-41-51
FIG. 25A
PAGE 8
JAN 20/09

BRI

 **BOEING**
757
PARTS CATALOG (MAINTENANCE)

FIG ITEM	PART NUMBER	1 2 3 4 5 6 7	NOMENCLATURE	EFFECT FROM TO	UNITS PER ASSY
25A			ATTACHING PARTS		
- 160	BACR15BA3AD		.RIVET- POSITION DATA: LH SIDE SIZE DETERMINED ON INSTL. -----*-----	101102 108120 504903	18
165	BRFR220C3-2D		.NUTPLATE- SUPPLIER CODE: V52828 SPECIFICATION NUMBER: BACN10KE3B2CD OPTIONAL PART: F51747-3-2CD V15653 102A9213-2-3 V72962 NS202493-02-2 V80539 POSITION DATA: RH SIDE	101102 108120 504903	7
170	BRFR120C3-2D		.NUTPLATE- SUPPLIER CODE: V52828 SPECIFICATION NUMBER: BACN10KE3E2CD OPTIONAL PART: 102F9216-2-3 V72962 F51751-3-2CD V15653 NS202494-02-2 V80539 POSITION DATA: RH SIDE	101102 108120 504903	4
- 175	BACR15BA3AD		ATTACHING PARTS .RIVET- POSITION DATA: RH SIDE SIZE DETERMINED ON INSTL. -----*-----	101102 108120 504903	22

MISSING ITEM NUMBERS NOT APPLICABLE

- ITEM NOT ILLUSTRATED

BRI

57-41-51-25A

BOEING PROPRIETARY - Copyright © - Unpublished Work - See title page for details.

57-41-51
FIG. 25A
PAGE 9
JAN 20/09



757

PARTS CATALOG (MAINTENANCE)

FIG ITEM	PART NUMBER	1 2 3 4 5 6 7	NOMENCLATURE	EFFECT FROM TO	UNITS PER ASSY
25A - 180	BRFR220C3-2D		.NUTPLATE- SUPPLIER CODE: V52828 SPECIFICATION NUMBER: BACN10KE3B2CD OPTIONAL PART: F51747-3-2CD V15653 102A9213-2-3 V72962 NS202493-02-2 V80539 POSITION DATA: RH SIDE	002004 006100 107107 121503 904999	7
- 185	BRFR120C3-2D		.NUTPLATE- SUPPLIER CODE: V52828 SPECIFICATION NUMBER: BACN10KE3E2CD OPTIONAL PART: 102F9216-2-3 V72962 F51751-3-2CD V15653 NS202494-02-2 V80539 POSITION DATA: RH SIDE	002004 006100 107107 121503 904999	4
- 190	BACR15BA3AD		.RIVET- POSITION DATA: RH SIDE SIZE DETERMINED ON INSTL.	002004 006100 107107 121503 904999	22
195	287N1401-43		-----*----- .BRACKET	002004 006102 107999	1
200	114N1219-17		.BRACKET- POSITION DATA: LH SIDE	002004 006102 107999	1
- 205	114N1219-18		.BRACKET- POSITION DATA: RH SIDE	002004 006102 107999	1
210	114N1219-13		.BRACKET- POSITION DATA: LH SIDE	002004 006102 107999	1

MISSING ITEM NUMBERS NOT APPLICABLE

- ITEM NOT ILLUSTRATED

57-41-51-25A

57-41-51
FIG. 25A
PAGE 10
JAN 20/09

BRI

BOEING PROPRIETARY - Copyright © - Unpublished Work - See title page for details.



757

PARTS CATALOG (MAINTENANCE)

FIG ITEM	PART NUMBER	1 2 3 4 5 6 7	NOMENCLATURE	EFFECT FROM TO	UNITS PER ASSY
25A - 215	114N1219-14	.BRACKET-	POSITION DATA: RH SIDE	002004 006102 107999	1
220	BACF3T02G12-19B	.FILLER-	POSITION DATA: LH SIDE	002004 006102 107999	1
225	BACS40R18D26F	.SHIM		002004 006100 107107 121503 904999	1
225	BACS40R018D026F	.SHIM		101102 108120 504903	1
230	BACS40R10D23F	.SHIM		002004 006100 107107 121503 904999	1
230	BACS40R010D023F	.SHIM		101102 108120 504903	1
235	BACS40R12D26F	.SHIM		002004 006100 107107 121503 904999	1
240	BACS40R012D026F	.SHIM-	POSITION DATA: LH SIDE	101102 108120 504903	1
245	BACS40R010D019F	.SHIM-	POSITION DATA: RH SIDE	101102 108120 504903	1
250	BACS40R19D26F	.SHIM		002004 006100 107107 121503 904999	1
255	BACS40R019D026F	.SHIM-	POSITION DATA: LH SIDE	101102 108120 504903	1
260	BACS40R013D018F	.SHIM-	POSITION DATA: RH SIDE	101102 108120 504903	1
265	114N1209-19	.CHORD-	POSITION DATA: LH SIDE	002004 006102 107999	1

MISSING ITEM NUMBERS NOT APPLICABLE

- ITEM NOT ILLUSTRATED

57-41-51-25A

57-41-51
FIG. 25A
PAGE 11
JAN 20/09

BRI

BOEING PROPRIETARY - Copyright © - Unpublished Work - See title page for details.



757

PARTS CATALOG (MAINTENANCE)

FIG ITEM	PART NUMBER	1 2 3 4 5 6 7	NOMENCLATURE	EFFECT FROM TO	UNITS PER ASSY
25A 270	114N1209-8		.CHORD- POSITION DATA: RH SIDE	002004 006102 107999	1
275	114N1204-1		.RIB- POSITION DATA: LH SIDE	002004 006102 107999	1
- 280	114N1204-2		.RIB- POSITION DATA: RH SIDE	002004 006102 107999	1

MISSING ITEM NUMBERS NOT APPLICABLE

- ITEM NOT ILLUSTRATED

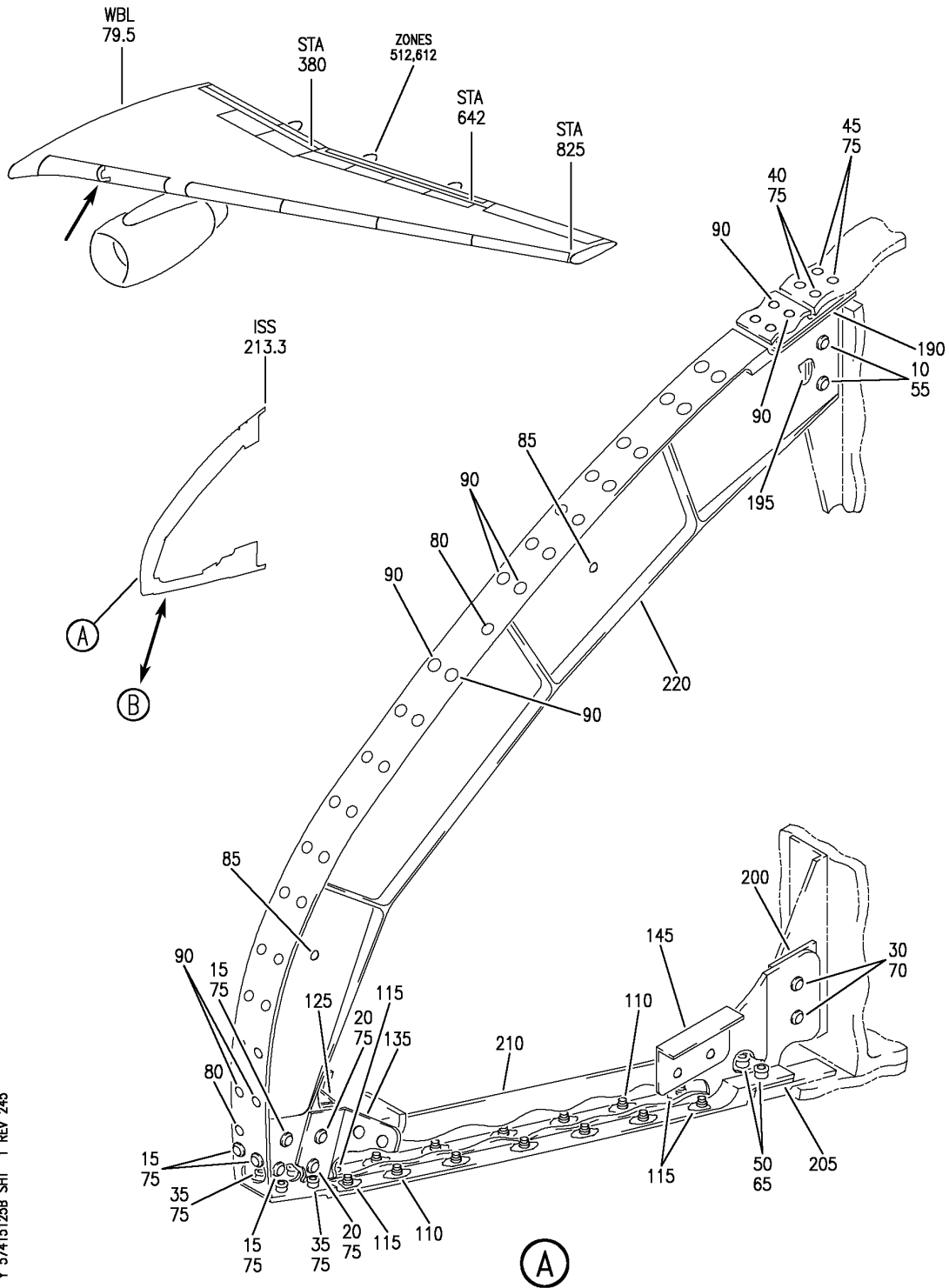
BRI

57-41-51-25A

BOEING PROPRIETARY - Copyright © - Unpublished Work - See title page for details.

57-41-51
FIG. 25A
PAGE 12
JAN 20/09

BOEING
757
PARTS CATALOG (MAINTENANCE)



Y 57415125B SHT 1 REV 245

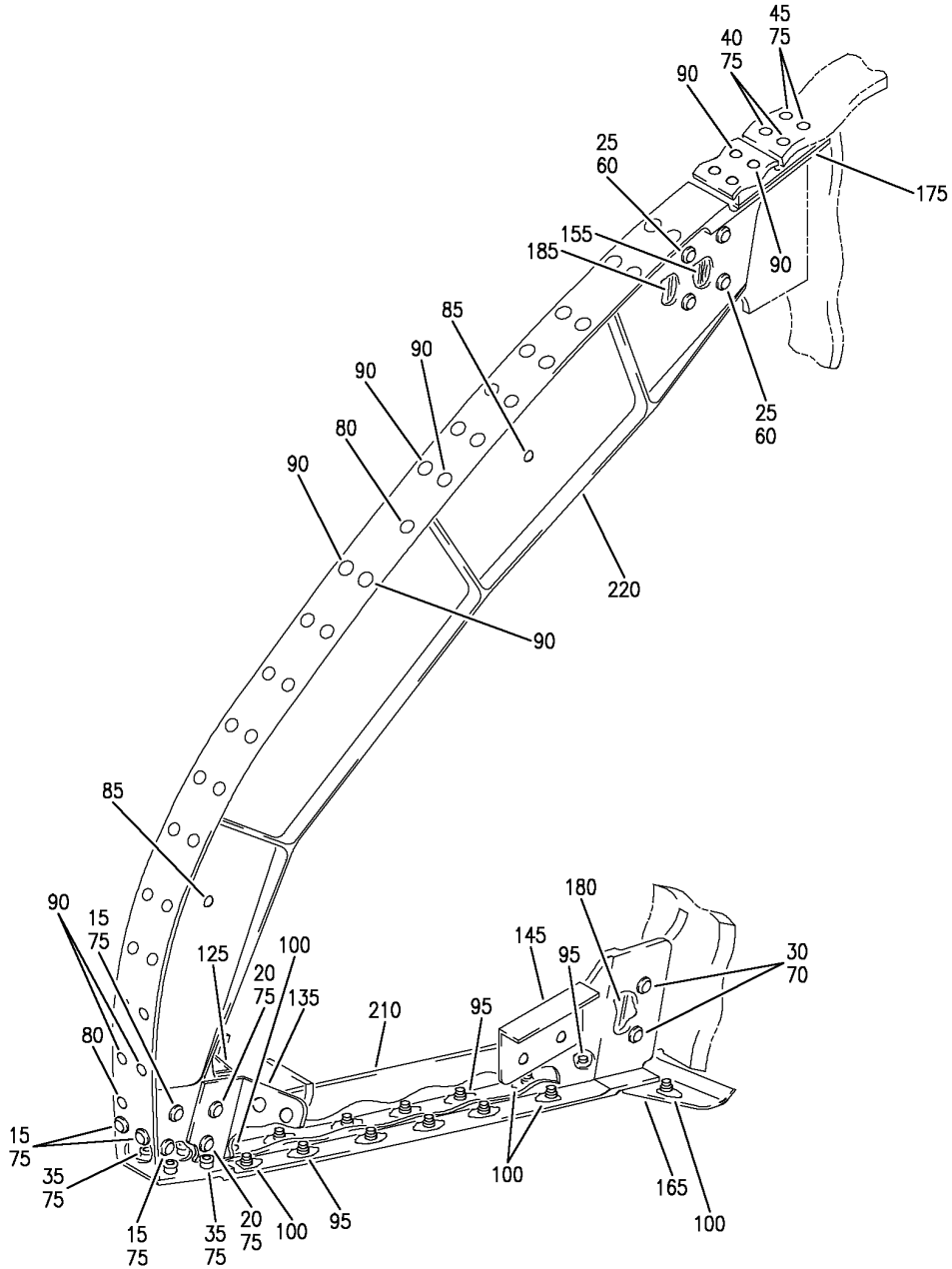
RIB INSTL-ISS 213.30 FXD LE AIRLOAD
FIGURE 25B (SHEET 1)

57-41-51-25B

BRI
MAY 28/07

57-41-51-25B
PAGE 0

BOEING
757
PARTS CATALOG (MAINTENANCE)



(B)

Y 57415125B SHT 2 REV 245

RIB INSTL-ISS 213.30 FXD LE AIRLOAD
FIGURE 25B (SHEET 2)

57-41-51-25B

BRI
MAY 28/07

57-41-51-25B
PAGE 0A



757

PARTS CATALOG (MAINTENANCE)

FIG ITEM	PART NUMBER	1 2 3 4 5 6 7	NOMENCLATURE	EFFECT FROM TO	UNITS PER ASSY
25B			RIB INSTL-ISS 213.30 FXD LE AIRLOAD	002004 006102 107999	
- 1	114N1205-3		RIB INSTL-FIXED LE AIRLOAD POSITION DATA: ISS 213.30 LH FOR NHA SEE: 57-00-00-10 57-40-00-01	002004 006102 107999	RF
- 5	114N1205-4		RIB INSTL-FIXED LE AIRLOAD POSITION DATA: ISS 213.30 RH FOR NHA SEE: 57-00-00-10 57-40-00-01	002004 006102 107999	RF
10	L80010K6		.BOLT SUPPLIER CODE: V06725 SPECIFICATION NUMBER: BACB30MY10K6	002004 006102 107999	2
15	L8006K5		.BOLT SUPPLIER CODE: V06725 SPECIFICATION NUMBER: BACB30MY6K5	002004 006102 107999	4
20	L8006K8		.BOLT SUPPLIER CODE: V06725 SPECIFICATION NUMBER: BACB30MY6K8	002004 006102 107999	2
30	L8008K8		.BOLT SUPPLIER CODE: V06725 SPECIFICATION NUMBER: BACB30MY8K8	002004 006102 107999	2

MISSING ITEM NUMBERS NOT APPLICABLE

- ITEM NOT ILLUSTRATED

BRI

57-41-51-25B

BOEING PROPRIETARY - Copyright © - Unpublished Work - See title page for details.

57-41-51
FIG. 25B
PAGE 1
JAN 20/09



757

PARTS CATALOG (MAINTENANCE)

FIG ITEM	PART NUMBER	1 2 3 4 5 6 7	NOMENCLATURE	EFFECT FROM TO	UNITS PER ASSY
25B 35	HL11VAZ6-4	.BOLT	SUPPLIER CODE: V60516 SPECIFICATION NUMBER: BACB30NW6K4 OPTIONAL PART: B30NW6K4 V97928 HL11VAZ6-4 V73197 HL11VAZ6-4 V92215 HL11VAZ6-4 V97928 L803-6K4 V06725 HL11VAZ6-4 VOPTK6 HL11VAZ6-4 V56878	002004 006102 107999	4
40	HL11VAZ6-9	.BOLT	SUPPLIER CODE: V60516 SPECIFICATION NUMBER: BACB30NW6K9 OPTIONAL PART: B30NW6K9 V97928 HL11VAZ6-9 V73197 HL11VAZ6-9 V92215 HL11VAZ6-9 V97928 L803-6K9 V06725 HL11VAZ6-9 VOPTK6 HL11VAZ6-9 V56878	002004 006102 107999	2

MISSING ITEM NUMBERS NOT APPLICABLE

- ITEM NOT ILLUSTRATED

57-41-51-25B

57-41-51
FIG. 25B
PAGE 2
JAN 20/09

BRI

BOEING PROPRIETARY - Copyright © - Unpublished Work - See title page for details.



757

PARTS CATALOG (MAINTENANCE)

FIG ITEM	PART NUMBER	1 2 3 4 5 6 7	NOMENCLATURE	EFFECT FROM TO	UNITS PER ASSY
25B 45	HL523AZ6-9	.BOLT	SUPPLIER CODE: V73197 SPECIFICATION NUMBER: BACB30NZ6K9 OPTIONAL PART: L804-6K9 V06725 HL523AZ6-9 V56878 HL523AZ6-9 V92215 HL523AZ6-9 V97928 HL523AZ6-9 V0PTK6 HL523AZ6-9 V60516 HL523AZ6-9 V06725	002004 006102 107999	2
50	HL523AZ8-9	.BOLT	SUPPLIER CODE: V73197 SPECIFICATION NUMBER: BACB30NZ8K9 OPTIONAL PART: L804-8K9 V06725 HL523AZ8-9 V56878 HL523AZ8-9 V92215 HL523AZ8-9 V97928 HL523AZ8-9 V0PTK6 HL523AZ8-9 V60516 HL523AZ8-9 V06725	002004 006102 107999	2

MISSING ITEM NUMBERS NOT APPLICABLE

- ITEM NOT ILLUSTRATED

57-41-51-25B

57-41-51
FIG. 25B
PAGE 3
JAN 20/09

BRI



757

PARTS CATALOG (MAINTENANCE)

FIG ITEM	PART NUMBER	1 2 3 4 5 6 7	NOMENCLATURE	EFFECT FROM TO	UNITS PER ASSY
25B 55	HL79-10	. S V S O H V H V 6 V H V	COLLAR SUPPLIER CODE: V5M902 SPECIFICATION NUMBER: BACC30M10 OPTIONAL PART: HL79-10 V73197 HL79-10 V92215 66014-10 V56878 HL79-10 V56878	002004 006102 107999	2
65	HL79-8	. S V S O H V H V 6 V H V	COLLAR SUPPLIER CODE: V5M902 SPECIFICATION NUMBER: BACC30M8 OPTIONAL PART: HL79-8 V73197 HL79-8 V92215 66014-8 V56878 HL79-8 V56878	002004 006102 107999	2
70	HL79-8	. S V S O H V H V 6 V H V	COLLAR SUPPLIER CODE: V5M902 SPECIFICATION NUMBER: BACC30M8 OPTIONAL PART: HL79-8 V73197 HL79-8 V92215 66014-8 V56878 HL79-8 V56878	002004 006102 107999	2

MISSING ITEM NUMBERS NOT APPLICABLE

- ITEM NOT ILLUSTRATED

BRI

57-41-51-25B

BOEING PROPRIETARY - Copyright © - Unpublished Work - See title page for details.

57-41-51
FIG. 25B
PAGE 4
JAN 20/09



757

PARTS CATALOG (MAINTENANCE)

FIG ITEM	PART NUMBER	1 2 3 4 5 6 7	NOMENCLATURE	EFFECT FROM TO	UNITS PER ASSY
25B 75	HL79-6		.COLLAR SUPPLIER CODE: V5M902 SPECIFICATION NUMBER: BACC30M6 OPTIONAL PART: HL79-6 V73197 HL79-6 V92215 66014-6 V56878 HL79-6 V56878	002004 006102 107999	14
80	NAS1399MW6-4		.RIVET- SIZE DETERMINED ON INSTL.	002004 006102 107999	2
85	BACR15FT8D		.RIVET- SIZE DETERMINED ON INSTL.	002004 006102 107999	2
90	BACR15BA6AD		.RIVET- SIZE DETERMINED ON INSTL.	002004 006102 107999	38
110	BRFR220C3-2D		.NUTPLATE SUPPLIER CODE: V52828 SPECIFICATION NUMBER: BACN10KE3B2CD OPTIONAL PART: F51747-3-2CD V15653 102A9213-2-3 V72962 NS202493-02-2 V80539	002004 006102 107999	10
115	BRFR220C3-2D		.NUTPLATE SUPPLIER CODE: V52828 SPECIFICATION NUMBER: BACN10KE3B2CD OPTIONAL PART: F51747-3-2CD V15653 102A9213-2-3 V72962 NS202493-02-2 V80539	002004 006102 107999	4

MISSING ITEM NUMBERS NOT APPLICABLE

- ITEM NOT ILLUSTRATED

57-41-51-25B

57-41-51
FIG. 25B
PAGE 5
JAN 20/09

BRI

BOEING PROPRIETARY - Copyright © - Unpublished Work - See title page for details.



757

PARTS CATALOG (MAINTENANCE)

FIG ITEM	PART NUMBER	1 2 3 4 5 6 7	NOMENCLATURE	EFFECT FROM TO	UNITS PER ASSY
25B			ATTACHING PARTS		
- 120	BACR15BA3AD		.RIVET- SIZE DETERMINED ON INSTL.	002004 006102 107999	28
			-----*-----		
125	114N1219-1		.BRACKET- POSITION DATA: LH	002004 006102 107999	1
- 130	114N1219-2		.BRACKET- POSITION DATA: RH	002004 006102 107999	1
135	114N1219-3		.BRACKET- POSITION DATA: LH	002004 006102 107999	1
- 140	114N1219-4		.BRACKET- POSITION DATA: RH	002004 006102 107999	1
145	287N1401-51		.BRACKET	002004 006102 107999	1
			ATTACHING PARTS		
- 150	BACR15FT5D		.RIVET- SIZE DETERMINED ON INSTL.	002004 006102 107999	2
			-----*-----		
190	BACS40R19D26F		.SHIM	002004 006102 107999	1
195	BACS40R13D26F		.SHIM	002004 006102 107999	1
200	BACS40R11E21F		.SHIM	002004 006102 107999	1
205	BACS40R11D21F		.SHIM	002004 006102 107999	1
210	114N1209-17		.CHORD- POSITION DATA: LH	002004 006102 107999	1
- 215	114N1209-18		.CHORD- POSITION DATA: RH	002004 006102 107999	1
220	114N1206-3		.RIB- POSITION DATA: LH	002004 006102 107999	1
- 225	114N1206-4		.RIB- POSITION DATA: RH	002004 006102 107999	1

MISSING ITEM NUMBERS NOT APPLICABLE

- ITEM NOT ILLUSTRATED

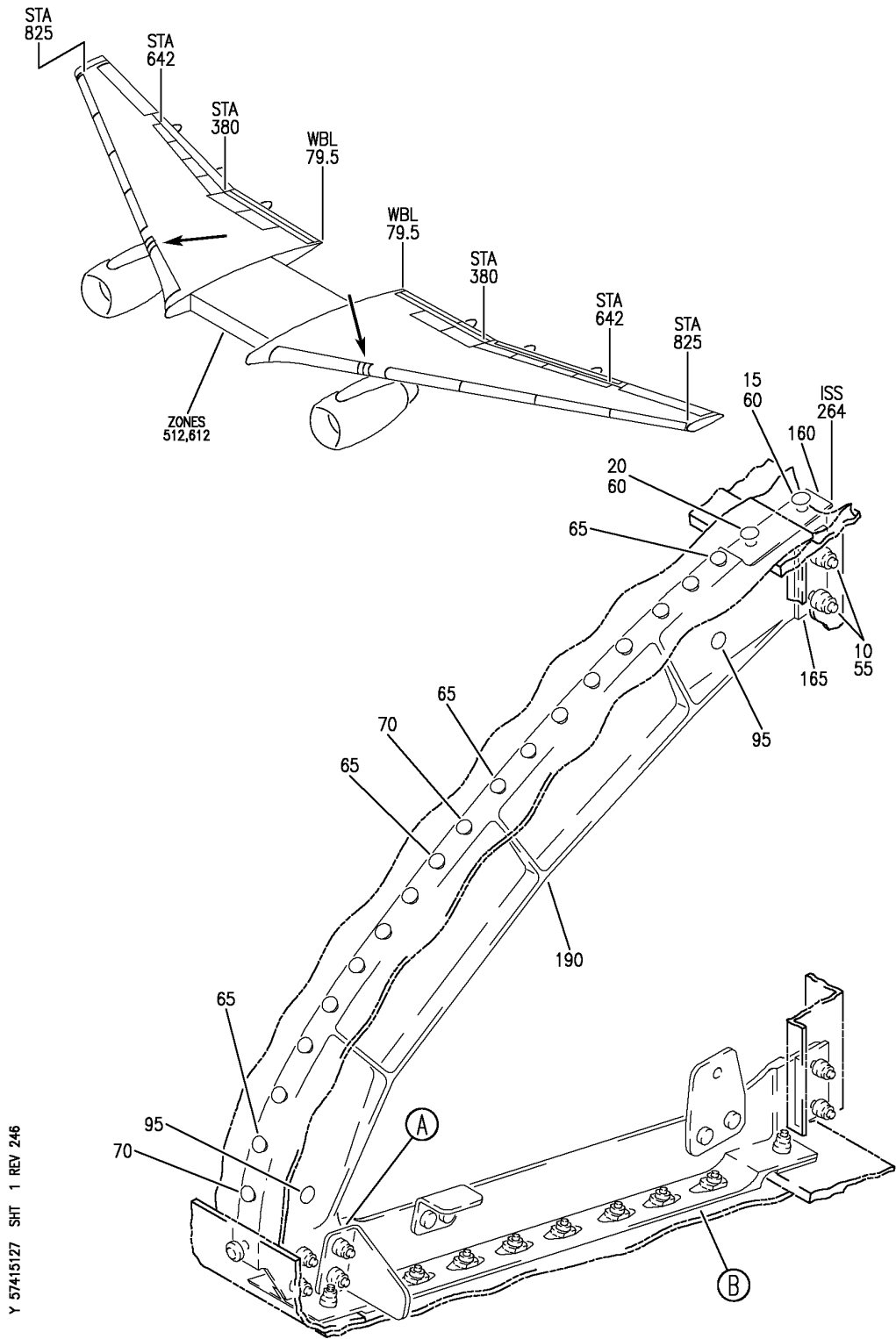
57-41-51-25B

57-41-51
FIG. 25B
PAGE 6
JAN 20/09

BRI

BOEING PROPRIETARY - Copyright © - Unpublished Work - See title page for details.

BOEING
757
PARTS CATALOG (MAINTENANCE)



Y 57415127 SHT 1 REV 246

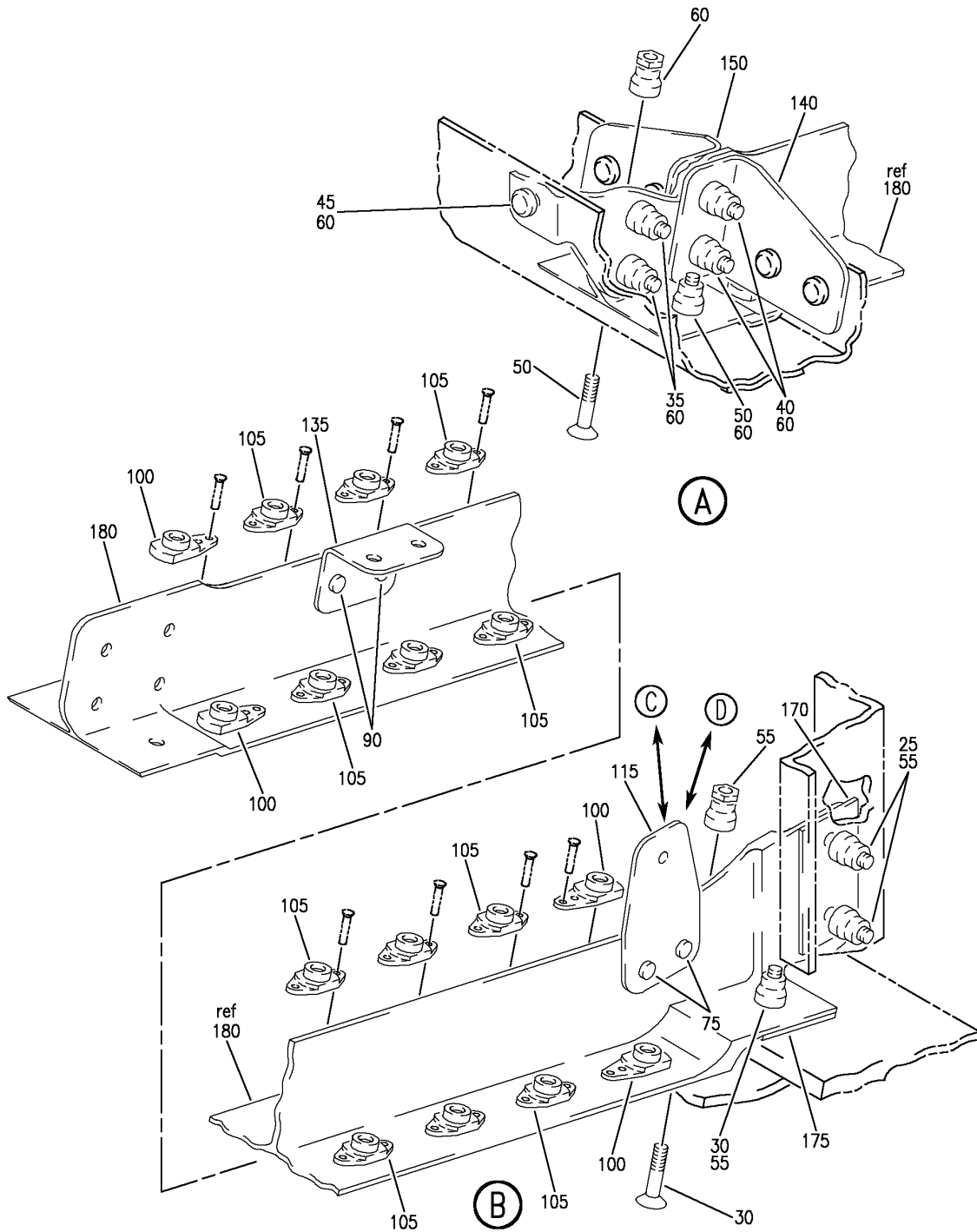
RIB INSTL-ISS 264.00 WING FXD LE AIRLOAD
FIGURE 27 (SHEET 1)

57-41-51-27

BRI
MAY 28/07

57-41-51-27
PAGE 0

BOEING
757
PARTS CATALOG (MAINTENANCE)



Y 57415127 SHT 2 REV 246

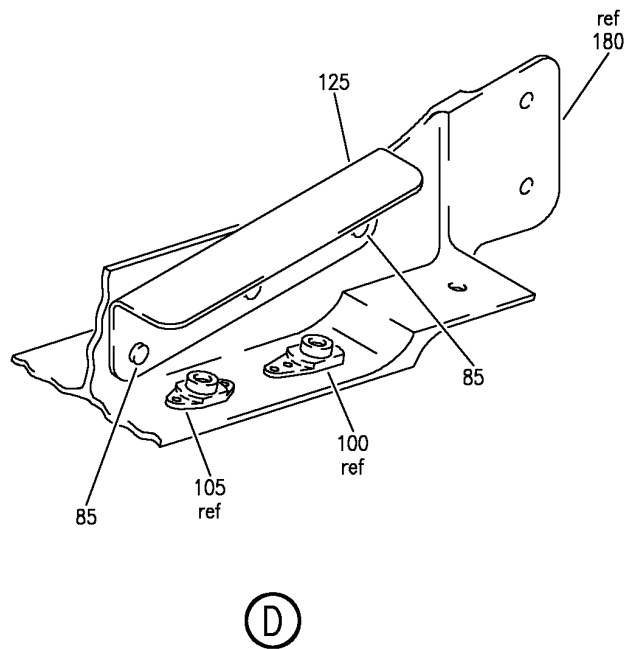
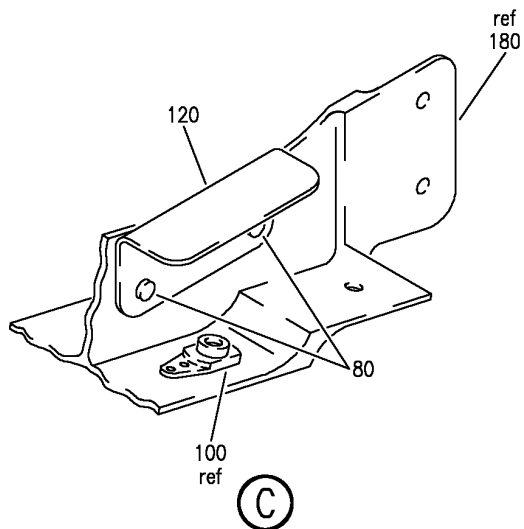
RIB INSTL-ISS 264.00 WING FXD LE AIRLOAD
FIGURE 27 (SHEET 2)

57-41-51-27

BRI
MAY 28/07

57-41-51-27
PAGE 0A

BOEING
757
PARTS CATALOG (MAINTENANCE)



Y 57415127 SHT 3 REV 246

RIB INSTL-ISS 264.00 WING FXD LE AIRLOAD
FIGURE 27 (SHEET 3)

57-41-51-27

BRI
MAY 28/07

57-41-51-27
PAGE 0B



757

PARTS CATALOG (MAINTENANCE)

FIG ITEM	PART NUMBER	1 2 3 4 5 6 7	NOMENCLATURE	EFFECT FROM TO	UNITS PER ASSY
27			RIB INSTL-ISS 264.00 WING FXD LE AIRLOAD	002004 006102 107999	
- 1	114N1207-1		RIB INSTL-AIRLOAD WING FXD LE POSITION DATA: ISS 264.00 LH FOR NHA SEE: 57-40-00-01	002004 006100 107107 121503 904999	RF
- 1	114N1207-401		RIB INSTL-AIRLOAD WING FXD LE POSITION DATA: ISS 264.00 LH FOR NHA SEE: 57-00-00-10	101102 108120 504903	RF
- 5	114N1207-2		RIB INSTL-AIRLOAD WING FXD LE POSITION DATA: ISS 264.00 RH FOR NHA SEE: 57-40-00-01	002004 006100 107107 121503 904999	RF
- 5	114N1207-402		RIB INSTL-AIRLOAD WING FXD LE POSITION DATA: ISS 264.00 RH FOR NHA SEE: 57-00-00-10	101102 108120 504903	RF
10	L8008K6		.BOLT SUPPLIER CODE: V06725 SPECIFICATION NUMBER: BACB30MY8K6	002004 006102 107999	2

MISSING ITEM NUMBERS NOT APPLICABLE

- ITEM NOT ILLUSTRATED

57-41-51-27

57-41-51
FIG. 27
PAGE 1
JAN 20/09

BRI



757

PARTS CATALOG (MAINTENANCE)

FIG ITEM	PART NUMBER	1 2 3 4 5 6 7	NOMENCLATURE	EFFECT FROM TO	UNITS PER ASSY
27 15	HL523AZ6-9	.BOLT	SUPPLIER CODE: V73197 SPECIFICATION NUMBER: BACB30NZ6K9 OPTIONAL PART: L804-6K9 V06725 HL523AZ6-9 V56878 HL523AZ6-9 V92215 HL523AZ6-9 V97928 HL523AZ6-9 VOPTK6 HL523AZ6-9 V60516 HL523AZ6-9 V06725	002004 006102 107999	1
20	HL11VAZ6-9	.BOLT	SUPPLIER CODE: V60516 SPECIFICATION NUMBER: BACB30NW6K9 OPTIONAL PART: B30NW6K9 V97928 HL11VAZ6-9 V73197 HL11VAZ6-9 V92215 HL11VAZ6-9 V97928 L803-6K9 V06725 HL11VAZ6-9 VOPTK6 HL11VAZ6-9 V56878	002004 006102 107999	1
25	L8008K5	.BOLT	SUPPLIER CODE: V06725 SPECIFICATION NUMBER: BACB30MY8K5	002004 006102 107999	2

MISSING ITEM NUMBERS NOT APPLICABLE

- ITEM NOT ILLUSTRATED

57-41-51-27

57-41-51
FIG. 27
PAGE 2
JAN 20/09

BRI



757

PARTS CATALOG (MAINTENANCE)

FIG ITEM	PART NUMBER	1 2 3 4 5 6 7	NOMENCLATURE	EFFECT FROM TO	UNITS PER ASSY
27 30	HL523AZ8-8	.BOLT	SUPPLIER CODE: V73197 SPECIFICATION NUMBER: BACB30NZ8K8 OPTIONAL PART: L804-8K8 V06725 HL523AZ8-8 V56878 HL523AZ8-8 V92215 HL523AZ8-8 V97928 HL523AZ8-8 V0PTK6 HL523AZ8-8 V60516 HL523AZ8-8 V06725	002004 006102 107999	2
35	L8006K4	.BOLT	SUPPLIER CODE: V06725 SPECIFICATION NUMBER: BACB30MY6K4	002004 006102 107999	2
40	L8006K8	.BOLT	SUPPLIER CODE: V06725 SPECIFICATION NUMBER: BACB30MY6K8	002004 006102 107999	2
45	L8006K5	.BOLT	SUPPLIER CODE: V06725 SPECIFICATION NUMBER: BACB30MY6K5	002004 006102 107999	1

MISSING ITEM NUMBERS NOT APPLICABLE

- ITEM NOT ILLUSTRATED

57-41-51-27

57-41-51
FIG. 27
PAGE 3
JAN 20/09

BRI



757

PARTS CATALOG (MAINTENANCE)

FIG ITEM	PART NUMBER	1 2 3 4 5 6 7	NOMENCLATURE	EFFECT FROM TO	UNITS PER ASSY
27 50	HL11VAZ6-4	.BOLT	SUPPLIER CODE: V60516 SPECIFICATION NUMBER: BACB30NW6K4 OPTIONAL PART: B30NW6K4 V97928 HL11VAZ6-4 V73197 HL11VAZ6-4 V92215 HL11VAZ6-4 V97928 L803-6K4 V06725 HL11VAZ6-4 VOPTK6 HL11VAZ6-4 V56878	002004 006102 107999	2
55	HL79-8	.COLLAR	SUPPLIER CODE: V5M902 SPECIFICATION NUMBER: BACC30M8 OPTIONAL PART: HL79-8 V73197 HL79-8 V92215 66014-8 V56878 HL79-8 V56878	002004 006102 107999	6
60	HL79-6	.COLLAR	SUPPLIER CODE: V5M902 SPECIFICATION NUMBER: BACC30M6 OPTIONAL PART: HL79-6 V73197 HL79-6 V92215 66014-6 V56878 HL79-6 V56878	002004 006102 107999	9

MISSING ITEM NUMBERS NOT APPLICABLE

- ITEM NOT ILLUSTRATED

57-41-51-27

57-41-51
FIG. 27
PAGE 4
JAN 20/09

BRI



757

PARTS CATALOG (MAINTENANCE)

FIG ITEM	PART NUMBER	1 2 3 4 5 6 7	NOMENCLATURE	EFFECT FROM TO	UNITS PER ASSY
27					
65	BACR15BA6AD	.RIVET-	SIZE DETERMINED ON INSTL.	002004 006102 107999	16
70	NAS1399MW6-4	.RIVET-	SIZE DETERMINED ON INSTL.	002004 006102 107999	2
85	BACR15FT5D	.RIVET-	SIZE DETERMINED ON INSTL.	002004 006102 107999	3
90	BACR15FT5D	.RIVET-	SIZE DETERMINED ON INSTL.	002004 006102 107999	2
95	BACR15FT6D	.RIVET-	SIZE DETERMINED ON INSTL.	002004 006102 107999	2
100	BRFR120C3-2D	.NUTPLATE	SUPPLIER CODE: V52828 SPECIFICATION NUMBER: BACN10KE3E2CD OPTIONAL PART: 102F9216-2-3 V72962 F51751-3-2CD V15653 NS202494-02-2 V80539	002004 006102 107999	4
105	BRFR220C3-2D	.NUTPLATE	SUPPLIER CODE: V52828 SPECIFICATION NUMBER: BACN10KE3B2CD OPTIONAL PART: F51747-3-2CD V15653 102A9213-2-3 V72962 NS202493-02-2 V80539	002004 006102 107999	12
- 110	BACR15BA3AD	.RIVET-	ATTACHING PARTS SIZE DETERMINED ON INSTL.	002004 006102 107999	32
125	287N1401-497	.BRACKET-	-----*----- POSITION DATA: LH SIDE	002004 006102 107999	1

MISSING ITEM NUMBERS NOT APPLICABLE

- ITEM NOT ILLUSTRATED

57-41-51-27

57-41-51
FIG. 27
PAGE 5
JAN 20/09

BRI

BOEING PROPRIETARY - Copyright © - Unpublished Work - See title page for details.



757

PARTS CATALOG (MAINTENANCE)

FIG ITEM	PART NUMBER	1 2 3 4 5 6 7	NOMENCLATURE	EFFECT FROM TO	UNITS PER ASSY
27					
- 130	287N1401-498		.BRACKET- POSITION DATA: RH SIDE	002004 006102 107999	1
135	287N1401-390		.BRACKET	002004 006102 107999	1
140	114N1219-15		.BRACKET- POSITION DATA: LH SIDE	002004 006102 107999	1
- 145	114N1219-16		.BRACKET- POSITION DATA: RH SIDE	002004 006102 107999	1
150	114N1219-11		.BRACKET- POSITION DATA: LH SIDE	002004 006102 107999	1
- 155	114N1219-12		.BRACKET- POSITION DATA: RH SIDE	002004 006102 107999	1
160	BACS4OR09D26F		.SHIM	002004 006102 107999	1
165	BACS4OR10D23F		.SHIM	002004 006102 107999	1
170	BACS4OR10D19F		.SHIM	002004 006102 107999	1
175	BACS4OR14D18F		.SHIM	002004 006102 107999	1
180	114N1209-23		.CHORD- POSITION DATA: LH SIDE	002004 006102 107999	1
- 185	114N1209-24		.CHORD- POSITION DATA: RH SIDE	002004 006102 107999	1
190	114N1208-1		.RIB- POSITION DATA: LH SIDE	002004 006102 107999	1
- 195	114N1208-2		.RIB- POSITION DATA: RH SIDE	002004 006102 107999	1

MISSING ITEM NUMBERS NOT APPLICABLE

- ITEM NOT ILLUSTRATED

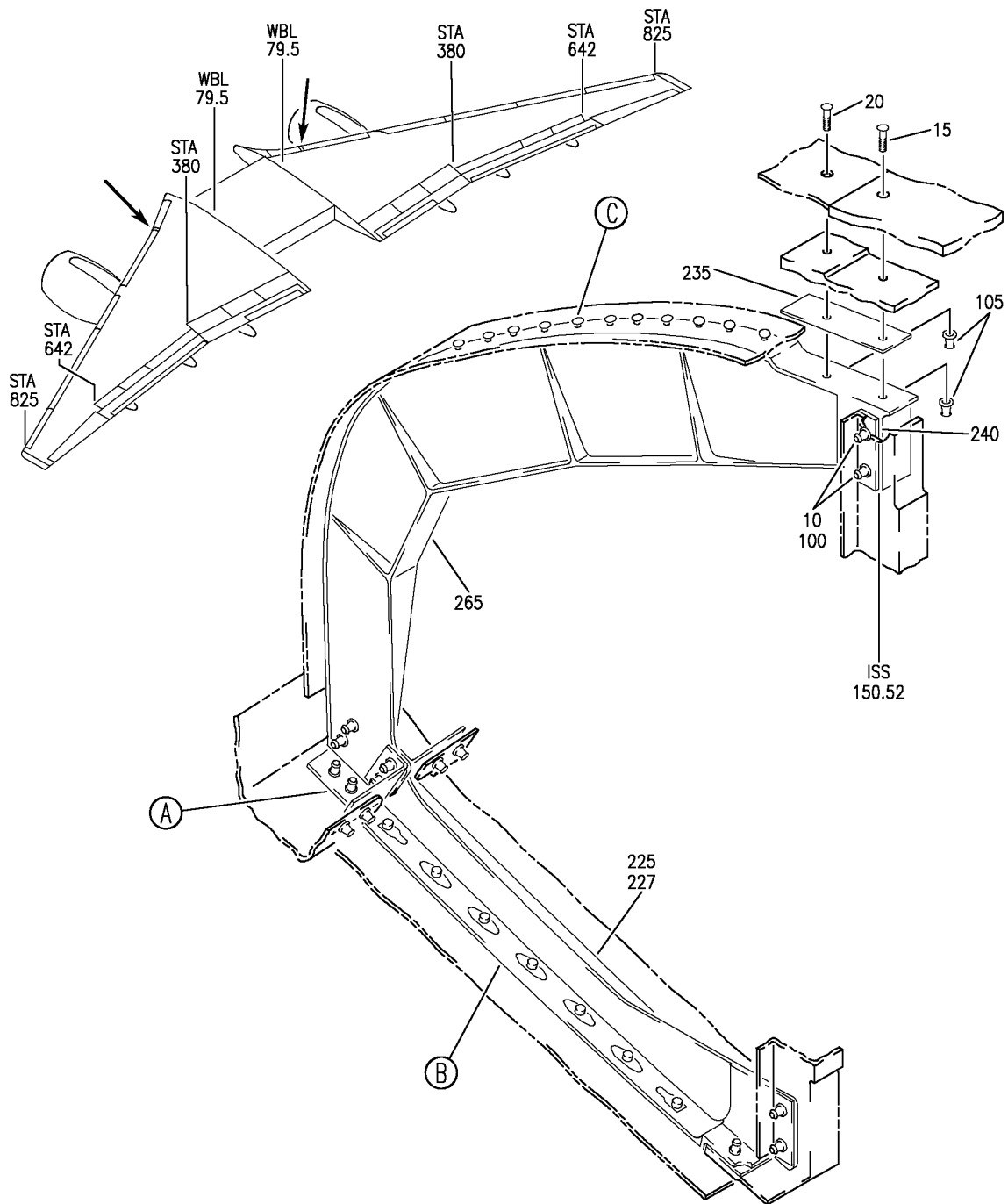
57-41-51-27

57-41-51
FIG. 27
PAGE 6
JAN 20/09

BRI

BOEING PROPRIETARY - Copyright © - Unpublished Work - See title page for details.


BOEING
 757
PARTS CATALOG (MAINTENANCE)



Y 57415127A SHT 1 REV 246

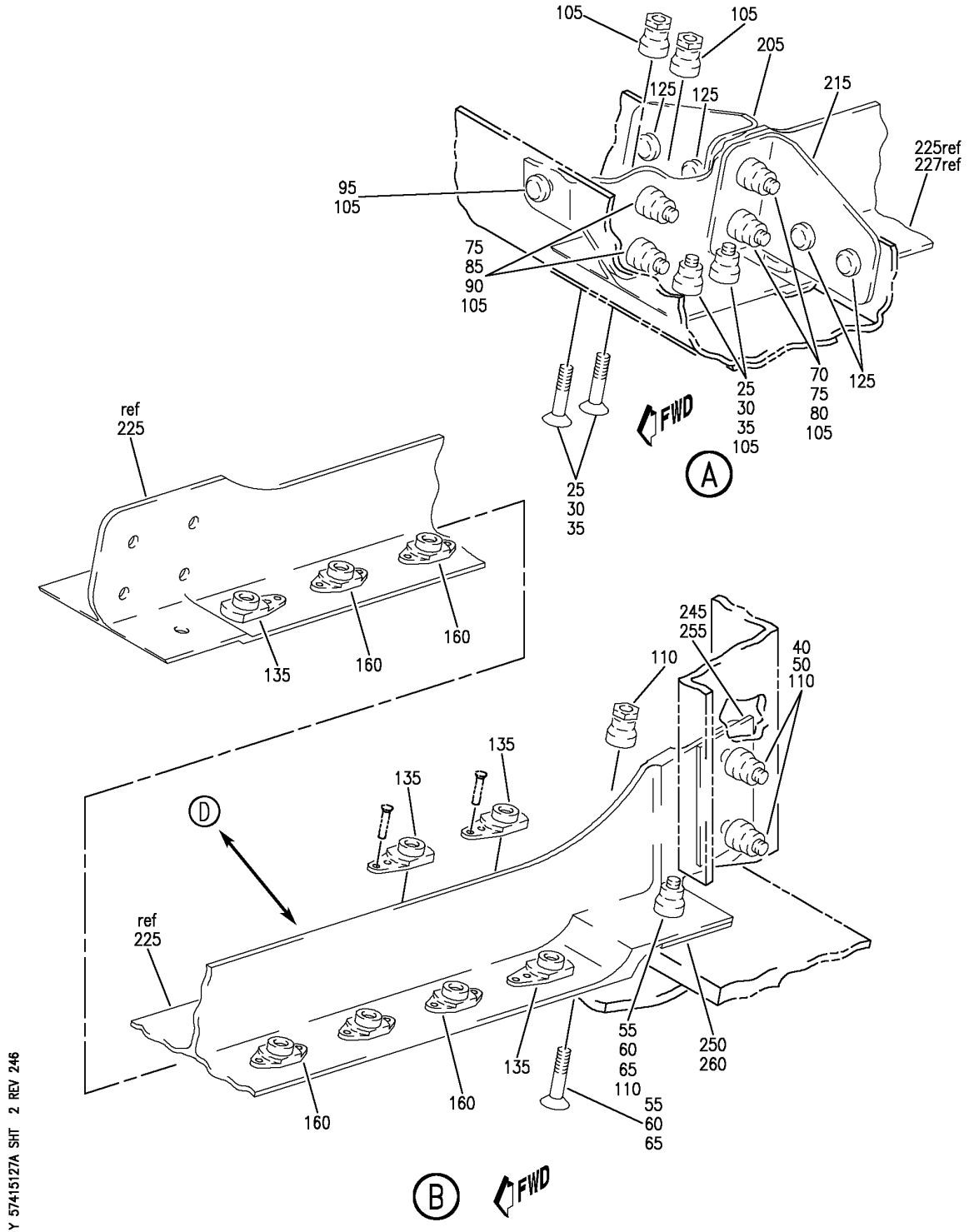
RIB INSTL-ISS 150.52 FXD LE AIRLOAD
 FIGURE 27A (SHEET 1)

57-41-51-27A

BRI
 MAY 28/07

57-41-51-27A
 PAGE 0

BOEING
757
PARTS CATALOG (MAINTENANCE)



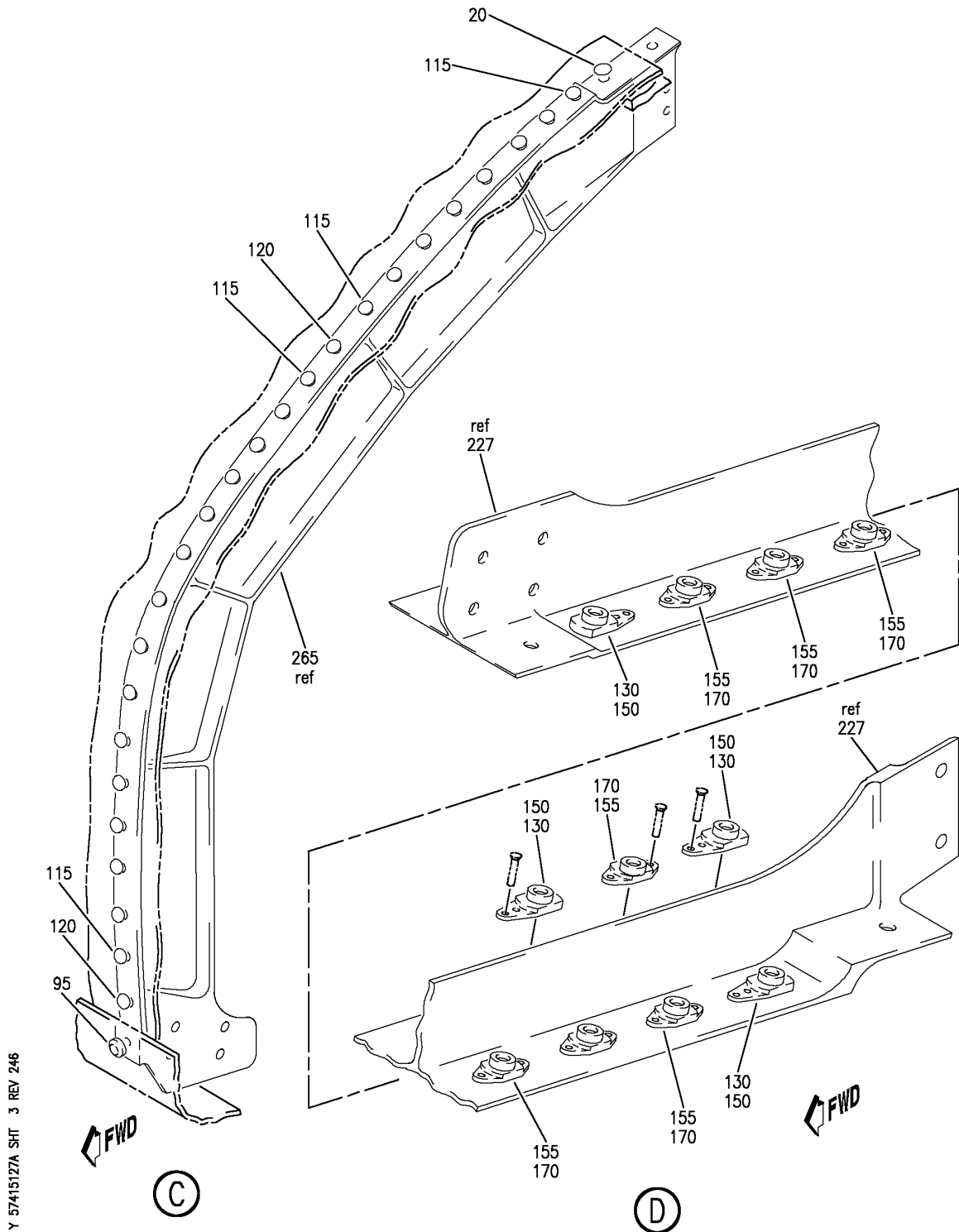
RIB INSTL-ISS 150.52 FXD LE AIRLOAD
FIGURE 27A (SHEET 2)

57-41-51-27A

BRI
MAY 28/07

57-41-51-27A
PAGE 0A

BOEING
757
PARTS CATALOG (MAINTENANCE)



Y 57415127A SH1 3 REV 246

RIB INSTL-ISS 150.52 FXD LE AIRLOAD
FIGURE 27A (SHEET 3)

57-41-51-27A

BRI
MAY 28/07

57-41-51-27A
PAGE 0B

BOEING
757
PARTS CATALOG (MAINTENANCE)

FIG ITEM	PART NUMBER	1 2 3 4 5 6 7	NOMENCLATURE	EFFECT FROM TO	UNITS PER ASSY
27A			RIB INSTL-ISS 150.52 FXD LE AIRLOAD	002004 006102 107999	
- 1	114N1211-1		RIB INSTL-FXD LE AIRLOAD POSITION DATA: ISS 150.52 LH FOR NHA SEE: 57-40-00-01	002004 006100 107107 121503 904999	RF
- 1	114N1211-401		RIB INSTL-FXD LE AIRLOAD POSITION DATA: ISS 150.52 LH FOR NHA SEE: 57-00-00-10	101102 108120 504903	RF
- 5	114N1211-2		RIB INSTL-FXD LE AIRLOAD POSITION DATA: ISS 150.52 RH FOR NHA SEE: 57-40-00-01	002004 006100 107107 121503 904999	RF
- 5	114N1211-402		RIB INSTL-FXD LE AIRLOAD POSITION DATA: ISS 150.52 RH FOR NHA SEE: 57-00-00-10	101102 108120 504903	RF
10	L80010K6		.BOLT SUPPLIER CODE: V06725 SPECIFICATION NUMBER: BACB30MY10K6	002004 006102 107999	2
15	HL523AZ6-4		.BOLT SUPPLIER CODE: V56878 SPECIFICATION NUMBER: BACB30NZ6K4 OPTIONAL PART: L804-6K4 V06725 HL523AZ6-4 V06725 HL523AZ6-4 V92215 HL523AZ6-4 VOPTK6 HL523AZ6-4 V60516 HL523AZ6-4 V73197 HL523AZ6-4 V97928	002004 006102 107999	1

MISSING ITEM NUMBERS NOT APPLICABLE

- ITEM NOT ILLUSTRATED

BRI

57-41-51-27A

BOEING PROPRIETARY - Copyright © - Unpublished Work - See title page for details.

57-41-51
FIG. 27A
PAGE 1
JAN 20/09



757

PARTS CATALOG (MAINTENANCE)

FIG ITEM	PART NUMBER	1 2 3 4 5 6 7	NOMENCLATURE	EFFECT FROM TO	UNITS PER ASSY
27A 20	HL11VAZ6-4	.BOLT	SUPPLIER CODE: V60516 SPECIFICATION NUMBER: BACB30NW6K4 OPTIONAL PART: B30NW6K4 V97928 HL11VAZ6-4 V73197 HL11VAZ6-4 V92215 HL11VAZ6-4 V97928 L803-6K4 V06725 HL11VAZ6-4 VOPTK6 HL11VAZ6-4 V56878	002004 006102 107999	1
25	HL11VAZ6-4	.BOLT	SUPPLIER CODE: V60516 SPECIFICATION NUMBER: BACB30NW6K4 OPTIONAL PART: B30NW6K4 V97928 HL11VAZ6-4 V73197 HL11VAZ6-4 V92215 HL11VAZ6-4 V97928 L803-6K4 V06725 HL11VAZ6-4 VOPTK6 HL11VAZ6-4 V56878	002004 006100 107107 121503 904999	4
30	BACB30NW6K	.BOLT-	POSITION DATA: LH SIDE SIZE DETERMINED ON INSTL.	101102 108120 504903	4

MISSING ITEM NUMBERS NOT APPLICABLE

- ITEM NOT ILLUSTRATED

57-41-51-27A

57-41-51
FIG. 27A
PAGE 2
JAN 20/09

BRI

BOEING PROPRIETARY - Copyright © - Unpublished Work - See title page for details.



757

PARTS CATALOG (MAINTENANCE)

FIG ITEM	PART NUMBER	1 2 3 4 5 6 7	NOMENCLATURE	EFFECT FROM TO	UNITS PER ASSY
27A 35	HL11VAZ6-4		.BOLT- SUPPLIER CODE: V60516 SPECIFICATION NUMBER: BACB30NW6K4 OPTIONAL PART: B30NW6K4 V97928 HL11VAZ6-4 V73197 HL11VAZ6-4 V92215 HL11VAZ6-4 V97928 L803-6K4 V06725 HL11VAZ6-4 VOPTK6 HL11VAZ6-4 V56878 POSITION DATA: RH SIDE	101102 108120 504903	4
40	L8008K7		.BOLT- SUPPLIER CODE: V06725 SPECIFICATION NUMBER: BACB30MY8K7 POSITION DATA: LH SIDE	002004 006102 107999	2
- 45	L8008K5		.BOLT- SUPPLIER CODE: V06725 SPECIFICATION NUMBER: BACB30MY8K5 POSITION DATA: RH SIDE	002004 006100 107107 121503 904999	2
50	L8008K5		.BOLT- SUPPLIER CODE: V06725 SPECIFICATION NUMBER: BACB30MY8K5 POSITION DATA: RH SIDE	101102 108120 504903	2

MISSING ITEM NUMBERS NOT APPLICABLE

- ITEM NOT ILLUSTRATED

57-41-51-27A

57-41-51
FIG. 27A
PAGE 3
JAN 20/09

BRI



757

PARTS CATALOG (MAINTENANCE)

FIG ITEM	PART NUMBER	1 2 3 4 5 6 7	NOMENCLATURE	EFFECT FROM TO	UNITS PER ASSY
27A 55	HL523AZ8-8	.BOLT	SUPPLIER CODE: V73197 SPECIFICATION NUMBER: BACB30NZ8K8 OPTIONAL PART: L804-8K8 V06725 HL523AZ8-8 V56878 HL523AZ8-8 V92215 HL523AZ8-8 V97928 HL523AZ8-8 VOPTK6 HL523AZ8-8 V60516 HL523AZ8-8 V06725	002004 006100 107107 121503 904999	2
60	BACB30NZ8K	.BOLT-	POSITION DATA: LH SIDE SIZE DETERMINED ON INSTL.	101102 108120 504903	2
65	HL523AZ8-8	.BOLT-	SUPPLIER CODE: V73197 SPECIFICATION NUMBER: BACB30NZ8K8 OPTIONAL PART: L804-8K8 V06725 HL523AZ8-8 V56878 HL523AZ8-8 V92215 HL523AZ8-8 V97928 HL523AZ8-8 VOPTK6 HL523AZ8-8 V60516 HL523AZ8-8 V06725 POSITION DATA: RH SIDE	101102 108120 504903	2

MISSING ITEM NUMBERS NOT APPLICABLE

- ITEM NOT ILLUSTRATED

BRI

57-41-51-27A

BOEING PROPRIETARY - Copyright © - Unpublished Work - See title page for details.

57-41-51
FIG. 27A
PAGE 4
JAN 20/09



757

PARTS CATALOG (MAINTENANCE)

FIG ITEM	PART NUMBER	1 2 3 4 5 6 7	NOMENCLATURE	EFFECT FROM TO	UNITS PER ASSY
27A 70	L8006K8	.BOLT	SUPPLIER CODE: V06725 SPECIFICATION NUMBER: BACB30MY6K8	002004 006100 107107 121503 904999	2
75	BACB30MY6K	.BOLT-	POSITION DATA: LH SIDE SIZE DETERMINED ON INSTL.	101102 108120 504903	4
80	L8006K8	.BOLT-	SUPPLIER CODE: V06725 SPECIFICATION NUMBER: BACB30MY6K8 POSITION DATA: RH SIDE	101102 108120 504903	2
85	L8006K4	.BOLT	SUPPLIER CODE: V06725 SPECIFICATION NUMBER: BACB30MY6K4	002004 006100 107107 121503 904999	2
90	L8006K4	.BOLT-	SUPPLIER CODE: V06725 SPECIFICATION NUMBER: BACB30MY6K4 POSITION DATA: RH SIDE	101102 108120 504903	2
95	L8006K5	.BOLT	SUPPLIER CODE: V06725 SPECIFICATION NUMBER: BACB30MY6K5	002004 006102 107999	1
100	HL79-10	.COLLAR	SUPPLIER CODE: V5M902 SPECIFICATION NUMBER: BACC30M10 OPTIONAL PART: HL79-10 V73197 HL79-10 V92215 66014-10 V56878 HL79-10 V56878	002004 006102 107999	2

MISSING ITEM NUMBERS NOT APPLICABLE

- ITEM NOT ILLUSTRATED

57-41-51-27A

57-41-51
FIG. 27A
PAGE 5
JAN 20/09

BRI

BOEING PROPRIETARY - Copyright © - Unpublished Work - See title page for details.



757

PARTS CATALOG (MAINTENANCE)

FIG ITEM	PART NUMBER	1 2 3 4 5 6 7	NOMENCLATURE	EFFECT FROM TO	UNITS PER ASSY
27A 105	HL79-6	.	COLLAR SUPPLIER CODE: V5M902 SPECIFICATION NUMBER: BACC30M6 OPTIONAL PART: HL79-6 V73197 HL79-6 V92215 66014-6 V56878 HL79-6 V56878	002004 006102 107999	11
110	HL79-8	.	COLLAR SUPPLIER CODE: V5M902 SPECIFICATION NUMBER: BACC30M8 OPTIONAL PART: HL79-8 V73197 HL79-8 V92215 66014-8 V56878 HL79-8 V56878	002004 006102 107999	4
115	BACR15BA6AD	.	RIVET- SIZE DETERMINED ON INSTL.	002004 006102 107999	23
120	NAS1399MW6-4	.	RIVET	002004 006102 107999	2
125	BACR15FT6D	.	RIVET- SIZE DETERMINED ON INSTL.	002004 006102 107999	4

MISSING ITEM NUMBERS NOT APPLICABLE

- ITEM NOT ILLUSTRATED

57-41-51-27A

57-41-51
FIG. 27A
PAGE 6
JAN 20/09

BRI

BOEING PROPRIETARY - Copyright © - Unpublished Work - See title page for details.



757

PARTS CATALOG (MAINTENANCE)

FIG ITEM	PART NUMBER	1 2 3 4 5 6 7	NOMENCLATURE	EFFECT FROM TO	UNITS PER ASSY
27A 135	BRFR120C3-2D	.	NUTPLATE- SUPPLIER CODE: V52828 SPECIFICATION NUMBER: BACN10KE3E2CD OPTIONAL PART: 102F9216-2-3 V72962 F51751-3-2CD V15653 NS202494-02-2 V80539 POSITION DATA: LH SIDE	101102 108120 504903	4
- 140	BRFR120C3-2D	.	NUTPLATE- SUPPLIER CODE: V52828 SPECIFICATION NUMBER: BACN10KE3E2CD OPTIONAL PART: 102F9216-2-3 V72962 F51751-3-2CD V15653 NS202494-02-2 V80539 POSITION DATA: LH SIDE	002004 006100 107107 121503 904999	3
- 145	BRFR120C3-2D	.	NUTPLATE- SUPPLIER CODE: V52828 SPECIFICATION NUMBER: BACN10KE3E2CD OPTIONAL PART: 102F9216-2-3 V72962 F51751-3-2CD V15653 NS202494-02-2 V80539 POSITION DATA: RH SIDE	002004 006100 107107 121503 904999	4

MISSING ITEM NUMBERS NOT APPLICABLE

- ITEM NOT ILLUSTRATED

57-41-51-27A

57-41-51
FIG. 27A
PAGE 7
JAN 20/09

BRI



757

PARTS CATALOG (MAINTENANCE)

FIG ITEM	PART NUMBER	1 2 3 4 5 6 7	NOMENCLATURE	EFFECT FROM TO	UNITS PER ASSY
27A 150	BRFR120C3-2D	.NUTPLATE-	SUPPLIER CODE: V52828 SPECIFICATION NUMBER: BACN10KE3E2CD OPTIONAL PART: 102F9216-2-3 V72962 F51751-3-2CD V15653 NS202494-02-2 V80539 POSITION DATA: RH SIDE	101102 108120 504903	4
160	BRFR220C3-2D	.NUTPLATE-	SUPPLIER CODE: V52828 SPECIFICATION NUMBER: BACN10KE3B2CD OPTIONAL PART: F51747-3-2CD V15653 102A9213-2-3 V72962 NS202493-02-2 V80539 POSITION DATA: LH SIDE	002004 006102 107999	5
- 165	BRFR220C3-2D	.NUTPLATE-	SUPPLIER CODE: V52828 SPECIFICATION NUMBER: BACN10KE3B2CD OPTIONAL PART: F51747-3-2CD V15653 102A9213-2-3 V72962 NS202493-02-2 V80539 POSITION DATA: RH SIDE	002004 006100 107107 121503 904999	5

MISSING ITEM NUMBERS NOT APPLICABLE

- ITEM NOT ILLUSTRATED

BRI

57-41-51-27A

BOEING PROPRIETARY - Copyright © - Unpublished Work - See title page for details.

57-41-51
FIG. 27A
PAGE 8
JAN 20/09



757

PARTS CATALOG (MAINTENANCE)

FIG ITEM	PART NUMBER	1 2 3 4 5 6 7	NOMENCLATURE	EFFECT FROM TO	UNITS PER ASSY
27A 170	BRFR220C3-2D		.NUTPLATE- SUPPLIER CODE: V52828 SPECIFICATION NUMBER: BACN10KE3B2CD OPTIONAL PART: F51747-3-2CD V15653 102A9213-2-3 V72962 NS202493-02-2 V80539 POSITION DATA: RH SIDE ATTACHING PARTS	101102 108120 504903	7
- 180	BACR15BA3AD		.RIVET- POSITION DATA: LH SIDE SIZE DETERMINED ON INSTL.	101102 108120 504903	8
- 185	BACR15BA3AD		.RIVET- POSITION DATA: LH SIDE SIZE DETERMINED ON INSTL.	002004 006100 107107 121503 904999	6
- 190	BACR15BA3AD		.RIVET- POSITION DATA: LH SIDE SIZE DETERMINED ON INSTL.	002004 006102 107999	10
- 195	BACR15BA3AD		.RIVET- POSITION DATA: RH SIDE SIZE DETERMINED ON INSTL.	002004 006100 107107 121503 904999	18
- 200	BACR15BA3AD		.RIVET- POSITION DATA: RH SIDE SIZE DETERMINED ON INSTL.	101102 108120 504903	22
			-----*-----		
205	114N1219-1		.BRACKET- POSITION DATA: LH SIDE	002004 006102 107999	1
- 210	114N1219-2		.BRACKET- POSITION DATA: RH SIDE	002004 006102 107999	1
215	114N1219-3		.BRACKET- POSITION DATA: LH SIDE	002004 006102 107999	1

MISSING ITEM NUMBERS NOT APPLICABLE

- ITEM NOT ILLUSTRATED

57-41-51-27A

57-41-51
FIG. 27A
PAGE 9
JAN 20/09

BRI

BOEING PROPRIETARY - Copyright © - Unpublished Work - See title page for details.



757

PARTS CATALOG (MAINTENANCE)

FIG ITEM	PART NUMBER	1 2 3 4 5 6 7	NOMENCLATURE	EFFECT FROM TO	UNITS PER ASSY
27A					
- 220	114N1219-4		.BRACKET- POSITION DATA: RH SIDE	002004 006102 107999	1
227	114N1209-21		.CHORD- POSITION DATA: LH SIDE	002004 006102 107999	1
- 230	114N1209-10		.CHORD- POSITION DATA: RH SIDE	002004 006102 107999	1
235	BACS40R09D26F		.SHIM	002004 006100 107107 121503 904999	1
235	BACS40R009D026F		.SHIM	101102 108120 504903	1
240	BACS40R10D23F		.SHIM	002004 006100 107107 121503 904999	1
240	BACS40R010D023F		.SHIM	101102 108120 504903	1
245	BACS40R10D19F		.SHIM	002004 006100 107107 121503 904999	1
245	BACS40R010D019F		.SHIM	101102 108120 504903	1
250	BACS40R13D18F		.SHIM	002004 006100 107107 121503 904999	1
250	BACS40R013D018F		.SHIM	101102 108120 504903	1
255	BACS40R12D24F		.SHIM	002004 006100 107107 121503 904999	1
255	BACS40R012D024F		.SHIM	101102 108120 504903	1

MISSING ITEM NUMBERS NOT APPLICABLE

- ITEM NOT ILLUSTRATED

57-41-51-27A

57-41-51
FIG. 27A
PAGE 10
JAN 20/09

BRI

BOEING PROPRIETARY - Copyright © - Unpublished Work - See title page for details.



757

PARTS CATALOG (MAINTENANCE)

FIG ITEM	PART NUMBER	1 2 3 4 5 6 7	NOMENCLATURE	EFFECT FROM TO	UNITS PER ASSY
27A 260	BACS40R12D21F	.SHIM		002004 006100 107107 121503 904999	1
260	BACS40R012D021F	.SHIM		101102 108120 504903	1
265	114N1212-1	.RIB-	POSITION DATA: LH SIDE	002004 006102 107999	1
- 270	114N1212-2	.RIB-	POSITION DATA: RH SIDE	002004 006102 107999	1

MISSING ITEM NUMBERS NOT APPLICABLE

- ITEM NOT ILLUSTRATED

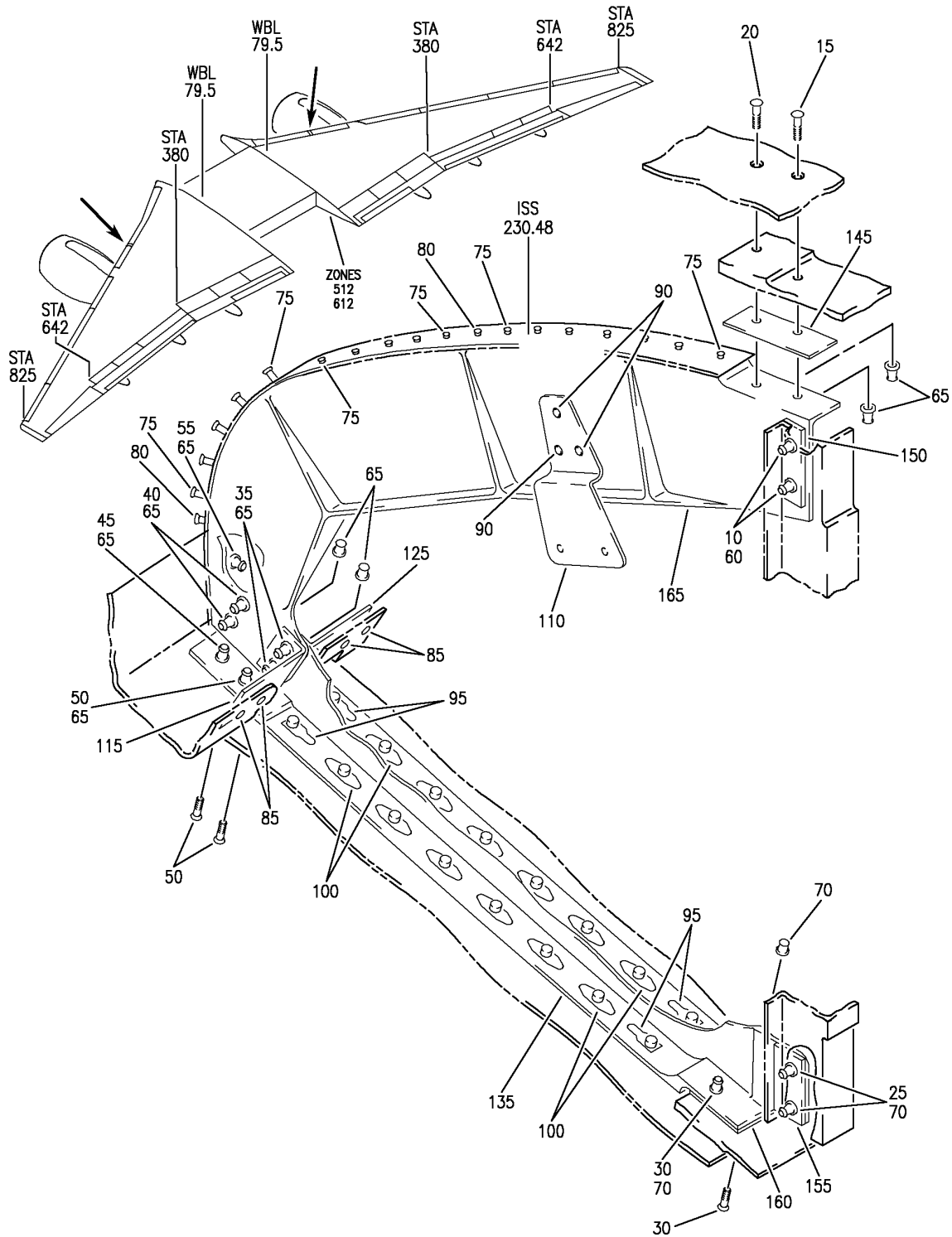
BRI

57-41-51-27A

BOEING PROPRIETARY - Copyright © - Unpublished Work - See title page for details.

57-41-51
FIG. 27A
PAGE 11
JAN 20/09


BOEING
 757
PARTS CATALOG (MAINTENANCE)



Y 57415127B REV 246

RIB INSTL-ISS 230.48 FXD LE AIRLOAD
 FIGURE 27B

57-41-51-27B

BRI
 MAY 28/07

57-41-51-27B
 PAGE 0



757

PARTS CATALOG (MAINTENANCE)

FIG ITEM	PART NUMBER	1 2 3 4 5 6 7	NOMENCLATURE	EFFECT FROM TO	UNITS PER ASSY
27B			RIB INSTL-ISS 230.48 FXD LE AIRLOAD	002004 006102 107999	
- 1	114N1213-1		RIB INSTL-FXD LE AIRLOAD POSITION DATA: ISS 230.48 LH FOR NHA SEE: 57-40-00-01	002004 006100 107107 121503 904999	RF
- 1	114N1213-11		RIB INSTL-FXD LE AIRLOAD POSITION DATA: ISS 230.48 LH FOR NHA SEE: 57-00-00-10	101102 108120 504903	RF
- 5	114N1213-2		RIB INSTL-FXD LE AIRLOAD POSITION DATA: ISS 230.48 RH FOR NHA SEE: 57-40-00-01	002004 006100 107107 121503 904999	RF
- 5	114N1213-12		RIB INSTL-FXD LE AIRLOAD POSITION DATA: ISS 230.48 RH FOR NHA SEE: 57-00-00-10	101102 108120 504903	RF
10	L80010K6		.BOLT SUPPLIER CODE: V06725 SPECIFICATION NUMBER: BACB30MY10K6	002004 006102 107999	2
15	HL523AZ6-9		.BOLT SUPPLIER CODE: V73197 SPECIFICATION NUMBER: BACB30NZ6K9 OPTIONAL PART: L804-6K9 V06725 HL523AZ6-9 V56878 HL523AZ6-9 V92215 HL523AZ6-9 V97928 HL523AZ6-9 VOPTK6 HL523AZ6-9 V60516 HL523AZ6-9 V06725	002004 006102 107999	1

MISSING ITEM NUMBERS NOT APPLICABLE

- ITEM NOT ILLUSTRATED

57-41-51-27B

57-41-51
FIG. 27B
PAGE 1
JAN 20/09

BRI

BOEING PROPRIETARY - Copyright © - Unpublished Work - See title page for details.



757

PARTS CATALOG (MAINTENANCE)

FIG ITEM	PART NUMBER	1 2 3 4 5 6 7	NOMENCLATURE	EFFECT FROM TO	UNITS PER ASSY
27B 20	HL11VAZ6-9	.BOLT	SUPPLIER CODE: V60516 SPECIFICATION NUMBER: BACB30NW6K9 OPTIONAL PART: B30NW6K9 V97928 HL11VAZ6-9 V73197 HL11VAZ6-9 V92215 HL11VAZ6-9 V97928 L803-6K9 V06725 HL11VAZ6-9 VOPTK6 HL11VAZ6-9 V56878	002004 006102 107999	1
25	L8008K5	.BOLT	SUPPLIER CODE: V06725 SPECIFICATION NUMBER: BACB30MY8K5	002004 006102 107999	2
30	HL523AZ8-8	.BOLT	SUPPLIER CODE: V73197 SPECIFICATION NUMBER: BACB30NZ8K8 OPTIONAL PART: L804-8K8 V06725 HL523AZ8-8 V56878 HL523AZ8-8 V92215 HL523AZ8-8 V97928 HL523AZ8-8 VOPTK6 HL523AZ8-8 V60516 HL523AZ8-8 V06725	002004 006102 107999	2

MISSING ITEM NUMBERS NOT APPLICABLE

- ITEM NOT ILLUSTRATED

57-41-51-27B

57-41-51
FIG. 27B
PAGE 2
JAN 20/09

BRI

BOEING PROPRIETARY - Copyright © - Unpublished Work - See title page for details.



757

PARTS CATALOG (MAINTENANCE)

FIG ITEM	PART NUMBER	1 2 3 4 5 6 7	NOMENCLATURE	EFFECT FROM TO	UNITS PER ASSY
27B 35	L8006K8	.BOLT	SUPPLIER CODE: V06725 SPECIFICATION NUMBER: BACB30MY6K8	002004 006102 107999	2
40	L8006K4	.BOLT	SUPPLIER CODE: V06725 SPECIFICATION NUMBER: BACB30MY6K4	002004 006102 107999	2
45	L8006K5	.BOLT	SUPPLIER CODE: V06725 SPECIFICATION NUMBER: BACB30MY6K5	002004 006102 107999	1
50	HL11VAZ6-4	.BOLT	SUPPLIER CODE: V60516 SPECIFICATION NUMBER: BACB30NW6K4 OPTIONAL PART: B30NW6K4 V97928 HL11VAZ6-4 V73197 HL11VAZ6-4 V92215 HL11VAZ6-4 V97928 L803-6K4 V06725 HL11VAZ6-4 VOPTK6 HL11VAZ6-4 V56878	002004 006102 107999	3

MISSING ITEM NUMBERS NOT APPLICABLE

- ITEM NOT ILLUSTRATED

57-41-51-27B

57-41-51
FIG. 27B
PAGE 3
JAN 20/09

BRI

BOEING PROPRIETARY - Copyright © - Unpublished Work - See title page for details.



757

PARTS CATALOG (MAINTENANCE)

FIG ITEM	PART NUMBER	1 2 3 4 5 6 7	NOMENCLATURE	EFFECT FROM TO	UNITS PER ASSY
27B 55	HL11VAZ6-5	.BOLT	SUPPLIER CODE: V60516 SPECIFICATION NUMBER: BACB30NW6K5 OPTIONAL PART: B30NW6K5 V97928 HL11VAZ6-5 V73197 HL11VAZ6-5 V92215 HL11VAZ6-5 V97928 L803-6K5 V06725 HL11VAZ6-5 VOPTK6 HL11VAZ6-5 V56878	002004 006102 107999	1
60	HL79-10	.COLLAR	SUPPLIER CODE: V5M902 SPECIFICATION NUMBER: BACC30M10 OPTIONAL PART: HL79-10 V73197 HL79-10 V92215 66014-10 V56878 HL79-10 V56878	002004 006102 107999	2
65	HL79-6	.COLLAR	SUPPLIER CODE: V5M902 SPECIFICATION NUMBER: BACC30M6 OPTIONAL PART: HL79-6 V73197 HL79-6 V92215 66014-6 V56878 HL79-6 V56878	002004 006102 107999	11

MISSING ITEM NUMBERS NOT APPLICABLE

- ITEM NOT ILLUSTRATED

BRI

57-41-51-27B

BOEING PROPRIETARY - Copyright © - Unpublished Work - See title page for details.

57-41-51
FIG. 27B
PAGE 4
JAN 20/09



757

PARTS CATALOG (MAINTENANCE)

FIG ITEM	PART NUMBER	1 2 3 4 5 6 7	NOMENCLATURE	EFFECT FROM TO	UNITS PER ASSY
27B 70	HL79-8	.COLLAR	SUPPLIER CODE: V5M902 SPECIFICATION NUMBER: BACC30M8 OPTIONAL PART: HL79-8 V73197 HL79-8 V92215 66014-8 V56878 HL79-8 V56878	002004 006102 107999	4
75	BACR15BA6AD	.RIVET-	SIZE DETERMINED ON INSTL.	002004 006102 107999	18
80	NAS1399MW6-4	.RIVET		002004 006102 107999	2
85	BACR15FT6D	.RIVET-	SIZE DETERMINED ON INSTL.	002004 006102 107999	4
90	BACR15FT5D	.RIVET-	SIZE DETERMINED ON INSTL.	002004 006102 107999	3
95	BRFR120C3-2D	.NUTPLATE	SUPPLIER CODE: V52828 SPECIFICATION NUMBER: BACN10KE3E2CD OPTIONAL PART: 102F9216-2-3 V72962 F51751-3-2CD V15653 NS202494-02-2 V80539	002004 006102 107999	4

MISSING ITEM NUMBERS NOT APPLICABLE

- ITEM NOT ILLUSTRATED

57-41-51-27B

57-41-51
FIG. 27B
PAGE 5
JAN 20/09

BRI



757

PARTS CATALOG (MAINTENANCE)

FIG ITEM	PART NUMBER	1 2 3 4 5 6 7	NOMENCLATURE	EFFECT FROM TO	UNITS PER ASSY
27B 100	BRFR220C3-2D		.NUTPLATE SUPPLIER CODE: V52828 SPECIFICATION NUMBER: BACN10KE3B2CD OPTIONAL PART: F51747-3-2CD V15653 102A9213-2-3 V72962 NS202493-02-2 V80539	002004 006102 107999	12
- 105	BACR15BA3AD		.RIVET- SIZE DETERMINED ON INSTL. -----*-----	002004 006102 107999	32
110	251N5107-19		.BRACKET	002004 006102 107999	1
115	114N1219-1		.BRACKET- POSITION DATA: LH SIDE	002004 006102 107999	1
- 120	114N1219-2		.BRACKET- POSITION DATA: RH SIDE	002004 006102 107999	1
125	114N1219-3		.BRACKET- POSITION DATA: LH SIDE	002004 006102 107999	1
- 130	114N1219-4		.BRACKET- POSITION DATA: RH SIDE	002004 006102 107999	1
135	114N1209-13		.CHORD- POSITION DATA: LH SIDE	002004 006102 107999	1
- 140	114N1209-14		.CHORD- POSITION DATA: RH SIDE	002004 006102 107999	1
145	BACS40R10D27F		.SHIM	002004 006102 107999	1
150	BACS40R10D20F		.SHIM	002004 006102 107999	1
155	BACS40R10D19F		.SHIM	002004 006102 107999	1

MISSING ITEM NUMBERS NOT APPLICABLE

- ITEM NOT ILLUSTRATED

57-41-51-27B

57-41-51
FIG. 27B
PAGE 6
JAN 20/09

BRI

BOEING PROPRIETARY - Copyright © - Unpublished Work - See title page for details.



757

PARTS CATALOG (MAINTENANCE)

FIG ITEM	PART NUMBER	1 2 3 4 5 6 7	NOMENCLATURE	EFFECT FROM TO	UNITS PER ASSY
27B 160	BACS40R14D18F	.	SHIM	002004 006102 107999	1
165	114N1214-3	.	RIB- POSITION DATA: LH SIDE	002004 006102 107999	1
- 170	114N1214-4	.	RIB- POSITION DATA: RH SIDE	002004 006102 107999	1

MISSING ITEM NUMBERS NOT APPLICABLE

- ITEM NOT ILLUSTRATED

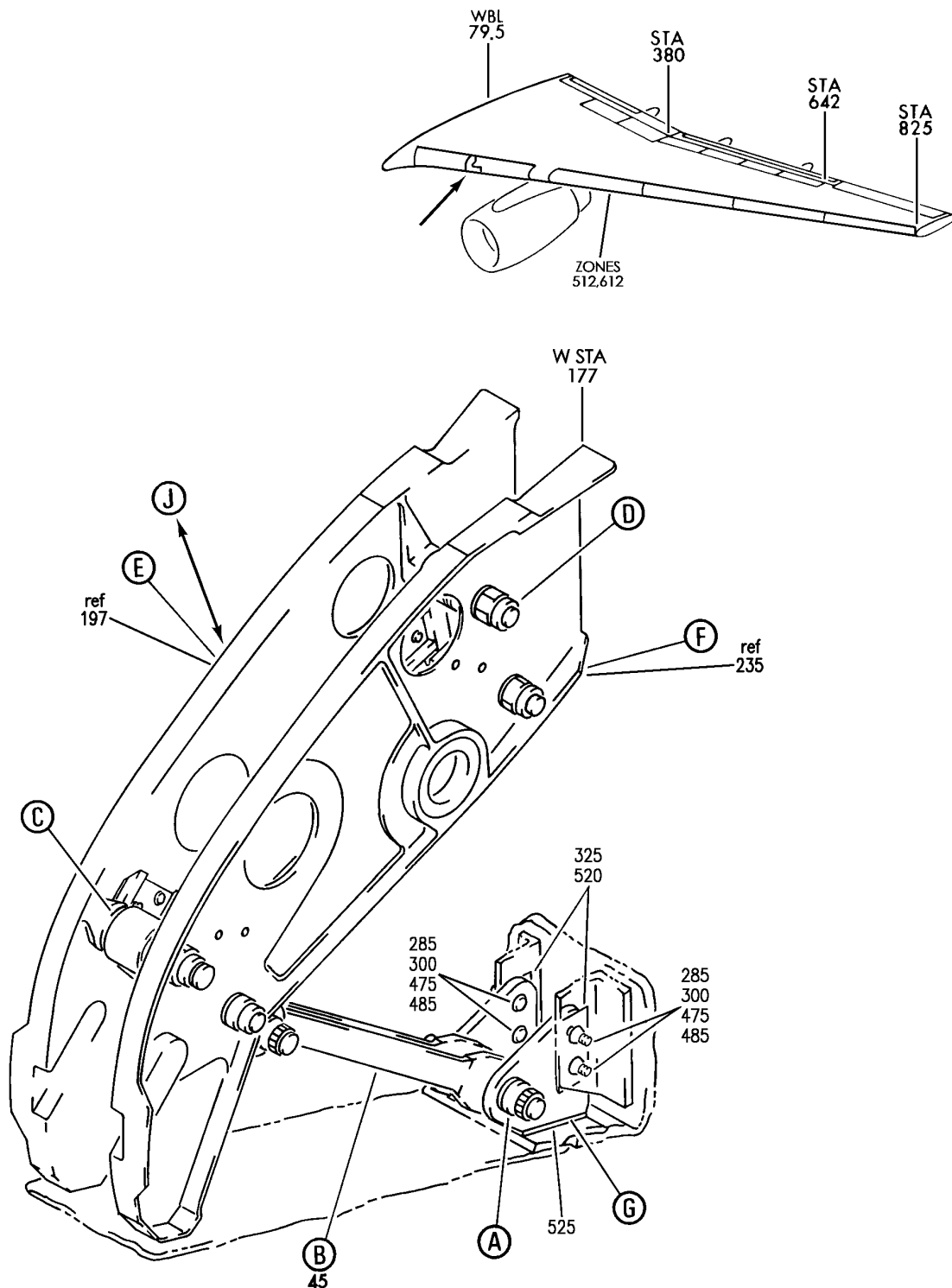
BRI

57-41-51-27B

BOEING PROPRIETARY - Copyright © - Unpublished Work - See title page for details.

57-41-51
FIG. 27B
PAGE 7
JAN 20/09

BOEING
757
PARTS CATALOG (MAINTENANCE)



Y 57415130 SH1 1 REV 252

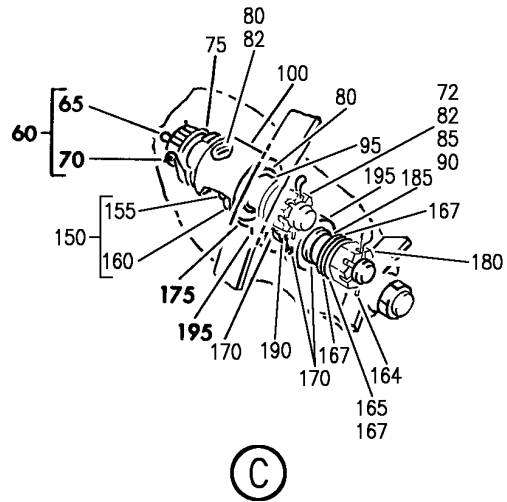
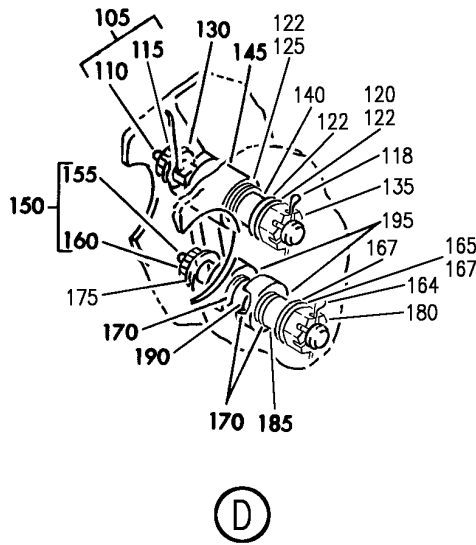
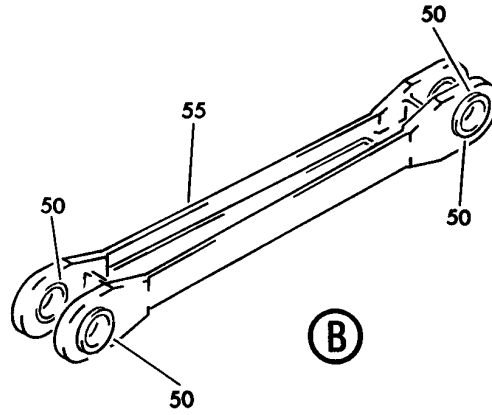
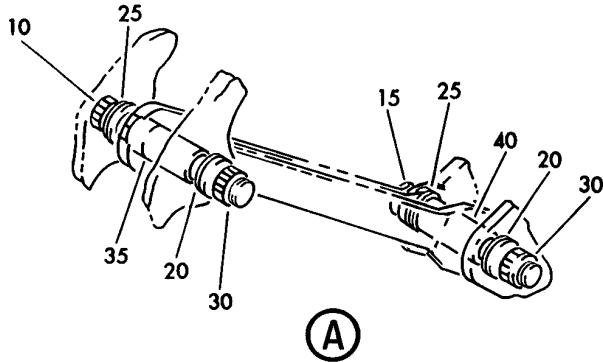
RIB INSTL-WING INBD FXD LE MAIN TRACK SPRT
FIGURE 30 (SHEET 1)

57-41-51-30

BRI
MAY 28/07

57-41-51-30
PAGE 0

BOEING
757
PARTS CATALOG (MAINTENANCE)



Y 57415130 SH1 2 REV 252

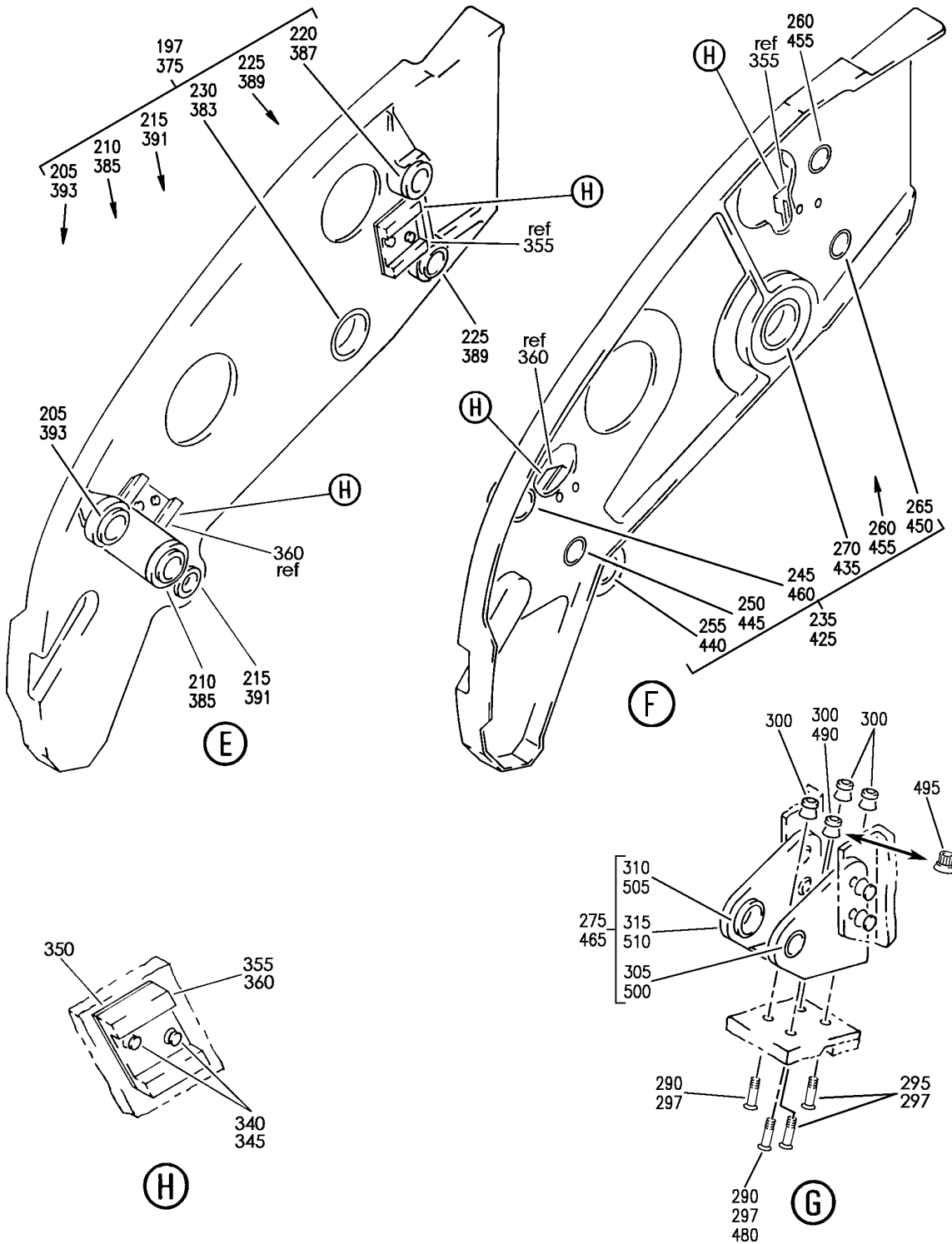
RIB INSTL-WING INBD FXD LE MAIN TRACK SPRT
FIGURE 30 (SHEET 2)

57-41-51-30

BRI
MAY 28/07

57-41-51-30
PAGE 0A

BOEING
757
PARTS CATALOG (MAINTENANCE)



Y 57415130 SH1 3 REV 252

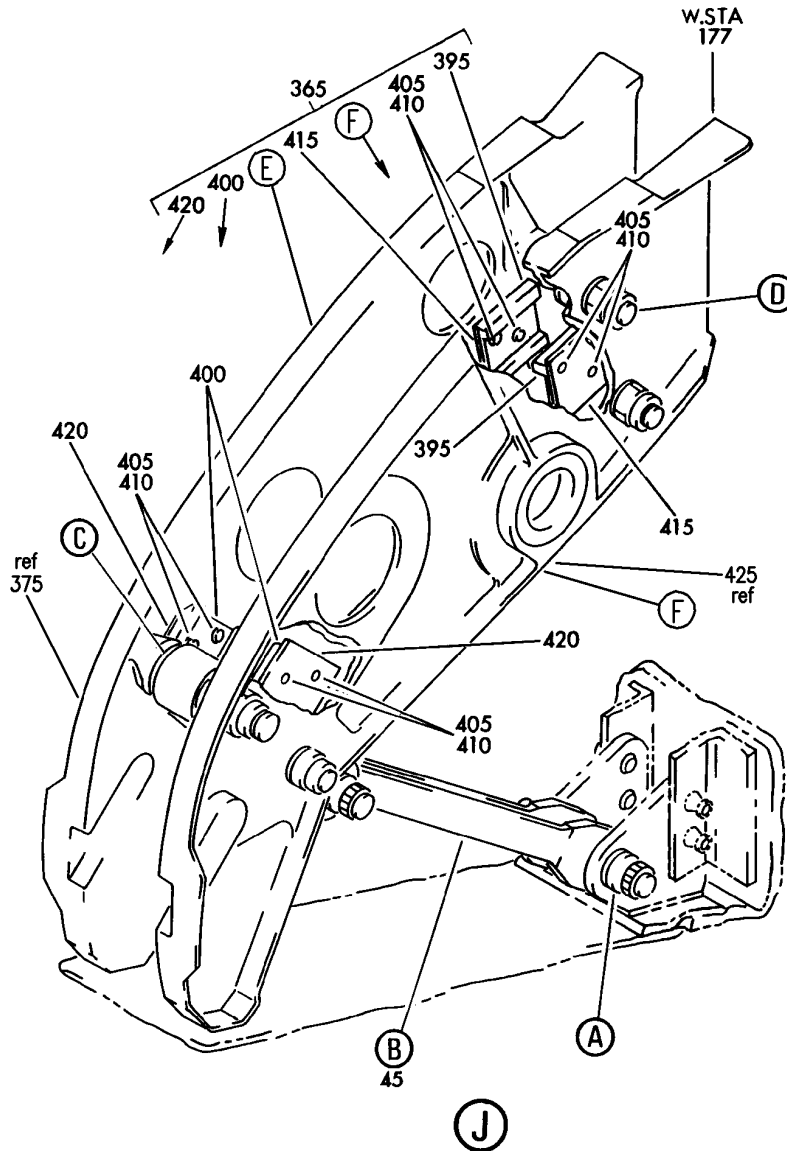
RIB INSTL-WING INBD FXD LE MAIN TRACK SPRT
FIGURE 30 (SHEET 3)

57-41-51-30

BRI
MAY 28/07

57-41-51-30
PAGE 0B

BOEING
757
PARTS CATALOG (MAINTENANCE)



Y 57415130 SHT 4 REV 245

RIB INSTL-WING INBD FXD LE MAIN TRACK SPRT
FIGURE 30 (SHEET 4)

57-41-51-30

BRI
MAY 28/07

57-41-51-30
PAGE 0C



757

PARTS CATALOG (MAINTENANCE)

FIG ITEM	PART NUMBER	1 2 3 4 5 6 7	NOMENCLATURE	EFFECT FROM TO	UNITS PER ASSY
30			RIB INSTL-WING INBD FXD LE MAIN TRACK SPRT	002004 006999	
- 1	114N1104-1		RIB INSTL-WING FXD LE MAIN TRACK SPRT POSITION DATA: ISS 191.0 INBD LH FOR NHA SEE: 57-40-00-01	002004 006100 107107 121503 904999	RF
- 1	114N1104-401		RIB INSTL-MAIN TRACK SPRT WING FXD LE POSITION DATA: ISS 191.0 INBD LH FOR NHA SEE: 57-00-00-10	101102 108120 504903	RF
- 1	MODREF19097		RIB INSTL-WING FXD LE MAIN TRACK SPRT MODULE NUMBER: 114N1104-303 REV A POSITION DATA: ISS 191.0 INBD LH	103103	1
- 1	MODREF26625		RIB INSTL-WING FXD LE MAIN TRACK SPRT MODULE NUMBER: 114N1104-303 REV B POSITION DATA: ISS 191.0 INBD LH	104106	1
- 5	114N1104-2		RIB INSTL-WING FXD LE MAIN TRACK SPRT POSITION DATA: ISS 191.0 INBD RH FOR NHA SEE: 57-40-00-01	002004 006100 107107 121503 904999	RF
- 5	114N1104-402		RIB INSTL-MAIN TRACK SPRT WING FXD LE POSITION DATA: ISS 191.0 INBD RH FOR NHA SEE: 57-00-00-10	101102 108120 504903	RF
- 5	MODREF19098		RIB INSTL-WING FXD LE MAIN TRACK SPRT MODULE NUMBER: 114N1104-304 REV A POSITION DATA: ISS 191.0 INBD RH	103103	1

MISSING ITEM NUMBERS NOT APPLICABLE

- ITEM NOT ILLUSTRATED

57-41-51-30

57-41-51
FIG. 30
PAGE 1
JAN 20/09

BRI



757

PARTS CATALOG (MAINTENANCE)

FIG ITEM	PART NUMBER	1 2 3 4 5 6 7	NOMENCLATURE	EFFECT FROM TO	UNITS PER ASSY
30					
- 5	MODREF26626		RIB INSTL-WING FXD LE MAIN TRACK SPRT MODULE NUMBER: 114N1104-304 REV B POSITION DATA: ISS 191.0 INBD RH	104106	1
10	BACB30LE9U46		.BOLT	002004 006999	1
15	BACB30LE9U41		.BOLT	002004 006999	1
20	BACW10BP9DP		.WASHER	002004 006999	2
25	BACW10BP9CD		.WASHER	002004 006999	2
30	BMN10HRCWD3-9		.NUT SUPPLIER CODE: V97928 SPECIFICATION NUMBER: BACN10HR9CD OPTIONAL PART: H51560-9 V15653 67832CD918 V56878 102LH9031-9 V72962 BH00303CM9 V27238 BMN5024CWD39 V97928 SL7108C9 V11815 VCU0005D9 V06710 102LH90319 V72962 67832CD9 V56878 67832CD9 V56878	002004 006999	2
35	BACB28AK09-197		.BUSHING	002004 006999	1
40	BACB28AK09-207		.BUSHING	002004 006999	1
45	114N1110-3		.LINK ASSY- OPTIONAL PART: 114N1420-1	002004 006102 107999	1

MISSING ITEM NUMBERS NOT APPLICABLE

- ITEM NOT ILLUSTRATED

57-41-51-30

57-41-51
FIG. 30
PAGE 2
JAN 20/09

BRI

BOEING PROPRIETARY - Copyright © - Unpublished Work - See title page for details.



757

PARTS CATALOG (MAINTENANCE)

FIG ITEM	PART NUMBER	1 2 3 4 5 6 7	NOMENCLATURE	EFFECT FROM TO	UNITS PER ASSY
30					
45	114N1420-1		.LINK ASSY- OPTIONAL PART: 114N1110-3	002004 006102 107999	1
45	114N1110-13		.LINK ASSY-	103106	1
50	BACB28AM13B031A		..BUSHING-	002004 006102 107999	4
50	BACB28AT13B031C		..BUSHING-	103106	4
55	114N1110-4		..LINK- USED ON: 114N1110-3	002004 006102 107999	1
55	114N1420-2		..LINK-FTG USED ON: 114N1420-1	002004 006102 107999	1
55	114N1110-14		..LINK-	103106	1
60	114N1115-1		.BOLT ASSY-	002004 006102 107999	1
60	114N1115-27		.BOLT ASSY-	103106	1
65	MS15001-1		..FITTING-	002004 006102 107999	1
65	MS15004-1		..FITTING-	103106	1
70	114N1115-4		..BOLT-	002004 006102 107999	1
70	114N1115-28		..BOLT-	103106	1
72	MS24665-374		.PIN	002004 006100 107107 121503 904999	1
72	BACP18BC04A12P		.PIN	101106 108120 504903	1
75	BACW10BP10CD		.WASHER-	002004 006102 107999	1
75	BACW10BP10CK		.WASHER-	103106	1
80	AN960C1016L		.WASHER	002004 006100 107107 121503 904999	2
80	NAS1149C1032R		.WASHER	101102 108120 504903	2
82	NAS1149E1032R		.WASHER	103106	4

MISSING ITEM NUMBERS NOT APPLICABLE

- ITEM NOT ILLUSTRATED

57-41-51-30

57-41-51
FIG. 30
PAGE 3
JAN 20/09

BRI

BOEING PROPRIETARY - Copyright © - Unpublished Work - See title page for details.



757

PARTS CATALOG (MAINTENANCE)

FIG ITEM	PART NUMBER	1 2 3 4 5 6 7	NOMENCLATURE	EFFECT FROM TO	UNITS PER ASSY
30					
85	BACW10BP10DP	.	WASHER	002004 006102 107999	1
90	BACN10JD110CD	.	NUT	002004 006102 107999	1
90	BACN11N110CD	.	NUT	103106	1
95	BACB28AK10-070	.	BUSHING	002004 006999	1
100	YAT10B	.	BEARING SUPPLIER CODE: V07484 SPECIFICATION NUMBER: BACB10EU10 OPTIONAL PART: 10AL2426 V92563 ATL10 V60380	002004 006102 107999	1
100	ATL10SY	.	BEARING SUPPLIER CODE: V60380 SPECIFICATION NUMBER: BACB10GJ10J	103106	1
105	114N1115-2	.	BOLT ASSY-	002004 006102 107999	1
105	114N1115-25	.	BOLT ASSY-	103106	1
110	MS15001-1	..	FITTING-	002004 006102 107999	1
110	MS15004-1	..	FITTING-	103106	1
115	114N1115-5	..	BOLT-	002004 006102 107999	1
115	114N1115-26	..	BOLT-	103106	1
118	MS24665-302	.	PIN	002004 006100 107107 121503 904999	1
118	BACP18BC03A08P	.	PIN	101102 108120 504903	1
118	BACP18BC03A10P	.	PIN	103106	1
120	BACW10BP8DP	.	WASHER	002004 006102 107999	1
122	NAS1149E0832R	.	WASHER	103106	3

MISSING ITEM NUMBERS NOT APPLICABLE

- ITEM NOT ILLUSTRATED

57-41-51-30

57-41-51
FIG. 30
PAGE 4
JAN 20/09

BRI

BOEING PROPRIETARY - Copyright © - Unpublished Work - See title page for details.



757

PARTS CATALOG (MAINTENANCE)

FIG ITEM	PART NUMBER	1 2 3 4 5 6 7	NOMENCLATURE	EFFECT FROM TO	UNITS PER ASSY
30					
125	AN960C816L	.	WASHER	002004 006100 107107 121503 904999	1
125	NAS1149C0832R	.	WASHER	101102 108120 504903	1
130	BACW10BP8CD	.	WASHER	002004 006102 107999	1
130	BACW10BX8CKS	.	WASHER	103106	1
135	BACN10JD108CD	.	NUT	002004 006102 107999	1
135	THCR58CDBACH	.	NUT SUPPLIER CODE: VF0224 SPECIFICATION NUMBER: BACN11N108CD	103106	1
140	BACB28AK08-085	.	BUSHING	002004 006999	1
145	YAT08B	.	BEARING SUPPLIER CODE: V07484 SPECIFICATION NUMBER: BACB10EU08 OPTIONAL PART: 8AL2022 V92563 ATL8 V60380	002004 006102 107999	1
145	ATL8SY	.	BEARING SUPPLIER CODE: V60380 SPECIFICATION NUMBER: BACB10GJ08J	103106	1
150	114N1115-3	.	BOLT ASSY-	002004 006102 107999	2
150	114N1115-29	.	BOLT ASSY-	103106	2
155	MS15001-1	..	FITTING-	002004 006102 107999	2
155	MS15004-1	..	FITTING-	103106	2
160	114N1115-6	..	BOLT-	002004 006102 107999	1
160	114N1115-30	..	BOLT-	103106	1

MISSING ITEM NUMBERS NOT APPLICABLE

- ITEM NOT ILLUSTRATED

57-41-51-30

57-41-51
FIG. 30
PAGE 5
JAN 20/09

BRI

BOEING PROPRIETARY - Copyright © - Unpublished Work - See title page for details.



757

PARTS CATALOG (MAINTENANCE)

FIG ITEM	PART NUMBER	1 2 3 4 5 6 7	NOMENCLATURE	EFFECT FROM TO	UNITS PER ASSY
30					
164	MS24665-302	.	PIN	002004 006100 107107 121503 904999	2
164	BACP18BC03A08P	.	PIN	101102 108120 504903	2
164	BACP18BC03A10P	.	PIN	103106	2
165	BACW10BP8DP	.	WASHER	002004 006102 107999	2
167	NAS1149E0832R	.	WASHER	103106	5
170	AN960C816L	.	WASHER	002004 006100 107107 121503 904999	6
170	NAS1149E0832R	.	WASHER	103106	6
170	NAS1149C0832R	.	WASHER	101102 108120 504903	6
175	BACW10BP8CD	.	WASHER-	002004 006102 107999	2
175	BACW10BX8CKS	.	WASHER-	103106	2
180	BACN10JD108CD	.	NUT	002004 006102 107999	2
180	THCR58CDBACH	.	NUT SUPPLIER CODE: VF0224 SPECIFICATION NUMBER: BACN11N108CD	103106	2
185	BACB28AK08-060	.	BUSHING-	002004 006999	2
190	BACB28AK08-037	.	BUSHING	002004 006999	2
195	ATF8	.	BEARING- SUPPLIER CODE: V60380 SPECIFICATION NUMBER: BACB10ET08 OPTIONAL PART: 8AFC1021 V92563 YAF08B V07484	002004 006102 107999	4

MISSING ITEM NUMBERS NOT APPLICABLE

- ITEM NOT ILLUSTRATED

57-41-51-30

57-41-51
FIG. 30
PAGE 6
JAN 20/09

BRI

BOEING PROPRIETARY - Copyright © - Unpublished Work - See title page for details.



757

PARTS CATALOG (MAINTENANCE)

FIG ITEM	PART NUMBER	1 2 3 4 5 6 7	NOMENCLATURE	EFFECT FROM TO	UNITS PER ASSY
30 195	CR8AFC	.	ROLLER- SUPPLIER CODE: V92563 SPECIFICATION NUMBER: 60B00178-661 OPTIONAL PART: ATF8SY V60380 YR1516XC1 V07484	103106	4
195	ATF8SY	.	ROLLER- SUPPLIER CODE: V60380 SPECIFICATION NUMBER: BACB10GH08J OPTIONAL PART: ATF08SY V60380 CR8AFC V92563 ATF8SY V60380 YR1516XC1 V07484	103106	4
195	ATF8SY	.	ROLLER- SUPPLIER CODE: V60380 SPECIFICATION NUMBER: 60B00178-661 OPTIONAL PART: CR8AFC V92563 OPTIONAL PART: BACB10GH08J	103106	4
195	YR1516XC1	.	ROLLER- SUPPLIER CODE: V07484 SPECIFICATION NUMBER: 60B00178-661 OPTIONAL PART: CR8AFC V92563 ATF8SY V60380 OPTIONAL PART: BACB10GH08J	103106	4

MISSING ITEM NUMBERS NOT APPLICABLE

- ITEM NOT ILLUSTRATED

BRI

57-41-51-30

57-41-51
FIG. 30
PAGE 7
JAN 20/09



757

PARTS CATALOG (MAINTENANCE)

FIG ITEM	PART NUMBER	1 2 3 4 5 6 7	NOMENCLATURE	EFFECT FROM TO	UNITS PER ASSY
30					
197	114N1105-1	.RIB ASSY-	POSITION DATA:	002004	1
			LH SIDE	006102	
				107999	
- 200	114N1105-2	.RIB ASSY-	POSITION DATA:	002004	1
			RH SIDE	006102	
				107999	
205	BACB28AP10P051	..BUSHING		002004	1
				006102	
				107999	
210	BACB28AP08P048	..BUSHING		002004	1
				006102	
				107999	
215	BACB28AP09P031	..BUSHING		002004	1
				006102	
				107999	
220	BACB28AP08P072	..BUSHING		002004	1
				006102	
				107999	
225	BACB28AP08P051	..BUSHING		002004	1
				006102	
				107999	
230	114N2130-5	..BUSHING		002004	1
				006102	
				107999	
235	114N1106-1	.RIB ASSY-	POSITION DATA:	002004	1
			LH SIDE	006102	
				107999	
- 240	114N1106-2	.RIB ASSY-	POSITION DATA:	002004	1
			RH SIDE	006102	
				107999	
245	BACB28AM14B046A	..BUSHING		002004	1
				006102	
				107999	
250	BACB28AM11B037A	..BUSHING		002004	1
				006102	
				107999	
255	BACB28AP09P035	..BUSHING		002004	1
				006102	
				107999	
260	BACB28AM11B063A	..BUSHING		002004	1
				006102	
				107999	
265	BACB28AM11B042A	..BUSHING		002004	1
				006102	
				107999	
270	114N1114-1	..BUSHING		002004	1
				006102	
				107999	

MISSING ITEM NUMBERS NOT APPLICABLE

- ITEM NOT ILLUSTRATED

57-41-51-30

57-41-51
FIG. 30
PAGE 8
JAN 20/09

BRI



757

PARTS CATALOG (MAINTENANCE)

FIG ITEM	PART NUMBER	1 2 3 4 5 6 7	NOMENCLATURE	EFFECT FROM TO	UNITS PER ASSY
30					
275	114N1111-13		.FITTING ASSY-LINK POSITION DATA: LH SIDE	002004 006102 107999	1
- 280	114N1111-4		.FITTING ASSY-LINK POSITION DATA: RH SIDE	002004 006102 107999	1
285	L8008K6		ATTACHING PARTS .BOLT SUPPLIER CODE: V06725 SPECIFICATION NUMBER: BACB30MY8K6	002004 006102 107999	4
297	HL523AZ8-12		.BOLT SUPPLIER CODE: V73197 SPECIFICATION NUMBER: BACB30NZ8K12 OPTIONAL PART: L804-8K12 V06725 HL523AZ8-12 V56878 HL523AZ8-12 V92215 HL523AZ8-12 V97928 HL523AZ8-12 V0PTK6 HL523-12 V06725 HL523AZ8-12 V97928	002004 006102 107999	4
300	HL79-8		.COLLAR SUPPLIER CODE: V5M902 SPECIFICATION NUMBER: BACC30M8 OPTIONAL PART: HL79-8 V73197 HL79-8 V92215 66014-8 V56878 HL79-8 V56878 -----*	002004 006102 107999	8

MISSING ITEM NUMBERS NOT APPLICABLE

- ITEM NOT ILLUSTRATED

57-41-51-30

57-41-51
FIG. 30
PAGE 9
JAN 20/09

BRI

BOEING PROPRIETARY - Copyright © - Unpublished Work - See title page for details.

 **BOEING**
757
PARTS CATALOG (MAINTENANCE)

FIG ITEM	PART NUMBER	1 2 3 4 5 6 7	NOMENCLATURE	EFFECT FROM TO	UNITS PER ASSY
30					
305	BACB28AP09P033	..	BUSHING	002004 006102 107999	1
310	BACB28AM13B033A	..	BUSHING	002004 006102 107999	1
315	114N1111-15	..	FITTING- POSITION DATA: LH SIDE	002004 006102 107999	1
- 320	114N1111-10	..	FITTING- POSITION DATA: RH SIDE	002004 006102 107999	1
325	BACS40R012D023F	.	SHIM	002004 006102 107999	2
330	BACS40R022C030F	.	SHIM- POSITION DATA: LH SIDE	002004 006102 107999	1
- 335	BACS40R022C028F	.	SHIM- POSITION DATA: RH SIDE	002004 006100 103107 121503 904999	1
- 335	BACS40R022C030F	.	SHIM- POSITION DATA: RH SIDE	101102 108120 504903	1
340	BACB30MY8K	.	BOLT	002004 006102 107999	8
345	HL79-8	.	COLLAR SUPPLIER CODE: V5M902 SPECIFICATION NUMBER: BACC30M8 OPTIONAL PART: HL79-8 V73197 HL79-8 V92215 66014-8 V56878 HL79-8 V56878	002004 006102 107999	8
350	BACS40R13C22F	.	SHIM	002004 006102 107999	4
355	114N1113-3	.	PAD-SIDE LOAD	002004 006102 107999	2

MISSING ITEM NUMBERS NOT APPLICABLE

- ITEM NOT ILLUSTRATED

BRI

57-41-51-30

BOEING PROPRIETARY - Copyright © - Unpublished Work - See title page for details.

57-41-51
FIG. 30
PAGE 10
JAN 20/09



757

PARTS CATALOG (MAINTENANCE)

FIG ITEM	PART NUMBER	1 2 3 4 5 6 7	NOMENCLATURE	EFFECT FROM TO	UNITS PER ASSY
30					
360	114N1113-4	.	PAD-SIDE LOAD	002004 006102 107999 103106	2
365	114N1104-5	.	RIB PAIR ASSY- POSITION DATA: LH	103106	1
- 370	114N1104-6	.	RIB PAIR ASSY- POSITION DATA: RH	103106	1
375	114N1105-5	..	RIB ASSY- POSITION DATA: LH	103106	1
- 380	114N1105-6	..	RIB ASSY- POSITION DATA: RH	103106	1
383	114N2130-5	...	BUSHING	103106	1
385	BACB28AP08P048	...	BUSHING	103106	1
387	BACB28AP08P051	...	BUSHING	103106	1
389	BACB28AP08P072	...	BUSHING	103106	1
391	BACB28AP09P031	...	BUSHING	103106	1
393	BACB28AP10P052	...	BUSHING	103106	1
395	114N1113-3	..	PAD-SIDE LOAD	103106	2
400	114N1113-4	..	PAD-SIDE LOAD	103106	2
405	HST10AG8-6	..	BOLT SUPPLIER CODE: VOPTK6 SPECIFICATION NUMBER: BACB30VT8K6 OPTIONAL PART: HST10AG8-6 V06725 HST10AG8-6 V56878 HST10AG8-6 V73197 WC10K8-6 V60516	103106	8
410	BACC30BL8	..	COLLAR SUPPLIER CODE: V73197 SPECIFICATION NUMBER: BACC30BL8 OPTIONAL PART: HST79-8 V92215 HST79CY8 V56878 HST79CY8 V5M902	103106	8

MISSING ITEM NUMBERS NOT APPLICABLE

- ITEM NOT ILLUSTRATED

57-41-51-30

57-41-51
FIG. 30
PAGE 11
JAN 20/09

BRI



757

PARTS CATALOG (MAINTENANCE)

FIG ITEM	PART NUMBER	1 2 3 4 5 6 7	NOMENCLATURE	EFFECT FROM TO	UNITS PER ASSY
30					
415	BACS40R013D022F	..	SHIM	103106	2
420	BACS40R016D022F	..	SHIM	103106	2
425	114N1106-5	..	RIB ASSY- POSITION DATA: LH	103106	1
- 430	114N1106-6	..	RIB ASSY- POSITION DATA: RH	103106	1
435	114N1114-1	...	BUSHING	103106	1
440	BACB28AP09P035	...	BUSHING	103106	1
445	BACB28AT11B039C	...	BUSHING	103106	1
450	BACB28AT11B042C	...	BUSHING	103106	1
455	BACB28AT11B064C	...	BUSHING	103106	1
460	BACB28AT14B046C	...	BUSHING	103106	1
465	114N1111-21	.	FITTING ASSY-LINK POSITION DATA: LH SIDE	103106	1
- 470	114N1111-22	.	FITTING ASSY-LINK POSITION DATA: RH SIDE	103106	1
475	HST10AG8-6	.	FITTING ASSY-LINK POSITION DATA: RH SIDE ATTACHING PARTS BOLT SUPPLIER CODE: VOPTK6 SPECIFICATION NUMBER: BACB30VT8K6 OPTIONAL PART: HST10AG8-6 V06725 HST10AG8-6 V56878 HST10AG8-6 V73197 WC10K8-6 V60516	103106	4
480	BACB30WQ4K11L	.	BOLT	103106	1
485	BACC30BL8	.	COLLAR SUPPLIER CODE: V73197 SPECIFICATION NUMBER: BACC30BL8 OPTIONAL PART: HST79-8 V92215 HST79CY8 V56878 HST79CY8 V5M902	103106	4

MISSING ITEM NUMBERS NOT APPLICABLE

- ITEM NOT ILLUSTRATED

57-41-51-30

57-41-51
FIG. 30
PAGE 12
JAN 20/09

BRI

BOEING PROPRIETARY - Copyright © - Unpublished Work - See title page for details.



**757
PARTS CATALOG (MAINTENANCE)**

FIG ITEM	PART NUMBER	1 2 3 4 5 6 7	NOMENCLATURE	EFFECT FROM TO	UNITS PER ASSY
30 495	H39242-4K	.	NUT SUPPLIER CODE: V15653 SPECIFICATION NUMBER: BACN10TN4K -----*-----	103106	1
500	BACB28AP09P033	..	BUSHING	103106	1
505	BACB28AT13B033C	..	BUSHING	103106	1
510	114N1111-23	..	FITTING- POSITION DATA: LH SIDE	103106	1
- 515	114N1111-24	..	FITTING- POSITION DATA: RH SIDE	103106	1
520	BACS40R012D023F	.	SHIM	103106	2
525	BACS40R022C028F	.	SHIM	103106	1

MISSING ITEM NUMBERS NOT APPLICABLE

- ITEM NOT ILLUSTRATED

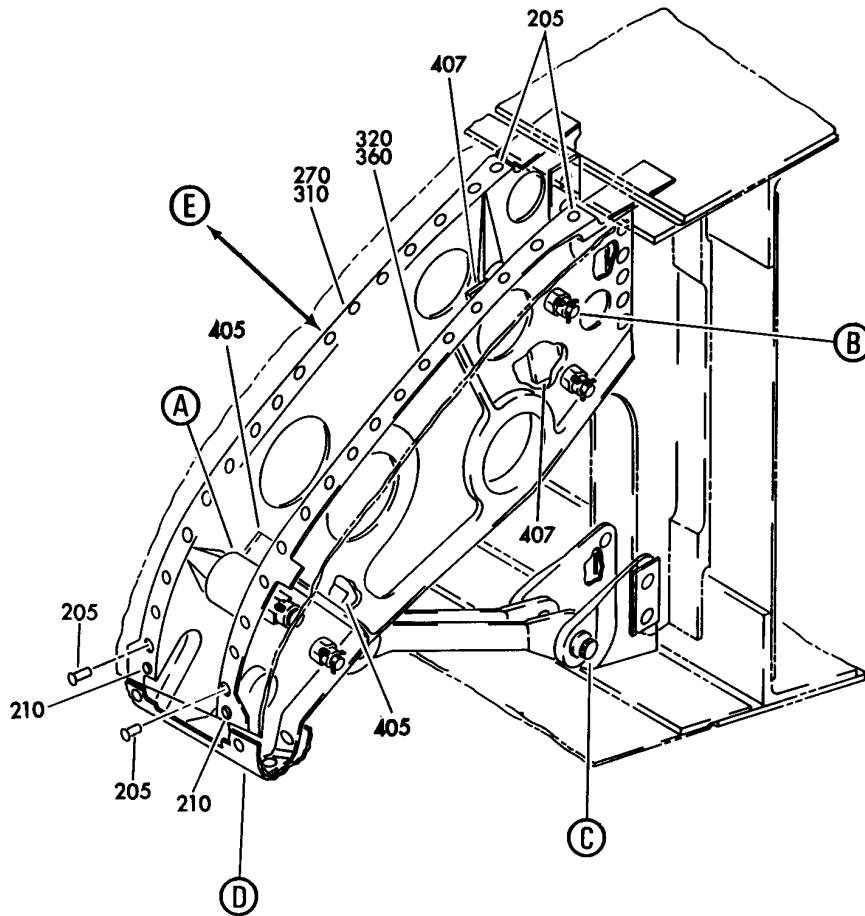
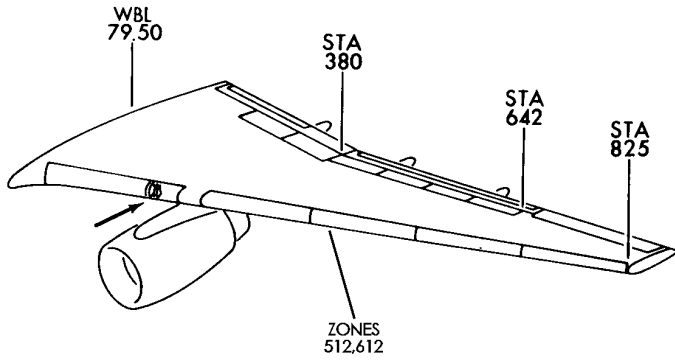
BRI

57-41-51-30

BOEING PROPRIETARY - Copyright © - Unpublished Work - See title page for details.

57-41-51
FIG. 30
PAGE 13
JAN 20/09

BOEING
757
PARTS CATALOG (MAINTENANCE)



Y 57415135 SHT 1 REV 224

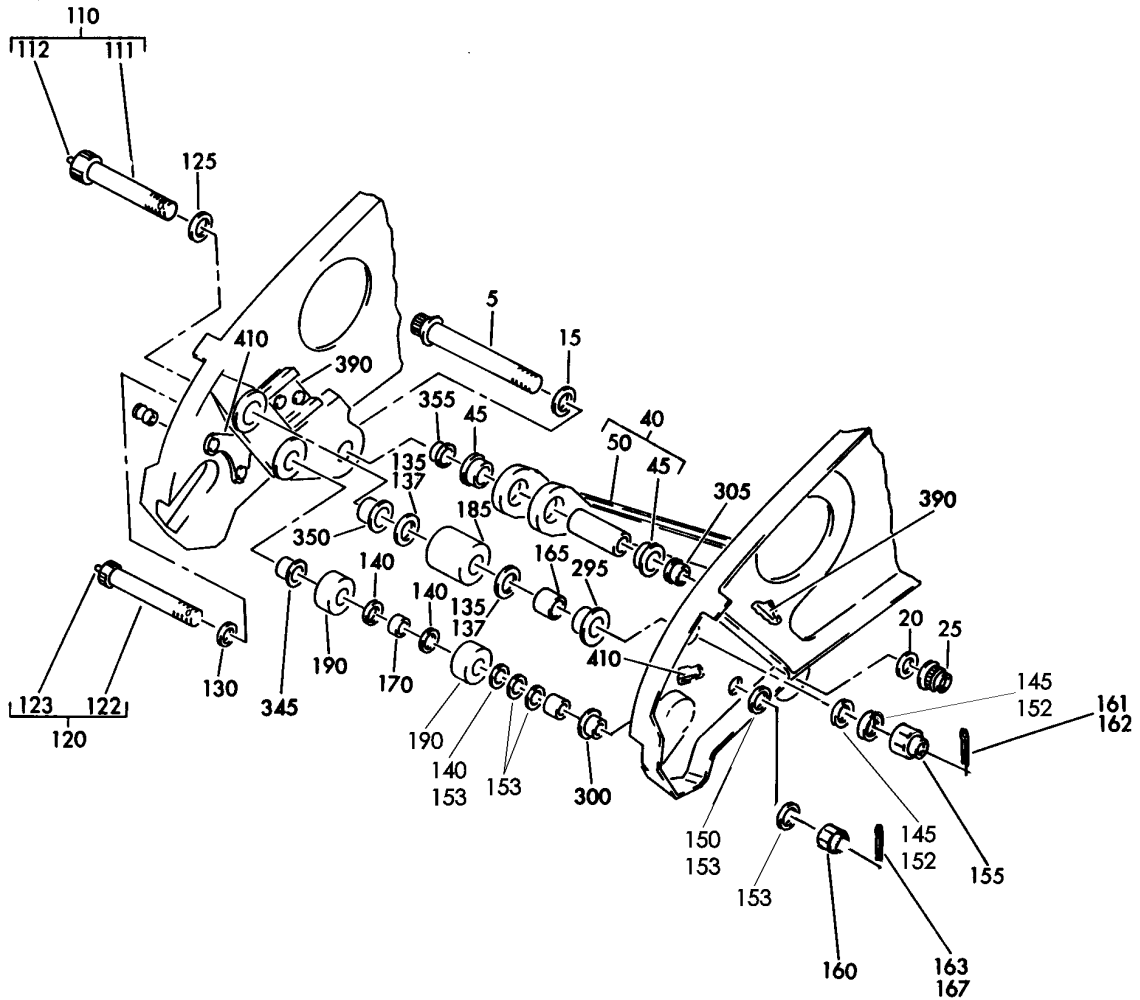
RIB INSTL-WING INBD FXD LE MAIN TRACK SPRT
FIGURE 35 (SHEET 1)

57-41-51-35

BRI
MAY 28/07

57-41-51-35
PAGE 0

BOEING
757
PARTS CATALOG (MAINTENANCE)



(A)

Y 57-41-51-35 SHT 2 REV 241

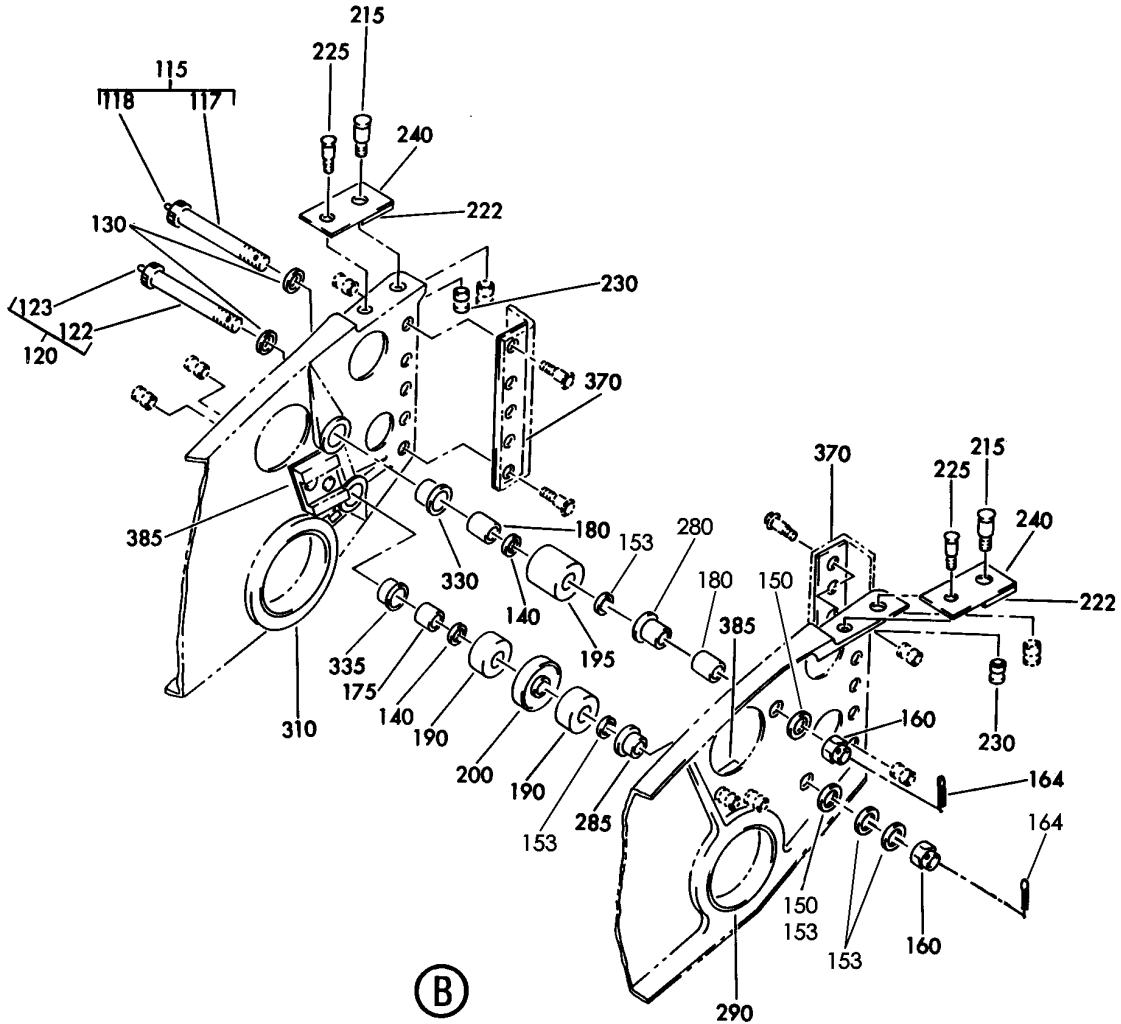
RIB INSTL-WING INBD FXD LE MAIN TRACK SPRT
FIGURE 35 (SHEET 2)

57-41-51-35

BRI
MAY 28/07

57-41-51-35
PAGE 0A

BOEING
757
PARTS CATALOG (MAINTENANCE)



Y 57415135 SHT 3 REV 241

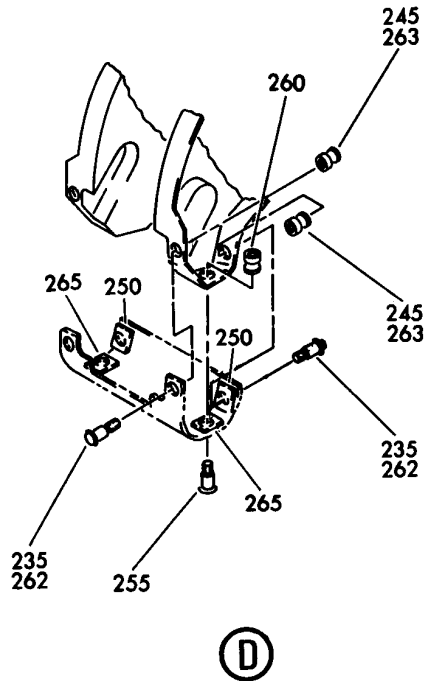
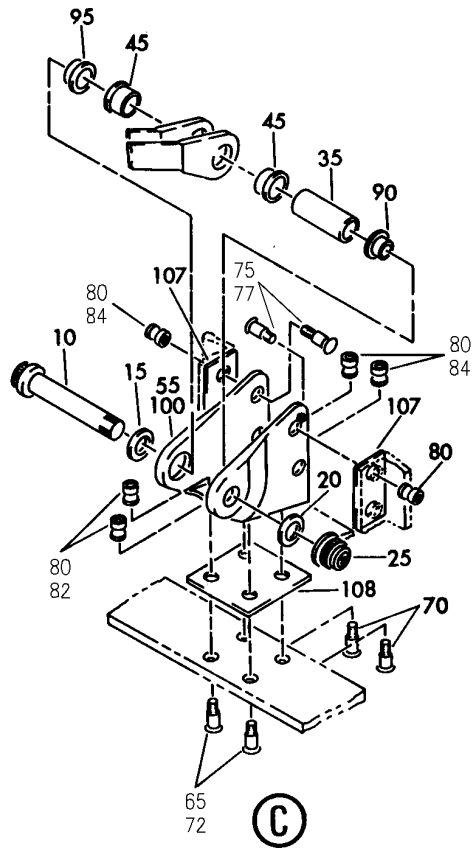
RIB INSTL-WING INBD FXD LE MAIN TRACK SPRT
FIGURE 35 (SHEET 3)

57-41-51-35

BRI
MAY 28/07

57-41-51-35
PAGE 0B

BOEING
757
PARTS CATALOG (MAINTENANCE)



Y 57415135 SHT 4 REV 245

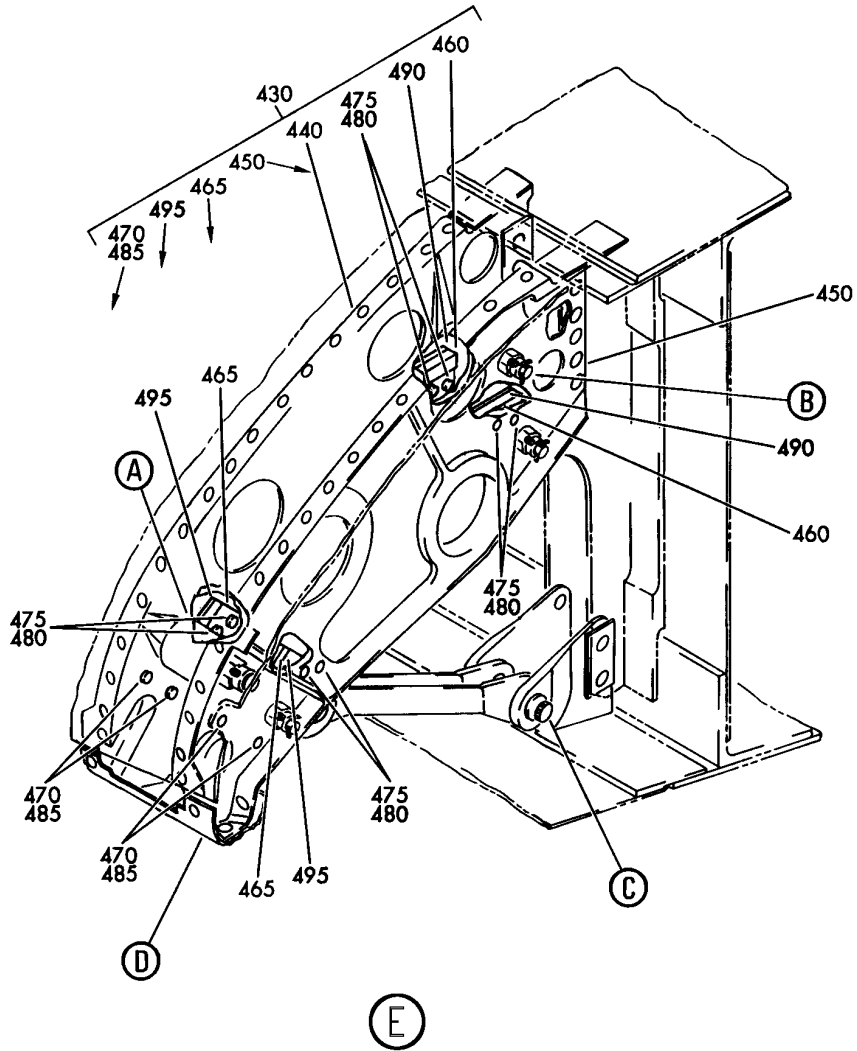
RIB INSTL-WING INBD FXD LE MAIN TRACK SPRT
FIGURE 35 (SHEET 4)

57-41-51-35

BRI
MAY 28/07

57-41-51-35
PAGE 0C

BOEING
757
PARTS CATALOG (MAINTENANCE)



Y 57415135 SH1 5 REV 315

RIB INSTL-WING INBD FXD LE MAIN TRACK SPRT
FIGURE 35 (SHEET 5)

57-41-51-35

BRI
SEP 28/07

57-41-51-35
PAGE 0D



757

PARTS CATALOG (MAINTENANCE)

FIG ITEM	PART NUMBER	1 2 3 4 5 6 7	NOMENCLATURE	EFFECT FROM TO	UNITS PER ASSY
35			RIB INSTL-WING INBD FXD LE MAIN TRACK SPRT	002004 006999	
- 1	114N1107-1		RIB INSTL-WING FXD LE MAIN TRACK SPRT POSITION DATA: ISS 247.0 INBD LH FOR NHA SEE: 57-40-00-01	002004 006100 107107 121503 904999	RF
- 1	114N1107-403		RIB INSTL-WING FXD LE MAIN TRACK SPRT POSITION DATA: ISS 247.0 INBD LH FOR NHA SEE: 57-00-00-10	101102 108120 504903	RF
- 1	MODREF19099		RIB INSTL-WING FXD LE MAIN TRACK SPRT MODULE NUMBER: 114N1107-305 REV A POSITION DATA: ISS 247.00 INBD LH	103103	1
- 1	MODREF31710		RIB INSTL-WING FXD LE MAIN TRACK SPRT MODULE NUMBER: 114N1107-305 REV C POSITION DATA: ISS 247.00 INBD LH	104106	1
- 3	114N1107-2		RIB INSTL-WING FXD LE MAIN TRACK SPRT POSITION DATA: ISS 247.0 INBD RH FOR NHA SEE: 57-40-00-01	002004 006100 107107 121503 904999	RF
- 3	114N1107-404		RIB INSTL-WING FXD LE MAIN TRACK SPRT POSITION DATA: ISS 247.0 INBD LH FOR NHA SEE: 57-00-00-10	101102 108120 504903	RF
- 3	MODREF19100		RIB INSTL-WING FXD LE MAIN TRACK SPRT MODULE NUMBER: 114N1107-306 REV A POSITION DATA: ISS 247.00 INBD RH	103103	1

MISSING ITEM NUMBERS NOT APPLICABLE

- ITEM NOT ILLUSTRATED

57-41-51-35

57-41-51
FIG. 35
PAGE 1
JAN 20/09

BRI



757

PARTS CATALOG (MAINTENANCE)

FIG ITEM	PART NUMBER	1 2 3 4 5 6 7	NOMENCLATURE	EFFECT FROM TO	UNITS PER ASSY
35					
- 3	MODREF31711		RIB INSTL-WING FXD LE MAIN TRACK SPRT MODULE NUMBER: 114N1107-306 REV C POSITION DATA: ISS 247.00 INBD RH	104106	1
5	BACB30LE9U46		.BOLT	002004 006999	1
10	BACB30LE9U41		.BOLT	002004 006999	1
15	BACW10BP9CD		.WASHER- POSITION DATA: UNDER HEAD	002004 006999	2
20	BACW10BP9DP		.WASHER	002004 006999	2
25	BMN10HRCWD3-9		.NUT SUPPLIER CODE: V97928 SPECIFICATION NUMBER: BACN10HR9CD OPTIONAL PART: H51560-9 V15653 67832CD918 V56878 102LH9031-9 V72962 BH00303CM9 V27238 BMN5024CWD39 V97928 SL7108C9 V11815 VCU0005D9 V06710 102LH90319 V72962 67832CD9 V56878 67832CD9 V56878	002004 006999	2
30	BACB28AK09-197		.BUSHING	002004 006999	1
35	BACB28AK09-207		.BUSHING	002004 006999	1
40	114N1110-5		.LINK ASSY- OPTIONAL PART: 114N1421-1	002004 006102 107999	1

MISSING ITEM NUMBERS NOT APPLICABLE

- ITEM NOT ILLUSTRATED

57-41-51-35

57-41-51
FIG. 35
PAGE 2
JAN 20/09

BRI

BOEING PROPRIETARY - Copyright © - Unpublished Work - See title page for details.



757

PARTS CATALOG (MAINTENANCE)

FIG ITEM	PART NUMBER	1 2 3 4 5 6 7	NOMENCLATURE	EFFECT FROM TO	UNITS PER ASSY
35					
40	114N1421-1		.LINK ASSY- OPTIONAL PART: 114N1110-5	002004 006102 107999	1
40	114N1110-15		.LINK ASSY	103106	1
45	BACB28AM13B031A		..BUSHING	002004 006102 107999	4
45	BACB28AT13B031C		..BUSHING	103106	4
50	114N1110-6		..LINK- USED ON: 114N1110-5	002004 006102 107999	1
50	114N1421-2		..LINK- USED ON: 114N1421-1	002004 006102 107999	1
50	114N1110-16		..LINK	103106	1
55	114N1111-5		.FITTING ASSY-LINK POSITION DATA: LH SIDE	002004 006102 107999	1
55	114N1111-29		.FITTING ASSY-LINK POSITION DATA: LH SIDE	103106	1
- 60	114N1111-6		.FITTING ASSY-LINK POSITION DATA: RH SIDE	002004 006102 107999	1
- 60	114N1111-30		.FITTING ASSY-LINK POSITION DATA: RH SIDE	103106	1
65	HL523AZ8-8		ATTACHING PARTS .BOLT- SUPPLIER CODE: V73197 SPECIFICATION NUMBER: BACB30NZ8K8 OPTIONAL PART: L804-8K8 V06725 HL523AZ8-8 V56878 HL523AZ8-8 V92215 HL523AZ8-8 V97928 HL523AZ8-8 VOPTK6 HL523AZ8-8 V60516 HL523AZ8-8 V06725	002004 006102 107999	2

MISSING ITEM NUMBERS NOT APPLICABLE

- ITEM NOT ILLUSTRATED

57-41-51-35

57-41-51
FIG. 35
PAGE 3
JAN 20/09

BRI



**757
PARTS CATALOG (MAINTENANCE)**

FIG ITEM	PART NUMBER	1 2 3 4 5 6 7	NOMENCLATURE	EFFECT FROM TO	UNITS PER ASSY
35 70	HL523AZ8-10	.BOLT-	SUPPLIER CODE: V73197 SPECIFICATION NUMBER: BACB30NZ8K10 OPTIONAL PART: L804-8K10 V06725 HL523AZ8-10 V56878 HL523AZ8-10 V92215 HL523AZ8-10 V97928 HL523AZ8-10 VOPTK6 HL523AZ8-10 V60516 HL523AZ8-10 V06725	002004 006102 107999	2
72 75	BACB30WQ4K8L L8008K6	.BOLT- .BOLT	SUPPLIER CODE: V06725 SPECIFICATION NUMBER: BACB30MY8K6	103106 002004 006102 107999	2 4
77	HST10AG8-6	.BOLT	SUPPLIER CODE: VOPTK6 SPECIFICATION NUMBER: BACB30VT8K6 OPTIONAL PART: HST10AG8-6 V06725 HST10AG8-6 V56878 HST10AG8-6 V73197 WC10K8-6 V60516	103106	2

MISSING ITEM NUMBERS NOT APPLICABLE

— ITEM NOT ILLUSTRATED

57-41-51-35

57-41-51
FIG. 35
PAGE 4
JAN 20/09

BRI



757

PARTS CATALOG (MAINTENANCE)

FIG ITEM	PART NUMBER	1 2 3 4 5 6 7	NOMENCLATURE	EFFECT FROM TO	UNITS PER ASSY
35 80	HL79-8	.COLLAR	SUPPLIER CODE: V5M902 SPECIFICATION NUMBER: BACC30M8 OPTIONAL PART: HL79-8 V73197 HL79-8 V92215 66014-8 V56878 HL79-8 V56878	002004 006102 107999	8
82	H39242-4K	.NUT-	SUPPLIER CODE: V15653 SPECIFICATION NUMBER: BACN10TN4K	103106	2
84	HST826AW	.COLLAR	SUPPLIER CODE: V5M902 SPECIFICATION NUMBER: BACC30BQ6 OPTIONAL PART: HST826AW V56878 HST826AW V73197 HST82CY6APBW V73197 HST82CY6APBW V56878	103106	2
90	BACB28AP09P033	..BUSHING	-----*-----	002004 006999	1
95	BACB28AM13B033A	..BUSHING		002004 006102 107999	1
95	BACB28AT13B033C	..BUSHING		103106	1
100	114N1111-11	..FITTING-	POSITION DATA: LH SIDE	002004 006102 107999	1
100	114N1111-31	..FITTING-	POSITION DATA: LH SIDE	103106	1
- 105	114N1111-12	..FITTING-	POSITION DATA: RH SIDE	002004 006102 107999	1

MISSING ITEM NUMBERS NOT APPLICABLE

- ITEM NOT ILLUSTRATED

57-41-51-35

57-41-51
FIG. 35
PAGE 5
JAN 20/09

BRI

BOEING PROPRIETARY - Copyright © - Unpublished Work - See title page for details.



757

PARTS CATALOG (MAINTENANCE)

FIG ITEM	PART NUMBER	1 2 3 4 5 6 7	NOMENCLATURE	EFFECT FROM TO	UNITS PER ASSY
35					
- 105	114N1111-32		.. FITTING- POSITION DATA: RH SIDE	103106	1
107	BACS40R012D023F		.SHIM-	002004 006102 107999	2
108	BACS40R022C028F		.SHIM	002004 006999	1
110	114N1115-1		.BOLT ASSY-	002004 006102 107999	1
111	114N1115-4		.. BOLT	002004 006102 107999	1
112	MS15001-1		.. FITTING	002004 006102 107999	1
115	114N1115-2		.BOLT ASSY	002004 006102 107999	1
115	114N1115-25		.BOLT ASSY	103106	1
117	114N1115-26		.. BOLT	103106	1
117	114N1115-5		.. BOLT	002004 006102 107999	1
118	MS15004-1		.. FITTING	103106	1
118	MS15001-1		.. FITTING	002004 006102 107999	1
120	114N1115-3		.BOLT ASSY	002004 006102 107999	2
120	114N1115-29		.BOLT ASSY	103106	2
122	114N1115-30		.. BOLT	103106	1
122	114N1115-6		.. BOLT	002004 006102 107999	1
123	MS15004-1		.. FITTING	103106	1
123	MS15001-1		.. FITTING	002004 006102 107999	1
125	BACW10BP10CD		.WASHER- POSITION DATA: UNDER HEAD	002004 006102 107999	1
125	BACW10BX10CKS		.WASHER- POSITION DATA: UNDER HEAD	103106	1

MISSING ITEM NUMBERS NOT APPLICABLE

- ITEM NOT ILLUSTRATED

57-41-51-35

57-41-51
FIG. 35
PAGE 6
JAN 20/09

BRI



757

PARTS CATALOG (MAINTENANCE)

FIG ITEM	PART NUMBER	1 2 3 4 5 6 7	NOMENCLATURE	EFFECT FROM TO	UNITS PER ASSY
35					
125	BACW10BX10CK	.	WASHER- POSITION DATA: UNDER HEAD	103106	1
130	BACW10BP8CD	.	WASHER- POSITION DATA: UNDER HEAD	002004 006102 107999	3
130	BACW10BX8CK	.	WASHER- POSITION DATA: UNDER HEAD	103106	3
135	AN960C1016L	.	WASHER	002004 006100 107107 121503 904999	2
135	NAS1149C1032R	.	WASHER	101106 108120 504903	2
137	NAS1149E1032R	.	WASHER	103106	2
140	AN960C816L	.	WASHER	002004 006100 107107 121503 904999	5
140	NAS1149C0832R	.	WASHER	101102 108120 504903	5
145	BACW10BP10DP	.	WASHER	002004 006102 107999	1
150	BACW10BP8DP	.	WASHER	002004 006102 107999	3
152	NAS1149C0832R	.	WASHER	103106	2
153	NAS1149E0832R	.	WASHER	103106	10
155	BACN10JD110CD	.	NUT	002004 006102 107999	1
155	BACN11N110CD	.	NUT	103106	1
160	BACN10JD108CD	.	NUT	002004 006102 107999	3
160	THCR58CDBACH	.	NUT SUPPLIER CODE: VF0224 SPECIFICATION NUMBER: BACN11N108CD	103106	3

MISSING ITEM NUMBERS NOT APPLICABLE

- ITEM NOT ILLUSTRATED

57-41-51-35

57-41-51
FIG. 35
PAGE 7
JAN 20/09

BRI



757

PARTS CATALOG (MAINTENANCE)

FIG ITEM	PART NUMBER	1 2 3 4 5 6 7	NOMENCLATURE	EFFECT FROM TO	UNITS PER ASSY
35					
161	MS24665-374	.	PIN	002004 006100 107107 121503 904999	1
162	BACP18BC04A12P	.	PIN	002004 006999	1
163	BACP18BC03A10P	.	PIN	103106	1
164	BACP18BC03A08P	.	PIN	101102 108120 504903	2
165	BACB28AK10-070	.	BUSHING	002004 006999	1
167	MS24665-302	.	PIN	002004 006100 107107 121503 904999	1
170	BACB28AK08-037	.	BUSHING	002004 006999	1
175	BACB28AK08-085	.	BUSHING	002004 006999	1
180	BACB28AK08-060	.	BUSHING-	002004 006999	2
185	YAT10B	.	BEARING SUPPLIER CODE: V07484 SPECIFICATION NUMBER: BACB10EU10 OPTIONAL PART: 10AL2426 V92563 ATL10 V60380	002004 006102 107999	1
185	ATL10SY	.	BEARING- SUPPLIER CODE: V21335 SPECIFICATION NUMBER: BACB10GJ10 OPTIONAL PART: CR10AL V92563	103103	1
185	ATL10SY	.	BEARING- SUPPLIER CODE: V60380 SPECIFICATION NUMBER: BACB10GJ10J	104106	1

MISSING ITEM NUMBERS NOT APPLICABLE

- ITEM NOT ILLUSTRATED

57-41-51-35

57-41-51
FIG. 35
PAGE 8
JAN 20/09

BRI

BOEING PROPRIETARY - Copyright © - Unpublished Work - See title page for details.



757

PARTS CATALOG (MAINTENANCE)

FIG ITEM	PART NUMBER	1 2 3 4 5 6 7	NOMENCLATURE	EFFECT FROM TO	UNITS PER ASSY
35 190	ATF8		.BEARING SUPPLIER CODE: V60380 SPECIFICATION NUMBER: BACB10ET08 OPTIONAL PART: 8AFC1021 V92563 YAF08B V07484	002004 006102 107999	4
190	CR8AFC		.ROLLER- SUPPLIER CODE: V92563 SPECIFICATION NUMBER: 60B00178-661 OPTIONAL PART: ATF8SY V60380 YR1516XC1 V07484 OPTIONAL PART: BACB10GH08J	103106	4
190	ATF8SY		.ROLLER- SUPPLIER CODE: V60380 SPECIFICATION NUMBER: BACB10GH08J OPTIONAL PART: ATF08SY V60380 CR8AFC V92563 ATF8SY V60380 YR1516XC1 V07484	103106	4
190	ATF8SY		.ROLLER- SUPPLIER CODE: V60380 SPECIFICATION NUMBER: 60B00178-661 OPTIONAL PART: CR8AFC V92563 OPTIONAL PART: BACB10GH08J	103106	4

MISSING ITEM NUMBERS NOT APPLICABLE

- ITEM NOT ILLUSTRATED

57-41-51-35

57-41-51
FIG. 35
PAGE 9
JAN 20/09

BRI



757

PARTS CATALOG (MAINTENANCE)

FIG ITEM	PART NUMBER	1 2 3 4 5 6 7	NOMENCLATURE	EFFECT FROM TO	UNITS PER ASSY
35 190	YR1516XC1	.	ROLLER- SUPPLIER CODE: V07484 SPECIFICATION NUMBER: 60B00178-661 OPTIONAL PART: CR8AFC V92563 ATF8SY V60380 OPTIONAL PART: BACB10GH08J	103106	4
195	YAT08B	.	BEARING SUPPLIER CODE: V07484 SPECIFICATION NUMBER: BACB10EU08 OPTIONAL PART: 8AL2022 V92563 ATL8 V60380	002004 006102 107999	1
195	ATL8SY	.	BEARING- SUPPLIER CODE: V60380 SPECIFICATION NUMBER: BACB10GJ08J	103106	1
200	114N1116-1	.	SPACER	002004 006999	1
205	BACR15BA6AD	.	RIVET- SIZE DETERMINED ON INSTL.	002004 006102 107999	32
210	BACR15FT6AD	.	RIVET- SIZE DETERMINED ON INSTL.	002004 006102 107999	2
215	BACB30NN5K15	.	BOLT-	002004 006102 107999	2
222	114N2120-1	.	FILLER-RADIUS	002004 006102 107999	2

MISSING ITEM NUMBERS NOT APPLICABLE

- ITEM NOT ILLUSTRATED

57-41-51-35

57-41-51
FIG. 35
PAGE 10
JAN 20/09

BRI

BOEING PROPRIETARY - Copyright © - Unpublished Work - See title page for details.



757

PARTS CATALOG (MAINTENANCE)

FIG ITEM	PART NUMBER	1 2 3 4 5 6 7	NOMENCLATURE	EFFECT FROM TO	UNITS PER ASSY
35 225	HL11VAZ8-9	.BOLT	SUPPLIER CODE: V56878 SPECIFICATION NUMBER: BACB30NW8K9 OPTIONAL PART: B30NW8K9 V97928 HL11VAZ8-9 V73197 HL11VAZ8-9 V92215 HL11VAZ8-9 V97928 L803-8K9 V06725 HL11VAZ8-9 VOPTK6 HL11VAZ8-9 V60516	002004 006102 107999	2
230	HL79-8	.COLLAR	SUPPLIER CODE: V5M902 SPECIFICATION NUMBER: BACC30M8 OPTIONAL PART: HL79-8 V73197 HL79-8 V92215 66014-8 V56878 HL79-8 V56878	002004 006102 107999	2
235	L8006K5	.BOLT	SUPPLIER CODE: V06725 SPECIFICATION NUMBER: BACB30MY6K5	002004 006102 107999	4
240	BACS40R012D026F	.SHIM-		002004 006102 107999	2

MISSING ITEM NUMBERS NOT APPLICABLE

- ITEM NOT ILLUSTRATED

57-41-51-35

57-41-51
FIG. 35
PAGE 11
JAN 20/09

BRI



757

PARTS CATALOG (MAINTENANCE)

FIG ITEM	PART NUMBER	1 2 3 4 5 6 7	NOMENCLATURE	EFFECT FROM TO	UNITS PER ASSY
35 245	HL79-6		.COLLAR SUPPLIER CODE: V5M902 SPECIFICATION NUMBER: BACC30M6 OPTIONAL PART: HL79-6 V73197 HL79-6 V92215 66014-6 V56878 HL79-6 V56878	002004 006102 107999	4
250	BACS40R007D008F		.SHIM-	002004 006102 107999	2
255	HL11VAZ6-4		.BOLT SUPPLIER CODE: V60516 SPECIFICATION NUMBER: BACB30NW6K4 OPTIONAL PART: B30NW6K4 V97928 HL11VAZ6-4 V73197 HL11VAZ6-4 V92215 HL11VAZ6-4 V97928 L803-6K4 V06725 HL11VAZ6-4 VOPTK6 HL11VAZ6-4 V56878	002004 006102 107999	2
255	WC331K6-4		.BOLT SUPPLIER CODE: V60516 SPECIFICATION NUMBER: BACB30YP6K4	103106	2

MISSING ITEM NUMBERS NOT APPLICABLE

- ITEM NOT ILLUSTRATED

57-41-51-35

57-41-51
FIG. 35
PAGE 12
JAN 20/09

BRI



757

PARTS CATALOG (MAINTENANCE)

FIG ITEM	PART NUMBER	1 2 3 4 5 6 7	NOMENCLATURE	EFFECT FROM TO	UNITS PER ASSY
35 260	HL82-6APBW		.COLLAR SUPPLIER CODE: V5M902 SPECIFICATION NUMBER: BACC30AG6 OPTIONAL PART: HL82-6APBW V92215 HL82-6APBW V56878 HL82-6APBW V73197	002004 006102 107999	2
260	HST826AW		.COLLAR SUPPLIER CODE: V5M902 SPECIFICATION NUMBER: BACC30BQ6 OPTIONAL PART: HST826AW V56878 HST826AW V73197 HST82CY6APBW V73197 HST82CY6APBW V56878	103106	2
262	HST10AG6-5		.BOLT SUPPLIER CODE: VOPTK6 SPECIFICATION NUMBER: BACB30VT6K5 OPTIONAL PART: HST10AG6-5 V06725 HST10AG6-5 V56878 HST10AG6-5 V73197 WC10K6-5 V60516	103106	4

MISSING ITEM NUMBERS NOT APPLICABLE

- ITEM NOT ILLUSTRATED

57-41-51-35

57-41-51
FIG. 35
PAGE 13
JAN 20/09

BRI

 **BOEING**
757
PARTS CATALOG (MAINTENANCE)

FIG ITEM	PART NUMBER	1 2 3 4 5 6 7	NOMENCLATURE	EFFECT FROM TO	UNITS PER ASSY
35 263	BACC30BL6		.COLLAR SUPPLIER CODE: V73197 SPECIFICATION NUMBER: BACC30BL6 OPTIONAL PART: HST79-6 V92215 HST79CY6 V56878 HST79CY6 V5M902	103106	4
265	BACS40R008D010F		.SHIM-	002004 006999	2
270	114N1108-5		.RIB ASSY- POSITION DATA: LH SIDE PRE SERVICE BULLETIN: 27-0117	002004 006100 107107 121503 904949 952999	1
270	114N1108-9		.RIB ASSY- POSITION DATA: LH SIDE POST SERVICE BULLETIN: 27-0117	101102 108120 504903 950952	1
- 275	114N1108-6		.RIB ASSY- POSITION DATA: RH SIDE PRE SERVICE BULLETIN: 27-0117	002004 006100 107107 121503 904949 952999	1
- 275	114N1108-10		.RIB ASSY- POSITION DATA: RH SIDE POST SERVICE BULLETIN: 27-0117	101102 108120 504903 950952	1
280	BACB28AP08P072		..BUSHING	002004 006102 107999	1
285	BACB28AP08P051		..BUSHING	002004 006102 107999	1
290	114N2130-11		..BUSHING- QUALIFIED I/W DATA: 114N2130-11 AFTER REAMING IS I/W 114N2130-1	002004 006102 107999	1

MISSING ITEM NUMBERS NOT APPLICABLE

- ITEM NOT ILLUSTRATED

BRI

57-41-51-35

BOEING PROPRIETARY - Copyright © - Unpublished Work - See title page for details.

57-41-51
FIG. 35
PAGE 14
JAN 20/09



757

PARTS CATALOG (MAINTENANCE)

FIG ITEM	PART NUMBER	1 2 3 4 5 6 7	NOMENCLATURE	EFFECT FROM TO	UNITS PER ASSY
35					
295	BACB28AP10P051	..	BUSHING-	002004 006102 107999	1
300	BACB28AP08P048	..	BUSHING	002004 006102 107999	1
305	BACB28AP09P031	..	BUSHING	002004 006102 107999	1
310	114N1108-7	..	RIB- POSITION DATA: LH SIDE PRE SERVICE BULLETIN: 27-0117	002004 006100 107107 121503 904949 952999	1
310	114N1108-11	..	RIB- POSITION DATA: LH SIDE POST SERVICE BULLETIN: 27-0117	101102 108120 504903 950952	1
- 315	114N1108-8	..	RIB- POSITION DATA: RH SIDE PRE SERVICE BULLETIN: 27-0117	002004 006100 107107 121503 904949 952999	1
- 315	114N1108-12	..	RIB- POSITION DATA: RH SIDE POST SERVICE BULLETIN: 27-0117	101102 108120 504903 950952	1
320	114N1109-5	.RIB	ASSY- POSITION DATA: LH SIDE	002004 006102 107999	1
- 325	114N1109-6	.RIB	ASSY- POSITION DATA: RH SIDE	002004 006102 107999	1
330	BACB28AM11B066A	..	BUSHING	002004 006102 107999	1
335	BACB28AM11B042A	..	BUSHING	002004 006102 107999	1
340	114N2130-10	..	BUSHING	002004 006102 107999	1
345	BACB28AM14B046A	..	BUSHING	002004 006102 107999	1

MISSING ITEM NUMBERS NOT APPLICABLE

- ITEM NOT ILLUSTRATED

57-41-51-35

57-41-51
FIG. 35
PAGE 15
JAN 20/09

BRI

 **BOEING**
757
PARTS CATALOG (MAINTENANCE)

FIG ITEM	PART NUMBER	1 2 3 4 5 6 7	NOMENCLATURE	EFFECT FROM TO	UNITS PER ASSY
35					
350	BACB28AM11B037A	..	BUSHING	002004 006102 107999	1
355	BACB28AP09P031	..	BUSHING	002004 006102 107999	1
360	114N1109-7	..	RIB- POSITION DATA: LH SIDE	002004 006102 107999	1
- 365	114N1109-8	..	RIB- POSITION DATA: RH SIDE	002004 006102 107999	1
370	BACS40R012D058F	.	SHIM-	002004 006102 107999	2
- 375	L8008K6	.	ATTACHING PARTS BOLT SUPPLIER CODE: V06725 SPECIFICATION NUMBER: BACB30MY8K6	002004 006102 107999	10
- 380	HL79-8	.	COLLAR SUPPLIER CODE: V5M902 SPECIFICATION NUMBER: BACC30M8 OPTIONAL PART: HL79-8 V73197 HL79-8 V92215 66014-8 V56878 HL79-8 V56878 -----*-----	002004 006102 107999	10
385	114N1113-3	.	PAD-SIDE LOAD	002004 006102 107999	2
390	114N1113-4	.	PAD-SIDE LOAD	002004 006102 107999	2
- 395	L8008K6	.	ATTACHING PARTS BOLT SUPPLIER CODE: V06725 SPECIFICATION NUMBER: BACB30MY8K6	002004 006102 107999	8

MISSING ITEM NUMBERS NOT APPLICABLE

- ITEM NOT ILLUSTRATED

BRI

57-41-51-35

BOEING PROPRIETARY - Copyright © - Unpublished Work - See title page for details.

57-41-51
FIG. 35
PAGE 16
JAN 20/09



757

PARTS CATALOG (MAINTENANCE)

FIG ITEM	PART NUMBER	1 2 3 4 5 6 7	NOMENCLATURE	EFFECT FROM TO	UNITS PER ASSY
35 - 400	HL79-8		.COLLAR SUPPLIER CODE: V5M902 SPECIFICATION NUMBER: BACC30M8 OPTIONAL PART: HL79-8 V73197 HL79-8 V92215 66014-8 V56878 HL79-8 V56878	002004 006102 107999	8
			-----*-----		
	405 BACS40R014D022F		.SHIM-	002004 006102 107999	2
	407 BACS40R012D022F		.SHIM-	002004 006102 107999	2
	410 114N1112-1		.FITTING	002004 006102 107999	2
			ATTACHING PARTS		
- 415	L8006K4		.BOLT SUPPLIER CODE: V06725 SPECIFICATION NUMBER: BACB30MY6K4	002004 006102 107999	4
- 420	HL79-6		.COLLAR SUPPLIER CODE: V5M902 SPECIFICATION NUMBER: BACC30M6 OPTIONAL PART: HL79-6 V73197 HL79-6 V92215 66014-6 V56878 HL79-6 V56878	002004 006102 107999	4
			-----*-----		
	430 114N1107-7		.RIB PAIR ASSY- POSITION DATA: LH	103106	1

MISSING ITEM NUMBERS NOT APPLICABLE

- ITEM NOT ILLUSTRATED

57-41-51-35

57-41-51
FIG. 35
PAGE 17
JAN 20/09

BRI

BOEING PROPRIETARY - Copyright © - Unpublished Work - See title page for details.



757

PARTS CATALOG (MAINTENANCE)

FIG ITEM	PART NUMBER	1 2 3 4 5 6 7	NOMENCLATURE	EFFECT FROM TO	UNITS PER ASSY
35					
- 435	114N1107-8		.RIB PAIR ASSY- POSITION DATA: RH	103106	1
440	114N1108-17		..RIB ASSY- POSITION DATA: LH SIDE	103106	1
- 445	114N1108-18		..RIB ASSY- POSITION DATA: RH SIDE	103106	1
450	114N1109-13		..RIB ASSY- POSITION DATA: LH SIDE	103106	1
- 455	114N1109-14		..RIB ASSY- POSITION DATA: RH SIDE	103106	1
460	114N1113-3		..PAD-SIDE LOAD	103106	2
465	114N1113-4		..PAD-SIDE LOAD	103106	2
470	HST10AG6-4		..BOLT SUPPLIER CODE: V06725 SPECIFICATION NUMBER: BACB30VT6K4 OPTIONAL PART: HST10AG6-4 V73197 HST10AG6-4 V56878 HST10AG6-4 VOPTK6 WC10K6-4 V60516	103106	4
475	HST10AG8-6		..BOLT SUPPLIER CODE: VOPTK6 SPECIFICATION NUMBER: BACB30VT8K6 OPTIONAL PART: HST10AG8-6 V06725 HST10AG8-6 V56878 HST10AG8-6 V73197 WC10K8-6 V60516	103106	8

MISSING ITEM NUMBERS NOT APPLICABLE

- ITEM NOT ILLUSTRATED

57-41-51-35

57-41-51
FIG. 35
PAGE 18
JAN 20/09

BRI

BOEING PROPRIETARY - Copyright © - Unpublished Work - See title page for details.



757

PARTS CATALOG (MAINTENANCE)

FIG ITEM	PART NUMBER	1 2 3 4 5 6 7	NOMENCLATURE	EFFECT FROM TO	UNITS PER ASSY
35 480	BACC30BL8	..	COLLAR SUPPLIER CODE: V73197 SPECIFICATION NUMBER: BACC30BL8 OPTIONAL PART: HST79-8 V92215 HST79CY8 V56878 HST79CY8 V5M902	103106	8
485	BACC30BL6	..	COLLAR SUPPLIER CODE: V73197 SPECIFICATION NUMBER: BACC30BL6 OPTIONAL PART: HST79-6 V92215 HST79CY6 V56878 HST79CY6 V5M902	103106	4
490	BACS40R012D022F	..	SHIM	103106	2
495	BACS40R014D022F	..	SHIM	103106	2

MISSING ITEM NUMBERS NOT APPLICABLE

- ITEM NOT ILLUSTRATED

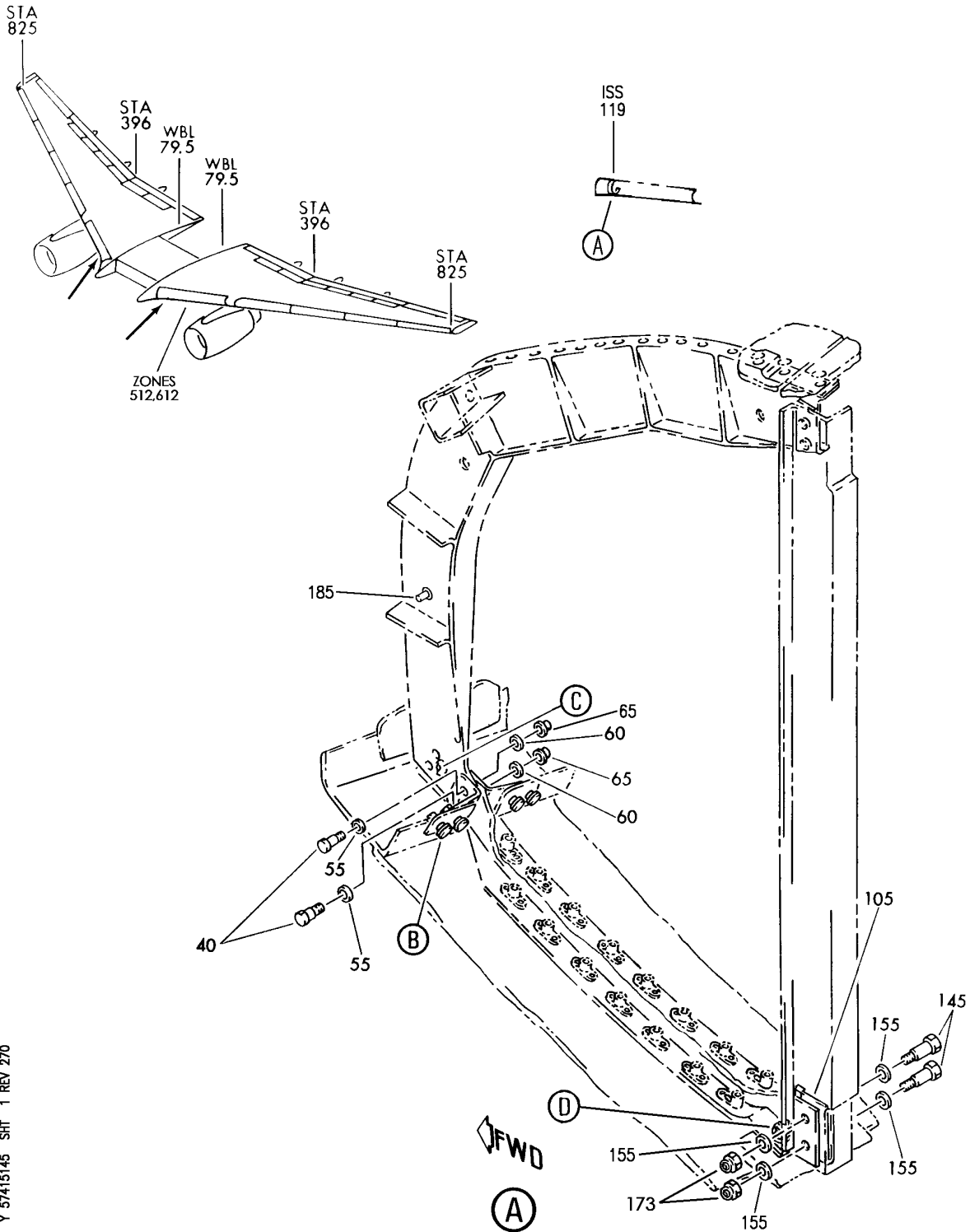
57-41-51-35

57-41-51
FIG. 35
PAGE 19
JAN 20/09

BRI

BOEING PROPRIETARY - Copyright © - Unpublished Work - See title page for details.

BOEING
757
PARTS CATALOG (MAINTENANCE)



Y 57415145 SH1 1 REV 270

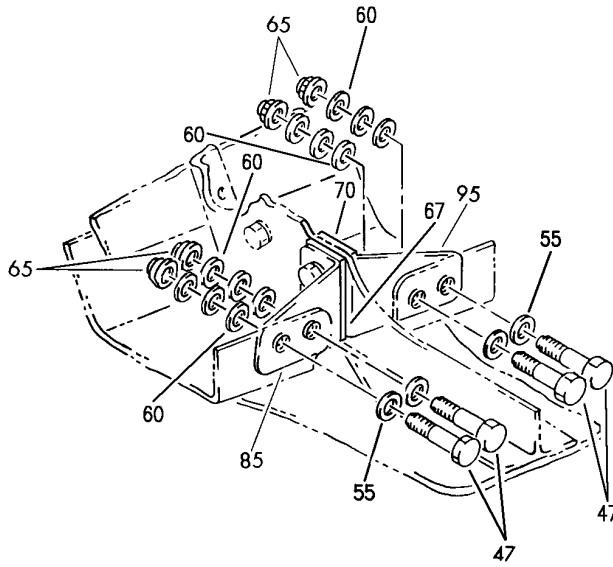
RIB INSTL-ISS 119.00 INBD FXD LE AIRLOAD
FIGURE 45 (SHEET 1)

57-41-51-45

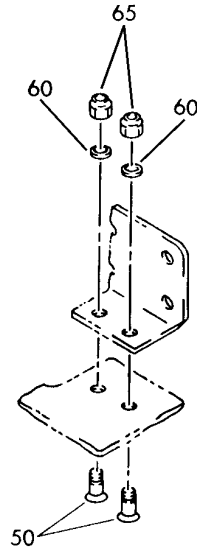
BRI
JAN 20/09

57-41-51-45
PAGE 0

BOEING
757
PARTS CATALOG (MAINTENANCE)

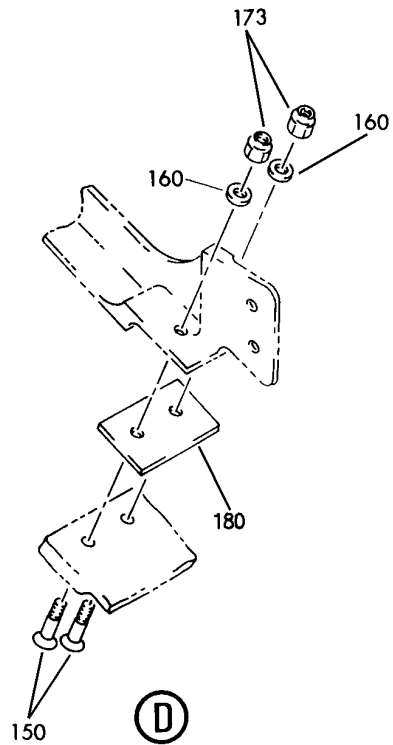


(B)



FWD →

(C)



(D)

Y 57415145 SH1 2 REV 270

RIB INSTL-ISS 119.00 INBD FXD LE AIRLOAD
FIGURE 45 (SHEET 2)

57-41-51-45

BRI
JAN 20/09

57-41-51-45
PAGE 0A



757

PARTS CATALOG (MAINTENANCE)

FIG ITEM	PART NUMBER	1 2 3 4 5 6 7	NOMENCLATURE	EFFECT FROM TO	UNITS PER ASSY
45			RIB INSTL-ISS 119.00 INBD FXD LE AIRLOAD	103106	
- 1	MODREF19101		RIB INSTL-ISS 119.00 MODULE NUMBER: 114N1201-201 REV A POSITION DATA: INBD FXD LE AIRLOAD LH	103103	1
- 1	MODREF26629		RIB INSTL-ISS 119.00 MODULE NUMBER: 114N1201-201 REV B POSITION DATA: INBD FXD LE AIRLOAD LH	104105	1
- 1	MODREF31641		RIB INSTL-ISS 119.00 MODULE NUMBER: 114N1201-201 REV C POSITION DATA: INBD FXD LE AIRLOAD LH	106106	1
- 5	MODREF19102		RIB INSTL-ISS 119.00 MODULE NUMBER: 114N1201-202 REV A POSITION DATA: INBD FXD LE AIRLOAD RH	103103	1
- 5	MODREF26630		RIB INSTL-ISS 119.00 MODULE NUMBER: 114N1201-202 REV B POSITION DATA: INBD FXD LE AIRLOAD RH	104105	1
- 5	MODREF31642		RIB INSTL-ISS 119.00 MODULE NUMBER: 114N1201-202 REV C POSITION DATA: INBD FXD LE AIRLOAD RH	106106	1
40	BACB30NM3K9	.BOLT		103106	2
47	BACB30NM3K5	.BOLT		103106	4
50	BACB30NN3K4	.BOLT		103106	2
55	BACW10BP3CD	.WASHER		103106	6
60	BACW10BP3DP	.WASHER		103106	16
65	NAS1805-3L	.NUT-		103105	8
65	BACN11Z3CD	.NUT-		106106	8
67	BACS40R010X017F	.SHIM		106106	AR
70	BACS40R011X018F	.SHIM		106106	AR

MISSING ITEM NUMBERS NOT APPLICABLE

- ITEM NOT ILLUSTRATED

57-41-51-45

57-41-51
FIG. 45
PAGE 1
JAN 20/09

BRI

 **BOEING**
757
PARTS CATALOG (MAINTENANCE)

FIG ITEM	PART NUMBER	1 2 3 4 5 6 7	NOMENCLATURE	EFFECT FROM TO	UNITS PER ASSY
45					
85	114N1219-19	.BRACKET-	POSITION DATA: LH SIDE	103105	1
85	114N1219-25	.BRACKET-	POSITION DATA: LH SIDE	106106	1
- 90	114N1219-20	.BRACKET-	POSITION DATA: RH SIDE	103105	1
- 90	114N1219-26	.BRACKET-	POSITION DATA: RH SIDE	106106	1
95	114N1219-21	.BRACKET-	POSITION DATA: LH SIDE	103105	1
95	114N1219-27	.BRACKET-	POSITION DATA: LH SIDE	106106	1
- 100	114N1219-22	.BRACKET-	POSITION DATA: RH SIDE	103105	1
- 100	114N1219-28	.BRACKET-	POSITION DATA: RH SIDE	106106	1
105	BACS40R010D021F	.SHIM		103106	1
145	BACB30NM4K7	.BOLT		103106	2
150	BACB30LH4-4	.BOLT		103106	2
155	BACW10BP4CD	.WASHER		103106	4
160	BACW10BP4DP	.WASHER		103106	2
173	NAS1805-4L	.NUT-		103105	4
173	BACN11Z4CD	.NUT-		106106	4
180	BACS40R013D020F	.SHIM-		103106	1
185	VNS1924CA1-8	.STUD-		103105	1
			SUPPLIER CODE: V5M902		
			SPECIFICATION NUMBER: BACS53B1EA1		
			OPTIONAL PART: VNS1924CA3-1-8 V92215		
185	BACS53B1ES1	.STUD-		106106	1

MISSING ITEM NUMBERS NOT APPLICABLE

- ITEM NOT ILLUSTRATED

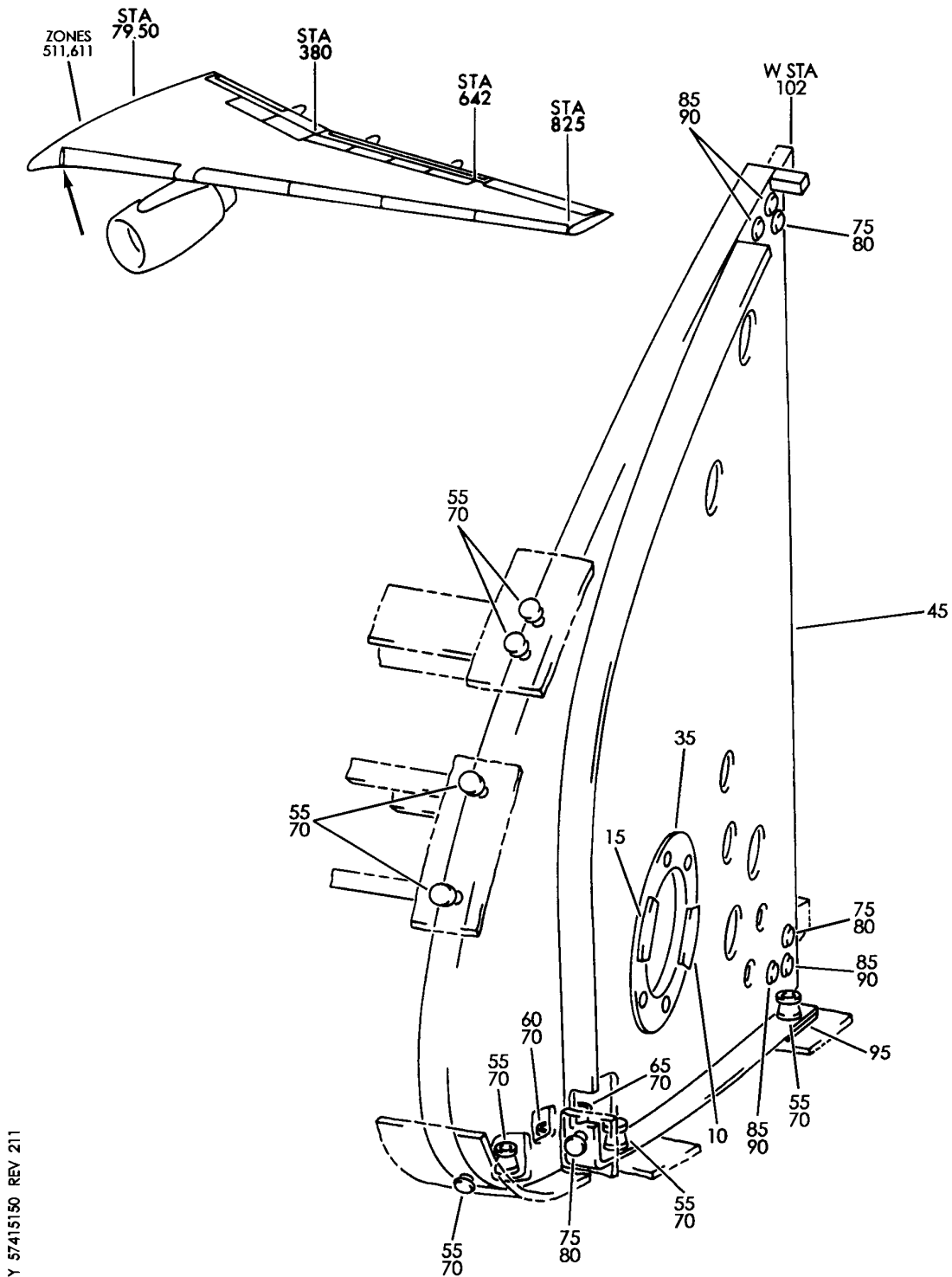
BRI

57-41-51-45

BOEING PROPRIETARY - Copyright © - Unpublished Work - See title page for details.

57-41-51
FIG. 45
PAGE 2
JAN 20/09

BOEING
757
PARTS CATALOG (MAINTENANCE)



Y 57415150 REV 211

RIB INSTL- WING LE INBD ISS 106.0 SEAL
FIGURE 50

57-41-51-50

BRI
MAY 28/07

57-41-51-50
PAGE 0



757

PARTS CATALOG (MAINTENANCE)

FIG ITEM	PART NUMBER	1 2 3 4 5 6 7	NOMENCLATURE	EFFECT FROM TO	UNITS PER ASSY
50			RIB INSTL- WING LE INBD ISS 106.0 SEAL	002004 006999	
- 1	114N1303-1		RIB INSTL-WING LE SEAL POSITION DATA: INBD ISS 106.0 LH FOR NHA SEE: 57-40-00-01	002004 006100 107107 121503 904999	RF
- 1	114N1303-403		RIB INSTL-WING LE SEAL POSITION DATA: INBD ISS 106.0 LH FOR NHA SEE: 57-00-00-10	101102 108120 504903	RF
- 1	MODREF1768		RIB INSTL-WING LE SEAL MODULE NUMBER: 114N1303-301 REV A POSITION DATA: INBD ISS 106.0 LH	103103	1
- 1	MODREF26645		RIB INSTL-WING LE SEAL MODULE NUMBER: 114N1303-301 REV B POSITION DATA: INBD ISS 106.0 LH	104106	1
- 5	114N1303-2		RIB INSTL-WING LE SEAL POSITION DATA: INBD ISS 106.0 RH FOR NHA SEE: 57-40-00-01	002004 006100 107107 121503 904999	RF
- 5	114N1303-404		RIB INSTL-WING LE SEAL POSITION DATA: INBD ISS 106.0 RH FOR NHA SEE: 57-00-00-10	101102 108120 504903	RF
- 5	MODREF1769		RIB INSTL-WING LE SEAL MODULE NUMBER: 114N1303-302 REV A POSITION DATA: INBD ISS 106.0 RH	103103	1
- 5	MODREF26646		RIB INSTL-WING LE SEAL MODULE NUMBER: 114N1303-302 REV B POSITION DATA: INBD ISS 106.0 RH	104106	1
10	212N3057-10		.BRACKET	002004 006106 108999	1
10	212N3057-9		.BRACKET	107107	1
15	212N3057-9		.BRACKET	002004 006106 108999	1

MISSING ITEM NUMBERS NOT APPLICABLE

- ITEM NOT ILLUSTRATED

57-41-51-50

57-41-51
FIG. 50
PAGE 1
JAN 20/09

BRI



757

PARTS CATALOG (MAINTENANCE)

FIG ITEM	PART NUMBER	1 2 3 4 5 6 7	NOMENCLATURE	EFFECT FROM TO	UNITS PER ASSY
50					
15	212N3057-10		.BRACKET ATTACHING PARTS	107107	1
- 20	BACB30VF3K4		.BOLT	002004 006999	4
- 25	AN9603C		.WASHER	002004 006100 107107 121503 904999	4
- 25	NAS1149C0363R		.WASHER	101106 108120 504903	4
- 30	PLH53CD		.NUT SUPPLIER CODE: VF0224 SPECIFICATION NUMBER: BACN10YR3CD OPTIONAL PART: H52732-3CD V15653 -----*-----	002004 006999	4
35	212N3057-7		.DOUBLER- POSITION DATA: LH OPTIONAL PART: 212N3057-11	101120 504903	1
35	212N3057-11		.DOUBLER- POSITION DATA: LH OPTIONAL PART: 212N3057-7	002004 006999	1
- 37	212N3057-7		.DOUBLER- POSITION DATA: RH OPTIONAL PART: 212N3057-11	002004 006999	1
- 37	212N3057-11		.DOUBLER- POSITION DATA: RH OPTIONAL PART: 212N3057-7	002004 006999	1
- 40	BACR15CE6D		ATTACHING PARTS .RIVET- SIZE DETERMINED ON INSTL. -----*-----	002004 006999	4

MISSING ITEM NUMBERS NOT APPLICABLE

- ITEM NOT ILLUSTRATED

57-41-51-50

57-41-51
FIG. 50
PAGE 2
JAN 20/09

BRI



757

PARTS CATALOG (MAINTENANCE)

FIG ITEM	PART NUMBER	1 2 3 4 5 6 7	NOMENCLATURE	EFFECT FROM TO	UNITS PER ASSY
50					
45	114N1304-25	.RIB-SEAL	POSITION DATA:	002004	1
			LH SIDE	006011	
			OPTIONAL PART:	107107	
			114N1304-23	121503	
45	114N1304-27	.RIB-SEAL	POSITION DATA:	904999	1
			LH SIDE	012100	
45	114N1304-23	.RIB-SEAL	POSITION DATA:	002004	1
			LH SIDE	006011	
			OPTIONAL PART:	107107	
			114N1304-25	121503	
45	114N1304-37	.RIB-SEAL	POSITION DATA:	904999	1
			LH SIDE	101106	
- 50	114N1304-26	.RIB-SEAL	POSITION DATA:	108120	1
			RH SIDE	504903	
			OPTIONAL PART:	002004	1
			114N1304-24	006011	
- 50	114N1304-28	.RIB-SEAL	POSITION DATA:	107107	1
			RH SIDE	121503	
- 50	114N1304-24	.RIB-SEAL	POSITION DATA:	904999	1
			RH SIDE	012100	
			OPTIONAL PART:	002004	1
			114N1304-26	006011	
- 50	114N1304-38	.RIB-SEAL	POSITION DATA:	107107	1
			RH SIDE	121503	
			OPTIONAL PART:	904999	
			114N1304-26	101106	
			RH SIDE	108120	
				504903	

MISSING ITEM NUMBERS NOT APPLICABLE

- ITEM NOT ILLUSTRATED

57-41-51-50

57-41-51
FIG. 50
PAGE 3
JAN 20/09

BRI

BOEING PROPRIETARY - Copyright © - Unpublished Work - See title page for details.



757

PARTS CATALOG (MAINTENANCE)

FIG ITEM	PART NUMBER	1 2 3 4 5 6 7	NOMENCLATURE	EFFECT FROM TO	UNITS PER ASSY
50			ATTACHING PARTS		
55	HL11VAZ6-4		.BOLT SUPPLIER CODE: V60516 SPECIFICATION NUMBER: BACB30NW6K4 OPTIONAL PART: B30NW6K4 V97928 HL11VAZ6-4 V73197 HL11VAZ6-4 V92215 HL11VAZ6-4 V97928 L803-6K4 V06725 HL11VAZ6-4 VOPTK6 HL11VAZ6-4 V56878	002004 006100 107107 121503 904999	8
55	HST11AG6-4		.BOLT SUPPLIER CODE: V06725 SPECIFICATION NUMBER: BACB30VU6K4 OPTIONAL PART: HST11AG6-4 V73197 HST11AG6-4 VOPTK6 HST11AG6-4 V56878	101106 108120 504903	8

MISSING ITEM NUMBERS NOT APPLICABLE

- ITEM NOT ILLUSTRATED

57-41-51-50

57-41-51
FIG. 50
PAGE 4
JAN 20/09

BRI



757

PARTS CATALOG (MAINTENANCE)

FIG ITEM	PART NUMBER	1 2 3 4 5 6 7	NOMENCLATURE	EFFECT FROM TO	UNITS PER ASSY
50	HL11VAZ6-3		.BOLT SUPPLIER CODE: V60516 SPECIFICATION NUMBER: BACB30NW6K3 OPTIONAL PART: B30NW6K3 V97928 HL11VAZ6-3 V73197 HL11VAZ6-3 V92215 HL11VAZ6-3 V97928 L803-6K3 V06725 HL11VAZ6-3 VOPTK6 HL11VAZ6-3 V56878	002004 006100 107107 121503 904999	1
60					
60	HST10AG6-6		.BOLT SUPPLIER CODE: VOPTK6 SPECIFICATION NUMBER: BACB30VT6K6 OPTIONAL PART: HST10AG6-6 V06725 HST10AG6-6 V56878 HST10AG6-6 V73197 WC10K6-6 V60516	101106 108120 504903	1

MISSING ITEM NUMBERS NOT APPLICABLE

- ITEM NOT ILLUSTRATED

57-41-51-50

57-41-51
 FIG. 50
 PAGE 5
 JAN 20/09

BRI



757

PARTS CATALOG (MAINTENANCE)

FIG ITEM	PART NUMBER	1 2 3 4 5 6 7	NOMENCLATURE	EFFECT FROM TO	UNITS PER ASSY
50					
65	HL11VAZ6-4	.BOLT	SUPPLIER CODE: V60516 SPECIFICATION NUMBER: BACB30NW6K4 OPTIONAL PART: B30NW6K4 V97928 HL11VAZ6-4 V73197 HL11VAZ6-4 V92215 HL11VAZ6-4 V97928 L803-6K4 V06725 HL11VAZ6-4 VOPTK6 HL11VAZ6-4 V56878	002004 006100 107107 121503 904999	1
65	HST10AG6-4	.BOLT	SUPPLIER CODE: V06725 SPECIFICATION NUMBER: BACB30VT6K4 OPTIONAL PART: HST10AG6-4 V73197 HST10AG6-4 V56878 HST10AG6-4 VOPTK6 WC10K6-4 V60516	101106 108120 504903	1
70	HL79-6	.COLLAR	SUPPLIER CODE: V5M902 SPECIFICATION NUMBER: BACC30M6 OPTIONAL PART: HL79-6 V73197 HL79-6 V92215 66014-6 V56878 HL79-6 V56878	002004 006100 107107 121503 904999	10

MISSING ITEM NUMBERS NOT APPLICABLE

- ITEM NOT ILLUSTRATED

57-41-51-50

57-41-51
FIG. 50
PAGE 6
JAN 20/09

BRI



757

PARTS CATALOG (MAINTENANCE)

FIG ITEM	PART NUMBER	1 2 3 4 5 6 7	NOMENCLATURE	EFFECT FROM TO	UNITS PER ASSY
50					
75	L8006K7	.	BOLT SUPPLIER CODE: V06725 SPECIFICATION NUMBER: BACB30MY6K7	002004 006100 107107 121503 904999	3
75	HST10AG6-7	.	BOLT SUPPLIER CODE: VOPTK6 SPECIFICATION NUMBER: BACB30VT6K7 OPTIONAL PART: HST10AG6-7 V06725 HST10AG6-7 V56878 HST10AG6-7 V73197 WC10K6-7 V60516	101106 108120 504903	3
80	HL79-6	.	COLLAR SUPPLIER CODE: V5M902 SPECIFICATION NUMBER: BACC30M6 OPTIONAL PART: HL79-6 V73197 HL79-6 V92215 66014-6 V56878 HL79-6 V56878	002004 006100 107107 121503 904999	3
85	L8008K7	.	BOLT SUPPLIER CODE: V06725 SPECIFICATION NUMBER: BACB30MY8K7	002004 006100 107107 121503 904999	4

MISSING ITEM NUMBERS NOT APPLICABLE

- ITEM NOT ILLUSTRATED

BRI

57-41-51-50

BOEING PROPRIETARY - Copyright © - Unpublished Work - See title page for details.

57-41-51
FIG. 50
PAGE 7
JAN 20/09



757

PARTS CATALOG (MAINTENANCE)

FIG ITEM	PART NUMBER	1 2 3 4 5 6 7	NOMENCLATURE	EFFECT FROM TO	UNITS PER ASSY
50					
85	HST10AG8-7	.	BOLT SUPPLIER CODE: VOPTK6 SPECIFICATION NUMBER: BACB30VT8K7 OPTIONAL PART: HST10AG8-7 V06725 HST10AG8-7 V56878 HST10AG8-7 V73197 WC10K8-7 V60516	101106 108120 504903	4
90	HL79-8	.	COLLAR SUPPLIER CODE: V5M902 SPECIFICATION NUMBER: BACC30M8 OPTIONAL PART: HL79-8 V73197 HL79-8 V92215 66014-8 V56878 HL79-8 V56878	002004 006100 107107 121503 904999	4
95	114N1303-3	-----*	. FILLER-RADIUS	002004 006999	1

MISSING ITEM NUMBERS NOT APPLICABLE

- ITEM NOT ILLUSTRATED

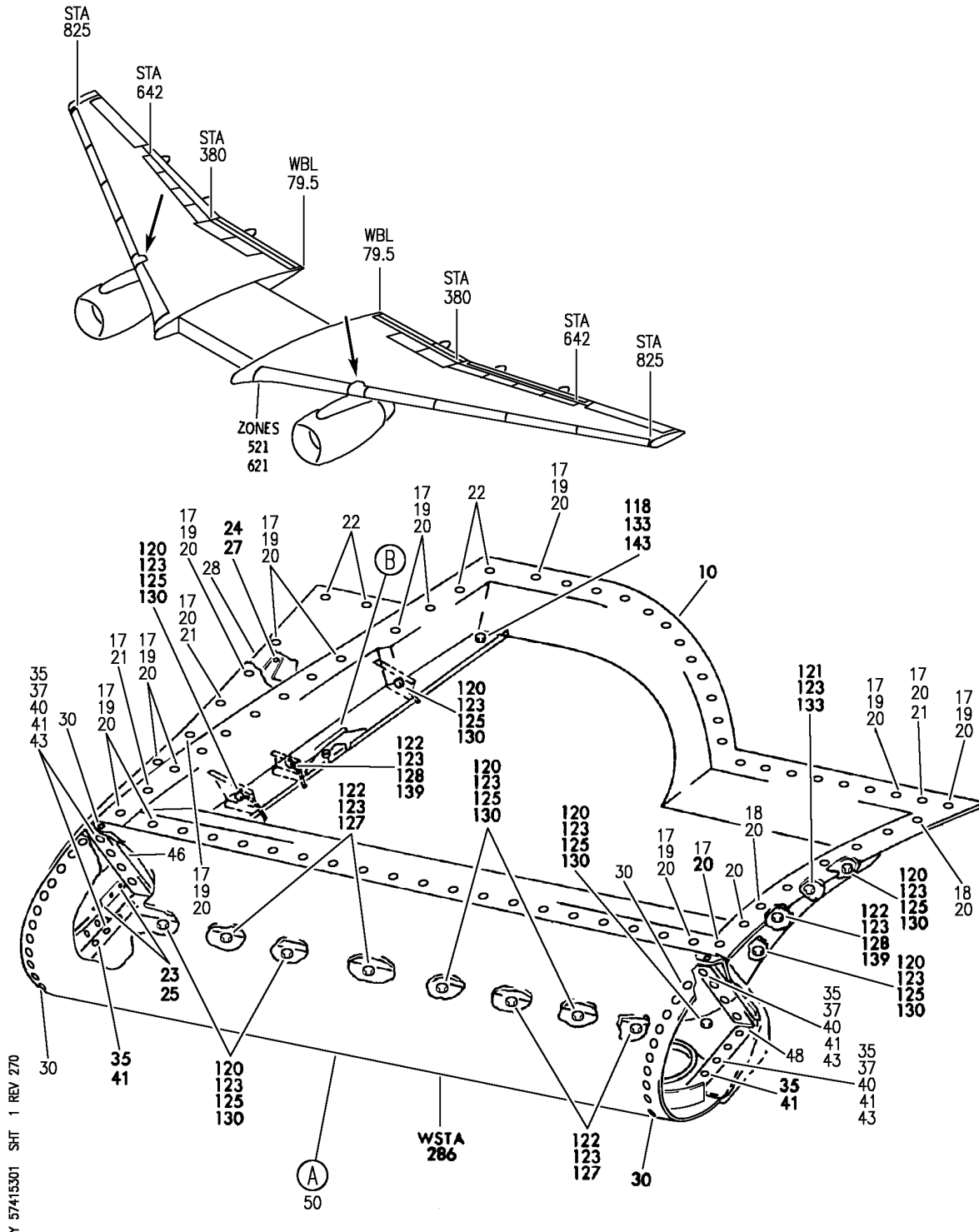
BRI

57-41-51-50

BOEING PROPRIETARY - Copyright © - Unpublished Work - See title page for details.

57-41-51
FIG. 50
PAGE 8
JAN 20/09

BOEING
757
PARTS CATALOG (MAINTENANCE)



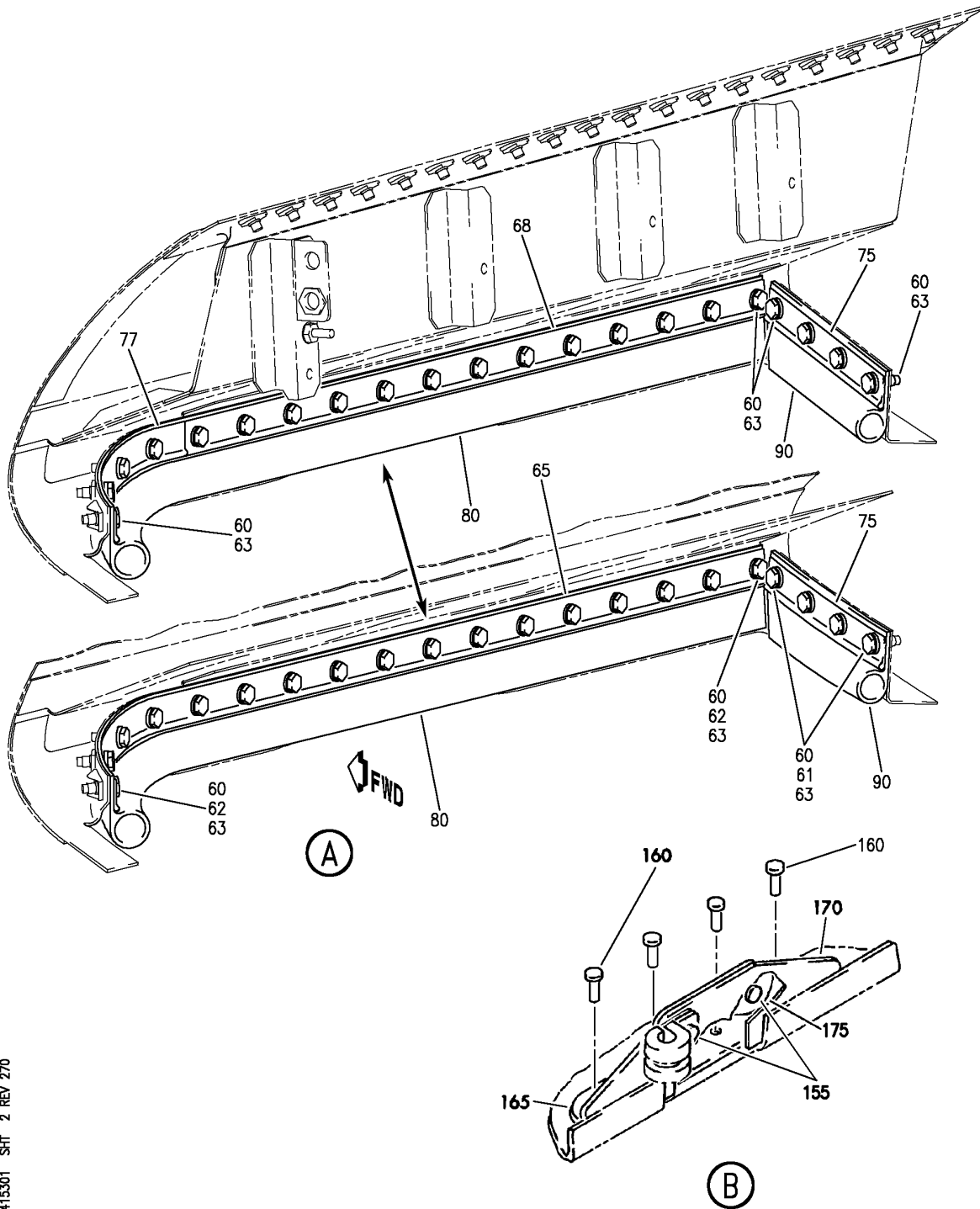
COVER INSTL-WING LE GAP
FIGURE 1 (SHEET 1)

57-41-53-01

BRI
MAY 28/07

57-41-53-01
PAGE 0

BOEING
757
PARTS CATALOG (MAINTENANCE)



Y 57415301 SHT 2 REV 270

COVER INSTL-WING LE GAP
FIGURE 1 (SHEET 2)

57-41-53-01

BRI
MAY 28/07

57-41-53-01
PAGE 0A



757

PARTS CATALOG (MAINTENANCE)

FIG ITEM	PART NUMBER	1 2 3 4 5 6 7	NOMENCLATURE	EFFECT FROM TO	UNITS PER ASSY
1			COVER INSTL-WING LE GAP	002004 006999	
- 1	114N1801-1		COVER INSTL-WING LE GAP POSITION DATA: LH FOR NHA SEE: 57-40-00-01	002004 006100 107107 121503 904999	RF
- 1	114N1801-403		COVER INSTL-WING LE GAP POSITION DATA: LH FOR NHA SEE: 57-00-00-10	101101	RF
- 1	114N1801-407		COVER INSTL-WING LE GAP POSITION DATA: LH FOR NHA SEE: 57-00-00-10	102102 108120 504903	RF
- 1	MODREF1965		COVER INSTL-WING LE GAP MODULE NUMBER: 114N1801-307 REV A POSITION DATA: LH	103105	1
- 1	MODREF30017		COVER INSTL-WING LE GAP MODULE NUMBER: 114N1801-309 REV C POSITION DATA: LH	106106	1
- 5	114N1801-2		COVER INSTL-WING LE GAP POSITION DATA: RH FOR NHA SEE: 57-40-00-01	002004 006100 107107 121503 904999	RF
- 5	114N1801-404		COVER INSTL-WING LE GAP POSITION DATA: RH FOR NHA SEE: 57-00-00-10	101101	RF
- 5	114N1801-408		COVER INSTL-WING LE GAP POSITION DATA: RH FOR NHA SEE: 57-00-00-10	102102 108120 504903	RF
- 5	MODREF1966		COVER INSTL-WING LE GAP MODULE NUMBER: 114N1801-308 REV A POSITION DATA: RH	103105	1

MISSING ITEM NUMBERS NOT APPLICABLE

- ITEM NOT ILLUSTRATED

57-41-53-01

57-41-53
FIG. 01
PAGE 1
JAN 20/09

BRI



757

PARTS CATALOG (MAINTENANCE)

FIG ITEM	PART NUMBER	1 2 3 4 5 6 7	NOMENCLATURE	EFFECT FROM TO	UNITS PER ASSY
1					
- 5	MODREF30037		COVER INSTL-WING LE GAP MODULE NUMBER: 114N1801-310 REV C POSITION DATA: RH	106106	1
10	114N1807-9		.PANEL ASSY- POSITION DATA: LH SIDE	002004 006010 107107 121503 904999	1
10	114N1807-11		.PANEL ASSY- POSITION DATA: LH SIDE	002004 006010 107107 121503 904999	1
10	114N1807-13		.PANEL ASSY- POSITION DATA: LH SIDE	002004 006102 107999	1
10	114N1807-17		.PANEL ASSY- POSITION DATA: LH SIDE	002004 006010 103107 121503 904999	1
- 15	114N1807-10		.PANEL ASSY- POSITION DATA: RH SIDE	002004 006010 107107 121503 904999	1
- 15	114N1807-12		.PANEL ASSY- POSITION DATA: RH SIDE	002004 006010 107107 121503 904999	1
- 15	114N1807-14		.PANEL ASSY- POSITION DATA: RH SIDE	002004 006102 107999	1
- 15	114N1807-18		.PANEL ASSY- POSITION DATA: RH SIDE	002004 006010 103107 121503 904999	1
			ATTACHING PARTS		
17	BACB30NN3K5		.BOLT	103105	57
18	BACB30NN3K4		.BOLT	103106	6
19	BACB30NN3K5		.BOLT	106106	54
20	BACB30NN3K5		.BOLT	002004 006102 107999	64
21	BACB30LH3-5		.BOLT	106106	3

MISSING ITEM NUMBERS NOT APPLICABLE

- ITEM NOT ILLUSTRATED

57-41-53-01

57-41-53
FIG. 01
PAGE 2
JAN 20/09

BRI

BOEING PROPRIETARY - Copyright © - Unpublished Work - See title page for details.

BOEING
757
PARTS CATALOG (MAINTENANCE)

FIG ITEM	PART NUMBER	1 2 3 4 5 6 7	NOMENCLATURE	EFFECT FROM TO	UNITS PER ASSY
1	22	BACB30NN4K12	.BOLT	002004 006999	4
	23	L8006K4	.BOLT- -----*----- SUPPLIER CODE: V06725 SPECIFICATION NUMBER: BACB30MY6K4	002004 006102 107999	3
	24	HL1012AZ6-4	.BOLT SUPPLIER CODE: V97928 SPECIFICATION NUMBER: BACB30NX6K4 OPTIONAL PART: HL12VAZ6-4 V73197 HL12VAZ6-4 V92215 HL12VAZ6-4 V97928 L802-6K4 V06725 HL12VAZ6-4 V56878 HL1012AZ6-4 VOPTK6 HL1012AZ6-4 V06725 HL1012AZ6-4 V06950 HL1012AZ6-4 V17446 HL1012AZ6-4 V56878 HL1012AZ6-4 V60516 HL1012AZ6-4 V73197	002004 006999	1

MISSING ITEM NUMBERS NOT APPLICABLE

— ITEM NOT ILLUSTRATED

BRI

57-41-53-01

BOEING PROPRIETARY - Copyright © - Unpublished Work - See title page for details.

57-41-53
FIG. 01
PAGE 3
JAN 20/09



757

PARTS CATALOG (MAINTENANCE)

FIG ITEM	PART NUMBER	1 2 3 4 5 6 7	NOMENCLATURE	EFFECT FROM TO	UNITS PER ASSY
1	25 HL79-6		.COLLAR- SUPPLIER CODE: V5M902 SPECIFICATION NUMBER: BACC30M6 OPTIONAL PART: HL79-6 V73197 HL79-6 V92215 66014-6 V56878 HL79-6 V56878	002004 006102 107999	3
	27 BRH10A3		.NUT- SUPPLIER CODE: V52828 SPECIFICATION NUMBER: BACN10JC3 OPTIONAL PART: H10-3BAC V15653 NS202101-02 V80539 RMLH9075-3W V72962 VN303A02 V92215 96-02 V80539 T6S1032J V11815	002004 006102 107999	1
	28 114N1809-13		.CHANNEL-SEAL POSITION DATA: LH SIDE	106106	1
	28 114N1809-9		.CHANNEL-SEAL POSITION DATA: LH SIDE	107107 904949 952952	1
	28 114N1809-11		.CHANNEL-SEAL POSITION DATA: LH SIDE	002004 006105 108903 950951 953999	1
-	29 114N1809-10		.CHANNEL-SEAL POSITION DATA: RH SIDE	107107 904949 952952	1

MISSING ITEM NUMBERS NOT APPLICABLE

- ITEM NOT ILLUSTRATED

57-41-53-01

57-41-53
FIG. 01
PAGE 4
JAN 20/09

BRI



757

PARTS CATALOG (MAINTENANCE)

FIG ITEM	PART NUMBER	1 2 3 4 5 6 7	NOMENCLATURE	EFFECT FROM TO	UNITS PER ASSY
1					
- 29	114N1809-12		.CHANNEL-SEAL POSITION DATA: RH SIDE	002004 006105 108903 950951 953999	1
- 29	114N1809-14		.CHANNEL-SEAL POSITION DATA: RH SIDE	106106	1
30	BACB30NN3K5		.BOLT	002004 006999	25
37	BACB30NM3K5		.BOLT	002004 006999	14
40	BACW10BN3AC		.WASHER-	103106	14
40	NAS1149D0332J		.WASHER	101102 108120 504903	14
40	AN960KD10L		.WASHER	002004 006100 107107 121503 904999	14
43	BRFR220C3-3D		.NUTPLATE SUPPLIER CODE: V52828 SPECIFICATION NUMBER: BACN10KE3B3CD OPTIONAL PART: F51747-3-3CD V15653 102A9213-3-3 V72962 NS202493-02-3 V80539 ATTACHING PARTS	106106	14
- 45	BACR15BA3ADC		.RIVET -----*-----	106106	28
46	114N1801-3		.SHIM	002004 006999	1
48	114N1801-5		.SHIM	002004 006999	1
49	114N1801-7		.SHIM	002004 006105 107999	1
50	114N1804-25		.BEAM ASSY-NOSE GAP COVER POSITION DATA: LH SIDE	002004 006100 107107 121503 904999	1

MISSING ITEM NUMBERS NOT APPLICABLE

- ITEM NOT ILLUSTRATED

57-41-53-01

57-41-53
FIG. 01
PAGE 5
JAN 20/09

BRI

BOEING PROPRIETARY - Copyright © - Unpublished Work - See title page for details.



757

PARTS CATALOG (MAINTENANCE)

FIG ITEM	PART NUMBER	1 2 3 4 5 6 7	NOMENCLATURE	EFFECT FROM TO	UNITS PER ASSY
1					
50	114N1804-27		.BEAM ASSY-NOSE GAP COVER POSITION DATA: LH SIDE	002004 006011 107107 121503 904999	1
50	114N1804-33		.BEAM ASSY-NOSE GAP COVER POSITION DATA: LH SIDE	002004 006011 107107 121503 904999	1
50	114N1804-35		.BEAM ASSY-NOSE GAP COVER POSITION DATA: LH SIDE	012017	1
50	114N1804-37		.BEAM ASSY-NOSE GAP COVER POSITION DATA: LH SIDE	018100	1
50	114N1804-47		.BEAM ASSY-NOSE GAP COVER POSITION DATA: LH SIDE	103105	1
50	114N1804-43		.BEAM ASSY-NOSE GAP COVER POSITION DATA: LH SIDE	101102 108120 504903	1
- 55	114N1804-26		.BEAM ASSY-NOSE GAP COVER POSITION DATA: RH SIDE	002004 006100 107107 121503 904999	1
- 55	114N1804-28		.BEAM ASSY-NOSE GAP COVER POSITION DATA: RH SIDE	002004 006011 107107 121503 904999	1
- 55	114N1804-34		.BEAM ASSY-NOSE GAP COVER POSITION DATA: RH SIDE	002004 006010 107107 121503 904999	1
- 55	114N1804-36		.BEAM ASSY-NOSE GAP COVER POSITION DATA: RH SIDE	011017	1
- 55	114N1804-38		.BEAM ASSY-NOSE GAP COVER POSITION DATA: RH SIDE	018100	1
- 55	114N1804-48		.BEAM ASSY-NOSE GAP COVER POSITION DATA: RH SIDE	103105	1
- 55	114N1804-44		.BEAM ASSY-NOSE GAP COVER POSITION DATA: RH SIDE	101102 108120 504903	1

MISSING ITEM NUMBERS NOT APPLICABLE

- ITEM NOT ILLUSTRATED

57-41-53-01

57-41-53
FIG. 01
PAGE 6
JAN 20/09

BRI



757

PARTS CATALOG (MAINTENANCE)

FIG ITEM	PART NUMBER	1 2 3 4 5 6 7	NOMENCLATURE	EFFECT FROM TO	UNITS PER ASSY
1	60 BACB30NM3K5		.. BOLT	002004 006999	21
	61 AN960D10		.. WASHER	002004 006102 107999	4
	62 AN960KD10		.. WASHER	002004 006102 107999	17
	65 114N1810-7		.. RETAINER-SEAL POSITION DATA: LH SIDE	002004 006100 103107 121503 904999	1
-	70 114N1810-8		.. RETAINER-SEAL POSITION DATA: RH SIDE	002004 006100 103107 121503 904999	1
	75 114N1810-3		.. RETAINER-SEAL	002004 006105 107999	1
	75 114N1810-9		.. RETAINER-SEAL	106106	1
	80 114N1812-5		.. SEAL- POSITION DATA: LH SIDE MANUFACTURED FROM: EXTR RUBBER 10-60754-417 X 31.0 IN. USED ON: 114N1804-49	002004 006999	1

MISSING ITEM NUMBERS NOT APPLICABLE

- ITEM NOT ILLUSTRATED

57-41-53-01

57-41-53
FIG. 01
PAGE 7
JAN 20/09

BRI



757

PARTS CATALOG (MAINTENANCE)

FIG ITEM	PART NUMBER	1 2 3 4 5 6 7	NOMENCLATURE	EFFECT FROM TO	UNITS PER ASSY
1 80	114N1812-1		..SEAL- POSITION DATA: LH SIDE MANUFACTURED FROM: EXTR RUBBER 10-60754-417 X 31.0 IN. USED ON: 114N1804-21 114N1804-23 114N1804-25 114N1804-27 114N1804-33 114N1804-35 114N1804-37 114N1804-39 114N1804-41 114N1804-43 114N1804-45 114N1804-47	002004 006999	1
- 85	114N1812-6		..SEAL- POSITION DATA: RH SIDE MANUFACTURED FROM: EXTR RUBBER 10-60754-417 X 31.0 IN. USED ON: 114N1804-50	002004 006999	1
- 85	114N1812-2		..SEAL- POSITION DATA: RH SIDE MANUFACTURED FROM: EXTR RUBBER 10-60754-417 X 31.0 IN. USED ON: 114N1804-22 114N1804-24 114N1804-26 114N1804-28 114N1804-34 114N1804-36 114N1804-38 114N1804-40 114N1804-42 114N1804-44 114N1804-46 114N1804-48	002004 006999	1

MISSING ITEM NUMBERS NOT APPLICABLE

- ITEM NOT ILLUSTRATED

57-41-53-01

57-41-53
FIG. 01
PAGE 8
JAN 20/09

BRI



757

PARTS CATALOG (MAINTENANCE)

FIG ITEM	PART NUMBER	1 2 3 4 5 6 7	NOMENCLATURE	EFFECT FROM TO	UNITS PER ASSY
1 90	114N1812-3		..SEAL- POSITION DATA: LH SIDE MANUFACTURED FROM: EXTR RUBBER 10-60754-417 X 5.7 IN. USED ON: 114N1804-21 114N1804-23 114N1804-25 114N1804-27 114N1804-33 114N1804-35 114N1804-37 114N1804-39 114N1804-41 114N1804-43 114N1804-45 114N1804-47	002004 006999	1
90	114N1812-7		..SEAL- POSITION DATA: LH SIDE MANUFACTURED FROM: EXTR RUBBER 10-60754-417 X 5.7 IN. USED ON: 114N1804-49	002004 006999	1
- 95	114N1812-4		..SEAL- POSITION DATA: RH SIDE MANUFACTURED FROM: EXTR RUBBER 10-60754-417 X 5.7 IN. USED ON: 114N1804-22 114N1804-24 114N1804-26 114N1804-28 114N1804-34 114N1804-38 114N1804-40 114N1804-42 114N1804-44 114N1804-46 114N1804-48	002004 006999	1

MISSING ITEM NUMBERS NOT APPLICABLE

- ITEM NOT ILLUSTRATED

57-41-53-01

57-41-53
FIG. 01
PAGE 9
JAN 20/09

BRI



757

PARTS CATALOG (MAINTENANCE)

FIG ITEM	PART NUMBER	1 2 3 4 5 6 7	NOMENCLATURE	EFFECT FROM TO	UNITS PER ASSY
1					
- 95	114N1812-8	..	SEAL- POSITION DATA: RH SIDE MANUFACTURED FROM: EXTR RUBBER 10-60754-417 X 5.7 IN. USED ON: 114N1804-50	002004 006999	1
100	114N1806-5	..	SUPPORT-SEAL POSITION DATA: LH SIDE	002004 006105 107999	1
103	114N1806-23	..	SUPPORT ASSY-SEAL POSITION DATA: LH SIDE	106106	1
- 105	114N1806-6	..	SUPPORT-SEAL POSITION DATA: RH SIDE	002004 006105 107999	1
- 107	114N1806-24	..	SUPPORT ASSY-SEAL POSITION DATA: RH SIDE	106106	1
118	BACB30LL3-3	.	BOLT	002004 006100 107107 121503 904999	1
121	NAS8703-3	.	SCREW-	101106 108120 504903	1
123	BACS12CK3-9	.	SCREW	002004 006999	16
127	NAS1149D0363J	.	WASHER	101102 108120 504903	17
127	NAS1149D0363H	.	WASHER	103106	17
130	NAS1149D0332J	.	WASHER	101102 108120 504903	9
130	NAS1149D0332H	.	WASHER	103106	9
133	NAS1149D0332J	.	WASHER	101102 108120 504903	11
133	NAS1149D0332H	.	WASHER	103106	11
137	AN960JD10L	.	WASHER	002004 006100 107107 121503 904999	17

MISSING ITEM NUMBERS NOT APPLICABLE

- ITEM NOT ILLUSTRATED

57-41-53-01

57-41-53
FIG. 01
PAGE 10
JAN 20/09

BRI

BOEING PROPRIETARY - Copyright © - Unpublished Work - See title page for details.

 **BOEING**
757
PARTS CATALOG (MAINTENANCE)

FIG ITEM	PART NUMBER	1 2 3 4 5 6 7	NOMENCLATURE	EFFECT FROM TO	UNITS PER ASSY
1 143	BRH10C3D	.	NUT SUPPLIER CODE: V52828 SPECIFICATION NUMBER: BACN10JC3CD OPTIONAL PART: T6C1032JCD V11815 NS202486-02 V80539 102LH9075-3W V72962 H51650-3BAC V15653	002004 006999	1
155	BACR15BA4ADC	.	RIVET- SIZE DETERMINED ON INSTL. OPTIONAL PART: BACR15FR4E3	002004 006999	2
155	BACR15FR4E3	.	RIVET- SIZE DETERMINED ON INSTL. OPTIONAL PART: BACR15BA4ADC	002004 006999	2
160	BACR15CE5D	.	RIVET- SIZE DETERMINED ON INSTL. OPTIONAL PART: BACR15FP5E4	002004 006105 107999	4
160	CR3252-5-4	.	RIVET- SUPPLIER CODE: V92215 SPECIFICATION NUMBER: BACR15FP5E4 SIZE DETERMINED ON INSTL. OPTIONAL PART: BACR15CE5D	002004 006105 107999	4
160	CR3252-5-4	.	RIVET- SUPPLIER CODE: V11815 SPECIFICATION NUMBER: BACR15FP5E4R OPTIONAL PART: AF3252-5-4B V53551 SIZE DETERMINED ON INSTL. BACR15GF5D4	106106	4
165	251N6122-10	.	FAIRLEAD- POSITION DATA: LH SIDE	002004 006999	1

MISSING ITEM NUMBERS NOT APPLICABLE

— ITEM NOT ILLUSTRATED

BRI

57-41-53-01

BOEING PROPRIETARY - Copyright © - Unpublished Work - See title page for details.

57-41-53
FIG. 01
PAGE 11
JAN 20/09



757

PARTS CATALOG (MAINTENANCE)

FIG ITEM	PART NUMBER	1 2 3 4 5 6 7	NOMENCLATURE	EFFECT FROM TO	UNITS PER ASSY
1					
170	251N6255-1		. SUPPORT- POSITION DATA: LH SIDE	002004 006999	1
175	251N6122-3		. FAIRLEAD- POSITION DATA: LH SIDE	002004 006999	1

MISSING ITEM NUMBERS NOT APPLICABLE

- ITEM NOT ILLUSTRATED

BRI

57-41-53-01

BOEING PROPRIETARY - Copyright © - Unpublished Work - See title page for details.

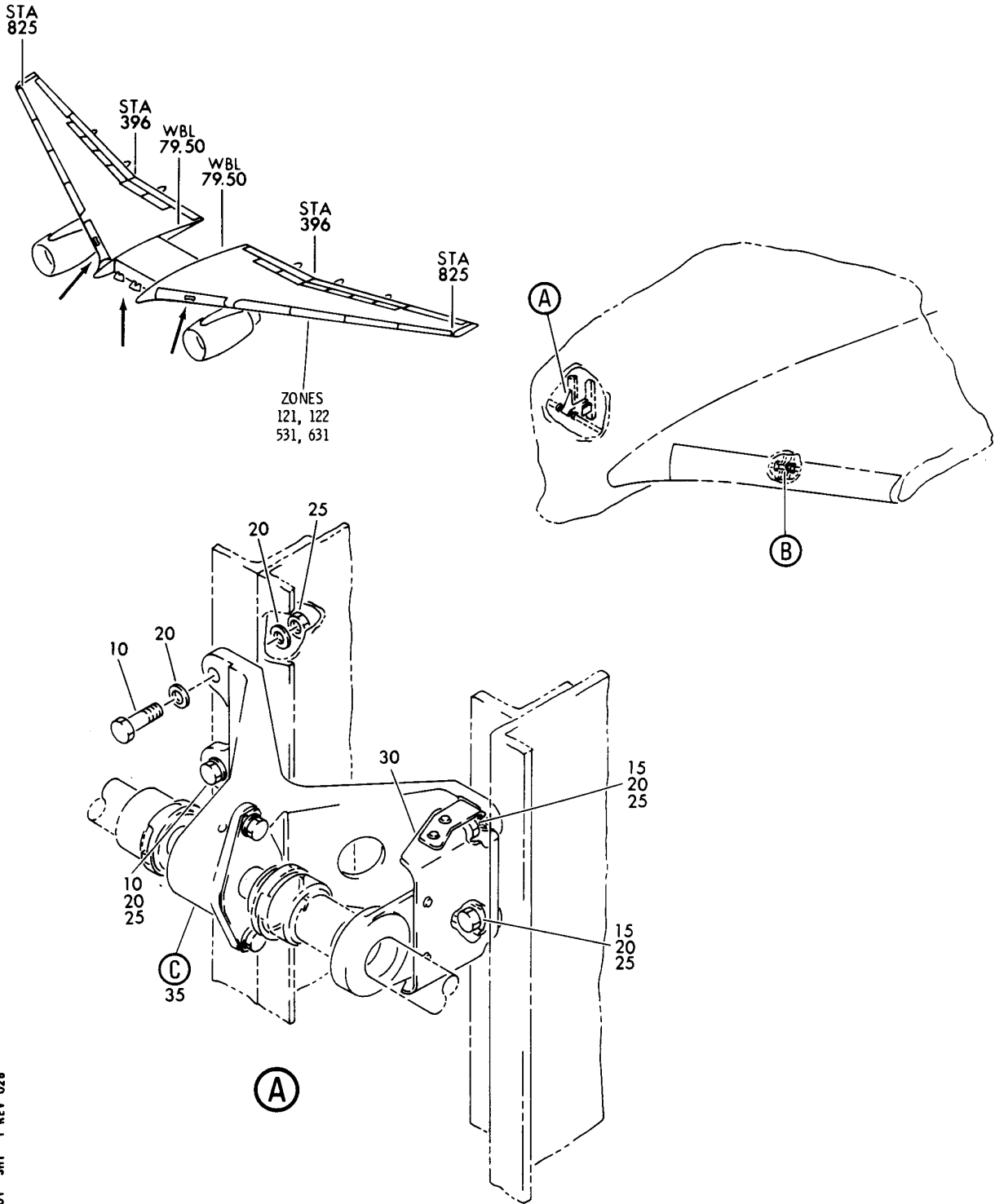
57-41-53
FIG. 01
PAGE 12
JAN 20/09

LEADING EDGE SLATS

BRI
MAY 28/07

57-43-00
SECTION TITLE
PAGE 1

BOEING
757
PARTS CATALOG (MAINTENANCE)



Y 57435201 SMT 1 REV 026

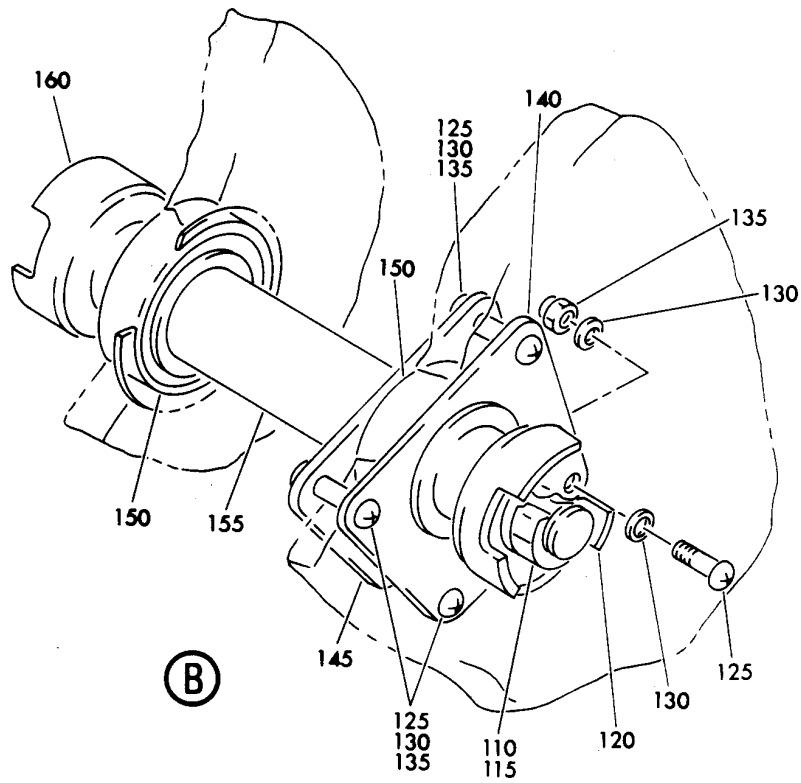
SUPPORT INSTL-LE SLAT DRIVE INBD RIB AND INNER BODY TORQUE TUBE
FIGURE 1 (SHEET 1)

57-43-52-01

BRI
MAY 28/07

57-43-52-01
PAGE 0

BOEING
757
PARTS CATALOG (MAINTENANCE)



Y 97438201 SMT 2 REV 005

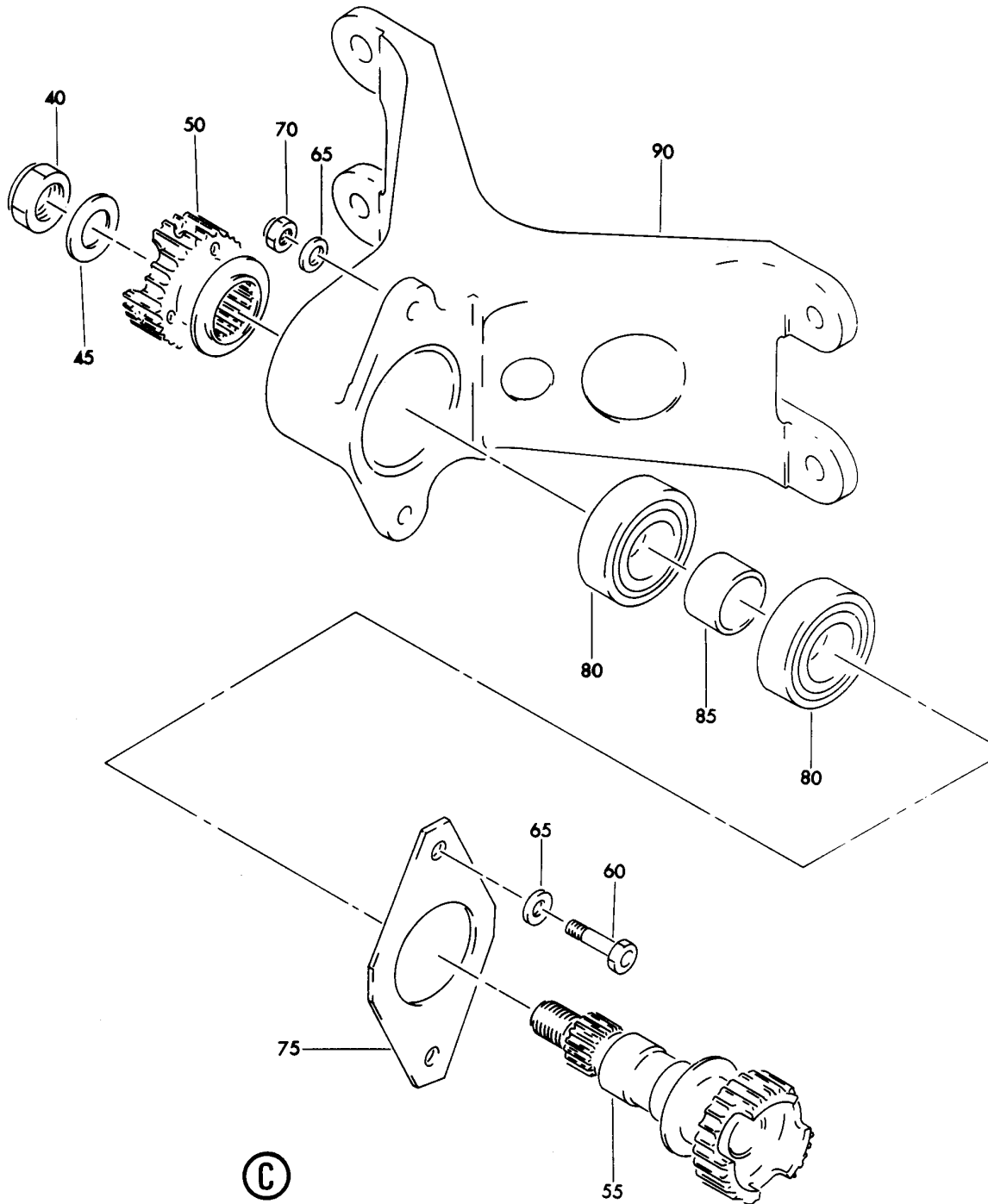
SUPPORT INSTL-LE SLAT DRIVE INBD RIB AND INNER BODY TORQUE TUBE
FIGURE 1 (SHEET 2)

57-43-52-01

BRI
MAY 28/07

57-43-52-01
PAGE 0A

BOEING
757
PARTS CATALOG (MAINTENANCE)



Y 57435201 SH1 3 REV 026

SUPPORT INSTL-LE SLAT DRIVE INBD RIB AND INNER BODY TORQUE TUBE
FIGURE 1 (SHEET 3)

57-43-52-01

BRI
MAY 28/07

57-43-52-01
PAGE 0B



757

PARTS CATALOG (MAINTENANCE)

FIG ITEM	PART NUMBER	1 2 3 4 5 6 7	NOMENCLATURE	EFFECT FROM TO	UNITS PER ASSY
1			SUPPORT INSTL-LE SLAT DRIVE INBD RIB AND INNER BODY TORQUE TUBE	002004 006999	
- 1	251N5005-1		SUPPORT INSTL-LE SLAT DRIVE RIB AND INNER BODY TORQUE TUBE POSITION DATA: INBD LH FOR NHA SEE: 27-81-20-02 27-80-00-01	002004 006102 107999	RF
- 1	MODREF7772		SUPPORT INSTL-LE SLAT DRIVE RIB AND INNER BODY TORQUE TUBE MODULE NUMBER: 251N5005-1 REV A POSITION DATA: INBD LH	103103	1
- 1	MODREF27539		SUPPORT INSTL-LE SLAT DRIVE RIB AND INNER BODY TORQUE TUBE MODULE NUMBER: 251N5005-1 REV B POSITION DATA: INBD LH	104106	1
- 5	251N5005-2		SUPPORT INSTL-LE SLAT DRIVE RIB AND INNER BODY TORQUE TUBE POSITION DATA: INBD RH FOR NHA SEE: 27-81-20-02 27-80-00-01	002004 006102 107999	RF
- 5	MODREF7773		SUPPORT INSTL-LE SLAT DRIVE RIB AND INNER BODY TORQUE TUBE MODULE NUMBER: 251N5005-2 REV A POSITION DATA: INBD RH	103103	1
- 5	MODREF27540		SUPPORT INSTL-LE SLAT DRIVE RIB AND INNER BODY TORQUE TUBE MODULE NUMBER: 251N5005-2 REV B POSITION DATA: INBD RH	104106	1
10	BACB30NR4K8		.BOLT	002004 006999	2

MISSING ITEM NUMBERS NOT APPLICABLE

- ITEM NOT ILLUSTRATED

57-43-52-01

57-43-52
FIG. 01
PAGE 1
JAN 20/09

BRI



757

PARTS CATALOG (MAINTENANCE)

FIG ITEM	PART NUMBER	1 2 3 4 5 6 7	NOMENCLATURE	EFFECT FROM TO	UNITS PER ASSY
1					
15	BACB30NR4K10	.	BOLT	002004 006999	2
20	AN960PD416L	.	WASHER	002004 006999	6
25	BRH10C4D	.	NUT	002004 006999	4
			SUPPLIER CODE: V52828		
			SPECIFICATION NUMBER: BACN10JC4CD		
			OPTIONAL PART: T6C428JCD		
			V11815		
			NS202486-048		
			V80539		
			102LH9075-4W		
			V72962		
			H51650-4BAC		
			V15653		
30	251N5107-10	.	BRACKET ASSY	002004 006999	1
35	251N5005-5	.	SUPPORT ASSY-	002004	1
			COMPONENT MAINT MANUAL REF: 27-81-90	006999	
40	BMN4122AD3-8	..	NUT	002004 006999	1
			SUPPLIER CODE: V97928		
			SPECIFICATION NUMBER: BACN10JC8		
			OPTIONAL PART: BMN4122A8		
			V85495		
			H10-8BAC		
			V15653		
			RMLH9074-8		
			V72962		
			48FT820		
			V56878		
45	AN960C816	..	WASHER	002004 006999	1
50	251N5092-2	..	COUPLING-HALF	002004 006999	1
55	251N5090-1	..	SHAFT-DRIVE	002004 006999	1
60	BACB30NR4K6	..	BOLT-DRIVE	002004 006999	2
65	AN960PD416L	..	WASHER	002004 006999	4

MISSING ITEM NUMBERS NOT APPLICABLE

- ITEM NOT ILLUSTRATED

57-43-52-01

57-43-52
FIG. 01
PAGE 2
JAN 20/09

BRI

BOEING PROPRIETARY - Copyright © - Unpublished Work - See title page for details.



757
PARTS CATALOG (MAINTENANCE)

FIG ITEM	PART NUMBER	1 2 3 4 5 6 7	NOMENCLATURE	EFFECT FROM TO	UNITS PER ASSY
1					
70	BRH10C4D	..	NUT SUPPLIER CODE: V52828 SPECIFICATION NUMBER: BACN10JC4CD OPTIONAL PART: T6C428JCD V11815 NS202486-048 V80539 102LH9075-4W V72962 H51650-4BAC V15653	002004 006999	2
75	69-16417-1	..	RETAINER-BRG	002004 006999	1
80	R9104PPA4298	..	BEARING SUPPLIER CODE: V21335 SPECIFICATION NUMBER: BACB10BA20PP OPTIONAL PART: LL104KSG20 V38443 LL104KS V38443 6004FTT V43991 9104LLT1C1-01 V21760 9104NPPFS428 V21335 993L04 V29337 PKTLL104P1 V78118 C104RRP0ZZ V40920 R9104PPA4298 V9V013 C104RRP1P28LY19 V40920 R9104PPA4298 V9V013	002004 006999	2
85	69-16417-5	..	SPACER	002004 006999	1
90	251N5085-1	..	SUPPORT-TORQUE TUBE	002004 006999	1

R
R
R
R
R
R
R
R
R
R
R
R
R
R
R
R
R
R
R
R
R
R
R

MISSING ITEM NUMBERS NOT APPLICABLE

- ITEM NOT ILLUSTRATED

57-43-52-01



757

PARTS CATALOG (MAINTENANCE)

FIG ITEM	PART NUMBER	1 2 3 4 5 6 7	NOMENCLATURE	EFFECT FROM TO	UNITS PER ASSY
1					
- 100	251N5005-3		SUPPORT INSTL-LE SLAT DRIVE RIB AND INNER BODY TORQUE TUBE POSITION DATA: INBD LH FOR NHA SEE: 27-81-20-02 27-80-00-01	002004 006102 107999	RF
- 100	MODREF7774		SUPPORT INSTL-LE SLAT DRIVE RIB AND INNER BODY TORQUE TUBE MODULE NUMBER: 251N5005-3 REV A POSITION DATA: INBD LH	103103	1
- 100	MODREF27541		SUPPORT INSTL-LE SLAT DRIVE RIB AND INNER BODY TORQUE TUBE MODULE NUMBER: 251N5005-3 REV B POSITION DATA: INBD LH	104106	1
- 105	251N5005-4		SUPPORT INSTL-LE SLAT DRIVE RIB AND INNER BODY TORQUE TUBE POSITION DATA: INBD RH FOR NHA SEE: 27-81-20-02 27-80-00-01	002004 006102 107999	RF
- 105	MODREF7775		SUPPORT INSTL-LE SLAT DRIVE RIB AND INNER BODY TORQUE TUBE MODULE NUMBER: 251N5005-4 REV A POSITION DATA: INBD RH	103103	1
- 105	MODREF27542		SUPPORT INSTL-LE SLAT DRIVE RIB AND INNER BODY TORQUE TUBE MODULE NUMBER: 251N5005-4 REV B POSITION DATA: INBD RH	104106	1
110	AN960D816		.WASHER	002004 006999	1

MISSING ITEM NUMBERS NOT APPLICABLE

- ITEM NOT ILLUSTRATED

57-43-52-01

57-43-52
FIG. 01
PAGE 4
JAN 20/09

BRI

BOEING PROPRIETARY - Copyright © - Unpublished Work - See title page for details.



757

PARTS CATALOG (MAINTENANCE)

FIG ITEM	PART NUMBER	1 2 3 4 5 6 7	NOMENCLATURE	EFFECT FROM TO	UNITS PER ASSY
1 115	BMN4122AD3-8	.NUT	SUPPLIER CODE: V97928 SPECIFICATION NUMBER: BACN10JC8 OPTIONAL PART: BMN4122A8 V85495 H10-8BAC V15653 RMLH9074-8 V72962 48FT820 V56878	002004 006999	1
120	251N5092-2	.COUPLING		002004 006999	1
125	BACB30NT3K14	.BOLT-		002004 006999	4
130	AN960PD10L	.WASHER		002004 006999	8
135	BRH10C3D	.NUT	SUPPLIER CODE: V52828 SPECIFICATION NUMBER: BACN10JC3CD OPTIONAL PART: T6C1032JCD V11815 NS202486-02 V80539 102LH9075-3W V72962 H51650-3BAC V15653	002004 006999	4
140	251N5097-1	.RETAINER		002004 006999	1
145	251N5097-2	.RETAINER		002004 006999	1

MISSING ITEM NUMBERS NOT APPLICABLE

- ITEM NOT ILLUSTRATED

BRI

57-43-52-01

BOEING PROPRIETARY - Copyright © - Unpublished Work - See title page for details.

57-43-52
FIG. 01
PAGE 5
JAN 20/09

 **BOEING**
757
PARTS CATALOG (MAINTENANCE)

FIG ITEM	PART NUMBER	1 2 3 4 5 6 7	NOMENCLATURE	EFFECT FROM TO	UNITS PER ASSY
R R R R R R R R R R R R R R R	150	R9104PPA4298	.BEARING SUPPLIER CODE: V21335 SPECIFICATION NUMBER: BACB10BA20PP OPTIONAL PART: LL104KSG20 V38443 LL104KS V38443 6004FTT V43991 9104LLT1C1-01 V21760 9104NPPFS428 V21335 993L04 V29337 PKTLL104P1 V78118 C104RRP0ZZ V40920 R9104PPA4298 V9V013 C104RRP1P28LY19 V40920 R9104PPA4298 V9V013	002004 006999	2
	155	69-16427-4	.SPACER	002004 006999	1
	160	251N5090-3	.SHAFT-DRIVE	002004 006999	1
	MISSING ITEM NUMBERS NOT APPLICABLE				

- ITEM NOT ILLUSTRATED

BRI

57-43-52-01

BOEING PROPRIETARY - Copyright © - Unpublished Work - See title page for details.

57-43-52
FIG. 01
PAGE 6
MAY 20/09

TRAILING EDGE AND TRAILING EDGE DEVICES

BRI
MAY 28/07

57-50-00
SECTION TITLE
PAGE 1

 **BOEING**
757
PARTS CATALOG (MAINTENANCE)

NON-ILLUSTRATED FIGURE

THE ITEMS REFLECTED IN THIS FIGURE ARE INTENTIONALLY
NON-ILLUSTRATED. THEY ARE REFERENCED TO EITHER A
NEXT HIGHER OR NEXT LOWER ASSEMBLY/INSTALLATION FIGURE.

STRUCTURE INSTL-WING FXD TE
FIGURE 1

57-50-00-01

BRI
MAY 28/07

57-50-00-01
PAGE 0



757

PARTS CATALOG (MAINTENANCE)

FIG ITEM	PART NUMBER	1 2 3 4 5 6 7	NOMENCLATURE	EFFECT FROM TO	UNITS PER ASSY
1			STRUCTURE INSTL-WING FXD TE	002004 006100 107107 121503 904999	
- 1	113N1000-1		STRUCTURE INSTL-WING FXD TE POSITION DATA: LH FOR NHA SEE: 57-20-52-01	002004 006100 107107 121503 904999	RF
- 5	113N1000-2		STRUCTURE INSTL-WING FXD TE POSITION DATA: RH FOR NHA SEE: 57-20-52-01	002004 006100 107107 121503 904999	RF
- 10	113N1610-1		.PANEL INSTL-TE POSITION DATA: UPR INBD LH FOR DETAILS SEE: 57-51-01-03	002004 006100 107107 121503 904999	1
- 15	113N1610-2		.PANEL INSTL-TE POSITION DATA: UPR INBD RH FOR DETAILS SEE: 57-51-01-03	002004 006100 107107 121503 904999	1
- 35	113N1620-21		.PANEL INSTL-TE POSITION DATA: INBD LH FOR DETAILS SEE: 57-51-01-04	002004 006100 107107 121503 904999	1
- 55	113N1620-22		.PANEL INSTL-TE POSITION DATA: LWR INBD RH FOR DETAILS SEE: 57-51-01-04	002004 006100 107107 121503 904999	1
- 65	113N1640-31		.PANEL INSTL-TE POSITION DATA: UPR OUTBD LH FOR DETAILS SEE: 57-51-01-05	107107 904949 952952	1
- 70	113N1640-41		.PANEL INSTL-TE POSITION DATA: UPR OUTBD LH FOR DETAILS SEE: 57-51-01-05	002004 006100 121503 950951 953999	1

MISSING ITEM NUMBERS NOT APPLICABLE

- ITEM NOT ILLUSTRATED

57-50-00-01

57-50-00
FIG. 01
PAGE 1
JAN 20/09

BRI



**757
PARTS CATALOG (MAINTENANCE)**

FIG ITEM	PART NUMBER	1 2 3 4 5 6 7	NOMENCLATURE	EFFECT FROM TO	UNITS PER ASSY
1					
- 80	113N1640-32		.PANEL INSTL-TE POSITION DATA: UPR OUTBD RH FOR DETAILS SEE: 57-51-01-05	107107 904949 952952	1
- 85	113N1640-42		.PANEL INSTL-TE POSITION DATA: UPR OUTBD RH FOR DETAILS SEE: 57-51-01-05	002004 006100 121503 950951 953999	1
- 105	113N1650-99		.PANEL INSTL-TE POSITION DATA: LWR OUTBD LH FOR DETAILS SEE: 57-51-01-06	002004 006100 107107 121503 904999	1
- 125	113N1650-100		.PANEL INSTL-TE POSITION DATA: LWR OUTBD RH FOR DETAILS SEE: 57-51-01-06	002004 006100 107107 121503 904999	1
- 130	113N1660-1		.SUPPORT INSTL-TE PNL POSITION DATA: OUTBD LH FOR DETAILS SEE: 57-51-01-08	002004 006100 107107 121503 904999	1
- 135	113N1660-2		.SUPPORT INSTL-TE PNL POSITION DATA: OUTBD RH FOR DETAILS SEE: 57-51-01-08	002004 006100 107107 121503 904999	1
- 140	113N1401-1		.SUPPORT INSTL-TE SPOILER NO. 6 POSITION DATA: LH FOR DETAILS SEE: 57-70-00-03	002004 006100 107107 121503 904999	1
- 145	113N1401-2		.SUPPORT INSTL-TE SPOILER NO. 6 POSITION DATA: RH FOR DETAILS SEE: 57-70-00-03	002004 006100 107107 121503 904999	1
- 150	113N1200-1		.SUPPORT INSTL- POSITION DATA: INBD MAIN FLAP OUTBD TRACK LH FOR DETAILS SEE: 57-53-51-05	002004 006100 107107 121503 904999	1

MISSING ITEM NUMBERS NOT APPLICABLE

- ITEM NOT ILLUSTRATED

57-50-00-01

57-50-00
FIG. 01
PAGE 2
JAN 20/09

BRI

 **BOEING**
757
PARTS CATALOG (MAINTENANCE)

FIG ITEM	PART NUMBER	1 2 3 4 5 6 7	NOMENCLATURE	EFFECT FROM TO	UNITS PER ASSY
1					
- 155	113N1200-2		.SUPPORT INSTL- POSITION DATA: INBD MAIN FLAP OUTBD TRACK RH FOR DETAILS SEE: 57-53-51-05	002004 006100 107107 121503 904999	1
- 160	113N1001-1		.BEAM INSTL-MLG POSITION DATA: LH FOR DETAILS SEE: 57-54-03-02	107107	1
- 165	113N1001-3		.BEAM INSTL-MLG POSITION DATA: LH FOR DETAILS SEE: 57-54-03-02	003004 006100 121503 904999	1
- 170	113N1001-2		.BEAM INSTL-MLG POSITION DATA: RH FOR DETAILS SEE: 57-54-03-02	107107	1
- 175	113N1001-4		.BEAM INSTL-MLG POSITION DATA: RH FOR DETAILS SEE: 57-54-03-02	003004 006100 121503 904999	1
- 195	113N1630-63		.SUPPORT INSTL-TE PNL POSITION DATA: INBD LH MISCELLANEOUS DATA: (REWORKED BY AD91-14-21) REWORK DRAWING REF: 113N1630-41 FOR DETAILS SEE: 57-51-01-07	107107	1
- 200	113N1630-65		.SUPPORT INSTL-TE PNL POSITION DATA: INBD LH FOR DETAILS SEE: 57-51-01-07	003004 006100 121503 904999	1
- 205	113N1630-79		.SUPPORT INSTL-TE PNL POSITION DATA: INBD LH FOR DETAILS SEE: 57-51-01-07	006100 950951 953999	1

MISSING ITEM NUMBERS NOT APPLICABLE

- ITEM NOT ILLUSTRATED

BRI

57-50-00-01

BOEING PROPRIETARY - Copyright © - Unpublished Work - See title page for details.

57-50-00
FIG. 01
PAGE 3
JAN 20/09



757

PARTS CATALOG (MAINTENANCE)

FIG ITEM	PART NUMBER	1 2 3 4 5 6 7	NOMENCLATURE	EFFECT FROM TO	UNITS PER ASSY
1					
- 225	113N1630-64		.SUPPORT INSTL-TE PNL POSITION DATA: INBD RH MISCELLANEOUS DATA: (REWORKED BY AD91-14-21) REWORK DRAWING REF: 113N1630-42 FOR DETAILS SEE: 57-51-01-07A	107107	1
- 230	113N1630-66		.SUPPORT INSTL-TE PNL POSITION DATA: INBD RH FOR DETAILS SEE: 57-51-01-07A	003004 006100 121503 904999	1
- 235	113N1630-80		.SUPPORT INSTL-TE PNL POSITION DATA: INBD RH FOR DETAILS SEE: 57-51-01-07A	006100 950951 953999	1
- 240	113N1802-1		.SUPPORT INSTL-MLG TRUN FAIRING POSITION DATA: LH FOR DETAILS SEE: 57-51-01-07A	002004 006100 107107 121503 904999	1
- 245	113N1802-2		.SUPPORT INSTL-MLG TRUN FAIRING POSITION DATA: RH FOR DETAILS SEE: 57-51-10-01	002004 006100 107107 121503 904999	1
- 255	113N8101-25		.SEAL INSTL-MLG STRUT DOOR POSITION DATA: LH FOR DETAILS SEE: 32-12-04-01	002004 006100 107107 121503 904999	1
- 265	113N8101-26		.SEAL INSTL-MLG STRUT DOOR POSITION DATA: RH FOR DETAILS SEE: 32-12-04-01	002004 006100 107107 121503 904999	1
- 285	113N1962-3		.DAM INSTL-AIR POSITION DATA: LH FOR DETAILS SEE: 57-51-01-11	002004 006100 107107 121503 904999	1

MISSING ITEM NUMBERS NOT APPLICABLE

- ITEM NOT ILLUSTRATED

57-50-00-01

57-50-00
FIG. 01
PAGE 4
JAN 20/09

BRI

BOEING PROPRIETARY - Copyright © - Unpublished Work - See title page for details.



757

PARTS CATALOG (MAINTENANCE)

FIG ITEM	PART NUMBER	1 2 3 4 5 6 7	NOMENCLATURE	EFFECT FROM TO	UNITS PER ASSY
1					
- 305	113N1962-4		.DAM INSTL-AIR POSITION DATA: RH FOR DETAILS SEE: 57-51-01-11	002004 006100 107107 121503 904999	1
- 310	113N1989-1		.PANEL INSTL-TE ACCESS POSITION DATA: LWR INBD LH FOR DETAILS SEE: 57-51-01-01	002004 006100 107107 121503 904999	1
- 315	113N1989-2		.PANEL INSTL-TE ACCESS POSITION DATA: LWR INBD RH FOR DETAILS SEE: 57-51-01-01	002004 006100 107107 121503 904999	1

MISSING ITEM NUMBERS NOT APPLICABLE

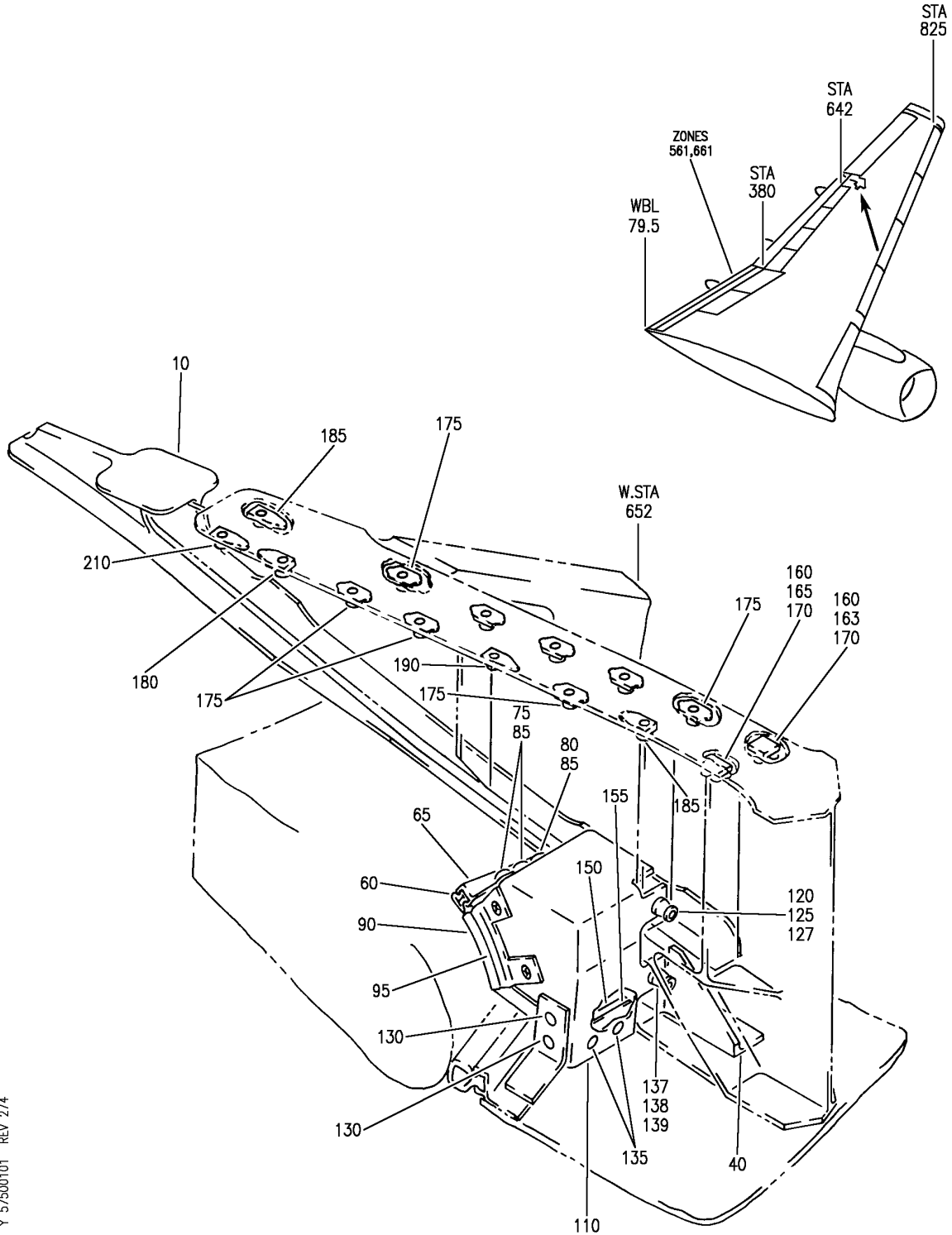
- ITEM NOT ILLUSTRATED

57-50-00-01

57-50-00
FIG. 01
PAGE 5
JAN 20/09

BRI

BOEING
757
PARTS CATALOG (MAINTENANCE)



Y 57500101 REV 274

RIB INSTL-WING TE OUTBD DEFLECTION
FIGURE 1

57-50-01-01

BRI
MAY 28/07

57-50-01-01
PAGE 0



757

PARTS CATALOG (MAINTENANCE)

FIG ITEM	PART NUMBER	1 2 3 4 5 6 7	NOMENCLATURE	EFFECT FROM TO	UNITS PER ASSY
1			RIB INSTL-WING TE OUTBD DEFLECTION	002004 006999	
- 1	113N1370-13		RIB INSTL-WING TE DEFLECTION POSITION DATA: OUTBD LH FOR NHA SEE: 57-20-52-01	002004 006100 107107 121503 904999	RF
- 1	113N1370-401		RIB INSTL-WING DEFLECTION TE POSITION DATA: OUTBD LH FOR NHA SEE: 57-00-00-05B	101102 108120 504903	RF
- 1	MODREF1259		RIB INSTL-WING DEFLECTION TE MODULE NUMBER: 113N1370-401 REV A POSITION DATA: OUTBD LH	103103	1
- 1	MODREF26545		RIB INSTL-WING DEFLECTION TE MODULE NUMBER: 113N1370-401 REV B POSITION DATA: OUTBD LH	104106	1
- 5	113N1370-14		RIB INSTL-WING TE DEFLECTION POSITION DATA: OUTBD RH FOR NHA SEE: 57-20-52-01	002004 006100 107107 121503 904999	RF
- 5	113N1370-402		RIB INSTL-WING TE DEFLECTION POSITION DATA: OUTBD RH FOR NHA SEE: 57-00-00-05B	101102 108120 504903	RF
- 5	MODREF1260		RIB INSTL-WING TE DEFLECTION MODULE NUMBER: 113N1370-402 REV A POSITION DATA: OUTBD RH	103103	1

MISSING ITEM NUMBERS NOT APPLICABLE

- ITEM NOT ILLUSTRATED

57-50-01-01

57-50-01
FIG. 01
PAGE 1
JAN 20/09

BRI



757

PARTS CATALOG (MAINTENANCE)

FIG ITEM	PART NUMBER	1 2 3 4 5 6 7	NOMENCLATURE	EFFECT FROM TO	UNITS PER ASSY
1					
- 5	MODREF26546		RIB INSTL-WING TE DEFLECTION MODULE NUMBER: 113N1370-402 REV A POSITION DATA: OUTBD RH	104106	1
10	113N1371-3		.TRACK- POSITION DATA: UPR LH SIDE	002004 107107 121503 904949 952952	1
10	113N1371-5		.TRACK- POSITION DATA: UPR LH SIDE	002004 107107 121503 904949 952952	1
10	113N1371-7		.TRACK- POSITION DATA: UPR LH SIDE OPTIONAL PART: 113N1371-9	002004 006100 107107 121503 904999	1
10	113N1371-9		.TRACK- POSITION DATA: UPR LH SIDE OPTIONAL PART: 113N1371-7	018106 108120 504903	1
- 15	113N1371-4		.TRACK- POSITION DATA: UPR RH SIDE	002004 107107 121503 904949 952952	1
- 15	113N1371-6		.TRACK- POSITION DATA: UPR RH SIDE	002004 107107 121503 904949 952952	1
- 15	113N1371-8		.TRACK- POSITION DATA: UPR RH SIDE	002004 006017 107107 121503 904999	1
- 15	113N1371-10		.TRACK- POSITION DATA: UPR RH SIDE	018106 108120 504903	1

MISSING ITEM NUMBERS NOT APPLICABLE

- ITEM NOT ILLUSTRATED

57-50-01-01

57-50-01
FIG. 01
PAGE 2
JAN 20/09

BRI

BOEING PROPRIETARY - Copyright © - Unpublished Work - See title page for details.



757

PARTS CATALOG (MAINTENANCE)

FIG ITEM	PART NUMBER	1 2 3 4 5 6 7	NOMENCLATURE	EFFECT FROM TO	UNITS PER ASSY
1			ATTACHING PARTS		
20	L8006K4		.BOLT- SUPPLIER CODE: V06725 SPECIFICATION NUMBER: BACB30MY6K4 SIZE DETERMINED ON INSTL.	002004 006999	16
25	HL79-6		.COLLAR SUPPLIER CODE: V5M902 SPECIFICATION NUMBER: BACC30M6 OPTIONAL PART: HL79-6 V73197 HL79-6 V92215 66014-6 V56878 HL79-6 V56878	002004 006999	15
30	L8008K4		.BOLT SUPPLIER CODE: V06725 SPECIFICATION NUMBER: BACB30MY8K4	002004 006999	2
35	HL79-8		.COLLAR SUPPLIER CODE: V5M902 SPECIFICATION NUMBER: BACC30M8 OPTIONAL PART: HL79-8 V73197 HL79-8 V92215 66014-8 V56878 HL79-8 V56878	002004 006999	2
40	113N1374-3		-----*----- .TRACK- POSITION DATA: LWR LH SIDE	002004 006999	1
- 45	113N1374-4		.TRACK- POSITION DATA: LWR RH SIDE	002004 006999	1

MISSING ITEM NUMBERS NOT APPLICABLE

- ITEM NOT ILLUSTRATED

57-50-01-01

57-50-01
FIG. 01
PAGE 3
JAN 20/09

BRI

BOEING PROPRIETARY - Copyright © - Unpublished Work - See title page for details.



757

PARTS CATALOG (MAINTENANCE)

FIG ITEM	PART NUMBER	1 2 3 4 5 6 7	NOMENCLATURE	EFFECT FROM TO	UNITS PER ASSY
1			ATTACHING PARTS		
- 50	BACB30MY6K		.BOLT-	002004	5
			SIZE DETERMINED ON INSTL.	006999	
- 55	HL79-6		.COLLAR	002004	5
			SUPPLIER CODE:	006999	
			V5M902		
			SPECIFICATION NUMBER:		
			BACC30M6		
			OPTIONAL PART:		
			HL79-6		
			V73197		
			HL79-6		
			V92215		
			66014-6		
			V56878		
			HL79-6		
			V56878		
			-----*-----		
60	113N1370-8		.SEAL-	002004	1
			MANUFACTURED FROM:	006999	
			EXTR RUBBER		
			10-60754-35 X 4.0 IN.		
65	113N1375-9		.RETAINER-SEAL	002004	1
			POSITION DATA:	006999	
			LH SIDE		
- 70	113N1375-10		.RETAINER-SEAL	002004	1
			POSITION DATA:	006999	
			RH SIDE		
			ATTACHING PARTS		
75	BACB30NT3K4		.BOLT	002004	2
				006999	
80	BACB30NT3K5		.BOLT	002004	1
				006999	
85	AN960KD10L		.WASHER	002004	3
				006100	
				107107	
				121503	
				904999	
85	NAS1149D0332J		.WASHER	101106	3
				108120	
				504903	
			-----*-----		
90	113N1370-9		.SEAL-	002004	1
			MANUFACTURED FROM:	006999	
			EXTR RUBBER		
			10-60754-35 X 2.3 IN.		

MISSING ITEM NUMBERS NOT APPLICABLE

- ITEM NOT ILLUSTRATED

57-50-01-01

57-50-01
FIG. 01
PAGE 4
JAN 20/09

BRI

BOEING PROPRIETARY - Copyright © - Unpublished Work - See title page for details.

 **BOEING**
757
PARTS CATALOG (MAINTENANCE)

FIG ITEM	PART NUMBER	1 2 3 4 5 6 7	NOMENCLATURE	EFFECT FROM TO	UNITS PER ASSY
1					
95	113N1375-11	.	RETAINER-SEAL	002004 006100 107107 121503 904999	1
95	113N1375-33	.	RETAINER-SEAL	101106 108120 504903	1
- 100	BACB30NT3K4	.	ATTACHING PARTS BOLT	002004 006999	2
- 105	AN960KD10L	.	WASHER	002004 006100 107107 121503 904999	2
- 105	NAS1149D0332J	.	WASHER	101106 108120 504903	2
			-----*-----		
110	113N1373-23	.	SHROUD ASSY- POSITION DATA: LH SIDE	006100 121503 950951 953999	1
110	113N1373-19	.	SHROUD ASSY- POSITION DATA: LH SIDE	002004 107107 904949 952952	1
110	113N1373-27	.	SHROUD ASSY- POSITION DATA: LH SIDE	101106 108120 504903	1
- 115	113N1373-24	.	SHROUD ASSY- POSITION DATA: RH SIDE	006100 121503 950951 953999	1
- 115	113N1373-20	.	SHROUD ASSY- POSITION DATA: RH SIDE	002004 107107 904949 952952	1
- 115	113N1373-28	.	SHROUD ASSY- POSITION DATA: RH SIDE	101106 108120 504903	1
120	L8005K4	.	ATTACHING PARTS BOLT SUPPLIER CODE: V06725 SPECIFICATION NUMBER: BACB30MY5K4	002004 006999	1

MISSING ITEM NUMBERS NOT APPLICABLE

- ITEM NOT ILLUSTRATED

BRI

57-50-01-01

BOEING PROPRIETARY - Copyright © - Unpublished Work - See title page for details.

57-50-01
FIG. 01
PAGE 5
JAN 20/09

BOEING
757
PARTS CATALOG (MAINTENANCE)

FIG ITEM	PART NUMBER	1 2 3 4 5 6 7	NOMENCLATURE	EFFECT FROM TO	UNITS PER ASSY
1					
125	AN960KD8	.	WASHER	002004 006100 107107 121503 904999	1
125	NAS1149D0332J	.	WASHER	101106 108120 504903	1
127	HL70-5	.	COLLAR SUPPLIER CODE: V5M902 SPECIFICATION NUMBER: BACC30M5 OPTIONAL PART: HL70-5 V73197 HL70-5 V92215 66014-5 V56878 HL70-5 V56878	002004 006999	1
130	BACR15FT5AD	.	RIVET- SIZE DETERMINED ON INSTL.	002004 006999	2
135	BACR15FT6AD	.	RIVET- SIZE DETERMINED ON INSTL.	002004 006999	2
137	BACB30NX6K	.	BOLT- SIZE DETERMINED ON INSTL.	002004 006999	1
138	AN960KD10L	.	WASHER	002004 006100 107107 121503 904999	1
138	NAS1149D0332J	.	WASHER	101106 108120 504903	1

MISSING ITEM NUMBERS NOT APPLICABLE

— ITEM NOT ILLUSTRATED

BRI

57-50-01-01

BOEING PROPRIETARY - Copyright © - Unpublished Work - See title page for details.

57-50-01
FIG. 01
PAGE 6
JAN 20/09



757

PARTS CATALOG (MAINTENANCE)

FIG ITEM	PART NUMBER	1 2 3 4 5 6 7	NOMENCLATURE	EFFECT FROM TO	UNITS PER ASSY
1 139	HL79-6		.COLLAR SUPPLIER CODE: V5M902 SPECIFICATION NUMBER: BACC30M6 OPTIONAL PART: HL79-6 V73197 HL79-6 V92215 66014-6 V56878 HL79-6 V56878 -----*-----	002004 006999	1
143	113N1375-7		.CLIP- POSITION DATA: LH SIDE	002004 006017 107107 121503 904999 018100	1
143	113N1375-31		.CLIP- POSITION DATA: LH SIDE	002004 006017 107107 121503 904999 018100	1
- 145	113N1375-8		.CLIP- POSITION DATA: RH SIDE	002004 006017 107107 121503 904999 018100	1
- 145	113N1375-32		.CLIP- POSITION DATA: RH SIDE	002004 006017 107107 121503 904999 018100	1
150	BACS40R09B16F		.SHIM	002004 006100 107107 121503 904999 018100	1
150	BACS400R09B016F		.SHIM	101106 108120 504903	1
155	BACF3F009X016NN		.FILLER	002004 006999	1
160	BACR15CE3D		.RIVET- SIZE DETERMINED ON INSTL.	002004 006999	2
163	113N1364-1		.FILLER	002004 006999	1
165	113N1364-2		.FILLER	002004 006999	1

MISSING ITEM NUMBERS NOT APPLICABLE

- ITEM NOT ILLUSTRATED

57-50-01-01

57-50-01
FIG. 01
PAGE 7
JAN 20/09

BRI



757

PARTS CATALOG (MAINTENANCE)

FIG ITEM	PART NUMBER	1 2 3 4 5 6 7	NOMENCLATURE	EFFECT FROM TO	UNITS PER ASSY
1 170	F51754-3		.NUTPLATE- SUPPLIER CODE: V15653 SPECIFICATION NUMBER: BACN10KE3D OPTIONAL PART: NS103193-02 V80539	002004 006999	2
175	BRF220A5-3		.NUTPLATE SUPPLIER CODE: V52828 SPECIFICATION NUMBER: BACN10JS3A5 OPTIONAL PART: F1934-3-5BAC V15653 NS103219-02-5 V80539 RMF9206-5-3 V72962 T8266S1032S5 V11815	002004 006999	8
180	BRF120A5-3		.NUTPLATE SUPPLIER CODE: V52828 SPECIFICATION NUMBER: BACN10JS3B5 OPTIONAL PART: F1972-3-5BAC V15653 NS103220-02-5 V80539 RMF9202-5-3 V72962 T8263S1032S5 V11815	002004 006999	1

MISSING ITEM NUMBERS NOT APPLICABLE

- ITEM NOT ILLUSTRATED

BRI

57-50-01-01

BOEING PROPRIETARY - Copyright © - Unpublished Work - See title page for details.

57-50-01
FIG. 01
PAGE 8
JAN 20/09



757

PARTS CATALOG (MAINTENANCE)

FIG ITEM	PART NUMBER	1 2 3 4 5 6 7	NOMENCLATURE	EFFECT FROM TO	UNITS PER ASSY
1 185	BRF120A5-3	.	NUTPLATE SUPPLIER CODE: V52828 SPECIFICATION NUMBER: BACN10JS3B5 OPTIONAL PART: F1972-3-5BAC V15653 NS103220-02-5 V80539 RMF9202-5-3 V72962 T8263S1032S5 V11815	006106 108903 950951 953999	2
190	BRF120A5-3	.	NUTPLATE SUPPLIER CODE: V52828 SPECIFICATION NUMBER: BACN10JS3B5 OPTIONAL PART: F1972-3-5BAC V15653 NS103220-02-5 V80539 RMF9202-5-3 V72962 T8263S1032S5 V11815	002004 101120 504949 952952	1
192	BRF120A5-3	.	NUTPLATE SUPPLIER CODE: V52828 SPECIFICATION NUMBER: BACN10JS3B5 OPTIONAL PART: F1972-3-5BAC V15653 NS103220-02-5 V80539 RMF9202-5-3 V72962 T8263S1032S5 V11815	002004 107107 904949 952952	1

MISSING ITEM NUMBERS NOT APPLICABLE

- ITEM NOT ILLUSTRATED

BRI

57-50-01-01

BOEING PROPRIETARY - Copyright © - Unpublished Work - See title page for details.

57-50-01
FIG. 01
PAGE 9
JAN 20/09



757

PARTS CATALOG (MAINTENANCE)

FIG ITEM	PART NUMBER	1 2 3 4 5 6 7	NOMENCLATURE	EFFECT FROM TO	UNITS PER ASSY
1 195	BRF220A5-3		.NUTPLATE SUPPLIER CODE: V52828 SPECIFICATION NUMBER: BACN10JS3A5 OPTIONAL PART: F1934-3-5BAC V15653 NS103219-02-5 V80539 RMF9206-5-3 V72962 T8266S1032S5 V11815	002004 107107 904949 952952	2
205	BRF220A5-3		.NUTPLATE SUPPLIER CODE: V52828 SPECIFICATION NUMBER: BACN10JS3A5 OPTIONAL PART: F1934-3-5BAC V15653 NS103219-02-5 V80539 RMF9206-5-3 V72962 T8266S1032S5 V11815	002004 107107 904949 952952	1
210	BRF120A5-3		.NUTPLATE SUPPLIER CODE: V52828 SPECIFICATION NUMBER: BACN10JS3B5 OPTIONAL PART: F1972-3-5BAC V15653 NS103220-02-5 V80539 RMF9202-5-3 V72962 T8263S1032S5 V11815	006106 108903 950951 953999	1
- 215	BACR15CE3D		ATTACHING PARTS .RIVET- SIZE DETERMINED ON INSTL. -----*-----	002004 006999	26

MISSING ITEM NUMBERS NOT APPLICABLE

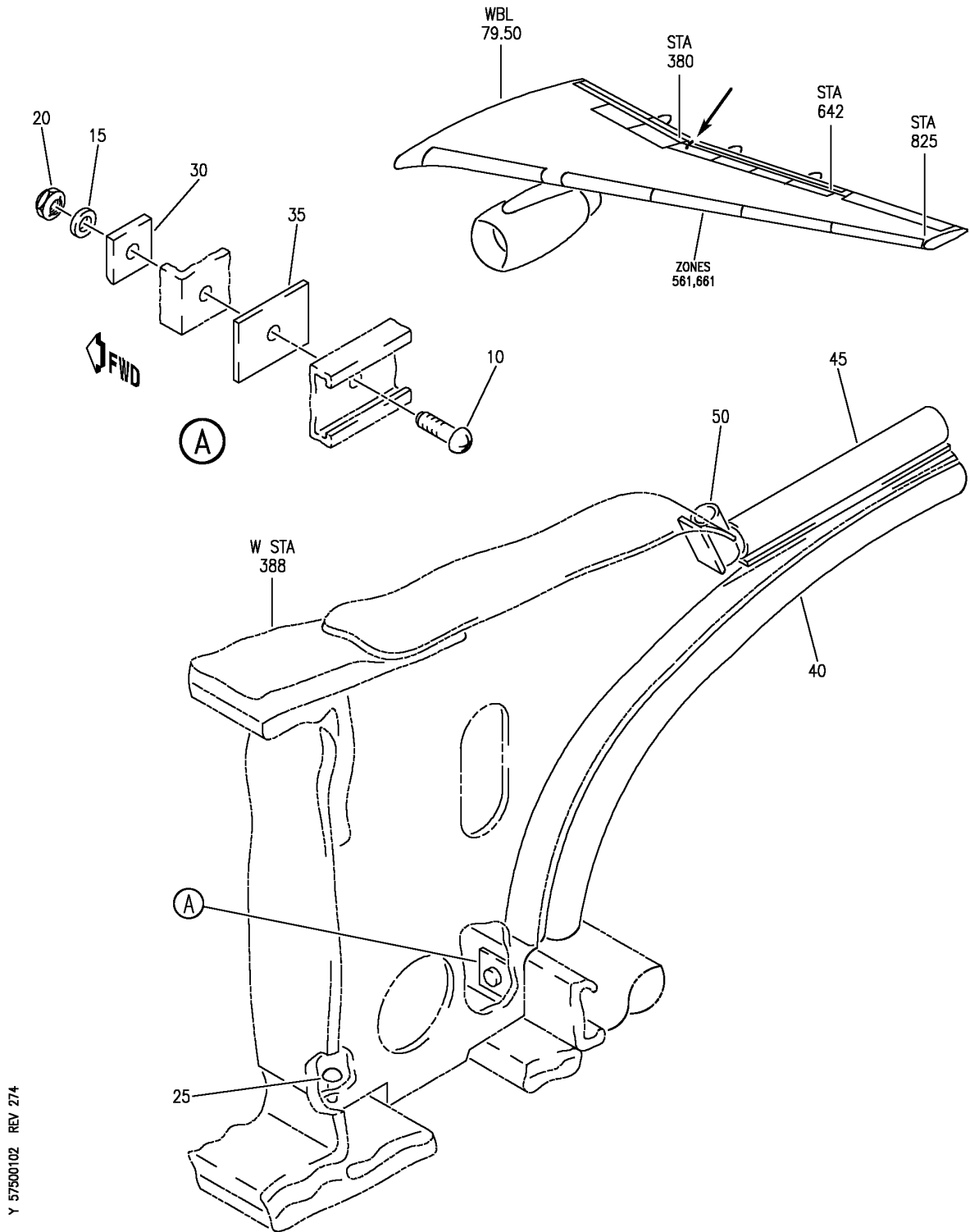
- ITEM NOT ILLUSTRATED

57-50-01-01

57-50-01
FIG. 01
PAGE 10
JAN 20/09

BRI

BOEING
757
PARTS CATALOG (MAINTENANCE)



Y 57500102 REV 274

RIB INSTL-WING TE
FIGURE 2

57-50-01-02

BRI
MAY 28/07

57-50-01-02
PAGE 0



757

PARTS CATALOG (MAINTENANCE)

FIG ITEM	PART NUMBER	1 2 3 4 5 6 7	NOMENCLATURE	EFFECT FROM TO	UNITS PER ASSY
2			RIB INSTL-WING TE	002004 006999	
- 1	113N1950-13		RIB INSTL-WING TE POSITION DATA: STA 388, LH SIDE FOR NHA SEE: 57-51-01-11	002004 006100 107107 121503 904999	RF
- 1	113N1950-401		RIB INSTL-WING TE POSITION DATA: STA 388 LH FOR NHA SEE: 57-00-00-05B	101102 108120 504903	RF
- 1	MODREF1542		RIB INSTL-WING TE MODULE NUMBER: 113N1950-401 REV A POSITION DATA: W STA 388 LH	103103	1
- 1	MODREF26607		RIB INSTL-WING TE MODULE NUMBER: 113N1950-401 REV B POSITION DATA: W STA 388 LH	104106	1
- 5	113N1950-14		RIB INSTL-WING TE POSITION DATA: STA 388, RH SIDE FOR NHA SEE: 57-51-01-11	002004 006100 107107 121503 904999	RF
- 5	113N1950-402		RIB INSTL-WING TE POSITION DATA: STA 388 RH FOR NHA SEE: 57-00-00-05B	101102 108120 504903	RF
- 5	MODREF1543		RIB INSTL-WING TE MODULE NUMBER: 113N1950-402 REV A POSITION DATA: W STA 388 RH	103103	1
- 5	MODREF26608		RIB INSTL-WING TE MODULE NUMBER: 113N1950-402 REV B POSITION DATA: W STA 388 RH	104106	1
10	BACB30NT3K6		.BOLT	002004 006999	1
15	AN960KD10L		.WASHER- POSITION DATA: UNDER NUT	002004 006100 107107 121503 904999	1

MISSING ITEM NUMBERS NOT APPLICABLE

- ITEM NOT ILLUSTRATED

57-50-01-02

57-50-01
FIG. 02
PAGE 1
JAN 20/09

BRI



757

PARTS CATALOG (MAINTENANCE)

FIG ITEM	PART NUMBER	1 2 3 4 5 6 7	NOMENCLATURE	EFFECT FROM TO	UNITS PER ASSY
2					
15	NAS1149D0332J	.	WASHER- POSITION DATA: UNDER NUT	101106 108120 504903	1
20	BRH10C3D	.	NUT SUPPLIER CODE: V52828 SPECIFICATION NUMBER: BACN10JC3CD OPTIONAL PART: T6C1032JCD V11815 NS202486-02 V80539 102LH9075-3W V72962 H51650-3BAC V15653	002004 006999	1
30	113N1146-1	.	FILLER	002004 006999	1
35	BACS40R008C10F	.	SHIM	002004 006999	1
40	113N1950-15	..	SEAL- MANUFACTURED FROM: EXTR RUBBER F25.01 10-60754-229 X 15.31 IN.	002004 006999	1
45	113N1950-4	..	SEAL- MANUFACTURED FROM: EXTR RUBBER F25.01 10-60754-82 X 6.60 IN.	002004 006999	1
50	113N1950-5	..	SEAL- MANUFACTURED FROM: EXTR RUBBER F25.01 10-60754-82 X 1.70 IN.	002004 006010 107107 121503 904999	1
50	113N1950-16	..	SEAL- MANUFACTURED FROM: EXTR RUBBER F25.01 10-60754-82 X 1.60 IN.	002004 006999	1

MISSING ITEM NUMBERS NOT APPLICABLE

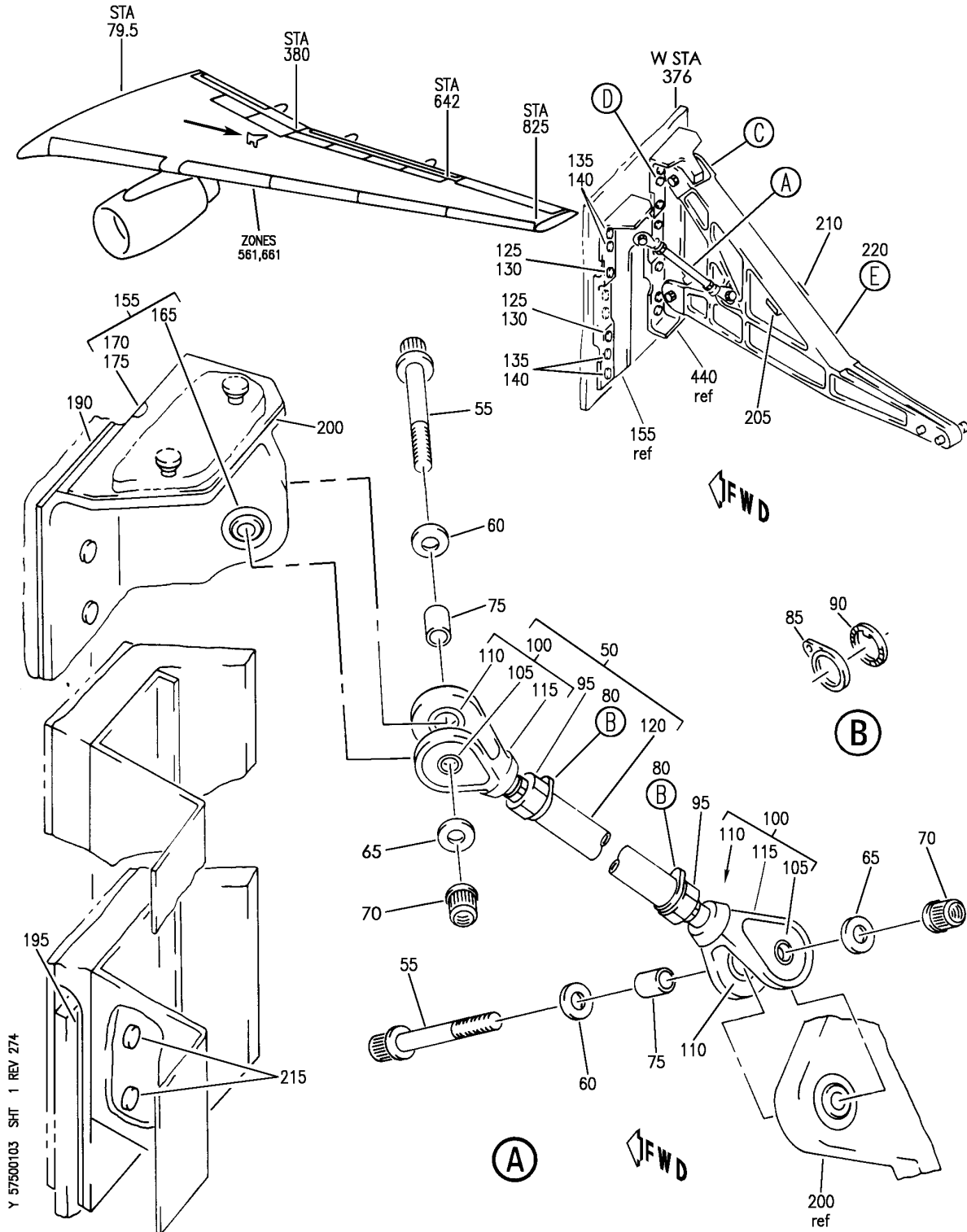
- ITEM NOT ILLUSTRATED

57-50-01-02

57-50-01
FIG. 02
PAGE 2
JAN 20/09

BRI

BOEING
757
PARTS CATALOG (MAINTENANCE)



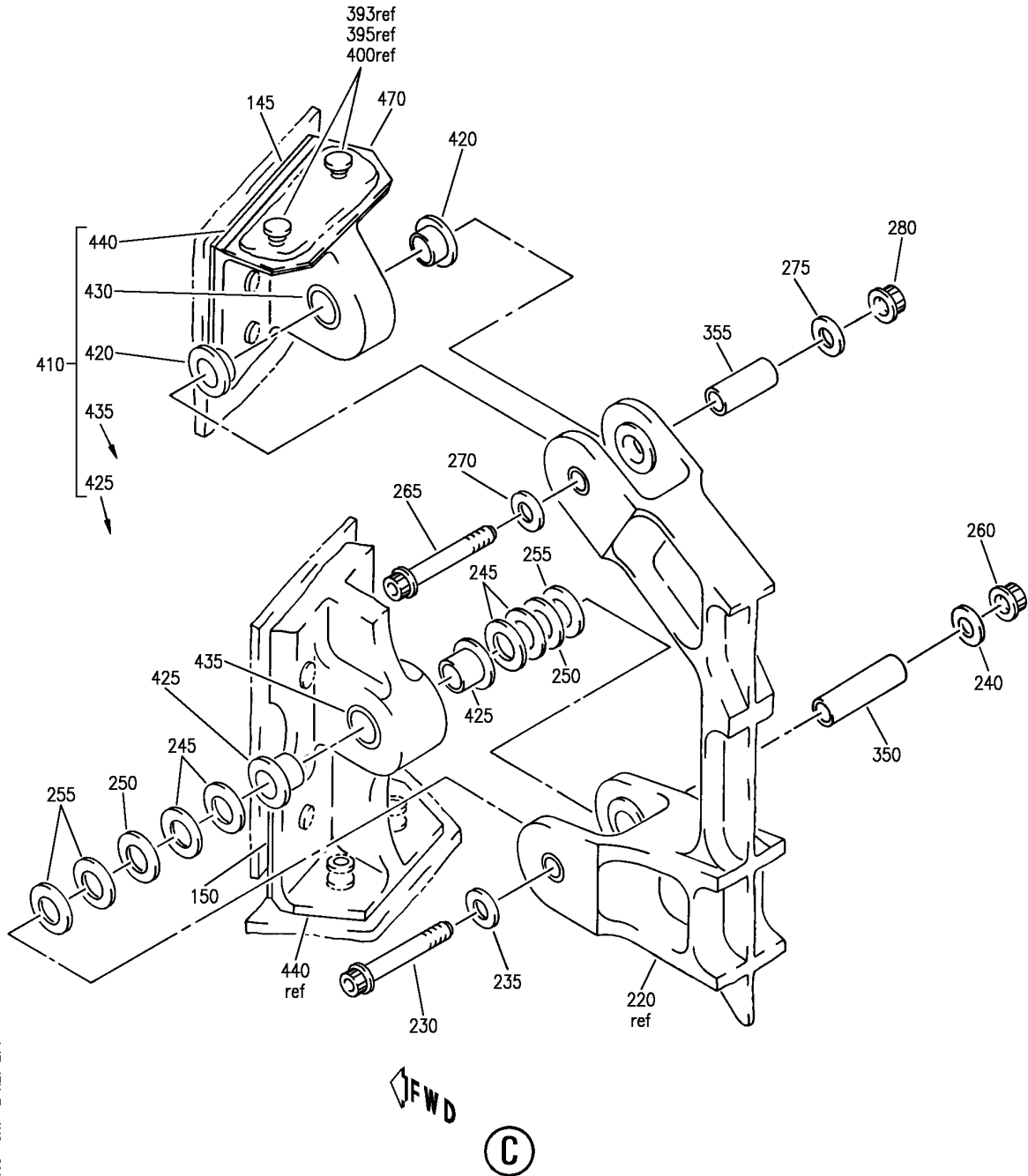
RIB INSTL-WING TE INBD DEFELECTION CONT
FIGURE 3 (SHEET 1)

57-50-01-03

BRI
MAY 28/07

57-50-01-03
PAGE 0

BOEING
757
PARTS CATALOG (MAINTENANCE)



Y 57500103 SH1 2 REV 274

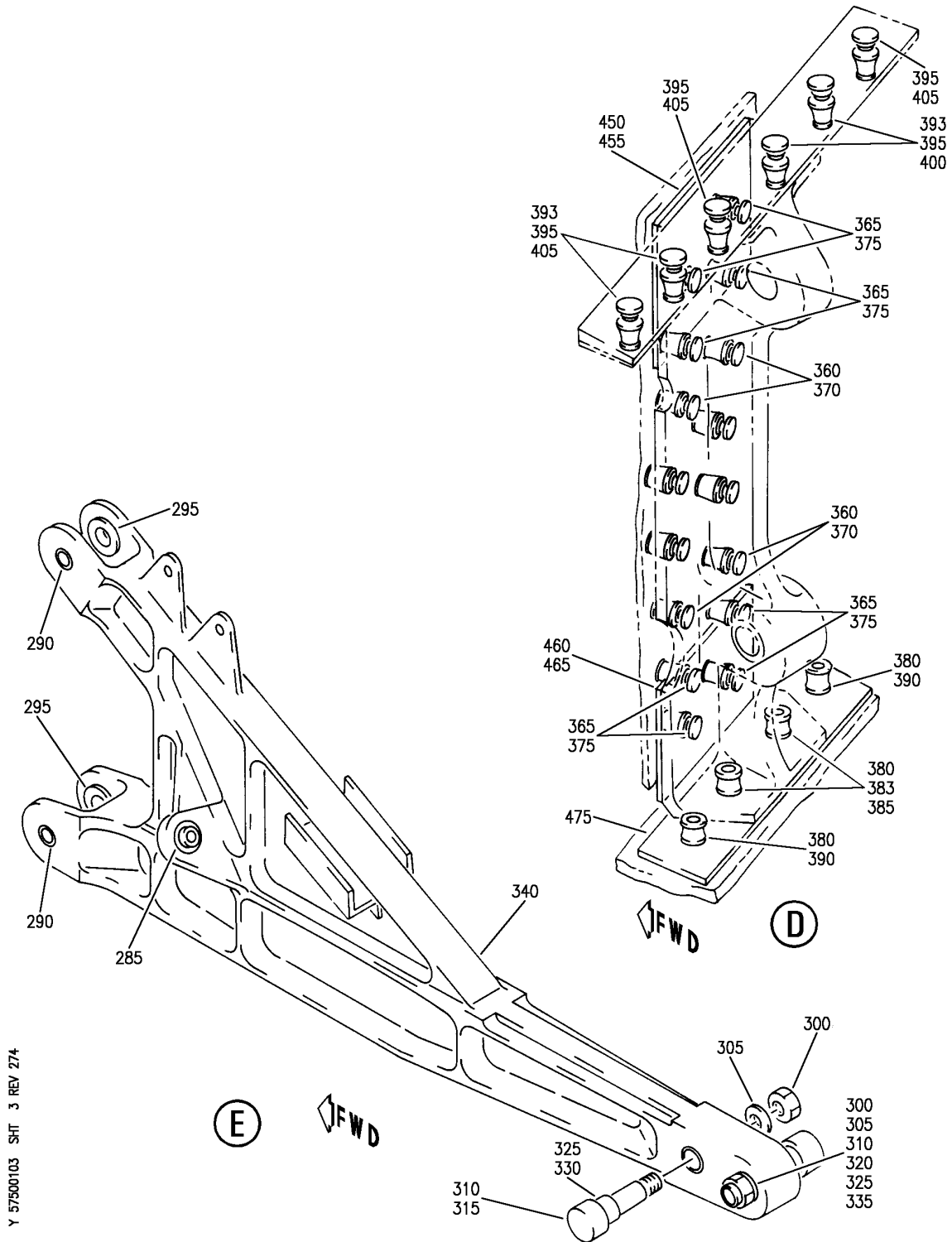
RIB INSTL-WING TE INBD DEFELECTION CONT
FIGURE 3 (SHEET 2)

57-50-01-03

BRI
MAY 28/07

57-50-01-03
PAGE 0A

BOEING
757
PARTS CATALOG (MAINTENANCE)



Y 57500103 SH1 3 REV 274

RIB INSTL-WING TE INBD DEFELECTION CONT
FIGURE 3 (SHEET 3)

57-50-01-03

BRI
MAY 28/07

57-50-01-03
PAGE 0B



757

PARTS CATALOG (MAINTENANCE)

FIG ITEM	PART NUMBER	1 2 3 4 5 6 7	NOMENCLATURE	EFFECT FROM TO	UNITS PER ASSY
3			RIB INSTL-WING TE INBD DEFLECTION CONT	002004 006999	
- 1	113N1350-9		RIB INSTL-WING TE DEFLECTION CONT POSITION DATA: INBD LH FOR NHA SEE: 57-20-52-01	002004 006016 107107 121503 904999	RF
- 1	113N1350-13		RIB INSTL-WING TE DEFLECTION CONT POSITION DATA: INBD LH FOR NHA SEE: 57-20-52-01	017102 108120 504903	RF
- 1	MODREF1255		57-00-00-05 RIB INSTL-WING TE DEFLECTION CONT MODULE NUMBER: 113N1350-13 REV A POSITION DATA: INBD LH	103103	1
- 1	MODREF30011		RIB INSTL-WING TE DEFLECTION CONT MODULE NUMBER: 113N1350-13 REV B POSITION DATA: INBD LH	104106	1
- 10	113N1350-10		RIB INSTL-WING TE DEFLECTION CONT POSITION DATA: INBD RH FOR NHA SEE: 57-20-52-01	002004 006016 107107 121503 904999	RF
- 10	113N1350-14		RIB INSTL-WING TE DEFLECTION CONT POSITION DATA: INBD RH FOR NHA SEE: 57-20-52-01	017100 108120	RF
- 10	MODREF1256		57-00-00-05 RIB INSTL-WING TE DEFLECTION CONT MODULE NUMBER: 113N1350-14 REV A POSITION DATA: INBD RH	103103	1

MISSING ITEM NUMBERS NOT APPLICABLE

- ITEM NOT ILLUSTRATED

BRI

57-50-01-03

57-50-01
FIG. 03
PAGE 1
JAN 20/09



757

PARTS CATALOG (MAINTENANCE)

FIG ITEM	PART NUMBER	1 2 3 4 5 6 7	NOMENCLATURE	EFFECT FROM TO	UNITS PER ASSY
3					
- 10	MODREF26542		RIB INSTL-WING TE DEFLECTION CONT MODULE NUMBER: 113N1350-14 REV B POSITION DATA: INBD RH	104106	1
50	113N1354-1		.BRACE ASSY-SIDE	002004 006999	1
55	BACB30LE4-16		ATTACHING PARTS .BOLT	002004 006999	2
60	BACW10BP4CD		.WASHER	002004 006999	2
65	BACW10BP4DP		.WASHER	002004 006999	2

MISSING ITEM NUMBERS NOT APPLICABLE

- ITEM NOT ILLUSTRATED

BRI

57-50-01-03

BOEING PROPRIETARY - Copyright © - Unpublished Work - See title page for details.

57-50-01
FIG. 03
PAGE 2
JAN 20/09



757

PARTS CATALOG (MAINTENANCE)

FIG ITEM	PART NUMBER	1 2 3 4 5 6 7	NOMENCLATURE	EFFECT FROM TO	UNITS PER ASSY
3 70	BMN5024CWD34	.NUT	SUPPLIER CODE: V97928 SPECIFICATION NUMBER: BACN10HR4CD OPTIONAL PART: H51560-4 V15653 102CH9031-4 V72962 SL7108C428 V11815 67832CD428 V56878 BMN5024CWD3-4 V97928 BH00303CM4 V27238 SL7108C4 V11815 VCU0005D4 V06710 102LH90314 V72962 67832CD4 V56878 H964CD V15653 RMLH224CD V72962 VAL280094CD V06710 678324CD V56878 CR6030-4 VF0224 RMLH224CD V72962 VAL280094CD V06710 678324CD V56878 BMN5024CWD34 V97928	002004 006999	2
75	113N1357-2	.BUSHING		002004 006999	2
80	NAS1193K6CP	-----*----- ..LOCKING DEVICE		002004 006999	2

MISSING ITEM NUMBERS NOT APPLICABLE

- ITEM NOT ILLUSTRATED

57-50-01-03

57-50-01
FIG. 03
PAGE 3
JAN 20/09

BRI

BOEING PROPRIETARY - Copyright © - Unpublished Work - See title page for details.



757

PARTS CATALOG (MAINTENANCE)

FIG ITEM	PART NUMBER	1 2 3 4 5 6 7	NOMENCLATURE	EFFECT FROM TO	UNITS PER ASSY
3					
85	NAS1193K6-1P	...	WASHER	002004 006999	1
90	NAS1193K6-2P	...	WASHER	002004 006999	1
95	NAS509-6	..	NUT	002004 006999	2
100	113N1355-1	..	CLEVIS ASSY	002004 006999	2
105	BACB28AP04P010	...	BUSHING	002004 006999	1
110	BACB28AM06B010A	...	BUSHING	002004 006999	1
115	113N1355-2	...	CLEVIS	002004 006999	1
120	113N1354-2	..	BRACE	002004 006999	1
125	L8008K8	.BOLT		002004 006999	4
			SUPPLIER CODE: V06725		
			SPECIFICATION NUMBER: BACB30MY8K8		
130	TLN12044	.NUT		002004 006999	4
			SUPPLIER CODE: V97928		
			SPECIFICATION NUMBER: BACN10WM4		
			OPTIONAL PART: LH10114B4		
			V72962		
			MN154		
			V73197		
			VN18614		
			V92215		
			H49702-4S		
			V15653		
			W8504		
			V08524		
			H497024		
			V15653		
135	L80010K10	.BOLT		002004 006999	4
			SUPPLIER CODE: V06725		
			SPECIFICATION NUMBER: BACB30MY10K10		

MISSING ITEM NUMBERS NOT APPLICABLE

- ITEM NOT ILLUSTRATED

57-50-01-03

57-50-01
FIG. 03
PAGE 4
JAN 20/09

BRI

BOEING PROPRIETARY - Copyright © - Unpublished Work - See title page for details.



757

PARTS CATALOG (MAINTENANCE)

FIG ITEM	PART NUMBER	1 2 3 4 5 6 7	NOMENCLATURE	EFFECT FROM TO	UNITS PER ASSY
3					
140	TLN12045	.	NUT SUPPLIER CODE: V97928 SPECIFICATION NUMBER: BACN10WM5 OPTIONAL PART: LH10114B5 V72962 MN155 V73197 VN18615 V92215 H49702-5S V15653 W8505 V08524 H497025 V15653	002004 006999	4
145	BACS40R26E35F	.	SHIM	002004 006999	1
150	BACS40R30E38F	.	SHIM	002004 006999	1
155	113N1361-1	.	SUPPORT ASSY- POSITION DATA: LH SIDE	002004 006999	1
- 160	113N1361-2	.	SUPPORT ASSY- POSITION DATA: RH SIDE	002004 006999	1
165	BACB10EN04GC	..	BEARING	002004 006999	1
170	113N1361-3	..	SUPPORT-SIDE BRACE POSITION DATA: LH SIDE USED ON: 113N1361-1	002004 006999	1
- 180	113N1361-4	..	SUPPORT-SIDE BRACE POSITION DATA: RH SIDE USED ON: 113N1361-2	002004 006999	1
190	BACS40R15C27F	.	SHIM	002004 006999	1
195	BACS40R12C25F	.	SHIM- SIZE DETERMINED ON INSTL.	002004 006999	1
200	113N1350-11	.	SHIM	002004 006999	1
205	287N1301-67	.	BRACKET ASSY-WIRE BUNDLE SPRT	002004 006999	1

MISSING ITEM NUMBERS NOT APPLICABLE

- ITEM NOT ILLUSTRATED

57-50-01-03

57-50-01
FIG. 03
PAGE 5
JAN 20/09

BRI

BOEING PROPRIETARY - Copyright © - Unpublished Work - See title page for details.



757

PARTS CATALOG (MAINTENANCE)

FIG ITEM	PART NUMBER	1 2 3 4 5 6 7	NOMENCLATURE	EFFECT FROM TO	UNITS PER ASSY
3					
210	287N1301-68		.BRACKET ASSY-WIRE BUNDLE SPRT	002004 006999	1
215	BACR15FT4AD		.RIVET- SIZE DETERMINED ON INSTL.	002004 006999	2
220	113N1359-15		.BEAM ASSY- POSITION DATA: LH SIDE	002004 006100 107107 121503 904999	1
- 225	113N1359-16		.BEAM ASSY- POSITION DATA: RH SIDE	002004 006100 107107 121503 904999	1
			ATTACHING PARTS		
230	BACB30LE5-32		.BOLT	002004 006999	1
235	BACW10BP5CD		.WASHER	002004 006999	1
240	BACW10BP5DP		.WASHER	002004 006999	1
245	113N1358-1		.WASHER	002004 006999	4
250	113N1358-2		.WASHER	002004 006999	2
255	113N1358-3		.WASHER	002004 006999	3

MISSING ITEM NUMBERS NOT APPLICABLE

- ITEM NOT ILLUSTRATED

BRI

57-50-01-03

BOEING PROPRIETARY - Copyright © - Unpublished Work - See title page for details.

57-50-01
FIG. 03
PAGE 6
JAN 20/09



757

PARTS CATALOG (MAINTENANCE)

FIG ITEM	PART NUMBER	1 2 3 4 5 6 7	NOMENCLATURE	EFFECT FROM TO	UNITS PER ASSY
3 260	BH00303CM5	.	NUT SUPPLIER CODE: V27238 SPECIFICATION NUMBER: BACN10HR5CD OPTIONAL PART: H51560-5 V15653 67832CD524 V56878 102LH9031-5 V72962 SL7108C524 V11815 BMN5024CWD35 V97928 SL7108C5 V11815 VCU0005D5 V06710 102LH90315 V72962 BMN10HRCWD3-5 V97928 67832CD5 V56878 CR6030-5 VF0224 67832CD5 V56878	002004 006999	1
265	BACB30LE5-26	.	BOLT	002004 006999	1
270	BACW10BP5CD	.	WASHER	002004 006999	1
275	BACW10BP5DP	.	WASHER	002004 006999	1

MISSING ITEM NUMBERS NOT APPLICABLE

- ITEM NOT ILLUSTRATED

57-50-01-03

57-50-01
FIG. 03
PAGE 7
JAN 20/09

BRI



757

PARTS CATALOG (MAINTENANCE)

FIG ITEM	PART NUMBER	1 2 3 4 5 6 7	NOMENCLATURE	EFFECT FROM TO	UNITS PER ASSY
3 280	BH00303CM5	.NUT	SUPPLIER CODE: V27238 SPECIFICATION NUMBER: BACN10HR5CD OPTIONAL PART: H51560-5 V15653 67832CD524 V56878 102LH9031-5 V72962 SL7108C524 V11815 BMN5024CWD35 V97928 SL7108C5 V11815 VCU0005D5 V06710 102LH90315 V72962 BMN10HRCWD3-5 V97928 67832CD5 V56878 CR6030-5 VF0224 67832CD5 V56878 -----*	002004 006999	1
285	BACB10EN04GC	..BEARING		002004 006999	1
290	BACB28AP05P024	..BUSHING		002004 006999	2
295	BACB28AP07P024	..BUSHING		002004 006999	2
300	BACN10JC7CD	..NUT		002004 006999	2
305	AN960-716L	..WASHER		002004 006999	2

MISSING ITEM NUMBERS NOT APPLICABLE

- ITEM NOT ILLUSTRATED

57-50-01-03

57-50-01
FIG. 03
PAGE 8
JAN 20/09

BRI

BOEING PROPRIETARY - Copyright © - Unpublished Work - See title page for details.



757

PARTS CATALOG (MAINTENANCE)

FIG ITEM	PART NUMBER	1 2 3 4 5 6 7	NOMENCLATURE	EFFECT FROM TO	UNITS PER ASSY
3					
315	HRS5CTR22		..CAM FOLLOWER- SUPPLIER CODE: V07484 SPECIFICATION NUMBER: BACB10AF7T22HS OPTIONAL PART: HRS5CTR22 V92563 HRS5CTR22 V60380	002004 006100 107107 121503 904999	1
320	HRS5CTR18		..CAM FOLLOWER- SUPPLIER CODE: V07484 SPECIFICATION NUMBER: BACB10AF7T18HS OPTIONAL PART: HRS5CTR18 V60380 HRS5CTR18 V92563	002004 006100 107107 121503 904999	1
330	113N1356-1		..BUSHING- USED ON: 113N1359-15 113N1359-16	002004 006100 107107 121503 904999	1
335	113N1356-2		..BUSHING- USED ON: 113N1359-15 113N1359-16	002004 006100 107107 121503 904999	1
340	113N1359-17		..BEAM- POSITION DATA: LH SIDE USED ON: 113N1359-15	002004 006100 107107 121503 904999	1
- 345	113N1359-18		..BEAM- POSITION DATA: RH SIDE USED ON: 113N1359-16	002004 006100 107107 121503 904999	1
350	113N1357-1		.BUSHING	002004 006999	1
355	113N1357-3		.BUSHING	002004 006999	1
360	L8008K8		.BOLT SUPPLIER CODE: V06725 SPECIFICATION NUMBER: BACB30MY8K8	002004 006999	8

MISSING ITEM NUMBERS NOT APPLICABLE

- ITEM NOT ILLUSTRATED

57-50-01-03

57-50-01
FIG. 03
PAGE 9
JAN 20/09

BRI



757

PARTS CATALOG (MAINTENANCE)

FIG ITEM	PART NUMBER	1 2 3 4 5 6 7	NOMENCLATURE	EFFECT FROM TO	UNITS PER ASSY
3 365	L80010K10		.BOLT SUPPLIER CODE: V06725 SPECIFICATION NUMBER: BACB30MY10K10	002004 006999	8
370	TLN12044		.NUT SUPPLIER CODE: V97928 SPECIFICATION NUMBER: BACN10WM4 OPTIONAL PART: LH10114B4 V72962 MN154 V73197 VN18614 V92215 H49702-4S V15653 W8504 V08524 H497024 V15653	002004 006999	8
375	TLN12045		.NUT SUPPLIER CODE: V97928 SPECIFICATION NUMBER: BACN10WM5 OPTIONAL PART: LH10114B5 V72962 MN155 V73197 VN18615 V92215 H49702-5S V15653 W8505 V08524 H497025 V15653	002004 006999	8

MISSING ITEM NUMBERS NOT APPLICABLE

- ITEM NOT ILLUSTRATED

57-50-01-03

57-50-01
FIG. 03
PAGE 10
JAN 20/09

BRI

BOEING PROPRIETARY - Copyright © - Unpublished Work - See title page for details.



757

PARTS CATALOG (MAINTENANCE)

FIG ITEM	PART NUMBER	1 2 3 4 5 6 7	NOMENCLATURE	EFFECT FROM TO	UNITS PER ASSY
3 383	HL11VAZ10-10	.BOLT	SUPPLIER CODE: V60516 SPECIFICATION NUMBER: BACB30NW10K10 OPTIONAL PART: B30NW10K10 V97928 HL11VAZ10-10 V92215 HL11VAZ10-10 V97928 L803-10K10 V06725 HL11VAZ10-10 V73197 HL11VAZ10-10 VOPTK6 HL11VAZ10-10 V56878	002004 006999	2
385	HL82-10APBW	.COLLAR	SUPPLIER CODE: V73197 SPECIFICATION NUMBER: BACC30AG10 OPTIONAL PART: HL82-10APBW V56878 HL82-10APBW V92215	002004 006999	2

MISSING ITEM NUMBERS NOT APPLICABLE

- ITEM NOT ILLUSTRATED

57-50-01-03

57-50-01
FIG. 03
PAGE 11
JAN 20/09

BRI



757

PARTS CATALOG (MAINTENANCE)

FIG ITEM	PART NUMBER	1 2 3 4 5 6 7	NOMENCLATURE	EFFECT FROM TO	UNITS PER ASSY
3 393	HL11VAZ8-8	.BOLT	SUPPLIER CODE: V60516 SPECIFICATION NUMBER: BACB30NW8K8 OPTIONAL PART: B30NW8K8 V97928 HL11VAZ8-8 V73197 HL11VAZ8-8 V92215 HL11VAZ8-8 V97928 L803-8K8 V06725 HL11VAZ8-8 VOPTK6 HL11VAZ8-8 V56878	002004 006999	4
400	HL82-8APBW	.COLLAR	SUPPLIER CODE: V5M902 SPECIFICATION NUMBER: BACC30AG8 OPTIONAL PART: HL82-8APBW V92215 HL82-8APBW V56878 HL82-8APBW V73197	002004 006999	2
405	HL79-8	.COLLAR	SUPPLIER CODE: V5M902 SPECIFICATION NUMBER: BACC30M8 OPTIONAL PART: HL79-8 V73197 HL79-8 V92215 66014-8 V56878 HL79-8 V56878	002004 006999	4

MISSING ITEM NUMBERS NOT APPLICABLE

- ITEM NOT ILLUSTRATED

57-50-01-03

57-50-01
FIG. 03
PAGE 12
JAN 20/09

BRI



757

PARTS CATALOG (MAINTENANCE)

FIG ITEM	PART NUMBER	1 2 3 4 5 6 7	NOMENCLATURE	EFFECT FROM TO	UNITS PER ASSY
3					
410	113N1352-1	.	SUPPORT ASSY- POSITION DATA: LH SIDE OPTIONAL PART: 113N1360-13	002004 006999	1
410	113N1360-13	.	SUPPORT ASSY- POSITION DATA: LH SIDE OPTIONAL PART: 113N1352-1	002004 006100 107107 121503 904999	1
- 415	113N1352-2	.	SUPPORT ASSY- POSITION DATA: RH SIDE OPTIONAL PART: 113N1360-14	002004 006999	1
- 415	113N1360-14	.	SUPPORT ASSY- POSITION DATA: RH SIDE OPTIONAL PART: 113N1352-2	002004 006100 107107 121503 904999	1
420	BACB28AA07B029	..	BUSHING	002004 006999	2
425	BACB28AA07B049	..	BUSHING	002004 006999	2
430	BACB28U9C058	..	BUSHING	002004 006999	1
435	BACB28U9C098	..	BUSHING	002004 006999	1
440	113N1352-3	..	SUPPORT- POSITION DATA: LH SIDE USED ON: 113N1352-1	103106	1
440	113N1360-11	..	SUPPORT- POSITION DATA: LH SIDE USED ON: 113N1360-13	002004 006100 107107 121503 904999	1
- 445	113N1352-4	..	SUPPORT- POSITION DATA: RH SIDE USED ON: 113N1352-2	103106	1
- 445	113N1360-12	..	SUPPORT- POSITION DATA: RH SIDE USED ON: 113N1360-14	002004 006100 107107 121503 904999	1

MISSING ITEM NUMBERS NOT APPLICABLE

- ITEM NOT ILLUSTRATED

57-50-01-03

57-50-01
FIG. 03
PAGE 13
JAN 20/09

BRI



757

PARTS CATALOG (MAINTENANCE)

FIG ITEM	PART NUMBER	1 2 3 4 5 6 7	NOMENCLATURE	EFFECT FROM TO	UNITS PER ASSY
3					
450	BACS40R26C35F	.SHIM		002004 006016 107107 121503 904999	1
450	BACS40R026C035F	.SHIM-		017106 108120 504903	1
455	BACS40R26D35F	.SHIM		002004 006016 107107 121503 904999	1
455	BACS40R026D035F	.SHIM		017106 108120 504903	1
460	BACS40R30C38F	.SHIM		002004 006016 107107 121503 904999	1
460	BACS40R030C038F	.SHIM		017106 108120 504903	1
465	BACS40R30D38F	.SHIM		002004 006016 107107 121503 904999	1
465	BACS40R030D038F	.SHIM		017106 108120 504903	1
470	113N1350-3	.SHIM		002004 006999	1
475	113N1350-4	.SHIM		002004 006016 107107 121503 904999	1
475	BACS40R015E038F	.SHIM		017106 108120 504903	1

MISSING ITEM NUMBERS NOT APPLICABLE

- ITEM NOT ILLUSTRATED

57-50-01-03

57-50-01
FIG. 03
PAGE 14
JAN 20/09

BRI

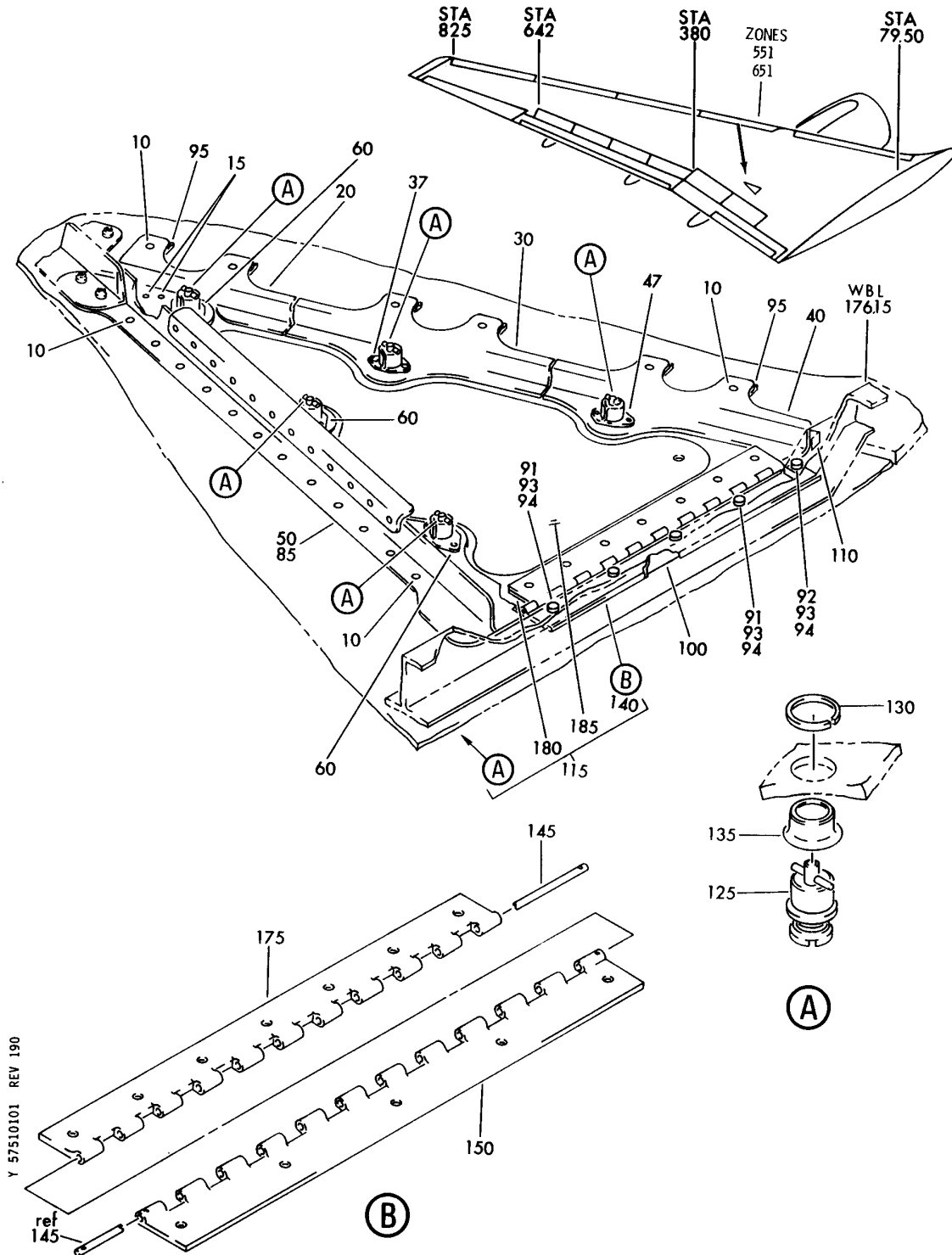
BOEING PROPRIETARY - Copyright © - Unpublished Work - See title page for details.

WING TRAILING EDGE

BRI
MAY 28/07

57-51-00
SECTION TITLE
PAGE 1

BOEING
757
PARTS CATALOG (MAINTENANCE)



PANEL INSTL-LWR INBD TE ACCESS
FIGURE 1

57-51-01-01

BRI
MAY 28/07

57-51-01-01
PAGE 0



757

PARTS CATALOG (MAINTENANCE)

FIG ITEM	PART NUMBER	1 2 3 4 5 6 7	NOMENCLATURE	EFFECT FROM TO	UNITS PER ASSY
1			PANEL INSTL-LWR INBD TE ACCESS	002004 006999	
- 1	113N1989-1		PANEL INSTL-TE ACCESS POSITION DATA: LWR INBD LH FOR NHA SEE: 57-50-00-01	002004 006100 107107 121503 904999	RF
- 1	113N1989-401		PANEL INSTL-ACCESS POSITION DATA: LWR INBD TE LH FOR NHA SEE: 57-00-00-05B	101102 108120 504903	RF
- 1	MODREF1544		PANEL INSTL-ACCESS MODULE NUMBER: 113N1989-401 REV A POSITION DATA: LWR INBD TE LH	103103	1
- 1	MODREF26609		PANEL INSTL-ACCESS MODULE NUMBER: 113N1989-401 REV B POSITION DATA: LWR INBD TE LH	104106	1
- 5	113N1989-2		PANEL INSTL-TE ACCESS POSITION DATA: LWR INBD RH FOR NHA SEE: 57-50-00-01	002004 006100 107107 121503 904999	RF
- 5	113N1989-402		PANEL INSTL-ACCESS POSITION DATA: LWR INBD TE RH FOR NHA SEE: 57-00-00-05B	101102 108120 504903	RF
- 5	MODREF1545		PANEL INSTL-ACCESS MODULE NUMBER: 113N1989-402 REV A POSITION DATA: LWR INBD TE RH	103103	1
- 5	MODREF26610		PANEL INSTL-ACCESS MODULE NUMBER: 113N1989-402 REV B POSITION DATA: LWR INBD TE RH	104106	1
10	BACR15BA6AD		.RIVET- SIZE DETERMINED ON INSTL.	002004 006999	18
15	BACR15BA4AD		.RIVET- SIZE DETERMINED ON INSTL.	002004 006999	12
20	113N1728-9		.MEMBER- POSITION DATA: LH SIDE	002004 006999	1

MISSING ITEM NUMBERS NOT APPLICABLE

- ITEM NOT ILLUSTRATED

57-51-01-01

57-51-01
FIG. 01
PAGE 1
JAN 20/09

BRI



757

PARTS CATALOG (MAINTENANCE)

FIG ITEM	PART NUMBER	1 2 3 4 5 6 7	NOMENCLATURE	EFFECT FROM TO	UNITS PER ASSY
1					
- 25	113N1728-10		.MEMBER- POSITION DATA: RH SIDE	002004 006999	1
30	113N1989-3		.MEMBER ASSY- POSITION DATA: LH SIDE	002004 006999	1
- 35	113N1989-4		.MEMBER ASSY- POSITION DATA: RH SIDE	002004 006999	1
37	BACR11AV4		..RECEPTACLE	002004 006999	1
			ATTACHING PARTS		
- 38	BACR15BA4AD		..RIVET- SIZE DETERMINED ON INSTL. -----*-----	002004 006999	2
40	113N1989-5		.MEMBER ASSY- POSITION DATA: LH SIDE	002004 006999	1
- 45	113N1989-6		.MEMBER ASSY- POSITION DATA: RH SIDE	002004 006999	1
47	BACR11AV4		..RECEPTACLE	002004 006999	1
			ATTACHING PARTS		
- 48	BACR15BA4AD		..RIVET- SIZE DETERMINED ON INSTL. -----*-----	002004 006999	2
50	113N1989-9		.MEMBER ASSY- POSITION DATA: LH SIDE	002004 006999	1
- 55	113N1989-10		.MEMBER ASSY- POSITION DATA: RH SIDE	002004 006999	1
60	BACR11AV4		..RECEPTACLE	002004 006999	3
			ATTACHING PARTS		
- 65	BACR15BA4AD		..RIVET- SIZE DETERMINED ON INSTL. -----*-----	002004 006999	6
85	113N1994-1		..MEMBER ASSY- USED ON: 113N1989-9	002004 006999	1
- 90	113N1994-2		..MEMBER ASSY- USED ON: 113N1989-10	002004 006999	1
91	BACB30LH3-4		.BOLT	002004 006999	4
92	BACB30LH3-8		.BOLT	002004 006999	1

MISSING ITEM NUMBERS NOT APPLICABLE

- ITEM NOT ILLUSTRATED

57-51-01-01

57-51-01
FIG. 01
PAGE 2
JAN 20/09

BRI



757

PARTS CATALOG (MAINTENANCE)

FIG ITEM	PART NUMBER	1 2 3 4 5 6 7	NOMENCLATURE	EFFECT FROM TO	UNITS PER ASSY
1					
93	BRH10C3D	.	NUT SUPPLIER CODE: V52828 SPECIFICATION NUMBER: BACN10JC3CD OPTIONAL PART: T6C1032JCD V11815 NS202486-02 V80539 102LH9075-3W V72962 H51650-3BAC V15653	002004 006999	5
94	AN960KD10	.	WASHER	002004 006100 107107 121503 904999	5
94	NAS114903363J	.	WASHER	101106 108120 504903	5
95	BACS40R8C10F	.	SHIM	002004 006100 107107 121503 904999	6
95	BACS0R008C010F	.	SHIM	101106 108120 504903	6
100	BACS40R8C104F	.	SHIM	002004 006100 107107 121503 904999	1
100	BACS40R008C104F	.	SHIM	101106 108120 504903	1
110	113N1993-1	.	SEAL- MANUFACTURED FROM: SH RUBBER BMS1-57 0.25 THK X .50 X 21.5 IN.	002004 006999	1
115	113N1989-7	.	DOOR ASSY- POSITION DATA: LH SIDE	002004 006999	1
- 120	113N1989-8	.	DOOR ASSY- POSITION DATA: RH SIDE	002004 006999	1

MISSING ITEM NUMBERS NOT APPLICABLE

- ITEM NOT ILLUSTRATED

57-51-01-01

57-51-01
FIG. 01
PAGE 3
JAN 20/09

BRI

BOEING PROPRIETARY - Copyright © - Unpublished Work - See title page for details.

BOEING
757
PARTS CATALOG (MAINTENANCE)

FIG ITEM	PART NUMBER	1 2 3 4 5 6 7	NOMENCLATURE	EFFECT FROM TO	UNITS PER ASSY
1	125 40S5-6C	..	STUD- SUPPLIER CODE: V06349 POST AIRLINE MOD: TPCR5-57-IPC-95-0167 VUPS	104106	5
	125 BACS21ED6R	..	STUD-	002004 006999	5
	130 BACR12X1	..	RING-	002004 006999	5
	135 4002H	..	GROMMET SUPPLIER CODE: V71286 SPECIFICATION NUMBER: BACG20X2 OPTIONAL PART: 1142900-2 V60119	002004 006999	5
	140 113N1989-15	..	HINGE ASSY	002004 006999	1
-	142 BACR15BA6AD	..	RIVET- ATTACHING PARTS SIZE DETERMINED ON INSTL. -----*-----	002004 006999	7
	145 MS20253P2-1015	...	PIN-	002004 006999	1
	150 113N1989-11	...	HINGE-HALF	002004 006999	1
	175 113N1989-13	...	HINGE-HALF	002004 006999	1
	180 BACS40R8C94F	..	SHIM	002004 006999	1
	185 113N1988-3	..	DOOR- USED ON: 113N1989-7	002004 006999	1
-	190 113N1988-4	..	DOOR- USED ON: 113N1989-8	002004 006999	1

MISSING ITEM NUMBERS NOT APPLICABLE

- ITEM NOT ILLUSTRATED

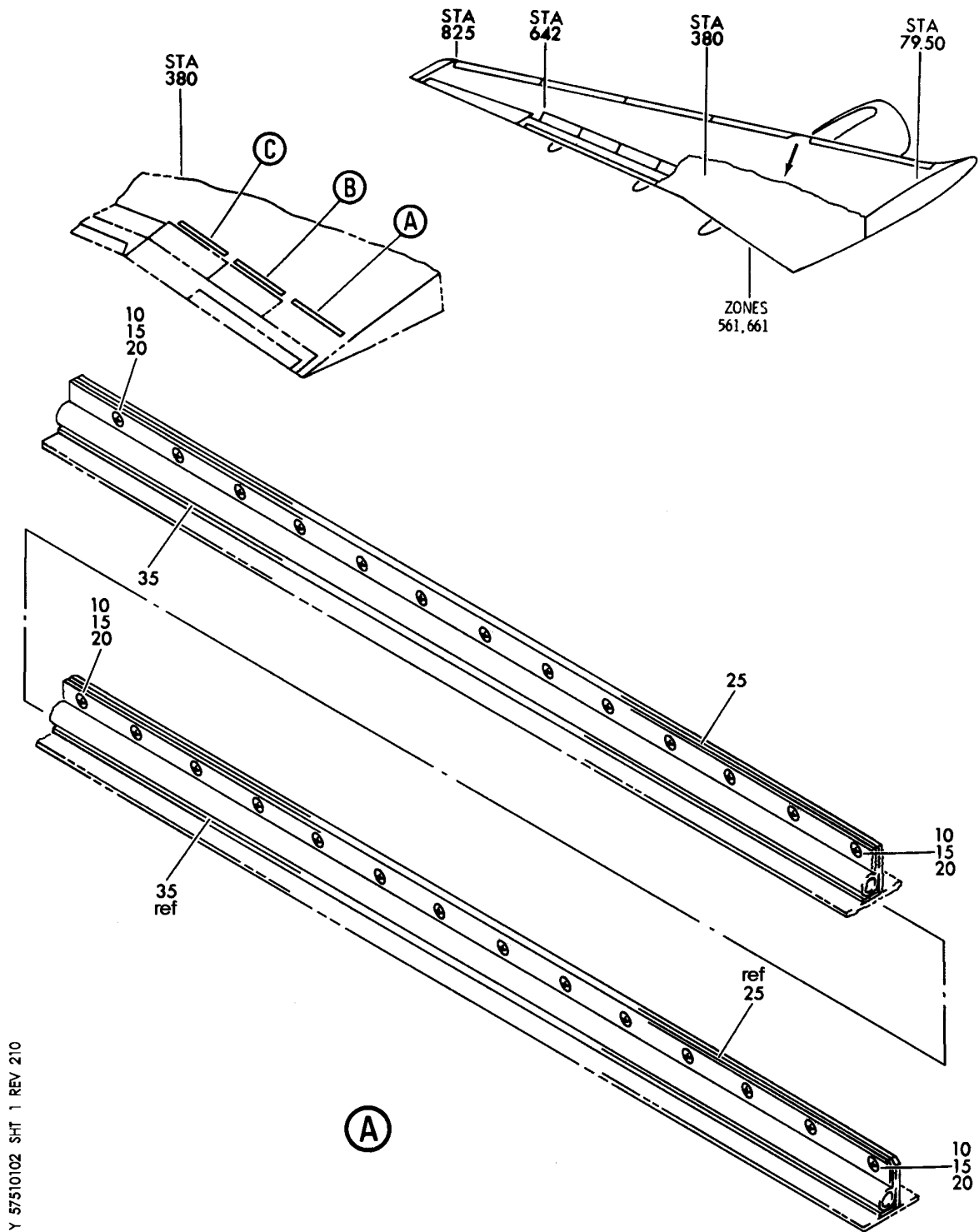
BRI

57-51-01-01

BOEING PROPRIETARY - Copyright © - Unpublished Work - See title page for details.

57-51-01
FIG. 01
PAGE 4
JAN 20/09

BOEING
757
PARTS CATALOG (MAINTENANCE)



Y 57510102 SHT 1 REV 210

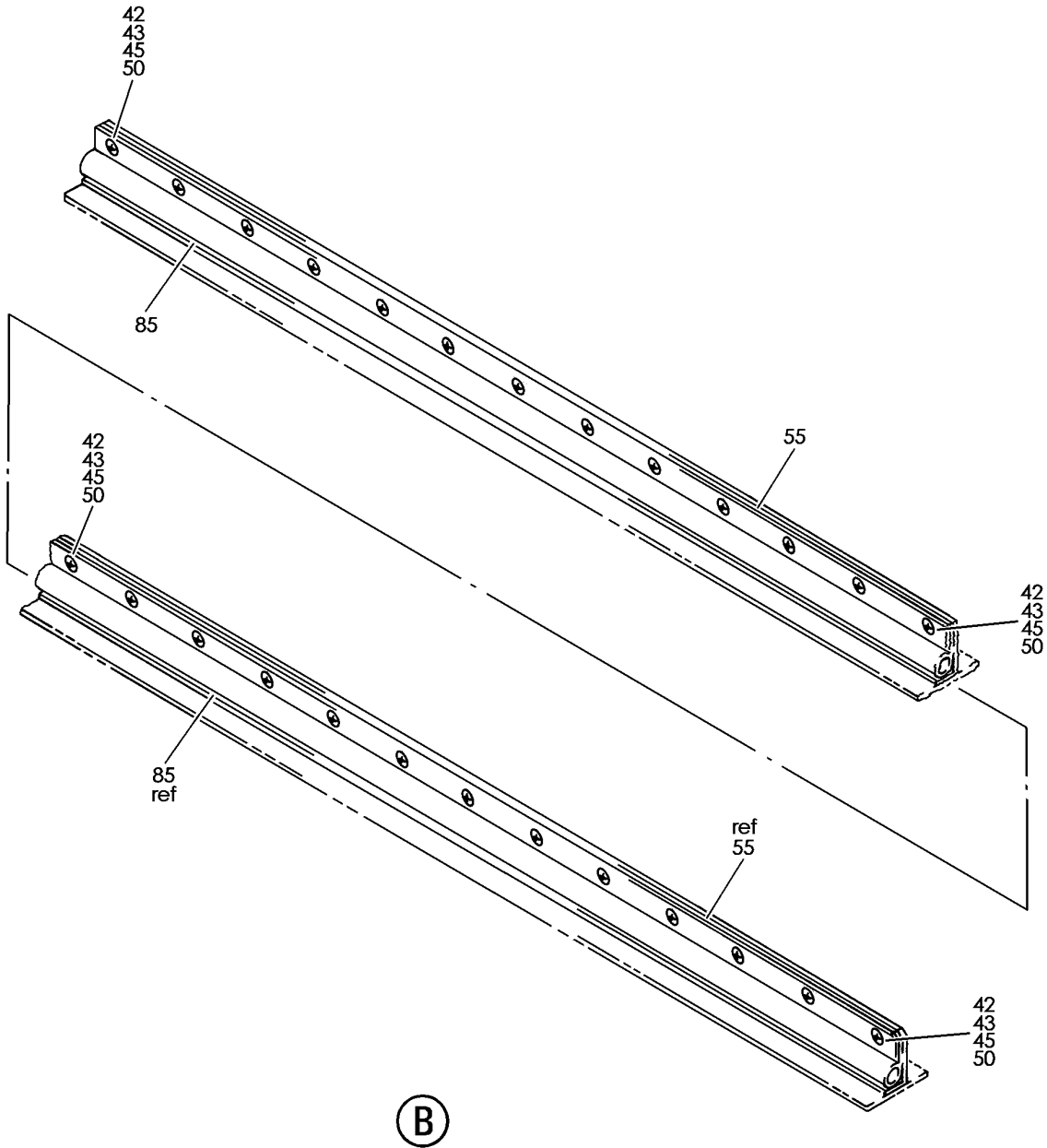
SEAL INSTL-WING LWR INBD TE PNL
FIGURE 2 (SHEET 1)

57-51-01-02

BRI
MAY 28/07

57-51-01-02
PAGE 0

BOEING
757
PARTS CATALOG (MAINTENANCE)



Y 57510102 SHT 2 REV 213

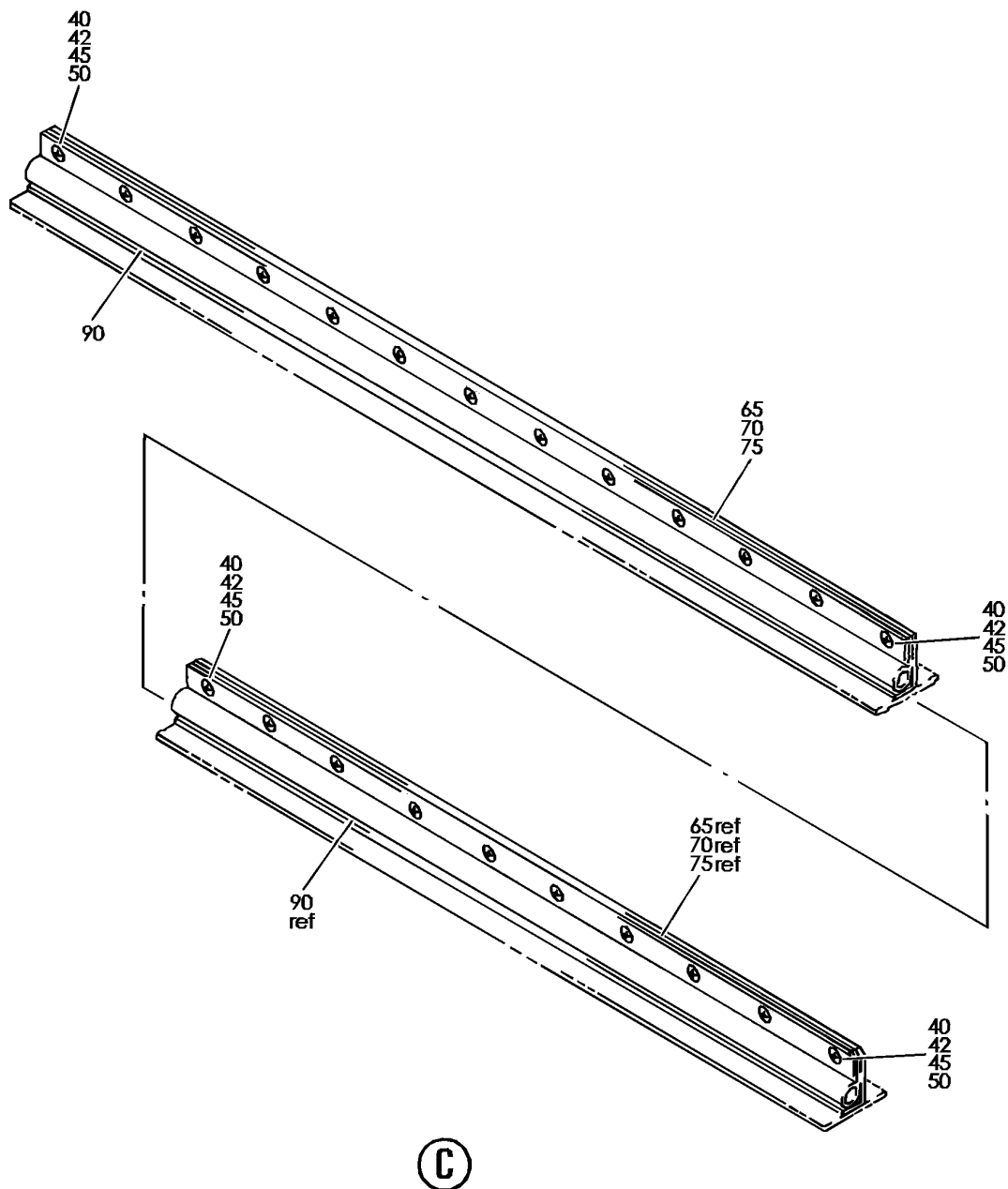
SEAL INSTL-WING LWR INBD TE PNL
FIGURE 2 (SHEET 2)

57-51-01-02

BRI
MAY 28/07

57-51-01-02
PAGE 0A

BOEING
757
PARTS CATALOG (MAINTENANCE)



Y 57510102 SHT 3 REV 213

SEAL INSTL-WING LWR INBD TE PNL
FIGURE 2 (SHEET 3)

57-51-01-02

BRI
MAY 28/07

57-51-01-02
PAGE 0B



757

PARTS CATALOG (MAINTENANCE)

FIG ITEM	PART NUMBER	1 2 3 4 5 6 7	NOMENCLATURE	EFFECT FROM TO	UNITS PER ASSY
2			SEAL INSTL-WING LWR INBD TE PNL	002004 006999	
- 1	113N1941-1		SEAL INSTL-WING TE PANEL POSITION DATA: LWR INBD LH FOR NHA SEE: 57-51-01-07	002004 006100 107107 121503 904999	RF
- 1	113N1941-401		SEAL INSTL-WING TE PNL POSITION DATA: LWR INBD LH FOR NHA SEE: 57-00-00-05B	101102 108120 504903	RF
- 1	MODREF1483		SEAL INSTL-WING TE PNL MODULE NUMBER: 113N1941-401 REV A POSITION DATA: LWR INBD LH	103103	1
- 1	MODREF26601		SEAL INSTL-WING TE PNL MODULE NUMBER: 113N1941-401 REV B POSITION DATA: LWR INBD LH	104106	1
- 5	113N1941-2		SEAL INSTL-WING TE PNL POSITION DATA: LWR INBD RH FOR NHA SEE: 57-51-01-07A	002004 006100 107107 121503 904999	RF
- 5	113N1941-402		SEAL INSTL-WING TE PNL POSITION DATA: LWR INBD RH FOR NHA SEE: 57-00-00-05B	101102 108120 504903	RF
- 5	MODREF1537		SEAL INSTL-WING TE PNL MODULE NUMBER: 113N1941-402 REV A POSITION DATA: LWR INBD RH	103103	1
- 5	MODREF26602		SEAL INSTL-WING TE PNL MODULE NUMBER: 113N1941-402 REV B POSITION DATA: LWR INBD RH	104106	1
10	BACB30NN3K5		.BOLT	002004 006999	27
15	AN960KD10L		.WASHER	002004 006100 107107 121503 904999	27

MISSING ITEM NUMBERS NOT APPLICABLE

- ITEM NOT ILLUSTRATED

57-51-01-02

57-51-01
FIG. 02
PAGE 1
JAN 20/09

BRI



757

PARTS CATALOG (MAINTENANCE)

FIG ITEM	PART NUMBER	1 2 3 4 5 6 7	NOMENCLATURE	EFFECT FROM TO	UNITS PER ASSY
2					
15	NAS1149D0332J	.	WASHER	101106 108120 504903	27
20	BRH10C3D	.	NUT SUPPLIER CODE: V52828 SPECIFICATION NUMBER: BACN10JC3CD OPTIONAL PART: T6C1032JCD V11815 NS202486-02 V80539 102LH9075-3W V72962 H51650-3BAC V15653	002004 006999	27
25	113N1941-27	.	RETAINER-SEAL POSITION DATA: LH SIDE	002004 006999	1
- 30	113N1941-28	.	RETAINER-SEAL POSITION DATA: RH SIDE	002004 006999	1
35	113N1941-21	.	SEAL- MANUFACTURED FROM: EXTR RUBBER 10-60754-7 X 74.20 IN	002004 006999	1
40	BACB30NT2K5	.	BOLT- OPTIONAL PART: BACB30LK2-5	002004 006100 107107 121503 904999	23
40	BACB30LK2-5	.	BOLT- OPTIONAL PART: BACB30NT2K5	002004 006100 107107 121503 904999	23
42	BACB30NT2K6	.	BOLT	101106 108120 504903	49
43	BACB30NT2K6	.	BOLT	002004 006100 107107 121503 904999	26

MISSING ITEM NUMBERS NOT APPLICABLE

- ITEM NOT ILLUSTRATED

57-51-01-02

57-51-01
FIG. 02
PAGE 2
JAN 20/09

BRI

BOEING PROPRIETARY - Copyright © - Unpublished Work - See title page for details.

BOEING
757
PARTS CATALOG (MAINTENANCE)

FIG ITEM	PART NUMBER	1 2 3 4 5 6 7	NOMENCLATURE	EFFECT FROM TO	UNITS PER ASSY
2					
45	AN960KD8	.	WASHER	002004 006100 107107 121503 904999	49
45	NAS1149DN832J	.	WASHER	101106 108120 504903	49
50	BRH10C08D	.	NUT SUPPLIER CODE: V52828 SPECIFICATION NUMBER: BACN10JC08CD OPTIONAL PART: H51650-08BAC V15653 102LH9075-82W V72962 NS202486-82 V80539 T6C832JCD V11815	002004 006999	49
55	113N1941-17	.	RETAINER- POSITION DATA: LH SIDE	002004 006999	1
- 60	113N1941-18	.	RETAINER- POSITION DATA: RH SIDE	002004 006999	1
75	113N1941-31	.	RETAINER	002004 006999	1
85	113N1941-22	.	SEAL- MANUFACTURED FROM: EXTR RUBBER 10-60754-276 65.20 IN	002004 006999	1
90	113N1941-23	.	SEAL- MANUFACTURED FROM: EXTR RUBBER 10-60754-276 65.20 IN	002004 006999	1

MISSING ITEM NUMBERS NOT APPLICABLE

- ITEM NOT ILLUSTRATED

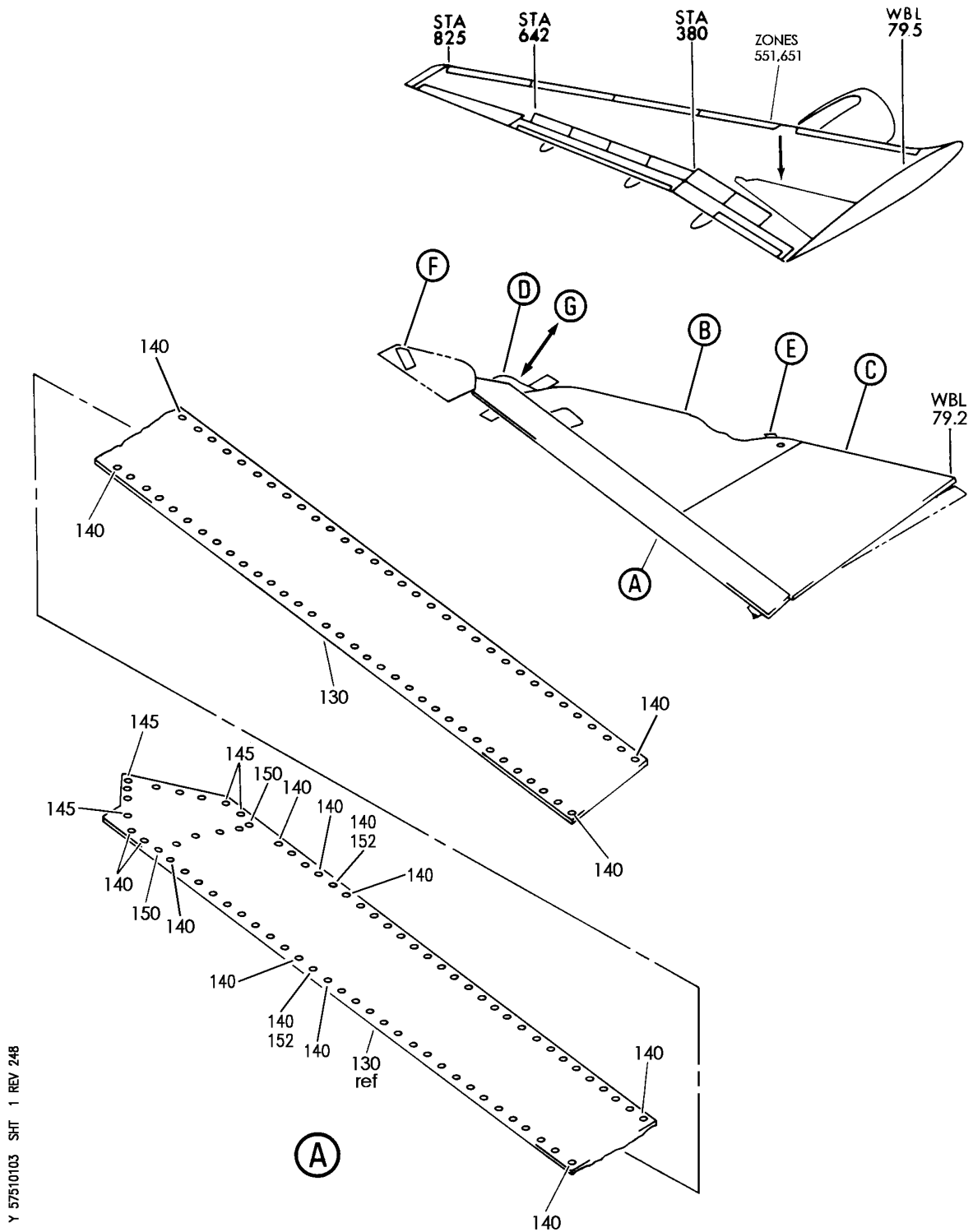
BRI

57-51-01-02

BOEING PROPRIETARY - Copyright © - Unpublished Work - See title page for details.

57-51-01
FIG. 02
PAGE 3
JAN 20/09

BOEING
757
PARTS CATALOG (MAINTENANCE)



Y 57510103 SHT 1 REV 248

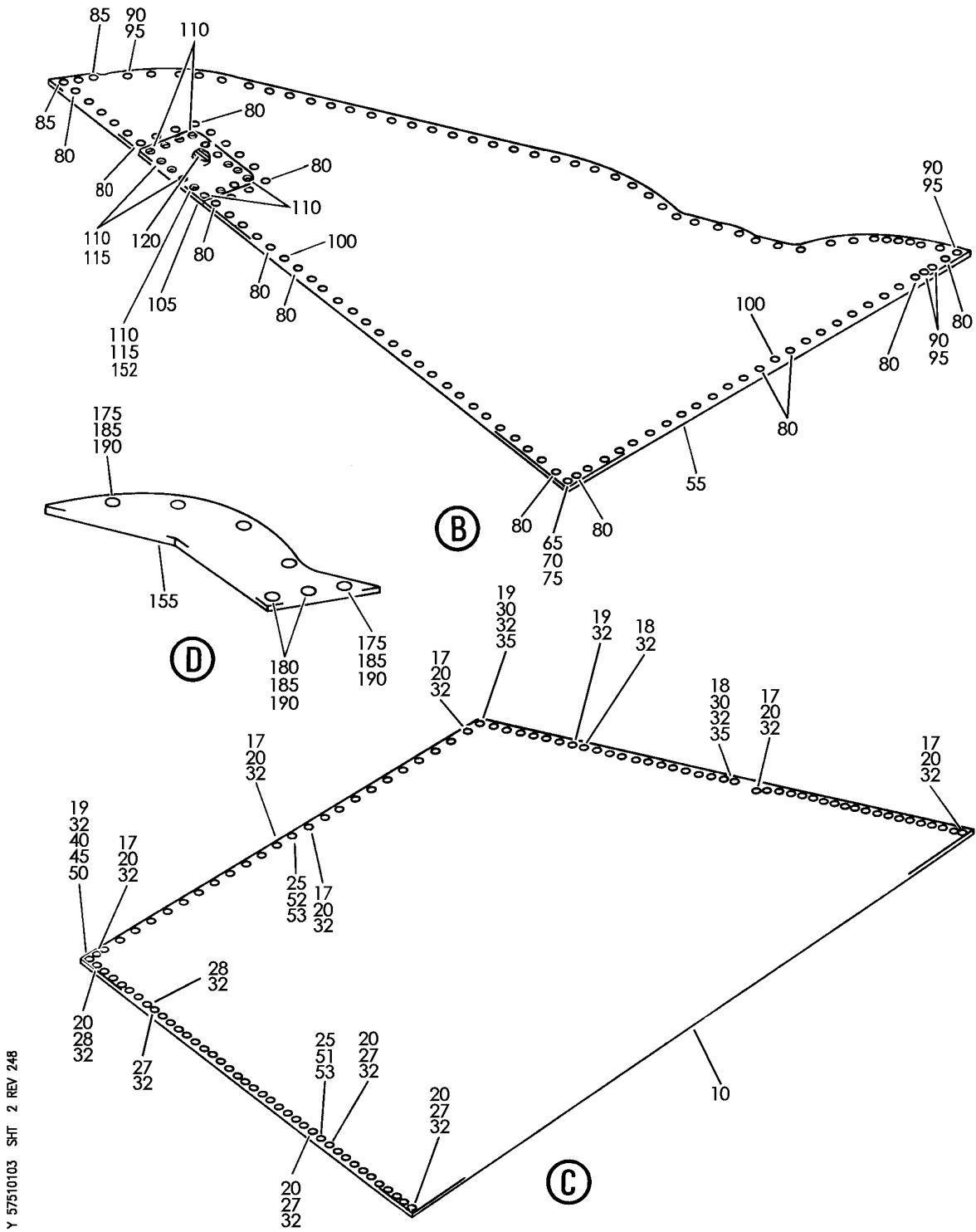
PANEL INSTL-UPR INBD TE
FIGURE 3 (SHEET 1)

57-51-01-03

BRI
MAY 28/07

57-51-01-03
PAGE 0


BOEING
 757
PARTS CATALOG (MAINTENANCE)



Y 57510103 SHT 2 REV 248

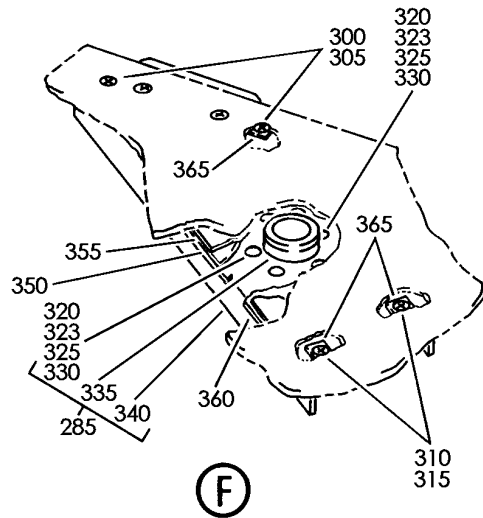
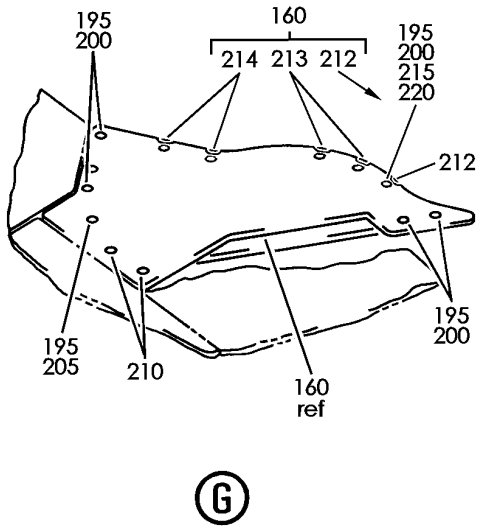
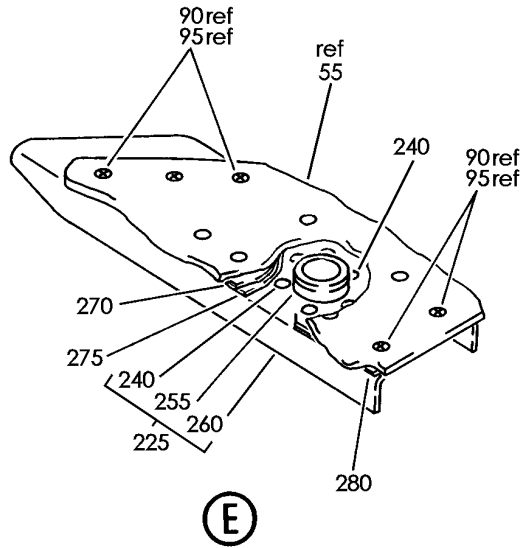
PANEL INSTL-UPR INBD TE
 FIGURE 3 (SHEET 2)

57-51-01-03

BRI
 MAY 28/07

57-51-01-03
 PAGE 0A

BOEING
757
PARTS CATALOG (MAINTENANCE)



Y 57510103 SHT 3 REV 236

PANEL INSTL-UPR INBD TE
FIGURE 3 (SHEET 3)

57-51-01-03

BRI
MAY 28/07

57-51-01-03
PAGE 0B



757

PARTS CATALOG (MAINTENANCE)

FIG ITEM	PART NUMBER	1 2 3 4 5 6 7	NOMENCLATURE	EFFECT FROM TO	UNITS PER ASSY
3			PANEL INSTL-UPR INBD TE	002004 006999	
- 1	113N1610-1		PANEL INSTL-TE POSITION DATA: UPR INBD LH FOR NHA SEE: 57-50-00-01	002004 006100 107107 121503 904999	RF
- 1	113N1610-403		PANEL INSTL-TE POSITION DATA: UPR INBD LH FOR NHA SEE: 57-00-00-05B	101102 108120 504903	RF
- 1	MODREF21159		PANEL INSTL-TE MODULE NUMBER: 113N1610-405 REV A POSITION DATA: UPR INBD LH	103103	1
- 1	MODREF30127		PANEL INSTL-TE MODULE NUMBER: 113N1610-405 REV B POSITION DATA: UPR INBD LH	104106	1
- 5	113N1610-2		PANEL INSTL-TE POSITION DATA: UPR INBD RH FOR NHA SEE: 57-50-00-01	002004 006100 107107 121503 904999	RF
- 5	113N1610-404		PANEL INSTL-TE POSITION DATA: UPR INBD RH FOR NHA SEE: 57-00-00-05B	101102 108120 504903	RF
- 5	MODREF21160		PANEL INSTL-TE MODULE NUMBER: 113N1610-406 REV A POSITION DATA: UPR INBD RH	103103	1
- 5	MODREF26559		PANEL INSTL-TE MODULE NUMBER: 113N1610-406 REV B POSITION DATA: UPR INBD RH	104106	1
10	113N1611-11		.PANEL ASSY- POSITION DATA: UPR LH SIDE	107107 904949	1
10	113N1611-13		.PANEL ASSY- POSITION DATA: UPR LH SIDE	904949	1

MISSING ITEM NUMBERS NOT APPLICABLE

- ITEM NOT ILLUSTRATED

57-51-01-03

57-51-01
FIG. 03
PAGE 1
JAN 20/09

BRI



757

PARTS CATALOG (MAINTENANCE)

FIG ITEM	PART NUMBER	1 2 3 4 5 6 7	NOMENCLATURE	EFFECT FROM TO	UNITS PER ASSY
3					
10	113N1611-15		.PANEL ASSY- POSITION DATA: UPR LH SIDE FOR SPARES PROCURE: 654N0244-1	904949	1
10	113N1611-17		.PANEL ASSY- POSITION DATA: UPR LH SIDE POST SERVICE BULLETIN: 57-0036	002004 006999	1
- 15	113N1611-12		.PANEL ASSY- POSITION DATA: UPR RH SIDE	107107 904949	1
- 15	113N1611-14		.PANEL ASSY- POSITION DATA: UPR RH SIDE	904949	1
- 15	113N1611-16		.PANEL ASSY- POSITION DATA: UPR RH SIDE	904949	1
- 15	113N1611-18		.PANEL ASSY- POSITION DATA: UPR RH SIDE POST SERVICE BULLETIN: 57-0036	002004 006999	1
17	HL537AZ6-4		.ATTACHING PARTS .BOLT- SUPPLIER CODE: VOPTK6 SPECIFICATION NUMBER: BACB30NZ6K4X OPTIONAL PART: HL537AZ6-4 V06725 HL537AZ6-4 V56878 HL537AZ6-4 V60516 HL537AZ6-4 V73197 HL537AZ6-4 V92215 HL537AZ6-4 V97928 POST SERVICE BULLETIN: 57-0036	107107	44

MISSING ITEM NUMBERS NOT APPLICABLE

- ITEM NOT ILLUSTRATED

57-51-01-03

57-51-01
FIG. 03
PAGE 2
JAN 20/09

BRI



757

PARTS CATALOG (MAINTENANCE)

FIG ITEM	PART NUMBER	1 2 3 4 5 6 7	NOMENCLATURE	EFFECT FROM TO	UNITS PER ASSY
3 18	HL537AZ6-6		.BOLT- SUPPLIER CODE: V06725 SPECIFICATION NUMBER: BACB30NZ6K6X OPTIONAL PART: HL537AZ6-6 VOPTK6 HL537AZ6-6 V56878 HL537AZ6-6 V60516 HL537AZ6-6 V73197 HL537AZ6-6 V92215 HL537AZ6-6 V97928 POST SERVICE BULLETIN: 57-0036	107107	13
19	HL537AZ6-7		.BOLT- SUPPLIER CODE: V97928 SPECIFICATION NUMBER: BACB30NZ6K7X OPTIONAL PART: HL537AZ6-7 V92215 HL537AZ6-7 V73197 HL537AZ6-7 V60516 HL537AZ6-7 V56878 HL537AZ6-7 V06725 HL537AZ6-7 VOPTK6 POST SERVICE BULLETIN: 57-0036	107107	9
20	BACR15BA6AD		.RIVET- SIZE DETERMINED ON INSTL.	002004 006106 108999	82
25	NAS1399MW6		.RIVET- SIZE DETERMINED ON INSTL.	002004 006106 108999	2
27	BACB30NZ6K5X		.BOLT- POST SERVICE BULLETIN: 57-0036	107107	31

MISSING ITEM NUMBERS NOT APPLICABLE

- ITEM NOT ILLUSTRATED

57-51-01-03

57-51-01
FIG. 03
PAGE 3
JAN 20/09

BRI



757

PARTS CATALOG (MAINTENANCE)

FIG ITEM	PART NUMBER	1 2 3 4 5 6 7	NOMENCLATURE	EFFECT FROM TO	UNITS PER ASSY
3					
28	BACB30NZ6K5X	.BOLT-	SERVICE BULLETIN OPT DATA: BACB30NZ6K7X POST SERVICE BULLETIN: 57-0036	107107	7
28	HL537AZ6-7	.BOLT-	SUPPLIER CODE: V97928 SPECIFICATION NUMBER: BACB30NZ6K7X OPTIONAL PART: HL537AZ6-7 V92215 HL537AZ6-7 V73197 HL537AZ6-7 V60516 HL537AZ6-7 V56878 HL537AZ6-7 V06725 HL537AZ6-7 VOPTK6 SERVICE BULLETIN OPT DATA: BACB30NZ6K5X POST SERVICE BULLETIN: 57-0036	107107	7
30	BACB30NZ6K	.BOLT-	SIZE DETERMINED ON INSTL.	002004 006106 108999	21
32	HL79-6	.COLLAR-	SUPPLIER CODE: V5M902 SPECIFICATION NUMBER: BACC30M6 OPTIONAL PART: HL79-6 V73197 HL79-6 V92215 66014-6 V56878 HL79-6 V56878 POST SERVICE BULLETIN: 57-0036	107107	104
35	BACC30AB6	.COLLAR-		002004 006106 108999	21

MISSING ITEM NUMBERS NOT APPLICABLE

- ITEM NOT ILLUSTRATED

57-51-01-03

57-51-01
FIG. 03
PAGE 4
JAN 20/09

BRI



757

PARTS CATALOG (MAINTENANCE)

FIG ITEM	PART NUMBER	1 2 3 4 5 6 7	NOMENCLATURE	EFFECT FROM TO	UNITS PER ASSY
3	40	BACB30NW5K	.BOLT- SIZE DETERMINED ON INSTL.	002004 006106 108999	1
	45	BACW10DM6P	.WASHER-	002004 006106 108999	1
	50	HL70-5	.COLLAR- SUPPLIER CODE: V5M902 SPECIFICATION NUMBER: BACC30M5 OPTIONAL PART: HL70-5 V73197 HL70-5 V92215 66014-5 V56878 HL70-5 V56878	002004 006106 108999	1
51	CR2562-6-7	.RIVET- SUPPLIER CODE: V11815 SPECIFICATION NUMBER: NAS1399MW6-7 OPTIONAL PART: CR2562-6-7 V92215 AF2091W6-7 V53551 POST SERVICE BULLETIN: 57-0036	107107	1	
52	NAS1399MW6-5	.RIVET- POST SERVICE BULLETIN: 57-0036	107107	1	
53	DV7900-10	.WASHER- SUPPLIER CODE: V08524 SPECIFICATION NUMBER: BACW10CC3 POST SERVICE BULLETIN: 57-0036	107107	2	
55	113N1612-5	-----*----- .PANEL ASSY-SKIN POSITION DATA: LH SIDE	002004 006100 107107 121503 904999	1	

MISSING ITEM NUMBERS NOT APPLICABLE

- ITEM NOT ILLUSTRATED

57-51-01-03

57-51-01
FIG. 03
PAGE 5
JAN 20/09

BRI



757

PARTS CATALOG (MAINTENANCE)

FIG ITEM	PART NUMBER	1 2 3 4 5 6 7	NOMENCLATURE	EFFECT FROM TO	UNITS PER ASSY
3					
55	113N1612-11		.PANEL ASSY-SKIN POSITION DATA: LH SIDE	002004 006100 107107 121503 904999	1
- 60	113N1612-6		.PANEL ASSY-SKIN POSITION DATA: RH SIDE	002004 006100 107107 121503 904999	1
- 60	113N1612-12		.PANEL ASSY-SKIN POSITION DATA: RH SIDE	002004 006100 107107 121503 904999	1
			ATTACHING PARTS		
65	BACB30NW5K		.BOLT- SIZE DETERMINED ON INSTL.	002004 006999	1
70	BACW10DM6P		.WASHER	002004 006999	1
75	HL70-5		.COLLAR SUPPLIER CODE: V5M902 SPECIFICATION NUMBER: BACC30M5 OPTIONAL PART: HL70-5 V73197 HL70-5 V92215 66014-5 V56878 HL70-5 V56878	002004 006999	1
80	BACR15BA6AD		.RIVET- SIZE DETERMINED ON INSTL.	002004 006999	54
85	BACR15BA6AD		.RIVET- SIZE DETERMINED ON INSTL. OPTIONAL PART: BACB30NZ6K	002004 006999	3
85	BACB30NZ6K		.BOLT- SIZE DETERMINED ON INSTL. OPTIONAL PART: BACR15BA6D	002004 006999	3
90	BACB30NZ6K		.BOLT- SIZE DETERMINED ON INSTL.	002004 006999	45
95	BACC30AB6		.COLLAR	002004 006999	45

MISSING ITEM NUMBERS NOT APPLICABLE

- ITEM NOT ILLUSTRATED

57-51-01-03

57-51-01
FIG. 03
PAGE 6
JAN 20/09

BRI



757

PARTS CATALOG (MAINTENANCE)

FIG ITEM	PART NUMBER	1 2 3 4 5 6 7	NOMENCLATURE	EFFECT FROM TO	UNITS PER ASSY
3					
100	NAS1399MW6		.RIVET- SIZE DETERMINED ON INSTL. -----*-----	002004 006999	2
105	113N1649-1		.DOOR-ACCESS ATTACHING PARTS	002004 006999	1
110	BACB30LH3-4		.BOLT- OPTIONAL PART: BACB30NN3K4	002004 006999	16
110	BACB30NN3K4		.BOLT- OPTIONAL PART: BACB30LH3-4 V06710	002004 006999	16
115	DV7900-10		.WASHER SUPPLIER CODE: V08524 SPECIFICATION NUMBER: BACW10CC3 -----*-----	002004 006999	4
120	113N1648-1		.PLATE-SPLICE ATTACHING PARTS	002004 006999	1
- 125	BACR15BA6AD		.RIVET- SIZE DETERMINED ON INSTL. -----*-----	002004 006999	10
130	113N1983-7		.PANEL ASSY- POSITION DATA: UPR LH SIDE	002004 006100 107107 121503 904999	1
- 135	113N1983-8		.PANEL ASSY- POSITION DATA: UPR RH SIDE	002004 006100 107107 121503 904999	1
140	BACB30NN3K5		ATTACHING PARTS .BOLT- OPTIONAL PART: BACB30LH3-5	002004 006999	125
140	BACB30LH3-5		.BOLT- OPTIONAL PART: BACB30NN3K5	002004 006999	125
145	BACB30NN4K15		.BOLT- OPTIONAL PART: BACB30LH4-15	002004 006999	9
145	BACB30LH4-15		.BOLT- OPTIONAL PART: BACB30NN4K15	002004 006999	9

MISSING ITEM NUMBERS NOT APPLICABLE

- ITEM NOT ILLUSTRATED

57-51-01-03

57-51-01
FIG. 03
PAGE 7
JAN 20/09

BRI



757

PARTS CATALOG (MAINTENANCE)

FIG ITEM	PART NUMBER	1 2 3 4 5 6 7	NOMENCLATURE	EFFECT FROM TO	UNITS PER ASSY
3					
150	BACB30LH4-11	.BOLT-	OPTIONAL PART: BACB30NN4K11	002004 006999	6
150	BACB30NN4K11	.BOLT-	OPTIONAL PART: BACB30LH4-11 V06710	002004 006999	6
152	BACW10UC10P	.WASHER-	-----*-----	103106	6
160	113N1984-1	.PANEL-FILLER	POSITION DATA: LH SIDE QUALIFIED I/W DATA: WHEN REPLACING 113N1984-1 WITH 113N1984-3 REMOVE FORM -IN-PLACE GASKET. WHEN REPLACING 113N1984-3 WITH 113N1984-1 ADD FORM-IN-PLACE GASKET PER DRAWING REQUIREMENTS	002004 006017 107107 121503 904999	1
160	113N1984-3	.PANEL ASSY-FILLER	POSITION DATA: LH SIDE QUALIFIED I/W DATA: WHEN REPLACING 113N1984-1 WITH 113N1984-3 REMOVE FORM -IN-PLACE GASKET. WHEN REPLACING 113N1984-3 WITH 113N1984-1 ADD FORM-IN-PLACE GASKET PER DRAWING REQUIREMENTS	018100 103106	1
- 170	113N1984-2	.PANEL-FILLER	POSITION DATA: RH SIDE QUALIFIED I/W DATA: WHEN REPLACING 113N1984-2 WITH 113N1984-4 REMOVE FORM-IN-PLACE GASKET, WHEN REPLACING 113N1984-4 WITH 113N1984-2 ADD FORM-IN-PLACE GASKET PER DRAWING REQUIREMENTS	002004 006017 107107 121503 904999	1

MISSING ITEM NUMBERS NOT APPLICABLE

- ITEM NOT ILLUSTRATED

57-51-01-03

57-51-01
FIG. 03
PAGE 8
JAN 20/09

BRI



757

PARTS CATALOG (MAINTENANCE)

FIG ITEM	PART NUMBER	1 2 3 4 5 6 7	NOMENCLATURE	EFFECT FROM TO	UNITS PER ASSY
3 - 170	113N1984-4		.PANEL ASSY-FILLER POSITION DATA: RH SIDE QUALIFIED I/W DATA: WHEN REPLACING 113N1984-2 WITH 113N1984-4 REMOVE FORM-IN-PLACE GASKET, WHEN REPLACING 113N1984-4 WITH 113N1984-2 ADD FORM-IN-PLACE GASKET PER DRAWING REQUIREMENTS	018100 103106	1
195	BACB30LH4-20		.BOLT- OPTIONAL PART: BACB30NN4K20	107107	11
195	BACB30NN4K20		.BOLT- OPTIONAL PART: BACB30LH4-20 V06710	107107	11
200	BACB30LH4-20		.BOLT- OPTIONAL PART: BACB30NN4K20	003004 006100 121503 904999	10
200	BACB30NN4K20		.BOLT- OPTIONAL PART: BACB30LH4-20 V06710	003004 006100 121503 904999	10
205	BACB30LH3-8		.BOLT- OPTIONAL PART: BACB30NN3K8	003004 006100 121503 904999	1
205	BACB30NN3K8		.BOLT- OPTIONAL PART: BACB30LH3-8 V06710	003004 006100 121503 904999	1
210	BACB30LH3-5		.BOLT- OPTIONAL PART: BACB30NN3K5	002004 006999	2
210	BACB30NN3K5		.BOLT- OPTIONAL PART: BACB30LH3-5 V06710	002004 006999	2
212	113N1195-1		-----*----- .. FILLER	018100 103106	1
213	113N1195-2		.. FILLER	018100 103106	2

MISSING ITEM NUMBERS NOT APPLICABLE

- ITEM NOT ILLUSTRATED

57-51-01-03

57-51-01
FIG. 03
PAGE 9
JAN 20/09

BRI

BOEING PROPRIETARY - Copyright © - Unpublished Work - See title page for details.



757

PARTS CATALOG (MAINTENANCE)

FIG ITEM	PART NUMBER	1 2 3 4 5 6 7	NOMENCLATURE	EFFECT FROM TO	UNITS PER ASSY
3					
214	113N1195-3	..	FILLER	018100 103106	2
215	BACS40U4N1	.SHIM-	CIRCULAR	018100 103106	AR
220	BACS40U4N2	.SHIM-	CIRCULAR	018100 103106	AR
225	113N1940-35	.SUPPORT ASSY-	POSITION DATA: LH SIDE	002004 006999	1
- 230	113N1940-36	.SUPPORT ASSY-	POSITION DATA: RH SIDE	002004 006999	1
- 235	BACR15BA6AD	.RIVET-	ATTACHING PARTS SIZE DETERMINED ON INSTL. -----*-----	002004 006999	5
240	BACR15BA4D6	..RIVET-	OPTIONAL PART: 113N1940-66	002004 006999	6
243	113N1940-66	..KIT ASSY-	OPTIONAL PART: BACR15BA4D6	002004 006999	6
245	BACS12ER04K7	...SCREW		002004 006999	6
250	BRH10C04D	...NUT	SUPPLIER CODE: V52828 SPECIFICATION NUMBER: BACN10JC04CD OPTIONAL PART: H51650-04BAC V15653 102LH9075-40W V72962 NS202486-40 V80539 T6C440JCD V11815 T6C440JCD V11815	002004 006999	6
255	RI280-1	..RECEIVER ASSY-	SUPPLIER CODE: V08844	002004 006999	1
260	113N1940-37	..CHANNEL-	USED ON: 113N1940-35	002004 006999	1
- 265	113N1940-38	..CHANNEL-	USED ON: 113N1940-36	002004 006999	1

MISSING ITEM NUMBERS NOT APPLICABLE

- ITEM NOT ILLUSTRATED

57-51-01-03

57-51-01
FIG. 03
PAGE 10
JAN 20/09

BRI

BOEING PROPRIETARY - Copyright © - Unpublished Work - See title page for details.



757

PARTS CATALOG (MAINTENANCE)

FIG ITEM	PART NUMBER	1 2 3 4 5 6 7	NOMENCLATURE	EFFECT FROM TO	UNITS PER ASSY
3					
270	113N1940-20	.SHIM-	POSITION DATA: LH SIDE	002004 006999	1
270	113N1940-56	.SHIM-	POSITION DATA: RH SIDE	002004 006999	1
275	113N1940-19	.FILLER		002004 006999	1
280	BACF3F007X029NN	.FILLER		002004 006999	1
285	113N1940-39	.SUPPORT ASSY-	POSITION DATA: LH SIDE	002004 006999	1
- 290	113N1940-40	.SUPPORT ASSY-	POSITION DATA: RH SIDE	002004 006999	1
295	BACR15BA6AD	.RIVET-	ATTACHING PARTS SIZE DETERMINED ON INSTL.	002004 006999	5
300	BACB30NZ6K	.BOLT-	SIZE DETERMINED ON INSTL.	002004 006999	4
305	BACC30AB6	.COLLAR		002004 006999	4
310	BRH10A6	.NUT	SUPPLIER CODE: V52828 SPECIFICATION NUMBER: BACN10JC6 OPTIONAL PART: 96-064 V80539 RMLH9075-6 V72962 H10-6BAC V15653	002004 006999	2
315	BACB30NW6K	.BOLT-	SIZE DETERMINED ON INSTL.	002004 006999	2
320	BACR15BA4D6	..RIVET-	OPTIONAL PART: 113N1940-66	002004 006999	6
323	113N1940-66	..KIT ASSY-	OPTIONAL PART: BACR15BA4D6	002004 006999	6
325	BACS12ER04K7	...SCREW		002004 006999	6

MISSING ITEM NUMBERS NOT APPLICABLE

- ITEM NOT ILLUSTRATED

57-51-01-03

57-51-01
FIG. 03
PAGE 11
JAN 20/09

BRI

BOEING PROPRIETARY - Copyright © - Unpublished Work - See title page for details.



**757
PARTS CATALOG (MAINTENANCE)**

FIG ITEM	PART NUMBER	1 2 3 4 5 6 7	NOMENCLATURE	EFFECT FROM TO	UNITS PER ASSY
3					
330	BRH10C04D	. . .	NUT SUPPLIER CODE: V52828 SPECIFICATION NUMBER: BACN10JC04CD OPTIONAL PART: H51650-04BAC V15653 102LH9075-40W V72962 NS202486-40 V80539 T6C440JCD V11815 T6C440JCD V11815	002004 006999	6
335	RI280-1	. . .	RECEIVER ASSY- SUPPLIER CODE: V08844	002004 006999	1
340	113N1940-41	. . .	CHANNEL- USED ON: 113N1940-39	002004 006999	1
- 345	113N1940-42	. . .	CHANNEL- USED ON: 113N1940-40	002004 006999	1
350	113N1940-51	. . .	FILLER	107107 904949 952952	1
350	113N1940-57	. . .	FILLER	002004 006100 103106 121503 950951 953999	1
355	113N1940-52	. . .	SHIM	002004 006100 107107 121503 904999	1
360	BACF3H09JP030HN	. . .	FILLER	002004 006100 103106 121503 950951 953999	1

MISSING ITEM NUMBERS NOT APPLICABLE

- ITEM NOT ILLUSTRATED

57-51-01-03

57-51-01
FIG. 03
PAGE 12
JAN 20/09

BRI

BOEING PROPRIETARY - Copyright © - Unpublished Work - See title page for details.



757

PARTS CATALOG (MAINTENANCE)

FIG ITEM	PART NUMBER	1 2 3 4 5 6 7	NOMENCLATURE	EFFECT FROM TO	UNITS PER ASSY
3 365	113N1610-4	.	FILLER	002004 006100 103106 121503 950951 953999	3

MISSING ITEM NUMBERS NOT APPLICABLE

- ITEM NOT ILLUSTRATED

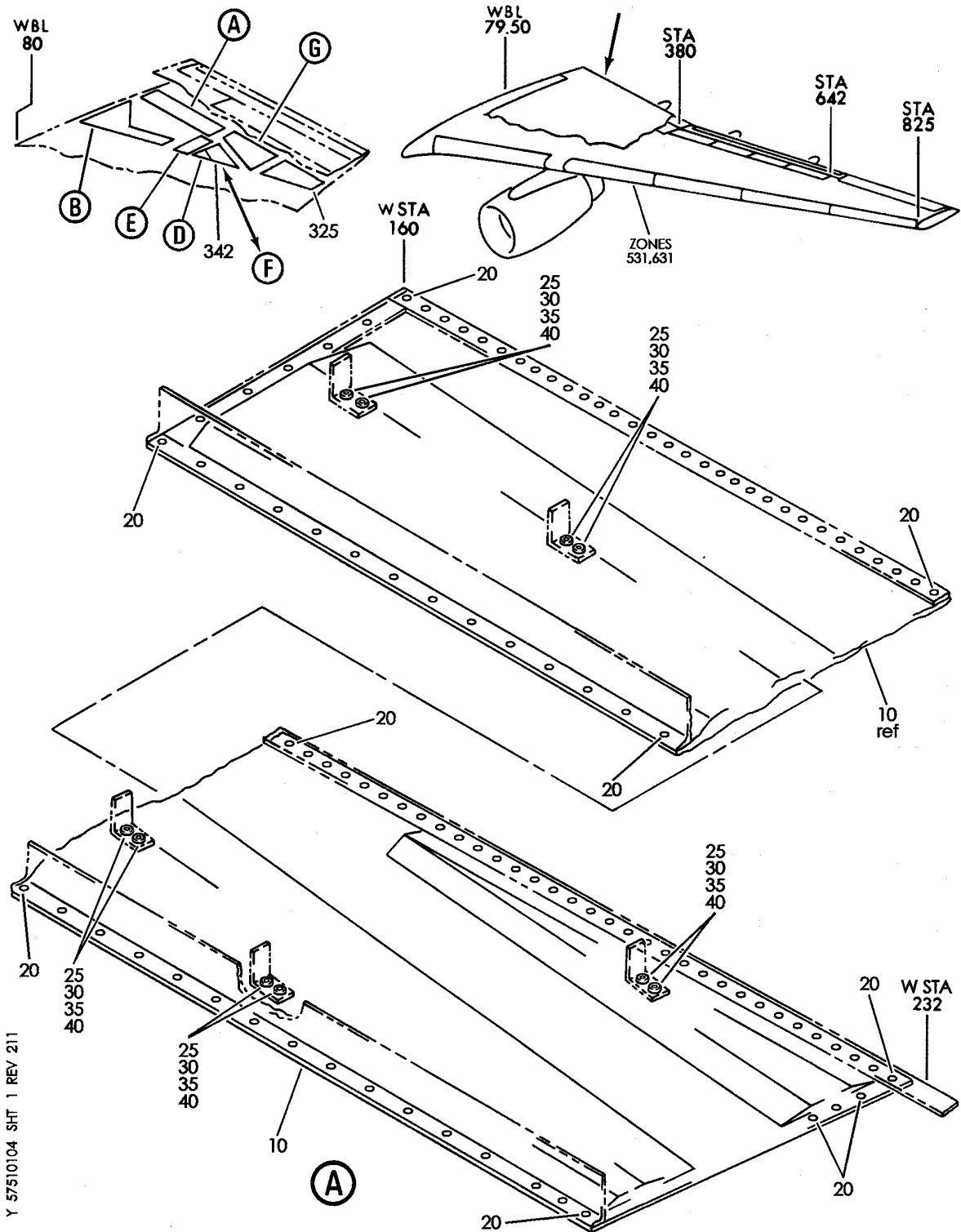
BRI

57-51-01-03

BOEING PROPRIETARY - Copyright © - Unpublished Work - See title page for details.

57-51-01
FIG. 03
PAGE 13
JAN 20/09


BOEING
 757
PARTS CATALOG (MAINTENANCE)



Y 57510104 SHT 1 REV 211

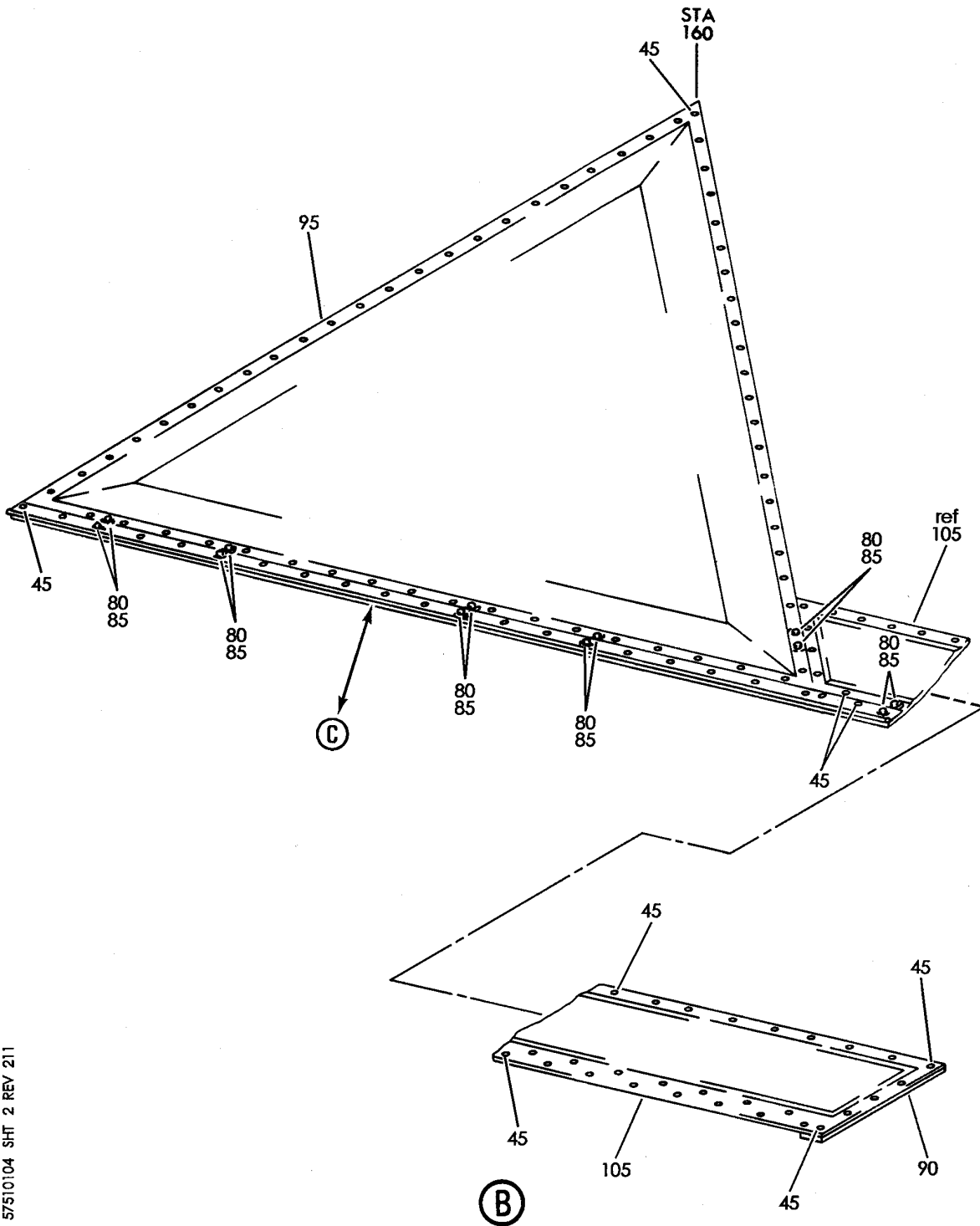
PANEL INSTL-LWR INBD TE
 FIGURE 4 (SHEET 1)

57-51-01-04

BRI
 MAY 28/07

57-51-01-04
 PAGE 0

BOEING
757
PARTS CATALOG (MAINTENANCE)



Y 57510104 SHT 2 REV 211

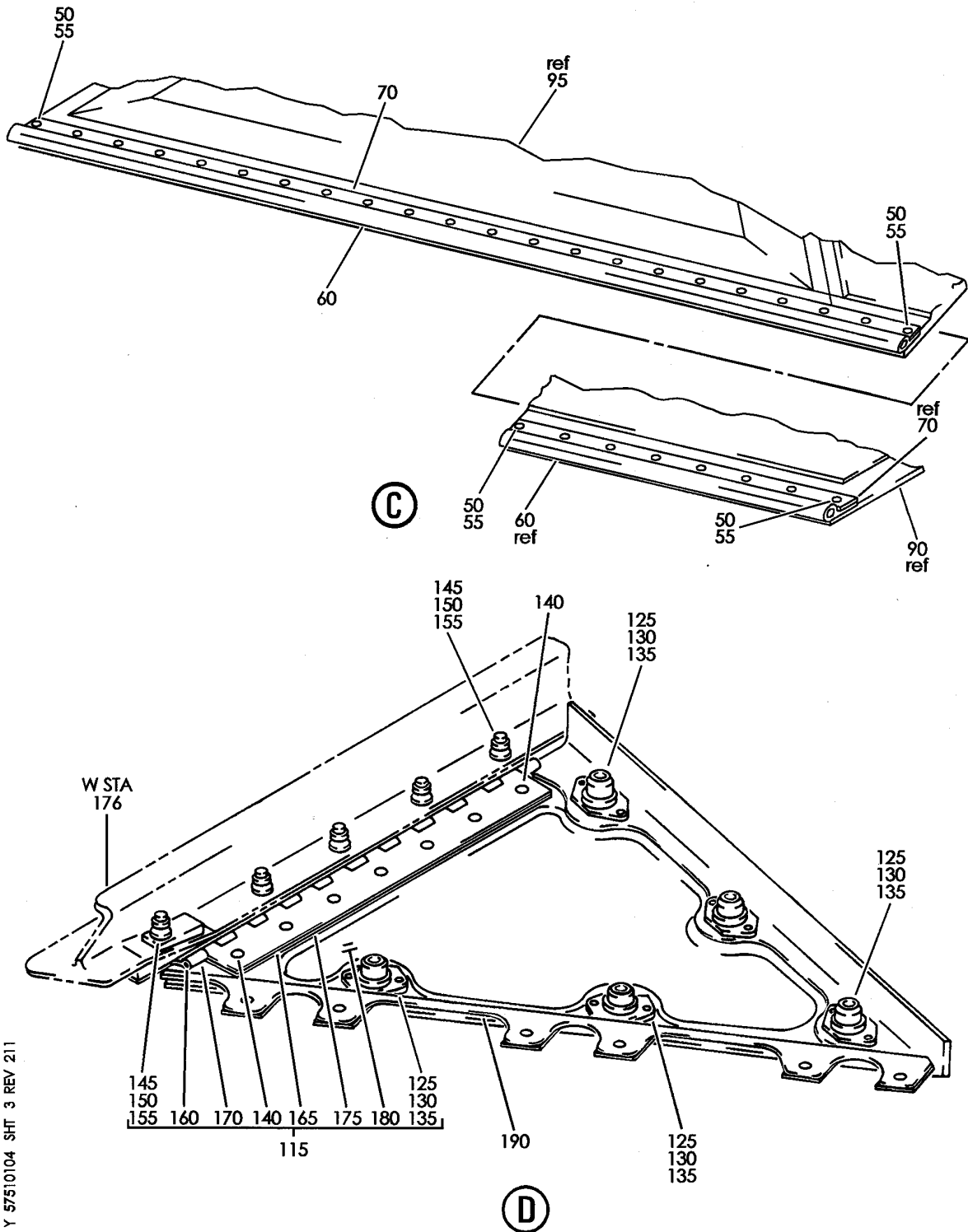
PANEL INSTL-LWR INBD TE
FIGURE 4 (SHEET 2)

57-51-01-04

BRI
MAY 28/07

57-51-01-04
PAGE 0A

BOEING
757
PARTS CATALOG (MAINTENANCE)



Y 57510104 SHT 3 REV 211

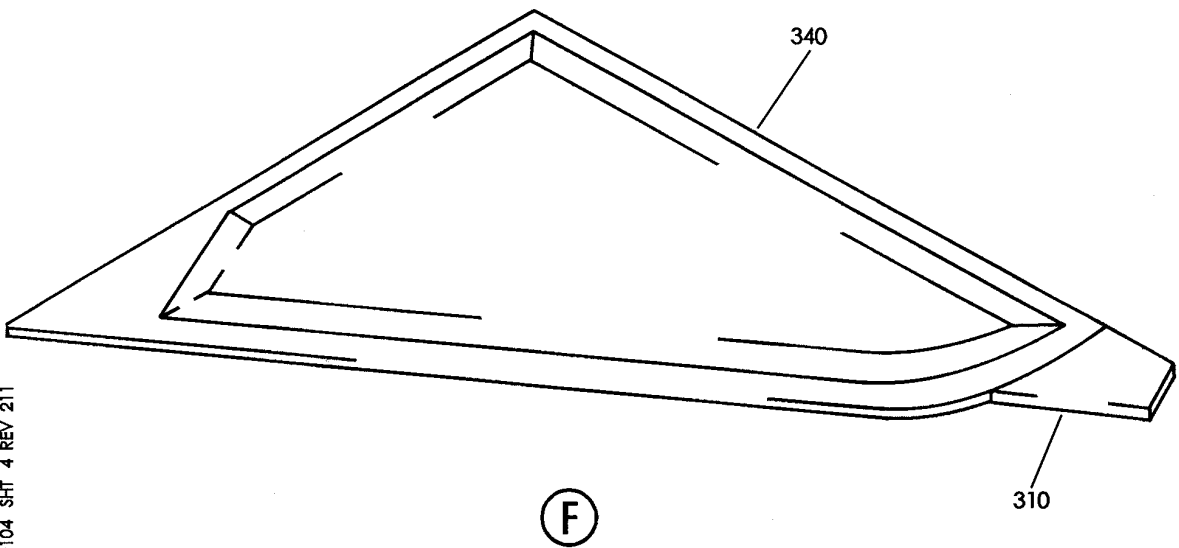
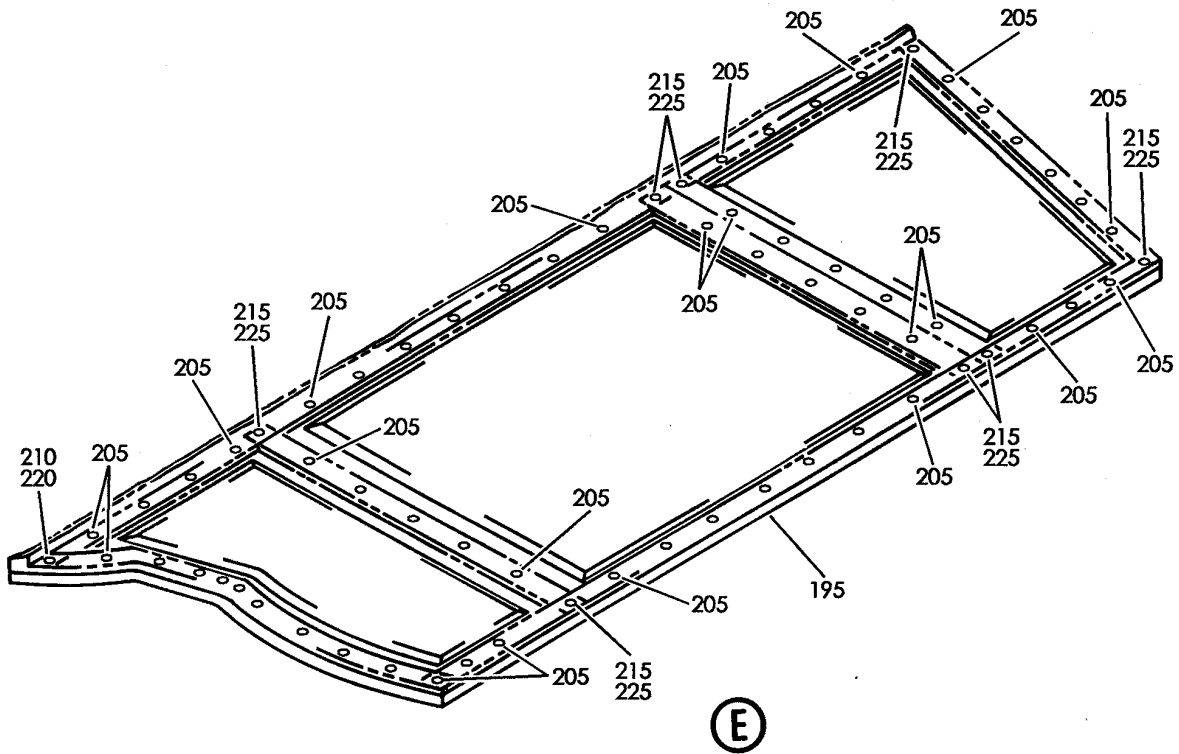
PANEL INSTL-LWR INBD TE
FIGURE 4 (SHEET 3)

57-51-01-04

BRI
MAY 28/07

57-51-01-04
PAGE 0B

BOEING
757
PARTS CATALOG (MAINTENANCE)



Y 57510104 SHT 4 REV 211

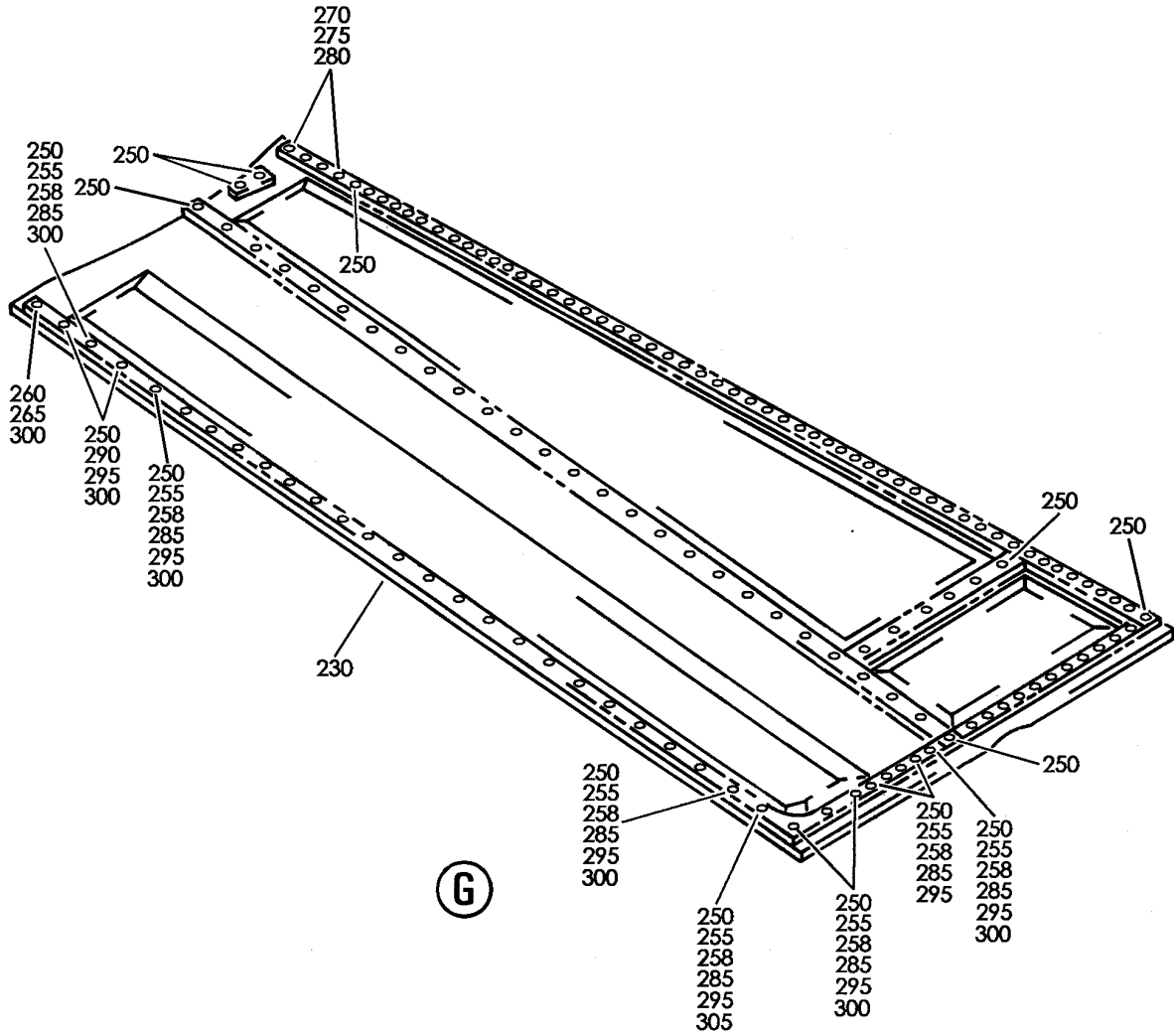
PANEL INSTL-LWR INBD TE
FIGURE 4 (SHEET 4)

57-51-01-04

BRI
MAY 28/07

57-51-01-04
PAGE 0C

BOEING
757
PARTS CATALOG (MAINTENANCE)



Y 57510104 SHT 5 REV 211

PANEL INSTL-LWR INBD TE
FIGURE 4 (SHEET 5)

57-51-01-04

BRI
MAY 28/07

57-51-01-04
PAGE 0D



757

PARTS CATALOG (MAINTENANCE)

FIG ITEM	PART NUMBER	1 2 3 4 5 6 7	NOMENCLATURE	EFFECT FROM TO	UNITS PER ASSY
4			PANEL INSTL-LWR INBD TE	002004 006999	
- 1	113N1620-21		PANEL INSTL-TE POSITION DATA: LWR INBD LH FOR NHA SEE: 57-50-00-01	002004 006100 107107 121503 904999	RF
- 1	113N1620-401		PANEL INSTL-TE POSITION DATA: LWR INBD LH FOR NHA SEE: 57-00-00-05B	101102 108120 504903	RF
- 1	MODREF19085		PANEL INSTL-TE MODULE NUMBER: 113N1620-403 REV A POSITION DATA: LWR INBD LH	103103	1
- 1	MODREF26560		PANEL INSTL-TE MODULE NUMBER: 113N1620-403 REV B POSITION DATA: LWR INBD LH	104106	1
- 5	113N1620-22		PANEL INSTL-TE POSITION DATA: LWR INBD RH FOR NHA SEE: 57-50-00-01	002004 006100 107107 121503 904999	RF
- 5	113N1620-402		PANEL INSTL-TE POSITION DATA: LWR INBD RH FOR NHA SEE: 57-00-00-05B	101102 108120 504903	RF
- 5	MODREF19086		PANEL INSTL-TE MODULE NUMBER: 113N1620-404 REV A POSITION DATA: LWR INBD RH	103103	1
- 5	MODREF26561		PANEL INSTL-TE MODULE NUMBER: 113N1620-404 REV B POSITION DATA: LWR INBD RH	104106	1

MISSING ITEM NUMBERS NOT APPLICABLE

- ITEM NOT ILLUSTRATED

BRI

57-51-01-04

BOEING PROPRIETARY - Copyright © - Unpublished Work - See title page for details.

57-51-01
FIG. 04
PAGE 1
JAN 20/09



757

PARTS CATALOG (MAINTENANCE)

FIG ITEM	PART NUMBER	1 2 3 4 5 6 7	NOMENCLATURE	EFFECT FROM TO	UNITS PER ASSY
4					
10	113N1623-17		.PANEL ASSY- POSITION DATA: LH SIDE QUALIFIED OPTIONAL DATA: (113N1623-11 WITH BACB30NR4K3 AND AN960JD416 OPT TO 113N1623-17 WITH HL860AP8-11 (V73197) AND BACN10JC4)	107107	1
10	113N1623-19		.PANEL ASSY- POSITION DATA: LH SIDE QUALIFIED I/W DATA: 113N1623-11 TOGETHER WITH QTY 10 AN960JD416 WASHERS AND QTY 10 BACB30NR4K3 BOLTS I/W 113N1623-19 TOGETHER WITH QTY 10 BACC30A8C COLLARS AND QTY 10 HL860AP8-12 BOLTS	107107	1
10	113N1623-21		.PANEL ASSY- POSITION DATA: LH SIDE	002004 006999	1
10	113N1623-23		.PANEL ASSY- POSITION DATA: LH SIDE	002004 006102 108999	1
10	113N1623-25		.PANEL ASSY- POSITION DATA: LH SIDE QUALIFIED I/W DATA: 113N1623-25 T/W (QTY OF 10) BACC30A8C COLLARS AND (QTY OF 10) HL860AP8-12 BOLTS CAN REPLACE 113N1623-11	002004 006999	1
- 15	113N1623-18		.PANEL ASSY- POSITION DATA: RH SIDE QUALIFIED OPTIONAL DATA: (113N1623-12 WITH BACB30NR4K3 AND AN960JD416 OPT TO 113N1623-18 WITH HL860AP8-11 (V73197) AND BACN10JC4)	107107	1

MISSING ITEM NUMBERS NOT APPLICABLE

- ITEM NOT ILLUSTRATED

57-51-01-04

57-51-01
FIG. 04
PAGE 2
JAN 20/09

BRI

BOEING PROPRIETARY - Copyright © - Unpublished Work - See title page for details.



757

PARTS CATALOG (MAINTENANCE)

FIG ITEM	PART NUMBER	1 2 3 4 5 6 7	NOMENCLATURE	EFFECT FROM TO	UNITS PER ASSY
4					
- 15	113N1623-20		.PANEL ASSY- POSITION DATA: RH SIDE QUALIFIED I/W DATA: 113N1623-12 TOGETHER WITH QTY 10 AN960JD416 WASHERS AND QTY 10 BACB30NR4K3 BOLTS I/W 113N1623-20 TOGETHER WITH QTY 10 BACC30A8C COLLARS AND QTY 10 HL860AP8-12 BOLTS	107107	1
- 15	113N1623-22		.PANEL ASSY- POSITION DATA: RH SIDE	002004 006999	1
- 15	113N1623-24		.PANEL ASSY- POSITION DATA: RH SIDE QUALIFIED I/W DATA: 113N1623-26 T/W (QTY OF 10) BACC30A8C COLLARS AND (QTY OF 10) HL860AP8-12 BOLT CAN REPLACE 113N1623-12	002004 006102 107999	1
- 15	113N1623-26		.PANEL ASSY- POSITION DATA: RH SIDE QUALIFIED I/W DATA: 113N1623-26 T/W (QTY OF 10) BACC30A8C COLLARS AND (QTY OF 10) HL860AP8-12 BOLT CAN REPLACE 113N1623-12	002004 006999	1
20	BACR15BA6AD		ATTACHING PARTS .RIVET- SIZE DETERMINED ON INSTL.	002004 006999	102
25	HL860AP8-11		.BOLT- SUPPLIER CODE: V73197 QUALIFIED OPTIONAL DATA: (113N1623-11 OR -12 WITH BACB30NR4K3 AND AN960JD416 OPT TO 113N1623-17 OR -18 WITH HL860AP8-11 (V73197) AND BACN10JC4)	002004 006100 107107 121503 904999	10
25	HL860AP8-11		.BOLT- SUPPLIER CODE: V73197	101106 108120 504903	10

MISSING ITEM NUMBERS NOT APPLICABLE

- ITEM NOT ILLUSTRATED

57-51-01-04

57-51-01
FIG. 04
PAGE 3
JAN 20/09

BRI



757

PARTS CATALOG (MAINTENANCE)

FIG ITEM	PART NUMBER	1 2 3 4 5 6 7	NOMENCLATURE	EFFECT FROM TO	UNITS PER ASSY
4	30 BACB30NR4K3		.BOLT- QUALIFIED OPTIONAL DATA: (113N1623-11 OR -12 WITH BACB30NR4K3 AND AN960JD416 OPT TO 113N1623-17 OR -18 WITH HL860AP8-11 (V73197) AND BACN10JC4)	002004 006100 107107 121503 904999	10
	35 AN960JD416		.WASHER- QUALIFIED OPTIONAL DATA: (113N1623-11 OR -12 WITH BACB30NR4K3 AND AN960JD416 OPT TO 113N1623-17 OR -18 WITH HL860AP8-11 (V73197) AND BACN10JC4)	002004 006100 107107 121503 904999	10
	40 BRH10A4		.NUT- SUPPLIER CODE: V52828 SPECIFICATION NUMBER: BACN10JC4 OPTIONAL PART: T6S428J V11815 96-048 V80539 VN303A048 V92215 RMLH9075-4W V72962 NS202101-048 V80539 H10-4BAC V15653 QUALIFIED OPTIONAL DATA: (113N1623-11 OR -12 WITH BACB30NR4K3 AND AN960JD416 OPT TO 113N1623-17 OR -18 WITH HL860AP8-11 (V73197) AND BACN10JC4)	002004 006100 107107 121503 904999	10

MISSING ITEM NUMBERS NOT APPLICABLE

- ITEM NOT ILLUSTRATED

57-51-01-04

57-51-01
FIG. 04
PAGE 4
JAN 20/09

BRI

 **BOEING**
757
PARTS CATALOG (MAINTENANCE)

FIG ITEM	PART NUMBER	1 2 3 4 5 6 7	NOMENCLATURE	EFFECT FROM TO	UNITS PER ASSY
4	40 BRH10A4		.NUT SUPPLIER CODE: V52828 SPECIFICATION NUMBER: BACN10JC4 OPTIONAL PART: T6S428J V11815 96-048 V80539 VN303A048 V92215 RMLH9075-4W V72962 NS202101-048 V80539 H10-4BAC V15653 -----*-----	101106 108120 504903	10
	45 BACR15BA6AD		.RIVET- SIZE DETERMINED ON INSTL.	002004 006999	118
	50 BACB30VF08K4		.BOLT	002004 006999	30
	55 MS21042L08		.NUT	002004 006999	30
	60 113N1620-15		.SEAL-BULB POSITION DATA: LH	002004 006999	1
	60 113N1620-19		.SEAL-BULB POSITION DATA: LH MANUFACTURED FROM: RUBBER BMS1-59 BAC1521-505 75.4 IN.	002004 006999	1
-	65 113N1620-16		.SEAL-BULB POSITION DATA: RH	002004 006999	1
-	65 113N1620-20		.SEAL-BULB POSITION DATA: RH MANUFACTURED FROM: RUBBER BMS1-59 BAC1521-505 75.4 IN.	002004 006999	1
-	75 113N1620-18		.RETAINER-SEAL	002004 006999	1
	80 BACB30NW6K		.BOLT- SIZE DETERMINED ON INSTL.	002004 006999	12

MISSING ITEM NUMBERS NOT APPLICABLE

- ITEM NOT ILLUSTRATED

BRI

57-51-01-04

BOEING PROPRIETARY - Copyright © - Unpublished Work - See title page for details.

57-51-01
FIG. 04
PAGE 5
JAN 20/09



757

PARTS CATALOG (MAINTENANCE)

FIG ITEM	PART NUMBER	1 2 3 4 5 6 7	NOMENCLATURE	EFFECT FROM TO	UNITS PER ASSY
4					
85	HL79-6		.COLLAR SUPPLIER CODE: V5M902 SPECIFICATION NUMBER: BACC30M6 OPTIONAL PART: HL79-6 V73197 HL79-6 V92215 66014-6 V56878 HL79-6 V56878	002004 006999	12
95	113N1621-1		.PANEL ASSY- POSITION DATA: LH SIDE	002004 006999	1
95	113N1621-5		.PANEL ASSY- POSITION DATA: LH SIDE	002004 006999	1
95	113N1621-7		.PANEL ASSY- POSITION DATA: LH SIDE	002004 006999	1
- 100	113N1621-2		.PANEL ASSY- POSITION DATA: RH SIDE	002004 006999	1
- 100	113N1621-6		.PANEL ASSY- POSITION DATA: RH SIDE	002004 006999	1
- 100	113N1621-8		.PANEL ASSY- POSITION DATA: RH SIDE	002004 006999	1
105	113N1622-5		.PANEL ASSY- POSITION DATA: LH SIDE	002004 006999	1
105	113N1622-9		.PANEL ASSY- POSITION DATA: LH SIDE	002004 006999	1
105	113N1622-11		.PANEL ASSY- POSITION DATA: LH SIDE	002004 006999	1
- 110	113N1622-6		.PANEL ASSY- POSITION DATA: RH SIDE	002004 006999	1
- 110	113N1622-10		.PANEL ASSY- POSITION DATA: RH SIDE	002004 006999	1

MISSING ITEM NUMBERS NOT APPLICABLE

- ITEM NOT ILLUSTRATED

57-51-01-04

57-51-01
FIG. 04
PAGE 6
JAN 20/09

BRI

BOEING PROPRIETARY - Copyright © - Unpublished Work - See title page for details.



757

PARTS CATALOG (MAINTENANCE)

FIG ITEM	PART NUMBER	1 2 3 4 5 6 7	NOMENCLATURE	EFFECT FROM TO	UNITS PER ASSY
4					
- 110	113N1622-12		.PANEL ASSY- POSITION DATA: RH SIDE	002004 006999	1
195	113N1624-11		.PANEL ASSY- POSITION DATA: LH SIDE	002004 006999	1
195	113N1624-19		.PANEL ASSY- POSITION DATA: LH SIDE	002004 006999	1
- 200	113N1624-12		.PANEL ASSY- POSITION DATA: RH SIDE	002004 006999	1
- 200	113N1624-20		.PANEL ASSY- POSITION DATA: RH SIDE	002004 006999	1
			ATTACHING PARTS		
205	BACR15BA6AD		.RIVET- SIZE DETERMINED ON INSTL.	002004 006999	58
210	BACR15BA6AD		.RIVET- SIZE DETERMINED ON INSTL.	107107 904949	1
215	BACB30NW6K		.BOLT- SIZE DETERMINED ON INSTL.	002004 006999	8
220	BACB30NW6K		.BOLT- SIZE DETERMINED ON INSTL.	002004 006100 121503 950999	1
225	HL79-6		.COLLAR SUPPLIER CODE: V5M902 SPECIFICATION NUMBER: BACC30M6 OPTIONAL PART: HL79-6 V73197 HL79-6 V92215 66014-6 V56878 HL79-6 V56878	002004 006999	8
			-----*-----		
230	113N1626-15		.PANEL ASSY- POSITION DATA: LH SIDE	002004 006999	1
230	113N1626-17		.PANEL ASSY- POSITION DATA: LH SIDE	002004 006999	1

MISSING ITEM NUMBERS NOT APPLICABLE

- ITEM NOT ILLUSTRATED

BRI

57-51-01-04

BOEING PROPRIETARY - Copyright © - Unpublished Work - See title page for details.

57-51-01
FIG. 04
PAGE 7
JAN 20/09



757

PARTS CATALOG (MAINTENANCE)

FIG ITEM	PART NUMBER	1 2 3 4 5 6 7	NOMENCLATURE	EFFECT FROM TO	UNITS PER ASSY
4					
- 240	113N1626-16		.PANEL ASSY- POSITION DATA: RH SIDE	002004 006999	1
- 240	113N1626-18		.PANEL ASSY- POSITION DATA: RH SIDE	002004 006999	1
250	BACR15BA6AD		.RIVET- SIZE DETERMINED ON INSTL.	002004 006999	132
258	BACB30LH3-4		.BOLT- OPTIONAL PART: BACB30NN3K4	002004 006999	31
258	BACB30NN3K4		.BOLT- OPTIONAL PART: BACB30LH3-4	002004 006999	31
260	BACB30LH3-5		.BOLT- OPTIONAL PART: BACB30NN3K5	002004 006100 107107 121503 904999	1
260	BACB30NN3K5		.BOLT- OPTIONAL PART: BACB30LH3-5 V06710	002004 006999	1
260	BACB30LH3-5		.BOLT	101106 108120 504903	1
265	HL79-6		.COLLAR SUPPLIER CODE: V5M902 SPECIFICATION NUMBER: BACC30M6 OPTIONAL PART: HL79-6 V73197 HL79-6 V92215 66014-6 V56878 HL79-6 V56878	101106 108120 504903	1
270	BACB30NN3K2		.BOLT	002004 006999	4
275	AN960PD10L		.WASHER	002004 006100 107107 121503 904999	4

MISSING ITEM NUMBERS NOT APPLICABLE

- ITEM NOT ILLUSTRATED

57-51-01-04

57-51-01
FIG. 04
PAGE 8
JAN 20/09

BRI

BOEING PROPRIETARY - Copyright © - Unpublished Work - See title page for details.



757

PARTS CATALOG (MAINTENANCE)

FIG ITEM	PART NUMBER	1 2 3 4 5 6 7	NOMENCLATURE	EFFECT FROM TO	UNITS PER ASSY
4	275 NAS1149D0316H	.	WASHER	101106 108120 504903	4
	280 MS21042L3	.	NUT	002004 006100 107107 121503 904999	4
	280 PLH53CD	.	NUT SUPPLIER CODE: VF0224 SPECIFICATION NUMBER: BACN10YR3CD OPTIONAL PART: H52732-3CD V15653	101106 108120 504903	4
	295 MF53050-3CD	.	NUTPLATE SUPPLIER CODE: V15653 SPECIFICATION NUMBER: BACN10JN3CD OPTIONAL PART: BRFM20C3D V52828 102F9201M3 V72962 NS202487-02 V80539 MF51637-3 V15653	107107 904949 952952	33
	300 MF53050-3CD	-----*-----	NUTPLATE SUPPLIER CODE: V15653 SPECIFICATION NUMBER: BACN10JN3CD OPTIONAL PART: BRFM20C3D V52828 102F9201M3 V72962 NS202487-02 V80539 MF51637-3 V15653	002004 006106 108903 950951 953999	29

MISSING ITEM NUMBERS NOT APPLICABLE

- ITEM NOT ILLUSTRATED

BRI

57-51-01-04

BOEING PROPRIETARY - Copyright © - Unpublished Work - See title page for details.

57-51-01
FIG. 04
PAGE 9
JAN 20/09



757

PARTS CATALOG (MAINTENANCE)

FIG ITEM	PART NUMBER	1 2 3 4 5 6 7	NOMENCLATURE	EFFECT FROM TO	UNITS PER ASSY
4					
305	BACN10JP3BCD		.NUTPLATE	002004 006106 108903 950951 953999	1
310	113N1625-7		.PANEL ASSY- POSITION DATA: LH SIDE	002004 006999	1
- 315	113N1625-8		.PANEL ASSY- POSITION DATA: RH SIDE	002004 006999	1
- 320	BACR15BA6AD		ATTACHING PARTS .RIVET- SIZE DETERMINED ON INSTL. -----*-----	002004 006999	5
325	113N1972-1		.PANEL ASSY- POSITION DATA: LH SIDE REWORKED BY SB: 57-0046	002004 006999	1
325	113N1972-7		.PANEL ASSY- POSITION DATA: LH SIDE REWORKED BY SB: 57-0046	002004 006999	1
325	113N1972-9		.PANEL ASSY- POSITION DATA: LH SIDE REWORKED BY SB: 57-0046	002004 006999	1
- 330	113N1972-2		.PANEL ASSY- POSITION DATA: RH SIDE REWORKED BY SB: 57-0046	002004 006999	1
- 330	113N1972-8		.PANEL ASSY- POSITION DATA: RH SIDE REWORKED BY SB: 57-0046	002004 006999	1
- 330	113N1972-10		.PANEL ASSY- POSITION DATA: RH SIDE REWORKED BY SB: 57-0046	002004 006999	1
- 335	BACR15BA6AD		ATTACHING PARTS .RIVET- SIZE DETERMINED ON INSTL. -----*-----	002004 006999	100

MISSING ITEM NUMBERS NOT APPLICABLE

- ITEM NOT ILLUSTRATED

57-51-01-04

57-51-01
FIG. 04
PAGE 10
JAN 20/09

BRI



757

PARTS CATALOG (MAINTENANCE)

FIG ITEM	PART NUMBER	1 2 3 4 5 6 7	NOMENCLATURE	EFFECT FROM TO	UNITS PER ASSY
4					
342	113N1987-1		.PANEL ASSY- POSITION DATA: LH SIDE	002004 006999	1
342	113N1987-5		.PANEL ASSY- POSITION DATA: LH SIDE	002004 006999	1
- 345	113N1987-2		.PANEL ASSY- POSITION DATA: RH SIDE	002004 006999	1
- 345	113N1987-6		.PANEL ASSY- POSITION DATA: RH SIDE	002004 006999	1
- 355	BACB30LH3-9		ATTACHING PARTS .BOLT- OPTIONAL PART: BACB30NN3K9	002004 006999	42
- 355	BACB30NN3K9		.BOLT- OPTIONAL PART: BACB30LH3-9 -----*-----	002004 006999	42

MISSING ITEM NUMBERS NOT APPLICABLE

- ITEM NOT ILLUSTRATED

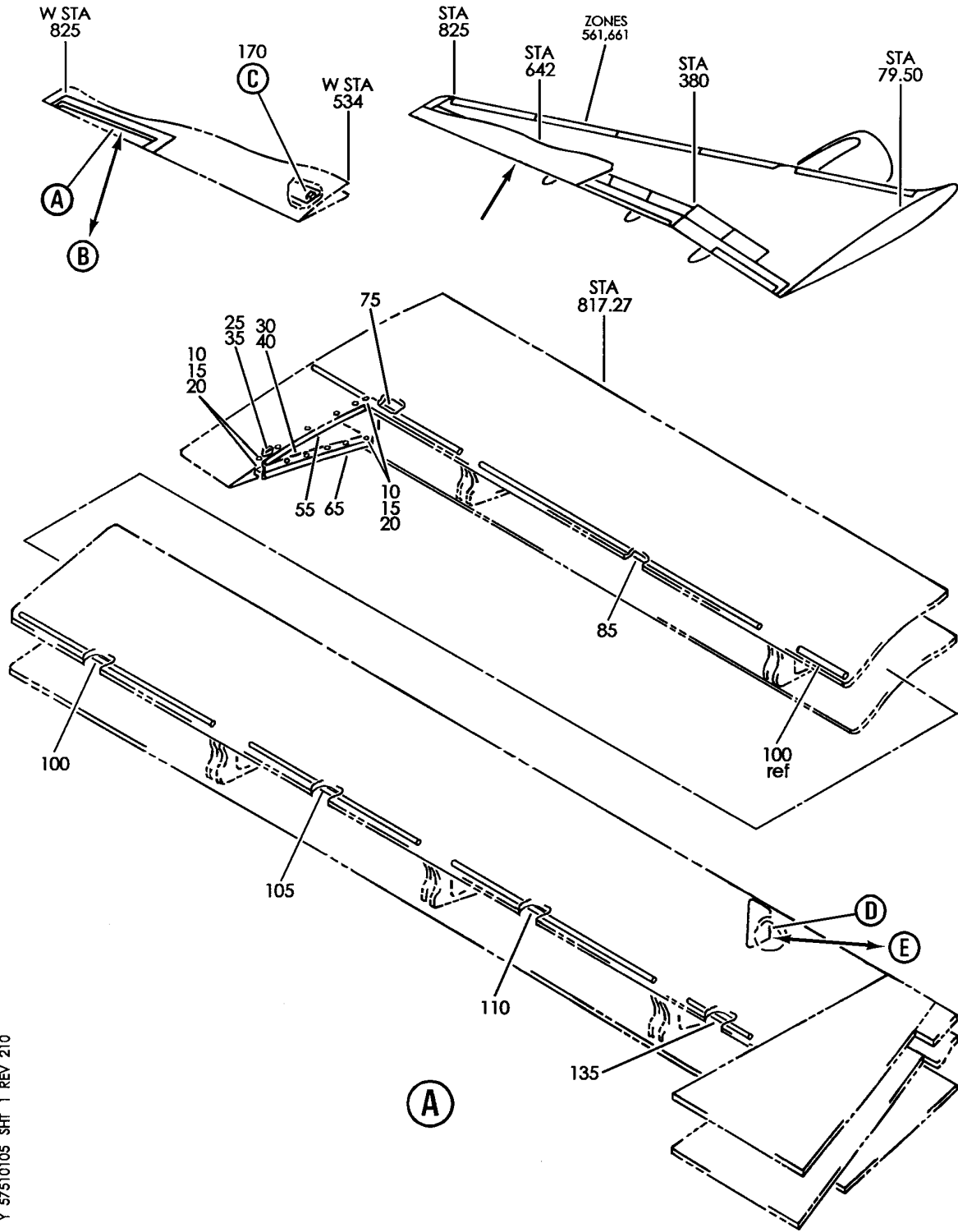
57-51-01-04

57-51-01
FIG. 04
PAGE 11
JAN 20/09

BRI

BOEING PROPRIETARY - Copyright © - Unpublished Work - See title page for details.

BOEING
757
PARTS CATALOG (MAINTENANCE)



Y 57510105 SH1 1 REV 210

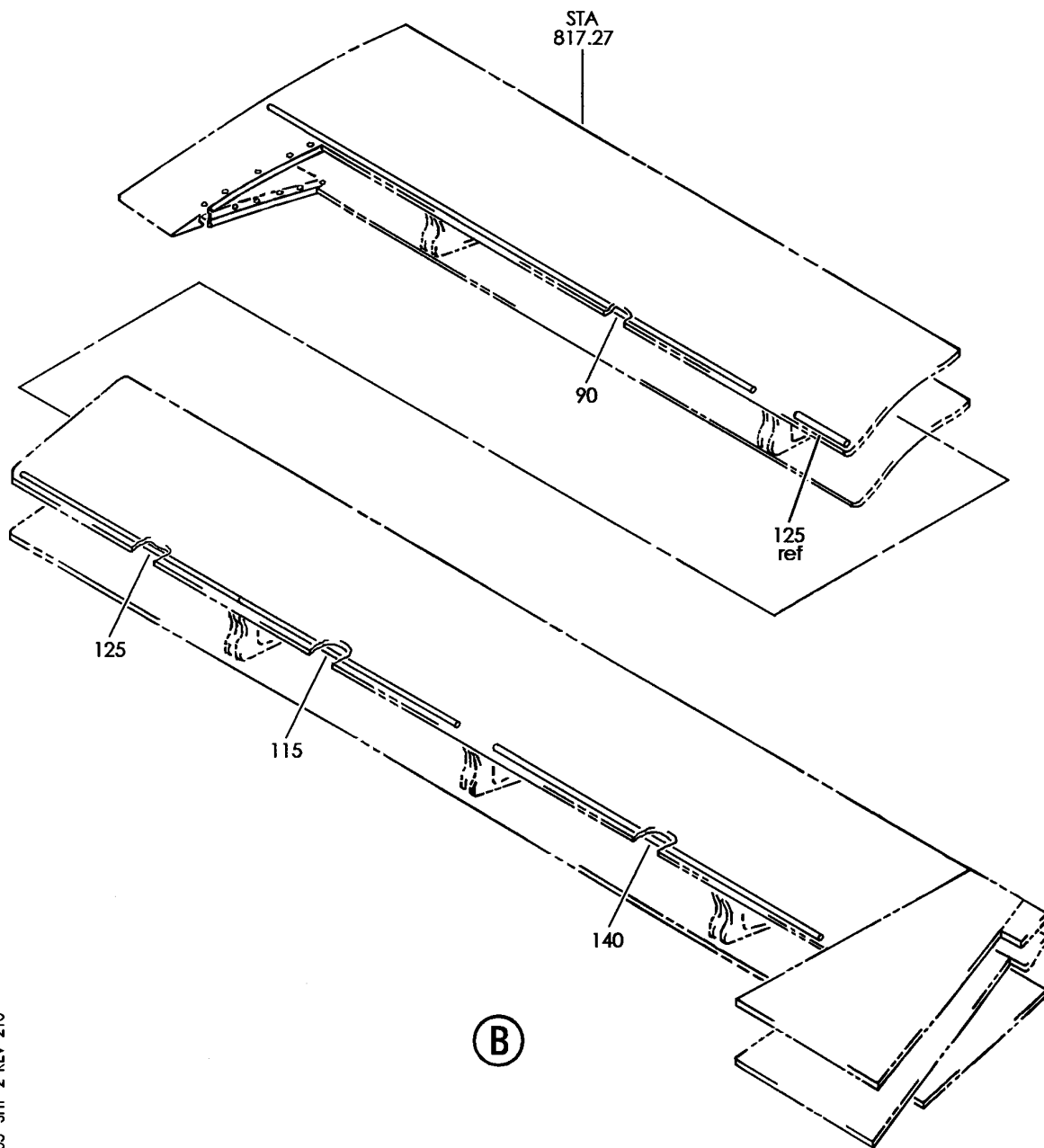
PANEL INSTL-UPR OUTBD TE
FIGURE 5 (SHEET 1)

57-51-01-05

BRI
MAY 28/07

57-51-01-05
PAGE 0

BOEING
757
PARTS CATALOG (MAINTENANCE)



Y 57510105 SHT 2 REV 210

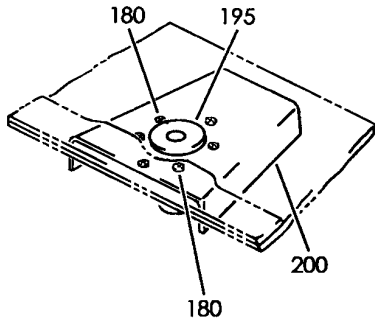
PANEL INSTL-UPR OUTBD TE
FIGURE 5 (SHEET 2)

57-51-01-05

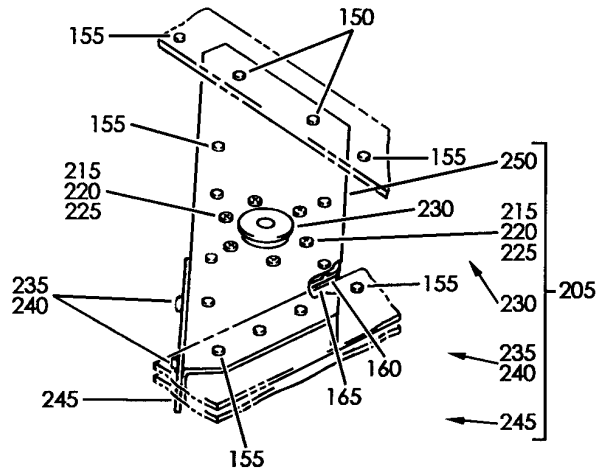
BRI
MAY 28/07

57-51-01-05
PAGE 0A

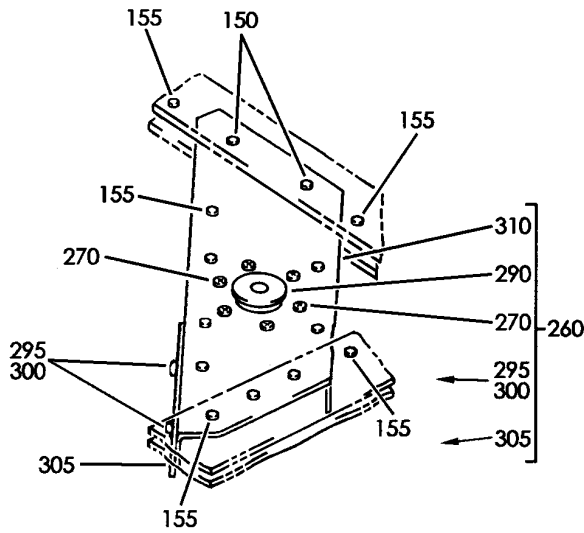
BOEING
757
PARTS CATALOG (MAINTENANCE)



(C)



(D)



(E)

Y 57510105 SHT 3 REV 210

PANEL INSTL-UPR OUTBD TE
FIGURE 5 (SHEET 3)

57-51-01-05

BRI
MAY 28/07

57-51-01-05
PAGE 0B



757

PARTS CATALOG (MAINTENANCE)

FIG ITEM	PART NUMBER	1 2 3 4 5 6 7	NOMENCLATURE	EFFECT FROM TO	UNITS PER ASSY
5			PANEL INSTL-UPR OUTBD TE	002004	
- 1	113N1640-31		PANEL INSTL-TE POSITION DATA: UPR OUTBD LH FOR NHA SEE: 57-50-00-01	006999 107107 904949 952952	RF
- 1	113N1640-41		PANEL INSTL-TE POSITION DATA: UPR OUTBD LH FOR NHA SEE: 57-50-00-01	002004 006100 121503 950951 953999	RF
- 1	113N1640-403		PANEL INSTL-TE POSITION DATA: UPR OUTBD LH FOR NHA SEE: 57-00-00-05B	101102 108120 504903	RF
- 1	MODREF1364		PANEL INSTL-TE MODULE NUMBER: 113N1640-405 REV A POSITION DATA: UPR OUTBD LH	103103	1
- 1	MODREF100450		PANEL INSTL-TE MODULE NUMBER: 113N1640-405 REV D POSITION DATA: UPR OUTBD LH	106106	1
- 1	MODREF30012		PANEL INSTL-TE MODULE NUMBER: 113N1640-405 REV B POSITION DATA: UPR OUTBD LH	104105	1
- 5	113N1640-32		PANEL INSTL-TE POSITION DATA: UPR OUTBD RH FOR NHA SEE: 57-50-00-01	107107 904949 952952	RF
- 5	113N1640-42		PANEL INSTL-TE POSITION DATA: UPR OUTBD RH FOR NHA SEE: 57-50-00-01	002004 006100 121503 950951 953999	RF
- 5	113N1640-404		PANEL INSTL-TE POSITION DATA: UPR OUTBD RH FOR NHA SEE: 57-00-00-05B	101102 108120 504903	RF

MISSING ITEM NUMBERS NOT APPLICABLE

- ITEM NOT ILLUSTRATED

BRI

57-51-01-05

57-51-01
FIG. 05
PAGE 1
JAN 20/09



757

PARTS CATALOG (MAINTENANCE)

FIG ITEM	PART NUMBER	1 2 3 4 5 6 7	NOMENCLATURE	EFFECT FROM TO	UNITS PER ASSY
5					
- 5	MODREF1365		PANEL INSTL-TE MODULE NUMBER: 113N1640-406 REV A POSITION DATA: UPR OUTBD RH	103103	1
- 5	MODREF100451		PANEL INSTL-TE MODULE NUMBER: 113N1640-406 REV D POSITION DATA: UPR OUTBD RH	106106	1
- 5	MODREF30035		PANEL INSTL-TE MODULE NUMBER: 113N1640-406 REV B POSITION DATA: UPR OUTBD RH	104105	1
10	BACB30LH3K5		.BOLT	002004 006999	12
15	AN960KD10L		.WASHER	002004 006999	12
20	BRH10C3D		.NUT SUPPLIER CODE: V52828 SPECIFICATION NUMBER: BACN10JC3CD OPTIONAL PART: T6C1032JCD V11815 NS202486-02 V80539 102LH9075-3W V72962 H51650-3BAC V15653	002004 006999	12
25	113N1640-61		.RETAINER-SEAL	103106	1
30	113N1640-62		.RETAINER-SEAL	103106	1
35	113N1640-37		.RETAINER-SEAL POSITION DATA: LH SIDE	002004 006017 107107 121503 904999	1
35	113N1640-55		.RETAINER-SEAL POSITION DATA: LH SIDE	018100	1
40	113N1640-25		.RETAINER-SEAL POSITION DATA: LH SIDE	002004 006017 107107 121503 904999	1

MISSING ITEM NUMBERS NOT APPLICABLE

- ITEM NOT ILLUSTRATED

57-51-01-05

57-51-01
FIG. 05
PAGE 2
JAN 20/09

BRI



757

PARTS CATALOG (MAINTENANCE)

FIG ITEM	PART NUMBER	1 2 3 4 5 6 7	NOMENCLATURE	EFFECT FROM TO	UNITS PER ASSY
5					
40	113N1640-39	.	RETAINER-SEAL POSITION DATA: LH SIDE	002004 006017 107107 121503 904999	1
40	113N1640-57	.	RETAINER-SEAL POSITION DATA: LH SIDE	018100	1
- 45	113N1640-38	.	RETAINER-SEAL POSITION DATA: RH SIDE	002004 006017 107107 121503 904999	1
- 45	113N1640-54	.	RETAINER-SEAL POSITION DATA: RH SIDE	018100	1
- 50	113N1640-28	.	RETAINER-SEAL POSITION DATA: RH SIDE	002004 006017 107107 121503 904999	1
- 50	113N1640-40	.	RETAINER-SEAL POSITION DATA: RH SIDE	002004 006017 107107 121503 904999	1
- 50	113N1640-56	.	RETAINER-SEAL POSITION DATA: RH SIDE	018100	1
55	113N1640-33	.	SEAL- POSITION DATA: LH SIDE MANUFACTURED FROM: EXTR RUBBER 10-60754-336 11.6 IN. QUALIFIED I/W DATA: -29 I/W -33 ON LH ONLY	002004 006100 107107 121503 904999	1
55	113N1640-51	.	SEAL- POSITION DATA: LH SIDE MANUFACTURED FROM: EXTR RUBBER 10-60754-336 11.6 IN.	002004 006100 107107 121503 904999	1
55	113N1640-59	.	SEAL- MANUFACTURED FROM: EXTR RUBBER 10-60754-336 11.6 IN.	002004 006999	1

MISSING ITEM NUMBERS NOT APPLICABLE

- ITEM NOT ILLUSTRATED

57-51-01-05

57-51-01
FIG. 05
PAGE 3
JAN 20/09

BRI



757

PARTS CATALOG (MAINTENANCE)

FIG ITEM	PART NUMBER	1 2 3 4 5 6 7	NOMENCLATURE	EFFECT FROM TO	UNITS PER ASSY
5					
- 60	113N1640-34		.SEAL- POSITION DATA: RH SIDE MANUFACTURED FROM: EXTR RUBBER 10-60754-336 11.6 IN. QUALIFIED I/W DATA: -29 I/W -34 ON RH ONLY	002004 006100 107107 121503 904999	1
- 60	113N1640-50		.SEAL- POSITION DATA: RH SIDE MANUFACTURED FROM: EXTR RUBBER 10-60754-336 11.6 IN.	002004 006100 107107 121503 904999	1
65	113N1640-35		.SEAL- POSITION DATA: LH SIDE MANUFACTURED FROM: EXTR RUBBER 10-60754-336 11.6 IN. QUALIFIED I/W DATA: -30 I/W -35 ON LH ONLY	002004 006100 107107 121503 904999	1
65	113N1640-53		.SEAL- POSITION DATA: LH SIDE MANUFACTURED FROM: EXTR RUBBER 10-60754-336 11.6 IN.	002004 006100 107107 121503 904999	1
65	113N1640-60		.SEAL- MANUFACTURED FROM: EXTR RUBBER 10-60754-336 11.6 IN.	002004 006999	1
- 70	113N1640-36		.SEAL- POSITION DATA: RH SIDE MANUFACTURED FROM: EXTR RUBBER 10-60754-336 11.6 IN. QUALIFIED I/W DATA: -30 I/W -36 ON RH ONLY	002004 006100 107107 121503 904999	1
- 70	113N1640-52		.SEAL- POSITION DATA: RH SIDE MANUFACTURED FROM: EXTR RUBBER 10-60754-336 11.6 IN.	002004 006100 107107 121503 904999	1

MISSING ITEM NUMBERS NOT APPLICABLE

- ITEM NOT ILLUSTRATED

57-51-01-05

57-51-01
FIG. 05
PAGE 4
JAN 20/09

BRI



757

PARTS CATALOG (MAINTENANCE)

FIG ITEM	PART NUMBER	1 2 3 4 5 6 7	NOMENCLATURE	EFFECT FROM TO	UNITS PER ASSY
5					
90	113N1857-17	.SEAL-	POSITION DATA: LH SIDE MANUFACTURED FROM: NYLON 6 PER L-P-410A BAC1522-451 X 56.2	006120 504999	1
90	113N1857-25	.SEAL-	POSITION DATA: LH SIDE MANUFACTURED FROM: NYLON 6 PER L-P-410A BAC1522-451 X 56.2	006120 504999	1
90	113N1857-43	.SEAL-	POSITION DATA: LH SIDE MANUFACTURED FROM: U.S.L. PETROTHENE LR 734 BAC1522-451X56.2	006120 504999	1
90	113N1857-53	.SEAL-	POSITION DATA: LH SIDE MANUFACTURED FROM: EXTR RUBBER 10-60754-1060 56.2 IN	006120 504999	1
- 95	113N1857-18	.SEAL-	POSITION DATA: RH SIDE MANUFACTURED FROM: NYLON 6 PER L-P-410A BAC1522-451 X 56.2	006120 504999	1
- 95	113N1857-26	.SEAL-	POSITION DATA: RH SIDE MANUFACTURED FROM: NYLON 6 PER L-P-410A BAC1522-451X 56.2	006120 504999	1
- 95	113N1857-44	.SEAL-	POSITION DATA: RH SIDE MANUFACTURED FROM: U.S.L. PETROTHENE LR 734 BAC1522-451X56.2	006120 504999	1

MISSING ITEM NUMBERS NOT APPLICABLE

- ITEM NOT ILLUSTRATED

57-51-01-05

57-51-01
FIG. 05
PAGE 5
JAN 20/09

BRI

 **BOEING**
757
PARTS CATALOG (MAINTENANCE)

FIG ITEM	PART NUMBER	1 2 3 4 5 6 7	NOMENCLATURE	EFFECT FROM TO	UNITS PER ASSY
5 - 95	113N1857-54		.SEAL- POSITION DATA: RH SIDE MANUFACTURED FROM: EXTR RUBBER 10-60754-1060 56.2 IN	006120 504999	1
115	113N1857-13		.SEAL- POSITION DATA: LH SIDE MANUFACTURED FROM: NYLON 6 PER L-P-410A BAC1522-451 X 30.1	002004 006106 108903 950999	1
115	113N1857-21		.SEAL- POSITION DATA: LH SIDE MANUFACTURED FROM: NYLON 6 PER L-P-410A BAC1522-451 X 30.1	002004 006106 108903 950999	1
115	113N1857-47		.SEAL- POSITION DATA: LH SIDE MANUFACTURED FROM: NYLON 6 PER L-P-410A BAC1522-451 X 30.1	002004 006106 108903 950999	1
115	113N1857-45		.SEAL- POSITION DATA: LH SIDE MANUFACTURED FROM: U. S. L. PETROTHENE LR 734 BAC1522-451X30.1	002004 006106 108903 950999	1
115	113N1857-55		.SEAL- POSITION DATA: LH SIDE MANUFACTURED FROM: EXTR RUBBER 10-60754-1060 30.1 IN	002004 006106 108903 950999	1
- 120	113N1857-14		.SEAL- POSITION DATA: RH SIDE MANUFACTURED FROM: NYLON 6 PER L-P-410A BAC1522-451 X 30.1	002004 006106 108903 950999	1

MISSING ITEM NUMBERS NOT APPLICABLE

- ITEM NOT ILLUSTRATED

BRI

57-51-01-05

BOEING PROPRIETARY - Copyright © - Unpublished Work - See title page for details.

57-51-01
FIG. 05
PAGE 6
JAN 20/09



757

PARTS CATALOG (MAINTENANCE)

FIG ITEM	PART NUMBER	1 2 3 4 5 6 7	NOMENCLATURE	EFFECT FROM TO	UNITS PER ASSY
5					
- 120	113N1857-22	.SEAL-	POSITION DATA: RH SIDE MANUFACTURED FROM: NYLON 6 PER L-P-410A BAC1522-451 X 30.1	002004 006106 108903 950999	1
- 120	113N1857-48	.SEAL-	POSITION DATA: RH SIDE MANUFACTURED FROM: NYLON 6 PER L-P-410A BAC1522-451 X 30.1	002004 006106 108903 950999	1
- 120	113N1857-46	.SEAL-	POSITION DATA: RH SIDE MANUFACTURED FROM: U. S. L. PETROTHENE LR 734 BAC1522-451X30.1	002004 006106 108903 950999	1
- 120	113N1857-56	.SEAL-	POSITION DATA: RH SIDE MANUFACTURED FROM: EXTR RUBBER 10-60754-1060 30.1 IN	002004 006106 108903 950999	1
125	113N1857-15	.SEAL-	POSITION DATA: LH SIDE MANUFACTURED FROM: NYLON 6 PER L-P-410A BAC1522-451 X 40.2	006120 504999	1
125	113N1857-23	.SEAL-	POSITION DATA: LH SIDE MANUFACTURED FROM: NYLON 6 PER L-P-410A BAC1522-451 X 40.2	006120 504999	1
125	113N1857-41	.SEAL-	POSITION DATA: LH SIDE MANUFACTURED FROM: U.S.L. PETROTHENE LR 734 BAC1522-451X40.2	006120 504999	1

MISSING ITEM NUMBERS NOT APPLICABLE

- ITEM NOT ILLUSTRATED

57-51-01-05

57-51-01
FIG. 05
PAGE 7
JAN 20/09

BRI



757

PARTS CATALOG (MAINTENANCE)

FIG ITEM	PART NUMBER	1 2 3 4 5 6 7	NOMENCLATURE	EFFECT FROM TO	UNITS PER ASSY
5 125	113N1857-51		.SEAL- POSITION DATA: LH SIDE MANUFACTURED FROM: EXTR RUBBER 10-60754-1060 40.2 IN	006120 504999	1
- 130	113N1857-16		.SEAL- POSITION DATA: RH SIDE MANUFACTURED FROM: NYLON 6 PER L-P-410A BAC1522-451 X 40.2	006120 504999	1
- 130	113N1857-24		.SEAL- POSITION DATA: RH SIDE MANUFACTURED FROM: NYLON 6 PER L-P-410A BAC1522-451 X 40.2	006120 504999	1
- 130	113N1857-42		.SEAL- POSITION DATA: RH SIDE MANUFACTURED FROM: U.S.L. PETROTHENE LR 734 BAC1522-451X40.2	006120 504999	1
- 130	113N1857-52		.SEAL- POSITION DATA: RH SIDE MANUFACTURED FROM: U.S.L. PETROTHENE LR 734 BAC1522-451X40.2	006120 504999	1
140	113N1857-11		.SEAL- POSITION DATA: LH SIDE MANUFACTURED FROM: NYLON 6 PER L-P-410A BAC1522-451 X 49.9	002004 006999	1
140	113N1857-19		.SEAL- POSITION DATA: LH SIDE MANUFACTURED FROM: NYLON 6 PER L-P-410A BAC1522-451 X 49.9	002004 006999	1

MISSING ITEM NUMBERS NOT APPLICABLE

- ITEM NOT ILLUSTRATED

57-51-01-05

57-51-01
FIG. 05
PAGE 8
JAN 20/09

BRI



757

PARTS CATALOG (MAINTENANCE)

FIG ITEM	PART NUMBER	1 2 3 4 5 6 7	NOMENCLATURE	EFFECT FROM TO	UNITS PER ASSY
5 140	113N1857-27		.SEAL- POSITION DATA: LH SIDE MANUFACTURED FROM: NYLON 6 PER L-P-410A BAC1522-451 X 49.9	002004 006999	1
140	113N1857-37		.SEAL- POSITION DATA: LH SIDE MANUFACTURED FROM: U.S.L. PETROTHENE LR 734 BAC1522-451X49.9	002004 006999	1
140	113N1857-49		.SEAL- POSITION DATA: LH SIDE MANUFACTURED FROM: EXTR RUBBER 10-60754-1060 49.9 IN	002004 006999	1
- 145	113N1857-12		.SEAL- POSITION DATA: RH SIDE MANUFACTURED FROM: NYLON 6 PER L-P-410A BAC1522-451 X 49.9	002004 006999	1
- 145	113N1857-20		.SEAL- POSITION DATA: RH SIDE MANUFACTURED FROM: NYLON 6 PER L-P-410A BAC1522-451 X 49.9	002004 006999	1
- 145	113N1857-28		.SEAL- POSITION DATA: RH SIDE MANUFACTURED FROM: NYLON 6 PER L-P-410A BAC1522-451 X 49.9	002004 006999	1
- 145	113N1857-38		.SEAL- POSITION DATA: RH SIDE MANUFACTURED FROM: U.S.L. PETROTHENE LR 734 BAC1522-451X49.9	002004 006999	1

MISSING ITEM NUMBERS NOT APPLICABLE

- ITEM NOT ILLUSTRATED

57-51-01-05

57-51-01
FIG. 05
PAGE 9
JAN 20/09

BRI



757

PARTS CATALOG (MAINTENANCE)

FIG ITEM	PART NUMBER	1 2 3 4 5 6 7	NOMENCLATURE	EFFECT FROM TO	UNITS PER ASSY
5					
- 145	113N1857-50		.SEAL- POSITION DATA: RH SIDE MANUFACTURED FROM: EXTR RUBBER 10-60754-1060 40.2 IN	002004 006999	1
150	BACR15BA8AD		.RIVET- SIZE DETERMINED ON INSTL.	002004 006999	4
155	BACR15BA6AD		.RIVET- SIZE DETERMINED ON INSTL.	002004 006999	12
160	113N1940-7		.FILLER	002004 006999	1
165	113N1940-8		.SHIM	002004 006999	1
170	113N1940-1		.SUPPORT ASSY	002004 006999	1
180	BACR15BA4D6		..RIVET- OPTIONAL PART: 113N1940-66	002004 006999	6
180	113N1940-66		..KIT ASSY- OPTIONAL PART: BACR15BA4D6	002004 006999	6
- 185	BACS12ER04K7		...SCREW	002004 006999	6
- 190	BRH10C04D		...NUT SUPPLIER CODE: V52828 SPECIFICATION NUMBER: BACN10JC04CD OPTIONAL PART: H51650-04BAC V15653 102LH9075-40W V72962 NS202486-40 V80539 T6C440JCD V11815 T6C440JCD V11815	002004 006999	6
195	R1280-1		..RECEIVER ASSY- SUPPLIER CODE: V08844	002004 006999	1
200	113N1940-2		..CHANNEL	002004 006999	1
205	113N1940-47		.SUPPORT ASSY- POSITION DATA: LH SIDE	002004 006999	1

MISSING ITEM NUMBERS NOT APPLICABLE

- ITEM NOT ILLUSTRATED

57-51-01-05

57-51-01
FIG. 05
PAGE 10
JAN 20/09

BRI



757

PARTS CATALOG (MAINTENANCE)

FIG ITEM	PART NUMBER	1 2 3 4 5 6 7	NOMENCLATURE	EFFECT FROM TO	UNITS PER ASSY
5					
- 210	113N1940-48	.	SUPPORT ASSY- POSITION DATA: RH SIDE	002004 006999	1
215	BACS12ER04K7	..	SCREW-	002004 006999	6
220	BACR15BA4D6	..	RIVET-	002004 006999	6
225	BRH10C04D	..	NUT- SUPPLIER CODE: V52828 SPECIFICATION NUMBER: BACN10JCO4CD OPTIONAL PART: H51650-04BAC V15653 102LH9075-40W V72962 NS202486-40 V80539 T6C440JCD V11815 T6C440JCD V11815	002004 006999	6
230	R1280-1	..	RECEIVER ASSY- SUPPLIER CODE: V08844	002004 006999	1
235	L8006K6	..	BOLT SUPPLIER CODE: V06725 SPECIFICATION NUMBER: BACB30MY6K6	002004 006999	2
240	HL79-6	..	COLLAR SUPPLIER CODE: V5M902 SPECIFICATION NUMBER: BACC30M6 OPTIONAL PART: HL79-6 V73197 HL79-6 V92215 66014-6 V56878 HL79-6 V56878	002004 006999	2
245	250N2007-40	..	BRACKET-FAIRLEAD	002004 006999	1
245	250N2007-72	..	BRACKET-FAIRLEAD	002004 006999	1

MISSING ITEM NUMBERS NOT APPLICABLE

- ITEM NOT ILLUSTRATED

57-51-01-05

57-51-01
FIG. 05
PAGE 11
JAN 20/09

BRI



757

PARTS CATALOG (MAINTENANCE)

FIG ITEM	PART NUMBER	1 2 3 4 5 6 7	NOMENCLATURE	EFFECT FROM TO	UNITS PER ASSY
5					
250	113N1940-49	..	CHANNEL- POSITION DATA: LH SIDE	002004 006999	1
- 255	113N1940-50	..	CHANNEL- POSITION DATA: RH SIDE	002004 006999	1
260	113N1940-53	.SUPPORT ASSY-	POSITION DATA: LH	002004 006999	1
- 265	113N1940-54	.SUPPORT ASSY-	POSITION DATA: RH	002004 006999	1
270	BACR15BA4DC	..RIVET-	OPTIONAL PART: 113N1940-66	002004 006999	6
270	113N1940-66	..KIT ASSY-	OPTIONAL PART: BACR15BA4DC	002004 006999	6
- 280	BACS12ER04K7	...SCREW		002004 006999	6
- 285	BRH10C04D	...NUT	SUPPLIER CODE: V52828 SPECIFICATION NUMBER: BACN10JC04CD OPTIONAL PART: H51650-04BAC V15653 102LH9075-40W V72962 NS202486-40 V80539 T6C440JCD V11815 T6C440JCD V11815	002004 006999	6
290	R1280-1	..RECEIVER ASSY-	SUPPLIER CODE: V08844	002004 006999	1
295	L8006K6	..BOLT	SUPPLIER CODE: V06725 SPECIFICATION NUMBER: BACB30MY6K6	002004 006999	2

MISSING ITEM NUMBERS NOT APPLICABLE

- ITEM NOT ILLUSTRATED

57-51-01-05

57-51-01
FIG. 05
PAGE 12
JAN 20/09

BRI



757

PARTS CATALOG (MAINTENANCE)

FIG ITEM	PART NUMBER	1 2 3 4 5 6 7	NOMENCLATURE	EFFECT FROM TO	UNITS PER ASSY
5 300	HL79-6		.. COLLAR SUPPLIER CODE: V5M902 SPECIFICATION NUMBER: BACC30M6 OPTIONAL PART: HL79-6 V73197 HL79-6 V92215 66014-6 V56878 HL79-6 V56878	002004 006999	2
305	250N2007-72		.. BRACKET-FAIRLEAD	002004 006999	1
310	113N1940-49		.. CHANNEL- POSITION DATA: LH	002004 006999	1
- 315	113N1940-50		.. CHANNEL- POSITION DATA: RH	002004 006999	1

MISSING ITEM NUMBERS NOT APPLICABLE

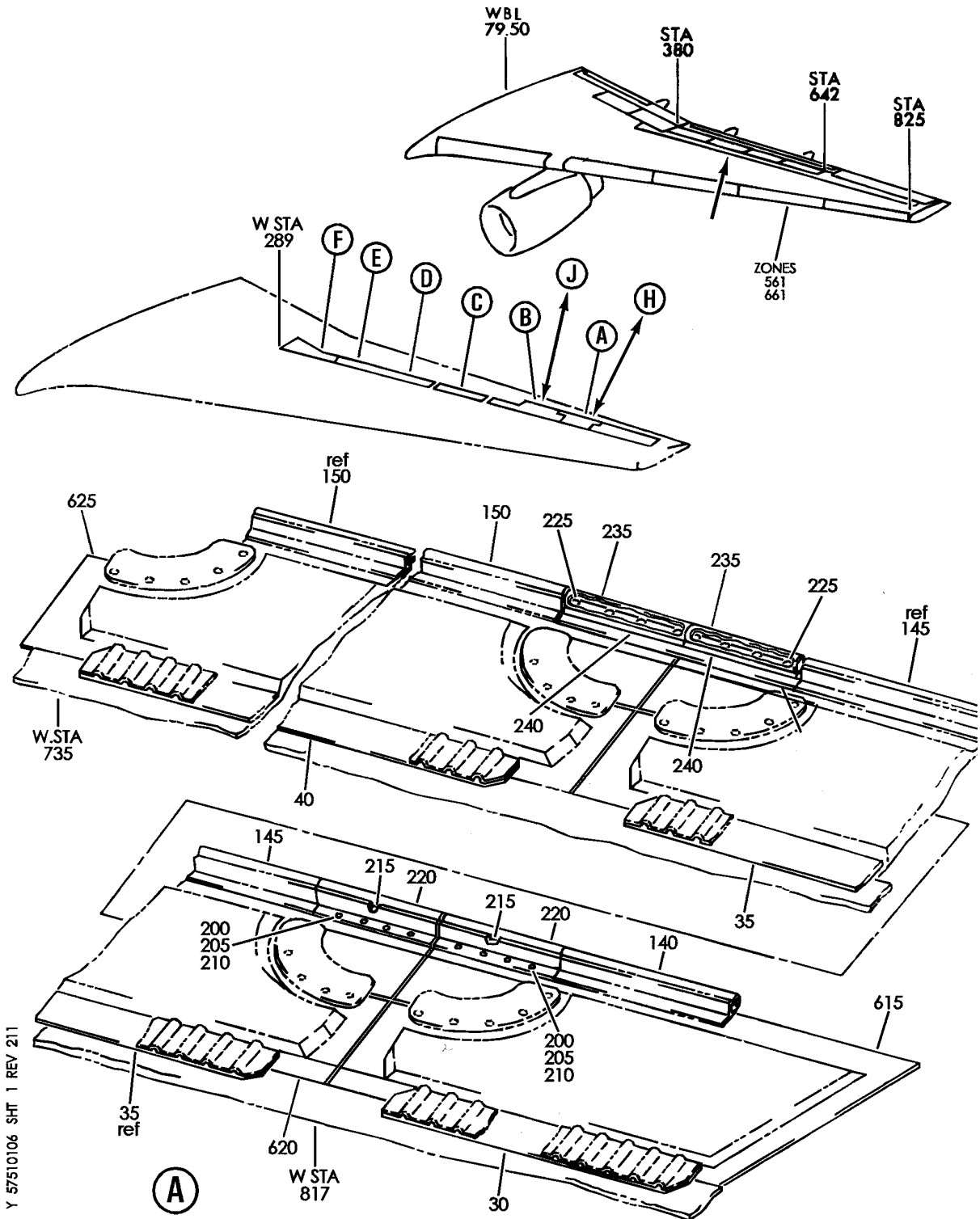
- ITEM NOT ILLUSTRATED

57-51-01-05

57-51-01
FIG. 05
PAGE 13
JAN 20/09

BRI

BOEING
757
PARTS CATALOG (MAINTENANCE)



Y 57510106 SHT 1 REV 211

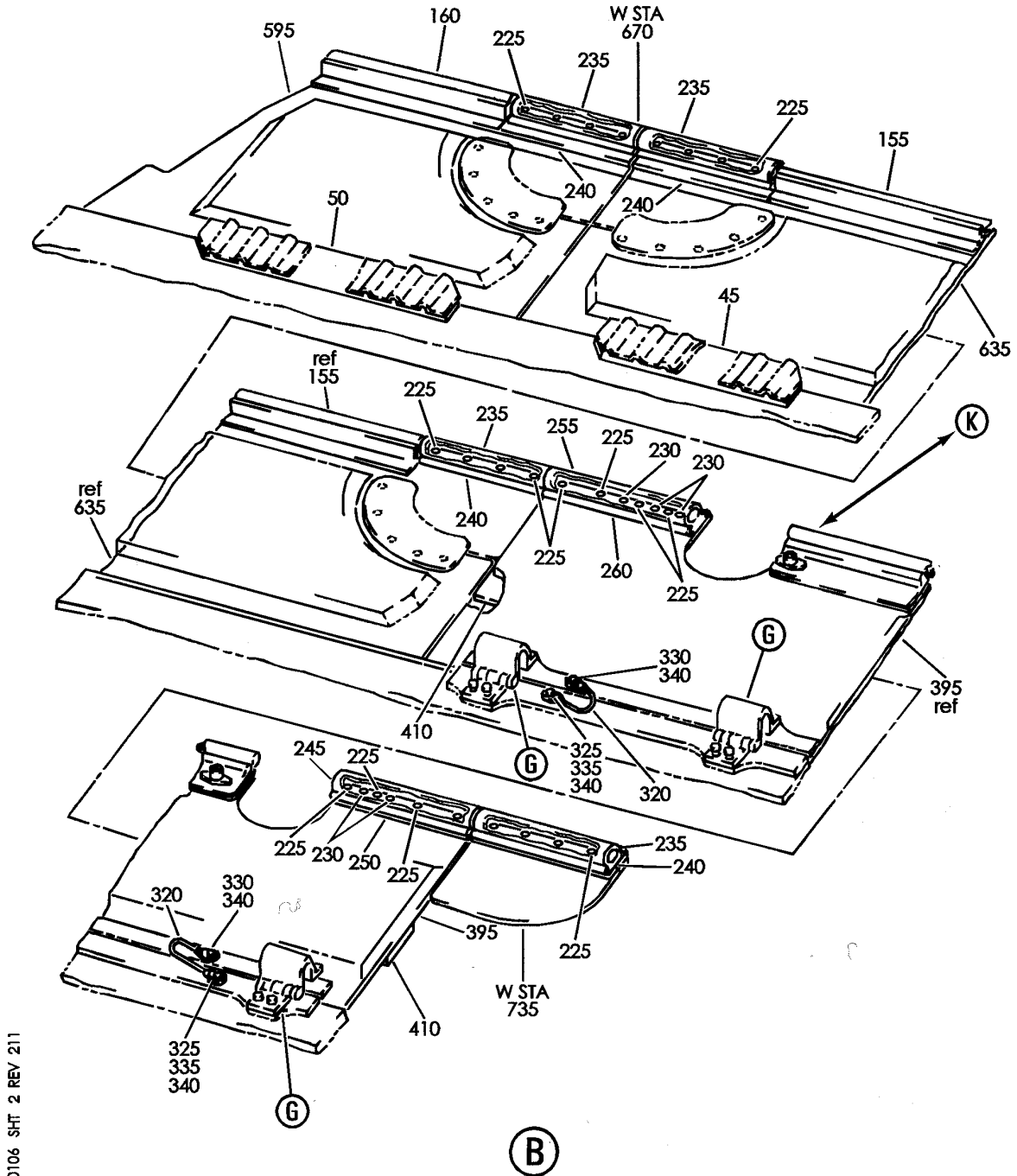
PANEL INSTL-LWR OUTBD TE
FIGURE 6 (SHEET 1)

57-51-01-06

BRI
MAY 28/07

57-51-01-06
PAGE 0

BOEING
757
PARTS CATALOG (MAINTENANCE)



Y 57510106 SHT. 2 REV 211

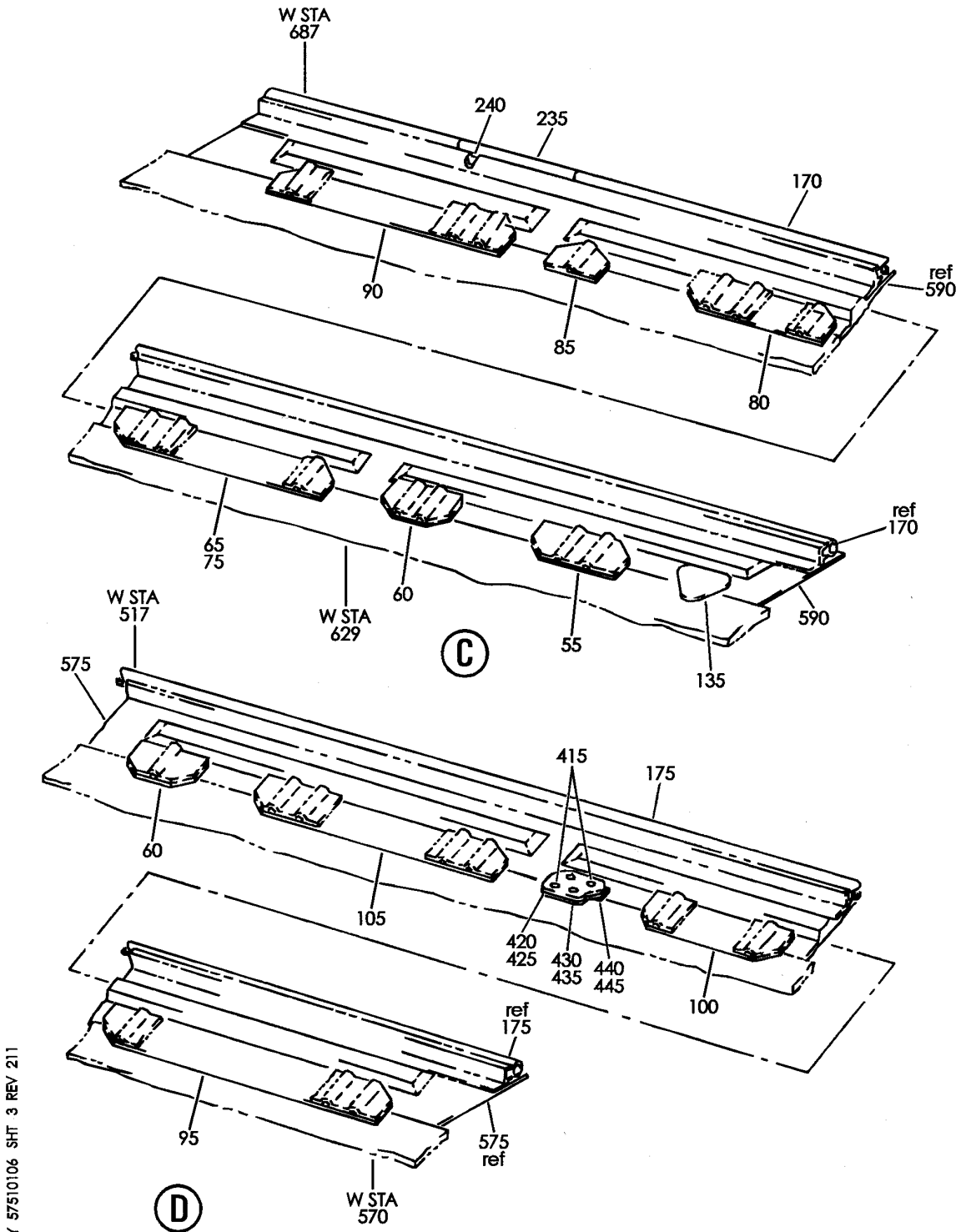
PANEL INSTL-LWR OUTBD TE
FIGURE 6 (SHEET 2)

57-51-01-06

BRI
MAY 28/07

57-51-01-06
PAGE 0A

BOEING
757
PARTS CATALOG (MAINTENANCE)



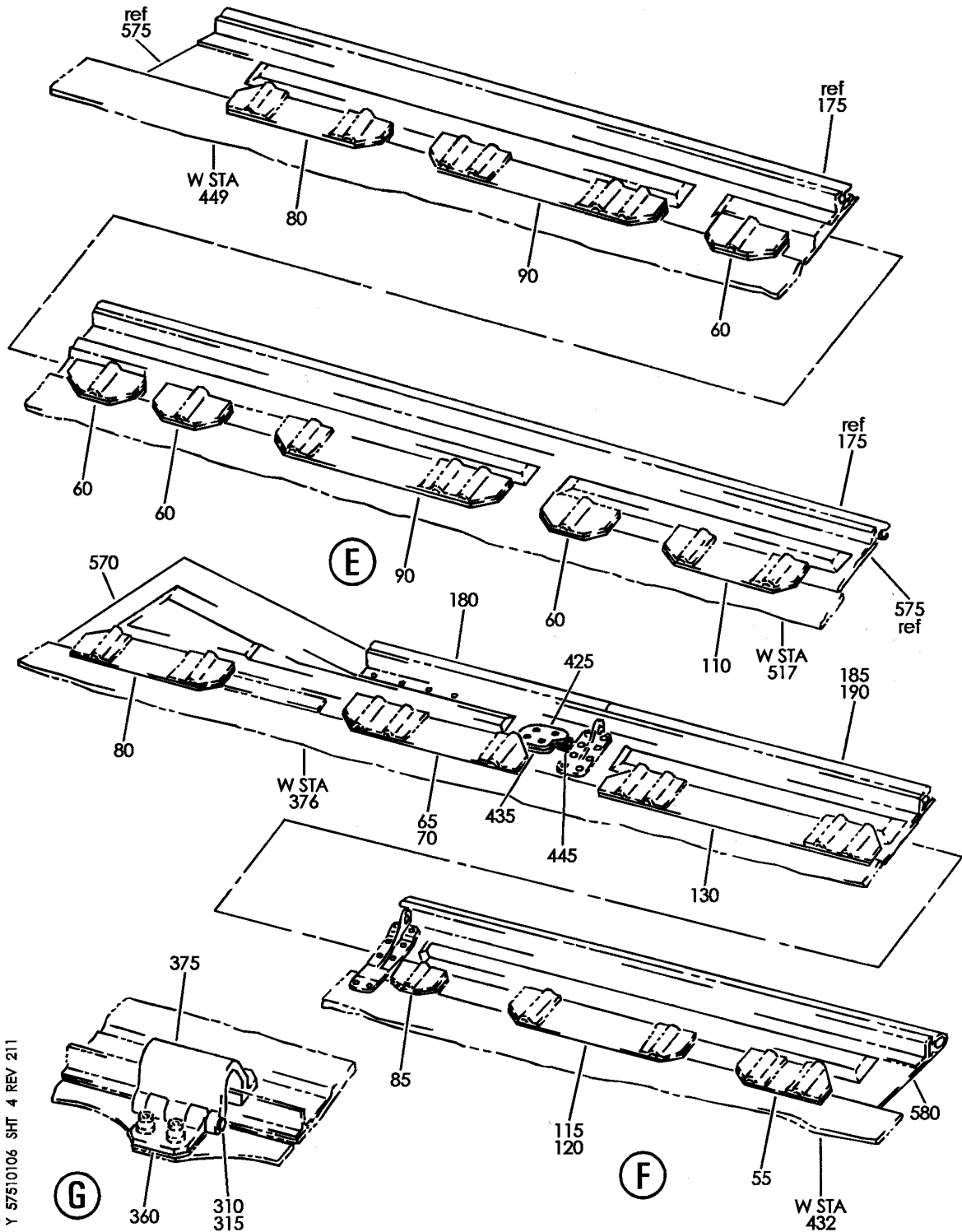
PANEL INSTL-LWR OUTBD TE
FIGURE 6 (SHEET 3)

57-51-01-06

BRI
MAY 28/07

57-51-01-06
PAGE 0B

BOEING
757
PARTS CATALOG (MAINTENANCE)



Y 57510106 SHT 4 REV 211

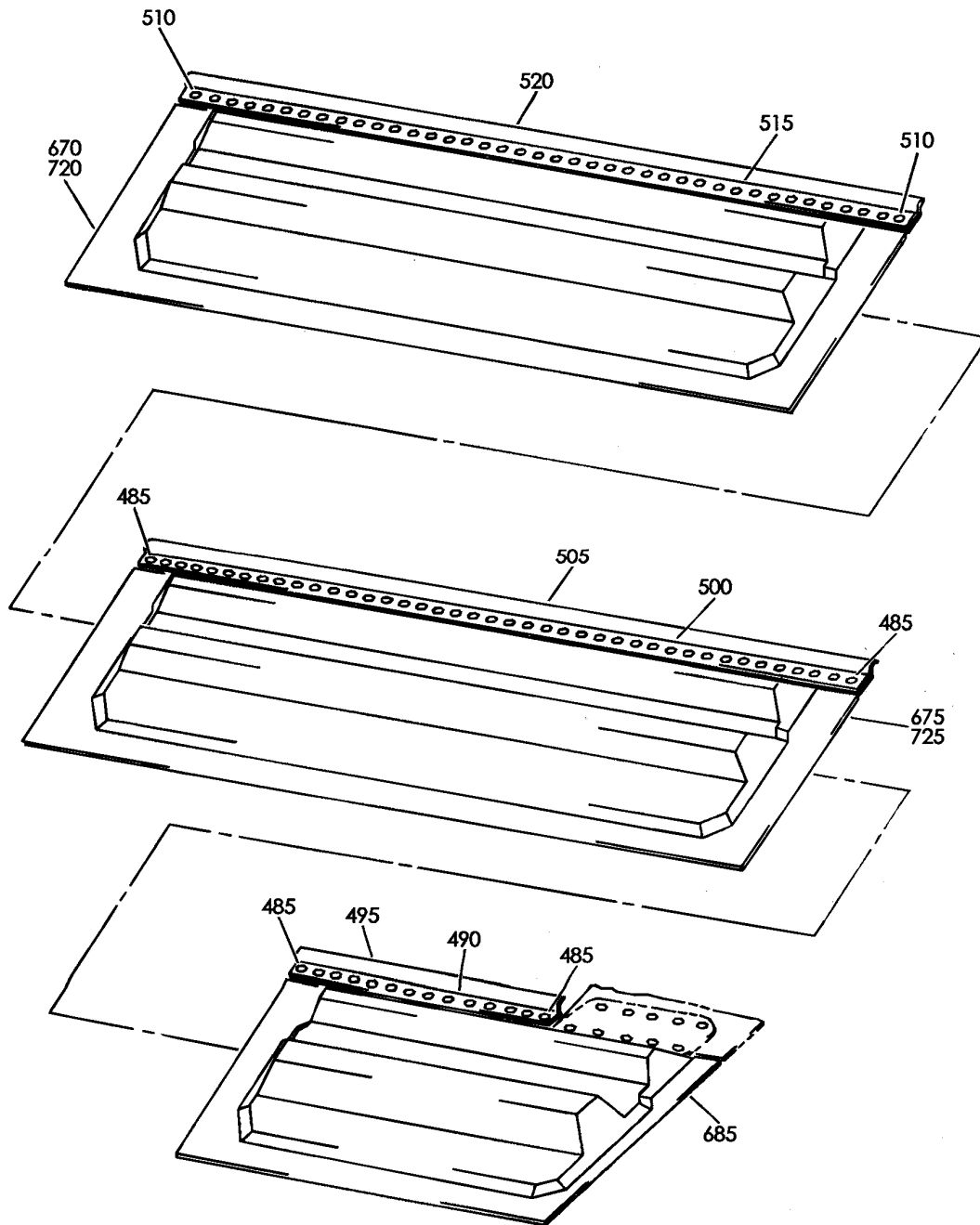
PANEL INSTL-LWR OUTBD TE
FIGURE 6 (SHEET 4)

57-51-01-06

BRI
MAY 28/07

57-51-01-06
PAGE 0C

BOEING
757
PARTS CATALOG (MAINTENANCE)



(H)

Y 57510106 SH1 5 REV 211

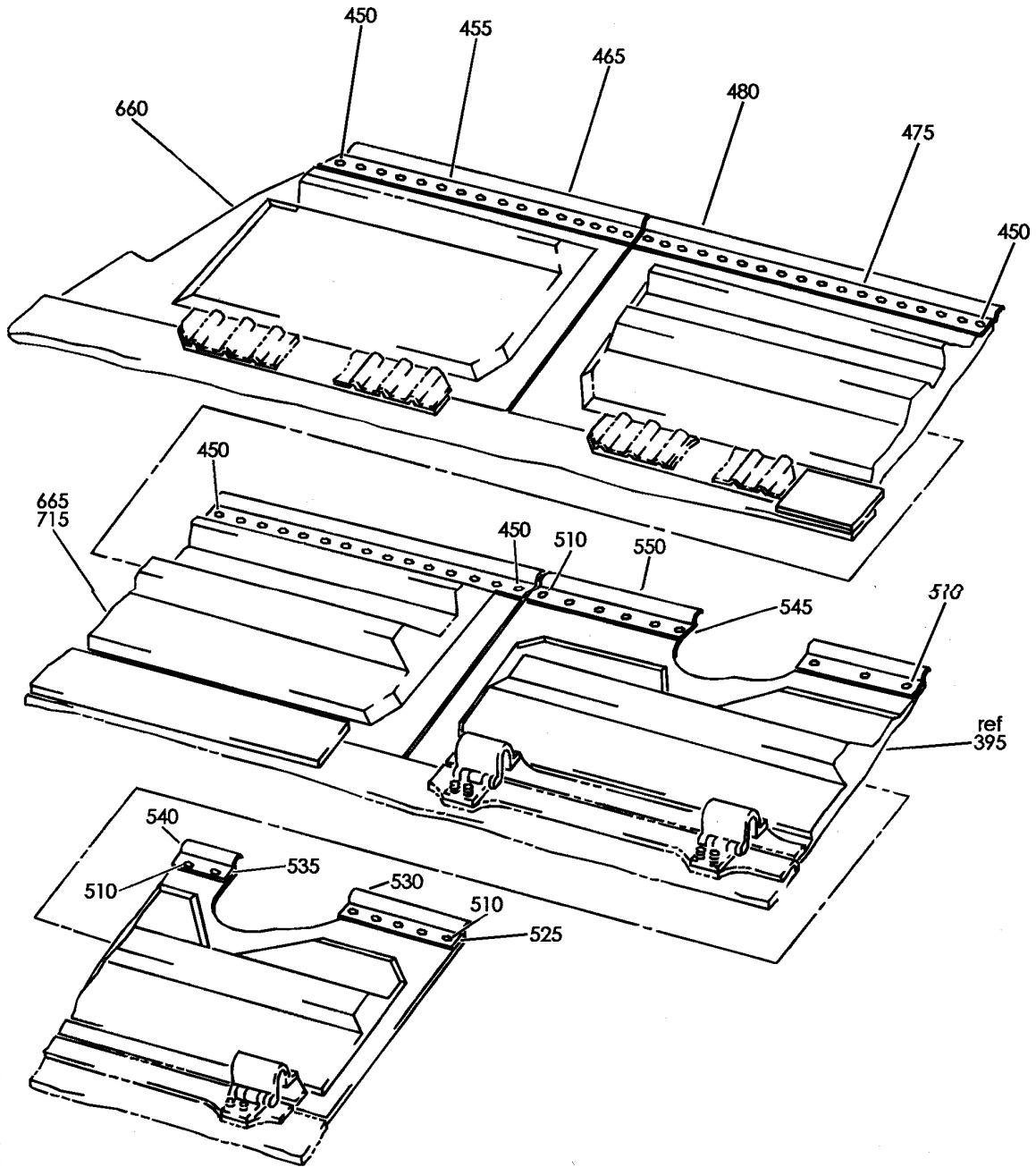
PANEL INSTL-LWR OUTBD TE
FIGURE 6 (SHEET 5)

57-51-01-06

BRI
MAY 28/07

57-51-01-06
PAGE 0D

BOEING
757
PARTS CATALOG (MAINTENANCE)



Y 57510106 SHT 6 REV 211

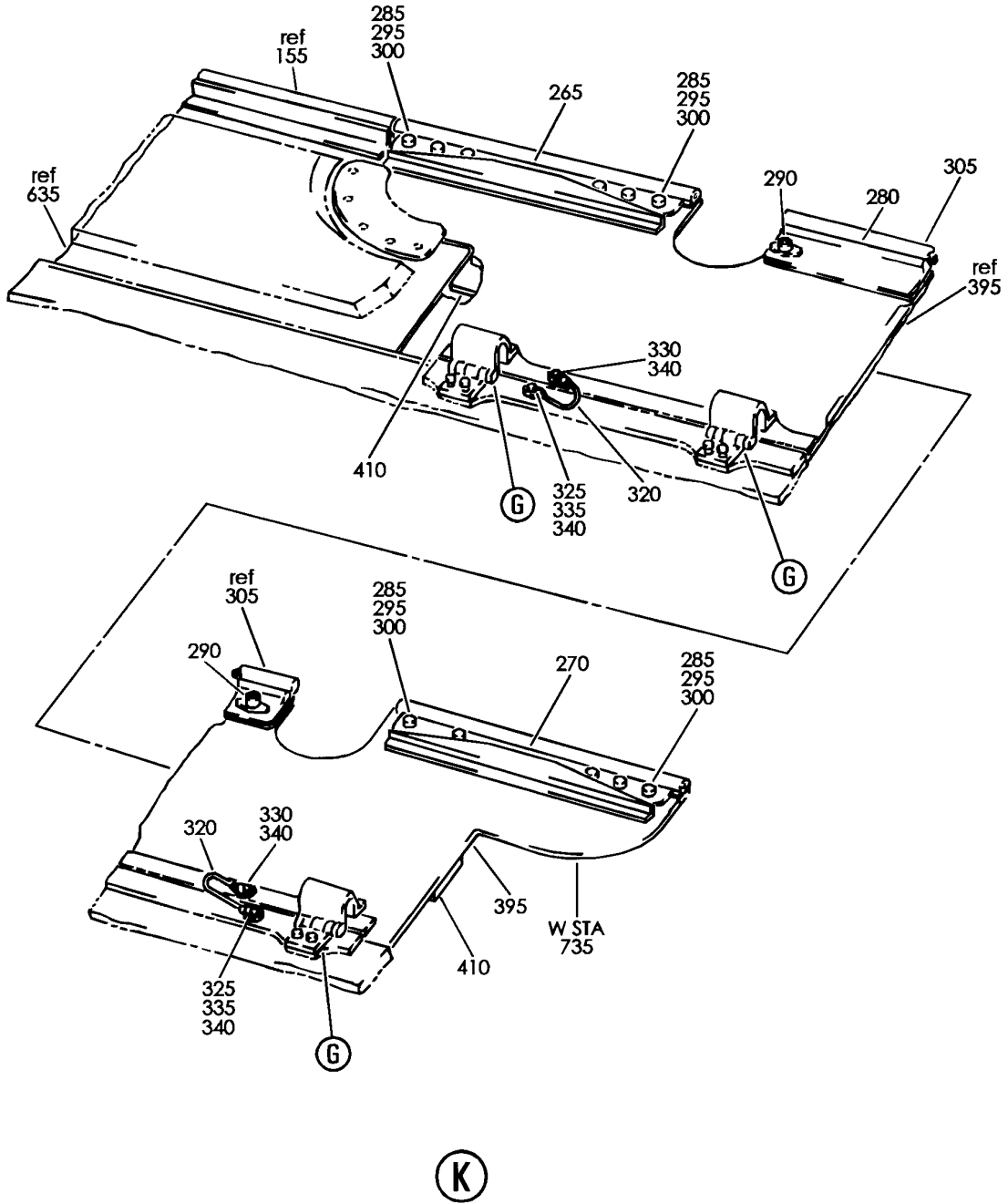
PANEL INSTL-LWR OUTBD TE
FIGURE 6 (SHEET 6)

57-51-01-06

BRI
MAY 28/07

57-51-01-06
PAGE 0E

BOEING
757
PARTS CATALOG (MAINTENANCE)



Y 57510106 SHT 7 REV 211

PANEL INSTL-LWR OUTBD TE
FIGURE 6 (SHEET 7)

57-51-01-06

BRI
MAY 28/07

57-51-01-06
PAGE OF



757

PARTS CATALOG (MAINTENANCE)

FIG ITEM	PART NUMBER	1 2 3 4 5 6 7	NOMENCLATURE	EFFECT FROM TO	UNITS PER ASSY
6			PANEL INSTL-LWR OUTBD TE	002004 006999	
- 1	113N1650-99		PANEL INSTL-TE POSITION DATA: LWR OUTBD LH FOR NHA SEE: 57-50-00-01	002004 006100 107107 121503 904999	RF
- 1	113N1650-405		PANEL INSTL-TE POSITION DATA: LWR OUTBD LH FOR NHA SEE: 57-00-00-05B	101101	RF
- 1	113N1650-411		PANEL INSTL-TE POSITION DATA: LWR OUTBD LH FOR NHA SEE: 57-00-00-05B	102102 108120 504903	RF
- 1	MODREF1370		PANEL INSTL-TE MODULE NUMBER: 113N1650-411 REV A POSITION DATA: LWR OUTBD LH	103103	1
- 1	MODREF26568		PANEL INSTL-TE MODULE NUMBER: 113N1650-411 REV B POSITION DATA: LWR OUTBD LH	104106	1
- 5	113N1650-100		PANEL INSTL-TE POSITION DATA: LWR OUTBD RH FOR NHA SEE: 57-50-00-01	002004 006100 107107 121503 904999	RF
- 5	113N1650-406		PANEL INSTL-TE LWR OUTBD RH FOR NHA SEE: 57-00-00-05B	101101	RF
- 5	113N1650-412		PANEL INSTL-TE LWR OUTBD RH FOR NHA SEE: 57-00-00-05B	102102 108120 504903	RF
- 5	MODREF1371		PANEL INSTL-TE LWR OUTBD RH MODULE NUMBER: 113N1650-412 REV A	103103	1
- 5	MODREF26569		PANEL INSTL-TE LWR OUTBD RH MODULE NUMBER: 113N1650-412 REV B	104106	1

MISSING ITEM NUMBERS NOT APPLICABLE

- ITEM NOT ILLUSTRATED

57-51-01-06

57-51-01
FIG. 06
PAGE 1
JAN 20/09

BRI



757

PARTS CATALOG (MAINTENANCE)

FIG ITEM	PART NUMBER	1 2 3 4 5 6 7	NOMENCLATURE	EFFECT FROM TO	UNITS PER ASSY
6					
30	113N1650-31	.	SEAL	002004 006999	1
35	113N1650-30	.	SEAL	002004 006999	1
40	113N1650-29	.	SEAL	002004 006999	1
45	113N1650-28	.	SEAL	002004 006999	1
50	113N1650-27	.	SEAL	002004 006999	1
55	113N1650-19	.	SEAL	002004 006999	2
60	113N1650-21	.	SEAL	002004 006999	6
70	113N1650-79	.	SEAL	002004 006999	1
75	113N1650-15	.	SEAL	002004 006999	1
80	113N1650-14	.	SEAL	002004 006999	3
85	113N1650-17	.	SEAL	002004 006999	2
90	113N1650-20	.	SEAL	002004 006999	3
95	113N1650-25	.	SEAL	002004 006999	1
100	113N1650-24	.	SEAL	002004 006999	1
105	113N1650-23	.	SEAL	002004 006999	1
110	113N1650-22	.	SEAL	002004 006999	1
120	113N1650-96	.	SEAL- POSITION DATA: LH SIDE	002004 006100 103107 121503 904999	1
- 125	113N1650-97	.	SEAL- POSITION DATA: RH SIDE	002004 006100 103107 121503 904999	1
130	113N1650-16	.	SEAL	002004 006999	1
135	113N1650-26	.	SEAL	002004 006999	1

MISSING ITEM NUMBERS NOT APPLICABLE

- ITEM NOT ILLUSTRATED

57-51-01-06

57-51-01
FIG. 06
PAGE 2
JAN 20/09

BRI

BOEING PROPRIETARY - Copyright © - Unpublished Work - See title page for details.



757

PARTS CATALOG (MAINTENANCE)

FIG ITEM	PART NUMBER	1 2 3 4 5 6 7	NOMENCLATURE	EFFECT FROM TO	UNITS PER ASSY
6					
170	113N1667-9	.SEAL-	MANUFACTURED FROM: EXTRUSION RUBBER 10-60754-177 X 65.0 IN.	002004 006999	1
170	113N1667-21	.SEAL-	MANUFACTURED FROM: EXTRUSION RUBBER 10-60754-177 X 64.00 IN.	002004 006999	1
170	113N1667-29	.SEAL-		002004 006999	1
175	113N1667-20	.SEAL-	MANUFACTURED FROM: EXTRUSION RUBBER 10-60754-177 X 123.00 IN.	002004 006999	1
180	113N1650-101	.SEAL-	MANUFACTURED FROM: EXTRUSTION RUBBER 10-60754-177 X 9.0 IN. QUALIFIED I/W DATA: -101 TOGETHER WITH -102 I/W 113N1667-19	002004 006999	1
185	113N1650-102	.SEAL-	MANUFACTURED FROM: EXTRUSTION RUBBER 10-60754-177 X 46.0 IN. QUALIFIED I/W DATA: -101 TOGETHER WITH -102 I/W 113N1667-19	002004 006999	1
310	MS20392-1C67	.PIN		002004 006999	3
315	AN960KD5	.WASHER		107107	3
315	MS15795-706	.WASHER		002004 006106 108999	3
320	940CW20-4	.JUMPER ASSY	SUPPLIER CODE: V91812 SPECIFICATION NUMBER: BACJ40AB20-4 OPTIONAL PART: 100220-4 V1FF12 RBEJ40AB20-4 V1GK47	002004 006999	2

MISSING ITEM NUMBERS NOT APPLICABLE

- ITEM NOT ILLUSTRATED

57-51-01-06

57-51-01
FIG. 06
PAGE 3
JAN 20/09

BRI



757

PARTS CATALOG (MAINTENANCE)

FIG ITEM	PART NUMBER	1 2 3 4 5 6 7	NOMENCLATURE	EFFECT FROM TO	UNITS PER ASSY
6			ATTACHING PARTS		
- 345	BACB30LR3-5		.BOLT	002004 006100 103107 121503 904999	4
- 350	AN960KD10L		.WASHER	002004 006100 103107 121503 904999	4
- 355	BRH10C3D		.NUT	002004 006100 103107 121503 904999	4
			SUPPLIER CODE: V52828		
			SPECIFICATION NUMBER: BACN10JC3CD		
			OPTIONAL PART: T6C1032JCD		
			V11815		
			NS202486-02		
			V80539		
			102LH9075-3W		
			V72962		
			H51650-3BAC		
			V15653		
			-----*-----		
360	113N1933-1		.HINGE	002004 006999	3
- 365	HL11VAZ6-6		ATTACHING PARTS .BOLT	002004 006999	6
			SUPPLIER CODE: V60516		
			SPECIFICATION NUMBER: BACB30NW6K6		
			OPTIONAL PART: B30NW6K6		
			V97928		
			HL11VAZ6-6		
			V73197		
			HL11VAZ6-6		
			V92215		
			HL11VAZ6-6		
			V97928		
			L803-6K6		
			V06725		
			HL11VAZ6-6		
			VOPTK6		
			HL11VAZ6-6		
			V56878		

MISSING ITEM NUMBERS NOT APPLICABLE

- ITEM NOT ILLUSTRATED

57-51-01-06

57-51-01
FIG. 06
PAGE 4
JAN 20/09

BRI

 **BOEING**
757
PARTS CATALOG (MAINTENANCE)

FIG ITEM	PART NUMBER	1 2 3 4 5 6 7	NOMENCLATURE	EFFECT FROM TO	UNITS PER ASSY
6 - 370	HL79-6		.COLLAR SUPPLIER CODE: V5M902 SPECIFICATION NUMBER: BACC30M6 OPTIONAL PART: HL79-6 V73197 HL79-6 V92215 66014-6 V56878 HL79-6 V56878 -----*-----	002004 006999	6
375	113N1933-2		.HINGE-	002004 006999	3
375	113N1609-1		.HINGE-	002004 006999	3
375	113N1609-3		.HINGE-	002004 006999	3
- 380	BACB30NN3K6		ATTACHING PARTS .BOLT	002004 006999	6
- 385	AN960KD10		.WASHER	002004 006999	6
- 390	BRH10C3D		.NUT SUPPLIER CODE: V52828 SPECIFICATION NUMBER: BACN10JC3CD OPTIONAL PART: T6C1032JCD V11815 NS202486-02 V80539 102LH9075-3W V72962 H51650-3BAC V15653 -----*-----	002004 006999	6
395	113N1982-17		.PANEL ASSY-AIL. PCU ACCESS DOOR POSITION DATA: LH SIDE	107107	1
395	113N1982-19		.PANEL ASSY- POSITION DATA: LH SIDE	107107	1

MISSING ITEM NUMBERS NOT APPLICABLE

- ITEM NOT ILLUSTRATED

BRI

57-51-01-06

BOEING PROPRIETARY - Copyright © - Unpublished Work - See title page for details.

57-51-01
FIG. 06
PAGE 5
JAN 20/09



757

PARTS CATALOG (MAINTENANCE)

FIG ITEM	PART NUMBER	1 2 3 4 5 6 7	NOMENCLATURE	EFFECT FROM TO	UNITS PER ASSY
6 395	113N1982-21		.DOOR ASSY- POSITION DATA: LH SIDE FUNCTIONAL REFERENCE: PLACARDS AND MARKINGS FOR DETAILS SEE 11-24-00-01	002004 006999	1
395	113N1982-23		.DOOR ASSY- POSITION DATA: LH SIDE FUNCTIONAL REFERENCE: PLACARDS AND MARKINGS FOR DETAILS SEE 11-24-00-01	002004 006999	1
395	113N1982-25		.DOOR ASSY- POSITION DATA: LH SIDE FUNCTIONAL REFERENCE: PLACARDS AND MARKINGS FOR DETAILS SEE 11-24-00-01	002004 006999	1
- 400	113N1982-18		.PANEL ASSY-AIL. PCU ACCESS DOOR POSITION DATA: RH SIDE	107107	1
- 400	113N1982-20		.PANEL ASSY- POSITION DATA: RH SIDE	107107	1
- 400	113N1982-22		.DOOR ASSY- POSITION DATA: RH SIDE FUNCTIONAL REFERENCE: PLACARDS AND MARKINGS FOR DETAILS SEE 11-24-00-01	002004 006999	1
- 400	113N1982-24		.DOOR ASSY- POSITION DATA: RH SIDE FUNCTIONAL REFERENCE: PLACARDS AND MARKINGS FOR DETAILS SEE 11-24-00-01	002004 006999	1
- 400	113N1982-26		.DOOR ASSY- POSITION DATA: RH SIDE FUNCTIONAL REFERENCE: PLACARDS AND MARKINGS FOR DETAILS SEE 11-24-00-01	002004 006999	1

MISSING ITEM NUMBERS NOT APPLICABLE

- ITEM NOT ILLUSTRATED

57-51-01-06

57-51-01
FIG. 06
PAGE 6
JAN 20/09

BRI



757

PARTS CATALOG (MAINTENANCE)

FIG ITEM	PART NUMBER	1 2 3 4 5 6 7	NOMENCLATURE	EFFECT FROM TO	UNITS PER ASSY
6			ATTACHING PARTS		
- 405	BACB30NN3K6		.BOLT	002004 006999	10
			-----*-----		
410	113N1934-2		. . PLATE	002004 006999	2
415	BACR15BA6AD		.RIVET-	002004	4
			SIZE DETERMINED ON INSTL.	006999	
425	113N1650-33		.PLATE-SPLICE	002004	2
				006999	
435	113N1650-32		.SEAL	002004	2
				006999	
445	113N1650-34		. FILLER-	002004	2
			OPTIONAL PART:	006999	
			113N1650-112		
445	113N1650-112		. FILLER-	002004	2
			OPTIONAL PART:	006100	
			113N1650-34	107107	
				121503	
				904999	
450	MS20426A4		.RIVET-	002004	34
			SIZE DETERMINED ON INSTL.	006999	
455	113N1650-104		.RETAINER-	002004	1
			POSITION DATA:	006100	
			LH	103107	
				121503	
				904999	
460	113N1650-114		.RETAINER-	002004	1
			POSITION DATA:	006100	
			RH	103107	
				121503	
				904999	
465	113N1650-61		.SEAL-	002004	1
			POSITION DATA:	006100	
			LH SIDE	107107	
			MANUFACTURED FROM:	121503	
			EXTRUSION	904999	
			NYLON F25.01		
			BAC1522-430 X 15.00		
465	113N1650-81		.SEAL-	002004	1
			POSITION DATA:	006100	
			LH SIDE	107107	
			MANUFACTURED FROM:	121503	
			EXTRUSION	904999	
			NYLON F25.01		
			BAC1522-430 X 15.00		

MISSING ITEM NUMBERS NOT APPLICABLE

- ITEM NOT ILLUSTRATED

57-51-01-06

57-51-01
FIG. 06
PAGE 7
JAN 20/09

BRI

BOEING PROPRIETARY - Copyright © - Unpublished Work - See title page for details.



757

PARTS CATALOG (MAINTENANCE)

FIG ITEM	PART NUMBER	1 2 3 4 5 6 7	NOMENCLATURE	EFFECT FROM TO	UNITS PER ASSY
6 465	113N1157-1		.SEAL- POSITION DATA: LH SIDE MANUFACTURED FROM: EXTRUSION NYLON F25.01 BAC1522-430 X 15.00	002004 006100 107107 121503 904999	1
465	113N1157-5		.SEAL- POSITION DATA: LH SIDE	002004 006100 103107 121503 904999	1
- 470	113N1650-62		.SEAL- POSITION DATA: RH SIDE MANUFACTURED FROM: EXTRUSION NYLON F25.01 BAC1522-430 X 15.00	002004 006100 107107 121503 904999	1
- 470	113N1650-82		.SEAL- POSITION DATA: RH SIDE MANUFACTURED FROM: EXTRUSION NYLON F25.01 BAC1522-430 X 15.00	002004 006100 107107 121503 904999	1
- 470	113N1157-2		.SEAL- POSITION DATA: RH SIDE MANUFACTURED FROM: EXTRUSION NYLON F25.01 BAC1522-430 X 15.00	002004 006100 107107 121503 904999	1
- 470	113N1157-6		.SEAL- POSITION DATA: RH SIDE	002004 006100 103107 121503 904999	1
475	113N1650-105		.RETAINER	002004 006100 103107 121503 904999	1
480	113N1650-65		.SEAL- MANUFACTURED FROM: EXTRUSION NYLON F25.01 BAC1522-430 X 35.20	002004 006100 107107 121503 904999	1

MISSING ITEM NUMBERS NOT APPLICABLE

- ITEM NOT ILLUSTRATED

57-51-01-06

57-51-01
FIG. 06
PAGE 8
JAN 20/09

BRI



757

PARTS CATALOG (MAINTENANCE)

FIG ITEM	PART NUMBER	1 2 3 4 5 6 7	NOMENCLATURE	EFFECT FROM TO	UNITS PER ASSY
6					
480	113N1650-80	.SEAL-	MANUFACTURED FROM: EXTRUSION NYLON F25.01 BAC1522-430 X 35.20	002004 006100 107107 121503 904999	1
480	113N1157-3	.SEAL-	MANUFACTURED FROM: EXTRUSION NYLON F25.01 BAC1522-430 X 35.20	002004 006100 107107 121503 904999	1
480	113N1157-4	.SEAL-		002004 006100 103107 121503 904999	1
485	MS20426A4	.RIVET-	SIZE DETERMINED ON INSTL.	002004 006100 103107 121503 904999	41
490	113N1650-68	.RETAINER		002004 006100 103107 121503 904999	1
495	113N1650-67	.SEAL-LWR OUTBD TE	MANUFACTURED FROM: EXTRUSION NYLON BAC1522-430 X 14.50	002004 006100 107107 121503 904999	1
495	113N1650-83	.SEAL-	MANUFACTURED FROM: EXTRUSION NYLON BAC1522-430 X 14.50	002004 006100 107107 121503 904999	1
495	113N1650-121	.SEAL-PANEL LWR OUTBD TE	MANUFACTURED FROM: EXTR NYLON F25.01 BAC1522-430X 14.50	002004 006100 103107 121503 904999	1
500	113N1650-70	.RETAINER		002004 006100 103107 121503 904999	1

MISSING ITEM NUMBERS NOT APPLICABLE

- ITEM NOT ILLUSTRATED

57-51-01-06

57-51-01
FIG. 06
PAGE 9
JAN 20/09

BRI

BOEING PROPRIETARY - Copyright © - Unpublished Work - See title page for details.



757

PARTS CATALOG (MAINTENANCE)

FIG ITEM	PART NUMBER	1 2 3 4 5 6 7	NOMENCLATURE	EFFECT FROM TO	UNITS PER ASSY
6					
505	113N1650-69		.SEAL-PANEL LWR OUTBD TE MANUFACTURED FROM: EXTRUSION NYLON F25.01 BAC1522-430 X 42.00	002004 006100 107107 121503 904999	1
505	113N1650-84		.SEAL-PANEL LWR OUTBD TE MANUFACTURED FROM: EXTRUSION NYLON F25.01 BAC1522-430 X 42.00	002004 006100 107107 121503 904999	1
505	113N1650-122		.SEAL-PANEL LWR OUTBD TE MANUFACTURED FROM: EXTR NYLON F25.01 BAC1522-430X 42.00	002004 006100 103107 121503 904999	1
510	MS20426A4		.RIVET- SIZE DETERMINED ON INSTL.	002004 006100 103107 121503 904999	85
515	113N1650-72		.RETAINER	002004 006100 103107 121503 904999	1
520	113N1650-71		.SEAL-PANEL LWR OUTBD TE MANUFACTURED FROM: EXTRUSION NYLON F25.01 BAC1522-430 X 40.20	002004 006100 107107 121503 904999	1
520	113N1650-92		.SEAL-PANEL LWR OUTBD TE MANUFACTURED FROM: MFG EXTRUSION NYLON F25.01 BAC1522-430 X 40.20	002004 006100 107107 121503 904999	1
520	113N1650-123		.SEAL-PANEL LWR OUTBD TE MANUFACTURED FROM: MFG EXTRUSION NYLON F25.01 BAC1522-430 X 40.20	002004 006100 103107 121503 904999	1
525	113N1650-74		.RETAINER	002004 006100 103107 121503 904999	1

MISSING ITEM NUMBERS NOT APPLICABLE

- ITEM NOT ILLUSTRATED

BRI

57-51-01-06

57-51-01
FIG. 06
PAGE 10
JAN 20/09

 **BOEING**
757
PARTS CATALOG (MAINTENANCE)

FIG ITEM	PART NUMBER	1 2 3 4 5 6 7	NOMENCLATURE	EFFECT FROM TO	UNITS PER ASSY
6					
530	113N1650-73	.SEAL-	MANUFACTURED FROM: EXTR NYLON F25.01 BAC1522-430 X 5.00 IN.	002004 006100 103107 121503 904999	1
530	113N1650-93	.SEAL-	MANUFACTURED FROM: MFG EXTRUSION NYLON F25.01 BAC1522-430 X 5.00	002004 006100 103107 121503 904999	1
535	113N1650-76	.RETAINER		002004 006100 103107 121503 904999	1
540	113N1650-75	.SEAL-	MANUFACTURED FROM: EXTRUSION NYLON BAC1522-430 X 4.70	002004 006100 103107 121503 904999	1
540	113N1650-94	.SEAL-	MANUFACTURED FROM: MFG EXTRUSION NYLON F25.01 BAC1522-430 X 4.70	002004 006100 103107 121503 904999	1
545	113N1650-78	.RETAINER		002004 006100 103107 121503 904999	1
550	113N1650-77	.SEAL-	POSITION DATA: LH SIDE MANUFACTURED FROM: EXTR NYLON F25.01 BAC1522-430 X 5.50 IN.	002004 006100 103107 121503 904999	1
550	113N1650-95	.SEAL-	POSITION DATA: LH SIDE MANUFACTURED FROM: MFG EXTRUSION NYLON F25.01 BAC1522-430 X 5.50	002004 006100 103107 121503 904999	1

MISSING ITEM NUMBERS NOT APPLICABLE

— ITEM NOT ILLUSTRATED

BRI

57-51-01-06

BOEING PROPRIETARY - Copyright © - Unpublished Work - See title page for details.

57-51-01
FIG. 06
PAGE 11
JAN 20/09



757

PARTS CATALOG (MAINTENANCE)

FIG ITEM	PART NUMBER	1 2 3 4 5 6 7	NOMENCLATURE	EFFECT FROM TO	UNITS PER ASSY
6					
- 555	113N1650-95	.SEAL-	POSITION DATA: RH SIDE MANUFACTURED FROM: MFG EXTRUSION NYLON F25.01 BAC1522-430 X 5.50	107107	1
- 555	113N1650-120	.SEAL-	POSITION DATA: RH SIDE MANUFACTURED FROM: EXTRUSION NYLON F25.01 BAC1522-584 X 5.50	002004 006106 108999	1
- 555	113N1650-77	.SEAL-	POSITION DATA: RH SIDE MANUFACTURED FROM: EXTR NYLON F25.01 BAC1522-430 X 5.50 IN.	107107	1
570	113N1651-9	.PANEL ASSY-	POSITION DATA: LH SIDE	107107	1
570	113N1651-11	.PANEL ASSY-	POSITION DATA: LH SIDE REWORKED BY SB: 57-0046	002004 121503 904949 952952	1
570	113N1651-13	.PANEL ASSY-	POSITION DATA: LH SIDE OPTIONAL PART: 113N1651-15	006100 950951 953999	1
570	113N1651-15	.PANEL ASSY-	POSITION DATA: LH SIDE OPTIONAL PART: 113N1651-13	006106 108120 504903 950951 953999	1
575	113N1653-17	.PANEL ASSY-	POSITION DATA: LH SIDE OPTIONAL PART: 113N1653-19	002004 006100 121503 904999	1
575	113N1653-19	.PANEL ASSY-	POSITION DATA: LH SIDE OPTIONAL PART: 113N1653-17	002004 006100 121503 904999	1

MISSING ITEM NUMBERS NOT APPLICABLE

- ITEM NOT ILLUSTRATED

57-51-01-06

57-51-01
FIG. 06
PAGE 12
JAN 20/09

BRI



757

PARTS CATALOG (MAINTENANCE)

FIG ITEM	PART NUMBER	1 2 3 4 5 6 7	NOMENCLATURE	EFFECT FROM TO	UNITS PER ASSY
6					
575	113N1653-31		.PANEL ASSY- POSITION DATA: LH SIDE	103106	1
580	113N1652-11		.PANEL ASSY- POSITION DATA: LH SIDE	107107	1
580	113N1652-13		.PANEL ASSY- POSITION DATA: LH SIDE REWORKED BY SB: 57-0046	002004 121503 904949 952952	1
580	113N1652-15		.PANEL ASSY- POSITION DATA: LH SIDE OPTIONAL PART: 113N1652-17	006100 950951 953999	1
580	113N1652-17		.PANEL ASSY- POSITION DATA: LH SIDE OPTIONAL PART: 113N1652-15	006106 108120 504903 950951 953999	1
- 585	113N1652-12		.PANEL ASSY- POSITION DATA: RH SIDE	107107	1
- 585	113N1652-14		.PANEL ASSY- POSITION DATA: RH SIDE REWORKED BY SB: 57-0046	002004 121503 904949 952952	1
- 585	113N1652-16		.PANEL ASSY- POSITION DATA: RH SIDE OPTIONAL PART: 113N1652-18	006100 950951 953999	1
- 585	113N1652-18		.PANEL ASSY- POSITION DATA: RH SIDE OPTIONAL PART: 113N1652-16	006106 108120 504903 950951 953999	1
590	113N1654-9		.PANEL ASSY- POSITION DATA: LH SIDE	107107	1
590	113N1654-13		.PANEL ASSY- POSITION DATA: LH SIDE OPTIONAL PART: 113N1654-15	002004 006100 121503 904999	1

MISSING ITEM NUMBERS NOT APPLICABLE

- ITEM NOT ILLUSTRATED

57-51-01-06

57-51-01
FIG. 06
PAGE 13
JAN 20/09

BRI

BOEING PROPRIETARY - Copyright © - Unpublished Work - See title page for details.



757

PARTS CATALOG (MAINTENANCE)

FIG ITEM	PART NUMBER	1 2 3 4 5 6 7	NOMENCLATURE	EFFECT FROM TO	UNITS PER ASSY
6					
590	113N1654-15		.PANEL ASSY- POSITION DATA: LH SIDE OPTIONAL PART: 113N1654-13	002004 006106 108999	1
- 600	113N1651-10		.PANEL ASSY- POSITION DATA: RH SIDE	107107	1
- 600	113N1651-12		.PANEL ASSY- POSITION DATA: RH SIDE REWORKED BY SB: 57-0046	002004 121503 904949 952952	1
- 600	113N1651-14		.PANEL ASSY- POSITION DATA: RH SIDE OPTIONAL PART: 113N1651-16	006100 950951 953999	1
- 600	113N1651-16		.PANEL ASSY- POSITION DATA: RH SIDE OPTIONAL PART: 113N1651-14	006106 108120 504903 950951 953999	1
- 605	113N1653-18		.PANEL ASSY- POSITION DATA: RH SIDE OPTIONAL PART: 113N1653-20	002004 006100 121503 904999	1
- 605	113N1653-20		.PANEL ASSY- POSITION DATA: RH SIDE OPTIONAL PART: 113N1653-18	002004 006100 121503 904999	1
- 605	113N1653-32		.PANEL ASSY- POSITION DATA: RH SIDE	103106	1
- 610	113N1654-10		.PANEL ASSY- POSITION DATA: LWR RH SIDE	107107	1
- 610	113N1654-14		.PANEL ASSY- POSITION DATA: RH SIDE OPTIONAL PART: 113N1654-16	002004 006100 121503 904999	1
- 610	113N1654-16		.PANEL ASSY- POSITION DATA: RH SIDE OPTIONAL PART: 113N1654-14	002004 006106 108999	1

MISSING ITEM NUMBERS NOT APPLICABLE

- ITEM NOT ILLUSTRATED

57-51-01-06

57-51-01
FIG. 06
PAGE 14
JAN 20/09

BRI

BOEING PROPRIETARY - Copyright © - Unpublished Work - See title page for details.



757

PARTS CATALOG (MAINTENANCE)

FIG ITEM	PART NUMBER	1 2 3 4 5 6 7	NOMENCLATURE	EFFECT FROM TO	UNITS PER ASSY
6					
660	113N1977-7		.PANEL ASSY- POSITION DATA: LH SIDE	107107	1
660	113N1977-9		.PANEL ASSY- POSITION DATA: LH SIDE	002004 006017 121503 904999	1
660	113N1977-11		.PANEL ASSY- POSITION DATA: LH SIDE	018100	1
660	113N1977-15		.PANEL ASSY- POSITION DATA: LH SIDE OPTIONAL PART: 113N1977-23	101106 108120 504903	1
660	113N1977-23		.PANEL ASSY- POSITION DATA: LH SIDE OPTIONAL PART: 113N1977-15	102106 108120 504903	1
665	113N1978-11		.PANEL ASSY- POSITION DATA: LH SIDE	107107	1
665	113N1978-13		.PANEL ASSY- POSITION DATA: LH SIDE	002004 006100 121503 904999	1
665	113N1978-15		.PANEL ASSY- POSITION DATA: LH SIDE OPTIONAL PART: 113N1978-27	101106 108120 504903	1
665	113N1978-27		.PANEL ASSY- POSITION DATA: LH SIDE OPTIONAL PART: 113N1978-15	102106 108120 504903	1
670	113N1979-1		.PANEL ASSY- POSITION DATA: LH SIDE	107107	1
670	113N1979-11		.PANEL ASSY- POSITION DATA: LH SIDE	002004 006100 121503 904999	1
670	113N1979-13		.PANEL ASSY- POSITION DATA: LH SIDE OPTIONAL PART: 113N1979-27	101106 108120 504903	1

MISSING ITEM NUMBERS NOT APPLICABLE

- ITEM NOT ILLUSTRATED

57-51-01-06

57-51-01
FIG. 06
PAGE 15
JAN 20/09

BRI

BOEING PROPRIETARY - Copyright © - Unpublished Work - See title page for details.



757

PARTS CATALOG (MAINTENANCE)

FIG ITEM	PART NUMBER	1 2 3 4 5 6 7	NOMENCLATURE	EFFECT FROM TO	UNITS PER ASSY
6					
670	113N1979-27		.PANEL ASSY- POSITION DATA: LH SIDE OPTIONAL PART: 113N1979-13	102106 108120 504903	1
675	113N1980-1		.PANEL ASSY- POSITION DATA: LH SIDE OPTIONAL PART: 113N1980-11	107107	1
675	113N1980-11		.PANEL ASSY- POSITION DATA: LH SIDE OPTIONAL PART: 113N1980-1	002004 006100 107107 121503 904999	1
675	113N1980-13		.PANEL ASSY- POSITION DATA: LH SIDE OPTIONAL PART: 113N1980-27	101106 108120 504903	1
675	113N1980-27		.PANEL ASSY- POSITION DATA: LH SIDE OPTIONAL PART: 113N1980-13	102106 108120 504903	1
- 680	113N1980-2		.PANEL ASSY- POSITION DATA: RH SIDE OPTIONAL PART: 113N1980-12	107107	1
- 680	113N1980-12		.PANEL ASSY- POSITION DATA: RH SIDE OPTIONAL PART: 113N1980-2	002004 006100 107107 121503 904999	1
- 680	113N1980-14		.PANEL ASSY- POSITION DATA: RH SIDE OPTIONAL PART: 113N1980-28	101106 108120 504903	1
- 680	113N1980-28		.PANEL ASSY- POSITION DATA: RH SIDE OPTIONAL PART: 113N1980-14	102106 108120 504903	1

MISSING ITEM NUMBERS NOT APPLICABLE

- ITEM NOT ILLUSTRATED

57-51-01-06

57-51-01
FIG. 06
PAGE 16
JAN 20/09

BRI



757

PARTS CATALOG (MAINTENANCE)

FIG ITEM	PART NUMBER	1 2 3 4 5 6 7	NOMENCLATURE	EFFECT FROM TO	UNITS PER ASSY
6 685	113N1981-1		.PANEL ASSY- POSITION DATA: LH SIDE OPTIONAL PART: 113N1981-7	107107	1
685	113N1981-7		.PANEL ASSY- OPTIONAL PART: 113N1981-1	002004 006100 107107 121503 904999	1
685	113N1981-11		.PANEL ASSY-	101101	1
685	113N1981-27		.PANEL ASSY- POSITION DATA: LH	102106 108120 504903	1
- 690	113N1977-8		.PANEL ASSY- POSITION DATA: RH SIDE	107107	1
- 690	113N1977-10		.PANEL ASSY- POSITION DATA: RH SIDE	002004 006017 121503 904999	1
- 690	113N1977-12		.PANEL ASSY- POSITION DATA: RH SIDE	018100	1
- 690	113N1977-16		.PANEL ASSY- POSITION DATA: RH SIDE OPTIONAL PART: 113N1977-24	101106 108120 504903	1
- 690	113N1977-24		.PANEL ASSY- POSITION DATA: RH SIDE OPTIONAL PART: 113N1977-16	102106 108120 504903	1
- 695	113N1978-12		.PANEL ASSY- POSITION DATA: RH SIDE	107107	1
- 695	113N1978-14		.PANEL ASSY- POSITION DATA: RH SIDE	002004 006100 121503 904999	1
- 695	113N1978-16		.PANEL ASSY- POSITION DATA: RH SIDE OPTIONAL PART: 113N1978-28	101106 108120 504903	1

MISSING ITEM NUMBERS NOT APPLICABLE

- ITEM NOT ILLUSTRATED

57-51-01-06

57-51-01
FIG. 06
PAGE 17
JAN 20/09

BRI

BOEING PROPRIETARY - Copyright © - Unpublished Work - See title page for details.



757

PARTS CATALOG (MAINTENANCE)

FIG ITEM	PART NUMBER	1 2 3 4 5 6 7	NOMENCLATURE	EFFECT FROM TO	UNITS PER ASSY
6					
- 695	113N1978-28		.PANEL ASSY- POSITION DATA: RH SIDE OPTIONAL PART: 113N1978-16	102106 108120 504903	1
- 700	113N1979-2		.PANEL ASSY- POSITION DATA: RH SIDE	107107	1
- 700	113N1979-12		.PANEL ASSY- POSITION DATA: RH SIDE	002004 006100 121503 904999	1
- 700	113N1979-14		.PANEL ASSY- POSITION DATA: RH SIDE OPTIONAL PART: 113N1979-28	101106 108120 504903	1
- 700	113N1979-28		.PANEL ASSY- POSITION DATA: RH SIDE OPTIONAL PART: 113N1979-14	102106 108120 504903	1
- 705	113N1981-2		.PANEL ASSY- POSITION DATA: RH SIDE OPTIONAL PART: 113N1981-8	107107	1
- 705	113N1981-8		.PANEL ASSY- POSITION DATA: RH SIDE OPTIONAL PART: 113N1981-2	002004 006100 107107 121503 904999	1
- 705	113N1981-12		.PANEL ASSY- POSITION DATA: RH SIDE	101101	1
- 705	113N1981-28		.PANEL ASSY- POSITION DATA: RH SIDE	102106 108120 504903	1

MISSING ITEM NUMBERS NOT APPLICABLE

- ITEM NOT ILLUSTRATED

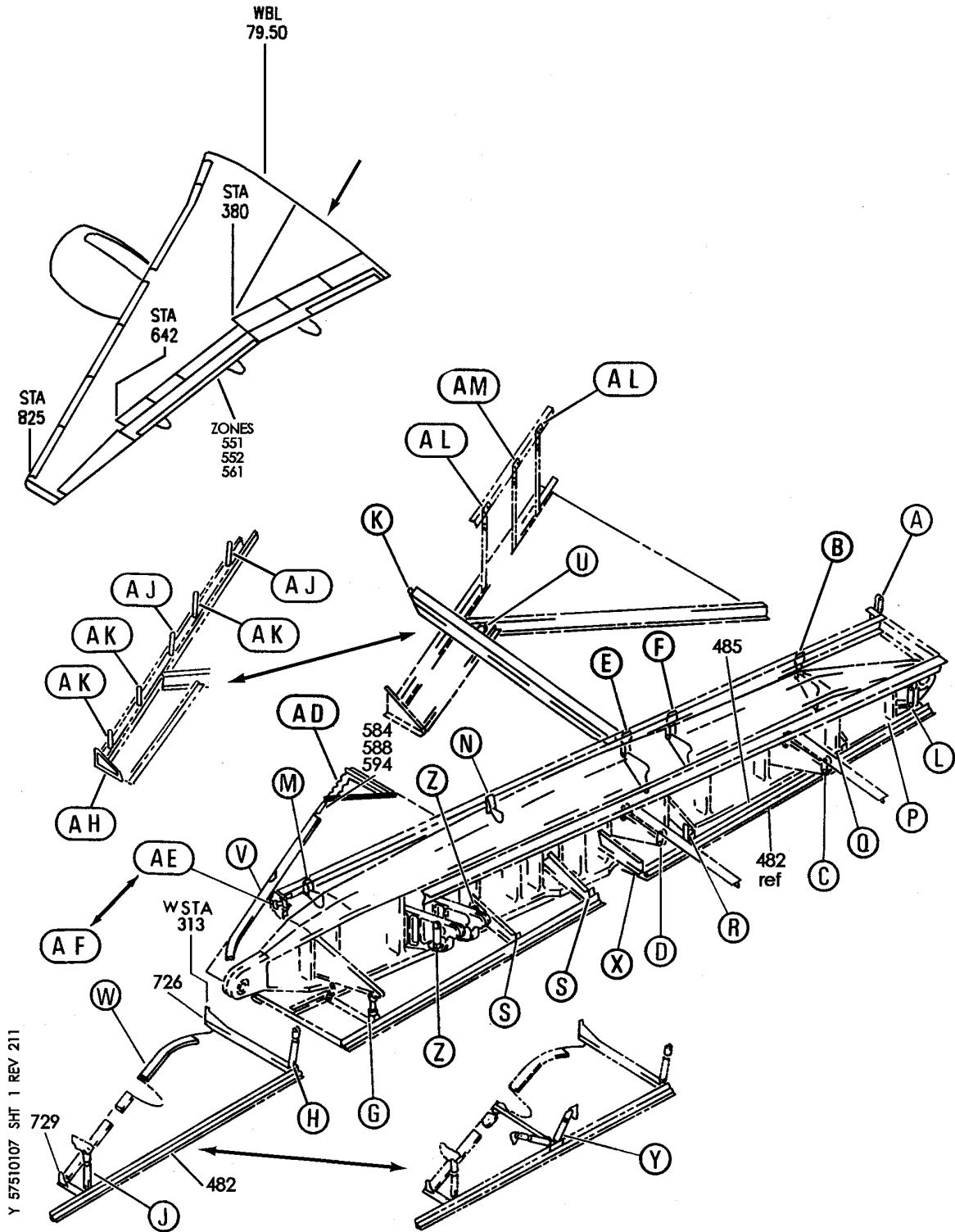
57-51-01-06

57-51-01
FIG. 06
PAGE 18
JAN 20/09

BRI

BOEING PROPRIETARY - Copyright © - Unpublished Work - See title page for details.


BOEING
 757
PARTS CATALOG (MAINTENANCE)



Y 57510107 SHT 1 REV 211

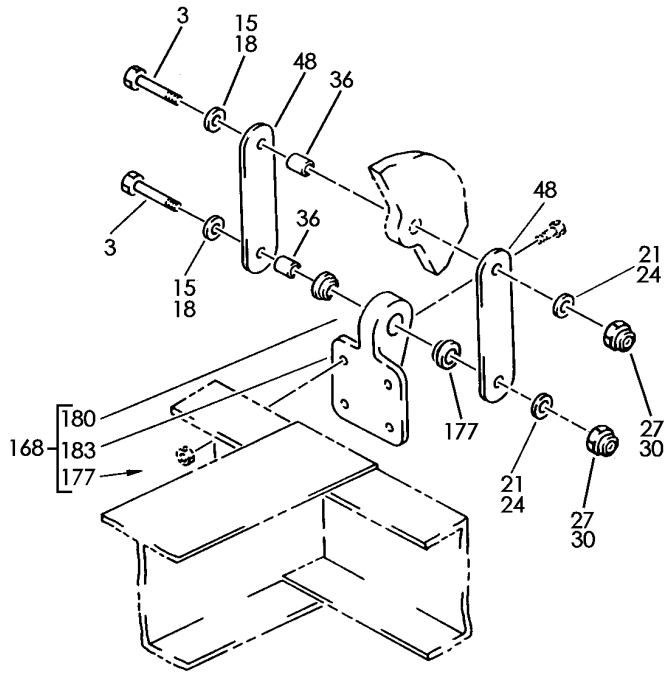
SUPPORT INSTL-WING INBD TE PNL
FIGURE 7 (SHEET 1)

57-51-01-07

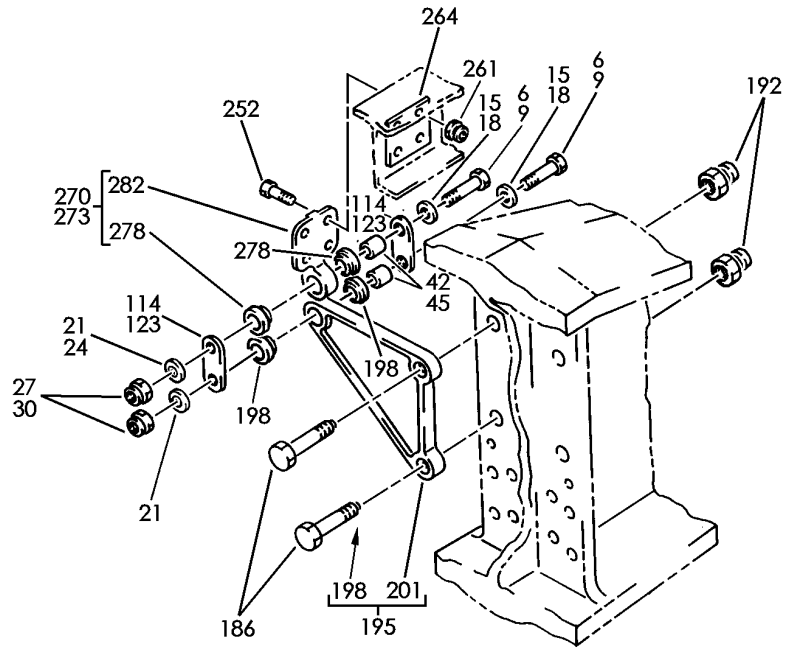
BRI
MAY 28/07

57-51-01-07
PAGE 0

BOEING
757
PARTS CATALOG (MAINTENANCE)



(A)



(B)

Y 57510107 SHT 2 REV 224

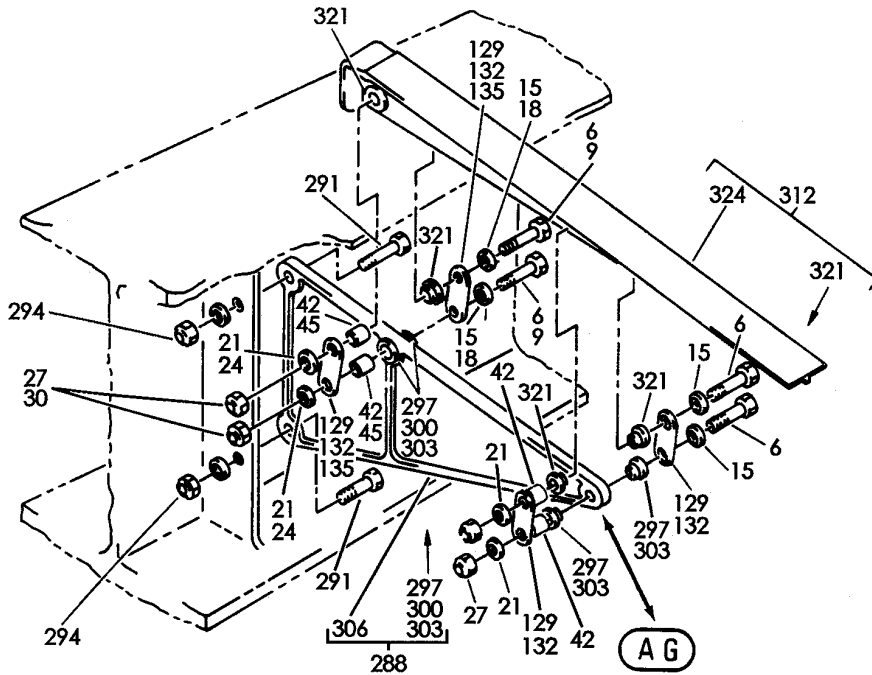
SUPPORT INSTL-WING INBD TE PNL
FIGURE 7 (SHEET 2)

57-51-01-07

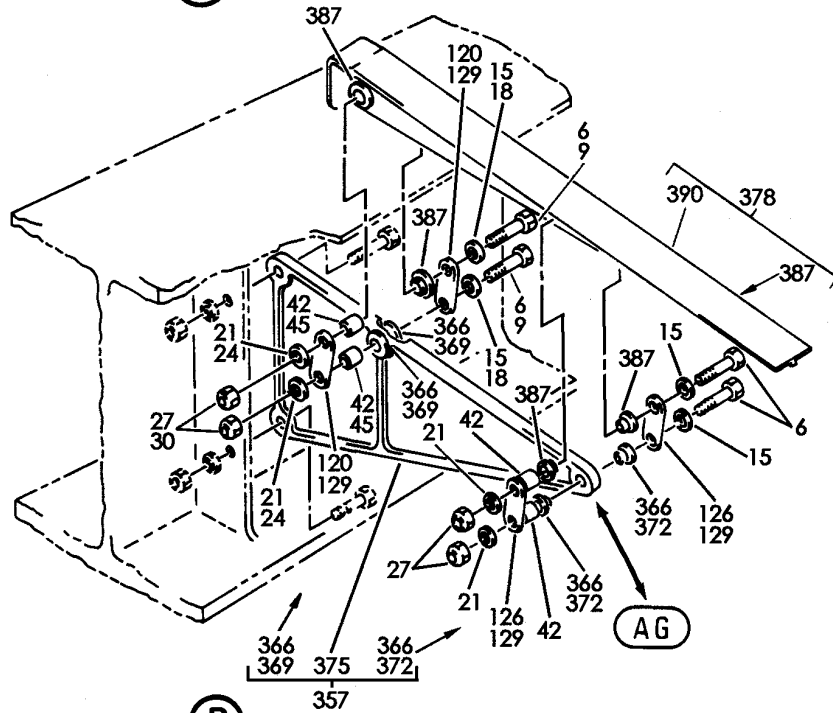
BRI
MAY 28/07

57-51-01-07
PAGE 0A

BOEING
757
PARTS CATALOG (MAINTENANCE)



(C)



(D)

Y 57510107 SHT 3 REV 211

SUPPORT INSTL-WING INBD TE PNL
FIGURE 7 (SHEET 3)

57-51-01-07

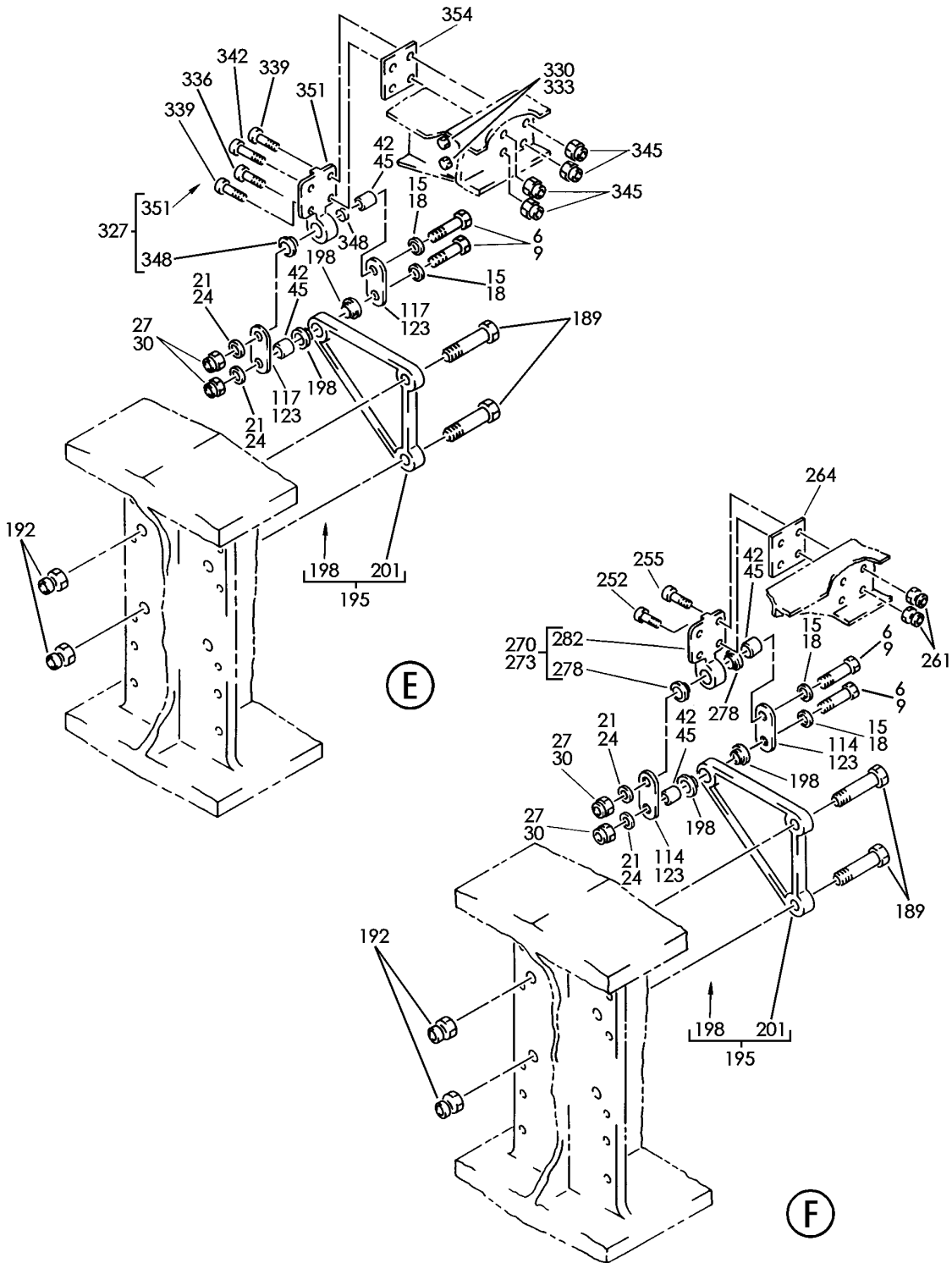
BRI
MAY 28/07

57-51-01-07
PAGE 0B

BOEING

757

PARTS CATALOG (MAINTENANCE)



Y 57510107 SHT 4 REV 224

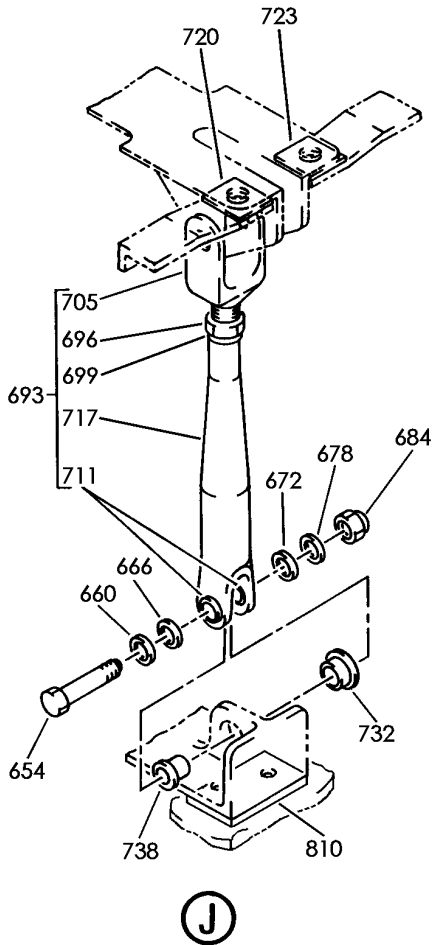
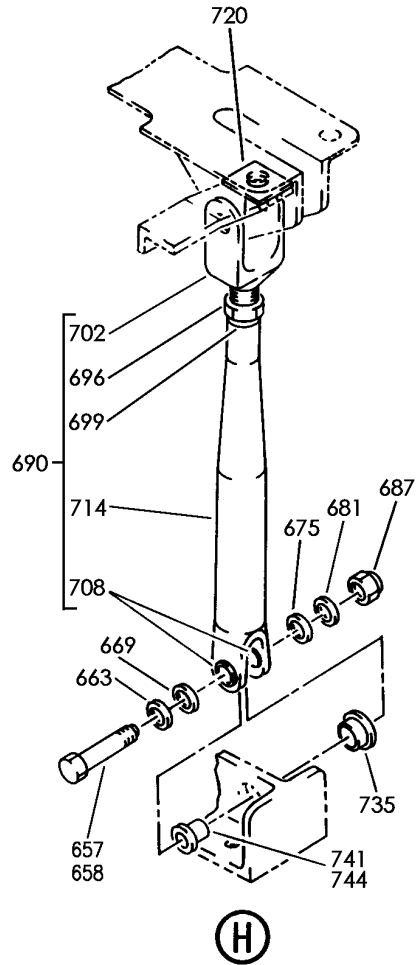
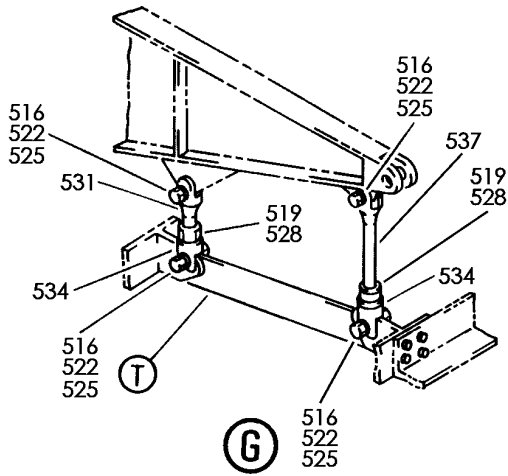
SUPPORT INSTL-WING INBD TE PNL
FIGURE 7 (SHEET 4)

57-51-01-07

BRI
MAY 28/07

57-51-01-07
PAGE 0C

BOEING
757
PARTS CATALOG (MAINTENANCE)



Y 57510107 SHT 5 REV 248

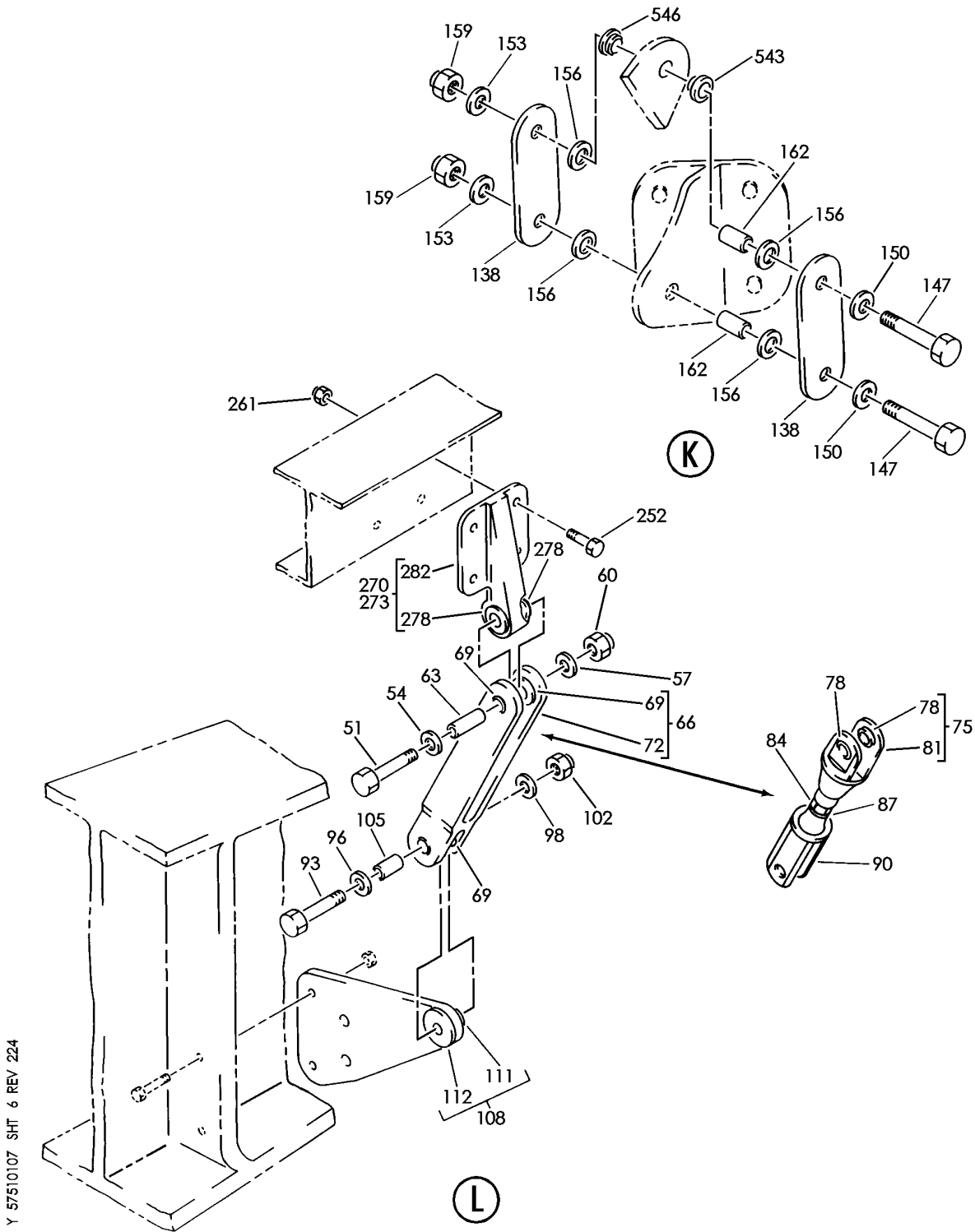
SUPPORT INSTL-WING INBD TE PNL
FIGURE 7 (SHEET 5)

57-51-01-07

BRI
MAY 28/07

57-51-01-07
PAGE 0D

BOEING
757
PARTS CATALOG (MAINTENANCE)



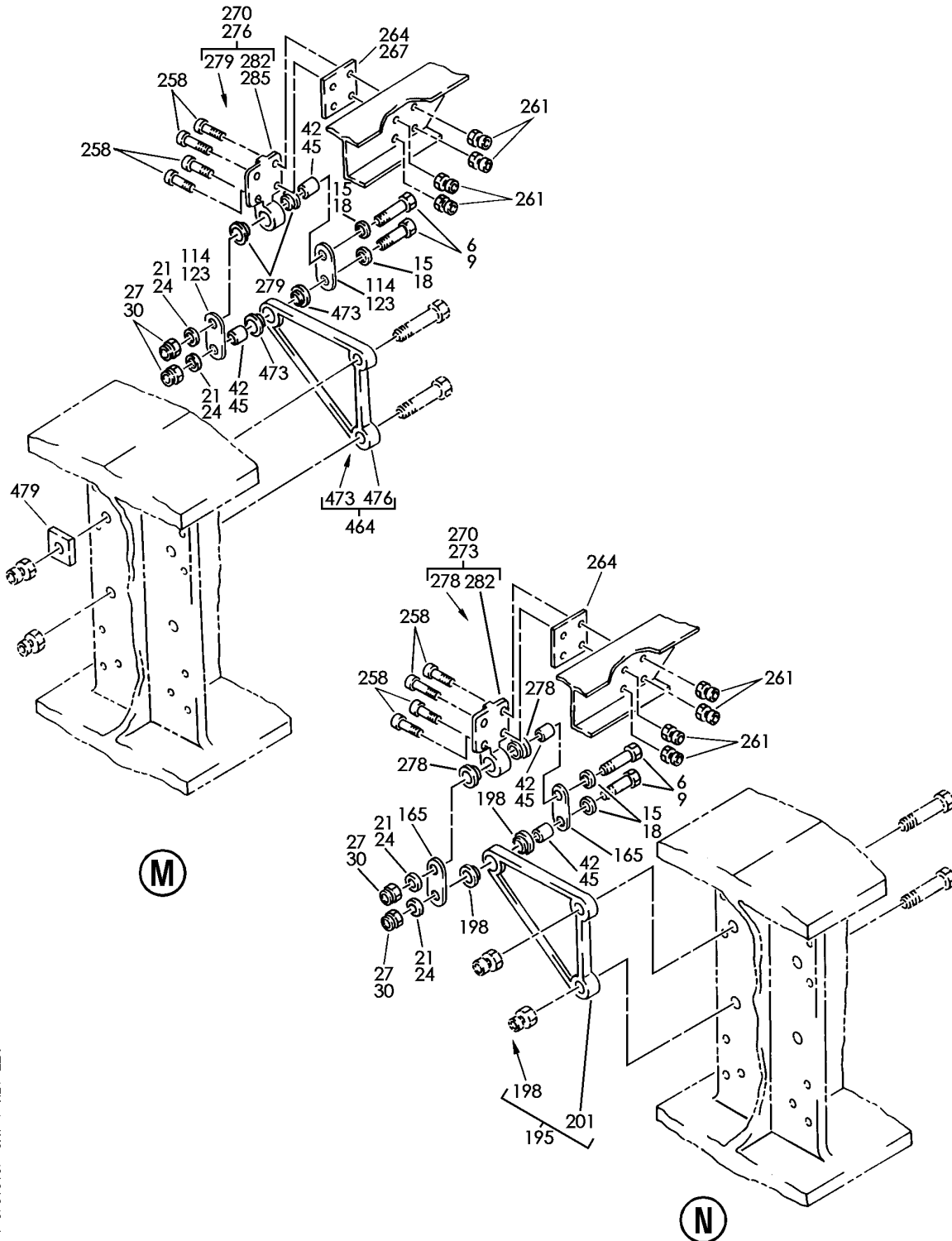
SUPPORT INSTL-WING INBD TE PNL
FIGURE 7 (SHEET 6)

57-51-01-07

BRI
MAY 28/07

57-51-01-07
PAGE 0E


BOEING
 757
PARTS CATALOG (MAINTENANCE)



Y 57510107 SHT 7 REV 224

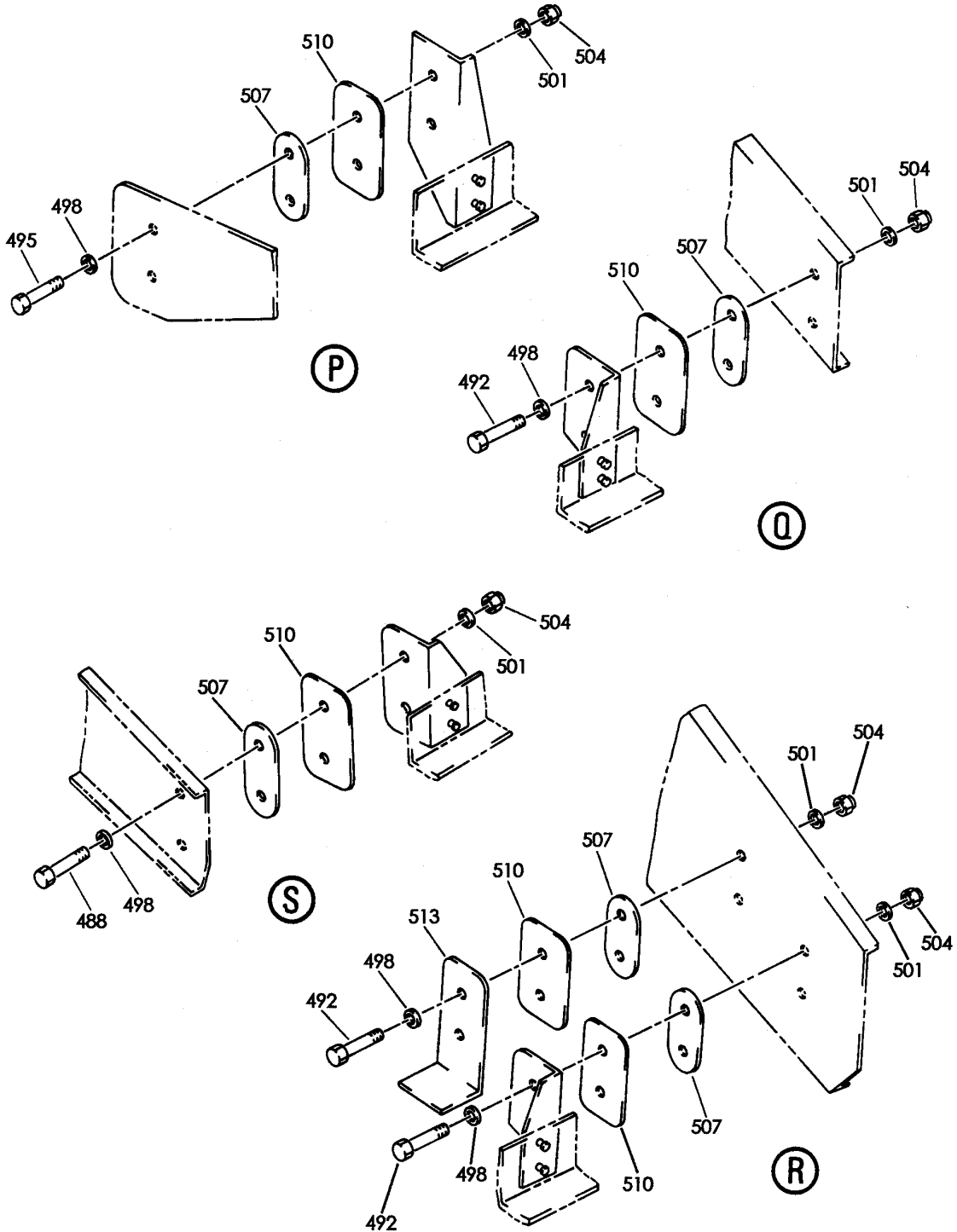
SUPPORT INSTL-WING INBD TE PNL
FIGURE 7 (SHEET 7)

57-51-01-07

BRI
MAY 28/07

57-51-01-07
PAGE OF

BOEING
757
PARTS CATALOG (MAINTENANCE)



Y 57510107 SHT 8 REV 211

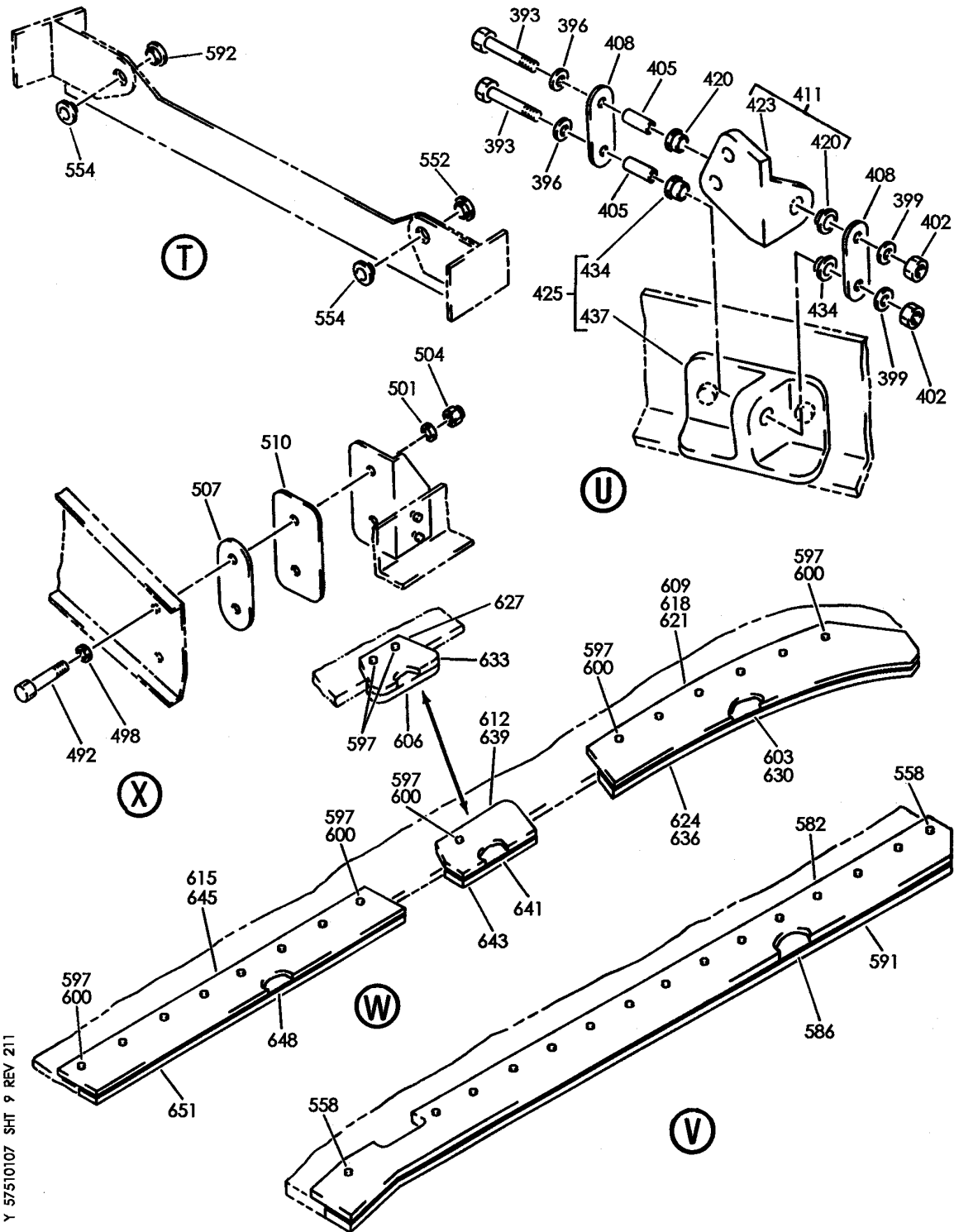
SUPPORT INSTL-WING INBD TE PNL
FIGURE 7 (SHEET 8)

57-51-01-07

BRI
MAY 28/07

57-51-01-07
PAGE 0G

BOEING
757
PARTS CATALOG (MAINTENANCE)



Y 57510107 SHT 9 REV 211

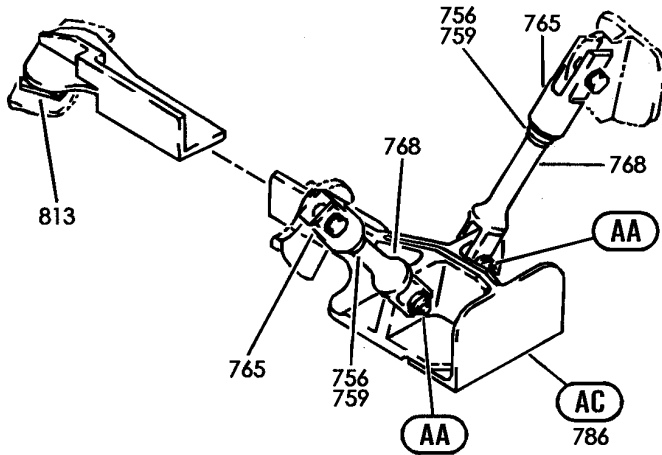
SUPPORT INSTL-WING INBD TE PNL
FIGURE 7 (SHEET 9)

57-51-01-07

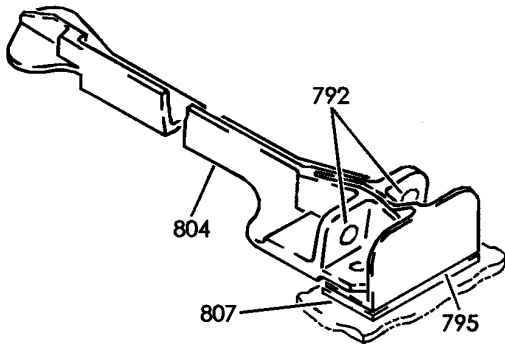
BRI
MAY 28/07

57-51-01-07
PAGE 0H

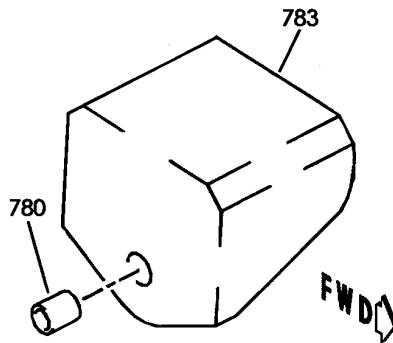
BOEING
757
PARTS CATALOG (MAINTENANCE)



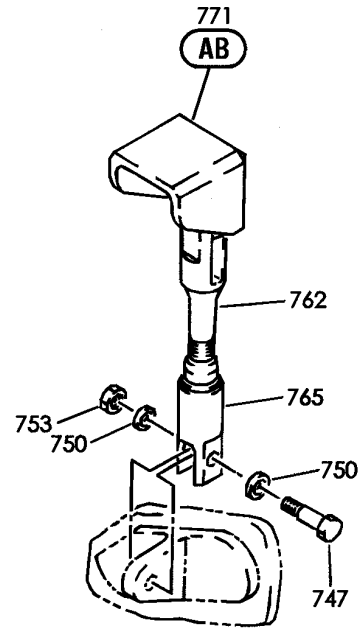
(Y)



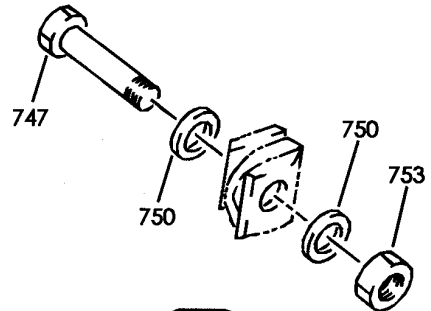
(AC)



(AB)



(Z)



(AA)

Y 57510107 SH1 10 REV 211

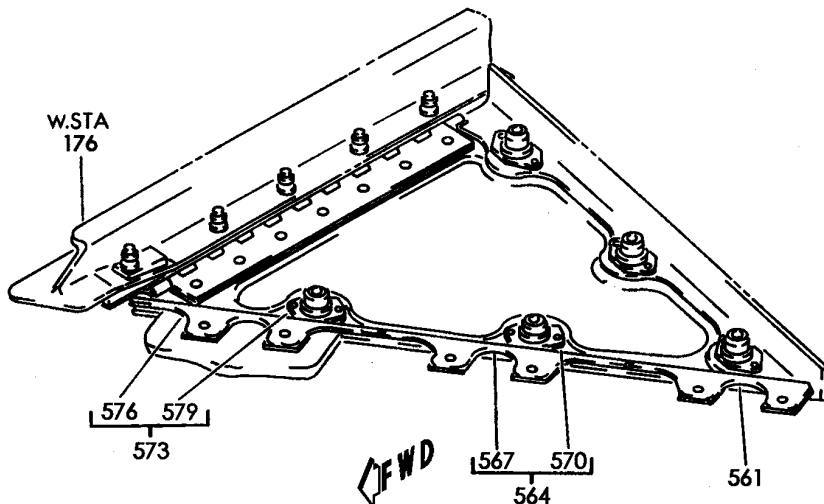
SUPPORT INSTL-WING INBD TE PNL
FIGURE 7 (SHEET 10)

57-51-01-07

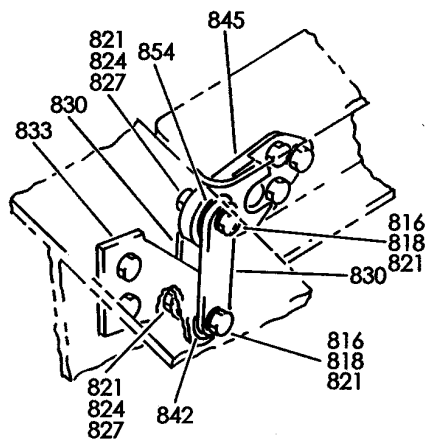
BRI
MAY 28/07

57-51-01-07
PAGE 01

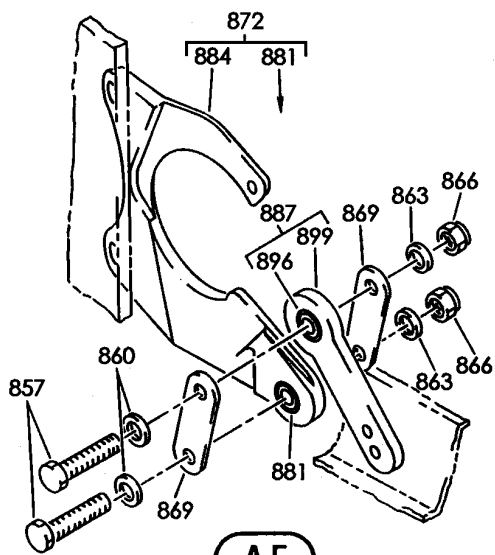
BOEING
757
PARTS CATALOG (MAINTENANCE)



AD



AE



AF

Y 57510107 SHT 11 REV 211

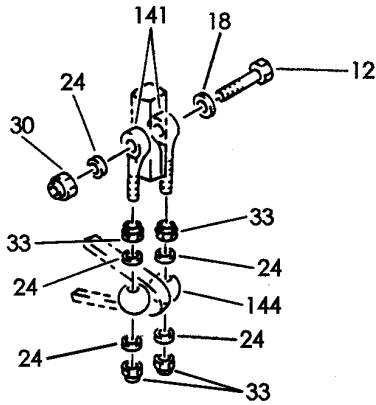
SUPPORT INSTL-WING INBD TE PNL
FIGURE 7 (SHEET 11)

57-51-01-07

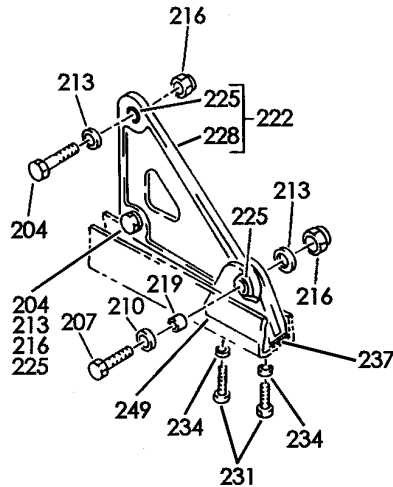
BRI
MAY 28/07

57-51-01-07
PAGE 0J

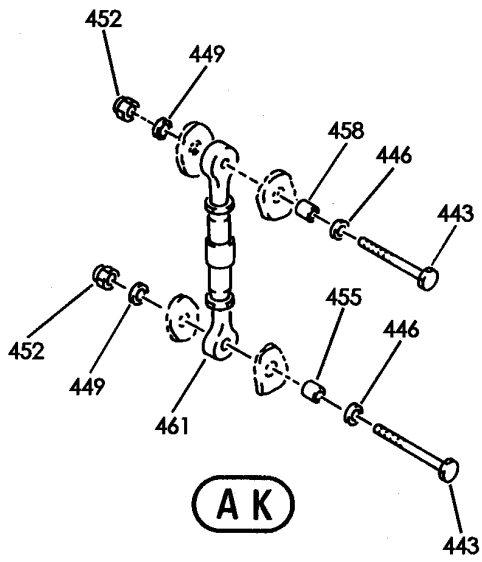
BOEING
757
PARTS CATALOG (MAINTENANCE)



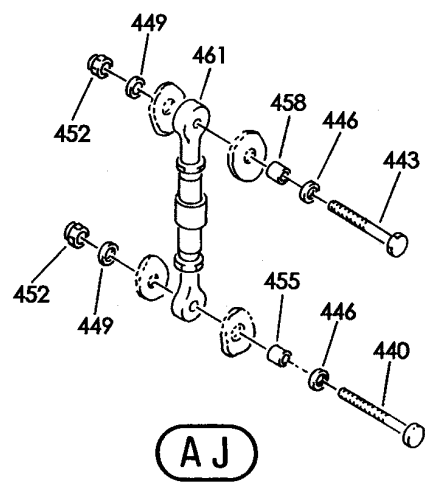
AG



AH



AK



AJ

Y 57510107 SHT 12 REV 211

SUPPORT INSTL-WING INBD TE PNL
FIGURE 7 (SHEET 12)

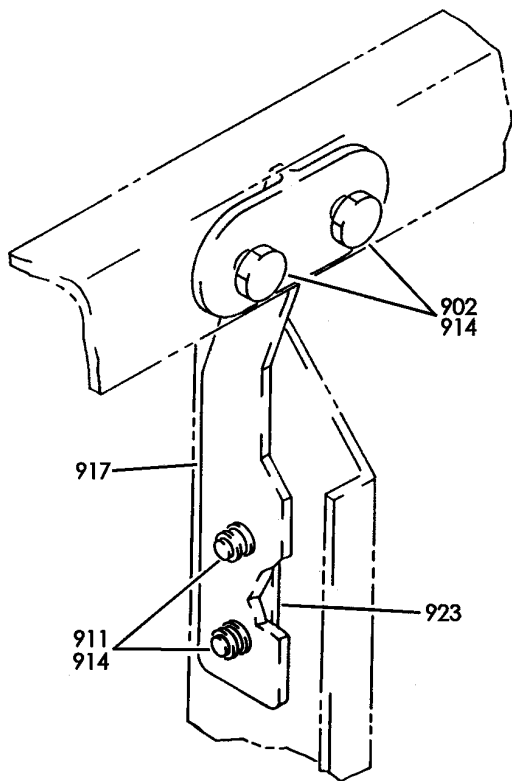
57-51-01-07

BRI
MAY 28/07

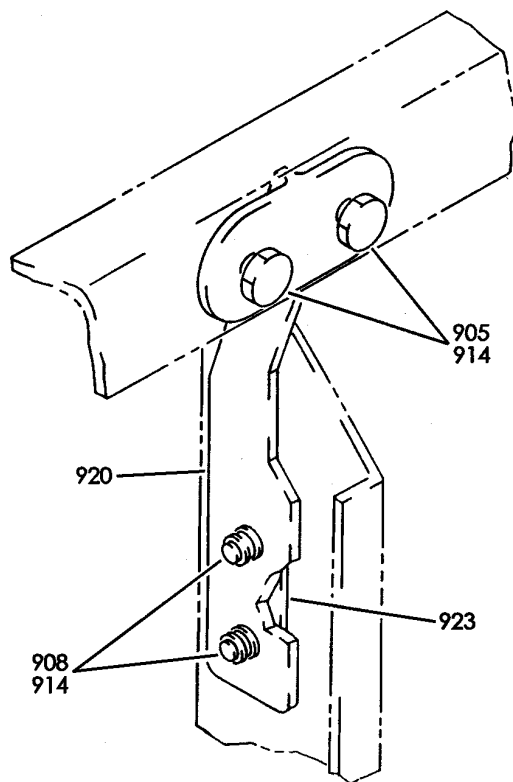
57-51-01-07
PAGE OK

BOEING PROPRIETARY - Copyright © - Unpublished Work - See title page for details.

BOEING
757
PARTS CATALOG (MAINTENANCE)



AL



AM

Y 57510107 SHT 13 REV 211

SUPPORT INSTL-WING INBD TE PNL
FIGURE 7 (SHEET 13)

57-51-01-07

BRI
MAY 28/07

57-51-01-07
PAGE 01



757

PARTS CATALOG (MAINTENANCE)

FIG ITEM	PART NUMBER	1 2 3 4 5 6 7	NOMENCLATURE	EFFECT FROM TO	UNITS PER ASSY
7			SUPPORT INSTL-WING INBD TE PNL	002004 006999	
- 1	113N1630-63		SUPPORT INSTL-WING TE PNL POSITION DATA: INBD, LH MISCELLANEOUS DATA: (REWORKED BY AD91-14-21) REWORK DRAWING REF: 113N1630-41 FOR NHA SEE: 57-50-00-01	107107	RF
- 1	113N1630-65		SUPPORT INSTL-WING TE PNL POSITION DATA: INBD, LH FOR NHA SEE: 57-50-00-01	002004 121503 904949 952952	RF
- 1	113N1630-79		SUPPORT INSTL-WING TE PNL POSITION DATA: INBD, LH FOR NHA SEE: 57-50-00-01	006100 950951 953999	RF
- 1	113N1630-201		SUPPORT INSTL-WING TE PNL POSITION DATA: INBD, LH FOR NHA SEE: 57-00-00-05	101102 108120 504903	RF
- 3	MODREF19087		SUPPORT INSTL-WING TE PNL MODULE NUMBER: 113N1630-205 REV A POSITION DATA: INBD, LH	103103	1
- 3	MODREF33077		SUPPORT INSTL-WING TE PNL MODULE NUMBER: 113N1630-205 REV C POSITION DATA: INBD, LH	104106	1
4	BACB30LJ4-12		.BOLT	002004 006999	3
9	BACB30LJ4-16		.BOLT	002004 006999	14
12	BACB30LJ4SU25		.BOLT	002004 006999	2
18	BACW10BP4AC		.WASHER- POSITION DATA: UNDER HEAD	002004 006999	14
24	BACW10BP4AP		.WASHER- POSITION DATA: UNDER NUT	002004 006999	22

MISSING ITEM NUMBERS NOT APPLICABLE

- ITEM NOT ILLUSTRATED

57-51-01-07

57-51-01
FIG. 07
PAGE 1
JAN 20/09

BRI



757

PARTS CATALOG (MAINTENANCE)

FIG ITEM	PART NUMBER	1 2 3 4 5 6 7	NOMENCLATURE	EFFECT FROM TO	UNITS PER ASSY
7 30	BRH10C4D	.NUT	SUPPLIER CODE: V52828 SPECIFICATION NUMBER: BACN10JC4CD OPTIONAL PART: T6C428JCD V11815 NS202486-048 V80539 102LH9075-4W V72962 H51650-4BAC V15653	002004 006999	14
33	BRH10C4D	.NUT	SUPPLIER CODE: V52828 SPECIFICATION NUMBER: BACN10JC4CD OPTIONAL PART: T6C428JCD V11815 NS202486-048 V80539 102LH9075-4W V72962 H51650-4BAC V15653	107107	8
33	NAS509-4C	.NUT-JAM		002004 006102 108999	8
33	BACN11U4CM1	.NUT-		103106	8
36	BACB28AK04-040	.BUSHING		002004 006999	2
39	BACB28AK04-160	.BUSHING		107107	2
39	BACB28AK04-150	.BUSHING		002004 006106 108999	2
45	BACB28AK04-068	.BUSHING		002004 006999	14
48	113N1908-1	.LINK		107107 904949	2
48	113N1908-2	.LINK		002004 006106 108903 950999	2
51	BACB30LJ4-17	.BOLT		002004 006999	1

MISSING ITEM NUMBERS NOT APPLICABLE

- ITEM NOT ILLUSTRATED

57-51-01-07

57-51-01
FIG. 07
PAGE 2
JAN 20/09

BRI

BOEING PROPRIETARY - Copyright © - Unpublished Work - See title page for details.



757

PARTS CATALOG (MAINTENANCE)

FIG ITEM	PART NUMBER	1 2 3 4 5 6 7	NOMENCLATURE	EFFECT FROM TO	UNITS PER ASSY
7					
54	BACW10BP4AC	.	WASHER- POSITION DATA: UNDER HEAD	002004 006999	1
57	BACW10BP4AP	.	WASHER- POSITION DATA: UNDER NUT	002004 006999	1
60	BRH10C4D	.	NUT SUPPLIER CODE: V52828 SPECIFICATION NUMBER: BACN10JC4CD OPTIONAL PART: T6C428JCD V11815 NS202486-048 V80539 102LH9075-4W V72962 H51650-4BAC V15653	002004 006999	1
63	BACB28AK04-104	.	BUSHING	002004 006999	1
75	113N1381-1	.	FITTING ASSY	002004 006999	1
78	BACB28AP06-012	..	BUSHING	002004 006999	2
81	113N1381-2	..	FITTING	002004 006999	1
84	NAS509-5C	.	NUT-	002004 006102 107999	1
84	BACN11U5CM1	.	NUT-	103106	1
87	BACW10BP5AP	.	WASHER	002004 006999	1
90	113N1969-3	.	FITTING	002004 006999	1
93	BACB30LJ4-13	.	BOLT	002004 006999	1
96	BACW10BP4AC	.	WASHER- POSITION DATA: UNDER HEAD	002004 006999	1

MISSING ITEM NUMBERS NOT APPLICABLE

- ITEM NOT ILLUSTRATED

57-51-01-07

57-51-01
FIG. 07
PAGE 3
JAN 20/09

BRI

BOEING PROPRIETARY - Copyright © - Unpublished Work - See title page for details.



757

PARTS CATALOG (MAINTENANCE)

FIG ITEM	PART NUMBER	1 2 3 4 5 6 7	NOMENCLATURE	EFFECT FROM TO	UNITS PER ASSY
7 102	BRH10C4D	.NUT	SUPPLIER CODE: V52828 SPECIFICATION NUMBER: BACN10JC4CD OPTIONAL PART: T6C428JCD V11815 NS202486-048 V80539 102LH9075-4W V72962 H51650-4BAC V15653	002004 006999	1
105	BACB28AK04-034	.BUSHING		002004 006999	1
108	113N1923-7	.PLATE ASSY		002004 006999	1
111	BACB28AA6B025	..BUSHING		002004 006999	1
111	BACB28W8B019	..BUSHING		002004 006999	1
114	113N1619-4	.LINK		002004 006106 108999	6
117	113N1619-6	.LINK		002004 006106 108999	2
123	113N1619-4	.LINK		107107	8
126	113N1619-9	.LINK		002004 006100 103107 121503 904999	2
132	113N1619-2	.LINK		101106 108120 504903	4
135	113N1619-2	.LINK		002004 006999	2
138	113N1619-1	.LINK		002004 006999	2
141	113N1866-1	.LINK-		002004 006999	2
141	113N1866-3	.LINK-		002004 006999	2
144	113N1729-1	.PIN-SPECIAL		002004 006999	2
147	BACB30LJ4D12	.BOLT		002004 006999	2

MISSING ITEM NUMBERS NOT APPLICABLE

- ITEM NOT ILLUSTRATED

57-51-01-07

57-51-01
FIG. 07
PAGE 4
JAN 20/09

BRI

BOEING PROPRIETARY - Copyright © - Unpublished Work - See title page for details.



757

PARTS CATALOG (MAINTENANCE)

FIG ITEM	PART NUMBER	1 2 3 4 5 6 7	NOMENCLATURE	EFFECT FROM TO	UNITS PER ASSY
7					
150	BACW10BP4AC	.	WASHER	002004 006999	2
153	BACW10BP4AP	.	WASHER	002004 006999	2
156	BACW10BP6AP	.	WASHER	002004 006999	4
159	BRH10C4D	.	NUT	002004 006999	2
			SUPPLIER CODE: V52828		
			SPECIFICATION NUMBER: BACN10JC4CD		
			OPTIONAL PART: T6C428JCD		
			V11815		
			NS202486-048		
			V80539		
			102LH9075-4W		
			V72962		
			H51650-4BAC		
			V15653		
162	BACB28AK04-043	.	BUSHING	002004 006999	2
165	113N1619-1	.	LINK	002004 006999	2
168	113N1905-1	.	FITTING ASSY-CONNECTING BEAM SPRT	002004 006999	1
168	113N1905-3	.	FITTING ASSY-CONNECTING BEAM SPRT	002004 006999	1

MISSING ITEM NUMBERS NOT APPLICABLE

- ITEM NOT ILLUSTRATED

BRI

57-51-01-07

BOEING PROPRIETARY - Copyright © - Unpublished Work - See title page for details.

57-51-01
FIG. 07
PAGE 5
JAN 20/09



757

PARTS CATALOG (MAINTENANCE)

FIG ITEM	PART NUMBER	1 2 3 4 5 6 7	NOMENCLATURE	EFFECT FROM TO	UNITS PER ASSY
7			ATTACHING PARTS		
- 171	HL1012AZ6-3		.BOLT SUPPLIER CODE: V97928 SPECIFICATION NUMBER: BACB30NX6K3 OPTIONAL PART: HL12VAZ6-3 V73197 HL12VAZ6-3 V92215 HL12VAZ6-3 V97928 L802-6K3 V06725 HL12VAZ6-3 V56878 HL1012AZ6-3 VOPTK6 HL1012AZ6-3 V06725 HL1012AZ6-3 V06950 HL1012AZ6-3 V17446 HL1012AZ6-3 V56878 HL1012AZ6-3 V60516 HL1012AZ6-3 V73197	002004 006999	4
- 174	HL1187-6		.COLLAR- SUPPLIER CODE: V5M902 SPECIFICATION NUMBER: BACC30X6 OPTIONAL PART: HL87-6 V92215 HL87-6 V73197 HL1187-6 V56878 HL1187-6 V92215 HL87-6 V56878 HL1187-6 V73197	002004 006102 107999	4

MISSING ITEM NUMBERS NOT APPLICABLE

- ITEM NOT ILLUSTRATED

57-51-01-07

57-51-01
FIG. 07
PAGE 6
JAN 20/09

BRI



757

PARTS CATALOG (MAINTENANCE)

FIG ITEM	PART NUMBER	1 2 3 4 5 6 7	NOMENCLATURE	EFFECT FROM TO	UNITS PER ASSY
7 - 174	HL1087-6		. COLLAR- SUPPLIER CODE: V73197 SPECIFICATION NUMBER: BACC30BH6 OPTIONAL PART: HL1087-6 V56878 HL1087-6 V92215 HL1087-6 V9N513 -----*	103106	4
177	BACB28W8B022		.. BUSHING	002004 006999	1
180	BACB28AA6B028		.. BUSHING	002004 006999	1
183	113N1905-2		.. FITTING-	002004 006999	1
183	113N1905-4		.. FITTING-	002004 006999	1

MISSING ITEM NUMBERS NOT APPLICABLE

- ITEM NOT ILLUSTRATED

BRI

57-51-01-07

BOEING PROPRIETARY - Copyright © - Unpublished Work - See title page for details.

57-51-01
FIG. 07
PAGE 7
JAN 20/09



**757
PARTS CATALOG (MAINTENANCE)**

FIG ITEM	PART NUMBER	1 2 3 4 5 6 7 NOMENCLATURE	EFFECT FROM TO	UNITS PER ASSY
7 186	HL1012AZ12-15	.BOLT SUPPLIER CODE: VOPTK6 SPECIFICATION NUMBER: BACB30NX12K15 OPTIONAL PART: HL12VAZ12-15 V73197 HL12VAZ12-15 V92215 HL12VAZ12-15 V97928 L802-12K15 V06725 HL12VAZ12-15 V56878 HL12AZ12-15 V06725 HL12AZ12-15 V06950 HL1012AZ12-15 V17446 HL1012AZ12-15 V56878 HL1012AZ12-15 V60516 HL1012AZ12-15 V73197 HL1012AZ12-15 V97928	002004 006999	2

MISSING ITEM NUMBERS NOT APPLICABLE

— ITEM NOT ILLUSTRATED

BRI

57-51-01-07

BOEING PROPRIETARY - Copyright © - Unpublished Work - See title page for details.

57-51-01
FIG. 07
PAGE 8
JAN 20/09



757

PARTS CATALOG (MAINTENANCE)

FIG ITEM	PART NUMBER	1 2 3 4 5 6 7	NOMENCLATURE	EFFECT FROM TO	UNITS PER ASSY
7 189	HL1012AZ12-13	.BOLT	SUPPLIER CODE: VOPTK6 SPECIFICATION NUMBER: BACB30NX12K13 OPTIONAL PART: HL12VAZ12-13 V73197 HL12VAZ12-13 V92215 HL12VAZ12-13 V97928 L802-12K13 V06725 HL12VAZ12-13 V56878 HL1012AZ12-13 V06725 HL1012AZ12-13 V06950 HL1012AZ12-13 V17446 HL1012AZ12-13 V56878 HL1012AZ12-13 V60516 HL1012AZ12-13 V73197 HL1012AZ12-13 V97928	002004 006999	4
192	HL1187-12	.COLLAR-	SUPPLIER CODE: V5M902 SPECIFICATION NUMBER: BACC30X12 OPTIONAL PART: HL1187-12 V73197 HL1187-12 V56878 HL1187-12 V92215 HL1187-12 V92215 HL87-12 V56878 HL87-12 V73197	002004 006102 107999	6

MISSING ITEM NUMBERS NOT APPLICABLE

- ITEM NOT ILLUSTRATED

57-51-01-07

57-51-01
FIG. 07
PAGE 9
JAN 20/09

BRI



757

PARTS CATALOG (MAINTENANCE)

FIG ITEM	PART NUMBER	1 2 3 4 5 6 7	NOMENCLATURE	EFFECT FROM TO	UNITS PER ASSY
7 192	HL1087-12		. COLLAR- SUPPLIER CODE: V9N513 SPECIFICATION NUMBER: BACC30BH12 OPTIONAL PART: HL1087-12 V92215 HL1087-12 V73197 HL1087-12 V56878	103106	6
195	113N1617-1		. FITTING ASSY-RIB	002004 006999	4
195	113N1601-1		. FITTING ASSY-RIB OPTIONAL PART: 113N1601-7	002004 006999	4
195	113N1601-7		. FITTING ASSY-RIB OPTIONAL PART: 113N1601-1	101102 108120 504903	4
195	113N1601-9		. FITTING ASSY-RIB OPTIONAL PART: 113N1601-11	103106	4
195	113N1601-11		. FITTING ASSY-RIB OPTIONAL PART: 113N1601-9	103106	4
198	NAS77A6-23P		.. BUSHING- USED ON: 113N1617-1 113N1601-1 113N1601-9	002004 006999	2
198	BACB28AT06B024C		.. BUSHING- USED ON: 113N1601-7 113N1601-11	101106 108120 504903	2
201	113N1617-3		.. FITTING- USED ON: 113N1617-1	002004 006999	1
201	113N1601-3		.. FITTING- USED ON: 113N1601-1	002004 006999	1
201	113N1601-8		.. FITTING- USED ON: 113N1601-7	101102 108120 504903	1
201	113N1601-10		.. FITTING- USED ON: 113N1601-9	103106	1

MISSING ITEM NUMBERS NOT APPLICABLE

- ITEM NOT ILLUSTRATED

57-51-01-07

57-51-01
FIG. 07
PAGE 10
JAN 20/09

BRI

BOEING PROPRIETARY - Copyright © - Unpublished Work - See title page for details.



757

PARTS CATALOG (MAINTENANCE)

FIG ITEM	PART NUMBER	1 2 3 4 5 6 7	NOMENCLATURE	EFFECT FROM TO	UNITS PER ASSY
7					
201	113N1601-12	. .	FITTING- USED ON: 113N1601-11	103106	1
204	BACB30NR4K11	.BOLT		002004 006999	2
207	BACB30NR4K17	.BOLT		002004 006999	1
210	BACW10BP4AC	.WASHER		002004 006999	1
213	BACW10BP4AP	.WASHER		002004 006999	3
216	BRH10C4D	.NUT	SUPPLIER CODE: V52828 SPECIFICATION NUMBER: BACN10JC4CD OPTIONAL PART: T6C428JCD V11815 NS202486-048 V80539 102LH9075-4W V72962 H51650-4BAC V15653	002004 006999	3
219	BACB28AK04-028	.BUSHING		002004 006999	1
222	113N2032-1	.FITTING ASSY-HINGED		002004 006999	1

MISSING ITEM NUMBERS NOT APPLICABLE

- ITEM NOT ILLUSTRATED

BRI

57-51-01-07

BOEING PROPRIETARY - Copyright © - Unpublished Work - See title page for details.

57-51-01
FIG. 07
PAGE 11
JAN 20/09



757

PARTS CATALOG (MAINTENANCE)

FIG ITEM	PART NUMBER	1 2 3 4 5 6 7	NOMENCLATURE	EFFECT FROM TO	UNITS PER ASSY
7 225	BNG4F113	..	BEARING SUPPLIER CODE: V16746 SPECIFICATION NUMBER: BACB10CN4 OPTIONAL PART: BLN4-2230 V81376 HG4-140 V02758 KSBG4-57 V97613 55768-4 V09455 NBG4A V73134 NC4G1 V56644 AG4V25 V15860 ABG4V4 VS0352	002004 006999	3
228	113N2032-2	..	FITTING	002004 006999	1
231	BACB30NN3K12	.	BOLT	002004 006999	2
234	BACW10UC101	.	WASHER	002004 006999	2
237	BACS40R007E030F	.	SHIM-	002004 006999	3
240	K29646-3S	.	WASHER SUPPLIER CODE: V15653 SPECIFICATION NUMBER: BACW10CA3CVS OPTIONAL PART: 70186-3S V56878 922005-3 V60119 942005-3 V60119	002004 006999	1

MISSING ITEM NUMBERS NOT APPLICABLE

- ITEM NOT ILLUSTRATED

57-51-01-07

57-51-01
FIG. 07
PAGE 12
JAN 20/09

BRI



757

PARTS CATALOG (MAINTENANCE)

FIG ITEM	PART NUMBER	1 2 3 4 5 6 7	NOMENCLATURE	EFFECT FROM TO	UNITS PER ASSY
7 243	K29913-3S		.WASHER SUPPLIER CODE: V15653 SPECIFICATION NUMBER: BACW10CA3CCS OPTIONAL PART: 70189-3S V56878 922006-3 V60119 942006-3 V60119	002004 006999	1
246	NAS1804-3		.NUT-	002004 006102 107999	1
246	NAS1805-3		.NUT-	103106	1
249	113N2030-7		.FITTING ASSY-CLEVIS	002004 006999	1
252	HL1012AZ6-4		.BOLT SUPPLIER CODE: V97928 SPECIFICATION NUMBER: BACB30NX6K4 OPTIONAL PART: HL12VAZ6-4 V73197 HL12VAZ6-4 V92215 HL12VAZ6-4 V97928 L802-6K4 V06725 HL12VAZ6-4 V56878 HL1012AZ6-4 VOPTK6 HL1012AZ6-4 V06725 HL1012AZ6-4 V06950 HL1012AZ6-4 V17446 HL1012AZ6-4 V56878 HL1012AZ6-4 V60516 HL1012AZ6-4 V73197	002004 006999	10

MISSING ITEM NUMBERS NOT APPLICABLE

- ITEM NOT ILLUSTRATED

57-51-01-07

57-51-01
FIG. 07
PAGE 13
JAN 20/09

BRI



757

PARTS CATALOG (MAINTENANCE)

FIG ITEM	PART NUMBER	1 2 3 4 5 6 7	NOMENCLATURE	EFFECT FROM TO	UNITS PER ASSY
7 255	HL1012AZ6-5	.BOLT	SUPPLIER CODE: V97928 SPECIFICATION NUMBER: BACB30NX6K5 OPTIONAL PART: HL12VAZ6-5 V73197 HL12VAZ6-5 V92215 HL12VAZ6-5 V97928 L802-6K5 V06725 HL12VAZ6-5 V56878 HL1012AZ6-5 VOPTK6 HL1012AZ6-5 V06725 HL1012AZ6-5 V06950 HL1012AZ6-5 V17446 HL1012AZ6-5 V56878 HL1012AZ6-5 V60516 HL1012AZ6-5 V73197	002004 006999	2
258	BACB30NX6K	.BOLT-	SIZE DETERMINED ON INSTL.	002004 006999	8

MISSING ITEM NUMBERS NOT APPLICABLE

- ITEM NOT ILLUSTRATED

BRI

57-51-01-07

BOEING PROPRIETARY - Copyright © - Unpublished Work - See title page for details.

57-51-01
FIG. 07
PAGE 14
JAN 20/09



757

PARTS CATALOG (MAINTENANCE)

FIG ITEM	PART NUMBER	1 2 3 4 5 6 7	NOMENCLATURE	EFFECT FROM TO	UNITS PER ASSY
7 261	HL1187-6	. COLLAR- SUPPLIER CODE: V5M902 SPECIFICATION NUMBER: BACC30X6 OPTIONAL PART: HL87-6 V92215 HL87-6 V73197 HL1187-6 V56878 HL1187-6 V92215 HL87-6 V56878 HL1187-6 V73197		002004 006102 107999	20
261	HL1087-6	. COLLAR- SUPPLIER CODE: V73197 SPECIFICATION NUMBER: BACC30BH6 OPTIONAL PART: HL1087-6 V56878 HL1087-6 V92215 HL1087-6 V9N513		103106	20
264	BACS40R020B020F	. SHIM		002004 006999	4
267	BACS40R20B18F	. SHIM		003004 006100 121503 904999	1
270	113N1618-1	. FITTING ASSY		107107	5
273	113N1618-1	. FITTING ASSY		002004 006106 108999	4
276	113N1153-1	. FITTING ASSY		002004 006106 108999	1
278	NAS77A6-23P	.. BUSHING- USED ON: 113N1618-1		002004 006999	2

MISSING ITEM NUMBERS NOT APPLICABLE

- ITEM NOT ILLUSTRATED

57-51-01-07

57-51-01
FIG. 07
PAGE 15
JAN 20/09

BRI

BOEING PROPRIETARY - Copyright © - Unpublished Work - See title page for details.



757

PARTS CATALOG (MAINTENANCE)

FIG ITEM	PART NUMBER	1 2 3 4 5 6 7	NOMENCLATURE	EFFECT FROM TO	UNITS PER ASSY
7					
279	NAS77A6-23P	..	BUSHING- USED ON: 113N1153-1 113N1618-1	002004 006999	2
282	113N1618-3	..	FITTING	107107	1
282	113N1618-3	..	FITTING- USED ON: 113N1618-1	002004 006106 108999	1
285	113N1153-2	..	FITTING- USED ON: 113N1153-1	002004 006106 108999	1
288	113N1638-9	.	FITTING ASSY-RIB	002004 006100 107107 121503 904999	1
288	113N1638-13	.	FITTING ASSY-RIB	002004 006999	1
291	HL1012AZ12-13	.	BOLT ATTACHING PARTS SUPPLIER CODE: VOPTK6 SPECIFICATION NUMBER: BACB30NX12K13 OPTIONAL PART: HL12VAZ12-13 V73197 HL12VAZ12-13 V92215 HL12VAZ12-13 V97928 L802-12K13 V06725 HL12VAZ12-13 V56878 HL1012AZ12-13 V06725 HL1012AZ12-13 V06950 HL1012AZ12-13 V17446 HL1012AZ12-13 V56878 HL1012AZ12-13 V60516 HL1012AZ12-13 V73197 HL1012AZ12-13 V97928	002004 006999	2

MISSING ITEM NUMBERS NOT APPLICABLE

- ITEM NOT ILLUSTRATED

57-51-01-07

57-51-01
FIG. 07
PAGE 16
JAN 20/09

BRI



757

PARTS CATALOG (MAINTENANCE)

FIG ITEM	PART NUMBER	1 2 3 4 5 6 7	NOMENCLATURE	EFFECT FROM TO	UNITS PER ASSY
7 294	HL1187-12		.COLLAR- SUPPLIER CODE: V5M902 SPECIFICATION NUMBER: BACC30X12 OPTIONAL PART: HL1187-12 V73197 HL1187-12 V56878 HL1187-12 V92215 HL1187-12 V92215 HL87-12 V56878 HL87-12 V73197	002004 006102 107999	2
294	HL1087-12		.COLLAR- SUPPLIER CODE: V9N513 SPECIFICATION NUMBER: BACC30BH12 OPTIONAL PART: HL1087-12 V92215 HL1087-12 V73197 HL1087-12 V56878	103106	2
300	NAS77A6-23P		-----*----- ..BUSHING	002004 006999	2
303	NAS77A9-23P		..BUSHING	107107 904949	2
303	BACB28AT09A023C		..BUSHING	002004 006106 108903 950999	2
306	113N1638-11		..FITTING	002004 006999	1
312	113N1603-1		.FITTING ASSY-RIB POSITION DATA: UPR OPTIONAL PART: 113N1629-15	002004 006999	1
312	113N1629-9		.FITTING ASSY-RIB POSITION DATA: UPR	002004 006999	1

MISSING ITEM NUMBERS NOT APPLICABLE

- ITEM NOT ILLUSTRATED

57-51-01-07

57-51-01
FIG. 07
PAGE 17
JAN 20/09

BRI



757

PARTS CATALOG (MAINTENANCE)

FIG ITEM	PART NUMBER	1 2 3 4 5 6 7	NOMENCLATURE	EFFECT FROM TO	UNITS PER ASSY
7 312	113N1629-11	.	FITTING ASSY-RIB POSITION DATA: UPR OPTIONAL PART: 113N1603-1	002004 006100 103106 121503 904999	1
312	113N1629-15	.	FITTING ASSY-RIB POSITION DATA: UPR OPTIONAL PART: 113N1603-1	002004 006100 103106 121503 904999	1
- 315	HL1012AZ6-4	.	BOLT SUPPLIER CODE: V97928 SPECIFICATION NUMBER: BACB30NX6K4 OPTIONAL PART: HL12VAZ6-4 V73197 HL12VAZ6-4 V92215 HL12VAZ6-4 V97928 L802-6K4 V06725 HL12VAZ6-4 V56878 HL1012AZ6-4 V0PTK6 HL1012AZ6-4 V06725 HL1012AZ6-4 V06950 HL1012AZ6-4 V17446 HL1012AZ6-4 V56878 HL1012AZ6-4 V60516 HL1012AZ6-4 V73197	002004 006999	4

MISSING ITEM NUMBERS NOT APPLICABLE

- ITEM NOT ILLUSTRATED

57-51-01-07

57-51-01
FIG. 07
PAGE 18
JAN 20/09

BRI



757

PARTS CATALOG (MAINTENANCE)

FIG ITEM	PART NUMBER	1 2 3 4 5 6 7	NOMENCLATURE	EFFECT FROM TO	UNITS PER ASSY
7 - 318	HL1187-6		. COLLAR- SUPPLIER CODE: V5M902 SPECIFICATION NUMBER: BACC30X6 OPTIONAL PART: HL87-6 V92215 HL87-6 V73197 HL1187-6 V56878 HL1187-6 V92215 HL87-6 V56878 HL1187-6 V73197	002004 006102 107999	4
- 318	HL1087-6		. COLLAR- SUPPLIER CODE: V73197 SPECIFICATION NUMBER: BACC30BH6 OPTIONAL PART: HL1087-6 V56878 HL1087-6 V92215 HL1087-6 V9N513	103106	4
321	NAS77A6-23P		-----*----- .. BUSHING- USED ON: 113N1629-9 113N1629-11	002004 006999	4
321	BACB28AT06A023C		.. BUSHING- USED ON: 113N1603-1 113N1603-2 113N1629-15 113N1629-16	002004 006999	4
324	113N1629-7		.. FITTING- USED ON: 113N1629-9	002004 006999	1
324	113N1603-3		.. FITTING- USED ON: 113N1603-1	002004 006999	1

MISSING ITEM NUMBERS NOT APPLICABLE

- ITEM NOT ILLUSTRATED

57-51-01-07

57-51-01
FIG. 07
PAGE 19
JAN 20/09

BRI

BOEING PROPRIETARY - Copyright © - Unpublished Work - See title page for details.



757

PARTS CATALOG (MAINTENANCE)

FIG ITEM	PART NUMBER	1 2 3 4 5 6 7	NOMENCLATURE	EFFECT FROM TO	UNITS PER ASSY
7					
324	113N1629-13	..	FITTING- USED ON: 113N1629-11	002004 006100 103106 121503 904999	1
324	113N1629-17	..	FITTING- USED ON: 113N1629-15	002004 006100 103106 121503 904999	1
327	113N1680-1	.	FITTING ASSY	107107	1
327	113N1680-5	.	FITTING ASSY	002004 006106 108999	1
330	HL1012AZ8-5	.	ATTACHING PARTS BOLT SUPPLIER CODE: VOPTK6 SPECIFICATION NUMBER: BACB30NX8K5 OPTIONAL PART: HL12VAZ8-5 V73197 HL12VAZ8-5 V92215 HL12VAZ8-5 V97928 L802-8K5 V06725 HL12VAZ8-5 V56878 HL1012AZ8-5 V06725 HL1012AZ8-5 V06950 HL1012AZ8-5 V17446 HL1012AZ8-5 V56878 HL1012AZ8-5 V60516 HL1012AZ8-5 V73197 HL1012AZ8-5 V97928	002004 006999	2

MISSING ITEM NUMBERS NOT APPLICABLE

- ITEM NOT ILLUSTRATED

57-51-01-07

57-51-01
FIG. 07
PAGE 20
JAN 20/09

BRI



757

PARTS CATALOG (MAINTENANCE)

FIG ITEM	PART NUMBER	1 2 3 4 5 6 7	NOMENCLATURE	EFFECT FROM TO	UNITS PER ASSY
7 333	HL1187-8		.COLLAR- SUPPLIER CODE: V5M902 SPECIFICATION NUMBER: BACC30X8 OPTIONAL PART: HL87-8 V92215 HL87-8 V73197 HL1187-8 V56878 HL1187-8 V92215 HL87-8 V56878 HL1187-8 V73197	002004 006102 107999	2
333	HL1087-8		.COLLAR- SUPPLIER CODE: V9N513 SPECIFICATION NUMBER: BACC30BH8 OPTIONAL PART: HL1087-8 V92215 HL1087-8 V73197 HL1087-8 V56878	103106	2

MISSING ITEM NUMBERS NOT APPLICABLE

- ITEM NOT ILLUSTRATED

BRI

57-51-01-07

BOEING PROPRIETARY - Copyright © - Unpublished Work - See title page for details.

57-51-01
FIG. 07
PAGE 21
JAN 20/09



757

PARTS CATALOG (MAINTENANCE)

FIG ITEM	PART NUMBER	1 2 3 4 5 6 7	NOMENCLATURE	EFFECT FROM TO	UNITS PER ASSY
7 336	HL1012AZ6-4		.BOLT SUPPLIER CODE: V97928 SPECIFICATION NUMBER: BACB30NX6K4 OPTIONAL PART: HL12VAZ6-4 V73197 HL12VAZ6-4 V92215 HL12VAZ6-4 V97928 L802-6K4 V06725 HL12VAZ6-4 V56878 HL1012AZ6-4 VOPTK6 HL1012AZ6-4 V06725 HL1012AZ6-4 V06950 HL1012AZ6-4 V17446 HL1012AZ6-4 V56878 HL1012AZ6-4 V60516 HL1012AZ6-4 V73197	002004 006999	1

MISSING ITEM NUMBERS NOT APPLICABLE

- ITEM NOT ILLUSTRATED

BRI

57-51-01-07

BOEING PROPRIETARY - Copyright © - Unpublished Work - See title page for details.

57-51-01
FIG. 07
PAGE 22
JAN 20/09



757

PARTS CATALOG (MAINTENANCE)

FIG ITEM	PART NUMBER	1 2 3 4 5 6 7	NOMENCLATURE	EFFECT FROM TO	UNITS PER ASSY
7 339	HL1012AZ6-5		.BOLT SUPPLIER CODE: V97928 SPECIFICATION NUMBER: BACB30NX6K5 OPTIONAL PART: HL12VAZ6-5 V73197 HL12VAZ6-5 V92215 HL12VAZ6-5 V97928 L802-6K5 V06725 HL12VAZ6-5 V56878 HL1012AZ6-5 VOPTK6 HL1012AZ6-5 V06725 HL1012AZ6-5 V06950 HL1012AZ6-5 V17446 HL1012AZ6-5 V56878 HL1012AZ6-5 V60516 HL1012AZ6-5 V73197	002004 006999	2

MISSING ITEM NUMBERS NOT APPLICABLE

- ITEM NOT ILLUSTRATED

BRI

57-51-01-07

BOEING PROPRIETARY - Copyright © - Unpublished Work - See title page for details.

57-51-01
FIG. 07
PAGE 23
JAN 20/09



757

PARTS CATALOG (MAINTENANCE)

FIG ITEM	PART NUMBER	1 2 3 4 5 6 7	NOMENCLATURE	EFFECT FROM TO	UNITS PER ASSY
7 342	HL1012AZ6-7	.BOLT	SUPPLIER CODE: V97928 SPECIFICATION NUMBER: BACB30NX6K7 OPTIONAL PART: HL12VAZ6-7 V73197 HL12VAZ6-7 V92215 HL12VAZ6-7 V97928 L802-6K7 V06725 HL12VAZ6-7 V56878 HL1012AZ6-7 VOPTK6 HL1012AZ6-7 V06725 HL1012AZ6-7 V06950 HL1012AZ6-7 V17446 HL1012AZ6-7 V56878 HL1012AZ6-7 V60516 HL1012AZ6-7 V73197	002004 006999	1
345	HL1187-6	.COLLAR-	SUPPLIER CODE: V5M902 SPECIFICATION NUMBER: BACC30X6 OPTIONAL PART: HL87-6 V92215 HL87-6 V73197 HL1187-6 V56878 HL1187-6 V92215 HL87-6 V56878 HL1187-6 V73197	002004 006102 107999	4

MISSING ITEM NUMBERS NOT APPLICABLE

- ITEM NOT ILLUSTRATED

57-51-01-07

57-51-01
FIG. 07
PAGE 24
JAN 20/09

BRI



757

PARTS CATALOG (MAINTENANCE)

FIG ITEM	PART NUMBER	1 2 3 4 5 6 7	NOMENCLATURE	EFFECT FROM TO	UNITS PER ASSY
7 345	HL1087-6		.COLLAR- SUPPLIER CODE: V73197 SPECIFICATION NUMBER: BACC30BH6 OPTIONAL PART: HL1087-6 V56878 HL1087-6 V92215 HL1087-6 V9N513 -----*-----	103106	4
348	NAS77A6-23P		..BUSHING	002004 006999	2
351	113N1680-3		..FITTING-	107107	1
351	113N1680-7		..FITTING-	002004 006106 108999	1
354	BACS4OR020B020F		.SHIM	101106 108120 504903	1
357	113N1638-8		.FITTING ASSY-RIB POSITION DATA: UPR QUALIFIED I/W DATA: 113N1638-2 TOGETHER WITH QTY (2) BACB30LJ4-16, QTY (2) BACB28AK04-068, QTY (2) BACW10BP4AP, QTY (2) BACW10BP4AC, QTY (2) BACN10JC4CD, AND QTY (2) 113N1619-2 LINKS IS INTERCHANGEABLE WITH 113N1638-8 OR 113N1638-12 IF THE -8 OR -12 ARE ISSUED TOGETHER WITH QTY (1) BACB30LJ4SU25, QTY (1) BACN10JC4CD, QTY (1) BACW10BP4AC, QTY (5) BACW10BP4AP, QTY (4) NAS509-4C, QTY (2) 113N1866-1, QTY (1)113N1729-1, AND QTY (2) MS20995C32	002004 006100 107107 121503 904999	1
357	113N1638-12		.FITTING ASSY-RIB POSITION DATA: UPR	002004 006999	1

MISSING ITEM NUMBERS NOT APPLICABLE

- ITEM NOT ILLUSTRATED

57-51-01-07

57-51-01
FIG. 07
PAGE 25
JAN 20/09

BRI



757

PARTS CATALOG (MAINTENANCE)

FIG ITEM	PART NUMBER	1 2 3 4 5 6 7	NOMENCLATURE	EFFECT FROM TO	UNITS PER ASSY
7			ATTACHING PARTS		
- 360	HL1012AZ12-16	.BOLT	SUPPLIER CODE: VOPTK6 SPECIFICATION NUMBER: BACB30NX12K16 OPTIONAL PART: HL12VAZ12-16 V73197 HL12VAZ12-16 V92215 HL12VAZ12-16 V97928 L802-12K16 V06725 HL12VAZ12-16 V56878 HL1012AZ12-16 V06725 HL1012AZ12-16 V06950 HL1012AZ12-16 V17446 HL1012AZ12-16 V56878 HL1012AZ12-16 V60516 HL1012AZ12-16 V73197 HL1012AZ12-16 V97928	002004 006999	2
- 363	HL1187-12	.COLLAR-	SUPPLIER CODE: V5M902 SPECIFICATION NUMBER: BACC30X12 OPTIONAL PART: HL1187-12 V73197 HL1187-12 V56878 HL1187-12 V92215 HL1187-12 V92215 HL87-12 V56878 HL87-12 V73197	002004 006102 107999	2

MISSING ITEM NUMBERS NOT APPLICABLE

- ITEM NOT ILLUSTRATED

57-51-01-07

57-51-01
FIG. 07
PAGE 26
JAN 20/09

BRI



757

PARTS CATALOG (MAINTENANCE)

FIG ITEM	PART NUMBER	1 2 3 4 5 6 7	NOMENCLATURE	EFFECT FROM TO	UNITS PER ASSY
7 - 363	HL1087-12		. COLLAR- SUPPLIER CODE: V9N513 SPECIFICATION NUMBER: BACC30BH12 OPTIONAL PART: HL1087-12 V92215 HL1087-12 V73197 HL1087-12 V56878 -----*	103106	2
369	NAS77A6-23P		.. BUSHING	002004 006999	2
372	NAS77A9-23P		.. BUSHING	107107 904949	2
372	BACB28AT09A023C		.. BUSHING-	002004 006106 108903 950999	2
375	113N1638-10		.. FITTING	002004 006999	1
378	113N1628-13		. FITTING ASSY-RIB POSITION DATA: UPR	002004 006999	1

MISSING ITEM NUMBERS NOT APPLICABLE

- ITEM NOT ILLUSTRATED

57-51-01-07

57-51-01
FIG. 07
PAGE 27
JAN 20/09

BRI

BOEING PROPRIETARY - Copyright © - Unpublished Work - See title page for details.



757

PARTS CATALOG (MAINTENANCE)

FIG ITEM	PART NUMBER	1 2 3 4 5 6 7	NOMENCLATURE	EFFECT FROM TO	UNITS PER ASSY
7			ATTACHING PARTS		
- 381	HL1012AZ6-4		.BOLT SUPPLIER CODE: V97928 SPECIFICATION NUMBER: BACB30NX6K4 OPTIONAL PART: HL12VAZ6-4 V73197 HL12VAZ6-4 V92215 HL12VAZ6-4 V97928 L802-6K4 V06725 HL12VAZ6-4 V56878 HL1012AZ6-4 VOPTK6 HL1012AZ6-4 V06725 HL1012AZ6-4 V06950 HL1012AZ6-4 V17446 HL1012AZ6-4 V56878 HL1012AZ6-4 V60516 HL1012AZ6-4 V73197	002004 006999	4
- 384	HL1187-6		.COLLAR- SUPPLIER CODE: V5M902 SPECIFICATION NUMBER: BACC30X6 OPTIONAL PART: HL87-6 V92215 HL87-6 V73197 HL1187-6 V56878 HL1187-6 V92215 HL87-6 V56878 HL1187-6 V73197	002004 006102 107999	4

MISSING ITEM NUMBERS NOT APPLICABLE

- ITEM NOT ILLUSTRATED

57-51-01-07

57-51-01
FIG. 07
PAGE 28
JAN 20/09

BRI



757

PARTS CATALOG (MAINTENANCE)

FIG ITEM	PART NUMBER	1 2 3 4 5 6 7	NOMENCLATURE	EFFECT FROM TO	UNITS PER ASSY
7 - 384	HL1087-6		.COLLAR- SUPPLIER CODE: V73197 SPECIFICATION NUMBER: BACC30BH6 OPTIONAL PART: HL1087-6 V56878 HL1087-6 V92215 HL1087-6 V9N513 -----*-----	103106	4
387	NAS77A6-23P		..BUSHING	002004 006999	4
390	113N1628-15		..FITTING	002004 006999	1
393	BACB30LJ4-16		.BOLT	103106	2
396	BACW10BP4AC		.WASHER	103106	2
399	BACW10BP4AP		.WASHER	103106	2
402	BRH10C4D		.NUT SUPPLIER CODE: V52828 SPECIFICATION NUMBER: BACN10JC4CD OPTIONAL PART: T6C428JCD V11815 NS202486-048 V80539 102LH9075-4W V72962 H51650-4BAC V15653	103106	2
405	BACB28AK04-068		.BUSHING	103106	2
408	113N1619-6		.LINK	103106	2
440	BACB30NR4K16		.BOLT	002004 006999	2
443	BACB30NR4K17		.BOLT	002004 006999	8
446	BACW10BP4AC		.WASHER	002004 006999	10
449	BACW10BP4AP		.WASHER	002004 006999	10

MISSING ITEM NUMBERS NOT APPLICABLE

- ITEM NOT ILLUSTRATED

57-51-01-07

57-51-01
FIG. 07
PAGE 29
JAN 20/09

BRI

BOEING PROPRIETARY - Copyright © - Unpublished Work - See title page for details.

 **BOEING**
757
PARTS CATALOG (MAINTENANCE)

FIG ITEM	PART NUMBER	1 2 3 4 5 6 7	NOMENCLATURE	EFFECT FROM TO	UNITS PER ASSY
7 452	BRH10C4D	.	NUT SUPPLIER CODE: V52828 SPECIFICATION NUMBER: BACN10JC4CD OPTIONAL PART: T6C428JCD V11815 NS202486-048 V80539 102LH9075-4W V72962 H51650-4BAC V15653	002004 006999	10
455	BACB28AK04-028	.	BUSHING	002004 006999	5
458	BACB28AK04-037	.	BUSHING	002004 006999	5
461	1333-1	.	TURNBUCKLE ASSY- SUPPLIER CODE: V34742 SPECIFICATION NUMBER: S113N107-1 OPTIONAL PART: P1103-1 V0962B S2114 VOBXT5	002004 006999	5
464	113N1906-3	.	FITTING ASSY- ATTACHING PARTS	002004 006999	1
- 467	BACB30NX12K	.	BOLT- SIZE DETERMINED ON INSTL.	002004 006999	2

MISSING ITEM NUMBERS NOT APPLICABLE

- ITEM NOT ILLUSTRATED

BRI

57-51-01-07

BOEING PROPRIETARY - Copyright © - Unpublished Work - See title page for details.

57-51-01
FIG. 07
PAGE 30
JAN 20/09



757

PARTS CATALOG (MAINTENANCE)

FIG ITEM	PART NUMBER	1 2 3 4 5 6 7	NOMENCLATURE	EFFECT FROM TO	UNITS PER ASSY
7					
- 470	HL1187-12		.COLLAR- SUPPLIER CODE: V5M902 SPECIFICATION NUMBER: BACC30X12 OPTIONAL PART: HL1187-12 V73197 HL1187-12 V56878 HL1187-12 V92215 HL1187-12 V92215 HL87-12 V56878 HL87-12 V73197	002004 006102 107999	2
- 470	HL1087-12		.COLLAR- SUPPLIER CODE: V9N513 SPECIFICATION NUMBER: BACC30BH12 OPTIONAL PART: HL1087-12 V92215 HL1087-12 V73197 HL1087-12 V56878	103106	2
			-----*-----		
473	NAS77A6-23P		..BUSHING-	002004 006999	2
476	113N1906-5		..FITTING-	002004 006999	1
479	113N1630-23		.BLOCK-RADIUS	002004 006999	1
482	113N1941-1		.SEAL INSTL- FOR DETAILS SEE: 57-51-01-02	002004 006100 107107 121503 904999	1
485	113N1630-71		.FILLER	002004 006999	AR
488	BACB30LJ4D8		.BOLT	002004 006999	4
492	BACB30LJ4-6		.BOLT	002004 006999	8

MISSING ITEM NUMBERS NOT APPLICABLE

- ITEM NOT ILLUSTRATED

57-51-01-07

57-51-01
FIG. 07
PAGE 31
JAN 20/09

BRI



757

PARTS CATALOG (MAINTENANCE)

FIG ITEM	PART NUMBER	1 2 3 4 5 6 7	NOMENCLATURE	EFFECT FROM TO	UNITS PER ASSY
7					
495	BACB30LJ4-8	.	BOLT	002004 006999	2
498	BACW10BP4AC	.	WASHER- POSITION DATA: UNDER HEAD	002004 006999	14
501	BACW10BP4AP	.	WASHER- POSITION DATA: UNDER NUT	002004 006999	14
504	BRH10C4D	.	NUT SUPPLIER CODE: V52828 SPECIFICATION NUMBER: BACN10JC4CD OPTIONAL PART: T6C428JCD V11815 NS202486-048 V80539 102LH9075-4W V72962 H51650-4BAC V15653	002004 006999	14
507	113N1913-2	.	PLATE-ADJUSTMENT SERRATED	002004 006999	7
510	113N1913-1	.	PLATE-ADJUSTMENT SERRATED	002004 006999	7
513	113N1924-3	.	BRACKET- OPTIONAL PART: 113N1924-5	002004 006100 107107 121503 904999	1
513	113N1924-5	.	BRACKET- OPTIONAL PART: 113N1924-3	011106 108120 504903	1
516	BACB30LJ4-18	.	BOLT	002004 006999	4
519	BACW10BP7AP	.	WASHER	002004 006999	2
522	BACW10BP4AP	.	WASHER	002004 006999	8

MISSING ITEM NUMBERS NOT APPLICABLE

- ITEM NOT ILLUSTRATED

57-51-01-07

57-51-01
FIG. 07
PAGE 32
JAN 20/09

BRI

 **BOEING**
757
PARTS CATALOG (MAINTENANCE)

FIG ITEM	PART NUMBER	1 2 3 4 5 6 7	NOMENCLATURE	EFFECT FROM TO	UNITS PER ASSY
7 525	BRH10C4D	.NUT	SUPPLIER CODE: V52828 SPECIFICATION NUMBER: BACN10JC4CD OPTIONAL PART: T6C428JCD V11815 NS202486-048 V80539 102LH9075-4W V72962 H51650-4BAC V15653	002004 006999	4
528	BACN10JC7C	.NUT-	OPTIONAL PART: BACN10JC7CD	002004 006999	2
528	BACN10JC7CD	.NUT-	OPTIONAL PART: BACN10JC7C	002004 006999	2
531	113N1902-1	.CLEVIS		002004 006999	1
534	113N1902-3	.CLEVIS		002004 006999	2
537	113N1902-2	.CLEVIS		002004 006999	1
- 540	113N1633-5	.BEAM ASSY		002004 006999	1
543	012T2400-30	..BUSHING		002004 006999	1
546	BACB28AM08B012A	..BUSHING		002004 006999	1
- 549	113N1676-13	.BEAM ASSY		002004 006999	1
552	BACB28AA4B025	..BUSHING		002004 006999	2
554	BACB28W6B019	..BUSHING		002004 006999	2
556	BACR15BA6AD	.RIVET-	SIZE DETERMINED ON INSTL.	101102 108120 504903	11
556	BACR15BA6ADC	.RIVET-	SIZE DETERMINED ON INSTL.	103106	11
561	113N1728-1	.EDGE MEMBER-	REWORK DRAWING REF: 113N1990-29	101106 108120 504903	1
564	113N1990-13	.EDGE MEMBER ASSY-	REWORK DRAWING REF: 113N1990-29	101106 108120 504903	1

MISSING ITEM NUMBERS NOT APPLICABLE

- ITEM NOT ILLUSTRATED

BRI

57-51-01-07

BOEING PROPRIETARY - Copyright © - Unpublished Work - See title page for details.

57-51-01
FIG. 07
PAGE 33
JAN 20/09

 **BOEING**
757
PARTS CATALOG (MAINTENANCE)

FIG ITEM	PART NUMBER	1 2 3 4 5 6 7	NOMENCLATURE	EFFECT FROM TO	UNITS PER ASSY
7					
567	113N1728-3	..	MEMBER	101106 108120 504903	1
570	BACR11X4	..	RECEPTACLE	101106 108120 504903	1
573	113N1990-33	.EDGE	MEMBER ASSY- REWORK DRAWING REF: 113N1990-29	101106 108120 504903	1
576	113N1728-7	..	MEMBER	101106 108120 504903	1
579	BACR11X4	..	RECEPTACLE	101106 108120 504903	1
582	113N1992-1	.PLATE-	WIGGLE	002004 006999	1
582	113N1992-3	.PLATE-	WIGGLE	103106	1
584	113N1990-23	.PLATE-	WIGGLE REWORK DRAWING REF: 113N1990-29	101106 108120 504903	1
586	113N1630-43	.SEAL		002004 006999	1
588	113N1990-25	.SEAL-	REWORK DRAWING REF: 113N1990-29	002004 006017 101999	1
591	113N1991-1	.SPACER-		002004 006102 107999	1
594	113N1990-27	.SPACER-	REWORK DRAWING REF: 113N1990-29 113N1990-30	002004 006017 101999	1
597	BACR15BA6AD	.RIVET-	SIZE DETERMINED ON INSTL.	002004 006100 103107 121503 904999	16
603	113N1630-37	.SEAL		002004 006100 103107 121503 904999	1
606	113N1630-38	.SEAL		002004 006100 103107 121503 904999	1

MISSING ITEM NUMBERS NOT APPLICABLE

— ITEM NOT ILLUSTRATED

BRI

57-51-01-07

BOEING PROPRIETARY - Copyright © - Unpublished Work - See title page for details.

57-51-01
FIG. 07
PAGE 34
JAN 20/09



757

PARTS CATALOG (MAINTENANCE)

FIG ITEM	PART NUMBER	1 2 3 4 5 6 7	NOMENCLATURE	EFFECT FROM TO	UNITS PER ASSY
7 609	113N1635-3		.PLATE ASSY-WIGGLE QUALIFIED I/W DATA: 113N1635-2 IS I/W 113N1635-4 PLUS 113N1679-32 PLUS 113N1679-34	006106 108120 504903 950951 953999	1
612	113N1679-31		.PLATE ASSY-WIGGLE QUALIFIED I/W DATA: 113N1635-2 IS I/W 113N1635-4 PLUS 113N1679-32 PLUS 113N1679-34	006106 108120 504903 950951 953999	1
615	113N1679-33		.PLATE ASSY-WIGGLE QUALIFIED I/W DATA: 113N1635-2 IS I/W 113N1635-4 PLUS 113N1679-32 PLUS 113N1679-34	006106 108120 504903 950951 953999	1
621	113N1679-21		.PLATE-WIGGLE	107107	1
621	113N1635-1		.PLATE ASSY-WIGGLE QUALIFIED I/W DATA: 113N1635-1 IS I/W 113N1635-3 PLUS 113N1679-31 PLUS 113N1679-33	002004 107107 121503 904949 952952	1
624	113N1679-25		.SPACER	002004 006100 103107 121503 904999	1
627	113N1679-23		.PLATE-WIGGLE	002004 006100 103107 121503 904999	1
633	113N1679-27		.SPACER	002004 006100 103107 121503 904999	1
645	113N1912-1		.PLATE-WIGGLE	002004 006999	1
648	113N1630-18		.SEAL	002004 006999	1
651	113N1679-9		.SPACER	002004 006999	1
654	BACB30PU5-15		.BOLT-	002004 006102 107999	1

MISSING ITEM NUMBERS NOT APPLICABLE

- ITEM NOT ILLUSTRATED

57-51-01-07

57-51-01
FIG. 07
PAGE 35
JAN 20/09

BRI

BOEING PROPRIETARY - Copyright © - Unpublished Work - See title page for details.



757

PARTS CATALOG (MAINTENANCE)

FIG ITEM	PART NUMBER	1 2 3 4 5 6 7	NOMENCLATURE	EFFECT FROM TO	UNITS PER ASSY
7					
654	BACB30PW5U15	.BOLT-		103106	1
657	BACB30PU5-15	.BOLT-		101102	1
				108120	
				504903	
657	BACB30PW5U15	.BOLT-		103106	1
658	BACB30PU4-15	.BOLT-		002004	1
				006102	
				107999	
658	BACB30PW4U15	.BOLT-		103106	1
660	BACW10BP5ACU	.WASHER		002004	1
				006999	
663	BACW10BP5ACU	.WASHER		101106	1
				108120	
				504903	
663	BACW10BP4ACU	.WASHER		002004	1
				006999	
666	AN960C516L	.WASHER		002004	AR
				006999	
669	AN960C416L	.WASHER		002004	AR
				006100	
				107107	
				121503	
				904999	
672	AN960C516	.WASHER		002004	AR
				006999	
675	AN960C416	.WASHER		002004	AR
				006100	
				107107	
				121503	
				904999	
678	AN960C416L	.WASHER		002004	1
				006999	
681	AN960C10L	.WASHER		002004	1
				006100	
				107107	
				121503	
				904999	

MISSING ITEM NUMBERS NOT APPLICABLE

- ITEM NOT ILLUSTRATED

BRI

57-51-01-07

BOEING PROPRIETARY - Copyright © - Unpublished Work - See title page for details.

57-51-01
FIG. 07
PAGE 36
JAN 20/09



757

PARTS CATALOG (MAINTENANCE)

FIG ITEM	PART NUMBER	1 2 3 4 5 6 7	NOMENCLATURE	EFFECT FROM TO	UNITS PER ASSY
7 684	BRH10C4D	.NUT	SUPPLIER CODE: V52828 SPECIFICATION NUMBER: BACN10JC4CD OPTIONAL PART: T6C428JCD V11815 NS202486-048 V80539 102LH9075-4W V72962 H51650-4BAC V15653	002004 006999	1
687	BRH10C4D	.NUT	SUPPLIER CODE: V52828 SPECIFICATION NUMBER: BACN10JC4CD OPTIONAL PART: T6C428JCD V11815 NS202486-048 V80539 102LH9075-4W V72962 H51650-4BAC V15653	101106 108120 504903	1
687	BRH10C3D	.NUT	SUPPLIER CODE: V52828 SPECIFICATION NUMBER: BACN10JC3CD OPTIONAL PART: T6C1032JCD V11815 NS202486-02 V80539 102LH9075-3W V72962 H51650-3BAC V15653	002004 006999	1
690	113N1903-12	.STRUT ASSY-RIB		002004 006999	1
693	113N1903-5	.STRUT ASSY-RIB		002004 006999	1
696	BACN10JC7CM	..NUT		002004 006999	1

MISSING ITEM NUMBERS NOT APPLICABLE

- ITEM NOT ILLUSTRATED

57-51-01-07

57-51-01
FIG. 07
PAGE 37
JAN 20/09

BRI

BOEING PROPRIETARY - Copyright © - Unpublished Work - See title page for details.



757

PARTS CATALOG (MAINTENANCE)

FIG ITEM	PART NUMBER	1 2 3 4 5 6 7	NOMENCLATURE	EFFECT FROM TO	UNITS PER ASSY
7					
699	MS20002-7	..	WASHER	002004 006999	1
702	113N1901-4	..	CLEVIS- USED ON: 113N1903-8 113N1903-10 113N1903-12	002004 006999	1
705	113N1901-2	..	CLEVIS- USED ON: 113N1903-5	002004 006999	1
708	BACB28AM04B013A	..	BUSHING- USED ON: 113N1903-7 113N1903-8 113N1903-10 113N1903-12	002004 006999	2
711	BACB28AM05B013A	..	BUSHING- USED ON: 113N1903-5	002004 006999	2
714	113N1903-11	..	STRUT- USED ON: 113N1903-12	002004 006999	1
717	113N1903-4	..	TUBE-SWAGED USED ON: 113N1903-5	002004 006999	1
720	113N1630-19	.	FILLER	904949 952952	2
720	BACS40R008F009F	.	SHIM-	002004 006102 108999	2
720	BACS40R008X009F	.	SHIM-	103106	2
723	113N1630-20	.	FILLER	904949 952952	1
723	BACS40R008F009F	.	SHIM-	002004 006102 108999	1
723	BACS40R008X009F	.	SHIM-	103106	1
726	113N1604-7	.	RIB ASSY	002004 006999	1
729	113N1677-9	.	RIB ASSY	002004 006999	1
732	BACB28AA5B025	..	BUSHING- USED ON: 113N1677-9	002004 006999	1
738	BACB28W7B019	..	BUSHING- USED ON: 113N1677-9	002004 006999	1

MISSING ITEM NUMBERS NOT APPLICABLE

- ITEM NOT ILLUSTRATED

57-51-01-07

57-51-01
FIG. 07
PAGE 38
JAN 20/09

BRI

BOEING PROPRIETARY - Copyright © - Unpublished Work - See title page for details.



757

PARTS CATALOG (MAINTENANCE)

FIG ITEM	PART NUMBER	1 2 3 4 5 6 7	NOMENCLATURE	EFFECT FROM TO	UNITS PER ASSY
7 744	HTES04VC		. . BEARING- SUPPLIER CODE: VS0352 SPECIFICATION NUMBER: BACB10ES04GC OPTIONAL PART: NC04TG5C V56644 USED ON: 113N1604-1 113N1604-7 113N1682-9	002004 006999	1
747	BACB30LJ4-12		. BOLT	002004 006100 103107 121503 904999	4
750	BACW10BP4AP		. WASHER	002004 006100 103107 121503 904999	8
753	BRH10C4D		. NUT SUPPLIER CODE: V52828 SPECIFICATION NUMBER: BACN10JC4CD OPTIONAL PART: T6C428JCD V11815 NS202486-048 V80539 102LH9075-4W V72962 H51650-4BAC V15653	002004 006100 103107 121503 904999	4
756	BACW10BP5AP		. WASHER	002004 006100 103107 121503 904999	4
759	AN316C5R		. NUT-	002004 006102 107999	4
759	BACN11U5CM2N		. NUT-	103106	4

MISSING ITEM NUMBERS NOT APPLICABLE

- ITEM NOT ILLUSTRATED

57-51-01-07

57-51-01
FIG. 07
PAGE 39
JAN 20/09

BRI



757

PARTS CATALOG (MAINTENANCE)

FIG ITEM	PART NUMBER	1 2 3 4 5 6 7	NOMENCLATURE	EFFECT FROM TO	UNITS PER ASSY
7 762	113N1969-1	.	FITTING-ADJUSTABLE	002004 006100 103107 121503 904999	2
765	113N1969-2	.	FITTING-ADJUSTABLE	002004 006100 103107 121503 904999	4
768	113N1969-3	.	FITTING-ADJUSTABLE	002004 006100 103107 121503 904999	2
771	113N1971-1	.	FITTING ASSY-PNL ATTACH OPTIONAL PART: 113N1143-1	002004 006106 108999	2
771	113N1143-1	.	FITTING ASSY-PNL ATTACH OPTIONAL PART: 113N1971-1	002004 006999	2
- 774	BACB30MY6K	.	BOLT- ATTACHING PARTS SIZE DETERMINED ON INSTL.	002004 006100 103107 121503 904999	8
- 777	HL79-6	.	COLLAR SUPPLIER CODE: V5M902 SPECIFICATION NUMBER: BACC30M6 OPTIONAL PART: HL79-6 V73197 HL79-6 V92215 66014-6 V56878 HL79-6 V56878 -----*-----	002004 006100 103107 121503 904999	8

MISSING ITEM NUMBERS NOT APPLICABLE

- ITEM NOT ILLUSTRATED

BRI

57-51-01-07

BOEING PROPRIETARY - Copyright © - Unpublished Work - See title page for details.

57-51-01
FIG. 07
PAGE 40
JAN 20/09

BOEING
757
PARTS CATALOG (MAINTENANCE)

FIG ITEM	PART NUMBER	1 2 3 4 5 6 7	NOMENCLATURE	EFFECT FROM TO	UNITS PER ASSY
R R R R R R R R R R R R R R R	7 780	AG4VCR	.. BEARING SUPPLIER CODE: V15860 SPECIFICATION NUMBER: BACB10AG4 OPTIONAL PART: BSSN4797S V81376 HSBG4-117 V02758 NG4F V73134 NC4G2 V56644 BNG4E111 V16746 ABG4V5 VS0352 03-505-04E033 V09455	002004 006100 103107 121503 904999	1
	783	113N1971-2	.. FITTING- USED ON: 113N1971-1	002004 006106 108999	1
	783	113N1143-2	.. FITTING- USED ON: 113N1143-1	002004 006999	1
	786	113N1974-15	. STIFFENER ASSY-PNL SPRT	002004 006999	1
	- 789	BACR15CE8AD	ATTACHING PARTS . RIVET- SIZE DETERMINED ON INSTL. -----*-----	002004 006100 103107 121503 904999	2

MISSING ITEM NUMBERS NOT APPLICABLE

- ITEM NOT ILLUSTRATED

BRI

57-51-01-07

BOEING PROPRIETARY - Copyright © - Unpublished Work - See title page for details.

57-51-01
FIG. 07
PAGE 41
MAY 20/09

BOEING
757
PARTS CATALOG (MAINTENANCE)

FIG ITEM	PART NUMBER	1 2 3 4 5 6 7	NOMENCLATURE	EFFECT FROM TO	UNITS PER ASSY	
R R R R R R R R R R R R R R R	7 792	AG4VCR	.. BEARING SUPPLIER CODE: V15860 SPECIFICATION NUMBER: BACB10AG4 OPTIONAL PART: BSSN4797S V81376 HSBG4-117 V02758 NG4F V73134 NC4G2 V56644 BNG4E111 V16746 ABG4V5 VS0352 03-505-04E033 V09455	002004 006100 103107 121503 904999	2	
	795	113N1974-5	.. CLIP-TEE	002004 006100 103107 121503 904999	1	
	- 798	BACB30MY6K	ATTACHING PARTS .. BOLT- SIZE DETERMINED ON INSTL.	002004 006100 103107 121503 904999	2	
	- 801	HL79-6	.. COLLAR SUPPLIER CODE: V5M902 SPECIFICATION NUMBER: BACC30M6 OPTIONAL PART: HL79-6 V73197 HL79-6 V92215 66014-6 V56878 HL79-6 V56878	002004 006100 103107 121503 904999	2	
	804	113N1144-1	-----*----- .. STIFFENER- USED ON: 113N1974-15	002004 006999	1	
	MISSING ITEM NUMBERS NOT APPLICABLE					

- ITEM NOT ILLUSTRATED

BRI

57-51-01-07

BOEING PROPRIETARY - Copyright © - Unpublished Work - See title page for details.

57-51-01
FIG. 07
PAGE 42
MAY 20/09



757

PARTS CATALOG (MAINTENANCE)

FIG ITEM	PART NUMBER	1 2 3 4 5 6 7	NOMENCLATURE	EFFECT FROM TO	UNITS PER ASSY
7					
807	BACS40R016F028F	.	SHIM-	101102 108120 504903	1
807	BACS40R016X028F	.	SHIM	103106	1
810	BACS40R016F020F	.	SHIM-	101102 108120 504903	1
810	BACS40R016X020F	.	SHIM-	103106	1
813	BACS40R13C23F	.	SHIM	002004 006100 107107 121503 904999	1
816	BACB30LU4-11	.	BOLT-	002004 006100 103107 121503 904999	2
818	BACW10BP4CD	.	WASHER- POSITION DATA: UNDER BOLT HEAD	002004 006999	2
821	AN960-416	.	WASHER	002004 006100 107107 121503 904999	4
821	NAS1149F0463P	.	WASHER	101106 108120 504903	4
824	BACW10BP4DP	.	WASHER- POSITION DATA: UNDER NUT	002004 006999	2
827	BRH10C4D	.	NUT- SUPPLIER CODE: V52828 SPECIFICATION NUMBER: BACN10JC4CD OPTIONAL PART: T6C428JCD V11815 NS202486-048 V80539 102LH9075-4W V72962 H51650-4BAC V15653	002004 006999	2
830	113N1619-7	.	LINK-	002004 006999	2

MISSING ITEM NUMBERS NOT APPLICABLE

- ITEM NOT ILLUSTRATED

57-51-01-07

57-51-01
FIG. 07
PAGE 43
JAN 20/09

BRI

BOEING PROPRIETARY - Copyright © - Unpublished Work - See title page for details.

BOEING
757
PARTS CATALOG (MAINTENANCE)

FIG ITEM	PART NUMBER	1 2 3 4 5 6 7	NOMENCLATURE	EFFECT FROM TO	UNITS PER ASSY
7 833	113N1602-1		.FITTING ASSY-ATTACH	002004 006999	1
- 836	BACB30MY8K		ATTACHING PARTS .BOLT- SIZE DETERMINED ON INSTL.	002004 006100 103107 121503 904999	2
- 836	L800X8K7		.BOLT- SUPPLIER CODE: V06725 SPECIFICATION NUMBER: BACB30MY8K7X POST SERVICE BULLETIN: 57-0008	101106 108120 504903	2
- 839	HL79-8		.COLLAR- SUPPLIER CODE: V5M902 SPECIFICATION NUMBER: BACC30M8 OPTIONAL PART: HL79-8 V73197 HL79-8 V92215 66014-8 V56878 HL79-8 V56878 -----*-----	002004 006999	2

MISSING ITEM NUMBERS NOT APPLICABLE

- ITEM NOT ILLUSTRATED

BRI

57-51-01-07

BOEING PROPRIETARY - Copyright © - Unpublished Work - See title page for details.

57-51-01
FIG. 07
PAGE 44
JAN 20/09



757

PARTS CATALOG (MAINTENANCE)

FIG ITEM	PART NUMBER	1 2 3 4 5 6 7	NOMENCLATURE	EFFECT FROM TO	UNITS PER ASSY
7 842	BNG4F113		. . BEARING SUPPLIER CODE: V16746 SPECIFICATION NUMBER: BACB10CN4 OPTIONAL PART: BLN4-2230 V81376 HG4-140 V02758 KSBG4-57 V97613 55768-4 V09455 NBG4A V73134 NC4G1 V56644 AG4V25 V15860 ABG4V4 VS0352	002004 006999	1
845	113N1602-3		. FITTING ASSY-ATTACH ATTACHING PARTS	002004 006999	1
- 848	BACB30MY6K		. BOLT- SIZE DETERMINED ON INSTL.	002004 006100 103107 121503 904999	4
- 848	BACB30VT6K		. BOLT- SIZE DETERMINED ON INSTL.	101102 108120 504903	4
- 851	HL79-6		. COLLAR- SUPPLIER CODE: V5M902 SPECIFICATION NUMBER: BACC30M6 OPTIONAL PART: HL79-6 V73197 HL79-6 V92215 66014-6 V56878 HL79-6 V56878	002004 006100 103107 121503 904999	4

MISSING ITEM NUMBERS NOT APPLICABLE

- ITEM NOT ILLUSTRATED

57-51-01-07

57-51-01
FIG. 07
PAGE 45
JAN 20/09

BRI



757

PARTS CATALOG (MAINTENANCE)

FIG ITEM	PART NUMBER	1 2 3 4 5 6 7	NOMENCLATURE	EFFECT FROM TO	UNITS PER ASSY
7 - 851	BACC30BL6		. COLLAR- SUPPLIER CODE: V73197 SPECIFICATION NUMBER: BACC30BL6 OPTIONAL PART: HST79-6 V92215 HST79CY6 V56878 HST79CY6 V5M902	101102 108120 504903	4
854	BNG4F113		-----*----- . . BEARING SUPPLIER CODE: V16746 SPECIFICATION NUMBER: BACB10CN4 OPTIONAL PART: BLN4-2230 V81376 HG4-140 V02758 KSBG4-57 V97613 55768-4 V09455 NBG4A V73134 NC4G1 V56644 AG4V25 V15860 ABG4V4 VS0352	002004 006999	1
857	BACB30LJ4-11		. BOLT-	002004 006999	2
860	BACW10BP4CD		. WASHER-	002004 006999	2
863	BACW10BP4DP		. WASHER-	002004 006999	2

MISSING ITEM NUMBERS NOT APPLICABLE

- ITEM NOT ILLUSTRATED

57-51-01-07

57-51-01
FIG. 07
PAGE 46
JAN 20/09

BRI



757

PARTS CATALOG (MAINTENANCE)

FIG ITEM	PART NUMBER	1 2 3 4 5 6 7	NOMENCLATURE	EFFECT FROM TO	UNITS PER ASSY
7 866	BRH10C4D		.NUT- SUPPLIER CODE: V52828 SPECIFICATION NUMBER: BACN10JC4CD OPTIONAL PART: T6C428JCD V11815 NS202486-048 V80539 102LH9075-4W V72962 H51650-4BAC V15653	002004 006999	2
869	113N1619-2		.LINK-	002004 006999	2
872	113N0501-1		.FITTING ASSY-SPRT	002004 006017 107107 121503 904999	1
872	113N0501-9		.FITTING ASSY-SPRT	018106 108120 504903	1

MISSING ITEM NUMBERS NOT APPLICABLE

- ITEM NOT ILLUSTRATED

BRI

57-51-01-07

BOEING PROPRIETARY - Copyright © - Unpublished Work - See title page for details.

57-51-01
FIG. 07
PAGE 47
JAN 20/09



757

PARTS CATALOG (MAINTENANCE)

FIG ITEM	PART NUMBER	1 2 3 4 5 6 7 NOMENCLATURE	EFFECT FROM TO	UNITS PER ASSY
7 - 875	HL1012AZ10-11	ATTACHING PARTS .BOLT SUPPLIER CODE: VOPTK6 SPECIFICATION NUMBER: BACB30NX10K11 OPTIONAL PART: HL12VAZ10-11 V73197 HL12VAZ10-11 V92215 HL12VAZ10-11 V97928 L802-10K11 V06725 HL1012AZ10-11 V06725 HL1012AZ10-11 V06950 HL1012AZ10-11 V17446 HL1012AZ10-11 V56878 HL1012AZ10-11 V60516 HL1012AZ10-11 V73197 HL1012AZ10-11 V97928 HL12VAZ10-11 V56878	002004 006100 107107 121503 904999	2

MISSING ITEM NUMBERS NOT APPLICABLE

- ITEM NOT ILLUSTRATED

BRI

57-51-01-07

BOEING PROPRIETARY - Copyright © - Unpublished Work - See title page for details.

57-51-01
FIG. 07
PAGE 48
JAN 20/09



757

PARTS CATALOG (MAINTENANCE)

FIG ITEM	PART NUMBER	1 2 3 4 5 6 7	NOMENCLATURE	EFFECT FROM TO	UNITS PER ASSY
7 - 875	HL1022AZ10-11		.BOLT- SUPPLIER CODE: V06725 SPECIFICATION NUMBER: BACB30NX10K11X OPTIONAL PART: HL112AZ10-11 V97928 HL112AZ10-11 V92215 HL112AZ10-11 V73197 HL112AZ10-11 V60516 HL112AZ10-11 V56878 HL112AZ10-11 V06725 HL1022AZ10-11 V56878 HL1022AZ10-11 V73197 HL1022AZ10-11 V97928 HL1022AZ10-11 V56878 HL1022AZ10-11 V73197 HL1022AZ10-11 V97928	101106 108120 504903	2
- 878	HL1187-10		.COLLAR- SUPPLIER CODE: V5M902 SPECIFICATION NUMBER: BACC30X10 OPTIONAL PART: HL1187-10 V56878 HL1187-10 V92215 HL1187-10 V73197 HL1187-10 V92215 HL87-10 V56878 HL1187-10 V73197	002004 006102 107999	2

MISSING ITEM NUMBERS NOT APPLICABLE

- ITEM NOT ILLUSTRATED

57-51-01-07

57-51-01
FIG. 07
PAGE 49
JAN 20/09

BRI



757

PARTS CATALOG (MAINTENANCE)

FIG ITEM	PART NUMBER	1 2 3 4 5 6 7	NOMENCLATURE	EFFECT FROM TO	UNITS PER ASSY
7 - 878	HL1087-10		. COLLAR- SUPPLIER CODE: V9N513 SPECIFICATION NUMBER: BACC30BH10 OPTIONAL PART: HL1087-10 V92215 HL1087-10 V73197 HL1087-10 V56878	103106	2
881	BNG4F113		-----*----- .. BEARING SUPPLIER CODE: V16746 SPECIFICATION NUMBER: BACB10CN4 OPTIONAL PART: BLN4-2230 V81376 HG4-140 V02758 KSBG4-57 V97613 55768-4 V09455 NBG4A V73134 NC4G1 V56644 AG4V25 V15860 ABG4V4 VS0352	002004 006999	1
884	113N0501-3		.. FITTING- OPTIONAL PART: 113N0501-7	002004 006017 107107 121503 904999	1
884	113N0501-7		.. FITTING- OPTIONAL PART: 113N0501-3	002004 006017 107107 121503 904999	1
884	113N0501-11		.. FITTING	018106 108120 504903	1

MISSING ITEM NUMBERS NOT APPLICABLE

- ITEM NOT ILLUSTRATED

57-51-01-07

57-51-01
FIG. 07
PAGE 50
JAN 20/09

BRI



757

PARTS CATALOG (MAINTENANCE)

FIG ITEM	PART NUMBER	1 2 3 4 5 6 7	NOMENCLATURE	EFFECT FROM TO	UNITS PER ASSY
7 887	113N0502-1		.FITTING ASSY-	002004 006999	1
- 890	HL1012AZ8-5		.BOLT ATTACHING PARTS SUPPLIER CODE: VOPTK6 SPECIFICATION NUMBER: BACB30NX8K5 OPTIONAL PART: HL12VAZ8-5 V73197 HL12VAZ8-5 V92215 HL12VAZ8-5 V97928 L802-8K5 V06725 HL12VAZ8-5 V56878 HL1012AZ8-5 V06725 HL1012AZ8-5 V06950 HL1012AZ8-5 V17446 HL1012AZ8-5 V56878 HL1012AZ8-5 V60516 HL1012AZ8-5 V73197 HL1012AZ8-5 V97928	002004 006999	2

MISSING ITEM NUMBERS NOT APPLICABLE

- ITEM NOT ILLUSTRATED

57-51-01-07

57-51-01
FIG. 07
PAGE 51
JAN 20/09

BRI



757

PARTS CATALOG (MAINTENANCE)

FIG ITEM	PART NUMBER	1 2 3 4 5 6 7	NOMENCLATURE	EFFECT FROM TO	UNITS PER ASSY
7 - 893	HL1187-8		.COLLAR- SUPPLIER CODE: V5M902 SPECIFICATION NUMBER: BACC30X8 OPTIONAL PART: HL87-8 V92215 HL87-8 V73197 HL1187-8 V56878 HL1187-8 V92215 HL87-8 V56878 HL1187-8 V73197	002004 006102 107999	2
- 893	HL1087-8		.COLLAR- SUPPLIER CODE: V9N513 SPECIFICATION NUMBER: BACC30BH8 OPTIONAL PART: HL1087-8 V92215 HL1087-8 V73197 HL1087-8 V56878 -----*	103106	2

MISSING ITEM NUMBERS NOT APPLICABLE

- ITEM NOT ILLUSTRATED

BRI

57-51-01-07

BOEING PROPRIETARY - Copyright © - Unpublished Work - See title page for details.

57-51-01
FIG. 07
PAGE 52
JAN 20/09



757

PARTS CATALOG (MAINTENANCE)

FIG ITEM	PART NUMBER	1 2 3 4 5 6 7	NOMENCLATURE	EFFECT FROM TO	UNITS PER ASSY
7 896	BNG4F113		.. BEARING SUPPLIER CODE: V16746 SPECIFICATION NUMBER: BACB10CN4 OPTIONAL PART: BLN4-2230 V81376 HG4-140 V02758 KSBG4-57 V97613 55768-4 V09455 NBG4A V73134 NC4G1 V56644 AG4V25 V15860 ABG4V4 VS0352	002004 006999	1
899	113N0502-2		.. FITTING	002004 006999	1

MISSING ITEM NUMBERS NOT APPLICABLE

- ITEM NOT ILLUSTRATED

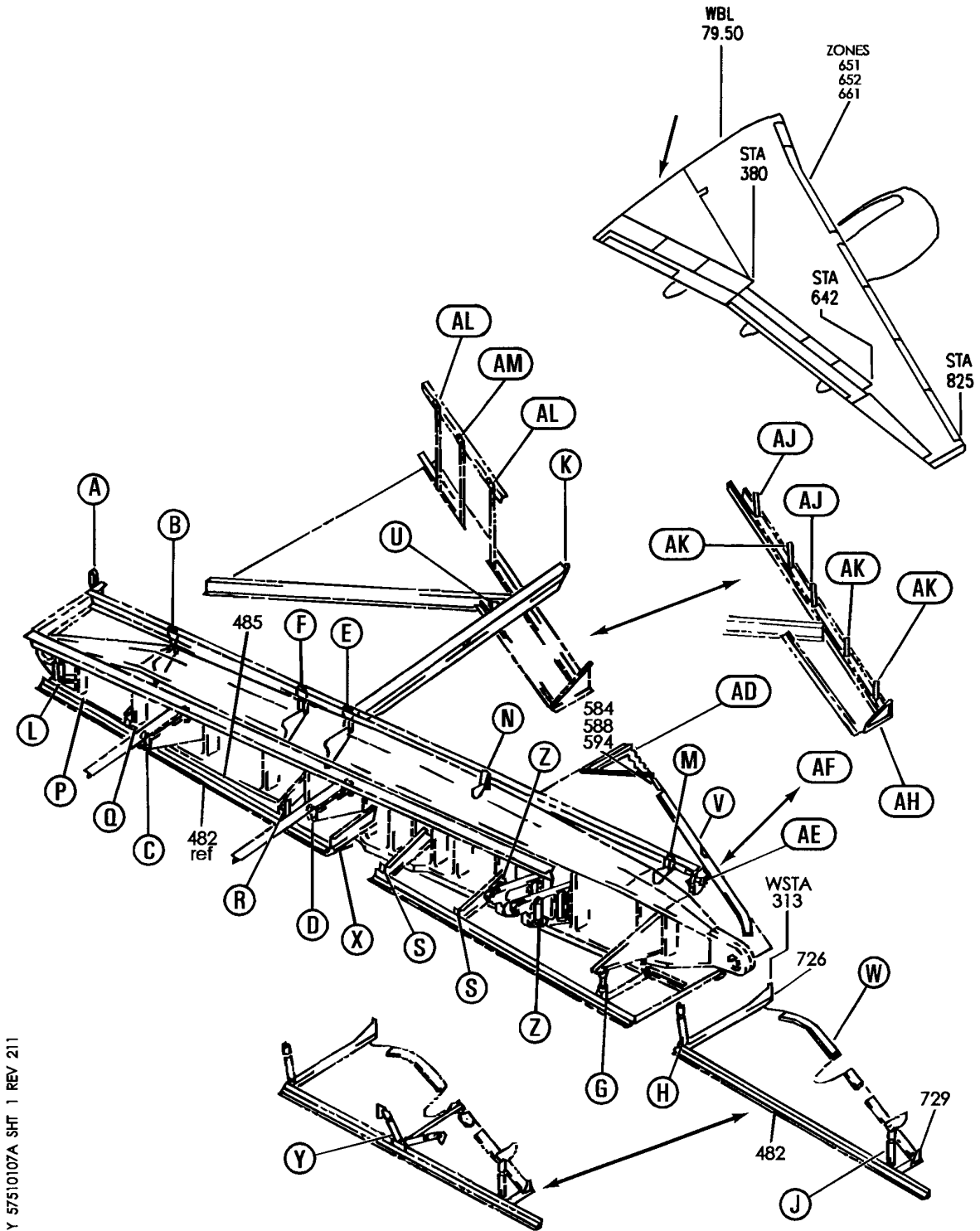
BRI

57-51-01-07

BOEING PROPRIETARY - Copyright © - Unpublished Work - See title page for details.

57-51-01
FIG. 07
PAGE 53
JAN 20/09

BOEING
757
PARTS CATALOG (MAINTENANCE)



Y 57510107A SHT 1 REV 211

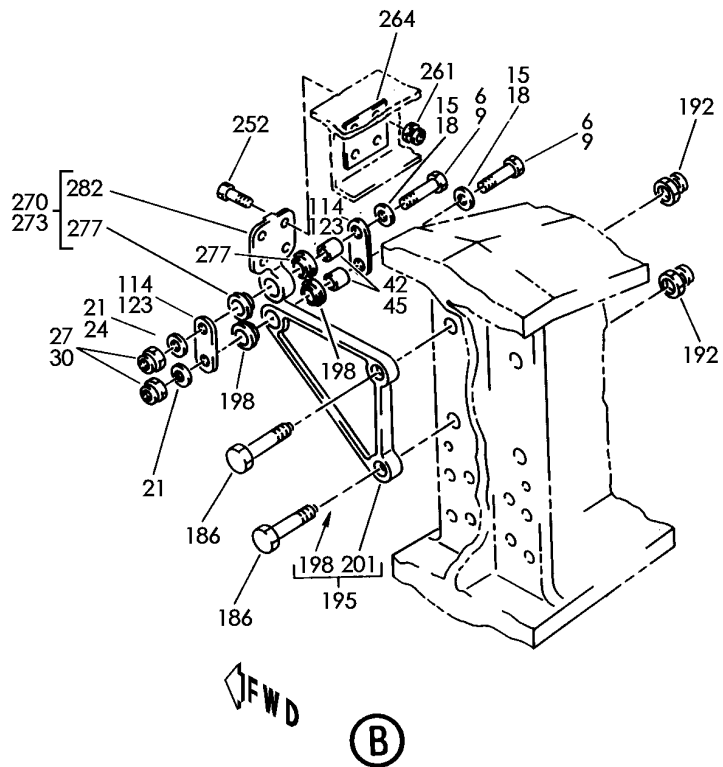
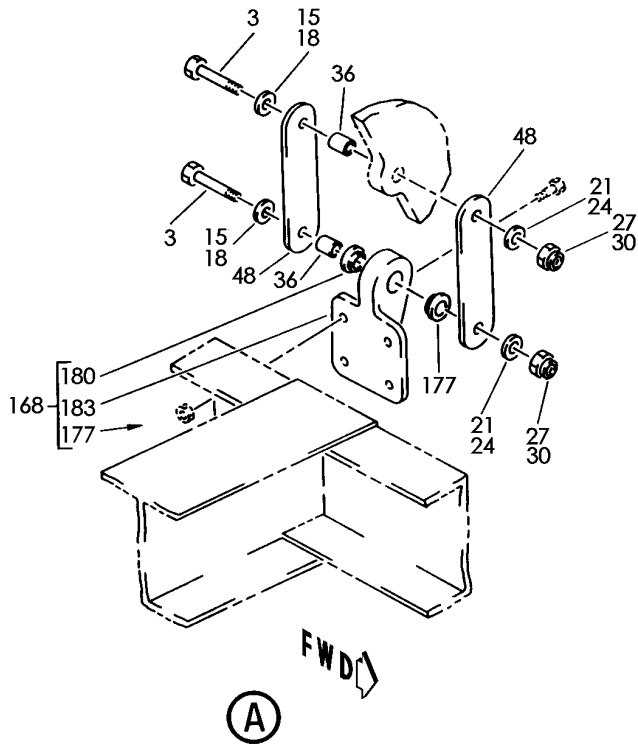
SUPPORT INSTL-WING INBD TE PNL
FIGURE 7A (SHEET 1)

57-51-01-07A

BRI
MAY 28/07

57-51-01-07A
PAGE 0

BOEING
757
PARTS CATALOG (MAINTENANCE)



Y 57510107A SHT 2 REV 224

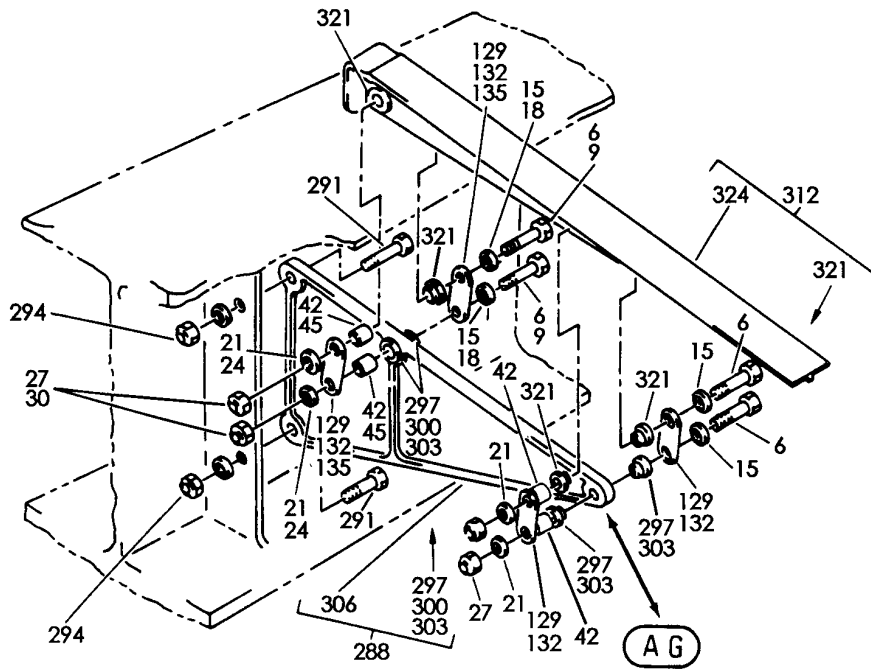
SUPPORT INSTL-WING INBD TE PNL
FIGURE 7A (SHEET 2)

57-51-01-07A

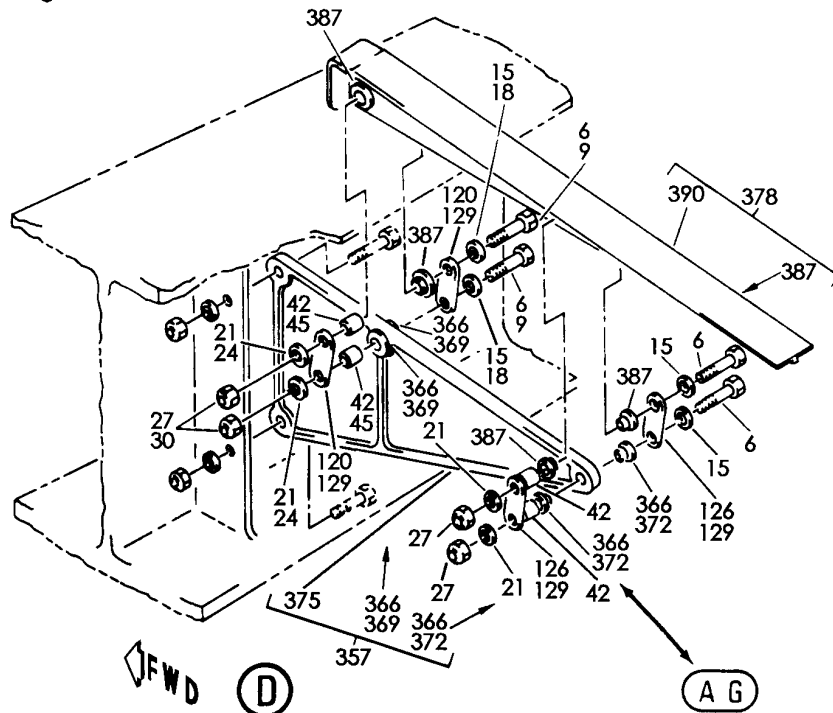
BRI
MAY 28/07

57-51-01-07A
PAGE 0A

BOEING
757
PARTS CATALOG (MAINTENANCE)



FWD (C)



FWD (D)

Y 57510107A SHT 3 REV 211

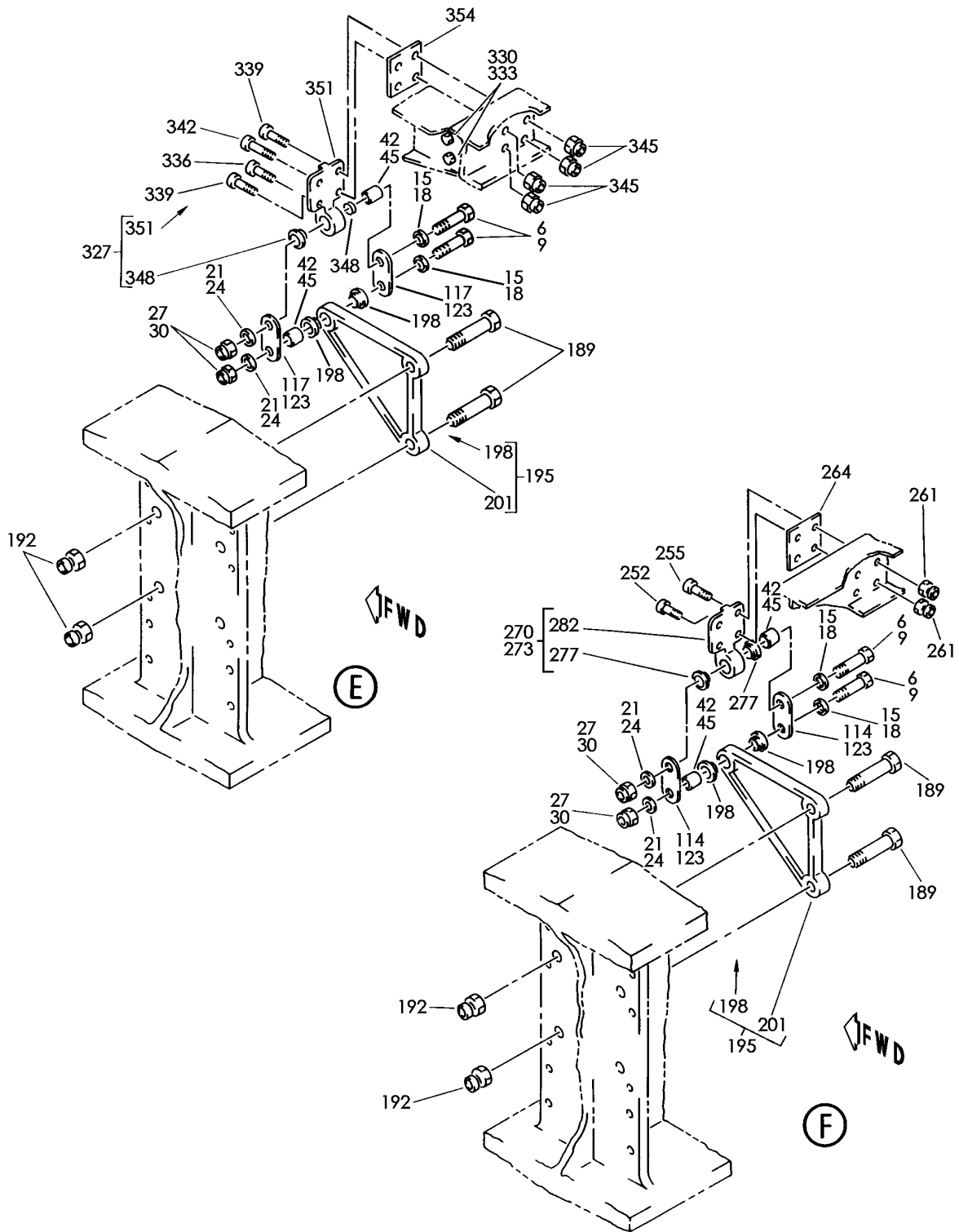
SUPPORT INSTL-WING INBD TE PNL
FIGURE 7A (SHEET 3)

57-51-01-07A

BRI
MAY 28/07

57-51-01-07A
PAGE 0B

BOEING
757
PARTS CATALOG (MAINTENANCE)



Y 57510107A SHT 4 REV 224

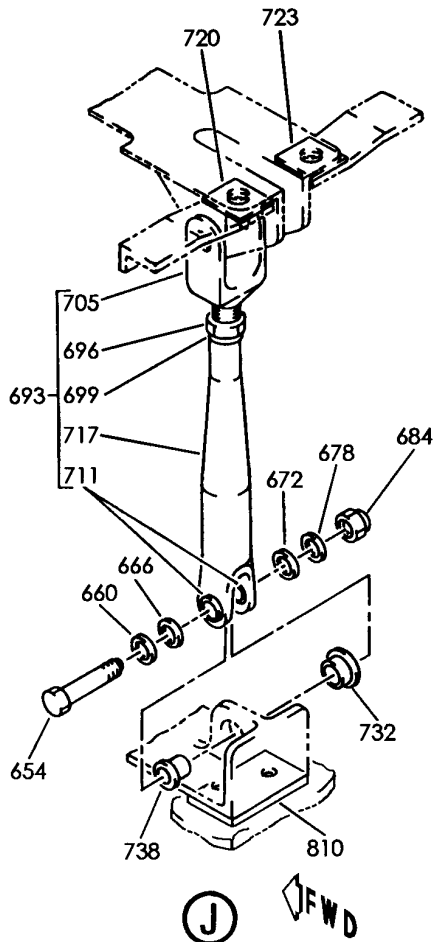
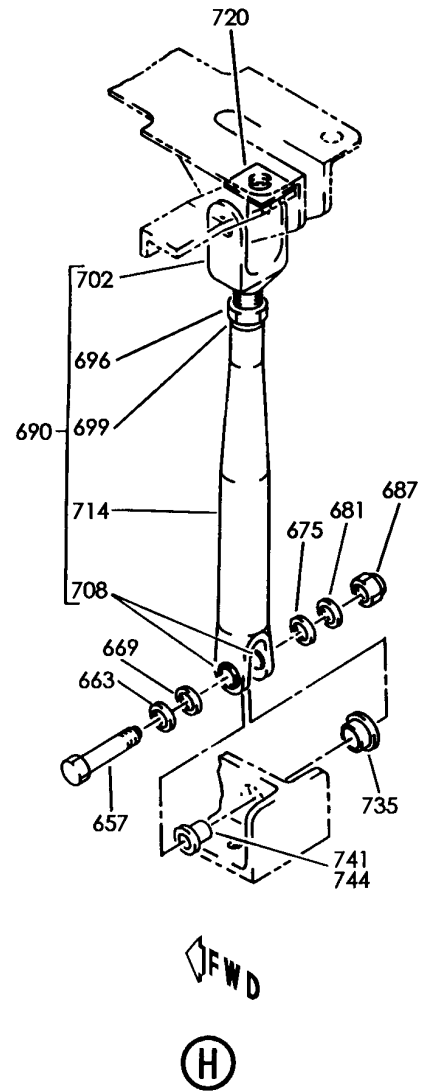
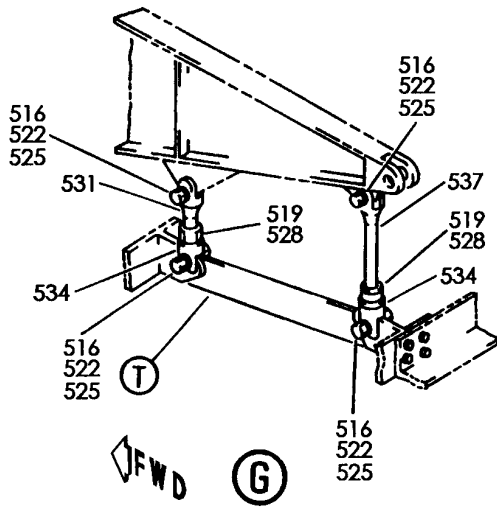
SUPPORT INSTL-WING INBD TE PNL
FIGURE 7A (SHEET 4)

57-51-01-07A

BRI
MAY 28/07

57-51-01-07A
PAGE 0C

BOEING
757
PARTS CATALOG (MAINTENANCE)



Y 57510107A SHT. 5 REV. 211

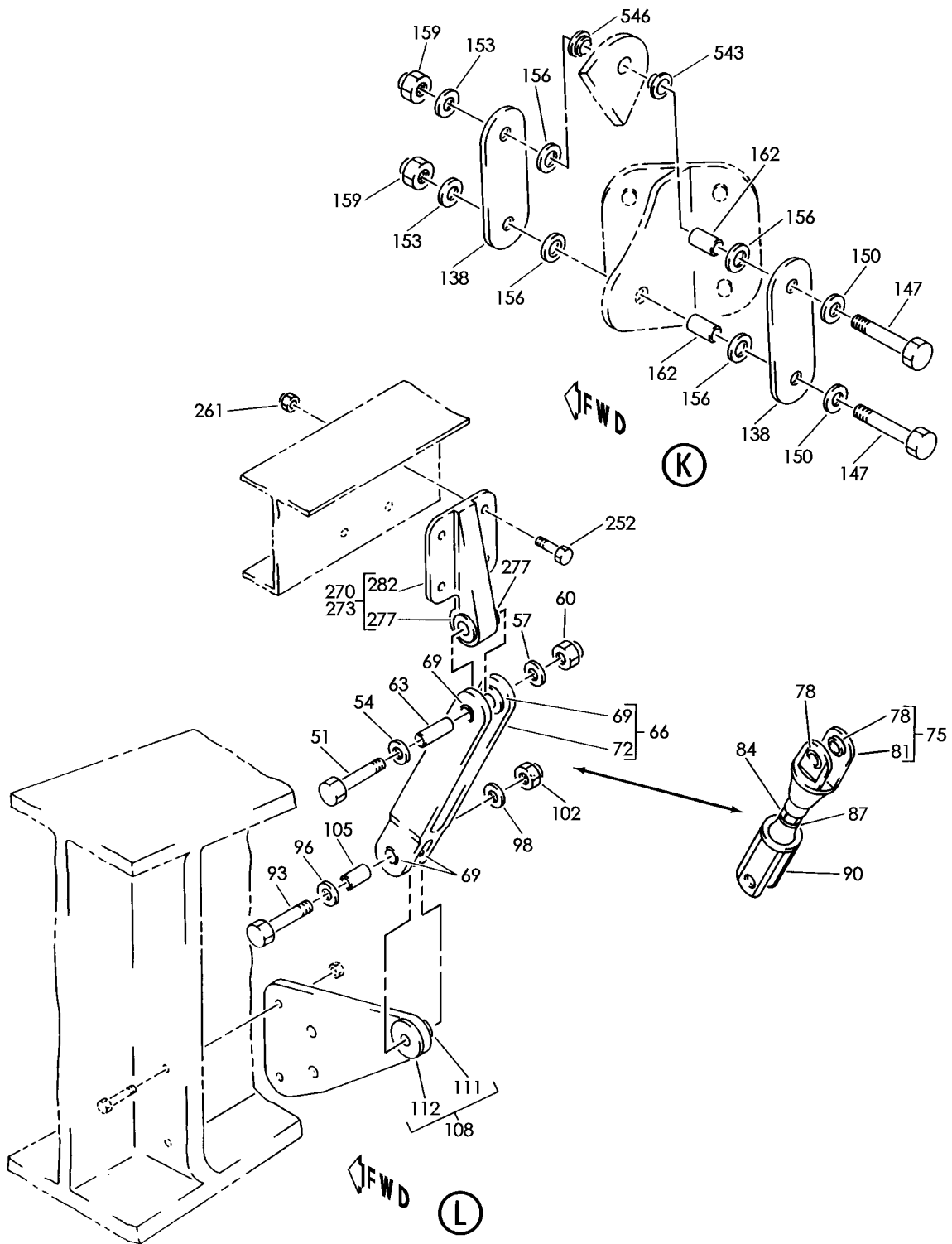
SUPPORT INSTL-WING INBD TE PNL
FIGURE 7A (SHEET 5)

57-51-01-07A

BRI
MAY 28/07

57-51-01-07A
PAGE 0D

BOEING
757
PARTS CATALOG (MAINTENANCE)



Y 57510107A SHT 6 REV 224

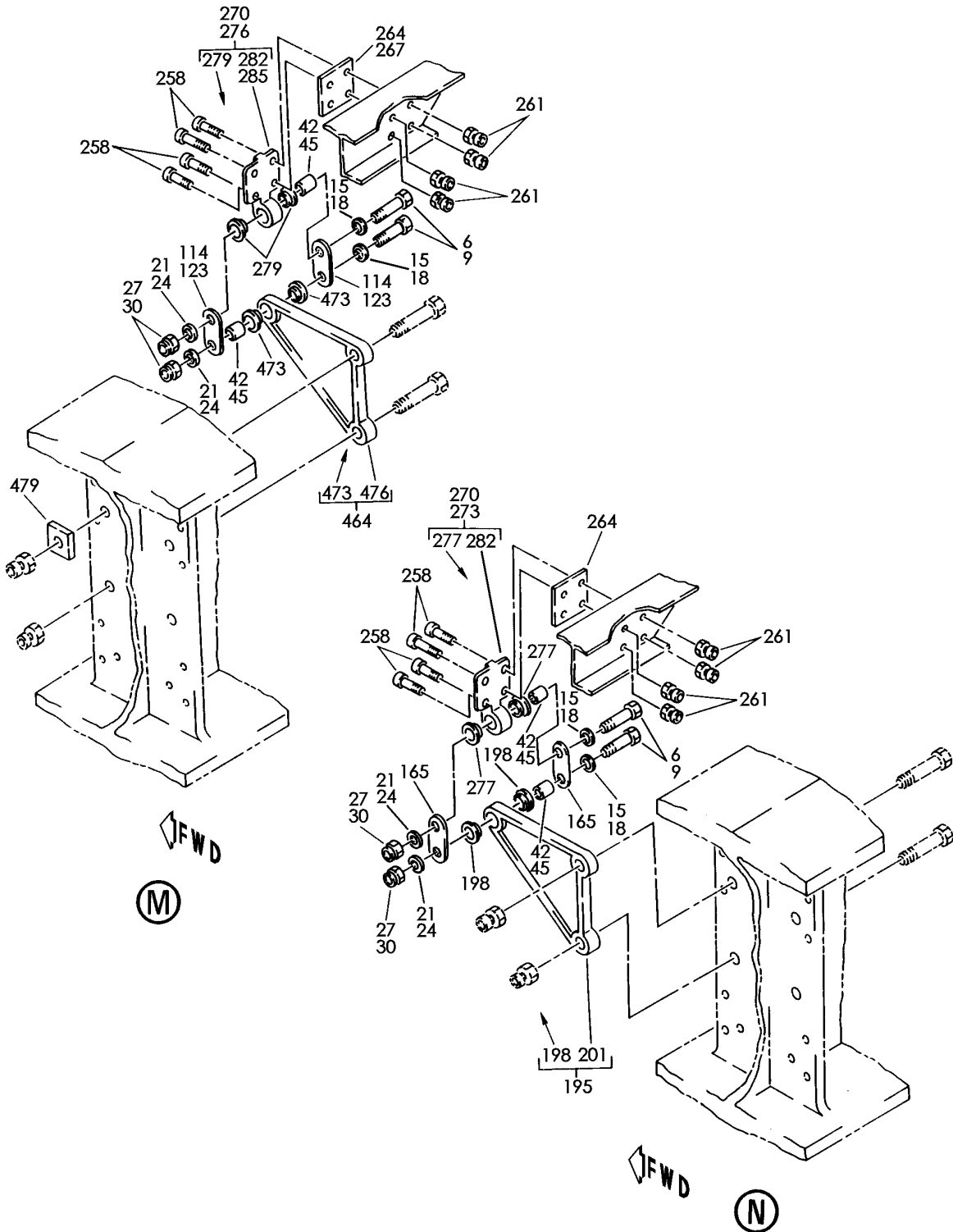
SUPPORT INSTL-WING INBD TE PNL
FIGURE 7A (SHEET 6)

57-51-01-07A

BRI
MAY 28/07

57-51-01-07A
PAGE 0E

BOEING
757
PARTS CATALOG (MAINTENANCE)



Y 57510107A SHT 7 REV 224

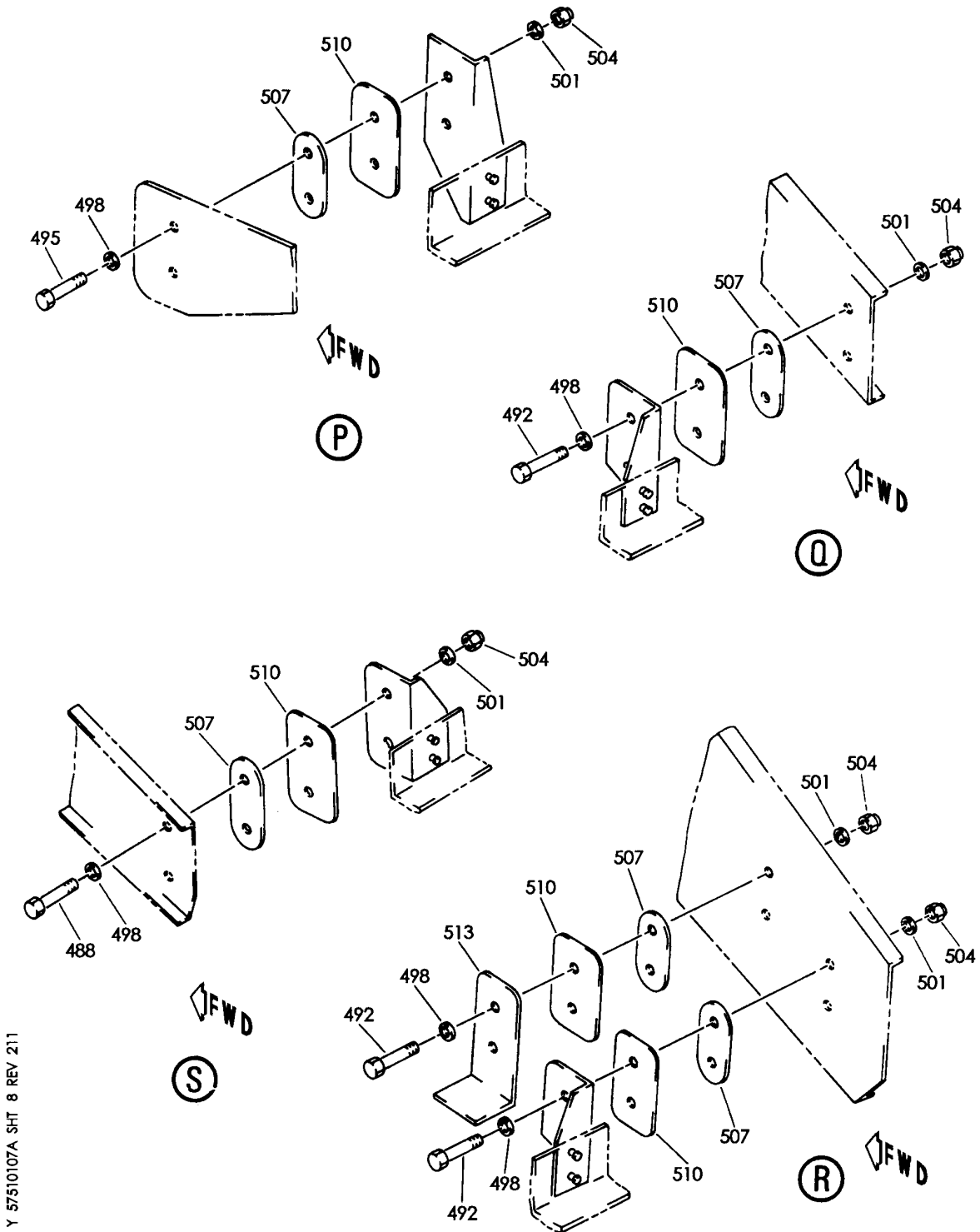
SUPPORT INSTL-WING INBD TE PNL
FIGURE 7A (SHEET 7)

57-51-01-07A

BRI
MAY 28/07

57-51-01-07A
PAGE OF

BOEING
757
PARTS CATALOG (MAINTENANCE)



Y 57510107A SHT 8 REV 211

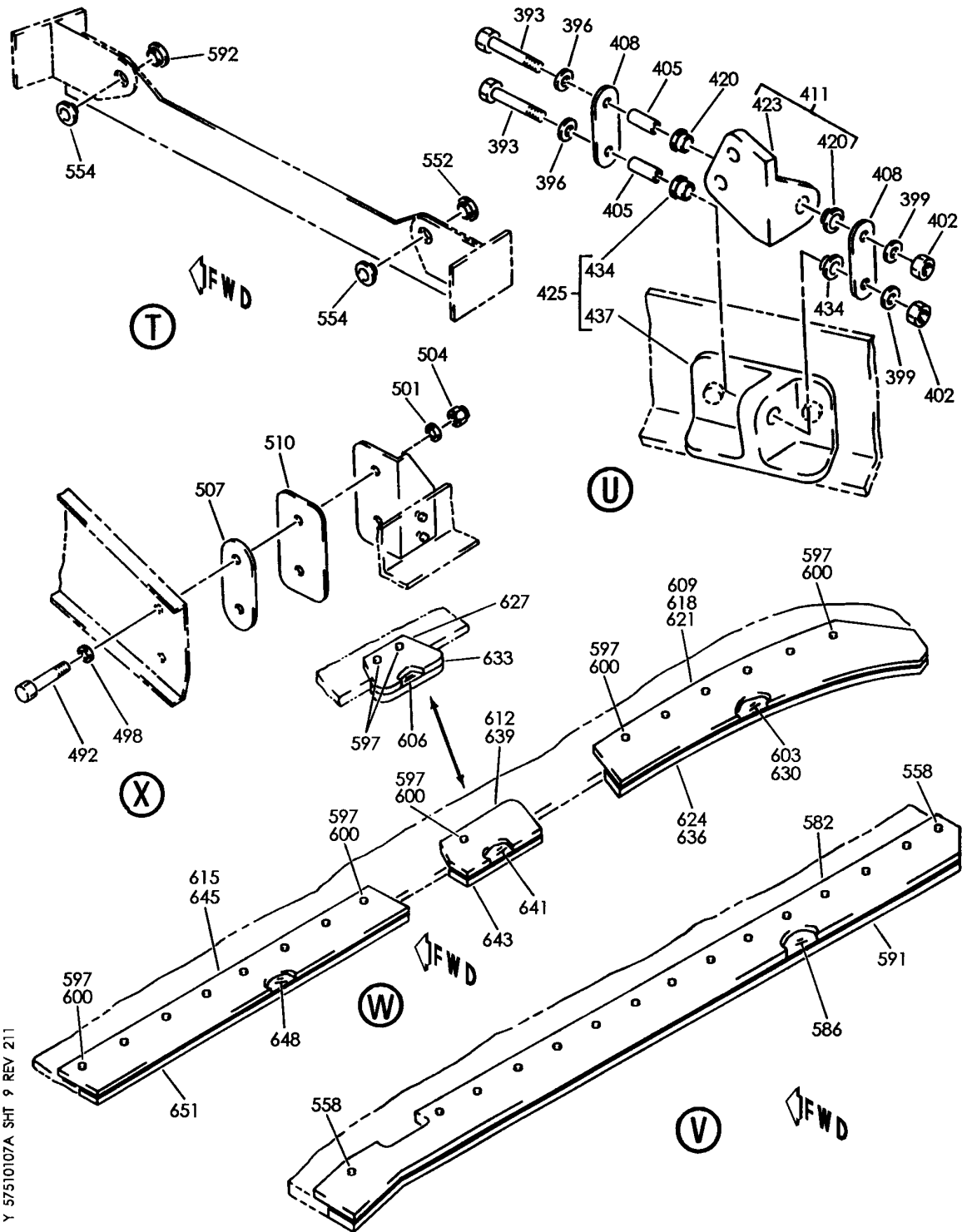
SUPPORT INSTL-WING INBD TE PNL
FIGURE 7A (SHEET 8)

57-51-01-07A

BRI
MAY 28/07

57-51-01-07A
PAGE 0G


BOEING
 757
PARTS CATALOG (MAINTENANCE)



Y 57510107A SHT 9 REV 211

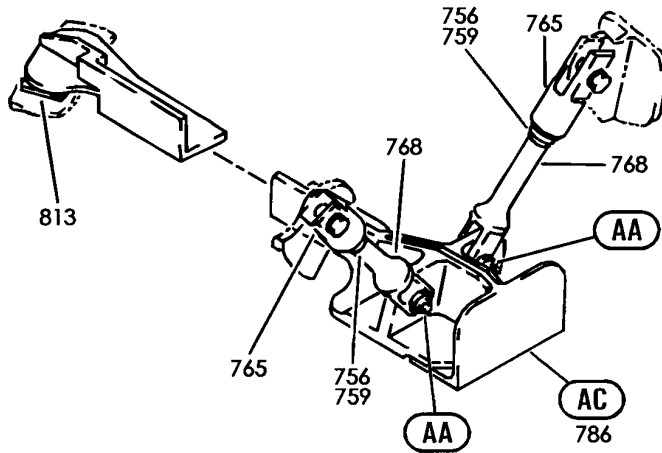
SUPPORT INSTL-WING INBD TE PNL
FIGURE 7A (SHEET 9)

57-51-01-07A

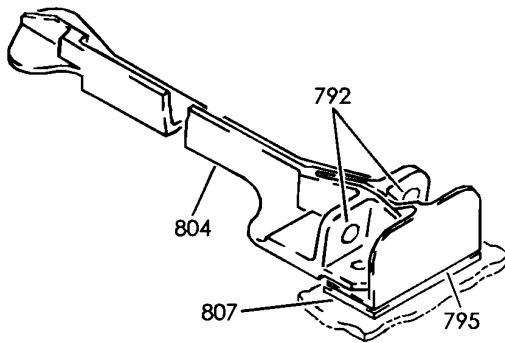
BRI
MAY 28/07

57-51-01-07A
PAGE 0H

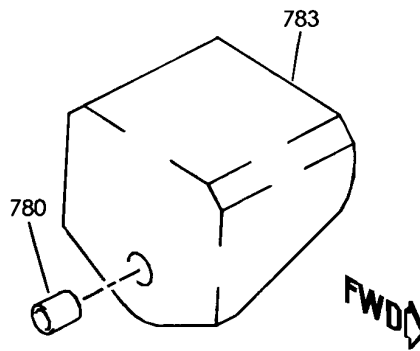
BOEING
757
PARTS CATALOG (MAINTENANCE)



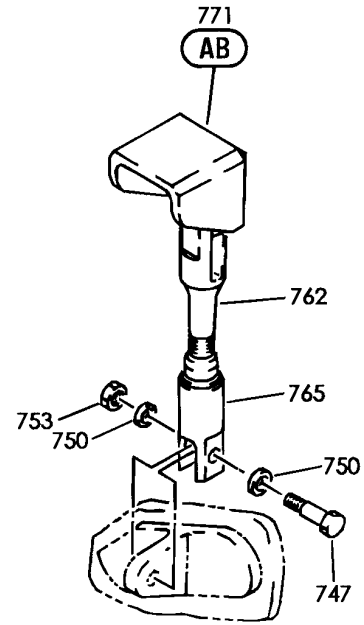
Y



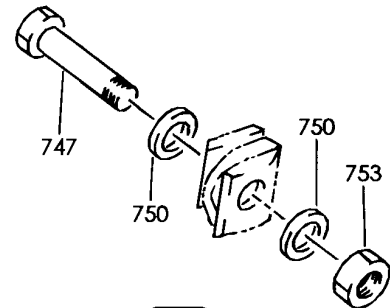
AC



AB



Z



AA

Y 57510107A SHT 10 REV 211

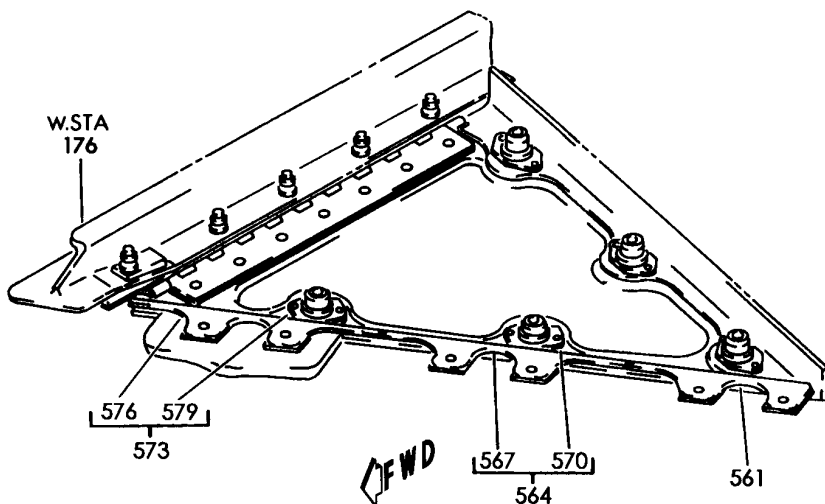
SUPPORT INSTL-WING INBD TE PNL
FIGURE 7A (SHEET 10)

57-51-01-07A

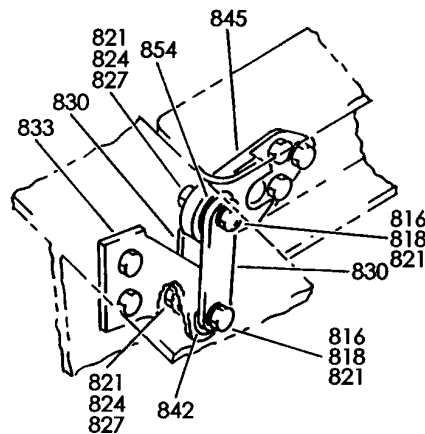
BRI
MAY 28/07

57-51-01-07A
PAGE 01

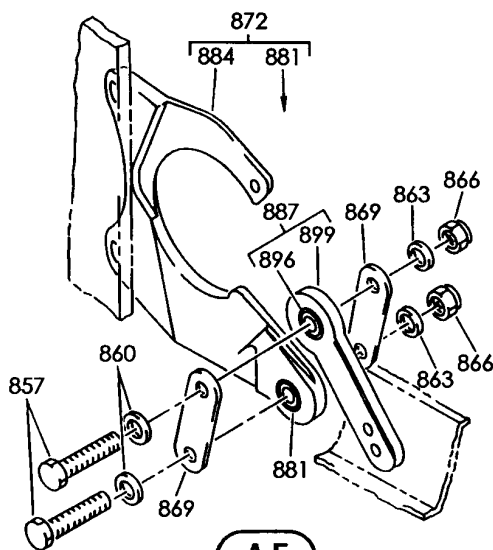
BOEING
757
PARTS CATALOG (MAINTENANCE)



AD



AE



AF

Y 57510107A SHT 11 REV 211

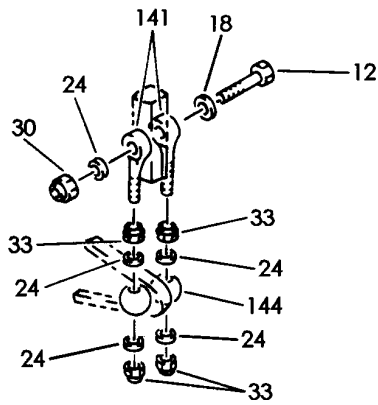
SUPPORT INSTL-WING INBD TE PNL
FIGURE 7A (SHEET 11)

57-51-01-07A

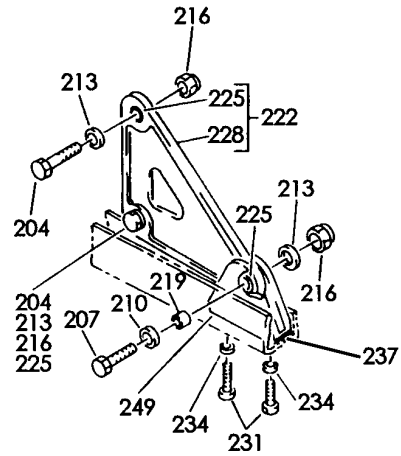
BRI
MAY 28/07

57-51-01-07A
PAGE 0J

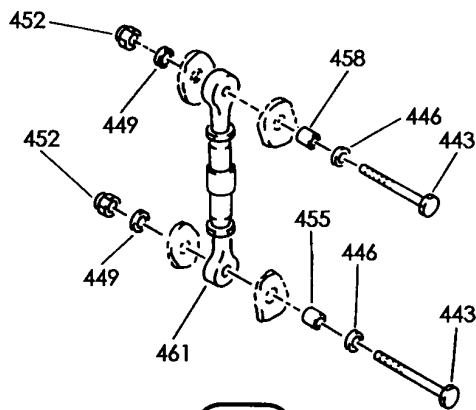
BOEING
757
PARTS CATALOG (MAINTENANCE)



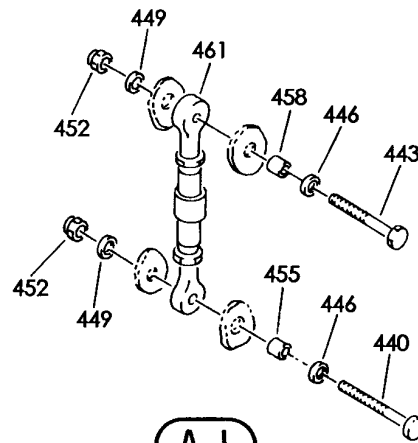
AG



AH



AK



AJ

Y 57510107A SHT 12 REV 211

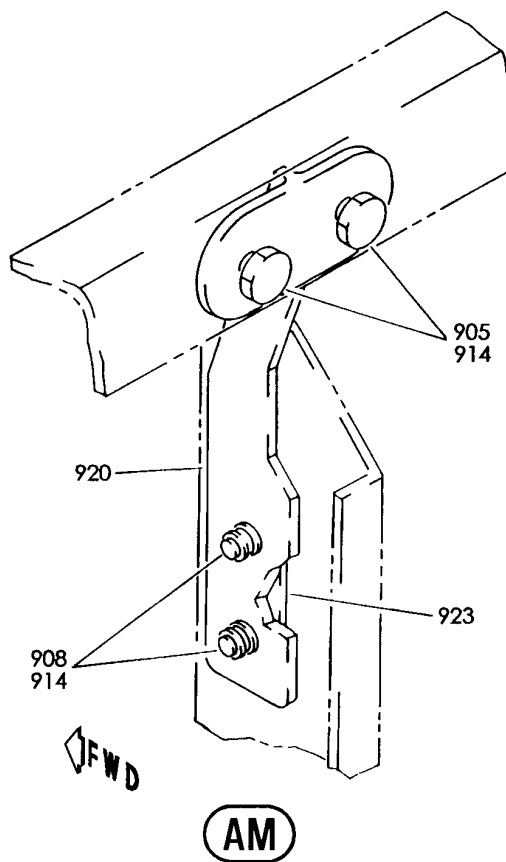
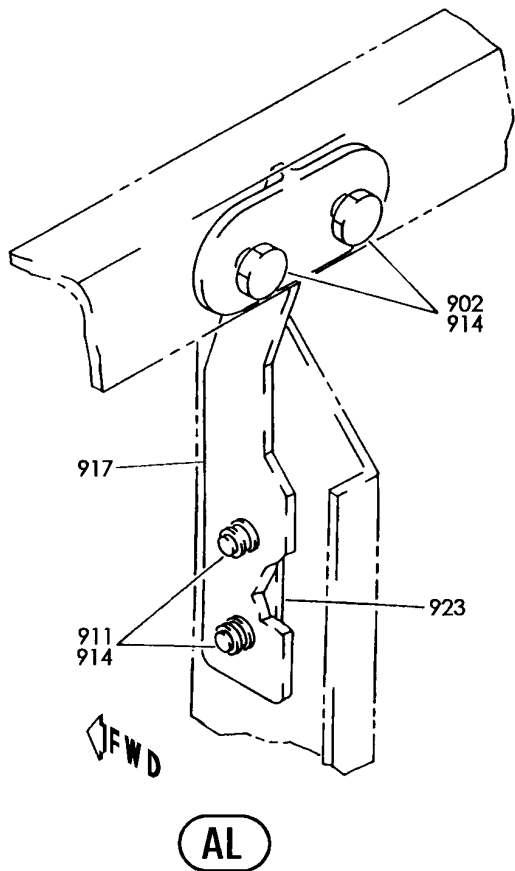
SUPPORT INSTL-WING INBD TE PNL
FIGURE 7A (SHEET 12)

57-51-01-07A

BRI
MAY 28/07

57-51-01-07A
PAGE OK

BOEING
757
PARTS CATALOG (MAINTENANCE)



Y 57510107A SH1 13 REV 211

SUPPORT INSTL-WING INBD TE PNL
FIGURE 7A (SHEET 13)

57-51-01-07A

BRI
MAY 28/07

57-51-01-07A
PAGE 01



757

PARTS CATALOG (MAINTENANCE)

FIG ITEM	PART NUMBER	1 2 3 4 5 6 7	NOMENCLATURE	EFFECT FROM TO	UNITS PER ASSY
7A			SUPPORT INSTL-WING INBD TE PNL	002004	
- 1	113N1630-64		SUPPORT INSTL-WING TE PNL POSITION DATA: INBD RH MISCELLANEOUS DATA: (REWORKED BY AD91-14-21) REWORK DRAWING REF: 113N1630-42 FOR NHA SEE: 57-50-00-01	006999 107107	RF
- 1	113N1630-66		SUPPORT INSTL-WING TE PNL POSITION DATA: INBD, RH FOR NHA SEE: 57-50-00-01	002004 121503 904949 952952	RF
- 1	113N1630-80		SUPPORT INSTL-WING TE PNL POSITION DATA: INBD, RH FOR NHA SEE: 57-50-00-01	006100 950951 953999	RF
- 1	113N1630-202		SUPPORT INSTL-WING TE PNL POSITION DATA: INBD, RH FOR NHA SEE: 57-00-00-05	101102 108120 504903	RF
- 3	MODREF19088		SUPPORT INSTL-WING TE PNL MODULE NUMBER: 113N1630-206 REV A POSITION DATA: INBD, RH	103103	1
- 3	MODREF33078		SUPPORT INSTL-WING TE PNL MODULE NUMBER: 113N1630-206 REV C POSITION DATA: INBD, RH	104106	1
4	BACB30LJ4-12		.BOLT	002004 006999	3
9	BACB30LJ4-16		.BOLT	002004 006999	14
12	BACB30LJ4SU25		.BOLT	002004 006999	2
18	BACW10BP4AC		.WASHER- POSITION DATA: UNDER HEAD	002004 006999	14
24	BACW10BP4AP		.WASHER- POSITION DATA: UNDER NUT	002004 006999	22

MISSING ITEM NUMBERS NOT APPLICABLE

- ITEM NOT ILLUSTRATED

57-51-01-07A

57-51-01
FIG. 07A
PAGE 1
JAN 20/09

BRI

BOEING PROPRIETARY - Copyright © - Unpublished Work - See title page for details.



757

PARTS CATALOG (MAINTENANCE)

FIG ITEM	PART NUMBER	1 2 3 4 5 6 7	NOMENCLATURE	EFFECT FROM TO	UNITS PER ASSY
7A 30	BRH10C4D	.NUT	SUPPLIER CODE: V52828 SPECIFICATION NUMBER: BACN10JC4CD OPTIONAL PART: T6C428JCD V11815 NS202486-048 V80539 102LH9075-4W V72962 H51650-4BAC V15653	002004 006999	14
33	BRH10C4D	.NUT	SUPPLIER CODE: V52828 SPECIFICATION NUMBER: BACN10JC4CD OPTIONAL PART: T6C428JCD V11815 NS202486-048 V80539 102LH9075-4W V72962 H51650-4BAC V15653	107107	8
33	NAS509-4C	.NUT-JAM		002004 006106 108999	8
36	BACB28AK04-040	.BUSHING		002004 006999	2
39	BACB28AK04-160	.BUSHING		107107	2
39	BACB28AK04-150	.BUSHING		002004 006106 108999	2
45	BACB28AK04-068	.BUSHING		002004 006999	14
48	113N1908-1	.LINK		107107 904949	2
48	113N1908-2	.LINK		002004 006106 108903 950999	2
51	BACB30LJ4-17	.BOLT		002004 006999	1

MISSING ITEM NUMBERS NOT APPLICABLE

- ITEM NOT ILLUSTRATED

57-51-01-07A

57-51-01
FIG. 07A
PAGE 2
JAN 20/09

BRI

BOEING PROPRIETARY - Copyright © - Unpublished Work - See title page for details.



757

PARTS CATALOG (MAINTENANCE)

FIG ITEM	PART NUMBER	1 2 3 4 5 6 7	NOMENCLATURE	EFFECT FROM TO	UNITS PER ASSY
7A					
54	BACW10BP4AC	.	WASHER- POSITION DATA: UNDER HEAD	002004 006999	1
57	BACW10BP4AP	.	WASHER- POSITION DATA: UNDER NUT	002004 006999	1
60	BRH10C4D	.	NUT SUPPLIER CODE: V52828 SPECIFICATION NUMBER: BACN10JC4CD OPTIONAL PART: T6C428JCD V11815 NS202486-048 V80539 102LH9075-4W V72962 H51650-4BAC V15653	002004 006999	1
63	BACB28AK04-104	.	BUSHING	002004 006999	1
75	113N1381-1	.	FITTING ASSY	002004 006999	1
78	BACB28AP06-012	..	BUSHING	002004 006999	2
81	113N1381-2	..	FITTING	002004 006999	1
84	NAS509-5C	.	NUT	002004 006999	1
87	BACW10BP5AP	.	WASHER	002004 006999	1
90	113N1969-3	.	FITTING	002004 006999	1
93	BACB30LJ4-13	.	BOLT	002004 006999	1
96	BACW10BP4AC	.	WASHER- POSITION DATA: UNDER HEAD	002004 006999	1

MISSING ITEM NUMBERS NOT APPLICABLE

- ITEM NOT ILLUSTRATED

57-51-01-07A

57-51-01
FIG. 07A
PAGE 3
JAN 20/09

BRI

BOEING PROPRIETARY - Copyright © - Unpublished Work - See title page for details.



757

PARTS CATALOG (MAINTENANCE)

FIG ITEM	PART NUMBER	1 2 3 4 5 6 7	NOMENCLATURE	EFFECT FROM TO	UNITS PER ASSY
7A 102	BRH10C4D	.	NUT SUPPLIER CODE: V52828 SPECIFICATION NUMBER: BACN10JC4CD OPTIONAL PART: T6C428JCD V11815 NS202486-048 V80539 102LH9075-4W V72962 H51650-4BAC V15653	002004 006999	1
105	BACB28AK04-034	.	BUSHING	002004 006999	1
108	113N1923-7	.	PLATE ASSY	002004 006999	1
111	BACB28AA6B025	..	BUSHING	002004 006999	1
111	BACB28W8B019	..	BUSHING	002004 006999	1
114	113N1619-4	.	LINK	002004 006106 108999	6
117	113N1619-6	.	LINK	002004 006106 108999	2
123	113N1619-4	.	LINK	107107	8
126	113N1619-9	.	LINK	002004 006100 103107 121503 904999	2
132	113N1619-2	.	LINK	101106 108120 504903	4
135	113N1619-2	.	LINK	002004 006999	2
138	113N1619-1	.	LINK	002004 006999	2
141	113N1866-1	.	LINK-	002004 006999	2
141	113N1866-3	.	LINK-	002004 006999	2
144	113N1729-1	.	PIN-SPECIAL	002004 006999	2
147	BACB30LJ4D12	.	BOLT	002004 006999	2

MISSING ITEM NUMBERS NOT APPLICABLE

- ITEM NOT ILLUSTRATED

57-51-01-07A

57-51-01
FIG. 07A
PAGE 4
JAN 20/09

BRI

BOEING PROPRIETARY - Copyright © - Unpublished Work - See title page for details.



757

PARTS CATALOG (MAINTENANCE)

FIG ITEM	PART NUMBER	1 2 3 4 5 6 7	NOMENCLATURE	EFFECT FROM TO	UNITS PER ASSY
7A					
150	BACW10BP4AC	.	WASHER	002004 006999	2
153	BACW10BP4AP	.	WASHER	002004 006999	2
156	BACW10BP6AP	.	WASHER	002004 006999	4
159	BRH10C4D	.	NUT	002004 006999	2
			SUPPLIER CODE: V52828		
			SPECIFICATION NUMBER: BACN10JC4CD		
			OPTIONAL PART: T6C428JCD		
			V11815		
			NS202486-048		
			V80539		
			102LH9075-4W		
			V72962		
			H51650-4BAC		
			V15653		
162	BACB28AK04-043	.	BUSHING	002004 006999	2
165	113N1619-1	.	LINK	002004 006999	2
168	113N1905-1	.	FITTING ASSY-CONNECTING BEAM SPRT	002004 006999	1
168	113N1905-3	.	FITTING ASSY-CONNECTING BEAM SPRT	002004 006999	1

MISSING ITEM NUMBERS NOT APPLICABLE

- ITEM NOT ILLUSTRATED

BRI

57-51-01-07A

BOEING PROPRIETARY - Copyright © - Unpublished Work - See title page for details.

57-51-01
FIG. 07A
PAGE 5
JAN 20/09

 **BOEING**
757
PARTS CATALOG (MAINTENANCE)

FIG ITEM	PART NUMBER	1 2 3 4 5 6 7	NOMENCLATURE	EFFECT FROM TO	UNITS PER ASSY
7A			ATTACHING PARTS		
- 171	HL1012AZ6-3		.BOLT SUPPLIER CODE: V97928 SPECIFICATION NUMBER: BACB30NX6K3 OPTIONAL PART: HL12VAZ6-3 V73197 HL12VAZ6-3 V92215 HL12VAZ6-3 V97928 L802-6K3 V06725 HL12VAZ6-3 V56878 HL1012AZ6-3 VOPTK6 HL1012AZ6-3 V06725 HL1012AZ6-3 V06950 HL1012AZ6-3 V17446 HL1012AZ6-3 V56878 HL1012AZ6-3 V60516 HL1012AZ6-3 V73197	002004 006999	4
- 174	HL1187-6		.COLLAR- SUPPLIER CODE: V5M902 SPECIFICATION NUMBER: BACC30X6 OPTIONAL PART: HL87-6 V92215 HL87-6 V73197 HL1187-6 V56878 HL1187-6 V92215 HL87-6 V56878 HL1187-6 V73197	002004 006102 107999	4

MISSING ITEM NUMBERS NOT APPLICABLE

- ITEM NOT ILLUSTRATED

BRI

57-51-01-07A

BOEING PROPRIETARY - Copyright © - Unpublished Work - See title page for details.

57-51-01
FIG. 07A
PAGE 6
JAN 20/09



757

PARTS CATALOG (MAINTENANCE)

FIG ITEM	PART NUMBER	1 2 3 4 5 6 7	NOMENCLATURE	EFFECT FROM TO	UNITS PER ASSY
7A - 174	HL1087-6		. COLLAR- SUPPLIER CODE: V73197 SPECIFICATION NUMBER: BACC30BH6 OPTIONAL PART: HL1087-6 V56878 HL1087-6 V92215 HL1087-6 V9N513 -----*	103106	4
177	BACB28W8B022		.. BUSHING	002004 006999	1
180	BACB28AA6B028		.. BUSHING	002004 006999	1
183	113N1905-2		.. FITTING-	002004 006999	1
183	113N1905-4		.. FITTING-	002004 006999	1

MISSING ITEM NUMBERS NOT APPLICABLE

- ITEM NOT ILLUSTRATED

57-51-01-07A

57-51-01
FIG. 07A
PAGE 7
JAN 20/09

BRI



757

PARTS CATALOG (MAINTENANCE)

FIG ITEM	PART NUMBER	1 2 3 4 5 6 7	NOMENCLATURE	EFFECT FROM TO	UNITS PER ASSY
7A 186	HL1012AZ12-15	.BOLT	SUPPLIER CODE: VOPTK6 SPECIFICATION NUMBER: BACB30NX12K15 OPTIONAL PART: HL12VAZ12-15 V73197 HL12VAZ12-15 V92215 HL12VAZ12-15 V97928 L802-12K15 V06725 HL12VAZ12-15 V56878 HL12AZ12-15 V06725 HL12AZ12-15 V06950 HL1012AZ12-15 V17446 HL1012AZ12-15 V56878 HL1012AZ12-15 V60516 HL1012AZ12-15 V73197 HL1012AZ12-15 V97928	002004 006999	2

MISSING ITEM NUMBERS NOT APPLICABLE

- ITEM NOT ILLUSTRATED

BRI

57-51-01-07A

BOEING PROPRIETARY - Copyright © - Unpublished Work - See title page for details.

57-51-01
FIG. 07A
PAGE 8
JAN 20/09



757

PARTS CATALOG (MAINTENANCE)

FIG ITEM	PART NUMBER	1 2 3 4 5 6 7	NOMENCLATURE	EFFECT FROM TO	UNITS PER ASSY
7A 189	HL1012AZ12-13	.BOLT	SUPPLIER CODE: VOPTK6 SPECIFICATION NUMBER: BACB30NX12K13 OPTIONAL PART: HL12VAZ12-13 V73197 HL12VAZ12-13 V92215 HL12VAZ12-13 V97928 L802-12K13 V06725 HL12VAZ12-13 V56878 HL1012AZ12-13 V06725 HL1012AZ12-13 V06950 HL1012AZ12-13 V17446 HL1012AZ12-13 V56878 HL1012AZ12-13 V60516 HL1012AZ12-13 V73197 HL1012AZ12-13 V97928	002004 006999	4
192	HL1187-12	.COLLAR-	SUPPLIER CODE: V5M902 SPECIFICATION NUMBER: BACC30X12 OPTIONAL PART: HL1187-12 V73197 HL1187-12 V56878 HL1187-12 V92215 HL1187-12 V92215 HL87-12 V56878 HL87-12 V73197	002004 006102 107999	6

MISSING ITEM NUMBERS NOT APPLICABLE

- ITEM NOT ILLUSTRATED

BRI

57-51-01-07A

BOEING PROPRIETARY - Copyright © - Unpublished Work - See title page for details.

57-51-01
FIG. 07A
PAGE 9
JAN 20/09



757

PARTS CATALOG (MAINTENANCE)

FIG ITEM	PART NUMBER	1 2 3 4 5 6 7	NOMENCLATURE	EFFECT FROM TO	UNITS PER ASSY
7A 192	HL1087-12	.	COLLAR- SUPPLIER CODE: V9N513 SPECIFICATION NUMBER: BACC30BH12 OPTIONAL PART: HL1087-12 V92215 HL1087-12 V73197 HL1087-12 V56878	103106	6
195	113N1617-1	.	FITTING ASSY-RIB	002004 006102 107999	4
195	113N1601-1	.	FITTING ASSY-RIB OPTIONAL PART: 113N1601-7	002004 006102 107999	4
195	113N1601-7	.	FITTING ASSY-RIB OPTIONAL PART: 113N1601-1	101102 108120 504903	4
195	113N1601-11	.	FITTING ASSY-RIB OPTIONAL PART: 113N1601-9	103106	4
195	113N1601-9	.	FITTING ASSY-RIB OPTIONAL PART: 113N1601-11	103106	4
198	NAS77A6-23P	..	BUSHING- USED ON: 113N1617-1 113N1601-1 113N1601-9	002004 006999	2
198	BACB28AT06B024C	..	BUSHING- USED ON: 113N1601-7 113N1601-11	101106 108120 504903	2
201	113N1617-3	..	FITTING- USED ON: 113N1617-1	002004 006102 107999	1
201	113N1601-3	..	FITTING- USED ON: 113N1601-1	002004 006102 107999	1
201	113N1601-8	..	FITTING	101102 108120 504903	1
201	113N1601-12	..	FITTING	103106	1
201	113N1601-10	..	FITTING	103106	1
204	BACB30NR4K11	.	BOLT	002004 006999	2

MISSING ITEM NUMBERS NOT APPLICABLE

- ITEM NOT ILLUSTRATED

57-51-01-07A

57-51-01
FIG. 07A
PAGE 10
JAN 20/09

BRI

BOEING PROPRIETARY - Copyright © - Unpublished Work - See title page for details.



757

PARTS CATALOG (MAINTENANCE)

FIG ITEM	PART NUMBER	1 2 3 4 5 6 7	NOMENCLATURE	EFFECT FROM TO	UNITS PER ASSY
7A					
207	BACB30NR4K17	.	BOLT	002004 006999	1
210	BACW10BP4AC	.	WASHER	002004 006999	1
213	BACW10BP4AP	.	WASHER	002004 006999	3
216	BRH10C4D	.	NUT	002004 006999	3
			SUPPLIER CODE: V52828		
			SPECIFICATION NUMBER: BACN10JC4CD		
			OPTIONAL PART: T6C428JCD		
			V11815		
			NS202486-048		
			V80539		
			102LH9075-4W		
			V72962		
			H51650-4BAC		
			V15653		
219	BACB28AK04-028	.	BUSHING	002004 006999	1
222	113N2032-1	.	FITTING ASSY-HINGED	002004 006999	1
225	BNG4F113	..	BEARING	002004 006999	3
			SUPPLIER CODE: V16746		
			SPECIFICATION NUMBER: BACB10CN4		
			OPTIONAL PART: BLN4-2230		
			V81376		
			HG4-140		
			V02758		
			KSBG4-57		
			V97613		
			55768-4		
			V09455		
			NBG4A		
			V73134		
			NC4G1		
			V56644		
			AG4V25		
			V15860		
			ABG4V4		
			VS0352		
228	113N2032-2	..	FITTING	002004 006999	1

MISSING ITEM NUMBERS NOT APPLICABLE

- ITEM NOT ILLUSTRATED

57-51-01-07A

57-51-01
FIG. 07A
PAGE 11
JAN 20/09

BRI

BOEING PROPRIETARY - Copyright © - Unpublished Work - See title page for details.



757

PARTS CATALOG (MAINTENANCE)

FIG ITEM	PART NUMBER	1 2 3 4 5 6 7	NOMENCLATURE	EFFECT FROM TO	UNITS PER ASSY
7A					
231	BACB30NN3K12	.	BOLT	002004 006999	2
234	BACW10UC101	.	WASHER	002004 006999	2
237	BACS40R007E30F	.	SHIM	101106 108120 504903	3
240	K29646-3S	.	WASHER SUPPLIER CODE: V15653 SPECIFICATION NUMBER: BACW10CA3CVS OPTIONAL PART: 70186-3S V56878 922005-3 V60119 942005-3 V60119	002004 006999	1
243	K29913-3S	.	WASHER SUPPLIER CODE: V15653 SPECIFICATION NUMBER: BACW10CA3CCS OPTIONAL PART: 70189-3S V56878 922006-3 V60119 942006-3 V60119	002004 006999	1
246	NAS1804-3	.	NUT	002004 006999	1
249	113N2030-7	.	FITTING ASSY-CLEVIS	002004 006999	1

MISSING ITEM NUMBERS NOT APPLICABLE

- ITEM NOT ILLUSTRATED

57-51-01-07A

57-51-01
FIG. 07A
PAGE 12
JAN 20/09

BRI

BOEING PROPRIETARY - Copyright © - Unpublished Work - See title page for details.

 **BOEING**
757
PARTS CATALOG (MAINTENANCE)

FIG ITEM	PART NUMBER	1 2 3 4 5 6 7 NOMENCLATURE	EFFECT FROM TO	UNITS PER ASSY
7A 252	HL1012AZ6-4	.BOLT SUPPLIER CODE: V97928 SPECIFICATION NUMBER: BACB30NX6K4 OPTIONAL PART: HL12VAZ6-4 V73197 HL12VAZ6-4 V92215 HL12VAZ6-4 V97928 L802-6K4 V06725 HL12VAZ6-4 V56878 HL1012AZ6-4 VOPTK6 HL1012AZ6-4 V06725 HL1012AZ6-4 V06950 HL1012AZ6-4 V17446 HL1012AZ6-4 V56878 HL1012AZ6-4 V60516 HL1012AZ6-4 V73197	002004 006999	10

MISSING ITEM NUMBERS NOT APPLICABLE

— ITEM NOT ILLUSTRATED

BRI

57-51-01-07A

BOEING PROPRIETARY - Copyright © - Unpublished Work - See title page for details.

57-51-01
FIG. 07A
PAGE 13
JAN 20/09



757

PARTS CATALOG (MAINTENANCE)

FIG ITEM	PART NUMBER	1 2 3 4 5 6 7	NOMENCLATURE	EFFECT FROM TO	UNITS PER ASSY
7A 255	HL1012AZ6-5	.BOLT	SUPPLIER CODE: V97928 SPECIFICATION NUMBER: BACB30NX6K5 OPTIONAL PART: HL12VAZ6-5 V73197 HL12VAZ6-5 V92215 HL12VAZ6-5 V97928 L802-6K5 V06725 HL12VAZ6-5 V56878 HL1012AZ6-5 VOPTK6 HL1012AZ6-5 V06725 HL1012AZ6-5 V06950 HL1012AZ6-5 V17446 HL1012AZ6-5 V56878 HL1012AZ6-5 V60516 HL1012AZ6-5 V73197	002004 006999	2
258	BACB30NX6K	.BOLT-	SIZE DETERMINED ON INSTL.	002004 006999	8

MISSING ITEM NUMBERS NOT APPLICABLE

- ITEM NOT ILLUSTRATED

57-51-01-07A

57-51-01
FIG. 07A
PAGE 14
JAN 20/09

BRI



757

PARTS CATALOG (MAINTENANCE)

FIG ITEM	PART NUMBER	1 2 3 4 5 6 7	NOMENCLATURE	EFFECT FROM TO	UNITS PER ASSY
7A 261	HL1187-6		.COLLAR- SUPPLIER CODE: V5M902 SPECIFICATION NUMBER: BACC30X6 OPTIONAL PART: HL87-6 V92215 HL87-6 V73197 HL1187-6 V56878 HL1187-6 V92215 HL87-6 V56878 HL1187-6 V73197	002004 006102 107999	20
261	HL1087-6		.COLLAR- SUPPLIER CODE: V73197 SPECIFICATION NUMBER: BACC30BH6 OPTIONAL PART: HL1087-6 V56878 HL1087-6 V92215 HL1087-6 V9N513	103106	20
264	BACS40R020B020F		.SHIM	002004 006999	4
267	BACS40R20B18F		.SHIM	003004 006100 121503 904999	1
270	113N1618-1		.FITTING ASSY	107107	5
273	113N1618-1		.FITTING ASSY	002004 006106 108999	4
276	113N1153-1		.FITTING ASSY	002004 006106 108999	1
277	NAS77A6-23P		..BUSHING- USED ON: 113N1618-1	002004 006102 107999	2

MISSING ITEM NUMBERS NOT APPLICABLE

- ITEM NOT ILLUSTRATED

57-51-01-07A

57-51-01
FIG. 07A
PAGE 15
JAN 20/09

BRI

BOEING PROPRIETARY - Copyright © - Unpublished Work - See title page for details.



757

PARTS CATALOG (MAINTENANCE)

FIG ITEM	PART NUMBER	1 2 3 4 5 6 7	NOMENCLATURE	EFFECT FROM TO	UNITS PER ASSY
7A 279	NAS77A6-23P	..	BUSHING- USED ON: 113N1618-1 113N1153-1	002004 006999	2
282	113N1618-3	..	FITTING	107107	1
282	113N1618-3	..	FITTING- USED ON: 113N1618-1	002004 006106 108999	1
285	113N1153-2	..	FITTING- USED ON: 113N1153-1	002004 006106 108999	1
288	113N1638-9	.	FITTING ASSY-RIB	002004 006100 107107 121503 904999	1
288	113N1638-13	.	FITTING ASSY-RIB	002004 006999	1
291	HL1012AZ12-13	.	BOLT ATTACHING PARTS SUPPLIER CODE: VOPTK6 SPECIFICATION NUMBER: BACB30NX12K13 OPTIONAL PART: HL12VAZ12-13 V73197 HL12VAZ12-13 V92215 HL12VAZ12-13 V97928 L802-12K13 V06725 HL12VAZ12-13 V56878 HL1012AZ12-13 V06725 HL1012AZ12-13 V06950 HL1012AZ12-13 V17446 HL1012AZ12-13 V56878 HL1012AZ12-13 V60516 HL1012AZ12-13 V73197 HL1012AZ12-13 V97928	002004 006999	2

MISSING ITEM NUMBERS NOT APPLICABLE

- ITEM NOT ILLUSTRATED

57-51-01-07A

57-51-01
FIG. 07A
PAGE 16
JAN 20/09

BRI

BOEING PROPRIETARY - Copyright © - Unpublished Work - See title page for details.



757

PARTS CATALOG (MAINTENANCE)

FIG ITEM	PART NUMBER	1 2 3 4 5 6 7	NOMENCLATURE	EFFECT FROM TO	UNITS PER ASSY
7A 294	HL1187-12		.COLLAR- SUPPLIER CODE: V5M902 SPECIFICATION NUMBER: BACC30X12 OPTIONAL PART: HL1187-12 V73197 HL1187-12 V56878 HL1187-12 V92215 HL1187-12 V92215 HL87-12 V56878 HL87-12 V73197	002004 006102 107999	2
294	HL1087-12		.COLLAR- SUPPLIER CODE: V9N513 SPECIFICATION NUMBER: BACC30BH12 OPTIONAL PART: HL1087-12 V92215 HL1087-12 V73197 HL1087-12 V56878	103106	2
300	NAS77A6-23P		-----*----- ..BUSHING	002004 006999	2
303	NAS77A9-23P		..BUSHING	107107 904949	2
303	BACB28AT09A023C		..BUSHING	002004 006106 108903 950999	2
306	113N1638-11		..FITTING	002004 006999	1
312	113N1603-2		.FITTING ASSY-RIB POSITION DATA: UPR RH SIDE OPTIONAL PART: 113N1629-16	002004 006999	1
312	113N1629-10		.FITTING ASSY-RIB POSITION DATA: UPR RH SIDE	002004 006999	1

MISSING ITEM NUMBERS NOT APPLICABLE

- ITEM NOT ILLUSTRATED

57-51-01-07A

57-51-01
FIG. 07A
PAGE 17
JAN 20/09

BRI

BOEING PROPRIETARY - Copyright © - Unpublished Work - See title page for details.



757

PARTS CATALOG (MAINTENANCE)

FIG ITEM	PART NUMBER	1 2 3 4 5 6 7	NOMENCLATURE	EFFECT FROM TO	UNITS PER ASSY
7A 312	113N1629-12	.	FITTING ASSY-RIB POSITION DATA: UPR RH SIDE OPTIONAL PART: 113N1603-2	002004 006100 103106 121503 904999	1
312	113N1629-16	.	FITTING ASSY-RIB POSITION DATA: UPR RH SIDE OPTIONAL PART: 113N1603-2	002004 006100 103106 121503 904999	1
- 315	HL1012AZ6-4	.	BOLT SUPPLIER CODE: V97928 SPECIFICATION NUMBER: BACB30NX6K4 OPTIONAL PART: HL12VAZ6-4 V73197 HL12VAZ6-4 V92215 HL12VAZ6-4 V97928 L802-6K4 V06725 HL12VAZ6-4 V56878 HL1012AZ6-4 VOPTK6 HL1012AZ6-4 V06725 HL1012AZ6-4 V06950 HL1012AZ6-4 V17446 HL1012AZ6-4 V56878 HL1012AZ6-4 V60516 HL1012AZ6-4 V73197	002004 006999	4

MISSING ITEM NUMBERS NOT APPLICABLE

- ITEM NOT ILLUSTRATED

BRI

57-51-01-07A

BOEING PROPRIETARY - Copyright © - Unpublished Work - See title page for details.

57-51-01
FIG. 07A
PAGE 18
JAN 20/09

 **BOEING**
757
PARTS CATALOG (MAINTENANCE)

FIG ITEM	PART NUMBER	1 2 3 4 5 6 7	NOMENCLATURE	EFFECT FROM TO	UNITS PER ASSY
7A - 318	HL1187-6		. COLLAR- SUPPLIER CODE: V5M902 SPECIFICATION NUMBER: BACC30X6 OPTIONAL PART: HL87-6 V92215 HL87-6 V73197 HL1187-6 V56878 HL1187-6 V92215 HL87-6 V56878 HL1187-6 V73197	002004 006102 107999	4
- 318	HL1087-6		. COLLAR- SUPPLIER CODE: V73197 SPECIFICATION NUMBER: BACC30BH6 OPTIONAL PART: HL1087-6 V56878 HL1087-6 V92215 HL1087-6 V9N513	103106	4
321	NAS77A6-23P		-----*----- .. BUSHING- USED ON: 113N1629-9 113N1629-11	002004 006999	4
321	BACB28AT06A023C		.. BUSHING- USED ON: 113N1603-1 113N1603-2 113N1629-15 113N1629-16	002004 006999	4
324	113N1629-8		.. FITTING- USED ON: 113N1629-10	002004 006999	1
324	113N1603-4		.. FITTING- USED ON: 113N1603-2	002004 006999	1

MISSING ITEM NUMBERS NOT APPLICABLE

- ITEM NOT ILLUSTRATED

BRI

57-51-01-07A

BOEING PROPRIETARY - Copyright © - Unpublished Work - See title page for details.

57-51-01
FIG. 07A
PAGE 19
JAN 20/09



757

PARTS CATALOG (MAINTENANCE)

FIG ITEM	PART NUMBER	1 2 3 4 5 6 7	NOMENCLATURE	EFFECT FROM TO	UNITS PER ASSY
7A 324	113N1629-14	..	FITTING- POSITION DATA: RH SIDE USED ON: 113N1629-12	002004 006100 103106 121503 904999	1
324	113N1629-18	..	FITTING- USED ON: 113N1629-16	002004 006100 103106 121503 904999	1
327	113N1680-2	.	FITTING ASSY	107107	1
327	113N1680-6	.	FITTING ASSY	002004 006106 108999	1
330	HL1012AZ8-5	.	ATTACHING PARTS BOLT SUPPLIER CODE: VOPTK6 SPECIFICATION NUMBER: BACB30NX8K5 OPTIONAL PART: HL12VAZ8-5 V73197 HL12VAZ8-5 V92215 HL12VAZ8-5 V97928 L802-8K5 V06725 HL12VAZ8-5 V56878 HL1012AZ8-5 V06725 HL1012AZ8-5 V06950 HL1012AZ8-5 V17446 HL1012AZ8-5 V56878 HL1012AZ8-5 V60516 HL1012AZ8-5 V73197 HL1012AZ8-5 V97928	002004 006999	2

MISSING ITEM NUMBERS NOT APPLICABLE

- ITEM NOT ILLUSTRATED

BRI

57-51-01-07A

BOEING PROPRIETARY - Copyright © - Unpublished Work - See title page for details.

57-51-01
FIG. 07A
PAGE 20
JAN 20/09



757

PARTS CATALOG (MAINTENANCE)

FIG ITEM	PART NUMBER	1 2 3 4 5 6 7	NOMENCLATURE	EFFECT FROM TO	UNITS PER ASSY
7A 333	HL1187-8		. COLLAR- SUPPLIER CODE: V5M902 SPECIFICATION NUMBER: BACC30X8 OPTIONAL PART: HL87-8 V92215 HL87-8 V73197 HL1187-8 V56878 HL1187-8 V92215 HL87-8 V56878 HL1187-8 V73197	002004 006102 107999	2
333	HL1087-8		. COLLAR- SUPPLIER CODE: V9N513 SPECIFICATION NUMBER: BACC30BH8 OPTIONAL PART: HL1087-8 V92215 HL1087-8 V73197 HL1087-8 V56878	103106	2

MISSING ITEM NUMBERS NOT APPLICABLE

- ITEM NOT ILLUSTRATED

BRI

57-51-01-07A

BOEING PROPRIETARY - Copyright © - Unpublished Work - See title page for details.

57-51-01
FIG. 07A
PAGE 21
JAN 20/09



757

PARTS CATALOG (MAINTENANCE)

FIG ITEM	PART NUMBER	1 2 3 4 5 6 7 NOMENCLATURE	EFFECT FROM TO	UNITS PER ASSY
7A 336	HL1012AZ6-4	.BOLT SUPPLIER CODE: V97928 SPECIFICATION NUMBER: BACB30NX6K4 OPTIONAL PART: HL12VAZ6-4 V73197 HL12VAZ6-4 V92215 HL12VAZ6-4 V97928 L802-6K4 V06725 HL12VAZ6-4 V56878 HL1012AZ6-4 VOPTK6 HL1012AZ6-4 V06725 HL1012AZ6-4 V06950 HL1012AZ6-4 V17446 HL1012AZ6-4 V56878 HL1012AZ6-4 V60516 HL1012AZ6-4 V73197	002004 006999	1

MISSING ITEM NUMBERS NOT APPLICABLE

- ITEM NOT ILLUSTRATED

57-51-01-07A

57-51-01
FIG. 07A
PAGE 22
JAN 20/09

BRI



757

PARTS CATALOG (MAINTENANCE)

FIG ITEM	PART NUMBER	1 2 3 4 5 6 7	NOMENCLATURE	EFFECT FROM TO	UNITS PER ASSY
7A 339	HL1012AZ6-5	.BOLT	SUPPLIER CODE: V97928 SPECIFICATION NUMBER: BACB30NX6K5 OPTIONAL PART: HL12VAZ6-5 V73197 HL12VAZ6-5 V92215 HL12VAZ6-5 V97928 L802-6K5 V06725 HL12VAZ6-5 V56878 HL1012AZ6-5 VOPTK6 HL1012AZ6-5 V06725 HL1012AZ6-5 V06950 HL1012AZ6-5 V17446 HL1012AZ6-5 V56878 HL1012AZ6-5 V60516 HL1012AZ6-5 V73197	002004 006999	2

MISSING ITEM NUMBERS NOT APPLICABLE

- ITEM NOT ILLUSTRATED

BRI

57-51-01-07A

BOEING PROPRIETARY - Copyright © - Unpublished Work - See title page for details.

57-51-01
FIG. 07A
PAGE 23
JAN 20/09



757

PARTS CATALOG (MAINTENANCE)

FIG ITEM	PART NUMBER	1 2 3 4 5 6 7	NOMENCLATURE	EFFECT FROM TO	UNITS PER ASSY
7A 342	HL1012AZ6-7	.BOLT	SUPPLIER CODE: V97928 SPECIFICATION NUMBER: BACB30NX6K7 OPTIONAL PART: HL12VAZ6-7 V73197 HL12VAZ6-7 V92215 HL12VAZ6-7 V97928 L802-6K7 V06725 HL12VAZ6-7 V56878 HL1012AZ6-7 VOPTK6 HL1012AZ6-7 V06725 HL1012AZ6-7 V06950 HL1012AZ6-7 V17446 HL1012AZ6-7 V56878 HL1012AZ6-7 V60516 HL1012AZ6-7 V73197	002004 006999	1
345	HL1187-6	.COLLAR-	SUPPLIER CODE: V5M902 SPECIFICATION NUMBER: BACC30X6 OPTIONAL PART: HL87-6 V92215 HL87-6 V73197 HL1187-6 V56878 HL1187-6 V92215 HL87-6 V56878 HL1187-6 V73197	002004 006102 107999	4

MISSING ITEM NUMBERS NOT APPLICABLE

- ITEM NOT ILLUSTRATED

57-51-01-07A

57-51-01
FIG. 07A
PAGE 24
JAN 20/09

BRI

BOEING PROPRIETARY - Copyright © - Unpublished Work - See title page for details.



757

PARTS CATALOG (MAINTENANCE)

FIG ITEM	PART NUMBER	1 2 3 4 5 6 7	NOMENCLATURE	EFFECT FROM TO	UNITS PER ASSY
7A 345	HL1087-6		.COLLAR- SUPPLIER CODE: V73197 SPECIFICATION NUMBER: BACC30BH6 OPTIONAL PART: HL1087-6 V56878 HL1087-6 V92215 HL1087-6 V9N513 -----*-----	103106	4
348	NAS77A6-23P		..BUSHING	002004 006999	2
351	113N1680-4		..FITTING	002004 006999	1
354	BACS40R020B020F		.SHIM	101106 108120	1
357	113N1638-8		.FITTING ASSY-RIB POSITION DATA: UPR QUALIFIED I/W DATA: 113N1638-2 TOGETHER WITH QTY (2) BACB30LJ4-16, QTY (2) BACB28AK04-068, QTY (2) BACW10BP4AP, QTY (2) BACW10BP4AC, QTY (2) BACN10JC4CD, AND QTY (2) 113N1619-2 LINKS IS INTERCHANGEABLE WITH 113N1638-8 OR 113N1638-12 IF THE -8 OR -12 ARE ISSUED TOGETHER WITH QTY (1) BACB30LJ4SU25, QTY (1) BACN10JC4CD, QTY (1) BACW10BP4AC, QTY (5) BACW10BP4AP, QTY (4) NAS509-4C, QTY (2) 113N1866-1, QTY (1)113N1729-1, AND QTY (2) MS20995C32	504903 002004 006999	1
357	113N1638-12		.FITTING ASSY-RIB POSITION DATA: UPR	002004 006999	1

MISSING ITEM NUMBERS NOT APPLICABLE

- ITEM NOT ILLUSTRATED

57-51-01-07A

57-51-01
FIG. 07A
PAGE 25
JAN 20/09

BRI

BOEING PROPRIETARY - Copyright © - Unpublished Work - See title page for details.



757

PARTS CATALOG (MAINTENANCE)

FIG ITEM	PART NUMBER	1 2 3 4 5 6 7	NOMENCLATURE	EFFECT FROM TO	UNITS PER ASSY
7A			ATTACHING PARTS		
- 360	HL1012AZ12-16	.BOLT	SUPPLIER CODE: VOPTK6 SPECIFICATION NUMBER: BACB30NX12K16 OPTIONAL PART: HL12VAZ12-16 V73197 HL12VAZ12-16 V92215 HL12VAZ12-16 V97928 L802-12K16 V06725 HL12VAZ12-16 V56878 HL1012AZ12-16 V06725 HL1012AZ12-16 V06950 HL1012AZ12-16 V17446 HL1012AZ12-16 V56878 HL1012AZ12-16 V60516 HL1012AZ12-16 V73197 HL1012AZ12-16 V97928	002004 006999	2
- 363	HL1187-12	.COLLAR-	SUPPLIER CODE: V5M902 SPECIFICATION NUMBER: BACC30X12 OPTIONAL PART: HL1187-12 V73197 HL1187-12 V56878 HL1187-12 V92215 HL1187-12 V92215 HL87-12 V56878 HL87-12 V73197	002004 006102 107999	2

MISSING ITEM NUMBERS NOT APPLICABLE

- ITEM NOT ILLUSTRATED

57-51-01-07A

57-51-01
FIG. 07A
PAGE 26
JAN 20/09

BRI

BOEING PROPRIETARY - Copyright © - Unpublished Work - See title page for details.



757

PARTS CATALOG (MAINTENANCE)

FIG ITEM	PART NUMBER	1 2 3 4 5 6 7	NOMENCLATURE	EFFECT FROM TO	UNITS PER ASSY
7A - 363	HL1087-12		. COLLAR- SUPPLIER CODE: V9N513 SPECIFICATION NUMBER: BACC30BH12 OPTIONAL PART: HL1087-12 V92215 HL1087-12 V73197 HL1087-12 V56878 -----*-----	103106	2
369	NAS77A6-23P		.. BUSHING	002004 006999	2
372	NAS77A9-23P		.. BUSHING	002004 006999	2
372	BACB28AT09B023C		.. BUSHING- OPTIONAL PART: BACB28AT09A023C	002004 006106 108903 950999	2
372	BACB28AT09A023C		.. BUSHING- OPTIONAL PART: BACB28AT09B023C	002004 006999	2
375	113N1638-10		.. FITTING	002004 006999	1
378	113N1628-14		. FITTING ASSY-RIB POSITION DATA: UPR	002004 006999	1

MISSING ITEM NUMBERS NOT APPLICABLE

- ITEM NOT ILLUSTRATED

BRI

57-51-01-07A

BOEING PROPRIETARY - Copyright © - Unpublished Work - See title page for details.

57-51-01
FIG. 07A
PAGE 27
JAN 20/09



757

PARTS CATALOG (MAINTENANCE)

FIG ITEM	PART NUMBER	1 2 3 4 5 6 7	NOMENCLATURE	EFFECT FROM TO	UNITS PER ASSY
7A			ATTACHING PARTS		
- 381	HL1012AZ6-4		.BOLT SUPPLIER CODE: V97928 SPECIFICATION NUMBER: BACB30NX6K4 OPTIONAL PART: HL12VAZ6-4 V73197 HL12VAZ6-4 V92215 HL12VAZ6-4 V97928 L802-6K4 V06725 HL12VAZ6-4 V56878 HL1012AZ6-4 VOPTK6 HL1012AZ6-4 V06725 HL1012AZ6-4 V06950 HL1012AZ6-4 V17446 HL1012AZ6-4 V56878 HL1012AZ6-4 V60516 HL1012AZ6-4 V73197	002004 006999	4
- 384	HL1187-6		.COLLAR- SUPPLIER CODE: V5M902 SPECIFICATION NUMBER: BACC30X6 OPTIONAL PART: HL87-6 V92215 HL87-6 V73197 HL1187-6 V56878 HL1187-6 V92215 HL87-6 V56878 HL1187-6 V73197	002004 006102 107999	4

MISSING ITEM NUMBERS NOT APPLICABLE

- ITEM NOT ILLUSTRATED

57-51-01-07A

57-51-01
FIG. 07A
PAGE 28
JAN 20/09

BRI

BOEING PROPRIETARY - Copyright © - Unpublished Work - See title page for details.

 **BOEING**
757
PARTS CATALOG (MAINTENANCE)

FIG ITEM	PART NUMBER	1 2 3 4 5 6 7	NOMENCLATURE	EFFECT FROM TO	UNITS PER ASSY
7A - 384	HL1087-6		.COLLAR- SUPPLIER CODE: V73197 SPECIFICATION NUMBER: BACC30BH6 OPTIONAL PART: HL1087-6 V56878 HL1087-6 V92215 HL1087-6 V9N513 -----*-----	103106	4
387	NAS77A6-23P		..BUSHING	002004 006999	4
390	113N1628-16		..FITTING	002004 006999	1
393	BACB30LJ4-16		.BOLT	103106	2
396	BACW10BP4AC		.WASHER	103106	2
399	BACW10BP4AP		.WASHER	103106	2
402	BRH10C4D		.NUT SUPPLIER CODE: V52828 SPECIFICATION NUMBER: BACN10JC4CD OPTIONAL PART: T6C428JCD V11815 NS202486-048 V80539 102LH9075-4W V72962 H51650-4BAC V15653	103106	2
405	BACB28AK04-068		.BUSHING	103106	2
408	113N1619-6		.LINK	103106	2
440	BACB30NR4K16		.BOLT	002004 006999	2
443	BACB30NR4K17		.BOLT	002004 006999	8
446	BACW10BP4AC		.WASHER	002004 006999	10
449	BACW10BP4AP		.WASHER	002004 006999	10

MISSING ITEM NUMBERS NOT APPLICABLE

- ITEM NOT ILLUSTRATED

BRI

57-51-01-07A

BOEING PROPRIETARY - Copyright © - Unpublished Work - See title page for details.

57-51-01
FIG. 07A
PAGE 29
JAN 20/09



757

PARTS CATALOG (MAINTENANCE)

FIG ITEM	PART NUMBER	1 2 3 4 5 6 7	NOMENCLATURE	EFFECT FROM TO	UNITS PER ASSY
7A 452	BRH10C4D	.	NUT SUPPLIER CODE: V52828 SPECIFICATION NUMBER: BACN10JC4CD OPTIONAL PART: T6C428JCD V11815 NS202486-048 V80539 102LH9075-4W V72962 H51650-4BAC V15653	002004 006999	10
455	BACB28AK04-028	.	BUSHING	002004 006999	5
458	BACB28AK04-037	.	BUSHING	002004 006999	5
461	1333-1	.	TURNBUCKLE ASSY- SUPPLIER CODE: V34742 SPECIFICATION NUMBER: S113N107-1 OPTIONAL PART: P1103-1 V0962B S2114 VOBXT5	002004 006999	5
464	113N1906-4	.	FITTING ASSY- ATTACHING PARTS	002004 006999	1
- 467	BACB30NX12K	.	BOLT- SIZE DETERMINED ON INSTL.	002004 006999	2

MISSING ITEM NUMBERS NOT APPLICABLE

- ITEM NOT ILLUSTRATED

BRI

57-51-01-07A

BOEING PROPRIETARY - Copyright © - Unpublished Work - See title page for details.

57-51-01
FIG. 07A
PAGE 30
JAN 20/09



757

PARTS CATALOG (MAINTENANCE)

FIG ITEM	PART NUMBER	1 2 3 4 5 6 7	NOMENCLATURE	EFFECT FROM TO	UNITS PER ASSY
7A - 470	HL1187-12		.COLLAR SUPPLIER CODE: V5M902 SPECIFICATION NUMBER: BACC30X12 OPTIONAL PART: HL1187-12 V73197 HL1187-12 V56878 HL1187-12 V92215 HL1187-12 V92215 HL87-12 V56878 HL87-12 V73197 -----*-----	002004 006999	2
473	NAS77A6-23P		..BUSHING-	002004 006999	2
476	113N1906-6		..FITTING-	002004 006999	1
479	113N1630-23		.BLOCK-RADIUS	002004 006999	1
482	113N1941-2		.SEAL INSTL- FOR DETAILS SEE: 57-51-01-02	002004 006100 107107 121503 904999	1
485	113N1630-71		.FILLER	002004 006999	AR
488	BACB30LJ4D8		.BOLT	002004 006999	4
492	BACB30LJ4-6		.BOLT	002004 006999	8
495	BACB30LJ4-8		.BOLT	002004 006999	2
498	BACW10BP4AC		.WASHER- POSITION DATA: UNDER HEAD	002004 006999	14
501	BACW10BP4AP		.WASHER- POSITION DATA: UNDER NUT	002004 006999	14

MISSING ITEM NUMBERS NOT APPLICABLE

- ITEM NOT ILLUSTRATED

57-51-01-07A

57-51-01
FIG. 07A
PAGE 31
JAN 20/09

BRI

BOEING PROPRIETARY - Copyright © - Unpublished Work - See title page for details.



757

PARTS CATALOG (MAINTENANCE)

FIG ITEM	PART NUMBER	1 2 3 4 5 6 7	NOMENCLATURE	EFFECT FROM TO	UNITS PER ASSY
7A 504	BRH10C4D	.NUT	SUPPLIER CODE: V52828 SPECIFICATION NUMBER: BACN10JC4CD OPTIONAL PART: T6C428JCD V11815 NS202486-048 V80539 102LH9075-4W V72962 H51650-4BAC V15653	002004 006999	14
507	113N1913-2	.PLATE-ADJUSTMENT	SERRATED	002004 006999	7
510	113N1913-1	.PLATE-ADJUSTMENT	SERRATED	002004 006999	7
513	113N1924-3	.BRACKET-	OPTIONAL PART: 113N1924-5	002004 006100 107107 121503 904999	1
513	113N1924-5	.BRACKET-	OPTIONAL PART: 113N1924-3	011106 108120 504903	1
516	BACB30LJ4-18	.BOLT		002004 006999	4
519	BACW10BP7AP	.WASHER		002004 006999	2
522	BACW10BP4AP	.WASHER		002004 006999	8
525	BRH10C4D	.NUT	SUPPLIER CODE: V52828 SPECIFICATION NUMBER: BACN10JC4CD OPTIONAL PART: T6C428JCD V11815 NS202486-048 V80539 102LH9075-4W V72962 H51650-4BAC V15653	002004 006999	4
528	BACN10JC7C	.NUT-	OPTIONAL PART: BACN10JC7CD	002004 006999	2

MISSING ITEM NUMBERS NOT APPLICABLE

- ITEM NOT ILLUSTRATED

57-51-01-07A

57-51-01
FIG. 07A
PAGE 32
JAN 20/09

BRI

BOEING PROPRIETARY - Copyright © - Unpublished Work - See title page for details.

 **BOEING**
757
PARTS CATALOG (MAINTENANCE)

FIG ITEM	PART NUMBER	1 2 3 4 5 6 7	NOMENCLATURE	EFFECT FROM TO	UNITS PER ASSY
7A					
528	BACN10JC7CD	.NUT-		002004	2
			OPTIONAL PART: BACN10JC7C	006999	
531	113N1902-1	.CLEVIS		002004	1
				006999	
534	113N1902-3	.CLEVIS		002004	2
				006999	
537	113N1902-2	.CLEVIS		002004	1
				006999	
540	113N1633-6	.BEAM ASSY-		002004	1
				006999	
543	012T2400-30	..BUSHING		002004	1
				006999	
546	BACB28AM08B012A	..BUSHING		002004	1
				006999	
549	113N1676-14	.BEAM ASSY		002004	1
				006999	
552	BACB28AA4B025	..BUSHING		002004	2
				006999	
554	BACB28W6B019	..BUSHING		002004	2
				006999	
582	113N1992-2	.PLATE-WIGGLE		002004	1
				006999	
582	113N1992-4	.PLATE-WIGGLE		103106	1
584	113N1990-24	.PLATE-WIGGLE		002004	1
			REWORK DRAWING REF: 113N1990-29	006017	
				107107	
				121503	
				904999	
586	113N1630-43	.SEAL		002004	1
				006999	
588	113N1990-25	.SEAL-		002004	1
			REWORK DRAWING REF: 113N1990-30	006017	
				107107	
				121503	
				904999	
591	113N1991-1	.SPACER-		002004	1
				006102	
				107999	
594	113N1990-27	.SPACER-		002004	1
			REWORK DRAWING REF: 113N1990-29 113N1990-30	006017	
				107107	
				121503	
				904999	
597	BACR15BA6AD	.RIVET-		002004	16
			SIZE DETERMINED ON INSTL.	006100	
				103107	
				121503	
				904999	

MISSING ITEM NUMBERS NOT APPLICABLE

— ITEM NOT ILLUSTRATED

BRI

57-51-01-07A

BOEING PROPRIETARY - Copyright © - Unpublished Work - See title page for details.

57-51-01
FIG. 07A
PAGE 33
JAN 20/09



757

PARTS CATALOG (MAINTENANCE)

FIG ITEM	PART NUMBER	1 2 3 4 5 6 7	NOMENCLATURE	EFFECT FROM TO	UNITS PER ASSY
7A 603	113N1630-37	.	SEAL	002004 006100 103107 121503 904999	1
606	113N1630-38	.	SEAL	002004 006100 103107 121503 904999	1
609	113N1635-2	.	PLATE ASSY-WIGGLE QUALIFIED I/W DATA: 113N1635-2 IS I/W 113N1635-4 PLUS 113N1679-32 PLUS 113N1679-34	002004 107107 121503 904949 952952	1
609 612	113N1679-22 113N1635-4	.	PLATE-WIGGLE PLATE ASSY-WIGGLE QUALIFIED I/W DATA: 113N1635-2 IS I/W 113N1635-4 PLUS 113N1679-32 PLUS 113N1679-34	107107 006106 108120 504903 950951 953999	1 1
615	113N1679-32	.	PLATE ASSY-WIGGLE QUALIFIED I/W DATA: 113N1635-2 IS I/W 113N1635-4 PLUS 113N1679-32 PLUS 113N1679-34	006106 108120 504903 950951 953999	1
618	113N1679-34	.	PLATE ASSY-WIGGLE QUALIFIED I/W DATA: 113N1635-2 IS I/W 113N1635-4 PLUS 113N1679-32 PLUS 113N1679-34	006106 108120 504903 950951 953999	1
624	113N1679-26	.	SPACER	002004 006100 103107 121503 904999	1
627	113N1679-24	.	PLATE-WIGGLE	002004 006100 103107 121503 904999	1

MISSING ITEM NUMBERS NOT APPLICABLE

- ITEM NOT ILLUSTRATED

57-51-01-07A

57-51-01
FIG. 07A
PAGE 34
JAN 20/09

BRI

BOEING PROPRIETARY - Copyright © - Unpublished Work - See title page for details.



757

PARTS CATALOG (MAINTENANCE)

FIG ITEM	PART NUMBER	1 2 3 4 5 6 7	NOMENCLATURE	EFFECT FROM TO	UNITS PER ASSY
7A					
633	113N1679-27	.	SPACER	002004 006100 103107 121503 904999	1
645	113N1912-2	.	PLATE-WIGGLE	002004 006999	1
648	113N1630-18	.	SEAL	002004 006999	1
651	113N1679-9	.	SPACER	002004 006999	1
654	BACB30PU5-15	.	BOLT-	002004 006102 107999	1
654	BACB30PW5U15	.	BOLT-	103106	1
657	BACB30PU4-15	.	BOLT-	002004 006102 107999	1
657	BACB30PW4U15	.	BOLT-	103106	1
660	BACW10BP5ACU	.	WASHER	002004 006999	1
663	BACW10BP4ACU	.	WASHER	002004 006102 107999	1
666	AN960C516L	.	WASHER	002004 006999	AR
669	AN960C416L	.	WASHER	002004 006100 107107 121503 904999	AR
672	AN960C516	.	WASHER	002004 006999	AR
675	AN960C416	.	WASHER	002004 006100 107107 121503 904999	AR
678	AN960C416L	.	WASHER	002004 006999	1
681	AN960C10L	.	WASHER	002004 006100 107107 121503 904999	1

MISSING ITEM NUMBERS NOT APPLICABLE

- ITEM NOT ILLUSTRATED

BRI

57-51-01-07A

BOEING PROPRIETARY - Copyright © - Unpublished Work - See title page for details.

57-51-01
FIG. 07A
PAGE 35
JAN 20/09



757

PARTS CATALOG (MAINTENANCE)

FIG ITEM	PART NUMBER	1 2 3 4 5 6 7	NOMENCLATURE	EFFECT FROM TO	UNITS PER ASSY
7A 684	BRH10C4D	.NUT	SUPPLIER CODE: V52828 SPECIFICATION NUMBER: BACN10JC4CD OPTIONAL PART: T6C428JCD V11815 NS202486-048 V80539 102LH9075-4W V72962 H51650-4BAC V15653	002004 006999	1
687	BRH10C3D	.NUT	SUPPLIER CODE: V52828 SPECIFICATION NUMBER: BACN10JC3CD OPTIONAL PART: T6C1032JCD V11815 NS202486-02 V80539 102LH9075-3W V72962 H51650-3BAC V15653	002004 006102 107999	1
690	113N1903-12	.STRUT ASSY-RIB		002004 006999	1
693	113N1903-5	.STRUT ASSY-RIB		002004 006999	1
696	BACN10JC7CM	..NUT		002004 006999	1
699	MS20002-7	..WASHER		002004 006999	1
702	113N1901-4	..CLEVIS- USED ON: 113N1903-8 113N1903-10 113N1903-12		002004 006999	1
705	113N1901-2	..CLEVIS- USED ON: 113N1903-5		002004 006999	1

MISSING ITEM NUMBERS NOT APPLICABLE

- ITEM NOT ILLUSTRATED

57-51-01-07A

57-51-01
FIG. 07A
PAGE 36
JAN 20/09

BRI

BOEING PROPRIETARY - Copyright © - Unpublished Work - See title page for details.



757

PARTS CATALOG (MAINTENANCE)

FIG ITEM	PART NUMBER	1 2 3 4 5 6 7	NOMENCLATURE	EFFECT FROM TO	UNITS PER ASSY
7A 708	BACB28AM04B013A	..	BUSHING- USED ON: 113N1903-7 113N1903-8 113N1903-10 113N1903-12	002004 006999	2
711	BACB28AM05B013A	..	BUSHING- USED ON: 113N1903-5	002004 006999	2
714	113N1903-11	..	STRUT- USED ON: 113N1903-12	002004 006999	1
717	113N1903-4	..	TUBE-SWAGED USED ON: 113N1903-5	002004 006999	1
720	113N1630-19	.	FILLER	904949 952952	2
720	BACS40R008F009F	.	SHIM-	002004 006102 108999	2
720	BACS40R008X009F	.	SHIM-	103106	2
723	113N1630-20	.	FILLER	904949 952952	1
723	BACS40R008F009F	.	SHIM-	002004 006102 108999	1
723	BACS40R008X009F	.	SHIM-	103106	1
726	113N1604-8	.	RIB ASSY	002004 006999	1
729	113N1677-10	.	RIB ASSY	002004 006999	1
732	BACB28AA5B025	..	BUSHING	002004 006999	1
738	BACB28W7B019	..	BUSHING	002004 006999	1
741	BACB28W7B019	..	BUSHING	002004 006999	1
744	HTES04VC	..	BEARING SUPPLIER CODE: VS0352 SPECIFICATION NUMBER: BACB10ES04GC OPTIONAL PART: NC04TG5C V56644	002004 006999	1

MISSING ITEM NUMBERS NOT APPLICABLE

- ITEM NOT ILLUSTRATED

BRI

57-51-01-07A

BOEING PROPRIETARY - Copyright © - Unpublished Work - See title page for details.

57-51-01
FIG. 07A
PAGE 37
JAN 20/09

 **BOEING**
757
PARTS CATALOG (MAINTENANCE)

FIG ITEM	PART NUMBER	1 2 3 4 5 6 7	NOMENCLATURE	EFFECT FROM TO	UNITS PER ASSY
7A 747	BACB30LJ4-12	.	BOLT	002004 006100 103107 121503 904999	4
750	BACW10BP4AP	.	WASHER	002004 006100 103107 121503 904999	8
753	BRH10C4D	.	NUT SUPPLIER CODE: V52828 SPECIFICATION NUMBER: BACN10JC4CD OPTIONAL PART: T6C428JCD V11815 NS202486-048 V80539 102LH9075-4W V72962 H51650-4BAC V15653	002004 006100 103107 121503 904999	4
756	BACW10BP5AP	.	WASHER	002004 006100 103107 121503 904999	4
759	AN316C5R	.	NUT	002004 006100 103107 121503 904999	4
762	113N1969-1	.	FITTING-ADJUSTABLE	002004 006100 103107 121503 904999	2
765	113N1969-2	.	FITTING-ADJUSTABLE	002004 006100 103107 121503 904999	4
768	113N1969-3	.	FITTING-ADJUSTABLE	002004 006100 103107 121503 904999	2

MISSING ITEM NUMBERS NOT APPLICABLE

— ITEM NOT ILLUSTRATED

BRI

57-51-01-07A

BOEING PROPRIETARY - Copyright © - Unpublished Work - See title page for details.

57-51-01
FIG. 07A
PAGE 38
JAN 20/09


BOEING
 757
PARTS CATALOG (MAINTENANCE)

FIG ITEM	PART NUMBER	1 2 3 4 5 6 7	NOMENCLATURE	EFFECT FROM TO	UNITS PER ASSY
7A					
771	113N1971-1		.FITTING ASSY-PNL ATTACH OPTIONAL PART: 113N1143-1	002004 006106 108999	2
771	113N1143-1		.FITTING ASSY-PNL ATTACH OPTIONAL PART: 113N1971-1	002004 006999	2
- 774	BACB30MY6K		ATTACHING PARTS .BOLT- SIZE DETERMINED ON INSTL.	002004 006100 103107 121503 904999	8
- 777	HL79-6		.COLLAR SUPPLIER CODE: V5M902 SPECIFICATION NUMBER: BACC30M6 OPTIONAL PART: HL79-6 V73197 HL79-6 V92215 66014-6 V56878 HL79-6 V56878	002004 006100 103107 121503 904999	8
			-----*-----		
R R	780	AG4VCR	. . BEARING SUPPLIER CODE: V15860 SPECIFICATION NUMBER: BACB10AG4 OPTIONAL PART: BSSN4797S V81376 HSBG4-117 V02758 NG4F V73134 NC4G2 V56644 BNG4E111 V16746 ABG4V5 VS0352 03-505-04E033 V09455	002004 006100 103107 121503 904999	1

MISSING ITEM NUMBERS NOT APPLICABLE

- ITEM NOT ILLUSTRATED

BRI

57-51-01-07A

BOEING PROPRIETARY - Copyright © - Unpublished Work - See title page for details.

57-51-01
 FIG. 07A
 PAGE 39
 MAY 20/09

BOEING
757
PARTS CATALOG (MAINTENANCE)

FIG ITEM	PART NUMBER	1 2 3 4 5 6 7	NOMENCLATURE	EFFECT FROM TO	UNITS PER ASSY	
7A 783	113N1971-2	..	FITTING- USED ON: 113N1971-1	002004 006106 108999	1	
783	113N1143-2	..	FITTING- USED ON: 113N1143-1	002004 006999	1	
786	113N1974-16	.	STIFFENER ASSY-PNL SPRT	002004 006999	1	
- 789	BACR15CE8AD	.	ATTACHING PARTS RIVET- SIZE DETERMINED ON INSTL.	002004 006100 103107 121503 904999	2	
R R R R R R R R R R R R R	792	AG4VCR	-----*----- .. BEARING SUPPLIER CODE: V15860 SPECIFICATION NUMBER: BACB10AG4 OPTIONAL PART: BSSN4797S V81376 HSBG4-117 V02758 NG4F V73134 NC4G2 V56644 BNG4E111 V16746 ABG4V5 VS0352 03-505-04E033 V09455	002004 006100 103107 121503 904999	2	
	795	113N1974-6	..	CLIP-TEE	002004 006100 103107 121503 904999	1
	- 798	BACB30MY6K	..	ATTACHING PARTS BOLT- SIZE DETERMINED ON INSTL.	002004 006100 103107 121503 904999	2

MISSING ITEM NUMBERS NOT APPLICABLE

- ITEM NOT ILLUSTRATED

BRI

57-51-01-07A

BOEING PROPRIETARY - Copyright © - Unpublished Work - See title page for details.

57-51-01
FIG. 07A
PAGE 40
MAY 20/09

 **BOEING**
757
PARTS CATALOG (MAINTENANCE)

FIG ITEM	PART NUMBER	1 2 3 4 5 6 7	NOMENCLATURE	EFFECT FROM TO	UNITS PER ASSY
7A - 801	HL79-6		.. COLLAR SUPPLIER CODE: V5M902 SPECIFICATION NUMBER: BACC30M6 OPTIONAL PART: HL79-6 V73197 HL79-6 V92215 66014-6 V56878 HL79-6 V56878 -----*-----	002004 006100 103107 121503 904999	2
804	113N1144-2		.. STIFFENER- USED ON: 113N1974-16	002004 006999	1
807	BACS40R016F028F		. SHIM-	101102 108120 504903	1
807	BACS40R016X028F		. SHIM-	103106	1
810	BACS40R016F020F		. SHIM-	101102 108120 504903	1
810	BACS40R016X020F		. SHIM-	103106	1
813	BACS40R13C23F		. SHIM	002004 006100 107107 121503 904999	1
816	BACB30LU4-11		. BOLT-	002004 006100 103107 121503 904999	2
818	BACW10BP4CD		. WASHER-	002004 006999	2
821	AN960-416		. WASHER	002004 006100 107107 121503 904999	4
821	NAS1149F0463P		. WASHER	101106 108120 504903	4
824	BACW10BP4DP		. WASHER-	002004 006999	2

MISSING ITEM NUMBERS NOT APPLICABLE

- ITEM NOT ILLUSTRATED

BRI

57-51-01-07A

BOEING PROPRIETARY - Copyright © - Unpublished Work - See title page for details.

57-51-01
FIG. 07A
PAGE 41
JAN 20/09



757

PARTS CATALOG (MAINTENANCE)

FIG ITEM	PART NUMBER	1 2 3 4 5 6 7	NOMENCLATURE	EFFECT FROM TO	UNITS PER ASSY
7A 827	BRH10C4D	.NUT-	SUPPLIER CODE: V52828 SPECIFICATION NUMBER: BACN10JC4CD OPTIONAL PART: T6C428JCD V11815 NS202486-048 V80539 102LH9075-4W V72962 H51650-4BAC V15653	002004 006999	2
830	113N1619-7	.LINK-		002004 006999	2
833	113N1602-2	.FITTING ASSY-ATTACH		002004 006999	1
- 836	BACB30MY8K	.BOLT-	ATTACHING PARTS SIZE DETERMINED ON INSTL.	002004 006100 103107 121503 904999	2
- 836	L800X8K7	.BOLT-	SUPPLIER CODE: V06725 SPECIFICATION NUMBER: BACB30MY8K7X POST SERVICE BULLETIN: 57-0008	101106 108120 504903	2
- 839	HL79-8	.COLLAR-	SUPPLIER CODE: V5M902 SPECIFICATION NUMBER: BACC30M8 OPTIONAL PART: HL79-8 V73197 HL79-8 V92215 66014-8 V56878 HL79-8 V56878 -----*	002004 006999	2

MISSING ITEM NUMBERS NOT APPLICABLE

- ITEM NOT ILLUSTRATED

BRI

57-51-01-07A

BOEING PROPRIETARY - Copyright © - Unpublished Work - See title page for details.

57-51-01
FIG. 07A
PAGE 42
JAN 20/09



757

PARTS CATALOG (MAINTENANCE)

FIG ITEM	PART NUMBER	1 2 3 4 5 6 7	NOMENCLATURE	EFFECT FROM TO	UNITS PER ASSY
7A 842	BNG4F113		.. BEARING SUPPLIER CODE: V16746 SPECIFICATION NUMBER: BACB10CN4 OPTIONAL PART: BLN4-2230 V81376 HG4-140 V02758 KSBG4-57 V97613 55768-4 V09455 NBG4A V73134 NC4G1 V56644 AG4V25 V15860 ABG4V4 VS0352	002004 006999	1
845	113N1602-4		. FITTING ASSY-ATTACH	002004 006999	1
- 848	BACB30MY6K		ATTACHING PARTS . BOLT- SIZE DETERMINED ON INSTL.	002004 006100 103107 121503 904999	4
- 848	BACB30VT6K		. BOLT- SIZE DETERMINED ON INSTL.	101102 108120 504903	4
- 851	HL79-6		. COLLAR- SUPPLIER CODE: V5M902 SPECIFICATION NUMBER: BACC30M6 OPTIONAL PART: HL79-6 V73197 HL79-6 V92215 66014-6 V56878 HL79-6 V56878	002004 006100 103107 121503 904999	4

MISSING ITEM NUMBERS NOT APPLICABLE

- ITEM NOT ILLUSTRATED

57-51-01-07A

57-51-01
FIG. 07A
PAGE 43
JAN 20/09

BRI

BOEING PROPRIETARY - Copyright © - Unpublished Work - See title page for details.



757

PARTS CATALOG (MAINTENANCE)

FIG ITEM	PART NUMBER	1 2 3 4 5 6 7	NOMENCLATURE	EFFECT FROM TO	UNITS PER ASSY
7A - 851	BACC30BL6		.COLLAR- SUPPLIER CODE: V73197 SPECIFICATION NUMBER: BACC30BL6 OPTIONAL PART: HST79-6 V92215 HST79CY6 V56878 HST79CY6 V5M902	101102 108120 504903	4
854	BNG4F113		-----*----- . . BEARING SUPPLIER CODE: V16746 SPECIFICATION NUMBER: BACB10CN4 OPTIONAL PART: BLN4-2230 V81376 HG4-140 V02758 KSBG4-57 V97613 55768-4 V09455 NBG4A V73134 NC4G1 V56644 AG4V25 V15860 ABG4V4 VS0352	002004 006999	1
857	BACB30LJ4-11		.BOLT-	002004 006999	2
860	BACW10BP4CD		.WASHER-	002004 006999	2
863	BACW10BP4DP		.WASHER-	002004 006999	2

MISSING ITEM NUMBERS NOT APPLICABLE

- ITEM NOT ILLUSTRATED

57-51-01-07A

57-51-01
FIG. 07A
PAGE 44
JAN 20/09

BRI

BOEING PROPRIETARY - Copyright © - Unpublished Work - See title page for details.



757

PARTS CATALOG (MAINTENANCE)

FIG ITEM	PART NUMBER	1 2 3 4 5 6 7	NOMENCLATURE	EFFECT FROM TO	UNITS PER ASSY
7A 866	BRH10C4D	.NUT-	SUPPLIER CODE: V52828 SPECIFICATION NUMBER: BACN10JC4CD OPTIONAL PART: T6C428JCD V11815 NS202486-048 V80539 102LH9075-4W V72962 H51650-4BAC V15653	002004 006999	2
869	113N1619-2	.LINK-		002004 006999	2
872	113N0501-2	.FITTING ASSY-SPRT		002004 006017 107107 121503 904999	1
872	113N0501-10	.FITTING ASSY-SPRT		018106 108120 504903	1

MISSING ITEM NUMBERS NOT APPLICABLE

- ITEM NOT ILLUSTRATED

BRI

57-51-01-07A

BOEING PROPRIETARY - Copyright © - Unpublished Work - See title page for details.

57-51-01
FIG. 07A
PAGE 45
JAN 20/09



757

PARTS CATALOG (MAINTENANCE)

FIG ITEM	PART NUMBER	1 2 3 4 5 6 7	NOMENCLATURE	EFFECT FROM TO	UNITS PER ASSY
7A			ATTACHING PARTS		
- 875	HL1012AZ10-11		.BOLT	002004	2
			SUPPLIER CODE:	006100	
			VOPTK6	107107	
			SPECIFICATION NUMBER:	121503	
			BACB30NX10K11	904999	
			OPTIONAL PART:		
			HL12VAZ10-11		
			V73197		
			HL12VAZ10-11		
			V92215		
			HL12VAZ10-11		
			V97928		
			L802-10K11		
			V06725		
			HL1012AZ10-11		
			V06725		
			HL1012AZ10-11		
			V06950		
			HL1012AZ10-11		
			V17446		
			HL1012AZ10-11		
			V56878		
			HL1012AZ10-11		
			V60516		
			HL1012AZ10-11		
			V73197		
			HL1012AZ10-11		
			V97928		
			HL12VAZ10-11		
			V56878		

MISSING ITEM NUMBERS NOT APPLICABLE

- ITEM NOT ILLUSTRATED

BRI

57-51-01-07A

BOEING PROPRIETARY - Copyright © - Unpublished Work - See title page for details.

57-51-01
FIG. 07A
PAGE 46
JAN 20/09



757

PARTS CATALOG (MAINTENANCE)

FIG ITEM	PART NUMBER	1 2 3 4 5 6 7	NOMENCLATURE	EFFECT FROM TO	UNITS PER ASSY
7A - 875	HL1022AZ10-11	.BOLT-	SUPPLIER CODE: V06725 SPECIFICATION NUMBER: BACB30NX10K11X OPTIONAL PART: HL112AZ10-11 V97928 HL112AZ10-11 V92215 HL112AZ10-11 V73197 HL112AZ10-11 V60516 HL112AZ10-11 V56878 HL112AZ10-11 V06725 HL1022AZ10-11 V56878 HL1022AZ10-11 V73197 HL1022AZ10-11 V97928 HL1022AZ10-11 V56878 HL1022AZ10-11 V73197 HL1022AZ10-11 V97928	101106 108120 504903	2
- 878	HL1187-10	.COLLAR-	SUPPLIER CODE: V5M902 SPECIFICATION NUMBER: BACC30X10 OPTIONAL PART: HL1187-10 V56878 HL1187-10 V92215 HL1187-10 V73197 HL1187-10 V92215 HL87-10 V56878 HL1187-10 V73197	002004 006102 107999	2

MISSING ITEM NUMBERS NOT APPLICABLE

- ITEM NOT ILLUSTRATED

57-51-01-07A

57-51-01
FIG. 07A
PAGE 47
JAN 20/09

BRI



757

PARTS CATALOG (MAINTENANCE)

FIG ITEM	PART NUMBER	1 2 3 4 5 6 7	NOMENCLATURE	EFFECT FROM TO	UNITS PER ASSY
7A - 878	HL1087-10		. COLLAR- SUPPLIER CODE: V9N513 SPECIFICATION NUMBER: BACC30BH10 OPTIONAL PART: HL1087-10 V92215 HL1087-10 V73197 HL1087-10 V56878	103106	2
881	BNG4F113		-----*----- .. BEARING SUPPLIER CODE: V16746 SPECIFICATION NUMBER: BACB10CN4 OPTIONAL PART: BLN4-2230 V81376 HG4-140 V02758 KSBG4-57 V97613 55768-4 V09455 NBG4A V73134 NC4G1 V56644 AG4V25 V15860 ABG4V4 VS0352	002004 006999	1
884	113N0501-4		.. FITTING- OPTIONAL PART: 113N0501-8	002004 006017 107107 121503 904999	1
884	113N0501-8		.. FITTING- OPTIONAL PART: 113N0501-4	002004 006017 107107 121503 904999	1
884	113N0501-12		.. FITTING	018106 108120 504903	1

MISSING ITEM NUMBERS NOT APPLICABLE

- ITEM NOT ILLUSTRATED

57-51-01-07A

57-51-01
FIG. 07A
PAGE 48
JAN 20/09

BRI

BOEING PROPRIETARY - Copyright © - Unpublished Work - See title page for details.



757

PARTS CATALOG (MAINTENANCE)

FIG ITEM	PART NUMBER	1 2 3 4 5 6 7	NOMENCLATURE	EFFECT FROM TO	UNITS PER ASSY
7A 887	113N0502-1	.	FITTING ASSY-	002004 006999	1
- 890	HL1012AZ8-5	.	BOLT ATTACHING PARTS SUPPLIER CODE: VOPTK6 SPECIFICATION NUMBER: BACB30NX8K5 OPTIONAL PART: HL12VAZ8-5 V73197 HL12VAZ8-5 V92215 HL12VAZ8-5 V97928 L802-8K5 V06725 HL12VAZ8-5 V56878 HL1012AZ8-5 V06725 HL1012AZ8-5 V06950 HL1012AZ8-5 V17446 HL1012AZ8-5 V56878 HL1012AZ8-5 V60516 HL1012AZ8-5 V73197 HL1012AZ8-5 V97928	002004 006999	2

MISSING ITEM NUMBERS NOT APPLICABLE

- ITEM NOT ILLUSTRATED

BRI

57-51-01-07A

BOEING PROPRIETARY - Copyright © - Unpublished Work - See title page for details.

57-51-01
FIG. 07A
PAGE 49
JAN 20/09



**757
PARTS CATALOG (MAINTENANCE)**

FIG ITEM	PART NUMBER	1 2 3 4 5 6 7	NOMENCLATURE	EFFECT FROM TO	UNITS PER ASSY
7 A - 893	HL1187-8		.COLLAR- SUPPLIER CODE: V5M902 SPECIFICATION NUMBER: BACC30X8 OPTIONAL PART: HL87-8 V92215 HL87-8 V73197 HL1187-8 V56878 HL1187-8 V92215 HL87-8 V56878 HL1187-8 V73197	002004 006102 107999	2
- 893	HL1087-8		.COLLAR- SUPPLIER CODE: V9N513 SPECIFICATION NUMBER: BACC30BH8 OPTIONAL PART: HL1087-8 V92215 HL1087-8 V73197 HL1087-8 V56878 -----*	103106	2

MISSING ITEM NUMBERS NOT APPLICABLE

- ITEM NOT ILLUSTRATED

BRI

57-51-01-07A

BOEING PROPRIETARY - Copyright © - Unpublished Work - See title page for details.

57-51-01
FIG. 07A
PAGE 50
JAN 20/09



757

PARTS CATALOG (MAINTENANCE)

FIG ITEM	PART NUMBER	1 2 3 4 5 6 7	NOMENCLATURE	EFFECT FROM TO	UNITS PER ASSY
7A 896	BNG4F113		.. BEARING SUPPLIER CODE: V16746 SPECIFICATION NUMBER: BACB10CN4 OPTIONAL PART: BLN4-2230 V81376 HG4-140 V02758 KSBG4-57 V97613 55768-4 V09455 NBG4A V73134 NC4G1 V56644 AG4V25 V15860 ABG4V4 VS0352	002004 006999	1
899	113N0502-2		.. FITTING	002004 006999	1

MISSING ITEM NUMBERS NOT APPLICABLE

- ITEM NOT ILLUSTRATED

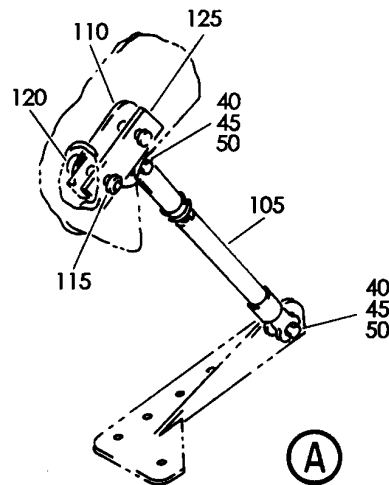
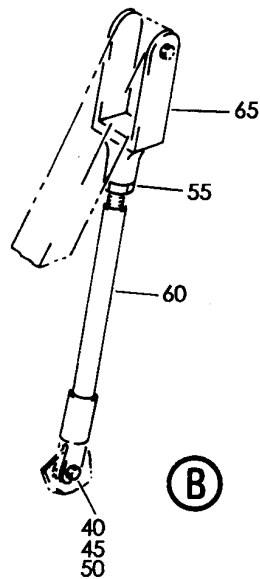
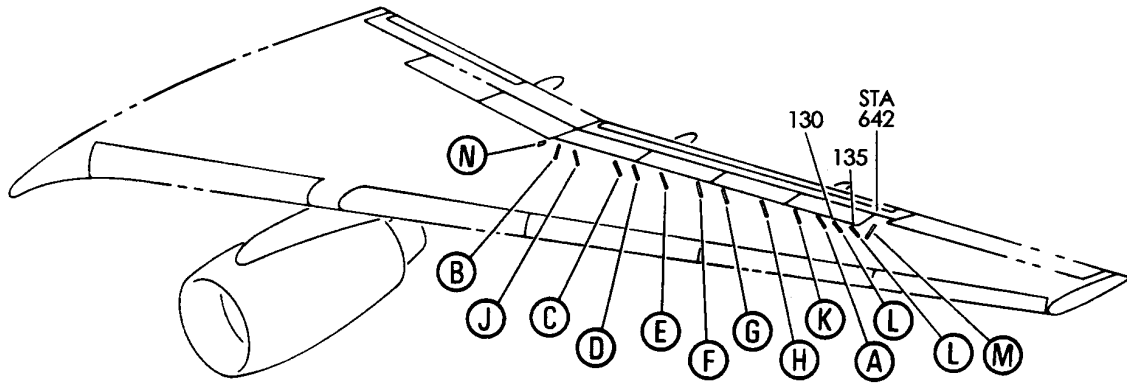
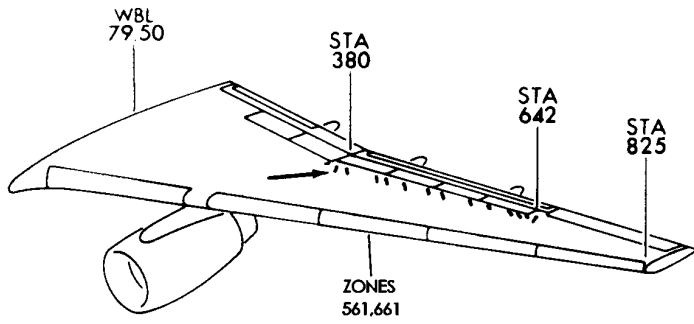
BRI

57-51-01-07A

BOEING PROPRIETARY - Copyright © - Unpublished Work - See title page for details.

57-51-01
FIG. 07A
PAGE 51
JAN 20/09

BOEING
757
PARTS CATALOG (MAINTENANCE)



Y 57510108 SHT 1 REV 210

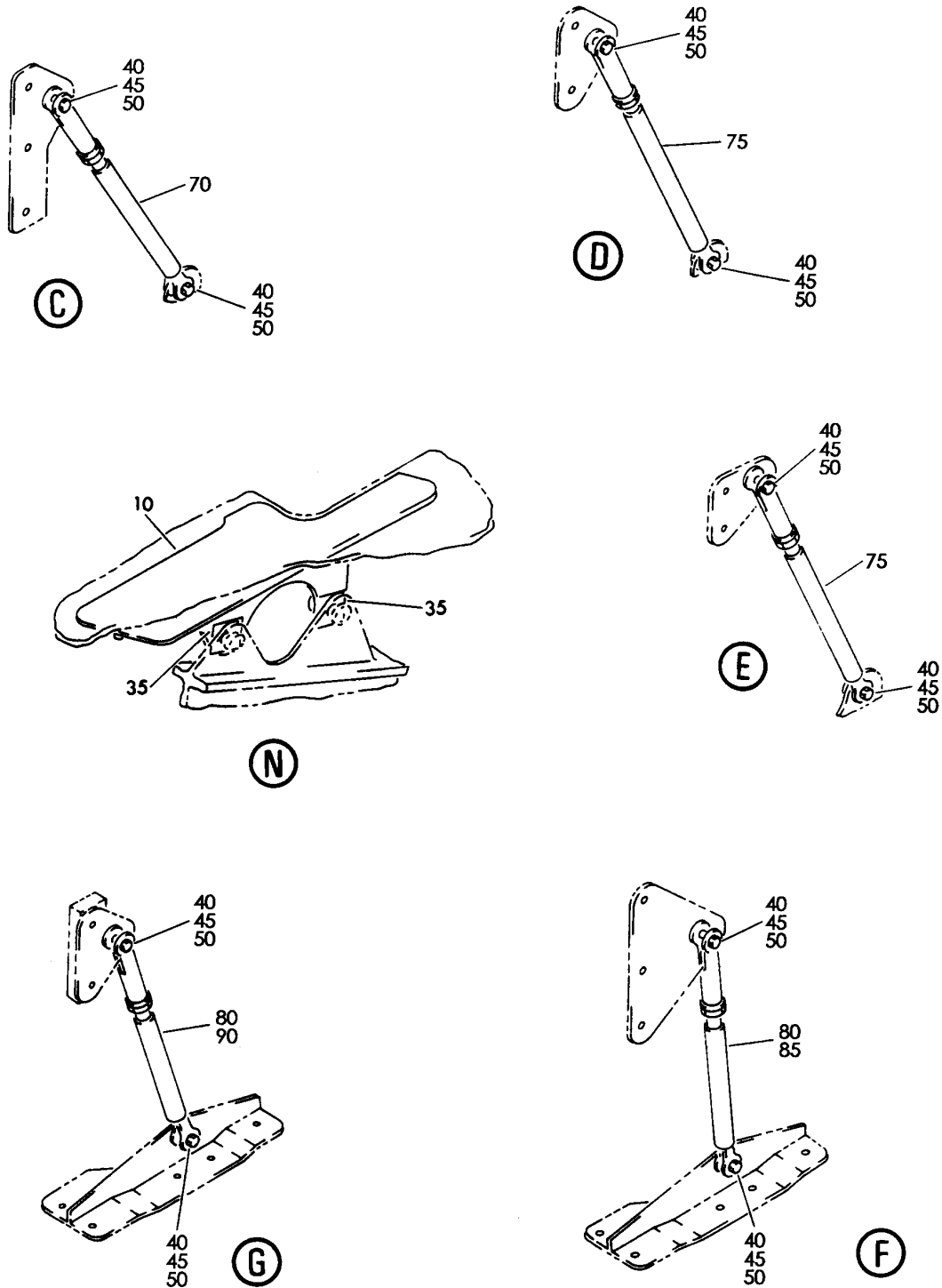
SUPPORT INSTL-WING OUTBD TE PANEL
FIGURE 8 (SHEET 1)

57-51-01-08

BRI
MAY 28/07

57-51-01-08
PAGE 0

BOEING
757
PARTS CATALOG (MAINTENANCE)



Y 57510108 SHT 2 REV 210

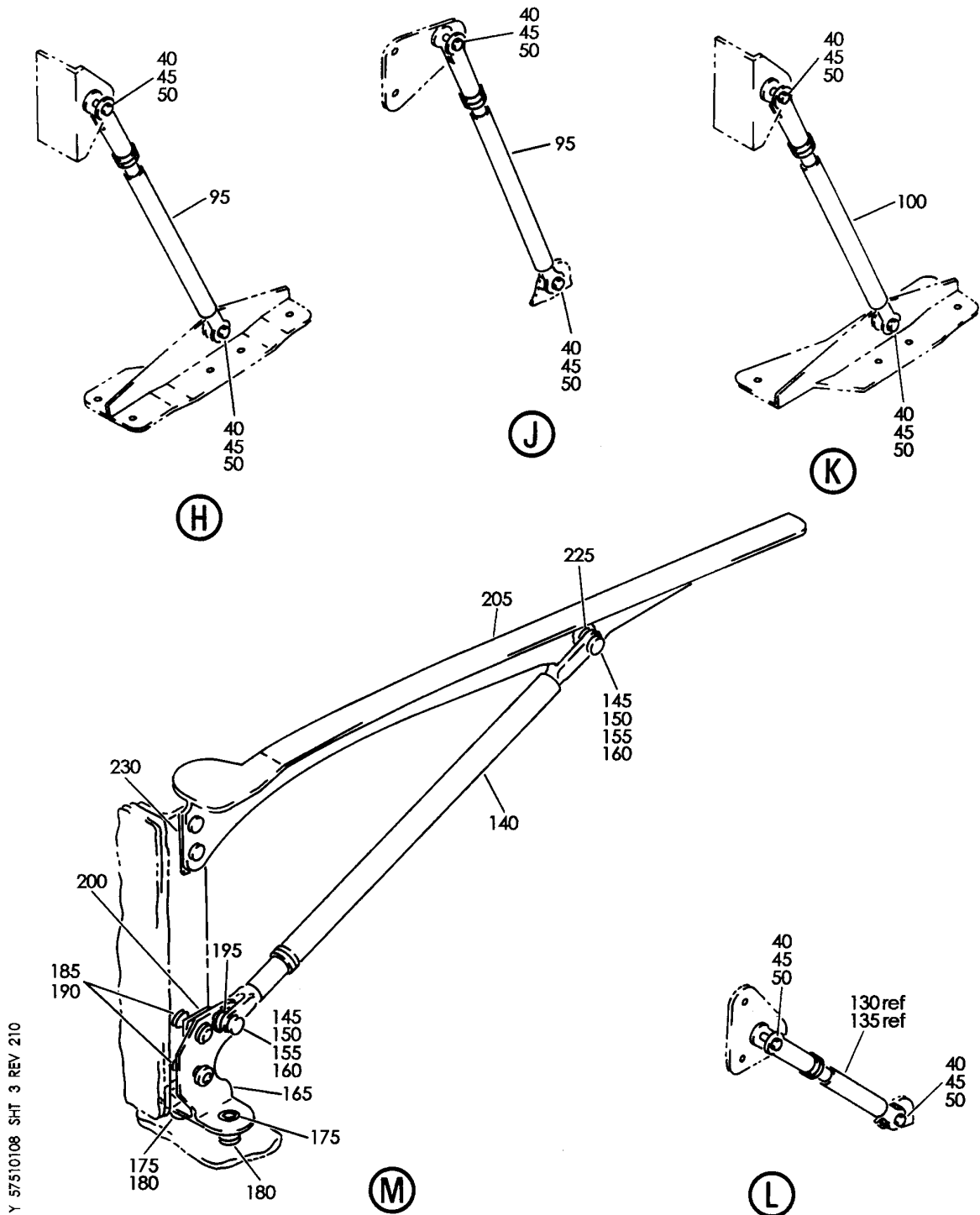
SUPPORT INSTL-WING OUTBD TE PANEL
FIGURE 8 (SHEET 2)

57-51-01-08

BRI
MAY 28/07

57-51-01-08
PAGE 0A

BOEING
757
PARTS CATALOG (MAINTENANCE)



SUPPORT INSTL-WING OUTBD TE PANEL
FIGURE 8 (SHEET 3)

57-51-01-08

BRI
MAY 28/07

57-51-01-08
PAGE 08



757

PARTS CATALOG (MAINTENANCE)

FIG ITEM	PART NUMBER	1 2 3 4 5 6 7	NOMENCLATURE	EFFECT FROM TO	UNITS PER ASSY
8			SUPPORT INSTL-WING OUTBD TE PANEL	002004 006999	
- 1	113N1660-1		SUPPORT INSTL-WING TE PNL POSITION DATA: OUTBD LH FOR NHA SEE: 57-50-00-01	002004 006100 107107 121503 904999	RF
- 1	113N1660-401		SUPPORT INSTL-WING TE PNL POSITION DATA: OUTBD LH FOR NHA SEE: 57-00-00-05	101102 108120 504903	RF
- 1	MODREF1374		SUPPORT INSTL-WING TE PNL MODULE NUMBER: 113N1660-401 REV A POSITION DATA: OUTBD LH	103103	1
- 1	MODREF26570		SUPPORT INSTL-WING TE PNL MODULE NUMBER: 113N1660-401 REV B POSITION DATA: OUTBD LH	104106	1
- 5	113N1660-2		SUPPORT INSTL-WING TE PNL POSITION DATA: OUTBD RH FOR NHA SEE: 57-50-00-01	002004 006100 107107 121503 904999	RF
- 5	113N1660-402		SUPPORT INSTL-WING TE PNL POSITION DATA: OUTBD RH FOR NHA SEE: 57-00-00-05	101102 108120 504903	RF
- 5	MODREF1375		SUPPORT INSTL-WING TE PNL MODULE NUMBER: 113N1660-402 REV A POSITION DATA: OUTBD RH	103105	1
- 5	MODREF29839		SUPPORT INSTL-WING TE PNL MODULE NUMBER: 113N1660-402 REV B POSITION DATA: OUTBD RH	106106	1
10	113N1662-25		.BRACKET-PNL SPRT POSITION DATA: UPR LH SIDE	002004 006017 107107 121503 904999	1

MISSING ITEM NUMBERS NOT APPLICABLE

- ITEM NOT ILLUSTRATED

57-51-01-08

57-51-01
FIG. 08
PAGE 1
JAN 20/09

BRI



757

PARTS CATALOG (MAINTENANCE)

FIG ITEM	PART NUMBER	1 2 3 4 5 6 7	NOMENCLATURE	EFFECT FROM TO	UNITS PER ASSY
8					
10	113N1662-29		.BRACKET-PNL SPRT POSITION DATA: UPR LH SIDE	018106 108120 504903	1
- 15	113N1662-26		.BRACKET-PNL SPRT POSITION DATA: UPR RH SIDE	002004 006017 107107 121503 904999	1
- 15	113N1662-30		.BRACKET-PNL SPRT POSITION DATA: UPR RH SIDE ATTACHING PARTS	018106 108120 504903	1
- 20	BACB30NM3K5		.BOLT	002004 006999	2
- 25	NAS1149D0332J		.WASHER	002004 006999	2
- 30	BRH10C3D		.NUT SUPPLIER CODE: V52828 SPECIFICATION NUMBER: BACN10JC3CD OPTIONAL PART: T6C1032JCD V11815 NS202486-02 V80539 102LH9075-3W V72962 H51650-3BAC V15653 -----*-----	002004 006999	2
35	BACS40R08C08F		.SHIM	002004 006100 107107 121503 904999	2
35	BACS40R008C008F		.SHIM	101106 108120 504903	2
40	BACB30NM4K5		.BOLT	002004 006999	23
45	NAS1149D0416J		.WASHER	002004 006999	23

MISSING ITEM NUMBERS NOT APPLICABLE

- ITEM NOT ILLUSTRATED

57-51-01-08

57-51-01
FIG. 08
PAGE 2
JAN 20/09

BRI



757

PARTS CATALOG (MAINTENANCE)

FIG ITEM	PART NUMBER	1 2 3 4 5 6 7	NOMENCLATURE	EFFECT FROM TO	UNITS PER ASSY
8					
50	BRH10C4D	.NUT	SUPPLIER CODE: V52828 SPECIFICATION NUMBER: BACN10JC4CD OPTIONAL PART: T6C428JCD V11815 NS202486-048 V80539 102LH9075-4W V72962 H51650-4BAC V15653	002004 006999	23
55	AN316-4R	.NUT		002004 006999	1
60	BACT32G62-0670	.ROD ASSY-		002004 006999	1
65	113N1668-2	.CLEVIS		002004 006999	1
70	BACR24L2F0716	.ROD ASSY		002004 006999	1
75	BACR24L2F0722	.ROD ASSY		002004 006999	2
85	BACR24L2F0628	.ROD ASSY		002004 006999	1
90	BACR24L2F0660	.ROD ASSY		002004 006999	1
95	BACR24L2F0822	.ROD ASSY		002004 006999	2
100	BACR24L2F0767	.ROD ASSY		002004 006999	1
105	BACR24L2F0690	.ROD ASSY		002004 006999	1
110	113N1663-11	.FITTING		002004 006100 107107 121503 904999	1
115	L8006K9	.BOLT	SUPPLIER CODE: V06725 SPECIFICATION NUMBER: BACB30MY6K9	002004 006999	1

MISSING ITEM NUMBERS NOT APPLICABLE

- ITEM NOT ILLUSTRATED

57-51-01-08

57-51-01
FIG. 08
PAGE 3
JAN 20/09

BRI

BOEING PROPRIETARY - Copyright © - Unpublished Work - See title page for details.

 **BOEING**
757
PARTS CATALOG (MAINTENANCE)

FIG ITEM	PART NUMBER	1 2 3 4 5 6 7	NOMENCLATURE	EFFECT FROM TO	UNITS PER ASSY
8					
120	HL79-6	.	COLLAR SUPPLIER CODE: V5M902 SPECIFICATION NUMBER: BACC30M6 OPTIONAL PART: HL79-6 V73197 HL79-6 V92215 66014-6 V56878 HL79-6 V56878	002004 006999	1
125	BACS40R008E019F	.	SHIM	002004 006100 107107 121503 904999	1
130	BACR24L2F0567	.	ROD ASSY	002004 006999	1
135	BACR24L2F0550	.	ROD ASSY	002004 006999	1
140	BACR24L5E1170	.	TUBE ASSY	002004 006999	1
145	BACB30LJ4-8	.	ATTACHING PARTS BOLT	002004 006999	2
150	AN960KD416	.	WASHER	002004 006100 107107 121503 904999	2
150	NAS1149D0463J	.	WASHER	101106 108120 504903	2
155	NAS1149D0416J	.	WASHER	002004 006999	2

MISSING ITEM NUMBERS NOT APPLICABLE

— ITEM NOT ILLUSTRATED

BRI

57-51-01-08

BOEING PROPRIETARY - Copyright © - Unpublished Work - See title page for details.

57-51-01
FIG. 08
PAGE 4
JAN 20/09

BOEING
757
PARTS CATALOG (MAINTENANCE)

FIG ITEM	PART NUMBER	1 2 3 4 5 6 7	NOMENCLATURE	EFFECT FROM TO	UNITS PER ASSY
8 160	BRH10C4D		.NUT SUPPLIER CODE: V52828 SPECIFICATION NUMBER: BACN10JC4CD OPTIONAL PART: T6C428JCD V11815 NS202486-048 V80539 102LH9075-4W V72962 H51650-4BAC V15653	002004 006999	2
165	113N1662-11		.BRACKET ASSY- POSITION DATA: LH SIDE	002004 006999	1
- 170	113N1662-12		.BRACKET ASSY- POSITION DATA: RH SIDE	002004 006999	1
175	HL11VAZ8-5		ATTACHING PARTS .BOLT SUPPLIER CODE: V60516 SPECIFICATION NUMBER: BACB30NW8K5 OPTIONAL PART: B30NW8K5 V97928 HL11VAZ8-5 V73197 HL11VAZ8-5 V92215 HL11VAZ8-5 V97928 L803-8K5 V06725 HL11VAZ8-5 VOPTK6 HL11VAZ8-5 V56878	002004 006999	2

MISSING ITEM NUMBERS NOT APPLICABLE

- ITEM NOT ILLUSTRATED

BRI

57-51-01-08

BOEING PROPRIETARY - Copyright © - Unpublished Work - See title page for details.

57-51-01
FIG. 08
PAGE 5
JAN 20/09



757

PARTS CATALOG (MAINTENANCE)

FIG ITEM	PART NUMBER	1 2 3 4 5 6 7	NOMENCLATURE	EFFECT FROM TO	UNITS PER ASSY
8 180	HL79-8		.COLLAR SUPPLIER CODE: V5M902 SPECIFICATION NUMBER: BACC30M8 OPTIONAL PART: HL79-8 V73197 HL79-8 V92215 66014-8 V56878 HL79-8 V56878	002004 006999	2
185	BACB30MY6K		.BOLT- SIZE DETERMINED ON INSTL.	002004 006999	2
190	HL79-6		.COLLAR SUPPLIER CODE: V5M902 SPECIFICATION NUMBER: BACC30M6 OPTIONAL PART: HL79-6 V73197 HL79-6 V92215 66014-6 V56878 HL79-6 V56878	002004 006999	2
195	BACB28AP04P011		-----*----- ..BUSHING	002004 006999	1
200	BACF3T06E8-21		.FILLER	002004 006999	1
205	113N1662-19		.BRACKET ASSY- POSITION DATA: LH SIDE	002004 006999	1
- 210	113N1662-20		.BRACKET ASSY- POSITION DATA: RH SIDE	002004 006999	1
- 215	BACB30MY6K		ATTACHING PARTS .BOLT- SIZE DETERMINED ON INSTL.	002004 006999	2

MISSING ITEM NUMBERS NOT APPLICABLE

- ITEM NOT ILLUSTRATED

57-51-01-08

57-51-01
FIG. 08
PAGE 6
JAN 20/09

BRI

BOEING PROPRIETARY - Copyright © - Unpublished Work - See title page for details.



757

PARTS CATALOG (MAINTENANCE)

FIG ITEM	PART NUMBER	1 2 3 4 5 6 7	NOMENCLATURE	EFFECT FROM TO	UNITS PER ASSY
8 - 220	HL79-6		. COLLAR SUPPLIER CODE: V5M902 SPECIFICATION NUMBER: BACC30M6 OPTIONAL PART: HL79-6 V73197 HL79-6 V92215 66014-6 V56878 HL79-6 V56878 -----*-----	002004 006999	2
225	BACB28AP04P011		. . BUSHING	002004 006999	1
230	BACF3T06E8-16		. FILLER- OPTIONAL PART: BACS40R008E016F	002004 006999	1
230	BACS40R008E016F		. SHIM- OPTIONAL PART: BACF3T06E8-16	002004 006999	1

MISSING ITEM NUMBERS NOT APPLICABLE

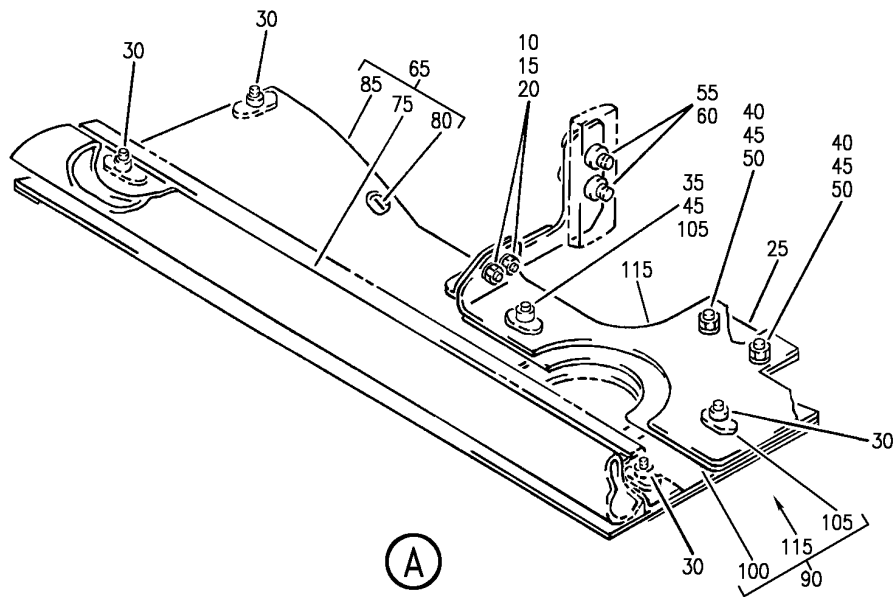
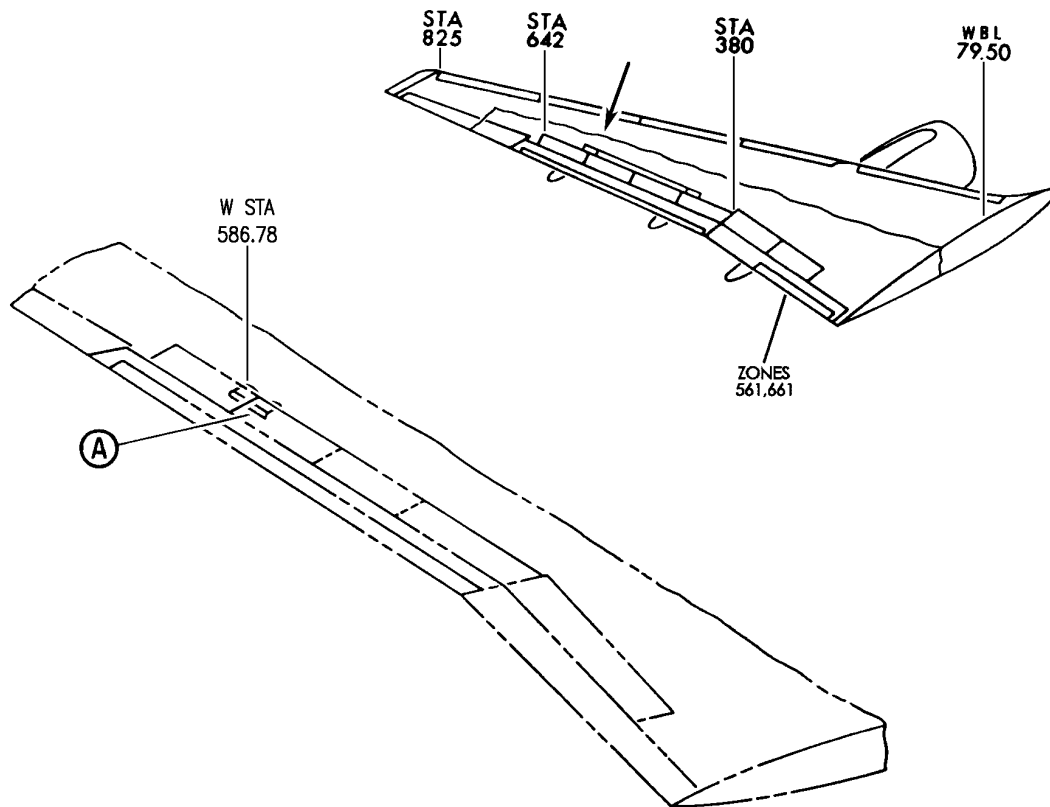
- ITEM NOT ILLUSTRATED

57-51-01-08

57-51-01
FIG. 08
PAGE 7
JAN 20/09

BRI

BOEING
757
PARTS CATALOG (MAINTENANCE)



Y 57510108 REV 257

PANEL INSTL-LWR WS 577
FIGURE 9

57-51-01-09

BRI
MAY 28/07

57-51-01-09
PAGE 0



757

PARTS CATALOG (MAINTENANCE)

FIG ITEM	PART NUMBER	1 2 3 4 5 6 7	NOMENCLATURE	EFFECT FROM TO	UNITS PER ASSY
9			PANEL INSTL-LWR WS 577	101106 108120 504903	
- 1	113N1944-401		PANEL INSTL- POSITION DATA: LWR WS 577 LH SIDE FOR NHA SEE: 57-00-00-05	101102 108120 504903	RF
- 1	MODREF1538		PANEL INSTL- MODULE NUMBER: 113N1944-403 REV A POSITION DATA: LWR WS 577 LH SIDE	103103	1
- 1	MODREF26603		PANEL INSTL- MODULE NUMBER: 113N1944-403 REV B POSITION DATA: LWR WS 577 LH SIDE	104106	1
- 5	113N1944-402		PANEL INSTL- POSITION DATA: LWR WS 577 RH SIDE FOR NHA SEE: 57-00-00-05	101102 108120 504903	RF
- 5	MODREF1539		PANEL INSTL- MODULE NUMBER: 113N1944-404 REV A POSITION DATA: LWR WS 577 RH SIDE	103103	1
- 5	MODREF26604		PANEL INSTL- MODULE NUMBER: 113N1944-404 REV B POSITION DATA: LWR WS 577 RH SIDE	104106	1
10	NAS6703-3		.BOLT	101102 108120 504903	2
15	NAS1149D0332J		.WASHER	101102 108120 504903	2

MISSING ITEM NUMBERS NOT APPLICABLE

- ITEM NOT ILLUSTRATED

57-51-01-09

57-51-01
FIG. 09
PAGE 1
JAN 20/09

BRI



757

PARTS CATALOG (MAINTENANCE)

FIG ITEM	PART NUMBER	1 2 3 4 5 6 7	NOMENCLATURE	EFFECT FROM TO	UNITS PER ASSY
9	20 BRH10C3D	.	NUT SUPPLIER CODE: V52828 SPECIFICATION NUMBER: BACN10JC3CD OPTIONAL PART: T6C1032JCD V11815 NS202486-02 V80539 102LH9075-3W V72962 H51650-3BAC V15653	101102 108120 504903	2
	25 BACF3F010V024NN	.	FILLER	101106 108120 504903	1
	30 BACB30NN3K8	.	BOLT	101106 108120 504903	4
	35 NAS1801-3-11	.	SCREW	101106 108120 504903	1
	40 HL11VAZ6-8	.	BOLT SUPPLIER CODE: V60516 SPECIFICATION NUMBER: BACB30NW6K8 OPTIONAL PART: B30NW6K8 V97928 HL11VAZ6-8 V73197 HL11VAZ6-8 V92215 HL11VAZ6-8 V97928 L803-6K8 V06725 HL11VAZ6-8 VOPTK6 HL11VAZ6-8 V56878	101102 108120 504903	2

MISSING ITEM NUMBERS NOT APPLICABLE

- ITEM NOT ILLUSTRATED

57-51-01-09

57-51-01
FIG. 09
PAGE 2
JAN 20/09

BRI



757

PARTS CATALOG (MAINTENANCE)

FIG ITEM	PART NUMBER	1 2 3 4 5 6 7	NOMENCLATURE	EFFECT FROM TO	UNITS PER ASSY
9	40 HST11AG6-8		.BOLT SUPPLIER CODE: V06725 SPECIFICATION NUMBER: BACB30VU6K8 OPTIONAL PART: HST11AG6-8 V73197 HST11AG6-8 V56878 HST11AG6-8 VOPTK6	103106	2
	45 NAS1149D0332J		.WASHER	101106 108120 504903	3
	50 BRH10C3D		.NUT SUPPLIER CODE: V52828 SPECIFICATION NUMBER: BACN10JC3CD OPTIONAL PART: T6C1032JCD V11815 NS202486-02 V80539 102LH9075-3W V72962 H51650-3BAC V15653	101106 108120 504903	2
	55 L8006K9		.BOLT SUPPLIER CODE: V06725 SPECIFICATION NUMBER: BACB30MY6K9	101102 108120 504903	2
	60 HL79-6		.COLLAR SUPPLIER CODE: V5M902 SPECIFICATION NUMBER: BACC30M6 OPTIONAL PART: HL79-6 V73197 HL79-6 V92215 66014-6 V56878 HL79-6 V56878	101102 108120 504903	2

MISSING ITEM NUMBERS NOT APPLICABLE

- ITEM NOT ILLUSTRATED

BRI

57-51-01-09

BOEING PROPRIETARY - Copyright © - Unpublished Work - See title page for details.

57-51-01
FIG. 09
PAGE 3
JAN 20/09



757

PARTS CATALOG (MAINTENANCE)

FIG ITEM	PART NUMBER	1 2 3 4 5 6 7	NOMENCLATURE	EFFECT FROM TO	UNITS PER ASSY
9					
65	113N1944-29		.PANEL ASSY- POSITION DATA: LH SIDE	101102 108120 504903	1
65	113N1944-31		.PANEL ASSY- POSITION DATA: LH SIDE	103106	1
- 70	113N1944-30		.PANEL ASSY- POSITION DATA: RH SIDE	101102 108120 504903	1
- 70	113N1944-32		.PANEL ASSY- POSITION DATA: RH SIDE	103106	1
75	113N1947-9		..SEAL- MANUFACTURED FROM: EXTR RUBBER F25.01 10-60754-177 X 16.00 IN.	101106 108120 504903	1
80	113N1947-24		..SEAL- MANUFACTURED FROM: SH SILICONE RUBBER BMS1-57 1 PLY MOHAWK D-2000 DACRON EACH SURFACE 0.080 X 5.2 X 16.0 IN.	101106 108120 504903	1
85	113N1946-27		..PANEL-	101102 108120 504903	1
85	113N1946-28		..PANEL-	103106	1
90	113N1944-27		.SUPPORT ASSY- POSITION DATA: LH SIDE	101106 108120 504903	1
- 95	113N1944-28		.SUPPORT ASSY- POSITION DATA: RH SIDE	101106 108120 504903	1
100	113N1947-14		..SEAL- MANUFACTURED FROM: SH SILICONE RUBBER BMS1-57 1 PLY MOHAWK D-2000 DACRON EACH SURFACE 0.080 X 3.0 X 7.0 IN.	101106 108120 504903	1

MISSING ITEM NUMBERS NOT APPLICABLE

- ITEM NOT ILLUSTRATED

BRI

57-51-01-09

BOEING PROPRIETARY - Copyright © - Unpublished Work - See title page for details.

57-51-01
FIG. 09
PAGE 4
JAN 20/09



757

PARTS CATALOG (MAINTENANCE)

FIG ITEM	PART NUMBER	1 2 3 4 5 6 7	NOMENCLATURE	EFFECT FROM TO	UNITS PER ASSY
9 105	BRFR220C3-3D		..NUTPLATE SUPPLIER CODE: V52828 SPECIFICATION NUMBER: BACN10KE3B3CD OPTIONAL PART: F51747-3-3CD V15653 102A9213-3-3 V72962 NS202493-02-3 V80539 ATTACHING PARTS	101106 108120 504903	2
- 110	BACR15BA3AD		..RIVET	101106 108120 504903	4
			-----*-----		
115	113N1948-29		..SUPPORT- POSITION DATA: LH SIDE	101106 108120 504903	1
- 120	113N1948-30		..SUPPORT- POSITION DATA: RH SIDE	101106 108120 504903	1

MISSING ITEM NUMBERS NOT APPLICABLE

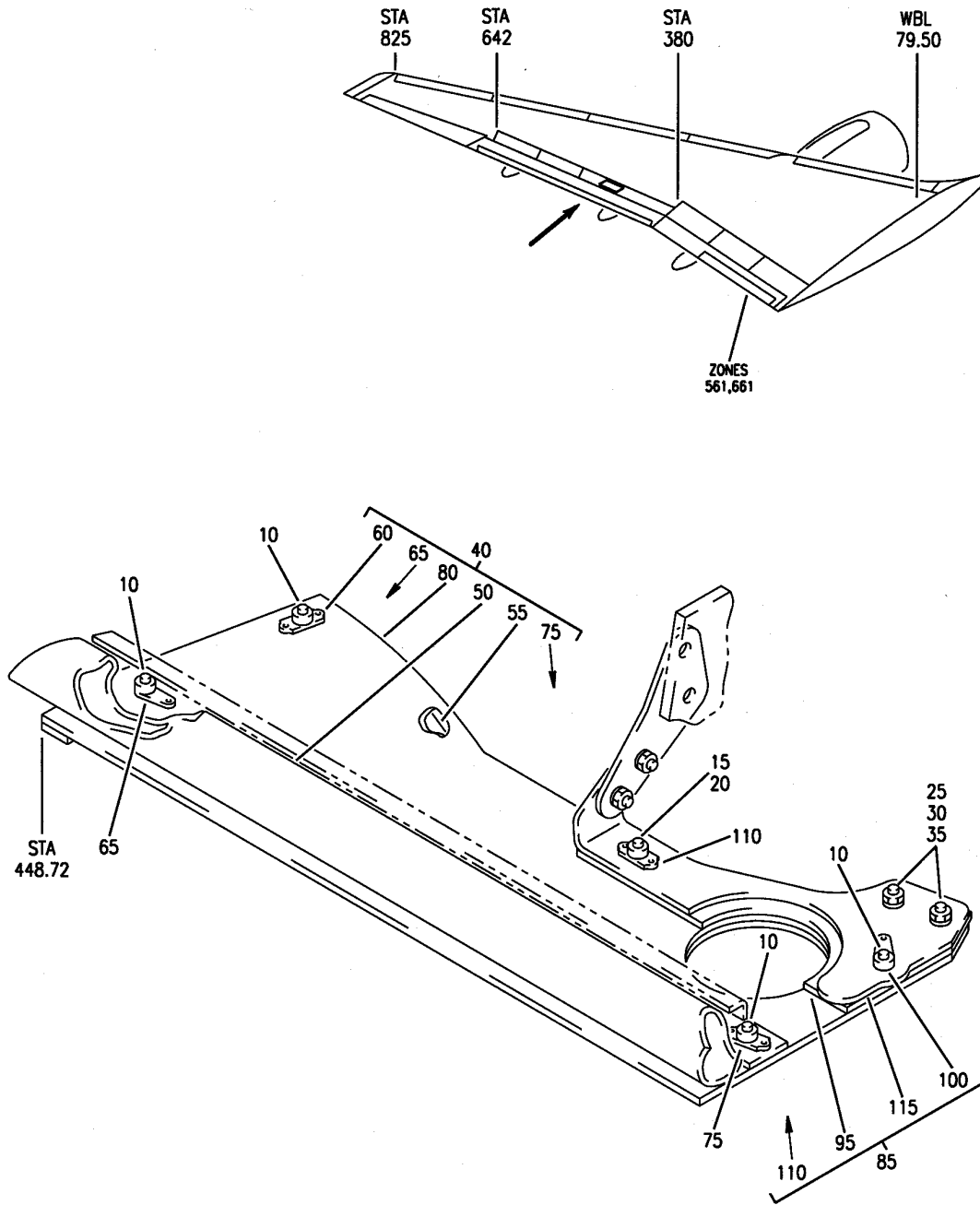
- ITEM NOT ILLUSTRATED

57-51-01-09

57-51-01
FIG. 09
PAGE 5
JAN 20/09

BRI

BOEING
757
PARTS CATALOG (MAINTENANCE)



Y 57510110 REV 210

PANEL INSTL-AIR DAM LWR TE WING WS 440
FIGURE 10

57-51-01-10

BRI
MAY 28/07

57-51-01-10
PAGE 0



757

PARTS CATALOG (MAINTENANCE)

FIG ITEM	PART NUMBER	1 2 3 4 5 6 7	NOMENCLATURE	EFFECT FROM TO	UNITS PER ASSY
10			PANEL INSTL-AIR DAM LWR TE WING WS 440	101106 108120 504903	
- 1	113N1945-401		PANEL INSTL-AIR DAM WING TE POSITION DATA: LWR WS 440 LH FOR NHA SEE: 57-00-00-05	101102 108120 504903	RF
- 1	MODREF1540		PANEL INSTL-AIR DAM WING TE MODULE NUMBER: 113N1945-403 REV A POSITION DATA: LWR WS 440 LH	103103	1
- 1	MODREF26605		PANEL INSTL-AIR DAM WING TE MODULE NUMBER: 113N1945-403 REV B POSITION DATA: LWR WS 440 LH	104106	1
- 5	113N1945-402		PANEL INSTL-AIR DAM WING TE POSITION DATA: LWR WS 440 RH FOR NHA SEE: 57-00-00-05	101102 108120 504903	RF
- 5	MODREF1541		PANEL INSTL-AIR DAM WING TE MODULE NUMBER: 113N1945-404 REV A POSITION DATA: LWR WS 440 RH	103103	1
- 5	MODREF26606		PANEL INSTL-AIR DAM WING TE MODULE NUMBER: 113N1945-404 REV B POSITION DATA: LWR WS 440 RH	104106	1
10	BACB30NN3K8		.BOLT	101106 108120 504903	4
15	NAS1801-3-10		.SCREW	101106 108120 504903	1
20	NAS1149D0363J		.WASHER	101106 108120 504903	1

MISSING ITEM NUMBERS NOT APPLICABLE

- ITEM NOT ILLUSTRATED

57-51-01-10

57-51-01
FIG. 10
PAGE 1
JAN 20/09

BRI



757

PARTS CATALOG (MAINTENANCE)

FIG ITEM	PART NUMBER	1 2 3 4 5 6 7	NOMENCLATURE	EFFECT FROM TO	UNITS PER ASSY
10 25	HL11VAZ6-8	.BOLT-	SUPPLIER CODE: V60516 SPECIFICATION NUMBER: BACB30NW6K8 OPTIONAL PART: B30NW6K8 V97928 HL11VAZ6-8 V73197 HL11VAZ6-8 V92215 HL11VAZ6-8 V97928 L803-6K8 V06725 HL11VAZ6-8 VOPTK6 HL11VAZ6-8 V56878	101106 108120 504903	2
30	NAS1149D0332J	.WASHER		101106 108120 504903	2
35	BRH10C3D	.NUT	SUPPLIER CODE: V52828 SPECIFICATION NUMBER: BACN10JC3CD OPTIONAL PART: T6C1032JCD V11815 NS202486-02 V80539 102LH9075-3W V72962 H51650-3BAC V15653	101106 108120 504903	2
40	113N1945-35	.PANEL ASSY-	POSITION DATA: LH SIDE	101102 108120 504903	1
40	113N1945-39	.PANEL ASSY-	POSITION DATA: LH SIDE	103106	1
- 45	113N1945-36	.PANEL ASSY-	POSITION DATA: RH SIDE	101102 108120 504903	1
- 45	113N1945-40	.PANEL ASSY-	POSITION DATA: RH SIDE	103106	1

MISSING ITEM NUMBERS NOT APPLICABLE

- ITEM NOT ILLUSTRATED

57-51-01-10

57-51-01
FIG. 10
PAGE 2
JAN 20/09

BRI



757

PARTS CATALOG (MAINTENANCE)

FIG ITEM	PART NUMBER	1 2 3 4 5 6 7	NOMENCLATURE	EFFECT FROM TO	UNITS PER ASSY
10					
50	113N1947-11	..	SEAL- MANUFACTURED FROM: EXTR RUBBER F25.01 10-60754-177 X 16.00 IN.	101106 108120 504903	1
55	113N0162-1	..	SEAL- MANUFACTURED FROM: SILICONE RUBBER BMS1-57 1 PLY D-2000 DACRON EACH SIDE .080 X 4.6 X 15.1	101106 108120 504903	1
60	BRFR220C3-5D	..	NUTPLATE SUPPLIER CODE: V52828 SPECIFICATION NUMBER: BACN10KE3B5CD OPTIONAL PART: F51747-3-5CD V15653 102A9213-5-3 V72962 NS202493-02-5 V80539	101106 108120 504903	1
65	BRFR120C3-4D	..	NUTPLATE SUPPLIER CODE: V52828 SPECIFICATION NUMBER: BACN10KE3E4CD OPTIONAL PART: 102F9216-4-3 V72962 F51751-3-4CD V15653 NS202494-02-4 V80539	101106 108120 504903	1
- 70	BACR15BA3AD	..	RIVET- SIZE DETERMINED ON INSTL. -----*-----	101106 108120 504903	2

MISSING ITEM NUMBERS NOT APPLICABLE

- ITEM NOT ILLUSTRATED

BRI

57-51-01-10

BOEING PROPRIETARY - Copyright © - Unpublished Work - See title page for details.

57-51-01
FIG. 10
PAGE 3
JAN 20/09

BOEING
757
PARTS CATALOG (MAINTENANCE)

FIG ITEM	PART NUMBER	1 2 3 4 5 6 7	NOMENCLATURE	EFFECT FROM TO	UNITS PER ASSY
10					
75	BRFR220C3-4D	..	NUTPLATE SUPPLIER CODE: V52828 SPECIFICATION NUMBER: BACN10KE3B4CD OPTIONAL PART: F51747-3-4CD V15653 102A9213-4-3 V72962 NS202493-02-4 V80539	101106 108120 504903	1
80	113N0160-2	..	PANEL	101106 108120 504903	1
85	113N1945-37	.	SUPPORT ASSY- POSITION DATA: LH SIDE	101106 108120 504903	1
- 90	113N1945-38	.	SUPPORT ASSY- POSITION DATA: RH SIDE	101106 108120 504903	1
95	113N0162-2	..	SEAL- MANUFACTURED FROM: SILICONE RUBBER BMS1-57 1 PLY D-2000 DACRON EACH SIDE .080 X 2.3 X 7.3	101106 108120 504903	1
100	BRFR120C3-3D	..	NUTPLATE SUPPLIER CODE: V52828 SPECIFICATION NUMBER: BACN10KE3E3CD OPTIONAL PART: 102F9216-3-3 V72960 NS202494-02-3 V80539 F51751-3-3CD V15653	101106 108120 504903	1
- 105	BACR15BA3AD	..	RIVET- ATTACHING PARTS SIZE DETERMINED ON INSTL. -----*-----	101106 108120 504903	2

MISSING ITEM NUMBERS NOT APPLICABLE

- ITEM NOT ILLUSTRATED

BRI

57-51-01-10

BOEING PROPRIETARY - Copyright © - Unpublished Work - See title page for details.

57-51-01
FIG. 10
PAGE 4
JAN 20/09



757

PARTS CATALOG (MAINTENANCE)

FIG ITEM	PART NUMBER	1 2 3 4 5 6 7	NOMENCLATURE	EFFECT FROM TO	UNITS PER ASSY
10 110	BRF200C3		..NUTPLATE SUPPLIER CODE: V52828 SPECIFICATION NUMBER: BACN10JR3CF OPTIONAL PART: F5031-3BAC V15653 NS103203S02 V80539 VN152B1-02 V92215 101F9201-3 V72962 T8093C1032 V11815	101106 108120 504903	1
115	113N3115-5		..SUPPORT	101106 108120 504903	1

MISSING ITEM NUMBERS NOT APPLICABLE

- ITEM NOT ILLUSTRATED

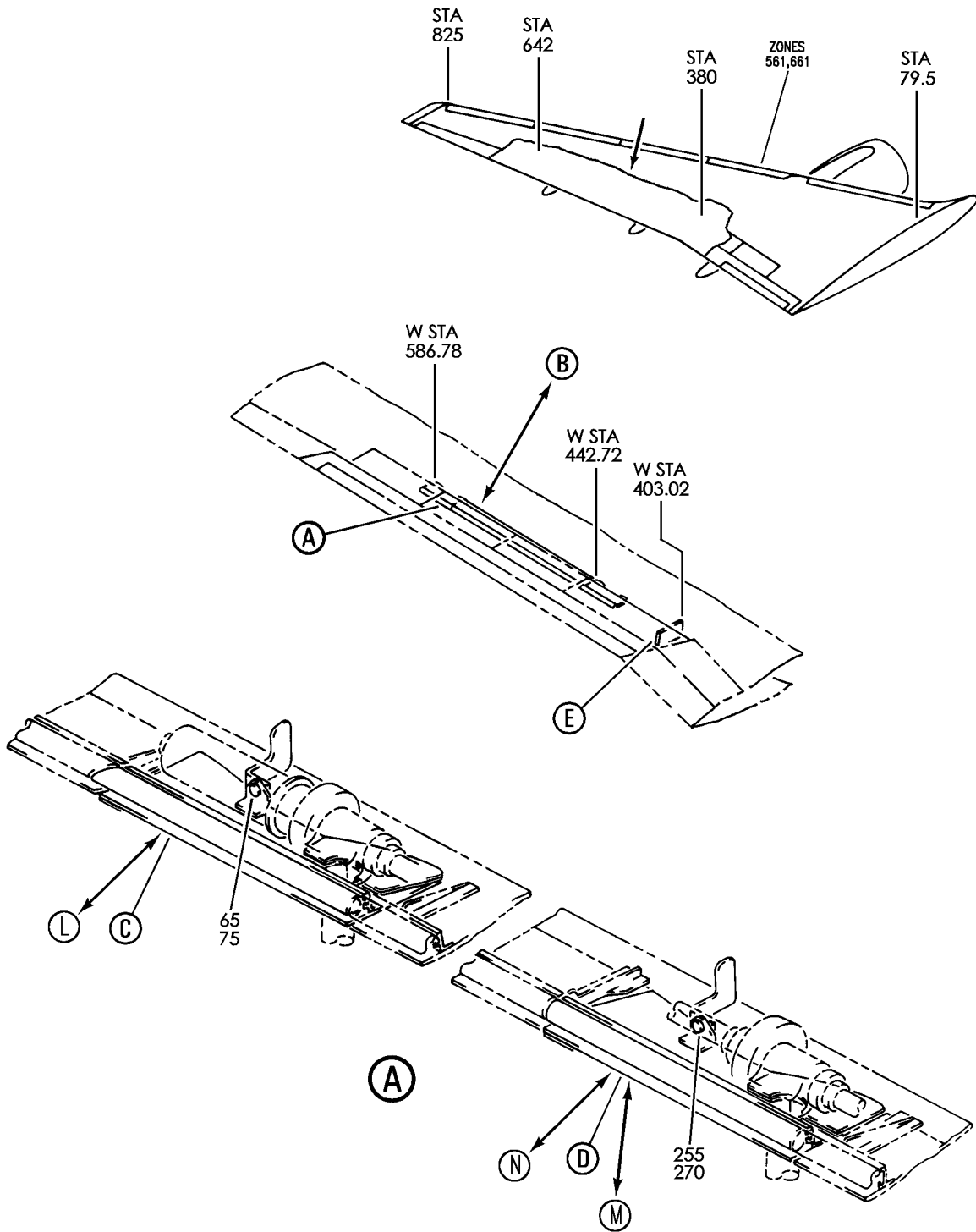
BRI

57-51-01-10

BOEING PROPRIETARY - Copyright © - Unpublished Work - See title page for details.

57-51-01
FIG. 10
PAGE 5
JAN 20/09

BOEING
757
PARTS CATALOG (MAINTENANCE)



Y 57510111 SH1 1 REV 274

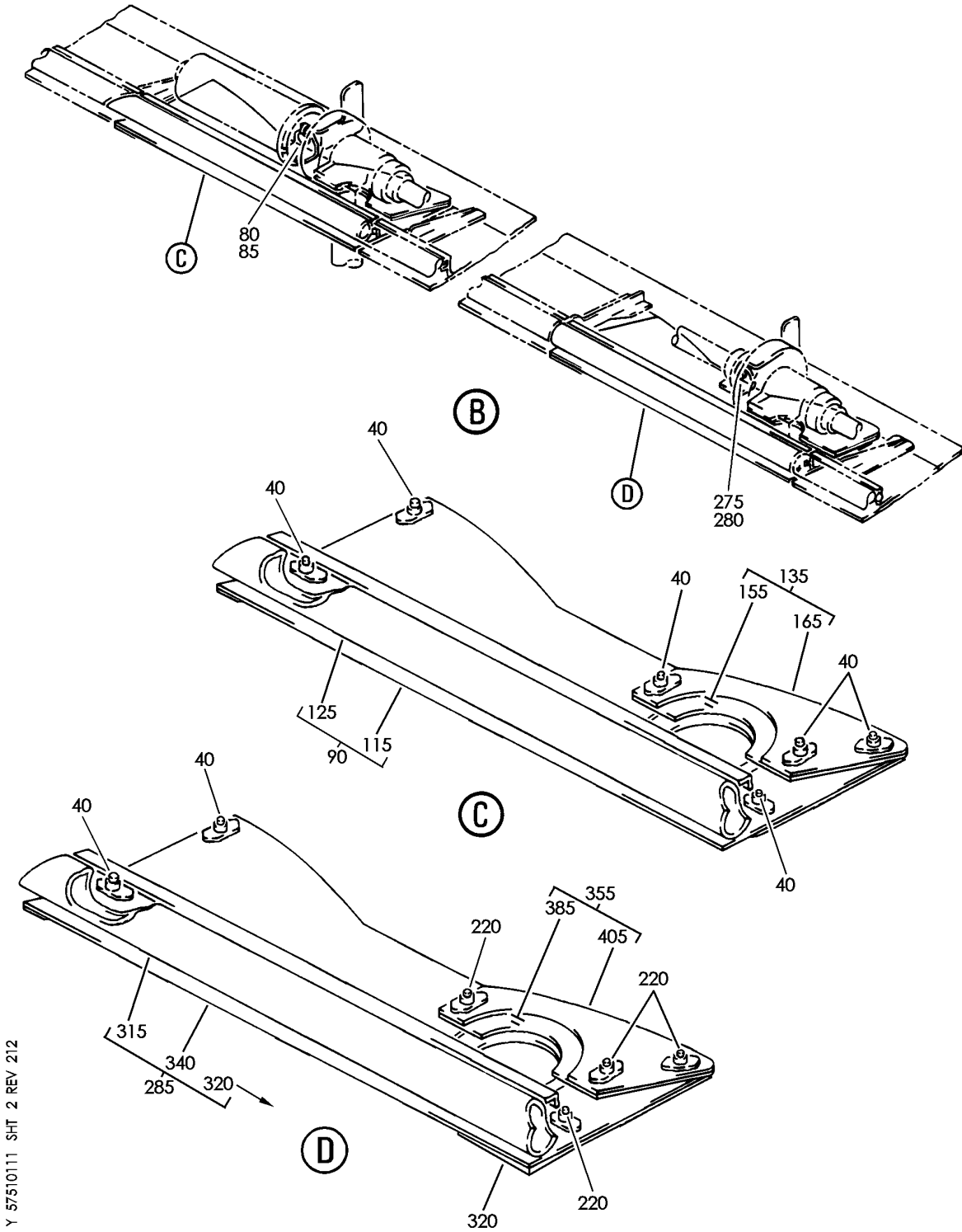
DAM INSTL-WING TE AIR
FIGURE 11 (SHEET 1)

57-51-01-11

BRI
MAY 28/07

57-51-01-11
PAGE 0

BOEING
757
PARTS CATALOG (MAINTENANCE)



Y 57510111 SH1 2 REV 212

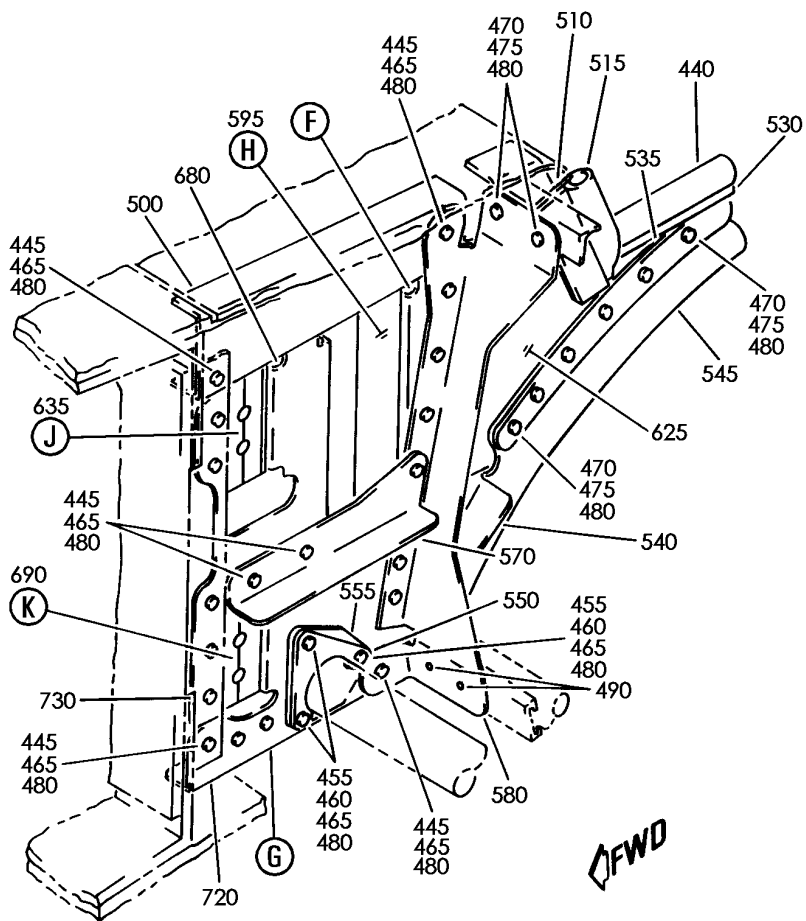
DAM INSTL-WING TE AIR
FIGURE 11 (SHEET 2)

57-51-01-11

BRI
MAY 28/07

57-51-01-11
PAGE 0A

BOEING
757
PARTS CATALOG (MAINTENANCE)



Y 57510111 SHT 3 REV 212

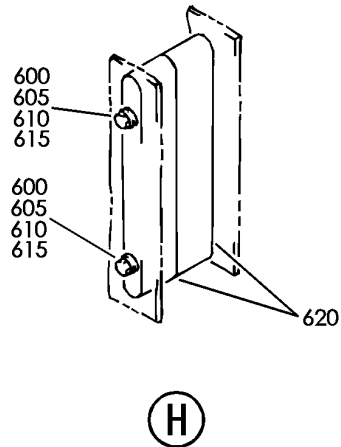
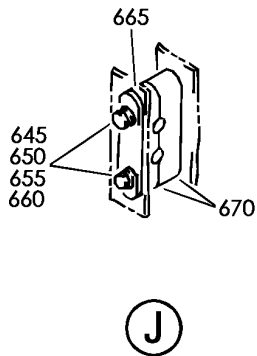
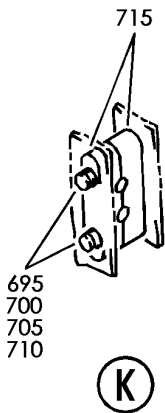
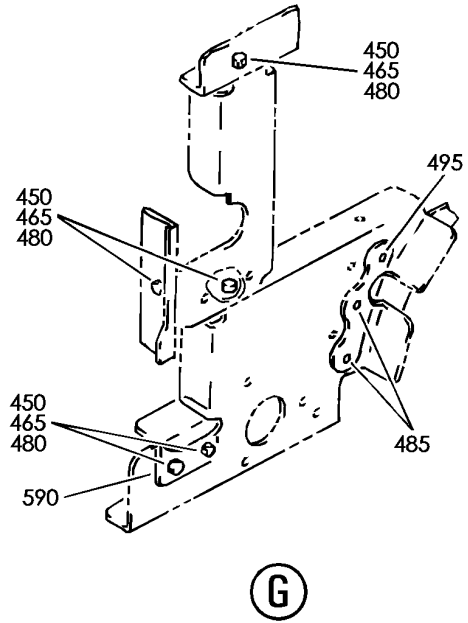
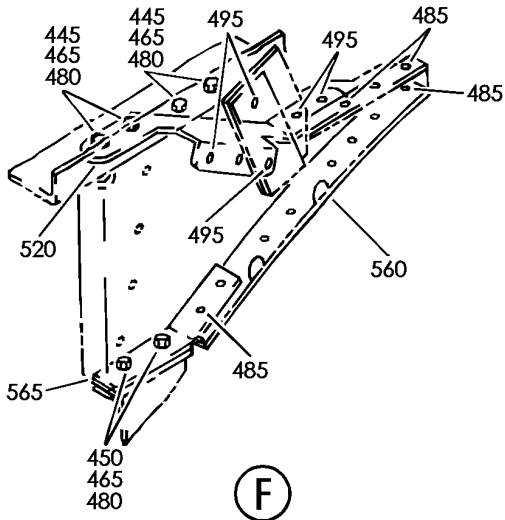
DAM INSTL-WING TE AIR
FIGURE 11 (SHEET 3)

57-51-01-11

BRI
MAY 28/07

57-51-01-11
PAGE 0B

BOEING
757
PARTS CATALOG (MAINTENANCE)



Y 57510111 SH1 4 REV 274

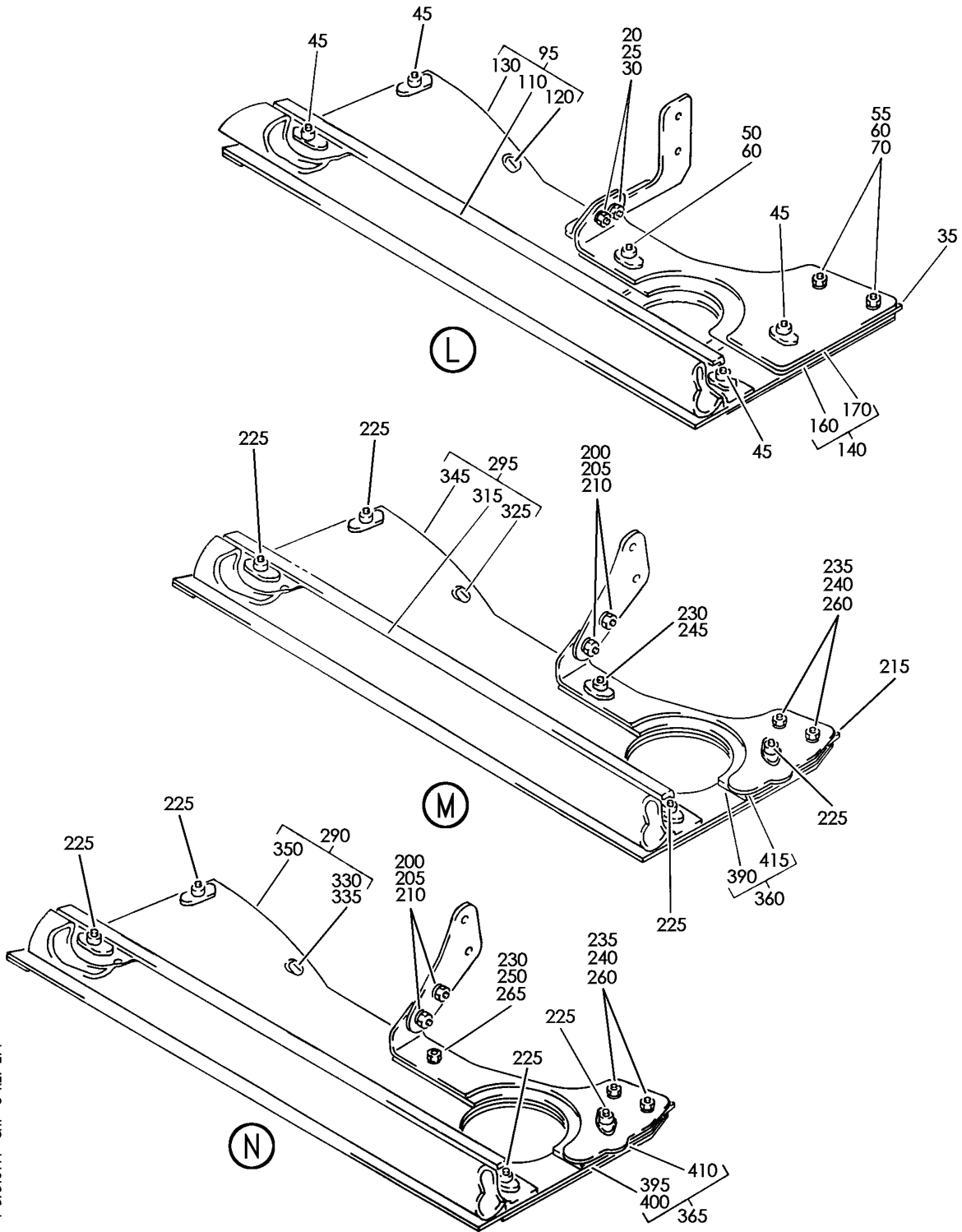
DAM INSTL-WING TE AIR
FIGURE 11 (SHEET 4)

57-51-01-11

BRI
MAY 28/07

57-51-01-11
PAGE 0C

BOEING
757
PARTS CATALOG (MAINTENANCE)



Y 57510111 SH1 5 REV 274

DAM INSTL-WING TE AIR
FIGURE 11 (SHEET 5)

57-51-01-11

BRI
MAY 28/07

57-51-01-11
PAGE 0D



757

PARTS CATALOG (MAINTENANCE)

FIG ITEM	PART NUMBER	1 2 3 4 5 6 7	NOMENCLATURE	EFFECT FROM TO	UNITS PER ASSY
11			DAM INSTL-WING TE AIR	002004 006100 107107 121503 904999	
- 1	113N1962-3		DAM INSTL-WING TE AIR POSITION DATA: LH FOR NHA SEE: 57-50-00-01	002004 006100 107107 121503 904999	RF
- 5	113N1962-4		DAM INSTL-WING TE AIR POSITION DATA: RH FOR NHA SEE: 57-50-00-01	002004 006100 107107 121503 904999	RF
- 10	113N1944-9		.PANEL INSTL- POSITION DATA: LWR WS 577 LH SIDE	002004 006100 107107 121503 904999	1
- 15	113N1944-10		.PANEL INSTL- POSITION DATA: LWR WS 577 RH SIDE	002004 006100 107107 121503 904999	1
20	BACB30LJ3-3		..BOLT	002004 006100 107107 121503 904999	2
25	AN960KD10L		..WASHER	002004 006100 107107 121503 904999	2
30	BRH10C3D		..NUT SUPPLIER CODE: V52828 SPECIFICATION NUMBER: BACN10JC3CD OPTIONAL PART: T6C1032JCD V11815 NS202486-02 V80539 102LH9075-3W V72962 H51650-3BAC V15653	002004 006100 107107 121503 904999	2

MISSING ITEM NUMBERS NOT APPLICABLE

- ITEM NOT ILLUSTRATED

57-51-01-11

57-51-01
FIG. 11
PAGE 1
JAN 20/09

BRI



757

PARTS CATALOG (MAINTENANCE)

FIG ITEM	PART NUMBER	1 2 3 4 5 6 7	NOMENCLATURE	EFFECT FROM TO	UNITS PER ASSY
11					
35	BACF3F010V024NN	..	FILLER	002004 006100 107107 121503 904999	1
45	BACB30NN3K8	..	BOLT	002004 006100 107107 121503 904999	4
50	NAS1801-3-11	..	SCREW	002004 006100 107107 121503 904999	1
55	HL11VAZ6-8	..	BOLT SUPPLIER CODE: V60516 SPECIFICATION NUMBER: BACB30NW6K8 OPTIONAL PART: B30NW6K8 V97928 HL11VAZ6-8 V73197 HL11VAZ6-8 V92215 HL11VAZ6-8 V97928 L803-6K8 V06725 HL11VAZ6-8 V0PTK6 HL11VAZ6-8 V56878	002004 006100 107107 121503 904999	2
60	AN960KD10L	..	WASHER	002004 006100 107107 121503 904999	3

MISSING ITEM NUMBERS NOT APPLICABLE

- ITEM NOT ILLUSTRATED

57-51-01-11

57-51-01
FIG. 11
PAGE 2
JAN 20/09

BRI



757

PARTS CATALOG (MAINTENANCE)

FIG ITEM	PART NUMBER	1 2 3 4 5 6 7	NOMENCLATURE	EFFECT FROM TO	UNITS PER ASSY
11 70	BRH10C3D	..	NUT SUPPLIER CODE: V52828 SPECIFICATION NUMBER: BACN10JC3CD OPTIONAL PART: T6C1032JCD V11815 NS202486-02 V80539 102LH9075-3W V72962 H51650-3BAC V15653	002004 006100 107107 121503 904999	2
95	113N1944-25	..	PANEL ASSY- POSITION DATA: LH SIDE	002004 006100 121503 904999	1
95	113N1944-21	..	PANEL ASSY- POSITION DATA: LH SIDE	107107	1
- 105	113N1944-26	..	PANEL ASSY- POSITION DATA: RH SIDE	002004 006100 121503 904999	1
- 105	113N1944-22	..	PANEL ASSY- POSITION DATA: RH SIDE	107107	1
110	113N1947-9	...	SEAL- MANUFACTURED FROM: EXTR RUBBER F25.01 10-60754-177 X 16.00 IN.	002004 006100 107107 121503 904999	1
120	113N1947-21	...	SEAL- MANUFACTURED FROM: SH SILICONE RUBBER BMS1-57 1 PLY MOHAWK D-2000 DACRON EACH SURFACE 0.080 X 5.2 X 16.0 IN.	002004 006100 107107 121503 904999	1
120	113N1947-24	...	SEAL- MANUFACTURED FROM: SH SILICONE RUBBER BMS1-57 1 PLY MOHAWK D-2000 DACRON EACH SURFACE 0.080 X 5.2 X 16.0 IN.	002004 006100 107107 121503 904999	1

MISSING ITEM NUMBERS NOT APPLICABLE

- ITEM NOT ILLUSTRATED

57-51-01-11

57-51-01
FIG. 11
PAGE 3
JAN 20/09

BRI

BOEING PROPRIETARY - Copyright © - Unpublished Work - See title page for details.

 **BOEING**
757
PARTS CATALOG (MAINTENANCE)

FIG ITEM	PART NUMBER	1 2 3 4 5 6 7	NOMENCLATURE	EFFECT FROM TO	UNITS PER ASSY
11					
130	113N1946-21	...	PANEL	002004 006100 107107 121503 904999	1
140	113N1944-23	..	SUPPORT ASSY- POSITION DATA: LH SIDE	002004 107107 904949 952952	1
140	113N1944-27	..	SUPPORT ASSY- POSITION DATA: LH SIDE	006100 121503 950951 953999	1
- 150	113N1944-24	..	SUPPORT ASSY- POSITION DATA: RH SIDE	002004 107107 904949 952952	1
- 150	113N1944-28	..	SUPPORT ASSY- POSITION DATA: RH SIDE	006100 121503 950951 953999	1
160	113N1947-14	...	SEAL- MANUFACTURED FROM: SH SILICONE RUBBER BMS1-57 1 PLY MOHAWK D-2000 DACRON EACH SURFACE 0.080 X 3.0 X 7.0 IN.	002004 006100 107107 121503 904999	1
170	113N1948-25	...	SUPPORT- POSITION DATA: LH SIDE	002004 107107 904949 952952	1
170	113N1948-29	...	SUPPORT- POSITION DATA: LH SIDE	006100 121503 950951 953999	1
- 175	113N1948-26	...	SUPPORT- POSITION DATA: RH SIDE	002004 107107 904949 952952	1
- 175	113N1948-30	...	SUPPORT- POSITION DATA: RH SIDE	006100 121503 950951 953999	1
- 185	113N1945-27	.	PANEL INSTL- POSITION DATA: LWR WS 440 LH SIDE	002004 006100 107107 121503 904999	1

MISSING ITEM NUMBERS NOT APPLICABLE

- ITEM NOT ILLUSTRATED

BRI

57-51-01-11

BOEING PROPRIETARY - Copyright © - Unpublished Work - See title page for details.

57-51-01
FIG. 11
PAGE 4
JAN 20/09



757

PARTS CATALOG (MAINTENANCE)

FIG ITEM	PART NUMBER	1 2 3 4 5 6 7	NOMENCLATURE	EFFECT FROM TO	UNITS PER ASSY
11 - 195	113N1945-28		.PANEL INSTL- POSITION DATA: LWR WS 440 RH SIDE	002004 006100 107107 121503 904999	1
200	BACB30LJ3-3		..BOLT	002004 107107 121503 904949 952952	2
205	AN960KD10L		..WASHER	002004 107107 121503 904949 952952	2
210	BRH10C3D		..NUT SUPPLIER CODE: V52828 SPECIFICATION NUMBER: BACN10JC3CD OPTIONAL PART: T6C1032JCD V11815 NS202486-02 V80539 102LH9075-3W V72962 H51650-3BAC V15653	002004 107107 121503 904949 952952	2
215	BACF3F010L018NN		..FILLER	002004 006100 107107 121503 904999	1
225	BACB30NN3K8		..BOLT	002004 006100 107107 121503 904999	4
230	NAS1801-3-10		..SCREW-	002004 006100 107107 121503 904999	1

MISSING ITEM NUMBERS NOT APPLICABLE

- ITEM NOT ILLUSTRATED

57-51-01-11

57-51-01
FIG. 11
PAGE 5
JAN 20/09

BRI

BOEING PROPRIETARY - Copyright © - Unpublished Work - See title page for details.



757

PARTS CATALOG (MAINTENANCE)

FIG ITEM	PART NUMBER	1 2 3 4 5 6 7	NOMENCLATURE	EFFECT FROM TO	UNITS PER ASSY
11 235	HL11VAZ6-8	..	BOLT SUPPLIER CODE: V60516 SPECIFICATION NUMBER: BACB30NW6K8 OPTIONAL PART: B30NW6K8 V97928 HL11VAZ6-8 V73197 HL11VAZ6-8 V92215 HL11VAZ6-8 V97928 L803-6K8 V06725 HL11VAZ6-8 V0PTK6 HL11VAZ6-8 V56878	002004 006100 107107 121503 904999	2
240	AN960KD10L	..	WASHER	002004 006100 121503 904999	2
245	AN960KD10	..	WASHER	002004 006100 107107 121503 904999	1
260	BRH10C3D	..	NUT SUPPLIER CODE: V52828 SPECIFICATION NUMBER: BACN10JC3CD OPTIONAL PART: T6C1032JCD V11815 NS202486-02 V80539 102LH9075-3W V72962 H51650-3BAC V15653	002004 006100 121503 904999	2
290	113N1945-35	..	PANEL ASSY- POSITION DATA: LH SIDE	002004 006100 107107 121503 904999	1

MISSING ITEM NUMBERS NOT APPLICABLE

- ITEM NOT ILLUSTRATED

57-51-01-11

57-51-01
FIG. 11
PAGE 6
JAN 20/09

BRI



757

PARTS CATALOG (MAINTENANCE)

FIG ITEM	PART NUMBER	1 2 3 4 5 6 7	NOMENCLATURE	EFFECT FROM TO	UNITS PER ASSY
11 - 305	113N1945-36		.. PANEL ASSY- POSITION DATA: RH SIDE	002004 006100 107107 121503 904999	1
315	113N1947-11		... SEAL- MANUFACTURED FROM: EXTR RUBBER F25.01 10-60754-177 X 16.00 IN.	002004 006100 107107 121503 904999	1
335	113N0162-1		... SEAL- MANUFACTURED FROM: SILICONE RUBBER BMS1-57 1 PLY D-2000 DACRON EACH SIDE .080 X 4.6 X 15.1 USED ON: 113N1945-31 113N1945-32	002004 006100 107107 121503 904999	1
350	113N0160-2		... PANEL	002004 006100 107107 121503 904999	1
365	113N1945-33		.. SUPPORT ASSY- POSITION DATA: LH SIDE	002004 107107 121503 904949 952952	1
365	113N1945-37		.. SUPPORT ASSY- POSITION DATA: LH SIDE	002004 006100 121503 904999	1
- 380	113N1945-34		.. SUPPORT ASSY- POSITION DATA: RH SIDE	002004 107107 121503 904949 952952	1
- 380	113N1945-38		.. SUPPORT ASSY- POSITION DATA: RH SIDE	002004 006100 121503 904999	1

MISSING ITEM NUMBERS NOT APPLICABLE

- ITEM NOT ILLUSTRATED

BRI

57-51-01-11

57-51-01
FIG. 11
PAGE 7
JAN 20/09



757

PARTS CATALOG (MAINTENANCE)

FIG ITEM	PART NUMBER	1 2 3 4 5 6 7	NOMENCLATURE	EFFECT FROM TO	UNITS PER ASSY
11 400	113N0162-2		...SEAL- MANUFACTURED FROM: SILICONE RUBBER BMS1-57 1 PLY D-2000 DACRON EACH SIDE .080 X 2.3 X 7.3 USED ON: 113N1945-29 113N1945-30	002004 006100 107107 121503 904999	1
410	113N3115-3		...SUPPORT- POSITION DATA: LH SIDE USED ON: 113N1945-33	002004 107107 121503 904949 952952	1
410	113N3115-5		...SUPPORT- USED ON: 113N1945-37 113N1945-38	002004 006100 107107 121503 904999	1
- 425	113N3115-4		...SUPPORT- POSITION DATA: RH SIDE USED ON: 113N1945-34	002004 107107 121503 904949 952952	1
- 740	113N1950-13		.RIB INSTL- POSITION DATA: WS 388 LH SIDE FOR DETAILS SEE: 57-50-01-02	002004 006100 107107 121503 904999	1
- 745	113N1950-14		.RIB INSTL- POSITION DATA: WS 388 RH SIDE FOR DETAILS SEE: 57-50-01-02	002004 006100 107107 121503 904999	1

MISSING ITEM NUMBERS NOT APPLICABLE

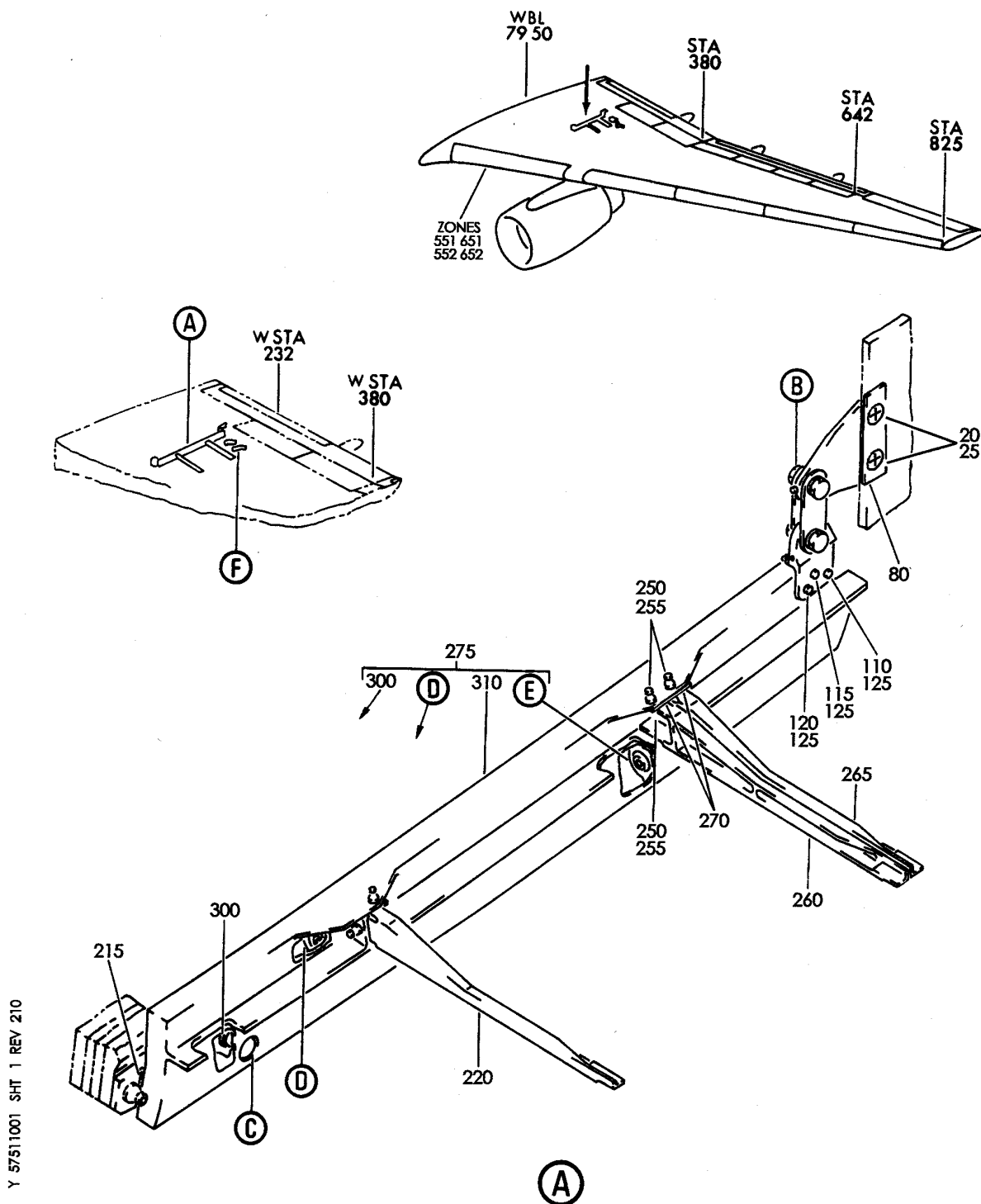
- ITEM NOT ILLUSTRATED

57-51-01-11

57-51-01
FIG. 11
PAGE 8
JAN 20/09

BRI

BOEING
757
PARTS CATALOG (MAINTENANCE)



Y 57511001 SHT 1 REV 210

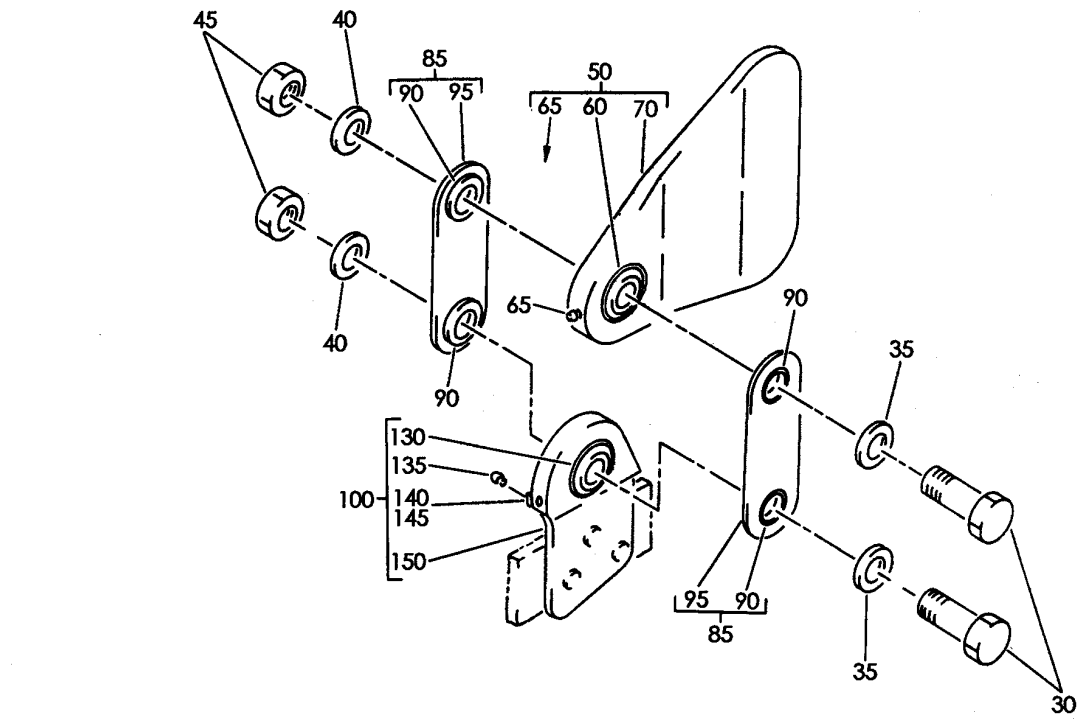
SUPPORT INSTL-MLG TRUNNION FAIRING
FIGURE 1 (SHEET 1)

57-51-10-01

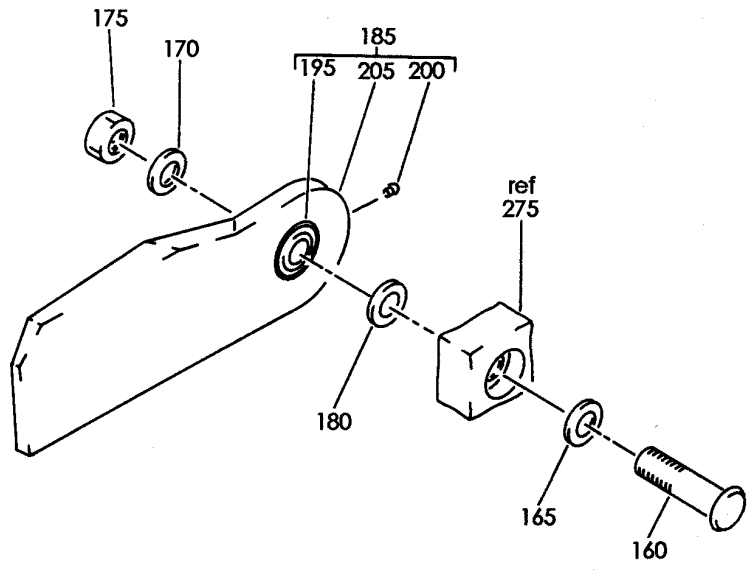
BRI
MAY 28/07

57-51-10-01
PAGE 0

BOEING
757
PARTS CATALOG (MAINTENANCE)



(B)



(C)

Y 57511001 SHT 2 REV 210

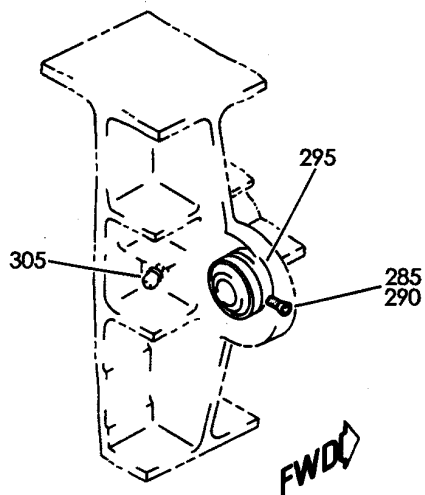
SUPPORT INSTL-MLG TRUNNION FAIRING
FIGURE 1 (SHEET 2)

57-51-10-01

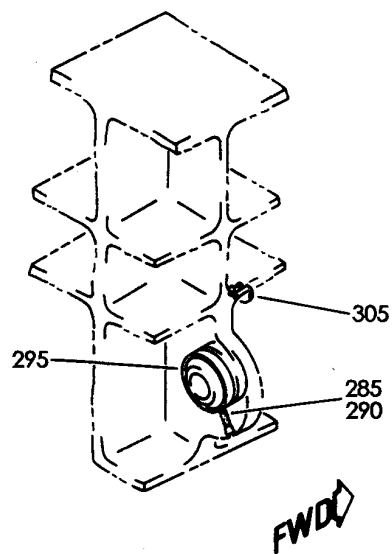
BRI
MAY 28/07

57-51-10-01
PAGE 0A

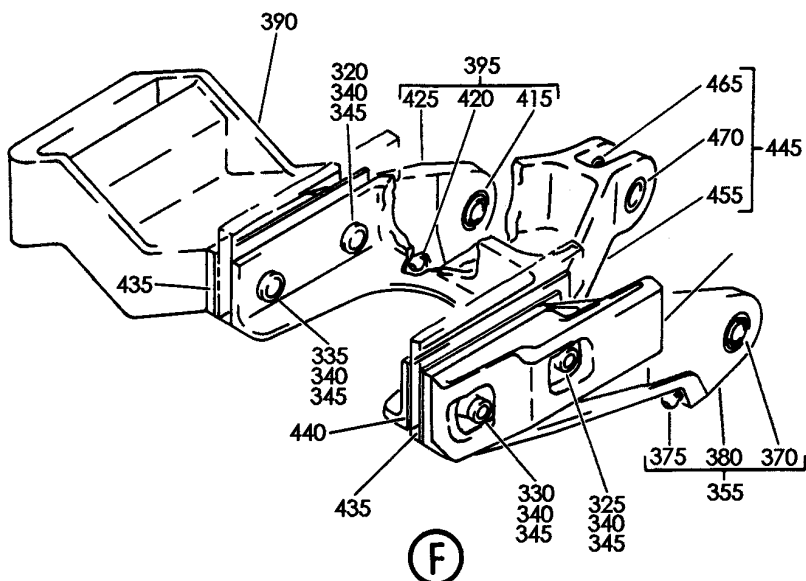
BOEING
757
PARTS CATALOG (MAINTENANCE)



(D)



(E)



(F)

Y 57511001 SHT 3 REV 210

SUPPORT INSTL-MLG TRUNNION FAIRING
FIGURE 1 (SHEET 3)

57-51-10-01

BRI
MAY 28/07

57-51-10-01
PAGE 0B



757

PARTS CATALOG (MAINTENANCE)

FIG ITEM	PART NUMBER	1 2 3 4 5 6 7	NOMENCLATURE	EFFECT FROM TO	UNITS PER ASSY
1			SUPPORT INSTL-MLG TRUNNION FAIRING	002004 006999	
- 1	113N1802-1		SUPPORT INSTL-MLG TRUN FAIRING POSITION DATA: LH FOR NHA SEE: 57-50-00-01	002004 006100 107107 121503 904999	RF
- 1	113N1802-401		SUPPORT INSTL-MLG TRUN FAIRING POSITION DATA: LH FOR NHA SEE: 57-00-00-05B	101102 108120 504903	RF
- 1	MODREF1479		SUPPORT INSTL-MLG TRUN FAIRING MODULE NUMBER: 113N1802-401 REV A POSITION DATA: LH	103103	1
- 1	MODREF26597		SUPPORT INSTL-MLG TRUN FAIRING MODULE NUMBER: 113N1802-401 REV B POSITION DATA: LH	104106	1
- 5	113N1802-2		SUPPORT INSTL-MLG TRUN FAIRING POSITION DATA: RH FOR NHA SEE: 57-50-00-01	002004 006100 107107 121503 904999	RF
- 5	113N1802-402		SUPPORT INSTL-MLG TRUN FAIRING POSITION DATA: RH FOR NHA SEE: 57-00-00-05B	101102 108120 504903	RF
- 5	MODREF1480		SUPPORT INSTL-MLG TRUN FAIRING MODULE NUMBER: 113N1802-402 REV A POSITION DATA: RH	103103	1

MISSING ITEM NUMBERS NOT APPLICABLE

- ITEM NOT ILLUSTRATED

57-51-10-01

57-51-10
FIG. 01
PAGE 1
JAN 20/09

BRI



757

PARTS CATALOG (MAINTENANCE)

FIG ITEM	PART NUMBER	1 2 3 4 5 6 7	NOMENCLATURE	EFFECT FROM TO	UNITS PER ASSY
1					
- 5	MODREF26598		SUPPORT INSTL-MLG TRUN FAIRING MODULE NUMBER: 113N1802-402 REV B POSITION DATA: RH	104106	1
20	L8008K9		.BOLT SUPPLIER CODE: V06725 SPECIFICATION NUMBER: BACB30MY8K9	002004 006999	2
25	HL79-8		.COLLAR SUPPLIER CODE: V5M902 SPECIFICATION NUMBER: BACC30M8 OPTIONAL PART: HL79-8 V73197 HL79-8 V92215 66014-8 V56878 HL79-8 V56878	002004 006999	2
30	BACB30NR8K16		.BOLT	002004 006999	2
35	BACW10BP8ACU		.WASHER	002004 006999	2
40	BACW10BP8APU		.WASHER	002004 006999	2
45	69235-820CD		.NUT SUPPLIER CODE: V92215 SPECIFICATION NUMBER: BACN10JC8CD OPTIONAL PART: 102LH9074-8 V72962 BMN4122CPD8-8 V97928 H51650-8BAC V15653	002004 006999	2
50	113N1829-1		.BRACKET ASSY-SPRT POSITION DATA: AFT LH SIDE OPTIONAL PART: 113N1840-1	002004 006999	1

MISSING ITEM NUMBERS NOT APPLICABLE

- ITEM NOT ILLUSTRATED

57-51-10-01

57-51-10
FIG. 01
PAGE 2
JAN 20/09

BRI

BOEING PROPRIETARY - Copyright © - Unpublished Work - See title page for details.



757

PARTS CATALOG (MAINTENANCE)

FIG ITEM	PART NUMBER	1 2 3 4 5 6 7	NOMENCLATURE	EFFECT FROM TO	UNITS PER ASSY
1					
50	113N1840-1		.BRACKET ASSY-SPRT POSITION DATA: AFT LH SIDE OPTIONAL PART: 113N1829-1	002004 006999	1
- 55	113N1829-2		.BRACKET ASSY-SPRT POSITION DATA: AFT RH SIDE OPTIONAL PART: 113N1840-2	002004 006999	1
- 55	113N1840-2		.BRACKET ASSY-SPRT POSITION DATA: AFT RH SIDE OPTIONAL PART: 113N1829-2	002004 006999	1
60	BNG8F113		..BEARING SUPPLIER CODE: V16746 SPECIFICATION NUMBER: BACB10CN8 OPTIONAL PART: BLN8-2230 V81376 HG8-140 V02758 KSBG8-57 V97613 55768-8 V09455 NBG8A V73134 NC8G1 V56644 AG8V30 V15860 ABG8V4 VS0352	002004 006999	1
65	1728B		..FITTING-LUBE SUPPLIER CODE: VOFKM1	002004 006999	1
70	113N1829-3		..BRACKET- POSITION DATA: LH SIDE USED ON: 113N1829-1	002004 006999	1

MISSING ITEM NUMBERS NOT APPLICABLE

- ITEM NOT ILLUSTRATED

BRI

57-51-10-01

BOEING PROPRIETARY - Copyright © - Unpublished Work - See title page for details.

57-51-10
FIG. 01
PAGE 3
JAN 20/09



757

PARTS CATALOG (MAINTENANCE)

FIG ITEM	PART NUMBER	1 2 3 4 5 6 7	NOMENCLATURE	EFFECT FROM TO	UNITS PER ASSY
1	70 113N1840-3		..BRACKET- POSITION DATA: LH SIDE USED ON: 113N1840-1	002004 006999	1
-	75 113N1829-4		..BRACKET- POSITION DATA: RH SIDE USED ON: 113N1829-2	002004 006999	1
-	75 113N1840-4		..BRACKET- POSITION DATA: RH SIDE USED ON: 113N1840-2 USED ON: 113N1840-2	002004 006999	1
	80 BACS40R014X045F		.SHIM-	002004 006999	AR
	85 113N1828-1		.LINK ASSY-SPRT POSITION DATA: AFT	002004 006999	2
	90 BACB28AP08P009		..BUSHING	002004 006999	2
	95 113N1828-2		..LINK	002004 006999	1
	100 113N1807-1		.FITTING ASSY-SPRT POSITION DATA: AFT LH SIDE	002004 006999	1
-	105 113N1807-2		.FITTING ASSY-SPRT POSITION DATA: AFT RH SIDE ATTACHING PARTS	002004 006999	1
	110 L8008K7		.BOLT SUPPLIER CODE: V06725 SPECIFICATION NUMBER: BACB30MY8K7	002004 006999	1
	115 L8008K8		.BOLT SUPPLIER CODE: V06725 SPECIFICATION NUMBER: BACB30MY8K8	002004 006999	1
	120 L8008K9		.BOLT SUPPLIER CODE: V06725 SPECIFICATION NUMBER: BACB30MY8K9	002004 006999	1

MISSING ITEM NUMBERS NOT APPLICABLE

- ITEM NOT ILLUSTRATED

57-51-10-01

57-51-10
FIG. 01
PAGE 4
JAN 20/09

BRI

BOEING PROPRIETARY - Copyright © - Unpublished Work - See title page for details.



757

PARTS CATALOG (MAINTENANCE)

FIG ITEM	PART NUMBER	1 2 3 4 5 6 7	NOMENCLATURE	EFFECT FROM TO	UNITS PER ASSY
1 125	HL82-8APBW	.	COLLAR SUPPLIER CODE: V5M902 SPECIFICATION NUMBER: BACC30AG8 OPTIONAL PART: HL82-8APBW V92215 HL82-8APBW V56878 HL82-8APBW V73197	002004 006999	3
130	BNG8F113	..	BEARING SUPPLIER CODE: V16746 SPECIFICATION NUMBER: BACB10CN8 OPTIONAL PART: BLN8-2230 V81376 HG8-140 V02758 KSBG8-57 V97613 55768-8 V09455 NBG8A V73134 NC8G1 V56644 AG8V30 V15860 ABG8V4 VS0352	002004 006999	1
135	1728B	..	FITTING-LUBE SUPPLIER CODE: VOFKM1	002004 006999	1
140	PLGA1565010	..	PLUG SUPPLIER CODE: V92555 SPECIFICATION NUMBER: BACP20AX12DA OPTIONAL PART: PLGA1565010 V92555	002004 006999	1

MISSING ITEM NUMBERS NOT APPLICABLE

- ITEM NOT ILLUSTRATED

57-51-10-01

57-51-10
FIG. 01
PAGE 5
JAN 20/09

BRI



757

PARTS CATALOG (MAINTENANCE)

FIG ITEM	PART NUMBER	1 2 3 4 5 6 7	NOMENCLATURE	EFFECT FROM TO	UNITS PER ASSY
1					
145	PLGA1564010	..	PLUG SUPPLIER CODE: V92555 SPECIFICATION NUMBER: BACP20AX12DAP	002004 006999	1
150	113N1807-3	..	FITTING- POSITION DATA: LH SIDE	002004 006999	1
- 155	113N1807-4	..	FITTING- POSITION DATA: RH SIDE	002004 006999	1
160	L80016K21	.BOLT	SUPPLIER CODE: V06725 SPECIFICATION NUMBER: BACB30MY16K21	002004 006999	1
165	BACW10BP8ACU	.WASHER		002004 006999	1
170	BACW10BP8APU	.WASHER		002004 006999	1
175	69235-820CD	.NUT	SUPPLIER CODE: V92215 SPECIFICATION NUMBER: BACN10JC8CD OPTIONAL PART: 102LH9074-8 V72962 BMN4122CPD8-8 V97928 H51650-8BAC V15653	002004 006999	1
180	113N1802-3	.SHIM-CIRCULAR		002004 006999	1
185	113N1806-1	.FITTING ASSY-SPRT	POSITION DATA: FWD LH SIDE OPTIONAL PART: 113N1847-1	107107	1
185	113N1847-1	.FITTING ASSY-SPRT	POSITION DATA: FWD LH SIDE OPTIONAL PART: 113N1806-1 113N1812-1	107107	1

MISSING ITEM NUMBERS NOT APPLICABLE

- ITEM NOT ILLUSTRATED

57-51-10-01

57-51-10
FIG. 01
PAGE 6
JAN 20/09

BRI

 **BOEING**
757
PARTS CATALOG (MAINTENANCE)

FIG ITEM	PART NUMBER	1 2 3 4 5 6 7	NOMENCLATURE	EFFECT FROM TO	UNITS PER ASSY
1					
185	113N1812-1		.FITTING ASSY-SPRT POSITION DATA: FWD LH SIDE OPTIONAL PART: 113N1847-1	107107	1
185	113N1812-7		.FITTING ASSY-SPRT POSITION DATA: FWD LH SIDE	002004 006999	1
- 190	113N1806-2		.FITTING ASSY-SPRT POSITION DATA: FWD RH SIDE OPTIONAL PART: 113N1847-2	107107	1
- 190	113N1847-2		.FITTING ASSY-SPRT POSITION DATA: FWD RH SIDE OPTIONAL PART: 113N1806-2 113N1812-2	107107	1
- 190	113N1812-2		.FITTING ASSY-SPRT POSITION DATA: FWD RH SIDE OPTIONAL PART: 113N1847-2	107107	1
- 190	113N1812-8		.FITTING ASSY-SPRT POSITION DATA: FWD RH SIDE	002004 006999	1
195	BNG8F113		..BEARING SUPPLIER CODE: V16746 SPECIFICATION NUMBER: BACB10CN8 OPTIONAL PART: BLN8-2230 V81376 HG8-140 V02758 KSBG8-57 V97613 55768-8 V09455 NBG8A V73134 NC8G1 V56644 AG8V30 V15860 ABG8V4 VS0352	002004 006999	1

MISSING ITEM NUMBERS NOT APPLICABLE

- ITEM NOT ILLUSTRATED

BRI

57-51-10-01

BOEING PROPRIETARY - Copyright © - Unpublished Work - See title page for details.

57-51-10
FIG. 01
PAGE 7
JAN 20/09



757

PARTS CATALOG (MAINTENANCE)

FIG ITEM	PART NUMBER	1 2 3 4 5 6 7	NOMENCLATURE	EFFECT FROM TO	UNITS PER ASSY
1					
200	1992B		.. FITTING-LUBE SUPPLIER CODE: VOFKM1	002004 006999	1
205	113N1806-3		.. FITTING- POSITION DATA: LH SIDE USED ON: 113N1806-1	107107	1
205	113N1847-3		.. FITTING- POSITION DATA: LH SIDE USED ON: 113N1847-1	107107	1
205	113N1812-3		.. FITTING- POSITION DATA: LH SIDE USED ON: 113N1812-1	107107	1
205	113N1812-9		.. FITTING- POSITION DATA: LH SIDE USED ON: 113N1812-7	002004 006106 108999	1
- 210	113N1806-4		.. FITTING- POSITION DATA: RH SIDE USED ON: 113N1806-2	107107	1
- 210	113N1847-4		.. FITTING- POSITION DATA: RH SIDE USED ON: 113N1847-2	107107	1
- 210	113N1812-4		.. FITTING- POSITION DATA: RH SIDE USED ON: 113N1812-2	107107	1
- 210	113N1812-10		.. FITTING- POSITION DATA: RH SIDE USED ON: 113N1812-8	002004 006106 108999	1
215	BACS40R024F040F		.SHIM	101106 108120 504903	AR

MISSING ITEM NUMBERS NOT APPLICABLE

- ITEM NOT ILLUSTRATED

57-51-10-01

57-51-10
FIG. 01
PAGE 8
JAN 20/09

BRI

BOEING PROPRIETARY - Copyright © - Unpublished Work - See title page for details.



757

PARTS CATALOG (MAINTENANCE)

FIG ITEM	PART NUMBER	1 2 3 4 5 6 7	NOMENCLATURE	EFFECT FROM TO	UNITS PER ASSY
1					
215	BACS40R024X040F	.	SHIM-	002004 006100 107107 121503 904999	AR
220	113N1833-3	.	CHANNEL-STAB. POSITION DATA: LH SIDE OPTIONAL PART: 113N1841-1	002004 006999	1
220	113N1841-1	.	CHANNEL-STAB. POSITION DATA: LH SIDE OPTIONAL PART: 113N1833-3	002004 006999	1
- 225	113N1833-4	.	CHANNEL-STAB. POSITION DATA: RH SIDE OPTIONAL PART: 113N1841-2	002004 006999	1
- 225	113N1841-2	.	CHANNEL-STAB. POSITION DATA: RH SIDE OPTIONAL PART: 113N1833-4	002004 006999	1
- 230	L8006K4	.	ATTACHING PARTS BOLT SUPPLIER CODE: V06725 SPECIFICATION NUMBER: BACB30MY6K4	002004 006999	2
- 235	HL79-6	.	COLLAR SUPPLIER CODE: V5M902 SPECIFICATION NUMBER: BACC30M6 OPTIONAL PART: HL79-6 V73197 HL79-6 V92215 66014-6 V56878 HL79-6 V56878	002004 006999	2
- 240	BACS40R009F010F	.	SHIM	101106 108120 504903	2

MISSING ITEM NUMBERS NOT APPLICABLE

- ITEM NOT ILLUSTRATED

57-51-10-01

57-51-10
FIG. 01
PAGE 9
JAN 20/09

BRI

BOEING PROPRIETARY - Copyright © - Unpublished Work - See title page for details.



757

PARTS CATALOG (MAINTENANCE)

FIG ITEM	PART NUMBER	1 2 3 4 5 6 7	NOMENCLATURE	EFFECT FROM TO	UNITS PER ASSY
1					
- 240	BACS40R009X010F	. SHIM-		002004 006100 107107 121503 904999	2
245	L8006K4	. BOLT	-----*----- SUPPLIER CODE: V06725 SPECIFICATION NUMBER: BACB30MY6K4	002004 006999	2
250	L8006K5	. BOLT	SUPPLIER CODE: V06725 SPECIFICATION NUMBER: BACB30MY6K5	002004 006999	1
255	HL79-6	. COLLAR	SUPPLIER CODE: V5M902 SPECIFICATION NUMBER: BACC30M6 OPTIONAL PART: HL79-6 V73197 HL79-6 V92215 66014-6 V56878 HL79-6 V56878	002004 006999	3
260	113N1833-2	. CHANNEL-STAB.	OPTIONAL PART: 113N1856-2	002004 006999	1
260	113N1856-2	. CHANNEL-STAB.	OPTIONAL PART: 113N1833-2	002004 006999	1
265	113N1833-1	. CHANNEL-STAB.	OPTIONAL PART: 113N1856-1	002004 006999	1
265	113N1856-1	. CHANNEL-STAB.	OPTIONAL PART: 113N1833-1	002004 006999	1
270	BACS40R009F010F	. SHIM		101106 108120 504903	AR

MISSING ITEM NUMBERS NOT APPLICABLE

- ITEM NOT ILLUSTRATED

57-51-10-01

57-51-10
FIG. 01
PAGE 10
JAN 20/09

BRI

BOEING PROPRIETARY - Copyright © - Unpublished Work - See title page for details.

 **BOEING**
757
PARTS CATALOG (MAINTENANCE)

FIG ITEM	PART NUMBER	1 2 3 4 5 6 7	NOMENCLATURE	EFFECT FROM TO	UNITS PER ASSY
1					
270	BACS40R009X010F	.	SHIM-	002004 006100 107107 121503 904999	AR
275	113N1808-5	.	SUPPORT ASSY-BEAM POSITION DATA: LH SIDE	002004 107107 121503 904949 952952	1
275	113N1808-9	.	SUPPORT ASSY-BEAM POSITION DATA: LH SIDE	002004 107107 121503 904949 952952	1
275	113N1808-15	.	SUPPORT ASSY-BEAM POSITION DATA: LH SIDE	002004 107107 121503 904949 952952	1
275	113N1808-17	.	SUPPORT ASSY-BEAM POSITION DATA: LH SIDE	006106 108120 504903 950951 953999	1
- 280	113N1808-6	.	SUPPORT ASSY-BEAM POSITION DATA: RH SIDE	002004 107107 121503 904949 952952	1
- 280	113N1808-10	.	SUPPORT ASSY-BEAM POSITION DATA: RH SIDE	002004 107107 121503 904949 952952	1
- 280	113N1808-16	.	SUPPORT ASSY-BEAM POSITION DATA: RH SIDE	002004 107107 121503 904949 952952	1
- 280	113N1808-18	.	SUPPORT ASSY-BEAM POSITION DATA: RH SIDE	006106 108120 504903 950951 953999	1

MISSING ITEM NUMBERS NOT APPLICABLE

- ITEM NOT ILLUSTRATED

BRI

57-51-10-01

BOEING PROPRIETARY - Copyright © - Unpublished Work - See title page for details.

57-51-10
FIG. 01
PAGE 11
JAN 20/09



757

PARTS CATALOG (MAINTENANCE)

FIG ITEM	PART NUMBER	1 2 3 4 5 6 7	NOMENCLATURE	EFFECT FROM TO	UNITS PER ASSY
1 285	PLGA1564010	..	PLUG SUPPLIER CODE: V92555 SPECIFICATION NUMBER: BACP20AX12DAP	002004 006999	2
290	PLGA1565010	..	PLUG SUPPLIER CODE: V92555 SPECIFICATION NUMBER: BACP20AX12DA OPTIONAL PART: PLGA1565010 V92555	002004 006999	2
295	BNG6F113	..	BEARING- SUPPLIER CODE: V16746 SPECIFICATION NUMBER: BACB10CN6 OPTIONAL PART: BLN6-2230 V81376 HG6-140 V02758 KSBG6-57 V97613 55768-6 V09455 NBG6A V73134 NC6G1 V56644 AG6V25 V15860 ABG6V4 VS0352 MS21154B6	002004 006999	2
295	MS21154B6	..	BEARING- OPTIONAL PART: BACB10CN6	002004 006999	2
295	P29820	..	BEARING- SUPPLIER CODE: V57606 OPTIONAL PART: VTB10820 V06710	002004 006999	2

MISSING ITEM NUMBERS NOT APPLICABLE

- ITEM NOT ILLUSTRATED

BRI

57-51-10-01

BOEING PROPRIETARY - Copyright © - Unpublished Work - See title page for details.

57-51-10
FIG. 01
PAGE 12
JAN 20/09



757

PARTS CATALOG (MAINTENANCE)

FIG ITEM	PART NUMBER	1 2 3 4 5 6 7	NOMENCLATURE	EFFECT FROM TO	UNITS PER ASSY
1					
295	VTB10820		.. BEARING- SUPPLIER CODE: V06710 OPTIONAL PART: P29820 V57606	002004 006999	2
300	BACB28AP08-047		.. BUSHING	002004 006999	1
305	1728B		.. FITTING-LUBE SUPPLIER CODE: VOFKM1	002004 006999	2
310	113N1808-11		.. BEAM-LH SIDE POSITION DATA: LH SIDE USED ON: 113N1808-9	002004 107107 121503 904949 952952	1
310	113N1808-7		.. BEAM- POSITION DATA: LH SIDE USED ON: 113N1808-5	002004 107107 121503 904949 952952	1
310	113N1808-13		.. BEAM- POSITION DATA: LH SIDE USED ON: 113N1808-15	002004 006999	1
- 315	113N1808-12		.. BEAM- POSITION DATA: RH SIDE USED ON: 113N1808-10	002004 107107 121503 904949 952952	1
- 315	113N1808-8		.. BEAM- POSITION DATA: RH SIDE USED ON: 113N1808-6	002004 107107 121503 904949 952952	1
- 315	113N1808-14		.. BEAM- POSITION DATA: RH SIDE USED ON: 113N1808-16	002004 006999	1

MISSING ITEM NUMBERS NOT APPLICABLE

- ITEM NOT ILLUSTRATED

57-51-10-01

57-51-10
FIG. 01
PAGE 13
JAN 20/09

BRI



757

PARTS CATALOG (MAINTENANCE)

FIG ITEM	PART NUMBER	1 2 3 4 5 6 7	NOMENCLATURE	EFFECT FROM TO	UNITS PER ASSY
1 320	HL1012AZ12-19		.BOLT SUPPLIER CODE: VOPTK6 SPECIFICATION NUMBER: BACB30NX12K19 OPTIONAL PART: HL12VAZ12-19 V73197 HL12VAZ12-19 V92215 HL12VAZ12-19 V97928 L802-12K19 V06725 HL12VAZ12-19 V56878 HL1012AZ12-19 V06725 HL1012AZ12-19 V06950 HL1012AZ12-19 V17446 HL1012AZ12-19 V56878 HL1012AZ12-19 V60516 HL1012AZ12-19 V73197 HL1012AZ12-19 V97928	002004 006106 108999	1

MISSING ITEM NUMBERS NOT APPLICABLE

- ITEM NOT ILLUSTRATED

BRI

57-51-10-01

BOEING PROPRIETARY - Copyright © - Unpublished Work - See title page for details.

57-51-10
FIG. 01
PAGE 14
JAN 20/09



757

PARTS CATALOG (MAINTENANCE)

FIG ITEM	PART NUMBER	1 2 3 4 5 6 7	NOMENCLATURE	EFFECT FROM TO	UNITS PER ASSY
1 325	HL1012AZ12-20		.BOLT SUPPLIER CODE: VOPTK6 SPECIFICATION NUMBER: BACB30NX12K20 OPTIONAL PART: HL12VAZ12-20 V73197 HL12VAZ12-20 V92215 HL12VAZ12-20 V97928 L802-12K20 V06725 HL12VAZ12-20 V56878 HL1012AZ12-20 V06725 HL1012AZ12-20 V06950 HL1012AZ12-20 V17446 HL1012AZ12-20 V56878 HL1012AZ12-20 V60516 HL1012AZ12-20 V73197 HL1012AZ12-20 V97928	002004 006106 108999	1

MISSING ITEM NUMBERS NOT APPLICABLE

- ITEM NOT ILLUSTRATED

BRI

57-51-10-01

BOEING PROPRIETARY - Copyright © - Unpublished Work - See title page for details.

57-51-10
FIG. 01
PAGE 15
JAN 20/09



757

PARTS CATALOG (MAINTENANCE)

FIG ITEM	PART NUMBER	1 2 3 4 5 6 7	NOMENCLATURE	EFFECT FROM TO	UNITS PER ASSY
1 330	HL1012AZ12-21		.BOLT SUPPLIER CODE: VOPTK6 SPECIFICATION NUMBER: BACB30NX12K21 OPTIONAL PART: HL12VAZ12-21 V73197 HL12VAZ12-21 V92215 HL12VAZ12-21 V97928 L802-12K21 V06725 HL12VAZ12-21 V56878 HL1012AZ12-21 V06725 HL1012AZ12-21 V06950 HL1012AZ12-21 V17446 HL1012AZ12-21 V56878 HL1012AZ12-21 V60516 HL1012AZ12-21 V73197 HL1012AZ12-21 V97928	002004 006106 108999	1

MISSING ITEM NUMBERS NOT APPLICABLE

- ITEM NOT ILLUSTRATED

BRI

57-51-10-01

BOEING PROPRIETARY - Copyright © - Unpublished Work - See title page for details.

57-51-10
FIG. 01
PAGE 16
JAN 20/09



757

PARTS CATALOG (MAINTENANCE)

FIG ITEM	PART NUMBER	1 2 3 4 5 6 7	NOMENCLATURE	EFFECT FROM TO	UNITS PER ASSY
1 335	HL1012AZ12-23		.BOLT SUPPLIER CODE: VOPTK6 SPECIFICATION NUMBER: BACB30NX12K23 OPTIONAL PART: HL12VAZ12-23 V73197 HL12VAZ12-23 V92215 HL12VAZ12-23 V97928 L802-12K23 V06725 HL12VAZ12-23 V56878 HL1012AZ12-23 V06725 HL1012AZ12-23 V06950 HL1012AZ12-23 V17446 HL1012AZ12-23 V56878 HL1012AZ12-23 V60516 HL1012AZ12-23 V73197 HL1012AZ12-23 V97928	002004 006106 108999	1

MISSING ITEM NUMBERS NOT APPLICABLE

- ITEM NOT ILLUSTRATED

BRI

57-51-10-01

BOEING PROPRIETARY - Copyright © - Unpublished Work - See title page for details.

57-51-10
FIG. 01
PAGE 17
JAN 20/09



757

PARTS CATALOG (MAINTENANCE)

FIG ITEM	PART NUMBER	1 2 3 4 5 6 7	NOMENCLATURE	EFFECT FROM TO	UNITS PER ASSY
1 340	HL1012AZ12-13	.BOLT	SUPPLIER CODE: VOPTK6 SPECIFICATION NUMBER: BACB30NX12K13 OPTIONAL PART: HL12VAZ12-13 V73197 HL12VAZ12-13 V92215 HL12VAZ12-13 V97928 L802-12K13 V06725 HL12VAZ12-13 V56878 HL1012AZ12-13 V06725 HL1012AZ12-13 V06950 HL1012AZ12-13 V17446 HL1012AZ12-13 V56878 HL1012AZ12-13 V60516 HL1012AZ12-13 V73197 HL1012AZ12-13 V97928	107107	4
345	HL1187-12	.COLLAR	SUPPLIER CODE: V5M902 SPECIFICATION NUMBER: BACC30X12 OPTIONAL PART: HL1187-12 V73197 HL1187-12 V56878 HL1187-12 V92215 HL1187-12 V92215 HL87-12 V56878 HL87-12 V73197	002004 006999	4

MISSING ITEM NUMBERS NOT APPLICABLE

- ITEM NOT ILLUSTRATED

57-51-10-01

57-51-10
FIG. 01
PAGE 18
JAN 20/09

BRI



757

PARTS CATALOG (MAINTENANCE)

FIG ITEM	PART NUMBER	1 2 3 4 5 6 7	NOMENCLATURE	EFFECT FROM TO	UNITS PER ASSY
1					
350	113N1880-1	.	FITTING-SPRT POSITION DATA: OUTBD LH SIDE	002004 006106 108999	1
355	113N1873-1	.	FITTING ASSY-HINGE POSITION DATA: OUTBD AFT LH SIDE QUALIFIED I/W DATA: 113N1873-1 MAY REPLACE 113N1830-1 AFTER INCORPORATION OF S/B 757-57-0018 113N1873-1 MAY REPLACE 113N1845-1 AFTER INCORPORATION OF S/B 757-57-0018	002004 006999	1
- 360	113N1880-2	.	FITTING-SPRT POSITION DATA: OUTBD RH SIDE	002004 006106 108999	1
- 365	113N1873-2	.	FITTING ASSY-HINGE POSITION DATA: OUTBD AFT RH SIDE QUALIFIED I/W DATA: 113N1873-2 MAY REPLACE 113N1830-2 AFTER INCORPORATION OF S/B 757-57-0018 113N1873-2 MAY REPLACE 113N1830-2 OR 113N1845-2 AFTER INCORPORATION OF S/B 757-57-0018	002004 006999	1
370	ABG8VA501	..	BEARING- SUPPLIER CODE: V50294	002004 006100 107107 121503 904999	1

MISSING ITEM NUMBERS NOT APPLICABLE

- ITEM NOT ILLUSTRATED

BRI

57-51-10-01

BOEING PROPRIETARY - Copyright © - Unpublished Work - See title page for details.

57-51-10
FIG. 01
PAGE 19
JAN 20/09



757

PARTS CATALOG (MAINTENANCE)

FIG ITEM	PART NUMBER	1 2 3 4 5 6 7	NOMENCLATURE	EFFECT FROM TO	UNITS PER ASSY
1 370	BNG9F113		.. BEARING- SUPPLIER CODE: V16746 SPECIFICATION NUMBER: BACB10CN9 OPTIONAL PART: BLN9-2230 V81376 HG9-140 V02758 KSBG9-57 V97613 55768-9 V09455 NBG9A V73134 NC9G1 V56644 AG9V25 V15860 ABG9V4 VS0352	002004 006999	1
375	MS15001-1		.. FITTING	002004 006999	1
380	113N1873-3		.. FITTING- POSITION DATA: LH SIDE	002004 006999	1
- 385	113N1873-4		.. FITTING- POSITION DATA: RH SIDE	002004 006999	1
390	113N1881-1		. FITTING-SPRT POSITION DATA: INBD LH SIDE	002004 006100 121503 904999	1
390	113N1881-5		. FITTING-SPRT POSITION DATA: INBD LH SIDE	002004 006106 108999	1
395	113N1874-1		. FITTING ASSY-HINGE POSITION DATA: INBD AFT LH SIDE QUALIFIED I/W DATA: 113N1874-1 MAY REPLACE 113N1809-1 AFTER INCORPORATION OF S/B 757-57-0018 113N1874-1 MAY REPLACE 113N1839-1 AFTER INCORPORATION OF S/B 757-57-0018	002004 006999	1

MISSING ITEM NUMBERS NOT APPLICABLE

- ITEM NOT ILLUSTRATED

57-51-10-01

57-51-10
FIG. 01
PAGE 20
JAN 20/09

BRI



757

PARTS CATALOG (MAINTENANCE)

FIG ITEM	PART NUMBER	1 2 3 4 5 6 7	NOMENCLATURE	EFFECT FROM TO	UNITS PER ASSY
1					
- 400	113N1881-2		. FITTING-SPRT POSITION DATA: INBD RH SIDE	002004 006100 121503 904999	1
- 400	113N1881-6		. FITTING-SPRT POSITION DATA: INBD RH SIDE	002004 006106 108999	1
- 410	113N1874-2		. FITTING ASSY-HINGE POSITION DATA: INBD AFT RH SIDE QUALIFIED I/W DATA: 113N1874-2 MAY REPLACE 113N1809-2 OR 113N1839-2 AFTER INCORPORATION OF S/B 757-57-0018	002004 006999	1
415	BNG9F113		.. BEARING- SUPPLIER CODE: V16746 SPECIFICATION NUMBER: BACB10CN9 OPTIONAL PART: BLN9-2230 V81376 HG9-140 V02758 KSBG9-57 V97613 55768-9 V09455 NBG9A V73134 NC9G1 V56644 AG9V25 V15860 ABG9V4 VS0352	002004 006999	1
420	MS15001-1		.. FITTING	002004 006999	1
425	113N1874-3		.. FITTING- POSITION DATA: LH SIDE	002004 006999	1
- 430	113N1874-4		.. FITTING- POSITION DATA: RH SIDE	002004 006999	1
435	BACS40R015D037F		. SHIM-	002004 006999	2
440	BACS40R013C034F		. SHIM-	002004 006999	1

MISSING ITEM NUMBERS NOT APPLICABLE

- ITEM NOT ILLUSTRATED

57-51-10-01

57-51-10
FIG. 01
PAGE 21
JAN 20/09

BRI



757

PARTS CATALOG (MAINTENANCE)

FIG ITEM	PART NUMBER	1 2 3 4 5 6 7	NOMENCLATURE	EFFECT FROM TO	UNITS PER ASSY
1					
445	113N2880-1	.	FITTING ASSY-ATTACH POSITION DATA: LH SIDE OPTIONAL PART: 113N2897-1	002004 006999	1
445	113N2897-1	.	FITTING ASSY-ATTACH POSITION DATA: LH SIDE OPTIONAL PART: 113N2880-1	002004 006999	1
- 450	113N2880-2	.	FITTING ASSY-ATTACH POSITION DATA: RH SIDE OPTIONAL PART: 113N2897-2	002004 006999	1
- 450	113N2897-2	.	FITTING ASSY-ATTACH POSITION DATA: RH SIDE OPTIONAL PART: 113N2880-2	002004 006999	1
455	113N2880-3	..	FITTING- POSITION DATA: LH SIDE USED ON: 113N2880-1	002004 006999	1
455	113N2897-3	..	FITTING- POSITION DATA: LH SIDE USED ON: 113N2897-1	002004 006999	1
- 460	113N2880-4	..	FITTING- POSITION DATA: RH SIDE USED ON: 113N2880-2	002004 006999	1
- 460	113N2897-4	..	FITTING- POSITION DATA: RH SIDE USED ON: 113N2897-2	002004 006999	1
465	BACB28AM10B023A	..	BUSHING	002004 006999	1
470	BACB28AP07P023	..	BUSHING	002004 006999	1

MISSING ITEM NUMBERS NOT APPLICABLE

- ITEM NOT ILLUSTRATED

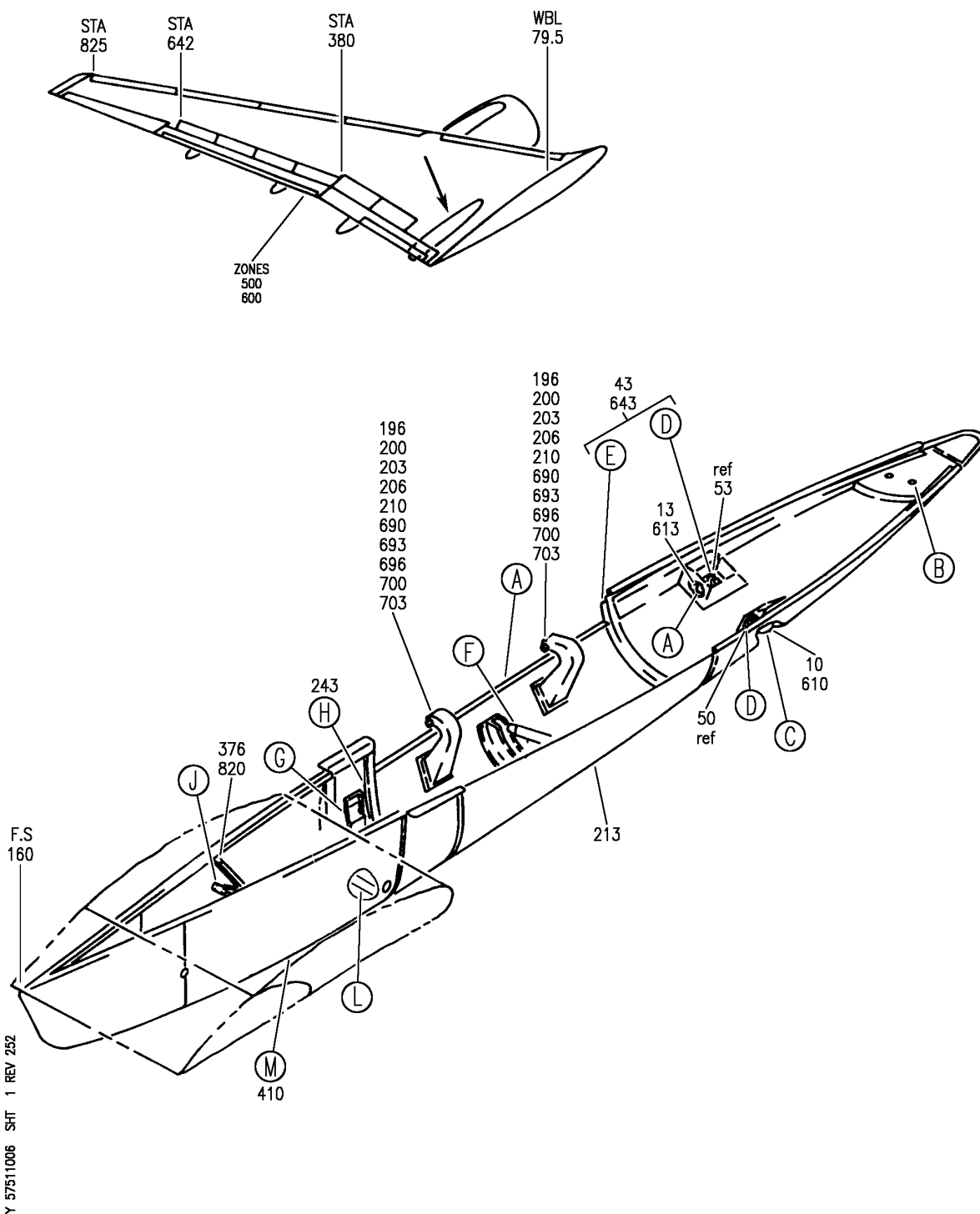
57-51-10-01

57-51-10
FIG. 01
PAGE 22
JAN 20/09

BRI

BOEING PROPRIETARY - Copyright © - Unpublished Work - See title page for details.

BOEING
757
PARTS CATALOG (MAINTENANCE)



Y 57511006 SH1 1 REV 252

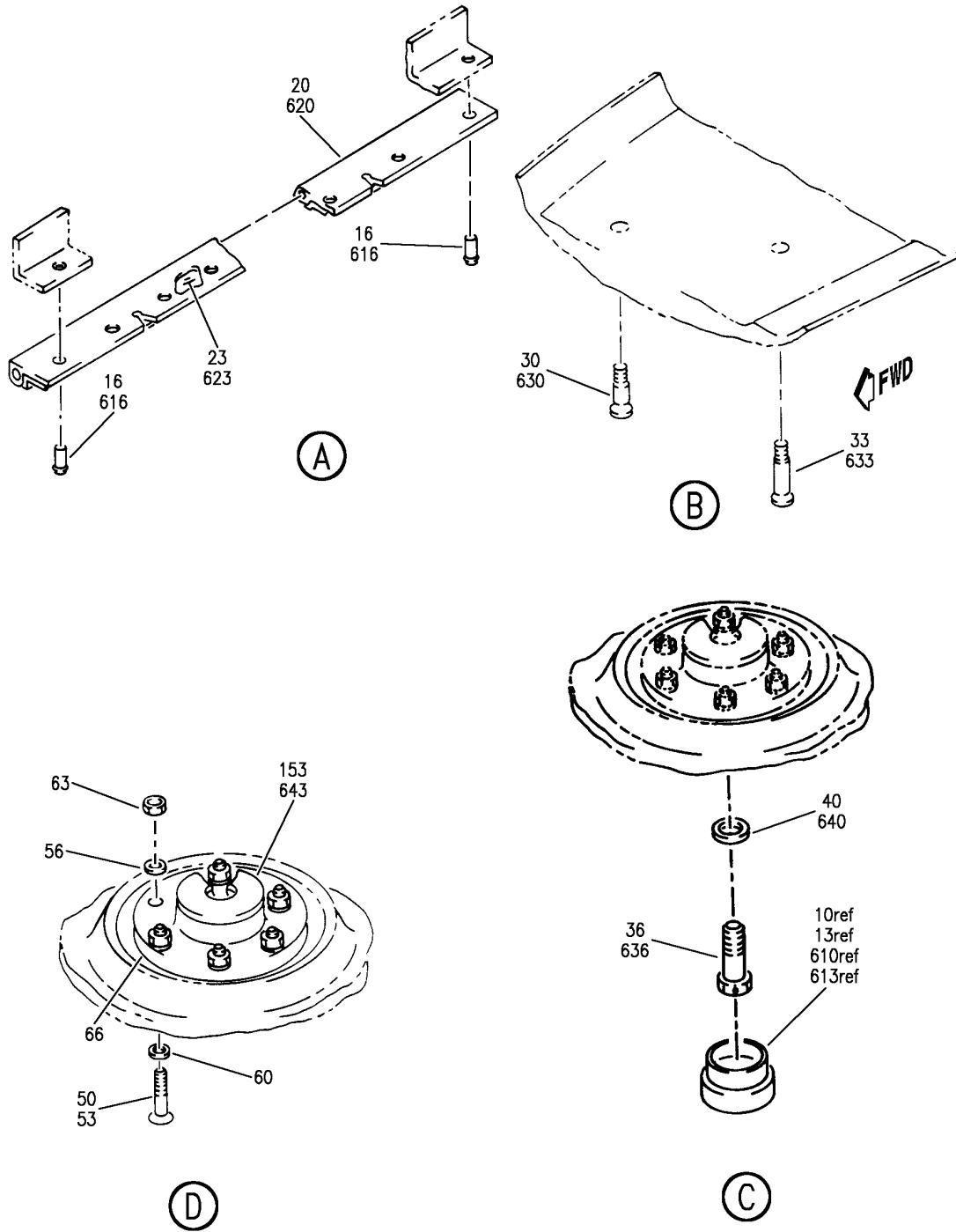
FAIRING INSTL-WING TE MLG TRUN
FIGURE 6 (SHEET 1)

57-51-10-06

BRI
JAN 20/09

57-51-10-06
PAGE 0

BOEING
757
PARTS CATALOG (MAINTENANCE)



Y 57511006 SH1 2 REV 252

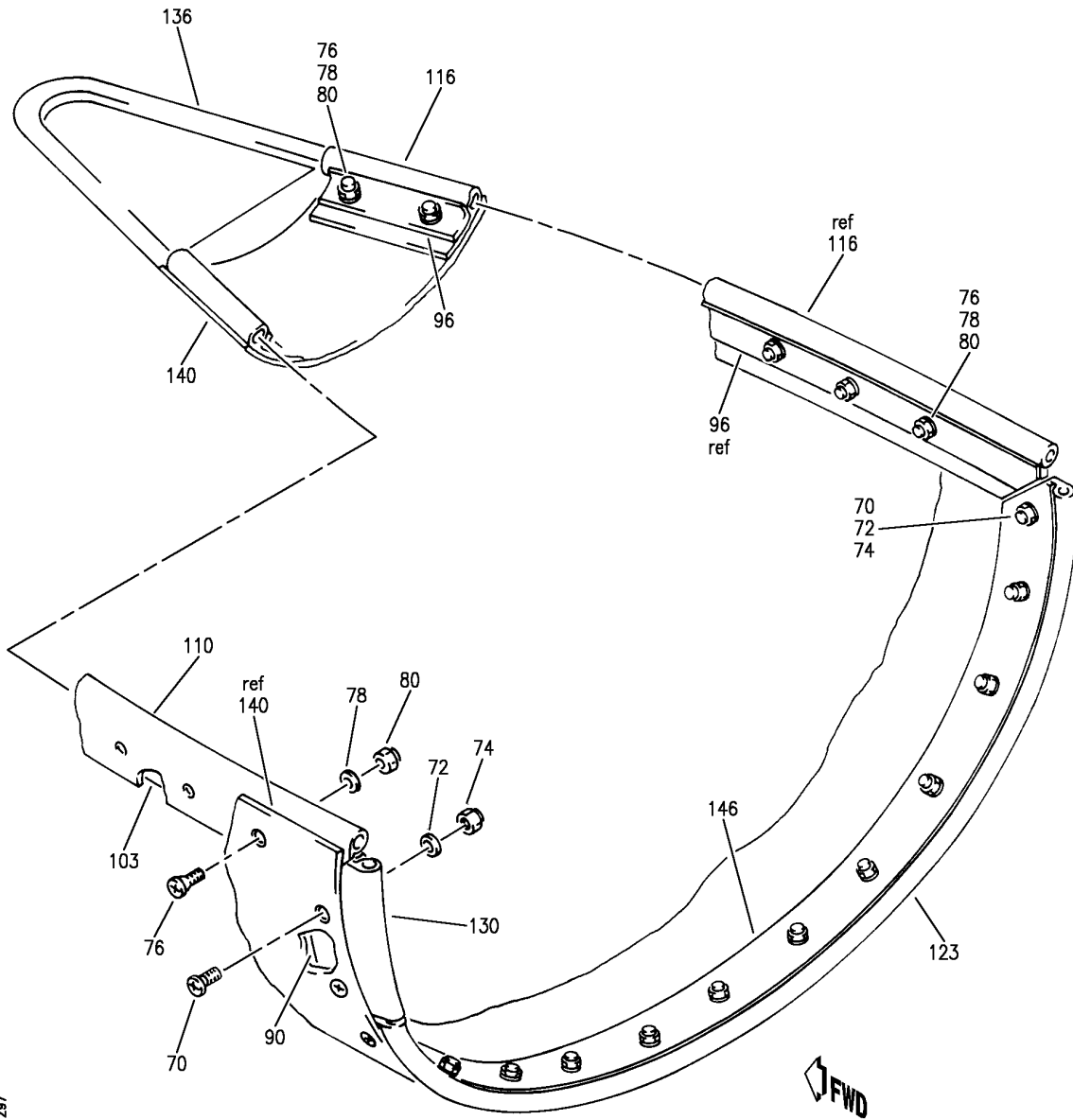
FAIRING INSTL-WING TE MLG TRUN
FIGURE 6 (SHEET 2)

57-51-10-06

BRI
JAN 20/09

57-51-10-06
PAGE 0A

BOEING
757
PARTS CATALOG (MAINTENANCE)



(E)

Y 57511006 SH1 3 REV 297

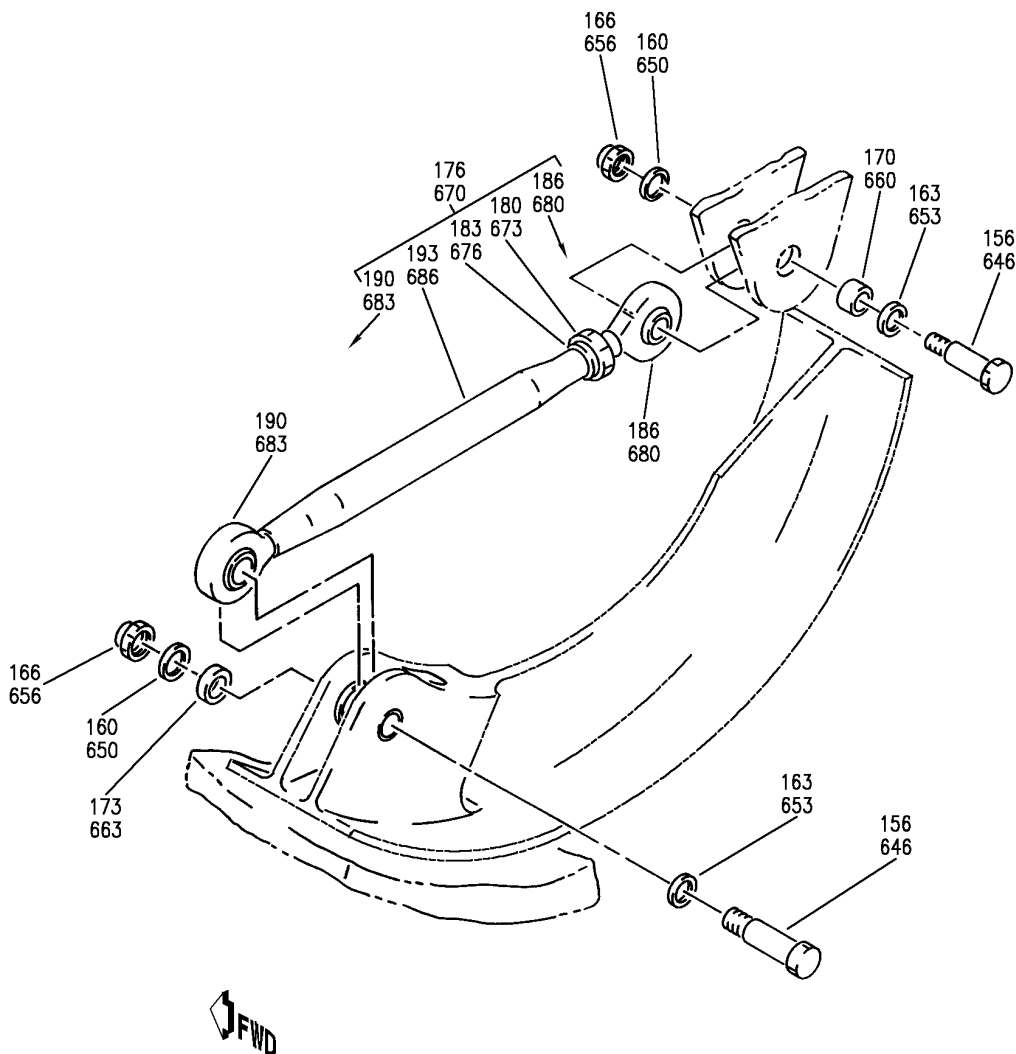
FAIRING INSTL-WING TE MLG TRUN
FIGURE 6 (SHEET 3)

57-51-10-06

BRI
JAN 20/09

57-51-10-06
PAGE 0B

BOEING
757
PARTS CATALOG (MAINTENANCE)



(F)

Y 57511006 SH-T 4 REV 252

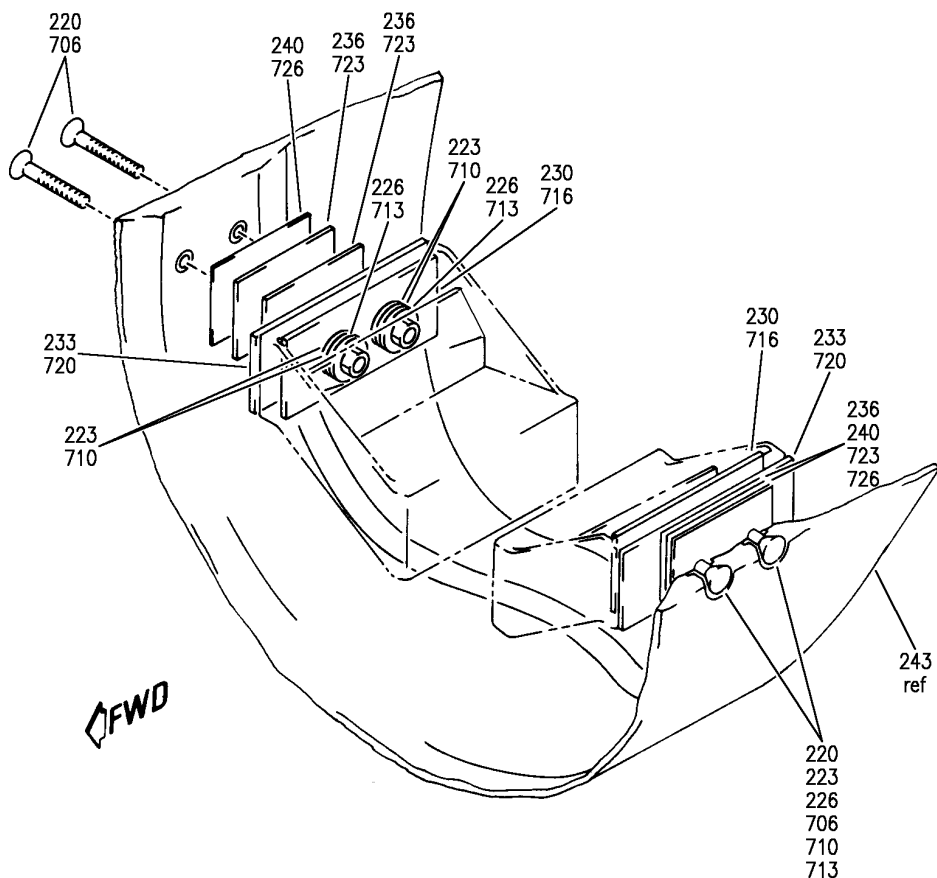
FAIRING INSTL-WING TE MLG TRUN
FIGURE 6 (SHEET 4)

57-51-10-06

BRI
JAN 20/09

57-51-10-06
PAGE 0C

BOEING
757
PARTS CATALOG (MAINTENANCE)



Y 57511006 SH1 5 REV 252

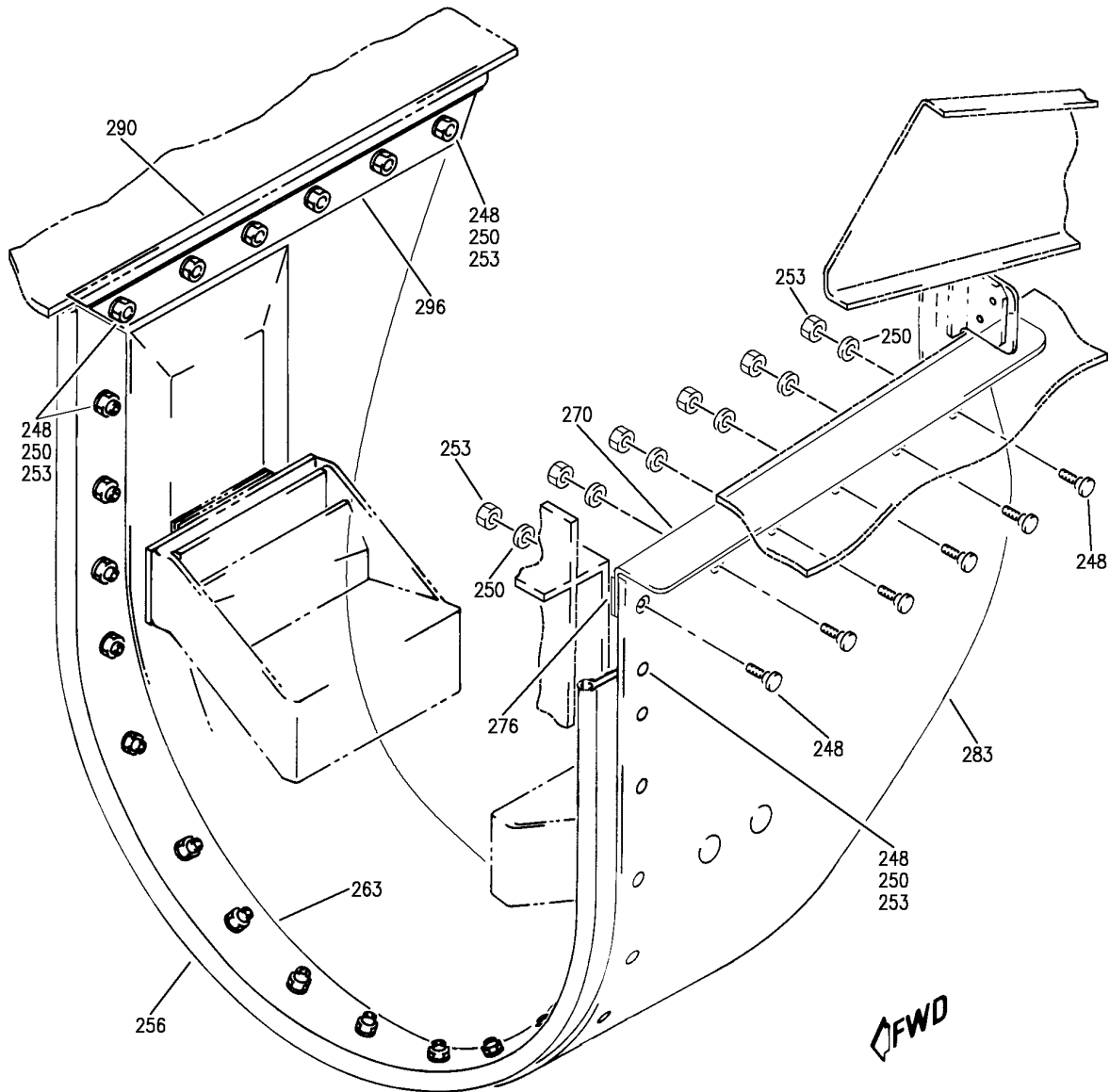
FAIRING INSTL-WING TE MLG TRUN
FIGURE 6 (SHEET 5)

57-51-10-06

BRI
JAN 20/09

57-51-10-06
PAGE 0D

BOEING
757
PARTS CATALOG (MAINTENANCE)



Y 57511006 SH1 6 REV 252

(H)

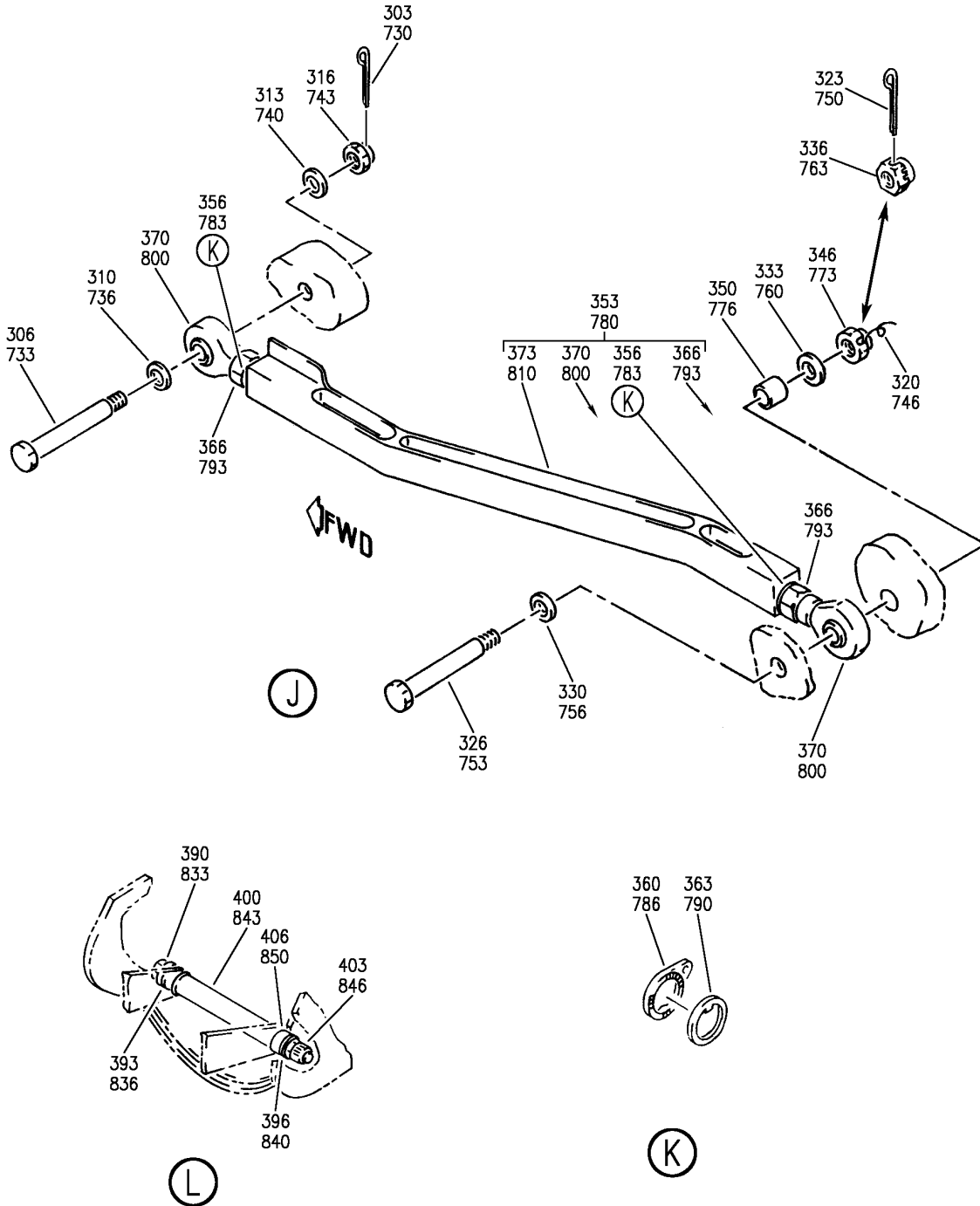
FAIRING INSTL-WING TE MLG TRUN
FIGURE 6 (SHEET 6)

57-51-10-06

BRI
JAN 20/09

57-51-10-06
PAGE 0E

BOEING
757
PARTS CATALOG (MAINTENANCE)



Y 57511006 SH-T 7 REV 252

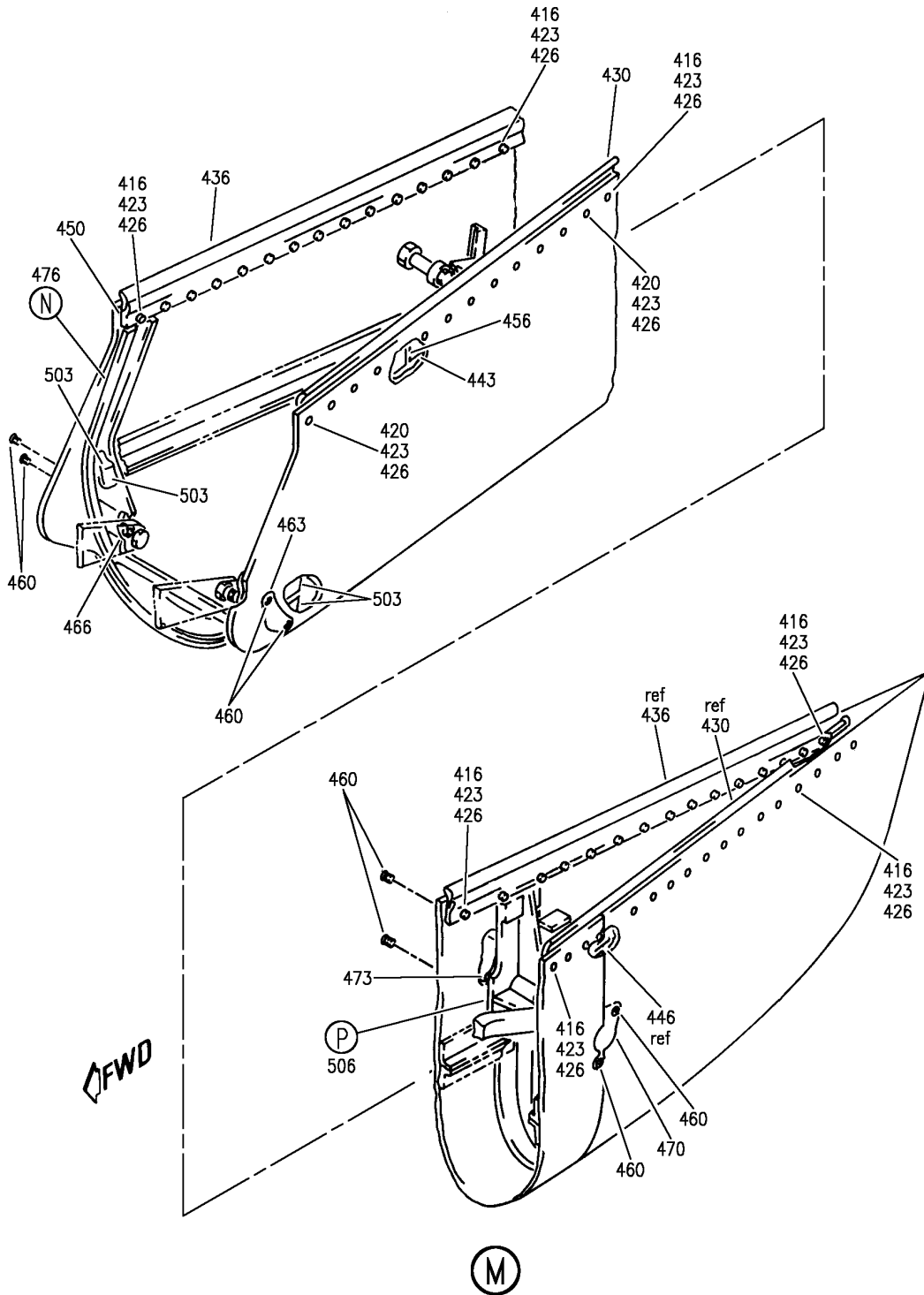
FAIRING INSTL-WING TE MLG TRUN
FIGURE 6 (SHEET 7)

57-51-10-06

BRI
JAN 20/09

57-51-10-06
PAGE OF

BOEING
757
PARTS CATALOG (MAINTENANCE)



Y 57511006 SH1 8 REV 252

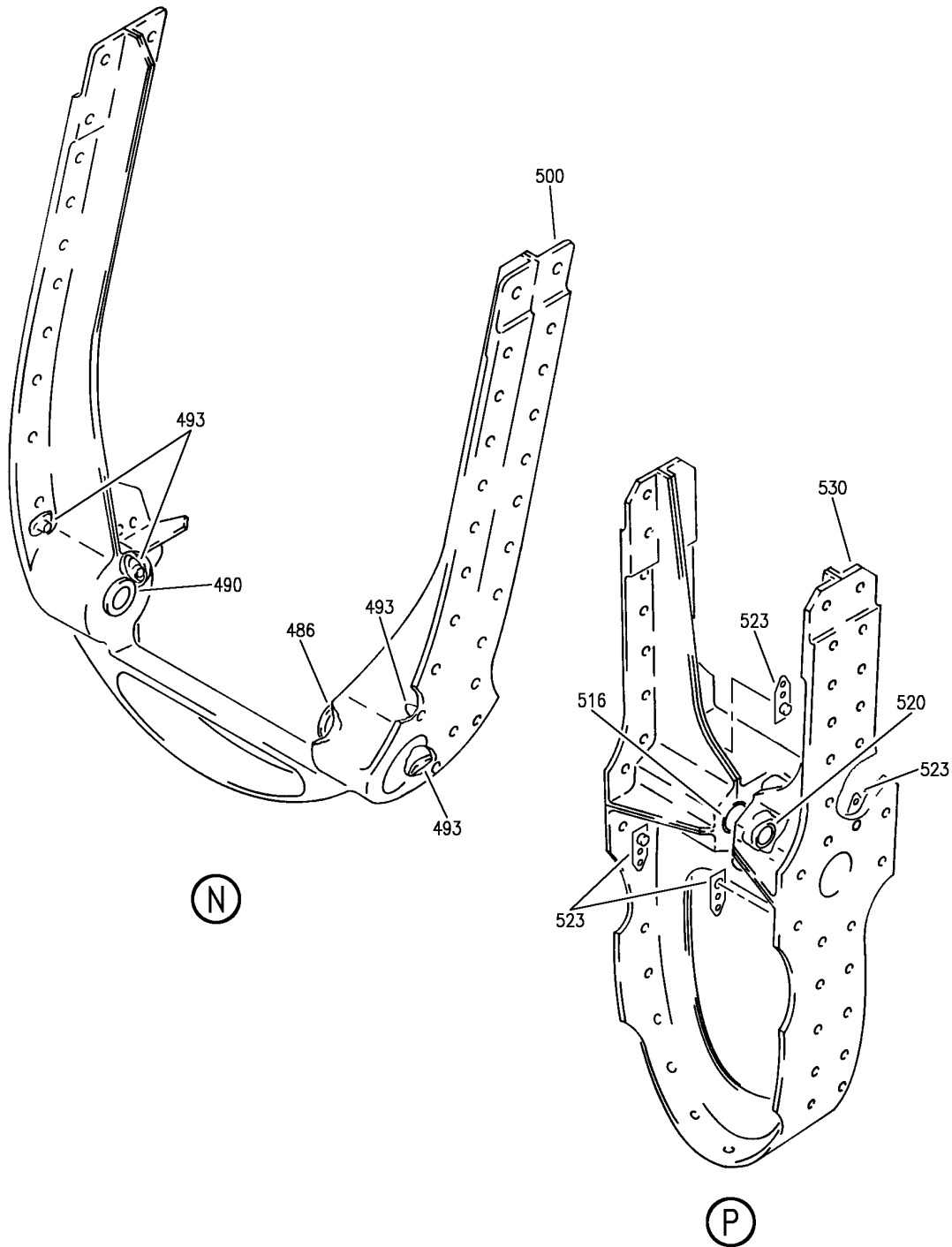
FAIRING INSTL-WING TE MLG TRUN
FIGURE 6 (SHEET 8)

57-51-10-06

BRI
JAN 20/09

57-51-10-06
PAGE 06

BOEING
757
PARTS CATALOG (MAINTENANCE)



Y 57511006 SHT 9 REV 252

FAIRING INSTL-WING TE MLG TRUN
FIGURE 6 (SHEET 9)

57-51-10-06

BRI
JAN 20/09

57-51-10-06
PAGE 0H



757

PARTS CATALOG (MAINTENANCE)

FIG ITEM	PART NUMBER	1 2 3 4 5 6 7	NOMENCLATURE	EFFECT FROM TO	UNITS PER ASSY
6			FAIRING INSTL-WING TE MLG TRUN	103106	
- 1	MODREF19093		FAIRING INSTL-WING TE MLG TRUN MODULE NUMBER: 113N1800-409 REV A POSITION DATA: LH	103103	1
- 1	MODREF26595		FAIRING INSTL-WING TE MLG TRUN MODULE NUMBER: 113N1800-409 REV B POSITION DATA: LH	104106	1
- 5	MODREF19094		FAIRING INSTL-WING TE MLG TRUN MODULE NUMBER: 113N1800-410 REV A POSITION DATA: RH	103103	1
- 5	MODREF26596		FAIRING INSTL-WING TE MLG TRUN MODULE NUMBER: 113N1800-410 REV B POSITION DATA: RH	104106	1
43	113N1810-81SP		.FAIRING ASSY- POSITION DATA: LH SIDE	103106	1
43	113N1810-69SP		.FAIRING ASSY- POSITION DATA: LH SIDE	103106	1
43	113N1810-85SP		.FAIRING ASSY- POSITION DATA: LH SIDE	103106	1
- 46	113N1810-82SP		.FAIRING ASSY- POSITION DATA: RH SIDE	103106	1
- 46	113N1810-70SP		.FAIRING ASSY- POSITION DATA: RH SIDE	103106	1
50	BACB30LH3K11		..BOLT	103106	6
53	BACB30LH3K13		..BOLT	103106	6

MISSING ITEM NUMBERS NOT APPLICABLE

- ITEM NOT ILLUSTRATED

57-51-10-06

57-51-10
FIG. 06
PAGE 1
JAN 20/09

BRI

BOEING PROPRIETARY - Copyright © - Unpublished Work - See title page for details.



757

PARTS CATALOG (MAINTENANCE)

FIG ITEM	PART NUMBER	1 2 3 4 5 6 7	NOMENCLATURE	EFFECT FROM TO	UNITS PER ASSY
6 56	K29646-3		.. WASHER SUPPLIER CODE: V15653 SPECIFICATION NUMBER: BACW10CA3CV OPTIONAL PART: 70188-3 V56878 922007-3 V60119 942007-3 V60119	103106	12
60	K29913-3		.. WASHER SUPPLIER CODE: V15653 SPECIFICATION NUMBER: BACW10CA3CC OPTIONAL PART: 70191-3 V56878 922008-3 V60119 942008-3 V60119	103106	12
63	BRH10C3D		.. NUT SUPPLIER CODE: V52828 SPECIFICATION NUMBER: BACN10JC3CD OPTIONAL PART: T6C1032JCD V11815 NS202486-02 V80539 102LH9075-3W V72962 H51650-3BAC V15653	103106	12
66	113N1811-1		.. FITTING- OPTIONAL PART: 113N1134-1	103106	2
66	113N1134-1		.. FITTING- OPTIONAL PART: 113N1811-1	103106	2

MISSING ITEM NUMBERS NOT APPLICABLE

- ITEM NOT ILLUSTRATED

57-51-10-06

57-51-10
FIG. 06
PAGE 2
JAN 20/09

BRI



757

PARTS CATALOG (MAINTENANCE)

FIG ITEM	PART NUMBER	1 2 3 4 5 6 7	NOMENCLATURE	EFFECT FROM TO	UNITS PER ASSY
6	70 BACB30LH3K4	..	BOLT- QUALIFIED OPTIONAL DATA: BACB30LH3K4 OPTIONAL TO BACB30LH2K4 ONLY WHEN USED AS OPTION OF THE 3/16 BOLT AND RESPECTIVE PARTS USE THE .375 CSK ONLY	103106	14
	70 BACB30LH2K4	..	BOLT- QUALIFIED OPTIONAL DATA: BACB30LH3K4 OPTIONAL TO BACB30LH2K4 ONLY WHEN USED AS OPTION OF THE 3/16 BOLT AND RESPECTIVE PARTS USE THE .375 CSK ONLY	103106	14
	72 NAS1149DN816J	..	WASHER- QUALIFIED OPTIONAL DATA: NAS1149DN816J OPTIONAL TO NAS1149D0316J ONLY WHEN USED AS OPTION OF THE 3/16 BOLT AND RESPECTIVE PARTS USE THE .375 CSK ONLY USED WITH: BACB30LH2K4	103106	14
	72 NAS1149D0316J	..	WASHER- QUALIFIED OPTIONAL DATA: NAS1149DN816J OPTIONAL TO NAS1149D0316J ONLY WHEN USED AS OPTION OF THE 3/16 BOLT AND RESPECTIVE PARTS USE THE .375 CSK ONLY USED WITH: BACB30LH3K4	103106	14

MISSING ITEM NUMBERS NOT APPLICABLE

- ITEM NOT ILLUSTRATED

57-51-10-06

57-51-10
FIG. 06
PAGE 3
JAN 20/09

BRI

BOEING PROPRIETARY - Copyright © - Unpublished Work - See title page for details.



757

PARTS CATALOG (MAINTENANCE)

FIG ITEM	PART NUMBER	1 2 3 4 5 6 7	NOMENCLATURE	EFFECT FROM TO	UNITS PER ASSY
6 74	BRH10C08D	..NUT-	SUPPLIER CODE: V52828 SPECIFICATION NUMBER: BACN10JC08CD OPTIONAL PART: H51650-08BAC V15653 102LH9075-82W V72962 NS202486-82 V80539 T6C832JCD V11815 QUALIFIED OPTIONAL DATA: BACN10JC10CD OPTIONAL TO BACN10JC08CD ONLY WHEN USE AS OPTION OF THE 3/16 BOLT AND RESPECTIVE PARTS USE THE .375 CSK ONLY USED WITH: BACB30LH2K4	103106	14
74	102LH9074-10	..NUT-	SUPPLIER CODE: V72962 SPECIFICATION NUMBER: BACN10JC10CD OPTIONAL PART: H51650-10BAC V15653 69235-1018CD V92215 BMN4122CPD8-10 V97928 QUALIFIED OPTIONAL DATA: BACN10JC10CD OPTIONAL TO BACN10JC08CD ONLY WHEN USE AS OPTION OF THE 3/16 BOLT AND RESPECTIVE PARTS USE THE .375 CSK ONLY USED WITH: BACB30LH3K4	103106	14
76	BACB30LH2K4	..BOLT		103106	43
78	NAS1149DN816J	..WASHER		103106	43

MISSING ITEM NUMBERS NOT APPLICABLE

- ITEM NOT ILLUSTRATED

57-51-10-06

57-51-10
FIG. 06
PAGE 4
JAN 20/09

BRI



757

PARTS CATALOG (MAINTENANCE)

FIG ITEM	PART NUMBER	1 2 3 4 5 6 7	NOMENCLATURE	EFFECT FROM TO	UNITS PER ASSY
6 80	BRH10C08D	..	NUT SUPPLIER CODE: V52828 SPECIFICATION NUMBER: BACN10JC08CD OPTIONAL PART: H51650-08BAC V15653 102LH9075-82W V72962 NS202486-82 V80539 T6C832JCD V11815	103106	43
90	113N1810-63	..	RETAINER-SEAL POSITION DATA: LH SIDE	103106	1
- 93	113N1810-64	..	RETAINER-SEAL POSITION DATA: RH SIDE	103106	1
96	113N1810-79	..	RETAINER-SEAL POSITION DATA: LH SIDE	103106	1
- 100	113N1810-80	..	RETAINER-SEAL POSITION DATA: RH SIDE	103106	1
103	113N1810-73	..	RETAINER-SEAL POSITION DATA: LH SIDE	103106	1
- 106	113N1810-74	..	RETAINER-SEAL POSITION DATA: RH SIDE	103106	1
110	113N1810-75	..	SEAL- POSITION DATA: LH SIDE MANUFACTURED FROM: EXTR RUBBER 10-60754-32 X 45.00 IN.)	103106	1
- 113	113N1810-76	..	SEAL- POSITION DATA: RH SIDE MANUFACTURED FROM: EXTR RUBBER 10-60754-32 X 45.00 IN.)	103106	1

MISSING ITEM NUMBERS NOT APPLICABLE

- ITEM NOT ILLUSTRATED

57-51-10-06

57-51-10
FIG. 06
PAGE 5
JAN 20/09

BRI



757

PARTS CATALOG (MAINTENANCE)

FIG ITEM	PART NUMBER	1 2 3 4 5 6 7	NOMENCLATURE	EFFECT FROM TO	UNITS PER ASSY
6 116	113N1810-77	..	SEAL- POSITION DATA: LH SIDE MANUFACTURED FROM: EXTR RUBBER 10-60754-32 X 49.00 IN.)	103106	1
- 120	113N1810-78	..	SEAL- POSITION DATA: RH SIDE MANUFACTURED FROM: EXTR RUBBER 10-60754-32 X 49.00 IN.)	103106	1
123	113N1810-39	..	SEAL- POSITION DATA: LH SIDE MANUFACTURED FROM: EXTR RUBBER 10-60754-32 X 28.00 IN.)	103106	1
- 126	113N1810-40	..	SEAL- POSITION DATA: RH SIDE MANUFACTURED FROM: EXTR RUBBER 10-60754-32 X 28.00 IN.)	103106	1
130	113N1810-19	..	SEAL- POSITION DATA: LH SIDE MANUFACTURED FROM: EXTR RUBBER 10-60754-32 X 4.00 IN.	103106	1
- 133	113N1810-20	..	SEAL- POSITION DATA: RH SIDE MANUFACTURED FROM: EXTR RUBBER 10-60754-32 X 4.00 IN.	103106	1
136	113N1810-71	..	SEAL	103106	1
140	113N1851-7	..	BOND ASSY- POSITION DATA: LH SIDE	103106	1
140	113N1851-1	..	BOND ASSY- POSITION DATA: LH SIDE	103106	1
- 143	113N1851-8	..	BOND ASSY- POSITION DATA: RH SIDE	103106	1
146	113N1810-29	..	RETAINER-SEAL POSITION DATA: LH SIDE	103106	1

MISSING ITEM NUMBERS NOT APPLICABLE

- ITEM NOT ILLUSTRATED

57-51-10-06

57-51-10
FIG. 06
PAGE 6
JAN 20/09

BRI

BOEING PROPRIETARY - Copyright © - Unpublished Work - See title page for details.



757

PARTS CATALOG (MAINTENANCE)

FIG ITEM	PART NUMBER	1 2 3 4 5 6 7	NOMENCLATURE	EFFECT FROM TO	UNITS PER ASSY
6					
- 150	113N1810-30		..RETAINER-SEAL POSITION DATA: RH SIDE	103106	1
213	113N8200-41SP		.DOOR ASSY- POSITION DATA: LH SIDE COMPONENT MAINT MANUAL REF: 32-12-65 FOR DETAILS SEE: 32-12-10-02	103106	1
213	113N8200-39SP		.DOOR ASSY- POSITION DATA: LH SIDE COMPONENT MAINT MANUAL REF: 32-12-65 QUALIFIED I/W DATA: (-11); -39SP I/W -11 SUBJECT TO CUSTOMER PREFERENCE -39SP I/W -23 SUBJECT TO CUSTOMER PREFERENCE -39SP I/W -31 SUBJECT TO CUSTOMER PREFERENCE FOR DETAILS SEE: 32-12-10-02	103106	1
- 216	113N8200-42SP		.DOOR ASSY- POSITION DATA: RH SIDE COMPONENT MAINT MANUAL REF: 32-12-65 FOR DETAILS SEE: 32-12-10-02	103106	1
- 216	113N8200-40SP		.DOOR ASSY- POSITION DATA: RH SIDE COMPONENT MAINT MANUAL REF: 32-12-65 QUALIFIED I/W DATA: (-12); -40SP I/W -12 SUBJECT TO CUSTOMER PREFERENCE. -40SP I/W -24 SUBJECT TO CUSTOMER PREFERENCE -40SP I/W -34 SUBJECT TO CUSTOMER PREFERENCE FOR DETAILS SEE: 32-12-10-02	103106	1

MISSING ITEM NUMBERS NOT APPLICABLE

- ITEM NOT ILLUSTRATED

57-51-10-06

57-51-10
FIG. 06
PAGE 7
JAN 20/09

BRI



757

PARTS CATALOG (MAINTENANCE)

FIG ITEM	PART NUMBER	1 2 3 4 5 6 7	NOMENCLATURE	EFFECT FROM TO	UNITS PER ASSY
6					
243	113N1816-99SP	.	FAIRING ASSY- POSITION DATA: LH SIDE	103106	1
- 246	113N1816-100SP	.	FAIRING ASSY- POSITION DATA: RH SIDE	103106	1
248	BACB30LH2-4	..	BOLT	103106	30
250	BACW10P43AL	..	WASHER- OPTIONAL PART: NAS1149DN816J	103106	30
250	NAS1149DN816J	..	WASHER- OPTIONAL PART: BACW10P43AL	103106	30
253	BRH10C08D	..	NUT SUPPLIER CODE: V52828 SPECIFICATION NUMBER: BACN10JC08CD OPTIONAL PART: H51650-08BAC V15653 102LH9075-82W V72962 NS202486-82 V80539 T6C832JCD V11815	103106	30
256	113N1816-91	..	SEAL- POSITION DATA: LH SIDE MANUFACTURED FROM: EXTR RUBBER 10-60754-32 X 35.0	103106	1
- 260	113N1816-92	..	SEAL- POSITION DATA: RH SIDE MANUFACTURED FROM: EXTR RUBBER 10-60754-32 X 35.0	103106	1
263	113N1816-89	..	RETAINER-SEAL POSITION DATA: LH SIDE	103106	1
- 266	113N1816-90	..	RETAINER-SEAL POSITION DATA: RH SIDE	103106	1

MISSING ITEM NUMBERS NOT APPLICABLE

- ITEM NOT ILLUSTRATED

57-51-10-06

57-51-10
FIG. 06
PAGE 8
JAN 20/09

BRI

BOEING PROPRIETARY - Copyright © - Unpublished Work - See title page for details.



757

PARTS CATALOG (MAINTENANCE)

FIG ITEM	PART NUMBER	1 2 3 4 5 6 7	NOMENCLATURE	EFFECT FROM TO	UNITS PER ASSY
6 270	113N1877-5	..	SEAL- POSITION DATA: OUTBD LH SIDE MANUFACTURED FROM: EXTRU RUBBER 10-60754-61 X 10.7 OPTIONAL PART: 113N1877-7	103106	1
270	113N1877-7	..	SEAL- POSITION DATA: OUTBD LH SIDE MANUFACTURED FROM: EXTRU RUBBER 10-60754-61 X 10.7 OPTIONAL PART: 113N1877-5	103106	1
- 273	113N1877-6	..	SEAL- POSITION DATA: OUTBD RH SIDE MANUFACTURED FROM: EXTRU RUBBER 10-60754-61 X 10.7 OPTIONAL PART: 113N1877-8	103106	1
- 273	113N1877-8	..	SEAL- POSITION DATA: OUTBD RH SIDE MANUFACTURED FROM: EXTRU RUBBER 10-60754-61 X 10.7 OPTIONAL PART: 113N1877-6	103106	1
276	113N1816-69	..	RETAINER- POSITION DATA: OUTBD LH SIDE	103106	1
- 280	113N1816-70	..	RETAINER- POSITION DATA: OUTBD RH SIDE	103106	1
283	113N1853-13	..	BOND ASSY- POSITION DATA: LH SIDE	103106	1
- 286	113N1853-14	..	BOND ASSY- POSITION DATA: RH SIDE	103106	1

MISSING ITEM NUMBERS NOT APPLICABLE

- ITEM NOT ILLUSTRATED

57-51-10-06

57-51-10
FIG. 06
PAGE 9
JAN 20/09

BRI



757

PARTS CATALOG (MAINTENANCE)

FIG ITEM	PART NUMBER	1 2 3 4 5 6 7	NOMENCLATURE	EFFECT FROM TO	UNITS PER ASSY
6 290	113N1816-95	..	SEAL- POSITION DATA: INBD LH SIDE MANUFACTURED FROM: EXTR RUBBER 10-60754-7 X 11.70	103106	1
- 293	113N1816-96	..	SEAL- POSITION DATA: INBD RH SIDE MANUFACTURED FROM: EXTR RUBBER 10-60754-7 X 11.70	103106	1
296	113N1816-97	..	RETAINER- POSITION DATA: INBD LH SIDE	103106	1
- 300	113N1816-98	..	RETAINER- POSITION DATA: INBD RH SIDE	103106	1
410	113N1849-87SP	. FAIRING ASSY-	POSITION DATA: LH SIDE	103106	1
- 413	113N1849-88SP	. FAIRING ASSY-	POSITION DATA: RH SIDE	103106	1
416	BACS12ER3K12	..	SCREW	103106	45
420	BACS12ER3K8	..	SCREW	103106	12
423	NAS1149D0332J	..	WASHER	103106	57
426	BRH10C3D	..	NUT	103106	57
			SUPPLIER CODE: V52828 SPECIFICATION NUMBER: BACN10JC3CD OPTIONAL PART: T6C1032JCD V11815 NS202486-02 V80539 102LH9075-3W V72962 H51650-3BAC V15653		
430	113N1849-79	..	SEAL- POSITION DATA: OUTBD LH SIDE MANUFACTURED FROM: EXTR RUBBER F25.01 10-60754-79 X 53.00 IN.	103106	1

MISSING ITEM NUMBERS NOT APPLICABLE

- ITEM NOT ILLUSTRATED

57-51-10-06

57-51-10
FIG. 06
PAGE 10
JAN 20/09

BRI

BOEING PROPRIETARY - Copyright © - Unpublished Work - See title page for details.

 **BOEING**
757
PARTS CATALOG (MAINTENANCE)

FIG ITEM	PART NUMBER	1 2 3 4 5 6 7	NOMENCLATURE	EFFECT FROM TO	UNITS PER ASSY
6					
- 433	113N1849-80	..	SEAL- POSITION DATA: OUTBD RH SIDE MANUFACTURED FROM: EXTR RUBBER F25.01 10-60754-79 X 53.00 IN.	103106	1
436	113N1849-81	..	SEAL- POSITION DATA: INBD LH SIDE MANUFACTURED FROM: EXTR RUBBER F25.01 10-60754-79 X 53.00 IN.	103106	1
- 440	113N1849-82	..	SEAL- POSITION DATA: INBD RH SIDE MANUFACTURED FROM: EXTR RUBBER F25.01 10-60754-79 X 53.00 IN.	103106	1
443	113N1849-83	..	RETAINER-SEAL POSITION DATA: OUTBD LH SIDE	103106	1
- 446	113N1849-84	..	RETAINER-SEAL POSITION DATA: OUTBD RH SIDE	103106	1
450	113N1849-85	..	RETAINER-SEAL POSITION DATA: INBD LH SIDE	103106	1
- 453	113N1849-86	..	RETAINER-SEAL POSITION DATA: INBD RH SIDE	103106	1
456	113N1876-1	..	RETAINER-SEAL POSITION DATA: LH SIDE	103106	1
460	BACB30NN3K4	..	BOLT	103106	8
463	113N1848-41	..	PLATE-COVER POSITION DATA: FWD	103106	1
466	113N1848-42	..	PLATE-COVER POSITION DATA: FWD	103106	1
470	113N1848-13	..	PLATE-COVER POSITION DATA: AFT	103106	1
473	113N1848-14	..	PLATE-COVER POSITION DATA: AFT	103106	1

MISSING ITEM NUMBERS NOT APPLICABLE

- ITEM NOT ILLUSTRATED

BRI

57-51-10-06

57-51-10
FIG. 06
PAGE 11
JAN 20/09



757

PARTS CATALOG (MAINTENANCE)

FIG ITEM	PART NUMBER	1 2 3 4 5 6 7	NOMENCLATURE	EFFECT FROM TO	UNITS PER ASSY
6					
476	113N1872-13	..	FITTING ASSY HINGE ATTACHING PARTS	103106	1
- 480	BACB30NZ6K	..	BOLT- SIZE DETERMINED ON INSTL.	103106	52
- 483	HL79-6	..	COLLAR SUPPLIER CODE: V5M902 SPECIFICATION NUMBER: BACC30M6 OPTIONAL PART: HL79-6 V73197 HL79-6 V92215 66014-6 V56878 HL79-6 V56878 -----*-----	103106	52
486	BACB28AP09P048	...	BUSHING	103106	1
490	BACB28U12C048	...	BUSHING	103106	1
493	BRFR220C3-2D	...	NUTPLATE SUPPLIER CODE: V52828 SPECIFICATION NUMBER: BACN10KE3B2CD OPTIONAL PART: F51747-3-2CD V15653 102A9213-2-3 V72962 NS202493-02-2 V80539 ATTACHING PARTS	103106	4
- 496	BACR15BA3AD	...	RIVET- SIZE DETERMINED ON INSTL. -----*-----	103106	8
500	113N1872-14	...	FITTING	103106	1
503	BACS40R008C015F	..	SHIM	103106	4
506	113N1858-1	..	FITTING ASSY-ACTR SPRT ATTACHING PARTS	103106	1
- 510	BACB30NZ6K	..	BOLT- SIZE DETERMINED ON INSTL.	103106	56

MISSING ITEM NUMBERS NOT APPLICABLE

- ITEM NOT ILLUSTRATED

57-51-10-06

57-51-10
FIG. 06
PAGE 12
JAN 20/09

BRI



757

PARTS CATALOG (MAINTENANCE)

FIG ITEM	PART NUMBER	1 2 3 4 5 6 7	NOMENCLATURE	EFFECT FROM TO	UNITS PER ASSY
6 - 513	HL79-6	..	COLLAR SUPPLIER CODE: V5M902 SPECIFICATION NUMBER: BACC30M6 OPTIONAL PART: HL79-6 V73197 HL79-6 V92215 66014-6 V56878 HL79-6 V56878 -----*-----	103106	56
516	BACB28AM09B040	...	BUSHING	103106	1
520	BACB28AP06P040	...	BUSHING	103106	1
523	BRF100C3D	...	NUTPLATE SUPPLIER CODE: V52828 SPECIFICATION NUMBER: BACN10KB3CFD OPTIONAL PART: NS202478-02 V80539 102F9207P3 V72962 F51604-3 V15653	103106	4
- 526	BACR15BA3AD	...	ATTACHING PARTS RIVET- SIZE DETERMINED ON INSTL. -----*-----	103106	8
530	113N1858-2	...	FITTING	103106	1
- 600	MODREF1475	FAIRING	INSTL-WING TE MLG TRUN MODULE NUMBER: 113N1800-405 REV A POSITION DATA: LH	103103	1
- 600	MODREF26593	FAIRING	INSTL-WING TE MLG TRUN MODULE NUMBER: 113N1800-405 REV B POSITION DATA: LH	104106	1

MISSING ITEM NUMBERS NOT APPLICABLE

- ITEM NOT ILLUSTRATED

57-51-10-06

57-51-10
FIG. 06
PAGE 13
JAN 20/09

BRI



757

PARTS CATALOG (MAINTENANCE)

FIG ITEM	PART NUMBER	1 2 3 4 5 6 7	NOMENCLATURE	EFFECT FROM TO	UNITS PER ASSY
6					
- 605	MODREF1476		FAIRING INSTL-WING TE MLG TRUN MODULE NUMBER: 113N1800-406 REV A POSITION DATA: RH	103103	1
- 605	MODREF26594		FAIRING INSTL-WING TE MLG TRUN MODULE NUMBER: 113N1800-406 REV B POSITION DATA: RH	104106	1
610	113N1832-3		.PLUG-	103106	1
613	113N1832-4		.PLUG-	103106	1
616	BACR15FT4D		.RIVET- SIZE DETERMINED ON INSTL.	103106	24
620	113N1800-8		.SEAL- MANUFACTURED FROM: EXTR RUBBER F25.01 BAC1530-12 X 45.0 IN.	103106	1
623	113N1800-9		.RETAINER- POSITION DATA: LH SIDE	103106	1
- 626	113N1800-10		.RETAINER- POSITION DATA: RH SIDE	103106	1
630	BACB30LR5-9		.BOLT	103106	1
633	BACB30LR5-6		.BOLT	103106	1
636	BACB30NR5K7		.BOLT	103106	2
640	BACW10BP5CD		.WASHER	103106	2
643	113N1800-7		.SHIM	103106	AR
646	BACB30LJ8-21		.BOLT-	103106	2
650	BACW10BN8AP		.WASHER-	103106	2
653	BACW10BP8CD		.WASHER-	103106	2
656	69235-820CD		.NUT- SUPPLIER CODE: V92215 SPECIFICATION NUMBER: BACN10JC8CD OPTIONAL PART: 102LH9074-8 V72962 BMN4122CPD8-8 V97928 H51650-8BAC V15653	103106	2
660	BACB28AK08-031		.BUSHING-	103106	1
663	BACB28AK08-029		.BUSHING	103106	1

MISSING ITEM NUMBERS NOT APPLICABLE

- ITEM NOT ILLUSTRATED

57-51-10-06

57-51-10
FIG. 06
PAGE 14
JAN 20/09

BRI

BOEING PROPRIETARY - Copyright © - Unpublished Work - See title page for details.



757

PARTS CATALOG (MAINTENANCE)

FIG ITEM	PART NUMBER	1 2 3 4 5 6 7	NOMENCLATURE	EFFECT FROM TO	UNITS PER ASSY
6					
670	113N1820-1	.	ROD ASSY-PUSH	103106	1
673	NAS509-8	..	NUT	103106	1
676	NAS513-8	..	WASHER	103106	1
680	10E8-116	..	BEARING	103106	1
			SUPPLIER CODE: V16746		
			SPECIFICATION NUMBER: BACB10Y8		
			OPTIONAL PART: BRES8-2001L2		
			V81376		
			HB8E212K		
			V02758		
			KBE8-150AFNW		
			V97613		
			MSSK8ASFG		
			V73134		
			51588-081		
			V09455		
			ASMK8F1		
			V56644		
			AR8E7AFNW		
			VS0352		
			ARB8E60FNW		
			V15860		
683	113N1820-3	..	BEARING-END ROD	103106	1
686	113N1820-2	..	ROD	103106	1
690	BACB30LJ6-19	.	BOLT-	103106	2
693	BACW10BN6AP	.	WASHER-	103106	2
696	BACW10BP6CD	.	WASHER-	103106	2
700	BRH10C6D	.	NUT-	103106	2
			SUPPLIER CODE: V52828		
			SPECIFICATION NUMBER: BACN10JC6CD		
			OPTIONAL PART: H51650-6BAC		
			V15653		
703	BACB28AK06-038	.	BUSHING-	103106	2
706	BACB30NN4K18	.	BOLT	103106	4
710	NAS1149C0432R	.	WASHER	103106	2
713	NAS1149C0463R	.	WASHER	103106	2
716	113N1148-1	.	WASHER ASSY	103106	2
720	113N1878-1	.	PLATE	103106	2
723	BACS40R018B024F	.	SHIM	103106	AR
726	BACS40R018E024F	.	SHIM	103106	1
730	BACP18BC03A06P	.	PIN-COTTER	103106	1
733	NAS6706D18	.	BOLT	103106	1
736	BACW10BP6CD	.	WASHER-	103106	1

MISSING ITEM NUMBERS NOT APPLICABLE

- ITEM NOT ILLUSTRATED

57-51-10-06

57-51-10
FIG. 06
PAGE 15
JAN 20/09

BRI



757

PARTS CATALOG (MAINTENANCE)

FIG ITEM	PART NUMBER	1 2 3 4 5 6 7	NOMENCLATURE	EFFECT FROM TO	UNITS PER ASSY
6					
740	BACW10BN6AP		.WASHER-	103106	1
743	73781CD624		.NUT-SELF LOCKING SUPPLIER CODE: V56878 OPTIONAL PART: PHCR56CD VF0224 102E9925-6 V72962	103106	1
743	102E9925-6		.NUT-CASTELLATED SUPPLIER CODE: V72962 OPTIONAL PART: 73781CD624 V56878	103106	1
743	PHCR56CD		.NUT- SUPPLIER CODE: VF0224 OPTIONAL PART: 73781CD624 V56878	103106	1
746	MS20995NC32		.LOCK WIRE- QUALIFIED OPTIONAL DATA: (73781CD624 OR PHCR56CD OR 102E9925-6 PLUS BACP18BC03A06P IS OPT TO NAS1805-6L PLUS MS20995NC32)	103106	1
750	BACP18BC03A06P		.PIN-COTTER QUALIFIED OPTIONAL DATA: (73781CD624 OR PHCR56CD OR 102E9925-6 PLUS BACP18BC03A06P IS OPT TO NAS1805-6L PLUS MS20995NC32)	103106	1
753	NAS6706D27		.BOLT-	103106	1
756	BACW10BP6CD		.WASHER-	103106	1
760	BACW10BN6AP		.WASHER-	103106	1
763	73781CD624		.NUT-SELF LOCKING SUPPLIER CODE: V56878 QUALIFIED OPTIONAL DATA: (73781CD624 OR PHCR56CD OR 102E9925-6 PLUS BACP18BC03A06P IS OPT TO NAS1805-6L PLUS MS20995NC32)	103106	1

MISSING ITEM NUMBERS NOT APPLICABLE

- ITEM NOT ILLUSTRATED

57-51-10-06

57-51-10
FIG. 06
PAGE 16
JAN 20/09

BRI



757

PARTS CATALOG (MAINTENANCE)

FIG ITEM	PART NUMBER	1 2 3 4 5 6 7	NOMENCLATURE	EFFECT FROM TO	UNITS PER ASSY
6 763	102E9925-6		.NUT-CASTELLATED SUPPLIER CODE: V72962 QUALIFIED OPTIONAL DATA: (73781CD624 OR PHCR56CD OR 102E9925-6 PLUS BACP18BC03A06P IS OPT TO NAS1805-6L PLUS MS20995NC32)	103106	1
763	PHCR56CD		.NUT- SUPPLIER CODE: VF0224 QUALIFIED OPTIONAL DATA: (73781CD624 OR PHCR56CD OR 102E9925-6 PLUS BACP18BC03A06P IS OPT TO NAS1805-6L PLUS MS20995NC32)	103106	1
773	NAS1805-6L		.NUT- QUALIFIED OPTIONAL DATA: (73781CD624 OR PHCR56CD OR 102E9925-6 PLUS BACP18BC03A06P IS OPT TO NAS1805-6L PLUS MS20995NC32)	103106	1
776	BACB28AK06-057		.BUSHING	103106	1
780	113N1821-10		.ROD ASSY-PUSH QUALIFIED I/W DATA: -10 MAY REPLACE -9 UPON INCORPORATION OF S/B 757-57-0032	103106	1
783	NAS1193K7CP		..LOCKING DEVICE	103106	2
786	NAS1193K7-1P		...WASHER	103106	1
790	NAS1193K7-2P		...WASHER	103106	1
793	NAS509-7C		..NUT- OPTIONAL PART: NAS1423-7	103106	2
793	NAS1423-7		..NUT- OPTIONAL PART: NAS509-7C	103106	2
800	VTA06440		..BEARING-ROD END SUPPLIER CODE: V06710 OPTIONAL PART: P35690 V57606	103106	2

MISSING ITEM NUMBERS NOT APPLICABLE

- ITEM NOT ILLUSTRATED

57-51-10-06

57-51-10
FIG. 06
PAGE 17
JAN 20/09

BRI



757

PARTS CATALOG (MAINTENANCE)

FIG ITEM	PART NUMBER	1 2 3 4 5 6 7	NOMENCLATURE	EFFECT FROM TO	UNITS PER ASSY
6 800	P35690		.. BEARING-ROD END SUPPLIER CODE: V57606 OPTIONAL PART: VTA06440 V06710	103106	2
800	BCREF106924		.. BEARING-ROD END SUPPLIER CODE: V15860 OVERLENGTH PART NUMBER: S012T234-106-679 SPECIFICATION NUMBER: S012T234-106-679 MISCELLANEOUS DATA: SUPPLIER PART NUMBER ARB6E190W69, WITH FSCM 15860, QUALIFIES TO BOEING SPECIFICATION NUMBER S012T234-106-679	103106	2
810	113N1867-4		.. ROD-PUSH OPTIONAL PART: 113N1867-3 113N1867-5	103106	1
810	113N1867-3		.. ROD-PUSH OPTIONAL PART: 113N1867-4	103106	1
810	113N1867-5		.. ROD-PUSH OPTIONAL PART: 113N1867-4	103106	1
820	113N1173-1		. STABILIZER ASSY- POSITION DATA: LH SIDE	103106	1
- 823	113N1173-2		. STABILIZER ASSY- POSITION DATA: RH SIDE	103106	1
- 826	L8006K3		ATTACHING PARTS . BOLT SUPPLIER CODE: V06725 SPECIFICATION NUMBER: BACB30MY6K3	103106	4
- 830	BACC30MY6		. COLLAR -----*-----	103106	4
833	BACB30LE9K124		. BOLT-	103106	1
836	BACW10BP9CD		. WASHER-	103106	1
840	NAS1149C0963R		. WASHER	103106	1
843	NAS43HT9-345		. SPACER-	103106	1

MISSING ITEM NUMBERS NOT APPLICABLE

- ITEM NOT ILLUSTRATED

57-51-10-06

57-51-10
FIG. 06
PAGE 18
JAN 20/09

BRI



757

PARTS CATALOG (MAINTENANCE)

FIG ITEM	PART NUMBER	1 2 3 4 5 6 7	NOMENCLATURE	EFFECT FROM TO	UNITS PER ASSY
6 846	BMN10HRCWD3-9		.NUT- SUPPLIER CODE: V97928 SPECIFICATION NUMBER: BACN10HR9CD OPTIONAL PART: H51560-9 V15653 67832CD918 V56878 102LH9031-9 V72962 BH00303CM9 V27238 BMN5024CWD39 V97928 SL7108C9 V11815 VCU0005D9 V06710 102LH90319 V72962 67832CD9 V56878 67832CD9 V56878	103106	1
850	NAS73-9E010		.BUSHING	103106	1

MISSING ITEM NUMBERS NOT APPLICABLE

- ITEM NOT ILLUSTRATED

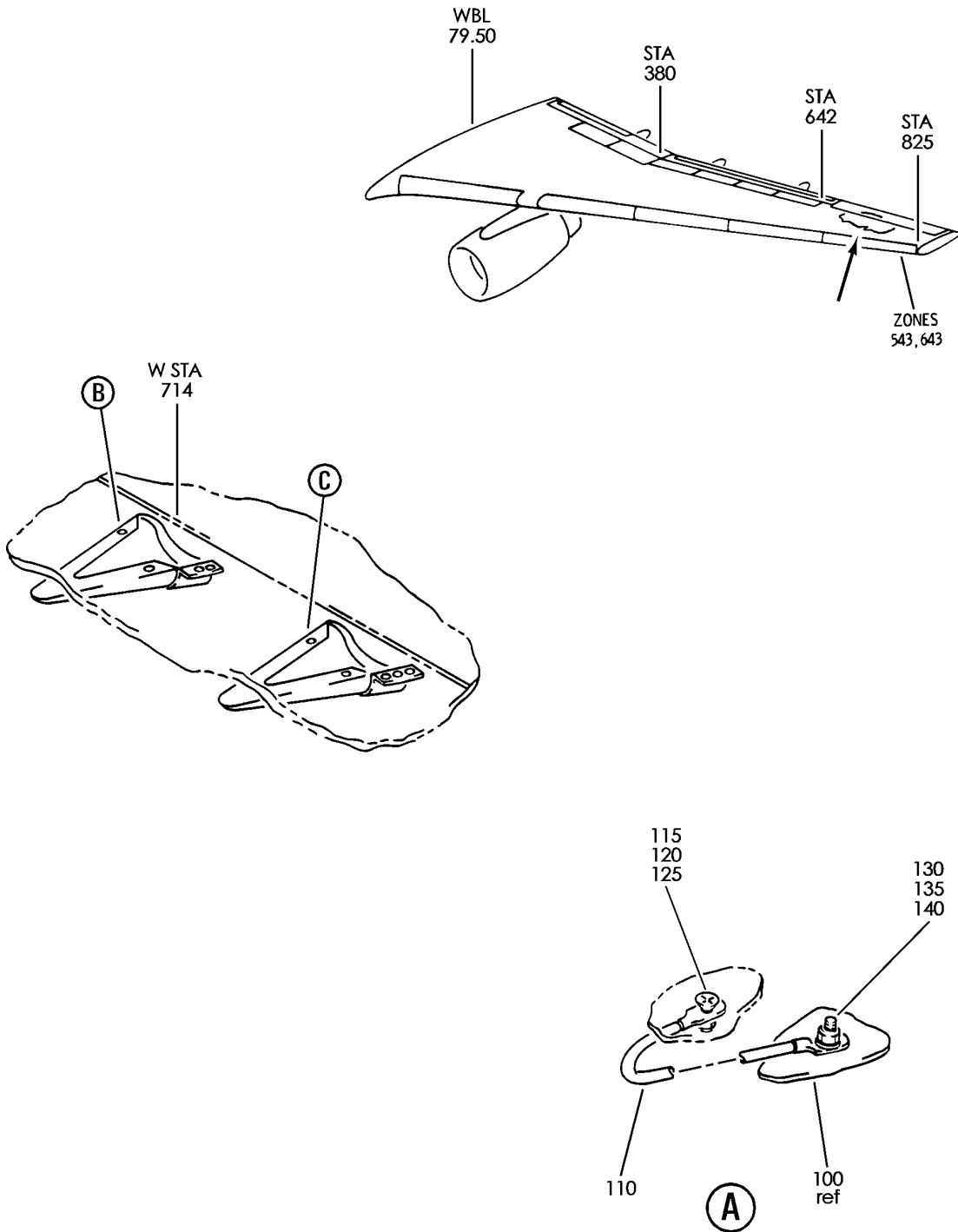
BRI

57-51-10-06

BOEING PROPRIETARY - Copyright © - Unpublished Work - See title page for details.

57-51-10
FIG. 06
PAGE 19
JAN 20/09

BOEING
757
PARTS CATALOG (MAINTENANCE)



Y 57511101 SHT 1 REV 214

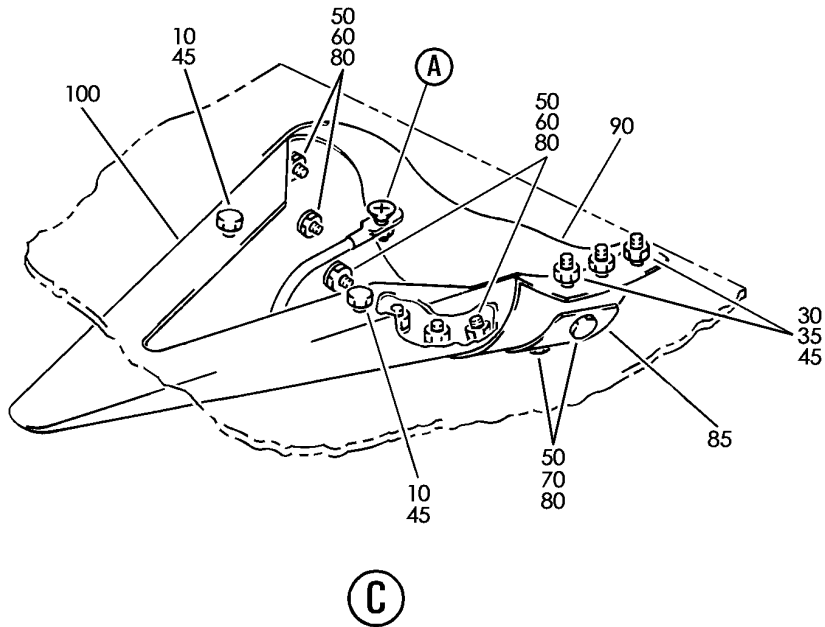
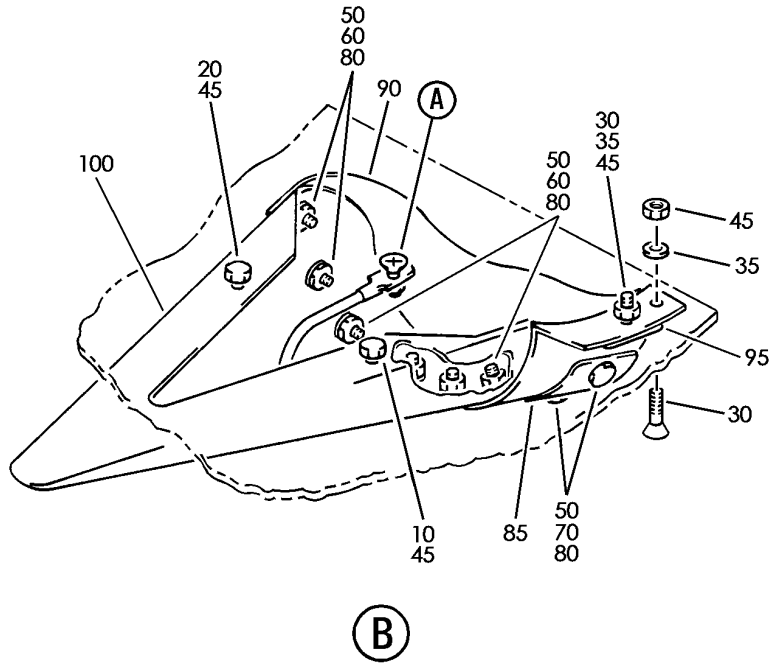
FAIRING INSTL-AIL. ACTR
FIGURE 1 (SHEET 1)

57-51-11-01

BRI
MAY 28/07

57-51-11-01
PAGE 0

BOEING
757
PARTS CATALOG (MAINTENANCE)



Y 57511101 SHT 2 REV 214

FAIRING INSTL-AIL. ACTR
FIGURE 1 (SHEET 2)

57-51-11-01

BRI
MAY 28/07

57-51-11-01
PAGE 0A



757

PARTS CATALOG (MAINTENANCE)

FIG ITEM	PART NUMBER	1 2 3 4 5 6 7	NOMENCLATURE	EFFECT FROM TO	UNITS PER ASSY
1			FAIRING INSTL-AIL. ACTR	002004 006999	
- 1	113N1900-1		FAIRING INSTL-AIL. ACTR POSITION DATA: LH FOR NHA SEE: 57-00-00-01	002004 006100 107107 121503 904999	RF
- 1	113N1900-401		FAIRING INSTL-AIL. ACTR POSITION DATA: LH FOR NHA SEE: 57-00-00-05B	101102 108120 504903	RF
- 1	MODREF1481		FAIRING INSTL-AIL. ACTR MODULE NUMBER: 113N1900-401 REV A POSITION DATA: LH	103103	1
- 1	MODREF26599		FAIRING INSTL-AIL. ACTR MODULE NUMBER: 113N1900-401 REV B POSITION DATA: LH	104106	1
- 5	113N1900-2		FAIRING INSTL-AIL. ACTR POSITION DATA: RH FOR NHA SEE: 57-00-00-01	002004 006100 107107 121503 904999	RF
- 5	113N1900-402		FAIRING INSTL-AIL. ACTR POSITION DATA: RH FOR NHA SEE: 57-00-00-05B	101102 108120 504903	RF
- 5	MODREF1482		FAIRING INSTL-AIL. ACTR MODULE NUMBER: 113N1900-402 REV A POSITION DATA: RH	103103	1
- 5	MODREF26600		FAIRING INSTL-AIL. ACTR MODULE NUMBER: 113N1900-402 REV B POSITION DATA: RH	104106	1
10	BACB30LJ3-3		.BOLT	002004 006100 107107 121503 904999	3

MISSING ITEM NUMBERS NOT APPLICABLE

- ITEM NOT ILLUSTRATED

BRI

57-51-11-01

57-51-11
FIG. 01
PAGE 1
JAN 20/09



757

PARTS CATALOG (MAINTENANCE)

FIG ITEM	PART NUMBER	1 2 3 4 5 6 7	NOMENCLATURE	EFFECT FROM TO	UNITS PER ASSY
1	10	NAS6703-3	.BOLT	101106 108120 504903	3
	20	BACB30LJ3-4	.BOLT	002004 006100 107107 121503 904999	1
	20	NAS6703-4	.BOLT	101106 108120 504903	1
	30	BACS12ER3K7	.SCREW	002004 006999	5
	35	AN960C10L	.WASHER	002004 006100 107107 121503 904999	5
	35	NAS1149C0332R	.WASHER	101106 108120 504903	5
	45	BRH10C3D	.NUT SUPPLIER CODE: V52828 SPECIFICATION NUMBER: BACN10JC3CD OPTIONAL PART: T6C1032JCD V11815 NS202486-02 V80539 102LH9075-3W V72962 H51650-3BAC V15653	002004 006999	9
	50	BACS12ER08K6	.SCREW	002004 006999	16
	60	AN960C8L	.WASHER	002004 006100 107107 121503 904999	12
	60	NAS1149CN816R	.WASHER	101106 108120 504903	12

MISSING ITEM NUMBERS NOT APPLICABLE

- ITEM NOT ILLUSTRATED

BRI

57-51-11-01

BOEING PROPRIETARY - Copyright © - Unpublished Work - See title page for details.

57-51-11
FIG. 01
PAGE 2
JAN 20/09



757

PARTS CATALOG (MAINTENANCE)

FIG ITEM	PART NUMBER	1 2 3 4 5 6 7	NOMENCLATURE	EFFECT FROM TO	UNITS PER ASSY
1	70 AN960C8L		.WASHER-OPTIONAL	002004 006100 107107 121503 904999	4
	70 NAS1149CN816R		.WASHER-OPTIONAL	101106 108120 504903	4
	80 BRH10C08D		.NUT SUPPLIER CODE: V52828 SPECIFICATION NUMBER: BACN10JC08CD OPTIONAL PART: H51650-08BAC V15653 102LH9075-82W V72962 NS202486-82 V80539 T6C832JCD V11815	002004 006999	16
	85 113N1900-8		.RETAINER-SEAL	002004 006999	2
	90 S13117-836		.SEAL-AERODYNAMIC SUPPLIER CODE: V75345 SPECIFICATION NUMBER: 10-60754-836 MISCELLANEOUS DATA: OPTIONAL PART NUMBER: 5673-836 (11960) OPTIONAL PART: 5673-836 V11960	002004 006106 108999	2
	90 10-60754-600		.SEAL-AERODYNAMIC	107107	2
	95 113N1900-3		.CLIP-SEAL	002004 006999	1
	100 113N1910-3		.FAIRING- POSITION DATA: LH SIDE QUALIFIED I/W DATA: 113N1910-9 I/W 113N1910-3 SUBJECT TO COLOR PREFERENCE 113N1910-11 WITH SEAL ATTACH HOLES UNDRILLED I/W 113N1910-3	107107	2

MISSING ITEM NUMBERS NOT APPLICABLE

- ITEM NOT ILLUSTRATED

57-51-11-01

57-51-11
FIG. 01
PAGE 3
JAN 20/09

BRI

 **BOEING**
757
PARTS CATALOG (MAINTENANCE)

FIG ITEM	PART NUMBER	1 2 3 4 5 6 7	NOMENCLATURE	EFFECT FROM TO	UNITS PER ASSY
1 100	113N1910-11		.FAIRING- POSITION DATA: LH SIDE QUALIFIED I/W DATA: 113N1910-3 WITH SEAL ATTACH HOLES UNDRILLED I/W 113N1910-3	002004 006106 108999	2
- 105	113N1910-4		.FAIRING- POSITION DATA: RH SIDE QUALIFIED I/W DATA: 113N1910-10 SUBJECT TO COLOR PREFERENCE 113N1910-12 WITH SEAL ATTACH HOLES UNDRILLED I/W 113N1910-4	107107	2
- 105	113N1910-12		.FAIRING- POSITION DATA: RH SIDE QUALIFIED I/W DATA: 113N1910-12 WITH SEAL ATTACH HOLES UNDRILLED I/W 113N1910-4	002004 006106 108999	2
110	740A20-3		.JUMPER ASSY SUPPLIER CODE: V91812 SPECIFICATION NUMBER: BACJ40A20-3 OPTIONAL PART: TJEJ40A20-3 V33483 RBEJ20-3 V1GK47 ATTACHING PARTS	002004 006999	2
115	BACB30LH3U4		.BOLT	002004 006999	2
120	BACW10BP3APU		.WASHER	002004 006999	2

MISSING ITEM NUMBERS NOT APPLICABLE

- ITEM NOT ILLUSTRATED

BRI

57-51-11-01

BOEING PROPRIETARY - Copyright © - Unpublished Work - See title page for details.

57-51-11
FIG. 01
PAGE 4
JAN 20/09



757

PARTS CATALOG (MAINTENANCE)

FIG ITEM	PART NUMBER	1 2 3 4 5 6 7	NOMENCLATURE	EFFECT FROM TO	UNITS PER ASSY
1 125	BRH10C3M	.NUT	SUPPLIER CODE: V52828 SPECIFICATION NUMBER: BACN10JC3CM OPTIONAL PART: T6C1032JM V11815 97E02 V80539 109LH9075-3W V72962 VN303D02 V92215 NS202101SE02 V80539 H01-3BAC V15653	002004 006999	2
130	BACB30LH2U3	.BOLT		002004 006999	2
135	BACW10BP2NAPU	.WASHER		002004 006999	2
140	BRH10C08M	.NUT	SUPPLIER CODE: V52828 SPECIFICATION NUMBER: BACN10JC08CM OPTIONAL PART: T6C832JM V11815 97E82 V80539 109LH9075-82W V72962 VN303D82 V92215 NS202101SE82 V80539 H01-08BAC V15653 -----*-----	002004 006999	2

MISSING ITEM NUMBERS NOT APPLICABLE

- ITEM NOT ILLUSTRATED

57-51-11-01

57-51-11
FIG. 01
PAGE 5
JAN 20/09

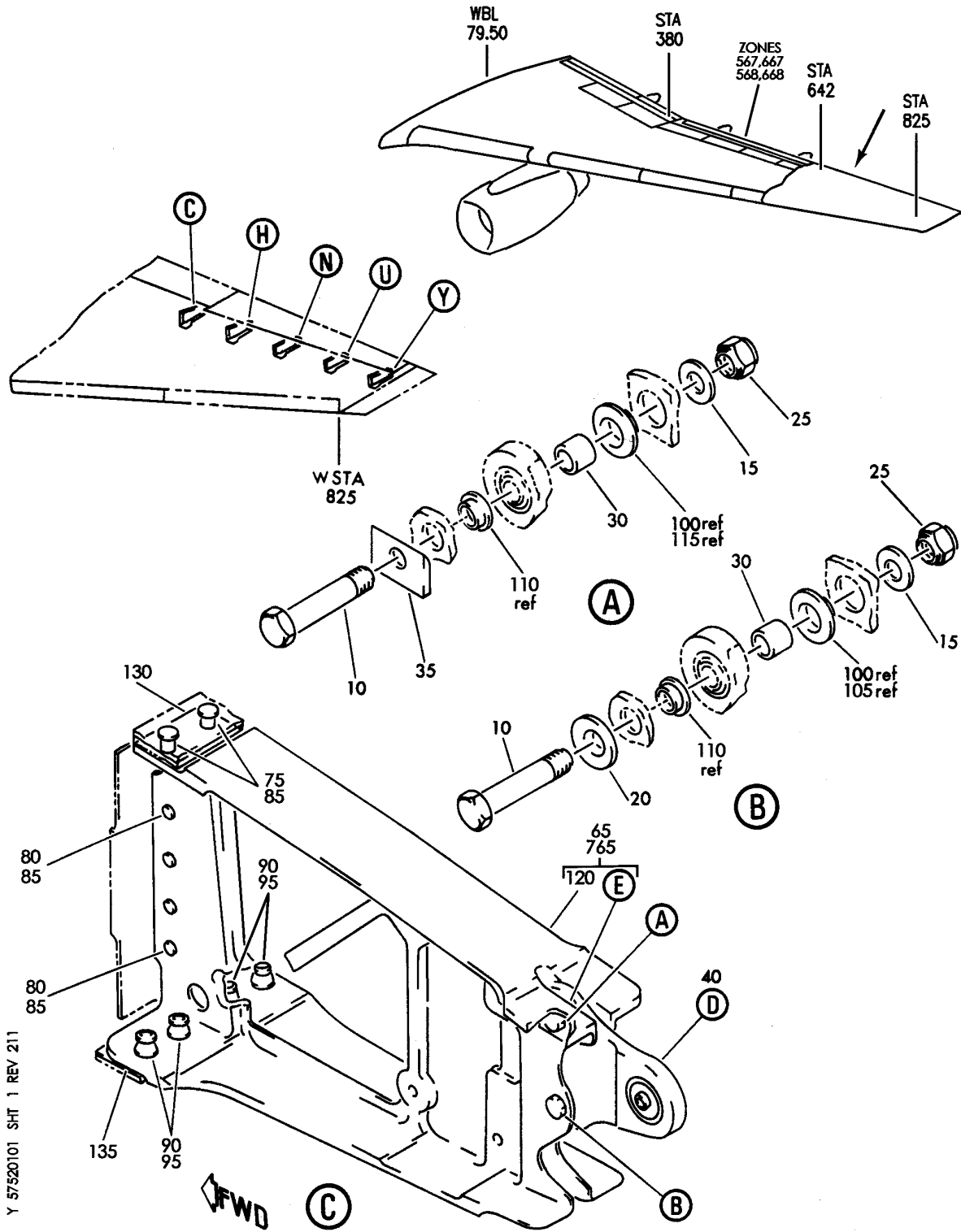
BRI

AILERON HINGE LINK

BRI
MAY 28/07

57-52-00
SECTION TITLE
PAGE 1

BOEING
757
PARTS CATALOG (MAINTENANCE)



Y 57520101 SH1 1 REV 211

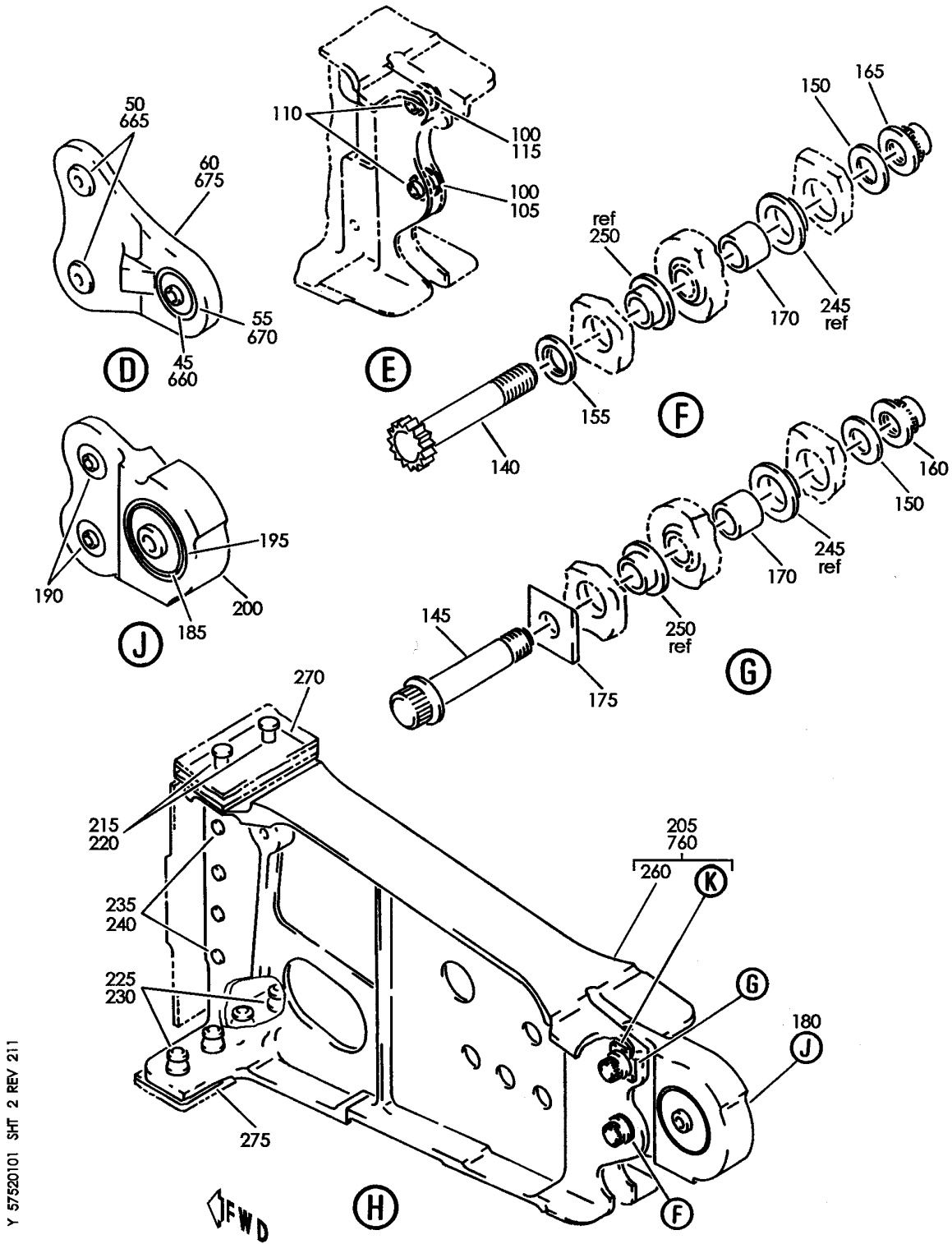
RIB INSTL-AIL. HINGE SPRT
FIGURE 1 (SHEET 1)

57-52-01-01

BRI
MAY 28/07

57-52-01-01
PAGE 0

BOEING
757
PARTS CATALOG (MAINTENANCE)



Y 57520101 SH1 2 REV 211

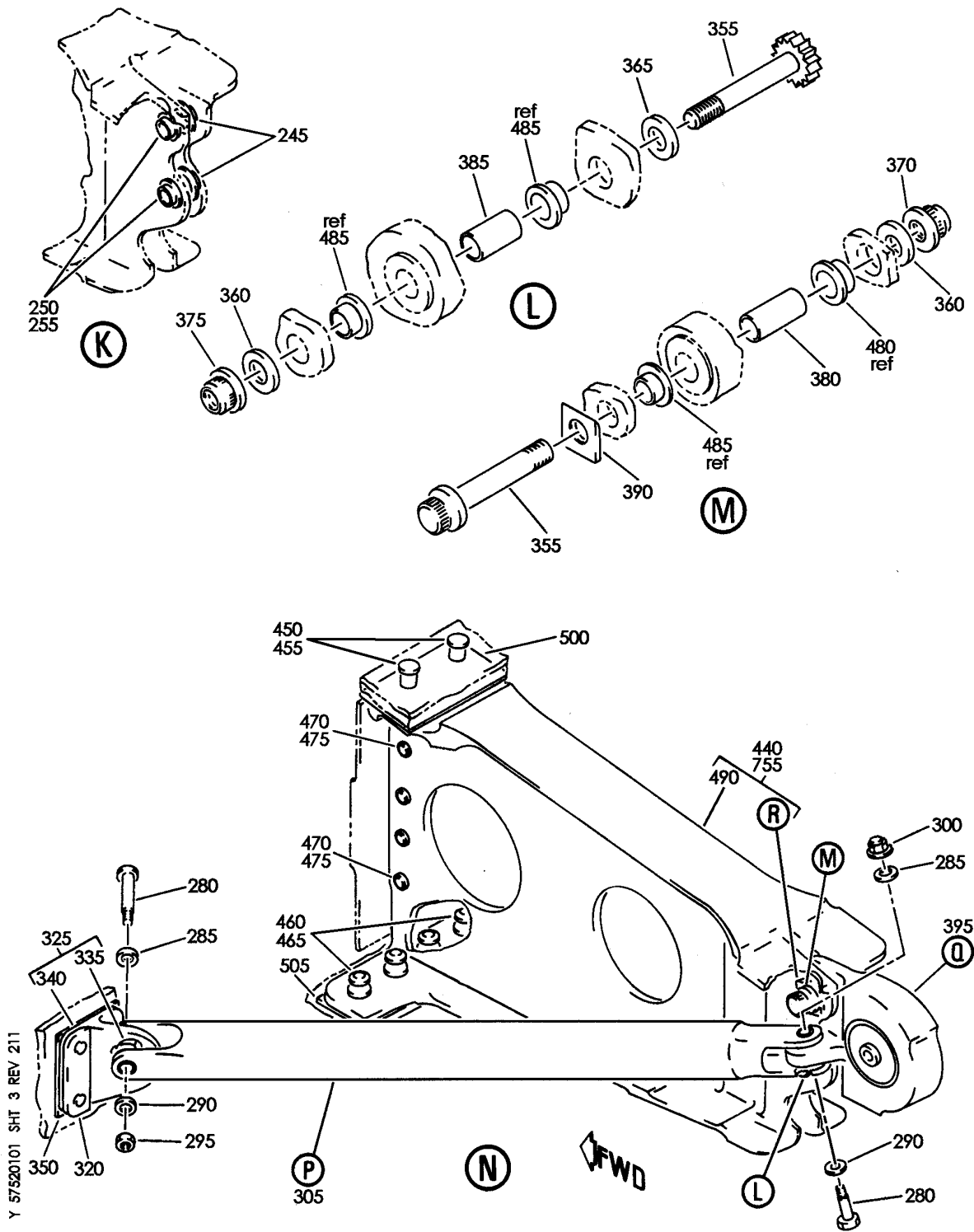
RIB INSTL-AIL. HINGE SPRT
FIGURE 1 (SHEET 2)

57-52-01-01

BRI
MAY 28/07

57-52-01-01
PAGE 0A

BOEING
757
PARTS CATALOG (MAINTENANCE)



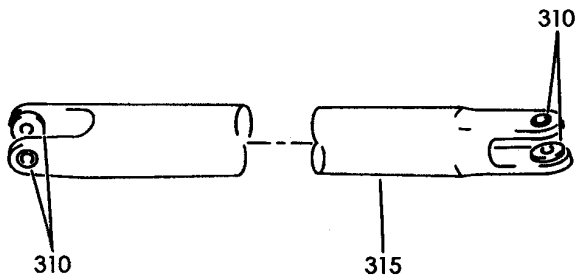
RIB INSTL-AIL. HINGE SPRT
FIGURE 1 (SHEET 3)

57-52-01-01

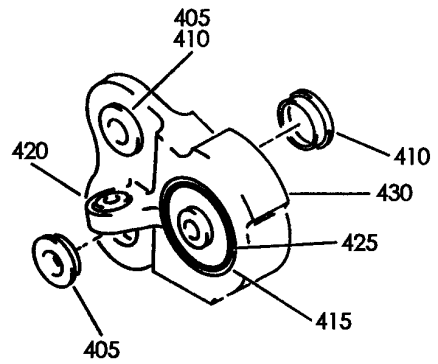
BRI
MAY 28/07

57-52-01-01
PAGE 0B

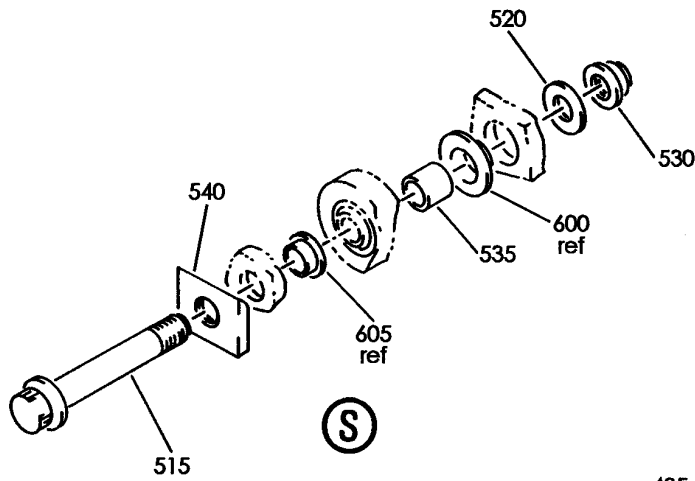
BOEING
757
PARTS CATALOG (MAINTENANCE)



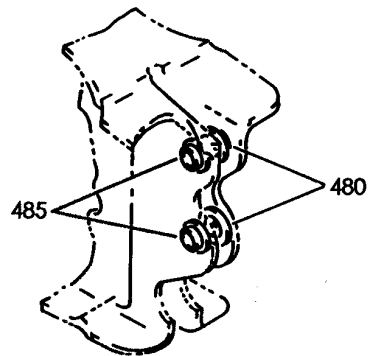
(P)



(Q)



(S)



(R)

Y 57520101 SHF 4 REV 211

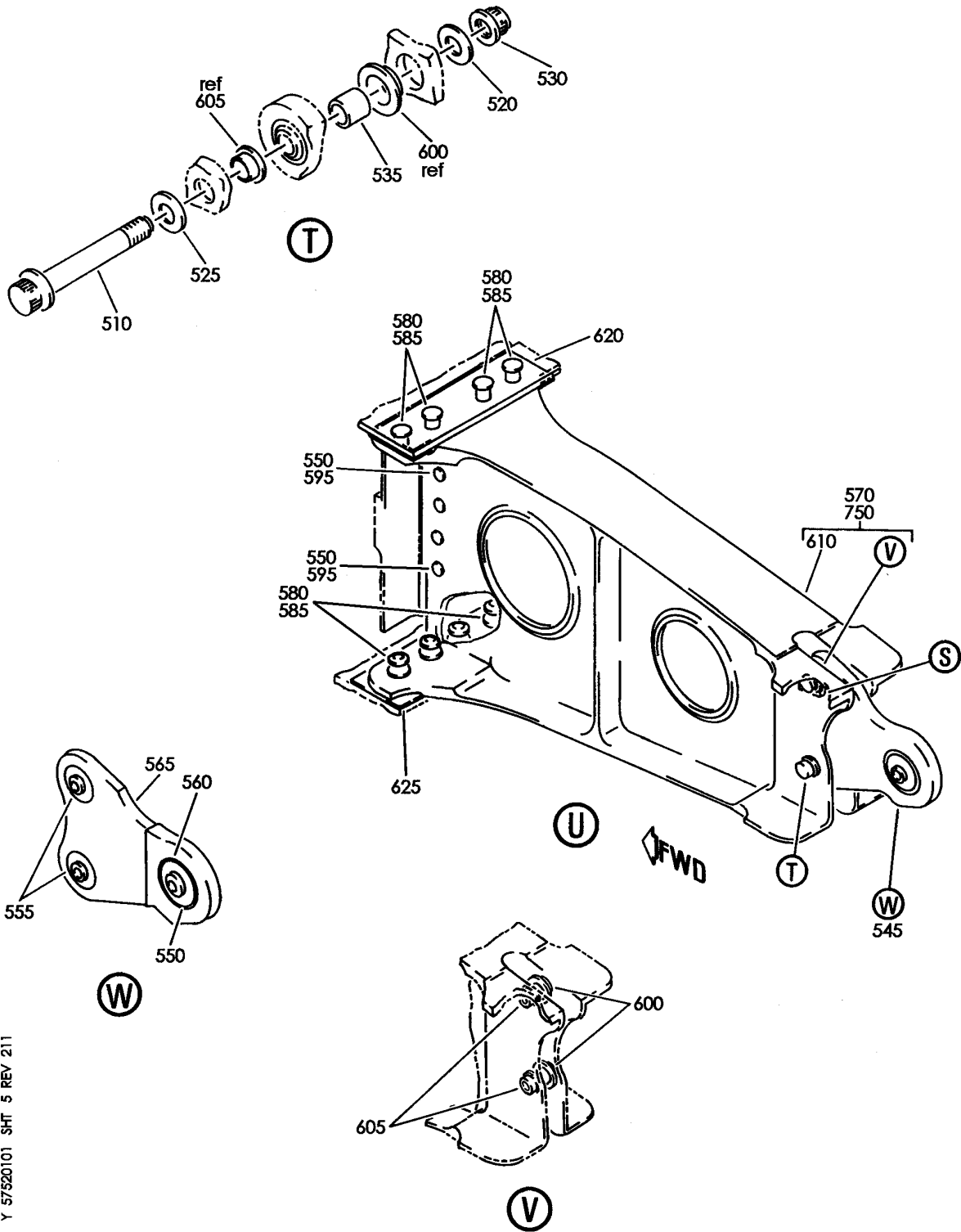
RIB INSTL-AIL. HINGE SPRT
FIGURE 1 (SHEET 4)

57-52-01-01

BRI
MAY 28/07

57-52-01-01
PAGE 0C

BOEING
757
PARTS CATALOG (MAINTENANCE)



Y 57520101 SH 5 REV 211

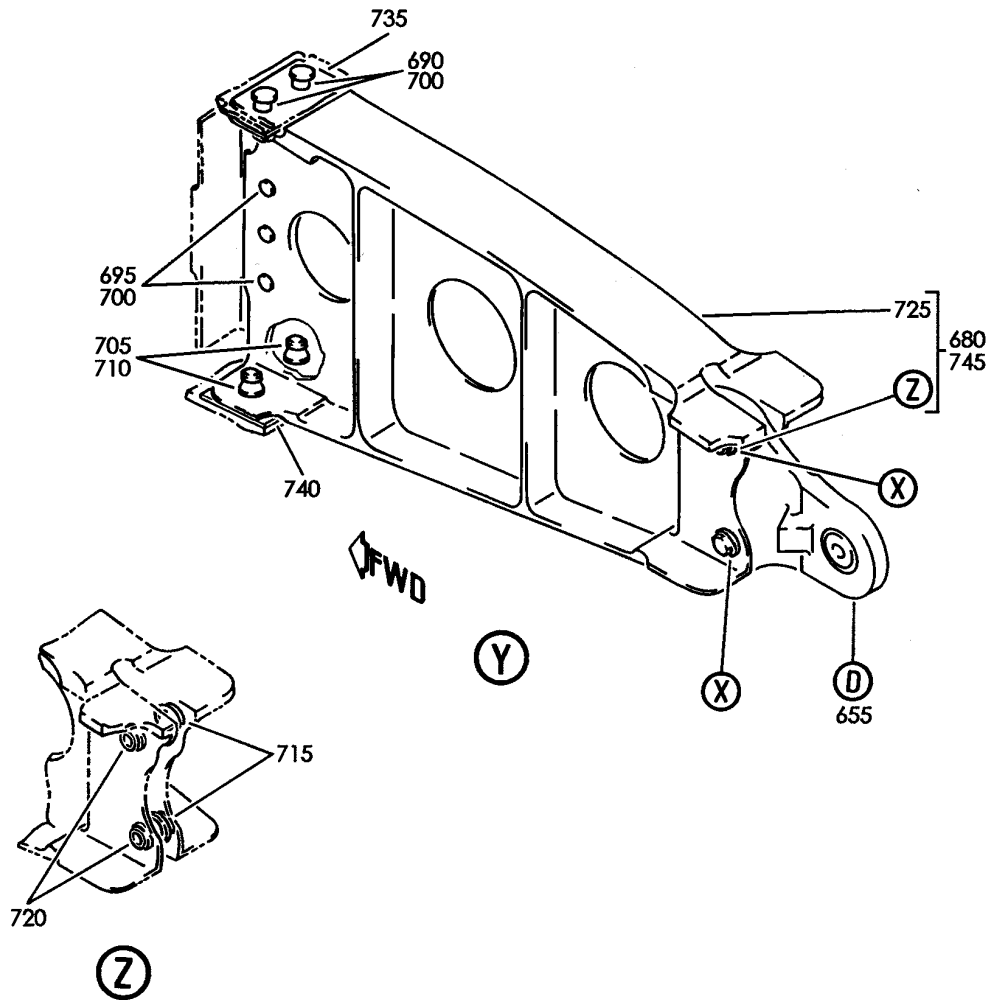
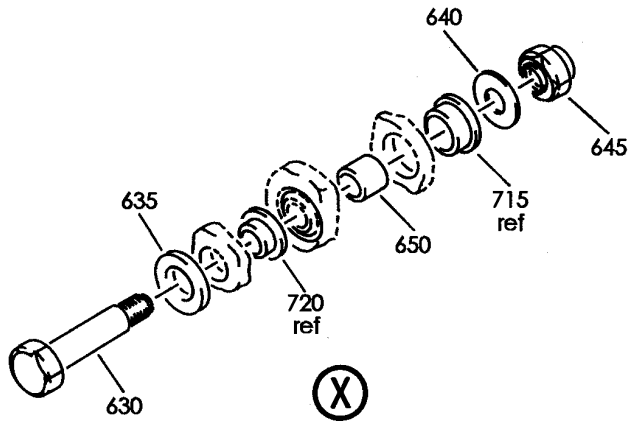
RIB INSTL-AIL. HINGE SPRT
FIGURE 1 (SHEET 5)

57-52-01-01

BRI
MAY 28/07

57-52-01-01
PAGE 0D

BOEING
757
PARTS CATALOG (MAINTENANCE)



Y 57520101 SHT. 6 REV 211

RIB INSTL-AIL. HINGE SPRT
FIGURE 1 (SHEET 6)

57-52-01-01

BRI
MAY 28/07

57-52-01-01
PAGE 0E



757

PARTS CATALOG (MAINTENANCE)

FIG ITEM	PART NUMBER	1 2 3 4 5 6 7	NOMENCLATURE	EFFECT FROM TO	UNITS PER ASSY
1			RIB INSTL-AIL. HINGE SPRT	002004 006999	
- 1	113N1500-1		RIB INSTL-AIL. HINGE SPRT POSITION DATA: LH FOR NHA SEE: 57-20-52-01	002004 006100 107107 121503 904999	RF
- 1	113N1500-405		RIB INSTL-AIL. HINGE SPRT POSITION DATA: LH FOR NHA SEE: 57-00-00-05	101102 108120 504903	RF
- 1	MODREF1273		RIB INSTL-AIL. HINGE SPRT MODULE NUMBER: 113N1500-405 REV A POSITION DATA: LH	103103	1
- 1	MODREF26554		RIB INSTL-AIL. HINGE SPRT MODULE NUMBER: 113N1500-405 REV B POSITION DATA: LH	104106	1
- 5	113N1500-2		RIB INSTL-AIL. HINGE SPRT POSITION DATA: RH FOR NHA SEE: 57-20-52-01	002004 006100 107107 121503 904999	RF
- 5	113N1500-406		RIB INSTL-AIL. HINGE SPRT HINGE SPRT POSITION DATA: RH FOR NHA SEE: 57-00-00-05	101102 108120 504903	RF
- 5	MODREF1274		RIB INSTL-AIL. HINGE SPRT HINGE SPRT MODULE NUMBER: 113N1500-406 REV A POSITION DATA: RH	103103	1
- 5	MODREF26555		RIB INSTL-AIL. HINGE SPRT HINGE SPRT MODULE NUMBER: 113N1500-406 REV B POSITION DATA: RH	104106	1
10	BACB30NR4K16		.BOLT	002004 006999	2
15	AN960XC416		.WASHER	002004 006999	2

MISSING ITEM NUMBERS NOT APPLICABLE

- ITEM NOT ILLUSTRATED

57-52-01-01

57-52-01
FIG. 01
PAGE 1
JAN 20/09

BRI

BOEING
757
PARTS CATALOG (MAINTENANCE)

FIG ITEM	PART NUMBER	1 2 3 4 5 6 7	NOMENCLATURE	EFFECT FROM TO	UNITS PER ASSY
1					
20	BACW10CT8C	.	WASHER	002004 006999	1
25	BRH10C4D	.	NUT	002004 006999	2
			SUPPLIER CODE: V52828		
			SPECIFICATION NUMBER: BACN10JC4CD		
			OPTIONAL PART: T6C428JCD		
			V11815		
			NS202486-048		
			V80539		
			102LH9075-4W		
			V72962		
			H51650-4BAC		
			V15653		
30	BACB28AK04-035	.	BUSHING	002004 006999	2
35	113N1500-11	.	FILLER-RADIUS	002004 006999	1
40	113N1521-2	.	LINK ASSY-AIL.	002004 006999	1
45	ASR4-30	..	ROLLER	002004 006999	1
			SUPPLIER CODE: VS0352		
			SPECIFICATION NUMBER: BACB10CK4		
			OPTIONAL PART: SA4-16A4		
			V77896		
			SA4-16A55		
			V77896		
50	NES04B10GC	..	BEARING	002004 006999	2
			SUPPLIER CODE: V73134		
			SPECIFICATION NUMBER: BACB10FC04C		
			OPTIONAL PART: NRRS04B10GC		
			V73134		
			HT04VSBC		
			VS0352		
			ADB4VNC		
			V15860		
			KNDB4-66		
			V97613		
			KR4CNGBZC		
			V50632		

MISSING ITEM NUMBERS NOT APPLICABLE

— ITEM NOT ILLUSTRATED

BRI

57-52-01-01

BOEING PROPRIETARY - Copyright © - Unpublished Work - See title page for details.

57-52-01
FIG. 01
PAGE 2
MAY 20/09



757

PARTS CATALOG (MAINTENANCE)

FIG ITEM	PART NUMBER	1 2 3 4 5 6 7	NOMENCLATURE	EFFECT FROM TO	UNITS PER ASSY
1					
55	113T1518-4		..RING-RTNR	002004 006999	1
60	113N1521-7		..LINK	002004 006999	1
65	113N1505-15		.RIB ASSY-NO. 5 POSITION DATA: LH SIDE OPTIONAL PART: 113N1515-13	002004 006106 108999	1
65	113N1505-11		.RIB ASSY-NO. 5 POSITION DATA: LH SIDE OPTIONAL PART: 113N1515-13	107107	1
65	113N1515-13		.RIB ASSY-NO. 5 POSITION DATA: LH SIDE OPTIONAL PART: 113N1505-11 113N1505-15	002004 006999	1
- 70	113N1505-16		.RIB ASSY-NO. 5 POSITION DATA: RH SIDE OPTIONAL PART: 113N1515-14	002004 006106 108999	1
- 70	113N1505-12		.RIB ASSY-NO. 5 POSITION DATA: RH SIDE OPTIONAL PART: 113N1515-14	107107	1
- 70	113N1515-14		.RIB ASSY-NO. 5 POSITION DATA: RH SIDE OPTIONAL PART: 113N1505-12 113N1505-16 ATTACHING PARTS	002004 006999	1
75	BACB30NW8K		.BOLT- SIZE DETERMINED ON INSTL.	002004 006999	2
80	BACB30MY8K		.BOLT- SIZE DETERMINED ON INSTL.	002004 006999	4

MISSING ITEM NUMBERS NOT APPLICABLE

- ITEM NOT ILLUSTRATED

57-52-01-01

57-52-01
FIG. 01
PAGE 3
MAY 20/09

BRI

BOEING PROPRIETARY - Copyright © - Unpublished Work - See title page for details.



757

PARTS CATALOG (MAINTENANCE)

FIG ITEM	PART NUMBER	1 2 3 4 5 6 7	NOMENCLATURE	EFFECT FROM TO	UNITS PER ASSY
1 85	HL79-8		.COLLAR SUPPLIER CODE: V5M902 SPECIFICATION NUMBER: BACC30M8 OPTIONAL PART: HL79-8 V73197 HL79-8 V92215 66014-8 V56878 HL79-8 V56878	002004 006999	6
90	BACB30NW10K		.BOLT- SIZE DETERMINED ON INSTL.	002004 006999	4
95	HL79-10		.COLLAR SUPPLIER CODE: V5M902 SPECIFICATION NUMBER: BACC30M10 OPTIONAL PART: HL79-10 V73197 HL79-10 V92215 66014-10 V56878 HL79-10 V56878	002004 006999	4
105	BACB28AM06B012A		-----*----- ..BUSHING- USED ON: 113N1505-7 113N1505-8 113N1505-11 113N1505-12 113N1515-13 113N1515-14	002004 006999	1
110	BACB28AP04P012		..BUSHING	002004 006999	2
115	BACB28U6B012		..BUSHING- USED ON: 113N1505-7 113N1505-8 113N1505-11 113N1505-12 113N1515-13 113N1515-14	002004 006999	1

MISSING ITEM NUMBERS NOT APPLICABLE

- ITEM NOT ILLUSTRATED

57-52-01-01

57-52-01
FIG. 01
PAGE 4
JAN 20/09

BRI



757

PARTS CATALOG (MAINTENANCE)

FIG ITEM	PART NUMBER	1 2 3 4 5 6 7	NOMENCLATURE	EFFECT FROM TO	UNITS PER ASSY
1					
120	113N1505-17	..	RIB- POSITION DATA: LH SIDE USED ON: 113N1505-15	002004 006106 108999	1
120	113N1505-13	..	FITTING- POSITION DATA: LH SIDE USED ON: 113N1505-11	107107	1
120	113N1515-15	..	RIB- POSITION DATA: LH SIDE USED ON: 113N1515-13	002004 006999	1
- 125	113N1505-18	..	RIB- POSITION DATA: RH SIDE USED ON: 113N1505-16	002004 006106 108999	1
- 125	113N1505-14	..	FITTING- POSITION DATA: RH SIDE USED ON: 113N1505-12	107107	1
- 125	113N1515-16	..	RIB- POSITION DATA: RH SIDE USED ON: 113N1515-14	002004 006999	1
130	BACS40R12D22F	.	SHIM-	002004 006100 107107 121503 904999	1
130	BACS40R012D022F	.	SHIM	101106 108120 504903	1
135	BACS40R15B45F	.	SHIM	002004 006100 107107 121503 904999	1
135	BACS40R015D045F	.	SHIM	101106 108120 504903	1
140	BACB30LT6K18	.	BOLT- PRE SERVICE BULLETIN: 57-0037R1	002004 006999	1

MISSING ITEM NUMBERS NOT APPLICABLE

- ITEM NOT ILLUSTRATED

57-52-01-01

57-52-01
FIG. 01
PAGE 5
JAN 20/09

BRI

 **BOEING**
757
PARTS CATALOG (MAINTENANCE)

FIG ITEM	PART NUMBER	1 2 3 4 5 6 7	NOMENCLATURE	EFFECT FROM TO	UNITS PER ASSY
1					
140	BACB30LT6K19	.BOLT-	POST SERVICE BULLETIN: 57-0037R1	107107	1
145	BACB30LE6K19	.BOLT		002004 006999	1
150	AN960XC616	.WASHER		002004 006999	2
155	BACW10CT12C	.WASHER		002004 006999	1
160	BMN10HRCWD3-6	.NUT	SUPPLIER CODE: V97928 SPECIFICATION NUMBER: BACN10HR6CD OPTIONAL PART: H51560-6 V15653 67832CD624 V56878 102LH9031-6 V72962 BH00303CM6 V27238 SL7108C624 V11815 BMN5024CWD36 V97928 SL7108C6 V11815 102LH90316 V72962 67832CD6 V56878 VCU0005D6 V06710 CR60306 VF0224 CR60306 VF0224	002004 006999	1
165	NAS1805-6N	.NUT-		002004 006999	1
170	BACB28AK06-040	.BUSHING		002004 006999	2
175	113N1500-10	.FILLER-RADIUS		002004 006999	1
180	113N1521-11	.LINK ASSY-AIL.		002004 006999	1
MISSING ITEM NUMBERS NOT APPLICABLE					

R
R
R
R
R
R
R
R
R
R
R
R
R
R
R
R
R
R
R
R
R
R
R

— ITEM NOT ILLUSTRATED

57-52-01-01

57-52-01
FIG. 01
PAGE 6
MAY 20/09

BRI



757

PARTS CATALOG (MAINTENANCE)

FIG ITEM	PART NUMBER	1 2 3 4 5 6 7	NOMENCLATURE	EFFECT FROM TO	UNITS PER ASSY
1 185	DAS5-25A1-501	..	BEARING SUPPLIER CODE: V77896 SPECIFICATION NUMBER: BACB10CH53C OPTIONAL PART: ASRD5CH30C VS0352 DAS5-25A48 V77896 DAS5-25A52 V77896 ASRD5C30C VS0352	002004 006999	1
190	NES06B10GC	..	BEARING SUPPLIER CODE: V73134 SPECIFICATION NUMBER: BACB10FC06C OPTIONAL PART: NRRS06B10GC V73134 HT06VSBC VS0352 ADB6VNC V15860 KNDB6-66 V97613 KR6CNGBZC V50632	002004 006999	2
195	113T1518-2	..	RING-RTNR OPTIONAL PART: 113T1518-6	002004 006999	1
195	113T1518-6	..	RING-RTNR OPTIONAL PART: 113T1518-2	002004 006999	1
200	113N1521-14	..	LINK	002004 006999	1
205	113N1504-27	.RIB ASSY-NO. 4 POSITION DATA: LH SIDE OPTIONAL PART: 113N1514-25		107107 904949 952952	1
205	113N1514-25	.RIB ASSY-NO. 4 POSITION DATA: LH SIDE OPTIONAL PART: 113N1504-27		107107 904949 952952	1

MISSING ITEM NUMBERS NOT APPLICABLE

- ITEM NOT ILLUSTRATED

57-52-01-01

57-52-01
FIG. 01
PAGE 7
JAN 20/09

BRI

BOEING PROPRIETARY - Copyright © - Unpublished Work - See title page for details.



757

PARTS CATALOG (MAINTENANCE)

FIG ITEM	PART NUMBER	1 2 3 4 5 6 7	NOMENCLATURE	EFFECT FROM TO	UNITS PER ASSY
1					
205	113N1504-31	.RIB ASSY-NO. 4 POSITION DATA: LH SIDE OPTIONAL PART: 113N1514-29		002004 006100 121503 950951 953999	1
205	113N1514-29	.RIB ASSY-NO. 4 POSITION DATA: LH SIDE OPTIONAL PART: 113N1504-31		002004 006100 121503 950951 953999	1
205	113N1514-41	.RIB ASSY-SPRT POSITION DATA: LH OPTIONAL PART: 113N1514-43		101106 108120 504903	1
205	113N1514-43	.RIB ASSY-SPRT POSITION DATA: LH OPTIONAL PART: 113N1514-41		101106 108120 504903	1
- 210	113N1504-28	.RIB ASSY-NO. 4 POSITION DATA: RH SIDE OPTIONAL PART: 113N1514-26		107107 904949 952952	1
- 210	113N1514-26	.RIB ASSY-NO. 4 POSITION DATA: RH SIDE OPTIONAL PART: 113N1504-28		107107 904949 952952	1
- 210	113N1504-32	.RIB ASSY-NO. 4 POSITION DATA: RH SIDE OPTIONAL PART: 113N1514-30		002004 006100 121503 950951 953999	1
- 210	113N1514-30	.RIB ASSY-NO. 4 POSITION DATA: RH SIDE OPTIONAL PART: 113N1504-32		002004 006100 121503 950951 953999	1
- 210	113N1514-38	.RIB ASSY-SPRT POSITION DATA: RH OPTIONAL PART: 113N1514-44		101106 108120 504903	1
- 210	113N1514-44	.RIB ASSY-SPRT POSITION DATA: RH OPTIONAL PART: 113N1514-38		101106 108120 504903	1

MISSING ITEM NUMBERS NOT APPLICABLE

- ITEM NOT ILLUSTRATED

57-52-01-01

57-52-01
FIG. 01
PAGE 8
JAN 20/09

BRI

BOEING PROPRIETARY - Copyright © - Unpublished Work - See title page for details.



757

PARTS CATALOG (MAINTENANCE)

FIG ITEM	PART NUMBER	1 2 3 4 5 6 7	NOMENCLATURE	EFFECT FROM TO	UNITS PER ASSY
1			ATTACHING PARTS		
215	BACB30NW12K	.BOLT-	SIZE DETERMINED ON INSTL.	002004 006999	2
220	HL79-12	.COLLAR	SUPPLIER CODE: V5M902 SPECIFICATION NUMBER: BACC30M12 OPTIONAL PART: HL79-12 V73197 HL79-12 V92215 66014-12 V56878 HL79-12 V56878	002004 006999	2
225	BACB30NW10K	.BOLT-	SIZE DETERMINED ON INSTL.	002004 006999	4
230	HL79-10	.COLLAR	SUPPLIER CODE: V5M902 SPECIFICATION NUMBER: BACC30M10 OPTIONAL PART: HL79-10 V73197 HL79-10 V92215 66014-10 V56878 HL79-10 V56878	002004 006999	4
235	BACB30MY8K	.BOLT-	SIZE DETERMINED ON INSTL.	002004 006999	4

MISSING ITEM NUMBERS NOT APPLICABLE

- ITEM NOT ILLUSTRATED

BRI

57-52-01-01

BOEING PROPRIETARY - Copyright © - Unpublished Work - See title page for details.

57-52-01
FIG. 01
PAGE 9
JAN 20/09



**757
PARTS CATALOG (MAINTENANCE)**

FIG ITEM	PART NUMBER	1 2 3 4 5 6 7	NOMENCLATURE	EFFECT FROM TO	UNITS PER ASSY
1 240	HL79-8		. COLLAR SUPPLIER CODE: V5M902 SPECIFICATION NUMBER: BACC30M8 OPTIONAL PART: HL79-8 V73197 HL79-8 V92215 66014-8 V56878 HL79-8 V56878 -----*	002004 006999	4
245	BACB28AM09B017A		.. BUSHING	002004 006999	2
250	BACB28AP06P017		.. BUSHING	002004 006999	2
255	BACB28AT09B017C		.. BUSHING	101106 108120 504903	2
260	113N1514-27		.. RIB- POSITION DATA: LH SIDE USED ON: 113N1514-25 113N1514-29	002004 006100 107107 121503 904999	1
260	113N1504-29		.. RIB- POSITION DATA: LH SIDE USED ON: 113N1504-27 113N1504-31	002004 006100 107107 121503 904999	1
260	113N1514-39		.. RIB- POSITION DATA: LH USED ON: 113N1514-41	101106 108120 504903	1
260	113N1514-45		.. RIB- POSITION DATA: LH USED ON: 113N1514-43	101106 108120 504903	1

MISSING ITEM NUMBERS NOT APPLICABLE

— ITEM NOT ILLUSTRATED

57-52-01-01

57-52-01
FIG. 01
PAGE 10
JAN 20/09

BRI

BOEING PROPRIETARY - Copyright © - Unpublished Work - See title page for details.



757

PARTS CATALOG (MAINTENANCE)

FIG ITEM	PART NUMBER	1 2 3 4 5 6 7	NOMENCLATURE	EFFECT FROM TO	UNITS PER ASSY
1					
- 265	113N1504-30	..	RIB- POSITION DATA: RH SIDE USED ON: 113N1504-28 113N1504-32	002004 006100 107107 121503 904999	1
- 265	113N1514-28	..	RIB- POSITION DATA: RH SIDE USED ON: 113N1514-26 113N1514-30	002004 006100 107107 121503 904999	1
- 265	113N1514-40	..	RIB- POSITION DATA: RH USED ON: 113N1514-38	101106 108120 504903	1
- 265	113N1514-46	..	RIB- POSITION DATA: RH USED ON: 113N1514-44	101106 108120 504903	1
270	BACS40R15D30F	.	SHIM-	002004 006100 107107 121503 904999	1
270	BACS40R015D030F	.	SHIM	101106 108120 504903	1
275	BACS40R15D45F	.	SHIM	002004 006100 107107 121503 904999	1
275	BACS40R015D045F	.	SHIM	101106 108120 504903	1
280	BACB30PU4-15	.	BOLT	002004 006999	2
285	BACW10CT8C	.	WASHER	002004 006999	2
290	AN960XC416	.	WASHER	002004 006999	2

MISSING ITEM NUMBERS NOT APPLICABLE

- ITEM NOT ILLUSTRATED

57-52-01-01

57-52-01
FIG. 01
PAGE 11
JAN 20/09

BRI

BOEING PROPRIETARY - Copyright © - Unpublished Work - See title page for details.



757

PARTS CATALOG (MAINTENANCE)

FIG ITEM	PART NUMBER	1 2 3 4 5 6 7	NOMENCLATURE	EFFECT FROM TO	UNITS PER ASSY
1 295	BRH10C3D	.NUT	SUPPLIER CODE: V52828 SPECIFICATION NUMBER: BACN10JC3CD OPTIONAL PART: T6C1032JCD V11815 NS202486-02 V80539 102LH9075-3W V72962 H51650-3BAC V15653	002004 006999	1
300	BMNN10HR3	.NUT	SUPPLIER CODE: V97928 SPECIFICATION NUMBER: BACN10HR3 OPTIONAL PART: 67832-1032 V56878 H96-3 V15653 RMLH22-3 V72962 SL7058S1032 V11815 BH00302-3 V27238 BH003023 V27238 CR59063 V62554 H963 V15653 RMLH223 V72962 VAL280093 V06710 678323 V56878	002004 006100 107107 121503 904999	1
305	113N1517-1	.TUBE ASSY-SIDE BRACE	OPTIONAL PART: 113N1517-3	002004 006999	1
305	113N1517-3	.TUBE ASSY-SIDE BRACE	OPTIONAL PART: 113N1517-1	002004 006999	1

MISSING ITEM NUMBERS NOT APPLICABLE

- ITEM NOT ILLUSTRATED

57-52-01-01

57-52-01
FIG. 01
PAGE 12
JAN 20/09

BRI



757

PARTS CATALOG (MAINTENANCE)

FIG ITEM	PART NUMBER	1 2 3 4 5 6 7	NOMENCLATURE	EFFECT FROM TO	UNITS PER ASSY
1					
310	BACB28AM04B013A	..	BUSHING	002004 006999	4
315	113N1517-2	..	TUBE-SWAGED	002004 006999	1
320	113N1500-7	.	FILLER-RADIUS	002004 006999	1
325	113N1523-5	.	FITTING ASSY-SIDE BRACE POSITION DATA: LH SIDE OPTIONAL PART: 113N1508-1 113N1508-7	107107	1
325	113N1508-1	.	FITTING ASSY-SIDE BRACE POSITION DATA: LH SIDE OPTIONAL PART: 113N1508-7 113N1523-5	107107 904949 952952	1
325	113N1508-7	.	FITTING ASSY-SIDE BRACE POSITION DATA: LH SIDE OPTIONAL PART: 113N1508-1 113N1523-5	002004 006999	1
- 330	113N1523-6	.	FITTING ASSY-SIDE BRACE POSITION DATA: RH SIDE OPTIONAL PART: 113N1508-8 113N1508-2	107107	1
- 330	113N1508-2	.	FITTING ASSY-SIDE BRACE POSITION DATA: RH SIDE OPTIONAL PART: 113N1523-8 113N1523-6	107107 904949 952952	1
- 330	113N1508-8	.	FITTING ASSY-SIDE BRACE POSITION DATA: RH SIDE OPTIONAL PART: 113N1508-2 113N1523-6	002004 006999	1

MISSING ITEM NUMBERS NOT APPLICABLE

- ITEM NOT ILLUSTRATED

57-52-01-01

57-52-01
FIG. 01
PAGE 13
JAN 20/09

BRI



757

PARTS CATALOG (MAINTENANCE)

FIG ITEM	PART NUMBER	1 2 3 4 5 6 7	NOMENCLATURE	EFFECT FROM TO	UNITS PER ASSY
1 335	ADW04V301NC		.. BEARING SUPPLIER CODE: V15860 SPECIFICATION NUMBER: BACB10FA04GC OPTIONAL PART: SWKRS04-350SC V81376 KSC152200BZ04GC V50632 KWDB04-35 V97613 WES04FAGC V73134 WHTFA04VC VS0352	002004 006999	1
340	113N1523-7		.. FITTING- POSITION DATA: LH SIDE USED ON: 113N1523-5	107107	1
340	113N1508-3		.. FITTING- POSITION DATA: LH SIDE USED ON: 113N1508-1	002004 006999	1
340	113N1508-9		.. FITTING- POSITION DATA: LH SIDE USED ON: 113N1508-7	002004 006999	1
- 345	113N1523-8		.. FITTING- POSITION DATA: RH SIDE USED ON: 113N1523-6	107107	1
- 345	113N1508-4		.. FITTING- POSITION DATA: RH SIDE USED ON: 113N1508-2	002004 006999	1
- 345	113N1523-12		.. FITTING- POSITION DATA: RH SIDE USED ON: 113N1523-10	107107	1

MISSING ITEM NUMBERS NOT APPLICABLE

- ITEM NOT ILLUSTRATED

57-52-01-01

57-52-01
FIG. 01
PAGE 14
JAN 20/09

BRI

BOEING PROPRIETARY - Copyright © - Unpublished Work - See title page for details.



757

PARTS CATALOG (MAINTENANCE)

FIG ITEM	PART NUMBER	1 2 3 4 5 6 7	NOMENCLATURE	EFFECT FROM TO	UNITS PER ASSY
1					
- 345	113N1508-10		.. FITTING- POSITION DATA: RH SIDE USED ON: 113N1508-8	002004 006999	1
350	BACS40R18C23F		. SHIM	002004 006100 107107 121503 904999	1
350	BACS40R018C023F		. SHIM	101106 108120 504903	1
355	BACB30LT6K17		. BOLT	002004 006999	1
355	BACB30LE6K20		. BOLT	002004 006999	1
360	AN960XC616		. WASHER	002004 006999	2
365	BACW10CT12C		. WASHER	002004 006999	1

MISSING ITEM NUMBERS NOT APPLICABLE

- ITEM NOT ILLUSTRATED

BRI

57-52-01-01

BOEING PROPRIETARY - Copyright © - Unpublished Work - See title page for details.

57-52-01
FIG. 01
PAGE 15
JAN 20/09

BOEING
757
PARTS CATALOG (MAINTENANCE)

FIG ITEM	PART NUMBER	1 2 3 4 5 6 7	NOMENCLATURE	EFFECT FROM TO	UNITS PER ASSY	
R R R R R R R R R R R R R	1 370	BMN10HRCWD3-6	.NUT SUPPLIER CODE: V97928 SPECIFICATION NUMBER: BACN10HR6CD OPTIONAL PART: H51560-6 V15653 67832CD624 V56878 102LH9031-6 V72962 BH00303CM6 V27238 SL7108C624 V11815 BMN5024CWD36 V97928 SL7108C6 V11815 102LH90316 V72962 67832CD6 V56878 VCU0005D6 V06710 CR60306 VF0224 CR60306 VF0224	002004 006999	1	
	375	BACN10JC6M	.NUT	002004 006999	1	
	380	BACB28AK06-086	.BUSHING	002004 006999	1	
	385	BACB28AK06-078	.BUSHING	002004 006999	1	
	390	113N1500-9	.FILLER-RADIUS	002004 006999	1	
	395	113N1521-12	.LINK ASSY-AIL. POSITION DATA: LH SIDE	002004 006999	1	
	395	113N1521-17	.LINK ASSY-AIL. POSITION DATA: LH SIDE	002004 006999	1	
	- 400	113N1521-13	.LINK ASSY-AIL. POSITION DATA: RH SIDE	002004 006999	1	
	MISSING ITEM NUMBERS NOT APPLICABLE					

- ITEM NOT ILLUSTRATED

BRI

57-52-01-01

BOEING PROPRIETARY - Copyright © - Unpublished Work - See title page for details.

57-52-01
FIG. 01
PAGE 16
MAY 20/09



757

PARTS CATALOG (MAINTENANCE)

FIG ITEM	PART NUMBER	1 2 3 4 5 6 7	NOMENCLATURE	EFFECT FROM TO	UNITS PER ASSY
1					
- 400	113N1521-18		.LINK ASSY- POSITION DATA: RH SIDE	002004 006999	1
405	114N2130-8		..BUSHING	002004 006999	2
410	BACB28AM11B032A		..BUSHING- POSITION DATA: LH SIDE USED ON: 113N1521-12	002004 006999	2
410	BACB28AT11D032C		..BUSHING- POSITION DATA: LH SIDE USED ON: 113N1521-17	002004 006999	2
- 413	BACB28AM11B032A		..BUSHING- POSITION DATA: RH SIDE	002004 006999	2
415	113T1518-2		..RING-RTNR OPTIONAL PART: 113T1518-6	002004 006999	1
415	113T1518-6		..RING-RTNR OPTIONAL PART: 113T1518-2	002004 006999	1
420	ADW04V301NC		..BEARING SUPPLIER CODE: V15860 SPECIFICATION NUMBER: BACB10FA04GC OPTIONAL PART: SWKRS04-350SC V81376 KSC152200BZ04GC V50632 KWDB04-35 V97613 WES04FAGC V73134 WHTFA04VC VS0352	002004 006999	1

MISSING ITEM NUMBERS NOT APPLICABLE

- ITEM NOT ILLUSTRATED

57-52-01-01

57-52-01
FIG. 01
PAGE 17
JAN 20/09

BRI



757

PARTS CATALOG (MAINTENANCE)

FIG ITEM	PART NUMBER	1 2 3 4 5 6 7	NOMENCLATURE	EFFECT FROM TO	UNITS PER ASSY
1 425	DAS5-25A1-501		.. BEARING SUPPLIER CODE: V77896 SPECIFICATION NUMBER: BACB10CH53C OPTIONAL PART: ASRD5CH30C VS0352 DAS5-25A48 V77896 DAS5-25A52 V77896 ASRD5C30C VS0352	002004 006999	1
430	113N1521-15		.. LINK- POSITION DATA: LH SIDE USED ON: 113N1521-12	002004 006999	1
430	113N1521-19		.. LINK- POSITION DATA: LH SIDE USED ON: 113N1521-17	002004 006999	1
- 435	113N1521-16		.. LINK- POSITION DATA: RH SIDE	002004 006999	1
440	113N1503-17		.RIB ASSY-NO. 3 POSITION DATA: LH SIDE OPTIONAL PART: 113N1513-21	002004 006100 103107 121503 904999	1
440	113N1513-21		.RIB ASSY-NO. 4 POSITION DATA: LH SIDE OPTIONAL PART: 113N1503-17	101106 108120 504949	1
- 445	113N1503-18		.RIB ASSY-NO. 4 POSITION DATA: RH SIDE OPTIONAL PART: 113N1513-22	002004 006100 103107 121503 904999	1
- 445	113N1513-22		.RIB ASSY- POSITION DATA: RH SIDE OPTIONAL PART: 113N1503-18	101106 108120 504949	1

MISSING ITEM NUMBERS NOT APPLICABLE

- ITEM NOT ILLUSTRATED

57-52-01-01

57-52-01
FIG. 01
PAGE 18
JAN 20/09

BRI



757

PARTS CATALOG (MAINTENANCE)

FIG ITEM	PART NUMBER	1 2 3 4 5 6 7	NOMENCLATURE	EFFECT FROM TO	UNITS PER ASSY
1			ATTACHING PARTS		
450	BACB30NW12K	.BOLT-	SIZE DETERMINED ON INSTL.	002004 006999	2
455	HL79-12	.COLLAR	SUPPLIER CODE: V5M902 SPECIFICATION NUMBER: BACC30M12 OPTIONAL PART: HL79-12 V73197 HL79-12 V92215 66014-12 V56878 HL79-12 V56878	002004 006999	2
460	BACB30NW10K	.BOLT-	SIZE DETERMINED ON INSTL.	002004 006999	4
465	HL79-10	.COLLAR	SUPPLIER CODE: V5M902 SPECIFICATION NUMBER: BACC30M10 OPTIONAL PART: HL79-10 V73197 HL79-10 V92215 66014-10 V56878 HL79-10 V56878	002004 006999	4
470	BACB30MY8K	.BOLT-	SIZE DETERMINED ON INSTL.	002004 006999	4

MISSING ITEM NUMBERS NOT APPLICABLE

- ITEM NOT ILLUSTRATED

BRI

57-52-01-01

BOEING PROPRIETARY - Copyright © - Unpublished Work - See title page for details.

57-52-01
FIG. 01
PAGE 19
JAN 20/09



757

PARTS CATALOG (MAINTENANCE)

FIG ITEM	PART NUMBER	1 2 3 4 5 6 7	NOMENCLATURE	EFFECT FROM TO	UNITS PER ASSY
1 475	HL79-8	.COLLAR	SUPPLIER CODE: V5M902 SPECIFICATION NUMBER: BACC30M8 OPTIONAL PART: HL79-8 V73197 HL79-8 V92215 66014-8 V56878 HL79-8 V56878	002004 006999	4
480	BACB28AM09B018A	..BUSHING	-----*-----	002004 006999	2
485	BACB28AP06P018	..BUSHING		002004 006999	2
490	113N1503-19	..FITTING-	POSITION DATA: LH SIDE USED ON: 113N1503-17	002004 006100 103107 121503 904999	1
490	113N1513-23	..RIB-	POSITION DATA: LH SIDE USED ON: 113N1513-21	101106 108120 504949	1
- 495	113N1503-20	..FITTING-	POSITION DATA: RH SIDE USED ON: 113N1503-18	002004 006100 103107 121503 904999	1
- 495	113N1513-24	..RIB-	POSITION DATA: LH SIDE USED ON: 113N1513-22	101106 108120 504949	1
500	BACS40R16D30F	.SHIM-		002004 006100 107107 121503 904999	1
500	BACS40R016D030F	.SHIM		101106 108120 504903	1

MISSING ITEM NUMBERS NOT APPLICABLE

- ITEM NOT ILLUSTRATED

57-52-01-01

57-52-01
FIG. 01
PAGE 20
JAN 20/09

BRI

BOEING PROPRIETARY - Copyright © - Unpublished Work - See title page for details.



757

PARTS CATALOG (MAINTENANCE)

FIG ITEM	PART NUMBER	1 2 3 4 5 6 7	NOMENCLATURE	EFFECT FROM TO	UNITS PER ASSY
1					
505	BACS40R14B45F	.	SHIM	002004 006100 107107 121503 904999	1
505	BACS40R014B045F	.	SHIM	101106 108120 504903	1
510	BACB30LE5K16	.	BOLT	002004 006999	1
515	BACB30LE5K17	.	BOLT	002004 006999	1
520	AN960XC516	.	WASHER	002004 006999	2
525	BACW10CT10C	.	WASHER	002004 006999	1
530	BH00303CM5	.	NUT	002004 006999	2
			SUPPLIER CODE: V27238		
			SPECIFICATION NUMBER: BACN10HR5CD		
			OPTIONAL PART: H51560-5		
			V15653		
			67832CD524		
			V56878		
			102LH9031-5		
			V72962		
			SL7108C524		
			V11815		
			BMN5024CWD35		
			V97928		
			SL7108C5		
			V11815		
			VCU0005D5		
			V06710		
			102LH90315		
			V72962		
			BMN10HRCWD3-5		
			V97928		
			67832CD5		
			V56878		
			CR6030-5		
			VF0224		
			67832CD5		
			V56878		
535	BACB28AK05-033	.	BUSHING	002004 006999	2

MISSING ITEM NUMBERS NOT APPLICABLE

- ITEM NOT ILLUSTRATED

57-52-01-01

57-52-01
FIG. 01
PAGE 21
JAN 20/09

BRI

BOEING PROPRIETARY - Copyright © - Unpublished Work - See title page for details.

BOEING
757
PARTS CATALOG (MAINTENANCE)

FIG ITEM	PART NUMBER	1 2 3 4 5 6 7	NOMENCLATURE	EFFECT FROM TO	UNITS PER ASSY
1					
540	113N1500-8	.	FILLER-RADIUS	002004 006999	1
545	113N1521-3	.	LINK ASSY-AIL.	002004 006999	1
550	ASR4-30	..	ROLLER SUPPLIER CODE: VS0352 SPECIFICATION NUMBER: BACB10CK4 OPTIONAL PART: SA4-16A4 V77896 SA4-16A55 V77896	002004 006999	1
555	NES05B10GC	..	BEARING SUPPLIER CODE: V73134 SPECIFICATION NUMBER: BACB10FC05C OPTIONAL PART: KR5ACNGBZC V50632 NRRS05B10GC V73134 HT05VSBC VS0352 ADB5VNC V15860 KNDB5-66 V97613	002004 006999	2
560	113T1518-4	..	RING-RTNR	002004 006999	1
565	113N1521-8	..	LINK	002004 006999	1
570	113N1512-17	.	RIB ASSY- OPTIONAL PART: 113N1512-13 113N1502-11	101106 108120 504903	1
570	113N1502-11	.	RIB ASSY-NO. 2 POSITION DATA: LH SIDE OPTIONAL PART: 113N1512-13 113N1512-17	002004 006999	1

R
R
R
R
R
R
R
R
R

MISSING ITEM NUMBERS NOT APPLICABLE

- ITEM NOT ILLUSTRATED

BRI

57-52-01-01

BOEING PROPRIETARY - Copyright © - Unpublished Work - See title page for details.

57-52-01
FIG. 01
PAGE 22
MAY 20/09



757

PARTS CATALOG (MAINTENANCE)

FIG ITEM	PART NUMBER	1 2 3 4 5 6 7	NOMENCLATURE	EFFECT FROM TO	UNITS PER ASSY
1 570	113N1512-13		.RIB ASSY- POSITION DATA: LH SIDE OPTIONAL PART: 113N1502-11 113N1512-17	002004 006999	1
- 575	113N1512-18		.RIB ASSY- OPTIONAL PART: 113N1512-14 113N1502-12	101106 108120 504903	1
- 575	113N1502-12		.RIB ASSY-NO. 2 POSITION DATA: RH SIDE OPTIONAL PART: 113N1512-14 113N1512-18	002004 006999	1
- 575	113N1512-14		.RIB ASSY- POSITION DATA: RH SIDE OPTIONAL PART: 113N1502-12 113N1512-18	002004 006999	1
580	BACB30NW10K		ATTACHING PARTS .BOLT- SIZE DETERMINED ON INSTL.	002004 006999	8
585	HL79-10		.COLLAR SUPPLIER CODE: V5M902 SPECIFICATION NUMBER: BACC30M10 OPTIONAL PART: HL79-10 V73197 HL79-10 V92215 66014-10 V56878 HL79-10 V56878	002004 006999	8
590	BACB30MY6K		.BOLT- SIZE DETERMINED ON INSTL.	002004 006999	4

MISSING ITEM NUMBERS NOT APPLICABLE

- ITEM NOT ILLUSTRATED

57-52-01-01

57-52-01
FIG. 01
PAGE 23
MAY 20/09

BRI



757

PARTS CATALOG (MAINTENANCE)

FIG ITEM	PART NUMBER	1 2 3 4 5 6 7	NOMENCLATURE	EFFECT FROM TO	UNITS PER ASSY
1 595	HL79-6		.COLLAR SUPPLIER CODE: V5M902 SPECIFICATION NUMBER: BACC30M6 OPTIONAL PART: HL79-6 V73197 HL79-6 V92215 66014-6 V56878 HL79-6 V56878 -----*-----	002004 006999	4
600	BACB28AM07B014A		..BUSHING	002004 006999	2
605	BACB28AP05P014		..BUSHING	002004 006999	2
610	113N1502-13		..FITTING- POSITION DATA: LH SIDE USED ON: 113N1502-11	002004 006999	1
610	113N1512-15		..RIB- POSITION DATA: LH SIDE USED ON: 113N1512-13	002004 006999	1
- 615	113N1502-14		..RIB- POSITION DATA: RH SIDE USED ON: 113N1502-12	002004 006999	1
- 615	113N1512-16		..RIB- POSITION DATA: RH SIDE USED ON: 113N1512-14	002004 006999	1
620	BACS40R13D48F		.SHIM-	002004 006100 107107 121503 904999	1
620	BACS40R013D048F		.SHIM	101106 108120 504903	1

MISSING ITEM NUMBERS NOT APPLICABLE

- ITEM NOT ILLUSTRATED

57-52-01-01

57-52-01
FIG. 01
PAGE 24
MAY 20/09

BRI

BOEING PROPRIETARY - Copyright © - Unpublished Work - See title page for details.

BOEING
757
PARTS CATALOG (MAINTENANCE)

FIG ITEM	PART NUMBER	1 2 3 4 5 6 7	NOMENCLATURE	EFFECT FROM TO	UNITS PER ASSY
1					
625	BACS40R15D55F	.SHIM		002004 006100 107107 121503 904999	1
625	BACS40R015D055F	.SHIM		101106 108120 504903	1
630	BACB30NR4K14	.BOLT		002004 006999	2
635	BACW10CT8C	.WASHER		002004 006999	2
640	AN960XC416	.WASHER		002004 006999	2
645	BRH10C4D	.NUT		002004 006999	2
		SUPPLIER CODE:			
		V52828			
		SPECIFICATION NUMBER:			
		BACN10JC4CD			
		OPTIONAL PART:			
		T6C428JCD			
		V11815			
		NS202486-048			
		V80539			
		102LH9075-4W			
		V72962			
		H51650-4BAC			
		V15653			
650	BACB28AK04-028	.BUSHING		002004 006999	2
655	113N1521-2	.LINK ASSY-AIL.		002004 006999	1
660	ASR4-30	..ROLLER		002004 006999	1
		SUPPLIER CODE:			
		VS0352			
		SPECIFICATION NUMBER:			
		BACB10CK4			
		OPTIONAL PART:			
		SA4-16A4			
		V77896			
		SA4-16A55			
		V77896			

R
R
R
R
R
R
R
R
R

MISSING ITEM NUMBERS NOT APPLICABLE

- ITEM NOT ILLUSTRATED

BRI

57-52-01-01

BOEING PROPRIETARY - Copyright © - Unpublished Work - See title page for details.

57-52-01
FIG. 01
PAGE 25
MAY 20/09



757

PARTS CATALOG (MAINTENANCE)

FIG ITEM	PART NUMBER	1 2 3 4 5 6 7	NOMENCLATURE	EFFECT FROM TO	UNITS PER ASSY
1 665	NES04B10GC		.. BEARING-SPHER SUPPLIER CODE: V73134 SPECIFICATION NUMBER: BACB10FC04C OPTIONAL PART: NRRS04B10GC V73134 HT04VSBC VS0352 ADB4VNC V15860 KNDB4-66 V97613 KR4CNGBZC V50632	002004 006999	2
670	113T1518-4		.. RING-RTNR	002004 006999	1
675	113N1521-7		.. LINK	002004 006999	1
680	113N1501-11		.RIB ASSY-NO. 1 POSITION DATA: LH SIDE	107107	1
680	113N1501-15		.RIB ASSY-NO. 1 POSITION DATA: LH SIDE OPTIONAL PART: 113N1511-15	002004 006106 108999	1
680	113N1511-15		.RIB ASSY- POSITION DATA: LH SIDE OPTIONAL PART: 113N1501-15	101106 108120 504949	1
- 685	113N1501-12		.RIB ASSY-NO. 1 POSITION DATA: RH SIDE	107107	1
- 685	113N1501-16		.RIB ASSY-NO. 1 POSITION DATA: RH SIDE OPTIONAL PART: 113N1511-16	002004 006106 108999	1
- 685	113N1511-16		.RIB ASSY- POSITION DATA: RH SIDE OPTIONAL PART: 113N1501-16	101106 108120 504949	1
690	BACB30NW8K		ATTACHING PARTS .BOLT- SIZE DETERMINED ON INSTL.	002004 006999	2

MISSING ITEM NUMBERS NOT APPLICABLE

- ITEM NOT ILLUSTRATED

57-52-01-01

57-52-01
FIG. 01
PAGE 26
MAY 20/09

BRI

BOEING PROPRIETARY - Copyright © - Unpublished Work - See title page for details.



757

PARTS CATALOG (MAINTENANCE)

FIG ITEM	PART NUMBER	1 2 3 4 5 6 7	NOMENCLATURE	EFFECT FROM TO	UNITS PER ASSY
1 695	L8008K3	.	BOLT SUPPLIER CODE: V06725 SPECIFICATION NUMBER: BACB30MY8K3	002004 006999	3
700	HL79-8	.	COLLAR SUPPLIER CODE: V5M902 SPECIFICATION NUMBER: BACC30M8 OPTIONAL PART: HL79-8 V73197 HL79-8 V92215 66014-8 V56878 HL79-8 V56878	002004 006999	5
705	BACB30NW10K	.	BOLT- SIZE DETERMINED ON INSTL.	002004 006999	2
710	HL79-10	.	COLLAR SUPPLIER CODE: V5M902 SPECIFICATION NUMBER: BACC30M10 OPTIONAL PART: HL79-10 V73197 HL79-10 V92215 66014-10 V56878 HL79-10 V56878	002004 006999	2
715	BACB28AM06B012A	..	BUSHING	002004 006999	2
715	BACB28AM06B012A	..	BUSHING- USED ON: 113N1511-13 113N1511-15	101106 108120 504949	2
720	BACB28AP04P012	..	BUSHING	002004 006999	2
720	BACB28AM06B012	..	BUSHING- USED ON: 113N1511-14 113N1511-16	101106 108120 504949	2

MISSING ITEM NUMBERS NOT APPLICABLE

- ITEM NOT ILLUSTRATED

57-52-01-01

57-52-01
FIG. 01
PAGE 27
MAY 20/09

BRI

BOEING PROPRIETARY - Copyright © - Unpublished Work - See title page for details.



757

PARTS CATALOG (MAINTENANCE)

FIG ITEM	PART NUMBER	1 2 3 4 5 6 7	NOMENCLATURE	EFFECT FROM TO	UNITS PER ASSY
1					
725	113N1501-13	..	FITTING- POSITION DATA: LH SIDE USED ON: 113N1501-11	107107	1
725	113N1501-17	..	RIB- POSITION DATA: LH SIDE USED ON: 113N1501-15	002004 006106 108999	1
725	113N1511-19	..	RIB- POSITION DATA: LH SIDE USED ON: 113N1511-15	101106 108120 504949	1
- 730	113N1501-14	..	FITTING- POSITION DATA: RH SIDE USED ON: 113N1501-12	107107	1
- 730	113N1501-18	..	RIB- POSITION DATA: RH SIDE USED ON: 113N1501-16	002004 006106 108999	1
- 730	113N1511-20	..	RIB- POSITION DATA: RH SIDE USED ON: 113N1511-16	101106 108120 504949	1
735	BACS40R14D22F	.	SHIM-	002004 006100 107107 121503 904999	1
735	BACS40R014D022F	.	SHIM	101106 108120 504903	1
740	BACS40R16B26F	.	SHIM	002004 006100 107107 121503 904999	1
740	BACS40R016B026F	.	SHIM	101106 108120 504903	1

MISSING ITEM NUMBERS NOT APPLICABLE

- ITEM NOT ILLUSTRATED

57-52-01-01

57-52-01
FIG. 01
PAGE 28
MAY 20/09

BRI

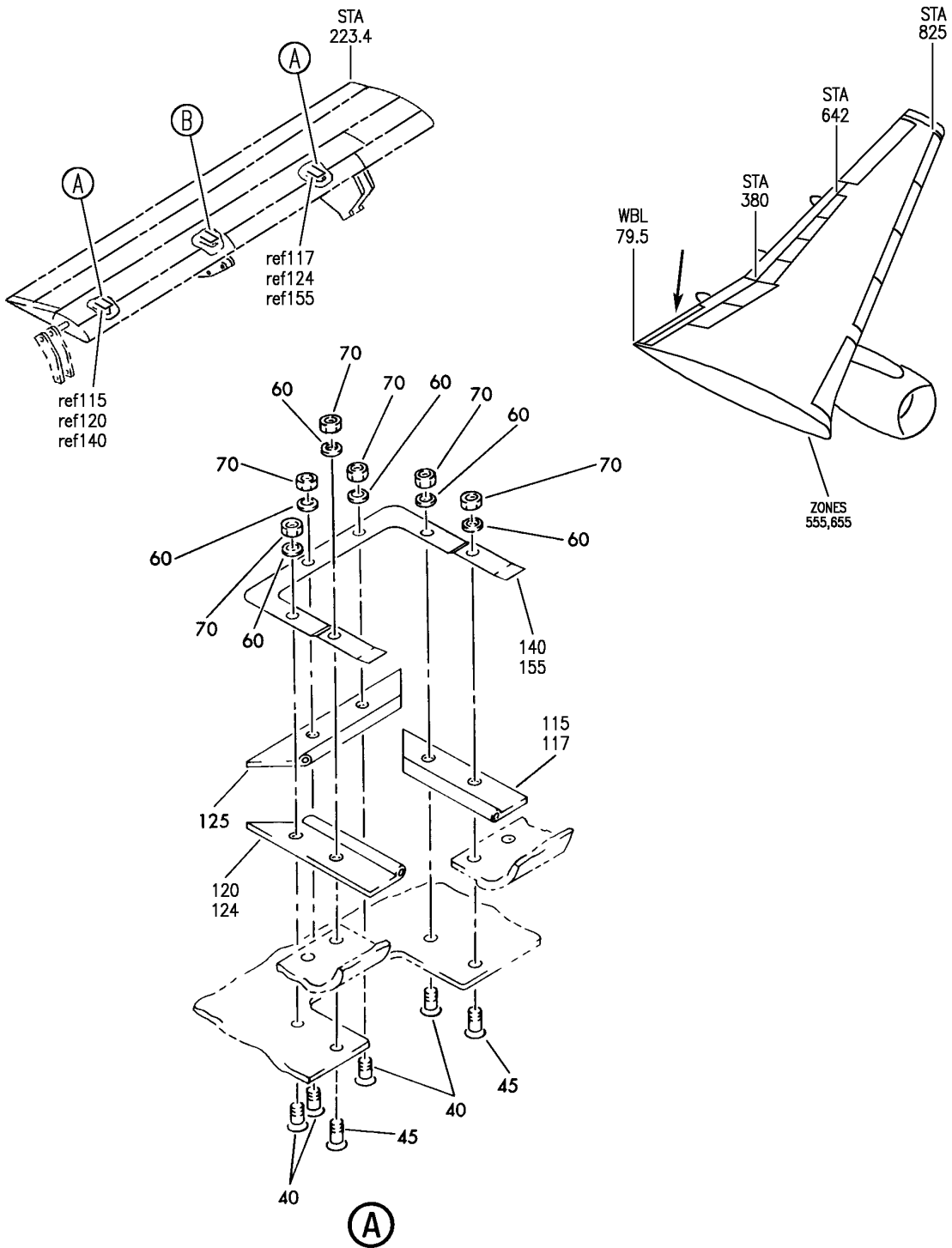
BOEING PROPRIETARY - Copyright © - Unpublished Work - See title page for details.

TRAILING EDGE FLAPS

BRI
MAY 28/07

57-53-00
SECTION TITLE
PAGE 1

BOEING
757
PARTS CATALOG (MAINTENANCE)



Y 57530101 SH1 1 REV 287

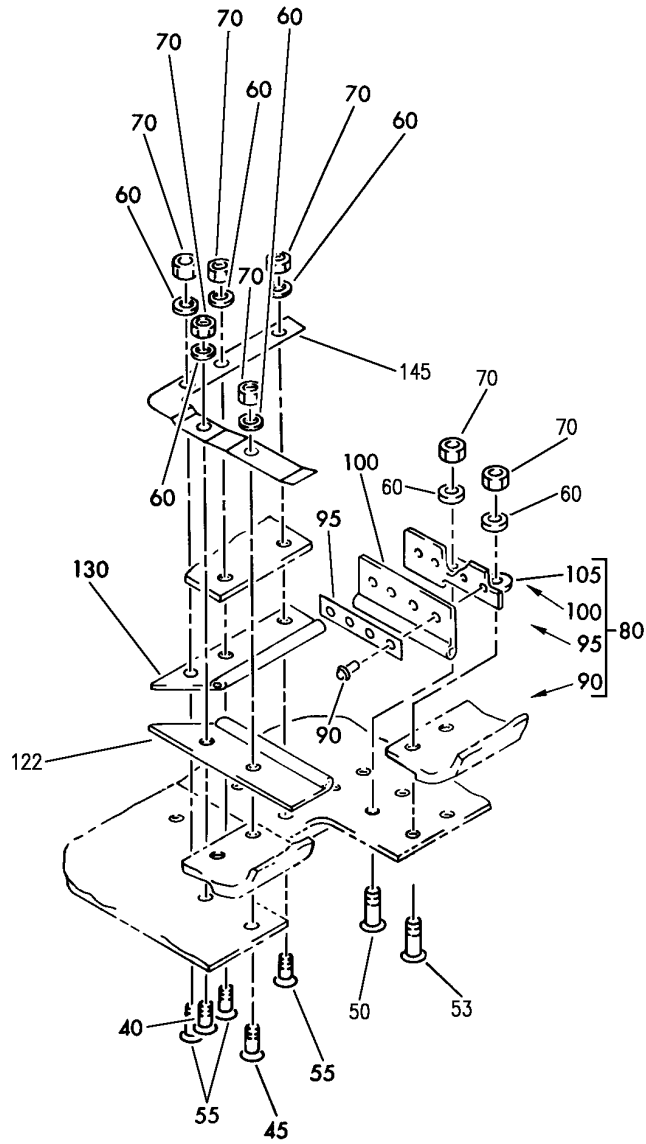
FLAP ASSY-INBD TE AFT (WINGS ONLY)
FIGURE 1 (SHEET 1)

57-53-01-01

BRI
MAY 28/07

57-53-01-01
PAGE 0

BOEING
757
PARTS CATALOG (MAINTENANCE)



(B)

Y 57530101 SH1 2 REV 287

FLAP ASSY-INBD TE AFT (WINGS ONLY)
FIGURE 1 (SHEET 2)

57-53-01-01

BRI
MAY 28/07

57-53-01-01
PAGE 0A



757

PARTS CATALOG (MAINTENANCE)

FIG ITEM	PART NUMBER	1 2 3 4 5 6 7 NOMENCLATURE	EFFECT FROM TO	UNITS PER ASSY
1	113N2800-61	FLAP ASSY-INBD TE AFT (WINGS ONLY) FLAP ASSY-TE (WINGS ONLY) POSITION DATA: INBD AFT LH COMPONENT MAINT MANUAL REF: 57-53-45 QUALIFIED I/W DATA: -61 TOGETHER WITH 654N0010-178 KIT MAY REPLACE -103SP OR -95SP AFTER INCORPORATION OF S/B 757-57-0032 (SEE DWG 113N2053) -61 TOGETHER WITH 654N0010-17 KIT MAY REPLACE -103SP OR -95SP AFTER INCORPORATION OF S/B 757-57-0032 (SEE DWG 113N2053) A -1 OR A -43 OR A -55 TOGETHER WITH A 113N2803-31 REPLACE OR BE REPLACED BY THE -61 -61 TOGETHER WITH 654N0010-178 KIT MAY REPLACE -87SP (SEE DWG 113N2053). -63 OR -65 INTERCHANGEABLE WITH -61 SUBJECT TO COLOR PREFERENCE REWORKED BY SB: 57-0032 FOR NHA/OTHER SYS DET SEE: 27-51-02-10B	002004 006999 107107	RF

MISSING ITEM NUMBERS NOT APPLICABLE

- ITEM NOT ILLUSTRATED

57-53-01-01

57-53-01
FIG. 01
PAGE 1
JAN 20/09

BRI



757

PARTS CATALOG (MAINTENANCE)

FIG ITEM	PART NUMBER	1 2 3 4 5 6 7	NOMENCLATURE	EFFECT FROM TO	UNITS PER ASSY
1 - 1	113N2800-73		FLAP ASSY-TE (WINGS ONLY) POSITION DATA: INBD AFT LH COMPONENT MAINT MANUAL REF: 57-53-45 QUALIFIED I/W DATA: -73 TOGETHER WITH KIT 654N0010-178 MAY REPLACE -103SP OR -95SP UPON INCORPORATION OF SERVICE BULLETIN 757-57-0032 (SEE DWG 113N2053). -73 TOGETHER WITH 654N0010-178 KIT MAY REPLACE -87SP (SEE DWG 113N2053). A -1 OR -43 OR -55 TOGETHER WITH A 113N2803-31 CAN REPLACE OR BE REPLACED BY A -73 -85 INTERCHANGEABLE WITH -73 SUBJECT TO COLOR PREFERENCE REWORKED BY SB: 57-0032 FOR NHA/OTHER SYS DET SEE: 27-51-02-10B	107107	RF

MISSING ITEM NUMBERS NOT APPLICABLE

- ITEM NOT ILLUSTRATED

BRI

57-53-01-01

BOEING PROPRIETARY - Copyright © - Unpublished Work - See title page for details.

57-53-01
FIG. 01
PAGE 2
JAN 20/09



757

PARTS CATALOG (MAINTENANCE)

FIG ITEM	PART NUMBER	1 2 3 4 5 6 7	NOMENCLATURE	EFFECT FROM TO	UNITS PER ASSY
1 - 1	113N2800-75		FLAP ASSY-TE (WINGS ONLY) POSITION DATA: INBD AFT LH COMPONENT MAINT MANUAL REF: 57-53-45 QUALIFIED I/W DATA: -75 TOGETHER WITH KIT 654N0010-178 MAY REPLACE -95SP OR -103SP UPON INCORPORATION OF SERVICE BULLETIN 757-57-0032 (SEE DWG 113N2053) -75 TOGETHER WITH 654N0010-178 KIT MAY REPLACE -87SP (SEE DWG 113N2053) A -1 OR A -43 OR A -55 TOGETHER WITH A 113N2803-31 CAN REPLACE OR BE REPLACED BY THE -75 -77 OR -79 INTERCHANGEABLE WITH -75 SUBJECT TO COLOR PREFERENCE REWORKED BY SB: 57-0032 FOR NHA/OTHER SYS DET SEE: 27-51-02-10B	107107	RF

MISSING ITEM NUMBERS NOT APPLICABLE

- ITEM NOT ILLUSTRATED

BRI

57-53-01-01

BOEING PROPRIETARY - Copyright © - Unpublished Work - See title page for details.

57-53-01
FIG. 01
PAGE 3
JAN 20/09



757

PARTS CATALOG (MAINTENANCE)

FIG ITEM	PART NUMBER	1 2 3 4 5 6 7	NOMENCLATURE	EFFECT FROM TO	UNITS PER ASSY
1 - 2	113N2800-93SP		FLAP ASSY-TE (WINGS ONLY) POSITION DATA: INBD AFT LH COMPONENT MAINT MANUAL REF: 57-53-45 QUALIFIED I/W DATA: -55 OR -43 OR -1 TOGETHER WITH 113N2803-31 MAY REPLACE -93SP -93SP T/W 654N0010-178 ATTACHING HARDWARE KIT MAY REPLACE -87SP (SEE DWG 113N2053) -103SP OR -95SP MAY REPLACE -93SP OR -75 OR -73 UPON INCORPORATION OF SERVICE BULLETIN 757-57-0032 (SEE DWG 113N2053). -93SP I/W -77 SUBJECT TO COLOR PREFERENCE -93SP I/W -79 SUBJECT TO COLOR PREFERENCE REWORKED BY SB: 57-0032 FOR NHA/OTHER SYS DET SEE: 27-51-02-10B	107107	RF

MISSING ITEM NUMBERS NOT APPLICABLE

- ITEM NOT ILLUSTRATED

BRI

57-53-01-01

BOEING PROPRIETARY - Copyright © - Unpublished Work - See title page for details.

57-53-01
FIG. 01
PAGE 4
JAN 20/09

BOEING
757
PARTS CATALOG (MAINTENANCE)

FIG ITEM	PART NUMBER	1 2 3 4 5 6 7	NOMENCLATURE	EFFECT FROM TO	UNITS PER ASSY
1 - 2	113N2800-87SP		FLAP ASSY-TE (WINGS ONLY) ADDED BY UAL POSITION DATA: INBD AFT LH COMPONENT MAINT MANUAL REF: 57-53-45 QUALIFIED I/W DATA: -103SP OR -95SP MAY REPLACE -87SP UPON INCORPORATION OF S/B 757-57-0032 (SEE DWG 113N2053). 113N2800-95SP CAN REPLACE OR BE REPLACED BY 113N2800-87SP IF S/B 757-57-0032 HAS BEEN INCORPORATED. -93SP OR -75 OR -73 OR -61 T/W 654N0010-178 KIT MAY REPLACE -87SP (SEE QDG 113N2053). -93SP OR -75 OR -73 OR -61 T/W 654N0010-178 KIT MAY REPLACE -87SP (SEE DWG 113N2053). -93SP OR-75 OR -73 OR -61 T/W 654N0010-178 KIT MAY REPLACE -87SP (SEE DWG 113N2053) -93SP OR -75 OR -73 OR -61 T/W 654N0010-178 KIT MAY REPLACE -87SP (SEE DWG 113N2053) -55 OR -43 OR -1 T/W 654N0010-178 KIT PLUS 113N2803-31 MAY REPLACE -87SP (SE DWG 113N2053) -55 OR -43 OR -1 T/W 654N0010-178 KIT PLUS 113N2803-31 MAY REPLACE -87SP (SEE DWG 113N2053) PRE SERVICE BULLETIN: 57-0032R1 FOR NHA/OTHER SYS DET SEE: 27-51-02-10B	904949	RF

MISSING ITEM NUMBERS NOT APPLICABLE

- ITEM NOT ILLUSTRATED

BRI

57-53-01-01

BOEING PROPRIETARY - Copyright © - Unpublished Work - See title page for details.

57-53-01
FIG. 01
PAGE 5
MAY 20/09

BOEING
757
PARTS CATALOG (MAINTENANCE)

FIG ITEM	PART NUMBER	1 2 3 4 5 6 7	NOMENCLATURE	EFFECT FROM TO	UNITS PER ASSY
1					
- 2	113N2820-1SP		FLAP ASSY-TE POSITION DATA: INBD AFT LH QUALIFIED I/W DATA: 113N2820-1SP TOGETHER WITH 113N2894-1 AND 113N2894- 17 AND 113N2894-18 MAY REPLACE 113N2800-95SP OR 113N2800-103SP TOGETHER WITH 113N2894-1 AND 113N2894 -11 AND 113N2894-9 OPTIONAL PART: 113N2820-23SP FOR NHA/OTHER SYS DET SEE: 27-51-02-10C	002004 006106 108903 950999	RF
- 2	113N2820-23SP		FLAP ASSY-TE POSITION DATA: INBD AFT LH QUALIFIED I/W DATA: 113N2820-23SP TOGETHER WITH 113N2894-1 AND 113N2894- 17 AND 113N2894-18 MAY REPLACE 113N2800-95SP OR 113N2800-103SP TOGETHER WITH 113N2894-1 AND 113N2894 -11 AND 113N2894-9 OPTIONAL PART: 113N2820-1SP FOR NHA/OTHER SYS DET SEE: 27-51-02-10C	002004 006106 108903 950999	RF
R R R R R R R R R R R	- 2	113N2800-103SP	FLAP ASSY-TE (WINGS ONLY) POSITION DATA: INBD AFT LH COMPONENT MAINT MANUAL REF: 57-53-45 QUALIFIED I/W DATA: 113N2820-1SP TOGETHER WITH 113N2894-1 AND 13N2894-17 AND 113N2894-18 MAY REPLACE 113N2800-103SP TOGETHER WITH 113N2894-1 AND 113N2894-11 AND 113N2894-9	002004 006106 108999	RF

MISSING ITEM NUMBERS NOT APPLICABLE

- ITEM NOT ILLUSTRATED

BRI

57-53-01-01

BOEING PROPRIETARY - Copyright © - Unpublished Work - See title page for details.

57-53-01
FIG. 01
PAGE 6
MAY 20/09

BOEING
757
PARTS CATALOG (MAINTENANCE)

FIG ITEM	PART NUMBER	1 2 3 4 5 6 7	NOMENCLATURE	EFFECT FROM TO	UNITS PER ASSY
1			FOR NHA/OTHER SYS DET SEE: 27-51-02-10C		
- 4	113N2800-88SP		FLAP ASSY-TE (WINGS ONLY) ADDED BY UAL POSITION DATA: INBD AFT RH COMPONENT MAINT MANUAL REF: 57-53-45 QUALIFIED I/W DATA: -104SP OR -96SP MAY REPLACE -88SP UPON INCORPORATION OF S/B 757-57-0032 (SEE DWG 113N2053). -94SP OR -76 OR -74 OR -62 T/W 654N0010-178 KIT MAY REPLACE -88SP (SEE DWG 113N2053). -56 OR -44 OR -2 T/W 654N0010-178 PLUS 113N2803-31 MAY REPLACE -88SP (SEE DWG 113N2053) 113N2820-2SP MAY REPLACE 113N2800-88SP UPON INCORPORATION OF S/B 757-54-0032 (SEE DWG 113N2053) -94SP OR -76 OR -74 OR -62 T/W 654N0010-178 KIT MAY REPLACE -88SP (SEE DWG 113N2053) -94SP OR -76 OR -62 T/W 654N0010-178 KIT MAY REPLACE -88SP (SEE DWG 113N2053) 113N2800-96SP CAN REPLACE OR BE REPLACED BY 113N2800-88SP IF S/B 757-57-0032 HAS BEEN INCORPORATED. PRE SERVICE BULLETIN: 57-0032R1 FOR NHA/OTHER SYS DET SEE: 27-51-02-10	904949	RF
- 4	113N2800-96SP		FLAP ASSY-TE (WINGS ONLY) ADDED BY UAL POSITION DATA:	002004 006106 108999	RF

MISSING ITEM NUMBERS NOT APPLICABLE

- ITEM NOT ILLUSTRATED

BRI

57-53-01-01

BOEING PROPRIETARY - Copyright © - Unpublished Work - See title page for details.

57-53-01
FIG. 01
PAGE 9
MAY 20/09

BOEING
757
PARTS CATALOG (MAINTENANCE)

FIG ITEM	PART NUMBER	1 2 3 4 5 6 7	NOMENCLATURE	EFFECT FROM TO	UNITS PER ASSY
1			INBD AFT RH COMPONENT MAINT MANUAL REF: 57-53-45 QUALIFIED I/W DATA: -104SP OR -96SP MAY REPLACE -88SP UPON INCORP OF S/B 757-57-0032 (MAIN FLAP MUST BE REWORKED). -104SP OR -96SP T/W KIT 654N0010-178 MAY REPLACE -94SP OR -76 OR -74 OR -62 UPON INCORPORATION OF S/B 757-57-0032 (MAIN FLAP MUST BE REWORKED). 113N2820-2SP TOGETHER WITH 113N2894-1 AND 113N2894- 17 AND 113N2894-18 MAY REPLACE 113N2800-96SP OR 113N2800-104SP TOGETHER WITH 113N2894-1 AND 113N2894 -11 AND 113N2894-9 113N2820-24SP TOGETHER WITH 113N2894-1 AND 113N2894- 17 AND 113N2894-18 MAY REPLACE 113N2800-96SP OR 113N2800-104SP TOGETHER WITH 113N2894-1 AND 113N2894 -11 AND 113N2894-9 -104SP OR -96SP T/W KIT 654N0010-178 MAY REPLACE -94SP OR -76 OR -74 OR -62 UPON INCORPORATION OF S/B 757-57-0032 (MAIN FLAP MUST BE REWORKED) -104SP OR -96SP MAY REPLACE -56 OR -44 OR -2 UPON INCORPORATION OF S/B 757-57-0032 (MAIN FLAP MUST BE REWORKED) 113N2820-24SP TOGETHER WITH (1) 113N2894-1 AND (1) 113N2894-17 AND (1) 113N2894-18 MAY REPLACE 113N2800 -96SP TOGETHER		
MISSING ITEM NUMBERS NOT APPLICABLE					

— ITEM NOT ILLUSTRATED

57-53-01-01

57-53-01
FIG. 01
PAGE 10
MAY 20/09

BRI



757

PARTS CATALOG (MAINTENANCE)

FIG ITEM	PART NUMBER	1 2 3 4 5 6 7	NOMENCLATURE	EFFECT FROM TO	UNITS PER ASSY
1			<p>WITH (1) 113N2894-1 AND (1) 113N2894- 11 AND (1) 113N2894-9 113N2800-96SP CAN REPLACE OR BE REPLACED BY 113N2800-88SP IF S/B 757-57-0032 HAS BEEN INCORPORATED. POST SERVICE BULLETIN: 57-0032R1 QUALIFIED SB I/W DATA: (AFTER INCORPORATION OF 757-SL-57-010 MAY USE 113N2800-2, -32, -44, -56, -58, -62, -64, -66, -74, -76, -78, -80, -86, -88SP, -94SP) POST SERVICE LETTER: 57-010 FOR NHA/OTHER SYS DET SEE: 27-51-02-10A</p>		
-	4 113N2820-2SP		<p>FLAP ASSY-TE POSITION DATA: INBD AFT LH QUALIFIED I/W DATA: 113N2820-2SP TOGETHER WITH 113N2894-1 AND 113N2894- 17 AND 113N2894-18 MAY REPLACE 113N2800-96SP OR 113N2800-104SP TOGETHER WITH 113N2894-1 AND 113N2894 -11 AND 113N2894-9 OPTIONAL PART: 113N2820-24SP FOR NHA/OTHER SYS DET SEE: 27-51-02-10A</p>	002004 006106 108903 950999	RF

MISSING ITEM NUMBERS NOT APPLICABLE

- ITEM NOT ILLUSTRATED

57-53-01-01

57-53-01
FIG. 01
PAGE 11
MAY 20/09

BRI



757

PARTS CATALOG (MAINTENANCE)

FIG ITEM	PART NUMBER	1 2 3 4 5 6 7	NOMENCLATURE	EFFECT FROM TO	UNITS PER ASSY
1 - 4	113N2820-24SP		FLAP ASSY-TE POSITION DATA: INBD AFT RH QUALIFIED I/W DATA: 113N2820-24SP TOGETHER WITH 113N2894-1 AND 113N2894- 17 AND 113N2894-18 MAY REPLACE 113N2800-96SP OR 113N2800-104SP TOGETHER WITH 113N2894-1 AND 113N2894 -11 AND 113N2894-9 113N2820-24SP TOGETHER WITH 113N2894-2 AND 113N2894-17 AND 113N2894-18 MAY REPLACE 113N2800-104SP TOGETHER WITH 113N2894-2 AND 113N2894-12 AND 113N2894-10 OPTIONAL PART: 113N2820-2SP FOR NHA/OTHER SYS DET SEE: 27-51-02-10A	002004 006106 108903 950999	RF

MISSING ITEM NUMBERS NOT APPLICABLE

- ITEM NOT ILLUSTRATED

57-53-01-01

57-53-01
 FIG. 01
 PAGE 12
 JAN 20/09

BRI



757

PARTS CATALOG (MAINTENANCE)

FIG ITEM	PART NUMBER	1 2 3 4 5 6 7	NOMENCLATURE	EFFECT FROM TO	UNITS PER ASSY
1 - 4	113N2800-94SP		FLAP ASSY-TE (WINGS ONLY) POSITION DATA: INBD AFT RH COMPONENT MAINT MANUAL REF: 57-53-45 QUALIFIED I/W DATA: 94SP I/W -78 SUBJECT TO COLOR PREFERENCE -94SP I/W -80 SUBJECT TO COLOR PREFERENCE -94SP T/W 654N0010-178 ATTACHING HARDWARE KIT MAY REPLACE -88SP (SEE DWG 113N2053) -104SP OR -96SP MAY REPLACE -94SP OR -76 OR -74 UPON INCORPORATION OF SERVICE BULLETIN 757-57-0032 (SEE DWG 113N2053) -56 OR -44 OR -2 TOGETHER WITH 113N2803-31 MAY REPLACE -94SP (SEE DWG 113N2053) REWORKED BY SB: 57-0032 FOR NHA/OTHER SYS DET SEE: 27-51-02-10	107107	RF

MISSING ITEM NUMBERS NOT APPLICABLE

- ITEM NOT ILLUSTRATED

BRI

57-53-01-01

BOEING PROPRIETARY - Copyright © - Unpublished Work - See title page for details.

57-53-01
FIG. 01
PAGE 13
JAN 20/09



757

PARTS CATALOG (MAINTENANCE)

FIG ITEM	PART NUMBER	1 2 3 4 5 6 7	NOMENCLATURE	EFFECT FROM TO	UNITS PER ASSY
1 - 5	113N2800-62		FLAP ASSY-TE (WINGS ONLY) POSITION DATA: INBD AFT RH COMPONENT MAINT MANUAL REF: 57-53-45 QUALIFIED I/W DATA: -2 OR A -44 OR A -56 TOGETHER WITH A 113N2803-32 CAN REPLACE OR BE REPLACED BY THE -62 -62 TOGETHER WITH 654N0010-178 KIT MAY REPLACE -104SP OR -96SP AFTER INCORPORATION OF S/B 757-57-0032 (SEE DWG 113N2053) -62 TOGETHER WITH 654N0010-178 KIT MAY REPLACE -88SP (SEE DWG 113N2053) -64 OR -66 INTERCHANGEABLE WITH -62 SUBJECT TO COLOR PREFERENCE REWORKED BY SB: 57-0032 FOR NHA/OTHER SYS DET SEE: 27-51-02-10	107107	RF
- 5	113N2800-104SP		FLAP ASSY-TE (WINGS ONLY) POSITION DATA: INBD AFT RH COMPONENT MAINT MANUAL REF: 57-53-45 QUALIFIED I/W DATA: 113N2820-2SP TOGETHER WITH 113N2894-1 AND 113N2894- 17 AND 113N2894-18 MAY REPLACE 113N2800-104SP TOGETHER WITH 113N2894-1 AND 113N2894-11 AND 113N2894-9 -104SP OR -96SP MAY REPLACE -94SP OR -76 OR -74 OR -62 UPON INCORPORATION OF SERVICE BULLETIN 757-57-0032 (MAIN FLAP MUST BE	002004 006106 108999	RF

MISSING ITEM NUMBERS NOT APPLICABLE

- ITEM NOT ILLUSTRATED

57-53-01-01

57-53-01
FIG. 01
PAGE 14
JAN 20/09

BRI



757

PARTS CATALOG (MAINTENANCE)

FIG ITEM	PART NUMBER	1 2 3 4 5 6 7 NOMENCLATURE	EFFECT FROM TO	UNITS PER ASSY
1		<p>REWORKED) -104SP OR -96SP MAY REPLACE -88SP UPON INCORPORATION OF S/B 757-57-0032 (MAIN FLAP MUST BE REWORKED). 113N2820-24SP TOGETHER WITH 113N2894-2 AND 113N2894-17 AND 113N2894-18 MAY REPLACE 113N2800-104SP TOGETHER WITH 113N2894-2 AND 113N2894-12 AND 113N2894-10 -104SP OR -96SP MAY REPLACE -94SP OR -76 OR -74 OR -62 UPON INCORPORATION OF SERVICE BULLETIN 757-57-0032 (MAIN FLAP MUST BE REWORKED) -104SP OR -96SP MAY REPLACE -56 OR -44 OR -2 UPON INCORPORATION OF S/B 757-57-0032 (MAIN FLAP MUST BE REWORKED) -104SP OR -96SP MAY REPLACE -56 OR -44 OR -2 UPON INCORPORATION OF S/B 757-57-0032 (MAIN FLAP MUST BE REWORKED) FOR NHA/OTHER SYS DET SEE: 27-51-02-10A</p>		

MISSING ITEM NUMBERS NOT APPLICABLE

- ITEM NOT ILLUSTRATED

57-53-01-01

57-53-01
 FIG. 01
 PAGE 15
 JAN 20/09

BRI



757

PARTS CATALOG (MAINTENANCE)

FIG ITEM	PART NUMBER	1 2 3 4 5 6 7	NOMENCLATURE	EFFECT FROM TO	UNITS PER ASSY
1 - 5	113N2800-74		FLAP ASSY-TE (WINGS ONLY) POSITION DATA: INBD AFT RH COMPONENT MAINT MANUAL REF: 57-53-45 QUALIFIED I/W DATA: -74 TOGETHER WITH 654N0010-178 KIT MAY REPLACE -88SP (SEE DWG 113N2053). A -2 OR A -44 OR A -56 TOGETHER WITH A 113N2803-32 CAN REPLACE OR BE REPLACED BY THE -74 -74 TOGETHER WITH KIT 654N0010-178 MAY REPLACE -96SP OR -104SP UPON INCORPORATION OF SERVICE BULLETIN 757-57-0032 (SEE DWG 113N2053). -86 INTERCHANGEABLE WITH -74 SUBJECT TO COLOR PREFERENCE REWORKED BY SB: 57-0032 FOR NHA/OTHER SYS DET SEE: 27-51-02-10	107107	RF

MISSING ITEM NUMBERS NOT APPLICABLE

- ITEM NOT ILLUSTRATED

BRI

57-53-01-01

BOEING PROPRIETARY - Copyright © - Unpublished Work - See title page for details.

57-53-01
 FIG. 01
 PAGE 16
 JAN 20/09



757

PARTS CATALOG (MAINTENANCE)

FIG ITEM	PART NUMBER	1 2 3 4 5 6 7	NOMENCLATURE	EFFECT FROM TO	UNITS PER ASSY
1 - 5	113N2800-76		FLAP ASSY-TE (WINGS ONLY) POSITION DATA: INBD AFT RH COMPONENT MAINT MANUAL REF: 57-53-45 QUALIFIED I/W DATA: -76 TOGETHER WITH KIT 654N0010-178 MAY REPLACE -96SP OR -104SP UPON INCORPORATION OF SERVICE BULLETIN 757-57-0032 (SEE DWG 113N2053). A -44 OR A -56 TOGETHER WITH A 113N2803-32 CAN REPLACE OR BE REPLACED BY THE -76 -76 TOGETHER WITH 654N0010-178 KIT MAY REPLACE -88SP (SEE DRAWING 113N2053). -78 OR -80 INTERCHANGEABLE WITH -76 SUBJECT TO COLOR PREFERENCE REWORKED BY SB: 57-0032 FOR NHA/OTHER SYS DET SEE: 27-51-02-10	107107	RF
40	BACB30VF3K3		.BOLT- USED ON: 113N2800-87SP 113N2800-88SP 113N2800-95SP 113N2800-96SP 113N2800-103SP 113N2800-104SP 113N2820-1SP 113N2820-2SP 113N2820-23SP 113N2820-24SP	002004 006106 108999	9

MISSING ITEM NUMBERS NOT APPLICABLE

- ITEM NOT ILLUSTRATED

BRI

57-53-01-01

BOEING PROPRIETARY - Copyright © - Unpublished Work - See title page for details.

57-53-01
FIG. 01
PAGE 17
JAN 20/09



757

PARTS CATALOG (MAINTENANCE)

FIG ITEM	PART NUMBER	1 2 3 4 5 6 7	NOMENCLATURE	EFFECT FROM TO	UNITS PER ASSY
1 40	BACB30UR3K3		.BOLT- USED ON: 113N1282-1 113N1282-2 113N2800-31 113N2800-32 113N2800-43 113N2800-44 113N2800-55 113N2800-56 113N2800-57 113N2800-58 113N2800-61 113N2800-62 113N2800-63 113N2800-64 113N2800-65 113N2800-66 113N2800-73 113N2800-74 113N2800-75 113N2800-76 113N2800-77 113N2800-78 113N2800-79 113N2800-80 113N2800-85 113N2800-86 113N2800-93SP 113N2800-94SP	107107	9
45	BACB30VF3K5		.BOLT- USED ON: 113N2800-87SP 113N2800-88SP 113N2800-95SP 113N2800-96SP 113N2800-103SP 113N2800-104SP 113N2820-1SP 113N2820-2SP	002004 006106 108999	5

MISSING ITEM NUMBERS NOT APPLICABLE

- ITEM NOT ILLUSTRATED

57-53-01-01

57-53-01
FIG. 01
PAGE 18
JAN 20/09

BRI

 **BOEING**
757
PARTS CATALOG (MAINTENANCE)

FIG ITEM	PART NUMBER	1 2 3 4 5 6 7	NOMENCLATURE	EFFECT FROM TO	UNITS PER ASSY
1 45	BACB30UR3K5		.BOLT- USED ON: 113N1282-1 113N1282-2 113N2800-31 113N2800-32 113N2800-43 113N2800-44 113N2800-55 113N2800-56 113N2800-57 113N2800-58 113N2800-61 113N2800-62 113N2800-63 113N2800-64 113N2800-65 113N2800-66 113N2800-73 113N2800-74 113N2800-75 113N2800-76 113N2800-77 113N2800-78 113N2800-79 113N2800-80 113N2800-85 113N2800-86 113N2800-93SP 113N2800-94SP	107107	5
45	BACB30VF3K4		.BOLT- USED ON: 113N2820-23SP 113N2820-24SP	002004 006106 108903 950999	5
50	BACB30VF3K5		.BOLT- USED ON: 113N2800-87SP 113N2800-88SP 113N2800-95SP 113N2800-96SP 113N2800-103SP 113N2800-104SP 113N2820-1SP 113N2820-2SP 113N2820-23SP 113N2820-24SP	002004 006106 108999	1

MISSING ITEM NUMBERS NOT APPLICABLE

— ITEM NOT ILLUSTRATED

BRI

57-53-01-01

BOEING PROPRIETARY - Copyright © - Unpublished Work - See title page for details.

57-53-01
FIG. 01
PAGE 19
JAN 20/09



757

PARTS CATALOG (MAINTENANCE)

FIG ITEM	PART NUMBER	1 2 3 4 5 6 7	NOMENCLATURE	EFFECT FROM TO	UNITS PER ASSY
1 50	BACB30NN3K8		.BOLT- USED ON: 113N1282-1 113N1282-2 113N2800-31 113N2800-32 113N2800-43 113N2800-44 113N2800-55 113N2800-56 113N2800-57 113N2800-58 113N2800-61 113N2800-62 113N2800-63 113N2800-64 113N2800-65 113N2800-66 113N2800-73 113N2800-74 113N2800-75 113N2800-76 113N2800-77 113N2800-78 113N2800-79 113N2800-80 113N2800-85 113N2800-86 113N2800-93SP 113N2800-94SP	107107	1

MISSING ITEM NUMBERS NOT APPLICABLE

- ITEM NOT ILLUSTRATED

BRI

57-53-01-01

BOEING PROPRIETARY - Copyright © - Unpublished Work - See title page for details.

57-53-01
FIG. 01
PAGE 20
JAN 20/09



757

PARTS CATALOG (MAINTENANCE)

FIG ITEM	PART NUMBER	1 2 3 4 5 6 7	NOMENCLATURE	EFFECT FROM TO	UNITS PER ASSY
1	53 BACB30NN3K11		.BOLT- USED ON: 113N1282-1 113N1282-2 113N2800-31 113N2800-32 113N2800-43 113N2800-44 113N2800-55 113N2800-56 113N2800-57 113N2800-58 113N2800-61 113N2800-62 113N2800-63 113N2800-64 113N2800-65 113N2800-66 113N2800-73 113N2800-74 113N2800-75 113N2800-76 113N2800-77 113N2800-78 113N2800-79 113N2800-80 113N2800-85 113N2800-86 113N2800-93SP 113N2800-94SP	107107	1
	53 BACB30VF3K8		.BOLT- USED ON: 113N2800-87SP 113N2800-88SP 113N2800-95SP 113N2800-96SP 113N2800-103SP 113N2800-104SP 113N2820-1SP 113N2820-2SP	002004 006106 108999	1
	53 BACB30VF3K7		.BOLT- USED ON: 113N2820-23SP 113N2820-24SP	002004 006106 108903 950999	1

MISSING ITEM NUMBERS NOT APPLICABLE

- ITEM NOT ILLUSTRATED

57-53-01-01

57-53-01
FIG. 01
PAGE 21
JAN 20/09

BRI



757

PARTS CATALOG (MAINTENANCE)

FIG ITEM	PART NUMBER	1 2 3 4 5 6 7	NOMENCLATURE	EFFECT FROM TO	UNITS PER ASSY
1	55 BACB30VF3K6		.BOLT- USED ON: 113N2800-87SP 113N2800-88SP 113N2800-95SP 113N2800-96SP 113N2800-103SP 113N2800-104SP 113N2820-1SP 113N2820-2SP	002004 006106 108999	3
	55 BACB30UR3K6		.BOLT- USED ON: 113N1282-1 113N1282-2 113N2800-31 113N2800-32 113N2800-43 113N2800-44 113N2800-55 113N2800-56 113N2800-57 113N2800-58 113N2800-61 113N2800-62 113N2800-63 113N2800-64 113N2800-65 113N2800-66 113N2800-73 113N2800-74 113N2800-75 113N2800-76 113N2800-77 113N2800-78 113N2800-79 113N2800-80 113N2800-85 113N2800-86 113N2800-93SP 113N2800-94SP	107107	3
	55 BACB30VF3K4		.BOLT- USED ON: 113N2820-23SP 113N2820-24SP	002004 006106 108903 950999	3
	60 BACW10BP3NDP		.WASHER	002004 006999	19

MISSING ITEM NUMBERS NOT APPLICABLE

- ITEM NOT ILLUSTRATED

57-53-01-01

57-53-01
FIG. 01
PAGE 22
JAN 20/09

BRI

BOEING PROPRIETARY - Copyright © - Unpublished Work - See title page for details.



757

PARTS CATALOG (MAINTENANCE)

FIG ITEM	PART NUMBER	1 2 3 4 5 6 7	NOMENCLATURE	EFFECT FROM TO	UNITS PER ASSY
1	70 BRH10C3D	.	NUT SUPPLIER CODE: V52828 SPECIFICATION NUMBER: BACN10JC3CD OPTIONAL PART: T6C1032JCD V11815 NS202486-02 V80539 102LH9075-3W V72962 H51650-3BAC V15653	002004 006999	19
	80 113N2800-9	.	RETAINER ASSY- POSITION DATA: LH SIDE USED ON: 113N1282-1 113N2800-31 113N2800-43 113N2800-55 113N2800-57 113N2800-61 113N2800-63 113N2800-65 113N2800-73 113N2800-75 113N2800-77 113N2800-79 113N2800-85 113N2800-87SP 113N2800-93SP 113N2800-95SP 113N2800-103SP	002004 006999	1
	80 113N2820-17	.	RETAINER ASSY- POSITION DATA: LH SIDE USED ON: 113N2820-1SP 113N2820-23SP	002004 006106 108903 950999	1

MISSING ITEM NUMBERS NOT APPLICABLE

- ITEM NOT ILLUSTRATED

BRI

57-53-01-01

BOEING PROPRIETARY - Copyright © - Unpublished Work - See title page for details.

57-53-01
FIG. 01
PAGE 23
JAN 20/09



757

PARTS CATALOG (MAINTENANCE)

FIG ITEM	PART NUMBER	1 2 3 4 5 6 7	NOMENCLATURE	EFFECT FROM TO	UNITS PER ASSY
1					
- 85	113N2800-10		.RETAINER ASSY- POSITION DATA: RH SIDE USED ON: 113N1282-2 113N2800-32 113N2800-44 113N2800-56 113N2800-58 113N2800-62 113N2800-64 113N2800-66 113N2800-74 113N2800-76 113N2800-78 113N2800-80 113N2800-86 113N2800-88SP 113N2800-94SP 113N2800-96SP 113N2800-104SP	002004 006999	1
- 85	113N2820-18		.RETAINER ASSY- POSITION DATA: RH SIDE USED ON: 113N2820-2SP 113N2820-24SP	002004 006106 108903 950999	1
90	BACR15CE5D		..RIVET- SIZE DETERMINED ON INSTL.	002004 006999	4
95	113N2800-15		..RETAINER- USED ON: 113N2800-9 113N2800-10	002004 006999	1
95	113N2820-20		..RETAINER- USED ON: 113N2820-17 113N2820-18	002004 006106 108903 950999	1
100	113N2800-8		..SEAL- MANUFACTURED FROM: EXTRUSION RUBBER 10-60754-22 3.0 IN USED ON: 113N2800-9 113N2800-10	101120 504903	1
100	113N2820-10		..SEAL- USED ON: 113N2820-17 113N2820-18	002004 006106 108903 950999	1

MISSING ITEM NUMBERS NOT APPLICABLE

- ITEM NOT ILLUSTRATED

57-53-01-01

57-53-01
FIG. 01
PAGE 24
JAN 20/09

BRI



757

PARTS CATALOG (MAINTENANCE)

FIG ITEM	PART NUMBER	1 2 3 4 5 6 7	NOMENCLATURE	EFFECT FROM TO	UNITS PER ASSY
1 105	113N2817-1	..	CLIP- POSITION DATA: LH SIDE USED ON: 113N2800-9	002004 006999	1
105	113N2817-3	..	CLIP- POSITION DATA: LH SIDE USED ON: 113N2820-17	002004 006106 108903 950999	1
- 110	113N2817-2	..	CLIP- POSITION DATA: RH SIDE USED ON: 113N2800-10	002004 006999	1
- 110	113N2817-4	..	CLIP- POSITION DATA: RH SIDE USED ON: 113N2820-18	002004 006106 108903 950999	1

MISSING ITEM NUMBERS NOT APPLICABLE

- ITEM NOT ILLUSTRATED

BRI

57-53-01-01

BOEING PROPRIETARY - Copyright © - Unpublished Work - See title page for details.

57-53-01
FIG. 01
PAGE 25
JAN 20/09



757

PARTS CATALOG (MAINTENANCE)

FIG ITEM	PART NUMBER	1 2 3 4 5 6 7	NOMENCLATURE	EFFECT FROM TO	UNITS PER ASSY
1 115	113N2800-5		.SEAL- MANUFACTURED FROM: EXTRUSION RUBBER 10-60754-22 4.3 IN USED ON: 113N1282-1 113N1282-2 113N2800-31 113N2800-32 113N2800-43 113N2800-44 113N2800-55 113N2800-56 113N2800-57 113N2800-58 113N2800-61 113N2800-62 113N2800-63 113N2800-64 113N2800-65 113N2800-66 113N2800-73 113N2800-74 113N2800-75 113N2800-76 113N2800-77 113N2800-78 113N2800-79 113N2800-80 113N2800-85 113N2800-86 113N2800-87SP 113N2800-88SP 113N2800-93SP 113N2800-94SP 113N2800-95SP 113N2800-96SP 113N2800-103SP 113N2800-104SP	002004 006999	1
115	113N2820-4		.SEAL- USED ON: 113N2820-1SP 113N2820-2SP 113N2820-23SP 113N2820-24SP	002004 006106 108903 950999	1

MISSING ITEM NUMBERS NOT APPLICABLE

- ITEM NOT ILLUSTRATED

BRI

57-53-01-01

BOEING PROPRIETARY - Copyright © - Unpublished Work - See title page for details.

57-53-01
FIG. 01
PAGE 26
JAN 20/09



757

PARTS CATALOG (MAINTENANCE)

FIG ITEM	PART NUMBER	1 2 3 4 5 6 7	NOMENCLATURE	EFFECT FROM TO	UNITS PER ASSY
1 117	113N2800-5		.SEAL- MANUFACTURED FROM: EXTRUSION RUBBER 10-60754-22 4.3 IN USED ON: 113N1282-1 113N1282-2 113N2800-31 113N2800-32 113N2800-43 113N2800-44 113N2800-55 113N2800-56 113N2800-57 113N2800-58 113N2800-61 113N2800-62 113N2800-63 113N2800-64 113N2800-65 113N2800-66 113N2800-73 113N2800-74 113N2800-75 113N2800-76 113N2800-77 113N2800-78 113N2800-79 113N2800-80 113N2800-85 113N2800-86 113N2800-87SP 113N2800-88SP 113N2800-93SP 113N2800-94SP 113N2800-95SP 113N2800-96SP 113N2800-103SP 113N2800-104SP	002004 006999	1
117	113N2820-12		.SEAL- USED ON: 113N2820-1SP 113N2820-2SP 113N2820-23SP 113N2820-24SP	002004 006106 108903 950999	1

MISSING ITEM NUMBERS NOT APPLICABLE

- ITEM NOT ILLUSTRATED

57-53-01-01

57-53-01
FIG. 01
PAGE 27
JAN 20/09

BRI



757

PARTS CATALOG (MAINTENANCE)

FIG ITEM	PART NUMBER	1 2 3 4 5 6 7	NOMENCLATURE	EFFECT FROM TO	UNITS PER ASSY
1 120	113N2800-6		.SEAL- MANUFACTURED FROM: EXTRUSION RUBBER 10-60754-22 4.3 IN USED ON: 113N1282-1 113N1282-2 113N2800-31 113N2800-32 113N2800-43 113N2800-44 113N2800-55 113N2800-56 113N2800-57 113N2800-58 113N2800-61 113N2800-62 113N2800-63 113N2800-64 113N2800-65 113N2800-66 113N2800-73 113N2800-74 113N2800-75 113N2800-76 113N2800-77 113N2800-78 113N2800-79 113N2800-80 113N2800-85 113N2800-86 113N2800-87SP 113N2800-88SP 113N2800-93SP 113N2800-94SP 113N2800-95SP 113N2800-96SP 113N2800-103SP 113N2800-104SP	002004 006999	1
120	113N2820-3		.SEAL- USED ON: 113N2820-1SP 113N2820-2SP 113N2820-23SP 113N2820-24SP	002004 006106 108903 950999	1

MISSING ITEM NUMBERS NOT APPLICABLE

- ITEM NOT ILLUSTRATED

57-53-01-01

BRI

BOEING PROPRIETARY - Copyright © - Unpublished Work - See title page for details.

57-53-01
FIG. 01
PAGE 28
JAN 20/09



**757
PARTS CATALOG (MAINTENANCE)**

FIG ITEM	PART NUMBER	1 2 3 4 5 6 7	NOMENCLATURE	EFFECT FROM TO	UNITS PER ASSY
1 122	113N2800-6		.SEAL- POSITION DATA: LH SIDE MANUFACTURED FROM: EXTRUSION RUBBER 10-60754-22 4.3 IN USED ON: 113N1282-1 113N2800-31 113N2800-43 113N2800-55 113N2800-57 113N2800-61 113N2800-63 113N2800-65 113N2800-73 113N2800-75 113N2800-77 113N2800-79 113N2800-85 113N2800-87SP 113N2800-93SP 113N2800-95SP 113N2800-103SP	002004 006999	1
122	113N2820-1		.SEAL- POSITION DATA: LH SIDE USED ON: 113N2820-1SP 113N2820-23SP	002004 006106 108903 950999	1

MISSING ITEM NUMBERS NOT APPLICABLE

— ITEM NOT ILLUSTRATED

BRI

57-53-01-01

BOEING PROPRIETARY - Copyright © - Unpublished Work - See title page for details.

57-53-01
FIG. 01
PAGE 29
JAN 20/09



757

PARTS CATALOG (MAINTENANCE)

FIG ITEM	PART NUMBER	1 2 3 4 5 6 7	NOMENCLATURE	EFFECT FROM TO	UNITS PER ASSY
1 - 123	113N2800-6		.SEAL- POSITION DATA: RH SIDE MANUFACTURED FROM: EXTRUSION RUBBER 10-60754-22 4.3 IN USED ON: 113N1282-2 113N2800-32 113N2800-44 113N2800-56 113N2800-58 113N2800-62 113N2800-64 113N2800-66 113N2800-74 113N2800-76 113N2800-78 113N2800-80 113N2800-86 113N2800-88SP 113N2800-94SP 113N2800-96SP 113N2800-104SP	002004 006999	1
- 123	113N2820-6		.SEAL- POSITION DATA: RH SIDE USED ON: 113N2820-2SP 113N2820-24SP	002004 006106 108903 950999	1

MISSING ITEM NUMBERS NOT APPLICABLE

- ITEM NOT ILLUSTRATED

BRI

57-53-01-01

BOEING PROPRIETARY - Copyright © - Unpublished Work - See title page for details.

57-53-01
FIG. 01
PAGE 30
JAN 20/09



757

PARTS CATALOG (MAINTENANCE)

FIG ITEM	PART NUMBER	1 2 3 4 5 6 7	NOMENCLATURE	EFFECT FROM TO	UNITS PER ASSY
1 124	113N2800-6		.SEAL- MANUFACTURED FROM: EXTRUSION RUBBER 10-60754-22 4.3 IN USED ON: 113N1282-1 113N1282-2 113N2800-31 113N2800-32 113N2800-43 113N2800-44 113N2800-55 113N2800-56 113N2800-57 113N2800-58 113N2800-61 113N2800-62 113N2800-63 113N2800-64 113N2800-65 113N2800-66 113N2800-73 113N2800-74 113N2800-75 113N2800-76 113N2800-77 113N2800-78 113N2800-79 113N2800-80 113N2800-85 113N2800-86 113N2800-87SP 113N2800-88SP 113N2800-93SP 113N2800-94SP 113N2800-95SP 113N2800-96SP 113N2800-103SP 113N2800-104SP	002004 006999	1
124	113N2820-11		.SEAL- USED ON: 113N2820-1SP 113N2820-2SP 113N2820-23SP 113N2820-24SP	002004 006106 108903 950999	1

MISSING ITEM NUMBERS NOT APPLICABLE

- ITEM NOT ILLUSTRATED

BRI

57-53-01-01

BOEING PROPRIETARY - Copyright © - Unpublished Work - See title page for details.

57-53-01
FIG. 01
PAGE 31
JAN 20/09



757

PARTS CATALOG (MAINTENANCE)

FIG ITEM	PART NUMBER	1 2 3 4 5 6 7	NOMENCLATURE	EFFECT FROM TO	UNITS PER ASSY
1 125	113N2800-7		.SEAL- MANUFACTURED FROM: EXTRUSION RUBBER 10-60754-22 4.4 IN USED ON: 113N1282-1 113N1282-2 113N2800-31 113N2800-32 113N2800-43 113N2800-44 113N2800-55 113N2800-56 113N2800-57 113N2800-58 113N2800-61 113N2800-62 113N2800-63 113N2800-64 113N2800-65 113N2800-66 113N2800-73 113N2800-74 113N2800-75 113N2800-76 113N2800-77 113N2800-78 113N2800-79 113N2800-80 113N2800-85 113N2800-86 113N2800-87SP 113N2800-88SP 113N2800-93SP 113N2800-94SP 113N2800-95SP 113N2800-96SP 113N2800-103SP 113N2800-104SP	002004 006999	2
125	113N2820-9		.SEAL- USED ON: 113N2820-1SP 113N2820-2SP 113N2820-23SP 113N2820-24SP	002004 006106 108903 950999	2

MISSING ITEM NUMBERS NOT APPLICABLE

- ITEM NOT ILLUSTRATED

57-53-01-01

BRI

BOEING PROPRIETARY - Copyright © - Unpublished Work - See title page for details.

57-53-01
FIG. 01
PAGE 32
JAN 20/09



757

PARTS CATALOG (MAINTENANCE)

FIG ITEM	PART NUMBER	1 2 3 4 5 6 7	NOMENCLATURE	EFFECT FROM TO	UNITS PER ASSY
1 130	113N2800-13		.SEAL- POSITION DATA: LH SIDE MANUFACTURED FROM: EXTRUSION RUBBER 10-60754-22 3.3 IN USED ON: 113N1282-1 113N2800-31 113N2800-43 113N2800-55 113N2800-57 113N2800-61 113N2800-63 113N2800-65 113N2800-73 113N2800-75 113N2800-77 113N2800-79 113N2800-85 113N2800-87SP 113N2800-93SP 113N2800-95SP 113N2800-103SP	002004 006999	1
130	113N2820-7		.SEAL- POSITION DATA: LH SIDE USED ON: 113N2820-1SP 113N2820-23SP	002004 006106 108903 950999	1

MISSING ITEM NUMBERS NOT APPLICABLE

- ITEM NOT ILLUSTRATED

BRI

57-53-01-01

BOEING PROPRIETARY - Copyright © - Unpublished Work - See title page for details.

57-53-01
FIG. 01
PAGE 33
JAN 20/09



757

PARTS CATALOG (MAINTENANCE)

FIG ITEM	PART NUMBER	1 2 3 4 5 6 7	NOMENCLATURE	EFFECT FROM TO	UNITS PER ASSY
1 - 135	113N2800-14		.SEAL- POSITION DATA: RH SIDE MANUFACTURED FROM: EXTRUSION RUBBER 10-60754-22 3.3 IN USED ON: 113N1282-2 113N2800-32 113N2800-44 113N2800-56 113N2800-58 113N2800-62 113N2800-64 113N2800-66 113N2800-74 113N2800-76 113N2800-78 113N2800-80 113N2800-86 113N2800-88SP 113N2800-94SP 113N2800-96SP 113N2800-104SP	002004 006999	1
- 135	113N2820-8		.SEAL- POSITION DATA: RH SIDE USED ON: 113N2820-2SP 113N2820-24SP	002004 006106 108903 950999	1

MISSING ITEM NUMBERS NOT APPLICABLE

- ITEM NOT ILLUSTRATED

BRI

57-53-01-01

BOEING PROPRIETARY - Copyright © - Unpublished Work - See title page for details.

57-53-01
FIG. 01
PAGE 34
JAN 20/09



757

PARTS CATALOG (MAINTENANCE)

FIG ITEM	PART NUMBER	1 2 3 4 5 6 7	NOMENCLATURE	EFFECT FROM TO	UNITS PER ASSY
1 140	113N2800-4		.RETAINER- USED ON: 113N1282-1 113N1282-2 113N2800-31 113N2800-32 113N2800-43 113N2800-44 113N2800-55 113N2800-56 113N2800-57 113N2800-58 113N2800-61 113N2800-62 113N2800-63 113N2800-64 113N2800-65 113N2800-66 113N2800-73 113N2800-74 113N2800-75 113N2800-76 113N2800-77 113N2800-78 113N2800-79 113N2800-80 113N2800-85 113N2800-86 113N2800-87SP 113N2800-88SP 113N2800-93SP 113N2800-94SP 113N2800-95SP 113N2800-96SP 113N2800-103SP 113N2800-104SP	002004 006999	1
140	113N2820-13		.RETAINER- USED ON: 113N2820-1SP 113N2820-2SP 113N2820-23SP 113N2820-24SP	002004 006106 108903 950999	1

MISSING ITEM NUMBERS NOT APPLICABLE

- ITEM NOT ILLUSTRATED

BRI

57-53-01-01

BOEING PROPRIETARY - Copyright © - Unpublished Work - See title page for details.

57-53-01
FIG. 01
PAGE 35
JAN 20/09



757

PARTS CATALOG (MAINTENANCE)

FIG ITEM	PART NUMBER	1 2 3 4 5 6 7	NOMENCLATURE	EFFECT FROM TO	UNITS PER ASSY
1 145	113N2823-1		.RETAINER- POSITION DATA: LH SIDE USED ON: 113N1282-1 113N2800-31 113N2800-43 113N2800-55 113N2800-57 113N2800-61 113N2800-63 113N2800-65 113N2800-73 113N2800-75 113N2800-77 113N2800-79 113N2800-85 113N2800-87SP 113N2800-93SP 113N2800-95SP 113N2800-103SP	002004 006999	1
145	113N2820-15		.RETAINER- POSITION DATA: LH SIDE USED ON: 113N2820-1SP 113N2820-23SP	002004 006106 108903 950999	1
- 150	113N2823-2		.RETAINER- POSITION DATA: RH SIDE USED ON: 113N1282-2 113N2800-32 113N2800-44 113N2800-56 113N2800-58 113N2800-62 113N2800-64 113N2800-66 113N2800-74 113N2800-76 113N2800-78 113N2800-80 113N2800-86 113N2800-88SP 113N2800-94SP 113N2800-96SP 113N2800-104SP	002004 006999	1

MISSING ITEM NUMBERS NOT APPLICABLE

- ITEM NOT ILLUSTRATED

57-53-01-01

57-53-01
FIG. 01
PAGE 36
JAN 20/09

BRI



757

PARTS CATALOG (MAINTENANCE)

FIG ITEM	PART NUMBER	1 2 3 4 5 6 7	NOMENCLATURE	EFFECT FROM TO	UNITS PER ASSY
1					
- 150	113N2820-16		.RETAINER- POSITION DATA: RH SIDE USED ON: 113N2820-2SP 113N2820-24SP	002004 006106 108903 950999	1
155	113N2823-3		.RETAINER- USED ON: 113N1282-1 113N1282-2 113N2800-31 113N2800-32 113N2800-43 113N2800-44 113N2800-55 113N2800-56 113N2800-57 113N2800-58 113N2800-61 113N2800-62 113N2800-63 113N2800-64 113N2800-65 113N2800-66 113N2800-73 113N2800-74 113N2800-75 113N2800-76 113N2800-77 113N2800-78 113N2800-79 113N2800-80 113N2800-85 113N2800-86 113N2800-87SP 113N2800-88SP 113N2800-93SP 113N2800-94SP 113N2800-95SP 113N2800-96SP 113N2800-103SP 113N2800-104SP	002004 006999	1
- 155	113N2820-19		.RETAINER- USED ON: 113N2820-1SP 113N2820-2SP 113N2820-23SP 113N2820-24SP	002004 006106 108903 950999	1

MISSING ITEM NUMBERS NOT APPLICABLE

- ITEM NOT ILLUSTRATED

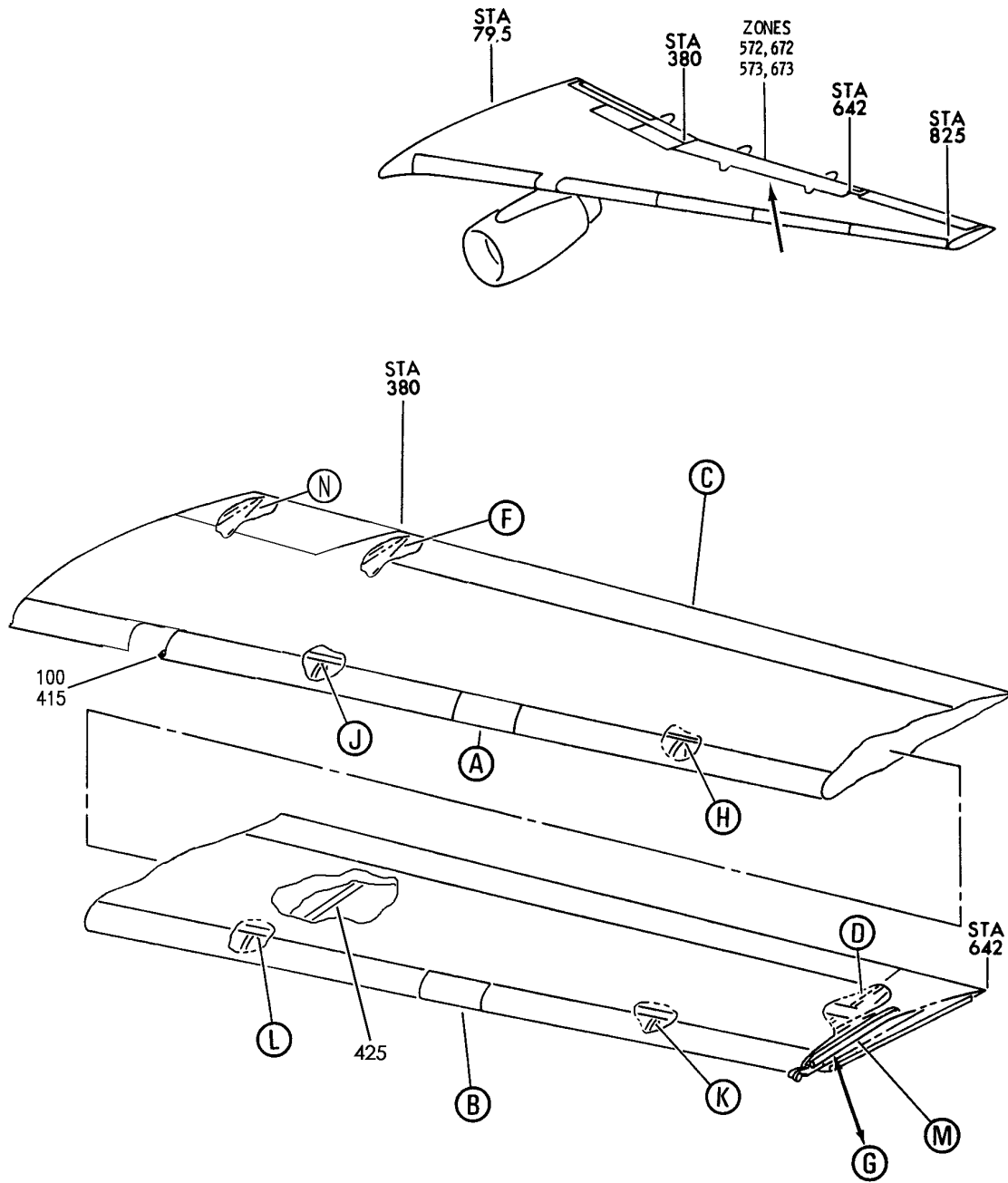
BRI

57-53-01-01

BOEING PROPRIETARY - Copyright © - Unpublished Work - See title page for details.

57-53-01
FIG. 01
PAGE 37
JAN 20/09

BOEING
757
PARTS CATALOG (MAINTENANCE)



Y 57531051 SH1 1 REV 249

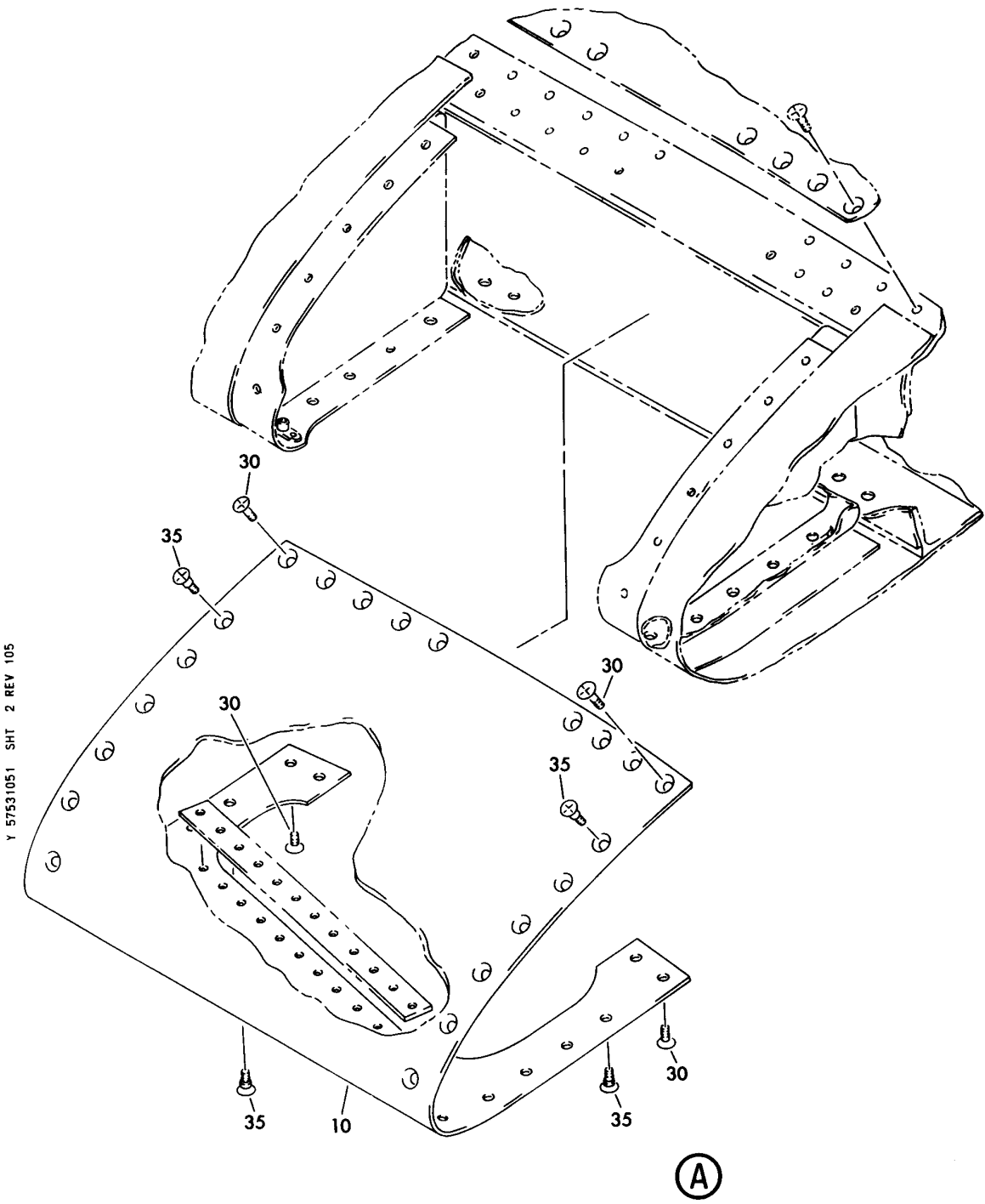
FLAP ASSY-OUTBD MAIN (WINGS ONLY)
FIGURE 51 (SHEET 1)

57-53-10-51

BRI
MAY 28/07

57-53-10-51
PAGE 0

BOEING
757
PARTS CATALOG (MAINTENANCE)



Y 57531051 SHT 2 REV 105

FLAP ASSY-OUTBD MAIN (WINGS ONLY)
FIGURE 51 (SHEET 2)

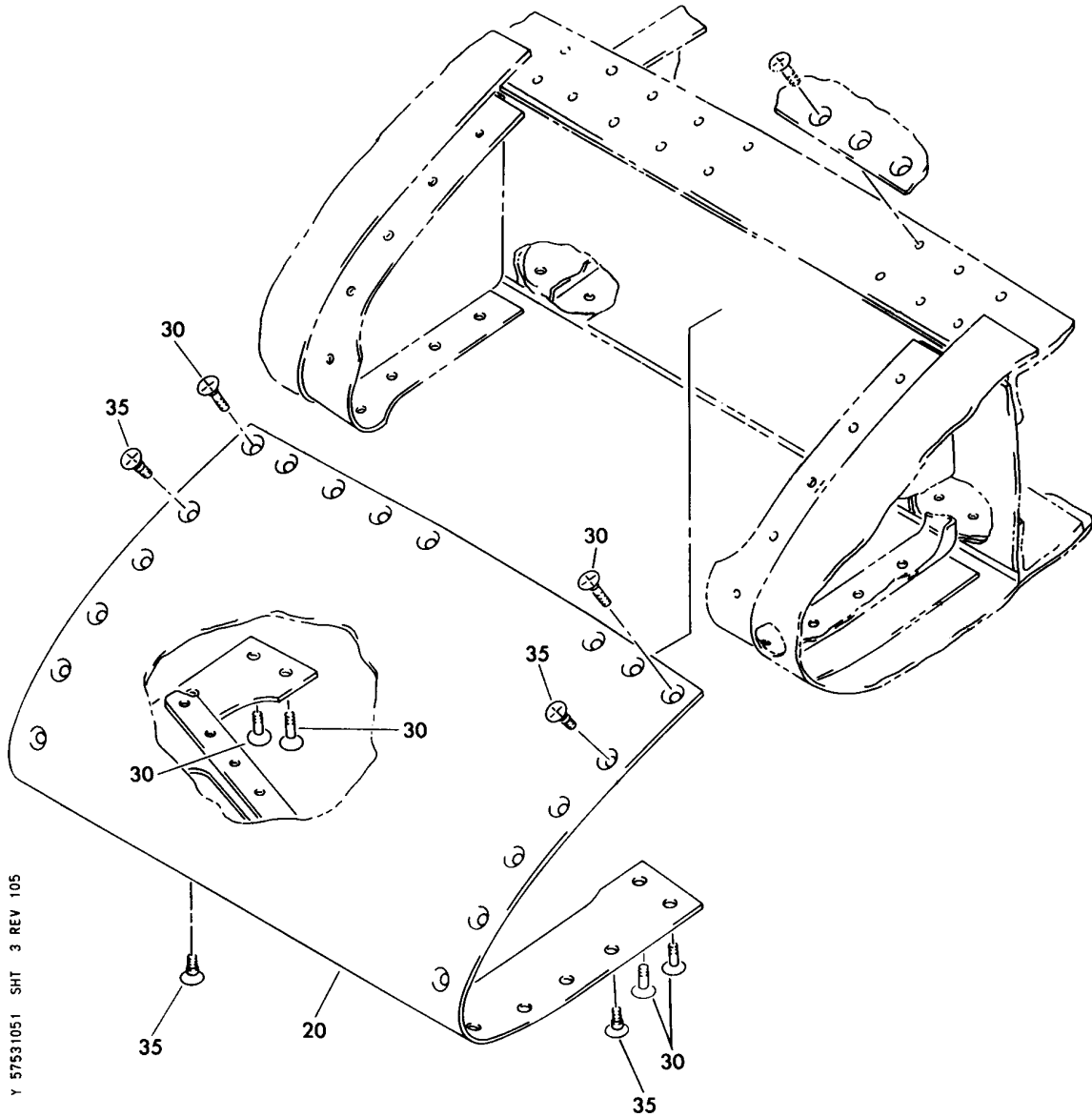
57-53-10-51

BRI
MAY 28/07

57-53-10-51
PAGE 0A

BOEING PROPRIETARY - Copyright © - Unpublished Work - See title page for details.

BOEING
757
PARTS CATALOG (MAINTENANCE)



Y 57531051 SHT 3 REV 105

(B)

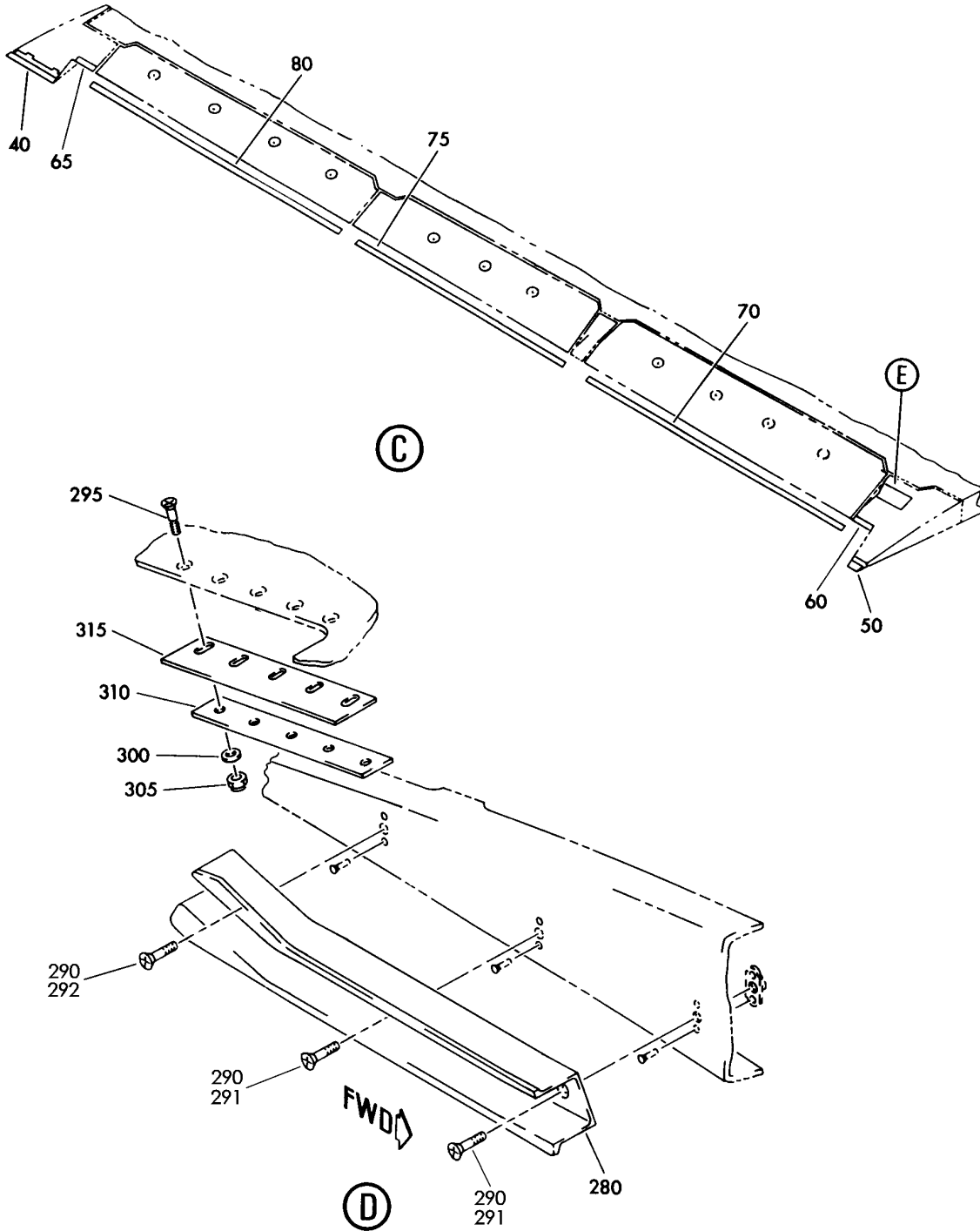
FLAP ASSY-OUTBD MAIN (WINGS ONLY)
FIGURE 51 (SHEET 3)

57-53-10-51

BRI
MAY 28/07

57-53-10-51
PAGE 0B

BOEING
757
PARTS CATALOG (MAINTENANCE)



Y 57531051 SHT 4 REV 227

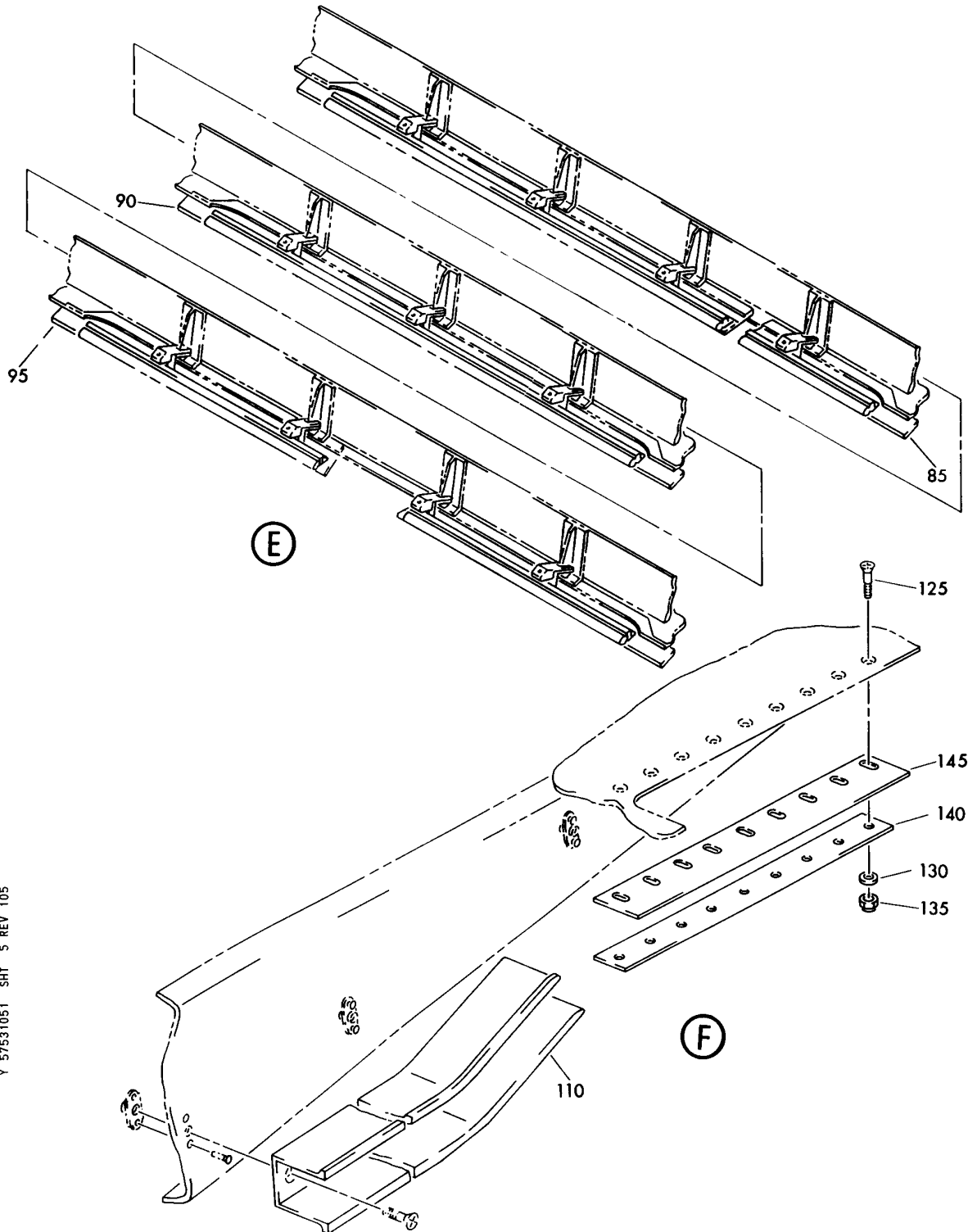
FLAP ASSY-OUTBD MAIN (WINGS ONLY)
FIGURE 51 (SHEET 4)

57-53-10-51

BRI
MAY 28/07

57-53-10-51
PAGE 0C

BOEING
757
PARTS CATALOG (MAINTENANCE)



Y 57531051 SHT 5 REV 105

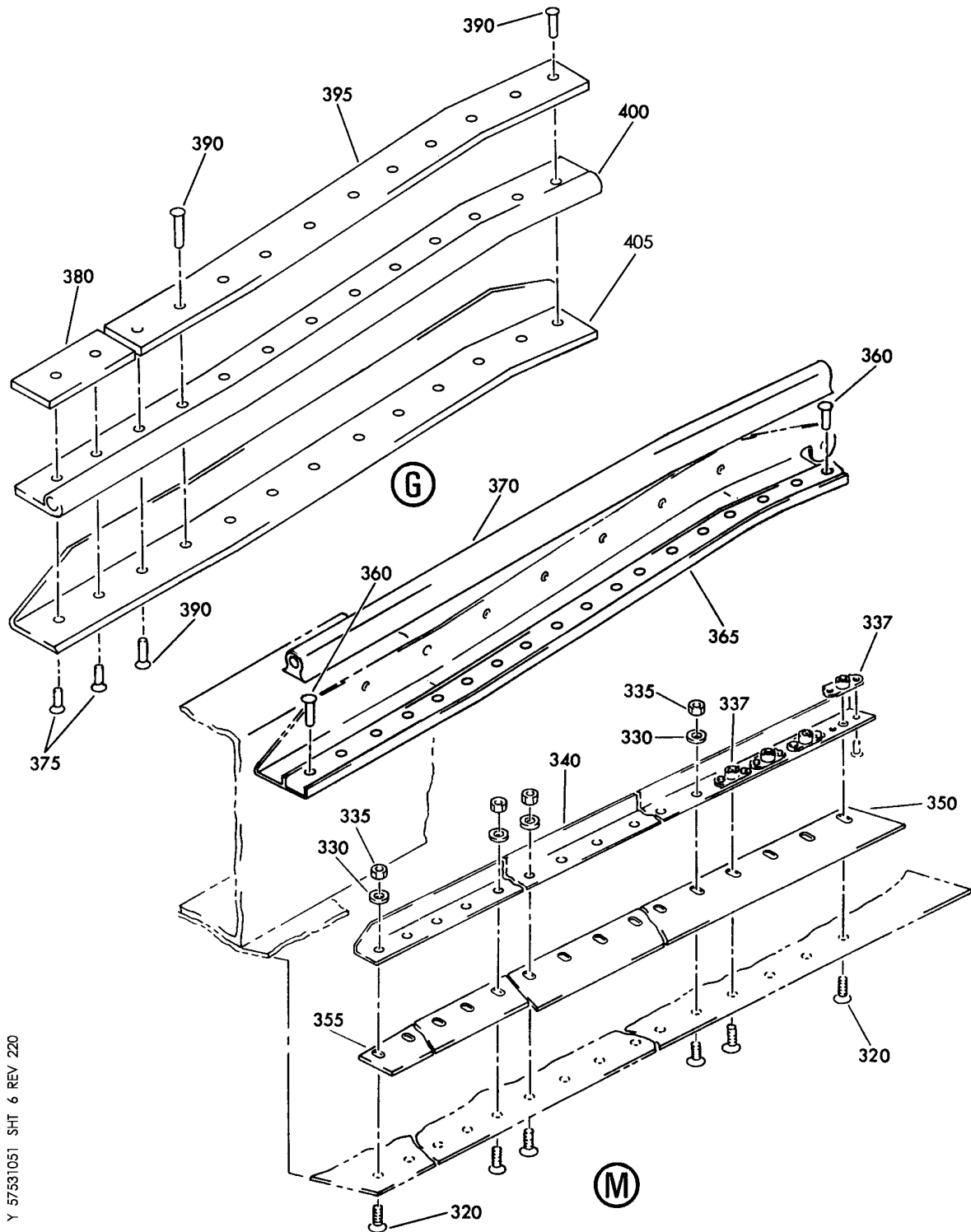
FLAP ASSY-OUTBD MAIN (WINGS ONLY)
FIGURE 51 (SHEET 5)

57-53-10-51

BRI
MAY 28/07

57-53-10-51
PAGE 0D

BOEING
757
PARTS CATALOG (MAINTENANCE)



Y 57531051 SHT 6 REV 220

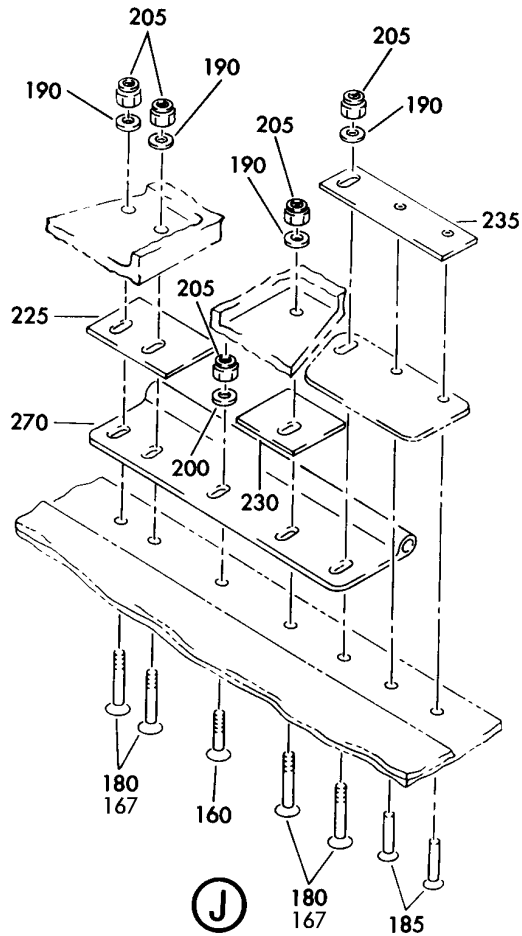
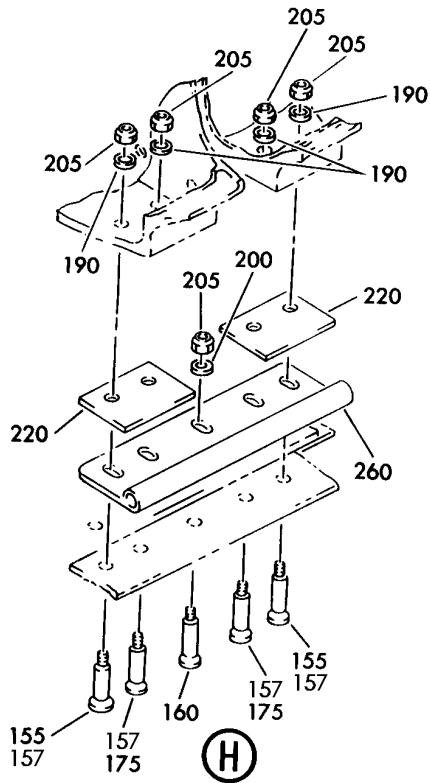
FLAP ASSY-OUTBD MAIN (WINGS ONLY)
FIGURE 51 (SHEET 6)

57-53-10-51

BRI
MAY 28/07

57-53-10-51
PAGE 0E

BOEING
757
PARTS CATALOG (MAINTENANCE)



Y 57531051 SHT 7 REV 227

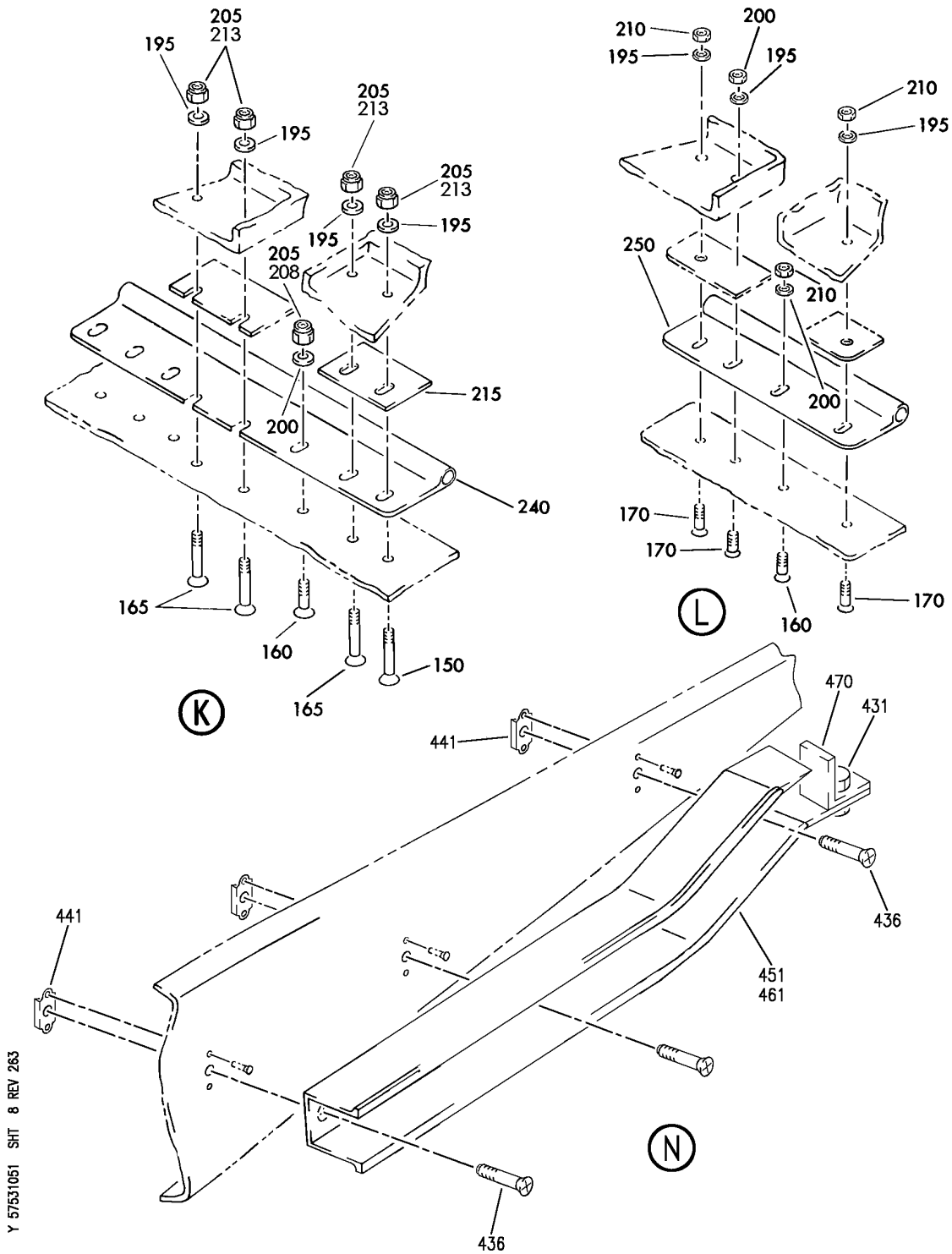
FLAP ASSY-OUTBD MAIN (WINGS ONLY)
FIGURE 51 (SHEET 7)

57-53-10-51

BRI
MAY 28/07

57-53-10-51
PAGE OF


BOEING
 757
PARTS CATALOG (MAINTENANCE)



Y 57531051 SHT 8 REV 263

FLAP ASSY-OUTBD MAIN (WINGS ONLY)
 FIGURE 51 (SHEET 8)

57-53-10-51

BRI
 MAY 28/07

57-53-10-51
 PAGE 0G



757

PARTS CATALOG (MAINTENANCE)

FIG ITEM	PART NUMBER	1 2 3 4 5 6 7	NOMENCLATURE	EFFECT FROM TO	UNITS PER ASSY
51			FLAP ASSY-OUTBD MAIN (WINGS ONLY)	002004 006999	
- 1	113N3003-1		FLAP ASSY-MAIN (WINGS ONLY) POSITION DATA: OUTBD LH COMPONENT MAINT MANUAL REF: 57-53-76 QUALIFIED I/W DATA: -37SP TOGETHER WITH -38SP CAN REPLACE -13 TOGETHER WITH -14 OR -5 TOGETHER WITH -6 OR -1 TOGETHER WITHN -2. FLAPS ON BOTH WINGS MUST BE REPLACED. PRE SERVICE BULLETIN: 57-0058 PRE ALERT SB: 57A0058R1 FOR NHA/OTHER SYS DET SEE: 27-51-14-01	002004 006102 107107 121999	RF
- 1	113N3003-5		FLAP ASSY-MAIN (WINGS ONLY) POSITION DATA: OUTBD LH COMPONENT MAINT MANUAL REF: 57-53-76 QUALIFIED I/W DATA: -37SP TOGETHER WITH -38SP CAN REPLACE -13 TOGETHER WITH -14 OR -5 TOGETHER WITH -6 OR -1 TOGETHER WITH -2. FLAPS ON BOTH WINGS MUST BE REPLACED. PRE SERVICE BULLETIN: 57-0058 PRE ALERT SB: 57A0058R1 FOR NHA/OTHER SYS DET SEE: 27-51-14-01	002004 006102 107107 121999	RF

MISSING ITEM NUMBERS NOT APPLICABLE

- ITEM NOT ILLUSTRATED

57-53-10-51

57-53-10
FIG. 51
PAGE 1
JAN 20/09

BRI



757

PARTS CATALOG (MAINTENANCE)

FIG ITEM	PART NUMBER	1 2 3 4 5 6 7	NOMENCLATURE	EFFECT FROM TO	UNITS PER ASSY
51 - 1	113N3003-13		FLAP ASSY-MAIN (WINGS ONLY) POSITION DATA: OUTBD LH COMPONENT MAINT MANUAL REF: 57-53-76 QUALIFIED I/W DATA: -37SP TOGETHER WITH -38SP CAN REPLACE -13 TOGETHER WITH -14 OR -5 TOGETHER WITH -6 OR -1 TOGETHER WITH -2. FLAPS ON BOTH WINGS MUST BE REPLACED. -43SP T/W -44SP CAN REPLACE -13 T/W -14. FLAPS ON BOTH WINGS MUST BE REPLACED. 113N3003-19SP CAN REPLACE OR BE REPLACED BY 113N3003-13 SUBJECT TO CUSTOMER COLOR PREFERENCE PRE SERVICE BULLETIN: 57-0058 PRE ALERT SB: 57A0058R1 FOR NHA/OTHER SYS DET SEE: 27-51-14-01	002004 006102 107107 121999	RF

MISSING ITEM NUMBERS NOT APPLICABLE

- ITEM NOT ILLUSTRATED

BRI

57-53-10-51

BOEING PROPRIETARY - Copyright © - Unpublished Work - See title page for details.

57-53-10
FIG. 51
PAGE 2
JAN 20/09



757

PARTS CATALOG (MAINTENANCE)

FIG ITEM	PART NUMBER	1 2 3 4 5 6 7	NOMENCLATURE	EFFECT FROM TO	UNITS PER ASSY
51 - 1	113N3003-19SP		FLAP ASSY-MAIN (WINGS ONLY) POSITION DATA: OUTBD LH COMPONENT MAINT MANUAL REF: 57-53-76 QUALIFIED I/W DATA: -37SP TOGETHER WITH -38SP CAN REPLACE -21SP TOGETHER WITH -22SP OR -19SP TOGETHER WITH -20SP. FLAPS ON BOTH WINGS MUST BE REPLACED. -43SP T/W -44SP CAN REPLACE -19SP T/W -20SP. FLAPS ON BOTH WINGS 113N3003-19SP CAN REPLACE OR BE REPLACED BY 113N3003-13 SUBJECT TO CUSTOMER COLOR PREFERENCE PRE SERVICE BULLETIN: 57-0058 REWORKED BY SB: 57-0024 PRE ALERT SB: 57A0058R1 QUALIFIED SB I/W DATA: (AFTER INCORPORATION OF 757-SL-57-010 MAY USE 113N3003-1, -3, -5, -7, -13, -15) POST SERVICE LETTER: 57-010 FOR NHA/OTHER SYS DET SEE: 27-51-14-01	002004 006102 107107 121999	RF

MISSING ITEM NUMBERS NOT APPLICABLE

- ITEM NOT ILLUSTRATED

57-53-10-51

57-53-10
FIG. 51
PAGE 3
JAN 20/09

BRI



757

PARTS CATALOG (MAINTENANCE)

FIG ITEM	PART NUMBER	1 2 3 4 5 6 7	NOMENCLATURE	EFFECT FROM TO	UNITS PER ASSY
51 - 1	113N3003-21SP		FLAP ASSY-MAIN (WINGS ONLY) POSITION DATA: OUTBD LH COMPONENT MAINT MANUAL REF: 57-53-76 QUALIFIED I/W DATA: -37SP TOGETHER WITH -38SP CAN REPLACE -21SP TOGETHER WITH -22SP OR -19SP TOGETHER WITH -20SP. FLAPS ON BOTH WINGS MUST BE REPLACED. -43SP T/W -44SP CAN REPLACE -21SP T/W -22SP. FLAPS ON BOTH WINGS MUST BE REPLACED. PRE SERVICE BULLETIN: 57-0058 REWORKED BY SB: 57-0024 PRE ALERT SB: 57A0058R1 FOR NHA/OTHER SYS DET SEE: 27-51-14-01	002004 006102 107107 121999	RF
- 1	113N3003-23SP		FLAP ASSY-MAIN (WINGS ONLY) POSITION DATA: OUTBD LH COMPONENT MAINT MANUAL REF: 57-53-76 QUALIFIED I/W DATA: -37SP TOGETHER WITH -38SP CAN REPLACE -25SP TOGETHER WITH -26SP OR -23SP TOGETHER WITH -24SP. FLAPS ON BOTH WINGS MUST BE REPLACED. -43SP T/W -44SP CAN REPLACE -23SP T/W -24SP. FLAPS ON BOTH WINGS MUST BE REPLACED. PRE SERVICE BULLETIN: 57-0058 REWORKED BY SB: 57-0024 PRE ALERT SB: 57A0058R1 FOR NHA/OTHER SYS DET SEE: 27-51-14-01	002004 006102 107107 121999	RF

MISSING ITEM NUMBERS NOT APPLICABLE

- ITEM NOT ILLUSTRATED

57-53-10-51

57-53-10
FIG. 51
PAGE 4
JAN 20/09

BRI



757

PARTS CATALOG (MAINTENANCE)

FIG ITEM	PART NUMBER	1 2 3 4 5 6 7	NOMENCLATURE	EFFECT FROM TO	UNITS PER ASSY
51 - 1	113N3003-29SP		FLAP ASSY-MAIN (WINGS ONLY) POSITION DATA: OUTBD LH COMPONENT MAINT MANUAL REF: 57-53-76 QUALIFIED I/W DATA: -37SP TOGETHER WITH -38SP CAN REPLACE -29SP TOGETHER WITH -30SP. FLAPS ON BOTH WINGS MUST BE REPLACED. NEW81205 113N3003-43SP -43SP T/W -44SP CAN REPLACE -29SP T/W -30SP. FLAPS ON BOTH WINGS MUST BE REPLACED. PRE SERVICE BULLETIN: 57-0058 REWORKED BY SB: 57-0024 PRE ALERT SB: 57A0058R1 FOR NHA/OTHER SYS DET SEE: 27-51-14-01	002004 006102 107107 121999	RF
- 1	113N3003-27SP		FLAP ASSY-MAIN (WINGS ONLY) POSITION DATA: OUTBD LH COMPONENT MAINT MANUAL REF: 57-53-76 QUALIFIED I/W DATA: -37SP TOGETHER WITH -38SP CAN REPLACE -27SP TOGETHER WITH -28SP. FLAPS ON BOTH WINGS MUST BE REPLACED. -43SP T/W -44SP CAN REPLACE -27SP T/W -28SP. FLAPS ON BOTH WINGS MUST BE REPLACED. REWORKED BY SB: 57-0024 FOR NHA/OTHER SYS DET SEE: 27-51-14-01	002004 006102 107107 121999	RF

MISSING ITEM NUMBERS NOT APPLICABLE

- ITEM NOT ILLUSTRATED

57-53-10-51

57-53-10
FIG. 51
PAGE 5
JAN 20/09

BRI



757

PARTS CATALOG (MAINTENANCE)

FIG ITEM	PART NUMBER	1 2 3 4 5 6 7	NOMENCLATURE	EFFECT FROM TO	UNITS PER ASSY
51 - 1	113N3003-37SP		FLAP ASSY-MAIN (WINGS ONLY) POSITION DATA: OUTBD LH COMPONENT MAINT MANUAL REF: 57-53-76 QUALIFIED I/W DATA: -37SP TOGETHER WITH -38SP CAN REPLACE -27SP TOGETHER WITH -28SP. FLAPS ON BOTH WINGS MUST BE REPLACED. -37SP TOGETHER WITH -38SP CAN REPLACE -29SP TOGETHER WITH -30SP. FLAPS ON BOTH WINGS MUST BE REPLACED. -37SP TOGETHER WITH -38SP CAN REPLACE -21SP TOGETHER WITH -22SP OR -19SP TOGETHER WITH -20SP. FLAPS ON BOTH WINGS MUST BE REPLACED. -37SP TOGETHER WITH -38SP CAN REPLACE -13 TOGETHER WITH -14 OR -5 TOGETHER WITH -6 OR -1 TOGETHER WITH -2. FLAPS ON BOTH WINGS MUST BE REPLACED. -37SP TOGETHER WITH -38SP CAN REPLACE -23SP TOGETHER WITH -24SP. FLAPS ON BOTH WINGS MUST BE REPLACED. POST SERVICE BULLETIN: 57-0058 POST ALERT SB: 57A0058R1 FOR NHA/OTHER SYS DET SEE: 27-51-14-01	002004 006999	RF
- 2	113N3003-25SP		FLAP ASSY-MAIN (WINGS ONLY) POSITION DATA: OUTBD LH FOR NHA/OTHER SYS DET SEE: 27-51-14-01	103106 108120	RF

MISSING ITEM NUMBERS NOT APPLICABLE

- ITEM NOT ILLUSTRATED

57-53-10-51

57-53-10
FIG. 51
PAGE 6
JAN 20/09

BRI



757

PARTS CATALOG (MAINTENANCE)

FIG ITEM	PART NUMBER	1 2 3 4 5 6 7	NOMENCLATURE	EFFECT FROM TO	UNITS PER ASSY
51					
- 2	113N3003-31SP		FLAP ASSY-MAIN (WINGS ONLY) POSITION DATA: OUTBD LH FOR NHA/OTHER SYS DET SEE: 27-51-14-01	103106 108120	RF
- 2	113N3003-33SP		FLAP ASSY-MAIN (WINGS ONLY) POSITION DATA: OUTBD LH FOR NHA/OTHER SYS DET SEE: 27-51-14-01	103106 108120	RF
- 2	113N3003-39SP		FLAP ASSY-MAIN (WINGS ONLY) POSITION DATA: OUTBD LH FOR NHA/OTHER SYS DET SEE: 27-51-14-01	103106 108120	RF
- 2	113N3003-41SP		FLAP ASSY-MAIN (WINGS ONLY) POSITION DATA: OUTBD LH COMPONENT MAINT MANUAL REF: 57-53-76 FOR NHA/OTHER SYS DET SEE: 27-51-14-01	103106 108120	RF

MISSING ITEM NUMBERS NOT APPLICABLE

- ITEM NOT ILLUSTRATED

BRI

57-53-10-51

BOEING PROPRIETARY - Copyright © - Unpublished Work - See title page for details.

57-53-10
FIG. 51
PAGE 7
JAN 20/09



757

PARTS CATALOG (MAINTENANCE)

FIG ITEM	PART NUMBER	1 2 3 4 5 6 7	NOMENCLATURE	EFFECT FROM TO	UNITS PER ASSY
51 - 5	113N3003-2		FLAP ASSY-MAIN (WINGS ONLY) POSITION DATA: OUTBD RH COMPONENT MAINT MANUAL REF: 57-53-76 QUALIFIED I/W DATA: -37SP TOGETHER WITH -38SP CAN REPLACE -13 TOGETHER WITH -14 OR -5 TOGETHER WITH -6 OR -1 TOGETHER WITH -2. FLAPS ON BOTH WINGS MUST BE REPLACED. PRE SERVICE BULLETIN: 57-0058 PRE ALERT SB: 57A0058R1 FOR NHA/OTHER SYS DET SEE: 27-51-14-01	002004 006102 107107 121999	RF
- 5	113N3003-6		FLAP ASSY-MAIN (WINGS ONLY) POSITION DATA: OUTBD RH COMPONENT MAINT MANUAL REF: 57-53-76 QUALIFIED I/W DATA: -20SP I/W -6 SUBJECT TO COLOR PREFERENCE -37SP TOGETHER WITH -38SP CAN REPLACE -13 TOGETHER WITH -14 OR -5 TOGETHER WITH -6 OR -1 TOGETHER WITH -2. FLAPS ON BOTH WINGS MUST BE REPLACED. PRE SERVICE BULLETIN: 57-0058 PRE ALERT SB: 57A0058R1 FOR NHA/OTHER SYS DET SEE: 27-51-14-01	002004 006102 107107 121999	RF

MISSING ITEM NUMBERS NOT APPLICABLE

- ITEM NOT ILLUSTRATED

57-53-10-51

57-53-10
FIG. 51
PAGE 9
JAN 20/09

BRI



757

PARTS CATALOG (MAINTENANCE)

FIG ITEM	PART NUMBER	1 2 3 4 5 6 7	NOMENCLATURE	EFFECT FROM TO	UNITS PER ASSY
51 - 5	113N3003-14		FLAP ASSY-MAIN (WINGS ONLY) POSITION DATA: OUTBD RH COMPONENT MAINT MANUAL REF: 57-53-76 QUALIFIED I/W DATA: -37SP TOGETHER WITH -38SP CAN REPLACE -13 TOGETHER WITH -14 OR -5 TOGETHER WITH -6 OR -1 TOGETHER WITH -2. FLAPS ON BOTH WINGS MUST BE REPLACED. -44SP T/W -43SP CAN REPLACE -13 T/W -14. FLAPS ON BOTH WINGS MUST BE REPLACED. 113N3003-20SP CAN REPLACE OR BE REPLACED BY 113N3003-14 SUBJECT TO CUSTOMER COLOR PREFERENCE PRE SERVICE BULLETIN: 57-0058 PRE ALERT SB: 57A0058R1 FOR NHA/OTHER SYS DET SEE: 27-51-14-01	002004 006102 107107 121999	RF

MISSING ITEM NUMBERS NOT APPLICABLE

- ITEM NOT ILLUSTRATED

BRI

57-53-10-51

BOEING PROPRIETARY - Copyright © - Unpublished Work - See title page for details.

57-53-10
FIG. 51
PAGE 10
JAN 20/09



757

PARTS CATALOG (MAINTENANCE)

FIG ITEM	PART NUMBER	1 2 3 4 5 6 7	NOMENCLATURE	EFFECT FROM TO	UNITS PER ASSY
51 - 5	113N3003-20SP		FLAP ASSY-MAIN (WINGS ONLY) POSITION DATA: OUTBD RH COMPONENT MAINT MANUAL REF: 57-53-76 QUALIFIED I/W DATA: -37SP TOGETHER WITH -38SP CAN REPLACE -21SP TOGETHER WITH -22SP OF -19SP TOGETHER WITH -20SP. FLAPS ON BOTH WINGS MUST BE REPLACED. -44SP T/W -43SP CAN REPLACE -19SP T/W -20SP. FLAPS ON BOTH WINGS MUST BE REPLACED. 113N3003-20SP CAN REPLACE OR BE REPLACED BY 113N3003-14 SUBJECT TO CUSTOMER COLOR PREFERENCE PRE SERVICE BULLETIN: 57-0058 REWORKED BY SB: 57-0024 PRE ALERT SB: 57A0058R1 QUALIFIED SB I/W DATA: (AFTER INCORPORATION OF 757-SL-57-010 MAY USE 113N3003-2, -4, -6 -8, -14, -16) POST SERVICE LETTER: 57-010 FOR NHA/OTHER SYS DET SEE: 27-51-14-01	002004 006102 107107 121999	RF

MISSING ITEM NUMBERS NOT APPLICABLE

- ITEM NOT ILLUSTRATED

57-53-10-51

57-53-10
FIG. 51
PAGE 11
JAN 20/09

BRI

 **BOEING**
757
PARTS CATALOG (MAINTENANCE)

FIG ITEM	PART NUMBER	1 2 3 4 5 6 7	NOMENCLATURE	EFFECT FROM TO	UNITS PER ASSY
51 - 5	113N3003-22SP		FLAP ASSY-MAIN (WINGS ONLY) POSITION DATA: OUTBD RH COMPONENT MAINT MANUAL REF: 57-53-76 QUALIFIED I/W DATA: -44SP T/W -43SP CAN REPLACE -21SP T/W -22SP. FLAPS ON BOTH WINGS MUST BE REPLACED. -37SP TOGETHER WITH -38SP CAN REPLACE -21SP TOGETHER WITH -22SP OR -19SP TOGETHER WITH -20SP. FLAPS ON BOTH WINGS MUST BE REPLACED. PRE SERVICE BULLETIN: 57-0058 REWORKED BY SB: 57-0024 PRE ALERT SB: 57A0058R1 FOR NHA/OTHER SYS DET SEE: 27-51-14-01	002004 006102 107107 121999	RF
- 5	113N3003-24SP		FLAP ASSY-MAIN (WINGS ONLY) POSITION DATA: OUTBD RH COMPONENT MAINT MANUAL REF: 57-53-76 QUALIFIED I/W DATA: -37SP TOGETHER WITH -38SP CAN REPLACE -25SP TOGETHER WITH -26SP OR -23SP TOGETHER WITH -24SP. FLAPS ON BOTH WINGS MUST BE REPLACED. -44SP T/W -43SP CAN REPLACE -23SP T/W -24SP. FLAPS ON BOTH WINGS MUST BE REPLACED. PRE SERVICE BULLETIN: 57-0058 REWORKED BY SB: 57-0024 PRE ALERT SB: 57A0058R1 FOR NHA/OTHER SYS DET SEE: 27-51-14-01	002004 006102 107107 121999	RF

MISSING ITEM NUMBERS NOT APPLICABLE

- ITEM NOT ILLUSTRATED

BRI

57-53-10-51

BOEING PROPRIETARY - Copyright © - Unpublished Work - See title page for details.

57-53-10
FIG. 51
PAGE 12
JAN 20/09



757

PARTS CATALOG (MAINTENANCE)

FIG ITEM	PART NUMBER	1 2 3 4 5 6 7	NOMENCLATURE	EFFECT FROM TO	UNITS PER ASSY
51 - 5	113N3003-30SP		FLAP ASSY-MAIN (WINGS ONLY) POSITION DATA: OUTBD RH COMPONENT MAINT MANUAL REF: 57-53-76 QUALIFIED I/W DATA: -37SP TOGETHER WITH -38SP CAN REPALCE -29SP TOGETHER WITH -30SP. FLAPS ON BOTH WINGS MUST BE REPLACED. -44SP T/W -43SP CAN REPLACE -29SP T/W -30SP. FLAPS ON BOTH WINGS MUST BE REPLACED. PRE SERVICE BULLETIN: 57-0058 REWORKED BY SB: 57-0024 PRE ALERT SB: 57A0058R1 FOR NHA/OTHER SYS DET SEE: 27-51-14-01	002004 006102 107107 121999	RF
- 5	113N3003-28SP		FLAP ASSY-MAIN (WINGS ONLY) POSITION DATA: OUTBD RH COMPONENT MAINT MANUAL REF: 57-53-76 QUALIFIED I/W DATA: -37SP TOGETHER WITH -38SP CAN REPLACE -27SP TOGETHER WITH -28SP. FLAPS ON BOTH WINGS MUST BE REPLACED. -41SP TOGETHER WITH -42SP CAN REPLACE -27SP TOGETHER WITH -28SP. FLAPS ON BOTH WINGS MUST BE REPLACED. -44SP T/W -43SP CAN REPLACE -27SP T/W -28SP. FLAPS ON BOTH WINGS MUST BE REPLACED. REWORKED BY SB: 57-0024 FOR NHA/OTHER SYS DET SEE: 27-51-14-01	002004 006102 107107 121999	RF

MISSING ITEM NUMBERS NOT APPLICABLE

- ITEM NOT ILLUSTRATED

57-53-10-51

57-53-10
FIG. 51
PAGE 13
JAN 20/09

BRI



757

PARTS CATALOG (MAINTENANCE)

FIG ITEM	PART NUMBER	1 2 3 4 5 6 7	NOMENCLATURE	EFFECT FROM TO	UNITS PER ASSY
51 -	5 113N3003-26SP		FLAP ASSY-MAIN (WINGS ONLY) POSITION DATA: OUTBD RH FOR NHA/OTHER SYS DET SEE: 27-51-14-01	103106 108120	RF
-	6 113N3003-32SP		FLAP ASSY-MAIN (WINGS ONLY) POSITION DATA: OUTBD RH FOR NHA/OTHER SYS DET SEE: 27-51-14-01	103106 108120	RF
-	6 113N3003-34SP		FLAP ASSY-MAIN (WINGS ONLY) POSITION DATA: OUTBD RH FOR NHA/OTHER SYS DET SEE: 27-51-14-01	103106 108120	RF

MISSING ITEM NUMBERS NOT APPLICABLE

- ITEM NOT ILLUSTRATED

BRI

57-53-10-51

BOEING PROPRIETARY - Copyright © - Unpublished Work - See title page for details.

57-53-10
FIG. 51
PAGE 14
JAN 20/09



757

PARTS CATALOG (MAINTENANCE)

FIG ITEM	PART NUMBER	1 2 3 4 5 6 7	NOMENCLATURE	EFFECT FROM TO	UNITS PER ASSY
51 - 6	113N3003-38SP		FLAP ASSY-MAIN (WINGS ONLY) POSITION DATA: OUTBD RH COMPONENT MAINT MANUAL REF: 57-53-76 QUALIFIED I/W DATA: -37SP TOGETHER WITH -38SP CAN REPLACE -29SP TOGETHER WITH -30SP. FLAPS ON BOTH WINGS MUST BE REPLACED. -27SP TOGETHER WITH -38SP CAN REPLACE -27SP TOGETHER WITH -28SP. FLAPS ON BOTH WINGS MUST BE REPLACED. -37SP TOGETHER WITH -38SP CAN REPLACE -21SP TOGETHER WITH -22SP OR -19SP TOGETHER WITH -20SP. FLAPS ON BOTH WINGS MUST BE REPLACED. -37SP TOGETHER WITH -28SP CAN REPLACE -13 TOGETHER WITH -14 OR -5 TOGETHER WITH -6 OR -1 TOGETHER WITH -2. FLAPS ON BOTH WINGS MUST BE REPLACED. -37SP TOGETHER WITH -38SP CAN REPLACE -25SP TOGETHER WITH -26SP OR -23SP TOGETHER WITH -24SP. FLAPS ON BOTH WINGS MUST BE REPLACED. POST SERVICE BULLETIN: 57-0058 POST ALERT SB: 57A0058R1 FOR NHA/OTHER SYS DET SEE: 27-51-14-01	002004 006999	RF
- 6	113N3003-40SP		FLAP ASSY-MAIN (WINGS ONLY) POSITION DATA: OUTBD RH COMPONENT MAINT MANUAL REF: 57-53-76 FOR NHA/OTHER SYS DET SEE: 27-51-14-01	103106 108120	RF

MISSING ITEM NUMBERS NOT APPLICABLE

- ITEM NOT ILLUSTRATED

57-53-10-51

57-53-10
FIG. 51
PAGE 15
JAN 20/09

BRI



757

PARTS CATALOG (MAINTENANCE)

FIG ITEM	PART NUMBER	1 2 3 4 5 6 7 NOMENCLATURE	EFFECT FROM TO	UNITS PER ASSY
51 - 6	113N3003-42SP	FLAP ASSY-MAIN (WINGS ONLY) POSITION DATA: OUTBD RH COMPONENT MAINT MANUAL REF: 57-53-76 QUALIFIED I/W DATA: -41SP TOGETHER WITH -42SP CAN REPLACE -29SP TOGETHER WITH -30SP. FLAPS ON BOTH WINGS MUST BE REPLACED. -41SP TOGETHER WITH -42SP CAN REPLACE -27SP TOGETHER WITH -28SP. FLAPS ON BOTH WINGS MUST BE REPLACED. -41SP TOGETHER WITH -42SP CAN REPLACE -23SP TOGETHER WITH -24SP FLAPS ON BOTH WINGS MUST BE REPLACED -41SP TOGETHER WITH -42SP CAN REPLACE -21SP TOGETHER WITH -22SP FLAPS ON BOTH WINGS MUST BE REPLACED -41SP TOGETHER WITH -42SP CAN REPLACE -19SP TOGETHER WITH -20SP FLAPS ON BOTH WINGS MUST BE REPLACED -41SP TOGETHER WITH -42SP CAN REPLACE -13 TOGETHER WITH -14 FLAPS ON BOTH WINGS MUST BE REPLACED FOR NHA/OTHER SYS DET SEE: 27-51-14-01	103106 108120	RF

MISSING ITEM NUMBERS NOT APPLICABLE

- ITEM NOT ILLUSTRATED

57-53-10-51

57-53-10
FIG. 51
PAGE 16
JAN 20/09

BRI

BOEING
757
PARTS CATALOG (MAINTENANCE)

FIG ITEM	PART NUMBER	1 2 3 4 5 6 7 NOMENCLATURE	EFFECT FROM TO	UNITS PER ASSY
51 - 6	113N3003-44SP	FLAP ASSY-MAIN POSITION DATA: RH SIDE QUALIFIED I/W DATA: -44SP TOGETHER WITH -43SP CAN REPLACE -29SP TOGETHER WITH -30SP. FLAPS ON BOTH WINGS MUST BE REPLACED. -44SP TOGETHER WITH -43SP CAN REPLACE -27SP TOGETHER WITH -28SP. FLAPS ON BOTH WINGS MUST BE REPLACED. -44SP TOGETHER WITH -43SP CAN REPLACE -23SP TOGETHER WITH -24SP. FLAPS ON BOTH WINGS MUST BE REPLACED. -44SP TOGETHER WITH -43SP CAN REPLACE -21SP TOGETHER WITH -22SP. FLAPS ON BOTH WINGS MUST BE REPLACED. -44SP TOGETHER WITH -43SP CAN REPLACE -19SP TOGETHER WITH -20SP. FLAPS ON BOTH WINGS MUST BE REPLACED. -44SP TOGETHER WITH -43SP CAN REPLACE -13 TOGETHER WITH -14. FLAPS ON BOTH WINGS MUST BE REPLACED. FOR NHA/OTHER SYS DET SEE: 27-51-14-01	002004 006999	RF
	10 113N3500-49	.PANEL-ACCESS POSITION DATA: INBD LH SIDE PRE SERVICE BULLETIN: 57-0058 PRE ALERT SB: 57A0058R1	002004 006100 107107 121503 904999	1

MISSING ITEM NUMBERS NOT APPLICABLE

- ITEM NOT ILLUSTRATED

BRI

57-53-10-51

BOEING PROPRIETARY - Copyright © - Unpublished Work - See title page for details.

57-53-10
FIG. 51
PAGE 17
MAY 20/09



757

PARTS CATALOG (MAINTENANCE)

FIG ITEM	PART NUMBER	1 2 3 4 5 6 7	NOMENCLATURE	EFFECT FROM TO	UNITS PER ASSY
51					
10	113N3500-53		.PANEL-ACCESS POSITION DATA: INBD LH SIDE PRE SERVICE BULLETIN: 57-0058 PRE ALERT SB: 57A0058R1	002004 006100 107107 121503 904999	1
10	113N3500-61		.PANEL-ACCESS POSITION DATA: INBD LH SIDE POST SERVICE BULLETIN: 57-0058 POST ALERT SB: 57A0058R1	002004 006999	1
- 15	113N3500-50		.PANEL-ACCESS POSITION DATA: INBD RH SIDE PRE SERVICE BULLETIN: 57-0058 PRE ALERT SB: 57A0058R1	002004 006100 107107 121503 904999	1
- 15	113N3500-54		.PANEL-ACCESS POSITION DATA: INBD RH SIDE PRE SERVICE BULLETIN: 57-0058 PRE ALERT SB: 57A0058R1	002004 006100 107107 121503 904999	1
- 15	113N3500-62		.PANEL-ACCESS POSITION DATA: INBD RH SIDE POST SERVICE BULLETIN: 57-0058 POST ALERT SB: 57A0058R1	002004 006999	1
20	113N3500-31		.PANEL-ACCESS POSITION DATA: OUTBD LH SIDE OPTIONAL PART: 113N3500-51 PRE SERVICE BULLETIN: 57-0058 PRE ALERT SB: 57A0058R1	002004 006100 107107 121503 904999	1

MISSING ITEM NUMBERS NOT APPLICABLE

- ITEM NOT ILLUSTRATED

57-53-10-51

57-53-10
FIG. 51
PAGE 18
JAN 20/09

BRI



757

PARTS CATALOG (MAINTENANCE)

FIG ITEM	PART NUMBER	1 2 3 4 5 6 7	NOMENCLATURE	EFFECT FROM TO	UNITS PER ASSY
51 20	113N3500-51		.PANEL-ACCESS POSITION DATA: OUTBD LH SIDE OPTIONAL PART: 113N3500-31 PRE SERVICE BULLETIN: 57-0058 PRE ALERT SB: 57A0058R1	002004 006100 107107 121503 904999	1
20	113N3500-59		.PANEL-ACCESS POSITION DATA: OUTBD LH SIDE POST SERVICE BULLETIN: 57-0058 POST ALERT SB: 57A0058R1	002004 006999	1
- 25	113N3500-32		.PANEL-ACCESS POSITION DATA: OUTBD RH SIDE OPTIONAL PART: 113N3500-52 PRE SERVICE BULLETIN: 57-0058 PRE ALERT SB: 57A0058R1	002004 006100 107107 121503 904999	1
- 25	113N3500-52		.PANEL-ACCESS POSITION DATA: OUTBD RH SIDE OPTIONAL PART: 113N3500-32 PRE SERVICE BULLETIN: 57-0058 PRE ALERT SB: 57A0058R1	002004 006100 107107 121503 904999	1
- 25	113N3500-60		.PANEL-ACCESS POSITION DATA: OUTBD RH SIDE POST SERVICE BULLETIN: 57-0058 POST ALERT SB: 57A0058R1	002004 006999	1
30	BACB30NN3K7		ATTACHING PARTS .BOLT	002004 006999	25
35	BACB30LR3-7		.BOLT- PRE SERVICE BULLETIN: 57-0058 PRE ALERT SB: 57A0058R1	002004 006100 107107 121503 904999	40

MISSING ITEM NUMBERS NOT APPLICABLE

- ITEM NOT ILLUSTRATED

57-53-10-51

57-53-10
FIG. 51
PAGE 19
JAN 20/09

BRI



757

PARTS CATALOG (MAINTENANCE)

FIG ITEM	PART NUMBER	1 2 3 4 5 6 7	NOMENCLATURE	EFFECT FROM TO	UNITS PER ASSY
51					
35	BACB30LH3-7		.BOLT- POST SERVICE BULLETIN: 57-0058 POST ALERT SB: 57A0058R1 -----*-----	002004 006999	40
40	113N3605-1		.WEDGE-TE POSITION DATA: INBD ATTACHING PARTS	002004 006999	1
- 45	BACR15CE6B		.RIVET- SIZE DETERMINED ON INSTL. -----*-----	002004 006999	4
50	113N3605-2		.WEDGE-TE POSITION DATA: OUTBD ATTACHING PARTS	002004 006999	1
- 55	BACR15CE6B		.RIVET- SIZE DETERMINED ON INSTL. -----*-----	002004 006999	14
60	113N3600-27		.STRIP-RUB POSITION DATA: INBD MANUFACTURED FROM: SH PHENOLIC TYPE FBE 0.015 IN 1.00 IN 6.20 IN	002004 006999	1
65	113N3600-31		.STRIP-RUB POSITION DATA: OUTBD MANUFACTURED FROM: SH PHENOLIC MILP15035 TYPE FBE 0.015 IN 1.00 IN 6.80 IN	002004 006999	1
70	113N3600-28		.STRIP-RUB POSITION DATA: INBD CTR MANUFACTURED FROM: SH PHENOLIC MILP15035 TYPE FBE .015 IN 1.00 IN 6.30 IN	002004 006999	1
75	113N3600-29		.STRIP-RUB POSITION DATA: CTR MANUFACTURED FROM: SH PHENOLIC MILP15035 TYPE FBE .015 IN 1.00 IN 68.00 IN	002004 006999	1

MISSING ITEM NUMBERS NOT APPLICABLE

- ITEM NOT ILLUSTRATED

57-53-10-51

57-53-10
FIG. 51
PAGE 20
JAN 20/09

BRI



757

PARTS CATALOG (MAINTENANCE)

FIG ITEM	PART NUMBER	1 2 3 4 5 6 7	NOMENCLATURE	EFFECT FROM TO	UNITS PER ASSY
51					
80	113N3600-30	.	STRIP-RUB POSITION DATA: OUTBD CTR MANUFACTURED FROM: SH PHENOLIC MILP15035 TYPE FBE .015 IN 1.00 IN 82.0 IN	002004 006999	1
85	113N3600-44	.	SEAL- POSITION DATA: INBD MANUFACTURED FROM: EXTR RUBBER BMS1-50 TYPE 1 GRADE 60 BAC1521-678 84.10 IN.	002004 006999	1
90	113N3600-45	.	SEAL- POSITION DATA: CTR MANUFACTURED FROM: EXTR RUBBER BMS1-50 TYPE 1 GRADE 60 BAC1521-678 84.10 IN.	002004 006999	1
95	113N3600-46	.	SEAL- POSITION DATA: OUTBD MANUFACTURED FROM: EXTR RUBBER BMS1-50 TYPE 1 GRADE 60 BAC1521-678 79.60 IN.	002004 006999	1
100	113N3300-11	.	SEAL- POSITION DATA: LH SIDE MANUFACTURED FROM: EXTR RUBBER 10-60754-279 42.0 IN.	002004 006999	1
100	113N3300-21	.	SEAL- POSITION DATA: LH SIDE MANUFACTURED FROM: EXTR RUBBER 10-60754-279 42.0 IN.	002004 006999	1
- 105	113N3300-12	.	SEAL- POSITION DATA: RH SIDE MANUFACTURED FROM: EXTR RUBBER 10-60754-279 42.0 IN.	002004 006999	1

MISSING ITEM NUMBERS NOT APPLICABLE

- ITEM NOT ILLUSTRATED

57-53-10-51

57-53-10
FIG. 51
PAGE 21
JAN 20/09

BRI



757

PARTS CATALOG (MAINTENANCE)

FIG ITEM	PART NUMBER	1 2 3 4 5 6 7	NOMENCLATURE	EFFECT FROM TO	UNITS PER ASSY
51					
- 105	113N3300-22		.SEAL- POSITION DATA: RH SIDE MANUFACTURED FROM: EXTR RUBBER 10-60754-279 42.0 IN.	002004 006999	1
110	113N3312-1		.TRACK- POSITION DATA: LH SIDE	002004 006999	1
- 115	113N3312-2		.TRACK- POSITION DATA: RH SIDE	002004 006999	1
- 120	BACB30NN4K5		ATTACHING PARTS .BOLT	002004 006999	3
			-----*-----		
125	BACB30LH3K3		.BOLT-	002004 006999	9
130	AN960PD10L		.WASHER	002004 006999	9
135	BRH10C3D		.NUT SUPPLIER CODE: V52828 SPECIFICATION NUMBER: BACN10JC3CD OPTIONAL PART: T6C1032JCD V11815 NS202486-02 V80539 102LH9075-3W V72962 H51650-3BAC V15653	002004 006999	9
140	113N3310-3		.RETAINER	002004 006999	1
145	113N3310-4		.SEAL- MANUFACTURED FROM: EXTR RUBBER F25.01 10-60754-76 X 9.60 IN.	002004 006999	1

MISSING ITEM NUMBERS NOT APPLICABLE

- ITEM NOT ILLUSTRATED

57-53-10-51

57-53-10
FIG. 51
PAGE 22
JAN 20/09

BRI

BOEING PROPRIETARY - Copyright © - Unpublished Work - See title page for details.



757

PARTS CATALOG (MAINTENANCE)

FIG ITEM	PART NUMBER	1 2 3 4 5 6 7	NOMENCLATURE	EFFECT FROM TO	UNITS PER ASSY
51 150	HL441UC6-5		.BOLT- SUPPLIER CODE: V97928 SPECIFICATION NUMBER: BACB30FN6A5 OPTIONAL PART: HL441UC6-5 V73197 HL441UC6-5 V92215 HL41PY6-5 V80539 HL441N6-5 V80539 HL441UC6-5 V80539 67068-6A5 V56878 HL441UC6-5 V08524 HL441UC6-5 V56878 L839-6A5 V06725 HL441UC6-5 V56878 BACB30VF3K5	002004 006999	1
150	BACB30VF3K5		.BOLT- OPTIONAL PART: BACB30FN6A5	002004 006999	1

MISSING ITEM NUMBERS NOT APPLICABLE

- ITEM NOT ILLUSTRATED

BRI

57-53-10-51

BOEING PROPRIETARY - Copyright © - Unpublished Work - See title page for details.

57-53-10
FIG. 51
PAGE 23
JAN 20/09



757

PARTS CATALOG (MAINTENANCE)

FIG ITEM	PART NUMBER	1 2 3 4 5 6 7	NOMENCLATURE	EFFECT FROM TO	UNITS PER ASSY
51 155	HL441UC6-7	.BOLT-	SUPPLIER CODE: V97928 SPECIFICATION NUMBER: BACB30FN6A7 OPTIONAL PART: HL441UC6-7 V73197 HL441UC6-7 V92215 HL41PY6-7 V80539 HL441N6-7 V80539 HL441UC6-7 V80539 67068-6A7 V56878 HL441UC6-7 V08524 HL441UC6-7 V56878 L839-6A7 V06725 HL441UC6-7 V56878 BACB30VF3K7	002004 006999	2
155	BACB30VF3K7	.BOLT-	OPTIONAL PART: BACB30FN6A7	002004 006999	2
157	BACB30VF3K7	.BOLT		103106 108120	4
160	BACB30VF3K3	.BOLT-	POST ALERT SB: 57A0058R1	002004 006999	1
165	BACB30VF3K5	.BOLT-	POST ALERT SB: 57A0058R1	002004 006999	3
167	BACB30VF3K6	.BOLT		103106 108120	4
170	BACB30VF3K6	.BOLT-	POST ALERT SB: 57A0058R1	002004 006999	3
175	BACB30VF3K6	.BOLT-	POST ALERT SB: 57A0058R1	002004 006999	2
180	BACB30VF3K6	.BOLT-	POST ALERT SB: 57A0058R1	002004 006999	4

MISSING ITEM NUMBERS NOT APPLICABLE

- ITEM NOT ILLUSTRATED

57-53-10-51

57-53-10
FIG. 51
PAGE 24
JAN 20/09

BRI

BOEING PROPRIETARY - Copyright © - Unpublished Work - See title page for details.



757

PARTS CATALOG (MAINTENANCE)

FIG ITEM	PART NUMBER	1 2 3 4 5 6 7	NOMENCLATURE	EFFECT FROM TO	UNITS PER ASSY
51					
185	BACR15CE6D	.RIVET-	SIZE DETERMINED ON INSTL.	002004 006999	2
190	AN960PD10	.WASHER-	PRE SERVICE BULLETIN: 57-0058 PRE ALERT SB: 57A0058R1	002004 006102 107107 121999	4
190	NAS1149D0363J	.WASHER-	POST SERVICE BULLETIN: 57-0058 POST ALERT SB: 57A0058R1	002004 006999	4
195	AN960PD10	.WASHER-	PRE SERVICE BULLETIN: 57-0058 PRE ALERT SB: 57A0058R1	002004 006102 107107 121999	3
195	NAS1149D0363J	.WASHER-	POST SERVICE BULLETIN: 57-0058 POST ALERT SB: 57A0058R1	002004 006999	3
200	BACW10P44AL	.WASHER		002004 006999	1
205	BRH10C3D	.NUT	SUPPLIER CODE: V52828 SPECIFICATION NUMBER: BACN10JC3CD OPTIONAL PART: T6C1032JCD V11815 NS202486-02 V80539 102LH9075-3W V72962 H51650-3BAC V15653	002004 006999	5
205	PLH53CD	.NUT	SUPPLIER CODE: VF0224 SPECIFICATION NUMBER: BACN10YR3CD OPTIONAL PART: H52732-3CD V15653	103106 108120	5

MISSING ITEM NUMBERS NOT APPLICABLE

- ITEM NOT ILLUSTRATED

57-53-10-51

57-53-10
FIG. 51
PAGE 25
JAN 20/09

BRI



757

PARTS CATALOG (MAINTENANCE)

FIG ITEM	PART NUMBER	1 2 3 4 5 6 7	NOMENCLATURE	EFFECT FROM TO	UNITS PER ASSY
51 208	BRH10C3D	.NUT	SUPPLIER CODE: V52828 SPECIFICATION NUMBER: BACN10JC3CD OPTIONAL PART: T6C1032JCD V11815 NS202486-02 V80539 102LH9075-3W V72962 H51650-3BAC V15653	002004 006999	1
210	BRH10C3D	.NUT	SUPPLIER CODE: V52828 SPECIFICATION NUMBER: BACN10JC3CD OPTIONAL PART: T6C1032JCD V11815 NS202486-02 V80539 102LH9075-3W V72962 H51650-3BAC V15653	002004 006999	4
213	PLH53CD	.NUT	SUPPLIER CODE: VF0224 SPECIFICATION NUMBER: BACN10YR3CD OPTIONAL PART: H52732-3CD V15653	002004 006999	4
215	BACS40R14B21F	.SHIM		002004 006999	1
220	BACS40R014C018F	.SHIM-	OPTIONAL PART: BACS40R014B018F	002004 006999	2
220	BACS40R014B018F	.SHIM-	OPTIONAL PART: BACS40R014C018F	103106 108120	2
225	BACS40R012C020F	.SHIM-		002004 006999	1
230	BACS40R012C014F	.SHIM-		002004 006999	1

MISSING ITEM NUMBERS NOT APPLICABLE

- ITEM NOT ILLUSTRATED

57-53-10-51

57-53-10
FIG. 51
PAGE 26
JAN 20/09

BRI

BOEING PROPRIETARY - Copyright © - Unpublished Work - See title page for details.



757

PARTS CATALOG (MAINTENANCE)

FIG ITEM	PART NUMBER	1 2 3 4 5 6 7	NOMENCLATURE	EFFECT FROM TO	UNITS PER ASSY
51					
235	BACS40R008C032F	.	SHIM-	002004 006999	1
240	113N3320-5	.	SEAL- POSITION DATA: LH SIDE MANUFACTURED FROM: EXTR RUBBER F25.01 BAC1521-689 9.8 IN.	002004 006999	1
- 245	113N3320-6	.	SEAL- POSITION DATA: RH SIDE MANUFACTURED FROM: EXTR RUBBER F25.01 BAC1521-689 9.8 IN.	002004 006999	1
250	113N3330-3	.	SEAL- POSITION DATA: LH SIDE MANUFACTURED FROM: EXTR RUBBER F25.01 BAC1521-689 5.8 IN.	002004 006999	1
250	113N3330-23	.	SEAL- POSITION DATA: LH SIDE MANUFACTURED FROM: EXTR RUBBER F25.01 BAC1521-689 5.8 IN.	002004 006999	1
- 255	113N3330-4	.	SEAL- POSITION DATA: RH SIDE MANUFACTURED FROM: EXTR RUBBER F25.01 BAC1521-689 5.8 IN.	002004 006999	1
- 255	113N3330-24	.	SEAL- POSITION DATA: RH SIDE MANUFACTURED FROM: EXTR RUBBER F25.01 BAC1521-689 5.8 IN.	002004 006999	1

MISSING ITEM NUMBERS NOT APPLICABLE

- ITEM NOT ILLUSTRATED

57-53-10-51

57-53-10
FIG. 51
PAGE 27
JAN 20/09

BRI



757

PARTS CATALOG (MAINTENANCE)

FIG ITEM	PART NUMBER	1 2 3 4 5 6 7	NOMENCLATURE	EFFECT FROM TO	UNITS PER ASSY
51 260	113N3340-5		.SEAL- POSITION DATA: LH SIDE MANUFACTURED FROM: EXTR RUBBER F25.01 BAC1521-689 5.8 IN.	002004 006999	1
- 265	113N3340-6		.SEAL- POSITION DATA: RH SIDE MANUFACTURED FROM: EXTR RUBBER F25.01 BAC1521-689 5.8 IN.	002004 006999	1
270	113N3350-3		.SEAL- POSITION DATA: LH SIDE MANUFACTURED FROM: EXTR RUBBER BAC1521-689 7.0 IN. PRE ALERT SB: 57A0058R1	002004 006102 107107 121999	1
270	113N3350-23		.SEAL- POSITION DATA: LH SIDE MANUFACTURED FROM: EXTR RUBBER BAC1521-689 7.0 IN. PRE ALERT SB: 57A0058R1	002004 006102 107107 121999	1
- 275	113N3350-4		.SEAL- POSITION DATA: RH SIDE MANUFACTURED FROM: EXTR RUBBER BAC1521-689 7.0 IN. PRE ALERT SB: 57A0058R1	002004 006102 107107 121999	1
- 275	113N3350-23		.SEAL- POSITION DATA: RH SIDE MANUFACTURED FROM: EXTR RUBBER BAC1521-689 7.0 IN. PRE ALERT SB: 57A0058R1	002004 006102 107107 121999	1
280	113N3312-3		.TRACK- POSITION DATA: LH SIDE	002004 006999	1
280	113N3312-13		.TRACK- POSITION DATA: LH SIDE	103106 108120	1

MISSING ITEM NUMBERS NOT APPLICABLE

- ITEM NOT ILLUSTRATED

57-53-10-51

57-53-10
FIG. 51
PAGE 28
JAN 20/09

BRI



757

PARTS CATALOG (MAINTENANCE)

FIG ITEM	PART NUMBER	1 2 3 4 5 6 7	NOMENCLATURE	EFFECT FROM TO	UNITS PER ASSY
51					
- 285	113N3312-4		.TRACK- POSITION DATA: RH SIDE	002004 006999	1
- 285	113N3312-14		.TRACK- POSITION DATA: RH SIDE	103106 108120	1
290	BACB30NN3K5		.BOLT	002004 006999	3
291	BACB30NN4K5		.BOLT	103106 108120	2
295	BACB30LR3K4		-----*----- .BOLT	002004 006999	5
300	AN960PD10L		.WASHER	002004 006999	5
305	BRH10C3D		.NUT SUPPLIER CODE: V52828 SPECIFICATION NUMBER: BACN10JC3CD OPTIONAL PART: T6C1032JCD V11815 NS202486-02 V80539 102LH9075-3W V72962 H51650-3BAC V15653	002004 006999	5
310	113N3360-3		.RETAINER	002004 006999	1
315	113N3360-4		.SEAL- MANUFACTURED FROM: EXTR RUBBER F25.01 10-60754-76 X 5.30 IN.	002004 006999	1
320	BACB30LH3-4		.BOLT-	002004 006999	31
330	AN960C10L		.WASHER-	101999	27
330	NAS1149C0332R		.WASHER- PRE SERVICE BULLETIN: 57-0058 PRE ALERT SB: 57A0058R1	002004 006100 121503 904999	27

MISSING ITEM NUMBERS NOT APPLICABLE

- ITEM NOT ILLUSTRATED

57-53-10-51

57-53-10
FIG. 51
PAGE 29
JAN 20/09

BRI



757

PARTS CATALOG (MAINTENANCE)

FIG ITEM	PART NUMBER	1 2 3 4 5 6 7	NOMENCLATURE	EFFECT FROM TO	UNITS PER ASSY
51 335	BRH10C3D	.NUT	SUPPLIER CODE: V52828 SPECIFICATION NUMBER: BACN10JC3CD OPTIONAL PART: T6C1032JCD V11815 NS202486-02 V80539 102LH9075-3W V72962 H51650-3BAC V15653	002004 006999	27
337	102F171-3	.NUTPLATE	SUPPLIER CODE: V72962 SPECIFICATION NUMBER: BACN10JB3CD OPTIONAL PART: BRF210C3D V52828 BRF2703D V52828 NS202485-02 V80539	002004 006999	4
- 338	BACR15BA3AD	ATTACHING PARTS .RIVET-	SIZE DETERMINED ON INSTL. -----*-----	002004 006999	8
340	113N3373-9	.RETAINER-SEAL SPRT	POSITION DATA: LH SIDE	002004 006999	1
- 345	113N3373-10	.RETAINER-SEAL SPRT	POSITION DATA: RH SIDE	002004 006999	1
350	113N3370-4	.SEAL-	POSITION DATA: LWR AFT MANUFACTURED FROM: EXTR RUBBER 10-60754-18 25.50 IN. PRE SERVICE BULLETIN: 57-0058 PRE ALERT SB: 57A0058R1	002004 006100 107107 121503 904999	1

MISSING ITEM NUMBERS NOT APPLICABLE

- ITEM NOT ILLUSTRATED

57-53-10-51

57-53-10
FIG. 51
PAGE 30
JAN 20/09

BRI



757

PARTS CATALOG (MAINTENANCE)

FIG ITEM	PART NUMBER	1 2 3 4 5 6 7	NOMENCLATURE	EFFECT FROM TO	UNITS PER ASSY
51					
350	113N3370-23	.SEAL-	POSITION DATA: LWR AFT MANUFACTURED FROM: EXTR RUBBER 10-60754-18 25.50 IN. POST ALERT SB: 57A0058R1	002004 006100 107107 121503 904999	1
350	113N3370-34	.SEAL-	POSITION DATA: LWR AFT MANUFACTURED FROM: EXTR RUBBER 10-60754-18 25.50 IN.	002004 006100 107107 121503 904999	1
355	113N3370-5	.SEAL-	POSITION DATA: LWR FWD MANUFACTURED FROM: EXTR RUBBER 10-60754-18 10.00 IN.	002004 006999	1
360	BACR15BA5AD	.RIVET-	SIZE DETERMINED ON INSTL. PRE SERVICE BULLETIN: 57-0058 PRE ALERT SB: 57A0058R1	002004 006100 103106 121503 904999	16
365	113N3373-7	.RETAINER-	PRE SERVICE BULLETIN: 57-0058 PRE ALERT SB: 57A0058R1	002004 006100 103106 121503 904999	1
370	113N3370-11	.SEAL-	MANUFACTURED FROM: EXTRA RUBBER 10-60754-35 18.50 IN. PRE SERVICE BULLETIN: 57-0058 PRE ALERT SB: 57A0058R1	002004 006100 103106 121503 904999	1
375	BACR15BA5D	.RIVET-	SIZE DETERMINED ON INSTL. POST SERVICE BULLETIN: 57-0024 PRE SERVICE BULLETIN: 57-0058 PRE ALERT SB: 57A0058R1	002004 006100 107107 121503 904999	2

MISSING ITEM NUMBERS NOT APPLICABLE

- ITEM NOT ILLUSTRATED

57-53-10-51

57-53-10
FIG. 51
PAGE 31
JAN 20/09

BRI



757

PARTS CATALOG (MAINTENANCE)

FIG ITEM	PART NUMBER	1 2 3 4 5 6 7	NOMENCLATURE	EFFECT FROM TO	UNITS PER ASSY
51 375	BACR15FT5D	.RIVET-	SIZE DETERMINED ON INSTL. OPTIONAL PART: BACR15FT5DD PRE ALERT SB: 57A0058R1	107107	2
375	BACR15FT5DD	.RIVET-	SIZE DETERMINED ON INSTL. OPTIONAL PART: BACR15FT5D PRE ALERT SB: 57A0058R1	107107	2
380	113N3335-1	.SEAL-BLOCK	POSITION DATA: LH SIDE POST SERVICE BULLETIN: 57-0024 PRE SERVICE BULLETIN: 57-0058 PRE ALERT SB: 57A0058R1	002004 006100 107107 121503 904999	1
380	113N3373-13	.SEAL-BLOCK	POSITION DATA: LH SIDE PRE ALERT SB: 57A0058R1	107107	1
- 385	113N3335-2	.SEAL-BLOCK	POSITION DATA: RH SIDE POST SERVICE BULLETIN: 57-0024 PRE SERVICE BULLETIN: 57-0058 PRE ALERT SB: 57A0058R1	002004 006100 107107 121503 904999	1
- 385	113N3373-14	.SEAL-BLOCK	POSITION DATA: RH SIDE PRE ALERT SB: 57A0058R1	107107	1
390	BACR15BB5D	.RIVET-	SIZE DETERMINED ON INSTL. POST SERVICE BULLETIN: 57-0024 POST ALERT SB: 57A0058R1	002004 006107 121999	11

MISSING ITEM NUMBERS NOT APPLICABLE

- ITEM NOT ILLUSTRATED

57-53-10-51

57-53-10
FIG. 51
PAGE 32
JAN 20/09

BRI



757

PARTS CATALOG (MAINTENANCE)

FIG ITEM	PART NUMBER	1 2 3 4 5 6 7	NOMENCLATURE	EFFECT FROM TO	UNITS PER ASSY
51 395	113N3373-17		.RETAINER- POST SERVICE BULLETIN: 57-0024 PRE SERVICE BULLETIN: 57-0058 PRE ALERT SB: 57A0058R1	002004 006100 107107 121503 904999	1
395	113N3373-18		.RETAINER- POST SERVICE BULLETIN: 57-0058 POST ALERT SB: 57A0058R1	002004 006999	1
400	113N3370-15		.SEAL- MANUFACTURED FROM: EXTR RUBBER 10-60754-130 X 16.9 IN. POST SERVICE BULLETIN: 57-0024 POST ALERT SB: 57A0058R1	002004 006999	1
405	113N3373-15		.SUPPORT- POSITION DATA: LH POST ALERT SB: 57A0058R1	002004 006999	1
405	113N3373-1		.SUPPORT- POSITION DATA: LH PRE ALERT SB: 57A0058R1	107107	1
- 410	113N3373-16		.SUPPORT- POSITION DATA: RH POST ALERT SB: 57A0058R1	002004 006999	1
- 410	113N3373-2		.SUPPORT- POSITION DATA: RH PRE ALERT SB: 57A0058R1	107107	1
425	113N3370-23		.SEAL- MANUFACTURED FROM: EXTR RUBBER 10-60754-18 25.50 IN.	002004 006999	1
425	113N3370-34		.SEAL- MANUFACTURED FROM: EXTR RUBBER 10-60754-18 25.50 IN.	002004 006999	1

MISSING ITEM NUMBERS NOT APPLICABLE

- ITEM NOT ILLUSTRATED

57-53-10-51

57-53-10
FIG. 51
PAGE 33
JAN 20/09

BRI



757

PARTS CATALOG (MAINTENANCE)

FIG ITEM	PART NUMBER	1 2 3 4 5 6 7	NOMENCLATURE	EFFECT FROM TO	UNITS PER ASSY
51					
431	BACB30NR4K6	.	BOLT	103106 108120	1
436	BACB30NN4K6	.	BOLT	103106 108120	3
441	102F171-4	.	NUTPLATE SUPPLIER CODE: V72962 SPECIFICATION NUMBER: BACN10JB4CD OPTIONAL PART: BRF210C4D V52828 BRF270C4D V52828 NS202485-048 V80539	103106 108120	3
- 446	BACR15BA3AD	.	ATTACHING PARTS RIVET- SIZE DETERMINED ON INSTL. -----*-----	103106 108120	6
451	113N3312-9	.	TRACK ASSY- POSITION DATA: LH SIDE	103106 108120	1
- 456	113N3312-10	.	TRACK ASSY- POSITION DATA: RH SIDE	103106 108120	1
461	113N3312-11	..	TRACK- POSITION DATA: LH SIDE	103106 108120	1
- 465	113N3312-12	..	TRACK- POSITION DATA: RH SIDE	103106 108120	1
470	113N3313-1	.	FITTING-STOP	103106 108120	1

MISSING ITEM NUMBERS NOT APPLICABLE

- ITEM NOT ILLUSTRATED

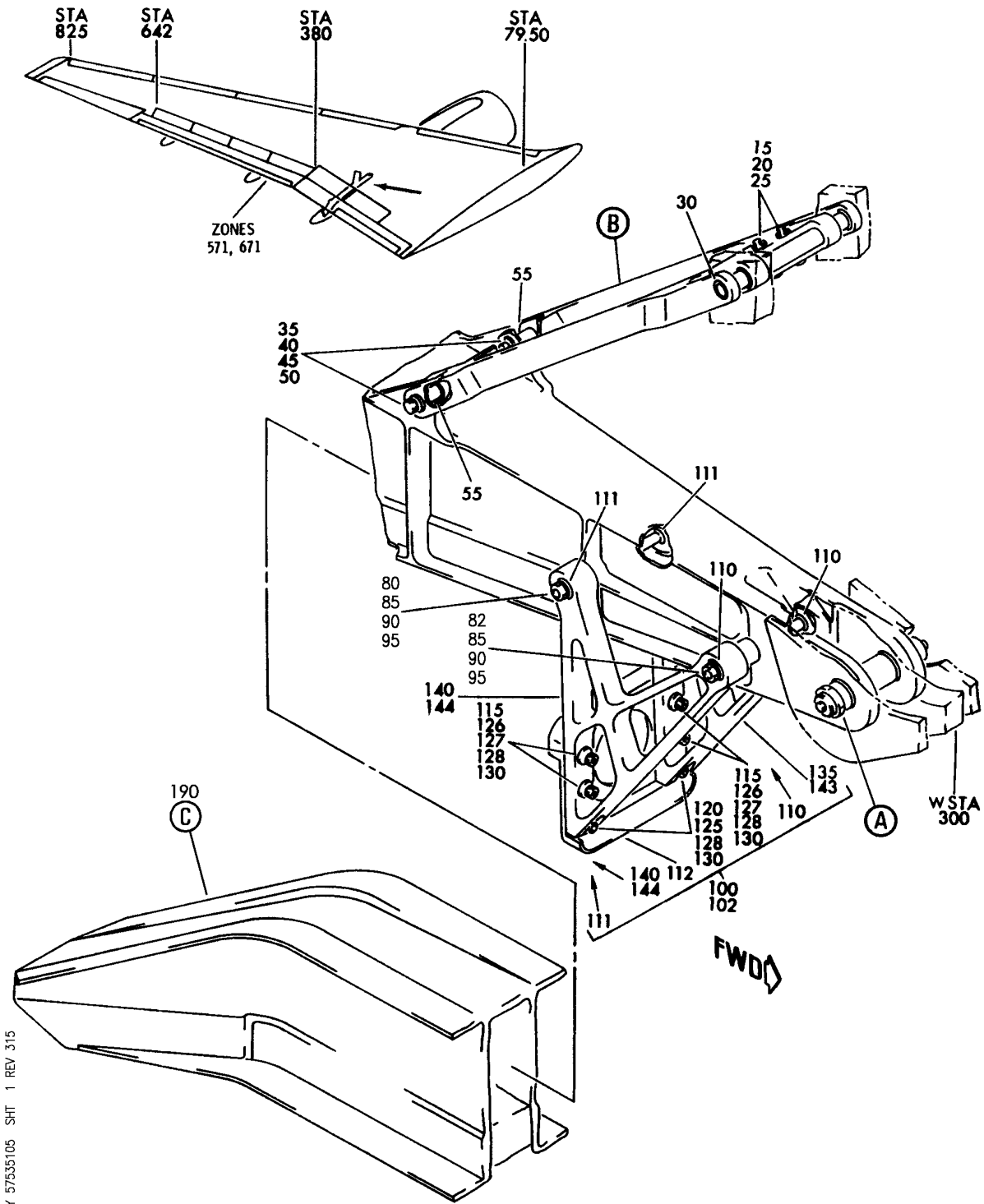
57-53-10-51

57-53-10
FIG. 51
PAGE 34
JAN 20/09

BRI

BOEING PROPRIETARY - Copyright © - Unpublished Work - See title page for details.

BOEING
757
PARTS CATALOG (MAINTENANCE)



Y 57535105 SHT 1 REV 315

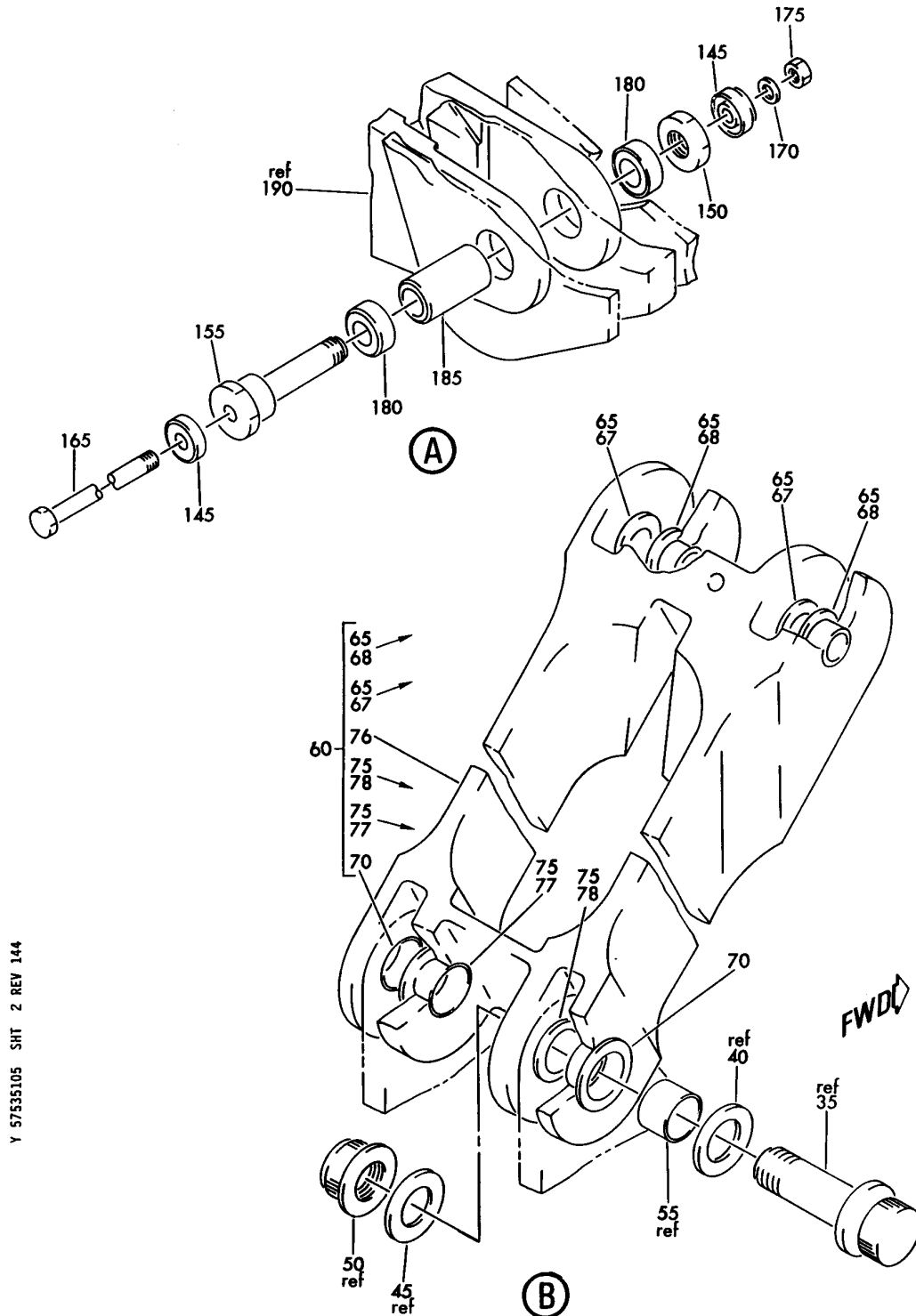
SUPPORT INSTL-INBD MAIN FLAP OUTBD TRACK
FIGURE 5 (SHEET 1)

57-53-51-05

BRI
SEP 28/07

57-53-51-05
PAGE 0

BOEING
757
PARTS CATALOG (MAINTENANCE)



Y 57535105 SHT 2 REV 144

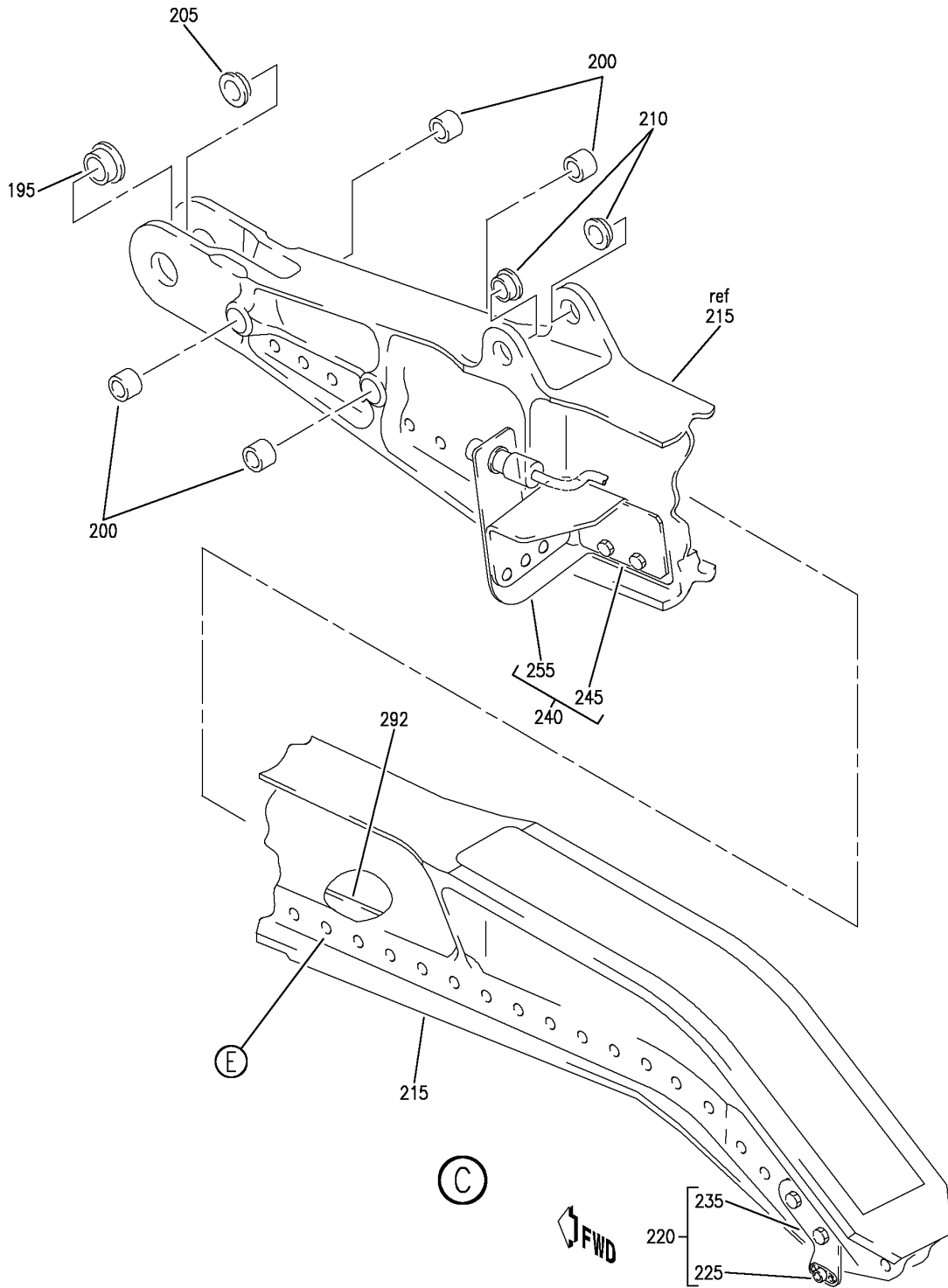
SUPPORT INSTL-INBD MAIN FLAP OUTBD TRACK
FIGURE 5 (SHEET 2)

57-53-51-05

BRI
MAY 28/07

57-53-51-05
PAGE 0A

BOEING
 757
 PARTS CATALOG (MAINTENANCE)



Y 57535105 SHT 3 REV 249

SUPPORT INSTL-INBD MAIN FLAP OUTBD TRACK
 FIGURE 5 (SHEET 3)

57-53-51-05

BRI
 MAY 28/07

57-53-51-05
 PAGE 0B



757

PARTS CATALOG (MAINTENANCE)

FIG ITEM	PART NUMBER	1 2 3 4 5 6 7	NOMENCLATURE	EFFECT FROM TO	UNITS PER ASSY
5			SUPPORT INSTL-INBD MAIN FLAP OUTBD TRACK	002004 006999	
- 5	113N1200-1		SUPPORT INSTL- POSITION DATA: INBD MAIN FLAP OUTBD TRACK LH FOR NHA SEE: 57-50-00-01	002004 006100 107107 121503 904999	RF
- 5	113N1200-401		SUPPORT INSTL- POSITION DATA: INBD MAIN FLAP OUTBD TRACK LH FOR NHA SEE: 57-00-00-05	101102 108120 504903	RF
- 5	MODREF26517		SUPPORT INSTL- MODULE NUMBER: 113N1200-203 REV B POSITION DATA: INBD MAIN FLAP OUTBD TRACK LH	104105	1
- 5	MODREF32696		SUPPORT INSTL- MODULE NUMBER: 113N1200-203 REV C POSITION DATA: INBD MAIN FLAP OUTBD TRACK LH	106106	1
- 6	MODREF19083		SUPPORT INSTL- MODULE NUMBER: 113N1200-203 REV A POSITION DATA: INBD MAIN FLAP OUTBD TRACK LH	103103	1
- 10	113N1200-2		SUPPORT INSTL- POSITION DATA: INBD MAIN FLAP OUTBD TRACK RH FOR NHA SEE: 57-50-00-01	002004 006100 107107 121503 904999	RF
- 10	113N1200-402		SUPPORT INSTL- POSITION DATA: INBD MAIN FLAP OUTBD TRACK RH FOR NHA SEE: 57-00-00-05	101102 108120 504903	RF

MISSING ITEM NUMBERS NOT APPLICABLE

- ITEM NOT ILLUSTRATED

57-53-51-05

57-53-51
FIG. 05
PAGE 1
JAN 20/09

BRI



757

PARTS CATALOG (MAINTENANCE)

FIG ITEM	PART NUMBER	1 2 3 4 5 6 7	NOMENCLATURE	EFFECT FROM TO	UNITS PER ASSY
5					
- 10	MODREF26518		SUPPORT INSTL- MODULE NUMBER: 113N1200-204 REV B POSITION DATA: INBD MAIN FLAP OUTBD TRACK RH	104105	1
- 10	MODREF32697		SUPPORT INSTL- MODULE NUMBER: 113N1200-204 REV C POSITION DATA: INBD MAIN FLAP OUTBD TRACK RH	106106	1
- 11	MODREF19084		SUPPORT INSTL- MODULE NUMBER: 113N1200-204 REV A POSITION DATA: INBD MAIN FLAP OUTBD TRACK RH	103103	1
15	BACB30NR5K40		.BOLT	002004 006999	2
20	AN960PD516		.WASHER	002004 006100 107107 121503 904999	2
20	NAS1149D0563J		.WASHER	101106 108120 504903	2
25	BRH10C5D		.NUT SUPPLIER CODE: V52828 SPECIFICATION NUMBER: BACN10JC5CD OPTIONAL PART: T6C524JCD V11815 102LH9075-5W V72962 H51650-5BAC V15653	002004 006999	2
30	113N1256-1		.PIN-SPECIAL	002004 006999	1
30	113N1256-2		.PIN-SPECIAL	002004 006999	1
35	BACB30LE12-33		.BOLT	002004 006999	2
40	BACW10BN12SC		.WASHER- POSITION DATA: UNDER HEAD	002004 006999	2

MISSING ITEM NUMBERS NOT APPLICABLE

- ITEM NOT ILLUSTRATED

57-53-51-05

57-53-51
FIG. 05
PAGE 2
JAN 20/09

BRI



757

PARTS CATALOG (MAINTENANCE)

FIG ITEM	PART NUMBER	1 2 3 4 5 6 7	NOMENCLATURE	EFFECT FROM TO	UNITS PER ASSY
5					
45	BACW10BP12DP	.	WASHER- POSITION DATA: UNDER NUT	002004 006999	2
50	CR603012	.	NUT SUPPLIER CODE: V62554 SPECIFICATION NUMBER: BACN10HR12CD OPTIONAL PART: BH00303CM12 V27238 H51560-12 V15653 102CH9031-12 V72962 67832CD1216 V56878 BMN10HRCWD3-12 V97928 SL7108C12 V11815 VCU0005D12 V06710 102LH903112 V72962 BMN5024CWD312 V97928	002004 006999	2
55	BACB28AK12-128	.	BUSHING	002004 006999	2
60	113N1245-5	.	STRUT ASSY- OPTIONAL PART: 113N1245-7	002004 006999	1
60	113N1245-7	.	STRUT ASSY- OPTIONAL PART: 113N1245-5	002004 006999	1
65	113N1257-1	..	BUSHING-	002004 006999	4
70	BACB28AM17B033A	..	BUSHING-	002004 006999	2
75	BACB28AP12P055	..	BUSHING-	002004 006999	2
76	113N1245-6	..	SUPPORT- USED ON: 113N1245-5	002004 006999	1
76	113N1245-8	..	SUPPORT- USED ON: 113N1245-7	002004 006999	1
80	BACB30LT10-113	.	BOLT	002004 006999	1

MISSING ITEM NUMBERS NOT APPLICABLE

- ITEM NOT ILLUSTRATED

57-53-51-05

57-53-51
FIG. 05
PAGE 3
JAN 20/09

BRI

BOEING PROPRIETARY - Copyright © - Unpublished Work - See title page for details.



757

PARTS CATALOG (MAINTENANCE)

FIG ITEM	PART NUMBER	1 2 3 4 5 6 7	NOMENCLATURE	EFFECT FROM TO	UNITS PER ASSY
5					
82	BACB30LT10-97	.BOLT-		002004 006999	1
85	BACW10BN10SC	.WASHER		002004 006999	2
90	AN960PD1016	.WASHER		002004 006100 107107 121503 904999	2
90	NAS1149D1063J	.WASHER		101106 108120 504903 002004 006999	2
95	102LH9074-10	.NUT			2
		SUPPLIER CODE:			
		V72962			
		SPECIFICATION NUMBER:			
		BACN10JC10CD			
		OPTIONAL PART:			
		H51650-10BAC			
		V15653			
		69235-1018CD			
		V92215			
		BMN4122CPD8-10			
		V97928			
102	113N1260-7	.FITTING ASSY-		107107	1
		POSITION DATA:		904949	
		LH SIDE			
102	113N1260-21	.FITTING ASSY-		107107	1
		POSITION DATA:		904949	
		LH SIDE			
102	113N1260-25	.FITTING ASSY-		002004	1
		POSITION DATA:		006105	
		LH SIDE		108903	
		OPTIONAL PART:		950999	
		113N1249-11			
102	113N1249-11	.FITTING ASSY-		002004	1
		POSITION DATA:		006105	
		LH SIDE		108903	
		OPTIONAL PART:		950999	
		113N1260-25			
102	113N1249-19	.FITTING ASSY-		106106	1
		POSITION DATA:			
		LH SIDE			
- 107	113N1260-8	.FITTING ASSY-		107107	1
		POSITION DATA:		904949	
		RH SIDE			
- 107	113N1260-22	.FITTING ASSY-		107107	1
		POSITION DATA:		904949	
		RH SIDE			

MISSING ITEM NUMBERS NOT APPLICABLE

- ITEM NOT ILLUSTRATED

57-53-51-05

57-53-51
FIG. 05
PAGE 4
JAN 20/09

BRI



757

PARTS CATALOG (MAINTENANCE)

FIG ITEM	PART NUMBER	1 2 3 4 5 6 7	NOMENCLATURE	EFFECT FROM TO	UNITS PER ASSY
5					
- 107	113N1260-26		.FITTING ASSY- POSITION DATA: RH SIDE OPTIONAL PART: 113N1249-12	002004 006105 108903 950999	1
- 107	113N1249-12		.FITTING ASSY- POSITION DATA: RH SIDE OPTIONAL PART: 113N1260-26	002004 006105 108903 950999	1
- 107	113N1249-20		.FITTING ASSY- POSITION DATA: RH SIDE	106106	1
110	BACB28AP10P118		..BUSHING-	002004 006999	2
111	BACB28AP10P068		..BUSHING-	002004 006101 103503 506999	2
112	113N1249-9		..PLATE- POSITION DATA: LH SIDE USED ON: 113N1260-7 113N1260-13 113N1260-21 113N1249-19 USED ON: 113N1260-25 113N1249-11	002004 006999	1
- 113	113N1249-10		..PLATE- POSITION DATA: RH SIDE USED ON: 113N1260-8 113N1260-14 113N1260-22 113N1249-20 USED ON: 113N1260-26 113N1249-12	002004 006999	1
115	BACB30LE6K13		ATTACHING PARTS ..BOLT- USED ON: 113N1249-19 113N1249-20 USED ON: 113N1260-25 113N1260-26	002004 006100 103106 121503 950999	4

MISSING ITEM NUMBERS NOT APPLICABLE

- ITEM NOT ILLUSTRATED

57-53-51-05

57-53-51
FIG. 05
PAGE 5
JAN 20/09

BRI

BOEING PROPRIETARY - Copyright © - Unpublished Work - See title page for details.



757

PARTS CATALOG (MAINTENANCE)

FIG ITEM	PART NUMBER	1 2 3 4 5 6 7	NOMENCLATURE	EFFECT FROM TO	UNITS PER ASSY
5					
115	BACB30LE6-13	..	BOLT- USED ON: 113N1249-11 113N1249-12	002004 006105 108903 950999	4
115	BACB30LE6-15	..	BOLT- OPTIONAL PART: BACB30LE6K15	107107 904949	4
115	BACB30LE6K15	..	BOLT- OPTIONAL PART: BACB30LE6-15	107107 904949	4
120	BACB30LE6-19	..	BOLT- OPTIONAL PART: BACB30LE6K19 V06710	107107 904949	2
120	BACB30LE6K19	..	BOLT- OPTIONAL PART: BACB30LE6-19	106107 904949	2
120	BACB30LE6-21	..	BOLT- OPTIONAL PART: BACB30LE6K21 V06710	002004 006105 108903 950999	2
120	BACB30LE6K21	..	BOLT- OPTIONAL PART: BACB30LE6-21	002004 006100 103105 121503 950999	2
125	AN960-616	..	WASHER- POSITION DATA: UNDER NUT	002004 006105 107999	2
125	NAS1149F0663P	..	WASHER- POSITION DATA: UNDER NUT	106106	2
126	K29913-6	..	WASHER- SUPPLIER CODE: V15653 SPECIFICATION NUMBER: BACW10CA6CC OPTIONAL PART: 70191-6 V56878 922008-6 V60119 942008-6 V60119	107107 904949	4
126	AN960-616	..	WASHER- POSITION DATA: UNDER NUT	002004 006100 103105 121503 950999	4

MISSING ITEM NUMBERS NOT APPLICABLE

- ITEM NOT ILLUSTRATED

57-53-51-05

57-53-51
FIG. 05
PAGE 6
JAN 20/09

BRI

BOEING PROPRIETARY - Copyright © - Unpublished Work - See title page for details.



757

PARTS CATALOG (MAINTENANCE)

FIG ITEM	PART NUMBER	1 2 3 4 5 6 7	NOMENCLATURE	EFFECT FROM TO	UNITS PER ASSY
5					
126	NAS1149F0663P	..	WASHER- POSITION DATA: UNDER NUT	106106	4
127	K29646-6	..	WASHER SUPPLIER CODE: V15653 SPECIFICATION NUMBER: BACW10CA6CV OPTIONAL PART: 70188-6 V56878 922007-6 V60119 942007-6 V60119	107107 904949	4
128	BACW10BP6C	..	WASHER- POSITION DATA: UNDER BOLT	002004 006100 103106 121503 950999	6
130	BH003026	..	NUT- SUPPLIER CODE: V27238 SPECIFICATION NUMBER: BACN10HR6 OPTIONAL PART: BMNN10HR6 V97928 H966 V15653 RMLH226 V72962 VAL280096 V06710 678326 V56878 H96-6 V15653 RMLH22-6 V72962 SL7058S624 V11815 67832-624 V56878 BH00302-6 V27238 CR5906-6 VF0224	002004 006105 107999	6

MISSING ITEM NUMBERS NOT APPLICABLE

- ITEM NOT ILLUSTRATED

57-53-51-05

57-53-51
FIG. 05
PAGE 7
JAN 20/09

BRI



757

PARTS CATALOG (MAINTENANCE)

FIG ITEM	PART NUMBER	1 2 3 4 5 6 7	NOMENCLATURE	EFFECT FROM TO	UNITS PER ASSY
5 R	130	BMN10HRCWD3-6	..NUT- SUPPLIER CODE: V97928 SPECIFICATION NUMBER: BACN10HR6CD OPTIONAL PART: H51560-6 V15653 67832CD624 V56878 102LH9031-6 V72962 BH00303CM6 V27238 SL7108C624 V11815 BMN5024CWD36 V97928 SL7108C6 V11815 102LH90316 V72962 67832CD6 V56878 VCU0005D6 V06710 CR60306 VF0224 CR60306 VF0224 -----*-----	106106	6
	143	113N1260-9	.. FITTING- USED ON: 113N1260-7 113N1260-8	107107 904949	1
	143	113N1260-23	.. FITTING- USED ON: 113N1260-21 113N1260-22	107107 904949	1
	143	113N1260-27	.. FITTING- USED ON: 113N1260-25 113N1260-26	002004 006105 108903 950999	1
	143	113N1249-13	.. FITTING- USED ON: 113N1249-11 113N1249-12	002004 006105 108903 950999	1

MISSING ITEM NUMBERS NOT APPLICABLE

- ITEM NOT ILLUSTRATED

57-53-51-05

57-53-51
FIG. 05
PAGE 8
MAY 20/09

BRI



757

PARTS CATALOG (MAINTENANCE)

FIG ITEM	PART NUMBER	1 2 3 4 5 6 7	NOMENCLATURE	EFFECT FROM TO	UNITS PER ASSY
5					
143	113N1260-21	..	FITTING ASSY- USED ON: 113N1249-19 113N1249-20	106106	1
144	113N1260-10	..	FITTING- USED ON: 113N1260-7 113N1260-8	107107 904949	1
144	113N1260-24	..	FITTING- USED ON: 113N1260-21 113N1260-22	107107 904949	1
144	113N1260-28	..	FITTING- USED ON: 113N1260-25 113N1260-26	002004 006105 108903 950999	1
144	113N1249-14	..	FITTING- USED ON: 113N1249-11 113N1249-12	002004 006105 108903 950999	1
144	113N1249-22	..	FITTING- USED ON: 113N1249-19 113N1249-20	106106	1
145	113N1252-1	.	CAP-END	002004 006999	2
150	NAS1423-20	.	NUT	002004 006999	1
155	113N1251-1	.	PIN-FUSE	002004 006999	1
- 160	MS24665-153	.	PIN	002004 006999	1
165	BACB30NR4DK92	.	BOLT-	002004 006999	1
170	AN960PD416	.	WASHER	002004 006100 107107 121503 904999	1
170	NAS1149D0463J	.	WASHER	101106 108120 504903	1
175	BACN10JD104	.	NUT	002004 006999	1
180	113N1255-1	.	BUSHING	002004 006999	2
185	BACB28AK20-181	.	BUSHING	002004 006999	1

MISSING ITEM NUMBERS NOT APPLICABLE

- ITEM NOT ILLUSTRATED

57-53-51-05

57-53-51
FIG. 05
PAGE 9
JAN 20/09

BRI

BOEING PROPRIETARY - Copyright © - Unpublished Work - See title page for details.



757

PARTS CATALOG (MAINTENANCE)

FIG ITEM	PART NUMBER	1 2 3 4 5 6 7	NOMENCLATURE	EFFECT FROM TO	UNITS PER ASSY
5					
190	113N1220-4	.TRACK ASSY-	COMPONENT MAINT MANUAL REF: 27-51-87	002004 006102 107999	1
190	113N1220-16	.TRACK ASSY-	COMPONENT MAINT MANUAL REF: 27-51-87	103106	1
190	113N1220-19	.TRACK ASSY-	COMPONENT MAINT MANUAL REF: 27-51-87	103106	1
195	BACB28AT28B048C	..BUSHING		002004 006100 103107 121503 904999	1
200	BACB28AP10P150	..BUSHING		002004 006999	4
205	BACB28AP20P048	..BUSHING		002004 006999	1
210	BACB28AT17B043C	..BUSHING		002004 006999	2
215	113N1220-5	..TRACK		002004 006102 107999	1
215	113N1220-17	..TRACK		103106	1
220	287N1316-13	..BRACKET ASSY		103106	1
225	WSI4-4	...NUTPLATE	SUPPLIER CODE: V04169 SPECIFICATION NUMBER: BACN10TL3-4 ATTACHING PARTS	103106	1
- 230	MS20427M3-3	...RIVET-	SIZE DETERMINED ON INSTL. -----*-----	103106	2
235	287N1316-14	...BRACKET ASSY		103106	1
240	287N1318-6	..BRACKET ASSY		103106	1
245	287N1316-4	...PLATE	ATTACHING PARTS	103106	1
- 250	MS20427M3C5	...RIVET-	SIZE DETERMINED ON INSTL. -----*-----	103106	2
255	287N1316-11	...BRACKET	ATTACHING PARTS	103106	1
- 260	MS20615-5M5	...RIVET-	SIZE DETERMINED ON INSTL. -----*-----	103106	3
261	BACCS12GU3K6	..SCREW		103106	1

MISSING ITEM NUMBERS NOT APPLICABLE

- ITEM NOT ILLUSTRATED

57-53-51-05

57-53-51
FIG. 05
PAGE 10
JAN 20/09

BRI



757

PARTS CATALOG (MAINTENANCE)

FIG ITEM	PART NUMBER	1 2 3 4 5 6 7	NOMENCLATURE	EFFECT FROM TO	UNITS PER ASSY
5 262	S717-101	..	CLAMP SUPPLIER CODE: V18076 SPECIFICATION NUMBER: BACC10GU101 OPTIONAL PART: 534CS101 V83930 JM44LC39S101RG V22175	103106	1
265	BACB30NR5K27	..	BOLT	002004 006999	11
270	113N1312-7	..	BOLT- OPTIONAL PART: 113N1312-3	002004 006999	16
270	113N1312-3	..	BOLT- OPTIONAL PART: 113N1312-7	002004 006999	16
275	BACB30NR5K30	..	BOLT	103106	1
280	BACB30NR5K30	..	BOLT	002004 006102 107999	3
282	BACB30NR5K32	..	BOLT	103106	2
285	BACB30NR5K31	..	BOLT	002004 006999	5
290	BACB30NR5K52	..	BOLT	002004 006999	2
292	113N1220-3	..	SPACER	002004 006102 107999	1
292	113N1220-18	..	SPACER- OPTIONAL PART: 113N1220-3	103106	1
292	113N1220-3	..	SPACER- OPTIONAL PART: 113N1220-18	103106	1
295	NAS1149F0563P	..	WASHER- POSITION DATA: UNDER HEAD OPTIONAL PART: BACW10BP5CD	002004 006102 107999	16
295	BACW10BP5CD	..	WASHER- POSITION DATA: UNDER HEAD OPTIONAL PART: NAS1149F0532P	002004 006102 107999	16

MISSING ITEM NUMBERS NOT APPLICABLE

- ITEM NOT ILLUSTRATED

57-53-51-05

57-53-51
FIG. 05
PAGE 11
JAN 20/09

BRI

BOEING PROPRIETARY - Copyright © - Unpublished Work - See title page for details.



757

PARTS CATALOG (MAINTENANCE)

FIG ITEM	PART NUMBER	1 2 3 4 5 6 7	NOMENCLATURE	EFFECT FROM TO	UNITS PER ASSY
5					
296	NAS1149F0563P	..	WASHER- POSITION DATA: UNDER HEAD OPTIONAL PART: BACW10BP5CD	103106	6
296	BACW10BP5CD	..	WASHER- POSITION DATA: UNDER HEAD OPTIONAL PART: NAS1149F0532P	103106	6
300	BACW10BP5CD	..	WASHER- POSITION DATA: UNDER HEAD	002004 006102 107999	21
302	BACW10BP5CD	..	WASHER- POSITION DATA: UNDER HEAD OPTIONAL PART: NAS1149F0563P	103106	21
302	NAS1149F0563P	..	WASHER- POSITION DATA: UNDER HEAD OPTIONAL PART: BACW10BP5CD	103106	21
305	NAS1149F0532P	..	WASHER	002004 006102 107999 103106	16
306	NAS1149F0532P	..	WASHER- POSITION DATA: UNDER NUT OPTIONAL PART: BACW10BP5DP	103106	18
306	BACW10BP5DP	..	WASHER- POSITION DATA: UNDER NUT OPTIONAL PART: NAS1149F0532P	103106	18
310	NAS1149F0532P	..	WASHER- POSITION DATA: UNDER NUT OPTIONAL PART: BACW10BP5DP	002004 006102 107999	21
310	BACW10BP5DP	..	WASHER- POSITION DATA: UNDER NUT OPTIONAL PART: NAS1149F0532P	002004 006102 107999	21
312	BACW10BP5DP	..	WASHER- POSITION DATA: UNDER NUT	103106	2

MISSING ITEM NUMBERS NOT APPLICABLE

- ITEM NOT ILLUSTRATED

57-53-51-05

57-53-51
FIG. 05
PAGE 12
JAN 20/09

BRI

BOEING PROPRIETARY - Copyright © - Unpublished Work - See title page for details.



757

PARTS CATALOG (MAINTENANCE)

FIG ITEM	PART NUMBER	1 2 3 4 5 6 7	NOMENCLATURE	EFFECT FROM TO	UNITS PER ASSY
5					
315	BACW10P219S	..	WASHER- POSITION DATA: UNDER HEAD	002004 006999	16
316	NAS1149E0516P	..	WASHER- POSITION DATA: UNDER HEAD	103106	2
318	NAS1149F0532F	..	WASHER- POSITION DATA: UNDER NUT	103106	1
320	MS21042L5	..	NUT	002004 006102 107999	37
320	PLH55CD	..	NUT SUPPLIER CODE: VFO224 SPECIFICATION NUMBER: BACN10YR5CD OPTIONAL PART: H52732-5CD V15653	103106	37
325	ABC55898	..	CABLE ASSY- SUPPLIER CODE: V06324	103106	1

MISSING ITEM NUMBERS NOT APPLICABLE

- ITEM NOT ILLUSTRATED

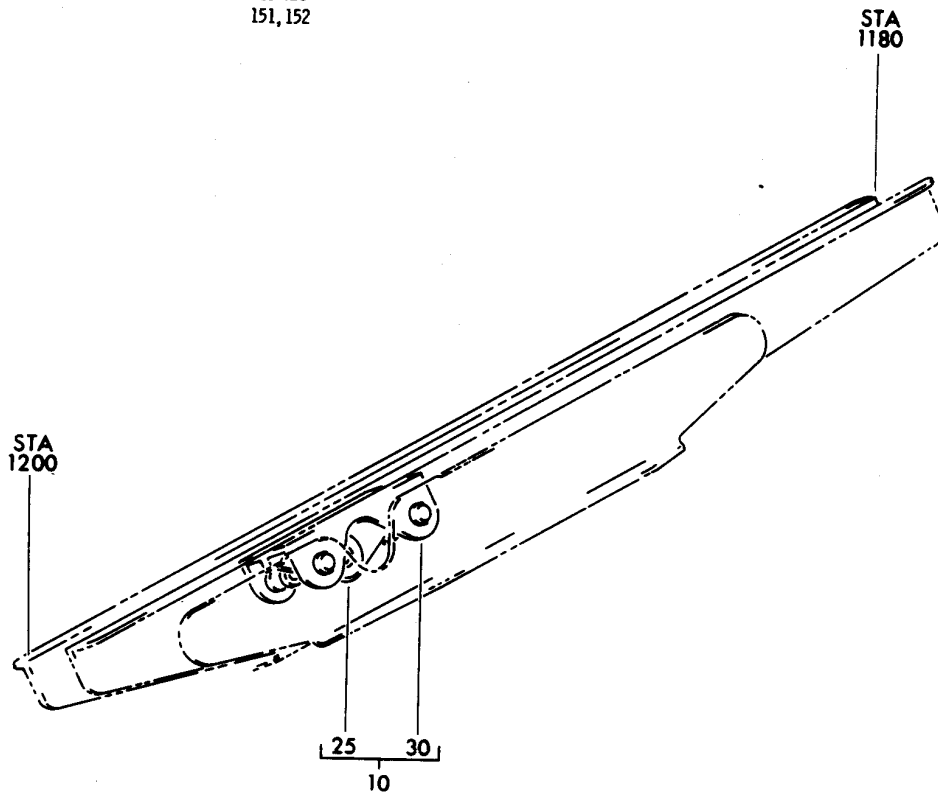
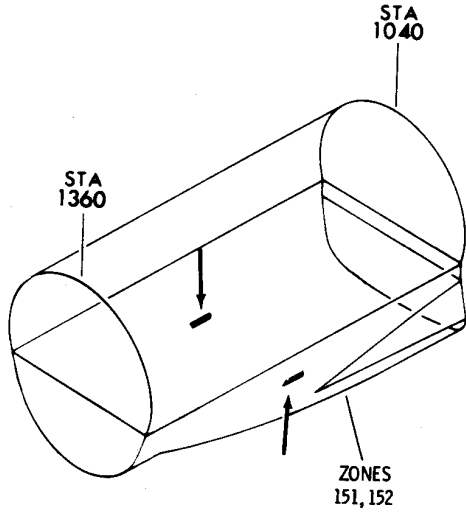
BRI

57-53-51-05

BOEING PROPRIETARY - Copyright © - Unpublished Work - See title page for details.

57-53-51
FIG. 05
PAGE 13
JAN 20/09

BOEING
757
PARTS CATALOG (MAINTENANCE)



Y 57535201 SHT 1 REV 004

TRACK INSTL-SPRT FTG BRACE UPR FLAP
FIGURE 1

57-53-52-01

BRI
MAY 28/07

57-53-52-01
PAGE 0



757

PARTS CATALOG (MAINTENANCE)

FIG ITEM	PART NUMBER	1 2 3 4 5 6 7	NOMENCLATURE	EFFECT FROM TO	UNITS PER ASSY
1			TRACK INSTL-SPRT FTG BRACE UPR FLAP	002004 006999	
- 1	140N0108-1		TRACK INSTL-FLAP SPRT FTG BRACE POSITION DATA: UPR LH FOR NHA SEE: 53-00-00-04	002004 006100 107107 121503 904999	RF
- 1	140N0108-401		TRACK INSTL-FLAP SPRT FTG BRACE POSITION DATA: UPR LH FOR NHA SEE: 53-00-00-06	101102 108120 504903	RF
- 1	MODREF29932		TRACK INSTL-FLAP SPRT FTG BRACE MODULE NUMBER: 140N0108-401 REV C POSITION DATA: UPR LH	103106	1
- 5	140N0108-2		TRACK INSTL-FLAP SPRT FTG BRACE POSITION DATA: UPR RH FOR NHA SEE: 53-00-00-04	002004 006100 107107 121503 904999	RF
- 5	140N0108-402		TRACK INSTL-FLAP SPRT FTG BRACE POSITION DATA: UPR RH FOR NHA SEE: 53-00-00-06	101102 108120 504903	RF
- 5	MODREF29933		TRACK INSTL-FLAP SPRT FTG BRACE MODULE NUMBER: 140N0108-402 REV C POSITION DATA: UPR RH	103106	1
10	140N0109-1		.FITTING ASSY-END VERT. STRUT ATTACH. POSITION DATA: AFT INBD	002004 006999	1
- 15	L8008K5		ATTACHING PARTS .BOLT SUPPLIER CODE: V06725 SPECIFICATION NUMBER: BACB30MY8K5	002004 006999	2

MISSING ITEM NUMBERS NOT APPLICABLE

- ITEM NOT ILLUSTRATED

57-53-52-01

57-53-52
FIG. 01
PAGE 1
JAN 20/09

BRI



757

PARTS CATALOG (MAINTENANCE)

FIG ITEM	PART NUMBER	1 2 3 4 5 6 7	NOMENCLATURE	EFFECT FROM TO	UNITS PER ASSY
1 - 20	HL79-8	.	COLLAR- SUPPLIER CODE: V5M902 SPECIFICATION NUMBER: BACC30M8 OPTIONAL PART: HL79-8 V73197 HL79-8 V92215 66014-8 V56878 HL79-8 V56878 -----*	002004 006999	2
25	BACB10EP06GC	..	BEARING	002004 006999	1
30	140N0109-2	..	FITTING	002004 006999	1

MISSING ITEM NUMBERS NOT APPLICABLE

- ITEM NOT ILLUSTRATED

57-53-52-01

57-53-52
FIG. 01
PAGE 2
SEP 20/08

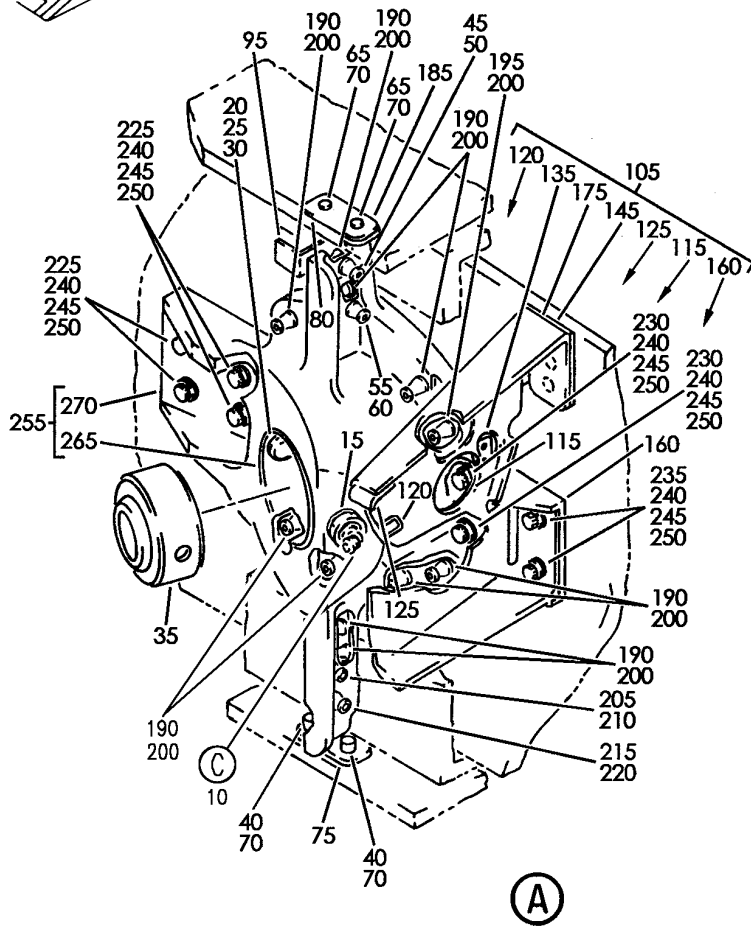
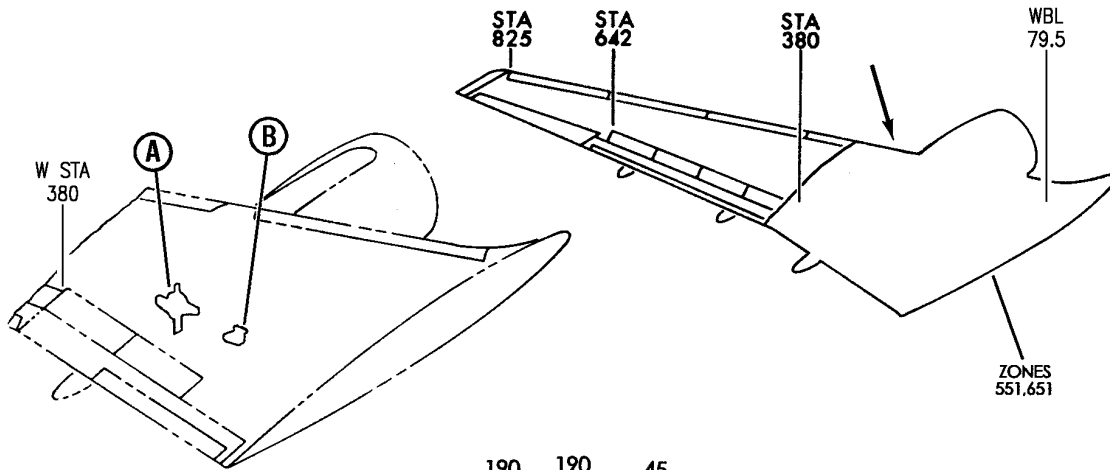
BRI

LANDING GEAR ATTACH FITTINGS AND SUPPORT BEAM

BRI
MAY 28/07

57-54-00
SECTION TITLE
PAGE 1

BOEING
757
PARTS CATALOG (MAINTENANCE)



Y 57540301 SHT 1 REV 250

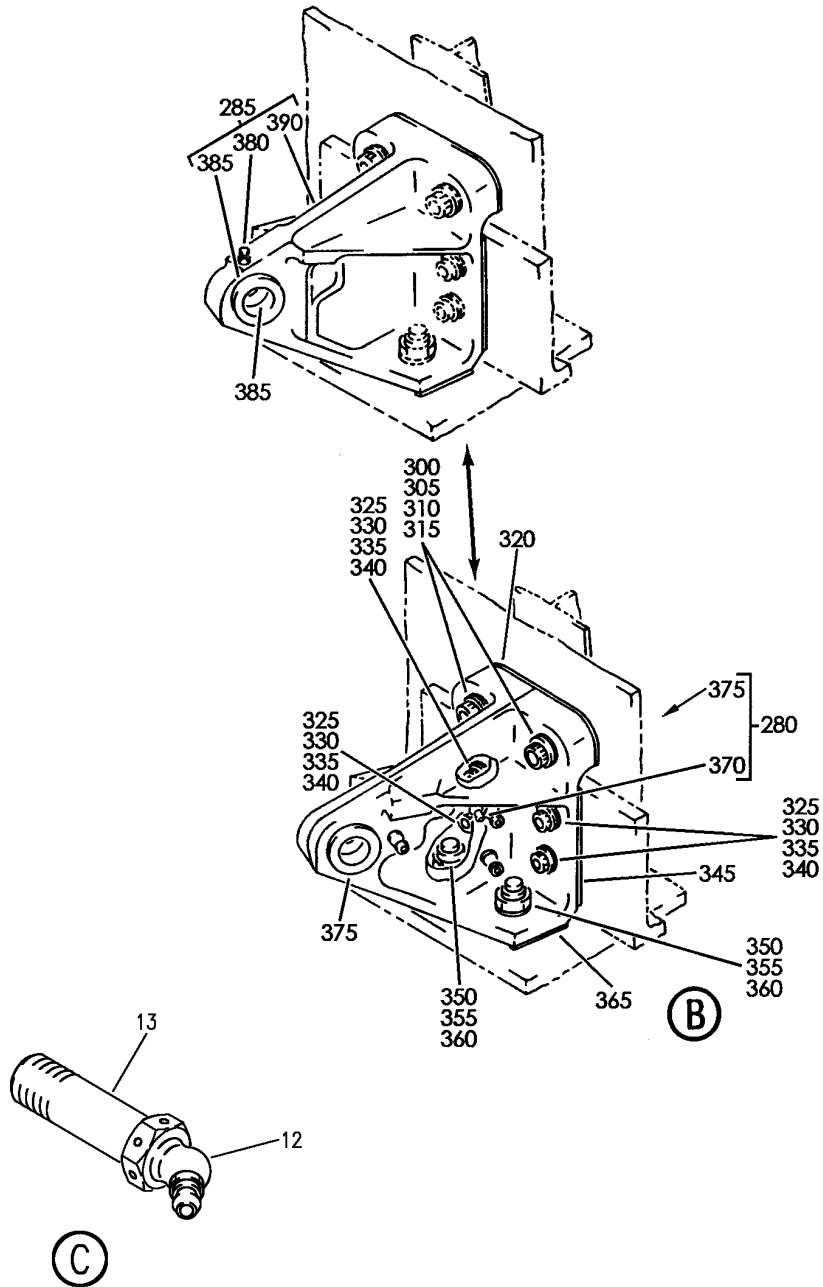
FITTING INSTL-MLG BEAM STAB. AND ACTR ATTACHMENT SPRT
FIGURE 1 (SHEET 1)

57-54-03-01

BRI
MAY 28/07

57-54-03-01
PAGE 0

BOEING
757
PARTS CATALOG (MAINTENANCE)



Y 57540301 SH-T 2 REV 250

FITTING INSTL-MLG BEAM STAB. AND ACTR ATTACHMENT SPRT
FIGURE 1 (SHEET 2)

57-54-03-01

BRI
MAY 28/07

57-54-03-01
PAGE 0A



757

PARTS CATALOG (MAINTENANCE)

FIG ITEM	PART NUMBER	1 2 3 4 5 6 7	NOMENCLATURE	EFFECT FROM TO	UNITS PER ASSY
1			FITTING INSTL-MLG BEAM STAB. AND ACTR ATTACHMENT SPRT	002004 006999	
- 1	113N1090-9		FITTING INSTL-MLG BEAM STAB. AND ACTR ATTACHMENT SPRT POSITION DATA: LH FOR NHA SEE: 57-20-52-01	002004 006100 107107 121503 904999	RF
- 1	113N1090-401		FITTING INSTL-MLG BEAM STAB. AND ACTR ATTACHMENT SPRT POSITION DATA: LH FOR NHA SEE: 57-00-00-05	101102 108120 504903	RF
- 1	MODREF30124		FITTING INSTL-MLG BEAM STAB. AND ACTR ATTACHMENT SPRT MODULE NUMBER: 113N1090-401 REV B POSITION DATA: LH	103106	1
- 5	113N1090-10		FITTING INSTL-MLG BEAM STAB. AND ACTR ATTACHMENT SPRT POSITION DATA: RH FOR NHA SEE: 57-20-52-01	002004 006100 107107 121503 904999	RF
- 5	113N1090-402		FITTING INSTL-MLG BEAM STAB. AND ACTR ATTACHMENT SPRT POSITION DATA: RH FOR NHA SEE: 57-00-00-05	101102 108120 504903	RF
- 5	MODREF30125		FITTING INSTL-MLG BEAM STAB. AND ACTR ATTACHMENT SPRT MODULE NUMBER: 113N1090-402 REV B POSITION DATA: RH	103106	1
10	113N1093-1		.SCREW-CAP SPECIAL	002004 006999	1

MISSING ITEM NUMBERS NOT APPLICABLE

- ITEM NOT ILLUSTRATED

57-54-03-01

57-54-03
FIG. 01
PAGE 1
JAN 20/09

BRI



757

PARTS CATALOG (MAINTENANCE)

FIG ITEM	PART NUMBER	1 2 3 4 5 6 7	NOMENCLATURE	EFFECT FROM TO	UNITS PER ASSY
1					
12	MS15004-2	..	FITTING- OPTIONAL PART: AS15001-3 MS15001-3	002004 006999	1
12	AS15001-3	..	FITTING- OPTIONAL PART: MS15004-2	002004 006999	1
12	MS15001-3	..	FITTING- OPTIONAL PART: MS15004-2	002004 006999	1
13	113N1093-2	..	BOLT	002004 006999	1
15	BACW10BP8DP	.	WASHER	002004 006999	1
20	BACB30MY16K23	.	BOLT	002004 006999	1
25	BACW10BP8DP	.	WASHER	002004 006999	1
30	69235-820CD	.	NUT SUPPLIER CODE: V92215 SPECIFICATION NUMBER: BACN10JC8CD OPTIONAL PART: 102LH9074-8 V72962 BMN4122CPD8-8 V97928 H51650-8BAC V15653	002004 006999	1
35	VTB08040	.	BEARING ASSY- SUPPLIER CODE: V06710 SPECIFICATION NUMBER: S113N102-1 OPTIONAL PART: KMB38-16 V97613 P21410 V57606 OPTIONAL PART: KMB38-27 V96713	107107 904949	1

MISSING ITEM NUMBERS NOT APPLICABLE

- ITEM NOT ILLUSTRATED

57-54-03-01

57-54-03
FIG. 01
PAGE 2
JAN 20/09

BRI

BOEING PROPRIETARY - Copyright © - Unpublished Work - See title page for details.



757

PARTS CATALOG (MAINTENANCE)

FIG ITEM	PART NUMBER	1 2 3 4 5 6 7	NOMENCLATURE	EFFECT FROM TO	UNITS PER ASSY
1					
35	KMB38-27		.BEARING ASSY- SUPPLIER CODE: V97613 SPECIFICATION NUMBER: S113N102-5 OPTIONAL PART: P28040 V57606 VTB10640 V06710 OPTIONAL PART: VTB08040 V06710	002004 006999	1
40	HL1030AZ8-12		.BOLT SUPPLIER CODE: V60516 SPECIFICATION NUMBER: BACB30NY8K12 OPTIONAL PART: HL13VAZ8-12 V73197 HL13VAZ8-12 V92215 HL13VAZ8-12 V97928 L801-8K12 V06725 HL13VAZ8-12 V60516 L801-8K12 VOPTK6 HL13VAZ8-12 V17446 HL1013AZ8-12 V60516 HL13VAZ8-12 V56878	002004 006999	2
45	L80012K9		.BOLT SUPPLIER CODE: V06725 SPECIFICATION NUMBER: BACB30MY12K9	002004 006999	1

MISSING ITEM NUMBERS NOT APPLICABLE

- ITEM NOT ILLUSTRATED

BRI

57-54-03-01

BOEING PROPRIETARY - Copyright © - Unpublished Work - See title page for details.

57-54-03
FIG. 01
PAGE 3
JAN 20/09



757

PARTS CATALOG (MAINTENANCE)

FIG ITEM	PART NUMBER	1 2 3 4 5 6 7	NOMENCLATURE	EFFECT FROM TO	UNITS PER ASSY
1 50	HL79-12		.COLLAR SUPPLIER CODE: V5M902 SPECIFICATION NUMBER: BACC30M12 OPTIONAL PART: HL79-12 V73197 HL79-12 V92215 66014-12 V56878 HL79-12 V56878	002004 006999	1
55	L80010K8		.BOLT SUPPLIER CODE: V06725 SPECIFICATION NUMBER: BACB30MY10K8	002004 006999	1
60	HL79-10		.COLLAR SUPPLIER CODE: V5M902 SPECIFICATION NUMBER: BACC30M10 OPTIONAL PART: HL79-10 V73197 HL79-10 V92215 66014-10 V56878 HL79-10 V56878	002004 006999	1

MISSING ITEM NUMBERS NOT APPLICABLE

- ITEM NOT ILLUSTRATED

BRI

57-54-03-01

BOEING PROPRIETARY - Copyright © - Unpublished Work - See title page for details.

57-54-03
FIG. 01
PAGE 4
JAN 20/09



757

PARTS CATALOG (MAINTENANCE)

FIG ITEM	PART NUMBER	1 2 3 4 5 6 7	NOMENCLATURE	EFFECT FROM TO	UNITS PER ASSY
1 65	HL1013-8-10	.BOLT	SUPPLIER CODE: V60516 SPECIFICATION NUMBER: BACB30NY8K10 OPTIONAL PART: HL13VAZ8-10 V73197 HL13VAZ8-10 V92215 HL13VAZ8-10 V97928 L801-8K10 V06725 HL13VAZ8-10 V60516 L801-8K10 VOPTK6 HL13VAZ8-10 V17446 HL1013AZ8-10 V60516 HL13V8-10 V56878	002004 006999	2
70	HL1187-8	.COLLAR-	SUPPLIER CODE: V5M902 SPECIFICATION NUMBER: BACC30X8 OPTIONAL PART: HL87-8 V92215 HL87-8 V73197 HL1187-8 V56878 HL1187-8 V92215 HL87-8 V56878 HL1187-8 V73197	002004 006102 107999	2

MISSING ITEM NUMBERS NOT APPLICABLE

- ITEM NOT ILLUSTRATED

BRI

57-54-03-01

BOEING PROPRIETARY - Copyright © - Unpublished Work - See title page for details.

57-54-03
FIG. 01
PAGE 5
JAN 20/09



757

PARTS CATALOG (MAINTENANCE)

FIG ITEM	PART NUMBER	1 2 3 4 5 6 7	NOMENCLATURE	EFFECT FROM TO	UNITS PER ASSY
1	70 HL1087-8		.COLLAR- SUPPLIER CODE: V9N513 SPECIFICATION NUMBER: BACC30BH8 OPTIONAL PART: HL1087-8 V92215 HL1087-8 V73197 HL1087-8 V56878	103106	2
	75 113N1095-1		.CLIP- POSITION DATA: LH SIDE OPTIONAL PART: 113N1126-1	002004 006999	1
	75 113N1126-1		.CLIP- POSITION DATA: LH SIDE OPTIONAL PART: 113N1095-1	002004 006999	1
	80 113N1095-4		.CLIP- POSITION DATA: LH SIDE OPTIONAL PART: 113N1126-4	002004 006999	1
	80 113N1126-4		.CLIP- POSITION DATA: LH SIDE OPTIONAL PART: 113N1095-4	002004 006999	1
-	85 113N1095-3		.CLIP- POSITION DATA: RH SIDE OPTIONAL PART: 113N1126-3	002004 006999	1
-	85 113N1126-3		.CLIP- POSITION DATA: RH SIDE OPTIONAL PART: 113N1095-3	002004 006999	1
-	90 113N1095-2		.CLIP- POSITION DATA: RH SIDE OPTIONAL PART: 113N1126-2	002004 006999	1

MISSING ITEM NUMBERS NOT APPLICABLE

- ITEM NOT ILLUSTRATED

BRI

57-54-03-01

BOEING PROPRIETARY - Copyright © - Unpublished Work - See title page for details.

57-54-03
FIG. 01
PAGE 6
JAN 20/09

 **BOEING**
757
PARTS CATALOG (MAINTENANCE)

FIG ITEM	PART NUMBER	1 2 3 4 5 6 7	NOMENCLATURE	EFFECT FROM TO	UNITS PER ASSY
1					
- 90	113N1126-2	.CLIP-	POSITION DATA: RH SIDE	002004 006999	1
95	287N1301-121	.BRACKET-	POSITION DATA: LH SIDE	002004 006999	1
- 100	287N1301-122	.BRACKET-	POSITION DATA: RH SIDE	002004 006999	1
105	271N6114-21	.BRACKET ASSY-	POSITION DATA: LH SIDE	002004 006999	1
- 110	271N6114-22	.BRACKET ASSY-	POSITION DATA: RH SIDE	002004 006999	1
115	BACG20AD1900	..GROMMET		002004 006999	1
120	BACG20ZM460B	..GROMMET		002004 006999	1
125	271N6114-15	..BRACKET		002004 006999	1
- 130	BACR15BA5D	..RIVET-	ATTACHING PARTS SIZE DETERMINED ON INSTL. -----*-----	002004 006999	2
135	271N6114-11	..BRACKET		002004 006999	1
- 140	BACR15FT5D	..RIVET-	ATTACHING PARTS SIZE DETERMINED ON INSTL. -----*-----	002004 006999	2
145	271N6159-1	..BRACKET-	POSITION DATA: LH SIDE	002004 006999	1
- 150	271N6159-2	..BRACKET-	POSITION DATA: RH SIDE	002004 006999	1
- 155	BACR15FT5D	..RIVET-	ATTACHING PARTS SIZE DETERMINED ON INSTL. -----*-----	002004 006999	5
160	271N6159-3	..BRACKET-	POSITION DATA: LH SIDE	002004 006999	1
- 165	271N6159-4	..BRACKET-	POSITION DATA: RH SIDE	002004 006999	1

MISSING ITEM NUMBERS NOT APPLICABLE

- ITEM NOT ILLUSTRATED

BRI

57-54-03-01

BOEING PROPRIETARY - Copyright © - Unpublished Work - See title page for details.

57-54-03
FIG. 01
PAGE 7
JAN 20/09



757

PARTS CATALOG (MAINTENANCE)

FIG ITEM	PART NUMBER	1 2 3 4 5 6 7	NOMENCLATURE	EFFECT FROM TO	UNITS PER ASSY
1			ATTACHING PARTS		
- 170	BACR15FT5D		..RIVET- SIZE DETERMINED ON INSTL. -----*-----	002004 006999	5
175	271N6114-17		..BRACKET- POSITION DATA: LH SIDE	002004 006999	1
- 180	271N6114-18		..BRACKET- POSITION DATA: RH SIDE	002004 006999	1
185	113N1090-11		.SHIM	002004 006100 107107 121503 904999	1
190	L80012K19		.BOLT SUPPLIER CODE: V06725 SPECIFICATION NUMBER: BACB30MY12K19	002004 006999	10
195	BACB30MY12K16		.BOLT	002004 006999	1
200	HL79-12		.COLLAR SUPPLIER CODE: V5M902 SPECIFICATION NUMBER: BACC30M12 OPTIONAL PART: HL79-12 V73197 HL79-12 V92215 66014-12 V56878 HL79-12 V56878	002004 006999	11
205	L80010K7		.BOLT SUPPLIER CODE: V06725 SPECIFICATION NUMBER: BACB30MY10K7	002004 006999	1

MISSING ITEM NUMBERS NOT APPLICABLE

- ITEM NOT ILLUSTRATED

57-54-03-01

57-54-03
FIG. 01
PAGE 8
JAN 20/09

BRI

BOEING PROPRIETARY - Copyright © - Unpublished Work - See title page for details.



757

PARTS CATALOG (MAINTENANCE)

FIG ITEM	PART NUMBER	1 2 3 4 5 6 7	NOMENCLATURE	EFFECT FROM TO	UNITS PER ASSY
1 210	HL79-10		.COLLAR SUPPLIER CODE: V5M902 SPECIFICATION NUMBER: BACC30M10 OPTIONAL PART: HL79-10 V73197 HL79-10 V92215 66014-10 V56878 HL79-10 V56878	002004 006999	1
215	L80012K8		.BOLT SUPPLIER CODE: V06725 SPECIFICATION NUMBER: BACB30MY12K8	002004 006999	1
220	HL79-12		.COLLAR SUPPLIER CODE: V5M902 SPECIFICATION NUMBER: BACC30M12 OPTIONAL PART: HL79-12 V73197 HL79-12 V92215 66014-12 V56878 HL79-12 V56878	002004 006999	1
225	BACB30MR6K31		.BOLT	002004 006016 107107 121503 904999	4
225	BACB30MR6K29		.BOLT	017106 108120 504903	4
230	BACB30MR6HK13		.BOLT	002004 006999	2
235	BACB30MR6K22		.BOLT	002004 006999	2
240	BACW10BP6CD		.WASHER- POSITION DATA: UNDER HEAD	002004 006999	8

MISSING ITEM NUMBERS NOT APPLICABLE

- ITEM NOT ILLUSTRATED

57-54-03-01

57-54-03
FIG. 01
PAGE 9
JAN 20/09

BRI

BOEING PROPRIETARY - Copyright © - Unpublished Work - See title page for details.



757

PARTS CATALOG (MAINTENANCE)

FIG ITEM	PART NUMBER	1 2 3 4 5 6 7	NOMENCLATURE	EFFECT FROM TO	UNITS PER ASSY
1					
245	BACW10BP6DP	.	WASHER	002004 006999	8
250	NAS1804-6	.	NUT	002004 006100 107107 121503 904999	8
250	NAS1805-6L	.	NUT	101106 108120 504903	8
255	113N1091-7	.	FITTING ASSY- POSITION DATA: LH SIDE	002004 006999	1
255	113N1091-1	.	FITTING ASSY- POSITION DATA: LH SIDE	002004 006100 107107 121503 904999	1
- 260	113N1091-8	.	FITTING ASSY- POSITION DATA: RH SIDE	002004 006999	1
- 260	113N1091-2	.	FITTING ASSY- POSITION DATA: RH SIDE	002004 006100 107107 121503 904999	1
265	113N1006-8	..	BUSHING	002004 006999	1
270	113N1091-3	..	FITTING-DETAIL POSITION DATA: LH SIDE ALTERED FROM PART NUMBER: 113N1092-1 USED ON: 113N1091-7	002004 006999	1
270	113N1091-5	..	FITTING-DETAIL POSITION DATA: LH SIDE USED ON: 113N1091-1	002004 006999	1
- 275	113N1091-4	..	FITTING-DETAIL POSITION DATA: RH SIDE ALTERED FROM PART NUMBER: 113N1092-2 USED ON: 113N1091-8	002004 006999	1

MISSING ITEM NUMBERS NOT APPLICABLE

- ITEM NOT ILLUSTRATED

57-54-03-01

57-54-03
FIG. 01
PAGE 10
JAN 20/09

BRI



757

PARTS CATALOG (MAINTENANCE)

FIG ITEM	PART NUMBER	1 2 3 4 5 6 7	NOMENCLATURE	EFFECT FROM TO	UNITS PER ASSY
1					
- 275	113N1091-6		.. FITTING-DETAIL POSITION DATA: RH SIDE USED ON: 113N1091-2	002004 006999	1
280	113N1096-1		. FITTING ASSY- POSITION DATA: LH SIDE	002004 107107 121503 904949 952952	1
285	113N1113-1		. FITTING ASSY- POSITION DATA: LH SIDE	002004 107107 121503 904949 952952	1
285	113N1113-5		. FITTING ASSY- POSITION DATA: LH SIDE	006106 108120 504903 950951 953999	1
- 290	113N1113-2		. FITTING ASSY- POSITION DATA: RH SIDE	002004 107107 121503 904949 952952	1
- 290	113N1113-6		. FITTING ASSY- POSITION DATA: RH SIDE	006106 108120 504903 950951 953999	1
- 295	113N1096-2		. FITTING ASSY- POSITION DATA: RH SIDE	002004 107107 121503 904949 952952	1
300	BACB30MR9K33		ATTACHING PARTS . BOLT-	002004 006999	2
			OPTIONAL PART: BACB30MR9K30		
300	BACB30MR9K30		. BOLT-	002004 006999	2
			OPTIONAL PART: BACB30MR9K33		
305	BACW10BP9CD		. WASHER-	002004 006999	2
			POSITION DATA: UNDER HEAD		
310	BACW10BP9DP		. WASHER	002004 006999	2

MISSING ITEM NUMBERS NOT APPLICABLE

- ITEM NOT ILLUSTRATED

57-54-03-01

57-54-03
FIG. 01
PAGE 11
JAN 20/09

BRI

BOEING PROPRIETARY - Copyright © - Unpublished Work - See title page for details.



757

PARTS CATALOG (MAINTENANCE)

FIG ITEM	PART NUMBER	1 2 3 4 5 6 7	NOMENCLATURE	EFFECT FROM TO	UNITS PER ASSY
1					
315	NAS1804-9	.	NUT	002004 006100 107107 121503 904999	2
315	NAS1805-9L	.	NUT	101106 108120 504903	2
320	113N1090-5	.	SHIM	002004	AR
325	BACB30MR7K31	.	BOLT-	006999 002004	4
330	BACW10BP7CD	.	WASHER-	006999 002004	4
			POSITION DATA: UNDER HEAD		
335	BACW10BP7DP	.	WASHER	006999	4
340	NAS1804-7	.	NUT	002004 006100 107107 121503 904999	4
340	NAS1805-7L	.	NUT	101106 108120 504903	4
			-----*-----		
345	113N1090-6	.	SHIM	002004	AR
			ATTACHING PARTS		
350	BACB30UW10K15	.	BOLT	006999 002004	2
355	BACW10BP10DP	.	WASHER	006999 002004	2
360	102LH9074-10	.	NUT	006999 002004	2
			SUPPLIER CODE: V72962		
			SPECIFICATION NUMBER: BACN10JC10CD		
			OPTIONAL PART: H51650-10BAC		
			V15653		
			69235-1018CD		
			V92215		
			BMN4122CPD8-10		
			V97928		
			-----*-----		
365	113N1090-7	.	SHIM	002004 006999	AR

MISSING ITEM NUMBERS NOT APPLICABLE

- ITEM NOT ILLUSTRATED

BRI

57-54-03-01

57-54-03
FIG. 01
PAGE 12
JAN 20/09

 **BOEING**
757
PARTS CATALOG (MAINTENANCE)

FIG ITEM	PART NUMBER	1 2 3 4 5 6 7	NOMENCLATURE	EFFECT FROM TO	UNITS PER ASSY
1					
370	MS15004-2	..	FITTING	002004 006100 107107 121503 904999	1
375	113N1005-2	..	BUSHING	002004 006100 107107 121503 904999	2
380	MS15004-1	..	FITTING	002004 006999	1
385	113N1005-2	..	BUSHING	002004 006999	2
390	113N1113-3	..	FITTING- POSITION DATA: LH SIDE	002004 107107 121503 904949 952952	1
390	113N1113-7	..	FITTING- POSITION DATA: LH SIDE	006106 108120 504903 950951 953999	1
- 395	113N1113-4	..	FITTING- POSITION DATA: RH SIDE	002004 107107 121503 904949 952952	1
- 395	113N1113-8	..	FITTING- POSITION DATA: RH SIDE	006106 108120 504903 950951 953999	1

MISSING ITEM NUMBERS NOT APPLICABLE

- ITEM NOT ILLUSTRATED

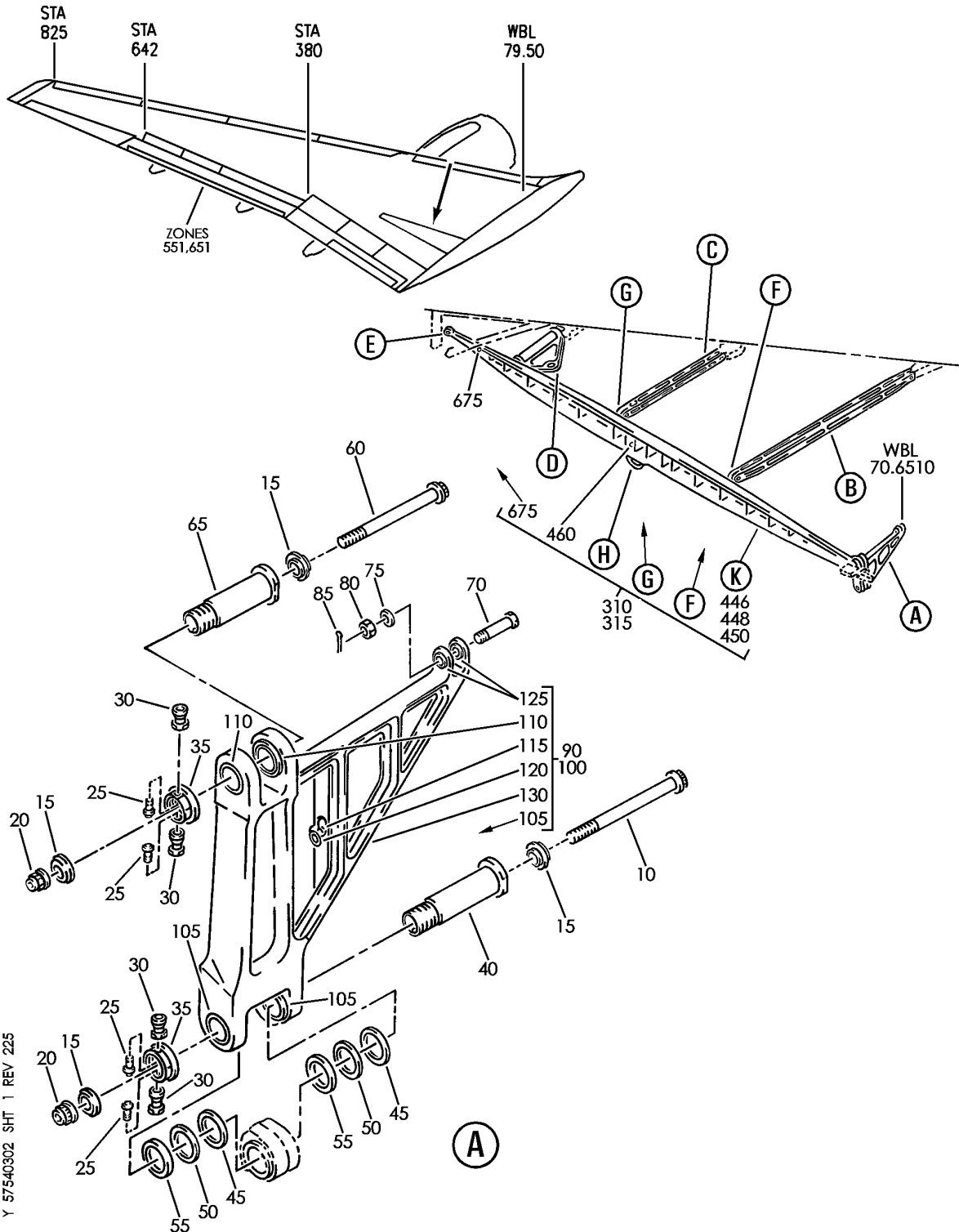
BRI

57-54-03-01

BOEING PROPRIETARY - Copyright © - Unpublished Work - See title page for details.

57-54-03
FIG. 01
PAGE 13
JAN 20/09


BOEING
 757
PARTS CATALOG (MAINTENANCE)



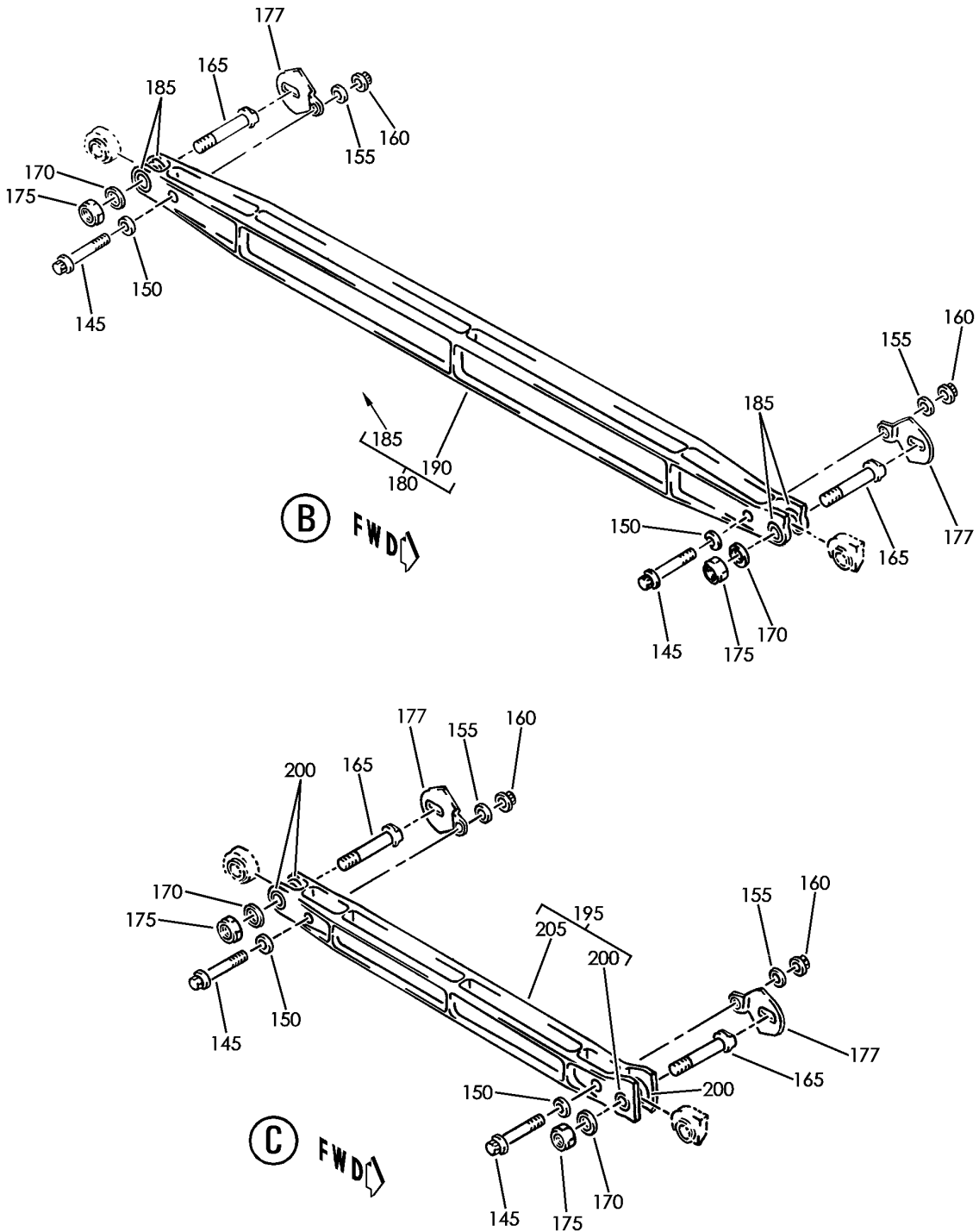
BEAM INSTL-MLG
 FIGURE 2 (SHEET 1)

57-54-03-02

BRI
 MAY 28/07

57-54-03-02
 PAGE 0

BOEING
757
PARTS CATALOG (MAINTENANCE)



Y 57540302 SH1 2 REV 225

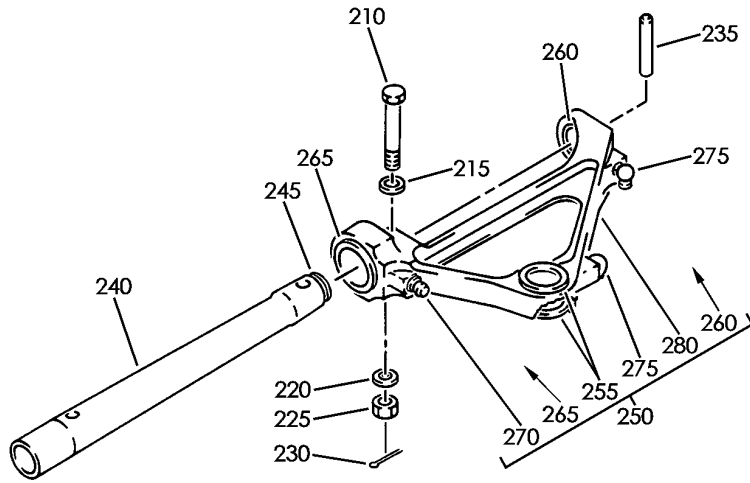
BEAM INSTL-MLG
FIGURE 2 (SHEET 2)

57-54-03-02

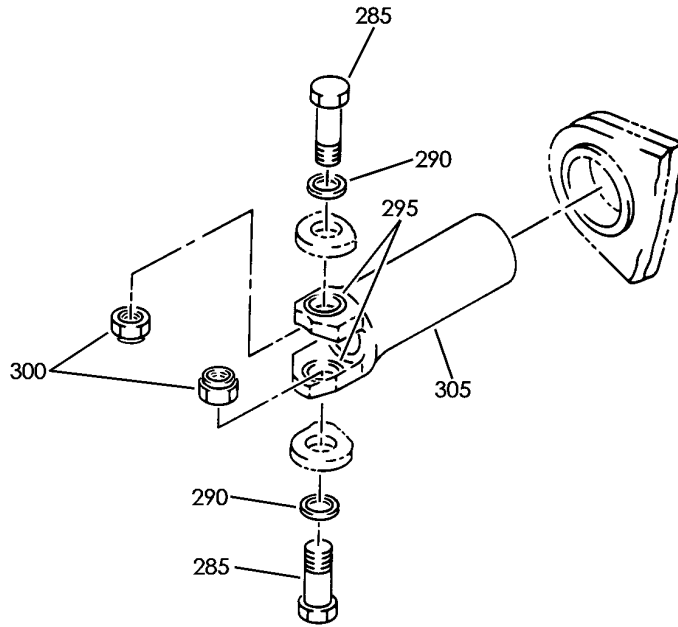
BRI
MAY 28/07

57-54-03-02
PAGE 0A

BOEING
757
PARTS CATALOG (MAINTENANCE)



(D)



(E)

Y 57540302 SHT 3 REV 225

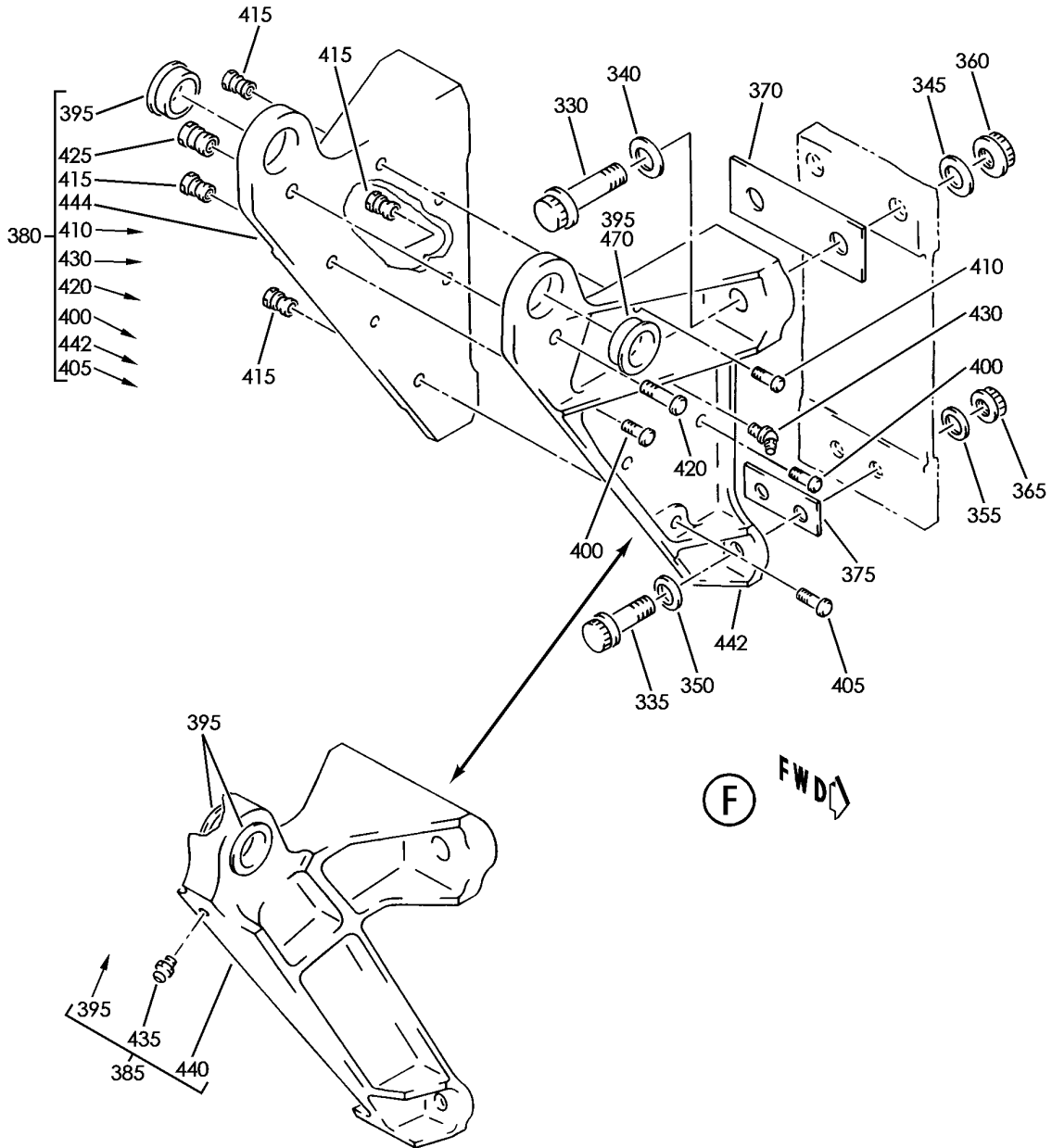
BEAM INSTL-MLG
FIGURE 2 (SHEET 3)

57-54-03-02

BRI
MAY 28/07

57-54-03-02
PAGE 0B

BOEING
757
PARTS CATALOG (MAINTENANCE)



Y 57540302 SHIT 4 REV 225

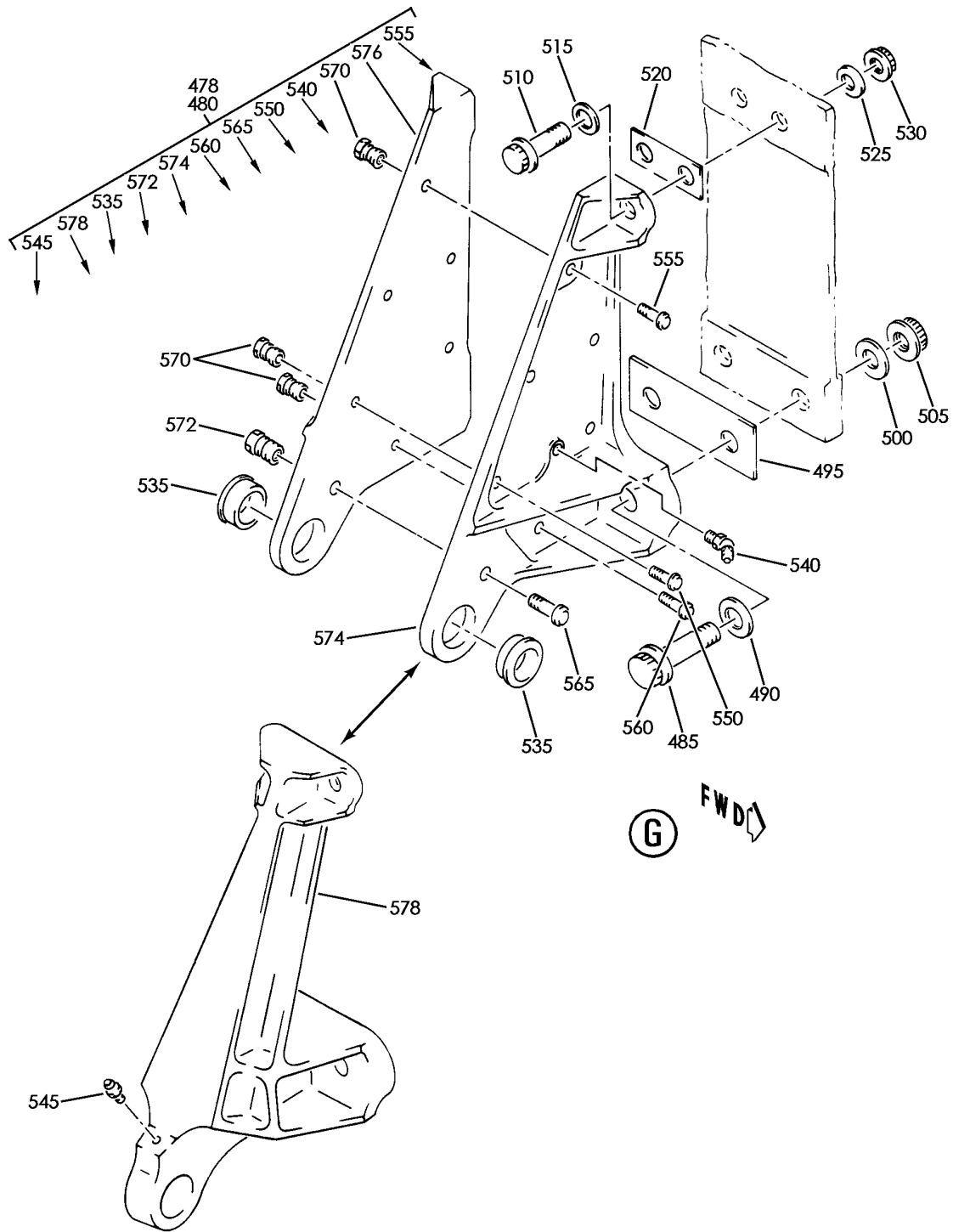
BEAM INSTL-MLG
FIGURE 2 (SHEET 4)

57-54-03-02

BRI
MAY 28/07

57-54-03-02
PAGE 0C

BOEING
757
PARTS CATALOG (MAINTENANCE)



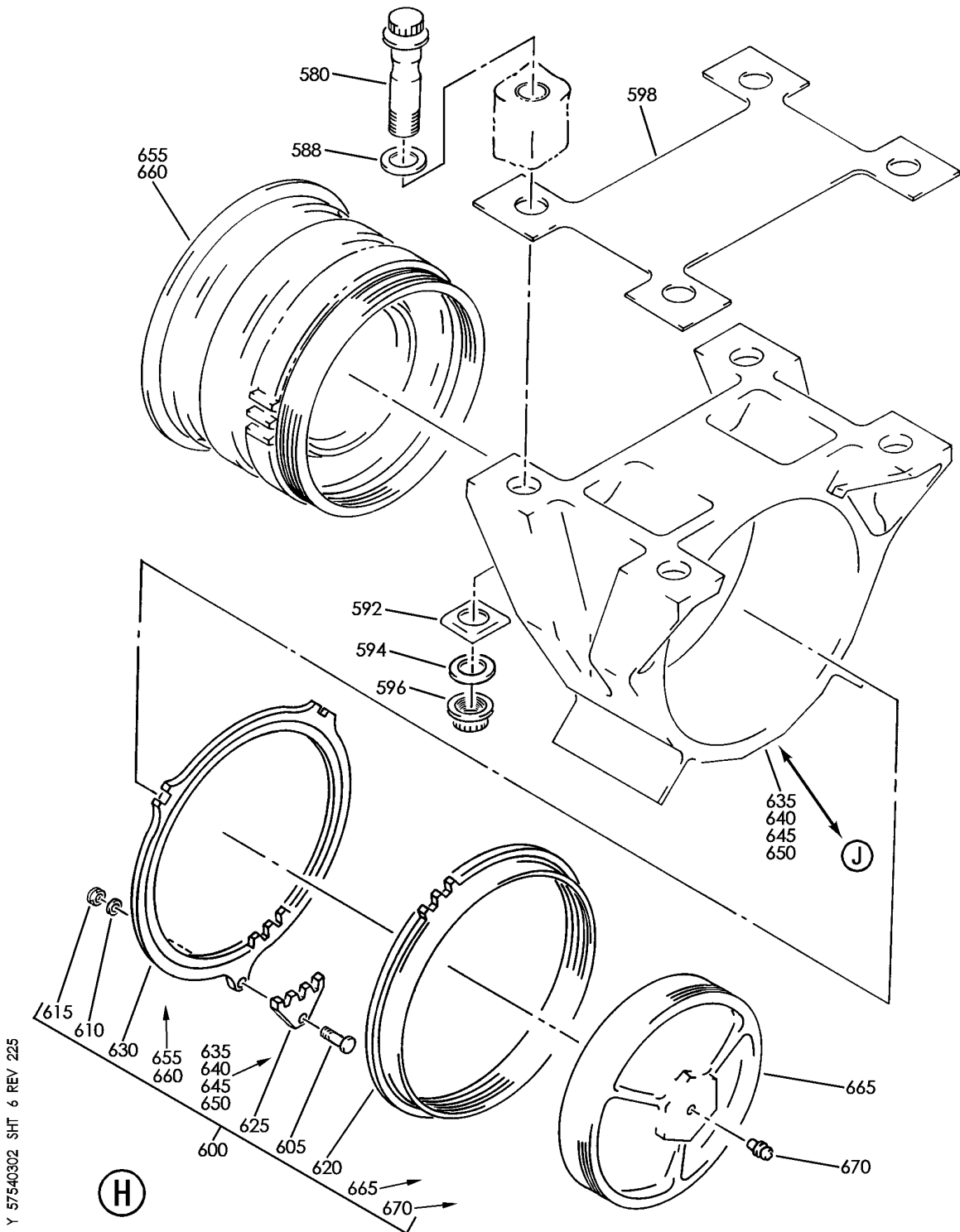
BEAM INSTL-MLG
FIGURE 2 (SHEET 5)

57-54-03-02

BRI
MAY 28/07

57-54-03-02
PAGE 0D

BOEING
757
PARTS CATALOG (MAINTENANCE)



Y 57540302 SHIT 6 REV 225

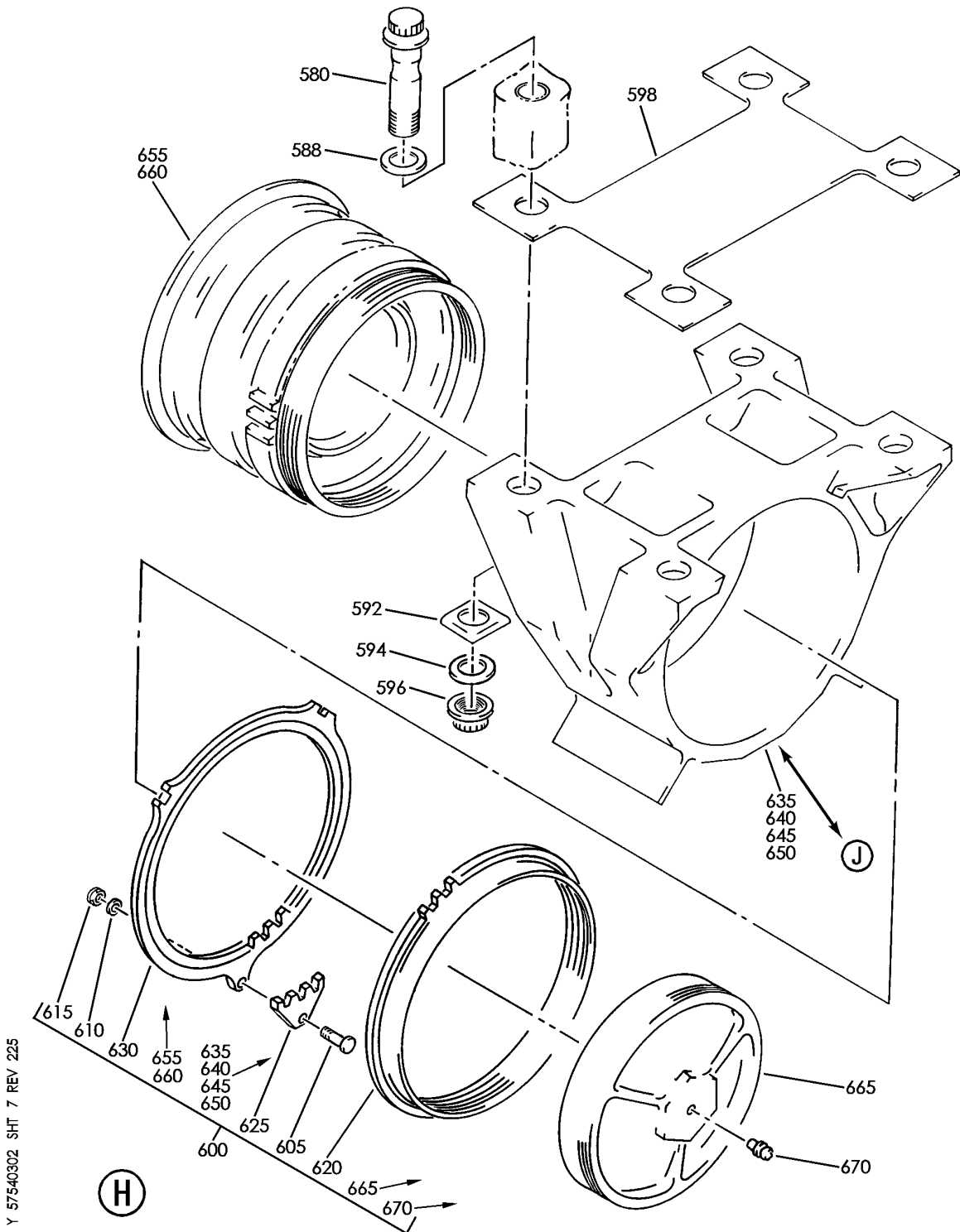
BEAM INSTL-MLG
FIGURE 2 (SHEET 6)

57-54-03-02

BRI
MAY 28/07

57-54-03-02
PAGE 0E

BOEING
757
PARTS CATALOG (MAINTENANCE)



Y 57540302 SHT 7 REV 225

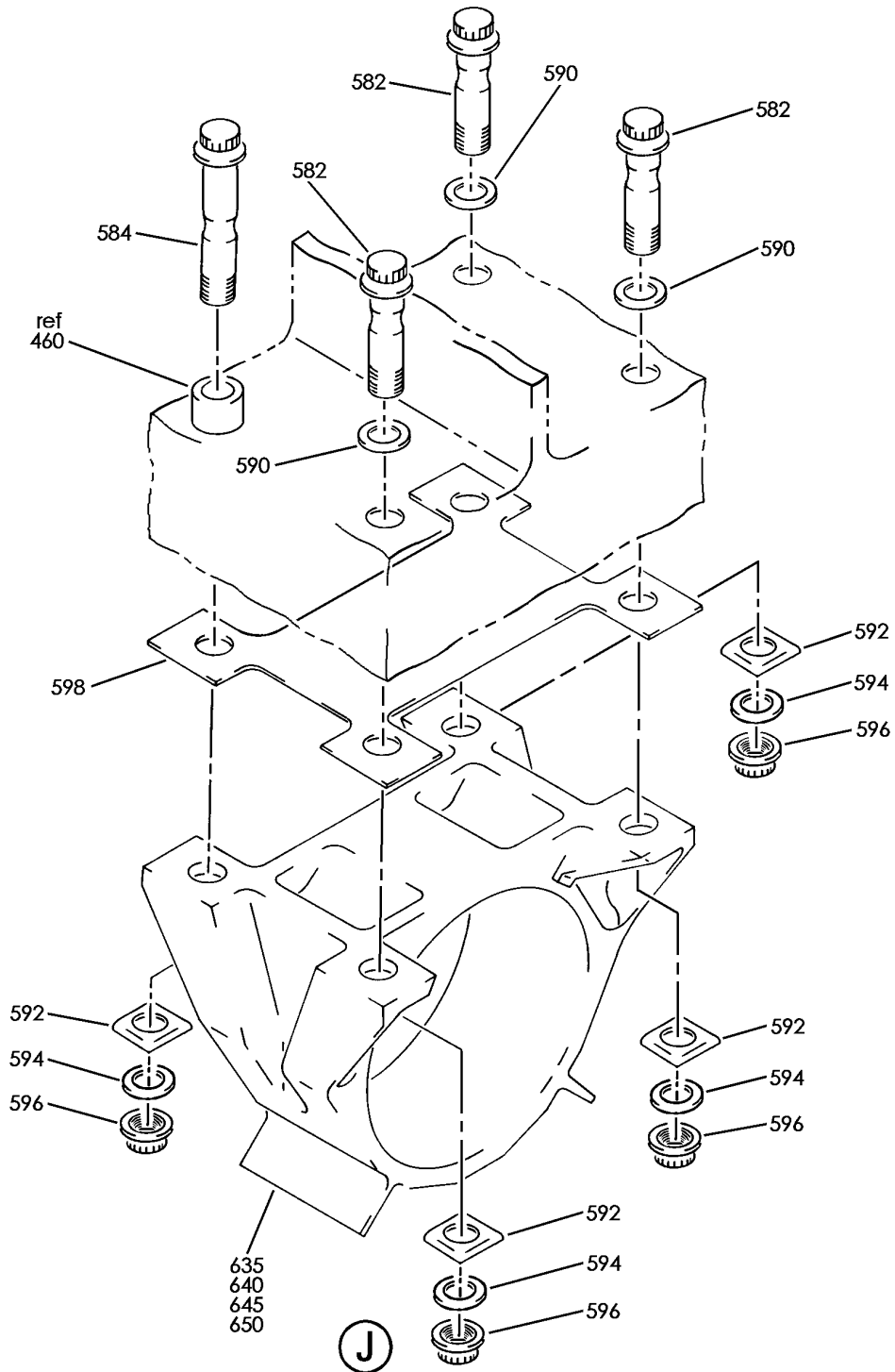
BEAM INSTL-MLG
FIGURE 2 (SHEET 7)

57-54-03-02

BRI
MAY 28/07

57-54-03-02
PAGE OF

BOEING
757
PARTS CATALOG (MAINTENANCE)



Y 57540302 SH1 8 REV 225

BEAM INSTL-MLG
FIGURE 2 (SHEET 8)

57-54-03-02

BRI
MAY 28/07

57-54-03-02
PAGE 0G



757

PARTS CATALOG (MAINTENANCE)

FIG ITEM	PART NUMBER	1 2 3 4 5 6 7	NOMENCLATURE	EFFECT FROM TO	UNITS PER ASSY
2			BEAM INSTL-MLG	002004	
- 1	113N1001-1		BEAM INSTL-MLG POSITION DATA: LH FOR NHA SEE: 57-50-00-01	006999 107107	RF
- 1	113N1001-3		BEAM INSTL-MLG POSITION DATA: LH FOR NHA SEE: 57-50-00-01	003004 006100 121503 904999	RF
- 1	113N1001-201		BEAM INSTL-MLG POSITION DATA: LH FOR NHA SEE: 57-00-00-05	101102 108120 504903	RF
- 1	MODREF1052		BEAM INSTL-MLG MODULE NUMBER: 113N1001-201 REV A POSITION DATA: LH	103103	1
- 1	MODREF26502		BEAM INSTL-MLG MODULE NUMBER: 113N1001-201 REV B POSITION DATA: LH	104106	1
- 5	113N1001-2		BEAM INSTL-MLG POSITION DATA: RH FOR NHA SEE: 57-50-00-01	107107	RF
- 5	113N1001-4		BEAM INSTL-MLG POSITION DATA: RH FOR NHA SEE: 57-50-00-01	003004 006100 121503 904999	RF
- 5	113N1001-202		BEAM INSTL-MLG POSITION DATA: RH FOR NHA SEE: 57-00-00-05	101102 108120 504903	RF
- 5	MODREF1053		BEAM INSTL-MLG MODULE NUMBER: 113N1001-202 REV A POSITION DATA: RH	103103	1

MISSING ITEM NUMBERS NOT APPLICABLE

- ITEM NOT ILLUSTRATED

57-54-03-02

57-54-03
FIG. 02
PAGE 1
JAN 20/09

BRI



757

PARTS CATALOG (MAINTENANCE)

FIG ITEM	PART NUMBER	1 2 3 4 5 6 7	NOMENCLATURE	EFFECT FROM TO	UNITS PER ASSY
2					
- 5	MODREF26503		BEAM INSTL-MLG MODULE NUMBER: 113N1001-202 REV B POSITION DATA: RH	104106	1
10	BACB30MR10K131		.BOLT	002004 006999	1
15	113N1107-1		.WASHER-SPECIAL	002004 006999	4
20	NAS1805-10N		.NUT	002004 006999	2
25	L8005K6		.BOLT SUPPLIER CODE: V06725 SPECIFICATION NUMBER: BACB30MY5K6	002004 006999	4
30	HL70-5		.COLLAR SUPPLIER CODE: V5M902 SPECIFICATION NUMBER: BACC30M5 OPTIONAL PART: HL70-5 V73197 HL70-5 V92215 66014-5 V56878 HL70-5 V56878	002004 006999	4
35	113N1108-1		.NUT-SPECIAL OPTIONAL PART: 113N1108-3	002004 006999	2
35	113N1108-3		.NUT-SPECIAL OPTIONAL PART: 113N1108-1	002004 006999	2
40	113N1036-1		.PIN-SPECIAL	002004 006999	1
40	113N1036-5		.PIN-SPECIAL	002004 006999	1
45	113N1041-1		.SHIM-WASHER	002004 006999	AR
50	113N1041-2		.SHIM-WASHER	002004 006999	AR
55	113N1041-3		.SHIM-WASHER	002004 006999	AR
60	BACB30MR10K105		.BOLT	002004 006999	1

MISSING ITEM NUMBERS NOT APPLICABLE

- ITEM NOT ILLUSTRATED

57-54-03-02

57-54-03
FIG. 02
PAGE 2
JAN 20/09

BRI

BOEING PROPRIETARY - Copyright © - Unpublished Work - See title page for details.



757

PARTS CATALOG (MAINTENANCE)

FIG ITEM	PART NUMBER	1 2 3 4 5 6 7	NOMENCLATURE	EFFECT FROM TO	UNITS PER ASSY
2					
65	113N1036-2		.PIN-SPECIAL	002004 006999	1
65	113N1036-6		.PIN-SPECIAL	002004 006999	1
70	NAS6712DG36		.BOLT	002004 006999	1
75	AN960C1216L		.WASHER	002004 006999	1
80	BACN10JD12CD		.NUT	002004 006999	1
85	MS24665-359		.PIN	002004 006999	1
90	113N1034-1		.LINK ASSY- POSITION DATA: LH SIDE	002004 006999	1
90	113N1034-9		.LINK ASSY- POSITION DATA: LH SIDE	002004 006999	1
- 95	113N1034-2		.LINK ASSY- POSITION DATA: RH SIDE	002004 006999	1
- 95	113N1034-10		.LINK ASSY- POSITION DATA: RH SIDE	002004 006999	1
100	113N1034-13		.LINK ASSY- POSITION DATA: LH	002004 006999	1
- 103	113N1034-14		.LINK ASSY- POSITION DATA: RH	002004 006999	1
105	113N1005-10		..BUSHING	002004 006999	2
110	113N1005-9		..BUSHING	002004 006999	2
115	BACB28AA6B028		..BUSHING	002004 006999	1
120	BACB28W8B022		..BUSHING	002004 006999	1
125	NAS538B12P38		..BUSHING	002004 006999	2
130	113N1034-5		..LINK- USED ON: 113N1034-1	002004 006999	1
130	113N1034-11		..LINK- USED ON: 113N1034-9	002004 006999	1
130	113N1034-15		..LINK- USED ON: 113N1034-13	002004 006999	1

MISSING ITEM NUMBERS NOT APPLICABLE

- ITEM NOT ILLUSTRATED

57-54-03-02

57-54-03
FIG. 02
PAGE 3
JAN 20/09

BRI



757

PARTS CATALOG (MAINTENANCE)

FIG ITEM	PART NUMBER	1 2 3 4 5 6 7	NOMENCLATURE	EFFECT FROM TO	UNITS PER ASSY
2					
- 135	113N1034-6	..	LINK- USED ON: 113N1034-2	002004 006999	1
- 135	113N1034-12	..	LINK- USED ON: 113N1034-10	002004 006999	1
- 135	113N1034-16	..	LINK- USED ON: 113N1034-14	002004 006999	1
145	BACB30NR5K49	.BOLT-	OPTIONAL PART: BACB30US5K50	002004 006999	4
145	BACB30US5K50	.BOLT-	OPTIONAL PART: BACB30NR5K49	002004 006999	4
150	BACW10BP5ACU	.WASHER		002004 006999	4
155	BACW10BP5APU	.WASHER		002004 006999	4
160	NAS1805-5N	.NUT-		003004 006100 121503 904999	4
160	NAS1805-5L	.NUT-		101120 504903	4
165	113N1029-1	.BOLT		107107	4
165	113N1029-2	.BOLT-		002004 006106 108999	4
165	113N1029-21	.BOLT-		002004 006106 108999	4
170	AN960C1416	.WASHER		002004 006999	4
175	H51650-14BAC	.NUT	SUPPLIER CODE: V15653 SPECIFICATION NUMBER: BACN10JC14CD OPTIONAL PART: 102LH9074-14 V72962 69235-1414CD V92215 BMN4122CPD8-14 V97928	002004 006999	4
177	113N1045-1	.RETAINER		002004 006999	4

MISSING ITEM NUMBERS NOT APPLICABLE

- ITEM NOT ILLUSTRATED

57-54-03-02

57-54-03
FIG. 02
PAGE 4
JAN 20/09

BRI



757

PARTS CATALOG (MAINTENANCE)

FIG ITEM	PART NUMBER	1 2 3 4 5 6 7	NOMENCLATURE	EFFECT FROM TO	UNITS PER ASSY
2					
180	113N1025-7		.LINK ASSY- POSITION DATA: INBD	107107	1
180	113N1149-1		.LINK ASSY- POSITION DATA: INBD	002004 006106 108999	1
185	113N1007-5		..BUSHING	107107	4
185	113N1007-24		..BUSHING	002004 006106 108999	4
190	113N1025-6		..LINK- USED ON: 113N1025-7	107107	1
190	113N1149-2		..LINK- USED ON: 113N1149-1	002004 006106 108999	1
195	113N1027-1		.LINK ASSY- POSITION DATA: OUTBD OPTIONAL PART: 113N1027-4	107107	1
195	113N1027-4		.LINK ASSY- POSITION DATA: OUTBD OPTIONAL PART: 113N1027-1	107107	1
195	113N1151-1		.LINK ASSY- POSITION DATA: OUTBD	002004 121503 904949 952952	1
195	113N1151-3		.LINK ASSY- POSITION DATA: OUTBD	006106 108120 504903 950951 953999	1
200	113N1007-5		..BUSHING- USED ON: 113N1027-1 113N1027-4	107107	4
200	113N1007-24		..BUSHING- USED ON: 113N1151-1 113N1151-3	002004 006106 108999	4
205	113N1027-2		..LINK- USED ON: 113N1027-1	107107	1
205	113N1027-5		..LINK- USED ON: 113N1027-4	107107	1

MISSING ITEM NUMBERS NOT APPLICABLE

- ITEM NOT ILLUSTRATED

57-54-03-02

57-54-03
FIG. 02
PAGE 5
JAN 20/09

BRI

BOEING PROPRIETARY - Copyright © - Unpublished Work - See title page for details.



757

PARTS CATALOG (MAINTENANCE)

FIG ITEM	PART NUMBER	1 2 3 4 5 6 7	NOMENCLATURE	EFFECT FROM TO	UNITS PER ASSY
2					
205	113N1151-2	..	LINK- USED ON: 113N1151-1	002004 121503 904949 952952	1
205	113N1151-4	..	LINK- USED ON: 113N1151-3	006106 108120 504903 950951 953999	1
210	BACB30NR6DK58	.	BOLT	002004 006999	1
215	BACW10BP6ACU	.	WASHER	002004 006999	1
220	BACW10BP6APU	.	WASHER	002004 006999	1
225	BACN10JD6CD	.	NUT	002004 006999	1
230	MS24665-287	.	PIN-	002004 006100 121503 904999	1
235	113N1038-1	.	PIN-SPECIAL	002004 006999	1
240	113N1031-4	.	SHAFT ASSY-	002004 006999	1
240	113N1031-2	.	SHAFT ASSY-	002004 006999	1
245	113N1109-1	..	PLUG	002004 006999	1
250	113N1032-1	.	YOKE ASSY-	002004 006999	1
250	113N1032-5	.	YOKE ASSY-	002004 006999	1
250	113N1379-1	.	YOKE ASSY-	002004 006999	1
250	113N1379-3	.	YOKE ASSY-	002004 006999	1
250	113N1379-5	.	YOKE ASSY-	002004 006999	1
255	113N1005-1	..	BUSHING	002004 006999	2
260	113N1005-7	..	BUSHING- USED ON: 113N2032-1 113N1032-5 113N1379-1 113N1379-3	002004 006999	1

MISSING ITEM NUMBERS NOT APPLICABLE

- ITEM NOT ILLUSTRATED

57-54-03-02

57-54-03
FIG. 02
PAGE 6
JAN 20/09

BRI

BOEING PROPRIETARY - Copyright © - Unpublished Work - See title page for details.



757

PARTS CATALOG (MAINTENANCE)

FIG ITEM	PART NUMBER	1 2 3 4 5 6 7	NOMENCLATURE	EFFECT FROM TO	UNITS PER ASSY
2					
260	113N1005-22	..	BUSHING- USED ON: 113N1379-5	002004 006999	1
265	113N1005-8	..	BUSHING	002004 006999	1
270	MS15004-1	..	FITTING	002004 006999	1
275	MS15004-3	..	FITTING	002004 006999	2
280	113N1032-2	..	YOKE- USED ON: 113N1032-5	002004 006999	1
280	113N1032-3	..	YOKE- USED ON: 113N1032-1	002004 006999	1
280	113N1379-2	..	YOKE- USED ON: 113N1379-1	002004 006999	1
280	113N1379-4	..	YOKE- USED ON: 113N1379-3	002004 006999	1
280	113N1379-6	..	YOKE- USED ON: 113N1379-5	002004 006999	1
285	BACB30NR7K16	.	BOLT	002004 006999	2
290	BACW10BP7ACU	.	WASHER	002004 006999	2
295	113N1006-9	.	BUSHING	002004 006999	2
300	BRH10A7	.	NUT- SUPPLIER CODE: V52828 SPECIFICATION NUMBER: BACN10JC7 OPTIONAL PART: H10-7BAC V15653 RMLH9075-7 V72962 96-070 V80539 PRE ALERT SB: 57A0054	002004 006106 108120 504903	2
300	BACN10JC7CD	.	NUT- POST ALERT SB: 57A0054 57A0054R1	002004 006100 107107 121503 904999	2

MISSING ITEM NUMBERS NOT APPLICABLE

- ITEM NOT ILLUSTRATED

57-54-03-02

57-54-03
FIG. 02
PAGE 7
JAN 20/09

BRI

BOEING PROPRIETARY - Copyright © - Unpublished Work - See title page for details.



757

PARTS CATALOG (MAINTENANCE)

FIG ITEM	PART NUMBER	1 2 3 4 5 6 7	NOMENCLATURE	EFFECT FROM TO	UNITS PER ASSY
2 305	113N1145-1		.PIN-FUSE QUALIFIED I/W DATA: 113N1145-1 MAY REPLACE 113N1030-2 FOR 251KLB MTGW PRE ALERT SB: 57A0054	002004 006100	1
305	113N1145-11		.PIN-FUSE PRE ALERT SB: 57A0054	002004 006100	1
305	113N1145-12		.PIN-FUSE POST ALERT SB: 57A0054 57A0054R1	002004 006999	1
310	113N1008-9		.BEAM ASSY-SPRT POSITION DATA: LH SIDE MISCELLANEOUS DATA: USE OF THIS PART NEGATES THE INTENT OF SB 57-0016 COMPONENT MAINT MANUAL REF: 57-54-15	002004 006100 107107 121503 904999	1
315	113N1008-3		.BEAM ASSY-SPRT POSITION DATA: LH SIDE MISCELLANEOUS DATA: USE OF THIS PART NEGATES THE INTENT OF SB 57-0016 COMPONENT MAINT MANUAL REF: 57-54-15 OPTIONAL PART: 113N1008-11	002004 006100 107107 121503 904999	1
315	113N1008-11		.BEAM ASSY-SPRT POSITION DATA: LH SIDE MISCELLANEOUS DATA: USE OF THIS PART NEGATES THE INTENT OF SB 57-0016 COMPONENT MAINT MANUAL REF: 57-54-15	002004 006100 107107 121503 904999	1
315	113N1008-13		.BEAM ASSY-SPRT POSITION DATA: LH SIDE MISCELLANEOUS DATA: USE OF THIS PART NEGATES THE INTENT OF SB 57-0016 COMPONENT MAINT MANUAL REF: 57-54-15	002004 006100 107107 121503 904999	1

MISSING ITEM NUMBERS NOT APPLICABLE

- ITEM NOT ILLUSTRATED

57-54-03-02

57-54-03
FIG. 02
PAGE 8
JAN 20/09

BRI

BOEING PROPRIETARY - Copyright © - Unpublished Work - See title page for details.



757

PARTS CATALOG (MAINTENANCE)

FIG ITEM	PART NUMBER	1 2 3 4 5 6 7	NOMENCLATURE	EFFECT FROM TO	UNITS PER ASSY
2 315	113N1008-15		.BEAM ASSY-SPRT POSITION DATA: LH SIDE COMPONENT MAINT MANUAL REF: 57-54-15 OPTIONAL PART: 113N1008-17 POST SERVICE BULLETIN: 57-0016	002004 006100 107107 121503 904999	1
315	113N1008-17		.BEAM ASSY-SPRT POSITION DATA: LH SIDE MISCELLANEOUS DATA: USE OF THIS PART NEGATES THE INTENT OF SB 57-0016 COMPONENT MAINT MANUAL REF: 57-54-15 OPTIONAL PART: 113N1008-15	002004 006100 107107 121503 904999	1
315	113N1008-19		.BEAM ASSY-SPRT POSITION DATA: LH SIDE COMPONENT MAINT MANUAL REF: 57-54-15 OPTIONAL PART: 113N1008-23 POST SERVICE BULLETIN: 57-0016R3	002004 006100 107107 121503 904999	1
315	113N1008-23		.BEAM ASSY-SPRT POSITION DATA: LH SIDE MISCELLANEOUS DATA: USE OF THIS PART NEGATES THE INTENT OF SB 57-0016 COMPONENT MAINT MANUAL REF: 57-54-15 OPTIONAL PART: 113N1008-19	002004 006100 107107 121503 904999	1
315	113N1008-25		.BEAM ASSY-SPRT POSITION DATA: LH SIDE MISCELLANEOUS DATA: USE OF THIS PART NEGATES THE INTENT OF SB 57-0016	002004 006100 107107 121503 904999	1

MISSING ITEM NUMBERS NOT APPLICABLE

- ITEM NOT ILLUSTRATED

57-54-03-02

57-54-03
FIG. 02
PAGE 9
JAN 20/09

BRI



757

PARTS CATALOG (MAINTENANCE)

FIG ITEM	PART NUMBER	1 2 3 4 5 6 7	NOMENCLATURE	EFFECT FROM TO	UNITS PER ASSY
2 315	113N1008-27		.BEAM ASSY-SPRT POSITION DATA: LH SIDE MISCELLANEOUS DATA: USE OF THIS PART NEGATES THE INTENT OF SB 57-0016 OPTIONAL PART: 113N1008-29	002004 006100 107107 121503 904999	1
315	113N1008-29		.BEAM ASSY-SPRT POSITION DATA: LH SIDE MISCELLANEOUS DATA: USE OF THIS PART NEGATES THE INTENT OF SB 57-0016 OPTIONAL PART: 113N1008-27	002004 006100 107107 121503 904999	1
315	113N1008-31		.BEAM ASSY-SPRT POSITION DATA: LH SIDE	018106 108120 504903	1
- 320	113N1008-10		.BEAM ASSY-SPRT POSITION DATA: RH SIDE MISCELLANEOUS DATA: USE OF THIS PART NEGATES THE INTENT OF SB 57-0016 COMPONENT MAINT MANUAL REF: 57-54-15	002004 006100 107107 121503 904999	1
- 325	113N1008-4		.BEAM ASSY-SPRT POSITION DATA: RH SIDE MISCELLANEOUS DATA: USE OF THIS PART NEGATES THE INTENT OF SB 57-0016 COMPONENT MAINT MANUAL REF: 57-54-15 OPTIONAL PART: 113N1008-12	002004 006100 107107 121503 904999	1
- 325	113N1008-12		.BEAM ASSY-SPRT POSITION DATA: RH SIDE MISCELLANEOUS DATA: USE OF THIS PART NEGATES THE INTENT OF SB 57-0016 COMPONENT MAINT MANUAL REF: 57-54-15	002004 006100 107107 121503 904999	1

MISSING ITEM NUMBERS NOT APPLICABLE

- ITEM NOT ILLUSTRATED

57-54-03-02

57-54-03
FIG. 02
PAGE 10
JAN 20/09

BRI



757

PARTS CATALOG (MAINTENANCE)

FIG ITEM	PART NUMBER	1 2 3 4 5 6 7	NOMENCLATURE	EFFECT FROM TO	UNITS PER ASSY
2					
- 325	113N1008-14		.BEAM ASSY-SPRT POSITION DATA: RH SIDE MISCELLANEOUS DATA: USE OF THIS PART NEGATES THE INTENT OF SB 57-0016 COMPONENT MAINT MANUAL REF: 57-54-15	002004 006100 107107 121503 904999	1
- 325	113N1008-16		.BEAM ASSY-SPRT POSITION DATA: RH SIDE COMPONENT MAINT MANUAL REF: 57-54-15 POST SERVICE BULLETIN: 57-0016	002004 006100 107107 121503 904999	1
- 325	113N1008-18		.BEAM ASSY-SPRT POSITION DATA: RH SIDE MISCELLANEOUS DATA: USE OF THIS PART NEGATES THE INTENT OF SB 57-0016 COMPONENT MAINT MANUAL REF: 57-54-15	002004 006100 107107 121503 904999	1
- 325	113N1008-20		.BEAM ASSY-SPRT POSITION DATA: RH SIDE COMPONENT MAINT MANUAL REF: 57-54-15 OPTIONAL PART: 113N1008-24 POST SERVICE BULLETIN: 57-0016R3	002004 006100 107107 121503 904999	1
- 325	113N1008-24		.BEAM ASSY-SPRT POSITION DATA: RH SIDE COMPONENT MAINT MANUAL REF: 57-54-15 OPTIONAL PART: 113N1008-20	002004 006100 107107 121503 904999	1
- 325	113N1008-26		.BEAM ASSY-SPRT POSITION DATA: RH SIDE	002004 006100 107107 121503 904999	1
- 325	113N1008-28		.BEAM ASSY-SPRT POSITION DATA: RH SIDE OPTIONAL PART: 113N1008-30	002004 006100 107107 121503 904999	1

MISSING ITEM NUMBERS NOT APPLICABLE

- ITEM NOT ILLUSTRATED

57-54-03-02

57-54-03
FIG. 02
PAGE 11
JAN 20/09

BRI



757

PARTS CATALOG (MAINTENANCE)

FIG ITEM	PART NUMBER	1 2 3 4 5 6 7	NOMENCLATURE	EFFECT FROM TO	UNITS PER ASSY
2					
- 325	113N1008-30	.	BEAM ASSY-SPRT POSITION DATA: RH SIDE OPTIONAL PART: 113N1008-28	002004 006100 107107 121503 904999	1
- 325	113N1008-32	.	BEAM ASSY-SPRT POSITION DATA: RH SIDE	018106 108120 504903	1
330	BACB30LE12K32	..	BOLT	002004 006999	2
335	BACB30MR8K17	..	BOLT	002004 006999	2
340	BACW10BP12ACU	..	WASHER	002004 006999	2
345	BACW10BP12ACU	..	WASHER-	002004 006999	2
350	BACW10BP8ACU	..	WASHER	002004 006999	2
355	BACW10BP8APU	..	WASHER	002004 006999	2
360	BMN5024CPD312	..	NUT SUPPLIER CODE: V97928 SPECIFICATION NUMBER: BACN10HR12CS OPTIONAL PART: H39953-12 V15653 109LH9031-12 V72962 67832AS1216 V56878 BH00303-12 V27238 BMN10HRCPD3-12 V97928 CR590812 V62554 SL7050912 V11815 BH0030312 V27238 109LH903112 V72962 67832AS12 V56878	002004 006999	2
365	NAS1805-8	..	NUT	002004 006999	2

MISSING ITEM NUMBERS NOT APPLICABLE

- ITEM NOT ILLUSTRATED

BRI

57-54-03-02

57-54-03
FIG. 02
PAGE 12
JAN 20/09



757

PARTS CATALOG (MAINTENANCE)

FIG ITEM	PART NUMBER	1 2 3 4 5 6 7	NOMENCLATURE	EFFECT FROM TO	UNITS PER ASSY
2					
370	113N1008-5	..	SHIM	002004 006999	1
375	113N1008-6	..	SHIM	002004 006999	1
380	113N1021-1	..	FITTING ASSY-STAB SPRT POSITION DATA: INBD USED ON: 113N1008-3 113N1008-4 113N1008-9 113N1008-10	003004 006100 107107 121503 904999	1
385	113N1043-2	..	FITTING ASSY-STAB SPRT POSITION DATA: INBD USED ON: 113N1008-11 113N1008-12 113N1008-13 113N1008-14	002004 006100 107107 121503 904999	1
385	113N1043-5	..	FITTING ASSY-STAB SPRT POSITION DATA: INBD USED ON: 113N1008-31 113N1008-32 113N1008-33 113N1008-34 USED ON: 113N1008-15 113N1008-16 113N1008-17 113N1008-18 113N1008-19 113N1008-20 113N1008-23 113N1008-24 113N1008-25 113N1008-26 113N1008-27 113N1008-28 113N1008-29 113N1008-30 113N1008-31 113N1008-32	002004 006999	1
395	113N1005-2	...	BUSHING	002004 006999	2

MISSING ITEM NUMBERS NOT APPLICABLE

- ITEM NOT ILLUSTRATED

57-54-03-02

57-54-03
FIG. 02
PAGE 13
JAN 20/09

BRI

BOEING PROPRIETARY - Copyright © - Unpublished Work - See title page for details.



757

PARTS CATALOG (MAINTENANCE)

FIG ITEM	PART NUMBER	1 2 3 4 5 6 7 NOMENCLATURE	EFFECT FROM TO	UNITS PER ASSY
2 400	HL1012SY10-4	. . . BOLT- SUPPLIER CODE: VOPTK6 SPECIFICATION NUMBER: BACB30NX10S4 OPTIONAL PART: HL12VSY10-4 V73197 HL12VSY10-4 V92215 HL12VSY10-4 V97928 L802-10S4 V06725 HL12VSY10-4 V56878 HL1012SY10-4 V06725 HL1012SY10-4 V06950 HL1012SY10-4 V17446 HL1012SY10-4 V56878 HL1012SY10-4 V60516 HL1012SY10-4 V73197 HL1012SY10-4 V97928 USED ON: 113N1021-1	002004 006100 107107 121503 904999	4

MISSING ITEM NUMBERS NOT APPLICABLE

- ITEM NOT ILLUSTRATED

BRI

57-54-03-02

BOEING PROPRIETARY - Copyright © - Unpublished Work - See title page for details.

57-54-03
FIG. 02
PAGE 14
JAN 20/09



757

PARTS CATALOG (MAINTENANCE)

FIG ITEM	PART NUMBER	1 2 3 4 5 6 7 NOMENCLATURE	EFFECT FROM TO	UNITS PER ASSY
2 405	HL1012SY10-7	...BOLT- SUPPLIER CODE: VOPTK6 SPECIFICATION NUMBER: BACB30NX10S7 OPTIONAL PART: HL12VSY10-7 V73197 HL12VSY10-7 V92215 HL12VSY10-7 V97928 L802-10S7 V06725 HL12VSY10-7 V56878 HL1012SY10-7 V06725 HL1012SY10-7 V06950 HL1012SY10-7 V17446 HL1012SY10-7 V56878 HL1012SY10-7 V60516 HL1012SY10-7 V73197 HL1012SY10-7 V97928 USED ON: 113N1021-1	002004 006100 107107 121503 904999	1

MISSING ITEM NUMBERS NOT APPLICABLE

- ITEM NOT ILLUSTRATED

BRI

57-54-03-02

BOEING PROPRIETARY - Copyright © - Unpublished Work - See title page for details.

57-54-03
FIG. 02
PAGE 15
JAN 20/09



757

PARTS CATALOG (MAINTENANCE)

FIG ITEM	PART NUMBER	1 2 3 4 5 6 7 NOMENCLATURE	EFFECT FROM TO	UNITS PER ASSY
2 410	HL1012SY10-8	...BOLT- SUPPLIER CODE: VOPTK6 SPECIFICATION NUMBER: BACB30NX10S8 OPTIONAL PART: HL12VSY10-8 V73197 HL12VSY10-8 V92215 HL12VSY10-8 V97928 L802-10S8 V06725 HL12VSY10-8 V56878 HL1012SY10-8 V06725 HL1012SY10-8 V06950 HL1012SY10-8 V17446 HL1012SY10-8 V56878 HL1012SY10-8 V60516 HL1012SY10-8 V73197 HL1012SY10-8 V97928 USED ON: 113N1021-1	002004 006100 107107 121503 904999	1

MISSING ITEM NUMBERS NOT APPLICABLE

- ITEM NOT ILLUSTRATED

BRI

57-54-03-02

BOEING PROPRIETARY - Copyright © - Unpublished Work - See title page for details.

57-54-03
FIG. 02
PAGE 16
JAN 20/09



757

PARTS CATALOG (MAINTENANCE)

FIG ITEM	PART NUMBER	1 2 3 4 5 6 7	NOMENCLATURE	EFFECT FROM TO	UNITS PER ASSY
2 415	HL1187DU10		... COLLAR- SUPPLIER CODE: V5M902 SPECIFICATION NUMBER: BACC30X10S OPTIONAL PART: HL87DU10 V56878 HL1187DU10 V92215 HL1187DU10 V56878 HL87DU10 V92215 HL87DU10 V73197 HL1187DU10 V73197 USED ON: 113N1021-1	002004 006100 107107 121503 904999	6

MISSING ITEM NUMBERS NOT APPLICABLE

- ITEM NOT ILLUSTRATED

57-54-03-02

BRI

BOEING PROPRIETARY - Copyright © - Unpublished Work - See title page for details.

57-54-03
FIG. 02
PAGE 17
JAN 20/09



757

PARTS CATALOG (MAINTENANCE)

FIG ITEM	PART NUMBER	1 2 3 4 5 6 7	NOMENCLATURE	EFFECT FROM TO	UNITS PER ASSY
2 420	HL1012SY12-15		. . . BOLT- SUPPLIER CODE: VOPTK6 SPECIFICATION NUMBER: BACB30NX12S15 OPTIONAL PART: HL12VSY12-15 V73197 HL12VSY12-15 V92215 HL12VSY12-15 V97928 L802-12S15 V06725 HL12VSY12-15 V56878 HL1012SY12-15 V06725 HL1012SY12-15 V06950 HL1012SY12-15 V17446 HL1012SY12-15 V56878 HL1012SY12-15 V60516 HL1012SY12-15 V73197 HL1012SY12-15 V97928 USED ON: 113N1021-1	002004 006100 107107 121503 904999	1

MISSING ITEM NUMBERS NOT APPLICABLE

- ITEM NOT ILLUSTRATED

BRI

57-54-03-02

BOEING PROPRIETARY - Copyright © - Unpublished Work - See title page for details.

57-54-03
 FIG. 02
 PAGE 18
 JAN 20/09



757

PARTS CATALOG (MAINTENANCE)

FIG ITEM	PART NUMBER	1 2 3 4 5 6 7	NOMENCLATURE	EFFECT FROM TO	UNITS PER ASSY
2 425	HL1187DU12		... COLLAR- SUPPLIER CODE: V5M902 SPECIFICATION NUMBER: BACC30X12S OPTIONAL PART: HL87DU12 V92215 HL87DU12 V73197 HL1187DU12 V56878 HL1187DU12 V92215 HL87DU12 V56878 HL1187DU12 V73197 USED ON: 113N1021-1	002004 006100 107107 121503 904999	1
430	MS15004-2		... FITTING- USED ON: 113N1021-1	002004 006100 107107 121503 904999	1
435	MS15004-1		... FITTING- USED ON: 113N1043-2 113N1043-5	002004 006999	1
440	113N1043-4		... FITTING- USED ON: 113N1043-2	002004 006100 107107 121503 904999	1
440	113N1043-6		... FITTING- USED ON: 113N1043-5	002004 006999	1
442	113N1022-1		... FITTING- USED ON: 113N1021-1	002004 006100 107107 121503 904999	1
444	113N1022-2		... FITTING- USED ON: 113N1021-1	002004 006100 107107 121503 904999	1

MISSING ITEM NUMBERS NOT APPLICABLE

- ITEM NOT ILLUSTRATED

57-54-03-02

57-54-03
FIG. 02
PAGE 19
JAN 20/09

BRI

BOEING PROPRIETARY - Copyright © - Unpublished Work - See title page for details.



757

PARTS CATALOG (MAINTENANCE)

FIG ITEM	PART NUMBER	1 2 3 4 5 6 7	NOMENCLATURE	EFFECT FROM TO	UNITS PER ASSY
2 446	113N1046-11		..BEAM ASSY- USED ON: 113N1008-3 113N1008-4 113N1008-11 113N1008-12 113N1008-13 113N1008-14 113N1008-15 113N1008-16 113N1008-17 113N1008-18 113N1008-19 113N1008-20 113N1008-23 113N1008-24 113N1008-25 113N1008-26 113N1008-27 113N1008-28 113N1008-29 113N1008-30	002004 006100 107107 121503 904999	1
446	113N1046-13		..BEAM ASSY- USED ON: 113N1008-31 113N1008-32	018106 108120 504903	1
450	113N1002-3		..BEAM ASSY- USED ON: 113N1008-9 113N1008-10	003004 006100 107107 121503 904999	1
455	113N1006-6		...BUSHING	002004 006999	3
460	113N1006-6		...BUSHING	002004 006999	1
463	113N1005-4		...BUSHING	002004 006999	1
466	113N1006-10		...BUSHING	002004 006999	1
470	113N1005-21		...BUSHING-	002004 006999	2
470	113N1005-3		...BUSHING-	002004 006999	2
472	MS15004-1		...FITTING	002004 006999	1
475	MS15004-2		...FITTING	002004 006999	1

MISSING ITEM NUMBERS NOT APPLICABLE

- ITEM NOT ILLUSTRATED

57-54-03-02

57-54-03
FIG. 02
PAGE 20
JAN 20/09

BRI



757

PARTS CATALOG (MAINTENANCE)

FIG ITEM	PART NUMBER	1 2 3 4 5 6 7	NOMENCLATURE	EFFECT FROM TO	UNITS PER ASSY
2 478	113N1023-1		..FITTING ASSY-STAB SPRT POSITION DATA: OUTBD MISCELLANEOUS DATA: USE OF THIS PART NEGATES THE INTENT OF SB 57-0016 USED ON: 113N1008-3 113N1008-4 113N1008-9 113N1008-10	003004 006100 107107 121503 904999	1
480	113N1043-1		..FITTING ASSY- POSITION DATA: OUTBD USED ON: 113N1008-11 113N1008-12 113N1008-13 113N1008-14 113N1008-15 113N1008-16 113N1008-17 113N1008-18 113N1008-19 113N1008-20 113N1008-23 113N1008-24	002004 006100 107107 121503 904999	1
480	113N1043-7		..FITTING ASSY-STAB POSITION DATA: OUTBD	006106 108120 504903 950951 953999	1
485	BACB30LE12K31		ATTACHING PARTS ..BOLT	002004 006999	2
490	BACW10BP12ACU		..WASHER	002004 006999	2
495	113N1008-5		..SHIM	002004 006999	1
500	BACW10BP12APU		..WASHER	002004 006999	2

MISSING ITEM NUMBERS NOT APPLICABLE

- ITEM NOT ILLUSTRATED

57-54-03-02

57-54-03
FIG. 02
PAGE 21
JAN 20/09

BRI

BOEING PROPRIETARY - Copyright © - Unpublished Work - See title page for details.

 **BOEING**
757
PARTS CATALOG (MAINTENANCE)

FIG ITEM	PART NUMBER	1 2 3 4 5 6 7	NOMENCLATURE	EFFECT FROM TO	UNITS PER ASSY
2 505	BMN5024CPD312	..	NUT SUPPLIER CODE: V97928 SPECIFICATION NUMBER: BACN10HR12CS OPTIONAL PART: H39953-12 V15653 109LH9031-12 V72962 67832AS1216 V56878 BH00303-12 V27238 BMN10HRCPD3-12 V97928 CR590812 V62554 SL7050912 V11815 BH0030312 V27238 109LH903112 V72962 67832AS12 V56878	002004 006999	2
510	BACB30MR8K14	..	BOLT-	002004 006999	2
515	BACW10BP8ACU	..	WASHER	002004 006999	2
520	113N1008-6	..	SHIM	002004 006999	1
525	BACW10BP8APU	..	WASHER	002004 006999	2
530	NAS1805-8	..	NUT	002004 006999	2
535	113N1005-2	..	-----*----- BUSHING	002004 006999	2
540	MS15004-2	...	FITTING- USED ON: 113N1023-1	002004 006100 107107 121503 904999	1
545	MS15004-1	...	FITTING- USED ON: 113N1043-1 113N1043-7 113N1043-9	002004 006999	1

MISSING ITEM NUMBERS NOT APPLICABLE

— ITEM NOT ILLUSTRATED

BRI

57-54-03-02

BOEING PROPRIETARY - Copyright © - Unpublished Work - See title page for details.

57-54-03
FIG. 02
PAGE 22
JAN 20/09



757

PARTS CATALOG (MAINTENANCE)

FIG ITEM	PART NUMBER	1 2 3 4 5 6 7 NOMENCLATURE	EFFECT FROM TO	UNITS PER ASSY
2 550	HL1012SY10-4	. . . BOLT- SUPPLIER CODE: VOPTK6 SPECIFICATION NUMBER: BACB30NX10S4 OPTIONAL PART: HL12VSY10-4 V73197 HL12VSY10-4 V92215 HL12VSY10-4 V97928 L802-10S4 V06725 HL12VSY10-4 V56878 HL1012SY10-4 V06725 HL1012SY10-4 V06950 HL1012SY10-4 V17446 HL1012SY10-4 V56878 HL1012SY10-4 V60516 HL1012SY10-4 V73197 HL1012SY10-4 V97928 USED ON: 113N1023-1	002004 006100 107107 121503 904999	4

MISSING ITEM NUMBERS NOT APPLICABLE

- ITEM NOT ILLUSTRATED

57-54-03-02

57-54-03
FIG. 02
PAGE 23
JAN 20/09

BRI



757

PARTS CATALOG (MAINTENANCE)

FIG ITEM	PART NUMBER	1 2 3 4 5 6 7 NOMENCLATURE	EFFECT FROM TO	UNITS PER ASSY
2 555	HL1012SY10-7	...BOLT- SUPPLIER CODE: VOPTK6 SPECIFICATION NUMBER: BACB30NX10S7 OPTIONAL PART: HL12VSY10-7 V73197 HL12VSY10-7 V92215 HL12VSY10-7 V97928 L802-10S7 V06725 HL12VSY10-7 V56878 HL1012SY10-7 V06725 HL1012SY10-7 V06950 HL1012SY10-7 V17446 HL1012SY10-7 V56878 HL1012SY10-7 V60516 HL1012SY10-7 V73197 HL1012SY10-7 V97928 USED ON: 113N1023-1	002004 006100 107107 121503 904999	1

MISSING ITEM NUMBERS NOT APPLICABLE

- ITEM NOT ILLUSTRATED

BRI

57-54-03-02

BOEING PROPRIETARY - Copyright © - Unpublished Work - See title page for details.

57-54-03
FIG. 02
PAGE 24
JAN 20/09



757

PARTS CATALOG (MAINTENANCE)

FIG ITEM	PART NUMBER	1 2 3 4 5 6 7	NOMENCLATURE	EFFECT FROM TO	UNITS PER ASSY
2 560	HL1012SY10-8		...BOLT- SUPPLIER CODE: VOPTK6 SPECIFICATION NUMBER: BACB30NX10S8 OPTIONAL PART: HL12VSY10-8 V73197 HL12VSY10-8 V92215 HL12VSY10-8 V97928 L802-10S8 V06725 HL12VSY10-8 V56878 HL1012SY10-8 V06725 HL1012SY10-8 V06950 HL1012SY10-8 V17446 HL1012SY10-8 V56878 HL1012SY10-8 V60516 HL1012SY10-8 V73197 HL1012SY10-8 V97928 USED ON: 113N1023-1	002004 006100 107107 121503 904999	1

MISSING ITEM NUMBERS NOT APPLICABLE

- ITEM NOT ILLUSTRATED

BRI

57-54-03-02

BOEING PROPRIETARY - Copyright © - Unpublished Work - See title page for details.

57-54-03
FIG. 02
PAGE 25
JAN 20/09



757

PARTS CATALOG (MAINTENANCE)

FIG ITEM	PART NUMBER	1 2 3 4 5 6 7	NOMENCLATURE	EFFECT FROM TO	UNITS PER ASSY
2 565	HL1012SY12-15	...	BOLT- SUPPLIER CODE: VOPTK6 SPECIFICATION NUMBER: BACB30NX12S15 OPTIONAL PART: HL12VSY12-15 V73197 HL12VSY12-15 V92215 HL12VSY12-15 V97928 L802-12S15 V06725 HL12VSY12-15 V56878 HL1012SY12-15 V06725 HL1012SY12-15 V06950 HL1012SY12-15 V17446 HL1012SY12-15 V56878 HL1012SY12-15 V60516 HL1012SY12-15 V73197 HL1012SY12-15 V97928 USED ON: 113N1023-1	002004 006100 107107 121503 904999	1
570	BACB30NX10S	...	COLLAR- USED ON: 113N1023-1	002004 006100 107107 121503 904999	6
572	BACB30NX12S	...	COLLAR- USED ON: 113N1023-1	002004 006100 107107 121503 904999	1
574	113N1024-1	...	FITTING- USED ON: 113N1023-1	002004 006100 107107 121503 904999	1

MISSING ITEM NUMBERS NOT APPLICABLE

- ITEM NOT ILLUSTRATED

57-54-03-02

57-54-03
FIG. 02
PAGE 26
JAN 20/09

BRI



757

PARTS CATALOG (MAINTENANCE)

FIG ITEM	PART NUMBER	1 2 3 4 5 6 7	NOMENCLATURE	EFFECT FROM TO	UNITS PER ASSY
2					
576	113N1024-2	...	FITTING- USED ON: 113N1023-1	002004 006100 107107 121503 904999	1
578	113N1043-3	...	FITTING- USED ON: 113N1043-1	002004 006100 107107 121503 904999	1
578	113N1043-8	...	FITTING- USED ON: 113N1043-7	006106 108120 504903 950951 953999	1
580	113N1020-1	..	BOLT-SPECIAL USED WITH: 113N1009-1 113N1009-2	002004 006100 103106 121503 904952	4
580	113N1020-2	..	BOLT-SPECIAL SERVICE BULLETIN OPT DATA: 113N1020-3 USED WITH: 113N1009-3 113N1009-4 POST SERVICE BULLETIN: 57-0016	107107 953999	4
580	113N1020-3	..	BOLT-SPECIAL SERVICE BULLETIN OPT DATA: 113N1020-2 POST SERVICE BULLETIN: 57-0016R2	002004 006999	4
588	BACW10BP14ACU	..	WASHER- POST SERVICE BULLETIN: 57-0016R1	002004 006100 103107 121503 904999	4
592	113N1106-1	..	WASHER-	002004 006999	4
592	113N1121-1	..	WASHER-	002004 006999	4
592	113N1121-3	..	WASHER-	002004 006999	4

MISSING ITEM NUMBERS NOT APPLICABLE

- ITEM NOT ILLUSTRATED

57-54-03-02

57-54-03
FIG. 02
PAGE 27
JAN 20/09

BRI

BOEING PROPRIETARY - Copyright © - Unpublished Work - See title page for details.



757

PARTS CATALOG (MAINTENANCE)

FIG ITEM	PART NUMBER	1 2 3 4 5 6 7	NOMENCLATURE	EFFECT FROM TO	UNITS PER ASSY
2					
594	BACW10BP14APU		.. WASHER- USED ON: 113N1008-15 113N1008-16 113N1008-19 113N1008-20 113N1008-23 113N1008-24	002004 006999	4
596	NAS1805-14		.. NUT	002004 006999	4
598	113N1010-1		.. PLATE-ANTIFRET	002004 006999	1
600	113N1009-1		.. BLOCK ASSY-PILLOW USED ON: 113N1008-3 113N1008-4 113N1008-9 113N1008-10 113N1008-11 113N1008-12	002004 006017 121503 904952	1
600	113N1009-2		.. BLOCK ASSY-PILLOW USED ON: 113N1008-13 113N1008-14 113N1008-17 113N1008-18	002004 006017 121503 904952	1
600	113N1009-3		.. BLOCK ASSY-PILLOW SERVICE BULLETIN OPT DATA: 113N1009-4 113N1009-6 USED ON: 113N1008-15 113N1008-16 POST SERVICE BULLETIN: 57-0016R2	002004 006999	1
600	113N1009-4		.. BLOCK ASSY-PILLOW SERVICE BULLETIN OPT DATA: 113N1009-3 113N1009-6 USED ON: 113N1008-19 113N1008-20 POST SERVICE BULLETIN: 57-0016R2	002004 006999	1

MISSING ITEM NUMBERS NOT APPLICABLE

- ITEM NOT ILLUSTRATED

57-54-03-02

57-54-03
FIG. 02
PAGE 28
JAN 20/09

BRI

BOEING PROPRIETARY - Copyright © - Unpublished Work - See title page for details.



757

PARTS CATALOG (MAINTENANCE)

FIG ITEM	PART NUMBER	1 2 3 4 5 6 7	NOMENCLATURE	EFFECT FROM TO	UNITS PER ASSY
2 600	113N1009-6		..BLOCK ASSY-PILLOW SERVICE BULLETIN OPT DATA: 113N1009-3 113N1009-4 USED ON: 113N1008-23 113N1008-24 113N1008-25 113N1008-26 113N1008-27 113N1008-28 113N1008-29 113N1008-30 113N1008-31 113N1008-32	002004 006999	1
605	BACB30LJ5HU8		...BOLT	002004 006999	1
610	AN960C516L		...WASHER	002004 006999	1
615	BRH10C5M		...NUT SUPPLIER CODE: V52828 SPECIFICATION NUMBER: BACN10JC5CM OPTIONAL PART: T6C524JM V11815 97E054 V80539 109LH9075-5W V72962 H01-5BAC V15653	002004 006999	1
620	113N1014-1		...NUT-BEARING	002004 006999	1
625	113N1017-1		...PAWL-LOCKING OPTIONAL PART: 113N1017-2	002004 006999	1
625	113N1017-2		...PAWL-LOCKING OPTIONAL PART: 113N1017-1	002004 006999	1
630	113N1015-1		...RING-LOCK	002004 006999	1

MISSING ITEM NUMBERS NOT APPLICABLE

- ITEM NOT ILLUSTRATED

BRI

57-54-03-02

BOEING PROPRIETARY - Copyright © - Unpublished Work - See title page for details.

57-54-03
FIG. 02
PAGE 29
JAN 20/09



757

PARTS CATALOG (MAINTENANCE)

FIG ITEM	PART NUMBER	1 2 3 4 5 6 7	NOMENCLATURE	EFFECT FROM TO	UNITS PER ASSY
2 645	113N1140-1		... FITTING ASSY- SERVICE BULLETIN OPT DATA: 113N1159-1 USED ON: 113N1009-3 POST SERVICE BULLETIN: 57-0016	107107 953999	1
650	113N1159-1		... FITTING ASSY- SERVICE BULLETIN OPT DATA: 113N1140-1 USED ON: 113N1009-4 113N1009-6 POST SERVICE BULLETIN: 57-0016R3	002004 006999	1
655	VTB08000		... BEARING ASSY- SUPPLIER CODE: V06710 SPECIFICATION NUMBER: S113N103-1 OPTIONAL PART: KMB72-5 V97613 P21420 V57606	002004 006100 107107 121503 904999	1
660	KMB72-9		... BEARING ASSY- SUPPLIER CODE: V97613 SPECIFICATION NUMBER: S113N103-5 OPTIONAL PART: P28050 V57606 VTB10600 V97613	002004 006999	1
665	113N1018-1		... RESERVOIR ASSY	002004 006999	1
670	MS15004-1	 FITTING	002004 006999	1

MISSING ITEM NUMBERS NOT APPLICABLE

- ITEM NOT ILLUSTRATED

BRI

57-54-03-02

BOEING PROPRIETARY - Copyright © - Unpublished Work - See title page for details.

57-54-03
FIG. 02
PAGE 30
JAN 20/09



757

PARTS CATALOG (MAINTENANCE)

FIG ITEM	PART NUMBER	1 2 3 4 5 6 7	NOMENCLATURE	EFFECT FROM TO	UNITS PER ASSY
2 675	VTB08030		.. BEARING ASSY- SUPPLIER CODE: V06710 SPECIFICATION NUMBER: S113N104-1 OPTIONAL PART: KMB48-14 V97613 P21430 V57606 USED ON: 113N1008-3 113N1008-4 113N1008-9 113N1008-10 113N1008-11 113N1008-12 113N1008-13 113N1008-14 113N1008-15 113N1008-16 113N1008-17 113N1008-18 113N1008-19 113N1008-20	002004 006100 107107 121503 904999	1
675	KMB48-17		.. BEARING ASSY- SUPPLIER CODE: V97613 SPECIFICATION NUMBER: S113N104-7 OPTIONAL PART: VTB10630 V06710 USED ON: 113N1008-23 113N1008-24 113N1008-25 113N1008-26 113N1008-27 113N1008-28 113N1008-29 113N1008-30	002004 006999	1

MISSING ITEM NUMBERS NOT APPLICABLE

- ITEM NOT ILLUSTRATED

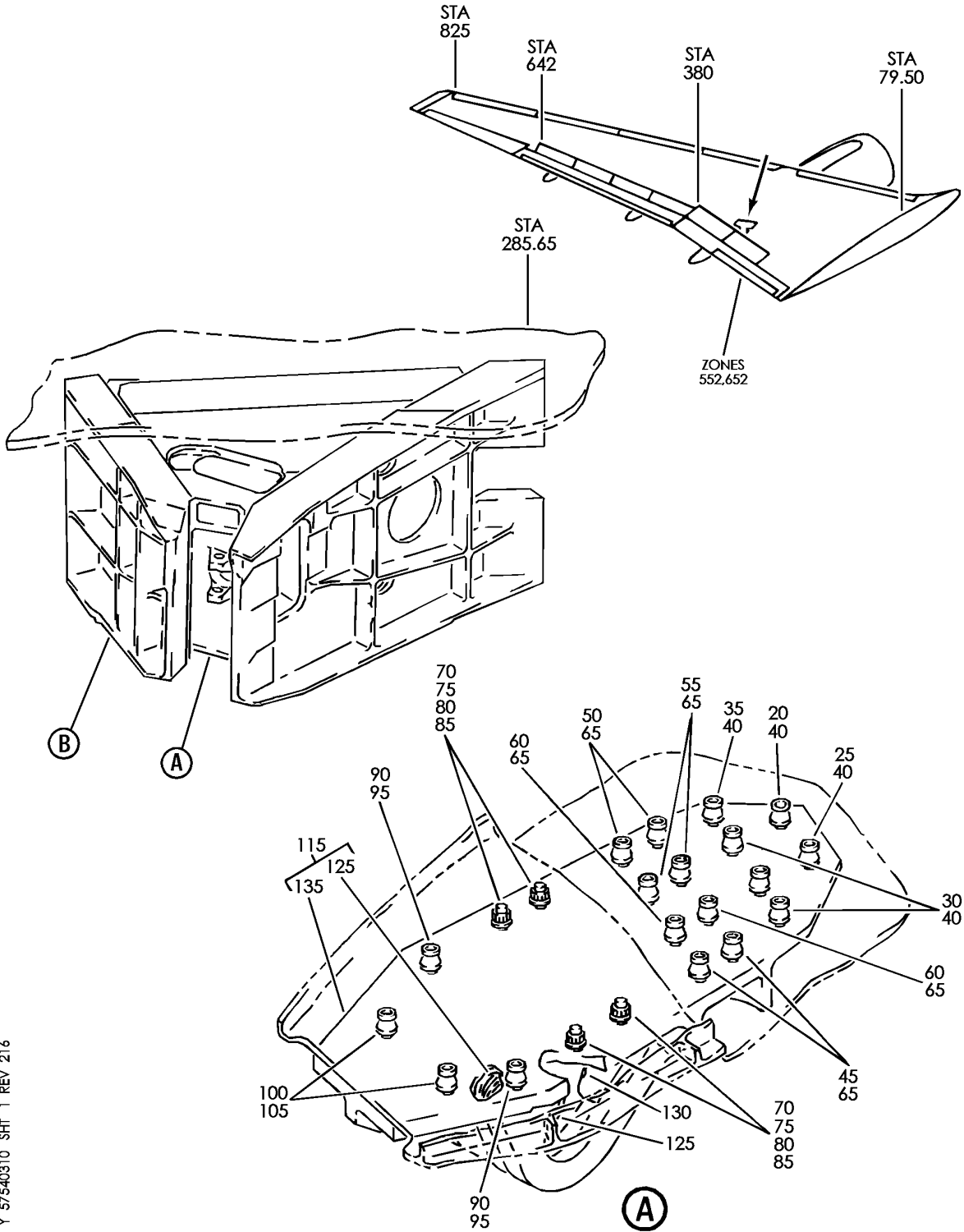
BRI

57-54-03-02

BOEING PROPRIETARY - Copyright © - Unpublished Work - See title page for details.

57-54-03
FIG. 02
PAGE 31
JAN 20/09

BOEING
757
PARTS CATALOG (MAINTENANCE)



Y 57540310 SHT 1 REV 216

SUPPORT INSTL-MLG BEAM OUTBD
FIGURE 10 (SHEET 1)

57-54-03-10

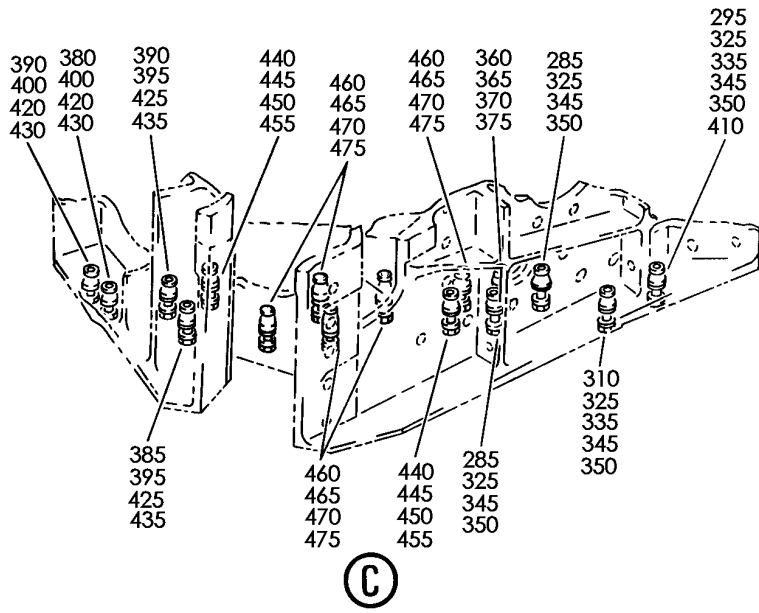
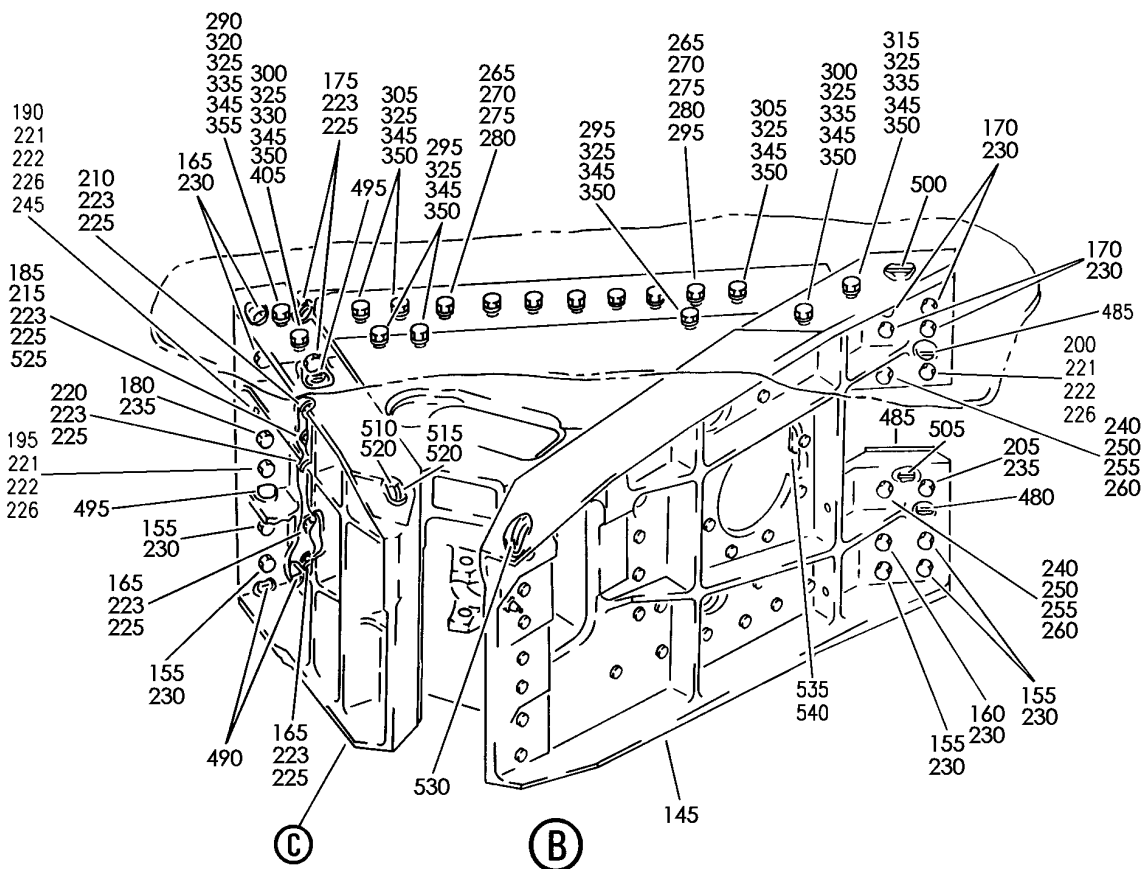
BRI
MAY 28/07

57-54-03-10
PAGE 0

BOEING

757

PARTS CATALOG (MAINTENANCE)



Y 57540310 SH1 2 REV 282

SUPPORT INSTL-MLG BEAM OUTBD
FIGURE 10 (SHEET 2)

57-54-03-10

BRI
MAY 28/07

57-54-03-10
PAGE 0A



757

PARTS CATALOG (MAINTENANCE)

FIG ITEM	PART NUMBER	1 2 3 4 5 6 7	NOMENCLATURE	EFFECT FROM TO	UNITS PER ASSY
10			SUPPORT INSTL-MLG BEAM OUTBD	002004 006999	
- 1	113N1050-1		SUPPORT INSTL-MLG BEAM POSITION DATA: OUTBD LH FOR NHA SEE: 57-20-52-01	107107 904949	RF
- 1	113N1050-21		SUPPORT INSTL-MLG BEAM POSITION DATA: OUTBD LH FOR NHA SEE: 57-20-52-01	952952	RF
- 1	113N1050-31		SUPPORT INSTL-MLG BEAM POSITION DATA: OUTBD LH FOR NHA SEE: 57-20-52-01	002004 006100 121503	RF
- 1	113N1050-401		SUPPORT INSTL-MLG BEAM POSITION DATA: OUTBD LH FOR NHA SEE: 57-20-52-01	950951 953999 101101	RF
- 1	113N1050-201		SUPPORT INSTL-MLG BEAM POSITION DATA: OUTBD LH FOR NHA SEE: 57-00-00-05	102102 504903	RF
- 1	113N1050-203		SUPPORT INSTL-MLG BEAM POSITION DATA: OUTBD LH FOR NHA SEE: 57-00-00-05	108120	RF
- 1	MODREF19079		SUPPORT INSTL-MLG BEAM MODULE NUMBER: 113N1050-209 REV A POSITION DATA: OUTBD LH	103103	1
- 1	MODREF26505		SUPPORT INSTL-MLG BEAM MODULE NUMBER: 113N1050-209 REV B POSITION DATA: OUTBD LH	104106	1
- 10	113N1050-2		SUPPORT INSTL-MLG BEAM POSITION DATA: OUTBD RH FOR NHA SEE: 57-20-52-01	107107 904949	RF

MISSING ITEM NUMBERS NOT APPLICABLE

- ITEM NOT ILLUSTRATED

57-54-03-10

57-54-03
FIG. 10
PAGE 1
JAN 20/09

BRI



757

PARTS CATALOG (MAINTENANCE)

FIG ITEM	PART NUMBER	1 2 3 4 5 6 7	NOMENCLATURE	EFFECT FROM TO	UNITS PER ASSY
10					
- 10	113N1050-22		SUPPORT INSTL-MLG BEAM POSITION DATA: OUTBD RH FOR NHA SEE: 57-20-52-01	952952	RF
- 10	113N1050-32		SUPPORT INSTL-MLG BEAM POSITION DATA: OUTBD RH FOR NHA SEE: 57-20-52-01	002004 006100 121503 950951 953999	RF
- 10	113N1050-402		SUPPORT INSTL-MLG BEAM POSITION DATA: OUTBD RH FOR NHA SEE: 57-00-00-05	101101	RF
- 10	113N1050-202		SUPPORT INSTL-MLG BEAM POSITION DATA: OUTBD RH FOR NHA SEE: 57-00-00-05	102102 504903	RF
- 10	113N1050-204		SUPPORT INSTL-MLG BEAM POSITION DATA: OUTBD RH FOR NHA SEE: 57-00-00-05	108120	RF
- 10	MODREF19080		SUPPORT INSTL-MLG BEAM MODULE NUMBER: 113N1050-210 REV A POSITION DATA: OUTBD RH	103103	1
- 10	MODREF26506		SUPPORT INSTL-MLG BEAM MODULE NUMBER: 113N1050-210 REV B POSITION DATA: OUTBD RH	104106	1
20	L80014K12		.BOLT SUPPLIER CODE: V06725 SPECIFICATION NUMBER: BACB30MY14K12	002004 006999	1
25	L80014K13		.BOLT SUPPLIER CODE: V06725 SPECIFICATION NUMBER: BACB30MY14K13	002004 006999	1

MISSING ITEM NUMBERS NOT APPLICABLE

- ITEM NOT ILLUSTRATED

BRI

57-54-03-10

57-54-03
FIG. 10
PAGE 2
JAN 20/09



757

PARTS CATALOG (MAINTENANCE)

FIG ITEM	PART NUMBER	1 2 3 4 5 6 7	NOMENCLATURE	EFFECT FROM TO	UNITS PER ASSY
10					
30	L80014K14	.BOLT	SUPPLIER CODE: V06725 SPECIFICATION NUMBER: BACB30MY14K14	002004 006999	3
35	L80014K15	.BOLT	SUPPLIER CODE: V06725 SPECIFICATION NUMBER: BACB30MY14K15	002004 006999	1
40	HL82-14APBW	.COLLAR	SUPPLIER CODE: V73197 SPECIFICATION NUMBER: BACC30AG14 OPTIONAL PART: HL82-14APBW V56878	002004 006999	6
45	BACB30LE7K33	.BOLT		002004 006999	2
50	BACB30LE7K34	.BOLT		002004 006999	2
55	BACB30LE7K37	.BOLT		002004 006999	2
60	BACB30LE7K38	.BOLT		002004 006999	2

MISSING ITEM NUMBERS NOT APPLICABLE

- ITEM NOT ILLUSTRATED

BRI

57-54-03-10

BOEING PROPRIETARY - Copyright © - Unpublished Work - See title page for details.

57-54-03
FIG. 10
PAGE 3
JAN 20/09



757

PARTS CATALOG (MAINTENANCE)

FIG ITEM	PART NUMBER	1 2 3 4 5 6 7	NOMENCLATURE	EFFECT FROM TO	UNITS PER ASSY
10 65	BMN10HRCWD3-7	.NUT	SUPPLIER CODE: V97928 SPECIFICATION NUMBER: BACN10HR7CD OPTIONAL PART: H51560-7 V15653 67832CD720 V56878 102LH9031-7 V72962 BH00303CM7 V27238 BMN5024CWD37 V97928 SL7108C7 V11815 VCU0005D7 V06710 102LH90317 V72962 67832CD7 V56878 CR6030-7 VF0224 BMN10HRCWD3-7 V97928	002004 006999	8
70	L80014K23	.BOLT	SUPPLIER CODE: V06725 SPECIFICATION NUMBER: BACB30MY14K23	002004 006999	4
75	K29646-7	.WASHER	SUPPLIER CODE: V15653 SPECIFICATION NUMBER: BACW10CA7CV OPTIONAL PART: 70188-7 V56878 922007-7 V60119 942007-7 V60119	002004 006999	4

MISSING ITEM NUMBERS NOT APPLICABLE

- ITEM NOT ILLUSTRATED

57-54-03-10

57-54-03
FIG. 10
PAGE 4
JAN 20/09

BRI

BOEING PROPRIETARY - Copyright © - Unpublished Work - See title page for details.



757

PARTS CATALOG (MAINTENANCE)

FIG ITEM	PART NUMBER	1 2 3 4 5 6 7	NOMENCLATURE	EFFECT FROM TO	UNITS PER ASSY
10					
80	K29913-7		.WASHER SUPPLIER CODE: V15653 SPECIFICATION NUMBER: BACW10CA7CC OPTIONAL PART: 70191-7 V56878 922008-7 V60119 942008-7 V60119	002004 006999	4
85	HL79-14		.COLLAR SUPPLIER CODE: V5M902 SPECIFICATION NUMBER: BACC30M14 OPTIONAL PART: HL79-14 V73197 HL79-14 V92215 66014-14 V56878 HL79-14 V56878	002004 006999	4
90	L80020K24		.BOLT SUPPLIER CODE: V06725 SPECIFICATION NUMBER: BACB30MY20K24	002004 006999	2
95	HL79-20		.COLLAR SUPPLIER CODE: V5M902 SPECIFICATION NUMBER: BACC30M20 OPTIONAL PART: HL79-20 V73197 HL79-20 V92215 HL79-20 V56878	002004 006999	2
100	L80024K24		.BOLT SUPPLIER CODE: V06725 SPECIFICATION NUMBER: BACB30MY24K24	101106 108120 504903	2

MISSING ITEM NUMBERS NOT APPLICABLE

- ITEM NOT ILLUSTRATED

57-54-03-10

57-54-03
FIG. 10
PAGE 5
JAN 20/09

BRI

BOEING PROPRIETARY - Copyright © - Unpublished Work - See title page for details.



757

PARTS CATALOG (MAINTENANCE)

FIG ITEM	PART NUMBER	1 2 3 4 5 6 7	NOMENCLATURE	EFFECT FROM TO	UNITS PER ASSY
10 105	HL79-24	.	COLLAR SUPPLIER CODE: V5M902 SPECIFICATION NUMBER: BACC30M24 OPTIONAL PART: HL79-24 V73197 HL79-24 V92215 HL79-24 V56878	002004 006999	2
115	113N1244-21	.	FITTING ASSY- POSITION DATA: LH SIDE OPTIONAL PART: 113N1244-17	002004 006010 121503 904999	1
115	113N1244-17	.	FITTING ASSY- POSITION DATA: LH SIDE OPTIONAL PART: 113N1244-21	002004 006010 107107 121503 904999	1
115	113N1244-25	.	FITTING ASSY- POSITION DATA: LH SIDE	011106 108120 504903	1
- 120	113N1244-22	.	FITTING ASSY- POSITION DATA: RH SIDE OPTIONAL PART: 113N1244-19	002004 006010 121503 904999	1
- 120	113N1244-19	.	FITTING ASSY- POSITION DATA: RH SIDE OPTIONAL PART: 113N1244-22	002004 006010 107107 121503 904999	1
- 120	113N1244-26	.	FITTING ASSY- POSITION DATA: RH SIDE	011106 108120 504903	1
125	BACB28AM27B075A	..	BUSHING- OPTIONAL PART: BACB28AT27D075C	002004 006999	2
125	BACB28AT27D075C	..	BUSHING- OPTIONAL PART: BACB28AM27B075A	002004 006999	2
130	MS15001-1	..	FITTING	002004 006999	1

MISSING ITEM NUMBERS NOT APPLICABLE

- ITEM NOT ILLUSTRATED

57-54-03-10

57-54-03
FIG. 10
PAGE 6
JAN 20/09

BRI

BOEING PROPRIETARY - Copyright © - Unpublished Work - See title page for details.



757

PARTS CATALOG (MAINTENANCE)

FIG ITEM	PART NUMBER	1 2 3 4 5 6 7	NOMENCLATURE	EFFECT FROM TO	UNITS PER ASSY
10					
135	113N1244-23	..	FITTING- POSITION DATA: LH SIDE USED ON: 113N1244-21	002004 006100 121503 904999	1
135	113N1244-18	..	FITTING- POSITION DATA: LH SIDE USED ON: 113N1244-17	002004 006010 107107 121503 904999	1
135	113N1244-29	..	FITTING- POSITION DATA: LH SIDE	011106 108120 504903	1
- 140	113N1244-24	..	FITTING- POSITION DATA: RH SIDE USED ON: 113N1244-22	002004 006100 121503 904999	1
- 140	113N1244-20	..	FITTING- POSITION DATA: RH SIDE USED ON: 113N1244-19	002004 006010 107107 121503 904999	1
- 140	113N1244-30	..	FITTING- POSITION DATA: RH SIDE	011106 108120 504903	1
145	113N1051-9	.SUPPORT ASSY-	POSITION DATA: LH SIDE COMPONENT MAINT MANUAL REF: 57-54-40 OPTIONAL PART: 113N1051-11	002004 107107 121503 904949 952952	1
145	113N1051-11	.SUPPORT ASSY-	POSITION DATA: LH SIDE COMPONENT MAINT MANUAL REF: 57-54-40 OPTIONAL PART: 113N1051-9	002004 107107 121503 904949 952952	1
145	113N1051-15	.SUPPORT ASSY-	POSITION DATA: LH SIDE COMPONENT MAINT MANUAL REF: 57-54-40	002004 107107 121503 904949 952952	1

MISSING ITEM NUMBERS NOT APPLICABLE

- ITEM NOT ILLUSTRATED

57-54-03-10

57-54-03
FIG. 10
PAGE 7
JAN 20/09

BRI



757

PARTS CATALOG (MAINTENANCE)

FIG ITEM	PART NUMBER	1 2 3 4 5 6 7	NOMENCLATURE	EFFECT FROM TO	UNITS PER ASSY
10					
145	113N1051-13		.SUPPORT ASSY- POSITION DATA: LH SIDE COMPONENT MAINT MANUAL REF: 57-54-40 OPTIONAL PART: 113N1051-15	002004 107107 121503 904949 952952	1
145	113N1051-17		.SUPPORT ASSY- POSITION DATA: LH SIDE COMPONENT MAINT MANUAL REF: 57-54-40	002004 107107 121503 904949 952952	1
145	113N1051-19		.SUPPORT ASSY- POSITION DATA: LH SIDE COMPONENT MAINT MANUAL REF: 57-54-40	002004 107107 121503 904949 952952	1
145	113N1051-21		.SUPPORT ASSY- POSITION DATA: LH SIDE COMPONENT MAINT MANUAL REF: 57-54-40	002004 107107 121503 904949 952952	1
145	113N1051-25		.SUPPORT ASSY- POSITION DATA: LH SIDE COMPONENT MAINT MANUAL REF: 57-54-40	002004 006106 108120 504903 950999	1
145	113N1051-27		.SUPPORT ASSY- POSITION DATA: LH SIDE COMPONENT MAINT MANUAL REF: 57-54-40	002004 006106 108120 504903 950999	1
145	113N1051-24		.SUPPORT ASSY- POSITION DATA: LH SIDE COMPONENT MAINT MANUAL REF: 57-54-40	002004 107107 121503 904949 952952	1
- 150	113N1051-10		.SUPPORT ASSY- POSITION DATA: RH SIDE COMPONENT MAINT MANUAL REF: 57-54-40 OPTIONAL PART: 113N1051-12	002004 107107 121503 904949 952952	1

MISSING ITEM NUMBERS NOT APPLICABLE

- ITEM NOT ILLUSTRATED

57-54-03-10

57-54-03
FIG. 10
PAGE 8
JAN 20/09

BRI



757

PARTS CATALOG (MAINTENANCE)

FIG ITEM	PART NUMBER	1 2 3 4 5 6 7	NOMENCLATURE	EFFECT FROM TO	UNITS PER ASSY
10					
- 150	113N1051-12		.SUPPORT ASSY- POSITION DATA: RH SIDE COMPONENT MAINT MANUAL REF: 57-54-40 OPTIONAL PART: 113N1051-10	002004 107107 121503 904949 952952	1
- 150	113N1051-16		.SUPPORT ASSY- POSITION DATA: RH SIDE COMPONENT MAINT MANUAL REF: 57-54-40	002004 107107 121503 904949 952952	1
- 150	113N1051-14		.SUPPORT ASSY- POSITION DATA: RH SIDE COMPONENT MAINT MANUAL REF: 57-54-40 OPTIONAL PART: 113N1051-16	002004 107107 121503 904949 952952	1
- 150	113N1051-18		.SUPPORT ASSY- POSITION DATA: RH SIDE COMPONENT MAINT MANUAL REF: 57-54-40	002004 107107 121503 904949 952952	1
- 150	113N1051-20		.SUPPORT ASSY- POSITION DATA: RH SIDE COMPONENT MAINT MANUAL REF: 57-54-40	002004 107107 121503 904949 952952	1
- 150	113N1051-26		.SUPPORT ASSY- POSITION DATA: RH SIDE COMPONENT MAINT MANUAL REF: 57-54-40	002004 006106 108120 504903 950999	1
- 150	113N1051-28		.SUPPORT ASSY- POSITION DATA: RH SIDE COMPONENT MAINT MANUAL REF: 57-54-40	002004 006106 108120 504903 950999	1
- 150	113N1051-22		.SUPPORT ASSY- POSITION DATA: RH SIDE COMPONENT MAINT MANUAL REF: 57-54-40	002004 107107 121503 904949 952952	1
- 150	113N1051-23		.SUPPORT ASSY- POSITION DATA: RH SIDE COMPONENT MAINT MANUAL REF: 57-54-40	002004 107107 121503 904949 952952	1

MISSING ITEM NUMBERS NOT APPLICABLE

- ITEM NOT ILLUSTRATED

57-54-03-10

57-54-03
FIG. 10
PAGE 9
JAN 20/09

BRI



757

PARTS CATALOG (MAINTENANCE)

FIG ITEM	PART NUMBER	1 2 3 4 5 6 7 NOMENCLATURE	EFFECT FROM TO	UNITS PER ASSY
10 155	HL1012AZ16-33	ATTACHING PARTS .BOLT SUPPLIER CODE: VOPTK6 SPECIFICATION NUMBER: BACB30NX16K33 OPTIONAL PART: HL12VAZ16-33 V73197 HL12VAZ16-33 V92215 HL12VAZ16-33 V97928 L802-16K33 V06725 HL1012AZ16-33 V56878 HL1012AZ16-33 V06725 HL1012AZ16-33 V06950 HL1012AZ16-33 V17446 HL12VAZ16-33 V56878 HL1012AZ16-33 V60516 HL1012AZ16-33 V73197 HL1012AZ16-33 V97928	002004 006999	5

MISSING ITEM NUMBERS NOT APPLICABLE

- ITEM NOT ILLUSTRATED

BRI

57-54-03-10

BOEING PROPRIETARY - Copyright © - Unpublished Work - See title page for details.

57-54-03
FIG. 10
PAGE 10
JAN 20/09



757

PARTS CATALOG (MAINTENANCE)

FIG ITEM	PART NUMBER	1 2 3 4 5 6 7	NOMENCLATURE	EFFECT FROM TO	UNITS PER ASSY
10 160	HL1012AZ16-38	.BOLT	SUPPLIER CODE: VOPTK6 SPECIFICATION NUMBER: BACB30NX16K38 OPTIONAL PART: HL12VAZ16-38 V73197 HL12VAZ16-38 V92215 L802-16K38 V06725 HL12VAZ16-38 V97928 HL12VAZ16-38 V56878 HL1012AZ16-38 V06725 HL1012AZ16-38 V06950 HL1012AZ16-38 V17446 HL1012AZ16-38 V56878 HL1012AZ16-38 V60516 HL1012AZ16-38 V73197 HL1012AZ16-38 V97928	002004 006999	1

MISSING ITEM NUMBERS NOT APPLICABLE

- ITEM NOT ILLUSTRATED

BRI

57-54-03-10

BOEING PROPRIETARY - Copyright © - Unpublished Work - See title page for details.

57-54-03
FIG. 10
PAGE 11
JAN 20/09



757

PARTS CATALOG (MAINTENANCE)

FIG ITEM	PART NUMBER	1 2 3 4 5 6 7	NOMENCLATURE	EFFECT FROM TO	UNITS PER ASSY
10 165	HL1012AZ16-30		.BOLT SUPPLIER CODE: VOPTK6 SPECIFICATION NUMBER: BACB30NX16K30 OPTIONAL PART: HL12VAZ16-30 V73197 HL12VAZ16-30 V92215 HL12VAZ16-30 V97928 L802-16K30 V06725 HL12VAZ16-30 V56878 HL1012AZ16-30 V06725 HL1012AZ16-30 V06950 HL1012AZ16-30 V17446 HL1012AZ16-30 V56878 HL1012AZ16-30 V60516 HL1012AZ16-30 V73197 HL1012AZ16-30 V97928	101106 108120 504903	4

MISSING ITEM NUMBERS NOT APPLICABLE

- ITEM NOT ILLUSTRATED

BRI

57-54-03-10

BOEING PROPRIETARY - Copyright © - Unpublished Work - See title page for details.

57-54-03
FIG. 10
PAGE 12
JAN 20/09



757

PARTS CATALOG (MAINTENANCE)

FIG ITEM	PART NUMBER	1 2 3 4 5 6 7	NOMENCLATURE	EFFECT FROM TO	UNITS PER ASSY
10 170	HL1012AZ16-32	.BOLT	SUPPLIER CODE: VOPTK2 SPECIFICATION NUMBER: BACB30NX16K32 OPTIONAL PART: HL12VAZ16-32 V73197 HL12VAZ16-32 V92215 HL12VAZ16-32 V97928 L802-16K32 V06725 HL12VAZ16-32 V56878 HL1012AZ16-32 V06725 HL1012AZ16-32 V06950 HL1012AZ16-32 V17446 HL1012AZ16-32 V56878 HL1012AZ16-32 V60516 HL1012AZ16-32 V73197 HL1012AZ16-32 V97928	002004 006999	4

MISSING ITEM NUMBERS NOT APPLICABLE

- ITEM NOT ILLUSTRATED

BRI

57-54-03-10

BOEING PROPRIETARY - Copyright © - Unpublished Work - See title page for details.

57-54-03
FIG. 10
PAGE 13
JAN 20/09



757

PARTS CATALOG (MAINTENANCE)

FIG ITEM	PART NUMBER	1 2 3 4 5 6 7	NOMENCLATURE	EFFECT FROM TO	UNITS PER ASSY
10 175	HL1012AZ16-29	.BOLT	SUPPLIER CODE: VOPTK6 SPECIFICATION NUMBER: BACB30NX16K29 OPTIONAL PART: HL12VAZ16-29 V73197 HL12VAZ16-29 V92215 HL12VAZ16-29 V97928 L802-16K29 V06725 HL12VAZ16-29 V56878 HL1012AZ16-29 V97928 HL1012AZ16-29 V73197 HL1012AZ16-29 V60516 HL1012AZ16-29 V56878 HL1012AZ16-29 V17446 HL1012AZ16-29 V06950 HL1012AZ16-29 V06725	002004 006999	2
180	L80016K18	.BOLT	SUPPLIER CODE: V06725 SPECIFICATION NUMBER: BACB30MY16K18	101106 108120 504903	1
190	BACB30LE9K28	.BOLT-		101106 108120 504903	1
195	BACB30LE9K30	.BOLT-		101106 108120 504903	1
200	L80016K32	.BOLT-	SUPPLIER CODE: V06725 SPECIFICATION NUMBER: BACB30MY16K32	002004 006100 107107 121503 904999	1
200	BACB30LE9K32	.BOLT-		101106 108120 504903	1

MISSING ITEM NUMBERS NOT APPLICABLE

- ITEM NOT ILLUSTRATED

57-54-03-10

57-54-03
FIG. 10
PAGE 14
JAN 20/09

BRI



757

PARTS CATALOG (MAINTENANCE)

FIG ITEM	PART NUMBER	1 2 3 4 5 6 7	NOMENCLATURE	EFFECT FROM TO	UNITS PER ASSY
10					
205	L80016K33	.	BOLT SUPPLIER CODE: V06725 SPECIFICATION NUMBER: BACB30MY16K33	002004 006999	1
210	L80016K26	.	BOLT SUPPLIER CODE: V06725 SPECIFICATION NUMBER: BACB30MY16K26	101106 108120 504903	1
215	L80016K17	.	BOLT SUPPLIER CODE: V06725 SPECIFICATION NUMBER: BACB30MY16K17	002004 006999	1
220	L80016K27	.	BOLT SUPPLIER CODE: V06725 SPECIFICATION NUMBER: BACB30MY16K27	101106 108120 504903	1
221	BACW10BP9CD	.	WASHER	101106 108120 504903	3
222	BACW10BP9DP	.	WASHER	101106 108120 504903	3
223	NAS1149D0863J	.	WASHER	002004 006999	7
225	NAS1805-8L	.	NUT	002004 006999	7

MISSING ITEM NUMBERS NOT APPLICABLE

- ITEM NOT ILLUSTRATED

57-54-03-10

57-54-03
FIG. 10
PAGE 15
JAN 20/09

BRI

BOEING PROPRIETARY - Copyright © - Unpublished Work - See title page for details.



757

PARTS CATALOG (MAINTENANCE)

FIG ITEM	PART NUMBER	1 2 3 4 5 6 7	NOMENCLATURE	EFFECT FROM TO	UNITS PER ASSY
10 226	BMN10HRCWD3-9	.NUT	SUPPLIER CODE: V97928 SPECIFICATION NUMBER: BACN10HR9CD OPTIONAL PART: H51560-9 V15653 67832CD918 V56878 102LH9031-9 V72962 BH00303CM9 V27238 BMN5024CWD39 V97928 SL7108C9 V11815 VCU0005D9 V06710 102LH90319 V72962 67832CD9 V56878 67832CD9 V56878	101106 108120 504903	3
230	HL1187-16	.COLLAR	SUPPLIER CODE: V5M902 SPECIFICATION NUMBER: BACC30X16 OPTIONAL PART: HL1187-16 V56878 HL1187-16 V92215 HL1187-16 V73197 HL1187-16 V92215 HL87-16 V56878 HL1187-16 V73197	002004 006999	12

MISSING ITEM NUMBERS NOT APPLICABLE

- ITEM NOT ILLUSTRATED

57-54-03-10

57-54-03
FIG. 10
PAGE 16
JAN 20/09

BRI



757

PARTS CATALOG (MAINTENANCE)

FIG ITEM	PART NUMBER	1 2 3 4 5 6 7	NOMENCLATURE	EFFECT FROM TO	UNITS PER ASSY
10 235	HL79-16		.COLLAR SUPPLIER CODE: V5M902 SPECIFICATION NUMBER: BACC30M16 OPTIONAL PART: HL79-16 V73197 HL79-16 V92215 66014-16 V56878 HL79-16 V56878	002004 006999	2
236	HL79-16		.COLLAR SUPPLIER CODE: V5M902 SPECIFICATION NUMBER: BACC30M16 OPTIONAL PART: HL79-16 V73197 HL79-16 V92215 66014-16 V56878 HL79-16 V56878	002004 006100 107107 121503 904999	3
240	BACB30LE9K32		.BOLT	002004 006999	2
250	BACW10BP9CD		.WASHER	002004 006999	2
255	BACW10BP9DP		.WASHER	002004 006999	2

MISSING ITEM NUMBERS NOT APPLICABLE

- ITEM NOT ILLUSTRATED

57-54-03-10

57-54-03
FIG. 10
PAGE 17
JAN 20/09

BRI

BOEING PROPRIETARY - Copyright © - Unpublished Work - See title page for details.



757

PARTS CATALOG (MAINTENANCE)

FIG ITEM	PART NUMBER	1 2 3 4 5 6 7	NOMENCLATURE	EFFECT FROM TO	UNITS PER ASSY
10 260	BMN10HRCWD3-9	.NUT	SUPPLIER CODE: V97928 SPECIFICATION NUMBER: BACN10HR9CD OPTIONAL PART: H51560-9 V15653 67832CD918 V56878 102LH9031-9 V72962 BH00303CM9 V27238 BMN5024CWD39 V97928 SL7108C9 V11815 VCU0005D9 V06710 102LH90319 V72962 67832CD9 V56878 67832CD9 V56878	002004 006999	2
265	HL11VAZ16-18	.BOLT	SUPPLIER CODE: V60516 SPECIFICATION NUMBER: BACB30NW16K18 OPTIONAL PART: HL11VAZ16-18 V73197 HL11VAZ16-18 V92215 L803-16K18 V06725 B30NW16K18 V97928 HL11VAZ16-18 V97928 HL11VAZ16-18 VOPTK6 HL11VAZ16-18 V56878	002004 006999	7

MISSING ITEM NUMBERS NOT APPLICABLE

- ITEM NOT ILLUSTRATED

BRI

57-54-03-10

BOEING PROPRIETARY - Copyright © - Unpublished Work - See title page for details.

57-54-03
 FIG. 10
 PAGE 18
 JAN 20/09



757

PARTS CATALOG (MAINTENANCE)

FIG ITEM	PART NUMBER	1 2 3 4 5 6 7	NOMENCLATURE	EFFECT FROM TO	UNITS PER ASSY
10 270	K29646-8	.	WASHER SUPPLIER CODE: V15653 SPECIFICATION NUMBER: BACW10CA8CV OPTIONAL PART: 70188-8 V56878 922007-8 V60119 942007-8 V60119	002004 006999	7
275	K29913-8	.	WASHER SUPPLIER CODE: V15653 SPECIFICATION NUMBER: BACW10CA8CC OPTIONAL PART: 70191-8 V56878 922008-8 V60119 942008-8 V60119	002004 006999	7
280	NAS1805-8L	.	NUT	002004 006999	7
285	HL11VAZ20-16	.	BOLT SUPPLIER CODE: V60516 SPECIFICATION NUMBER: BACB30NW20K16 OPTIONAL PART: B30NW20K16 V97928 HL11VAZ20-16 V73197 HL11VAZ20-16 V92215 HL11VAZ20-16 V97928 L803-20K16 V06725 HL11VAZ20-16 VOPTK6 HL11VAZ20-16 V56878	002004 006999	2

MISSING ITEM NUMBERS NOT APPLICABLE

- ITEM NOT ILLUSTRATED

57-54-03-10

57-54-03
FIG. 10
PAGE 19
JAN 20/09

BRI



757

PARTS CATALOG (MAINTENANCE)

FIG ITEM	PART NUMBER	1 2 3 4 5 6 7	NOMENCLATURE	EFFECT FROM TO	UNITS PER ASSY
10 290	HL11VAZ20-17	.BOLT	SUPPLIER CODE: V60516 SPECIFICATION NUMBER: BACB30NW20K17 OPTIONAL PART: HL11VAZ20-17 V73197 HL11VAZ20-17 V92215 L803-20K17 V06725 B30NW20K17 V97928 HL11VAZ20-17 V97928 HL11VAZ20-17 VOPTK6 HL11VAZ20-17 V56878	002004 006999	1
295	HL11VAZ20-18	.BOLT	SUPPLIER CODE: V60516 SPECIFICATION NUMBER: BACB30NW20K18 OPTIONAL PART: B30NW20K18 V97928 HL11VAZ20-18 V73197 HL11VAZ20-18 V92215 HL11VAZ20-18 V97928 L803-20K18 V06725 HL11VAZ20-18 VOPTK6 HL11VAZ20-18 V56878	002004 006999	4
300	BACB30NW20K20	.BOLT		002004 006999	2

MISSING ITEM NUMBERS NOT APPLICABLE

- ITEM NOT ILLUSTRATED

57-54-03-10

57-54-03
FIG. 10
PAGE 20
JAN 20/09

BRI

BOEING PROPRIETARY - Copyright © - Unpublished Work - See title page for details.



757

PARTS CATALOG (MAINTENANCE)

FIG ITEM	PART NUMBER	1 2 3 4 5 6 7	NOMENCLATURE	EFFECT FROM TO	UNITS PER ASSY
10 305	HL11VAZ20-19	.BOLT	SUPPLIER CODE: V60516 SPECIFICATION NUMBER: BACB30NW20K19 OPTIONAL PART: HL11VAZ20-19 V73197 HL11VAZ20-19 V92215 L803-20K19 V06725 B30NW20K19 V97928 HL11VAZ20-19 V97928 HL11VAZ20-19 VOPTK6 HL11VAZ20-19 V56878	002004 006999	3
310	HL11VAZ20-15	.BOLT	SUPPLIER CODE: V60516 SPECIFICATION NUMBER: BACB30NW20K15 OPTIONAL PART: B30NW20K15 V97928 HL11VAZ20-15 V73197 HL11VAZ20-15 V92215 HL11VAZ20-15 V97928 L803-20K15 V06725 HL11VAZ20-15 VOPTK6 HL11VAZ20-15 V56878	002004 006999	1
315	BACB30NW20K22	.BOLT		002004 006999	1
320	BACF3T01F12-12	. FILLER		002004 006999	1

MISSING ITEM NUMBERS NOT APPLICABLE

- ITEM NOT ILLUSTRATED

57-54-03-10

57-54-03
FIG. 10
PAGE 21
JAN 20/09

BRI

BOEING PROPRIETARY - Copyright © - Unpublished Work - See title page for details.



757

PARTS CATALOG (MAINTENANCE)

FIG ITEM	PART NUMBER	1 2 3 4 5 6 7	NOMENCLATURE	EFFECT FROM TO	UNITS PER ASSY
10 325	K29646-10		.WASHER SUPPLIER CODE: V15653 SPECIFICATION NUMBER: BACW10CA10CV OPTIONAL PART: 70188-10 V56878 922007-10 V60119 942007-10 V60119 -----*-----	002004 006999	14
327	1992B		..FITTING- SUPPLIER CODE: VOFKM1	002004 006999	1
330	113N1050-15		.FILLER-RADIUS	002004 006999	1
335	113N1050-13		.FILLER-RADIUS POSITION DATA: LH SIDE	002004 006999	5
- 340	113N1050-14		.FILLER-RADIUS POSITION DATA: RH SIDE	002004 006999	5
345	K29913-10		ATTACHING PARTS .WASHER SUPPLIER CODE: V15653 SPECIFICATION NUMBER: BACW10CA10CC OPTIONAL PART: 70191-10 V56878 922008-10 V60119 942008-10 V60119	002004 006999	14
350	NAS1805-10L		.NUT	002004 006999	13

MISSING ITEM NUMBERS NOT APPLICABLE

- ITEM NOT ILLUSTRATED

BRI

57-54-03-10

BOEING PROPRIETARY - Copyright © - Unpublished Work - See title page for details.

57-54-03
FIG. 10
PAGE 22
JAN 20/09



757

PARTS CATALOG (MAINTENANCE)

FIG ITEM	PART NUMBER	1 2 3 4 5 6 7	NOMENCLATURE	EFFECT FROM TO	UNITS PER ASSY
10 355	102LH9074-10	.NUT	SUPPLIER CODE: V72962 SPECIFICATION NUMBER: BACN10JC10CD OPTIONAL PART: H51650-10BAC V15653 69235-1018CD V92215 BMN4122CPD8-10 V97928	002004 006999	1
360	HL11VAZ18-16	.BOLT	SUPPLIER CODE: V60516 SPECIFICATION NUMBER: BACB30NW18K16 OPTIONAL PART: B30NW18K16 V97928 HL11VAZ18-16 V73197 HL11VAZ18-16 V92215 HL11VAZ18-16 V97928 L803-18K16 V06725 HL11VAZ18-16 VOPTK6 HL11VAZ18-16 V56878	002004 006999	1
365	K29646-9	.WASHER	SUPPLIER CODE: V15653 SPECIFICATION NUMBER: BACW10CA9CV OPTIONAL PART: 70188-9 V56878 942007-9 V60119 942007-9 V60119	002004 006999	1
370	BACW10CA9CCS	.WASHER		002004 006999	1
375	NAS1805-9L	.NUT		002004 006999	1

MISSING ITEM NUMBERS NOT APPLICABLE

- ITEM NOT ILLUSTRATED

57-54-03-10

57-54-03
FIG. 10
PAGE 23
JAN 20/09

BRI



757

PARTS CATALOG (MAINTENANCE)

FIG ITEM	PART NUMBER	1 2 3 4 5 6 7	NOMENCLATURE	EFFECT FROM TO	UNITS PER ASSY
10 380	HL11VAZ24-15		.BOLT SUPPLIER CODE: V60516 SPECIFICATION NUMBER: BACB30NW24K15 OPTIONAL PART: B30NW24K15 V97928 HL11VAZ24-15 V73197 HL11VAZ24-15 V92215 HL11VAZ24-15 V97928 L803-24K15 V06725 HL11VAZ24-15 VOPTK6 HL11VAZ24-15 V56878	107107 904949 952952	1

MISSING ITEM NUMBERS NOT APPLICABLE

- ITEM NOT ILLUSTRATED

BRI

57-54-03-10

BOEING PROPRIETARY - Copyright © - Unpublished Work - See title page for details.

57-54-03
FIG. 10
PAGE 24
JAN 20/09



757

PARTS CATALOG (MAINTENANCE)

FIG ITEM	PART NUMBER	1 2 3 4 5 6 7 NOMENCLATURE	EFFECT FROM TO	UNITS PER ASSY
10 380	HL11VAZ24-17	.BOLT- SUPPLIER CODE: V60516 SPECIFICATION NUMBER: BACB30NW24K17 OPTIONAL PART: HL11VAZ24-17 V73197 HL11VAZ24-17 V92215 L803-24K17 V06725 B30NW24K17 V97928 HL11VAZ24-17 V97928 HL11VAZ24-17 VOPTK6 HL11VAZ24-17 V56878 QUALIFIED OPTIONAL DATA: (BACB30NW24K19 PLUS BACW10CA12CVS, BACBW10CA12CCS, & NAS1805-12L OPTIONAL TO BACB30NW24K17 WITH (2) BAC10BP12DP & BACN10JC12CD, (1) LOCATION, ZN 1B2, SEE FL63)	011102 108120 504903	1

MISSING ITEM NUMBERS NOT APPLICABLE

- ITEM NOT ILLUSTRATED

BRI

57-54-03-10

BOEING PROPRIETARY - Copyright © - Unpublished Work - See title page for details.

57-54-03
FIG. 10
PAGE 25
JAN 20/09



757

PARTS CATALOG (MAINTENANCE)

FIG ITEM	PART NUMBER	1 2 3 4 5 6 7 NOMENCLATURE	EFFECT FROM TO	UNITS PER ASSY
10 380	HL11VAZ24-19	.BOLT- SUPPLIER CODE: V60516 SPECIFICATION NUMBER: BACB30NW24K19 OPTIONAL PART: B30NW24K19 V97928 HL11VAZ24-19 V73197 HL11VAZ24-19 V92215 HL11VAZ24-19 V97928 L803-24K19 V06725 HL11VAZ24-19 VOPTK6 HL11VAZ24-19 V56878 QUALIFIED OPTIONAL DATA: (BACB30NW24K19 PLUS BACW10CA12CVS, BACBW10CA12CCS, & NAS1805-12L OPTIONAL TO BACB30NW24K17 WITH (2) BAC10BP12DP & BACN10JC12CD, (1) LOCATION, ZN 1B2, SEE FL63)	011102 108120 504903	1

MISSING ITEM NUMBERS NOT APPLICABLE

- ITEM NOT ILLUSTRATED

BRI

57-54-03-10

BOEING PROPRIETARY - Copyright © - Unpublished Work - See title page for details.

57-54-03
FIG. 10
PAGE 26
JAN 20/09



757

PARTS CATALOG (MAINTENANCE)

FIG ITEM	PART NUMBER	1 2 3 4 5 6 7	NOMENCLATURE	EFFECT FROM TO	UNITS PER ASSY
10 385	HL11VAZ24-16	.BOLT	SUPPLIER CODE: V60516 SPECIFICATION NUMBER: BACB30NW24K16 OPTIONAL PART: B30NW24K16 V97928 HL11VAZ24-16 V73197 HL11VAZ24-16 V92215 HL11VAZ24-16 V97928 L803-24K16 V06725 HL11VAZ24-16 VOPTK6 HL11VAZ24-16 V56878	107107 904949 952952	1
385	HL11VAZ24-17	.BOLT-	SUPPLIER CODE: V60516 SPECIFICATION NUMBER: BACB30NW24K17 OPTIONAL PART: HL11VAZ24-17 V73197 HL11VAZ24-17 V92215 L803-24K17 V06725 B30NW24K17 V97928 HL11VAZ24-17 V97928 HL11VAZ24-17 VOPTK6 HL11VAZ24-17 V56878 QUALIFIED OPTIONAL DATA: (BACB30NW24K19 PLUS BACW10BP12DP OPTIONAL TO BACB30NW24K17, (1) LOCATION, ZONE 1B3, SEE FL62)	011102 108120 504903	1

MISSING ITEM NUMBERS NOT APPLICABLE

- ITEM NOT ILLUSTRATED

BRI

57-54-03-10

57-54-03
FIG. 10
PAGE 27
JAN 20/09



757

PARTS CATALOG (MAINTENANCE)

FIG ITEM	PART NUMBER	1 2 3 4 5 6 7	NOMENCLATURE	EFFECT FROM TO	UNITS PER ASSY
10 385	HL11VAZ24-19	.BOLT-	SUPPLIER CODE: V60516 SPECIFICATION NUMBER: BACB30NW24K19 OPTIONAL PART: B30NW24K19 V97928 HL11VAZ24-19 V73197 HL11VAZ24-19 V92215 HL11VAZ24-19 V97928 L803-24K19 V06725 HL11VAZ24-19 VOPTK6 HL11VAZ24-19 V56878 QUALIFIED OPTIONAL DATA: (BACB30NW24K19 PLUS BACW10BP12DP OPTIONAL TO BACB30NW24K17, (1) LOCATION, ZONE 1B3, SEE FL62)	011102 108120 504903	1
390	HL11VAZ24-19	.BOLT-	SUPPLIER CODE: V60516 SPECIFICATION NUMBER: BACB30NW24K19 OPTIONAL PART: B30NW24K19 V97928 HL11VAZ24-19 V73197 HL11VAZ24-19 V92215 HL11VAZ24-19 V97928 L803-24K19 V06725 HL11VAZ24-19 VOPTK6 HL11VAZ24-19 V56878	002004 006102 107107 121999	2
390	BACB30NW24K24	.BOLT-		103106 108120	2

MISSING ITEM NUMBERS NOT APPLICABLE

- ITEM NOT ILLUSTRATED

57-54-03-10

57-54-03
FIG. 10
PAGE 28
JAN 20/09

BRI



757

PARTS CATALOG (MAINTENANCE)

FIG ITEM	PART NUMBER	1 2 3 4 5 6 7	NOMENCLATURE	EFFECT FROM TO	UNITS PER ASSY
10 395	70186-12S		.WASHER SUPPLIER CODE: V56878 SPECIFICATION NUMBER: BACW10CA12CVS OPTIONAL PART: K29646-12H V15653 922005-12 V60119 942005-12 V60119	002004 006999	2
400	70186-12S		.WASHER SUPPLIER CODE: V56878 SPECIFICATION NUMBER: BACW10CA12CVS OPTIONAL PART: K29646-12H V15653 922005-12 V60119 942005-12 V60119	107107 904949 952952	2

MISSING ITEM NUMBERS NOT APPLICABLE

- ITEM NOT ILLUSTRATED

BRI

57-54-03-10

BOEING PROPRIETARY - Copyright © - Unpublished Work - See title page for details.

57-54-03
FIG. 10
PAGE 29
JAN 20/09



757

PARTS CATALOG (MAINTENANCE)

FIG ITEM	PART NUMBER	1 2 3 4 5 6 7	NOMENCLATURE	EFFECT FROM TO	UNITS PER ASSY
10 400	70186-12S		.WASHER- SUPPLIER CODE: V56878 SPECIFICATION NUMBER: BACW10CA12CVS OPTIONAL PART: K29646-12H V15653 922005-12 V60119 942005-12 V60119 QUALIFIED OPTIONAL DATA: (BACB30NW24K19 PLUS BACW10BP12DP OPTIONAL TO BACB30NW24K17, (1) LOCATION, ZONE 1B3, SEE FL 62. BACB30NW24K19 PLUS BACW10CA12CVS, BACBW10CA12CCS, & NAS1805-12L OPTIONAL TO BACB30NW24K17 WITH (2) BACW10BP12DP & BACN10JC12CD, (1) LOCATION, ZONE 1B2, SEE FL63)	011102 108120 504903	2
405	113N1050-19		-----*----- .FILLER-RADIUS	904949 952952	1
410	113N1050-17		.FILLER-RADIUS POSITION DATA: LH SIDE	002004 006106 121999	1
- 415	113N1050-18		.FILLER-RADIUS POSITION DATA: RH SIDE	002004 006106 121999	1
420	70189-12S		ATTACHING PARTS .WASHER SUPPLIER CODE: V56878 SPECIFICATION NUMBER: BACW10CA12CCS OPTIONAL PART: K29913-12H V15653 922006-12 V60119 942006-12 V60119	107107 904949 952952	2

MISSING ITEM NUMBERS NOT APPLICABLE

- ITEM NOT ILLUSTRATED

57-54-03-10

57-54-03
FIG. 10
PAGE 30
JAN 20/09

BRI



757

PARTS CATALOG (MAINTENANCE)

FIG ITEM	PART NUMBER	1 2 3 4 5 6 7	NOMENCLATURE	EFFECT FROM TO	UNITS PER ASSY
10 420	70189-12S		.WASHER- SUPPLIER CODE: V56878 SPECIFICATION NUMBER: BACW10CA12CCS OPTIONAL PART: K29913-12H V15653 922006-12 V60119 942006-12 V60119 QUALIFIED OPTIONAL DATA: (BACB30NW24K19 PLUS BACW10BP12DP OPTIONAL TO BACB30NW24K17, (1) LOCATION, ZONE 1B3, SEE FL 62. BACB30NW24K19 PLUS BACW10CA12CVS, BACBW10CA12CCS, & NAS1805-12L OPTIONAL TO BACB30NW24K17 WITH (2) BACW10BP12DP & BACN10JC12CD, (1) LOCATION, ZONE 1B2, SEE FL63)	011102 108120 504903	2
420	BACW10BP12DP		.WASHER- QUALIFIED OPTIONAL DATA: (BACB30NW24K19 PLUS BACW10BP12DP OPTIONAL TO BACB30NW24K17, (1) LOCATION, ZONE 1B3, SEE FL 62. BACB30NW24K19 PLUS BACW10CA12CVS, BACBW10CA12CCS, & NAS1805-12L OPTIONAL TO BACB30NW24K17 WITH (2) BACW10BP12DP & BACN10JC12CD, (1) LOCATION, ZONE 1B2, SEE FL63)	011102 108120 504903	2

MISSING ITEM NUMBERS NOT APPLICABLE

- ITEM NOT ILLUSTRATED

BRI

57-54-03-10

BOEING PROPRIETARY - Copyright © - Unpublished Work - See title page for details.

57-54-03
FIG. 10
PAGE 31
JAN 20/09



757

PARTS CATALOG (MAINTENANCE)

FIG ITEM	PART NUMBER	1 2 3 4 5 6 7	NOMENCLATURE	EFFECT FROM TO	UNITS PER ASSY
10 425	70189-12S		.WASHER SUPPLIER CODE: V56878 SPECIFICATION NUMBER: BACW10CA12CCS OPTIONAL PART: K29913-12H V15653 922006-12 V60119 942006-12 V60119	002004 006999	2
430	NAS1805-12L		.NUT	107107 904949 952952	2
430	NAS1805-12L		.NUT- QUALIFIED OPTIONAL DATA: (BACB30NW24K19 PLUS BACW10BP12DP OPTIONAL TO BACB30NW24K17, (1) LOCATION, ZONE 1B3, SEE FL 62. BACB30NW24K19 PLUS BACW10CA12CVS, BACBW10CA12CCS, & NAS1805-12L OPTIONAL TO BACB30NW24K17 WITH (2) BACW10BP12DP & BACN10JC12CD, (1) LOCATION, ZONE 1B2, SEE FL63)	011102 108120 504903	2

MISSING ITEM NUMBERS NOT APPLICABLE

- ITEM NOT ILLUSTRATED

57-54-03-10

57-54-03
FIG. 10
PAGE 32
JAN 20/09

BRI

BOEING PROPRIETARY - Copyright © - Unpublished Work - See title page for details.



757

PARTS CATALOG (MAINTENANCE)

FIG ITEM	PART NUMBER	1 2 3 4 5 6 7	NOMENCLATURE	EFFECT FROM TO	UNITS PER ASSY
10 430	69235-1216CD	.NUT-	SUPPLIER CODE: V92215 SPECIFICATION NUMBER: BACN10JC12CD OPTIONAL PART: 102LH9074-12 V72962 BMN4122CPD8-12 V97928 H51650-12BAC V15653 QUALIFIED OPTIONAL DATA: (BACB30NW24K19 PLUS BACW10BP12DP OPTIONAL TO BACB30NW24K17, (1) LOCATION, ZONE 1B3, SEE FL 62. BACB30NW24K19 PLUS BACW10CA12CVS, BACBW10CA12CCS, & NAS1805-12L OPTIONAL TO BACB30NW24K17 WITH (2) BACW10BP12DP & BACN10JC12CD, (1) LOCATION, ZONE 1B2, SEE FL63)	011102 108120 504903	2
435	NAS1805-12L	.NUT		002004 006999	2
440	HL11VAZ16-16	.BOLT	SUPPLIER CODE: V60516 SPECIFICATION NUMBER: BACB30NW16K16 OPTIONAL PART: B30NW16K16 V97928 HL11VAZ16-16 V73197 HL11VAZ16-16 V92215 HL11VAZ16-16 V97928 L803-16K16 V06725 HL11VAZ16-16 VOPTK6 HL11VAZ16-16 V56878	002004 006999	2

MISSING ITEM NUMBERS NOT APPLICABLE

- ITEM NOT ILLUSTRATED

57-54-03-10

57-54-03
FIG. 10
PAGE 33
JAN 20/09

BRI



757

PARTS CATALOG (MAINTENANCE)

FIG ITEM	PART NUMBER	1 2 3 4 5 6 7	NOMENCLATURE	EFFECT FROM TO	UNITS PER ASSY
10 445	K29646-8		.WASHER SUPPLIER CODE: V15653 SPECIFICATION NUMBER: BACW10CA8CV OPTIONAL PART: 70188-8 V56878 922007-8 V60119 942007-8 V60119	002004 006999	2
450	K29646-8		.WASHER SUPPLIER CODE: V15653 SPECIFICATION NUMBER: BACW10CA8CV OPTIONAL PART: 70188-8 V56878 922007-8 V60119 942007-8 V60119	002004 006999	2
455	NAS1805-8L		.NUT	002004 006999	2
460	HL11VAZ14-16		.BOLT SUPPLIER CODE: V60516 SPECIFICATION NUMBER: BACB30NW14K16 OPTIONAL PART: B30NW14K16 V97928 HL11VAZ14-16 V73197 HL11VAZ14-16 V92215 HL11VAZ14-16 V97928 L803-14K16 V06725 HL11VAZ14-16 VOPTK6 HL11VAZ14-16 V56878	002004 006999	5

MISSING ITEM NUMBERS NOT APPLICABLE

- ITEM NOT ILLUSTRATED

57-54-03-10

57-54-03
FIG. 10
PAGE 34
JAN 20/09

BRI

BOEING PROPRIETARY - Copyright © - Unpublished Work - See title page for details.

 **BOEING**
757
PARTS CATALOG (MAINTENANCE)

FIG ITEM	PART NUMBER	1 2 3 4 5 6 7	NOMENCLATURE	EFFECT FROM TO	UNITS PER ASSY
10 465	K29646-7		.WASHER SUPPLIER CODE: V15653 SPECIFICATION NUMBER: BACW10CA7CV OPTIONAL PART: 70188-7 V56878 922007-7 V60119 942007-7 V60119	002004 006999	5
470	K29913-7		.WASHER SUPPLIER CODE: V15653 SPECIFICATION NUMBER: BACW10CA7CC OPTIONAL PART: 70191-7 V56878 922008-7 V60119 942008-7 V60119	002004 006999	5
475	NAS1805-7L		.NUT	002004 006999	5
480	BACS40R045C045F		-----*----- .SHIM	002004 006106 108903 950999	1
485	BACS40R015C038F		.SHIM	002004 006106 108903 950999	2
490	BACS40R023C043F		.SHIM	002004 006106 108903 950999	2
495	BACS40R021C047F		.SHIM	002004 006106 108903 950999	2
500	BACS40R043B045F		.SHIM	002004 006106 108903 950999	1

MISSING ITEM NUMBERS NOT APPLICABLE

— ITEM NOT ILLUSTRATED

BRI

57-54-03-10

BOEING PROPRIETARY - Copyright © - Unpublished Work - See title page for details.

57-54-03
FIG. 10
PAGE 35
JAN 20/09



757

PARTS CATALOG (MAINTENANCE)

FIG ITEM	PART NUMBER	1 2 3 4 5 6 7	NOMENCLATURE	EFFECT FROM TO	UNITS PER ASSY
10					
505	113N1050-5	.	FILLER- OPTIONAL PART: 113N1050-29	002004 006999	1
505	113N1050-29	.	FILLER- OPTIONAL PART: 113N1050-5	002004 006106 108903 950999	1
520	113N1007-1	.	BUSHING	002004 006999	2
525	113N1050-29	.	FILLER	103106	1
530	113N1006-5	.	BUSHING	002004 006999	1
535	251N6045-3	.	SUPPORT INSTL- POSITION DATA: RH FOR DETAILS SEE: 27-11-22-06	002004 006100 107107 121503 904999	1
540	251N6045-4	.	SUPPORT INSTL- POSITION DATA: LH FOR DETAILS SEE: 27-11-22-06	002004 006100 107107 121503 904999	1

MISSING ITEM NUMBERS NOT APPLICABLE

- ITEM NOT ILLUSTRATED

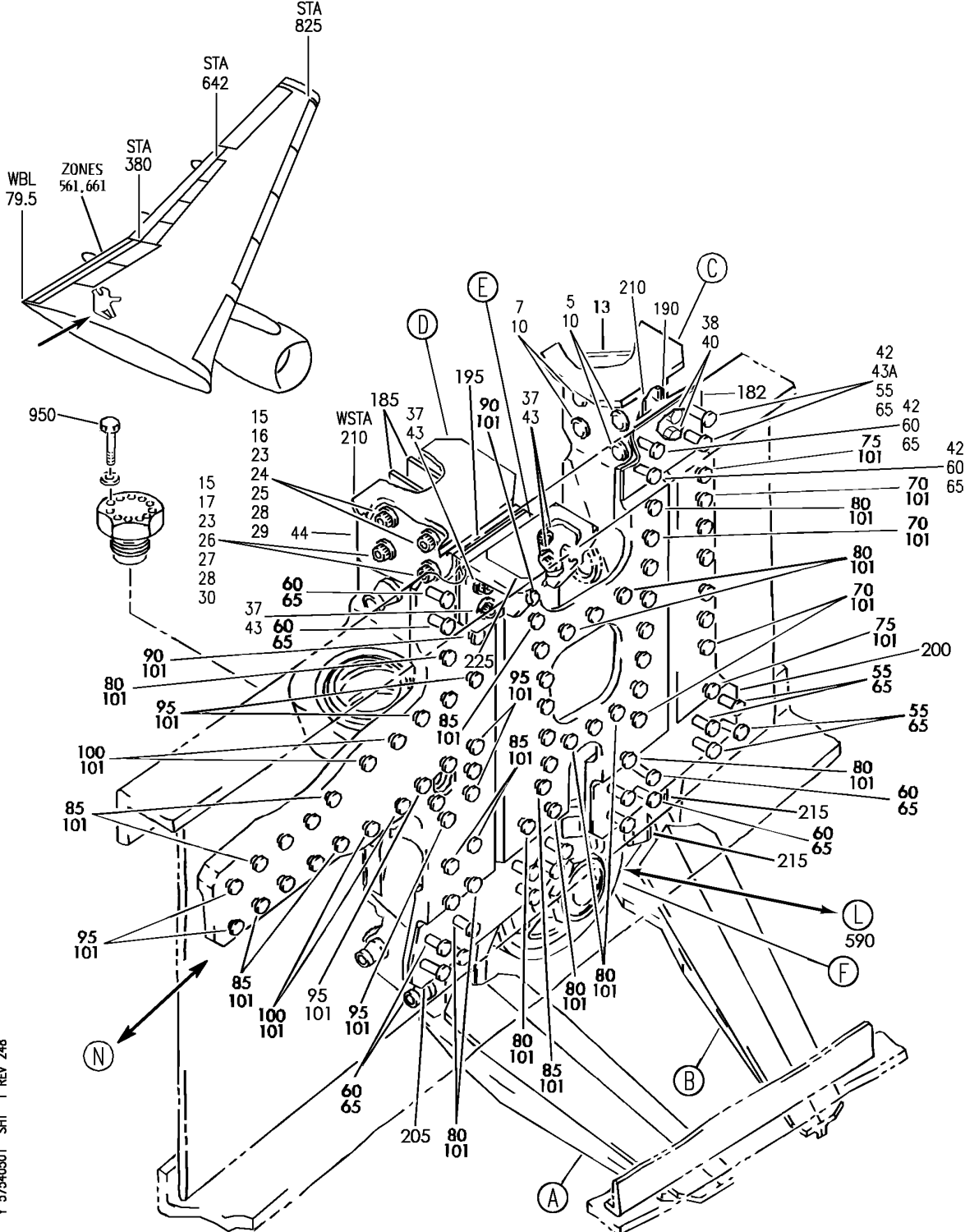
BRI

57-54-03-10

BOEING PROPRIETARY - Copyright © - Unpublished Work - See title page for details.

57-54-03
FIG. 10
PAGE 36
JAN 20/09


BOEING
 757
PARTS CATALOG (MAINTENANCE)



Y 57540501 SHT 1 REV 248

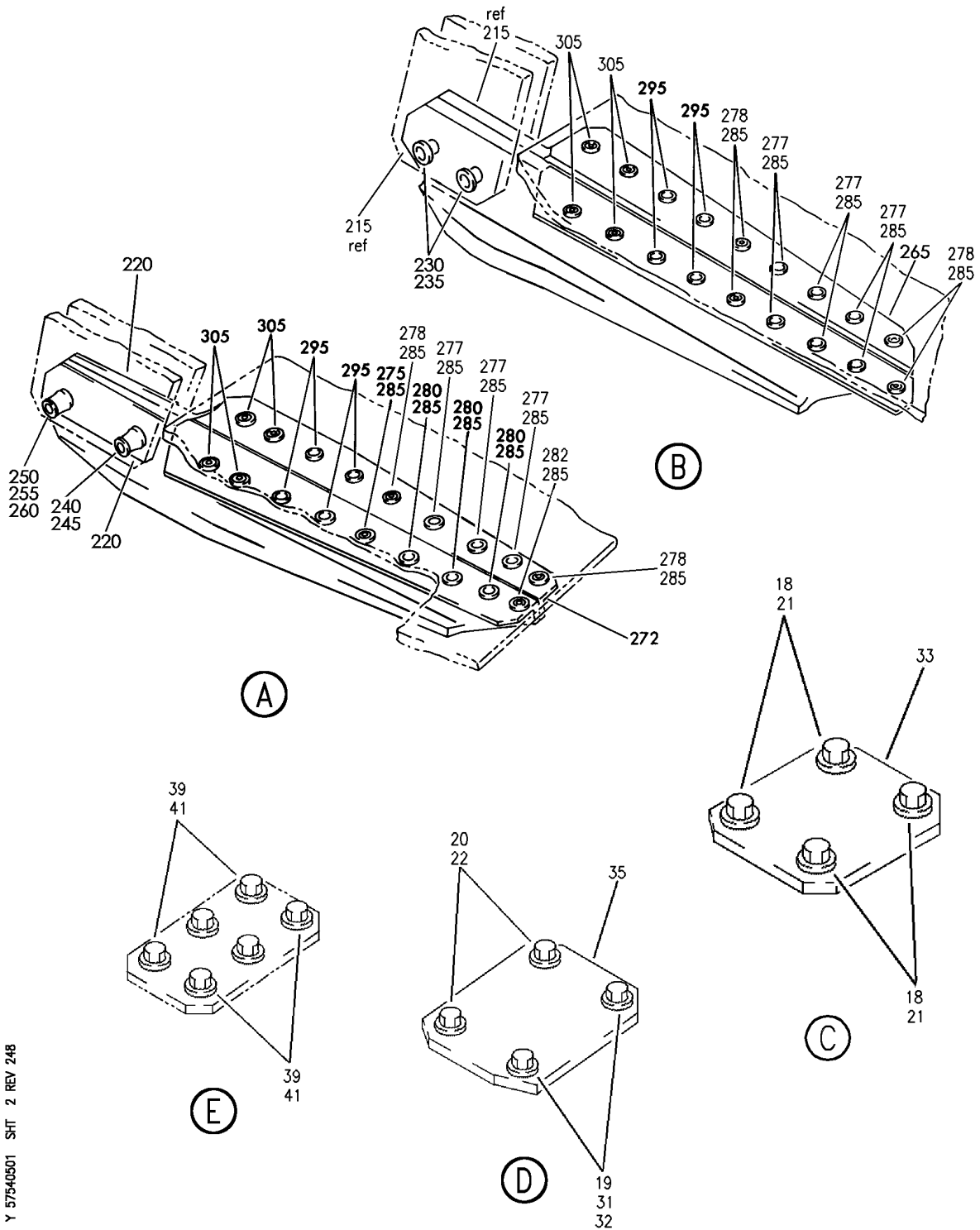
SUPPORT INSTL-MLG FWD TRUN
FIGURE 1 (SHEET 1)

57-54-05-01

BRI
MAY 28/07

57-54-05-01
PAGE 0


BOEING
 757
PARTS CATALOG (MAINTENANCE)



Y 57540501 SHT 2 REV 248

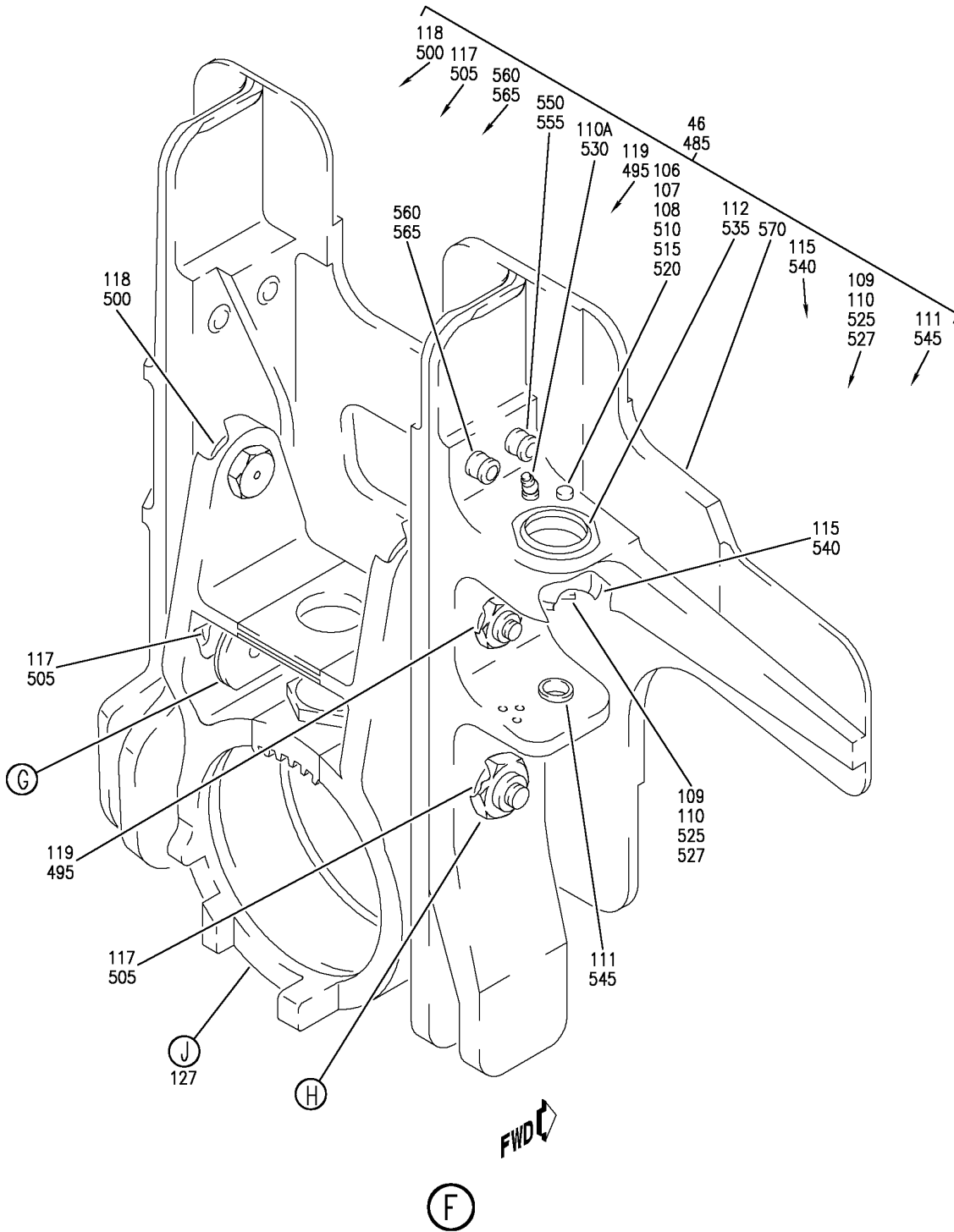
SUPPORT INSTL-MLG FWD TRUN
FIGURE 1 (SHEET 2)

57-54-05-01

BRI
MAY 28/07

57-54-05-01
PAGE 0A

BOEING
757
PARTS CATALOG (MAINTENANCE)



Y 57540501 SHT 3 REV 259

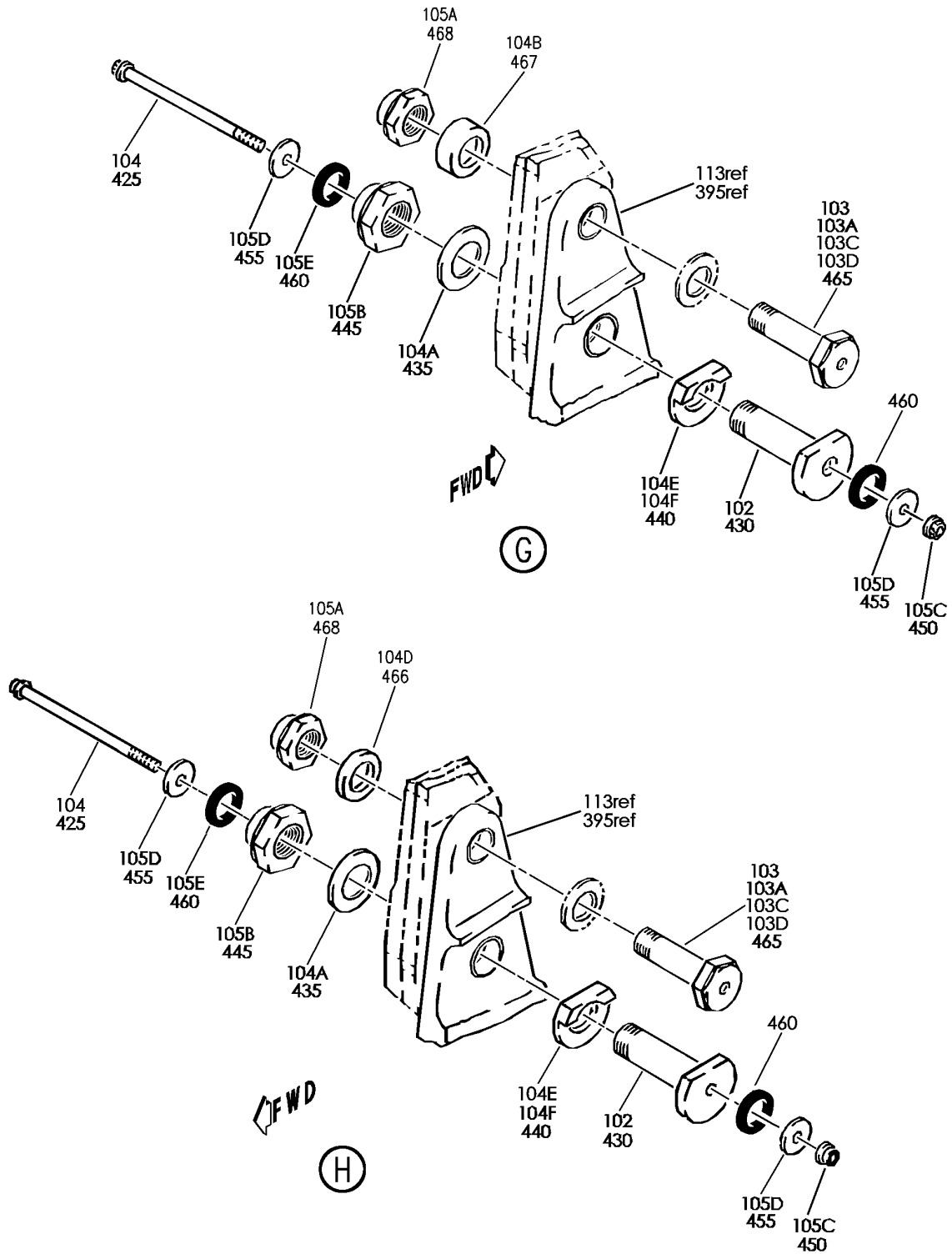
SUPPORT INSTL-MLG FWD TRUN
 FIGURE 1 (SHEET 3)

57-54-05-01

BRI
 MAY 28/07

57-54-05-01
 PAGE 0B

BOEING
757
PARTS CATALOG (MAINTENANCE)



Y 57540501 SH1 4 REV 248

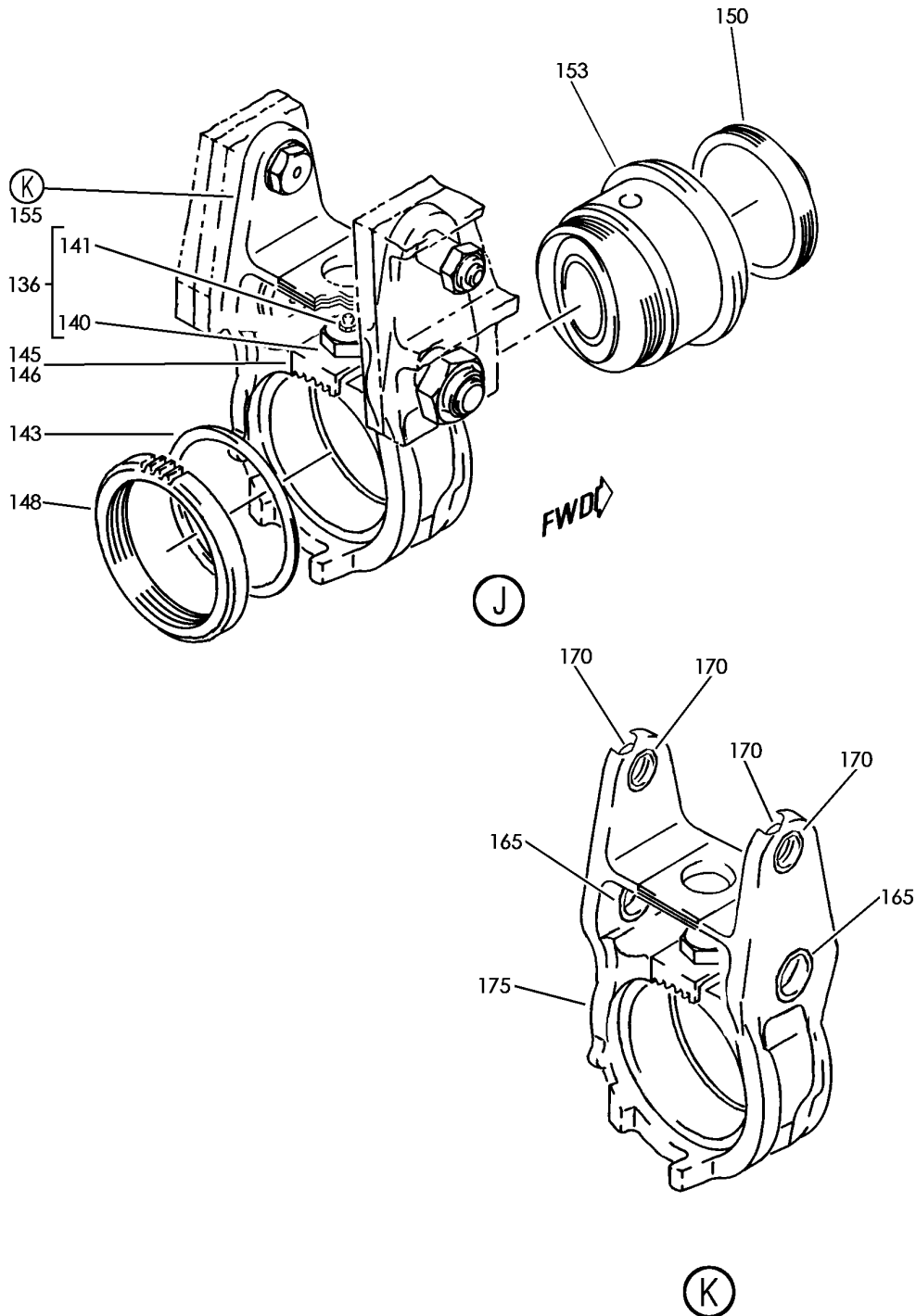
SUPPORT INSTL-MLG FWD TRUN
FIGURE 1 (SHEET 4)

57-54-05-01

BRI
MAY 28/07

57-54-05-01
PAGE 0C

BOEING
757
PARTS CATALOG (MAINTENANCE)



Y 57540501 SH1 5 REV 248

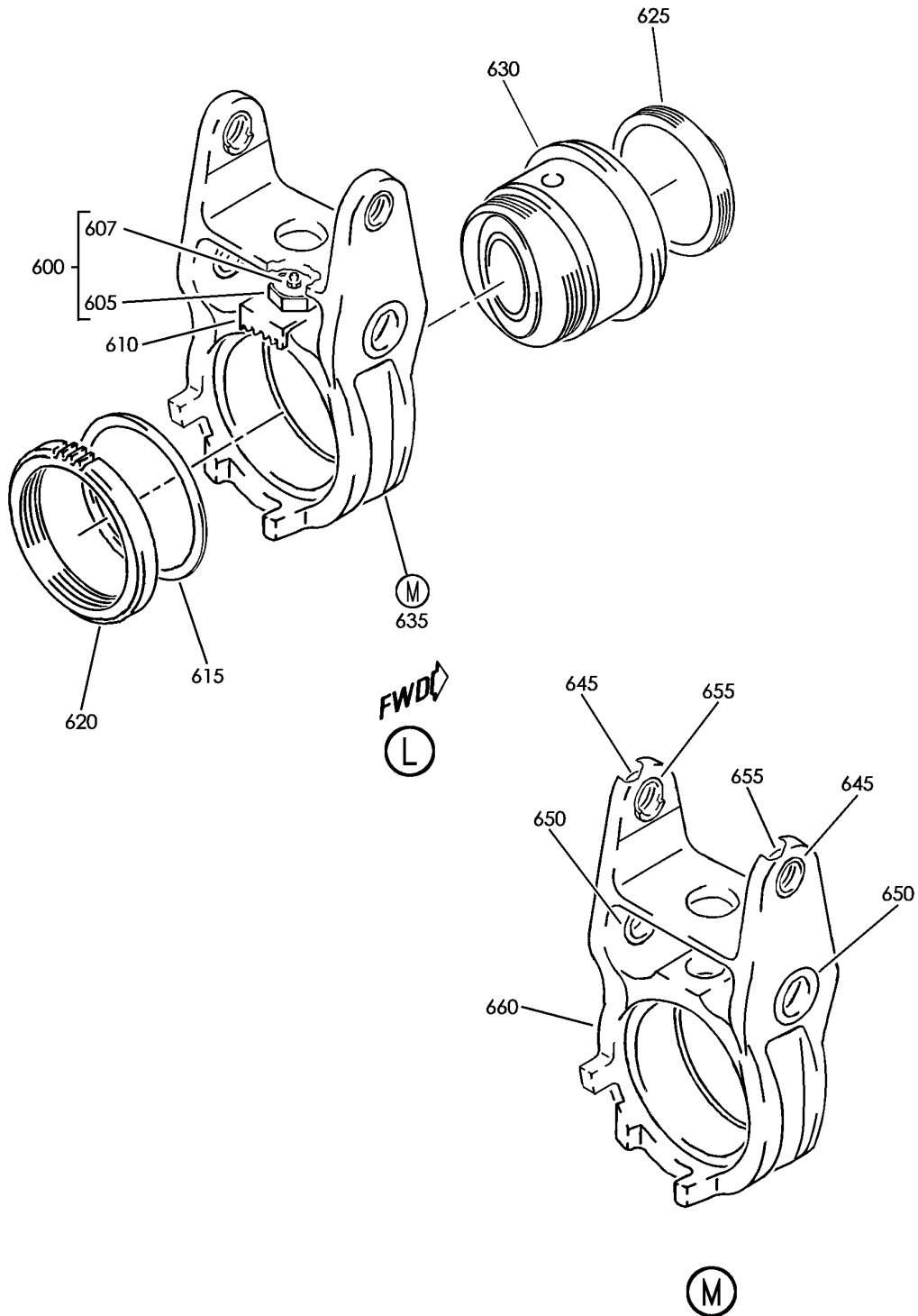
SUPPORT INSTL-MLG FWD TRUN
FIGURE 1 (SHEET 5)

57-54-05-01

BRI
MAY 28/07

57-54-05-01
PAGE 0D

BOEING
757
PARTS CATALOG (MAINTENANCE)



Y 57540501 SH1 6 REV 248

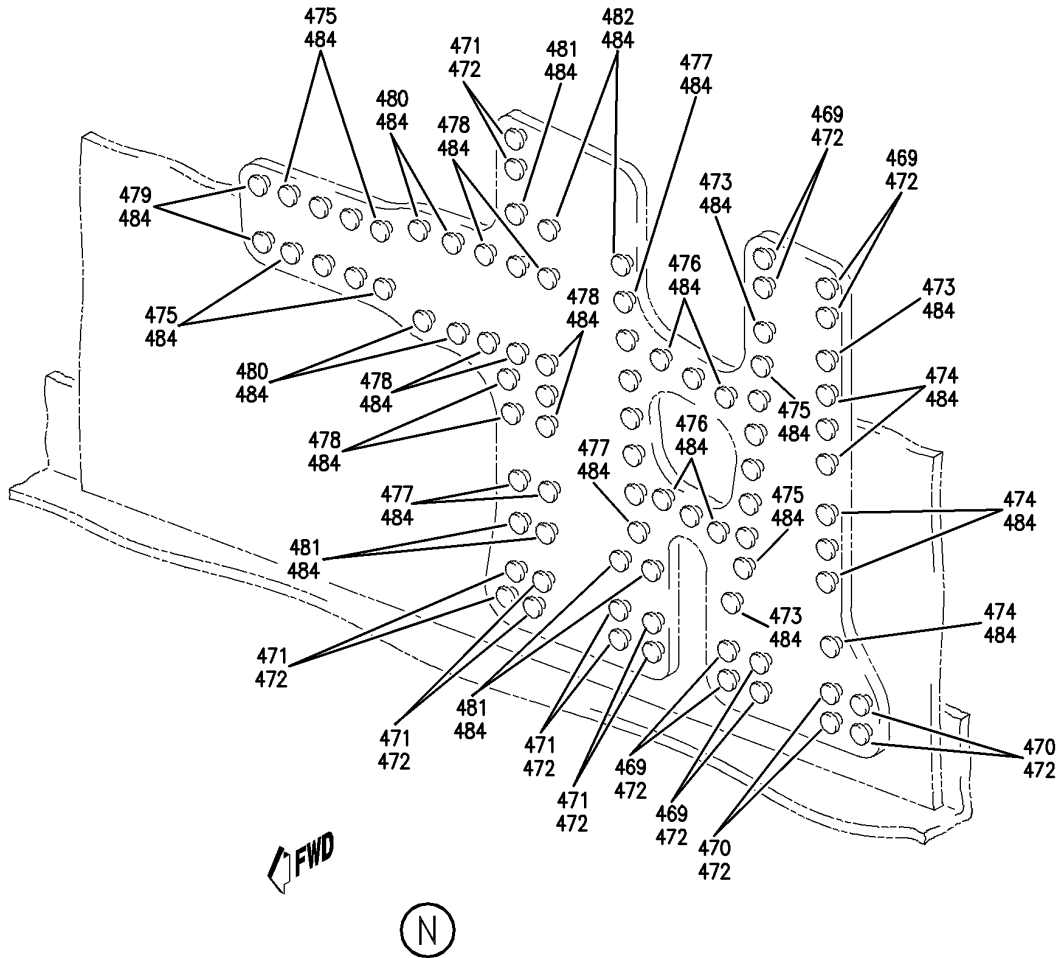
SUPPORT INSTL-MLG FWD TRUN
FIGURE 1 (SHEET 6)

57-54-05-01

BRI
MAY 28/07

57-54-05-01
PAGE 0E

BOEING
757
PARTS CATALOG (MAINTENANCE)



Y 57540501 SHT 7 REV 240

SUPPORT INSTL-MLG FWD TRUN
FIGURE 1 (SHEET 7)

57-54-05-01

BRI
MAY 28/07

57-54-05-01
PAGE OF



757

PARTS CATALOG (MAINTENANCE)

FIG ITEM	PART NUMBER	1 2 3 4 5 6 7	NOMENCLATURE	EFFECT FROM TO	UNITS PER ASSY
1			SUPPORT INSTL-MLG FWD TRUN	101106 108120 504903	
- 1	113N1060-201		SUPPORT INSTL-MLG TRUN POSITION DATA: FWD LH FOR NHA SEE: 57-00-00-05	101102 504903	RF
- 1	113N1060-203		SUPPORT INSTL-MLG TRUN POSITION DATA: FWD LH FOR NHA SEE: 57-00-00-05	108120	RF
- 1	MODREF1060		SUPPORT INSTL-MLG TRUN MODULE NUMBER: 113N1060-203 REV A POSITION DATA: FWD LH	103103	1
- 1	MODREF26509		SUPPORT INSTL-MLG TRUN MODULE NUMBER: 113N1060-203 REV B POSITION DATA: FWD LH	104106	RF
- 3	MODREF1061		SUPPORT INSTL-MLG TRUN MODULE NUMBER: 113N1060-204 REV A POSITION DATA: FWD RH	103103	1
- 3	113N1060-202		SUPPORT INSTL-MLG TRUN POSITION DATA: FWD RH FOR NHA SEE: 57-00-00-05	101102 504903	RF
- 3	113N1060-204		SUPPORT INSTL-MLG TRUN POSITION DATA: FWD RH FOR NHA SEE: 57-00-00-05	108120	RF
- 3	MODREF26510		SUPPORT INSTL-MLG TRUN MODULE NUMBER: 113N1060-204 REV B POSITION DATA: FWD RH	104106	RF
5	L80014K27		.BOLT SUPPLIER CODE: V06725 SPECIFICATION NUMBER: BACB30MY14K27	101106 108120 504903	2

MISSING ITEM NUMBERS NOT APPLICABLE

- ITEM NOT ILLUSTRATED

57-54-05-01

57-54-05
FIG. 01
PAGE 1
JAN 20/09

BRI



757

PARTS CATALOG (MAINTENANCE)

FIG ITEM	PART NUMBER	1 2 3 4 5 6 7	NOMENCLATURE	EFFECT FROM TO	UNITS PER ASSY
1	7 L80014K28		.BOLT SUPPLIER CODE: V06725 SPECIFICATION NUMBER: BACB30MY14K28	101106 108120 504903	2
	10 HL79-14		.COLLAR SUPPLIER CODE: V5M902 SPECIFICATION NUMBER: BACC30M14 OPTIONAL PART: HL79-14 V73197 HL79-14 V92215 66014-14 V56878 HL79-14 V56878	101106 108120 504903	4
	13 271N6055-1		.BRACKET-HYDR POSITION DATA: LH SIDE	101106 108120 504903	1
-	14 271N6055-2		.BRACKET-HYDR POSITION DATA: RH SIDE	101106 108120 504903	1
	15 BACB30LE10K43		.BOLT	101106 108120 504903	4
	18 HL11VAZ12-13		.BOLT SUPPLIER CODE: V60516 SPECIFICATION NUMBER: BACB30NW12K13 OPTIONAL PART: HL11VAZ12-13 V73197 HL11VAZ12-13 V92215 HL11VAZ12-13 V97928 L803-12K13 V06725 HL11V12K13 V06725 HL11VAZ12-13 VOPTK6 HL11VAZ12-13 V56878	101106 108120 504903	4

MISSING ITEM NUMBERS NOT APPLICABLE

- ITEM NOT ILLUSTRATED

57-54-05-01

57-54-05
FIG. 01
PAGE 2
JAN 20/09

BRI



**757
PARTS CATALOG (MAINTENANCE)**

FIG ITEM	PART NUMBER	1 2 3 4 5 6 7	NOMENCLATURE	EFFECT FROM TO	UNITS PER ASSY
1	19	BACB30LH12-15	.BOLT	101106 108120 504903	2
	20	HL11VAZ24-15	.BOLT- SUPPLIER CODE: V60516 SPECIFICATION NUMBER: BACB30NW24K15 OPTIONAL PART: B30NW24K15 V97928 HL11VAZ24-15 V73197 HL11VAZ24-15 V92215 HL11VAZ24-15 V97928 L803-24K15 V06725 HL11VAZ24-15 VOPTK6 HL11VAZ24-15 V56878 AICL803-24K15 V06725	101106 108120 504903	2
	20	AICL803-24K15	.BOLT- SUPPLIER CODE: V06725 OPTIONAL PART: BACB30NW24K15	101106 108120 504903	2
21	HL79-12	.COLLAR SUPPLIER CODE: V5M902 SPECIFICATION NUMBER: BACC30M12 OPTIONAL PART: HL79-12 V73197 HL79-12 V92215 66014-12 V56878 HL79-12 V56878	101106 108120 504903	4	

MISSING ITEM NUMBERS NOT APPLICABLE

— ITEM NOT ILLUSTRATED

BRI

57-54-05-01

BOEING PROPRIETARY - Copyright © - Unpublished Work - See title page for details.

57-54-05
FIG. 01
PAGE 3
JAN 20/09



757

PARTS CATALOG (MAINTENANCE)

FIG ITEM	PART NUMBER	1 2 3 4 5 6 7	NOMENCLATURE	EFFECT FROM TO	UNITS PER ASSY
1	22	HL79-24	.COLLAR SUPPLIER CODE: V5M902 SPECIFICATION NUMBER: BACC30M24 OPTIONAL PART: HL79-24 V73197 HL79-24 V92215 HL79-24 V56878	101106 108120 504903	2
	23	BACW10BP10DP	.WASHER	101106 108120 504903	4
	28	BMN5024CWD310	.NUT SUPPLIER CODE: V97928 SPECIFICATION NUMBER: BACN10HR10CD OPTIONAL PART: H51560-10 V15653 102LH9031-10 V72962 67832CD1018 V56878 BH00303CM10 V27238 SL7108C10 V11815 VCU0005D10 V06710 BMN10HRCWD3-10 V97928 102LH903110 V72962 102LH903110 V72962	101106 108120 504903	4
31	BACN10BP12DP	.NUT	101106 108120 504903	2	

MISSING ITEM NUMBERS NOT APPLICABLE

- ITEM NOT ILLUSTRATED

BRI

57-54-05-01

BOEING PROPRIETARY - Copyright © - Unpublished Work - See title page for details.

57-54-05
FIG. 01
PAGE 4
JAN 20/09



757

PARTS CATALOG (MAINTENANCE)

FIG ITEM	PART NUMBER	1 2 3 4 5 6 7	NOMENCLATURE	EFFECT FROM TO	UNITS PER ASSY
1	32 69235-1216CD	.	NUT SUPPLIER CODE: V92215 SPECIFICATION NUMBER: BACN10JC12CD OPTIONAL PART: 102LH9074-12 V72962 BMN4122CPD8-12 V97928 H51650-12BAC V15653	101106 108120 504903	2
	33 113N1039-1	.	FITTING- POSITION DATA: LH SIDE OPTIONAL PART: 113N1083-1	101106 108120 504903	1
	33 113N1083-1	.	FITTING- POSITION DATA: LH SIDE OPTIONAL PART: 113N1039-1	101106 108120 504903	1
-	34 113N1039-2	.	FITTING- POSITION DATA: RH SIDE OPTIONAL PART: 113N1083-2	101106 108120 504903	1
-	34 113N1083-2	.	FITTING- POSITION DATA: RH SIDE OPTIONAL PART: 113N1039-2	101106 108120 504903	1
	35 113N1040-5	.	FITTING- POSITION DATA: LH SIDE	101106 108120 504903	1
-	36 113N1040-6	.	FITTING- POSITION DATA: RH SIDE	101106 108120 504903	1
	37 BACB30LE7K36	.	BOLT-	101106 108120 504903	4

MISSING ITEM NUMBERS NOT APPLICABLE

- ITEM NOT ILLUSTRATED

57-54-05-01

57-54-05
FIG. 01
PAGE 5
JAN 20/09

BRI

BOEING PROPRIETARY - Copyright © - Unpublished Work - See title page for details.



757

PARTS CATALOG (MAINTENANCE)

FIG ITEM	PART NUMBER	1 2 3 4 5 6 7	NOMENCLATURE	EFFECT FROM TO	UNITS PER ASSY
1	38 HL13VAZ14-25	.BOLT	SUPPLIER CODE: V17446 SPECIFICATION NUMBER: BACB30NY14K25 OPTIONAL PART: L801-14K25 VOPTK6 HL13VAZ14-25 V60516 HL13VAZ14-25 V97928 L801-14K25 V06725 HL13VAZ14-25 V92215 HL13VAZ14-25 V73197 HL13VAZ14-25 V56878	101106 108120 504903	2
	39 HL11VAZ14-20	.BOLT	SUPPLIER CODE: V60516 SPECIFICATION NUMBER: BACB30NW14K20 OPTIONAL PART: HL11VAZ14-20 V73197 HL11VAZ14-20 V92215 L803-14K20 V06725 HL11VAZ14-20 V97928 B30NW14K20 V97928 HL11VAZ14-20 VOPTK6 HL11VAZ14-20 V56878	101106 108120 504903	6

MISSING ITEM NUMBERS NOT APPLICABLE

- ITEM NOT ILLUSTRATED

57-54-05-01

57-54-05
FIG. 01
PAGE 6
JAN 20/09

BRI



757

PARTS CATALOG (MAINTENANCE)

FIG ITEM	PART NUMBER	1 2 3 4 5 6 7	NOMENCLATURE	EFFECT FROM TO	UNITS PER ASSY
1	41	HL79-14	.COLLAR SUPPLIER CODE: V5M902 SPECIFICATION NUMBER: BACC30M14 OPTIONAL PART: HL79-14 V73197 HL79-14 V92215 66014-14 V56878 HL79-14 V56878	101106 108120 504903	6
	42	BACW10BP7DP	.WASHER	101106 108120 504903	4
	43	BMN10HRCWD3-7	.NUT SUPPLIER CODE: V97928 SPECIFICATION NUMBER: BACN10HR7CD OPTIONAL PART: H51560-7 V15653 67832CD720 V56878 102LH9031-7 V72962 BH00303CM7 V27238 BMN5024CWD37 V97928 SL7108C7 V11815 VCU0005D7 V06710 102LH90317 V72962 67832CD7 V56878 CR6030-7 VF0224 BMN10HRCWD3-7 V97928	101106 108120 504903	4

MISSING ITEM NUMBERS NOT APPLICABLE

- ITEM NOT ILLUSTRATED

BRI

57-54-05-01

BOEING PROPRIETARY - Copyright © - Unpublished Work - See title page for details.

57-54-05
FIG. 01
PAGE 7
JAN 20/09



757

PARTS CATALOG (MAINTENANCE)

FIG ITEM	PART NUMBER	1 2 3 4 5 6 7	NOMENCLATURE	EFFECT FROM TO	UNITS PER ASSY
1 43A	PLH57CD		.NUT SUPPLIER CODE: V62554 SPECIFICATION NUMBER: BACN10YR7CD OPTIONAL PART: H52732-7CD V15653	101106 108120 504903	2
44	113N1112-7		.FITTING- POSITION DATA: LH SIDE	101106 108120 504903	1
- 45	113N1112-8		.FITTING- POSITION DATA: RH SIDE	101106 108120 504903	1
46	113N1063-57		.SUPPORT ASSY- POSITION DATA: LH SIDE	101106 108120 504903	1
46	113N1063-59		.SUPPORT ASSY- POSITION DATA: LH SIDE	101106 108120 504903	1
46	113N1063-55		.SUPPORT ASSY- POSITION DATA: LH SIDE	101106 108120 504903	1
46	113N1063-53		.SUPPORT ASSY- POSITION DATA: LH SIDE COMPONENT MAINT MANUAL REF: 57-54-35	101106 108120 504903	1
- 51	113N1063-54		.SUPPORT ASSY- POSITION DATA: RH SIDE COMPONENT MAINT MANUAL REF: 57-54-35	101106 108120 504903	1
- 51	113N1063-56		.SUPPORT ASSY- POSITION DATA: RH SIDE	101106 108120 504903	1
- 51	113N1063-58		.SUPPORT ASSY- POSITION DATA: RH SIDE	101106 108120 504903	1
- 51	113N1063-60		.SUPPORT ASSY- POSITION DATA: RH SIDE	101106 108120 504903	1

MISSING ITEM NUMBERS NOT APPLICABLE

- ITEM NOT ILLUSTRATED

57-54-05-01

57-54-05
FIG. 01
PAGE 8
JAN 20/09

BRI



757

PARTS CATALOG (MAINTENANCE)

FIG ITEM	PART NUMBER	1 2 3 4 5 6 7	NOMENCLATURE	EFFECT FROM TO	UNITS PER ASSY
1 55	HL1012AZ14-21		ATTACHING PARTS .BOLT SUPPLIER CODE: VOPTK6 SPECIFICATION NUMBER: BACB30NX14K21 OPTIONAL PART: HL12VAZ14-21 V73197 HL12VAZ14-21 V92215 HL12VAZ14-21 V97928 L802-14K21 V06725 HL12VAZ14-21 V56878 HL1012AZ14-21 V06725 HL1012AZ14-21 V06950 HL1012AZ14-21 V17446 HL1012AZ14-21 V56878 HL1012AZ14-21 V60516 HL1012AZ14-21 V73197 HL1012AZ14-21 V97928	101106 108120 504903	6

MISSING ITEM NUMBERS NOT APPLICABLE

- ITEM NOT ILLUSTRATED

BRI

57-54-05-01

BOEING PROPRIETARY - Copyright © - Unpublished Work - See title page for details.

57-54-05
 FIG. 01
 PAGE 9
 JAN 20/09



757

PARTS CATALOG (MAINTENANCE)

FIG ITEM	PART NUMBER	1 2 3 4 5 6 7	NOMENCLATURE	EFFECT FROM TO	UNITS PER ASSY
1 60	HL1012AZ14-22	.BOLT	SUPPLIER CODE: VOPTK6 SPECIFICATION NUMBER: BACB30NX14K22 OPTIONAL PART: HL12VAZ14-22 V73197 HL12VAZ14-22 V92215 HL12VAZ14-22 V97928 L802-14K22 V06725 HL12VAZ14-22 V56878 HL1012AZ14-22 V06725 HL1012AZ14-22 V06950 HL1012AZ14-22 V17446 HL1012AZ14-22 V56878 HL1012AZ14-22 V60516 HL1012AZ14-22 V73197 HL1012AZ14-22 V97928	101106 108120 504903	16
65	HL1187-14	.COLLAR	SUPPLIER CODE: V5M902 SPECIFICATION NUMBER: BACC30X14 OPTIONAL PART: HL1187-14 V56878 HL1187-14 V92215 HL1187-14 V73197 HL1187-14 V92215 HL87-14 V56878 HL1187-14 V73197	101106 108120 504903	22

MISSING ITEM NUMBERS NOT APPLICABLE

- ITEM NOT ILLUSTRATED

57-54-05-01

57-54-05
 FIG. 01
 PAGE 10
 JAN 20/09

BRI



757

PARTS CATALOG (MAINTENANCE)

FIG ITEM	PART NUMBER	1 2 3 4 5 6 7	NOMENCLATURE	EFFECT FROM TO	UNITS PER ASSY
1					
70	L80014K11	.BOLT	SUPPLIER CODE: V06725 SPECIFICATION NUMBER: BACB30MY14K11	101106 108120 504903	13
75	L80014K21	.BOLT	SUPPLIER CODE: V06725 SPECIFICATION NUMBER: BACB30MY14K21	101106 108120 504903	2
80	L80014K22	.BOLT	SUPPLIER CODE: V06725 SPECIFICATION NUMBER: BACB30MY14K22	101106 108120 504903	13
85	L80014K12	.BOLT	SUPPLIER CODE: V06725 SPECIFICATION NUMBER: BACB30MY14K12	101106 108120 504903	17
90	L80014K26	.BOLT	SUPPLIER CODE: V06725 SPECIFICATION NUMBER: BACB30MY14K26	101106 108120 504903	2
95	L80014K16	.BOLT	SUPPLIER CODE: V06725 SPECIFICATION NUMBER: BACB30MY14K16	101106 108120 504903	12
100	L80014K20	.BOLT	SUPPLIER CODE: V06725 SPECIFICATION NUMBER: BACB30MY14K20	101106 108120 504903	4

MISSING ITEM NUMBERS NOT APPLICABLE

- ITEM NOT ILLUSTRATED

57-54-05-01

57-54-05
FIG. 01
PAGE 11
JAN 20/09

BRI

BOEING PROPRIETARY - Copyright © - Unpublished Work - See title page for details.



757

PARTS CATALOG (MAINTENANCE)

FIG ITEM	PART NUMBER	1 2 3 4 5 6 7	NOMENCLATURE	EFFECT FROM TO	UNITS PER ASSY
1 101	HL79-14		. COLLAR SUPPLIER CODE: V5M902 SPECIFICATION NUMBER: BACC30M14 OPTIONAL PART: HL79-14 V73197 HL79-14 V92215 66014-14 V56878 HL79-14 V56878 -----*-----	101106 108120 504903	63
102	113N1128-11		.. BOLT-	101102 108120 504903	2
102	113N1128-12		.. BOLT-	101106 108120 504903	2
102	113N1128-1		.. BOLT-	101102 108120 504903	2
102	113N1128-13		.. BOLT-	101106 108120 504903	2
103C	113N1080-12		.. BOLT-	101106 108120 504903	2
103D	113N1080-13		.. BOLT-	101106 108120 504903	2
104	BACB30MR6R92		.. BOLT	101106 108120 504903	2
104A	113N1094-4		.. WASHER	101106 108120 504903	2
104B	113N1094-5		.. WASHER	101106 108120 504903	1
104D	113N1094-7		.. WASHER	101106 108120 504903	1
104E	113N1122-1		.. WASHER-	101106 108120 504903	2

MISSING ITEM NUMBERS NOT APPLICABLE

- ITEM NOT ILLUSTRATED

57-54-05-01

57-54-05
FIG. 01
PAGE 12
JAN 20/09

BRI



757

PARTS CATALOG (MAINTENANCE)

FIG ITEM	PART NUMBER	1 2 3 4 5 6 7	NOMENCLATURE	EFFECT FROM TO	UNITS PER ASSY
1 104 F	113N1130-1	..	WASHER-	101106 108120 504903	2
105 A	BACN10JC22CD	..	NUT	101106 108120 504903	2
105 B	BACN10JC28CD	..	NUT	101106 108120 504903	2
105 C	NAS1805-6	..	NUT	101106 108120 504903	2
105 D	113N1129-1	..	RETAINER	101106 108120 504903	4
105 E	2-22S383-70	..	PACKING SUPPLIER CODE: V02697 SPECIFICATION NUMBER: BACP11J22 OPTIONAL PART: AS568-22S32 V11314 S7E183-22 V95272 13-06-22 V07096 S424-7-2-22 V02697 A330-22 V95272 R1131-22 V57268	101106 108120 504903	2
106	BACB30NR4K36	..	BOLT	101106 108120 504903	1
107	NAS1149F0463P	..	WASHER	101106 108120 504903	1

MISSING ITEM NUMBERS NOT APPLICABLE

- ITEM NOT ILLUSTRATED

BRI

57-54-05-01

BOEING PROPRIETARY - Copyright © - Unpublished Work - See title page for details.

57-54-05
FIG. 01
PAGE 13
JAN 20/09



757

PARTS CATALOG (MAINTENANCE)

FIG ITEM	PART NUMBER	1 2 3 4 5 6 7	NOMENCLATURE	EFFECT FROM TO	UNITS PER ASSY
1 108	BRH10C4D	..	NUT SUPPLIER CODE: V52828 SPECIFICATION NUMBER: BACN10JC4CD OPTIONAL PART: T6C428JCD V11815 NS202486-048 V80539 102LH9075-4W V72962 H51650-4BAC V15653	101106 108120 504903	1
109	113N1081-1	..	PLATE-LOCK	101106 108120 504903	1
110	113N1081-2	..	PLATE-LOCK	101106 108120 504903	1
110A	MS15001-3	..	FITTING-LUBE	101106 108120 504903	1
111	WES12B10GC	..	BEARING SUPPLIER CODE: V73134 SPECIFICATION NUMBER: BACB10FE12C OPTIONAL PART: ADW12VNC V15860 KR12CWGBZC V50632 KWDB12-39 V97613 WRRS12B10GC V73134 WHT12VSBC VS0352	101106 108120 504903	1
112	KMB28-9	..	BEARING ASSY- SUPPLIER CODE: V97613 SPECIFICATION NUMBER: S113N105-6 OPTIONAL PART: VTB08020-6 V06710 P21150 V57606	101106 108120 504903	1

MISSING ITEM NUMBERS NOT APPLICABLE

- ITEM NOT ILLUSTRATED

57-54-05-01

57-54-05
FIG. 01
PAGE 14
JAN 20/09

BRI



**757
PARTS CATALOG (MAINTENANCE)**

FIG ITEM	PART NUMBER	1 2 3 4 5 6 7	NOMENCLATURE	EFFECT FROM TO	UNITS PER ASSY
1 112	P21150		.. BEARING ASSY- SUPPLIER CODE: V57606 SPECIFICATION NUMBER: S113N105-6 OPTIONAL PART: KMB28-9 V97613 VTB08020-6 V06710	101106 108120 504903	1
112	VTB08020-6		.. BEARING ASSY- SUPPLIER CODE: V06710 SPECIFICATION NUMBER: S113N105-6 OPTIONAL PART: KMB28-9 V97613 P21150 V57606	101106 108120 504903	1
113	113N1070-23		.. SUPPORT ASSY- POSITION DATA: LH SIDE OPTIONAL PART: 113N1070-27 USED ON: 113N1063-53 113N1063-55 113N1063-57	101106 108120 504903	1
113	113N1070-27		.. SUPPORT ASSY- POSITION DATA: LH SIDE OPTIONAL PART: 113N1070-23 USED ON: 113N1063-57 113N1063-59	101106 108120 504903	1
- 114	113N1070-24		.. SUPPORT ASSY- POSITION DATA: RH SIDE OPTIONAL PART: 113N1070-28 USED ON: 113N1063-54 113N1063-56 113N1063-58	101106 108120 504903	1

MISSING ITEM NUMBERS NOT APPLICABLE

- ITEM NOT ILLUSTRATED

BRI

57-54-05-01

BOEING PROPRIETARY - Copyright © - Unpublished Work - See title page for details.

57-54-05
FIG. 01
PAGE 15
JAN 20/09



757

PARTS CATALOG (MAINTENANCE)

FIG ITEM	PART NUMBER	1 2 3 4 5 6 7	NOMENCLATURE	EFFECT FROM TO	UNITS PER ASSY
1					
- 114	113N1070-28	..	SUPPORT ASSY- POSITION DATA: RH SIDE OPTIONAL PART: 113N1070-24 USED ON: 113N1063-58 113N1063-60	101106 108120 504903	1
115	113N1006-3	...	BUSHING	101106 108120 504903	1
117	113N1007-29	...	BUSHING-	101106 108120 504903	2
118	113N1007-6	...	BUSHING	101106 108120 504903	1
119	113N1007-3	...	BUSHING	101106 108120 504903	1
127	113N1061-21	..	HOUSING ASSY- POSITION DATA: LH SIDE	101106 108120 504903	1
127	113N1061-19	..	HOUSING ASSY- POSITION DATA: LH SIDE	101106 108120 504903	1
- 132	113N1061-22	..	HOUSING ASSY- POSITION DATA: RH SIDE	101106 108120 504903	1
- 132	113N1061-20	..	HOUSING ASSY- POSITION DATA: RH SIDE	101106 108120 504903	1
136	113N1068-5	...	PLUG ASSY	101106 108120 504903	1
140	113N1068-6	PLUG	101106 108120 504903	1
141	MS15001-1	FITTING-LUBE	101106 108120 504903	1
143	113N1069-1	...	WASHER	101106 108120 504903	1
145	113N1137-1	...	LOCKPLATE- OPTIONAL PART: 113N1067-2	101106 108120 504903	1

MISSING ITEM NUMBERS NOT APPLICABLE

- ITEM NOT ILLUSTRATED

57-54-05-01

57-54-05
FIG. 01
PAGE 16
JAN 20/09

BRI



**757
PARTS CATALOG (MAINTENANCE)**

FIG ITEM	PART NUMBER	1 2 3 4 5 6 7	NOMENCLATURE	EFFECT FROM TO	UNITS PER ASSY
1	146 113N1067-2		... LOCKPLATE- OPTIONAL PART: 113N1137-1	101106 108120 504903	1
	148 113N1066-2		... NUT	101106 108120 504903	1
	150 113N1064-6		... RESERVOIR	101106 108120 504903	1
R	153 P25310		... BEARING ASSY- SIDE BRACE STRUT SUPPLIER CODE: V57606 SPECIFICATION NUMBER: S113N108-1 OPTIONAL PART: VTB07900 V06710 KMB62-9 V97613 USED ON: 113N1061-21 113N1061-22	101106 108120 504903	1
R	153 KMB62-9		... BEARING ASSY- SIDE BRACE STRUT SUPPLIER CODE: V97613 SPECIFICATION NUMBER: S113N108-1 OPTIONAL PART: P25310 V57606 KMB62-9 V97613 USED ON: 113N1061-21 113N1061-22	101106 108120 504903	1
R	153 VTB08010		... BEARING ASSY- SUPPLIER CODE: V06710 SPECIFICATION NUMBER: S113N101-10 USED ON: 113N1061-19 113N1061-20	101106 108120 504903	1

MISSING ITEM NUMBERS NOT APPLICABLE

- ITEM NOT ILLUSTRATED

BRI

57-54-05-01

57-54-05
FIG. 01
PAGE 17
MAY 20/09

BOEING PROPRIETARY - Copyright © - Unpublished Work - See title page for details.



757

PARTS CATALOG (MAINTENANCE)

FIG ITEM	PART NUMBER	1 2 3 4 5 6 7	NOMENCLATURE	EFFECT FROM TO	UNITS PER ASSY
1 155	113N1997-5		...MACHINE ASSY- POSITION DATA: LH SIDE QUALIFIED SB I/W DATA: 113N1997-5,-6 OPP MACHINED ASSEMBLIES HAVE BUSHINGS WHICH MUST BE REAMED DURING INSTALLATION ON THE AIRPLANE. 113N1997-7,-8 OPP ARE EQUIVALENT TO -5,-6 OPP EXCEPT THAT THE BUSHINGS HAVE BEEN REAMED FOR INSTALLATION ON IN-SERVICE AIRPLANES.	101106 108120 504903	1
- 160	113N1997-6		...MACHINE ASSY- POSITION DATA: RH SIDE QUALIFIED SB I/W DATA: 113N1997-5,-6 OPP MACHINED ASSEMBLIES HAVE BUSHINGS WHICH MUST BE REAMED DURING INSTALLATION ON THE AIRPLANE. 113N1997-7,-8 OPP ARE EQUIVALENT TO -5,-6 OPP EXCEPT THAT THE BUSHINGS HAVE BEEN REAMED FOR INSTALLATION ON IN-SERVICE AIRPLANES.	101106 108120 504903	1
- 165	113N1007-19	BUSHING	101106 108120 504903	2
170	113N1007-21	BUSHING	101106 108120 504903	4
175	113N1997-1	FITTING- POSITION DATA: LH SIDE	101106 108120 504903	1
- 180	113N1997-2	FITTING- POSITION DATA: RH SIDE	101106 108120 504903	1
182	113N1185-4		.SHIM-	101106 108120 504903	1
185	113N1060-4		.SHIM	101106 108120 504903	AR

MISSING ITEM NUMBERS NOT APPLICABLE

- ITEM NOT ILLUSTRATED

57-54-05-01

57-54-05
FIG. 01
PAGE 18
JAN 20/09

BRI

BOEING PROPRIETARY - Copyright © - Unpublished Work - See title page for details.



757

PARTS CATALOG (MAINTENANCE)

FIG ITEM	PART NUMBER	1 2 3 4 5 6 7	NOMENCLATURE	EFFECT FROM TO	UNITS PER ASSY
1					
190	113N1060-3	.	SHIM	101106 108120 504903	1
195	113N1185-3	.	SHIM-	101106 108120 504903	1
200	113N1185-2	.	SHIM-	101106 108120 504903	1
205	113N1185-1	.	SHIM-	101106 108120 504903	1
210	113N1060-17	.	SHIM	101106 108120 504903	AR
215	113N1060-9	.	SHIM	101106 108120 504903	2
220	113N1060-10	.	SHIM	101106 108120 504903	2
222	113N1060-11	.	SHIM	101106 108120 504903	1
225	113N1060-12	.	SHIM	101106 108120 504903	AR
230	L80024K44	.	BOLT SUPPLIER CODE: V06725 SPECIFICATION NUMBER: BACB30MY24K44	101106 108120 504903	2
235	HL79-24	.	COLLAR SUPPLIER CODE: V5M902 SPECIFICATION NUMBER: BACC30M24 OPTIONAL PART: HL79-24 V73197 HL79-24 V92215 HL79-24 V56878	101106 108120 504903	2
240	L80024K38	.	BOLT SUPPLIER CODE: V06725 SPECIFICATION NUMBER: BACB30MY24K38	101106 108120 504903	1

MISSING ITEM NUMBERS NOT APPLICABLE

- ITEM NOT ILLUSTRATED

57-54-05-01

57-54-05
FIG. 01
PAGE 19
JAN 20/09

BRI



757

PARTS CATALOG (MAINTENANCE)

FIG ITEM	PART NUMBER	1 2 3 4 5 6 7	NOMENCLATURE	EFFECT FROM TO	UNITS PER ASSY
1 245	HL79-24		.COLLAR SUPPLIER CODE: V5M902 SPECIFICATION NUMBER: BACC30M24 OPTIONAL PART: HL79-24 V73197 HL79-24 V92215 HL79-24 V56878	101106 108120 504903	1
250	BACB30LJ12K38		.BOLT	101106 108120 504903	1
255	BACW10DS12S		.WASHER- OPTIONAL PART: MS20002C12	101106 108120 504903	1
255	MS20002C12		.WASHER- OPTIONAL PART: BACW10DS12S	101106 108120 504903	1
260	69235-1216CD		.NUT- SUPPLIER CODE: V92215 SPECIFICATION NUMBER: BACN10JC12CD OPTIONAL PART: 102LH9074-12 V72962 BMN4122CPD8-12 V97928 H51650-12BAC V15653	101106 108120 504903	1
265	113N1117-5		.FITTING- POSITION DATA: LH SIDE	101106 108120 504903	1
- 270	113N1117-6		.FITTING- POSITION DATA: RH SIDE	101106 108120 504903	1
272	113N1117-7		.FITTING- POSITION DATA: LH SIDE	101106 108120 504903	1
- 273	113N1117-8		.FITTING- POSITION DATA: RH SIDE	101106 108120 504903	1

MISSING ITEM NUMBERS NOT APPLICABLE

- ITEM NOT ILLUSTRATED

57-54-05-01

57-54-05
FIG. 01
PAGE 20
JAN 20/09

BRI

BOEING PROPRIETARY - Copyright © - Unpublished Work - See title page for details.



757

PARTS CATALOG (MAINTENANCE)

FIG ITEM	PART NUMBER	1 2 3 4 5 6 7	NOMENCLATURE	EFFECT FROM TO	UNITS PER ASSY
1			ATTACHING PARTS		
275	HL1012AZ10-14	.BOLT	SUPPLIER CODE: VOPTK6 SPECIFICATION NUMBER: BACB30NX10K14 OPTIONAL PART: HL12VAZ10-14 V73197 HL12VAZ10-14 V92215 HL12VAZ10-14 V97928 L802-10K14 V06725 HL12VAZ10-14 V56878 HL1012AZ10-14 V06725 HL1012AZ10-14 V06950 HL1012AZ10-14 V17446 HL1012AZ10-14 V56878 HL1012AZ10-14 V60516 HL1012AZ10-14 V73197 HL1012AZ10-14 V97928	101106 108120 504903	1
277	L80010K12	.BOLT	SUPPLIER CODE: V06725 SPECIFICATION NUMBER: BACB30MY10K12	101106 108120 504903	9

MISSING ITEM NUMBERS NOT APPLICABLE

- ITEM NOT ILLUSTRATED

BRI

57-54-05-01

BOEING PROPRIETARY - Copyright © - Unpublished Work - See title page for details.

57-54-05
FIG. 01
PAGE 21
JAN 20/09



757

PARTS CATALOG (MAINTENANCE)

FIG ITEM	PART NUMBER	1 2 3 4 5 6 7	NOMENCLATURE	EFFECT FROM TO	UNITS PER ASSY
1 278	HL1012AZ10-15	.BOLT	SUPPLIER CODE: V0PTK6 SPECIFICATION NUMBER: BACB30NX10K15 OPTIONAL PART: HL12VAZ10-15 V73197 HL12VAZ10-15 V92215 HL12VAZ10-15 V97928 L802-10K15 V06725 HL12VAZ10-15 V56878 HL1012AZ10-15 V06725 HL1012AZ10-15 V06950 HL1012AZ10-15 V17446 HL1012AZ10-15 V56878 HL1012AZ10-15 V60516 HL1012AZ10-15 V73197 HL1012AZ10-15 V97928	101106 108120 504903	6
280	L80010K11	.BOLT	SUPPLIER CODE: V06725 SPECIFICATION NUMBER: BACB30MY10K11	101106 108120 504903	3

MISSING ITEM NUMBERS NOT APPLICABLE

- ITEM NOT ILLUSTRATED

57-54-05-01

57-54-05
FIG. 01
PAGE 22
JAN 20/09

BRI



757

PARTS CATALOG (MAINTENANCE)

FIG ITEM	PART NUMBER	1 2 3 4 5 6 7	NOMENCLATURE	EFFECT FROM TO	UNITS PER ASSY
1 282	HL1012AZ10-13	.BOLT	SUPPLIER CODE: VOPTK6 SPECIFICATION NUMBER: BACB30NX10K13 OPTIONAL PART: HL12VAZ10-13 V73197 HL12VAZ10-13 V92215 HL12VAZ10-13 V97928 L802-10K13 V06725 HL12VAZ10-13 V56878 HL1012AZ10-13 V06725 HL1012AZ10-13 V06950 HL1012AZ10-13 V17446 HL1012AZ10-13 V56878 HL1012AZ10-13 V60516 HL1012AZ10-13 V73197 HL1012AZ10-13 V97928	101106 108120 504903	1
285	TLN12045	.NUT	SUPPLIER CODE: V97928 SPECIFICATION NUMBER: BACN10WM5 OPTIONAL PART: LH10114B5 V72962 MN155 V73197 VN18615 V92215 H49702-5S V15653 W8505 V08524 H497025 V15653	101106 108120 504903	20

MISSING ITEM NUMBERS NOT APPLICABLE

- ITEM NOT ILLUSTRATED

57-54-05-01

57-54-05
FIG. 01
PAGE 23
JAN 20/09

BRI



757

PARTS CATALOG (MAINTENANCE)

FIG ITEM	PART NUMBER	1 2 3 4 5 6 7	NOMENCLATURE	EFFECT FROM TO	UNITS PER ASSY
1	290 L80012K14		.BOLT SUPPLIER CODE: V06725 SPECIFICATION NUMBER: BACB30MY12K14	101106 108120 504903	8
	295 TLN12046		.NUT SUPPLIER CODE: V97928 SPECIFICATION NUMBER: BACN10WM6 OPTIONAL PART: LH10114B6 V72962 MN156 V73197 VN18616 V92215 H49702-6S V15653 W8506 V08524 H497026 V15653	101106 108120 504903	8

MISSING ITEM NUMBERS NOT APPLICABLE

- ITEM NOT ILLUSTRATED

BRI

57-54-05-01

BOEING PROPRIETARY - Copyright © - Unpublished Work - See title page for details.

57-54-05
FIG. 01
PAGE 24
JAN 20/09



757

PARTS CATALOG (MAINTENANCE)

FIG ITEM	PART NUMBER	1 2 3 4 5 6 7	NOMENCLATURE	EFFECT FROM TO	UNITS PER ASSY
1 300	HL1012AZ14-23	.BOLT	SUPPLIER CODE: VOPTK6 SPECIFICATION NUMBER: BACB30NX14K23 OPTIONAL PART: HL12VAZ14-23 V73197 HL12VAZ14-23 V92215 HL12VAZ14-23 V97928 L802-14K23 V06725 HL12VAZ14-23 V56878 HL1012AZ14-23 V06725 HL1012AZ14-23 V06950 HL1012AZ14-23 V17446 HL1012AZ14-23 V56878 HL1012AZ14-23 V60516 HL1012AZ14-23 V73197 HL1012AZ14-23 V97928	101106 108120 504903	8
305	HL1187-14	-----*----- .COLLAR-	SUPPLIER CODE: V5M902 SPECIFICATION NUMBER: BACC30X14 OPTIONAL PART: HL1187-14 V56878 HL1187-14 V92215 HL1187-14 V73197 HL1187-14 V92215 HL87-14 V56878 HL1187-14 V73197	101106 108120 504903	8

MISSING ITEM NUMBERS NOT APPLICABLE

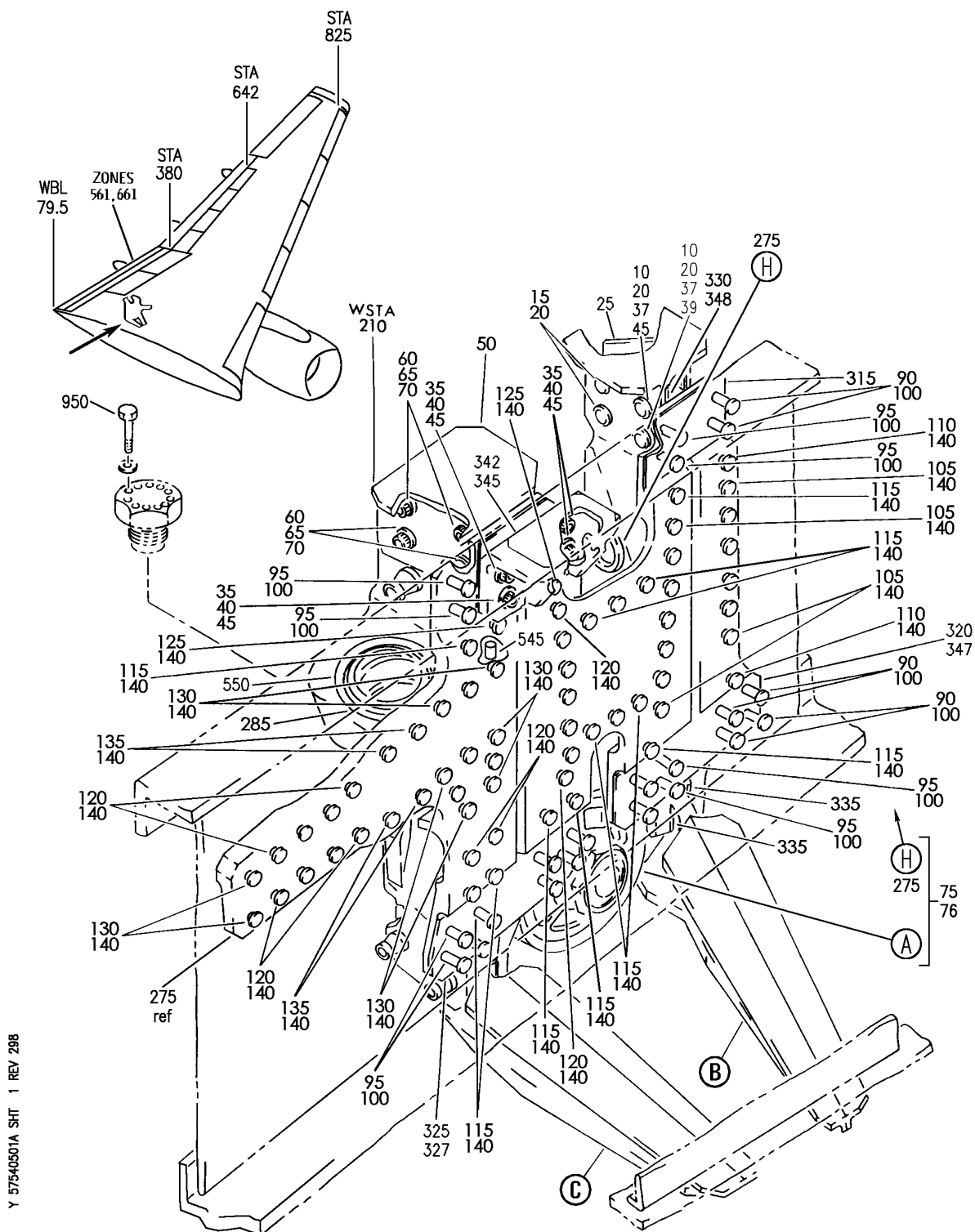
- ITEM NOT ILLUSTRATED

57-54-05-01

57-54-05
FIG. 01
PAGE 25
JAN 20/09

BRI

BOEING
757
PARTS CATALOG (MAINTENANCE)



Y 57540501A SHT 1 REV 298

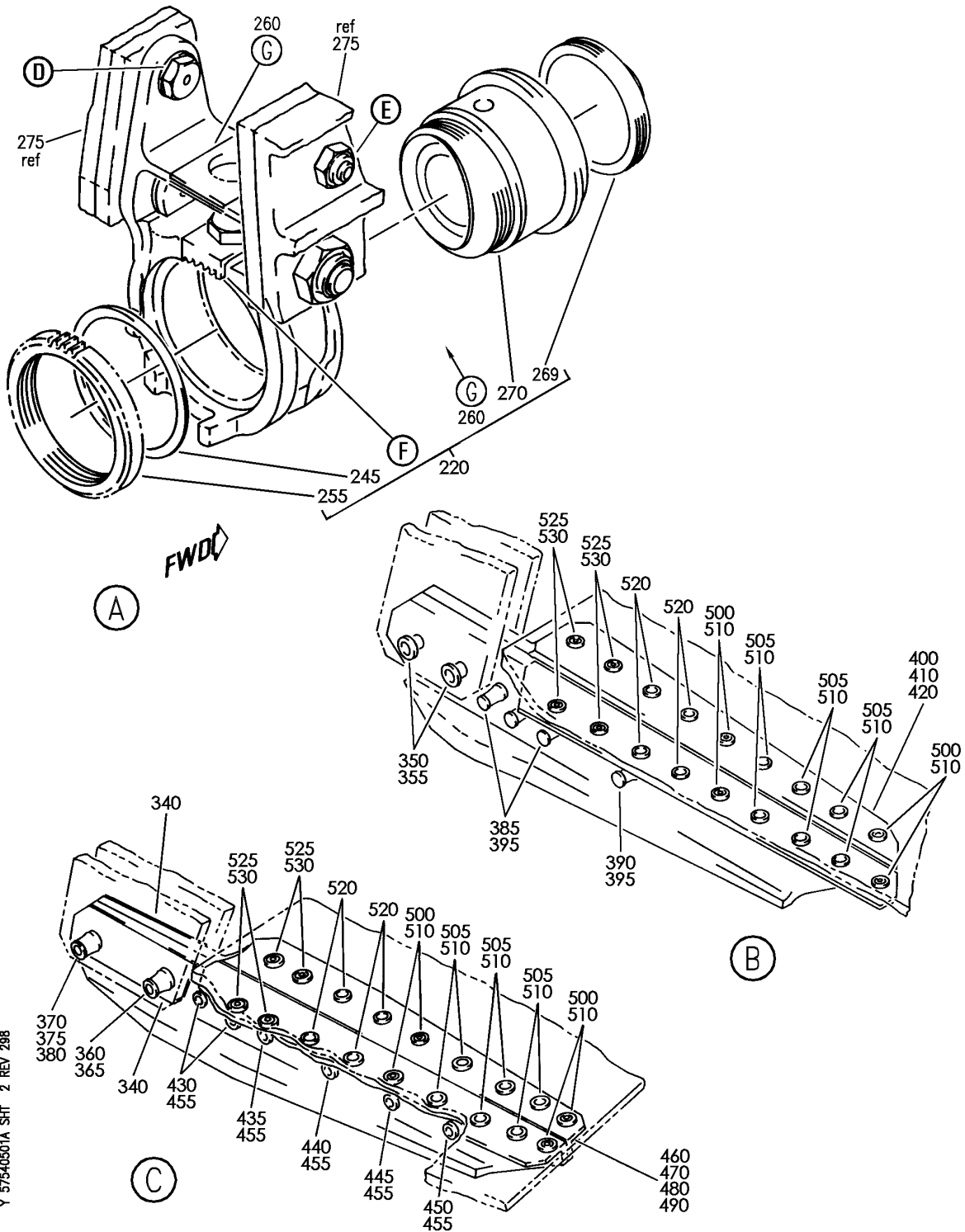
SUPPORT INSTL-MLG FWD TRUN
FIGURE 1A (SHEET 1)

57-54-05-01A

BRI
MAY 28/07

57-54-05-01A
PAGE 0


BOEING
 757
PARTS CATALOG (MAINTENANCE)



Y 57540501A SHT 2 REV 298

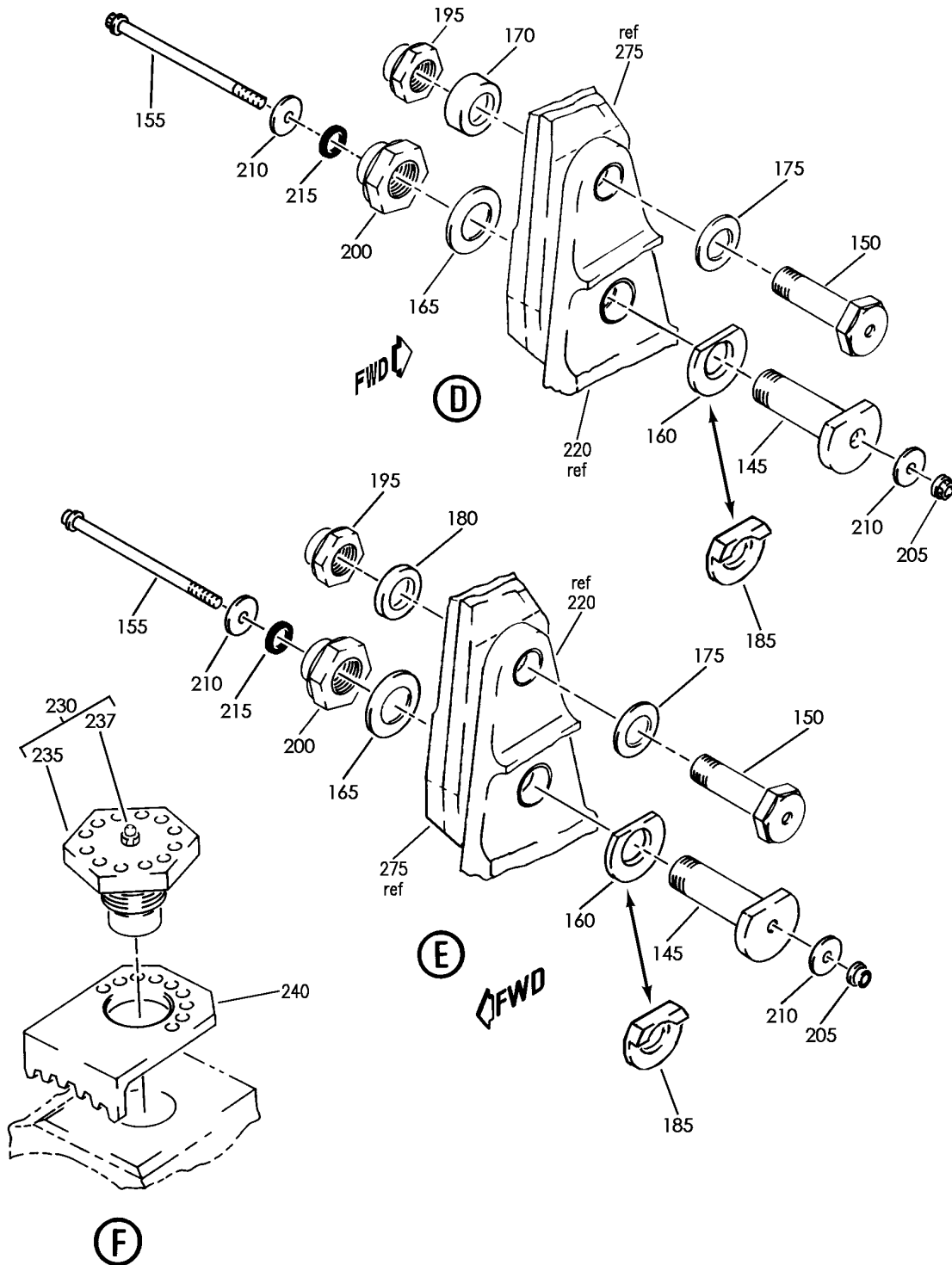
SUPPORT INSTL-MLG FWD TRUN
FIGURE 1A (SHEET 2)

57-54-05-01A

BRI
MAY 28/07

57-54-05-01A
PAGE 0A

BOEING
757
PARTS CATALOG (MAINTENANCE)



Y 57540501A SHT 3 REV 318

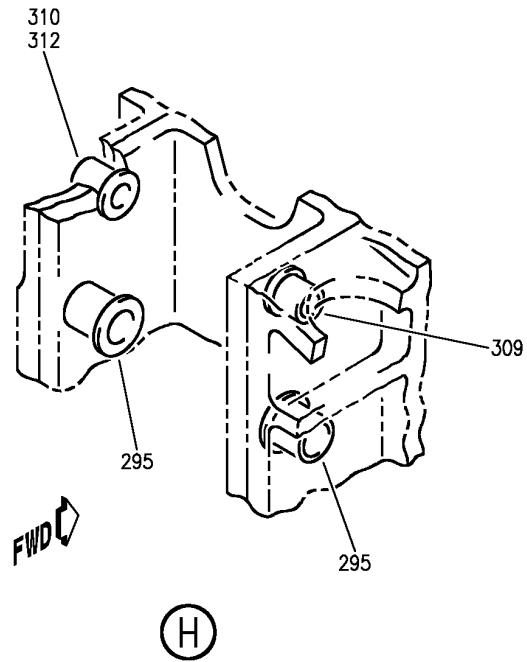
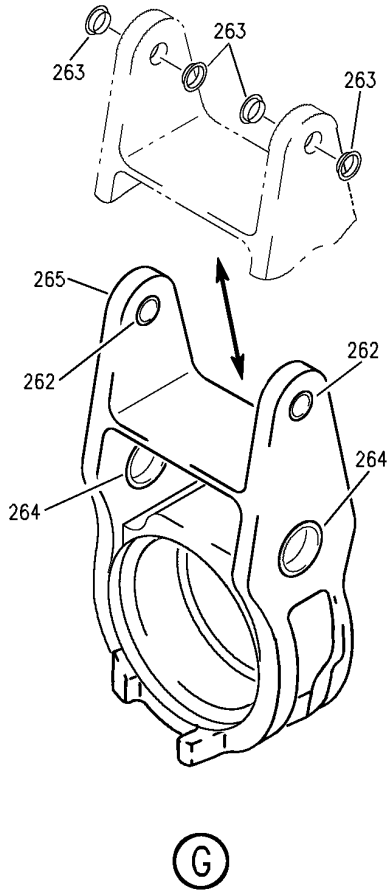
SUPPORT INSTL-MLG FWD TRUN
FIGURE 1A (SHEET 3)

57-54-05-01A

BRI
JAN 20/08

57-54-05-01A
PAGE 0B

BOEING
757
PARTS CATALOG (MAINTENANCE)



Y 57540501A SHT 4 REV 298

SUPPORT INSTL-MLG FWD TRUN
FIGURE 1A (SHEET 4)

57-54-05-01A

BRI
MAY 28/07

57-54-05-01A
PAGE 0C

 **BOEING**
757
PARTS CATALOG (MAINTENANCE)

FIG ITEM	PART NUMBER	1 2 3 4 5 6 7	NOMENCLATURE	EFFECT FROM TO	UNITS PER ASSY
1 A			SUPPORT INSTL-MLG FWD TRUN	002004 006100 107107 121503 904999	
- 1	113N1060-1		SUPPORT INSTL-MLG TRUN POSITION DATA: FWD LH FOR NHA SEE: 57-20-52-01	002004 006100 107107 121503 904999	RF
- 5	113N1060-2		SUPPORT INSTL-MLG TRUN POSITION DATA: FWD RH FOR NHA SEE: 57-20-52-01	002004 006100 107107 121503 904999	RF
10	L80014K27		.BOLT SUPPLIER CODE: V06725 SPECIFICATION NUMBER: BACB30MY14K27	002004 006100 107107 121503 904999	2
15	L80014K28		.BOLT SUPPLIER CODE: V06725 SPECIFICATION NUMBER: BACB30MY14K28	002004 006100 107107 121503 904999	2
20	HL79-14		.COLLAR SUPPLIER CODE: V5M902 SPECIFICATION NUMBER: BACC30M14 OPTIONAL PART: HL79-14 V73197 HL79-14 V92215 66014-14 V56878 HL79-14 V56878	002004 006100 107107 121503 904999	4
25	271N6055-1		.BRACKET-HYDR POSITION DATA: LH SIDE	002004 006100 107107 121503 904999	1
- 30	271N6055-2		.BRACKET-HYDR POSITION DATA: RH SIDE	002004 006100 107107 121503 904999	1

MISSING ITEM NUMBERS NOT APPLICABLE

- ITEM NOT ILLUSTRATED

BRI

57-54-05-01A

BOEING PROPRIETARY - Copyright © - Unpublished Work - See title page for details.

57-54-05
FIG. 01A
PAGE 1
JAN 20/09



757

PARTS CATALOG (MAINTENANCE)

FIG ITEM	PART NUMBER	1 2 3 4 5 6 7	NOMENCLATURE	EFFECT FROM TO	UNITS PER ASSY
1 A					
35	BACB30LE7-36	.	BOLT	002004 006100 107107 121503 904999	4
37	HL13VAZ14-25	.	BOLT SUPPLIER CODE: V17446 SPECIFICATION NUMBER: BACB30NY14K25 OPTIONAL PART: L801-14K25 VOPTK6 HL13VAZ14-25 V60516 HL13VAZ14-25 V97928 L801-14K25 V06725 HL13VAZ14-25 V92215 HL13VAZ14-25 V73197 HL13VAZ14-25 V56878	002004 006100 107107 121503 904999	2
39	HL1187-14	.	COLLAR SUPPLIER CODE: V5M902 SPECIFICATION NUMBER: BACC30X14 OPTIONAL PART: HL1187-14 V56878 HL1187-14 V92215 HL1187-14 V73197 HL1187-14 V92215 HL87-14 V56878 HL1187-14 V73197	002004 006100 107107 121503 904999	1
40	BACW10BP7DP	.	WASHER	002004 006100 107107 121503 904999	4

MISSING ITEM NUMBERS NOT APPLICABLE

- ITEM NOT ILLUSTRATED

57-54-05-01A

57-54-05
FIG. 01A
PAGE 2
JAN 20/09

BRI

BOEING PROPRIETARY - Copyright © - Unpublished Work - See title page for details.



757

PARTS CATALOG (MAINTENANCE)

FIG ITEM	PART NUMBER	1 2 3 4 5 6 7	NOMENCLATURE	EFFECT FROM TO	UNITS PER ASSY
1 A 45	BMN10HRCWD3-7	.NUT	SUPPLIER CODE: V97928 SPECIFICATION NUMBER: BACN10HR7CD OPTIONAL PART: H51560-7 V15653 67832CD720 V56878 102LH9031-7 V72962 BH00303CM7 V27238 BMN5024CWD37 V97928 SL7108C7 V11815 VCU0005D7 V06710 102LH90317 V72962 67832CD7 V56878 CR6030-7 VF0224 BMN10HRCWD3-7 V97928	002004 006100 107107 121503 904999	5
50	113N1112-5	.FITTING-	POSITION DATA: LH SIDE	107107 904949	1
50	113N1112-7	.FITTING-	POSITION DATA: LH SIDE	003004 006100 121503 950999	1
- 55	113N1112-6	.FITTING-	POSITION DATA: RH SIDE	107107 904949	1
- 55	113N1112-8	.FITTING-	POSITION DATA: RH SIDE	003004 006100 121503 950999	1
60	BACB30LE10-43	.BOLT-	OPTIONAL PART: BACB30LE10K43	002004 006100 107107 121503 904999	4

MISSING ITEM NUMBERS NOT APPLICABLE

- ITEM NOT ILLUSTRATED

57-54-05-01A

57-54-05
FIG. 01A
PAGE 3
JAN 20/09

BRI

BOEING PROPRIETARY - Copyright © - Unpublished Work - See title page for details.



757

PARTS CATALOG (MAINTENANCE)

FIG ITEM	PART NUMBER	1 2 3 4 5 6 7	NOMENCLATURE	EFFECT FROM TO	UNITS PER ASSY
1 A					
60	BACB30LE10K43	.BOLT-	OPTIONAL PART: BACB30LE10-43	002004 006100 107107 121503 904999	4
65	BACW10BP10DP	.WASHER		002004 006100 107107 121503 904999	4
70	BMN5024CWD310	.NUT	SUPPLIER CODE: V97928 SPECIFICATION NUMBER: BACN10HR10CD OPTIONAL PART: H51560-10 V15653 102LH9031-10 V72962 67832CD1018 V56878 BH00303CM10 V27238 SL7108C10 V11815 VCU0005D10 V06710 BMN10HRCWD3-10 V97928 102LH903110 V72962 102LH903110 V72962	002004 006100 107107 121503 904999	4
75	113N1063-41	.SUPPORT ASSY-	POSITION DATA: LH SIDE COMPONENT MAINT MANUAL REF: 57-54-35	002004 006100 107107 121503 904999	1
75	113N1063-43	.SUPPORT ASSY-	POSITION DATA: LH SIDE COMPONENT MAINT MANUAL REF: 57-54-35 OPTIONAL PART: 113N1063-45	002004 006100 107107 121503 904999	1

MISSING ITEM NUMBERS NOT APPLICABLE

- ITEM NOT ILLUSTRATED

57-54-05-01A

57-54-05
FIG. 01A
PAGE 4
JAN 20/09

BRI

BOEING PROPRIETARY - Copyright © - Unpublished Work - See title page for details.



757

PARTS CATALOG (MAINTENANCE)

FIG ITEM	PART NUMBER	1 2 3 4 5 6 7	NOMENCLATURE	EFFECT FROM TO	UNITS PER ASSY
1 A					
75	113N1063-27	.	SUPPORT ASSY- POSITION DATA: LH SIDE COMPONENT MAINT MANUAL REF: 57-54-35	002004 006100 107107 121503 904999	1
75	113N1063-35	.	SUPPORT ASSY- POSITION DATA: LH SIDE COMPONENT MAINT MANUAL REF: 57-54-35 OPTIONAL PART: 113N1063-37	002004 006100 107107 121503 904999	1
75	113N1063-37	.	SUPPORT ASSY- POSITION DATA: LH SIDE COMPONENT MAINT MANUAL REF: 57-54-35 OPTIONAL PART: 113N1063-35	002004 006100 107107 121503 904999	1
75	113N1063-45	.	SUPPORT ASSY- POSITION DATA: LH SIDE OPTIONAL PART: 113N1063-43 113N1063-37	002004 006100 107107 121503 904999	1
75	113N1063-47	.	SUPPORT ASSY- POSITION DATA: LH SIDE	002004 006100 107107 121503 904999	1
75	113N1063-49	.	SUPPORT ASSY- POSITION DATA: LH SIDE	002004 006100 107107 121503 904999	1
75	113N1063-53	.	SUPPORT ASSY- POSITION DATA: LH SIDE COMPONENT MAINT MANUAL REF: 57-54-35	002004 006100 107107 121503 904999	1
75	113N1063-55	.	SUPPORT ASSY- POSITION DATA: LH SIDE	002004 006100 107107 121503 904999	1

MISSING ITEM NUMBERS NOT APPLICABLE

- ITEM NOT ILLUSTRATED

57-54-05-01A

57-54-05
FIG. 01A
PAGE 5
JAN 20/09

BRI

BOEING PROPRIETARY - Copyright © - Unpublished Work - See title page for details.



757

PARTS CATALOG (MAINTENANCE)

FIG ITEM	PART NUMBER	1 2 3 4 5 6 7	NOMENCLATURE	EFFECT FROM TO	UNITS PER ASSY
1 A					
75	113N1063-57	.	SUPPORT ASSY- POSITION DATA: LH SIDE	002004 006100 107107 121503 904999	1
76	113N1063-59	.	SUPPORT ASSY- POSITION DATA: LH SIDE	002004 006100 107107 121503 904999	1
- 85	113N1063-42	.	SUPPORT ASSY- POSITION DATA: RH SIDE COMPONENT MAINT MANUAL REF: 57-54-35	002004 006100 107107 121503 904999	1
- 85	113N1063-44	.	SUPPORT ASSY- POSITION DATA: RH SIDE COMPONENT MAINT MANUAL REF: 57-54-35 OPTIONAL PART: 113N1063-46	002004 006100 107107 121503 904999	1
- 85	113N1063-28	.	SUPPORT ASSY- POSITION DATA: RH SIDE COMPONENT MAINT MANUAL REF: 57-54-35	002004 006100 107107 121503 904999	1
- 85	113N1063-36	.	SUPPORT ASSY- POSITION DATA: RH SIDE COMPONENT MAINT MANUAL REF: 57-54-35 OPTIONAL PART: 113N1063-38	002004 006100 107107 121503 904999	1
- 85	113N1063-38	.	SUPPORT ASSY- POSITION DATA: RH SIDE COMPONENT MAINT MANUAL REF: 57-54-35 OPTIONAL PART: 113N1063-36	002004 006100 107107 121503 904999	1
- 85	113N1063-46	.	SUPPORT ASSY- POSITION DATA: RH SIDE COMPONENT MAINT MANUAL REF: 57-54-35 OPTIONAL PART: 113N1063-44 113N1063-38	002004 006100 107107 121503 904999	1

MISSING ITEM NUMBERS NOT APPLICABLE

- ITEM NOT ILLUSTRATED

57-54-05-01A

57-54-05
FIG. 01A
PAGE 6
JAN 20/09

BRI



757

PARTS CATALOG (MAINTENANCE)

FIG ITEM	PART NUMBER	1 2 3 4 5 6 7	NOMENCLATURE	EFFECT FROM TO	UNITS PER ASSY
1 A					
- 85	113N1063-48	.	SUPPORT ASSY- POSITION DATA: RH SIDE COMPONENT MAINT MANUAL REF: 57-54-35	002004 006100 107107 121503 904999	1
- 85	113N1063-50	.	SUPPORT ASSY- POSITION DATA: RH SIDE COMPONENT MAINT MANUAL REF: 57-54-35	002004 006100 107107 121503 904999	1
- 85	113N1063-54	.	SUPPORT ASSY- POSITION DATA: RH SIDE COMPONENT MAINT MANUAL REF: 57-54-35	002004 006100 107107 121503 904999	1
- 85	113N1063-56	.	SUPPORT ASSY- POSITION DATA: RH SIDE	002004 006100 107107 121503 904999	1
- 86	113N1063-58	.	SUPPORT ASSY- POSITION DATA: RH SIDE	002004 006100 107107 121503 904999	1
- 86	113N1063-60	.	SUPPORT ASSY- POSITION DATA: RH SIDE	002004 006100 107107 121503 904999	1

MISSING ITEM NUMBERS NOT APPLICABLE

- ITEM NOT ILLUSTRATED

BRI

57-54-05-01A

BOEING PROPRIETARY - Copyright © - Unpublished Work - See title page for details.

57-54-05
FIG. 01A
PAGE 7
JAN 20/09



757

PARTS CATALOG (MAINTENANCE)

FIG ITEM	PART NUMBER	1 2 3 4 5 6 7	NOMENCLATURE	EFFECT FROM TO	UNITS PER ASSY
1 A			ATTACHING PARTS		
90	HL1012AZ14-21	.	BOLT	002004	6
			SUPPLIER CODE:	006100	
			VOPTK6	107107	
			SPECIFICATION NUMBER:	121503	
			BACB30NX14K21	904999	
			OPTIONAL PART:		
			HL12VAZ14-21		
			V73197		
			HL12VAZ14-21		
			V92215		
			HL12VAZ14-21		
			V97928		
			L802-14K21		
			V06725		
			HL12VAZ14-21		
			V56878		
			HL1012AZ14-21		
			V06725		
			HL1012AZ14-21		
			V06950		
			HL1012AZ14-21		
			V17446		
			HL1012AZ14-21		
			V56878		
			HL1012AZ14-21		
			V60516		
			HL1012AZ14-21		
			V73197		
			HL1012AZ14-21		
			V97928		

MISSING ITEM NUMBERS NOT APPLICABLE

- ITEM NOT ILLUSTRATED

BRI

57-54-05-01A

BOEING PROPRIETARY - Copyright © - Unpublished Work - See title page for details.

57-54-05
FIG. 01A
PAGE 8
JAN 20/09



757

PARTS CATALOG (MAINTENANCE)

FIG ITEM	PART NUMBER	1 2 3 4 5 6 7	NOMENCLATURE	EFFECT FROM TO	UNITS PER ASSY
1 A 95	HL1012AZ14-22	.BOLT	SUPPLIER CODE: VOPTK6 SPECIFICATION NUMBER: BACB30NX14K22 OPTIONAL PART: HL12VAZ14-22 V73197 HL12VAZ14-22 V92215 HL12VAZ14-22 V97928 L802-14K22 V06725 HL12VAZ14-22 V56878 HL1012AZ14-22 V06725 HL1012AZ14-22 V06950 HL1012AZ14-22 V17446 HL1012AZ14-22 V56878 HL1012AZ14-22 V60516 HL1012AZ14-22 V73197 HL1012AZ14-22 V97928	002004 006100 107107 121503 904999	16
100	HL1187-14	.COLLAR	SUPPLIER CODE: V5M902 SPECIFICATION NUMBER: BACC30X14 OPTIONAL PART: HL1187-14 V56878 HL1187-14 V92215 HL1187-14 V73197 HL1187-14 V92215 HL87-14 V56878 HL1187-14 V73197	002004 006100 107107 121503 904999	22

MISSING ITEM NUMBERS NOT APPLICABLE

- ITEM NOT ILLUSTRATED

57-54-05-01A

57-54-05
 FIG. 01A
 PAGE 9
 JAN 20/09

BRI

BOEING PROPRIETARY - Copyright © - Unpublished Work - See title page for details.



757

PARTS CATALOG (MAINTENANCE)

FIG ITEM	PART NUMBER	1 2 3 4 5 6 7	NOMENCLATURE	EFFECT FROM TO	UNITS PER ASSY
1A 105	L80014K11	.BOLT	SUPPLIER CODE: V06725 SPECIFICATION NUMBER: BACB30MY14K11	002004 006100 107107 121503 904999	13
110	L80014K21	.BOLT	SUPPLIER CODE: V06725 SPECIFICATION NUMBER: BACB30MY14K21	002004 006100 107107 121503 904999	2
115	L80014K22	.BOLT	SUPPLIER CODE: V06725 SPECIFICATION NUMBER: BACB30MY14K22	002004 006100 107107 121503 904999	13
120	L80014K12	.BOLT	SUPPLIER CODE: V06725 SPECIFICATION NUMBER: BACB30MY14K12	002004 006100 107107 121503 904999	17
125	L80014K26	.BOLT	SUPPLIER CODE: V06725 SPECIFICATION NUMBER: BACB30MY14K26	002004 006100 107107 121503 904999	2
130	L80014K16	.BOLT	SUPPLIER CODE: V06725 SPECIFICATION NUMBER: BACB30MY14K16	002004 006100 107107 121503 904999	12
135	L80014K20	.BOLT	SUPPLIER CODE: V06725 SPECIFICATION NUMBER: BACB30MY14K20	002004 006100 107107 121503 904999	4

MISSING ITEM NUMBERS NOT APPLICABLE

- ITEM NOT ILLUSTRATED

BRI

57-54-05-01A

BOEING PROPRIETARY - Copyright © - Unpublished Work - See title page for details.

57-54-05
FIG. 01A
PAGE 10
JAN 20/09

BOEING
757
PARTS CATALOG (MAINTENANCE)

FIG ITEM	PART NUMBER	1 2 3 4 5 6 7	NOMENCLATURE	EFFECT FROM TO	UNITS PER ASSY
1 A 140	HL79-14		. COLLAR SUPPLIER CODE: V5M902 SPECIFICATION NUMBER: BACC30M14 OPTIONAL PART: HL79-14 V73197 HL79-14 V92215 66014-14 V56878 HL79-14 V56878	002004 006100 107107 121503 904999	63
145	113N1078-1		-----*----- . . BOLT- USED ON: 113N1063-7 113N1063-8 113N1063-9 113N1063-10 113N1063-11 113N1063-12 113N1063-15 113N1063-16 PRE ALERT SB: 57A0054	002004 006100	2

MISSING ITEM NUMBERS NOT APPLICABLE

— ITEM NOT ILLUSTRATED

BRI

57-54-05-01A

BOEING PROPRIETARY - Copyright © - Unpublished Work - See title page for details.

57-54-05
FIG. 01A
PAGE 11
JAN 20/09



757

PARTS CATALOG (MAINTENANCE)

FIG ITEM	PART NUMBER	1 2 3 4 5 6 7	NOMENCLATURE	EFFECT FROM TO	UNITS PER ASSY
1 A 145	113N1128-1		..BOLT- USED ON: 113N1063-21 113N1063-22 113N1063-23 113N1063-24 113N1063-27 113N1063-28 113N1063-35 113N1063-36 113N1063-37 113N1063-38 113N1063-41 113N1063-42 113N1063-43 113N1063-44 113N1063-45 113N1063-46 113N1063-47 113N1063-48 USED ON: 113N1063-37 113N1063-38 113N1063-43 113N1063-44 113N1063-45 113N1063-46 POST SERVICE BULLETIN: 57-0004 PRE ALERT SB: 57A0054	002004 006100 950951	2
145	113N1128-11		..BOLT- PRE ALERT SB: 57A0054	006100	2
145	113N1128-12		..BOLT- SERVICE BULLETIN OPT DATA: 113N1128-13 REFERENCE SERVICE BULLETIN: 57A0054R1 POST ALERT SB: 57A0054	002004 006100 107107 121503 904999	2
145	113N1128-13		..BOLT- SERVICE BULLETIN OPT DATA: 113N1128-12 POST ALERT SB: 57A0054R1 57A0054R2	002004 006100 107107 121503 904999	2

MISSING ITEM NUMBERS NOT APPLICABLE

- ITEM NOT ILLUSTRATED

57-54-05-01A

57-54-05
FIG. 01A
PAGE 12
JAN 20/09

BRI

BOEING PROPRIETARY - Copyright © - Unpublished Work - See title page for details.



757

PARTS CATALOG (MAINTENANCE)

FIG ITEM	PART NUMBER	1 2 3 4 5 6 7	NOMENCLATURE	EFFECT FROM TO	UNITS PER ASSY
1 A 145	113N1128-1	..	BOLT- MISCELLANEOUS DATA: SUPERSEDED BY 113N1128-12 PER 757-57A0054 (99-NM-57-AD) USED ON: 113N1063-21 113N1063-22 113N1063-23 113N1063-24 113N1063-27 113N1063-28 113N1063-35 113N1063-36 113N1063-37 113N1063-38 113N1063-41 113N1063-42 113N1063-43 113N1063-44 113N1063-45 113N1063-46 113N1063-47 113N1063-48 PRE ALERT SB: 57A0054	006100	2
150	113N1080-1	..	BOLT- PRE ALERT SB: 57A0054	002004 006100	2
150	113N1080-11	..	BOLT- PRE ALERT SB: 57A0054	002004 006100	2
150	113N1080-12	..	BOLT- SERVICE BULLETIN OPT DATA: 113N1080-13 REFERENCE SERVICE BULLETIN: 57A0054R1 POST ALERT SB: 57A0054	002004 006100 107107 121503 904999	2
150	113N1080-13	..	BOLT- SERVICE BULLETIN OPT DATA: 113N1080-12 POST ALERT SB: 57A0054R1 57A0054R2	002004 006100 107107 121503 904999	2

MISSING ITEM NUMBERS NOT APPLICABLE

- ITEM NOT ILLUSTRATED

57-54-05-01A

57-54-05
FIG. 01A
PAGE 13
JAN 20/09

BRI

BOEING PROPRIETARY - Copyright © - Unpublished Work - See title page for details.



757

PARTS CATALOG (MAINTENANCE)

FIG ITEM	PART NUMBER	1 2 3 4 5 6 7	NOMENCLATURE	EFFECT FROM TO	UNITS PER ASSY
1A 155	BACB30MR6R92	..	BOLT- POST ALERT SB: 57A0054R1	002004 006100 107107 121503 904999	2
165	113N1094-4	..	WASHER	002004 006100 107107 121503 904999	2
170	113N1094-5	..	WASHER	002004 006100 107107 121503 904999	1
175	113N1094-6	..	WASHER- POST ALERT SB: 57A0054 57A0054R1	002004 006100 107107 121503 904999	2
180	113N1094-7	..	WASHER	002004 006100 107107 121503 904999	1
185	113N1122-1	..	WASHER- POST ALERT SB: 57A0054R1	002004 006100 107107 121503 904999	2
185	113N1130-1	..	WASHER- PRE ALERT SB: 57A0054	002004 006100 107107 121503 904999	2
195	BACN10JC22CD	..	NUT	002004 006100 107107 121503 904999	2
200	BACN10JC28CD	..	NUT	002004 006100 107107 121503 904999	2

MISSING ITEM NUMBERS NOT APPLICABLE

- ITEM NOT ILLUSTRATED

BRI

57-54-05-01A

BOEING PROPRIETARY - Copyright © - Unpublished Work - See title page for details.

57-54-05
FIG. 01A
PAGE 14
JAN 20/09



757

PARTS CATALOG (MAINTENANCE)

FIG ITEM	PART NUMBER	1 2 3 4 5 6 7	NOMENCLATURE	EFFECT FROM TO	UNITS PER ASSY
1A 205	NAS1805-6		..NUT- POST ALERT SB: 57A0054R1	002004 006100 107107 121503 904999	2
210	113N1129-1		..RETAINER- POST ALERT SB: 57A0054R1	002004 006100 107107 121503 904999	4
215	2-22S383-70		..PACKING- SUPPLIER CODE: V02697 SPECIFICATION NUMBER: BACP11J22 OPTIONAL PART: AS568-22S32 V11314 S7E183-22 V95272 13-06-22 V07096 S424-7-2-22 V02697 A330-22 V95272 R1131-22 V57268 POST ALERT SB: 57A0054R1	002004 006100 107107 121503 904999	2
220	113N1061-19		..HOUSING ASSY- POSITION DATA: LH SIDE USED ON: 113N1063-21 113N1063-23 113N1063-27 113N1063-35	002004 006100 107107 121503 904999	1
220	113N1061-21		..HOUSING ASSY- POSITION DATA: LH SIDE USED ON: 113N1063-37 113N1063-41 113N1063-43 113N1063-45 113N1063-47 113N1063-49 113N1063-53	002004 006100 107107 121503 904999	1

MISSING ITEM NUMBERS NOT APPLICABLE

- ITEM NOT ILLUSTRATED

57-54-05-01A

57-54-05
FIG. 01A
PAGE 15
JAN 20/09

BRI

BOEING PROPRIETARY - Copyright © - Unpublished Work - See title page for details.

 **BOEING**
757
PARTS CATALOG (MAINTENANCE)

FIG ITEM	PART NUMBER	1 2 3 4 5 6 7	NOMENCLATURE	EFFECT FROM TO	UNITS PER ASSY
1 A					
- 225	113N1061-20		..HOUSING ASSY- POSITION DATA: RH SIDE USED ON: 113N1063-22 113N1063-24 113N1063-28 113N1063-36	002004 006100 107107 121503 904999	1
- 225	113N1061-22		..HOUSING ASSY- POSITION DATA: RH SIDE USED ON: 113N1063-38 113N1063-42 113N1063-44 113N1063-46 113N1063-48 113N1063-50 113N1063-54	002004 006100 107107 121503 904949 952999	1
230	113N1068-5		...PLUG ASSY	002004 006100 107107 121503 904999	1
235	113N1068-6	PLUG	002004 006100 107107 121503 904999	1
237	MS15001-1	FITTING-LUBE	002004 006100 107107 121503 904999	1
240	113N1067-2		...LOCKPLATE- OPTIONAL PART: 113N1137-1	002004 006100 107107 121503 904999	1
240	113N1137-1		...LOCKPLATE- OPTIONAL PART: 113N1067-2	002004 006100 107107 121503 904999	1
245	113N1069-1		...WASHER	002004 006100 107107 121503 904999	1

MISSING ITEM NUMBERS NOT APPLICABLE

- ITEM NOT ILLUSTRATED

BRI

57-54-05-01A

BOEING PROPRIETARY - Copyright © - Unpublished Work - See title page for details.

57-54-05
FIG. 01A
PAGE 16
JAN 20/09

BOEING
757
PARTS CATALOG (MAINTENANCE)

FIG ITEM	PART NUMBER	1 2 3 4 5 6 7	NOMENCLATURE	EFFECT FROM TO	UNITS PER ASSY
1 A 255	113N1066-2		...NUT	002004 006100 107107 121503 904999	1
260	113N1997-5		...MACHINE ASSY- USED ON: 113N1061-19 113N1061-21 QUALIFIED SB I/W DATA: 113N1997-5,-6 OPP MACHINED ASSEMBLIES HAVE BUSHINGS WHICH MUST BE REAMED DURING INSTALLATION ON THE AIRPLANE. 113N1997-7,-8 OPP ARE EQUIVALENT TO -5,-6 OPP EXCEPT THAT THE BUSHINGS HAVE BEEN REAMED FOR INSTALLATION ON IN-SERVICE AIRPLANES.	002004 006100 107107 121503 904999	1
- 261	113N1997-6		...MACHINE ASSY- USED ON: 113N1061-20 113N1061-22 QUALIFIED SB I/W DATA: 113N1997-5,-6 OPP MACHINED ASSEMBLIES HAVE BUSHINGS WHICH MUST BE REAMED DURING INSTALLATION ON THE AIRPLANE. 113N1997-7,-8 OPP ARE EQUIVALENT TO -5,-6 OPP EXCEPT THAT THE BUSHINGS HAVE BEEN REAMED FOR INSTALLATION ON IN-SERVICE AIRPLANES.	002004 006100 107107 121503 904999	1
263	113N1007-21	BUSHING- USED ON: 113N1997-5 113N1997-6	002004 006100 107107 121503 904999	4
264	113N1007-19	BUSHING- USED ON: 113N1997-5 113N1997-6	002004 006100 107107 121503 904999	2

MISSING ITEM NUMBERS NOT APPLICABLE

- ITEM NOT ILLUSTRATED

BRI

57-54-05-01A

BOEING PROPRIETARY - Copyright © - Unpublished Work - See title page for details.

57-54-05
FIG. 01A
PAGE 17
JAN 20/09



757

PARTS CATALOG (MAINTENANCE)

FIG ITEM	PART NUMBER	1 2 3 4 5 6 7	NOMENCLATURE	EFFECT FROM TO	UNITS PER ASSY
1A 265	113N1997-1	FITTING- USED ON: 113N1997-5	002004 006100 107107 121503 904999	1
- 266	113N1997-2	FITTING- USED ON: 113N1997-6	002004 006100 107107 121503 904999	1
269	113N1064-6	...	RESERVOIR- USED ON: 113N1061-7 113N1061-8 113N1061-9 113N1061-10 113N1061-15 113N1061-16 113N1061-19 113N1061-20 113N1061-21 113N1061-22 POST SERVICE BULLETIN: 57-0004	002004 006100 107107 121503 904999	1
270	VTB08010-6	...	BEARING ASSY- SUPPLIER CODE: V06710 SPECIFICATION NUMBER: S113N101-6 USED ON: 113N1061-7 113N1061-8 113N1061-9 113N1061-10 113N1061-11 113N1061-12	002004 006100 107107 121503 904949 952999	1
270	S113N101-8	...	BEARING ASSY- USED ON: 113N1061-15 113N1061-16 POST SERVICE BULLETIN: 57-0004	002004 006100 107107 121503 904999	1

MISSING ITEM NUMBERS NOT APPLICABLE

- ITEM NOT ILLUSTRATED

BRI

57-54-05-01A

BOEING PROPRIETARY - Copyright © - Unpublished Work - See title page for details.

57-54-05
FIG. 01A
PAGE 18
JAN 20/09



757

PARTS CATALOG (MAINTENANCE)

FIG ITEM	PART NUMBER	1 2 3 4 5 6 7	NOMENCLATURE	EFFECT FROM TO	UNITS PER ASSY
1A 270	P25310		...BEARING ASSY- SIDE BRACE STRUT SUPPLIER CODE: V57606 SPECIFICATION NUMBER: S113N108-1 OPTIONAL PART: VTB07900 V06710 KMB62-9 V97613 USED ON: 113N1061-21 113N1061-22	002004 006100 107107 121503 904999	1
270	VTB08010		...BEARING ASSY- SUPPLIER CODE: V06710 SPECIFICATION NUMBER: S113N101-10	002004 006100 107107 121503 904999	1
270	KMB62-9		...BEARING ASSY- SIDE BRACE STRUT SUPPLIER CODE: V97613 SPECIFICATION NUMBER: S113N108-1 OPTIONAL PART: P25310 V57606 KMB62-9 V97613	002004 006100 107107 121503 904999	1
270	VTB07900		...BEARING ASSY- SIDE BRACE STRUT SUPPLIER CODE: V06710 SPECIFICATION NUMBER: S113N108-1 OPTIONAL PART: P25310 V57606 KMB62-9 V97613	002004 006100 107107 121503 904999	1
275	113N1070-7		..SUPPORT ASSY- POSITION DATA: LH SIDE USED ON: 113N1063-21 113N1063-27	002004 006100 107107 121503 904999	1

MISSING ITEM NUMBERS NOT APPLICABLE

- ITEM NOT ILLUSTRATED

BRI

57-54-05-01A

BOEING PROPRIETARY - Copyright © - Unpublished Work - See title page for details.

57-54-05
FIG. 01A
PAGE 19
JAN 20/09



757

PARTS CATALOG (MAINTENANCE)

FIG ITEM	PART NUMBER	1 2 3 4 5 6 7	NOMENCLATURE	EFFECT FROM TO	UNITS PER ASSY
1A 275	113N1070-9	..	SUPPORT ASSY- POSITION DATA: LH SIDE USED ON: 113N1063-35 113N1063-37	002004 006100 107107 121503 904999	1
275	113N1070-13	..	SUPPORT ASSY- POSITION DATA: LH SIDE USED ON: 113N1063-41	002004 006100 107107 121503 904999	1
275	113N1070-15	..	SUPPORT ASSY- POSITION DATA: LH SIDE USED ON: 113N1063-43	002004 006100 107107 121503 904999	1
275	113N1070-17	..	SUPPORT ASSY- POSITION DATA: LH SIDE USED ON: 113N1063-45	002004 006100 107107 121503 904999	1
275	113N1070-19	..	SUPPORT ASSY- POSITION DATA: LH SIDE USED ON: 113N1063-45	002004 006100 107107 121503 904999	1
275	113N1070-21	..	SUPPORT ASSY- POSITION DATA: LH SIDE USED ON: 113N1063-47 113N1063-49	002004 006100 107107 121503 904999	1
275	113N1070-23	..	SUPPORT ASSY- POSITION DATA: LH SIDE OPTIONAL PART: 113N1070-27 USED ON: 113N1063-53 113N1063-55 113N1063-57	002004 006100 107107 121503 904999	1
275	113N1070-27	..	SUPPORT ASSY- POSITION DATA: LH SIDE OPTIONAL PART: 113N1070-23 USED ON: 113N1063-57	002004 006100 107107 121503 904999	1

MISSING ITEM NUMBERS NOT APPLICABLE

- ITEM NOT ILLUSTRATED

57-54-05-01A

57-54-05
FIG. 01A
PAGE 20
JAN 20/09

BRI

BOEING PROPRIETARY - Copyright © - Unpublished Work - See title page for details.



757

PARTS CATALOG (MAINTENANCE)

FIG ITEM	PART NUMBER	1 2 3 4 5 6 7	NOMENCLATURE	EFFECT FROM TO	UNITS PER ASSY
1A 275	113N1070-3		.. SUPPORT ASSY- POSITION DATA: LH SIDE USED ON: 113N1063-7 113N1063-9 113N1063-11 113N1063-15 113N1063-23 113N1063-27	002004 006100 107107 121503 904999	1
- 280	113N1070-8		.. SUPPORT ASSY- POSITION DATA: RH SIDE USED ON: 113N1063-22 113N1063-28	002004 006100 107107 121503 904999	1
- 280	113N1070-10		.. SUPPORT ASSY- POSITION DATA: RH SIDE USED ON: 113N1063-36 113N1063-38	002004 006100 107107 121503 904999	1
- 280	113N1070-14		.. SUPPORT ASSY- POSITION DATA: RH SIDE USED ON: 113N1063-42	002004 006100 107107 121503 904999	1
- 280	113N1070-16		.. SUPPORT ASSY- POSITION DATA: RH SIDE USED ON: 113N1063-44	002004 006100 107107 121503 904999	1
- 280	113N1070-18		.. SUPPORT ASSY- POSITION DATA: RH SIDE USED ON: 113N1063-46	002004 006100 107107 121503 904999	1
- 280	113N1070-20		.. SUPPORT ASSY- POSITION DATA: RH SIDE USED ON: 113N1063-46	002004 006100 107107 121503 904999	1
- 280	113N1070-22		.. SUPPORT ASSY- POSITION DATA: RH SIDE USED ON: 113N1063-48 113N1063-50	002004 006100 107107 121503 904999	1

MISSING ITEM NUMBERS NOT APPLICABLE

- ITEM NOT ILLUSTRATED

57-54-05-01A

57-54-05
FIG. 01A
PAGE 21
JAN 20/09

BRI

BOEING PROPRIETARY - Copyright © - Unpublished Work - See title page for details.



757

PARTS CATALOG (MAINTENANCE)

FIG ITEM	PART NUMBER	1 2 3 4 5 6 7	NOMENCLATURE	EFFECT FROM TO	UNITS PER ASSY
1 A					
- 280	113N1070-24	..	SUPPORT ASSY- POSITION DATA: RH SIDE OPTIONAL PART: 113N1070-28 USED ON: 113N1063-54 113N1063-56 113N1063-58	002004 006100 107107 121503 904999	1
- 280	113N1070-28	..	SUPPORT ASSY- POSITION DATA: RH SIDE USED ON: 113N1063-58	002004 006100 107107 121503 904999	1
- 280	113N1070-4	..	SUPPORT ASSY- POSITION DATA: RH SIDE USED ON: 113N1063-8 113N1063-10 113N1063-12 113N1063-16 113N1063-24 113N1063-28	002004 006100 107107 121503 904999	1
285	113N1006-3	...	BUSHING	002004 006100 107107 121503 904999	1
295	113N1007-20	...	BUSHING-	002004 006100 107107 121503 904999	2
295	113N1007-29	...	BUSHING-	002004 006100 107107 121503 904999	2
305	113N1007-3	...	BUSHING	002004 006100 107107 121503 904999	1
310	113N1007-6	...	BUSHING	002004 006100 107107 121503 904999	1

MISSING ITEM NUMBERS NOT APPLICABLE

- ITEM NOT ILLUSTRATED

57-54-05-01A

57-54-05
FIG. 01A
PAGE 22
JAN 20/09

BRI

BOEING PROPRIETARY - Copyright © - Unpublished Work - See title page for details.



757

PARTS CATALOG (MAINTENANCE)

FIG ITEM	PART NUMBER	1 2 3 4 5 6 7	NOMENCLATURE	EFFECT FROM TO	UNITS PER ASSY
1A					
315	113N1060-5	.SHIM-	OPTIONAL PART: 113N1060-13	002004 107107 121503 904949 952952	1
315	113N1060-13	.SHIM-	OPTIONAL PART: 113N1060-5	002004 107107 121503 904949 952952	1
315	113N1185-4	.SHIM		006100 950951 953999	1
320	113N1060-7	.SHIM-	OPTIONAL PART: 113N1060-15	002004 107107 121503 904949 952952	1
320	113N1060-15	.SHIM-	OPTIONAL PART: 113N1060-7	002004 107107 121503 904949 952952	1
320	113N1185-2	.SHIM		006100 950951 953999	1
325	113N1060-8	.SHIM-	OPTIONAL PART: 113N1060-16	002004 107107 121503 904949 952952	1
325	113N1060-16	.SHIM-	OPTIONAL PART: 113N1060-8	002004 107107 121503 904949 952952	1
325	113N1185-1	.SHIM		006100 950951 953999	1
327	113N1060-6	.SHIM-	OPTIONAL PART: 113N1060-14	002004 107107 121503 904949 952952	1
327	113N1060-14	.SHIM-	OPTIONAL PART: 113N1060-6	002004 107107 121503 904949 952952	1

MISSING ITEM NUMBERS NOT APPLICABLE

- ITEM NOT ILLUSTRATED

57-54-05-01A

57-54-05
FIG. 01A
PAGE 23
JAN 20/09

BRI

BOEING PROPRIETARY - Copyright © - Unpublished Work - See title page for details.

 **BOEING**
757
PARTS CATALOG (MAINTENANCE)

FIG ITEM	PART NUMBER	1 2 3 4 5 6 7	NOMENCLATURE	EFFECT FROM TO	UNITS PER ASSY
1 A					
330	113N1060-17	.	SHIM	002004 006100 107107 121503 904999	AR
335	113N1060-9	.	SHIM	002004 006100 107107 121503 904999	2
340	113N1060-10	.	SHIM	002004 006100 107107 121503 904999	2
342	113N1060-11	.	SHIM	002004 006100 107107 121503 904999	1
345	113N1060-12	.	SHIM	002004 006100 107107 121503 904999	AR
347	113N1060-3	.	SHIM	002004 006100 107107 121503 904999	1
348	113N1060-4	.	SHIM	002004 006100 107107 121503 904999	1
350	L80024K44	..	BOLT SUPPLIER CODE: V06725 SPECIFICATION NUMBER: BACB30MY24K44	002004 006100 107107 121503 904999	2

MISSING ITEM NUMBERS NOT APPLICABLE

— ITEM NOT ILLUSTRATED

BRI

57-54-05-01A

BOEING PROPRIETARY - Copyright © - Unpublished Work - See title page for details.

57-54-05
FIG. 01A
PAGE 24
JAN 20/09



757

PARTS CATALOG (MAINTENANCE)

FIG ITEM	PART NUMBER	1 2 3 4 5 6 7	NOMENCLATURE	EFFECT FROM TO	UNITS PER ASSY
1A 355	HL79-24	..	COLLAR SUPPLIER CODE: V5M902 SPECIFICATION NUMBER: BACC30M24 OPTIONAL PART: HL79-24 V73197 HL79-24 V92215 HL79-24 V56878	002004 006100 107107 121503 904999	2
360	L80024K38	..	BOLT- SUPPLIER CODE: V06725 SPECIFICATION NUMBER: BACB30MY24K38	002004 006100 107107 121503 904999	1
365	HL79-24	..	COLLAR SUPPLIER CODE: V5M902 SPECIFICATION NUMBER: BACC30M24 OPTIONAL PART: HL79-24 V73197 HL79-24 V92215 HL79-24 V56878	002004 006100 107107 121503 904999	1
370	BACB30NR12K38	..	BOLT-	002004 006100 107107 121503 904999	1
375	BACW10DS12S	..	WASHER- OPTIONAL PART: MS20002C12	002004 006100 107107 121503 904999	1
375	MS20002C12	..	WASHER- OPTIONAL PART: BACW10DS12S	002004 006100 107107 121503 904999	1

MISSING ITEM NUMBERS NOT APPLICABLE

- ITEM NOT ILLUSTRATED

57-54-05-01A

57-54-05
FIG. 01A
PAGE 25
JAN 20/09

BRI

BOEING PROPRIETARY - Copyright © - Unpublished Work - See title page for details.



757

PARTS CATALOG (MAINTENANCE)

FIG ITEM	PART NUMBER	1 2 3 4 5 6 7	NOMENCLATURE	EFFECT FROM TO	UNITS PER ASSY
1 A 380	69235-1216CD	..	NUT SUPPLIER CODE: V92215 SPECIFICATION NUMBER: BACN10JC12CD OPTIONAL PART: 102LH9074-12 V72962 BMN4122CPD8-12 V97928 H51650-12BAC V15653	002004 006100 107107 121503 904999	1
385	L80010K16	..	BOLT- SUPPLIER CODE: V06725 SPECIFICATION NUMBER: BACB30MY10K16 USED WITH: 113N1087-1 113N1087-2 113N1079-1 113N1079-2	002004 006100 107107 121503 904999	3
390	L80010K13	..	BOLT- SUPPLIER CODE: V06725 SPECIFICATION NUMBER: BACB30MY10K13 USED WITH: 113N1087-1 113N1087-2 113N1079-1 113N1079-2	002004 006100 107107 121503 904999	1

MISSING ITEM NUMBERS NOT APPLICABLE

- ITEM NOT ILLUSTRATED

BRI

57-54-05-01A

BOEING PROPRIETARY - Copyright © - Unpublished Work - See title page for details.

57-54-05
FIG. 01A
PAGE 26
JAN 20/09



757

PARTS CATALOG (MAINTENANCE)

FIG ITEM	PART NUMBER	1 2 3 4 5 6 7	NOMENCLATURE	EFFECT FROM TO	UNITS PER ASSY
1 A 395	HL79-10		.. COLLAR- SUPPLIER CODE: V5M902 SPECIFICATION NUMBER: BACC30M10 OPTIONAL PART: HL79-10 V73197 HL79-10 V92215 66014-10 V56878 HL79-10 V56878 USED WITH: 113N1087-1 113N1087-2 113N1079-1 113N1079-2	002004 006100 107107 121503 904999	4
400	113N1087-1		.. FITTING- POSITION DATA: LH SIDE QUALIFIED OPTIONAL DATA: (113N1087-1 AND 113N1079-1 OPT TO 113N1117-3 OPT TO 113N1117-5)	002004 006100 107107 121503 904999	1
- 405	113N1087-2		.. FITTING- POSITION DATA: RH SIDE QUALIFIED OPTIONAL DATA: (113N1087-2 AND 113N1079-2 OPT TO 113N1117-4 OPT TO 113N1117-6)	002004 006100 107107 121503 904999	1
410	113N1079-1		.. FITTING- POSITION DATA: LH SIDE QUALIFIED OPTIONAL DATA: (113N1087-1 AND 113N1079-1 OPT TO 113N1117-3 OPT TO 113N1117-5)	002004 006100 107107 121503 904999	1

MISSING ITEM NUMBERS NOT APPLICABLE

- ITEM NOT ILLUSTRATED

BRI

57-54-05-01A

BOEING PROPRIETARY - Copyright © - Unpublished Work - See title page for details.

57-54-05
FIG. 01A
PAGE 27
JAN 20/09



757

PARTS CATALOG (MAINTENANCE)

FIG ITEM	PART NUMBER	1 2 3 4 5 6 7	NOMENCLATURE	EFFECT FROM TO	UNITS PER ASSY
1 A - 415	113N1079-2		.. FITTING- POSITION DATA: RH SIDE QUALIFIED OPTIONAL DATA: (113N1087-2 AND 113N1079-2 OPT TO 113N1117-4 OPT TO 113N1117-6)	002004 006100 107107 121503 904999	1
420	113N1117-3		.. FITTING- POSITION DATA: LH SIDE QUALIFIED OPTIONAL DATA: (113N1087-1 AND 113N1079-1 OPT TO 113N1117-3 OPT TO 113N1117-5)	002004 006100 107107 121503 904999	1
420	113N1117-5		.. FITTING- POSITION DATA: LH SIDE QUALIFIED OPTIONAL DATA: (113N1087-1 AND 113N1079-1 OPT TO 113N1117-3 OPT TO 113N1117-5)	002004 006100 107107 121503 904999	1
- 425	113N1117-4		.. FITTING- POSITION DATA: RH SIDE QUALIFIED OPTIONAL DATA: (113N1087-2 AND 113N1079-2 OPT TO 113N1117-4 OPT TO 113N1117-6)	002004 006100 107107 121503 904999	1
- 425	113N1117-6		.. FITTING- POSITION DATA: RH SIDE QUALIFIED OPTIONAL DATA: (113N1087-2 AND 113N1079-2 OPT TO 113N1117-4 OPT TO 113N1117-6)	002004 006100 107107 121503 904999	1

MISSING ITEM NUMBERS NOT APPLICABLE

- ITEM NOT ILLUSTRATED

57-54-05-01A

57-54-05
FIG. 01A
PAGE 28
JAN 20/09

BRI

BOEING PROPRIETARY - Copyright © - Unpublished Work - See title page for details.



757

PARTS CATALOG (MAINTENANCE)

FIG ITEM	PART NUMBER	1 2 3 4 5 6 7	NOMENCLATURE	EFFECT FROM TO	UNITS PER ASSY
1 A 430	L80010K16	..	BOLT- SUPPLIER CODE: V06725 SPECIFICATION NUMBER: BACB30MY10K16 USED WITH: 113N1085-1 113N1085-2 113N1086-1 113N1086-2	002004 006100 107107 121503 904999	2
435	L80010K14	..	BOLT- SUPPLIER CODE: V06725 SPECIFICATION NUMBER: BACB30MY10K14 USED WITH: 113N1085-1 113N1085-2 113N1086-1 113N1086-2	002004 006100 107107 121503 904999	1
440	L80010K12	..	BOLT- SUPPLIER CODE: V06725 SPECIFICATION NUMBER: BACB30MY10K12 USED WITH: 113N1085-1 113N1085-2 113N1086-1 113N1086-2	002004 006100 107107 121503 904999	1
445	L80010K10	..	BOLT- SUPPLIER CODE: V06725 SPECIFICATION NUMBER: BACB30MY10K10 USED WITH: 113N1085-1 113N1085-2 113N1086-1 113N1086-2	002004 006100 107107 121503 904999	1

MISSING ITEM NUMBERS NOT APPLICABLE

- ITEM NOT ILLUSTRATED

BRI

57-54-05-01A

BOEING PROPRIETARY - Copyright © - Unpublished Work - See title page for details.

57-54-05
FIG. 01A
PAGE 29
JAN 20/09



757

PARTS CATALOG (MAINTENANCE)

FIG ITEM	PART NUMBER	1 2 3 4 5 6 7	NOMENCLATURE	EFFECT FROM TO	UNITS PER ASSY
1 A 450	L80010K8		..BOLT- SUPPLIER CODE: V06725 SPECIFICATION NUMBER: BACB30MY10K8 USED WITH: 113N1085-1 113N1085-2 113N1086-1 113N1086-2	002004 006100 107107 121503 904999	1
455	HL79-10		..COLLAR- SUPPLIER CODE: V5M902 SPECIFICATION NUMBER: BACC30M10 OPTIONAL PART: HL79-10 V73197 HL79-10 V92215 66014-10 V56878 HL79-10 V56878 USED WITH: 113N1085-1 113N1085-2 113N1086-1 113N1086-2	002004 006100 107107 121503 904999	6
460	113N1086-1		..FITTING- POSITION DATA: LH SIDE QUALIFIED OPTIONAL DATA: (113N1086-1 AND 113N1085-1 OPT TO 113N1117-1 OPT 113N1117-7)	002004 006100 107107 121503 904999	1
- 465	113N1086-2		..FITTING- POSITION DATA: RH SIDE QUALIFIED OPTIONAL DATA: (113N1086-2 AND 113N1085-2 OPT TO 113N1117-2 OPT TO 113N1117-8)	002004 006100 107107 121503 904999	1

MISSING ITEM NUMBERS NOT APPLICABLE

- ITEM NOT ILLUSTRATED

BRI

57-54-05-01A

BOEING PROPRIETARY - Copyright © - Unpublished Work - See title page for details.

57-54-05
FIG. 01A
PAGE 30
JAN 20/09



757

PARTS CATALOG (MAINTENANCE)

FIG ITEM	PART NUMBER	1 2 3 4 5 6 7	NOMENCLATURE	EFFECT FROM TO	UNITS PER ASSY
1A 470	113N1085-1		.. FITTING- POSITION DATA: LH SIDE QUALIFIED OPTIONAL DATA: (113N1086-1 AND 113N1085-1 OPT TO 113N1117-1 OPT 113N1117-7)	002004 006100 107107 121503 904999	1
- 475	113N1085-2		.. FITTING- POSITION DATA: RH SIDE QUALIFIED OPTIONAL DATA: (113N1086-2 AND 113N1085-2 OPT TO 113N1117-2 OPT TO 113N1117-8)	002004 006100 107107 121503 904999	1
480	113N1117-1		.. FITTING- POSITION DATA: LH SIDE QUALIFIED OPTIONAL DATA: (113N1086-1 AND 113N1085-1 OPT TO 113N1117-1 OPT 113N1117-7)	002004 006100 107107 121503 904999	1
- 485	113N1117-2		.. FITTING- POSITION DATA: RH SIDE QUALIFIED OPTIONAL DATA: (113N1086-2 AND 113N1085-2 OPT TO 113N1117-2 OPT TO 113N1117-8)	002004 006100 107107 121503 904999	1
490	113N1117-7		.. FITTING- POSITION DATA: LH SIDE QUALIFIED OPTIONAL DATA: (113N1086-1 AND 113N1085-1 OPT TO 113N1117-1 OPT 113N1117-7)	002004 006100 107107 121503 904999	1
- 495	113N1117-8		.. FITTING- POSITION DATA: RH SIDE QUALIFIED OPTIONAL DATA: (113N1086-2 AND 113N1085-2 OPT TO 113N1117-8)	002004 006100 107107 121503 904999	1

MISSING ITEM NUMBERS NOT APPLICABLE

- ITEM NOT ILLUSTRATED

57-54-05-01A

57-54-05
FIG. 01A
PAGE 31
JAN 20/09

BRI



757

PARTS CATALOG (MAINTENANCE)

FIG ITEM	PART NUMBER	1 2 3 4 5 6 7	NOMENCLATURE	EFFECT FROM TO	UNITS PER ASSY
1 A			ATTACHING PARTS		
500	HL1012AZ10-11	..	BOLT SUPPLIER CODE: V0PTK6 SPECIFICATION NUMBER: BACB30NX10K11 OPTIONAL PART: HL12VAZ10-11 V73197 HL12VAZ10-11 V92215 HL12VAZ10-11 V97928 L802-10K11 V06725 HL1012AZ10-11 V06725 HL1012AZ10-11 V06950 HL1012AZ10-11 V17446 HL1012AZ10-11 V56878 HL1012AZ10-11 V60516 HL1012AZ10-11 V73197 HL1012AZ10-11 V97928 HL12VAZ10-11 V56878	002004 006100 107107 121503 904999	8
505	L80010K10	..	BOLT SUPPLIER CODE: V06725 SPECIFICATION NUMBER: BACB30MY10K10	002004 006100 107107 121503 904999	12

MISSING ITEM NUMBERS NOT APPLICABLE

- ITEM NOT ILLUSTRATED

BRI

57-54-05-01A

BOEING PROPRIETARY - Copyright © - Unpublished Work - See title page for details.

57-54-05
FIG. 01A
PAGE 32
JAN 20/09



757

PARTS CATALOG (MAINTENANCE)

FIG ITEM	PART NUMBER	1 2 3 4 5 6 7	NOMENCLATURE	EFFECT FROM TO	UNITS PER ASSY
1 A 510	TLN12045	. .	NUT SUPPLIER CODE: V97928 SPECIFICATION NUMBER: BACN10WM5 OPTIONAL PART: LH10114B5 V72962 MN155 V73197 VN18615 V92215 H49702-5S V15653 W8505 V08524 H497025 V15653	002004 006100 107107 121503 904999	20
520	L80012K11	. .	BOLT SUPPLIER CODE: V06725 SPECIFICATION NUMBER: BACB30MY12K11	002004 006100 107107 121503 904999	8

MISSING ITEM NUMBERS NOT APPLICABLE

- ITEM NOT ILLUSTRATED

BRI

57-54-05-01A

BOEING PROPRIETARY - Copyright © - Unpublished Work - See title page for details.

57-54-05
FIG. 01A
PAGE 33
JAN 20/09



757

PARTS CATALOG (MAINTENANCE)

FIG ITEM	PART NUMBER	1 2 3 4 5 6 7	NOMENCLATURE	EFFECT FROM TO	UNITS PER ASSY
1 A 525	HL1012AZ14-23		.. BOLT SUPPLIER CODE: VOPTK6 SPECIFICATION NUMBER: BACB30NX14K23 OPTIONAL PART: HL12VAZ14-23 V73197 HL12VAZ14-23 V92215 HL12VAZ14-23 V97928 L802-14K23 V06725 HL12VAZ14-23 V56878 HL1012AZ14-23 V06725 HL1012AZ14-23 V06950 HL1012AZ14-23 V17446 HL1012AZ14-23 V56878 HL1012AZ14-23 V60516 HL1012AZ14-23 V73197 HL1012AZ14-23 V97928	002004 006100 107107 121503 904999	8
530	HL1187-14		.. COLLAR SUPPLIER CODE: V5M902 SPECIFICATION NUMBER: BACC30X14 OPTIONAL PART: HL1187-14 V56878 HL1187-14 V92215 HL1187-14 V73197 HL1187-14 V92215 HL87-14 V56878 HL1187-14 V73197 -----*-----	002004 006100 107107 121503 904999	8

MISSING ITEM NUMBERS NOT APPLICABLE

- ITEM NOT ILLUSTRATED

57-54-05-01A

57-54-05
FIG. 01A
PAGE 34
JAN 20/09

BRI



757

PARTS CATALOG (MAINTENANCE)

FIG ITEM	PART NUMBER	1 2 3 4 5 6 7	NOMENCLATURE	EFFECT FROM TO	UNITS PER ASSY
1 A 545	1992B		.. FITTING- SUPPLIER CODE: VOFKM1	002004 006100 107107 121503 904999	1
550	KMB28-9		.. BEARING ASSY- SUPPLIER CODE: V97613 SPECIFICATION NUMBER: S113N105-6 OPTIONAL PART: P21150 V57606 VTB08020-6 V06710	002004 006100 107107 121503 904999	1
950			ILLUSTRATION REFERENCE: MAIN GEAR INSTL-VAR (MAIN GEAR ONLY) 32-11-00-01	002004 006100 107107 121503 904999	RF

MISSING ITEM NUMBERS NOT APPLICABLE

- ITEM NOT ILLUSTRATED

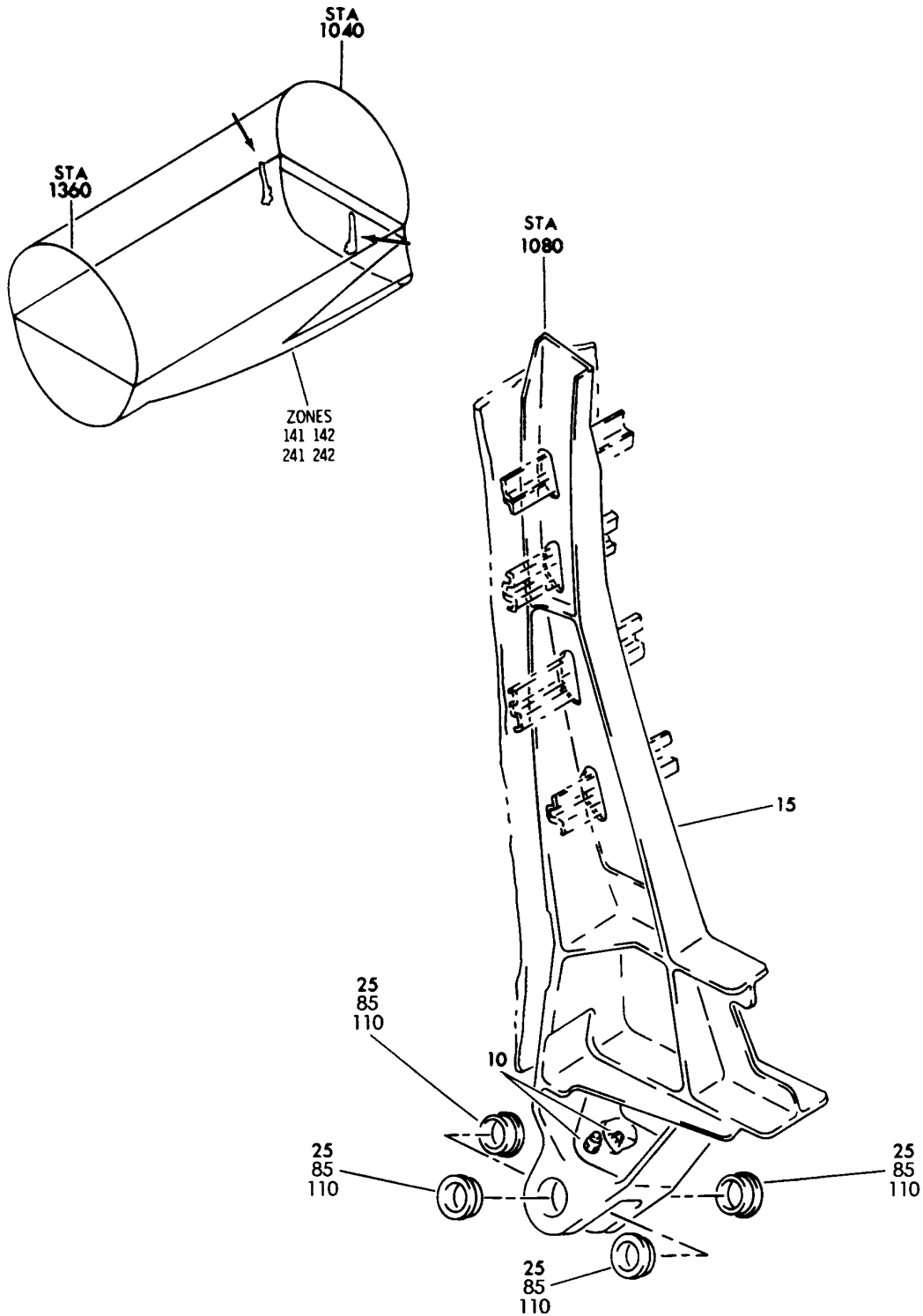
BRI

57-54-05-01A

BOEING PROPRIETARY - Copyright © - Unpublished Work - See title page for details.

57-54-05
FIG. 01A
PAGE 35
JAN 20/09

BOEING
757
PARTS CATALOG (MAINTENANCE)



Y 57545120 REV 199

FITTING INSTL-STA 1080 SIDE STRUT FWD PICKUP
FIGURE 20

57-54-51-20

BRI
MAY 28/07

57-54-51-20
PAGE 0



757

PARTS CATALOG (MAINTENANCE)

FIG ITEM	PART NUMBER	1 2 3 4 5 6 7	NOMENCLATURE	EFFECT FROM TO	UNITS PER ASSY
20			FITTING INSTL-SIDE STRUT PICKUP	002004 006999	
- 1	144N1025-1		FITTING INSTL-SIDE STRUT PICKUP POSITION DATA: STA 1080 FWD INBD FOR NHA SEE: 53-00-00-03	002004 006100 107107 121503 904999	RF
- 1	144N1025-403		FITTING INSTL-SIDE STRUT PICKUP POSITION DATA: STA 1080 FWD INBD FOR NHA SEE: 53-00-00-03A	101102 108120 504903	RF
- 1	MODREF26918		FITTING INSTL-SIDE STRUT PICKUP MODULE NUMBER: 144N1025-403 REV B POSITION DATA: STA 1080 FWD INBD	103105	1
- 1	MODREF193828		FITTING INSTL-SIDE STRUT PICKUP MODULE NUMBER: 144N1025-403 REV D POSITION DATA: STA 1080 FWD INBD	106106	1
- 5	144N1025-2		FITTING INSTL-SIDE STRUT PICKUP POSITION DATA: STA 1080 FWD RH FOR NHA SEE: 53-00-00-03	002004 006100 107107 121503 904999	RF
- 5	144N1025-404		FITTING INSTL-SIDE STRUT PICKUP POSITION DATA: STA 1080 FWD RH FOR NHA SEE: 53-00-00-03A	101102 108120 504903	RF
- 5	MODREF26919		FITTING INSTL-SIDE STRUT PICKUP MODULE NUMBER: 144N1025-404 REV B POSITION DATA: STA 1080 FWD RH	103105	1

MISSING ITEM NUMBERS NOT APPLICABLE

- ITEM NOT ILLUSTRATED

57-54-51-20

57-54-51
FIG. 20
PAGE 1
JAN 20/09

BRI



757

PARTS CATALOG (MAINTENANCE)

FIG ITEM	PART NUMBER	1 2 3 4 5 6 7	NOMENCLATURE	EFFECT FROM TO	UNITS PER ASSY
20					
- 5	MODREF193829		FITTING INSTL-SIDE STRUT PICKUP MODULE NUMBER: 144N1025-404 REV D POSITION DATA: STA 1080 FWD RH	106106	1
10	MS15001-1		.FITTING	002004 006999	2
15	144N1005-7		.FITTING- POSITION DATA: LH SIDE	002004 006999	1
- 20	144N1005-8		.FITTING- POSITION DATA: RH SIDE	002004 006999	1
25	144N1035-2		.BUSHING-SPECIAL	002004 006999	4
- 75	144N1025-601		FITTING INSTL-SIDE STRUT PICKUP POSITION DATA: STA 1080 FWD INBD FOR NHA SEE: 53-00-00-03A	101102 108120 504903	RF
- 75	MODREF26920		FITTING INSTL-SIDE STRUT PICKUP MODULE NUMBER: 144N1025-601 REV B POSITION DATA: STA 1080 FWD INBD	103106	1
- 80	144N1025-602		FITTING INSTL-SIDE STRUT PICKUP POSITION DATA: STA 1080 FWD RH FOR NHA SEE: 53-00-00-03A	101102 108120 504903	RF
- 80	MODREF26921		FITTING INSTL-SIDE STRUT PICKUP MODULE NUMBER: 144N1025-602 REV B POSITION DATA: STA 1080 FWD RH	103106	1
85	144N1035-2		.BUSHING-SPECIAL	101106 108120 504903	4

MISSING ITEM NUMBERS NOT APPLICABLE

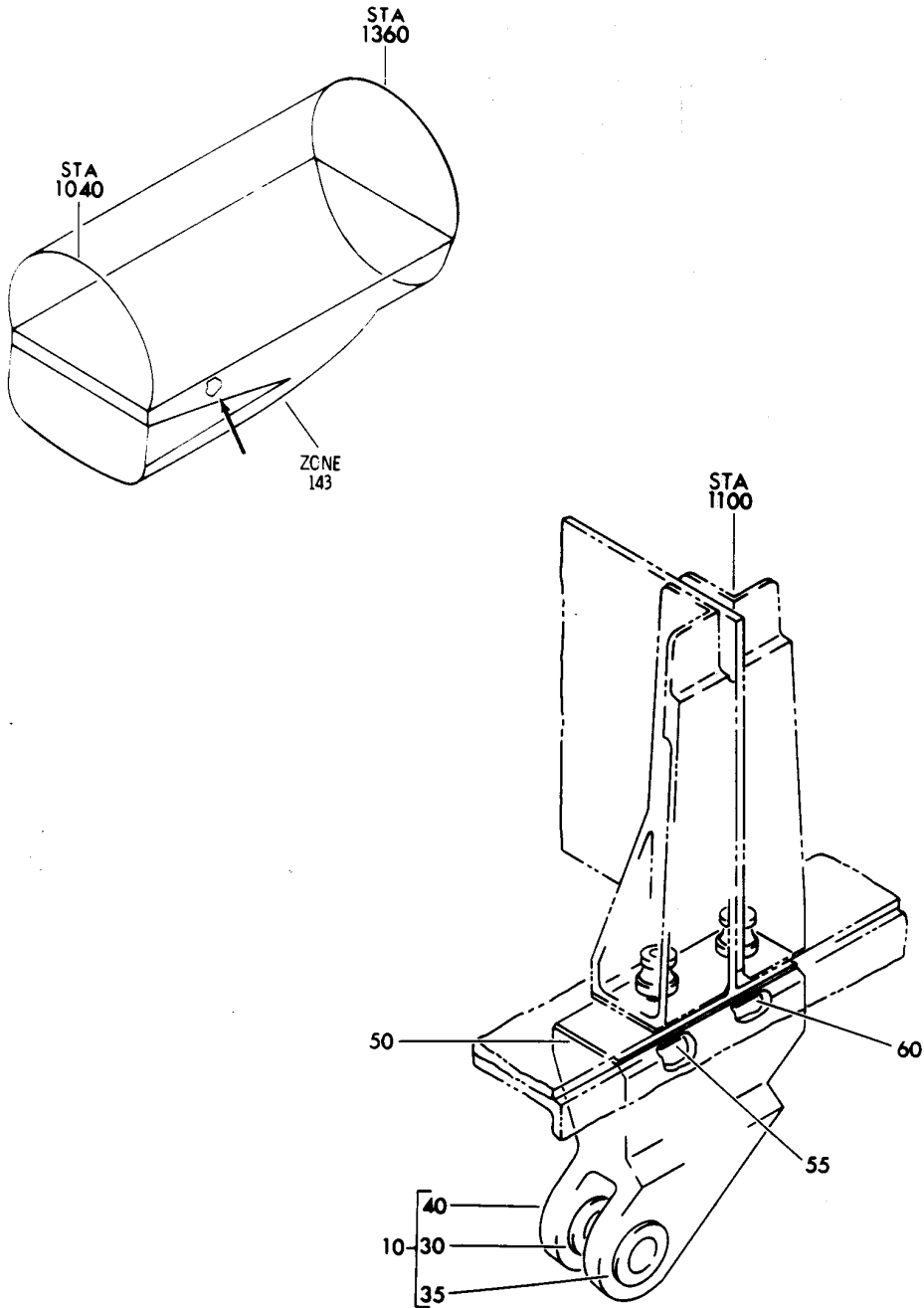
- ITEM NOT ILLUSTRATED

57-54-51-20

57-54-51
FIG. 20
PAGE 2
JAN 20/09

BRI

BOEING
757
PARTS CATALOG (MAINTENANCE)



Y 57545125 SHT 1 REV 082

SUPPORT INSTL-SIDE STRUT STAB.
FIGURE 25

57-54-51-25

BRI
MAY 28/07

57-54-51-25
PAGE 0



757

PARTS CATALOG (MAINTENANCE)

FIG ITEM	PART NUMBER	1 2 3 4 5 6 7	NOMENCLATURE	EFFECT FROM TO	UNITS PER ASSY
25			SUPPORT INSTL-SIDE STRUT STAB.	002004 006999	
- 1	144N1029-1		SUPPORT INSTL-SIDE STRUT STAB. POSITION DATA: LH FOR NHA SEE: 53-00-00-03	002004 006100 107107 121503 904999	RF
- 1	144N1029-401		SUPPORT INSTL-SIDE STRUT STAB. POSITION DATA: LH FOR NHA SEE: 53-00-00-03A	101102 108120 504903	RF
- 1	MODREF26922		SUPPORT INSTL-SIDE STRUT STAB. MODULE NUMBER: 144N1029-401 REV B POSITION DATA: LH	103106	1
- 5	144N1029-2		SUPPORT INSTL-SIDE STRUT STAB. POSITION DATA: RH FOR NHA SEE: 53-00-00-03	002004 006100 107107 121503 904999	RF
- 5	144N1029-402		SUPPORT INSTL-SIDE STRUT STAB. POSITION DATA: RH FOR NHA SEE: 53-00-00-03A	101102 108120 504903	RF
- 5	MODREF26923		SUPPORT INSTL-SIDE STRUT STAB. MODULE NUMBER: 144N1029-402 REV B POSITION DATA: RH	103106	1
10	144N1026-1		.FITTING ASSY- POSITION DATA: LH SIDE OPTIONAL PART: 144N1037-1	002004 006999	1
10	144N1037-1		.FITTING ASSY- POSITION DATA: LH SIDE OPTIONAL PART: 144N1026-1	002004 006999	1

MISSING ITEM NUMBERS NOT APPLICABLE

- ITEM NOT ILLUSTRATED

57-54-51-25

57-54-51
FIG. 25
PAGE 1
JAN 20/09

BRI



757

PARTS CATALOG (MAINTENANCE)

FIG ITEM	PART NUMBER	1 2 3 4 5 6 7	NOMENCLATURE	EFFECT FROM TO	UNITS PER ASSY
25					
- 15	144N1026-2		. FITTING ASSY- POSITION DATA: RH SIDE OPTIONAL PART: 144N1037-2	002004 006999	1
- 15	144N1037-2		. FITTING ASSY- POSITION DATA: RH SIDE OPTIONAL PART: 144N1026-2	002004 006999	1
- 20	HL1012AZ12-16		. BOLT SUPPLIER CODE: VOPTK6 SPECIFICATION NUMBER: BACB30NX12K16 OPTIONAL PART: HL12VAZ12-16 V73197 HL12VAZ12-16 V92215 HL12VAZ12-16 V97928 L802-12K16 V06725 HL12VAZ12-16 V56878 HL1012AZ12-16 V06725 HL1012AZ12-16 V06950 HL1012AZ12-16 V17446 HL1012AZ12-16 V56878 HL1012AZ12-16 V60516 HL1012AZ12-16 V73197 HL1012AZ12-16 V97928	002004 006999	2

MISSING ITEM NUMBERS NOT APPLICABLE

- ITEM NOT ILLUSTRATED

BRI

57-54-51-25

BOEING PROPRIETARY - Copyright © - Unpublished Work - See title page for details.

57-54-51
FIG. 25
PAGE 2
JAN 20/09



757

PARTS CATALOG (MAINTENANCE)

FIG ITEM	PART NUMBER	1 2 3 4 5 6 7	NOMENCLATURE	EFFECT FROM TO	UNITS PER ASSY
25					
- 25	HL1187-12		. COLLAR SUPPLIER CODE: V5M902 SPECIFICATION NUMBER: BACC30X12 OPTIONAL PART: HL1187-12 V73197 HL1187-12 V56878 HL1187-12 V92215 HL1187-12 V92215 HL87-12 V56878 HL87-12 V73197 -----*	002004 006999	2
30	BACB28AP10P030		.. BUSHING	002004 006999	1
35	BACB28AM14B030A		.. BUSHING	002004 006999	1
40	144N1026-3		.. FITTING-MACHINED POSITION DATA: LH SIDE USED ON: 144N1026-1	002004 006999	1
40	144N1037-3		.. FITTING-MACHINED POSITION DATA: LH SIDE USED ON: 144N1037-1	002004 006999	1
- 45	144N1026-4		.. FITTING-MACHINED POSITION DATA: RH SIDE USED ON: 144N1026-2	002004 006999	1
- 45	144N1037-4		.. FITTING-MACHINED POSITION DATA: RH SIDE USED ON: 144N1037-2	002004 006999	1
50	BACS40R14F45F		. SHIM	002004 006100 107107 121503 904999	AR

MISSING ITEM NUMBERS NOT APPLICABLE

- ITEM NOT ILLUSTRATED

57-54-51-25

57-54-51
FIG. 25
PAGE 3
JAN 20/09

BRI

BOEING PROPRIETARY - Copyright © - Unpublished Work - See title page for details.



757

PARTS CATALOG (MAINTENANCE)

FIG ITEM	PART NUMBER	1 2 3 4 5 6 7	NOMENCLATURE	EFFECT FROM TO	UNITS PER ASSY
25					
50	BACS40R014F045F	.	SHIM	101106 108120 504903	AR
55	144N1029-3	.	FILLER	002004 006999	1
60	144N1029-4	.	FILLER	002004 006999	1

MISSING ITEM NUMBERS NOT APPLICABLE

- ITEM NOT ILLUSTRATED

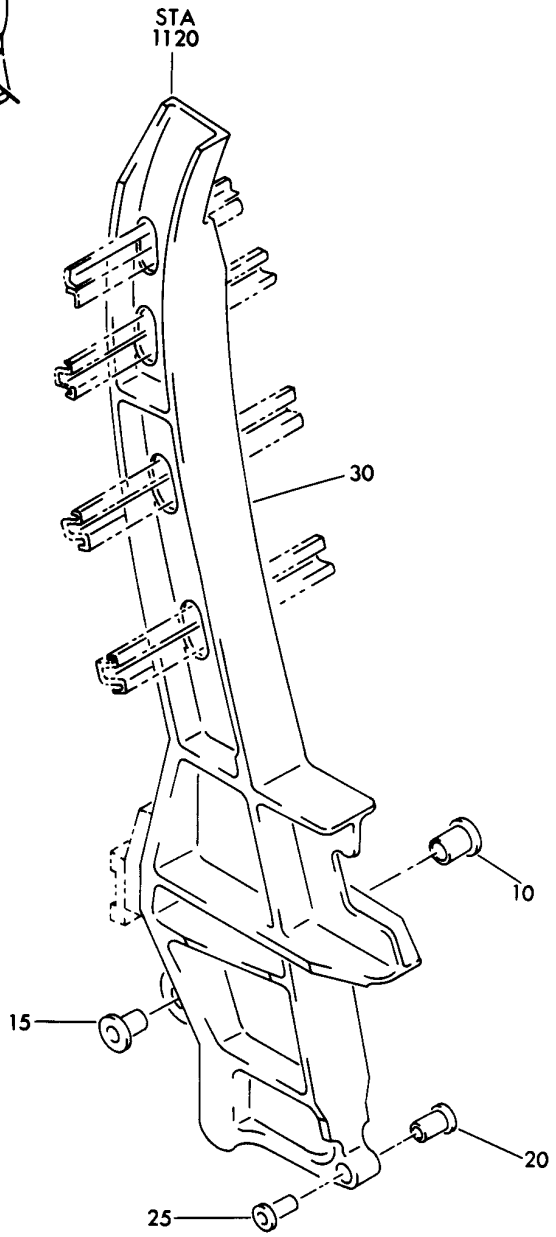
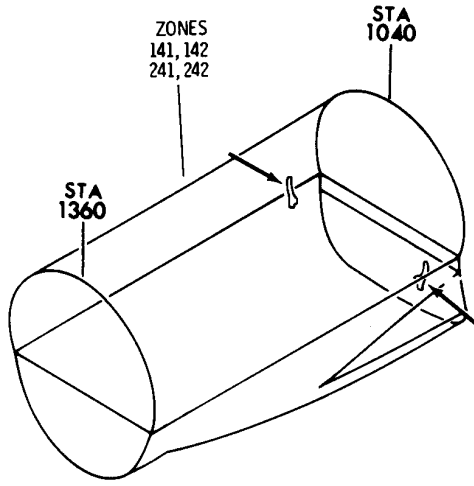
BRI

57-54-51-25

BOEING PROPRIETARY - Copyright © - Unpublished Work - See title page for details.

57-54-51
FIG. 25
PAGE 4
JAN 20/09

BOEING
757
PARTS CATALOG (MAINTENANCE)



Y 57545130 SH1 1 REV 001

FITTING INSTL-STA 1120 LG UPLOCK
FIGURE 30

57-54-51-30

BRI
MAY 28/07

57-54-51-30
PAGE 0



757

PARTS CATALOG (MAINTENANCE)

FIG ITEM	PART NUMBER	1 2 3 4 5 6 7	NOMENCLATURE	EFFECT FROM TO	UNITS PER ASSY
30			FITTING INSTL-STA 1120 LG UPLOCK	002004 006999	
- 1	144N1030-1		FITTING INSTL-LG UPLOCK POSITION DATA: STA 1120 LH FOR NHA SEE: 53-00-00-03	002004 006100 107107 121503 904999	RF
- 1	144N1030-401		FITTING INSTL-LG UPLOCK POSITION DATA: STA 1120 LH FOR NHA SEE: 53-00-00-03A	101102 108120 504903	RF
- 1	MODREF26924		FITTING INSTL-LG UPLOCK MODULE NUMBER: 144N1030-401 REV B POSITION DATA: STA 1120 LH	103105	1
- 1	MODREF193831		FITTING INSTL-LG UPLOCK MODULE NUMBER: 144N1030-401 REV C POSITION DATA: STA 1120 LH	106106	1
- 5	144N1030-2		FITTING INSTL-LG UPLOCK POSITION DATA: STA 1120 RH FOR NHA SEE: 53-00-00-03	002004 006100 107107 121503 904999	RF
- 5	144N1030-402		FITTING INSTL-LG UPLOCK POSITION DATA: STA 1120 RH FOR NHA SEE: 53-00-00-03A	101102 108120 504903	RF
- 5	MODREF26925		FITTING INSTL-LG UPLOCK MODULE NUMBER: 144N1030-402 REV B POSITION DATA: STA 1120 RH	103105	1
- 5	MODREF193832		FITTING INSTL-LG UPLOCK MODULE NUMBER: 144N1030-402 REV C POSITION DATA: STA 1120 RH	106106	1
10	BACB28AM14B094		.BUSHING	002004 006999	1
15	BACB28AA11B100		.BUSHING	002004 006999	1
20	BACB28AM10B094		.BUSHING	002004 006999	1

MISSING ITEM NUMBERS NOT APPLICABLE

- ITEM NOT ILLUSTRATED

57-54-51-30

57-54-51
FIG. 30
PAGE 1
JAN 20/09

BRI



757

PARTS CATALOG (MAINTENANCE)

FIG ITEM	PART NUMBER	1 2 3 4 5 6 7	NOMENCLATURE	EFFECT FROM TO	UNITS PER ASSY
30					
25	BACB28AA8B100	.	BUSHING	002004 006999	1
30	144N1006-5	.	FITTING- POSITION DATA: LH SIDE	002004 006999	1
- 35	144N1006-6	.	FITTING- POSITION DATA: RH SIDE	002004 006999	1

MISSING ITEM NUMBERS NOT APPLICABLE

- ITEM NOT ILLUSTRATED

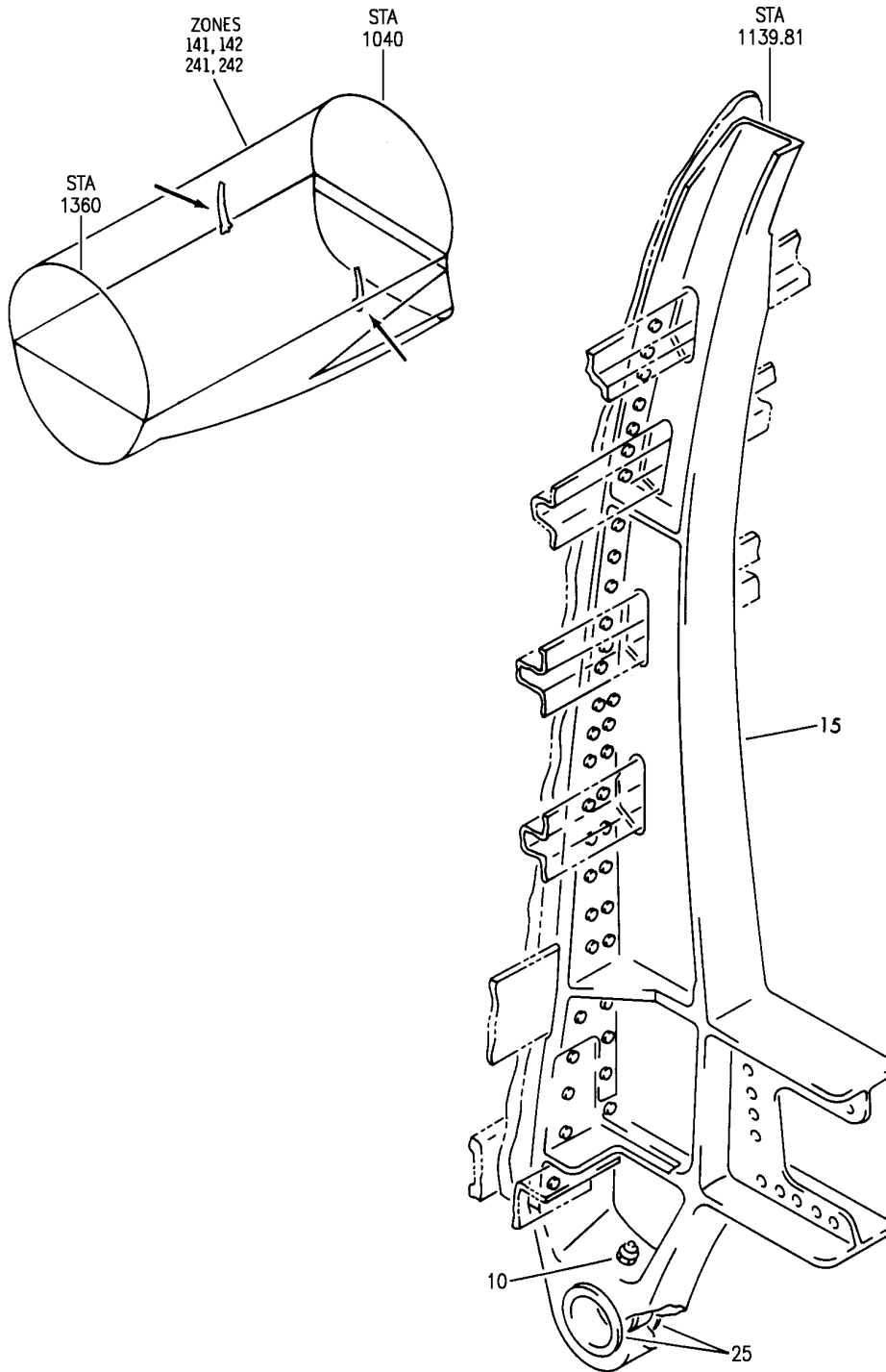
BRI

57-54-51-30

BOEING PROPRIETARY - Copyright © - Unpublished Work - See title page for details.

57-54-51
FIG. 30
PAGE 2
JAN 20/09

BOEING
757
PARTS CATALOG (MAINTENANCE)



Y 57545135 REV 268

FITTING INSTL-STA 1139.819 LG BEAM ATTACH
FIGURE 35

57-54-51-35

BRI
MAY 28/07

57-54-51-35
PAGE 0



757

PARTS CATALOG (MAINTENANCE)

FIG ITEM	PART NUMBER	1 2 3 4 5 6 7	NOMENCLATURE	EFFECT FROM TO	UNITS PER ASSY
35			FITTING INSTL-STA 1139.819	002004	
- 1	144N1031-1		LG BEAM ATTACH	006999	
			FITTING INSTL-LG BEAM	002004	RF
			ATTACH	006100	
			POSITION DATA:	107107	
			STA 1139.819 LH	121503	
			FOR NHA SEE:	904999	
			53-00-00-03		
- 1	144N1031-401		FITTING INSTL-LG BEAM	101102	RF
			ATTACH	504903	
			POSITION DATA:		
			STA 1139.819 LH		
			FOR NHA SEE:		
			53-00-00-03A		
- 1	144N1031-403		FITTING INSTL-LG BEAM	108120	RF
			ATTACH		
			POSITION DATA:		
			STA 1139.819 LH		
			FOR NHA SEE:		
			53-00-00-03A		
- 1	MODREF30038		FITTING INSTL-LG BEAM	103106	RF
			ATTACH		
			MODULE NUMBER:		
			144N1031-403 REV D		
			POSITION DATA:		
			STA 1139.819 LH		
- 5	144N1031-2		FITTING INSTL-LG BEAM	002004	RF
			ATTACH	006100	
			POSITION DATA:	107107	
			STA 1139.819 RH	121503	
			FOR NHA SEE:	904999	
			53-00-00-03		
- 5	144N1031-402		FITTING INSTL-LG BEAM	101102	RF
			ATTACH	108120	
			POSITION DATA:	504903	
			STA 1139.819 RH		
			FOR NHA SEE:		
			53-00-00-03A		
- 5	MODREF26926		FITTING INSTL-LG BEAM	103106	RF
			ATTACH		
			MODULE NUMBER:		
			144N1031-402 REV C		
			POSITION DATA:		
			STA 1139.819 RH		
10	MS15001-1		.FITTING	002004	1
				006999	

MISSING ITEM NUMBERS NOT APPLICABLE

- ITEM NOT ILLUSTRATED

57-54-51-35

57-54-51
FIG. 35
PAGE 1
JAN 20/09

BRI

BOEING PROPRIETARY - Copyright © - Unpublished Work - See title page for details.



757

PARTS CATALOG (MAINTENANCE)

FIG ITEM	PART NUMBER	1 2 3 4 5 6 7	NOMENCLATURE	EFFECT FROM TO	UNITS PER ASSY
35					
15	144N1004-5	.	FITTING- POSITION DATA: LH SIDE OPTIONAL PART: 144N1004-7	002004 006102 107999	1
15	144N1004-7	.	FITTING- POSITION DATA: LH SIDE OPTIONAL PART: 144N1004-5	103106 108120	1
- 20	144N1004-6	.	FITTING- POSITION DATA: RH SIDE	002004 006999	1
25	144N1036-3	.	BUSHING-SPECIAL	002004 006100 107107 121503 904999	2
25	144N1036-3	.	BUSHING-SPECIAL	101106 108120 504903	2

MISSING ITEM NUMBERS NOT APPLICABLE

- ITEM NOT ILLUSTRATED

57-54-51-35

57-54-51
FIG. 35
PAGE 2
JAN 20/09

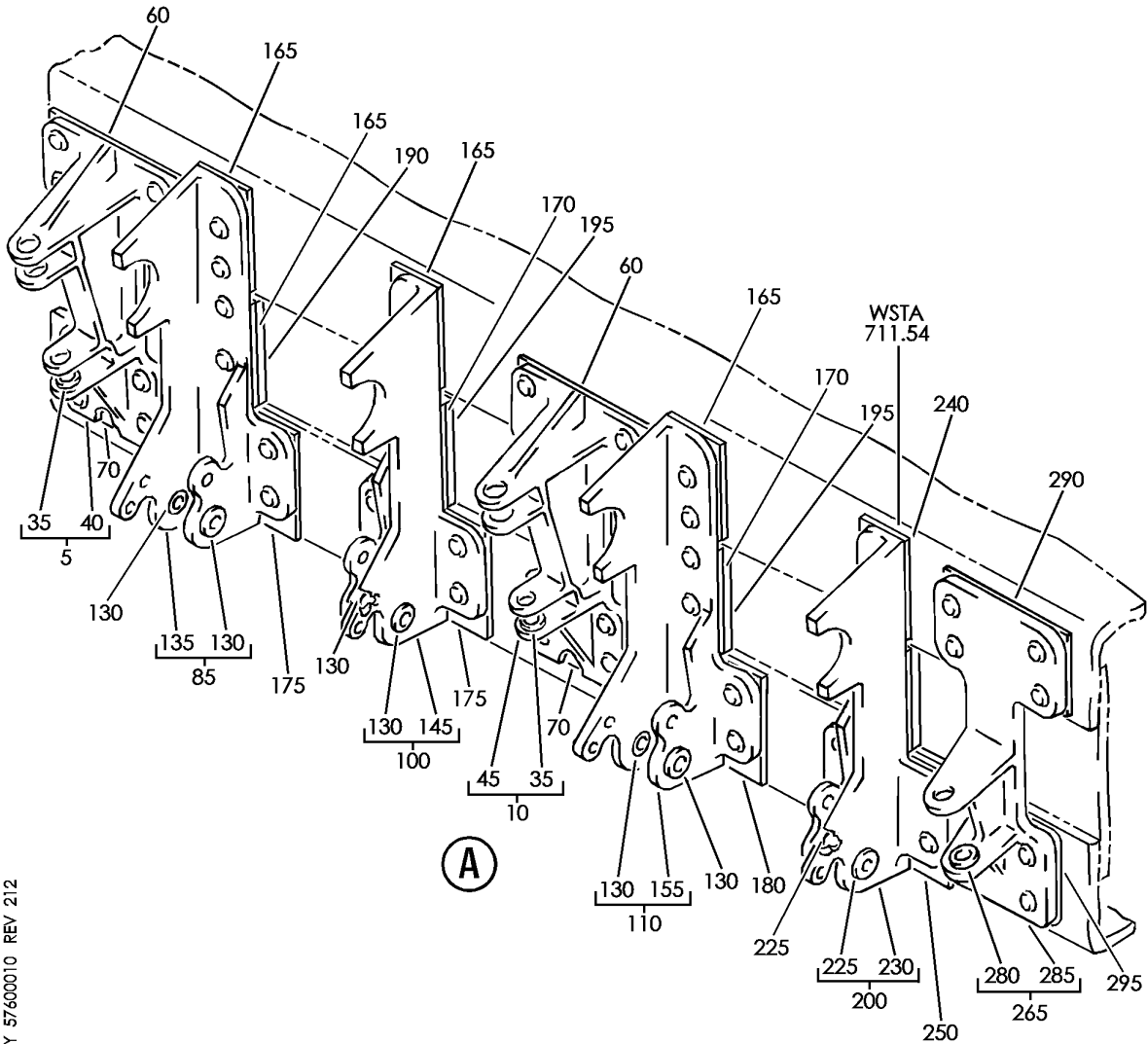
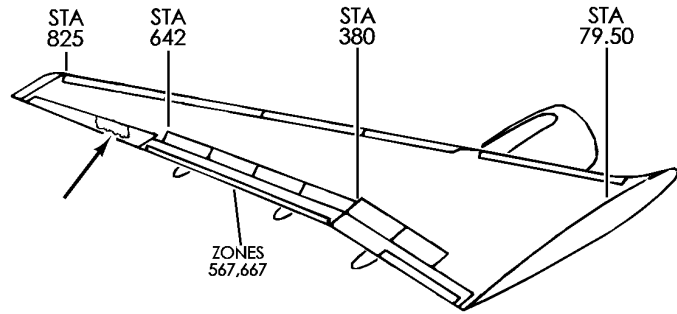
BRI

AILERONS

BRI
MAY 28/07

57-60-00
SECTION TITLE
PAGE 1

BOEING
757
PARTS CATALOG (MAINTENANCE)



Y 57600010 REV 212

STIFFENER INSTL-AIL. PWR CONT UNIT
FIGURE 10

57-60-00-10

BRI
MAY 28/07

57-60-00-10
PAGE 0



757

PARTS CATALOG (MAINTENANCE)

FIG ITEM	PART NUMBER	1 2 3 4 5 6 7	NOMENCLATURE	EFFECT FROM TO	UNITS PER ASSY
10			STIFFENER INSTL-AIL. PWR CONT UNIT	002004 006999	
- 1	112N1038-1		STIFFENER INSTL-AIL. PWR CONT UNIT POSITION DATA: LH FOR NHA SEE: 57-20-52-01	002004 006100 107107 121503 904999	RF
- 1	112N1038-401		STIFFENER INSTL-AIL. PWR CONT UNIT POSITION DATA: LH FOR NHA SEE: 57-00-00-15	101102 108120 504903	RF
- 1	MODREF19073		STIFFENER INSTL-AIL. PWR CONT UNIT MODULE NUMBER: 112N1038-403 REV A POSITION DATA: LH	103106	1
- 3	112N1038-2		STIFFENER INSTL-AIL. PWR CONT UNIT POSITION DATA: RH FOR NHA SEE: 57-20-52-01	002004 006100 107107 121503 904999	RF
- 3	112N1038-402		STIFFENER INSTL-AIL. PWR CONT UNIT POSITION DATA: RH FOR NHA SEE: 57-00-00-15	101102 108120 504903	RF
- 3	MODREF19074		STIFFENER INSTL-AIL. PWR CONT UNIT MODULE NUMBER: 112N1038-404 REV A POSITION DATA: RH	103106	1
5	251N1160-1		.BRACKET-CRANK SPRT POSITION DATA: LH SIDE OPTIONAL PART: 251N1160-31	002004 006999	1
5	251N1160-31		.BRACKET ASSY-CRANK SPRT POSITION DATA: LH SIDE	002004 006999	1

MISSING ITEM NUMBERS NOT APPLICABLE

- ITEM NOT ILLUSTRATED

BRI

57-60-00-10

57-60-00
FIG. 10
PAGE 1
JAN 20/09



757

PARTS CATALOG (MAINTENANCE)

FIG ITEM	PART NUMBER	1 2 3 4 5 6 7	NOMENCLATURE	EFFECT FROM TO	UNITS PER ASSY
10					
10	251N1160-2		.BRACKET-CRANK SPRT POSITION DATA: LH SIDE OPTIONAL PART: 251N1160-32	002004 006999	1
10	251N1160-32		.BRACKET ASSY-CRANK SPRT POSITION DATA: LH SIDE	002004 006999	1
- 15	251N1160-3		.BRACKET-CRANK SPRT POSITION DATA: RH SIDE OPTIONAL PART: 251N1160-33	002004 006999	1
- 15	251N1160-33		.BRACKET ASSY-CRANK SPRT POSITION DATA: RH SIDE	002004 006999	1
- 20	251N1160-4		.BRACKET-CRANK SPRT POSITION DATA: RH SIDE OPTIONAL PART: 251N1160-34	002004 006999	1
- 20	251N1160-34		.BRACKET ASSY-CRANK SPRT POSITION DATA: RH SIDE	002004 006999	1
- 25	BAC30MY8K7		.ATTACHING PARTS .BOLT	002004 006999	16
- 30	TLN12044		.NUT SUPPLIER CODE: V97928 SPECIFICATION NUMBER: BACN10WM4 OPTIONAL PART: LH10114B4 V72962 MN154 V73197 VN18614 V92215 H49702-4S V15653 W8504 V08524 H497024 V15653 -----*-----	002004 006999	16
35	BACB28W4B011		..BUSHING	002004 006999	1

MISSING ITEM NUMBERS NOT APPLICABLE

- ITEM NOT ILLUSTRATED

57-60-00-10

57-60-00
FIG. 10
PAGE 2
JAN 20/09

BRI

BOEING PROPRIETARY - Copyright © - Unpublished Work - See title page for details.

 **BOEING**
757
PARTS CATALOG (MAINTENANCE)

FIG ITEM	PART NUMBER	1 2 3 4 5 6 7	NOMENCLATURE	EFFECT FROM TO	UNITS PER ASSY
10					
40	251N1160-21	..	BRACKET- USED ON: 251N1160-1	002004 006999	1
40	251N1160-11	..	BRACKET- OPTIONAL PART: 251N1160-21 USED ON: 251N1160-31	002004 006999	1
40	251N1160-21	..	BRACKET- OPTIONAL PART: 251N1160-11 USED ON: 251N1160-31	002004 006999	1
45	251N1160-22	..	BRACKET- USED ON: 251N1160-2	002004 006999	1
45	251N1160-12	..	BRACKET- OPTIONAL PART: 251N1160-22 USED ON: 251N1160-32	002004 006999	1
45	251N1160-22	..	BRACKET- OPTIONAL PART: 251N1160-12 USED ON: 251N1160-32	002004 006999	1
- 50	251N1160-23	..	BRACKET- USED ON: 251N1160-3	002004 006999	1
- 50	251N1160-13	..	BRACKET- OPTIONAL PART: 251N1160-23 USED ON: 251N1160-33	002004 006999	1
- 50	251N1160-23	..	BRACKET- OPTIONAL PART: 251N1160-3 USED ON: 251N1160-33	002004 006999	1
- 55	251N1160-24	..	BRACKET- USED ON: 251N1160-4	002004 006999	1
- 55	251N1160-14	..	BRACKET- OPTIONAL PART: 251N1160-24 USED ON: 251N1160-34	002004 006999	1

MISSING ITEM NUMBERS NOT APPLICABLE

- ITEM NOT ILLUSTRATED

BRI

57-60-00-10

BOEING PROPRIETARY - Copyright © - Unpublished Work - See title page for details.

57-60-00
FIG. 10
PAGE 3
JAN 20/09



757

PARTS CATALOG (MAINTENANCE)

FIG ITEM	PART NUMBER	1 2 3 4 5 6 7	NOMENCLATURE	EFFECT FROM TO	UNITS PER ASSY
10					
- 55	251N1160-24		. . BRACKET- OPTIONAL PART: 251N1160-14 USED ON: 251N1160-34	002004 006999	1
60	BACS40R20C35F		. SHIM- POSITION DATA: LH SIDE	002004 006100 107107 121503 904999	AR
60	BACS40R020C035F		. SHIM- POSITION DATA: LH SIDE	101106 108120 504903	AR
- 65	BACS40R19C39F		. SHIM- POSITION DATA: RH SIDE	002004 006100 107107 121503 904999	AR
- 65	BACS40R019C039F		. SHIM- POSITION DATA: RH SIDE	101106 108120 504903	AR
70	BACS40R21C25F		. SHIM- POSITION DATA: LH SIDE	002004 006100 107107 121503 904999	AR
70	BACS40R021C025F		. SHIM- POSITION DATA: LH SIDE	101106 108120 504903	AR
- 75	BACS40R20C23F		. SHIM- POSITION DATA: RH SIDE	002004 006100 107107 121503 904999	AR
- 75	BACS40R020C023F		. SHIM- POSITION DATA: RH SIDE	101106 108120 504903	AR
- 80	BACS40R20C24F		. SHIM- POSITION DATA: RH SIDE	002004 006100 107107 121503 904999	AR
- 80	BACS40R020C024F		. SHIM- POSITION DATA: RH SIDE	101106 108120 504903	AR
85	251N1151-51		. BRACKET ASSY- POSITION DATA: LH SIDE	002004 006999	1

MISSING ITEM NUMBERS NOT APPLICABLE

- ITEM NOT ILLUSTRATED

57-60-00-10

57-60-00
FIG. 10
PAGE 4
JAN 20/09

BRI

BOEING PROPRIETARY - Copyright © - Unpublished Work - See title page for details.



757

PARTS CATALOG (MAINTENANCE)

FIG ITEM	PART NUMBER	1 2 3 4 5 6 7	NOMENCLATURE	EFFECT FROM TO	UNITS PER ASSY
10					
- 90	251N1151-60		.BRACKET ASSY- POSITION DATA: RH SIDE	002004 006999	1
100	251N1151-52		.BRACKET ASSY- POSITION DATA: LH SIDE	002004 006999	1
- 105	251N1151-43		.BRACKET ASSY- POSITION DATA: RH SIDE	002004 006999	1
110	251N1151-55		.BRACKET ASSY- POSITION DATA: LH SIDE	002004 006999	1
- 115	251N1151-63		.BRACKET ASSY- POSITION DATA: RH SIDE	002004 006999	1
- 120	L8008K7		ATTACHING PARTS .BOLT- SUPPLIER CODE: V06725 SPECIFICATION NUMBER: BACB30MY8K7 OPTIONAL PART: BACB30VN8K7	002004 006102 107999	30
- 120	LGPL2SPV8-7AC		.BOLT- SUPPLIER CODE: V17446 SPECIFICATION NUMBER: BACB30VN8K7 OPTIONAL PART: LGPL2SPV8-7AC V92215 81669V8K7 V56878 LGPL2SPV8-7AC V56878 BACB30MY8K7	002004 006999	30

MISSING ITEM NUMBERS NOT APPLICABLE

- ITEM NOT ILLUSTRATED

BRI

57-60-00-10

BOEING PROPRIETARY - Copyright © - Unpublished Work - See title page for details.

57-60-00
FIG. 10
PAGE 5
JAN 20/09



757

PARTS CATALOG (MAINTENANCE)

FIG ITEM	PART NUMBER	1 2 3 4 5 6 7	NOMENCLATURE	EFFECT FROM TO	UNITS PER ASSY
10					
- 125	TLN12044		.NUT- SUPPLIER CODE: V97928 SPECIFICATION NUMBER: BACN10WM4 OPTIONAL PART: LH10114B4 V72962 MN154 V73197 VN18614 V92215 H49702-4S V15653 W8504 V08524 H497024 V15653 BACC30BK8	002004 006102 107999	30
- 125	3SLCC8		.COLLAR- SUPPLIER CODE: V17446 SPECIFICATION NUMBER: BACC30BK8 OPTIONAL PART: 3SLCC8 V92215 BACN10WM4 -----*-----	002004 006999	30
130	BACB28AM09B022A		..BUSHING	002004 006999	2
135	251N1151-49		..BRACKET- USED ON: 251N1151-51	002004 006999	1
- 140	251N1151-58		..BRACKET- USED ON: 251N1151-60	002004 006999	1
145	251N1151-50		..BRACKET- USED ON: 251N1151-52	002004 006999	1
- 150	251N1151-44		..BRACKET- USED ON: 251N1151-43	002004 006999	1
155	251N1151-53		..BRACKET- USED ON: 251N1151-55	002004 006999	1
- 160	251N1151-61		..BRACKET- USED ON: 251N1151-63	002004 006999	1

MISSING ITEM NUMBERS NOT APPLICABLE

- ITEM NOT ILLUSTRATED

57-60-00-10

57-60-00
FIG. 10
PAGE 6
JAN 20/09

BRI



757

PARTS CATALOG (MAINTENANCE)

FIG ITEM	PART NUMBER	1 2 3 4 5 6 7	NOMENCLATURE	EFFECT FROM TO	UNITS PER ASSY
10					
165	BACS40R12C25F	.SHIM		002004 006100 107107 121503 904999	AR
165	BACS40R012C025F	.SHIM		101106 108120 504903	AR
170	BACS40R12C26F	.SHIM		002004 006100 107107 121503 904999	AR
170	BACS40R012C026F	.SHIM		101106 108120 504903	AR
175	BACS40R24C32F	.SHIM		002004 006100 107107 121503 904999	AR
175	BACS40R024C032F	.SHIM		101106 108120 504903	AR
180	BACS40R23C32F	.SHIM		002004 006100 107107 121503 904999	AR
180	BACS40R023C032F	.SHIM		101106 108120 504903	AR
- 185	BACS40R22C32F	.SHIM		002004 006100 107107 121503 904999	AR
- 185	BACS40R022C032F	.SHIM		101106 108120 504903	AR
190	BACF3F012V025NN	.FILLER		002004 006999	AR
195	BACF3F012V026NN	.FILLER		002004 006999	AR
200	251N1151-56	.BRACKET ASSY- POSITION DATA: LH SIDE		002004 006999	1

MISSING ITEM NUMBERS NOT APPLICABLE

- ITEM NOT ILLUSTRATED

57-60-00-10

57-60-00
FIG. 10
PAGE 7
JAN 20/09

BRI

BOEING PROPRIETARY - Copyright © - Unpublished Work - See title page for details.



757

PARTS CATALOG (MAINTENANCE)

FIG ITEM	PART NUMBER	1 2 3 4 5 6 7	NOMENCLATURE	EFFECT FROM TO	UNITS PER ASSY
10					
- 205	251N1151-59		.BRACKET ASSY- POSITION DATA: RH SIDE ATTACHING PARTS	002004 006999	1
- 210	L8008K7		.BOLT- SUPPLIER CODE: V06725 SPECIFICATION NUMBER: BACB30MY8K7 OPTIONAL PART: BACB30VN8K7	002004 006102 107999	7
- 210	LGPL2SPV8-7AC		.BOLT- SUPPLIER CODE: V17446 SPECIFICATION NUMBER: BACB30VN8K7 OPTIONAL PART: LGPL2SPV8-7AC V92215 81669V8K7 V56878 LGPL2SPV8-7AC V56878 BACB30MY8K7	002004 006999	7
- 215	HL11VAZ8-7		.BOLT SUPPLIER CODE: V56878 SPECIFICATION NUMBER: BACB30NW8K7 OPTIONAL PART: B30NW8K7 V97928 HL11VAZ8-7 V73197 HL11VAZ8-7 V92215 HL11VAZ8-7 V97928 L803-8K7 V06725 HL11VAZ8-7 VOPTK6 HL11VAZ8-7 V60516	002004 006999	1

MISSING ITEM NUMBERS NOT APPLICABLE

- ITEM NOT ILLUSTRATED

57-60-00-10

57-60-00
FIG. 10
PAGE 8
JAN 20/09

BRI



757

PARTS CATALOG (MAINTENANCE)

FIG ITEM	PART NUMBER	1 2 3 4 5 6 7	NOMENCLATURE	EFFECT FROM TO	UNITS PER ASSY
10 - 220	TLN12044		.NUT- SUPPLIER CODE: V97928 SPECIFICATION NUMBER: BACN10WM4 OPTIONAL PART: LH10114B4 V72962 MN154 V73197 VN18614 V92215 H49702-4S V15653 W8504 V08524 H497024 V15653 BACC30BK8	002004 006102 107999	7
- 220	3SLCC8		.COLLAR- SUPPLIER CODE: V17446 SPECIFICATION NUMBER: BACC30BK8 OPTIONAL PART: 3SLCC8 V92215 BACN10WM8	002004 006999	7
- 223	TLN12044		.NUT SUPPLIER CODE: V97928 SPECIFICATION NUMBER: BACN10WM4 OPTIONAL PART: LH10114B4 V72962 MN154 V73197 VN18614 V92215 H49702-4S V15653 W8504 V08524 H497024 V15653	002004 006999	1
225	BACB28AM09B022A		-----*----- ..BUSHING	002004 006999	2

MISSING ITEM NUMBERS NOT APPLICABLE

- ITEM NOT ILLUSTRATED

57-60-00-10

57-60-00
FIG. 10
PAGE 9
JAN 20/09

BRI

BOEING PROPRIETARY - Copyright © - Unpublished Work - See title page for details.

 **BOEING**
757
PARTS CATALOG (MAINTENANCE)

FIG ITEM	PART NUMBER	1 2 3 4 5 6 7	NOMENCLATURE	EFFECT FROM TO	UNITS PER ASSY
10					
230	251N1151-54	..	BRACKET- USED ON: 251N1151-56	002004 006999	1
- 235	251N1151-57	..	BRACKET- USED ON: 251N1151-59	002004 006999	1
240	BACS40R15C25F	.SHIM-	POSITION DATA: LH SIDE	002004 006100 107107 121503 904999	AR
240	BACS40R015C025F	.SHIM-	POSITION DATA: LH SIDE	101106 108120 504903	AR
- 245	BACS40R15C24F	.SHIM-	POSITION DATA: RH SIDE	002004 006100 107107 121503 904999	AR
- 245	BACS40R015C024F	.SHIM-	POSITION DATA: RH SIDE	101106 108120 504903	AR
250	BACS40R22C35F	.SHIM-	POSITION DATA: LH SIDE	002004 006100 107107 121503 904999	AR
250	BACS40R022C035F	.SHIM-	POSITION DATA: LH SIDE	101106 108120 504903	AR
- 255	BACS40R22C37F	.SHIM-	POSITION DATA: RH SIDE	002004 006100 107107 121503 904999	AR
- 255	BACS40R022C037F	.SHIM-	POSITION DATA: RH SIDE	101106 108120 504903	AR
- 260	BACF3F016V027NN	.FILLER		002004 006999	AR
265	251N1165-1	.BRACKET-IDLER SPRT	POSITION DATA: LH SIDE OPTIONAL PART: 251N1165-31	002004 006100 103107 121503 904999	1

MISSING ITEM NUMBERS NOT APPLICABLE

- ITEM NOT ILLUSTRATED

BRI

57-60-00-10

BOEING PROPRIETARY - Copyright © - Unpublished Work - See title page for details.

57-60-00
FIG. 10
PAGE 10
JAN 20/09



757

PARTS CATALOG (MAINTENANCE)

FIG ITEM	PART NUMBER	1 2 3 4 5 6 7	NOMENCLATURE	EFFECT FROM TO	UNITS PER ASSY
10 265	251N1165-31		.BRACKET ASSY-IDLER SPRT POSITION DATA: LH SIDE	002004 006100 103107 121503 904999	1
- 270	L8008K7		ATTACHING PARTS .BOLT- SUPPLIER CODE: V06725 SPECIFICATION NUMBER: BACB30MY8K7 OPTIONAL PART: BACB30VN8K7	002004 006102 107999	8
- 270	LGPL2SPV8-7AC		.BOLT- SUPPLIER CODE: V17446 SPECIFICATION NUMBER: BACB30VN8K7 OPTIONAL PART: LGPL2SPV8-7AC V92215 81669V8K7 V56878 LGPL2SPV8-7AC V56878 BACB30MY8K7	002004 006999	8
- 275	TLN12044		.NUT- SUPPLIER CODE: V97928 SPECIFICATION NUMBER: BACN10WM4 OPTIONAL PART: LH10114B4 V72962 MN154 V73197 VN18614 V92215 H49702-4S V15653 W8504 V08524 H497024 V15653 BACC30BK8	002004 006102 107999	8

MISSING ITEM NUMBERS NOT APPLICABLE

- ITEM NOT ILLUSTRATED

BRI

57-60-00-10

BOEING PROPRIETARY - Copyright © - Unpublished Work - See title page for details.

57-60-00
FIG. 10
PAGE 11
JAN 20/09



757

PARTS CATALOG (MAINTENANCE)

FIG ITEM	PART NUMBER	1 2 3 4 5 6 7	NOMENCLATURE	EFFECT FROM TO	UNITS PER ASSY
10 - 275	3SLCC8		. COLLAR- SUPPLIER CODE: V17446 SPECIFICATION NUMBER: BACC30BK8 OPTIONAL PART: 3SLCC8 V92215 BACN10WM4 -----*-----	002004 006999	8
280	BACB28W4B011		.. BUSHING	002004 006999	1
285	251N1165-21		.. BRACKET- USED ON: 251N1165-1	103106	1
285	251N1165-11		.. BRACKET- USED ON: 251N1165-31	103106	1
290	BACS40R20C32F		. SHIM	002004 006100 107107 121503 904999	AR
290	BACS40R020C032F		. SHIM	101106 108120 504903	AR
295	BACS40R21C26F		. SHIM	002004 006100 107107 121503 904999	AR
295	BACS40R021C026F		. SHIM	101106 108120 504903	AR

MISSING ITEM NUMBERS NOT APPLICABLE

- ITEM NOT ILLUSTRATED

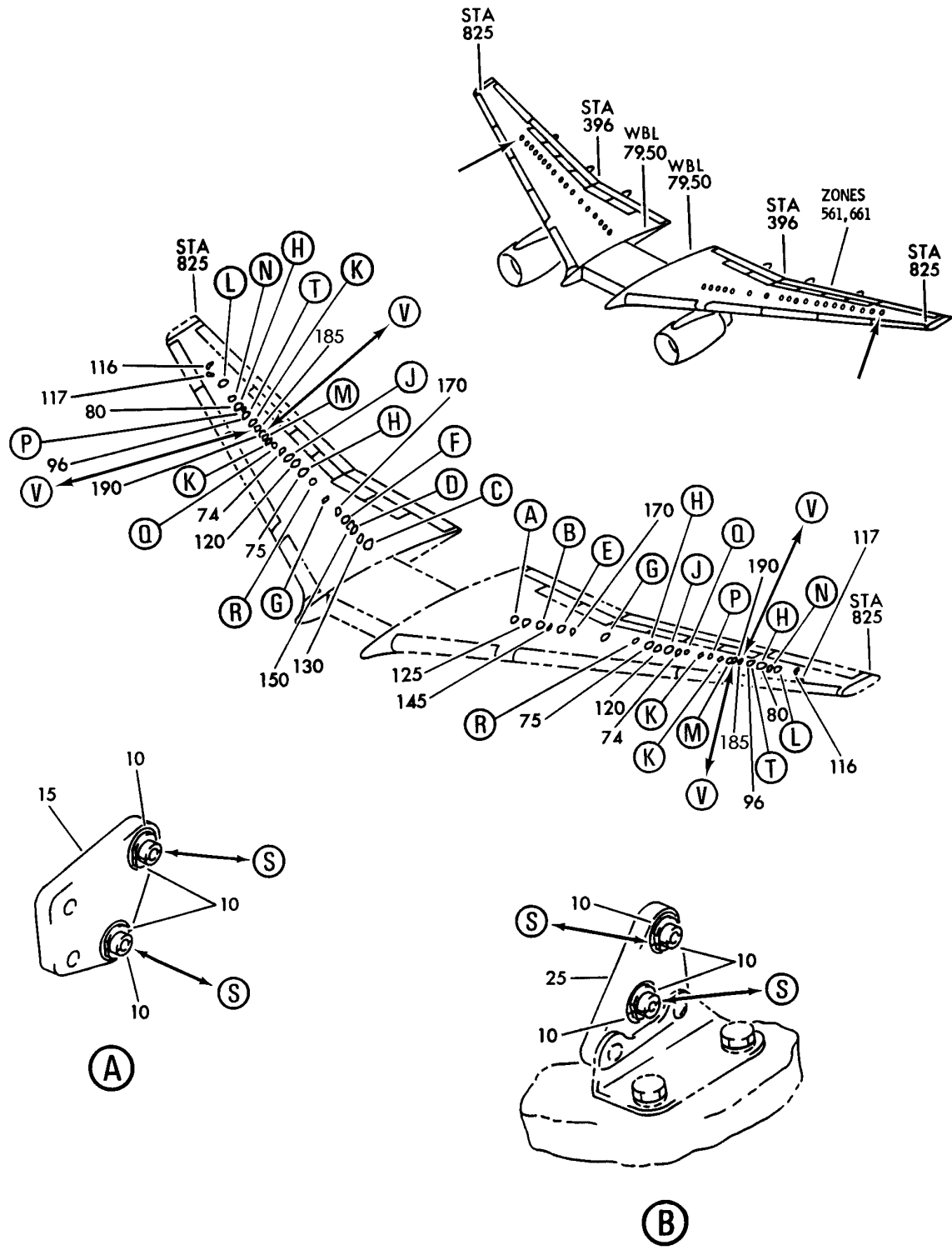
BRI

57-60-00-10

BOEING PROPRIETARY - Copyright © - Unpublished Work - See title page for details.

57-60-00
FIG. 10
PAGE 12
JAN 20/09

BOEING
757
PARTS CATALOG (MAINTENANCE)



Y 57605101 SHT 1 REV 213

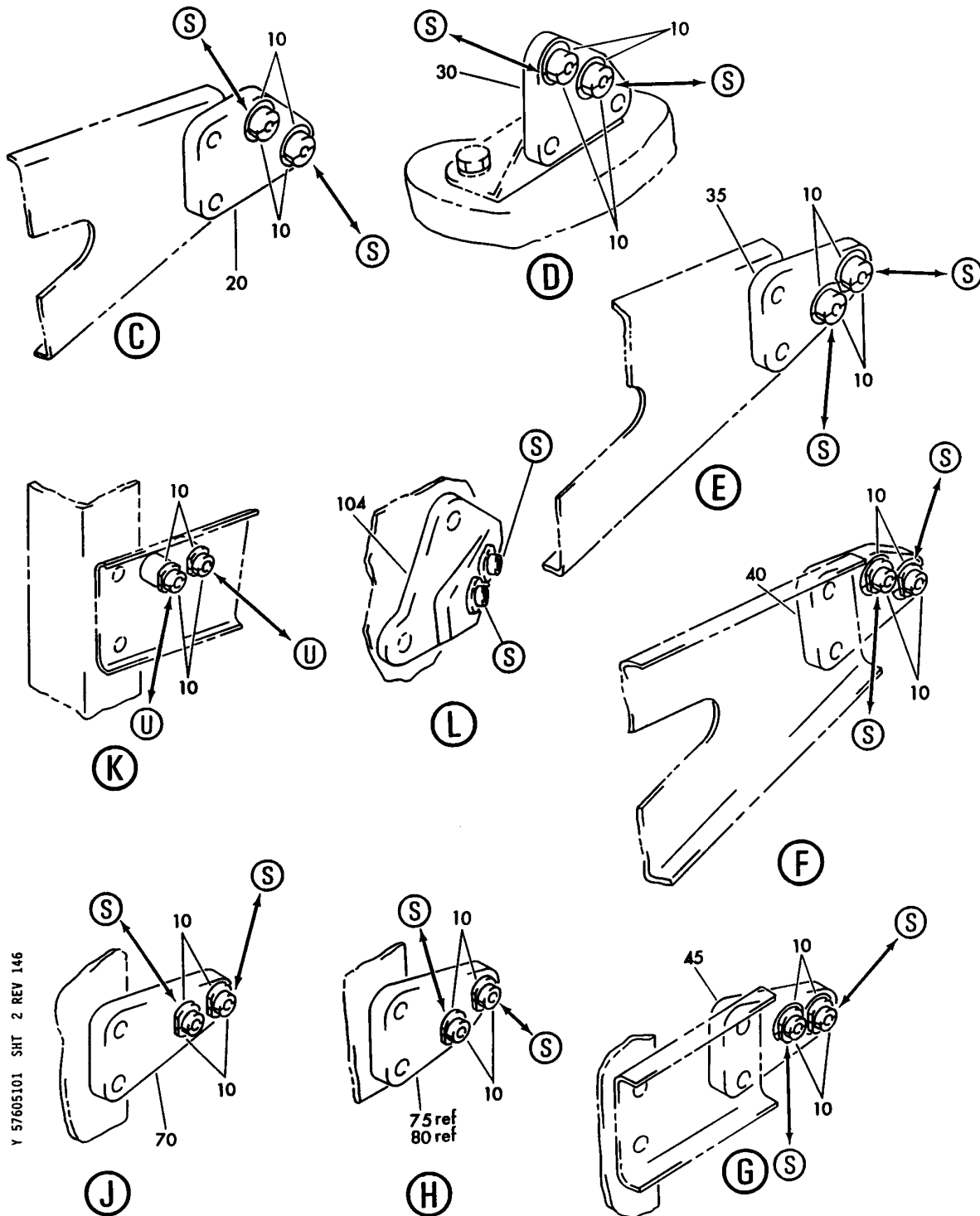
FAIRLEAD AND GROMMET INSTL-WING AIL.
FIGURE 1 (SHEET 1)

57-60-51-01

BRI
MAY 28/07

57-60-51-01
PAGE 0

BOEING
757
PARTS CATALOG (MAINTENANCE)



Y 57605101 SHT 2 REV 146

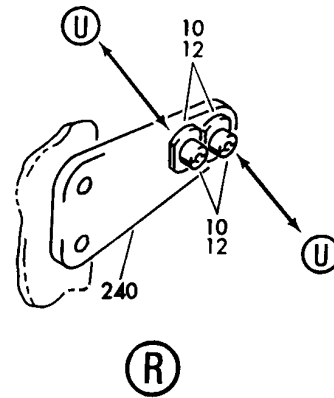
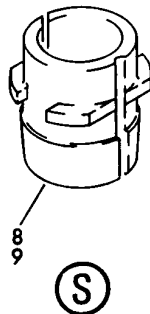
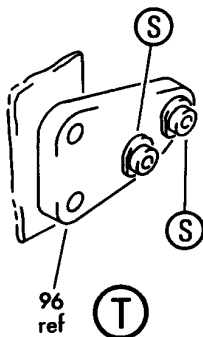
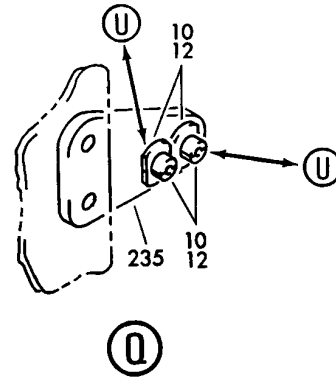
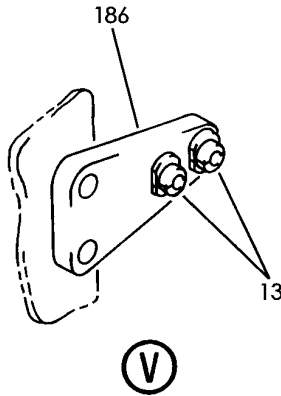
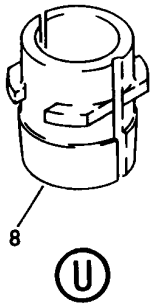
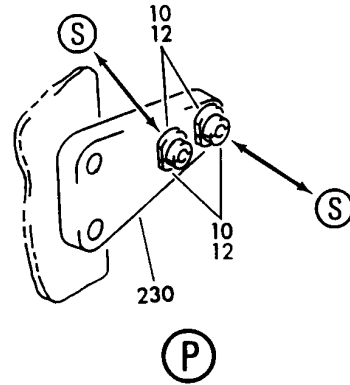
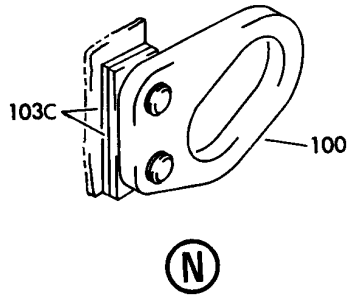
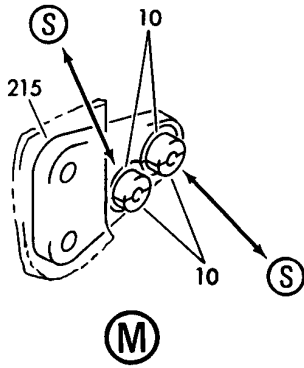
FAIRLEAD AND GROMMET INSTL-WING AIL.
FIGURE 1 (SHEET 2)

57-60-51-01

BRI
MAY 28/07

57-60-51-01
PAGE 0A


BOEING
 757
PARTS CATALOG (MAINTENANCE)



Y 57605101 SHT 3 REV 213

FAIRLEAD AND GROMMET INSTL-WING AIL.
FIGURE 1 (SHEET 3)

57-60-51-01

BRI
MAY 28/07

57-60-51-01
PAGE 0B



757

PARTS CATALOG (MAINTENANCE)

FIG ITEM	PART NUMBER	1 2 3 4 5 6 7	NOMENCLATURE	EFFECT FROM TO	UNITS PER ASSY
1			FAIRLEAD AND GROMMET INSTL- WING AIL.	002004 006999	
- 1	251N6050-1		FAIRLEAD AND GROMMET INSTL- WING AIL. POSITION DATA: LH FOR NHA SEE: 27-00-00-02	002004 006100 107107 121503 904999	RF
- 1	251N6050-13		FAIRLEAD AND GROMMET INSTL- WING AIL. POSITION DATA: LH FOR NHA SEE: 27-00-00-01	101102 108120 504903	RF
- 1	MODREF8469		FAIRLEAD AND GROMMET INSTL- WING AIL. MODULE NUMBER: 251N6050-13 REV A POSITION DATA: LH	103106	1
- 5	251N6050-2		FAIRLEAD AND GROMMET INSTL- WING AIL. POSITION DATA: RH FOR NHA SEE: 27-00-00-02	002004 006100 107107 121503 904999	RF
- 5	251N6050-14		FAIRLEAD AND GROMMET INSTL- WING AIL. POSITION DATA: RH FOR NHA SEE: 27-00-00-01	101102 108120 504903	RF
- 5	MODREF8470		FAIRLEAD AND GROMMET INSTL- WING AIL. MODULE NUMBER: 251N6050-14 REV A POSITION DATA: RH	103106	1
- 7	251N6421-1		.GROMMET-	002004 006106 108903 950951 953999	29
8	251N6421-1		.GROMMET-	107107 904949 952952	27

MISSING ITEM NUMBERS NOT APPLICABLE

- ITEM NOT ILLUSTRATED

57-60-51-01

57-60-51
FIG. 01
PAGE 1
JAN 20/09

BRI



757

PARTS CATALOG (MAINTENANCE)

FIG ITEM	PART NUMBER	1 2 3 4 5 6 7	NOMENCLATURE	EFFECT FROM TO	UNITS PER ASSY
1					
12	S3931945-501		.GROMMET- SUPPLIER CODE: V27821	002004 006100 107107 121503 904999 904949	12
13	251N6421-1		.GROMMET- POST SERVICE BULLETIN: 27-0109		2
15	250N2007-1		.FAIRLEAD- POSITION DATA: LH SIDE	002004 006999	1
20	250N2007-2		.FAIRLEAD- POSITION DATA: RH SIDE	002004 006999	1
25	250N2007-23		.FAIRLEAD- POSITION DATA: LH SIDE	002004 006999	1
30	250N2007-24		.FAIRLEAD- POSITION DATA: RH SIDE	002004 006999	1
35	250N2007-61		.FAIRLEAD- POSITION DATA: LH SIDE	002004 006102 107999	1
40	250N2007-62		.FAIRLEAD- POSITION DATA: RH SIDE	002004 006102 107999	1
45	250N2007-5		.FAIRLEAD- POSITION DATA: LH SIDE	002004 006999	1
- 50	250N2007-6		.FAIRLEAD- POSITION DATA: RH SIDE	002004 006999	1
- 55	L8006K5		ATTACHING PARTS .BOLT SUPPLIER CODE: V06725 SPECIFICATION NUMBER: BACB30MY6K5	002004 006999	8
- 60	AN960PD10L		.WASHER	002004 006999	8

MISSING ITEM NUMBERS NOT APPLICABLE

- ITEM NOT ILLUSTRATED

57-60-51-01

57-60-51
FIG. 01
PAGE 2
JAN 20/09

BRI



757

PARTS CATALOG (MAINTENANCE)

FIG ITEM	PART NUMBER	1 2 3 4 5 6 7	NOMENCLATURE	EFFECT FROM TO	UNITS PER ASSY
1					
- 65	HL79-6		. COLLAR SUPPLIER CODE: V5M902 SPECIFICATION NUMBER: BACC30M6 OPTIONAL PART: HL79-6 V73197 HL79-6 V92215 66014-6 V56878 HL79-6 V56878	002004 006999	8
	74		-----*----- . FAIRLEAD	002004 006999	1
	74B	L8005K6	ATTACHING PARTS . BOLT SUPPLIER CODE: V06725 SPECIFICATION NUMBER: BACB30MY5K6	002004 006999	2
- 74D	AN960PD10L		. WASHER	002004 006999	2
- 74F	HL70-5		. COLLAR SUPPLIER CODE: V5M902 SPECIFICATION NUMBER: BACC30M5 OPTIONAL PART: HL70-5 V73197 HL70-5 V92215 66014-5 V56878 HL70-5 V56878	002004 006999	2
	75	250N2007-36	-----*----- . FAIRLEAD-	002004 006999	1
- 76	L8006K4		ATTACHING PARTS . BOLT SUPPLIER CODE: V06725 SPECIFICATION NUMBER: BACB30MY6K4	002004 006999	4

MISSING ITEM NUMBERS NOT APPLICABLE

- ITEM NOT ILLUSTRATED

57-60-51-01

57-60-51
FIG. 01
PAGE 3
JAN 20/09

BRI

 **BOEING**
757
PARTS CATALOG (MAINTENANCE)

FIG ITEM	PART NUMBER	1 2 3 4 5 6 7	NOMENCLATURE	EFFECT FROM TO	UNITS PER ASSY
1					
- 77	AN960PD10L	.	WASHER	002004 006999	4
- 78	HL79-6	.	COLLAR SUPPLIER CODE: V5M902 SPECIFICATION NUMBER: BACC30M6 OPTIONAL PART: HL79-6 V73197 HL79-6 V92215 66014-6 V56878 HL79-6 V56878 -----*-----	002004 006999	4
80	250N2007-19	.	FAIRLEAD	002004 006999	1
- 85	L8006K4	.	ATTACHING PARTS BOLT SUPPLIER CODE: V06725 SPECIFICATION NUMBER: BACB30MY6K4	002004 006999	2
- 90	AN960PD10L	.	WASHER	002004 006999	2
- 95	HL79-6	.	COLLAR SUPPLIER CODE: V5M902 SPECIFICATION NUMBER: BACC30M6 OPTIONAL PART: HL79-6 V73197 HL79-6 V92215 66014-6 V56878 HL79-6 V56878 -----*-----	002004 006999	2
100	250N2007-63	.	FAIRLEAD-	002004 006999	1

MISSING ITEM NUMBERS NOT APPLICABLE

- ITEM NOT ILLUSTRATED

BRI

57-60-51-01

BOEING PROPRIETARY - Copyright © - Unpublished Work - See title page for details.

57-60-51
FIG. 01
PAGE 4
JAN 20/09



757

PARTS CATALOG (MAINTENANCE)

FIG ITEM	PART NUMBER	1 2 3 4 5 6 7	NOMENCLATURE	EFFECT FROM TO	UNITS PER ASSY
1			ATTACHING PARTS		
- 101B	L8005K8		.BOLT- SUPPLIER CODE: V06725 SPECIFICATION NUMBER: BACB30MY5K8	002004 006999	2
- 102	AN960PD10L		.WASHER	002004 006999	2
- 103	HL70-5		.COLLAR SUPPLIER CODE: V5M902 SPECIFICATION NUMBER: BACC30M5 OPTIONAL PART: HL70-5 V73197 HL70-5 V92215 66014-5 V56878 HL70-5 V56878	002004 006999	2
			-----*-----		
103C	250N2007-64		.SHIM	002004 006999	2
104	250N2007-55		.FAIRLEAD- POSITION DATA: LH SIDE	002004 006100 107107 121503 904999	1
104	250N2007-75		.FAIRLEAD- POSITION DATA: LH SIDE	101106 108120 504903	1
- 105	250N2007-56		.FAIRLEAD- POSITION DATA: RH SIDE	002004 006100 107107 121503 904999	1
- 105	250N2007-76		.FAIRLEAD- POSITION DATA: RH SIDE	101106 108120 504903	1
- 110	L8006K6		ATTACHING PARTS .BOLT SUPPLIER CODE: V06725 SPECIFICATION NUMBER: BACB30MY6K6	002004 006102 107999	4

MISSING ITEM NUMBERS NOT APPLICABLE

- ITEM NOT ILLUSTRATED

57-60-51-01

57-60-51
FIG. 01
PAGE 5
JAN 20/09

BRI

 **BOEING**
757
PARTS CATALOG (MAINTENANCE)

FIG ITEM	PART NUMBER	1 2 3 4 5 6 7	NOMENCLATURE	EFFECT FROM TO	UNITS PER ASSY
1					
- 115	HL79-6		.COLLAR SUPPLIER CODE: V5M902 SPECIFICATION NUMBER: BACC30M6 OPTIONAL PART: HL79-6 V73197 HL79-6 V92215 66014-6 V56878 HL79-6 V56878 -----*-----	002004 006102 107999	4
116	250N2007-68		.FAIRLEAD-	002004 006999	1
117	250N2007-69		.FAIRLEAD-	002004 006999	1
- 118	L8006K6		ATTACHING PARTS .BOLT SUPPLIER CODE: V06725 SPECIFICATION NUMBER: BACB30MY6K6	002004 006999	4
- 119	HL79-6		.COLLAR SUPPLIER CODE: V5M902 SPECIFICATION NUMBER: BACC30M6 OPTIONAL PART: HL79-6 V73197 HL79-6 V92215 66014-6 V56878 HL79-6 V56878 -----*-----	002004 006999	4
120	250N2007-71		.FAIRLEAD-	002004 006999	1
125	250N2007-45		.FAIRLEAD- POSITION DATA: LH SIDE	002004 006999	1
130	250N2007-46		.FAIRLEAD- POSITION DATA: RH SIDE	002004 006999	1

MISSING ITEM NUMBERS NOT APPLICABLE

- ITEM NOT ILLUSTRATED

BRI

57-60-51-01

BOEING PROPRIETARY - Copyright © - Unpublished Work - See title page for details.

57-60-51
FIG. 01
PAGE 6
JAN 20/09



757

PARTS CATALOG (MAINTENANCE)

FIG ITEM	PART NUMBER	1 2 3 4 5 6 7	NOMENCLATURE	EFFECT FROM TO	UNITS PER ASSY
1			ATTACHING PARTS		
- 135	L8005K3		.BOLT SUPPLIER CODE: V06725 SPECIFICATION NUMBER: BACB30MY5K3	002004 006999	2
- 140	HL70-5		.COLLAR SUPPLIER CODE: V5M902 SPECIFICATION NUMBER: BACC30M5 OPTIONAL PART: HL70-5 V73197 HL70-5 V92215 66014-5 V56878 HL70-5 V56878	002004 006999	2
145	250N2007-47		-----*----- .FAIRLEAD- POSITION DATA: LH SIDE	002004 006999	1
150	250N2007-48		.FAIRLEAD- POSITION DATA: RH SIDE	002004 006999	1
- 155	L8005K5		ATTACHING PARTS .BOLT- SUPPLIER CODE: V06725 SPECIFICATION NUMBER: BACB30MY5K5 POSITION DATA: LH SIDE	002004 006999	2
- 160	L8005K6		.BOLT- SUPPLIER CODE: V06725 SPECIFICATION NUMBER: BACB30MY5K6 POSITION DATA: RH SIDE	002004 006999	2

MISSING ITEM NUMBERS NOT APPLICABLE

- ITEM NOT ILLUSTRATED

BRI

57-60-51-01

BOEING PROPRIETARY - Copyright © - Unpublished Work - See title page for details.

57-60-51
FIG. 01
PAGE 7
JAN 20/09



757

PARTS CATALOG (MAINTENANCE)

FIG ITEM	PART NUMBER	1 2 3 4 5 6 7	NOMENCLATURE	EFFECT FROM TO	UNITS PER ASSY
1 - 165	HL70-5		.COLLAR SUPPLIER CODE: V5M902 SPECIFICATION NUMBER: BACC30M5 OPTIONAL PART: HL70-5 V73197 HL70-5 V92215 66014-5 V56878 HL70-5 V56878 -----*-----	002004 006999	2
170	250N2007-49		.FAIRLEAD ATTACHING PARTS	002004 006999	1
- 175	L8005K5		.BOLT SUPPLIER CODE: V06725 SPECIFICATION NUMBER: BACB30MY5K5	002004 006999	3
- 180	HL70-5		.COLLAR SUPPLIER CODE: V5M902 SPECIFICATION NUMBER: BACC30M5 OPTIONAL PART: HL70-5 V73197 HL70-5 V92215 66014-5 V56878 HL70-5 V56878 -----*-----	002004 006999	3
185	250N2007-70		.FAIRLEAD- PRE SERVICE BULLETIN: 27-0109	002004 006999	1
186	250N2007-74		.FAIRLEAD- POST SERVICE BULLETIN: 27-0109	904949	2

MISSING ITEM NUMBERS NOT APPLICABLE

- ITEM NOT ILLUSTRATED

57-60-51-01

57-60-51
FIG. 01
PAGE 8
JAN 20/09

BRI

BOEING PROPRIETARY - Copyright © - Unpublished Work - See title page for details.



757

PARTS CATALOG (MAINTENANCE)

FIG ITEM	PART NUMBER	1 2 3 4 5 6 7	NOMENCLATURE	EFFECT FROM TO	UNITS PER ASSY
1			ATTACHING PARTS		
- 195	L8006K11		.BOLT SUPPLIER CODE: V06725 SPECIFICATION NUMBER: BACB30MY6K11	002004 006999	2
- 205	HL79-6		.COLLAR SUPPLIER CODE: V5M902 SPECIFICATION NUMBER: BACC30M6 OPTIONAL PART: HL79-6 V73197 HL79-6 V92215 66014-6 V56878 HL79-6 V56878 -----*-----	002004 006999	2
215	250N2007-57		.FAIRLEAD- PRE SERVICE BULLETIN: 27-0109	107107 904949 952952	1
215	250N2007-73		.FAIRLEAD-	002004 006009 121503 953999	1
- 220	L8006K13		ATTACHING PARTS .BOLT- SUPPLIER CODE: V06725 SPECIFICATION NUMBER: BACB30MY6K13 PRE SERVICE BULLETIN: 27-0109	002004 006999	2
- 222	NAS43DD6-19		.SPACER- PRE SERVICE BULLETIN: 27-0109	002004 006999	2

MISSING ITEM NUMBERS NOT APPLICABLE

- ITEM NOT ILLUSTRATED

57-60-51-01

57-60-51
FIG. 01
PAGE 9
JAN 20/09

BRI



757

PARTS CATALOG (MAINTENANCE)

FIG ITEM	PART NUMBER	1 2 3 4 5 6 7	NOMENCLATURE	EFFECT FROM TO	UNITS PER ASSY
1					
- 225	HL79-6		. COLLAR SUPPLIER CODE: V5M902 SPECIFICATION NUMBER: BACC30M6 OPTIONAL PART: HL79-6 V73197 HL79-6 V92215 66014-6 V56878 HL79-6 V56878 -----*	002004 006999	2
230	250N2007-65		. FAIRLEAD	002004 006999	1
235	250N2007-66		. FAIRLEAD	002004 006999	1
240	250N2007-67		. FAIRLEAD	002004 006999	1
			ATTACHING PARTS		
- 245	BACB30MY6K		. BOLT-	002004	6
			SIZE DETERMINED ON INSTL.	006999	
- 250	AN960PD10L		. WASHER	002004	6
				006999	
- 255	HL79-6		. COLLAR SUPPLIER CODE: V5M902 SPECIFICATION NUMBER: BACC30M6 OPTIONAL PART: HL79-6 V73197 HL79-6 V92215 66014-6 V56878 HL79-6 V56878 -----*	002004 006999	6

MISSING ITEM NUMBERS NOT APPLICABLE

- ITEM NOT ILLUSTRATED

57-60-51-01

57-60-51
FIG. 01
PAGE 10
JAN 20/09

BRI

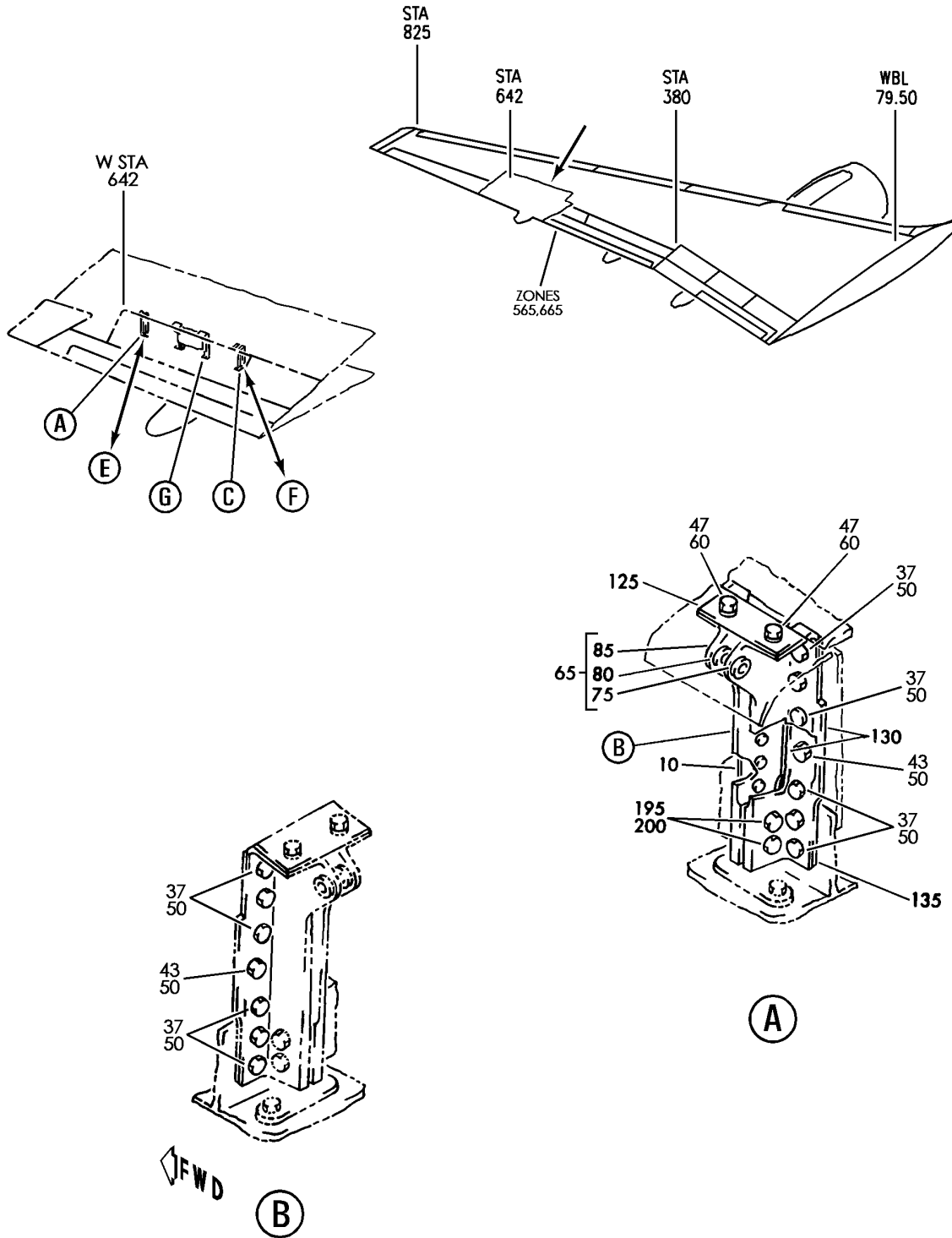
BOEING PROPRIETARY - Copyright © - Unpublished Work - See title page for details.

SPOILERS

BRI
MAY 28/07

57-70-00
SECTION TITLE
PAGE 1

BOEING
757
PARTS CATALOG (MAINTENANCE)



Y 57700001 SHT 1 REV 212

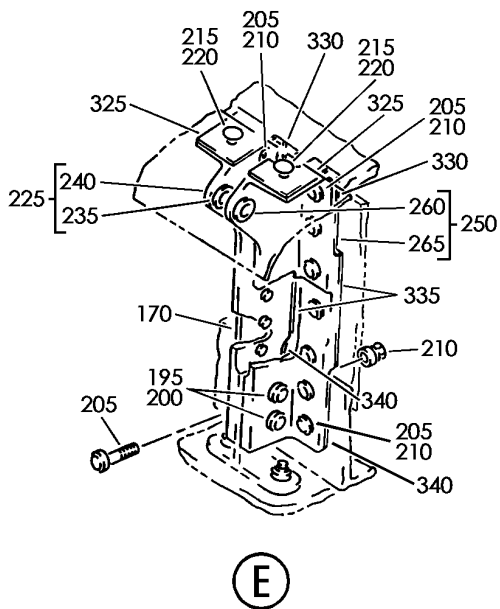
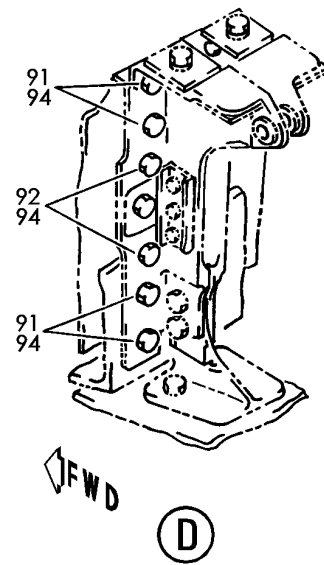
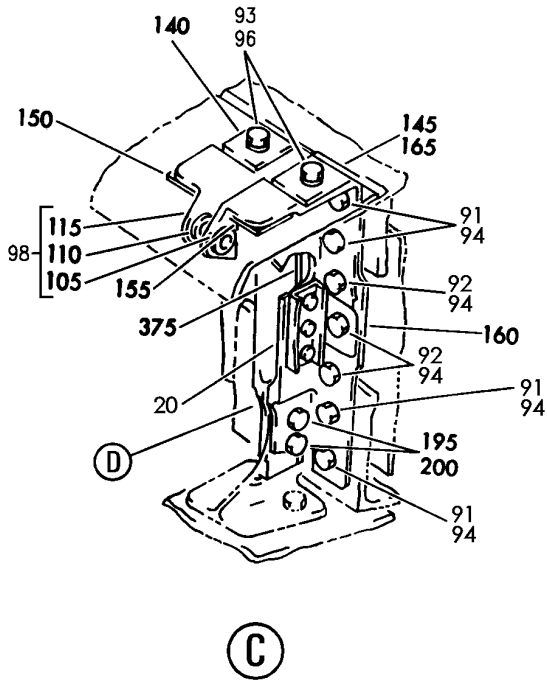
SUPPORT INSTL-WING TE SPOILER NO. 1 THRU 5 (SPOILER ONLY)
FIGURE 1 (SHEET 1)

57-70-00-01

BRI
MAY 28/07

57-70-00-01
PAGE 0


BOEING
 757
PARTS CATALOG (MAINTENANCE)



Y 57700001 SHT 2 REV 249

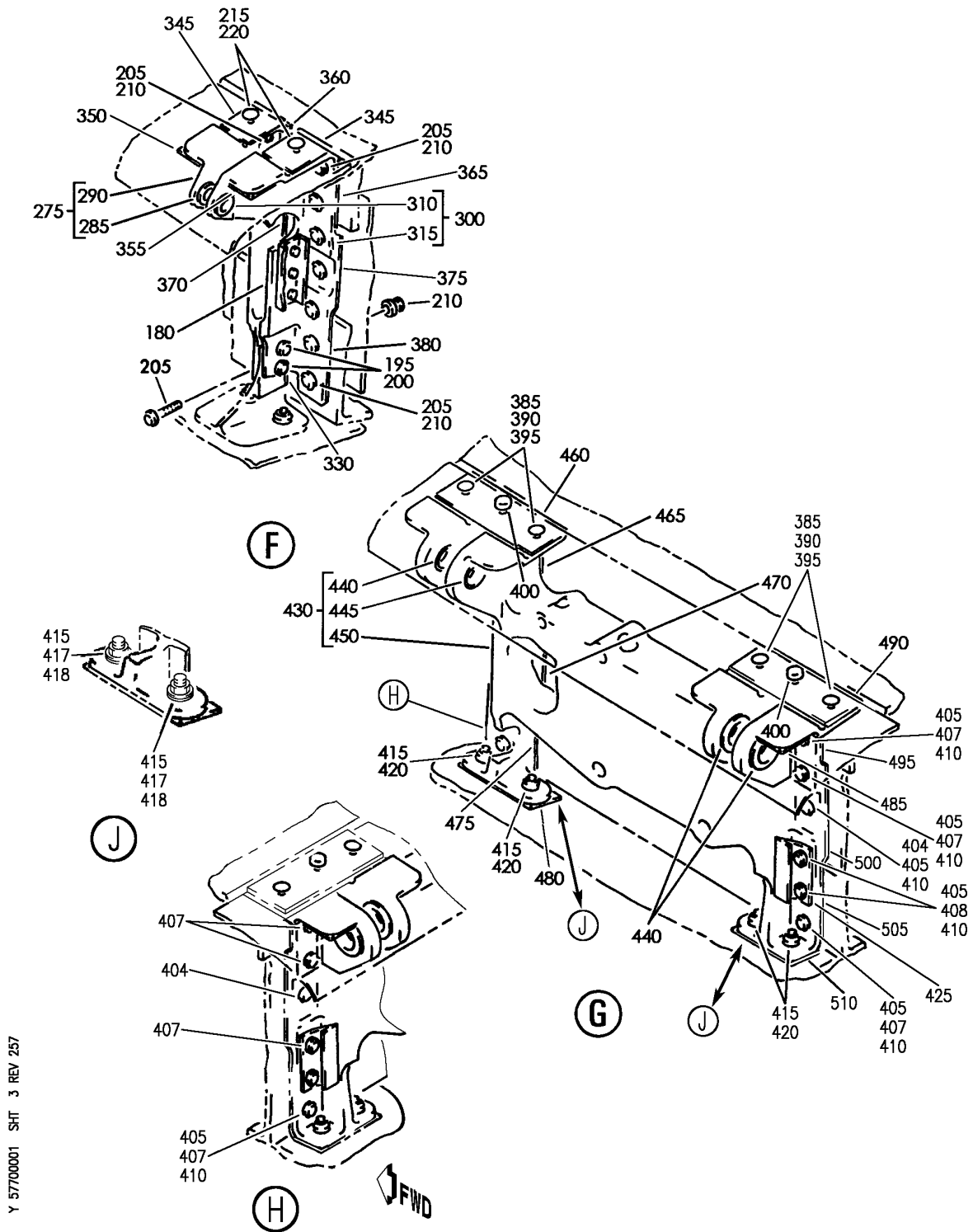
SUPPORT INSTL-WING TE SPOILER NO. 1 THRU 5 (SPOILER ONLY)
 FIGURE 1 (SHEET 2)

57-70-00-01

BRI
 MAY 28/07

57-70-00-01
 PAGE 0A

BOEING
757
PARTS CATALOG (MAINTENANCE)



Y 57700001 SH1 3 REV 257

SUPPORT INSTL-WING TE SPOILER NO. 1 THRU 5 (SPOILER ONLY)
FIGURE 1 (SHEET 3)

57-70-00-01

BRI
MAY 28/07

57-70-00-01
PAGE 0B



757

PARTS CATALOG (MAINTENANCE)

FIG ITEM	PART NUMBER	1 2 3 4 5 6 7	NOMENCLATURE	EFFECT FROM TO	UNITS PER ASSY
1			SUPPORT INSTL-WING TE SPOILER NO. 1 THRU 5 (SPOILER ONLY)	002004 006999	
- 1	113N1400-9		SUPPORT INSTL-WING TE SPOILER NO. 1 THRU 5 (SPOILER NO. 1 ONLY) POSITION DATA: LH FOR NHA/ADDITIONAL DET SEE: 57-20-52-01	107107	RF
- 1	113N1400-11		SUPPORT INSTL-WING TE SPOILER NO. 1 THRU 5 (SPOILER NO. 1 ONLY) POSITION DATA: LH FOR NHA/ADDITIONAL DET SEE: 57-20-52-01	002004 006010 121503 904999	RF
- 1	113N1400-17		SUPPORT INSTL-WING TE SPOILER NO. 1 THRU 5 (SPOILER NO. 1 ONLY) POSITION DATA: LH FOR NHA/ADDITIONAL DET SEE: 57-20-52-01	011100	RF
- 1	113N1400-201		SUPPORT INSTL-WING TE SPOILER NO. 1 THRU 5 (SPOILER NO. 1 ONLY) POSITION DATA: LH FOR NHA/ADDITIONAL DET SEE: 57-20-52-01	101102 504504	RF
- 1	113N1400-203		SUPPORT INSTL-WING TE SPOILER NO. 1 THRU 5 (SPOILER NO. 1 ONLY) POSITION DATA: LH FOR NHA/ADDITIONAL DET SEE: 57-00-00-05	505903	RF
- 1	113N1400-207		SUPPORT INSTL-WING TE SPOILER NO. 1 THRU 5 (SPOILER NO. 1 ONLY) POSITION DATA: LH FOR NHA/ADDITIONAL DET SEE: 57-00-00-05	108120	RF

MISSING ITEM NUMBERS NOT APPLICABLE

- ITEM NOT ILLUSTRATED

57-70-00-01

57-70-00
FIG. 01
PAGE 1
JAN 20/09

BRI



757

PARTS CATALOG (MAINTENANCE)

FIG ITEM	PART NUMBER	1 2 3 4 5 6 7	NOMENCLATURE	EFFECT FROM TO	UNITS PER ASSY
1					
- 2	MODREF32763		SUPPORT INSTL-WING TE SPOILER NO. 1 THRU 5 (SPOILER NO. 1 ONLY) MODULE NUMBER: 113N1400-19 REV C POSITION DATA: LH	103106	1
- 5	113N1400-10		SUPPORT INSTL-WING TE SPOILER NO. 1 THRU 5 (SPOILER NO. 1 ONLY) POSITION DATA: RH FOR NHA/ADDITIONAL DET SEE: 57-20-52-01	107107	RF
- 5	113N1400-12		SUPPORT INSTL-WING TE SPOILER NO. 1 THRU 5 (SPOILER NO. 1 ONLY) POSITION DATA: RH FOR NHA/ADDITIONAL DET SEE: 57-20-52-01	002004 006010 121503 904999	RF
- 5	113N1400-18		SUPPORT INSTL-WING TE SPOILER NO. 1 THRU 5 (SPOILER NO. 1 ONLY) POSITION DATA: RH FOR NHA/ADDITIONAL DET SEE: 57-20-52-01	011100	RF
- 5	113N1400-202		SUPPORT INSTL-WING TE SPOILER NO. 1 THRU 5 (SPOILER NO. 1 ONLY) POSITION DATA: RH FOR NHA/ADDITIONAL DET SEE: 57-00-00-05	101102 504504	RF
- 5	113N1400-204		SUPPORT INSTL-WING TE SPOILER NO. 1 THRU 5 (SPOILER NO. 1 ONLY) POSITION DATA: RH FOR NHA/ADDITIONAL DET SEE: 57-00-00-05	505903	RF
- 5	113N1400-208		SUPPORT INSTL-WING TE SPOILER NO. 1 THRU 5 (SPOILER NO. 1 ONLY) POSITION DATA: RH FOR NHA/ADDITIONAL DET SEE: 57-00-00-05	108120	RF

MISSING ITEM NUMBERS NOT APPLICABLE

- ITEM NOT ILLUSTRATED

57-70-00-01

57-70-00
FIG. 01
PAGE 2
JAN 20/09

BRI



757

PARTS CATALOG (MAINTENANCE)

FIG ITEM	PART NUMBER	1 2 3 4 5 6 7	NOMENCLATURE	EFFECT FROM TO	UNITS PER ASSY
1					
- 6	MODREF32764		SUPPORT INSTL-WING TE SPOILER NO. 1 THRU 5 (SPOILER NO. 1 ONLY) MODULE NUMBER: 113N1400-20 REV D POSITION DATA: RH	103106	1
10	271N6087-13		.BRACKET-HYDR SPRT POSITION DATA: LH SIDE	011106 108120 504903	1
- 15	271N6087-14		.BRACKET-HYDR SPRT POSITION DATA: RH SIDE	011106 108120 504903	1
20	271N6087-15		.BRACKET-HYDR SPRT POSITION DATA: LH SIDE	011106 108120 504903	1
- 25	271N6087-16		.BRACKET-HYDR SPRT POSITION DATA: RH SIDE	011106 108120 504903	1
- 30	BACR15FT5D		.RIVET- SIZE DETERMINED ON INSTL.	011102 108120 504903	5
- 30	BACR15FT5AD		.RIVET- SIZE DETERMINED ON INSTL.	103106	5
			-----*-----		
37	HST10AG8-7		.BOLT SUPPLIER CODE: VOPTK6 SPECIFICATION NUMBER: BACB30VT8K7 OPTIONAL PART: HST10AG8-7 V06725 HST10AG8-7 V56878 HST10AG8-7 V73197 WC10K8-7 V60516	011106 108120 504903	12

MISSING ITEM NUMBERS NOT APPLICABLE

- ITEM NOT ILLUSTRATED

BRI

57-70-00-01

BOEING PROPRIETARY - Copyright © - Unpublished Work - See title page for details.

57-70-00
FIG. 01
PAGE 3
JAN 20/09



757

PARTS CATALOG (MAINTENANCE)

FIG ITEM	PART NUMBER	1 2 3 4 5 6 7	NOMENCLATURE	EFFECT FROM TO	UNITS PER ASSY
1	43 HST10AG8-5		.BOLT SUPPLIER CODE: VOPTK6 SPECIFICATION NUMBER: BACB30VT8K5 OPTIONAL PART: HST10AG8-5 V06725 HST10AG8-5 V56878 HST10AG8-5 V73197 WC10K8-5 V60516	011106 108120 504903	2
	47 WC331K8-5		.BOLT SUPPLIER CODE: V60516 SPECIFICATION NUMBER: BACB30YP8K5	011106 108120 504903	2
	50 VLC771-8		.COLLAR- SUPPLIER CODE: V5M902 SPECIFICATION NUMBER: BACC30BP8 OPTIONAL PART: HST771-8 V73197 BACN10TN4K	011106 108120 504903	14
	50 H39242-4K		.NUT- SUPPLIER CODE: V15653 SPECIFICATION NUMBER: BACN10TN4K OPTIONAL PART: BACC30BP8	108120	14
	60 BACC30BL8		.COLLAR SUPPLIER CODE: V73197 SPECIFICATION NUMBER: BACC30BL8 OPTIONAL PART: HST79-8 V92215 HST79CY8 V56878 HST79CY8 V5M902	011106 108120 504903	2

MISSING ITEM NUMBERS NOT APPLICABLE

- ITEM NOT ILLUSTRATED

57-70-00-01

57-70-00
FIG. 01
PAGE 4
JAN 20/09

BRI

BOEING
757
PARTS CATALOG (MAINTENANCE)

FIG ITEM	PART NUMBER	1 2 3 4 5 6 7	NOMENCLATURE	EFFECT FROM TO	UNITS PER ASSY
1					
65	113N1186-1		.FITTING ASSY-HINGE, SPOILER NO. 1 POSITION DATA: OUTBD LH SIDE OPTIONAL PART: 113N1186-5	011100	1
65	113N1186-5		.FITTING ASSY-HINGE, SPOILER NO. 1 POSITION DATA: OUTBD LH SIDE OPTIONAL PART: 113N1186-1	011102 504903	1
65	113N1186-9		.FITTING ASSY-HINGE, SPOILER NO. 1 POSITION DATA: OUTBD LH SIDE	103106 108120	1
- 70	113N1186-2		.FITTING ASSY-HINGE, SPOILER NO. 1 POSITION DATA: OUTBD RH SIDE OPTIONAL PART: 113N1186-6	011100	1
- 70	113N1186-6		.FITTING ASSY-HINGE, SPOILER NO. 1 POSITION DATA: OUTBD RH SIDE OPTIONAL PART: 113N1186-2	011102 504903	1
- 70	113N1186-10		.FITTING ASSY-HINGE, SPOILER NO. 1 POSITION DATA: OUTBD RH SIDE	103106 108120	1
75	BACB28AM06B020A		..BUSHING	011102 504903	1
75	BACB28AT06B020C		..BUSHING	103106 108120	1
80	BACB28AP04P020		..BUSHING	011106 108120	1
85	113N1186-3		..FITTING- POSITION DATA: LH SIDE USED ON: 113N1186-1	504903 011100	1
85	113N1186-7		..FITTING- POSITION DATA: LH SIDE USED ON: 113N1186-5	011102 504903	1

MISSING ITEM NUMBERS NOT APPLICABLE

- ITEM NOT ILLUSTRATED

BRI

57-70-00-01

BOEING PROPRIETARY - Copyright © - Unpublished Work - See title page for details.

57-70-00
FIG. 01
PAGE 5
JAN 20/09



757

PARTS CATALOG (MAINTENANCE)

FIG ITEM	PART NUMBER	1 2 3 4 5 6 7	NOMENCLATURE	EFFECT FROM TO	UNITS PER ASSY
1					
85	113N1186-11	..	FITTING- POSITION DATA: LH SIDE USED ON: 113N1186-9	103106 108120	1
- 90	113N1186-4	..	FITTING- POSITION DATA: RH SIDE USED ON: 113N1186-2	011100	1
- 90	113N1186-8	..	FITTING- POSITION DATA: RH SIDE USED ON: 113N1186-6	011102 504903	1
- 90	113N1186-12	..	FITTING- POSITION DATA: RH SIDE USED ON: 113N1186-10	103106 108120	1
91	HST10AG8-7	.BOLT	SUPPLIER CODE: VOPTK6 SPECIFICATION NUMBER: BACB30VT8K7 OPTIONAL PART: HST10AG8-7 V06725 HST10AG8-7 V56878 HST10AG8-7 V73197 WC10K8-7 V60516	011106 108120 504903	8
92	HST10AG8-4	.BOLT	SUPPLIER CODE: VOPTK6 SPECIFICATION NUMBER: BACB30VT8K4 OPTIONAL PART: HST10AG8-4 V06725 HST10AG8-4 V56878 HST10AG8-4 V73197 WC10K8-4 V60516	011106 108120 504903	6

MISSING ITEM NUMBERS NOT APPLICABLE

- ITEM NOT ILLUSTRATED

57-70-00-01

57-70-00
FIG. 01
PAGE 6
JAN 20/09

BRI



757

PARTS CATALOG (MAINTENANCE)

FIG ITEM	PART NUMBER	1 2 3 4 5 6 7	NOMENCLATURE	EFFECT FROM TO	UNITS PER ASSY
1	93 BACC30YP8K5	.	BOLT	011106 108120	2
	94 VLC771-8	.	COLLAR- SUPPLIER CODE: V5M902 SPECIFICATION NUMBER: BACC30BP8 OPTIONAL PART: HST771-8 V73197 BACN10TN4K	011106 108120 504903	14
	94 H39242-4K	.	NUT- SUPPLIER CODE: V15653 SPECIFICATION NUMBER: BACN10TN4K OPTIONAL PART: BACC30BP8	108120	14
	96 BACC30BL8	.	COLLAR SUPPLIER CODE: V73197 SPECIFICATION NUMBER: BACC30BL8 OPTIONAL PART: HST79-8 V92215 HST79CY8 V56878 HST79CY8 V5M902	011106 108120 504903	2
	98 113N1187-1	.	FITTING ASSY-HINGE, SPOILER NO. 1 POSITION DATA: INBD LH SIDE OPTIONAL PART: 113N1187-5	011100	1
	98 113N1187-5	.	FITTING ASSY-HINGE, SPOILER NO. 1 POSITION DATA: INBD LH SIDE OPTIONAL PART: 113N1187-1	011106 108120 504903	1
- 100	113N1187-2	.	FITTING ASSY-HINGE, SPOILER NO. 1 POSITION DATA: INBD RH SIDE OPTIONAL PART: 113N1187-6	011100	1

MISSING ITEM NUMBERS NOT APPLICABLE

- ITEM NOT ILLUSTRATED

BRI

57-70-00-01

BOEING PROPRIETARY - Copyright © - Unpublished Work - See title page for details.

57-70-00
FIG. 01
PAGE 7
JAN 20/09



757

PARTS CATALOG (MAINTENANCE)

FIG ITEM	PART NUMBER	1 2 3 4 5 6 7	NOMENCLATURE	EFFECT FROM TO	UNITS PER ASSY
1					
- 100	113N1187-6		. FITTING ASSY-HINGE, SPOILER NO. 1 POSITION DATA: INBD RH SIDE OPTIONAL PART: 113N1187-2	011106 108120 504903	1
105	BACB28AM06B020A		.. BUSHING	011106 108120 504903	1
110	BACB28AP04P020		.. BUSHING	011106 108120 504903	1
115	113N1187-3		.. FITTING- POSITION DATA: LH SIDE USED ON: 113N1187-1	011100	1
115	113N1187-7		.. FITTING- POSITION DATA: LH SIDE USED ON: 113N1187-5	011106 108120 504903	1
- 120	113N1187-4		.. FITTING- POSITION DATA: RH SIDE USED ON: 113N1187-2	011100	1
- 120	113N1187-8		.. FITTING- POSITION DATA: RH SIDE USED ON: 113N1187-6	011106 108120 504903	1
125	BACS40R017C031F		. SHIM	011106 108120 504903	1
130	BACS40R013C023F		. SHIM	011106 108120 504903	2
135	BACS40R023C030F		. SHIM	011106 108120 504903	1
140	BACS40R007B009F		. SHIM	011106 108120 504903	2
145	BACS40R007E009F		. SHIM	011106 108120 504903	1

MISSING ITEM NUMBERS NOT APPLICABLE

- ITEM NOT ILLUSTRATED

57-70-00-01

57-70-00
FIG. 01
PAGE 8
JAN 20/09

BRI



757

PARTS CATALOG (MAINTENANCE)

FIG ITEM	PART NUMBER	1 2 3 4 5 6 7	NOMENCLATURE	EFFECT FROM TO	UNITS PER ASSY
1					
150	BACS40R012C026F	.SHIM-		011106	1
		OPTIONAL PART:		108120	
		BACS40R012B026F		504903	
150	BACS40R012B026F	.SHIM-		101106	1
		OPTIONAL PART:		108120	
		BACS40R012C026F		504903	
155	BACS40R012C028F	.SHIM-		011106	1
		OPTIONAL PART:		108120	
		BACS40R012B028F		504903	
155	BACS40R012B028F	.SHIM-		101106	1
		OPTIONAL PART:		108120	
		BACS40R012C028F		504903	
160	BACS40R029C029F	.SHIM		011106	1
				108120	
				504903	
165	BACS40R017C029F	.SHIM		011106	1
				108120	
				504903	
170	271N6087-9	.BRACKET-HYDR SPRT		002004	1
		POSITION DATA:		006010	
		LH SIDE		107107	
				121503	
				904999	
- 175	271N6087-11	.BRACKET-HYDR SPRT		006010	1
		POSITION DATA:		107107	
		RH SIDE		121503	
				904999	
180	271N6087-11	.BRACKET-HYDR SPRT		002004	1
		POSITION DATA:		006010	
		LH SIDE		107107	
				121503	
				904999	
- 185	271N6087-10	.BRACKET-HYDR SPRT		002004	1
		POSITION DATA:		006010	
		RH SIDE		107107	
				121503	
				904999	
- 190	BACR15FT5D	ATTACHING PARTS		002004	6
		.RIVET-		006010	
		SIZE DETERMINED ON INSTL.		107107	
				121503	
				904999	
195	BACB30MY8K	-----*-----		002004	4
		.BOLT-		006010	
		SIZE DETERMINED ON INSTL.		107107	
				121503	
				904999	

MISSING ITEM NUMBERS NOT APPLICABLE

- ITEM NOT ILLUSTRATED

57-70-00-01

57-70-00
FIG. 01
PAGE 9
JAN 20/09

BRI

BOEING PROPRIETARY - Copyright © - Unpublished Work - See title page for details.



757

PARTS CATALOG (MAINTENANCE)

FIG ITEM	PART NUMBER	1 2 3 4 5 6 7	NOMENCLATURE	EFFECT FROM TO	UNITS PER ASSY
1 200	HL79-8		.COLLAR SUPPLIER CODE: V5M902 SPECIFICATION NUMBER: BACC30M8 OPTIONAL PART: HL79-8 V73197 HL79-8 V92215 66014-8 V56878 HL79-8 V56878	002004 006010 107107 121503 904999	4
205	BACB30MY8K		.BOLT- SIZE DETERMINED ON INSTL.	002004 006010 107107 121503 904999	28
210	TLN12044		.NUT SUPPLIER CODE: V97928 SPECIFICATION NUMBER: BACN10WM4 OPTIONAL PART: LH10114B4 V72962 MN154 V73197 VN18614 V92215 H49702-4S V15653 W8504 V08524 H497024 V15653	002004 006010 107107 121503 904999	28
215	BACB30NW8K		.BOLT- SIZE DETERMINED ON INSTL.	002004 006010 107107 121503 904999	4

MISSING ITEM NUMBERS NOT APPLICABLE

- ITEM NOT ILLUSTRATED

BRI

57-70-00-01

BOEING PROPRIETARY - Copyright © - Unpublished Work - See title page for details.

57-70-00
FIG. 01
PAGE 10
JAN 20/09



757

PARTS CATALOG (MAINTENANCE)

FIG ITEM	PART NUMBER	1 2 3 4 5 6 7	NOMENCLATURE	EFFECT FROM TO	UNITS PER ASSY
1 220	HL79-8		. COLLAR SUPPLIER CODE: V5M902 SPECIFICATION NUMBER: BACC30M8 OPTIONAL PART: HL79-8 V73197 HL79-8 V92215 66014-8 V56878 HL79-8 V56878	002004 006010 107107 121503 904999	4
225	113N1417-9		. FITTING ASSY-HINGE, SPOILER NO. 1 POSITION DATA: OUTBD LH SIDE OPTIONAL PART: 113N1404-1	002004 006010 107107 121503 904999	1
225	113N1404-1		. FITTING ASSY-HINGE, SPOILER NO. 1 POSITION DATA: OUTBD LH SIDE OPTIONAL PART: 113N1417-9	002004 006010 107107 121503 904999	1
- 230	113N1417-10		. FITTING ASSY-HINGE, SPOILER NO. 1 POSITION DATA: OUTBD RH SIDE OPTIONAL PART: 113N1404-2	002004 006010 107107 121503 904999	1
- 230	113N1404-2		. FITTING ASSY-HINGE, SPOILER NO. 1 POSITION DATA: RH SIDE OPTIONAL PART: 113N1417-10	002004 006010 107107 121503 904999	1
235	BACB28AP04P020		.. BUSHING	002004 006010 107107 121503 904999	1
240	113N1417-13		.. FITTING- POSITION DATA: LH SIDE USED ON: 113N1417-9	002004 006010 107107 121503 904999	1

MISSING ITEM NUMBERS NOT APPLICABLE

- ITEM NOT ILLUSTRATED

57-70-00-01

57-70-00
FIG. 01
PAGE 11
JAN 20/09

BRI



757

PARTS CATALOG (MAINTENANCE)

FIG ITEM	PART NUMBER	1 2 3 4 5 6 7	NOMENCLATURE	EFFECT FROM TO	UNITS PER ASSY
1					
240	113N1404-3	..	FITTING- POSITION DATA: LH SIDE USED ON: 113N1404-1	002004 006010 107107 121503 904999	1
- 245	113N1417-14	..	FITTING- POSITION DATA: RH SIDE USED ON: 113N1417-10	002004 006010 107107 121503 904999	1
- 245	113N1404-4	..	FITTING- POSITION DATA: RH SIDE USED ON: 113N1404-2	002004 006010 107107 121503 904999	1
250	113N1417-17	.	FITTING ASSY-HINGE, SPOILER NO. 1 POSITION DATA: OUTBD LH SIDE OPTIONAL PART: 113N1475-1	002004 006010 107107 121503 904999	1
250	113N1475-1	.	RIB ASSY-HINGE, SPOILER NO. 1 POSITION DATA: OUTBD LH SIDE OPTIONAL PART: 113N1417-17	002004 006010 107107 121503 904999	1
- 255	113N1417-18	.	FITTING ASSY-HINGE, SPOILER NO. 1 POSITION DATA: OUTBD RH SIDE OPTIONAL PART: 113N1475-2	002004 006010 107107 121503 904999	1
- 255	113N1475-2	.	RIB ASSY-HINGE, SPOILER NO. 1 POSITION DATA: OUTBD RH SIDE OPTIONAL PART: 113N1417-18	002004 006010 107107 121503 904999	1
260	BACB28AM06B020A	..	BUSHING	002004 006010 107107 121503 904999	1
265	113N1417-19	..	FITTING- POSITION DATA: LH SIDE USED ON: 113N1417-17	002004 006010 107107 121503 904999	1

MISSING ITEM NUMBERS NOT APPLICABLE

- ITEM NOT ILLUSTRATED

57-70-00-01

57-70-00
FIG. 01
PAGE 12
JAN 20/09

BRI

BOEING PROPRIETARY - Copyright © - Unpublished Work - See title page for details.



757

PARTS CATALOG (MAINTENANCE)

FIG ITEM	PART NUMBER	1 2 3 4 5 6 7	NOMENCLATURE	EFFECT FROM TO	UNITS PER ASSY
1 265	113N1475-3	..RIB-	POSITION DATA: LH SIDE USED ON: 113N1475-1	002004 006010 107107 121503 904999	1
- 270	113N1417-20	..FITTING-	POSITION DATA: RH SIDE USED ON: 113N1417-18	002004 006010 107107 121503 904999	1
- 270	113N1475-4	..RIB-	POSITION DATA: RH SIDE USED ON: 113N1475-2	002004 006010 107107 121503 904999	1
275	113N1418-17	.FITTING ASSY-HINGE, SPOILER NO. 1	POSITION DATA: INBD LH SIDE OPTIONAL PART: 113N1405-1	002004 006010 107107 121503 904999	1
275	113N1405-1	.FITTING ASSY-HINGE, SPOILER NO. 1	POSITION DATA: INBD LH SIDE	002004 006010 107107 121503 904999	1
- 280	113N1418-18	.FITTING ASSY-HINGE, SPOILER NO. 1	POSITION DATA: INBD RH SIDE OPTIONAL PART: 113N1405-2	002004 006010 107107 121503 904999	1
- 280	113N1405-2	.FITTING ASSY-HINGE, SPOILER NO. 1	POSITION DATA: INBD RH SIDE	002004 006010 107107 121503 904999	1
285	BACB28AP04P020	..BUSHING		002004 006010 107107 121503 904999	1
290	113N1418-19	..FITTING-	POSITION DATA: LH SIDE USED ON: 113N1418-17	002004 006010 107107 121503 904999	1

MISSING ITEM NUMBERS NOT APPLICABLE

- ITEM NOT ILLUSTRATED

BRI

57-70-00-01

BOEING PROPRIETARY - Copyright © - Unpublished Work - See title page for details.

57-70-00
FIG. 01
PAGE 13
JAN 20/09



757

PARTS CATALOG (MAINTENANCE)

FIG ITEM	PART NUMBER	1 2 3 4 5 6 7	NOMENCLATURE	EFFECT FROM TO	UNITS PER ASSY
1					
290	113N1405-3	..	FITTING- POSITION DATA: LH SIDE USED ON: 113N1405-1	002004 006010 107107 121503 904999	1
- 295	113N1418-20	..	FITTING- POSITION DATA: RH SIDE USED ON: 113N1418-18	002004 006010 107107 121503 904999	1
- 295	113N1405-4	..	FITTING- POSITION DATA: RH SIDE USED ON: 113N1405-2	002004 006010 107107 121503 904999	1
300	113N1418-11	.	FITTING ASSY-HINGE, SPOILER NO. 1 POSITION DATA: INBD LH SIDE OPTIONAL PART: 113N1474-1	002004 006010 107107 121503 904999	1
300	113N1474-1	.	FITTING ASSY-HINGE, SPOILER NO. 1 POSITION DATA: INBD LH SIDE	002004 006010 107107 121503 904999	1
- 305	113N1418-12	.	FITTING ASSY-HINGE, SPOILER NO. 1 POSITION DATA: INBD RH SIDE OPTIONAL PART: 113N1474-2	002004 006010 107107 121503 904999	1
- 305	113N1474-2	.	FITTING ASSY-HINGE, SPOILER NO. 1 POSITION DATA: INBD RH SIDE	002004 006010 107107 121503 904999	1
310	BACB28AM06B020A	..	BUSHING	002004 006010 107107 121503 904999	1
315	113N1418-15	..	FITTING- POSITION DATA: LH SIDE USED ON: 113N1418-11	002004 006010 107107 121503 904999	1

MISSING ITEM NUMBERS NOT APPLICABLE

- ITEM NOT ILLUSTRATED

57-70-00-01

57-70-00
FIG. 01
PAGE 14
JAN 20/09

BRI

BOEING PROPRIETARY - Copyright © - Unpublished Work - See title page for details.



757

PARTS CATALOG (MAINTENANCE)

FIG ITEM	PART NUMBER	1 2 3 4 5 6 7	NOMENCLATURE	EFFECT FROM TO	UNITS PER ASSY
1					
315	113N1474-3		.. FITTING- POSITION DATA: LH SIDE USED ON: 113N1474-1	002004 006010 107107 121503 904999	1
- 320	113N1418-16		.. FITTING- POSITION DATA: RH SIDE USED ON: 113N1418-12	002004 006010 107107 121503 904999	1
- 320	113N1474-4		.. FITTING- POSITION DATA: RH SIDE USED ON: 113N1474-2	002004 006010 107107 121503 904999	1
325	BACS40R013C017F		. SHIM-	002004 006010 107107 121503 904999	2
330	BACS40R13C23F		. SHIM	002004 006010 107107 121503 904999	3
335	BACS40R013C032F		. SHIM-	002004 006010 107107 121503 904999	2
340	BACS40R014C020F		. SHIM-	002004 006010 107107 121503 904999	2
345	BACS40R12C17F		. SHIM-	002004 006010 107107 121503 904999	2
345	BACS40R012C017F		. SHIM-	002004 006010 107107 121503 904999	2

MISSING ITEM NUMBERS NOT APPLICABLE

- ITEM NOT ILLUSTRATED

57-70-00-01

57-70-00
FIG. 01
PAGE 15
JAN 20/09

BRI

BOEING PROPRIETARY - Copyright © - Unpublished Work - See title page for details.



757

PARTS CATALOG (MAINTENANCE)

FIG ITEM	PART NUMBER	1 2 3 4 5 6 7	NOMENCLATURE	EFFECT FROM TO	UNITS PER ASSY
1					
350	BACS40R07B09F	.SHIM-		002004 006010 107107 121503 904999	1
350	BACS40R007B009F	.SHIM-		002004 006010 107107 121503 904999	1
355	BACS40R07E09F	.SHIM		002004 006010 107107 121503 904999	1
360	BACS40R012C26F	.SHIM		002004 006010 107107 121503 904999	1
365	BACS40R012C28F	.SHIM		002004 006010 107107 121503 904999	1
370	BACS40R012C035F	.SHIM-		002004 006010 107107 121503 904999	1
375	BACS40R012C031F	.SHIM-		002004 006010 107107 121503 904999	1
380	BACS40R13C25F	.SHIM		002004 006010 107107 121503 904999	1
385	BACB30NU5K9	.BOLT		002004 006010 107107 121503 904999	4
385	BACB30VF5K9	.BOLT		011106 108120 504903	4

MISSING ITEM NUMBERS NOT APPLICABLE

- ITEM NOT ILLUSTRATED

57-70-00-01

57-70-00
FIG. 01
PAGE 16
JAN 20/09

BRI



757

PARTS CATALOG (MAINTENANCE)

FIG ITEM	PART NUMBER	1 2 3 4 5 6 7	NOMENCLATURE	EFFECT FROM TO	UNITS PER ASSY
1					
390	AN960KD516		.WASHER- POSITION DATA: UNDER NUT	002004 006010 107107 121503 904999	4
390	NAS1149D0563K		.WASHER- POSITION DATA: UNDER NUT	011106 108120 504903	4
395	NAS1804-5		.NUT	002004 006010 107107 121503 904999	4
395	NAS1805-5L		.NUT	011106 108120 504903	4
400	MS21141-1008P		.FASTENER	002004 006010 107107 121503 904999	2
400	MS21141U1008P		.FASTENER	011106 108120 504903	2
404	HST10AG8-8		.BOLT- SUPPLIER CODE: VOPTK6 SPECIFICATION NUMBER: BACB30VT8K8 OPTIONAL PART: HST10AG8-8 V06725 HST10AG8-8 V56878 HST10AG8-8 V73197 WC10K8-8 V60516	011106 108120 504903	2
405	BACB30MY8K		SIZE DETERMINED ON INSTL. .BOLT- SIZE DETERMINED ON INSTL.	002004 006010 107107 121503 904999	12

MISSING ITEM NUMBERS NOT APPLICABLE

- ITEM NOT ILLUSTRATED

BRI

57-70-00-01

BOEING PROPRIETARY - Copyright © - Unpublished Work - See title page for details.

57-70-00
FIG. 01
PAGE 17
JAN 20/09



757

PARTS CATALOG (MAINTENANCE)

FIG ITEM	PART NUMBER	1 2 3 4 5 6 7	NOMENCLATURE	EFFECT FROM TO	UNITS PER ASSY
1 407	HST10AG8-10	.BOLT-	SUPPLIER CODE: VOPTK6 SPECIFICATION NUMBER: BACB30VT8K10 OPTIONAL PART: HST10AG8-10 V06725 HST10AG8-10 V56878 HST10AG8-10 V73197 WC10K8-10 V60516 SIZE DETERMINED ON INSTL.	011106 108120 504903	8
408	HST10AG8-11	.BOLT-	SUPPLIER CODE: VOPTK6 SPECIFICATION NUMBER: BACB30VT8K11 OPTIONAL PART: HST10AG8-11 V06725 HST10AG8-11 V56878 HST10AG8-11 V73197 WC10K8-11 V60516 SIZE DETERMINED ON INSTL.	011106 108120 504903	2
410	TLN12044	.NUT-	SUPPLIER CODE: V97928 SPECIFICATION NUMBER: BACN10WM4 OPTIONAL PART: LH10114B4 V72962 MN154 V73197 VN18614 V92215 H49702-4S V15653 W8504 V08524 H497024 V15653	002004 006010 107107 121503 904999	12

MISSING ITEM NUMBERS NOT APPLICABLE

- ITEM NOT ILLUSTRATED

57-70-00-01

57-70-00
FIG. 01
PAGE 18
JAN 20/09

BRI



757

PARTS CATALOG (MAINTENANCE)

FIG ITEM	PART NUMBER	1 2 3 4 5 6 7	NOMENCLATURE	EFFECT FROM TO	UNITS PER ASSY
1 410	VLC771-8		.COLLAR- SUPPLIER CODE: V5M902 SPECIFICATION NUMBER: BACC30BP8 OPTIONAL PART: HST771-8 V73197 BACN10TN4K	011106 108120 504903	12
410	H39242-4K		.NUT- SUPPLIER CODE: V15653 SPECIFICATION NUMBER: BACN10TN4K OPTIONAL PART: BACC30BP8	108120	12
415	BACB30NW8K		.BOLT- SIZE DETERMINED ON INSTL.	002004 006010 107107 121503 904999	4
415	BACB30PT4K8		.BOLT-	011102 108120 504903	4
415	BACB30YP8K		.BOLT- SIZE DETERMINED ON INSTL.	103106	4
417	AS46-4		.WASHER SUPPLIER CODE: V10630 SPECIFICATION NUMBER: BACW10AU4 OPTIONAL PART: K19701P4 V15653 53488W428 V56878 6073-04 V72962 TLN1020L4W V08524	011102 108120 504903	4

MISSING ITEM NUMBERS NOT APPLICABLE

- ITEM NOT ILLUSTRATED

BRI

57-70-00-01

BOEING PROPRIETARY - Copyright © - Unpublished Work - See title page for details.

57-70-00
FIG. 01
PAGE 19
JAN 20/09



757

PARTS CATALOG (MAINTENANCE)

FIG ITEM	PART NUMBER	1 2 3 4 5 6 7	NOMENCLATURE	EFFECT FROM TO	UNITS PER ASSY
1 418	H19700P4	.NUT	SUPPLIER CODE: V15653 SPECIFICATION NUMBER: BACN10MT4 OPTIONAL PART: 52LH6073-048 V72962 53488N428 V56878 TLN1020L4N V97928	011102 108120 504903	4
420	HL82-8APBW	.COLLAR	SUPPLIER CODE: V5M902 SPECIFICATION NUMBER: BACC30AG8 OPTIONAL PART: HL82-8APBW V92215 HL82-8APBW V56878 HL82-8APBW V73197	002004 006010 107107 121503 904999	4
420	HST828AW	.COLLAR	SUPPLIER CODE: V5M902 SPECIFICATION NUMBER: BACC30BQ8 OPTIONAL PART: HST828AW V56878 HST828AW V73197 HST82CY8APBW V73197 HST82CY8APBW V56878	103106	4
425	271N6086-3	.BRACKET-HYDR TUBE		002004 006999	1
430	113N1407-75	.FITTING ASSY- POSITION DATA: LH SIDE OPTIONAL PART: 113N1407-78		002004 006017 107107 121503 904999	1

MISSING ITEM NUMBERS NOT APPLICABLE

- ITEM NOT ILLUSTRATED

57-70-00-01

57-70-00
FIG. 01
PAGE 20
JAN 20/09

BRI



757

PARTS CATALOG (MAINTENANCE)

FIG ITEM	PART NUMBER	1 2 3 4 5 6 7	NOMENCLATURE	EFFECT FROM TO	UNITS PER ASSY
1					
430	113N1407-78		.FITTING ASSY- POSITION DATA: LH SIDE OPTIONAL PART: 113N1407-75	002004 006100 107107 121503 904999	1
430	113N1407-93		.FITTING ASSY- POSITION DATA: LH SIDE QUALIFIED OPTIONAL DATA: ((113N1407-97 (UNTIL SUPPLY IS EXHAUSTED) IS OPTIONAL TO 113N1407-93))	011102 504504	1
430	113N1407-97		.FITTING ASSY- POSITION DATA: LH SIDE QUALIFIED OPTIONAL DATA: ((113N1407-97 (UNTIL SUPPLY IS EXHAUSTED) IS OPTIONAL TO 113N1407-93))	011102 504504	1
430	113N1407-99		.FITTING ASSY- POSITION DATA: LH SIDE	103106 108120 505903	1
- 435	113N1407-74		.FITTING ASSY- POSITION DATA: RH SIDE OPTIONAL PART: 113N1407-79	002004 006017 107107 121503 904999	1
- 435	113N1407-79		.FITTING ASSY- POSITION DATA: RH SIDE OPTIONAL PART: 113N1407-74	011100 107107	1
- 435	113N1407-94		.FITTING ASSY- POSITION DATA: RH SIDE QUALIFIED OPTIONAL DATA: ((113N1407-98 (UNTIL SUPPLY IS EXHAUSTED) IS OPTIONAL TO 113N1407-94))	011102 504504	1

MISSING ITEM NUMBERS NOT APPLICABLE

- ITEM NOT ILLUSTRATED

BRI

57-70-00-01

BOEING PROPRIETARY - Copyright © - Unpublished Work - See title page for details.

57-70-00
FIG. 01
PAGE 21
JAN 20/09



757

PARTS CATALOG (MAINTENANCE)

FIG ITEM	PART NUMBER	1 2 3 4 5 6 7	NOMENCLATURE	EFFECT FROM TO	UNITS PER ASSY
1					
- 435	113N1407-98	.	FITTING ASSY- POSITION DATA: RH SIDE QUALIFIED OPTIONAL DATA: ((113N1407-98 (UNTIL SUPPLY IS EXHAUSTED IS OPTIONAL TO 113N1407-94)	011102 504504	1
- 435	113N1407-100	.	FITTING ASSY- POSITION DATA: RH SIDE	103106 108120 505903	1
440	BACB28AM13B035A	..	BUSHING	002004 006999	3
445	BACB28AP09P035	..	BUSHING	002004 006999	1
450	113N1407-77	..	FITTING- USED ON: 113N1407-75	002004 006017 107107 121503 904999	1
450	113N1407-80	..	FITTING- USED ON: 113N1407-78	002004 006100 107107 121503 904999	1
450	113N1407-95	..	FITTING- USED ON: 113N1407-93	011102 504504	1
450	113N1407-101	..	FITTING- POSITION DATA: LH SIDE	103106 108120 505903	1
- 455	113N1407-76	..	FITTING- USED ON: 113N1407-74	002004 006017 107107 121503 904999	1
- 455	113N1407-81	..	FITTING- USED ON: 113N1407-79	011100 107107	1
- 455	113N1407-96	..	FITTING- USED ON: 113N1407-94	011102 504504	1
- 455	113N1407-102	..	FITTING- POSITION DATA: RH SIDE	103106 108120 505903	1
460	BACS40R015C040F	.	SHIM- OPTIONAL PART: BACS40R015B040F	002004 006999	1

MISSING ITEM NUMBERS NOT APPLICABLE

- ITEM NOT ILLUSTRATED

57-70-00-01

57-70-00
FIG. 01
PAGE 22
JAN 20/09

BRI



757

PARTS CATALOG (MAINTENANCE)

FIG ITEM	PART NUMBER	1 2 3 4 5 6 7	NOMENCLATURE	EFFECT FROM TO	UNITS PER ASSY
1					
460	BACS40R015B040F	.SHIM-	OPTIONAL PART: BACS40R015C040F	101106 108120 504903	1
465	BACS40R016C023F	.SHIM		002004 006999	1
470	BACS40R015C035F	.SHIM-	OPTIONAL PART: BACF3F015E035NN	002004 006999	1
470	BACF3F015E035NN	.SHIM-	OPTIONAL PART: BACS40R015C035F	103106	1
475	BACS40R016C024F	.SHIM		002004 006999	1
480	BACS40R015C029F	.SHIM-	OPTIONAL PART: BACS40R015B029F	002004 006999	1
480	BACS40R015B029F	.SHIM-	OPTIONAL PART: BACS40R015C029F	101106 108120 504903	1
485	BACS40R007E009F	.SHIM		002004 006999	1
490	BACS40R014C040F	.SHIM-	OPTIONAL PART: BACS40R014B040F	002004 006999	1
490	BACS40R014B040F	.SHIM-	OPTIONAL PART: BACS40R014C040F	101106 108120 504903	1
495	BACS40R016C019F	.SHIM-		002004 006999	1
500	BACS40R015C036F	.SHIM-	OPTIONAL PART: BACF3F015E036NN	002004 006999	1
500	BACF3F015E036NN	.SHIM-	OPTIONAL PART: BACS40R015C036F	103106	1
505	BACS40R015C024F	.SHIM		002004 006999	1
510	BACS40R014C029F	.SHIM-	OPTIONAL PART: BACS40R014B029F	002004 006999	1
510	BACS40R014B029F	.SHIM-	OPTIONAL PART: BACS40R014C029F	101106 108120 504903	1

MISSING ITEM NUMBERS NOT APPLICABLE

- ITEM NOT ILLUSTRATED

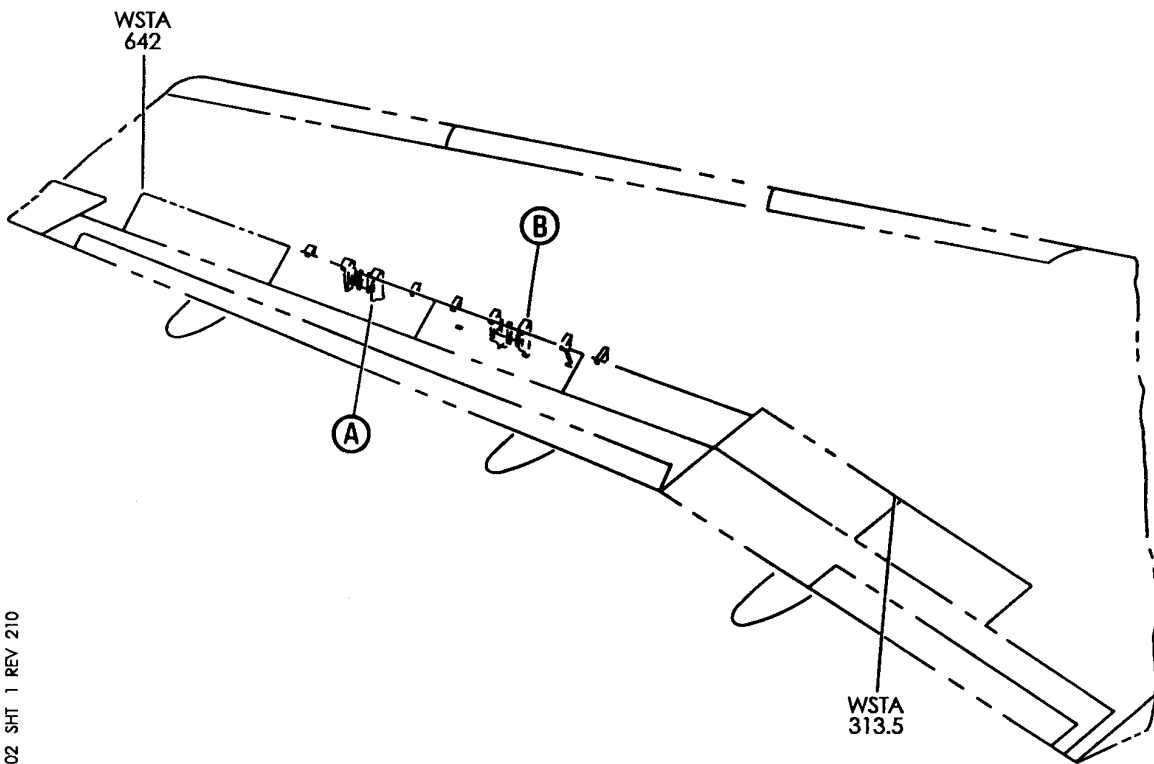
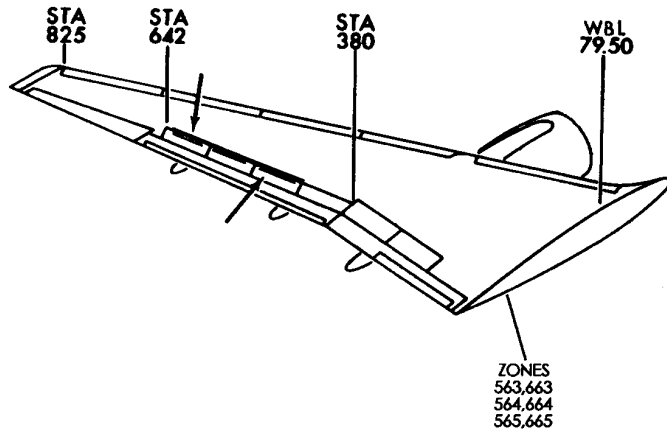
BRI

57-70-00-01

BOEING PROPRIETARY - Copyright © - Unpublished Work - See title page for details.

57-70-00
FIG. 01
PAGE 23
JAN 20/09

BOEING
757
PARTS CATALOG (MAINTENANCE)



Y 57700002 SH1 1 REV 210

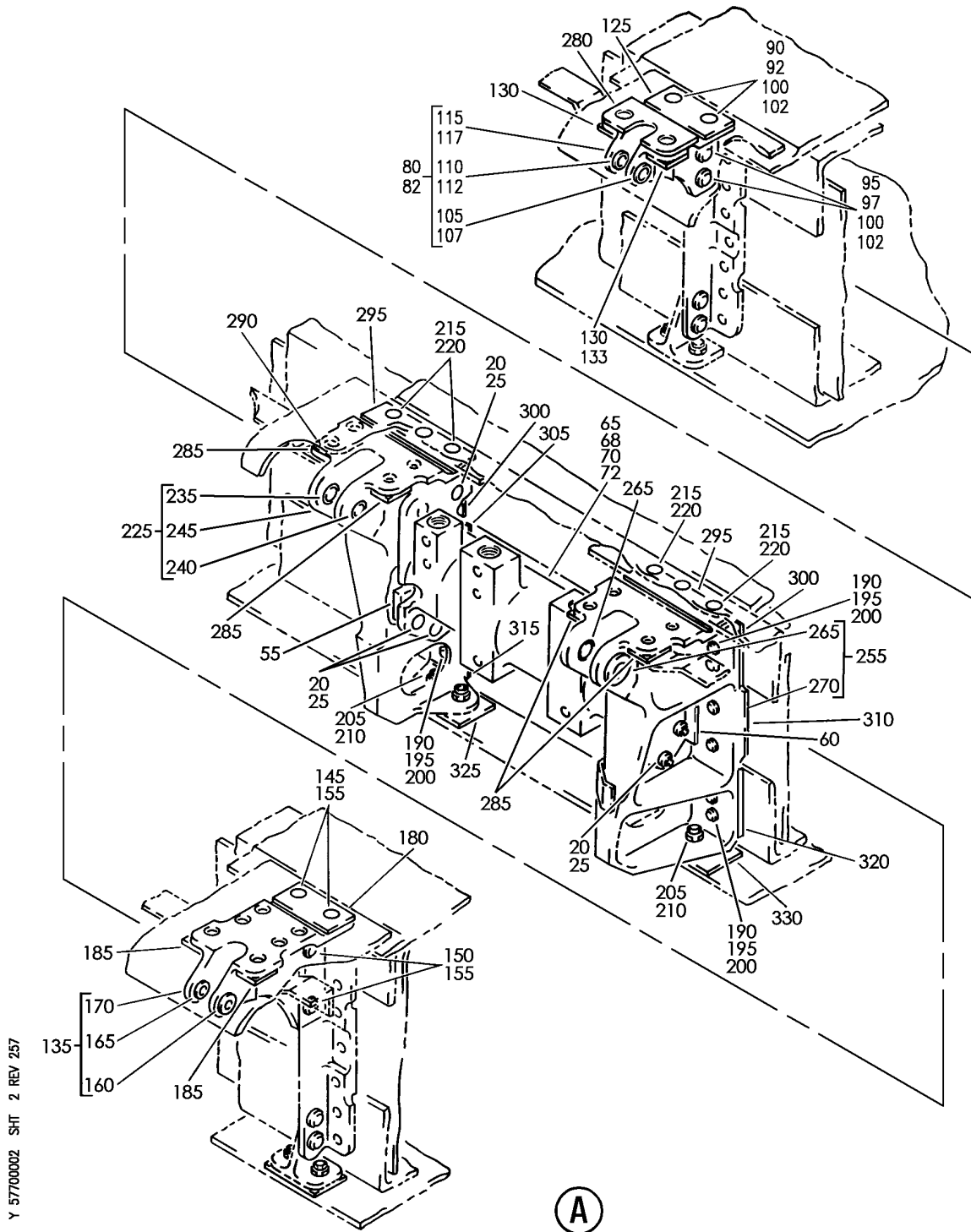
SUPPORT INSTL-WING TE SPOILER NO. 1 THRU 5 (SPOILER NO. 2 THRU 3 ONLY)
FIGURE 2 (SHEET 1)

57-70-00-02

BRI
MAY 28/07

57-70-00-02
PAGE 0

BOEING
757
PARTS CATALOG (MAINTENANCE)



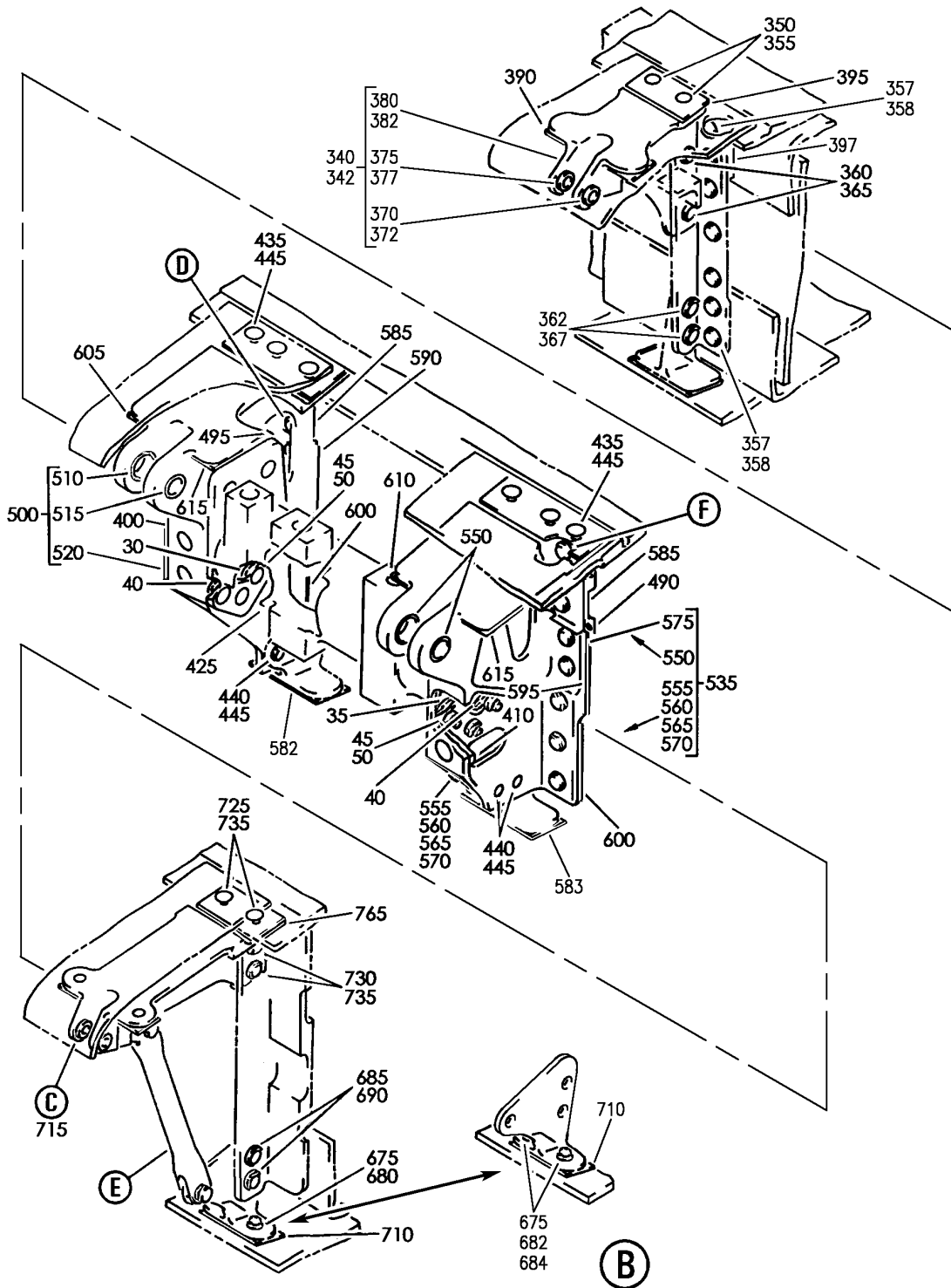
SUPPORT INSTL-WING TE SPOILER NO. 1 THRU 5 (SPOILER NO. 2 THRU 3 ONLY)
FIGURE 2 (SHEET 2)

BRI
MAY 28/07

57-70-00-02

57-70-00-02
PAGE 0A

BOEING
757
PARTS CATALOG (MAINTENANCE)



Y 57700002 SH 3 REV 257

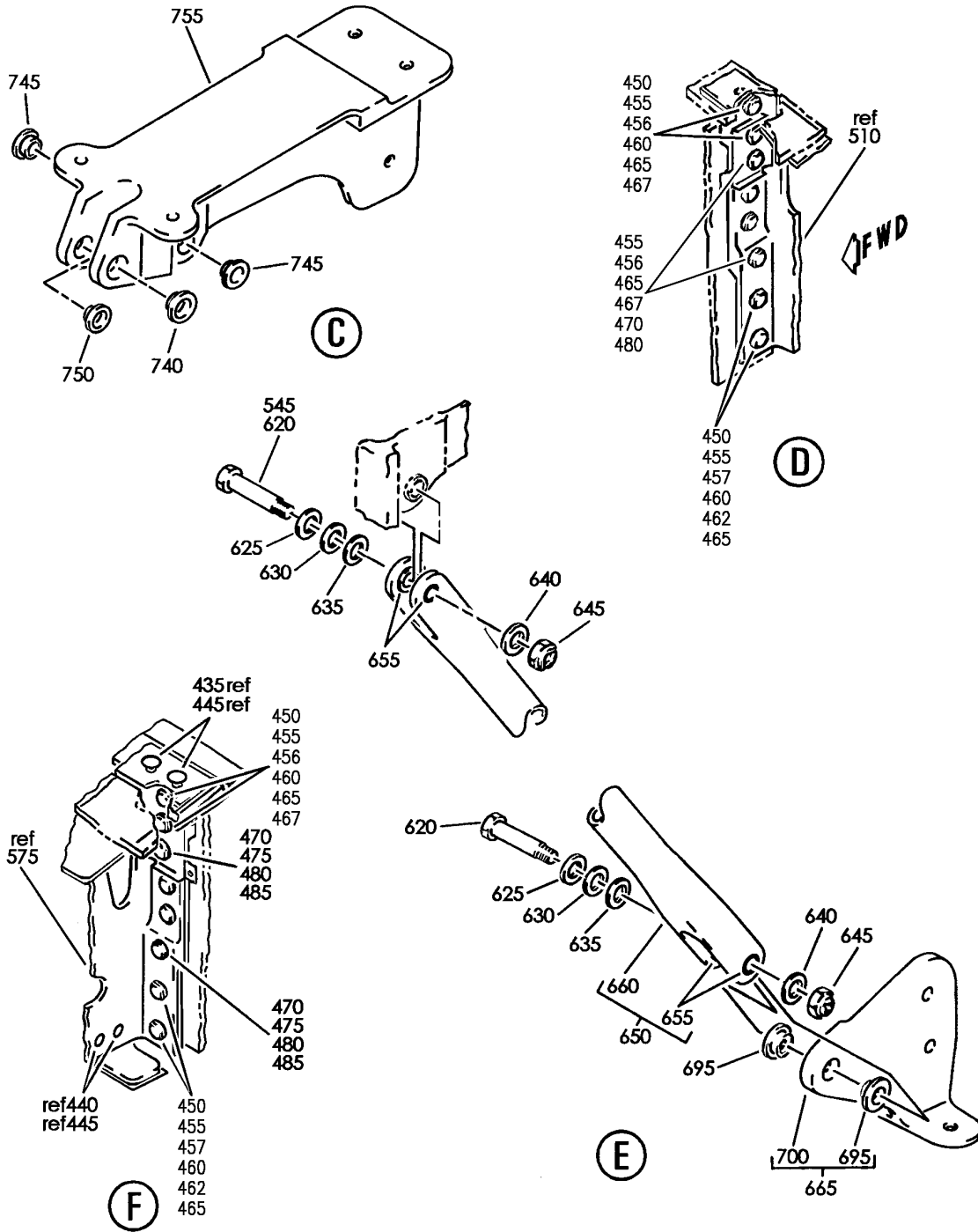
SUPPORT INSTL-WING TE SPOILER NO. 1 THRU 5 (SPOILER NO. 2 THRU 3 ONLY)
FIGURE 2 (SHEET 3)

57-70-00-02

BRI
MAY 28/07

57-70-00-02
PAGE 0B

BOEING
757
PARTS CATALOG (MAINTENANCE)



Y 57700002 SH1 4 REV 249

SUPPORT INSTL-WING TE SPOILER NO. 1 THRU 5 (SPOILER NO. 2 THRU 3 ONLY)
FIGURE 2 (SHEET 4)

57-70-00-02

BRI
MAY 28/07

57-70-00-02
PAGE 0C



757

PARTS CATALOG (MAINTENANCE)

FIG ITEM	PART NUMBER	1 2 3 4 5 6 7	NOMENCLATURE	EFFECT FROM TO	UNITS PER ASSY
2			SUPPORT INSTL-WING TE SPOILER NO. 1 THRU 5 (SPOILER NO. 2 THRU 3 ONLY)	002004 006999	
- 1	113N1400-9		SUPPORT INSTL-WING TE SPOILER NO. 1 THRU 5 (SPOILER NO. 2 THRU 3 ONLY) POSITION DATA: LH FOR NHA/ADDITIONAL DET SEE: 57-20-52-01	107107	RF
- 1	113N1400-11		SUPPORT INSTL-WING TE SPOILER NO. 1 THRU 5 (SPOILER NO. 2 THRU 3 ONLY) POSITION DATA: LH FOR NHA/ADDITIONAL DET SEE: 57-20-52-01	002004 006010 121503 904999	RF
- 1	113N1400-17		SUPPORT INSTL-WING TE SPOILER NO. 1 THRU 5 (SPOILER NO. 2 THRU 3 ONLY) POSITION DATA: LH FOR NHA/ADDITIONAL DET SEE: 57-20-52-01	011100	RF
- 1	113N1400-201		SUPPORT INSTL-WING TE SPOILER NO. 1 THRU 5 (SPOILER NO. 2 THRU 3 ONLY) POSITION DATA: LH FOR NHA/ADDITIONAL DET SEE: 57-00-00-05	101102 504504	RF
- 1	113N1400-203		SUPPORT INSTL-WING TE SPOILER NO. 1 THRU 5 (SPOILER NO. 2 THRU 3 ONLY) POSITION DATA: LH FOR NHA/ADDITIONAL DET SEE: 57-00-00-05	505903	RF

MISSING ITEM NUMBERS NOT APPLICABLE

- ITEM NOT ILLUSTRATED

BRI

57-70-00-02

BOEING PROPRIETARY - Copyright © - Unpublished Work - See title page for details.

57-70-00
FIG. 02
PAGE 1
JAN 20/09



757

PARTS CATALOG (MAINTENANCE)

FIG ITEM	PART NUMBER	1 2 3 4 5 6 7	NOMENCLATURE	EFFECT FROM TO	UNITS PER ASSY
2					
- 1	113N1400-207		SUPPORT INSTL-WING TE SPOILER NO. 1 THRU 5 (SPOILER NO. 2 THRU 3 ONLY) POSITION DATA: LH FOR NHA/ADDITIONAL DET SEE: 57-00-00-05	108120	RF
- 2	MODREF32763		SUPPORT INSTL-WING TE SPOILER NO. 1 THRU 5 (SPOILER NO. 2 THRU 3 ONLY) MODULE NUMBER: 113N1400-19 REV C POSITION DATA: LH FOR ADDITIONAL DETAILS SEE: 57-70-00-01 57-70-00-04	103106	1
- 5	113N1400-10		SUPPORT INSTL-WING TE SPOILER NO. 1 THRU 5 (SPOILER NO. 2 THRU 3 ONLY) POSITION DATA: RH FOR NHA/ADDITIONAL DET SEE: 57-20-52-01	107107	RF
- 5	113N1400-12		SUPPORT INSTL-WING TE SPOILER NO. 1 THRU 5 (SPOILER NO. 2 THRU 3 ONLY) POSITION DATA: RH FOR NHA/ADDITIONAL DET SEE: 57-20-52-01	002004 006010 121503 904999	RF
- 5	113N1400-18		SUPPORT INSTL-WING TE SPOILER NO. 1 THRU 5 (SPOILER NO. 2 THRU 3 ONLY) POSITION DATA: RH FOR NHA/ADDITIONAL DET SEE: 57-20-52-01	011100	RF

MISSING ITEM NUMBERS NOT APPLICABLE

- ITEM NOT ILLUSTRATED

BRI

57-70-00-02

BOEING PROPRIETARY - Copyright © - Unpublished Work - See title page for details.

57-70-00
FIG. 02
PAGE 2
JAN 20/09



757

PARTS CATALOG (MAINTENANCE)

FIG ITEM	PART NUMBER	1 2 3 4 5 6 7	NOMENCLATURE	EFFECT FROM TO	UNITS PER ASSY
2					
- 5	113N1400-202		SUPPORT INSTL-WING TE SPOILER NO. 1 THRU 5 (SPOILER NO. 2 THRU 3 ONLY) POSITION DATA: RH FOR NHA/ADDITIONAL DET SEE: 57-00-00-05	101102 504504	RF
- 5	113N1400-204		SUPPORT INSTL-WING TE SPOILER NO. 1 THRU 5 (SPOILER NO. 2 THRU 3 ONLY) POSITION DATA: RH FOR NHA/ADDITIONAL DET SEE: 57-00-00-05	505903	RF
- 5	113N1400-208		SUPPORT INSTL-WING TE SPOILER NO. 1 THRU 5 (SPOILER NO. 2 THRU 3 ONLY) POSITION DATA: RH FOR NHA/ADDITIONAL DET SEE: 57-00-00-05	108120	RF
- 6	MODREF32764		SUPPORT INSTL-WING TE SPOILER NO. 1 THRU 5 (SPOILER NO. 2 THRU 3 ONLY) MODULE NUMBER: 113N1400-20 REV D POSITION DATA: RH FOR ADDITIONAL DETAILS SEE: 57-70-00-01 57-70-00-04A	103106	1
55	271N6176-31		.BRACKET ASSY-HYDR	107107	1
60	271N6176-32		.BRACKET ASSY-HYDR	107107	1
68	113N1409-1		.FITTING-ACTR SPRT	002004 006106 108999	1
70	113N1160-1		.SUPPORT ASSY-SPOILER NO. 2 POSITION DATA: LH SIDE FOR DETAILS SEE: 57-70-00-05	002004 006100 121503 904999	1

MISSING ITEM NUMBERS NOT APPLICABLE

- ITEM NOT ILLUSTRATED

57-70-00-02

57-70-00
FIG. 02
PAGE 3
JAN 20/09

BRI



757

PARTS CATALOG (MAINTENANCE)

FIG ITEM	PART NUMBER	1 2 3 4 5 6 7	NOMENCLATURE	EFFECT FROM TO	UNITS PER ASSY
2	72 113N1160-3		.SUPPORT ASSY-SPOILER NO. 2 POSITION DATA: LH SIDE FOR DETAILS SEE: 57-70-00-05	101106 108120 504903	1
-	75 113N1160-2		.SUPPORT ASSY-SPOILER NO. 2 POSITION DATA: RH SIDE FOR DETAILS SEE: 57-70-00-05	002004 006100 121503 904999	1
-	77 113N1160-4		.SUPPORT ASSY-SPOILER NO. 2 POSITION DATA: RH SIDE FOR DETAILS SEE: 57-70-00-05	101106 108120 504903	1
	80 113N1419-7		.FITTING ASSY-HINGE, SPOILER NO. 2 POSITION DATA: OUTBD LH SIDE OPTIONAL PART: 113N1423-1	002004 006102 107999	1
	80 113N1423-1		.FITTING ASSY-HINGE, SPOILER NO. 2 POSITION DATA: OUTBD LH SIDE OPTIONAL PART: 113N1419-7	002004 006102 107999	1
	82 113N1189-1		.FITTING ASSY-HINGE, SPOILER NO. 2 POSITION DATA: OUTBD LH SIDE	103106	1
-	85 113N1419-8		.FITTING ASSY-HINGE, SPOILER NO. 2 POSITION DATA: OUTBD RH SIDE OPTIONAL PART: 113N1423-2	002004 006102 107999	1
-	85 113N1423-2		.FITTING ASSY-HINGE, SPOILER NO. 2 POSITION DATA: OUTBD RH SIDE OPTIONAL PART: 113N1419-8	002004 006102 107999	1
-	87 113N1189-6		.FITTING ASSY-HINGE, SPOILER NO. 2 POSITION DATA: OUTBD RH SIDE	103106	1

MISSING ITEM NUMBERS NOT APPLICABLE

- ITEM NOT ILLUSTRATED

BRI

57-70-00-02

57-70-00
FIG. 02
PAGE 4
JAN 20/09



757

PARTS CATALOG (MAINTENANCE)

FIG ITEM	PART NUMBER	1 2 3 4 5 6 7	NOMENCLATURE	EFFECT FROM TO	UNITS PER ASSY
2			ATTACHING PARTS		
90	BACB30NW8K	.BOLT-	SIZE DETERMINED ON INSTL.	107107	2
90	BACB30YP8K	.BOLT-	SIZE DETERMINED ON INSTL.	002004 006102 108999	2
92	BACB30YP8K	.BOLT-	SIZE DETERMINED ON INSTL.	103106	2
95	BACB30MY8K	.BOLT-	SIZE DETERMINED ON INSTL.	107107	2
95	BACB30VT8K	.BOLT-	SIZE DETERMINED ON INSTL.	002004 006102 108999	2
97	BACB30VT8K	.BOLT-	SIZE DETERMINED ON INSTL.	103106	2
100	HL79-8	.COLLAR-	SUPPLIER CODE: V5M902 SPECIFICATION NUMBER: BACC30M8 OPTIONAL PART: HL79-8 V73197 HL79-8 V92215 66014-8 V56878 HL79-8 V56878	107107	4
100	BACC30BL8	.COLLAR-	SUPPLIER CODE: V73197 SPECIFICATION NUMBER: BACC30BL8 OPTIONAL PART: HST79-8 V92215 HST79CY8 V56878 HST79CY8 V5M902	002004 006102 108999	4

MISSING ITEM NUMBERS NOT APPLICABLE

- ITEM NOT ILLUSTRATED

BRI

57-70-00-02

BOEING PROPRIETARY - Copyright © - Unpublished Work - See title page for details.

57-70-00
FIG. 02
PAGE 5
JAN 20/09



757

PARTS CATALOG (MAINTENANCE)

FIG ITEM	PART NUMBER	1 2 3 4 5 6 7	NOMENCLATURE	EFFECT FROM TO	UNITS PER ASSY
2 102	BACC30BL8	.COLLAR	SUPPLIER CODE: V73197 SPECIFICATION NUMBER: BACC30BL8 OPTIONAL PART: HST79-8 V92215 HST79CY8 V56878 HST79CY8 V5M902 -----*	103106	4
105	BACB28AM06B020A	..BUSHING		002004 006102 107999	1
107	BACB28AT06B019C	..BUSHING		103106	1
110	BACB28AP04P020	..BUSHING		002004 006102 107999	1
112	BACB28AP04P019	..BUSHING		103106	1
115	113N1419-9	..FITTING- POSITION DATA: LH SIDE USED ON: 113N1419-7		002004 006102 107999	1
115	113N1423-3	..FITTING- POSITION DATA: LH SIDE USED ON: 113N1423-1		002004 006102 107999	1
117	113N1189-3	..FITTING- POSITION DATA: LH SIDE		103106	1
- 120	113N1419-10	..FITTING- POSITION DATA: RH SIDE USED ON: 113N1419-8		002004 006102 107999	1
- 120	113N1423-4	..FITTING- POSITION DATA: RH SIDE USED ON: 113N1423-2		002004 006102 107999	1
- 122	113N1189-8	..FITTING- POSITION DATA: RH SIDE		103106	1
125	BACS40R13C25F	.SHIM-		107107	1

MISSING ITEM NUMBERS NOT APPLICABLE

- ITEM NOT ILLUSTRATED

57-70-00-02

57-70-00
FIG. 02
PAGE 6
JAN 20/09

BRI

BOEING PROPRIETARY - Copyright © - Unpublished Work - See title page for details.



757

PARTS CATALOG (MAINTENANCE)

FIG ITEM	PART NUMBER	1 2 3 4 5 6 7	NOMENCLATURE	EFFECT FROM TO	UNITS PER ASSY
2					
125	BACS40R013C025F	.	SHIM-	002004 006999	1
130	BACS40R07D09F	.	SHIM-	107107	2
130	BACS40R007C009F	.	SHIM-	002004 006999	2
133	BACS40R023C026F	.	SHIM	103106	1
135	113N1420-7	.	FITTING ASSY-HINGE, SPOILER NO. 2 POSITION DATA: INBD LH SIDE OPTIONAL PART: 113N1431-1	002004 006999	1
135	113N1431-1	.	FITTING ASSY-HINGE, SPOILER NO. 2 POSITION DATA: INBD LH SIDE OPTIONAL PART: 113N1420-7	002004 006999	1
- 140	113N1420-8	.	FITTING ASSY-HINGE, SPOILER NO. 2 POSITION DATA: INBD RH SIDE OPTIONAL PART: 113N1431-2	002004 006999	1
- 140	113N1431-2	.	FITTING ASSY-HINGE, SPOILER NO. 2 POSITION DATA: INBD RH SIDE OPTIONAL PART: 113N1420-8 ATTACHING PARTS	002004 006999	1
145	BACB30NW8K	.	BOLT- SIZE DETERMINED ON INSTL.	107107	2
145	BACB30YP8K	.	BOLT- SIZE DETERMINED ON INSTL.	002004 006106 108999	2
150	BACB30MY8K	.	BOLT- SIZE DETERMINED ON INSTL.	107107	2
150	BACB30VT8K	.	BOLT- SIZE DETERMINED ON INSTL.	002004 006106 108999	2

MISSING ITEM NUMBERS NOT APPLICABLE

- ITEM NOT ILLUSTRATED

57-70-00-02

57-70-00
FIG. 02
PAGE 7
JAN 20/09

BRI

BOEING PROPRIETARY - Copyright © - Unpublished Work - See title page for details.



757

PARTS CATALOG (MAINTENANCE)

FIG ITEM	PART NUMBER	1 2 3 4 5 6 7	NOMENCLATURE	EFFECT FROM TO	UNITS PER ASSY
2 155	HL79-8		. COLLAR SUPPLIER CODE: V5M902 SPECIFICATION NUMBER: BACC30M8 OPTIONAL PART: HL79-8 V73197 HL79-8 V92215 66014-8 V56878 HL79-8 V56878	107107	4
155	BACC30BL8		. COLLAR SUPPLIER CODE: V73197 SPECIFICATION NUMBER: BACC30BL8 OPTIONAL PART: HST79-8 V92215 HST79CY8 V56878 HST79CY8 V5M902	002004 006106 108999	4
160	BACB28AM06B020A		-----*----- .. BUSHING	002004 006999	1
165	BACB28AP04P020		.. BUSHING	002004 006999	1
170	113N1420-9		.. FITTING- POSITION DATA: LH SIDE USED ON: 113N1420-7	002004 006999	1
170	113N1431-3		.. FITTING- POSITION DATA: LH SIDE USED ON: 113N1431-1	002004 006999	1
- 175	113N1420-10		.. FITTING- POSITION DATA: RH SIDE USED ON: 113N1420-8	002004 006999	1

MISSING ITEM NUMBERS NOT APPLICABLE

- ITEM NOT ILLUSTRATED

57-70-00-02

57-70-00
FIG. 02
PAGE 8
JAN 20/09

BRI



757

PARTS CATALOG (MAINTENANCE)

FIG ITEM	PART NUMBER	1 2 3 4 5 6 7	NOMENCLATURE	EFFECT FROM TO	UNITS PER ASSY
2 - 175	113N1431-4	..	FITTING- POSITION DATA: RH SIDE USED ON: 113N1431-2	002004 006999	1
180	BACS40R13C26F	.SHIM-		107107	1
180	BACS40R013C026F	.SHIM-		002004 006999	1
185	BACS40R07D09F	.SHIM-		107107	2
185	BACS40R007C009F	.SHIM-		002004 006999	2
190	BACB30MY10K	.BOLT-	SIZE DETERMINED ON INSTL.	107107	12
190	BACB30VT10K	.BOLT-	SIZE DETERMINED ON INSTL.	002004 006106 121999	12
195	TLN12045	.NUT	SUPPLIER CODE: V97928 SPECIFICATION NUMBER: BACN10WM5 OPTIONAL PART: LH10114B5 V72962 MN155 V73197 VN18615 V92215 H49702-5S V15653 W8505 V08524 H497025 V15653	107107	12
200	VLC771-10	.COLLAR-	SUPPLIER CODE: V5M902 SPECIFICATION NUMBER: BACC30BP10 OPTIONAL PART: HST771-10 V73197 BACN10TN5K	002004 006106 121999	12

MISSING ITEM NUMBERS NOT APPLICABLE

- ITEM NOT ILLUSTRATED

BRI

57-70-00-02

BOEING PROPRIETARY - Copyright © - Unpublished Work - See title page for details.

57-70-00
FIG. 02
PAGE 9
JAN 20/09



757

PARTS CATALOG (MAINTENANCE)

FIG ITEM	PART NUMBER	1 2 3 4 5 6 7	NOMENCLATURE	EFFECT FROM TO	UNITS PER ASSY
2 200	H39242-5K	.NUT-	SUPPLIER CODE: V15653 SPECIFICATION NUMBER: BACN10TN5K OPTIONAL PART: BH00700-5K V27238 TLN1200-5K V97928 BACC30BP10	103106 108120	12
205	BACB30NW8K	.BOLT-	SIZE DETERMINED ON INSTL.	107107	4
210	HL82-8APBW	.COLLAR	SUPPLIER CODE: V5M902 SPECIFICATION NUMBER: BACC30AG8 OPTIONAL PART: HL82-8APBW V92215 HL82-8APBW V56878 HL82-8APBW V73197	107107	4
215	BACB30NW10K	.BOLT-	SIZE DETERMINED ON INSTL.	107107	6
220	HL79-10	.COLLAR	SUPPLIER CODE: V5M902 SPECIFICATION NUMBER: BACC30M10 OPTIONAL PART: HL79-10 V73197 HL79-10 V92215 66014-10 V56878 HL79-10 V56878	107107	6
225	113N1412-25	.RIB ASSY-ACTR SPRT, SPOILER NO. 2 POSITION DATA: LH SIDE OPTIONAL PART: 113N1412-17 113N1441-1		107107	1

MISSING ITEM NUMBERS NOT APPLICABLE

- ITEM NOT ILLUSTRATED

57-70-00-02

57-70-00
FIG. 02
PAGE 10
JAN 20/09

BRI



757

PARTS CATALOG (MAINTENANCE)

FIG ITEM	PART NUMBER	1 2 3 4 5 6 7	NOMENCLATURE	EFFECT FROM TO	UNITS PER ASSY
2					
225	113N1441-1		.RIB ASSY-ACTR SPRT, SPOILER NO. 2 POSITION DATA: LH SIDE OPTIONAL PART: 113N1412-33	107107	1
225	113N1412-33		.RIB ASSY-ACTR SPRT, SPOILER NO. 2 POSITION DATA: LH SIDE OPTIONAL PART: 113N1441-1	107107	1
- 230	113N1412-26		.RIB ASSY-ACTR SPRT, SPOILER NO. 2 POSITION DATA: RH SIDE OPTIONAL PART: 113N1412-18 113N1441-2	107107	1
- 230	113N1441-2		.RIB ASSY-ACTR SPRT, SPOILER NO. 2 POSITION DATA: RH SIDE OPTIONAL PART: 113N1412-34	107107	1
- 230	113N1412-34		.RIB ASSY-ACTR SPRT, SPOILER NO. 2 POSITION DATA: RH SIDE OPTIONAL PART: 113N1441-2	107107	1
235	BACB28AM13B035A		..BUSHING	107107	1
240	BACB28AP09P035		..BUSHING	107107	1
245	113N1412-29		..RIB- POSITION DATA: LH SIDE USED ON: 113N1412-25	107107	1
245	113N1441-3		..RIB- POSITION DATA: LH SIDE USED ON: 113N1441-1	107107	1
245	113N1412-35		..RIB- POSITION DATA: LH SIDE USED ON: 113N1412-33	107107	1

MISSING ITEM NUMBERS NOT APPLICABLE

- ITEM NOT ILLUSTRATED

57-70-00-02

57-70-00
FIG. 02
PAGE 11
JAN 20/09

BRI



**757
PARTS CATALOG (MAINTENANCE)**

FIG ITEM	PART NUMBER	1 2 3 4 5 6 7	NOMENCLATURE	EFFECT FROM TO	UNITS PER ASSY
2					
- 250	113N1412-30	..	RIB- POSITION DATA: RH SIDE USED ON: 113N1412-26	107107	1
- 250	113N1441-4	..	RIB- POSITION DATA: RH SIDE USED ON: 113N1441-2	107107	1
- 250	113N1412-36	..	RIB- POSITION DATA: RH SIDE USED ON: 113N1412-34	107107	1
255	113N1412-27	.RIB	ASSY-ACTR SPRT, SPOILER NO. 2 POSITION DATA: LH SIDE OPTIONAL PART: 113N1412-19 113N1469-1	107107	1
255	113N1469-1	.RIB	ASSY-ACTR SPRT, SPOILER NO. 2 POSITION DATA: LH SIDE OPTIONAL PART: 113N1412-37	107107	1
255	113N1412-37	.RIB	ASSY-ACTR SPRT, SPOILER NO. 2 POSITION DATA: LH SIDE OPTIONAL PART: 113N1469-1	107107	1
- 260	113N1412-28	.RIB	ASSY-ACTR SPRT, SPOILER NO. 2 POSITION DATA: RH SIDE	107107	1
- 260	113N1469-2	.RIB	ASSY-ACTR SPRT, SPOILER NO. 2 POSITION DATA: RH SIDE OPTIONAL PART: 113N1412-38	107107	1

MISSING ITEM NUMBERS NOT APPLICABLE

- ITEM NOT ILLUSTRATED

BRI

57-70-00-02

BOEING PROPRIETARY - Copyright © - Unpublished Work - See title page for details.

57-70-00
FIG. 02
PAGE 12
JAN 20/09



757

PARTS CATALOG (MAINTENANCE)

FIG ITEM	PART NUMBER	1 2 3 4 5 6 7	NOMENCLATURE	EFFECT FROM TO	UNITS PER ASSY
2					
- 260	113N1412-38		.RIB ASSY-ACTR SPRT, SPOILER NO. 2 POSITION DATA: RH SIDE OPTIONAL PART: 113N1469-2	107107	1
265	BACB28AM13B035A		..BUSHING	107107	2
270	113N1412-31		..RIB- POSITION DATA: LH SIDE USED ON: 113N1412-27	107107	1
270	113N1469-3		..RIB- POSITION DATA: LH SIDE USED ON: 113N1469-1	107107	1
270	113N1412-39		..RIB- POSITION DATA: LH SIDE USED ON: 113N1412-37	107107	1
- 275	113N1412-32		..RIB- POSITION DATA: RH SIDE USED ON: 113N1412-28	107107	1
- 275	113N1469-4		..RIB- POSITION DATA: RH SIDE USED ON: 113N1469-2	107107	1
- 275	113N1412-40		..RIB- POSITION DATA: RH SIDE USED ON: 113N1412-38	107107	1
280	BACS40R17B027F		.SHIM	107107	1
285	BACS40R07D09F		.SHIM-	107107	4
285	BACS40R007D009F		.SHIM-	002004	4
				006999	
290	BACS40R017D027F		.SHIM	002004	1
				006999	
295	BACS40R14C38F		.SHIM-	107107	2
295	BACS40R014C038F		.SHIM- OPTIONAL PART: BACS40R014B038F	002004	2
				006999	

MISSING ITEM NUMBERS NOT APPLICABLE

- ITEM NOT ILLUSTRATED

57-70-00-02

57-70-00
FIG. 02
PAGE 13
JAN 20/09

BRI



757

PARTS CATALOG (MAINTENANCE)

FIG ITEM	PART NUMBER	1 2 3 4 5 6 7	NOMENCLATURE	EFFECT FROM TO	UNITS PER ASSY
2					
295	BACS40R014B038F	.SHIM-		101106	2
			OPTIONAL PART:	108120	
			BACS40R014C038F	504903	
300	BACS40R15C27F	.SHIM-		107107	2
300	BACS40R015C027F	.SHIM-		002004	2
				006999	
305	BACS40R15C31F	.SHIM-		107107	1
305	BACS40R015C031F	.SHIM-		003004	1
				006100	
				121503	
				904999	
310	BACS40R15C33F	.SHIM-		107107	1
310	BACS40R015C033F	.SHIM-		003004	1
				006100	
				121503	
				904999	
315	BACS40R15C30F	.SHIM-		107107	1
315	BACS40R015C030F	.SHIM-		002004	1
				006999	
320	BACS40R15C29F	.SHIM		107107	1
320	BACS40R015C029F	.SHIM-		103106	1
			OPTIONAL PART:	108120	
			BACS40R015B029F		
320	BACS40R015B029F	.SHIM-		103106	1
			OPTIONAL PART:	108120	
			BACS40R015C029F		
325	BACS40R16C27F	.SHIM-		107107	1
325	BACS40R016C027F	.SHIM-		002004	1
			OPTIONAL PART:	006999	
			BACS40R016B027F		
325	BACS40R016B027F	.SHIM-		101106	1
			OPTIONAL PART:	108120	
			BACS40R016C027F	504903	
330	113N1400-4	.SHIM-		107107	1
			POSITION DATA:		
			LH SIDE		
- 335	113N1400-5	.SHIM-		107107	1
			POSITION DATA:		
			RH SIDE		
340	113N1427-7	.FITTING ASSY-HINGE,		002004	1
		SPOILER NO. 3		006100	
		POSITION DATA:		107107	
		OUTBD LH SIDE		121503	
				904999	
340	113N1436-1	.FITTING ASSY-HINGE,		002004	1
		SPOILER NO. 3		006102	
		POSITION DATA:		107999	
		OUTBD LH SIDE			

MISSING ITEM NUMBERS NOT APPLICABLE

- ITEM NOT ILLUSTRATED

BRI

57-70-00-02

57-70-00
FIG. 02
PAGE 14
JAN 20/09

 **BOEING**
757
PARTS CATALOG (MAINTENANCE)

FIG ITEM	PART NUMBER	1 2 3 4 5 6 7	NOMENCLATURE	EFFECT FROM TO	UNITS PER ASSY
2					
342	113N1188-1		.FITTING ASSY-HINGE, SPOILER NO. 3 POSITION DATA: OUTBD LH SIDE	103106	1
- 345	113N1427-8		.FITTING ASSY-HINGE, SPOILER NO. 3 POSITION DATA: OUTBD RH SIDE	002004 006100 107107 121503 904999	1
- 345	113N1436-2		.FITTING ASSY-HINGE, SPOILER NO. 3 POSITION DATA: OUTBD RH SIDE OPTIONAL PART: 113N1427-8	002004 006102 107999	1
- 347	113N1436-6		.FITTING ASSY-HINGE, SPOILER NO. 3 POSITION DATA: OUTBD RH SIDE ATTACHING PARTS	103106	1
350	BACB30YP8K		.BOLT- SIZE DETERMINED ON INSTL.	002004 006999	2
355	BACC30BL8		.COLLAR SUPPLIER CODE: V73197 SPECIFICATION NUMBER: BACC30BL8 OPTIONAL PART: HST79-8 V92215 HST79CY8 V56878 HST79CY8 V5M902	002004 006999	2
357	BACB30VT8K		.BOLT- SIZE DETERMINED ON INSTL.	103106	7
358	VLC771-8		.COLLAR SUPPLIER CODE: V5M902 SPECIFICATION NUMBER: BACC30BP8 OPTIONAL PART: HST771-8 V73197	103106	7
360	BACB30VT10K		.BOLT- SIZE DETERMINED ON INSTL.	002004 006102 107999	2
362	BACB30VT8K		.BOLT- SIZE DETERMINED ON INSTL.	103106	2

MISSING ITEM NUMBERS NOT APPLICABLE

- ITEM NOT ILLUSTRATED

BRI

57-70-00-02

BOEING PROPRIETARY - Copyright © - Unpublished Work - See title page for details.

57-70-00
FIG. 02
PAGE 15
JAN 20/09



757

PARTS CATALOG (MAINTENANCE)

FIG ITEM	PART NUMBER	1 2 3 4 5 6 7	NOMENCLATURE	EFFECT FROM TO	UNITS PER ASSY
2 365	BACC30BL10	. COLLAR	SUPPLIER CODE: V73197 SPECIFICATION NUMBER: BACC30BL10 OPTIONAL PART: HST79-10 V92215 HST79CY10 V56878 HST79CY10 V5M902	002004 006102 107999	2
367	BACC30BL8	. COLLAR	SUPPLIER CODE: V73197 SPECIFICATION NUMBER: BACC30BL8 OPTIONAL PART: HST79-8 V92215 HST79CY8 V56878 HST79CY8 V5M902	103106	2
370	BACB28AM06B020A	.. BUSHING	-----*-----	002004 006102 107999	1
372	BACB28AT06B019C	.. BUSHING		103106	1
375	BACB28AP04P020	.. BUSHING		002004 006102 107999	1
377	BACB28AP04P019	.. BUSHING		103106	1
380	113N1427-9	.. FITTING-	POSITION DATA: LH SIDE USED ON: 113N1427-7	002004 006100 107107 121503 904999	1
380	113N1436-3	.. FITTING-	POSITION DATA: LH SIDE USED ON: 113N1436-1	002004 006102 107999	1
382	113N1188-3	.. FITTING-	POSITION DATA: LH SIDE	103106	1

MISSING ITEM NUMBERS NOT APPLICABLE

- ITEM NOT ILLUSTRATED

57-70-00-02

57-70-00
FIG. 02
PAGE 16
JAN 20/09

BRI

BOEING PROPRIETARY - Copyright © - Unpublished Work - See title page for details.



757

PARTS CATALOG (MAINTENANCE)

FIG ITEM	PART NUMBER	1 2 3 4 5 6 7	NOMENCLATURE	EFFECT FROM TO	UNITS PER ASSY
2					
- 385	113N1427-10	..	FITTING- POSITION DATA: RH SIDE USED ON: 113N1427-8	002004 006100 107107 121503 904999	1
- 385	113N1436-4	..	FITTING- POSITION DATA: RH SIDE USED ON: 113N1436-2	002004 006102 107999	1
- 387	113N1188-8	..	FITTING- POSITION DATA: RH SIDE	103106	1
390	BACS40R007B009F	.	SHIM-	002004 006102 107999	1
390	BACS40R007C009F	.	SHIM-	103106	1
395	BACS40R013C024F	.	SHIM-	002004 006999	1
397	BACS40R024C032F	.	SHIM	103106	1
425	113N1163-1	.	SUPPORT ASSY-SPOILER NO. 3 POSITION DATA: LH SIDE FOR DETAILS SEE: 57-70-00-05	002004 006100 107107 121503 904999	1
425	113N1163-5	.	SUPPORT ASSY-SPOILER NO. 3 POSITION DATA: LH SIDE FOR DETAILS SEE: 57-70-00-05	101106 108120 504903	1
- 430	113N1163-2	.	SUPPORT ASSY-SPOILER NO. 3 POSITION DATA: RH SIDE FOR DETAILS SEE: 57-70-00-05	002004 006100 107107 121503 904999	1
- 430	113N1163-6	.	SUPPORT ASSY-SPOILER NO. 3 POSITION DATA: RH SIDE FOR DETAILS SEE: 57-70-00-05	101106 108120 504903	1
440	BACB30MY10K	.	BOLT- SIZE DETERMINED ON INSTL.	002004 006100 107107 121503 904999	4
455	BACB30VT10K	.	BOLT- SIZE DETERMINED ON INSTL.	002004 006102 107107 121999	12

MISSING ITEM NUMBERS NOT APPLICABLE

- ITEM NOT ILLUSTRATED

57-70-00-02

57-70-00
FIG. 02
PAGE 17
JAN 20/09

BRI



757

PARTS CATALOG (MAINTENANCE)

FIG ITEM	PART NUMBER	1 2 3 4 5 6 7	NOMENCLATURE	EFFECT FROM TO	UNITS PER ASSY
2					
456	BACB30VT10K	.BOLT-	SIZE DETERMINED ON INSTL.	103106 108120	8
457	BACB30WR5K5L	.BOLT-	SIZE DETERMINED ON INSTL.	103106 108120	4
462	H39242-5K	.NUT	SUPPLIER CODE: V15653 SPECIFICATION NUMBER: BACN10TN5K OPTIONAL PART: BH00700-5K V27238 TLN1200-5K V97928	103106 108120	4
465	VLC771-10	.COLLAR	SUPPLIER CODE: V5M902 SPECIFICATION NUMBER: BACC30BP10 OPTIONAL PART: HST771-10 V73197	002004 006102 107107 121999	12
467	VLC771-10	.COLLAR-	SUPPLIER CODE: V5M902 SPECIFICATION NUMBER: BACC30BP10 OPTIONAL PART: HST771-10 V73197 BACN10TN5K	103106 108120	8
467	H39242-5K	.NUT-	SUPPLIER CODE: V15653 SPECIFICATION NUMBER: BACN10TN5K OPTIONAL PART: BH00700-5K V27238 TLN1200-5K V97928 BACC30BP10	103106 108120	8
475	BACB30VT8K	.BOLT-	SIZE DETERMINED ON INSTL. OPTIONAL PART: BACB30VT10K	002004 006999	4

MISSING ITEM NUMBERS NOT APPLICABLE

- ITEM NOT ILLUSTRATED

57-70-00-02

57-70-00
FIG. 02
PAGE 18
JAN 20/09

BRI



757

PARTS CATALOG (MAINTENANCE)

FIG ITEM	PART NUMBER	1 2 3 4 5 6 7	NOMENCLATURE	EFFECT FROM TO	UNITS PER ASSY
2					
475	BACB30VT10K	.	BOLT- SIZE DETERMINED ON INSTL. OPTIONAL PART: BACB30VT8K	002004 006999	4
485	VLC771-8	.	COLLAR- SUPPLIER CODE: V5M902 SPECIFICATION NUMBER: BACC30BP8 OPTIONAL PART: HST771-8 V73197 BACN10TN4K BACC30BP10	002004 006999	4
485	VLC771-10	.	COLLAR- SUPPLIER CODE: V5M902 SPECIFICATION NUMBER: BACC30BP10 OPTIONAL PART: HST771-10 V73197 BACC30BP8 BACN10TN5K	002004 006999	4
485	H39242-4K	.	NUT- SUPPLIER CODE: V15653 SPECIFICATION NUMBER: BACN10TN4K OPTIONAL PART: BACC30BP8	103106 108120	4
485	H39242-5K	.	NUT- SUPPLIER CODE: V15653 SPECIFICATION NUMBER: BACN10TN5K OPTIONAL PART: BH00700-5K V27238 TLN1200-5K V97928 BACC30BP10	103106 108120	4
490	271N6019-7	.	BRACKET-HYDR TUBE	002004 006999	1
495	271N6019-8	.	BRACKET-HYDR TUBE	002004 006999	1

MISSING ITEM NUMBERS NOT APPLICABLE

- ITEM NOT ILLUSTRATED

57-70-00-02

57-70-00
FIG. 02
PAGE 19
JAN 20/09

BRI

BOEING PROPRIETARY - Copyright © - Unpublished Work - See title page for details.



757

PARTS CATALOG (MAINTENANCE)

FIG ITEM	PART NUMBER	1 2 3 4 5 6 7	NOMENCLATURE	EFFECT FROM TO	UNITS PER ASSY
2					
- 530	113N1413-38	. .	RIB- POSITION DATA: RH SIDE USED ON: 113N1413-34	002004 006100 107107 121503 904999	1
582	BACS40R012C026F	. SHIM-	OPTIONAL PART: BACS40R012B026F	103106 108120	1
582	BACS40R012B026F	. SHIM-	OPTIONAL PART: BACS40R012C026F	103106 108120	1
583	BACS40R012C028F	. SHIM-	OPTIONAL PART: BACS40R012B028F	103106 108120	1
583	BACS40R012B028F	. SHIM-	OPTIONAL PART: BACS40R012C028F	103106 108120	1
585	BACS40R015C027F	. SHIM-		002004 006999	2
600	BACS40R015C028F	. SHIM-		002004 006999	2
605	BACS40R007C009F	. SHIM-		002004 006999	1
620	BACB30PU4-14	. BOLT		002004 006999	2
625	AN960-416L	. WASHER-		002004 006100 107107 121503 904999	2
625	NAS1149F0432P	. WASHER-		101106 108120 504903	2
630	BACW10BN3SP	. WASHER		002004 006999	2
635	BACW10BP4DP	. WASHER		002004 006999	2
640	BACW10BP4ACU	. WASHER		002004 006999	2

MISSING ITEM NUMBERS NOT APPLICABLE

- ITEM NOT ILLUSTRATED

BRI

57-70-00-02

BOEING PROPRIETARY - Copyright © - Unpublished Work - See title page for details.

57-70-00
FIG. 02
PAGE 20
JAN 20/09

 **BOEING**
757
PARTS CATALOG (MAINTENANCE)

FIG ITEM	PART NUMBER	1 2 3 4 5 6 7	NOMENCLATURE	EFFECT FROM TO	UNITS PER ASSY
2 645	BRH10C3D	.	NUT SUPPLIER CODE: V52828 SPECIFICATION NUMBER: BACN10JC3CD OPTIONAL PART: T6C1032JCD V11815 NS202486-02 V80539 102LH9075-3W V72962 H51650-3BAC V15653	002004 006999	2
650	113N1444-1	.	TUBE ASSY	002004 006999	1
655	BACB28AM04B013A	..	BUSHING	002004 006999	4
660	113N1444-2	..	TUBE	002004 006999	1
665	113N1429-11	.	FITTING ASSY-HINGE POSITION DATA: INBD LH SIDE OPTIONAL PART: 113N1477-1	107107 904949 952952	1
665	113N1477-1	.	CLIP ASSY-HINGE POSITION DATA: INBD LH SIDE OPTIONAL PART: 113N1429-11	107107 904949 952952	1
665	113N1477-7	.	CLIP ASSY-HINGE POSITION DATA: INBD LH SIDE OPTIONAL PART: 113N1477-13	002004 006106 108903 950951 953999	1
665	113N1477-13	.	CLIP ASSY-HINGE POSITION DATA: INBD LH SIDE OPTIONAL PART: 113N1477-7	011106 108120 504903	1
- 670	113N1429-12	.	FITTING ASSY-HINGE POSITION DATA: INBD RH SIDE OPTIONAL PART: 113N1477-2	107107 904949 952952	1

MISSING ITEM NUMBERS NOT APPLICABLE

- ITEM NOT ILLUSTRATED

BRI

57-70-00-02

BOEING PROPRIETARY - Copyright © - Unpublished Work - See title page for details.

57-70-00
FIG. 02
PAGE 21
JAN 20/09



757

PARTS CATALOG (MAINTENANCE)

FIG ITEM	PART NUMBER	1 2 3 4 5 6 7	NOMENCLATURE	EFFECT FROM TO	UNITS PER ASSY
2					
- 670	113N1477-2		.CLIP ASSY-HINGE POSITION DATA: INBD RH SIDE OPTIONAL PART: 113N1429-12	107107 904949 952952	1
- 670	113N1477-8		.CLIP ASSY-HINGE POSITION DATA: INBD RH SIDE OPTIONAL PART: 113N1477-14	002004 006106 108903 950951 953999	1
- 670	113N1477-14		.CLIP ASSY-HINGE POSITION DATA: INBD RH SIDE OPTIONAL PART: 113N1477-8	011106 108120 504903	1
675	BACB30PT4K8		.BOLT ATTACHING PARTS	002004 006102 107999 103106	2
675	BACB30YP8K		.BOLT- SIZE DETERMINED ON INSTL.	103106	2
680	HST828AW		.COLLAR SUPPLIER CODE: V5M902 SPECIFICATION NUMBER: BACC30BQ8 OPTIONAL PART: HST828AW V56878 HST828AW V73197 HST82CY8APBW V73197 HST82CY8APBW V56878 -----*-----	103106	2

MISSING ITEM NUMBERS NOT APPLICABLE

- ITEM NOT ILLUSTRATED

BRI

57-70-00-02

BOEING PROPRIETARY - Copyright © - Unpublished Work - See title page for details.

57-70-00
FIG. 02
PAGE 22
JAN 20/09



757

PARTS CATALOG (MAINTENANCE)

FIG ITEM	PART NUMBER	1 2 3 4 5 6 7	NOMENCLATURE	EFFECT FROM TO	UNITS PER ASSY
2 682	AS46-4		.WASHER SUPPLIER CODE: V10630 SPECIFICATION NUMBER: BACW10AU4 OPTIONAL PART: K19701P4 V15653 53488W428 V56878 6073-04 V72962 TLN1020L4W V08524	002004 006102 107999	2
684	H19700P4		.NUT SUPPLIER CODE: V15653 SPECIFICATION NUMBER: BACN10MT4 OPTIONAL PART: 52LH6073-048 V72962 53488N428 V56878 TLN1020L4N V97928	002004 006102 107999	2
685	BACB30VT10K		ATTACHING PARTS .BOLT- SIZE DETERMINED ON INSTL.	002004 006999	2
690	BACC30BL10		.COLLAR SUPPLIER CODE: V73197 SPECIFICATION NUMBER: BACC30BL10 OPTIONAL PART: HST79-10 V92215 HST79CY10 V56878 HST79CY10 V5M902	002004 006999	2
695	BACB28AP04P012		-----*----- ..BUSHING	107107 904949 952952	2

MISSING ITEM NUMBERS NOT APPLICABLE

- ITEM NOT ILLUSTRATED

57-70-00-02

57-70-00
FIG. 02
PAGE 23
JAN 20/09

BRI

BOEING PROPRIETARY - Copyright © - Unpublished Work - See title page for details.



757

PARTS CATALOG (MAINTENANCE)

FIG ITEM	PART NUMBER	1 2 3 4 5 6 7	NOMENCLATURE	EFFECT FROM TO	UNITS PER ASSY
2 695	BACB28AP04P011	..	BUSHING	002004 006106 108903 950951 953999	2
700	113N1429-7	..	FITTING- POSITION DATA: LH SIDE USED ON: 113N1429-11 USED ON: 113N1429-7	107107 904949 952952	1
700	113N1477-3	..	CLIP- POSITION DATA: LH SIDE USED ON: 113N1477-1	107107 904949 952952	1
700	113N1477-9	..	CLIP- POSITION DATA: LH SIDE USED ON: 113N1477-7	002004 006106 108903 950951 953999	1
700	113N1477-11	..	CLIP- POSITION DATA: LH SIDE USED ON: 113N1477-13	011106 108120 504903	1
- 705	113N1429-8	..	FITTING- POSITION DATA: RH SIDE USED ON: 113N1429-12	107107 904949 952952	1
- 705	113N1477-4	..	CLIP- POSITION DATA: RH SIDE USED ON: 113N1477-2	107107 904949 952952	1
- 705	113N1477-10	..	CLIP- POSITION DATA: RH SIDE USED ON: 113N1477-8	002004 006106 108903 950951 953999	1
- 705	113N1477-12	..	CLIP- POSITION DATA: RH SIDE USED ON: 113N1477-14	011106 108120 504903	1
710	BACS4OR010C023F	..	SHIM-	002004 006999	1

MISSING ITEM NUMBERS NOT APPLICABLE

- ITEM NOT ILLUSTRATED

57-70-00-02

57-70-00
FIG. 02
PAGE 24
JAN 20/09

BRI

BOEING PROPRIETARY - Copyright © - Unpublished Work - See title page for details.



757

PARTS CATALOG (MAINTENANCE)

FIG ITEM	PART NUMBER	1 2 3 4 5 6 7	NOMENCLATURE	EFFECT FROM TO	UNITS PER ASSY
2					
715	113N1428-7		.FITTING ASSY-HINGE, SPOILER NO. 3 POSITION DATA: INBD LH SIDE OPTIONAL PART: 113N1439-1	107107 904949 952952	1
715	113N1439-1		.FITTING ASSY-HINGE, SPOILER NO. 3 POSITION DATA: INBD LH SIDE OPTIONAL PART: 113N1428-7	107107 904949 952952	1
715	113N1428-11		.FITTING ASSY-HINGE, SPOILER NO. 3 POSITION DATA: INBD LH SIDE	002004 006106 108903 950951 953999	1
- 720	113N1428-8		.FITTING ASSY-HINGE, SPOILER NO. 3 POSITION DATA: INBD RH SIDE OPTIONAL PART: 113N1439-2	107107 904949 952952	1
- 720	113N1439-2		.FITTING ASSY-HINGE, SPOILER NO. 3 POSITION DATA: RH SIDE OPTIONAL PART: 113N1428-8	107107 904949 952952	1
- 720	113N1428-12		.FITTING ASSY-HINGE, SPOILER NO. 3 POSITION DATA: INBD RH SIDE	002004 006106 108903 950951 953999	1
725	BACB30YP8K		ATTACHING PARTS .BOLT- SIZE DETERMINED ON INSTL.	002004 006999	2
730	BACB30VT8K		.BOLT- SIZE DETERMINED ON INSTL.	002004 006999	2

MISSING ITEM NUMBERS NOT APPLICABLE

- ITEM NOT ILLUSTRATED

57-70-00-02

57-70-00
FIG. 02
PAGE 25
JAN 20/09

BRI

BOEING PROPRIETARY - Copyright © - Unpublished Work - See title page for details.



757

PARTS CATALOG (MAINTENANCE)

FIG ITEM	PART NUMBER	1 2 3 4 5 6 7	NOMENCLATURE	EFFECT FROM TO	UNITS PER ASSY
2 735	BACC30BL8		.COLLAR SUPPLIER CODE: V73197 SPECIFICATION NUMBER: BACC30BL8 OPTIONAL PART: HST79-8 V92215 HST79CY8 V56878 HST79CY8 V5M902 -----*-----	002004 006999	4
740	BACB28AM06B018A		..BUSHING	002004 006999	1
745	BACB28AP04P012		..BUSHING	002004 006999	2
750	BACB28AP04P018		..BUSHING	002004 006999	1
755	113N1428-9		..FITTING- POSITION DATA: LH SIDE USED ON: 113N1428-11 USED ON: 113N1428-7	002004 006999	1
755	113N1439-3		..FITTING- POSITION DATA: LH SIDE USED ON: 113N1439-7 USED ON: 113N1439-1	002004 006999	1
- 760	113N1428-10		..FITTING- POSITION DATA: RH SIDE USED ON: 113N1428-12 USED ON: 113N1428-8	002004 006999	1
- 760	113N1439-4		..FITTING- POSITION DATA: RH SIDE USED ON: 113N1439-2	002004 006999	1
765	BACS40R013C023F		.SHIM-	002004 006999	1

MISSING ITEM NUMBERS NOT APPLICABLE

- ITEM NOT ILLUSTRATED

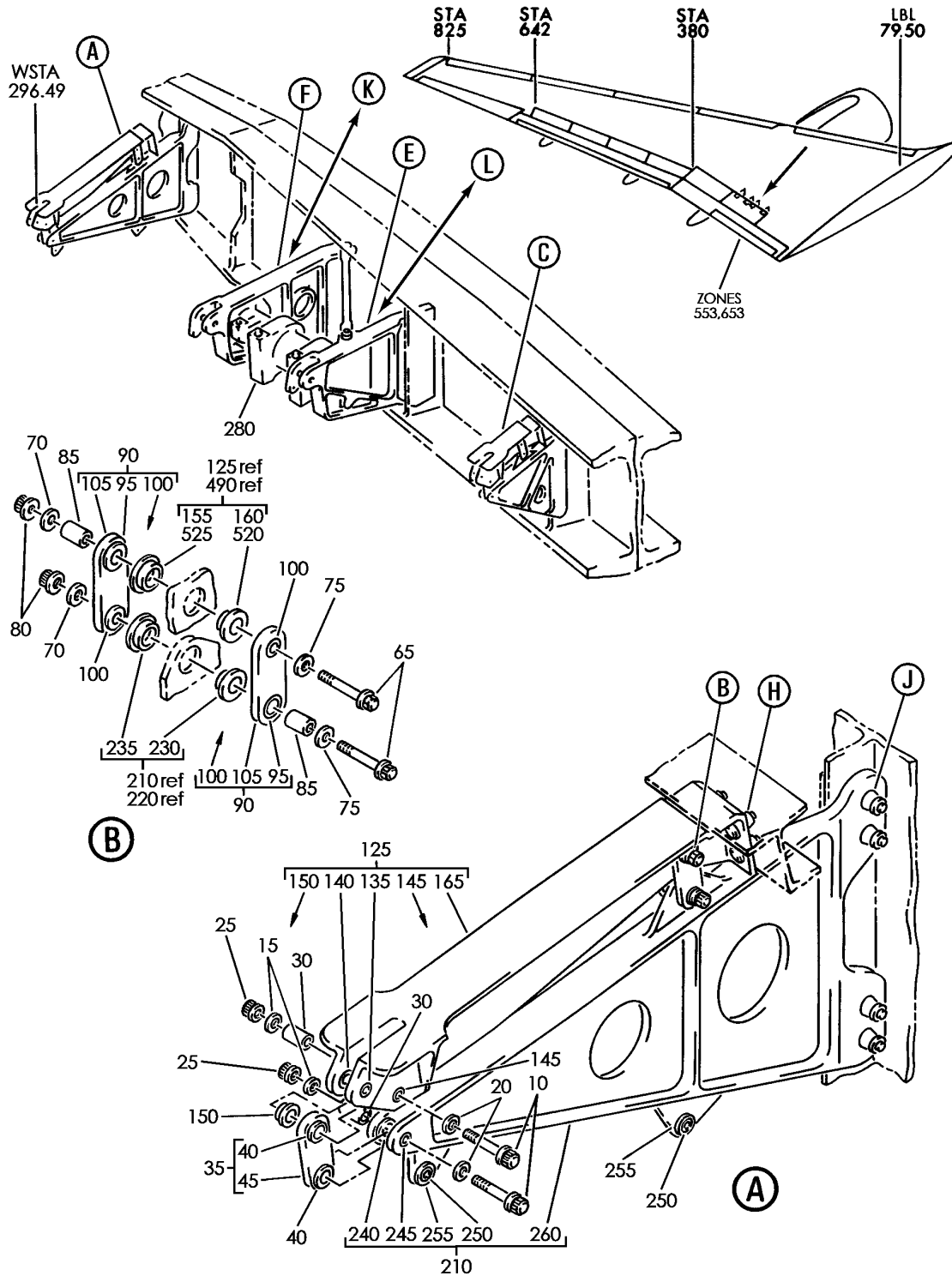
57-70-00-02

57-70-00
FIG. 02
PAGE 26
JAN 20/09

BRI

BOEING PROPRIETARY - Copyright © - Unpublished Work - See title page for details.

BOEING
757
PARTS CATALOG (MAINTENANCE)



Y 57700003 SH1 1 REV 224

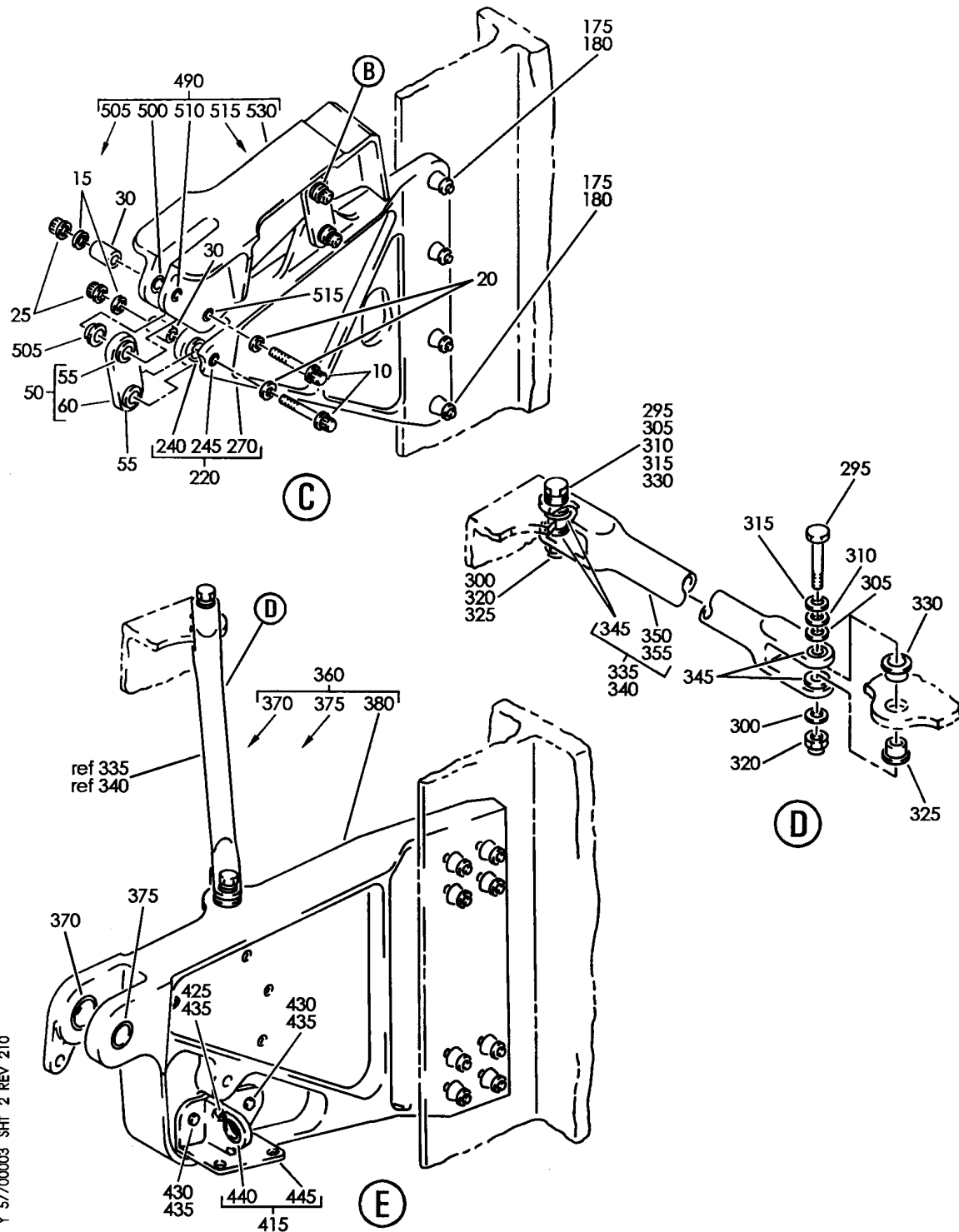
SUPPORT INSTL-WING TE SPOILER NO. 6
FIGURE 3 (SHEET 1)

57-70-00-03

BRI
MAY 28/07

57-70-00-03
PAGE 0


BOEING
 757
PARTS CATALOG (MAINTENANCE)



Y 5770003 SHT 2 REV 210

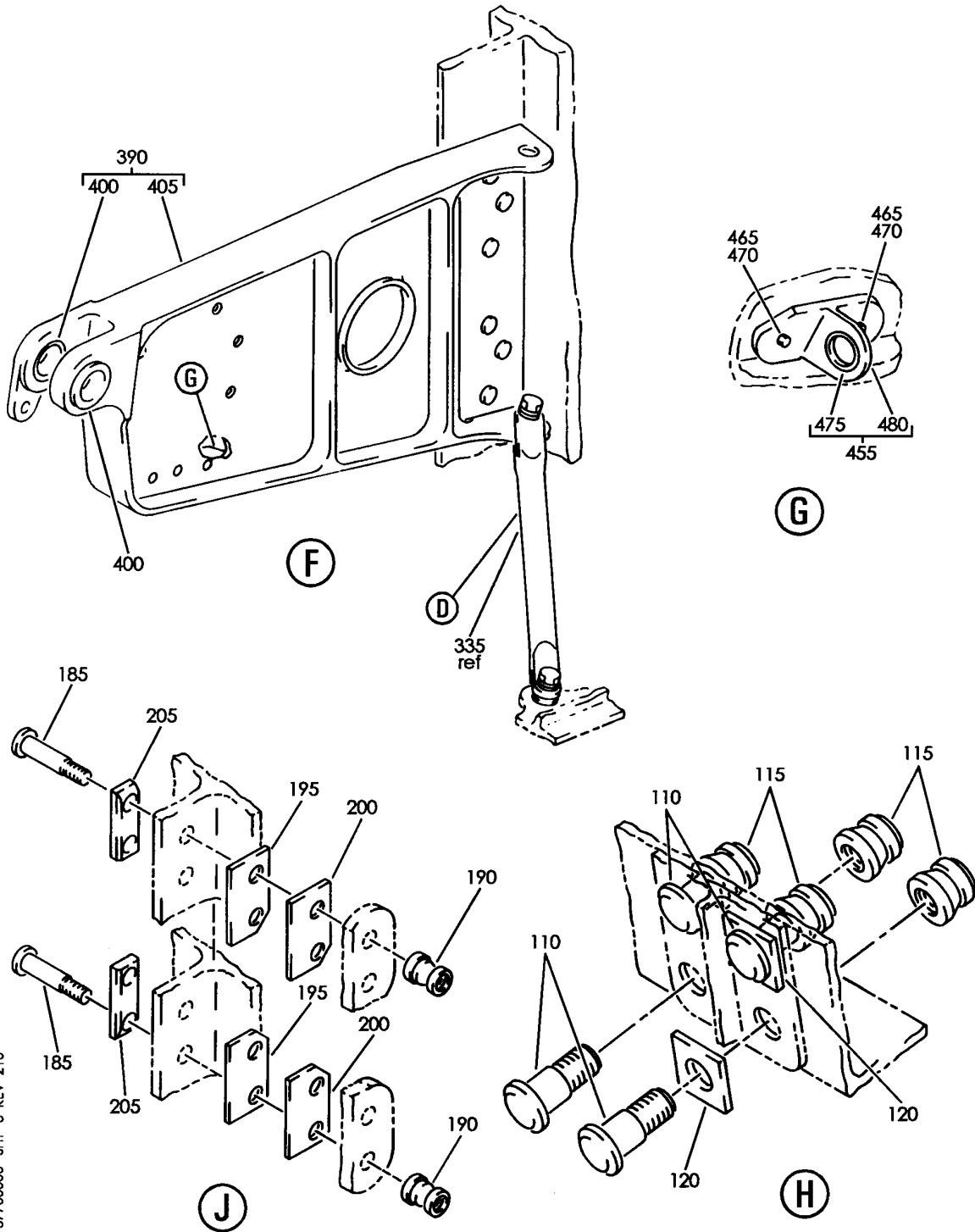
SUPPORT INSTL-WING TE SPOILER NO. 6
FIGURE 3 (SHEET 2)

57-70-00-03

BRI
MAY 28/07

57-70-00-03
PAGE 0A

BOEING
757
PARTS CATALOG (MAINTENANCE)



Y 5770003 SHT 3 REV 210

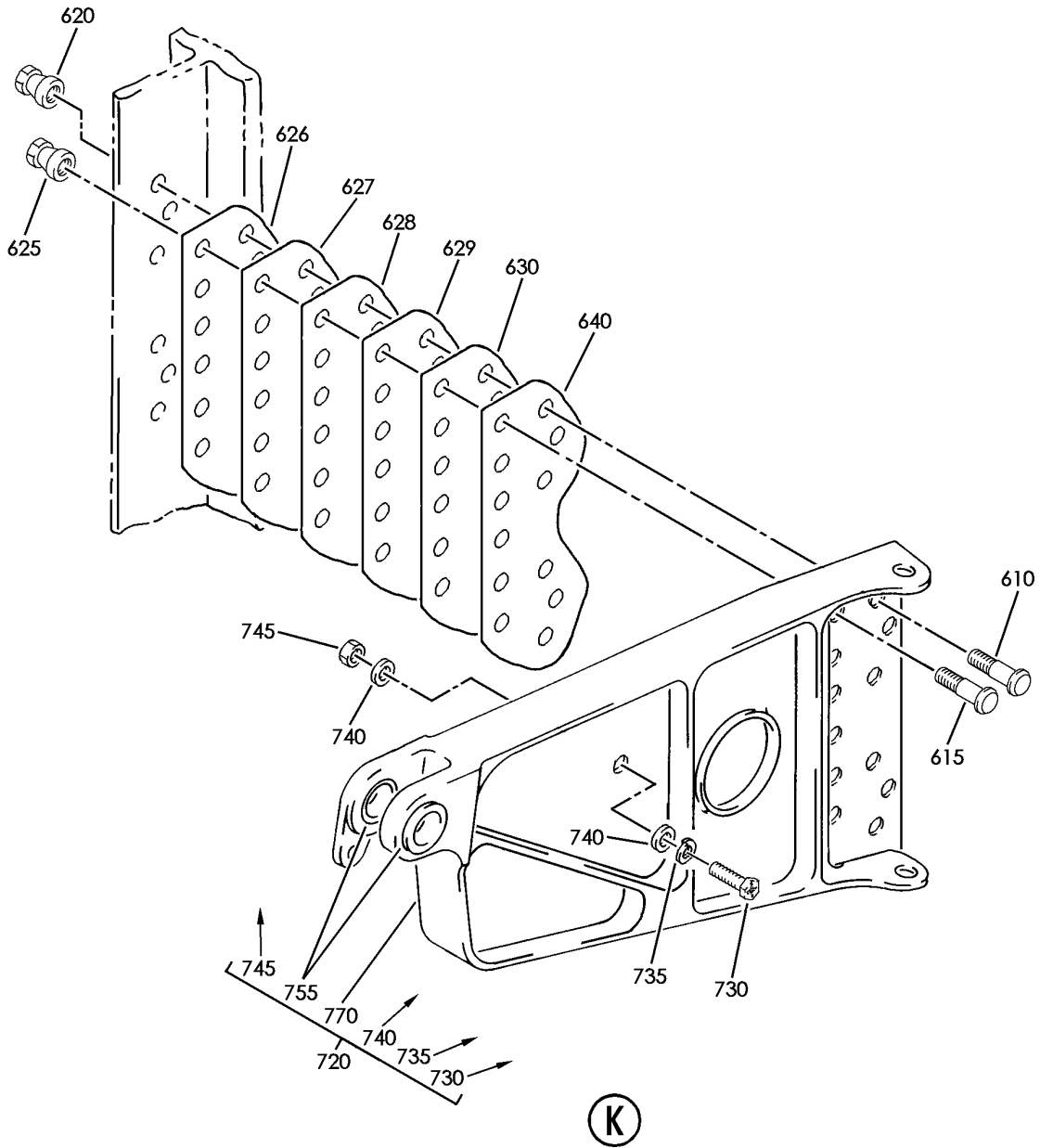
SUPPORT INSTL-WING TE SPOILER NO. 6
FIGURE 3 (SHEET 3)

57-70-00-03

BRI
MAY 28/07

57-70-00-03
PAGE 0B

BOEING
757
PARTS CATALOG (MAINTENANCE)



Y 57700003 SHT 4 REV 224

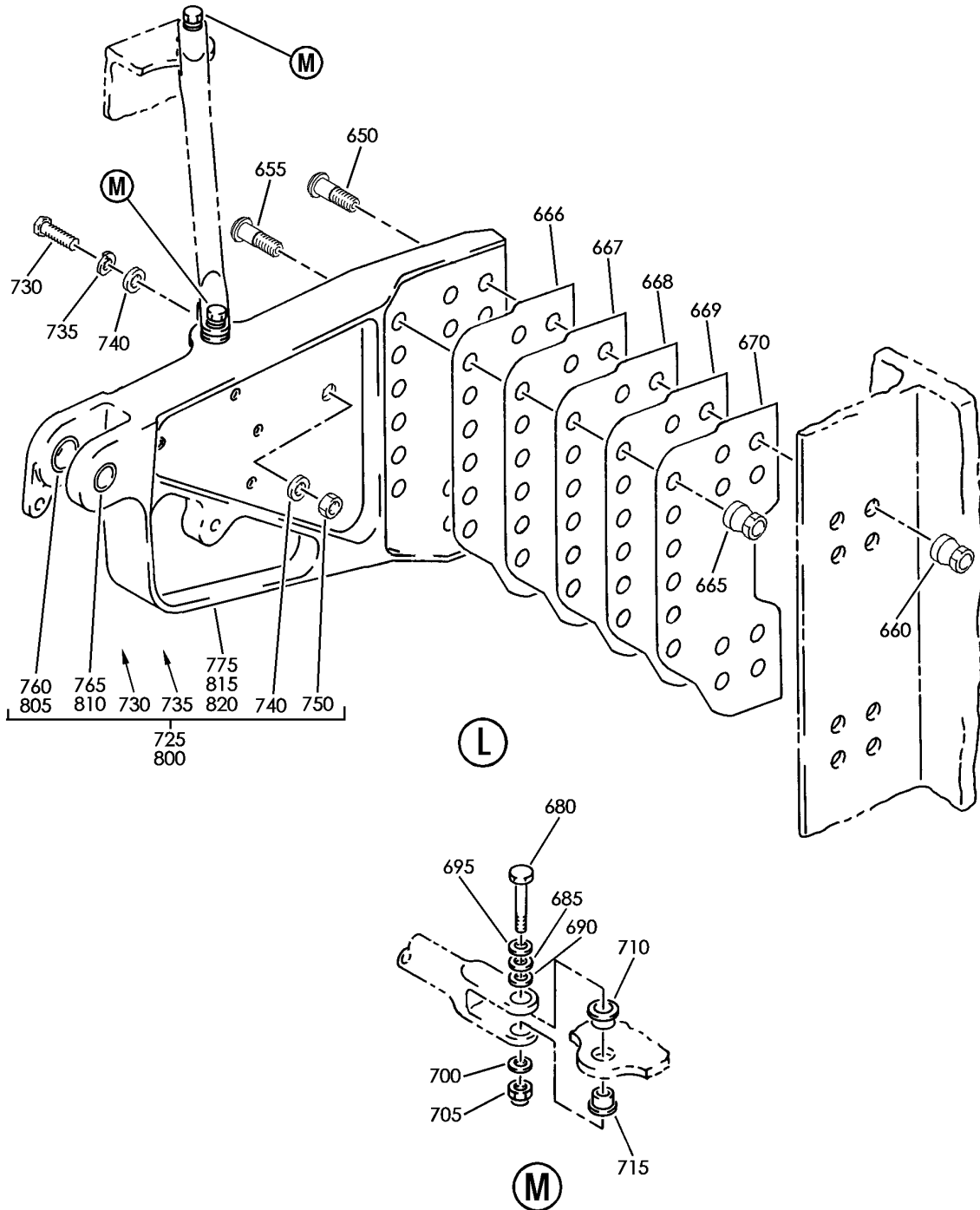
SUPPORT INSTL-WING TE SPOILER NO. 6
FIGURE 3 (SHEET 4)

57-70-00-03

BRI
MAY 28/07

57-70-00-03
PAGE 0C

BOEING
757
PARTS CATALOG (MAINTENANCE)



Y 57700003 SHT 5 REV 224

SUPPORT INSTL-WING TE SPOILER NO. 6
FIGURE 3 (SHEET 5)

57-70-00-03

BRI
MAY 28/07

57-70-00-03
PAGE 0D



757

PARTS CATALOG (MAINTENANCE)

FIG ITEM	PART NUMBER	1 2 3 4 5 6 7	NOMENCLATURE	EFFECT FROM TO	UNITS PER ASSY
3			SUPPORT INSTL-WING TE SPOILER NO. 6	002004 006999	
- 1	113N1401-1		SUPPORT INSTL-WING TE SPOILER NO. 6 POSITION DATA: LH FOR NHA SEE: 57-50-00-01	002004 006100 107107 121503 904999	RF
- 1	113N1401-403		SUPPORT INSTL-WING TE SPOILER NO. 6 POSITION DATA: LH FOR NHA SEE: 57-00-00-05B	101102 108120 504903	RF
- 1	MODREF1269		SUPPORT INSTL-WING TE SPOILER NO. 6 MODULE NUMBER: 113N1401-403 REV A POSITION DATA: LH	103106	1
- 5	113N1401-2		SUPPORT INSTL-WING TE SPOILER NO. 6 POSITION DATA: RH FOR NHA SEE: 57-50-00-01	002004 006100 107107 121503 904999	RF
- 5	113N1401-404		SUPPORT INSTL-WING TE SPOILER NO. 6 POSITION DATA: RH FOR NHA SEE: 57-00-00-05B	101102 108120 504903	RF
- 5	MODREF1270		SUPPORT INSTL-WING TE SPOILER NO. 6 MODULE NUMBER: 113N1401-404 REV A POSITION DATA: RH	103103	1
- 5	MODREF26551		SUPPORT INSTL-WING TE SPOILER NO. 6 MODULE NUMBER: 113N1401-404 REV B POSITION DATA: RH	104106	1
10	BACB30LE5U18		.BOLT	002004 006999	4
15	NAS1149C0563R		.WASHER	002004 006999	4

MISSING ITEM NUMBERS NOT APPLICABLE

- ITEM NOT ILLUSTRATED

57-70-00-03

57-70-00
FIG. 03
PAGE 1
JAN 20/09

BRI



757

PARTS CATALOG (MAINTENANCE)

FIG ITEM	PART NUMBER	1 2 3 4 5 6 7	NOMENCLATURE	EFFECT FROM TO	UNITS PER ASSY
3					
20	BACW10BP5CD	.	WASHER	002004 006999	4
25	BH00303CM5	.	NUT	002004 006999	4
			SUPPLIER CODE: V27238		
			SPECIFICATION NUMBER: BACN10HR5CD		
			OPTIONAL PART: H51560-5		
			V15653		
			67832CD524		
			V56878		
			102LH9031-5		
			V72962		
			SL7108C524		
			V11815		
			BMN5024CWD35		
			V97928		
			SL7108C5		
			V11815		
			VCU0005D5		
			V06710		
			102LH90315		
			V72962		
			BMN10HRCWD3-5		
			V97928		
			67832CD5		
			V56878		
			CR6030-5		
			VF0224		
			67832CD5		
			V56878		
30	BACB28AK05-075	.	BUSHING	002004 006999	4
35	113N1457-6	.	LINK ASSY	002004 006999	1
40	BACB28AM07B034A	..	BUSHING	002004 006999	2
45	113N1457-8	..	LINK	002004 006999	1
50	113N1457-9	.	LINK ASSY	002004 006999	1
55	BACB28AM07B033	..	BUSHING	002004 006999	2
60	113N1457-10	..	LINK	002004 006999	1
65	BACB30LE4U15	.	BOLT	002004 006999	4

MISSING ITEM NUMBERS NOT APPLICABLE

- ITEM NOT ILLUSTRATED

57-70-00-03

57-70-00
FIG. 03
PAGE 2
JAN 20/09

BRI

BOEING PROPRIETARY - Copyright © - Unpublished Work - See title page for details.



757

PARTS CATALOG (MAINTENANCE)

FIG ITEM	PART NUMBER	1 2 3 4 5 6 7	NOMENCLATURE	EFFECT FROM TO	UNITS PER ASSY
3					
70	NAS1149C0563R	.	WASHER	002004 006999	4
75	BACW10BP4CD	.	WASHER	002004 006999	4
80	BMN5024CWD34	.	NUT	002004 006999	4
			SUPPLIER CODE: V97928		
			SPECIFICATION NUMBER: BACN10HR4CD		
			OPTIONAL PART: H51560-4		
			V15653		
			102CH9031-4		
			V72962		
			SL7108C428		
			V11815		
			67832CD428		
			V56878		
			BMN5024CWD3-4		
			V97928		
			BH00303CM4		
			V27238		
			SL7108C4		
			V11815		
			VCU0005D4		
			V06710		
			102LH90314		
			V72962		
			67832CD4		
			V56878		
			H964CD		
			V15653		
			RMLH224CD		
			V72962		
			VAL280094CD		
			V06710		
			678324CD		
			V56878		
			CR6030-4		
			VF0224		
			RMLH224CD		
			V72962		
			VAL280094CD		
			V06710		
			678324CD		
			V56878		
			BMN5024CWD34		
			V97928		

MISSING ITEM NUMBERS NOT APPLICABLE

- ITEM NOT ILLUSTRATED

57-70-00-03

57-70-00
FIG. 03
PAGE 3
JAN 20/09

BRI



757

PARTS CATALOG (MAINTENANCE)

FIG ITEM	PART NUMBER	1 2 3 4 5 6 7	NOMENCLATURE	EFFECT FROM TO	UNITS PER ASSY
3					
85	BACB28AK04-058	.BUSHING		002004 006999	4
90	113N1457-5	.LINK ASSY		002004 006999	4
95	BACB28AM06B020A	..BUSHING		002004 006999	1
100	BACB28AP04P022	..BUSHING		002004 006999	1
105	113N1457-7	..LINK		002004 006999	1
110	BACB30MY6K	.BOLT-		002004	4
		SIZE DETERMINED ON INSTL.		006999	
115	HL79-6	.COLLAR		002004	4
		SUPPLIER CODE:		006999	
		V5M902			
		SPECIFICATION NUMBER:			
		BACC30M6			
		OPTIONAL PART:			
		HL79-6			
		V73197			
		HL79-6			
		V92215			
		66014-6			
		V56878			
		HL79-6			
		V56878			
120	BACF3T01E7-7	.FILLER		002004 006999	2
125	113N1451-17	.FITTING ASSY-SPRT		002004	1
		POSITION DATA:		006008	
		LH SIDE		121503	
				952999	
125	113N1451-13	.FITTING ASSY-SPRT		107107	1
		POSITION DATA:		904949	
		LH SIDE			
		OPTIONAL PART:			
		113N1465-1			
125	113N1465-1	.FITTING ASSY-SPRT		107107	1
		POSITION DATA:		904949	
		LH SIDE			
125	113N1451-19	.FITTING ASSY-SPRT		009106	1
		POSITION DATA:		108120	
		LH SIDE		504903	
				950951	
- 130	113N1451-18	.FITTING ASSY-SPRT		002004	1
		POSITION DATA:		006008	
		RH SIDE		121503	
				953999	

MISSING ITEM NUMBERS NOT APPLICABLE

- ITEM NOT ILLUSTRATED

57-70-00-03

57-70-00
FIG. 03
PAGE 4
JAN 20/09

BRI

BOEING PROPRIETARY - Copyright © - Unpublished Work - See title page for details.



757

PARTS CATALOG (MAINTENANCE)

FIG ITEM	PART NUMBER	1 2 3 4 5 6 7	NOMENCLATURE	EFFECT FROM TO	UNITS PER ASSY
3					
- 130	113N1451-14	.	FITTING ASSY-SPRT POSITION DATA: RH SIDE OPTIONAL PART: 113N1465-2	107107 904949 952952	1
- 130	113N1465-2	.	FITTING ASSY-SPRT POSITION DATA: RH SIDE OPTIONAL PART: 113N1451-14	107107 904949 952952	1
- 130	113N1451-20	.	FITTING ASSY-SPRT POSITION DATA: RH SIDE	009106 108120 504903 950951	1
135	BACB28AP04P020	..	BUSHING- USED ON: 113N1451-13	107107 904949	1
135	BACB28AP04P018	..	BUSHING- USED ON: 113N1451-19 113N1451-20 113N1465-2 USED ON: 113N1465-1 113N1456-2 113N1451-17 113N1451-18	002004 006999	1
135	BACB28AP04P020	..	BUSHING- USED ON: 113N1451-14	107107 904949 952952	1
140	BACB28AM06B020A	..	BUSHING- USED ON: 113N1451-13	107107 904949	1
140	BACB28AM06B020A	..	BUSHING- USED ON: 113N1451-14	107107 904949 952952	1
140	BACB28AM06B018A	..	BUSHING- USED ON: 113N1451-19 113N1451-20 USED ON: 113N1465-1 113N1465-2 113N1451-17 113N1451-18	002004 006999	1
145	BACB28AP05P022	..	BUSHING- USED ON: 113N1451-13	107107 904949	1

MISSING ITEM NUMBERS NOT APPLICABLE

- ITEM NOT ILLUSTRATED

57-70-00-03

57-70-00
FIG. 03
PAGE 5
JAN 20/09

BRI

BOEING PROPRIETARY - Copyright © - Unpublished Work - See title page for details.



757

PARTS CATALOG (MAINTENANCE)

FIG ITEM	PART NUMBER	1 2 3 4 5 6 7	NOMENCLATURE	EFFECT FROM TO	UNITS PER ASSY
3					
145	BACB28AP05P022	..	BUSHING- USED ON: 113N1451-14	107107 904949 952952	1
145	BACB28AP05P018	..	BUSHING- USED ON: 113N1451-19 113N1451-20 USED ON: 113N1465-1 113N1465-2 113N1451-17 113N1451-18	002004 006999	1
150	BACB28AM07B020A	..	BUSHING- USED ON: 113N1451-13	107107 904949	1
150	BACB28AM07B020A	..	BUSHING- USED ON: 113N1451-14	107107 904949 952952	1
150	BACB28AM07B018A	..	BUSHING- USED ON: 113N1451-19 113N1451-20 USED ON: 113N1465-1 113N1465-2 113N1451-17 113N1451-18	002004 006999	1
155	114N2130-4	..	BUSHING	002004 006999	1
160	BACB28AP08P015	..	BUSHING- USED ON: 113N1451-13	107107 904949	1
160	BACB28AP08P015	..	BUSHING- USED ON: 113N1451-14	107107 904949 952952	1
160	BACB28AP08P014	..	BUSHING- USED ON: 113N1451-19 113N1451-20 USED ON: 113N1465-1 113N1465-2 113N1451-17 113N1451-18	002004 006999	1

MISSING ITEM NUMBERS NOT APPLICABLE

- ITEM NOT ILLUSTRATED

57-70-00-03

57-70-00
FIG. 03
PAGE 6
JAN 20/09

BRI

BOEING PROPRIETARY - Copyright © - Unpublished Work - See title page for details.



757

PARTS CATALOG (MAINTENANCE)

FIG ITEM	PART NUMBER	1 2 3 4 5 6 7	NOMENCLATURE	EFFECT FROM TO	UNITS PER ASSY
3					
165	113N1451-15	..	FITTING- USED ON: 113N1451-17	002004 006016 107107	1
			USED ON: 113N1451-13 114N1451-17	121503 904999	
165	113N1465-3	..	FITTING- USED ON: 113N1465-1	107107 904949	1
165	113N1451-21	..	FITTING	009100 950951	1
- 170	113N1451-16	..	FITTING- USED ON: 113N1451-14 113N1451-18	002004 006016 107107 121503 904999	1
- 170	113N1465-4	..	FITTING- USED ON: 113N1465-2	107107 904949 952952	1
- 170	113N1451-22	..	FITTING	009100 950951	1

MISSING ITEM NUMBERS NOT APPLICABLE

- ITEM NOT ILLUSTRATED

57-70-00-03

57-70-00
FIG. 03
PAGE 7
JAN 20/09

BRI



757

PARTS CATALOG (MAINTENANCE)

FIG ITEM	PART NUMBER	1 2 3 4 5 6 7	NOMENCLATURE	EFFECT FROM TO	UNITS PER ASSY
3 175	HL1012AZ10-14		.BOLT SUPPLIER CODE: VOPTK6 SPECIFICATION NUMBER: BACB30NX10K14 OPTIONAL PART: HL12VAZ10-14 V73197 HL12VAZ10-14 V92215 HL12VAZ10-14 V97928 L802-10K14 V06725 HL12VAZ10-14 V56878 HL1012AZ10-14 V06725 HL1012AZ10-14 V06950 HL1012AZ10-14 V17446 HL1012AZ10-14 V56878 HL1012AZ10-14 V60516 HL1012AZ10-14 V73197 HL1012AZ10-14 V97928	002004 006017 107107 121503 904999	4

MISSING ITEM NUMBERS NOT APPLICABLE

- ITEM NOT ILLUSTRATED

BRI

57-70-00-03

BOEING PROPRIETARY - Copyright © - Unpublished Work - See title page for details.

57-70-00
FIG. 03
PAGE 8
JAN 20/09



757

PARTS CATALOG (MAINTENANCE)

FIG ITEM	PART NUMBER	1 2 3 4 5 6 7	NOMENCLATURE	EFFECT FROM TO	UNITS PER ASSY
3 175	HL1012AZ10-15	.BOLT	SUPPLIER CODE: V0PTK6 SPECIFICATION NUMBER: BACB30NX10K15 OPTIONAL PART: HL12VAZ10-15 V73197 HL12VAZ10-15 V92215 HL12VAZ10-15 V97928 L802-10K15 V06725 HL12VAZ10-15 V56878 HL1012AZ10-15 V06725 HL1012AZ10-15 V06950 HL1012AZ10-15 V17446 HL1012AZ10-15 V56878 HL1012AZ10-15 V60516 HL1012AZ10-15 V73197 HL1012AZ10-15 V97928	018106 108120 504903	4
180	HL1187DUW10	.COLLAR	SUPPLIER CODE: V5M902 SPECIFICATION NUMBER: BACC30X10SW OPTIONAL PART: HL87DUW10 V92215 HL87DUW10 V73197 HL1187DUW10 V56878 HL1187DUW10 V92215 HL87DUW10 V56878 HL1187DUW10 V73197	002004 006017 107107 121503 904999	4

MISSING ITEM NUMBERS NOT APPLICABLE

- ITEM NOT ILLUSTRATED

57-70-00-03

57-70-00
FIG. 03
PAGE 9
JAN 20/09

BRI



757

PARTS CATALOG (MAINTENANCE)

FIG ITEM	PART NUMBER	1 2 3 4 5 6 7	NOMENCLATURE	EFFECT FROM TO	UNITS PER ASSY
3 180	HL1087-10	.	COLLAR SUPPLIER CODE: V9N513 SPECIFICATION NUMBER: BACC30BH10 OPTIONAL PART: HL1087-10 V92215 HL1087-10 V73197 HL1087-10 V56878	018106 108120 504903	4
185	BACB30MY12K16	.	BOLT	002004 006017 107107 121503 904999	4
185	HST10AG12-16	.	BOLT SUPPLIER CODE: VOPTK6 SPECIFICATION NUMBER: BACB30VT12K16 OPTIONAL PART: HST10AG12-16 V06725 HST10AG12-16 V56878 HST10AG12-16 V73197 WC10K12-16 V60516	018106 108120 504903	4
190	HL82-12APBW	.	COLLAR SUPPLIER CODE: V5M902 SPECIFICATION NUMBER: BACC30AG12 OPTIONAL PART: HL82-12APBW V56878 HL82-12APBW V73197	002004 006017 107107 121503 904999	4
190	BACC30BX12	.	COLLAR	018106 108120 504903	4
195	113N1401-4	.	SHIM	002004 006999	AR
200	BACS40R011F020F	.	SHIM	002004 006999	AR

MISSING ITEM NUMBERS NOT APPLICABLE

- ITEM NOT ILLUSTRATED

57-70-00-03

57-70-00
FIG. 03
PAGE 10
JAN 20/09

BRI



757

PARTS CATALOG (MAINTENANCE)

FIG ITEM	PART NUMBER	1 2 3 4 5 6 7	NOMENCLATURE	EFFECT FROM TO	UNITS PER ASSY
3					
205	113N1401-5	.	FILLER	002004 006999	2
210	113N1453-21	.	RIB ASSY- POSITION DATA: LH SIDE OPTIONAL PART: 113N1464-7 113N1464-11 113N1464-15	002004 006017 107107 121503 904999	1
210	113N1464-7	.	RIB ASSY- POSITION DATA: LH SIDE OPTIONAL PART: 113N1453-21	002004 107107 121503 904949 952952	1
210	113N1464-11	.	RIB ASSY- POSITION DATA: LH SIDE OPTIONAL PART: 113N1453-21	002004 107107 121503 904949 952952	1
210	113N1464-15	.	RIB ASSY- POSITION DATA: LH SIDE OPTIONAL PART: 113N1453-21	006017 950951 953999	1
210	113N1464-19	.	RIB ASSY- POSITION DATA: LH SIDE OPTIONAL PART: 113N1453-25	018106 108120 504903	1
210	113N1453-25	.	RIB ASSY- POSITION DATA: LH SIDE OPTIONAL PART: 113N1464-19	018100 103106	1
- 215	113N1453-22	.	RIB ASSY- POSITION DATA: RH SIDE OPTIONAL PART: 113N1464-8 113N1464-12 113N1464-16	002004 006017 107107 121503 904999	1
- 215	113N1464-8	.	RIB ASSY- POSITION DATA: RH SIDE OPTIONAL PART: 113N1453-22	002004 107107 121503 904949 952952	1

MISSING ITEM NUMBERS NOT APPLICABLE

- ITEM NOT ILLUSTRATED

57-70-00-03

57-70-00
FIG. 03
PAGE 11
JAN 20/09

BRI

BOEING PROPRIETARY - Copyright © - Unpublished Work - See title page for details.



757

PARTS CATALOG (MAINTENANCE)

FIG ITEM	PART NUMBER	1 2 3 4 5 6 7	NOMENCLATURE	EFFECT FROM TO	UNITS PER ASSY
3					
- 215	113N1464-12	.RIB ASSY-	POSITION DATA:	002004	1
			RH SIDE	107107	
			OPTIONAL PART:	121503	
			113N1453-22	904949	
				952952	
- 215	113N1464-16	.RIB ASSY-	POSITION DATA:	006017	1
			RH SIDE	950951	
			OPTIONAL PART:	953999	
			113N1453-22		
- 215	113N1464-20	.RIB ASSY-	POSITION DATA:	018106	1
			RH SIDE	108120	
			OPTIONAL PART:	504903	
			113N1453-22		
- 215	113N1453-26	.RIB ASSY-	POSITION DATA:	018100	1
			RH SIDE	103106	
			OPTIONAL PART:		
			113N1464-20		
220	113N1454-13	.RIB ASSY-	POSITION DATA:	107107	1
			LH SIDE	904949	
			OPTIONAL PART:	952952	
			113N1462-1		
220	113N1462-1	.RIB ASSY-	POSITION DATA:	107107	1
			LH SIDE	904949	
			OPTIONAL PART:	952952	
			113N1454-13		
220	113N1462-7	.RIB ASSY-	POSITION DATA:	107107	1
			LH SIDE	904949	
			OPTIONAL PART:	952952	
			113N1454-17		
220	113N1454-17	.RIB ASSY-	POSITION DATA:	002004	1
			LH SIDE	006017	
			OPTIONAL PART:	121503	
			113N1462-7	950999	
220	113N1454-19	.RIB ASSY-	POSITION DATA:	018100	1
			LH SIDE	103106	
			OPTIONAL PART:		
			113N1454-17		
- 225	113N1454-18	.RIB ASSY-	POSITION DATA:	002004	1
			RH SIDE	006017	
			OPTIONAL PART:	121503	
			113N1462-8	950999	

MISSING ITEM NUMBERS NOT APPLICABLE

- ITEM NOT ILLUSTRATED

57-70-00-03

57-70-00
FIG. 03
PAGE 12
JAN 20/09

BRI



757

PARTS CATALOG (MAINTENANCE)

FIG ITEM	PART NUMBER	1 2 3 4 5 6 7	NOMENCLATURE	EFFECT FROM TO	UNITS PER ASSY
3					
- 225	113N1454-20	.RIB ASSY-	POSITION DATA:	018100	1
			RH SIDE	103106	
- 225	113N1454-14	.RIB ASSY-	POSITION DATA:	107107	1
			RH SIDE		
			OPTIONAL PART:		
			113N1462-2		
- 225	113N1462-2	.RIB ASSY-	POSITION DATA:	107107	1
			RH SIDE	904949	
			OPTIONAL PART:	952952	
			113N1454-14		
- 225	113N1462-8	.RIB ASSY-	POSITION DATA:	107107	1
			RH SIDE	904949	
			OPTIONAL PART:	952952	
			113N1454-18		
230	114N2130-4	..BUSHING		002004	1
				006999	
235	BACB28AP08P015	..BUSHING-	USED ON:	002004	1
			113N1454-13	006999	
			113N1454-14		
			113N1453-21		
			113N1453-22		
235	BACB28AP08P013	..BUSHING-	USED ON:	002004	1
			113N1454-19	006999	
			113N1454-20		
			USED ON:		
			113N1462-1		
			113N1462-2		
			113N1462-7		
			113N1462-8		
235	BACB28AP08P014	..BUSHING-	USED ON:	002004	1
			113N1464-7	006999	
			113N1464-8		
			113N1464-11		
			113N1464-12		
240	BACB28AM07B020A	..BUSHING-	USED ON:	002004	1
			113N1454-13	006999	
			113N1454-14		
			113N1453-21		
			113N1453-22		

MISSING ITEM NUMBERS NOT APPLICABLE

- ITEM NOT ILLUSTRATED

57-70-00-03

57-70-00
FIG. 03
PAGE 13
JAN 20/09

BRI



757

PARTS CATALOG (MAINTENANCE)

FIG ITEM	PART NUMBER	1 2 3 4 5 6 7	NOMENCLATURE	EFFECT FROM TO	UNITS PER ASSY
3					
240	BACB28AM07B018A	..	BUSHING- USED ON: 113N1462-1 113N1462-2 113N1464-7 113N1464-8 113N1464-11 113N1464-12	002004 006999	1
240	BACB28AM07B018A	..	BUSHING- USED ON: 113N1462-7 113N1462-8 USED ON: 113N1462-7 113N1462-8	107107 904949 952952	1
240	BACB28AM07B017A	..	BUSHING- USED ON: 113N1454-17 113N1454-18	002004 006017 121503 950999	1
245	BACB28AP05P022	..	BUSHING- USED ON: 113N1454-13 113N1454-14 113N1453-21 113N1453-22	002004 006999	1
245	BACB28AP05P018	..	BUSHING- USED ON: 113N1454-19 113N1454-20 USED ON: 113N1462-1 113N1462-2 113N1464-7 113N1464-8 113N1462-7 113N1462-8 113N1464-11 113N1464-12	002004 006999	1

MISSING ITEM NUMBERS NOT APPLICABLE

- ITEM NOT ILLUSTRATED

BRI

57-70-00-03

BOEING PROPRIETARY - Copyright © - Unpublished Work - See title page for details.

57-70-00
FIG. 03
PAGE 14
JAN 20/09



757

PARTS CATALOG (MAINTENANCE)

FIG ITEM	PART NUMBER	1 2 3 4 5 6 7	NOMENCLATURE	EFFECT FROM TO	UNITS PER ASSY
3 250	114N2130-3		.. BUSHING- USED ON: 113N1453-25 113N1453-26 113N1464-7 113N1464-8 113N1464-11 113N1464-12 USED ON: 113N1453-21 113N1453-22 113N1464-7 113N1464-8 113N1464-11 113N1464-12	002004 006999	2
255	BACB28AP06P015		.. BUSHING- USED ON: 113N1453-21 113N1453-22	002004 006999	2
255	BACB28AP06P014		.. BUSHING- USED ON: 113N1464-7 113N1464-8 113N1464-11 113N1464-12	002004 006999	2
260	113N1453-23		.. RIB- USED ON: 113N1453-21	002004 006999	1
260	113N1464-9		.. RIB- USED ON: 113N1464-7	002004 107107 121503 904949 952952	1
260	113N1464-13		.. RIB- USED ON: 113N1464-11	002004 107107 121503 904949 952952	1
260	113N1464-17		.. RIB- USED ON: 113N1464-15	006100 950951 953999	1
260	113N1453-27		.. RIB- USED ON: 113N1453-25 USED ON: 113N1453-23	018100 103106	1
- 265	113N1453-24		.. RIB- USED ON: 113N1453-22	002004 006999	1

MISSING ITEM NUMBERS NOT APPLICABLE

- ITEM NOT ILLUSTRATED

57-70-00-03

57-70-00
FIG. 03
PAGE 15
JAN 20/09

BRI

BOEING PROPRIETARY - Copyright © - Unpublished Work - See title page for details.



757

PARTS CATALOG (MAINTENANCE)

FIG ITEM	PART NUMBER	1 2 3 4 5 6 7	NOMENCLATURE	EFFECT FROM TO	UNITS PER ASSY
3					
- 265	113N1464-10	..	RIB- USED ON: 113N1464-8	002004 107107 121503 904949 952952	1
- 265	113N1464-14	..	RIB- USED ON: 113N1464-12	002004 107107 121503 904949 952952	1
- 265	113N1464-18	..	RIB- USED ON: 113N1464-16	006100 950951 953999	1
- 265	113N1453-28	..	RIB- USED ON: 113N1453-24	018100 103106	1
270	113N1454-15	..	RIB- USED ON: 113N1454-13	107107	1
270	113N1462-3	..	RIB- USED ON: 113N1462-1	107107 904949 952952	1
270	113N1462-9	..	RIB- USED ON: 113N1462-7	107107 904949 952952	1
270	113N1454-15	..	RIB- USED ON: 113N1454-17	002004 006100 121503 950951 953999	1
- 275	113N1454-16	..	RIB- USED ON: 113N1454-14	107107	1
- 275	113N1462-4	..	RIB- USED ON: 113N1462-2	107107 904949 952952	1
- 275	113N1462-10	..	RIB- USED ON: 113N1462-8	107107 904949 952952	1
- 275	113N1454-16	..	RIB- USED ON: 113N1454-18	002004 006100 121503 950951 953999	1
280	113N1411-3	.	FITTING-SPRT OPTIONAL PART: 113N1459-1	002004 006999	1
280	113N1459-1	.	FITTING-SPRT	002004 006999	1

MISSING ITEM NUMBERS NOT APPLICABLE

- ITEM NOT ILLUSTRATED

57-70-00-03

57-70-00
FIG. 03
PAGE 16
JAN 20/09

BRI



757

PARTS CATALOG (MAINTENANCE)

FIG ITEM	PART NUMBER	1 2 3 4 5 6 7	NOMENCLATURE	EFFECT FROM TO	UNITS PER ASSY
3			ATTACHING PARTS		
- 285	L80010K12	.	BOLT SUPPLIER CODE: V06725 SPECIFICATION NUMBER: BACB30MY10K12	002004 006999	16
- 290	HL79-10	.	COLLAR SUPPLIER CODE: V5M902 SPECIFICATION NUMBER: BACC30M10 OPTIONAL PART: HL79-10 V73197 HL79-10 V92215 66014-10 V56878 HL79-10 V56878 -----*-----	002004 006999	16
295	BACB30PU4-14	.	BOLT	002004 006999	4
300	BACW10BN3SP	.	WASHER	002004 006999	4
305	NAS1149F0432P	.	WASHER	002004 006999	AR
310	BACW10BP4DP	.	WASHER	002004 006999	AR
315	BACW10BP4ACU	.	WASHER	002004 006999	4
320	BRH10C3D	.	NUT SUPPLIER CODE: V52828 SPECIFICATION NUMBER: BACN10JC3CD OPTIONAL PART: T6C1032JCD V11815 NS202486-02 V80539 102LH9075-3W V72962 H51650-3BAC V15653	002004 006999	4
325	114N2130-3	.	BUSHING	002004 006999	4
330	BACB28AT06B024C	.	BUSHING	002004 006999	4

MISSING ITEM NUMBERS NOT APPLICABLE

- ITEM NOT ILLUSTRATED

57-70-00-03

57-70-00
FIG. 03
PAGE 17
JAN 20/09

BRI



757

PARTS CATALOG (MAINTENANCE)

FIG ITEM	PART NUMBER	1 2 3 4 5 6 7	NOMENCLATURE	EFFECT FROM TO	UNITS PER ASSY
3					
335	113N1444-9	.	TUBE ASSY-	002004 006999	2
345	BACB28AM04B013A	..	BUSHING	002004 006999	4
350	113N1444-10	..	TUBE- USED ON: 113N1444-9	002004 006999	1
360	113N1433-25	.	RIB ASSY- POSITION DATA: LH SIDE OPTIONAL PART: 113N1461-1	107107 904949	1
360	113N1461-1	.	RIB ASSY- POSITION DATA: LH SIDE OPTIONAL PART: 113N1433-25	107107 904949	1
360	113N1433-31	.	RIB ASSY- POSITION DATA: LH SIDE OPTIONAL PART: 113N1461-9	002004 006106 108903 950999	1
360	113N1461-9	.	RIB ASSY- POSITION DATA: LH SIDE OPTIONAL PART: 113N1433-31	002004 006106 108903 950999	1
- 365	113N1461-8	.	RIB ASSY- POSITION DATA: RH SIDE	107107 904949	1
- 365	113N1433-26	.	RIB ASSY- POSITION DATA: RH SIDE OPTIONAL PART: 113N1461-2 113N1433-30	107107 904949	1
- 365	113N1433-30	.	RIB ASSY- POSITION DATA: RH SIDE OPTIONAL PART: 113N1461-2 113N1433-26	107107 904949	1
- 365	113N1461-2	.	RIB ASSY- POSITION DATA: RH SIDE OPTIONAL PART: 113N1433-26 113N1433-30	107107 904949	1

MISSING ITEM NUMBERS NOT APPLICABLE

- ITEM NOT ILLUSTRATED

57-70-00-03

57-70-00
FIG. 03
PAGE 18
JAN 20/09

BRI



757

PARTS CATALOG (MAINTENANCE)

FIG ITEM	PART NUMBER	1 2 3 4 5 6 7	NOMENCLATURE	EFFECT FROM TO	UNITS PER ASSY
3					
- 365	113N1461-10		.RIB ASSY- POSITION DATA: RH SIDE OPTIONAL PART: 113N1433-32	002004 121503 952952	1
- 365	113N1433-32		.RIB ASSY- POSITION DATA: RH SIDE OPTIONAL PART: 113N1461-10 113N1461-14	002004 006100 121503 950999	1
- 365	113N1461-14		.RIB ASSY- POSITION DATA: RH SIDE OPTIONAL PART: 113N1433-32	006100 950951 953999	1
370	BACB28AM14B044A		..BUSHING	002004 006999	1
375	BACB28AP10P044		..BUSHING	002004 006999	1
380	113N1433-27		..RIB- USED ON: 113N1433-25	107107 904949	1
380	113N1461-3		..RIB- USED ON: 113N1461-1	107107 904949	1
380	113N1461-11		..RIB- USED ON: 113N1461-9	002004 006106 108903 950999	1
380	113N1433-33		..RIB- USED ON: 113N1433-31	002004 006106 108903 950999	1
- 385	113N1433-29		..RIB- USED ON: 113N1433-30	107107	1
- 385	113N1461-4		..RIB- USED ON: 113N1461-8 USED ON: 113N1461-2	107107 904949	1
- 385	113N1461-12		..RIB- USED ON: 113N1461-14 USED ON: 113N1461-10	006100 950951 953999	1

MISSING ITEM NUMBERS NOT APPLICABLE

- ITEM NOT ILLUSTRATED

57-70-00-03

57-70-00
FIG. 03
PAGE 19
JAN 20/09

BRI

BOEING PROPRIETARY - Copyright © - Unpublished Work - See title page for details.

 **BOEING**
757
PARTS CATALOG (MAINTENANCE)

FIG ITEM	PART NUMBER	1 2 3 4 5 6 7	NOMENCLATURE	EFFECT FROM TO	UNITS PER ASSY
3					
- 385	113N1433-34	..	RIB- USED ON: 113N1433-32	002004 006100 121503 950999	1
390	113N1434-21	.RIB	ASSY- POSITION DATA: LH SIDE OPTIONAL PART: 113N1460-1 113N1460-7 113N1434-23	002004 006100 107107 121503 904999	1
390	113N1460-1	.RIB	ASSY- POSITION DATA: LH SIDE	107107 904949	1
390	113N1460-7	.RIB	ASSY- POSITION DATA: LH SIDE OPTIONAL PART: 113N1434-21	002004 006100 121503 950999	1
390	113N1434-23	.RIB	ASSY- POSITION DATA: LH SIDE OPTIONAL PART: 113N1434-21	002004 006100 107107 121503 904999	1
- 395	113N1460-8	.RIB	ASSY- POSITION DATA: RH SIDE OPTIONAL PART: 113N1434-18	002004 006100 121503 950999	1
- 395	113N1434-18	.RIB	ASSY- POSITION DATA: RH SIDE OPTIONAL PART: 113N1460-2 113N1460-8	002004 006999	1
- 395	113N1460-2	.RIB	ASSY- POSITION DATA: RH SIDE OPTIONAL PART: 113N1434-18	107107 904949	1
400	BACB28AM14B044A	..	BUSHING	002004 006999	2
405	113N1460-9	..	RIB- USED ON: 113N1460-7	002004 006100 121503 950999	1

MISSING ITEM NUMBERS NOT APPLICABLE

- ITEM NOT ILLUSTRATED

BRI

57-70-00-03

BOEING PROPRIETARY - Copyright © - Unpublished Work - See title page for details.

57-70-00
FIG. 03
PAGE 20
JAN 20/09



757

PARTS CATALOG (MAINTENANCE)

FIG ITEM	PART NUMBER	1 2 3 4 5 6 7	NOMENCLATURE	EFFECT FROM TO	UNITS PER ASSY
3					
405	113N1434-22	..	RIB- USED ON: 113N1434-21	002004 006100 107107 121503 904999	1
405	113N1460-3	..	RIB- USED ON: 113N1461-1	107107 904949	1
405	113N1434-24	..	RIB- USED ON: 113N1434-23	002004 006100 107107 121503 904999	1
- 410	113N1434-20	..	RIB- USED ON: 113N1434-18	002004 006999	1
- 410	113N1460-4	..	RIB- USED ON: 113N1460-2	107107 904949	1
- 410	113N1460-10	..	RIB- USED ON: 113N1460-8	002004 006100 121503 950999	1
415	113N1382-7	.	FITTING ASSY- POSITION DATA: LH SIDE OPTIONAL PART: 113N1382-11 113N1470-1	002004 006009 107107 121503 904949 952999	1
415	113N1382-11	.	FITTING ASSY- POSITION DATA: LH SIDE	002004 006009 107107 121503 904949 952999	1
415	113N1382-17	.	FITTING ASSY- POSITION DATA: LH SIDE OPTIONAL PART: 113N1470-9	010106 108120 504903 950951	1
415	113N1470-9	.	FITTING ASSY- POSITION DATA: LH SIDE OPTIONAL PART: 113N1382-17	010106 108120 504903 950951	1

MISSING ITEM NUMBERS NOT APPLICABLE

- ITEM NOT ILLUSTRATED

57-70-00-03

57-70-00
FIG. 03
PAGE 21
JAN 20/09

BRI

BOEING PROPRIETARY - Copyright © - Unpublished Work - See title page for details.



757

PARTS CATALOG (MAINTENANCE)

FIG ITEM	PART NUMBER	1 2 3 4 5 6 7	NOMENCLATURE	EFFECT FROM TO	UNITS PER ASSY
3					
- 420	113N1382-8		.FITTING ASSY- POSITION DATA: RH SIDE OPTIONAL PART: 113N1382-12 113N1470-2	002004 006009 107107 121503 904949 952999	1
- 420	113N1382-12		.FITTING ASSY- POSITION DATA: RH SIDE OPTIONAL PART: 113N1382-8 113N1470-2	002004 006009 107107 121503 904949 952999	1
- 420	113N1382-18		.FITTING ASSY- POSITION DATA: RH SIDE OPTIONAL PART: 113N1382-8 113N1470-2	010106 108120 504903 950951	1
- 420	113N1470-10		.FITTING ASSY- POSITION DATA: RH SIDE OPTIONAL PART: 113N1382-18	010106 108120 504903 950951	1
425	HL11VAZ10-12		ATTACHING PARTS .BOLT SUPPLIER CODE: V60516 SPECIFICATION NUMBER: BACB30NW10K12 OPTIONAL PART: B30NW10K12 V97928 HL11VAZ10-12 V73197 HL11VAZ10-12 V92215 HL11VAZ10-12 V97928 L803-10K12 V06725 HL11VAZ10-12 VOPTK6 HL11VAZ10-12 V56878	002004 006100 103107 121503 904999	1
430	BACB30MY10K		.BOLT- SIZE DETERMINED ON INSTL.	002004 006100 103107 121503 904999	2

MISSING ITEM NUMBERS NOT APPLICABLE

- ITEM NOT ILLUSTRATED

BRI

57-70-00-03

BOEING PROPRIETARY - Copyright © - Unpublished Work - See title page for details.

57-70-00
FIG. 03
PAGE 22
JAN 20/09

BOEING
757
PARTS CATALOG (MAINTENANCE)

FIG ITEM	PART NUMBER	1 2 3 4 5 6 7	NOMENCLATURE	EFFECT FROM TO	UNITS PER ASSY
3 435	HL79-10		. COLLAR SUPPLIER CODE: V5M902 SPECIFICATION NUMBER: BACC30M10 OPTIONAL PART: HL79-10 V73197 HL79-10 V92215 66014-10 V56878 HL79-10 V56878	002004 006100 103107 121503 904999	3
R R	440 AG4VCR		-----*----- .. BEARING SUPPLIER CODE: V15860 SPECIFICATION NUMBER: BACB10AG4 OPTIONAL PART: BSSN4797S V81376 HSBG4-117 V02758 NG4F V73134 NC4G2 V56644 BNG4E111 V16746 ABG4V5 VS0352 03-505-04E033 V09455	002004 006100 103107 121503 904999	1
	445 113N1382-9		.. FITTING- USED ON: 113N1382-7	002004 006009 107107 121503 904949 952999	1
	445 113N1382-13		.. FITTING- USED ON: 113N1382-11	002004 006009 107107 121503 904949 952999	1

MISSING ITEM NUMBERS NOT APPLICABLE

— ITEM NOT ILLUSTRATED

BRI

57-70-00-03

BOEING PROPRIETARY - Copyright © - Unpublished Work - See title page for details.

57-70-00
FIG. 03
PAGE 23
MAY 20/09



757

PARTS CATALOG (MAINTENANCE)

FIG ITEM	PART NUMBER	1 2 3 4 5 6 7	NOMENCLATURE	EFFECT FROM TO	UNITS PER ASSY
3					
445	113N1382-19	..	FITTING- USED ON: 113N1382-17	010106 108120 504903 950951	1
445	113N1470-11	..	FITTING- USED ON: 113N1470-9	010106 108120 504903 950951	1
- 450	113N1382-10	..	FITTING- USED ON: 113N1382-8	002004 006009 107107 121503 904949 952999	1
- 450	113N1382-14	..	FITTING- USED ON: 113N1382-12	002004 006009 107107 121503 904949 952999	1
- 450	113N1382-20	..	FITTING- USED ON: 113N1382-18	010106 108120 504903 950951	1
- 450	113N1470-12	..	FITTING- USED ON: 113N1470-10	010106 108120 504903 950951	1
455	113N1470-5	.	FITTING ASSY- POSITION DATA: LH SIDE OPTIONAL PART: 113N1383-1	002004 006100 103107 121503 904999	1
455	113N1383-1	.	FITTING ASSY- POSITION DATA: LH SIDE OPTIONAL PART: 113N1470-5	002004 006999	1
- 460	113N1470-6	.	FITTING ASSY- POSITION DATA: RH SIDE	002004 006100 103107 121503 904999	1
- 460	113N1383-2	.	FITTING ASSY- POSITION DATA: RH SIDE OPTIONAL PART: 113N1470-6	002004 006999	1

MISSING ITEM NUMBERS NOT APPLICABLE

- ITEM NOT ILLUSTRATED

57-70-00-03

57-70-00
FIG. 03
PAGE 24
JAN 20/09

BRI

BOEING
757
PARTS CATALOG (MAINTENANCE)

FIG ITEM	PART NUMBER	1 2 3 4 5 6 7	NOMENCLATURE	EFFECT FROM TO	UNITS PER ASSY
3			ATTACHING PARTS		
465	BACB30MY10K		.BOLT- SIZE DETERMINED ON INSTL.	002004 006100 103107 121503 904999	2
470	HL79-10		.COLLAR SUPPLIER CODE: V5M902 SPECIFICATION NUMBER: BACC30M10 OPTIONAL PART: HL79-10 V73197 HL79-10 V92215 66014-10 V56878 HL79-10 V56878	002004 006100 103107 121503 904999	2
475	AG4VCR		-----*----- ..BEARING SUPPLIER CODE: V15860 SPECIFICATION NUMBER: BACB10AG4 OPTIONAL PART: BSSN4797S V81376 HSBG4-117 V02758 NG4F V73134 NC4G2 V56644 BNG4E111 V16746 ABG4V5 VS0352 03-505-04E033 V09455	002004 006100 103107 121503 904999	1
480	113N1470-7		..FITTING- USED ON: 113N1470-5	002004 006100 103107 121503 904999	1
480	113N1383-3		..FITTING- USED ON: 113N1383-1	002004 006999	1

R
R
R
R
R
R
R
R
R
R
R
R
R
R
R
R
R
R
R
R
R
R

MISSING ITEM NUMBERS NOT APPLICABLE

- ITEM NOT ILLUSTRATED

57-70-00-03

57-70-00
FIG. 03
PAGE 25
MAY 20/09

BRI

BOEING PROPRIETARY - Copyright © - Unpublished Work - See title page for details.



757

PARTS CATALOG (MAINTENANCE)

FIG ITEM	PART NUMBER	1 2 3 4 5 6 7	NOMENCLATURE	EFFECT FROM TO	UNITS PER ASSY
3					
- 485	113N1470-8	..	FITTING- USED ON: 113N1470-6	002004 006100 103107 121503 904999	1
- 485	113N1383-4	..	FITTING- USED ON: 113N1383-2	002004 006999	1
490	113N1452-13	.FITTING ASSY-SPRT	POSITION DATA: LH SIDE OPTIONAL PART: 113N1463-1 113N1452-17	002004 006999	1
490	113N1463-1	.FITTING ASSY-SPRT	POSITION DATA: LH SIDE OPTIONAL PART: 113N1452-13 113N1452-17	002004 006999	1
490	113N1452-17	.FITTING ASSY-SPRT	POSITION DATA: LH SIDE OPTIONAL PART: 113N1452-13 113N1463-1	002004 006999	1
- 495	113N1452-14	.FITTING ASSY-SPRT	POSITION DATA: RH SIDE OPTIONAL PART: 113N1463-2 113N1452-18	002004 006999	1
- 495	113N1463-2	.FITTING ASSY-SPRT	POSITION DATA: RH SIDE OPTIONAL PART: 113N1452-14 113N1452-18	002004 006999	1
- 495	113N1452-18	.FITTING ASSY-SPRT	POSITION DATA: RH SIDE OPTIONAL PART: 113N1463-2 113N1452-14	002004 006999	1
500	BACB28AM06B020A	..	BUSHING- USED ON: 113N1452-13 113N1452-14	002004 006999	1

MISSING ITEM NUMBERS NOT APPLICABLE

- ITEM NOT ILLUSTRATED

57-70-00-03

57-70-00
FIG. 03
PAGE 26
JAN 20/09

BRI

BOEING PROPRIETARY - Copyright © - Unpublished Work - See title page for details.



757

PARTS CATALOG (MAINTENANCE)

FIG ITEM	PART NUMBER	1 2 3 4 5 6 7	NOMENCLATURE	EFFECT FROM TO	UNITS PER ASSY
3					
500	BACB28AM06B018A	..	BUSHING- USED ON: 113N1463-1 113N1463-2 113N1452-17 113N1452-18	002004 006999	1
505	BACB28AM07B020A	..	BUSHING- USED ON: 113N1452-13 113N1452-14	002004 006999	1
505	BACB28AM07B018A	..	BUSHING- USED ON: 113N1463-1 113N1463-2 113N1452-17 113N1452-18	002004 006999	1
510	BACB28AP04P020	..	BUSHING- USED ON: 113N1452-13 113N1452-14	002004 006999	1
510	BACB28AP04P018	..	BUSHING- USED ON: 113N1463-1 113N1463-2 113N1452-17 113N1452-18	002004 006999	1
515	BACB28AP05P022	..	BUSHING- USED ON: 113N1452-13 113N1452-14	002004 006999	1
515	BACB28AP05P018	..	BUSHING- USED ON: 113N1463-1 113N1463-2 113N1452-17 113N1452-18	002004 006999	1
520	BACB28AP08P013	..	BUSHING- USED ON: 113N1463-1 113N1463-2 113N1452-17 113N1452-18	002004 006999	1
520	BACB28AP08P015	..	BUSHING- USED ON: 113N1452-13 113N1452-14	002004 006999	1
525	114N2130-4	..	BUSHING	002004 006999	1

MISSING ITEM NUMBERS NOT APPLICABLE

- ITEM NOT ILLUSTRATED

57-70-00-03

57-70-00
FIG. 03
PAGE 27
JAN 20/09

BRI

BOEING PROPRIETARY - Copyright © - Unpublished Work - See title page for details.



757

PARTS CATALOG (MAINTENANCE)

FIG ITEM	PART NUMBER	1 2 3 4 5 6 7	NOMENCLATURE	EFFECT FROM TO	UNITS PER ASSY
3					
530	113N1452-15	..	FITTING- USED ON: 113N1452-13 113N1452-17	002004 006999	1
530	113N1463-3	..	FITTING- USED ON: 113N1463-1	002004 006999	1
- 535	113N1452-16	..	FITTING- USED ON: 113N1452-14 113N1452-18	002004 006999	1
- 535	113N1463-4	..	FITTING- USED ON: 113N1463-2	002004 006999	1
- 600	113N1401-201		SUPPORT INSTL-WING TE SPOILER NO. 6 POSITION DATA: LH FOR NHA SEE: 57-00-00-05	101102 108120 504903	RF
- 600	MODREF1265		SUPPORT INSTL-WING TE SPOILER NO. 6 MODULE NUMBER: 113N1401-201 REV A POSITION DATA: LH	103103	1
- 600	MODREF26547		SUPPORT INSTL-WING TE SPOILER NO. 6 MODULE NUMBER: 113N1401-201 REV B POSITION DATA: LH	104106	1
- 605	113N1401-202		SUPPORT INSTL-WING TE SPOILER NO. 6 POSITION DATA: RH FOR NHA SEE: 57-00-00-05	101102 108120 504903	RF
- 605	MODREF1266		SUPPORT INSTL-WING TE SPOILER NO. 6 MODULE NUMBER: 113N1401-202 REV A POSITION DATA: RH	103103	1

MISSING ITEM NUMBERS NOT APPLICABLE

- ITEM NOT ILLUSTRATED

57-70-00-03

57-70-00
FIG. 03
PAGE 28
JAN 20/09

BRI



757

PARTS CATALOG (MAINTENANCE)

FIG ITEM	PART NUMBER	1 2 3 4 5 6 7	NOMENCLATURE	EFFECT FROM TO	UNITS PER ASSY
3 - 605	MODREF26548		SUPPORT INSTL-WING TE SPOILER NO. 6 MODULE NUMBER: 113N1401-202 REV B POSITION DATA: RH	104106	1
610	BACB30NX14K		.BOLT- SIZE DETERMINED ON INSTL.	101106 108120 504903	6
615	BACB30MY8K		.BOLT- SIZE DETERMINED ON INSTL.	101106 108120 504903	6
620	HL1187DU14		.COLLAR SUPPLIER CODE: V5M902 SPECIFICATION NUMBER: BACC30X14S OPTIONAL PART: HL1187DU14 V73197 HL1187DU14 V92215 HL87DU14 V73197 HL87DU14 V92215 HL87DU14 V56878 HL1187DU14 V56878	101106 108120 504903	6
625	HL79-8		.COLLAR SUPPLIER CODE: V5M902 SPECIFICATION NUMBER: BACC30M8 OPTIONAL PART: HL79-8 V73197 HL79-8 V92215 66014-8 V56878 HL79-8 V56878	101106 108120 504903	6
626	113N1402-5		.FILLER	101106 108120 504903	1

MISSING ITEM NUMBERS NOT APPLICABLE

- ITEM NOT ILLUSTRATED

BRI

57-70-00-03

BOEING PROPRIETARY - Copyright © - Unpublished Work - See title page for details.

57-70-00
FIG. 03
PAGE 29
JAN 20/09



757

PARTS CATALOG (MAINTENANCE)

FIG ITEM	PART NUMBER	1 2 3 4 5 6 7	NOMENCLATURE	EFFECT FROM TO	UNITS PER ASSY
3					
627	113N1402-6	.	FILLER	101106 108120 504903	1
628	113N1402-7	.	FILLER	101106 108120 504903	1
629	113N1402-8	.	FILLER	101106 108120 504903	1
650	BACB30NX12K	.	BOLT- SIZE DETERMINED ON INSTL.	101106 108120 504903	8
655	BACB30MY8K	.	BOLT- SIZE DETERMINED ON INSTL.	101106 108120 504903	6
660	HL1187DU12	.	COLLAR SUPPLIER CODE: V5M902 SPECIFICATION NUMBER: BACC30X12S OPTIONAL PART: HL87DU12 V92215 HL87DU12 V73197 HL1187DU12 V56878 HL1187DU12 V92215 HL87DU12 V56878 HL1187DU12 V73197	101106 108120 504903	8
665	HL79-8	.	COLLAR SUPPLIER CODE: V5M902 SPECIFICATION NUMBER: BACC30M8 OPTIONAL PART: HL79-8 V73197 HL79-8 V92215 66014-8 V56878 HL79-8 V56878	101106 108120 504903	6

MISSING ITEM NUMBERS NOT APPLICABLE

- ITEM NOT ILLUSTRATED

BRI

57-70-00-03

BOEING PROPRIETARY - Copyright © - Unpublished Work - See title page for details.

57-70-00
FIG. 03
PAGE 30
JAN 20/09



757

PARTS CATALOG (MAINTENANCE)

FIG ITEM	PART NUMBER	1 2 3 4 5 6 7	NOMENCLATURE	EFFECT FROM TO	UNITS PER ASSY
3					
666	113N1402-11	.	FILLER	101106 108120 504903	1
667	113N1402-12	.	FILLER	101106 108120 504903	1
668	113N1402-13	.	FILLER	101106 108120 504903	1
669	113N1402-14	.	FILLER	101106 108120 504903	1
680	BACB30PU4-14	.	BOLT	101106 108120 504903	2
685	BACW10BP4DP	.	WASHER	101106 108120 504903	2
690	NAS1149F0432P	.	WASHER	101106 108120 504903	2
695	BACW10BP4ACU	.	WASHER	101106 108120 504903	2
700	BACW10BN3SP	.	WASHER	101106 108120 504903	2
705	BACNJC3CD	.	NUT	101106 108120 504903	2
710	BACB28AT06B024C	.	BUSHING	101106 108120 504903	2
715	114N2130-3	.	BUSHING	101106 108120 504903	2
720	113N1434-23	.	RIB ASSY- POSITION DATA: LH	101106 108120 504903	1
720	113N1434-21	.	RIB ASSY- POSITION DATA: LH OPTIONAL PART: 113N1434-21 113N1460-7	101106 108120 504903	1

MISSING ITEM NUMBERS NOT APPLICABLE

- ITEM NOT ILLUSTRATED

57-70-00-03

57-70-00
FIG. 03
PAGE 31
JAN 20/09

BRI

BOEING PROPRIETARY - Copyright © - Unpublished Work - See title page for details.



757

PARTS CATALOG (MAINTENANCE)

FIG ITEM	PART NUMBER	1 2 3 4 5 6 7	NOMENCLATURE	EFFECT FROM TO	UNITS PER ASSY
3					
720	113N1460-7	.RIB ASSY-	POSITION DATA: LH	101106 108120 504903	1
730	NAS1801-3-14	..SCREW		101106 108120 504903	1
735	MS35338-43	..WASHER		101106 108120 504903	1
740	NAS1149D0316H	..WASHER		101106 108120 504903	2
745	MS35650-305S	..NUT-	USED ON: 113N1434-23 113N1434-21	101106 108120 504903	1
755	BACB28AM14B044A	..BUSHING-	USED ON: 113N1434-23 113N1434-21 113N1460-7	101106 108120 504903	2
770	113N1434-24	..RIB-	USED ON: 113N1434-23	101106 108120 504903	1
770	113N1434-22	..RIB-	USED ON: 113N1434-21	101106 108120 504903	1
770	113N1460-9	..RIB-	USED ON: 113N1460-7	101106 108120 504903	1
800	113N1461-14	.RIB ASSY-	POSITION DATA: RH	101106 108120 504903	1
800	113N1433-32	.RIB ASSY-	OPTIONAL PART: 113N1433-32	101106 108120 504903	1
805	BACB28AM14B044A	..BUSHING		101106 108120 504903	1
810	BACB28AP10P044	..BUSHING		101106 108120 504903	1

MISSING ITEM NUMBERS NOT APPLICABLE

- ITEM NOT ILLUSTRATED

57-70-00-03

57-70-00
FIG. 03
PAGE 32
JAN 20/09

BRI

BOEING PROPRIETARY - Copyright © - Unpublished Work - See title page for details.



757

PARTS CATALOG (MAINTENANCE)

FIG ITEM	PART NUMBER	1 2 3 4 5 6 7	NOMENCLATURE	EFFECT FROM TO	UNITS PER ASSY
3					
815	113N1461-12	. .	RIB- USED ON: 113N1461-14	101106 108120 504903	1
820	113N1433-34	. .	RIB- USED ON: 113N1433-32	101106 108120 504903	1

MISSING ITEM NUMBERS NOT APPLICABLE

- ITEM NOT ILLUSTRATED

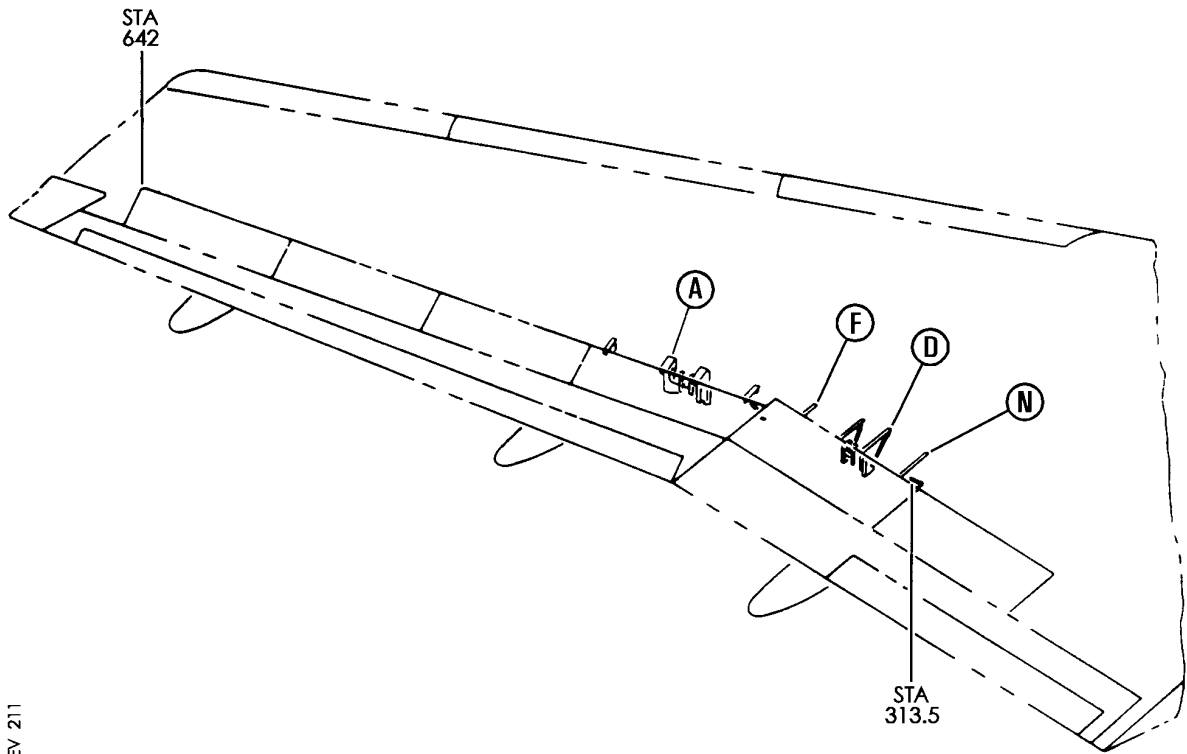
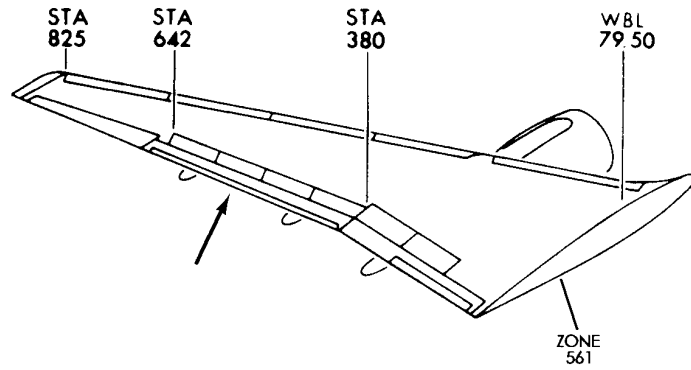
BRI

57-70-00-03

BOEING PROPRIETARY - Copyright © - Unpublished Work - See title page for details.

57-70-00
FIG. 03
PAGE 33
JAN 20/09

BOEING
757
PARTS CATALOG (MAINTENANCE)



Y 57700004 SHT 1 REV 211

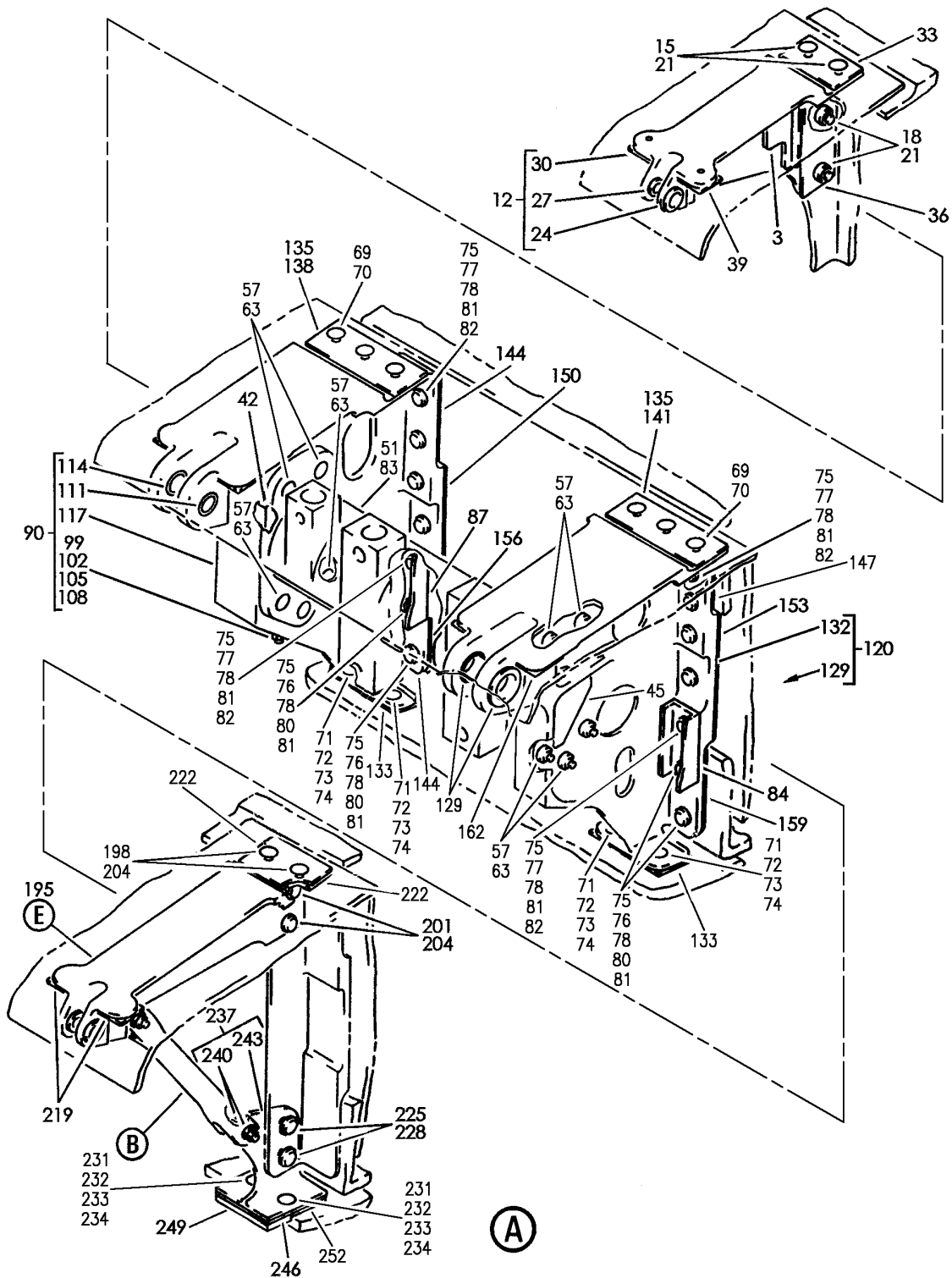
SUPPORT INSTL-WING TE SPOILER NO. 1 THRU 5 (SPOILER NO. 4 AND 5 ONLY)
FIGURE 4 (SHEET 1)

57-70-00-04

BRI
MAY 28/07

57-70-00-04
PAGE 0

BOEING
757
PARTS CATALOG (MAINTENANCE)



Y 57700004 SHT. 2 REV 257

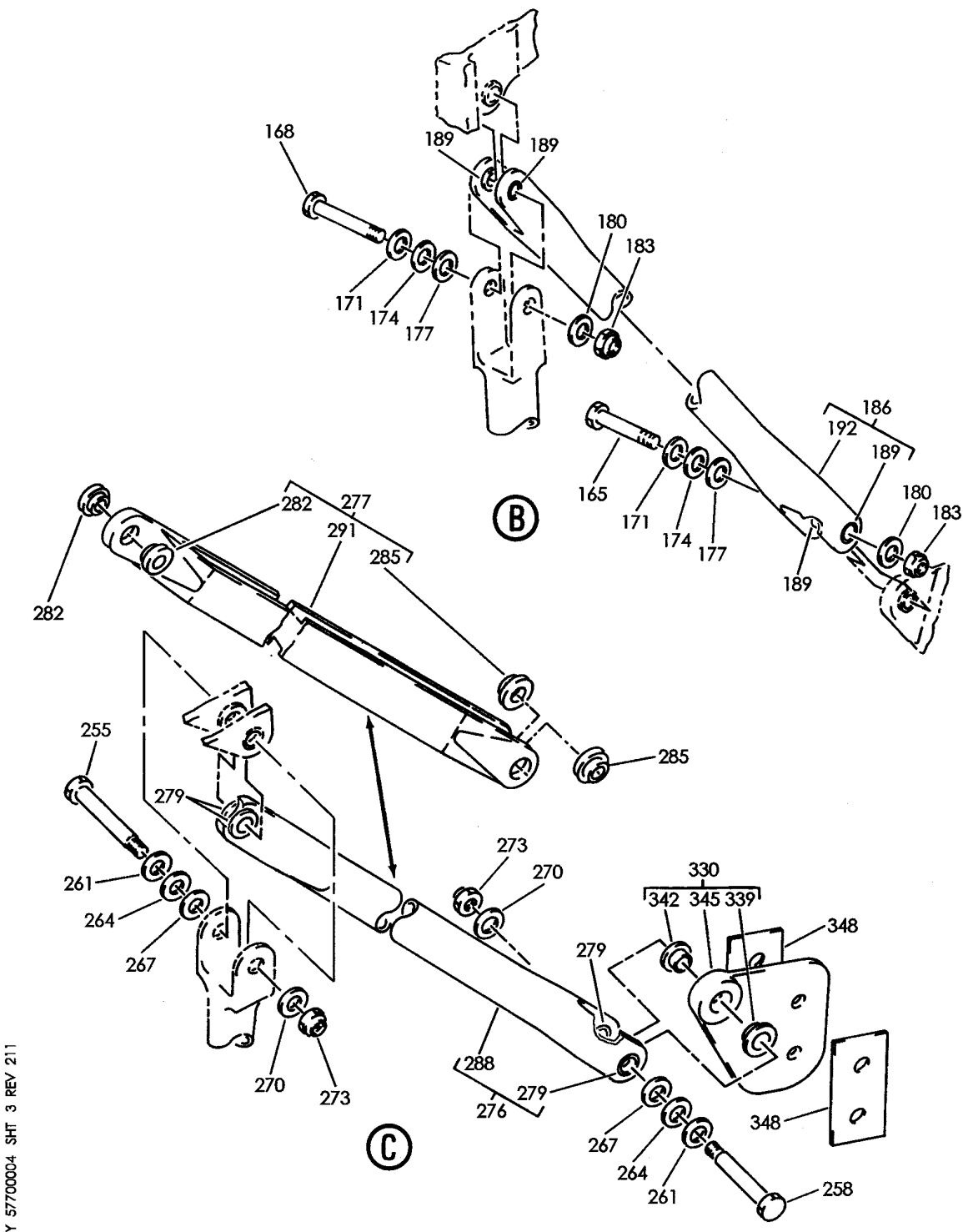
SUPPORT INSTL-WING TE SPOILER NO. 1 THRU 5 (SPOILER NO. 4 AND 5 ONLY)
FIGURE 4 (SHEET 2)

57-70-00-04

BRI
MAY 28/07

57-70-00-04
PAGE 0A

BOEING
757
PARTS CATALOG (MAINTENANCE)



Y 57700004 SHT 3 REV 211

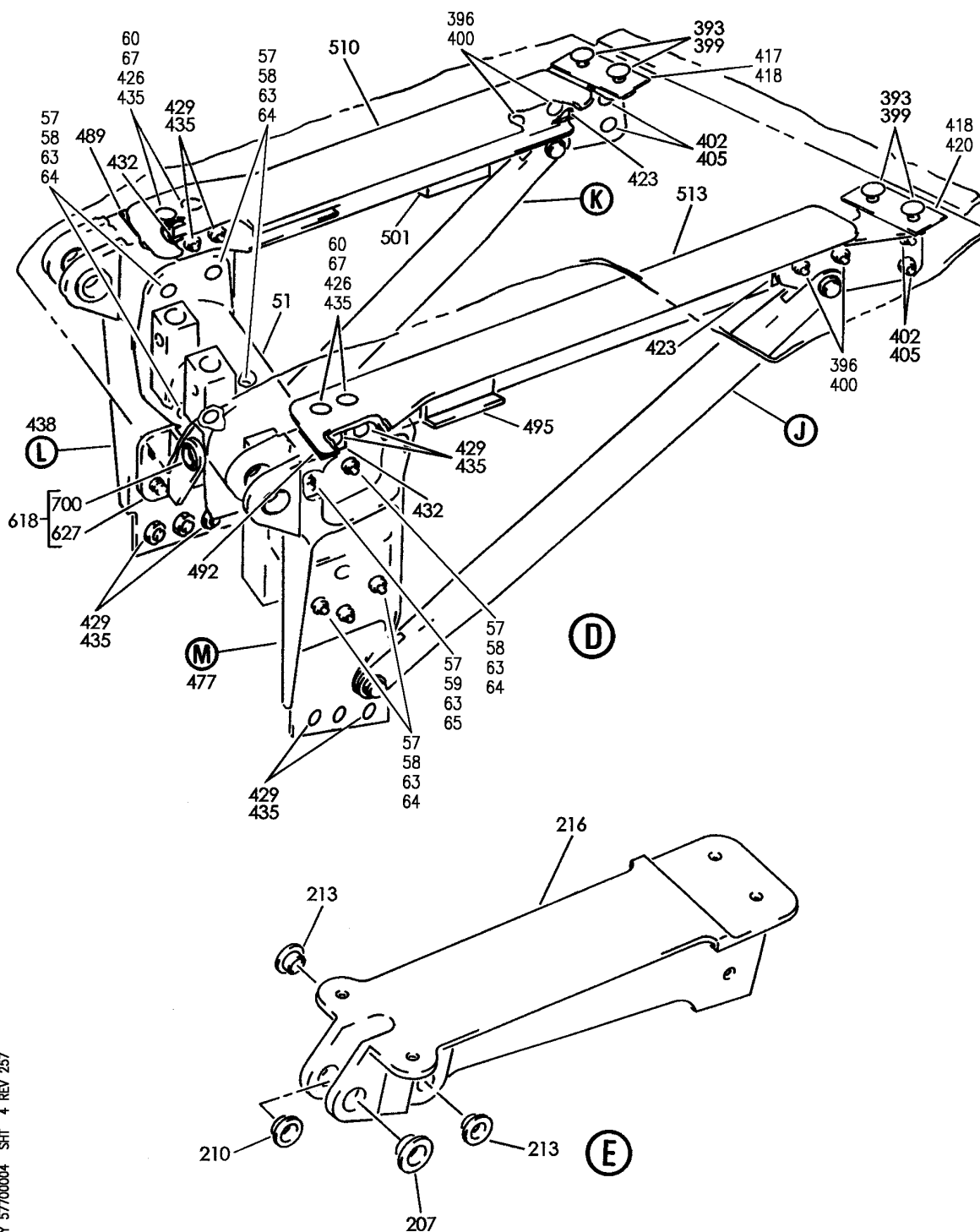
SUPPORT INSTL-WING TE SPOILER NO. 1 THRU 5 (SPOILER NO. 4 AND 5 ONLY)
FIGURE 4 (SHEET 3)

57-70-00-04

BRI
MAY 28/07

57-70-00-04
PAGE 0B

BOEING
757
PARTS CATALOG (MAINTENANCE)



Y 57700004 SH- 4 REV 257

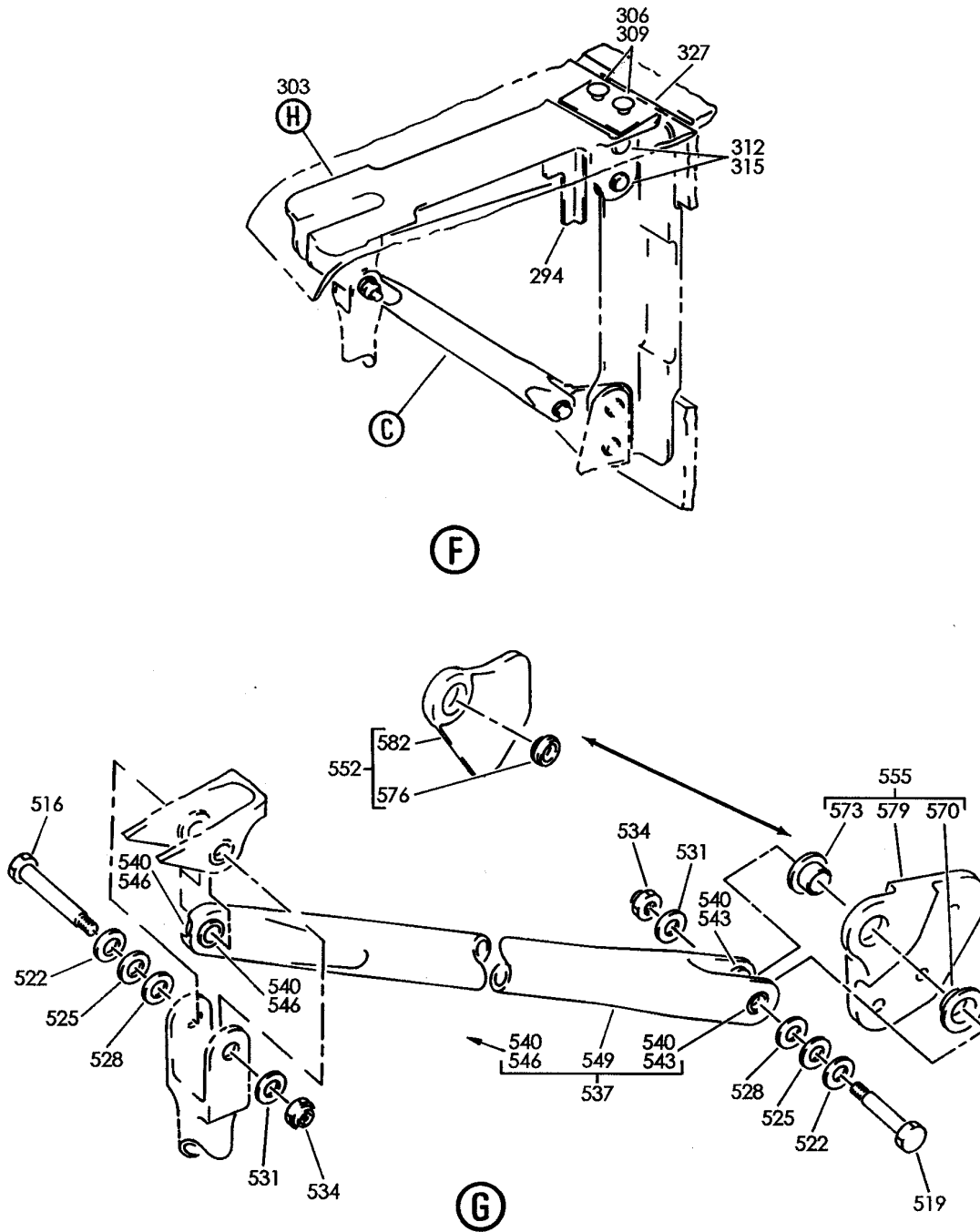
SUPPORT INSTL-WING TE SPOILER NO. 1 THRU 5 (SPOILER NO. 4 AND 5 ONLY)
FIGURE 4 (SHEET 4)

57-70-00-04

BRI
MAY 28/07

57-70-00-04
PAGE 0C

BOEING
757
PARTS CATALOG (MAINTENANCE)



Y 5770004 SHT 5 REV 211

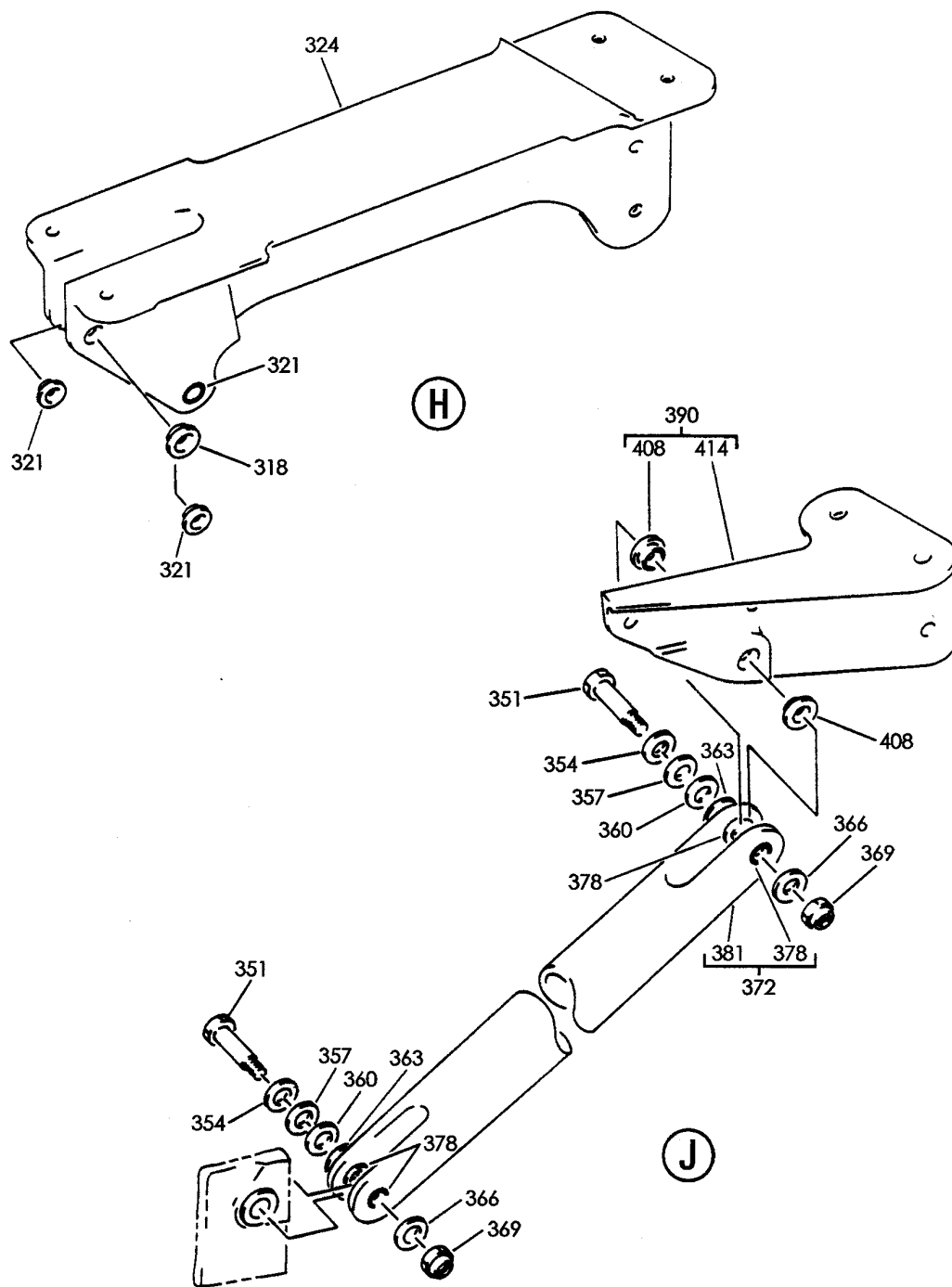
SUPPORT INSTL-WING TE SPOILER NO. 1 THRU 5 (SPOILER NO. 4 AND 5 ONLY)
FIGURE 4 (SHEET 5)

57-70-00-04

BRI
MAY 28/07

57-70-00-04
PAGE 0D

BOEING
757
PARTS CATALOG (MAINTENANCE)



Y 5770004 SHT 6 REV 211

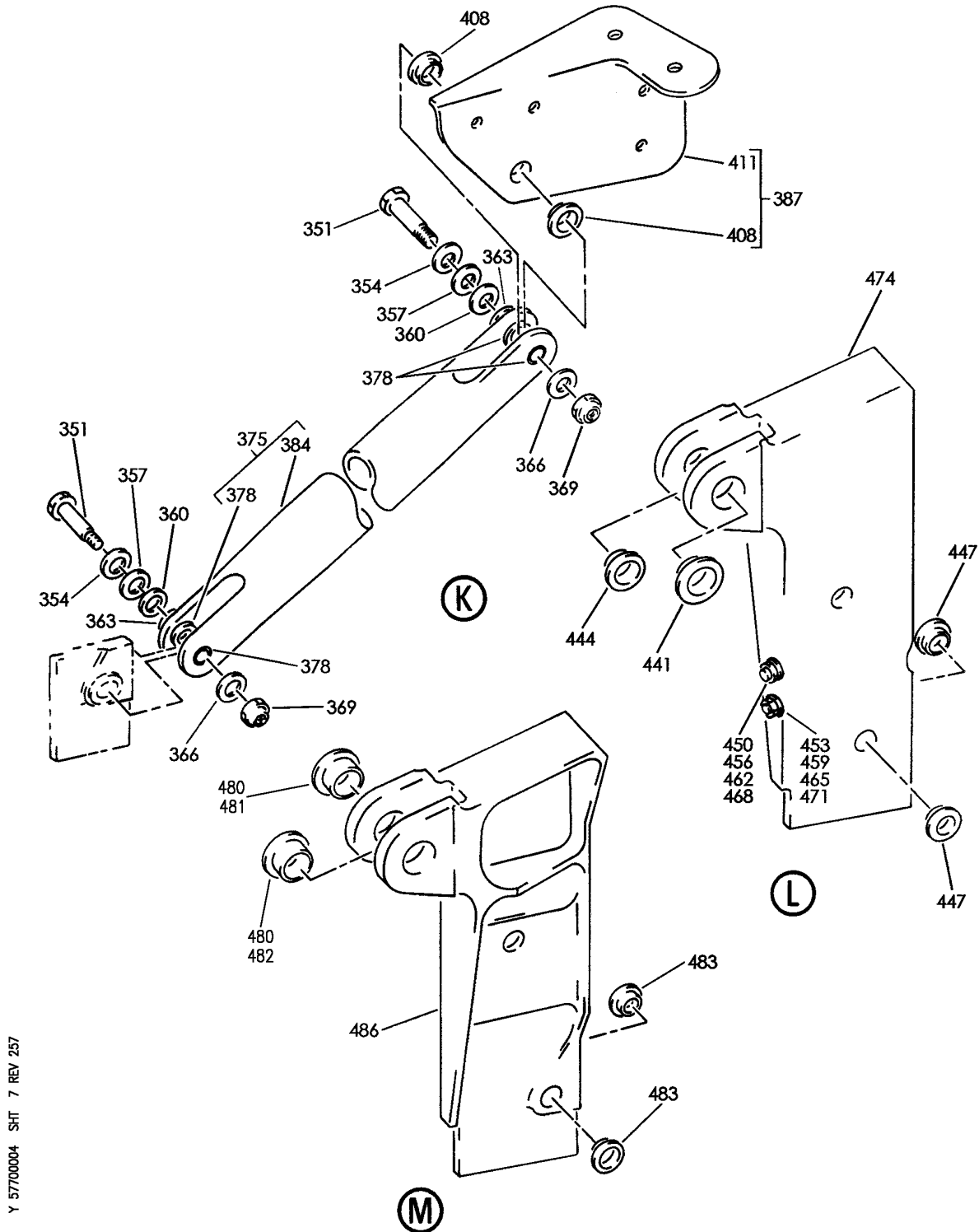
SUPPORT INSTL-WING TE SPOILER NO. 1 THRU 5 (SPOILER NO. 4 AND 5 ONLY)
FIGURE 4 (SHEET 6)

57-70-00-04

BRI
MAY 28/07

57-70-00-04
PAGE 0E

BOEING
757
PARTS CATALOG (MAINTENANCE)



Y 57700004 SH1 7 REV 257

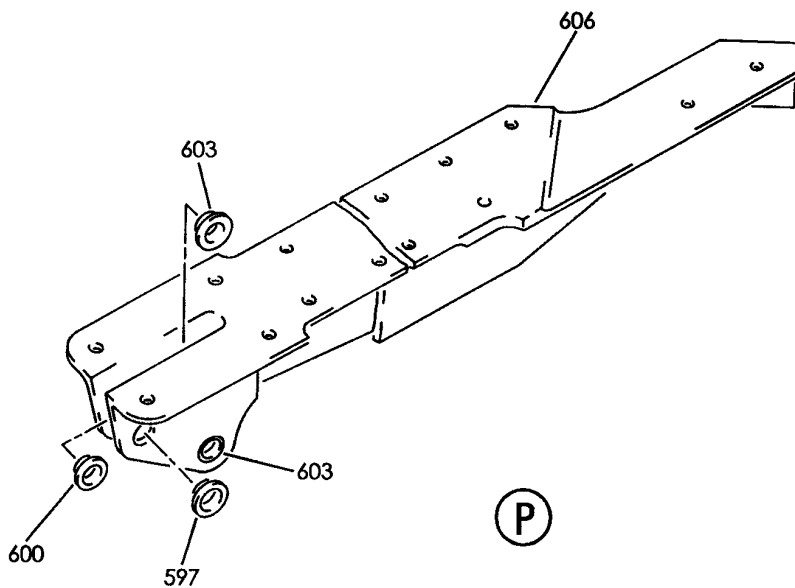
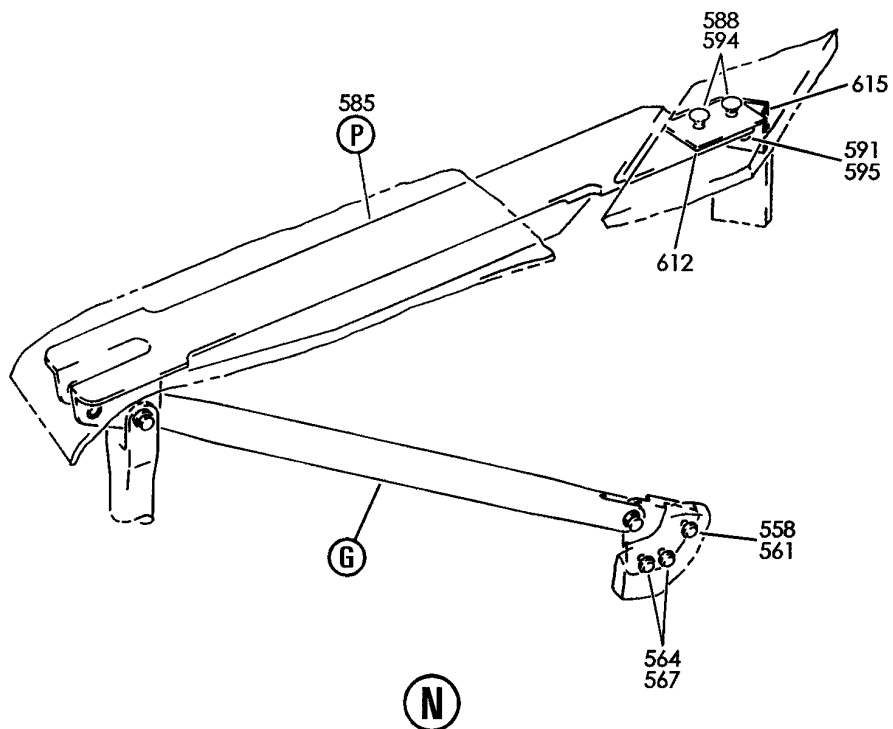
SUPPORT INSTL-WING TE SPOILER NO. 1 THRU 5 (SPOILER NO. 4 AND 5 ONLY)
FIGURE 4 (SHEET 7)

57-70-00-04

BRI
MAY 28/07

57-70-00-04
PAGE OF

BOEING
757
PARTS CATALOG (MAINTENANCE)



Y 57700004 SH1 8 REV 257

SUPPORT INSTL-WING TE SPOILER NO. 1 THRU 5 (SPOILER NO. 4 AND 5 ONLY)
FIGURE 4 (SHEET 8)

BRI
MAY 28/07

57-70-00-04

57-70-00-04
PAGE 06



757

PARTS CATALOG (MAINTENANCE)

FIG ITEM	PART NUMBER	1 2 3 4 5 6 7	NOMENCLATURE	EFFECT FROM TO	UNITS PER ASSY
4			SUPPORT INSTL-WING TE SPOILER NO. 1 THRU 5 (SPOILER NO. 4 AND 5 ONLY)	002004 006999	
- 1	113N1400-9		SUPPORT INSTL-WING TE SPOILER NO. 1 THRU 5 (SPOILER NO. 4 AND 5 ONLY) POSITION DATA: LH FOR NHA/ADDITIONAL DET SEE: 57-20-52-01	107107	RF
- 1	113N1400-11		SUPPORT INSTL-WING TE SPOILER NO. 1 THRU 5 (SPOILER NO. 4 AND 5 ONLY) POSITION DATA: LH FOR NHA/ADDITIONAL DET SEE: 57-20-52-01	002004 006010 121503 904999	RF
- 1	113N1400-17		SUPPORT INSTL-WING TE SPOILER NO. 1 THRU 5 (SPOILER NO. 4 AND 5 ONLY) POSITION DATA: LH FOR NHA/ADDITIONAL DET SEE: 57-20-52-01	011100	RF
- 1	113N1400-201		SUPPORT INSTL-WING TE SPOILER NO. 1 THRU 5 (SPOILER NO. 4 AND 5 ONLY) POSITION DATA: LH FOR NHA/ADDITIONAL DET SEE: 57-20-52-01	101102 504504	RF
- 1	113N1400-203		SUPPORT INSTL-WING TE SPOILER NO. 1 THRU 5 (SPOILER NO. 4 AND 5 ONLY) POSITION DATA: LH FOR NHA/ADDITIONAL DET SEE: 57-00-00-05	505903	RF

MISSING ITEM NUMBERS NOT APPLICABLE

- ITEM NOT ILLUSTRATED

57-70-00-04

57-70-00
FIG. 04
PAGE 1
JAN 20/09

BRI



**757
PARTS CATALOG (MAINTENANCE)**

FIG ITEM	PART NUMBER	1 2 3 4 5 6 7	NOMENCLATURE	EFFECT FROM TO	UNITS PER ASSY
4					
- 1	113N1400-207		SUPPORT INSTL-WING TE SPOILER NO. 1 THRU 5 (SPOILER NO. 4 AND 5 ONLY) POSITION DATA: LH FOR NHA/ADDITIONAL DET SEE: 57-00-00-05	108120	RF
- 2	MODREF32763		SUPPORT INSTL-WING TE SPOILER NO. 1 THRU 5 (SPOILER NO. 4 AND 5 ONLY) MODULE NUMBER: 113N1400-19 REV C POSITION DATA: LH FOR OTHER SYS DETAILS SEE: 57-70-00-01 57-70-00-02	103106	1
	3 287N1301-31		.BRACKET	002004 006999	1
- 6	BACB30VT6K		ATTACHING PARTS .BOLT-	002004 006999	2
- 9	BACC30BL6		.COLLAR SUPPLIER CODE: V73197 SPECIFICATION NUMBER: BACC30BL6 OPTIONAL PART: HST79-6 V92215 HST79CY6 V56878 HST79CY6 V5M902	002004 006999	2
	12 113N1455-7		-----*----- .FITTING ASSY-HINGE, SPOILER NO. 4 SPRT OPTIONAL PART: 113N1445-1	107107 904949 952952	1
	12 113N1445-1		.FITTING ASSY-HINGE, SPOILER NO. 4 SPRT OPTIONAL PART: 113N1455-7	107107 904949 952952	1

MISSING ITEM NUMBERS NOT APPLICABLE

- ITEM NOT ILLUSTRATED

BRI

57-70-00-04

BOEING PROPRIETARY - Copyright © - Unpublished Work - See title page for details.

57-70-00
FIG. 04
PAGE 2
JAN 20/09



757

PARTS CATALOG (MAINTENANCE)

FIG ITEM	PART NUMBER	1 2 3 4 5 6 7	NOMENCLATURE	EFFECT FROM TO	UNITS PER ASSY
4					
12	113N1455-11		.FITTING ASSY-HINGE, SPOILER NO. 4 SPRT	002004 006106 108903 950951 953999	1
			ATTACHING PARTS		
15	BACB30YP8K		.BOLT- SIZE DETERMINED ON INSTL.	002004 006999	2
18	BACB30VT8K		.BOLT- SIZE DETERMINED ON INSTL.	002004 006999	2
21	BACC30BL8		.COLLAR SUPPLIER CODE: V73197 SPECIFICATION NUMBER: BACC30BL8 OPTIONAL PART: HST79-8 V92215 HST79CY8 V56878 HST79CY8 V5M902 -----*-----	002004 006999	4
24	BACB28AM06B020A		..BUSHING	002004 006999	1
27	BACB28AP04P020		..BUSHING	002004 006999	1
30	113N1455-9		..FITTING- USED ON: 113N1455-11 USED ON: 113N1455-7	002004 006999	1
30	113N1445-3		..FITTING- USED ON: 113N1445-7 USED ON: 113N1445-1	002004 006999	1
33	BACS40R013C025F		.SHIM	002004 006999	1
36	BACS40R012C036F		.SHIM	002004 006999	1
39	BACS40R007C009F		.SHIM	002004 006999	1
51	113N1408-1		.FITTING-ACTR SPRT OPTIONAL PART: 113N1409-1	107107	2
51	113N1409-1		.FITTING-ACTR SPRT OPTIONAL PART: 113N1408-1	002004 006999	2

MISSING ITEM NUMBERS NOT APPLICABLE

- ITEM NOT ILLUSTRATED

57-70-00-04

57-70-00
FIG. 04
PAGE 3
JAN 20/09

BRI

BOEING PROPRIETARY - Copyright © - Unpublished Work - See title page for details.



757

PARTS CATALOG (MAINTENANCE)

FIG ITEM	PART NUMBER	1 2 3 4 5 6 7	NOMENCLATURE	EFFECT FROM TO	UNITS PER ASSY
4			ATTACHING PARTS		
58	BACB30NX10K	.BOLT-	SIZE DETERMINED ON INSTL.	002004 006999	9
59	HL1012AZ10-15	.BOLT	SUPPLIER CODE: VOPTK6 SPECIFICATION NUMBER: BACB30NX10K15 OPTIONAL PART: HL12VAZ10-15 V73197 HL12VAZ10-15 V92215 HL12VAZ10-15 V97928 L802-10K15 V06725 HL12VAZ10-15 V56878 HL1012AZ10-15 V06725 HL1012AZ10-15 V06950 HL1012AZ10-15 V17446 HL1012AZ10-15 V56878 HL1012AZ10-15 V60516 HL1012AZ10-15 V73197 HL1012AZ10-15 V97928	002004 006999	1
60	BACB30NW8K	.BOLT-	SIZE DETERMINED ON INSTL.	002004 006102 107999	4
60	BACB30YP8K	.BOLT-	SIZE DETERMINED ON INSTL.	103106	4

MISSING ITEM NUMBERS NOT APPLICABLE

- ITEM NOT ILLUSTRATED

57-70-00-04

57-70-00
FIG. 04
PAGE 4
JAN 20/09

BRI



757

PARTS CATALOG (MAINTENANCE)

FIG ITEM	PART NUMBER	1 2 3 4 5 6 7	NOMENCLATURE	EFFECT FROM TO	UNITS PER ASSY
4 64	HL1187-10		. COLLAR SUPPLIER CODE: V5M902 SPECIFICATION NUMBER: BACC30X10 OPTIONAL PART: HL1187-10 V56878 HL1187-10 V92215 HL1187-10 V73197 HL1187-10 V92215 HL87-10 V56878 HL1187-10 V73197	002004 006999	9
65	NAS1149F0532P		. WASHER	002004 006999	1
66	PLH55CD		. NUT SUPPLIER CODE: VF0224 SPECIFICATION NUMBER: BACN10YR5CD OPTIONAL PART: H52732-5CD V15653	002004 006999	1
67	HL79-8		-----*----- . COLLAR SUPPLIER CODE: V5M902 SPECIFICATION NUMBER: BACC30M8 OPTIONAL PART: HL79-8 V73197 HL79-8 V92215 66014-8 V56878 HL79-8 V56878	002004 006102 107999	4

MISSING ITEM NUMBERS NOT APPLICABLE

- ITEM NOT ILLUSTRATED

BRI

57-70-00-04

BOEING PROPRIETARY - Copyright © - Unpublished Work - See title page for details.

57-70-00
FIG. 04
PAGE 5
JAN 20/09



757

PARTS CATALOG (MAINTENANCE)

FIG ITEM	PART NUMBER	1 2 3 4 5 6 7	NOMENCLATURE	EFFECT FROM TO	UNITS PER ASSY
4 67	BACC30BL8	.COLLAR	SUPPLIER CODE: V73197 SPECIFICATION NUMBER: BACC30BL8 OPTIONAL PART: HST79-8 V92215 HST79CY8 V56878 HST79CY8 V5M902	103106	4
69	BACB30YP8K	.BOLT-	SIZE DETERMINED ON INSTL.	002004 006999	6
70	BACC30BL8	.COLLAR	SUPPLIER CODE: V73197 SPECIFICATION NUMBER: BACC30BL8 OPTIONAL PART: HST79-8 V92215 HST79CY8 V56878 HST79CY8 V5M902	002004 006999	6
71	BACB30YP8K	.BOLT-	SIZE DETERMINED ON INSTL.	103106	4
71	BACB30PT4K8	.BOLT-	SIZE DETERMINED ON INSTL.	002004 006102	4
72	HST828AW	.COLLAR	SUPPLIER CODE: V5M902 SPECIFICATION NUMBER: BACC30BQ8 OPTIONAL PART: HST828AW V56878 HST828AW V73197 HST82CY8APBW V73197 HST82CY8APBW V56878	107999 103106	4

MISSING ITEM NUMBERS NOT APPLICABLE

- ITEM NOT ILLUSTRATED

57-70-00-04

57-70-00
FIG. 04
PAGE 6
JAN 20/09

BRI



757

PARTS CATALOG (MAINTENANCE)

FIG ITEM	PART NUMBER	1 2 3 4 5 6 7	NOMENCLATURE	EFFECT FROM TO	UNITS PER ASSY
4	73 AS46-4		.WASHER SUPPLIER CODE: V10630 SPECIFICATION NUMBER: BACW10AU4 OPTIONAL PART: K19701P4 V15653 53488W428 V56878 6073-04 V72962 TLN1020L4W V08524	002004 006102 107999	4
	74 BACN10MT5		.NUT SUPPLIER CODE: V15653 SPECIFICATION NUMBER: BACN10MT5 OPTIONAL PART: 52LH6073-054 V72962 53488N524 V56878 TLN1020L5N V97928	002004 006102 107999	4
	75 BACB30VT10K		.BOLT- SIZE DETERMINED ON INSTL.	002004 006102 107107 121999	14
	76 BACB30WR5K5L		.BOLT- SIZE DETERMINED ON INSTL.	108120	4
	76 BACB30WR5K		.BOLT- SIZE DETERMINED ON INSTL.	103106	4
	77 BACB30VT10K		.BOLT- SIZE DETERMINED ON INSTL.	103106 108120	10
	80 H39242-5K		.NUT SUPPLIER CODE: V15653 SPECIFICATION NUMBER: BACN10TN5K OPTIONAL PART: BH00700-5K V27238 TLN1200-5K V97928	103106 108120	4

MISSING ITEM NUMBERS NOT APPLICABLE

- ITEM NOT ILLUSTRATED

57-70-00-04

57-70-00
FIG. 04
PAGE 7
JAN 20/09

BRI

 **BOEING**
757
PARTS CATALOG (MAINTENANCE)

FIG ITEM	PART NUMBER	1 2 3 4 5 6 7	NOMENCLATURE	EFFECT FROM TO	UNITS PER ASSY
4					
81	VLC771-10	.	COLLAR SUPPLIER CODE: V5M902 SPECIFICATION NUMBER: BACC30BP10 OPTIONAL PART: HST771-10 V73197	002004 006102 107107 121999	14
82	VLC771-10	.	COLLAR- SUPPLIER CODE: V5M902 SPECIFICATION NUMBER: BACC30BP10 OPTIONAL PART: HST771-10 V73197 BACN10TN5K	103106 108120	10
82	H39242-5K	.	NUT- SUPPLIER CODE: V15653 SPECIFICATION NUMBER: BACN10TN5K OPTIONAL PART: BH00700-5K V27238 TLN1200-5K V97928 BACC30BP10	103106 108120	10
83	113N1166-1	.	SUPPORT ASSY-SPOILER NO. 4 FOR DETAILS SEE: 57-70-00-05	002004 006100 107107 121503 904999	1
83	113N1166-5	.	SUPPORT ASSY-SPOILER NO. 4 FOR DETAILS SEE: 57-70-00-05	101106 108120 504903	1
84	271N6054-3	.	BRACKET-HYDR TUBE	017106 108120 504903	1
84	271N6367-1	.	BRACKET-HYDR TUBE	002004 006016 107107 121503 904999	1
87	271N6054-7	.	BRACKET-HYDR TUBE	002004 006999	1
133	BACS40R012C026F	.	SHIM- OPTIONAL PART: BACS40R012B026F	103106 108120	2

MISSING ITEM NUMBERS NOT APPLICABLE

— ITEM NOT ILLUSTRATED

BRI

57-70-00-04

BOEING PROPRIETARY - Copyright © - Unpublished Work - See title page for details.

57-70-00
FIG. 04
PAGE 8
JAN 20/09



757

PARTS CATALOG (MAINTENANCE)

FIG ITEM	PART NUMBER	1 2 3 4 5 6 7	NOMENCLATURE	EFFECT FROM TO	UNITS PER ASSY
4					
133	BACS40R012B026F	.SHIM-	OPTIONAL PART: BACS40R012C026F	103106 108120	2
138	BACS40R015C038F	.SHIM-	OPTIONAL PART: BACS40R015B038F	002004 006999	1
138	BACS40R015B038F	.SHIM-	OPTIONAL PART: BACS40R015C038F	101106 108120 504903	1
141	BACS40R014C039F	.SHIM-	OPTIONAL PART: BACS40R014B039F	002004 006999	1
141	BACS40R014B039F	.SHIM-	OPTIONAL PART: BACS40R014C039F	101106 108120 504903	1
144	BACS40R014C029F	.SHIM-	OPTIONAL PART: BACS40R014B029F	002004 006999	2
144	BACS40R014B029F	.SHIM-	OPTIONAL PART: BACS40R014C029F	101106 108120 504903	2
147	BACS40R014C027F	.SHIM-		002004 006999	1
156	BACS40R014C029F	.SHIM-	OPTIONAL PART: BACS40R014B029F	002004 006999	1
156	BACS40R014B029F	.SHIM-	OPTIONAL PART: BACS40R014C029F	101106 108120 504903	1
159	BACS40R014C028F	.SHIM		002004 006999	1
162	BACS40R007C009F	.SHIM		002004 006999	1
165	BACB30PU4-14	.BOLT		002004 006999	1
168	BACB30PU4-24	.BOLT		002004 006008 121503 904949 952999	1
168	BACB30PU4P20	.BOLT		009120 504903 950951	1
171	AN960-416L	.WASHER		002004 006100 107107 121503 904999	2

MISSING ITEM NUMBERS NOT APPLICABLE

- ITEM NOT ILLUSTRATED

57-70-00-04

57-70-00
FIG. 04
PAGE 9
JAN 20/09

BRI

BOEING PROPRIETARY - Copyright © - Unpublished Work - See title page for details.



757

PARTS CATALOG (MAINTENANCE)

FIG ITEM	PART NUMBER	1 2 3 4 5 6 7	NOMENCLATURE	EFFECT FROM TO	UNITS PER ASSY
4					
171	NAS1149F0432P	.	WASHER	101106 108120 504903	2
174	BACW10BP4DP	.	WASHER	101106 108120 504903	AR
177	BACW10BP4CD	.	WASHER	002004 006999	2
180	BACW10BN3SP	.	WASHER	101106 108120 504903	2
183	BRH10C3D	.	NUT SUPPLIER CODE: V52828 SPECIFICATION NUMBER: BACN10JC3CD OPTIONAL PART: T6C1032JCD V11815 NS202486-02 V80539 102LH9075-3W V72962 H51650-3BAC V15653	002004 006999	2
183	PLH53CD	.	NUT SUPPLIER CODE: VF0224 SPECIFICATION NUMBER: BACN10YR3CD OPTIONAL PART: H52732-3CD V15653	101106 108120 504903	2
186	113N1444-3	.	TUBE ASSY	101106 108120 504903	1
189	BACB28AM04B013A	..	BUSHING	101106 108120 504903	4
192	113N1444-4	..	TUBE	101106 108120 504903	1
195	113N1456-7	.	FITTING ASSY-HINGE, SPOILER NO. 4 SPRT OPTIONAL PART: 113N1446-7	107107 904949 952952	1

MISSING ITEM NUMBERS NOT APPLICABLE

- ITEM NOT ILLUSTRATED

57-70-00-04

57-70-00
FIG. 04
PAGE 10
JAN 20/09

BRI



757

PARTS CATALOG (MAINTENANCE)

FIG ITEM	PART NUMBER	1 2 3 4 5 6 7	NOMENCLATURE	EFFECT FROM TO	UNITS PER ASSY
4					
195	113N1446-1		.FITTING ASSY-HINGE, SPOILER NO. 4 SPRT OPTIONAL PART: 113N1456-7	107107 904949 952952	1
195	113N1446-7		.FITTING ASSY-HINGE, SPOILER NO. 4 SPRT OPTIONAL PART: 113N1456-7	107107 904949 952952	1
195	113N1456-11		.FITTING ASSY-HINGE, SPOILER NO. 4 SPRT OPTIONAL PART: 113N1446-9	002004 006106 108999	1
195	113N1446-9		.FITTING ASSY-HINGE, SPOILER NO. 4 SPRT OPTIONAL PART: 113N1456-11	107107	1
198	BACB30YP8K		.BOLT- SIZE DETERMINED ON INSTL.	002004 006999	2
201	BACB30VT8K		.BOLT- SIZE DETERMINED ON INSTL.	002004 006999	2
204	BACC30BL8		.COLLAR SUPPLIER CODE: V73197 SPECIFICATION NUMBER: BACC30BL8 OPTIONAL PART: HST79-8 V92215 HST79CY8 V56878 HST79CY8 V5M902	002004 006999	4
207	BACB28AM06B020A		..BUSHING	002004 006999	1
210	BACB28AP04P020		..BUSHING	002004 006999	1
213	BACB28AP04P012		..BUSHING	002004 006999	2
216	113N1456-9		..FITTING- USED ON: 113N1456-11 USED ON: 113N1456-7	002004 006999	1

MISSING ITEM NUMBERS NOT APPLICABLE

- ITEM NOT ILLUSTRATED

BRI

57-70-00-04

BOEING PROPRIETARY - Copyright © - Unpublished Work - See title page for details.

57-70-00
FIG. 04
PAGE 11
JAN 20/09



757

PARTS CATALOG (MAINTENANCE)

FIG ITEM	PART NUMBER	1 2 3 4 5 6 7	NOMENCLATURE	EFFECT FROM TO	UNITS PER ASSY
4 216	113N1446-3		.. FITTING- USED ON: 113N1446-9 USED ON: 113N1446-1 113N1446-7	107107	1
219	BACS40R007D009F		. SHIM-	002004 006999	2
222	BACS40R013C023F		. SHIM-	002004 006999	2
225	BACB30VT8K		. BOLT- SIZE DETERMINED ON INSTL.	002004 006999	2
228	BACC30BL8		. COLLAR SUPPLIER CODE: V73197 SPECIFICATION NUMBER: BACC30BL8 OPTIONAL PART: HST79-8 V92215 HST79CY8 V56878 HST79CY8 V5M902	002004 006999	2
231	BACB30PT4K8		. BOLT- SIZE DETERMINED ON INSTL.	002004 006102 107999	2
231	BACB30YP8K		. BOLT- SIZE DETERMINED ON INSTL.	103106	2
232	AS46-4		. WASHER SUPPLIER CODE: V10630 SPECIFICATION NUMBER: BACW10AU4 OPTIONAL PART: K19701P4 V15653 53488W428 V56878 6073-04 V72962 TLN1020L4W V08524	002004 006102 107999	2

MISSING ITEM NUMBERS NOT APPLICABLE

- ITEM NOT ILLUSTRATED

57-70-00-04

57-70-00
FIG. 04
PAGE 12
JAN 20/09

BRI

BOEING PROPRIETARY - Copyright © - Unpublished Work - See title page for details.



757

PARTS CATALOG (MAINTENANCE)

FIG ITEM	PART NUMBER	1 2 3 4 5 6 7	NOMENCLATURE	EFFECT FROM TO	UNITS PER ASSY
4 233	BACN10MT5	.	NUT SUPPLIER CODE: V15653 SPECIFICATION NUMBER: BACN10MT5 OPTIONAL PART: 52LH6073-054 V72962 53488N524 V56878 TLN1020L5N V97928	002004 006102 107999	2
234	HST828AW	.	COLLAR SUPPLIER CODE: V5M902 SPECIFICATION NUMBER: BACC30BQ8 OPTIONAL PART: HST828AW V56878 HST828AW V73197 HST82CY8APBW V73197 HST82CY8APBW V56878	103106	2
237	113N1479-1	.	CLIP ASSY-HINGE POSITION DATA: INBD OPTIONAL PART: 113N1429-14	002004 006999	1
240	BACB28AP04P011	..	BUSHING	002004 006999	2
243	113N1479-2	..	CLIP- USED ON: 113N1479-1	002004 006999	1
246	113N1478-2	.	PLATE-SPACER	002004 006999	1
249	BACS40R014C022F	.	SHIM	002004 006999	1
252	BACS40R010C018F	.	SHIM	002004 006999	1
255	BACB30PU4-20	.	BOLT	002004 006999	1
258	BACB30PU4-15	.	BOLT	002004 006999	1
261	NAS1149F0432P	.	WASHER-	002004 006999	2

MISSING ITEM NUMBERS NOT APPLICABLE

- ITEM NOT ILLUSTRATED

57-70-00-04

57-70-00
FIG. 04
PAGE 13
JAN 20/09

BRI

BOEING PROPRIETARY - Copyright © - Unpublished Work - See title page for details.



757

PARTS CATALOG (MAINTENANCE)

FIG ITEM	PART NUMBER	1 2 3 4 5 6 7	NOMENCLATURE	EFFECT FROM TO	UNITS PER ASSY
4					
264	BACW10BP4DP	.	WASHER	002004 006999	AR
267	BACW10BP4ACU	.	WASHER	002004 006999	2
270	BACW10BN3SP	.	WASHER	002004 006999	2
273	BACN10JD3CD	.	NUT	002004 006999	2
276	113N1440-1	.	TUBE ASSY	107107	1
277	113N1174-1	.	TUBE ASSY	002004 006106 108999	1
279	BACB28AM04B013A	..	BUSHING	107107	4
282	BACB28AT04B011C	..	BUSHING	002004 006106 108999	2
285	BACB28AT04B013C	..	BUSHING	002004 006106 108999	2
288	113N1440-2	..	TUBE	107107	1
291	113N1174-2	..	TUBE	002004 006106 108999	1
294	287N1301-199	.	BRACKET	002004 006999	1
- 297	BACB30MY6K		ATTACHING PARTS .BOLT- SIZE DETERMINED ON INSTL.	002004 006102 107999	2
- 297	BACB30VT6K		.BOLT- SIZE DETERMINED ON INSTL.	103106	2
- 300	HL79-6		.COLLAR- SUPPLIER CODE: V5M902 SPECIFICATION NUMBER: BACC30M6 OPTIONAL PART: HL79-6 V73197 HL79-6 V92215 66014-6 V56878 HL79-6 V56878	002004 006102 107999	2

MISSING ITEM NUMBERS NOT APPLICABLE

- ITEM NOT ILLUSTRATED

57-70-00-04

57-70-00
FIG. 04
PAGE 14
JAN 20/09

BRI



757

PARTS CATALOG (MAINTENANCE)

FIG ITEM	PART NUMBER	1 2 3 4 5 6 7	NOMENCLATURE	EFFECT FROM TO	UNITS PER ASSY
4 - 300	BACC30BL6		.COLLAR- SUPPLIER CODE: V73197 SPECIFICATION NUMBER: BACC30BL6 OPTIONAL PART: HST79-6 V92215 HST79CY6 V56878 HST79CY6 V5M902	103106	2
303	113N1435-13		.CLIP ASSY-HINGE, SPOILER NO. 5 OPTIONAL PART: 113N1450-1	002004 006010 107107 121503 904999	1
303	113N1450-1		.FITTING ASSY-HINGE, SPOILER NO. 5 OPTIONAL PART: 113N1435-13	002004 006010 107107 121503 904999	1
303	113N1450-7		.FITTING ASSY-HINGE, SPOILER NO. 5	002004 006010 107107 121503 904999	1
303	113N1435-17		.FITTING ASSY-HINGE, SPOILER NO. 5 OPTIONAL PART: 113N1450-7	002004 006010 107107 121503 904999	1
303	113N1450-13		.FITTING ASSY-HINGE, SPOILER NO. 5	002004 006010 107107 121503 904999	1
303	113N1450-17		.FITTING ASSY-HINGE, SPOILER NO. 5	002004 006106 108999	1
306	BACB30NW8K		ATTACHING PARTS .BOLT- SIZE DETERMINED ON INSTL.	002004 006102 107999	2
306	BACB30YP8K		.BOLT- SIZE DETERMINED ON INSTL.	103106	2

MISSING ITEM NUMBERS NOT APPLICABLE

- ITEM NOT ILLUSTRATED

57-70-00-04

57-70-00
FIG. 04
PAGE 15
JAN 20/09

BRI



757

PARTS CATALOG (MAINTENANCE)

FIG ITEM	PART NUMBER	1 2 3 4 5 6 7	NOMENCLATURE	EFFECT FROM TO	UNITS PER ASSY
4 309	HL79-8		.COLLAR- SUPPLIER CODE: V5M902 SPECIFICATION NUMBER: BACC30M8 OPTIONAL PART: HL79-8 V73197 HL79-8 V92215 66014-8 V56878 HL79-8 V56878	002004 006102 107999	2
309	BACC30BL8		.COLLAR- SUPPLIER CODE: V73197 SPECIFICATION NUMBER: BACC30BL8 OPTIONAL PART: HST79-8 V92215 HST79CY8 V56878 HST79CY8 V5M902	103106	2
312	BACB30MY10K		.BOLT- SIZE DETERMINED ON INSTL.	002004 006102 107999	2
312	BACB30VT10K		.BOLT- SIZE DETERMINED ON INSTL.	103106	2
315	HL79-10		.COLLAR- SUPPLIER CODE: V5M902 SPECIFICATION NUMBER: BACC30M10 OPTIONAL PART: HL79-10 V73197 HL79-10 V92215 66014-10 V56878 HL79-10 V56878	002004 006102 107999	2

MISSING ITEM NUMBERS NOT APPLICABLE

- ITEM NOT ILLUSTRATED

BRI

57-70-00-04

BOEING PROPRIETARY - Copyright © - Unpublished Work - See title page for details.

57-70-00
FIG. 04
PAGE 16
JAN 20/09



757

PARTS CATALOG (MAINTENANCE)

FIG ITEM	PART NUMBER	1 2 3 4 5 6 7	NOMENCLATURE	EFFECT FROM TO	UNITS PER ASSY
4 315	BACC30BL10		.COLLAR- SUPPLIER CODE: V73197 SPECIFICATION NUMBER: BACC30BL10 OPTIONAL PART: HST79-10 V92215 HST79CY10 V56878 HST79CY10 V5M902 -----*-----	103106	2
318	BACB28AM06B020A		..BUSHING	002004 006999	1
321	BACB28AP04P020		..BUSHING	002004 006999	3
324	113N1435-15		..CLIP- USED ON: 113N1435-13	002004 006010 107107 121503 904999	1
324	113N1450-3		..FITTING- USED ON: 113N1450-1	002004 006010 107107 121503 904999	1
324	113N1450-9		..FITTING- USED ON: 113N1450-7	002004 006010 107107 121503 904999	1
324	113N1435-19		..FITTING- USED ON: 113N1435-17	002004 006010 107107 121503 904999	1
324	113N1450-19		..CLIP	002004 006106 108999	1
327	BACS40R16C28F		.SHIM-	002004 006102 107999	1
327	BACS40R016C028F		.SHIM-	103106	1
330	113N1406-5		.FITTING ASSY	002004 006999	1

MISSING ITEM NUMBERS NOT APPLICABLE

- ITEM NOT ILLUSTRATED

57-70-00-04

57-70-00
FIG. 04
PAGE 17
JAN 20/09

BRI

BOEING PROPRIETARY - Copyright © - Unpublished Work - See title page for details.



757

PARTS CATALOG (MAINTENANCE)

FIG ITEM	PART NUMBER	1 2 3 4 5 6 7	NOMENCLATURE	EFFECT FROM TO	UNITS PER ASSY
4			ATTACHING PARTS		
- 333	BACB30MY10K		.BOLT- SIZE DETERMINED ON INSTL.	002004 006102 107999	2
- 333	BACB30VT10K		.BOLT- SIZE DETERMINED ON INSTL.	103106	2
- 336	HL79-10		.COLLAR- SUPPLIER CODE: V5M902 SPECIFICATION NUMBER: BACC30M10 OPTIONAL PART: HL79-10 V73197 HL79-10 V92215 66014-10 V56878 HL79-10 V56878	002004 006102 107999	2
- 336	BACC30BL10		.COLLAR- SUPPLIER CODE: V73197 SPECIFICATION NUMBER: BACC30BL10 OPTIONAL PART: HST79-10 V92215 HST79CY10 V56878 HST79CY10 V5M902	103106	2
			-----*-----		
339	BACB28AA4B035		..BUSHING	002004 006999	1
342	BACB28W6B029		..BUSHING	002004 006999	1
345	113N1406-7		..FITTING	002004 006999	1
348	BACS40R15F25F		.SHIM	002004 006999	2
351	BACB30PU5-15		.BOLT	002004 006999	4
354	BACW10BP4DP		.WASHER	002004 006999	4
357	NAS1149F0532P		.WASHER-	002004 006999	4
360	BACW10BP4DP		.WASHER	002004 006999	4

MISSING ITEM NUMBERS NOT APPLICABLE

- ITEM NOT ILLUSTRATED

57-70-00-04

57-70-00
FIG. 04
PAGE 18
JAN 20/09

BRI

 **BOEING**
757
PARTS CATALOG (MAINTENANCE)

FIG ITEM	PART NUMBER	1 2 3 4 5 6 7	NOMENCLATURE	EFFECT FROM TO	UNITS PER ASSY
4					
363	BACW10BP5ACU	.	WASHER	002004 006999	4
366	BACW10BP5DP	.	WASHER	002004 006999	4
369	BRH10C4D	.	NUT	002004 006999	4
			SUPPLIER CODE: V52828		
			SPECIFICATION NUMBER: BACN10JC4CD		
			OPTIONAL PART: T6C428JCD		
			V11815		
			NS202486-048		
			V80539		
			102LH9075-4W		
			V72962		
			H51650-4BAC		
			V15653		
372	113N1442-5	.	TUBE ASSY-ACTR SPRT	002004 006999	1
372	113N1442-1	.	TUBE ASSY-ACTR SPRT	002004 006999	1
375	113N1442-3	.	TUBE ASSY-ACTR SPRT	002004 006999	1
378	BACB28AT05B014C	..	BUSHING-	002004 006999	4
381	113N1442-6	..	TUBE-	002004 006999	1
			USED ON: 113N1442-5		
381	113N1442-2	..	TUBE-	002004 006999	1
			USED ON: 113N1442-1		
384	113N1442-4	..	TUBE-	002004 006999	1
			USED ON: 113N1442-3		
387	113N1425-23	.	CLIP ASSY-ACTR SPOILER NO. 5	107107 904949	1
			POSITION DATA: UPR OUTBD		
387	113N1425-29	.	CLIP ASSY-ACTR SPOILER NO. 5	002004 006106	1
			POSITION DATA: UPR OUTBD	108903 950999	
390	113N1532-11	.	FITTING ASSY-ACTR SPOILER NO. 5	002004 006999	1
			POSITION DATA: UPR INBD		

MISSING ITEM NUMBERS NOT APPLICABLE

— ITEM NOT ILLUSTRATED

BRI

57-70-00-04

BOEING PROPRIETARY - Copyright © - Unpublished Work - See title page for details.

57-70-00
FIG. 04
PAGE 19
JAN 20/09



757

PARTS CATALOG (MAINTENANCE)

FIG ITEM	PART NUMBER	1 2 3 4 5 6 7	NOMENCLATURE	EFFECT FROM TO	UNITS PER ASSY
4			ATTACHING PARTS		
393	BACB30NW10K		.BOLT- SIZE DETERMINED ON INSTL.	002004 006102 107999	4
393	BACB30YP10K		.BOLT- SIZE DETERMINED ON INSTL.	103106	4
396	BACB30VT10K		.BOLT- SIZE DETERMINED ON INSTL.	002004 006999	4
399	HL79-10		.COLLAR- SUPPLIER CODE: V5M902 SPECIFICATION NUMBER: BACC30M10 OPTIONAL PART: HL79-10 V73197 HL79-10 V92215 66014-10 V56878 HL79-10 V56878	002004 006102 107999	4
399	BACC30BL10		.COLLAR- SUPPLIER CODE: V73197 SPECIFICATION NUMBER: BACC30BL10 OPTIONAL PART: HST79-10 V92215 HST79CY10 V56878 HST79CY10 V5M902	103106	4
400	BACC30BL10		.COLLAR SUPPLIER CODE: V73197 SPECIFICATION NUMBER: BACC30BL10 OPTIONAL PART: HST79-10 V92215 HST79CY10 V56878 HST79CY10 V5M902	002004 006999	4
402	BACB30VT8K		.BOLT- SIZE DETERMINED ON INSTL.	002004 006999	4

MISSING ITEM NUMBERS NOT APPLICABLE

- ITEM NOT ILLUSTRATED

57-70-00-04

57-70-00
FIG. 04
PAGE 20
JAN 20/09

BRI

BOEING PROPRIETARY - Copyright © - Unpublished Work - See title page for details.

BOEING
757
PARTS CATALOG (MAINTENANCE)

FIG ITEM	PART NUMBER	1 2 3 4 5 6 7	NOMENCLATURE	EFFECT FROM TO	UNITS PER ASSY
4 405	BACC30BL8	.	COLLAR- SUPPLIER CODE: V73197 SPECIFICATION NUMBER: BACC30BL8 OPTIONAL PART: HST79-8 V92215 HST79CY8 V56878 HST79CY8 V5M902 -----*-----	002004 006999	4
408	BACB28AP05P016	..	BUSHING	002004 006999	4
411	113N1425-25	..	CLIP- USED ON: 113N1425-23	002004 006100 107107 121503 904999	1
411	113N1425-31	..	CLIP- USED ON: 113N1425-29	002004 006106 108903 950999	1
414	113N1532-13	..	FITTING- OPTIONAL PART: 113N1532-17 USED ON: 113N1532-11	002004 006999	1
414	113N1532-17	..	FITTING- OPTIONAL PART: 113N1532-13 USED ON: 113N1532-11	002004 006999	1
417	BACS40R013D028F	.	SHIM- OPTIONAL PART: BACS40R013C028F	002004 006102 107999	1
417	BACS40R013C028F	.	SHIM- OPTIONAL PART: BACS40R013D028F	101102 108120 504903	1
418	BACS40R013D027F	.	SHIM- OPTIONAL PART: BACS40R013C027F	103106	2
418	BACS40R013C027F	.	SHIM- OPTIONAL PART: BACS40R013D027F	103106	2
420	BACS40R013D027F	.	SHIM- OPTIONAL PART: BACS40R013C027F	002004 006102 107999	1

MISSING ITEM NUMBERS NOT APPLICABLE

— ITEM NOT ILLUSTRATED

BRI

57-70-00-04

BOEING PROPRIETARY - Copyright © - Unpublished Work - See title page for details.

57-70-00
FIG. 04
PAGE 21
JAN 20/09



757

PARTS CATALOG (MAINTENANCE)

FIG ITEM	PART NUMBER	1 2 3 4 5 6 7	NOMENCLATURE	EFFECT FROM TO	UNITS PER ASSY
4					
420	BACS40R013C027F	.SHIM-		101102	1
		OPTIONAL PART:		108120	
		BACS40R013D027F		504903	
423	BACF3T02C12-25	.FILLER		002004	2
				006102	
				107999	
423	BACF3T02C12-26	.FILLER		103106	2
426	BACB30NW8K	.BOLT-		002004	4
		SIZE DETERMINED ON INSTL.		006102	
				107999	
426	BACB30YP8K	.BOLT-		103106	4
		SIZE DETERMINED ON INSTL.			
429	BACB30VT8K	.BOLT-		002004	10
		SIZE DETERMINED ON INSTL.		006999	
432	BACF3H06LS006AN	.FILLER		002004	2
				006106	
				108999	
435	BACC30BL8	.COLLAR-		002004	14
		SUPPLIER CODE:		006999	
		V73197			
		SPECIFICATION NUMBER:			
		BACC30BL8			
		OPTIONAL PART:			
		HST79-8			
		V92215			
		HST79CY8			
		V56878			
		HST79CY8			
		V5M902			
438	113N1410-13	.RIB ASSY-ACTR SPRT,		107107	1
		SPOILER NO. 5		904949	
		OPTIONAL PART:		952952	
		113N1447-1			
438	113N1447-1	.RIB ASSY-ACTR SPRT,		107107	1
		SPOILER NO. 5		904949	
		OPTIONAL PART:		952952	
		113N1410-13			
438	113N1410-17	.RIB ASSY-ACTR SPRT,		002004	1
		SPOILER NO. 5		006102	
		OPTIONAL PART:		107107	
		113N1447-7		121999	
438	113N1447-7	.RIB ASSY-ACTR SPRT,		107107	1
		SPOILER NO. 5			
		OPTIONAL PART:			
		113N1410-17			
438	113N1410-19	.RIB ASSY-ACTR SPRT		103106	1
		SPOILER NO. 5		108120	

MISSING ITEM NUMBERS NOT APPLICABLE

- ITEM NOT ILLUSTRATED

57-70-00-04

57-70-00
FIG. 04
PAGE 22
JAN 20/09

BRI

BOEING PROPRIETARY - Copyright © - Unpublished Work - See title page for details.



757

PARTS CATALOG (MAINTENANCE)

FIG ITEM	PART NUMBER	1 2 3 4 5 6 7	NOMENCLATURE	EFFECT FROM TO	UNITS PER ASSY
4					
441	BACB28AM13B035A	..	BUSHING- USED ON: 113N1410-13 113N1410-9 113N1447-1	107107 904949 952952	1
441	BACB28AM13B034A	..	BUSHING- USED ON: 113N1447-1 113N1410-17	002004 006102 107107 121999	1
441	BACB28AT13B034C	..	BUSHING	103106 108120	1
444	BACB28AP09P035	..	BUSHING- USED ON: 113N1410-13 113N1410-9 113N1447-1	107107 904949 952952	1
444	BACB28AP09P034	..	BUSHING	002004 006999	1
447	BACB28AP05P014	..	BUSHING	002004 006999	2
450	NAS1801-3-12	..	SCREW- USED ON: 113N1410-17 113N1410-19 USED ON: 113N1410-9 113N1447-1	002004 006999	1
453	NAS1801-3-12	..	SCREW- USED ON: 113N1410-13	107107 904949 952952	1
456	MS35338-43	..	WASHER- USED ON: 113N1410-17 113N1410-19 USED ON: 113N1410-9 113N1447-1	002004 006999	1
459	MS35338-43	..	WASHER- USED ON: 113N1410-13	002004 006100 107107 121503 904999	1
462	AN960D10L	..	WASHER- USED ON: 113N1410-17 USED ON: 113N1410-9 113N1447-1	002004 006102 107107 121999	2

MISSING ITEM NUMBERS NOT APPLICABLE

- ITEM NOT ILLUSTRATED

57-70-00-04

57-70-00
FIG. 04
PAGE 23
JAN 20/09

BRI

BOEING PROPRIETARY - Copyright © - Unpublished Work - See title page for details.



757

PARTS CATALOG (MAINTENANCE)

FIG ITEM	PART NUMBER	1 2 3 4 5 6 7	NOMENCLATURE	EFFECT FROM TO	UNITS PER ASSY
4					
462	NAS1149D0316H	..	WASHER- USED ON: 113N1410-19	103106 108120	2
465	AN960D10L	..	WASHER- USED ON: 113N1410-13	002004 006100 107107 121503 904999	2
468	MS35650-305S	..	NUT- USED ON: 113N1447-1	002004 006102 107999	1
468	MS35650-305T	..	NUT	103106 108120	1
471	MS35650-305T	..	NUT- USED ON: 113N1410-13	002004 006100 107107 121503 904999	1
474	113N1410-15	..	RIB- USED ON: 113N1410-13	002004 006102 107107 121999	1
474	113N1447-3	..	RIB- USED ON: 113N1447-1 113N1447-7	002004 006999	1
474	113N1410-21	..	RIB	103106 108120	1
477	113N1410-14	.RIB	ASSY-ACTR SPRT, SPOILER NO. 5 OPTIONAL PART: 113N1447-2	002004 006100 107107 121503 904999	1
477	113N1447-2	.RIB	ASSY-ACTR SPRT, SPOILER NO. 5 OPTIONAL PART: 113N1410-14	002004 006100 107107 121503 904999	1
477	113N1410-18	.RIB	ASSY-ACTR SPRT, SPOILER NO. 5 OPTIONAL PART: 113N1447-8	002004 006102 107107 121999	1
477	113N1447-8	.RIB	ASSY-ACTR SPRT, SPOILER NO. 5 OPTIONAL PART: 113N1410-18	107107	1
477	113N1410-20	.RIB	ASSY-ACTR SPRT SPOILER NO. 5	103106 108120	1

MISSING ITEM NUMBERS NOT APPLICABLE

- ITEM NOT ILLUSTRATED

BRI

57-70-00-04

BOEING PROPRIETARY - Copyright © - Unpublished Work - See title page for details.

57-70-00
FIG. 04
PAGE 24
JAN 20/09

 **BOEING**
757
PARTS CATALOG (MAINTENANCE)

FIG ITEM	PART NUMBER	1 2 3 4 5 6 7	NOMENCLATURE	EFFECT FROM TO	UNITS PER ASSY
4					
480	BACB28AM13B035A	..	BUSHING- USED ON: 113N1410-14 113N1410-10	002004 006100 107107 121503 904999	2
480	BACB28AM13B034A	..	BUSHING- USED ON: 113N1410-18 113N1447-8	002004 006102 107107 121999	2
481	BACB28AT13B034C	..	BUSHING	103106 108120	1
482	BACB28AP09P034	..	BUSHING	103106 108120	1
483	BACB28AP05P014	..	BUSHING	002004 006999	2
486	113N1410-16	..	RIB- USED ON: 113N1410-14 113N1410-18	002004 006102 107107 121999	1
486	113N1447-4	..	RIB- USED ON: 113N1447-2 113N1447-8	002004 006100 107107 121503 904999	1
486	113N1410-22	..	RIB	103106 108120	1
489	BACS40R015C028F	.	SHIM	103106	1
492	BACS40R015C028F	.	SHIM	002004 006999	1
495	271N6051-11	.	BRACKET-HYDR SPRT	002004 006999	1
			ATTACHING PARTS		
- 498	BACR15FT5D	.	RIVET- SIZE DETERMINED ON INSTL. -----*-----	002004 006999	3
501	287N1301-26	.	BRACKET	002004 006999	1
			ATTACHING PARTS		
- 504	BACB30VT6K	.	BOLT- SIZE DETERMINED ON INSTL.	002004 006999	2

MISSING ITEM NUMBERS NOT APPLICABLE

- ITEM NOT ILLUSTRATED

BRI

57-70-00-04

BOEING PROPRIETARY - Copyright © - Unpublished Work - See title page for details.

57-70-00
FIG. 04
PAGE 25
JAN 20/09



757

PARTS CATALOG (MAINTENANCE)

FIG ITEM	PART NUMBER	1 2 3 4 5 6 7	NOMENCLATURE	EFFECT FROM TO	UNITS PER ASSY
4 - 507	BACC30BL6		.COLLAR- SUPPLIER CODE: V73197 SPECIFICATION NUMBER: BACC30BL6 OPTIONAL PART: HST79-6 V92215 HST79CY6 V56878 HST79CY6 V5M902 -----*-----	002004 006999	2
510	113N1415-17		.BEAM-ACTR SPRT, SPOILER NO. 5	107107 904949	1
510	113N1415-19		.BEAM-ACTR SPRT, SPOILER NO. 5	002004 006106 108903 950999	1
513	113N1415-15		.BEAM-ACTR SPRT, SPOILER NO. 5	002004 006999	1
516	BACB30PU5-20		.BOLT	002004 006999	1
519	BACB30PU5-15		.BOLT	002004 006999	1
522	NAS1149F0532P		.WASHER-	002004 006999	2
525	BACW10BP5DP		.WASHER	002004 006999	2
528	BACW10BP5ACU		.WASHER	002004 006999	2
531	BACW10BP4DP		.WASHER	002004 006999	2
534	BRH10C4D		.NUT SUPPLIER CODE: V52828 SPECIFICATION NUMBER: BACN10JC4CD OPTIONAL PART: T6C428JCD V11815 NS202486-048 V80539 102LH9075-4W V72962 H51650-4BAC V15653	002004 006999	2

MISSING ITEM NUMBERS NOT APPLICABLE

- ITEM NOT ILLUSTRATED

57-70-00-04

57-70-00
FIG. 04
PAGE 26
JAN 20/09

BRI

 **BOEING**
757
PARTS CATALOG (MAINTENANCE)

FIG ITEM	PART NUMBER	1 2 3 4 5 6 7	NOMENCLATURE	EFFECT FROM TO	UNITS PER ASSY
4 537	113N1449-1	.	TUBE ASSY-SPOILER NO. 5	003004 006009 107107 121503 904949 952999	1
537	113N1449-3	.	TUBE ASSY-SPOILER NO. 5	010106 108120 504903 950951	1
540	BACB28AM05B013A	..	BUSHING	003004 006009 107107 121503 904949 952999	4
543	BACB28AT05B012C	..	BUSHING	010106 108120 504903 950951	2
546	BACB28AT05B013C	..	BUSHING	010106 108120 504903 950951	2
549	113N1449-2	..	TUBE	003004 006009 107107 121503 904949 952999	1
549	113N1449-4	..	TUBE	010106 108120 504903 950951	1
552	113N1131-1	.	FITTING ASSY-	002004 006999	1
558	BACB30VT10K	.	ATTACHING PARTS BOLT- SIZE DETERMINED ON INSTL.	002004 006999	1

MISSING ITEM NUMBERS NOT APPLICABLE

— ITEM NOT ILLUSTRATED

BRI

57-70-00-04

BOEING PROPRIETARY - Copyright © - Unpublished Work - See title page for details.

57-70-00
FIG. 04
PAGE 27
JAN 20/09



757

PARTS CATALOG (MAINTENANCE)

FIG ITEM	PART NUMBER	1 2 3 4 5 6 7	NOMENCLATURE	EFFECT FROM TO	UNITS PER ASSY
4 561	BACC30BL10		.COLLAR- SUPPLIER CODE: V73197 SPECIFICATION NUMBER: BACC30BL10 OPTIONAL PART: HST79-10 V92215 HST79CY10 V56878 HST79CY10 V5M902	002004 006999	1
564	BACB30VT8K		.BOLT- SIZE DETERMINED ON INSTL.	002004 006999	2
567	BACC30BL8		.COLLAR- SUPPLIER CODE: V73197 SPECIFICATION NUMBER: BACC30BL8 OPTIONAL PART: HST79-8 V92215 HST79CY8 V56878 HST79CY8 V5M902	002004 006999	2
576	HTES05VC		-----*----- ..BEARING SUPPLIER CODE: VS0352 SPECIFICATION NUMBER: BACB10ES05GC OPTIONAL PART: NC05TG5C V56644	002004 006999	1
582	113N1131-2		..FITTING	002004 006999	1
585	113N1458-15		.FITTING ASSY-HINGE SPRT, SPOILER NO. 5	107107 904949	1
585	113N1458-17		.FITTING ASSY-HINGE SPRT, SPOILER NO. 5	002004 006106 108903 950999	1
588	BACB30NW8K		ATTACHING PARTS .BOLT- SIZE DETERMINED ON INSTL.	002004 006102 107999	2
588	BACB30YP8K		.BOLT- SIZE DETERMINED ON INSTL.	103106	2

MISSING ITEM NUMBERS NOT APPLICABLE

- ITEM NOT ILLUSTRATED

57-70-00-04

57-70-00
FIG. 04
PAGE 28
JAN 20/09

BRI



757

PARTS CATALOG (MAINTENANCE)

FIG ITEM	PART NUMBER	1 2 3 4 5 6 7	NOMENCLATURE	EFFECT FROM TO	UNITS PER ASSY
4					
591	BACB30VT8K	.	BOLT-	002004	1
			SIZE DETERMINED ON INSTL.	006999	
594	HL79-8	.	COLLAR-	002004	2
			SUPPLIER CODE:	006102	
			V5M902	107999	
			SPECIFICATION NUMBER:		
			BACC30M8		
			OPTIONAL PART:		
			HL79-8		
			V73197		
			HL79-8		
			V92215		
			66014-8		
			V56878		
			HL79-8		
			V56878		
594	BACC30BL8	.	COLLAR-	103106	2
			SUPPLIER CODE:		
			V73197		
			SPECIFICATION NUMBER:		
			BACC30BL8		
			OPTIONAL PART:		
			HST79-8		
			V92215		
			HST79CY8		
			V56878		
			HST79CY8		
			V5M902		
595	BACC30BL8	.	COLLAR	002004	1
			SUPPLIER CODE:	006999	
			V73197		
			SPECIFICATION NUMBER:		
			BACC30BL8		
			OPTIONAL PART:		
			HST79-8		
			V92215		
			HST79CY8		
			V56878		
			HST79CY8		
			V5M902		
			-----*		
597	BACB28AM06B020A	..	BUSHING-	107107	1
				904949	
597	BACB28AM06B018A	..	BUSHING-	002004	1
				006106	
				108903	
				950999	
600	BACB28AP04P020	..	BUSHING-	107107	1
				904949	

MISSING ITEM NUMBERS NOT APPLICABLE

- ITEM NOT ILLUSTRATED

57-70-00-04

57-70-00
FIG. 04
PAGE 29
JAN 20/09

BRI

BOEING PROPRIETARY - Copyright © - Unpublished Work - See title page for details.

BOEING
757
PARTS CATALOG (MAINTENANCE)

FIG ITEM	PART NUMBER	1 2 3 4 5 6 7	NOMENCLATURE	EFFECT FROM TO	UNITS PER ASSY
4 600	BACB28AP04P018	..	BUSHING-	002004 006106 108903 950999	1
603	BACB28AP05P020	..	BUSHING-	107107 904949	2
603	BACB28AP05P018	..	BUSHING-	002004 006106 108903 950999	2
606	113N1458-13	..	FITTING- POSITION DATA: LH SIDE USED ON: 113N1458-15	107107 904949	1
606	113N1458-19	..	FITTING	002004 006106 108903 950999	1
612	BACS40R012C025F	.	SHIM	002004 006999	AR
615	BACS40R011C015F	.	SHIM	002004 006999	1
618	113N1472-1	.	FITTING ASSY	002004 006999	1
- 624	HL1187-6	.	ATTACHING PARTS COLLAR SUPPLIER CODE: V5M902 SPECIFICATION NUMBER: BACC30X6 OPTIONAL PART: HL87-6 V92215 HL87-6 V73197 HL1187-6 V56878 HL1187-6 V92215 HL87-6 V56878 HL1187-6 V73197 -----*	002004 006999	4

MISSING ITEM NUMBERS NOT APPLICABLE

- ITEM NOT ILLUSTRATED

BRI

57-70-00-04

BOEING PROPRIETARY - Copyright © - Unpublished Work - See title page for details.

57-70-00
FIG. 04
PAGE 30
JAN 20/09

BOEING
757
PARTS CATALOG (MAINTENANCE)

FIG ITEM	PART NUMBER	1 2 3 4 5 6 7	NOMENCLATURE	EFFECT FROM TO	UNITS PER ASSY
R R	4 627	AG4VCR	.. BEARING SUPPLIER CODE: V15860 SPECIFICATION NUMBER: BACB10AG4 OPTIONAL PART: BSSN4797S V81376 HSBG4-117 V02758 NG4F V73134 NC4G2 V56644 BNG4E111 V16746 ABG4V5 VS0352 03-505-04E033 V09455	002004 006999	1
	700	113N1472-2	.. FITTING	002004 006999	1

MISSING ITEM NUMBERS NOT APPLICABLE

— ITEM NOT ILLUSTRATED

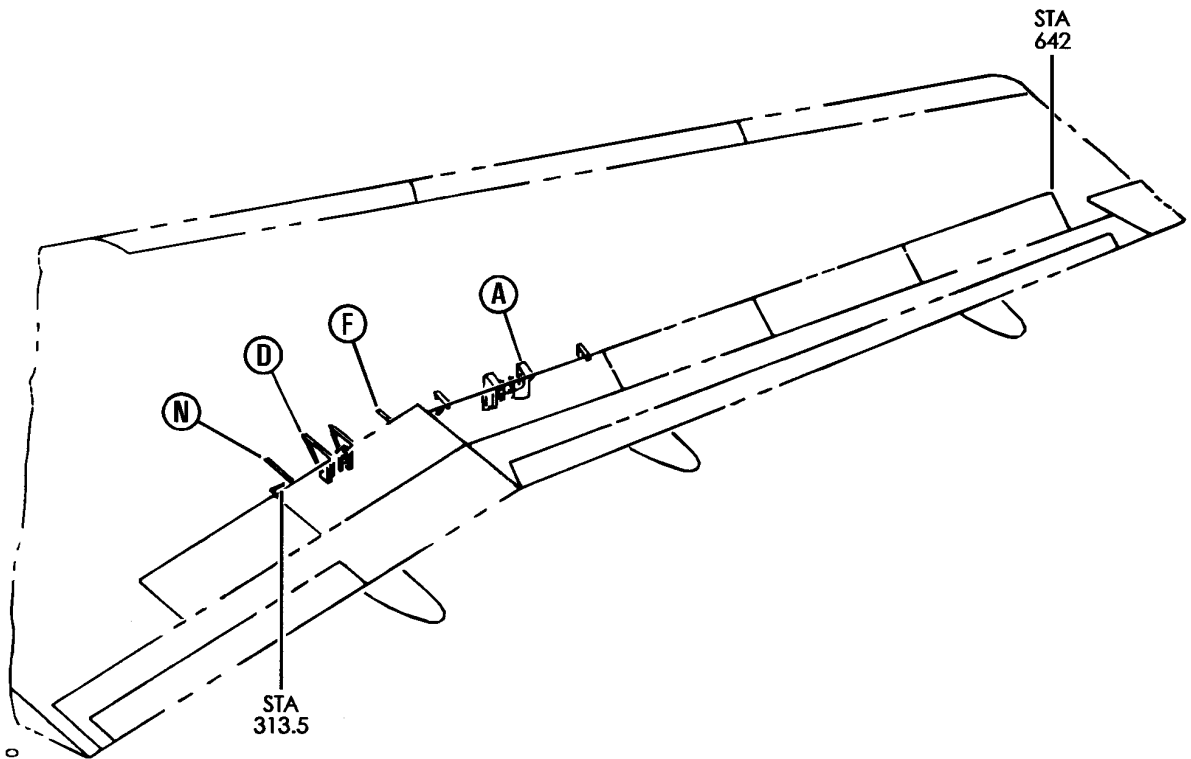
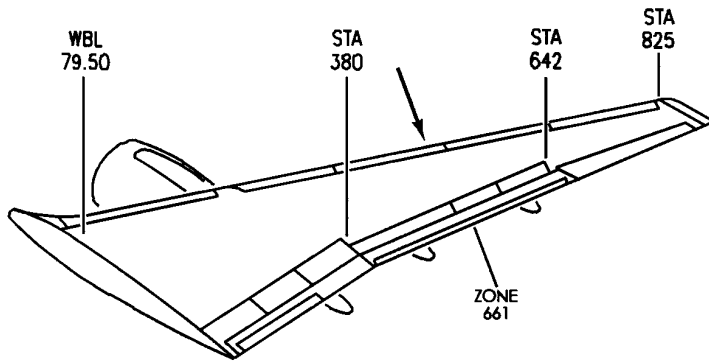
BRI

57-70-00-04

BOEING PROPRIETARY - Copyright © - Unpublished Work - See title page for details.

57-70-00
FIG. 04
PAGE 31
MAY 20/09

BOEING
757
PARTS CATALOG (MAINTENANCE)



Y 5770004A SHT 1 REV 210

SUPPORT INSTL-WING TE SPOILER NO. 1 THRU 5 (SPOILER NO. 4 AND 5 ONLY)
FIGURE 4A (SHEET 1)

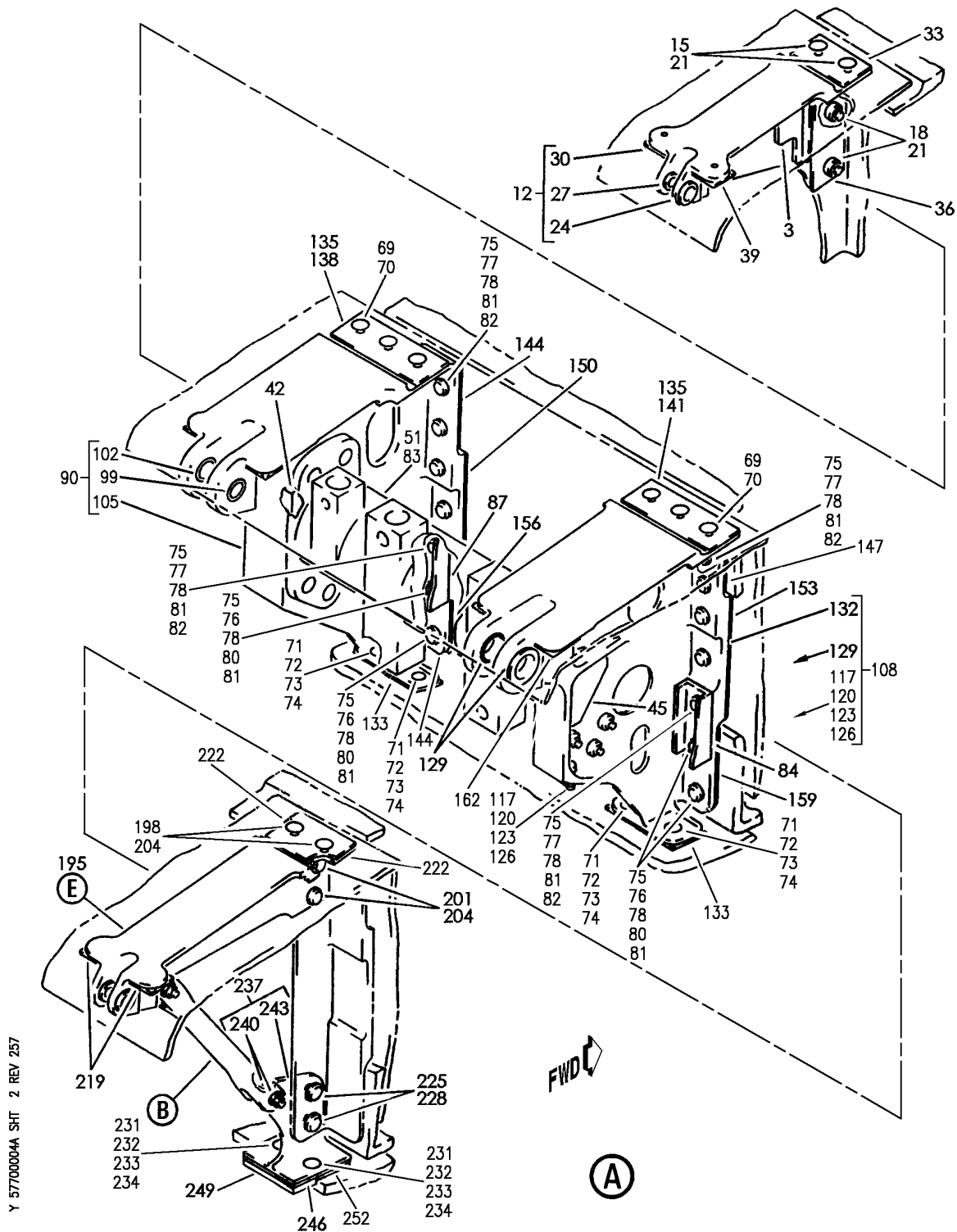
BRI
MAY 28/07

57-70-00-04A

57-70-00-04A
PAGE 0

BOEING PROPRIETARY - Copyright © - Unpublished Work - See title page for details.

BOEING
757
PARTS CATALOG (MAINTENANCE)



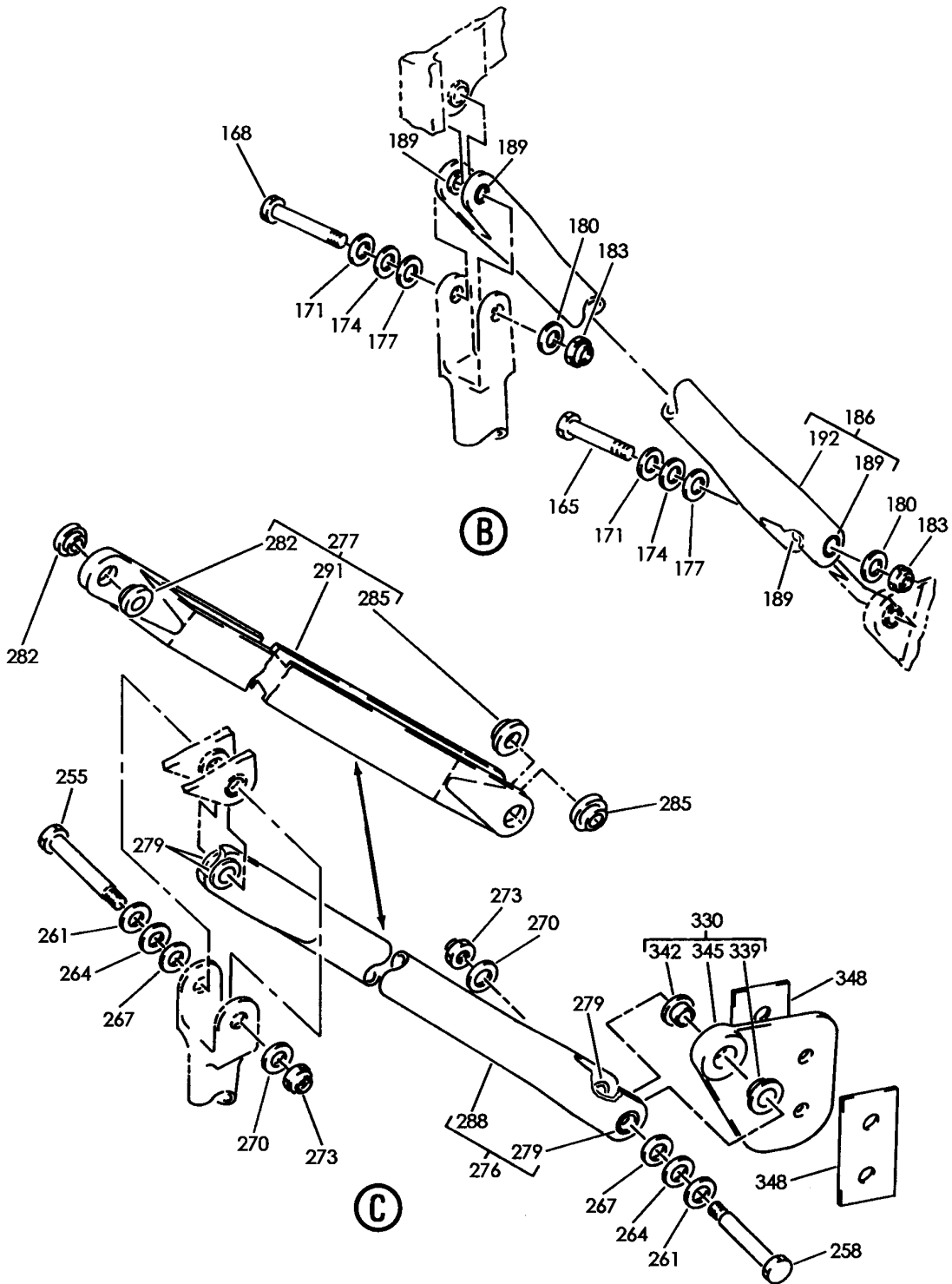
SUPPORT INSTL-WING TE SPOILER NO. 1 THRU 5 (SPOILER NO. 4 AND 5 ONLY)
FIGURE 4A (SHEET 2)

57-70-00-04A

BRI
MAY 28/07

57-70-00-04A
PAGE 0A

BOEING
757
PARTS CATALOG (MAINTENANCE)



Y 5770004A SHT 3 REV 210

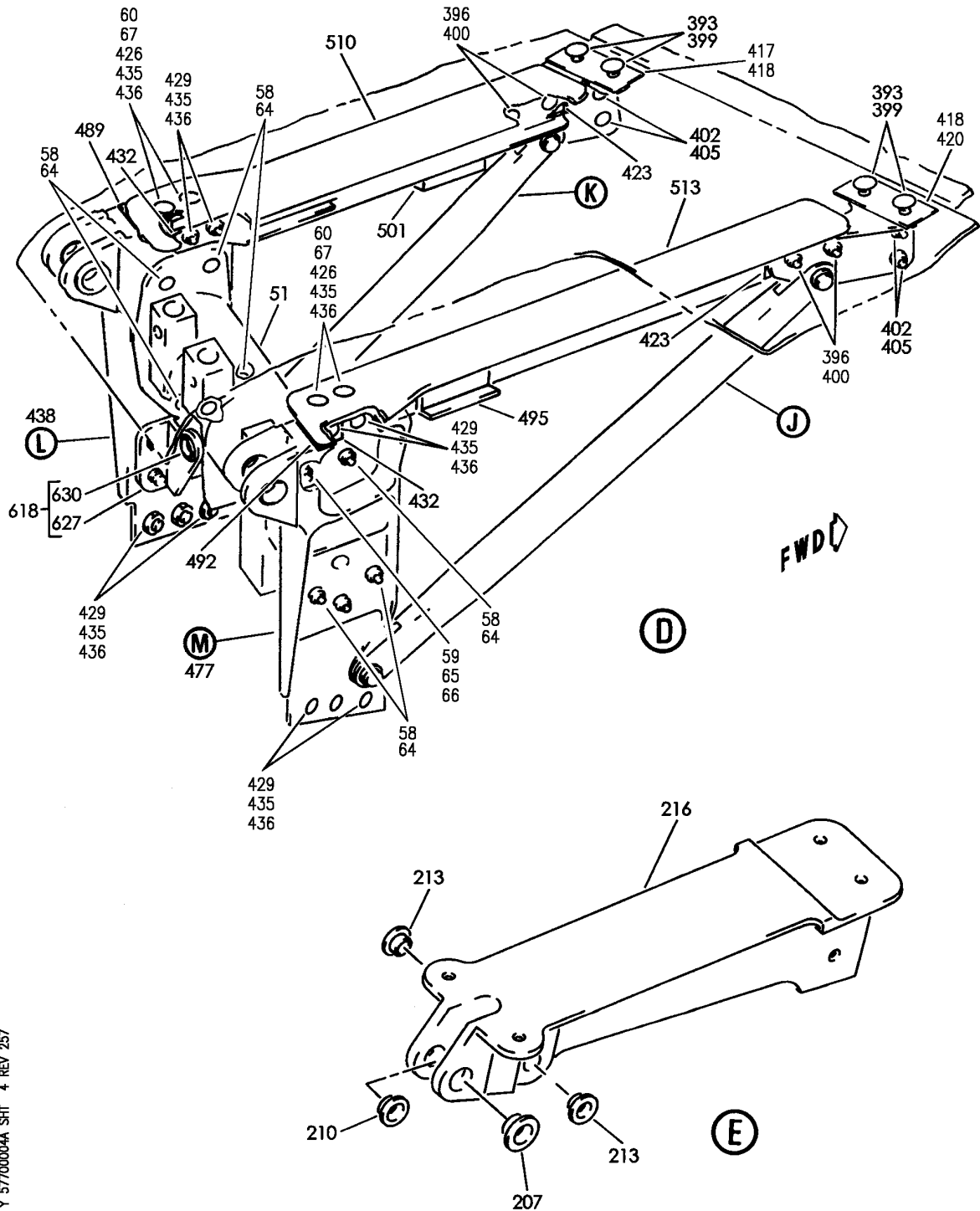
SUPPORT INSTL-WING TE SPOILER NO. 1 THRU 5 (SPOILER NO. 4 AND 5 ONLY)
FIGURE 4A (SHEET 3)

57-70-00-04A

BRI
MAY 28/07

57-70-00-04A
PAGE 0B

BOEING
757
PARTS CATALOG (MAINTENANCE)



Y 5770004A SHT 4 REV 257

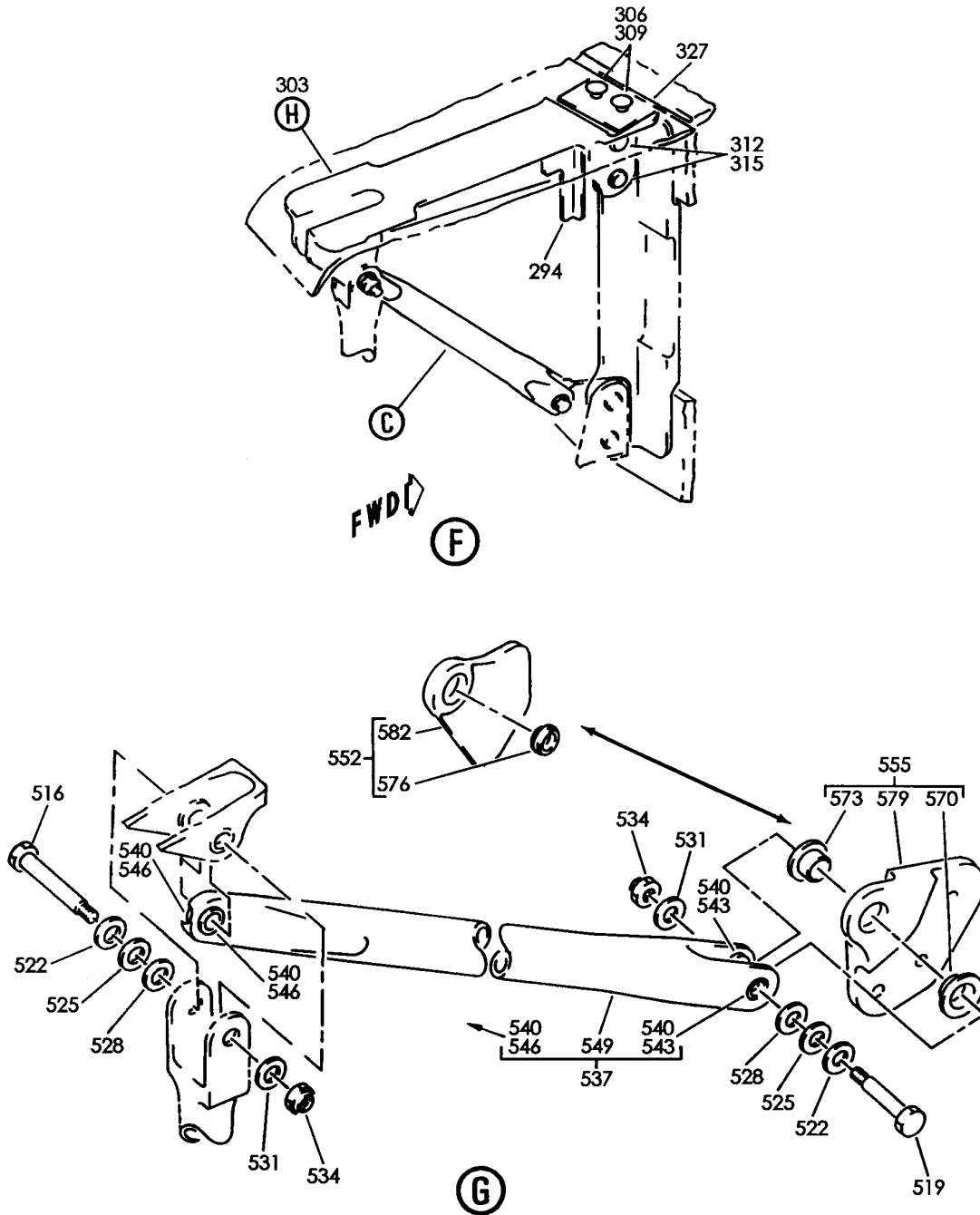
SUPPORT INSTL-WING TE SPOILER NO. 1 THRU 5 (SPOILER NO. 4 AND 5 ONLY)
FIGURE 4A (SHEET 4)

57-70-00-04A

BRI
MAY 28/07

57-70-00-04A
PAGE 0C

BOEING
757
PARTS CATALOG (MAINTENANCE)



Y 57700004A SHT 5 REV 210

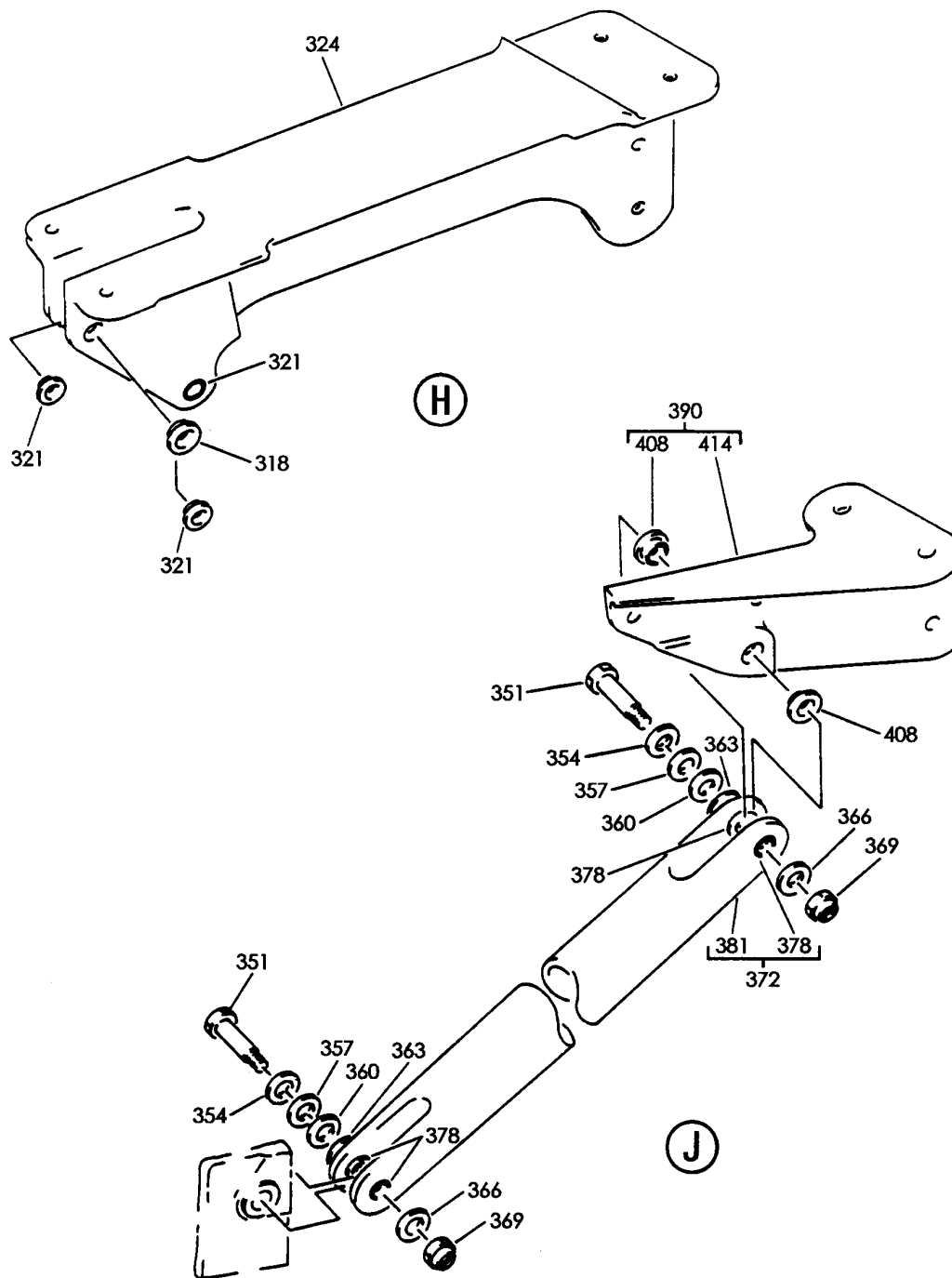
SUPPORT INSTL-WING TE SPOILER NO. 1 THRU 5 (SPOILER NO. 4 AND 5 ONLY)
FIGURE 4A (SHEET 5)

57-70-00-04A

BRI
MAY 28/07

57-70-00-04A
PAGE 0D

BOEING
757
PARTS CATALOG (MAINTENANCE)



Y 5770004A SHT 6 REV 210

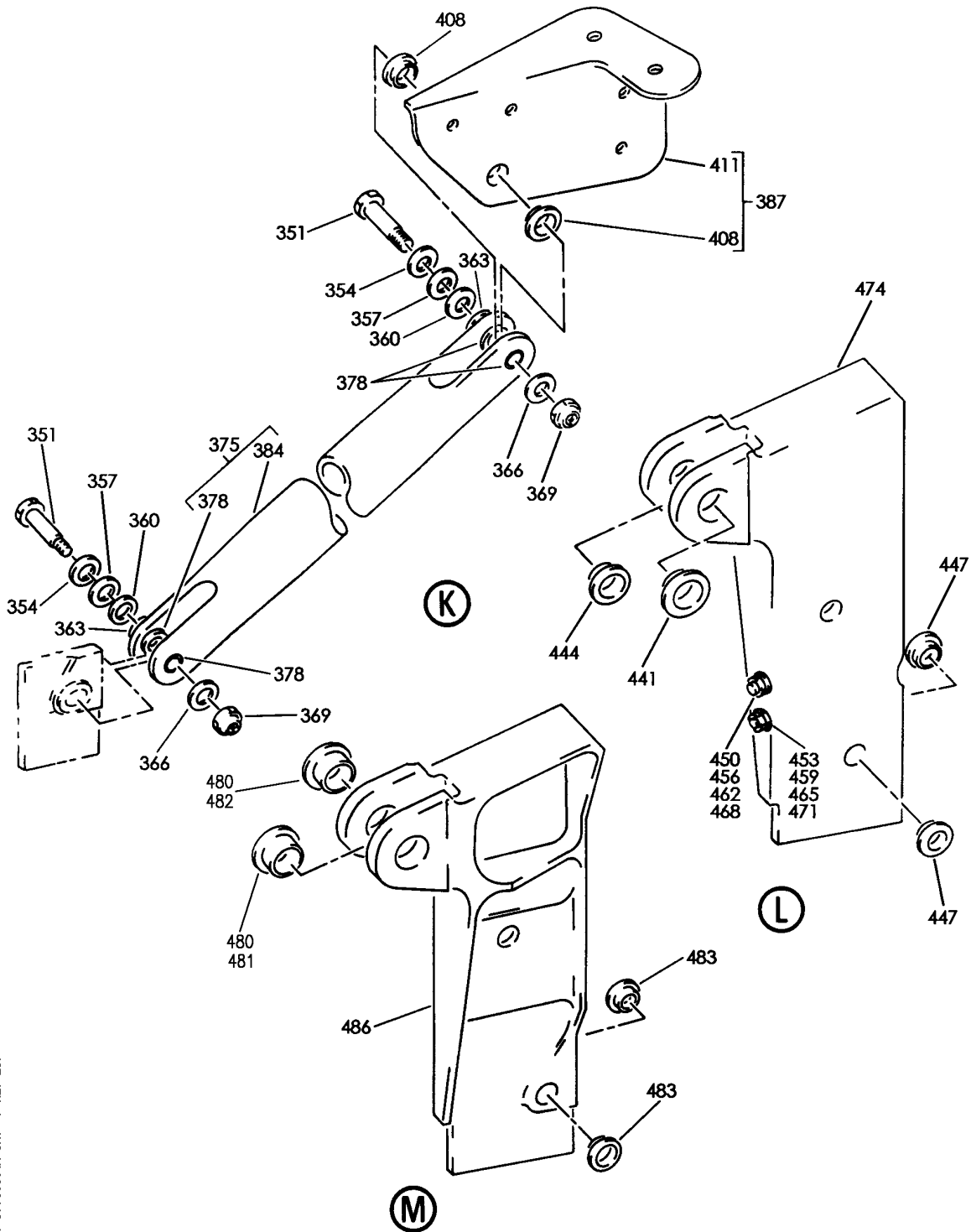
SUPPORT INSTL-WING TE SPOILER NO. 1 THRU 5 (SPOILER NO. 4 AND 5 ONLY)
FIGURE 4A (SHEET 6)

57-70-00-04A

BRI
MAY 28/07

57-70-00-04A
PAGE 0E

BOEING
757
PARTS CATALOG (MAINTENANCE)



Y 5770004A SHT 7 REV 257

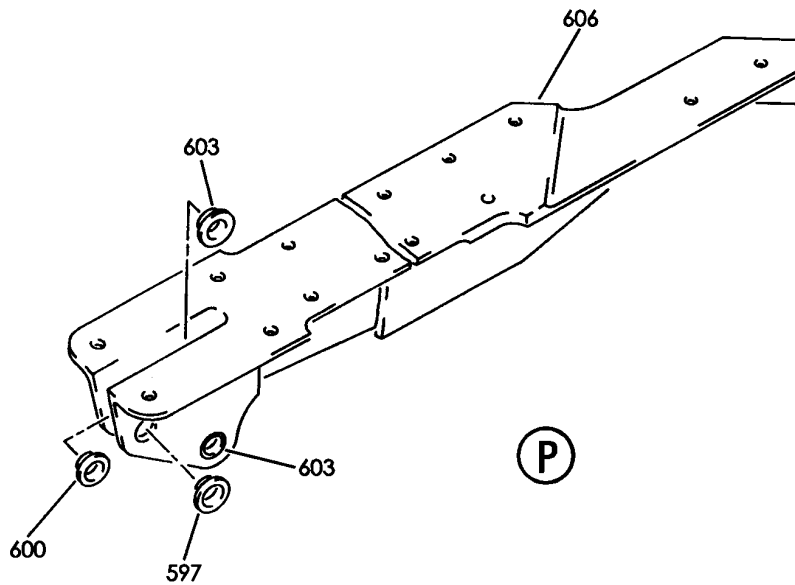
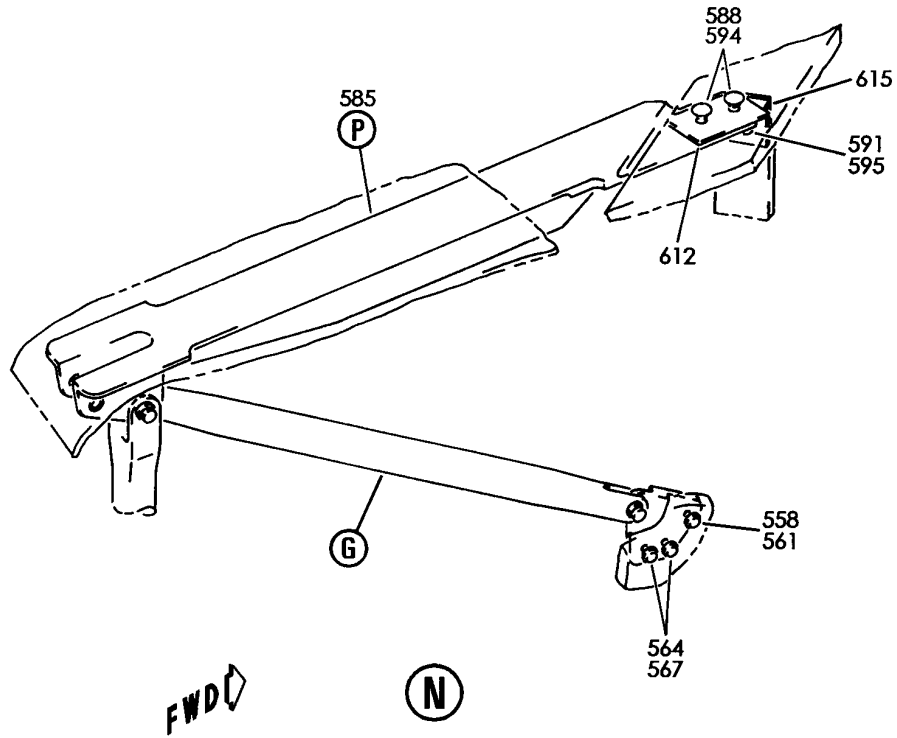
SUPPORT INSTL-WING TE SPOILER NO. 1 THRU 5 (SPOILER NO. 4 AND 5 ONLY)
FIGURE 4A (SHEET 7)

57-70-00-04A

BRI
MAY 28/07

57-70-00-04A
PAGE OF

BOEING
757
PARTS CATALOG (MAINTENANCE)



Y 5770004A SHT 8 REV 257

SUPPORT INSTL-WING TE SPOILER NO. 1 THRU 5 (SPOILER NO. 4 AND 5 ONLY)
FIGURE 4A (SHEET 8)

BRI
MAY 28/07

57-70-00-04A

57-70-00-04A
PAGE 08



757

PARTS CATALOG (MAINTENANCE)

FIG ITEM	PART NUMBER	1 2 3 4 5 6 7	NOMENCLATURE	EFFECT FROM TO	UNITS PER ASSY
4 A			SUPPORT INSTL-WING TE SPOILER NO. 1 THRU 5 (SPOILER NO. 4 AND 5 ONLY)	002004 006999	
- 1	113N1400-10		SUPPORT INSTL-WING TE SPOILER NO. 1 THRU 5 (SPOILER NO. 4 AND 5 ONLY) POSITION DATA: RH FOR NHA/ADDITIONAL DET SEE: 57-20-52-01	107107	RF
- 1	113N1400-12		SUPPORT INSTL-WING TE SPOILER NO. 1 THRU 5 (SPOILER NO. 4 AND 5 ONLY) POSITION DATA: RH FOR NHA/ADDITIONAL DET SEE: 57-20-52-01	002004 006010 121503 904999	RF
- 1	113N1400-18		SUPPORT INSTL-WING TE SPOILER NO. 1 THRU 5 (SPOILER NO. 4 AND 5 ONLY) POSITION DATA: RH FOR NHA/ADDITIONAL DET SEE: 57-20-52-01	011100	RF
- 1	113N1400-202		SUPPORT INSTL-WING TE SPOILER NO. 1 THRU 5 (SPOILER NO. 4 AND 5 ONLY) POSITION DATA: RH FOR NHA/ADDITIONAL DET SEE: 57-00-00-05	101102 504504	RF
- 1	113N1400-204		SUPPORT INSTL-WING TE SPOILER NO. 1 THRU 5 (SPOILER NO. 4 AND 5 ONLY) POSITION DATA: RH FOR NHA/ADDITIONAL DET SEE: 57-00-00-05	505903	RF

MISSING ITEM NUMBERS NOT APPLICABLE

- ITEM NOT ILLUSTRATED

57-70-00-04A

57-70-00
FIG. 04A
PAGE 1
JAN 20/09

BRI

BOEING
757
PARTS CATALOG (MAINTENANCE)

FIG ITEM	PART NUMBER	1 2 3 4 5 6 7	NOMENCLATURE	EFFECT FROM TO	UNITS PER ASSY
4 A					
- 1	113N1400-208		SUPPORT INSTL-WING TE SPOILER NO. 1 THRU 5 (SPOILER NO. 4 AND 5 ONLY) POSITION DATA: RH FOR NHA/ADDITIONAL DET SEE: 57-00-00-05	108120	RF
- 2	MODREF32764		SUPPORT INSTL-WING TE SPOILER NO. 1 THRU 5 (SPOILER NO. 4 AND 5 ONLY) MODULE NUMBER: 113N1400-20 REV D POSITION DATA: RH FOR OTHER SYS DETAILS SEE: 57-70-00-01 57-70-00-02	103106	1
3	287N1301-32		.BRACKET	002004 006999	1
- 6	BACB30VT6K		ATTACHING PARTS .BOLT-	002004 006999	2
- 9	BACC30BL6		.COLLAR SUPPLIER CODE: V73197 SPECIFICATION NUMBER: BACC30BL6 OPTIONAL PART: HST79-6 V92215 HST79CY6 V56878 HST79CY6 V5M902	002004 006999	2
12	113N1455-8		-----*----- .FITTING ASSY-HINGE, SPOILER NO. 4 SPRT POSITION DATA: OUTBD OPTIONAL PART: 113N1445-2	107107 904949 952952	1
12	113N1445-2		.FITTING ASSY-HINGE, SPOILER NO. 4 SPRT POSITION DATA: OUTBD OPTIONAL PART: 113N1455-8	107107 904949 952952	1

MISSING ITEM NUMBERS NOT APPLICABLE

- ITEM NOT ILLUSTRATED

BRI

57-70-00-04A

BOEING PROPRIETARY - Copyright © - Unpublished Work - See title page for details.

57-70-00
FIG. 04A
PAGE 2
JAN 20/09



757

PARTS CATALOG (MAINTENANCE)

FIG ITEM	PART NUMBER	1 2 3 4 5 6 7	NOMENCLATURE	EFFECT FROM TO	UNITS PER ASSY
4 A					
12	113N1455-12		. FITTING ASSY-HINGE, SPOILER NO. 4 SPRT POSITION DATA: OUTBD	002004 006106 108903 950951 953999	1
15	BACB30YP8K		ATTACHING PARTS . BOLT- SIZE DETERMINED ON INSTL. -----*-----	002004 006999	2
18	BACB30VT8K		. BOLT- SIZE DETERMINED ON INSTL. ATTACHING PARTS	002004 006999	2
21	BACC30BL8		. COLLAR SUPPLIER CODE: V73197 SPECIFICATION NUMBER: BACC30BL8 OPTIONAL PART: HST79-8 V92215 HST79CY8 V56878 HST79CY8 V5M902 -----*-----	002004 006999	4
24	BACB28AM06B020A		.. BUSHING	002004 006999	1
27	BACB28AP04P020		.. BUSHING	002004 006999	1
30	113N1455-10		.. FITTING- USED ON: 113N1455-12 USED ON: 113N1455-8	002004 006999	1
30	113N1445-4		.. FITTING- USED ON: 113N1445-2	002004 006999	1
33	BACS40R013C025F		. SHIM	002004 006999	1
36	BACS40R012C036F		. SHIM	002004 006999	1
39	BACS40R007C009F		. SHIM	002004 006999	1
51	113N1408-1		. FITTING-ACTR SPRT OPTIONAL PART: 113N1409-1	107107	2
51	113N1409-1		. FITTING-ACTR SPRT OPTIONAL PART: 113N1408-1	002004 006999	2

MISSING ITEM NUMBERS NOT APPLICABLE

- ITEM NOT ILLUSTRATED

57-70-00-04A

57-70-00
FIG. 04A
PAGE 3
JAN 20/09

BRI

BOEING PROPRIETARY - Copyright © - Unpublished Work - See title page for details.



757

PARTS CATALOG (MAINTENANCE)

FIG ITEM	PART NUMBER	1 2 3 4 5 6 7	NOMENCLATURE	EFFECT FROM TO	UNITS PER ASSY
4 A			ATTACHING PARTS		
58	BACB30NX10K	.BOLT-	SIZE DETERMINED ON INSTL.	002004 006999	9
59	HL1012AZ10-15	.BOLT	SUPPLIER CODE: VOPTK6 SPECIFICATION NUMBER: BACB30NX10K15 OPTIONAL PART: HL12VAZ10-15 V73197 HL12VAZ10-15 V92215 HL12VAZ10-15 V97928 L802-10K15 V06725 HL12VAZ10-15 V56878 HL1012AZ10-15 V06725 HL1012AZ10-15 V06950 HL1012AZ10-15 V17446 HL1012AZ10-15 V56878 HL1012AZ10-15 V60516 HL1012AZ10-15 V73197 HL1012AZ10-15 V97928	002004 006999	1
60	BACB30NW8K	.BOLT-	SIZE DETERMINED ON INSTL.	002004 006102 107999	4
60	BACB30YP8K	.BOLT-	SIZE DETERMINED ON INSTL.	103106	4

MISSING ITEM NUMBERS NOT APPLICABLE

- ITEM NOT ILLUSTRATED

57-70-00-04A

57-70-00
FIG. 04A
PAGE 4
JAN 20/09

BRI

BOEING PROPRIETARY - Copyright © - Unpublished Work - See title page for details.



757

PARTS CATALOG (MAINTENANCE)

FIG ITEM	PART NUMBER	1 2 3 4 5 6 7	NOMENCLATURE	EFFECT FROM TO	UNITS PER ASSY
4 A 64	HL1187-10		.COLLAR SUPPLIER CODE: V5M902 SPECIFICATION NUMBER: BACC30X10 OPTIONAL PART: HL1187-10 V56878 HL1187-10 V92215 HL1187-10 V73197 HL1187-10 V92215 HL87-10 V56878 HL1187-10 V73197 -----*-----	002004 006999	9
65	NAS1149F0532P		.WASHER	002004 006999	1
66	PLH55CD		.NUT SUPPLIER CODE: VF0224 SPECIFICATION NUMBER: BACN10YR5CD OPTIONAL PART: H52732-5CD V15653	002004 006999	1
67	HL79-8		ATTACHING PARTS .COLLAR SUPPLIER CODE: V5M902 SPECIFICATION NUMBER: BACC30M8 OPTIONAL PART: HL79-8 V73197 HL79-8 V92215 66014-8 V56878 HL79-8 V56878	002004 006102 107999	4

MISSING ITEM NUMBERS NOT APPLICABLE

- ITEM NOT ILLUSTRATED

57-70-00-04A

57-70-00
FIG. 04A
PAGE 5
JAN 20/09

BRI

BOEING PROPRIETARY - Copyright © - Unpublished Work - See title page for details.



757

PARTS CATALOG (MAINTENANCE)

FIG ITEM	PART NUMBER	1 2 3 4 5 6 7	NOMENCLATURE	EFFECT FROM TO	UNITS PER ASSY
4 A 67	HL79-8		.COLLAR SUPPLIER CODE: V5M902 SPECIFICATION NUMBER: BACC30M8 OPTIONAL PART: HL79-8 V73197 HL79-8 V92215 66014-8 V56878 HL79-8 V56878 -----*-----	103106	4
69	BACB30YP8K		.BOLT- SIZE DETERMINED ON INSTL.	002004 006999	6
70	BACC30BL8		.COLLAR SUPPLIER CODE: V73197 SPECIFICATION NUMBER: BACC30BL8 OPTIONAL PART: HST79-8 V92215 HST79CY8 V56878 HST79CY8 V5M902	002004 006999	6
71	BACB30YP8K		.BOLT- SIZE DETERMINED ON INSTL.	103106	4
71	BACB30PT4K8		.BOLT- SIZE DETERMINED ON INSTL.	002004 006102	4
72	HST828AW		.COLLAR SUPPLIER CODE: V5M902 SPECIFICATION NUMBER: BACC30BQ8 OPTIONAL PART: HST828AW V56878 HST828AW V73197 HST82CY8APBW V73197 HST82CY8APBW V56878	107999 103106	4

MISSING ITEM NUMBERS NOT APPLICABLE

- ITEM NOT ILLUSTRATED

57-70-00-04A

57-70-00
FIG. 04A
PAGE 6
JAN 20/09

BRI

BOEING PROPRIETARY - Copyright © - Unpublished Work - See title page for details.



757

PARTS CATALOG (MAINTENANCE)

FIG ITEM	PART NUMBER	1 2 3 4 5 6 7	NOMENCLATURE	EFFECT FROM TO	UNITS PER ASSY
4 A 73	AS46-4	.	WASHER SUPPLIER CODE: V10630 SPECIFICATION NUMBER: BACW10AU4 OPTIONAL PART: K19701P4 V15653 53488W428 V56878 6073-04 V72962 TLN1020L4W V08524	002004 006102 107999	4
74	BACN10MT5	.	NUT SUPPLIER CODE: V15653 SPECIFICATION NUMBER: BACN10MT5 OPTIONAL PART: 52LH6073-054 V72962 53488N524 V56878 TLN1020L5N V97928	002004 006102 107999	4
75	BACB30VT10K	.	BOLT- SIZE DETERMINED ON INSTL.	002004 006102 107107 121999	14
76	BACB30WR5K5L	.	BOLT- SIZE DETERMINED ON INSTL. ATTACHING PARTS	108120	4
76	BACB30WR5K	.	BOLT- SIZE DETERMINED ON INSTL. -----*-----	103106	4
77	BACB30VT10K	.	BOLT- SIZE DETERMINED ON INSTL.	103106 108120	10
80	H39242-5K	.	NUT SUPPLIER CODE: V15653 SPECIFICATION NUMBER: BACN10TN5K OPTIONAL PART: BH00700-5K V27238 TLN1200-5K V97928	103106 108120	4

MISSING ITEM NUMBERS NOT APPLICABLE

- ITEM NOT ILLUSTRATED

57-70-00-04A

57-70-00
FIG. 04A
PAGE 7
JAN 20/09

BRI

BOEING PROPRIETARY - Copyright © - Unpublished Work - See title page for details.



757

PARTS CATALOG (MAINTENANCE)

FIG ITEM	PART NUMBER	1 2 3 4 5 6 7	NOMENCLATURE	EFFECT FROM TO	UNITS PER ASSY
4 A					
81	VLC771-10	.	COLLAR SUPPLIER CODE: V5M902 SPECIFICATION NUMBER: BACC30BP10 OPTIONAL PART: HST771-10 V73197	002004 006102 107107 121999	14
82	VLC771-10	.	COLLAR- SUPPLIER CODE: V5M902 SPECIFICATION NUMBER: BACC30BP10 OPTIONAL PART: HST771-10 V73197 BACN10TN5K	103106 108120	10
82	H39242-5K	.	NUT- SUPPLIER CODE: V15653 SPECIFICATION NUMBER: BACN10TN5K OPTIONAL PART: BH00700-5K V27238 TLN1200-5K V97928 BACC30BP10	103106 108120	10
83	113N1166-2	.	SUPPORT ASSY-SPOILER NO. 4 FOR DETAILS SEE: 57-70-00-05	002004 006100 107107 121503 904999	1
83	113N1166-6	.	SUPPORT ASSY-SPOILER NO. 4 FOR DETAILS SEE: 57-70-00-05	101106 108120 504903	1
84	271N6054-4	.	BRACKET-HYDR TUBE	107107 904949 952952	1
84	271N6054-9	.	BRACKET-HYDR TUBE	002004 006106 108903 950951 953999	1
87	271N6054-8	.	BRACKET-HYDR TUBE	002004 006999	1
133	BACS40R012C026F	.	SHIM- OPTIONAL PART: BACS40R012B026F	103106 108120	2

MISSING ITEM NUMBERS NOT APPLICABLE

- ITEM NOT ILLUSTRATED

57-70-00-04A

57-70-00
FIG. 04A
PAGE 8
JAN 20/09

BRI

BOEING PROPRIETARY - Copyright © - Unpublished Work - See title page for details.



757

PARTS CATALOG (MAINTENANCE)

FIG ITEM	PART NUMBER	1 2 3 4 5 6 7	NOMENCLATURE	EFFECT FROM TO	UNITS PER ASSY
4 A					
133	BACS40R012B026F	.SHIM-	OPTIONAL PART: BACS40R012C026F	103106 108120	2
138	BACS40R015C038F	.SHIM-	OPTIONAL PART: BACS40R015B038F	002004 006999	1
138	BACS40R015B038F	.SHIM-	OPTIONAL PART: BACS40R015C038F	101106 108120 504903	1
141	BACS40R014C039F	.SHIM-	OPTIONAL PART: BACS40R014B039F	002004 006999	1
141	BACS40R014B039F	.SHIM-	OPTIONAL PART: BACS40R014C039F	101106 108120 504903	1
144	BACS40R014C029F	.SHIM-	OPTIONAL PART: BACS40R014B029F	002004 006999	2
144	BACS40R014B029F	.SHIM-	OPTIONAL PART: BACS40R014C029F	101106 108120 504903	2
147	BACS40R014C027F	.SHIM-		002004 006999	1
156	BACS40R014C029F	.SHIM-	OPTIONAL PART: BACS40R014B029F	002004 006999	1
156	BACS40R014B029F	.SHIM-	OPTIONAL PART: BACS40R014C029F	101106 108120 504903	1
159	BACS40R014C028F	.SHIM-		002004 006999	1
162	BACS40R007C009F	.SHIM-		002004 006999	1
165	BACB30PU4-14	.BOLT		002004 006999	1
168	BACB30PU4-24	.BOLT		002004 006008 121503 904949 952999	1
168	BACB30PU4P20	.BOLT		009120 504903 950951	1
171	AN960-416L	.WASHER		002004 006100 107107 121503 904999	2

MISSING ITEM NUMBERS NOT APPLICABLE

- ITEM NOT ILLUSTRATED

57-70-00-04A

57-70-00
FIG. 04A
PAGE 9
JAN 20/09

BRI

BOEING PROPRIETARY - Copyright © - Unpublished Work - See title page for details.



757

PARTS CATALOG (MAINTENANCE)

FIG ITEM	PART NUMBER	1 2 3 4 5 6 7	NOMENCLATURE	EFFECT FROM TO	UNITS PER ASSY
4 A					
171	NAS1149F0432P	.	WASHER	101106 108120 504903	2
174	BACW10BP4DP	.	WASHER	101106 108120 504903	AR
177	BACW10BP4CD	.	WASHER	002004 006999	2
180	BACW10BN3SP	.	WASHER	101106 108120 504903	2
183	BRH10C3D	.	NUT- SUPPLIER CODE: V52828 SPECIFICATION NUMBER: BACN10JC3CD OPTIONAL PART: T6C1032JCD V11815 NS202486-02 V80539 102LH9075-3W V72962 H51650-3BAC V15653	002004 006999	2
183	PLH53CD	.	NUT- SUPPLIER CODE: VF0224 SPECIFICATION NUMBER: BACN10YR3CD OPTIONAL PART: H52732-3CD V15653	002004 006999	2
186	113N1444-3	.	TUBE ASSY	101106 108120 504903	1
189	BACB28AM04B013A	..	BUSHING	101106 108120 504903	4
192	113N1444-4	..	TUBE	101106 108120 504903	1
195	113N1456-8	.	FITTING ASSY-HINGE, SPOILER NO. 4 SPRT POSITION DATA: INBD OPTIONAL PART: 113N1446-8	107107 904949 952952	1

MISSING ITEM NUMBERS NOT APPLICABLE

- ITEM NOT ILLUSTRATED

57-70-00-04A

57-70-00
FIG. 04A
PAGE 10
JAN 20/09

BRI

BOEING PROPRIETARY - Copyright © - Unpublished Work - See title page for details.



757

PARTS CATALOG (MAINTENANCE)

FIG ITEM	PART NUMBER	1 2 3 4 5 6 7	NOMENCLATURE	EFFECT FROM TO	UNITS PER ASSY
4 A					
195	113N1446-2		.FITTING ASSY-HINGE, SPOILER NO. 4 SPRT POSITION DATA: INBD	107107 904949 952952	1
195	113N1446-8		.FITTING ASSY-HINGE, SPOILER NO. 4 SPRT POSITION DATA: INBD	107107 904949 952952	1
195	113N1456-12		.FITTING ASSY-HINGE, SPOILER NO. 4 SPRT POSITION DATA: INBD OPTIONAL PART: 113N1456-8	002004 006106 108999	1
195	113N1446-10		.FITTING ASSY-HINGE, SPOILER NO. 4 SPRT POSITION DATA: INBD OPTIONAL PART: 113N1446-10	107107	1
198	BACB30YP8K		.BOLT- SIZE DETERMINED ON INSTL.	002004 006999	2
201	BACB30VT8K		.BOLT- SIZE DETERMINED ON INSTL.	002004 006999	2
204	BACC30BL8		.COLLAR SUPPLIER CODE: V73197 SPECIFICATION NUMBER: BACC30BL8 OPTIONAL PART: HST79-8 V92215 HST79CY8 V56878 HST79CY8 V5M902	002004 006999	4
207	BACB28AM06B020A		..BUSHING	002004 006999	1
210	BACB28AP04P020		..BUSHING	002004 006999	1
213	BACB28AP04P012		..BUSHING	002004 006999	2

MISSING ITEM NUMBERS NOT APPLICABLE

- ITEM NOT ILLUSTRATED

BRI

57-70-00-04A

BOEING PROPRIETARY - Copyright © - Unpublished Work - See title page for details.

57-70-00
FIG. 04A
PAGE 11
JAN 20/09



757

PARTS CATALOG (MAINTENANCE)

FIG ITEM	PART NUMBER	1 2 3 4 5 6 7	NOMENCLATURE	EFFECT FROM TO	UNITS PER ASSY
4 A					
216	113N1456-10	..	FITTING- USED ON: 113N1456-12 USED ON: 113N1456-8	002004 006999	1
216	113N1446-4	..	FITTING- USED ON: 113N1446-10 USED ON: 113N1446-2 113N1446-8	107107	1
219	BACS40R007D009F	.	SHIM-	002004 006999	2
222	BACS40R013C023F	.	SHIM-	002004 006999	2
225	BACB30VT8K	.	BOLT- SIZE DETERMINED ON INSTL.	002004 006999	2
228	BACC30BL8	.	COLLAR SUPPLIER CODE: V73197 SPECIFICATION NUMBER: BACC30BL8 OPTIONAL PART: HST79-8 V92215 HST79CY8 V56878 HST79CY8 V5M902	002004 006999	2
231	BACB30PT4K8	.	BOLT- SIZE DETERMINED ON INSTL.	002004 006102 107999	2
231	BACB30YP8K	.	BOLT- SIZE DETERMINED ON INSTL.	103106	2
232	AS46-4	.	WASHER SUPPLIER CODE: V10630 SPECIFICATION NUMBER: BACW10AU4 OPTIONAL PART: K19701P4 V15653 53488W428 V56878 6073-04 V72962 TLN1020L4W V08524	002004 006102 107999	2

MISSING ITEM NUMBERS NOT APPLICABLE

- ITEM NOT ILLUSTRATED

57-70-00-04A

57-70-00
FIG. 04A
PAGE 12
JAN 20/09

BRI

BOEING PROPRIETARY - Copyright © - Unpublished Work - See title page for details.



757

PARTS CATALOG (MAINTENANCE)

FIG ITEM	PART NUMBER	1 2 3 4 5 6 7	NOMENCLATURE	EFFECT FROM TO	UNITS PER ASSY
4 A 233	BACN10MT5	.	NUT SUPPLIER CODE: V15653 SPECIFICATION NUMBER: BACN10MT5 OPTIONAL PART: 52LH6073-054 V72962 53488N524 V56878 TLN1020L5N V97928	002004 006102 107999	2
234	HST828AW	.	COLLAR SUPPLIER CODE: V5M902 SPECIFICATION NUMBER: BACC30BQ8 OPTIONAL PART: HST828AW V56878 HST828AW V73197 HST82CY8APBW V73197 HST82CY8APBW V56878	103106	2
237	113N1479-1	.	CLIP ASSY-HINGE POSITION DATA: INBD OPTIONAL PART: 113N1429-14	002004 006999	1
240	BACB28AP04P011	..	BUSHING	002004 006999	2
243	113N1479-2	..	CLIP- USED ON: 113N1479-1	002004 006999	1
246	113N1478-2	.	PLATE-SPACER	002004 006999	1
249	BACS40R014C022F	.	SHIM-	002004 006999	1
252	BACS40R010C018F	.	SHIM-	002004 006999	1
255	BACB30PU4-20	.	BOLT	002004 006999	1
258	BACB30PU4-15	.	BOLT	002004 006999	1
261	NAS1149F0432P	.	WASHER-	002004 006999	2

MISSING ITEM NUMBERS NOT APPLICABLE

- ITEM NOT ILLUSTRATED

57-70-00-04A

57-70-00
FIG. 04A
PAGE 13
JAN 20/09

BRI

BOEING PROPRIETARY - Copyright © - Unpublished Work - See title page for details.



757

PARTS CATALOG (MAINTENANCE)

FIG ITEM	PART NUMBER	1 2 3 4 5 6 7	NOMENCLATURE	EFFECT FROM TO	UNITS PER ASSY
4 A					
264	BACW10BP4DP	.	WASHER	002004 006999	AR
267	BACW10BP4ACU	.	WASHER	002004 006999	2
270	BACW10BN3SP	.	WASHER	002004 006999	2
273	BACN10JD3CD	.	NUT	002004 006999	2
276	113N1440-1	.	TUBE ASSY	107107	1
277	113N1174-1	.	TUBE ASSY	002004 006106 108999	1
279	BACB28AM04B013A	..	BUSHING	107107	4
282	BACB28AT04B011C	..	BUSHING	002004 006106 108999	2
285	BACB28AT04B013C	..	BUSHING	002004 006106 108999	2
288	113N1440-2	..	TUBE	107107	1
291	113N1174-2	..	TUBE	002004 006106 108999	1
294	287N1301-200	.	BRACKET	002004 006999	1
- 297	BACB30MY6K		ATTACHING PARTS .BOLT- SIZE DETERMINED ON INSTL.	002004 006102 107999	2
- 297	BACB30VT6K		.BOLT- SIZE DETERMINED ON INSTL.	103106	2
- 300	HL79-6		.COLLAR- SUPPLIER CODE: V5M902 SPECIFICATION NUMBER: BACC30M6 OPTIONAL PART: HL79-6 V73197 HL79-6 V92215 66014-6 V56878 HL79-6 V56878	002004 006102 107999	2

MISSING ITEM NUMBERS NOT APPLICABLE

- ITEM NOT ILLUSTRATED

BRI

57-70-00-04A

BOEING PROPRIETARY - Copyright © - Unpublished Work - See title page for details.

57-70-00
FIG. 04A
PAGE 14
JAN 20/09



757

PARTS CATALOG (MAINTENANCE)

FIG ITEM	PART NUMBER	1 2 3 4 5 6 7	NOMENCLATURE	EFFECT FROM TO	UNITS PER ASSY
4 A - 300	BACC30BL6		.COLLAR- SUPPLIER CODE: V73197 SPECIFICATION NUMBER: BACC30BL6 OPTIONAL PART: HST79-6 V92215 HST79CY6 V56878 HST79CY6 V5M902 -----*-----	103106	2
303	113N1435-14		.CLIP ASSY-HINGE, SPOILER NO. 5 POSITION DATA: OUTBD OPTIONAL PART: 113N1450-2	002004 006010 107107 121503 904999	1
303	113N1450-2		.FITTING ASSY-HINGE, SPOILER NO. 5 POSITION DATA: OUTBD OPTIONAL PART: 113N1435-14	002004 006010 107107 121503 904999	1
303	113N1450-8		.FITTING ASSY-HINGE, SPOILER NO. 5 POSITION DATA: OUTBD	002004 006010 107107 121503 904999	1
303	113N1450-14		.FITTING ASSY-HINGE, SPOILER NO. 5 POSITION DATA: OUTBD	002004 006010 107107 121503 904999	1
303	113N1450-18		.FITTING ASSY-HINGE, SPOILER NO. 5 POSITION DATA: OUTBD ATTACHING PARTS	002004 006106 108999	1
306	BACB30NW8K		.BOLT- SIZE DETERMINED ON INSTL.	002004 006102 107999	2
306	BACB30YP8K		.BOLT- SIZE DETERMINED ON INSTL.	103106	2

MISSING ITEM NUMBERS NOT APPLICABLE

- ITEM NOT ILLUSTRATED

57-70-00-04A

57-70-00
FIG. 04A
PAGE 15
JAN 20/09

BRI

BOEING PROPRIETARY - Copyright © - Unpublished Work - See title page for details.



757

PARTS CATALOG (MAINTENANCE)

FIG ITEM	PART NUMBER	1 2 3 4 5 6 7	NOMENCLATURE	EFFECT FROM TO	UNITS PER ASSY
4 A 309	HL79-8		.COLLAR- SUPPLIER CODE: V5M902 SPECIFICATION NUMBER: BACC30M8 OPTIONAL PART: HL79-8 V73197 HL79-8 V92215 66014-8 V56878 HL79-8 V56878	002004 006102 107999	2
309	BACC30BL8		.COLLAR- SUPPLIER CODE: V73197 SPECIFICATION NUMBER: BACC30BL8 OPTIONAL PART: HST79-8 V92215 HST79CY8 V56878 HST79CY8 V5M902	103106	2
312	BACB30MY10K		.BOLT- SIZE DETERMINED ON INSTL.	002004 006102 107999	2
312	BACB30VT10K		.BOLT- SIZE DETERMINED ON INSTL.	103106	2
315	HL79-10		.COLLAR- SUPPLIER CODE: V5M902 SPECIFICATION NUMBER: BACC30M10 OPTIONAL PART: HL79-10 V73197 HL79-10 V92215 66014-10 V56878 HL79-10 V56878	002004 006102 107999	2

MISSING ITEM NUMBERS NOT APPLICABLE

- ITEM NOT ILLUSTRATED

BRI

57-70-00-04A

BOEING PROPRIETARY - Copyright © - Unpublished Work - See title page for details.

57-70-00
FIG. 04A
PAGE 16
JAN 20/09



757

PARTS CATALOG (MAINTENANCE)

FIG ITEM	PART NUMBER	1 2 3 4 5 6 7	NOMENCLATURE	EFFECT FROM TO	UNITS PER ASSY
4A 315	BACC30BL10		.COLLAR- SUPPLIER CODE: V73197 SPECIFICATION NUMBER: BACC30BL10 OPTIONAL PART: HST79-10 V92215 HST79CY10 V56878 HST79CY10 V5M902 -----*-----	103106	2
318	BACB28AM06B020A		..BUSHING	002004 006999	1
321	BACB28AP04P020		..BUSHING	002004 006010 107107 121503 904999	3
324	113N1435-16		..CLIP- USED ON: 113N1435-14	002004 006010 107107 121503 904999	1
324	113N1450-4		..FITTING- USED ON: 113N1450-2	002004 006010 107107 121503 904999	1
324	113N1450-10		..FITTING- USED ON: 113N1450-8	002004 006010 107107 121503 904999	1
324	113N1450-20		..CLIP	002004 006106 108999	1
327	BACS40R16C28F		.SHIM-	002004 006102 107999	1
327	BACS40R016C028F		.SHIM-	103106	1
330	113N1406-6		.FITTING ASSY	002004 006999	1
			ATTACHING PARTS		
- 333	BACB30MY10K		.BOLT- SIZE DETERMINED ON INSTL.	002004 006102 107999	2

MISSING ITEM NUMBERS NOT APPLICABLE

- ITEM NOT ILLUSTRATED

57-70-00-04A

57-70-00
FIG. 04A
PAGE 17
JAN 20/09

BRI

BOEING PROPRIETARY - Copyright © - Unpublished Work - See title page for details.



757

PARTS CATALOG (MAINTENANCE)

FIG ITEM	PART NUMBER	1 2 3 4 5 6 7	NOMENCLATURE	EFFECT FROM TO	UNITS PER ASSY
4 A					
- 333	BACB30VT10K	.	BOLT-	103106	2
			SIZE DETERMINED ON INSTL.		
- 336	HL79-10	.	COLLAR-	002004	2
			SUPPLIER CODE:	006102	
			V5M902	107999	
			SPECIFICATION NUMBER:		
			BACC30M10		
			OPTIONAL PART:		
			HL79-10		
			V73197		
			HL79-10		
			V92215		
			66014-10		
			V56878		
			HL79-10		
			V56878		
- 336	BACC30BL10	.	COLLAR-	103106	2
			SUPPLIER CODE:		
			V73197		
			SPECIFICATION NUMBER:		
			BACC30BL10		
			OPTIONAL PART:		
			HST79-10		
			V92215		
			HST79CY10		
			V56878		
			HST79CY10		
			V5M902		
			-----*-----		
339	BACB28AA4B035	..	BUSHING	002004	1
				006999	
342	BACB28W6B029	..	BUSHING	002004	1
				006999	
345	113N1406-8	..	FITTING	002004	1
				006999	
348	BACS40R15F25F	.	SHIM	002004	2
				006999	
351	BACB30PU5-15	.	BOLT	002004	4
				006999	
354	BACW10BP4DP	.	WASHER	002004	4
				006999	
357	NAS1149F0532P	.	WASHER-	002004	4
				006999	
360	BACW10BP4DP	.	WASHER	002004	4
				006999	
363	BACW10BP5ACU	.	WASHER	002004	4
				006999	
366	BACW10BP5DP	.	WASHER	002004	4
				006999	

MISSING ITEM NUMBERS NOT APPLICABLE

- ITEM NOT ILLUSTRATED

57-70-00-04A

57-70-00
FIG. 04A
PAGE 18
JAN 20/09

BRI



757

PARTS CATALOG (MAINTENANCE)

FIG ITEM	PART NUMBER	1 2 3 4 5 6 7	NOMENCLATURE	EFFECT FROM TO	UNITS PER ASSY
4 A 369	BRH10C4D	.	NUT SUPPLIER CODE: V52828 SPECIFICATION NUMBER: BACN10JC4CD OPTIONAL PART: T6C428JCD V11815 NS202486-048 V80539 102LH9075-4W V72962 H51650-4BAC V15653	002004 006999	4
372	113N1442-5	.	TUBE ASSY-ACTR SPRT	002004 006999	1
372	113N1442-1	.	TUBE ASSY-ACTR SPRT	002004 006999	1
375	113N1442-3	.	TUBE ASSY-ACTR SPRT	002004 006999	1
378	BACB28AT05B014C	..	BUSHING-	002004 006999	4
381	113N1442-6	..	TUBE- USED ON: 113N1442-5	002004 006999	1
381	113N1442-2	..	TUBE- USED ON: 113N1442-1	002004 006999	1
384	113N1442-4	..	TUBE- USED ON: 113N1442-3	002004 006999	1
387	113N1425-24	.	CLIP ASSY-ACTR SPOILER NO. 5 POSITION DATA: UPR OUTBD	107107 904949	1
387	113N1425-30	.	CLIP ASSY-ACTR SPOILER NO. 5 POSITION DATA: UPR OUTBD	002004 006106 108903 950999	1
390	113N1532-12	.	FITTING ASSY-ACTR SPOILER NO. 5 POSITION DATA: UPR INBD	002004 006999	1
393	BACB30NW10K	.	BOLT- SIZE DETERMINED ON INSTL.	002004 006102 107999	4
393	BACB30YP10K	.	BOLT- SIZE DETERMINED ON INSTL.	103106	4

MISSING ITEM NUMBERS NOT APPLICABLE

- ITEM NOT ILLUSTRATED

57-70-00-04A

57-70-00
FIG. 04A
PAGE 19
JAN 20/09

BRI

BOEING PROPRIETARY - Copyright © - Unpublished Work - See title page for details.



757

PARTS CATALOG (MAINTENANCE)

FIG ITEM	PART NUMBER	1 2 3 4 5 6 7	NOMENCLATURE	EFFECT FROM TO	UNITS PER ASSY
4 A					
396	BACB30VT10K	.BOLT-	SIZE DETERMINED ON INSTL.	002004 006999	4
399	HL79-10	.COLLAR-	SUPPLIER CODE: V5M902 SPECIFICATION NUMBER: BACC30M10 OPTIONAL PART: HL79-10 V73197 HL79-10 V92215 66014-10 V56878 HL79-10 V56878	002004 006102 107999	4
399	BACC30BL10	.COLLAR-	SUPPLIER CODE: V73197 SPECIFICATION NUMBER: BACC30BL10 OPTIONAL PART: HST79-10 V92215 HST79CY10 V56878 HST79CY10 V5M902	103106	4
400	BACC30BL10	.COLLAR	SUPPLIER CODE: V73197 SPECIFICATION NUMBER: BACC30BL10 OPTIONAL PART: HST79-10 V92215 HST79CY10 V56878 HST79CY10 V5M902	002004 006999	4
402	BACB30VT8K	.BOLT-	SIZE DETERMINED ON INSTL.	002004 006999	4

MISSING ITEM NUMBERS NOT APPLICABLE

- ITEM NOT ILLUSTRATED

BRI

57-70-00-04A

BOEING PROPRIETARY - Copyright © - Unpublished Work - See title page for details.

57-70-00
FIG. 04A
PAGE 20
JAN 20/09



757

PARTS CATALOG (MAINTENANCE)

FIG ITEM	PART NUMBER	1 2 3 4 5 6 7	NOMENCLATURE	EFFECT FROM TO	UNITS PER ASSY
4 A 405	BACC30BL8	.	COLLAR- SUPPLIER CODE: V73197 SPECIFICATION NUMBER: BACC30BL8 OPTIONAL PART: HST79-8 V92215 HST79CY8 V56878 HST79CY8 V5M902 -----*-----	002004 006999	4
408	BACB28AP05P016	..	BUSHING	002004 006999	4
411	113N1425-26	..	CLIP- USED ON: 113N1425-24	107107 904949	1
411	113N1425-32	..	CLIP- USED ON: 113N1425-30	002004 006106 108903 950999	1
414	113N1532-14	..	FITTING- OPTIONAL PART: 113N1532-18 USED ON: 113N1532-12	002004 006999	1
414	113N1532-18	..	FITTING- OPTIONAL PART: 113N1532-14 USED ON: 113N1532-12	002004 006999	1
417	BACS40R013D028F	.	SHIM- OPTIONAL PART: BACS40R013C028F	002004 006102 107999	1
417	BACS40R013C028F	.	SHIM- OPTIONAL PART: BACS40R013D028F	101102 108120 504903	1
418	BACS40R013D027F	.	SHIM- OPTIONAL PART: BACS40R013C027F	103106	2
418	BACS40R013C027F	.	SHIM- OPTIONAL PART: BACS40R013D027F	103106	2
420	BACS40R013D027F	.	SHIM- OPTIONAL PART: BACS40R013C027F	002004 006102 107999	1

MISSING ITEM NUMBERS NOT APPLICABLE

- ITEM NOT ILLUSTRATED

57-70-00-04A

57-70-00
FIG. 04A
PAGE 21
JAN 20/09

BRI

BOEING PROPRIETARY - Copyright © - Unpublished Work - See title page for details.



757

PARTS CATALOG (MAINTENANCE)

FIG ITEM	PART NUMBER	1 2 3 4 5 6 7	NOMENCLATURE	EFFECT FROM TO	UNITS PER ASSY
4 A					
420	BACS40R013C027F	. SHIM-		101102	1
		OPTIONAL PART:		108120	
		BACS40R013D027F		504903	
423	BACF3T02C12-25	. FILLER		002004	2
				006102	
				107999	
423	BACF3T02C12-26	. FILLER		103106	2
426	BACB30NW8K	. BOLT-		002004	4
		SIZE DETERMINED ON INSTL.		006102	
				107999	
426	BACB30YP8K	. BOLT-		103106	4
		SIZE DETERMINED ON INSTL.			
429	BACB30VT8K	. BOLT-		002004	10
		SIZE DETERMINED ON INSTL.		006999	
432	BACF3H06LS006AN	. FILLER		002004	2
				006106	
				108999	
436	BACC30BL8	. COLLAR-		002004	14
		SUPPLIER CODE:		006999	
		V73197			
		SPECIFICATION NUMBER:			
		BACC30BL8			
		OPTIONAL PART:			
		HST79-8			
		V92215			
		HST79CY8			
		V56878			
		HST79CY8			
		V5M902			
438	113N1410-13	. RIB ASSY-ACTR SPRT,		107107	1
		SPOILER NO. 5		904949	
		OPTIONAL PART:		952952	
		113N1447-1			
438	113N1447-1	. RIB ASSY-ACTR SPRT,		107107	1
		SPOILER NO. 5		904949	
		OPTIONAL PART:		952952	
		113N1410-13			
438	113N1410-17	. RIB ASSY-ACTR SPRT,		002004	1
		SPOILER NO. 5		006102	
		OPTIONAL PART:		107107	
		113N1447-7		121999	
438	113N1447-7	. RIB ASSY-ACTR SPRT,		107107	1
		SPOILER NO. 5			
		OPTIONAL PART:			
		113N1410-17			
438	113N1410-19	. RIB ASSY-ACTR SPRT		103106	1
		SPOILER NO. 5		108120	

MISSING ITEM NUMBERS NOT APPLICABLE

- ITEM NOT ILLUSTRATED

57-70-00-04A

57-70-00
FIG. 04A
PAGE 22
JAN 20/09

BRI

BOEING PROPRIETARY - Copyright © - Unpublished Work - See title page for details.

 **BOEING**
757
PARTS CATALOG (MAINTENANCE)

FIG ITEM	PART NUMBER	1 2 3 4 5 6 7	NOMENCLATURE	EFFECT FROM TO	UNITS PER ASSY
4 A					
441	BACB28AM13B035A	..	BUSHING- USED ON: 113N1410-13 113N1410-9 113N1447-1	107107 904949 952952	1
441	BACB28AM13B034A	..	BUSHING- USED ON: 113N1447-1 113N1410-17	002004 006102 107107 121999	1
441	BACB28AT13B034C	..	BUSHING	103106 108120	1
444	BACB28AP09P035	..	BUSHING- USED ON: 113N1410-13 113N1410-9 113N1447-1	107107 904949 952952	1
444	BACB28AP09P034	..	BUSHING	002004 006999	1
447	BACB28AP05P014	..	BUSHING	002004 006999	2
450	NAS1801-3-12	..	SCREW- USED ON: 113N1410-17 113N1410-19 USED ON: 113N1410-9 113N1447-1	002004 006999	1
453	NAS1801-3-12	..	SCREW- USED ON: 113N1410-13	107107 904949 952952	1
456	MS35338-43	..	WASHER- USED ON: 113N1410-17 113N1410-19 USED ON: 113N1410-9 113N1447-1	002004 006999	1
459	MS35338-43	..	WASHER- USED ON: 113N1410-13	002004 006100 107107 121503 904999	1
462	AN960D10L	..	WASHER- USED ON: 113N1410-17 113N1410-19 USED ON: 113N1410-9 113N1447-1	002004 006102 107107 121999	2

MISSING ITEM NUMBERS NOT APPLICABLE

— ITEM NOT ILLUSTRATED

BRI

57-70-00-04A

BOEING PROPRIETARY - Copyright © - Unpublished Work - See title page for details.

57-70-00
FIG. 04A
PAGE 23
JAN 20/09

 **BOEING**
757
PARTS CATALOG (MAINTENANCE)

FIG ITEM	PART NUMBER	1 2 3 4 5 6 7	NOMENCLATURE	EFFECT FROM TO	UNITS PER ASSY
4 A					
462	NAS1149D0316H	..	WASHER- USED ON: 113N1410-19	103106 108120	2
465	AN960D10L	..	WASHER- USED ON: 113N1410-13	002004 006100 107107 121503 904999	2
468	MS35650-305S	..	NUT- USED ON: 113N1447-1 113N1447-7	107107 904949 952952	1
468	MS35650-305T	..	NUT- USED ON: 113N1410-9 113N1410-13 113N1410-17	002004 006102 107107 121999	1
468	MS35650-305T	..	NUT	103106 108120	1
471	MS35650-305T	..	NUT- USED ON: 113N1410-19	103106 108120	1
474	113N1410-15	..	RIB- USED ON: 113N1410-13	002004 006102 107107 121999	1
474	113N1447-3	..	RIB- USED ON: 113N1447-1	002004 006999	1
474	113N1410-21	..	RIB	103106 108120	1
477	113N1410-14	.RIB	ASSY-ACTR SPRT, SPOILER NO. 5 OPTIONAL PART: 113N1447-2	002004 006100 107107 121503 904999	1
477	113N1447-2	.RIB	ASSY-ACTR SPRT, SPOILER NO. 5 OPTIONAL PART: 113N1410-14	002004 006100 107107 121503 904999	1
477	113N1410-18	.RIB	ASSY-ACTR SPRT, SPOILER NO. 5 OPTIONAL PART: 113N1447-8	002004 006102 107107 121999	1
477	113N1447-8	.RIB	ASSY-ACTR SPRT, SPOILER NO. 5 OPTIONAL PART: 113N1410-18	107107	1

MISSING ITEM NUMBERS NOT APPLICABLE

— ITEM NOT ILLUSTRATED

BRI

57-70-00-04A

BOEING PROPRIETARY - Copyright © - Unpublished Work - See title page for details.

57-70-00
FIG. 04A
PAGE 24
JAN 20/09

 **BOEING**
757
PARTS CATALOG (MAINTENANCE)

FIG ITEM	PART NUMBER	1 2 3 4 5 6 7	NOMENCLATURE	EFFECT FROM TO	UNITS PER ASSY
4 A					
477	113N1410-20	.RIB	ASSY-ACTR SPRT SPOILER NO. 5	103106 108120	1
480	BACB28AM13B035A	..BUSHING-	USED ON: 113N1410-14 113N1410-10	002004 006100 107107 121503 904999	2
480	BACB28AM13B034A	..BUSHING-	USED ON: 113N1410-18 113N1447-8	002004 006102 107107 121999	2
481	BACB28AT13B034C	..BUSHING		103106 108120	1
482	BACB28AP09P034	..BUSHING		103106 108120	1
483	BACB28AP05P014	..BUSHING		002004 006999	2
486	113N1410-16	..RIB-	USED ON: 113N1410-14 113N1410-18	002004 006102 107107 121999	1
486	113N1447-4	..RIB-	USED ON: 113N1447-2	002004 006100 107107 121503 904999	1
486	113N1410-22	..RIB		103106 108120	1
489	BACS40R015C028F	.SHIM		103106	1
492	BACS40R015C028F	.SHIM		002004 006999	1
495	271N6051-10	.BRACKET-HYDR	SPRT	002004 006999	1
495	271N6051-15	.BRACKET-HYDR	SPRT	002004 006999	1
- 498	BACR15FT5D		ATTACHING PARTS .RIVET- SIZE DETERMINED ON INSTL. -----*-----	002004 006999	3
501	287N1301-26	.BRACKET		002004 006999	1
- 504	BACB30VT6K		ATTACHING PARTS .BOLT- SIZE DETERMINED ON INSTL.	002004 006999	2

MISSING ITEM NUMBERS NOT APPLICABLE

- ITEM NOT ILLUSTRATED

BRI

57-70-00-04A

BOEING PROPRIETARY - Copyright © - Unpublished Work - See title page for details.

57-70-00
FIG. 04A
PAGE 25
JAN 20/09



757

PARTS CATALOG (MAINTENANCE)

FIG ITEM	PART NUMBER	1 2 3 4 5 6 7	NOMENCLATURE	EFFECT FROM TO	UNITS PER ASSY
4 A - 507	BACC30BL6		.COLLAR- SUPPLIER CODE: V73197 SPECIFICATION NUMBER: BACC30BL6 OPTIONAL PART: HST79-6 V92215 HST79CY6 V56878 HST79CY6 V5M902 -----*-----	002004 006999	2
510	113N1415-18		.BEAM-ACTR SPRT, SPOILER NO. 5 POSITION DATA: UPR	107107 904949	1
510	113N1415-20		.BEAM-ACTR SPRT, SPOILER NO. 5 POSITION DATA: UPR	002004 006106 108903 950999	1
513	113N1415-12		.BEAM-ACTR SPRT, SPOILER NO. 5	002004 006999	1
513	113N1415-16		.BEAM-ACTR SPRT, SPOILER NO. 5	002004 006999	1
516	BACB30PU5-20		.BOLT	002004 006999	1
519	BACB30PU5-15		.BOLT	002004 006999	1
522	NAS1149F0532P		.WASHER-	002004 006999	2
525	BACW10BP5DP		.WASHER	002004 006999	2
528	BACW10BP5ACU		.WASHER	002004 006999	2
531	BACW10BP4DP		.WASHER	002004 006999	2

MISSING ITEM NUMBERS NOT APPLICABLE

- ITEM NOT ILLUSTRATED

57-70-00-04A

57-70-00
FIG. 04A
PAGE 26
JAN 20/09

BRI

BOEING PROPRIETARY - Copyright © - Unpublished Work - See title page for details.



757

PARTS CATALOG (MAINTENANCE)

FIG ITEM	PART NUMBER	1 2 3 4 5 6 7	NOMENCLATURE	EFFECT FROM TO	UNITS PER ASSY
4 A 534	BRH10C4D	.NUT	SUPPLIER CODE: V52828 SPECIFICATION NUMBER: BACN10JC4CD OPTIONAL PART: T6C428JCD V11815 NS202486-048 V80539 102LH9075-4W V72962 H51650-4BAC V15653	002004 006999	2
537	113N1449-1	.TUBE ASSY-SPOILER NO. 5		002004 006009 107107 121503 904949 952999	1
537	113N1449-3	.TUBE ASSY-SPOILER NO. 5		010106 108120 504903 950951	1
540	BACB28AM05B013A	..BUSHING		002004 006009 107107 121503 904949 952999	4
543	BACB28AT05B012C	..BUSHING		010106 108120 504903 950951	2
546	BACB28AT05B013C	..BUSHING		010106 108120 504903 950951	2
549	113N1449-2	..TUBE		002004 006009 107107 121503 904949 952999	1
549	113N1449-4	..TUBE		010106 108120 504903 950951	1

MISSING ITEM NUMBERS NOT APPLICABLE

- ITEM NOT ILLUSTRATED

57-70-00-04A

57-70-00
FIG. 04A
PAGE 27
JAN 20/09

BRI

BOEING PROPRIETARY - Copyright © - Unpublished Work - See title page for details.



757

PARTS CATALOG (MAINTENANCE)

FIG ITEM	PART NUMBER	1 2 3 4 5 6 7	NOMENCLATURE	EFFECT FROM TO	UNITS PER ASSY
4 A					
552	113N1131-1	.	FITTING ASSY-	002004 006999	1
			ATTACHING PARTS		
558	BACB30VT10K	.BOLT-		002004 006999	1
			SIZE DETERMINED ON INSTL.		
561	BACC30BL10	.COLLAR-		002004 006999	1
			SUPPLIER CODE: V73197		
			SPECIFICATION NUMBER: BACC30BL10		
			OPTIONAL PART: HST79-10 V92215 HST79CY10 V56878 HST79CY10 V5M902		
564	BACB30VT8K	.BOLT-		002004 006999	2
			SIZE DETERMINED ON INSTL.		
567	BACC30BL8	.COLLAR-		002004 006999	2
			SUPPLIER CODE: V73197		
			SPECIFICATION NUMBER: BACC30BL8		
			OPTIONAL PART: HST79-8 V92215 HST79CY8 V56878 HST79CY8 V5M902		
			-----*-----		
576	HTES05VC	..	BEARING	002004 006999	1
			SUPPLIER CODE: VS0352		
			SPECIFICATION NUMBER: BACB10ES05GC		
			OPTIONAL PART: NC05TG5C V56644		
582	113N1131-2	..	FITTING	002004 006999	1
585	113N1458-16	.	FITTING ASSY-HINGE	107107 904949	1
			SPRT, SPOILER NO. 5		
			POSITION DATA: INBD		

MISSING ITEM NUMBERS NOT APPLICABLE

- ITEM NOT ILLUSTRATED

57-70-00-04A

57-70-00
FIG. 04A
PAGE 28
JAN 20/09

BRI

BOEING PROPRIETARY - Copyright © - Unpublished Work - See title page for details.



757

PARTS CATALOG (MAINTENANCE)

FIG ITEM	PART NUMBER	1 2 3 4 5 6 7	NOMENCLATURE	EFFECT FROM TO	UNITS PER ASSY
4 A					
585	113N1458-18		.FITTING ASSY-HINGE SPRT, SPOILER NO. 5 POSITION DATA: INBD ATTACHING PARTS	002004 006106 108903 950999	1
588	BACB30NW8K		.BOLT- SIZE DETERMINED ON INSTL.	002004 006102 107999	2
588	BACB30YP8K		.BOLT- SIZE DETERMINED ON INSTL.	103106	2
591	BACB30MY8K		.BOLT- SIZE DETERMINED ON INSTL.	002004 006999	1
591	BACB30VT8K		.BOLT- SIZE DETERMINED ON INSTL.	002004 006999	1
594	HL79-8		.COLLAR- SUPPLIER CODE: V5M902 SPECIFICATION NUMBER: BACC30M8 OPTIONAL PART: HL79-8 V73197 HL79-8 V92215 66014-8 V56878 HL79-8 V56878	002004 006102 107999	2
594	BACC30BL8		.COLLAR- SUPPLIER CODE: V73197 SPECIFICATION NUMBER: BACC30BL8 OPTIONAL PART: HST79-8 V92215 HST79CY8 V56878 HST79CY8 V5M902	103106	2

MISSING ITEM NUMBERS NOT APPLICABLE

- ITEM NOT ILLUSTRATED

BRI

57-70-00-04A

BOEING PROPRIETARY - Copyright © - Unpublished Work - See title page for details.

57-70-00
FIG. 04A
PAGE 29
JAN 20/09

 **BOEING**
757
PARTS CATALOG (MAINTENANCE)

FIG ITEM	PART NUMBER	1 2 3 4 5 6 7	NOMENCLATURE	EFFECT FROM TO	UNITS PER ASSY
4 A 595	BACC30BL8	.	COLLAR SUPPLIER CODE: V73197 SPECIFICATION NUMBER: BACC30BL8 OPTIONAL PART: HST79-8 V92215 HST79CY8 V56878 HST79CY8 V5M902 -----*	002004 006999	1
597	BACB28AM06B020A	..	BUSHING	107107 904949	1
597	BACB28AM06B018A	..	BUSHING	002004 006106 108903 950999	1
600	BACB28AP04P020	..	BUSHING	107107 904949	1
600	BACB28AP04P018	..	BUSHING	002004 006106 108903 950999	1
603	BACB28AP05P020	..	BUSHING	107107 904949	2
603	BACB28AP05P018	..	BUSHING	002004 006106 108903 950999	2
606	113N1458-14	..	FITTING- USED ON: 113N1458-16	107107 904949	1
606	113N1458-20	..	FITTING	002004 006106 108903 950999	1
612	BACS40R012C025F	.	SHIM	002004 006999	AR
615	BACS40R011C015F	.	SHIM	002004 006999	1
618	113N1472-1	.	FITTING ASSY	002004 006999	1
- 621	BACB30NX6K	.	ATTACHING PARTS BOLT- SIZE DETERMINED ON INSTL.	002004 006999	4

MISSING ITEM NUMBERS NOT APPLICABLE

- ITEM NOT ILLUSTRATED

BRI

57-70-00-04A

BOEING PROPRIETARY - Copyright © - Unpublished Work - See title page for details.

57-70-00
FIG. 04A
PAGE 30
JAN 20/09

BOEING
757
PARTS CATALOG (MAINTENANCE)

FIG ITEM	PART NUMBER	1 2 3 4 5 6 7	NOMENCLATURE	EFFECT FROM TO	UNITS PER ASSY
4 A - 624	HL1187-6		. COLLAR SUPPLIER CODE: V5M902 SPECIFICATION NUMBER: BACC30X6 OPTIONAL PART: HL87-6 V92215 HL87-6 V73197 HL1187-6 V56878 HL1187-6 V92215 HL87-6 V56878 HL1187-6 V73197	002004 006999	4
R R	627 AG4VCR		.. BEARING SUPPLIER CODE: V15860 SPECIFICATION NUMBER: BACB10AG4 OPTIONAL PART: BSSN4797S V81376 HSBG4-117 V02758 NG4F V73134 NC4G2 V56644 BNG4E111 V16746 ABG4V5 VS0352 03-505-04E033 V09455	002004 006999	1
	630 113N1472-2		.. FITTING	002004 006999	1

MISSING ITEM NUMBERS NOT APPLICABLE

- ITEM NOT ILLUSTRATED

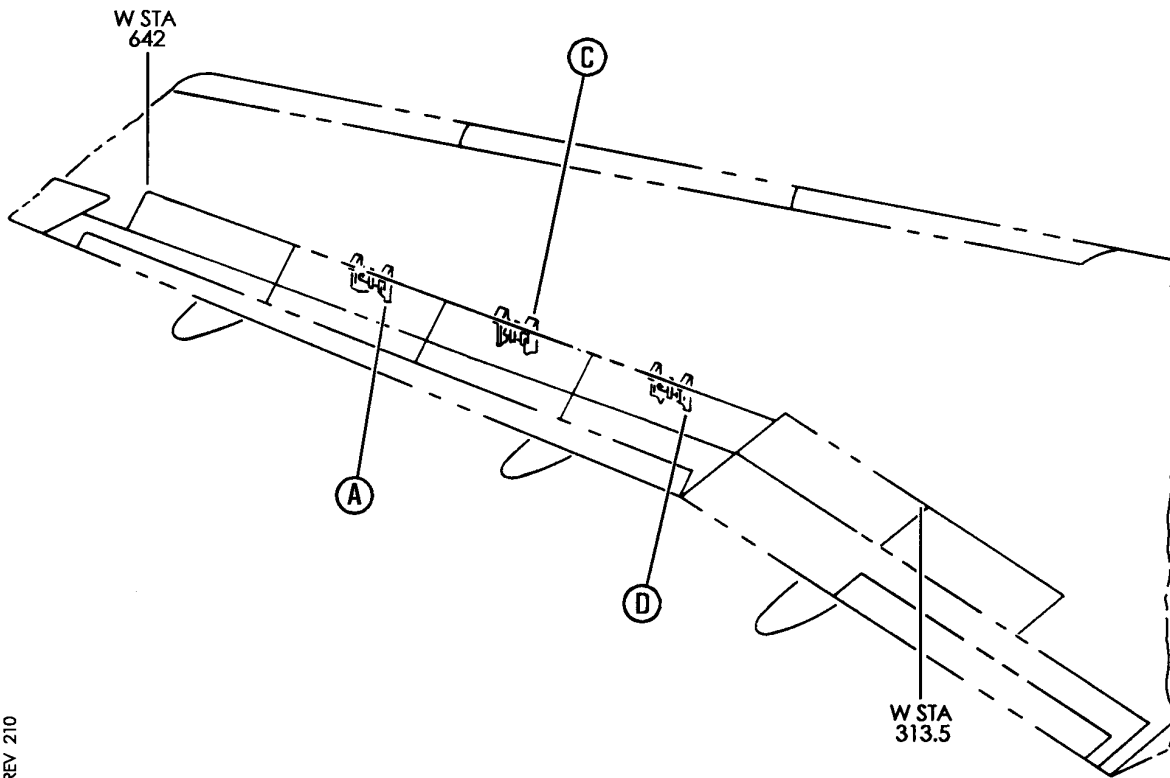
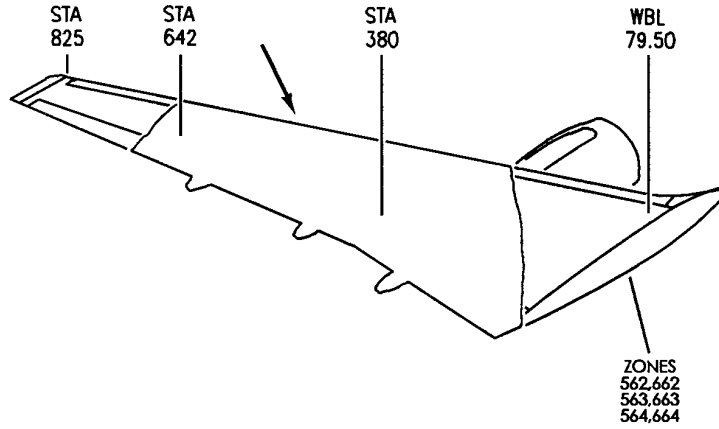
BRI

57-70-00-04A

BOEING PROPRIETARY - Copyright © - Unpublished Work - See title page for details.

57-70-00
FIG. 04A
PAGE 31
MAY 20/09

BOEING
757
PARTS CATALOG (MAINTENANCE)



Y 5770005 SHT 1 REV 210

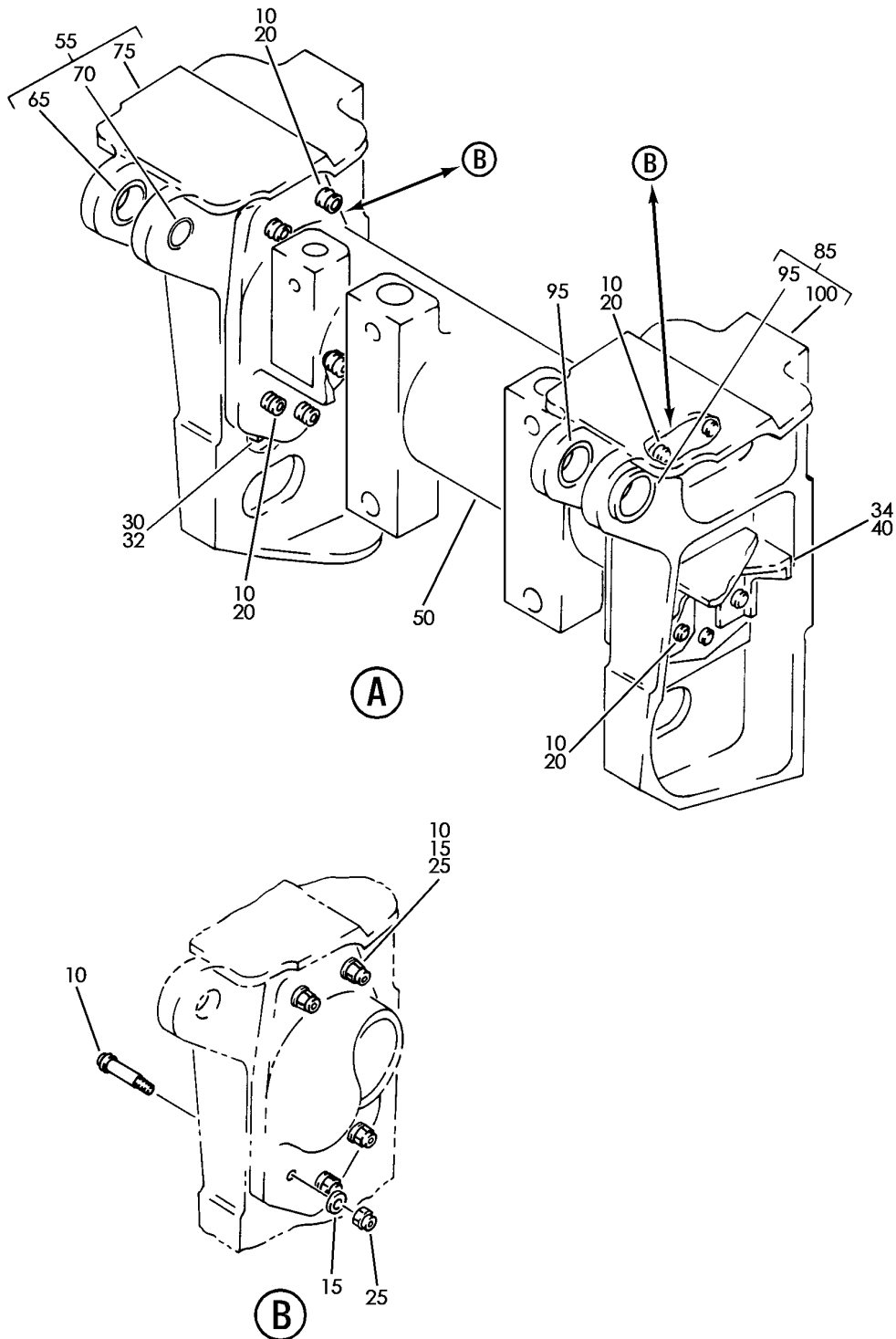
SUPPORT ASSY-HINGE AND ACTR, SPOILER NO. 2 THRU 4
FIGURE 5 (SHEET 1)

57-70-00-05

BRI
MAY 28/07

57-70-00-05
PAGE 0

BOEING
757
PARTS CATALOG (MAINTENANCE)



Y 5770005 SHT 2 REV 213

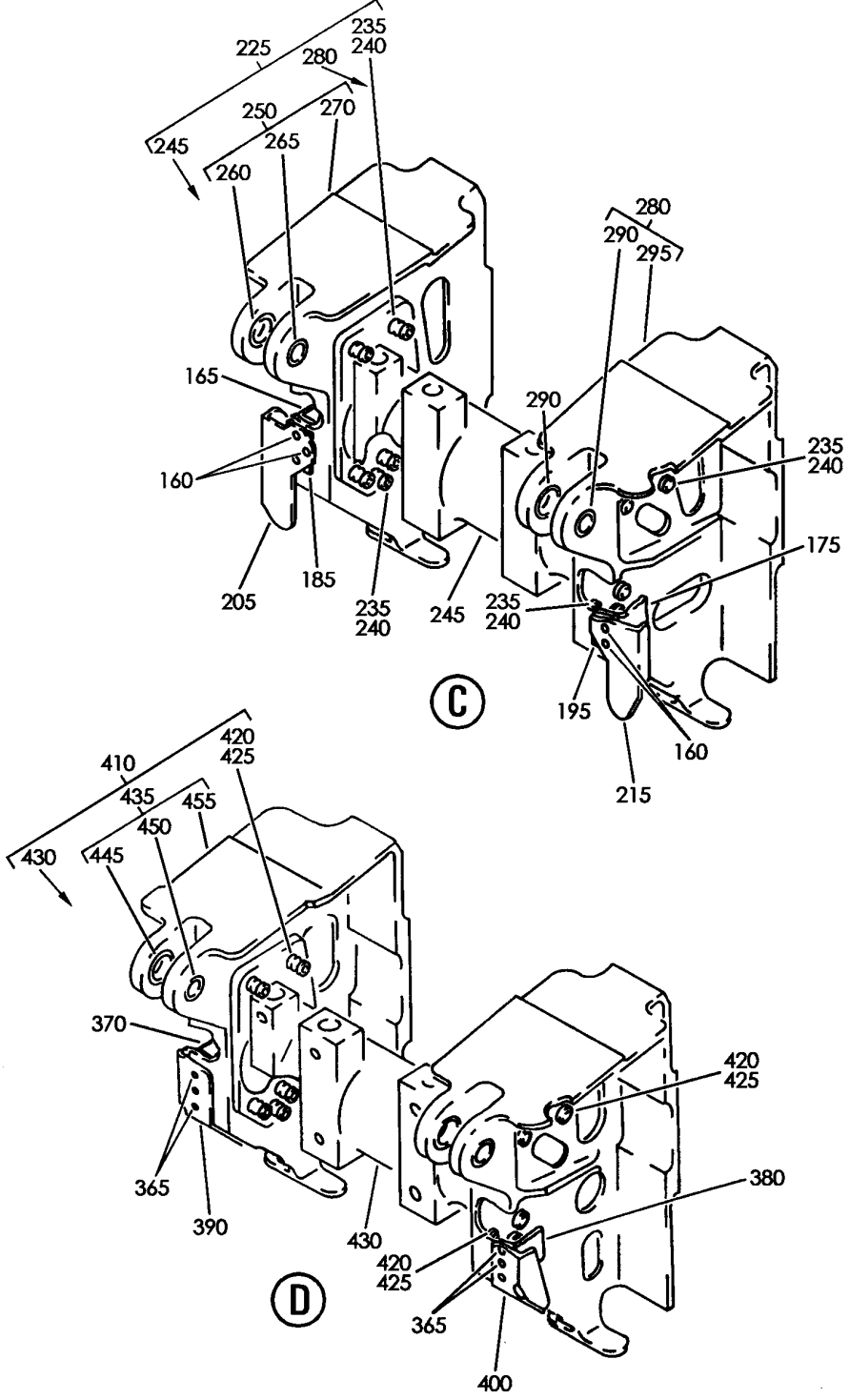
SUPPORT ASSY-HINGE AND ACTR, SPOILER NO. 2 THRU 4
FIGURE 5 (SHEET 2)

57-70-00-05

BRI
MAY 28/07

57-70-00-05
PAGE 0A

BOEING
 757
 PARTS CATALOG (MAINTENANCE)



Y 57700005 SHT 3 REV 210

SUPPORT ASSY-HINGE AND ACTR, SPOILER NO. 2 THRU 4
 FIGURE 5 (SHEET 3)

57-70-00-05

BRI
 MAY 28/07

57-70-00-05
 PAGE 0B



757

PARTS CATALOG (MAINTENANCE)

FIG ITEM	PART NUMBER	1 2 3 4 5 6 7	NOMENCLATURE	EFFECT FROM TO	UNITS PER ASSY
5			SUPPORT ASSY-HINGE AND ACTR, SPOILER NO. 2 THRU 4	002004 006999	
- 1	113N1160-1		SUPPORT ASSY-SPOILER NO. 2 POSITION DATA: LH FOR NHA SEE: 57-70-00-02	002004 006100 121503 904999	RF
- 1	113N1160-3		SUPPORT ASSY-SPOILER NO. 2 POSITION DATA: LH FOR NHA SEE: 57-70-00-02	101106 108120 504903	RF
- 5	113N1160-2		SUPPORT ASSY-SPOILER NO. 2 POSITION DATA: RH FOR NHA SEE: 57-70-00-02	002004 006100 121503 904999	RF
- 5	113N1160-4		SUPPORT ASSY-SPOILER NO. 2 POSITION DATA: RH FOR NHA SEE: 57-70-00-02	101106 108120 504903	RF
10	BACB30NX10K		.BOLT- SIZE DETERMINED ON INSTL. QUALIFIED OPTIONAL DATA: (BACB30NX10K PLUS AN960PD516 PLUS BACN10JJC5, OPTIONAL TO BACB30NX10K PLUS BACC30BH10)	002004 006106 108999	10
15	AN960PD516		.WASHER- QUALIFIED OPTIONAL DATA: (BACB30NX10K PLUS AN960PD516 PLUS BACN10JJC5, OPTIONAL TO BACB30NX10K PLUS BACC30BH10)	002004 006106 108999	10

MISSING ITEM NUMBERS NOT APPLICABLE

- ITEM NOT ILLUSTRATED

57-70-00-05

57-70-00
FIG. 05
PAGE 1
JAN 20/09

BRI



757

PARTS CATALOG (MAINTENANCE)

FIG ITEM	PART NUMBER	1 2 3 4 5 6 7	NOMENCLATURE	EFFECT FROM TO	UNITS PER ASSY
5	20 HL1087-10		.COLLAR- SUPPLIER CODE: V9N513 SPECIFICATION NUMBER: BACC30BH10 OPTIONAL PART: HL1087-10 V92215 HL1087-10 V73197 HL1087-10 V56878 QUALIFIED OPTIONAL DATA: (BACB30NX10K PLUS AN960PD516 PLUS BACN10JC5, OPTIONAL TO BACB30NX10K PLUS BACC30BH10)	002004 006106 108999	10
	25 BRH10A5		.NUT- SUPPLIER CODE: V52828 SPECIFICATION NUMBER: BACN10JC5 OPTIONAL PART: T6S524J V11815 96-054 V80539 RMLH9075-5W V72962 H10-5BAC V15653 QUALIFIED OPTIONAL DATA: (BACB30NX10K PLUS AN960PD516 PLUS BACN10JC5, OPTIONAL TO BACB30NX10K PLUS BACC30BH10)	002004 006106 108999	10
	30 271N6176-31		.BRACKET ASSY-HYDR POSITION DATA: LH SIDE	002004 006100 121503 904999	1
	32 271N6176-35		.BRACKET ASSY-HYDR POSITION DATA: LH SIDE	101106 108120 504903	1
	34 271N6176-36		.BRACKET ASSY-HYDR POSITION DATA: LH SIDE	101106 108120 504903	1

MISSING ITEM NUMBERS NOT APPLICABLE

- ITEM NOT ILLUSTRATED

57-70-00-05

57-70-00
FIG. 05
PAGE 2
JAN 20/09

BRI

 **BOEING**
757
PARTS CATALOG (MAINTENANCE)

FIG ITEM	PART NUMBER	1 2 3 4 5 6 7	NOMENCLATURE	EFFECT FROM TO	UNITS PER ASSY
5					
- 35	271N6176-32		.BRACKET ASSY-HYDR POSITION DATA: RH SIDE	002004 006100 121503 904999	1
- 37	271N6176-35		.BRACKET ASSY-HYDR POSITION DATA: RH SIDE	101106 108120 504903	1
- 39	271N6176-36		.BRACKET ASSY-HYDR POSITION DATA: RH SIDE	101106 108120 504903	1
40	271N6176-32		.BRACKET ASSY-HYDR POSITION DATA: LH SIDE	002004 006100 121503 904999	1
- 45	271N6176-31		.BRACKET ASSY-HYDR POSITION DATA: RH SIDE	002004 006100 121503 904999	1
50	113N1409-1		.FITTING-ACTR SPRT	002004 006106 108999	1
55	113N1161-1		.RIB ASSY-ACTR SPRT POSITION DATA: LH SIDE	002004 006106 108999	1
- 60	113N1161-2		.RIB ASSY-ACTR SPRT POSITION DATA: RH SIDE	002004 006106 108999	1
65	BACB28AM13B035A		..BUSHING	002004 006106 108999	1
70	BACB28AP09P035		..BUSHING	002004 006106 108999	1
75	113N1161-3		..RIB- POSITION DATA: LH SIDE	002004 006106 108999	1
- 80	113N1161-4		..RIB- POSITION DATA: RH SIDE	002004 006106 108999	1
85	113N1162-1		.RIB ASSY-ACTR SPRT POSITION DATA: LH SIDE	002004 006106 108999	1
- 90	113N1162-2		.RIB ASSY-ACTR SPRT POSITION DATA: RH SIDE	002004 006106 108999	1
95	BACB28AM13B035A		..BUSHING	002004 006106 108999	2

MISSING ITEM NUMBERS NOT APPLICABLE

- ITEM NOT ILLUSTRATED

BRI

57-70-00-05

BOEING PROPRIETARY - Copyright © - Unpublished Work - See title page for details.

57-70-00
FIG. 05
PAGE 3
JAN 20/09



757

PARTS CATALOG (MAINTENANCE)

FIG ITEM	PART NUMBER	1 2 3 4 5 6 7	NOMENCLATURE	EFFECT FROM TO	UNITS PER ASSY
5					
100	113N1162-3		..RIB- POSITION DATA: LH SIDE	002004 006106 108999	1
- 105	113N1162-4		..RIB- POSITION DATA: RH SIDE	002004 006106 108999	1
- 150	113N1163-1		SUPPORT ASSY-SPOILER NO. 3 POSITION DATA: LH FOR NHA SEE: 57-70-00-02	002004 006100 107107 121503 904999	RF
- 150	113N1163-5		SUPPORT ASSY-SPOILER NO. 3 POSITION DATA: LH FOR NHA SEE: 57-70-00-02	101106 108120 504903	RF
- 155	113N1163-2		SUPPORT ASSY-SPOILER NO. 3 POSITION DATA: RH FOR NHA SEE: 57-70-00-02	002004 006100 107107 121503 904999	RF
- 155	113N1163-6		SUPPORT ASSY-SPOILER NO. 3 POSITION DATA: RH FOR NHA SEE: 57-70-00-02	101106 108120 504903	RF
160	BACR15FT5D		.RIVET- SIZE DETERMINED ON INSTL.	002004 006999	5
165	271N6177-7		.BRACKET- POSITION DATA: LH SIDE	002004 006999	1
- 170	271N6177-6		.BRACKET- POSITION DATA: RH SIDE	002004 006999	1
175	271N6177-6		.BRACKET- POSITION DATA: LH SIDE	002004 006999	1
- 180	271N6177-7		.BRACKET- POSITION DATA: RH SIDE	002004 006999	1
185	287N1307-7		.FILLER- POSITION DATA: LH SIDE	002004 006999	1
- 190	287N1307-8		.FILLER- POSITION DATA: RH SIDE	002004 006999	1
195	287N1307-8		.FILLER- POSITION DATA: LH SIDE	002004 006999	1

MISSING ITEM NUMBERS NOT APPLICABLE

- ITEM NOT ILLUSTRATED

57-70-00-05

57-70-00
FIG. 05
PAGE 4
JAN 20/09

BRI



757

PARTS CATALOG (MAINTENANCE)

FIG ITEM	PART NUMBER	1 2 3 4 5 6 7	NOMENCLATURE	EFFECT FROM TO	UNITS PER ASSY
5					
- 200	287N1307-7		. FILLER- POSITION DATA: RH SIDE	002004 006999	1
205	287N1307-3		. BRACKET ASSY- POSITION DATA: LH SIDE	002004 006999	1
- 210	287N1307-5		. BRACKET ASSY- POSITION DATA: RH SIDE	002004 006999	1
215	287N1307-5		. BRACKET ASSY- POSITION DATA: LH SIDE	002004 006999	1
- 220	287N1307-3		. BRACKET ASSY- POSITION DATA: RH SIDE	002004 006999	1
225	113N1163-3		. SUPPORT ASSY-SPOILER NO. 3 POSITION DATA: LH SIDE	002004 006100 107107 121503 904999	1
225	113N1163-7		. SUPPORT ASSY-SPOILER NO. 3 POSITION DATA: LH SIDE	101106 108120 504903	1
- 230	113N1163-4		. SUPPORT ASSY-SPOILER NO. 3 POSITION DATA: RH SIDE	002004 006100 107107 121503 904999	1
- 230	113N1163-8		. SUPPORT ASSY-SPOILER NO. 3 POSITION DATA: RH SIDE	101106 108120 504903	1

MISSING ITEM NUMBERS NOT APPLICABLE

- ITEM NOT ILLUSTRATED

BRI

57-70-00-05

BOEING PROPRIETARY - Copyright © - Unpublished Work - See title page for details.

57-70-00
FIG. 05
PAGE 5
JAN 20/09



**757
PARTS CATALOG (MAINTENANCE)**

FIG ITEM	PART NUMBER	1 2 3 4 5 6 7	NOMENCLATURE	EFFECT FROM TO	UNITS PER ASSY
5 235	HL1012AZ10-10	..	BOLT SUPPLIER CODE: VOPTK6 SPECIFICATION NUMBER: BACB30NX10K10 OPTIONAL PART: HL12VAZ10-10 V73197 HL12VAZ10-10 V92215 HL12VAZ10-10 V97928 L802-10K10 V06725 HL12VAZ10-10 V56878 HL1012AZ10-10 V06725 HL1012AZ10-10 V06950 HL1012AZ10-10 V17446 HL1012AZ10-10 V56878 HL1012AZ10-10 V60516 HL1012AZ10-10 V73197 HL1012AZ10-10 V97928	002004 006999	10
240	HL1087-10	..	COLLAR SUPPLIER CODE: V9N513 SPECIFICATION NUMBER: BACC30BH10 OPTIONAL PART: HL1087-10 V92215 HL1087-10 V73197 HL1087-10 V56878	002004 006999	10
245	113N1408-1	..	FITTING-ACTR SPRT OPTIONAL PART: 113N1409-1	002004 006999	1
245	113N1409-1	..	FITTING-ACTR SPRT OPTIONAL PART: 113N1408-1	002004 006999	1

MISSING ITEM NUMBERS NOT APPLICABLE

— ITEM NOT ILLUSTRATED

57-70-00-05

57-70-00
FIG. 05
PAGE 6
JAN 20/09

BRI

 **BOEING**
757
PARTS CATALOG (MAINTENANCE)

FIG ITEM	PART NUMBER	1 2 3 4 5 6 7	NOMENCLATURE	EFFECT FROM TO	UNITS PER ASSY
5					
250	113N1164-1	..	RIB ASSY-ACTR SPRT POSITION DATA: LH SIDE	002004 006999	1
- 255	113N1164-2	..	RIB ASSY-ACTR SPRT POSITION DATA: RH SIDE	002004 006999	1
260	BACB28AM13B035A	...	BUSHING	002004 006999	1
265	BACB28AP09P035	...	BUSHING	002004 006999	1
270	113N1164-3	...	RIB- POSITION DATA: LH SIDE	002004 006999	1
- 275	113N1164-4	...	RIB- POSITION DATA: RH SIDE	002004 006999	1
280	113N1165-1	..	RIB ASSY-ACTR SPRT POSITION DATA: LH SIDE	002004 006999	1
- 285	113N1165-2	..	RIB ASSY-ACTR SPRT POSITION DATA: RH SIDE	002004 006999	1
290	BACB28AM13B035A	...	BUSHING	002004 006999	2
295	113N1165-3	...	RIB- POSITION DATA: LH SIDE	002004 006999	1
- 300	113N1165-4	...	RIB- POSITION DATA: RH SIDE	002004 006999	1
- 355	113N1166-1		SUPPORT ASSY-SPOILER NO. 4 POSITION DATA: LH FOR NHA SEE: 57-70-00-04	002004 006100 107107 121503 904999	RF
- 355	113N1166-5		SUPPORT ASSY-SPOILER NO. 4 POSITION DATA: LH FOR NHA SEE: 57-70-00-04	101106 108120 504903	RF
- 360	113N1166-2		SUPPORT ASSY-SPOILER NO. 4 POSITION DATA: RH FOR NHA SEE: 57-70-00-04A	002004 006100 107107 121503 904999	RF

MISSING ITEM NUMBERS NOT APPLICABLE

- ITEM NOT ILLUSTRATED

BRI

57-70-00-05

BOEING PROPRIETARY - Copyright © - Unpublished Work - See title page for details.

57-70-00
FIG. 05
PAGE 7
JAN 20/09



757

PARTS CATALOG (MAINTENANCE)

FIG ITEM	PART NUMBER	1 2 3 4 5 6 7	NOMENCLATURE	EFFECT FROM TO	UNITS PER ASSY
5					
- 360	113N1166-6		SUPPORT ASSY-SPOILER NO. 4 POSITION DATA: RH FOR NHA SEE: 57-70-00-04A	101106 108120 504903	RF
365	BACR15FT5D		.RIVET- SIZE DETERMINED ON INSTL.	002004 006999	5
370	271N6177-3		.BRACKET- POSITION DATA: LH SIDE	002004 006999	1
- 375	271N6177-4		.BRACKET- POSITION DATA: RH SIDE	002004 006999	1
380	271N6177-4		.BRACKET- POSITION DATA: LH SIDE	002004 006999	1
- 385	271N6177-3		.BRACKET- POSITION DATA: RH SIDE	002004 006999	1
390	287N1307-13		.BRACKET- POSITION DATA: LH SIDE	002004 006999	1
- 395	287N1307-14		.BRACKET- POSITION DATA: RH SIDE	002004 006999	1
400	287N1307-14		.BRACKET- POSITION DATA: LH SIDE	002004 006999	1
- 405	287N1307-13		.BRACKET- POSITION DATA: RH SIDE	002004 006999	1
410	113N1166-3		.SUPPORT ASSY-SPOILER NO. 4 POSITION DATA: LH SIDE	002004 006100 107107 121503 904999	1
410	113N1166-7		.SUPPORT ASSY-SPOILER NO. 4 POSITION DATA: LH SIDE	101106 108120 504903	1
- 415	113N1166-4		.SUPPORT ASSY-SPOILER NO. 4 POSITION DATA: RH SIDE	002004 006100 107107 121503 904999	1
- 415	113N1166-8		.SUPPORT ASSY-SPOILER NO. 4 POSITION DATA: RH SIDE	101106 108120 504903	1

MISSING ITEM NUMBERS NOT APPLICABLE

- ITEM NOT ILLUSTRATED

57-70-00-05

57-70-00
FIG. 05
PAGE 8
JAN 20/09

BRI



**757
PARTS CATALOG (MAINTENANCE)**

FIG ITEM	PART NUMBER	1 2 3 4 5 6 7	NOMENCLATURE	EFFECT FROM TO	UNITS PER ASSY
5 420	HL1012AZ10-10	..	BOLT SUPPLIER CODE: VOPTK6 SPECIFICATION NUMBER: BACB30NX10K10 OPTIONAL PART: HL12VAZ10-10 V73197 HL12VAZ10-10 V92215 HL12VAZ10-10 V97928 L802-10K10 V06725 HL12VAZ10-10 V56878 HL1012AZ10-10 V06725 HL1012AZ10-10 V06950 HL1012AZ10-10 V17446 HL1012AZ10-10 V56878 HL1012AZ10-10 V60516 HL1012AZ10-10 V73197 HL1012AZ10-10 V97928	002004 006999	10
425	HL1087-10	..	COLLAR SUPPLIER CODE: V9N513 SPECIFICATION NUMBER: BACC30BH10 OPTIONAL PART: HL1087-10 V92215 HL1087-10 V73197 HL1087-10 V56878	002004 006999	10
430	113N1408-1	..	FITTING-ACTR SPRT OPTIONAL PART: 113N1409-1	002004 006999	1
430	113N1409-1	..	FITTING-ACTR SPRT OPTIONAL PART: 113N1408-1	002004 006999	1

MISSING ITEM NUMBERS NOT APPLICABLE

— ITEM NOT ILLUSTRATED

57-70-00-05

57-70-00
FIG. 05
PAGE 9
JAN 20/09

BRI

BOEING PROPRIETARY - Copyright © - Unpublished Work - See title page for details.



757

PARTS CATALOG (MAINTENANCE)

FIG ITEM	PART NUMBER	1 2 3 4 5 6 7	NOMENCLATURE	EFFECT FROM TO	UNITS PER ASSY
5					
435	113N1167-1	..	RIB ASSY-ACTR SPRT POSITION DATA: LH SIDE	002004 006999	1
- 440	113N1167-2	..	RIB ASSY-ACTR SPRT POSITION DATA: RH SIDE	002004 006999	1
445	BACB28AM13B035A	...	BUSHING	002004 006999	1
450	BACB28AP09P035	...	BUSHING	002004 006999	1
455	113N1167-3	...	RIB- POSITION DATA: LH SIDE	002004 006999	1
- 460	113N1167-4	...	RIB- POSITION DATA: RH SIDE	002004 006999	1
465	113N1168-1	..	RIB ASSY-ACTR SPRT POSITION DATA: LH SIDE	002004 006999	1
- 470	113N1168-2	..	RIB ASSY-ACTR SPRT POSITION DATA: RH SIDE	002004 006999	1
475	BACB28AM13B035A	...	BUSHING	002004 006999	2
480	113N1168-3	...	RIB- POSITION DATA: LH SIDE	002004 006999	1
485	113N1168-4	...	RIB- POSITION DATA: RH SIDE	002004 006999	1

MISSING ITEM NUMBERS NOT APPLICABLE

- ITEM NOT ILLUSTRATED

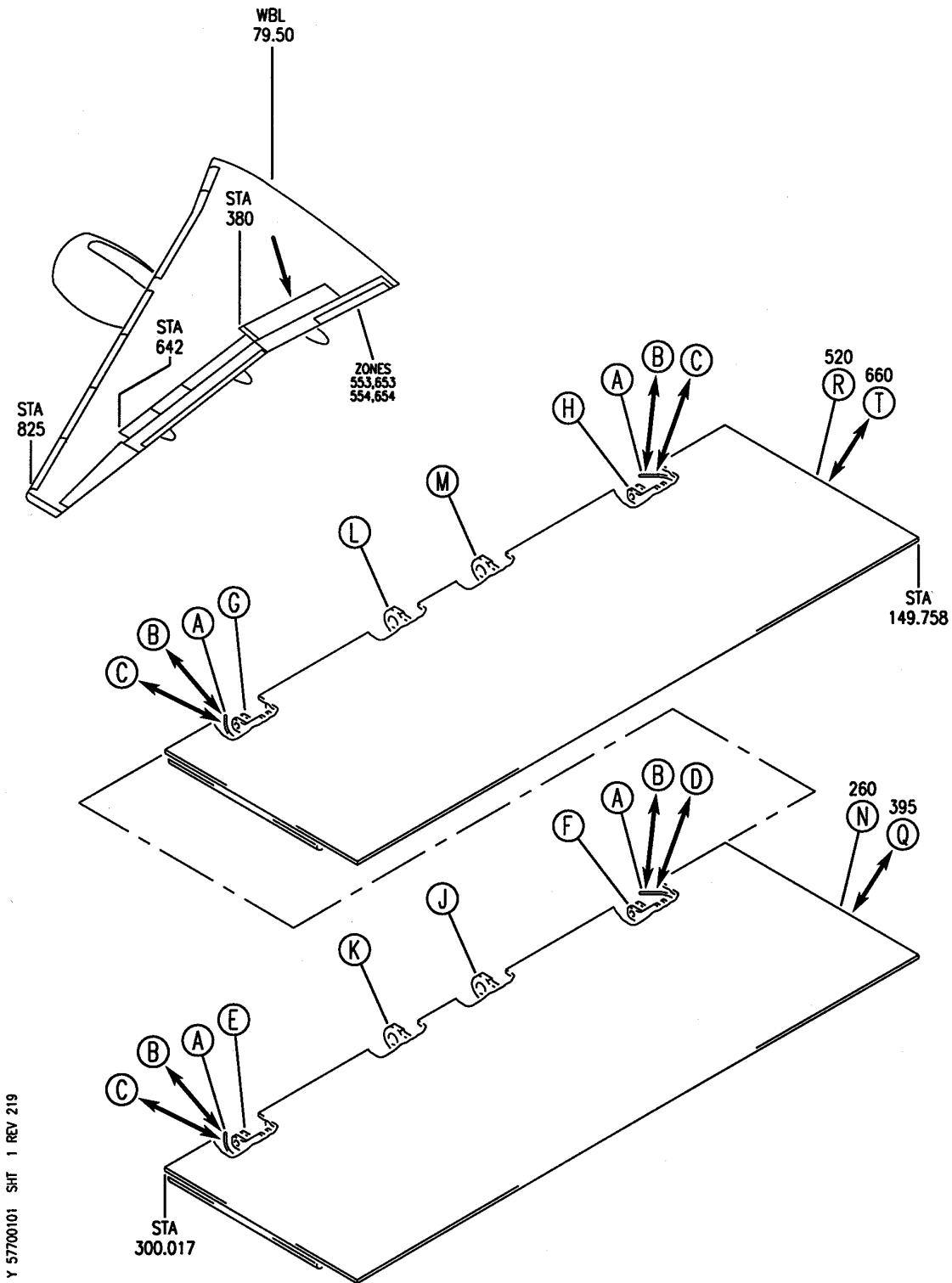
BRI

57-70-00-05

BOEING PROPRIETARY - Copyright © - Unpublished Work - See title page for details.

57-70-00
FIG. 05
PAGE 10
SEP 20/08

BOEING
757
PARTS CATALOG (MAINTENANCE)



Y 57700101 SHT 1 REV 219

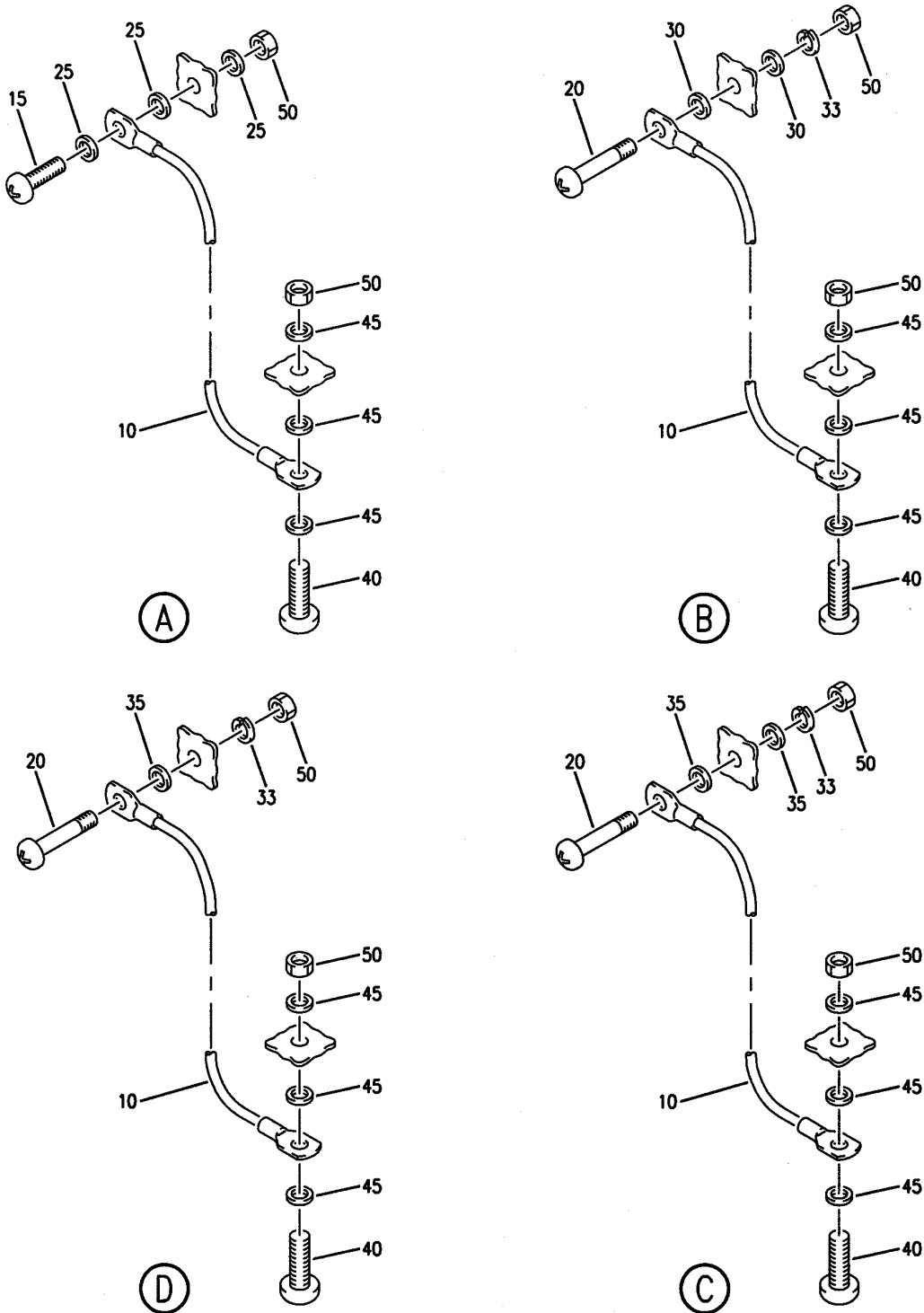
SPOILER INSTL-INBD
FIGURE 1 (SHEET 1)

57-70-01-01

BRI
MAY 28/07

57-70-01-01
PAGE 0


BOEING
 757
PARTS CATALOG (MAINTENANCE)



Y 57700101 SHT 2 REV 219

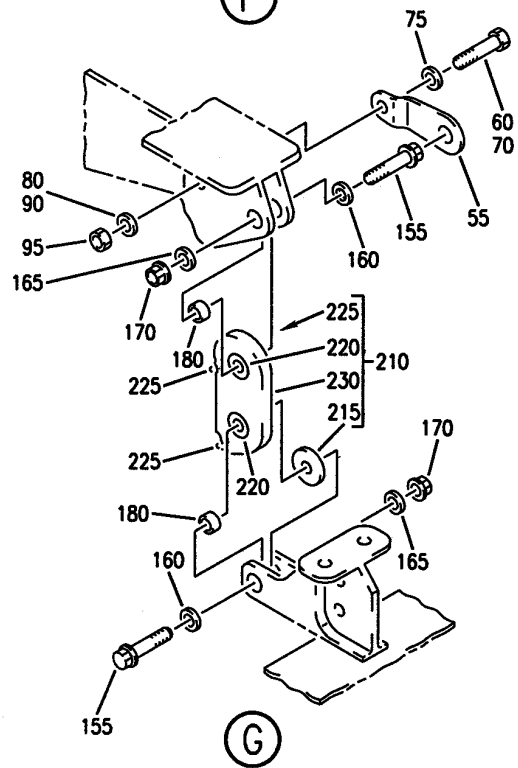
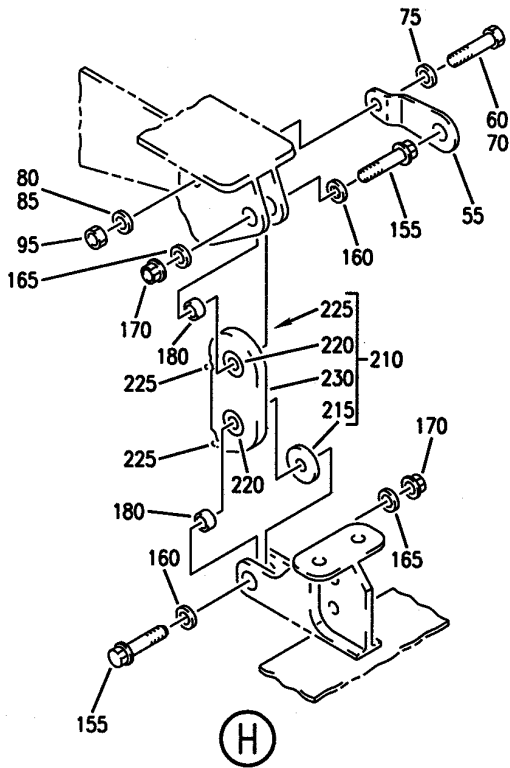
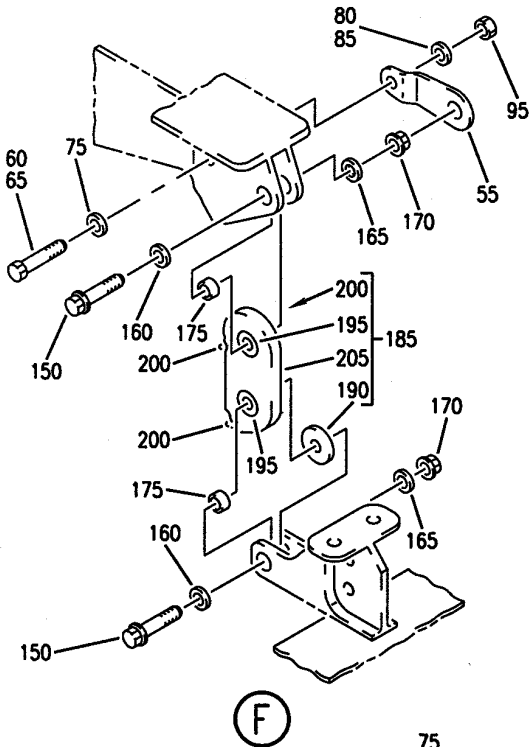
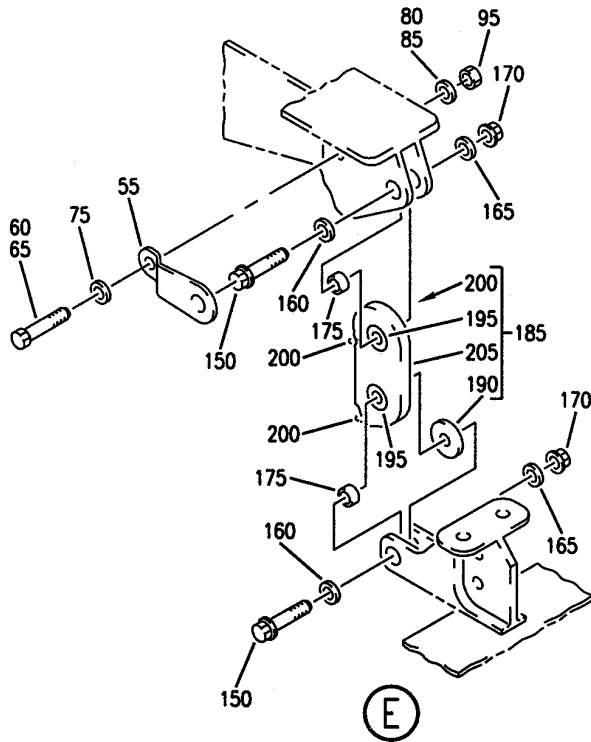
SPOILER INSTL-INBD
FIGURE 1 (SHEET 2)

57-70-01-01

BRI
MAY 28/07

57-70-01-01
PAGE 0A


BOEING
 757
PARTS CATALOG (MAINTENANCE)



Y 57700101 SHT 3 REV 219

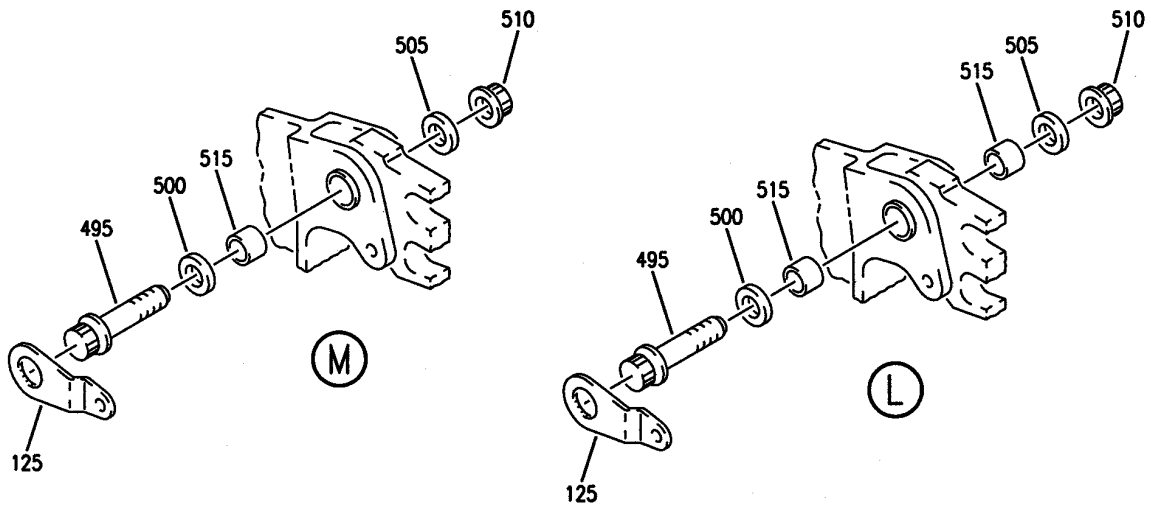
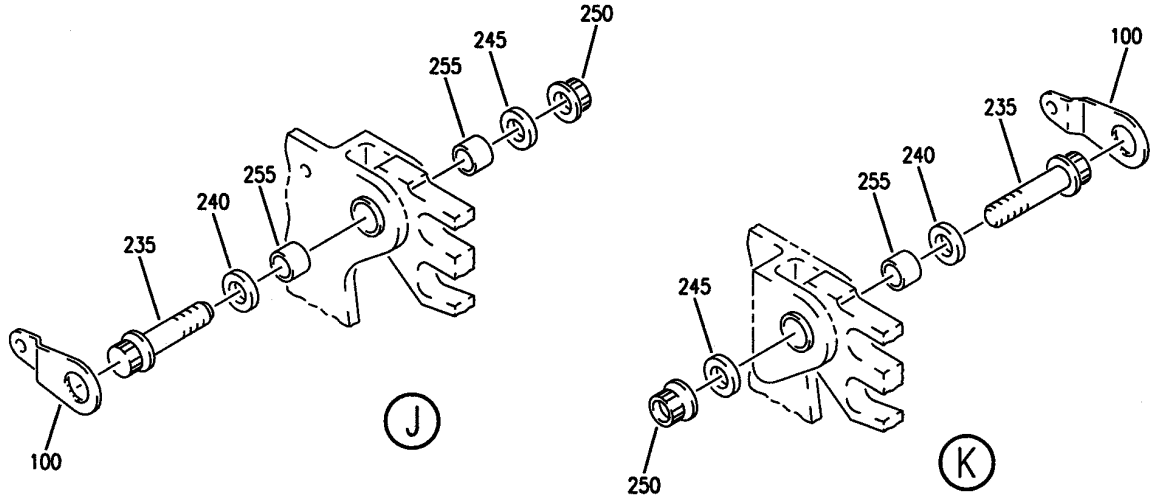
SPOILER INSTL-INBD
FIGURE 1 (SHEET 3)

57-70-01-01

BRI
MAY 28/07

57-70-01-01
PAGE 0B

BOEING
757
PARTS CATALOG (MAINTENANCE)



Y 57700101 SH1 4 REV 219

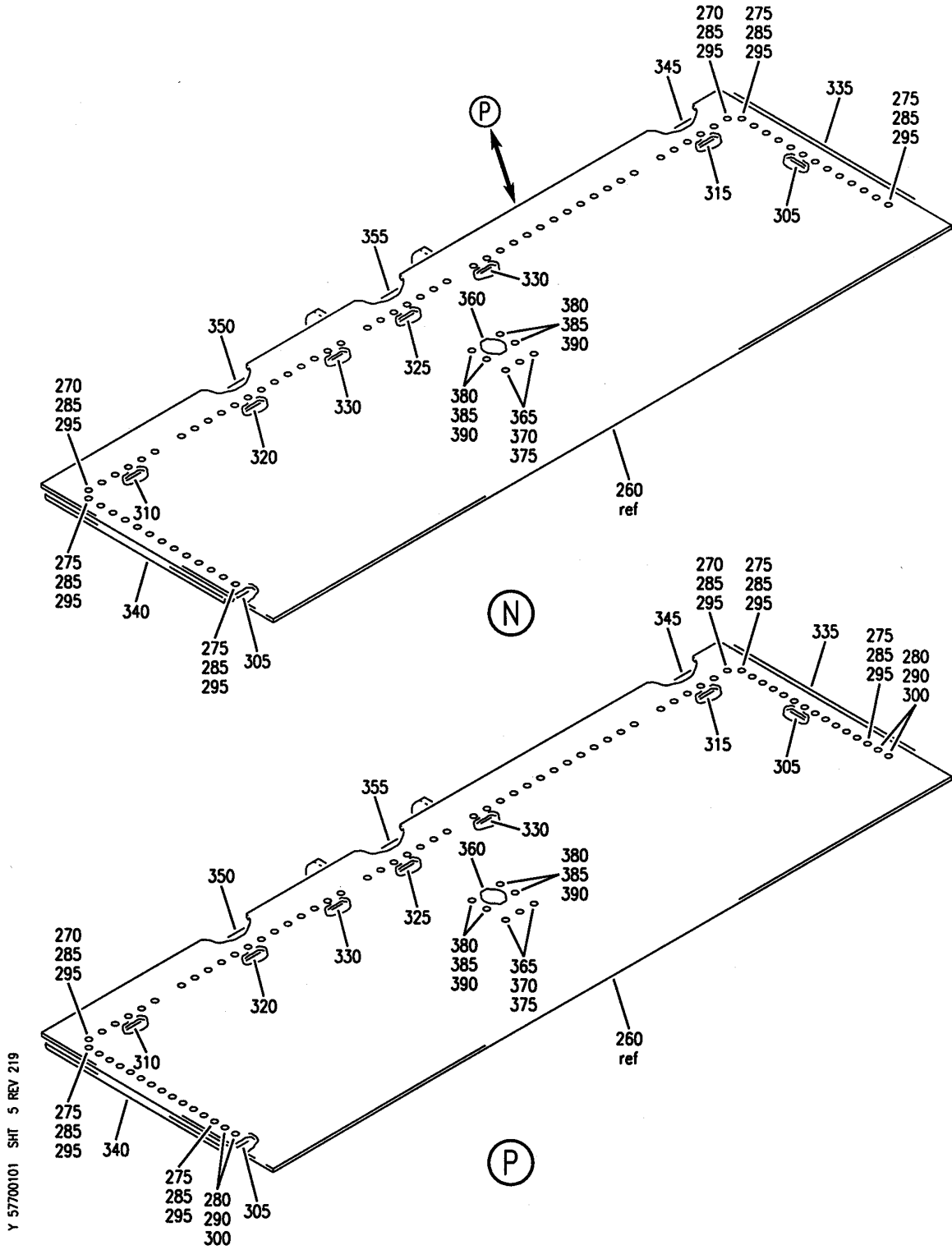
SPOILER INSTL-INBD
FIGURE 1 (SHEET 4)

57-70-01-01

BRI
MAY 28/07

57-70-01-01
PAGE 0C

BOEING
757
PARTS CATALOG (MAINTENANCE)



Y 57700101 SHT 5 REV 219

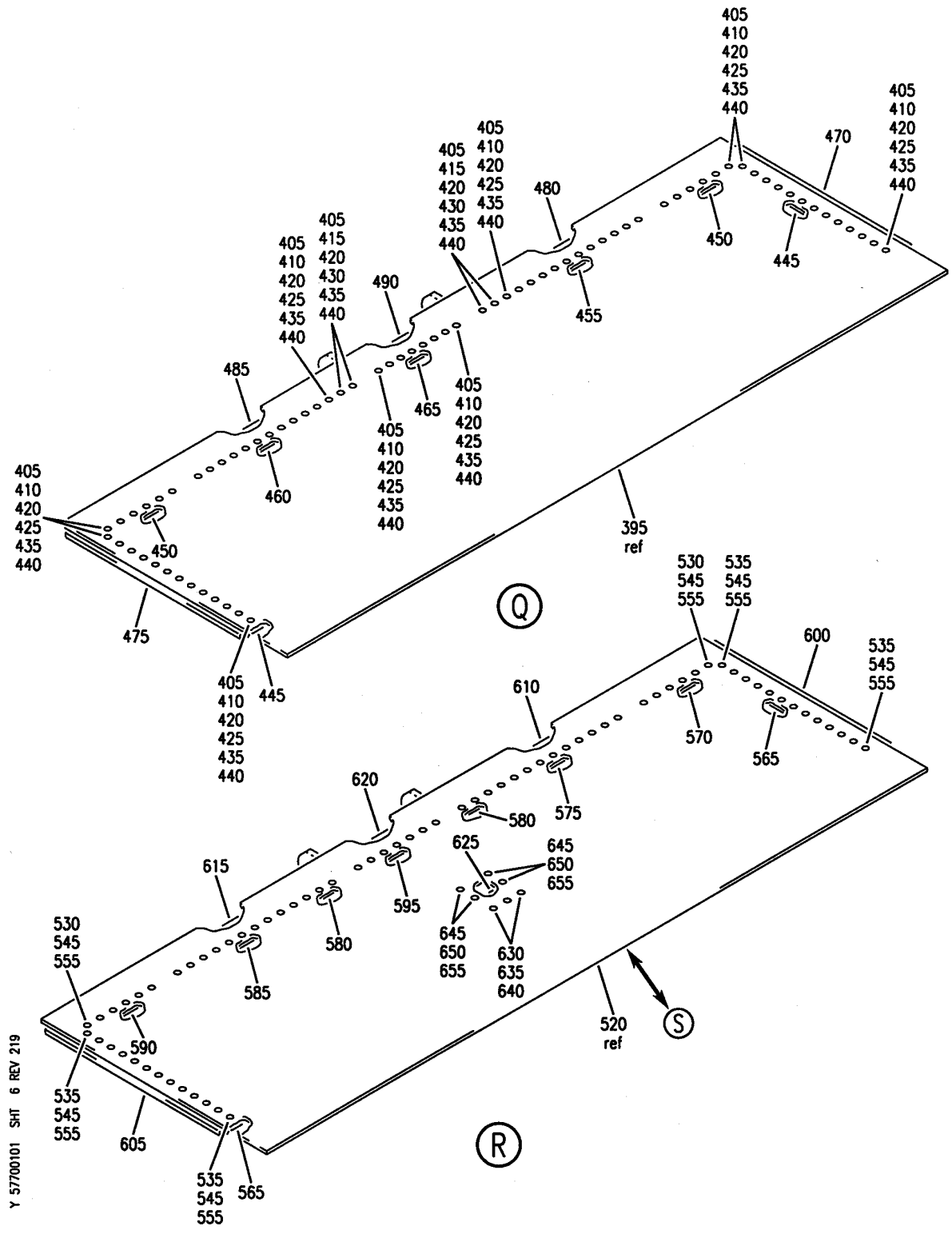
SPOILER INSTL-INBD
FIGURE 1 (SHEET 5)

57-70-01-01

BRI
MAY 28/07

57-70-01-01
PAGE 0D


BOEING
 757
PARTS CATALOG (MAINTENANCE)



Y 57700101 SHT 6 REV 219

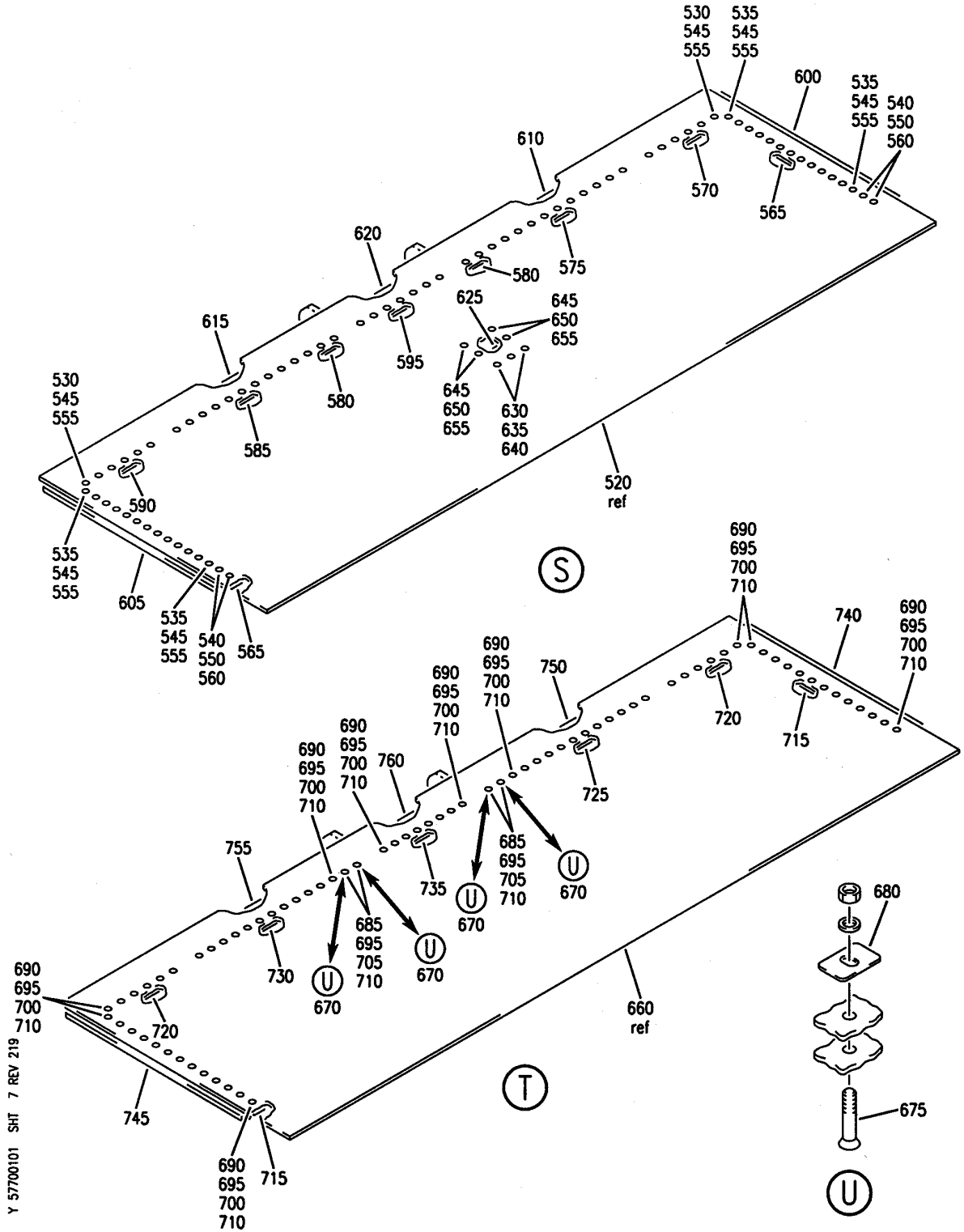
SPOILER INSTL-INBD
FIGURE 1 (SHEET 6)

57-70-01-01

BRI
MAY 28/07

57-70-01-01
PAGE 0E

BOEING
757
PARTS CATALOG (MAINTENANCE)



Y 57700101 SHT 7 REV 219

SPOILER INSTL-INBD
FIGURE 1 (SHEET 7)

57-70-01-01

BRI
MAY 28/07

57-70-01-01
PAGE OF



757

PARTS CATALOG (MAINTENANCE)

FIG ITEM	PART NUMBER	1 2 3 4 5 6 7	NOMENCLATURE	EFFECT FROM TO	UNITS PER ASSY
1			SPOILER INSTL-INBD	002004 006999	
- 1	113N4000-1		SPOILER INSTL- POSITION DATA: INBD LH QUALIFIED I/W DATA: -13 MAY REPLACE -5 FOR NWA NCO01-NC050 ONLY FOR NHA SEE: 57-00-00-01	002004 107107 121503 904949 952952	RF
- 1	113N4000-31		SPOILER INSTL- POSITION DATA: INBD LH FOR NHA SEE: 57-00-00-01	006100 950951 953999	RF
- 1	113N4000-401		SPOILER INSTL- POSITION DATA: INBD LH FOR NHA SEE: 57-00-00-05B	101102 108120 504903	RF
- 1	MODREF1558		SPOILER INSTL- MODULE NUMBER: 113N4000-401 REV A POSITION DATA: INBD LH	103103	1
- 1	MODREF26616		SPOILER INSTL- MODULE NUMBER: 113N4000-401 REV B POSITION DATA: INBD LH	104106	1
- 5	113N4000-2		SPOILER INSTL- POSITION DATA: INBD RH FOR NHA SEE: 57-00-00-01	002004 107107 121503 904949 952952	RF
- 5	113N4000-32		SPOILER INSTL- POSITION DATA: INBD RH FOR NHA SEE: 57-00-00-01	006100 950951 953999	RF
- 5	113N4000-402		SPOILER INSTL- POSITION DATA: INBD RH FOR NHA SEE: 57-00-00-05B	101102 108120 504903	RF

MISSING ITEM NUMBERS NOT APPLICABLE

- ITEM NOT ILLUSTRATED

57-70-01-01

57-70-01
FIG. 01
PAGE 1
JAN 20/09

BRI



757

PARTS CATALOG (MAINTENANCE)

FIG ITEM	PART NUMBER	1 2 3 4 5 6 7	NOMENCLATURE	EFFECT FROM TO	UNITS PER ASSY
1					
- 5	MODREF1559		SPOILER INSTL- MODULE NUMBER: 113N4000-402 REV A POSITION DATA: INBD RH	103103	1
- 5	MODREF26617		SPOILER INSTL- MODULE NUMBER: 113N4000-402 REV B POSITION DATA: INBD RH	104106	1
10	940CW20-8		.JUMPER ASSY- SUPPLIER CODE: V91812 SPECIFICATION NUMBER: BACJ40AB20-8 OPTIONAL PART: 100220-8 V1FF12 RBEJ40AB20-8 V1GK47	002004 006999	4
15	BACS12CK3-6		.ATTACHING PARTS .SCREW-	107107 904949	4
20	BACB30LK3-5		.BOLT-	002004 006106 108903 950999	4
25	AN960JD10		.WASHER-	107107 904949	12
30	AN960JD10		.WASHER-	002004 006106 108903 950999	8
33	MS35338-43		.WASHER	006106 108120 504903 950951 953999	4
35	NAS1149D0363J		.WASHER-	101106 108120 504903	7
40	BACS12CK3U6		.SCREW	002004 006999	4
45	BACW10BP3APU		.WASHER	002004 006999	12

MISSING ITEM NUMBERS NOT APPLICABLE

- ITEM NOT ILLUSTRATED

57-70-01-01

57-70-01
FIG. 01
PAGE 2
JAN 20/09

BRI

BOEING PROPRIETARY - Copyright © - Unpublished Work - See title page for details.

 **BOEING**
757
PARTS CATALOG (MAINTENANCE)

FIG ITEM	PART NUMBER	1 2 3 4 5 6 7	NOMENCLATURE	EFFECT FROM TO	UNITS PER ASSY
1 50	BRH10C3D		.NUT- SUPPLIER CODE: V52828 SPECIFICATION NUMBER: BACN10JC3CD OPTIONAL PART: T6C1032JCD V11815 NS202486-02 V80539 102LH9075-3W V72962 H51650-3BAC V15653 -----*-----	002004 006999	8
55	113N4002-29		.RETAINER-BOLT	002004 006999	4
55	113N4002-51		.RETAINER-BOLT	002004 006999	4
			ATTACHING PARTS		
60	BACB30PU5-18		.BOLT-	107107	4
65	BACB30PU5-16		.BOLT	002004 006106 108999	2
70	BACB30PU5-17		.BOLT	002004 006106 108999	2
75	AN960KD516L		.WASHER- POSITION DATA: UNDER HEAD	002004 006100 107107 121503 904999	4
75	NAS1149D0516J		.WASHER- POSITION DATA: UNDER HEAD	101106 108120 504903	4
80	AN960KD416		.WASHER- POSITION DATA: UNDER NUT	002004 006100 107107 121503 904999	4
85	NAS1149D0463J		.WASHER-	101106 108120 504903	3
90	NAS1149D0416J		.WASHER-	101106 108120 504903	1

MISSING ITEM NUMBERS NOT APPLICABLE

— ITEM NOT ILLUSTRATED

BRI

57-70-01-01

BOEING PROPRIETARY - Copyright © - Unpublished Work - See title page for details.

57-70-01
FIG. 01
PAGE 3
JAN 20/09



757

PARTS CATALOG (MAINTENANCE)

FIG ITEM	PART NUMBER	1 2 3 4 5 6 7	NOMENCLATURE	EFFECT FROM TO	UNITS PER ASSY
1 95	BRH10C4D		.NUT- SUPPLIER CODE: V52828 SPECIFICATION NUMBER: BACN10JC4CD OPTIONAL PART: T6C428JCD V11815 NS202486-048 V80539 102LH9075-4W V72962 H51650-4BAC V15653 -----*-----	002004 006999	4
100	113N4002-42		.RETAINER-BOLT ATTACHING PARTS	002004 006999	2
- 105	BACB30NM3K6		.BOLT-	002004 006999	2
- 110	AN960KD10L		.WASHER- POSITION DATA: UNDER HEAD	002004 006100 107107 121503 904999	2
- 110	NAS1149D0332J		.WASHER- POSITION DATA: UNDER HEAD	101106 108120 504903	2
- 115	AN960KD10		.WASHER- POSITION DATA: UNDER NUT	002004 006100 107107 121503 904999	2
- 115	NAS1149D0363J		.WASHER- POSITION DATA: UNDER NUT	101106 108120 504903	2

MISSING ITEM NUMBERS NOT APPLICABLE

- ITEM NOT ILLUSTRATED

BRI

57-70-01-01

BOEING PROPRIETARY - Copyright © - Unpublished Work - See title page for details.

57-70-01
FIG. 01
PAGE 4
JAN 20/09

 **BOEING**
757
PARTS CATALOG (MAINTENANCE)

FIG ITEM	PART NUMBER	1 2 3 4 5 6 7	NOMENCLATURE	EFFECT FROM TO	UNITS PER ASSY
1					
- 120	BRH10C3D		.NUT- SUPPLIER CODE: V52828 SPECIFICATION NUMBER: BACN10JC3CD OPTIONAL PART: T6C1032JCD V11815 NS202486-02 V80539 102LH9075-3W V72962 H51650-3BAC V15653 -----*-----	002004 006999	2
125	113N4002-16		.RETAINER-BOLT ATTACHING PARTS	002004 006999	2
- 130	BACB30NR4K8		.BOLT-	002004 006999	2
- 135	AN960KD416L		.WASHER- POSITION DATA: UNDER HEAD	002004 006100 107107 121503 904999	2
- 135	NAS1149D0416J		.WASHER- POSITION DATA: UNDER HEAD	101106 108120 504903	2
- 140	AN960KD416		.WASHER- POSITION DATA: UNDER NUT	002004 006100 107107 121503 904999	2
- 140	NAS1149D0463J		.WASHER- POSITION DATA: UNDER NUT	101106 108120 504903	2

MISSING ITEM NUMBERS NOT APPLICABLE

- ITEM NOT ILLUSTRATED

BRI

57-70-01-01

BOEING PROPRIETARY - Copyright © - Unpublished Work - See title page for details.

57-70-01
FIG. 01
PAGE 5
JAN 20/09



757

PARTS CATALOG (MAINTENANCE)

FIG ITEM	PART NUMBER	1 2 3 4 5 6 7	NOMENCLATURE	EFFECT FROM TO	UNITS PER ASSY
1 - 145	BRH10C4D	.NUT	SUPPLIER CODE: V52828 SPECIFICATION NUMBER: BACN10JC4CD OPTIONAL PART: T6C428JCD V11815 NS202486-048 V80539 102LH9075-4W V72962 H51650-4BAC V15653 -----*-----	002004 006999	2
150	BACB30LE4U17	.BOLT-		002004 006999	4
155	BACB30LE4U18	.BOLT-		002004 006999	4
160	BACW10BP4CD	.WASHER- POSITION DATA: UNDER HEAD		002004 006999	8
165	BACW10BP4DP	.WASHER- POSITION DATA: UNDER NUT		002004 006999	8

MISSING ITEM NUMBERS NOT APPLICABLE

- ITEM NOT ILLUSTRATED

57-70-01-01

57-70-01
FIG. 01
PAGE 6
JAN 20/09

BRI

BOEING PROPRIETARY - Copyright © - Unpublished Work - See title page for details.



757

PARTS CATALOG (MAINTENANCE)

FIG ITEM	PART NUMBER	1 2 3 4 5 6 7	NOMENCLATURE	EFFECT FROM TO	UNITS PER ASSY
1 170	BMN5024CWD34	.NUT-	SUPPLIER CODE: V97928 SPECIFICATION NUMBER: BACN10HR4CD OPTIONAL PART: H51560-4 V15653 102CH9031-4 V72962 SL7108C428 V11815 67832CD428 V56878 BMN5024CWD3-4 V97928 BH00303CM4 V27238 SL7108C4 V11815 VCU0005D4 V06710 102LH90314 V72962 67832CD4 V56878 H964CD V15653 RMLH224CD V72962 VAL280094CD V06710 678324CD V56878 CR6030-4 VF0224 RMLH224CD V72962 VAL280094CD V06710 678324CD V56878 BMN5024CWD34 V97928	002004 006999	8
175	BACB28AK04-035	.BUSHING-		002004 006999	4
180	BACB28AK04-043	.BUSHING-		002004 006999	4

MISSING ITEM NUMBERS NOT APPLICABLE

- ITEM NOT ILLUSTRATED

57-70-01-01

57-70-01
FIG. 01
PAGE 7
JAN 20/09

BRI



757

PARTS CATALOG (MAINTENANCE)

FIG ITEM	PART NUMBER	1 2 3 4 5 6 7	NOMENCLATURE	EFFECT FROM TO	UNITS PER ASSY
1					
185	113N4001-7	.	LINK ASSY-	002004 006999	2
185	113N4508-1	.	LINK ASSY-	002004 006999	2
190	NAS1515B9H	..	WASHER	002004 006999	1
195	BACB10EN04GC	..	BEARING- USED ON: 113N4001-7	002004 006999	2
195	BLR04-2588SC	..	BEARING- SUPPLIER CODE: V81376 SPECIFICATION NUMBER: BACB10FH04GC OPTIONAL PART: AG04V31C V15860 ASBFH04VC VS0352 BWG04A110C V16746 HU04-204VC V02758 KWB04-61 V97613 WC04G3C V56644 LHB04ENG V73134 USED ON: 113N4508-1	002004 006999	2
200	NAS516-1A	..	FITTING	002004 006999	2
205	113N4001-6	..	LINK- USED ON: 113N4001-7	002004 006999	1
205	113N4508-2	..	LINK- USED ON: 113N4508-1	002004 006999	1
210	113N4003-5	.	LINK ASSY-	002004 006999	2
210	113N4003-3	.	LINK ASSY-	002004 006999	2
210	113N4506-1	.	LINK ASSY-	002004 006999	2
215	NAS1515B9H	..	WASHER	002004 006999	1

MISSING ITEM NUMBERS NOT APPLICABLE

- ITEM NOT ILLUSTRATED

57-70-01-01

57-70-01
FIG. 01
PAGE 8
JAN 20/09

BRI

BOEING PROPRIETARY - Copyright © - Unpublished Work - See title page for details.

 **BOEING**
757
PARTS CATALOG (MAINTENANCE)

FIG ITEM	PART NUMBER	1 2 3 4 5 6 7	NOMENCLATURE	EFFECT FROM TO	UNITS PER ASSY
1					
220	BACB10EN04GC	..	BEARING- USED ON: 113N4003-3 113N4003-5	002004 006999	2
220	BLR04-2588SC	..	BEARING- SUPPLIER CODE: V81376 SPECIFICATION NUMBER: BACB10FH04GC OPTIONAL PART: AG04V31C V15860 ASBFH04VC VS0352 BWG04A110C V16746 HU04-204VC V02758 KWB04-61 V97613 WC04G3C V56644 LHB04ENGC V73134 USED ON: 113N4506-1	002004 006999	2
225	NAS516M1	..	FITTING	002004 006999	2
230	113N4003-4	..	LINK- USED ON: 113N4003-3 113N4003-5	002004 006999	1
230	113N4506-2	..	LINK- USED ON: 113N4506-1	002004 006999	1
235	BACB30LE9U30	.	BOLT-	002004 006999	2
240	BACW10BP9CD	.	WASHER- POSITION DATA: UNDER HEAD	002004 006999	2
245	BACW10BP9DP	.	WASHER- POSITION DATA: UNDER NUT	002004 006999	2

MISSING ITEM NUMBERS NOT APPLICABLE

— ITEM NOT ILLUSTRATED

BRI

57-70-01-01

BOEING PROPRIETARY - Copyright © - Unpublished Work - See title page for details.

57-70-01
FIG. 01
PAGE 9
JAN 20/09



757

PARTS CATALOG (MAINTENANCE)

FIG ITEM	PART NUMBER	1 2 3 4 5 6 7	NOMENCLATURE	EFFECT FROM TO	UNITS PER ASSY
1 250	BMN10HRCWD3-9	.NUT-	SUPPLIER CODE: V97928 SPECIFICATION NUMBER: BACN10HR9CD OPTIONAL PART: H51560-9 V15653 67832CD918 V56878 102LH9031-9 V72962 BH00303CM9 V27238 BMN5024CWD39 V97928 SL7108C9 V11815 VCU0005D9 V06710 102LH90319 V72962 67832CD9 V56878 67832CD9 V56878	002004 006999	2
255	BACB28AK09-054	.BUSHING-		002004 006999	3
260	113N4000-11	.SPOILER ASSY-NO. 5	POSITION DATA: LH SIDE COMPONENT MAINT MANUAL REF: 57-70-55 REWORK DRAWING REF: 113N4000-7	002004 006999	1
260	113N4000-13	.SPOILER ASSY-NO. 5	POSITION DATA: LH SIDE COMPONENT MAINT MANUAL REF: 57-70-55 REWORK DRAWING REF: 113N4000-7	002004 006999	1
260	113N4100-39	.SPOILER ASSY-NO. 5	POSITION DATA: LH SIDE COMPONENT MAINT MANUAL REF: 57-70-55	002004 006999	1

MISSING ITEM NUMBERS NOT APPLICABLE

- ITEM NOT ILLUSTRATED

57-70-01-01

57-70-01
FIG. 01
PAGE 10
JAN 20/09

BRI



757

PARTS CATALOG (MAINTENANCE)

FIG ITEM	PART NUMBER	1 2 3 4 5 6 7	NOMENCLATURE	EFFECT FROM TO	UNITS PER ASSY
1					
- 265	113N4000-12	.	SPOILER ASSY-NO. 8 POSITION DATA: RH SIDE COMPONENT MAINT MANUAL REF: 57-70-55 REWORK DRAWING REF: 113N4000-8	002004 006999	1
- 265	113N4000-14	.	SPOILER ASSY-NO. 8 POSITION DATA: RH SIDE COMPONENT MAINT MANUAL REF: 57-70-55 REWORK DRAWING REF: 113N4000-8	002004 006999	1
- 265	113N4100-40	.	SPOILER ASSY-NO. 8 VARIABLE POSITION DATA: RH SIDE COMPONENT MAINT MANUAL REF: 57-70-55	002004 006999	1
270	BACB30NN3K6	..	BOLT	002004 006999	45
275	BACB30NN3K5	..	BOLT	002004 006999	26
280	BACB30NN3K5	..	BOLT- USED ON: 113N4000-11 113N4000-12 113N4000-13 113N4000-14 113N4000-15 113N4000-16 113N4000-17 113N4000-18	002004 006999	4
285	BACW10BP3NAPU	..	WASHER	002004 006999	71
290	BACW10BP3NAPU	..	WASHER- USED ON: 113N4000-11 113N4000-12 113N4000-13 113N4000-14 113N4000-15 113N4000-16 113N4000-17 113N4000-18	002004 006999	4

MISSING ITEM NUMBERS NOT APPLICABLE

- ITEM NOT ILLUSTRATED

BRI

57-70-01-01

BOEING PROPRIETARY - Copyright © - Unpublished Work - See title page for details.

57-70-01
FIG. 01
PAGE 11
JAN 20/09



757

PARTS CATALOG (MAINTENANCE)

FIG ITEM	PART NUMBER	1 2 3 4 5 6 7	NOMENCLATURE	EFFECT FROM TO	UNITS PER ASSY
1 295	BRH10C3D	. .	NUT SUPPLIER CODE: V52828 SPECIFICATION NUMBER: BACN10JC3CD OPTIONAL PART: T6C1032JCD V11815 NS202486-02 V80539 102LH9075-3W V72962 H51650-3BAC V15653	002004 006999	71
300	BRH10C3D	. .	NUT- SUPPLIER CODE: V52828 SPECIFICATION NUMBER: BACN10JC3CD OPTIONAL PART: T6C1032JCD V11815 NS202486-02 V80539 102LH9075-3W V72962 H51650-3BAC V15653 USED ON: 113N4000-11 113N4000-12 113N4000-13 113N4000-14 113N4000-15 113N4000-16 113N4000-17 113N4000-18	002004 006999	4
305	113N4100-13	. .	RETAINER- USED ON: 113N4000-11 113N4000-12 113N4000-13 113N4000-14 113N4000-15 113N4000-16 113N4000-17 113N4000-18	002004 006999	2

MISSING ITEM NUMBERS NOT APPLICABLE

- ITEM NOT ILLUSTRATED

BRI

57-70-01-01

BOEING PROPRIETARY - Copyright © - Unpublished Work - See title page for details.

57-70-01
FIG. 01
PAGE 12
JAN 20/09



757

PARTS CATALOG (MAINTENANCE)

FIG ITEM	PART NUMBER	1 2 3 4 5 6 7	NOMENCLATURE	EFFECT FROM TO	UNITS PER ASSY
1					
305	113N4100-46		.. RETAINER- USED ON: 113N4100-39 113N4100-40 113N4100-41 113N4100-42	002004 006999	2
310	113N4100-14		.. RETAINER	002004 006999	1
315	113N4100-15		.. RETAINER	002004 006999	1
320	113N4100-16		.. RETAINER	002004 006999	1
325	113N5100-15		.. RETAINER	002004 006999	1
330	113N4100-17		.. RETAINER	002004 006999	2
335	113N4100-4		.. SEAL- MANUFACTURED FROM: EXTR RUBBER 10-60754-83 19.2 IN USED ON: 113N4000-11 113N4000-12 113N4000-13 113N4000-14 113N4000-15 113N4000-16 113N4000-17 113N4000-18	002004 006999	1
335	113N4100-44		.. SEAL- MANUFACTURED FROM: EXTR RUBBER 10-60754-83 19.2 IN. USED ON: 113N4100-39 113N4100-40 113N4100-41 113N4100-42	002004 006999	1

MISSING ITEM NUMBERS NOT APPLICABLE

- ITEM NOT ILLUSTRATED

BRI

57-70-01-01

BOEING PROPRIETARY - Copyright © - Unpublished Work - See title page for details.

57-70-01
FIG. 01
PAGE 13
JAN 20/09



757

PARTS CATALOG (MAINTENANCE)

FIG ITEM	PART NUMBER	1 2 3 4 5 6 7	NOMENCLATURE	EFFECT FROM TO	UNITS PER ASSY
1					
340	113N4100-5	..	SEAL- MANUFACTURED FROM: EXTR RUBBER 10-60754-83 19.2 IN. USED ON: 113N4000-11 113N4000-12 113N4000-13 113N4000-14 113N4000-15 113N4000-16 113N4000-17 113N4000-18	002004 006999	1
340	113N4100-45	..	SEAL- MANUFACTURED FROM: EXTR RUBBER 10-60754-83 19.2 IN. USED ON: 113N4100-39 113N4100-40 113N4100-41 113N4100-42	002004 006999	1
345	113N4100-6	..	SEAL- MANUFACTURED FROM: EXTR RUBBER 10-60754-83 26.0 IN.	002004 006999	1
350	113N4100-7	..	SEAL- MANUFACTURED FROM: EXTR RUBBER 10-60754-83 26.0 IN.	002004 006999	1
355	113N5100-8	..	SEAL- MANUFACTURED FROM: EXTR RUBBER 10-60754-83 12.5 IN.	002004 006999	1
360	113N5140-17	..	FITTING ASSY-ACTR	002004 006999	1
360	113N5107-1	..	FITTING ASSY-ACTR	002004 006999	1
365	BACB30UR4K29	..	ATTACHING PARTS BOLT	002004 006999	3
370	AN960PD416	..	WASHER	002004 006999	3

MISSING ITEM NUMBERS NOT APPLICABLE

- ITEM NOT ILLUSTRATED

57-70-01-01

57-70-01
FIG. 01
PAGE 14
JAN 20/09

BRI

BOEING PROPRIETARY - Copyright © - Unpublished Work - See title page for details.

 **BOEING**
757
PARTS CATALOG (MAINTENANCE)

FIG ITEM	PART NUMBER	1 2 3 4 5 6 7	NOMENCLATURE	EFFECT FROM TO	UNITS PER ASSY
1 375	BRH10C4D	..	NUT SUPPLIER CODE: V52828 SPECIFICATION NUMBER: BACN10JC4CD OPTIONAL PART: T6C428JCD V11815 NS202486-048 V80539 102LH9075-4W V72962 H51650-4BAC V15653	002004 006999	3
380	BACB30NN5K8	..	BOLT	002004 006999	4
385	AN960PD516	..	WASHER	002004 006999	4
390	BRH10C5D	..	NUT SUPPLIER CODE: V52828 SPECIFICATION NUMBER: BACN10JC5CD OPTIONAL PART: T6C524JCD V11815 102LH9075-5W V72962 H51650-5BAC V15653	002004 006999	4
395	113N4501-1	..	SPOILER ASSY-NO. 5 POSITION DATA: LH SIDE MISCELLANEOUS DATA: (-9 MAY REPLACE -1 FOR NWA NCO01NC050 ONLY) COMPONENT MAINT MANUAL REF: 57-70-57	002004 006999	1
395	113N4501-5	..	SPOILER ASSY-NO. 5 POSITION DATA: LH SIDE COMPONENT MAINT MANUAL REF: 57-70-57	002004 006999	1
395	113N4501-19	..	SPOILER ASSY-NO. 5 POSITION DATA: LH SIDE COMPONENT MAINT MANUAL REF: 57-70-57	002004 006999	1

MISSING ITEM NUMBERS NOT APPLICABLE

— ITEM NOT ILLUSTRATED

BRI

57-70-01-01

BOEING PROPRIETARY - Copyright © - Unpublished Work - See title page for details.

57-70-01
FIG. 01
PAGE 15
JAN 20/09



757

PARTS CATALOG (MAINTENANCE)

FIG ITEM	PART NUMBER	1 2 3 4 5 6 7	NOMENCLATURE	EFFECT FROM TO	UNITS PER ASSY
1					
395	113N4501-13SP		.SPOILER ASSY-NO. 5 POSITION DATA: LH SIDE QUALIFIED I/W DATA: -13SP I/W -7 SUBJECT TO COLOR PREFERENCE	002004 006999	1
395	113N4501-23SP		.SPOILER ASSY-NO. 5 POSITION DATA: LH SIDE	002004 006999	1
395	113N4501-25SP		.SPOILER ASSY-NO. 5 POSITION DATA: LH SIDE	002004 006999	1
395	113N4501-27SP		.SPOILER ASSY-NO. 5 POSITION DATA: LH SIDE	002004 006999	1
395	113N4501-29SP		.SPOILER ASSY-NO. 5 POSITION DATA: LH SIDE	002004 006999	1
- 400	113N4501-2		.SPOILER ASSY-NO. 8 POSITION DATA: RH SIDE COMPONENT MAINT MANUAL REF: 57-70-57	002004 006999	1
- 400	113N4501-6		.SPOILER ASSY-NO. 8 POSITION DATA: RH SIDE COMPONENT MAINT MANUAL REF: 57-70-57 QUALIFIED I/W DATA: -12 MAY REPLACE -6 FOR NWA NCO01-NC050 ONLY	002004 006999	1
- 400	113N4501-20		.SPOILER ASSY-NO. 8 POSITION DATA: RH SIDE COMPONENT MAINT MANUAL REF: 57-70-57	002004 006999	1
- 400	113N4501-14SP		.SPOILER ASSY-NO. 8 POSITION DATA: RH SIDE QUALIFIED I/W DATA: -14SP I/W -8 SUBJECT TO COLOR PREFERENCE -14SP I/W -12 SUBJECT TO COLOR PREFERENCE	002004 006999	1
- 400	113N4501-24SP		.SPOILER ASSY-NO. 8 POSITION DATA: RH SIDE	002004 006999	1

MISSING ITEM NUMBERS NOT APPLICABLE

- ITEM NOT ILLUSTRATED

57-70-01-01

57-70-01
FIG. 01
PAGE 16
JAN 20/09

BRI



757

PARTS CATALOG (MAINTENANCE)

FIG ITEM	PART NUMBER	1 2 3 4 5 6 7	NOMENCLATURE	EFFECT FROM TO	UNITS PER ASSY
1					
- 400	113N4501-26SP	.	SPOILER ASSY-NO. 8 POSITION DATA: RH SIDE	002004 006999	1
- 400	113N4501-28SP	.	SPOILER ASSY-NO. 8 POSITION DATA: RH SIDE	002004 006999	1
- 400	113N4501-30SP	.	SPOILER ASSY-NO. 8 POSITION DATA: RH SIDE	002004 006999	1
405	BACB30NN3K4	..	BOLT- USED ON: 113N4501-1 113N4501-2 113N4501-3 113N4501-4 113N4501-5 113N4501-6 113N4501-7 113N4501-8 113N4501-9 113N4501-10 113N4501-11 113N4501-12 113N4501-13SP 113N4501-14SP 113N4501-19 113N4501-20 113N4501-23SP 113N4501-24SP 113N4501-25SP 113N4501-26SP	002004 006999	74
410	BACB30NN3K4	..	BOLT- USED ON: 113N4501-27SP 113N4501-28SP 113N4501-29SP 113N4501-30SP RR92008-61A7 RR92008-61A8	002004 006999	70

MISSING ITEM NUMBERS NOT APPLICABLE

- ITEM NOT ILLUSTRATED

BRI

57-70-01-01

BOEING PROPRIETARY - Copyright © - Unpublished Work - See title page for details.

57-70-01
FIG. 01
PAGE 17
JAN 20/09



757

PARTS CATALOG (MAINTENANCE)

FIG ITEM	PART NUMBER	1 2 3 4 5 6 7	NOMENCLATURE	EFFECT FROM TO	UNITS PER ASSY
1	415 BACB30NN3K4	..	BOLT- QUALIFIED OPTIONAL DATA: (BACB30NN3K4 BOLT OPTIONAL TO 113N4605-89 WASHER AND BACB30NN3K5 BOLT, 4 PLACES, SEE SHEET 2 FOR USAGE) USED ON: 113N4501-27SP 113N4501-28SP 113N4501-29SP 113N4501-30SP RR92008-61A7 RR92008-61A8	002004 006999	4
	415 BACB30NN3K5	..	BOLT- QUALIFIED OPTIONAL DATA: (BACB30NN3K4 BOLT OPTIONAL TO 113N4605-89 WASHER AND BACB30NN3K5 BOLT, 4 PLACES, SEE SHEET 2 FOR USAGE) USED ON: 113N4501-27SP 113N4501-28SP 113N4501-29SP 113N4501-30SP RR92008-61A7 RR92008-61A8	002004 006999	4
	420 AN960KD10L	..	WASHER- USED ON: 113N4501-1 113N4501-2 113N4501-3 113N4501-4 113N4501-5 113N4501-6 113N4501-7 113N4501-8 113N4501-9 113N4501-10 113N4501-11 113N4501-12 113N4501-13SP 113N4501-14SP 113N4501-19 113N4501-20	002004 006999	74

MISSING ITEM NUMBERS NOT APPLICABLE

- ITEM NOT ILLUSTRATED

57-70-01-01

57-70-01
 FIG. 01
 PAGE 18
 JAN 20/09

BRI



757

PARTS CATALOG (MAINTENANCE)

FIG ITEM	PART NUMBER	1 2 3 4 5 6 7	NOMENCLATURE	EFFECT FROM TO	UNITS PER ASSY
1 420	AN960JD10L		.. WASHER- USED ON: 113N4501-23SP 113N4501-24SP 113N4501-25SP 113N4501-26SP	002004 006999	74
425	AN960JD10L		.. WASHER- USED ON: 113N4501-27SP 113N4501-28SP	002004 006999	70
430	AN960JD10L		.. WASHER- USED ON: 113N4501-27SP 113N4501-28SP USED WITH: BACB30NN3K4	002004 006999	4
430	113N4605-89		.. WASHER- QUALIFIED OPTIONAL DATA: (BACB30NN3K4 BOLT OPTIONAL TO 113N4605-89 WASHER AND BACB30NN3K5 BOLT, 4 PLACES, SEE SHEET 2 FOR USAGE) USED ON: 113N4501-27SP 113N4501-28SP 113N4501-29SP 113N4501-30SP RR92008-61A7 RR92008-61A8	002004 006999	4
435	NAS1149D0332J		.. WASHER- USED ON: 113N4501-29SP 113N4501-30SP RR92008-61A7 RR92008-61A8	002004 006999	74

MISSING ITEM NUMBERS NOT APPLICABLE

- ITEM NOT ILLUSTRATED

BRI

57-70-01-01

BOEING PROPRIETARY - Copyright © - Unpublished Work - See title page for details.

57-70-01
FIG. 01
PAGE 19
JAN 20/09



757

PARTS CATALOG (MAINTENANCE)

FIG ITEM	PART NUMBER	1 2 3 4 5 6 7	NOMENCLATURE	EFFECT FROM TO	UNITS PER ASSY
1 440	BRH10C3D	..	NUT SUPPLIER CODE: V52828 SPECIFICATION NUMBER: BACN10JC3CD OPTIONAL PART: T6C1032JCD V11815 NS202486-02 V80539 102LH9075-3W V72962 H51650-3BAC V15653	002004 006999	74
445	113N4605-31	..	RETAINER	002004 006999	2
450	113N4605-19	..	RETAINER	002004 006999	2
455	113N4605-30	..	RETAINER	002004 006999	1
460	113N4605-29	..	RETAINER	002004 006999	1
465	113N4605-20	..	RETAINER	002004 006999	1
470	113N4605-14	..	SEAL- MANUFACTURED FROM: EXTR RUBBER 10-60754-83 19.2 IN	002004 006999	1
470	113N4100-44	..	SEAL- MANUFACTURED FROM: EXTR RUBBER 10-60754-83 19.2 IN.	002004 006999	1
475	113N4605-13	..	SEAL- MANUFACTURED FROM: EXTR RUBBER 10-60754-83 19.2 IN	002004 006999	1
475	113N4100-45	..	SEAL- MANUFACTURED FROM: EXTR RUBBER 10-60754-83 19.2 IN.	002004 006999	1
480	113N4605-8	..	SEAL- MANUFACTURED FROM: EXTR RUBBER 10-60754-83 31.2 IN	002004 006999	1
485	113N4605-7	..	SEAL- MANUFACTURED FROM: EXTR RUBBER 10-60754-83 31.2 IN	002004 006999	1

MISSING ITEM NUMBERS NOT APPLICABLE

- ITEM NOT ILLUSTRATED

57-70-01-01

57-70-01
FIG. 01
PAGE 20
JAN 20/09

BRI

BOEING PROPRIETARY - Copyright © - Unpublished Work - See title page for details.

 **BOEING**
757
PARTS CATALOG (MAINTENANCE)

FIG ITEM	PART NUMBER	1 2 3 4 5 6 7	NOMENCLATURE	EFFECT FROM TO	UNITS PER ASSY
1					
490	113N4605-1		. . SEAL- MANUFACTURED FROM: EXTR RUBBER 10-60754-83 11.3 IN	002004 006999	1
495	BACB30LE10U37		.BOLT	002004 006999	2
500	BACW10BP10CD		.WASHER- POSITION DATA: UNDER HEAD	002004 006999	2
505	BACW10BP10DP		.WASHER- POSITION DATA: UNDER NUT	002004 006999	2
510	BMN5024CWD310		.NUT SUPPLIER CODE: V97928 SPECIFICATION NUMBER: BACN10HR10CD OPTIONAL PART: H51560-10 V15653 102LH9031-10 V72962 67832CD1018 V56878 BH00303CM10 V27238 SL7108C10 V11815 VCU0005D10 V06710 BMN10HRCWD3-10 V97928 102LH903110 V72962 102LH903110 V72962	002004 006999	2
515	BACB28AK10-070		.BUSHING	002004 006999	3
520	113N4000-19		.SPOILER ASSY-NO. 6 POSITION DATA: LH SIDE COMPONENT MAINT MANUAL REF: 57-70-61 REWORK DRAWING REF: 113N4000-7	107107	1

MISSING ITEM NUMBERS NOT APPLICABLE

— ITEM NOT ILLUSTRATED

BRI

57-70-01-01

BOEING PROPRIETARY - Copyright © - Unpublished Work - See title page for details.

57-70-01
FIG. 01
PAGE 21
JAN 20/09



757

PARTS CATALOG (MAINTENANCE)

FIG ITEM	PART NUMBER	1 2 3 4 5 6 7	NOMENCLATURE	EFFECT FROM TO	UNITS PER ASSY
1 520	113N4000-21	.	SPOILER ASSY-NO. 6 POSITION DATA: LH SIDE COMPONENT MAINT MANUAL REF: 57-70-61 REWORK DRAWING REF: 113N4000-7	107107	1
520	113N4200-31	.	SPOILER ASSY-NO. 6 POSITION DATA: LH SIDE COMPONENT MAINT MANUAL REF: 57-70-61	107107	1
- 525	113N4000-20	.	SPOILER ASSY-NO. 7 POSITION DATA: RH SIDE COMPONENT MAINT MANUAL REF: 57-70-61 REWORK DRAWING REF: 113N4000-8	107107	1
- 525	113N4000-22	.	SPOILER ASSY-NO. 7 POSITION DATA: RH SIDE COMPONENT MAINT MANUAL REF: 57-70-61 REWORK DRAWING REF: 113N4000-8	107107	1
- 525	113N4200-32	.	SPOILER ASSY-NO. 7 POSITION DATA: RH SIDE COMPONENT MAINT MANUAL REF: 57-70-61	107107	1
530	BACB30NN3K5	..	BOLT-	107107	45
535	BACB30NN3K3	..	BOLT	107107	26
540	BACB30NN3K3	..	BOLT-	107107	4
			USED ON: 113N4000-19 113N4000-20 113N4000-21 113N4000-22 113N4000-23 113N4000-24 113N4000-25 113N4000-26		
545	BACW10BP3NAPU	..	WASHER	107107	71

MISSING ITEM NUMBERS NOT APPLICABLE

- ITEM NOT ILLUSTRATED

BRI

57-70-01-01

BOEING PROPRIETARY - Copyright © - Unpublished Work - See title page for details.

57-70-01
FIG. 01
PAGE 22
JAN 20/09



757

PARTS CATALOG (MAINTENANCE)

FIG ITEM	PART NUMBER	1 2 3 4 5 6 7	NOMENCLATURE	EFFECT FROM TO	UNITS PER ASSY
1 550	BACW10BP3NAPU		.. WASHER- USED ON: 113N4000-19 113N4000-20 113N4000-21 113N4000-22 113N4000-23 113N4000-24 113N4000-25 113N4000-26	107107	4
555	BRH10C3D		.. NUT SUPPLIER CODE: V52828 SPECIFICATION NUMBER: BACN10JC3CD OPTIONAL PART: T6C1032JCD V11815 NS202486-02 V80539 102LH9075-3W V72962 H51650-3BAC V15653	107107	71
560	BRH10C3D		.. NUT- SUPPLIER CODE: V52828 SPECIFICATION NUMBER: BACN10JC3CD OPTIONAL PART: T6C1032JCD V11815 NS202486-02 V80539 102LH9075-3W V72962 H51650-3BAC V15653 USED ON: 113N4000-19 113N4000-20 113N4000-21 113N4000-22 113N4000-23 113N4000-24 113N4000-25 113N4000-26	107107	4

MISSING ITEM NUMBERS NOT APPLICABLE

- ITEM NOT ILLUSTRATED

57-70-01-01

57-70-01
FIG. 01
PAGE 23
JAN 20/09

BRI



757

PARTS CATALOG (MAINTENANCE)

FIG ITEM	PART NUMBER	1 2 3 4 5 6 7	NOMENCLATURE	EFFECT FROM TO	UNITS PER ASSY
1 565	113N4100-13		.. RETAINER- USED ON: 113N4000-19 113N4000-20 113N4000-21 113N4000-22 113N4000-23 113N4000-24 113N4000-25 113N4000-26	107107	2
565	113N4100-46		.. RETAINER- USED ON: 113N4200-31 113N4200-32 113N4200-33 113N4200-34	107107	2
570	113N4200-29		.. RETAINER	107107	1
575	113N4100-37		.. RETAINER- USED ON: 113N4000-19 113N4000-20 113N4000-21 113N4000-22 113N4000-23 113N4000-24 113N4000-25 113N4000-26	107107	1
580	113N4100-17		.. RETAINER	107107	2
585	113N4100-16		.. RETAINER	107107	1
590	113N4200-30		.. RETAINER	107107	1
595	113N5100-15		.. RETAINER	107107	1
600	113N4100-4		.. SEAL- MANUFACTURED FROM: EXTR RUBBER 10-60754-83 19.2 IN USED ON: 113N4000-19 113N4000-20 113N4000-21 113N4000-22 113N4000-23 113N4000-24 113N4000-25 113N4000-26	107107	1

MISSING ITEM NUMBERS NOT APPLICABLE

- ITEM NOT ILLUSTRATED

BRI

57-70-01-01

BOEING PROPRIETARY - Copyright © - Unpublished Work - See title page for details.

57-70-01
FIG. 01
PAGE 24
JAN 20/09

 **BOEING**
757
PARTS CATALOG (MAINTENANCE)

FIG ITEM	PART NUMBER	1 2 3 4 5 6 7	NOMENCLATURE	EFFECT FROM TO	UNITS PER ASSY
1 600	113N4100-44		.. SEAL- MANUFACTURED FROM: EXTR RUBBER 10-60754-83 19.2 IN. USED ON: 113N4000-19 113N4000-20 113N4000-21 113N4000-22 113N4000-23 113N4000-24 113N4000-25 113N4000-26 113N4200-31 113N4200-32 113N4200-33 113N4200-34	107107	1
605	113N4100-5		.. SEAL- MANUFACTURED FROM: EXTR RUBBER 10-60754-83 19.2 IN. USED ON: 113N4000-19 113N4000-20 113N4000-21 113N4000-22 113N4000-23 113N4000-24 113N4000-25 113N4000-26	107107	1
605	113N4100-45		.. SEAL- MANUFACTURED FROM: EXTR RUBBER 10-60754-83 19.2 IN. USED ON: 113N4000-19 113N4000-20 113N4000-21 113N4000-22 113N4000-23 113N4000-24 113N4000-25 113N4000-26 113N4200-31 113N4200-32 113N4200-33 113N4200-34	107107	1

MISSING ITEM NUMBERS NOT APPLICABLE

— ITEM NOT ILLUSTRATED

BRI

57-70-01-01

BOEING PROPRIETARY - Copyright © - Unpublished Work - See title page for details.

57-70-01
FIG. 01
PAGE 25
JAN 20/09



757

PARTS CATALOG (MAINTENANCE)

FIG ITEM	PART NUMBER	1 2 3 4 5 6 7	NOMENCLATURE	EFFECT FROM TO	UNITS PER ASSY
1					
610	113N4100-6	..	SEAL- MANUFACTURED FROM: EXTR RUBBER 10-60754-83 26.0 IN.	107107	1
615	113N4100-7	..	SEAL- MANUFACTURED FROM: EXTR RUBBER 10-60754-83 26.0 IN.	107107	1
620	113N5100-8	..	SEAL- MANUFACTURED FROM: EXTR RUBBER 10-60754-83 12.5 IN.	107107	1
625	113N4140-1	..	FITTING ASSY-ACTR	107107	1
625	113N4103-1	..	FITTING ASSY-ACTR ATTACHING PARTS	107107	1
630	BACB30LH4K40	..	BOLT	107107	3
635	AN960PD416	..	WASHER	107107	3
640	BRH10C4D	..	NUT SUPPLIER CODE: V52828 SPECIFICATION NUMBER: BACN10JC4CD OPTIONAL PART: T6C428JCD V11815 NS202486-048 V80539 102LH9075-4W V72962 H51650-4BAC V15653	107107	3
645	BACB30NN6K8	..	BOLT-	107107	4
650	AN960PD616	..	WASHER	107107	4
655	BRH10C6D	..	NUT SUPPLIER CODE: V52828 SPECIFICATION NUMBER: BACN10JC6CD OPTIONAL PART: H51650-6BAC V15653	107107	4
660	113N4601-1	..	SPOILER ASSY-NO. 6 POSITION DATA: LH SIDE COMPONENT MAINT MANUAL REF: 57-70-63	107107	1

MISSING ITEM NUMBERS NOT APPLICABLE

- ITEM NOT ILLUSTRATED

BRI

57-70-01-01

BOEING PROPRIETARY - Copyright © - Unpublished Work - See title page for details.

57-70-01
FIG. 01
PAGE 26
JAN 20/09



757

PARTS CATALOG (MAINTENANCE)

FIG ITEM	PART NUMBER	1 2 3 4 5 6 7	NOMENCLATURE	EFFECT FROM TO	UNITS PER ASSY
1 660	113N4601-5		.SPOILER ASSY-NO. 6 POSITION DATA: LH SIDE COMPONENT MAINT MANUAL REF: 57-70-63	107107	1
660	113N4601-23		.SPOILER ASSY-NO. 6 POSITION DATA: LH SIDE COMPONENT MAINT MANUAL REF: 57-70-63	002004 006999	1
660	113N4601-29SP		.SPOILER ASSY-NO. 6 POSITION DATA: LH SIDE QUALIFIED I/W DATA: 113N4601-11 INTERCHANGEABLE WITH 113N4601-29SP SUBJECT TO COLOR PREFERENCE 113N4601-15 INTERCHANGEABLE WITH 113N4601-29SP SUBJECT TO COLOR PREFERENCE	002004 006999	1
660	113N4601-31SP		.SPOILER ASSY-NO. 6 POSITION DATA: LH SIDE	002004 006999	1
660	113N4601-33SP		.SPOILER ASSY-NO. 6 POSITION DATA: LH SIDE	002004 006999	1
660	113N4601-35SP		.SPOILER ASSY-NO. 6 POSITION DATA: LH SIDE	002004 006999	1
660	113N4601-9		.SPOILER ASSY-NO.6 POSITION DATA: LH SIDE COMPONENT MAINT MANUAL REF: 57-70-63	107107	1
- 665	113N4601-2		.SPOILER ASSY-NO. 7 POSITION DATA: RH SIDE COMPONENT MAINT MANUAL REF: 57-70-63	107107	1
- 665	113N4601-6		.SPOILER ASSY-NO. 7 POSITION DATA: RH SIDE COMPONENT MAINT MANUAL REF: 57-70-63	107107	1

MISSING ITEM NUMBERS NOT APPLICABLE

- ITEM NOT ILLUSTRATED

57-70-01-01

57-70-01
FIG. 01
PAGE 27
JAN 20/09

BRI



757

PARTS CATALOG (MAINTENANCE)

FIG ITEM	PART NUMBER	1 2 3 4 5 6 7	NOMENCLATURE	EFFECT FROM TO	UNITS PER ASSY
1					
- 665	113N4601-10	.	SPOILER ASSY-NO. 7 POSITION DATA: RH SIDE COMPONENT MAINT MANUAL REF: 57-70-63	107107	1
- 665	113N4601-24	.	SPOILER ASSY-NO. 7 POSITION DATA: RH SIDE COMPONENT MAINT MANUAL REF: 57-70-63	002004 006999	1
- 665	113N4601-30SP	.	SPOILER ASSY-NO. 7 POSITION DATA: RH SIDE QUALIFIED I/W DATA: 113N4601-12 INTERCHANGEABLE WITH 113N4601-30SP SUBJECT TO COLOR PREFERENCE 113N4601-16 INTERCHANGEABLE WITH 113N4601-30SP SUBJECT TO COLOR PREFERENCE	002004 006999	1
- 665	113N4601-32SP	.	SPOILER ASSY-NO. 7 POSITION DATA: RH SIDE	002004 006999	1
- 665	113N4601-34SP	.	SPOILER ASSY-NO. 7 POSITION DATA: RH SIDE	002004 006999	1
- 665	113N4601-36SP	.	SPOILER ASSY-NO. 7 POSITION DATA: RH SIDE	002004 006999	1
670	113N4601-39	..	SUB KIT ASSY- OPTIONAL PART: BACB30NN3K4 USED ON: 113N4601-35SP 113N4601-36SP RR92008-61A9 RR92008-61A10	002004 006999	4
675	BACB30NN3K5	...	BOLT	002004 006999	1
680	113N4605-89	...	WASHER	002004 006999	1

MISSING ITEM NUMBERS NOT APPLICABLE

- ITEM NOT ILLUSTRATED

57-70-01-01

57-70-01
FIG. 01
PAGE 28
JAN 20/09

BRI

BOEING PROPRIETARY - Copyright © - Unpublished Work - See title page for details.



757

PARTS CATALOG (MAINTENANCE)

FIG ITEM	PART NUMBER	1 2 3 4 5 6 7	NOMENCLATURE	EFFECT FROM TO	UNITS PER ASSY
1 685	BACB30NN3K4	..	BOLT- QUALIFIED OPTIONAL DATA: (BACB30NN3K4 BOLT OPTIONAL TO 113N4605-89 WASHER AND BACB30NN3K5 BOLT, 4 PLACES, SEE SHEET 2 FOR USAGE) USED ON: 113N4601-33SP 113N4601-34SP	002004 006999	4
685	BACB30NN3K4	..	BOLT- USED ON: 113N4601-1 113N4601-2 113N4601-3 113N4601-4 113N4601-5 113N4601-6 113N4601-7 113N4601-8 113N4601-9 113N4601-10 113N4601-11 113N4601-12 113N4601-13 113N4601-14 113N4601-15 113N4601-16 113N4601-23 113N4601-24 113N4601-29SP 113N4601-30SP 113N4601-31SP 113N4601-32SP	002004 006999	4
685	BACB30NN3K4	..	BOLT- OPTIONAL PART: 113N4601-39 USED ON: 113N4601-35SP 113N4601-36SP RR92008-61A9 RR92008-61A10	002004 006999	4
690	BACB30NN3K4	..	BOLT	002004 006999	70

MISSING ITEM NUMBERS NOT APPLICABLE

- ITEM NOT ILLUSTRATED

BRI

57-70-01-01

BOEING PROPRIETARY - Copyright © - Unpublished Work - See title page for details.

57-70-01
FIG. 01
PAGE 29
JAN 20/09



757

PARTS CATALOG (MAINTENANCE)

FIG ITEM	PART NUMBER	1 2 3 4 5 6 7	NOMENCLATURE	EFFECT FROM TO	UNITS PER ASSY
1 695	AN960KD10L		.. WASHER- USED ON: 113N4601-1 113N4601-2 113N4601-3 113N4601-4 113N4601-5 113N4601-6 113N4601-7 113N4601-8 113N4601-9 113N4601-10 113N4601-11 113N4601-12 113N4601-13 113N4601-14 113N4601-15 113N4601-16 113N4601-23 113N4601-24 113N4601-29SP 113N4601-30SP 113N4601-31SP 113N4601-32SP	002004 006999	74
695	AN960JD10L		.. WASHER- USED ON: 113N4601-1 113N4601-2 113N4601-3 113N4601-4 113N4601-5 113N4601-6 113N4601-7 113N4601-8 113N4601-9 113N4601-10 113N4601-11 113N4601-12 113N4601-13 113N4601-14 113N4601-15 113N4601-16 113N4601-23 113N4601-24 113N4601-29SP 113N4601-30SP 113N4601-31SP 113N4601-32SP	002004 006999	74

MISSING ITEM NUMBERS NOT APPLICABLE

- ITEM NOT ILLUSTRATED

57-70-01-01

57-70-01
FIG. 01
PAGE 30
JAN 20/09

BRI



757

PARTS CATALOG (MAINTENANCE)

FIG ITEM	PART NUMBER	1 2 3 4 5 6 7	NOMENCLATURE	EFFECT FROM TO	UNITS PER ASSY
1 695	NAS1149D0332J		.. WASHER- USED ON: 113N4601-35SP 113N4601-36SP	002004 006999	74
700	AN960JD10L		.. WASHER- USED ON: 113N4601-33SP 113N4601-34SP	002004 006999	70
705	AN960JD10L		.. WASHER- USED ON: 113N4601-33SP 113N4601-34SP USED WITH: BACB30NN3K4	002004 006999	4
705	113N4605-89		.. WASHER- QUALIFIED OPTIONAL DATA: (BACB30NN3K4 BOLT OPTIONAL TO 113N4605-89 WASHER AND BACB30NN3K5 BOLT, 4 PLACES, SEE SHEET 2 FOR USAGE) USED ON: 113N4601-33SP 113N4601-34SP	002004 006999	4
710	BRH10C3D		.. NUT SUPPLIER CODE: V52828 SPECIFICATION NUMBER: BACN10JC3CD OPTIONAL PART: T6C1032JCD V11815 NS202486-02 V80539 102LH9075-3W V72962 H51650-3BAC V15653	002004 006999	74
715	113N4605-31		.. RETAINER	002004 006999	2
720	113N4605-19		.. RETAINER	002004 006999	2
725	113N4605-30		.. RETAINER	002004 006999	1
730	113N4605-29		.. RETAINER	002004 006999	1
735	113N4605-20		.. RETAINER	002004 006999	1

MISSING ITEM NUMBERS NOT APPLICABLE

- ITEM NOT ILLUSTRATED

57-70-01-01

57-70-01
FIG. 01
PAGE 31
JAN 20/09

BRI

BOEING PROPRIETARY - Copyright © - Unpublished Work - See title page for details.



757

PARTS CATALOG (MAINTENANCE)

FIG ITEM	PART NUMBER	1 2 3 4 5 6 7	NOMENCLATURE	EFFECT FROM TO	UNITS PER ASSY
1					
740	113N4605-14	..	SEAL- MANUFACTURED FROM: EXTR RUBBER 10-60754-83 19.2 IN	002004 006999	1
740	113N4100-44	..	SEAL- MANUFACTURED FROM: EXTR RUBBER 10-60754-83 19.2 IN.	002004 006999	1
745	113N4605-13	..	SEAL- MANUFACTURED FROM: EXTR RUBBER 10-60754-83 19.2 IN	002004 006999	1
745	113N4100-45	..	SEAL- MANUFACTURED FROM: EXTR RUBBER 10-60754-83 19.2 IN.	002004 006999	1
750	113N4605-8	..	SEAL- MANUFACTURED FROM: EXTR RUBBER 10-60754-83 31.2 IN	002004 006999	1
755	113N4605-7	..	SEAL- MANUFACTURED FROM: EXTR RUBBER 10-60754-83 31.2 IN	002004 006999	1
760	113N4605-1	..	SEAL- MANUFACTURED FROM: EXTR RUBBER 10-60754-83 11.3 IN	002004 006999	1

MISSING ITEM NUMBERS NOT APPLICABLE

- ITEM NOT ILLUSTRATED

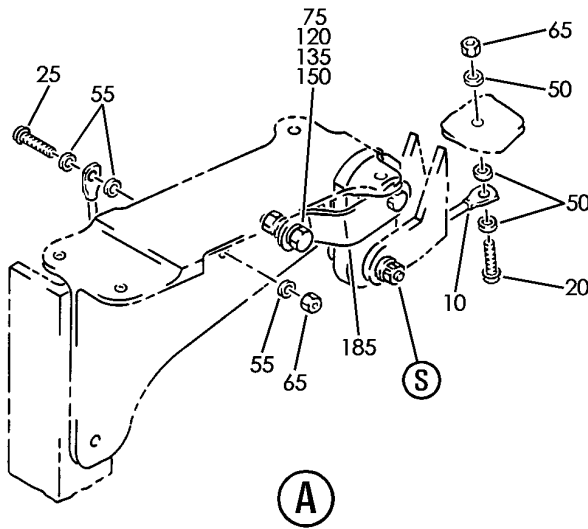
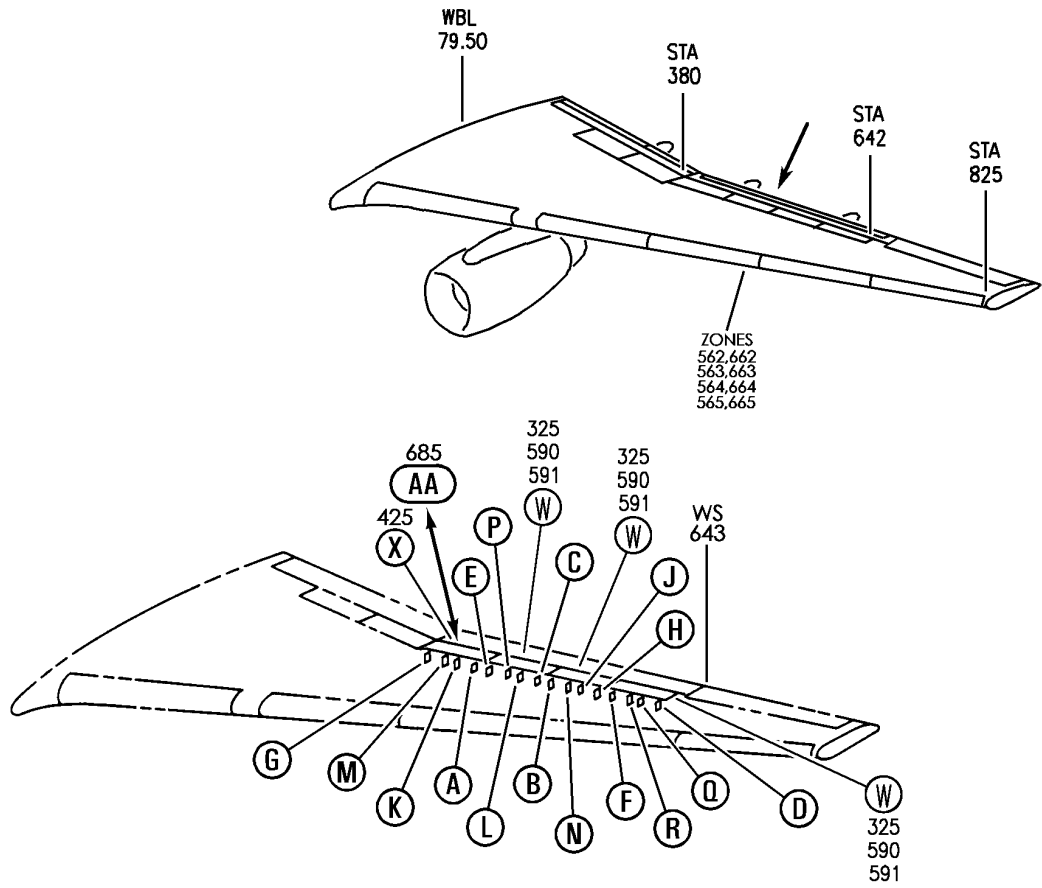
57-70-01-01

57-70-01
FIG. 01
PAGE 32
JAN 20/09

BRI

BOEING PROPRIETARY - Copyright © - Unpublished Work - See title page for details.

BOEING
757
PARTS CATALOG (MAINTENANCE)



Y 57700102 SHT 1 REV 287

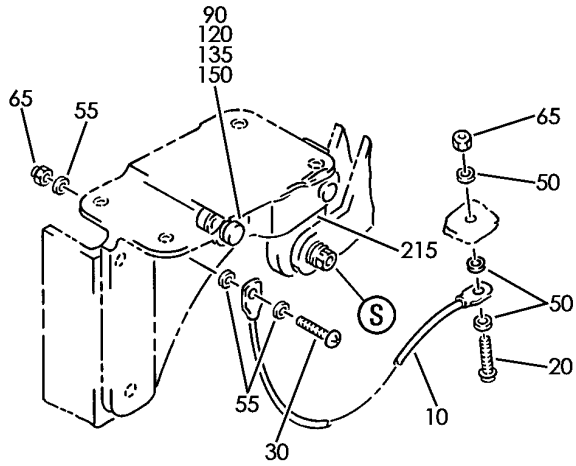
SPOILER INSTL-OUTBD
FIGURE 2 (SHEET 1)

57-70-01-02

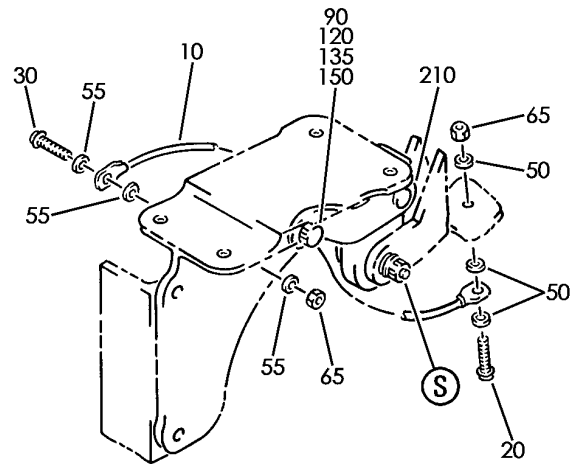
BRI
MAY 28/07

57-70-01-02
PAGE 0

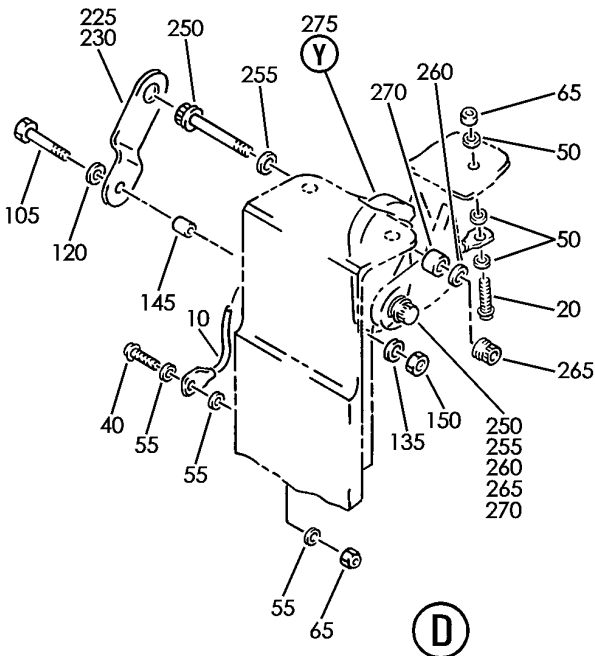

BOEING
 757
PARTS CATALOG (MAINTENANCE)



(B)



(C)



(D)

Y 57700102 SH1 2 REV 218

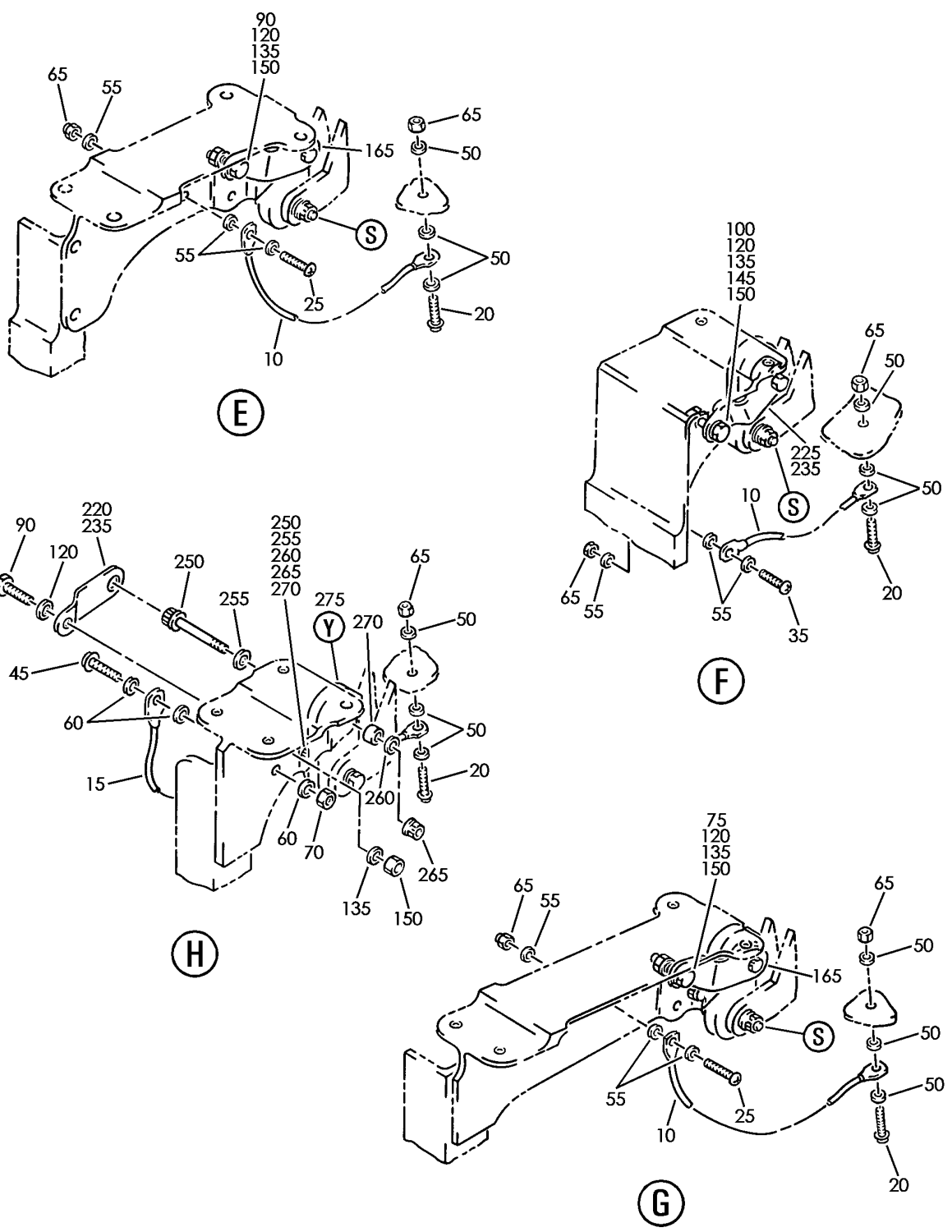
SPOILER INSTL-OUTBD
FIGURE 2 (SHEET 2)

57-70-01-02

BRI
MAY 28/07

57-70-01-02
PAGE 0A

BOEING
 757
 PARTS CATALOG (MAINTENANCE)



Y 57700102 SHT 3 REV 220

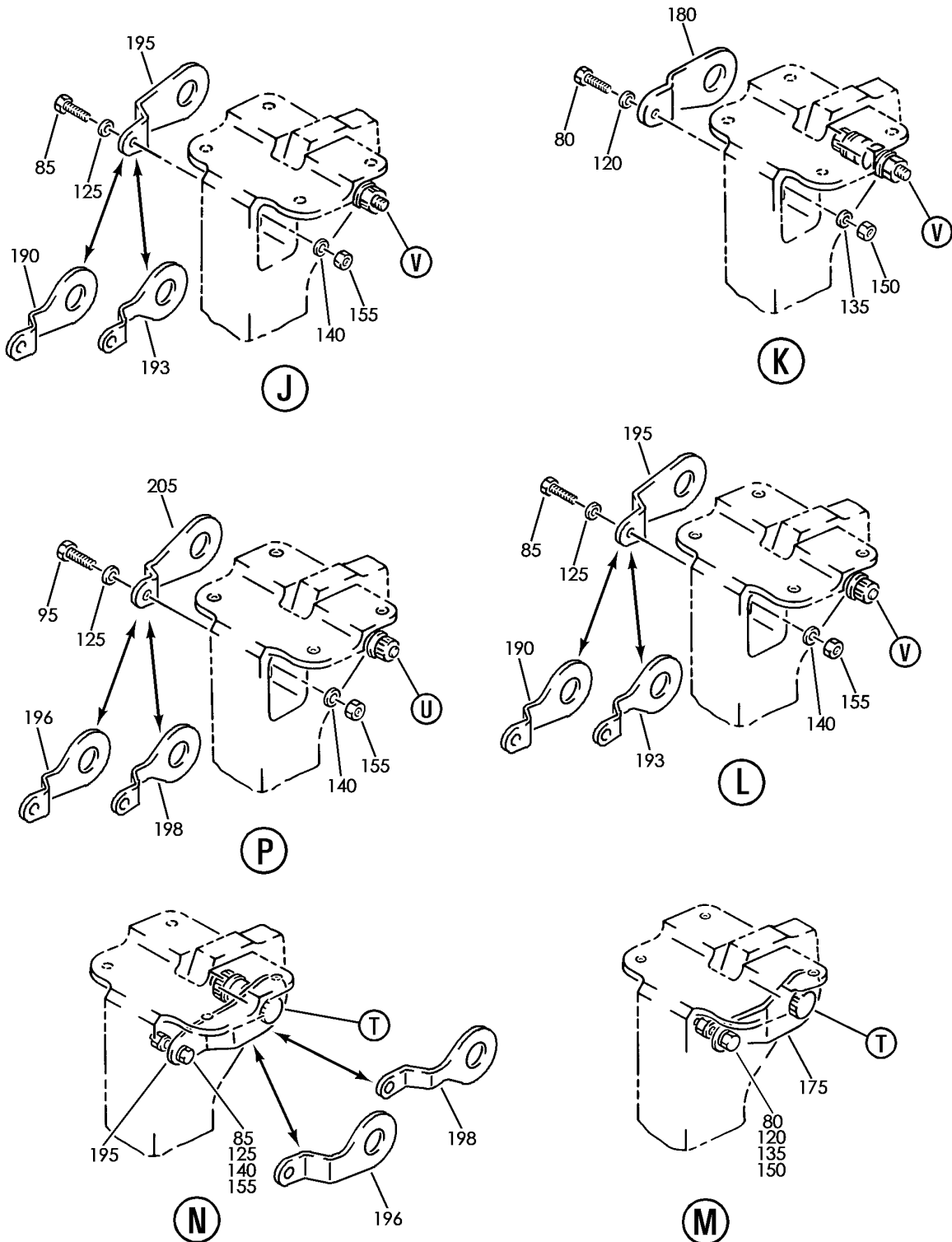
SPOILER INSTL-OUTBD
 FIGURE 2 (SHEET 3)

57-70-01-02

BRI
 MAY 28/07

57-70-01-02
 PAGE 0B

BOEING
757
PARTS CATALOG (MAINTENANCE)



Y 57700102 SH1 4 REV 225

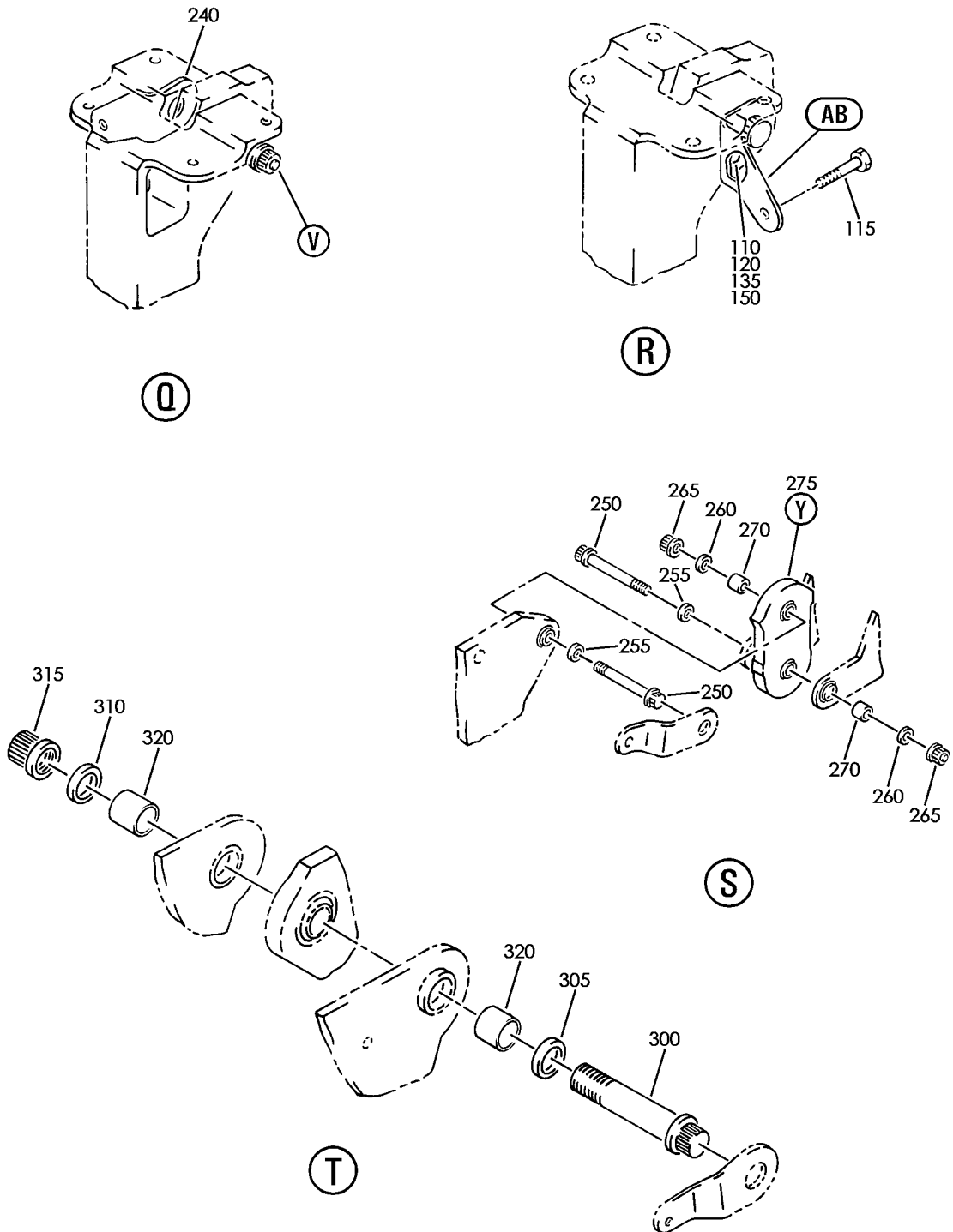
SPOILER INSTL-OUTBD
FIGURE 2 (SHEET 4)

57-70-01-02

BRI
MAY 28/07

57-70-01-02
PAGE 0C

BOEING
757
PARTS CATALOG (MAINTENANCE)



Y 57700102 SHT 5 REV 218

SPOILER INSTL-OUTBD
FIGURE 2 (SHEET 5)

57-70-01-02

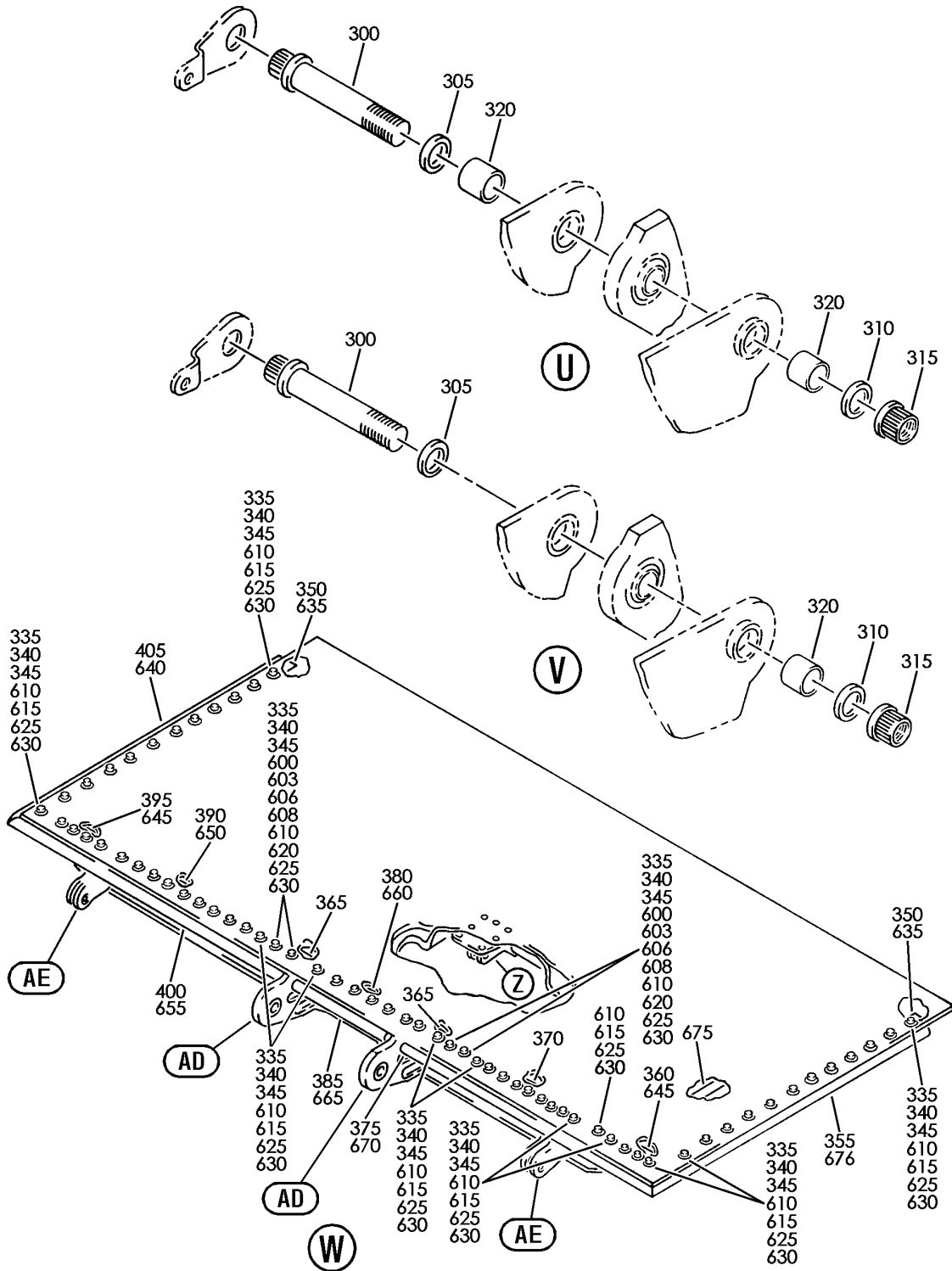
BRI
MAY 28/07

57-70-01-02
PAGE 0D

BOEING

757

PARTS CATALOG (MAINTENANCE)



Y 57700102 SHT 6 REV 225

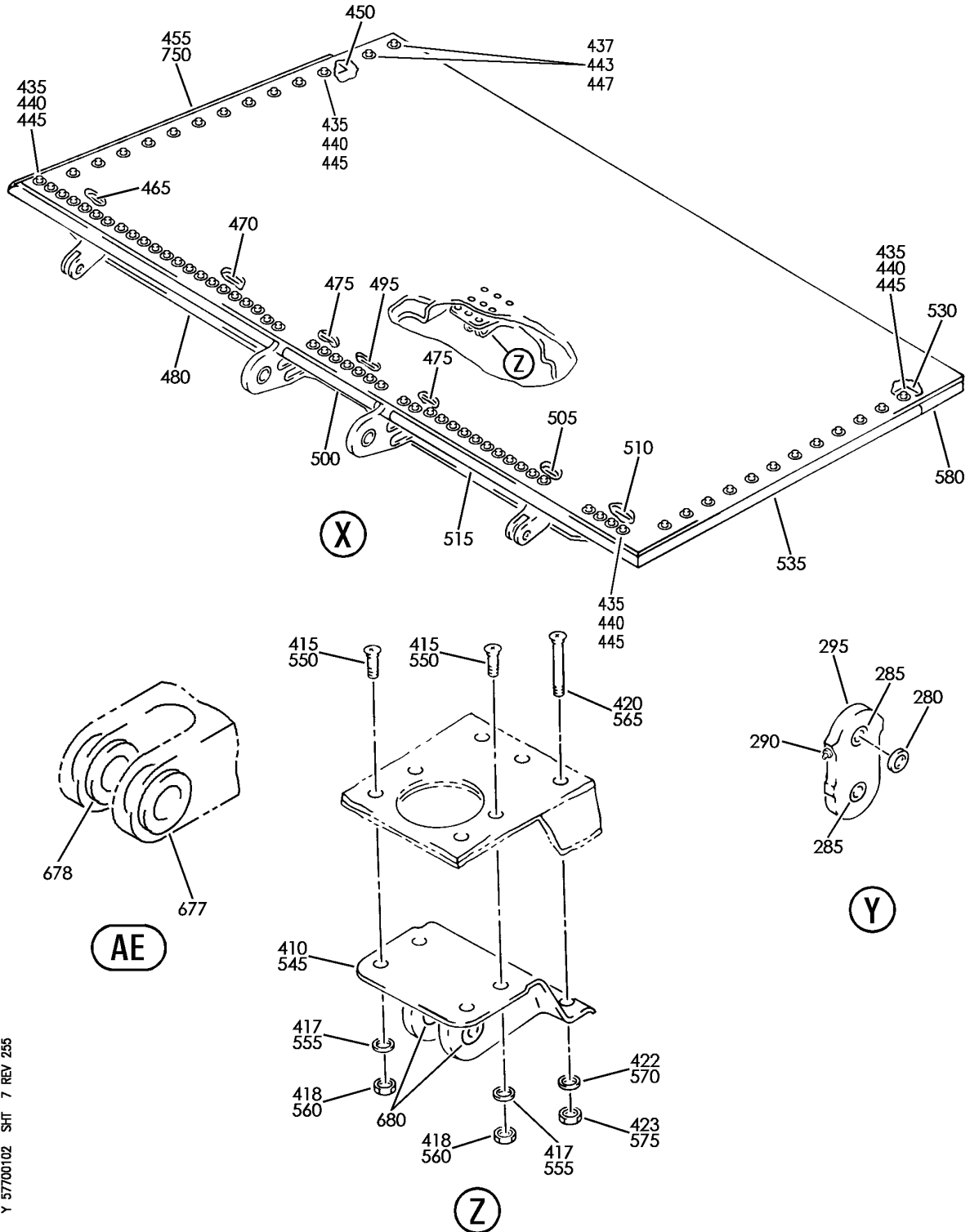
SPOILER INSTL-OUTBD
FIGURE 2 (SHEET 6)

57-70-01-02

BRI
MAY 28/07

57-70-01-02
PAGE 0E

BOEING
757
PARTS CATALOG (MAINTENANCE)



Y 57700102 SH1 7 REV 255

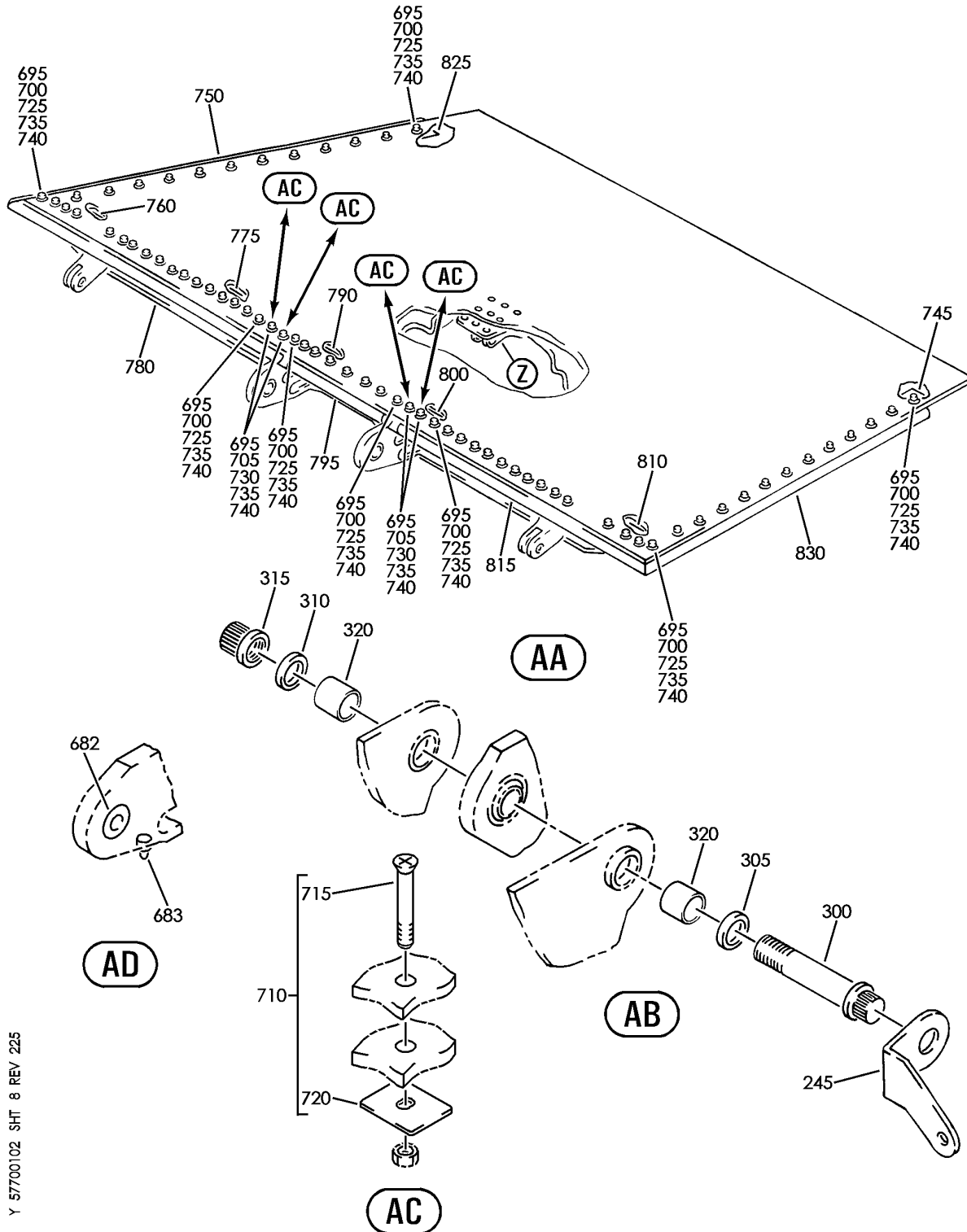
SPOILER INSTL-OUTBD
FIGURE 2 (SHEET 7)

57-70-01-02

BRI
MAY 28/07

57-70-01-02
PAGE OF

BOEING
757
PARTS CATALOG (MAINTENANCE)



Y 57700102 SHT 8 REV 225

SPOILER INSTL-OUTBD
FIGURE 2 (SHEET 8)

57-70-01-02

BRI
MAY 28/07

57-70-01-02
PAGE 0G



757

PARTS CATALOG (MAINTENANCE)

FIG ITEM	PART NUMBER	1 2 3 4 5 6 7	NOMENCLATURE	EFFECT FROM TO	UNITS PER ASSY
2			SPOILER INSTL-OUTBD	002004 006999	
- 1	113N5000-1		SPOILER INSTL- POSITION DATA: OUTBD LH FOR NHA SEE: 57-00-00-01	002004 107107 121503 904949 952952	RF
- 1	113N5000-39		SPOILER INSTL- POSITION DATA: OUTBD LH FOR NHA SEE: 57-00-00-01	006017 950951 953999	RF
- 1	113N5000-97		SPOILER INSTL- POSITION DATA: OUTBD LH FOR NHA SEE: 57-00-00-01	018102 504903	RF
- 1	113N5000-99		SPOILER INSTL- POSITION DATA: OUTBD LH FOR NHA SEE: 57-00-00-05B	108120	RF
- 1	MODREF1561		SPOILER INSTL- MODULE NUMBER: 113N5000-99 REV A POSITION DATA: OUTBD LH	103103	1
- 1	MODREF26619		SPOILER INSTL- MODULE NUMBER: 113N5000-99 REV B POSITION DATA: OUTBD LH	104106	1
- 5	113N5000-2		SPOILER INSTL- POSITION DATA: OUTBD RH FOR NHA SEE: 57-00-00-01	002004 107107 121503 904949 952952	RF
- 5	113N5000-40		SPOILER INSTL- POSITION DATA: OUTBD RH FOR NHA SEE: 57-00-00-01	006017 950951 953999	RF
- 5	113N5000-98		SPOILER INSTL- POSITION DATA: OUTBD RH FOR NHA SEE: 57-00-00-01 57-00-00-05B	018102 504903	RF

MISSING ITEM NUMBERS NOT APPLICABLE

- ITEM NOT ILLUSTRATED

57-70-01-02

57-70-01
FIG. 02
PAGE 1
JAN 20/09

BRI



757

PARTS CATALOG (MAINTENANCE)

FIG ITEM	PART NUMBER	1 2 3 4 5 6 7	NOMENCLATURE	EFFECT FROM TO	UNITS PER ASSY
2					
- 5	113N5000-100		SPOILER INSTL- POSITION DATA: OUTBD RH FOR NHA SEE: 57-00-00-05B	108120	RF
- 5	MODREF1560		SPOILER INSTL- MODULE NUMBER: 113N5000-100 REV A POSITION DATA: OUTBD RH	103103	1
- 5	MODREF26618		SPOILER INSTL- MODULE NUMBER: 113N5000-100 REV B POSITION DATA: OUTBD RH	104106	1
10	940CW20-7		. JUMPER ASSY SUPPLIER CODE: V91812 SPECIFICATION NUMBER: BACJ40AB20-7 OPTIONAL PART: 100220-7 V1FF12 RBEJ40AB20-7 V1GK47	002004 006999	7
15	940CW21-7		. JUMPER ASSY SUPPLIER CODE: V91812 SPECIFICATION NUMBER: BACJ40AB21-7 OPTIONAL PART: 100221-7 V1FF12 RBEJ40AB21-7 V1GK47	002004 006999	1
20	BACS12CK3U12		ATTACHING PARTS . SCREW	002004 006999	8
25	BACS12CK3-10		. SCREW	002004 006999	3
30	BACS12CK3-12		. SCREW	002004 006999	2
35	BACS12CK3-11		. SCREW	002004 006999	1
40	BACS12CK3-5		. SCREW	002004 006999	1
45	BACS12CK4-12		. SCREW	002004 006999	1

MISSING ITEM NUMBERS NOT APPLICABLE

- ITEM NOT ILLUSTRATED

57-70-01-02

57-70-01
FIG. 02
PAGE 2
JAN 20/09

BRI

BOEING PROPRIETARY - Copyright © - Unpublished Work - See title page for details.

BOEING
757
PARTS CATALOG (MAINTENANCE)

FIG ITEM	PART NUMBER	1 2 3 4 5 6 7	NOMENCLATURE	EFFECT FROM TO	UNITS PER ASSY
2					
50	BACW10BP3APU	.WASHER-		002004 006999	24
55	NAS1149D0363J	.WASHER		002004 006999	21
60	NAS1149D0463J	.WASHER		002004 006999	3
65	BRH10C3D	.NUT-		002004 006999	15
			SUPPLIER CODE: V52828 SPECIFICATION NUMBER: BACN10JC3CD OPTIONAL PART: T6C1032JCD V11815 NS202486-02 V80539 102LH9075-3W V72962 H51650-3BAC V15653		
70	BRH10C4D	.NUT		002004 006999	1
			SUPPLIER CODE: V52828 SPECIFICATION NUMBER: BACN10JC4CD OPTIONAL PART: T6C428JCD V11815 NS202486-048 V80539 102LH9075-4W V72962 H51650-4BAC V15653		
			-----*-----		
75	BACB30NR4K5	.BOLT-		002004 006999	2
80	BACB30NR4K6	.BOLT-		002004 006999	2
85	BACB30NM3K6	.BOLT-		002004 006999	3
90	BACB30NR4K7	.BOLT-		002004 006999	4
95	BACB30NM3K7	.BOLT-		002004 006999	1
100	BACB30NR4K15	.BOLT-		002004 006999	1
			USED WITH: 113N1187-1 113N1187-2		

MISSING ITEM NUMBERS NOT APPLICABLE

— ITEM NOT ILLUSTRATED

BRI

57-70-01-02

BOEING PROPRIETARY - Copyright © - Unpublished Work - See title page for details.

57-70-01
FIG. 02
PAGE 3
JAN 20/09



757

PARTS CATALOG (MAINTENANCE)

FIG ITEM	PART NUMBER	1 2 3 4 5 6 7	NOMENCLATURE	EFFECT FROM TO	UNITS PER ASSY
2					
100	BACB30NR4K7		.BOLT- USED WITH: 113N1187-5 113N1187-6	018106 108120 504903	1
105	BACB30PU4-13		.BOLT-	002004 006999	1
110	BACB30NR4K9		.BOLT	002004 006999	1
115	BACB30NN4K16		.BOLT	002004 006999	1
120	NAS1149D0416J		.WASHER- POSITION DATA: UNDER HEAD	002004 006999	11
125	NAS1149D0363J		.WASHER- POSITION DATA: UNDER HEAD	002004 006999	4
135	NAS1149D0463J		.WASHER- POSITION DATA: UNDER NUT	002004 006999	11
140	NAS1149C0363R		.WASHER- POSITION DATA: UNDER NUT	002004 006999	4
145	NAS43DD4-32		.SPACER	002004 006999	2
150	BRH10C4D		.NUT- SUPPLIER CODE: V52828 SPECIFICATION NUMBER: BACN10JC4CD OPTIONAL PART: T6C428JCD V11815 NS202486-048 V80539 102LH9075-4W V72962 H51650-4BAC V15653	002004 006999	11
155	PLH53CD		.NUT- SUPPLIER CODE: VF0224 SPECIFICATION NUMBER: BACN10YR3CD OPTIONAL PART: H52732-3CD V15653	002004 006999	4
165	113N4002-32		.RETAINER- POSITION DATA: LH SIDE	002004 006999	2

MISSING ITEM NUMBERS NOT APPLICABLE

- ITEM NOT ILLUSTRATED

57-70-01-02

57-70-01
FIG. 02
PAGE 4
JAN 20/09

BRI

BOEING PROPRIETARY - Copyright © - Unpublished Work - See title page for details.

 **BOEING**
757
PARTS CATALOG (MAINTENANCE)

FIG ITEM	PART NUMBER	1 2 3 4 5 6 7	NOMENCLATURE	EFFECT FROM TO	UNITS PER ASSY
2					
165	113N4002-53		.RETAINER- POSITION DATA: LH SIDE	002004 006999	2
- 170	113N4002-41		.RETAINER- POSITION DATA: RH SIDE	002004 006999	2
- 170	113N4002-54		.RETAINER- POSITION DATA: RH SIDE	002004 006999	2
175	113N4002-33		.RETAINER-	002004 006999	1
180	113N4002-34		.RETAINER-	002004 006999	1
185	113N4002-13		.RETAINER- OPTIONAL PART: 113N4002-48	107107	1
185	113N4002-48		.RETAINER- OPTIONAL PART: 113N4002-13	002004 006999	1
190	113N4002-35		.RETAINER- POSITION DATA: LH SIDE	002004 006102 107107 121999	2
- 191	113N4002-36		.RETAINER- POSITION DATA: RH SIDE	006102 504903 950951 953999	2
193	113N4002-55		.RETAINER- POSITION DATA: LH SIDE	103106 108120	2
- 194	113N4002-56		.RETAINER- POSITION DATA: RH SIDE	103106 108120	2
196	113N4002-36		.RETAINER- POSITION DATA: LH SIDE	002004 006102 107107 121999	2
- 197	113N4002-35		.RETAINER- POSITION DATA: RH SIDE	006102 504903 950951 953999	2
198	113N4002-56		.RETAINER- POSITION DATA: LH SIDE	103106 108120	2
- 199	113N4002-55		.RETAINER- POSITION DATA: RH SIDE	103106 108120	2

MISSING ITEM NUMBERS NOT APPLICABLE

- ITEM NOT ILLUSTRATED

BRI

57-70-01-02

BOEING PROPRIETARY - Copyright © - Unpublished Work - See title page for details.

57-70-01
FIG. 02
PAGE 5
JAN 20/09



757

PARTS CATALOG (MAINTENANCE)

FIG ITEM	PART NUMBER	1 2 3 4 5 6 7	NOMENCLATURE	EFFECT FROM TO	UNITS PER ASSY
2					
210	113N4002-6		.RETAINER- OPTIONAL PART: 113N4002-45	002004 006999	1
210	113N4002-45		.RETAINER- OPTIONAL PART: 113N4002-6	002004 006999	1
215	113N4002-23		.RETAINER- OPTIONAL PART: 113N4002-49	002004 006999	1
215	113N4002-49		.RETAINER- OPTIONAL PART: 113N4002-23	002004 006999	1
220	113N4002-24		.RETAINER-	002004 006100 103106 121503 904999	1
220	113N4002-50		.RETAINER- USED WITH: 113N1187-5 113N1187-6	002004 006017 107107 121503 904999	1
225	113N4002-5		.RETAINER-	002004 006017 107107 121503 904999	2
225	113N4002-44		.RETAINER-	002004 006017 107107 121503 904999	2
230	113N4002-44		.RETAINER- USED ON: 113N5000-97 113N5000-98 113N5000-99 113N5000-100 MODREF1560 MODREF26618 MODREF1561 MODREF26619 USED WITH: 113N1187-1 113N1187-2	018106 108120 504903	1

MISSING ITEM NUMBERS NOT APPLICABLE

- ITEM NOT ILLUSTRATED

57-70-01-02

57-70-01
FIG. 02
PAGE 6
JAN 20/09

BRI

BOEING PROPRIETARY - Copyright © - Unpublished Work - See title page for details.



757

PARTS CATALOG (MAINTENANCE)

FIG ITEM	PART NUMBER	1 2 3 4 5 6 7	NOMENCLATURE	EFFECT FROM TO	UNITS PER ASSY
2 235	113N4002-50		.RETAINER- USED ON: 113N5000-97 113N5000-98 113N5000-99 113N5000-100 MODREF1560 MODREF26618 MODREF1561 MODREF26619 USED WITH: 113N1187-5 113N1187-6	018106 108120 504903	2
240	113N4002-39		.RETAINER-	002004 006999	1
245	113N4002-40		.RETAINER	002004 006999	1
250	BACB30LE4U17		.BOLT-	002004 006999	16
255	BACW10BP4CD		.WASHER- POSITION DATA: UNDER HEAD	002004 006999	16
260	BACW10BP4DP		.WASHER- POSITION DATA: UNDER NUT	002004 006999	16

MISSING ITEM NUMBERS NOT APPLICABLE

- ITEM NOT ILLUSTRATED

BRI

57-70-01-02

BOEING PROPRIETARY - Copyright © - Unpublished Work - See title page for details.

57-70-01
FIG. 02
PAGE 7
JAN 20/09



757

PARTS CATALOG (MAINTENANCE)

FIG ITEM	PART NUMBER	1 2 3 4 5 6 7	NOMENCLATURE	EFFECT FROM TO	UNITS PER ASSY
2 265	BMN5024CWD34	.NUT-	SUPPLIER CODE: V97928 SPECIFICATION NUMBER: BACN10HR4CD OPTIONAL PART: H51560-4 V15653 102CH9031-4 V72962 SL7108C428 V11815 67832CD428 V56878 BMN5024CWD3-4 V97928 BH00303CM4 V27238 SL7108C4 V11815 VCU0005D4 V06710 102LH90314 V72962 67832CD4 V56878 H964CD V15653 RMLH224CD V72962 VAL280094CD V06710 678324CD V56878 CR6030-4 VF0224 RMLH224CD V72962 VAL280094CD V06710 678324CD V56878 BMN5024CWD34 V97928	002004 006999	16
270	BACB28AK04-035	.BUSHING-		002004 006999	16
275	113N4001-3	.LINK ASSY-OUTER HINGE		002004 006999	8

MISSING ITEM NUMBERS NOT APPLICABLE

- ITEM NOT ILLUSTRATED

57-70-01-02

57-70-01
FIG. 02
PAGE 8
JAN 20/09

BRI



757

PARTS CATALOG (MAINTENANCE)

FIG ITEM	PART NUMBER	1 2 3 4 5 6 7	NOMENCLATURE	EFFECT FROM TO	UNITS PER ASSY
2					
275	113N4507-1	.	LINK ASSY-OUTER HINGE	002004 006999	8
280	NAS1515B9H	..	WASHER	002004 006999	1
285	BACB10EN04GC	..	BEARING- USED ON: 113N4001-3	002004 006999	2
285	BLR04-2588SC	..	BEARING- SUPPLIER CODE: V81376 SPECIFICATION NUMBER: BACB10FH04GC OPTIONAL PART: AG04V31C V15860 ASBFH04VC VS0352 BWG04A110C V16746 HU04-204VC V02758 KWB04-61 V97613 WC04G3C V56644 LHB04ENGC V73134 USED ON: 113N4507-1	002004 006999	2
290	NAS516-1A	..	FITTING	002004 006999	1
295	113N4001-4	..	LINK	002004 006999	1
300	BACB30LE9U31	.	BOLT-	002004 006999	8
305	BACW10BP9CD	.	WASHER- POSITION DATA: UNDER HEAD	002004 006999	8
310	BACW10BP9DP	.	WASHER- POSITION DATA: UNDER NUT	002004 006999	AR

MISSING ITEM NUMBERS NOT APPLICABLE

- ITEM NOT ILLUSTRATED

57-70-01-02

57-70-01
FIG. 02
PAGE 9
JAN 20/09

BRI

BOEING PROPRIETARY - Copyright © - Unpublished Work - See title page for details.



757

PARTS CATALOG (MAINTENANCE)

FIG ITEM	PART NUMBER	1 2 3 4 5 6 7	NOMENCLATURE	EFFECT FROM TO	UNITS PER ASSY
2 315	BMN10HRCWD3-9	.NUT-	SUPPLIER CODE: V97928 SPECIFICATION NUMBER: BACN10HR9CD OPTIONAL PART: H51560-9 V15653 67832CD918 V56878 102LH9031-9 V72962 BH00303CM9 V27238 BMN5024CWD39 V97928 SL7108C9 V11815 VCU0005D9 V06710 102LH90319 V72962 67832CD9 V56878 67832CD9 V56878	002004 006999	8
320	BACB28AK09-055	.BUSHING-		002004 006999	12
325	113N5000-17	.SPOILER ASSY-NO. 1, 2, AND 3 POSITION DATA: LH SIDE COMPONENT MAINT MANUAL REF: 57-70-15 REWORK DRAWING REF: 113N5000-13		002004 006999	3
325	113N5000-19	.SPOILER ASSY-NO. 1, 2, AND 3 POSITION DATA: LH SIDE COMPONENT MAINT MANUAL REF: 57-70-15 REWORK DRAWING REF: 113N5000-13		002004 006999	3

MISSING ITEM NUMBERS NOT APPLICABLE

- ITEM NOT ILLUSTRATED

57-70-01-02

57-70-01
FIG. 02
PAGE 10
JAN 20/09

BRI



757

PARTS CATALOG (MAINTENANCE)

FIG ITEM	PART NUMBER	1 2 3 4 5 6 7	NOMENCLATURE	EFFECT FROM TO	UNITS PER ASSY
2					
325	113N5100-31	.	SPOILER ASSY-NO. 1, 2, AND 3 POSITION DATA: LH SIDE COMPONENT MAINT MANUAL REF: 57-70-15	002004 006999	3
- 330	113N5000-18	.	SPOILER ASSY-NO. 10, 11 AND 12 POSITION DATA: RH SIDE COMPONENT MAINT MANUAL REF: 57-70-15 REWORK DRAWING REF: 113N5000-14	002004 006999	3
- 330	113N5000-20	.	SPOILER ASSY-NO. 10, 11 AND 12 POSITION DATA: RH SIDE COMPONENT MAINT MANUAL REF: 57-70-15 REWORK DRAWING REF: 113N5000-14	002004 006999	3
- 330	113N5100-32	.	SPOILER ASSY-NO. 10, 11 AND 12 POSITION DATA: RH SIDE COMPONENT MAINT MANUAL REF: 57-70-15	002004 006999	3
335	BACB30NN3K5	..	BOLT	107107	63
340	BACW10BP3NAPU	..	WASHER	107107	63
345	BRH10C3D	..	NUT SUPPLIER CODE: V52828 SPECIFICATION NUMBER: BACN10JC3CD OPTIONAL PART: T6C1032JCD V11815 NS202486-02 V80539 102LH9075-3W V72962 H51650-3BAC V15653	107107	63
350	113N5100-10	..	RETAINER	107107	2
355	113N5100-4	..	SEAL- MANUFACTURED FROM: EXTR RUBBER 10-60754-83 X 19.2 IN.	107107	1

MISSING ITEM NUMBERS NOT APPLICABLE

- ITEM NOT ILLUSTRATED

57-70-01-02

57-70-01
FIG. 02
PAGE 11
JAN 20/09

BRI



757

PARTS CATALOG (MAINTENANCE)

FIG ITEM	PART NUMBER	1 2 3 4 5 6 7	NOMENCLATURE	EFFECT FROM TO	UNITS PER ASSY
2					
360	113N5100-11	..	RETAINER	107107	1
365	113N5100-14	..	RETAINER	107107	2
370	113N5100-29	..	RETAINER	107107	1
375	113N5100-6	..	SEAL-	107107	1
			MANUFACTURED FROM: EXTR RUBBER 10-60754-83 X 26.0 IN.		
380	113N5100-15	..	RETAINER	107107	1
385	113N5100-8	..	SEAL-	107107	1
			MANUFACTURED FROM: EXTR RUBBER 10-60754-83 12.5 IN.		
390	113N5100-13	..	RETAINER	107107	1
395	113N5100-12	..	RETAINER	107107	1
400	113N5100-7	..	SEAL-	107107	1
			MANUFACTURED FROM: EXTR RUBBER 10-60754-83 X 26.0 IN.		
405	113N5100-5	..	SEAL-	107107	1
			MANUFACTURED FROM: EXTR RUBBER 10-60754-83 X 19.2 IN.		
410	113N5140-13	..	FITTING ASSY-ACTR	107107	1
410	113N5103-1	..	FITTING ASSY-ACTR	107107	1
			ATTACHING PARTS		
415	BACB30NN5K9	..	BOLT	107107	4
417	AN960PD516	..	WASHER	107107	4
418	BRH10C5D	..	NUT	107107	4
			SUPPLIER CODE: V52828 SPECIFICATION NUMBER: BACN10JC5CD OPTIONAL PART: T6C524JCD V11815 102LH9075-5W V72962 H51650-5BAC V15653		
420	BACB30UR4K26	..	BOLT	107107	3
422	AN960PD416L	..	WASHER	107107	3

MISSING ITEM NUMBERS NOT APPLICABLE

- ITEM NOT ILLUSTRATED

BRI

57-70-01-02

BOEING PROPRIETARY - Copyright © - Unpublished Work - See title page for details.

57-70-01
FIG. 02
PAGE 12
JAN 20/09



757

PARTS CATALOG (MAINTENANCE)

FIG ITEM	PART NUMBER	1 2 3 4 5 6 7	NOMENCLATURE	EFFECT FROM TO	UNITS PER ASSY
2 423	BRH10C4D	. .	NUT SUPPLIER CODE: V52828 SPECIFICATION NUMBER: BACN10JC4CD OPTIONAL PART: T6C428JCD V11815 NS202486-048 V80539 102LH9075-4W V72962 H51650-4BAC V15653	107107	3
425	113N5000-25	. .	SPOILER ASSY-NO. 4 POSITION DATA: LH SIDE COMPONENT MAINT MANUAL REF: 57-70-25 REWORK DRAWING REF: 113N5000-13	002004 006999	1
425	113N5000-27	. .	SPOILER ASSY-NO. 4 POSITION DATA: LH SIDE COMPONENT MAINT MANUAL REF: 57-70-25 REWORK DRAWING REF: 113N5000-13	002004 006999	1
425	113N5400-45	. .	SPOILER ASSY-NO. 4 POSITION DATA: LH SIDE COMPONENT MAINT MANUAL REF: 57-70-25	002004 006999	1
- 430	113N5000-26	. .	SPOILER ASSY-NO. 9 POSITION DATA: RH SIDE COMPONENT MAINT MANUAL REF: 57-70-25 REWORK DRAWING REF: 113N5000-14	002004 006999	1
- 430	113N5000-28	. .	SPOILER ASSY-NO. 9 POSITION DATA: RH SIDE COMPONENT MAINT MANUAL REF: 57-70-25 REWORK DRAWING REF: 113N5000-14	002004 006999	1

MISSING ITEM NUMBERS NOT APPLICABLE

- ITEM NOT ILLUSTRATED

57-70-01-02

57-70-01
FIG. 02
PAGE 13
JAN 20/09

BRI



757

PARTS CATALOG (MAINTENANCE)

FIG ITEM	PART NUMBER	1 2 3 4 5 6 7	NOMENCLATURE	EFFECT FROM TO	UNITS PER ASSY
2					
- 430	113N5400-46		. SPOILER ASSY-NO. 9 POSITION DATA: RH SIDE COMPONENT MAINT MANUAL REF: 57-70-25	002004 006999	1
435	BACB30NN3K5		..BOLT	107107	70
437	BACB30NN3K5		..BOLT- USED ON: 113N5000-25 113N5000-26 113N5000-27 113N5000-28 113N5000-29 113N5000-30 113N5000-31 113N5000-32 113N5000-35 113N5000-36	107107	2
440	BACW10BP3NAPU		..WASHER	107107	70
443	BACW10BP3NAPU		..WASHER- USED ON: 113N5000-25 113N5000-26 113N5000-27 113N5000-28 113N5000-29 113N5000-30 113N5000-31 113N5000-32 113N5000-35 113N5000-36	107107	2
445	BRH10C3D		..NUT SUPPLIER CODE: V52828 SPECIFICATION NUMBER: BACN10JC3CD OPTIONAL PART: T6C1032JCD V11815 NS202486-02 V80539 102LH9075-3W V72962 H51650-3BAC V15653	107107	70

MISSING ITEM NUMBERS NOT APPLICABLE

- ITEM NOT ILLUSTRATED

57-70-01-02

57-70-01
FIG. 02
PAGE 14
JAN 20/09

BRI



757

PARTS CATALOG (MAINTENANCE)

FIG ITEM	PART NUMBER	1 2 3 4 5 6 7	NOMENCLATURE	EFFECT FROM TO	UNITS PER ASSY
2 447	BRH10C3D		..NUT- SUPPLIER CODE: V52828 SPECIFICATION NUMBER: BACN10JC3CD OPTIONAL PART: T6C1032JCD V11815 NS202486-02 V80539 102LH9075-3W V72962 H51650-3BAC V15653 USED ON: 113N5000-25 113N5000-26 113N5000-27 113N5000-28 113N5000-29 113N5000-30 113N5000-31 113N5000-32 113N5000-35 113N5000-36	107107	2
450	113N5400-53		..RETAINER- USED ON: 113N5400-45 113N5400-46 113N5400-47 113N5400-48	107107	1
450	113N5400-16		..RETAINER- USED ON: 113N5000-25 113N5000-26 113N5000-27 113N5000-28 113N5000-29 113N5000-30 113N5000-31 113N5000-32 113N5000-35 113N5000-36	107107	1

MISSING ITEM NUMBERS NOT APPLICABLE

- ITEM NOT ILLUSTRATED

57-70-01-02

57-70-01
 FIG. 02
 PAGE 15
 JAN 20/09

BRI



757

PARTS CATALOG (MAINTENANCE)

FIG ITEM	PART NUMBER	1 2 3 4 5 6 7	NOMENCLATURE	EFFECT FROM TO	UNITS PER ASSY
2 455	113N5400-51	..	SEAL- POSITION DATA: LH SIDE MANUFACTURED FROM: EXTR RUBBER 10-60754-83 X 16.1 IN. USED ON: 113N5000-25 113N5000-27 113N5000-29 113N5000-31 113N5000-35 113N5400-45 113N5400-47	107107	1
455	113N5400-11	..	SEAL- POSITION DATA: LH SIDE MANUFACTURED FROM: EXTR RUBBER 10-60754-83 X 19.1 IN. USED ON: 113N5000-25 113N5000-27 113N5000-29 113N5000-31 113N5000-35	107107	1
- 460	113N5400-52	..	SEAL- POSITION DATA: RH SIDE MANUFACTURED FROM: EXTR RUBBER 10-60754-83 X 16.1 IN. USED ON: 113N5000-26 113N5000-28 113N5000-30 113N5000-32 113N5000-36 113N5400-46 113N5400-48	107107	1

MISSING ITEM NUMBERS NOT APPLICABLE

- ITEM NOT ILLUSTRATED

57-70-01-02

57-70-01
FIG. 02
PAGE 16
JAN 20/09

BRI



757

PARTS CATALOG (MAINTENANCE)

FIG ITEM	PART NUMBER	1 2 3 4 5 6 7	NOMENCLATURE	EFFECT FROM TO	UNITS PER ASSY
2 - 460	113N5400-12		..SEAL- POSITION DATA: RH SIDE MANUFACTURED FROM: EXTR RUBBER 10-60754-83 X 19.1 IN. USED ON: 113N5000-26 113N5000-28 113N5000-30 113N5000-32 113N5000-36	107107	1
465	113N5400-33		..RETAINER- POSITION DATA: LH SIDE USED ON: 113N5000-25 113N5000-27 113N5000-29 113N5000-31 113N5400-45 113N5400-47	107107	1
470	113N5400-19		..RETAINER	107107	1
475	113N5400-23		..RETAINER	107107	2
480	113N5400-31		..SEAL- POSITION DATA: LH SIDE MANUFACTURED FROM: EXTR RUBBER 10-60754-83 34.00 IN.	107107	1
480	113N5400-7		..SEAL- POSITION DATA: LH SIDE MANUFACTURED FROM: EXTR RUBBER 10-60754-83 34.00 IN.	107107	1
- 485	113N5400-34		..RETAINER- POSITION DATA: RH SIDE USED ON: 113N5000-26 113N5000-28 113N5000-30 113N5000-32 113N5400-46 113N5400-48	107107	1

MISSING ITEM NUMBERS NOT APPLICABLE

- ITEM NOT ILLUSTRATED

57-70-01-02

57-70-01
FIG. 02
PAGE 17
JAN 20/09

BRI



757

PARTS CATALOG (MAINTENANCE)

FIG ITEM	PART NUMBER	1 2 3 4 5 6 7	NOMENCLATURE	EFFECT FROM TO	UNITS PER ASSY
2					
- 490	113N5400-32	..	SEAL- POSITION DATA: RH SIDE MANUFACTURED FROM: EXTR RUBBER 10-60754-83 34.00 IN.	107107	1
- 490	113N5400-8	..	SEAL- POSITION DATA: RH SIDE MANUFACTURED FROM: EXTR RUBBER 10-60754-83 34.00 IN.	107107	1
495	113N5100-15	..	RETAINER	107107	1
500	113N5100-8	..	SEAL- MANUFACTURED FROM: EXTR RUBBER 10-60754-83 12.5 IN.	107107	1
505	113N5400-20	..	RETAINER	107107	1
510	113N5400-21	..	RETAINER- POSITION DATA: LH SIDE	107107	1
515	113N5400-5	..	SEAL- POSITION DATA: LH SIDE MANUFACTURED FROM: EXTR RUBBER 10-60754-83 X 25.7 IN.	107107	1
- 520	113N5400-22	..	RETAINER- POSITION DATA: RH SIDE	107107	1
- 525	113N5400-6	..	SEAL- POSITION DATA: RH SIDE MANUFACTURED FROM: EXTR RUBBER 10-60754-83 X 25.7 IN.	107107	1
530	113N5100-10	..	RETAINER	107107	1
535	113N5100-5	..	SEAL- POSITION DATA: LH SIDE MANUFACTURED FROM: EXTR RUBBER 10-60754-83 X 19.2 IN.	107107	1
- 540	113N5100-4	..	SEAL- POSITION DATA: RH SIDE MANUFACTURED FROM: EXTR RUBBER 10-60754-83 X 19.2 IN.	107107	1

MISSING ITEM NUMBERS NOT APPLICABLE

- ITEM NOT ILLUSTRATED

57-70-01-02

57-70-01
FIG. 02
PAGE 18
JAN 20/09

BRI

BOEING PROPRIETARY - Copyright © - Unpublished Work - See title page for details.



757

PARTS CATALOG (MAINTENANCE)

FIG ITEM	PART NUMBER	1 2 3 4 5 6 7	NOMENCLATURE	EFFECT FROM TO	UNITS PER ASSY
2					
545	113N5140-15	..	FITTING ASSY-ACTR	107107	1
545	113N5106-1	..	FITTING ASSY-ACTR	107107	1
			ATTACHING PARTS		
550	BACB30NN5K9	..	BOLT	107107	4
555	AN960PD516	..	WASHER	107107	4
560	BRH10C5D	..	NUT	107107	4
			SUPPLIER CODE: V52828		
			SPECIFICATION NUMBER: BACN10JC5CD		
			OPTIONAL PART: T6C524JCD		
			V11815		
			102LH9075-5W		
			V72962		
			H51650-5BAC		
			V15653		
565	BACB30UR4K26	..	BOLT	107107	3
570	AN960PD416L	..	WASHER	107107	3
575	BRH10C4D	..	NUT	107107	3
			SUPPLIER CODE: V52828		
			SPECIFICATION NUMBER: BACN10JC4CD		
			OPTIONAL PART: T6C428JCD		
			V11815		
			NS202486-048		
			V80539		
			102LH9075-4W		
			V72962		
			H51650-4BAC		
			V15653		
			-----*-----		
580	113N5403-1	..	SEAL-AIR DAM	107107	1
			POSITION DATA: LH SIDE		
			USED ON: 113N5000-25		
			113N5000-27		
			113N5000-29		
			113N5000-31		
			113N5400-45		
			113N5400-47		

MISSING ITEM NUMBERS NOT APPLICABLE

- ITEM NOT ILLUSTRATED

BRI

57-70-01-02

BOEING PROPRIETARY - Copyright © - Unpublished Work - See title page for details.

57-70-01
FIG. 02
PAGE 19
JAN 20/09



757

PARTS CATALOG (MAINTENANCE)

FIG ITEM	PART NUMBER	1 2 3 4 5 6 7	NOMENCLATURE	EFFECT FROM TO	UNITS PER ASSY
2 - 585	113N5403-2		.. SEAL-AIR DAM POSITION DATA: RH SIDE USED ON: 113N5000-26 113N5000-28 113N5000-30 113N5000-32 113N5400-46 113N5400-48	107107	1
590	113N5501-23		. SPOILER ASSY-NO. 1, 2 AND 3 POSITION DATA: LH SIDE COMPONENT MAINT MANUAL REF: 57-70-17	002004 006999	3
590	113N5501-5		. SPOILER ASSY-NO. 1, 2 AND 3 POSITION DATA: LH SIDE COMPONENT MAINT MANUAL REF: 57-70-17	002004 006999	3
590	113N5501-9		. SPOILER ASSY-NO. 1, 2 AND 3 POSITION DATA: LH SIDE COMPONENT MAINT MANUAL REF: 57-70-17	002004 006999	3
590	113N5501-47SP		. SPOILER ASSY-NO. 1, 2 AND 3 POSITION DATA: LH SIDE COMPONENT MAINT MANUAL REF: 57-70-17	002004 006999	3
590	113N5501-37		. SPOILER ASSY-NO. 1, 2 AND 3 POSITION DATA: LH SIDE COMPONENT MAINT MANUAL REF: 57-70-17	002004 006999	3

MISSING ITEM NUMBERS NOT APPLICABLE

- ITEM NOT ILLUSTRATED

57-70-01-02

57-70-01
FIG. 02
PAGE 20
JAN 20/09

BRI



757

PARTS CATALOG (MAINTENANCE)

FIG ITEM	PART NUMBER	1 2 3 4 5 6 7	NOMENCLATURE	EFFECT FROM TO	UNITS PER ASSY
2 590	113N5501-39SP		.SPOILER ASSY-NO. 1, 2 AND 3 POSITION DATA: LH SIDE COMPONENT MAINT MANUAL REF: 57-70-17 QUALIFIED I/W DATA: 113N5501-39SP INTERCHANGEABLE WITH 113N5501-15 SUBJECT TO COLOR PREFERENCE 113N5501-39SP INTERCHANGEABLE WITH 113N5501-41 SUBJECT TO COLOR PREFERENCE	002004 006999	3
590	113N5501-43SP		.SPOILER ASSY-NO. 1, 2 AND 3 POSITION DATA: LH SIDE COMPONENT MAINT MANUAL REF: 57-70-17	002004 006999	3
590	113N5501-45SP		.SPOILER ASSY-NO. 1, 2 AND 3 POSITION DATA: LH SIDE COMPONENT MAINT MANUAL REF: 57-70-17	002004 006999	3
591	113N5501-35SP		.SPOILER ASSY-NO. 1, 2 AND 3 POSITION DATA: LH SIDE COMPONENT MAINT MANUAL REF: 57-70-17	002004 006999	3
- 595	113N5501-24		.SPOILER ASSY-NO. 10, 11 AND 12 POSITION DATA: RH SIDE COMPONENT MAINT MANUAL REF: 57-70-17	002004 006999	3
- 595	113N5501-6		.SPOILER ASSY-NO. 10, 11 AND 12 POSITION DATA: RH SIDE COMPONENT MAINT MANUAL REF: 57-70-17	002004 006999	3
- 595	113N5501-10		.SPOILER ASSY-NO. 10, 11 AND 12 POSITION DATA: RH SIDE COMPONENT MAINT MANUAL REF: 57-70-17	002004 006999	3

MISSING ITEM NUMBERS NOT APPLICABLE

- ITEM NOT ILLUSTRATED

BRI

57-70-01-02

BOEING PROPRIETARY - Copyright © - Unpublished Work - See title page for details.

57-70-01
FIG. 02
PAGE 21
JAN 20/09



757

PARTS CATALOG (MAINTENANCE)

FIG ITEM	PART NUMBER	1 2 3 4 5 6 7	NOMENCLATURE	EFFECT FROM TO	UNITS PER ASSY
2					
- 595	113N5501-48SP		.SPOILER ASSY-NO. 10, 11 AND 12 POSITION DATA: RH SIDE COMPONENT MAINT MANUAL REF: 57-70-17	002004 006999	3
- 595	113N5501-38		.SPOILER ASSY-NO. 10, 11 AND 12 POSITION DATA: RH SIDE COMPONENT MAINT MANUAL REF: 57-70-17	002004 006999	3
- 595	113N5501-40SP		.SPOILER ASSY-NO. 10, 11 AND 12 POSITION DATA: RH SIDE COMPONENT MAINT MANUAL REF: 57-70-17 QUALIFIED I/W DATA: 113N5501-40SP INTERCHANGEABLE WITH 113N5501-16 SUBJECT TO COLOR PREFERENCE 113N5501-40SP INTERCHANGEABLE WITH 113N5501-42 SUBJECT TO COLOR PREFERENCE	002004 006999	3
- 595	113N5501-44SP		.SPOILER ASSY-NO. 10, 11 AND 12 POSITION DATA: RH SIDE COMPONENT MAINT MANUAL REF: 57-70-17	002004 006999	3
- 595	113N5501-46SP		.SPOILER ASSY-NO. 10, 11 AND 12 POSITION DATA: RH SIDE COMPONENT MAINT MANUAL REF: 57-70-17	002004 006999	3
- 596	113N5501-36SP		.SPOILER ASSY-NO. 10, 11 AND 12 POSITION DATA: RH SIDE	002004 006999	3

MISSING ITEM NUMBERS NOT APPLICABLE

- ITEM NOT ILLUSTRATED

57-70-01-02

57-70-01
FIG. 02
PAGE 22
JAN 20/09

BRI



757

PARTS CATALOG (MAINTENANCE)

FIG ITEM	PART NUMBER	1 2 3 4 5 6 7	NOMENCLATURE	EFFECT FROM TO	UNITS PER ASSY
2					
600	BACB30NN3K5	..	BOLT- OPTIONAL PART: 113N5501-49 USED ON: 113N5501-47SP 113N5501-48SP RR92008-61A3 RR92008-61A4	002004 006999	4
603	113N5501-49	..	SUB KIT ASSY- OPTIONAL PART: BACB30NN3K5 USED ON: 113N5501-47SP 113N5501-48SP RR92008-61A3 RR92008-61A4	002004 006999	4
606	BACB30NN3K5	...	BOLT	002004 006999	1
608	113N4605-89	...	WASHER	002004 006999	1
610	BACB30NN3K4	..	BOLT- USED ON: 113N5501-5 113N5501-6 113N5501-7 113N5501-8 113N5501-9 113N5501-10 113N5501-11 113N5501-12 113N5501-13 113N5501-14 113N5501-15 113N5501-16 113N5501-23 113N5501-24 113N5501-37 113N5501-38 113N5501-39SP 113N5501-40SP 113N5501-41 113N5501-42 113N5501-43SP 113N5501-44SP 113N5501-45SP 113N5501-46SP	002004 006999	56

MISSING ITEM NUMBERS NOT APPLICABLE

- ITEM NOT ILLUSTRATED

57-70-01-02

BRI

BOEING PROPRIETARY - Copyright © - Unpublished Work - See title page for details.

57-70-01
FIG. 02
PAGE 23
JAN 20/09



757

PARTS CATALOG (MAINTENANCE)

FIG ITEM	PART NUMBER	1 2 3 4 5 6 7	NOMENCLATURE	EFFECT FROM TO	UNITS PER ASSY
2 615	BACB30NN3K4	..	BOLT- USED ON: 113N5501-47SP 113N5501-48SP RR92008-61A3 RR92008-61A4	002004 006999	52
620	BACB30NN3K4	..	BOLT- USED ON: 113N5501-5 113N5501-6 113N5501-7 113N5501-8 113N5501-9 113N5501-10 113N5501-11 113N5501-12 113N5501-13 113N5501-14 113N5501-15 113N5501-16 113N5501-23 113N5501-24	002004 006999	8
620	BACB30NN3K6	..	BOLT- USED ON: RR92008-61A3 RR92008-61A4 113N5501-37 113N5501-38 113N5501-39SP 113N5501-40SP 113N5501-41 113N5501-42 113N5501-43SP 113N5501-44SP 113N5501-45SP 113N5501-46SP 113N5501-47SP 113N5501-48SP	002004 006999	8

MISSING ITEM NUMBERS NOT APPLICABLE

- ITEM NOT ILLUSTRATED

BRI

57-70-01-02

BOEING PROPRIETARY - Copyright © - Unpublished Work - See title page for details.

57-70-01
FIG. 02
PAGE 24
JAN 20/09



757

PARTS CATALOG (MAINTENANCE)

FIG ITEM	PART NUMBER	1 2 3 4 5 6 7	NOMENCLATURE	EFFECT FROM TO	UNITS PER ASSY
2 625	AN960KD10L		.. WASHER- USED ON: 113N5501-5 113N5501-6 113N5501-7 113N5501-8 113N5501-9 113N5501-10 113N5501-11 113N5501-12 113N5501-13 113N5501-14 113N5501-15 113N5501-16 113N5501-23 113N5501-24 113N5501-37 113N5501-38 113N5501-39SP 113N5501-40SP 113N5501-41 113N5501-42	002004 006999	64
625	NAS1149D0332J		.. WASHER- USED ON: 113N5501-43SP 113N5501-44SP 113N5501-45SP 113N5501-46SP 113N5501-47SP 113N5501-48SP RR92008-61A3 RR92008-61A4	002004 006999	64
630	BRH10C3D		.. NUT SUPPLIER CODE: V52828 SPECIFICATION NUMBER: BACN10JC3CD OPTIONAL PART: T6C1032JCD V11815 NS202486-02 V80539 102LH9075-3W V72962 H51650-3BAC V15653	002004 006999	64
635	113N4605-2		.. RETAINER	002004 006999	2

MISSING ITEM NUMBERS NOT APPLICABLE

- ITEM NOT ILLUSTRATED

57-70-01-02

57-70-01
FIG. 02
PAGE 25
JAN 20/09

BRI



757

PARTS CATALOG (MAINTENANCE)

FIG ITEM	PART NUMBER	1 2 3 4 5 6 7	NOMENCLATURE	EFFECT FROM TO	UNITS PER ASSY
2					
640	113N4605-12		.. SEAL- MANUFACTURED FROM: EXTR RUBBER 10-60754-83 X 17.1 IN	002004 006999	1
645	113N4605-17		.. RETAINER- USED ON: 113N5501-5 113N5501-6 113N5501-7 113N5501-8 113N5501-9 113N5501-10 113N5501-11 113N5501-12 113N5501-13 113N5501-14 113N5501-15 113N5501-16 113N5501-23 113N5501-24	002004 006999	2
645	113N4605-71		.. RETAINER- USED ON: RR92008-61A3 RR92008-61A4 113N5501-37 113N5501-38 113N5501-39SP 113N5501-40SP 113N5501-41 113N5501-42 113N5501-43SP 113N5501-44SP 113N5501-45SP 113N5501-46SP 113N5501-47SP 113N5501-48SP	002004 006999	2

MISSING ITEM NUMBERS NOT APPLICABLE

- ITEM NOT ILLUSTRATED

57-70-01-02

57-70-01
FIG. 02
PAGE 26
JAN 20/09

BRI



757

PARTS CATALOG (MAINTENANCE)

FIG ITEM	PART NUMBER	1 2 3 4 5 6 7	NOMENCLATURE	EFFECT FROM TO	UNITS PER ASSY
2 650	113N4605-28		.. RETAINER- USED ON: 113N5501-5 113N5501-6 113N5501-7 113N5501-8 113N5501-9 113N5501-10 113N5501-11 113N5501-12 113N5501-13 113N5501-14 113N5501-15 113N5501-16 113N5501-23 113N5501-24	002004 006999	1
650	113N4605-70		.. RETAINER- USED ON: RR92008-61A3 RR92008-61A4 113N5501-37 113N5501-38 113N5501-39SP 113N5501-40SP 113N5501-41 113N5501-42 113N5501-43SP 113N5501-44SP 113N5501-45SP 113N5501-46SP 113N5501-47SP 113N5501-48SP	002004 006999	1
655	113N4605-4		.. SEAL- MANUFACTURED FROM: EXTR RUBBER 10-60754-83 X 25.7 IN	002004 006999	1
655	113N4605-68		.. SEAL- MANUFACTURED FROM: EXTR RUBBER 10-60754-83 X 25.7 IN	002004 006999	1
660	113N4605-20		.. RETAINER	002004 006999	1
665	113N4605-1		.. SEAL- MANUFACTURED FROM: EXTR RUBBER 10-60754-83 11.3 IN	002004 006999	1

MISSING ITEM NUMBERS NOT APPLICABLE

- ITEM NOT ILLUSTRATED

57-70-01-02

57-70-01
FIG. 02
PAGE 27
JAN 20/09

BRI

BOEING PROPRIETARY - Copyright © - Unpublished Work - See title page for details.



757

PARTS CATALOG (MAINTENANCE)

FIG ITEM	PART NUMBER	1 2 3 4 5 6 7	NOMENCLATURE	EFFECT FROM TO	UNITS PER ASSY
2 670	113N4605-27		.. RETAINER- USED ON: 113N5501-5 113N5501-6 113N5501-7 113N5501-8 113N5501-9 113N5501-10 113N5501-11 113N5501-12 113N5501-13 113N5501-14 113N5501-15 113N5501-16 113N5501-23 113N5501-24	002004 006999	1
670	113N4605-69		.. RETAINER- USED ON: RR92008-61A3 RR92008-61A4 113N5501-37 113N5501-38 113N5501-39SP 113N5501-40SP 113N5501-41 113N5501-42 113N5501-43SP 113N5501-44SP 113N5501-45SP 113N5501-46SP 113N5501-47SP 113N5501-48SP	002004 006999	1
675	113N4605-3		.. SEAL- MANUFACTURED FROM: EXTR RUBBER 10-60754-83 X 25.7 IN	002004 006999	1
675	113N4605-67		.. SEAL- MANUFACTURED FROM: EXTR RUBBER 10-60754-83 X 25.7 IN	002004 006999	1
676	113N4605-11		.. SEAL- MANUFACTURED FROM: EXTR RUBBER 10-60754-83 X 17.1 IN	002004 006999	1
677	BACB28AM06B018A		.. BUSHING	002004 006999	2
678	BACBAP04P018		.. BUSHING	002004 006999	2

MISSING ITEM NUMBERS NOT APPLICABLE

- ITEM NOT ILLUSTRATED

57-70-01-02

57-70-01
FIG. 02
PAGE 28
JAN 20/09

BRI

BOEING PROPRIETARY - Copyright © - Unpublished Work - See title page for details.



757

PARTS CATALOG (MAINTENANCE)

FIG ITEM	PART NUMBER	1 2 3 4 5 6 7	NOMENCLATURE	EFFECT FROM TO	UNITS PER ASSY
2					
680	BACB28AM14B036A	..	BUSHING	002004 006999	2
682	AG09V31C	..	BEARING SUPPLIER CODE: V15860 SPECIFICATION NUMBER: BACB10FH09GC OPTIONAL PART: ASBFH09VC VS0352 BLR09-2588SC V81376 BWG09A110C V16746 HU09-204VC V02758 KWB09-61 V97613 WC09G3C V56644 LHB09ENGC V73134	002004 006999	2
683	MS15001-1	..	FITTING	002004 006999	2
685	113N5601-23	.SPOILER ASSY-NO. 4 POSITION DATA: LH SIDE COMPONENT MAINT MANUAL REF: 57-70-27		002004 006999	1
685	113N5601-5	.SPOILER ASSY-NO. 4 POSITION DATA: LH SIDE COMPONENT MAINT MANUAL REF: 57-70-27		002004 006999	1
685	113N5601-9	.SPOILER ASSY-NO. 4 POSITION DATA: LH SIDE COMPONENT MAINT MANUAL REF: 57-70-27		002004 006999	1
685	113N5601-31	.SPOILER ASSY-NO. 4 POSITION DATA: LH SIDE COMPONENT MAINT MANUAL REF: 57-70-27		002004 006999	1

MISSING ITEM NUMBERS NOT APPLICABLE

- ITEM NOT ILLUSTRATED

57-70-01-02

57-70-01
FIG. 02
PAGE 29
JAN 20/09

BRI

BOEING PROPRIETARY - Copyright © - Unpublished Work - See title page for details.



757

PARTS CATALOG (MAINTENANCE)

FIG ITEM	PART NUMBER	1 2 3 4 5 6 7	NOMENCLATURE	EFFECT FROM TO	UNITS PER ASSY
2					
685	113N5601-33SP	.SPOILER ASSY-NO. 4 POSITION DATA: LH SIDE COMPONENT MAINT MANUAL REF: 57-70-27 QUALIFIED I/W DATA: 113N5601-15 INTERCHANGEABLE WITH 113N5601-33SP SUBJECT TO COLOR PREFERENCE 113N5601-35 INTERCHANGEABLE WITH 113N5601-33SP SUBJECT TO COLOR PREFERENCE	002004 006999	1	
685	113N5601-37SP	.SPOILER ASSY-NO. 4 POSITION DATA: LH SIDE COMPONENT MAINT MANUAL REF: 57-70-27	002004 006999	1	
685	113N5601-39SP	.SPOILER ASSY-NO. 4 POSITION DATA: LH SIDE COMPONENT MAINT MANUAL REF: 57-70-27	002004 006999	1	
685	113N5601-41SP	.SPOILER ASSY-NO. 4 POSITION DATA: LH SIDE COMPONENT MAINT MANUAL REF: 57-70-27	002004 006999	1	
685	113N5601-29SP	.SPOILER ASSY-NO. 4 POSITION DATA: LH SIDE	002004 006999	1	
- 690	113N5601-24	.SPOILER ASSY-NO. 9 POSITION DATA: RH SIDE COMPONENT MAINT MANUAL REF: 57-70-27	002004 006999	1	
- 690	113N5601-6	.SPOILER ASSY-NO. 9 POSITION DATA: RH SIDE COMPONENT MAINT MANUAL REF: 57-70-27	002004 006999	1	
- 690	113N5601-10	.SPOILER ASSY-NO. 9 POSITION DATA: RH SIDE COMPONENT MAINT MANUAL REF: 57-70-27	002004 006999	1	

MISSING ITEM NUMBERS NOT APPLICABLE

- ITEM NOT ILLUSTRATED

57-70-01-02

57-70-01
FIG. 02
PAGE 30
JAN 20/09

BRI



757

PARTS CATALOG (MAINTENANCE)

FIG ITEM	PART NUMBER	1 2 3 4 5 6 7	NOMENCLATURE	EFFECT FROM TO	UNITS PER ASSY
2					
- 690	113N5601-32	.	SPOILER ASSY-NO. 9 POSITION DATA: RH SIDE COMPONENT MAINT MANUAL REF: 57-70-27	002004 006999	1
- 690	113N5601-34SP	.	SPOILER ASSY-NO. 9 POSITION DATA: RH SIDE COMPONENT MAINT MANUAL REF: 57-70-27 QUALIFIED I/W DATA: 113N5601-16 INTERCHANGEABLE WITH 113N5601-34SP SUBJECT TO COLOR PREFERENCE 113N5601-36 INTERCHANGEABLE WITH 113N5601-34SP SUBJECT TO COLOR PREFERENCE	002004 006999	1
- 690	113N5601-38SP	.	SPOILER ASSY-NO. 9 POSITION DATA: RH SIDE COMPONENT MAINT MANUAL REF: 57-70-27	002004 006999	1
- 690	113N5601-40SP	.	SPOILER ASSY-NO. 9 POSITION DATA: RH SIDE COMPONENT MAINT MANUAL REF: 57-70-27	002004 006999	1
- 690	113N5601-42SP	.	SPOILER ASSY-NO. 9 POSITION DATA: RH SIDE COMPONENT MAINT MANUAL REF: 57-70-27	002004 006999	1
690	113N5601-30SP	.	SPOILER ASSY-NO. 9 POSITION DATA: RH SIDE	002004 006999	1

MISSING ITEM NUMBERS NOT APPLICABLE

- ITEM NOT ILLUSTRATED

57-70-01-02

57-70-01
FIG. 02
PAGE 31
JAN 20/09

BRI



757

PARTS CATALOG (MAINTENANCE)

FIG ITEM	PART NUMBER	1 2 3 4 5 6 7	NOMENCLATURE	EFFECT FROM TO	UNITS PER ASSY
2 695	BACB30NN3K4		..BOLT- USED ON: 113N5601-5 113N5601-6 113N5601-7 113N5601-8 113N5601-9 113N5601-10 113N5601-11 113N5601-12 113N5601-13 113N5601-14 113N5601-15 113N5601-16 113N5601-23 113N5601-24 113N5601-31 113N5601-32 113N5601-33SP 113N5601-34SP 113N5601-35 113N5601-36 113N5601-37SP 113N5601-38SP 113N5601-39SP 113N5601-40SP	002004 006999	68
700	BACB30NN3K4		..BOLT- USED ON: RR92008-61A5 RR92008-61A6 113N5601-41SP 113N5601-42SP	002004 006106 108999	64
705	BACB30NN3K4		..BOLT- OPTIONAL PART: 113N5601-43 USED ON: RR92008-61A5 RR92008-61A6 113N5601-41SP 113N5601-42SP	002004 006106 108999	4
710	113N5601-43		..KIT ASSY-SUB OPTIONAL PART: BACB30NN3K4 USED ON: RR92008-61A5 RR92008-61A6 113N5601-41SP 113N5601-42SP	002004 006106 108999	4

MISSING ITEM NUMBERS NOT APPLICABLE

- ITEM NOT ILLUSTRATED

57-70-01-02

57-70-01
FIG. 02
PAGE 32
JAN 20/09

BRI



757

PARTS CATALOG (MAINTENANCE)

FIG ITEM	PART NUMBER	1 2 3 4 5 6 7	NOMENCLATURE	EFFECT FROM TO	UNITS PER ASSY
2					
715	BACB30NN3K5	. . .	BOLT	002004 006106 108999	1
720	113N4605-89	. . .	WASHER	002004 006106 108999	1
725	NAS1149D0332J	. . .	WASHER- USED ON: RR92008-61A5 RR92008-61A6 113N5601-41SP 113N5601-42SP	002004 006106 108999	64
730	NAS1149D0332J	. . .	WASHER- USED ON: RR92008-61A5 RR92008-61A6 113N5601-41SP 113N5601-42SP USED WITH: BACB30NN3K4	002004 006106 108999	4
735	AN960KD10L	. . .	WASHER- USED ON: 113N5601-5 113N5601-6 113N5601-7 113N5601-8 113N5601-9 113N5601-10 113N5601-11 113N5601-12 113N5601-13 113N5601-14 113N5601-15 113N5601-16 113N5601-23 113N5601-24 113N5601-31 113N5601-32 113N5601-33SP 113N5601-34SP 113N5601-35 113N5601-36 113N5601-37SP 113N5601-38SP 113N5601-39SP 113N5601-40SP	002004 006999	68

MISSING ITEM NUMBERS NOT APPLICABLE

- ITEM NOT ILLUSTRATED

57-70-01-02

57-70-01
FIG. 02
PAGE 33
JAN 20/09

BRI



757

PARTS CATALOG (MAINTENANCE)

FIG ITEM	PART NUMBER	1 2 3 4 5 6 7	NOMENCLATURE	EFFECT FROM TO	UNITS PER ASSY
2 735	AN960JD10L		.. WASHER- USED ON: 113N5601-5 113N5601-6 113N5601-7 113N5601-8 113N5601-9 113N5601-10 113N5601-11 113N5601-12 113N5601-13 113N5601-14 113N5601-15 113N5601-16 113N5601-23 113N5601-24 113N5601-31 113N5601-32 113N5601-33SP 113N5601-34SP 113N5601-35 113N5601-36 113N5601-37SP 113N5601-38SP 113N5601-39SP 113N5601-40SP	002004 006999	68
740	BRH10C3D		.. NUT SUPPLIER CODE: V52828 SPECIFICATION NUMBER: BACN10JC3CD OPTIONAL PART: T6C1032JCD V11815 NS202486-02 V80539 102LH9075-3W V72962 H51650-3BAC V15653	002004 006999	68
745	113N4605-2		.. RETAINER	002004 006999	1
750	113N4605-15		.. SEAL- POSITION DATA: LH SIDE MANUFACTURED FROM: EXTR RUBBER 10-60754-83 X 17.9 IN	002004 006999	1

MISSING ITEM NUMBERS NOT APPLICABLE

- ITEM NOT ILLUSTRATED

57-70-01-02

57-70-01
FIG. 02
PAGE 34
JAN 20/09

BRI



**757
PARTS CATALOG (MAINTENANCE)**

FIG ITEM	PART NUMBER	1 2 3 4 5 6 7	NOMENCLATURE	EFFECT FROM TO	UNITS PER ASSY
2 - 755	113N4605-16		.. SEAL- POSITION DATA: RH SIDE MANUFACTURED FROM: EXTR RUBBER 10-60754-83 X 17.9 IN	002004 006999	1
760	113N4605-21		.. RETAINER- POSITION DATA: LH SIDE USED ON: 113N5601-5 113N5601-7 113N5601-9 113N5601-11 113N5601-13 113N5601-15 113N5601-23	107107	1
760	113N4605-55		.. RETAINER- POSITION DATA: LH SIDE USED ON: RR92008-61A5 113N5601-31 113N5601-33SP 113N5601-35 113N5601-37SP 113N5601-39SP 113N5601-41SP	002004 006999	1
- 765	113N4605-22		.. RETAINER- POSITION DATA: RH SIDE USED ON: 113N5601-6 113N5601-8 113N5601-10 113N5601-12 113N5601-14 113N5601-16 113N5601-24	107107	1

MISSING ITEM NUMBERS NOT APPLICABLE

- ITEM NOT ILLUSTRATED

BRI

57-70-01-02

BOEING PROPRIETARY - Copyright © - Unpublished Work - See title page for details.

57-70-01
FIG. 02
PAGE 35
JAN 20/09



757

PARTS CATALOG (MAINTENANCE)

FIG ITEM	PART NUMBER	1 2 3 4 5 6 7	NOMENCLATURE	EFFECT FROM TO	UNITS PER ASSY
2					
- 765	113N4605-56		..RETAINER- POSITION DATA: RH SIDE USED ON: RR92008-61A6 113N5601-32 113N5601-34SP 113N5601-36 113N5601-38SP 113N5601-40SP 113N5601-42SP	002004 006999	1
- 770	113N4605-29		..RETAINER- POSITION DATA: RH SIDE USED ON: 113N5601-6 113N5601-8 113N5601-10 113N5601-12 113N5601-14 113N5601-16 113N5601-24	107107	1
- 770	113N4605-59		..RETAINER- POSITION DATA: RH SIDE USED ON: RR92008-61A6 113N5601-32 113N5601-34SP 113N5601-36 113N5601-38SP 113N5601-40SP 113N5601-42SP	002004 006999	1
775	113N4605-30		..RETAINER- POSITION DATA: LH SIDE USED ON: 113N5601-5 113N5601-7 113N5601-9 113N5601-11 113N5601-13 113N5601-15 113N5601-23	107107	1

MISSING ITEM NUMBERS NOT APPLICABLE

- ITEM NOT ILLUSTRATED

BRI

57-70-01-02

BOEING PROPRIETARY - Copyright © - Unpublished Work - See title page for details.

57-70-01
FIG. 02
PAGE 36
JAN 20/09



757

PARTS CATALOG (MAINTENANCE)

FIG ITEM	PART NUMBER	1 2 3 4 5 6 7	NOMENCLATURE	EFFECT FROM TO	UNITS PER ASSY
2 775	113N4605-60		..RETAINER- POSITION DATA: LH SIDE USED ON: RR92008-61A5 113N5601-31 113N5601-33SP 113N5601-35 113N5601-37SP 113N5601-39SP 113N5601-41SP	002004 006999	1
780	113N4605-9		..SEAL- POSITION DATA: LH SIDE MANUFACTURED FROM: EXTR RUBBER 10-60754-83 X 34.4 IN	002004 006999	1
780	113N4605-57		..SEAL- POSITION DATA: LH SIDE MANUFACTURED FROM: EXTR RUBBER 10-60754-83 X 34.4 IN	002004 006999	1
- 785	113N4605-10		..SEAL- POSITION DATA: RH SIDE MANUFACTURED FROM: EXTR RUBBER 10-60754-83 X 34.4 IN	002004 006999	1
- 785	113N4605-58		..SEAL- POSITION DATA: RH SIDE MANUFACTURED FROM: EXTR RUBBER 10-60754-83 X 34.4 IN	002004 006999	1
790	113N4605-20		..RETAINER	002004 006999	1
795	113N4605-1		..SEAL- MANUFACTURED FROM: EXTR RUBBER 10-60754-83 11.3 IN	002004 006999	1

MISSING ITEM NUMBERS NOT APPLICABLE

- ITEM NOT ILLUSTRATED

57-70-01-02

57-70-01
FIG. 02
PAGE 37
JAN 20/09

BRI



757

PARTS CATALOG (MAINTENANCE)

FIG ITEM	PART NUMBER	1 2 3 4 5 6 7	NOMENCLATURE	EFFECT FROM TO	UNITS PER ASSY
2 800	113N4605-25		..RETAINER- POSITION DATA: LH SIDE USED ON: 113N5601-5 113N5601-7 113N5601-9 113N5601-11 113N5601-13 113N5601-15 113N5601-23	107107	1
800	113N4605-63		..RETAINER- POSITION DATA: LH SIDE USED ON: RR92008-61A5 113N5601-31 113N5601-33SP 113N5601-35 113N5601-37SP 113N5601-39SP 113N5601-41SP	002004 006999	1
- 805	113N4605-26		..RETAINER- POSITION DATA: RH SIDE USED ON: 113N5601-6 113N5601-8 113N5601-10 113N5601-12 113N5601-14 113N5601-16 113N5601-24	107107	1
- 805	113N4605-64		..RETAINER- POSITION DATA: RH SIDE USED ON: RR92008-61A6 113N5601-32 113N5601-34SP 113N5601-36 113N5601-38SP 113N5601-40SP 113N5601-42SP	002004 006999	1

MISSING ITEM NUMBERS NOT APPLICABLE

- ITEM NOT ILLUSTRATED

57-70-01-02

57-70-01
FIG. 02
PAGE 38
JAN 20/09

BRI

BOEING PROPRIETARY - Copyright © - Unpublished Work - See title page for details.



757

PARTS CATALOG (MAINTENANCE)

FIG ITEM	PART NUMBER	1 2 3 4 5 6 7	NOMENCLATURE	EFFECT FROM TO	UNITS PER ASSY
2 810	113N4605-18		.. RETAINER- USED ON: 113N5601-5 113N5601-6 113N5601-7 113N5601-8 113N5601-9 113N5601-10 113N5601-11 113N5601-12 113N5601-13 113N5601-14 113N5601-15 113N5601-16 113N5601-23 113N5601-24	107107	1
810	113N4605-54		.. RETAINER- USED ON: RR92008-61A5 RR92008-61A6 113N5601-31 113N5601-32 113N5601-33SP 113N5601-34SP 113N5601-35 113N5601-36 113N5601-37SP 113N5601-38SP 113N5601-39SP 113N5601-40SP 113N5601-41SP 113N5601-42SP	002004 006999	1
815	113N4605-5		.. SEAL- POSITION DATA: LH SIDE MANUFACTURED FROM: EXTR RUBBER 10-60754-83 X 25.7 IN	002004 006999	1
815	113N4605-61		.. SEAL- POSITION DATA: LH SIDE MANUFACTURED FROM: EXTR RUBBER 10-60754-83 X 25.7 IN	002004 006999	1

MISSING ITEM NUMBERS NOT APPLICABLE

- ITEM NOT ILLUSTRATED

57-70-01-02

57-70-01
FIG. 02
PAGE 39
JAN 20/09

BRI



757

PARTS CATALOG (MAINTENANCE)

FIG ITEM	PART NUMBER	1 2 3 4 5 6 7	NOMENCLATURE	EFFECT FROM TO	UNITS PER ASSY
2					
- 820	113N4605-6	..	SEAL- POSITION DATA: RH SIDE MANUFACTURED FROM: EXTR RUBBER 10-60754-83 X 25.7 IN	002004 006999	1
- 820	113N4605-62	..	SEAL- POSITION DATA: RH SIDE MANUFACTURED FROM: EXTR RUBBER 10-60754-83 X 25.7 IN	002004 006999	1
825	113N4605-2	..	RETAINER	002004 006999	1
830	113N4605-11	..	SEAL- POSITION DATA: LH SIDE MANUFACTURED FROM: EXTR RUBBER 10-60754-83 X 17.1 IN	002004 006999	1
- 835	113N4605-12	..	SEAL- POSITION DATA: RH SIDE MANUFACTURED FROM: EXTR RUBBER 10-60754-83 X 17.1 IN	002004 006999	1

MISSING ITEM NUMBERS NOT APPLICABLE

- ITEM NOT ILLUSTRATED

BRI

57-70-01-02

BOEING PROPRIETARY - Copyright © - Unpublished Work - See title page for details.

57-70-01
FIG. 02
PAGE 40
JAN 20/09