



757

PARTS CATALOG (MAINTENANCE)

CH-SECT-UNIT-FIG	PAGE NO.	DATE	CH-SECT-UNIT-FIG	PAGE NO.	DATE
*72	1	MAY 20/09	72-00-61- 5	4	JAN 20/09
*72	2	MAY 20/09	72-00-61- 5	5	JAN 20/09
*72	3	MAY 20/09	72-00-61- 5	6	JAN 20/09
*72	4	MAY 20/09	72-00-61- 5	7	JAN 20/09
*72	5	MAY 20/09	72-00-61- 5	8	JAN 20/09
*72	6	MAY 20/09	72-00-61- 5	9	JAN 20/09
72-00-00	1	MAY 28/07	72-00-61- 5	10	JAN 20/09
72-00-51- 2	0	MAY 28/07	72-00-61- 5	11	JAN 20/09
72-00-51- 2	0A	MAY 28/07	72-00-61- 5	12	JAN 20/09
72-00-51- 2	0B	MAY 28/07	72-00-61- 5	13	JAN 20/09
72-00-51- 2	0C	MAY 28/07	72-00-61- 5	14	JAN 20/09
72-00-51- 2	0D	MAY 28/07	72-00-61- 5	15	JAN 20/09
72-00-51- 2	1	JAN 20/09	72-00-61- 5	16	JAN 20/09
72-00-51- 2	2	JAN 20/09	72-00-61- 5	17	JAN 20/09
72-00-51- 2	3	JAN 20/09	72-00-61- 5	18	JAN 20/09
72-00-51- 2	4	JAN 20/09	72-00-61- 5	19	JAN 20/09
72-00-51- 2	5	JAN 20/09	72-00-61- 5	20	JAN 20/09
72-00-51- 2	6	JAN 20/09	72-00-61- 5	21	JAN 20/09
72-00-51- 2	7	JAN 20/09	72-00-61- 5	22	JAN 20/09
72-00-51- 2	8	JAN 20/09	72-00-61- 5	23	JAN 20/09
72-00-61- 1	0	MAY 28/07	72-00-61- 5	24	JAN 20/09
72-00-61- 1	1	JAN 20/09	72-00-61- 5	25	JAN 20/09
72-00-61- 1	2	JAN 20/09	72-00-61- 5	26	JAN 20/09
72-00-61- 1	3	JAN 20/09	72-00-61- 5	27	JAN 20/09
72-00-61- 3	0	MAY 28/07	72-00-61- 5	28	JAN 20/09
72-00-61- 3	0A	MAY 28/07	72-00-61- 5	29	JAN 20/09
72-00-61- 3	0B	MAY 28/07	72-00-61- 5	30	JAN 20/09
72-00-61- 3	0C	MAY 28/07	72-00-61- 5	31	JAN 20/09
72-00-61- 3	0D	MAY 28/07	72-00-61- 6	0	MAY 28/07
72-00-61- 3	0E	MAY 28/07	72-00-61- 6	0A	MAY 28/07
72-00-61- 3	1	JAN 20/09	72-00-61- 6	0B	MAY 28/07
72-00-61- 3	2	JAN 20/09	72-00-61- 6	0C	MAY 28/07
72-00-61- 3	3	JAN 20/09	72-00-61- 6	1	JAN 20/09
72-00-61- 3	4	JAN 20/09	72-00-61- 6	2	JAN 20/09
72-00-61- 3	5	JAN 20/09	72-00-61- 6	3	JAN 20/09
72-00-61- 3	6	JAN 20/09	*72-00-61- 6	4	MAY 20/09
72-00-61- 3	7	JAN 20/09	72-00-61- 6	5	JAN 20/09
72-00-61- 3	8	JAN 20/09	72-00-61- 6	6	JAN 20/09
72-00-61- 3	9	JAN 20/09	72-00-61- 6	7	JAN 20/09
72-00-61- 3	10	JAN 20/09	72-00-61- 6	8	JAN 20/09
72-00-61- 3	11	JAN 20/09	72-00-61- 6	9	JAN 20/09
72-00-61- 3	12	JAN 20/09	72-00-61- 6	10	JAN 20/09
72-00-61- 3	13	JAN 20/09	72-00-61- 6	11	JAN 20/09
72-00-61- 3	14	JAN 20/09	72-00-61- 6	12	JAN 20/09
72-00-61- 5	0	MAY 28/07	72-00-61- 6	13	JAN 20/09
72-00-61- 5	0A	MAY 28/07	72-00-61- 6	14	JAN 20/09
72-00-61- 5	0B	MAY 28/07	72-00-61- 6	15	JAN 20/09
72-00-61- 5	0C	MAY 28/07	72-00-61- 6	16	JAN 20/09
72-00-61- 5	1	JAN 20/09	72-00-61- 6	17	JAN 20/09
72-00-61- 5	2	JAN 20/09	72-00-61- 6A	0	MAY 28/07
72-00-61- 5	3	JAN 20/09	72-00-61- 6A	0A	MAY 28/07

* THE ASTERISK INDICATES PAGES CHANGED OR ADDED BY THE CURRENT REVISION



757

PARTS CATALOG (MAINTENANCE)

CH-SECT-UNIT-FIG	PAGE NO.	DATE	CH-SECT-UNIT-FIG	PAGE NO.	DATE
72-00-61- 6A	1	JAN 20/09	72-03-51- 1	3	JAN 20/09
72-00-61- 6A	2	JAN 20/09	72-03-51- 1	4	JAN 20/09
72-00-61- 6A	3	JAN 20/09	72-03-51- 1	5	JAN 20/09
72-00-61- 7	0	MAY 28/07	72-03-51- 1	6	JAN 20/09
72-00-61- 7	0A	MAY 28/07	72-30-00	1	MAY 28/07
72-00-61- 7	0B	MAY 28/07	72-30-51- 1	0	MAY 28/07
72-00-61- 7	0C	MAY 28/07	72-30-51- 1	1	JAN 20/09
72-00-61- 7	0D	MAY 28/07	72-30-51- 1	2	JAN 20/09
72-00-61- 7	0E	MAY 28/07	72-30-51- 1	3	JAN 20/09
72-00-61- 7	0F	MAY 28/07	72-30-51- 1	4	JAN 20/09
72-00-61- 7	0G	MAY 28/07	72-30-51- 1	5	JAN 20/09
72-00-61- 7	0H	MAY 28/07	72-30-51- 2	0	MAY 28/07
72-00-61- 7	0I	MAY 28/07	72-30-51- 2	0A	MAY 28/07
72-00-61- 7	0J	MAY 28/07	72-30-51- 2	0B	MAY 28/07
72-00-61- 7	1	JAN 20/09	72-30-51- 2	0C	MAY 28/07
72-00-61- 7	2	JAN 20/09	72-30-51- 2	0D	MAY 28/07
72-00-61- 7	3	JAN 20/09	72-30-51- 2	0E	MAY 28/07
72-00-61- 7	4	JAN 20/09	72-30-51- 2	0F	MAY 28/07
72-00-61-10	0	MAY 28/07	72-30-51- 2	0G	MAY 28/07
72-00-61-10	0A	MAY 28/07	72-30-51- 2	0H	MAY 28/07
72-00-61-10	1	JAN 20/09	72-30-51- 2	0I	MAY 28/07
72-00-61-10	2	JAN 20/09	72-30-51- 2	0J	MAY 28/07
72-00-61-10	3	JAN 20/09	72-30-51- 2	0K	MAY 28/07
72-00-61-10	4	JAN 20/09	72-30-51- 2	0L	MAY 28/07
72-00-61-10	5	JAN 20/09	72-30-51- 2	0M	MAY 28/07
72-00-61-10	6	JAN 20/09	72-30-51- 2	0N	MAY 28/07
72-00-61-10	7	JAN 20/09	72-30-51- 2	0O	MAY 28/07
72-00-61-10	8	JAN 20/09	72-30-51- 2	0P	MAY 28/07
72-03-00	1	MAY 28/07	72-30-51- 2	0Q	MAY 28/07
72-03-01- 2	0	MAY 28/07	72-30-51- 2	0R	MAY 28/07
72-03-01- 2	0A	MAY 28/07	72-30-51- 2	0S	MAY 28/07
72-03-01- 2	0B	MAY 28/07	72-30-51- 2	1	JAN 20/09
72-03-01- 2	0C	MAY 28/07	72-30-51- 2	2	JAN 20/09
72-03-01- 2	1	JAN 20/09	72-30-51- 2	3	JAN 20/09
72-03-01- 2	2	JAN 20/09	72-30-51- 2	4	JAN 20/09
72-03-01- 2	3	JAN 20/09	72-31-00	1	MAY 28/07
72-03-01- 2	4	JAN 20/09	72-31-10- 2	0	MAY 28/07
72-03-01- 2	5	JAN 20/09	72-31-10- 2	1	JAN 20/09
72-03-01- 2	6	JAN 20/09	72-31-10- 2	2	JAN 20/09
72-03-01- 2	7	JAN 20/09	72-31-10- 2	3	JAN 20/09
72-03-01- 2	8	JAN 20/09	72-31-10- 2	4	JAN 20/09
72-03-01- 2	9	JAN 20/09	72-31-10- 2	5	JAN 20/09
72-03-01- 2	10	JAN 20/09	72-31-10- 2	6	JAN 20/09
72-03-01- 2	11	JAN 20/09	72-31-10- 2	7	JAN 20/09
72-03-01- 2	12	JAN 20/09	72-31-10- 4	0	MAY 28/07
72-03-01- 2	13	JAN 20/09	72-31-10- 4	1	JAN 20/09
72-03-01- 2	14	JAN 20/09	72-31-10- 4	2	JAN 20/09
72-03-51- 1	0	MAY 28/07	72-31-10- 4	3	JAN 20/09
72-03-51- 1	0A	MAY 28/07	72-31-10- 4	4	JAN 20/09
72-03-51- 1	1	JAN 20/09	72-31-11- 3	0	MAY 28/07
72-03-51- 1	2	JAN 20/09	72-31-11- 3	1	JAN 20/09

* THE ASTERISK INDICATES PAGES CHANGED OR ADDED BY THE CURRENT REVISION



757

PARTS CATALOG (MAINTENANCE)

CH-SECT-UNIT-FIG	PAGE NO.	DATE	CH-SECT-UNIT-FIG	PAGE NO.	DATE
72-31-11- 3	2	JAN 20/09	72-31-52- 5	0H	MAY 28/07
72-31-11- 3	3	JAN 20/09	72-31-52- 5	1	JAN 20/09
72-31-11- 3	4	JAN 20/09	72-31-52- 5	2	JAN 20/09
72-31-11- 3	5	JAN 20/09	72-31-52- 5	3	JAN 20/09
72-31-11- 3	6	JAN 20/09	72-31-52- 5	4	JAN 20/09
72-31-11- 3	7	JAN 20/09	72-31-53- 1	0	MAY 28/07
72-31-11- 3	8	JAN 20/09	72-31-53- 1	1	JAN 20/09
72-31-11- 3	9	JAN 20/09	72-31-53- 1	2	JAN 20/09
72-31-11- 3	10	JAN 20/09	72-31-53- 1	3	JAN 20/09
72-31-11- 3	11	JAN 20/09	72-31-53- 1	4	JAN 20/09
72-31-11- 3	12	JAN 20/09	72-32-00	1	MAY 28/07
72-31-11- 3	13	JAN 20/09	72-32-03- 1	0	MAY 28/07
72-31-11- 3	14	JAN 20/09	72-32-03- 1	1	JAN 20/09
72-31-11- 3	15	JAN 20/09	72-32-03- 1	2	JAN 20/09
72-31-11- 3	16	JAN 20/09	72-32-03- 1	3	JAN 20/09
72-31-11- 3	17	JAN 20/09	72-32-03- 1	4	JAN 20/09
72-31-11- 3	18	JAN 20/09	72-32-03- 1	5	JAN 20/09
72-31-11- 4	0	MAY 28/07	72-32-03- 1	6	JAN 20/09
72-31-11- 4	1	JAN 20/09	72-34-00	1	MAY 28/07
72-31-11- 4	2	JAN 20/09	72-34-10- 2	0	MAY 28/07
72-31-11- 4	3	JAN 20/09	72-34-10- 2	0A	MAY 28/07
72-31-11- 4	4	JAN 20/09	72-34-10- 2	0B	MAY 28/07
72-31-11- 4	5	JAN 20/09	72-34-10- 2	0C	MAY 28/07
72-31-11- 4	6	JAN 20/09	72-34-10- 2	0D	MAY 28/07
72-31-11- 4	7	JAN 20/09	72-34-10- 2	0E	MAY 28/07
72-31-11- 4	8	JAN 20/09	72-34-10- 2	0F	MAY 28/07
72-31-11- 4	9	JAN 20/09	72-34-10- 2	1	JAN 20/09
72-31-11- 4	10	JAN 20/09	72-34-10- 2	2	JAN 20/09
72-31-51- 1	0	MAY 28/07	72-34-10- 2	3	JAN 20/09
72-31-51- 1	0A	MAY 28/07	72-34-10- 2	4	JAN 20/09
72-31-51- 1	1	JAN 20/09	72-34-10- 2	5	JAN 20/09
72-31-51- 1	2	JAN 20/09	72-34-10- 2	6	JAN 20/09
72-31-51- 1	3	JAN 20/09	72-34-10- 2	7	JAN 20/09
72-31-51- 1	4	JAN 20/09	72-34-10- 2	8	JAN 20/09
72-31-52- 1	0	MAY 28/07	*72-34-10- 2	9	MAY 20/09
72-31-52- 1	1	JAN 20/09	*72-34-10- 2	10	MAY 20/09
72-31-52- 1	2	JAN 20/09	72-34-10- 2	11	JAN 20/09
72-31-52- 1	3	JAN 20/09	72-34-10- 2	12	JAN 20/09
72-31-52- 1	4	JAN 20/09	72-34-10- 2	13	JAN 20/09
72-31-52- 2	0	MAY 28/07	72-34-10- 2	14	JAN 20/09
72-31-52- 2	1	JAN 20/09	72-34-10- 2	15	JAN 20/09
72-31-52- 2	2	JAN 20/09	72-34-10- 2	16	JAN 20/09
72-31-52- 2	3	JAN 20/09	72-34-10- 2	17	JAN 20/09
72-31-52- 5	0	MAY 28/07	72-34-51- 1	0	MAY 28/07
72-31-52- 5	0A	MAY 28/07	72-34-51- 1	0A	MAY 28/07
72-31-52- 5	0B	MAY 28/07	72-34-51- 1	0B	MAY 28/07
72-31-52- 5	0C	MAY 28/07	72-34-51- 1	0C	MAY 28/07
72-31-52- 5	0D	MAY 28/07	72-34-51- 1	0D	MAY 28/07
72-31-52- 5	0E	MAY 28/07	72-34-51- 1	1	JAN 20/09
72-31-52- 5	0F	MAY 28/07	72-34-51- 1	2	JAN 20/09
72-31-52- 5	0G	MAY 28/07	72-34-51- 1	3	JAN 20/09

* THE ASTERISK INDICATES PAGES CHANGED OR ADDED BY THE CURRENT REVISION

BRI
MAY 20/09

72 - LIST OF EFFECTIVE PAGES
PAGE 3



757

PARTS CATALOG (MAINTENANCE)

CH-SECT-UNIT-FIG	PAGE NO.	DATE	CH-SECT-UNIT-FIG	PAGE NO.	DATE
72-34-51- 1	4	JAN 20/09	72-35-53- 2	13	JAN 20/09
72-34-51- 1	5	JAN 20/09	72-35-53- 2	14	JAN 20/09
72-34-51- 1	6	JAN 20/09	72-35-53- 2	15	JAN 20/09
72-34-51- 1	7	JAN 20/09	72-35-60- 1	0	MAY 28/07
72-34-51- 1	8	JAN 20/09	72-35-60- 1	0A	MAY 28/07
72-34-52- 2	0	MAY 28/07	72-35-60- 1	0B	MAY 28/07
72-34-52- 2	0A	MAY 28/07	72-35-60- 1	0C	MAY 28/07
72-34-52- 2	1	JAN 20/09	72-35-60- 1	0D	MAY 28/07
72-34-52- 2	2	JAN 20/09	72-35-60- 1	1	JAN 20/09
72-34-52- 2	3	JAN 20/09	72-35-60- 1	2	JAN 20/09
72-34-52- 2	4	JAN 20/09	72-35-60- 1	3	JAN 20/09
72-34-52- 2	5	JAN 20/09	72-35-60- 1	4	JAN 20/09
72-34-52- 2	6	JAN 20/09	72-35-60- 1	5	JAN 20/09
72-34-52- 2	7	JAN 20/09	72-40-00	1	MAY 28/07
72-35-00	1	MAY 28/07	72-40-00- 1	0	MAY 28/07
72-35-01- 1	0	MAY 28/07	72-40-00- 1	0A	MAY 28/07
72-35-01- 1	1	JAN 20/09	72-40-00- 1	0B	MAY 28/07
72-35-01- 1	2	JAN 20/09	72-40-00- 1	0C	MAY 28/07
72-35-01- 1	3	JAN 20/09	72-40-00- 1	1	JAN 20/09
72-35-01- 1	4	JAN 20/09	*72-40-00- 1	2	MAY 20/09
72-35-01- 1	5	JAN 20/09	72-40-00- 1	3	JAN 20/09
72-35-01- 1	6	JAN 20/09	72-40-00- 1	4	JAN 20/09
72-35-01- 1	7	JAN 20/09	72-40-00- 1	5	JAN 20/09
72-35-52- 2	0	MAY 28/07	72-40-00- 1	6	JAN 20/09
72-35-52- 2	0A	MAY 28/07	72-40-00- 3	0	JAN 20/09
72-35-52- 2	1	JAN 20/09	72-40-00- 3	0A	JAN 20/09
72-35-52- 2	2	JAN 20/09	72-40-00- 3	0B	JAN 20/09
72-35-52- 2	3	JAN 20/09	72-40-00- 3	1	JAN 20/09
72-35-52- 2	4	JAN 20/09	72-40-00- 3	2	JAN 20/09
72-35-52- 2	5	JAN 20/09	72-40-00- 3	3	JAN 20/09
72-35-53- 2	0	MAY 28/07	72-40-00- 3	4	JAN 20/09
72-35-53- 2	0A	MAY 28/07	72-40-00- 3	5	JAN 20/09
72-35-53- 2	0B	MAY 28/07	72-40-00- 3	6	JAN 20/09
72-35-53- 2	0C	MAY 28/07	72-40-51- 1	0	MAY 28/07
72-35-53- 2	0D	MAY 28/07	72-40-51- 1	0A	MAY 28/07
72-35-53- 2	0E	MAY 28/07	72-40-51- 1	1	JAN 20/09
72-35-53- 2	0F	MAY 28/07	72-40-51- 1	2	JAN 20/09
72-35-53- 2	0G	MAY 28/07	72-40-51- 1	3	JAN 20/09
72-35-53- 2	0H	MAY 28/07	72-40-51- 1	4	JAN 20/09
72-35-53- 2	1	JAN 20/09	72-40-51- 1	5	JAN 20/09
72-35-53- 2	2	JAN 20/09	72-40-51- 3	0	MAY 28/07
72-35-53- 2	3	JAN 20/09	72-40-51- 3	0A	MAY 28/07
72-35-53- 2	4	JAN 20/09	72-40-51- 3	1	JAN 20/09
72-35-53- 2	5	JAN 20/09	72-40-51- 3	2	JAN 20/09
72-35-53- 2	6	JAN 20/09	72-40-51- 3	3	JAN 20/09
72-35-53- 2	7	JAN 20/09	72-40-51- 4	0	JAN 20/09
72-35-53- 2	8	JAN 20/09	72-40-51- 4	0A	JAN 20/09
72-35-53- 2	9	JAN 20/09	72-40-51- 4	0B	JAN 20/09
72-35-53- 2	10	JAN 20/09	72-40-51- 4	1	JAN 20/09
72-35-53- 2	11	JAN 20/09	72-40-51- 4	2	JAN 20/09
72-35-53- 2	12	JAN 20/09	72-40-51- 4	3	JAN 20/09

* THE ASTERISK INDICATES PAGES CHANGED OR ADDED BY THE CURRENT REVISION


BOEING
 757
PARTS CATALOG (MAINTENANCE)

CH-SECT-UNIT-FIG	PAGE NO.	DATE	CH-SECT-UNIT-FIG	PAGE NO.	DATE
72-40-51- 4	4	JAN 20/09	72-50-51- 1	1	JAN 20/09
72-40-51- 6	0	JAN 20/09	72-50-51- 1	2	JAN 20/09
72-40-51- 6	0A	JAN 20/09	72-50-51- 1	3	JAN 20/09
72-40-51- 6	0B	JAN 20/09	72-50-51- 1	4	JAN 20/09
72-40-51- 6	0C	JAN 20/09	72-50-51- 1	5	JAN 20/09
72-40-51- 6	0D	JAN 20/09	72-50-51- 1	6	JAN 20/09
72-40-51- 6	0E	JAN 20/09	72-50-51- 1	7	JAN 20/09
72-40-51- 6	0F	JAN 20/09	72-50-51- 3	0	MAY 28/07
72-40-51- 6	1	JAN 20/09	72-50-51- 3	0A	MAY 28/07
72-40-51- 6	2	JAN 20/09	72-50-51- 3	1	JAN 20/09
72-41-00	1	MAY 28/07	72-50-51- 3	2	JAN 20/09
72-41-51- 2	0	MAY 28/07	72-50-51- 3	3	JAN 20/09
72-41-51- 2	0A	MAY 28/07	72-50-51- 4	0	MAY 28/07
72-41-51- 2	0B	MAY 28/07	72-50-51- 4	0A	MAY 28/07
72-41-51- 2	1	JAN 20/09	72-50-51- 4	1	JAN 20/09
72-41-51- 2	2	JAN 20/09	72-50-51- 4	2	JAN 20/09
72-41-51- 2	3	JAN 20/09	72-50-51- 4	3	JAN 20/09
72-41-51- 2	4	JAN 20/09	72-50-51- 4	4	JAN 20/09
72-41-51- 2	5	JAN 20/09	72-50-51- 5	0	MAY 28/07
72-41-51- 2	6	JAN 20/09	72-50-51- 5	0A	MAY 28/07
72-41-51- 2	7	JAN 20/09	72-50-51- 5	0B	MAY 28/07
72-41-51- 2	8	JAN 20/09	72-50-51- 5	0C	MAY 28/07
72-50-00	1	MAY 28/07	72-50-51- 5	1	JAN 20/09
72-50-00- 1	0	MAY 28/07	72-50-51- 5	2	JAN 20/09
72-50-00- 1	0A	MAY 28/07	72-50-51- 5	3	JAN 20/09
72-50-00- 1	1	JAN 20/09	72-50-51- 6	0	MAY 28/07
72-50-00- 1	2	JAN 20/09	72-50-51- 6	0A	MAY 28/07
72-50-00- 1	3	JAN 20/09	72-50-51- 6	0B	MAY 28/07
72-50-00- 1	4	JAN 20/09	72-50-51- 6	0C	MAY 28/07
72-50-00- 1	5	JAN 20/09	72-50-51- 6	1	JAN 20/09
72-50-00- 1	6	JAN 20/09	72-50-51- 6	2	JAN 20/09
72-50-00- 2	0	MAY 28/07	72-50-51- 6	3	JAN 20/09
72-50-00- 2	0A	MAY 28/07	72-51-00	1	MAY 28/07
72-50-00- 2	0B	MAY 28/07	72-51-01- 1	0	MAY 28/07
72-50-00- 2	0C	MAY 28/07	72-51-01- 1	1	JAN 20/09
72-50-00- 2	1	JAN 20/09	72-51-01- 1	2	JAN 20/09
72-50-00- 2	2	JAN 20/09	72-51-01- 1	3	JAN 20/09
72-50-00- 2	3	JAN 20/09	72-51-01- 1	4	JAN 20/09
72-50-00- 2	4	JAN 20/09	72-51-51- 1	0	MAY 28/07
72-50-00- 2	5	JAN 20/09	72-51-51- 1	0A	MAY 28/07
72-50-00- 2	6	JAN 20/09	72-51-51- 1	1	JAN 20/09
72-50-00- 2	7	JAN 20/09	72-51-51- 1	2	JAN 20/09
72-50-00- 2	8	JAN 20/09	72-51-51- 1	3	JAN 20/09
72-50-00- 2	9	JAN 20/09	72-51-51- 1	4	JAN 20/09
72-50-00-10	0	MAY 28/07	72-51-51- 1	5	JAN 20/09
72-50-00-10	0A	MAY 28/07	72-51-51- 1	6	JAN 20/09
72-50-00-10	1	JAN 20/09	72-51-51- 1	7	JAN 20/09
72-50-00-10	2	JAN 20/09	72-52-00	1	MAY 28/07
72-50-00-10	3	JAN 20/09	72-52-01- 1	0	MAY 28/07
72-50-00-10	4	JAN 20/09	72-52-01- 1	0A	MAY 28/07
72-50-51- 1	0	MAY 28/07	72-52-01- 1	0B	MAY 28/07

* THE ASTERISK INDICATES PAGES CHANGED OR ADDED BY THE CURRENT REVISION


BOEING
 757
PARTS CATALOG (MAINTENANCE)

CH-SECT-UNIT-FIG	PAGE NO.	DATE	CH-SECT-UNIT-FIG	PAGE NO.	DATE
72-52-01- 1	0C	MAY 28/07	72-62-55- 2	0A	MAY 28/07
72-52-01- 1	0D	MAY 28/07	72-62-55- 2	0B	MAY 28/07
72-52-01- 1	1	JAN 20/09	72-62-55- 2	0C	MAY 28/07
72-52-01- 1	2	JAN 20/09	72-62-55- 2	1	JAN 20/09
72-52-01- 1	3	JAN 20/09	72-62-55- 2	2	JAN 20/09
72-52-01- 1	4	JAN 20/09	72-62-55- 2	3	JAN 20/09
72-52-01- 1	5	JAN 20/09	72-62-55- 2	4	JAN 20/09
72-52-01- 1	6	JAN 20/09	72-62-55- 2	5	JAN 20/09
72-52-01- 1	7	JAN 20/09	72-62-55- 2	6	JAN 20/09
72-52-51- 2	0	MAY 28/07	72-62-55- 2	7	JAN 20/09
72-52-51- 2	0A	MAY 28/07			
72-52-51- 2	1	JAN 20/09			
72-52-51- 2	2	JAN 20/09			
72-52-51- 2	3	JAN 20/09			
72-52-51- 2	4	JAN 20/09			
72-52-51- 2	5	JAN 20/09			
72-52-51- 2	6	JAN 20/09			
72-52-51- 2	7	JAN 20/09			
72-52-51- 2	8	JAN 20/09			
72-52-52- 2	0	MAY 28/07			
72-52-52- 2	0A	MAY 28/07			
72-52-52- 2	1	JAN 20/09			
72-52-52- 2	2	JAN 20/09			
72-52-52- 2	3	JAN 20/09			
72-52-52- 2	4	JAN 20/09			
72-52-52- 2	5	JAN 20/09			
72-52-52- 2	6	JAN 20/09			
72-62-00	1	MAY 28/07			
72-62-51- 1	0	MAY 28/07			
72-62-51- 1	0A	MAY 28/07			
72-62-51- 1	1	JAN 20/09			
72-62-51- 1	2	JAN 20/09			
72-62-51- 1	3	JAN 20/09			
72-62-51- 1	4	JAN 20/09			
72-62-51- 1	5	JAN 20/09			
72-62-51- 1	6	JAN 20/09			
72-62-51- 1	7	JAN 20/09			
72-62-51- 1	8	JAN 20/09			
72-62-51- 1	9	JAN 20/09			
72-62-51- 1	10	JAN 20/09			
72-62-51- 1	11	JAN 20/09			
72-62-51- 1	12	JAN 20/09			
72-62-51- 1	13	JAN 20/09			
72-62-51- 1	14	JAN 20/09			
72-62-51- 1	15	JAN 20/09			
72-62-51- 1	16	JAN 20/09			
72-62-52- 1	0	MAY 28/07			
72-62-52- 1	1	JAN 20/09			
72-62-52- 1	2	JAN 20/09			
72-62-52- 1	3	JAN 20/09			
72-62-55- 2	0	MAY 28/07			

* THE ASTERISK INDICATES PAGES CHANGED OR ADDED BY THE CURRENT REVISION


BOEING
 757
PARTS CATALOG (MAINTENANCE)

CHAPTER 72 — ENGINE

TABLE OF CONTENTS

SUBJECT	CC-SS-UU	FIGURE	EFFECT
ENGINE - GENERAL	72-00-00		
HIGH SPEED GEARBOX EXTERNAL MODULE (RB211-535)	72-00-61	10	002004 006999
HIGH SPEED GEARBOX FRONT HOUSING AND FITTINGS (RB211-535)	72-00-61	05	002004 006999
HIGH SPEED GEARBOX HOUSING ASSY (RB211-535)	72-00-61	06A	002004 006102 107107 121999
HIGH SPEED GEARBOX HP PUMP DRIVE (RB211-535)	72-00-61	07	002004 006999
HIGH SPEED GEARBOX MODULE TRANSPORTATION FITTINGS (RB211-535)	72-00-61	03	002004 006999
HIGH SPEED GEARBOX MODULE 06 (RB211-535)	72-00-61	01	002004 006999
HIGH SPEED GEARBOX REAR HOUSING AND FITTINGS (RB211-535)	72-00-61	06	002004 006999
TUBES-COOLING AND AIR SEALING (RB211-535)	72-00-51	02	002004 006999
INTERSERVICES FAIRING	72-03-00		
FAIRING-NOSE SECT. POWER PLANT PYLON (RB211-535)	72-03-51	01	002004 006999
FAIRINGS-GAS GEN CPRSR (RB211-535)	72-03-01	02	002004 006999



BOEING
757
PARTS CATALOG (MAINTENANCE)

CHAPTER 72 — ENGINE

TABLE OF CONTENTS

SUBJECT	CC-SS-UU	FIGURE	EFFECT
COMPRESSOR SECTION	72-30-00		
HP COMPRESSOR ROTOR AND CASE (RB211-535)	72-30-51	02	002004 006999
IP COMPRESSOR SHAFT (RB211-535)	72-30-51	01	002004 006999
LOW PRESSURE COMPRESSOR	72-31-00		
CASE-CPRSR INTERMEDIATE MODULE 03 (RB211-535)	72-31-52	01	002004 006999
CASE-CPRSR INTERMEDIATE MODULE 03 (RB211-535)	72-31-52	02	002004 006999
CASE-CPRSR INTERMEDIATE MODULE 03 (RB211-535)	72-31-52	05	002004 006999
LOW PRESSURE COMPRESSOR DISC THRUST RING AND SEALS (RB211-535)	72-31-11	04	002004 006999
LOW PRESSURE CPRSR BLADES AND DAMPERS (RB211-535)	72-31-11	03	002004 006999
LP COMPRESSOR ROTOR SHAFT (RB211-535)	72-31-53	01	002004 006999
LP CPRSR-MODULE 1 FAN (RB211-535)	72-31-10	04	002004 006999
MODULE-IP CPRSR (RB211-535)	72-31-51	01	002004 006999
MODULE-LOW PRESSURE CPRSR FAN AND FITTING INSTL (RB211-535)	72-31-10	02	002004 006999
HIGH PRESSURE COMPRESSOR SECTION	72-32-00		
CASE-LP CPRSR FRONT FAN MODULE 07 (RB211-535)	72-32-03	01	002004 006999
INTERMEDIATE CASE SECTION	72-34-00		
CASE-LP CPRSR FAN MODULE 07 (RB211-535)	72-34-51	01	002004 006999
FAN CASE-LOW PRESSURE CPRSR SPRT STRUCT (RB211-535)	72-34-52	02	002004 006999
LP COMPRESSOR-FAN CASE (RB211-535)	72-34-10	02	002004 006999
HIGH PRESSURE COMPRESSOR (HPC) SECTION	72-35-00		
FAIRING-LP CPRSR INTAKE ROTATING (RB211-535)	72-35-01	01	002004 006999
IP CPRSR FRONT BEARING SPRT (RB211-535)	72-35-60	01	002004 006999

 **BOEING**
757
PARTS CATALOG (MAINTENANCE)

CHAPTER 72 — ENGINE

TABLE OF CONTENTS

SUBJECT	CC-SS-UU	FIGURE	EFFECT
MOUNT-LOW PRESSURE CPRSR CASING	72-35-53	02	002004
ACCESSORIES (RB211-535			006999
TUBES-SPLITTER FAIRING AND FRONT BRG	72-35-52	02	002004
SVCE (RB211-535)			006999


BOEING
 757
PARTS CATALOG (MAINTENANCE)

CHAPTER 72 — ENGINE

TABLE OF CONTENTS

SUBJECT	CC-SS-UU	FIGURE	EFFECT
COMBUSTION SECTION	72-40-00		
COMBUSTION INNER FRONT AND REAR CASE LINERS, HP NOZZLE VANES MODULE 04 (RB211-535)	72-40-51	06	103106 108120
COMBUSTION OUTER CASE (RB211-535)	72-40-00	01	002004 006102 107107 121999
COMBUSTION OUTER CASE (RB211-535)	72-40-00	03	103106 108120
COMBUSTION-INNER FRONT AND REAR CASES COMBUSTION LINERS, HP NOZZLE VANES MODULE 04 (RB211-535)	72-40-51	03	002004 006102 107999
MINI MODULE AND FITTINGS HP SYS MOD 04 (RB211-535)	72-40-51	01	002004 006102 107999
MINI MODULE AND FITTINGS HP SYSTEM MODULE 04 (RB211-535)	72-40-51	04	103106 108120
DIFFUSER CASE SECTION	72-41-00		
MODULE-NO. 4 HIGH PRESSURE SYS (RB211-535)	72-41-51	02	002004 006999



BOEING
757
PARTS CATALOG (MAINTENANCE)

CHAPTER 72 — ENGINE

TABLE OF CONTENTS

SUBJECT	CC-SS-UU	FIGURE	EFFECT
TURBINE SECTION	72-50-00		
ENGINE-LP TURBINE SUPPORT (RB211-535)	72-50-51	05	002004 006999
HP TURBINE DISC BLADE (RB211-535)	72-50-51	03	002004 006999
IP TURBINE CASE (RB211-535)	72-50-00	01	002004 006999
IP TURBINE CASE (RB211-535)	72-50-00	02	002004 006999
IP TURBINE SHAFT (RB211-535)	72-50-51	04	002004 006999
IP/LP TURBINE MINI MODULE INSTALLATION (RB211-535)	72-50-51	01	002004 006999
LP TURBINE CASE (RB211-535)	72-50-00	10	002004 006999
LP TURBINE ROTOR AND BLADES (RB211-535)	72-50-51	06	002004 006999
L P TURBINE	72-51-00		
CONC ASSY-EXHAUST (RB211-535)	72-51-01	01	002004 006999
MODULE-IP/LP TURBINE (RB211-535)	72-51-51	01	002004 006999
HIGH PRESSURE TURBINE STAGE 2 NOZZLE	72-52-00		
COVERS-LP TURB AND BRG HSG END (RB211-535)	72-52-51	02	002004 006999
MANIFOLD-COOLING AIR (RB211-535)	72-52-52	02	002004 006999
TURBINE EXHAUST CASE (RB211-535)	72-52-01	01	002004 006999

 **BOEING**
757
PARTS CATALOG (MAINTENANCE)

CHAPTER 72 — ENGINE

TABLE OF CONTENTS

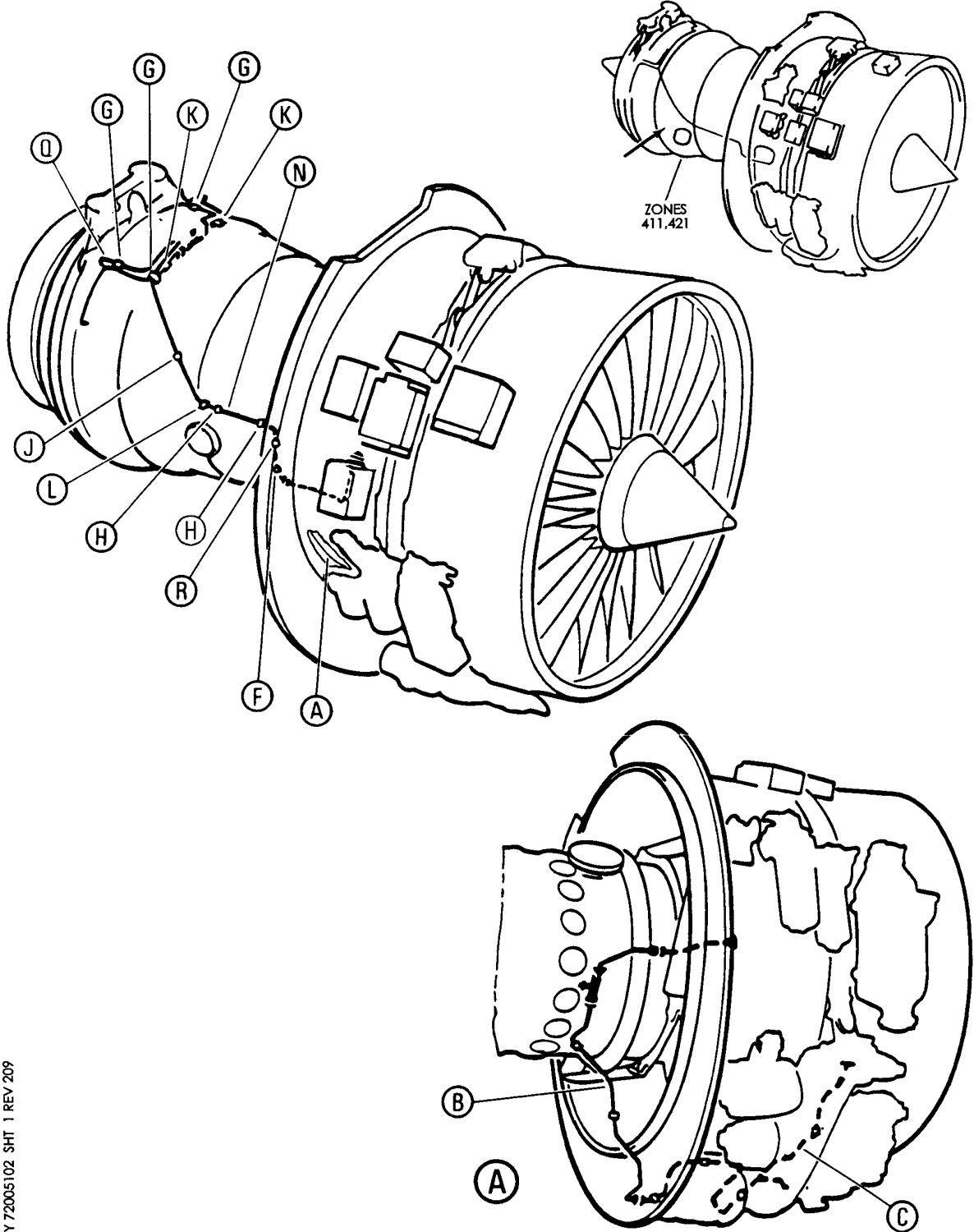
SUBJECT	CC-SS-UU	FIGURE	EFFECT
ANGLE GEARBOX SECTION	72-62-00		
GEARBOX BREATHER DUCT (RB211-535)	72-62-52	01	002004 006999
HIGH SPEED GEARBOX-INPUT DRIVE BEVEL HOUSINGS AND FITTINGS (RB211-535)	72-62-55	02	002004 006999
SHAFT-HIGH SPEED GEARBOX DRIVE (RB211-535)	72-62-51	01	002004 006999

ENGINE - GENERAL

BRI
MAY 28/07

72-00-00
SECTION TITLE
PAGE 1

BOEING
757
PARTS CATALOG (MAINTENANCE)



Y 72005102 SHT 1 REV 209

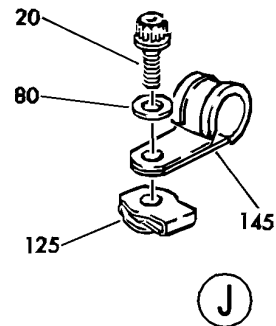
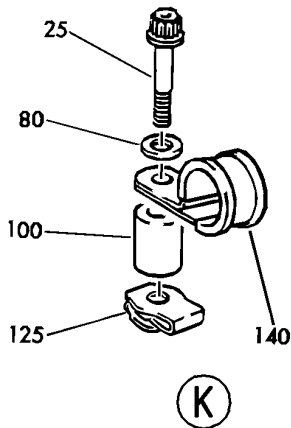
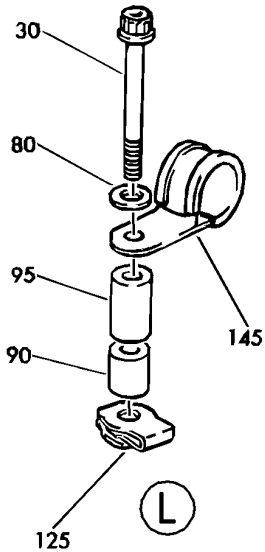
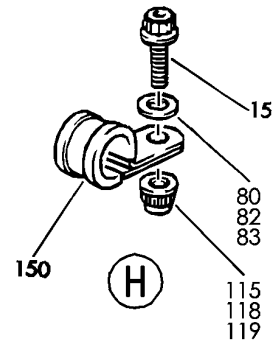
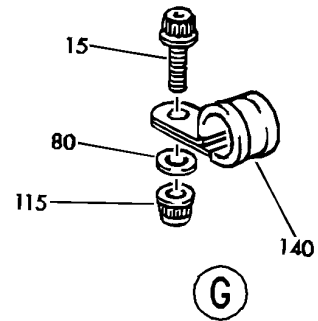
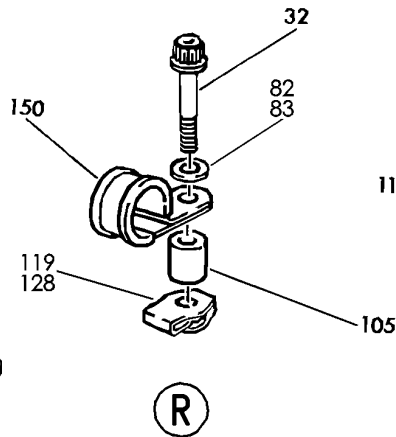
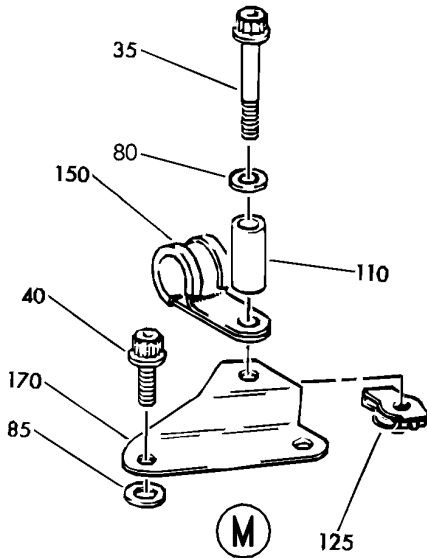
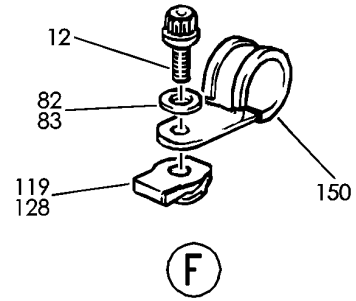
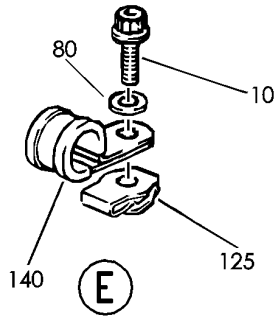
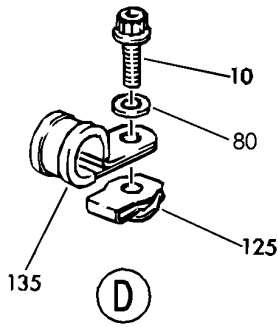
TUBES-COOLING AND AIR SEALING (RB211-535)
FIGURE 2 (SHEET 1)

72-00-51-02

BRI
MAY 28/07

72-00-51-02
PAGE 0

BOEING
757
PARTS CATALOG (MAINTENANCE)



Y 72005102 SH1 3 REV 227

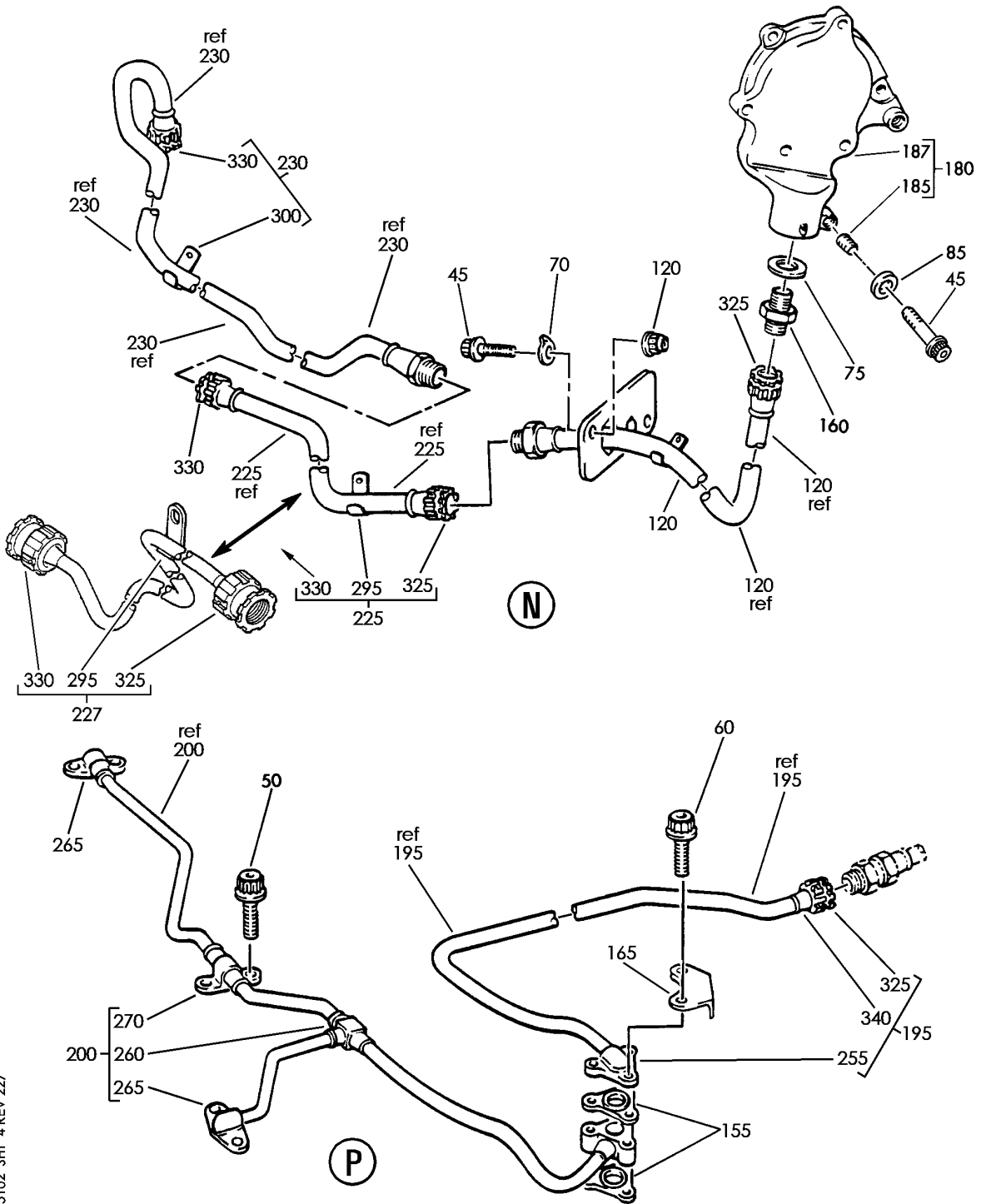
TUBES-COOLING AND AIR SEALING (RB211-535)
FIGURE 2 (SHEET 3)

72-00-51-02

BRI
MAY 28/07

72-00-51-02
PAGE 0B


BOEING
 757
PARTS CATALOG (MAINTENANCE)



Y 72005102 SHT. 4 REV 227

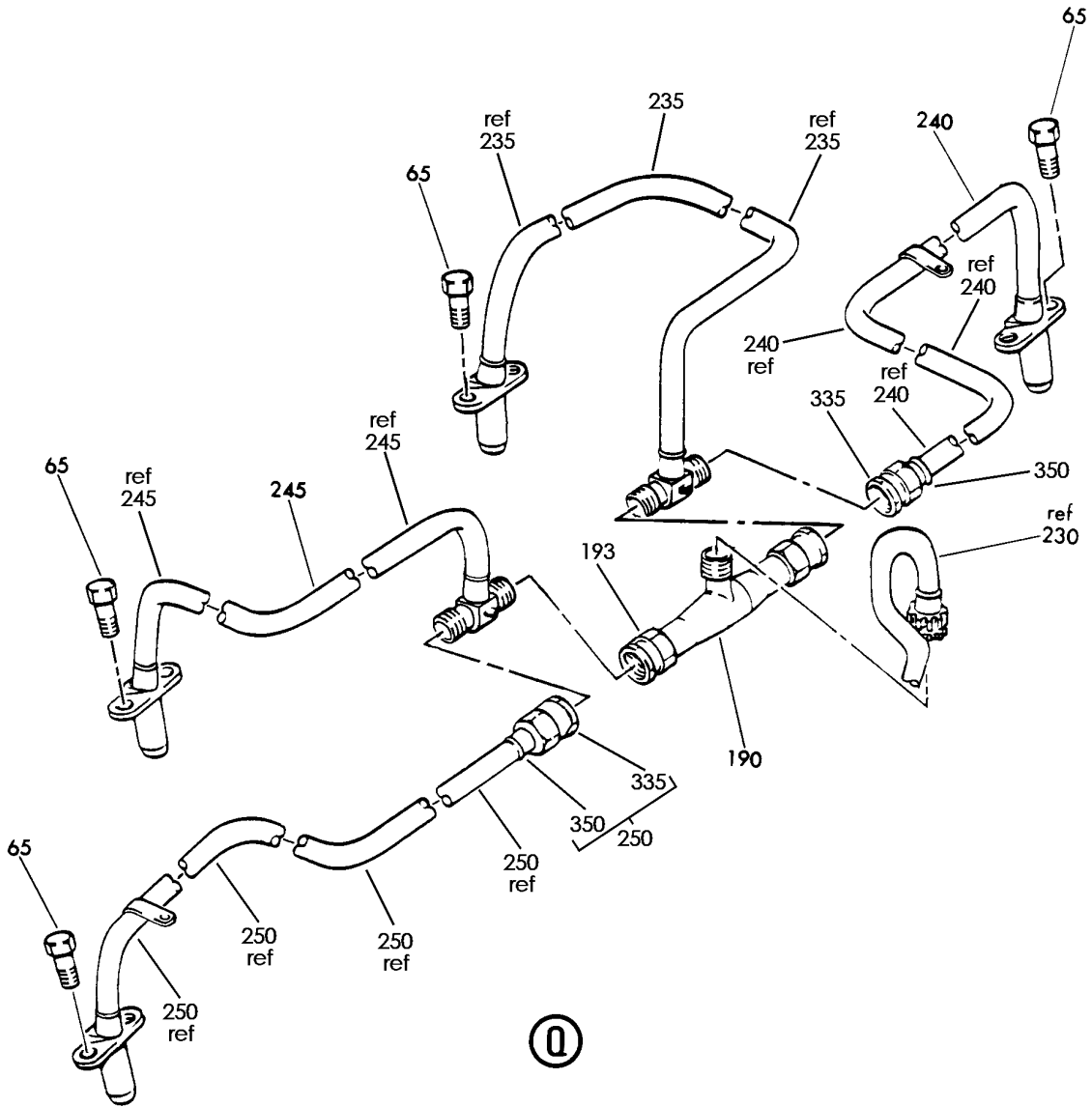
TUBES-COOLING AND AIR SEALING (RB211-535)
 FIGURE 2 (SHEET 4)

72-00-51-02

BRI
 MAY 28/07

72-00-51-02
 PAGE 0C

BOEING
757
PARTS CATALOG (MAINTENANCE)



Y 72005102 SHT 5 REV 220

TUBES-COOLING AND AIR SEALING (RB211-535)
FIGURE 2 (SHEET 5)

72-00-51-02

BRI
MAY 28/07

72-00-51-02
PAGE 0D



757

PARTS CATALOG (MAINTENANCE)

FIG ITEM	PART NUMBER	1 2 3 4 5 6 7	NOMENCLATURE	EFFECT FROM TO	UNITS PER ASSY
2					
- 1	UL19722		TUBES-COOLING AND AIR SEALING (RB211-535) ENGINE ASSY-Q.E.C.U. RB211-535E43711 MAXIMUM NEUT SUPPLIER CODE: VK0680 FOR NHA/OTHER SYS DET SEE: 71-00-02-04	002004 006999 107107	RF
- 1	UL20697		ENGINE ASSY-Q.E.C.U. RB211-535E43711 MAXIMUM NEUT WITH GRAVINER FIRE DETECTORS, BAYONET MCD, NON-MODULATED IDG COOLING 40,000 LB THRUST SUPPLIER CODE: VK0680 REFERENCE SERVICE BULLETIN: 71-0058R4 QUALIFIED SB I/W DATA: INTERMIX OF ONE OR SUBSTITUTION OF TWO DIFFERENT CONFIGURATION RB211-535E4-37/() ENGINES FOR RB211-535 E4 BASE ENGINES REFERENCE SERVICE BULLETIN: RB211-72-C547 VK0680 FOR NHA/OTHER SYS DET SEE: 71-00-02-04	121503 904949 952999	RF

MISSING ITEM NUMBERS NOT APPLICABLE

- ITEM NOT ILLUSTRATED

BRI

72-00-51-02

BOEING PROPRIETARY - Copyright © - Unpublished Work - See title page for details.

72-00-51
FIG. 02
PAGE 1
JAN 20/09



757

PARTS CATALOG (MAINTENANCE)

FIG ITEM	PART NUMBER	1 2 3 4 5 6 7	NOMENCLATURE	EFFECT FROM TO	UNITS PER ASSY
2 - 1	UL20698		ENGINE ASSY-Q.E.C.U. RB211-535E43712 MAXIMUM NEUT SUPPLIER CODE: VK0680 REFERENCE SERVICE BULLETIN: 71-0058R7 QUALIFIED SB I/W DATA: INTERMIX OF ONE OR SUBSTITUTION OF TWO DIFFERENT CONFIGURATION RB211-535E4-37/() ENGINES FOR RB211-535E4 BASE ENGINES OR DIFFERENT CONFIGURATION RB211-535E4-B-37/() ENGINES FOR RB211-535E4-B BASE ENGINES REFERENCE SERVICE BULLETIN: RB211-72C547 VK0680 RB211-72-8910 VK0680 POST RAPID REVISION: RR92014-183A-RC-E FOR NHA/OTHER SYS DET SEE: 71-00-02-04	002004 006100 102102	RF
- 1	UL20702		ENGINE ASSY-Q.E.C.U. RB211-535E43711 BASIC ENGINE CONFIG. WITH GRAVINER FIRE DETECTORS,BAYONET MCD, NON-MODUATED IDG COOLING 40,100 LB THRUST SUPPLIER CODE: VK0680 FOR NHA/OTHER SYS DET SEE: 71-00-02-10	504903	RF
- 1	UL36209		ENGINE ASSY-Q.E.C.U. RB211-535E43719 MAXIMUM NEUT SUPPLIER CODE: VK0680 FOR NHA/OTHER SYS DET SEE: 71-00-02-04	950951	RF

MISSING ITEM NUMBERS NOT APPLICABLE

- ITEM NOT ILLUSTRATED

72-00-51-02

72-00-51
FIG. 02
PAGE 2
JAN 20/09

BRI



757

PARTS CATALOG (MAINTENANCE)

FIG ITEM	PART NUMBER	1 2 3 4 5 6 7	NOMENCLATURE	EFFECT FROM TO	UNITS PER ASSY
2					
- 3	BCREF17395		ENGINE ASSY-Q.E.C.U. RB211-535E43739 BASIC ENGINE CONFIGURATION AND PHASE 5 COMBUSTOR 40,100 LB THRUST SUPPLIER CODE: VK0680 OVERLENGTH PART NUMBER: RB211-535E4-37-39E FOR NHA/OTHER SYS DET SEE: 71-00-02-10	108120	RF
- 3	BCREF17101		ENGINE ASSY-Q.E.C.U. RB211-535E43744 BASIC ENGINE CONFIGURATION, BAYONET MCD AND PHASE 5 COMBUSTOR 40,100 LB THRUST SUPPLIER CODE: VK0680 OVERLENGTH PART NUMBER: RB211-535E4-3744E FOR NHA/OTHER SYS DET SEE: 71-00-02-10	103106	RF
- 3	UL38163		ENGINE ASSY-Q.E.C.U. RB211-535E43724 BASIC ENGINE CONFIGURATION, BAYONET MCD, 40,100 LB THRUST SUPPLIER CODE: VK0680 FOR NHA/OTHER SYS DET SEE: 71-00-02-10	101101	RF
- 5	UL30080		.AIR TUBES SYSTEM- COOLING AND SEALING SUPPLIER CODE: VK0680 POST SERVICE BULLETIN: 72-9406PT01 VK0680	002004 006999	RF
8	AS21012		..BOLT	002004 006999	2
10	AS21407		..BOLT	002004 006999	2
12	AS21407		..BOLT- POST SERVICE BULLETIN: 72-C230PT01 VK0680	002004 006999	1

MISSING ITEM NUMBERS NOT APPLICABLE

- ITEM NOT ILLUSTRATED

72-00-51-02

72-00-51
FIG. 02
PAGE 3
JAN 20/09

BRI



757

PARTS CATALOG (MAINTENANCE)

FIG ITEM	PART NUMBER	1 2 3 4 5 6 7	NOMENCLATURE	EFFECT FROM TO	UNITS PER ASSY
2					
15	AS21408	..	BOLT	002004 006999	6
20	AS21409	..	BOLT	002004 006999	1
25	AS21417	..	BOLT	002004 006999	2
30	AS21420	..	BOLT	002004 006999	1
32	AS21420	..	BOLT	101101 950951	1
35	AS21427	..	BOLT	002004 006999	1
40	AS21508	..	BOLT	002004 006999	2
45	AS21512	..	BOLT	002004 006999	7
50	AS21513	..	BOLT	002004 006999	6
55	AS21515	..	BOLT	002004 006999	3
60	AS21526	..	BOLT	002004 006999	3
65	BLT3411	..	BOLT- SUPPLIER CODE: VK0680	002004 006999	8
70	CU37148	..	WASHER- SUPPLIER CODE: VK0680	002004 006999	1
75	KB29672	..	WASHER- SUPPLIER CODE: VK0680	002004 006999	1
80	K8831	..	WASHER- SUPPLIER CODE: VK0680	002004 006999	11
82	K8831	..	WASHER- SUPPLIER CODE: VK0680	002004 006102 107107 121999	4
83	K8831	..	WASHER- SUPPLIER CODE: VK0680 POST SERVICE BULLETIN: 72-C230PT01 VK0680	103106 108120	6
85	LK74669	..	WASHER- SUPPLIER CODE: VK0680	002004 006999	5

MISSING ITEM NUMBERS NOT APPLICABLE

- ITEM NOT ILLUSTRATED

BRI

72-00-51-02

72-00-51
FIG. 02
PAGE 4
JAN 20/09



757

PARTS CATALOG (MAINTENANCE)

FIG ITEM	PART NUMBER	1 2 3 4 5 6 7	NOMENCLATURE	EFFECT FROM TO	UNITS PER ASSY
2					
90	UP10478	..	SPACER- SUPPLIER CODE: VK0680	002004 006999	1
95	UP10479	..	SPACER- SUPPLIER CODE: VK0680	002004 006999	1
100	UP10480	..	SPACER- SUPPLIER CODE: VK0680	002004 006999	2
105	UP10481	..	SPACER- SUPPLIER CODE: VK0680	002004 006102 107107 121999	1
105	UP10478	..	SPACER- SUPPLIER CODE: VK0680 POST SERVICE BULLETIN: 72-C230PT01 VK0680	103106 108120	1
110	UP10482	..	SPACER- SUPPLIER CODE: VK0680	002004 006999	1
115	AS20624	..	NUT	002004 006999	4
118	AS20624	..	NUT	002004 006102 107107 121999	2
119	AS20624	..	NUT- POST SERVICE BULLETIN: 72-C230PT01 VK0680	103106 108120	4
120	AS20625	..	NUT	002004 006999	7
125	AS41104	..	NUT	002004 006999	7
128	AS41104	..	NUT	002004 006102 107107 121999	2
130	LK39529	..	CLIP- SUPPLIER CODE: VK0680 POST SERVICE BULLETIN: 72-C230PT01 VK0680 PRE SERVICE BULLETIN: 72-C754 VK0680	002004 006999	2

MISSING ITEM NUMBERS NOT APPLICABLE

- ITEM NOT ILLUSTRATED

BRI

72-00-51-02

BOEING PROPRIETARY - Copyright © - Unpublished Work - See title page for details.

72-00-51
FIG. 02
PAGE 5
JAN 20/09



757

PARTS CATALOG (MAINTENANCE)

FIG ITEM	PART NUMBER	1 2 3 4 5 6 7	NOMENCLATURE	EFFECT FROM TO	UNITS PER ASSY
2					
130	UP12014	..	CLIP- SUPPLIER CODE: VK0680 POST SERVICE BULLETIN: 72-C754PTA V77445	002004 006102 107107 121999	2
135	400WSS6	..	CLIP- SUPPLIER CODE: V83930	002004 006999	1
140	400WSS8	..	CLIP- SUPPLIER CODE: V83930	002004 006999	6
145	400WSS10	..	CLIP- SUPPLIER CODE: V83930	002004 006999	2
150	400WSS12	..	CLIP- SUPPLIER CODE: V83930	002004 006999	6
155	AGS3900	..	GASKET-CORRUJOINT	002004 006999	2
160	AS27475	..	UNION-STRAIGHT PIPE	002004 006999	1
165	LK47574	..	BRACKET-ANGLE CLIPPING SUPPLIER CODE: VK0680	002004 006999	1
170	LK64688	..	BRACKET-DBL ANGLE CLIPPING SUPPLIER CODE: VK0680	002004 006999	1
175	QB0163	..	FILTER-AIR CENTR1SEP P3 TO BLOW SEALS SUPPLIER CODE: VK6539	002004 006999	1
180	LK84707	..	CONNECTOR ASSY-LP 6 TAKEOFF SUPPLIER CODE: VK0680	002004 006999	1
185	AGS3782	...	INSERT-SCREW THREAD	002004 006999	2
187	LK84708	...	CONNECTOR-LP 6 TAKEOFF SUPPLIER CODE: VK0680	002004 006999	RF
190	UL12852	..	CONNECTOR ASSY-IP6 AIR TUBES SUPPLIER CODE: VK0680	002004 006999	1

MISSING ITEM NUMBERS NOT APPLICABLE

- ITEM NOT ILLUSTRATED

72-00-51-02

72-00-51
FIG. 02
PAGE 6
JAN 20/09

BRI

BOEING PROPRIETARY - Copyright © - Unpublished Work - See title page for details.



757

PARTS CATALOG (MAINTENANCE)

FIG ITEM	PART NUMBER	1 2 3 4 5 6 7	NOMENCLATURE	EFFECT FROM TO	UNITS PER ASSY
2					
195	LK85926		..TUBE ASSY-P3 AIR-FIREWALL DISC. TO GEARBOX SEALS SUPPLIER CODE: VK0680 PRE SERVICE BULLETIN: 72-9535 VK0680	002004 006100 102102 107107 121949 952999	1
195	UL31232		..TUBE ASSY-P3 AIR-FIREWALL DISC. TO GEARBOX SEALS SUPPLIER CODE: VK0680 POST SERVICE BULLETIN: 72-9535PT01 VK0680	002004 006999	1
200	LK86042		..TUBE ASSY-P3 AIR BLOWN SEALS SUPPLIER CODE: VK0680 PRE SERVICE BULLETIN: 72-9406 VK0680	002004 006102 107999	1
200	UL28860		..TUBE ASSY-AIR BLOWN SEALS SUPPLIER CODE: VK0680 POST SERVICE BULLETIN: 72-9406PT01 VK0680	002004 006999	1
205	LK74457		..TUBE ASSY-P3 AIR-INTMD CASE TO BHD DISC. SUPPLIER CODE: VK0680	002004 006999	1
210	LK80668		..TUBE ASSY-P3 AIR-BHD DISC. TO CENTRISEP SUPPLIER CODE: VK0680	002004 006999	1
215	UL16483		..TUBE ASSY-P3 AIR CENTRISEP TO FIREWALL DISC. SUPPLIER CODE: VK0680 POST SERVICE BULLETIN: 72-C230PT01 VK0680	002004 006999	1
220	UL11179		..TUBE ASSY-IP6 AIR OFFTAKE TO DISC. SUPPLIER CODE: VK0680	002004 006999	1

MISSING ITEM NUMBERS NOT APPLICABLE

- ITEM NOT ILLUSTRATED

72-00-51-02

72-00-51
FIG. 02
PAGE 7
JAN 20/09

BRI

BOEING PROPRIETARY - Copyright © - Unpublished Work - See title page for details.



757

PARTS CATALOG (MAINTENANCE)

FIG ITEM	PART NUMBER	1 2 3 4 5 6 7	NOMENCLATURE	EFFECT FROM TO	UNITS PER ASSY
2					
225	UL14911		..TUBE ASSY-IP6 AIR DISC. TO DISC. SUPPLIER CODE: VK0680 PRE SERVICE BULLETIN: 72-C230 VK0680	101101 950951	1
230	UL16515		..TUBE ASSY-IP6 AIR-DISC. TO 3WAY CONN SUPPLIER CODE: VK0680	002004 006999	1
235	UL16516		..TUBE ASSY-IP6 AIR-DISC TO TURB CASE PORT SUPPLIER CODE: VK0680 POSITION DATA: UPR	002004 006999	1
- 238	UP10505		...CONNECTOR- SUPPLIER CODE: VK0680	002004 006102 108120	1
240	UL16494		..TUBE ASSY-IP6 AIR-DISC. TO TURB CASE PORT SUPPLIER CODE: VK0680 POSITION DATA: LWR	002004 006999	1
- 243	UP10505		...CONNECTOR- SUPPLIER CODE: VK0680	002004 006102 108120	1
245	UL16495		..TUBE ASSY-IP6 AIR-DISC. TO TURB CASE STBD SUPPLIER CODE: VK0680 POSITION DATA: UPR	002004 006999	1
- 248	UP10505		...CONNECTOR- SUPPLIER CODE: VK0680	101101	1
250	UL16496		..TUBE ASSY-IP6 AIR-DISC. TO TURB CASE STBD SUPPLIER CODE: VK0680 POSITION DATA: LWR	002004 006999	1
- 253	UP10505		...CONNECTOR- SUPPLIER CODE: VK0680	101101	1

MISSING ITEM NUMBERS NOT APPLICABLE

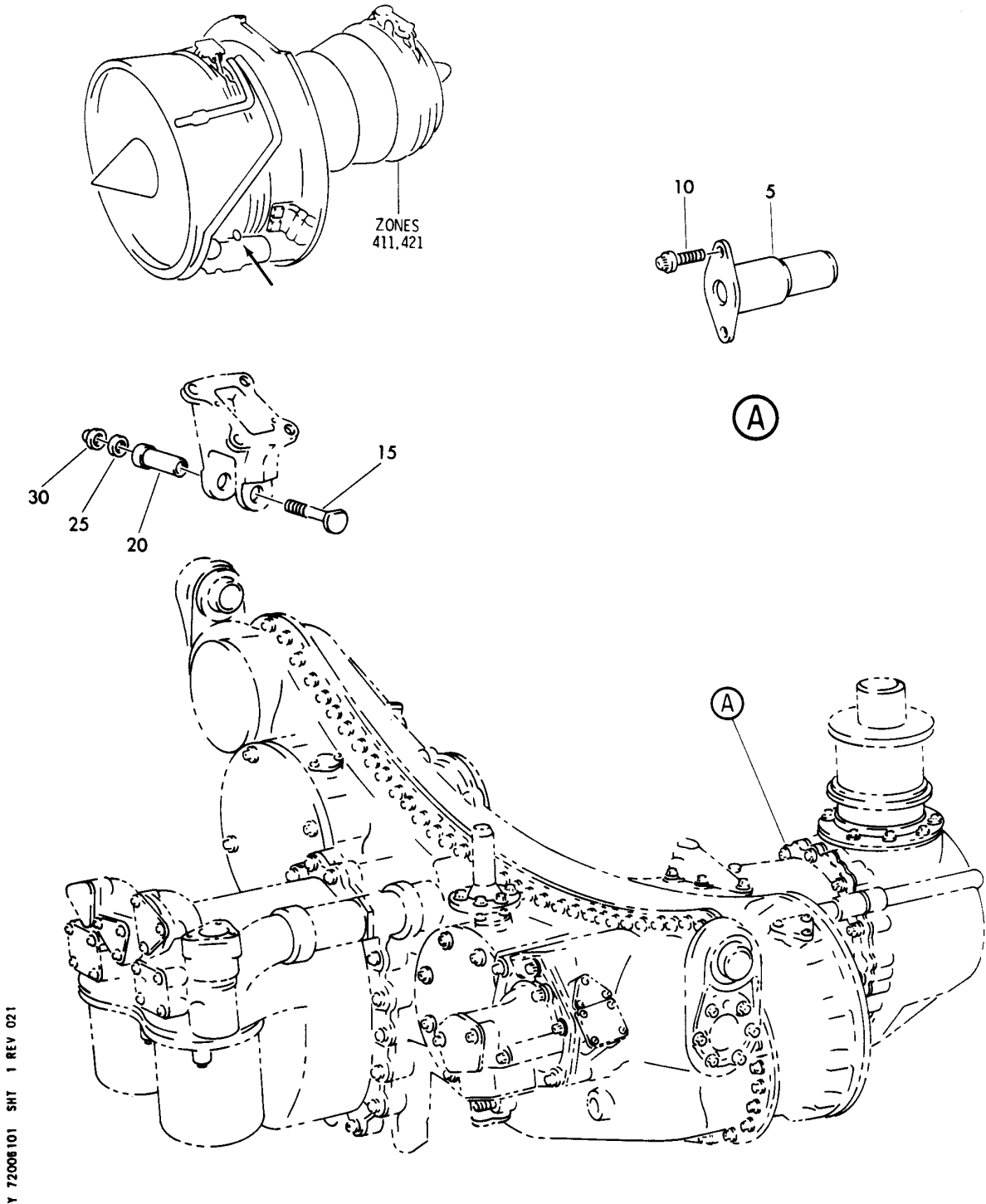
- ITEM NOT ILLUSTRATED

72-00-51-02

72-00-51
FIG. 02
PAGE 8
JAN 20/09

BRI

BOEING
757
PARTS CATALOG (MAINTENANCE)



Y 72008101 SHY 1 REV 021

HIGH SPEED GEARBOX MODULE 06 (RB211-535)

FIGURE 1

72-00-61-01

BRI
MAY 28/07

72-00-61-01
PAGE 0



757

PARTS CATALOG (MAINTENANCE)

FIG ITEM	PART NUMBER	1 2 3 4 5 6 7	NOMENCLATURE	EFFECT FROM TO	UNITS PER ASSY
1			HIGH SPEED GEARBOX	002004	
- 1	UL20697		MODULE 06 (RB211-535) ENGINE ASSY-Q.E.C.U. RB211-535E43711 MAXIMUM NEUT WITH GRAVINER FIRE DETECTORS, BAYONET MCD, NON-MODULATED IDG COOLING 40,000 LB THRUST SUPPLIER CODE: VK0680 REFERENCE SERVICE BULLETIN: 71-0058R4 QUALIFIED SB I/W DATA: INTERMIX OF ONE OR SUBSTITUTION OF TWO DIFFERENT CONFIGURATION RB211-535E4-37/() ENGINES FOR RB211-535 E4 BASE ENGINES REFERENCE SERVICE BULLETIN: RB211-72-C547 VK0680 FOR NHA/OTHER SYS DET SEE: 71-00-02-04	006999 121503 904949 952999	RF
- 1	UL20702		ENGINE ASSY-Q.E.C.U. RB211-535E43711 BASIC ENGINE CONFIG. WITH GRAVINER FIRE DETECTORS, BAYONET MCD, NON-MODUATED IDG COOLING 40,100 LB THRUST SUPPLIER CODE: VK0680 FOR NHA/OTHER SYS DET SEE: 71-00-02-10	504903	RF
- 1	UL19722		ENGINE ASSY-Q.E.C.U. RB211-535E43711 MAXIMUM NEUT SUPPLIER CODE: VK0680 FOR NHA/OTHER SYS DET SEE: 71-00-02-04	107107	RF

MISSING ITEM NUMBERS NOT APPLICABLE

- ITEM NOT ILLUSTRATED

BRI

72-00-61-01

BOEING PROPRIETARY - Copyright © - Unpublished Work - See title page for details.

72-00-61
FIG. 01
PAGE 1
JAN 20/09



757

PARTS CATALOG (MAINTENANCE)

FIG ITEM	PART NUMBER	1 2 3 4 5 6 7	NOMENCLATURE	EFFECT FROM TO	UNITS PER ASSY
1					
- 2	UL20698		ENGINE ASSY-Q.E.C.U. RB211-535E43712 MAXIMUM NEUT SUPPLIER CODE: VK0680 REFERENCE SERVICE BULLETIN: 71-0058R7 QUALIFIED SB I/W DATA: INTERMIX OF ONE OR SUBSTITUTION OF TWO DIFFERENT CONFIGURATION RB211-535E4-37/() ENGINES FOR RB211-535E4 BASE ENGINES OR DIFFERENT CONFIGURATION RB211-535E4-B-37/() ENGINES FOR RB211-535E4-B BASE ENGINES REFERENCE SERVICE BULLETIN: RB211-72C547 VK0680 RB211-72-8910 VK0680 POST RAPID REVISION: RR92014-183A-RC-E FOR NHA/OTHER SYS DET SEE: 71-00-02-04	002004 006100 102102	RF
- 2	UL36209		ENGINE ASSY-Q.E.C.U. RB211-535E43719 MAXIMUM NEUT SUPPLIER CODE: VK0680 FOR NHA/OTHER SYS DET SEE: 71-00-02-04	950951	RF
- 3	BCREF17395		ENGINE ASSY-Q.E.C.U. RB211-535E43739 BASIC ENGINE CONFIGURATION AND PHASE 5 COMBUSTOR 40,100 LB THRUST SUPPLIER CODE: VK0680 OVERLENGTH PART NUMBER: RB211-535E4-37-39E FOR NHA/OTHER SYS DET SEE: 71-00-02-10	108120	RF

MISSING ITEM NUMBERS NOT APPLICABLE

- ITEM NOT ILLUSTRATED

72-00-61-01

72-00-61
FIG. 01
PAGE 2
JAN 20/09

BRI



757

PARTS CATALOG (MAINTENANCE)

FIG ITEM	PART NUMBER	1 2 3 4 5 6 7	NOMENCLATURE	EFFECT FROM TO	UNITS PER ASSY
1					
- 3	BCREF17101		ENGINE ASSY-Q.E.C.U. RB211-535E43744 BASIC ENGINE CONFIGURATION, BAYONET MCD AND PHASE 5 COMBUSTOR 40,100 LB THRUST SUPPLIER CODE: VK0680 OVERLENGTH PART NUMBER: RB211-535E4-3744E FOR NHA/OTHER SYS DET SEE: 71-00-02-10	103106	RF
- 3	UL38163		ENGINE ASSY-Q.E.C.U. RB211-535E43724 BASIC ENGINE CONFIGURATION, BAYONET MCD, 40,100 LB THRUST SUPPLIER CODE: VK0680 FOR NHA/OTHER SYS DET SEE: 71-00-02-10	101101	RF
- 4	LK78500		.HIGH SPEED GEARBOX- MODULE 6 SUPPLIER CODE: VK0680	002004 006999	RF
5	LK77033		..PIN- SUPPLIER CODE: VK0680	002004 006999	1
10	AS21517		..BOLT-	002004 006999	2
15	BLT5137		..BOLT- SUPPLIER CODE: VK0680	002004 006999	2
20	LK77026		..BUSHING- SUPPLIER CODE: VK0680	002004 006999	2
25	LK75693		..WASHER- SUPPLIER CODE: VK0680	002004 006999	2
30	AS20631		..NUT-	002004 006999	2

MISSING ITEM NUMBERS NOT APPLICABLE

- ITEM NOT ILLUSTRATED

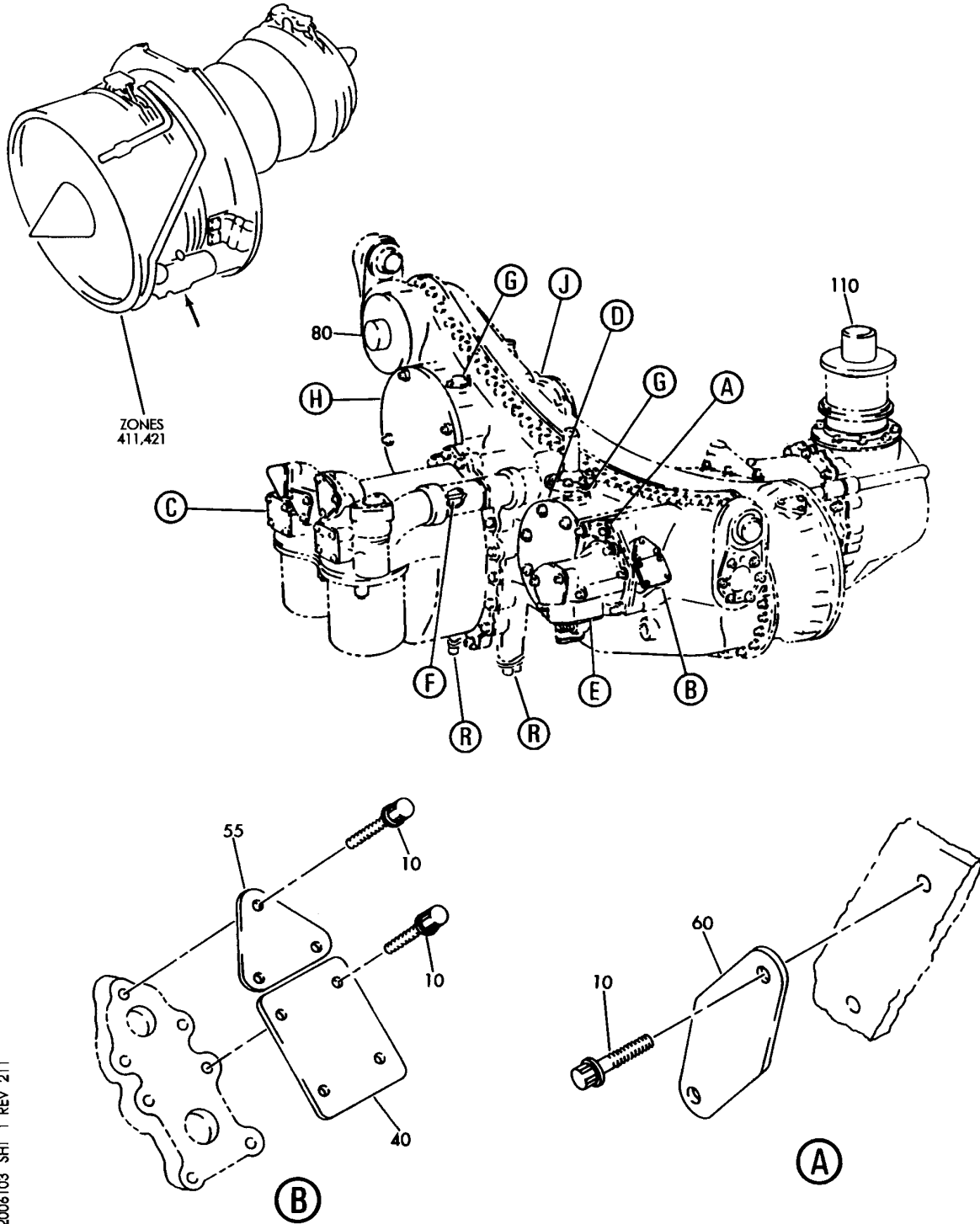
72-00-61-01

72-00-61
FIG. 01
PAGE 3
JAN 20/09

BRI

BOEING PROPRIETARY - Copyright © - Unpublished Work - See title page for details.

BOEING
757
PARTS CATALOG (MAINTENANCE)



Y 72006103 SHF 1 REV 211

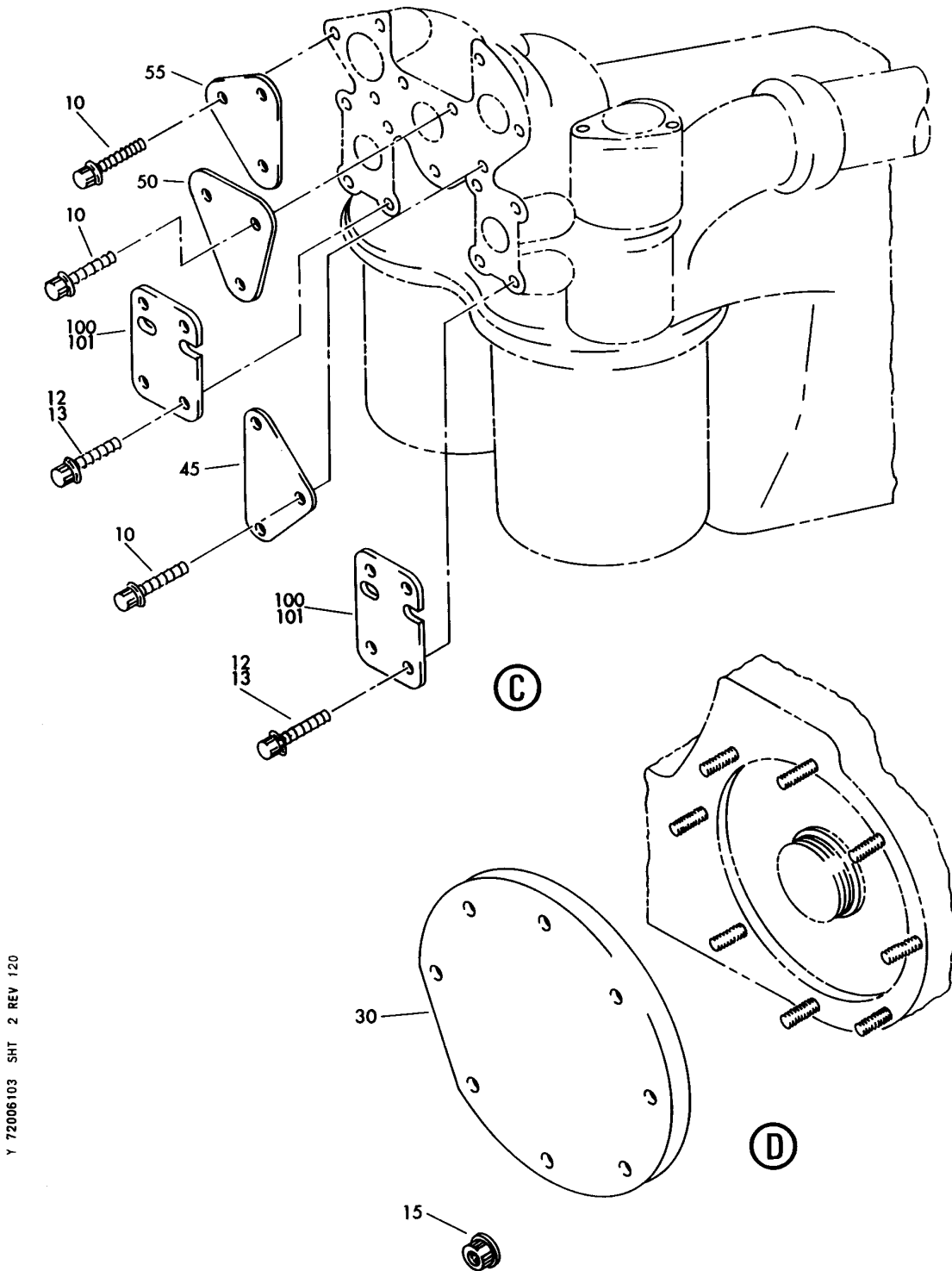
HIGH SPEED GEARBOX MODULE TRANSPORTATION FITTINGS (RB211-535)
FIGURE 3 (SHEET 1)

72-00-61-03

BRI
MAY 28/07

72-00-61-03
PAGE 0

BOEING
757
PARTS CATALOG (MAINTENANCE)



Y 72006103 SHT 2 REV 120

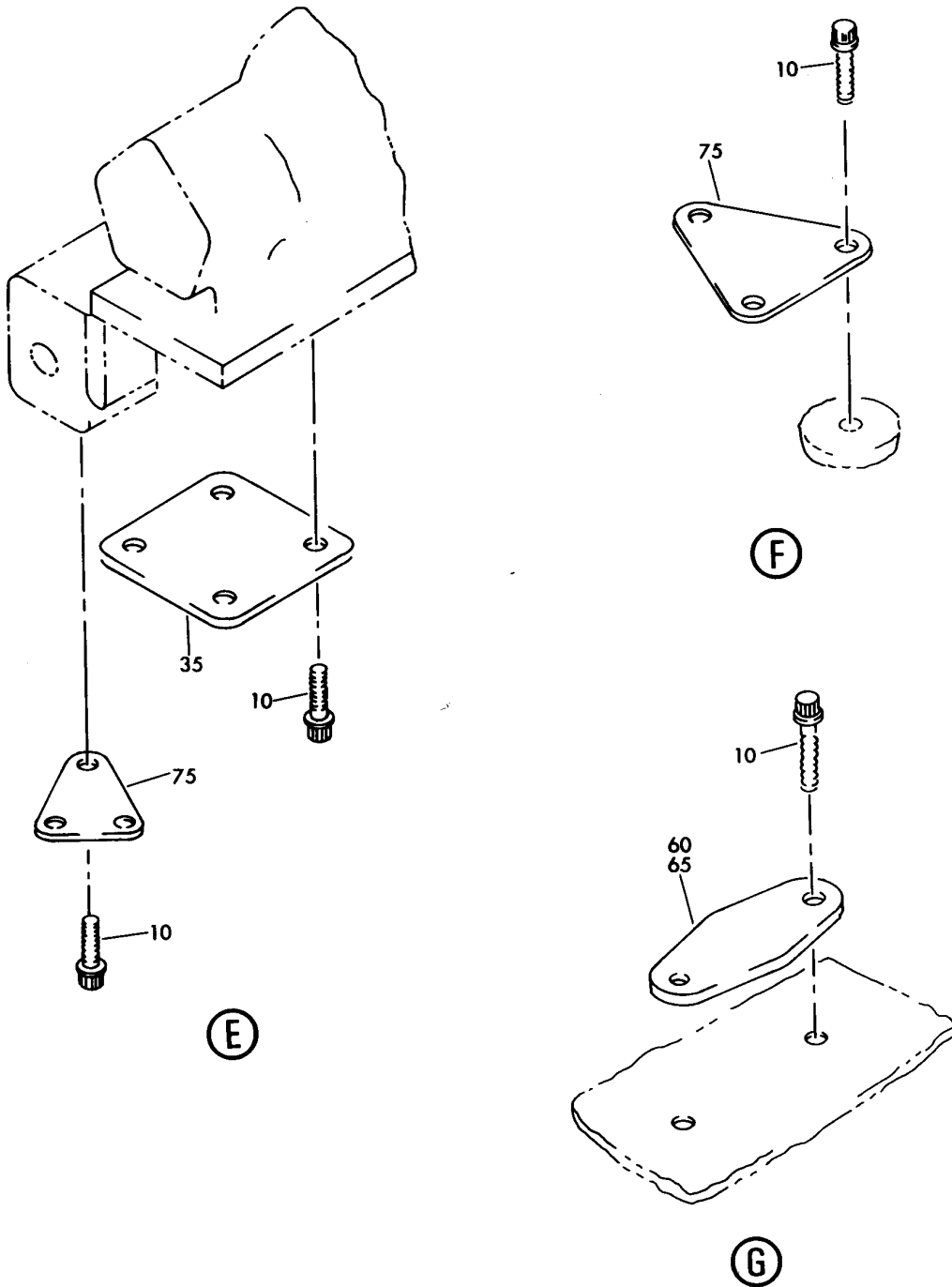
HIGH SPEED GEARBOX MODULE TRANSPORTATION FITTINGS (RB211-535)
FIGURE 3 (SHEET 2)

72-00-61-03

BRI
MAY 28/07

72-00-61-03
PAGE 0A

BOEING
757
PARTS CATALOG (MAINTENANCE)



Y 72006103 SHT 3 REV 104 Y

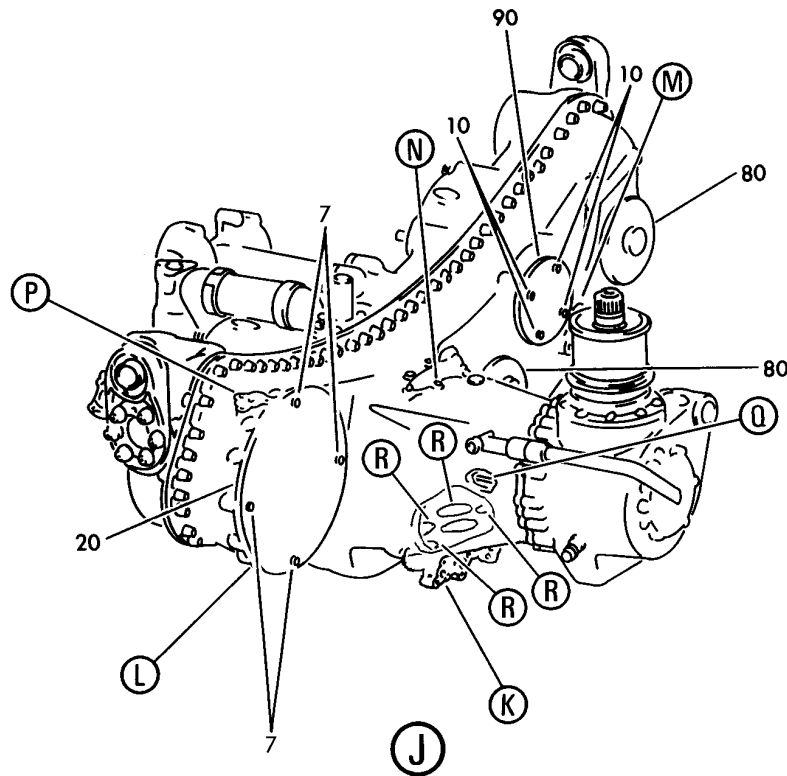
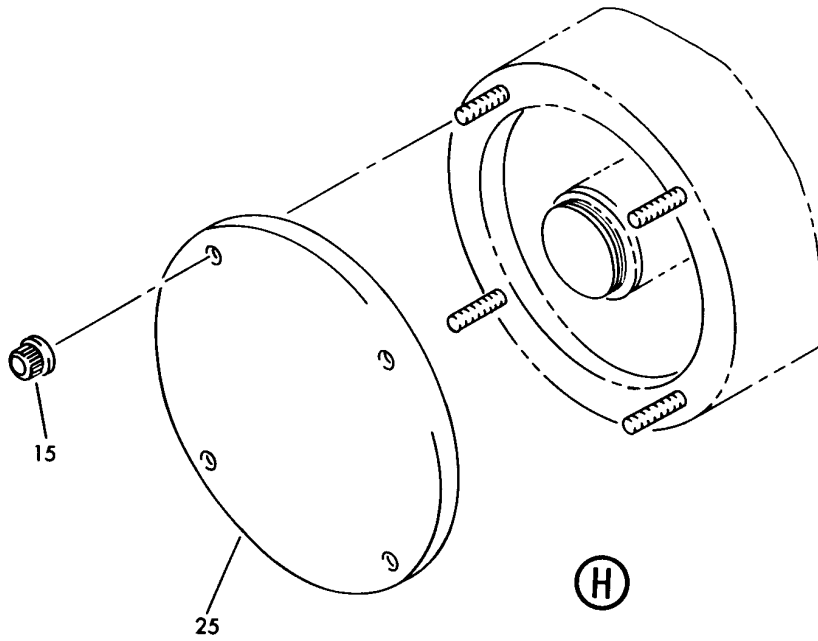
HIGH SPEED GEARBOX MODULE TRANSPORTATION FITTINGS (RB211-535)
FIGURE 3 (SHEET 3)

72-00-61-03

BRI
MAY 28/07

72-00-61-03
PAGE 0B

BOEING
757
PARTS CATALOG (MAINTENANCE)



Y 72006103 SHT 4 REV 228

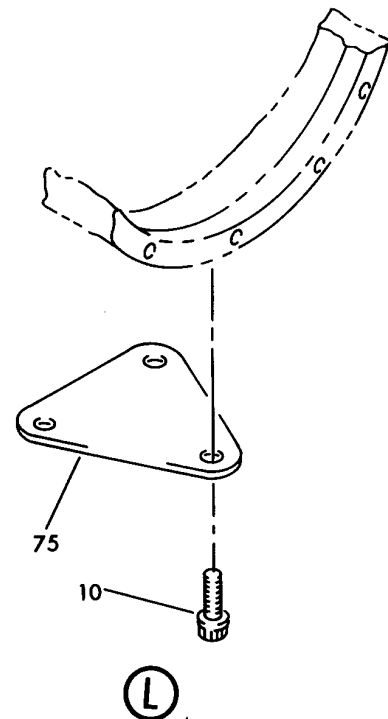
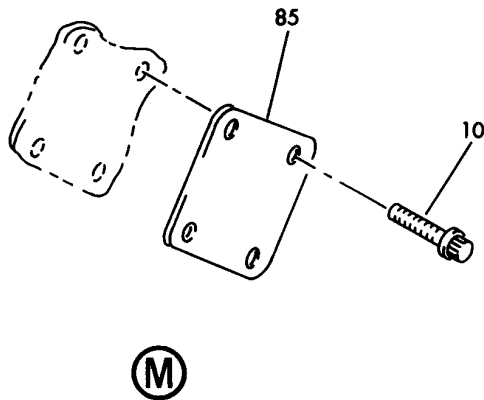
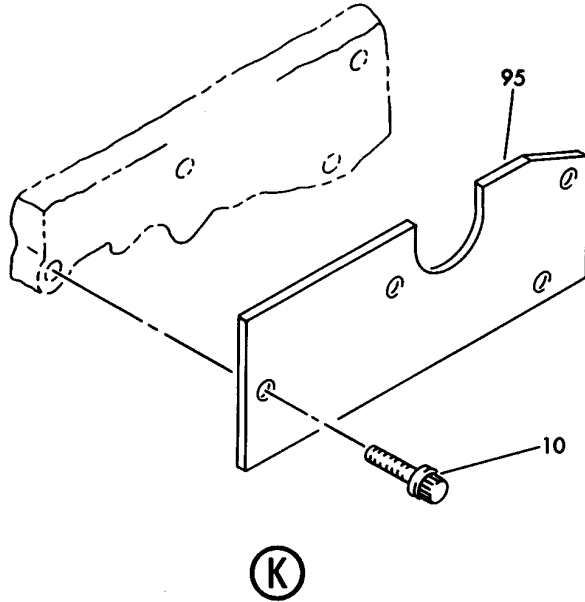
HIGH SPEED GEARBOX MODULE TRANSPORTATION FITTINGS (RB211-535)
FIGURE 3 (SHEET 4)

72-00-61-03

BRI
MAY 28/07

72-00-61-03
PAGE 0C

BOEING
757
PARTS CATALOG (MAINTENANCE)



Y 72006103 SHT 5 REV 104

HIGH SPEED GEARBOX MODULE TRANSPORTATION FITTINGS (RB211-535)
FIGURE 3 (SHEET 5)

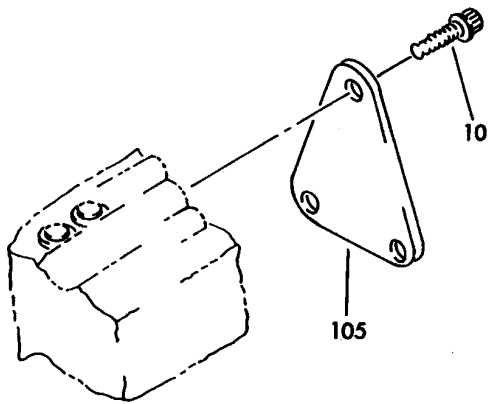
72-00-61-03

BRI
MAY 28/07

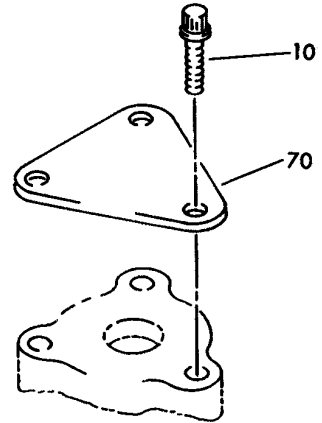
72-00-61-03
PAGE 0D

BOEING PROPRIETARY - Copyright © - Unpublished Work - See title page for details.

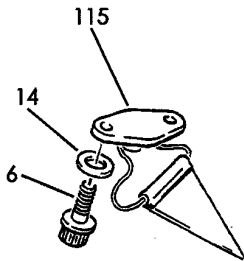
BOEING
757
PARTS CATALOG (MAINTENANCE)



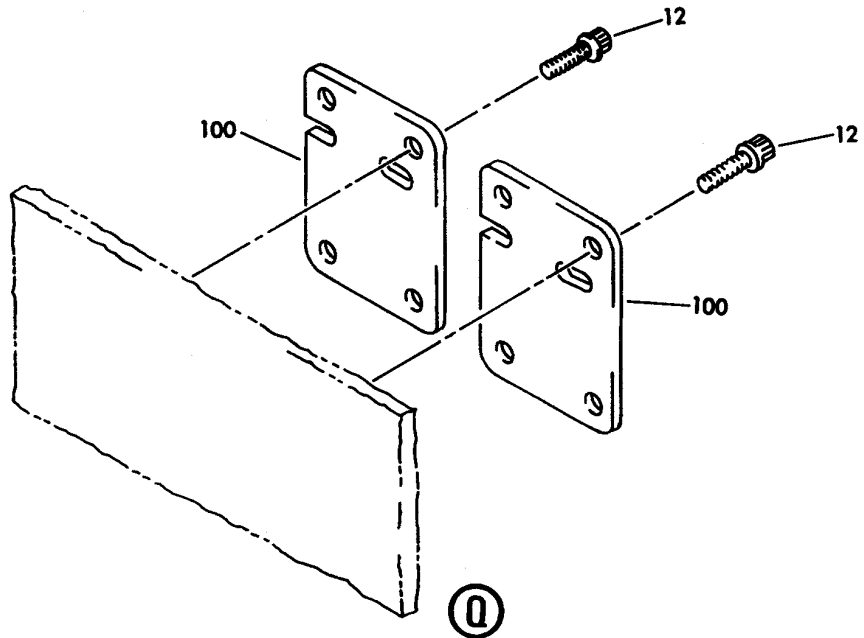
(N)



(P)



(R)



(Q)

Y 72006103 SHT 6 REV 211

HIGH SPEED GEARBOX MODULE TRANSPORTATION FITTINGS (RB211-535)
FIGURE 3 (SHEET 6)

72-00-61-03

BRI
MAY 28/07

72-00-61-03
PAGE 0E



757

PARTS CATALOG (MAINTENANCE)

FIG ITEM	PART NUMBER	1 2 3 4 5 6 7	NOMENCLATURE	EFFECT FROM TO	UNITS PER ASSY
3			HIGH SPEED GEARBOX MODULE TRANSPORTATION FITTINGS (RB211-535)	002004 006999	
- 1	UL19722		ENGINE ASSY-Q.E.C.U. RB211-535E43711 MAXIMUM NEUT SUPPLIER CODE: VK0680 FOR NHA/OTHER SYS DET SEE: 71-00-02-04	107107	RF
- 1	UL20697		ENGINE ASSY-Q.E.C.U. RB211-535E43711 MAXIMUM NEUT WITH GRAVINER FIRE DETECTORS, BAYONET MCD, NON-MODULATED IDG COOLING 40,000 LB THRUST SUPPLIER CODE: VK0680 REFERENCE SERVICE BULLETIN: 71-0058R4 QUALIFIED SB I/W DATA: INTERMIX OF ONE OR SUBSTITUTION OF TWO DIFFERENT CONFIGURATION RB211-535E4-37/() ENGINES FOR RB211-535 E4 BASE ENGINES REFERENCE SERVICE BULLETIN: RB211-72-C547 VK0680 FOR NHA/OTHER SYS DET SEE: 71-00-02-04	121503 904949 952999	RF

MISSING ITEM NUMBERS NOT APPLICABLE

- ITEM NOT ILLUSTRATED

BRI

72-00-61-03

BOEING PROPRIETARY - Copyright © - Unpublished Work - See title page for details.

72-00-61
FIG. 03
PAGE 1
JAN 20/09



757

PARTS CATALOG (MAINTENANCE)

FIG ITEM	PART NUMBER	1 2 3 4 5 6 7	NOMENCLATURE	EFFECT FROM TO	UNITS PER ASSY
3 - 1	UL20698		ENGINE ASSY-Q.E.C.U. RB211-535E43712 MAXIMUM NEUT SUPPLIER CODE: VK0680 REFERENCE SERVICE BULLETIN: 71-0058R7 QUALIFIED SB I/W DATA: INTERMIX OF ONE OR SUBSTITUTION OF TWO DIFFERENT CONFIGURATION RB211-535E4-37/() ENGINES FOR RB211-535E4 BASE ENGINES OR DIFFERENT CONFIGURATION RB211-535E4-B-37/() ENGINES FOR RB211-535E4-B BASE ENGINES REFERENCE SERVICE BULLETIN: RB211-72C547 VK0680 RB211-72-8910 VK0680 POST RAPID REVISION: RR92014-183E FOR NHA/OTHER SYS DET SEE: 71-00-02-04	002004 006100 102102	RF
- 1	UL20702		ENGINE ASSY-Q.E.C.U. RB211-535E43711 BASIC ENG CONFIGURATION WITH GRAVINER FIRE DETECTORS,BAYONET MCD, NON-MODULATED IDG COOLING 40,100 LB THRUST SUPPLIER CODE: VK0680 FOR NHA/OTHER SYS DET SEE: 71-00-02-10	504903	RF
- 1	UL36209		ENGINE ASSY-Q.E.C.U. RB211-535E43719 MAXIMUM NEUT SUPPLIER CODE: VK0680 FOR NHA/OTHER SYS DET SEE: 71-00-02-04	950951	RF

MISSING ITEM NUMBERS NOT APPLICABLE

- ITEM NOT ILLUSTRATED

72-00-61-03

72-00-61
FIG. 03
PAGE 2
JAN 20/09

BRI



757

PARTS CATALOG (MAINTENANCE)

FIG ITEM	PART NUMBER	1 2 3 4 5 6 7	NOMENCLATURE	EFFECT FROM TO	UNITS PER ASSY
3					
- 4	BCREF17395		ENGINE ASSY-Q.E.C.U. RB211-535E43739 BASIC ENG CONFIGURATION AND PHASE 5 COMBUSTOR 40,100 LB THRUST SUPPLIER CODE: VK0680 OVERLENGTH PART NUMBER: RB211-535E4-37-39E FOR NHA/OTHER SYS DET SEE: 71-00-02-10	108120	RF
- 4	BCREF17101		ENGINE ASSY-Q.E.C.U. RB211-535E43744 BASIC ENG CONFIGURATION BAYONET MCD AND PHASE 5 COMBUSTOR 40,100 LB THRUST SUPPLIER CODE: VK0680 OVERLENGTH PART NUMBER: RB211-535E4-3744E FOR NHA/OTHER SYS DET SEE: 71-00-02-10	103106	RF
- 4	UL38163		ENGINE ASSY-Q.E.C.U. RB211-535E43724 BASIC ENG CONFIGURATION BAYONET MCD 40,100 LB THRUST SUPPLIER CODE: VK0680 FOR NHA/OTHER SYS DET SEE: 71-00-02-10	101101	RF
- 5	UL12992		.GEARBOX-HS, MODULE NO. 6 SUPPLIER CODE: VK0680 PRE SERVICE BULLETIN: 73-7951 VK0680	107107 121949 952999	RF
- 5	UL18550		.GEARBOX-HS, MODULE NO. 6 SUPPLIER CODE: VK0680 POST SERVICE BULLETIN: 73-7951PT01 VK0680 PRE SERVICE BULLETIN: 26-7816 VK0680	107107 121949 952999	RF

MISSING ITEM NUMBERS NOT APPLICABLE

- ITEM NOT ILLUSTRATED

BRI

72-00-61-03

BOEING PROPRIETARY - Copyright © - Unpublished Work - See title page for details.

72-00-61
FIG. 03
PAGE 3
JAN 20/09



757

PARTS CATALOG (MAINTENANCE)

FIG ITEM	PART NUMBER	1 2 3 4 5 6 7	NOMENCLATURE	EFFECT FROM TO	UNITS PER ASSY
3					
- 5	UL19962		.GEARBOX-HS, MODULE NO. 6 SUPPLIER CODE: VK0680 POST SERVICE BULLETIN: 72-8044PT01 VK0680 PRE SERVICE BULLETIN: 72-8088 VK0680	002004 006100 102102	RF
- 5	UL19995		.GEARBOX-HS, MODULE NO. 6 SUPPLIER CODE: VK0680 POST SERVICE BULLETIN: 72-8088PT01 VK0680 PRE SERVICE BULLETIN: 79-9179 VK0680	002004 006100 102102	RF
- 5	UL28676		.GEARBOX-HS, MODULE NO. 6 SUPPLIER CODE: VK0680 POST SERVICE BULLETIN: 79-9179PT01 VK0680 72-8088PT01 VK0680 PRE SERVICE BULLETIN: 72-9406 VK0680	002004 006106 108120 950951	RF
- 5	UL33301		.GEARBOX-HS, MODULE NO. 6 SUPPLIER CODE: VK0680 POST SERVICE BULLETIN: 72-9406PT01 VK0680 PRE SERVICE BULLETIN: 72-9890 VK0680	002004 006102 108120 950951	RF
- 5	UL39666		.GEARBOX-HS, MODULE NO. 6 SUPPLIER CODE: VK0680 POST SERVICE BULLETIN: 72-C661PT01 VK0680	002004 006999	RF

MISSING ITEM NUMBERS NOT APPLICABLE

- ITEM NOT ILLUSTRATED

72-00-61-03

72-00-61
FIG. 03
PAGE 4
JAN 20/09

BRI



757

PARTS CATALOG (MAINTENANCE)

FIG ITEM	PART NUMBER	1 2 3 4 5 6 7	NOMENCLATURE	EFFECT FROM TO	UNITS PER ASSY
3 - 5	UL19964		.GEARBOX-HS, MODULE NO. 6 SUPPLIER CODE: VK0680 NOT APPROVED FOR ETOPS. POST SERVICE BULLETIN: 72-8044PT01 VK0680 PRE SERVICE BULLETIN: 72-8088 VK0680	107107 121949 952999	RF
- 5	UL19996		.GEARBOX-HS, MODULE NO. 6 SUPPLIER CODE: VK0680 NOT APPROVED FOR ETOPS. POST SERVICE BULLETIN: 72-8088PT01 VK0680 PRE SERVICE BULLETIN: 79-9179 VK0680	107107 121949 952999	RF
- 5	UL28677		.GEARBOX-HS, MODULE NO. 6 SUPPLIER CODE: VK0680 POST SERVICE BULLETIN: 79-9179PT01 VK0680 PRE SERVICE BULLETIN: 72-9406 VK0680	107107 121949 952999	RF
- 5	UL33302		.GEARBOX-HS, MODULE NO. 6 SUPPLIER CODE: VK0680 POST SERVICE BULLETIN: 72-9406PT01 VK0680	107107 121949 952999	RF
- 5	UL37124		.GEARBOX-HS, MODULE NO. 6 SUPPLIER CODE: VK0680 POST SERVICE BULLETIN: 72-9890PT01 VK0680 PRE SERVICE BULLETIN: 72-C661 VK0680	002004 006999	RF

MISSING ITEM NUMBERS NOT APPLICABLE

- ITEM NOT ILLUSTRATED

72-00-61-03

72-00-61
FIG. 03
PAGE 5
JAN 20/09

BRI



757

PARTS CATALOG (MAINTENANCE)

FIG ITEM	PART NUMBER	1 2 3 4 5 6 7	NOMENCLATURE	EFFECT FROM TO	UNITS PER ASSY
3					
6	LK34659	..	BOLT- SUPPLIER CODE: VK0680 POST SERVICE BULLETIN: 72-9202PTA VK0680	002004 006999	14
7	LK35282	..	BOLT- SUPPLIER CODE: VK0680 PRE SERVICE BULLETIN: 72-D395 VK0680	002004 006999	4
7	FW18573	..	BOLT- SUPPLIER CODE: VK0680 POST SERVICE BULLETIN: 72-D395PTA VK0680	002004 006102 107107 121999	4
10	LK40906	..	BOLT- SUPPLIER CODE: VK0680 PRE SERVICE BULLETIN: 72-D395 VK0680	002004 006999	53
10	LK34659	..	BOLT- SUPPLIER CODE: VK0680 POST SERVICE BULLETIN: 72-D395PTA VK0680	002004 006102 107107 121999	53
12	LK40906	..	BOLT- SUPPLIER CODE: VK0680 PRE SERVICE BULLETIN: 79-9179 VK0680	002004 006100 107107 121949 952999	16
13	LK40906	..	BOLT- SUPPLIER CODE: VK0680 POST SERVICE BULLETIN: 79-9179PT01 VK0680 PRE SERVICE BULLETIN: 72-D395 VK0680	002004 006999	8

MISSING ITEM NUMBERS NOT APPLICABLE

- ITEM NOT ILLUSTRATED

BRI

72-00-61-03

BOEING PROPRIETARY - Copyright © - Unpublished Work - See title page for details.

72-00-61
FIG. 03
PAGE 6
JAN 20/09



757

PARTS CATALOG (MAINTENANCE)

FIG ITEM	PART NUMBER	1 2 3 4 5 6 7	NOMENCLATURE	EFFECT FROM TO	UNITS PER ASSY
3					
13	LK34659	..	BOLT- SUPPLIER CODE: VK0680 POST SERVICE BULLETIN: 72-D395PTA VK0680	002004 006102 107107 121999	8
14	CU19152	..	WASHER- SUPPLIER CODE: VK0680 POST SERVICE BULLETIN: 72-9202PTA VK0680	002004 006999	14
15	MS90415-6	..	NUT- OPTIONAL PART: U760215 VK0680 POST SERVICE BULLETIN: 72-B708PTF VK0680	002004 006999	12
15	U760215	..	NUT- SUPPLIER CODE: VK0680 OPTIONAL PART: MS90415-6 POST SERVICE BULLETIN: 72-B708PTF VK0680	002004 006999	12
20	LK80901	..	COVER-IDG FACE TRANSPORTATION ONLY SUPPLIER CODE: VK0680 PRE SERVICE BULLETIN: 72-D395 VK0680	002004 006999	1
20	FW18434	..	COVER-IDG FACE TRANSPORTATION ONLY SUPPLIER CODE: VK0680 POST SERVICE BULLETIN: 72-D395PTA VK0680	002004 006102 107107 121999	1
25	LK80900	..	COVER-HYD PUMP TRANSPORTATION ONLY SUPPLIER CODE: VK0680 PRE SERVICE BULLETIN: 72-D395 VK0680	002004 006999	1

MISSING ITEM NUMBERS NOT APPLICABLE

- ITEM NOT ILLUSTRATED

72-00-61-03

72-00-61
FIG. 03
PAGE 7
JAN 20/09

BRI

BOEING PROPRIETARY - Copyright © - Unpublished Work - See title page for details.



757

PARTS CATALOG (MAINTENANCE)

FIG ITEM	PART NUMBER	1 2 3 4 5 6 7	NOMENCLATURE	EFFECT FROM TO	UNITS PER ASSY
3					
25	FW18433		..COVER-HYD PUMP TRANSPORTATION ONLY SUPPLIER CODE: VK0680 POST SERVICE BULLETIN: 72-D395PTA VK0680	002004 006102 107107 121999	1
30	LK80899		..COVER-STARTER FACE TRANSPORTATION ONLY SUPPLIER CODE: VK0680 PRE SERVICE BULLETIN: 72-D395 VK0680	002004 006999	1
30	FW18432		..COVER-STARTER FACE TRANSPORTATION ONLY SUPPLIER CODE: VK0680 POST SERVICE BULLETIN: 72-D395PTA VK0680	002004 006102 107107 121999	1
35	LK80902		..COVER-BREATHER FACE TRANSPORTATION ONLY SUPPLIER CODE: VK0680 PRE SERVICE BULLETIN: 72-D395 VK0680	002004 006999	1
35	FW18435		..COVER-BREATHER FACE TRANSPORTATION ONLY SUPPLIER CODE: VK0680 POST SERVICE BULLETIN: 72-D395PTA VK0680	002004 006102 107107 121999	1
40	LK80908		..COVER-VENT AIR RETURN TRANSPORTATION ONLY SUPPLIER CODE: VK0680 PRE SERVICE BULLETIN: 72-D395 VK0680	002004 006999	1
40	FW18440		..COVER-VENT AIR RETURN TRANSPORTATION ONLY SUPPLIER CODE: VK0680 POST SERVICE BULLETIN: 72-D395PTA VK0680	002004 006102 107107 121999	1

MISSING ITEM NUMBERS NOT APPLICABLE

- ITEM NOT ILLUSTRATED

72-00-61-03

72-00-61
FIG. 03
PAGE 8
JAN 20/09

BRI

BOEING PROPRIETARY - Copyright © - Unpublished Work - See title page for details.



757

PARTS CATALOG (MAINTENANCE)

FIG ITEM	PART NUMBER	1 2 3 4 5 6 7	NOMENCLATURE	EFFECT FROM TO	UNITS PER ASSY
3					
45	LK80914	..	COVER-COMBINED SCAV TRANSPORTATION ONLY SUPPLIER CODE: VK0680 PRE SERVICE BULLETIN: 72-D395 VK0680	002004 006999	1
45	FW18446	..	COVER-COMBINED SCAV TRANSPORTATION ONLY SUPPLIER CODE: VK0680 POST SERVICE BULLETIN: 72-D395PTA VK0680	002004 006102 107107 121999	1
50	LK78503	..	COVER-OIL INLET TRANSPORTATION ONLY SUPPLIER CODE: VK0680 PRE SERVICE BULLETIN: 72-D395 VK0680	002004 006999	1
50	FW18431	..	COVER-OIL INLET TRANSPORTATION ONLY SUPPLIER CODE: VK0680 POST SERVICE BULLETIN: 72-D395PTA VK0680	002004 006102 107107 121999	1
55	LK78502	..	COVER-HP OIL TRANSPORTATION ONLY SUPPLIER CODE: VK0680 PRE SERVICE BULLETIN: 72-D395 VK0680	002004 006999	2
55	FW18430	..	COVER-HP OIL TRANSPORTATION ONLY SUPPLIER CODE: VK0680 POST SERVICE BULLETIN: 72-D395PTA VK0680	002004 006102 107107 121999	2
60	LK80909	..	COVER-P3 AIR TRANSPORTATION ONLY SUPPLIER CODE: VK0680 PRE SERVICE BULLETIN: 72-D395 VK0680	002004 006999	2

MISSING ITEM NUMBERS NOT APPLICABLE

- ITEM NOT ILLUSTRATED

72-00-61-03

72-00-61
FIG. 03
PAGE 9
JAN 20/09

BRI

BOEING PROPRIETARY - Copyright © - Unpublished Work - See title page for details.



757

PARTS CATALOG (MAINTENANCE)

FIG ITEM	PART NUMBER	1 2 3 4 5 6 7	NOMENCLATURE	EFFECT FROM TO	UNITS PER ASSY
3					
60	FW18441	..	COVER-P3 AIR TRANSPORTATION ONLY SUPPLIER CODE: VK0680 POST SERVICE BULLETIN: 72-D395PTA VK0680	002004 006102 107107 121999	2
65	LK80910	..	COVER-P3 AIR SUPPLY TRANSPORTATION ONLY SUPPLIER CODE: VK0680 PRE SERVICE BULLETIN: 72-D395 VK0680	002004 006999	1
65	FW18442	..	COVER-P3 AIR SUPPLY TRANSPORTATION ONLY SUPPLIER CODE: VK0680 POST SERVICE BULLETIN: 72-D395PTA VK0680	002004 006102 107107 121999	1
70	LK80911	..	COVER-P3 AIR SUPPLY TRANSPORTATION ONLY SUPPLIER CODE: VK0680 PRE SERVICE BULLETIN: 72-D395 VK0680	002004 006999	1
70	FW18443	..	COVER-P3 AIR SUPPLY TRANSPORTATION ONLY SUPPLIER CODE: VK0680 POST SERVICE BULLETIN: 72-D395PTA VK0680	002004 006102 107107 121999	1
75	LK80912	..	COVER-IDG HYD PUMP TRANSPORTATION ONLY SUPPLIER CODE: VK0680 PRE SERVICE BULLETIN: 72-D395 VK0680	002004 006999	3
75	FW18444	..	COVER-IDG HYD PUMP TRANSPORTATION ONLY SUPPLIER CODE: VK0680 POST SERVICE BULLETIN: 72-D395PTA VK0680	002004 006102 107107 121999	3

MISSING ITEM NUMBERS NOT APPLICABLE

- ITEM NOT ILLUSTRATED

72-00-61-03

72-00-61
FIG. 03
PAGE 10
JAN 20/09

BRI

BOEING PROPRIETARY - Copyright © - Unpublished Work - See title page for details.



757

PARTS CATALOG (MAINTENANCE)

FIG ITEM	PART NUMBER	1 2 3 4 5 6 7	NOMENCLATURE	EFFECT FROM TO	UNITS PER ASSY
3					
80	LK80905	..	COVER-HP LP FUEL PUMP TRANSPORTATION ONLY SUPPLIER CODE: VK0680 PRE SERVICE BULLETIN: 72-D395 VK0680	002004 006999	3
80	FW18438	..	COVER-HP LP FUEL PUMP TRANSPORTATION ONLY SUPPLIER CODE: VK0680 POST SERVICE BULLETIN: 72-D395PTA VK0680	002004 006102 107107 121999	3
85	LK80904	..	COVER-HP TACHO FACING TRANSPORTATION ONLY SUPPLIER CODE: VK0680 PRE SERVICE BULLETIN: 72-D395 VK0680	002004 006999	1
85	FW18437	..	COVER-HP TACHO FACING TRANSPORTATION ONLY SUPPLIER CODE: VK0680 POST SERVICE BULLETIN: 72-D395PTA VK0680	002004 006102 107107 121999	1
90	LK82099	..	COVER-DEDICATED GEN TRANSPORTATION ONLY SUPPLIER CODE: VK0680 PRE SERVICE BULLETIN: 72-D395 VK0680	002004 006999	1
90	FW18449	..	COVER-DEDICATED GEN TRANSPORTATION ONLY SUPPLIER CODE: VK0680 POST SERVICE BULLETIN: 72-D395PTA VK0680	002004 006102 107107 121999	1
95	LK80915	..	COVER-OIL RETURN TRANSPORTATION ONLY SUPPLIER CODE: VK0680 PRE SERVICE BULLETIN: 72-D395 VK0680	002004 006999	1

MISSING ITEM NUMBERS NOT APPLICABLE

- ITEM NOT ILLUSTRATED

72-00-61-03

72-00-61
FIG. 03
PAGE 11
JAN 20/09

BRI

BOEING PROPRIETARY - Copyright © - Unpublished Work - See title page for details.



757

PARTS CATALOG (MAINTENANCE)

FIG ITEM	PART NUMBER	1 2 3 4 5 6 7	NOMENCLATURE	EFFECT FROM TO	UNITS PER ASSY
3					
95	FW18447		..COVER-OIL RETURN TRANSPORTATION ONLY SUPPLIER CODE: VK0680 POST SERVICE BULLETIN: 72-D395PTA VK0680	002004 006102 107107 121999	1
100	LK80906		..COVER-OIL PUMP TRANSPORTATION ONLY SUPPLIER CODE: VK0680 PRE SERVICE BULLETIN: 79-9179 VK0680	002004 006100 107107 121949 952999	4
101	LK80906		..COVER-OIL PUMP TRANSPORTATION ONLY SUPPLIER CODE: VK0680 POST SERVICE BULLETIN: 79-9179PT01 VK0680 PRE SERVICE BULLETIN: 72-D395 VK0680	002004 006999	2
101	FW18439		..COVER-OIL PUMP TRANSPORTATION ONLY SUPPLIER CODE: VK0680 POST SERVICE BULLETIN: 72-D395PTA VK0680	002004 006102 107107 121999	2
105	LK80913		..COVER-DRIVE TOWER TRANSPORTATION ONLY SUPPLIER CODE: VK0680 PRE SERVICE BULLETIN: 72-D395 VK0680	002004 006999	1
105	FW18445		..COVER-DRIVE TOWER TRANSPORTATION ONLY SUPPLIER CODE: VK0680 POST SERVICE BULLETIN: 72-D395PTA VK0680	002004 006102 107107 121999	1

MISSING ITEM NUMBERS NOT APPLICABLE

- ITEM NOT ILLUSTRATED

72-00-61-03

72-00-61
FIG. 03
PAGE 12
JAN 20/09

BRI

BOEING PROPRIETARY - Copyright © - Unpublished Work - See title page for details.



757

PARTS CATALOG (MAINTENANCE)

FIG ITEM	PART NUMBER	1 2 3 4 5 6 7	NOMENCLATURE	EFFECT FROM TO	UNITS PER ASSY
3					
110	LK80903		..COVER-BEVEL GEAR INPUT TRANSPORTATION ONLY SUPPLIER CODE: VK0680 PRE SERVICE BULLETIN: 72-8044 VK0680	002004 006100 102102 107107 121949 952999	1
110	UL19992		..COVER-BEVEL GEAR INPUT TRANSPORTATION ONLY SUPPLIER CODE: VK0680 POST SERVICE BULLETIN: 72-8044PT01 VK0680 PRE SERVICE BULLETIN: 72-D395 VK0680	002004 006999	1
- 111	FW18428		..COVER-BEVEL GEAR INPUT TRANSPORTATION ONLY SUPPLIER CODE: VK0680 POST SERVICE BULLETIN: 72-D395PTA VK0680	002004 006102 107107 121999	1
- 112	FW18436		..COVER-BEVEL GEAR INPUT TRANSPORTATION ONLY SUPPLIER CODE: VK0680 POST SERVICE BULLETIN: 72-D395PTA VK0680	002004 006102 107107 121999	1
115	UL27966		..COVER-CHIP DETECTOR TRANSPORTATION ONLY FACING-TRANS SUPPLIER CODE: VK0680 POST SERVICE BULLETIN: 72-9202PTA VK0680 PRE SERVICE BULLETIN: 72-D395 VK0680	002004 006999	7

MISSING ITEM NUMBERS NOT APPLICABLE

- ITEM NOT ILLUSTRATED

72-00-61-03

72-00-61
FIG. 03
PAGE 13
JAN 20/09

BRI

BOEING PROPRIETARY - Copyright © - Unpublished Work - See title page for details.



757

PARTS CATALOG (MAINTENANCE)

FIG ITEM	PART NUMBER	1 2 3 4 5 6 7	NOMENCLATURE	EFFECT FROM TO	UNITS PER ASSY
3 115	FW18429		. . COVER-CHIP DETECTOR TRANSPORTATION ONLY FACING-TRANS SUPPLIER CODE: VK0680 POST SERVICE BULLETIN: 72-D395PTA VK0680	002004 006102 107107 121999	7

MISSING ITEM NUMBERS NOT APPLICABLE

- ITEM NOT ILLUSTRATED

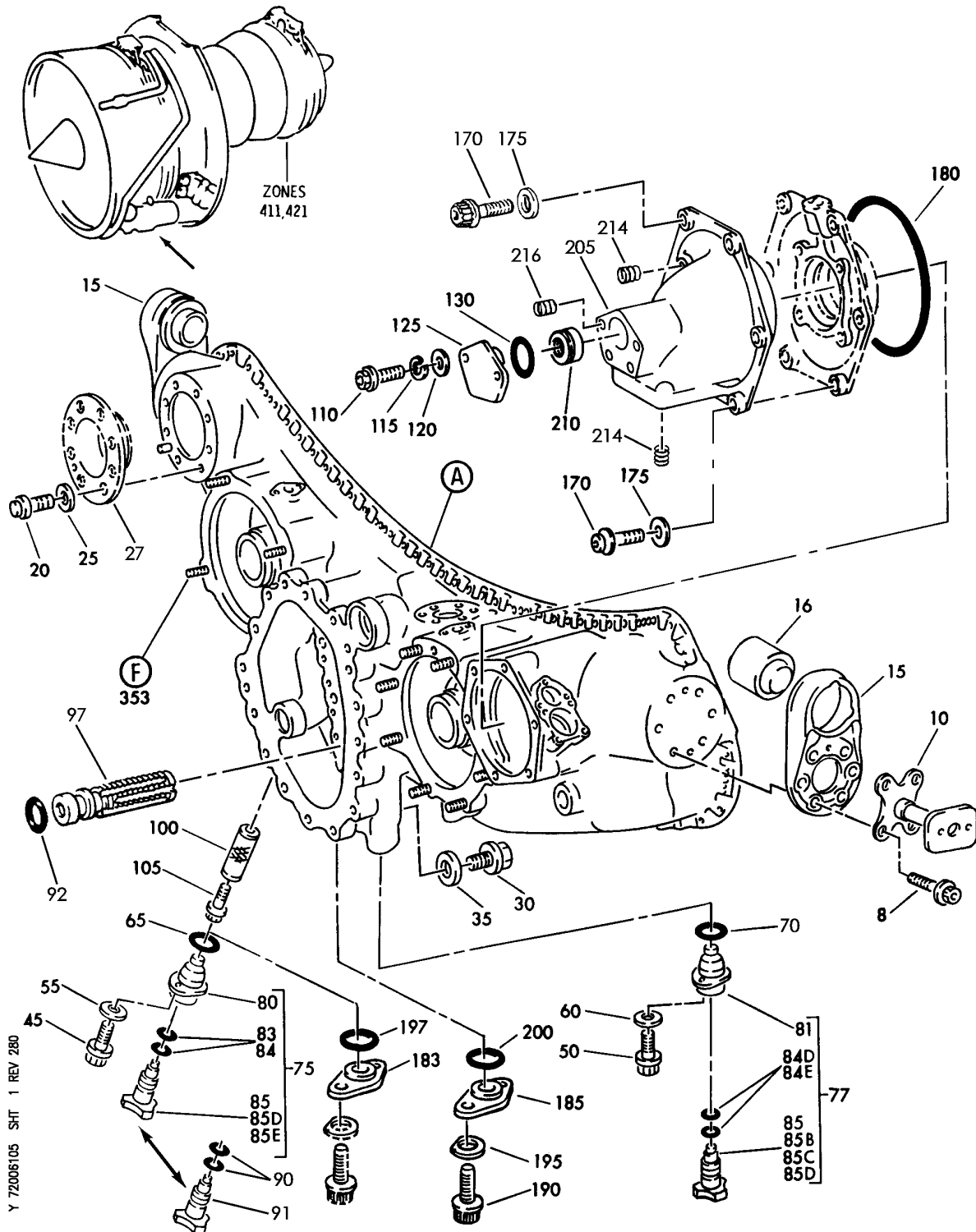
BRI

72-00-61-03

BOEING PROPRIETARY - Copyright © - Unpublished Work - See title page for details.

72-00-61
FIG. 03
PAGE 14
JAN 20/09

BOEING
757
PARTS CATALOG (MAINTENANCE)



Y 72006105 SHT 1 REV 280

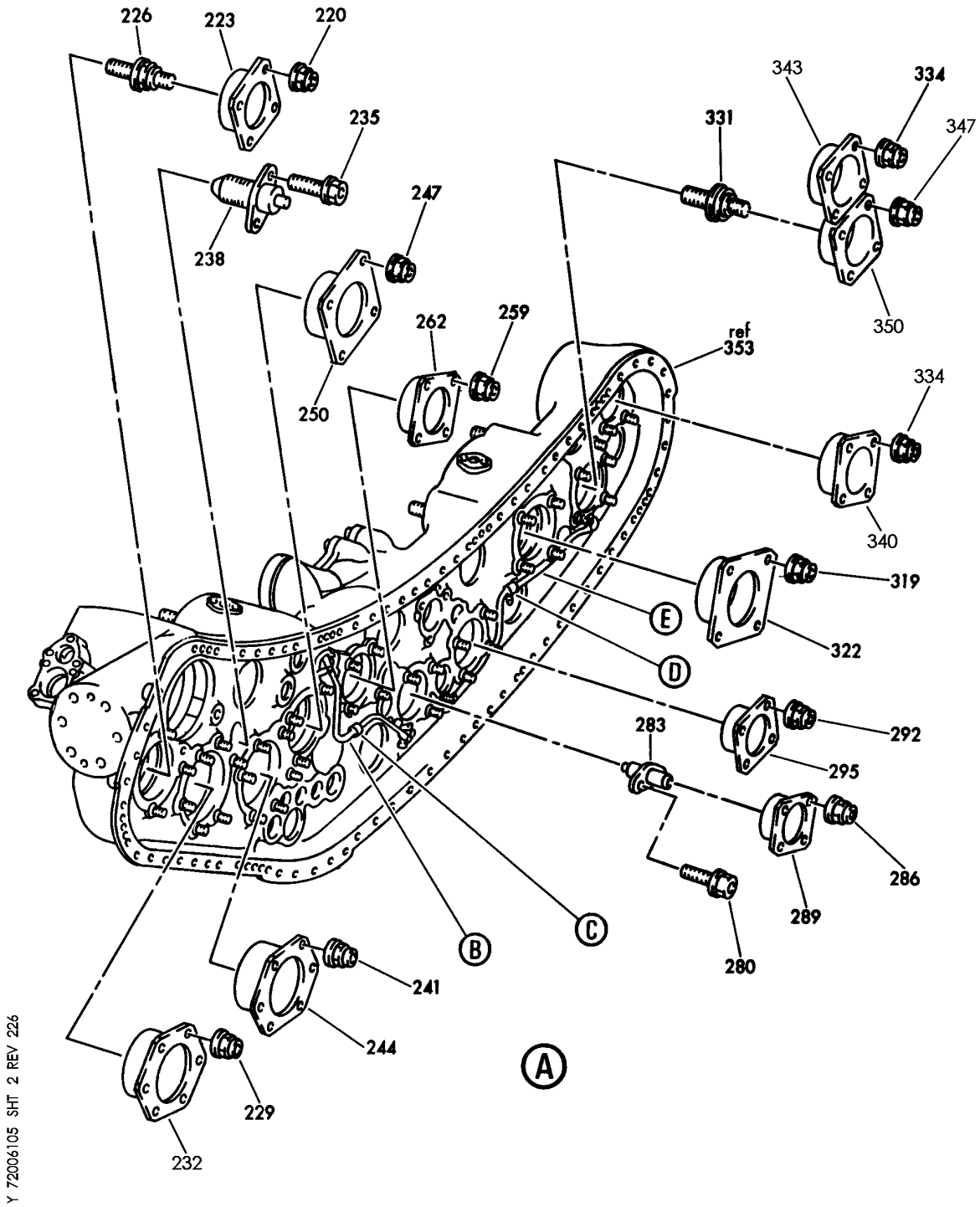
HIGH SPEED GEARBOX FRONT HOUSING AND FITTINGS (RB211-535)
FIGURE 5 (SHEET 1)

72-00-61-05

BRI
MAY 28/07

72-00-61-05
PAGE 0

BOEING
757
PARTS CATALOG (MAINTENANCE)



Y 72006105 SHT 2 REV 226

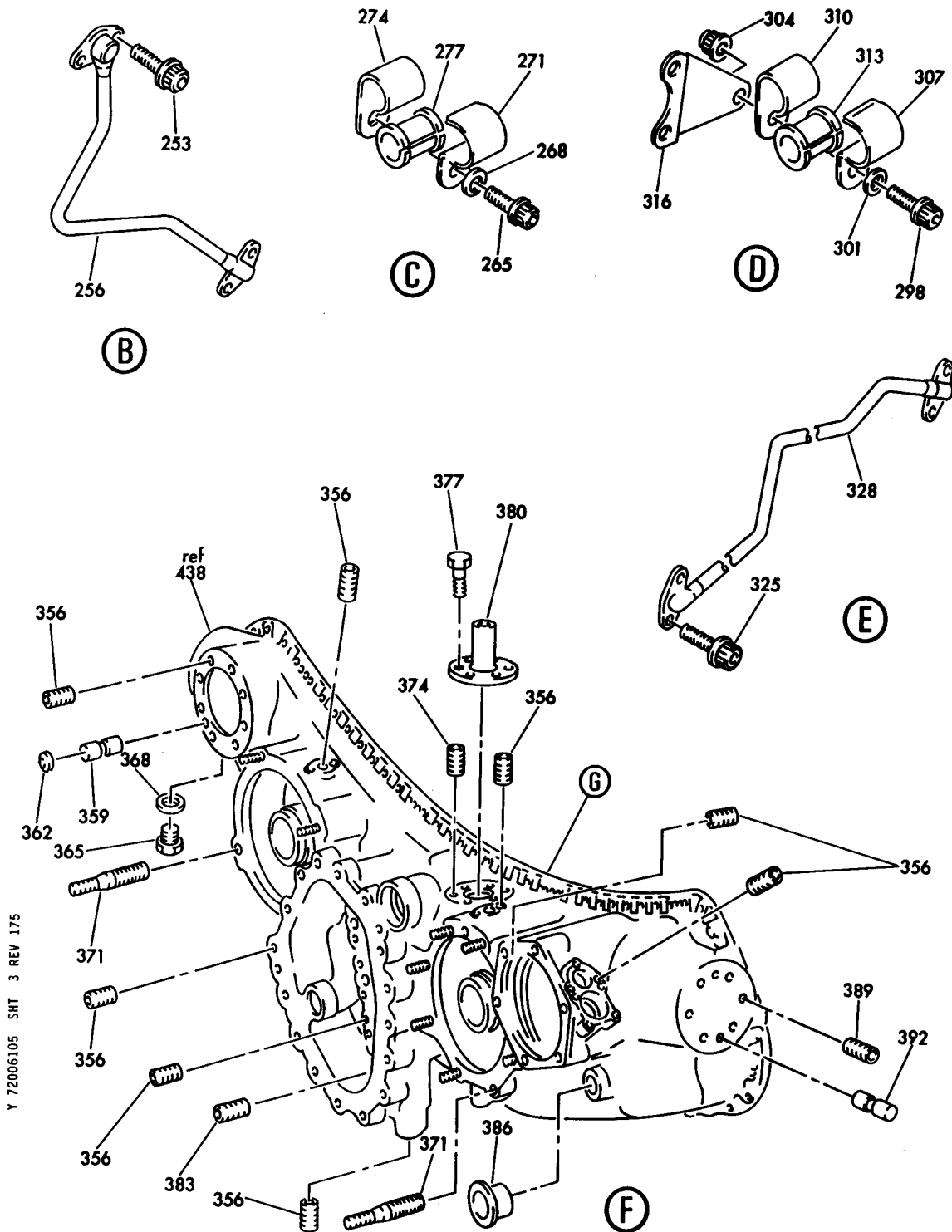
HIGH SPEED GEARBOX FRONT HOUSING AND FITTINGS (RB211-535)
FIGURE 5 (SHEET 2)

72-00-61-05

BRI
MAY 28/07

72-00-61-05
PAGE 0A

BOEING
757
PARTS CATALOG (MAINTENANCE)



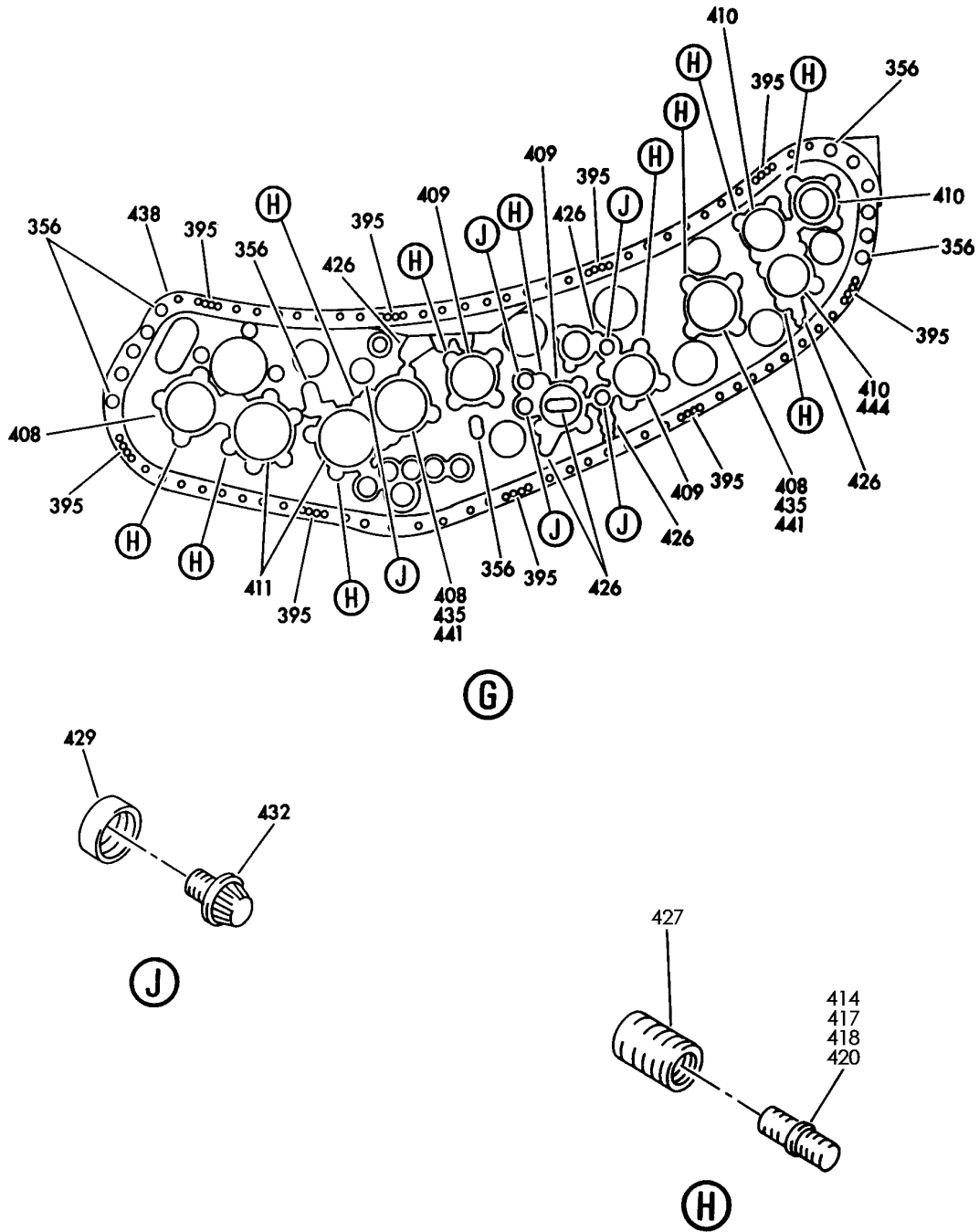
HIGH SPEED GEARBOX FRONT HOUSING AND FITTINGS (RB211-535)
FIGURE 5 (SHEET 3)

72-00-61-05

BRI
MAY 28/07

72-00-61-05
PAGE 0B

BOEING
757
PARTS CATALOG (MAINTENANCE)



Y 72006105 SHT 4 REV 226

HIGH SPEED GEARBOX FRONT HOUSING AND FITTINGS (RB211-535)
FIGURE 5 (SHEET 4)

72-00-61-05

BRI
MAY 28/07

72-00-61-05
PAGE 0C



757

PARTS CATALOG (MAINTENANCE)

FIG ITEM	PART NUMBER	1 2 3 4 5 6 7	NOMENCLATURE	EFFECT FROM TO	UNITS PER ASSY
5			HIGH SPEED GEARBOX FRONT HOUSING AND FITTINGS (RB211-535)	002004 006999	
- 1	UL20702		ENGINE ASSY-Q.E.C.U. RB211-535E43711 BASIC ENG CONFIGURATION WITH GRAVINER FIRE DETECTORS, BAYONET MCD, NON-MODULATED IDG COOLING 40,100 LB THRUST SUPPLIER CODE: VK0680 FOR NHA/OTHER SYS DET SEE: 71-00-02-10	504903	RF
- 1	UL19722		ENGINE ASSY-Q.E.C.U. RB211-535E43711 MAXIMUM NEUT SUPPLIER CODE: VK0680 FOR NHA/OTHER SYS DET SEE: 71-00-02-04	107107	RF
- 2	UL20697		ENGINE ASSY-Q.E.C.U. RB211-535E43711 MAXIMUM NEUT WITH GRAVINER FIRE DETECTORS, BAYONET MCD, NON-MODULATED IDG COOLING 40,000 LB THRUST SUPPLIER CODE: VK0680 REFERENCE SERVICE BULLETIN: 71-0058R4 QUALIFIED SB I/W DATA: INTERMIX OF ONE OR SUBSTITUTION OF TWO DIFFERENT CONFIGURATION RB211-535E4-37/() ENGINES FOR RB211-535 E4 BASE ENGINES REFERENCE SERVICE BULLETIN: RB211-72-C547 VK0680 FOR NHA/OTHER SYS DET SEE: 71-00-02-04	121503 904949 952999	RF

MISSING ITEM NUMBERS NOT APPLICABLE

- ITEM NOT ILLUSTRATED

BRI

72-00-61-05

BOEING PROPRIETARY - Copyright © - Unpublished Work - See title page for details.

72-00-61
FIG. 05
PAGE 1
JAN 20/09



757

PARTS CATALOG (MAINTENANCE)

FIG ITEM	PART NUMBER	1 2 3 4 5 6 7	NOMENCLATURE	EFFECT FROM TO	UNITS PER ASSY
5 - 2	UL20698		ENGINE ASSY-Q.E.C.U. RB211-535E43712 MAXIMUM NEUT SUPPLIER CODE: VK0680 REFERENCE SERVICE BULLETIN: 71-0058R7 QUALIFIED SB I/W DATA: INTERMIX OF ONE OR SUBSTITUTION OF TWO DIFFERENT CONFIGURATION RB211-535E4-37/() ENGINES FOR RB211-535E4 BASE ENGINES OR DIFFERENT CONFIGURATION RB211-535E4-B-37/() ENGINES FOR RB211-535E4-B BASE ENGINES REFERENCE SERVICE BULLETIN: RB211-72C547 VK0680 RB211-72-8910 VK0680 POST RAPID REVISION: RR92014-183A-RC-E FOR NHA/OTHER SYS DET SEE: 71-00-02-04	002004 006100 102102	RF
- 2	UL36209		ENGINE ASSY-Q.E.C.U. RB211-535E43719 MAXIMUM NEUT SUPPLIER CODE: VK0680 FOR NHA/OTHER SYS DET SEE: 71-00-02-04	950951	RF
- 3	BCREF17395		ENGINE ASSY-Q.E.C.U. RB211-535E43739 BASIC ENG CONFIGURATION AND PHASE 5 COMBUSTOR 40,100 LB THRUST SUPPLIER CODE: VK0680 OVERLENGTH PART NUMBER: RB211-535E4-37-39E FOR NHA/OTHER SYS DET SEE: 71-00-02-10	108120	RF

MISSING ITEM NUMBERS NOT APPLICABLE

- ITEM NOT ILLUSTRATED

72-00-61-05

72-00-61
FIG. 05
PAGE 2
JAN 20/09

BRI



757

PARTS CATALOG (MAINTENANCE)

FIG ITEM	PART NUMBER	1 2 3 4 5 6 7	NOMENCLATURE	EFFECT FROM TO	UNITS PER ASSY
5 -	3 BCRE17101		ENGINE ASSY-Q.E.C.U. RB211-535E43744 BASIC ENG CONFIGURATION BAYONET MCD AND PHASE 5 COMBUSTOR 40,100 LB THRUST SUPPLIER CODE: VK0680 OVERLENGTH PART NUMBER: RB211-535E4-3744E FOR NHA/OTHER SYS DET SEE: 71-00-02-10	103106	RF
-	3 UL38163		ENGINE ASSY-Q.E.C.U. RB211-535E43724 BASIC ENG CONFIGURATION BAYONET MCD 40,100 LB THRUST SUPPLIER CODE: VK0680 FOR NHA/OTHER SYS DET SEE: 71-00-02-10	101101	RF
-	4 UL12992		. GEARBOX-HS MODULE NO. 6 SUPPLIER CODE: VK0680 PRE SERVICE BULLETIN: 73-7951 VK0680 FOR DETAILS SEE: 72-00-61-07	107107 121949 952999	RF
-	4 UL18550		. GEARBOX-HS MODULE NO. 6 SUPPLIER CODE: VK0680 POST SERVICE BULLETIN: 73-7951PT01 VK0680 PRE SERVICE BULLETIN: 72-8044 VK0680 FOR DETAILS SEE: 72-00-61-07	107107 121949 952999	RF

MISSING ITEM NUMBERS NOT APPLICABLE

- ITEM NOT ILLUSTRATED

72-00-61-05

72-00-61
FIG. 05
PAGE 3
JAN 20/09

BRI



757

PARTS CATALOG (MAINTENANCE)

FIG ITEM	PART NUMBER	1 2 3 4 5 6 7	NOMENCLATURE	EFFECT FROM TO	UNITS PER ASSY
5					
- 4	UL19962		.GEARBOX-HS MODULE NO. 6 SUPPLIER CODE: VK0680 POST SERVICE BULLETIN: 72-8044 VK0680 PRE SERVICE BULLETIN: 72-8088 VK0680 FOR DETAILS SEE: 72-00-61-07	002004 006100 102102	RF
- 4	UL19964		.GEARBOX-HS MODULE NO. 6 SUPPLIER CODE: VK0680 POST SERVICE BULLETIN: 72-8044PT01 VK0680 PRE SERVICE BULLETIN: 72-8088 VK0680 FOR DETAILS SEE: 72-00-61-07	107107 121949 952999	RF
- 4	UL19995		.GEARBOX-HS MODULE NO. 6 SUPPLIER CODE: VK0680 POST SERVICE BULLETIN: 72-8088 VK0680 PRE SERVICE BULLETIN: 79-9179 VK0680 FOR DETAILS SEE: 72-00-61-07	002004 006100 102102	RF
- 4	UL19996		.GEARBOX-HS MODULE NO. 6 SUPPLIER CODE: VK0680 POST SERVICE BULLETIN: 72-8088PT01 VK0680 PRE SERVICE BULLETIN: 79-9179 VK0680 FOR DETAILS SEE: 72-00-61-07	107107 121949 952999	RF

MISSING ITEM NUMBERS NOT APPLICABLE

- ITEM NOT ILLUSTRATED

72-00-61-05

72-00-61
FIG. 05
PAGE 4
JAN 20/09

BRI



757

PARTS CATALOG (MAINTENANCE)

FIG ITEM	PART NUMBER	1 2 3 4 5 6 7	NOMENCLATURE	EFFECT FROM TO	UNITS PER ASSY
5 -	4 UL39666		.GEARBOX-HS MODULE NO. 6 SUPPLIER CODE: VK0680 POST SERVICE BULLETIN: 72-C661 VK0680 FOR DETAILS SEE: 72-00-61-07	002004 006999	RF
-	4 UL28676		.GEARBOX-HS MODULE NO. 6 SUPPLIER CODE: VK0680 POST SERVICE BULLETIN: 79-9179 VK0680 72-8088PT01 VK0680 PRE SERVICE BULLETIN: 72-9406 VK0680 FOR DETAILS SEE: 72-00-61-07	002004 006106 108120 950951	RF
-	4 UL28677		.GEARBOX-HS MODULE NO. 6 SUPPLIER CODE: VK0680 POST SERVICE BULLETIN: 79-9179PT01 VK0680 PRE SERVICE BULLETIN: 72-9406 VK0680 FOR DETAILS SEE: 72-00-61-07	107107 121949 952999	RF
-	4 UL33301		.GEARBOX-HS MODULE NO. 6 SUPPLIER CODE: VK0680 POST SERVICE BULLETIN: 72-9406 VK0680 PRE SERVICE BULLETIN: 72-9890 VK0680 FOR DETAILS SEE: 72-00-61-07	002004 006102 108120 950951	RF

MISSING ITEM NUMBERS NOT APPLICABLE

- ITEM NOT ILLUSTRATED

BRI

72-00-61-05

BOEING PROPRIETARY - Copyright © - Unpublished Work - See title page for details.

72-00-61
FIG. 05
PAGE 5
JAN 20/09



757

PARTS CATALOG (MAINTENANCE)

FIG ITEM	PART NUMBER	1 2 3 4 5 6 7	NOMENCLATURE	EFFECT FROM TO	UNITS PER ASSY
5					
- 4	UL33302		. GEARBOX-HS MODULE NO. 6 SUPPLIER CODE: VK0680 POST SERVICE BULLETIN: 72-9406PT01 VK0680 PRE SERVICE BULLETIN: 72-9890 VK0680 FOR DETAILS SEE: 72-00-61-07	107107 121949 952999	RF
- 5	UL37124		. GEARBOX-HS MODULE NO. 6 SUPPLIER CODE: VK0680 POST SERVICE BULLETIN: 72-9890 VK0680 PRE SERVICE BULLETIN: 72-C661 VK0680 FOR DETAILS SEE: 72-00-61-07	002004 006999	RF
8	BLT5114		.. BOLT- SUPPLIER CODE: VK0680	002004 006999	12
10	LJ33066		.. BRACKET ASSY-TUBULAR CABLE SUPPORT IDG SUPPLIER CODE: VK0680	002004 006999	1
15	UL12907		.. BRACKET ASSY-HIGH SPEED GEARBOX SUSPENSION SUPPLIER CODE: VK0680 PRE SERVICE BULLETIN: 72-8088 VK0680	002004 006100 102102 107107 121949 952999	2
15	UL19831		.. BRACKET ASSY-HIGH SPEED GEARBOX SUSPENSION SUPPLIER CODE: VK0680 POST SERVICE BULLETIN: 72-8088 VK0680	002004 006999	2
20	AS21517		.. BOLT	002004 006999	8
25	AS12944		.. WASHER	002004 006999	8

MISSING ITEM NUMBERS NOT APPLICABLE

- ITEM NOT ILLUSTRATED

72-00-61-05

72-00-61
FIG. 05
PAGE 6
JAN 20/09

BRI



757

PARTS CATALOG (MAINTENANCE)

FIG ITEM	PART NUMBER	1 2 3 4 5 6 7	NOMENCLATURE	EFFECT FROM TO	UNITS PER ASSY
5					
30	BLT3448	..	BOLT-DRAIN PLUG SUPPLIER CODE: VK0680	002004 006999	1
35	KB1087	..	WASHER-DRAIN PLUG SUPPLIER CODE: VK0680	002004 006999	1
45	AS21516	..	BOLT- POST SERVICE BULLETIN: 72-7911 VK0680 PRE SERVICE BULLETIN: 72-7812 VK0680 72-8979 VK0680	101101 107107 121999	2
50	AS21516	..	BOLT- PRE SERVICE BULLETIN: 72-8979 VK0680	101101 107107 121999	2
55	AS26095	..	WASHER- POST SERVICE BULLETIN: 72-7911 VK0680 PRE SERVICE BULLETIN: 72-7812 VK0680 72-8979 VK0680	101101 107107 121999	2
60	AS26095	..	WASHER- PRE SERVICE BULLETIN: 72-8979 VK0680	101101 107107 121999	2
65	KB27118	..	SEAL- SUPPLIER CODE: VK0680 OPTIONAL PART: AS43013-118 POST SERVICE BULLETIN: 72-7911PT01 VK0680 72-9480PTC VK0680 PRE SERVICE BULLETIN: 72-8979 VK0680 72-7812 VK0680	101101 103999	1

MISSING ITEM NUMBERS NOT APPLICABLE

- ITEM NOT ILLUSTRATED

72-00-61-05

72-00-61
FIG. 05
PAGE 7
JAN 20/09

BRI

BOEING PROPRIETARY - Copyright © - Unpublished Work - See title page for details.



757

PARTS CATALOG (MAINTENANCE)

FIG ITEM	PART NUMBER	1 2 3 4 5 6 7	NOMENCLATURE	EFFECT FROM TO	UNITS PER ASSY
5 65	AS43013-118	..	SEAL- OPTIONAL PART: KB27118 VK0680 POST SERVICE BULLETIN: 72-9480PTC VK0680	002004 006999	1
70	KB27118	..	SEAL- SUPPLIER CODE: VK0680 OPTIONAL PART: AS43013-118 POST SERVICE BULLETIN: 72-9480 VK0680 PRE SERVICE BULLETIN: 72-8979 VK0680	002004 006102 107107 121999	1
70	AS43013-118	..	SEAL- OPTIONAL PART: KB27118 VK0680 POST SERVICE BULLETIN: 72-9480PTC VK0680	002004 006102 107107 121999	1
75	VB3447	..	DETECTOR ASSY-MAGNETIC CHIP SUPPLIER CODE: V97484 PRE SERVICE BULLETIN: 72-7812 VK0680	107107 121949 952999	1
75	VB3503	..	DETECTOR ASSY-MAGNETIC CHIP SUPPLIER CODE: V97484 POST SERVICE BULLETIN: 72-7911PT01 VK0680 PRE SERVICE BULLETIN: 72-8979 VK0680	101101 107107 121949 952999	1

MISSING ITEM NUMBERS NOT APPLICABLE

- ITEM NOT ILLUSTRATED

72-00-61-05

72-00-61
FIG. 05
PAGE 8
JAN 20/09

BRI

BOEING PROPRIETARY - Copyright © - Unpublished Work - See title page for details.



757

PARTS CATALOG (MAINTENANCE)

FIG ITEM	PART NUMBER	1 2 3 4 5 6 7	NOMENCLATURE	EFFECT FROM TO	UNITS PER ASSY
5	75 VA3508		.. DETECTOR ASSY-MAGNETIC SUPPLIER CODE: VK0624 POST SERVICE BULLETIN: 72-7815 VK0680 POST AIRLINE MOD: PCR100 VALP	950951	1
	77 VB3447		.. DETECTOR ASSY-MAGNETIC CHIP SUPPLIER CODE: V97484 PRE SERVICE BULLETIN: 72-7911 VK0680	107107 121949 952999	1
	77 VB3503		.. DETECTOR ASSY-MAGNETIC CHIP SUPPLIER CODE: V97484 POST SERVICE BULLETIN: 72-7911PT01 VK0680 PRE SERVICE BULLETIN: 72-8979 VK0680	101102 107107 121949 952999	1
	77 VA3508		.. DETECTOR ASSY-MAGNETIC SUPPLIER CODE: VK0624 POST SERVICE BULLETIN: 72-7815 VK0680 POST AIRLINE MOD: PCR100 VALP	950951	1
	80 VB3448		... HOUSING ASSY-PLUG SUPPLIER CODE: V97484 PRE SERVICE BULLETIN: 72-7306 VK0680	103107 121949 952999	1
	80 VB3448B1		... HOUSING ASSY-PLUG SUPPLIER CODE: V97484 POST SERVICE BULLETIN: 72-7306PTA VK0680	002004 006949 952999	1

MISSING ITEM NUMBERS NOT APPLICABLE

- ITEM NOT ILLUSTRATED

72-00-61-05

72-00-61
FIG. 05
PAGE 9
JAN 20/09

BRI



757

PARTS CATALOG (MAINTENANCE)

FIG ITEM	PART NUMBER	1 2 3 4 5 6 7	NOMENCLATURE	EFFECT FROM TO	UNITS PER ASSY
5					
80	VB3504		...HOUSING ASSY- SUPPLIER CODE: V97484 POST SERVICE BULLETIN: 72-7911PT01 VK0680 PRE SERVICE BULLETIN: 72-8979 VK0680	101101 107107 121949 952999	1
80	VB3509		...HOUSING ASSY- SUPPLIER CODE: VK0624 POST AIRLINE MOD: PCR100 VALP	950951	1
80	VA3509		...HOUSING ASSY-PLUG SUPPLIER CODE: VK0624 POST SERVICE BULLETIN: 72-7815 VK0680 POST AIRLINE MOD: PCR100 VALP	950951	1
81	VB3448		...HOUSING ASSY-PLUG SUPPLIER CODE: V97484 PRE SERVICE BULLETIN: 72-7306 VK0680	107107 121949 952999	1
81	VB3448B1		...HOUSING ASSY-PLUG SUPPLIER CODE: V97484 POST SERVICE BULLETIN: 72-7306PTA VK0680 PRE SERVICE BULLETIN: 72-7911 VK0680	107107 121949 952999	1
81	VB3504		...HOUSING ASSY-PLUG SUPPLIER CODE: V97484 POST SERVICE BULLETIN: 72-7911PT01 VK0680 PRE SERVICE BULLETIN: 72-8979 VK0680	101101 107107 121949 952999	1

MISSING ITEM NUMBERS NOT APPLICABLE

- ITEM NOT ILLUSTRATED

72-00-61-05

72-00-61
FIG. 05
PAGE 10
JAN 20/09

BRI

BOEING PROPRIETARY - Copyright © - Unpublished Work - See title page for details.



757

PARTS CATALOG (MAINTENANCE)

FIG ITEM	PART NUMBER	1 2 3 4 5 6 7	NOMENCLATURE	EFFECT FROM TO	UNITS PER ASSY
5 81	VB3509		...HOUSING ASSY- SUPPLIER CODE: VK0624 POST SERVICE BULLETIN: 72-7815 VK0680 POST AIRLINE MOD: PCR100 VALP	950951	1
83	44066		...SEAL- SUPPLIER CODE: V97484 POST SERVICE BULLETIN: 72-7911PT01 VK0680 PRE SERVICE BULLETIN: 72-7812 VK0680 72-8979 VK0680	101101 103107 121949 952999	2
83	AS43003-908		...SEAL- POST AIRLINE MOD: PCR100 VALP	950951	2
84	44066		...SEAL- SUPPLIER CODE: V97484 POST SERVICE BULLETIN: 71-0002 POST SERVICE BULLETIN: 72-7911PT01 VK0680 PRE SERVICE BULLETIN: 72-8979 VK0680	101101 107107 121999	1
84D	44066		...SEAL- SUPPLIER CODE: V97484 PRE SERVICE BULLETIN: 72-8979 VK0680	101101 107107 121949 952999	2
84E	AS43003-908		...SEAL- POST AIRLINE MOD: PCR100 VALP	950951	2

MISSING ITEM NUMBERS NOT APPLICABLE

- ITEM NOT ILLUSTRATED

BRI

72-00-61-05

BOEING PROPRIETARY - Copyright © - Unpublished Work - See title page for details.

72-00-61
FIG. 05
PAGE 11
JAN 20/09



757

PARTS CATALOG (MAINTENANCE)

FIG ITEM	PART NUMBER	1 2 3 4 5 6 7	NOMENCLATURE	EFFECT FROM TO	UNITS PER ASSY
5					
85	VB3449	...	PROBE ASSY-MAGNETIC SUPPLIER CODE: V97484 PRE SERVICE BULLETIN: 72-7812 VK0680	107107 121949 952999	2
85B	VB3449	...	PROBE ASSY-MAGNETIC SUPPLIER CODE: V97484 PRE SERVICE BULLETIN: 72-7911 VK0680	107107 121949 952999	1
85C	VA3510	...	PROBE ASSY- SUPPLIER CODE: VK0624 POST SERVICE BULLETIN: 72-7815 VK0680 POST AIRLINE MOD: PCR100 VALP	950951	2
85D	VB3505	...	PROBE ASSY-MAGNETIC SUPPLIER CODE: VK0624 POST SERVICE BULLETIN: 72-7911PT01 VK0680 PRE SERVICE BULLETIN: 72-8979 VK0680	101101 107107 121949 952999	2
85E	VA3510	...	PROBE ASSY- SUPPLIER CODE: VK0624 POST SERVICE BULLETIN: 72-7815 POST AIRLINE MOD: PCR100 VALP	950951	2
90	44066	..	SEAL- SUPPLIER CODE: V97484 POST SERVICE BULLETIN: 72-8000PT01 VK0680	002004 006999	2

MISSING ITEM NUMBERS NOT APPLICABLE

- ITEM NOT ILLUSTRATED

BRI

72-00-61-05

BOEING PROPRIETARY - Copyright © - Unpublished Work - See title page for details.

72-00-61
FIG. 05
PAGE 12
JAN 20/09



757

PARTS CATALOG (MAINTENANCE)

FIG ITEM	PART NUMBER	1 2 3 4 5 6 7	NOMENCLATURE	EFFECT FROM TO	UNITS PER ASSY
5					
91	VB3512		.. PROBE-DUMMY CHIP DETECTOR SUPPLIER CODE: V97484 POST SERVICE BULLETIN: 72-8000PT01 VK0680	002004 006949 952999	1
100	LK65472		.. STRAINER ASSY-HIGH SPEED GEARBOX OIL RETURN SEDIMENT ELEMENT SUPPLIER CODE: VK0680 ATTACHING PARTS	002004 006999	1
105	AS21513		.. BOLT	002004 006999	1
			-----*-----		
110	AS21513		.. BOLT	002004 006999	2
115	K11404		.. WASHER- SUPPLIER CODE: VK0680	002004 006999	2
120	AS12944		.. WASHER	002004 006999	2
125	LK74912		.. COVER-BLANKING GEARBOX HAND TURNING ACCESS SUPPLIER CODE: VK0680	002004 006999	1
130	KB27123		.. SEAL- SUPPLIER CODE: VK0680	002004 006999	1
170	AS21519		.. BOLT	002004 006999	6
175	AS12944		.. WASHER	002004 006999	6
180	KB27163		.. SEAL- SUPPLIER CODE: VK0680	002004 006999	1
185	LK34468		.. PLUG-BLANKING SUPPLIER CODE: VK0680 POST SERVICE BULLETIN: 72-7812PT01 VK0680 PRE SERVICE BULLETIN: 72-7911 VK0680	107107 121949 952999	1

MISSING ITEM NUMBERS NOT APPLICABLE

- ITEM NOT ILLUSTRATED

72-00-61-05

72-00-61
FIG. 05
PAGE 13
JAN 20/09

BRI

BOEING PROPRIETARY - Copyright © - Unpublished Work - See title page for details.



757

PARTS CATALOG (MAINTENANCE)

FIG ITEM	PART NUMBER	1 2 3 4 5 6 7	NOMENCLATURE	EFFECT FROM TO	UNITS PER ASSY
5			ATTACHING PARTS		
190	AS21516		..BOLT- POST SERVICE BULLETIN: 72-7812PT01 VK0680 PRE SERVICE BULLETIN: 72-7911 VK0680	107107 121949 952999	2
195	AS26095		..WASHER- POST SERVICE BULLETIN: 72-7812PT01 VK0680 PRE SERVICE BULLETIN: 72-7911 VK0680	107107 121949 952999	2
200	KB27118		-----*----- ..SEAL- SUPPLIER CODE: VK0680 POST SERVICE BULLETIN: 72-7812PT01 VK0680 PRE SERVICE BULLETIN: 72-7911 VK0680	107107 121949 952999	1
205	UL19840		..HOUSING ASSY-GEARSHAFT SUPPLIER CODE: VK0680 CONFIG CHG DATA FROM A CMM: FOR INTRCHG SEE RR IPC POST SERVICE BULLETIN: 72-8130 VK0680	002004 006100 102102 107107 121949 952999	1
205	UL19841		..HOUSING ASSY-GEARSHAFT SUPPLIER CODE: VK0680 CONFIG CHG DATA FROM A CMM: FOR INTRCHG SEE RR IPC POST SERVICE BULLETIN: 72-8130 VK0680	002004 006100 102102 107107 121949 952999	1

MISSING ITEM NUMBERS NOT APPLICABLE

- ITEM NOT ILLUSTRATED

BRI

72-00-61-05

BOEING PROPRIETARY - Copyright © - Unpublished Work - See title page for details.

72-00-61
FIG. 05
PAGE 14
JAN 20/09



757

PARTS CATALOG (MAINTENANCE)

FIG ITEM	PART NUMBER	1 2 3 4 5 6 7	NOMENCLATURE	EFFECT FROM TO	UNITS PER ASSY
5 205	LK78514		..HOUSING ASSY-GEARSHAFT SUPPLIER CODE: VK0680 POST SERVICE BULLETIN: 71-0001 71-0002 PRE SERVICE BULLETIN: 72-8028 VK0680	107107 121949 952999	1
205	UL19840		..HOUSING ASSY-GEARSHAFT SUPPLIER CODE: VK0680 POST SERVICE BULLETIN: 72-8130PT01 VK0680	101101 103106 108120 950951	1
205	UL19841		..HOUSING ASSY-GEARSHAFT SUPPLIER CODE: VK0680 POST SERVICE BULLETIN: 72-8130PT02 VK0680	101101 103106 108120 950951	1
210	LK74909		...SEAL- SUPPLIER CODE: VK0680 PRE SERVICE BULLETIN: 72-8130 VK0680	002004 006100 102102 107107 121949 952999	1
210	UL19843		...SEAL- SUPPLIER CODE: VK0680 POST SERVICE BULLETIN: 72-8130 VK0680	002004 006999	1
220	AS20625		..NUT	002004 006100 102102 107107 121949 952999	4
223	LK74825		..HOUSING-ROLLER BRG IDG DRIVE SUPPLIER CODE: VK0680 POSITION DATA: FRONT	002004 006100 102102 107107 121949 952999	1

MISSING ITEM NUMBERS NOT APPLICABLE

- ITEM NOT ILLUSTRATED

72-00-61-05

72-00-61
FIG. 05
PAGE 15
JAN 20/09

BRI

BOEING PROPRIETARY - Copyright © - Unpublished Work - See title page for details.



757

PARTS CATALOG (MAINTENANCE)

FIG ITEM	PART NUMBER	1 2 3 4 5 6 7	NOMENCLATURE	EFFECT FROM TO	UNITS PER ASSY
5					
226	LK74884		..NOZZLE ASSY-OIL JET INTEGRATED DRIVE GEARSHAFT SUPPLIER CODE: VK0680	002004 006100 102102 107107 121949 952999	1
229	AS20625		..NUT	002004 006100 102102 107107 121949 952999	6
232	LK74828		..HOUSING-ROLLER BRG, IDG 53T IDLER SUPPLIER CODE: VK0680 POSITION DATA: FRONT PRE SERVICE BULLETIN: 72-9917 VK0680	002004 006100 102102 107107 121949 952999	1
232	LK74828		..HOUSING-ROLLER BRG, IDG 53T IDLER SUPPLIER CODE: VK0680 POSITION DATA: FRONT OPTIONAL PART: FB222037 VK0680 POST SERVICE BULLETIN: 72-9917PTB VK0680	002004 006100 102102 107107 121949 952999	1
232	FB222037		..HOUSING-ROLLER BRG, IDG 53T IDLER SUPPLIER CODE: VK0680 POSITION DATA: FRONT OPTIONAL PART: LK74828 VK0680 POST SERVICE BULLETIN: 72-9917PTB VK0680	002004 006100 102102 107107 121949 952999	1

MISSING ITEM NUMBERS NOT APPLICABLE

- ITEM NOT ILLUSTRATED

BRI

72-00-61-05

BOEING PROPRIETARY - Copyright © - Unpublished Work - See title page for details.

72-00-61
FIG. 05
PAGE 16
JAN 20/09



757

PARTS CATALOG (MAINTENANCE)

FIG ITEM	PART NUMBER	1 2 3 4 5 6 7	NOMENCLATURE	EFFECT FROM TO	UNITS PER ASSY
5 235	AS21514	..	BOLT	002004 006100 102102 107107 121949 952999	2
238	LK74920	..	NOZZLE-OIL JET-OIL SUPPLY TO IDG IDLER GEARSHAFTS SUPPLIER CODE: VK0680	002004 006100 102102 107107 121949 952999	1
241	AS20625	..	NUT	002004 006100 102102 107107 121949 952999	6
244	LK74828	..	HOUSING-ROLLER BRG, IDG 43T IDLER SUPPLIER CODE: VK0680 POSITION DATA: FRONT PRE SERVICE BULLETIN: 72-9917 VK0680	002004 006100 102102 107107 121949 952999	1
244	LK74828	..	HOUSING-ROLLER BRG, IDG 43T IDLER SUPPLIER CODE: VK0680 POSITION DATA: FRONT OPTIONAL PART: FB222037 VK0680 POST SERVICE BULLETIN: 72-9917PTB VK0680	002004 006100 102102 107107 121949 952999	1

MISSING ITEM NUMBERS NOT APPLICABLE

- ITEM NOT ILLUSTRATED

BRI

72-00-61-05

BOEING PROPRIETARY - Copyright © - Unpublished Work - See title page for details.

72-00-61
FIG. 05
PAGE 17
JAN 20/09

 **BOEING**
757
PARTS CATALOG (MAINTENANCE)

FIG ITEM	PART NUMBER	1 2 3 4 5 6 7	NOMENCLATURE	EFFECT FROM TO	UNITS PER ASSY
5 244	FB222037		..HOUSING-ROLLER BRG, IDG 43T IDLER SUPPLIER CODE: VK0680 POSITION DATA: FRONT OPTIONAL PART: LK74828 VK0680 POST SERVICE BULLETIN: 72-9917PTB VK0680	002004 006100 102102 107107 121949 952999	1
247	AS20625		..NUT	002004 006100 102102 107107 121949 952999	4
250	LK74825		..HOUSING-ROLLER BRG STARTER DRIVE SUPPLIER CODE: VK0680 POSITION DATA: FRONT	002004 006100 102102 107107 121949 952999	1
253	AS21411		..BOLT	002004 006100 102102 107107 121949 952999	4
256	LK74368		..TUBE- SUPPLIER CODE: VK0680	002004 006100 102102 107107 121949 952999	1
259	AS20625		..NUT	002004 006100 102102 107107 121949 952999	4
262	LK74830		..HOUSING-ROLLER BRG HP FUEL PUMP IDLER SUPPLIER CODE: VK0680 POSITION DATA: FRONT	002004 006100 102102 107107 121949 952999	1

MISSING ITEM NUMBERS NOT APPLICABLE

— ITEM NOT ILLUSTRATED

BRI

72-00-61-05

BOEING PROPRIETARY - Copyright © - Unpublished Work - See title page for details.

72-00-61
FIG. 05
PAGE 18
JAN 20/09



757

PARTS CATALOG (MAINTENANCE)

FIG ITEM	PART NUMBER	1 2 3 4 5 6 7	NOMENCLATURE	EFFECT FROM TO	UNITS PER ASSY
5					
265	AS21014	..	BOLT	002004 006100 102102 107107 121949 952999	1
268	AS12944	..	WASHER	002004 006100 102102 107107 121949 952999	1
271	AS12847	..	CLIP	002004 006100 102102 107107 121949 952999	1
274	AS12817	..	CLIP	002004 006100 102102 107107 121949 952999	1
277	AS12883	..	BUSHING	002004 006100 102102 107107 121949 952999	1
280	AS21411	..	BOLT	002004 006100 102102 107107 121949 952999	2
283	LK77137	..	NOZZLE ASSY-OIL-HP FUEL PUMP DRIVE SUPPLIER CODE: VK0680	002004 006100 102102 107107 121949 952999	1
286	AS20625	..	NUT	002004 006100 102102 107107 121949 952999	4

MISSING ITEM NUMBERS NOT APPLICABLE

- ITEM NOT ILLUSTRATED

BRI

72-00-61-05

BOEING PROPRIETARY - Copyright © - Unpublished Work - See title page for details.

72-00-61
FIG. 05
PAGE 19
JAN 20/09

 **BOEING**
757
PARTS CATALOG (MAINTENANCE)

FIG ITEM	PART NUMBER	1 2 3 4 5 6 7	NOMENCLATURE	EFFECT FROM TO	UNITS PER ASSY
5					
289	LK74830	..	HOUSING-ROLLER BRG HP FUEL PUMP DRIVE SUPPLIER CODE: VK0680 POSITION DATA: FRONT	002004 006100 102102 107107 121949 952999	1
292	AS20625	..	NUT	002004 006100 102102 107107 121949 952999	4
295	LK74830	..	HOUSING-ROLLER BRG HYDRAULIC PUMP IDLER SUPPLIER CODE: VK0680 POSITION DATA: FRONT	002004 006100 102102 107107 121949 952999	1
298	AS21511	..	BOLT- POST SERVICE BULLETIN: 72-9322PT01 VK0680	002004 006100 102102 107107 121949 952999	1
301	AS12944	..	WASHER- POST SERVICE BULLETIN: 72-9322PT01 VK0680	002004 006100 102102 107107 121949 952999	1
304	AS20625	..	NUT- POST SERVICE BULLETIN: 72-9322PT01 VK0680	002004 006100 102102 107107 121949 952999	1
307	AS12847	..	CLIP- POST SERVICE BULLETIN: 72-9322PT01 VK0680	002004 006100 102102 107107 121949 952999	1
310	AS12817	..	CLIP- POST SERVICE BULLETIN: 72-9322PT01 VK0680	002004 006100 102102 107107 121949 952999	1

MISSING ITEM NUMBERS NOT APPLICABLE

— ITEM NOT ILLUSTRATED

BRI

72-00-61-05

BOEING PROPRIETARY - Copyright © - Unpublished Work - See title page for details.

72-00-61
FIG. 05
PAGE 20
JAN 20/09



757

PARTS CATALOG (MAINTENANCE)

FIG ITEM	PART NUMBER	1 2 3 4 5 6 7	NOMENCLATURE	EFFECT FROM TO	UNITS PER ASSY
5					
313	AS12883		..BUSHING- POST SERVICE BULLETIN: 72-9322PT01 VK0680	002004 006100 102102 107107 121949 952999	1
316	UL28155		..BRACKET-DOUBLE ANGLE-PIPE SUPPORT SUPPLIER CODE: VK0680 POST SERVICE BULLETIN: 72-9322PT01 VK0680	002004 006100 102102 107107 121949 952999	1
319	AS20625		..NUT	002004 006100 102102 107107 121949 952999	4
322	LK74825		..HOUSING-ROLLER BRG HYDRAULIC PUMP IDLER SUPPLIER CODE: VK0680 POSITION DATA: FRONT	002004 006100 102102 107107 121949 952999	1
325	AS21411		..BOLT	002004 006100 102102 107107 121949 952999	4
328	UL28154		..TUBE-ASSY OF OIL FEED-OIL SUPPLY TO FFG DRIVE SUPPLIER CODE: VK0680 POST SERVICE BULLETIN: 72-9322PT01 VK0680	002004 006100 102102 107107 121949 952999	1
328	LK74367		..TUBE-ASSY OF OIL FEED-OIL SUPPLY TO FFG DRIVE SUPPLIER CODE: VK0680 PRE SERVICE BULLETIN: 72-9322	002004 006100 107107 121949 952999	1

MISSING ITEM NUMBERS NOT APPLICABLE

- ITEM NOT ILLUSTRATED

72-00-61-05

72-00-61
FIG. 05
PAGE 21
JAN 20/09

BRI

BOEING PROPRIETARY - Copyright © - Unpublished Work - See title page for details.



757

PARTS CATALOG (MAINTENANCE)

FIG ITEM	PART NUMBER	1 2 3 4 5 6 7	NOMENCLATURE	EFFECT FROM TO	UNITS PER ASSY
5					
331	LK74884		..NOZZLE ASSY-OIL JET-FUEL FLOW GOVERNOR SUPPLIER CODE: VK0680	002004 006100 102102 107107 121949 952999	1
334	AS20625		..NUT	002004 006100 102102 107107 121949 952999	8
340	LK74823		..HOUSING-ROLLER BRG LP FUEL PUMP IDLER SUPPLIER CODE: VK0680 POSITION DATA: FRONT	002004 006100 102102 107107 121949 952999	1
343	LK74823		..HOUSING-ROLLER BRG FFG DRIVE SUPPLIER CODE: VK0680 POSITION DATA: FRONT	002004 006100 102102 107107 121949 952999	1
347	AS20625		..NUT	002004 006100 102102 107107 121949 952999	4
350	LK74823		..HOUSING-ROLLER BRG LP FUEL PUMP DRIVE SUPPLIER CODE: VK0680 POSITION DATA: FRONT	002004 006100 102102 107107 121949 952999	1
353	UL36849		..HOUSING ASSY-HS GEARBOX SUPPLIER CODE: VK0680 POSITION DATA: FRONT CONFIG CHG DATA FROM A CMM: FOR INTRCHG SEE RR IPC POST SERVICE BULLETIN: 72-9810PT01 VK0680 PRE SERVICE BULLETIN: 72-C669 VK0680	002004 006100 102102 107107 121949 952999	1

MISSING ITEM NUMBERS NOT APPLICABLE

- ITEM NOT ILLUSTRATED

72-00-61-05

72-00-61
FIG. 05
PAGE 22
JAN 20/09

BRI

BOEING PROPRIETARY - Copyright © - Unpublished Work - See title page for details.



757

PARTS CATALOG (MAINTENANCE)

FIG ITEM	PART NUMBER	1 2 3 4 5 6 7	NOMENCLATURE	EFFECT FROM TO	UNITS PER ASSY
5 353	UL37180	..	HOUSING ASSY-HS GEARBOX SUPPLIER CODE: VK0680 POSITION DATA: FRONT CONFIG CHG DATA FROM A CMM: FOR INTRCHG SEE RR IPC POST SERVICE BULLETIN: 72-9810PT05 VK0680	002004 006100 102102 107107 121949 952999	1
353	UL32658	..	HOUSING ASSY-HS GEARBOX SUPPLIER CODE: VK0680 POSITION DATA: FRONT CONFIG CHG DATA FROM A CMM: FOR INTRCHG SEE RR IPC POST SERVICE BULLETIN: 72-9578PT01 VK0680 PRE SERVICE BULLETIN: 72-9810 VK0680	002004 006100 102102 107107 121949 952999	1
353	UL32659	..	HOUSING ASSY-HS GEARBOX SUPPLIER CODE: VK0680 POSITION DATA: FRONT CONFIG CHG DATA FROM A CMM: FOR INTRCHG SEE RR IPC POST SERVICE BULLETIN: 72-9578PT07 VK0680	002004 006100 102102 107107 121949 952999	1
353	LK78511	..	HOUSING ASSY-HS GEARBOX SUPPLIER CODE: VK0680 POSITION DATA: FRONT NOT APPROVED FOR ETOPS. PRE SERVICE BULLETIN: 72-8202	002004 006100 107107 121949 952999	1

MISSING ITEM NUMBERS NOT APPLICABLE

- ITEM NOT ILLUSTRATED

72-00-61-05

72-00-61
FIG. 05
PAGE 23
JAN 20/09

BRI



757

PARTS CATALOG (MAINTENANCE)

FIG ITEM	PART NUMBER	1 2 3 4 5 6 7	NOMENCLATURE	EFFECT FROM TO	UNITS PER ASSY
5 353	UL20448		..HOUSING ASSY-HS GEARBOX SUPPLIER CODE: VK0680 POSITION DATA: FRONT NOT APPROVED FOR ETOPS. PRE SERVICE BULLETIN: 72-8760 POST SERVICE BULLETIN: 72-8202PT01 VK0680	107107 121949 952999	1
353	UL23132		..HOUSING ASSY-HS GEARBOX SUPPLIER CODE: VK0680 POSITION DATA: FRONT NOT APPROVED FOR ETOPS. PRE SERVICE BULLETIN: 72-8758 POST SERVICE BULLETIN: 72-8760PT05 VK0680	002004 006100 107107 121949 952999	1
353	UL23167		..HOUSING ASSY-HS GEARBOX SUPPLIER CODE: VK0680 POSITION DATA: FRONT NOT APPROVED FOR ETOPS. PRE SERVICE BULLETIN: 72-8758 POST SERVICE BULLETIN: 72-8760PT01 VK0680	002004 006100 107107 121949 952999	1
353	UL23214		..HOUSING ASSY-HS GEARBOX SUPPLIER CODE: VK0680 POSITION DATA: FRONT NOT APPROVED FOR ETOPS. PRE SERVICE BULLETIN: 72-9322 POST SERVICE BULLETIN: 72-8758PT01 VK0680	002004 006100 107107 121949 952999	1

MISSING ITEM NUMBERS NOT APPLICABLE

- ITEM NOT ILLUSTRATED

72-00-61-05

72-00-61
FIG. 05
PAGE 24
JAN 20/09

BRI



757

PARTS CATALOG (MAINTENANCE)

FIG ITEM	PART NUMBER	1 2 3 4 5 6 7	NOMENCLATURE	EFFECT FROM TO	UNITS PER ASSY
5 353	UL23216		..HOUSING ASSY-HS GEARBOX SUPPLIER CODE: VK0680 POSITION DATA: FRONT NOT APPROVED FOR ETOPS. PRE SERVICE BULLETIN: 72-9322 POST SERVICE BULLETIN: 72-8758PT05 VK0680	002004 006100 107107 121949 952999	1
353	UL28148		..HOUSING ASSY-HS GEARBOX SUPPLIER CODE: VK0680 POSITION DATA: FRONT NOT APPROVED FOR ETOPS. PRE SERVICE BULLETIN: 72-9578 POST SERVICE BULLETIN: 72-9322PT01 VK0680	002004 006100 107107 121949 952999	1
353	UL29135		..HOUSING ASSY-HS GEARBOX SUPPLIER CODE: VK0680 POSITION DATA: FRONT NOT APPROVED FOR ETOPS. PRE SERVICE BULLETIN: 72-9578 POST SERVICE BULLETIN: 72-9322PT03 VK0680	002004 006100 107107 121949 952999	1
356	AGS3782		...INSERT	002004 006100 102102 107107 121949 952999	77
359	LK30150		...PIN- SUPPLIER CODE: VK0680	002004 006100 102102 107107 121949 952999	1

MISSING ITEM NUMBERS NOT APPLICABLE

- ITEM NOT ILLUSTRATED

72-00-61-05

72-00-61
FIG. 05
PAGE 25
JAN 20/09

BRI

BOEING PROPRIETARY - Copyright © - Unpublished Work - See title page for details.



757

PARTS CATALOG (MAINTENANCE)

FIG ITEM	PART NUMBER	1 2 3 4 5 6 7	NOMENCLATURE	EFFECT FROM TO	UNITS PER ASSY
5 362	AS20764		...RING	002004 006100 102102 107107 121949 952999	1
365	KU6165		...PLUG- SUPPLIER CODE: VK0680	002004 006100 102102 107107 121949 952999	1
368	KB6505		...WASHER- SUPPLIER CODE: VK0680	002004 006100 102102 107107 121949 952999	1
371	LK30155		...STUD- SUPPLIER CODE: VK0680 MISCELLANEOUS DATA: .4375 DIA X .375 DIA SELECT FROM ITEM.	002004 006100 102102 107107 121949 952999	12
371	LK30156		...STUD- SUPPLIER CODE: VK0680 MISCELLANEOUS DATA: .002 INS O/SIZE SELECT FROM ITEM.	002004 006100 102102 107107 121949 952999	12
371	LK30157		...STUD- SUPPLIER CODE: VK0680 MISCELLANEOUS DATA: .004 INS O/SIZE SELECT FROM ITEM.	002004 006100 102102 107107 121949 952999	12
374	AGS3783		...INSERT	002004 006100 102102 107107 121949 952999	6
377	BLT5198		...BOLT- SUPPLIER CODE: VK0680	002004 006100 102102 107107 121949 952999	6

MISSING ITEM NUMBERS NOT APPLICABLE

- ITEM NOT ILLUSTRATED

BRI

72-00-61-05

BOEING PROPRIETARY - Copyright © - Unpublished Work - See title page for details.

72-00-61
FIG. 05
PAGE 26
JAN 20/09



757

PARTS CATALOG (MAINTENANCE)

FIG ITEM	PART NUMBER	1 2 3 4 5 6 7	NOMENCLATURE	EFFECT FROM TO	UNITS PER ASSY
5					
380	LK78516	...	PIN- SUPPLIER CODE: VK0680	002004 006100 102102 107107 121949 952999	1
383	AGS3736	...	INSERT	002004 006100 102102 107107 121949 952999	1
386	LK75705	...	BUSHING- SUPPLIER CODE: VK0680 SELECT FROM ITEM.	002004 006100 102102 107107 121949 952999	2
386	LK81733	...	BUSHING- SUPPLIER CODE: VK0680 SELECT FROM ITEM.	002004 006100 102102 107107 121949 952999	2
389	AGS3723	...	INSERT	002004 006100 102102 107107 121949 952999	12
392	LK75704	...	PIN- SUPPLIER CODE: VK0680	002004 006100 102102 107107 121949 952999	4
395	U140006	...	INSERT- SUPPLIER CODE: VK1012	002004 006100 102102 107107 121949 952999	9
408	UL24411	...	LINER- SUPPLIER CODE: VK0680	002004 006100 102102 107107 121949 952999	3

MISSING ITEM NUMBERS NOT APPLICABLE

- ITEM NOT ILLUSTRATED

BRI

72-00-61-05

BOEING PROPRIETARY - Copyright © - Unpublished Work - See title page for details.

72-00-61
FIG. 05
PAGE 27
JAN 20/09



757

PARTS CATALOG (MAINTENANCE)

FIG ITEM	PART NUMBER	1 2 3 4 5 6 7	NOMENCLATURE	EFFECT FROM TO	UNITS PER ASSY
5 409	UL24413	...	LINER- SUPPLIER CODE: VK0680	002004 006100 102102 107107 121949 952999	3
410	UL24414	...	LINER- SUPPLIER CODE: VK0680	002004 006100 102102 107107 121949 952999	3
411	UL24412	...	LINER- SUPPLIER CODE: VK0680	002004 006100 102102 107107 121949 952999	2
414	UP11773	...	STUD- SUPPLIER CODE: VK0680 SELECT FROM ITEM. POST SERVICE BULLETIN: 72-9322PT01 VK0680 PRE SERVICE BULLETIN: 72-C669 VK0680	002004 006100 102102 107107 121949 952999	46
414	AS42402	...	STUD- CONFIG CHG DATA FROM A CMM: FOR INTRCHG SEE RR IPC SELECT FROM ITEM. POST SERVICE BULLETIN: 72-9322PT01 VK0680 PRE SERVICE BULLETIN: 72-9810 VK0680	002004 006100 102102 107107 121949 952999	46
414	UP11773	...	STUD- SUPPLIER CODE: VK0680 CONFIG CHG DATA FROM A CMM: FOR INTRCHG SEE RR IPC SELECT FROM ITEM. POST SERVICE BULLETIN: 72-9810PT01 VK0680	002004 006100 102102 107107 121949 952999	46

MISSING ITEM NUMBERS NOT APPLICABLE

- ITEM NOT ILLUSTRATED

BRI

72-00-61-05

72-00-61
FIG. 05
PAGE 28
JAN 20/09



757

PARTS CATALOG (MAINTENANCE)

FIG ITEM	PART NUMBER	1 2 3 4 5 6 7	NOMENCLATURE	EFFECT FROM TO	UNITS PER ASSY
5					
414	AS42402	...	STUD- SELECT FROM ITEM. POST SERVICE BULLETIN: 72-9322PT01 VK0680 PRE SERVICE BULLETIN: 72-9810 VK0680	002004 006100 102102 107107 121949 952999	46
417	UP11773	...	STUD- SUPPLIER CODE: VK0680 CONFIG CHG DATA FROM A CMM: FOR INTRCHG SEE RR IPC SELECT FROM ITEM. POST SERVICE BULLETIN: 72-9810PT02 VK0680	002004 006100 102102 107107 121949 952999	48
417	UL23660	...	STUD- SUPPLIER CODE: VK0680 SELECT FROM ITEM.	002004 006100 102102 107107 121949 952999	48
417	UL23661	...	STUD- SUPPLIER CODE: VK0680 SELECT FROM ITEM.	002004 006100 102102 107107 121949 952999	48
420	AS42403	...	STUD- SELECT FROM ITEM. POST SERVICE BULLETIN: 72-9322PT01 VK0680	002004 006100 102102 107107 121949 952999	2
426	AGS3781	...	INSERT	002004 006100 102102 107107 121949 952999	13
427	UP10915	...	INSERT- SUPPLIER CODE: VK0680	002004 006100 102102 107107 121949 952999	48

MISSING ITEM NUMBERS NOT APPLICABLE

- ITEM NOT ILLUSTRATED

72-00-61-05

72-00-61
FIG. 05
PAGE 29
JAN 20/09

BRI

BOEING PROPRIETARY - Copyright © - Unpublished Work - See title page for details.



757

PARTS CATALOG (MAINTENANCE)

FIG ITEM	PART NUMBER	1 2 3 4 5 6 7	NOMENCLATURE	EFFECT FROM TO	UNITS PER ASSY
5 429	KB6512	...	WASHER- SUPPLIER CODE: VK0680	002004 006100 102102 107107 121949 952999	6
432	KU6172	...	PLUG- SUPPLIER CODE: VK0680	002004 006100 102102 107107 121949 952999	6
435	LK75702	...	BAFFLE-OIL-STARTER & HYDRAULIC PUMP DRIVE SUPPLIER CODE: VK0680 SELECT FROM ITEM.	002004 006100 102102 107107 121949 952999	2
435	LK86903	...	BAFFLE- SUPPLIER CODE: VK0680 SELECT FROM ITEM.	002004 006100 102102 107107 121949 952999	2
438	UL23215	...	HOUSING ASSY-HS GEARBOX SUPPLIER CODE: VK0680 POSITION DATA: FRONT POST SERVICE BULLETIN: 72-8758PT01 VK0680	002004 006100 102102 107107 121949 952999	RF
438	UL23217	...	HOUSING ASSY-HS GEARBOX SUPPLIER CODE: VK0680 POSITION DATA: FRONT POST SERVICE BULLETIN: 72-8758PT05 VK0680	002004 006100 102102 107107 121949 952999	RF

MISSING ITEM NUMBERS NOT APPLICABLE

- ITEM NOT ILLUSTRATED

BRI

72-00-61-05

BOEING PROPRIETARY - Copyright © - Unpublished Work - See title page for details.

72-00-61
FIG. 05
PAGE 30
JAN 20/09



757

PARTS CATALOG (MAINTENANCE)

FIG ITEM	PART NUMBER	1 2 3 4 5 6 7	NOMENCLATURE	EFFECT FROM TO	UNITS PER ASSY
5 438	UL20463		...HOUSING ASSY-HS GEARBOX SUPPLIER CODE: VK0680 POSITION DATA: FRONT PRE SERVICE BULLETIN: 72-8758 POST SERVICE BULLETIN: 72-8202PT01 VK0680	002004 006100 107107 121949 952999	RF
441	UL23224	SEAL- SUPPLIER CODE: VK0680 POST SERVICE BULLETIN: 72-8758PT09 VK0680	002004 006100 102102 107107 121949 952999	2
444	AGS3759		...INSERT	002004 006100 102102 107107 121949 952999	2

MISSING ITEM NUMBERS NOT APPLICABLE

- ITEM NOT ILLUSTRATED

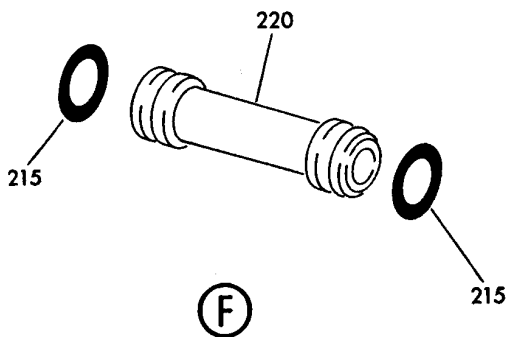
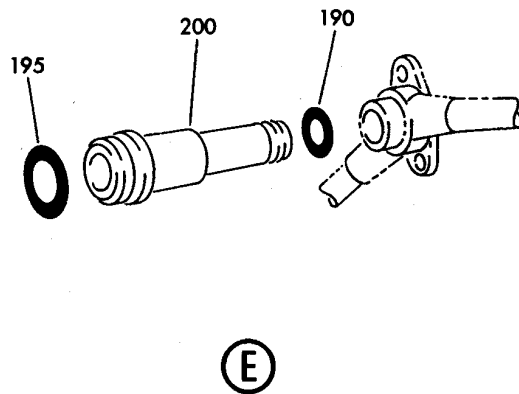
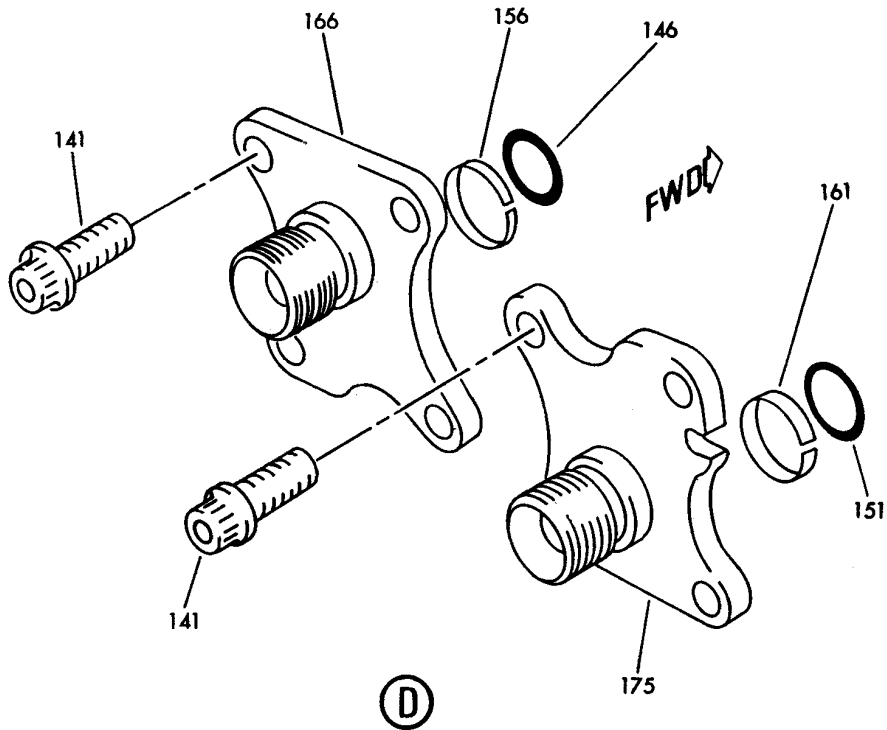
BRI

72-00-61-05

BOEING PROPRIETARY - Copyright © - Unpublished Work - See title page for details.

72-00-61
FIG. 05
PAGE 31
JAN 20/09

BOEING
757
PARTS CATALOG (MAINTENANCE)



Y 72006106 SHT 2 REV 213

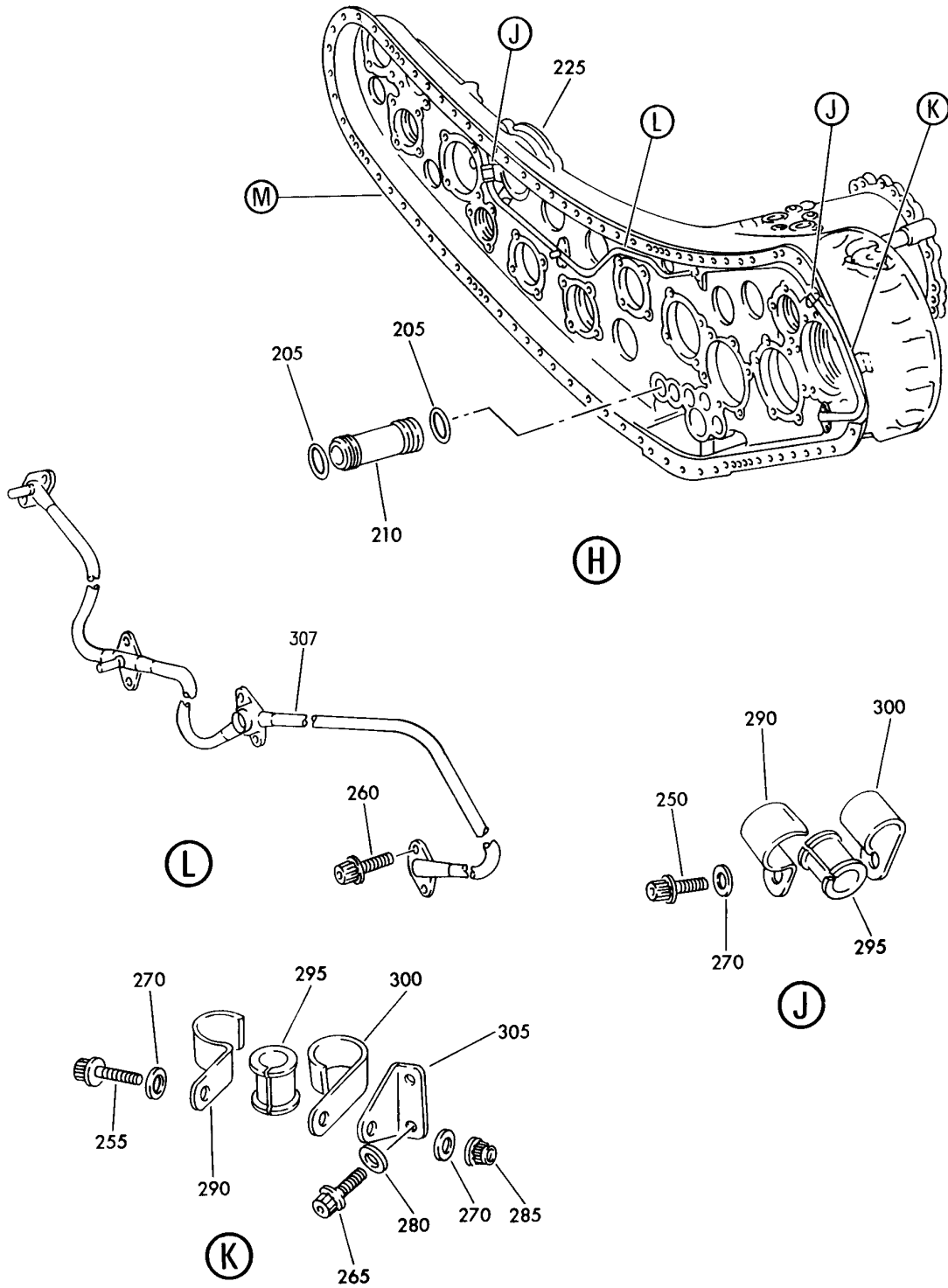
HIGH SPEED GEARBOX REAR HOUSING AND FITTINGS (RB211-535)
FIGURE 6 (SHEET 2)

72-00-61-06

BRI
MAY 28/07

72-00-61-06
PAGE 0A

BOEING
757
PARTS CATALOG (MAINTENANCE)



Y 72006106 SHT 3 REV 255

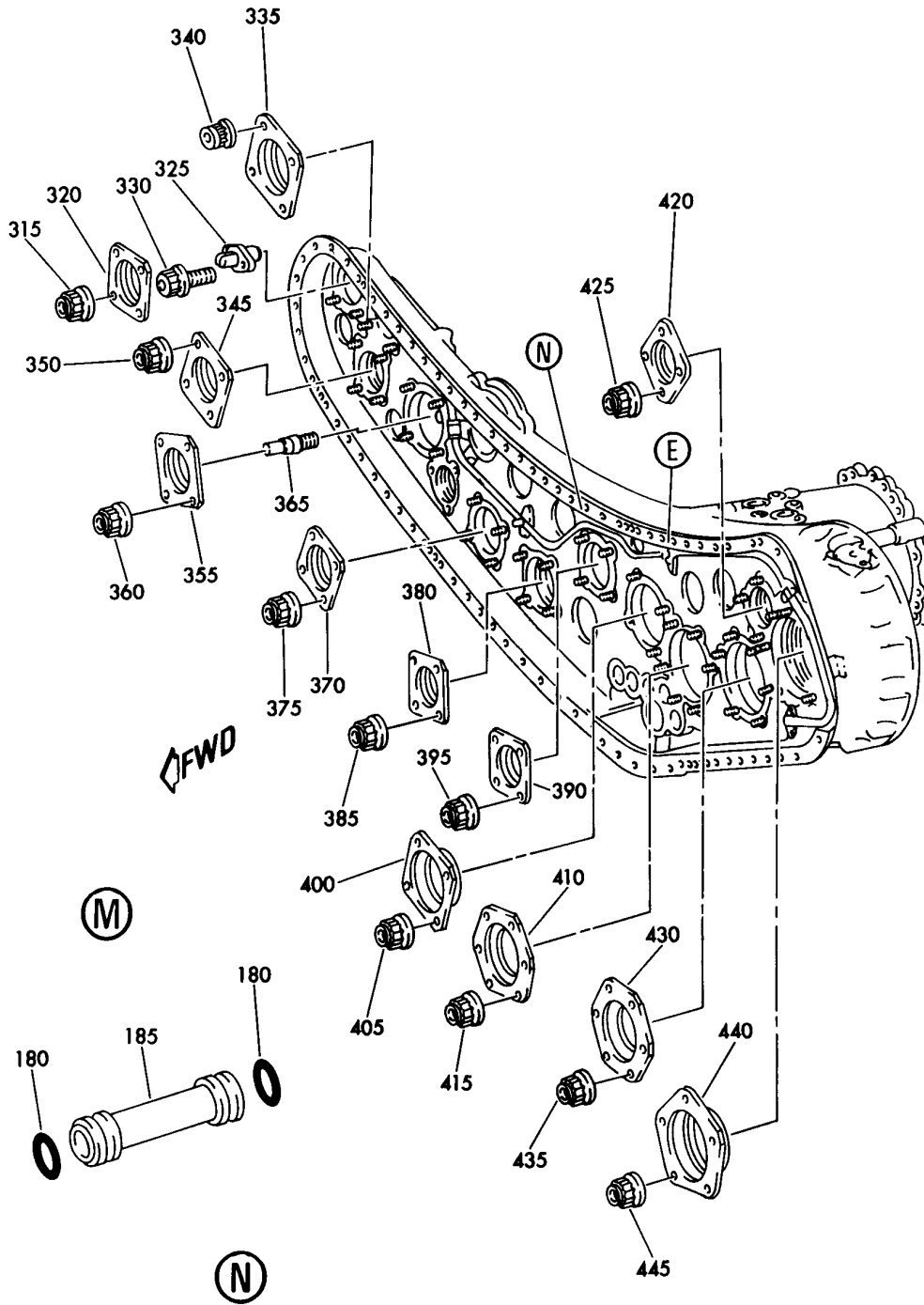
HIGH SPEED GEARBOX REAR HOUSING AND FITTINGS (RB211-535)
FIGURE 6 (SHEET 3)

72-00-61-06

BRI
MAY 28/07

72-00-61-06
PAGE 0B

BOEING
757
PARTS CATALOG (MAINTENANCE)



Y 72006106 SHT 4 REV 229

HIGH SPEED GEARBOX REAR HOUSING AND FITTINGS (RB211-535)
FIGURE 6 (SHEET 4)

72-00-61-06

BRI
MAY 28/07

72-00-61-06
PAGE 0C



757

PARTS CATALOG (MAINTENANCE)

FIG ITEM	PART NUMBER	1 2 3 4 5 6 7	NOMENCLATURE	EFFECT FROM TO	UNITS PER ASSY
6			HIGH SPEED GEARBOX REAR HOUSING AND FITTINGS (RB211-535)	002004 006999	
- 1	UL20697		ENGINE ASSY-Q.E.C.U. RB211-535E43711 MAXIMUM NEUT WITH GRAVINER FIRE DETECTORS, BAYONET MCD, NON-MODULATED IDG COOLING 40,000 LB THRUST SUPPLIER CODE: VK0680 REFERENCE SERVICE BULLETIN: 71-0058R4 QUALIFIED SB I/W DATA: INTERMIX OF ONE OR SUBSTITUTION OF TWO DIFFERENT CONFIGURATION RB211-535E4-37/() ENGINES FOR RB211-535 E4 BASE ENGINES REFERENCE SERVICE BULLETIN: RB211-72-C547 VK0680 FOR NHA/OTHER SYS DET SEE: 71-00-02-04	121503 904949 952999	RF
- 1	UL20702		ENGINE ASSY-Q.E.C.U. RB211-535E43711 BASIC ENG CONFIGURATION WITH GRAVINER FIRE DETECTORS BAYONET MCD, NON-MODULATED IDG COOLING 40,100 LB THRUST SUPPLIER CODE: VK0680 FOR NHA/OTHER SYS DET SEE: 71-00-02-10	504903	RF
- 1	UL19722		ENGINE ASSY-Q.E.C.U. RB211-535E43711 MAXIMUM NEUT SUPPLIER CODE: VK0680 FOR NHA/OTHER SYS DET SEE: 71-00-02-04	107107	RF

MISSING ITEM NUMBERS NOT APPLICABLE

- ITEM NOT ILLUSTRATED

72-00-61-06

72-00-61
FIG. 06
PAGE 1
JAN 20/09

BRI



757

PARTS CATALOG (MAINTENANCE)

FIG ITEM	PART NUMBER	1 2 3 4 5 6 7	NOMENCLATURE	EFFECT FROM TO	UNITS PER ASSY
6 - 2	UL20698		ENGINE ASSY-Q.E.C.U. RB211-535E43712 MAXIMUM NEUT SUPPLIER CODE: VK0680 REFERENCE SERVICE BULLETIN: 71-0058R7 QUALIFIED SB I/W DATA: INTERMIX OF ONE OR SUBSTITUTION OF TWO DIFFERENT CONFIGURATION RB211-535E4-37/() ENGINES FOR RB211-535E4 BASE ENGINES OR DIFFERENT CONFIGURATION RB211-535E4-B-37/() ENGINES FOR RB211-535E4-B BASE ENGINES REFERENCE SERVICE BULLETIN: RB211-72C547 VK0680 RB211-72-8910 VK0680 POST RAPID REVISION: RR92014-183A-RC-E FOR NHA/OTHER SYS DET SEE: 71-00-02-04	002004 006100 102102	RF
- 2	UL36209		ENGINE ASSY-Q.E.C.U. RB211-535E43719 MAXIMUM NEUT SUPPLIER CODE: VK0680 FOR NHA/OTHER SYS DET SEE: 71-00-02-04	950951	RF
- 3	BCREF17395		ENGINE ASSY-Q.E.C.U. RB211-535E43739 BASIC ENG CONFIGURATION AND PHASE 5 COMBUSTOR 40,100 LB THRUST SUPPLIER CODE: VK0680 OVERLENGTH PART NUMBER: RB211-535E4-37-39E FOR NHA/OTHER SYS DET SEE: 71-00-02-10	108120	RF

MISSING ITEM NUMBERS NOT APPLICABLE

- ITEM NOT ILLUSTRATED

72-00-61-06

72-00-61
FIG. 06
PAGE 2
JAN 20/09

BRI



757

PARTS CATALOG (MAINTENANCE)

FIG ITEM	PART NUMBER	1 2 3 4 5 6 7	NOMENCLATURE	EFFECT FROM TO	UNITS PER ASSY
6 -	3 BCRE17101		ENGINE ASSY-Q.E.C.U. RB211-535E43744 BASIC ENG CONFIGURATION BAYONET MCD AND PHASE 5 COMBUSTOR 40,100 LB THRUST SUPPLIER CODE: VK0680 OVERLENGTH PART NUMBER: RB211-535E4-3744E FOR NHA/OTHER SYS DET SEE: 71-00-02-10	103106	RF
-	3 UL38163		ENGINE ASSY-Q.E.C.U. RB211-535E43724 BASIC ENG CONFIGURATION BAYONET MCD 40,100 LB SUPPLIER CODE: VK0680 FOR NHA/OTHER SYS DET SEE: 71-00-02-10	101101	RF
-	4 UL12992		.GEARBOX-HS MODULE NO. 6 SUPPLIER CODE: VK0680 PRE SERVICE BULLETIN: 73-7951 VK0680	107107 121949 952999	RF
-	4 UL18550		.GEARBOX-HS MODULE NO. 6 SUPPLIER CODE: VK0680 POST SERVICE BULLETIN: 73-7951PT01 VK0680 PRE SERVICE BULLETIN: 72-8044 VK0680	107107 121949 952999	RF
-	4 UL19962		.GEARBOX-HS MODULE NO. 6 SUPPLIER CODE: VK0680 POST SERVICE BULLETIN: 72-8044 VK0680 PRE SERVICE BULLETIN: 72-8088 VK0680	002004 006100 102102	RF

MISSING ITEM NUMBERS NOT APPLICABLE

- ITEM NOT ILLUSTRATED

72-00-61-06

72-00-61
FIG. 06
PAGE 3
JAN 20/09

BRI

 **BOEING**
757
PARTS CATALOG (MAINTENANCE)

FIG ITEM	PART NUMBER	1 2 3 4 5 6 7	NOMENCLATURE	EFFECT FROM TO	UNITS PER ASSY
6 - 4	UL19964		.GEARBOX-HS MODULE NO. 6 SUPPLIER CODE: VK0680 POST SERVICE BULLETIN: 72-8044PT01 VK0680 PRE SERVICE BULLETIN: 72-8088 VK0680	107107 121949 952999	RF
- 4	UL19995		.GEARBOX-HS MODULE NO. 6 SUPPLIER CODE: VK0680 POST SERVICE BULLETIN: 72-8088 VK0680 PRE SERVICE BULLETIN: 79-9179 VK0680	002004 006100 102102	RF
- 4	UL19996		.GEARBOX-HS MODULE NO. 6 SUPPLIER CODE: VK0680 POST SERVICE BULLETIN: 72-8088PT01 VK0680 PRE SERVICE BULLETIN: 79-9179 VK0680	107107 121949 952999	RF
- 4	UL39666		.GEARBOX-HS MODULE NO. 6 SUPPLIER CODE: VK0680 POST SERVICE BULLETIN: 72-C661PT01 VK0680	002004 006999	RF
R R R R R R R R R R	- 4	UL28676	.GEARBOX-HS MODULE NO. 6 SUPPLIER CODE: VK0680 POST SERVICE BULLETIN: 72-8088PT01 VK0680 79-9179 VK0680 PRE SERVICE BULLETIN: 72-9406 VK0680	002004 006106 108120 950951	RF

MISSING ITEM NUMBERS NOT APPLICABLE

- ITEM NOT ILLUSTRATED

BRI

72-00-61-06

BOEING PROPRIETARY - Copyright © - Unpublished Work - See title page for details.

72-00-61
FIG. 06
PAGE 4
MAY 20/09



757

PARTS CATALOG (MAINTENANCE)

FIG ITEM	PART NUMBER	1 2 3 4 5 6 7	NOMENCLATURE	EFFECT FROM TO	UNITS PER ASSY
6					
- 4	UL28677		. GEARBOX-HS MODULE NO. 6 SUPPLIER CODE: VK0680 POST SERVICE BULLETIN: 79-9179PT01 VK0680 PRE SERVICE BULLETIN: 72-9406 VK0680	107107 121949 952999	RF
- 4	UL37124		. GEARBOX-HS MODULE NO. 6 SUPPLIER CODE: VK0680 POST SERVICE BULLETIN: 72-9890PT01 VK0680 PRE SERVICE BULLETIN: 72-C661 VK0680	002004 006999	RF
- 4	UL33301		. GEARBOX-HS MODULE NO. 6 SUPPLIER CODE: VK0680 POST SERVICE BULLETIN: 72-9406PT01 VK0680 PRE SERVICE BULLETIN: 72-9890 VK0680	002004 006102 108120 950951	RF
- 4	UL33302		. GEARBOX-HS MODULE NO. 6 SUPPLIER CODE: VK0680 POST SERVICE BULLETIN: 72-9406PT01 VK0680 PRE SERVICE BULLETIN: 72-9890 VK0680	107107 121949 952999	RF
7	AS21517		.. BOLT	002004 006999	16
10	AS12944		.. WASHER	002004 006999	16
15	BLT3448		.. BOLT-HEX HEAD DRAIN PLUG SUPPLIER CODE: VK0680	002004 006999	1
20	KB1087		.. WASHER-FLAT DRAIN PLUG SUPPLIER CODE: VK0680	002004 006999	1

MISSING ITEM NUMBERS NOT APPLICABLE

- ITEM NOT ILLUSTRATED

72-00-61-06

72-00-61
FIG. 06
PAGE 5
JAN 20/09

BRI



757

PARTS CATALOG (MAINTENANCE)

FIG ITEM	PART NUMBER	1 2 3 4 5 6 7	NOMENCLATURE	EFFECT FROM TO	UNITS PER ASSY
6					
27	LK34468	..	PLUG-BLANKING SUPPLIER CODE: VK0680 POST SERVICE BULLETIN: 72-7812PT01 VK0680	002004 006999	5
28	LK34468	..	PLUG-BLANKING SUPPLIER CODE: VK0680 PRE SERVICE BULLETIN: 72-7812 VK0680	107107 121949 952999	1
30	AS21516	..	BOLT- PRE SERVICE BULLETIN: 72-7812 VK0680	107107 121949 952999	2
32	AS21516	..	BOLT- POST SERVICE BULLETIN: 72-7812PT01 VK0680	002004 006999	10
35	AS26095	..	WASHER- PRE SERVICE BULLETIN: 72-7812 VK0680	107107 121949 952999	2
37	AS26095	..	WASHER- POST SERVICE BULLETIN: 72-7812PT01 VK0680	002004 006999	10
40	KB27118	..	SEAL- SUPPLIER CODE: VK0680 PRE SERVICE BULLETIN: 72-7812 VK0680	107107 121949 952999	1
42	KB27118	..	SEAL- SUPPLIER CODE: VK0680 POST SERVICE BULLETIN: 72-7812PT01 VK0680 PRE SERVICE BULLETIN: 72-9480 VK0680	002004 006100 102102 107107 121949 952999	5

MISSING ITEM NUMBERS NOT APPLICABLE

- ITEM NOT ILLUSTRATED

BRI

72-00-61-06

BOEING PROPRIETARY - Copyright © - Unpublished Work - See title page for details.

72-00-61
FIG. 06
PAGE 6
JAN 20/09



757

PARTS CATALOG (MAINTENANCE)

FIG ITEM	PART NUMBER	1 2 3 4 5 6 7	NOMENCLATURE	EFFECT FROM TO	UNITS PER ASSY
6					
42	AS43013-118	..	SEAL- OPTIONAL PART: KB27118 VK0680 POST SERVICE BULLETIN: 72-9480PTC VK0680	002004 006999	5
42	KB27118	..	SEAL- SUPPLIER CODE: VK0680 OPTIONAL PART: AS43013-118 POST SERVICE BULLETIN: 72-9480PTC VK0680	002004 006999	5
- 50	VB3447	..	DETECTOR ASSY-MAGNETIC CHIP SUPPLIER CODE: V97484 PRE SERVICE BULLETIN: 72-7812 VK0680	107107 121949 952999	4
- 59	VB3449	...	PROBE ASSY-MAGNETIC SUPPLIER CODE: V97484 PRE SERVICE BULLETIN: 72-7812 VK0680	107107 121949 952999	1
- 62	44066	...	SEAL- SUPPLIER CODE: V97484 PRE SERVICE BULLETIN: 72-7812 VK0680	107107 121949 952999	2
- 65	44066	...	SEAL- SUPPLIER CODE: V97484	103106 108120 950951	8
70	VB3448	...	HOUSING ASSY-PLUG SUPPLIER CODE: V97484 PRE SERVICE BULLETIN: 72-7306 VK0680	107107 121949 952999	1
70	VB3448B1	...	HOUSING ASSY-PLUG SUPPLIER CODE: V97484 POST SERVICE BULLETIN: 72-7306 V77445	107107 121949 952999	1

MISSING ITEM NUMBERS NOT APPLICABLE

- ITEM NOT ILLUSTRATED

72-00-61-06

72-00-61
FIG. 06
PAGE 7
JAN 20/09

BRI

BOEING PROPRIETARY - Copyright © - Unpublished Work - See title page for details.



757

PARTS CATALOG (MAINTENANCE)

FIG ITEM	PART NUMBER	1 2 3 4 5 6 7	NOMENCLATURE	EFFECT FROM TO	UNITS PER ASSY
6					
71	VB3448B1	...	HOUSING ASSY-PLUG SUPPLIER CODE: V97484 POST SERVICE BULLETIN: 72-7306 V77445	002004 006106 108120 950951	4
- 85	LK29974	..	STRAINER ASSY-ELEMENT SEDIMENT OIL RETURN TO TANK SUPPLIER CODE: VK0680 POST SERVICE BULLETIN: 72-C661PT01 VK0680	002004 006999	1
- 90	AS21513	..	BOLT- POST SERVICE BULLETIN: 72-C661PT01 VK0680	002004 006999	1
100	KB27114	..	SEAL- SUPPLIER CODE: VK0680	002004 006999	2
105	UL12863	..	DISTRIBUTOR ASSY-OIL FEED TO HIGH SPEED GEARBOX SUPPLIER CODE: VK0680	002004 006999	1
110	AS21518	..	BOLT	002004 006999	5
115	AS12944	..	WASHER	002004 006999	5
- 130	UL12864	...	DISTRIBUTOR- SUPPLIER CODE: VK0680 USED ON: UL12863	002004 006999	RF
141	AS21015	..	BOLT- POST SERVICE BULLETIN: 79-9179PT01 VK0680	002004 006999	8
146	KB27108	..	SEAL- SUPPLIER CODE: VK0680 POST SERVICE BULLETIN: 79-9179PT01 VK0680	002004 006999	2

MISSING ITEM NUMBERS NOT APPLICABLE

- ITEM NOT ILLUSTRATED

72-00-61-06

72-00-61
FIG. 06
PAGE 8
JAN 20/09

BRI

BOEING PROPRIETARY - Copyright © - Unpublished Work - See title page for details.



757

PARTS CATALOG (MAINTENANCE)

FIG ITEM	PART NUMBER	1 2 3 4 5 6 7	NOMENCLATURE	EFFECT FROM TO	UNITS PER ASSY
6 151	KB27110	..	SEAL- SUPPLIER CODE: VK0680 POST SERVICE BULLETIN: 79-9179PT01 VK0680	002004 006999	2
156	K11504	..	RING- SUPPLIER CODE: VK0680 POST SERVICE BULLETIN: 79-9179PT01 VK0680	002004 006999	2
161	K11508	..	RING- SUPPLIER CODE: VK0680 POST SERVICE BULLETIN: 79-9179PT01 VK0680	002004 006999	2
166	UP11295	..	ADAPTOR-GEARBOX TO OIL PRESS SWITCH SUPPLIER CODE: VK0680 POST SERVICE BULLETIN: 79-9179PT01 VK0680	002004 006999	1
175	UP11296	..	ADAPTOR-GEARBOX TO OIL PRESS SWITCH SUPPLIER CODE: VK0680 POST SERVICE BULLETIN: 79-9179PT01 VK0680	002004 006999	1
180	KB27111	..	SEAL-RING SUPPLIER CODE: VK0680	002004 006102 107107 121999	2
185	LK74906	..	CONNECTOR-TUBULAR GROOVED-OIL PUMP TO JOURNALS SUPPLIER CODE: VK0680	002004 006102 107107 121999	1
190	KB27115	..	SEAL-RING SUPPLIER CODE: VK0680	002004 006102 107107 121999	1
195	KB27110	..	SEAL-RING SUPPLIER CODE: VK0680	002004 006102 107107 121999	1

MISSING ITEM NUMBERS NOT APPLICABLE

- ITEM NOT ILLUSTRATED

72-00-61-06

72-00-61
FIG. 06
PAGE 9
JAN 20/09

BRI

BOEING PROPRIETARY - Copyright © - Unpublished Work - See title page for details.



757

PARTS CATALOG (MAINTENANCE)

FIG ITEM	PART NUMBER	1 2 3 4 5 6 7	NOMENCLATURE	EFFECT FROM TO	UNITS PER ASSY
6 200	LK74894		..CONNECTOR-TUBULAR GROOVED-OIL FEED TO FFG IDG & HP PUMP SUPPLIER CODE: VK0680	002004 006102 107107 121999	1
205	KB27210		..SEAL-RING SUPPLIER CODE: VK0680	002004 006102 107107 121999	10
210	LK74903		..CONNECTOR-TUBULAR GROOVED-OIL RETURN TO PUMP SUPPLIER CODE: VK0680	002004 006102 107107 121999	5
215	KB27216		..SEAL-RING SUPPLIER CODE: VK0680	002004 006102 107107 121999	2
220	LK74895		..CONNECTOR-TUBULAR GROOVED-HS GEARBOX OIL RETURN SUPPLIER CODE: VK0680	002004 006102 107107 121999	1
225	UL12973		..HOUSING ASSY-HS GEARBOX SUPPLIER CODE: VK0680 POSITION DATA: REAR NOT APPROVED FOR ETOPS. PRE SERVICE BULLETIN: 72-8760 VK0680 FOR DETAILS SEE: 72-00-61-06A	002004 006100 102102 107107 121949 952999	1
225	UL36851		..HOUSING ASSY-HS GEARBOX SUPPLIER CODE: VK0680 POSITION DATA: REAR CONFIG CHG DATA FROM A CMM: FOR INTRCHG SEE RR IPC POST SERVICE BULLETIN: 72-9810PT01 VK0680 PRE SERVICE BULLETIN: 72-C661 VK0680 FOR DETAILS SEE: 72-00-61-06A	002004 006102 107107 121999	1

MISSING ITEM NUMBERS NOT APPLICABLE

- ITEM NOT ILLUSTRATED

72-00-61-06

72-00-61
FIG. 06
PAGE 10
JAN 20/09

BRI



757

PARTS CATALOG (MAINTENANCE)

FIG ITEM	PART NUMBER	1 2 3 4 5 6 7	NOMENCLATURE	EFFECT FROM TO	UNITS PER ASSY
6 225	UL23170		..HOUSING ASSY-HS GEARBOX SUPPLIER CODE: VK0680 POSITION DATA: REAR NOT APPROVED FOR ETOPS. POST SERVICE BULLETIN: 72-8760PT06 VK0680 PRE SERVICE BULLETIN: 72-8758 VK0680 FOR DETAILS SEE: 72-00-61-06A	002004 006100 102102 107107 121949 952999	1
225	UL23218		..HOUSING ASSY-HS GEARBOX SUPPLIER CODE: VK0680 POSITION DATA: REAR NOT APPROVED FOR ETOPS. POST SERVICE BULLETIN: 72-8758PT06 VK0680 PRE SERVICE BULLETIN: 72-9578 VK0680 FOR DETAILS SEE: 72-00-61-06A	002004 006102 107107 121999	1
225	UL32664		..HOUSING ASSY-HS GEARBOX SUPPLIER CODE: VK0680 POSITION DATA: REAR CONFIG CHG DATA FROM A CMM: FOR INTRCHG SEE RR IPC POST SERVICE BULLETIN: 72-9578PT01 VK0680 PRE SERVICE BULLETIN: 72-9810 VK0680 FOR DETAILS SEE: 72-00-61-06A	002004 006102 107107 121999	1
250	AS21514		..BOLT	002004 006102 107107 121999	2

MISSING ITEM NUMBERS NOT APPLICABLE

- ITEM NOT ILLUSTRATED

72-00-61-06

72-00-61
FIG. 06
PAGE 11
JAN 20/09

BRI



757

PARTS CATALOG (MAINTENANCE)

FIG ITEM	PART NUMBER	1 2 3 4 5 6 7	NOMENCLATURE	EFFECT FROM TO	UNITS PER ASSY
6					
255	AS21511	..	BOLT	002004 006102 107107 121999	1
260	AS21411	..	BOLT	002004 006102 107107 121999	8
265	AS20912	..	BOLT	002004 006102 107107 121999	2
270	AS12944	..	WASHER	002004 006102 107107 121999	4
280	AS12943	..	WASHER	002004 006102 107107 121999	2
285	AS20625	..	NUT	002004 006102 107107 121999	1
290	AS12847	..	CLIP	002004 006102 107107 121999	3
295	AS12883	..	BUSHING	002004 006102 107107 121999	3
300	AS12817	..	CLIP	002004 006102 107107 121999	3
305	LK74926	..	BRACKET-ANGLE SUPPLIER CODE: VK0680	002004 006102 107107 121999	1
307	UL12871	..	TUBE-OIL FEED-OIL SUPPLY TO GEARSHAFTS AND BRGS ASSY SUPPLIER CODE: VK0680	002004 006102 107107 121999	1

MISSING ITEM NUMBERS NOT APPLICABLE

- ITEM NOT ILLUSTRATED

BRI

72-00-61-06

BOEING PROPRIETARY - Copyright © - Unpublished Work - See title page for details.

72-00-61
FIG. 06
PAGE 12
JAN 20/09



757

PARTS CATALOG (MAINTENANCE)

FIG ITEM	PART NUMBER	1 2 3 4 5 6 7	NOMENCLATURE	EFFECT FROM TO	UNITS PER ASSY
6			ATTACHING PARTS		
315	AS20625		..NUT	002004 006102 107107 121999	4
320	LK74823		-----*----- ..HOUSING-ROLLER BRG LP FUEL PUMP IDLER SUPPLIER CODE: VK0680 POSITION DATA: REAR	002004 006102 107107 121999	1
325	LK74887		..NOZZLE ASSY-OIL JET LP FUEL PUMP DRIVE SUPPLIER CODE: VK0680	002004 006102 107107 121999	1
330	AS21412		ATTACHING PARTS ..BOLT-	002004 006102 107107 121999	2
335	LK74823		-----*----- ..HOUSING-ROLLER BRG LP FUEL PUMP IDLER SUPPLIER CODE: VK0680 POSITION DATA: REAR	002004 006102 107107 121999	1
340	AS20625		ATTACHING PARTS ..NUT	002004 006102 107107 121999	4
345	LK74823		-----*----- ..HOUSING-ROLLER BRG FFG DRIVE SUPPLIER CODE: VK0680 POSITION DATA: REAR	002004 006102 107107 121999	1
350	AS20625		ATTACHING PARTS ..NUT	002004 006102 107107 121999	4
			-----*-----		

MISSING ITEM NUMBERS NOT APPLICABLE

- ITEM NOT ILLUSTRATED

72-00-61-06

72-00-61
FIG. 06
PAGE 13
JAN 20/09

BRI

BOEING PROPRIETARY - Copyright © - Unpublished Work - See title page for details.

 **BOEING**
757
PARTS CATALOG (MAINTENANCE)

FIG ITEM	PART NUMBER	1 2 3 4 5 6 7	NOMENCLATURE	EFFECT FROM TO	UNITS PER ASSY
6					
355	LK74825		..HOUSING-ROLLER BRG HYDRAULIC PUMP DRIVE SUPPLIER CODE: VK0680 POSITION DATA: REAR ATTACHING PARTS	002004 006102 107107 121999	1
360	AS20625		..NUT	002004 006102 107107 121999	4
365	LK74884		-----*----- ..NOZZLE ASSY-OIL JET HYDRALIC PUMP DRIVE SUPPLIER CODE: VK0680	002004 006102 107107 121999	1
370	LK74830		..HOUSING-ROLLER BRG HYDRAULIC PUMP DRIVE SUPPLIER CODE: VK0680 POSITION DATA: REAR ATTACHING PARTS	002004 006102 107107 121999	1
375	AS20625		..NUT	002004 006102 107107 121999	4
380	LK74830		-----*----- ..HOUSING-ROLLER BRG HP FUEL PUMP DRIVE SUPPLIER CODE: VK0680 POSITION DATA: REAR ATTACHING PARTS	002004 006102 107107 121999	1
385	AS20625		..NUT	002004 006102 107107 121999	4
390	LK74830		-----*----- ..HOUSING-ROLLER BRG HP FUEL PUMP IDLER SUPPLIER CODE: VK0680 POSITION DATA: REAR	002004 006102 107107 121999	1

MISSING ITEM NUMBERS NOT APPLICABLE

— ITEM NOT ILLUSTRATED

BRI

72-00-61-06

BOEING PROPRIETARY - Copyright © - Unpublished Work - See title page for details.

72-00-61
FIG. 06
PAGE 14
JAN 20/09

BOEING
757
PARTS CATALOG (MAINTENANCE)

FIG ITEM	PART NUMBER	1 2 3 4 5 6 7	NOMENCLATURE	EFFECT FROM TO	UNITS PER ASSY
6			ATTACHING PARTS		
395	AS20625		..NUT	002004 006102 107107 121999	4
400	LK74825		-----*----- ..HOUSING-ROLLER BRG STARTER DRIVE SUPPLIER CODE: VK0680 POSITION DATA: REAR	002004 006102 107107 121999	1
405	AS20625		ATTACHING PARTS ..NUT	002004 006102 107107 121999	4
410	LK74828		-----*----- ..HOUSING-ROLLER BRG IDG 43T IDLER SUPPLIER CODE: VK0680 POSITION DATA: REAR OPTIONAL PART: FB222037 VK0680 POST SERVICE BULLETIN: 72-9917PTB VK0680	002004 006102 107107 121999	1
410	FB222037		..HOUSING-ROLLER BRG IDG 43T IDLER SUPPLIER CODE: VK0680 POSITION DATA: REAR OPTIONAL PART: LK74828 VK0680 POST SERVICE BULLETIN: 72-9917PTB VK0680	002004 006100 102102 107107 121949 952999	1

MISSING ITEM NUMBERS NOT APPLICABLE

— ITEM NOT ILLUSTRATED

BRI

72-00-61-06

BOEING PROPRIETARY - Copyright © - Unpublished Work - See title page for details.

72-00-61
FIG. 06
PAGE 15
JAN 20/09



757

PARTS CATALOG (MAINTENANCE)

FIG ITEM	PART NUMBER	1 2 3 4 5 6 7	NOMENCLATURE	EFFECT FROM TO	UNITS PER ASSY
6 410	LK74828		..HOUSING-ROLLER BRG IDG 43T IDLER SUPPLIER CODE: VK0680 POSITION DATA: REAR PRE SERVICE BULLETIN: 72-9917 VK0680 ATTACHING PARTS	002004 006100 102102 107107 121949 952999	1
415	AS20625		..NUT -----*-----	002004 006102 107107 121999	6
420	LK74823		..HOUSING-ROLLER BRG BREATHER ROTOR SUPPLIER CODE: VK0680 POSITION DATA: REAR ATTACHING PARTS	002004 006102 107107 121999	1
425	AS20625		..NUT -----*-----	002004 006102 107107 121999	4
430	LK74828		..HOUSING-ROLLER BRG IDG 53T IDLER SUPPLIER CODE: VK0680 POSITION DATA: REAR OPTIONAL PART: FB222037 VK0680 POST SERVICE BULLETIN: 72-9917PTB VK0680	002004 006102 107107 121999	1

MISSING ITEM NUMBERS NOT APPLICABLE

- ITEM NOT ILLUSTRATED

BRI

72-00-61-06

BOEING PROPRIETARY - Copyright © - Unpublished Work - See title page for details.

72-00-61
FIG. 06
PAGE 16
JAN 20/09



757

PARTS CATALOG (MAINTENANCE)

FIG ITEM	PART NUMBER	1 2 3 4 5 6 7	NOMENCLATURE	EFFECT FROM TO	UNITS PER ASSY
6 430	FB222037		..HOUSING-ROLLER BRG IDG 53T IDLER SUPPLIER CODE: VK0680 POSITION DATA: REAR OPTIONAL PART: LK74828 VK0680 POST SERVICE BULLETIN: 72-9917PTB VK0680	002004 006100 102102 107107 121949 952999	1
430	LK74828		..HOUSING-ROLLER BRG IDG 53T IDLER SUPPLIER CODE: VK0680 POSITION DATA: REAR PRE SERVICE BULLETIN: 72-9917 VK0680 ATTACHING PARTS	002004 006100 102102 107107 121949 952999	1
435	AS20625		..NUT	002004 006102 107107 121999	6
440	LK74931		-----*----- ..HOUSING-ROLLER BRG IDG DRIVE SUPPLIER CODE: VK0680 POSITION DATA: REAR ATTACHING PARTS	002004 006102 107107 121999	1
445	AS20625		..NUT -----*-----	002004 006102 107107 121999	5

MISSING ITEM NUMBERS NOT APPLICABLE

- ITEM NOT ILLUSTRATED

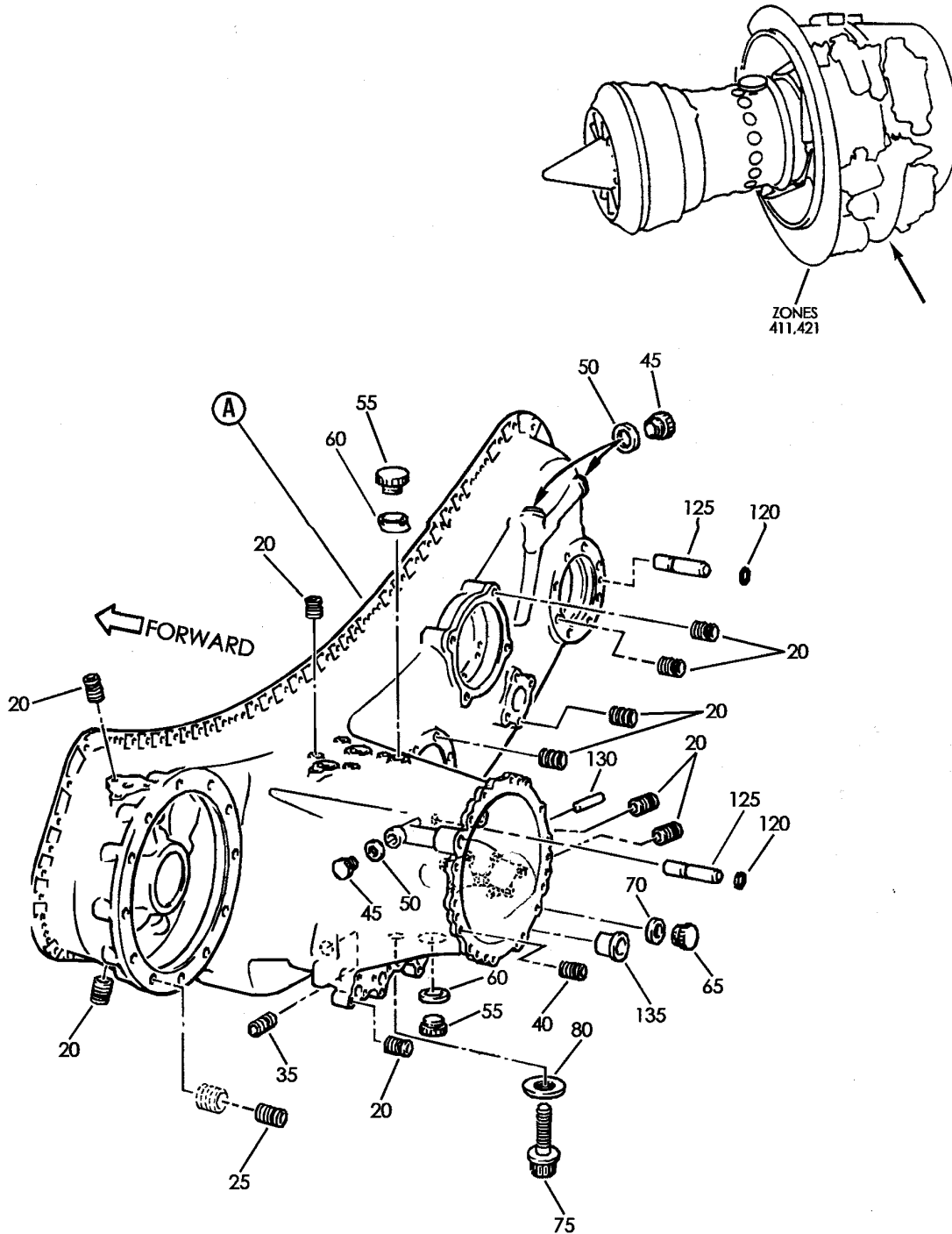
BRI

72-00-61-06

BOEING PROPRIETARY - Copyright © - Unpublished Work - See title page for details.

72-00-61
FIG. 06
PAGE 17
JAN 20/09

BOEING
757
PARTS CATALOG (MAINTENANCE)



Y 72006106A SHT 1 REV 212

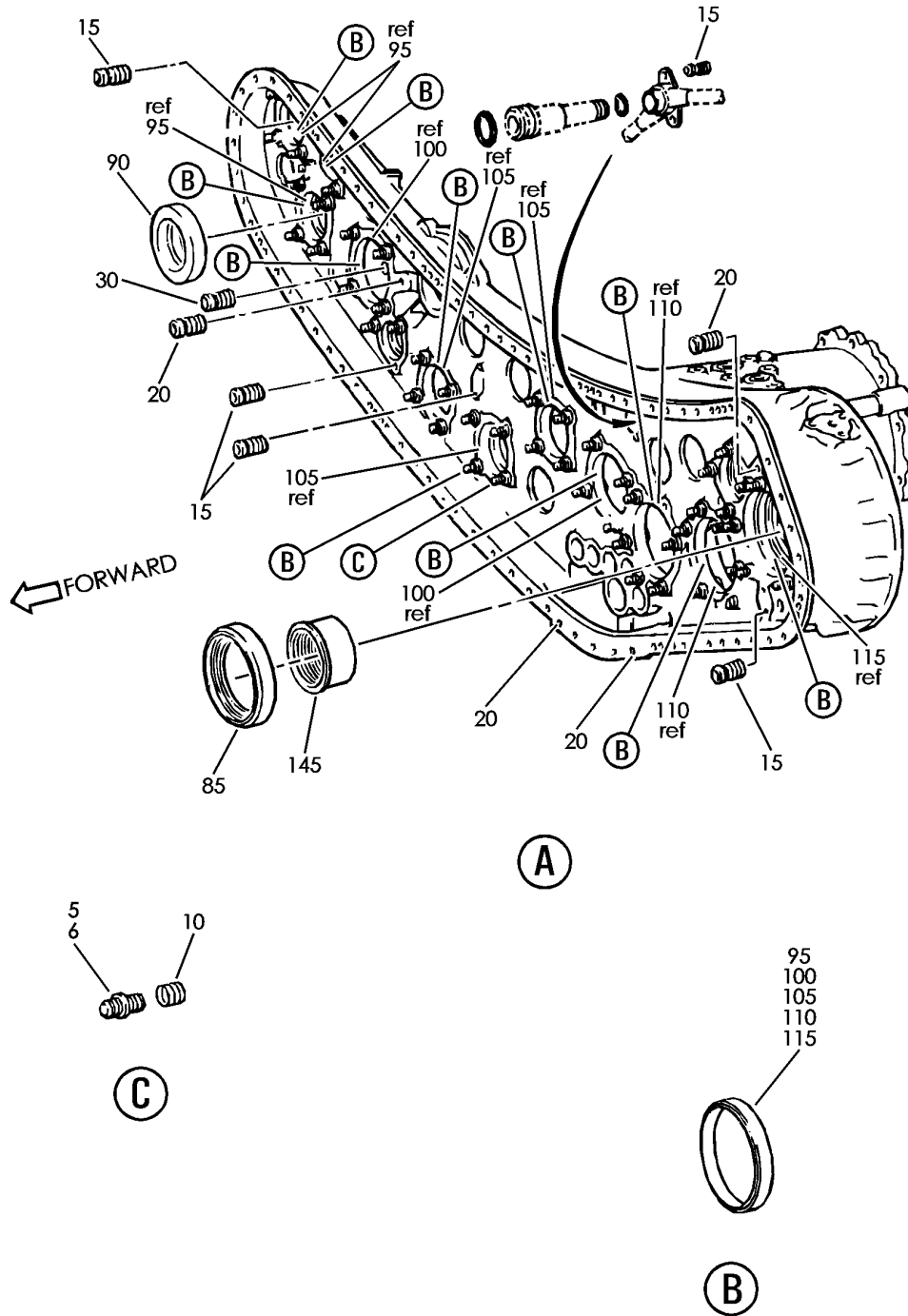
HIGH SPEED GEARBOX HOUSING ASSY (RB211-535)
FIGURE 6A (SHEET 1)

72-00-61-06A

BRI
MAY 28/07

72-00-61-06A
PAGE 0

BOEING
757
PARTS CATALOG (MAINTENANCE)



Y 72006106A SHT 2 REV 229

HIGH SPEED GEARBOX HOUSING ASSY (RB211-535)
FIGURE 6A (SHEET 2)

72-00-61-06A

BRI
MAY 28/07

72-00-61-06A
PAGE 0A



757

PARTS CATALOG (MAINTENANCE)

FIG ITEM	PART NUMBER	1 2 3 4 5 6 7	NOMENCLATURE	EFFECT FROM TO	UNITS PER ASSY
6A			HIGH SPEED GEARBOX HOUSING ASSY (RB211-535)	002004 006102 107107 121999	
- 1	UL12973		HOUSING ASSY-HS GEARBOX SUPPLIER CODE: VK0680 POSITION DATA: REAR NOT APPROVED FOR ETOPS. PRE SERVICE BULLETIN: 72-8760 VK0680 FOR NHA SEE: 72-00-61-06	002004 006100 102102 107107 121949 952999	RF
- 1	UL36851		HOUSING ASSY-HS GEARBOX SUPPLIER CODE: VK0680 POSITION DATA: REAR CONFIG CHG DATA FROM A CMM: FOR INTRCHG SEE RR IPC POST SERVICE BULLETIN: 72-9810PT01 VK0680 PRE SERVICE BULLETIN: 72-C661 VK0680 FOR NHA SEE: 72-00-61-06	002004 006102 107107 121999	RF
- 1	UL23170		HOUSING ASSY-HS GEARBOX SUPPLIER CODE: VK0680 POSITION DATA: REAR NOT APPROVED FOR ETOPS. PRE SERVICE BULLETIN: 72-8758 VK0680 REFERENCE SERVICE BULLETIN: 72-8760PT06 VK0680 FOR NHA SEE: 72-00-61-06	002004 006100 102102 107107 121949 952999	RF

MISSING ITEM NUMBERS NOT APPLICABLE

- ITEM NOT ILLUSTRATED

72-00-61-06A

72-00-61
FIG. 06A
PAGE 1
JAN 20/09

BRI



757

PARTS CATALOG (MAINTENANCE)

FIG ITEM	PART NUMBER	1 2 3 4 5 6 7	NOMENCLATURE	EFFECT FROM TO	UNITS PER ASSY
6A - 1	UL23218		HOUSING ASSY-HS GEARBOX SUPPLIER CODE: VK0680 POSITION DATA: REAR NOT APPROVED FOR ETOPS. PRE SERVICE BULLETIN: 72-9578 VK0680 REFERENCE SERVICE BULLETIN: 72-8758PT06 VK0680 FOR NHA SEE: 72-00-61-06	002004 006102 107107 121999	RF
- 1	UL32664		HOUSING ASSY-HS GEARBOX SUPPLIER CODE: VK0680 POSITION DATA: REAR CONFIG CHG DATA FROM A CMM: FOR INTRCHG SEE RR IPC PRE SERVICE BULLETIN: 72-9810 VK0680 REFERENCE SERVICE BULLETIN: 72-9578PT01 VK0680 FOR NHA SEE: 72-00-61-06	002004 006102 107107 121999	RF
5	AS42401		.STUD- NOT APPROVED FOR ETOPS. SELECT FROM ITEM. PRE SERVICE BULLETIN: 72-8760 VK0680	002004 006100 102102 107107 121949 952999	53
5	UP11773		.STUD- SUPPLIER CODE: VK0680 SELECT FROM ITEM. POST SERVICE BULLETIN: 72-9810PT01 VK0680 PRE SERVICE BULLETIN: 72-C669 VK0680	002004 006102 107107 121999	53

MISSING ITEM NUMBERS NOT APPLICABLE

- ITEM NOT ILLUSTRATED

72-00-61-06A

72-00-61
FIG. 06A
PAGE 2
JAN 20/09

BRI



757

PARTS CATALOG (MAINTENANCE)

FIG ITEM	PART NUMBER	1 2 3 4 5 6 7	NOMENCLATURE	EFFECT FROM TO	UNITS PER ASSY
6A					
5	AS42402	.STUD-	MISCELLANEOUS DATA: .3125 DIA X .250 DIA SELECT FROM ITEM. POST SERVICE BULLETIN: 72-8760PT01 VK0680 PRE SERVICE BULLETIN: 72-9810 VK0680	002004 006102 107107 121999	53
5	UL24409	.STUD-	SUPPLIER CODE: VK0680 NOT APPROVED FOR ETOPS. SELECT FROM ITEM.	002004 006100 102102 107107 121949 952999	53
5	UL23660	.STUD-	SUPPLIER CODE: VK0680 SELECT FROM ITEM.	002004 006102 107107 121999	53
5	UL24410	.STUD-	SUPPLIER CODE: VK0680 NOT APPROVED FOR ETOPS. SELECT FROM ITEM.	002004 006100 102102 107107 121949 952999	53
5	UL23661	.STUD-	SUPPLIER CODE: VK0680 SELECT FROM ITEM.	002004 006102 107107 121999	53
9	KU37034	.INSERT-	SUPPLIER CODE: VK0680	002004 006102 107107 121999	12
10	UP10915	.INSERT-	SUPPLIER CODE: VK0680	002004 006102 107107 121999	53
- 140	UL23219	.HOUSING ASSY-GEAR BOX	SUPPLIER CODE: VK0680 POSITION DATA: REAR POST SERVICE BULLETIN: 72-8758PT06 VK0680 PRE SERVICE BULLETIN: 72-C669 VK0680	002004 006102 107107 121999	RF

MISSING ITEM NUMBERS NOT APPLICABLE

- ITEM NOT ILLUSTRATED

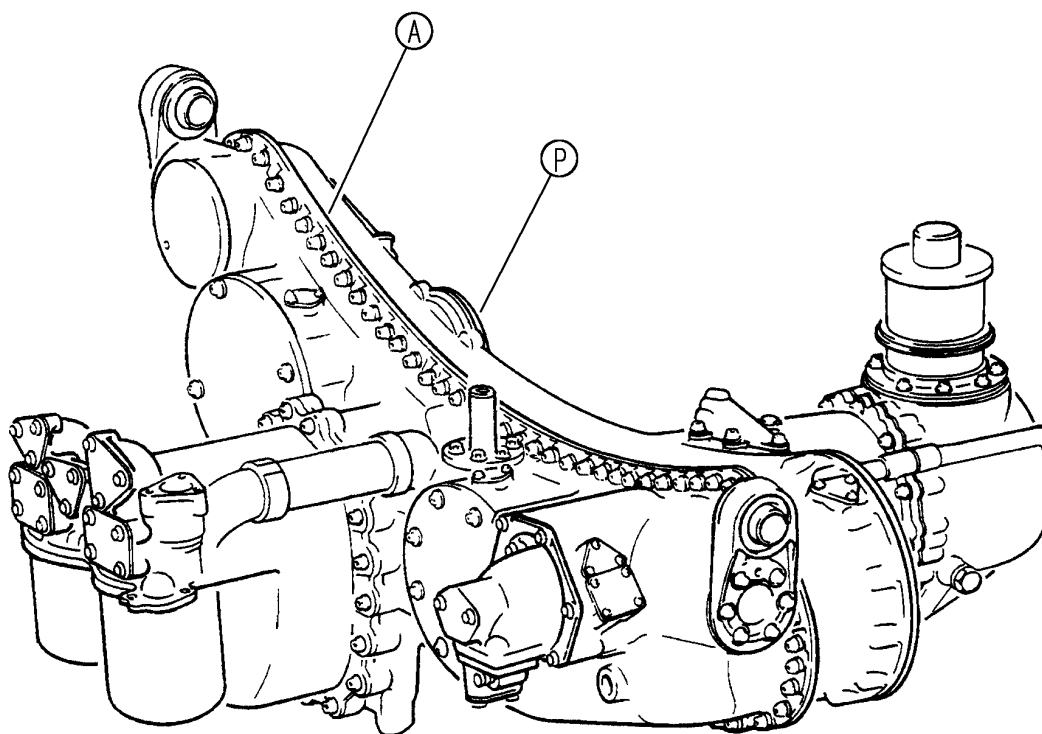
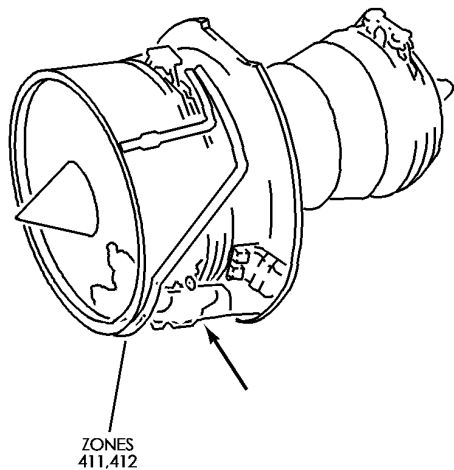
72-00-61-06A

72-00-61
FIG. 06A
PAGE 3
JAN 20/09

BRI

BOEING PROPRIETARY - Copyright © - Unpublished Work - See title page for details.

BOEING
757
PARTS CATALOG (MAINTENANCE)



Y 72006107 SH1 1 REV 256

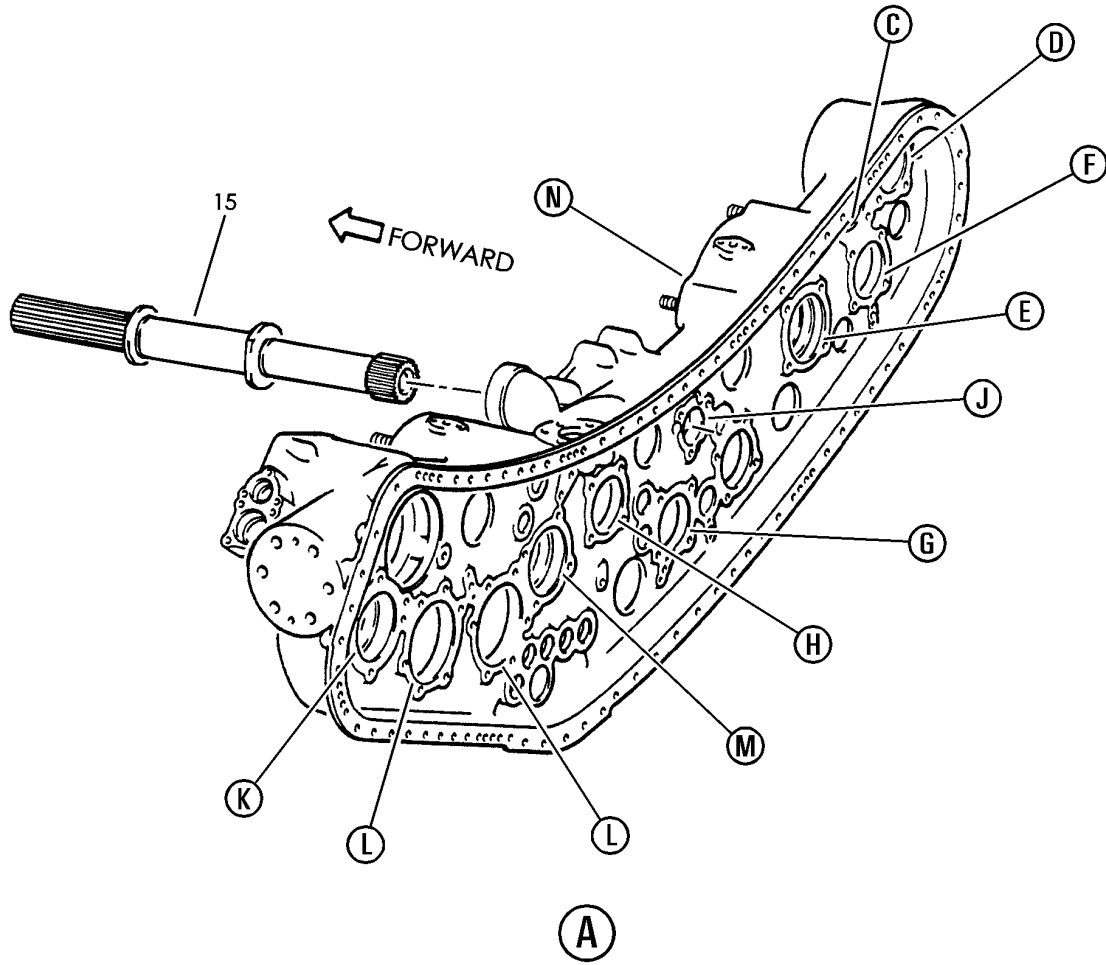
HIGH SPEED GEARBOX HP PUMP DRIVE (RB211-535)
FIGURE 7 (SHEET 1)

72-00-61-07

BRI
MAY 28/07

72-00-61-07
PAGE 0

BOEING
757
PARTS CATALOG (MAINTENANCE)



Y 72006107 SHT 2 REV 245

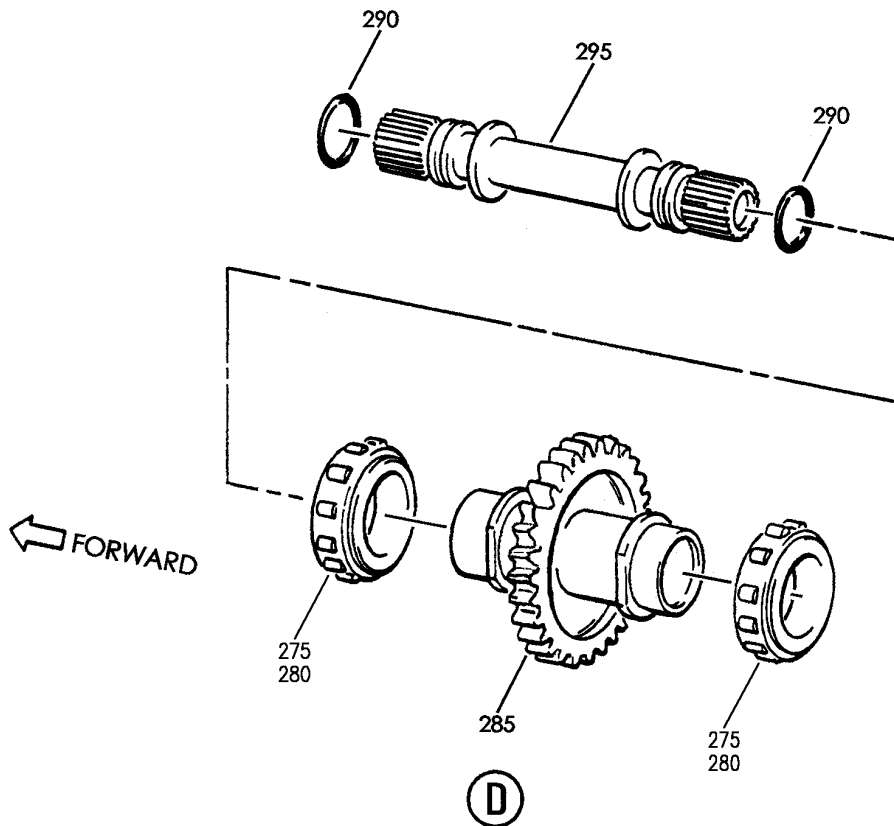
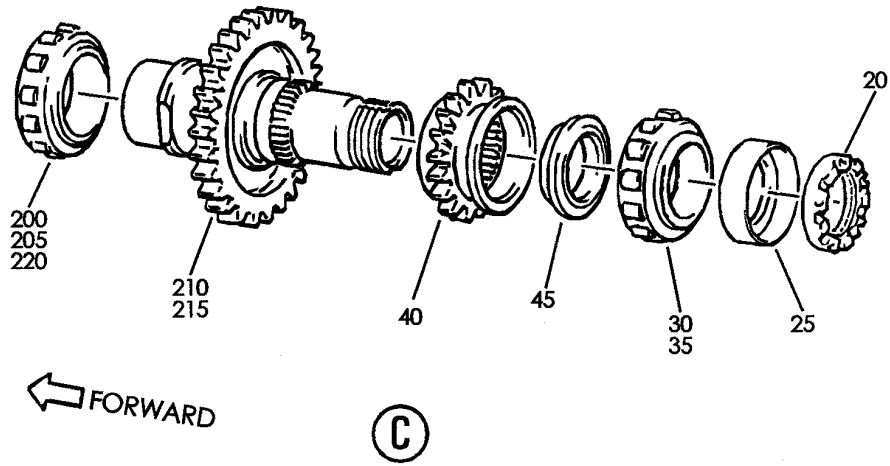
HIGH SPEED GEARBOX HP PUMP DRIVE (RB211-535)
FIGURE 7 (SHEET 2)

72-00-61-07

BRI
MAY 28/07

72-00-61-07
PAGE 0A

BOEING
757
PARTS CATALOG (MAINTENANCE)



Y 72006107 SH1 3 REV 264

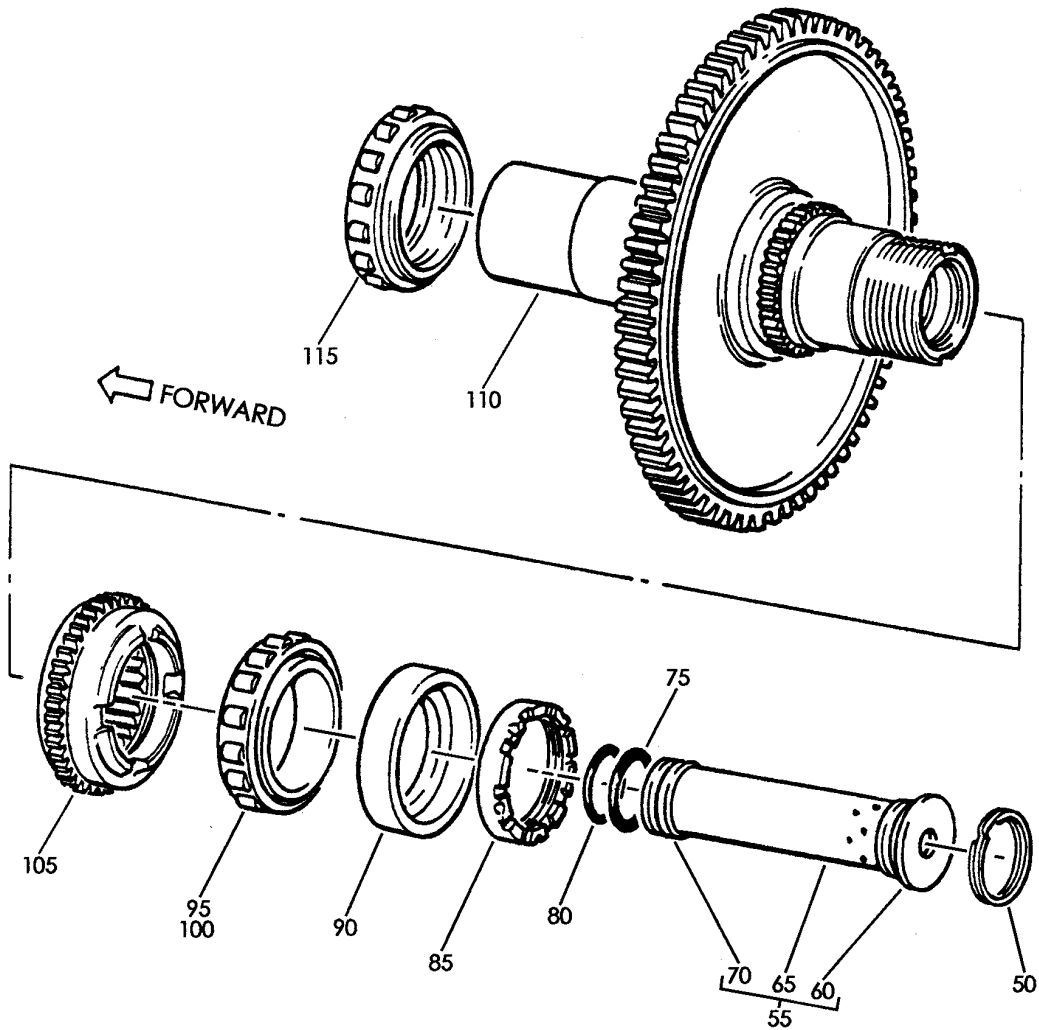
HIGH SPEED GEARBOX HP PUMP DRIVE (RB211-535)
FIGURE 7 (SHEET 3)

72-00-61-07

BRI
MAY 28/07

72-00-61-07
PAGE 0B

BOEING
757
PARTS CATALOG (MAINTENANCE)



(E)

Y 72006107 SHT 4 REV 212

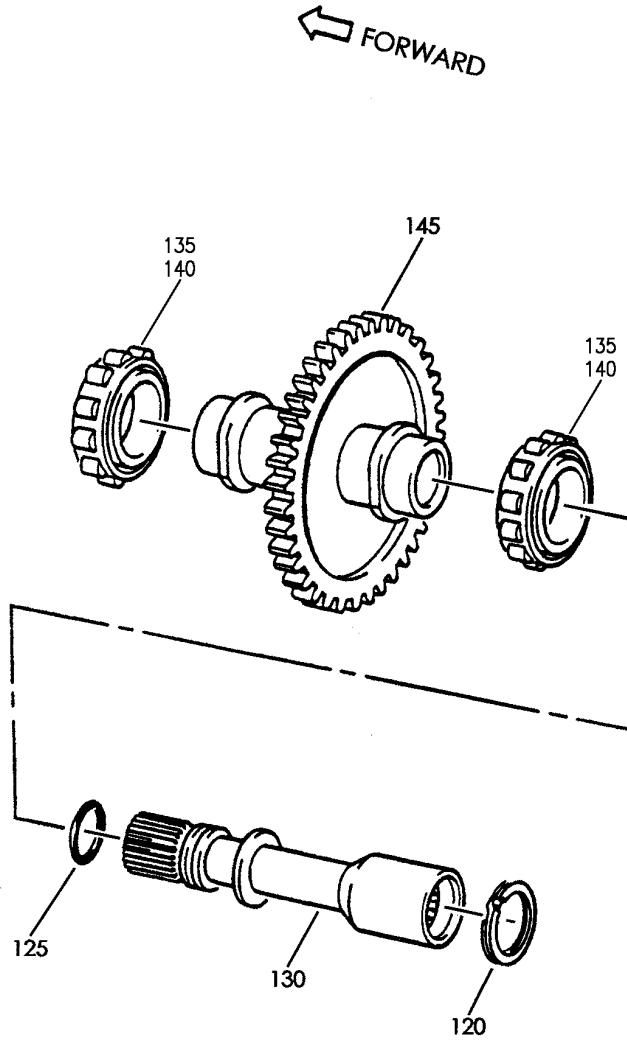
HIGH SPEED GEARBOX HP PUMP DRIVE (RB211-535)
FIGURE 7 (SHEET 4)

72-00-61-07

BRI
MAY 28/07

72-00-61-07
PAGE 0C

BOEING
757
PARTS CATALOG (MAINTENANCE)



F

Y 72006107 SH1 5 REV 264

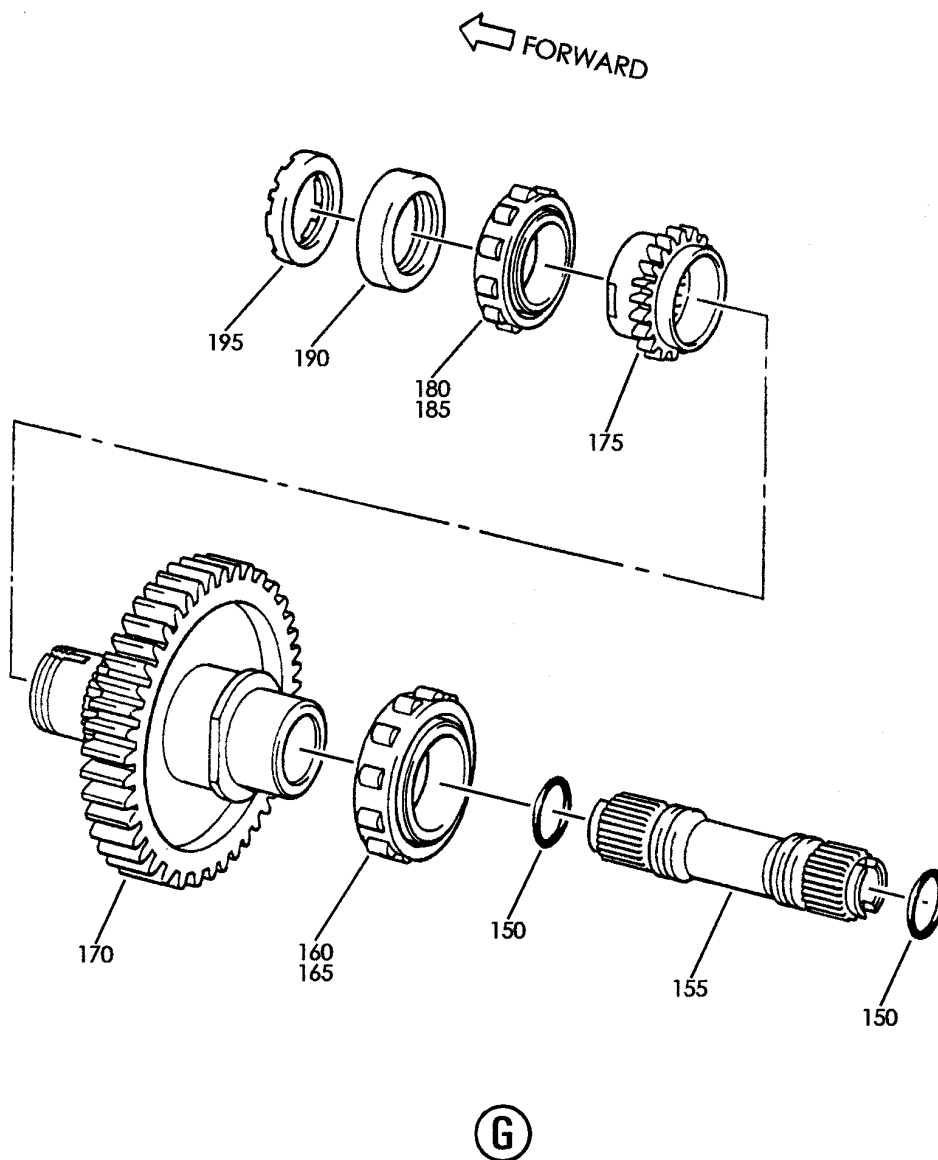
HIGH SPEED GEARBOX HP PUMP DRIVE (RB211-535)
FIGURE 7 (SHEET 5)

72-00-61-07

BRI
MAY 28/07

72-00-61-07
PAGE 0D

BOEING
757
PARTS CATALOG (MAINTENANCE)



Y 72006107 SHT 6 REV 212

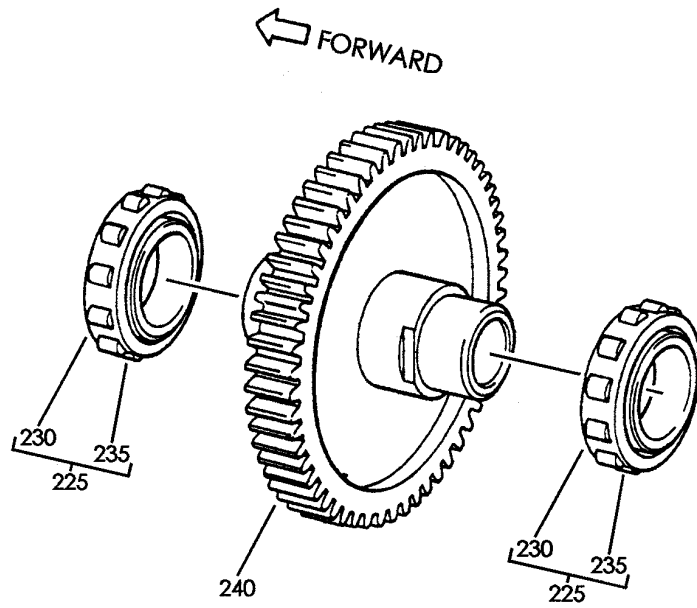
HIGH SPEED GEARBOX HP PUMP DRIVE (RB211-535)
FIGURE 7 (SHEET 6)

72-00-61-07

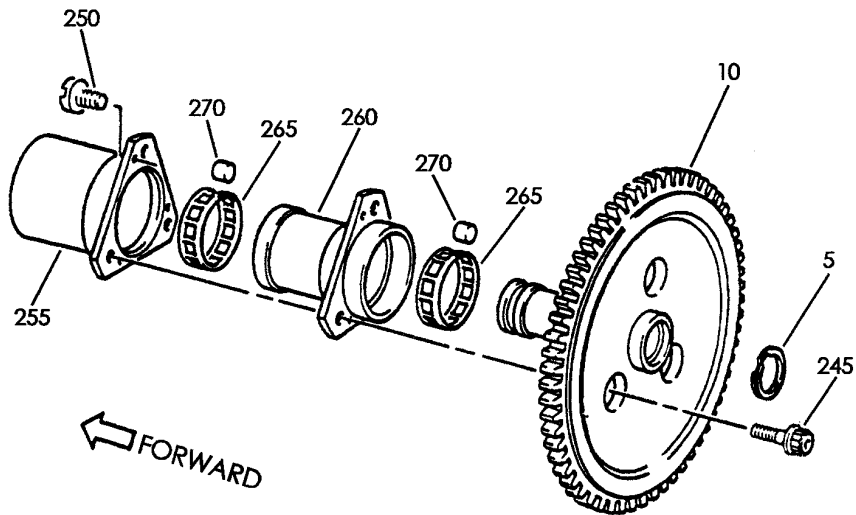
BRI
MAY 28/07

72-00-61-07
PAGE 0E

BOEING
757
PARTS CATALOG (MAINTENANCE)



(H)



(J)

Y 72006107 SHT 7 REV 212

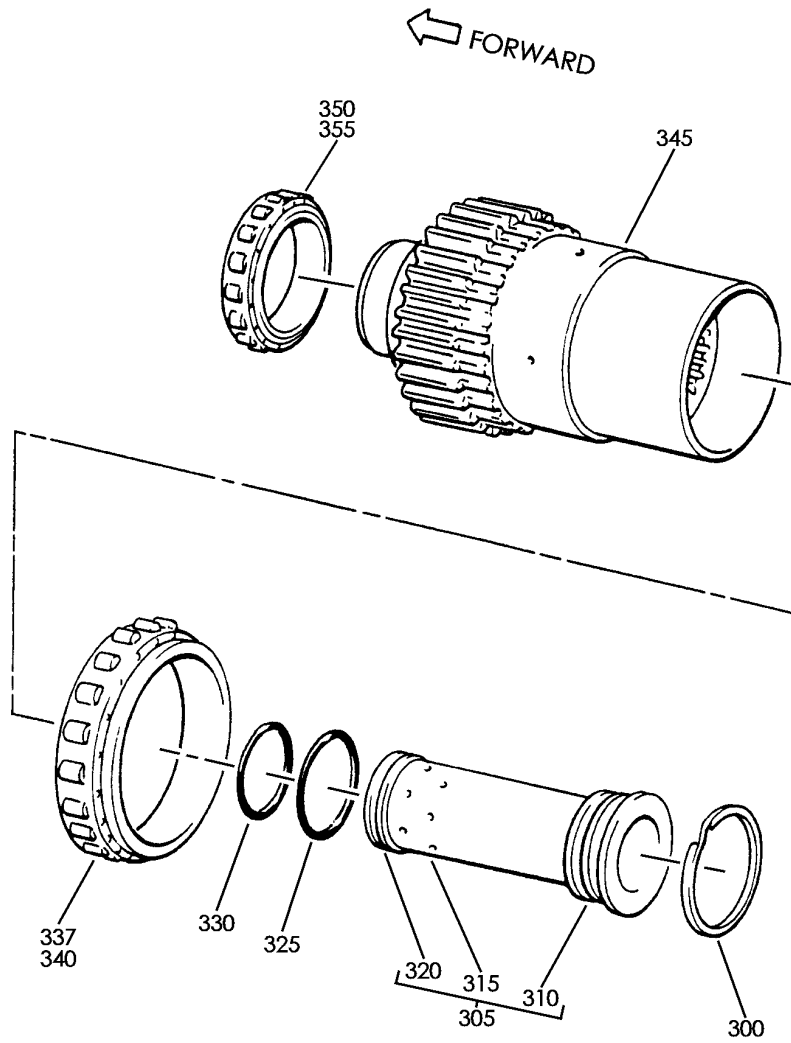
HIGH SPEED GEARBOX HP PUMP DRIVE (RB211-535)
FIGURE 7 (SHEET 7)

72-00-61-07

BRI
MAY 28/07

72-00-61-07
PAGE OF

BOEING
757
PARTS CATALOG (MAINTENANCE)



(K)

Y 72006107 SHT 8 REV 229

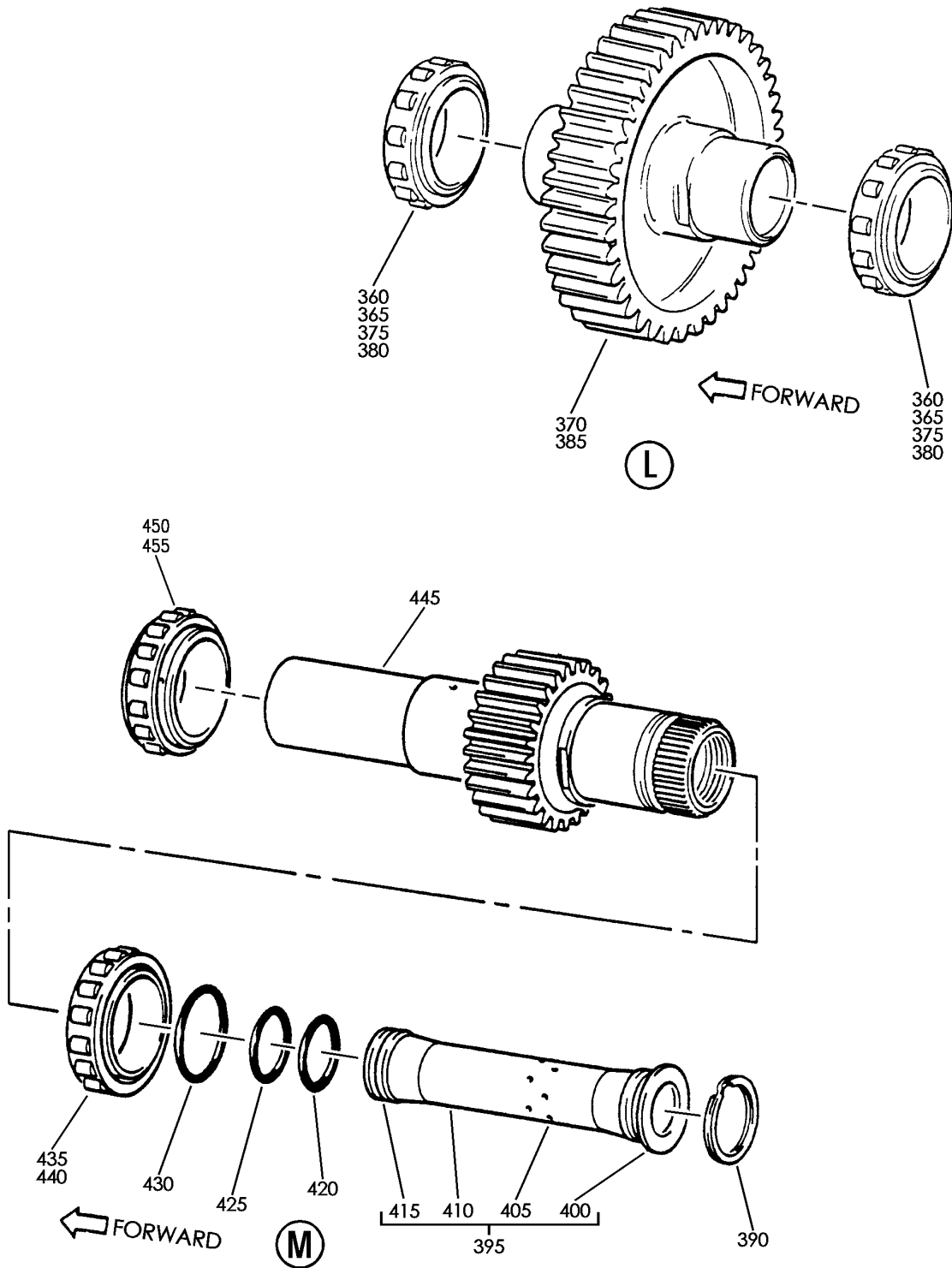
HIGH SPEED GEARBOX HP PUMP DRIVE (RB211-535)
FIGURE 7 (SHEET 8)

72-00-61-07

BRI
MAY 28/07

72-00-61-07
PAGE 06

BOEING
757
PARTS CATALOG (MAINTENANCE)



Y 72006107 SHT 9 REV 264

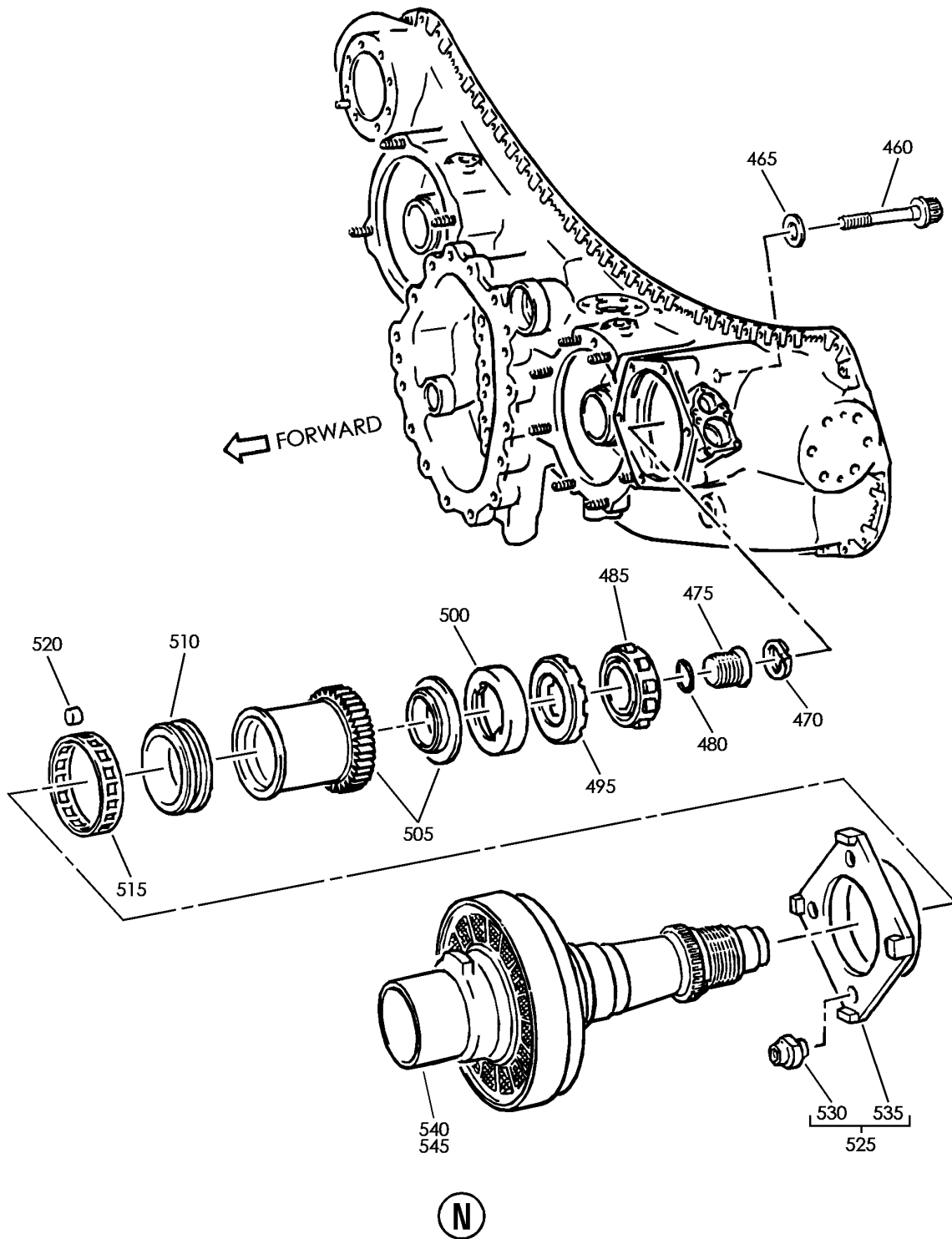
HIGH SPEED GEARBOX HP PUMP DRIVE (RB211-535)
FIGURE 7 (SHEET 9)

72-00-61-07

BRI
MAY 28/07

72-00-61-07
PAGE 0H

BOEING
757
PARTS CATALOG (MAINTENANCE)



Y 72006107 SH1 10 REV 264

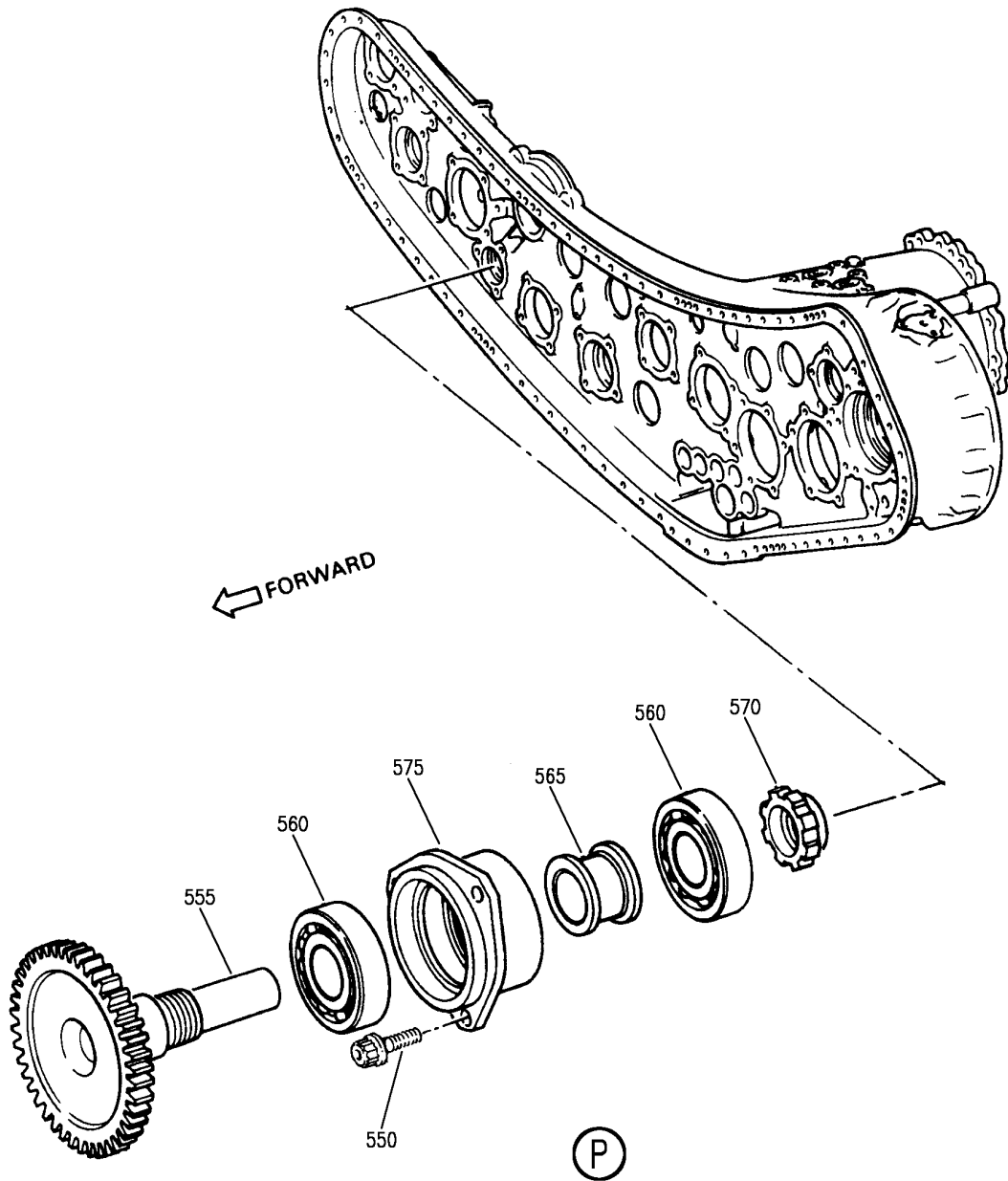
HIGH SPEED GEARBOX HP PUMP DRIVE (RB211-535)
FIGURE 7 (SHEET 10)

72-00-61-07

BRI
MAY 28/07

72-00-61-07
PAGE 01

BOEING
757
PARTS CATALOG (MAINTENANCE)



Y 72006107 SHT 11 REV 256

HIGH SPEED GEARBOX HP PUMP DRIVE (RB211-535)
FIGURE 7 (SHEET 11)

72-00-61-07

BRI
MAY 28/07

72-00-61-07
PAGE 0J



757

PARTS CATALOG (MAINTENANCE)

FIG ITEM	PART NUMBER	1 2 3 4 5 6 7	NOMENCLATURE	EFFECT FROM TO	UNITS PER ASSY
7			HIGH SPEED GEARBOX HP PUMP DRIVE (RB211-535)	002004 006999	
- 1	UL28676		GEARBOX-MODULE NO. 6 SUPPLIER CODE: VK0680 POST SERVICE BULLETIN: 79-9179 VK0680 72-8088 VK0680 PRE SERVICE BULLETIN: 72-9406 VK0680 FOR NHA/ADDITIONAL DET SEE: 72-00-61-05	002004 006106 108120 950951	RF
- 1	UL37124		GEARBOX-MODULE NO. 6 SUPPLIER CODE: VK0680 POST SERVICE BULLETIN: 72-9890 VK0680 PRE SERVICE BULLETIN: 72-C661 VK0680 FOR NHA/ADDITIONAL DET SEE: 72-00-61-05	002004 006999	RF
- 1	UL33301		GEARBOX-MODULE NO. 6 SUPPLIER CODE: VK0680 POST SERVICE BULLETIN: 72-9406 VK0680 PRE SERVICE BULLETIN: 72-9890 VK0680 FOR NHA/ADDITIONAL DET SEE: 72-00-61-05	002004 006102 108120 950951	RF
- 1	UL12992		GEARBOX-MODULE NO. 6 SUPPLIER CODE: VK0680 PRE SERVICE BULLETIN: 73-7951 VK0680 FOR NHA/ADDITIONAL DET SEE: 72-00-61-05	107107 121949 952999	RF

MISSING ITEM NUMBERS NOT APPLICABLE

- ITEM NOT ILLUSTRATED

72-00-61-07

72-00-61
FIG. 07
PAGE 1
JAN 20/09

BRI



757

PARTS CATALOG (MAINTENANCE)

FIG ITEM	PART NUMBER	1 2 3 4 5 6 7	NOMENCLATURE	EFFECT FROM TO	UNITS PER ASSY
7 - 1	UL18550		GEARBOX-MODULE NO. 6 SUPPLIER CODE: VK0680 POST SERVICE BULLETIN: 73-7951 VK0680 PRE SERVICE BULLETIN: 72-8044 VK0680 FOR NHA/ADDITIONAL DET SEE: 72-00-61-05	107107 121949 952999	RF
- 1	UL19962		GEARBOX-MODULE NO. 6 SUPPLIER CODE: VK0680 POST SERVICE BULLETIN: 72-8044 VK0680 PRE SERVICE BULLETIN: 72-8088 VK0680 FOR NHA/ADDITIONAL DET SEE: 72-00-61-05	002004 006100 102102	RF
- 1	UL19995		GEARBOX-MODULE NO. 6 SUPPLIER CODE: VK0680 POST SERVICE BULLETIN: 72-8088 VK0680 PRE SERVICE BULLETIN: 79-9179 VK0680 FOR NHA/ADDITIONAL DET SEE: 72-00-61-05	002004 006100 102102	RF
- 1	UL19964		GEARBOX-MODULE NO. 6 SUPPLIER CODE: VK0680 POST SERVICE BULLETIN: 72-8044 VK0680 PRE SERVICE BULLETIN: 72-8088 VK0680 FOR NHA/ADDITIONAL DET SEE: 72-00-61-05	107107 121949 952999	RF

MISSING ITEM NUMBERS NOT APPLICABLE

- ITEM NOT ILLUSTRATED

72-00-61-07

72-00-61
FIG. 07
PAGE 2
JAN 20/09

BRI



757

PARTS CATALOG (MAINTENANCE)

FIG ITEM	PART NUMBER	1 2 3 4 5 6 7	NOMENCLATURE	EFFECT FROM TO	UNITS PER ASSY
7					
- 1	UL19996		GEARBOX-MODULE NO. 6 SUPPLIER CODE: VK0680 POST SERVICE BULLETIN: 72-8088 VK0680 PRE SERVICE BULLETIN: 79-9179 VK0680 FOR NHA/ADDITIONAL DET SEE: 72-00-61-05	107107 121949 952999	RF
- 1	UL28677		GEARBOX-MODULE NO. 6 SUPPLIER CODE: VK0680 POST SERVICE BULLETIN: 79-9176 VK0680 PRE SERVICE BULLETIN: 72-9406 VK0680 FOR NHA/ADDITIONAL DET SEE: 72-00-61-05	107107 121949 952999	RF
- 1	UL33302		GEARBOX-MODULE NO. 6 SUPPLIER CODE: VK0680 POST SERVICE BULLETIN: 72-9406 VK0680 PRE SERVICE BULLETIN: 72-9890 VK0680 FOR NHA/ADDITIONAL DET SEE: 72-00-61-05	107107 121949 952999	RF
- 1	UL39666		GEARBOX-MODULE NO. 6 SUPPLIER CODE: VK0680 POST SERVICE BULLETIN: 72-C661 VK0680 FOR NHA/ADDITIONAL DET SEE: 72-00-61-05	002004 006999	RF
150	KB27116		.SEAL-RING SUPPLIER CODE: VK0680	002004 006102 107999	2
155	LK74892		.SHAFT-DRIVING-HP FUEL PUMP SUPPLIER CODE: VK0680	002004 006102 107999	1

MISSING ITEM NUMBERS NOT APPLICABLE

- ITEM NOT ILLUSTRATED

72-00-61-07

72-00-61
FIG. 07
PAGE 3
JAN 20/09

BRI



757

PARTS CATALOG (MAINTENANCE)

FIG ITEM	PART NUMBER	1 2 3 4 5 6 7	NOMENCLATURE	EFFECT FROM TO	UNITS PER ASSY
7 290	KB27114	.	SEAL-RING SUPPLIER CODE: VK0680	002004 006102 107999	2
295	LK74882	.	SHAFT-DRIVING-LP FUEL PUMP SUPPLIER CODE: VK0680	002004 006102 107999	1
- 467	UL28334	.	SHAFT ASSY-BREATHER BALANCED SPECIAL SPARES SUPPLIER CODE: VK0680 POST SERVICE BULLETIN: 72-9604PTA VK0680	002004 006102 107999	RF

MISSING ITEM NUMBERS NOT APPLICABLE

- ITEM NOT ILLUSTRATED

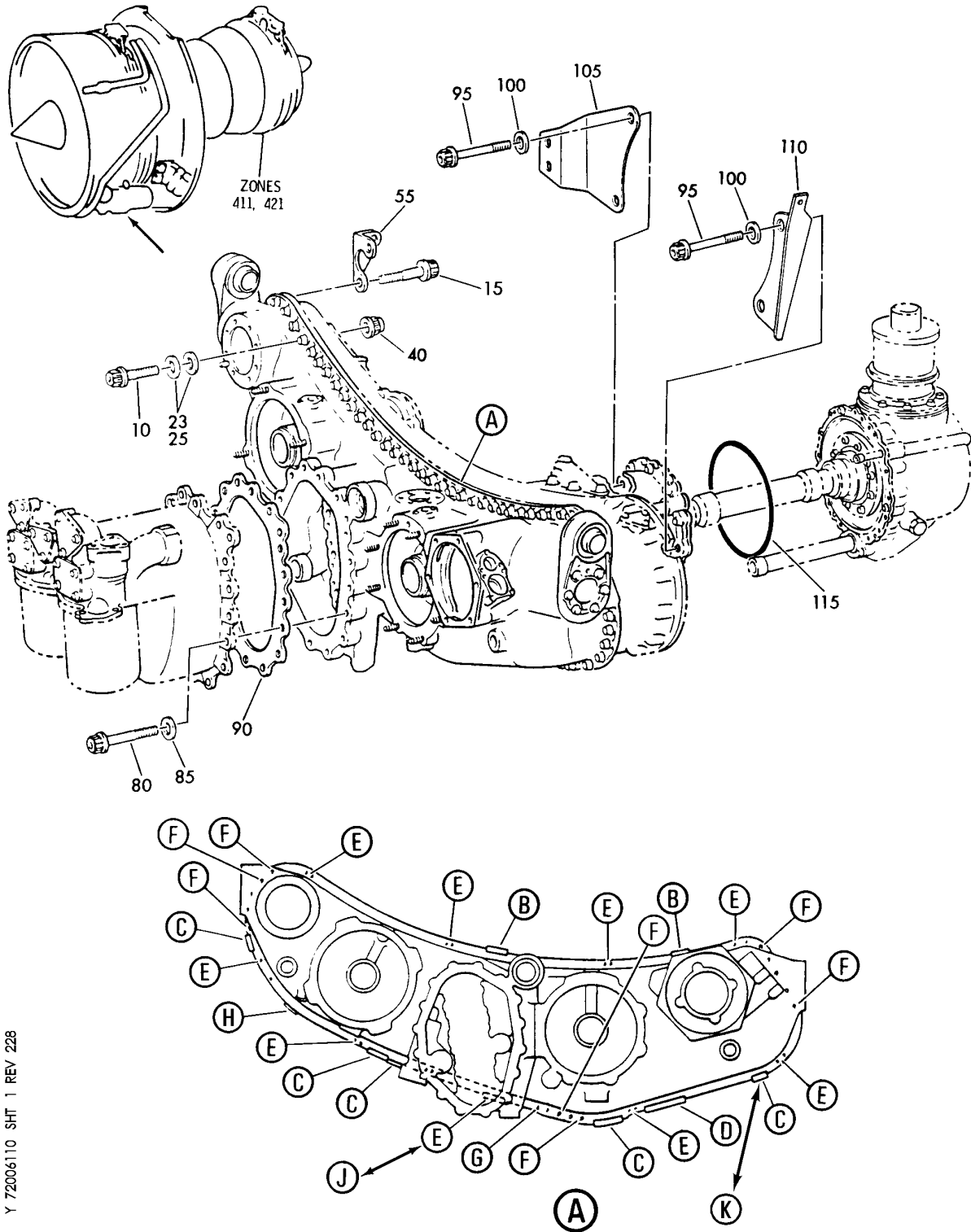
BRI

72-00-61-07

BOEING PROPRIETARY - Copyright © - Unpublished Work - See title page for details.

72-00-61
FIG. 07
PAGE 4
JAN 20/09

BOEING
757
PARTS CATALOG (MAINTENANCE)



Y 72006110 SHT 1 REV 228

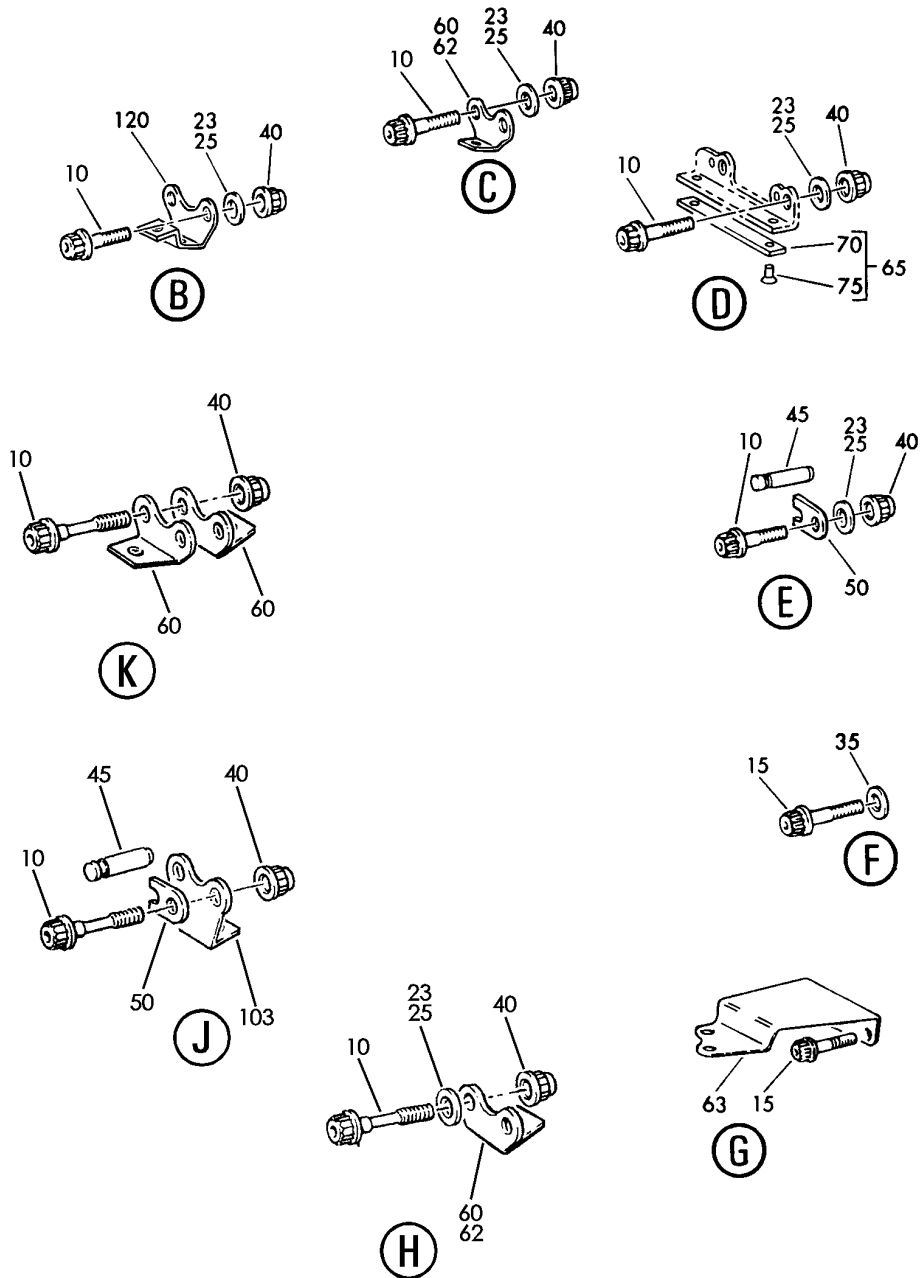
HIGH SPEED GEARBOX EXTERNAL MODULE (RB211-535)
FIGURE 10 (SHEET 1)

72-00-61-10

BRI
MAY 28/07

72-00-61-10
PAGE 0

BOEING
757
PARTS CATALOG (MAINTENANCE)



Y 72006110 SHT 2 REV 228

HIGH SPEED GEARBOX EXTERNAL MODULE (RB211-535)
FIGURE 10 (SHEET 2)

72-00-61-10

BRI
MAY 28/07

72-00-61-10
PAGE 0A



757

PARTS CATALOG (MAINTENANCE)

FIG ITEM	PART NUMBER	1 2 3 4 5 6 7	NOMENCLATURE	EFFECT FROM TO	UNITS PER ASSY
10			HIGH SPEED GEARBOX EXTERNAL MODULE (RB211-535)	002004 006999	
- 1	UL20702		ENGINE ASSY-Q.E.C.U. RB211-535E43711 BASIC ENG CONFIGURATION WITH GRAVINER FIRE DETECTORS, BAYONET MCD, NON-MODULATED IDG COOLING 40,100 LB THRUST SUPPLIER CODE: VK0680 FOR NHA/OTHER SYS DET SEE: 71-00-02-10	504903	RF
- 1	UL20697		ENGINE ASSY-Q.E.C.U. RB211-535E43711 MAXIMUM NEUT WITH GRAVINER FIRE DETECTORS, BAYONET MCD, NON-MODULATED IDG COOLING 40,000 LB THRUST SUPPLIER CODE: VK0680 REFERENCE SERVICE BULLETIN: 71-0058R4 QUALIFIED SB I/W DATA: INTERMIX OF ONE OR SUBSTITUTION OF TWO DIFFERENT CONFIGURATION RB211-535E4-37/() ENGINES FOR RB211-535 E4 BASE ENGINES REFERENCE SERVICE BULLETIN: RB211-72-C547 VK0680 FOR NHA/OTHER SYS DET SEE: 71-00-02-04	121503 904949 952999	RF
- 1	UL19722		ENGINE ASSY-Q.E.C.U. RB211-535E43711 MAXIMUM NEUT SUPPLIER CODE: VK0680 FOR NHA/OTHER SYS DET SEE: 71-00-02-04	107107	RF

MISSING ITEM NUMBERS NOT APPLICABLE

- ITEM NOT ILLUSTRATED

72-00-61-10

72-00-61
FIG. 10
PAGE 1
JAN 20/09

BRI



757

PARTS CATALOG (MAINTENANCE)

FIG ITEM	PART NUMBER	1 2 3 4 5 6 7	NOMENCLATURE	EFFECT FROM TO	UNITS PER ASSY
10 - 2	UL20698		ENGINE ASSY-Q.E.C.U. RB211-535E43712 MAXIMUM NEUT SUPPLIER CODE: VK0680 REFERENCE SERVICE BULLETIN: 71-0058R7 QUALIFIED SB I/W DATA: INTERMIX OF ONE OR SUBSTITUTION OF TWO DIFFERENT CONFIGURATION RB211-535E4-37/() ENGINES FOR RB211-535E4 BASE ENGINES OR DIFFERENT CONFIGURATION RB211-535E4-B-37/() ENGINES FOR RB211-535E4-B BASE ENGINES REFERENCE SERVICE BULLETIN: RB211-72C547 VK0680 RB211-72-8910 VK0680 POST RAPID REVISION: RR92014-183E FOR NHA/OTHER SYS DET SEE: 71-00-02-04	002004 006100 102102	RF
- 2	UL36209		ENGINE ASSY-Q.E.C.U. RB211-535E43719 MAXIMUM NEUT SUPPLIER CODE: VK0680 FOR NHA/OTHER SYS DET SEE: 71-00-02-04	950951	RF
- 3	BCREF17395		ENGINE ASSY-Q.E.C.U. RB211-535E43739 BASIC ENG CONFIGURATION AND PHASE 5 COMBUSTOR 40,100 LB THRUST SUPPLIER CODE: VK0680 OVERLENGTH PART NUMBER: RB211-535E4-37-39E FOR NHA/OTHER SYS DET SEE: 71-00-02-10	108120	RF

MISSING ITEM NUMBERS NOT APPLICABLE

- ITEM NOT ILLUSTRATED

BRI

72-00-61-10

BOEING PROPRIETARY - Copyright © - Unpublished Work - See title page for details.

72-00-61
FIG. 10
PAGE 2
JAN 20/09



757

PARTS CATALOG (MAINTENANCE)

FIG ITEM	PART NUMBER	1 2 3 4 5 6 7	NOMENCLATURE	EFFECT FROM TO	UNITS PER ASSY
10 - 3	BCREF17101		ENGINE ASSY-Q.E.C.U. RB211-535E43744 BASIC ENG CONFIGURATION, BAYONET MCD AND PHASE 5 COMBUSTOR 40,100 LB THRUST SUPPLIER CODE: VK0680 OVERLENGTH PART NUMBER: RB211-535E4-3744E FOR NHA/OTHER SYS DET SEE: 71-00-02-10	103106	RF
- 3	UL38163		ENGINE ASSY-Q.E.C.U. RB211-535E43724 BASIC ENG CONFIGURATION, BAYONET MCD, 40,100 LB THRUST SUPPLIER CODE: VK0680 FOR NHA/OTHER SYS DET SEE: 71-00-02-10	101101	RF
- 4	UL12992		. GEARBOX-HS MODULE NO. 6 SUPPLIER CODE: VK0680 PRE SERVICE BULLETIN: 73-7951 VK0680	107107 121949 952999	RF
- 4	UL18550		. GEARBOX-HS MODULE NO. 6 SUPPLIER CODE: VK0680 POST SERVICE BULLETIN: 73-7951PT01 VK0680 PRE SERVICE BULLETIN: 26-7816 VK0680	107107 121949 952999	RF
- 4	UL19962		. GEARBOX-HS MODULE NO. 6 SUPPLIER CODE: VK0680 POST SERVICE BULLETIN: 72-8044 VK0680 PRE SERVICE BULLETIN: 72-8088 VK0680	002004 006100 102102	RF

MISSING ITEM NUMBERS NOT APPLICABLE

- ITEM NOT ILLUSTRATED

BRI

72-00-61-10

BOEING PROPRIETARY - Copyright © - Unpublished Work - See title page for details.

72-00-61
FIG. 10
PAGE 3
JAN 20/09



757

PARTS CATALOG (MAINTENANCE)

FIG ITEM	PART NUMBER	1 2 3 4 5 6 7	NOMENCLATURE	EFFECT FROM TO	UNITS PER ASSY
10 - 4	UL19964		.GEARBOX-HS MODULE NO. 6 SUPPLIER CODE: VK0680 POST SERVICE BULLETIN: 72-8044PT01 VK0680 PRE SERVICE BULLETIN: 72-8088 VK0680	107107 121949 952999	RF
- 4	UL19995		.GEARBOX-HS MODULE 6 SUPPLIER CODE: VK0680 POST SERVICE BULLETIN: 72-8088PT01 VK0680 PRE SERVICE BULLETIN: 79-9179 VK0680 REFERENCE SERVICE BULLETIN: 72-8088PT01 VK0680	002004 006100 102102	RF
- 4	UL19996		.GEARBOX-HS MODULE 6 SUPPLIER CODE: VK0680 POST SERVICE BULLETIN: 72-8088PT01 VK0680 PRE SERVICE BULLETIN: 79-9179 VK0680	107107 121949 952999	RF
- 4	UL39666		.GEARBOX-HS MODULE 6 SUPPLIER CODE: VK0680 POST SERVICE BULLETIN: 72-C661PT01 VK0680	002004 006999	RF
- 4	UL28676		.GEARBOX-HS MODULE 6 SUPPLIER CODE: VK0680 POST SERVICE BULLETIN: 79-9179PT01 VK0680 PRE SERVICE BULLETIN: 72-9406 VK0680	002004 006100 102102	RF

MISSING ITEM NUMBERS NOT APPLICABLE

- ITEM NOT ILLUSTRATED

BRI

72-00-61-10

BOEING PROPRIETARY - Copyright © - Unpublished Work - See title page for details.

72-00-61
FIG. 10
PAGE 4
JAN 20/09



757

PARTS CATALOG (MAINTENANCE)

FIG ITEM	PART NUMBER	1 2 3 4 5 6 7	NOMENCLATURE	EFFECT FROM TO	UNITS PER ASSY
10 - 4	UL28677		.GEARBOX-HS MODULE 6 SUPPLIER CODE: VK0680 POST SERVICE BULLETIN: 79-9179PT01 VK0680 PRE SERVICE BULLETIN: 72-9406 VK0680	107107 121949 952999	RF
- 4	UL33301		.GEARBOX-HS MODULE 6 SUPPLIER CODE: VK0680 POST SERVICE BULLETIN: 72-9406PT01 VK0680 PRE SERVICE BULLETIN: 72-9890 VK0680	002004 006102 108120 950951	RF
- 4	UL33302		.GEARBOX-HS MODULE 6 SUPPLIER CODE: VK0680 POST SERVICE BULLETIN: 72-9406PT01 VK0680 PRE SERVICE BULLETIN: 72-9890 VK0680	107107 121949 952999	RF
- 4	UL37124		.GEARBOX-HS MODULE 6 SUPPLIER CODE: VK0680 POST SERVICE BULLETIN: 72-9890PT01 VK0680 PRE SERVICE BULLETIN: 72-C661 VK0680	002004 006999	RF
10	AS24421		..BOLT	002004 006999	70
15	AS24519		..BOLT	002004 006999	15
23	AS12943		..WASHER- POST SERVICE BULLETIN: 79-9179PT01 VK0680	002004 006999	109

MISSING ITEM NUMBERS NOT APPLICABLE

- ITEM NOT ILLUSTRATED

BRI

72-00-61-10

BOEING PROPRIETARY - Copyright © - Unpublished Work - See title page for details.

72-00-61
FIG. 10
PAGE 5
JAN 20/09



757

PARTS CATALOG (MAINTENANCE)

FIG ITEM	PART NUMBER	1 2 3 4 5 6 7	NOMENCLATURE	EFFECT FROM TO	UNITS PER ASSY
10					
25	AS12943		.. WASHER- PRE SERVICE BULLETIN: 79-9179 VK0680	002004 006100 102102 107107 121949 952999	113
- 28	AS12944		.. WASHER- NOT APPROVED FOR ETOPS. PRE SERVICE BULLETIN: 73-7951 VK0680	107107 121949 952999	13
35	AS12944		.. WASHER- POST SERVICE BULLETIN: 73-7951PT01 VK0680	002004 006999	11
40	AS20624		.. NUT	002004 006999	70
- 43	U760215		.. NUT- SUPPLIER CODE: VK0680 POST SERVICE BULLETIN: 72-B708PTF VK0680	002004 006999	4
45	LK58517		.. PIN- SUPPLIER CODE: VK0680	002004 006999	9
50	LK58529		.. PLATE- SUPPLIER CODE: VK0680	002004 006999	9
55	EU37543		.. BRACKET- SUPPLIER CODE: VK0680	002004 006999	1
60	LK43792		.. BRACKET- SUPPLIER CODE: VK0680 POST SERVICE BULLETIN: 79-9179PT01 VK0680	002004 006999	7
62	LK43792		.. BRACKET- SUPPLIER CODE: VK0680 PRE SERVICE BULLETIN: 79-9179 VK0680	002004 006100 102102 107107 121949 952999	6

MISSING ITEM NUMBERS NOT APPLICABLE

- ITEM NOT ILLUSTRATED

BRI

72-00-61-10

BOEING PROPRIETARY - Copyright © - Unpublished Work - See title page for details.

72-00-61
FIG. 10
PAGE 6
JAN 20/09



757

PARTS CATALOG (MAINTENANCE)

FIG ITEM	PART NUMBER	1 2 3 4 5 6 7	NOMENCLATURE	EFFECT FROM TO	UNITS PER ASSY
10					
63	UL18553	..	BRACKET-DRAIN CONNECTION ANGLE SUPPLIER CODE: VK0680 POST SERVICE BULLETIN: 73-7951PT01 VK0680	002004 006999	1
65	LK77519	..	BRACKET ASSY-MODULE IDENT ANGLE SUPPLIER CODE: VK0680	002004 006999	1
70	LK45883	...	PLATE-MODULE IDENT SUPPLIER CODE: V51563 ATTACHING PARTS	002004 006999	1
75	AS16445	...	RIVET -----*-----	002004 006999	2
80	AS21522	..	BOLT	002004 006999	16
85	AS12944	..	WASHER	002004 006999	16
90	788159	..	GASKET- SUPPLIER CODE: V83259 POST SERVICE BULLETIN: 72-8535PTE VK0680	002004 006999	1
95	AS24524	..	BOLT	002004 006999	11
100	AS12944	..	WASHER	002004 006999	7
103	UP11261	..	BRACKET- SUPPLIER CODE: VK0680 POST SERVICE BULLETIN: 79-9179 VK0680	002004 006999	1
105	LK77399	..	BRACKET- SUPPLIER CODE: VK0680 PRE SERVICE BULLETIN: 72-9890 VK0680	107107 121949 952999	1

MISSING ITEM NUMBERS NOT APPLICABLE

- ITEM NOT ILLUSTRATED

BRI

72-00-61-10

BOEING PROPRIETARY - Copyright © - Unpublished Work - See title page for details.

72-00-61
FIG. 10
PAGE 7
JAN 20/09



757

PARTS CATALOG (MAINTENANCE)

FIG ITEM	PART NUMBER	1 2 3 4 5 6 7	NOMENCLATURE	EFFECT FROM TO	UNITS PER ASSY
10 105	UP10700		..BRACKET- SUPPLIER CODE: VK0680 NOT APPROVED FOR ETOPS. POST SERVICE BULLETIN: 26-7816PT01 VK0680 PRE SERVICE BULLETIN: 72-9890 VK0680	002004 006102 108120 950951	1
105	UL37097		..BRACKET- SUPPLIER CODE: VK0680 POST SERVICE BULLETIN: 72-9890PT01 VK0680	002004 006999	1
110	LK77571		..BRACKET- SUPPLIER CODE: VK0680	002004 006999	1
115	KB27165		..SEAL- SUPPLIER CODE: VK0680	002004 006102 107107 121999	1
120	LK38892		..BRACKET-P3 AIR FEED TO AIR BLOWN SEALS CLIPPING ANGLE SUPPLIER CODE: VK0680	002004 006999	2

MISSING ITEM NUMBERS NOT APPLICABLE

- ITEM NOT ILLUSTRATED

BRI

72-00-61-10

BOEING PROPRIETARY - Copyright © - Unpublished Work - See title page for details.

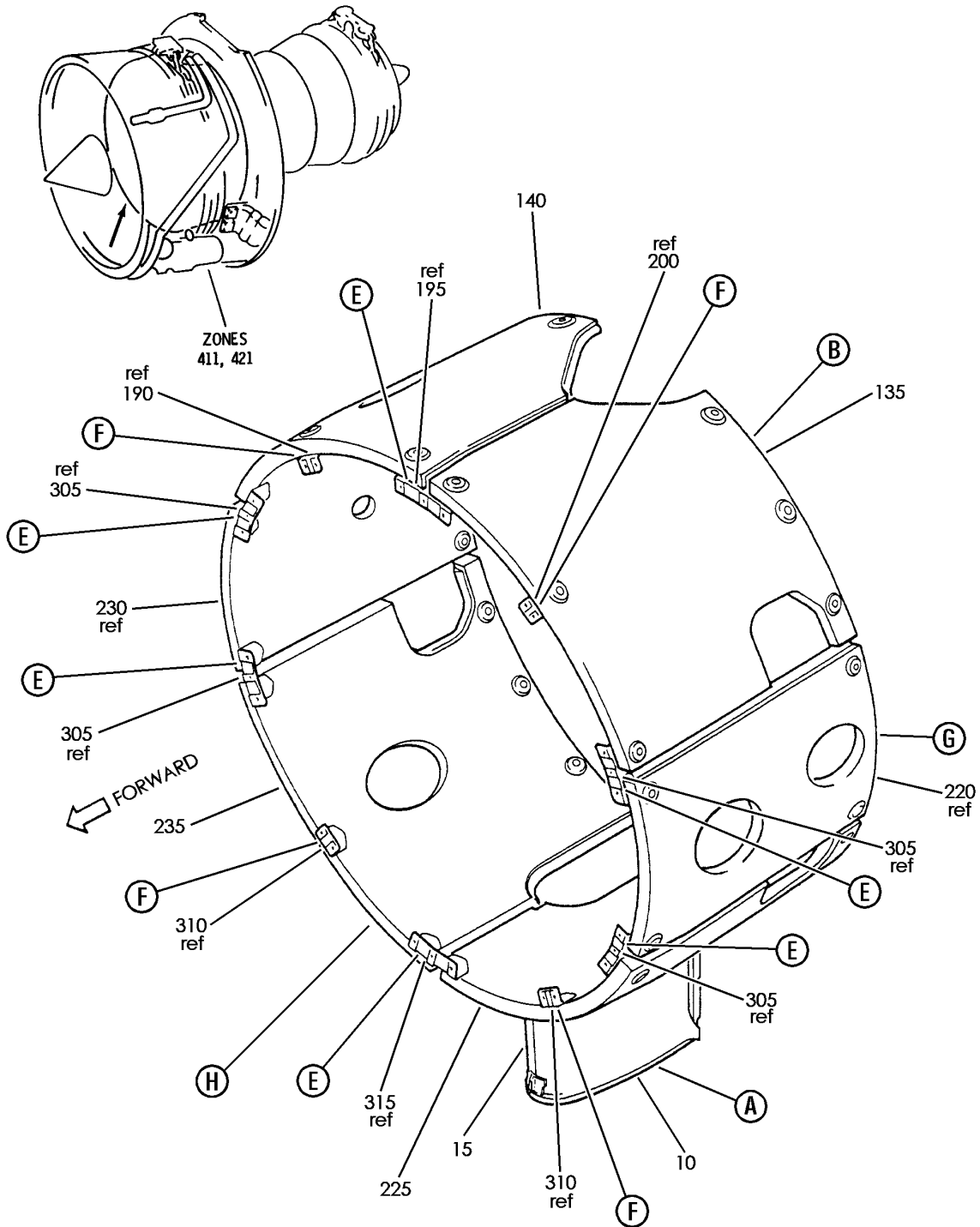
72-00-61
FIG. 10
PAGE 8
JAN 20/09

INTERSERVICES FAIRING

BRI
MAY 28/07

72-03-00
SECTION TITLE
PAGE 1

BOEING
757
PARTS CATALOG (MAINTENANCE)



Y 72030102 SHT 1 REV 220

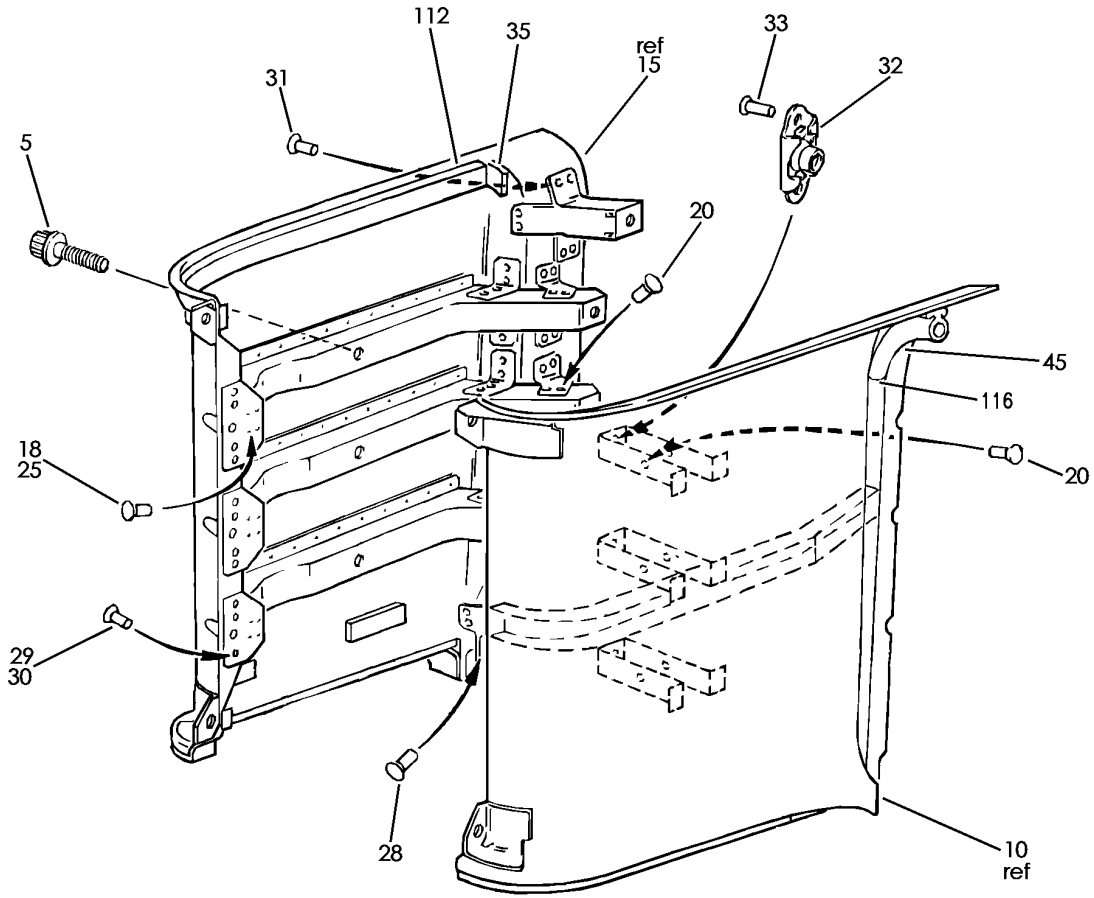
FAIRINGS-GAS GEN CPRSR (RB211-535)
FIGURE 2 (SHEET 1)

72-03-01-02

BRI
MAY 28/07

72-03-01-02
PAGE 0

BOEING
757
PARTS CATALOG (MAINTENANCE)



(A)

Y 72030102 SH1 2 REV 279

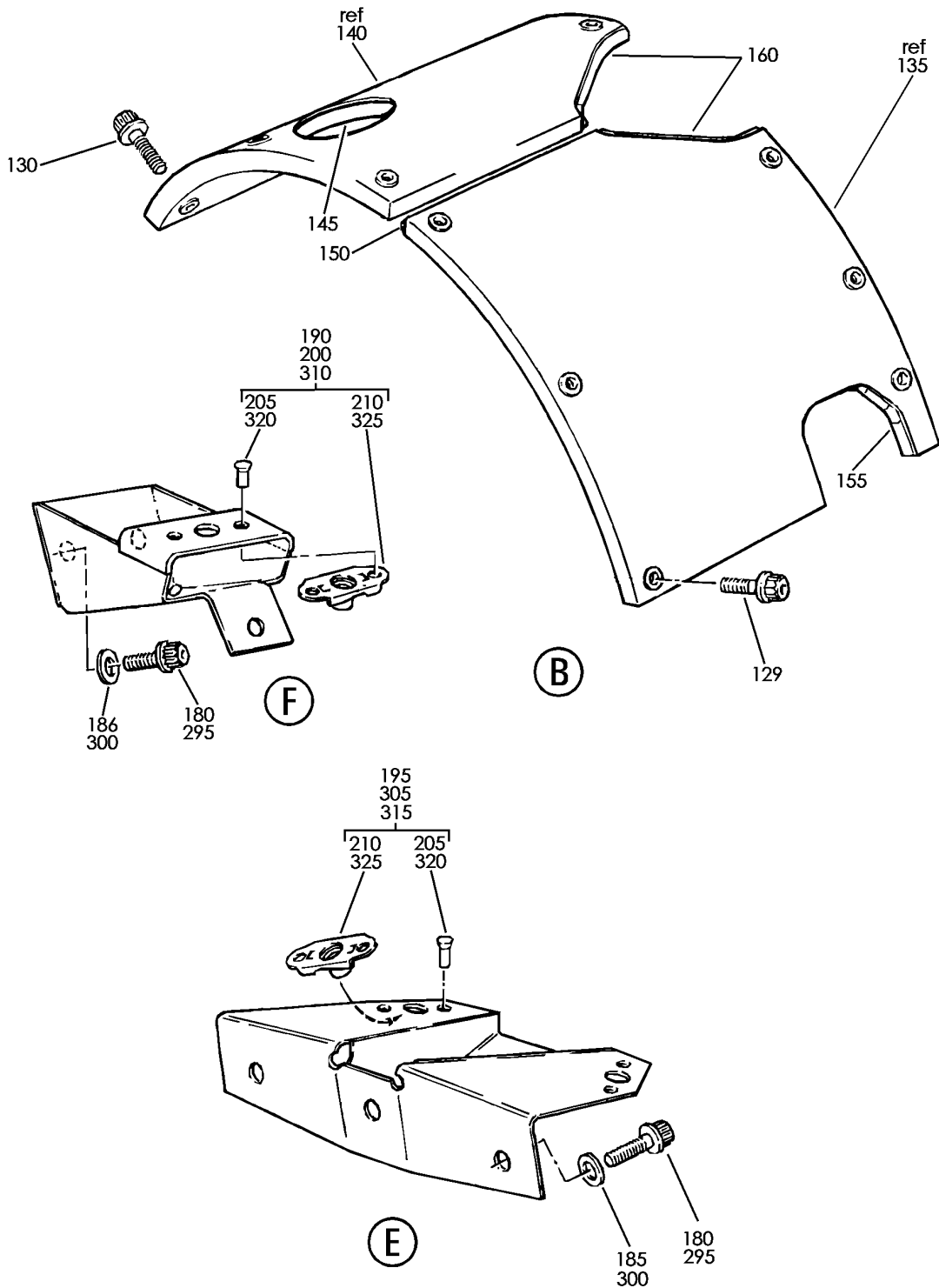
FAIRINGS-GAS GEN CPRSR (RB211-535)
FIGURE 2 (SHEET 2)

72-03-01-02

BRI
MAY 28/07

72-03-01-02
PAGE 0A

BOEING
757
PARTS CATALOG (MAINTENANCE)



Y 72030102 SH-T 3 REV 279

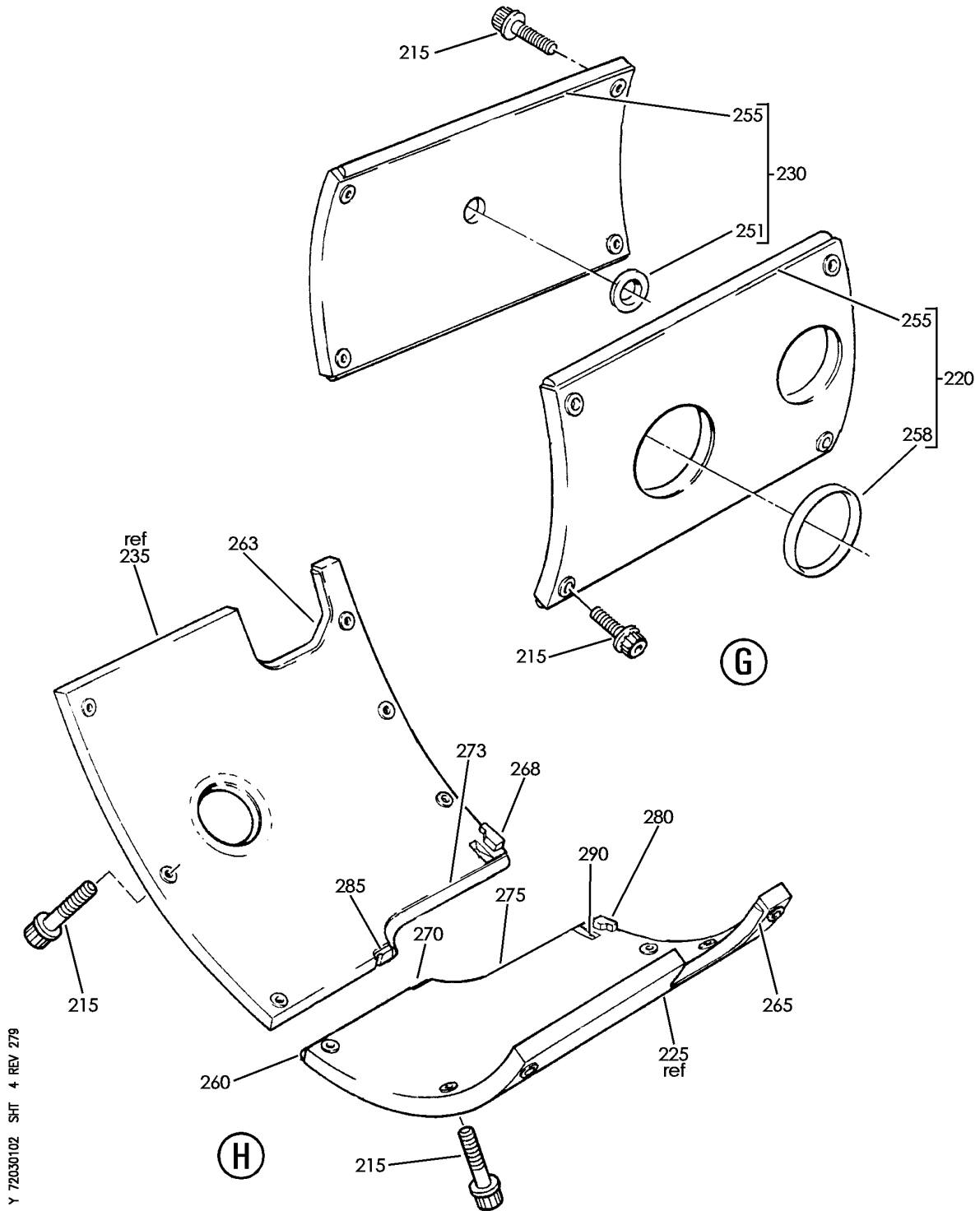
FAIRINGS-GAS GEN CPRSR (RB211-535)
FIGURE 2 (SHEET 3)

72-03-01-02

BRI
MAY 28/07

72-03-01-02
PAGE 0B

BOEING
757
PARTS CATALOG (MAINTENANCE)



Y 72030102 SH1 4 REV 279

FAIRINGS-GAS GEN CPRSR (RB211-535)
FIGURE 2 (SHEET 4)

72-03-01-02

BRI
MAY 28/07

72-03-01-02
PAGE 0C



757

PARTS CATALOG (MAINTENANCE)

FIG ITEM	PART NUMBER	1 2 3 4 5 6 7	NOMENCLATURE	EFFECT FROM TO	UNITS PER ASSY
2			FAIRINGS-GAS GEN CPRSR (RB211-535)	002004 006999	
- 1	UL19722		ENGINE ASSY-Q.E.C.U. RB211-535E43711 MAXIMUM NEUT SUPPLIER CODE: VK0680 FOR NHA/OTHER SYS DET SEE: 71-00-02-04	107107	RF
- 1	UL20697		ENGINE ASSY-Q.E.C.U. RB211-535E43711 MAXIMUM NEUT WITH GRAVINER FIRE DETECTORS, BAYONET MCD, NON-MODULATED IDG COOLING 40,000 LB THRUST SUPPLIER CODE: VK0680 REFERENCE SERVICE BULLETIN: 71-0058R4 QUALIFIED SB I/W DATA: INTERMIX OF ONE OR SUBSTITUTION OF TWO DIFFERENT CONFIGURATION RB211-535E4-37/() ENGINES FOR RB211-535 E4 BASE ENGINES REFERENCE SERVICE BULLETIN: RB211-72-C547 VK0680 FOR NHA/OTHER SYS DET SEE: 71-00-02-04	121503 904949 952999	RF

MISSING ITEM NUMBERS NOT APPLICABLE

- ITEM NOT ILLUSTRATED

BRI

72-03-01-02

BOEING PROPRIETARY - Copyright © - Unpublished Work - See title page for details.

72-03-01
FIG. 02
PAGE 1
JAN 20/09



757

PARTS CATALOG (MAINTENANCE)

FIG ITEM	PART NUMBER	1 2 3 4 5 6 7	NOMENCLATURE	EFFECT FROM TO	UNITS PER ASSY
2 - 1	UL20698		ENGINE ASSY-Q.E.C.U. RB211-535E43712 MAXIMUM NEUT SUPPLIER CODE: VK0680 REFERENCE SERVICE BULLETIN: 71-0058R7 QUALIFIED SB I/W DATA: INTERMIX OF ONE OR SUBSTITUTION OF TWO DIFFERENT CONFIGURATION RB211-535E4-37/() ENGINES FOR RB211-535E4 BASE ENGINES OR DIFFERENT CONFIGURATION RB211-535E4-B-37/() ENGINES FOR RB211-535E4-B BASE ENGINES REFERENCE SERVICE BULLETIN: RB211-72C547 VK0680 RB211-72-8910 VK0680 POST RAPID REVISION: RR92014-183A-RC-E FOR NHA/OTHER SYS DET SEE: 71-00-02-04	002004 006100 102102	RF
- 1	UL20702		ENGINE ASSY-Q.E.C.U. RB211-535E43711 BASIC ENG CONFIGURATION WITH GRAVINER FIRE DETECTORS,BAYONET MCD, NON-MODUATED IDG COOLING 40,100 LB THRUST SUPPLIER CODE: VK0680 FOR NHA/OTHER SYS DET SEE: 71-00-02-10	504903	RF
- 1	UL36209		ENGINE ASSY-Q.E.C.U. RB211-535E43719 MAXIMUM NEUT SUPPLIER CODE: VK0680 FOR NHA/OTHER SYS DET SEE: 71-00-02-04	950951	RF

MISSING ITEM NUMBERS NOT APPLICABLE

- ITEM NOT ILLUSTRATED

72-03-01-02

72-03-01
FIG. 02
PAGE 2
JAN 20/09

BRI



757

PARTS CATALOG (MAINTENANCE)

FIG ITEM	PART NUMBER	1 2 3 4 5 6 7	NOMENCLATURE	EFFECT FROM TO	UNITS PER ASSY
2					
- 3	BCREF17395		ENGINE ASSY-Q.E.C.U. RB211-535E43739 BASIC ENG CONFIGURATION AND PHASE 5 COMBUSTOR 40,100 LB THRUST SUPPLIER CODE: VK0680 OVERLENGTH PART NUMBER: RB211-535E4-37-39E FOR NHA/OTHER SYS DET SEE: 71-00-02-10	108120	RF
- 3	BCREF17101		ENGINE ASSY-Q.E.C.U. RB211-535E43744 BASIC ENG CONFIGURATION BAYONET MCD AND PHASE 5 COMBUSTOR 40,100 LB THRUST SUPPLIER CODE: VK0680 OVERLENGTH PART NUMBER: RB211-535E4-3744E FOR NHA/OTHER SYS DET SEE: 71-00-02-10	103106	RF
- 3	UL38163		ENGINE ASSY-Q.E.C.U. RB211-535E43724 BASIC ENG CONFIGURATION BAYONET MCD 40,100 LB THRUST SUPPLIER CODE: VK0680 FOR NHA/OTHER SYS DET SEE: 71-00-02-10	101101	RF
- 4	UL19133		. FAIRING-GAS GEN COWL COMPRESSOR SECTION SUPPLIER CODE: VK0680	002004 006999	RF
5	AS20911		..BOLT	002004 006999	11
10	UL12657		.. FAIRING ASSY-TRANSFER DRIVE GAS GENERATOR COMPRESSOR SUPPLIER CODE: VK0680 POSITION DATA: LH PRE SERVICE BULLETIN: 72-7786 VK0680	107107 121949 952999	1

MISSING ITEM NUMBERS NOT APPLICABLE

- ITEM NOT ILLUSTRATED

BRI

72-03-01-02

BOEING PROPRIETARY - Copyright © - Unpublished Work - See title page for details.

72-03-01
FIG. 02
PAGE 3
JAN 20/09



757

PARTS CATALOG (MAINTENANCE)

FIG ITEM	PART NUMBER	1 2 3 4 5 6 7	NOMENCLATURE	EFFECT FROM TO	UNITS PER ASSY
2					
10	UL12712		.. FAIRING ASSY-TRANSFER DRIVE GAS GENERATOR COMPRESSOR SUPPLIER CODE: VK0680 POSITION DATA: LH NOT APPROVED FOR ETOPS. POST SERVICE BULLETIN: 72-7786PT01 VK0680 PRE SERVICE BULLETIN: 72-8260 VK0680	002004 006100 102102 107107 121949 952999	1
10	UL20624		.. FAIRING ASSY-TRANSFER DRIVE GAS GENERATOR COMPRESSOR SUPPLIER CODE: VK0680 POSITION DATA: LH NOT APPROVED FOR ETOPS. POST SERVICE BULLETIN: 72-8260PT01 VK0680 PRE SERVICE BULLETIN: 72-9008 VK0680	002004 006100 102102 107107 121949 952999	1
10	UL26871		.. FAIRING ASSY-TRANSFER DRIVE GAS GENERATOR COMPRESSOR SUPPLIER CODE: VK0680 POSITION DATA: LH CONFIG CHG DATA FROM A CMM: FOR INTRCHG SEE RR IPC POST SERVICE BULLETIN: 72-9008PT04 VK0680 PRE SERVICE BULLETIN: 72-9398 VK0680	002004 006100 102102 107107 121949 952999	1

MISSING ITEM NUMBERS NOT APPLICABLE

- ITEM NOT ILLUSTRATED

BRI

72-03-01-02

BOEING PROPRIETARY - Copyright © - Unpublished Work - See title page for details.

72-03-01
FIG. 02
PAGE 4
JAN 20/09



757

PARTS CATALOG (MAINTENANCE)

FIG ITEM	PART NUMBER	1 2 3 4 5 6 7	NOMENCLATURE	EFFECT FROM TO	UNITS PER ASSY
2					
10	UL29906		.. FAIRING ASSY-TRANSFER DRIVE GAS GENERATOR COMPRESSOR SUPPLIER CODE: VK0680 POSITION DATA: LH CONFIG CHG DATA FROM A CMM: FOR INTRCHG SEE RR IPC POST SERVICE BULLETIN: 72-9398PT01 VK0680	002004 006999	1
10	UL26923		.. FAIRING ASSY-TRANSFER DRIVE GAS GENERATOR COMPRESSOR SUPPLIER CODE: VK0680 POSITION DATA: LH POST SERVICE BULLETIN: 72-9008PT01 VK0680 PRE SERVICE BULLETIN: 72-9398 VK0680	002004 006100 102102 107107 121949 952999	1
10	UL36133		.. FAIRING ASSY- SUPPLIER CODE: VK0680 CONFIG CHG DATA FROM A CMM: FOR INTRCHG SEE RR IPC POST SERVICE BULLETIN: 72-9398PT02 VK0680	002004 006999	1
15	UL12658		.. FAIRING ASSY-TRANSFER DRIVE GAS GENERATOR COMPRESSOR SUPPLIER CODE: VK0680 POSITION DATA: RH PRE SERVICE BULLETIN: 72-7786 VK0680	107107 121949 952999	1

MISSING ITEM NUMBERS NOT APPLICABLE

- ITEM NOT ILLUSTRATED

BRI

72-03-01-02

BOEING PROPRIETARY - Copyright © - Unpublished Work - See title page for details.

72-03-01
FIG. 02
PAGE 5
JAN 20/09



757

PARTS CATALOG (MAINTENANCE)

FIG ITEM	PART NUMBER	1 2 3 4 5 6 7	NOMENCLATURE	EFFECT FROM TO	UNITS PER ASSY
2					
15	UL12713		.. FAIRING ASSY-TRANSFER DRIVE GAS GENERATOR COMPRESSOR SUPPLIER CODE: VK0680 POSITION DATA: RH NOT APPROVED FOR ETOPS. POST SERVICE BULLETIN: 72-7786PT01 VK0680 PRE SERVICE BULLETIN: 72-8260 VK0680	002004 006100 102102 107107 121949 952999	1
15	UL20625		.. FAIRING ASSY-TRANSFER DRIVE GAS GENERATOR COMPRESSOR SUPPLIER CODE: VK0680 POSITION DATA: RH NOT APPROVED FOR ETOPS. POST SERVICE BULLETIN: 72-8260PT01 VK0680 PRE SERVICE BULLETIN: 72-9008 VK0680	002004 006100 102102 107107 121949 952999	1
15	UL26872		.. FAIRING ASSY-TRANSFER DRIVE GAS GENERATOR COMPRESSOR SUPPLIER CODE: VK0680 POSITION DATA: RH CONFIG CHG DATA FROM A CMM: FOR INTRCHG SEE RR IPC POST SERVICE BULLETIN: 72-9008PT05 VK0680 PRE SERVICE BULLETIN: 72-9398 VK0680	002004 006100 102102 107107 121949 952999	1

MISSING ITEM NUMBERS NOT APPLICABLE

- ITEM NOT ILLUSTRATED

72-03-01-02

72-03-01
FIG. 02
PAGE 6
JAN 20/09

BRI



757

PARTS CATALOG (MAINTENANCE)

FIG ITEM	PART NUMBER	1 2 3 4 5 6 7	NOMENCLATURE	EFFECT FROM TO	UNITS PER ASSY
2					
15	UL29907	..	FAIRING ASSY-TRANSFER DRIVE GAS GENERATOR COMPRESSOR SUPPLIER CODE: VK0680 POSITION DATA: RH CONFIG CHG DATA FROM A CMM: FOR INTRCHG SEE RR IPC POST SERVICE BULLETIN: 72-9398PT01 VK0680	002004 006999	1
15	UL26924	..	FAIRING ASSY-TRANSFER DRIVE GAS GENERATOR COMPRESSOR SUPPLIER CODE: VK0680 POSITION DATA: RH POST SERVICE BULLETIN: 72-9008PT01 VK0680 PRE SERVICE BULLETIN: 72-9398 VK0680	002004 006100 102102 107107 121949 952999	1
15	UL36134	..	FAIRING ASSY- SUPPLIER CODE: VK0680 CONFIG CHG DATA FROM A CMM: FOR INTRCHG SEE RR IPC POST SERVICE BULLETIN: 72-9398PT02 VK0680	002004 006999	1
25	AGS3920-0407	...	RIVET	002004 006999	48
30	AGS3921-0407	...	RIVET	002004 006999	11
35	ARM720	...	SEAL- SUPPLIER CODE: VK1406 CONFIG CHG DATA FROM A CMM: FOR INTRCHG SEE RR IPC OPTIONAL PART: BA4442 VU1901 WRS685 VW0761	101101	1

MISSING ITEM NUMBERS NOT APPLICABLE

- ITEM NOT ILLUSTRATED

72-03-01-02

72-03-01
FIG. 02
PAGE 7
JAN 20/09

BRI



757

PARTS CATALOG (MAINTENANCE)

FIG ITEM	PART NUMBER	1 2 3 4 5 6 7	NOMENCLATURE	EFFECT FROM TO	UNITS PER ASSY
2	35 WRS685		...SEAL- SUPPLIER CODE: VW0761 CONFIG CHG DATA FROM A CMM: FOR INTRCHG SEE RR IPC OPTIONAL PART: ARM720 VK1406 BA4442 VU1901	101101	1
	35 BA4442		...SEAL- SUPPLIER CODE: VU1901 CONFIG CHG DATA FROM A CMM: FOR INTRCHG SEE RR IPC OPTIONAL PART: ARM720 VK1406 WRS685 VW0761	101101	1
	45 ARM774		...SEAL- SUPPLIER CODE: VK1406	002004 006999	1
	112 ARM718		...STRIP- SUPPLIER CODE: VK1406 OPTIONAL PART: BA4416 VU1901 WRS660 VW0761	101101	1
	112 WRS660		...STRIP- SUPPLIER CODE: VW0761 OPTIONAL PART: ARM718 VK1406 BA4416 VU1901	101101	1
	112 BA4416		...STRIP- SUPPLIER CODE: VU1901 OPTIONAL PART: ARM718 VK1406 WRS660 VW0761	101101	1

MISSING ITEM NUMBERS NOT APPLICABLE

- ITEM NOT ILLUSTRATED

BRI

72-03-01-02

BOEING PROPRIETARY - Copyright © - Unpublished Work - See title page for details.

72-03-01
FIG. 02
PAGE 8
JAN 20/09



757

PARTS CATALOG (MAINTENANCE)

FIG ITEM	PART NUMBER	1 2 3 4 5 6 7	NOMENCLATURE	EFFECT FROM TO	UNITS PER ASSY
2					
116	ARM992	...	CONNECTOR-TUBULAR SUPPLIER CODE: VK1406 POST SERVICE BULLETIN: 72-9398PT01 VK0680	002004 006999	4
129	AS21011	..	BOLT- POSITION DATA: LH SIDE	002004 006100 102102 107107 121949 952999	6
129	AS21015	..	BOLT- POSITION DATA: LH SIDE	101101	6
130	AS21011	..	BOLT- POSITION DATA: RH SIDE	002004 006999	6
130	AS21015	..	BOLT- POSITION DATA: RH SIDE	101101	6
135	UL12640	..	FAIRING ASSY-GAS GENERATOR COMPRESSOR SUPPLIER CODE: VK0680 POSITION DATA: UPR LH	002004 006999	1
140	UL12641	..	FAIRING ASSY-GAS GENERATOR COMPRESSOR SUPPLIER CODE: VK0680 POSITION DATA: UPR RH	002004 006999	1
180	AS20907	..	BOLT-	002004 006999	7
185	AS12943	..	WASHER	002004 006999	3
186	AS12943	..	WASHER	002004 006999	4
190	UL12707	..	BRACKET ASSY-MTG SUPPLIER CODE: VK0680 POSITION DATA: FRONT PRE SERVICE BULLETIN: 72-7767 VK0680	107107 121949 952999	1

MISSING ITEM NUMBERS NOT APPLICABLE

- ITEM NOT ILLUSTRATED

72-03-01-02

72-03-01
FIG. 02
PAGE 9
JAN 20/09

BRI



757

PARTS CATALOG (MAINTENANCE)

FIG ITEM	PART NUMBER	1 2 3 4 5 6 7	NOMENCLATURE	EFFECT FROM TO	UNITS PER ASSY
2 190	UL12711		..BRACKET ASSY-MOUNTING SUPPLIER CODE: VK0680 POSITION DATA: FRONT POST SERVICE BULLETIN: 72-7767PTE VK0680	002004 006999	1
195	UL12706		..BRACKET ASSY-DUAL COMPRESSOR FAIRINGS MOUNTING SUPPLIER CODE: VK0680 POSITION DATA: FRONT	002004 006999	1
200	UL12711		..BRACKET ASSY-COMPRESSOR FAIRINGS MOUNTING SUPPLIER CODE: VK0680 POSITION DATA: UPR FRONT LH	002004 006999	1
215	AS21011		..BOLT	002004 006100 102102 107107 121949 952999	20
215 220	AS21015 UL12642		..BOLT ..FAIRING ASSY-GAS COMPRESSOR GENERATOR SUPPLIER CODE: VK0680 POSITION DATA: LH	101101 002004 006999	20 1
225	UL12645		..FAIRING ASSY-GAS COMPRESSOR GENERATOR SUPPLIER CODE: VK0680 POSITION DATA: LOWER LH PRE SERVICE BULLETIN: 72-9460 VK0680	002004 006100 102102 107107 121949 952999	1

MISSING ITEM NUMBERS NOT APPLICABLE

- ITEM NOT ILLUSTRATED

BRI

72-03-01-02

BOEING PROPRIETARY - Copyright © - Unpublished Work - See title page for details.

72-03-01
FIG. 02
PAGE 10
JAN 20/09



757

PARTS CATALOG (MAINTENANCE)

FIG ITEM	PART NUMBER	1 2 3 4 5 6 7	NOMENCLATURE	EFFECT FROM TO	UNITS PER ASSY
2					
225	UL30318	..	FAIRING ASSY-GAS COMPRESSOR GENERATOR SUPPLIER CODE: VK0680 POSITION DATA: LOWER LH POST SERVICE BULLETIN: 72-9460PT01 VK0680	002004 006999	1
230	UL12643	..	FAIRING ASSY-GAS COMPRESSOR GENERATOR SUPPLIER CODE: VK0680 POSITION DATA: RH	002004 006999	1
235	UL12644	..	FAIRING ASSY-GAS GENERATOR COMPRESSOR SUPPLIER CODE: VK0680 POSITION DATA: LOWER RH PRE SERVICE BULLETIN: 73-9460 VK0680	002004 006100 102102 107107 121949 952999	1
235	UL30317	..	FAIRING ASSY-GAS GENERATOR COMPRESSOR SUPPLIER CODE: VK0680 POSITION DATA: LOWER RH POST SERVICE BULLETIN: 72-9460PT01 VK0680	002004 006999	1
260	ARM691	...	SEAL- SUPPLIER CODE: VK1406	101101	1
265	ARM692	...	SEAL- SUPPLIER CODE: VK1406	101101	1
270	WRS1291	...	SEAL- SUPPLIER CODE: VW0761 CONFIG CHG DATA FROM A CMM: FOR INTRCHG SEE RR IPC OPTIONAL PART: ARM810 VK1406 BA5009 VU1901	101101	1

MISSING ITEM NUMBERS NOT APPLICABLE

- ITEM NOT ILLUSTRATED

72-03-01-02

72-03-01
FIG. 02
PAGE 11
JAN 20/09

BRI



757

PARTS CATALOG (MAINTENANCE)

FIG ITEM	PART NUMBER	1 2 3 4 5 6 7	NOMENCLATURE	EFFECT FROM TO	UNITS PER ASSY
2 270	ARM810	...	SEAL- SUPPLIER CODE: VK1406 CONFIG CHG DATA FROM A CMM: FOR INTRCHG SEE RR IPC OPTIONAL PART: BA5009 VU1901 WRS1291 VW0761	101101	1
270	BA5009	...	SEAL- SUPPLIER CODE: VU1901 CONFIG CHG DATA FROM A CMM: FOR INTRCHG SEE RR IPC OPTIONAL PART: ARM810 VK1406 WRS1291 VW0761	101101	1
275	ARM722	...	SEAL- SUPPLIER CODE: VK1406 CONFIG CHG DATA FROM A CMM: FOR INTRCHG SEE RR IPC OPTIONAL PART: WRS676 VW0761	101101	1
275	WRS676	...	SEAL- SUPPLIER CODE: VW0761 CONFIG CHG DATA FROM A CMM: FOR INTRCHG SEE RR IPC OPTIONAL PART: ARM722 VK1406	101101	1
280	ARM695	...	SEAL- SUPPLIER CODE: VK1406 CONFIG CHG DATA FROM A CMM: FOR INTRCHG SEE RR IPC OPTIONAL PART: WRS671 VW0761	101101	1

MISSING ITEM NUMBERS NOT APPLICABLE

- ITEM NOT ILLUSTRATED

72-03-01-02

72-03-01
FIG. 02
PAGE 12
JAN 20/09

BRI

BOEING PROPRIETARY - Copyright © - Unpublished Work - See title page for details.



757

PARTS CATALOG (MAINTENANCE)

FIG ITEM	PART NUMBER	1 2 3 4 5 6 7	NOMENCLATURE	EFFECT FROM TO	UNITS PER ASSY
2 280	WRS671	...	SEAL- SUPPLIER CODE: VW0761 CONFIG CHG DATA FROM A CMM: FOR INTRCHG SEE RR IPC OPTIONAL PART: ARM695 VK1406	101101	1
290	WRS1224	...	TUBE- SUPPLIER CODE: VW0761 CONFIG CHG DATA FROM A CMM: FOR INTRCHG SEE RR IPC OPTIONAL PART: ARM803 VK1406 PRE SERVICE BULLETIN: 72-9460 VK0680	002004 006102 107107 121949 952999	1
290	ARM803	...	TUBE- SUPPLIER CODE: VK1406 CONFIG CHG DATA FROM A CMM: FOR INTRCHG SEE RR IPC OPTIONAL PART: WRS1224 VW0761 PRE SERVICE BULLETIN: 72-9460 VK0680	002004 006102 107107 121949 952999	1
295	AS20907	..	BOLT-	002004 006999	19
300	AS12943	..	WASHER	002004 006999	19
305	UL12706	..	BRACKET ASSY-MOUNTING DUAL CPRSR FAIRING SUPPLIER CODE: VK0680 POSITION DATA: FRONT	002004 006999	4
310	UL12707	..	BRACKET ASSY-MOUNTING COMPRESSOR FAIRINGS SUPPLIER CODE: VK0680 POSITION DATA: FRONT PRE SERVICE BULLETIN: 72-7767 VK0680	107107 121949 952999	2

MISSING ITEM NUMBERS NOT APPLICABLE

- ITEM NOT ILLUSTRATED

72-03-01-02

72-03-01
FIG. 02
PAGE 13
JAN 20/09

BRI



757

PARTS CATALOG (MAINTENANCE)

FIG ITEM	PART NUMBER	1 2 3 4 5 6 7	NOMENCLATURE	EFFECT FROM TO	UNITS PER ASSY
2 310	UL12711		..BRACKET ASSY-MOUNTING COMPRESSOR FAIRINGS SUPPLIER CODE: VK0680 POSITION DATA: FRONT POST SERVICE BULLETIN: 72-7767PTE VK0680	002004 006999	2
315	UL12706		..BRACKET ASSY-MOUNTING DUAL COMPRESSOR FAIRINGS SUPPLIER CODE: VK0680 POSITION DATA: FRONT	002004 006999	1

MISSING ITEM NUMBERS NOT APPLICABLE

- ITEM NOT ILLUSTRATED

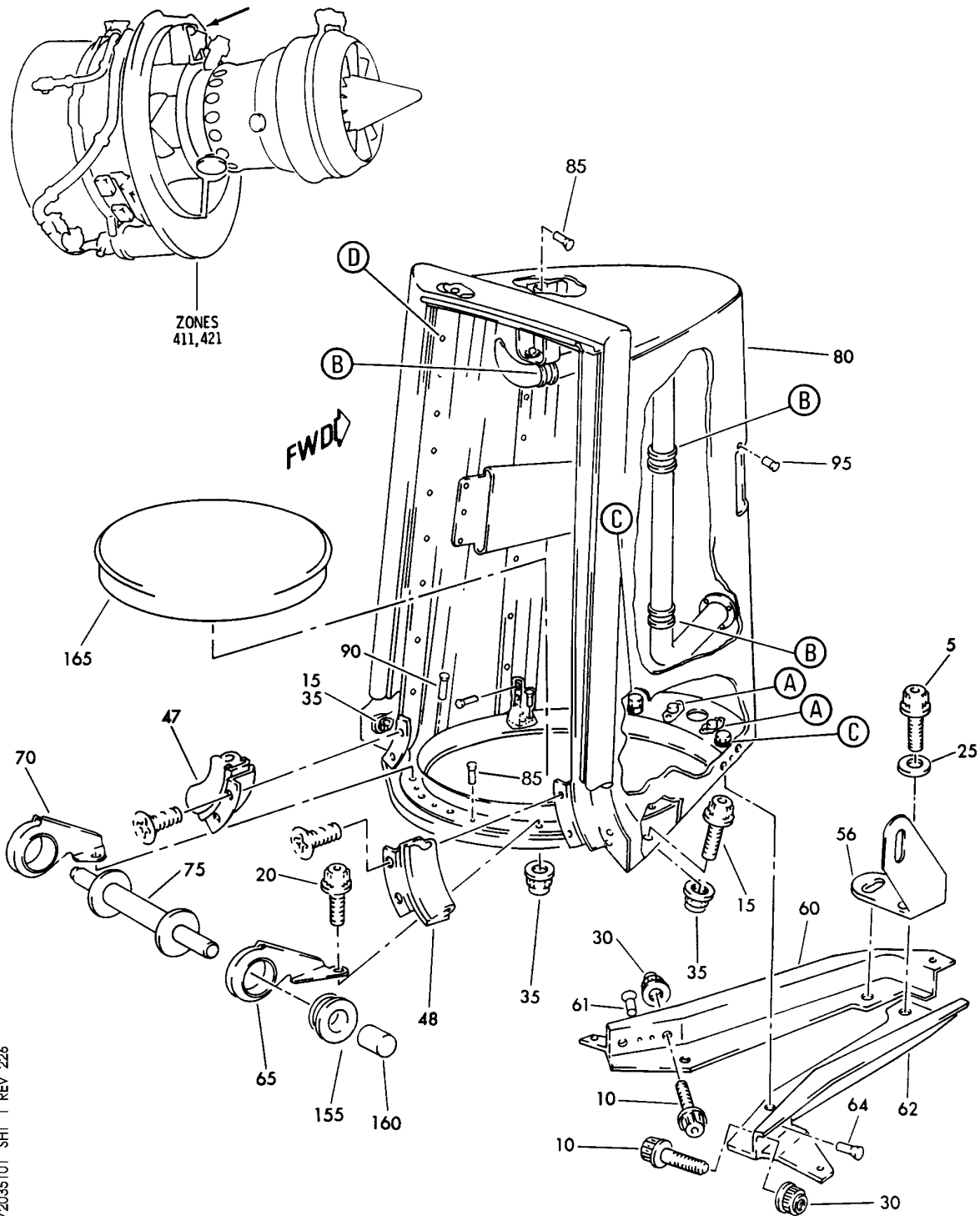
BRI

72-03-01-02

BOEING PROPRIETARY - Copyright © - Unpublished Work - See title page for details.

72-03-01
FIG. 02
PAGE 14
JAN 20/09

BOEING
757
PARTS CATALOG (MAINTENANCE)



Y 72035101 SHT 1 REV 226

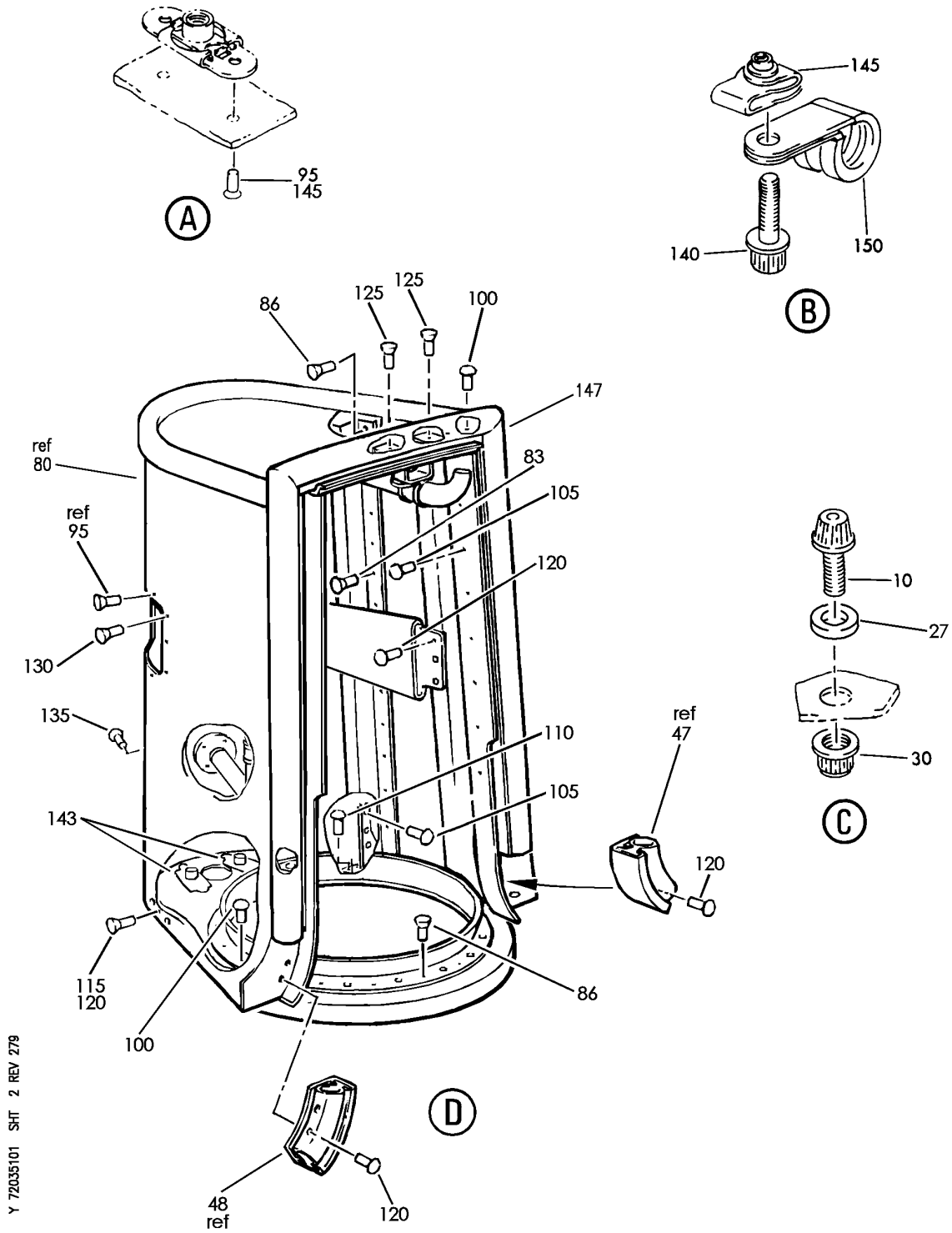
FAIRING-NOSE SECT. POWER PLANT PYLON (RB211-535)
FIGURE 1 (SHEET 1)

72-03-51-01

BRI
MAY 28/07

72-03-51-01
PAGE 0

BOEING
757
PARTS CATALOG (MAINTENANCE)



Y 72035101 SHT 2 REV 279

FAIRING-NOSE SECT. POWER PLANT PYLON (RB211-535)
FIGURE 1 (SHEET 2)

72-03-51-01

BRI
MAY 28/07

72-03-51-01
PAGE 0A



757

PARTS CATALOG (MAINTENANCE)

FIG ITEM	PART NUMBER	1 2 3 4 5 6 7	NOMENCLATURE	EFFECT FROM TO	UNITS PER ASSY
1			FAIRING-NOSE SECT. POWER PLANT PYLON (RB211-535)	002004	
- 1	UL20697		ENGINE ASSY-Q.E.C.U. RB211-535E43711 MAXIMUM NEUT WITH GRAVINER FIRE DETECTORS, BAYONET MCD, NON-MODULATED IDG COOLING 40,000 LB THRUST SUPPLIER CODE: VK0680 REFERENCE SERVICE BULLETIN: 71-0058R4 QUALIFIED SB I/W DATA: INTERMIX OF ONE OR SUBSTITUTION OF TWO DIFFERENT CONFIGURATION RB211-535E4-37/() ENGINES FOR RB211-535 E4 BASE ENGINES REFERENCE SERVICE BULLETIN: RB211-72-C547 VK0680 FOR NHA/OTHER SYS DET SEE: 71-00-02-04	006999 121503 904949 952999	RF
- 1	UL20702		ENGINE ASSY-Q.E.C.U. RB211-535E43711 BASIC ENG CONFIGURATION WITH GRAVINER FIRE DETECTORS, BAYONET MCD, NON-MODULATED IDG COOLING 40,100 LB THRUST SUPPLIER CODE: VK0680 FOR NHA/OTHER SYS DET SEE: 71-00-02-10	504903	RF
- 1	UL19722		ENGINE ASSY-Q.E.C.U. RB211-535E43711 MAXIMUM NEUT SUPPLIER CODE: VK0680 FOR NHA/OTHER SYS DET SEE: 71-00-02-04	107107	RF

MISSING ITEM NUMBERS NOT APPLICABLE

- ITEM NOT ILLUSTRATED

72-03-51-01

72-03-51
FIG. 01
PAGE 1
JAN 20/09

BRI



757

PARTS CATALOG (MAINTENANCE)

FIG ITEM	PART NUMBER	1 2 3 4 5 6 7	NOMENCLATURE	EFFECT FROM TO	UNITS PER ASSY
1					
- 2	UL20698		ENGINE ASSY-Q.E.C.U. RB211-535E43712 MAXIMUM NEUT SUPPLIER CODE: VK0680 REFERENCE SERVICE BULLETIN: 71-0058R7 QUALIFIED SB I/W DATA: INTERMIX OF ONE OR SUBSTITUTION OF TWO DIFFERENT CONFIGURATION RB211-535E4-37/() ENGINES FOR RB211-535E4 BASE ENGINES OR DIFFERENT CONFIGURATION RB211-535E4-B-37/() ENGINES FOR RB211-535E4-B BASE ENGINES REFERENCE SERVICE BULLETIN: RB211-72C547 VK0680 RB211-72-8910 VK0680 POST RAPID REVISION: RR92014-183A-RC-E FOR NHA/OTHER SYS DET SEE: 71-00-02-04	002004 006100 102102	RF
- 2	UL36209		ENGINE ASSY-Q.E.C.U. RB211-535E43719 MAXIMUM NEUT SUPPLIER CODE: VK0680 FOR NHA/OTHER SYS DET SEE: 71-00-02-04	950951	RF
- 3	BCREF17395		ENGINE ASSY-Q.E.C.U. RB211-535E43739 BASIC ENGINE CONFIGURATION AND PHASE 5 COMBUSTOR 40,100 LB THRUST SUPPLIER CODE: VK0680 OVERLENGTH PART NUMBER: RB211-535E4-37-39E FOR NHA/OTHER SYS DET SEE: 71-00-02-10	108120	RF

MISSING ITEM NUMBERS NOT APPLICABLE

- ITEM NOT ILLUSTRATED

72-03-51-01

72-03-51
FIG. 01
PAGE 2
JAN 20/09

BRI



757

PARTS CATALOG (MAINTENANCE)

FIG ITEM	PART NUMBER	1 2 3 4 5 6 7	NOMENCLATURE	EFFECT FROM TO	UNITS PER ASSY
1					
- 3	BCREF17101		ENGINE ASSY-Q.E.C.U. RB211-535E43744 BASIC ENGINE CONFIGURATION, BAYONET MCD AND PHASE 5 COMBUSTOR 40,100 LB THRUST SUPPLIER CODE: VK0680 OVERLENGTH PART NUMBER: RB211-535E4-3744E FOR NHA/OTHER SYS DET SEE: 71-00-02-10	103106	RF
- 3	UL38163		ENGINE ASSY-Q.E.C.U. RB211-535E43724 BASIC ENGINE CONFIGURATION, BAYONET MCD, 40,100 LB THRUST SUPPLIER CODE: VK0680 FOR NHA/OTHER SYS DET SEE: 71-00-02-10	101101	RF
- 4	UL10941		.NOSE SECTION FAIRING- POWER PLANT PYLON SUPPLIER CODE: VK0680	002004 006999	RF
5	AS21011		..BOLT	002004 006999	2
10	AS21010		..BOLT	002004 006999	6
15	AS20912		..BOLT	002004 006999	2
20	AS20911		..BOLT	002004 006999	8
25	AS12944		..WASHER	002004 006999	2
27	AS12944		..WASHER	002004 006999	2
30	AS20625		..NUT	002004 006999	6
35	AS27822		..NUT	002004 006999	10
47	ARM773		..SEAL ASSY-SPLITTER FAIRING DETACHABLE OMEGA SUPPLIER CODE: VK1406 PRE SERVICE BULLETIN: 72-9398	002004 006100 102102 107107 121949 952999	1

MISSING ITEM NUMBERS NOT APPLICABLE

- ITEM NOT ILLUSTRATED

72-03-51-01

72-03-51
FIG. 01
PAGE 3
JAN 20/09

BRI



757

PARTS CATALOG (MAINTENANCE)

FIG ITEM	PART NUMBER	1 2 3 4 5 6 7	NOMENCLATURE	EFFECT FROM TO	UNITS PER ASSY
1					
48	ARM773		..SEAL ASSY-SPLITTER FAIRING DETACHABLE OMEGA SUPPLIER CODE: VK1406 POSITION DATA: LH PRE SERVICE BULLETIN: 72-9398	002004 006100 102102 107107 121949 952999	1
56	LK87457		..BRACKET-SUPPORT COMBINED DISCONNECT SUPPLIER CODE: VK0680	002004 006999	1
60	LK85290		..BRACKET ASSY-SPRT FRONT NOSE FAIRING SUPPLIER CODE: VK0680 POSITION DATA: RH	002004 006999	1
62	LK87700		..BRACKET ASSY-SPRT FRONT NOSE FAIRING SUPPLIER CODE: VK0680 POSITION DATA: LH	002004 006999	1
65	UL12583		..BRACKET ASSY-C DUCTS STRUT ALIGN. SUPPLIER CODE: VK0680 POSITION DATA: FWD LH	002004 006999	1
70	UL12582		..BRACKET ASSY-C DUCTS STRUT ALIGN. SUPPLIER CODE: VK0680 POSITION DATA: FWD RH	002004 006999	1
75	UL11611		..STRUT ASSY-C DUCT WALLS SPRT CYLINDRICAL SUPPLIER CODE: VK0680 POSITION DATA: FWD	002004 006999	1

MISSING ITEM NUMBERS NOT APPLICABLE

- ITEM NOT ILLUSTRATED

BRI

72-03-51-01

BOEING PROPRIETARY - Copyright © - Unpublished Work - See title page for details.

72-03-51
FIG. 01
PAGE 4
JAN 20/09



757

PARTS CATALOG (MAINTENANCE)

FIG ITEM	PART NUMBER	1 2 3 4 5 6 7	NOMENCLATURE	EFFECT FROM TO	UNITS PER ASSY
1					
80	UL14640		..FAIRING ASSY-NOSE SECT. PYLON SPLITTER SUPPLIER CODE: VK0680 PRE SERVICE BULLETIN: 72-8113 VK0680	002004 006100 102102 107107 121949 952999	1
80	UL19961		..FAIRING ASSY-NOSE SECT. PYLON SPLITTER SUPPLIER CODE: VK0680 POST SERVICE BULLETIN: 72-8113PT01 VK0680 PRE SERVICE BULLETIN: 72-9398 VK0680	002004 006100 102102 107107 121949 952999	1
80	UL29412		..FAIRING ASSY-NOSE SECT. PYLON SPLITTER SUPPLIER CODE: VK0680 POST SERVICE BULLETIN: 72-9398PT01 VK0680	002004 006999	1
155	UL17192		..PLUG-C DUCT ALIGN. BRACKET SUPPLIER CODE: VK0680 PRE SERVICE BULLETIN: 72-8576 VK0680	002004 006100 102102	2
155	UL25375		..PLUG-C DUCT ALIGN. BRACKET TRANSPORTATION ONLY SUPPLIER CODE: VK0680 POST SERVICE BULLETIN: 72-8576PTE VK0680	002004 006999	2
160	UP10503		..CAP-C DUCT CPRSN STRUT SUPPLIER CODE: VK0680 PRE SERVICE BULLETIN: 72-8576 VK0680	002004 006100 102102	2

MISSING ITEM NUMBERS NOT APPLICABLE

- ITEM NOT ILLUSTRATED

72-03-51-01

72-03-51
FIG. 01
PAGE 5
JAN 20/09

BRI



757

PARTS CATALOG (MAINTENANCE)

FIG ITEM	PART NUMBER	1 2 3 4 5 6 7	NOMENCLATURE	EFFECT FROM TO	UNITS PER ASSY
1 160	UL25376		..CAP-C DUCT CPRSN STRUT TRANSPORTATION ONLY SUPPLIER CODE: VK0680 POST SERVICE BULLETIN: 72-8576PTE VK0680	002004 006999	2
165	UL14070		..COVER-BLANKING HP 2 AIR OFFTAKE TRANSPORTATION ONLY SUPPLIER CODE: VK0680 POST SERVICE BULLETIN: 72-7721PTD VK0680	002004 006999	1

MISSING ITEM NUMBERS NOT APPLICABLE

- ITEM NOT ILLUSTRATED

BRI

72-03-51-01

BOEING PROPRIETARY - Copyright © - Unpublished Work - See title page for details.

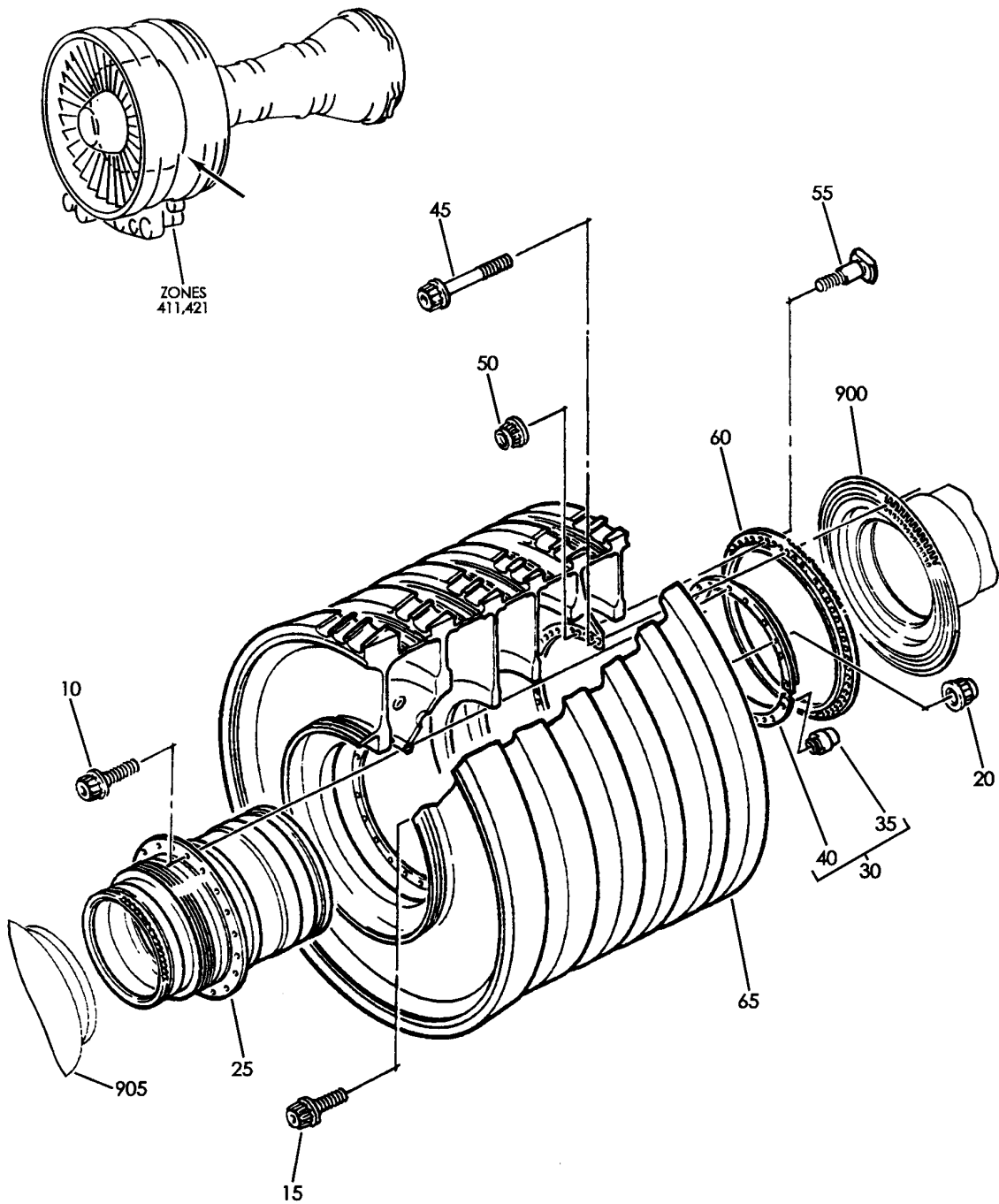
72-03-51
FIG. 01
PAGE 6
JAN 20/09

COMPRESSOR SECTION

BRI
MAY 28/07

72-30-00
SECTION TITLE
PAGE 1

BOEING
757
PARTS CATALOG (MAINTENANCE)



Y 72305101 REV 210

IP COMPRESSOR SHAFT (RB211-535)

FIGURE 1

72-30-51-01

BRI
MAY 28/07

72-30-51-01
PAGE 0



757

PARTS CATALOG (MAINTENANCE)

FIG ITEM	PART NUMBER	1 2 3 4 5 6 7	NOMENCLATURE	EFFECT FROM TO	UNITS PER ASSY
1			IP COMPRESSOR SHAFT (RB211-535)	002004 006999	
- 1	UL19722		ENGINE ASSY-Q.E.C.U. RB211-535E43711 MAXIMUM NEUT SUPPLIER CODE: VK0680 FOR NHA/OTHER SYS DET SEE: 71-00-02-04	107107	RF
- 1	UL20697		ENGINE ASSY-Q.E.C.U. RB211-535E43711 MAXIMUM NEUT WITH GRAVINER FIRE DETECTORS, BAYONET MCD, NON-MODULATED IDG COOLING 40,000 LB THRUST SUPPLIER CODE: VK0680 REFERENCE SERVICE BULLETIN: 71-0058R4 QUALIFIED SB I/W DATA: INTERMIX OF ONE OR SUBSTITUTION OF TWO DIFFERENT CONFIGURATION RB211-535E4-37/() ENGINES FOR RB211-535 E4 BASE ENGINES REFERENCE SERVICE BULLETIN: RB211-72-C547 VK0680 FOR NHA/OTHER SYS DET SEE: 71-00-02-04	121503 904949 952999	RF
- 1	UL20702		ENGINE ASSY-Q.E.C.U. RB211-535E43711 BASIC ENG CONFIGURATION WITH GRAVINER FIRE DETECTORS, BAYONET MCD, NON-MODUATED IDG COOLING 40,100 LB THRUST SUPPLIER CODE: VK0680 FOR NHA/OTHER SYS DET SEE: 71-00-02-10	504903	RF

MISSING ITEM NUMBERS NOT APPLICABLE

- ITEM NOT ILLUSTRATED

BRI

72-30-51-01

BOEING PROPRIETARY - Copyright © - Unpublished Work - See title page for details.

72-30-51
FIG. 01
PAGE 1
JAN 20/09



757

PARTS CATALOG (MAINTENANCE)

FIG ITEM	PART NUMBER	1 2 3 4 5 6 7	NOMENCLATURE	EFFECT FROM TO	UNITS PER ASSY
1					
- 1	UL20698		ENGINE ASSY-Q.E.C.U. RB211-535E43712 MAXIMUM NEUT SUPPLIER CODE: VK0680 REFERENCE SERVICE BULLETIN: 71-0058R7 QUALIFIED SB I/W DATA: INTERMIX OF ONE OR SUBSTITUTION OF TWO DIFFERENT CONFIGURATION RB211-535E4-37/() ENGINES FOR RB211-535E4 BASE ENGINES OR DIFFERENT CONFIGURATION RB211-535E4-B-37/() ENGINES FOR RB211-535E4-B BASE ENGINES REFERENCE SERVICE BULLETIN: RB211-72C547 VK0680 RB211-72-8910 VK0680 POST RAPID REVISION: RR92014-183A-RC-E FOR NHA/OTHER SYS DET SEE: 71-00-02-04	002004 006100 102102	RF
- 2	UL36209		ENGINE ASSY-Q.E.C.U. RB211-535E43719 MAXIMUM NEUT SUPPLIER CODE: VK0680 FOR NHA/OTHER SYS DET SEE: 71-00-02-04	950951	RF
- 3	BCREF17395		ENGINE ASSY-Q.E.C.U. RB211-535E43739 BASIC ENG CONFIGURATION AND PHASE 5 COMBUSTOR 40,100 LB THRUST SUPPLIER CODE: VK0680 OVERLENGTH PART NUMBER: RB211-535E4-37-39E FOR NHA/OTHER SYS DET SEE: 71-00-02-10	108120	RF

MISSING ITEM NUMBERS NOT APPLICABLE

- ITEM NOT ILLUSTRATED

BRI

72-30-51-01

BOEING PROPRIETARY - Copyright © - Unpublished Work - See title page for details.

72-30-51
FIG. 01
PAGE 2
JAN 20/09



757

PARTS CATALOG (MAINTENANCE)

FIG ITEM	PART NUMBER	1 2 3 4 5 6 7	NOMENCLATURE	EFFECT FROM TO	UNITS PER ASSY
1					
- 3	BCREF17101		ENGINE ASSY-Q.E.C.U. RB211-535E43744 BASIC ENG CONFIGURATION BAYONET MCD AND PHASE 5 COMBUSTOR 40,100 LB THRUST SUPPLIER CODE: VK0680 OVERLENGTH PART NUMBER: RB211-535E4-3744E FOR NHA/OTHER SYS DET SEE: 71-00-02-10	103106	RF
- 3	UL38163		ENGINE ASSY-Q.E.C.U. RB211-535E43724 BASIC ENG CONFIGURATION BAYONET MCD 40,100 LB THRUST SUPPLIER CODE: VK0680 FOR NHA/OTHER SYS DET SEE: 71-00-02-10	101101	RF
- 5	UL16838		.COMPRESSOR CASE AND ROTOR- MINI MODULE NO. 2-IP SUPPLIER CODE: VK0680	002004 006999	RF
50	AS20626		..NUT-SELF LOCKING	002004 006999	24
55	BLT4965		..BOLT-TAPER SHANK IP CPRSR ROTOR SUPPLIER CODE: VK0680 SELECT FROM ITEM.	002004 006999	24
55	BLT4966		..BOLT- SUPPLIER CODE: VK0680 POSITION DATA: O/S MISCELLANEOUS DATA: O,15MM .006IN SELECT FROM ITEM.	002004 006999	24
55	BLT4967		..BOLT- SUPPLIER CODE: VK0680 POSITION DATA: O/S MISCELLANEOUS DATA: O,30MM .012IN SELECT FROM ITEM.	002004 006999	24

MISSING ITEM NUMBERS NOT APPLICABLE

- ITEM NOT ILLUSTRATED

72-30-51-01

72-30-51
FIG. 01
PAGE 3
JAN 20/09

BRI



757

PARTS CATALOG (MAINTENANCE)

FIG ITEM	PART NUMBER	1 2 3 4 5 6 7	NOMENCLATURE	EFFECT FROM TO	UNITS PER ASSY
1					
55	BLT4968	..	BOLT- SUPPLIER CODE: VK0680 POSITION DATA: 0/S MISCELLANEOUS DATA: 0,45MM .018IN SELECT FROM ITEM.	002004 006999	24
55	BLT4969	..	BOLT- SUPPLIER CODE: VK0680 POSITION DATA: 0/S MISCELLANEOUS DATA: 0,6MM .024IN SELECT FROM ITEM.	002004 006999	24
55	BLT4970	..	BOLT- SUPPLIER CODE: VK0680 POSITION DATA: 0/S MISCELLANEOUS DATA: 0,75MM .030IN SELECT FROM ITEM.	002004 006999	24
55	BLT4971	..	BOLT- SUPPLIER CODE: VK0680 POSITION DATA: 0/S MISCELLANEOUS DATA: 0,9MM .035IN SELECT FROM ITEM.	002004 006999	24
55	BLT4973	..	BOLT- SUPPLIER CODE: VK0680 POSITION DATA: 0/S MISCELLANEOUS DATA: 1,2MM .047IN SELECT FROM ITEM.	002004 006999	24
55	BLT4974	..	BOLT- SUPPLIER CODE: VK0680 POSITION DATA: 0/S MISCELLANEOUS DATA: 1,35MM .053IN SELECT FROM ITEM.	002004 006999	24

MISSING ITEM NUMBERS NOT APPLICABLE

- ITEM NOT ILLUSTRATED

BRI

72-30-51-01

72-30-51
FIG. 01
PAGE 4
JAN 20/09



757

PARTS CATALOG (MAINTENANCE)

FIG ITEM	PART NUMBER	1 2 3 4 5 6 7	NOMENCLATURE	EFFECT FROM TO	UNITS PER ASSY
1 900			ILLUSTRATION REFERENCE: CASE-CPRSR INTERMEDIATE MODULE 03 (RB211-535) 72-31-52-05	002004 006999	RF
905			ILLUSTRATION REFERENCE: IP CPRSR FRONT BEARING SPRT (RB211-535) 72-35-60-01	002004 006999	RF

MISSING ITEM NUMBERS NOT APPLICABLE

- ITEM NOT ILLUSTRATED

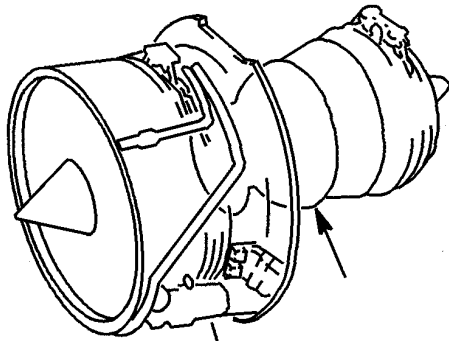
BRI

72-30-51-01

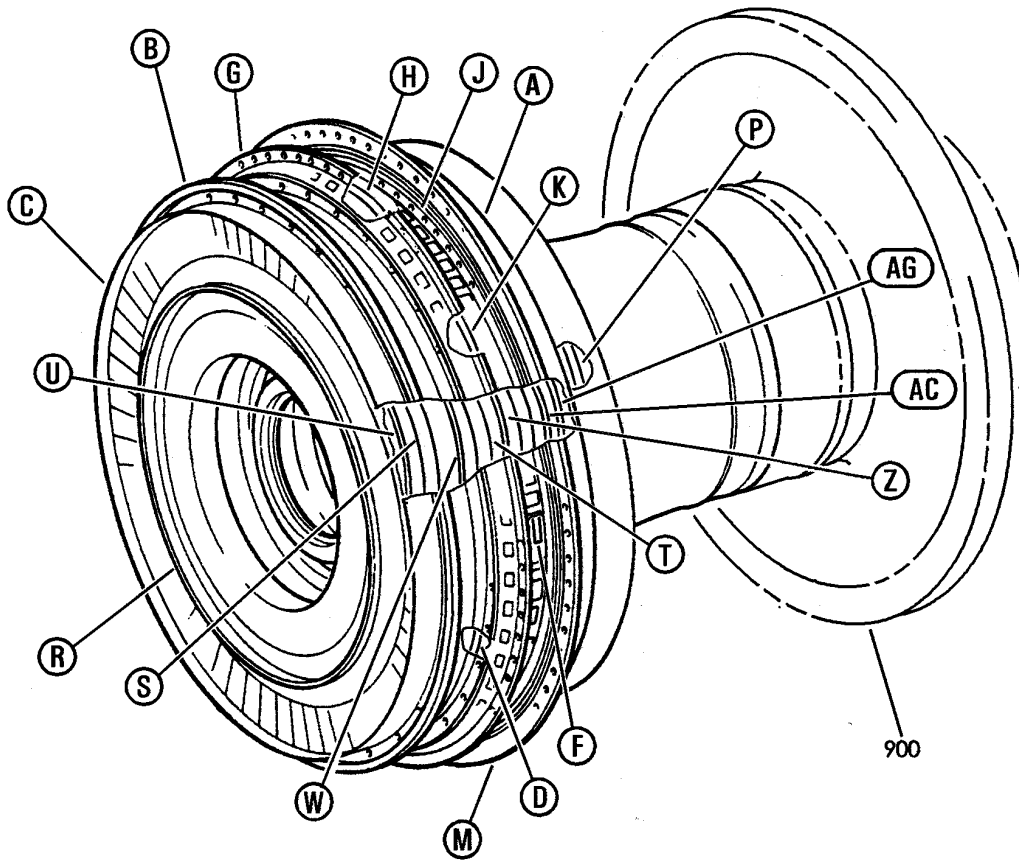
BOEING PROPRIETARY - Copyright © - Unpublished Work - See title page for details.

72-30-51
FIG. 01
PAGE 5
JAN 20/09

BOEING
757
PARTS CATALOG (MAINTENANCE)



ZONES
411,421



Y 72305102 SHT 1 REV 212

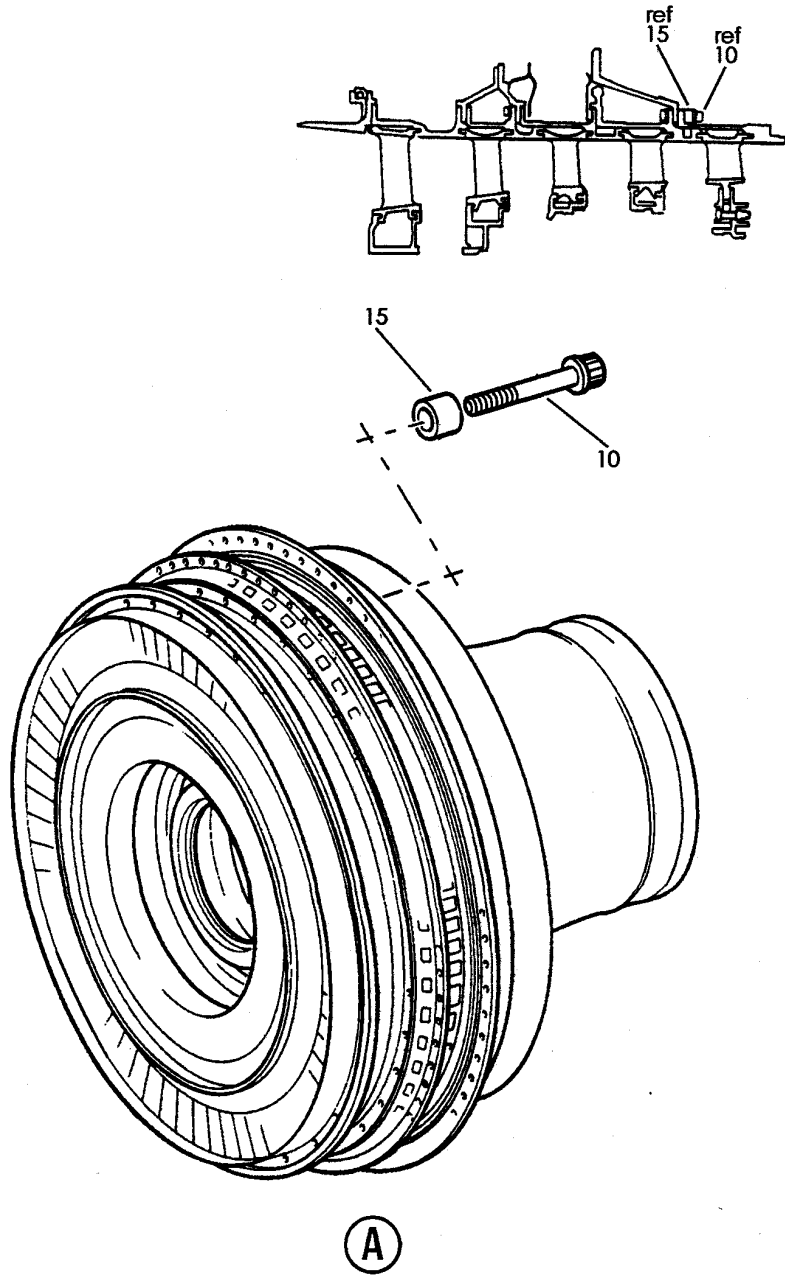
HP COMPRESSOR ROTOR AND CASE (RB211-535)
FIGURE 2 (SHEET 1)

72-30-51-02

BRI
MAY 28/07

72-30-51-02
PAGE 0

BOEING
757
PARTS CATALOG (MAINTENANCE)



Y 72305102 SHT 2 REV 212

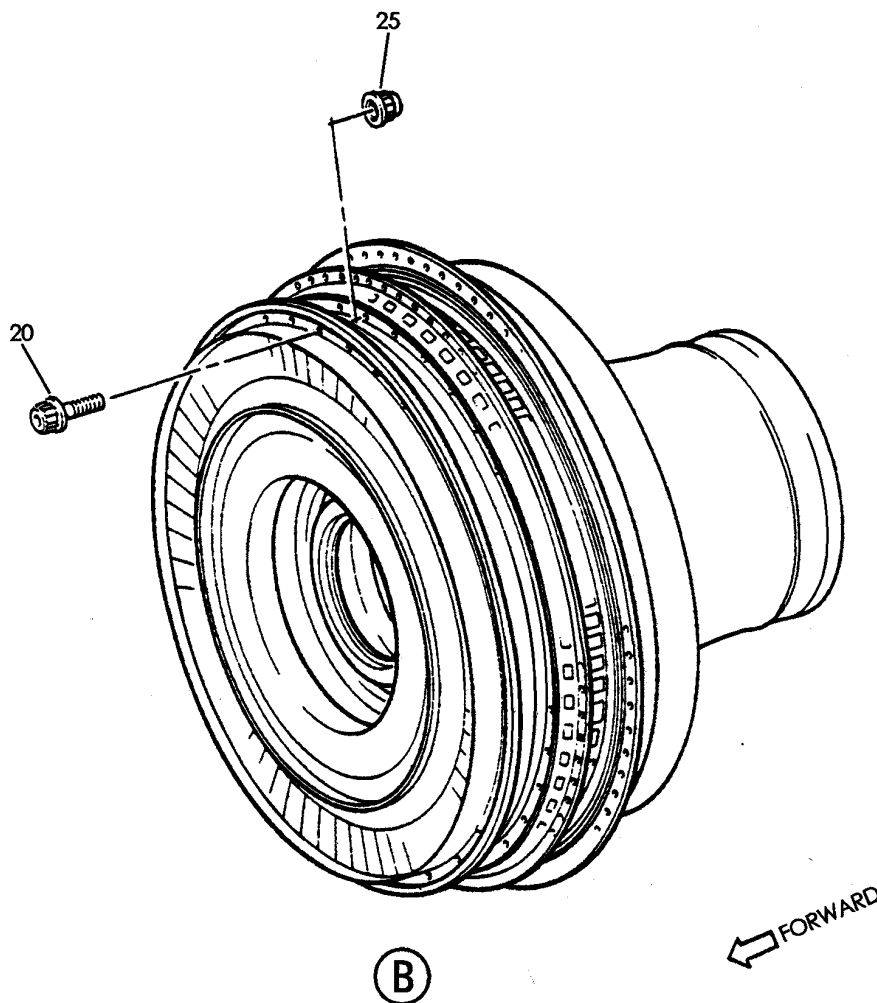
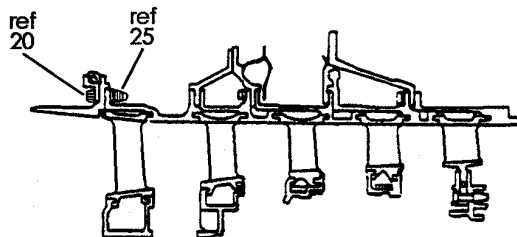
HP COMPRESSOR ROTOR AND CASE (RB211-535)
FIGURE 2 (SHEET 2)

72-30-51-02

BRI
MAY 28/07

72-30-51-02
PAGE 0A

BOEING
757
PARTS CATALOG (MAINTENANCE)



Y 72305102 SHT 3 REV 212

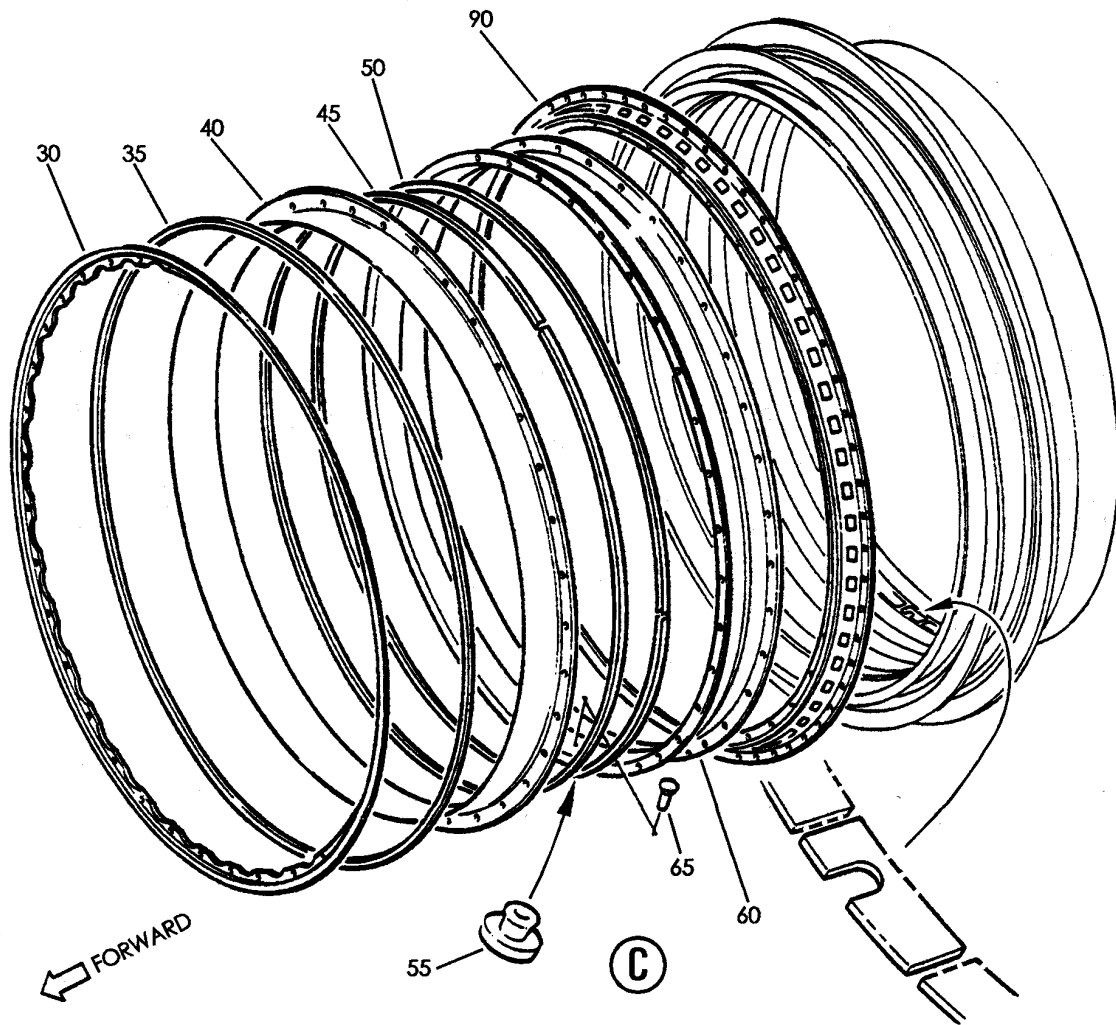
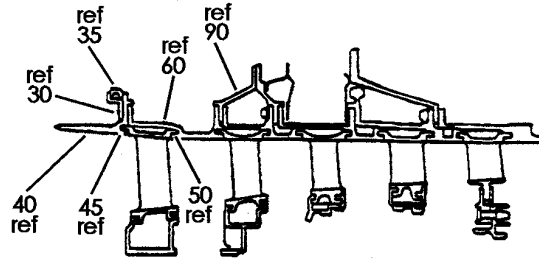
HP COMPRESSOR ROTOR AND CASE (RB211-535)
FIGURE 2 (SHEET 3)

72-30-51-02

BRI
MAY 28/07

72-30-51-02
PAGE 0B

BOEING
757
PARTS CATALOG (MAINTENANCE)



Y 72305102 SHT 4 REV 212

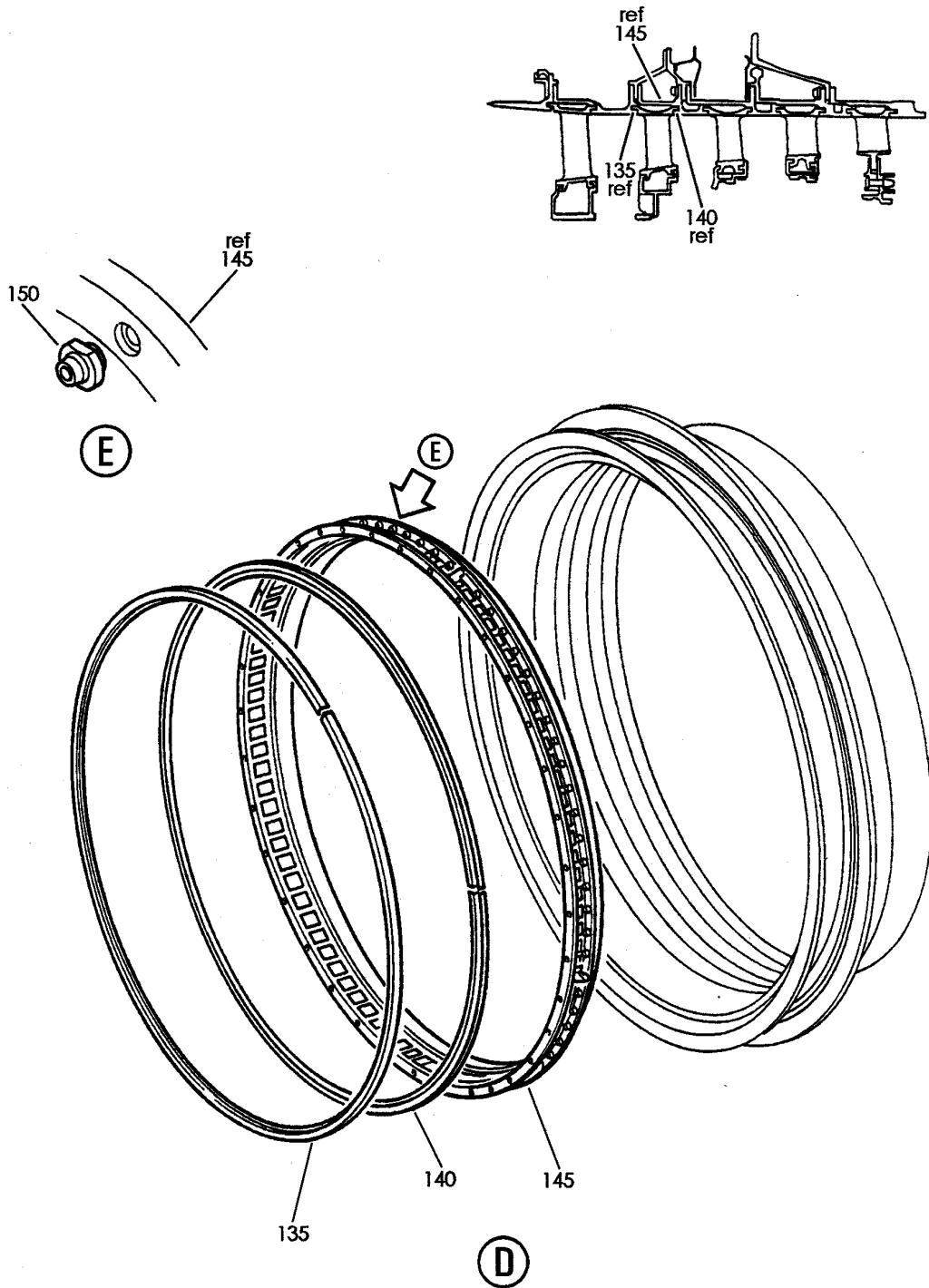
HP COMPRESSOR ROTOR AND CASE (RB211-535)
FIGURE 2 (SHEET 4)

72-30-51-02

BRI
MAY 28/07

72-30-51-02
PAGE 0C

BOEING
757
PARTS CATALOG (MAINTENANCE)



Y 72305102 SHT 5 REV 212

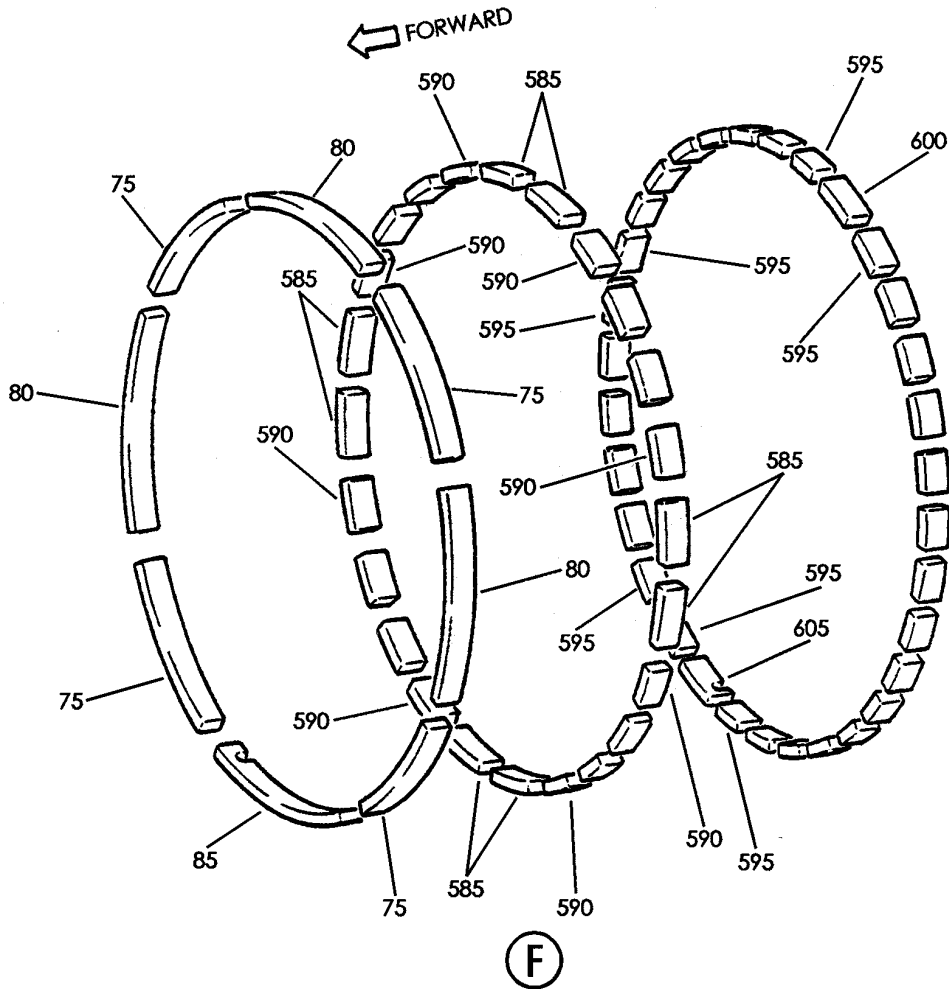
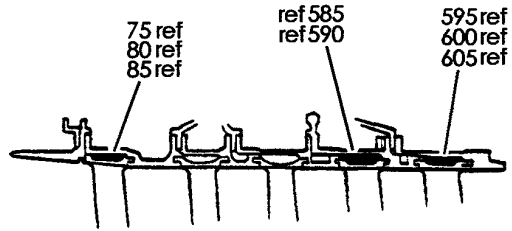
HP COMPRESSOR ROTOR AND CASE (RB211-535)
FIGURE 2 (SHEET 5)

72-30-51-02

BRI
MAY 28/07

72-30-51-02
PAGE 0D

BOEING
757
PARTS CATALOG (MAINTENANCE)



Y 72305102 SHT 6 REV 212

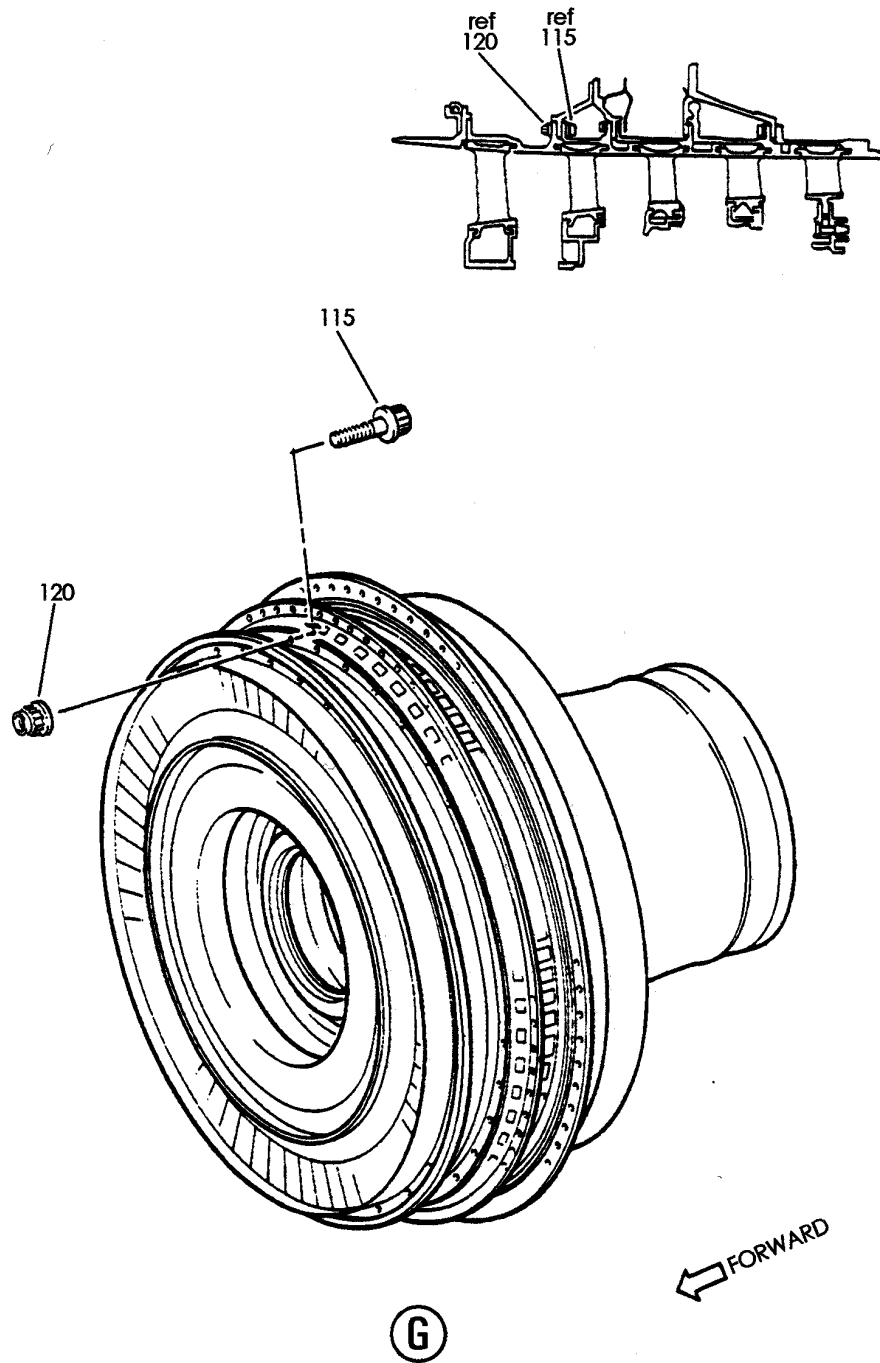
HP COMPRESSOR ROTOR AND CASE (RB211-535)
FIGURE 2 (SHEET 6)

72-30-51-02

BRI
MAY 28/07

72-30-51-02
PAGE 0E

BOEING
757
PARTS CATALOG (MAINTENANCE)



Y 72305102 SHT 7 REV 212

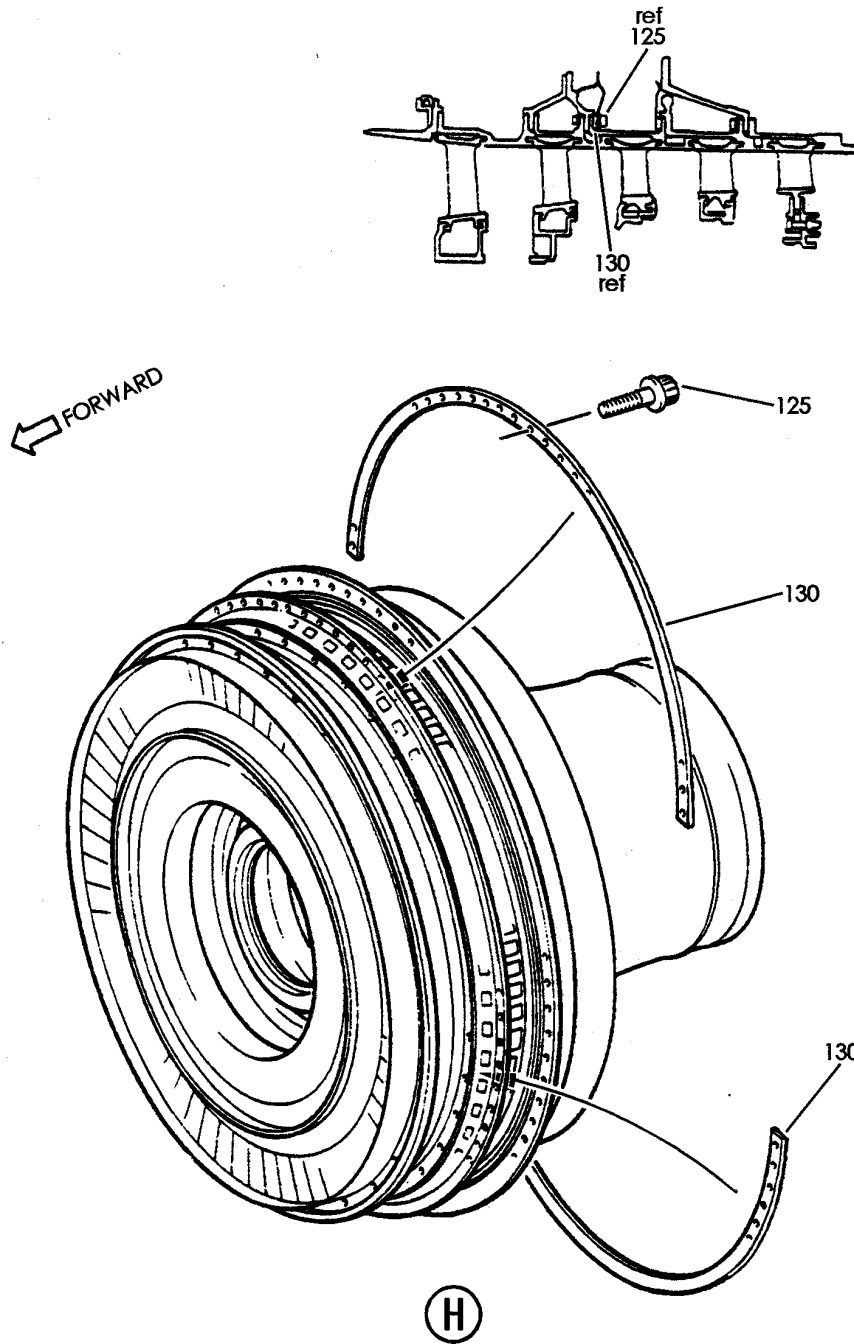
HP COMPRESSOR ROTOR AND CASE (RB211-535)
FIGURE 2 (SHEET 7)

72-30-51-02

BRI
MAY 28/07

72-30-51-02
PAGE OF

BOEING
757
PARTS CATALOG (MAINTENANCE)



Y 72305102 SHT 8 REV 212

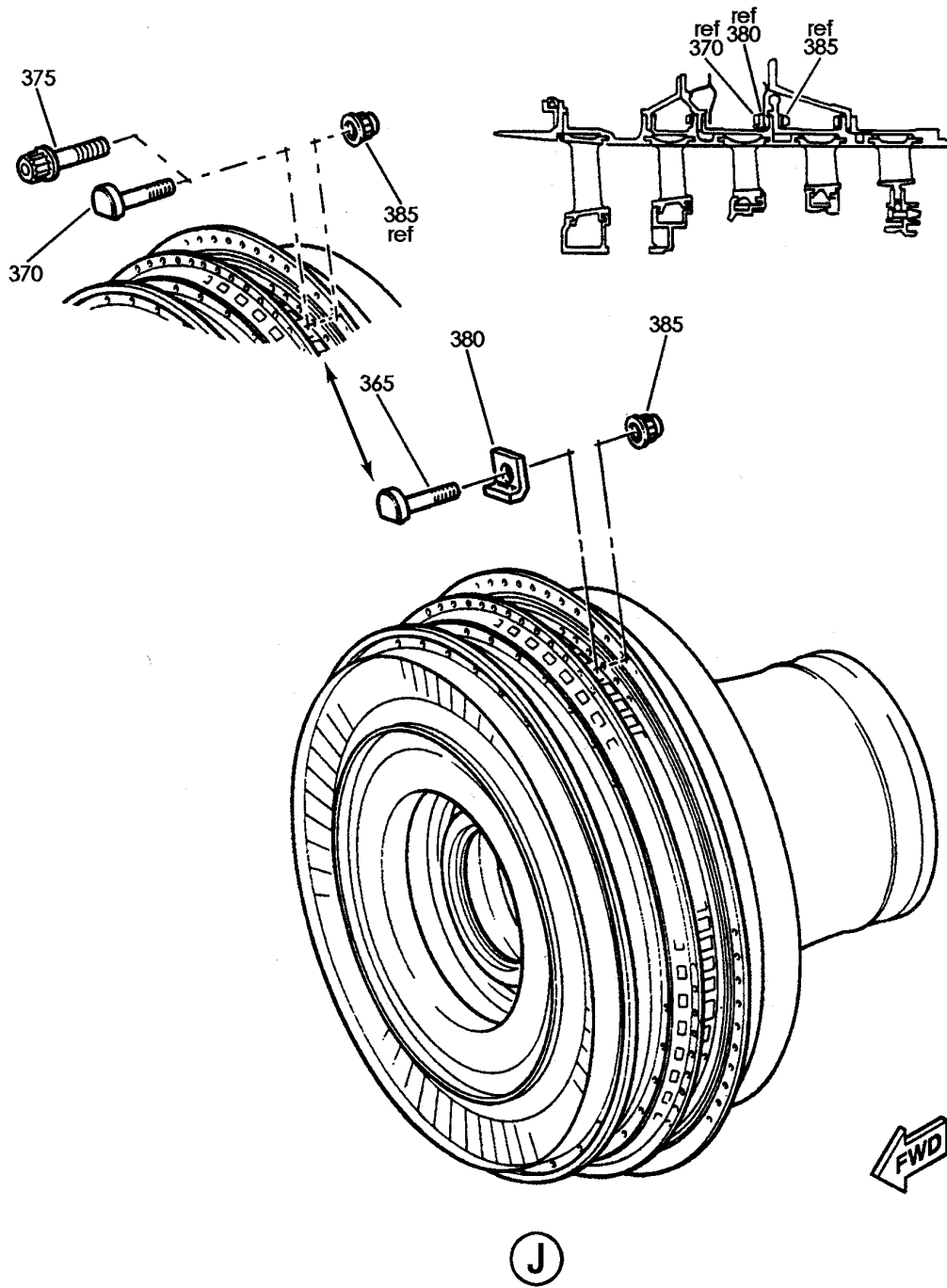
HP COMPRESSOR ROTOR AND CASE (RB211-535)
FIGURE 2 (SHEET 8)

72-30-51-02

BRI
MAY 28/07

72-30-51-02
PAGE 0G

BOEING
757
PARTS CATALOG (MAINTENANCE)



Y 72305102 SHT 9 REV 212

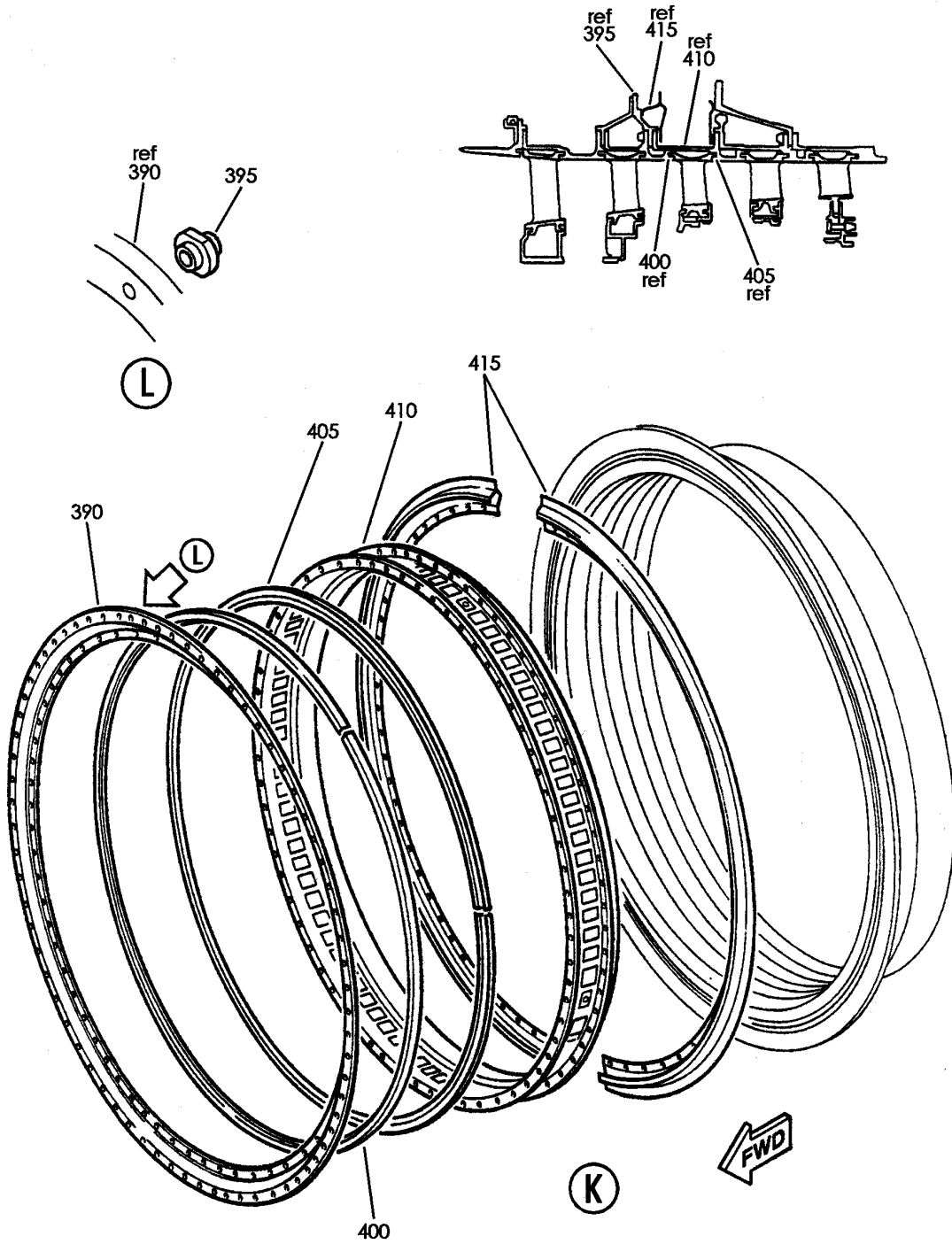
HP COMPRESSOR ROTOR AND CASE (RB211-535)
FIGURE 2 (SHEET 9)

72-30-51-02

BRI
MAY 28/07

72-30-51-02
PAGE 0H

BOEING
757
PARTS CATALOG (MAINTENANCE)



Y 72305102 SHT 10 REV 212

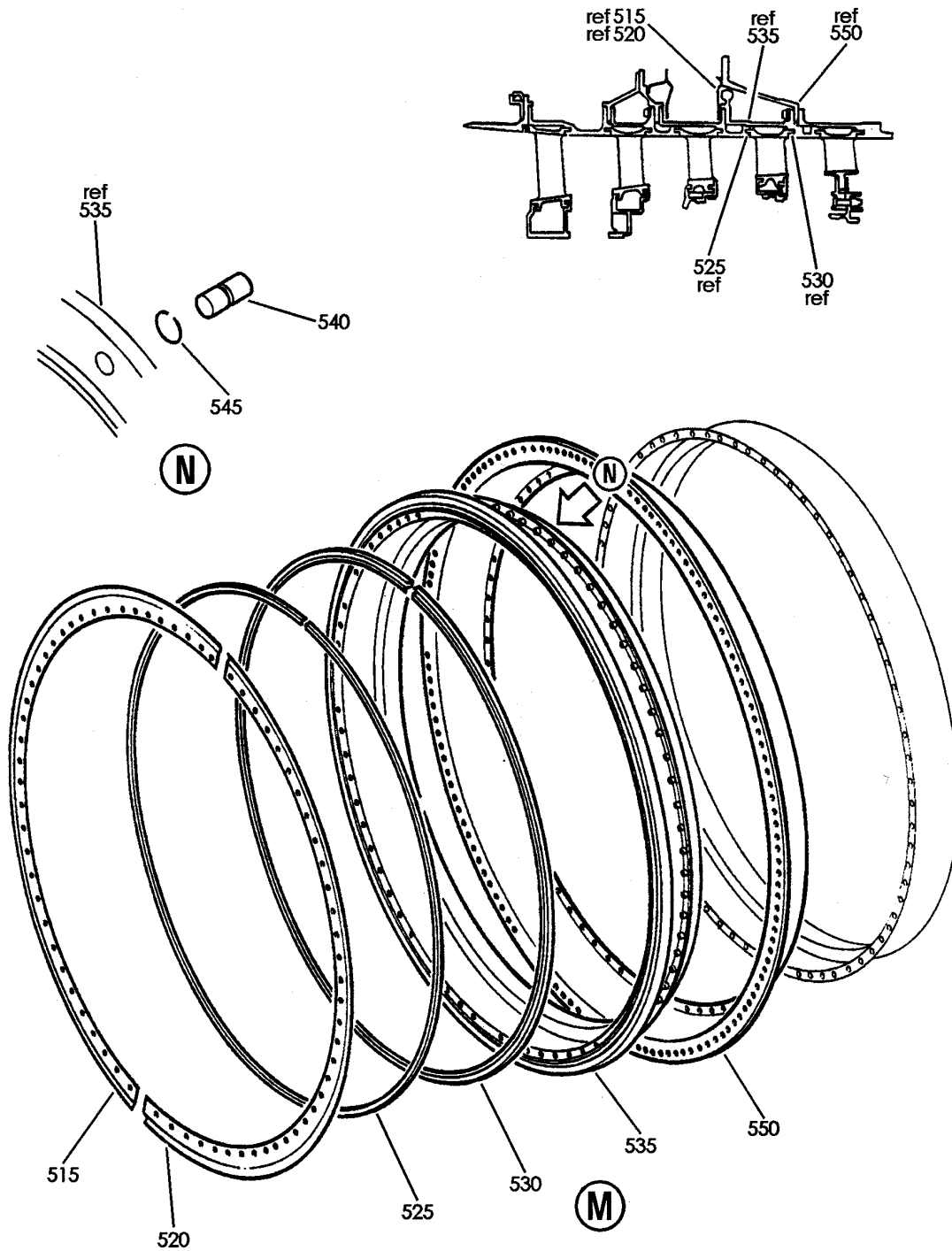
HP COMPRESSOR ROTOR AND CASE (RB211-535)
FIGURE 2 (SHEET 10)

72-30-51-02

BRI
MAY 28/07

72-30-51-02
PAGE 01

BOEING
757
PARTS CATALOG (MAINTENANCE)



Y 72305102 SHT 11 REV 212

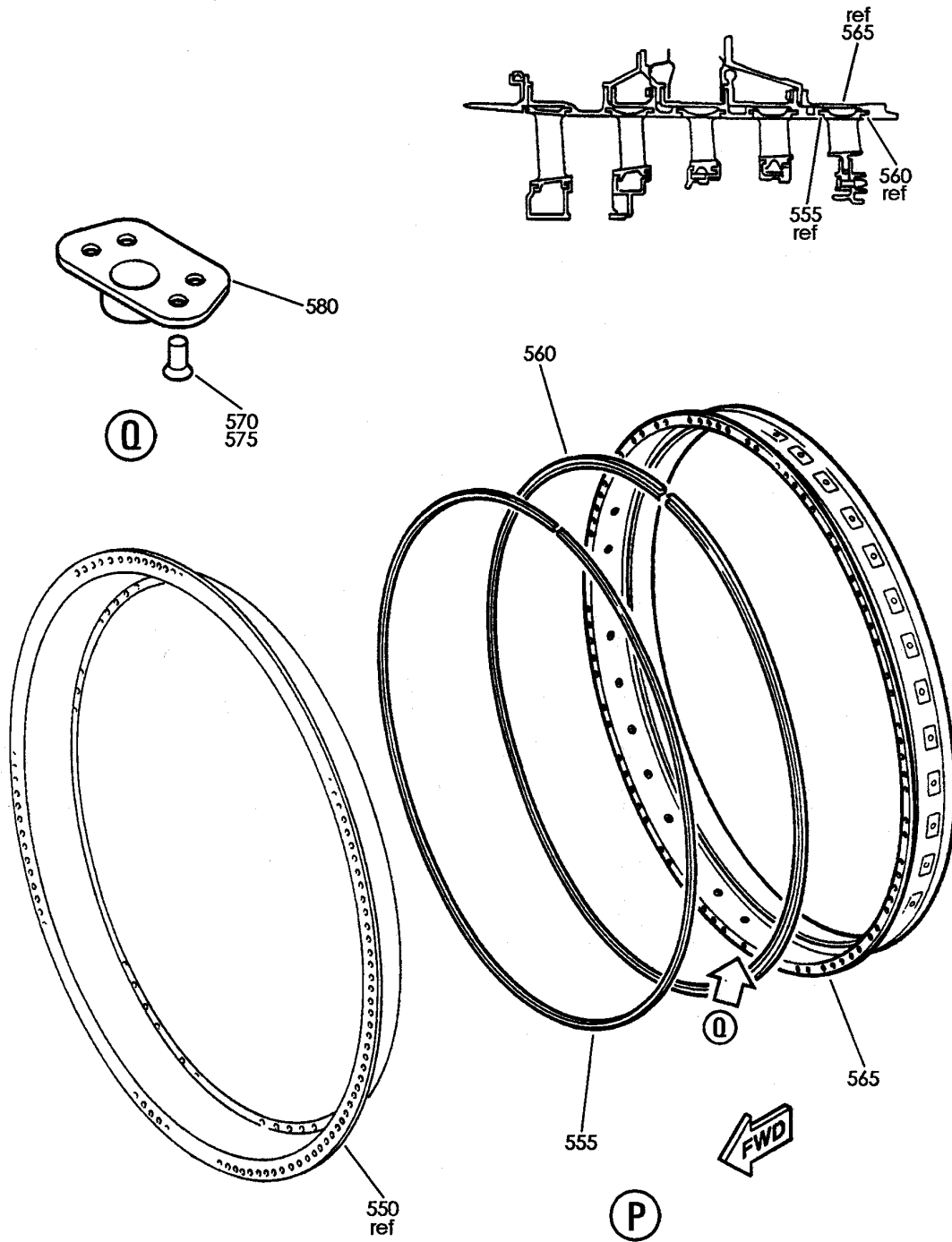
HP COMPRESSOR ROTOR AND CASE (RB211-535)
FIGURE 2 (SHEET 11)

72-30-51-02

BRI
MAY 28/07

72-30-51-02
PAGE 0J

BOEING
757
PARTS CATALOG (MAINTENANCE)



Y 72305102 SHT 12 REV 212

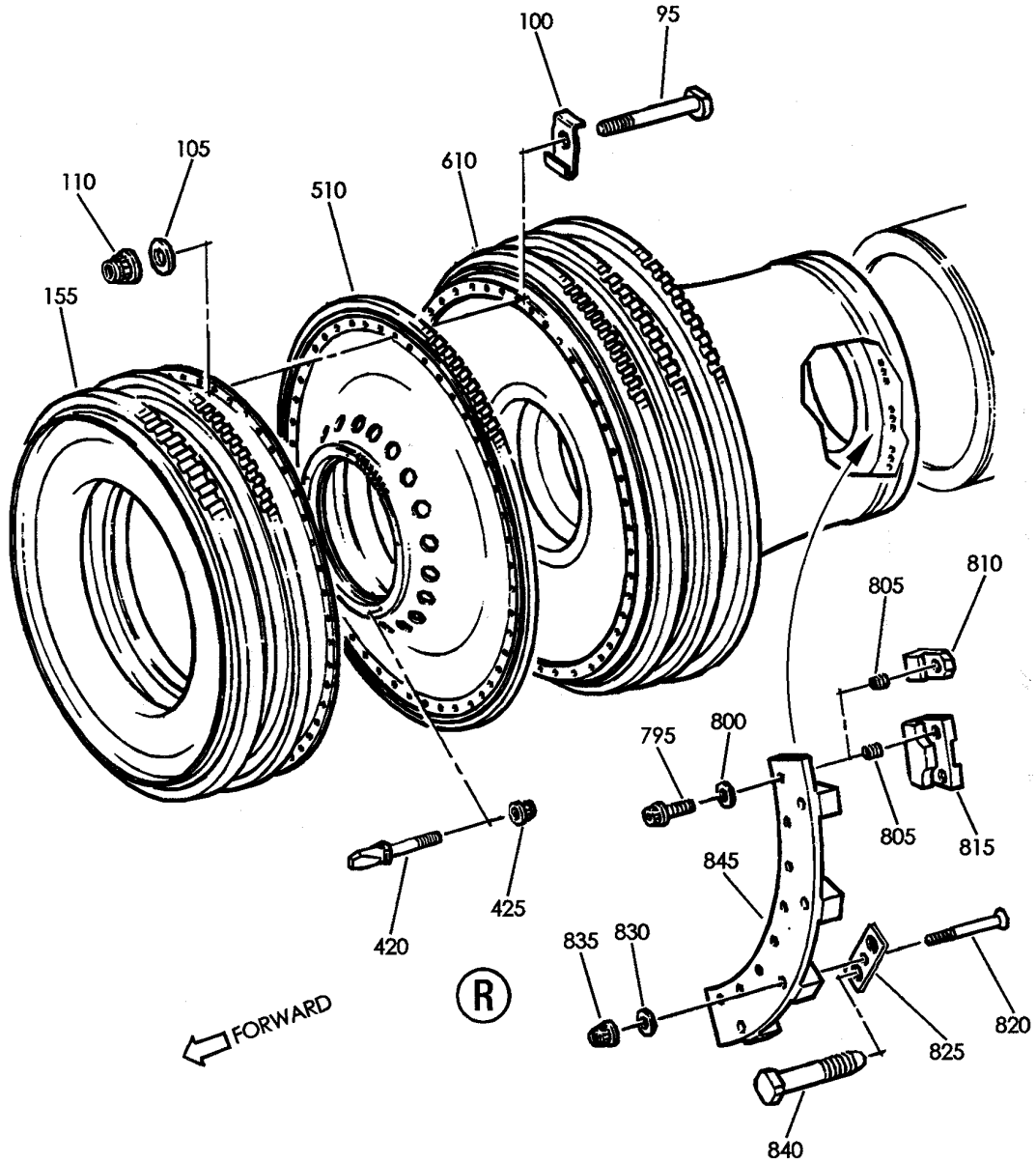
HP COMPRESSOR ROTOR AND CASE (RB211-535)
FIGURE 2 (SHEET 12)

72-30-51-02

BRI
MAY 28/07

72-30-51-02
PAGE OK

BOEING
757
PARTS CATALOG (MAINTENANCE)



Y 72305102 SHT 13 REV 212

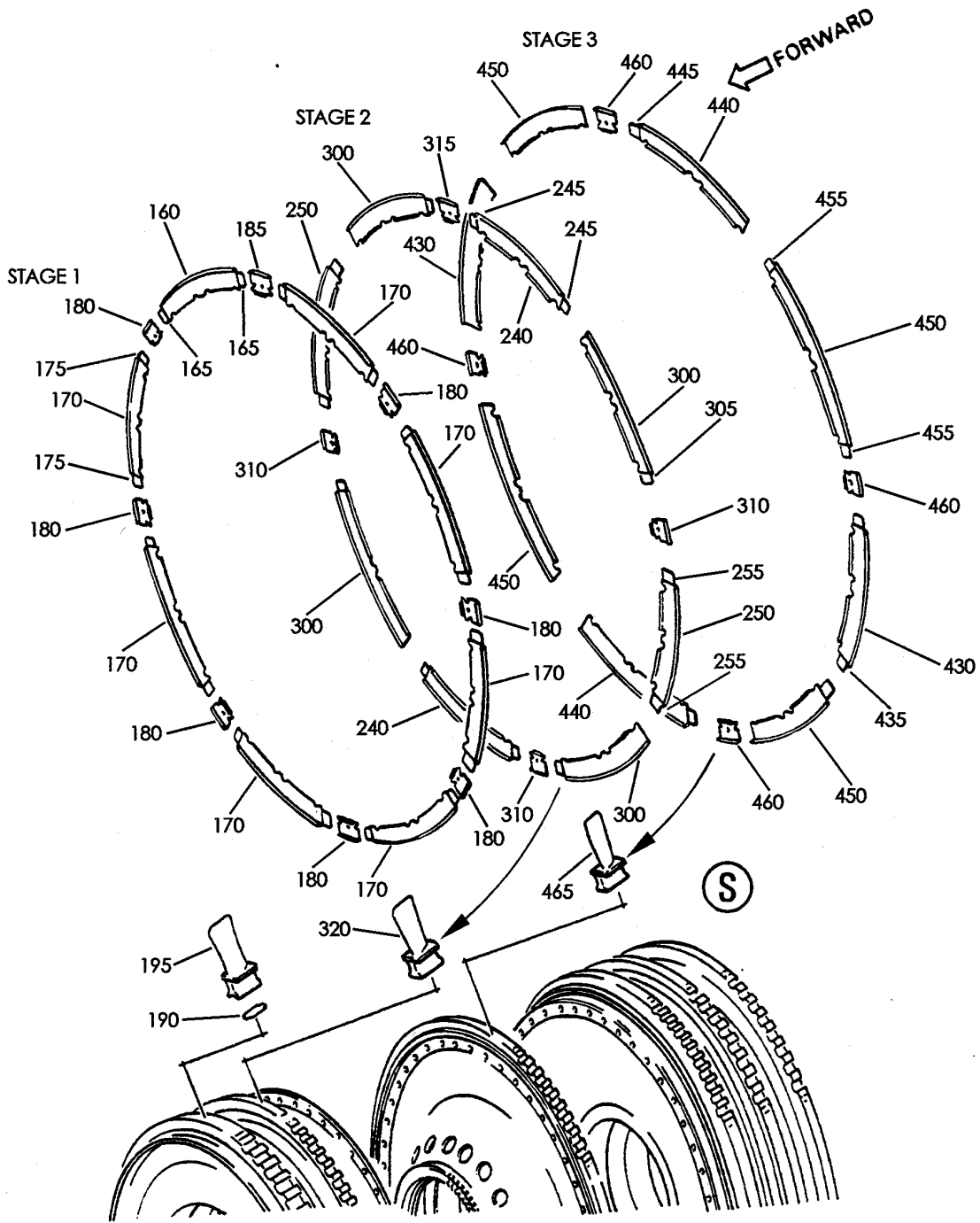
HP COMPRESSOR ROTOR AND CASE (RB211-535)
FIGURE 2 (SHEET 13)

72-30-51-02

BRI
MAY 28/07

72-30-51-02
PAGE 01

BOEING
757
PARTS CATALOG (MAINTENANCE)



Y 72305102 SHT 14 REV 212

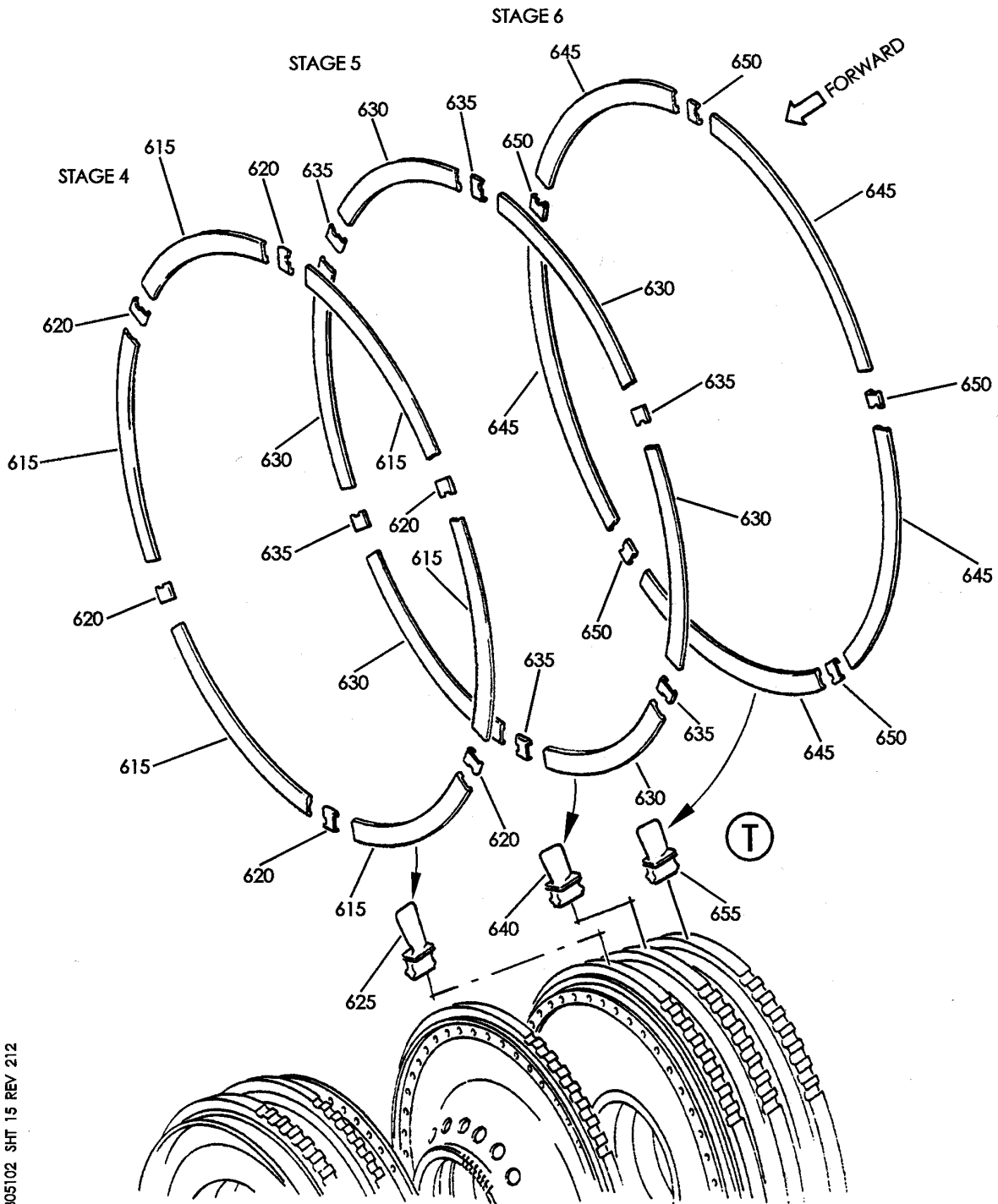
HP COMPRESSOR ROTOR AND CASE (RB211-535)
FIGURE 2 (SHEET 14)

72-30-51-02

BRI
MAY 28/07

72-30-51-02
PAGE 0M

BOEING
757
PARTS CATALOG (MAINTENANCE)



Y 72305102 SHT 15 REV 212

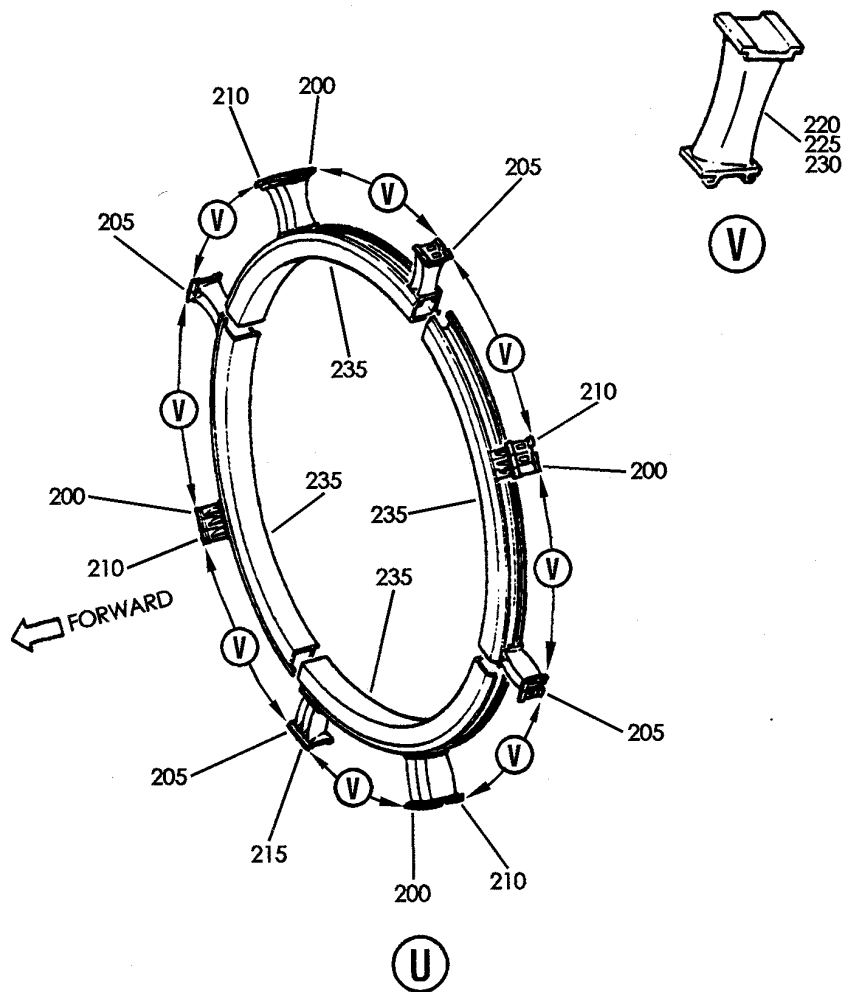
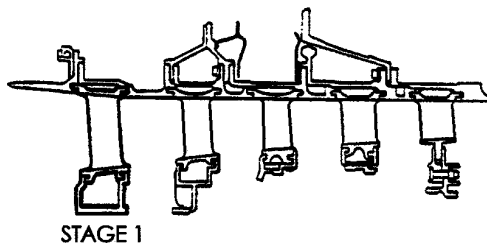
HP COMPRESSOR ROTOR AND CASE (RB211-535)
FIGURE 2 (SHEET 15)

72-30-51-02

BRI
MAY 28/07

72-30-51-02
PAGE ON

BOEING
757
PARTS CATALOG (MAINTENANCE)



Y 72305102 SHT 16 REV 212

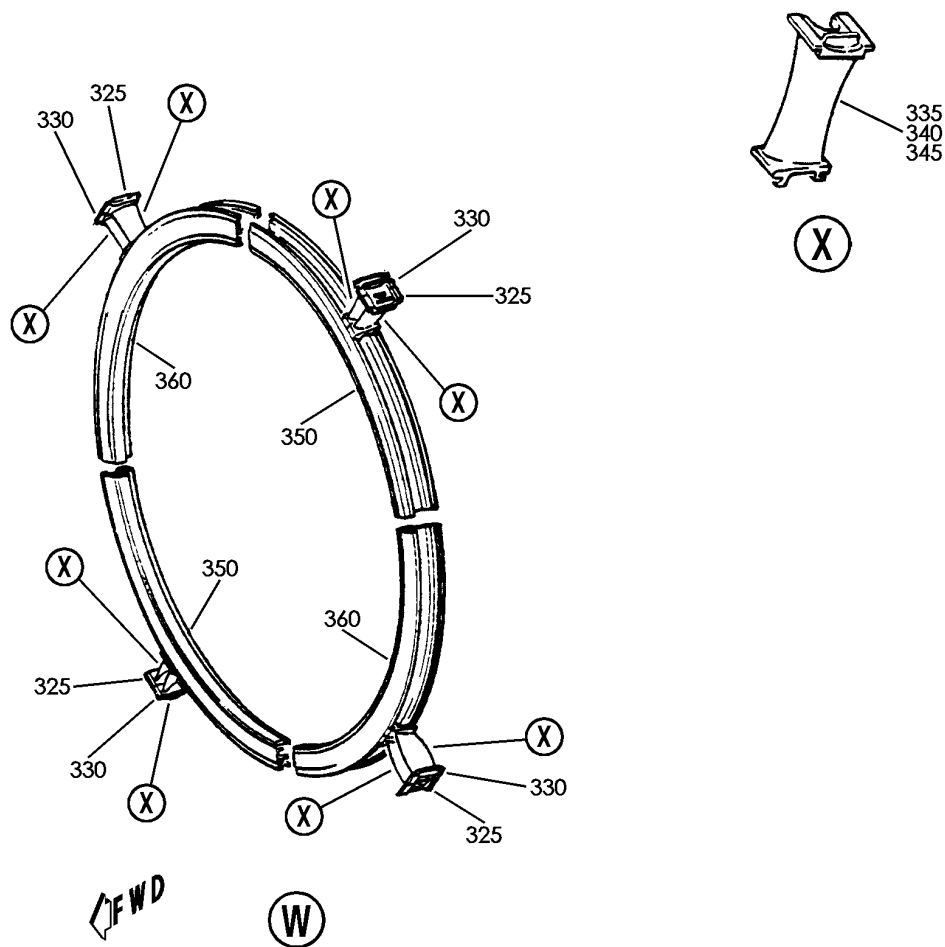
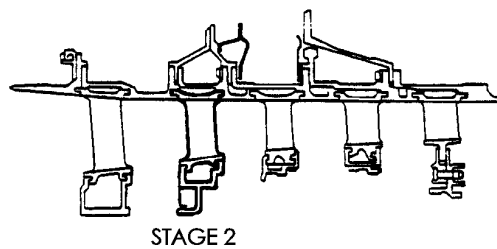
HP COMPRESSOR ROTOR AND CASE (RB211-535)
FIGURE 2 (SHEET 16)

72-30-51-02

BRI
MAY 28/07

72-30-51-02
PAGE 00

BOEING
757
PARTS CATALOG (MAINTENANCE)



Y 72305102 SHT 17 REV 22P

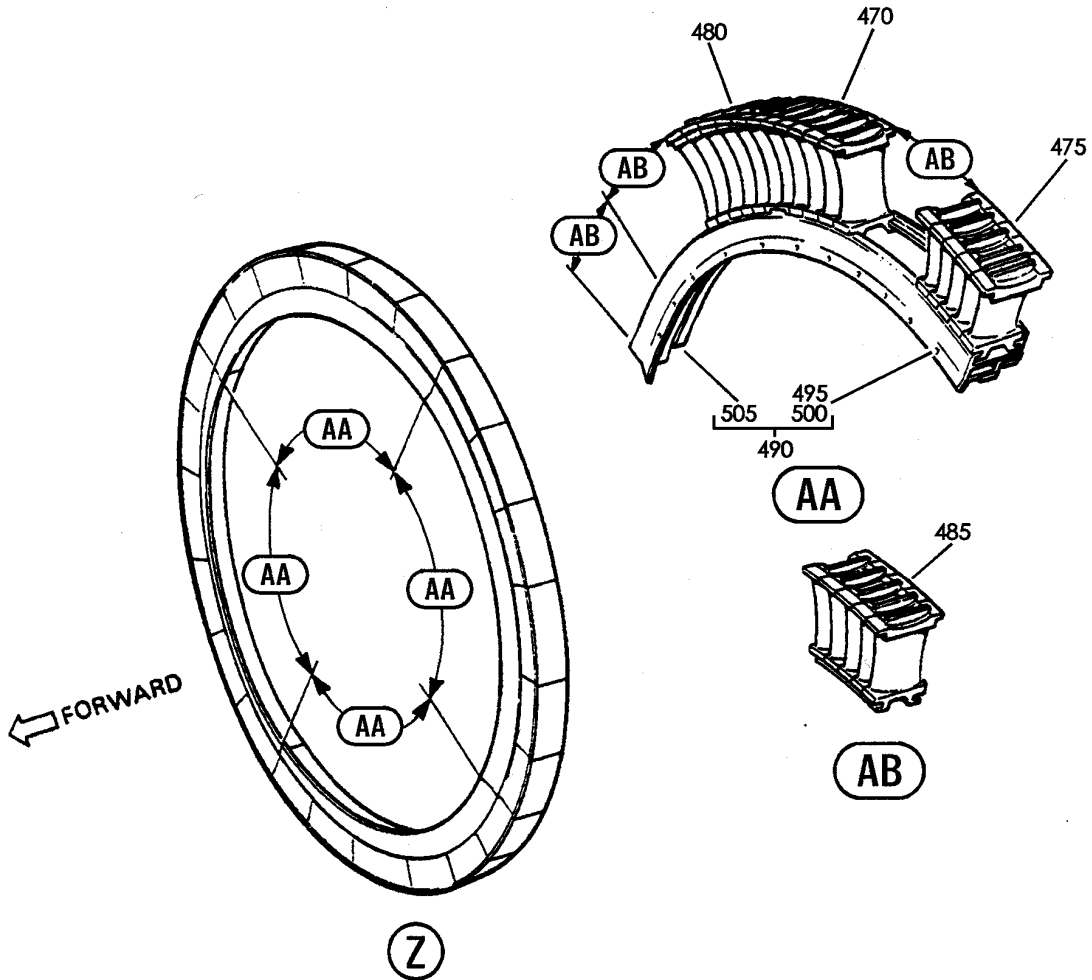
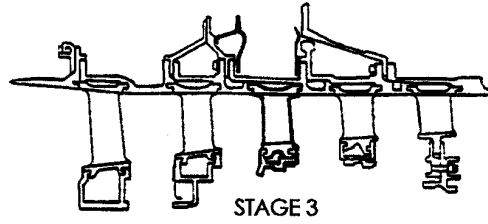
HP COMPRESSOR ROTOR AND CASE (RB211-535)
FIGURE 2 (SHEET 17)

72-30-51-02

BRI
MAY 28/07

72-30-51-02
PAGE 0P

BOEING
757
PARTS CATALOG (MAINTENANCE)



Y 72305102 SHT 18 REV 212

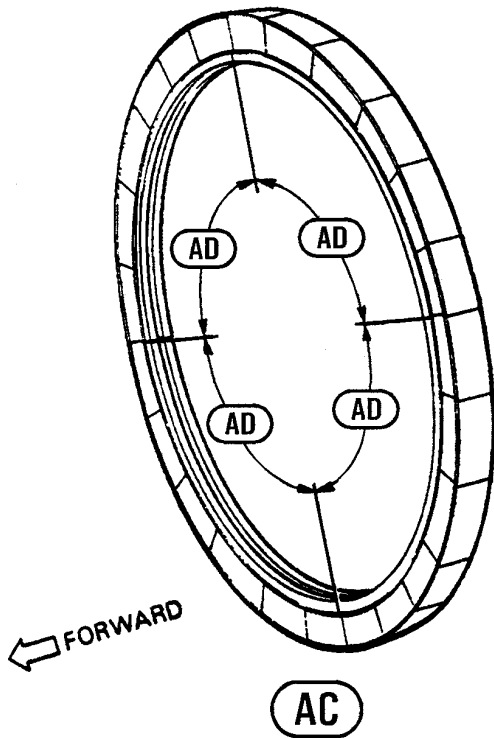
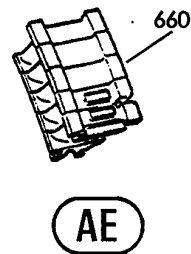
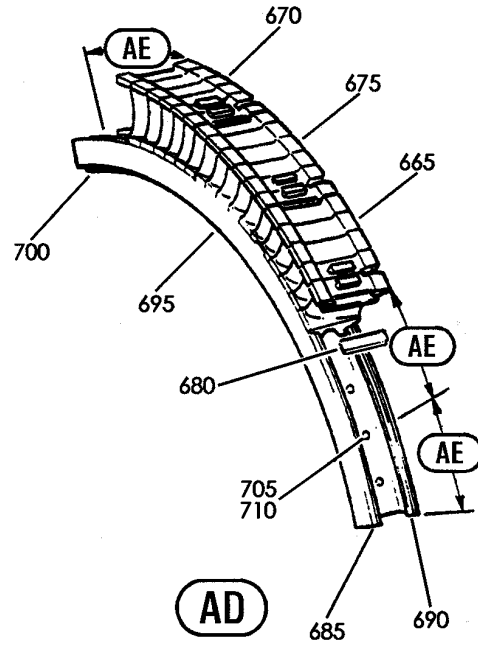
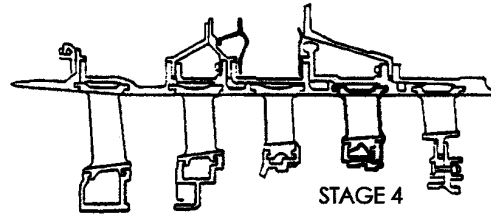
HP COMPRESSOR ROTOR AND CASE (RB211-535)
FIGURE 2 (SHEET 18)

72-30-51-02

BRI
MAY 28/07

72-30-51-02
PAGE 00

BOEING
757
PARTS CATALOG (MAINTENANCE)



Y 72305102 SHT 19 REV 212

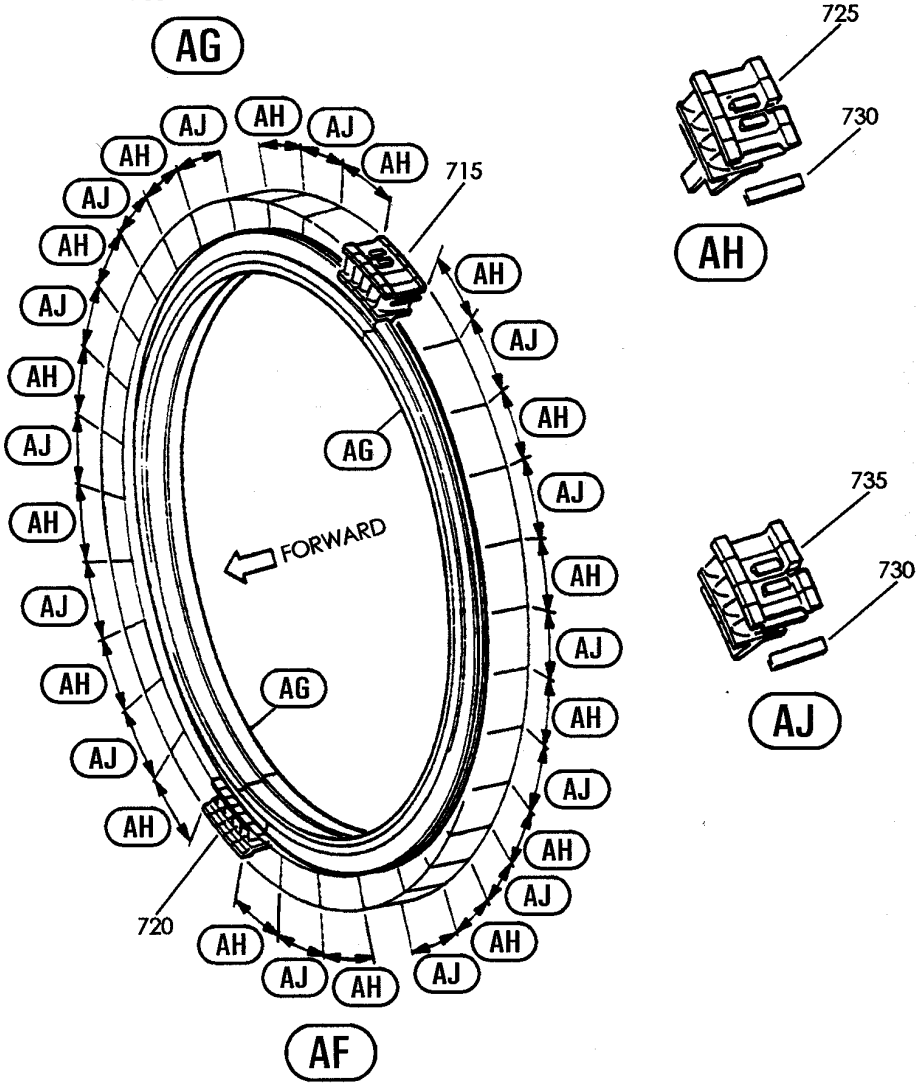
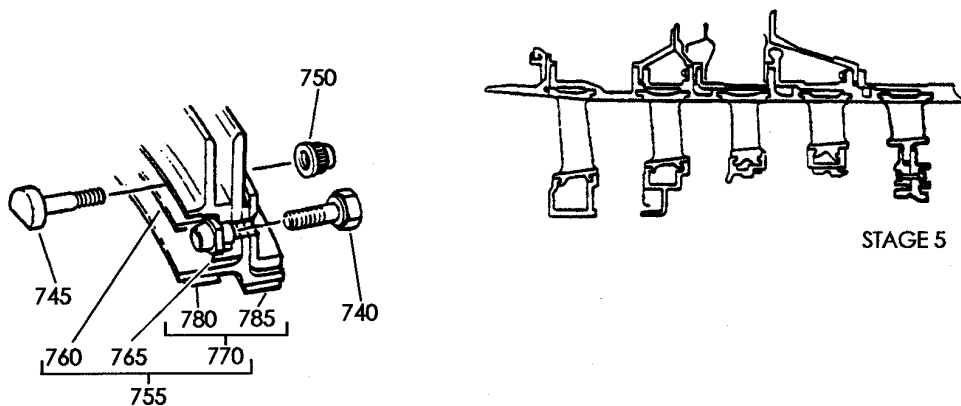
HP COMPRESSOR ROTOR AND CASE (RB211-535)
FIGURE 2 (SHEET 19)

72-30-51-02

BRI
MAY 28/07

72-30-51-02
PAGE OR

BOEING
757
PARTS CATALOG (MAINTENANCE)



Y 72305102 SHT 20 REV 212

HP COMPRESSOR ROTOR AND CASE (RB211-535)
FIGURE 2 (SHEET 20)

72-30-51-02

BRI
MAY 28/07

72-30-51-02
PAGE 05



757

PARTS CATALOG (MAINTENANCE)

FIG ITEM	PART NUMBER	1 2 3 4 5 6 7	NOMENCLATURE	EFFECT FROM TO	UNITS PER ASSY
2					
- 1	UL19722		HP COMPRESSOR ROTOR AND CASE (RB211-535) ENGINE ASSY-Q.E.C.U. RB211-535E43711 MAXIMUM NEUT SUPPLIER CODE: VK0680 FOR NHA/OTHER SYS DET SEE: 71-00-02-04	002004 006999 107107	RF
- 1	UL20697		ENGINE ASSY-Q.E.C.U. RB211-535E43711 MAXIMUM NEUT WITH GRAVINER FIRE DETECTORS, BAYONET MCD, NON-MODULATED IDG COOLING 40,000 LB THRUST SUPPLIER CODE: VK0680 REFERENCE SERVICE BULLETIN: 71-0058R4 QUALIFIED SB I/W DATA: INTERMIX OF ONE OR SUBSTITUTION OF TWO DIFFERENT CONFIGURATION RB211-535E4-37/() ENGINES FOR RB211-535 E4 BASE ENGINES REFERENCE SERVICE BULLETIN: RB211-72-C547 VK0680 FOR NHA/OTHER SYS DET SEE: 71-00-02-04	121503 904949 952999	RF
- 1	UL20702		ENGINE ASSY-Q.E.C.U. RB211-535E43711 BASIC ENG CONFIGURATION WITH GRAVINER FIRE DETECTORS, BAYONET MCD, NON-MODUATED IDG COOLING 40,100 LB THRUST SUPPLIER CODE: VK0680 FOR NHA/OTHER SYS DET SEE: 71-00-02-10	504903	RF

MISSING ITEM NUMBERS NOT APPLICABLE

- ITEM NOT ILLUSTRATED

BRI

72-30-51-02

BOEING PROPRIETARY - Copyright © - Unpublished Work - See title page for details.

72-30-51
FIG. 02
PAGE 1
JAN 20/09



757

PARTS CATALOG (MAINTENANCE)

FIG ITEM	PART NUMBER	1 2 3 4 5 6 7	NOMENCLATURE	EFFECT FROM TO	UNITS PER ASSY
2 - 1	UL20698		ENGINE ASSY-Q.E.C.U. RB211-535E43712 MAXIMUM NEUT SUPPLIER CODE: VK0680 REFERENCE SERVICE BULLETIN: 71-0058R7 QUALIFIED SB I/W DATA: INTERMIX OF ONE OR SUBSTITUTION OF TWO DIFFERENT CONFIGURATION RB211-535E4-37/() ENGINES FOR RB211-535E4 BASE ENGINES OR DIFFERENT CONFIGURATION RB211-535E4-B-37/() ENGINES FOR RB211-535E4-B BASE ENGINES REFERENCE SERVICE BULLETIN: RB211-72C547 VK0680 RB211-72-8910 VK0680 FOR NHA/OTHER SYS DET SEE: 71-00-02-04	002004 006100 102102	RF
- 2	UL36209		ENGINE ASSY-Q.E.C.U. RB211-535E43719 MAXIMUM NEUT SUPPLIER CODE: VK0680 FOR NHA/OTHER SYS DET SEE: 71-00-02-04	950951	RF
- 3	BCREF17395		ENGINE ASSY-Q.E.C.U. RB211-535E43739 BASIC ENG CONFIGURATION AND PHASE 5 COMBUSTOR 40,100 LB THRUST SUPPLIER CODE: VK0680 OVERLENGTH PART NUMBER: RB211-535E4-37-39E FOR NHA/OTHER SYS DET SEE: 71-00-02-10	108120	RF

MISSING ITEM NUMBERS NOT APPLICABLE

- ITEM NOT ILLUSTRATED

BRI

72-30-51-02

BOEING PROPRIETARY - Copyright © - Unpublished Work - See title page for details.

72-30-51
FIG. 02
PAGE 2
JAN 20/09



757

PARTS CATALOG (MAINTENANCE)

FIG ITEM	PART NUMBER	1 2 3 4 5 6 7	NOMENCLATURE	EFFECT FROM TO	UNITS PER ASSY
2 -	3 BCRE17101		ENGINE ASSY-Q.E.C.U. RB211-535E43744 BASIC ENG CONFIGURATION BAYONET MCD AND PHASE 5 COMBUSTOR 40,100 LB THRUST SUPPLIER CODE: VK0680 OVERLENGTH PART NUMBER: RB211-535E4-3744E FOR NHA/OTHER SYS DET SEE: 71-00-02-10	103106	RF
-	3 UL38163		ENGINE ASSY-Q.E.C.U. RB211-535E43724 BASIC ENG CONFIGURATION BAYONET MCD 40,100 LB THRUST SUPPLIER CODE: VK0680 FOR NHA/OTHER SYS DET SEE: 71-00-02-10	101101	RF
-	5 UL28195		.COMBUSTION- MINI MODULE 4/1 HP CPRSR SUPPLIER CODE: VK0680 POSITION DATA: OUTER POST SERVICE BULLETIN: 79-9199PT01 VK0680	002004 006102 107107 121999	RF
-	5 UL18216		.MINI MODULE- MODULE 4-HP CMPSR ROTOR AND STATOR SUPPLIER CODE: VK0680 POSITION DATA: OUTER PRE SERVICE BULLETIN: 79-9199 VK0680	002004 006100 102102 107107 121949 952999	RF

MISSING ITEM NUMBERS NOT APPLICABLE

- ITEM NOT ILLUSTRATED

BRI

72-30-51-02

BOEING PROPRIETARY - Copyright © - Unpublished Work - See title page for details.

72-30-51
FIG. 02
PAGE 3
JAN 20/09



757

PARTS CATALOG (MAINTENANCE)

FIG ITEM	PART NUMBER	1 2 3 4 5 6 7	NOMENCLATURE	EFFECT FROM TO	UNITS PER ASSY
2 - 5	UL39215		.HP SYSTEM- MINI MODULE 4/1 HP CPRSR SUPPLIER CODE: VK0680 POSITION DATA: OUTER POST SERVICE BULLETIN: 72-C230PT01 VK0680	103106 108120	RF
55	LJ17361		..COVER-BLANKING-HP CPRSR STG 1 AND 2 INTRASCOPE ACCESS SUPPLIER CODE: VK0680 MISCELLANEOUS DATA: TRANSPORTATION ONLY	002004 006999	2
365	AS26113		..BOLT- PRE SERVICE BULLETIN: 72-B941 VK0680	101101	72
900			ILLUSTRATION REFERENCE: HP TURBINE DISC BLADE (RB211-535) 72-50-51-03	002004 006999	RF

MISSING ITEM NUMBERS NOT APPLICABLE

- ITEM NOT ILLUSTRATED

BRI

72-30-51-02

BOEING PROPRIETARY - Copyright © - Unpublished Work - See title page for details.

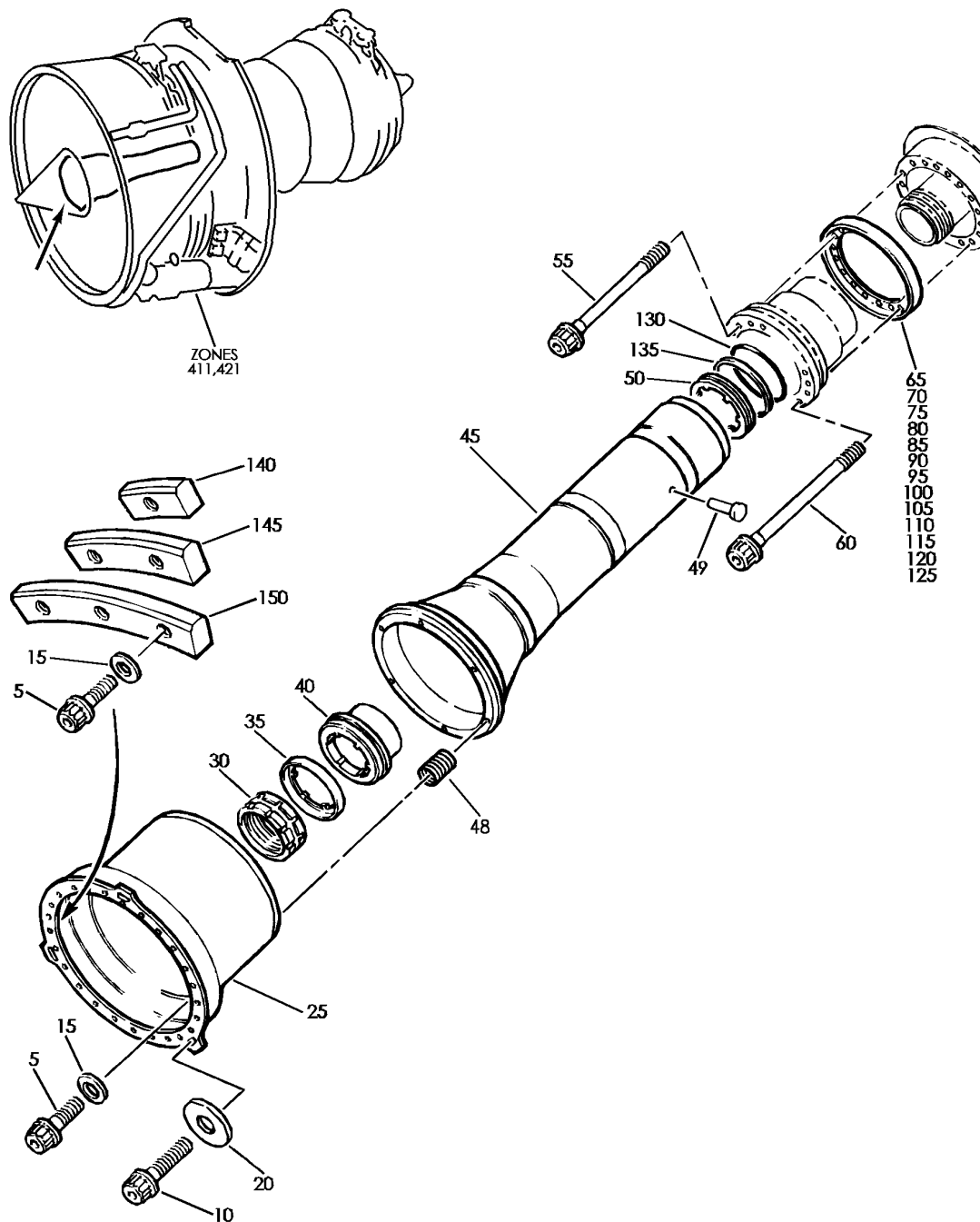
72-30-51
FIG. 02
PAGE 4
JAN 20/09

LOW PRESSURE COMPRESSOR

BRI
MAY 28/07

72-31-00
SECTION TITLE
PAGE 1

BOEING
757
PARTS CATALOG (MAINTENANCE)



Y 72311002 REV 261

MODULE-LOW PRESSURE CPRSR FAN AND FITTING INSTL (RB211-535)
FIGURE 2

72-31-10-02

BRI
MAY 28/07

72-31-10-02
PAGE 0



757

PARTS CATALOG (MAINTENANCE)

FIG ITEM	PART NUMBER	1 2 3 4 5 6 7	NOMENCLATURE	EFFECT FROM TO	UNITS PER ASSY
2			MODULE-LOW PRESSURE CPRSR FAN AND FITTING INSTL (RB211-535)	002004 006999	
- 1	UL19722		ENGINE ASSY-Q.E.C.U. RB211-535E43711 MAXIMUM NEUT SUPPLIER CODE: VK0680 FOR NHA/OTHER SYS DET SEE: 71-00-02-04	107107	RF
- 1	UL20697		ENGINE ASSY-Q.E.C.U. RB211-535E43711 MAXIMUM NEUT WITH GRAVINER FIRE DETECTORS, BAYONET MCD, NON-MODULATED IDG COOLING 40,000 LB THRUST SUPPLIER CODE: VK0680 REFERENCE SERVICE BULLETIN: 71-0058R4 QUALIFIED SB I/W DATA: INTERMIX OF ONE OR SUBSTITUTION OF TWO DIFFERENT CONFIGURATION RB211-535E4-37/() ENGINES FOR RB211-535 E4 BASE ENGINES REFERENCE SERVICE BULLETIN: RB211-72-C547 VK0680 FOR NHA/OTHER SYS DET SEE: 71-00-02-04	121503 904949 952999	RF

MISSING ITEM NUMBERS NOT APPLICABLE

- ITEM NOT ILLUSTRATED

BRI

72-31-10-02

BOEING PROPRIETARY - Copyright © - Unpublished Work - See title page for details.

72-31-10
FIG. 02
PAGE 1
JAN 20/09



757

PARTS CATALOG (MAINTENANCE)

FIG ITEM	PART NUMBER	1 2 3 4 5 6 7	NOMENCLATURE	EFFECT FROM TO	UNITS PER ASSY
2 - 1	UL20698		ENGINE ASSY-Q.E.C.U. RB211-535E43712 MAXIMUM NEUT SUPPLIER CODE: VK0680 REFERENCE SERVICE BULLETIN: 71-0058R7 QUALIFIED SB I/W DATA: INTERMIX OF ONE OR SUBSTITUTION OF TWO DIFFERENT CONFIGURATION RB211-535E4-37/() ENGINES FOR RB211-535E4 BASE ENGINES OR DIFFERENT CONFIGURATION RB211-535E4-B-37/() ENGINES FOR RB211-535E4-B BASE ENGINES REFERENCE SERVICE BULLETIN: RB211-72C547 VK0680 RB211-72-8910 VK0680 POST RAPID REVISION: RR92014-183A-RC-E FOR NHA/OTHER SYS DET SEE: 71-00-02-04	002004 006100 102102	RF
- 1	UL36209		ENGINE ASSY-Q.E.C.U. RB211-535E43719 MAXIMUM NEUT SUPPLIER CODE: VK0680 FOR NHA/OTHER SYS DET SEE: 71-00-02-04	950951	RF
- 1	UL20702		ENGINE ASSY-Q.E.C.U. RB211-535E43711 BASIC ENG CONFIGURATION WITH GRAVINER FIRE DETECTORS,BAYONET MCD, NON-MODULATED IDG COOLING 40,100 LB THRUST SUPPLIER CODE: VK0680 FOR NHA/OTHER SYS DET SEE: 71-00-02-10	504903	RF

MISSING ITEM NUMBERS NOT APPLICABLE

- ITEM NOT ILLUSTRATED

BRI

72-31-10-02

72-31-10
FIG. 02
PAGE 2
JAN 20/09



757

PARTS CATALOG (MAINTENANCE)

FIG ITEM	PART NUMBER	1 2 3 4 5 6 7	NOMENCLATURE	EFFECT FROM TO	UNITS PER ASSY
2					
- 3	BCREF17395		ENGINE ASSY-Q.E.C.U. RB211-535E43739 BASIC ENG CONFIGURATION AND PHASE 5 COMBUSTOR 40,100 LB THRUST SUPPLIER CODE: VK0680 OVERLENGTH PART NUMBER: RB211-535E4-37-39E FOR NHA/OTHER SYS DET SEE: 71-00-02-10	108120	RF
- 3	BCREF17101		ENGINE ASSY-Q.E.C.U. RB211-535E43744 BASIC ENG CONFIGURATION, BAYONET MCD AND PHASE 5 40,100 LB THRUST SUPPLIER CODE: VK0680 OVERLENGTH PART NUMBER: RB211-535E4-3744E FOR NHA/OTHER SYS DET SEE: 71-00-02-10	103106	RF
- 3	UL38163		ENGINE ASSY-Q.E.C.U. RB211-535E43724 BASIC ENG CONFIGURATION, BAYONET MCD 40,100 LB SUPPLIER CODE: VK0680 FOR NHA/OTHER SYS DET SEE: 71-00-02-10	101101	RF
- 4	UL16193		.COMPRESSOR INSTL-L.P. MODULE SUPPLIER CODE: VK0680	002004 006999	RF
5	AS21512		..BOLT	002004 006999	7
10	AS21016		..BOLT	002004 006999	3
15	LK46713		..WASHER- SUPPLIER CODE: VK0680	002004 006999	7
20	LK72988		..WASHER-SPREADER SUPPLIER CODE: VK0680	002004 006999	3

MISSING ITEM NUMBERS NOT APPLICABLE

- ITEM NOT ILLUSTRATED

BRI

72-31-10-02

BOEING PROPRIETARY - Copyright © - Unpublished Work - See title page for details.

72-31-10
FIG. 02
PAGE 3
JAN 20/09



757

PARTS CATALOG (MAINTENANCE)

FIG ITEM	PART NUMBER	1 2 3 4 5 6 7	NOMENCLATURE	EFFECT FROM TO	UNITS PER ASSY
2					
25	UL16180	..	CONE-DRIVE SUPPLIER CODE: VK0680 PRE SERVICE BULLETIN: 72-8172 VK0680	002004 006100 102102 107107 121949 952999	1
25	UL16153	..	CONE-DRIVE SUPPLIER CODE: VK0680 POST SERVICE BULLETIN: 72-8172PT01 VK0680	002004 006999	1
30	UL14599	..	NUT-RING LP TURB SHAFT SUPPLIER CODE: VK0680	002004 006999	1
35	LK79510	..	WASHER-CUP LP TURB SHAFT SUPPLIER CODE: VK0680	002004 006999	1
40	UL11396	..	COLLAR-FAN RETENTION SUPPLIER CODE: VK0680	002004 006999	1
45	UL14597	..	SHAFT ASSY-FAN RETENTION SUPPLIER CODE: VK0680 PRE SERVICE BULLETIN: 72-8098 VK0680	002004 006100 102102	1
- 46	UL25962	...	SHAFT-FAN RETENTION SUPPLIER CODE: VK0680 POST SERVICE BULLETIN: 72-9331PT01 VK0680	002004 006999	RF
- 46	UL27864	...	SHAFT-FAN RETENTION SUPPLIER CODE: VK0680 POST SERVICE BULLETIN: 72-9331PT02 VK0680	002004 006999	RF
50	LK79511	..	RING-SPHER LP TURB SHAFT SEATING SUPPLIER CODE: VK0680	002004 006999	1
55	BLT5234	..	BOLT- SUPPLIER CODE: VK0680	002004 006999	15
60	BLT5235	..	BOLT- SUPPLIER CODE: VK0680	002004 006999	3

MISSING ITEM NUMBERS NOT APPLICABLE

- ITEM NOT ILLUSTRATED

72-31-10-02

72-31-10
FIG. 02
PAGE 4
JAN 20/09

BRI



757

PARTS CATALOG (MAINTENANCE)

FIG ITEM	PART NUMBER	1 2 3 4 5 6 7	NOMENCLATURE	EFFECT FROM TO	UNITS PER ASSY
2					
65	UL11436	..	SPACER-ADJUSTING LP COMPRESSOR SUPPLIER CODE: VK0680	002004 006999	1
70	UL11437	..	SPACER- SUPPLIER CODE: VK0680	002004 006999	1
75	UL11438	..	SPACER- SUPPLIER CODE: VK0680	002004 006999	1
80	UL11439	..	SPACER- SUPPLIER CODE: VK0680	002004 006999	1
85	UL11440	..	SPACER- SUPPLIER CODE: VK0680	002004 006999	1
90	UL11441	..	SPACER- SUPPLIER CODE: VK0680	002004 006999	1
95	UL11442	..	SPACER- SUPPLIER CODE: VK0680	002004 006999	1
100	UL11443	..	SPACER- SUPPLIER CODE: VK0680	002004 006999	1
105	UL11444	..	SPACER- SUPPLIER CODE: VK0680	002004 006999	1
110	UL11445	..	SPACER- SUPPLIER CODE: VK0680	002004 006999	1
115	UL11446	..	SPACER- SUPPLIER CODE: VK0680	002004 006999	1
120	UL11447	..	SPACER- SUPPLIER CODE: VK0680	002004 006999	1
125	UL11448	..	SPACER- SUPPLIER CODE: VK0680	002004 006999	1
130	AS43013-347	..	RING-TOROIDAL SEALING	002004 006999	1
135	UL16168	..	RING-RETAINING LP COMP AND LP TURBINE SUPPLIER CODE: VK0680	002004 006999	1

MISSING ITEM NUMBERS NOT APPLICABLE

- ITEM NOT ILLUSTRATED

72-31-10-02

72-31-10
FIG. 02
PAGE 5
JAN 20/09

BRI

BOEING PROPRIETARY - Copyright © - Unpublished Work - See title page for details.



757

PARTS CATALOG (MAINTENANCE)

FIG ITEM	PART NUMBER	1 2 3 4 5 6 7	NOMENCLATURE	EFFECT FROM TO	UNITS PER ASSY
2 140	UL11485		..PLATE ASSY-SINGLE BOLT FIXING TRIM BALANCE SUPPLIER CODE: VK0680 POSITION DATA: REAR OPTIONAL PART: UL26757 VK0680	002004 006999	1
140	UL26757		..PLATE ASSY-SINGLE BOLT FIXING TRIM BALANCE SUPPLIER CODE: VK0680 POSITION DATA: REAR OPTIONAL PART: UL11485 VK0680 POST SERVICE BULLETIN: 72-8847PTE VK0680	002004 006999	1
145	UL11487		..PLATE ASSY-DOUBLE BOLT FIXING TRIM BALANCE SUPPLIER CODE: VK0680 POSITION DATA: REAR OPTIONAL PART: UL26770 VK0680	002004 006999	1
145	UL26770		..PLATE ASSY-DOUBLE BOLT FIXING TRIM BALANCE SUPPLIER CODE: VK0680 POSITION DATA: REAR OPTIONAL PART: UL11487 VK0680 POST SERVICE BULLETIN: 72-8847PTE VK0680	002004 006999	1

MISSING ITEM NUMBERS NOT APPLICABLE

- ITEM NOT ILLUSTRATED

BRI

72-31-10-02

BOEING PROPRIETARY - Copyright © - Unpublished Work - See title page for details.

72-31-10
FIG. 02
PAGE 6
JAN 20/09



757

PARTS CATALOG (MAINTENANCE)

FIG ITEM	PART NUMBER	1 2 3 4 5 6 7	NOMENCLATURE	EFFECT FROM TO	UNITS PER ASSY
2 150	UL14494		..PLATE ASSY-TRIPLE BOLT FIXING TRIM BALANCE SUPPLIER CODE: VK0680 POSITION DATA: REAR OPTIONAL PART: UL26772 VK0680 POST SERVICE BULLETIN: 72-8847PTE VK0680 PRE SERVICE BULLETIN: 72-8847 VK0680	002004 006100 102949 952999	1
150	UL26772		..PLATE ASSY-TRIPLE BOLT FIXING TRIM BALANCE SUPPLIER CODE: VK0680 POSITION DATA: REAR OPTIONAL PART: UL14494 VK0680 POST SERVICE BULLETIN: 72-8847PTE VK0680	002004 006999	1

MISSING ITEM NUMBERS NOT APPLICABLE

- ITEM NOT ILLUSTRATED

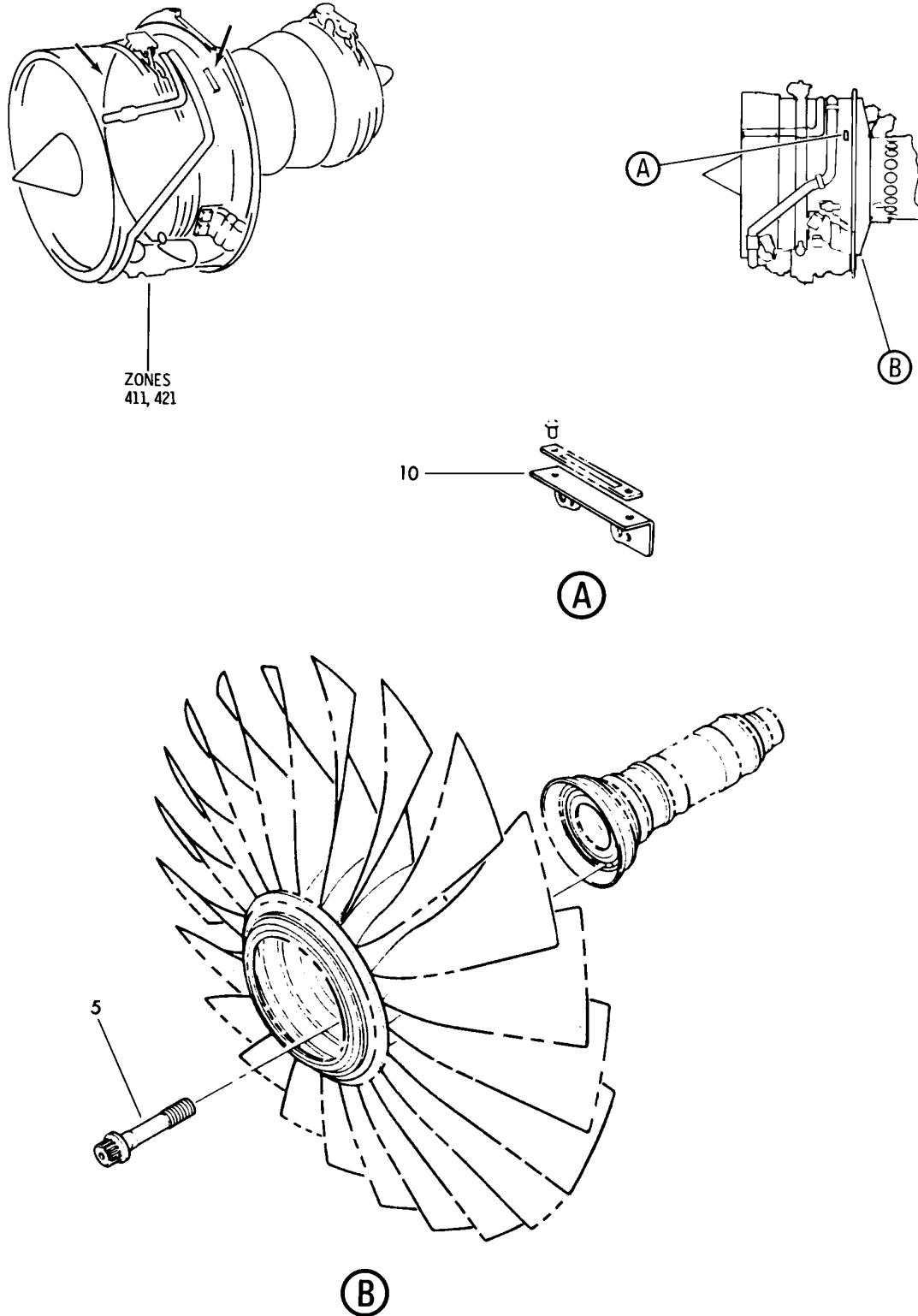
BRI

72-31-10-02

BOEING PROPRIETARY - Copyright © - Unpublished Work - See title page for details.

72-31-10
FIG. 02
PAGE 7
JAN 20/09

BOEING
757
PARTS CATALOG (MAINTENANCE)



Y 72311004 SHT 1 REV 096

LP CPRSR-MODULE 1 FAN (RB211-535)
FIGURE 4

72-31-10-04

BRI
MAY 28/07

72-31-10-04
PAGE 0



757

PARTS CATALOG (MAINTENANCE)

FIG ITEM	PART NUMBER	1 2 3 4 5 6 7	NOMENCLATURE	EFFECT FROM TO	UNITS PER ASSY
4			LP CPRSR-MODULE 1 FAN (RB211-535)	002004 006999	
- 1	UL19722		ENGINE ASSY-Q.E.C.U. RB211-535E43711 MAXIMUM NEUT SUPPLIER CODE: VK0680 FOR NHA/OTHER SYS DET SEE: 71-00-02-04	107107	RF
- 1	UL20697		ENGINE ASSY-Q.E.C.U. RB211-535E43711 MAXIMUM NEUT WITH GRAVINER FIRE DETECTORS, BAYONET MCD, NON-MODULATED IDG COOLING 40,000 LB THURST SUPPLIER CODE: VK0680 REFERENCE SERVICE BULLETIN: 71-0058R4 QUALIFIED SB I/W DATA: INTERMIX OF ONE OR SUBSTITUTION OF TWO DIFFERENT CONFIGURATION RB211-535E4-37/() ENGINES FOR RB211-535 E4 BASE ENGINES REFERENCE SERVICE BULLETIN: RB211-72-C547 VK0680 FOR NHA/OTHER SYS DET SEE: 71-00-02-04	121503 904949 952999	RF

MISSING ITEM NUMBERS NOT APPLICABLE

- ITEM NOT ILLUSTRATED

BRI

72-31-10-04

BOEING PROPRIETARY - Copyright © - Unpublished Work - See title page for details.

72-31-10
FIG. 04
PAGE 1
JAN 20/09



757

PARTS CATALOG (MAINTENANCE)

FIG ITEM	PART NUMBER	1 2 3 4 5 6 7	NOMENCLATURE	EFFECT FROM TO	UNITS PER ASSY
4 - 1	UL20698		ENGINE ASSY-Q.E.C.U. RB211-535E43712 MAXIMUM NEUT SUPPLIER CODE: VK0680 REFERENCE SERVICE BULLETIN: 71-0058R7 QUALIFIED SB I/W DATA: INTERMIX OF ONE OR SUBSTITUTION OF TWO DIFFERENT CONFIGURATION RB211-535E4-37/() ENGINES FOR RB211-535E4 BASE ENGINES OR DIFFERENT CONFIGURATION RB211-535E4-B-37/() ENGINES FOR RB211-535E4-B BASE ENGINES REFERENCE SERVICE BULLETIN: RB211-72-C547 VK0680 RB211-72-8910 VK0680 POST RAPID REVISION: RR92014-183E FOR NHA/OTHER SYS DET SEE: 71-00-02-04	002004 006100 102102	RF
- 1	UL20702		ENGINE ASSY-Q.E.C.U. RB211-535E43711 BASIC ENG CONFIGURATION WITH GRAVINER FIRE DETECTORS,BAYONET MCD, NON-MODUATED IDG COOLING 40,100 LB THURST SUPPLIER CODE: VK0680 FOR NHA/OTHER SYS DET SEE: 71-00-02-10	504903	RF
- 1	UL36209		ENGINE ASSY-Q.E.C.U. RB211-535E43719 MAXIMUM NEUT SUPPLIER CODE: VK0680 FOR NHA/OTHER SYS DET SEE: 71-00-02-04	950951	RF

MISSING ITEM NUMBERS NOT APPLICABLE

- ITEM NOT ILLUSTRATED

72-31-10-04

72-31-10
FIG. 04
PAGE 2
JAN 20/09

BRI



757

PARTS CATALOG (MAINTENANCE)

FIG ITEM	PART NUMBER	1 2 3 4 5 6 7	NOMENCLATURE	EFFECT FROM TO	UNITS PER ASSY
4					
- 3	BCREF17395		ENGINE ASSY-Q.E.C.U. RB211-535E43739 BASIC ENGINE CONFIGURATION AND PHASE 5 COMBUSTOR 40,100 LB THRUST SUPPLIER CODE: VK0680 OVERLENGTH PART NUMBER: RB211-535E4-37-39E FOR NHA/OTHER SYS DET SEE: 71-00-02-10	108120	RF
- 3	BCREF17101		ENGINE ASSY-Q.E.C.U. RB211-535E43744 BASIC ENGINE CONFIGURATION, BAYONET MCD AND PHASE 5 COMBUSTOR 40,100 LB THRUST SUPPLIER CODE: VK0680 OVERLENGTH PART NUMBER: RB211-535E4-3744E FOR NHA/OTHER SYS DET SEE: 71-00-02-10	103106	RF
- 3	UL38163		ENGINE ASSY-Q.E.C.U. RB211-535E43724 BASIC ENGINE CONFIGURATION, BAYONET MCD, 40,100 LB THRUST SUPPLIER CODE: VK0680 FOR NHA/OTHER SYS DET SEE: 71-00-02-10	101101	RF
- 4	UL16192		. ROTOR-L.P. FAN MODULE 1 SUPPLIER CODE: VK0680 PRE SERVICE BULLETIN: 72-7715 VK0680	107107 121949 952999	RF
- 4	UL16225		. LP CPRSR-MODULE 1 SUPPLIER CODE: VK0680 POST SERVICE BULLETIN: 72-7715PT01 VK0680	002004 006999	RF
5	BLT5259		.. BOLT- SUPPLIER CODE: VK0680	002004 006999	28

MISSING ITEM NUMBERS NOT APPLICABLE

- ITEM NOT ILLUSTRATED

72-31-10-04

72-31-10
FIG. 04
PAGE 3
JAN 20/09

BRI



757

PARTS CATALOG (MAINTENANCE)

FIG ITEM	PART NUMBER	1 2 3 4 5 6 7	NOMENCLATURE	EFFECT FROM TO	UNITS PER ASSY
4 10	LK77519		..BRACKET ASSY-IDENT MODULE SUPPLIER CODE: VK0680	002004 006999	1

MISSING ITEM NUMBERS NOT APPLICABLE

- ITEM NOT ILLUSTRATED

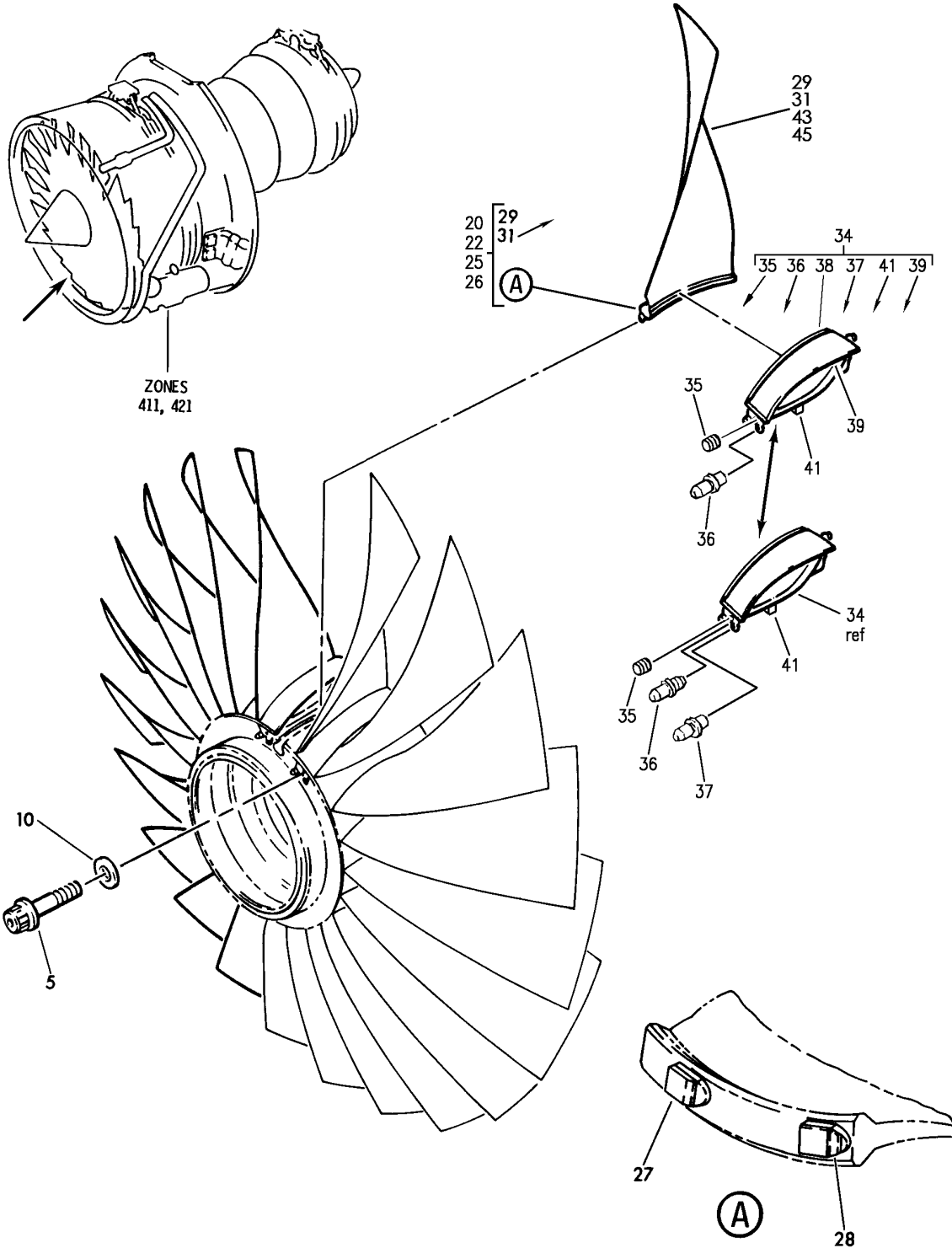
BRI

72-31-10-04

BOEING PROPRIETARY - Copyright © - Unpublished Work - See title page for details.

72-31-10
FIG. 04
PAGE 4
JAN 20/09

BOEING
757
PARTS CATALOG (MAINTENANCE)



Y 72311103 REV 260

LOW PRESSURE CPRSR BLADES AND DAMPERS (RB211-535)
FIGURE 3

72-31-11-03

BRI
MAY 28/07

72-31-11-03
PAGE 0



757

PARTS CATALOG (MAINTENANCE)

FIG ITEM	PART NUMBER	1 2 3 4 5 6 7	NOMENCLATURE	EFFECT FROM TO	UNITS PER ASSY
3					
- 1	UL19722		LOW PRESSURE CPRSR BLADES AND DAMPERS (RB211-535) ENGINE ASSY-Q.E.C.U. RB211-535E43711 MAXIMUM NEUT SUPPLIER CODE: VK0680 FOR NHA/OTHER SYS DET SEE: 71-00-02-04	002004 006999 107107	RF
- 1	UL20697		ENGINE ASSY-Q.E.C.U. RB211-535E43711 MAXIMUM NEUT WITH GRAVINER FIRE DETECTORS, BAYONET MCD, NON-MODULATED IDG COOLING 40,000 LB THRUST SUPPLIER CODE: VK0680 REFERENCE SERVICE BULLETIN: 71-0058R4 QUALIFIED SB I/W DATA: INTERMIX OF ONE OR SUBSTITUTION OF TWO DIFFERENT CONFIGURATION RB211-535E4-37/() ENGINES FOR RB211-535 E4 BASE ENGINES REFERENCE SERVICE BULLETIN: RB211-72-C547 VK0680 FOR NHA/OTHER SYS DET SEE: 71-00-02-04	121503 904949 952999	RF

MISSING ITEM NUMBERS NOT APPLICABLE

- ITEM NOT ILLUSTRATED

BRI

72-31-11-03

BOEING PROPRIETARY - Copyright © - Unpublished Work - See title page for details.

72-31-11
FIG. 03
PAGE 1
JAN 20/09



757

PARTS CATALOG (MAINTENANCE)

FIG ITEM	PART NUMBER	1 2 3 4 5 6 7	NOMENCLATURE	EFFECT FROM TO	UNITS PER ASSY
3 - 1	UL20698		ENGINE ASSY-Q.E.C.U. RB211-535E43712 MAXIMUM NEUT SUPPLIER CODE: VK0680 REFERENCE SERVICE BULLETIN: 71-0058R7 QUALIFIED SB I/W DATA: INTERMIX OF ONE OR SUBSTITUTION OF TWO DIFFERENT CONFIGURATION RB211-535E4-37/() ENGINES FOR RB211-535E4 BASE ENGINES OR DIFFERENT CONFIGURATION RB211-535E4-B-37/() ENGINES FOR RB211-535E4-B BASE ENGINES REFERENCE SERVICE BULLETIN: RB211-72C547 VK0680 RB211-72-8910 VK0680 POST RAPID REVISION: RR92014-183A-RC-E FOR NHA/OTHER SYS DET SEE: 71-00-02-04	002004 006100 102102	RF
- 1	UL36209		ENGINE ASSY-Q.E.C.U. RB211-535E43719 MAXIMUM NEUT SUPPLIER CODE: VK0680 FOR NHA/OTHER SYS DET SEE: 71-00-02-04	950951	RF
- 2	UL20702		ENGINE ASSY-Q.E.C.U. RB211-535E43711 BASIC ENG CONFIGURATION WITH GRAVINER FIRE DETECTORS,BAYONET MCD, NON-MODULATED IDG COOLING 40,100 LB THRUST SUPPLIER CODE: VK0680 FOR NHA/OTHER SYS DET SEE: 71-00-02-10	504903	RF

MISSING ITEM NUMBERS NOT APPLICABLE

- ITEM NOT ILLUSTRATED

72-31-11-03

72-31-11
FIG. 03
PAGE 2
JAN 20/09

BRI



757

PARTS CATALOG (MAINTENANCE)

FIG ITEM	PART NUMBER	1 2 3 4 5 6 7	NOMENCLATURE	EFFECT FROM TO	UNITS PER ASSY
3					
- 3	BCREF17395		ENGINE ASSY-Q.E.C.U. RB211-535E43739 BASIC ENG CONFIGURATION AND PHASE 5 COMBUSTOR 40,100 LB THRUST SUPPLIER CODE: VK0680 OVERLENGTH PART NUMBER: RB211-535E4-37-39E FOR NHA/OTHER SYS DET SEE: 71-00-02-10	108120	RF
- 3	BCREF17101		ENGINE ASSY-Q.E.C.U. RB211-535E43744 BASIC ENG CONFIGURATION BAYONET MCD AND PHASE 5 COMBUSTOR 40,100 LB THRUST SUPPLIER CODE: VK0680 OVERLENGTH PART NUMBER: RB211-535E4-3744E FOR NHA/OTHER SYS DET SEE: 71-00-02-10	103106	RF
- 3	UL38163		ENGINE ASSY-Q.E.C.U. RB211-535E43724 BASIC ENG CONFIGURATION BAYONET MCD 40,100 LB THRUST SUPPLIER CODE: VK0680 FOR NHA/OTHER SYS DET SEE: 71-00-02-10	101101	RF
- 4	UL16224		.LP CPRSR-MINI MODULE 01 SUPPLIER CODE: VK0680 POST SERVICE BULLETIN: 72-7715PT01 VK0680	002004 006999	RF
- 4	UL16191		.LP CPRSR-MINI MODULE 01 SUPPLIER CODE: VK0680 PRE SERVICE BULLETIN: 72-7715 VK0680	107107 121949 952999	RF
5	AS24017		..BOLT-EXT REL, BIHEX HD .250 DIA X 1.062	002004 006999	22
10	NU20134		..WASHER-FLAT SUPPLIER CODE: VK0680	002004 006999	22

MISSING ITEM NUMBERS NOT APPLICABLE

- ITEM NOT ILLUSTRATED

72-31-11-03

72-31-11
FIG. 03
PAGE 3
JAN 20/09

BRI



757

PARTS CATALOG (MAINTENANCE)

FIG ITEM	PART NUMBER	1 2 3 4 5 6 7	NOMENCLATURE	EFFECT FROM TO	UNITS PER ASSY
3					
20	UL24525		..BLADE ASSY-ROTOR SUPPLIER CODE: VK0680 POST SERVICE BULLETIN: 72-8354PT02 VK0680 PRE SERVICE BULLETIN: 72-C946 VK0680	002004 006100 102999	22
20	FW12308		..BLADE ASSY-ROTOR LP COMP SUPPLIER CODE: VK0680 POST SERVICE BULLETIN: 72-C946PT01 VK0680	002004 006999	22
20	FW12309		..BLADE ASSY-ROTOR LP COMP SUPPLIER CODE: VK0680 POST SERVICE BULLETIN: 72-C946PT05 VK0680	002004 006999	22
20	FW12529		..BLADE ASSY-LP COMP SUPPLIER CODE: VK0680 CONFIG CHG DATA FROM A CMM: FOR INTRCHG SEE RR IPC POST SERVICE BULLETIN: 72-C946PT02 VK0680	002004 006100 102999	22
20	FW12377		..BLADE ASSY-LP COMP SUPPLIER CODE: VK0680 CONFIG CHG DATA FROM A CMM: FOR INTRCHG SEE RR IPC POST SERVICE BULLETIN: 72-C946PT03 VK0680	002004 006100 102999	22
20	FW12376		..BLADE ASSY-LP COMP SUPPLIER CODE: VK0680 CONFIG CHG DATA FROM A CMM: FOR INTRCHG SEE RR IPC POST SERVICE BULLETIN: 72-C946PT04 VK0680	002004 006100 102999	22

MISSING ITEM NUMBERS NOT APPLICABLE

- ITEM NOT ILLUSTRATED

72-31-11-03

72-31-11
FIG. 03
PAGE 4
JAN 20/09

BRI



757

PARTS CATALOG (MAINTENANCE)

FIG ITEM	PART NUMBER	1 2 3 4 5 6 7	NOMENCLATURE	EFFECT FROM TO	UNITS PER ASSY
3					
20	FW12379		..BLADE ASSY-LP COMP SUPPLIER CODE: VK0680 CONFIG CHG DATA FROM A CMM: FOR INTRCHG SEE RR IPC POST SERVICE BULLETIN: 72-C946PT06 VK0680	002004 006100 102999	22
20	FW12378		..BLADE ASSY-LP COMP SUPPLIER CODE: VK0680 CONFIG CHG DATA FROM A CMM: FOR INTRCHG SEE RR IPC POST SERVICE BULLETIN: 72-C946PT07 VK0680	002004 006100 102999	22
20	FW12375		..BLADE ASSY-LP COMP SUPPLIER CODE: VK0680 CONFIG CHG DATA FROM A CMM: FOR INTRCHG SEE RR IPC POST SERVICE BULLETIN: 72-C946PT08 VK0680	002004 006100 102999	22
20	FW12374		..BLADE ASSY-LP COMP SUPPLIER CODE: VK0680 CONFIG CHG DATA FROM A CMM: FOR INTRCHG SEE RR IPC POST SERVICE BULLETIN: 72-C946PT09 VK0680	002004 006100 102999	22
20	FW12373		..BLADE ASSY-LP COMP SUPPLIER CODE: VK0680 CONFIG CHG DATA FROM A CMM: FOR INTRCHG SEE RR IPC POST SERVICE BULLETIN: 72-C946PT10 VK0680	002004 006100 102999	22
20	FW12372		..BLADE ASSY-LP COMP SUPPLIER CODE: VK0680 CONFIG CHG DATA FROM A CMM: FOR INTRCHG SEE RR IPC POST SERVICE BULLETIN: 72-C946PT11 VK0680	002004 006100 102999	22

MISSING ITEM NUMBERS NOT APPLICABLE

- ITEM NOT ILLUSTRATED

72-31-11-03

72-31-11
FIG. 03
PAGE 5
JAN 20/09

BRI

BOEING PROPRIETARY - Copyright © - Unpublished Work - See title page for details.



757

PARTS CATALOG (MAINTENANCE)

FIG ITEM	PART NUMBER	1 2 3 4 5 6 7	NOMENCLATURE	EFFECT FROM TO	UNITS PER ASSY
3					
20	FW12367		..BLADE ASSY-LP COMP SUPPLIER CODE: VK0680 CONFIG CHG DATA FROM A CMM: FOR INTRCHG SEE RR IPC POST SERVICE BULLETIN: 72-C946PT12 VK0680	002004 006100 102999	22
22	FW12366		..BLADE ASSY-LP COMP SUPPLIER CODE: VK0680 CONFIG CHG DATA FROM A CMM: FOR INTRCHG SEE RR IPC POST SERVICE BULLETIN: 72-C946PT13 VK0680	002004 006100 102999	22
22	FW12368		..BLADE ASSY-LP COMP SUPPLIER CODE: VK0680 CONFIG CHG DATA FROM A CMM: FOR INTRCHG SEE RR IPC POST SERVICE BULLETIN: 72-C946PT14 VK0680	002004 006100 102999	22
22	FW12371		..BLADE ASSY-LP COMP SUPPLIER CODE: VK0680 CONFIG CHG DATA FROM A CMM: FOR INTRCHG SEE RR IPC POST SERVICE BULLETIN: 72-C946PT15 VK0680	002004 006100 102999	22
22	FW12369		..BLADE ASSY-LP COMP SUPPLIER CODE: VK0680 CONFIG CHG DATA FROM A CMM: FOR INTRCHG SEE RR IPC POST SERVICE BULLETIN: 72-C946PT16 VK0680	002004 006100 102999	22

MISSING ITEM NUMBERS NOT APPLICABLE

- ITEM NOT ILLUSTRATED

BRI

72-31-11-03

BOEING PROPRIETARY - Copyright © - Unpublished Work - See title page for details.

72-31-11
FIG. 03
PAGE 6
JAN 20/09



757

PARTS CATALOG (MAINTENANCE)

FIG ITEM	PART NUMBER	1 2 3 4 5 6 7	NOMENCLATURE	EFFECT FROM TO	UNITS PER ASSY
3					
25	UL29556		..BLADE ASSY-ROTOR LP COMP SUPPLIER CODE: VK0680 POST SERVICE BULLETIN: 72-9485PT01 VK0680 PRE SERVICE BULLETIN: 72-9513 VK0680	101101 950951	22
25	UL16171		..BLADE ASSY-ROTOR LP COMP SUPPLIER CODE: VK0680 PRE SERVICE BULLETIN: 72-7917 VK0680	107107 121949 952999	22
25	UL19643		..BLADE ASSY-ROTOR LP COMP SUPPLIER CODE: VK0680 POST SERVICE BULLETIN: 72-7917PT01 VK0680 PRE SERVICE BULLETIN: 72-8154 VK0680	002004 006100 102102 107107 121949 952999	22
25	UL20044		..BLADE ASSY-ROTOR LP COMP SUPPLIER CODE: VK0680 POST SERVICE BULLETIN: 72-8154PT01 VK0680 PRE SERVICE BULLETIN: 72-7993 VK0680	002004 006100 102102 107107 121949 952999	22
25	UL20132		..BLADE ASSY-ROTOR LP COMP SUPPLIER CODE: VK0680 POST SERVICE BULLETIN: 72-7993PT01 VK0680 PRE SERVICE BULLETIN: 72-8377 VK0980	002004 006100 102102 107107 121949 952999	22

MISSING ITEM NUMBERS NOT APPLICABLE

- ITEM NOT ILLUSTRATED

72-31-11-03

72-31-11
FIG. 03
PAGE 7
JAN 20/09

BRI

BOEING PROPRIETARY - Copyright © - Unpublished Work - See title page for details.



757

PARTS CATALOG (MAINTENANCE)

FIG ITEM	PART NUMBER	1 2 3 4 5 6 7	NOMENCLATURE	EFFECT FROM TO	UNITS PER ASSY
3 25	UL20616		..BLADE ASSY-ROTOR LP COMP SUPPLIER CODE: VK0680 POST SERVICE BULLETIN: 72-8377PT01 VK0680 PRE SERVICE BULLETIN: 72-8354 VK0680	002004 006100 102102 107107 121949 952999	22
25	UL21345		..BLADE ASSY-ROTOR LP COMP SUPPLIER CODE: VK0680 CONFIG CHG DATA FROM A CMM: FOR INTRCHG SEE RR IPC POST SERVICE BULLETIN: 72-8354PT01 VK0680 PRE SERVICE BULLETIN: 72-8342 VK0680	002004 006100 102102 107107 121949 952999	22
25	UL24528		..BLADE ASSY-ROTOR LP COMP SUPPLIER CODE: VK0680 CONFIG CHG DATA FROM A CMM: FOR INTRCHG SEE RR IPC POST SERVICE BULLETIN: 72-8354PT03 VK0680 PRE SERVICE BULLETIN: 72-C946 VK0680	002004 006100 102102 107107 121999	22
25	UL24530		..BLADE ASSY-ROTOR LP COMP SUPPLIER CODE: VK0680 CONFIG CHG DATA FROM A CMM: FOR INTRCHG SEE RR IPC POST SERVICE BULLETIN: 72-8354PT04 VK0680 PRE SERVICE BULLETIN: 72-C946 VK0680	002004 006100 102102 107107 121999	22

MISSING ITEM NUMBERS NOT APPLICABLE

- ITEM NOT ILLUSTRATED

72-31-11-03

72-31-11
FIG. 03
PAGE 8
JAN 20/09

BRI



757

PARTS CATALOG (MAINTENANCE)

FIG ITEM	PART NUMBER	1 2 3 4 5 6 7	NOMENCLATURE	EFFECT FROM TO	UNITS PER ASSY
3					
25	UL24532		..BLADE ASSY-ROTOR LP COMP SUPPLIER CODE: VK0680 CONFIG CHG DATA FROM A CMM: FOR INTRCHG SEE RR IPC POST SERVICE BULLETIN: 72-8354PT05 VK0680 PRE SERVICE BULLETIN: 72-C946 VK0680	002004 006100 102102 107999	22
25	UL24534		..BLADE ASSY-ROTOR LP COMP SUPPLIER CODE: VK0680 CONFIG CHG DATA FROM A CMM: FOR INTRCHG SEE RR IPC POST SERVICE BULLETIN: 72-8354PT06 VK0680 PRE SERVICE BULLETIN: 72-C946 VK0680	002004 006999	22
25	UL22286		..BLADE ASSY-ROTOR LP COMP SUPPLIER CODE: VK0680 POST SERVICE BULLETIN: 72-8342PT01 VK0680 PRE SERVICE BULLETIN: 72-9132 VK0680	002004 006100 102102 107107 121949 952999	22
25	UL29511		..BLADE ASSY-ROTOR LP COMP SUPPLIER CODE: VK0680 POST SERVICE BULLETIN: 72-9513PT01 VK0680 PRE SERVICE BULLETIN: 72-C138 VK0680	002004 006999	22

MISSING ITEM NUMBERS NOT APPLICABLE

- ITEM NOT ILLUSTRATED

BRI

72-31-11-03

BOEING PROPRIETARY - Copyright © - Unpublished Work - See title page for details.

72-31-11
FIG. 03
PAGE 9
JAN 20/09

 **BOEING**
757
PARTS CATALOG (MAINTENANCE)

FIG ITEM	PART NUMBER	1 2 3 4 5 6 7	NOMENCLATURE	EFFECT FROM TO	UNITS PER ASSY
3					
25	UL36992	..	BLADE ASSY-ROTOR LP COMP SUPPLIER CODE: VK0680 CONFIG CHG DATA FROM A CMM: FOR INTRCHG SEE RR IPC POST SERVICE BULLETIN: 72-9751PT02 VK0680	101101	22
25	UL37090	..	BLADE ASSY-ROTOR LP COMP SUPPLIER CODE: VK0680 CONFIG CHG DATA FROM A CMM: FOR INTRCHG SEE RR IPC POST SERVICE BULLETIN: 72-9751PT01 VK0680	002004 006999	22
25	UL38029	..	BLADE ASSY-ROTOR LP COMP SUPPLIER CODE: VK0680 CONFIG CHG DATA FROM A CMM: FOR INTRCHG SEE RR IPC POST SERVICE BULLETIN: 72-C138PT02 VK0680 PRE SERVICE BULLETIN: 72-C946 VK0680	002004 006999	22
25	UL27992	..	BLADE ASSY-ROTOR LP COMP SUPPLIER CODE: VK0680 CONFIG CHG DATA FROM A CMM: FOR INTRCHG SEE RR IPC POST SERVICE BULLETIN: 72-9132PT01 VK0680 PRE SERVICE BULLETIN: 72-9485 VK0680	002004 006100 102102 107107 121949 952999	22
26	UL23122	..	BLADE ASSY-ROTOR LP COMP SUPPLIER CODE: VK0680 POST SERVICE BULLETIN: 72-8742PT01 VK0680	002004 006100 103503 904999	22

MISSING ITEM NUMBERS NOT APPLICABLE

— ITEM NOT ILLUSTRATED

BRI

72-31-11-03

BOEING PROPRIETARY - Copyright © - Unpublished Work - See title page for details.

72-31-11
FIG. 03
PAGE 10
JAN 20/09



757

PARTS CATALOG (MAINTENANCE)

FIG ITEM	PART NUMBER	1 2 3 4 5 6 7	NOMENCLATURE	EFFECT FROM TO	UNITS PER ASSY
3					
26	UL38032		..BLADE ASSY-L.P. COMP SUPPLIER CODE: VK0680 POST SERVICE BULLETIN: 72-C138PT01 VK0680 PRE SERVICE BULLETIN: 72-C946 VK0680	002004 006999	22
26	UL37090		..BLADE ASSY-ROTOR LP COMP SUPPLIER CODE: VK0680 POST SERVICE BULLETIN: 72-9751PT01 VK0680	108120	22
26	UL36992		..BLADE ASSY-ROTOR LP COMP SUPPLIER CODE: VK0680 POST SERVICE BULLETIN: 72-9751PT02 VK0680	103106 108120	22
26	UL29556		..BLADE ASSY-ROTOR LP COMP SUPPLIER CODE: VK0680 CONFIG CHG DATA FROM A CMM: FOR INTRCHG SEE RR IPC POST SERVICE BULLETIN: 72-9485PT01 VK0680 PRE SERVICE BULLETIN: 72-9513 VK0680	002004 006100 102102 107949 952999	22
26	UL24528		..BLADE ASSY-ROTOR SUPPLIER CODE: VK0680 POST SERVICE BULLETIN: 72-8354PT03 VK0680 PRE SERVICE BULLETIN: 72-C946 VK0680	103106 108120	22

MISSING ITEM NUMBERS NOT APPLICABLE

- ITEM NOT ILLUSTRATED

72-31-11-03

72-31-11
FIG. 03
PAGE 11
JAN 20/09

BRI

BOEING PROPRIETARY - Copyright © - Unpublished Work - See title page for details.



757

PARTS CATALOG (MAINTENANCE)

FIG ITEM	PART NUMBER	1 2 3 4 5 6 7	NOMENCLATURE	EFFECT FROM TO	UNITS PER ASSY
3					
26	UL24530		..BLADE ASSY-ROTOR SUPPLIER CODE: VK0680 POST SERVICE BULLETIN: 72-8354 VK0680 PRE SERVICE BULLETIN: 72-C946 VK0680	103106 108120	22
27	UL21346		...PAD ASSY- SUPPLIER CODE: VK0680 POSITION DATA: REAR CONFIG CHG DATA FROM A CMM: FOR INTRCHG SEE RR IPC OPTIONAL PART: UL33588 VK0680 PRE SERVICE BULLETIN: 72-C946 VK0680	101101	1
27	UL33588		...PAD ASSY- SUPPLIER CODE: VK0680 POSITION DATA: REAR CONFIG CHG DATA FROM A CMM: FOR INTRCHG SEE RR IPC OPTIONAL PART: UL21346 VK0680 PRE SERVICE BULLETIN: 72-C946 VK0680	101101	1
27	UL33588		...PAD ASSY- SUPPLIER CODE: VK0680 POSITION DATA: REAR OPTIONAL PART: UL21346 VK0680 PRE SERVICE BULLETIN: 72-C946 VK0680	103106 108120	1

MISSING ITEM NUMBERS NOT APPLICABLE

- ITEM NOT ILLUSTRATED

72-31-11-03

72-31-11
FIG. 03
PAGE 12
JAN 20/09

BRI



757

PARTS CATALOG (MAINTENANCE)

FIG ITEM	PART NUMBER	1 2 3 4 5 6 7	NOMENCLATURE	EFFECT FROM TO	UNITS PER ASSY
3 27	UL21346		...PAD ASSY- SUPPLIER CODE: VK0680 POSITION DATA: REAR OPTIONAL PART: UL33588 VK0689 PRE SERVICE BULLETIN: 72-C946 VK0680	103106 108120	1
28	UL21349		...PAD ASSY-LP CPRSR SUPPLIER CODE: VK0680 POSITION DATA: FRONT CONFIG CHG DATA FROM A CMM: FOR INTRCHG SEE RR IPC OPTIONAL PART: UL33592 VK0680 PRE SERVICE BULLETIN: 72-C946 VK0680	101101	1
28	UL33592		...PAD ASSY-LP CPRSR SUPPLIER CODE: VK0680 POSITION DATA: FRONT CONFIG CHG DATA FROM A CMM: FOR INTRCHG SEE RR IPC OPTIONAL PART: UL21349 VK0680 PRE SERVICE BULLETIN: 72-C946 VK0680	101101	1
28	UL21349		...PAD ASSY-LP CPRSR SUPPLIER CODE: VK0680 POSITION DATA: FRONT OPTIONAL PART: UL33592 VK0680 PRE SERVICE BULLETIN: 72-C946 VK0680	103106 108120	1

MISSING ITEM NUMBERS NOT APPLICABLE

- ITEM NOT ILLUSTRATED

72-31-11-03

72-31-11
FIG. 03
PAGE 13
JAN 20/09

BRI



757

PARTS CATALOG (MAINTENANCE)

FIG ITEM	PART NUMBER	1 2 3 4 5 6 7	NOMENCLATURE	EFFECT FROM TO	UNITS PER ASSY
3	28	UL33592	...PAD ASSY-BLADE LP CPRSR SUPPLIER CODE: VK0680 POSITION DATA: FRONT OPTIONAL PART: UL21349 VK0680 PRE SERVICE BULLETIN: 72-C946 VK0680	103106 108120	1
	29	UL29512	...BLADE ASSY-ROTOR L.P.C. SUPPLIER CODE: VK0680 POST SERVICE BULLETIN: 72-9513PT01 VK0680 PRE SERVICE BULLETIN: 72-C138 VK0680	002004 006999	1
	29	UL37091	...BLADE ASSY-ROTOR L.P.C. SUPPLIER CODE: VK0680 POST SERVICE BULLETIN: 72-9751PT01 VK0680	002004 006999	1
	31	UL29513BLADE ASSY-ROTOR L.P. CPRSR SUPPLIER CODE: VK0680 POST SERVICE BULLETIN: 72-9513PT01 VK0680 PRE SERVICE BULLETIN: 72-C138 VK0680	002004 006999	1
	31	UL37092BLADE ASSY-ROTOR L.P. CPRSR SUPPLIER CODE: VK0680 POST SERVICE BULLETIN: 72-9751PT01 VK0680	002004 006999	1
	34	UL16208	..FILLER ASSY-ANNULUS FAN BLADE SUPPLIER CODE: VK0680	002004 006100 102102 107107 121949 952999	22

MISSING ITEM NUMBERS NOT APPLICABLE

- ITEM NOT ILLUSTRATED

72-31-11-03

72-31-11
FIG. 03
PAGE 14
JAN 20/09

BRI



757

PARTS CATALOG (MAINTENANCE)

FIG ITEM	PART NUMBER	1 2 3 4 5 6 7	NOMENCLATURE	EFFECT FROM TO	UNITS PER ASSY
3					
34	UL35848	..	FILLER ASSY-ANNULUS FAN BLADE SUPPLIER CODE: VK0680 POST SERVICE BULLETIN: 72-9700PT01 VK0680 PRE SERVICE BULLETIN: 72-B106 VK0680	002004 006100 102999	22
34	UL38852	..	FILLER ASSY-ANNULUS FAN BLADE SUPPLIER CODE: VK0680 POST SERVICE BULLETIN: 72-B106PT03 VK0680	002004 006100 102102 108999	22
34	UL38855	..	FILLER ASSY-ANNULUS FAN BLADE SUPPLIER CODE: VK0680 POST SERVICE BULLETIN: 72-B106PT02 VK0680	002004 006100 102999	22
35	AGS3782	...	INSERT-SCREW THREAD .250-28 X 2.5D	002004 006999	22
37	UP11616	...	PIN- SUPPLIER CODE: VK0680 POST SERVICE BULLETIN: 72-9177PT01 VK0680	002004 006102 107107 121999	22
38	UL30636	SEAL-AIR PRESSURE SURFACE SUPPLIER CODE: VK0680 POSITION DATA: RH POST SERVICE BULLETIN: 72-9177PT01 VK0680	002004 006999	22

MISSING ITEM NUMBERS NOT APPLICABLE

- ITEM NOT ILLUSTRATED

72-31-11-03

72-31-11
FIG. 03
PAGE 15
JAN 20/09

BRI



757

PARTS CATALOG (MAINTENANCE)

FIG ITEM	PART NUMBER	1 2 3 4 5 6 7	NOMENCLATURE	EFFECT FROM TO	UNITS PER ASSY
3					
43	UL30933		..BLADE ASSY-ROTOR LP CPRSR ROTOR L.P.C. (LOW M/W) SUPPLIER CODE: VK0680 POST SERVICE BULLETIN: 72-9295PT03 VK0680 PRE SERVICE BULLETIN: 72-C946 VK0680	002004 006999	1
43	UL33707		..BLADE ASSY-ROTOR LP CPRSR (LOW M/W UL29511) SUPPLIER CODE: VK0680 POST SERVICE BULLETIN: 72-9295PT04 VK0680 PRE SERVICE BULLETIN: 72-C946 VK0680	002004 006999	1
43	UL37272		..BLADE ASSY-ROTOR LP CPRSR (LOW M/W UL37090) SUPPLIER CODE: VK0680 POST SERVICE BULLETIN: 72-9295PT05 VK0680 PRE SERVICE BULLETIN: 72-C946 VK0680	002004 006102 107999	1
43	UL37276		..BLADE ASSY-ROTOR LP CPRSR (LOW M/W UL36992) SUPPLIER CODE: VK0680 POST SERVICE BULLETIN: 72-9295PT06 VK0680 PRE SERVICE BULLETIN: 72-C946 VK0680	002004 006999	1

MISSING ITEM NUMBERS NOT APPLICABLE

- ITEM NOT ILLUSTRATED

72-31-11-03

72-31-11
FIG. 03
PAGE 16
JAN 20/09

BRI



757

PARTS CATALOG (MAINTENANCE)

FIG ITEM	PART NUMBER	1 2 3 4 5 6 7	NOMENCLATURE	EFFECT FROM TO	UNITS PER ASSY
3					
43	UL38373		..BLADE ASSY-ROTOR LP CPRSR (LOW M/W UL38032) SUPPLIER CODE: VK0680 POST SERVICE BULLETIN: 72-9295PT07 VK0680 PRE SERVICE BULLETIN: 72-C946 VK0680	002004 006999	1
43	UL38377		..BLADE ASSY-ROTOR LP CPRSR (LOW M/W UL38029) SUPPLIER CODE: VK0680 POST SERVICE BULLETIN: 72-9295PT08 VK0680 PRE SERVICE BULLETIN: 72-C946 VK0680	002004 006999	1
45	UL30935		..BLADE ASSY-ROTOR LP CPRSR ROTOR L.P.C. (HIGH M/W) SUPPLIER CODE: VK0680 POST SERVICE BULLETIN: 72-9295PT03 VK0680 PRE SERVICE BULLETIN: 72-C946 VK0680	002004 006999	1
45	UL33709		..BLADE ASSY-ROTOR LP CPRSR (HIGH M/W UL29511) SUPPLIER CODE: VK0680 POST SERVICE BULLETIN: 72-9295PT04 VK0680 PRE SERVICE BULLETIN: 72-C946 VK0680	002004 006999	1

MISSING ITEM NUMBERS NOT APPLICABLE

- ITEM NOT ILLUSTRATED

72-31-11-03

72-31-11
FIG. 03
PAGE 17
JAN 20/09

BRI



757

PARTS CATALOG (MAINTENANCE)

FIG ITEM	PART NUMBER	1 2 3 4 5 6 7	NOMENCLATURE	EFFECT FROM TO	UNITS PER ASSY
3					
45	UL37274		..BLADE ASSY-ROTOR LP CPRSR (HIGH M/W UL37090) SUPPLIER CODE: VK0680 POST SERVICE BULLETIN: 72-9295PT05 VK0680 PRE SERVICE BULLETIN: 72-C946 VK0680	002004 006102 107999	1
45	UL37278		..BLADE ASSY-ROTOR LP CPRSR (HIGH M/W UL36992) SUPPLIER CODE: VK0680 POST SERVICE BULLETIN: 72-9295PT06 VK0680 PRE SERVICE BULLETIN: 72-C946 VK0680	002004 006102 107999	1
45	UL38375		..BLADE ASSY-ROTOR LP CPRSR (HIGH M/W UL38032) SUPPLIER CODE: VK0680 POST SERVICE BULLETIN: 72-9295PT07 VK0680 PRE SERVICE BULLETIN: 72-C946 VK0680	002004 006999	1
45	UL38379		..BLADE ASSY-ROTOR LP CPRSR (HIGH M/W UL38029) SUPPLIER CODE: VK0680 POST SERVICE BULLETIN: 72-9295PT08 VK0680 PRE SERVICE BULLETIN: 72-C946 VK0680	002004 006999	1

MISSING ITEM NUMBERS NOT APPLICABLE

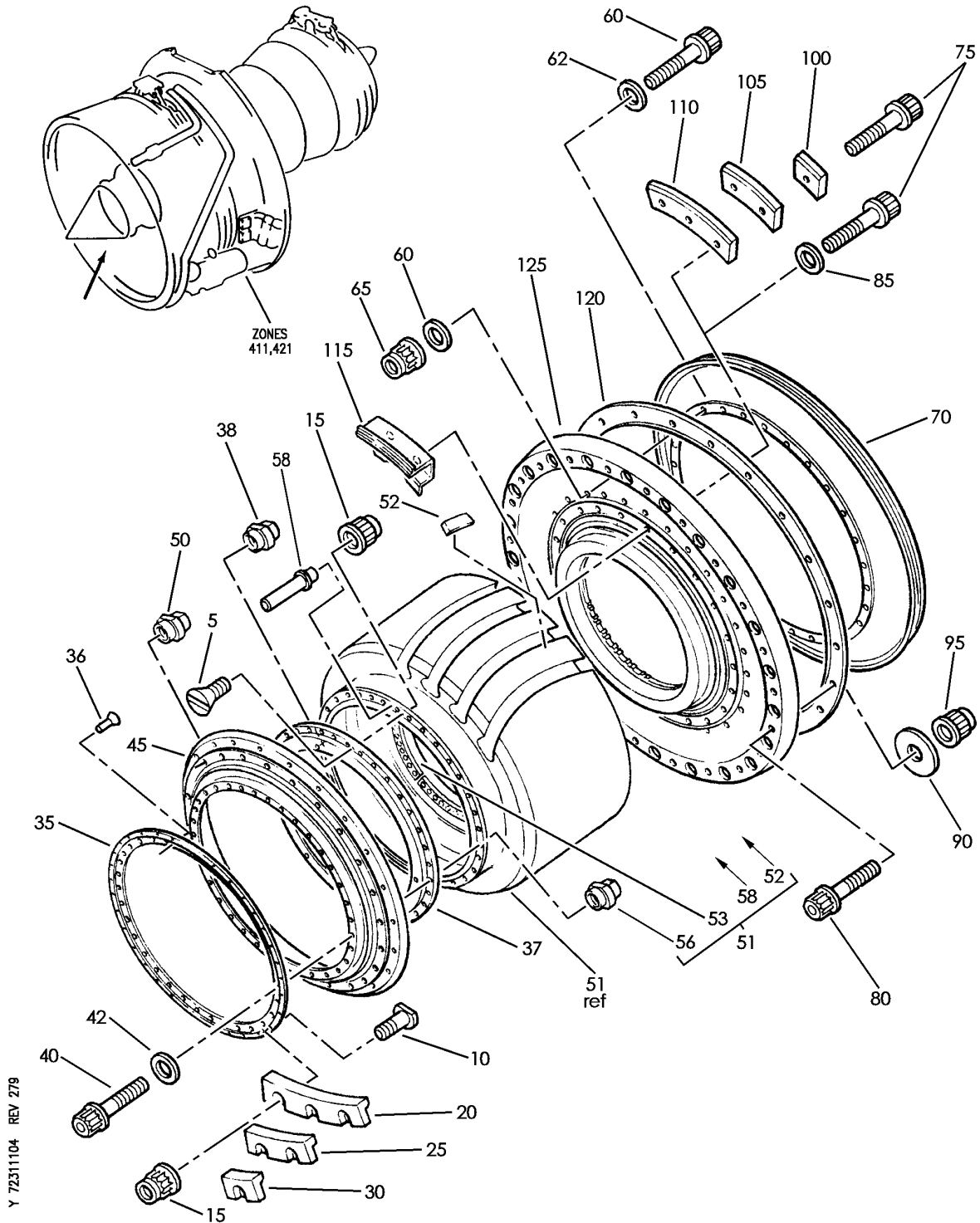
- ITEM NOT ILLUSTRATED

72-31-11-03

72-31-11
FIG. 03
PAGE 18
JAN 20/09

BRI

BOEING
757
PARTS CATALOG (MAINTENANCE)



LOW PRESSURE COMPRESSOR DISC THRUST RING AND SEALS (RB211-535)
FIGURE 4

72-31-11-04

BRI
MAY 28/07

72-31-11-04
PAGE 0



757

PARTS CATALOG (MAINTENANCE)

FIG ITEM	PART NUMBER	1 2 3 4 5 6 7	NOMENCLATURE	EFFECT FROM TO	UNITS PER ASSY
4			LOW PRESSURE COMPRESSOR DISC THRUST RING AND SEALS (RB211-535)	002004 006999	
- 1	UL19722		ENGINE ASSY-Q.E.C.U. RB211-535E43711 MAXIMUM NEUT SUPPLIER CODE: VK0680 FOR NHA/OTHER SYS DET SEE: 71-00-02-04	107107	RF
- 1	UL20697		ENGINE ASSY-Q.E.C.U. RB211-535E43711 MAXIMUM NEUT WITH GRAVINER FIRE DETECTORS, BAYONET MCD, NON-MODULATED IDG COOLING 40,000 LB THRUST SUPPLIER CODE: VK0680 REFERENCE SERVICE BULLETIN: 71-0058R4 QUALIFIED SB I/W DATA: INTERMIX OF ONE OR SUBSTITUTION OF TWO DIFFERENT CONFIGURATION RB211-535E4-37/() ENGINES FOR RB211-535 E4 BASE ENGINES REFERENCE SERVICE BULLETIN: RB211-72-C547 VK0680 FOR NHA/OTHER SYS DET SEE: 71-00-02-04	121503 904949 952999	RF

MISSING ITEM NUMBERS NOT APPLICABLE

- ITEM NOT ILLUSTRATED

BRI

72-31-11-04

BOEING PROPRIETARY - Copyright © - Unpublished Work - See title page for details.

72-31-11
FIG. 04
PAGE 1
JAN 20/09



757

PARTS CATALOG (MAINTENANCE)

FIG ITEM	PART NUMBER	1 2 3 4 5 6 7	NOMENCLATURE	EFFECT FROM TO	UNITS PER ASSY
4 - 1	UL20698		ENGINE ASSY-Q.E.C.U. RB211-535E43712 MAXIMUM NEUT SUPPLIER CODE: VK0680 REFERENCE SERVICE BULLETIN: 71-0058R7 QUALIFIED SB I/W DATA: INTERMIX OF ONE OR SUBSTITUTION OF TWO DIFFERENT CONFIGURATION RB211-535E4-37/() ENGINES FOR RB211-535E4 BASE ENGINES OR DIFFERENT CONFIGURATION RB211-535E4-B-37/() ENGINES FOR RB211-535E4-B BASE ENGINES REFERENCE SERVICE BULLETIN: RB211-72C547 VK0680 RB211-72-8910 VK0680 POST RAPID REVISION: RR92014-183A-RC-E FOR NHA/OTHER SYS DET SEE: 71-00-02-04	002004 006100 102102	RF
- 1	UL20702		ENGINE ASSY-Q.E.C.U. RB211-535E43711 BASIC ENG CONFIGURATION WITH GRAVINER FIRE DETECTORS,BAYONET MCD, NON-MODUATED IDG COOLING 40,100 LB THRUST SUPPLIER CODE: VK0680 FOR NHA/OTHER SYS DET SEE: 71-00-02-10	504903	RF
- 1	UL36209		ENGINE ASSY-Q.E.C.U. RB211-535E43719 MAXIMUM NEUT SUPPLIER CODE: VK0680 FOR NHA/OTHER SYS DET SEE: 71-00-02-04	950951	RF

MISSING ITEM NUMBERS NOT APPLICABLE

- ITEM NOT ILLUSTRATED

72-31-11-04

72-31-11
FIG. 04
PAGE 2
JAN 20/09

BRI



757

PARTS CATALOG (MAINTENANCE)

FIG ITEM	PART NUMBER	1 2 3 4 5 6 7	NOMENCLATURE	EFFECT FROM TO	UNITS PER ASSY
4					
- 3	BCREF17395		ENGINE ASSY-Q.E.C.U. RB211-535E43739 BASIC ENG CONFIGURATION AND PHASE 5 COMBUSTOR 40,100 LB THRUST SUPPLIER CODE: VK0680 OVERLENGTH PART NUMBER: RB211-535E4-37-39E FOR NHA/OTHER SYS DET SEE: 71-00-02-10	108120	RF
- 3	BCREF17101		ENGINE ASSY-Q.E.C.U. RB211-535E43744 BASIC ENG CONFIGURATION BAYONET MCD AND PHASE 5 COMBUSTOR 40,100 LB THRUST SUPPLIER CODE: VK0680 OVERLENGTH PART NUMBER: RB211-535E4-3744E FOR NHA/OTHER SYS DET SEE: 71-00-02-10	103106	RF
- 3	UL38163		ENGINE ASSY-Q.E.C.U. RB211-535E43724 BASIC ENG CONFIGURATION BAYONET MCD 40,100 LB THRUST SUPPLIER CODE: VK0680 FOR NHA/OTHER SYS DET SEE: 71-00-02-10	101101	RF
5	U756261		.BOLT- SUPPLIER CODE: V05755	002004 006999	3
10	AS26109		.BOLT	002004 006999	1
15	AS20624		.NUT-SELF LOCKING	002004 006100 102102 107107 121949 952999	4

MISSING ITEM NUMBERS NOT APPLICABLE

- ITEM NOT ILLUSTRATED

BRI

72-31-11-04

BOEING PROPRIETARY - Copyright © - Unpublished Work - See title page for details.

72-31-11
FIG. 04
PAGE 3
JAN 20/09



757

PARTS CATALOG (MAINTENANCE)

FIG ITEM	PART NUMBER	1 2 3 4 5 6 7	NOMENCLATURE	EFFECT FROM TO	UNITS PER ASSY
4	20 UL16131		.PLATE-BALANCING MODULAR L.P. FAN SUPPLIER CODE: VK0680 CONFIG CHG DATA FROM A CMM: FOR INTRCHG SEE RR IPC OPTIONAL PART: UL24178 VK0680	002004 006100 102107 121949 952999	1
	20 UL24178		.PLATE-BALANCING MODULAR L.P. FAN SUPPLIER CODE: VK0680 CONFIG CHG DATA FROM A CMM: FOR INTRCHG SEE RR IPC OPTIONAL PART: UL16131 VK0680 POST SERVICE BULLETIN: 72-8847PTE VK0680	002004 006100 102107 121949 952999	1
	25 UL16130		.PLATE-BALANCING MODULAR L.P. FAN SUPPLIER CODE: VK0680 CONFIG CHG DATA FROM A CMM: FOR INTRCHG SEE RR IPC OPTIONAL PART: UL24177 VK0680	002004 006100 102107 121949 952999	1
	25 UL24177		.PLATE-BALANCING MODULAR L.P. FAN SUPPLIER CODE: VK0680 CONFIG CHG DATA FROM A CMM: FOR INTRCHG SEE RR IPC OPTIONAL PART: UL16130 VK0680 POST SERVICE BULLETIN: 72-8847PTE VK0680	002004 006100 102107 121949 952999	1

MISSING ITEM NUMBERS NOT APPLICABLE

- ITEM NOT ILLUSTRATED

BRI

72-31-11-04

BOEING PROPRIETARY - Copyright © - Unpublished Work - See title page for details.

72-31-11
FIG. 04
PAGE 4
JAN 20/09



757

PARTS CATALOG (MAINTENANCE)

FIG ITEM	PART NUMBER	1 2 3 4 5 6 7	NOMENCLATURE	EFFECT FROM TO	UNITS PER ASSY
4	30 UL16129		.PLATE-BALANCING MODULAR L.P. FAN SUPPLIER CODE: VK0680 CONFIG CHG DATA FROM A CMM: FOR INTRCHG SEE RR PC OPTIONAL PART: UL24176 VK0680	002004 006100 102107 121949 952999	1
	30 UL24176		.PLATE-BALANCING MODULAR L.P. FAN SUPPLIER CODE: VK0680 CONFIG CHG DATA FROM A CMM: FOR INTRCHG SEE RR IPC OPTIONAL PART: UL16129 VK0680 POST SERVICE BULLETIN: 72-8847PTE VK0680	002004 006100 102102 107107 121949 952999	1
	35 UL16128		.RING-WT CARRIER SUPPLIER CODE: VK0680 PRE SERVICE BULLETIN: 72-7735 VK0680	107107 121949 952999	1
	35 UL16222		.RING-WT CARRIER SUPPLIER CODE: VK0680 POST SERVICE BULLETIN: 72-7735PT01 VK0680	002004 006999	1
	35 UL16221		.RING-WT CARRIER SUPPLIER CODE: VK0680 POST SERVICE BULLETIN: 72-7735PT02 VK0680	002004 006999	1
	36 SP71-807		..RIVET- SUPPLIER CODE: VK7766 POST SERVICE BULLETIN: 72-7735PT02 VK0680	002004 006999	6
	40 AS21019		.BOLT	002004 006999	36

MISSING ITEM NUMBERS NOT APPLICABLE

- ITEM NOT ILLUSTRATED

72-31-11-04

72-31-11
FIG. 04
PAGE 5
JAN 20/09

BRI

BOEING PROPRIETARY - Copyright © - Unpublished Work - See title page for details.



757

PARTS CATALOG (MAINTENANCE)

FIG ITEM	PART NUMBER	1 2 3 4 5 6 7	NOMENCLATURE	EFFECT FROM TO	UNITS PER ASSY
4	42 NU20134		.WASHER- SUPPLIER CODE: VK0680	002004 006999	36
-	44 EU22221		.SPACER- SUPPLIER CODE: VK0378 POST SERVICE BULLETIN: 72-9480PTD VK0680	002004 006999	36
	45 UL11477		.RING ASSY-SPRT NOSE CONE SUPPLIER CODE: VK0680 PRE SERVICE BULLETIN: 72-8974	002004 006100 102102 107107 121949 952999	1
	45 UL26766		.RING ASSY-SPRT NOSE CONE SUPPLIER CODE: VK0680 POST SERVICE BULLETIN: 72-8974PT01 VK0680 PRE SERVICE BULLETIN: 72-9530 VK0680	002004 006100 107107 121949 952999	1
	45 UL29455		.RING ASSY-SPRT NOSE CONE SUPPLIER CODE: VK0680 POST SERVICE BULLETIN: 72-9530PT01 VK0680 PRE SERVICE BULLETIN: 72-9177 VK0680	002004 006102 107107 121949 952999	1
	50 AS27870		..NUT-SELF LOCKING	002004 006999	24
	52 UL21344		..PAD-CHOCKING SUPPLIER CODE: VK0680 CONFIG CHG DATA FROM A CMM: FOR INTRCHG SEE RR IPC OPTIONAL PART: UL33582 VK0680	101101	22

MISSING ITEM NUMBERS NOT APPLICABLE

- ITEM NOT ILLUSTRATED

72-31-11-04

72-31-11
FIG. 04
PAGE 6
JAN 20/09

BRI



757

PARTS CATALOG (MAINTENANCE)

FIG ITEM	PART NUMBER	1 2 3 4 5 6 7	NOMENCLATURE	EFFECT FROM TO	UNITS PER ASSY
4					
52	UL33582		..PAD-CHOCKING SUPPLIER CODE: VK0680 CONFIG CHG DATA FROM A CMM: FOR INTRCHG SEE RR IPC OPTIONAL PART: UL21344 VK0680	101101	22
60	AS21013		.BOLT	002004 006999	28
62	NU20134		.WASHER- SUPPLIER CODE: VK0680	002004 006999	56
65	AS20625		.NUT	002004 006999	28
70	UL11375		.SEAL-ARM AIR ROTOR DISC L.P. COMPRESSOR SUPPLIER CODE: VK0680 POSITION DATA: REAR	002004 006999	1
75	AS21014		.BOLT	002004 006999	22
80	AS20917		.BOLT	002004 006999	22
85	AS12944		.WASHER	002004 006999	1
90	LK69359		.WASHER- SUPPLIER CODE: VK0680	002004 006999	22
95	AS20624		.NUT	002004 006999	22
100	UL11466		.PLATE-BALANCING MODULAR L.P. DISC SUPPLIER CODE: VK0680 POSITION DATA: REAR OPTIONAL PART: UL27212 VK0680 UL25018 VK0680 POST SERVICE BULLETIN: 72-8576PTA VK0680	101101 103106 108120 950951	1

MISSING ITEM NUMBERS NOT APPLICABLE

- ITEM NOT ILLUSTRATED

72-31-11-04

72-31-11
FIG. 04
PAGE 7
JAN 20/09

BRI



757

PARTS CATALOG (MAINTENANCE)

FIG ITEM	PART NUMBER	1 2 3 4 5 6 7	NOMENCLATURE	EFFECT FROM TO	UNITS PER ASSY
4 100	UL25018		.PLATE-BALANCING MODULAR L.P. DISC SUPPLIER CODE: VK0680 POSITION DATA: REAR OPTIONAL PART: UL27212 VK0680 UL11466 VK0680 POST SERVICE BULLETIN: 72-8576PTA VK0680	002004 006999	1
100	UL27212		.PLATE-BALANCING MODULAR L.P. DISC SUPPLIER CODE: VK0680 POSITION DATA: REAR OPTIONAL PART: UL11466 VK0680 UL25018 VK0680 POST SERVICE BULLETIN: 72-8847PTE VK0680	002004 006999	1
100	UL11466		.PLATE-BALANCING MODULAR L.P. DISC SUPPLIER CODE: VK0680 POSITION DATA: REAR OPTIONAL PART: UL25018 VK0680 UL27212 VK0680 PRE SERVICE BULLETIN: 72-8576 VK0680	002004 006100 102102 107107 121949 952999	1

MISSING ITEM NUMBERS NOT APPLICABLE

- ITEM NOT ILLUSTRATED

BRI

72-31-11-04

BOEING PROPRIETARY - Copyright © - Unpublished Work - See title page for details.

72-31-11
FIG. 04
PAGE 8
JAN 20/09



757

PARTS CATALOG (MAINTENANCE)

FIG ITEM	PART NUMBER	1 2 3 4 5 6 7	NOMENCLATURE	EFFECT FROM TO	UNITS PER ASSY
4 105	UL11467		.PLATE-BALANCING MODULAR L.P. DISC SUPPLIER CODE: VK0680 POSITION DATA: REAR CONFIG CHG DATA FROM A CMM: FOR INTRCHG SEE RR IPC OPTIONAL PART: UL27213 VK0680	002004 006100 102107 121949 952999	1
105	UL27213		.PLATE-BALANCING MODULAR L.P. DISC SUPPLIER CODE: VK0680 POSITION DATA: REAR CONFIG CHG DATA FROM A CMM: FOR INTRCHG SEE RR IPC OPTIONAL PART: UL11467 VK0680 POST SERVICE BULLETIN: 72-8847PTE VK0680	002004 006100 102107 121949 952999	1
110	UL11468		.PLATE-BALANCING MODULAR L.P. DISC SUPPLIER CODE: VK0680 POSITION DATA: REAR CONFIG CHG DATA FROM A CMM: FOR INTRCHG SEE RR IPC OPTIONAL PART: UL27214 VK0680	002004 006100 102107 121949 952999	1

MISSING ITEM NUMBERS NOT APPLICABLE

- ITEM NOT ILLUSTRATED

BRI

72-31-11-04

BOEING PROPRIETARY - Copyright © - Unpublished Work - See title page for details.

72-31-11
FIG. 04
PAGE 9
JAN 20/09



757

PARTS CATALOG (MAINTENANCE)

FIG ITEM	PART NUMBER	1 2 3 4 5 6 7	NOMENCLATURE	EFFECT FROM TO	UNITS PER ASSY
4 110	UL27214		.PLATE-BALANCING MODULAR L.P. DISC SUPPLIER CODE: VK0680 POSITION DATA: REAR CONFIG CHG DATA FROM A CMM: FOR INTRCHG SEE RR IPC OPTIONAL PART: UL11468 VK0680 POST SERVICE BULLETIN: 72-8847PTE VK0680	002004 006100 102107 121949 952999	1
115	UL16176		.SEGMENT ASSY-FAN BLADE TO LOW PRESSURE DISC SEAL PLATE SUPPLIER CODE: VK0680 POSITION DATA: REAR	002004 006999	11
120	UL16215		.PLATE-SEALING LP DISC SEAL SUPPLIER CODE: VK0680 POSITION DATA: REAR	002004 006999	1
125	UL14587		.PANEL-LOW PRESSURE DISC. SEAL SUPPLIER CODE: VK0680 POSITION DATA: REAR	002004 006999	1

MISSING ITEM NUMBERS NOT APPLICABLE

- ITEM NOT ILLUSTRATED

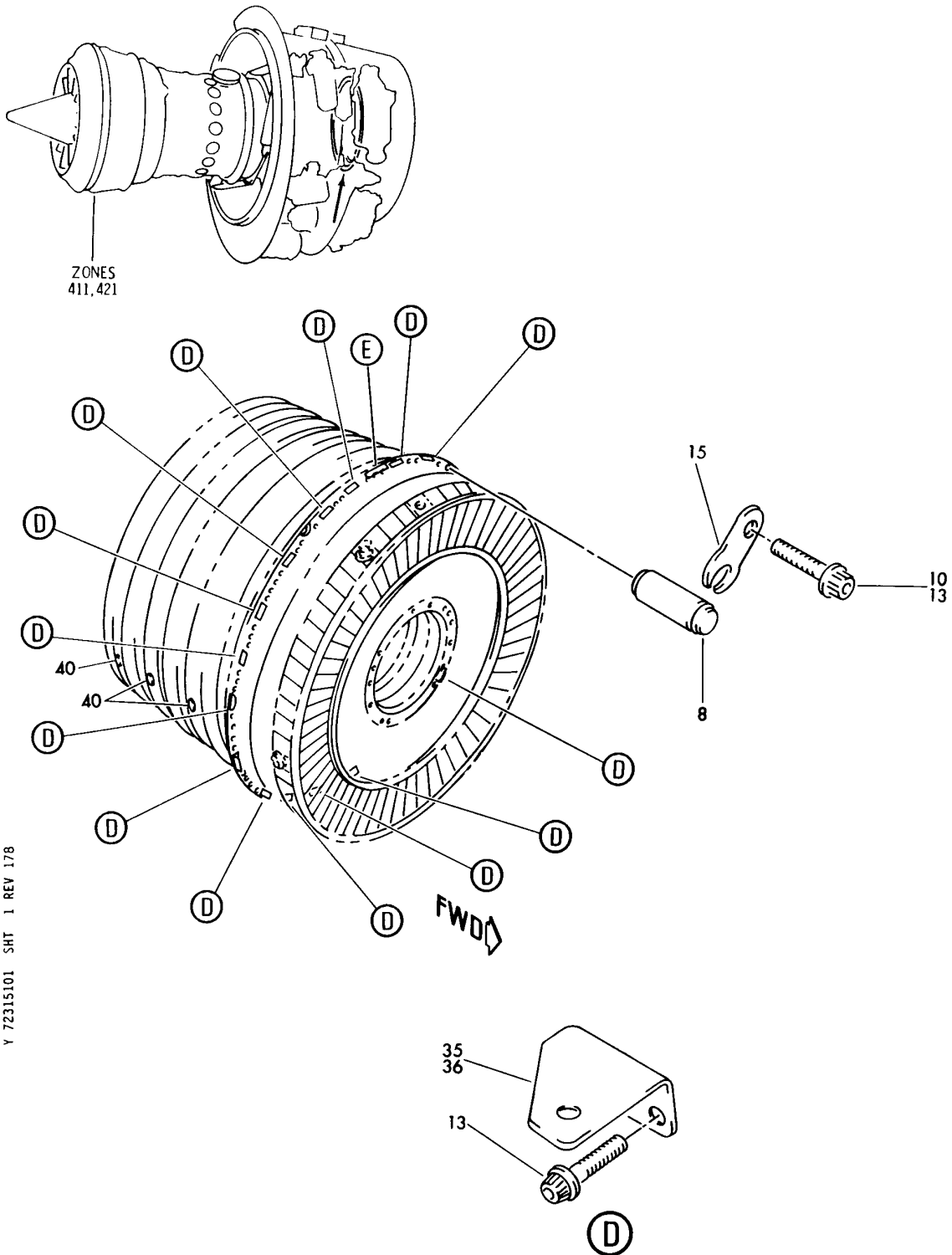
BRI

72-31-11-04

BOEING PROPRIETARY - Copyright © - Unpublished Work - See title page for details.

72-31-11
FIG. 04
PAGE 10
JAN 20/09

BOEING
757
PARTS CATALOG (MAINTENANCE)



Y 72315101 SHT 1 REV 178

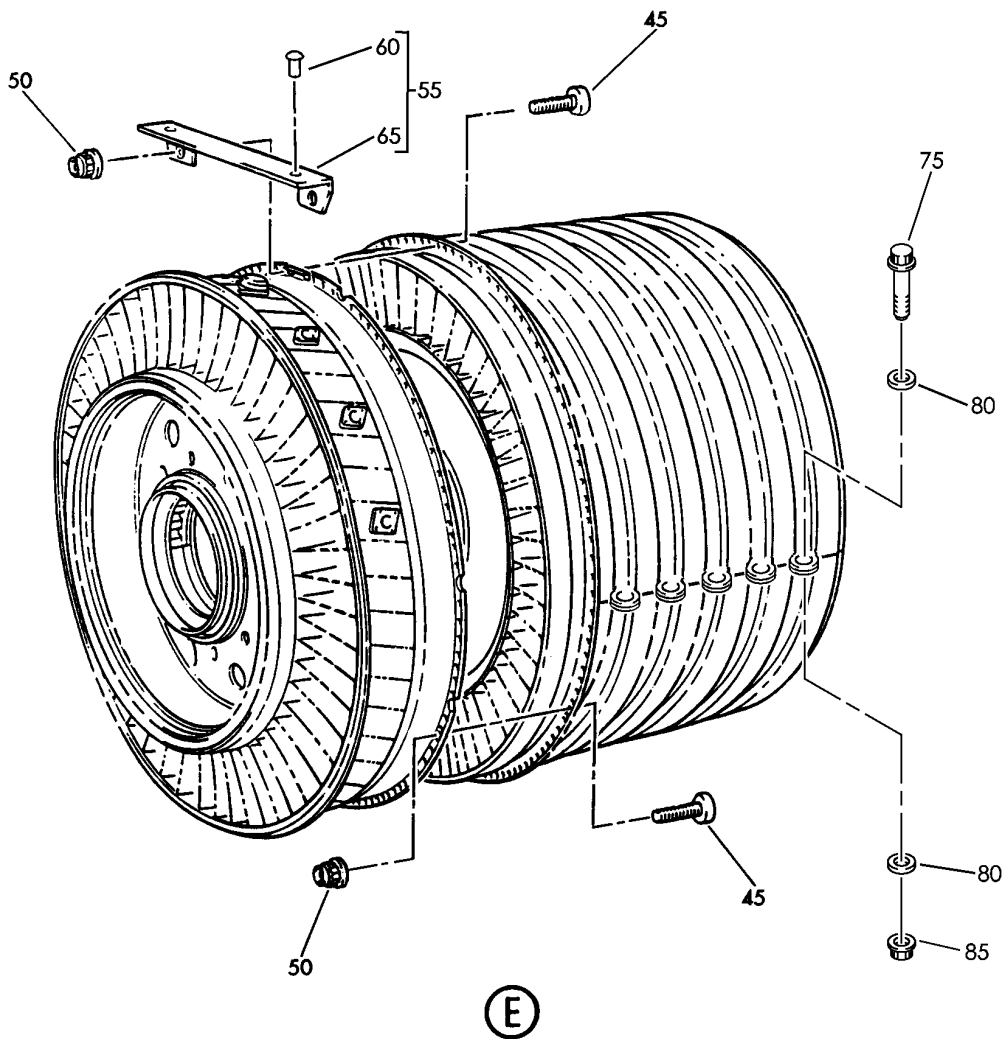
MODULE-IP CPRSR (RB211-535)
FIGURE 1 (SHEET 1)

72-31-51-01

BRI
MAY 28/07

72-31-51-01
PAGE 0

BOEING
757
PARTS CATALOG (MAINTENANCE)



Y 72315101 SHT 2 REV 227

MODULE-IP CPRSR (RB211-535)
FIGURE 1 (SHEET 2)

72-31-51-01

BRI
MAY 28/07

72-31-51-01
PAGE 0A

 **BOEING**
757
PARTS CATALOG (MAINTENANCE)

FIG ITEM	PART NUMBER	1 2 3 4 5 6 7	NOMENCLATURE	EFFECT FROM TO	UNITS PER ASSY
1			MODULE-IP CPRSR (RB211-535)	002004 006999	
- 1	UL20697		ENGINE ASSY-Q.E.C.U. RB211-535E43711 MAXIMUM NEUT WITH GRAVINER FIRE DETECTORS, BAYONET MCD, NON-MODULATED IDG COOLING 40,000 LB THRUST SUPPLIER CODE: VK0680 REFERENCE SERVICE BULLETIN: 71-0058R4 QUALIFIED SB I/W DATA: INTERMIX OF ONE OR SUBSTITUTION OF TWO DIFFERENT CONFIGURATION RB211-535E4-37/() ENGINES FOR RB211-535 E4 BASE ENGINES REFERENCE SERVICE BULLETIN: RB211-72-C547 VK0680 FOR NHA/OTHER SYS DET SEE: 71-00-02-04	121503 904949 952999	RF
- 1	UL20702		ENGINE ASSY-Q.E.C.U. RB211-535E43711 BASIC ENG CONFIGURATION WITH GRAVINER FIRE DETECTORS, BAYONET MCD, NON-MODULATED IDG COOLING 40,100 LB THRUST SUPPLIER CODE: VK0680 FOR NHA/OTHER SYS DET SEE: 71-00-02-10	504903	RF
- 1	UL19722		ENGINE ASSY-Q.E.C.U. RB211-535E43711 MAXIMUM NEUT SUPPLIER CODE: VK0680 FOR NHA/OTHER SYS DET SEE: 71-00-02-04	107107	RF

MISSING ITEM NUMBERS NOT APPLICABLE

- ITEM NOT ILLUSTRATED

BRI

72-31-51-01

BOEING PROPRIETARY - Copyright © - Unpublished Work - See title page for details.

72-31-51
FIG. 01
PAGE 1
JAN 20/09



757

PARTS CATALOG (MAINTENANCE)

FIG ITEM	PART NUMBER	1 2 3 4 5 6 7	NOMENCLATURE	EFFECT FROM TO	UNITS PER ASSY
1					
- 2	UL20698		ENGINE ASSY-Q.E.C.U. RB211-535E412 MAXIMUM NEUT SUPPLIER CODE: VK0680 REFERENCE SERVICE BULLETIN: 71-0058R7 QUALIFIED SB I/W DATA: INTERMIX OF ONE OR SUBSTITUTION OF TWO DIFFERENT CONFIGURATION RB211-535E4-37/() ENGINES FOR RB211-535E4 BASE ENGINES OR DIFFERENT CONFIGURATION RB211-535E4-B-37/() ENGINES FOR RB211-535E4-B BASE ENGINES REFERENCE SERVICE BULLETIN: RB211-72C547 VK0680 RB211-72-8910 VK0680 POST RAPID REVISION: RR92014-183A-RC-E FOR NHA/OTHER SYS DET SEE: 71-00-02-04	002004 006100 102102	RF
- 2	UL36209		ENGINE ASSY-Q.E.C.U. RB211-535E43719 MAXIMUM NEUT SUPPLIER CODE: VK0680 FOR NHA/OTHER SYS DET SEE: 71-00-02-04	950951	RF
- 3	BCREF17395		ENGINE ASSY-Q.E.C.U. RB211-535E43739 BASIC ENG CONFIGURATION AND PHASE 5 COMBUSTOR 40,100 LB THRUST SUPPLIER CODE: VK0680 OVERLENGTH PART NUMBER: RB211-535E4-37-39E FOR NHA/OTHER SYS DET SEE: 71-00-02-10	108120	RF

MISSING ITEM NUMBERS NOT APPLICABLE

- ITEM NOT ILLUSTRATED

BRI

72-31-51-01

BOEING PROPRIETARY - Copyright © - Unpublished Work - See title page for details.

72-31-51
FIG. 01
PAGE 2
JAN 20/09



757

PARTS CATALOG (MAINTENANCE)

FIG ITEM	PART NUMBER	1 2 3 4 5 6 7	NOMENCLATURE	EFFECT FROM TO	UNITS PER ASSY
1					
- 3	BCREF17101		ENGINE ASSY-Q.E.C.U. RB211-535E43744 BASIC ENG CONFIGURATION BAYONET MCD AND PHASE 5 COMBUSTOR 40,100 LB THRUST SUPPLIER CODE: VK0680 OVERLENGTH PART NUMBER: RB211-535E4-3744E FOR NHA/OTHER SYS DET SEE: 71-00-02-10	103106	RF
- 3	UL38163		ENGINE ASSY-Q.E.C.U. RB211-535E43724 BASIC ENG ENG CONFIGURATION BAYONET MCD 40,100 LB THRUST THRUST SUPPLIER CODE: VK0680 FOR NHA/OTHER SYS DET SEE: 71-00-02-10	101101	RF
- 4	LK86228		.COMPRESSOR-IP MODULE SUPPLIER CODE: VK0680 FOR NHA/OTHER SYS DET SEE: 71-00-02-10	002004 006999	RF
- 4	UL16836		.COMPRESSOR-IP MINIMODULE SUPPLIER CODE: VK0680 PRE SERVICE BULLETIN: 72-7715 VK0680	107107 121949 952999	RF
- 4	UL18510		.COMPRESSOR-IP MINIMODULE SUPPLIER CODE: VK0680 POST SERVICE BULLETIN: 72-7715PT01 VK0680	002004 006999	RF
- 4	UL16838		.COMPRESSOR CASE AND ROTOR- MINI MODULE NO. 2-IP SUPPLIER CODE: VK0680	002004 006999	RF
- 4	UL18510		.COMPRESSOR-IP MINIMODULE SUPPLIER CODE: VK0680 CONFIG CHG DATA FROM A CMM: FOR INTRCHG SEE RR IPC POST SERVICE BULLETIN: 72-7715PT01 VK0680	108120	RF

MISSING ITEM NUMBERS NOT APPLICABLE

- ITEM NOT ILLUSTRATED

72-31-51-01

72-31-51
FIG. 01
PAGE 3
JAN 20/09

BRI



757

PARTS CATALOG (MAINTENANCE)

FIG ITEM	PART NUMBER	1 2 3 4 5 6 7	NOMENCLATURE	EFFECT FROM TO	UNITS PER ASSY
1					
- 4	UL24049		.COMPRESSOR-IP MODULE SUPPLIER CODE: VK0680 CONFIG CHG DATA FROM A CMM: FOR INTRCHG SEE RR IPC POST SERVICE BULLETIN: 72-7715PT01 VK0680	108120	RF
8	KB23759		..PIN- SUPPLIER CODE: VK0680	002004 006999	14
13	AS24018		..BOLT-	002004 006999	112
15	KB23807		..PLATE- SUPPLIER CODE: VK0680	002004 006999	14
36	UL11920		..BRACKET-ANGLE SERVICE TUBES & HARNESS SUPPLIER CODE: VK0680 POST SERVICE BULLETIN: 71-7751PT01 VK0680	002004 006102 107107 121999	13
40	LK65248		..PLUG-INTRASCOPE HOLES (TRANSPORTATION ONLY) SUPPLIER CODE: VK0680	002004 006999	3

MISSING ITEM NUMBERS NOT APPLICABLE

- ITEM NOT ILLUSTRATED

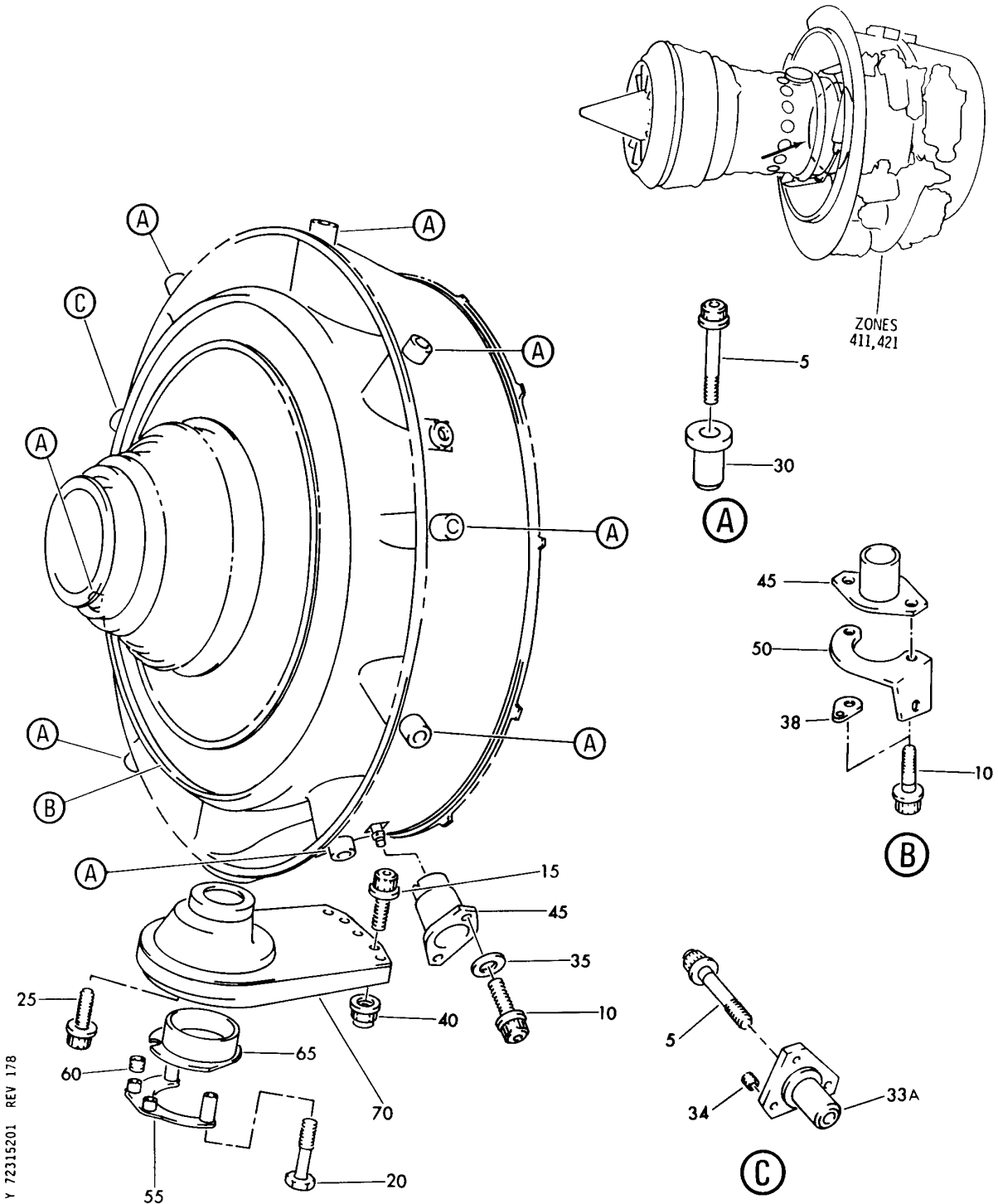
BRI

72-31-51-01

BOEING PROPRIETARY - Copyright © - Unpublished Work - See title page for details.

72-31-51
FIG. 01
PAGE 4
JAN 20/09

BOEING
757
PARTS CATALOG (MAINTENANCE)



Y 72315201 REV 178

CASE-CPRSR INTERMEDIATE MODULE O3 (RB211-535)
FIGURE 1

72-31-52-01

BRI
MAY 28/07

72-31-52-01
PAGE 0



757

PARTS CATALOG (MAINTENANCE)

FIG ITEM	PART NUMBER	1 2 3 4 5 6 7	NOMENCLATURE	EFFECT FROM TO	UNITS PER ASSY
1			CASE-CPRSR INTERMEDIATE MODULE 03 (RB211-535)	002004 006999	
- 1	UL20697		ENGINE ASSY-Q.E.C.U. RB211-535E43711 MAXIMUM NEUT WITH GRAVINER FIRE DETECTORS, BAYONET MCD, NON-MODULATED IDG COOLING 40,000 LB THRUST SUPPLIER CODE: VK0680 REFERENCE SERVICE BULLETIN: 71-0058R4 QUALIFIED SB I/W DATA: INTERMIX OF ONE OR SUBSTITUTION OF TWO DIFFERENT CONFIGURATION RB211-535E4-37/()	121503 904949 952999	RF
- 1	UL20702		ENGINE ASSY-Q.E.C.U. RB211-535E43711 BASIC ENG CONFIGURATION WITH GRAVINER FIRE DETECTORS, BAYONET MCD, NON-MODULATED IDG COOLING 40,100 LB THRUST SUPPLIER CODE: VK0680 FOR NHA/OTHER SYS DET SEE: 71-00-02-04	504903	RF
- 1	UL19722		ENGINE ASSY-Q.E.C.U. RB211-535E43711 MAXIMUM NEUT SUPPLIER CODE: VK0680 FOR NHA/OTHER SYS DET SEE: 71-00-02-04	107107	RF

MISSING ITEM NUMBERS NOT APPLICABLE

- ITEM NOT ILLUSTRATED

BRI

72-31-52-01

BOEING PROPRIETARY - Copyright © - Unpublished Work - See title page for details.

72-31-52
FIG. 01
PAGE 1
JAN 20/09



757

PARTS CATALOG (MAINTENANCE)

FIG ITEM	PART NUMBER	1 2 3 4 5 6 7	NOMENCLATURE	EFFECT FROM TO	UNITS PER ASSY
1					
- 2	UL20698		ENGINE ASSY-Q.E.C.U. RB211-535E43712 MAXIMUM NEUT SUPPLIER CODE: VK0680 REFERENCE SERVICE BULLETIN: 71-0058R7 QUALIFIED SB I/W DATA: INTERMIX OF ONE OR SUBSTITUTION OF TWO DIFFERENT CONFIGURATION RB211-535E4-37/() ENGINES FOR RB211-535E4 BASE ENGINES OR DIFFERENT CONFIGURATION RB211-535E4-B-37/() ENGINES FOR RB211-535E4-B BASE ENGINES REFERENCE SERVICE BULLETIN: RB211-72C547 VK0680 RB211-72-8910 VK0680 POST RAPID REVISION: RR92014-183A-RC-E FOR NHA/OTHER SYS DET SEE: 71-00-02-04	002004 006100 102102	RF
- 2	UL36209		ENGINE ASSY-Q.E.C.U. RB211-535E43719 MAXIMUM NEUT SUPPLIER CODE: VK0680 FOR NHA/OTHER SYS DET SEE: 71-00-02-04	950951	RF
- 3	BCREF17395		ENGINE ASSY-Q.E.C.U. RB211-535E43739 BASIC ENG CONFIGURATION AND PHASE 5 COMBUSTOR 40,100 LB THRUST SUPPLIER CODE: VK0680 OVERLENGTH PART NUMBER: RB211-535E4-37-39E FOR NHA/OTHER SYS DET SEE: 71-00-02-10	108120	RF

MISSING ITEM NUMBERS NOT APPLICABLE

- ITEM NOT ILLUSTRATED

BRI

72-31-52-01

BOEING PROPRIETARY - Copyright © - Unpublished Work - See title page for details.

72-31-52
FIG. 01
PAGE 2
JAN 20/09



757

PARTS CATALOG (MAINTENANCE)

FIG ITEM	PART NUMBER	1 2 3 4 5 6 7	NOMENCLATURE	EFFECT FROM TO	UNITS PER ASSY
1					
- 3	BCREF17101		ENGINE ASSY-Q.E.C.U. RB211-535E43744 BASIC ENG CONFIGURATION,BAYONET MCD AND PHASE 5 COMBUSTOR 40,100 LB THRUST SUPPLIER CODE: VK0680 OVERLENGTH PART NUMBER: RB211-535E4-3744E FOR NHA/OTHER SYS DET SEE: 71-00-02-10	103106	RF
- 3	UL38163		ENGINE ASSY-Q.E.C.U. RB211-535E43724 BASIC ENG CONFIGURATION,BAYONET MCD 40,100 LB THRUST SUPPLIER CODE: VK0680 FOR NHA/OTHER SYS DET SEE: 71-00-02-10	101101	RF
- 4	LK86719		.MODULE INSTL- INTERMEDIATE SUPPLIER CODE: VK0680	002004 006999	RF
5	AS24029		..BOLT	002004 006999	9
10	AS21010		..BOLT	002004 006999	4
15	AS20912		..BOLT	002004 006999	5
20	BLT4162		..BOLT- SUPPLIER CODE: VK0680	002004 006999	2
25	AS21011		..BOLT	002004 006999	1
30	LK75635		..PIN- SUPPLIER CODE: VK0680	002004 006999	8
33A	LK86715		..PIN- SUPPLIER CODE: VK0680	002004 006999	1
34	AGS3731		...INSERT-	002004 006999	3
35	AS12944		..WASHER	002004 006999	2
38	CU37148		..WASHER- SUPPLIER CODE: VK0680	002004 006999	1
40	AS27822		..NUT-SELF LOCKING	002004 006999	5

MISSING ITEM NUMBERS NOT APPLICABLE

- ITEM NOT ILLUSTRATED

72-31-52-01

72-31-52
FIG. 01
PAGE 3
JAN 20/09

BRI



757

PARTS CATALOG (MAINTENANCE)

FIG ITEM	PART NUMBER	1 2 3 4 5 6 7	NOMENCLATURE	EFFECT FROM TO	UNITS PER ASSY
1					
45	LK75636		..BUSHING-OIL FEED AND VENT TUBES FLANGED SUPPLIER CODE: VK0680	002004 006999	2
50	LK78419		..BRACKET-HP3 AIR TUBE ANGL SUPPLIER CODE: VK0680	002004 006999	1
55	LK84373		..PLATE ASSY-BRG HSG SPRT SUPPLIER CODE: VK0680	002004 006999	1
60	AGS3707		...INSERT	002004 006999	2
65	LK75634		..BUSHING-HS GEARBOX DRIVE FLANGED SUPPLIER CODE: VK0680	002004 006999	1
70	LK76630		..SUPPORT ASSY-GAS GEN FAIRING SUPPLIER CODE: VK0680	002004 006999	1

MISSING ITEM NUMBERS NOT APPLICABLE

- ITEM NOT ILLUSTRATED

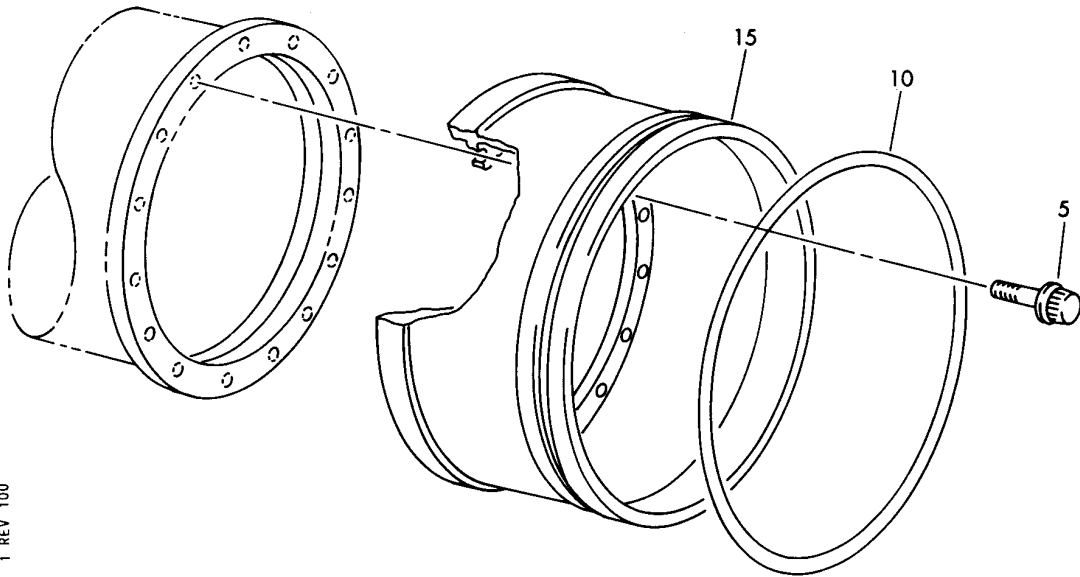
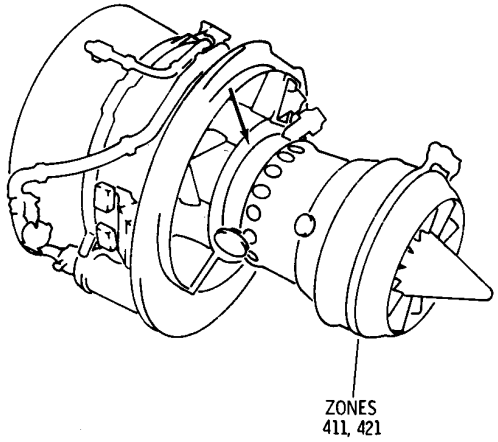
BRI

72-31-52-01

BOEING PROPRIETARY - Copyright © - Unpublished Work - See title page for details.

72-31-52
FIG. 01
PAGE 4
JAN 20/09

BOEING
757
PARTS CATALOG (MAINTENANCE)



Y 72315202 SHI 1 REV 100

CASE-CPRSR INTERMEDIATE MODULE 03 (RB211-535)
FIGURE 2

72-31-52-02

BRI
MAY 28/07

72-31-52-02
PAGE 0



757

PARTS CATALOG (MAINTENANCE)

FIG ITEM	PART NUMBER	1 2 3 4 5 6 7	NOMENCLATURE	EFFECT FROM TO	UNITS PER ASSY
2					
- 1	UL19722		CASE-CPRSR INTERMEDIATE MODULE 03 (RB211-535) ENGINE ASSY-Q.E.C.U. RB211-535E43711 MAXIMUM NEUT SUPPLIER CODE: VK0680 FOR NHA/OTHER SYS DET SEE: 71-00-02-04	002004 006999 107107	RF
- 1	UL20697		ENGINE ASSY-Q.E.C.U. RB211-535E43711 MAXIMUM NEUT WITH GRAVINER FIRE DETECTORS, BAYONET MCD, NON-MODULATED IDG COOLING 40,000 LB THRUST SUPPLIER CODE: VK0680 REFERENCE SERVICE BULLETIN: 71-0058R4 QUALIFIED SB I/W DATA: INTERMIX OF ONE OR SUBSTITUTION OF TWO DIFFERENT CONFIGURATION RB211-535E4-37/() ENGINES FOR RB211-535 E4 BASE ENGINES REFERENCE SERVICE BULLETIN: RB211-72-C547 VK0680 FOR NHA/OTHER SYS DET SEE: 71-00-02-04	121503 904949 952999	RF

MISSING ITEM NUMBERS NOT APPLICABLE

- ITEM NOT ILLUSTRATED

BRI

72-31-52-02

BOEING PROPRIETARY - Copyright © - Unpublished Work - See title page for details.

72-31-52
FIG. 02
PAGE 1
JAN 20/09



757

PARTS CATALOG (MAINTENANCE)

FIG ITEM	PART NUMBER	1 2 3 4 5 6 7	NOMENCLATURE	EFFECT FROM TO	UNITS PER ASSY
2 - 1	UL20698		ENGINE ASSY-Q.E.C.U. RB211-535E43712 MAXIMUM NEUT SUPPLIER CODE: VK0680 REFERENCE SERVICE BULLETIN: 71-0058R7 QUALIFIED SB I/W DATA: INTERMIX OF ONE OR SUBSTITUTION OF TWO DIFFERENT CONFIGURATION RB211-535E4-37/() ENGINES FOR RB211-535E4 BASE ENGINES OR DIFFERENT CONFIGURATION RB211-535E4-B-37/() ENGINES FOR RB211-535E4-B BASE ENGINES REFERENCE SERVICE BULLETIN: RB211-72C547 VK0680 RB211-72-8910 VK0680 POST RAPID REVISION: RR92014-183A-RC-E FOR NHA/OTHER SYS DET SEE: 71-00-02-04	002004 006100 102102	RF
- 1	UL36209		ENGINE ASSY-Q.E.C.U. RB211-535E43719 MAXIMUM NEUT SUPPLIER CODE: VK0680 FOR NHA/OTHER SYS DET SEE: 71-00-02-04	950951	RF
- 2	UL20702		ENGINE ASSY-Q.E.C.U. RB211-535E43711 BASIC ENG CONFIGURATION WITH GRAVINER FIRE DETECTORS, BAYONET MCD, NON-MODULATED IDG COOLING 40,100 LBS THRUST SUPPLIER CODE: VK0680 FOR NHA/OTHER SYS DET SEE: 71-00-02-10	504903	RF

MISSING ITEM NUMBERS NOT APPLICABLE

- ITEM NOT ILLUSTRATED

BRI

72-31-52-02

BOEING PROPRIETARY - Copyright © - Unpublished Work - See title page for details.

72-31-52
FIG. 02
PAGE 2
JAN 20/09



757

PARTS CATALOG (MAINTENANCE)

FIG ITEM	PART NUMBER	1 2 3 4 5 6 7	NOMENCLATURE	EFFECT FROM TO	UNITS PER ASSY
2					
- 3	BCREF17395		ENGINE ASSY-Q.E.C.U. RB211-535E43739 BASIC ENG CONFIGURATION AND PHASE 5 COMBUSTOR 40,100 LB THRUST SUPPLIER CODE: VK0680 OVERLENGTH PART NUMBER: RB211-535E4-37-39E FOR NHA/OTHER SYS DET SEE: 71-00-02-10	108120	RF
- 3	BCREF17101		ENGINE ASSY-Q.E.C.U. RB211-535E43744 BASIC ENG CONFIGURATION BAYONET MCD AND PHASE 5 COMBUSTOR 40,100 LB THRUST SUPPLIER CODE: VK0680 OVERLENGTH PART NUMBER: RB211-535E4-3744E FOR NHA/OTHER SYS DET SEE: 71-00-02-10	103106	RF
- 3	UL38163		ENGINE ASSY-Q.E.C.U. RB211-535E43724 BASIC ENG CONFIGURATION BAYONET MCD 40,100 LB THRUST SUPPLIER CODE: VK0680 FOR NHA/OTHER SYS DET SEE: 71-00-02-10	101101	RF
5	AS21010		.BOLT	002004 006999	16
10	AS43013-266		.RING-TOROIDAL SEAL POST SERVICE BULLETIN: 72-7651PT03 VK0680	002004 006999	1

MISSING ITEM NUMBERS NOT APPLICABLE

- ITEM NOT ILLUSTRATED

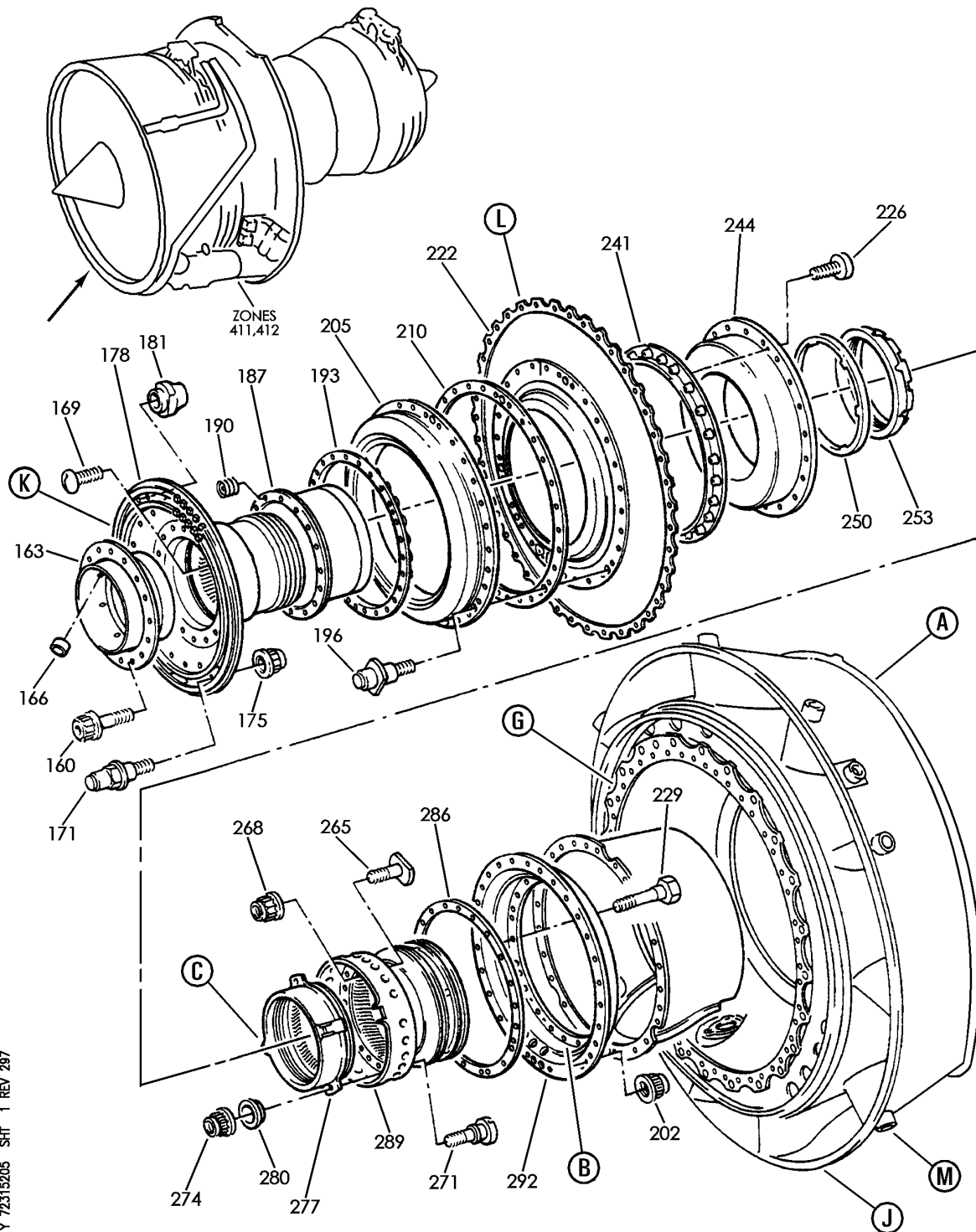
BRI

72-31-52-02

BOEING PROPRIETARY - Copyright © - Unpublished Work - See title page for details.

72-31-52
FIG. 02
PAGE 3
JAN 20/09

BOEING
757
PARTS CATALOG (MAINTENANCE)



Y 72315205 SHT 1 REV 297

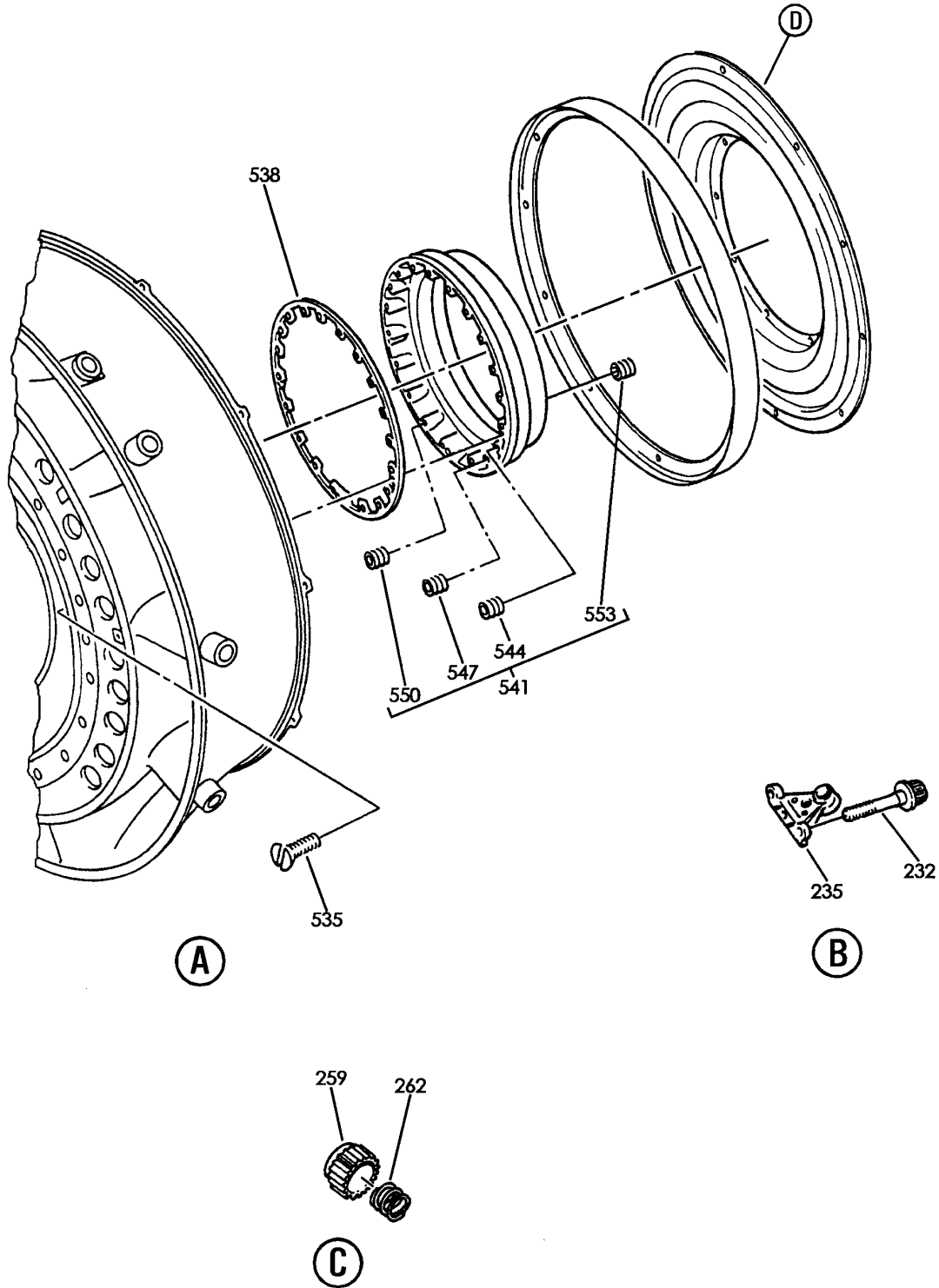
CASE-CPRSR INTERMEDIATE MODULE 03 (RB211-535)
FIGURE 5 (SHEET 1)

72-31-52-05

BRI
MAY 28/07

72-31-52-05
PAGE 0

BOEING
757
PARTS CATALOG (MAINTENANCE)



Y 72315205 SHT 2 REV 209

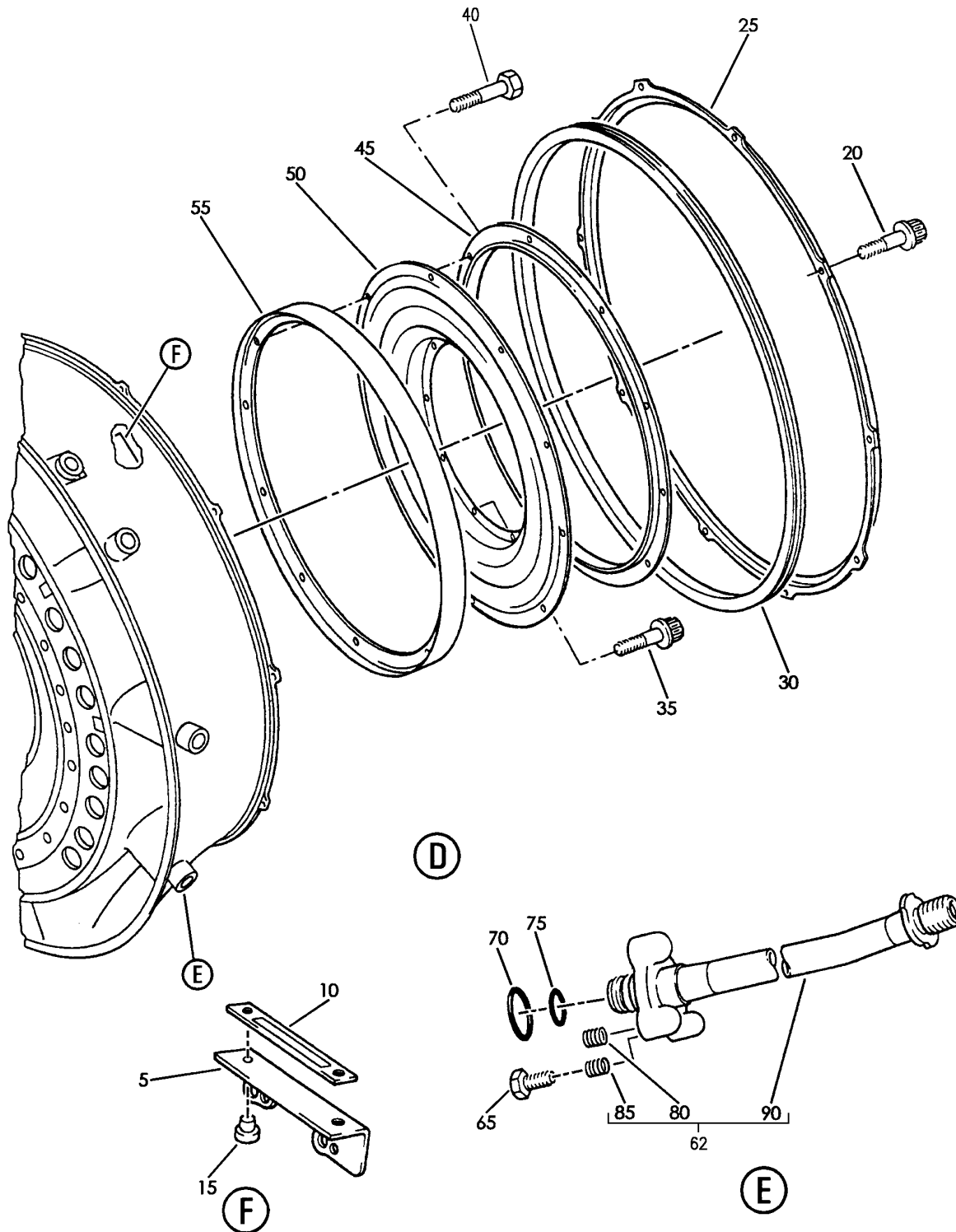
CASE-CPRSR INTERMEDIATE MODULE 03 (RB211-535)
FIGURE 5 (SHEET 2)

72-31-52-05

BRI
MAY 28/07

72-31-52-05
PAGE 0A

BOEING
757
PARTS CATALOG (MAINTENANCE)



Y 72315205 SHT 3 REV 280

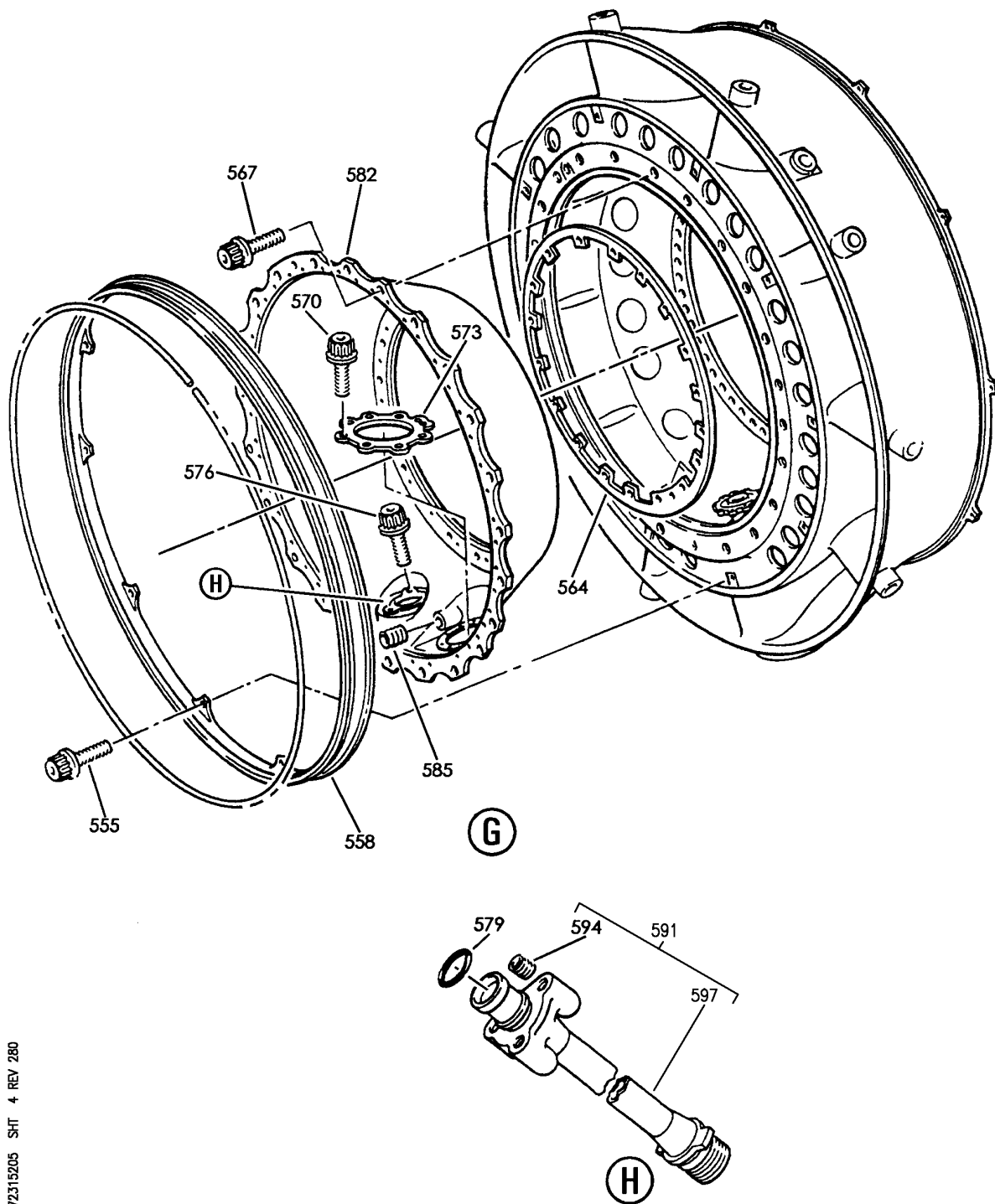
CASE-CPRSR INTERMEDIATE MODULE O3 (RB211-535)
FIGURE 5 (SHEET 3)

72-31-52-05

BRI
MAY 28/07

72-31-52-05
PAGE 0B

BOEING
757
PARTS CATALOG (MAINTENANCE)



Y 72315205 SHT 4 REV 280

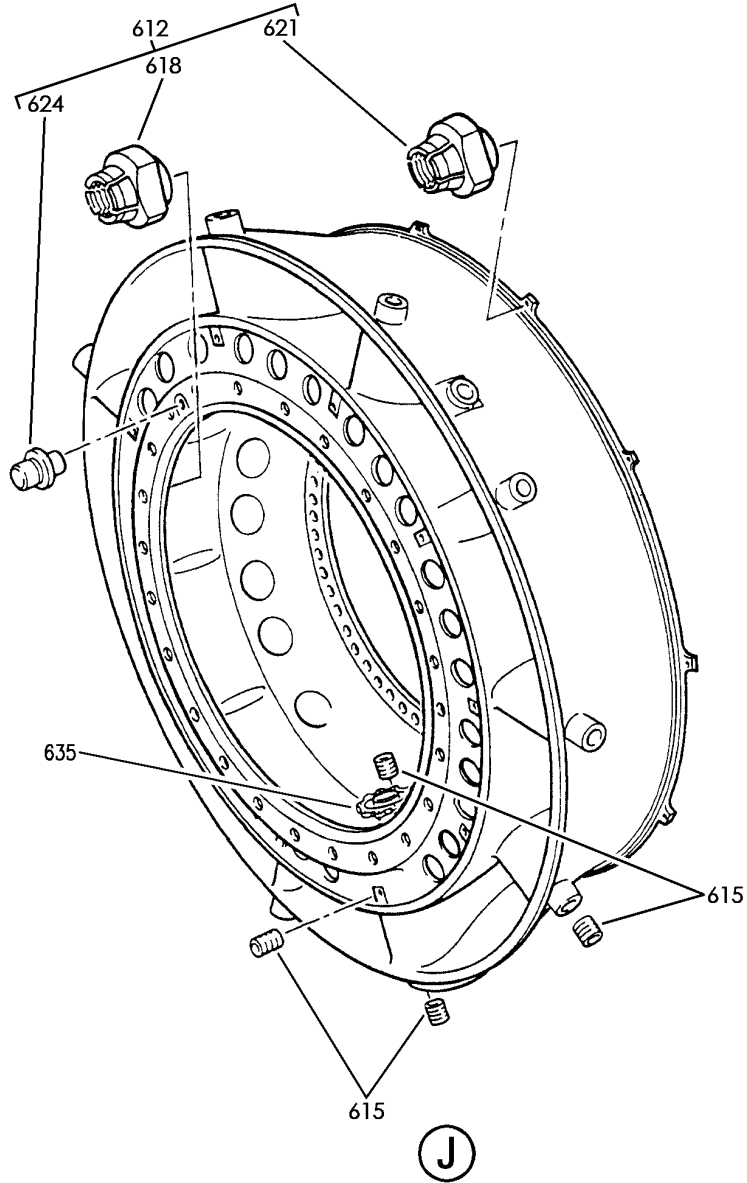
CASE-CPRSR INTERMEDIATE MODULE 03 (RB211-535)
FIGURE 5 (SHEET 4)

72-31-52-05

BRI
MAY 28/07

72-31-52-05
PAGE 0C

BOEING
757
PARTS CATALOG (MAINTENANCE)



Y 72315205 SH1 5 REV 287

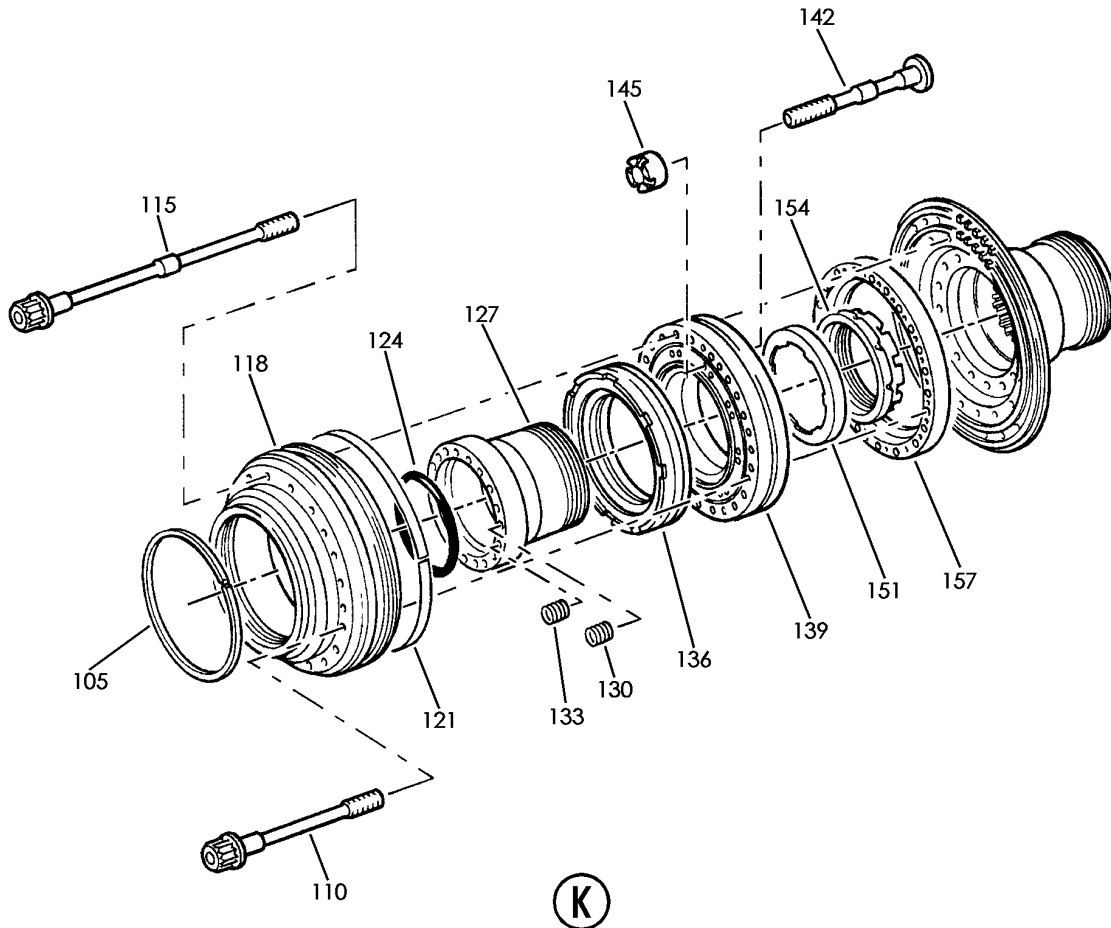
CASE-CPRSR INTERMEDIATE MODULE 03 (RB211-535)
FIGURE 5 (SHEET 5)

72-31-52-05

BRI
MAY 28/07

72-31-52-05
PAGE 0D

BOEING
757
PARTS CATALOG (MAINTENANCE)



Y 72315205 SHT 6 REV 280

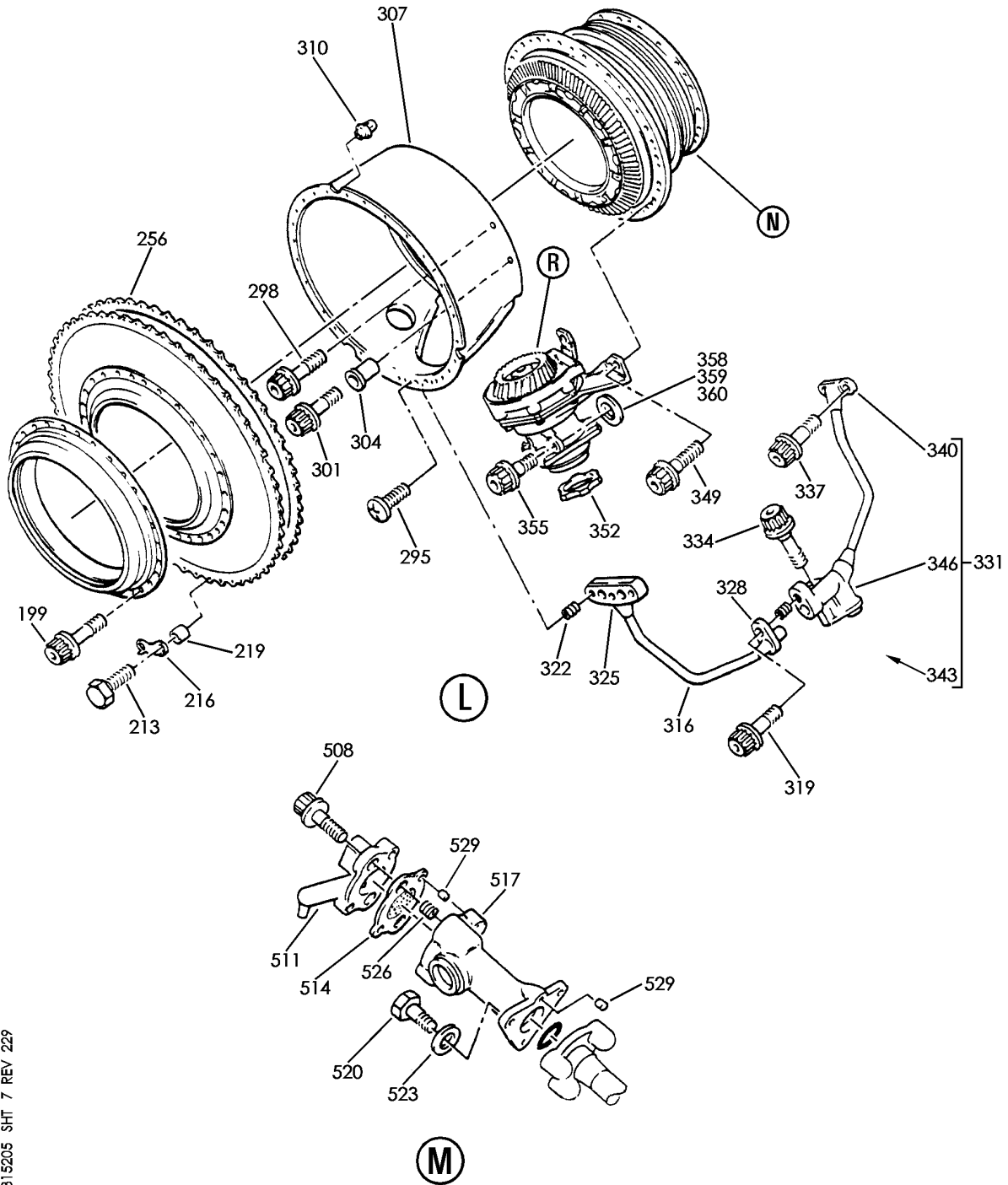
CASE-CPRSR INTERMEDIATE MODULE 03 (RB211-535)
FIGURE 5 (SHEET 6)

72-31-52-05

BRI
MAY 28/07

72-31-52-05
PAGE 0E

BOEING
757
PARTS CATALOG (MAINTENANCE)



Y 72315205 SHT 7 REV 229

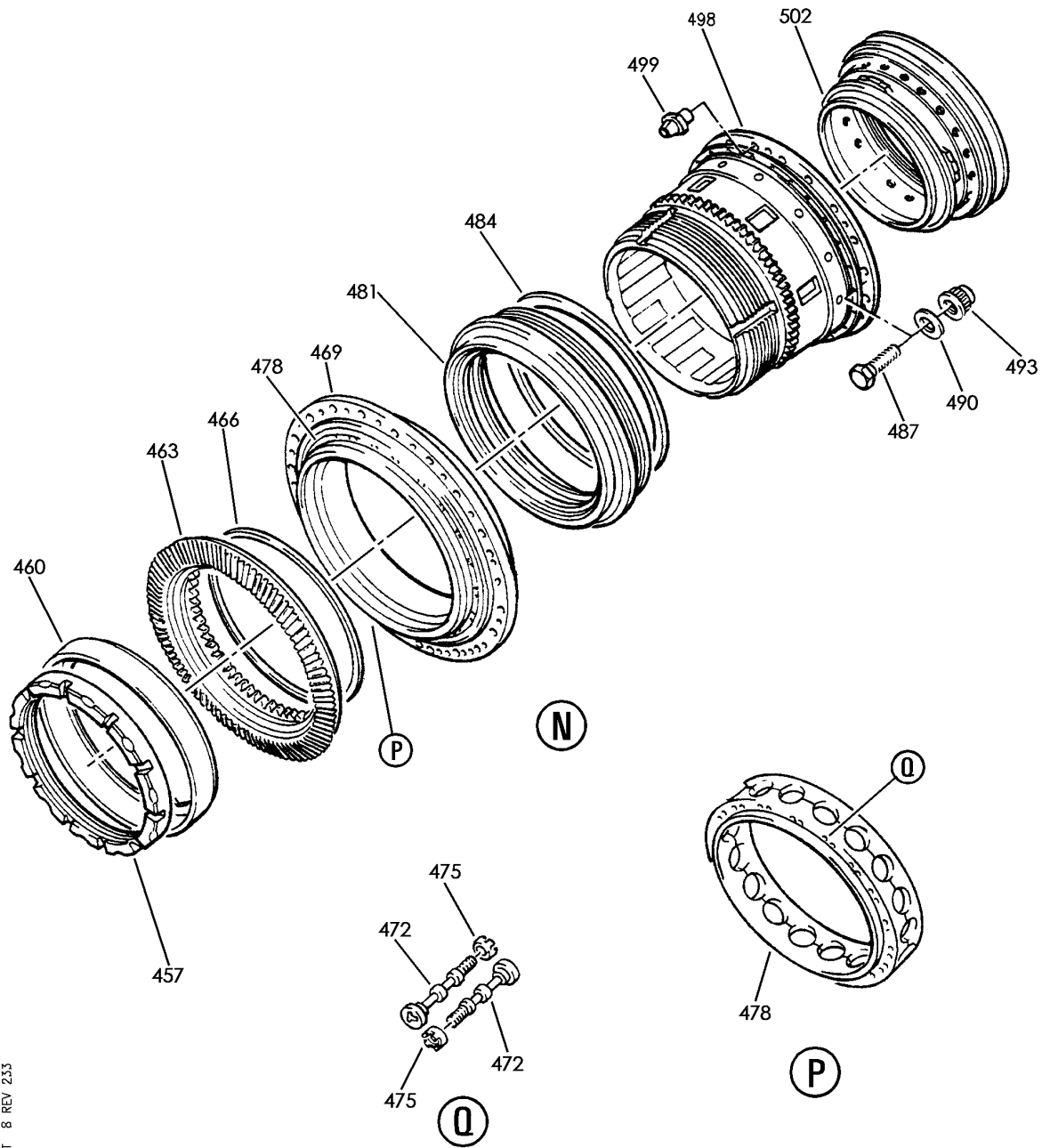
CASE-CPRSR INTERMEDIATE MODULE 03 (RB211-535)
FIGURE 5 (SHEET 7)

72-31-52-05

BRI
MAY 28/07

72-31-52-05
PAGE OF

BOEING
757
PARTS CATALOG (MAINTENANCE)



Y 72315205 SH 8 REV 233

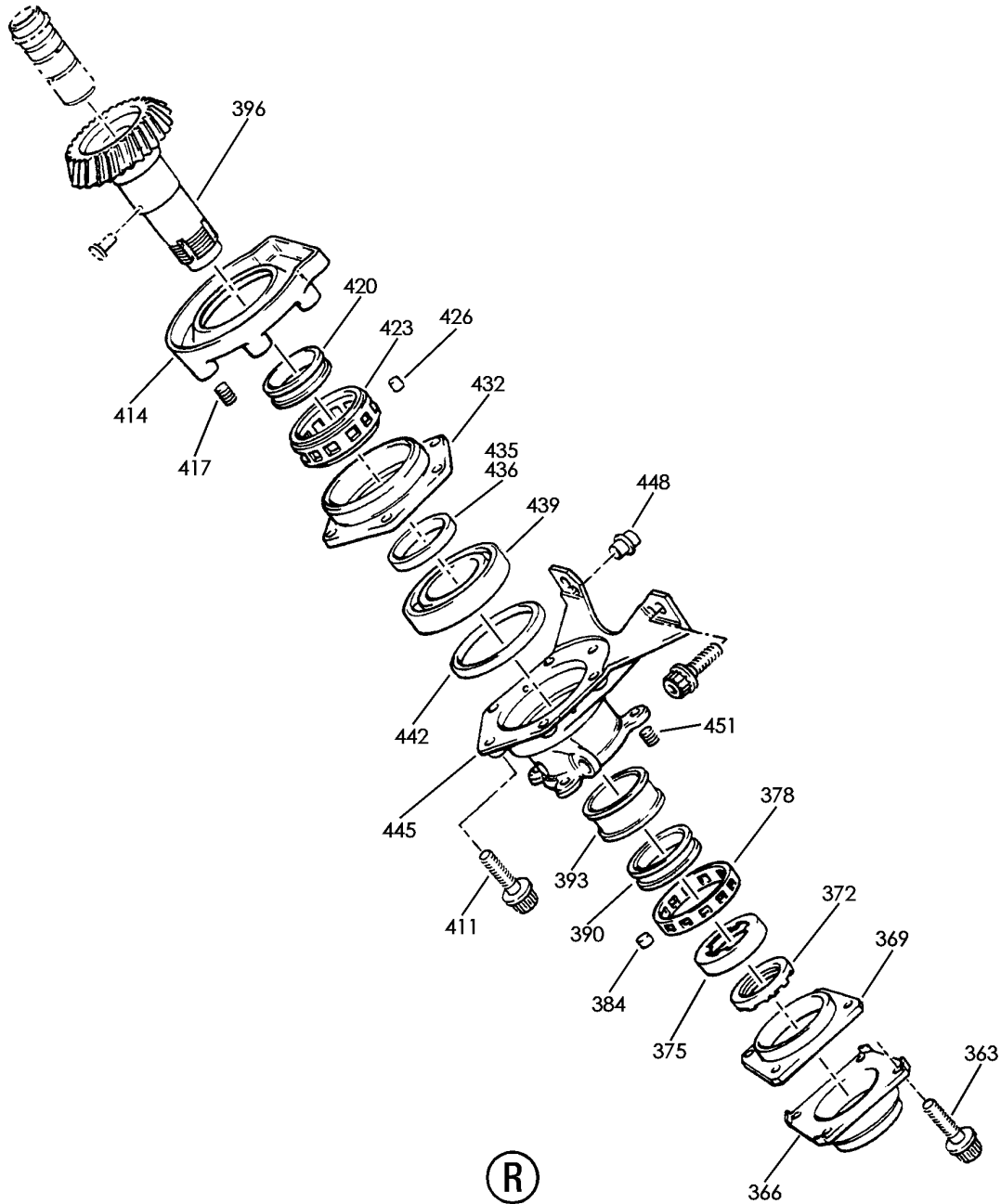
CASE-CPRSR INTERMEDIATE MODULE O3 (RB211-535)
FIGURE 5 (SHEET 8)

72-31-52-05

BRI
MAY 28/07

72-31-52-05
PAGE 06

BOEING
757
PARTS CATALOG (MAINTENANCE)



Y 72315205 SHT 9 REV 280

CASE-CPRSR INTERMEDIATE MODULE 03 (RB211-535)
FIGURE 5 (SHEET 9)

72-31-52-05

BRI
MAY 28/07

72-31-52-05
PAGE 0H



757

PARTS CATALOG (MAINTENANCE)

FIG ITEM	PART NUMBER	1 2 3 4 5 6 7	NOMENCLATURE	EFFECT FROM TO	UNITS PER ASSY
5					
- 1	UL19722		CASE-CPRSR INTERMEDIATE MODULE 03 (RB211-535) ENGINE ASSY-Q.E.C.U. RB211-535E43711 MAXIMUM NEUT SUPPLIER CODE: VK0680 FOR NHA/OTHER SYS DET SEE: 71-00-02-04	002004 006999 107107	RF
- 1	UL20697		ENGINE ASSY-Q.E.C.U. RB211-535E43711 MAXIMUM NEUT WITH GRAVINER FIRE DETECTORS, BAYONET MCD, NON-MODULATED IDG COOLING 40,000 LB THRUST SUPPLIER CODE: VK0680 REFERENCE SERVICE BULLETIN: 71-0058R4 QUALIFIED SB I/W DATA: INTERMIX OF ONE OR SUBSTITUTION OF TWO DIFFERENT CONFIGURATION RB211-535E4-37/() ENGINES FOR RB211-535 E4 BASE ENGINES REFERENCE SERVICE BULLETIN: RB211-72-C547 VK0680 FOR NHA/OTHER SYS DET SEE: 71-00-02-04	121503 904949 952999	RF

MISSING ITEM NUMBERS NOT APPLICABLE

- ITEM NOT ILLUSTRATED

BRI

72-31-52-05

BOEING PROPRIETARY - Copyright © - Unpublished Work - See title page for details.

72-31-52
FIG. 05
PAGE 1
JAN 20/09



757

PARTS CATALOG (MAINTENANCE)

FIG ITEM	PART NUMBER	1 2 3 4 5 6 7	NOMENCLATURE	EFFECT FROM TO	UNITS PER ASSY
5 - 1	UL20698		ENGINE ASSY-Q.E.C.U. RB211-535E43712 MAXIMUM NEUT SUPPLIER CODE: VK0680 REFERENCE SERVICE BULLETIN: 71-0058R7 QUALIFIED SB I/W DATA: INTERMIX OF ONE OR SUBSTITUTION OF TWO DIFFERENT CONFIGURATION RB211-535E4-37/() ENGINES FOR RB211-535E4 BASE ENGINES OR DIFFERENT CONFIGURATION RB211-535E4-B-37/() ENGINES FOR RB211-535E4-B BASE ENGINES REFERENCE SERVICE BULLETIN: RB211-72C547 VK0680 RB211-72-8910 VK0680 POST RAPID REVISION: RR92014-183A-RC-E FOR NHA/OTHER SYS DET SEE: 71-00-02-04	002004 006100 102102	RF
- 1	UL20702		ENGINE ASSY-Q.E.C.U. RB211-535E43711 BASIC ENG CONFIGURATION WITH GRAVINER FIRE DETECTORS, BAYONET MCD, NON-MODULATED IDG COOLING 40,100 LB THRUST SUPPLIER CODE: VK0680 FOR NHA/OTHER SYS DET SEE: 71-00-02-10	504903	RF
- 1	UL36209		ENGINE ASSY-Q.E.C.U. RB211-535E43719 MAXIMUM NEUT SUPPLIER CODE: VK0680 FOR NHA/OTHER SYS DET SEE: 71-00-02-04	950951	RF

MISSING ITEM NUMBERS NOT APPLICABLE

- ITEM NOT ILLUSTRATED

72-31-52-05

72-31-52
FIG. 05
PAGE 2
JAN 20/09

BRI



757

PARTS CATALOG (MAINTENANCE)

FIG ITEM	PART NUMBER	1 2 3 4 5 6 7	NOMENCLATURE	EFFECT FROM TO	UNITS PER ASSY
5 -	3 BCREP17395		ENGINE ASSY-Q.E.C.U. RB211-535E43739 BASIC ENG CONFIGURATION AND PHASE 5 COMBUSTOR 40,100 LB THRUST SUPPLIER CODE: VK0680 OVERLENGTH PART NUMBER: RB211-535E4-37-39E FOR NHA/OTHER SYS DET SEE: 71-00-02-10	108120	RF
-	3 BCREP17101		ENGINE ASSY-Q.E.C.U. RB211-535E43744 BASIC ENG CONFIGURATION, BAYONET MCD AND PHASE 5 COMBUSTOR 40,100 LB THRUST SUPPLIER CODE: VK0680 OVERLENGTH PART NUMBER: RB211-535E4-3744E FOR NHA/OTHER SYS DET SEE: 71-00-02-10	103106	RF
-	3 UL38163		ENGINE ASSY-Q.E.C.U. RB211-535E43724 BASIS ENG CONFIGURATION, BAYONET MCD 40,100 LB THRUST SUPPLIER CODE: VK0680 FOR NHA/OTHER SYS DET SEE: 71-00-02-10	101101	RF
-	4 UL19958		.CASE-CPRSR INTERMEDIATE MODULE 03 SUPPLIER CODE: VK0680 POST SERVICE BULLETIN: 72-7768PT01 VK0680	002004 006999	RF
-	4 UL16342		.CASE-CPRSR INTERMEDIATE MODULE 03 SUPPLIER CODE: VK0680 PRE SERVICE BULLETIN: 72-7768 VK0680	002004 006100 102102 107107 121949 952999	RF
	5 LK77519		..BRACKET ASSY-MODULE IDENTIFICATION ANGLE SUPPLIER CODE: VK0680	002004 006999	1

MISSING ITEM NUMBERS NOT APPLICABLE

- ITEM NOT ILLUSTRATED

72-31-52-05

72-31-52
FIG. 05
PAGE 3
JAN 20/09

BRI



757

PARTS CATALOG (MAINTENANCE)

FIG ITEM	PART NUMBER	1 2 3 4 5 6 7	NOMENCLATURE	EFFECT FROM TO	UNITS PER ASSY
5					
10	LK45883		...PLATE-IDENT MODULE SUPPLIER CODE: V51563	002004 006999	1
75	EN3049B0132		...SEAL- SUPPLIER CODE: VI9005 POST SERVICE BULLETIN: 72-9351PT01 VK0680	002004 006999	1
115	BLT5481		..BOLT- SUPPLIER CODE: VK0680 POST SERVICE BULLETIN: 72-9342PT01 VK0680	002004 006999	30

MISSING ITEM NUMBERS NOT APPLICABLE

- ITEM NOT ILLUSTRATED

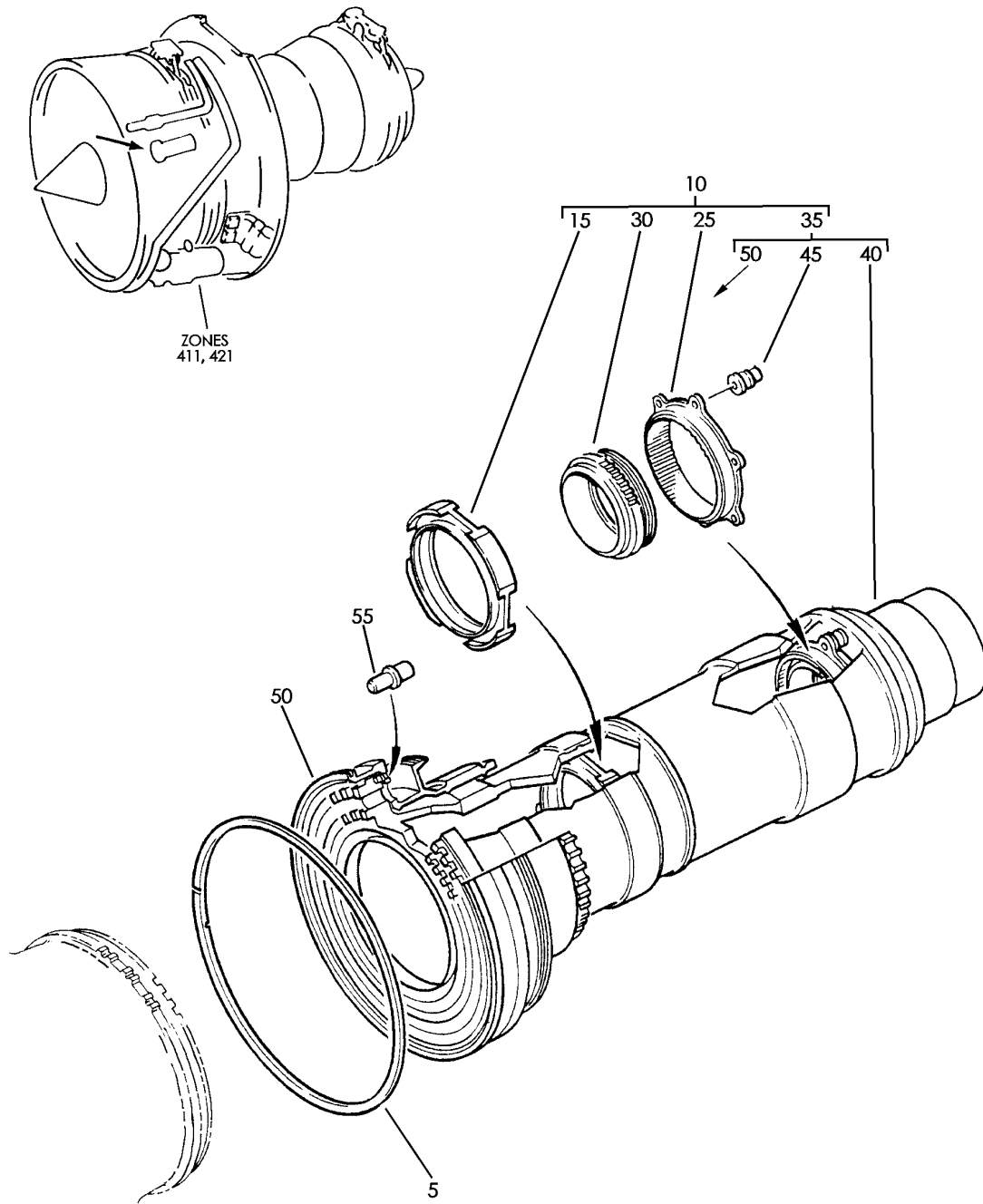
BRI

72-31-52-05

BOEING PROPRIETARY - Copyright © - Unpublished Work - See title page for details.

72-31-52
FIG. 05
PAGE 4
JAN 20/09

BOEING
757
PARTS CATALOG (MAINTENANCE)



Y 72315301 REV 228

LP COMPRESSOR ROTOR SHAFT (RB211-535)
FIGURE 1

72-31-53-01

BRI
MAY 28/07

72-31-53-01
PAGE 0



757

PARTS CATALOG (MAINTENANCE)

FIG ITEM	PART NUMBER	1 2 3 4 5 6 7	NOMENCLATURE	EFFECT FROM TO	UNITS PER ASSY
1			LP COMPRESSOR ROTOR SHAFT (RB211-535)	002004 006999	
- 1	UL19722		ENGINE ASSY-Q.E.C.U. RB211-535E43711 SUPPLIER CODE: VK0680 FOR NHA/OTHER SYS DET SEE: 71-00-02-04	107107	RF
- 1	UL20697		ENGINE ASSY-Q.E.C.U. RB211-535E43711 MAXIMUM NEUT WITH GRAVINER FIRE DETECTORS, BAYONET MCD, NON-MODULATED IDG COOLING 40,000 LB THRUST SUPPLIER CODE: VK0680 REFERENCE SERVICE BULLETIN: 71-0058R4 QUALIFIED SB I/W DATA: INTERMIX OF ONE OR SUBSTITUTION OF TWO DIFFERENT CONFIGURATION RB211-535E4-37/() ENGINES FOR RB211-535 E4 BASE ENGINES REFERENCE SERVICE BULLETIN: RB211-72-C547 VK0680 FOR NHA/OTHER SYS DET SEE: 71-00-02-04	121503 904949 952999	RF

MISSING ITEM NUMBERS NOT APPLICABLE

- ITEM NOT ILLUSTRATED

BRI

72-31-53-01

BOEING PROPRIETARY - Copyright © - Unpublished Work - See title page for details.

72-31-53
FIG. 01
PAGE 1
JAN 20/09



757

PARTS CATALOG (MAINTENANCE)

FIG ITEM	PART NUMBER	1 2 3 4 5 6 7	NOMENCLATURE	EFFECT FROM TO	UNITS PER ASSY
1					
- 1	UL20698		ENGINE ASSY-Q.E.C.U. RB211-535E43712 MAXIMUM NEUT SUPPLIER CODE: VK0680 REFERENCE SERVICE BULLETIN: 71-0058R7 QUALIFIED SB I/W DATA: INTERMIX OF ONE OR SUBSTITUTION OF TWO DIFFERENT CONFIGURATION RB211-535E4-37/() ENGINES FOR RB211-535E4 BASE ENGINES OR DIFFERENT CONFIGURATION RB211-535E4-B-37/() ENGINES FOR RB211-535E4-B BASE ENGINES REFERENCE SERVICE BULLETIN: RB211-72C547 VK0680 RB211-72-8910 VK0680 POST RAPID REVISION: RR92014-183A-RC-E FOR NHA/OTHER SYS DET SEE: 71-00-02-04	002004 006100 102102	RF
- 1	UL20702		ENGINE ASSY-Q.E.C.U. RB211-535E43711 BASIC ENG CONFIGURATION WITH GRAVINER FIRE DETECTORS, BAYONET MCD, NON-MODULATED IDG COOLING 40,100 LB THRUST SUPPLIER CODE: VK0680 FOR NHA/OTHER SYS DET SEE: 71-00-02-10	504903	RF
- 1	UL36209		ENGINE ASSY-Q.E.C.U. RB211-535E43719 MAXIMUM NEUT SUPPLIER CODE: VK0680 FOR NHA/OTHER SYS DET SEE: 71-00-02-04	950951	RF

MISSING ITEM NUMBERS NOT APPLICABLE

- ITEM NOT ILLUSTRATED

72-31-53-01

72-31-53
FIG. 01
PAGE 2
JAN 20/09

BRI



757

PARTS CATALOG (MAINTENANCE)

FIG ITEM	PART NUMBER	1 2 3 4 5 6 7	NOMENCLATURE	EFFECT FROM TO	UNITS PER ASSY
1					
- 3	BCREF17395		ENGINE ASSY-Q.E.C.U. RB211-535E43739 BASIC ENG ENG CONFIGURATION PHASE 5 40,100 LB THRUST SUPPLIER CODE: VK0680 OVERLENGTH PART NUMBER: RB211-535E4-37-39E FOR NHA/OTHER SYS DET SEE: 71-00-02-10	108120	RF
- 3	BCREF17101		ENGINE ASSY-Q.E.C.U. RB211-535E43744 BASIC ENG CONFIGURATION BAYONET MCD AND PHASE 5 COMBUSTOR 40,100 LB THRUST SUPPLIER CODE: VK0680 OVERLENGTH PART NUMBER: RB211-535E4-3744E FOR NHA/OTHER SYS DET SEE: 71-00-02-10	103106	RF
- 3	UL38163		ENGINE ASSY-Q.E.C.U. RB211-535E43724 BASIC ENGINE CONFIG. BAYONET MCD 40,100 LB THRUST SUPPLIER CODE: VK0680 FOR NHA/OTHER SYS DET SEE: 71-00-02-10	101101	RF
- 4	UL16223		.LP COMPRESSOR-MINI MODULE 01/02 SUPPLIER CODE: VK0680 POST SERVICE BULLETIN: 72-7715PT01 VK0680 PRE SERVICE BULLETIN: 70-9319 VK0680	002004 006100 102102 107107 121949 952999	RF

MISSING ITEM NUMBERS NOT APPLICABLE

- ITEM NOT ILLUSTRATED

72-31-53-01

72-31-53
FIG. 01
PAGE 3
JAN 20/09

BRI



757

PARTS CATALOG (MAINTENANCE)

FIG ITEM	PART NUMBER	1 2 3 4 5 6 7	NOMENCLATURE	EFFECT FROM TO	UNITS PER ASSY
1					
- 4	UL16190		.LP COMPRESSOR-MINI MODULE 01/02 SUPPLIER CODE: VK0680 POST SERVICE BULLETIN: 70-9319PTF VK0680 PRE SERVICE BULLETIN: 72-7715 VK0680	002004 006999	RF
5	LK83571		..SEAL- SUPPLIER CODE: VK0680	002004 006999	1
10	UL16140		..SHAFT ASSY-FAN RETENTION INNER RACE SUPPLIER CODE: VK0680 PRE SERVICE BULLETIN: 72-7715 VK0680	107107 121949 952999	1
15	UL16116		...RING-SPRT SUPPLIER CODE: VK0680 USED ON: LK83571	002004 006999	1
25	LK74785		...RING- SUPPLIER CODE: VK0680 USED ON: LK83571	002004 006999	1
30	LK74786		...NUT-SPLINED ADJUSTING SUPPLIER CODE: VK0680 USED ON: LK83571	002004 006999	1

MISSING ITEM NUMBERS NOT APPLICABLE

- ITEM NOT ILLUSTRATED

BRI

72-31-53-01

BOEING PROPRIETARY - Copyright © - Unpublished Work - See title page for details.

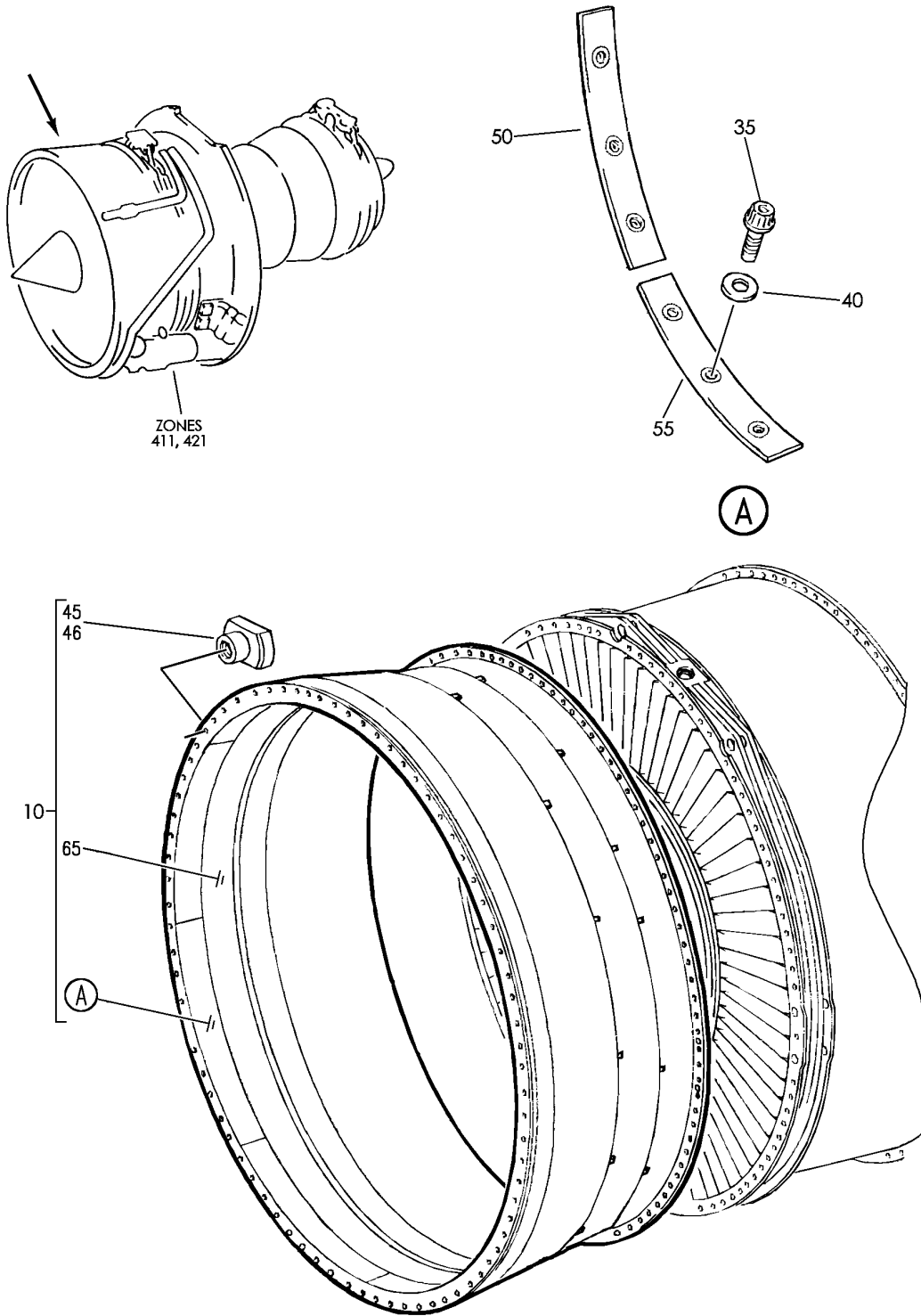
72-31-53
FIG. 01
PAGE 4
JAN 20/09

HIGH PRESSURE COMPRESSOR SECTION

BRI
MAY 28/07

72-32-00
SECTION TITLE
PAGE 1

BOEING
757
PARTS CATALOG (MAINTENANCE)



Y 72320301 REV 297

CASE-LP CPRSR FRONT FAN MODULE 07 (RB211-535)

FIGURE 1

72-32-03-01

BRI
MAY 28/07

72-32-03-01
PAGE 0



757

PARTS CATALOG (MAINTENANCE)

FIG ITEM	PART NUMBER	1 2 3 4 5 6 7	NOMENCLATURE	EFFECT FROM TO	UNITS PER ASSY
1			CASE-LP CPRSR FRONT	002004	
- 1	UL19722		FAN MODULE 07 (RB211-535)	006999	
			ENGINE ASSY-Q.E.C.U.	107107	RF
			RB211-535E43711		
			MAXIMUM NEUT		
			SUPPLIER CODE:		
			VK0680		
			QUALIFIED SB I/W DATA:		
			ENGINES		
			FOR NHA/OTHER SYS DET SEE:		
			71-00-02-04		
- 1	UL20697		ENGINE ASSY-Q.E.C.U.	121503	RF
			RB211-535E43711	904949	
			MAXIMUM NEUT	952999	
			WITH GRAVINER FIRE		
			DETECTORS, BAYONET		
			MCD, NON-MODULATED		
			IDG COOLING 40,000 LB		
			THRUST		
			SUPPLIER CODE:		
			VK0680		
			REFERENCE SERVICE BULLETIN:		
			71-0058R4		
			QUALIFIED SB I/W DATA:		
			INTERMIX OF ONE OR		
			SUBSTITUTION OF TWO		
			DIFFERENT CONFIGURATION		
			RB211-535E4-37/()		
			ENGINES FOR RB211-535		
			E4 BASE ENGINES		
			REFERENCE SERVICE BULLETIN:		
			RB211-72-C547		
			VK0680		
			FOR NHA/OTHER SYS DET SEE:		
			71-00-02-04		
- 1	UL20702		ENGINE ASSY-Q.E.C.U.	504903	RF
			RB211-535E43711		
			BASIC ENGINE CONFIG.		
			WITH GRAVINER FIRE		
			DETECTORS, BAYONET MCD,		
			NON-MODULATED IDG COOLING		
			40,100 LB THURST		
			SUPPLIER CODE:		
			VK0680		
			FOR NHA/OTHER SYS DET SEE:		
			71-00-02-10		

MISSING ITEM NUMBERS NOT APPLICABLE

- ITEM NOT ILLUSTRATED

72-32-03-01

72-32-03
FIG. 01
PAGE 1
JAN 20/09

BRI



757

PARTS CATALOG (MAINTENANCE)

FIG ITEM	PART NUMBER	1 2 3 4 5 6 7	NOMENCLATURE	EFFECT FROM TO	UNITS PER ASSY
1					
- 1	UL20698		ENGINE ASSY-Q.E.C.U. RB211-535E43712 MAXIMUM NEUT SUPPLIER CODE: VK0680 REFERENCE SERVICE BULLETIN: 71-0058R7 QUALIFIED SB I/W DATA: INTERMIX OF ONE OR SUBSTITUTION OF TWO DIFFERENT CONFIGURATION RB211-535E4-37/() ENGINE FOR RB211-535E4 BASE ENGINES OR DIFFERENT CONFIGURATION RB211-535E4-B-37/() ENGINES FOR RB211-535E4-B BASE ENGINES REFERENCE SERVICE BULLETIN: RB211-72-C547 VK0680 RB211-72-8910 VK0680 POST RAPID REVISION: RR92014-183A-RC-E FOR NHA/OTHER SYS DET SEE: 71-00-02-04	002004 006100 102102	RF
- 2	UL36209		ENGINE ASSY-Q.E.C.U. RB211-535E43719 MAXIMUM NEUT SUPPLIER CODE: VK0680 FOR NHA/OTHER SYS DET SEE: 71-00-02-04	950951	RF
- 2	UL38163		ENGINE ASSY-Q.E.C.U. RB211-535E43724 BASIC ENGINE CONFIG. BAYONET MCD 40,100 LB THRUST SUPPLIER CODE: VK0680 FOR NHA/OTHER SYS DET SEE: 71-00-02-10	101101	RF

MISSING ITEM NUMBERS NOT APPLICABLE

- ITEM NOT ILLUSTRATED

72-32-03-01

72-32-03
FIG. 01
PAGE 2
JAN 20/09

BRI



**757
PARTS CATALOG (MAINTENANCE)**

FIG ITEM	PART NUMBER	1 2 3 4 5 6 7	NOMENCLATURE	EFFECT FROM TO	UNITS PER ASSY
1 -	3 BCREP17395		ENGINE ASSY-Q.E.C.U. RB211-535E43739 BASIC ENGINE CONFIG. AND PHASE 5 COMBUSTOR 40,100 LB THRUST SUPPLIER CODE: VK0680 OVERLENGTH PART NUMBER: RB211-535E4-37-39E FOR NHA/OTHER SYS DET SEE: 71-00-02-10	108120	RF
-	3 BCREP17101		ENGINE ASSY-Q.E.C.U. RB211-535E43744 BASIC ENGINE CONFIG. BAYONET MCD AND PHASE 5 COMBUSTOR 40,100 LB THRUST SUPPLIER CODE: VK0680 OVERLENGTH PART NUMBER: RB211-535E4-3744E FOR NHA/OTHER SYS DET SEE: 71-00-02-10	103106	RF
-	5 UL15308		.LP COMP CASE-MODULE 07 SUPPLIER CODE: VK0680 CONFIG CHG DATA FROM A CMM: FOR INTRCHG SEE RR IPC PRE SERVICE BULLETIN: 72-8088 VK0680	002004 006100 102102 107107 121949 952999	RF
-	5 UL20000		.LP COMP CASE-MODULE 07 SUPPLIER CODE: VK0680 CONFIG CHG DATA FROM A CMM: FOR INTRCHG SEE RR IPC POST SERVICE BULLETIN: 72-8088PT01 VK0680 PRE SERVICE BULLETIN: 71-8079 VK0680	002004 006100 102102 107107 121949 952999	RF

MISSING ITEM NUMBERS NOT APPLICABLE

- ITEM NOT ILLUSTRATED

BRI

72-32-03-01

BOEING PROPRIETARY - Copyright © - Unpublished Work - See title page for details.

72-32-03
FIG. 01
PAGE 3
JAN 20/09



757

PARTS CATALOG (MAINTENANCE)

FIG ITEM	PART NUMBER	1 2 3 4 5 6 7	NOMENCLATURE	EFFECT FROM TO	UNITS PER ASSY
1					
- 5	UL20538		.LP COMP CASE-MODULE 07 SUPPLIER CODE: VK0680 CONFIG CHG DATA FROM A CMM: FOR INTRCHG SEE RR IPC POST SERVICE BULLETIN: 71-8079 VK0680 PRE SERVICE BULLETIN: 71-8891 VK0680	002004 006100 102102 107107 121949 952999	RF
- 5	UL27131		.LP COMP CASE-MODULE 07 SUPPLIER CODE: VK0680 CONFIG CHG DATA FROM A CMM: FOR INTRCHG SEE RR IPC POST SERVICE BULLETIN: 71-8891PT01 VK0680 PRE SERVICE BULLETIN: 79-9179 VK0680	002004 006100 102102 107107 121949 952999	RF
- 5	UL28129		.LP COMP CASE-MODULE 07 SUPPLIER CODE: VK0680 POST SERVICE BULLETIN: 79-9179 VK0680 PRE SERVICE BULLETIN: 72-9461 VK0680	002004 006100 102102 107107 121949 952999	RF
- 5	UL36086		.LP COMP CASE-MODULE 07 SUPPLIER CODE: VK0680 POST SERVICE BULLETIN: 72-9461PT01 VK0680 PRE SERVICE BULLETIN: 72-9188 VK0680	002004 006100 102102 107107 121949 952999	RF
- 5	UL36087		.LP COMP CASE-MODULE 07 SUPPLIER CODE: VK0680 POST SERVICE BULLETIN: 72-9188PT01 VK0680	002004 006100 102102 107107 121949 952999	RF

MISSING ITEM NUMBERS NOT APPLICABLE

- ITEM NOT ILLUSTRATED

72-32-03-01

72-32-03
FIG. 01
PAGE 4
JAN 20/09

BRI



757

PARTS CATALOG (MAINTENANCE)

FIG ITEM	PART NUMBER	1 2 3 4 5 6 7	NOMENCLATURE	EFFECT FROM TO	UNITS PER ASSY
1					
- 5	UL28132		.LP COMP CASE-MODULE 07 SUPPLIER CODE: VK0680 POST SERVICE BULLETIN: 72-9188PT01 VK0680	101101 103106 108120 950951	RF
- 5	UL31955		.LP COMP CASE-MODULE 07 SUPPLIER CODE: VK0680 POST SERVICE BULLETIN: 72-9461PT01 VK0680 PRE SERVICE BULLETIN: 72-9188 VK0680	101101 103106 108120 950951	RF
10	FW11652		..CASE ASSY-LP CPRSR SUPPLIER CODE: VK0680 POSITION DATA: FRONT POST SERVICE BULLETIN: 72-C942PT08 VK0680	002004 006999	1
46	LK85488		...NUT ASSY- SELF LOCKING SUPPLIER CODE: VK0680 OPTIONAL PART: UL50032 VK0680	002004 006999	32
50	UL24251		...PANEL ASSY- RTNR SUPPLIER CODE: VK0680 POSITION DATA: FRONT	101101	7
50	UL37155		...PANEL ASSY- SUPPLIER CODE: VK0680 POSITION DATA: FRONT	101101	7
55	UL24252		...PANEL ASSY- RTNR SUPPLIER CODE: VK0680 POSITION DATA: LWR SEGMENT	101101	1

MISSING ITEM NUMBERS NOT APPLICABLE

- ITEM NOT ILLUSTRATED

BRI

72-32-03-01

BOEING PROPRIETARY - Copyright © - Unpublished Work - See title page for details.

72-32-03
FIG. 01
PAGE 5
JAN 20/09



757

PARTS CATALOG (MAINTENANCE)

FIG ITEM	PART NUMBER	1 2 3 4 5 6 7	NOMENCLATURE	EFFECT FROM TO	UNITS PER ASSY
1					
55	UL37156		...PANEL ASSY-SEGMENT SUPPLIER CODE: VK0680 POSITION DATA: FRONT - LOWER	002004 006999	1
65	UL17715		...PANEL ASSY- ICE IMPACT SUPPLIER CODE: VK0680	101101	1

MISSING ITEM NUMBERS NOT APPLICABLE

- ITEM NOT ILLUSTRATED

BRI

72-32-03-01

BOEING PROPRIETARY - Copyright © - Unpublished Work - See title page for details.

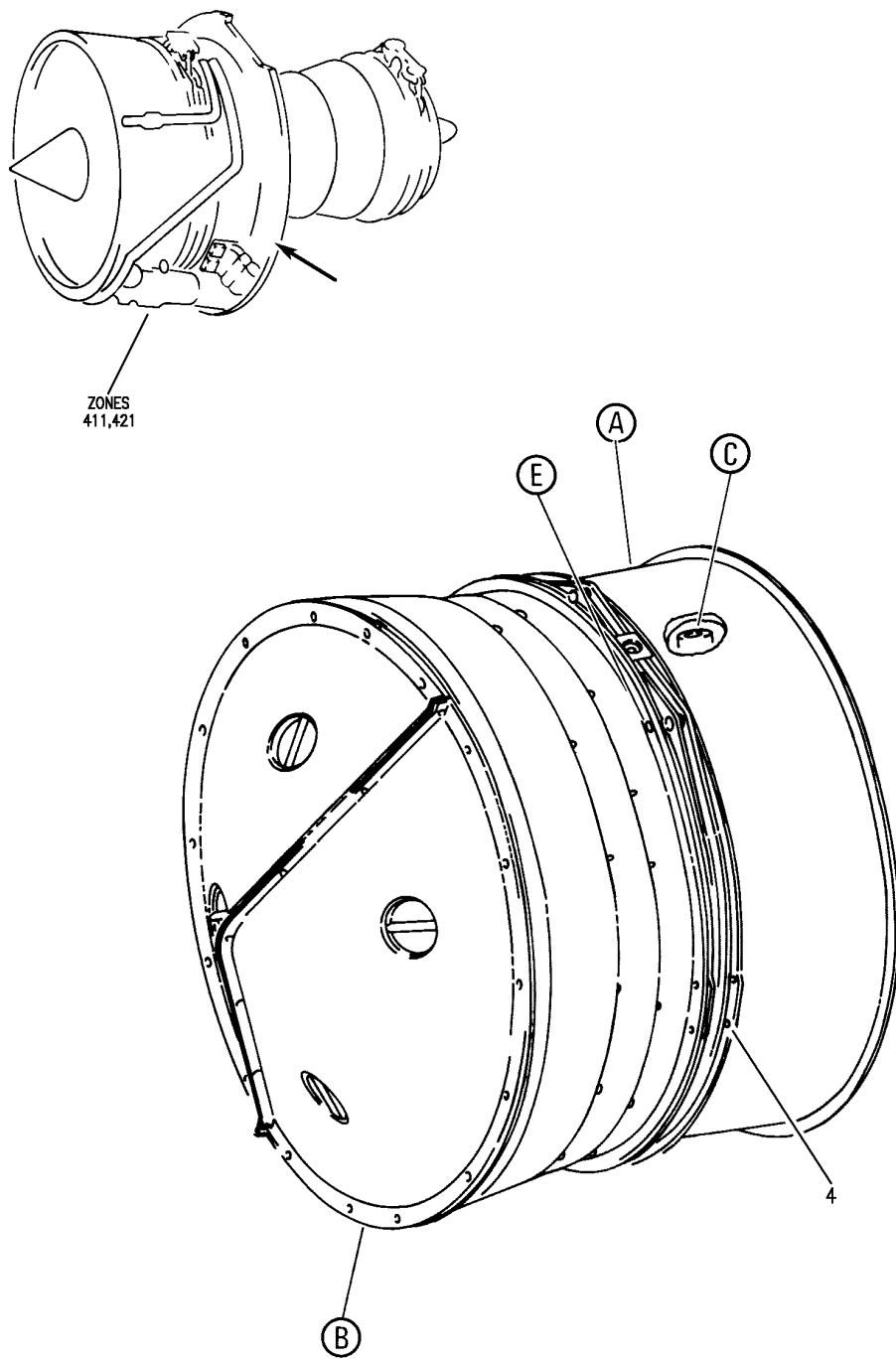
72-32-03
FIG. 01
PAGE 6
JAN 20/09

INTERMEDIATE CASE SECTION

BRI
MAY 28/07

72-34-00
SECTION TITLE
PAGE 1

BOEING
757
PARTS CATALOG (MAINTENANCE)



Y 72341002 SH1 1 REV 311

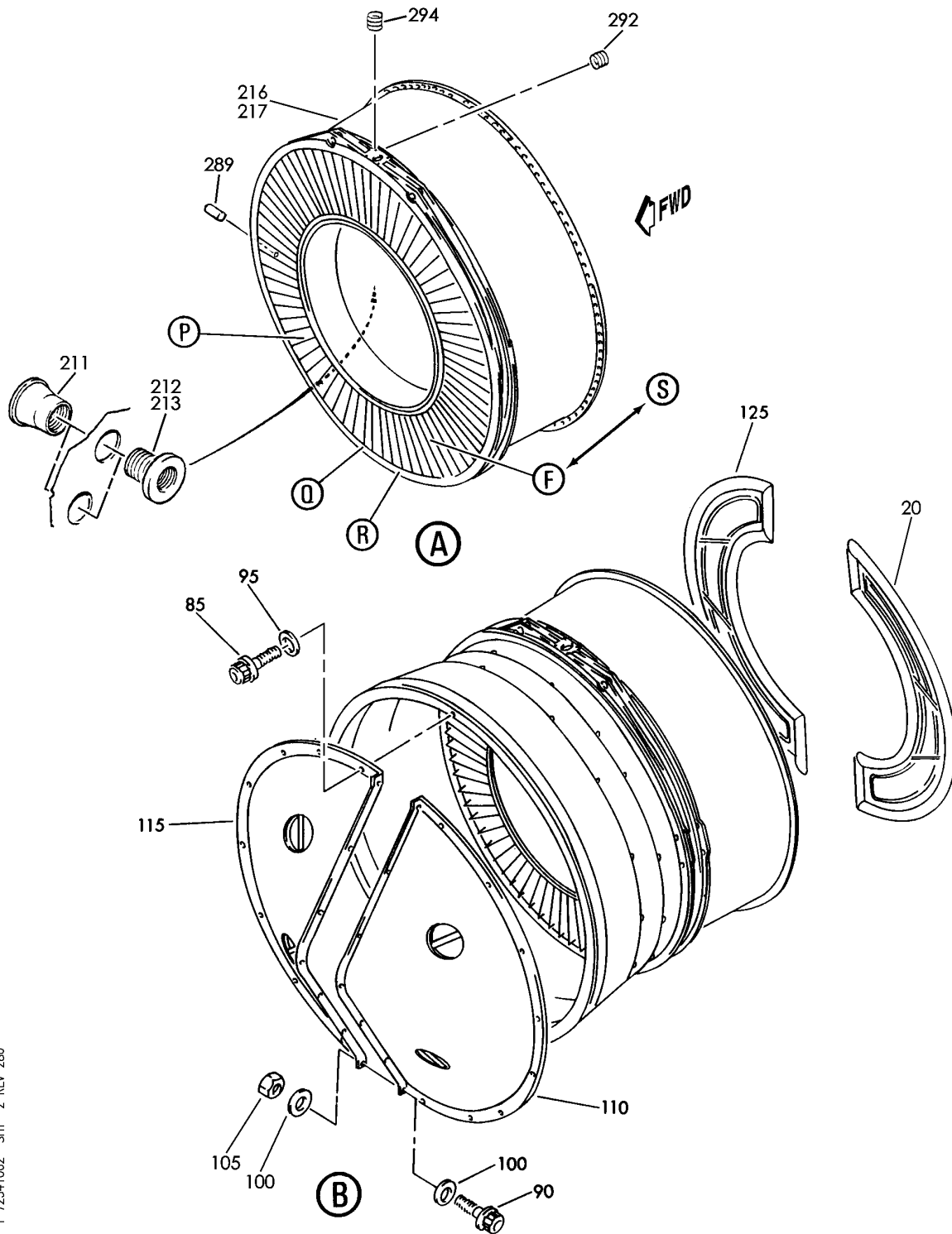
LP COMPRESSOR-FAN CASE (RB211-535)
FIGURE 2 (SHEET 1)

72-34-10-02

BRI
MAY 28/07

72-34-10-02
PAGE 0

BOEING
757
PARTS CATALOG (MAINTENANCE)



Y 72341002 SHT 2 REV 280

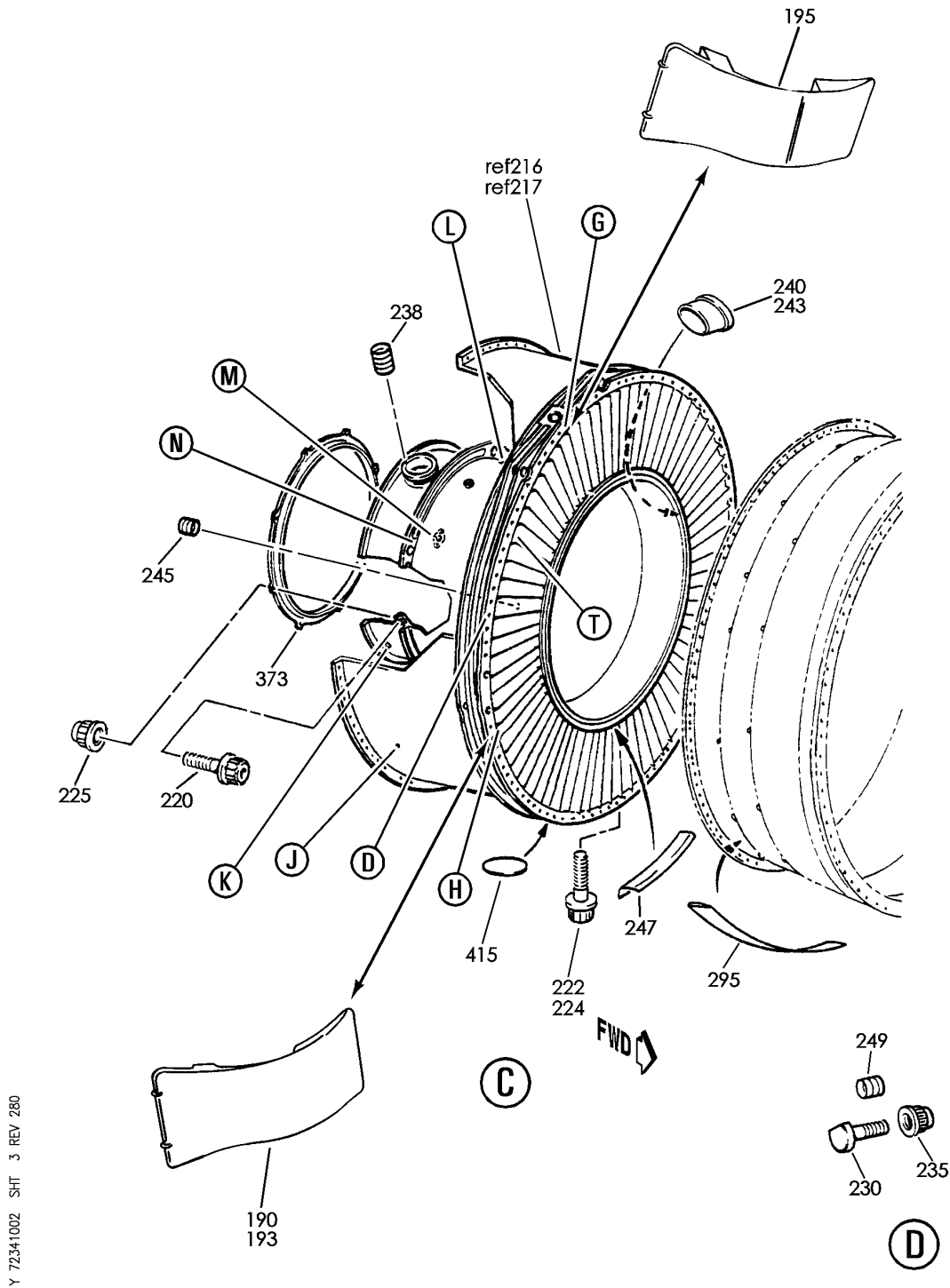
LP COMPRESSOR-FAN CASE (RB211-535)
FIGURE 2 (SHEET 2)

72-34-10-02

BRI
MAY 28/07

72-34-10-02
PAGE 0A

BOEING
757
PARTS CATALOG (MAINTENANCE)



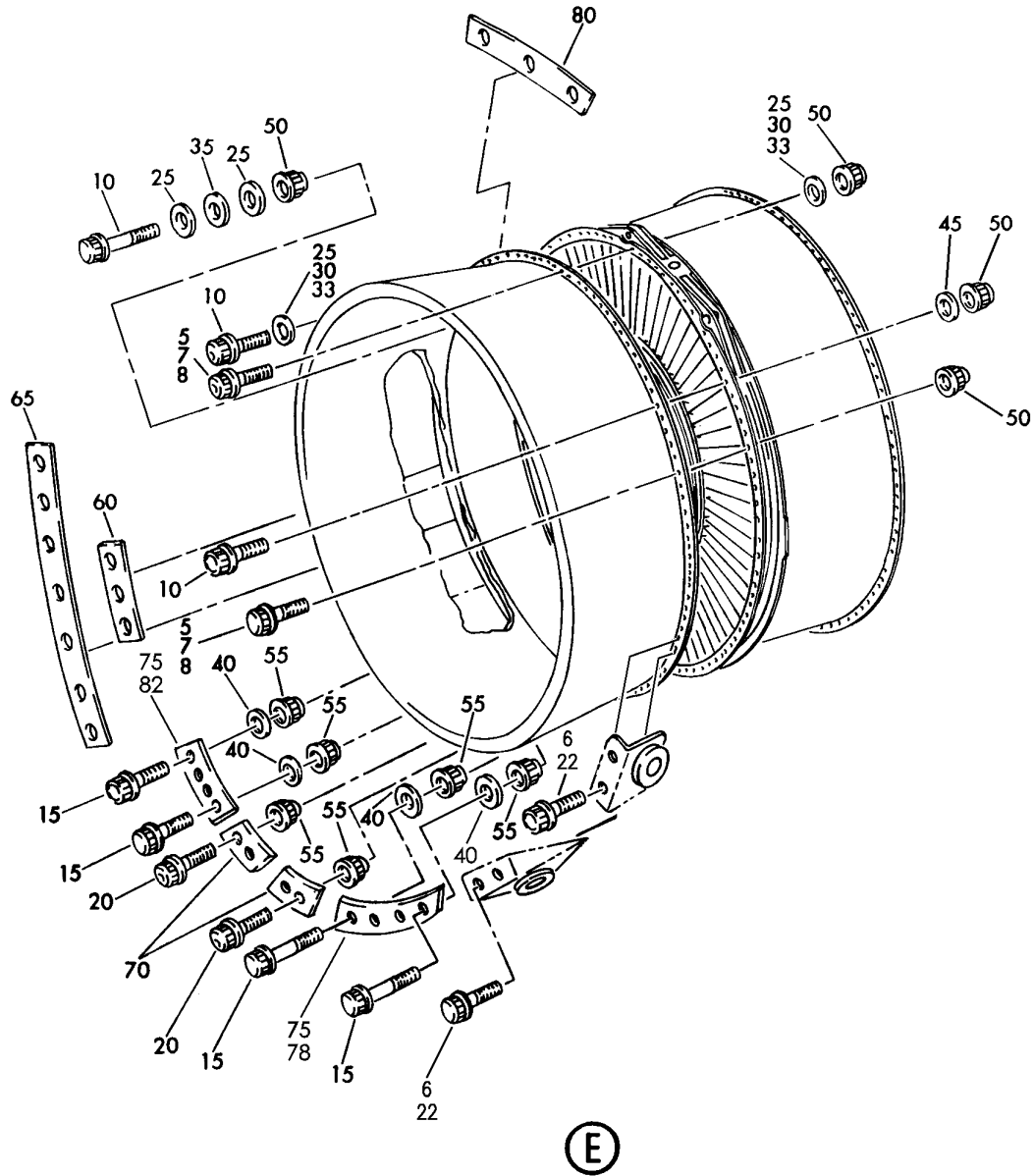
LP COMPRESSOR-FAN CASE (RB211-535)
FIGURE 2 (SHEET 3)

72-34-10-02

BRI
MAY 28/07

72-34-10-02
PAGE 0B

BOEING
757
PARTS CATALOG (MAINTENANCE)



Y 72341002 SH1 4 REV 311

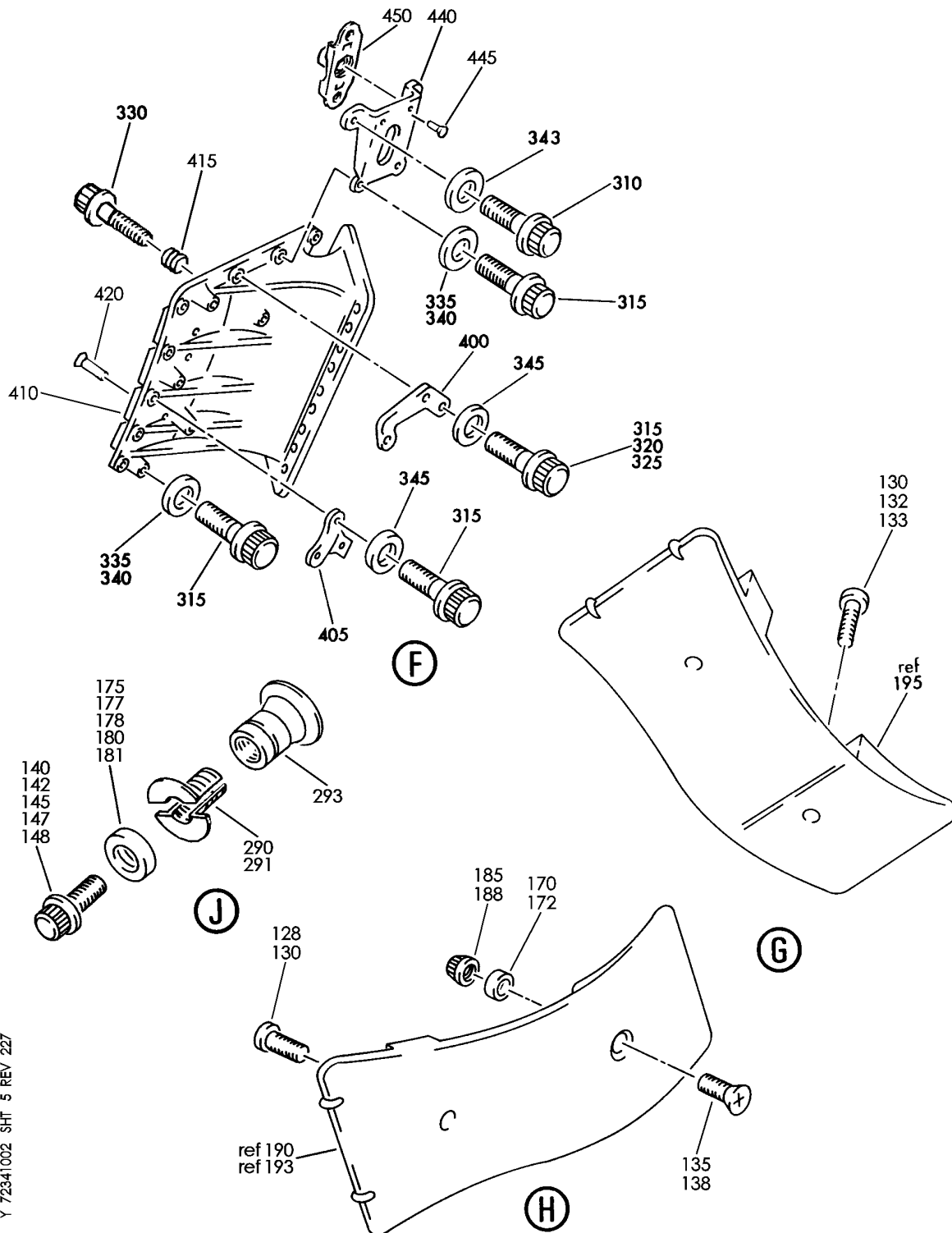
LP COMPRESSOR-FAN CASE (RB211-535)
FIGURE 2 (SHEET 4)

72-34-10-02

BRI
MAY 28/07

72-34-10-02
PAGE 0C

BOEING
757
PARTS CATALOG (MAINTENANCE)



Y 72341002 SHT 5 REV 227

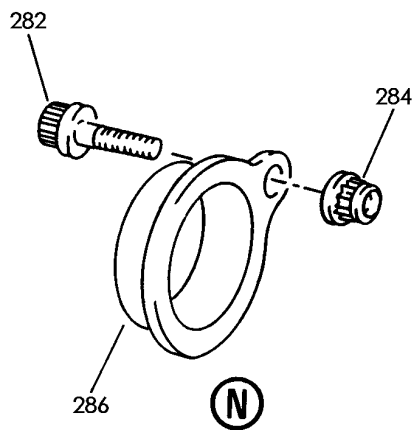
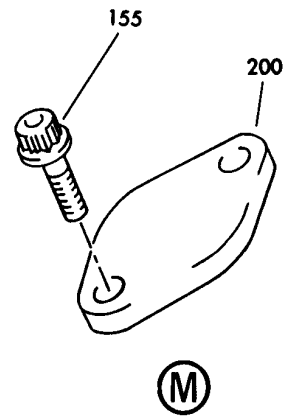
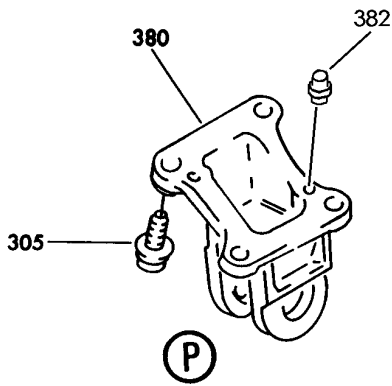
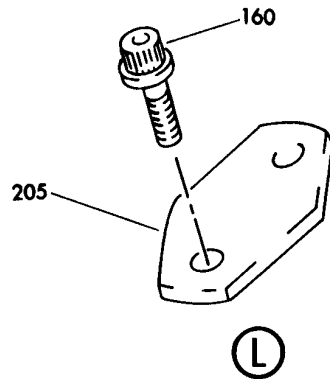
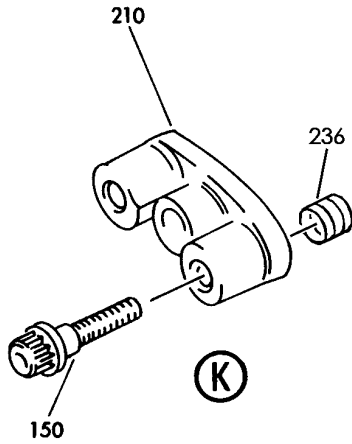
LP COMPRESSOR-FAN CASE (RB211-535)
FIGURE 2 (SHEET 5)

72-34-10-02

BRI
MAY 28/07

72-34-10-02
PAGE 0D

BOEING
757
PARTS CATALOG (MAINTENANCE)



Y 72341002 SHIT 6 REV 229

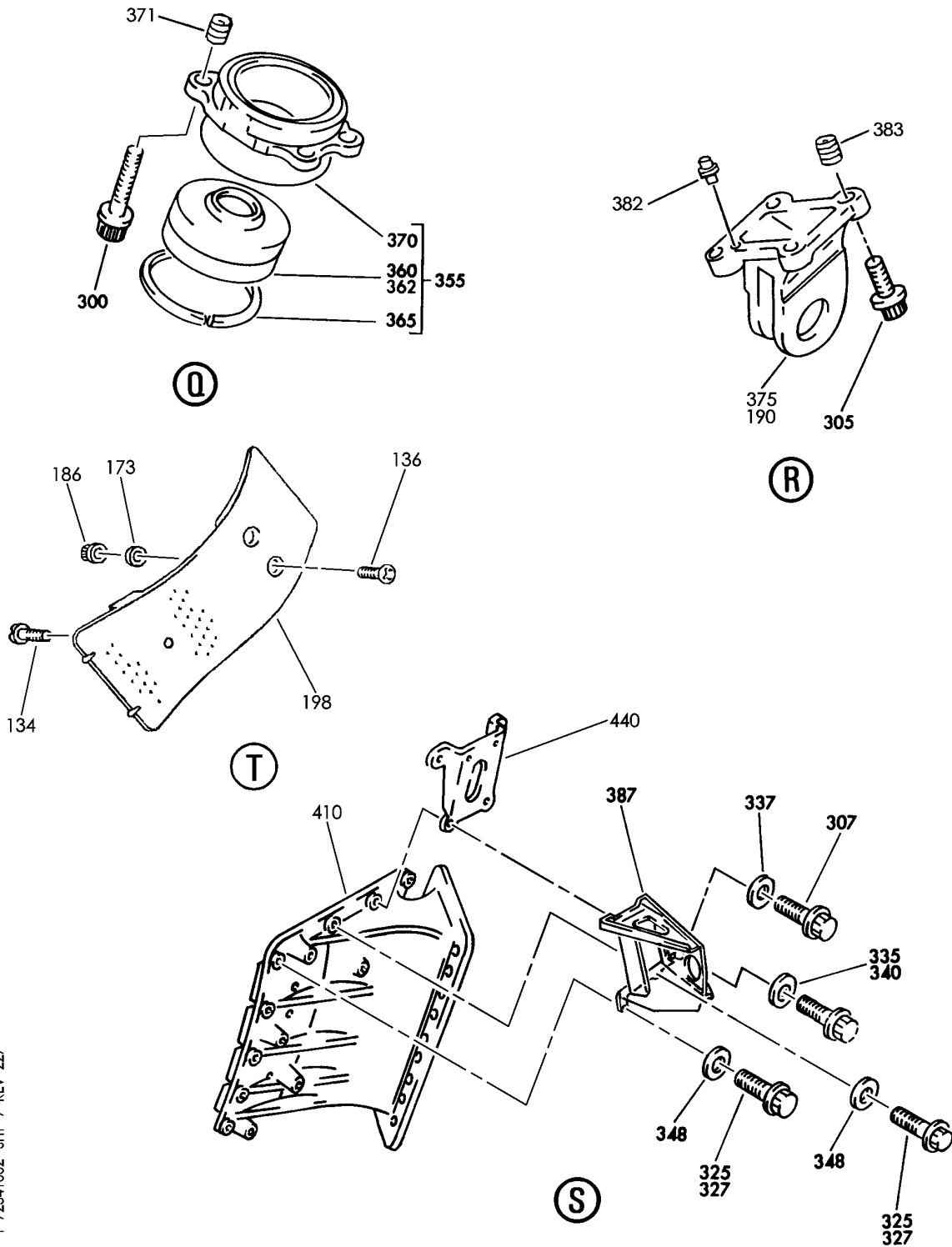
LP COMPRESSOR-FAN CASE (RB211-535)
FIGURE 2 (SHEET 6)

72-34-10-02

BRI
MAY 28/07

72-34-10-02
PAGE 0E

BOEING
757
PARTS CATALOG (MAINTENANCE)



Y 72341002 SHT 7 REV 227

LP COMPRESSOR-FAN CASE (RB211-535)
FIGURE 2 (SHEET 7)

72-34-10-02

BRI
MAY 28/07

72-34-10-02
PAGE OF

 **BOEING**
757
PARTS CATALOG (MAINTENANCE)

FIG ITEM	PART NUMBER	1 2 3 4 5 6 7	NOMENCLATURE	EFFECT FROM TO	UNITS PER ASSY
2			LP COMPRESSOR-FAN CASE (RB211-535)	002004 006999	
- 1	UL19722		ENGINE ASSY-Q.E.C.U. RB211-535E43711 MAXIMUM NEUT SUPPLIER CODE: VK0680 FOR NHA/OTHER SYS DET SEE: 71-00-02-04	107107	RF
- 1	UL20697		ENGINE ASSY-Q.E.C.U. RB211-535E43711 MAXIMUM NEUT WITH GRAVINER FIRE DETECTORS, BAYONET MCD, NON-MODULATED IDG COOLING 40,000 LB THRUST SUPPLIER CODE: VK0680 REFERENCE SERVICE BULLETIN: 71-0058R4 QUALIFIED SB I/W DATA: INTERMIX OF ONE OR SUBSTITUTION OF TWO DIFFERENT CONFIGURATION RB211-535E4-37/() ENGINES FOR RB211-535 E4 BASE ENGINES REFERENCE SERVICE BULLETIN: RB211-72-C547 VK0680 FOR NHA/OTHER SYS DET SEE: 71-00-02-04	121503 904949 952999	RF

MISSING ITEM NUMBERS NOT APPLICABLE

- ITEM NOT ILLUSTRATED

BRI

72-34-10-02

BOEING PROPRIETARY - Copyright © - Unpublished Work - See title page for details.

72-34-10
FIG. 02
PAGE 1
JAN 20/09



757

PARTS CATALOG (MAINTENANCE)

FIG ITEM	PART NUMBER	1 2 3 4 5 6 7	NOMENCLATURE	EFFECT FROM TO	UNITS PER ASSY
2 - 1	UL20698		ENGINE ASSY-Q.E.C.U. RB211-535E43712 MAXIMUM NEUT SUPPLIER CODE: VK0680 REFERENCE SERVICE BULLETIN: 71-0058R7 QUALIFIED SB I/W DATA: INTERMIX OF ONE OR SUBSTITUTION OF TWO DIFFERENT CONFIGURATION RB211-535E4-37/() ENGINES FOR RB211-535E4 BASE ENGINES OR DIFFERENT CONFIGURATION RB211-535E4-B-37/() ENGINES FOR RB211-535E4-B BASE ENGINES REFERENCE SERVICE BULLETIN: RB211-72-C547 VK0680 RB211-72-8910 VK0680 POST RAPID REVISION: RR92014-183A-RC-E FOR NHA/OTHER SYS DET SEE: 71-00-02-04	002004 006100 102102	RF
- 1	UL20702		ENGINE ASSY-Q.E.C.U. RB211-535E43711 BASIC ENGINE CONFIG. WITH GRAVINER FIRE DETECTORS,BAYONET MCD, NON-MODULATED IDG COOLING 40,100 LB THRUST SUPPLIER CODE: VK0680 FOR NHA/OTHER SYS DET SEE: 71-00-02-10	504903	RF
- 1	UL36209		ENGINE ASSY-Q.E.C.U. RB211-535E43719 MAXIMUM NEUT SUPPLIER CODE: VK0680 FOR NHA/OTHER SYS DET SEE: 71-00-02-04	950951	RF

MISSING ITEM NUMBERS NOT APPLICABLE

- ITEM NOT ILLUSTRATED

BRI

72-34-10-02

BOEING PROPRIETARY - Copyright © - Unpublished Work - See title page for details.

72-34-10
FIG. 02
PAGE 2
JAN 20/09



757

PARTS CATALOG (MAINTENANCE)

FIG ITEM	PART NUMBER	1 2 3 4 5 6 7	NOMENCLATURE	EFFECT FROM TO	UNITS PER ASSY
2					
- 3	BCREF17395		ENGINE ASSY-Q.E.C.U. RB211-535E43739 BASIC ENGINE CONFIGURATION AND PHASE 5 COMBUSTOR 40,100 LB THRUST SUPPLIER CODE: VK0680 OVERLENGTH PART NUMBER: RB211-535E4-37-39E FOR NHA/OTHER SYS DET SEE: 71-00-02-10	108120	RF
- 3	BCREF17101		ENGINE ASSY-Q.E.C.U. RB211-535E43744 BASIC ENGINE CONFIGURATION, BAYONET MCD AND PHASE 5 COMBUSTOR 40,100 LB THRUST SUPPLIER CODE: VK0680 OVERLENGTH PART NUMBER: RB211-535E4-3744E FOR NHA/OTHER SYS DET SEE: 71-00-02-10	103106	RF
- 3	UL38163		ENGINE ASSY-Q.E.C.U. RB211-535E43724 BASIC ENGINE CONFIGURATION, BAYONET MCD, 40,100 LB THRUST SUPPLIER CODE: VK0680 FOR NHA/OTHER SYS DET SEE: 71-00-02-10	101101	RF
5	AS23620		.BOLT- PRE SERVICE BULLETIN: 72-9179 VK0680	002004 006100 102102 107107 121949 952999	99
6	AS23621		.BOLT- POST SERVICE BULLETIN: 24-9280PT01 VK0680	103106 108120	6
7	AS23620		.BOLT- POST SERVICE BULLETIN: 79-9179 VK0680	002004 006100 102102 107107 121949 952999	95

MISSING ITEM NUMBERS NOT APPLICABLE

- ITEM NOT ILLUSTRATED

72-34-10-02

72-34-10
FIG. 02
PAGE 3
JAN 20/09

BRI



757

PARTS CATALOG (MAINTENANCE)

FIG ITEM	PART NUMBER	1 2 3 4 5 6 7	NOMENCLATURE	EFFECT FROM TO	UNITS PER ASSY
2					
8	AS23620		.BOLT- POST SERVICE BULLETIN: 24-9280PT01 VK0680	101101 103106 108120 950951	93
10	AS23623		.BOLT	002004 006999	21
15	AS23534		.BOLT	002004 006999	8
20	AS23520		.BOLT	002004 006999	4
22	AS23621		.BOLT- POST SERVICE BULLETIN: 79-9179 VK0680 PRE SERVICE BULLETIN: 24-9280 VK0680	002004 006102 107107 121999	4
25	AS12945		.WASHER- POST SERVICE BULLETIN: 79-9179 VK0680	002004 006100 102102 107107 121949 952999	74
30	AS12945		.WASHER- NOT APPROVED FOR ETOPS. POST SERVICE BULLETIN: 72-7948 VK0680 PRE SERVICE BULLETIN: 79-9179 VK0680	002004 006100 102102 107107 121949 952999	77
33	AS12945		.WASHER- POST SERVICE BULLETIN: 24-9280PT01 VK0680	101101 103106 108120 950951	76
35	TU10848		.WASHER- SUPPLIER CODE: VK0680 PRE SERVICE BULLETIN: 72-9188 VK0680	002004 006999	1
- 36	TU10848		.WASHER- SUPPLIER CODE: VK0680 POST SERVICE BULLETIN: 72-9188PT01 VK0680	002004 006999	2

MISSING ITEM NUMBERS NOT APPLICABLE

- ITEM NOT ILLUSTRATED

72-34-10-02

72-34-10
FIG. 02
PAGE 4
JAN 20/09

BRI



757

PARTS CATALOG (MAINTENANCE)

FIG ITEM	PART NUMBER	1 2 3 4 5 6 7	NOMENCLATURE	EFFECT FROM TO	UNITS PER ASSY
2					
40	LK74669		.WASHER- SUPPLIER CODE: VK0680	002004 006999	8
45	AX53567		.SPACER- SUPPLIER CODE: VK0680	002004 006999	6
50	AS20626		.NUT	002004 006999	110
55	AS20625		.NUT	002004 006999	12
60	UL10513		.PLATE- SUPPLIER CODE: VK0680	002004 006999	1
65	UL10514		.PLATE- SUPPLIER CODE: VK0680 PRE SERVICE BULLETIN: 72-9188 VK0680	002004 006999	1
65	UL27199		.PLATE- SUPPLIER CODE: VK0680 POST SERVICE BULLETIN: 72-9188PT01 VK0680	002004 006999	1
70	UL10515		.PLATE- SUPPLIER CODE: VK0680	002004 006999	2
75	UL10555		.PLATE- SUPPLIER CODE: VK0680 PRE SERVICE BULLETIN: 72-9188 VK0680	002004 006102 107999	2
78	UL27281		.PLATE- SUPPLIER CODE: VK0680 POST SERVICE BULLETIN: 72-9188PT01 VK0680	002004 006999	1
80	UL10512		.PLATE- SUPPLIER CODE: VK0680	002004 006999	1
82	UL27200		.PLATE- SUPPLIER CODE: VK0680 POST SERVICE BULLETIN: 72-9188PT01 VK0680	002004 006999	1

MISSING ITEM NUMBERS NOT APPLICABLE

- ITEM NOT ILLUSTRATED

BRI

72-34-10-02

72-34-10
FIG. 02
PAGE 5
JAN 20/09



757

PARTS CATALOG (MAINTENANCE)

FIG ITEM	PART NUMBER	1 2 3 4 5 6 7	NOMENCLATURE	EFFECT FROM TO	UNITS PER ASSY
2					
85	LK87696		.BOLT- TRANSPORTATION ONLY SUPPLIER CODE: VK0680	002004 006999	16
90	CU16697		.BOLT- TRANSPORTATION ONLY SUPPLIER CODE: VK0680	002004 006999	7
95	CU16677		.WASHER- TRANSPORTATION ONLY SUPPLIER CODE: VK0680	002004 006999	16
100	CU19152		.WASHER- TRANSPORTATION ONLY SUPPLIER CODE: VK0680	002004 006999	14
105	CU19151		.NUT- TRANSPORTATION ONLY SUPPLIER CODE: VK0680	002004 006999	7
110	UL15681		.COVER ASSY-FAN TRANSPORTATION ONLY SUPPLIER CODE: VK0680 POSITION DATA: LH PRE SERVICE BULLETIN: 72-9177 VK0680	002004 006102 107999	1
110	UL31090		.COVER ASSY-FAN SUPPLIER CODE: VK0680 POSITION DATA: LH POST SERVICE BULLETIN: 72-9177 VK0680	002004 006999	1
115	UL15680		.COVER ASSY-FAN TRANSPORTATION ONLY SUPPLIER CODE: VK0680 POSITION DATA: RH PRE SERVICE BULLETIN: 72-9177 VK0680	002004 006102 107999	1

MISSING ITEM NUMBERS NOT APPLICABLE

- ITEM NOT ILLUSTRATED

BRI

72-34-10-02

72-34-10
FIG. 02
PAGE 6
JAN 20/09



757

PARTS CATALOG (MAINTENANCE)

FIG ITEM	PART NUMBER	1 2 3 4 5 6 7	NOMENCLATURE	EFFECT FROM TO	UNITS PER ASSY
2 115	UL31089		.COVER ASSY-FAN SUPPLIER CODE: VK0680 POSITION DATA: RH POST SERVICE BULLETIN: 72-9177 VK0680	002004 006999	1
120	UL16382		.COVER ASSY-LP FAN TRANSPORTATION ONLY SUPPLIER CODE: VK0680 POSITION DATA: REAR LH	002004 006999	1
125	UL16383		.COVER ASSY-LP FAN TRANSPORTATION ONLY SUPPLIER CODE: VK0680 POSITION DATA: REAR RH	002004 006999	1
128	U755304		.SCREW- SUPPLIER CODE: VK8541 POST SERVICE BULLETIN: 72-9188PT01 VK0680	002004 006999	46
130	U755304		.SCREW- SUPPLIER CODE: VK8541 POST SERVICE BULLETIN: 72-7847PT01 VK0680 PRE SERVICE BULLETIN: 72-9188 VK0680	002004 006999	69
132	U755304		.SCREW- SUPPLIER CODE: VK8541 POST SERVICE BULLETIN: 72-7847PT01 VK0680 PRE SERVICE BULLETIN: 72-9188 VK0680	002004 006999	2

MISSING ITEM NUMBERS NOT APPLICABLE

- ITEM NOT ILLUSTRATED

BRI

72-34-10-02

BOEING PROPRIETARY - Copyright © - Unpublished Work - See title page for details.

72-34-10
FIG. 02
PAGE 7
JAN 20/09



757

PARTS CATALOG (MAINTENANCE)

FIG ITEM	PART NUMBER	1 2 3 4 5 6 7	NOMENCLATURE	EFFECT FROM TO	UNITS PER ASSY
2 133	U755304		.SCREW- SUPPLIER CODE: VK8541 POST SERVICE BULLETIN: 72-9188PT01 VK0680	002004 006999	3
134	U755304		.SCREW- SUPPLIER CODE: VK8541 POST SERVICE BULLETIN: 72-9188PT01 VK0680	002004 006999	1
135	U756262		.SCREW- SUPPLIER CODE: V05755 POST SERVICE BULLETIN: 72-7847PT01 VK0680 PRE SERVICE BULLETIN: 72-9188 VK0680	002004 006999	69
136	U756262		.SCREW- SUPPLIER CODE: V05755 POST SERVICE BULLETIN: 72-9188PT01 VK0680	002004 006999	2
138	U756262		.SCREW- SUPPLIER CODE: V05755 POST SERVICE BULLETIN: 72-9188 VK0680	002004 006999	92
140	AS21508		.BOLT-BLANKING LP CASE	002004 006100 102102 107107 121949 952999	3

MISSING ITEM NUMBERS NOT APPLICABLE

- ITEM NOT ILLUSTRATED

BRI

72-34-10-02

BOEING PROPRIETARY - Copyright © - Unpublished Work - See title page for details.

72-34-10
FIG. 02
PAGE 8
JAN 20/09

 **BOEING**
757
PARTS CATALOG (MAINTENANCE)

FIG ITEM	PART NUMBER	1 2 3 4 5 6 7	NOMENCLATURE	EFFECT FROM TO	UNITS PER ASSY	
R R R R R R R R R R	2 142	AS21508	.BOLT-BLANKING LP CASE POST SERVICE BULLETIN: 72-7767 VK0680 24-9280 VK0680 PRE SERVICE BULLETIN: 72-9290 VK0680 72-C083 VK0680	002004 006102 107107 121949 952999	8	
	145	AS21508	.BOLT-FLANKING LP CASE PRE SERVICE BULLETIN: 72-7767 VK0680	107107 121949 952999	11	
	147	AS21508	.BOLT-BLANKING LP CASE POST SERVICE BULLETIN: 72-9290 VK0680 PRE SERVICE BULLETIN: 72-C083 VK0680	002004 006100 102102 107107 121949 952999	10	
	148	AS21508	.BOLT- POST SERVICE BULLETIN: 72-C083 VK0680	002004 006100 102102 107107 121949 952999	2	
	150	BLT3333	.BOLT- SUPPLIER CODE: VK0680	002004 006999	2	
	155	AS21512	.BOLT- PRE SERVICE BULLETIN: 72-7602 VK0680	002004 006100 102102	2	
	160	AS21010	.BOLT	002004 006999	2	
	170	B470829	.WASHER- SUPPLIER CODE: VK0680 POST SERVICE BULLETIN: 72-7847PT01 VK0680 PRE SERVICE BULLETIN: 72-9188 VK0680	002004 006999	64	
	MISSING ITEM NUMBERS NOT APPLICABLE					

- ITEM NOT ILLUSTRATED

BRI

72-34-10-02

BOEING PROPRIETARY - Copyright © - Unpublished Work - See title page for details.

72-34-10
FIG. 02
PAGE 9
MAY 20/09

BOEING
757
PARTS CATALOG (MAINTENANCE)

FIG ITEM	PART NUMBER	1 2 3 4 5 6 7	NOMENCLATURE	EFFECT FROM TO	UNITS PER ASSY
2 172	B470829		.WASHER- SUPPLIER CODE: VK0680 POST SERVICE BULLETIN: 72-9188PT01 VK0680	002004 006999	86
173	B470829		.WASHER- SUPPLIER CODE: VK0680 POST SERVICE BULLETIN: 72-9188PT01 VK0680	002004 006999	2
175	LK72988		.WASHER-BLANKING LP CASE SUPPLIER CODE: VK0680	002004 006100 102102 107107 121949 952999	3
177	LK72988		.WASHER-BLANKING LP CASE SUPPLIER CODE: VK0680 POST SERVICE BULLETIN: 72-9290PT01 VK0680 PRE SERVICE BULLETIN: 72-C083 VK0680	002004 006100 102102 107107 121949 952999	10
R R R R R R R R R R R R R	178	LK72988	.WASHER-BLANKING LP CASE SUPPLIER CODE: VK0680 POST SERVICE BULLETIN: 72-7767 VK0680 24-9280 VK0680 PRE SERVICE BULLETIN: 72-9290 VK0680 72-C083 VK0680	002004 006102 107107 121949 952999	8
180	LK72988		.WASHER-BLANKING LP CASE SUPPLIER CODE: VK0680 PRE SERVICE BULLETIN: 72-7767 VK0680	107107 121949 952999	11

MISSING ITEM NUMBERS NOT APPLICABLE

— ITEM NOT ILLUSTRATED

BRI

72-34-10-02

BOEING PROPRIETARY - Copyright © - Unpublished Work - See title page for details.

72-34-10
FIG. 02
PAGE 10
MAY 20/09



757

PARTS CATALOG (MAINTENANCE)

FIG ITEM	PART NUMBER	1 2 3 4 5 6 7	NOMENCLATURE	EFFECT FROM TO	UNITS PER ASSY
2 181	LK72988		.WASHER- SUPPLIER CODE: VK0680 POST SERVICE BULLETIN: 72-C083 VK0680	002004 006100 102102 107107 121949 952999	2
185	AS20624		.NUT- POST SERVICE BULLETIN: 72-7847PT01 VK0680 PRE SERVICE BULLETIN: 72-9188 VK0680	101101 103999	64
186	AS20624		.NUT- POST SERVICE BULLETIN: 72-9188PT01 VK0680	002004 006999	2
188	AS20624		.NUT- POST SERVICE BULLETIN: 72-9188PT01 VK0680	002004 006999	86
190	UL17544		.PANEL-ANNULUS FORMER SUPPLIER CODE: VK0680 CONFIG CHG DATA FROM A CMM: FOR INTRCHNG SEE RR IPC OPTIONAL PART: UL16461 VK0680 POST SERVICE BULLETIN: 72-7847PT01 VK0680 72-7847PT02 VK0680 PRE SERVICE BULLETIN: 72-9188 VK0680	101101	69
190	UL16461		.PANEL-ANNULUS FORMER SUPPLIER CODE: VK0680 CONFIG CHG DATA FROM A CMM: FOR INTRCHNG SEE RR IPC OPTIONAL PART: UL17544 VK0680 POST SERVICE BULLETIN: 72-7847PT02 VK0680	101101	69

MISSING ITEM NUMBERS NOT APPLICABLE

- ITEM NOT ILLUSTRATED

BRI

72-34-10-02

72-34-10
FIG. 02
PAGE 11
JAN 20/09

BOEING
757
PARTS CATALOG (MAINTENANCE)

FIG ITEM	PART NUMBER	1 2 3 4 5 6 7	NOMENCLATURE	EFFECT FROM TO	UNITS PER ASSY
2 193	UL27490		.PANEL-ANNULUS FORMER SUPPLIER CODE: VK0680 POST SERVICE BULLETIN: 72-9188PT01 VK0680	002004 006999	46
195	UL27491		.PANEL-ANNULUS FORMER SUPPLIER CODE: VK0680 POST SERVICE BULLETIN: 72-9188PT01 VK0680	002004 006999	1
195	UL16462		.PANEL-ANNULUS FORMER SUPPLIER CODE: VK0680 CONFIG CHG DATA FROM A CMM: FOR INTRCHG SEE RR IPC OPTIONAL PART: UL17545 VK0680 POST SERVICE BULLETIN: 72-7847PT02 VK0680 PRE SERVICE BULLETIN: 72-7847 VK0680	101101 103106 108120 950951	1
195	UL17545		.PANEL-ANNULUS FORMER SUPPLIER CODE: VK0680 CONFIG CHG DATA FROM A CMM: FOR INTRCHG SEE RR IPC OPTIONAL PART: UL16462 VK0680 POST SERVICE BULLETIN: 72-7847PT02 VK0680 72-7847PT01 VK0680 PRE SERVICE BULLETIN: 72-9188 VK0680	101101 103106 108120 950951	1
198	UL27492		.PANEL-ANNULUS FORMER SUPPLIER CODE: VK0680 POST SERVICE BULLETIN: 72-9188PT01 VK0680	002004 006999	1

MISSING ITEM NUMBERS NOT APPLICABLE

— ITEM NOT ILLUSTRATED

BRI

72-34-10-02

BOEING PROPRIETARY - Copyright © - Unpublished Work - See title page for details.

72-34-10
FIG. 02
PAGE 12
JAN 20/09



757

PARTS CATALOG (MAINTENANCE)

FIG ITEM	PART NUMBER	1 2 3 4 5 6 7	NOMENCLATURE	EFFECT FROM TO	UNITS PER ASSY
2					
200	LK77326		.PLATE-AIR SUPPLY SOLEPLATE BLANKING SUPPLIER CODE: VK0680 PRE SERVICE BULLETIN: 72-7602 VK0680	002004 006100 102102	1
205	LK72072		.PLATE-CLOSURE IP COMP PERFORMANCE PASS OFF PROBE SUPPLIER CODE: VK0680	002004 006999	1
210	LK82855		.PLUG-INTRASCOPE ACCESS BLANKING STAGE 2 SUPPLIER CODE: VK0680	002004 006999	1
220	AS20910		..BOLT	002004 006999	8
222	AS21210		..BOLT- PRE SERVICE BULLETIN: 72-9188 VK0680	101101 103999	140
224	AS21209		..BOLT- POST SERVICE BULLETIN: 72-9188PT01 VK0680	002004 006999	96
225	AS20624		..NUT	002004 006999	8
295	UL10583		.STRIP-ANNULUS FORMER SUPPLIER CODE: VK0680 PRE SERVICE BULLETIN: 72-9689 VK0680	002004 006102 107999	6
295	UL36013		.STRIP-ANNULUS FORMER SUPPLIER CODE: VK0680 POST SERVICE BULLETIN: 72-9689PTF VK0680	002004 006999	6
300	AS21010		.BOLT	002004 006999	5
305	AS30318		.BOLT	002004 006999	8
307	AS21508		.BOLT- POST SERVICE BULLETIN: 24-9280PT01 VK0680	103106 108120	2

MISSING ITEM NUMBERS NOT APPLICABLE

- ITEM NOT ILLUSTRATED

72-34-10-02

72-34-10
FIG. 02
PAGE 13
JAN 20/09

BRI



757

PARTS CATALOG (MAINTENANCE)

FIG ITEM	PART NUMBER	1 2 3 4 5 6 7	NOMENCLATURE	EFFECT FROM TO	UNITS PER ASSY
2					
310	AS21508	.	BOLT	002004 006999	2
315	AS21516	.	BOLT- PRE SERVICE BULLETIN: 72-7982 VK0680	107107 121949 952999	11
- 318	LK34659	.	BOLT- SUPPLIER CODE: VK0680 POST SERVICE BULLETIN: 79-9179 VK0680	002004 006999	1
320	AS21516	.	BOLT- NOT APPROVED FOR ETOPS. POST SERVICE BULLETIN: 72-7982PT01 VK0680 PRE SERVICE BULLETIN: 72-9179 VK0680	107107 121949 952999	9
- 322	AS21516	.	BOLT- POST SERVICE BULLETIN: 79-9179PT01 VK0680	002004 006100 102102	8
- 324	AS21516	.	BOLT- POST SERVICE BULLETIN: 24-9280PT01 VK0680	101101 103106 108120 950951	7
325	AS21518	.	BOLT- POST SERVICE BULLETIN: 72-7982 VK0680	002004 006100 102102 107107 121949 952999	2
327	AS21518	.	BOLT- POST SERVICE BULLETIN: 24-9280PT01 VK0680	101101 103106 108120 950951	3
330	AS21515	.	BOLT	002004 006999	3
335	AS12944	.	WASHER-	002004 006100 102102 107107 121949 952999	7

MISSING ITEM NUMBERS NOT APPLICABLE

- ITEM NOT ILLUSTRATED

72-34-10-02

72-34-10
FIG. 02
PAGE 14
JAN 20/09

BRI



757

PARTS CATALOG (MAINTENANCE)

FIG ITEM	PART NUMBER	1 2 3 4 5 6 7	NOMENCLATURE	EFFECT FROM TO	UNITS PER ASSY
2					
337	AS12944		.WASHER- POST SERVICE BULLETIN: 24-9280 VK0680	103106 108120	2
340	AS12944		.WASHER- POST SERVICE BULLETIN: 24-9280 VK0680	101101 103106 108120	9
343	AS12944		.WASHER	950951 002004	2
345	K8833		.WASHER- SUPPLIER CODE: VK0680 PRE SERVICE BULLETIN: 72-9179 VK0680	006999 002004 006100 102102 107107 121949	4
- 347	K8833		.WASHER- SUPPLIER CODE: VK0680 POST SERVICE BULLETIN: 79-9179 VK0680	952999 002004 006100 102102 107107 121949	3
348	K8833		.WASHER- SUPPLIER CODE: VK0680 POST SERVICE BULLETIN: 24-9280PT01 VK0680	952999 101101 103106 108120 950951	1
355	UL15270		.HOUSING ASSY-HS GEAR BOX FLEXIBLE BUSHING SUPPLIER CODE: VK0680 POSITION DATA: CENTER SECTION PRE SERVICE BULLETIN: 72-8088 VK0680	002004 006100 102102 107107 121949 952999	1
355	UL19832		.HOUSING ASSY-HS GEAR BOX FLEXIBLE BUSHING SUPPLIER CODE: VK0680 POSITION DATA: CENTER SECTION POST SERVICE BULLETIN: 72-8088PT01 VK0680	002004 006999	1

MISSING ITEM NUMBERS NOT APPLICABLE

- ITEM NOT ILLUSTRATED

BRI

72-34-10-02

72-34-10
FIG. 02
PAGE 15
JAN 20/09



757

PARTS CATALOG (MAINTENANCE)

FIG ITEM	PART NUMBER	1 2 3 4 5 6 7	NOMENCLATURE	EFFECT FROM TO	UNITS PER ASSY
2 360	VIR5166-02		..BUSHING-FLEXIBLE SUPPLIER CODE: VU2255 POST SERVICE BULLETIN: 72-8088PT01 VK0680	002004 006999	1
365	MRT263S		..RING-RETAINER SUPPLIER CODE: V80756	002004 006999	1
370	LK87685		..HOUSING-FLEXIBLE BUSHING SUPPLIER CODE: VK0680	002004 006999	1
375	UL10567		.BRACKET-CLEVIS PORT MOUNTING HS GEARBOX SUPPLIER CODE: VK0680 PRE SERVICE BULLETIN: 72-9188PT01 VK0680	002004 006999	1
375	UL27196		.BRACKET-CLEVIS PORT MOUNTING HS GEARBOX SUPPLIER CODE: VK0680 POST SERVICE BULLETIN: 72-9188PT01 VK0680	002004 006999	1
380	UL10568		.BRACKET-CLEVIS STARBOARD MOUNTING HS GEARBOX SUPPLIER CODE: VK0680 PRE SERVICE BULLETIN: 72-9188 VK0680	002004 006999	1
380	UL27195		.BRACKET-CLEVIS STARBOARD MOUNTING HS GEARBOX SUPPLIER CODE: VK0680 POST SERVICE BULLETIN: 72-9188PT01 VK0680	002004 006999	1
387	UL30908		.BRACKET ASSY-ACTUATOR MOUNTING SUPPLIER CODE: VK0680 POST SERVICE BULLETIN: 24-9280 VK0680	103106 108120	1

MISSING ITEM NUMBERS NOT APPLICABLE

- ITEM NOT ILLUSTRATED

BRI

72-34-10-02

BOEING PROPRIETARY - Copyright © - Unpublished Work - See title page for details.

72-34-10
FIG. 02
PAGE 16
JAN 20/09



757

PARTS CATALOG (MAINTENANCE)

FIG ITEM	PART NUMBER	1 2 3 4 5 6 7	NOMENCLATURE	EFFECT FROM TO	UNITS PER ASSY
2					
400	UL17506		.BRACKET ASSY-CLIPPING SUPPLIER CODE: VK0680 PRE SERVICE BULLETIN: 72-7982 VK0680	107107 121949 952999	1
400	UL17593		.BRACKET ASSY-CLIPPING SUPPLIER CODE: VK0680 POST SERVICE BULLETIN: 72-7982 VK0680	002004 006100 102102 107107 121949 952999	1
405	LK70327		.BRACKET-RACEWAY ANGLE CLIPPING SUPPLIER CODE: VK0680	002004 006999	1
410	LK84602		.DUCT ASSY-IDG ACOC DIFFUSER SUPPLIER CODE: VK0680	002004 006999	1
440	UL15692		.BRACKET ASSY-HP2 BLEED VALVE SOLENOID MOUNTING SUPPLIER CODE: VK0680	002004 006102 107107 121999	1
440	UL39418		.BRACKET ASSY-HP2 BLEED VALVE SOLENOID MOUNTING SUPPLIER CODE: VK0680 POST SERVICE BULLETIN: 75-C737PT01 VK0680 75-C796PT01 VK0680	002004 006999	1

MISSING ITEM NUMBERS NOT APPLICABLE

- ITEM NOT ILLUSTRATED

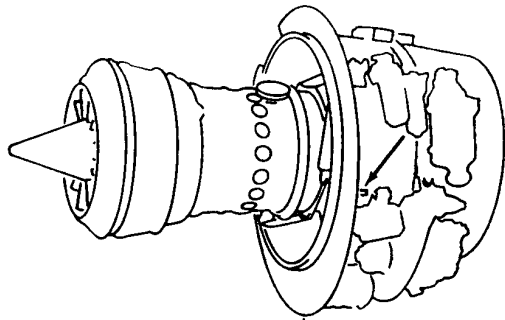
BRI

72-34-10-02

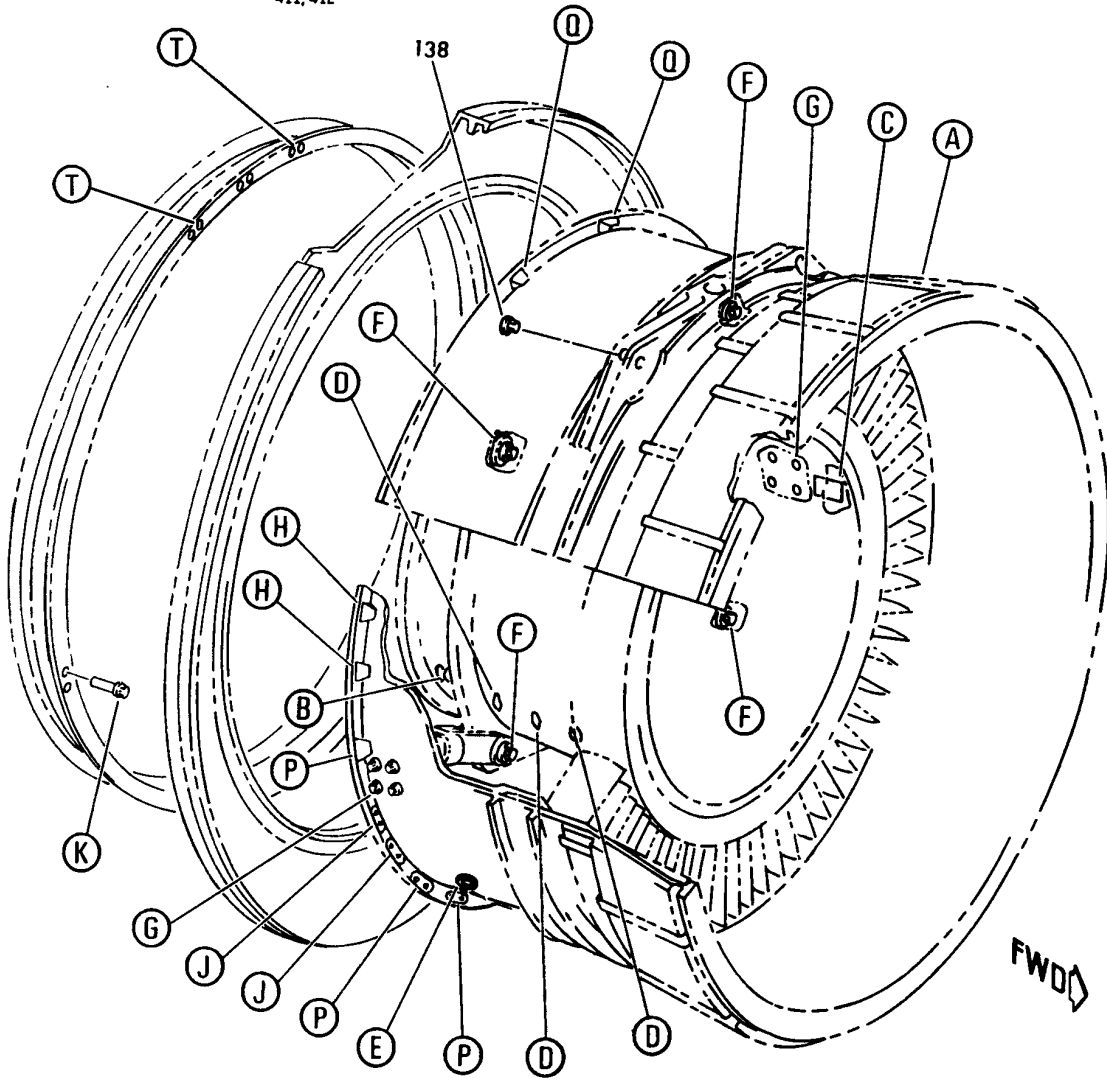
BOEING PROPRIETARY - Copyright © - Unpublished Work - See title page for details.

72-34-10
FIG. 02
PAGE 17
JAN 20/09

BOEING
757
PARTS CATALOG (MAINTENANCE)



ZONES
411, 412



Y 72345101 SHT 1 REV 210

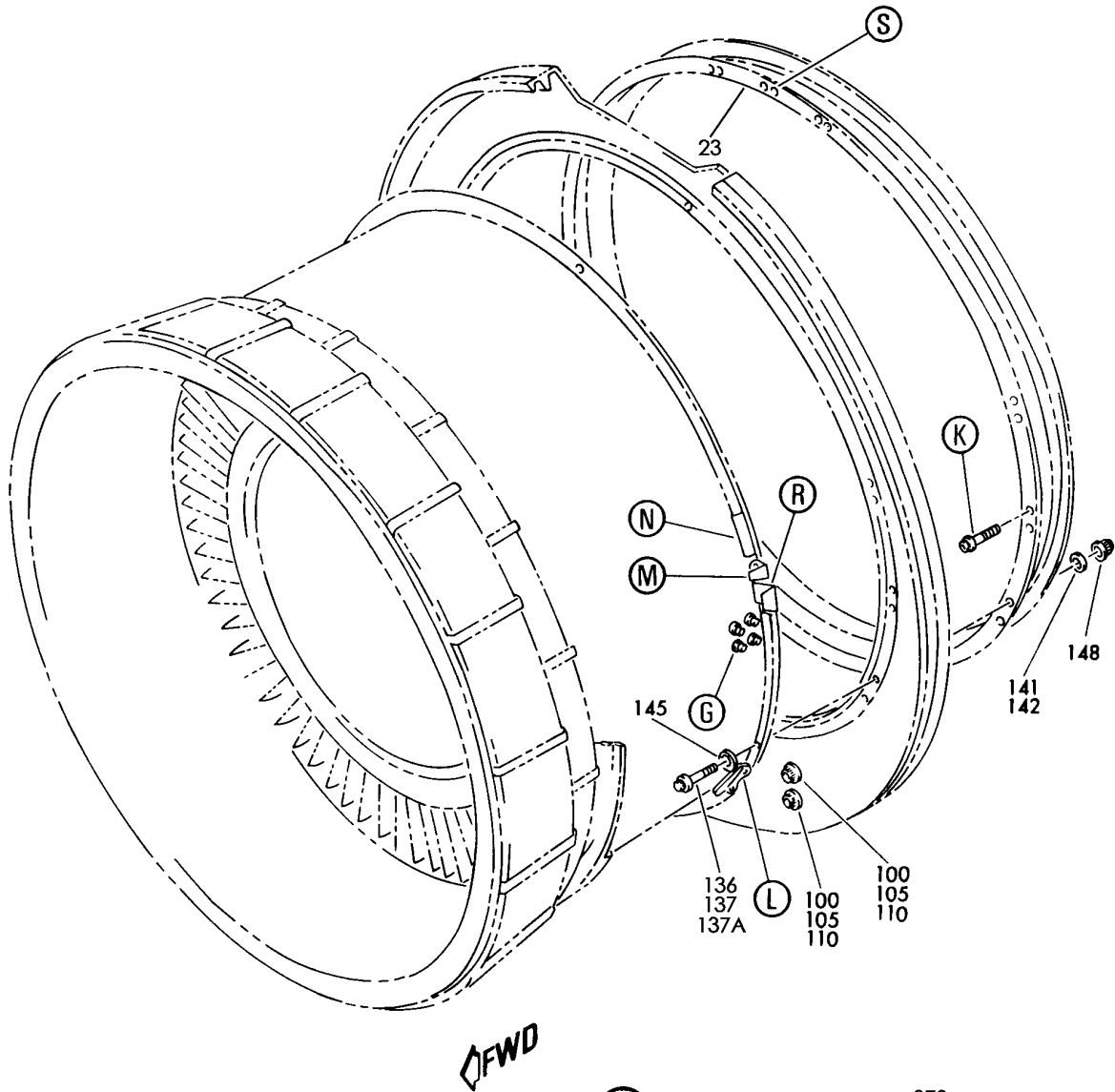
CASE-LP CPRSR FAN MODULE 07 (RB211-535)
FIGURE 1 (SHEET 1)

72-34-51-01

BRI
MAY 28/07

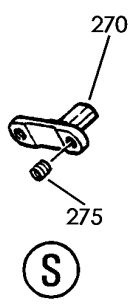
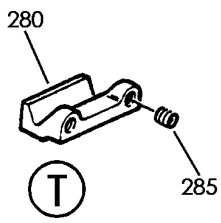
72-34-51-01
PAGE 0

BOEING
757
PARTS CATALOG (MAINTENANCE)



FWD

(A)



Y 72345101 SHT 2 REV 245

CASE-LP CPRSR FAN MODULE 07 (RB211-535)
FIGURE 1 (SHEET 2)

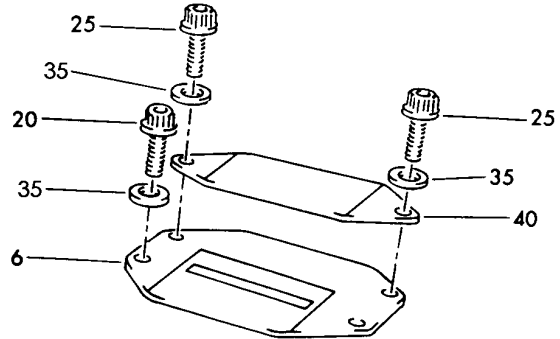
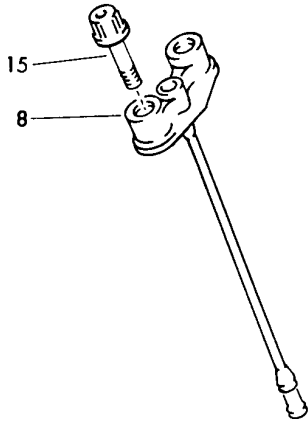
72-34-51-01

BRI
MAY 28/07

72-34-51-01
PAGE 0A

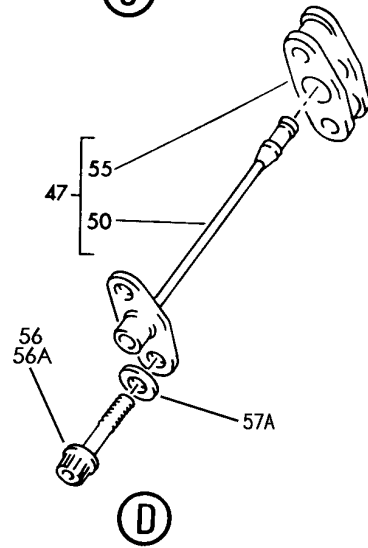
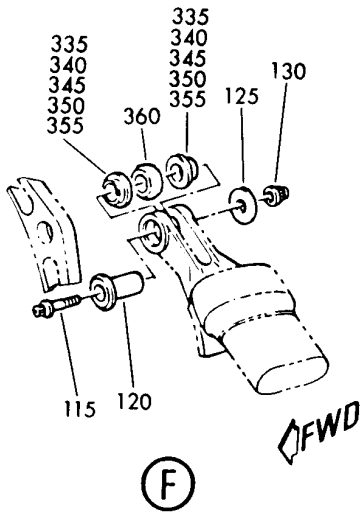
BOEING PROPRIETARY - Copyright © - Unpublished Work - See title page for details.

BOEING
757
PARTS CATALOG (MAINTENANCE)



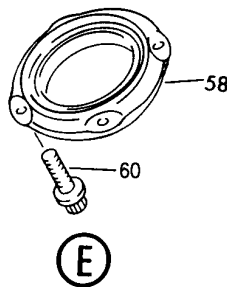
(B)

(C)



(F)

(D)



(E)

Y 72345101 SH1 3 REV 275

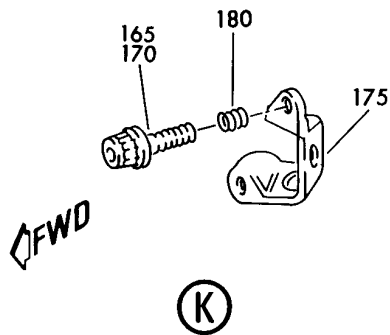
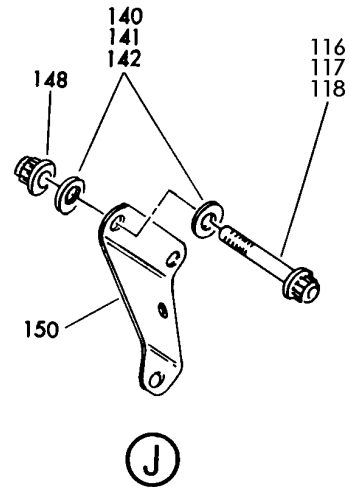
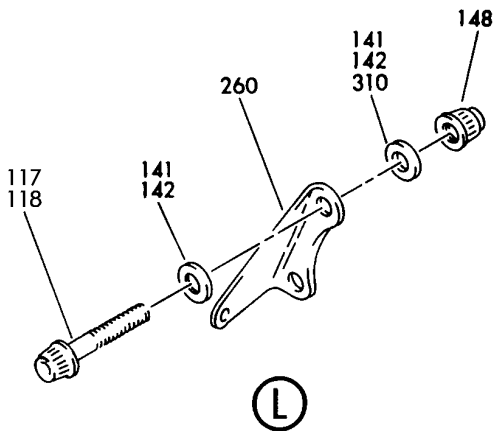
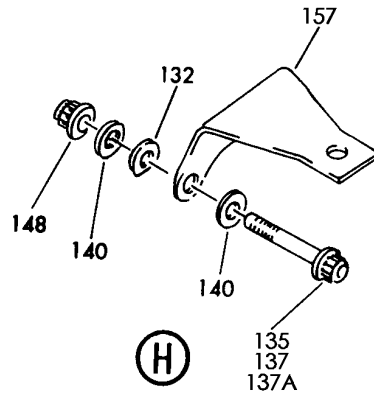
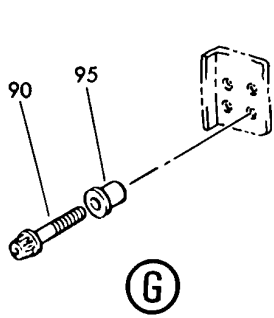
CASE-LP CPRSR FAN MODULE 07 (RB211-535)
FIGURE 1 (SHEET 3)

72-34-51-01

BRI
MAY 28/07

72-34-51-01
PAGE 0B

BOEING
757
PARTS CATALOG (MAINTENANCE)



Y 72345101 SH1 4 REV 245

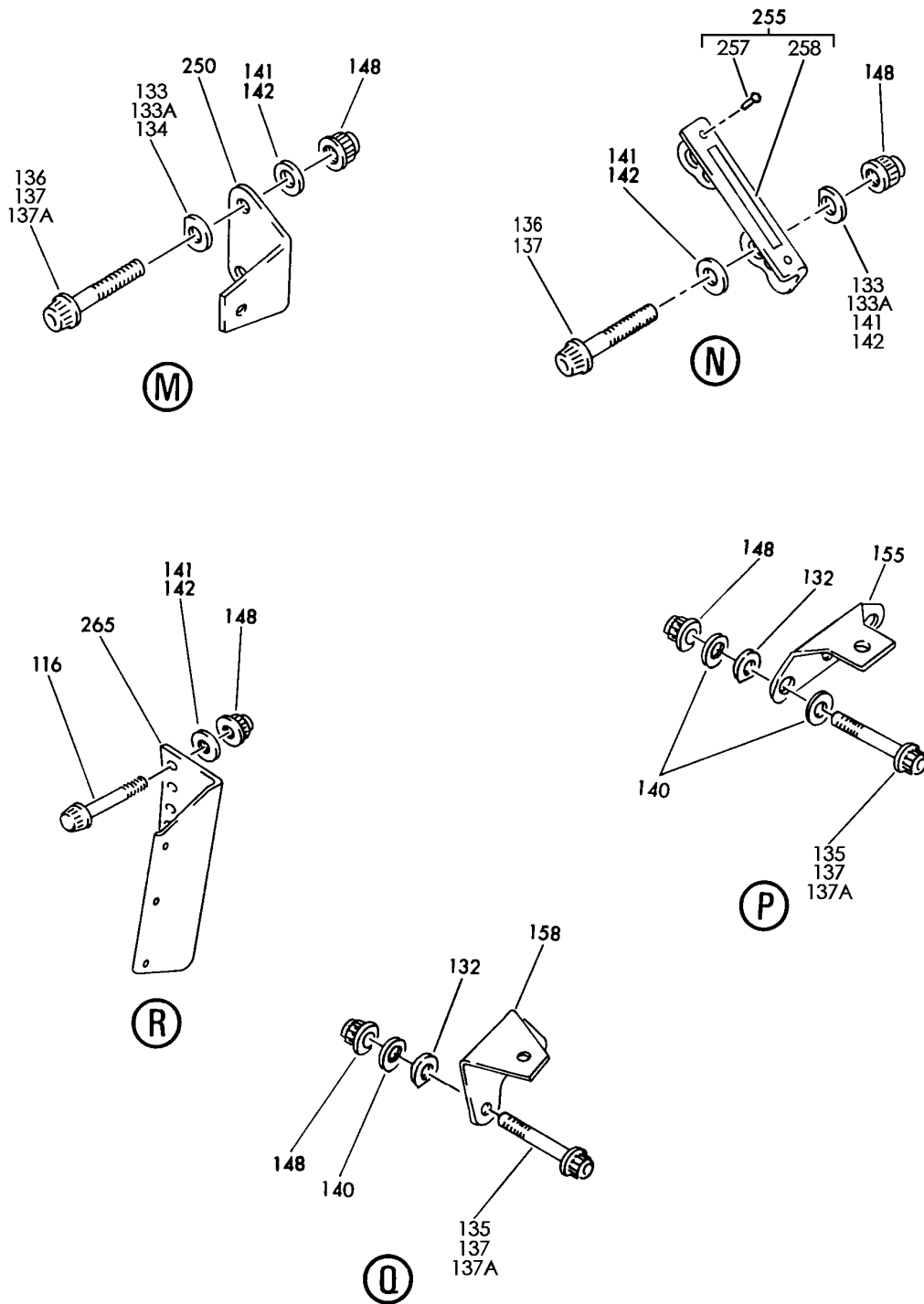
CASE-LP CPRSR FAN MODULE 07 (RB211-535)
FIGURE 1 (SHEET 4)

72-34-51-01

BRI
MAY 28/07

72-34-51-01
PAGE 0C

BOEING
757
PARTS CATALOG (MAINTENANCE)



Y 72345101 SH1 5 REV 283

CASE-LP CPRSR FAN MODULE 07 (RB211-535)
FIGURE 1 (SHEET 5)

72-34-51-01

BRI
MAY 28/07

72-34-51-01
PAGE 0D



757

PARTS CATALOG (MAINTENANCE)

FIG ITEM	PART NUMBER	1 2 3 4 5 6 7	NOMENCLATURE	EFFECT FROM TO	UNITS PER ASSY
1			CASE-LP CPRSR FAN	002004	
- 1	UL20697		MODULE 07 (RB211-535)	006999	
			ENGINE ASSY-Q.E.C.U.	121503	RF
			RB211-535E43711	904949	
			WITH GRAVINER FIRE	952999	
			DETECTORS, BAYONET		
			MCD, NON-MODULATED		
			IDG COOLING 40,000 LB		
			THRUST		
			MAXIMUM NEUT		
			SUPPLIER CODE:		
			VK0680		
			REFERENCE SERVICE BULLETIN:		
			71-0058R4		
			QUALIFIED SB I/W DATA:		
			INTERMIX OF ONE OR		
			SUBSTITUTION OF TWO		
			DIFFERENT CONFIGURATION		
			RB211-535E4-37/()		
			ENGINES FOR RB211-535		
			E4 BASE ENGINES		
			REFERENCE SERVICE BULLETIN:		
			RB211-72-C547		
			VK0680		
			FOR NHA/OTHER SYS DET SEE:		
			71-00-02-04		
- 1	UL20702		ENGINE ASSY-Q.E.C.U.	504903	RF
			RB211-535E43711		
			BASIC ENGINE CONFIG.		
			WITH GRAVINER FIRE		
			DETECTORS, BAYONET MCD,		
			NON-MODULATED IDG COOLING		
			40,100 LB THRUST		
			SUPPLIER CODE:		
			VK0680		
			FOR NHA/OTHER SYS DET SEE:		
			71-00-02-10		
- 1	UL19722		ENGINE ASSY-Q.E.C.U.	107107	RF
			RB211-535E43711		
			MAXIMUM NEUT		
			SUPPLIER CODE:		
			VK0680		
			FOR NHA/OTHER SYS DET SEE:		
			71-00-02-04		

MISSING ITEM NUMBERS NOT APPLICABLE

- ITEM NOT ILLUSTRATED

BRI

72-34-51-01

BOEING PROPRIETARY - Copyright © - Unpublished Work - See title page for details.

72-34-51
FIG. 01
PAGE 1
JAN 20/09



757

PARTS CATALOG (MAINTENANCE)

FIG ITEM	PART NUMBER	1 2 3 4 5 6 7	NOMENCLATURE	EFFECT FROM TO	UNITS PER ASSY
1					
- 2	UL20698		ENGINE ASSY-Q.E.C.U. RB211-535E43712 MAXIMUM NEUT SUPPLIER CODE: VK0680 REFERENCE SERVICE BULLETIN: 71-0058R7 QUALIFIED SB I/W DATA: INTERMIX OF ONE OR SUBSTITUTION OF TWO DIFFERENT CONFIGURATION RB211-535E4-37/() ENGINES FOR RB211-535E4 BASE ENGINES OR DIFFERENT CONFIGURATION RB211-535E4-B-37/() ENGINES FOR RB211-535E4-B BASE ENGINES REFERENCE SERVICE BULLETIN: RB211-72-C547 VK0680 RB211-72-8910 VK0680 POST RAPID REVISION: RR92014-183A-RC-E FOR NHA/OTHER SYS DET SEE: 71-00-02-04	002004 006100 102102	RF
- 2	UL36209		ENGINE ASSY-Q.E.C.U. RB211-535E43719 MAXIMUM NEUT SUPPLIER CODE: VK0680 FOR NHA/OTHER SYS DET SEE: 71-00-02-04	950951	RF
- 3	BCREF17395		ENGINE ASSY-Q.E.C.U. RB211-535E43739 BASIC ENGINE CONFIG. AND PHASE 5 COMBUSTOR 40,100 LB THRUST SUPPLIER CODE: VK0680 OVERLENGTH PART NUMBER: RB211-535E4-37-39E FOR NHA/OTHER SYS DET SEE: 71-00-02-10	108120	RF

MISSING ITEM NUMBERS NOT APPLICABLE

- ITEM NOT ILLUSTRATED

BRI

72-34-51-01

BOEING PROPRIETARY - Copyright © - Unpublished Work - See title page for details.

72-34-51
FIG. 01
PAGE 2
JAN 20/09



757

PARTS CATALOG (MAINTENANCE)

FIG ITEM	PART NUMBER	1 2 3 4 5 6 7	NOMENCLATURE	EFFECT FROM TO	UNITS PER ASSY
1					
- 3	BCREF17101		ENGINE ASSY-Q.E.C.U. RB211-535E43744 BASIC ENGINE CONFIG. BAYONET MCD AND PHASE 5 COMBUSTOR 40,100 LB THRUST SUPPLIER CODE: VK0680 OVERLENGTH PART NUMBER: RB211-535E4-3744E FOR NHA/OTHER SYS DET SEE: 71-00-02-10	103106	RF
- 3	UL38163		ENGINE ASSY-Q.E.C.U. RB211-535E43724 BASIC ENGINE CONFIG. BAYONET MCD 40,100 LB THRUST SUPPLIER CODE: VK0680 FOR NHA/OTHER SYS DET SEE: 71-00-02-10	101101	RF
- 4	UL28132		.LP COMP CASE-VANES MODULE NO. 7 SUPPLIER CODE: VK0680 POST SERVICE BULLETIN: 72-9188PT01 VK0680	101101 103106 108120 950951	RF
- 4	UL36087		.LP COMP CASE-VANES MODULE NO. 7 SUPPLIER CODE: VK0680 POST SERVICE BULLETIN: 72-9188PT01 VK0680	002004 006100 102102 107107 121949 952999	RF
- 4	UL15308		.LP COMP CASE- MODULE NO. 7 SUPPLIER CODE: VK0680 CONFIG CHG DATA FROM A CMM: FOR INTRCHG SEE RR IPC PRE SERVICE BULLETIN: 72-8088 VK0680	002004 006100 102102 107107 121949 952999	RF
- 4	UL15660		.LP FAN CASE MODULE- SUPPLIER CODE: VK0680	002004 006999	RF

MISSING ITEM NUMBERS NOT APPLICABLE

- ITEM NOT ILLUSTRATED

72-34-51-01

72-34-51
FIG. 01
PAGE 3
JAN 20/09

BRI



757

PARTS CATALOG (MAINTENANCE)

FIG ITEM	PART NUMBER	1 2 3 4 5 6 7	NOMENCLATURE	EFFECT FROM TO	UNITS PER ASSY
1					
- 4	UL20000		.LP COMP CASE- MODULE NO. 7 SUPPLIER CODE: VK0680 CONFIG CHG DATA FROM A CMM: FOR INTRCHG SEE RR IPC POST SERVICE BULLETIN: 72-8088PT01 VK0680 PRE SERVICE BULLETIN: 71-8079 VK0680	002004 006100 102102 107107 121949 952999	RF
- 4	UL20538		.LP COMP CASE- MODULE NO. 7 SUPPLIER CODE: VK0680 NOT APPROVED FOR ETOPS. PRE SERVICE BULLETIN: 71-8891 POST SERVICE BULLETIN: 71-8079PT01 VK0680	002004 006100 102102 107107 121949 952999	RF
- 4	UL27131		.LP COMP CASE- MODULE NO. 7 SUPPLIER CODE: VK0680 CONFIG CHG DATA FROM A CMM: FOR INTRCHG SEE RR IPC POST SERVICE BULLETIN: 71-8891PT01 VK0680 PRE SERVICE BULLETIN: 79-9179 VK0680	002004 006100 102102 107107 121949 952999	RF
- 4	UL28129		.LP COMP CASE- MODULE NO. 7 SUPPLIER CODE: VK0680 POST SERVICE BULLETIN: 79-9179PT01 VK0680 PRE SERVICE BULLETIN: 72-9461 VK0680	002004 006100 102102 107107 121949 952999	RF

MISSING ITEM NUMBERS NOT APPLICABLE

- ITEM NOT ILLUSTRATED

BRI

72-34-51-01

72-34-51
FIG. 01
PAGE 4
JAN 20/09



757

PARTS CATALOG (MAINTENANCE)

FIG ITEM	PART NUMBER	1 2 3 4 5 6 7	NOMENCLATURE	EFFECT FROM TO	UNITS PER ASSY
1 -	4 UL31955		.LP COMP CASE- MODULE NO. 7 SUPPLIER CODE: VK0680 POST SERVICE BULLETIN: 72-9461PT01 VK0680 PRE SERVICE BULLETIN: 72-9188 VK0680	101101 103106 108120 950951	RF
-	5 UL36086		.LP COMP CASE- MODULE NO. 7 SUPPLIER CODE: VK0680 POST SERVICE BULLETIN: 72-9461PT01 VK0680 PRE SERVICE BULLETIN: 72-9188 VK0680	002004 006100 102102 107107 121949 952999	RF
	6 LK71970		..NAMEPLATE-ENG RB211 SUPPLIER CODE: VK0680 PRE SERVICE BULLETIN: 72-8201 VK0680	002004 006100 102102 107107 121949 952999	1
	6 UL20363		..NAMEPLATE-ENG RB211 ACCESS AND PLUG SUPPLIER CODE: VK0680 POST SERVICE BULLETIN: 72-8201PTA VK0680 PRE SERVICE BULLETIN: 72-8535 VK0680	002004 006100 102102 107107 121949 952999	1
	6 UL25009		..NAMEPLATE-ENG RB211 ACCESS AND PLUG SUPPLIER CODE: VK0680 POST SERVICE BULLETIN: 72-8535PTG VK0680	002004 006999	1
	8 LK81181		..PLUG ASSY-STAGE 1 INTRASCOPE ACCESS BLANKING SUPPLIER CODE: VK0680	002004 006999	1

MISSING ITEM NUMBERS NOT APPLICABLE

- ITEM NOT ILLUSTRATED

72-34-51-01

72-34-51
FIG. 01
PAGE 5
JAN 20/09

BRI

BOEING
757
PARTS CATALOG (MAINTENANCE)

FIG ITEM	PART NUMBER	1 2 3 4 5 6 7	NOMENCLATURE	EFFECT FROM TO	UNITS PER ASSY
1			ATTACHING PARTS		
15	BLT3333	..	BOLT- SUPPLIER CODE: VK0680 -----*-----	002004 006999	2
20	AS21507	..	BOLT	002004 006999	2
25	AS21507	..	BOLT-	002004 006999	2
35	AS12944	..	WASHER	002004 006999	4
40	LK77333	..	PLATE-ENG DATA SUPPLIER CODE: VK0680 PRE SERVICE BULLETIN: 77-E797 VK0680	101101	1
47	UL15664	..	COVER ASSY-INTRASCOPE ACCESS AND PLUG SUPPLIER CODE: VK0680	002004 006999	3
50	LK52470	...	COVER ASSY- INTRASCOPE ACCESS AND PLUG SUPPLIER CODE: VK0680	002004 006999	1
55	LK52471	...	SPACER-INTRASCOPE ACCESS COVER SUPPLIER CODE: VK0680	002004 006999	1
56	BLT4366	...	BOLT- SUPPLIER CODE: VK0680 POST SERVICE BULLETIN: 72-C475PTA VK0680	002004 006100 102999	2
56A	BLT4366	...	BOLT- SUPPLIER CODE: VK0680 PRE SERVICE BULLETIN: 72-C475 VK0680	002004 006999	6
- 56B	AS12944	...	WASHER- PRE SERVICE BULLETIN: 72-C475 VK0680	002004 006999	6

MISSING ITEM NUMBERS NOT APPLICABLE

- ITEM NOT ILLUSTRATED

BRI

72-34-51-01

BOEING PROPRIETARY - Copyright © - Unpublished Work - See title page for details.

72-34-51
FIG. 01
PAGE 6
JAN 20/09



757

PARTS CATALOG (MAINTENANCE)

FIG ITEM	PART NUMBER	1 2 3 4 5 6 7	NOMENCLATURE	EFFECT FROM TO	UNITS PER ASSY
1					
57A	AS12944	...	WASHER- POST SERVICE BULLETIN: 72-C475PTA VK0680	002004 006100 102949 952999	2
58	UL17476	..	HOUSING-GEARBOX RADIAL DR. SUPPLIER CODE: VK0680 POST SERVICE BULLETIN: 72-7372PT01 VK0680	002004 006999	1
60	AS21008	..	BOLT-.250 DIA X .500	002004 006999	4
90	AS30330	..	BOLT	002004 006999	8
95	LK71878	..	PIN- SUPPLIER CODE: VK0680	002004 006999	8
100	NAS624-11	..	BOLT-	002004 006999	2
105	NAS1587-4C	..	WASHER-	002004 006999	4
110	MS21043-4	..	NUT-SELF LOCKING	002004 006999	2
115	AS21011	..	BOLT-	002004 006999	4
120	LK71876	..	PIN-SUPPORT BUSHING SUPPLIER CODE: VK0680	002004 006999	4
125	LK71877	..	WASHER- SUPPLIER CODE: VK0680	002004 006999	4
130	AS20625	..	NUT-SELF LOCKING	002004 006999	4
133	AS26095	..	WASHER- POST SERVICE BULLETIN: 24-9280PT01 VK0680 PRE SERVICE BULLETIN: 72-D018 VK0680	101101	55
137	AS21022	..	BOLT- POST SERVICE BULLETIN: 24-9280PT01 VK0680 PRE SERVICE BULLETIN: 72-D018 VK0680	101101 103106 108120 950951	59

MISSING ITEM NUMBERS NOT APPLICABLE

- ITEM NOT ILLUSTRATED

BRI

72-34-51-01

72-34-51
FIG. 01
PAGE 7
JAN 20/09



757

PARTS CATALOG (MAINTENANCE)

FIG ITEM	PART NUMBER	1 2 3 4 5 6 7	NOMENCLATURE	EFFECT FROM TO	UNITS PER ASSY
1 138	AS21018	..	BOLT- CONFIG CHG DATA FROM A CMM: FOR INTRCHG SEE RR IPC POST SERVICE BULLETIN: 24-9280PT01 VK0680	101101 103106 108120 950951	64
141	SP123E	..	WASHER- CONFIG CHG DATA FROM A CMM: FOR INTRCHG SEE RR IPC POST SERVICE BULLETIN: 24-9280PT01 VK0680	101101 103106 108120 950951	187
148	AS20625	..	NUT-	002004 006999	130
150	UP10280	..	BRACKET-SUPPORT FUEL SUPPLIER CODE: VK0680	002004 006106 108120 950951	2
155	LK80998	..	BRACKET-ANGLE CLIPPING SUPPLIER CODE: VK0680 CONFIG CHG DATA FROM A CMM: FOR INTRCHG SEE RR IPC PRE SERVICE BULLETIN: 72-7948 POST SERVICE BULLETIN: 24-9280PT01 VK0680	002004 006102 107999	17
165	AS21018	..	BOLT- CONFIG CHG DATA FROM A CMM: FOR INTRCHG SEE RR IPC POST SERVICE BULLETIN: 24-9280PT01 VK0680	101101 103106 108120 950951	3

MISSING ITEM NUMBERS NOT APPLICABLE

- ITEM NOT ILLUSTRATED

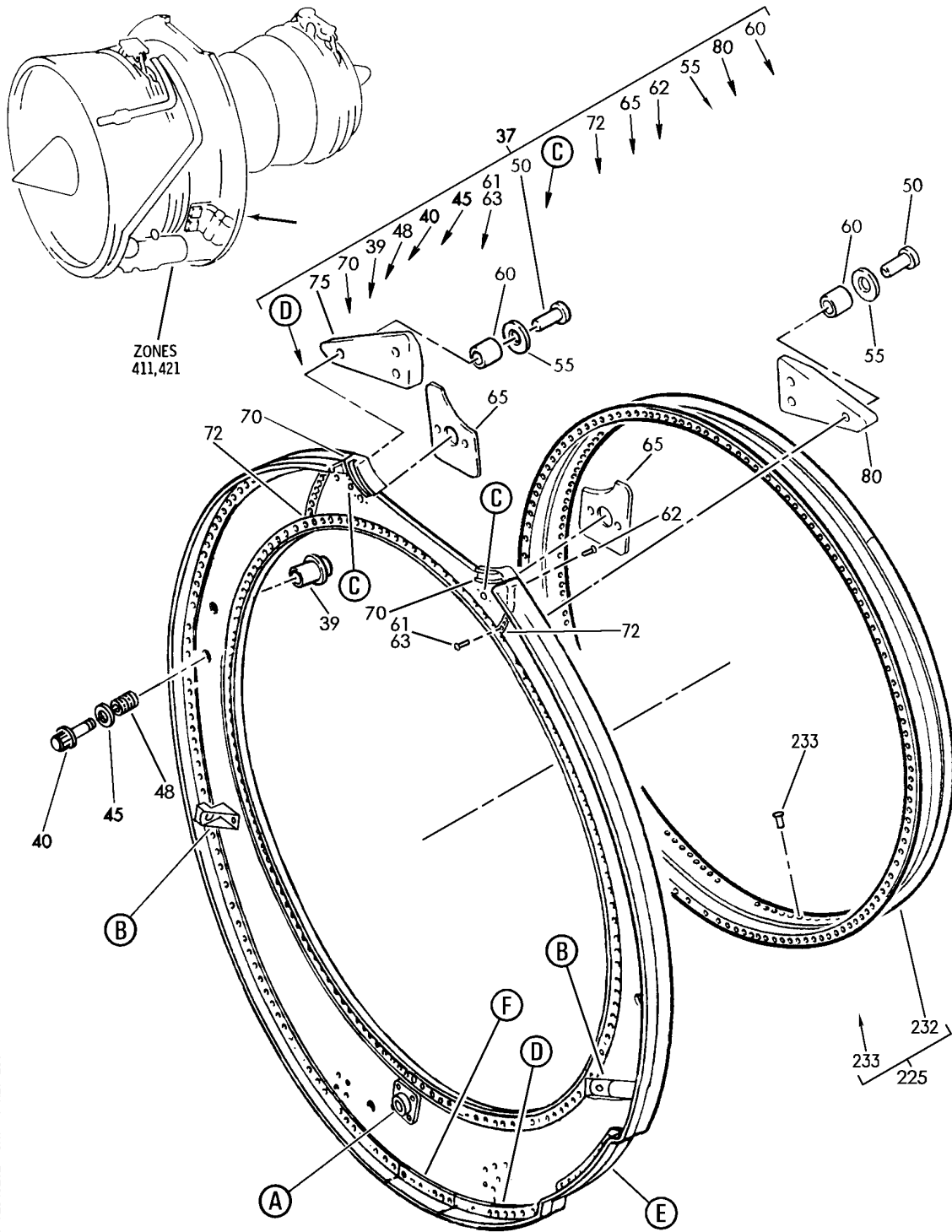
BRI

72-34-51-01

BOEING PROPRIETARY - Copyright © - Unpublished Work - See title page for details.

72-34-51
FIG. 01
PAGE 8
JAN 20/09

BOEING
757
PARTS CATALOG (MAINTENANCE)



Y 72345202 SHT 1 REV 280

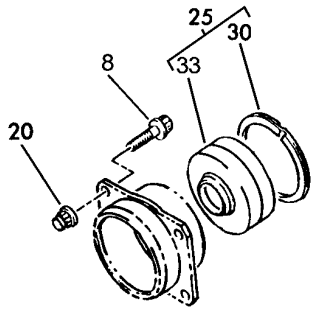
FAN CASE-LOW PRESSURE CPRSR SPRT STRUCT (RB211-535)
FIGURE 2 (SHEET 1)

72-34-52-02

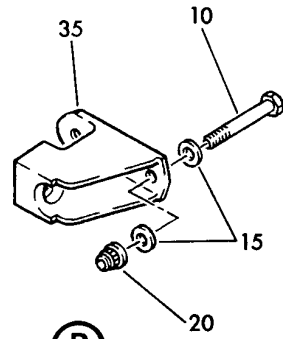
BRI
MAY 28/07

72-34-52-02
PAGE 0

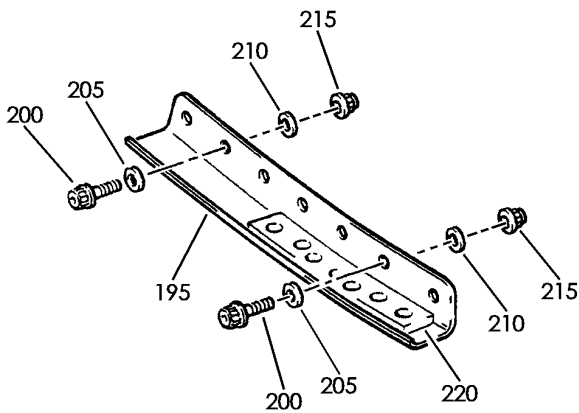

BOEING
 757
PARTS CATALOG (MAINTENANCE)



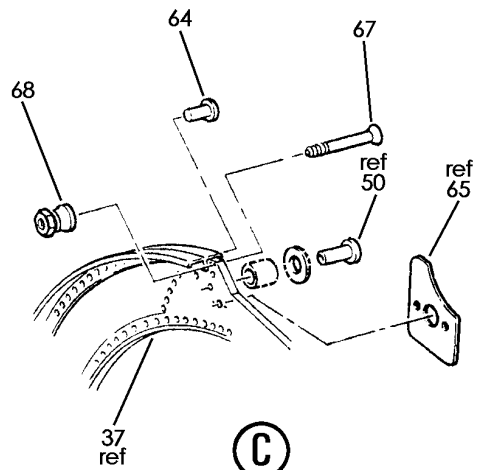
(A)



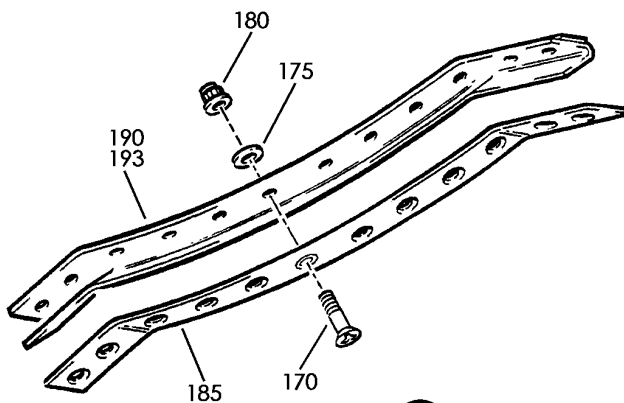
(B)



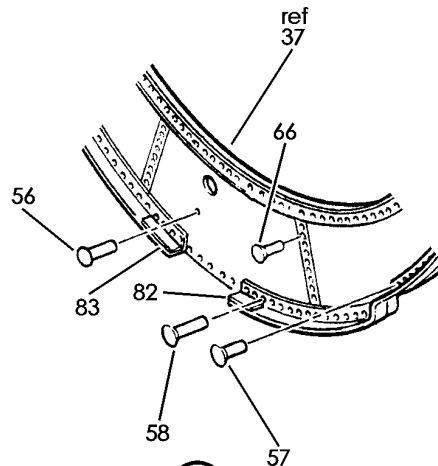
(F)



(C)



(E)



(D)

Y 72345202 SHT 2 REV 280

FAN CASE-LOW PRESSURE CPRSR SPRT STRUCT (RB211-535)
 FIGURE 2 (SHEET 2)

72-34-52-02

BRI
MAY 28/07

72-34-52-02
PAGE 0A



757

PARTS CATALOG (MAINTENANCE)

FIG ITEM	PART NUMBER	1 2 3 4 5 6 7	NOMENCLATURE	EFFECT FROM TO	UNITS PER ASSY
2			FAN CASE-LOW PRESSURE CPRSR SPRT STRUCT (RB211-535)	002004 006999	
- 1	UL19722		ENGINE ASSY-Q.E.C.U. RB211-535E43711 MAXIMUM NEUT SUPPLIER CODE: VK0680 FOR NHA/OTHER SYS DET SEE: 71-00-02-04	107107	RF
- 1	UL20697		ENGINE ASSY-Q.E.C.U. RB211-535E43711 MAXIMUM NEUT WITH GRAVINER FIRE DETECTORS, BAYONET MCD, NON-MODULATED IDG COOLING 40,000 LB THRUST SUPPLIER CODE: VK0680 REFERENCE SERVICE BULLETIN: 71-0058R4 QUALIFIED SB I/W DATA: INTERMIX OF ONE OR SUBSTITUTION OF TWO DIFFERENT CONFIGURATION RB211-535E4-37/() ENGINES FOR RB211-535 E4 BASE ENGINES REFERENCE SERVICE BULLETIN: RB211-72-C547 VK0680 FOR NHA/OTHER SYS DET SEE: 71-00-02-04	121503 904949 952999	RF

MISSING ITEM NUMBERS NOT APPLICABLE

- ITEM NOT ILLUSTRATED

BRI

72-34-52-02

BOEING PROPRIETARY - Copyright © - Unpublished Work - See title page for details.

72-34-52
FIG. 02
PAGE 1
JAN 20/09



757

PARTS CATALOG (MAINTENANCE)

FIG ITEM	PART NUMBER	1 2 3 4 5 6 7	NOMENCLATURE	EFFECT FROM TO	UNITS PER ASSY
2 - 1	UL20698		ENGINE ASSY-Q.E.C.U. RB211-535E43712 MAXIMUM NEUT SUPPLIER CODE: VK0680 REFERENCE SERVICE BULLETIN: 71-0058R7 QUALIFIED SB I/W DATA: INTERMIX OF ONE OR SUBSTITUTION OF TWO DIFFERENT CONFIGURATION RB211-535E4-37/() ENGINES FOR RB211-535E4 BASE ENGINES OR DIFFERENT CONFIGURATION RB211-535E4-B-37/() ENGINES FOR RB211-535E4-B BASE ENGINES REFERENCE SERVICE BULLETIN: RB211-72-C547 VK0680 RB211-72-8910 VK0680 POST RAPID REVISION: RR92014-183A-RC-E FOR NHA/OTHER SYS DET SEE: 71-00-02-04	002004 006100 102102	RF
- 1	UL20702		ENGINE ASSY-Q.E.C.U. RB211-535E43711 BASIC ENGINE CONFIG. WITH GRAVINER FIRE DETECTORS,BAYONET MCD, NON-MODULATED IDG COOLING 40,100 LB THRUST SUPPLIER CODE: VK0680 FOR NHA/OTHER SYS DET SEE: 71-00-02-10	504903	RF
- 1	UL36209		ENGINE ASSY-Q.E.C.U. RB211-535E43719 MAXIMUM NEUT SUPPLIER CODE: VK0680 FOR NHA/OTHER SYS DET SEE: 71-00-02-04	950951	RF

MISSING ITEM NUMBERS NOT APPLICABLE

- ITEM NOT ILLUSTRATED

72-34-52-02

72-34-52
FIG. 02
PAGE 2
JAN 20/09

BRI



757

PARTS CATALOG (MAINTENANCE)

FIG ITEM	PART NUMBER	1 2 3 4 5 6 7	NOMENCLATURE	EFFECT FROM TO	UNITS PER ASSY
2					
- 3	BCREF17395		ENGINE ASSY-Q.E.C.U. RB211-535E43739 BASIC ENGINE CONFIGURATION AND PHASE 5 COMBUSTOR 40,100 LB THRUST SUPPLIER CODE: VK0680 OVERLENGTH PART NUMBER: RB211-535E4-37-39E FOR NHA/OTHER SYS DET SEE: 71-00-02-10	108120	RF
- 4	BCREF17101		ENGINE ASSY-Q.E.C.U. RB211-535E43744 BASIC ENGINE CONFIGURATION, BAYONET MCD AND PHASE 5 COMBUSTOR 40,100 LB THRUST SUPPLIER CODE: VK0680 OVERLENGTH PART NUMBER: RB211-535E4-3744E FOR NHA/OTHER SYS DET SEE: 71-00-02-10	103106	RF
- 4	UL38163		ENGINE ASSY-Q.E.C.U. RB211-535E43724 BASIC ENGINE CONFIGURATION, BAYONET MCD, 40,100 LB THRUST SUPPLIER CODE: VK0680 FOR NHA/OTHER SYS DET SEE: 71-00-02-10	101101	RF
- 5	UL15308		.LP COMP CASE-CPRSR MODULE 07 SUPPLIER CODE: VK0680 CONFIG CHG DATA FROM A CMM: FOR INTRCHG SEE RR IPC PRE SERVICE BULLETIN: 72-8088 VK0680	002004 006100 102102 107107 121949 952999	RF

MISSING ITEM NUMBERS NOT APPLICABLE

- ITEM NOT ILLUSTRATED

BRI

72-34-52-02

BOEING PROPRIETARY - Copyright © - Unpublished Work - See title page for details.

72-34-52
FIG. 02
PAGE 3
JAN 20/09



757

PARTS CATALOG (MAINTENANCE)

FIG ITEM	PART NUMBER	1 2 3 4 5 6 7	NOMENCLATURE	EFFECT FROM TO	UNITS PER ASSY
2 -	5 UL20000	.LP	COMP CASE-CPRSR MODULE 07 SUPPLIER CODE: VK0680 POST SERVICE BULLETIN: 72-8088 VK0680 PRE SERVICE BULLETIN: 71-8079 VK0680	002004 006100 102102 107107 121949 952999	RF
-	5 UL20538	.LP	COMP CASE-CPRSR SUPPLIER CODE: VK0680 POST SERVICE BULLETIN: 71-8079 VK0680 PRE SERVICE BULLETIN: 71-8891 VK0680	002004 006100 102102 107107 121949 952999	RF
-	5 UL27131	.LP	COMP CASE-CPRSR MODULE 07 SUPPLIER CODE: VK0680 POST SERVICE BULLETIN: 71-8891PT01 VK0680 PRE SERVICE BULLETIN: 79-9179 VK0680	002004 006100 102102 107107 121949 952999	RF
-	5 UL28129	.LP	COMP CASE-CPRSR MODULE 07 SUPPLIER CODE: VK0680 POST SERVICE BULLETIN: 79-9179 VK0680 PRE SERVICE BULLETIN: 72-9280 VK0680	002004 006100 102102 107107 121949 952999	RF
-	5 UL36086	.LP	COMP CASE-CPRSR MODULE 07 SUPPLIER CODE: VK0680 POST SERVICE BULLETIN: 72-9461PT01 VK0680 PRE SERVICE BULLETIN: 72-9188 VK0680	002004 006100 102102 107107 121949 952999	RF

MISSING ITEM NUMBERS NOT APPLICABLE

- ITEM NOT ILLUSTRATED

72-34-52-02

72-34-52
FIG. 02
PAGE 4
JAN 20/09

BRI

 **BOEING**
757
PARTS CATALOG (MAINTENANCE)

FIG ITEM	PART NUMBER	1 2 3 4 5 6 7	NOMENCLATURE	EFFECT FROM TO	UNITS PER ASSY
2					
- 5	UL36087		.LP COMP CASE-CPRSR MODULE 07 SUPPLIER CODE: VK0680 POST SERVICE BULLETIN: 72-9188PT01 VK0680	002004 006100 102102 107107 121949 952999	RF
- 5	UL28132		.LP COMP CASE-CPRSR MODULE 07 SUPPLIER CODE: VK0680 POST SERVICE BULLETIN: 72-9188PT01 VK0680	101101 103106 108120 950951	RF
- 5	UL31955		.LP COMP CASE-MODULE 7 SUPPLIER CODE: VK0680 POST SERVICE BULLETIN: 72-9461PT01 VK0680 PRE SERVICE BULLETIN: 72-9188 VK0680	103106 108120	RF
8	AS21017		..BOLT	002004 006999	4
10	BLT4542		..BOLT- SUPPLIER CODE: VK0680	002004 006999	4
15	SP123E		..WASHER	002004 006999	8
20	AS20625		..NUT	002004 006999	8
25	UL19833		..HOUSING ASSY-HIGH SPEED GR BOX SUPPLIER CODE: VK0680 POSITION DATA: REAR POST SERVICE BULLETIN: 72-8088PT01 VK0680	002004 006999	1

MISSING ITEM NUMBERS NOT APPLICABLE

- ITEM NOT ILLUSTRATED

BRI

72-34-52-02

BOEING PROPRIETARY - Copyright © - Unpublished Work - See title page for details.

72-34-52
FIG. 02
PAGE 5
JAN 20/09

 **BOEING**
757
PARTS CATALOG (MAINTENANCE)

FIG ITEM	PART NUMBER	1 2 3 4 5 6 7	NOMENCLATURE	EFFECT FROM TO	UNITS PER ASSY
2					
25	UL15269		..HOUSING ASSY-HIGH SPEED GR BOX SUPPLIER CODE: VK0680 POSITION DATA: REAR PRE SERVICE BULLETIN: 72-8088 VK0680	002004 006100 102102 107107 121949 952999	1
30	MRT263S		...RING- SUPPLIER CODE: V80756 POST SERVICE BULLETIN: 72-8088 VK0680	002004 006999	1
35	UL10437		..SUPPORT-STRUT FAIRING SUPPLIER CODE: VK0680 POSITION DATA: LH AND RH	002004 006999	2
40	AS21408		...BOLT- REFERENCE SERVICE BULLETIN: 71-8079PT01 VK0680	002004 006999	5
45	EU48833		...WASHER- SUPPLIER CODE: VK0680 POST SERVICE BULLETIN: 71-8079 VK0680	002004 006999	5
50	AS16188		...RIVET	002004 006999	6
55	NU15899		...WASHER- SUPPLIER CODE: VK0680	002004 006999	6
60	LK61254		...SPACER- SUPPLIER CODE: VK0680	002004 006999	6
65	LK80226		...PLATE- SUPPLIER CODE: VK0680 POSITION DATA: FRONT	002004 006999	2
70	LK80273		...BLOCK- SUPPLIER CODE: VK0680 POSITION DATA: OUTER	002004 006999	2

MISSING ITEM NUMBERS NOT APPLICABLE

— ITEM NOT ILLUSTRATED

BRI

72-34-52-02

BOEING PROPRIETARY - Copyright © - Unpublished Work - See title page for details.

72-34-52
FIG. 02
PAGE 6
JAN 20/09

 **BOEING**
757
PARTS CATALOG (MAINTENANCE)

FIG ITEM	PART NUMBER	1 2 3 4 5 6 7	NOMENCLATURE	EFFECT FROM TO	UNITS PER ASSY
2					
75	LK83092	...	BLOCK- SUPPLIER CODE: VK0680 POSITION DATA: FRONT LH	002004 006999	1
80	LK83093	...	BLOCK- SUPPLIER CODE: VK0680 POSITION DATA: FRONT RH	002004 006999	1
193	ARM783	...	SEAL- SUPPLIER CODE: VK1406	002004 006999	1
195	LK83030	..	PLATE ASSY-SEAL DRAINS EXIT SUPPLIER CODE: VK0680 POSITION DATA: FRONT ATTACHING PARTS	002004 006999	1
200	AS21411	..	BOLT	002004 006999	7
205	AS12943	..	WASHER	002004 006999	4
210	SP123D	..	WASHER	002004 006999	7
215	AS20624	..	NUT	002004 006999	7
			-----*-----		
220	ARM767	...	SEAL- SUPPLIER CODE: VK1406 OPTIONAL PART: BA4648 VU1901	002004 006999	1
220	BA4648	...	SEAL- SUPPLIER CODE: VU1901 OPTIONAL PART: ARM767 VK1406	002004 006999	1

MISSING ITEM NUMBERS NOT APPLICABLE

— ITEM NOT ILLUSTRATED

BRI

72-34-52-02

BOEING PROPRIETARY - Copyright © - Unpublished Work - See title page for details.

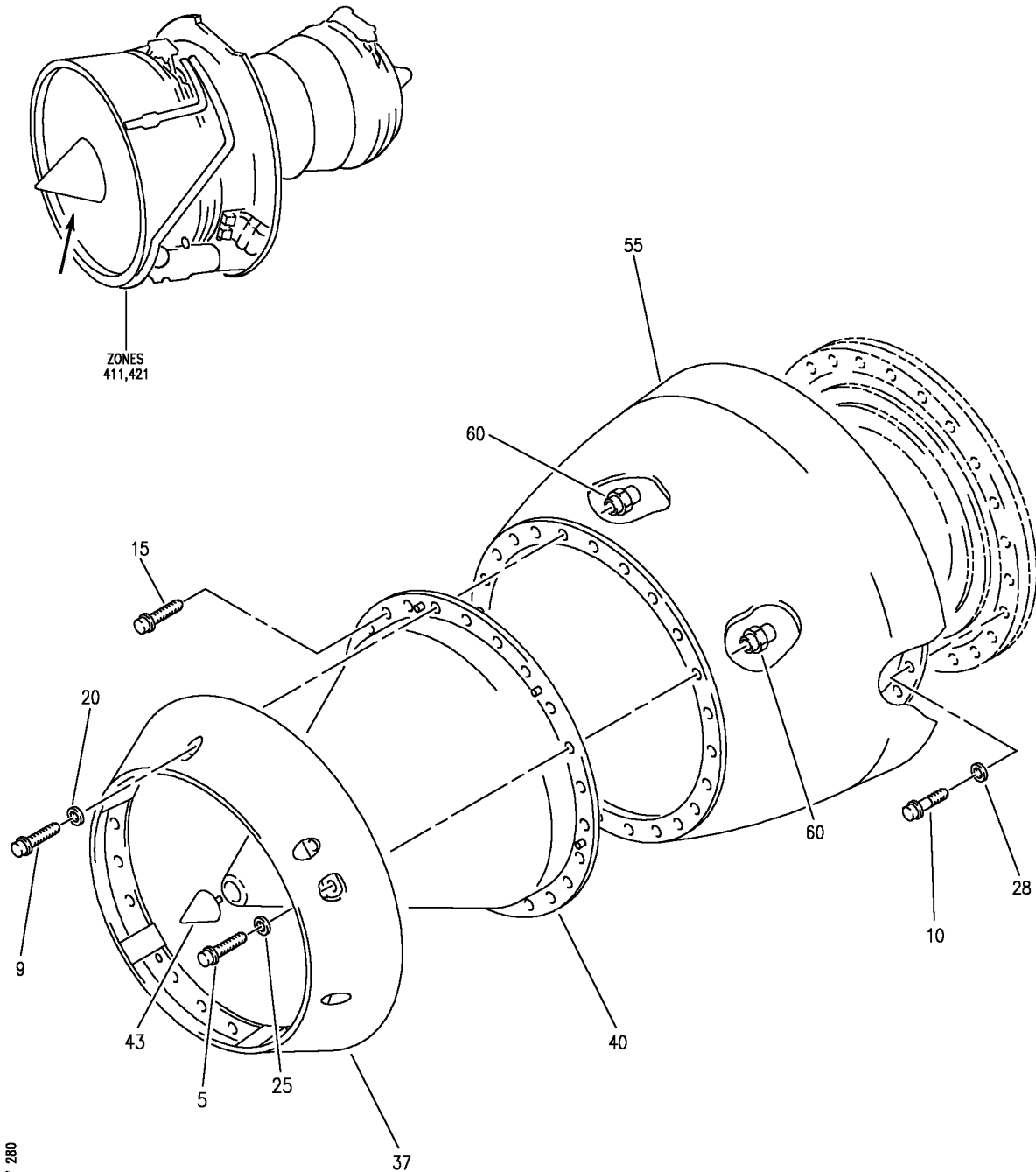
72-34-52
FIG. 02
PAGE 7
JAN 20/09

HIGH PRESSURE COMPRESSOR (HPC) SECTION

BRI
MAY 28/07

72-35-00
SECTION TITLE
PAGE 1

BOEING
757
PARTS CATALOG (MAINTENANCE)



Y 72350101 REV 280

FAIRING-LP CPRSR INTAKE ROTATING (RB211-535)
FIGURE 1

72-35-01-01

BRI
MAY 28/07

72-35-01-01
PAGE 0



757

PARTS CATALOG (MAINTENANCE)

FIG ITEM	PART NUMBER	1 2 3 4 5 6 7	NOMENCLATURE	EFFECT FROM TO	UNITS PER ASSY
1					
- 1	UL20697		FAIRING-LP CPRSR INTAKE ROTATING (RB211-535) ENGINE ASSY-Q.E.C.U. RB211-535E43711 MAXIMUM NEUT WITH GRAVINER FIRE DETECTORS, BAYONET MCD, NON-MODULATED IDG COOLING 40,000 LB THRUST SUPPLIER CODE: VK0680 REFERENCE SERVICE BULLETIN: 71-0058R4 QUALIFIED SB I/W DATA: INTERMIX OF ONE OR SUBSTITUTION OF TWO DIFFERENT CONFIGURATION RB211-535E4-37/() ENGINES FOR RB211-535 E4 BASE ENGINES REFERENCE SERVICE BULLETIN: RB211-72-C547 VK0680 FOR NHA/OTHER SYS DET SEE: 71-00-02-04	002004 006999 121503 904949 952999	RF
- 1	UL20702		ENGINE ASSY-Q.E.C.U. RB211-535E43711 BASIC ENGINE CONFIG. WITH GRAVINER FIRE DETECTORS, BAYONET MCD, NON-MODULATED IDG COOLING 40,100 LB THRUST SUPPLIER CODE: VK0680 FOR NHA/OTHER SYS DET SEE: 71-00-02-10	504903	RF
- 1	UL19722		ENGINE ASSY-Q.E.C.U. RB211-535E43711 MAXIMUM NEUT SUPPLIER CODE: VK0680 FOR NHA/OTHER SYS DET SEE: 71-00-02-04	107107	RF

MISSING ITEM NUMBERS NOT APPLICABLE

- ITEM NOT ILLUSTRATED

BRI

72-35-01-01

BOEING PROPRIETARY - Copyright © - Unpublished Work - See title page for details.

72-35-01
FIG. 01
PAGE 1
JAN 20/09



757

PARTS CATALOG (MAINTENANCE)

FIG ITEM	PART NUMBER	1 2 3 4 5 6 7	NOMENCLATURE	EFFECT FROM TO	UNITS PER ASSY
1					
- 2	UL20698		ENGINE ASSY-Q.E.C.U. RB211-535E43712 MAXIMUM NEUT SUPPLIER CODE: VK0680 REFERENCE SERVICE BULLETIN: 71-0058R7 QUALIFIED SB I/W DATA: INTERMIX OF ONE OR SUBSTITUTION OF TWO DIFFERENT CONFIGURATION RB211-535E4-37/() ENGINES FOR RB211-535E4 BASE ENGINES OR DIFFERENT CONFIGURATION RB211-535E4-B-37/() ENGINES FOR RB211-535E4-B BASE ENGINES REFERENCE SERVICE BULLETIN: RB211-72-C547 VK0680 RB211-72-8910 VK0680 POST RAPID REVISION: RR92014-183A-RC-E FOR NHA/OTHER SYS DET SEE: 71-00-02-04	002004 006100 102102	RF
- 2	UL36209		ENGINE ASSY-Q.E.C.U. RB211-535E43719 MAXIMUM NEUT SUPPLIER CODE: VK0680 FOR NHA/OTHER SYS DET SEE: 71-00-02-04	950951	RF
- 3	BCREF17395		ENGINE ASSY-Q.E.C.U. RB211-535E43739 BASIC ENGINE CONFIGURATION AND PHASE 5 COMBUSTOR 40,100 LB THRUST SUPPLIER CODE: VK0680 OVERLENGTH PART NUMBER: RB211-535E4-37-39E FOR NHA/OTHER SYS DET SEE: 71-00-02-10	108120	RF

MISSING ITEM NUMBERS NOT APPLICABLE

- ITEM NOT ILLUSTRATED

72-35-01-01

72-35-01
FIG. 01
PAGE 2
JAN 20/09

BRI



757

PARTS CATALOG (MAINTENANCE)

FIG ITEM	PART NUMBER	1 2 3 4 5 6 7	NOMENCLATURE	EFFECT FROM TO	UNITS PER ASSY
1					
- 3	BCREF17101		ENGINE ASSY-Q.E.C.U. RB211-535E43744 BASIC ENGINE CONFIGURATION, BAYONET MCD AND PHASE 5 COMBUSTOR 40,100 LB THRUST SUPPLIER CODE: VK0680 OVERLENGTH PART NUMBER: RB211-535E4-3744E FOR NHA/OTHER SYS DET SEE: 71-00-02-10	103106	RF
- 3	UL38163		ENGINE ASSY-Q.E.C.U. RB211-535E43724 BASIC ENGINE CONFIGURATION, BAYONET MCD, 40,100 LB THRUST SUPPLIER CODE: VK0680 FOR NHA/OTHER SYS DET SEE: 71-00-02-10	101101	RF
- 4	UL14588		.FAIRING-L.P. CPRSR INTAKE ROTATING SUPPLIER CODE: VK0680 PRE SERVICE BULLETIN: 72-9177 VK0680	002004 006102 107999	RF
- 4	UL35890		.FAIRING-L.P. CPRSR INTAKE ROTATING SUPPLIER CODE: VK0680 POST SERVICE BULLETIN: 72-9177PT01 VK0680	002004 006999	RF
5	AS21118		..BOLT- CONFIG CHG DATA FROM A CMM: FOR INTRCHG SEE RR IPC POST SERVICE BULLETIN: 72-9723PT01 VK0680 PRE SERVICE BULLETIN: 72-9177 VK0680	002004 006999	18

MISSING ITEM NUMBERS NOT APPLICABLE

- ITEM NOT ILLUSTRATED

BRI

72-35-01-01

BOEING PROPRIETARY - Copyright © - Unpublished Work - See title page for details.

72-35-01
FIG. 01
PAGE 3
JAN 20/09



757

PARTS CATALOG (MAINTENANCE)

FIG ITEM	PART NUMBER	1 2 3 4 5 6 7	NOMENCLATURE	EFFECT FROM TO	UNITS PER ASSY
1					
5	AS21121	..	BOLT- CONFIG CHG DATA FROM A CMM: FOR INTRCHG SEE RR IPC POST SERVICE BULLETIN: 72-9177PT01 VK0680	002004 006999	18
9	AS21118	..	BOLT- PRE SERVICE BULLETIN: 72-9177 VK0680 72-7057 VK0680	002004 006102 107999	6
9	AS21121	..	BOLT- POST SERVICE BULLETIN: 72-9177PT01 VK0680 PRE SERVICE BULLETIN: 72-9723 VK0680	002004 006102 107999	6
9	AS21117	..	BOLT- POST SERVICE BULLETIN: 72-9723PT01 VK0680	002004 006999	6
10	AS21116	..	BOLT- POST SERVICE BULLETIN: 72-9177PT01 VK0680 PRE SERVICE BULLETIN: 72-9723 VK0680	002004 006102 107999	24
15	BLT5563	..	BOLT-36.3 GRAM NOMINAL SUPPLIER CODE: VK0680 POST SERVICE BULLETIN: 72-9723PT01 VK0680	002004 006999	18
20	UP60124	..	WASHER- SUPPLIER CODE: VK0680 POST SERVICE BULLETIN: 72-9177PT01 VK0680 PRE SERVICE BULLETIN: 72-9723 VK0680	002004 006102 107999	6

MISSING ITEM NUMBERS NOT APPLICABLE

- ITEM NOT ILLUSTRATED

BRI

72-35-01-01

BOEING PROPRIETARY - Copyright © - Unpublished Work - See title page for details.

72-35-01
FIG. 01
PAGE 4
JAN 20/09



757

PARTS CATALOG (MAINTENANCE)

FIG ITEM	PART NUMBER	1 2 3 4 5 6 7	NOMENCLATURE	EFFECT FROM TO	UNITS PER ASSY
1	25 LK81080		.. WASHER- SUPPLIER CODE: VK0680 CONFIG CHG DATA FROM A CMM: FOR INTRCHG SEE RR IPC PRE SERVICE BULLETIN: 72-9723 VK0680	002004 006102 107999	18
	25 AS12945		.. WASHER- CONFIG CHG DATA FROM A CMM: FOR INTRCHG SEE RR IPC POST SERVICE BULLETIN: 72-9723PT01 VK0680	002004 006999	18
	28 LK81080		.. WASHER- SUPPLIER CODE: VK0680 POST SERVICE BULLETIN: 72-9177PT01 VK0680 PRE SERVICE BULLETIN: 72-9723 VK0680	002004 006102 107999	24
	37 UL16113		.. FAIRING ASSY-NOSE CONE SUPPLIER CODE: VK0680 PRE SERVICE BULLETIN: 72-9177 VK0680	002004 006102 107999	1
	37 UL27855		.. FAIRING ASSY-NOSE CONE SUPPLIER CODE: VK0680 POST SERVICE BULLETIN: 72-9177PT01 VK0680 PRE SERVICE BULLETIN: 72-9723 VK0680	002004 006102 107999	1
	37 UL34007		.. FAIRING ASSY-NOSE CONE SUPPLIER CODE: VK0680 POST SERVICE BULLETIN: 72-9723PT01 VK0680	002004 006999	1

MISSING ITEM NUMBERS NOT APPLICABLE

- ITEM NOT ILLUSTRATED

72-35-01-01

72-35-01
FIG. 01
PAGE 5
JAN 20/09

BRI

BOEING PROPRIETARY - Copyright © - Unpublished Work - See title page for details.



757

PARTS CATALOG (MAINTENANCE)

FIG ITEM	PART NUMBER	1 2 3 4 5 6 7	NOMENCLATURE	EFFECT FROM TO	UNITS PER ASSY
1					
37	FW14802		.. FAIRING ASSY-NOSE CONE SUPPLIER CODE: VK0680 POST SERVICE BULLETIN: 72-C990PT04 VK0680	002004 006999	1
40	LK75091		.. SPINNER ASSY-LP CPRSR ROTOR BALANCED SUPPLIER CODE: VK0680 PRE SERVICE BULLETIN: 72-9177 VK0680	002004 006102 107999	1
40	UL27854		.. SPINNER ASSY-LP CPRSR ROTOR BALANCED SUPPLIER CODE: VK0680 CONFIG CHG DATA FROM A CMM: FOR INTRCHG SEE RR IPC POST SERVICE BULLETIN: 72-9177PT01 VK0680 PRE SERVICE BULLETIN: 72-9723 VK0680	002004 006102 107999	1
40	UL36867		.. SPINNER ASSY-LP CPRSR ROTOR BALANCED SUPPLIER CODE: VK0680 POST SERVICE BULLETIN: 72-9723PT01 VK0680 PRE SERVICE BULLETIN: 72-D132 VK0680	002004 006999	1
40	FW14983		.. SPINNER ASSY-LP CPRSR ROTOR BALANCED SUPPLIER CODE: VK0680 POST SERVICE BULLETIN: 72-D132PT01 VK0680 PRE SERVICE BULLETIN: 72-F034 VK0680	002004 006999	1

MISSING ITEM NUMBERS NOT APPLICABLE

- ITEM NOT ILLUSTRATED

BRI

72-35-01-01

BOEING PROPRIETARY - Copyright © - Unpublished Work - See title page for details.

72-35-01
FIG. 01
PAGE 6
JAN 20/09



757

PARTS CATALOG (MAINTENANCE)

FIG ITEM	PART NUMBER	1 2 3 4 5 6 7	NOMENCLATURE	EFFECT FROM TO	UNITS PER ASSY
1					
40	FW12883		.. SPINNER ASSY-LP CPRSR ROTOR BALANCED SUPPLIER CODE: VK0680 POST SERVICE BULLETIN: 72-D132PT03 VK0680 PRE SERVICE BULLETIN: 72-F034 VK0680	002004 006999	1
40	FW46191		.. SPINNER ASSY-LP CPRSR ROTOR SUPPLIER CODE: VK0680 POST SERVICE BULLETIN: 72-F034PT01 VK0680 72-F034PT05 VK0680	002004 006100 102999	1
40	FW46193		.. SPINNER ASSY-LP CPRSR ROTOR SUPPLIER CODE: VK0680 POST SERVICE BULLETIN: 72-F034PT03 VK0680 72-F034PT07 VK0680	002004 006100 102999	1
43	LK68330		...CAP-NOSE SUPPLIER CODE: VK0680 POST SERVICE BULLETIN: 72-9723PT01 VK0680 PRE SERVICE BULLETIN: 72-9723 VK0680	002004 006999	1
60	AS27870		...NUT- POST SERVICE BULLETIN: 72-9177PT01 VK0680 PRE SERVICE BULLETIN: 72-9723 VK0680	002004 006102 107999	24

MISSING ITEM NUMBERS NOT APPLICABLE

- ITEM NOT ILLUSTRATED

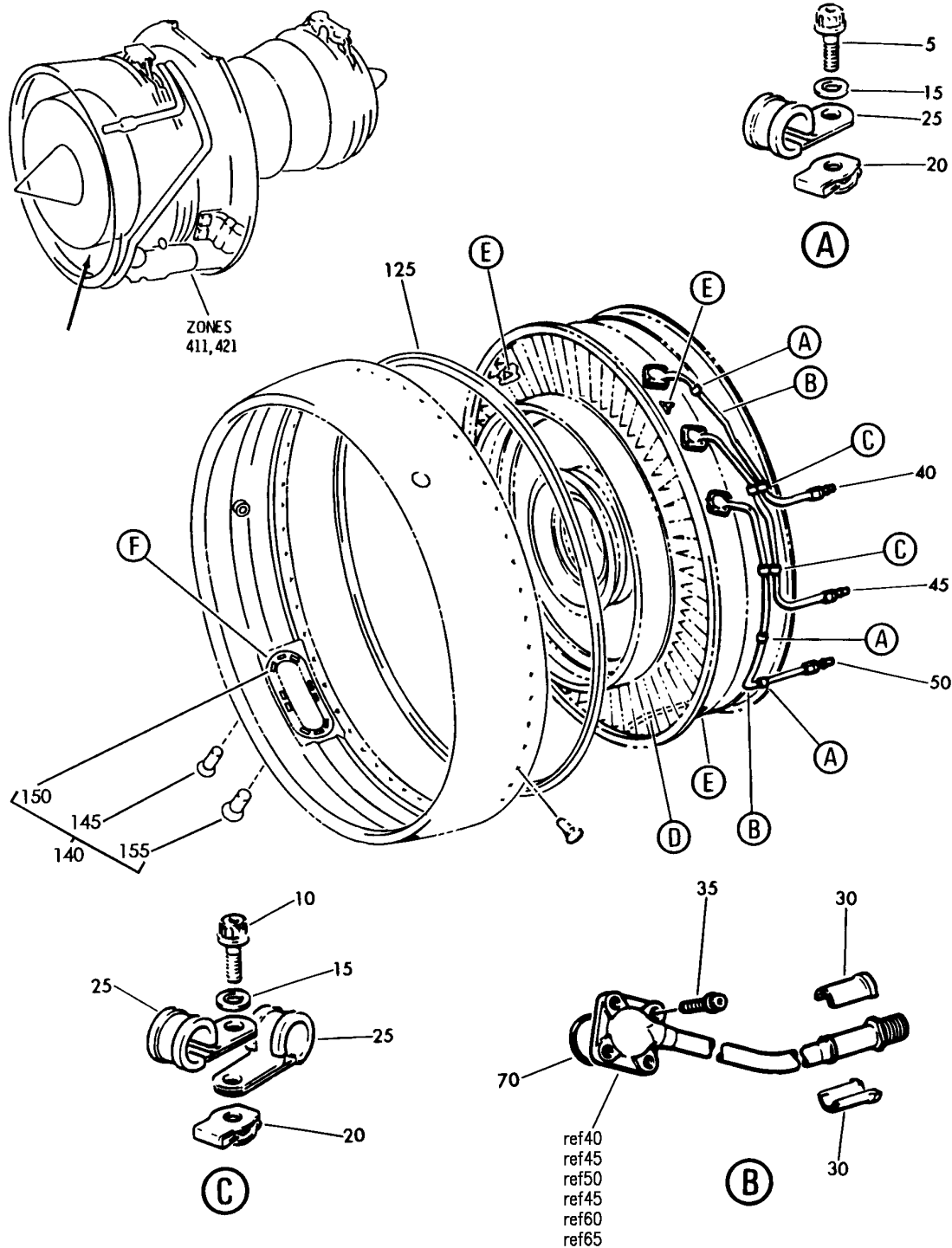
BRI

72-35-01-01

BOEING PROPRIETARY - Copyright © - Unpublished Work - See title page for details.

72-35-01
FIG. 01
PAGE 7
JAN 20/09

BOEING
757
PARTS CATALOG (MAINTENANCE)



Y 72355202 SH1 1 REV 280

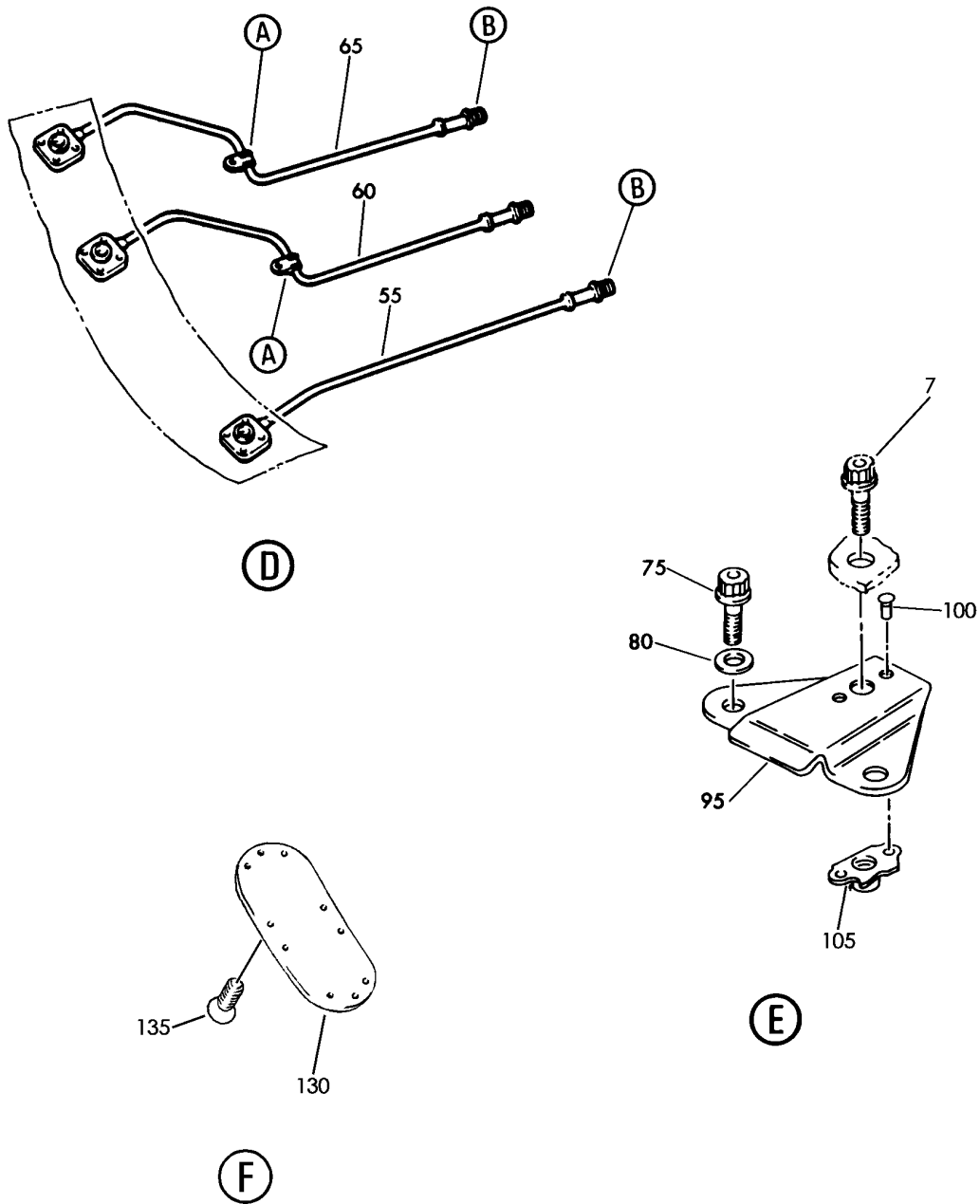
TUBES-SPLITTER FAIRING AND FRONT BRG SVCE (RB211-535)
FIGURE 2 (SHEET 1)

72-35-52-02

BRI
MAY 28/07

72-35-52-02
PAGE 0

BOEING
757
PARTS CATALOG (MAINTENANCE)



Y 72355202 SH1 2 REV 228

TUBES-SPLITTER FAIRING AND FRONT BRG SVCE (RB211-535)
FIGURE 2 (SHEET 2)

72-35-52-02

BRI
MAY 28/07

72-35-52-02
PAGE 0A



757

PARTS CATALOG (MAINTENANCE)

FIG ITEM	PART NUMBER	1 2 3 4 5 6 7	NOMENCLATURE	EFFECT FROM TO	UNITS PER ASSY
2			TUBES-SPLITTER FAIRING AND FRONT BRG SVCE (RB211-535)	002004 006999	
- 1	UL19722		ENGINE ASSY-Q.E.C.U. RB211-535E43711 MAXIMUM NEUT SUPPLIER CODE: VK0680 FOR NHA/OTHER SYS DET SEE: 71-00-02-04	107107	RF
- 1	UL20697		ENGINE ASSY-Q.E.C.U. RB211-535E43711 MAXIMUM NEUT WITH GRAVINER FIRE DETECTORS, BAYONET MCD, NON-MODULATED IDG COOLING 40,000 LB THRUST SUPPLIER CODE: VK0680 REFERENCE SERVICE BULLETIN: 71-0058R4 QUALIFIED SB I/W DATA: INTERMIX OF ONE OR SUBSTITUTION OF TWO DIFFERENT CONFIGURATION RB211-535E4-37/() ENGINES FOR RB211-535 E4 BASE ENGINES REFERENCE SERVICE BULLETIN: RB211-72-C547 VK0680 FOR NHA/OTHER SYS DET SEE: 71-00-02-04	121503 904949 952999	RF

MISSING ITEM NUMBERS NOT APPLICABLE

- ITEM NOT ILLUSTRATED

BRI

72-35-52-02

BOEING PROPRIETARY - Copyright © - Unpublished Work - See title page for details.

72-35-52
FIG. 02
PAGE 1
JAN 20/09



757

PARTS CATALOG (MAINTENANCE)

FIG ITEM	PART NUMBER	1 2 3 4 5 6 7	NOMENCLATURE	EFFECT FROM TO	UNITS PER ASSY
2 - 1	UL20698		ENGINE ASSY-Q.E.C.U. RB211-535E43712 MAXIMUM NEUT SUPPLIER CODE: VK0680 REFERENCE SERVICE BULLETIN: 71-0058R7 QUALIFIED SB I/W DATA: INTERMIX OF ONE OR SUBSTITUTION OF TWO DIFFERENT CONFIGURATION RB211-535E4-37/() ENGINES FOR RB211-535E4 BASE ENGINES OR DIFFERENT CONFIGURATION RB211-535E4-B-37/() ENGINES FOR RB211-535E4-B BASE ENGINES REFERENCE SERVICE BULLETIN: RB211-72-C547 VK0680 RB211-72-8910 VK0680 POST RAPID REVISION: RR92014-183A-RC-E FOR NHA/OTHER SYS DET SEE: 71-00-02-04	002004 006100 102102	RF
- 1	UL20702		ENGINE ASSY-Q.E.C.U. RB211-535E43711 BASIC ENGINE CONFIG. WITH GRAVINER FIRE DETECTORS,BAYONET MCD, NON-MODULATED IDG COOLING 40,100 LB THRUST SUPPLIER CODE: VK0680 FOR NHA/OTHER SYS DET SEE: 71-00-02-10	504903	RF
- 1	UL36209		ENGINE ASSY-Q.E.C.U. RB211-535E43719 MAXIMUM NEUT SUPPLIER CODE: VK0680 FOR NHA/OTHER SYS DET SEE: 71-00-02-04	950951	RF

MISSING ITEM NUMBERS NOT APPLICABLE

- ITEM NOT ILLUSTRATED

72-35-52-02

72-35-52
FIG. 02
PAGE 2
JAN 20/09

BRI



757

PARTS CATALOG (MAINTENANCE)

FIG ITEM	PART NUMBER	1 2 3 4 5 6 7	NOMENCLATURE	EFFECT FROM TO	UNITS PER ASSY
2					
- 3	BCREF17395		ENGINE ASSY-Q.E.C.U. RB211-535E43739 BASIC ENGINE CONFIGURATION AND PHASE 5 COMBUSTOR 40,100 LB THRUST SUPPLIER CODE: VK0680 OVERLENGTH PART NUMBER: RB211-535E4-37-39E FOR NHA/OTHER SYS DET SEE: 71-00-02-10	108120	RF
- 3	BCREF17101		ENGINE ASSY-Q.E.C.U. RB211-535E43744 BASIC ENGINE CONFIGURATION, BAYONET MCD AND PHASE 5 COMBUSTOR 40,100 LB THRUST SUPPLIER CODE: VK0680 OVERLENGTH PART NUMBER: RB211-535E4-3744E FOR NHA/OTHER SYS DET SEE: 71-00-02-10	103106	RF
- 3	UL38163		ENGINE ASSY-Q.E.C.U. RB211-535E43724 BASIC ENGINE CONFIGURATION, BAYONET MCD, 40,100 LB THRUST SUPPLIER CODE: VK0680 FOR NHA/OTHER SYS DET SEE: 71-00-02-10	101101	RF
- 4	UL10742		.TUBES-SPLITTER FAIRING AND FRONT BEARING SERVICE SUPPLIER CODE: VK0680	002004 006999	RF
5	AS21407		..BOLT	002004 006999	5
10	AS21409		..BOLT	002004 006999	2
15	K8831		..WASHER- SUPPLIER CODE: VK0680	002004 006999	7
20	AS41104		..NUT	002004 006999	7
25	400WSS8		..CLIP- SUPPLIER CODE: V83930	002004 006999	9

MISSING ITEM NUMBERS NOT APPLICABLE

- ITEM NOT ILLUSTRATED

72-35-52-02

72-35-52
FIG. 02
PAGE 3
JAN 20/09

BRI



757

PARTS CATALOG (MAINTENANCE)

FIG ITEM	PART NUMBER	1 2 3 4 5 6 7	NOMENCLATURE	EFFECT FROM TO	UNITS PER ASSY
2					
30	LK74816		..BUSHING-OIL SVCE TUBES SLEEVE HALF SUPPLIER CODE: VK0680	002004 006999	12
35	AS43709		..BOLT	002004 006999	24
40	UL11278		..TUBE ASSY-OIL VENT LOW PRESSURE AND INTERMEDIATE PRESSURE FRONT BRG SUPPLIER CODE: VK0680	002004 006999	1
45	UL11279		..TUBE ASSY-OIL VENT LOW PRESSURE AND INTERMEDIATE PRESSURE FRONT BRG SUPPLIER CODE: VK0680	002004 006999	1
50	UL11277		..TUBE ASSY-OIL VENT LOW PRESSURE AND INTERMEDIATE PRESSURE FRONT BRG SUPPLIER CODE: VK0680	002004 006999	1
55	UL11274		..TUBE ASSY-OIL FEED LOW PRESSURE AND INTERMEDIATE PRESSURE FRONT BRG SUPPLIER CODE: VK0680	002004 006999	1
60	UL11276		..TUBE ASSY-OIL SCAVENGE LOW PRESSURE AND INTERMEDIATE PRESSURE FRONT BRG SUPPLIER CODE: VK0680	002004 006999	1
65	UL11275		..TUBE ASSY-OIL SCAVENGE LOW PRESSURE AND INTERMEDIATE PRESSURE FRONT BRG SUPPLIER CODE: VK0680	002004 006999	1

MISSING ITEM NUMBERS NOT APPLICABLE

- ITEM NOT ILLUSTRATED

BRI

72-35-52-02

BOEING PROPRIETARY - Copyright © - Unpublished Work - See title page for details.

72-35-52
FIG. 02
PAGE 4
JAN 20/09



757

PARTS CATALOG (MAINTENANCE)

FIG ITEM	PART NUMBER	1 2 3 4 5 6 7	NOMENCLATURE	EFFECT FROM TO	UNITS PER ASSY
2	70 KB27118		..SEAL-TOROIDAL SUPPLIER CODE: VK0680 OPTIONAL PART: AS43013-118 POST SERVICE BULLETIN: 72-9480PTC VK0680 PRE SERVICE BULLETIN: 72-9480 VK0680	002004 006999	6
	70 AS43013-118		..SEAL-TOROIDAL OPTIONAL PART: KB27118 VK0680 POST SERVICE BULLETIN: 72-9480PTC VK0680	002004 006999	6
	95 UL12342		..BRACKET ASSY-SPLITTER FAIRING SUPPLIER CODE: VK0680	002004 006999	3
	125 LK86298		..RING-LINER SUPPLIER CODE: VK0680 POSITION DATA: FRONT	002004 006999	1

MISSING ITEM NUMBERS NOT APPLICABLE

- ITEM NOT ILLUSTRATED

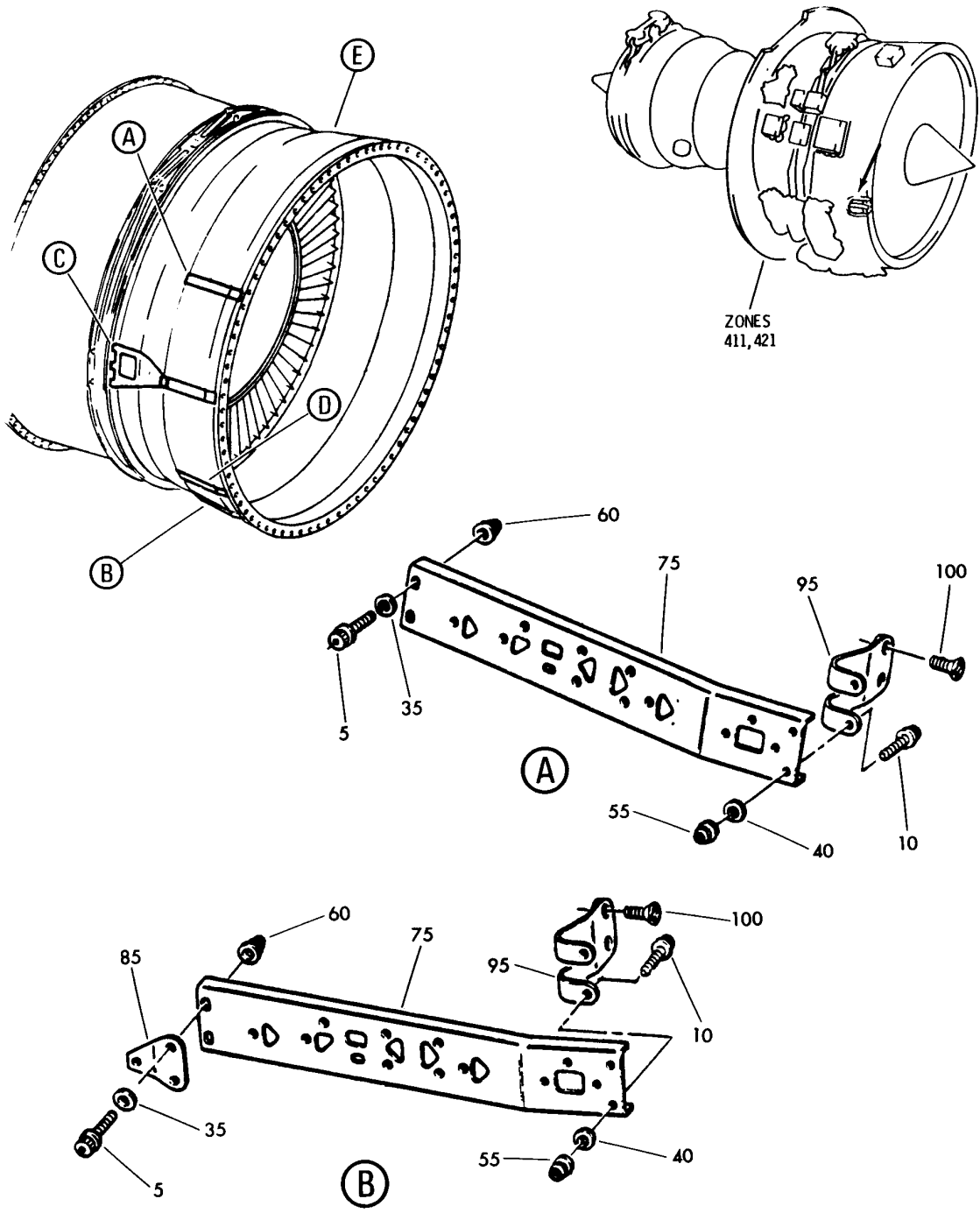
BRI

72-35-52-02

BOEING PROPRIETARY - Copyright © - Unpublished Work - See title page for details.

72-35-52
FIG. 02
PAGE 5
JAN 20/09

BOEING
757
PARTS CATALOG (MAINTENANCE)



Y 72355302 SHT 1 REV 045

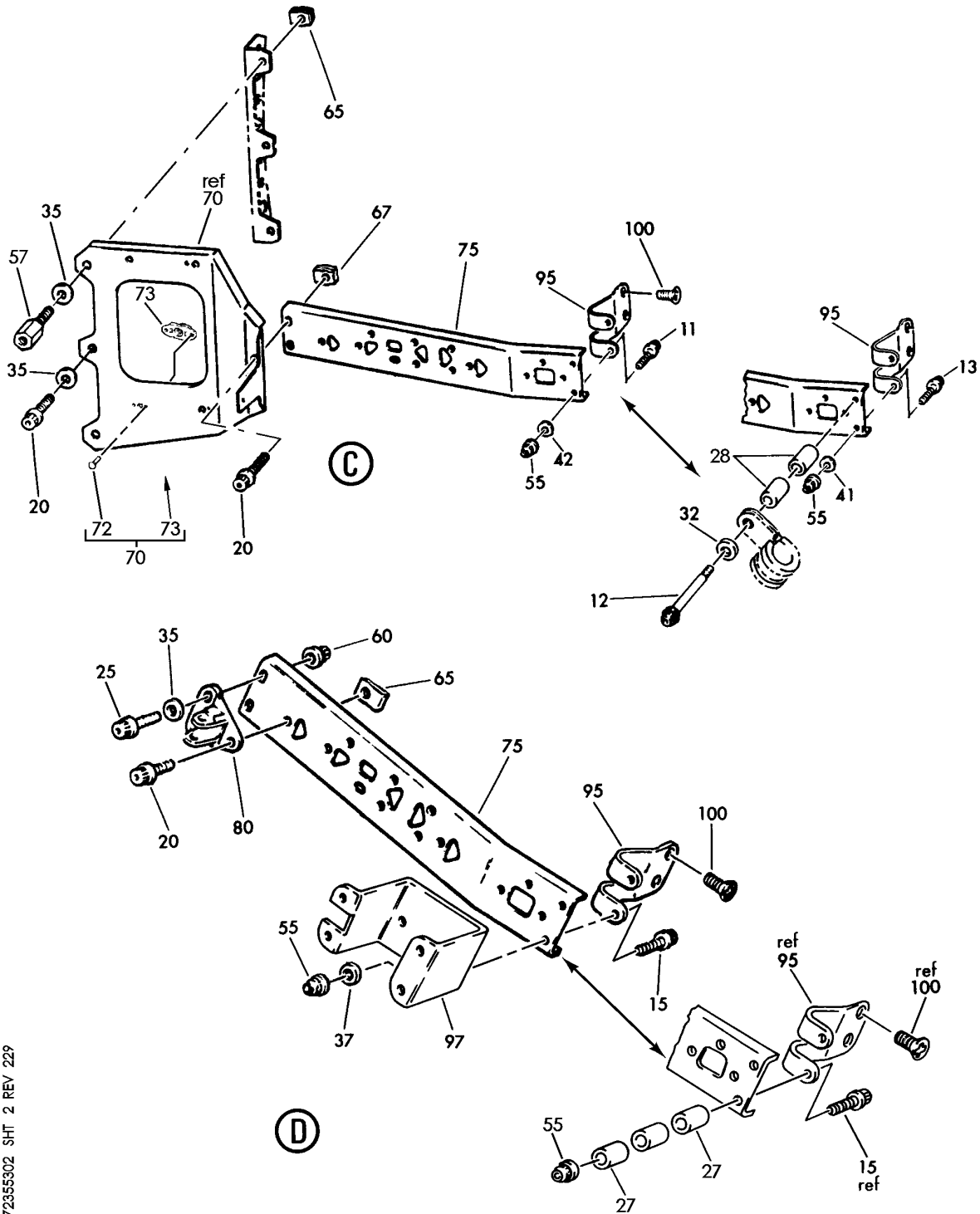
MOUNT-LOW PRESSURE CPRSR CASING ACCESSORIES (RB211-535)
FIGURE 2 (SHEET 1)

72-35-53-02

BRI
MAY 28/07

72-35-53-02
PAGE 0

BOEING
757
PARTS CATALOG (MAINTENANCE)



Y 72355302 SHT 2 REV 229

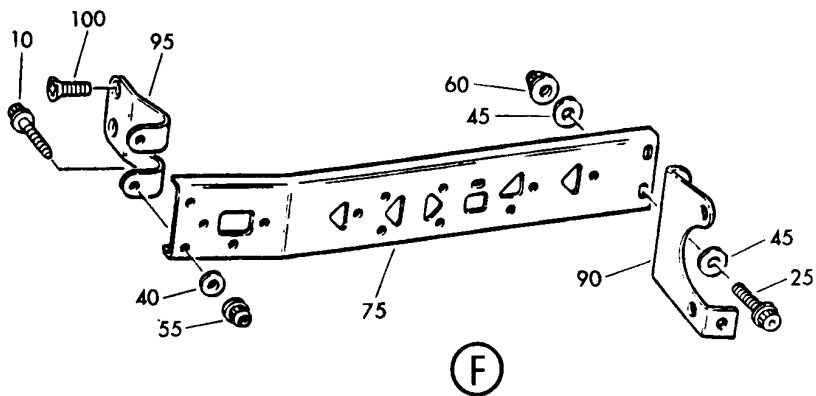
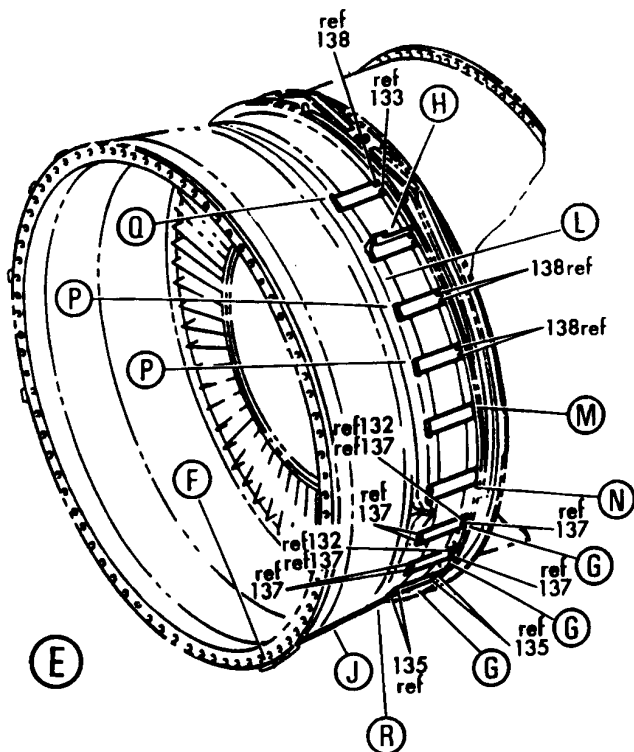
MOUNT-LOW PRESSURE CPRSR CASING ACCESSORIES (RB211-535)
FIGURE 2 (SHEET 2)

72-35-53-02

BRI
MAY 28/07

72-35-53-02
PAGE 0A

BOEING
757
PARTS CATALOG (MAINTENANCE)



Y 72355902 SHT 3 REV 195

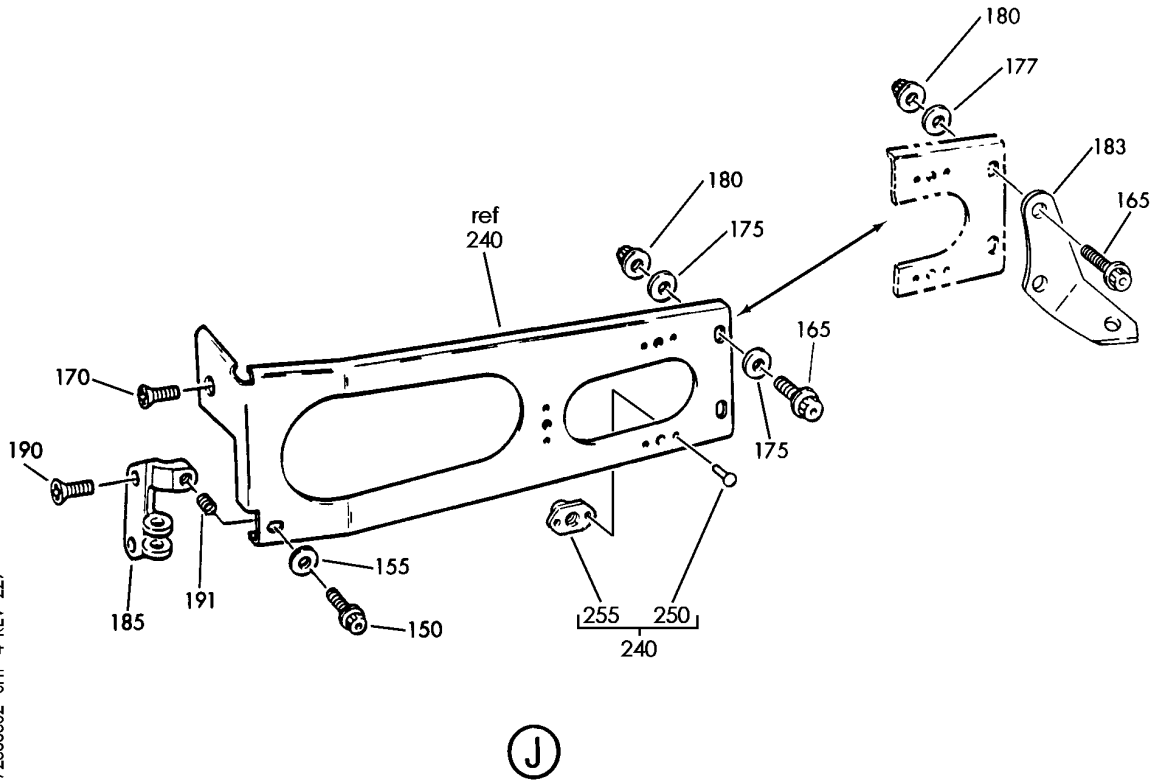
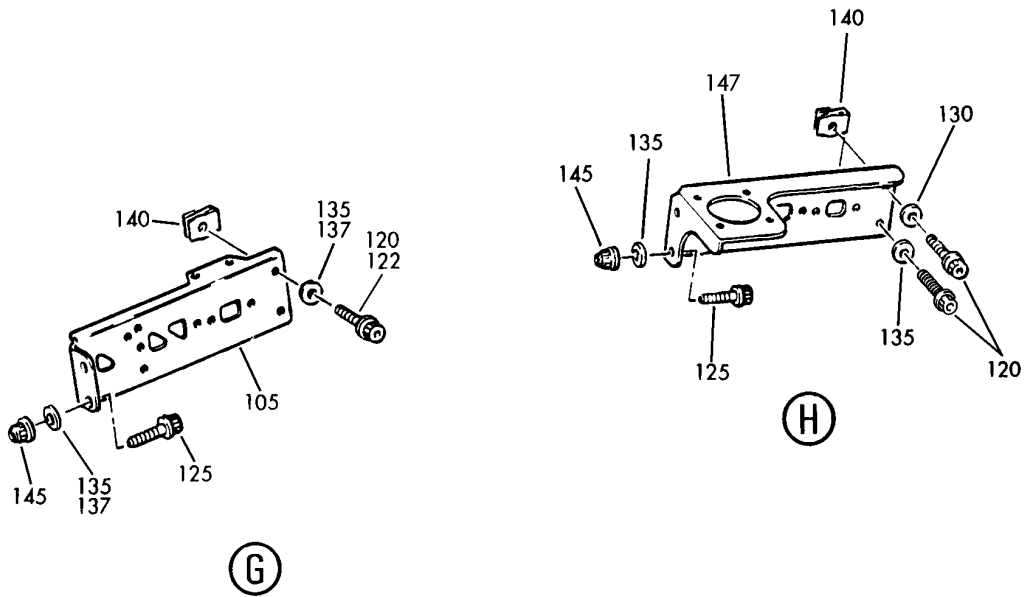
MOUNT-LOW PRESSURE CPRSR CASING ACCESSORIES (RB211-535)
FIGURE 2 (SHEET 3)

72-35-53-02

BRI
MAY 28/07

72-35-53-02
PAGE 0B

BOEING
757
PARTS CATALOG (MAINTENANCE)



Y 72355302 SHT 4 REV 229

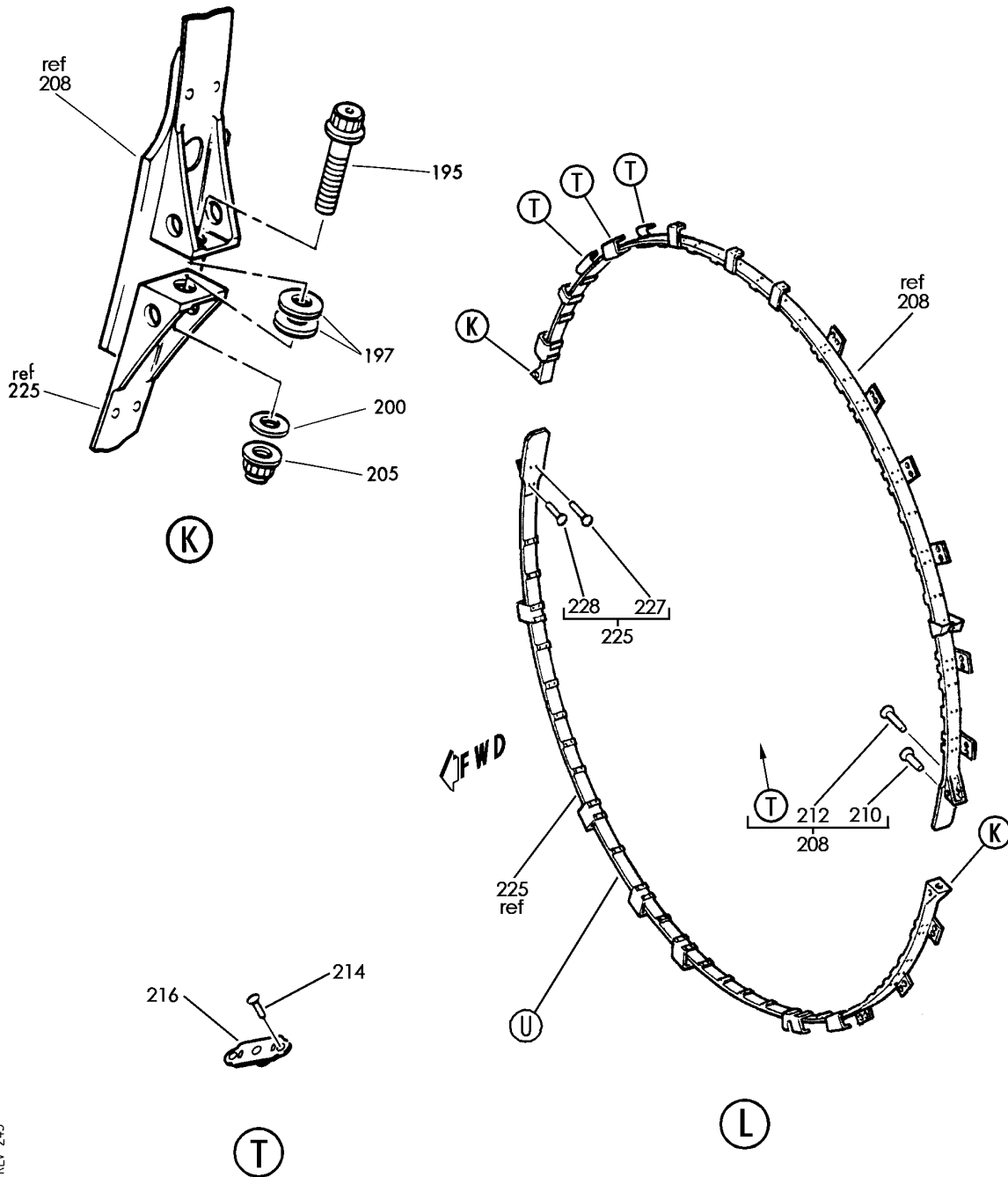
MOUNT-LOW PRESSURE CPRSR CASING ACCESSORIES (RB211-535)
FIGURE 2 (SHEET 4)

72-35-53-02

BRI
MAY 28/07

72-35-53-02
PAGE 0C

BOEING
757
PARTS CATALOG (MAINTENANCE)



Y 72355302 SHT 5 REV 245

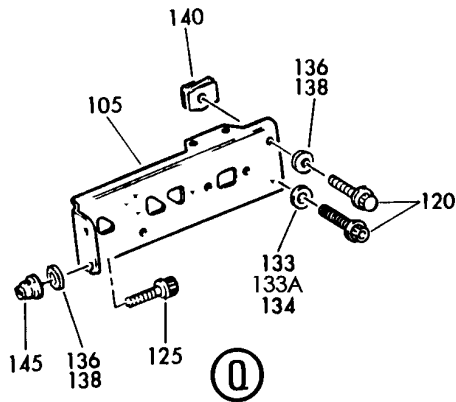
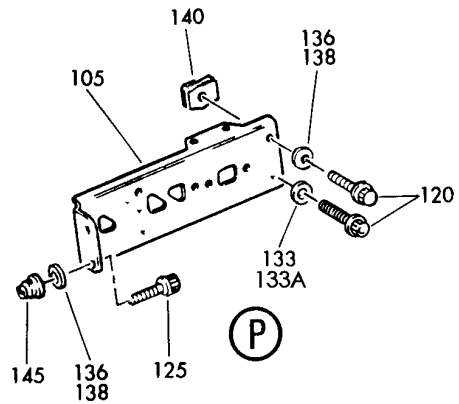
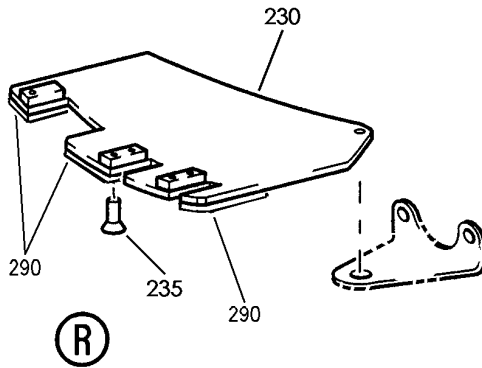
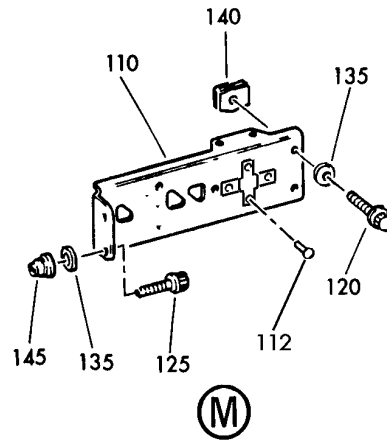
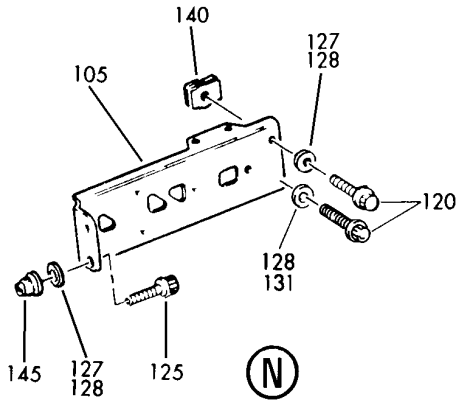
MOUNT-LOW PRESSURE CPRSR CASING ACCESSORIES (RB211-535)
FIGURE 2 (SHEET 5)

72-35-53-02

BRI
MAY 28/07

72-35-53-02
PAGE 0D

BOEING
757
PARTS CATALOG (MAINTENANCE)



Y 72355302 SH1 6 REV 245

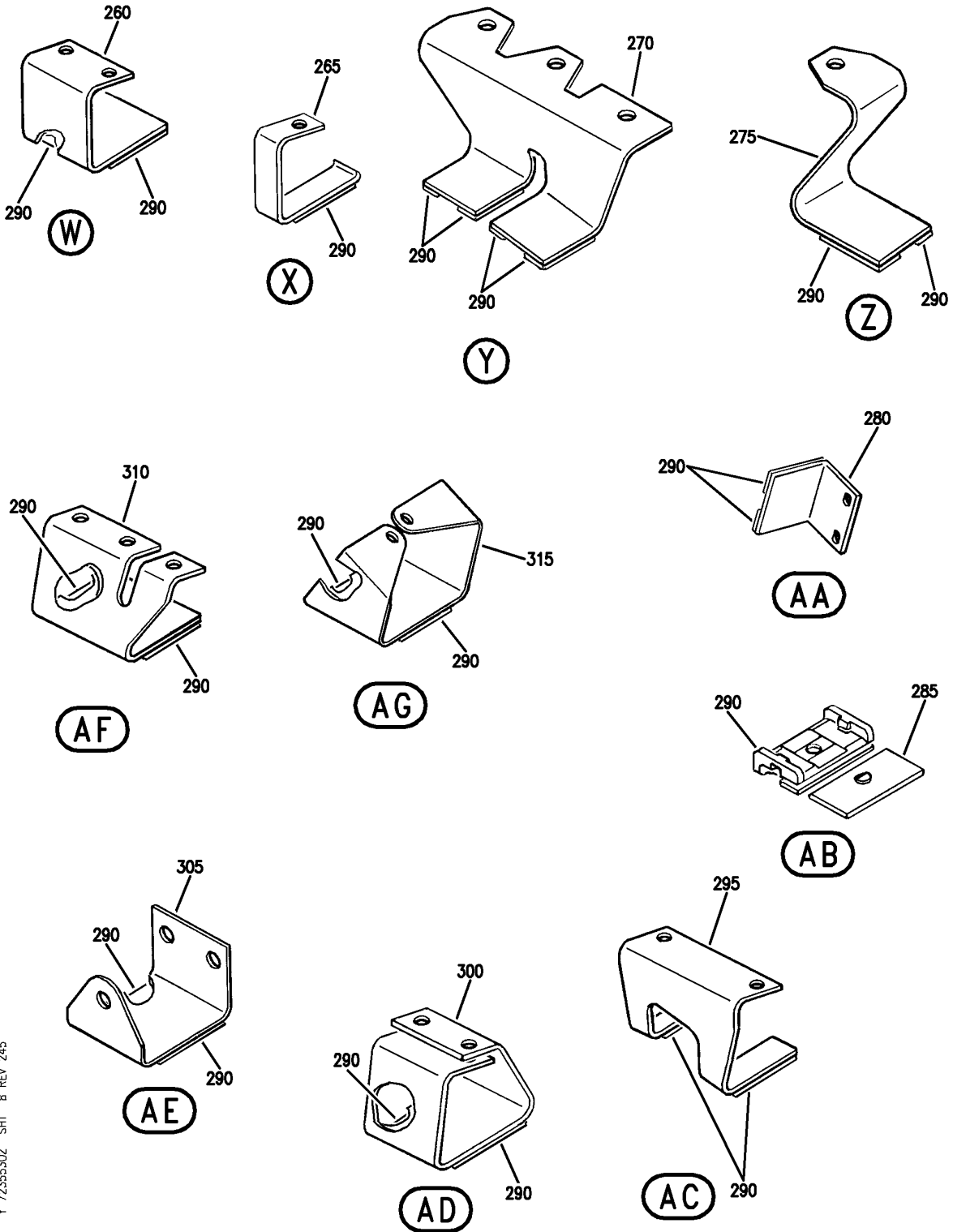
MOUNT-LOW PRESSURE CPRSR CASING ACCESSORIES (RB211-535)
FIGURE 2 (SHEET 6)

72-35-53-02

BRI
MAY 28/07

72-35-53-02
PAGE 0E

BOEING
757
PARTS CATALOG (MAINTENANCE)



Y 72355302 SHT 8 REV 245

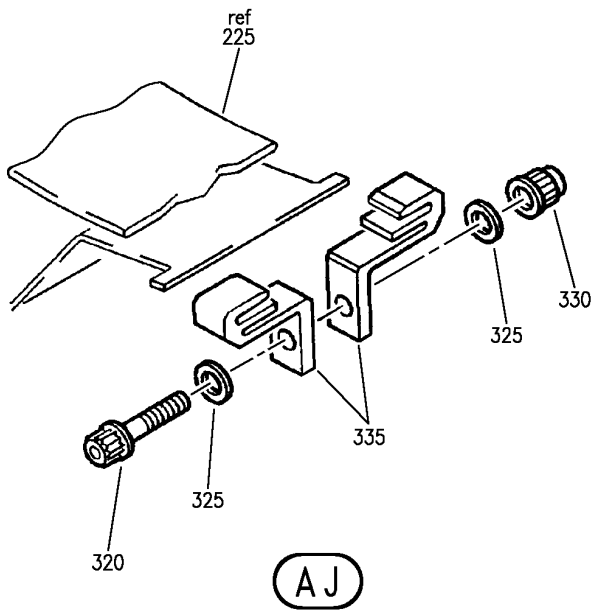
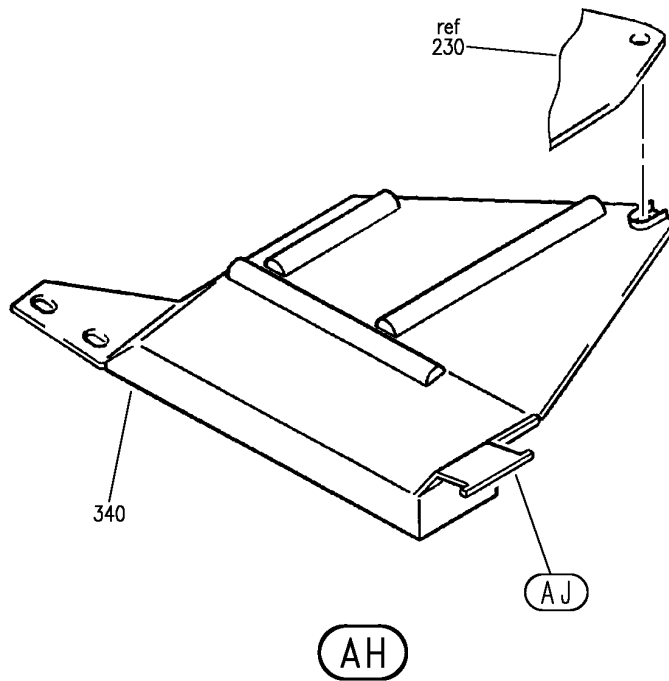
MOUNT-LOW PRESSURE CPRSR CASING ACCESSORIES (RB211-535)
FIGURE 2 (SHEET 8)

72-35-53-02

BRI
MAY 28/07

72-35-53-02
PAGE 0G

BOEING
757
PARTS CATALOG (MAINTENANCE)



Y 72355302 SH1 9 REV 292

MOUNT-LOW PRESSURE CPRSR CASING ACCESSORIES (RB211-535)
FIGURE 2 (SHEET 9)

72-35-53-02

BRI
MAY 28/07

72-35-53-02
PAGE 0H



757

PARTS CATALOG (MAINTENANCE)

FIG ITEM	PART NUMBER	1 2 3 4 5 6 7	NOMENCLATURE	EFFECT FROM TO	UNITS PER ASSY
2			MOUNT-LOW PRESSURE CPRSR CASING ACCESSORIES (RB211-535	002004 006999	
- 1	UL19722		ENGINE ASSY-Q.E.C.U. RB211-535E43711 MAXIMUM NEUT SUPPLIER CODE: VK0680 FOR NHA/OTHER SYS DET SEE: 71-00-02-04	107107	RF
- 1	UL20697		ENGINE ASSY-Q.E.C.U. RB211-535E43711 MAXIMUM NEUT WITH GRAVINER FIRE DETECTORS, BAYONET MCD, NON-MODULATED IDG COOLING 40,000 LB THRUST SUPPLIER CODE: VK0680 REFERENCE SERVICE BULLETIN: 71-0058R4 QUALIFIED SB I/W DATA: INTERMIX OF ONE OR SUBSTITUTION OF TWO DIFFERENT CONFIGURATION RB211-535E4-37/() ENGINES FOR RB211-535 E4 BASE ENGINES REFERENCE SERVICE BULLETIN: RB211-72-C547 VK0680 FOR NHA/OTHER SYS DET SEE: 71-00-02-04	121503 904949 952999	RF

MISSING ITEM NUMBERS NOT APPLICABLE

- ITEM NOT ILLUSTRATED

BRI

72-35-53-02

BOEING PROPRIETARY - Copyright © - Unpublished Work - See title page for details.

72-35-53
FIG. 02
PAGE 1
JAN 20/09



757

PARTS CATALOG (MAINTENANCE)

FIG ITEM	PART NUMBER	1 2 3 4 5 6 7	NOMENCLATURE	EFFECT FROM TO	UNITS PER ASSY
2 - 1	UL20698		ENGINE ASSY-Q.E.C.U. RB211-535CE43712 MAXIMUM NEUT SUPPLIER CODE: VK0680 QUALIFIED SB I/W DATA: INTERMIX OF ONE OR SUBSTITUTION OF TWO DIFFERENT CONFIGURATION RB211-535E4-37/() ENGINES FOR RB211-535E4 BASE ENGINES OR DIFFERENT CONFIGURATION RB211-535E4-B-37/() ENGINES FOR RB211-535E4-B BASE ENGINES POST SERVICE BULLETIN: 71-0058R7 VK0680 72-C547 VK0680 72-8910 VK0680 POST RAPID REVISION: RR92014-183A-RC-E FOR NHA/OTHER SYS DET SEE: 71-00-02-04	002004 006100 102102	RF
- 1	UL36209		ENGINE ASSY-Q.E.C.U. RB211-535E43719 MAXIMUM NEUT SUPPLIER CODE: VK0680 FOR NHA/OTHER SYS DET SEE: 71-00-02-04	950951	RF
- 2	UL20702		ENGINE ASSY-Q.E.C.U. RB211-535E43711 BASIC ENGINE CONFIG. WITH GRAVINER FIRE DETECTORS,BAYONET MCD, NON-MODULATED IDG COOLING 40,100 LB THRUST SUPPLIER CODE: VK0680 FOR NHA/OTHER SYS DET SEE: 71-00-02-10	504903	RF

MISSING ITEM NUMBERS NOT APPLICABLE

- ITEM NOT ILLUSTRATED

72-35-53-02

72-35-53
FIG. 02
PAGE 2
JAN 20/09

BRI



757

PARTS CATALOG (MAINTENANCE)

FIG ITEM	PART NUMBER	1 2 3 4 5 6 7	NOMENCLATURE	EFFECT FROM TO	UNITS PER ASSY
2					
- 3	BCREF17395		ENGINE ASSY-Q.E.C.U. RB211-535E43739 BASIC ENGINE CONFIGURATION AND PHASE 5 COMBUSTOR 40,100 LB THRUST SUPPLIER CODE: VK0680 OVERLENGTH PART NUMBER: RB211-535E4-37-39E FOR NHA/OTHER SYS DET SEE: 71-00-02-10	108120	RF
- 3	BCREF17101		ENGINE ASSY-Q.E.C.U. RB211-535E43744 BASIC ENGINE CONFIGURATION, BAYONET MCD AND PHASE 5 COMBUSTOR 40,100 LB THRUST SUPPLIER CODE: VK0680 OVERLENGTH PART NUMBER: RB211-535E4-3744E FOR NHA/OTHER SYS DET SEE: 71-00-02-10	103106	RF
- 3	UL38163		ENGINE ASSY-Q.E.C.U. RB211-535E43724 BASIC ENGINE CONFIGURATION, BAYONET MCD, 40,100 LB THRUST SUPPLIER CODE: VK0680 FOR NHA/OTHER SYS DET SEE: 71-00-02-10	101101	RF
- 4	UL16412		.MOUNT-L.P. CPRSR CASING ACCESSORIES SUPPLIER CODE: VK0680 PRE SERVICE BULLETIN: 72-D018 VK0680	002004 006100 102106 108120 950951	RF

MISSING ITEM NUMBERS NOT APPLICABLE

- ITEM NOT ILLUSTRATED

BRI

72-35-53-02

BOEING PROPRIETARY - Copyright © - Unpublished Work - See title page for details.

72-35-53
FIG. 02
PAGE 3
JAN 20/09



757

PARTS CATALOG (MAINTENANCE)

FIG ITEM	PART NUMBER	1 2 3 4 5 6 7	NOMENCLATURE	EFFECT FROM TO	UNITS PER ASSY
2					
- 4	UL17538		.MOUNT-L.P. CPRSR CASING ACCESSORIES SUPPLIER CODE: VK0680 CONFIG CHG DATA FROM A CMM: FOR INTRCHG SEE RR IPC POST SERVICE BULLETIN: 26-7205PT01 VK0680 PRE SERVICE BULLETIN: 72-D018 VK0680	107107 121949 952999	RF
- 4	FW17458		.MOUNT-L.P. CPRSR CASING ACCESSORIES SUPPLIER CODE: VK0680 POST SERVICE BULLETIN: 72-D018PT01 VK0680	107107 121949 952999	RF
- 4	FW17176		.SUPPORT ASSY-L.P. CPRSR CASING ACCESSORIES SUPPLIER CODE: VK0680 POST SERVICE BULLETIN: 72-D018PT01 VK0680	002004 006100 102106 108120 950951	RF
5	AS21510		..BOLT	002004 006999	4
10	AS21408		..BOLT	002004 006999	6
11	AS21408		..BOLT- PRE SERVICE BULLETIN: 71-8163 VK0680	107107 121949 952999	2
12	AS21440		..BOLT- CONFIG CHG DATA FROM A CMM: FOR INTRCHG SEE RR IPC POST SERVICE BULLETIN: 71-8163PT01 VK0680	002004 006999	1
13	AS21408		..BOLT- CONFIG CHG DATA FROM A CMM: FOR INTRCHG SEE RR IPC POST SERVICE BULLETIN: 71-8163PT01 VK0680	002004 006999	1

MISSING ITEM NUMBERS NOT APPLICABLE

- ITEM NOT ILLUSTRATED

72-35-53-02

72-35-53
FIG. 02
PAGE 4
JAN 20/09

BRI



757

PARTS CATALOG (MAINTENANCE)

FIG ITEM	PART NUMBER	1 2 3 4 5 6 7	NOMENCLATURE	EFFECT FROM TO	UNITS PER ASSY
2					
15	AS21408	..	BOLT- CONFIG CHG DATA FROM A CMM: FOR INTRCHG SEE RR IPC POST SERVICE BULLETIN: 26-7205PT01 VK0680 26-7816PT01 VK0680	002004 006999	2
20	AS21509	..	BOLT	002004 006999	5
25	AS21513	..	BOLT	002004 006999	5
28	UP10482	..	SPACER- SUPPLIER CODE: VK0680 CONFIG CHG DATA FROM A CMM: FOR INTRCHG SEE RR IPC POST SERVICE BULLETIN: 71-8163PT01 VK0680	002004 006999	2
32	K8831	..	WASHER- SUPPLIER CODE: VK0680 CONFIG CHG DATA FROM A CMM: FOR INTRCHG SEE RR IPC POST SERVICE BULLETIN: 71-8163PT01 VK0680	002004 006999	1
35	AS12944	..	WASHER	002004 006999	9
37	AS12943	..	WASHER- POST SERVICE BULLETIN: 26-7816PT01 VK0680	002004 006106 108120 950951	2
40	AS12943	..	WASHER	002004 006999	6
41	AS12943	..	WASHER- CONFIG CHG DATA FROM A CMM: FOR INTRCHG SEE RR IPC POST SERVICE BULLETIN: 71-8163PT01 VK0680	002004 006999	1
42	AS12943	..	WASHER- PRE SERVICE BULLETIN: 71-8163 VK0680	107107 121949 952999	2
45	LK74669	..	WASHER- SUPPLIER CODE: VK0680	002004 006999	6

MISSING ITEM NUMBERS NOT APPLICABLE

- ITEM NOT ILLUSTRATED

72-35-53-02

72-35-53
FIG. 02
PAGE 5
JAN 20/09

BRI

BOEING PROPRIETARY - Copyright © - Unpublished Work - See title page for details.



757

PARTS CATALOG (MAINTENANCE)

FIG ITEM	PART NUMBER	1 2 3 4 5 6 7	NOMENCLATURE	EFFECT FROM TO	UNITS PER ASSY
2					
55	AS20624	..	NUT	002004 006999	10
57	LK39592	..	NUT- SUPPLIER CODE: VK0680	002004 006999	1
60	AS20625	..	NUT	002004 006999	9
65	AS41105	..	NUT	002004 006999	4
67	AS41105	..	NUT- PRE SERVICE BULLETIN: 72-8183 VK0680	002004 006100 102102 107107 121949 952999	2
67	AS20625	..	NUT- POST SERVICE BULLETIN: 72-8183PTB VK0680	002004 006999	2
70	UL16425	..	BRACKET-TERM. BLK ALTITUDE SWITCH SPRT SUPPLIER CODE: VK0680	002004 006999	1
75	UL16396	..	BRACKET-ACCESS. MOUNT SPR SUPPLIER CODE: VK0680	002004 006999	5
80	LK82844	..	BRACKET-OIL TANK REAR MOUNT FORKED SUPPLIER CODE: VK0680	002004 006999	1
85	UP10400	..	BRACKET-SPRT CLIPPING SUPPLIER CODE: VK0680	002004 006999	1
90	LK87702	..	BRACKET-SPRT REAR DRAIN TANK SUPPLIER CODE: VK0680	002004 006999	1
95	UL16381	..	BRACKET- SUPPLIER CODE: VK0680	002004 006999	5
97	UL17488	..	BRACKET-SUPPORT SUPPLIER CODE: VK0680 CONFIG CHG DATA FROM A CMM: FOR INTRCHG SEE RR IPC POST SERVICE BULLETIN: 26-7205PT01 VK0680	107107 121949 952999	1

MISSING ITEM NUMBERS NOT APPLICABLE

- ITEM NOT ILLUSTRATED

72-35-53-02

72-35-53
FIG. 02
PAGE 6
JAN 20/09

BRI

BOEING PROPRIETARY - Copyright © - Unpublished Work - See title page for details.



757

PARTS CATALOG (MAINTENANCE)

FIG ITEM	PART NUMBER	1 2 3 4 5 6 7	NOMENCLATURE	EFFECT FROM TO	UNITS PER ASSY
2			ATTACHING PARTS		
100	U756212		..SCREW- SUPPLIER CODE: V05755	002004 006999	10
			-----*-----		
105	LK82846		..BRACKET-ACCESS. MOUNT REAR SPRT SUPPLIER CODE: VK0680	002004 006999	7
110	UL16447		..BRACKET-ACCESS. MOUNT SPRT LOW PRESSURE SWITCH SUPPLIER CODE: VK0680	002004 006999	1
120	AS21408		..BOLT	002004 006999	14
122	AS21408		..BOLT- POST SERVICE BULLETIN: 24-9280PT01 VK0680 PRE SERVICE BULLETIN: 24-9280 VK0680	101101 103106 108120 950951	3
			ATTACHING PARTS		
125	AS21409		..BOLT	002004 006999	18
126	AS12943		..WASHER- POST SERVICE BULLETIN: 24-9280PT01 VK0680	101101 103106 108120 950951	5
			-----*-----		
127	AS12943		..WASHER- POST SERVICE BULLETIN: 79-9179PT01 VK0680	002004 006999	2
128	AS12943		..WASHER- PRE SERVICE BULLETIN: 72-9631PTA VK0680	002004 006102 107999	4
-128A	AS12943		..WASHER- PRE SERVICE BULLETIN: 79-9179 VK0680	002004 006999	3
-128B	K8831		..WASHER- SUPPLIER CODE: VK0680 POST SERVICE BULLETIN: 72-9631PTA VK0680	002004 006999	1

MISSING ITEM NUMBERS NOT APPLICABLE

- ITEM NOT ILLUSTRATED

72-35-53-02

72-35-53
FIG. 02
PAGE 7
JAN 20/09

BRI

BOEING PROPRIETARY - Copyright © - Unpublished Work - See title page for details.



757

PARTS CATALOG (MAINTENANCE)

FIG ITEM	PART NUMBER	1 2 3 4 5 6 7	NOMENCLATURE	EFFECT FROM TO	UNITS PER ASSY
2 -128F	AS12943		.. WASHER- POST SERVICE BULLETIN: 72-9631PTA VK0680	002004 006999	3
130	K8831		.. WASHER- SUPPLIER CODE: VK0680	002004 006999	1
131	K8831		.. WASHER- SUPPLIER CODE: VK0680 PRE SERVICE BULLETIN: 79-9179 VK0680	002004 006100 102102 107107 121949 952999	1
133	K8831		.. WASHER- SUPPLIER CODE: VK0680 POST SERVICE BULLETIN: 79-9179PT01 VK0680	002004 006999	3
133A	K8831		.. WASHER- SUPPLIER CODE: VK0680 PRE SERVICE BULLETIN: 72-7948PT01 VK0680	002004 006999	3
134	K8831		.. WASHER- SUPPLIER CODE: VK0680 POST SERVICE BULLETIN: 72-7948PTB VK0680	002004 006999	1
135	AS12943		.. WASHER	101101 108120 950951	11
136	AS12943		.. WASHER- PRE SERVICE BULLETIN: 72-7948 VK0680	002004 006102 107999	9
137	AS12943		.. WASHER- PRE SERVICE BULLETIN: 79-9179 VK0680	002004 006100 102102 107107 121949 952999	8
138	AS12943		.. WASHER- POST SERVICE BULLETIN: 72-7948PTB VK0680	002004 006999	11

MISSING ITEM NUMBERS NOT APPLICABLE

- ITEM NOT ILLUSTRATED

72-35-53-02

72-35-53
FIG. 02
PAGE 8
JAN 20/09

BRI



757

PARTS CATALOG (MAINTENANCE)

FIG ITEM	PART NUMBER	1 2 3 4 5 6 7	NOMENCLATURE	EFFECT FROM TO	UNITS PER ASSY
2 - 139	AS12943		.. WASHER- POST SERVICE BULLETIN: 79-9179PT01 VK0680 PRE SERVICE BULLETIN: 24-9280 VK0680	002004 006100 102102 107107 121949 952999	6
140	AS41104		.. NUT	002004 006999	18
145	AS20624		.. NUT	002004 006999	18
147	UL17480		.. BRACKET-INTERGRATED DRIVE GEN INTERFACE REAR SPRT SUPPLIER CODE: VK0680	002004 006999	1
150	AS21509		.. BOLT	002004 006999	1
155	AS12944		.. WASHER	002004 006999	1
165	AS21512		.. BOLT- PRE SERVICE BULLETIN: 24-7913 VK0680	107107 121949 952999	2
165	AS21511		.. BOLT- POST SERVICE BULLETIN: 24-7913PT01 VK0680	002004 006999	2
170	U756212		.. SCREW- SUPPLIER CODE: V05755	002004 006999	1
175	AS12944		.. WASHER- PRE SERVICE BULLETIN: 24-7913 VK0680	107107 121949 952999	4
177	AS12944		.. WASHER- POST SERVICE BULLETIN: 24-7913PT01 VK0680	002004 006999	2
180	AS20625		.. NUT	002004 006999	2
183	UL16476		.. BRACKET-CLIPPING SUPPLIER CODE: VK0680 POST SERVICE BULLETIN: 24-7913PT01 VK0680	002004 006999	1

MISSING ITEM NUMBERS NOT APPLICABLE

- ITEM NOT ILLUSTRATED

BRI

72-35-53-02

72-35-53
FIG. 02
PAGE 9
JAN 20/09



757

PARTS CATALOG (MAINTENANCE)

FIG ITEM	PART NUMBER	1 2 3 4 5 6 7	NOMENCLATURE	EFFECT FROM TO	UNITS PER ASSY
2 185	UL15674		..BRACKET ASSY-STARTER DUCT SUPPLIER CODE: VK0680 POSITION DATA: LWR ATTACHING PARTS	002004 006999	1
190	U756212		..SCREW- SUPPLIER CODE: V05755 -----*-----	002004 006999	2
195	BLT4334		..BOLT- SUPPLIER CODE: VK0680 PRE SERVICE BULLETIN: 72-D018 VK0680	002004 006999	2
- 196	AS48436		.BOLT- POST SERVICE BULLETIN: 72-D018PT01 VK0680	002004 006999	4
200	K8834		..WASHER- SUPPLIER CODE: VK0680 PRE SERVICE BULLETIN: 72-D018 VK0680	002004 006999	2
- 202	LK69359		..WASHER- SUPPLIER CODE: VK0680 POST SERVICE BULLETIN: 72-D018PT01 VK0680	002004 006999	8
203	FW14282		.WASHER-LINK SUPPLIER CODE: VK0680 POST SERVICE BULLETIN: 72-D018PT01 VK0680	002004 006999	4
203	FW14283		.WASHER-LINK SUPPLIER CODE: VK0680 POST SERVICE BULLETIN: 72-D018PT01 VK0680	002004 006999	4

MISSING ITEM NUMBERS NOT APPLICABLE

- ITEM NOT ILLUSTRATED

72-35-53-02

72-35-53
FIG. 02
PAGE 10
JAN 20/09

BRI



757

PARTS CATALOG (MAINTENANCE)

FIG ITEM	PART NUMBER	1 2 3 4 5 6 7	NOMENCLATURE	EFFECT FROM TO	UNITS PER ASSY
2 203	FW14284	.	WASHER-LINK SUPPLIER CODE: VK0680 POST SERVICE BULLETIN: 72-D018PT01 VK0680	002004 006999	4
203	FW14285	.	WASHER-LINK SUPPLIER CODE: VK0680 POST SERVICE BULLETIN: 72-D018PT01 VK0680	002004 006999	4
203	FW14286	.	WASHER-LINK SUPPLIER CODE: VK0680 POST SERVICE BULLETIN: 72-D018PT01 VK0680	002004 006999	4
205	AS20626	..	NUT- PRE SERVICE BULLETIN: 72-D018 VK0680	002004 006999	2
- 207	AS20624	..	NUT- POST SERVICE BULLETIN: 72-D018PT01 VK0680	002004 006999	4
208	UL16384	..	PLATE ASSY-LOW PRESSURE CASE ACCESS. MTG SUPPLIER CODE: VK0680 POSITION DATA: UPR PRE SERVICE BULLETIN: 72-D018 VK0680	002004 006999	1
208	UL39151	..	PLATE-ACCESSORY MTG LP CASE SUPPLIER CODE: VK0680 POSITION DATA: UPR POST SERVICE BULLETIN: 72-D018PT01 VK0680	002004 006999	1

MISSING ITEM NUMBERS NOT APPLICABLE

- ITEM NOT ILLUSTRATED

BRI

72-35-53-02

BOEING PROPRIETARY - Copyright © - Unpublished Work - See title page for details.

72-35-53
FIG. 02
PAGE 11
JAN 20/09



757

PARTS CATALOG (MAINTENANCE)

FIG ITEM	PART NUMBER	1 2 3 4 5 6 7	NOMENCLATURE	EFFECT FROM TO	UNITS PER ASSY
2 208	UL30276		..PLATE-ACCESSORY MTG LP CASE SUPPLIER CODE: VK0680 POSITION DATA: UPR POST SERVICE BULLETIN: 72-D673PT01 VK0680	002004 006999	1
225	UL16386		..PLATE ASSY-LOW PRESSURE CASE ACCESS. MTG SUPPLIER CODE: VK0680 POSITION DATA: LWR PRE SERVICE BULLETIN: 72-D018 VK0680	002004 006999	1
225	UL39152		..BRACKET-ACCESSORY MTG-LP COMP CASE SUPPLIER CODE: VK0680 POSITION DATA: LWR POST SERVICE BULLETIN: 72-D018PT01 VK0680	002004 006999	1
230	UL37313		..SHIELD ASSY-STARTER SUPPLIER CODE: VK0680 POST SERVICE BULLETIN: 72-B160PT01 VK0680 PRE SERVICE BULLETIN: 72-D018 VK0680	002004 006999	1
230	UL39150		..BRACKET-SHIELD STARTER SUPPLIER CODE: VK0680 POST SERVICE BULLETIN: 72-D018PT01 VK0680	002004 006999	1
235	SP70-305		...RIVET- POST SERVICE BULLETIN: 72-B160PT01 VK0680 PRE SERVICE BULLETIN: 72-D018 VK0680	002004 006999	6

MISSING ITEM NUMBERS NOT APPLICABLE

- ITEM NOT ILLUSTRATED

BRI

72-35-53-02

72-35-53
FIG. 02
PAGE 12
JAN 20/09



757

PARTS CATALOG (MAINTENANCE)

FIG ITEM	PART NUMBER	1 2 3 4 5 6 7	NOMENCLATURE	EFFECT FROM TO	UNITS PER ASSY
2					
240	UL15648		..RAFT ASSY-SOLENOIDS HP3 BLEED VALVE MTG SUPPLIER CODE: VK0680	002004 006999	1
260	UL39157		..BRACKET-SPRT ACCESSORY MTG SUPPLIER CODE: VK0680 POST SERVICE BULLETIN: 72-D018PT01 VK0680	002004 006999	5
265	UL39153		..BRACKET-SPRT HARNESS RACEWAY SUPPLIER CODE: VK0680 POST SERVICE BULLETIN: 72-D018PT01 VK0680	002004 006999	3
270	FW18050		..BRACKET-MOUNT EEC SUPPLIER CODE: VK0680 POSITION DATA: UPR POST SERVICE BULLETIN: 72-D018PT01 VK0680	002004 006999	1
275	FW18051		..BRACKET-MOUNT EEC SUPPLIER CODE: VK0680 POSITION DATA: LWR POST SERVICE BULLETIN: 72-D018PT01 VK0680	002004 006999	1
280	LK82829		..BRACKET-SPRT-IDG RACEWAY SUPPLIER CODE: VK0680 POST SERVICE BULLETIN: 72-D018PT01 VK0680	002004 006999	9
285	UL39147		..SPACER-WEDGE ACCESSORY MTG STRAP SUPPLIER CODE: VK0680 POST SERVICE BULLETIN: 72-D018PT01 VK0680	002004 006999	31

MISSING ITEM NUMBERS NOT APPLICABLE

- ITEM NOT ILLUSTRATED

72-35-53-02

72-35-53
FIG. 02
PAGE 13
JAN 20/09

BRI



757

PARTS CATALOG (MAINTENANCE)

FIG ITEM	PART NUMBER	1 2 3 4 5 6 7	NOMENCLATURE	EFFECT FROM TO	UNITS PER ASSY
2					
290	UL39146	..	SPACER-ACCESSORY MTG STRAP SUPPLIER CODE: VK0680 POST SERVICE BULLETIN: 72-D018PT01 VK0680	002004 006999	79
295	UL39158	..	BRACKET-SPRT-HP3 B/V SOLENOID SUPPLIER CODE: VK0680 POST SERVICE BULLETIN: 72-D018PT01 VK0680	002004 006999	1
300	UL39149	..	BRACKET-OIL TANK MTG SUPPLIER CODE: VK0680 POST SERVICE BULLETIN: 72-D018PT01 VK0680	002004 006999	1
305	LK87650	..	BRACKET-T/R O'RIDE SWITCH SUPPLIER CODE: VK0680 POST SERVICE BULLETIN: 72-D018PT01 VK0680	002004 006999	1
310	UL39225	..	BRACKET-DRAINS TANK MTG SUPPLIER CODE: VK0680 POST SERVICE BULLETIN: 72-D018PT01 VK0680	002004 006999	1
315	UL39156	..	BRACKET-TAI SPRT SUPPLIER CODE: VK0680 POST SERVICE BULLETIN: 72-D018PT01 VK0680	002004 006999	1
320	AS21412	..	ATTACHING PARTS BOLT- POST SERVICE BULLETIN: 72-E573PT01 VK0680	002004 006999	1
325	AS12943	..	WASHER- POST SERVICE BULLETIN: 72-E573PT01 VK0680	002004 006999	2

MISSING ITEM NUMBERS NOT APPLICABLE

- ITEM NOT ILLUSTRATED

72-35-53-02

72-35-53
FIG. 02
PAGE 14
JAN 20/09

BRI

BOEING PROPRIETARY - Copyright © - Unpublished Work - See title page for details.



757

PARTS CATALOG (MAINTENANCE)

FIG ITEM	PART NUMBER	1 2 3 4 5 6 7	NOMENCLATURE	EFFECT FROM TO	UNITS PER ASSY
2 330	AS20624		..NUT- POST SERVICE BULLETIN: 72-E573PT01 VK0680	002004 006999	1
335	FW34996		..RETAINER- SUPPLIER CODE: VK0680 POST SERVICE BULLETIN: 72-E573PT01 VK0680	002004 006999	2
340	FW35167		-----*----- ..DEFLECTOR-STARTER MOTOR SUPPLIER CODE: VK0680 POST SERVICE BULLETIN: 72-E573PT01 VK0680	002004 006999	1

MISSING ITEM NUMBERS NOT APPLICABLE

- ITEM NOT ILLUSTRATED

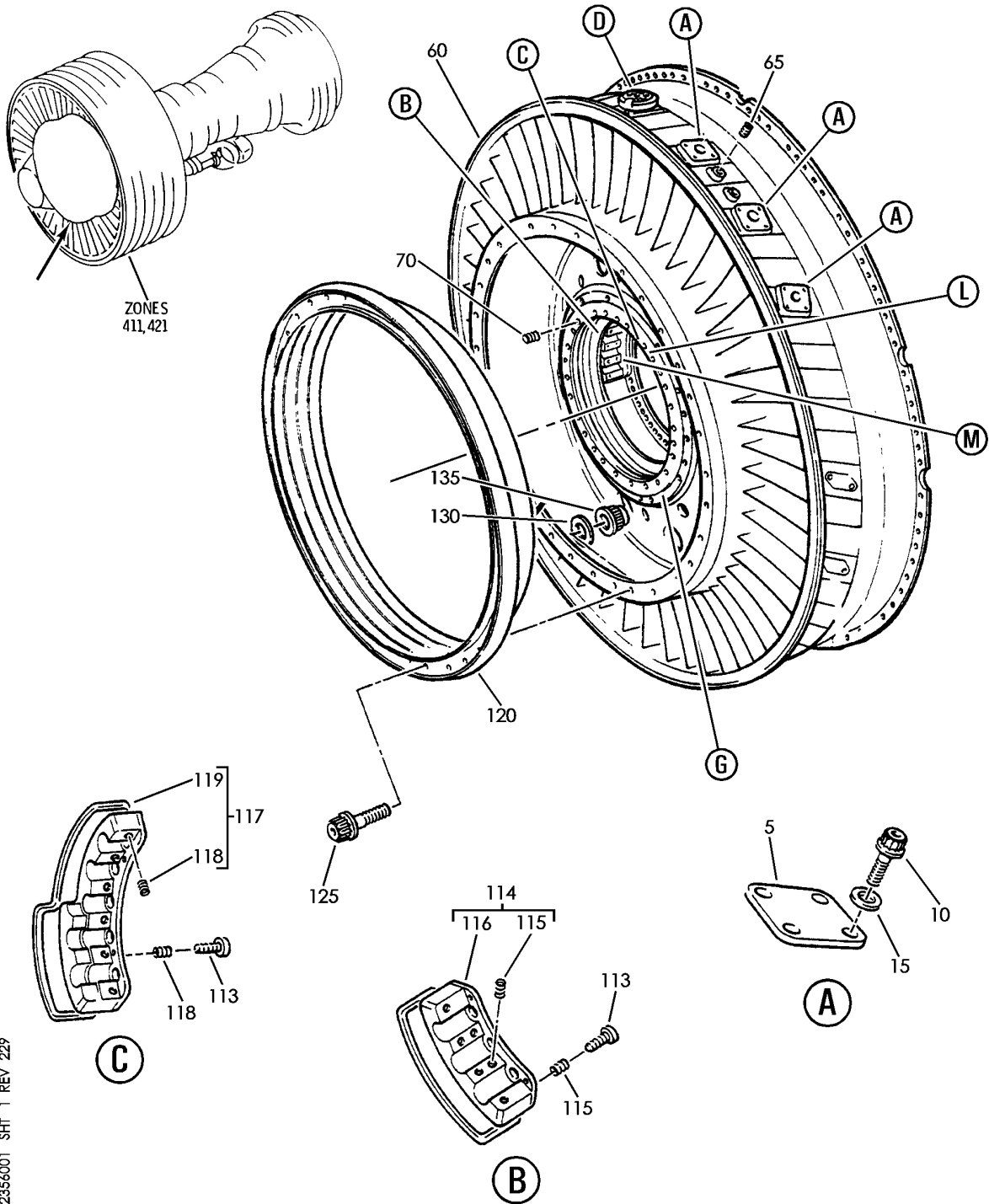
BRI

72-35-53-02

BOEING PROPRIETARY - Copyright © - Unpublished Work - See title page for details.

72-35-53
FIG. 02
PAGE 15
JAN 20/09

BOEING
757
PARTS CATALOG (MAINTENANCE)



Y 72356001 SHT 1 REV 229

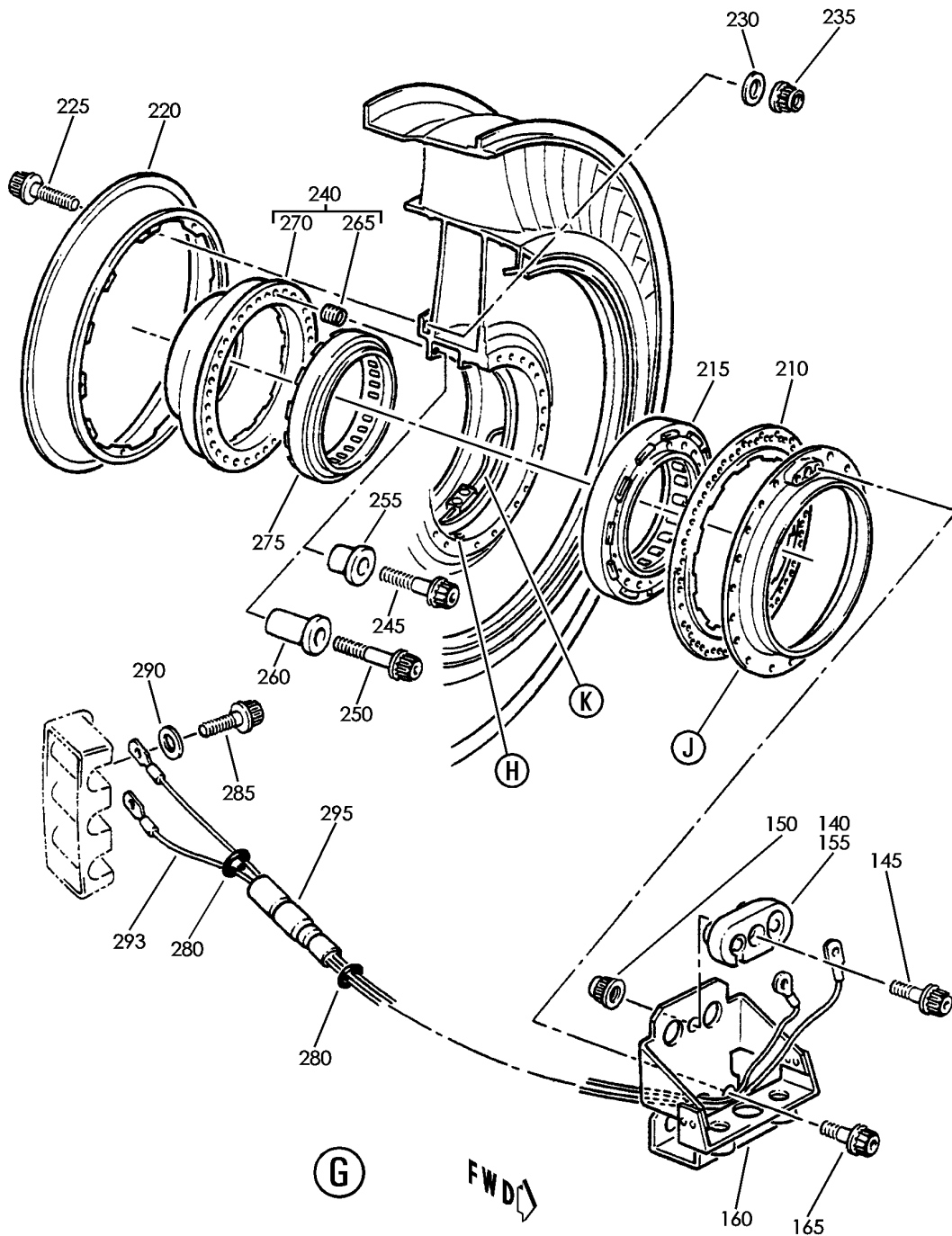
IP CPRSR FRONT BEARING SPRT (RB211-535)
FIGURE 1 (SHEET 1)

72-35-60-01

BRI
MAY 28/07

72-35-60-01
PAGE 0

BOEING
757
PARTS CATALOG (MAINTENANCE)



Y 72356001 SHT 3 REV 222

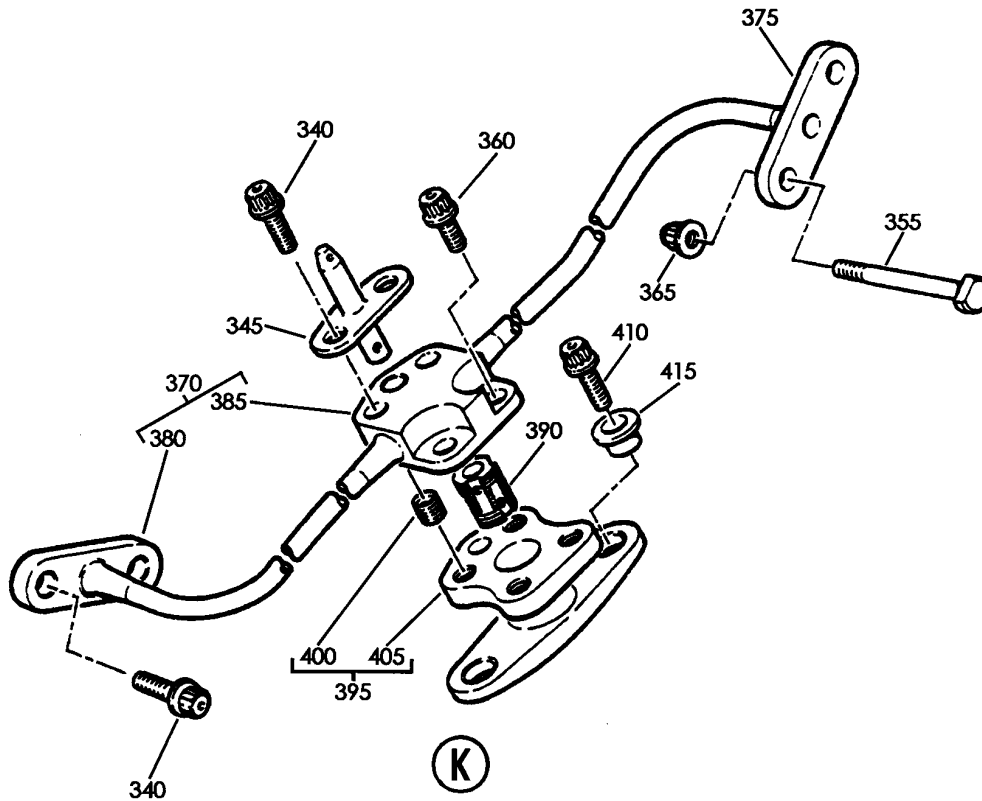
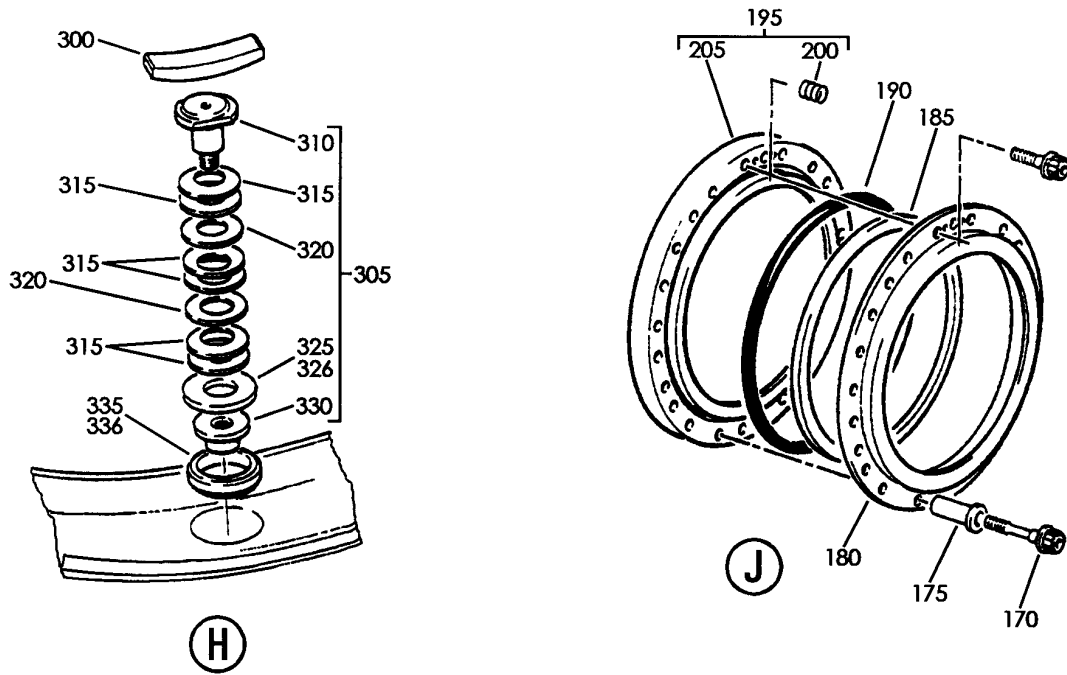
IP CPRSR FRONT BEARING SPRT (RB211-535)
FIGURE 1 (SHEET 3)

72-35-60-01

BRI
MAY 28/07

72-35-60-01
PAGE 0B

BOEING
757
PARTS CATALOG (MAINTENANCE)



Y 72356001 SH1 4 REV 209

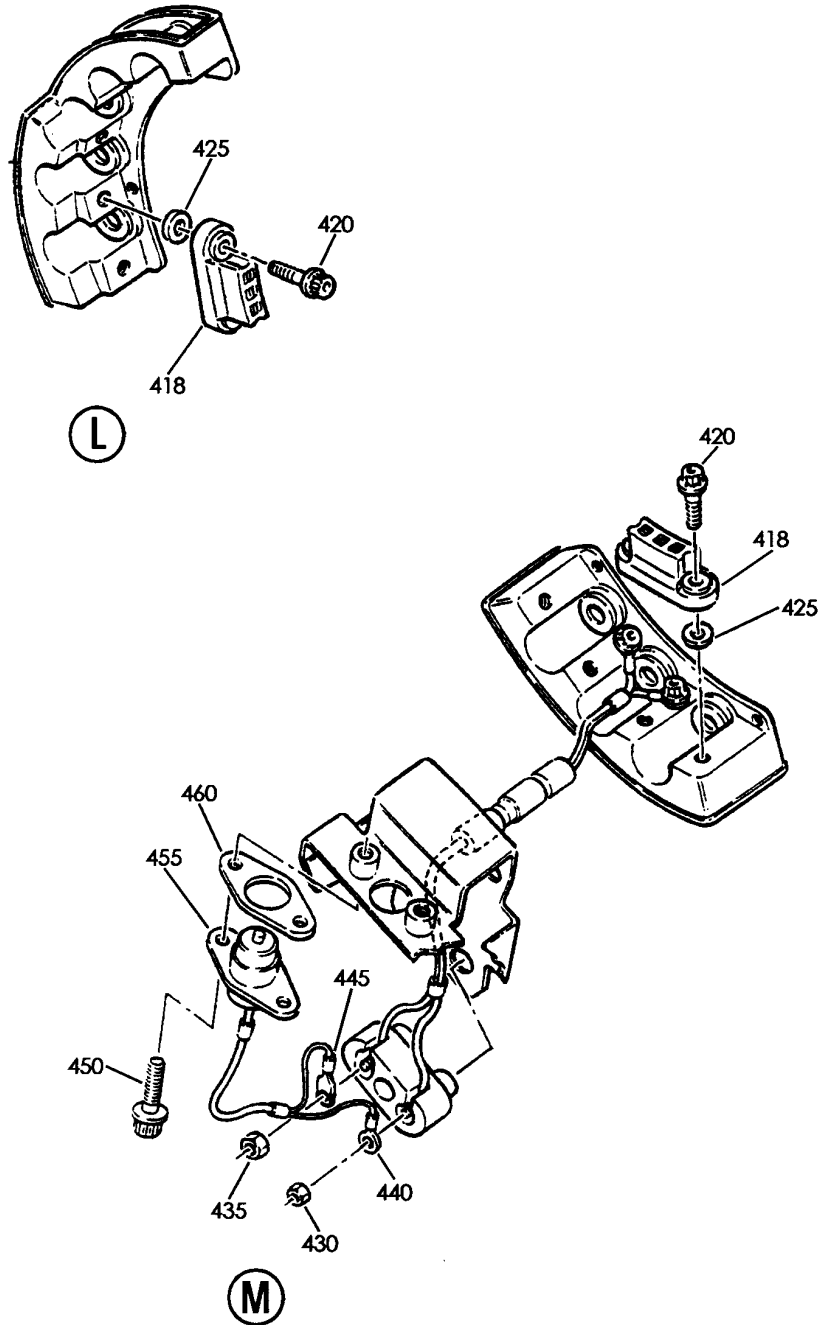
IP CPRSR FRONT BEARING SPRT (RB211-535)
FIGURE 1 (SHEET 4)

72-35-60-01

BRI
MAY 28/07

72-35-60-01
PAGE 0C

BOEING
757
PARTS CATALOG (MAINTENANCE)



Y 72356001 SHT 5 REV 209

IP CPRSR FRONT BEARING SPRT (RB211-535)
FIGURE 1 (SHEET 5)

72-35-60-01

BRI
MAY 28/07

72-35-60-01
PAGE 00



757

PARTS CATALOG (MAINTENANCE)

FIG ITEM	PART NUMBER	1 2 3 4 5 6 7	NOMENCLATURE	EFFECT FROM TO	UNITS PER ASSY
1			IP CPRSR FRONT BEARING	002004	
- 1	UL19722		SPRT (RB211-535)	006999	
			ENGINE ASSY-Q.E.C.U.	107107	RF
			RB211-535E43711		
			MAXIMUM NEUT		
			SUPPLIER CODE:		
			VK0680		
			FOR NHA/OTHER SYS DET SEE:		
			71-00-02-04		
- 1	UL20697		ENGINE ASSY-Q.E.C.U.	121503	RF
			RB211-535E43711	904949	
			MAXIMUM NEUT	952999	
			WITH GRAVINER FIRE		
			DETECTORS, BAYONET		
			MCD, NON-MODULATED		
			IDG COOLING 40,000 LB		
			THRUST		
			SUPPLIER CODE:		
			VK0680		
			REFERENCE SERVICE BULLETIN:		
			71-0058R4		
			QUALIFIED SB I/W DATA:		
			INTERMIX OF ONE OR		
			SUBSTITUTION OF TWO		
			DIFFERENT CONFIGURATION		
			RB211-535E4-37/()		
			ENGINES FOR RB211-535		
			E4 BASE ENGINES		
			REFERENCE SERVICE BULLETIN:		
			RB211-72-C547		
			VK0680		
			FOR NHA/OTHER SYS DET SEE:		
			71-00-02-04		

MISSING ITEM NUMBERS NOT APPLICABLE

- ITEM NOT ILLUSTRATED

BRI

72-35-60-01

BOEING PROPRIETARY - Copyright © - Unpublished Work - See title page for details.

72-35-60
FIG. 01
PAGE 1
JAN 20/09



757

PARTS CATALOG (MAINTENANCE)

FIG ITEM	PART NUMBER	1 2 3 4 5 6 7	NOMENCLATURE	EFFECT FROM TO	UNITS PER ASSY
1					
- 1	UL20698		ENGINE ASSY-Q.E.C.U. RB211-535E43712 MAXIMUM NEUT SUPPLIER CODE: VK0680 REFERENCE SERVICE BULLETIN: 71-0058R7 QUALIFIED SB I/W DATA: INTERMIX OF ONE OR SUBSTITUTION OF TWO DIFFERENT CONFIGURATION RB211-535E4-37/() ENGINES FOR RB211-535E4 BASE ENGINES OR DIFFERENT CONFIGURATION RB211-535E4-B-37/() ENGINES FOR RB211-535E4-B BASE ENGINES REFERENCE SERVICE BULLETIN: RB211-72-C547 VK0680 RB211-72-8910 VK0680 POST RAPID REVISION: RR92014-183A-RC-E FOR NHA/OTHER SYS DET SEE: 71-00-02-04	002004 006100 102102	RF
- 1	UL20702		ENGINE ASSY-Q.E.C.U. RB211-535E43711 BASIC ENGINE CONFIG. WITH GRAVINER FIRE DETECTORS,BAYONET MCD, NON-MODULATED IDG COOLING 40,100 LB THRUST SUPPLIER CODE: VK0680 FOR NHA/OTHER SYS DET SEE: 71-00-02-10	504903	RF
- 1	UL36209		ENGINE ASSY-Q.E.C.U. RB211-535E43719 MAXIMUM NEUT SUPPLIER CODE: VK0680 FOR NHA/OTHER SYS DET SEE: 71-00-02-04	950951	RF

MISSING ITEM NUMBERS NOT APPLICABLE

- ITEM NOT ILLUSTRATED

72-35-60-01

72-35-60
FIG. 01
PAGE 2
JAN 20/09

BRI



757

PARTS CATALOG (MAINTENANCE)

FIG ITEM	PART NUMBER	1 2 3 4 5 6 7	NOMENCLATURE	EFFECT FROM TO	UNITS PER ASSY
1					
- 3	BCREF17395		ENGINE ASSY-Q.E.C.U. RB211-535E43739 BASIC ENGINE CONFIGURATION AND PHASE 5 COMBUSTOR 40,100 LB THRUST SUPPLIER CODE: VK0680 OVERLENGTH PART NUMBER: RB211-535E4-37-39E FOR NHA/OTHER SYS DET SEE: 71-00-02-10	108120	RF
- 3	BCREF17101		ENGINE ASSY-Q.E.C.U. RB211-535E43744 BASIC ENGINE CONFIGURATION, BAYONET MCD AND PHASE 5 COMBUSTOR 40,100 LB THRUST SUPPLIER CODE: VK0680 OVERLENGTH PART NUMBER: RB211-535E4-3744E FOR NHA/OTHER SYS DET SEE: 71-00-02-10	103106	RF
- 3	UL38163		ENGINE ASSY-Q.E.C.U. RB211-535E43724 BASIC ENGINE CONFIGURATION, BAYONET MCD, 40,100 LB THRUST SUPPLIER CODE: VK0680 FOR NHA/OTHER SYS DET SEE: 71-00-02-10	101101	RF
- 4	UL16837		.IP COMPRESSOR-FBH & RPM INDICATION SYS, MINI MODULE 01 SUPPLIER CODE: VK0680 PRE SERVICE BULLETIN: 72-7715 VK0680	107107 121949 952999	RF
- 4	UL18511		.IP COMPRESSOR-FBH & RPM INDICATION SYS, MINI MODULE 01 SUPPLIER CODE: VK0680 POST SERVICE BULLETIN: 72-7715PT01 VK0680	002004 006999	RF

MISSING ITEM NUMBERS NOT APPLICABLE

- ITEM NOT ILLUSTRATED

72-35-60-01

72-35-60
FIG. 01
PAGE 3
JAN 20/09

BRI



757

PARTS CATALOG (MAINTENANCE)

FIG ITEM	PART NUMBER	1 2 3 4 5 6 7	NOMENCLATURE	EFFECT FROM TO	UNITS PER ASSY
1					
- 4	UL16837		.IP COMPRESSOR-FBH & RPM INDICATION SYS, MINI MODULE NO 01 SUPPLIER CODE: VK0680 POST SERVICE BULLETIN: 72-7715PT01 VK0680	107107 121949 952999	RF
5	LK78123		..COVER-TUBES BEARING HOUSING TRANSPORTATION ONLY SUPPLIER CODE: VK0680 POSITION DATA: FRONT ATTACHING PARTS	002004 006999	6
10	LK65064		..BOLT- SUPPLIER CODE: VK0680	002004 006999	24
15	CU19152		..WASHER- SUPPLIER CODE: VK0680	002004 006999	24
- 25	3109016		-----*----- ..TUBING-TRANSLUCENT SUPPLIER CODE: VK0680 MISCELLANEOUS DATA: CUT FROM U440128	002004 006999	RF
- 82	TFERSIZE3-8-375	TUBING-TRANSLUCENT SUPPLIER CODE: VK1010 MISCELLANEOUS DATA: SPARE IS U440051	002004 006999	RF
- 82A	U322798	TUBING- SUPPLIER CODE: VK1010	002004 006999	RF
83	3105085	TUBING-CABLE LEADOUT SUPPLIER CODE: VOP146 MISCELLANEOUS DATA: SPARE IS U440141	002004 006999	2
- 93	AS44725-2	WIRE-LOCKING MISCELLANEOUS DATA: SPARE IS U440169	002004 006999	RF

MISSING ITEM NUMBERS NOT APPLICABLE

- ITEM NOT ILLUSTRATED

72-35-60-01

72-35-60
FIG. 01
PAGE 4
JAN 20/09

BRI

BOEING PROPRIETARY - Copyright © - Unpublished Work - See title page for details.



757

PARTS CATALOG (MAINTENANCE)

FIG ITEM	PART NUMBER	1 2 3 4 5 6 7	NOMENCLATURE	EFFECT FROM TO	UNITS PER ASSY
1 94A	U322527	WIRE-RPM INDICATING SENSORS SUPPLIER CODE: VKA723 MISCELLANEOUS DATA: SPARE IS U440020	002004 006999	RF
- 98	LK84399	BUSHING-T2 SONIC T/C SUPPLIER CODE: VK0680 POST SERVICE BULLETIN: 72-C549PTG VK0680	002004 006999	1
- 298	3106042		...CABLE- SUPPLIER CODE: V92607 MISCELLANEOUS DATA: SPARE IS U440109	002004 006999	RF

MISSING ITEM NUMBERS NOT APPLICABLE

- ITEM NOT ILLUSTRATED

BRI

72-35-60-01

BOEING PROPRIETARY - Copyright © - Unpublished Work - See title page for details.

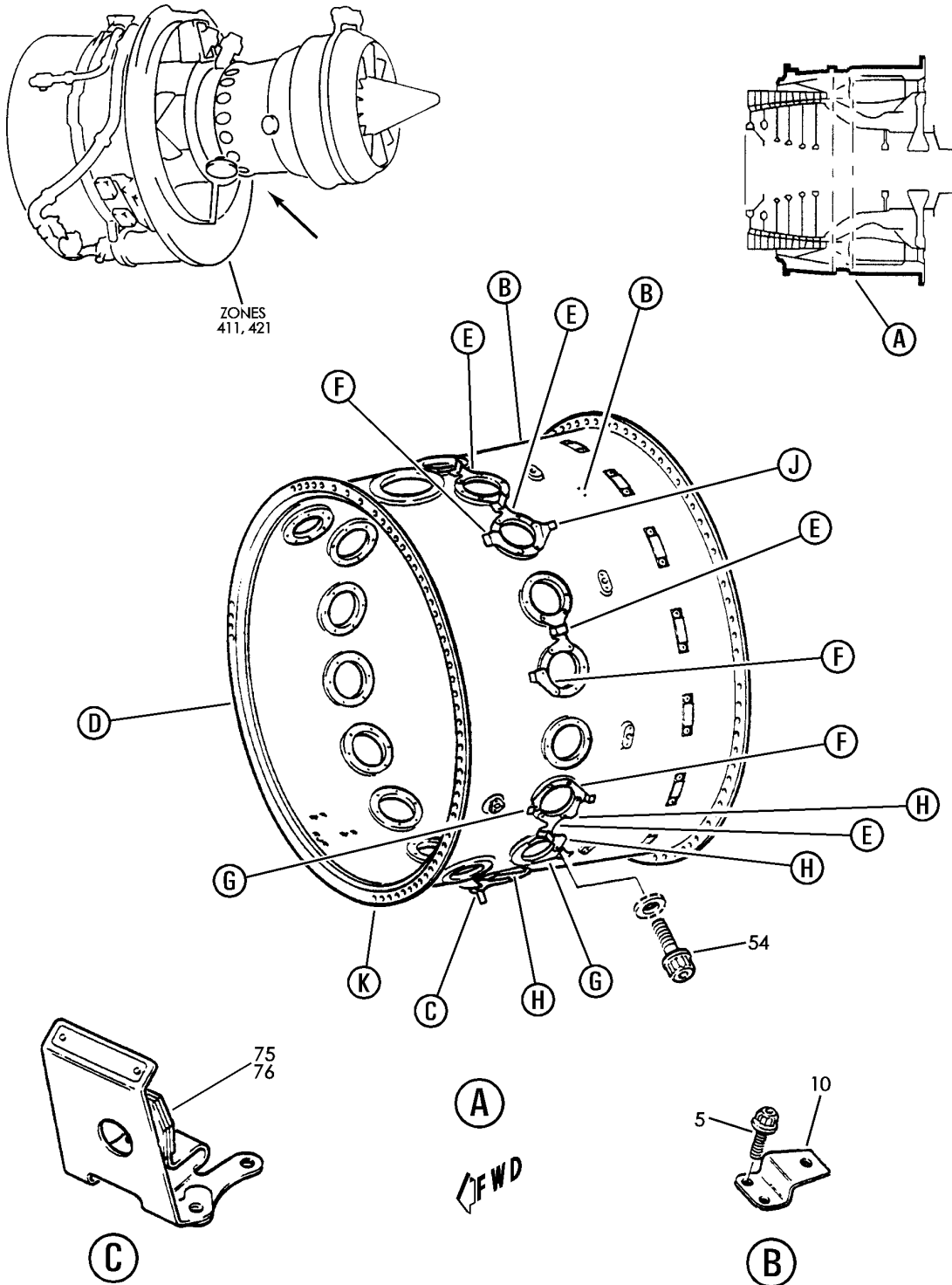
72-35-60
FIG. 01
PAGE 5
JAN 20/09

COMBUSTION SECTION

BRI
MAY 28/07

72-40-00
SECTION TITLE
PAGE 1

BOEING
757
PARTS CATALOG (MAINTENANCE)



Y 72400001 SHT 1 REV 228

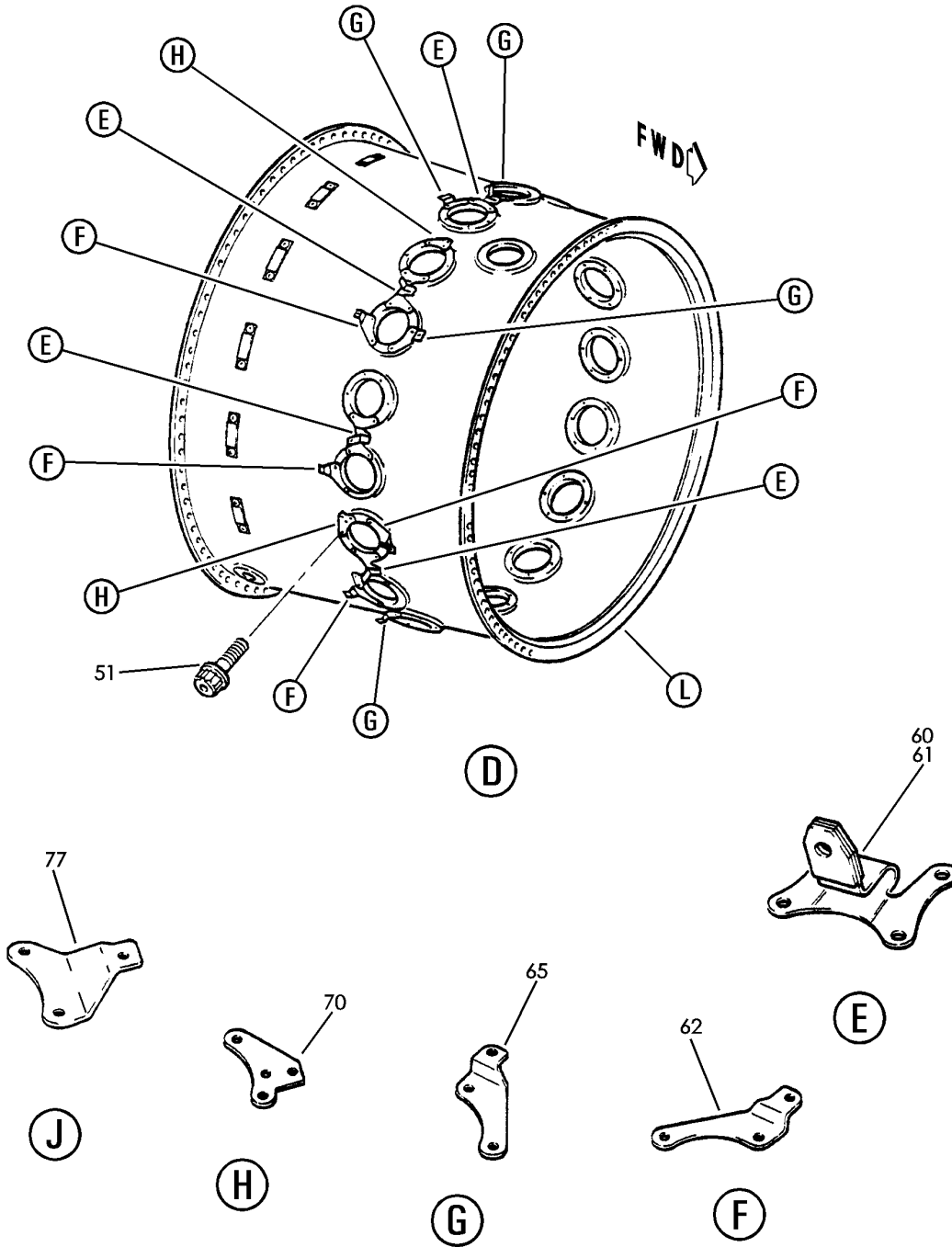
COMBUSTION OUTER CASE (RB211-535)
FIGURE 1 (SHEET 1)

72-40-00-01

BRI
MAY 28/07

72-40-00-01
PAGE 0

BOEING
757
PARTS CATALOG (MAINTENANCE)



Y 72400001 SHT 2 REV 228

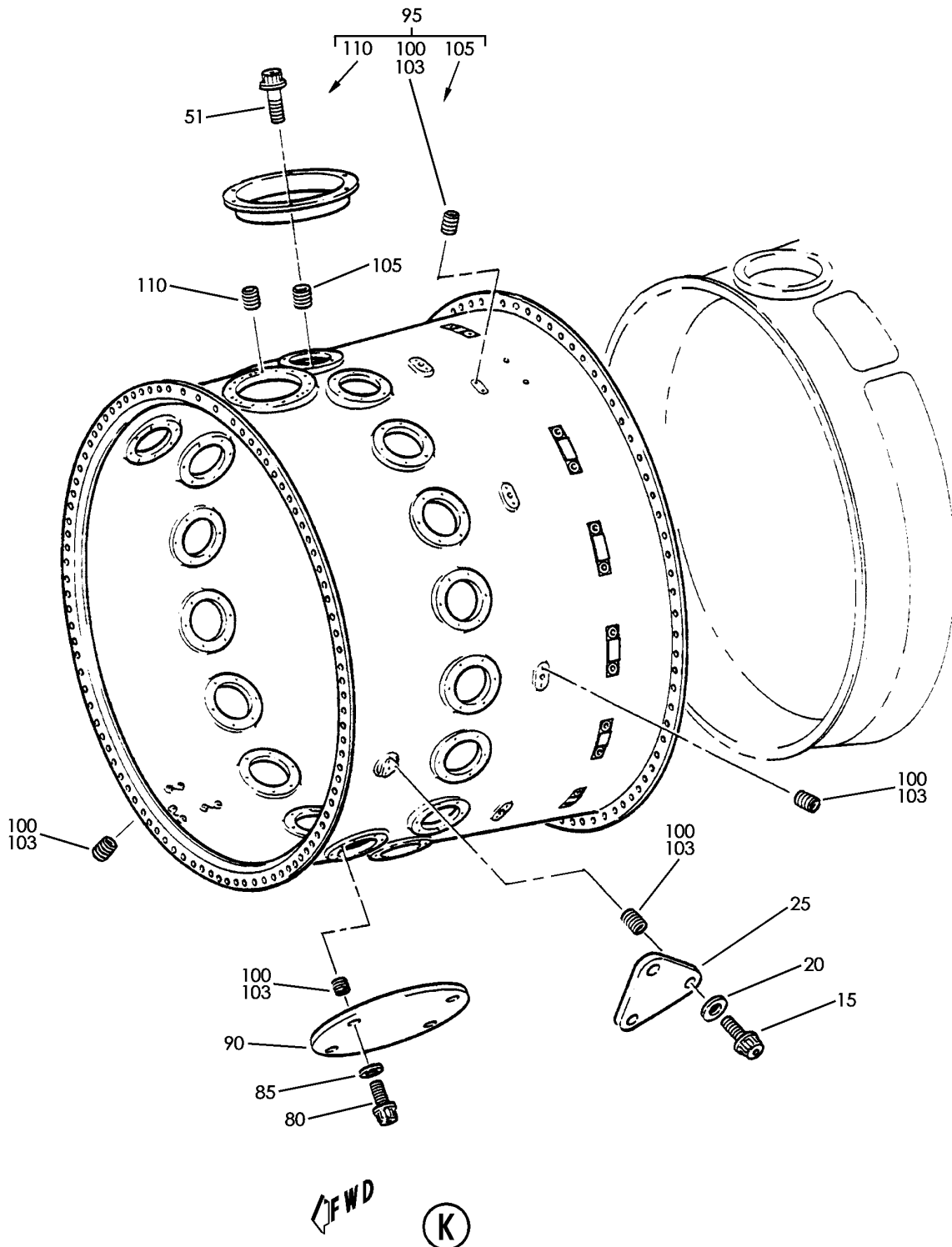
COMBUSTION OUTER CASE (RB211-535)
FIGURE 1 (SHEET 2)

72-40-00-01

BRI
MAY 28/07

72-40-00-01
PAGE 0A

BOEING
757
PARTS CATALOG (MAINTENANCE)



Y 72400001 SHT 3 REV 228

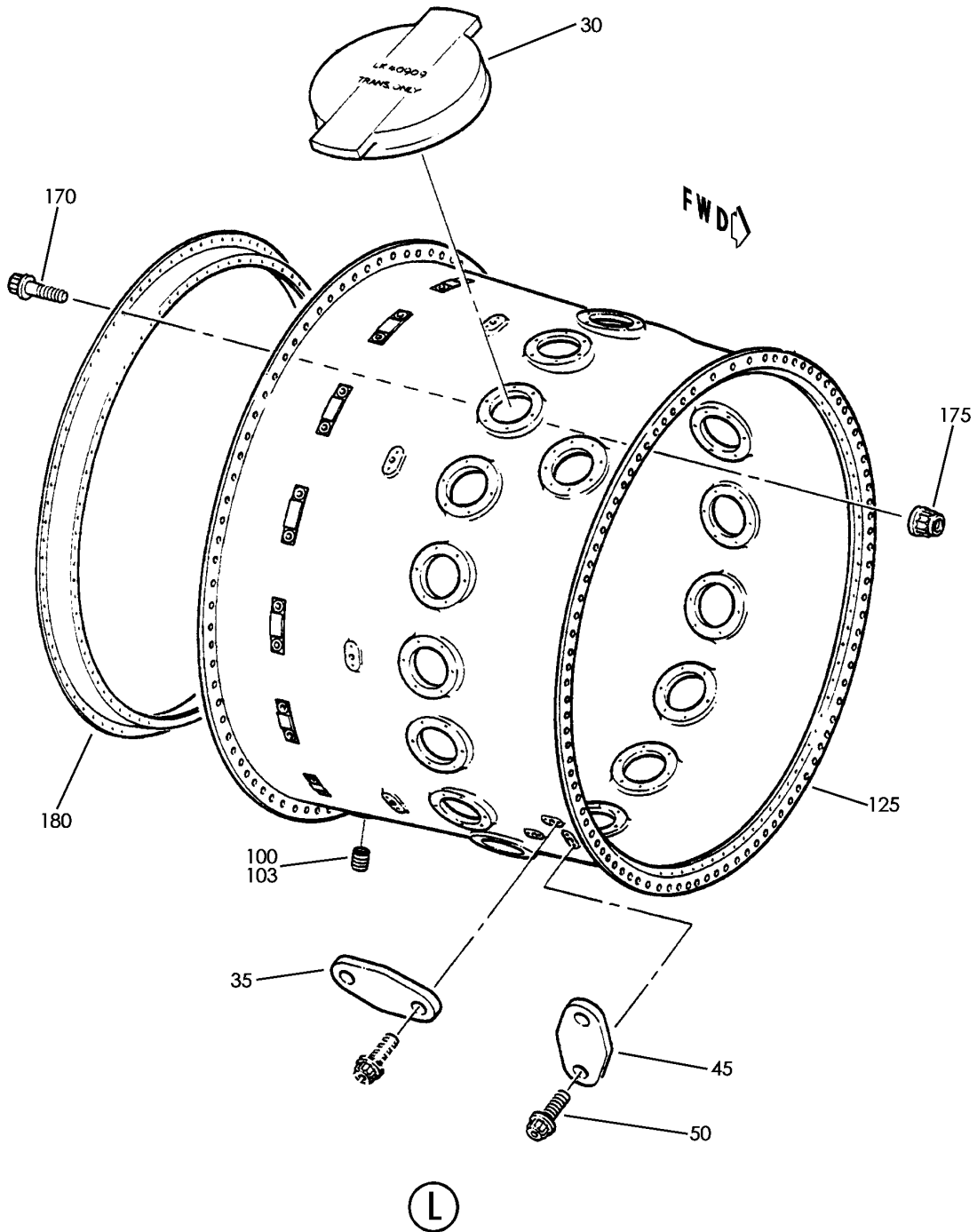
COMBUSTION OUTER CASE (RB211-535)
FIGURE 1 (SHEET 3)

72-40-00-01

BRI
MAY 28/07

72-40-00-01
PAGE 0B

BOEING
757
PARTS CATALOG (MAINTENANCE)



Y 72400001 SHT 4 REV 228

COMBUSTION OUTER CASE (RB211-535)
FIGURE 1 (SHEET 4)

72-40-00-01

BRI
MAY 28/07

72-40-00-01
PAGE 0C



757

PARTS CATALOG (MAINTENANCE)

FIG ITEM	PART NUMBER	1 2 3 4 5 6 7	NOMENCLATURE	EFFECT FROM TO	UNITS PER ASSY
1			COMBUSTION OUTER CASE (RB211-535)	002004 006102 107107 121999 107107	
- 1	UL19722		ENGINE ASSY-Q.E.C.U. RB211-535E43711 SUPPLIER CODE: VK0680 FOR NHA/OTHER SYS DET SEE: 71-00-02-04		RF
- 1	UL20702		ENGINE ASSY-Q.E.C.U. RB211-535E43711 BASIC ENGINE CONFIG. WITH GRAVINER FIRE DETECTORS, BAYONET MCD, NON-MODUATED IDG COOLING 40,100 LB THRUST SUPPLIER CODE: VK0680 FOR NHA/OTHER SYS DET SEE: 71-00-02-10	504903	RF
- 2	UL20697		ENGINE ASSY-Q.E.C.U. RB211-535E43711 WITH GRAVINER FIRE DETECTORS, BAYONET MCD, NON-MODULATED IDG COOLING 40,000 LB THRUST SUPPLIER CODE: VK0680 REFERENCE SERVICE BULLETIN: 71-0058R4 QUALIFIED SB I/W DATA: INTERMIX OF ONE OR SUBSTITUTION OF TWO DIFFERENT CONFIGURATION RB211-535E4-37/() ENGINES FOR RB211-535 E4 BASE ENGINES REFERENCE SERVICE BULLETIN: RB211-72-C547 VK0680 FOR NHA/OTHER SYS DET SEE: 71-00-02-04	121503 904949 952999	RF

MISSING ITEM NUMBERS NOT APPLICABLE

- ITEM NOT ILLUSTRATED

BRI

72-40-00-01

BOEING PROPRIETARY - Copyright © - Unpublished Work - See title page for details.

72-40-00
FIG. 01
PAGE 1
JAN 20/09



757

PARTS CATALOG (MAINTENANCE)

FIG ITEM	PART NUMBER	1 2 3 4 5 6 7	NOMENCLATURE	EFFECT FROM TO	UNITS PER ASSY
1					
- 4	UL18216		.MINI MODULE-MINI MODULE 4, HP CPRSR ROTOR & STATOR SUPPLIER CODE: VK0680 POSITION DATA: OUTER PRE SERVICE BULLETIN: 79-9199 VK0680	002004 006100 102102 107107 121949 952999	RF
- 4	UL28195		.COMBUSTION-MINI MODULE 4/1 UP CPRSR SUPPLIER CODE: VK0680 POSITION DATA: OUTER REFERENCE SERVICE BULLETIN: 79-9199PT01 VK0680	002004 006102 107107 121999	RF
5	AS21507		..BOLT	002004 006102 107107 121999	4
15	LK40932		..BOLT- TRANSPORTATION ONLY SUPPLIER CODE: VK0680	002004 006102 107107 121999	3
20	CU19152		..WASHER- SUPPLIER CODE: VK0680	002004 006102 107107 121999	3
25	LK40911		..COVER-ANTI ICING BLANKING OFFTAKES TRANSPORTATION ONLY SUPPLIER CODE: VK0680	002004 006102 107107 121999	1
30	LK40909		..PLUG-FUEL BURNER BLANKING TRANSPORTATION ONLY SUPPLIER CODE: VK0680	002004 006102 107107 121999	16
35	LK83488		..COVER-INTRASCOPE ACCESS TRANSPORTATION ONLY SUPPLIER CODE: VK0680	002004 006102 107107 121999	1
- 40	LK40932		ATTACHING PARTS ..BOLT- SUPPLIER CODE: VK0680 -----*-----	002004 006102 107107 121999	2

MISSING ITEM NUMBERS NOT APPLICABLE

- ITEM NOT ILLUSTRATED

72-40-00-01

72-40-00
FIG. 01
PAGE 3
JAN 20/09

BRI

BOEING PROPRIETARY - Copyright © - Unpublished Work - See title page for details.



757

PARTS CATALOG (MAINTENANCE)

FIG ITEM	PART NUMBER	1 2 3 4 5 6 7	NOMENCLATURE	EFFECT FROM TO	UNITS PER ASSY
1					
45	LK29960	..	PLATE- SUPPLIER CODE: VK0680	002004 006102 107107 121999	1
50	AS21008	..	BOLT	002004 006102 107107 121999	2
51	AS20910	..	BOLT-	002004 006102 107107 121999	106
54	AS20912	..	BOLT-	002004 006102 107107 121999	2
60	LK77547	..	BRACKET-SPRT FUEL MANIFOLD SUPPLIER CODE: VK0680 REFERENCE SERVICE BULLETIN: 79-9199PT01 VK0680	002004 006102 107107 121999	7
61	LK77547	..	BRACKET-SPRT FUEL MANIFOL SUPPLIER CODE: VK0680 PRE SERVICE BULLETIN: 79-9199 VK0680	002004 006100 102102 107107 121949 952999	8
62	LK40617	..	BRACKET-BURNER FUEL MANIFOLD SUPPLIER CODE: VK0680 POSITION DATA: RH PRE SERVICE BULLETIN: 72-9589 VK0680	002004 006102 107107 121999	7
- 62A	LK40617	..	BRACKET-BURNER FUEL MANIFOLD SUPPLIER CODE: VK0680 POSITION DATA: RH REFERENCE SERVICE BULLETIN: 72-9589PTA VK0680	002004 006102 107107 121999	8

MISSING ITEM NUMBERS NOT APPLICABLE

- ITEM NOT ILLUSTRATED

72-40-00-01

72-40-00
FIG. 01
PAGE 4
JAN 20/09

BRI

BOEING PROPRIETARY - Copyright © - Unpublished Work - See title page for details.



757

PARTS CATALOG (MAINTENANCE)

FIG ITEM	PART NUMBER	1 2 3 4 5 6 7	NOMENCLATURE	EFFECT FROM TO	UNITS PER ASSY
1 65	LK40618		..BRACKET-BURNER FUEL MANIFOLD SUPPLIER CODE: VK0680 POSITION DATA: LH PRE SERVICE BULLETIN: 72-9589 VK0680	002004 006102 107107 121999	5
- 66	LK40618		..BRACKET-BURNER FUEL MANIFOLD SUPPLIER CODE: VK0680 POSITION DATA: LH REFERENCE SERVICE BULLETIN: 72-9589PTA VK0680	002004 006102 107107 121999	4
70	LK69613		..BRACKET-BURNER FUEL MANIFOLD SUPPLIER CODE: VK0680	002004 006102 107107 121999	5
75	LK86783		..BRACKET-SPRT FUEL MANIFOL SUPPLIER CODE: VK0680 PRE SERVICE BULLETIN: 79-9199 VK0680	002004 006100 102102 107107 121949 952999	1
76	LK86783		..BRACKET-SPRT FUEL MANIFOLD SUPPLIER CODE: VK0680 REFERENCE SERVICE BULLETIN: 79-9199PT01 VK0680	002004 006102 107107 121999	2
77	UL16328		..BRACKET-SPRT FIRERAIL SUPPLIER CODE: VK0680 PRE SERVICE BULLETIN: 72-9576 VK0680	002004 006100 102102 107107 121949 952999	1
77	UL26289		..BRACKET-SPRT FIRERAIL SUPPLIER CODE: VK0680 REFERENCE SERVICE BULLETIN: 72-9576PTG VK0680	002004 006102 107107 121999	1

MISSING ITEM NUMBERS NOT APPLICABLE

- ITEM NOT ILLUSTRATED

72-40-00-01

72-40-00
FIG. 01
PAGE 5
JAN 20/09

BRI



757

PARTS CATALOG (MAINTENANCE)

FIG ITEM	PART NUMBER	1 2 3 4 5 6 7	NOMENCLATURE	EFFECT FROM TO	UNITS PER ASSY
1					
80	LK40932	..	BOLT- SUPPLIER CODE: VK0680	002004 006102 107107 121999	8
85	CU19152	..	WASHER- SUPPLIER CODE: VK0680	002004 006102 107107 121999	8
90	LK40910	..	COVER-BLEED SOLEPLATE SUPPLIER CODE: VK0680	002004 006102 107107 121999	2
100	AGS3707	...	INSERT	002004 006102 107107 121999	26
105	AGS3731	...	INSERT	002004 006102 107107 121999	54
110	AGS3732	...	INSERT	002004 006102 107107 121999	8

MISSING ITEM NUMBERS NOT APPLICABLE

- ITEM NOT ILLUSTRATED

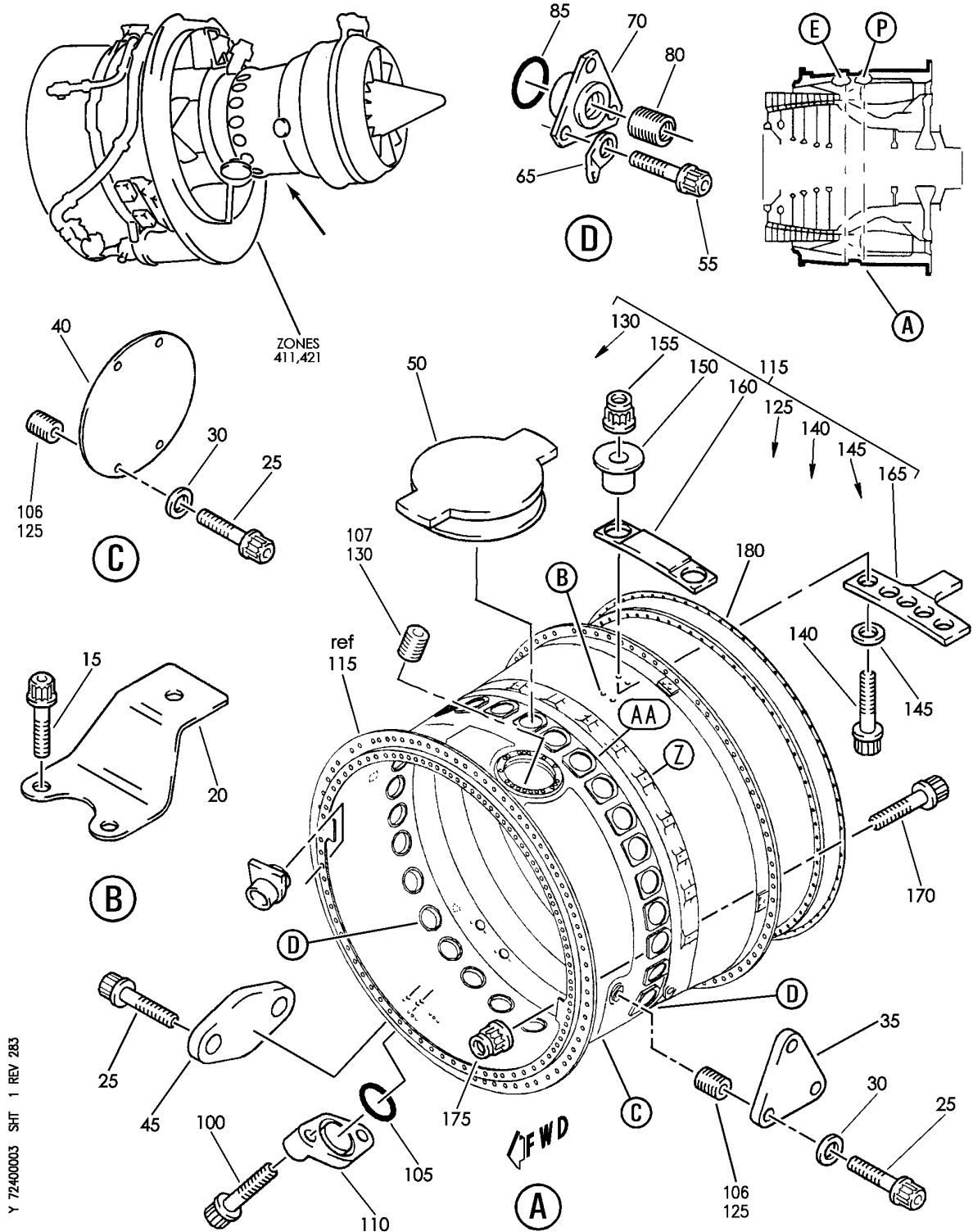
BRI

72-40-00-01

BOEING PROPRIETARY - Copyright © - Unpublished Work - See title page for details.

72-40-00
FIG. 01
PAGE 6
JAN 20/09

BOEING
757
PARTS CATALOG (MAINTENANCE)



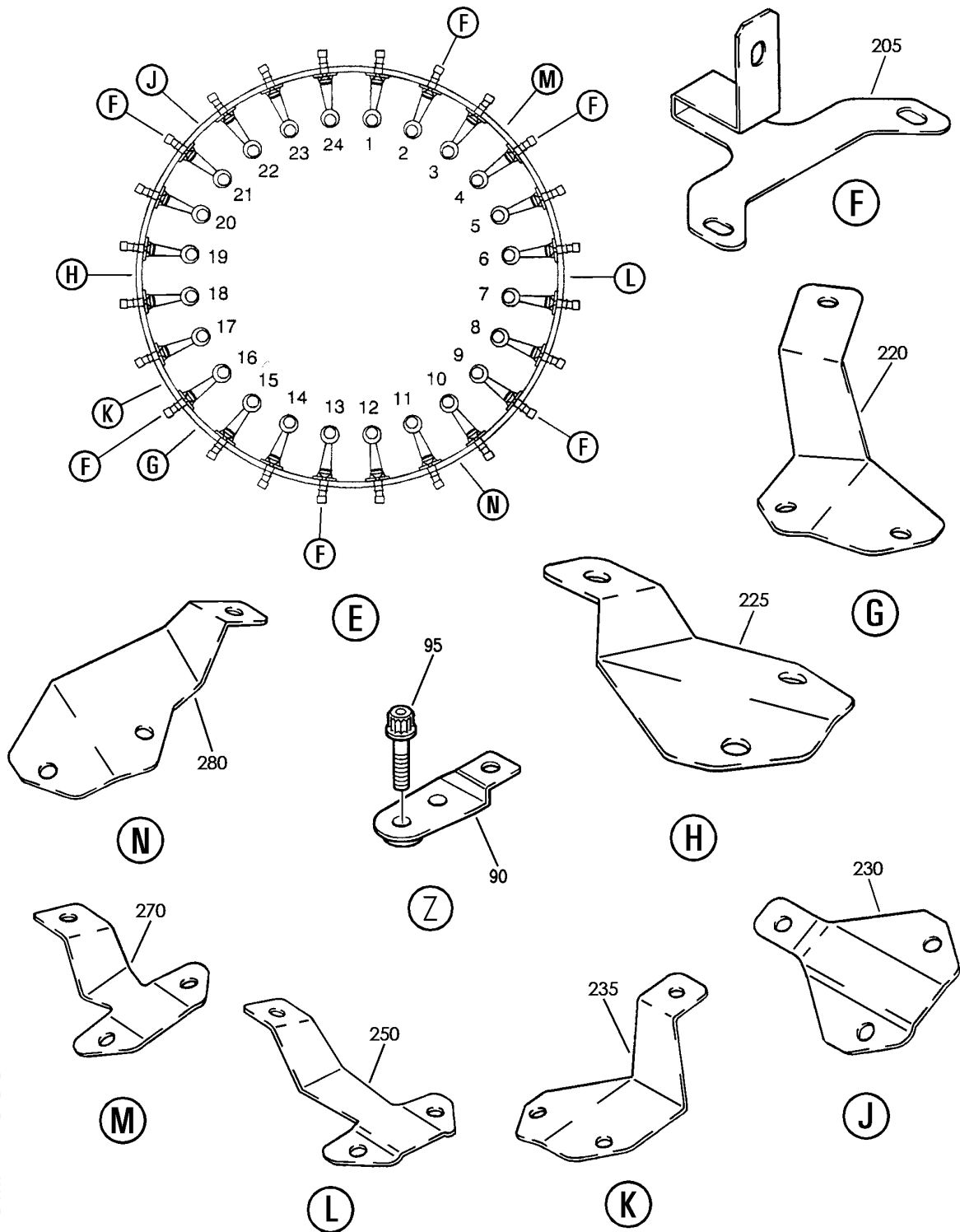
COMBUSTION OUTER CASE (RB211-535)
FIGURE 3 (SHEET 1)

72-40-00-03

BRI
JAN 20/09

72-40-00-03
PAGE 0

BOEING
757
PARTS CATALOG (MAINTENANCE)



Y 72400003 SH1 2 REV 245

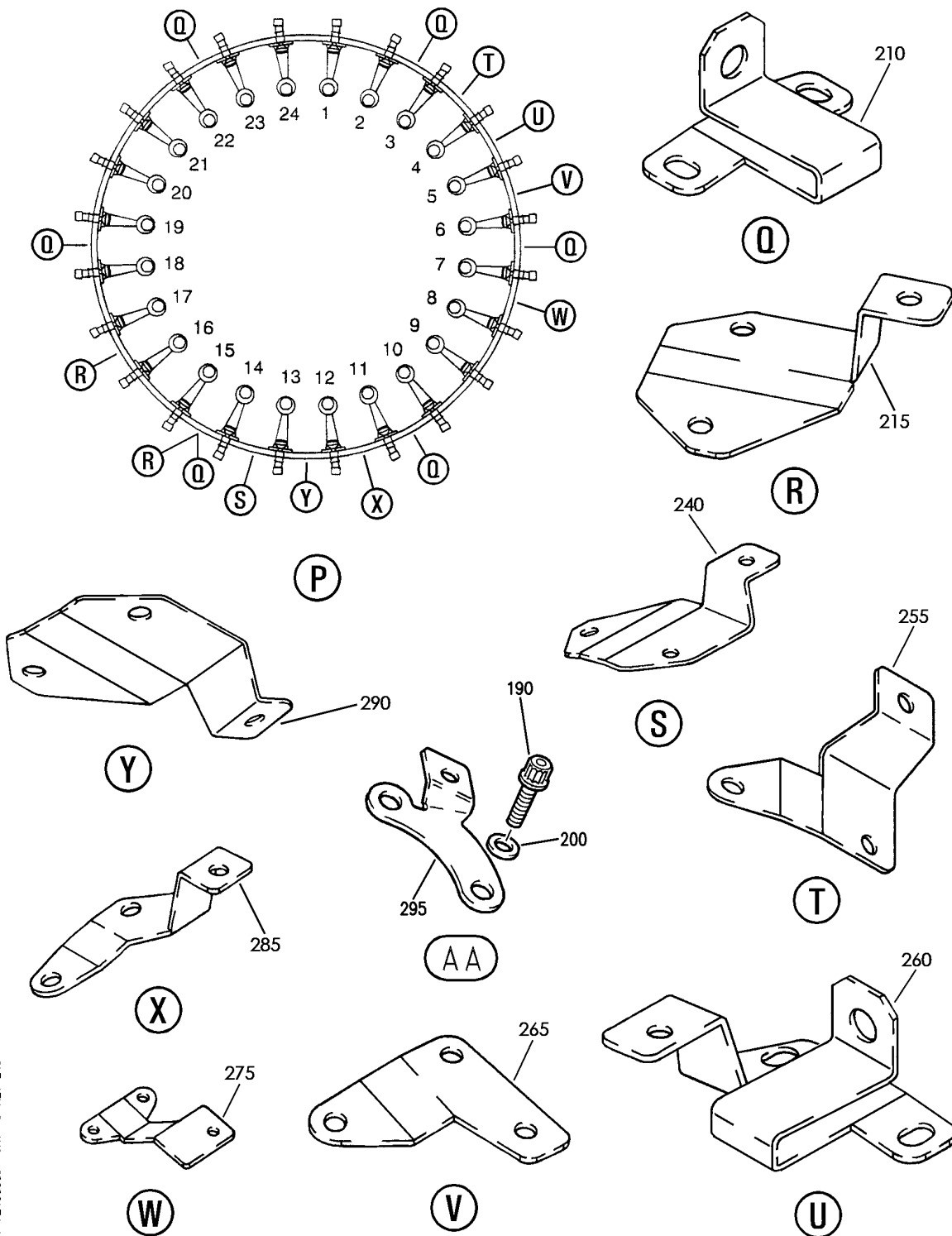
COMBUSTION OUTER CASE (RB211-535)
FIGURE 3 (SHEET 2)

72-40-00-03

BRI
JAN 20/09

72-40-00-03
PAGE 0A

BOEING
757
PARTS CATALOG (MAINTENANCE)



Y 72400003 SHT 3 REV 245

COMBUSTION OUTER CASE (RB211-535)
FIGURE 3 (SHEET 3)

72-40-00-03

BRI
JAN 20/09

72-40-00-03
PAGE 0B



757

PARTS CATALOG (MAINTENANCE)

FIG ITEM	PART NUMBER	1 2 3 4 5 6 7	NOMENCLATURE	EFFECT FROM TO	UNITS PER ASSY
3			COMBUSTION OUTER CASE (RB211-535)	103106 108120	
- 1	BCREF17395		ENGINE ASSY- RB211-535E43739 BASIC ENGINE CONFIGURATION AND PHASE 5 COMBUSTOR 40,100 LB THRUST SUPPLIER CODE: VK0680 OVERLENGTH PART NUMBER: RB211-535E4-37-39E REFERENCE SERVICE BULLETIN: VK0680 FOR NHA/OTHER SYS DET SEE: 71-00-02-10	108120	RF
- 1	BCREF17101		ENGINE ASSY- RB211-535E43744 BASIC ENGINE CONFIGURATION, BAYONET MCD AND PHASE 5 COMBUSTOR 40,100 LB THRUST SUPPLIER CODE: VK0680 OVERLENGTH PART NUMBER: RB211-535E4-3744E FOR NHA/OTHER SYS DET SEE: 71-00-02-10	103106	RF
- 10	UL39215		.HP SYSTEM-4/1 HP MINI MODULE CPRSR SUPPLIER CODE: VK0680 POSITION DATA: OUTER POST SERVICE BULLETIN: 72-C230PT01 VK0680	103106 108120	RF
15	AS21507		..BOLT- POST SERVICE BULLETIN: 72-C230PT01 VK0680	103106 108120	2
20	UL39027		..BRACKET- SUPPLIER CODE: VK0680 POST SERVICE BULLETIN: 72-C230PT01 VK0680	103106 108120	1

MISSING ITEM NUMBERS NOT APPLICABLE

- ITEM NOT ILLUSTRATED

BRI

72-40-00-03

BOEING PROPRIETARY - Copyright © - Unpublished Work - See title page for details.

72-40-00
FIG. 03
PAGE 1
JAN 20/09



757

PARTS CATALOG (MAINTENANCE)

FIG ITEM	PART NUMBER	1 2 3 4 5 6 7	NOMENCLATURE	EFFECT FROM TO	UNITS PER ASSY
3					
25	LK40932	..	BOLT- SUPPLIER CODE: VK0680 MISCELLANEOUS DATA: TRANSPORTATION ONLY	103106 108120	13
30	CU19152	..	WASHER- SUPPLIER CODE: VK0680	103106 108120	11
35	LK40911	..	COVER-BLANKING TRANSPORTATION ONLY SUPPLIER CODE: VK0680	103106 108120	1
40	LK40910	..	COVER-BLANKING HP3 BLEED SOLEPLATE TRANSPORTATION SUPPLIER CODE: VK0680	103106 108120	2
45	LK83488	..	COVER-BLANKING INTRASCOPE ACCESS TRANSPORTATION ONLY SUPPLIER CODE: VK0680	103106 108120	1
50	LK40909	..	PLUG- SUPPLIER CODE: VK0680 MISCELLANEOUS DATA: TRANSPORTATION ONLY POST SERVICE BULLETIN: 72-C230PT01 VK0680	103106 108120	24
55	AS60209	..	BOLT- POST SERVICE BULLETIN: 72-C230PT01 VK0680	103106 108120	4
- 60	AS60210	..	BOLT- POST SERVICE BULLETIN: 72-C230PT01 VK0680	103106 108120	2
65	UP11772	..	WASHER- SUPPLIER CODE: VK0680 POST SERVICE BULLETIN: 72-C230PT01 VK0680	103106 108120	2

MISSING ITEM NUMBERS NOT APPLICABLE

- ITEM NOT ILLUSTRATED

72-40-00-03

72-40-00
FIG. 03
PAGE 2
JAN 20/09

BRI

BOEING PROPRIETARY - Copyright © - Unpublished Work - See title page for details.



757

PARTS CATALOG (MAINTENANCE)

FIG ITEM	PART NUMBER	1 2 3 4 5 6 7	NOMENCLATURE	EFFECT FROM TO	UNITS PER ASSY
3	70 UL38491		.. ADAPTOR- SUPPLIER CODE: VK0680 POST SERVICE BULLETIN: 72-C230PT01 VK0680	103106 108120	2
-	75 UL38670		.. BRACKET-CLIPPING SUPPLIER CODE: VK0680 POST SERVICE BULLETIN: 72-C230PT01 VK0680	103106 108120	1
	80 U781161		.. INSERT-HELICAL COIL SUPPLIER CODE: VK0680 POST SERVICE BULLETIN: 72-C230PT01 VK0680	103106 108120	1
	85 1016173		.. SEAL- SUPPLIER CODE: VK0680 MISCELLANEOUS DATA: VENDOR PART NO. C10014-03-12-2SPA POST SERVICE BULLETIN: 72-C230PT01 VK0680	103106 108120	2
	90 UL39026		.. BRAKET ASSY- SUPPLIER CODE: VK0680 POST SERVICE BULLETIN: 72-C230PT01 VK0680 ATTACHING PARTS	103106 108120	1
	95 AS21508		.. BOLT- POST SERVICE BULLETIN: 72-C230PT01 VK0680	103106 108120	2
	100 BLT5509		-----*----- .. BOLT- SUPPLIER CODE: VK0680 POST SERVICE BULLETIN: 72-C230PT01 VK0680	103106 108120	2

MISSING ITEM NUMBERS NOT APPLICABLE

- ITEM NOT ILLUSTRATED

72-40-00-03

72-40-00
FIG. 03
PAGE 3
JAN 20/09

BRI

BOEING PROPRIETARY - Copyright © - Unpublished Work - See title page for details.



757

PARTS CATALOG (MAINTENANCE)

FIG ITEM	PART NUMBER	1 2 3 4 5 6 7	NOMENCLATURE	EFFECT FROM TO	UNITS PER ASSY
3					
105	1016400		..SEAL- SUPPLIER CODE: VK0680 MISCELLANEOUS DATA: VENDOR PART NO. C10009-03-12-2SPA POST SERVICE BULLETIN: 72-C230PT01 VK0680	103106 108120	1
106	AGS3707		..INSERT- POST SERVICE BULLETIN: 72-C230PT01 VK0680	103106 108120	57
107	AGS3706		..INSERT- POST SERVICE BULLETIN: 72-C230PT01 VK0680	103106 108120	116
- 108	AGS3732		..INSERT	103106 108120	16
190	AS20907		..BOLT- POST SERVICE BULLETIN: 72-C230PT01 VK0680	103106 108120	116
200	UP12074		..WASHER- SUPPLIER CODE: VK0680 POST SERVICE BULLETIN: 72-C230PT01 VK0680	103106 108120	116
205	UL39108		..BRACKET-SPRT FUEL MANIFOLD SUPPLIER CODE: VK0680 POST SERVICE BULLETIN: 72-C230PT01 VK0680	103106 108120	18
210	UL39107		..BRACKET-SPRT FUEL MANIFOLD SUPPLIER CODE: VK0680 POST SERVICE BULLETIN: 72-C230PT01 VK0680	103106 108120	10
215	UL39008		..BRACKET- SUPPLIER CODE: VK0680 POST SERVICE BULLETIN: 72-C230PT01 VK0680	103106 108120	2

MISSING ITEM NUMBERS NOT APPLICABLE

- ITEM NOT ILLUSTRATED

72-40-00-03

72-40-00
FIG. 03
PAGE 4
JAN 20/09

BRI



757

PARTS CATALOG (MAINTENANCE)

FIG ITEM	PART NUMBER	1 2 3 4 5 6 7	NOMENCLATURE	EFFECT FROM TO	UNITS PER ASSY
3					
220	UL39009	..	BRACKET- SUPPLIER CODE: VK0680 POST SERVICE BULLETIN: 72-C230PT01 VK0680	103106 108120	1
225	UL39010	..	BRACKET- SUPPLIER CODE: VK0680 POST SERVICE BULLETIN: 72-C230PT01 VK0680	103106 108120	1
230	UL39011	..	BRACKET- SUPPLIER CODE: VK0680 POST SERVICE BULLETIN: 72-C230PT01 VK0680	103106 108120	1
235	UL39012	..	BRACKET- SUPPLIER CODE: VK0680 POST SERVICE BULLETIN: 72-C230PT01 VK0680	103106 108120	1
240	UL39013	..	BRACKET- SUPPLIER CODE: VK0680 POST SERVICE BULLETIN: 72-C230PT01 VK0680	103106 108120	1
- 245	UL39028	..	BRACKET- SUPPLIER CODE: VK0680 POST SERVICE BULLETIN: 72-C230PT01 VK0680	103106 108120	1
250	UL39014	..	BRACKET- SUPPLIER CODE: VK0680 POST SERVICE BULLETIN: 72-C230PT01 VK0680	103106 108120	1
255	UL39015	..	BRACKET- SUPPLIER CODE: VK0680 POST SERVICE BULLETIN: 72-C230PT01 VK0680	103106 108120	1

MISSING ITEM NUMBERS NOT APPLICABLE

- ITEM NOT ILLUSTRATED

72-40-00-03

72-40-00
FIG. 03
PAGE 5
JAN 20/09

BRI



757

PARTS CATALOG (MAINTENANCE)

FIG ITEM	PART NUMBER	1 2 3 4 5 6 7	NOMENCLATURE	EFFECT FROM TO	UNITS PER ASSY
3					
260	UL38760	..	BRACKET- SUPPLIER CODE: VK0680 POST SERVICE BULLETIN: 72-C230PT01 VK0680	103106 108120	1
265	UL39017	..	BRACKET- SUPPLIER CODE: VK0680 POST SERVICE BULLETIN: 72-C230PT01 VK0680	103106 108120	2
270	UL39018	..	BRACKET- SUPPLIER CODE: VK0680 POST SERVICE BULLETIN: 72-C230PT01 VK0680	103106 108120	1
275	UL39019	..	BRACKET- SUPPLIER CODE: VK0680 POST SERVICE BULLETIN: 72-C230PT01 VK0680	103106 108120	1
280	UL39020	..	BRACKET- SUPPLIER CODE: VK0680 POST SERVICE BULLETIN: 72-C230PT01 VK0680	103106 108120	1
285	UL39021	..	BRACKET- SUPPLIER CODE: VK0680 POST SERVICE BULLETIN: 72-C230PT01 VK0680	103106 108120	1
290	UL39342	..	BRACKET-CLIPPING SUPPLIER CODE: VK0680 POST SERVICE BULLETIN: 72-C230PT01 VK0680	103106 108120	1
295	UL39029	..	BRACKET- SUPPLIER CODE: VK0680 POST SERVICE BULLETIN: 72-C230PT01 VK0680	103106 108120	1

MISSING ITEM NUMBERS NOT APPLICABLE

- ITEM NOT ILLUSTRATED

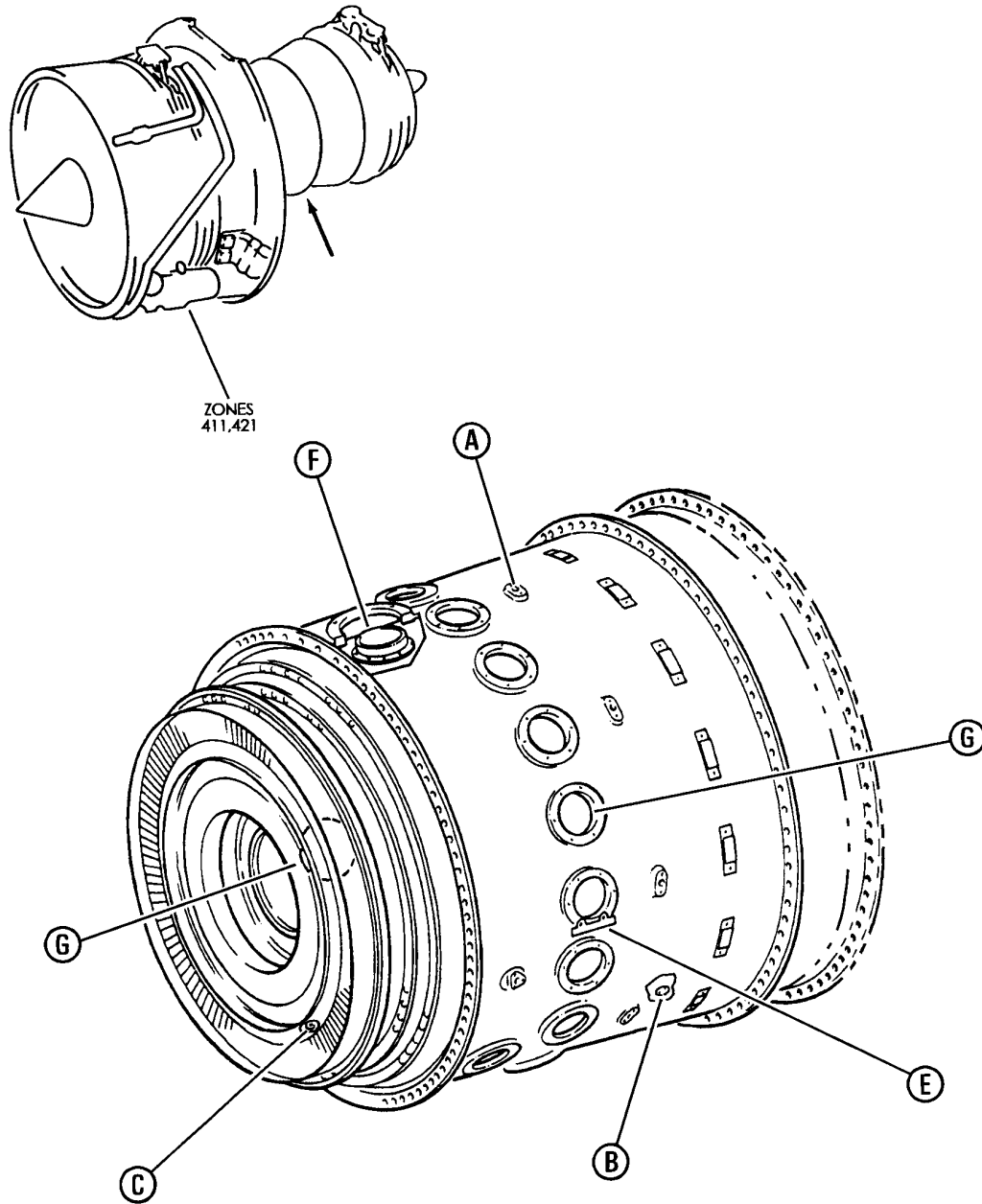
72-40-00-03

72-40-00
FIG. 03
PAGE 6
JAN 20/09

BRI

BOEING PROPRIETARY - Copyright © - Unpublished Work - See title page for details.

BOEING
757
PARTS CATALOG (MAINTENANCE)



Y 72405101 SHT 1 REV 228

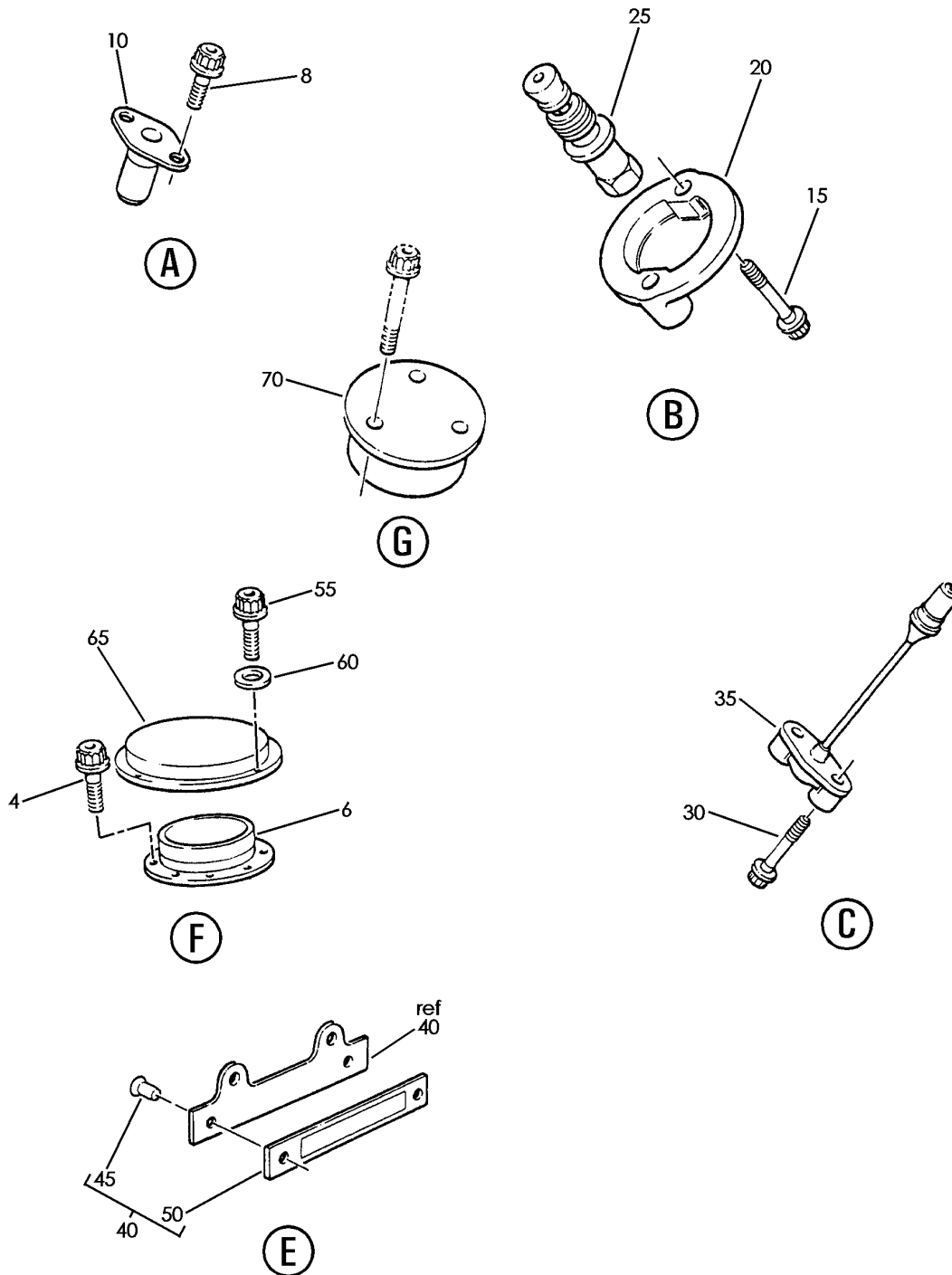
MINI MODULE AND FITTINGS HP SYS MOD 04 (RB211-535)
FIGURE 1 (SHEET 1)

72-40-51-01

BRI
MAY 28/07

72-40-51-01
PAGE 0

BOEING
757
PARTS CATALOG (MAINTENANCE)



Y 72405101 SHT 2 REV 228

MINI MODULE AND FITTINGS HP SYS MOD 04 (RB211-535)
FIGURE 1 (SHEET 2)

72-40-51-01

BRI
MAY 28/07

72-40-51-01
PAGE 0A



757

PARTS CATALOG (MAINTENANCE)

FIG ITEM	PART NUMBER	1 2 3 4 5 6 7	NOMENCLATURE	EFFECT FROM TO	UNITS PER ASSY
1			MINI MODULE AND FITTINGS HP SYS MOD 04 (RB211-535)	002004 006102 107999	
- 1	UL19722		ENGINE ASSY-Q.E.C.U. RB211-535E43711 MAXIMUM NEUT SUPPLIER CODE: VK0680 FOR NHA/OTHER SYS DET SEE: 71-00-02-04	107107	RF
- 2	UL20697		ENGINE ASSY-Q.E.C.U. RB211-535E43711 WITH GRAVINER FIRE DETECTORS, BAYONET MCD, NON-MODULATED IDG COOLING 40,000 LB THRUST SUPPLIER CODE: VK0680 REFERENCE SERVICE BULLETIN: 71-0058R4 QUALIFIED SB I/W DATA: INTERMIX OF ONE OR SUBSTITUTION OF TWO DIFFERENT CONFIGURATION RB211-535E4-37/() ENGINES FOR RB211-535 E4 BASE ENGINES REFERENCE SERVICE BULLETIN: RB211-72-C547 VK0680 FOR NHA/OTHER SYS DET SEE: 71-00-02-04	121503 904949 952999	RF

MISSING ITEM NUMBERS NOT APPLICABLE

- ITEM NOT ILLUSTRATED

BRI

72-40-51-01

BOEING PROPRIETARY - Copyright © - Unpublished Work - See title page for details.

72-40-51
FIG. 01
PAGE 1
JAN 20/09



757

PARTS CATALOG (MAINTENANCE)

FIG ITEM	PART NUMBER	1 2 3 4 5 6 7	NOMENCLATURE	EFFECT FROM TO	UNITS PER ASSY
1					
- 2	UL20698		ENGINE ASSY-Q.E.C.U. RB211-535E43712 MAXIMUM NEUT SUPPLIER CODE: VK0680 REFERENCE SERVICE BULLETIN: 71-0058R7 QUALIFIED SB I/W DATA: INTERMIX OF ONE OR SUBSTITUTION OF TWO DIFFERENT CONFIGURATION RB211-535E4-37/() ENGINES FOR RB211-535E4 BASE ENGINES OR DIFFERENT CONFIGURATION RB211-535E4-B-37/() ENGINES FOR RB211-535E4-B BASE ENGINES REFERENCE SERVICE BULLETIN: RB211-72-C547 VK0680 RB211-72-8910 VK0680 POST RAPID REVISION: RR92014-183A-RC-E FOR NHA/OTHER SYS DET SEE: 71-00-02-04	002004 006100 102102	RF
- 2	UL20702		ENGINE ASSY-Q.E.C.U. RB211-535E43711 BASIC ENGINE CONFIG. WITH GRAVINER FIRE DETECTORS,BAYONET MCD, NON-MODUATED IDG COOLING 40,100 LB THRUST SUPPLIER CODE: VK0680 FOR NHA/OTHER SYS DET SEE: 71-00-02-10	504903	RF
- 2	UL36209		ENGINE ASSY-Q.E.C.U. RB211-535E43719 SUPPLIER CODE: VK0680 FOR NHA/OTHER SYS DET SEE: 71-00-02-04	950951	RF

MISSING ITEM NUMBERS NOT APPLICABLE

- ITEM NOT ILLUSTRATED

BRI

72-40-51-01

BOEING PROPRIETARY - Copyright © - Unpublished Work - See title page for details.

72-40-51
FIG. 01
PAGE 2
JAN 20/09



757

PARTS CATALOG (MAINTENANCE)

FIG ITEM	PART NUMBER	1 2 3 4 5 6 7	NOMENCLATURE	EFFECT FROM TO	UNITS PER ASSY
1					
- 3	UL38163		ENGINE ASSY-Q.E.C.U. RB211-535E43724 BASIC ENGINE CONFIGURATION, BAYONET MCD, 40,100 LB THRUST SUPPLIER CODE: VK0680 FOR NHA/OTHER SYS DET SEE: 71-00-02-10	101101	RF
- 4	UL18215		.HP SYSTEM INSTL-MODULE 4 HP TURBINE & COMBN CASE SUPPLIER CODE: VK0680 PRE SERVICE BULLETIN: 79-9199 VK0680	002004 006100 107107 121949 952999	RF
- 4	UL28190		.HP SYSTEM-MINI MODULE INSTL SUPPLIER CODE: VK0680 POST SERVICE BULLETIN: 79-9199PT01 VK0680 PRE SERVICE BULLETIN: 72-9812 VK0680	002004 006102 107999	RF
- 4	UL36908		.HP SYSTEM-MINI MODULE INSTL SUPPLIER CODE: VK0680 CONFIG CHG DATA FROM A CMM: FOR INTRCHG SEE RR IPC POST SERVICE BULLETIN: 72-9812PT01 VK0680	002004 006100 107107 121949 952999	RF
- 4	UL36909		.HP SYSTEM-MINI MODULE INSTL SUPPLIER CODE: VK0680 CONFIG CHG DATA FROM A CMM: FOR INTRCHG SEE RR IPC POST SERVICE BULLETIN: 72-9812PT01 VK0680	002004 006100 107107 121999	RF

MISSING ITEM NUMBERS NOT APPLICABLE

- ITEM NOT ILLUSTRATED

BRI

72-40-51-01

BOEING PROPRIETARY - Copyright © - Unpublished Work - See title page for details.

72-40-51
FIG. 01
PAGE 3
JAN 20/09



757

PARTS CATALOG (MAINTENANCE)

FIG ITEM	PART NUMBER	1 2 3 4 5 6 7	NOMENCLATURE	EFFECT FROM TO	UNITS PER ASSY
1					
- 4	UL36908		.HP SYSTEM-MINI MODULE INSTL SUPPLIER CODE: VK0680 POST SERVICE BULLETIN: 72-9812PT01 VK0680	101101 108120 950951	RF
- 4	UL18216		.MINI MODULE-MODULE 4-HP ROTOR & STATOR & OUTER COMBUSTION SUPPLIER CODE: VK0680 PRE SERVICE BULLETIN: 79-9199 VK0680	002004 006102 107107 121999	RF
8	AS21009		..BOLT-	002004 006102 107107 121999	18
10	UP10564		..PIN-INTRASCOPE ACCESS BLANKING FLANGED SUPPLIER CODE: VK0680	002004 006102 107107 121999	9
15	BLT3175		..BOLT- SUPPLIER CODE: VK0680	002004 006102 107107 121999	2
20	LK82995		..COVER-INTRASCOPE NGV FLANGED SUPPLIER CODE: VK0680	002004 006102 107107 121999	1
25	UL10325		..PLUG ASSY-INTRASCOPE NGV BLANKING SUPPLIER CODE: VK0680	002004 006102 107107 121999	1
30	BLT3333		..BOLT- SUPPLIER CODE: VK0680	002004 006102 107107 121999	2
35	LK61274		..PLUG ASSY-STAGE 6 COMP INTRASCOPE ACCESS BLANKING SUPPLIER CODE: VK0680	002004 006102 107107 121999	1
40	LK46318		..BRACKET ASSY-IDENT SUPPLIER CODE: VK0680	002004 006102 107107 121999	1

MISSING ITEM NUMBERS NOT APPLICABLE

- ITEM NOT ILLUSTRATED

72-40-51-01

72-40-51
FIG. 01
PAGE 4
JAN 20/09

BRI



757

PARTS CATALOG (MAINTENANCE)

FIG ITEM	PART NUMBER	1 2 3 4 5 6 7	NOMENCLATURE	EFFECT FROM TO	UNITS PER ASSY
1					
45	AS16445		...RIVET	002004 006102 107107 121999	2
50	LK45883		...PLATE-IDENT SUPPLIER CODE: V51563	002004 006102 107107 121999	1
55	LK41268		..BOLT- SUPPLIER CODE: VK0680	002004 006102 107107 121999	4
60	CU19152		..WASHER- SUPPLIER CODE: VK0680	002004 006102 107107 121999	4
65	UL18281		..COVER-HP6 AIR OFFTAKE BLANKING TRANSPORTATION ONLY SUPPLIER CODE: VK0680	002004 006102 107107 121999	1
70	LK84094		..PLUG ASSY-BLANK TRANSPORTATION ONLY SUPPLIER CODE: VK0680	002004 006102 107107 121999	2
- 75	LK78345		ATTACHING PARTS ..BOLT- SUPPLIER CODE: VK0680	002004 006102 107107 121999	6
- 80	UL18216		-----*----- ..MINI MODULE-MODULE NO.1 SUPPLIER CODE: VK0680	002004 006102 107107 121999	RF
- 85	UL18217		..MINI MODULE-MODULE NO.1 SUPPLIER CODE: VK0680	002004 006102 107107 121999	RF

MISSING ITEM NUMBERS NOT APPLICABLE

- ITEM NOT ILLUSTRATED

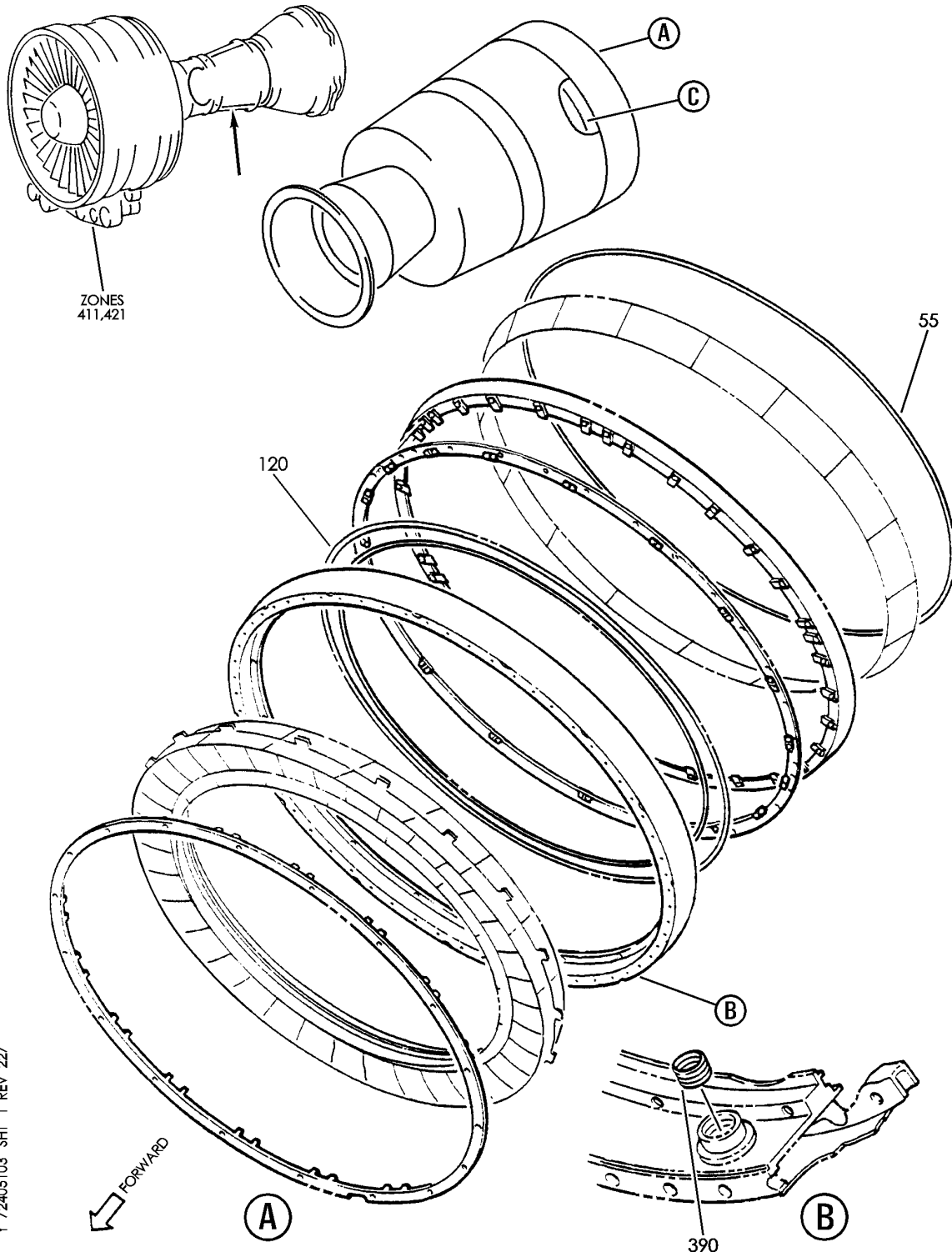
BRI

72-40-51-01

BOEING PROPRIETARY - Copyright © - Unpublished Work - See title page for details.

72-40-51
FIG. 01
PAGE 5
JAN 20/09

BOEING
757
PARTS CATALOG (MAINTENANCE)



Y 72405103 SHT 1 REV 227

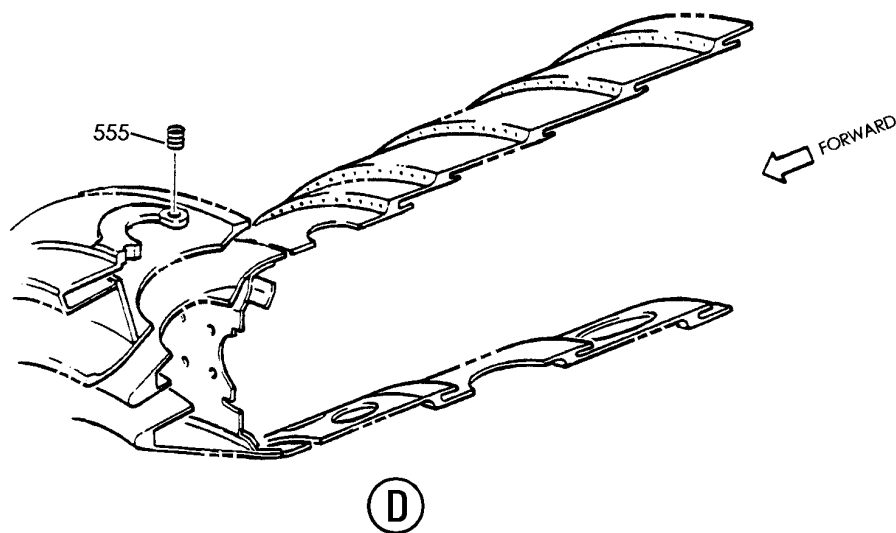
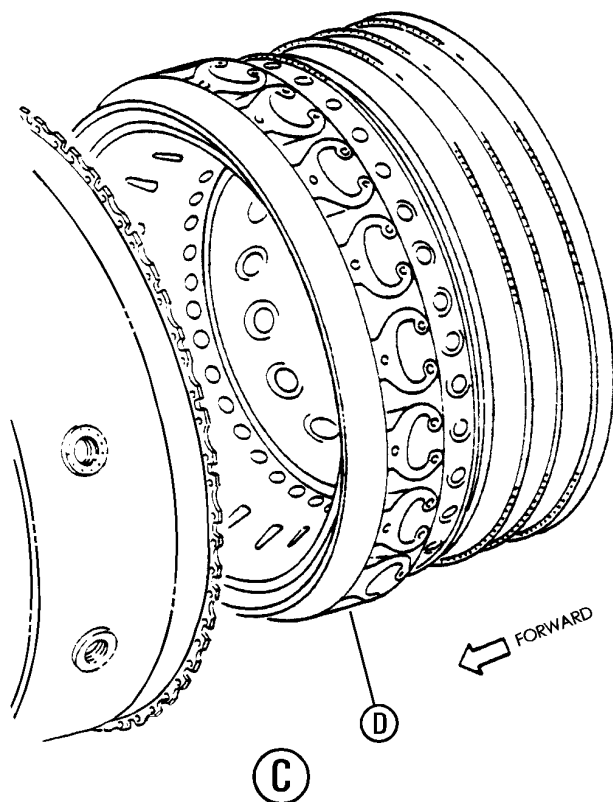
COMBUSTION-INNER FRONT AND REAR CASES COMBUSTION LINERS, HP NOZZLE VANES MODULE 04 (RB211-535)
FIGURE 3 (SHEET 1)

BRI
MAY 28/07

72-40-51-03

72-40-51-03
PAGE 0

BOEING
757
PARTS CATALOG (MAINTENANCE)



Y 72405103 SHT 2 REV 227

COMBUSTION-INNER FRONT AND REAR CASES COMBUSTION LINERS, HP NOZZLE VANES MODULE 04 (RB211-535)
FIGURE 3 (SHEET 2)

BRI
MAY 28/07

72-40-51-03

72-40-51-03
PAGE 0A

BOEING PROPRIETARY - Copyright © - Unpublished Work - See title page for details.



757

PARTS CATALOG (MAINTENANCE)

FIG ITEM	PART NUMBER	1 2 3 4 5 6 7	NOMENCLATURE	EFFECT FROM TO	UNITS PER ASSY
3			COMBUSTION-INNER FRONT AND REAR CASES COMBUSTION LINERS, HP NOZZLE VANES MODULE 04 (RB211-535)	002004 006102 107999	
- 1	UL19722		ENGINE ASSY-Q.E.C.U. RB211-535E43711 MAXIMUM NEUT SUPPLIER CODE: VK0680 FOR NHA/OTHER SYS DET SEE: 71-00-02-04	107107	RF
- 1	UL20697		ENGINE ASSY-Q.E.C.U. RB211-535E43711 MAXIMUM NEUT WITH GRAVINER FIRE DETECTORS, BAYONET MCD, NON-MODULATED IDG COOLING 40,000 LB THRUST SUPPLIER CODE: VK0680 REFERENCE SERVICE BULLETIN: 71-0058R4 QUALIFIED SB I/W DATA: INTERMIX OF ONE OR SUBSTITUTION OF TWO DIFFERENT CONFIGURATION RB211-535E4-37/() ENGINES FOR RB211-535 E4 BASE ENGINES REFERENCE SERVICE BULLETIN: RB211-72-C547 VK0680 FOR NHA/OTHER SYS DET SEE: 71-00-02-04	121503 904949 952999	RF

MISSING ITEM NUMBERS NOT APPLICABLE

- ITEM NOT ILLUSTRATED

BRI

72-40-51-03

BOEING PROPRIETARY - Copyright © - Unpublished Work - See title page for details.

72-40-51
FIG. 03
PAGE 1
JAN 20/09



757

PARTS CATALOG (MAINTENANCE)

FIG ITEM	PART NUMBER	1 2 3 4 5 6 7	NOMENCLATURE	EFFECT FROM TO	UNITS PER ASSY
3 - 1	UL20698		ENGINE ASSY-Q.E.C.U. RB211-535E43712 MAXIMUM NEUT SUPPLIER CODE: VK0680 REFERENCE SERVICE BULLETIN: 71-0058R7 QUALIFIED SB I/W DATA: INTERMIX OF ONE OR SUBSTITUTION OF TWO DIFFERENT CONFIGURATION RB211-535E4-37/() ENGINES FOR RB211-535E4 BASE ENGINES OR DIFFERENT CONFIGURATION RB211-535E4-B-37/() ENGINES FOR RB211-535E4-B BASE ENGINES REFERENCE SERVICE BULLETIN: RB211-72-C547 VK0680 RB211-72-8910 VK0680 POST RAPID REVISION: RR92014-183A-RC-E FOR NHA/OTHER SYS DET SEE: 71-00-02-04	002004 006100 102102	RF
- 1	UL20702		ENGINE ASSY-Q.E.C.U. RB211-535E43711 BASIC ENGINE CONFIG. WITH GRAVINER FIRE DETECTORS,BAYONET MCD, NON-MODUATED IDG COOLING 40,100 LB THRUST SUPPLIER CODE: VK0680 FOR NHA/OTHER SYS DET SEE: 71-00-02-10	504903	RF
- 2	UL36209		ENGINE ASSY-Q.E.C.U. RB211-535E43719 MAXIMUM NEUT SUPPLIER CODE: VK0680 FOR NHA/OTHER SYS DET SEE: 71-00-02-04	950951	RF

MISSING ITEM NUMBERS NOT APPLICABLE

- ITEM NOT ILLUSTRATED

72-40-51-03

72-40-51
FIG. 03
PAGE 2
JAN 20/09

BRI



757

PARTS CATALOG (MAINTENANCE)

FIG ITEM	PART NUMBER	1 2 3 4 5 6 7	NOMENCLATURE	EFFECT FROM TO	UNITS PER ASSY
3					
- 3	UL38163		ENGINE ASSY-Q.E.C.U. RB211-535E43724 BASIC ENGINE CONFIG. BAYONET MCD 40,100 LB THRUST SUPPLIER CODE: VK0680 FOR NHA/OTHER SYS DET SEE: 71-00-02-10	101101	RF
- 5	UL18217		.MINI MODULE-COMBUSTION CASE AND NOZZLE VANES MODULE 04 SUPPLIER CODE: VK0680	002004 006102 107999	RF
55	U440134		..BRAID- SUPPLIER CODE: VK0680 MISCELLANEOUS DATA: 30ME, 100FT REEL BULK STOCK S3443MA3MM SELECT FROM ITEM.	002004 006102 107999	1
55	U440133		..BRAID- SUPPLIER CODE: VK0680 MISCELLANEOUS DATA: 30ME, 100FT REEL BULK STOCK S3443MA2MM SELECT FROM ITEM.	002004 006102 107999	1
120	U440135		..BRAID- SUPPLIER CODE: VK0680 MISCELLANEOUS DATA: BULK STOCK S3443MA4MM 30ME, 100FT REEL	002004 006102 107999	1
390	U780403		...INSERT- SUPPLIER CODE: VK0680	002004 006102 107999	1
555	AGS3707		...INSERT- PRE SERVICE BULLETIN: 72-C230 VK0680	002004 006102 107999	54

MISSING ITEM NUMBERS NOT APPLICABLE

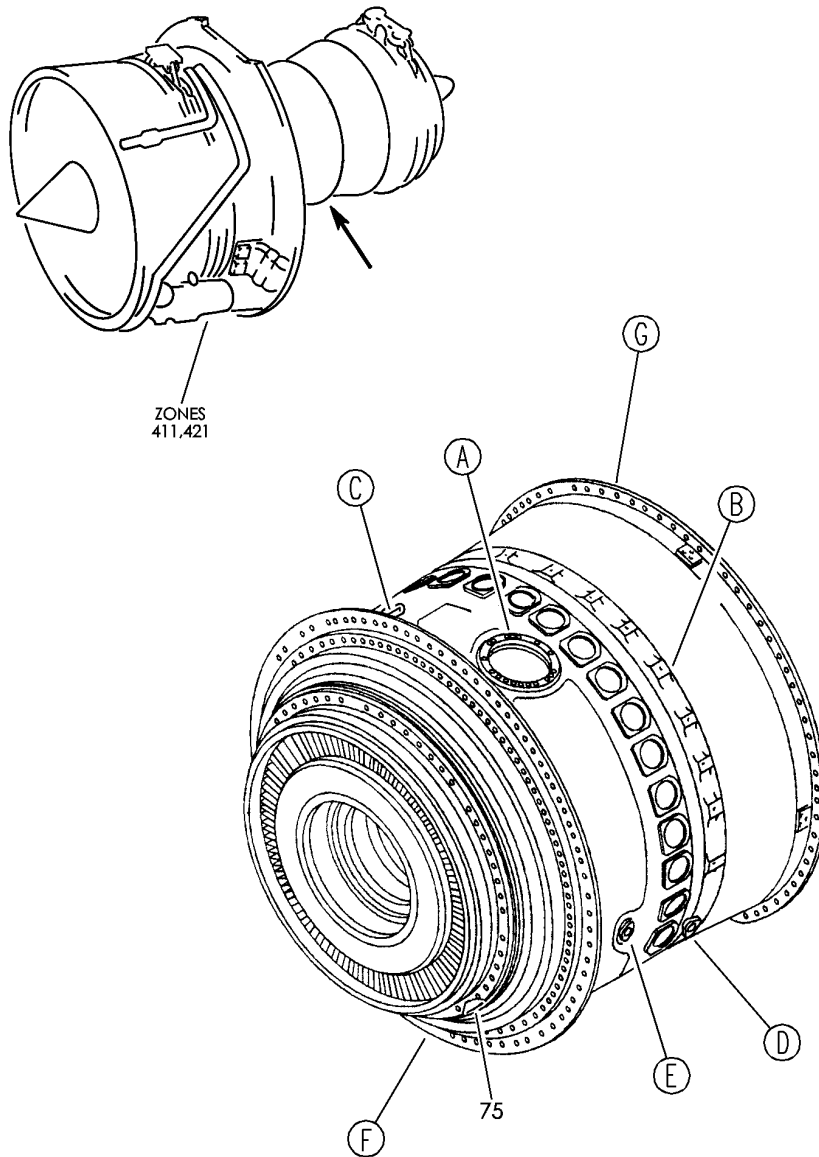
- ITEM NOT ILLUSTRATED

72-40-51-03

72-40-51
FIG. 03
PAGE 3
JAN 20/09

BRI

BOEING
757
PARTS CATALOG (MAINTENANCE)



Y 72405104 SHT 1 REV 227

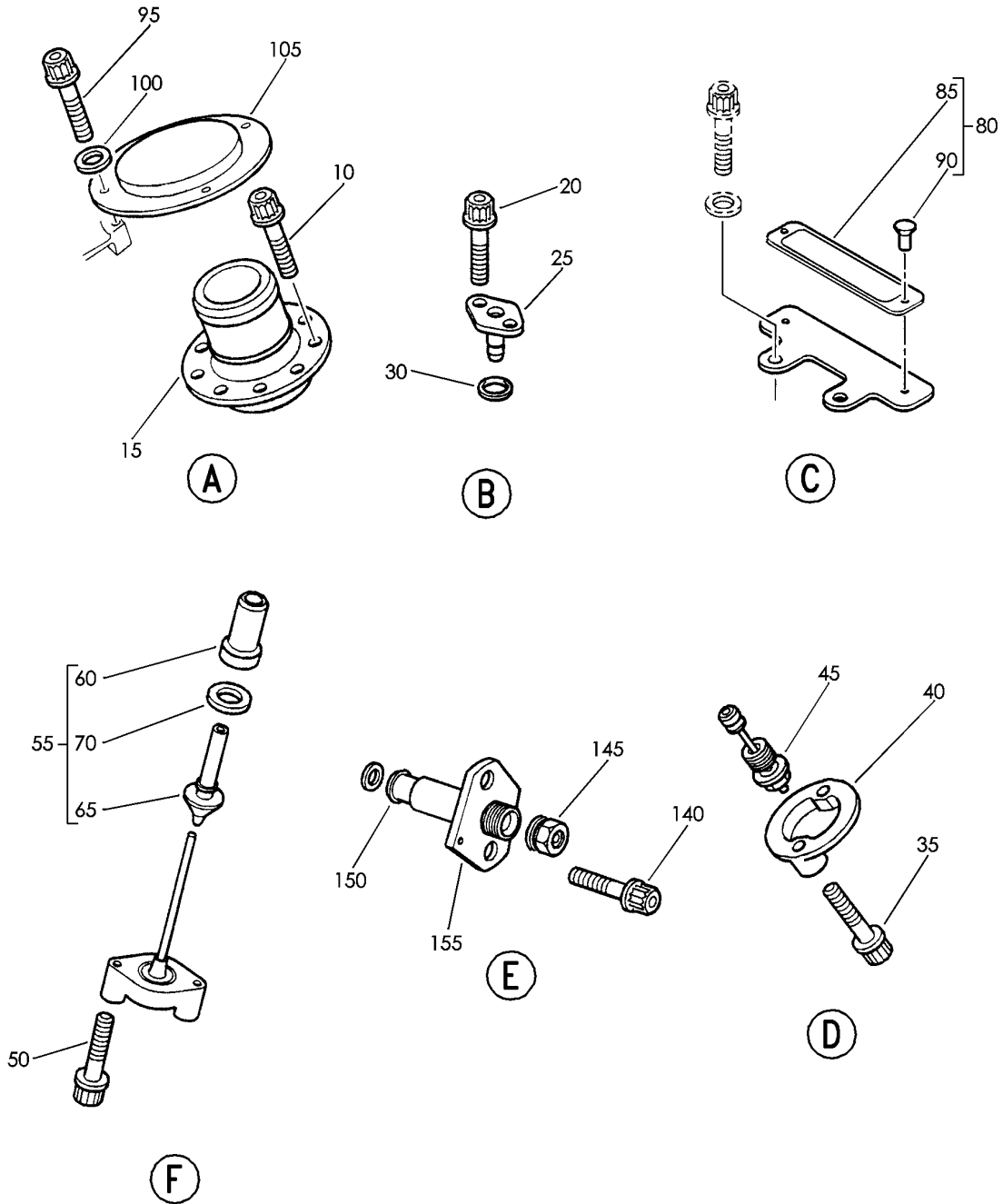
MINI MODULE AND FITTINGS HP SYSTEM MODULE 04 (RB211-535)
FIGURE 4 (SHEET 1)

72-40-51-04

BRI
JAN 20/09

72-40-51-04
PAGE 0

BOEING
757
PARTS CATALOG (MAINTENANCE)



Y 72405104 SHT 2 REV 227

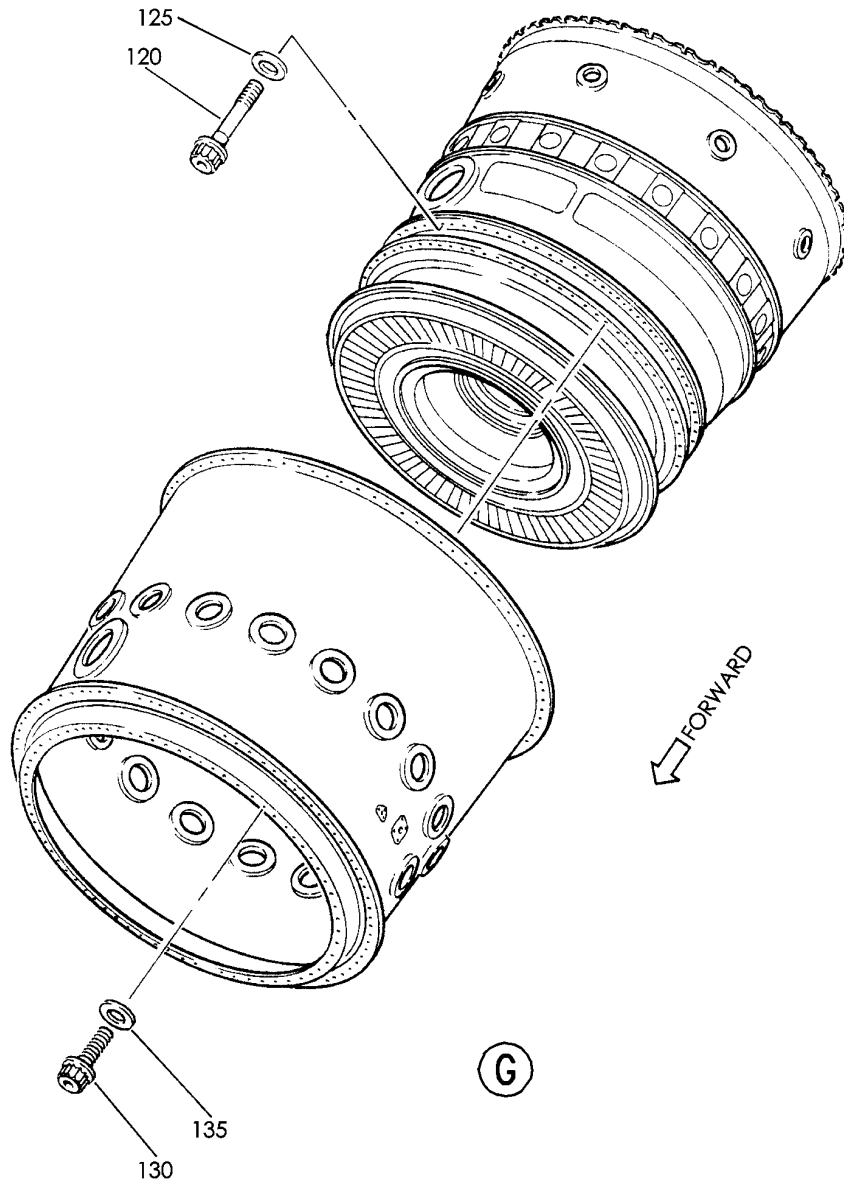
MINI MODULE AND FITTINGS HP SYSTEM MODULE 04 (RB211-535)
FIGURE 4 (SHEET 2)

72-40-51-04

BRI
JAN 20/09

72-40-51-04
PAGE 0A

BOEING
757
PARTS CATALOG (MAINTENANCE)



Y 72405104 SHT. 3 REV 227

MINI MODULE AND FITTINGS HP SYSTEM MODULE 04 (RB211-535)
FIGURE 4 (SHEET 3)

72-40-51-04

BRI
JAN 20/09

72-40-51-04
PAGE 0B



757

PARTS CATALOG (MAINTENANCE)

FIG ITEM	PART NUMBER	1 2 3 4 5 6 7	NOMENCLATURE	EFFECT FROM TO	UNITS PER ASSY
4			MINI MODULE AND FITTINGS HP SYSTEM MODULE 04 (RB211-535)	103106 108120	
- 1	BCREF17395		ENGINE ASSY-Q.E.C.U. RB211-535E43739 BASIC ENGINE CONFIG. AND PHASE 5 COMBUSTOR 40,100 LB THRUST SUPPLIER CODE: VK0680 OVERLENGTH PART NUMBER: RB211-535E4-37-39E FOR NHA/OTHER SYS DET SEE: 71-00-02-10	108120	RF
- 1	BCREF17101		ENGINE ASSY-Q.E.C.U. RB211-535E43744 BASIC ENGINE CONFIG. BAYONET MCD AND PHASE 5 COMBUSTOR 40,100 LB THRUST SUPPLIER CODE: VK0680 OVERLENGTH PART NUMBER: RB211-535E4-3744E FOR NHA/OTHER SYS DET SEE: 71-00-02-10	103106	RF
- 5	UL39212		.HP SYSTEM-MINI MODULE INSTL SUPPLIER CODE: VK0680 POST SERVICE BULLETIN: 72-C2300T01 VK0680	103106 108120	RF
- 5	UL39215		.HP SYSTEM-MINI MODULE INSTL SUPPLIER CODE: VK0680 POST SERVICE BULLETIN: 72-C230PT01 VK0680	103106 108120	RF
20	AS48509		..BOLT- POST SERVICE BULLETIN: 72-C230PT01 VK0680	103106 108120	16

MISSING ITEM NUMBERS NOT APPLICABLE

- ITEM NOT ILLUSTRATED

BRI

72-40-51-04

BOEING PROPRIETARY - Copyright © - Unpublished Work - See title page for details.

72-40-51
FIG. 04
PAGE 1
JAN 20/09



757

PARTS CATALOG (MAINTENANCE)

FIG ITEM	PART NUMBER	1 2 3 4 5 6 7	NOMENCLATURE	EFFECT FROM TO	UNITS PER ASSY
4					
25	FK21978	..	PIN-INTRASCOPE ACCESS BLANKING FLANGED SUPPLIER CODE: VK0680 POST SERVICE BULLETIN: 72-C230PT01 VK0680	103106 108120	8
30	1015597	..	SEAL- SUPPLIER CODE: VK0680 MISCELLANEOUS DATA: C10012-03-12-2SPA POST SERVICE BULLETIN: 72-C230PT01 VK0680	103106 108120	8
35	BLT3175	..	BOLT- SUPPLIER CODE: VK0680	103106 108120	2
40	LK82995	..	COVER-INTRASCOPE NGV FLANGED SUPPLIER CODE: VK0680	103106 108120	1
45	UL10325	..	PLUG ASSY-INTRASCOPE NGV BLANKING SUPPLIER CODE: VK0680	103106 108120	1
50	BLT5509	..	BOLT- SUPPLIER CODE: VK0680 POST SERVICE BULLETIN: 72-C230PT01 VK0680	103106 108120	2
55	FK13980	..	PLUG ASSY-STAGE 6 COMP INTRASCOPE ACCESS BLANKING SUPPLIER CODE: VK0680 POST SERVICE BULLETIN: 72-C230PT01 VK0680	103106 108120	1
75	1016401	...	SEAL- SUPPLIER CODE: VK0680 MISCELLANEOUS DATA: C12132-03-12-2SPA POST SERVICE BULLETIN: 72-C230PT01 VK0680	103106 108120	1

MISSING ITEM NUMBERS NOT APPLICABLE

- ITEM NOT ILLUSTRATED

72-40-51-04

72-40-51
FIG. 04
PAGE 2
JAN 20/09

BRI



757

PARTS CATALOG (MAINTENANCE)

FIG ITEM	PART NUMBER	1 2 3 4 5 6 7	NOMENCLATURE	EFFECT FROM TO	UNITS PER ASSY
4	80 UL39319		..BRACKET ASSY-IDENT SUPPLIER CODE: VK0680 POST SERVICE BULLETIN: 72-C230PT01 VK0680	103106 108120	1
	85 AS16446		...RIVET- USED ON: LK46318 UL39319 POST SERVICE BULLETIN: 72-C230PT01 VK0680	103106 108120	2
	90 LK45883		...PLATE-IDENT SUPPLIER CODE: V51563 USED ON: LK46318 UL39319	103106 108120	1
	95 LK41268		..BOLT- SUPPLIER CODE: VK0680	103106 108120	4
	100 CU19152		..WASHER- SUPPLIER CODE: VK0680	103106 108120	4
	105 UL18281		..COVER-HP6 AIR OFFTAKE BLANKING TRANSPORTATION ONLY SUPPLIER CODE: VK0680	103106 108120	1
-	110 UL18216		..MINI MODULE-MODULE NO.1 SUPPLIER CODE: VK0680	103106 108120	RF
-	115 UL18217		..MINI MODULE-MODULE NO.1 SUPPLIER CODE: VK0680	103106 108120	RF
	140 AS60209		..BOLT- POST SERVICE BULLETIN: 72-C230PT01 VK0680	103106 108120	4
	145 AS15825		..NUT ASSY- POST SERVICE BULLETIN: 72-C230PT01 VK0680	103106 108120	1

MISSING ITEM NUMBERS NOT APPLICABLE

- ITEM NOT ILLUSTRATED

72-40-51-04

72-40-51
FIG. 04
PAGE 3
JAN 20/09

BRI

BOEING PROPRIETARY - Copyright © - Unpublished Work - See title page for details.



757

PARTS CATALOG (MAINTENANCE)

FIG ITEM	PART NUMBER	1 2 3 4 5 6 7	NOMENCLATURE	EFFECT FROM TO	UNITS PER ASSY
4 150	1015597		..SEAL- SUPPLIER CODE: VK0680 MISCELLANEOUS DATA: C10012-03-12-2SPA POST SERVICE BULLETIN: 72-C230PT01 VK0680	103106 108120	2
155	UL38490		..ADAPTOR- SUPPLIER CODE: VK0680 POST SERVICE BULLETIN: 72-C230PT01 VK0680	103106 108120	2

MISSING ITEM NUMBERS NOT APPLICABLE

- ITEM NOT ILLUSTRATED

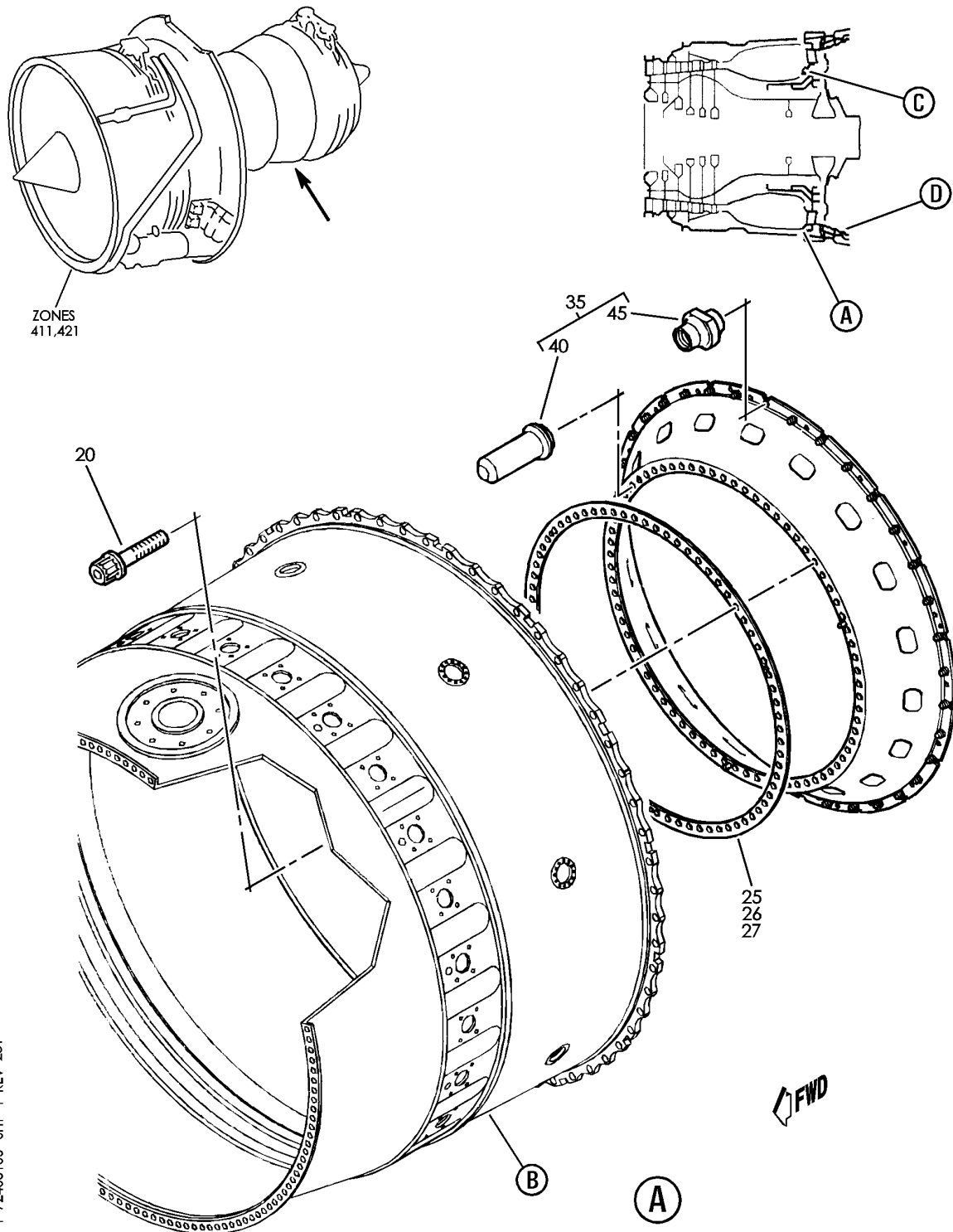
BRI

72-40-51-04

BOEING PROPRIETARY - Copyright © - Unpublished Work - See title page for details.

72-40-51
FIG. 04
PAGE 4
JAN 20/09

BOEING
757
PARTS CATALOG (MAINTENANCE)



Y 72405106 SH1 1 REV 231

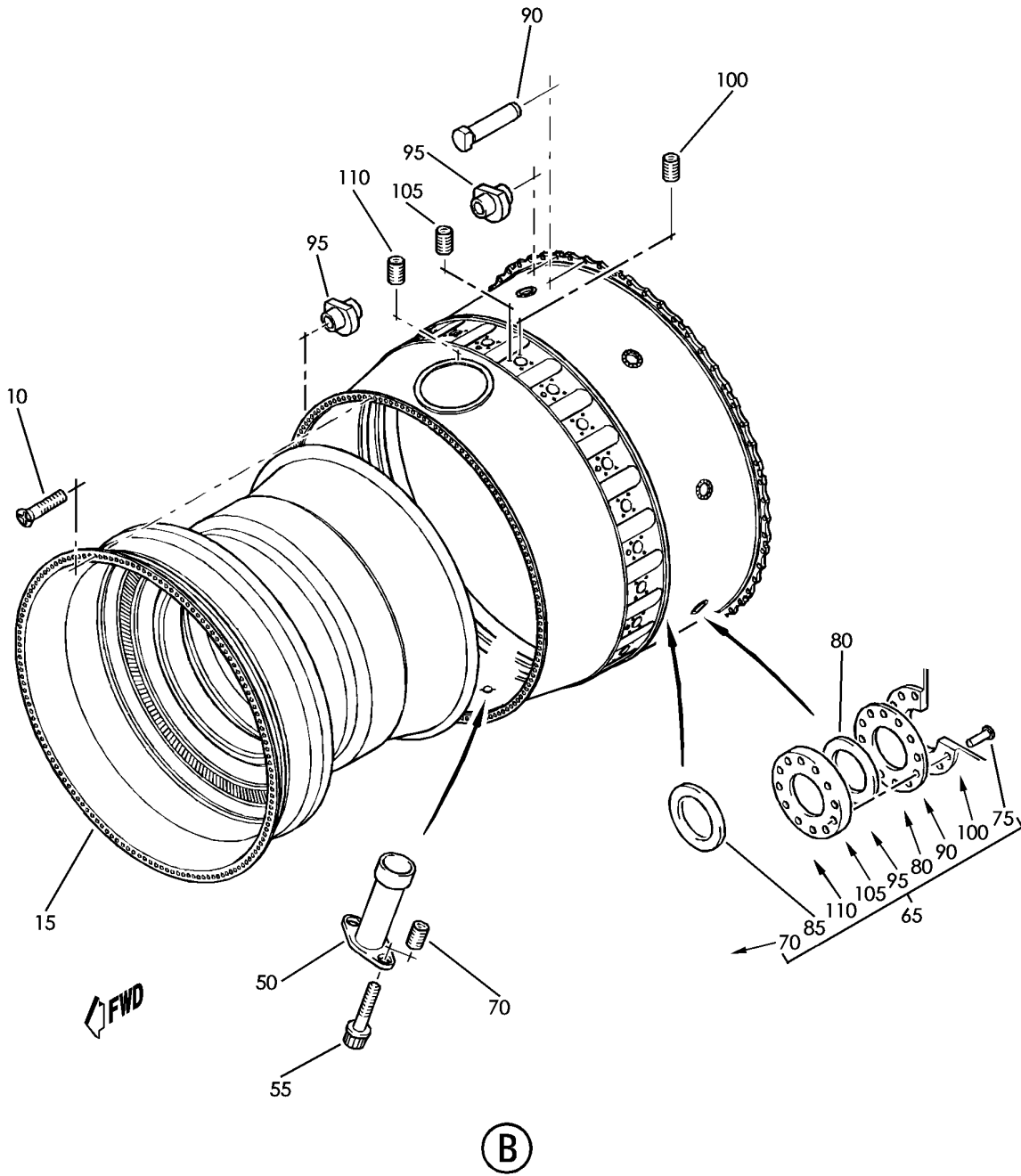
COMBUSTION INNER FRONT AND REAR CASE LINERS, HP NOZZLE VANES MODULE O4 (RB211-535)
FIGURE 6 (SHEET 1)

BRI
JAN 20/09

72-40-51-06

72-40-51-06
PAGE 0

BOEING
757
PARTS CATALOG (MAINTENANCE)



Y 72405106 SHT 2 REV 231

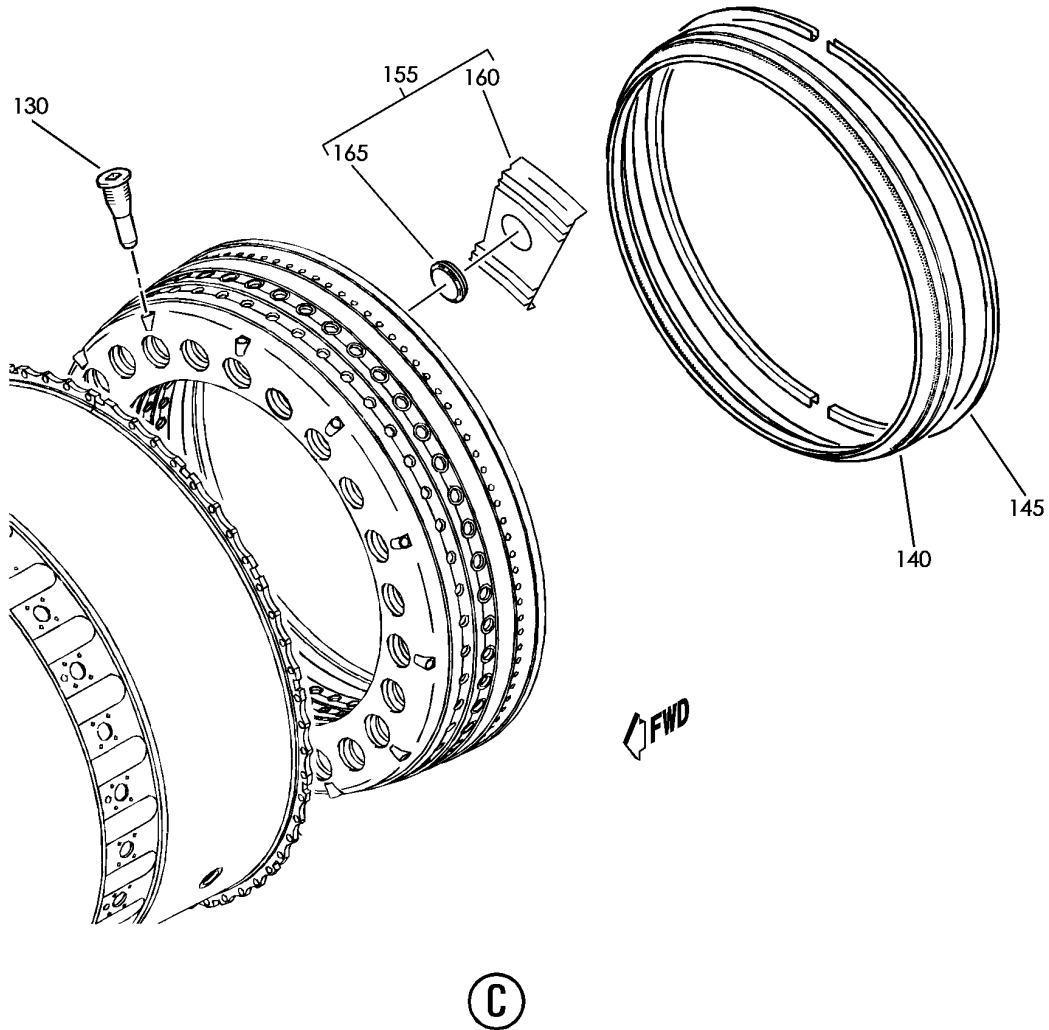
COMBUSTION INNER FRONT AND REAR CASE LINERS, HP NOZZLE VANES MODULE 04 (RB211-535)
FIGURE 6 (SHEET 2)

72-40-51-06

BRI
JAN 20/09

72-40-51-06
PAGE 0A

BOEING
757
PARTS CATALOG (MAINTENANCE)



Y 72405106 SHT 3 REV 231

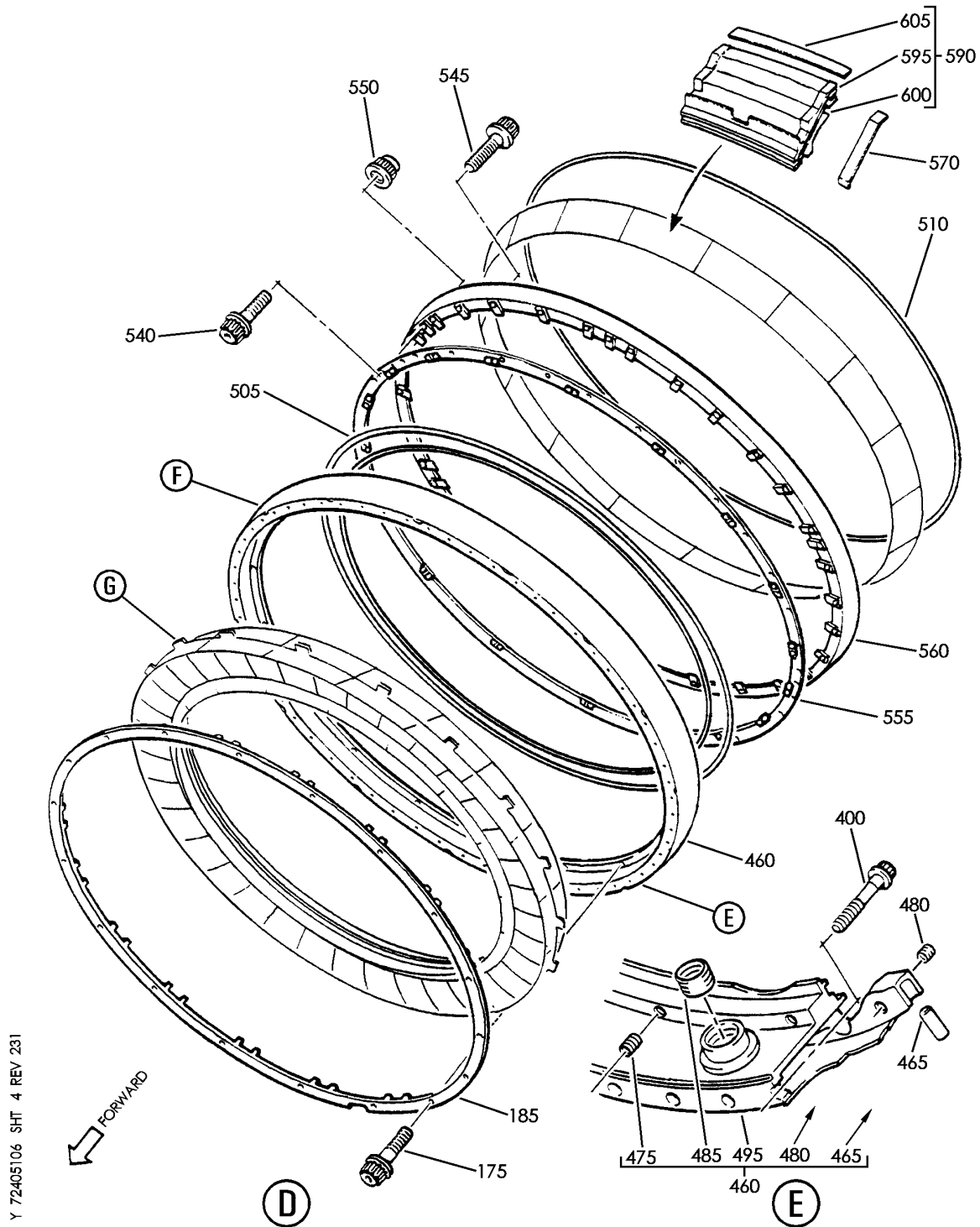
COMBUSTION INNER FRONT AND REAR CASE LINERS, HP NOZZLE VANES MODULE 04 (RB211-535)
FIGURE 6 (SHEET 3)

BRI
JAN 20/09

72-40-51-06

72-40-51-06
PAGE 08

BOEING
757
PARTS CATALOG (MAINTENANCE)



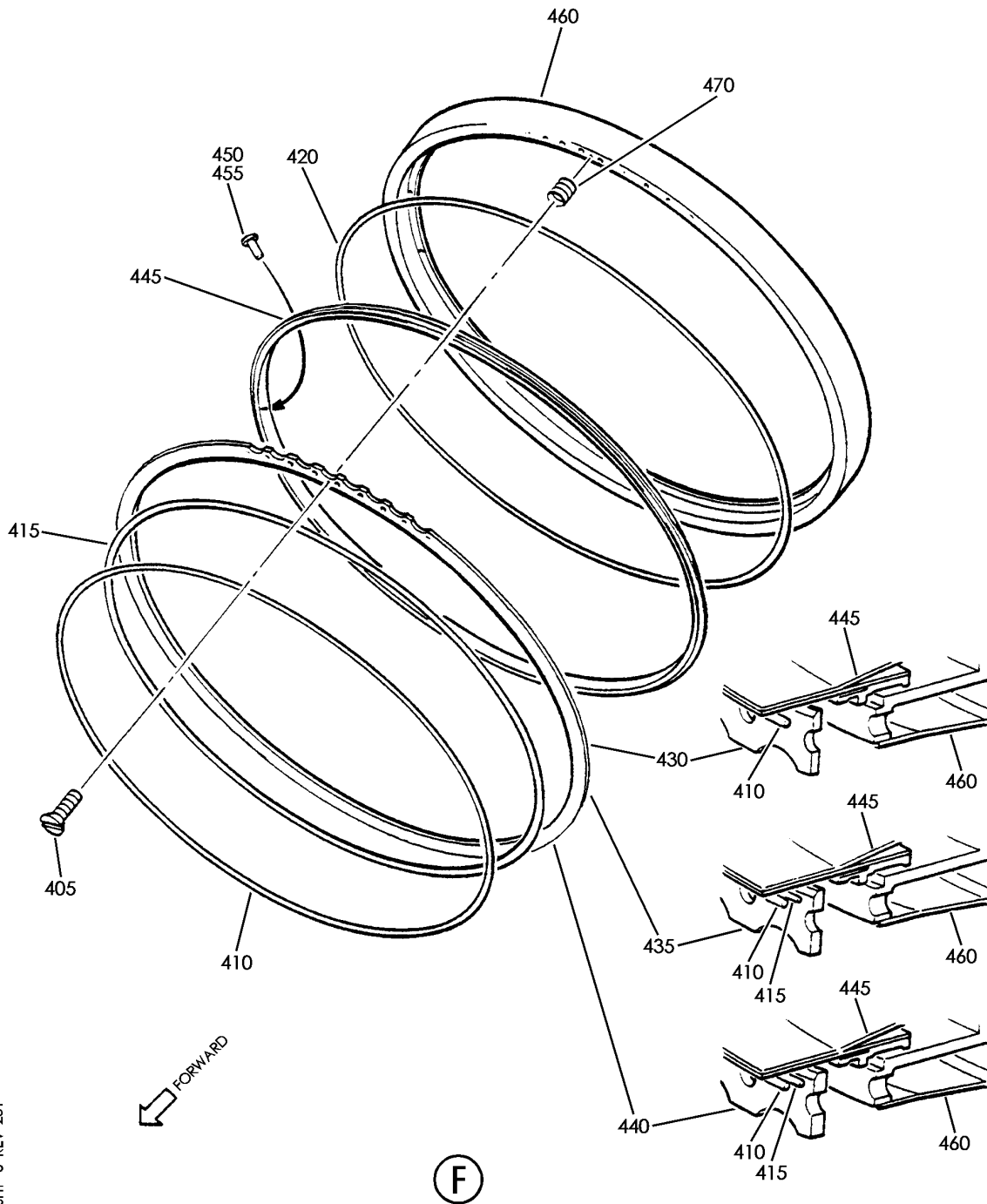
COMBUSTION INNER FRONT AND REAR CASE LINERS, HP NOZZLE VANES MODULE 04 (RB211-535)
FIGURE 6 (SHEET 4)

BRI
JAN 20/09

72-40-51-06

72-40-51-06
PAGE 0C

BOEING
757
PARTS CATALOG (MAINTENANCE)



Y 72405106 SHT 5 REV 231

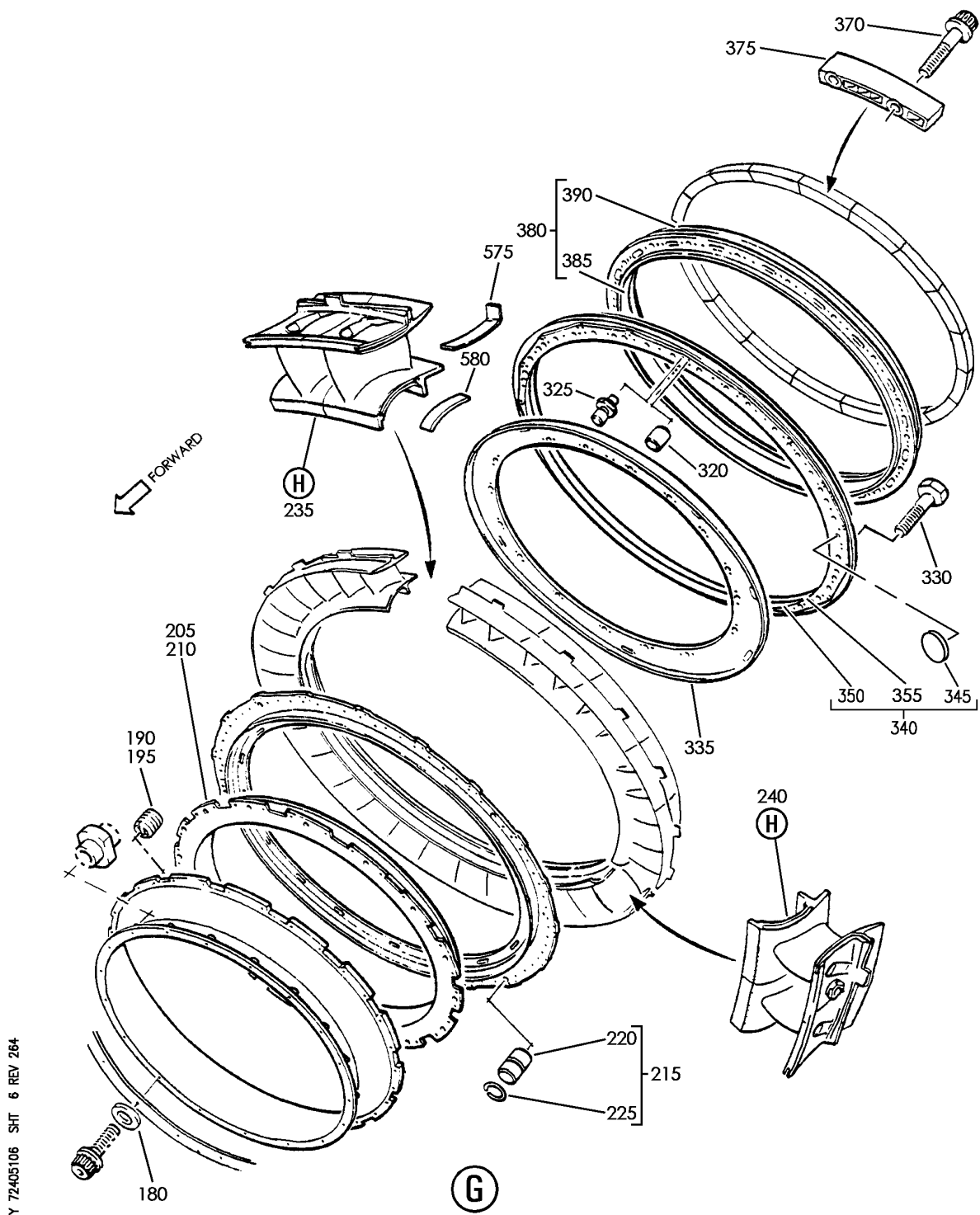
COMBUSTION INNER FRONT AND REAR CASE LINERS, HP NOZZLE VANES MODULE 04 (RB211-535)
FIGURE 6 (SHEET 5)

BRI
JAN 20/09

72-40-51-06

72-40-51-06
PAGE 0D

BOEING
757
PARTS CATALOG (MAINTENANCE)



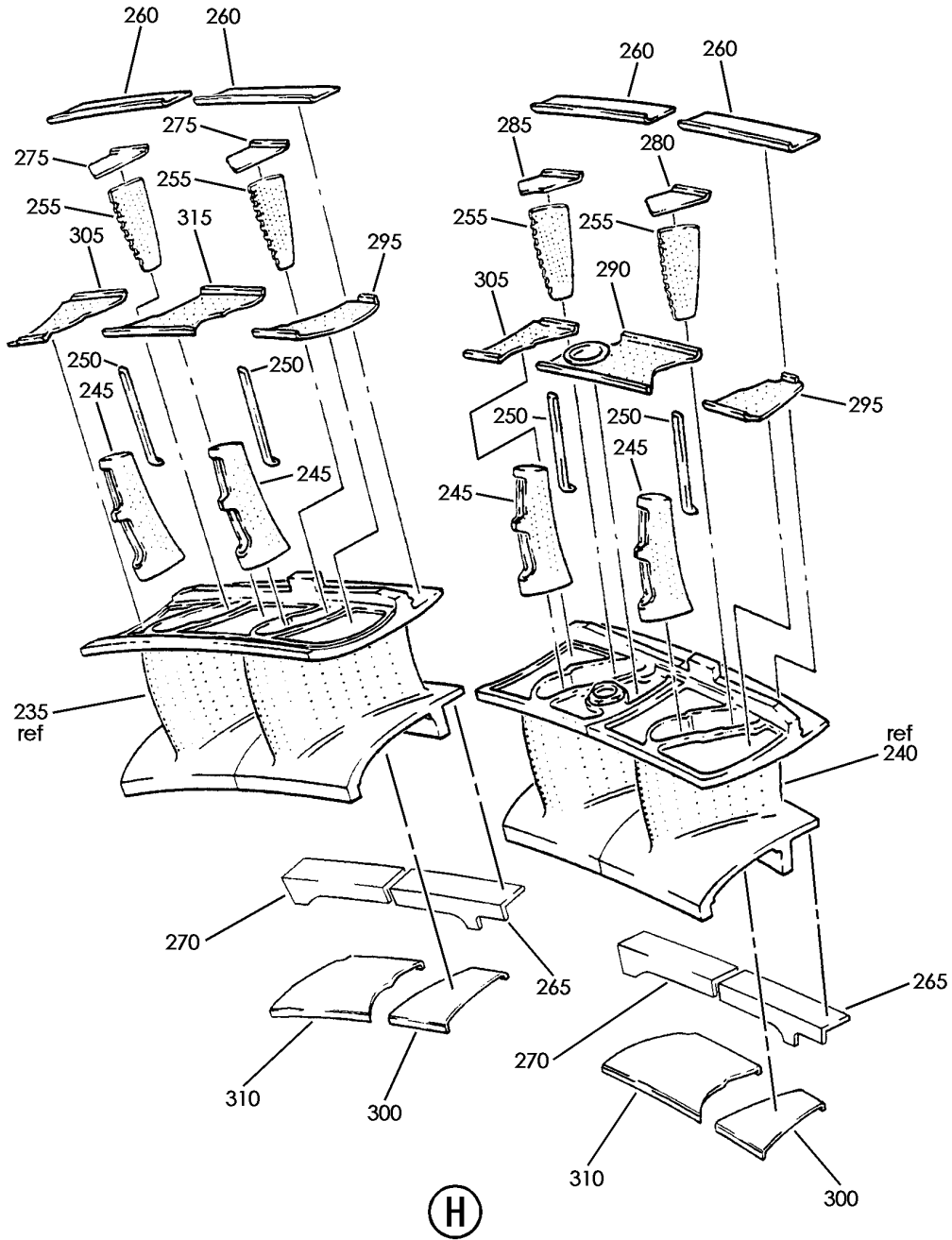
COMBUSTION INNER FRONT AND REAR CASE LINERS, HP NOZZLE VANES MODULE O4 (RB211-535)
FIGURE 6 (SHEET 6)

BRI
JAN 20/09

72-40-51-06

72-40-51-06
PAGE 0E

BOEING
757
PARTS CATALOG (MAINTENANCE)



Y 72405106 SHT 7 REV 231

COMBUSTION INNER FRONT AND REAR CASE LINERS, HP NOZZLE VANES MODULE 04 (RB211-535)
FIGURE 6 (SHEET 7)

BRI
JAN 20/09

72-40-51-06

72-40-51-06
PAGE OF



757

PARTS CATALOG (MAINTENANCE)

FIG ITEM	PART NUMBER	1 2 3 4 5 6 7	NOMENCLATURE	EFFECT FROM TO	UNITS PER ASSY
6			COMBUSTION INNER FRONT AND REAR CASE LINERS, HP NOZZLE VANES MODULE 04 (RB211-535)	103106 108120	
- 1	BCREF17395		ENGINE ASSY-Q.E.C.U. RB211-535E43739 BASIC ENGINE CONFIG. AND PHASE 5 COMBUSTOR 40,100 LB THRUST SUPPLIER CODE: VK0680 OVERLENGTH PART NUMBER: RB211-535E4-37-39E FOR NHA/OTHER SYS DET SEE: 71-00-02-10	108120	RF
- 1	BCREF17101		ENGINE ASSY-Q.E.C.U. RB211-535E43744 BASIC ENGINE CONFIG. BAYONET MCD AND PHASE 5 COMBUSTOR 40,100 LB THRUST SUPPLIER CODE: VK0680 OVERLENGTH PART NUMBER: RB211-535E4-3744E FOR NHA/OTHER SYS DET SEE: 71-00-02-10	103106	RF
- 5	UL39213		.MINI MODULE-COMBUSTION CASE AND NOZZLE VANES MODULE 04 SUPPLIER CODE: VK0680 POST SERVICE BULLETIN: 72-C230PT01 VK0680	103106 108120	RF
505	U440135		..BRAID- SUPPLIER CODE: VK0680 MISCELLANEOUS DATA: BULK STOCK S3443MA4MM	103106 108120	1
510	U440134		..BRAID- SUPPLIER CODE: VK0680 MISCELLANEOUS DATA: 30ME, 100FT REEL BULK STOCK S3443MA3MM SELECT FROM ITEM.	103106 108120	1

MISSING ITEM NUMBERS NOT APPLICABLE

- ITEM NOT ILLUSTRATED

72-40-51-06

72-40-51
FIG. 06
PAGE 1
JAN 20/09

BRI



757

PARTS CATALOG (MAINTENANCE)

FIG ITEM	PART NUMBER	1 2 3 4 5 6 7	NOMENCLATURE	EFFECT FROM TO	UNITS PER ASSY
6 510	U440133		..BRAID- SUPPLIER CODE: VK0680 MISCELLANEOUS DATA: 30ME, 100FT REEL BULK STOCK S3443MA2MM SELECT FROM ITEM.	103106 108120	1

MISSING ITEM NUMBERS NOT APPLICABLE

- ITEM NOT ILLUSTRATED

BRI

72-40-51-06

BOEING PROPRIETARY - Copyright © - Unpublished Work - See title page for details.

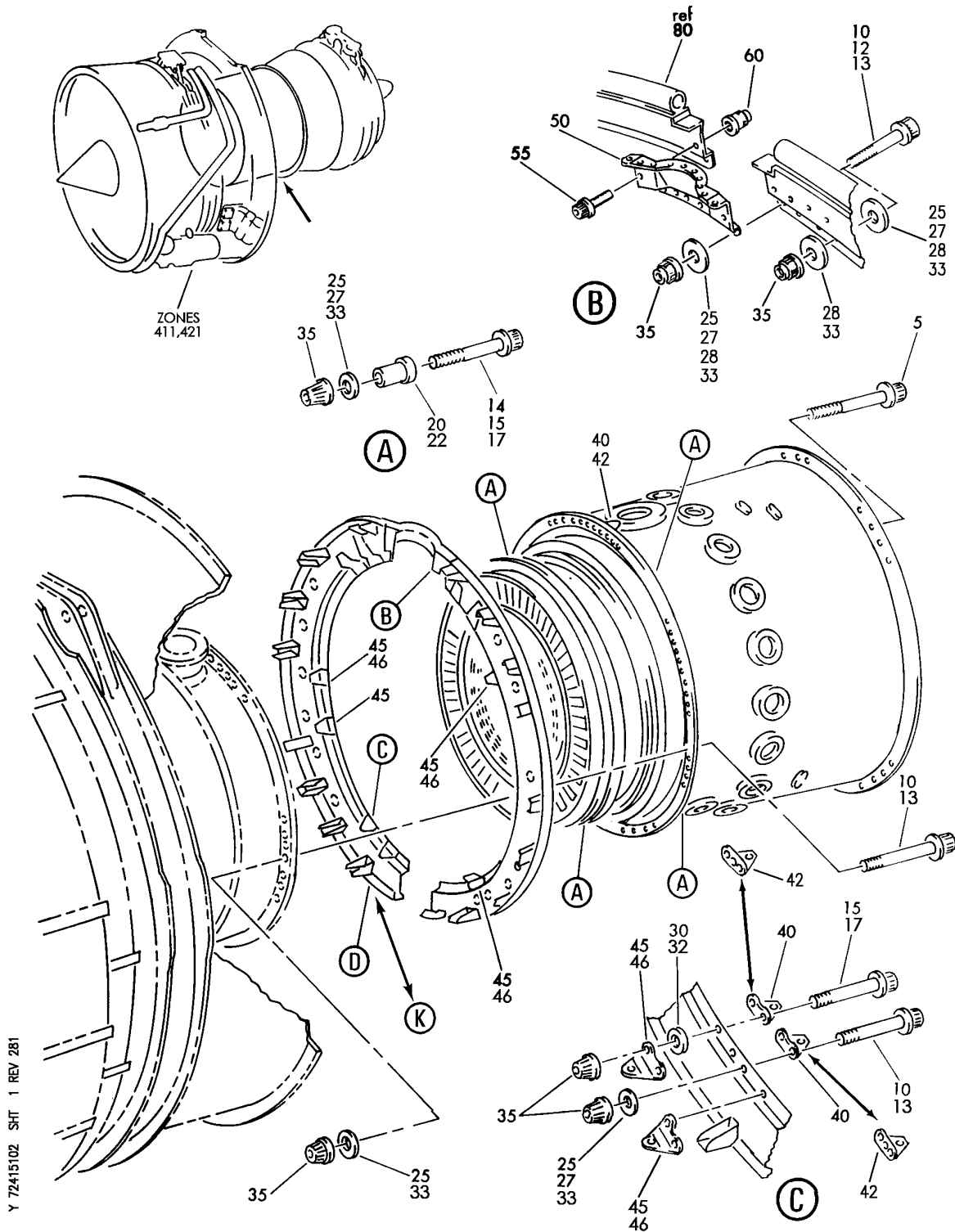
72-40-51
FIG. 06
PAGE 2
JAN 20/09

DIFFUSER CASE SECTION

BRI
MAY 28/07

72-41-00
SECTION TITLE
PAGE 1

BOEING
757
PARTS CATALOG (MAINTENANCE)



Y 72415102 SH1 1 REV 281

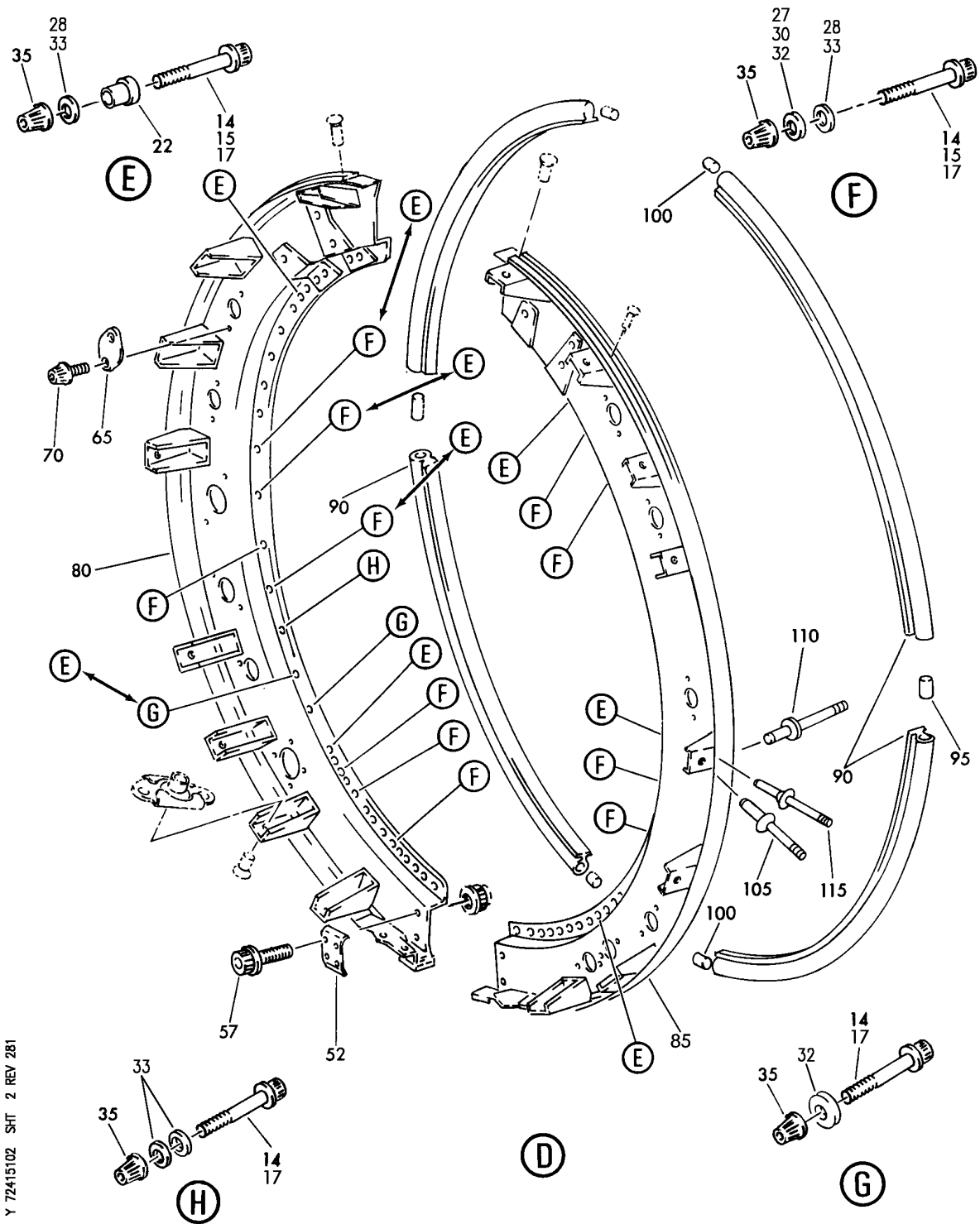
MODULE-NO. 4 HIGH PRESSURE SYS (RB211-535)
FIGURE 2 (SHEET 1)

72-41-51-02

BRI
MAY 28/07

72-41-51-02
PAGE 0


BOEING
 757
PARTS CATALOG (MAINTENANCE)



Y 72415102 SHT 2 REV 281

MODULE-NO. 4 HIGH PRESSURE SYS (RB211-535)
 FIGURE 2 (SHEET 2)

72-41-51-02

BRI
 MAY 28/07

72-41-51-02
 PAGE 0A



757

PARTS CATALOG (MAINTENANCE)

FIG ITEM	PART NUMBER	1 2 3 4 5 6 7	NOMENCLATURE	EFFECT FROM TO	UNITS PER ASSY
2			MODULE-NO. 4 HIGH PRESSURE SYS (RB211-535)	002004 006999	
- 1	UL19722		ENGINE ASSY-Q.E.C.U. RB211-535E43711 MAXIMUM NEUT SUPPLIER CODE: VK0680 FOR NHA/OTHER SYS DET SEE: 71-00-02-04	107107	RF
- 1	UL20697		ENGINE ASSY-Q.E.C.U. RB211-535E43711 MAXIMUM NEUT WITH GRAVINER FIRE DETECTORS, BAYONET MCD, NON-MODULATED IDG COOLING 40,000 LB THRUST SUPPLIER CODE: VK0680 REFERENCE SERVICE BULLETIN: 71-0058R4 QUALIFIED SB I/W DATA: INTERMIX OF ONE OR SUBSTITUTION OF TWO DIFFERENT CONFIGURATION RB211-535E4-37/() ENGINES FOR RB211-535 E4 BASE ENGINES REFERENCE SERVICE BULLETIN: RB211-72-C547 VK0680 FOR NHA/OTHER SYS DET SEE: 71-00-02-04	121503 904949 952999	RF

MISSING ITEM NUMBERS NOT APPLICABLE

- ITEM NOT ILLUSTRATED

BRI

72-41-51-02

BOEING PROPRIETARY - Copyright © - Unpublished Work - See title page for details.

72-41-51
FIG. 02
PAGE 1
JAN 20/09



757

PARTS CATALOG (MAINTENANCE)

FIG ITEM	PART NUMBER	1 2 3 4 5 6 7	NOMENCLATURE	EFFECT FROM TO	UNITS PER ASSY
2 - 1	UL20698		ENGINE ASSY-Q.E.C.U. RB211-535E43712 MAXIMUM NEUT SUPPLIER CODE: VK0680 REFERENCE SERVICE BULLETIN: 71-0058R7 QUALIFIED SB I/W DATA: INTERMIX OF ONE OR SUBSTITUTION OF TWO DIFFERENT CONFIGURATION RB211-535E4-37/() ENGINES FOR RB211-535E4 BASE ENGINES OR DIFFERENT CONFIGURATION RB211-535E4-B-37/() ENGINES FOR RB211-535E4-B BASE ENGINES REFERENCE SERVICE BULLETIN: RB211-72-C547 VK0680 RB211-72-8910 VK0680 POST RAPID REVISION: RR92014-183A-RC-E FOR NHA/OTHER SYS DET SEE: 71-00-02-04	002004 006100 102102	RF
- 1	UL20702		ENGINE ASSY-Q.E.C.U. RB211-535E43711 BASIC ENGINE CONFIG. WITH GRAVINER FIRE DETECTORS,BAYONET MCD, NON-MODULATED IDG COOLING 40,100 LB THRUST SUPPLIER CODE: VK0680 FOR NHA/OTHER SYS DET SEE: 71-00-02-10	504903	RF
- 1	UL36209		ENGINE ASSY-Q.E.C.U. RB211-535E43719 MAXIMUM NEUT SUPPLIER CODE: VK0680 FOR NHA/OTHER SYS DET SEE: 71-00-02-04	950951	RF

MISSING ITEM NUMBERS NOT APPLICABLE

- ITEM NOT ILLUSTRATED

BRI

72-41-51-02

BOEING PROPRIETARY - Copyright © - Unpublished Work - See title page for details.

72-41-51
FIG. 02
PAGE 2
JAN 20/09



757

PARTS CATALOG (MAINTENANCE)

FIG ITEM	PART NUMBER	1 2 3 4 5 6 7	NOMENCLATURE	EFFECT FROM TO	UNITS PER ASSY
2					
- 3	BCREF17395		ENGINE ASSY-Q.E.C.U. RB211-535E43739 BASIC ENGINE CONFIGURATION AND PHASE 5 COMBUSTOR 40,100 LB THRUST SUPPLIER CODE: VK0680 OVERLENGTH PART NUMBER: RB211-535E4-37-39E FOR NHA/OTHER SYS DET SEE: 71-00-02-10	108120	RF
- 3	BCREF17101		ENGINE ASSY-Q.E.C.U. RB211-535E43744 BASIC ENGINE CONFIGURATION, BAYONET MCD AND PHASE 5 COMBUSTOR 40,100 LB THRUST SUPPLIER CODE: VK0680 OVERLENGTH PART NUMBER: RB211-535E4-3744E FOR NHA/OTHER SYS DET SEE: 71-00-02-10	103106	RF
- 3	UL38163		ENGINE ASSY-Q.E.C.U. RB211-535E43724 BASIC ENGINE CONFIGURATION, BAYONET MCD, 40,100 LB THRUST SUPPLIER CODE: VK0680 FOR NHA/OTHER SYS DET SEE: 71-00-02-10	101101	RF
- 4	UL16343		.MODULE-NO. 4 HP SYSTEM SUPPLIER CODE: VK0680 PRE SERVICE BULLETIN: 75-C796 VK0680 72-D494 VK0680	002004 006102 107107 121999	RF
- 4	FW22034		.MODULE-NO. 4 HP SYSTEM SUPPLIER CODE: VK0680 POST SERVICE BULLETIN: 72-D494PT03 VK0680	002004 006102 107107 121999	RF

MISSING ITEM NUMBERS NOT APPLICABLE

- ITEM NOT ILLUSTRATED

72-41-51-02

72-41-51
FIG. 02
PAGE 3
JAN 20/09

BRI



757

PARTS CATALOG (MAINTENANCE)

FIG ITEM	PART NUMBER	1 2 3 4 5 6 7	NOMENCLATURE	EFFECT FROM TO	UNITS PER ASSY
2					
- 4	UL39401		.MODULE-NO. 4 HP SYSTEM SUPPLIER CODE: VK0680 POST SERVICE BULLETIN: 75-C796PT01 VK0680	103106 108120	RF
5	BLT4135		..BOLT- SUPPLIER CODE: VK0680	002004 006999	18
10	AS21221		..BOLT- PRE SERVICE BULLETIN: 72-8858 VK0680	002004 006100 102102 107107 121949 952999	56
10	AS21222		..BOLT- POST SERVICE BULLETIN: 72-8858PT01 VK0680	002004 006102 107107 121999	56
13	AS21222		..BOLT- POST SERVICE BULLETIN: 75-C796PT01 VK0680	103106 108120	55
15	AS21223		..BOLT- PRE SERVICE BULLETIN: 72-8858 VK0680	002004 006100 102102 107107 121949 952999	16
15	AS21224		..BOLT- POST SERVICE BULLETIN: 72-8858PT01 VK0680	002004 006102 107107 121999	16
17	AS21224		..BOLT- POST SERVICE BULLETIN: 75-C796PT01 VK0680	103106 108120	17
20	LK84454		..PIN- SUPPLIER CODE: VK0680	002004 006999	4
25	AS12946		..WASHER- PRE SERVICE BULLETIN: 72-8858 VK0680	002004 006100 102102 107107 121949 952999	60

MISSING ITEM NUMBERS NOT APPLICABLE

- ITEM NOT ILLUSTRATED

BRI

72-41-51-02

BOEING PROPRIETARY - Copyright © - Unpublished Work - See title page for details.

72-41-51
FIG. 02
PAGE 4
JAN 20/09



757

PARTS CATALOG (MAINTENANCE)

FIG ITEM	PART NUMBER	1 2 3 4 5 6 7	NOMENCLATURE	EFFECT FROM TO	UNITS PER ASSY
2					
27	AS12946		.. WASHER- POST SERVICE BULLETIN: 72-8858PT01 VK0680 PRE SERVICE BULLETIN: 72-9765 VK0680	002004 006102 107107 121999	119
- 29	AS12946		.. WASHER- POST SERVICE BULLETIN: 72-9765PTE VK0680	002004 006102 107107 121999	121
30	LK48358		.. WASHER- SUPPLIER CODE: VK0680	002004 006102 107107 121999	12
32	LK48358		.. WASHER- SUPPLIER CODE: VK0680 POST SERVICE BULLETIN: 75-C796 VK0680	103106 108120	13
33	AS12946		.. WASHER- POST SERVICE BULLETIN: 75-C796PT01 VK0680	103106 108120	120
35	AS20627		.. NUT	002004 006999	72
40	LK65255		.. BRACKET-ANGLE AIR INDICATING SYSTEM TUBES SUPPLIER CODE: VK0680 PRE SERVICE BULLETIN: 72-9089 VK0680	002004 006100 102102 107107 121949 952999	3
42	UL27425		.. BRACKET-ANGLE AIR INDICATING SYSTEM TUBES SUPPLIER CODE: VK0680 POST SERVICE BULLETIN: 72-9089PT01 VK0680	002004 006999	3
43	UL39703		.. BRACKET-AIR TUBE SUPPLIER CODE: VK0680 POST SERVICE BULLETIN: 75-C796PT01 VK0680	103106 108120	1

MISSING ITEM NUMBERS NOT APPLICABLE

- ITEM NOT ILLUSTRATED

BRI

72-41-51-02

BOEING PROPRIETARY - Copyright © - Unpublished Work - See title page for details.

72-41-51
FIG. 02
PAGE 5
JAN 20/09



757

PARTS CATALOG (MAINTENANCE)

FIG ITEM	PART NUMBER	1 2 3 4 5 6 7	NOMENCLATURE	EFFECT FROM TO	UNITS PER ASSY
2					
45	UP10154	..	BRACKET-ANGLE AIR INDICATING SYSTEM TUBES SUPPLIER CODE: VK0680	002004 006102 107107 121999	6
46	UP10154	..	BRACKET-ANGLE AIR INDICATING SYSTEM TUBES SUPPLIER CODE: VK0680 POST SERVICE BULLETIN: 75-C796PT01 VK0680	103106 108120	5
50	LT14749	..	BRACKET-SPRT PYLON SPLITTER SUPPLIER CODE: VK0680	002004 006999	1
52	UL16340	..	PLATE-GAS GENERATOR FAIRINGS OVERLAP SUPPLIER CODE: VK0680	002004 006999	1
55	AS20910	..	ATTACHING PARTS BOLT	002004 006999	2
			-----*-----		
57	AS20910	..	BOLT	002004 006999	4
			ATTACHING PARTS		
60	AS27822	..	NUT-SELF LOCKING	002004 006999	2
- 62	AS27822	..	NUT-SELF LOCKING	002004 006999	4
			-----*-----		
65	DF50126	..	PLATE-BLANKING SUPPLIER CODE: VK0680 PRE SERVICE BULLETIN: 72-D494 VK0680	002004 006102 107107 121999	4
66	DF50126	..	PLATE-BLANKING SUPPLIER CODE: VK0680 POST SERVICE BULLETIN: 75-C796PT01 VK0680 72-D494PT01 VK0680	002004 006999	3

MISSING ITEM NUMBERS NOT APPLICABLE

- ITEM NOT ILLUSTRATED

BRI

72-41-51-02

BOEING PROPRIETARY - Copyright © - Unpublished Work - See title page for details.

72-41-51
FIG. 02
PAGE 6
JAN 20/09



757

PARTS CATALOG (MAINTENANCE)

FIG ITEM	PART NUMBER	1 2 3 4 5 6 7	NOMENCLATURE	EFFECT FROM TO	UNITS PER ASSY
2			ATTACHING PARTS		
70	AS21009	..	BOLT- PRE SERVICE BULLETIN: 72-D494 VK0680	002004 006102 107107 121999	8
72	AS21009	..	BOLT- POST SERVICE BULLETIN: 75-C796PT01 VK0680 72-D494PT01 VK0680	002004 006999	6
75	AS20625	..	NUT- PRE SERVICE BULLETIN: 72-D494 VK0680	002004 006102 107107 121999	8
76	AS20625	..	NUT- POST SERVICE BULLETIN: 75-C796PT01 VK0680 72-D494PT01 VK0680	002004 006999	6
80	UL16305	..	-----*----- PANEL ASSY-GAS GEN FAIRIN SUPPLIER CODE: VK0680 POSITION DATA: RH	002004 006999	1
90	ARM772	...	SEAL-OMEGA SUPPLIER CODE: VK1406	002004 006999	4
95	ARM775	...	TUBE-JOINTING SUPPLIER CODE: VK1406	002004 006999	2
100	ARM776	...	PLUG-JOINTING SUPPLIER CODE: VK1406 PRE SERVICE BULLETIN: 72-9398 VK0680	002004 006100 102102	4
105	CR2539-4-1	..	RIVET- SUPPLIER CODE: V11815	002004 006102 108120	1
110	CR2539-4-2	..	RIVET- SUPPLIER CODE: V11815	002004 006102 108120	1
115	CR2540-4-1	..	RIVET- SUPPLIER CODE: V11815	002004 006102 108120	1

MISSING ITEM NUMBERS NOT APPLICABLE

- ITEM NOT ILLUSTRATED

72-41-51-02

72-41-51
FIG. 02
PAGE 7
JAN 20/09

BRI



757

PARTS CATALOG (MAINTENANCE)

FIG ITEM	PART NUMBER	1 2 3 4 5 6 7	NOMENCLATURE	EFFECT FROM TO	UNITS PER ASSY
2					
115	CR2540-4-2		..RIVET- SUPPLIER CODE: V11815	002004 006102 108120	1
- 135	AS21408		..BOLT- POST SERVICE BULLETIN: 72-D494PT01 VK0680	002004 006102 107107 121999	3
- 140	AS12943		..WASHER- POST SERVICE BULLETIN: 72-D494PT01 VK0680	002004 006102 107107 121999	3
- 145	AS20624		..NUT- POST SERVICE BULLETIN: 72-D494PT01 VK0680	002004 006102 107107 121999	3

MISSING ITEM NUMBERS NOT APPLICABLE

- ITEM NOT ILLUSTRATED

BRI

72-41-51-02

BOEING PROPRIETARY - Copyright © - Unpublished Work - See title page for details.

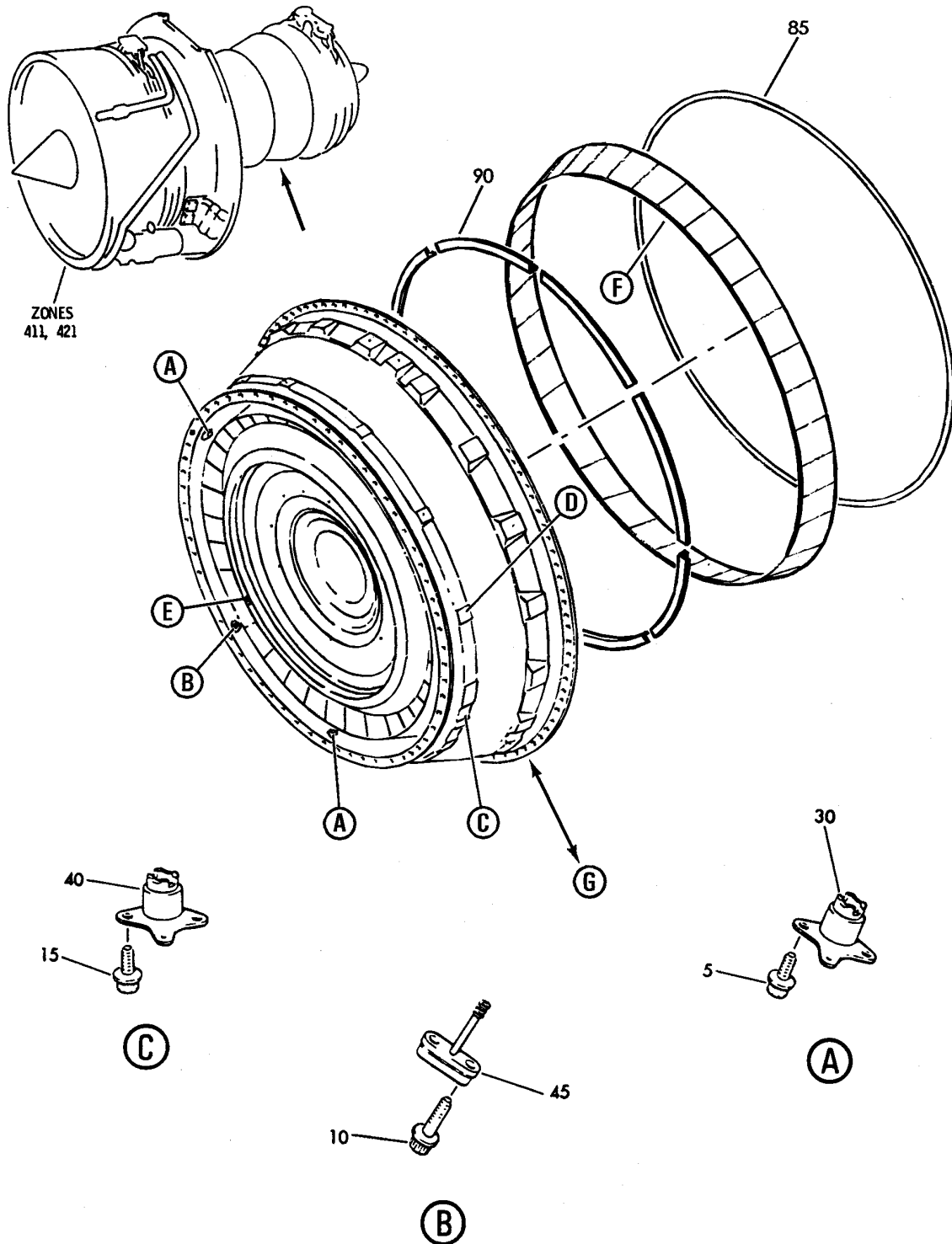
72-41-51
FIG. 02
PAGE 8
JAN 20/09

TURBINE SECTION

BRI
MAY 28/07

72-50-00
SECTION TITLE
PAGE 1

BOEING
757
PARTS CATALOG (MAINTENANCE)



Y 72500001 SHT 1 REV 211

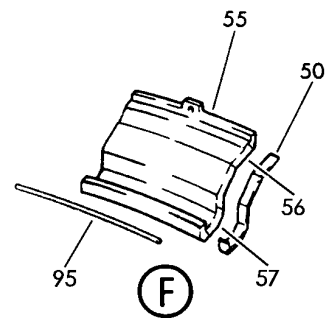
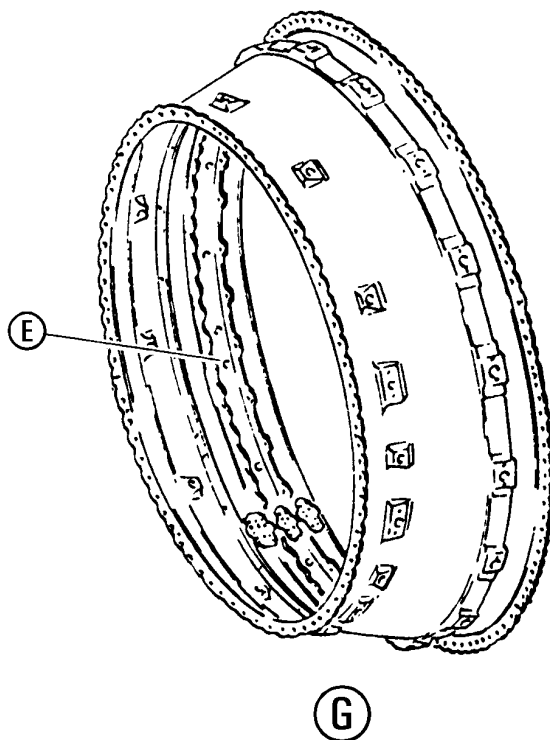
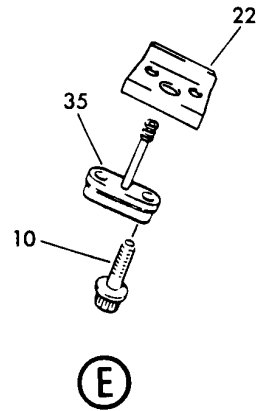
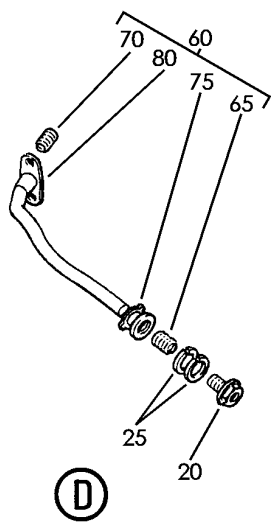
IP TURBINE CASE (RB211-535)
FIGURE 1 (SHEET 1)

72-50-00-01

BRI
MAY 28/07

72-50-00-01
PAGE 0

BOEING
757
PARTS CATALOG (MAINTENANCE)



Y 72500001 SHT 2 REV 220

IP TURBINE CASE (RB211-535)
FIGURE 1 (SHEET 2)

72-50-00-01

BRI
MAY 28/07

72-50-00-01
PAGE 0A



757

PARTS CATALOG (MAINTENANCE)

FIG ITEM	PART NUMBER	1 2 3 4 5 6 7	NOMENCLATURE	EFFECT FROM TO	UNITS PER ASSY
1			IP TURBINE CASE (RB211-535)	002004 006999 107107	
- 1	UL19722		ENGINE ASSY-Q.E.C.U. RB211-535E43711 MAXIMUM NEUT SUPPLIER CODE: VK0680 FOR NHA/OTHER SYS DET SEE: 71-00-02-04		RF
- 1	UL20702		ENGINE ASSY-Q.E.C.U. RB211-535E43711 BASIC ENGINE CONFIG. WITH GRAVINER FIRE DETECTORS, BAYONET MCD, NON-MODULATED IDG COOLING 40,100 LB THRUST SUPPLIER CODE: VK0680 FOR NHA/OTHER SYS DET SEE: 71-00-02-10	504903	RF
- 2	UL20697		ENGINE ASSY-Q.E.C.U. RB211-535E43711 MAXIMUM NEUT WITH GRAVINER FIRE DETECTORS, BAYONET MCD, NON-MODULATED IDG COOLING 40,000 LB THRUST SUPPLIER CODE: VK0680 REFERENCE SERVICE BULLETIN: 71-0058R4 QUALIFIED SB I/W DATA: INTERMIX OF ONE OR SUBSTITUTION OF TWO DIFFERENT CONFIGURATION RB211-535E4-37/() ENGINES FOR RB211-535 E4 BASE ENGINES REFERENCE SERVICE BULLETIN: RB211-72-C547 VK0680 FOR NHA/OTHER SYS DET SEE: 71-00-02-04	121503 904949 952999	RF

MISSING ITEM NUMBERS NOT APPLICABLE

- ITEM NOT ILLUSTRATED

BRI

72-50-00-01

BOEING PROPRIETARY - Copyright © - Unpublished Work - See title page for details.

72-50-00
FIG. 01
PAGE 1
JAN 20/09



757

PARTS CATALOG (MAINTENANCE)

FIG ITEM	PART NUMBER	1 2 3 4 5 6 7	NOMENCLATURE	EFFECT FROM TO	UNITS PER ASSY
1					
- 2	UL20698		ENGINE ASSY-Q.E.C.U. RB211-535E43712 MAXIMUM NEUT SUPPLIER CODE: VK0680 REFERENCE SERVICE BULLETIN: 71-0058R7 QUALIFIED SB I/W DATA: INTERMIX OF ONE OR SUBSTITUTION OF TWO DIFFERENT CONFIGURATION RB211-535E4-37/() ENGINES FOR RB211-535E4 BASE ENGINES OR DIFFERENT CONFIGURATION RB211-535E4-B-37/() ENGINES FOR RB211-535E4-B BASE ENGINES REFERENCE SERVICE BULLETIN: RB211-72C547 VK0680 RB211-72-8910 VK0680 POST RAPID REVISION: RR92014-183A-RC-E FOR NHA/OTHER SYS DET SEE: 71-00-02-04	002004 006100 102102	RF
- 2	UL36209		ENGINE ASSY-Q.E.C.U. RB211-535E43719 MAXIMUM NEUT SUPPLIER CODE: VK0680 FOR NHA/OTHER SYS DET SEE: 71-00-02-04	950951	RF
- 3	BCREF17395		ENGINE ASSY-Q.E.C.U. RB211-535E43739 BASIC ENGINE CONFIGURATION AND PHASE 5 COMBUSTOR 40,100 LB THRUST SUPPLIER CODE: VK0680 OVERLENGTH PART NUMBER: RB211-535E4-37-39E FOR NHA/OTHER SYS DET SEE: 71-00-02-10	108120	RF

MISSING ITEM NUMBERS NOT APPLICABLE

- ITEM NOT ILLUSTRATED

72-50-00-01

72-50-00
FIG. 01
PAGE 2
JAN 20/09

BRI



757

PARTS CATALOG (MAINTENANCE)

FIG ITEM	PART NUMBER	1 2 3 4 5 6 7	NOMENCLATURE	EFFECT FROM TO	UNITS PER ASSY
1					
- 3	BCREF17101		ENGINE ASSY-Q.E.C.U. RB211-535E43744 BASIC ENGINE CONFIGURATION, BAYONET MCD AND PHASE 5 COMBUSTOR 40,100 LB THRUST SUPPLIER CODE: VK0680 OVERLENGTH PART NUMBER: RB211-535E4-3744E FOR NHA/OTHER SYS DET SEE: 71-00-02-10	103106	RF
- 3	UL38163		ENGINE ASSY-Q.E.C.U. RB211-535E43724 BASIC ENGINE CONFIGURATION, BAYONET MCD, 40,100 LB THRUST SUPPLIER CODE: VK0680 FOR NHA/OTHER SYS DET SEE: 71-00-02-10	101101	RF
- 4	UL17839		.IP TURBINE-MINI MODULE 05 SUPPLIER CODE: VK0680 PRE SERVICE BULLETIN: 72-9812 VK0680	002004 006102 107999	RF
- 4	FW34822		.IP TURBINE-MINI MODULE 05 SUPPLIER CODE: VK0680 POST SERVICE BULLETIN: 72-E292PT01 VK0680 PRE SERVICE BULLETIN: 72-E912 VK0680	002004 006100 102999	RF
- 4	UL36920		.IP TURBINE-MINI MODULE 05 SUPPLIER CODE: VK0680 POST SERVICE BULLETIN: 72-9812PT02 VK0680 PRE SERVICE BULLETIN: 72-E292 VK0680	002004 006999	RF

MISSING ITEM NUMBERS NOT APPLICABLE

- ITEM NOT ILLUSTRATED

BRI

72-50-00-01

BOEING PROPRIETARY - Copyright © - Unpublished Work - See title page for details.

72-50-00
FIG. 01
PAGE 3
JAN 20/09



757

PARTS CATALOG (MAINTENANCE)

FIG ITEM	PART NUMBER	1 2 3 4 5 6 7	NOMENCLATURE	EFFECT FROM TO	UNITS PER ASSY
1					
- 4	FW43170		.IP TURBINE-MINI MODULE 05 SUPPLIER CODE: VK0680 POST SERVICE BULLETIN: 72-E912PT01 VK0680	002004 006100 102999	RF
5	AS21007		..BOLT	002004 006999	4
10	BLT3649		..BOLT- SUPPLIER CODE: VK0680	002004 006999	4
15	AS21007		..BOLT	002004 006999	2
20	LK43508		..BOLT- SUPPLIER CODE: VK0680	002004 006999	1
22	UL15922		..SPACER- TRANSPORTATION ONLY SUPPLIER CODE: VK0680	002004 006999	1
25	LK69795		..SEAL-RING SUPPLIER CODE: VK0680	002004 006999	2
30	LK74596		..SLEEVE- SUPPLIER CODE: VK0680	002004 006999	2
35	UL12794		..PLUG ASSY- SUPPLIER CODE: VK0680	002004 006999	1
40	LK74595		..SLEEVE- SUPPLIER CODE: VK0680	002004 006999	1
45	LK74597		..PLUG ASSY- SUPPLIER CODE: VK0680	002004 006999	1
50	LK86485		..STRIP- SUPPLIER CODE: VK0680 POST SERVICE BULLETIN: 72-8190PT01 VK0680 PRE SERVICE BULLETIN: 72-7878 VK0680	002004 006102 107107 121999	36

MISSING ITEM NUMBERS NOT APPLICABLE

- ITEM NOT ILLUSTRATED

BRI

72-50-00-01

BOEING PROPRIETARY - Copyright © - Unpublished Work - See title page for details.

72-50-00
FIG. 01
PAGE 4
JAN 20/09



757

PARTS CATALOG (MAINTENANCE)

FIG ITEM	PART NUMBER	1 2 3 4 5 6 7	NOMENCLATURE	EFFECT FROM TO	UNITS PER ASSY
1	50 UL15907		.. STRIP- SUPPLIER CODE: VK0680 PRE SERVICE BULLETIN: 72-8190 POST SERVICE BULLETIN: 72-7878PT01 VK0680	002004 006100 107107 121503 904949 952999	36
	55 UL17765		.. SEAL- SUPPLIER CODE: VK0680 PRE SERVICE BULLETIN: 72-8632 72-7878 POST SERVICE BULLETIN: 72-8190PT01 VK0680 PRE SERVICE BULLETIN: 72-C898 VK0680	002004 006100 107107 121503 904949 952999	36
	55 UL19494		.. SEAL- SUPPLIER CODE: VK0680 PRE SERVICE BULLETIN: 72-8200 72-9407 POST SERVICE BULLETIN: 72-7878PT01 VK0680	002004 006102 107107 121999	36
	55 UL20325		.. SEAL- SUPPLIER CODE: VK0680 PRE SERVICE BULLETIN: 72-8190 POST SERVICE BULLETIN: 72-8200PT01 VK0680	002004 006100 107107 121503 904949 952999	36
	55 UL22494		.. SEAL- SUPPLIER CODE: VK0680 PRE SERVICE BULLETIN: 72-9407 POST SERVICE BULLETIN: 72-8632PT01 VK0680	002004 006100 107107 121503 904949 952999	36

MISSING ITEM NUMBERS NOT APPLICABLE

- ITEM NOT ILLUSTRATED

72-50-00-01

72-50-00
FIG. 01
PAGE 5
JAN 20/09

BRI

BOEING PROPRIETARY - Copyright © - Unpublished Work - See title page for details.



757

PARTS CATALOG (MAINTENANCE)

FIG ITEM	PART NUMBER	1 2 3 4 5 6 7	NOMENCLATURE	EFFECT FROM TO	UNITS PER ASSY
1 55	UL29272		..SEAL- SUPPLIER CODE: VK0680 POST SERVICE BULLETIN: 72-9407PT01 VK0680 PRE SERVICE BULLETIN: 72-C898 VK0680	002004 006102 107107 121999	36
60	UL10244		..TUBE ASSY-OVERHEAT DETECTOR IP TURBINE SUPPLIER CODE: VK0680	002004 006102 107107 121999	1

MISSING ITEM NUMBERS NOT APPLICABLE

- ITEM NOT ILLUSTRATED

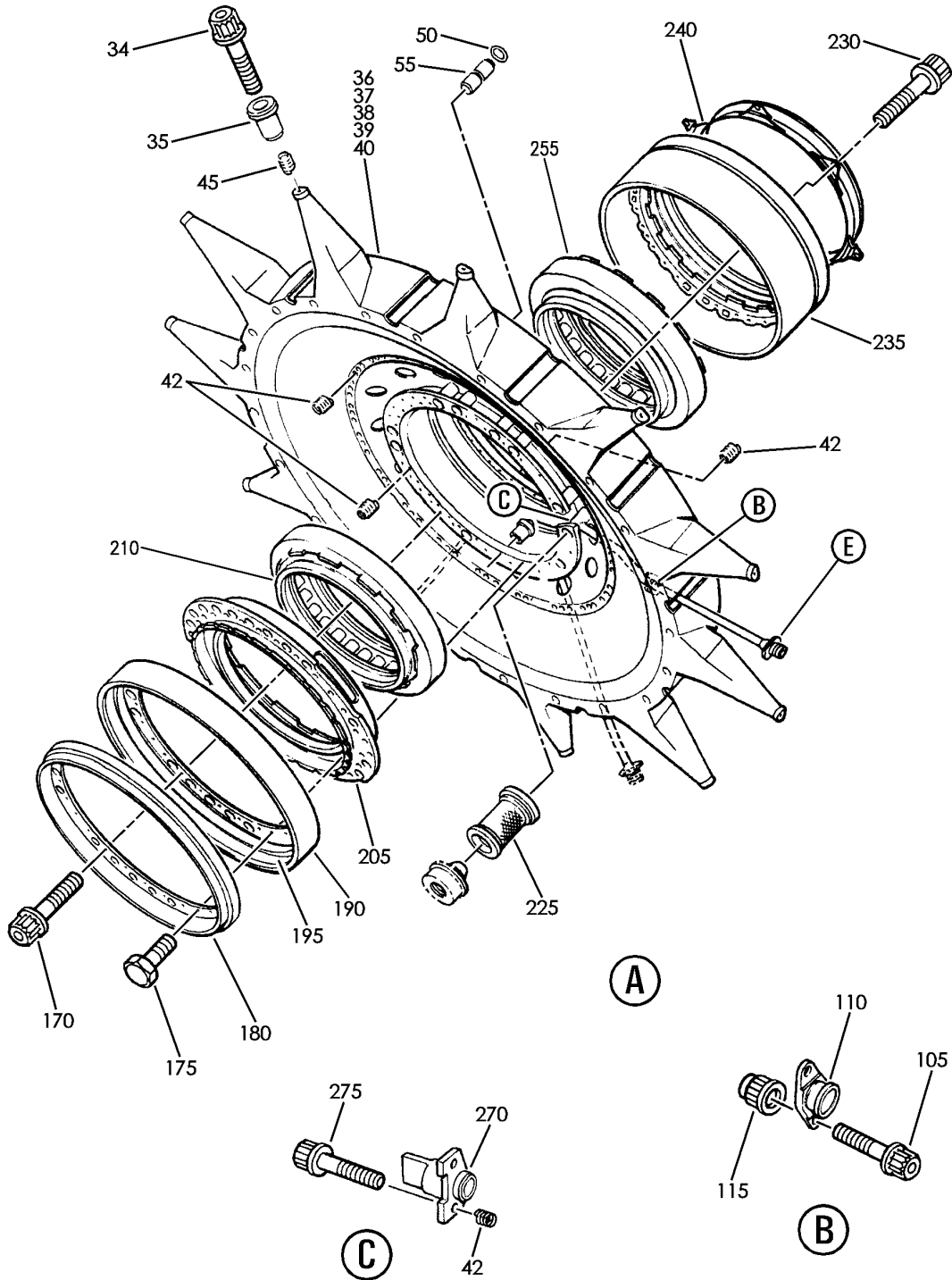
BRI

72-50-00-01

BOEING PROPRIETARY - Copyright © - Unpublished Work - See title page for details.

72-50-00
FIG. 01
PAGE 6
JAN 20/09

BOEING
757
PARTS CATALOG (MAINTENANCE)



Y 72500002 SHT 2 REV 281

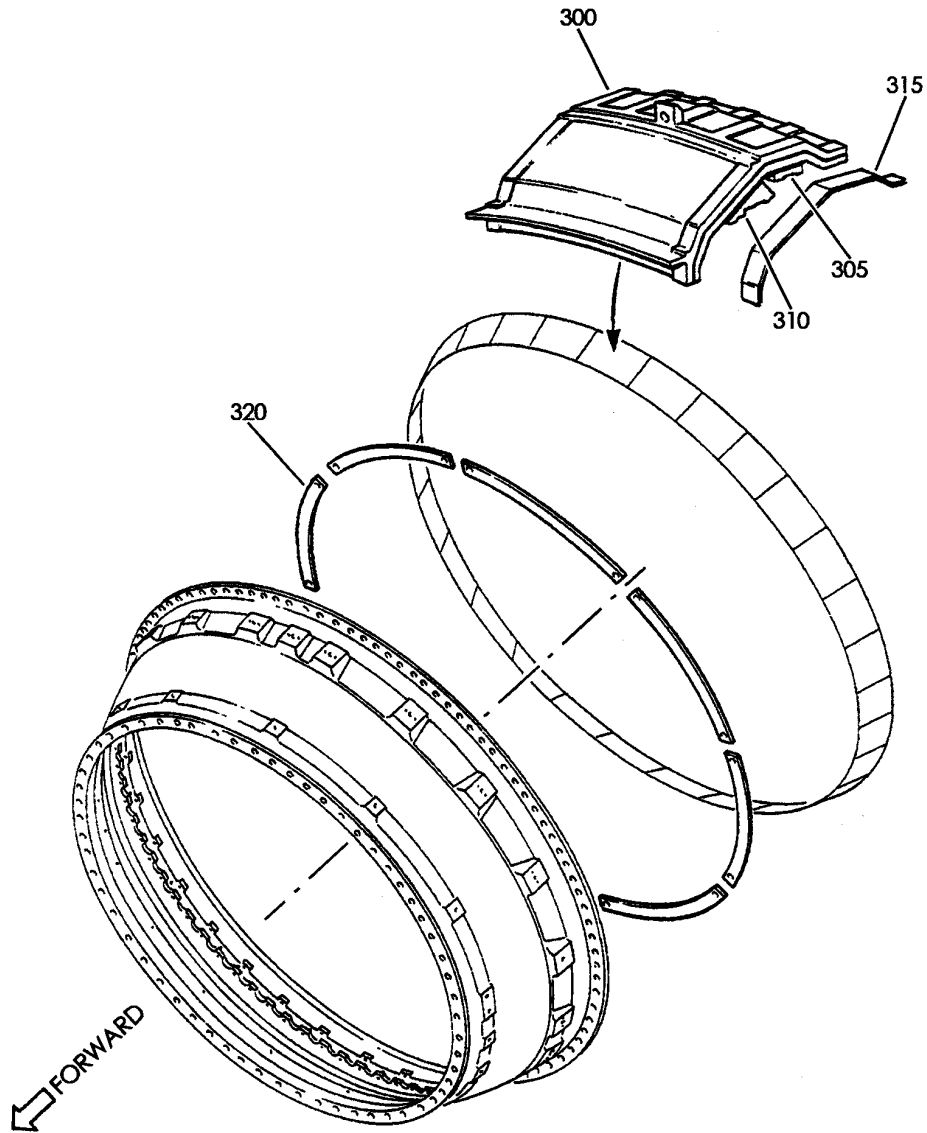
IP TURBINE CASE (RB211-535)
FIGURE 2 (SHEET 2)

72-50-00-02

BRI
MAY 28/07

72-50-00-02
PAGE 0A

BOEING
757
PARTS CATALOG (MAINTENANCE)



(D)

Y 72500002 SHT 3 REV 211

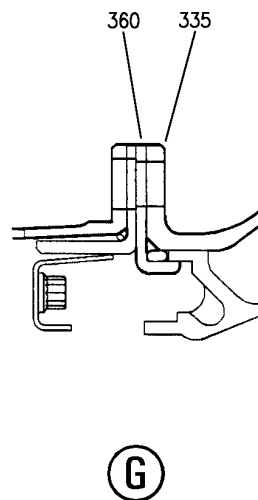
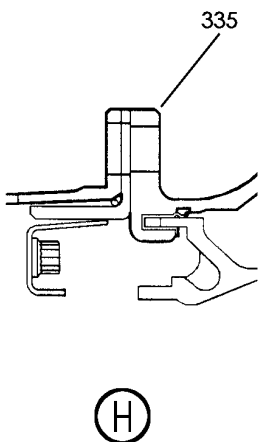
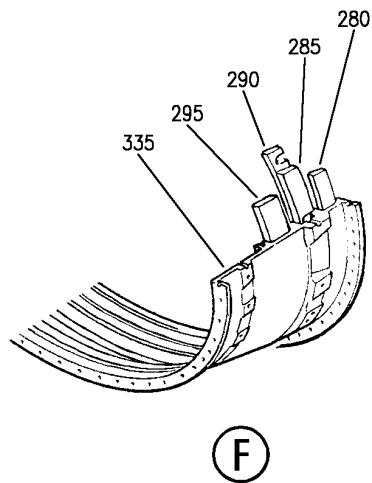
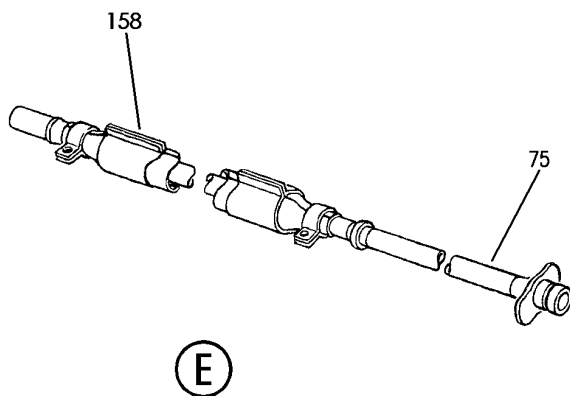
IP TURBINE CASE (RB211-535)
FIGURE 2 (SHEET 3)

72-50-00-02

BRI
MAY 28/07

72-50-00-02
PAGE 0B

BOEING
757
PARTS CATALOG (MAINTENANCE)



Y 72500002 SH1 4 REV 297

IP TURBINE CASE (RB211-535)
FIGURE 2 (SHEET 4)

72-50-00-02

BRI
MAY 28/07

72-50-00-02
PAGE 0C



757

PARTS CATALOG (MAINTENANCE)

FIG ITEM	PART NUMBER	1 2 3 4 5 6 7	NOMENCLATURE	EFFECT FROM TO	UNITS PER ASSY
2			IP TURBINE CASE (RB211-535)	002004	
- 1	UL19722		ENGINE ASSY-Q.E.C.U. RB211-535E43711 MAXIMUM NEUT SUPPLIER CODE: VK0680 FOR NHA/OTHER SYS DET SEE: 71-00-02-04	006999 107107	RF
- 1	UL20697		ENGINE ASSY-Q.E.C.U. RB211-535E43711 MAXIMUM NEUT WITH GRAVINER FIRE DETECTORS, BAYONET MCD, NON-MODULATED IDG COOLING 40,000 LB THRUST SUPPLIER CODE: VK0680 REFERENCE SERVICE BULLETIN: 71-0058R4 QUALIFIED SB I/W DATA: INTERMIX OF ONE OR SUBSTITUTION OF TWO DIFFERENT CONFIGURATION RB211-535E4-37/() ENGINES FOR RB211-535 E4 BASE ENGINES REFERENCE SERVICE BULLETIN: RB211-72-C547 VK0680 FOR NHA/OTHER SYS DET SEE: 71-00-02-04	121503 904949 952999	RF

MISSING ITEM NUMBERS NOT APPLICABLE

- ITEM NOT ILLUSTRATED

BRI

72-50-00-02

BOEING PROPRIETARY - Copyright © - Unpublished Work - See title page for details.

72-50-00
FIG. 02
PAGE 1
JAN 20/09



757

PARTS CATALOG (MAINTENANCE)

FIG ITEM	PART NUMBER	1 2 3 4 5 6 7	NOMENCLATURE	EFFECT FROM TO	UNITS PER ASSY
2 - 1	UL20698		ENGINE ASSY-Q.E.C.U. RB211-535E43712 MAXIMUM NEUT SUPPLIER CODE: VK0680 REFERENCE SERVICE BULLETIN: 71-0058R7 QUALIFIED SB I/W DATA: INTERMIX OF ONE OR SUBSTITUTION OF TWO DIFFERENT CONFIGURATION RB211-535E4-37/() ENGINES FOR RB211-535E4 BASE ENGINES OR DIFFERENT CONFIGURATION RB211-535E4-B-37/() ENGINES FOR RB211-535E4-B BASE ENGINES REFERENCE SERVICE BULLETIN: RB211-72-C547 VK0680 RB211-72-8910 VK0680 POST RAPID REVISION: RR92014-183A-RC-E FOR NHA/OTHER SYS DET SEE: 71-00-02-04	002004 006100 102102	RF
- 1	UL20702		ENGINE ASSY-Q.E.C.U. RB211-535E43711 BASIC ENGINE CONFIG. WITH GRAVINER FIRE DETECTORS,BAYONET MCD, NON-MODULATED IDG COOLING 40,100 LB THRUST SUPPLIER CODE: VK0680 FOR NHA/OTHER SYS DET SEE: 71-00-02-10	504903	RF
- 2	UL36209		ENGINE ASSY-Q.E.C.U. RB211-535E43719 MAXIMUM NEUT SUPPLIER CODE: VK0680 FOR NHA/OTHER SYS DET SEE: 71-00-02-04	950951	RF

MISSING ITEM NUMBERS NOT APPLICABLE

- ITEM NOT ILLUSTRATED

BRI

72-50-00-02

BOEING PROPRIETARY - Copyright © - Unpublished Work - See title page for details.

72-50-00
FIG. 02
PAGE 2
JAN 20/09



757

PARTS CATALOG (MAINTENANCE)

FIG ITEM	PART NUMBER	1 2 3 4 5 6 7	NOMENCLATURE	EFFECT FROM TO	UNITS PER ASSY
2					
- 3	BCREF17395		ENGINE ASSY-Q.E.C.U. RB211-535E43739 BASIC ENGINE CONFIGURATION AND PHASE 5 COMBUSTOR 40,100 LB THRUST SUPPLIER CODE: VK0680 OVERLENGTH PART NUMBER: RB211-535E4-37-39E FOR NHA/OTHER SYS DET SEE: 71-00-02-10	108120	RF
- 3	BCREF17101		ENGINE ASSY-Q.E.C.U. RB211-535E43744 BASIC ENGINE CONFIGURATION BAYONET MCD AND PHASE 5 COMBUSTOR 40,100 LB THRUST SUPPLIER CODE: VK0680 OVERLENGTH PART NUMBER: RB211-535E4-3744E FOR NHA/OTHER SYS DET SEE: 71-00-02-10	103106	RF
- 3	UL38163		ENGINE ASSY-Q.E.C.U. RB211-535E43724 BASIC ENGINE CONFIGURATION BAYONET MCD 40,100 LB THRUST SUPPLIER CODE: VK0680 FOR NHA/OTHER SYS DET SEE: 71-00-02-10	101101	RF
5	LK37451		.BOLT- SUPPLIER CODE: VK0680	002004 006999	8
10	BR32211		.WASHER- SUPPLIER CODE: VK0680	002004 006999	8
15	LK64808		.NUT- SUPPLIER CODE: VK0680	002004 006999	8
20	LK83849		.COVER- TRANSPORTATION ONLY SUPPLIER CODE: VK0680	002004 006999	1

MISSING ITEM NUMBERS NOT APPLICABLE

- ITEM NOT ILLUSTRATED

BRI

72-50-00-02

BOEING PROPRIETARY - Copyright © - Unpublished Work - See title page for details.

72-50-00
FIG. 02
PAGE 3
JAN 20/09



757

PARTS CATALOG (MAINTENANCE)

FIG ITEM	PART NUMBER	1 2 3 4 5 6 7	NOMENCLATURE	EFFECT FROM TO	UNITS PER ASSY
2					
25	LK40924	.CAP-	TRANSPORTATION ONLY SUPPLIER CODE: VK0680	002004 006999	1
30	LK62157	.CAP-	TRANSPORTATION ONLY SUPPLIER CODE: VK0680	002004 006999	2
32	LK82669	.PLUG-	TRANSPORTATION ONLY SUPPLIER CODE: VK0680	002004 006999	17
36	UL17136	.SUPPORT ASSY-	SUPPLIER CODE: VK0680 NOT APPROVED FOR ETOPS. PRE SERVICE BULLETIN: 72-8595	002004 006100 107107 121503 904949 952999	1
36	UL37167	.SUPPORT ASSY-	SUPPLIER CODE: VK0680 POST SERVICE BULLETIN: 72-9933PT01 VK0680 PRE SERVICE BULLETIN: 72-9974 VK0680	002004 006100 107107 121503 904999	1
36	UL37165	.SUPPORT ASSY-	SUPPLIER CODE: VK0680 POST SERVICE BULLETIN: 72-9933PT02 VK0680 PRE SERVICE BULLETIN: 72-9974 VK0680	002004 006100 107107 121503 904999	1
36	UL36860	.SUPPORT ASSY-	SUPPLIER CODE: VK0680 POST SERVICE BULLETIN: 72-9795PT01 VK0680 PRE SERVICE BULLETIN: 72-9933 VK0680	002004 006100 107107 121503 904949 952999	1

MISSING ITEM NUMBERS NOT APPLICABLE

- ITEM NOT ILLUSTRATED

BRI

72-50-00-02

BOEING PROPRIETARY - Copyright © - Unpublished Work - See title page for details.

72-50-00
FIG. 02
PAGE 4
JAN 20/09



757

PARTS CATALOG (MAINTENANCE)

FIG ITEM	PART NUMBER	1 2 3 4 5 6 7	NOMENCLATURE	EFFECT FROM TO	UNITS PER ASSY
2					
36	UL17136		.SUPPORT ASSY- SUPPLIER CODE: VK0680 PRE SERVICE BULLETIN: 72-8595	950951	1
36	UL37228		.SUPPORT ASSY-HIGH PRESSURE/INTERMEDIATE PRESSURE TURB BRG SUPPLIER CODE: VK0680 POST SERVICE BULLETIN: 72-9974PT01 VK0680 PRE SERVICE BULLETIN: 72-B107 VK0680	002004 006100 107107 121503 904949 952999	1
36	UL37230		.SUPPORT ASSY-HIGH PRESSURE/INTERMEDIATE PRESSURE TURB BRG SUPPLIER CODE: VK0680 POST SERVICE BULLETIN: 72-9974PT02 VK0680	002004 006100 107107 121503 904949 952999	1
36	UL37401		.SUPPORT ASSY-HIGH PRESSURE/INTERMEDIATE PRESSURE TURB BRG SUPPLIER CODE: VK0680 POST SERVICE BULLETIN: 72-9974PT03 VK0680	002004 006100 107107 121503 904949 952999	1
36	UL36963		.SUPPORT ASSY-HIGH PRESSURE/INTERMEDIATE PRESSURE TURB BRG SUPPLIER CODE: VK0680 CONFIG CHG DATA FROM A CMM: FOR INTRCHG SEE RR IPC POST SERVICE BULLETIN: 72-B107PT01 VK0680	002004 006100 107107 121503 904949 952999	1

MISSING ITEM NUMBERS NOT APPLICABLE

- ITEM NOT ILLUSTRATED

BRI

72-50-00-02

BOEING PROPRIETARY - Copyright © - Unpublished Work - See title page for details.

72-50-00
FIG. 02
PAGE 5
JAN 20/09



757

PARTS CATALOG (MAINTENANCE)

FIG ITEM	PART NUMBER	1 2 3 4 5 6 7	NOMENCLATURE	EFFECT FROM TO	UNITS PER ASSY
2	38 UL36963	.	SUPPORT ASSY-HIGH PRESSURE/INTERMEDIATE PRESSURE TURB BRG SUPPLIER CODE: VK0680 POST SERVICE BULLETIN: 72-B107PT01 VK0680 PRE SERVICE BULLETIN: 72-B906 VK0680	002004 006100 107107 121503 904949 952999	1
- 60	UL17137	..	SUPPORT- SUPPLIER CODE: VK0680 PRE SERVICE BULLETIN: 72-8595 VK0680	002004 006100 107107 121999	RF
- 60	UL24879	..	SUPPORT- SUPPLIER CODE: VK0680 POST SERVICE BULLETIN: 72-8595PT01 VK0680 PRE SERVICE BULLETIN: 72-9795 VK0680	101101	RF
- 60	UL37168	..	SUPPORT ASSY- SUPPLIER CODE: VK0680 POST SERVICE BULLETIN: 72-9933PT01 VK0680 PRE SERVICE BULLETIN: 72-9974 VK0680	002004 006100 107107 121503 904999	RF
- 60	UL37166	..	SUPPORT ASSY- SUPPLIER CODE: VK0680 POST SERVICE BULLETIN: 72-9933PT02 VK0680 PRE SERVICE BULLETIN: 72-9974 VK0680	002004 006100 107107 121503 904999	RF

MISSING ITEM NUMBERS NOT APPLICABLE

- ITEM NOT ILLUSTRATED

BRI

72-50-00-02

BOEING PROPRIETARY - Copyright © - Unpublished Work - See title page for details.

72-50-00
FIG. 02
PAGE 6
JAN 20/09



757

PARTS CATALOG (MAINTENANCE)

FIG ITEM	PART NUMBER	1 2 3 4 5 6 7	NOMENCLATURE	EFFECT FROM TO	UNITS PER ASSY
2 - 60	UL36861		.. SUPPORT ASSY-HP/IP TURBINE BEARINGS SUPPLIER CODE: VK0680 CONFIG CHG DATA FROM A CMM: FOR INTRCHG SEE RR IPC POST SERVICE BULLETIN: 72-9795PT01 VK0680 72-B906PT05 VK0680 PRE SERVICE BULLETIN: 72-9933 VK0680	002004 006100 107107 121503 904949 952999	RF
- 60	UL37703		.. SUPPORT ASSY-HIGH PRESSURE/INTERMEDIATE PRESSURE TURB BRG SUPPLIER CODE: VK0680 POST SERVICE BULLETIN: 72-9974PT04 VK0680 PRE SERVICE BULLETIN: 72-C422 VK0680	101101	RF
- 60	UL36964		.. SUPPORT ASSY-HIGH PRESSURE/INTERMEDIATE PRESSURE TURB BRG SUPPLIER CODE: VK0680 POST SERVICE BULLETIN: 72-B107PT01 VK0680 PRE SERVICE BULLETIN: 72-C146 VK0680	002004 006999	RF
- 60	UL37229		.. SUPPORT ASSY-HIGH PRESSURE/INTERMEDIATE PRESSURE TURB BRG SUPPLIER CODE: VK0680 POST SERVICE BULLETIN: 72-9974PT01 VK0680 PRE SERVICE BULLETIN: 72-B107 VK0680	002004 006100 107107 121503 904949 952999	RF

MISSING ITEM NUMBERS NOT APPLICABLE

- ITEM NOT ILLUSTRATED

BRI

72-50-00-02

BOEING PROPRIETARY - Copyright © - Unpublished Work - See title page for details.

72-50-00
FIG. 02
PAGE 7
JAN 20/09



757

PARTS CATALOG (MAINTENANCE)

FIG ITEM	PART NUMBER	1 2 3 4 5 6 7	NOMENCLATURE	EFFECT FROM TO	UNITS PER ASSY
2					
- 60	UL37231	..	SUPPORT ASSY-HIGH PRESSURE/INTERMEDIATE PRESSURE TURB BRG SUPPLIER CODE: VK0680 POST SERVICE BULLETIN: 72-9974PT02 VK0680	002004 006100 107107 121503 904949 952999	RF
- 60	UL37402	..	SUPPORT ASSY-HIGH PRESSURE/INTERMEDIATE PRESSURE TURB BRG SUPPLIER CODE: VK0680 POST SERVICE BULLETIN: 72-9974PT03 VK0680 PRE SERVICE BULLETIN: 72-B906 VK0680	002004 006100 107107 121503 904949 952999	RF
- 61	UL38170	..	SUPPORT ASSY-HP/IP TURBINE BEARINGS SUPPLIER CODE: VK0680 POST SERVICE BULLETIN: 72-C146PT01 VK0680 PRE SERVICE BULLETIN: 72-C280 VK0680	002004 006999	RF
- 61	UL38575	..	SUPPORT ASSY-HP/IP TURBINE BEARINGS SUPPLIER CODE: VK0680 POST SERVICE BULLETIN: 72-C280PT02 VK0680 PRE SERVICE BULLETIN: 72-C422 VK0680	101101	RF
- 61	UL38577	..	SUPPORT ASSY-HP/IP TURBINE BEARINGS SUPPLIER CODE: VK0680 POST SERVICE BULLETIN: 72-C280PT01 VK0680 PRE SERVICE BULLETIN: 72-C422 VK0680	101101	RF

MISSING ITEM NUMBERS NOT APPLICABLE

- ITEM NOT ILLUSTRATED

72-50-00-02

72-50-00
FIG. 02
PAGE 8
JAN 20/09

BRI



757

PARTS CATALOG (MAINTENANCE)

FIG ITEM	PART NUMBER	1 2 3 4 5 6 7	NOMENCLATURE	EFFECT FROM TO	UNITS PER ASSY
2 - 61	UL38581		.. SUPPORT ASSY-HP/IP TURBINE BEARINGS SUPPLIER CODE: VK0680 POST SERVICE BULLETIN: 72-C280PT04 VK0680 PRE SERVICE BULLETIN: 72-C422 VK0680	101101	RF
- 64	UL38168		.. SUPPORT ASSY-HP/IP TURBINE BEARINGS SUPPLIER CODE: VK0680 POST SERVICE BULLETIN: 72-C146PT02 VK0680 PRE SERVICE BULLETIN: 72-C280 VK0680	002004 006999	RF
- 64	UL38579		.. SUPPORT ASSY-HP/IP TURBINE BEARINGS SUPPLIER CODE: VK0680 POST SERVICE BULLETIN: 72-C280PT03 VK0680	002004 006999	RF
255	LK85464		. BEARING-HP TURBINE ROLLER SUPPLIER CODE: VK0680 CONFIG CHG DATA FROM A CMM: FOR INTRCHG SEE RR IPC OPTIONAL PART: LK75148 VK0680 FB222016 VK0680 FB222017 VK0680 POST SERVICE BULLETIN: 72-B788PT01 VK0680	002004 006100 102102	1

MISSING ITEM NUMBERS NOT APPLICABLE

- ITEM NOT ILLUSTRATED

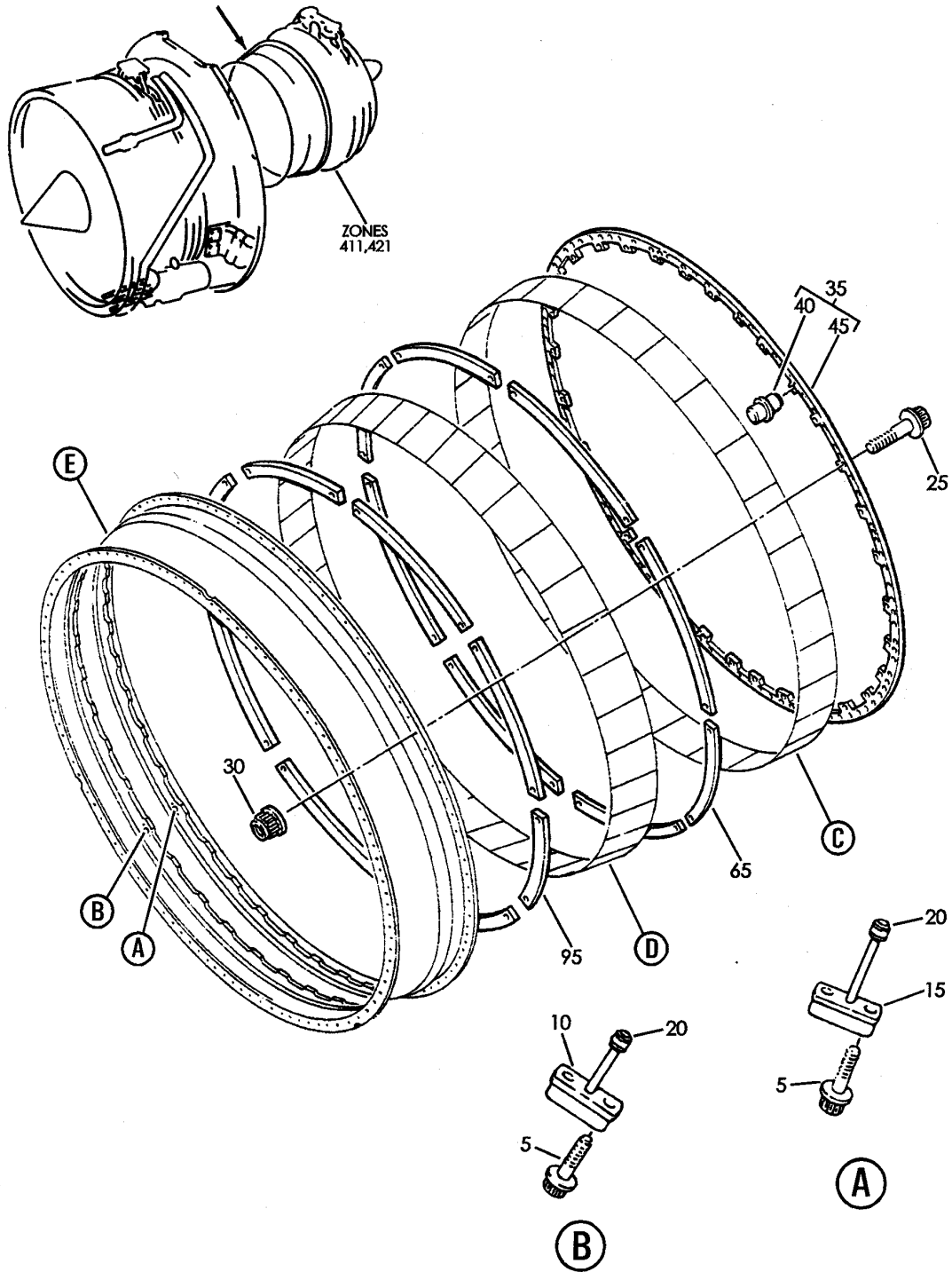
BRI

72-50-00-02

BOEING PROPRIETARY - Copyright © - Unpublished Work - See title page for details.

72-50-00
FIG. 02
PAGE 9
JAN 20/09

BOEING
757
PARTS CATALOG (MAINTENANCE)



Y 7250010 SHT 1 REV 212

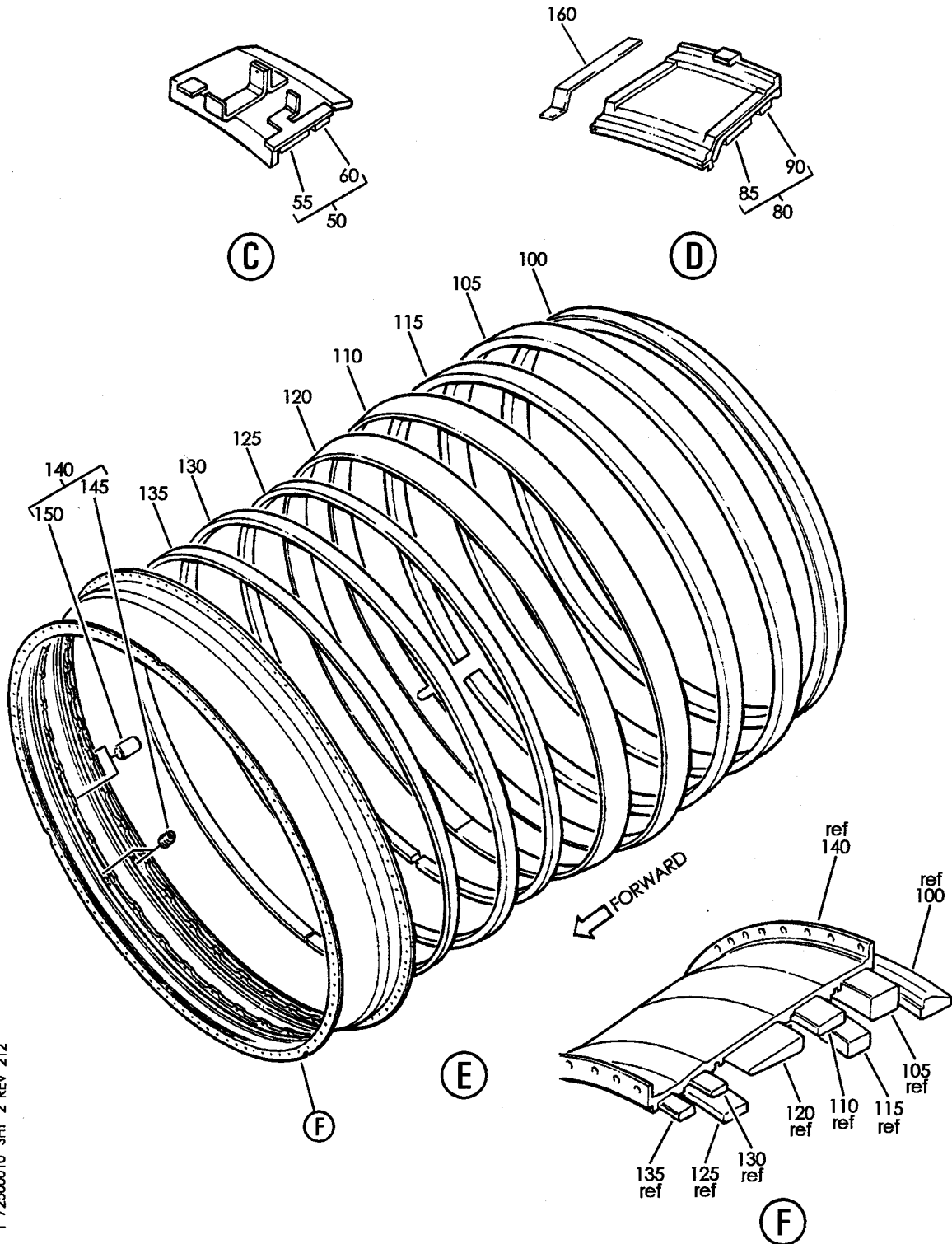
LP TURBINE CASE (RB211-535)
FIGURE 10 (SHEET 1)

72-50-00-10

BRI
MAY 28/07

72-50-00-10
PAGE 0

BOEING
757
PARTS CATALOG (MAINTENANCE)



Y 72500010 SHT 2 REV 212

LP TURBINE CASE (RB211-535)
FIGURE 10 (SHEET 2)

72-50-00-10

BRI
MAY 28/07

72-50-00-10
PAGE 0A



757

PARTS CATALOG (MAINTENANCE)

FIG ITEM	PART NUMBER	1 2 3 4 5 6 7	NOMENCLATURE	EFFECT FROM TO	UNITS PER ASSY
10			LP TURBINE CASE (RB211-535)	002004	
- 1	UL19722		ENGINE ASSY-Q.E.C.U. RB211-535E43711 MAXIMUM NEUT SUPPLIER CODE: VK0680 FOR NHA/OTHER SYS DET SEE: 71-00-02-04	006999 107107	RF
- 1	UL20697		ENGINE ASSY-Q.E.C.U. RB211-535E43711 MAXIMUM NEUT WITH GRAVINER FIRE DETECTORS, BAYONET MCD, NON-MODULATED IDG COOLING 40,000 LB THRUST SUPPLIER CODE: VK0680 REFERENCE SERVICE BULLETIN: 71-0058R4 QUALIFIED SB I/W DATA: INTERMIX OF ONE OR SUBSTITUTION OF TWO DIFFERENT CONFIGURATION RB211-535E4-37/() ENGINES FOR RB211-535 E4 BASE ENGINES REFERENCE SERVICE BULLETIN: RB211-72-C547 VK0680 FOR NHA/OTHER SYS DET SEE: 71-00-02-04	121503 904949 952999	RF

MISSING ITEM NUMBERS NOT APPLICABLE

- ITEM NOT ILLUSTRATED

BRI

72-50-00-10

BOEING PROPRIETARY - Copyright © - Unpublished Work - See title page for details.

72-50-00
FIG. 10
PAGE 1
JAN 20/09



757

PARTS CATALOG (MAINTENANCE)

FIG ITEM	PART NUMBER	1 2 3 4 5 6 7	NOMENCLATURE	EFFECT FROM TO	UNITS PER ASSY
10 - 1	UL20698		ENGINE ASSY-Q.E.C.U. RB211-535E43712 MAXIMUM NEUT SUPPLIER CODE: VK0680 QUALIFIED SB I/W DATA: INTERMIX OF ONE OR SUBSTITUTION OF TWO DIFFERENT CONFIGURATION RB211-535E4-37/() ENGINES FOR RB211-535E4 BASE ENGINES OR DIFFERENT CONFIGURATION RB211-535E4-B-37/() ENGINES FOR RB211-535E4-B BASE ENGINES POST SERVICE BULLETIN: 71-0058R7 VK0680 72-C547 VK0680 72-8910 VK0680 POST RAPID REVISION: RR92014-183E FOR NHA/OTHER SYS DET SEE: 71-00-02-04	002004 006100 102102	RF
- 1	UL20702		ENGINE ASSY-Q.E.C.U. RB211-535E43711 BASIC ENGINE CONFIG. WITH GRAVINER FIRE DETECTORS,BAYONET MCD, NON-MODULATED IDG COOLING 40,100 LB THRUST SUPPLIER CODE: VK0680 FOR NHA/OTHER SYS DET SEE: 71-00-02-10	504903	RF
- 1	UL36209		ENGINE ASSY-Q.E.C.U. RB211-535E43719 MAXIMUM NEUT SUPPLIER CODE: VK0680 FOR NHA/OTHER SYS DET SEE: 71-00-02-04	950951	RF

MISSING ITEM NUMBERS NOT APPLICABLE

- ITEM NOT ILLUSTRATED

BRI

72-50-00-10

BOEING PROPRIETARY - Copyright © - Unpublished Work - See title page for details.

72-50-00
FIG. 10
PAGE 2
JAN 20/09



757

PARTS CATALOG (MAINTENANCE)

FIG ITEM	PART NUMBER	1 2 3 4 5 6 7	NOMENCLATURE	EFFECT FROM TO	UNITS PER ASSY
10					
- 3	BCREF17395		ENGINE ASSY-Q.E.C.U. RB211-535E43739 BASIC ENGINE CONFIGURATION AND PHASE 5 COMBUSTOR 40,100 LB THRUST SUPPLIER CODE: VK0680 OVERLENGTH PART NUMBER: RB211-535E4-37-39E FOR NHA/OTHER SYS DET SEE: 71-00-02-10	108120	RF
- 3	BCREF17101		ENGINE ASSY-Q.E.C.U. RB211-535E43744 BASIC ENGINE CONFIGURATION, BAYONET MCD AND PHASE 5 COMBUSTOR 40,100 LB THRUST SUPPLIER CODE: VK0680 OVERLENGTH PART NUMBER: RB211-535E4-3744E FOR NHA/OTHER SYS DET SEE: 71-00-02-10	103106	RF
- 3	UL38163		ENGINE ASSY-Q.E.C.U. RB211-535E43724 BASIC ENGINE CONFIGURATION, BAYONET MCD, 40,100 LB THRUST SUPPLIER CODE: VK0680 FOR NHA/OTHER SYS DET SEE: 71-00-02-10	101101	RF
- 4	UL17840		.LP TURBINE-MINI MODULE 05/2 SUPPLIER CODE: VK0680	002004 006999	RF
- 4	UL26230		.LP TURBINE-MINI MODULE 05/2 SUPPLIER CODE: VK0680	002004 006999	RF
5	BLT3649		..BOLT- SUPPLIER CODE: VK0680	002004 006999	4
10	UL12745		..PLUG ASSY-LP2 NOZZLE VANE SUPPLIER CODE: VK0680	002004 006999	1

MISSING ITEM NUMBERS NOT APPLICABLE

- ITEM NOT ILLUSTRATED

BRI

72-50-00-10

BOEING PROPRIETARY - Copyright © - Unpublished Work - See title page for details.

72-50-00
FIG. 10
PAGE 3
JAN 20/09



757

PARTS CATALOG (MAINTENANCE)

FIG ITEM	PART NUMBER	1 2 3 4 5 6 7	NOMENCLATURE	EFFECT FROM TO	UNITS PER ASSY
10					
15	UL12746		..PLUG ASSY-LP3 NOZZLE VANE SUPPLIER CODE: VK0680	002004 006999	1
- 142	UL12744		..CASE-LP2 & LP3 NOZZLE VANES SUPPLIER CODE: VK0680 POSITION DATA: OUTER	002004 006999	RF

MISSING ITEM NUMBERS NOT APPLICABLE

- ITEM NOT ILLUSTRATED

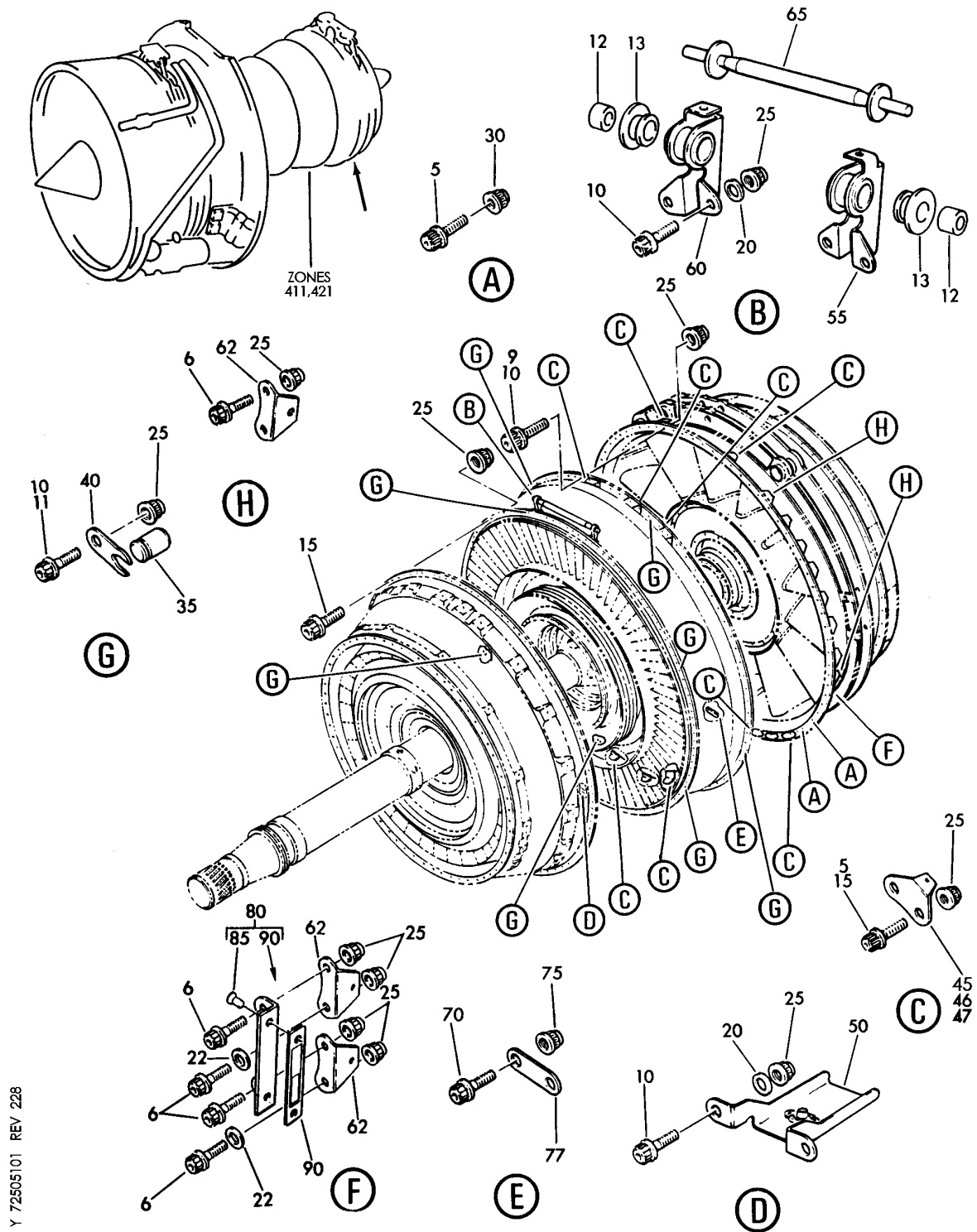
BRI

72-50-00-10

BOEING PROPRIETARY - Copyright © - Unpublished Work - See title page for details.

72-50-00
FIG. 10
PAGE 4
JAN 20/09

BOEING
757
PARTS CATALOG (MAINTENANCE)



IP/LP TURBINE MINI MODULE INSTALLATION (RB211-535)
FIGURE 1

72-50-51-01

BRI
MAY 28/07

72-50-51-01
PAGE 0



757

PARTS CATALOG (MAINTENANCE)

FIG ITEM	PART NUMBER	1 2 3 4 5 6 7	NOMENCLATURE	EFFECT FROM TO	UNITS PER ASSY
1			IP/LP TURBINE MINI MODULE INSTALLATION (RB211-535)	002004 006999	
- 1	UL19722		ENGINE ASSY-Q.E.C.U. RB211-535E43711 SUPPLIER CODE: VK0680 FOR NHA/OTHER SYS DET SEE: 71-00-02-04	107107	RF
- 1	UL20697		ENGINE ASSY-Q.E.C.U. RB211-535E43711 MAXIMUM NEUT WITH GRAVINER FIRE DETECTORS, BAYONET MCD, NON-MODULATED IDG COOLING 40,000 LB THRUST SUPPLIER CODE: VK0680 REFERENCE SERVICE BULLETIN: 71-0058R4 QUALIFIED SB I/W DATA: INTERMIX OF ONE OR SUBSTITUTION OF TWO DIFFERENT CONFIGURATION RB211-535E4-37/() ENGINES FOR RB211-535 E4 BASE ENGINES REFERENCE SERVICE BULLETIN: RB211-72-C547 VK0680 FOR NHA/OTHER SYS DET SEE: 71-00-02-04	121503 904949 952999	RF

MISSING ITEM NUMBERS NOT APPLICABLE

- ITEM NOT ILLUSTRATED

BRI

72-50-51-01

BOEING PROPRIETARY - Copyright © - Unpublished Work - See title page for details.

72-50-51
FIG. 01
PAGE 1
JAN 20/09



757

PARTS CATALOG (MAINTENANCE)

FIG ITEM	PART NUMBER	1 2 3 4 5 6 7	NOMENCLATURE	EFFECT FROM TO	UNITS PER ASSY
1					
- 1	UL20698		ENGINE ASSY-Q.E.C.U. RB211-535E43712 MAXIMUM NEUT SUPPLIER CODE: VK0680 REFERENCE SERVICE BULLETIN: 71-0058R7 QUALIFIED SB I/W DATA: INTERMIX OF ONE OR SUBSTITUTION OF TWO DIFFERENT CONFIGURATION RB211-535E4-37/() ENGINES FOR RB211-535E4 BASE ENGINES OR DIFFERENT CONFIGURATION RB211-535E4-B-37/() ENGINES FOR RB211-535E4-B BASE ENGINES REFERENCE SERVICE BULLETIN: RB211-72-C547 VK0680 RB211-72-8910 VK0680 POST RAPID REVISION: RR92014-183A-RC-E FOR NHA/OTHER SYS DET SEE: 71-00-02-04	002004 006100 102102	RF
- 1	UL20702		ENGINE ASSY-Q.E.C.U. RB211-535E43711 BASIC ENGINE CONFIG. WITH GRAVINER FIRE DETECTORS,BAYONET MCD, NON-MODULATED IDG COOLING 40,100 LB THRUST SUPPLIER CODE: VK0680 FOR NHA/OTHER SYS DET SEE: 71-00-02-10	504903	RF
- 1	UL36209		ENGINE ASSY-Q.E.C.U. RB211-535E43719 MAXIMUM NEUT SUPPLIER CODE: VK0680 FOR NHA/OTHER SYS DET SEE: 71-00-02-04	950951	RF

MISSING ITEM NUMBERS NOT APPLICABLE

- ITEM NOT ILLUSTRATED

BRI

72-50-51-01

BOEING PROPRIETARY - Copyright © - Unpublished Work - See title page for details.

72-50-51
FIG. 01
PAGE 2
JAN 20/09



757

PARTS CATALOG (MAINTENANCE)

FIG ITEM	PART NUMBER	1 2 3 4 5 6 7	NOMENCLATURE	EFFECT FROM TO	UNITS PER ASSY
1					
- 3	BCREF17395		ENGINE ASSY-Q.E.C.U. RB211-535E43739 BASIC ENGINE CONFIG. AND PHASE 5 COMBUSTOR 40,100 LB THRUST SUPPLIER CODE: VK0680 OVERLENGTH PART NUMBER: RB211-535E4-37-39E FOR NHA/OTHER SYS DET SEE: 71-00-02-10	108120	RF
- 3	BCREF17101		ENGINE ASSY-Q.E.C.U. RB211-535E43744 BASIC ENGINE CONFIG. BAYONET MCD AND PHASE 5 COMBUSTOR 40,100 LB THRUST SUPPLIER CODE: VK0680 OVERLENGTH PART NUMBER: RB211-535E4-3744E FOR NHA/OTHER SYS DET SEE: 71-00-02-10	103106	RF
- 3	UL38163		ENGINE ASSY-Q.E.C.U. RB211-535E43724 BASIC ENGINE CONFIG. BAYONET MCD 40,100 LB THRUST SUPPLIER CODE: VK0680 FOR NHA/OTHER SYS DET SEE: 71-00-02-10	101101	RF
- 4	UL18607		.TURBINE-IP/LP MINI MODULE INSTL SUPPLIER CODE: VK0680 PRE SERVICE BULLETIN: 72-9812 VK0680	002004 006102 108120 950951	RF
- 4	UL18671		.TURBINE-IP/LP MINI MODULE INSTL SUPPLIER CODE: VK0680 POST SERVICE BULLETIN: 26-7205PT01 VK0680 PRE SERVICE BULLETIN: 72-9812 VK0680	107107 121949 952999	RF

MISSING ITEM NUMBERS NOT APPLICABLE

- ITEM NOT ILLUSTRATED

BRI

72-50-51-01

BOEING PROPRIETARY - Copyright © - Unpublished Work - See title page for details.

72-50-51
FIG. 01
PAGE 3
JAN 20/09



757

PARTS CATALOG (MAINTENANCE)

FIG ITEM	PART NUMBER	1 2 3 4 5 6 7	NOMENCLATURE	EFFECT FROM TO	UNITS PER ASSY
1					
- 4	UL36917		.TURBINE-IP/LP MINI MODULE INSTL SUPPLIER CODE: VK0680 POST SERVICE BULLETIN: 72-9812PT02 VK0680	002004 006106 108120 950951	RF
- 4	UL36918		.TURBINE-IP/LP MINI MODULE INSTL SUPPLIER CODE: VK0680 POST SERVICE BULLETIN: 72-9812PT02 VK0680	107107 121949 952999	RF
5	AS21116		..BOLT	002004 006106 108120 504903 950951	16
6	AS21116		..BOLT- POST SERVICE BULLETIN: 26-7205PT01 VK0680	107107 121949 952999	39
9	AS21114		..BOLT- POST SERVICE BULLETIN: 26-7205PT01 VK0680	107107 121949 952999	60
10	AS21114		..BOLT	002004 006106 108120 504903 950951	83
11	AS21114		..BOLT	002004 006999	10
12	UP10503		..CAP-C DUCT CPRSN STRUT TRANSPORTATION ONLY SUPPLIER CODE: VK0680 PRE SERVICE BULLETIN: 72-8576 VK0680	002004 006100 107107 121949 952999	2
12	UL25376		..CAP-C DUCT CPRSN STRUT TRANSPORTATION ONLY SUPPLIER CODE: VK0680 POST SERVICE BULLETIN: 72-8576PTE VK0680	002004 006999	2

MISSING ITEM NUMBERS NOT APPLICABLE

- ITEM NOT ILLUSTRATED

72-50-51-01

72-50-51
FIG. 01
PAGE 4
JAN 20/09

BRI



757

PARTS CATALOG (MAINTENANCE)

FIG ITEM	PART NUMBER	1 2 3 4 5 6 7	NOMENCLATURE	EFFECT FROM TO	UNITS PER ASSY
1					
13	UL17192		..PLUG-C DUCT ALIGN. BRKT TRANSPORTATION ONLY SUPPLIER CODE: VK0680 PRE SERVICE BULLETIN: 72-8576 VK0680	002004 006100 107107 121949 952999	2
13	UL25375		..PLUG-C DUCT ALIGN. BRKT TRANSPORTATION ONLY SUPPLIER CODE: VK0680 POST SERVICE BULLETIN: 72-8576PTE VK0680	002004 006999	2
15	AS21112		..BOLT	002004 006999	110
20	K8834		..WASHER- SUPPLIER CODE: VK0680	002004 006999	6
- 22	N13727		..WASHER- SUPPLIER CODE: VK0680 POST SERVICE BULLETIN: 26-7205PT01 VK0680	107107 121949 952999	2
25	AS20626		..NUT	002004 006999	216
30	LJ28227		..NUT- TRANSPORTATION ONLY SUPPLIER CODE: VK0680	002004 006999	3
35	LK41820		..PIN- SUPPLIER CODE: VK0680	002004 006999	8
40	LK73038		..PLATE- SUPPLIER CODE: VK0680	002004 006999	8
45	LK82388		..BRACKET- SUPPLIER CODE: VK0680 CONFIG CHG DATA FROM A CMM: FOR INTRCHG SEE RR IPC	002004 006106 108120 950951	7
46	LK82388		..BRACKET- SUPPLIER CODE: VK0680 CONFIG CHG DATA FROM A CMM: FOR INTRCHG SEE RR IPC	002004 006999	10

MISSING ITEM NUMBERS NOT APPLICABLE

- ITEM NOT ILLUSTRATED

72-50-51-01

72-50-51
FIG. 01
PAGE 5
JAN 20/09

BRI

BOEING PROPRIETARY - Copyright © - Unpublished Work - See title page for details.



757

PARTS CATALOG (MAINTENANCE)

FIG ITEM	PART NUMBER	1 2 3 4 5 6 7	NOMENCLATURE	EFFECT FROM TO	UNITS PER ASSY
1					
47	LK82388		..BRACKET- SUPPLIER CODE: VK0680 CONFIG CHG DATA FROM A CMM: FOR INTRCHG SEE RR IPC POST SERVICE BULLETIN: 26-7205PT01 VK0680	107107 121949 952999	11
50	UL12846		..BRACKET ASSY-TUBE MTG FIRE DETECTOR SUPPLIER CODE: VK0680	002004 006999	1
55	UL14762		..BRACKET ASSY-STRUT ALIGN. SUPPLIER CODE: VK0680 POSITION DATA: REAR LH	002004 006999	1
60	UL14763		..BRACKET ASSY-STRUT ALIGN. SUPPLIER CODE: VK0680 POSITION DATA: REAR RH	002004 006999	1
62	LK70315		..BRACKET- SUPPLIER CODE: VK0680 POST SERVICE BULLETIN: 26-7205PT01 VK0680	107107 121949 952999	11
65	UL11609		..STRUT ASSY-REAR SPRT CYLINDRICAL SUPPLIER CODE: VK0680	002004 006999	1
70	LK34659		..BOLT- SUPPLIER CODE: VK0680	002004 006999	2
75	LK71659		..NUT- SUPPLIER CODE: VK0680	002004 006999	2
77	LK82744		..COVER-FUEL DRAIN BLANKING TRANSPORTATION ONLY SUPPLIER CODE: VK0680	002004 006999	1
80	LK82721		..BRACKET ASSY- SUPPLIER CODE: VK0680	002004 006999	1
85	AS16444		...RIVET- SUPPLIER CODE: VU1653	002004 006999	2

MISSING ITEM NUMBERS NOT APPLICABLE

- ITEM NOT ILLUSTRATED

BRI

72-50-51-01

BOEING PROPRIETARY - Copyright © - Unpublished Work - See title page for details.

72-50-51
FIG. 01
PAGE 6
JAN 20/09



757

PARTS CATALOG (MAINTENANCE)

FIG ITEM	PART NUMBER	1 2 3 4 5 6 7	NOMENCLATURE	EFFECT FROM TO	UNITS PER ASSY
1 90	LK45883		. . PLATE-IDENT SUPPLIER CODE: V51563	002004 006999	1

MISSING ITEM NUMBERS NOT APPLICABLE

- ITEM NOT ILLUSTRATED

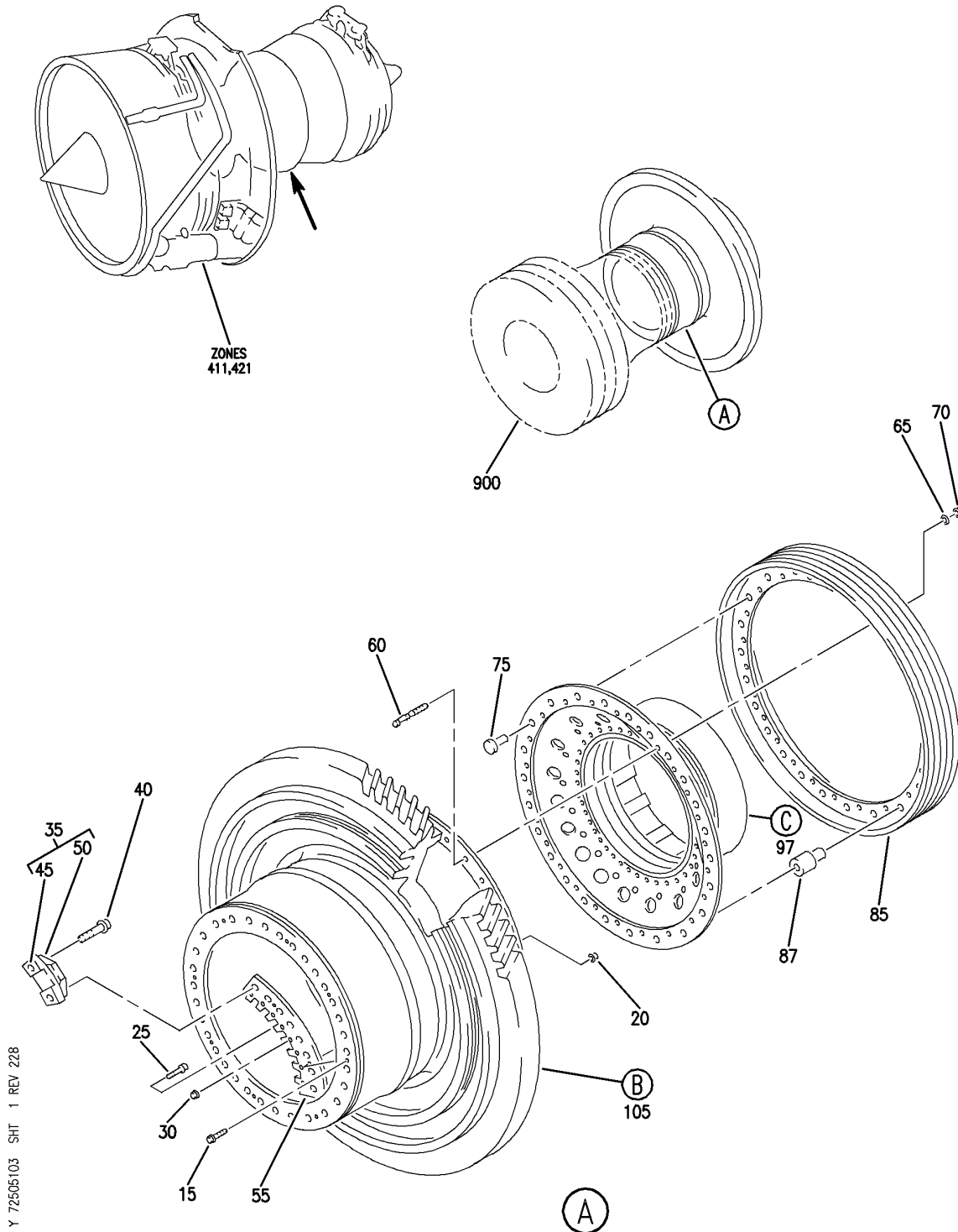
BRI

72-50-51-01

BOEING PROPRIETARY - Copyright © - Unpublished Work - See title page for details.

72-50-51
FIG. 01
PAGE 7
JAN 20/09

BOEING
757
PARTS CATALOG (MAINTENANCE)



Y 72505103 SHT 1 REV 228

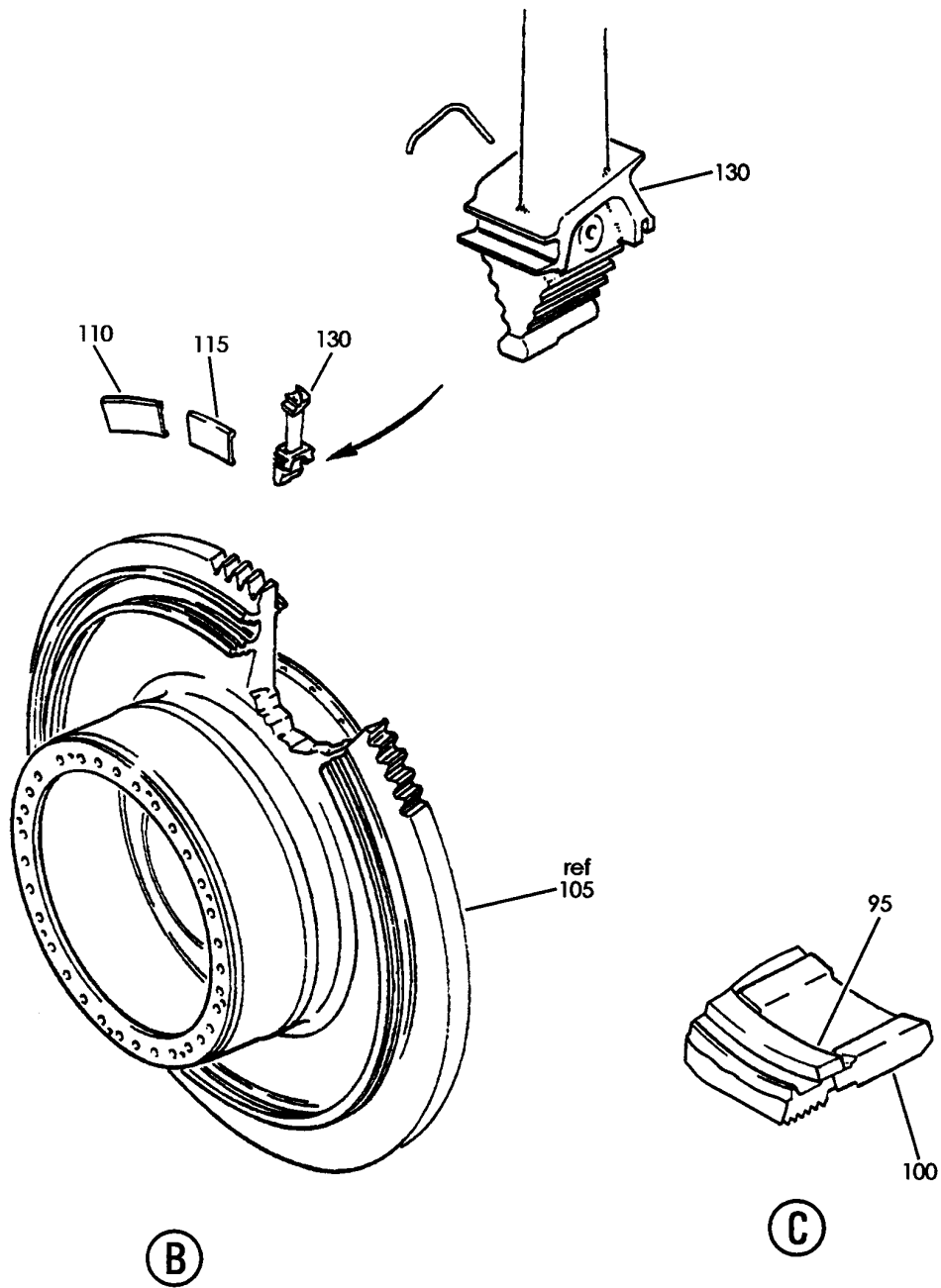
HP TURBINE DISC BLADE (RB211-535)
FIGURE 3 (SHEET 1)

72-50-51-03

BRI
MAY 28/07

72-50-51-03
PAGE 0

BOEING
757
PARTS CATALOG (MAINTENANCE)



Y 72505103 SHT. 2 REV 210

HP TURBINE DISC BLADE (RB211-535)
FIGURE 3 (SHEET 2)

72-50-51-03

BRI
MAY 28/07

72-50-51-03
PAGE 0A



757

PARTS CATALOG (MAINTENANCE)

FIG ITEM	PART NUMBER	1 2 3 4 5 6 7	NOMENCLATURE	EFFECT FROM TO	UNITS PER ASSY
3			HP TURBINE DISC BLADE (RB211-535)	002004 006999	
- 1	UL19722		ENGINE ASSY-Q.E.C.U. RB211-535E43711 MAXIMUM NEUT SUPPLIER CODE: VK0680 FOR NHA/OTHER SYS DET SEE: 71-00-02-04	107107	RF
- 1	UL20697		ENGINE ASSY-Q.E.C.U. RB211-535E43711 MAXIMUM NEUT WITH GRAVINER FIRE DETECTORS, BAYONET MCD, NON-MODULATED IDG COOLING 40,000 LB THRUST SUPPLIER CODE: VK0680 REFERENCE SERVICE BULLETIN: 71-0058R4 QUALIFIED SB I/W DATA: INTERMIX OF ONE OR SUBSTITUTION OF TWO DIFFERENT CONFIGURATION RB211-535E4-37/() ENGINES FOR RB211-535 E4 BASE ENGINES REFERENCE SERVICE BULLETIN: RB211-72-C547 VK0680 FOR NHA/OTHER SYS DET SEE: 71-00-02-04	121503 904949 952999	RF
- 1	UL20702		ENGINE ASSY-Q.E.C.U. RB211-535E43711 BASIC ENGINE CONFIG. WITH GRAVINER FIRE DETECTORS, BAYONET MCD, NON-MODULATED IDG COOLING 40,100 LB THRUST SUPPLIER CODE: VK0680 FOR NHA/OTHER SYS DET SEE: 71-00-02-10	504903	RF

MISSING ITEM NUMBERS NOT APPLICABLE

- ITEM NOT ILLUSTRATED

BRI

72-50-51-03

BOEING PROPRIETARY - Copyright © - Unpublished Work - See title page for details.

72-50-51
FIG. 03
PAGE 1
JAN 20/09



757

PARTS CATALOG (MAINTENANCE)

FIG ITEM	PART NUMBER	1 2 3 4 5 6 7	NOMENCLATURE	EFFECT FROM TO	UNITS PER ASSY
3 - 1	UL20698		ENGINE ASSY-Q.E.C.U. RB211-535E43712 MAXIMUM NEUT SUPPLIER CODE: VK0680 REFERENCE SERVICE BULLETIN: 71-0058R7 QUALIFIED SB I/W DATA: INTERMIX OF ONE OR SUBSTITUTION OF TWO DIFFERENT CONFIGURATION RB211-535E4-37/() ENGINES FOR RB211-535E4 BASE ENGINES OR DIFFERENT CONFIGURATION RB211-535E4-B-37/() ENGINES FOR RB211-535E4-B BASE ENGINES REFERENCE SERVICE BULLETIN: RB211-72C547 VK0680 RB211-72-8910 VK0680 POST RAPID REVISION: RR92014-183A-RC-E FOR NHA/OTHER SYS DET SEE: 71-00-02-04	002004 006100 102102	RF
- 2	UL36209		ENGINE ASSY-Q.E.C.U. RB211-535E43719 MAXIMUM NEUT SUPPLIER CODE: VK0680 FOR NHA/OTHER SYS DET SEE: 71-00-02-04	950951	RF
- 3	BCREF17395		ENGINE ASSY-Q.E.C.U. RB211-535E43739 BASIC ENGINE CONFIGURATION AND PHASE 5 COMBUSTOR 40,100 LB THRUST SUPPLIER CODE: VK0680 OVERLENGTH PART NUMBER: RB211-535E4-37-39E FOR NHA/OTHER SYS DET SEE: 71-00-02-10	108120	RF

MISSING ITEM NUMBERS NOT APPLICABLE

- ITEM NOT ILLUSTRATED

BRI

72-50-51-03

BOEING PROPRIETARY - Copyright © - Unpublished Work - See title page for details.

72-50-51
FIG. 03
PAGE 2
JAN 20/09



757

PARTS CATALOG (MAINTENANCE)

FIG ITEM	PART NUMBER	1 2 3 4 5 6 7	NOMENCLATURE	EFFECT FROM TO	UNITS PER ASSY
3					
- 3	BCREF17101		ENGINE ASSY-Q.E.C.U. RB211-535E43744 BASIC ENGINE CONFIGURATION, BAYONET MCD AND PHASE 5 COMBUSTOR 40,100 LB THRUST SUPPLIER CODE: VK0680 OVERLENGTH PART NUMBER: RB211-535E4-3744E FOR NHA/OTHER SYS DET SEE: 71-00-02-10	103106	RF
- 3	UL38163		ENGINE ASSY-Q.E.C.U. RB211-535E43724 BASIC ENGINE CONFIGURATION, BAYONET MCD, 40,100 LB THRUST SUPPLIER CODE: VK0680 FOR NHA/OTHER SYS DET SEE: 71-00-02-10	101101	RF
- 5	UL32373		.TURBINE-MINI MODULE 04/3 - HP SUPPLIER CODE: VK0680 POST SERVICE BULLETIN: 72-9701PT01 VK0680	002004 006999	RF
- 10	UL18218		.TURBINE-MINI MODULE 04/3 - HP SUPPLIER CODE: VK0680 PRE SERVICE BULLETIN: 72-9701 VK0680	002004 006102 107107 121999	RF
900			ILLUSTRATION REFERENCE: HP COMPRESSOR ROTOR AND CASE (RB211-535) 72-30-51-02	002004 006999	RF

MISSING ITEM NUMBERS NOT APPLICABLE

- ITEM NOT ILLUSTRATED

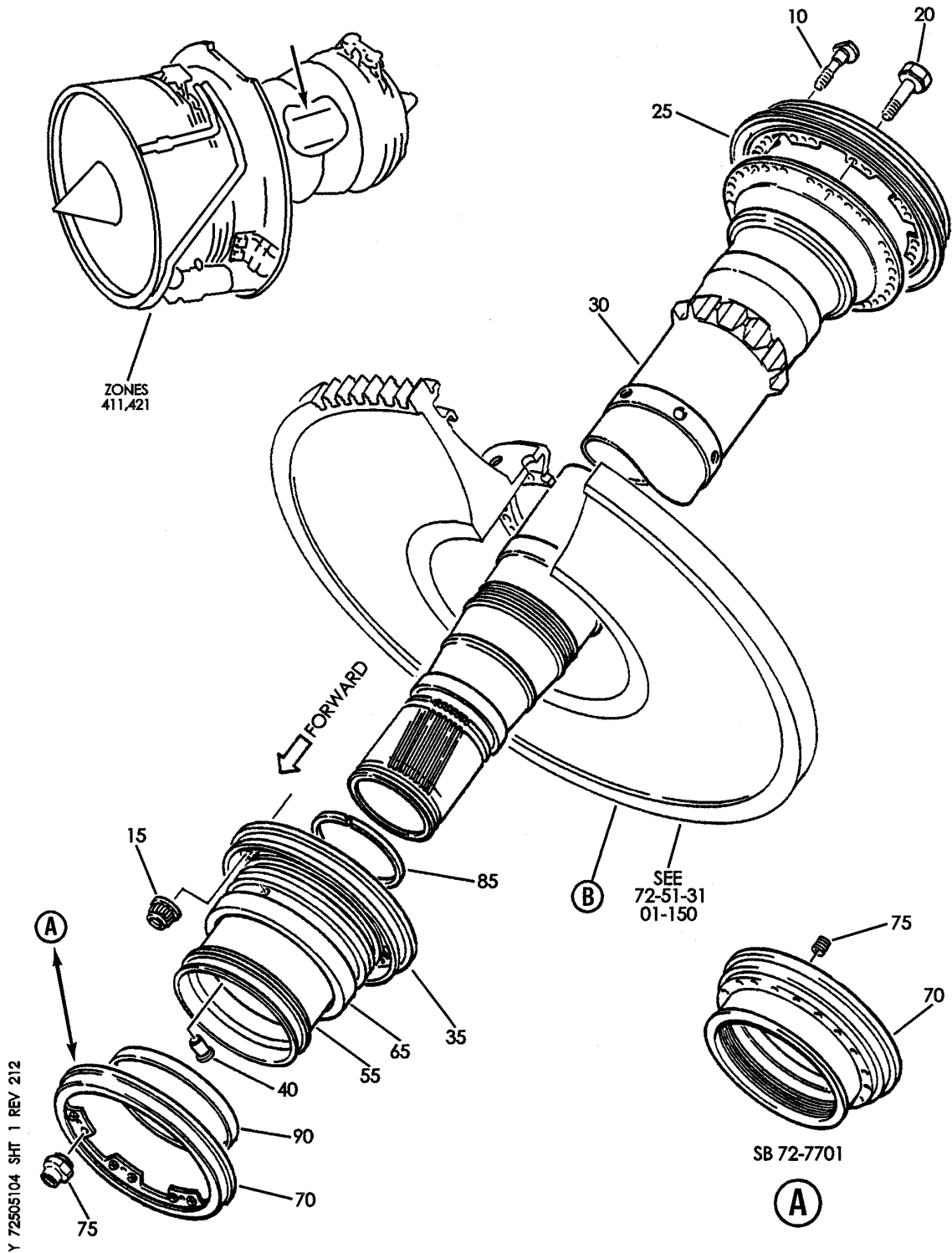
BRI

72-50-51-03

BOEING PROPRIETARY - Copyright © - Unpublished Work - See title page for details.

72-50-51
FIG. 03
PAGE 3
JAN 20/09

BOEING
757
PARTS CATALOG (MAINTENANCE)



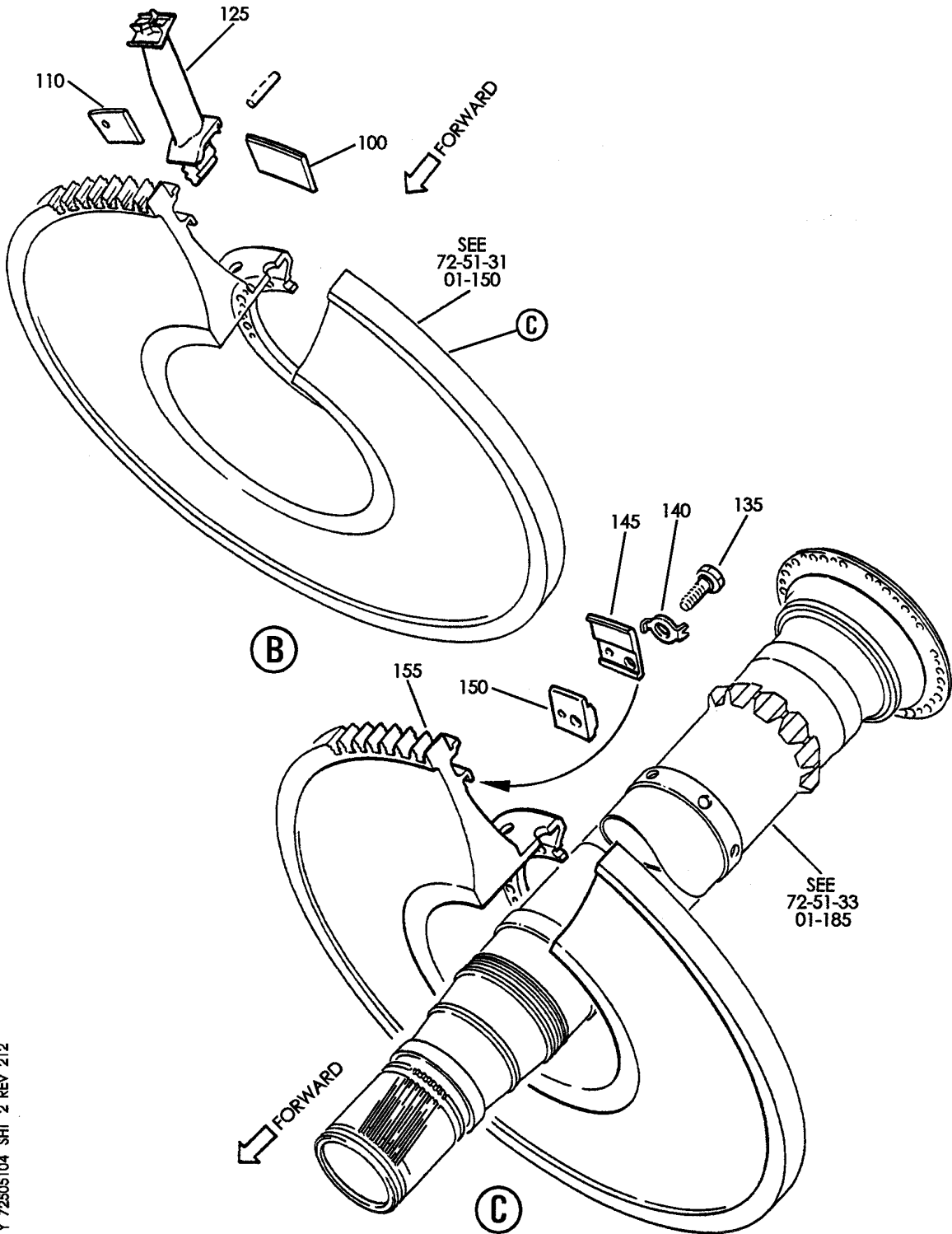
IP TURBINE SHAFT (RB211-535)
FIGURE 4 (SHEET 1)

72-50-51-04

BRI
MAY 28/07

72-50-51-04
PAGE 0

BOEING
757
PARTS CATALOG (MAINTENANCE)



Y 72505104 SHT 2 REV 212

IP TURBINE SHAFT (RB211-535)
FIGURE 4 (SHEET 2)

72-50-51-04

BRI
MAY 28/07

72-50-51-04
PAGE 0A



757

PARTS CATALOG (MAINTENANCE)

FIG ITEM	PART NUMBER	1 2 3 4 5 6 7	NOMENCLATURE	EFFECT FROM TO	UNITS PER ASSY
4			IP TURBINE SHAFT (RB211-535)	002004 006999	
- 1	UL19722		ENGINE ASSY-Q.E.C.U. RB211-535E43711 MAXIMUM NEUT SUPPLIER CODE: VK0680 POST SERVICE BULLETIN: 71-0001 FOR NHA/OTHER SYS DET SEE: 71-00-02-04	107107	RF
- 1	UL20697		ENGINE ASSY-Q.E.C.U. RB211-535E43711 MAXIMUM NEUT WITH GRAVINER FIRE DETECTORS, BAYONET MCD, NON-MODULATED IDG COOLING 40,000 LB THRUST SUPPLIER CODE: VK0680 REFERENCE SERVICE BULLETIN: 71-0058R4 QUALIFIED SB I/W DATA: INTERMIX OF ONE OR SUBSTITUTION OF TWO DIFFERENT CONFIGURATION RB211-535E4-37/() ENGINES FOR RB211-535 E4 BASE ENGINES REFERENCE SERVICE BULLETIN: RB211-72-C547 VK0680 FOR NHA/OTHER SYS DET SEE: 71-00-02-04	121503 904949 952999	RF
- 1	UL20702		ENGINE ASSY-Q.E.C.U. RB211-535E43711 BASIC ENGINE CONFIG. WITH GRAVINER FIRE DETECTORS, BAYONET MCD, NON-MODULATED IDG COOLING 40,100 LB THRUST SUPPLIER CODE: VK0680 FOR NHA/OTHER SYS DET SEE: 71-00-02-10	504903	RF

MISSING ITEM NUMBERS NOT APPLICABLE

- ITEM NOT ILLUSTRATED

BRI

72-50-51-04

BOEING PROPRIETARY - Copyright © - Unpublished Work - See title page for details.

72-50-51
FIG. 04
PAGE 1
JAN 20/09



757

PARTS CATALOG (MAINTENANCE)

FIG ITEM	PART NUMBER	1 2 3 4 5 6 7	NOMENCLATURE	EFFECT FROM TO	UNITS PER ASSY
4 - 1	UL20698		ENGINE ASSY-Q.E.C.U. RB211-535E412 MAXIMUM NEUT SUPPLIER CODE: VK0680 REFERENCE SERVICE BULLETIN: 71-0058R7 QUALIFIED SB I/W DATA: INTERMIX OF ONE OR SUBSTITUTION OF TWO DIFFERENT CONFIGURATION RB211-535E4-37/() ENGINES FOR RB211-535E4 BASE ENGINES OR DIFFERENT CONFIGURATION RB211-535E4-B-37/() ENGINES FOR RB211-535E4-B BASE ENGINES REFERENCE SERVICE BULLETIN: RB211-72C547 VK0680 RB211-72-8910 VK0680 POST RAPID REVISION: RR92014-183E FOR NHA/OTHER SYS DET SEE: 71-00-02-04	002004 006100 102102	RF
- 2	UL36209		ENGINE ASSY-Q.E.C.U. RB211-535E43719 MAXIMUM NEUT SUPPLIER CODE: VK0680 FOR NHA/OTHER SYS DET SEE: 71-00-02-04	950951	RF
- 3	BCREF17395		ENGINE ASSY-Q.E.C.U. RB211-535E43739 BASIC ENGINE CONFIGURATION AND PHASE 5 COMBUSTOR 40,100 LB THRUST SUPPLIER CODE: VK0680 OVERLENGTH PART NUMBER: RB211-535E4-37-39E QUALIFIED SB I/W DATA: E4 BASE ENGINES FOR NHA/OTHER SYS DET SEE: 71-00-02-10	108120	RF

MISSING ITEM NUMBERS NOT APPLICABLE

- ITEM NOT ILLUSTRATED

72-50-51-04

72-50-51
FIG. 04
PAGE 2
JAN 20/09

BRI



757

PARTS CATALOG (MAINTENANCE)

FIG ITEM	PART NUMBER	1 2 3 4 5 6 7	NOMENCLATURE	EFFECT FROM TO	UNITS PER ASSY
4 -	3 BCRE17101		ENGINE ASSY-Q.E.C.U. RB211-535E43744 BASIC ENGINE CONFIGURATION, BAYONET MCD AND PHASE 5 COMBUSTOR 40,100 LB THRUST SUPPLIER CODE: VK0680 OVERLENGTH PART NUMBER: RB211-535E4-3744E FOR NHA/OTHER SYS DET SEE: 71-00-02-10	103106	RF
-	3 UL38163		ENGINE ASSY-Q.E.C.U. RB211-535E43724 BASIC ENGINE CONFIGURATION, BAYONET MCD, 40,100 LB THRUST SUPPLIER CODE: VK0680 FOR NHA/OTHER SYS DET SEE: 71-00-02-10	101101	RF
-	5 UL36920		.IP TURBINE-MINI MODULE 05/1 SUPPLIER CODE: VK0680 POST SERVICE BULLETIN: 72-9812PT02 VK0680 PRE SERVICE BULLETIN: 72-E292 VK0680	002004 006999	RF
-	5 UL17839		.IP TURBINE-MINI MODULE SUPPLIER CODE: VK0680 PRE SERVICE BULLETIN: 72-9812 VK0680	002004 006102 107999	RF
-	5 FW34822		.IP TURBINE-MINI MODULE 05 SUPPLIER CODE: VK0680 POST SERVICE BULLETIN: 72-E292PT01 VK0680 PRE SERVICE BULLETIN: 72-E912 VK0680	002004 006100 102999	RF

MISSING ITEM NUMBERS NOT APPLICABLE

- ITEM NOT ILLUSTRATED

BRI

72-50-51-04

BOEING PROPRIETARY - Copyright © - Unpublished Work - See title page for details.

72-50-51
FIG. 04
PAGE 3
JAN 20/09



757

PARTS CATALOG (MAINTENANCE)

FIG ITEM	PART NUMBER	1 2 3 4 5 6 7	NOMENCLATURE	EFFECT FROM TO	UNITS PER ASSY
4 -	5 FW43174		.IP TURBINE-MINI MODULE 05 SUPPLIER CODE: VK0680 POST SERVICE BULLETIN: 72-E912PT01 VK0680	108120	RF
-	5 FW43170		.IP TURBINE-MINI MODULE 05 SUPPLIER CODE: VK0680 POST SERVICE BULLETIN: 72-E912PT01 VK0680	002004 006100 102999	RF

MISSING ITEM NUMBERS NOT APPLICABLE

- ITEM NOT ILLUSTRATED

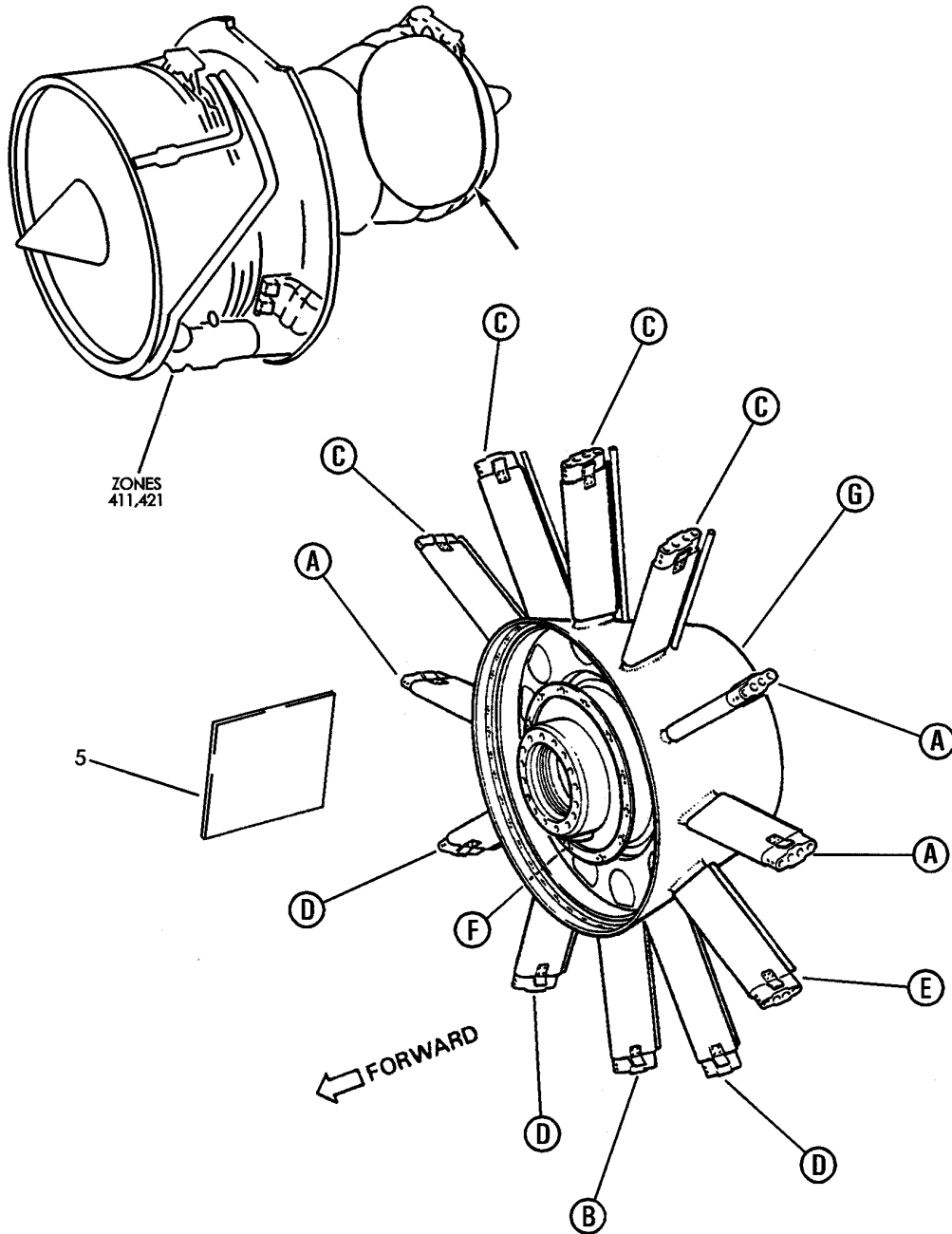
BRI

72-50-51-04

BOEING PROPRIETARY - Copyright © - Unpublished Work - See title page for details.

72-50-51
FIG. 04
PAGE 4
JAN 20/09

BOEING
757
PARTS CATALOG (MAINTENANCE)



Y 72505105 SHT 1 REV 212

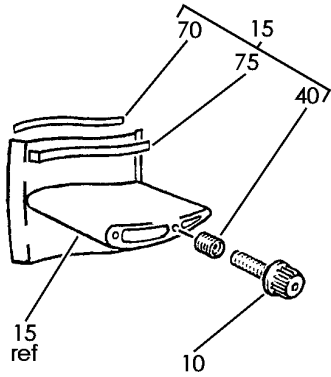
ENGINE-LP TURBINE SUPPORT (RB211-535)
FIGURE 5 (SHEET 1)

72-50-51-05

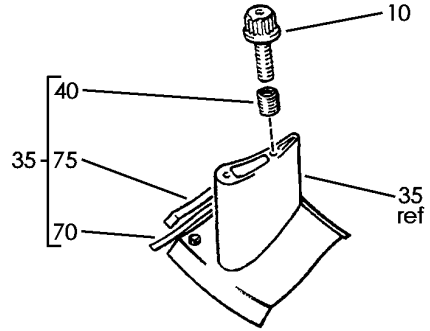
BRI
MAY 28/07

72-50-51-05
PAGE 0

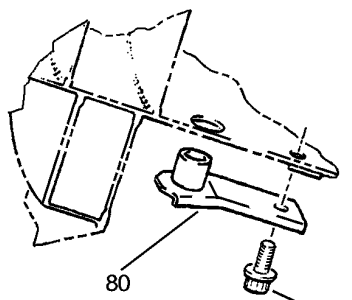

BOEING
 757
PARTS CATALOG (MAINTENANCE)



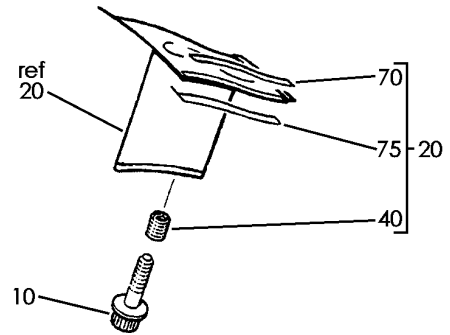
(A)



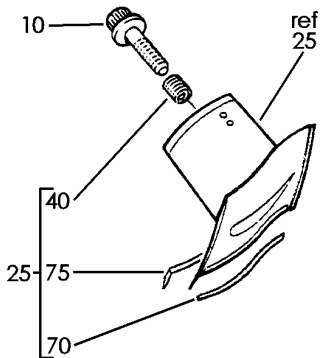
(B)



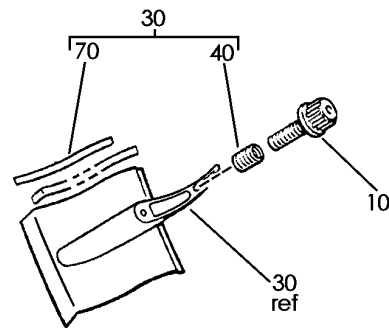
(F)



(C)



(E)



(D)

Y 72505105 SHT 2 REV 226

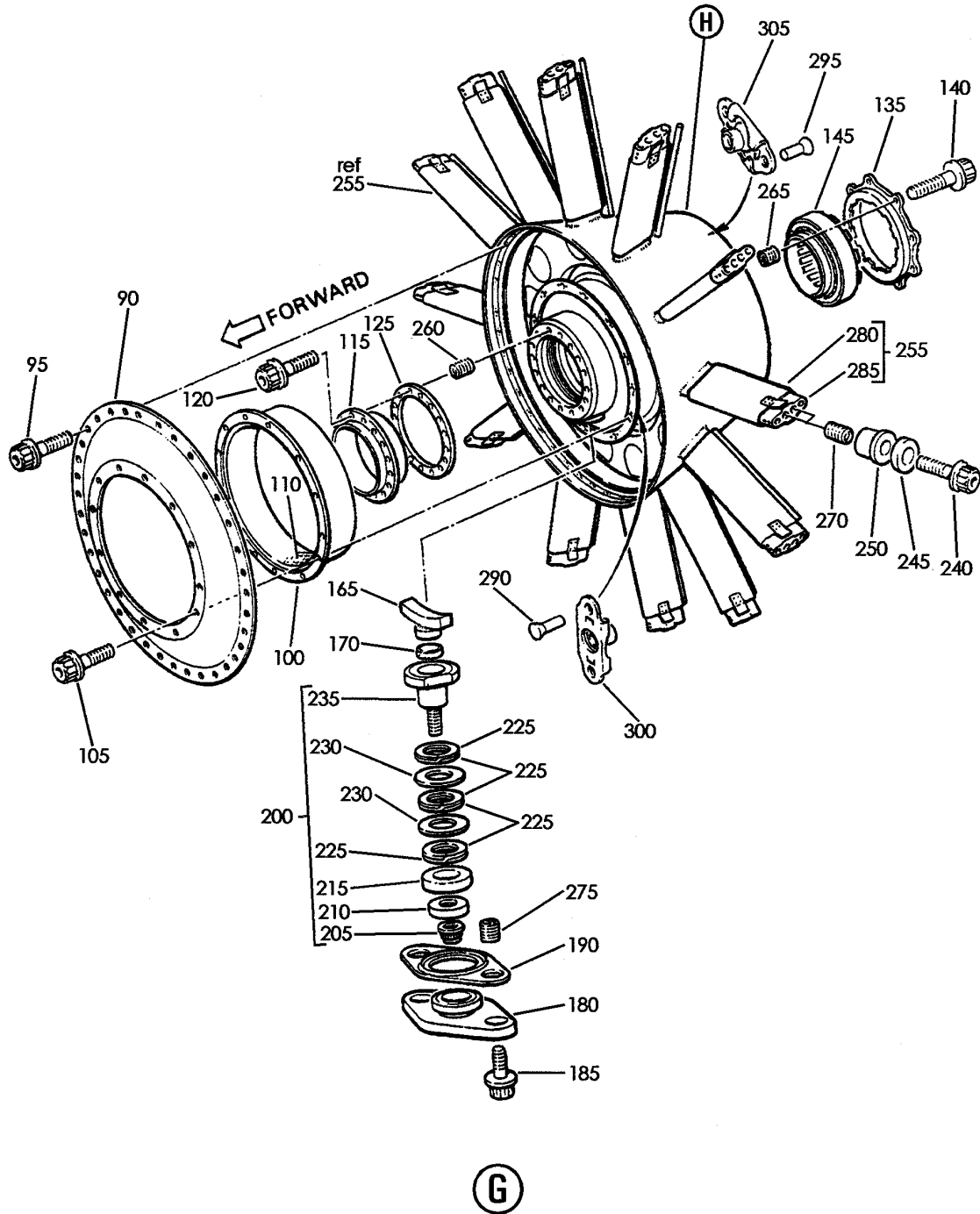
ENGINE-LP TURBINE SUPPORT (RB211-535)
FIGURE 5 (SHEET 2)

72-50-51-05

BRI
MAY 28/07

72-50-51-05
PAGE 0A

BOEING
757
PARTS CATALOG (MAINTENANCE)



Y 72505105 SHT 3 REV 212

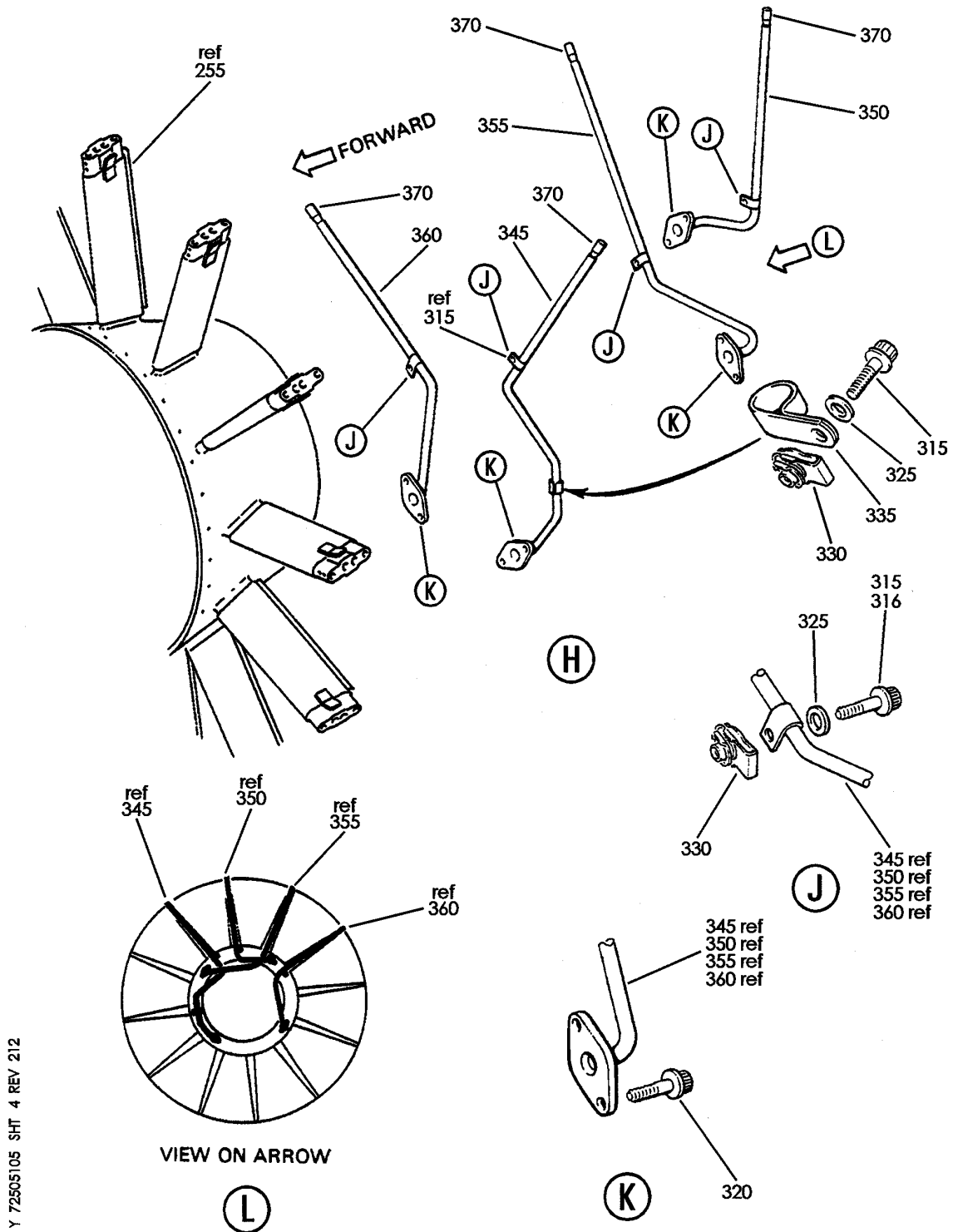
ENGINE-LP TURBINE SUPPORT (RB211-535)
FIGURE 5 (SHEET 3)

72-50-51-05

BRI
MAY 28/07

72-50-51-05
PAGE 0B

BOEING
757
PARTS CATALOG (MAINTENANCE)



Y 72505105 SHT 4 REV 212

ENGINE-LP TURBINE SUPPORT (RB211-535)
FIGURE 5 (SHEET 4)

72-50-51-05

BRI
MAY 28/07

72-50-51-05
PAGE 0C



757

PARTS CATALOG (MAINTENANCE)

FIG ITEM	PART NUMBER	1 2 3 4 5 6 7	NOMENCLATURE	EFFECT FROM TO	UNITS PER ASSY
5			ENGINE-LP TURBINE SUPPORT (RB211-535)	002004 006999	
- 1	UL19722		ENGINE ASSY-Q.E.C.U. RB211-535E43711 MAXIMUM NEUT SUPPLIER CODE: VK0680 FOR NHA/OTHER SYS DET SEE: 71-00-02-04	107107	RF
- 1	UL20697		ENGINE ASSY-Q.E.C.U. RB211-535E43711 MAXIMUM NEUT WITH GRAVINER FIRE DETECTORS, BAYONET MCD, NON-MODULATED IDG COOLING 40,000 LB THRUST SUPPLIER CODE: VK0680 REFERENCE SERVICE BULLETIN: 71-0058R4 QUALIFIED SB I/W DATA: INTERMIX OF ONE OR SUBSTITUTION OF TWO DIFFERENT CONFIGURATION RB211-535E4-37/() ENGINES FOR RB211-535 E4 BASE ENGINES REFERENCE SERVICE BULLETIN: RB211-72-C547 VK0680 FOR NHA/OTHER SYS DET SEE: 71-00-02-04	121503 904949 952999	RF
- 1	UL20702		ENGINE ASSY-Q.E.C.U. RB211-535E43711 BASIC ENGINE CONFIG. WITH GRAVINER FIRE DETECTORS, BAYONET MCD, NON-MODULATED IDG COOLING 40,100 LB THRUST SUPPLIER CODE: VK0680 FOR NHA/OTHER SYS DET SEE: 71-00-02-10	504903	RF

MISSING ITEM NUMBERS NOT APPLICABLE

- ITEM NOT ILLUSTRATED

BRI

72-50-51-05

BOEING PROPRIETARY - Copyright © - Unpublished Work - See title page for details.

72-50-51
FIG. 05
PAGE 1
JAN 20/09



757

PARTS CATALOG (MAINTENANCE)

FIG ITEM	PART NUMBER	1 2 3 4 5 6 7	NOMENCLATURE	EFFECT FROM TO	UNITS PER ASSY
5 - 1	UL20698		ENGINE ASSY-Q.E.C.U. RB211-535E43712 MAXIMUM NEUT SUPPLIER CODE: VK0680 REFERENCE SERVICE BULLETIN: 71-0058R7 QUALIFIED SB I/W DATA: INTERMIX OF ONE OR SUBSTITUTION OF TWO DIFFERENT CONFIGURATION RB211-535E4-37/() ENGINE FOR RB211-535E4 BASE ENGINES OR DIFFERENT CONFIGURATION RB211-535E4-B-37/() ENGINES FOR RB211-535E4-B BASE ENGINES REFERENCE SERVICE BULLETIN: RB211-72-C547 VK0680 RB211-72-8910 VK0680 POST RAPID REVISION: RR92014-183E FOR NHA/OTHER SYS DET SEE: 71-00-02-04	002004 006100 102102	RF
- 2	UL36209		ENGINE ASSY-Q.E.C.U. RB211-535E43719 MAXIMUM NEUT SUPPLIER CODE: VK0680 FOR NHA/OTHER SYS DET SEE: 71-00-02-04	950951	RF
- 3	BCREF17395		ENGINE ASSY-Q.E.C.U. RB211-535E43739 BASIC ENGINE CONFIGURATION AND PHASE 5 COMBUSTOR 40,100 LB THRUST SUPPLIER CODE: VK0680 OVERLENGTH PART NUMBER: RB211-535E4-37-39E FOR NHA/OTHER SYS DET SEE: 71-00-02-10	108120	RF

MISSING ITEM NUMBERS NOT APPLICABLE

- ITEM NOT ILLUSTRATED

72-50-51-05

72-50-51
FIG. 05
PAGE 2
JAN 20/09

BRI



757

PARTS CATALOG (MAINTENANCE)

FIG ITEM	PART NUMBER	1 2 3 4 5 6 7	NOMENCLATURE	EFFECT FROM TO	UNITS PER ASSY
5 -	3 BCRE17101		ENGINE ASSY-Q.E.C.U. RB211-535E43744 BASIC ENGINE CONFIGURATION, BAYONET MCD AND PHASE 5 COMBUSTOR 40,100 LB THRUST SUPPLIER CODE: VK0680 OVERLENGTH PART NUMBER: RB211-535E4-3744E FOR NHA/OTHER SYS DET SEE: 71-00-02-10	103106	RF
-	3 UL38163		ENGINE ASSY-Q.E.C.U. RB211-535E43724 BASIC ENGINE CONFIGURATION, BAYONET MCD, 40,100 LB THRUST SUPPLIER CODE: VK0680 FOR NHA/OTHER SYS DET SEE: 71-00-02-10	101101	RF
	240 BLT5168		.BOLT- SUPPLIER CODE: VK0680	002004 006999	24
	245 LK82717		.WASHER- SUPPLIER CODE: VK0680	002004 006999	24

MISSING ITEM NUMBERS NOT APPLICABLE

- ITEM NOT ILLUSTRATED

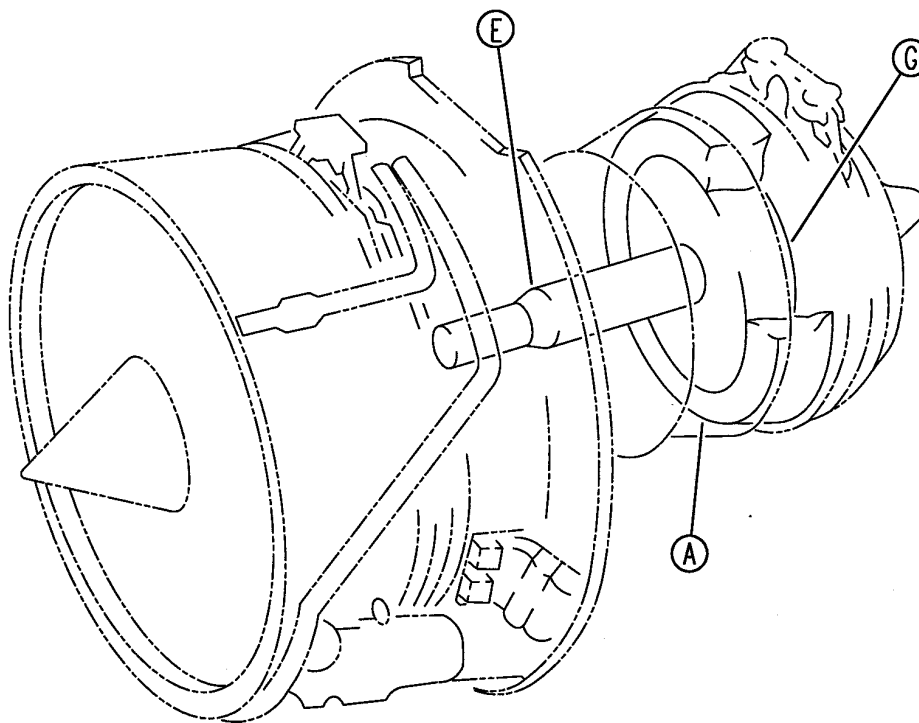
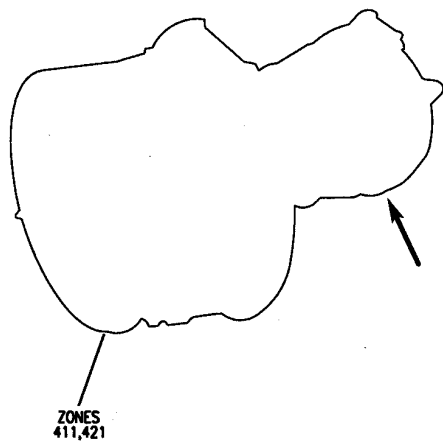
BRI

72-50-51-05

BOEING PROPRIETARY - Copyright © - Unpublished Work - See title page for details.

72-50-51
FIG. 05
PAGE 3
JAN 20/09

BOEING
757
PARTS CATALOG (MAINTENANCE)



Y 72505106 SH1 1 REV 212

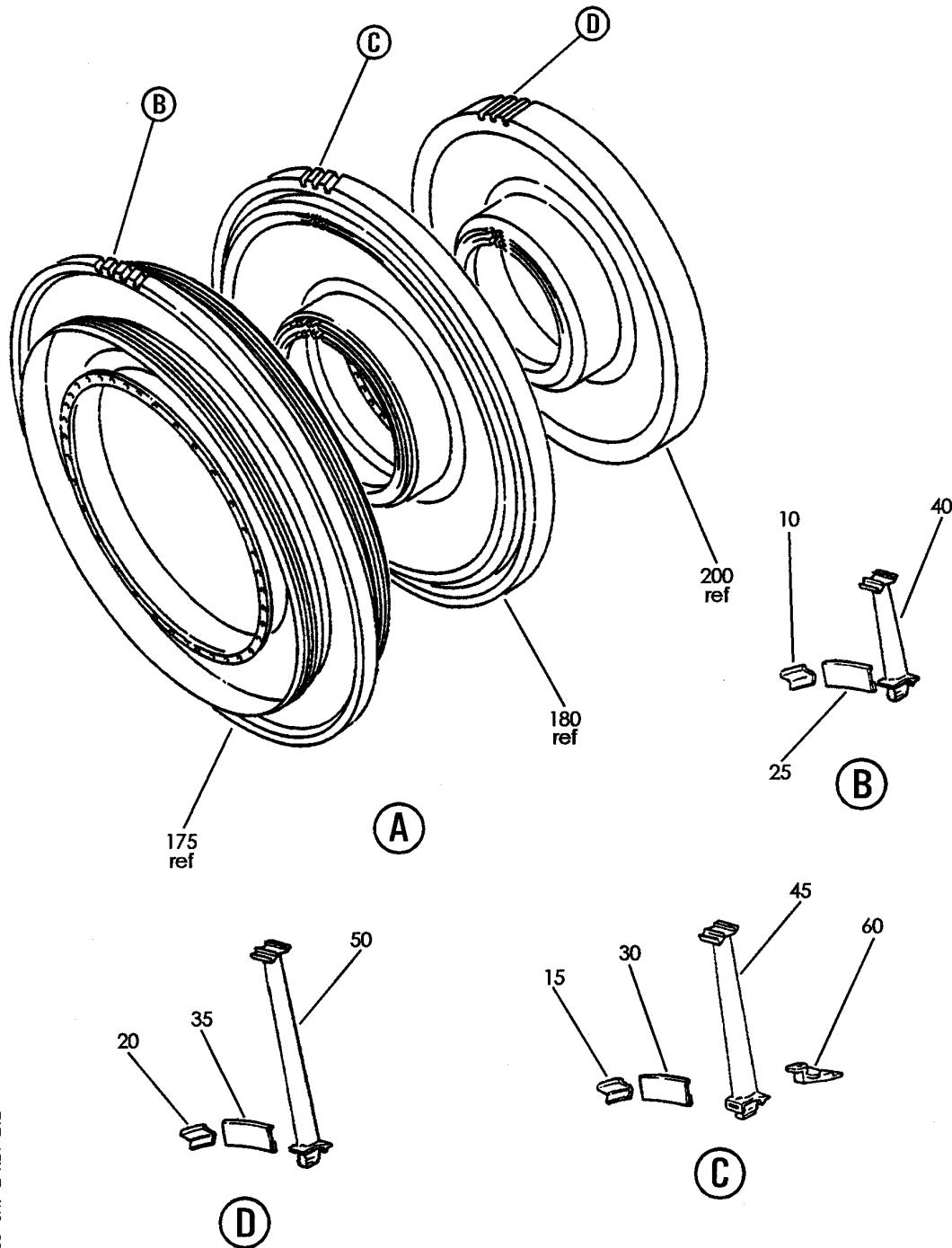
LP TURBINE ROTOR AND BLADES (RB211-535)
FIGURE 6 (SHEET 1)

BRI
MAY 28/07

72-50-51-06

72-50-51-06
PAGE 0

BOEING
757
PARTS CATALOG (MAINTENANCE)



Y 72505106 SHT 2 REV 212

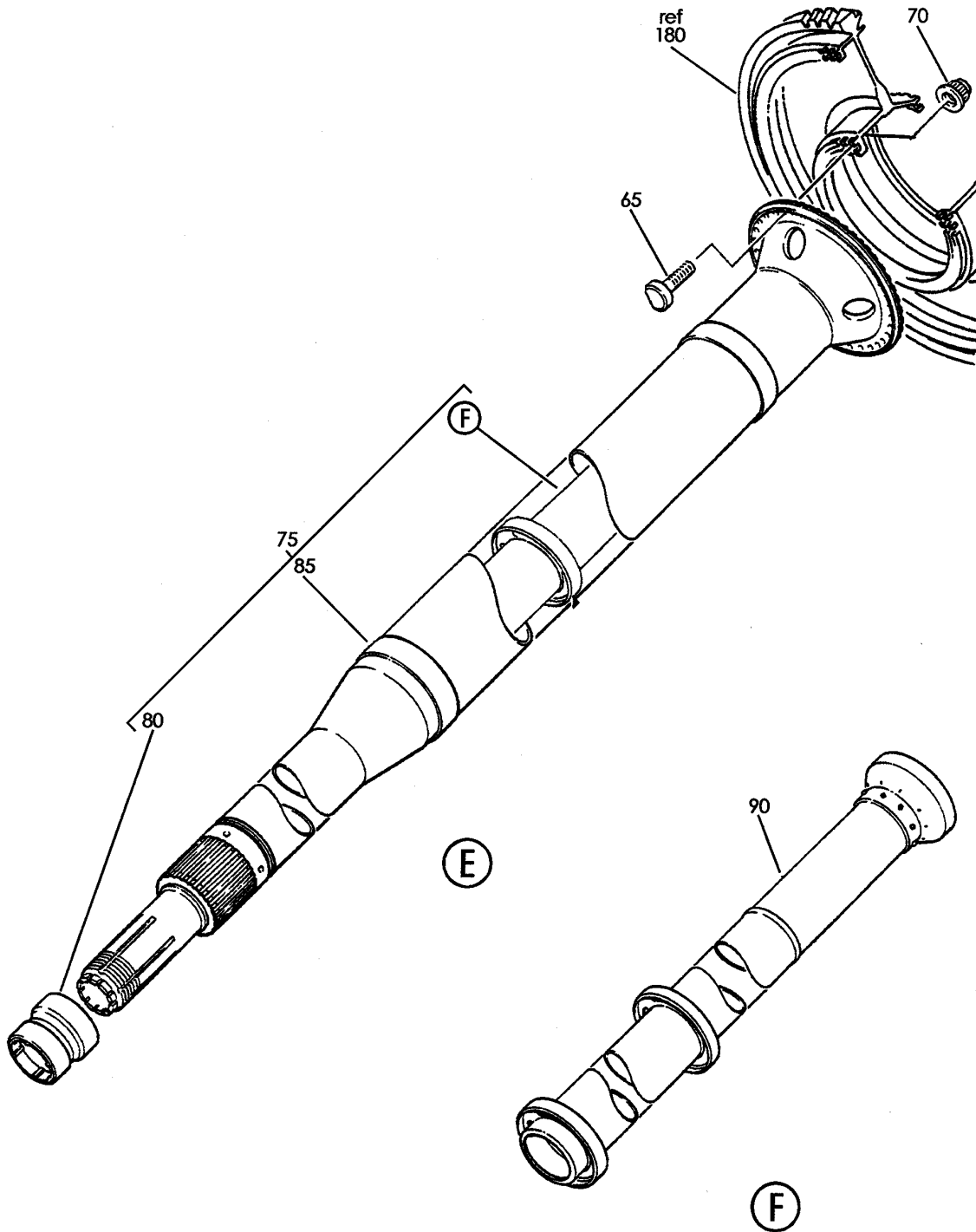
LP TURBINE ROTOR AND BLADES (RB211-535)
FIGURE 6 (SHEET 2)

72-50-51-06

BRI
MAY 28/07

72-50-51-06
PAGE 0A

BOEING
757
PARTS CATALOG (MAINTENANCE)



Y 72505106 SH1 3 REV 212

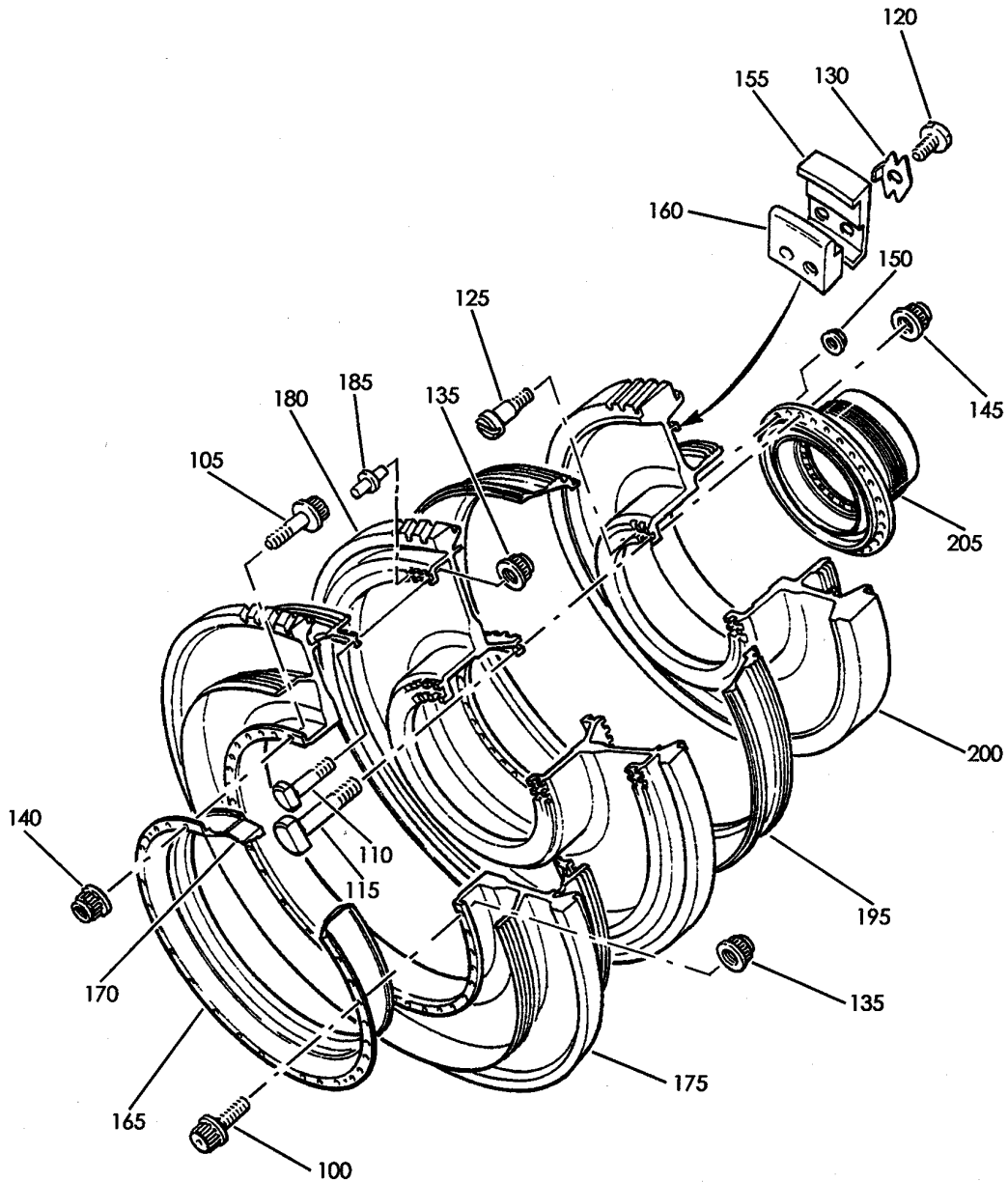
LP TURBINE ROTOR AND BLADES (RB211-535)
FIGURE 6 (SHEET 3)

72-50-51-06

BRI
MAY 28/07

72-50-51-06
PAGE 0B

BOEING
757
PARTS CATALOG (MAINTENANCE)



(G)

Y 72505106 SHT 4 REV 212

LP TURBINE ROTOR AND BLADES (RB211-535)
FIGURE 6 (SHEET 4)

72-50-51-06

BRI
MAY 28/07

72-50-51-06
PAGE 0C



757

PARTS CATALOG (MAINTENANCE)

FIG ITEM	PART NUMBER	1 2 3 4 5 6 7	NOMENCLATURE	EFFECT FROM TO	UNITS PER ASSY
6			LP TURBINE ROTOR AND BLADES (RB211-535)	002004 006999	
- 1	UL19722		ENGINE ASSY-Q.E.C.U. RB211-535E43711 MAXIMUM NEUT SUPPLIER CODE: VK0680 FOR NHA/OTHER SYS DET SEE: 71-00-02-04	107107	RF
- 1	UL20697		ENGINE ASSY-Q.E.C.U. RB211-535E43711 MAXIMUM NEUT WITH GRAVINER FIRE DETECTORS, BAYONET MCD, NON-MODULATED IDG COOLING 40,000 LB THRUST SUPPLIER CODE: VK0680 REFERENCE SERVICE BULLETIN: 71-0058R4 QUALIFIED SB I/W DATA: INTERMIX OF ONE OR SUBSTITUTION OF TWO DIFFERENT CONFIGURATION RB211-535E4-37/() ENGINES FOR RB211-535 E4 BASE ENGINES REFERENCE SERVICE BULLETIN: RB211-72-C547 VK0680 FOR NHA/OTHER SYS DET SEE: 71-00-02-04	121503 904949 952999	RF
- 1	UL20702		ENGINE ASSY-Q.E.C.U. RB211-535E43711 BASIC ENGINE CONFIG. WITH GRAVINER FIRE DETECTORS, BAYONET MCD, NON-MODULATED IDG COOLING 40,100 LB THRUST SUPPLIER CODE: VK0680 FOR NHA/OTHER SYS DET SEE: 71-00-02-10	504903	RF

MISSING ITEM NUMBERS NOT APPLICABLE

- ITEM NOT ILLUSTRATED

72-50-51-06

72-50-51
FIG. 06
PAGE 1
JAN 20/09

BRI



757

PARTS CATALOG (MAINTENANCE)

FIG ITEM	PART NUMBER	1 2 3 4 5 6 7	NOMENCLATURE	EFFECT FROM TO	UNITS PER ASSY
6 - 1	UL20698		ENGINE ASSY-Q.E.C.U. RB211-535E43712 MAXIMUM NEUT SUPPLIER CODE: VK0680 REFERENCE SERVICE BULLETIN: 71-0058R7 QUALIFIED SB I/W DATA: INTERMIX OF ONE OR SUBSTITUTION OF TWO DIFFERENT CONFIGURATION RB211-535E4-37/() ENGINE FOR RB211-535E4 BASE ENGINES OR DIFFERENT CONFIGURATION RB211-535E4-B-37/() ENGINES FOR RB211-535E4-B BASE ENGINES REFERENCE SERVICE BULLETIN: RB211-72-C547 VK0680 RB211-72-8910 VK0680 POST RAPID REVISION: RR92014-183E FOR NHA/OTHER SYS DET SEE: 71-00-02-04	002004 006100 102102	RF
- 2	UL36209		ENGINE ASSY-Q.E.C.U. RB211-535E43719 MAXIMUM NEUT SUPPLIER CODE: VK0680 FOR NHA/OTHER SYS DET SEE: 71-00-02-04	950951	RF
- 3	BCREF17395		ENGINE ASSY-Q.E.C.U. RB211-535E43739 BASIC ENGINE CONFIGURATION AND PHASE 5 COMBUSTOR 40,100 LB THRUST SUPPLIER CODE: VK0680 OVERLENGTH PART NUMBER: RB211-535E4-37-39E FOR NHA/OTHER SYS DET SEE: 71-00-02-10	108120	RF

MISSING ITEM NUMBERS NOT APPLICABLE

- ITEM NOT ILLUSTRATED

72-50-51-06

72-50-51
FIG. 06
PAGE 2
JAN 20/09

BRI



757

PARTS CATALOG (MAINTENANCE)

FIG ITEM	PART NUMBER	1 2 3 4 5 6 7	NOMENCLATURE	EFFECT FROM TO	UNITS PER ASSY
6 -	3 BCRE17101		ENGINE ASSY-Q.E.C.U. RB211-535E43744 BASIC ENGINE CONFIGURATION, BAYONET MCD AND PHASE 5 COMBUSTOR 40,100 LB THRUST SUPPLIER CODE: VK0680 OVERLENGTH PART NUMBER: RB211-535E4-3744E FOR NHA/OTHER SYS DET SEE: 71-00-02-10	103106	RF
-	3 UL38163		ENGINE ASSY-Q.E.C.U. RB211-535E43724 BASIC ENGINE CONFIGURATION, BAYONET MCD, 40,100 LB THRUST SUPPLIER CODE: VK0680 FOR NHA/OTHER SYS DET SEE: 71-00-02-10	101101	RF
-	5 UL17840		.LP TURBINE-MINI MODULE 05/2 SUPPLIER CODE: VK0680	002004 006999	RF
	80 UL17735		...SLEEVE-SPHERICAL SHOULDERED-L.P TURBINE SHAFT SUPPLIER CODE: VK0680	002004 006106 108120 950951	1

MISSING ITEM NUMBERS NOT APPLICABLE

- ITEM NOT ILLUSTRATED

BRI

72-50-51-06

BOEING PROPRIETARY - Copyright © - Unpublished Work - See title page for details.

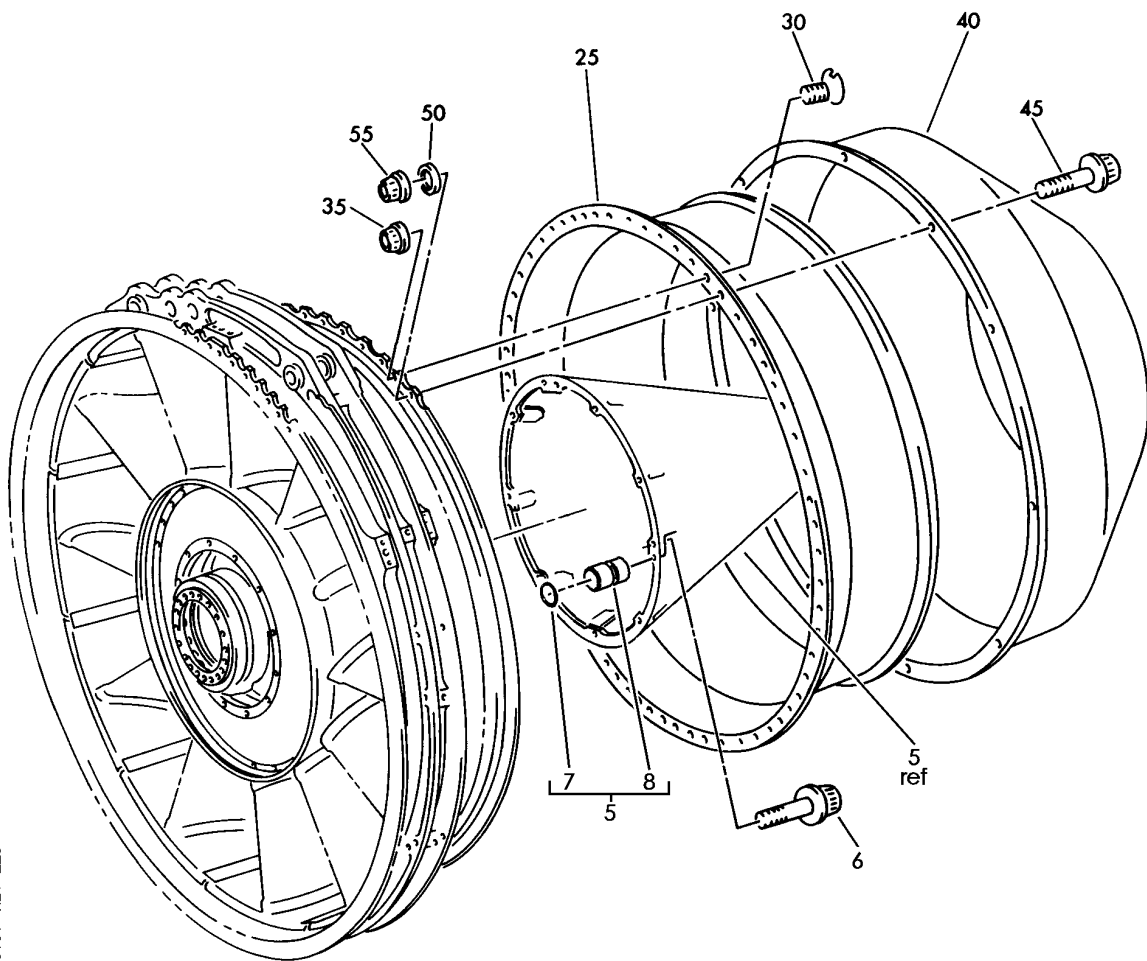
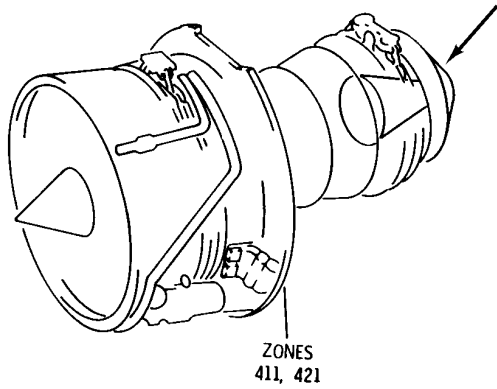
72-50-51
FIG. 06
PAGE 3
JAN 20/09

L P TURBINE

BRI
MAY 28/07

72-51-00
SECTION TITLE
PAGE 1

BOEING
757
PARTS CATALOG (MAINTENANCE)



Y 72510101 REV 228

CONE ASSY-EXHAUST (RB211-535)

FIGURE 1

72-51-01-01

BRI
MAY 28/07

72-51-01-01
PAGE 0



757

PARTS CATALOG (MAINTENANCE)

FIG ITEM	PART NUMBER	1 2 3 4 5 6 7	NOMENCLATURE	EFFECT FROM TO	UNITS PER ASSY
1			CONE ASSY-EXHAUST (RB211-535)	002004 006999	
- 1	UL20697		ENGINE ASSY-Q.E.C.U. RB211-535E43711 MAXIMUM NEUT WITH GRAVINER FIRE DETECTORS, BAYONET MCD, NON-MODULATED IDG COOLING 40,000 LB THRUST SUPPLIER CODE: VK0680 REFERENCE SERVICE BULLETIN: 71-0058R4 QUALIFIED SB I/W DATA: INTERMIX OF ONE OR SUBSTITUTION OF TWO DIFFERENT CONFIGURATION RB211-535E4-37/() ENGINES FOR RB211-535 E4 BASE ENGINES REFERENCE SERVICE BULLETIN: RB211-72-C547 VK0680 FOR NHA/OTHER SYS DET SEE: 71-00-02-04	121503 904949 952999	RF
- 1	UL20702		ENGINE ASSY-Q.E.C.U. RB211-535E43711 BASIC ENGINE CONFIG. WITH GRAVINER FIRE DETECTORS, BAYONET MCD, NON-MODULATED IDG COOLING 40,100 LB THRUST SUPPLIER CODE: VK0680 FOR NHA/OTHER SYS DET SEE: 71-00-02-10	504903	RF
- 1	UL19722		ENGINE ASSY-Q.E.C.U. RB211-535E43711 MAXIMUM NEUT SUPPLIER CODE: VK0680 QUALIFIED SB I/W DATA: ENGINES FOR NHA/OTHER SYS DET SEE: 71-00-02-04	107107	RF

MISSING ITEM NUMBERS NOT APPLICABLE

- ITEM NOT ILLUSTRATED

BRI

72-51-01-01

BOEING PROPRIETARY - Copyright © - Unpublished Work - See title page for details.

72-51-01
FIG. 01
PAGE 1
JAN 20/09



757

PARTS CATALOG (MAINTENANCE)

FIG ITEM	PART NUMBER	1 2 3 4 5 6 7	NOMENCLATURE	EFFECT FROM TO	UNITS PER ASSY
1					
- 2	UL20698		ENGINE ASSY-Q.E.C.U. RB211-535E43712 MAXIMUM NEUT SUPPLIER CODE: VK0680 REFERENCE SERVICE BULLETIN: 71-0058R7 QUALIFIED SB I/W DATA: INTERMIX OF ONE OR SUBSTITUTION OF TWO DIFFERENT CONFIGURATION RB211-535E4-37/() ENGINES FOR RB211-535E4 BASE ENGINES OR DIFFERENT CONFIGURATION RB211-535E4-B-37/() ENGINES FOR RB211-535E4-B BASE ENGINES REFERENCE SERVICE BULLETIN: RB211-72C547 VK0680 RB211-72-8910 VK0680 POST RAPID REVISION: RR92014-183E FOR NHA/OTHER SYS DET SEE: 71-00-02-04	002004 006100 102102	RF
- 3	BCREF17395		ENGINE ASSY-Q.E.C.U. RB211-535E43739 BASIC ENGINE CONFIGURATION AND PHASE 5 COMBUSTOR 40,100 LB THRUST SUPPLIER CODE: VK0680 OVERLENGTH PART NUMBER: RB211-535E4-37-39E FOR NHA/OTHER SYS DET SEE: 71-00-02-10	108120	RF
- 3	UL36209		ENGINE ASSY-Q.E.C.U. RB211-535E43719 MAXIMUM NEUT SUPPLIER CODE: VK0680 FOR NHA/OTHER SYS DET SEE: 71-00-02-04	950951	RF

MISSING ITEM NUMBERS NOT APPLICABLE

- ITEM NOT ILLUSTRATED

BRI

72-51-01-01

BOEING PROPRIETARY - Copyright © - Unpublished Work - See title page for details.

72-51-01
FIG. 01
PAGE 2
JAN 20/09



757

PARTS CATALOG (MAINTENANCE)

FIG ITEM	PART NUMBER	1 2 3 4 5 6 7	NOMENCLATURE	EFFECT FROM TO	UNITS PER ASSY
1					
- 3	BCREF17101		ENGINE ASSY-Q.E.C.U. RB211-535E43744 BASIC ENGINE CONFIGURATION, BAYONET MCD AND PHASE 5 COMBUSTOR 40,100 LB THRUST SUPPLIER CODE: VK0680 OVERLENGTH PART NUMBER: RB211-535E4-3744E FOR NHA/OTHER SYS DET SEE: 71-00-02-10	103106	RF
- 3	UL38163		ENGINE ASSY-Q.E.C.U. RB211-535E43724 BASIC ENGINE CONFIGURATION, BAYONET MCD, 40,100 LB THRUST SUPPLIER CODE: VK0680 FOR NHA/OTHER SYS DET SEE: 71-00-02-10	101101	RF
- 4	UL16445		.CONE-EXHAUST SUPPLIER CODE: VK0680	002004 006999	RF
5	UL16423		..CONE ASSY-EXHAUST SUPPLIER CODE: VK0680	002004 006999	1
6	AS22011		..BOLT	002004 006999	9
25	UL15685		-----*----- ..NOZZLE ASSY- SUPPLIER CODE: VK0680	002004 006999	1
30	U756259		..SCREW- SUPPLIER CODE: VK0680 CONFIG CHG DATA FROM A CMM: FOR INTRCHG SEE RR IPC OPTIONAL PART: BLT5208 VK0680	002004 006999	3

MISSING ITEM NUMBERS NOT APPLICABLE

- ITEM NOT ILLUSTRATED

BRI

72-51-01-01

BOEING PROPRIETARY - Copyright © - Unpublished Work - See title page for details.

72-51-01
FIG. 01
PAGE 3
JAN 20/09



757

PARTS CATALOG (MAINTENANCE)

FIG ITEM	PART NUMBER	1 2 3 4 5 6 7	NOMENCLATURE	EFFECT FROM TO	UNITS PER ASSY
1					
30	BLT5208		.. SCREW- SUPPLIER CODE: VK0680 CONFIG CHG DATA FROM A CMM: FOR INTRCHG SEE RR IPC OPTIONAL PART: U756259 VK0680	002004 006999	3
35	AS20624		.. NUT-	002004 006999	3
40	UL15929		-----*----- .. COVER ASSY-NOZZLE CONE TRANSPORTATION ONLY SUPPLIER CODE: VK0680 ATTACHING PARTS	002004 006999	1
45	LK34659		.. BOLT- SUPPLIER CODE: VK0680	002004 006999	10
50	CU35917		.. WASHER- SUPPLIER CODE: VK0680	002004 006999	10
55	LK71659		.. NUT- SUPPLIER CODE: VK0680 -----*-----	002004 006999	10

MISSING ITEM NUMBERS NOT APPLICABLE

- ITEM NOT ILLUSTRATED

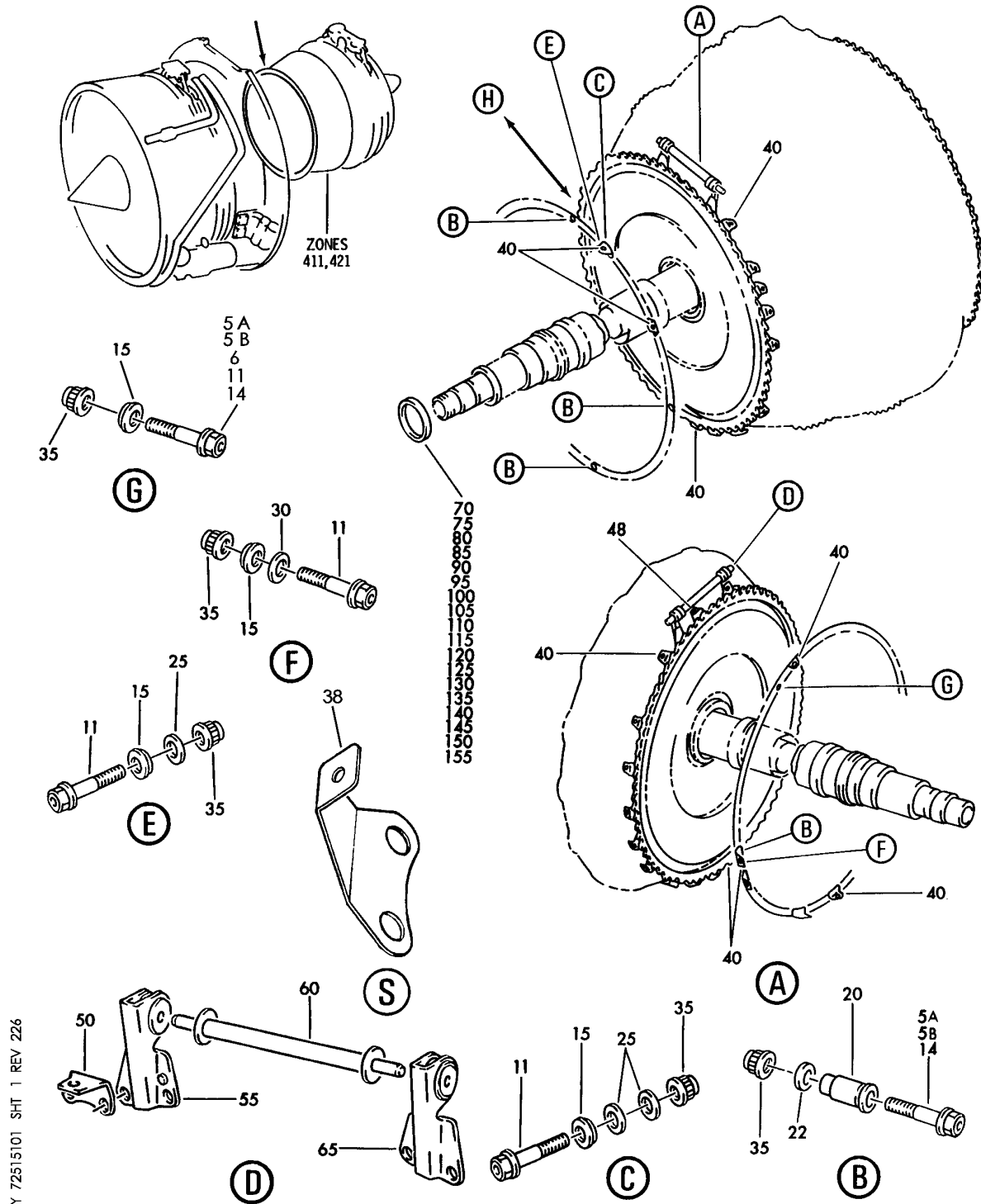
BRI

72-51-01-01

BOEING PROPRIETARY - Copyright © - Unpublished Work - See title page for details.

72-51-01
FIG. 01
PAGE 4
JAN 20/09

BOEING
757
PARTS CATALOG (MAINTENANCE)



Y 72515101 SHT 1 REV 226

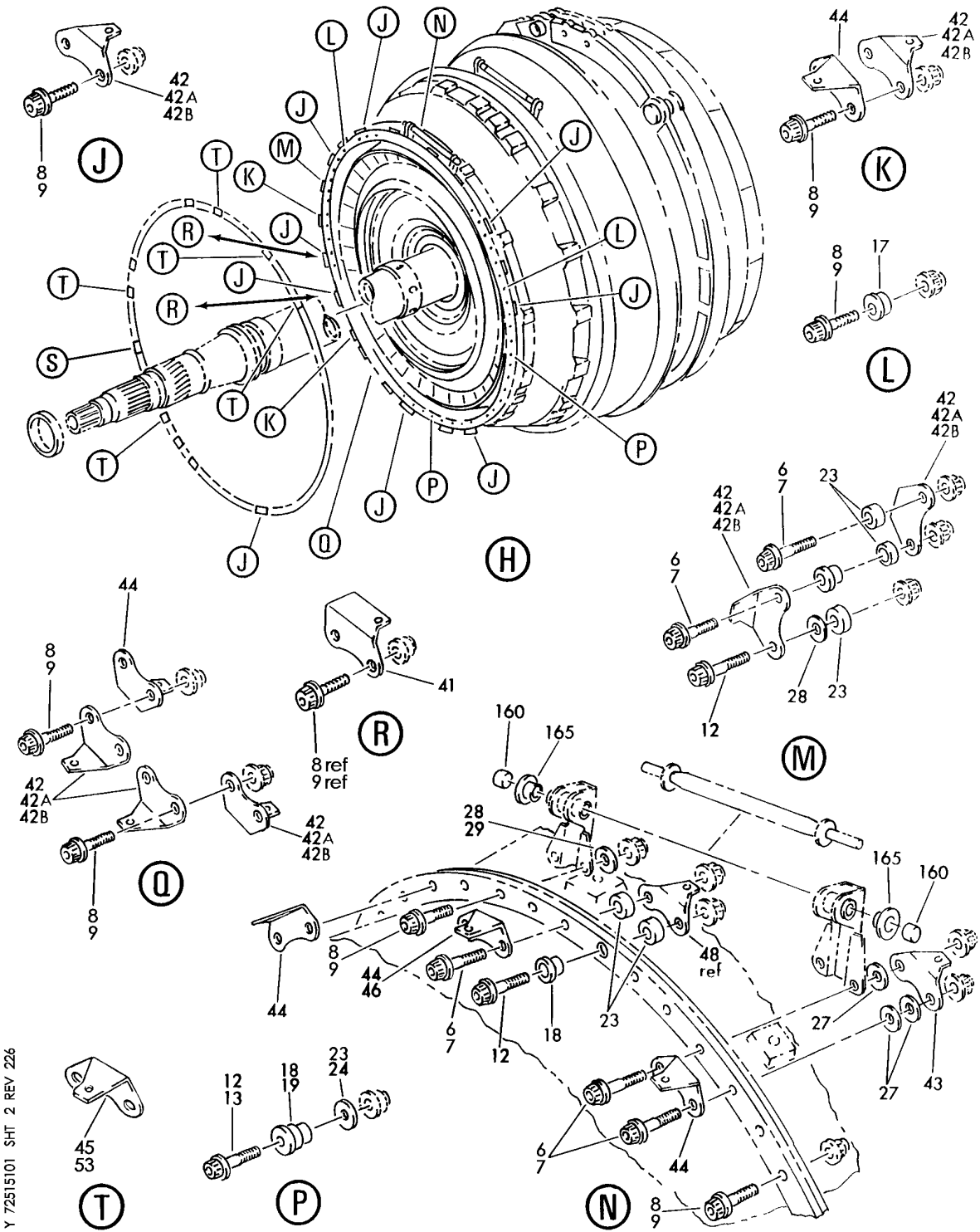
MODULE-IP/LP TURBINE (RB211-535)
FIGURE 1 (SHEET 1)

72-51-51-01

BRI
MAY 28/07

72-51-51-01
PAGE 0

BOEING
757
PARTS CATALOG (MAINTENANCE)



Y 72515101 SHT 2 REV 226

MODULE-IP/LP TURBINE (RB211-535)
FIGURE 1 (SHEET 2)

72-51-51-01

BRI
MAY 28/07

72-51-51-01
PAGE 0A



757

PARTS CATALOG (MAINTENANCE)

FIG ITEM	PART NUMBER	1 2 3 4 5 6 7	NOMENCLATURE	EFFECT FROM TO	UNITS PER ASSY
1			MODULE-IP/LP TURBINE (RB211-535)	002004	
- 1	UL20697		ENGINE ASSY-Q.E.C.U. RB211-535E43711 MAXIMUM NEUT WITH GRAVINER FIRE DETECTORS, BAYONET MCD, NON-MODULATED IDG COOLING 40,000 LB THRUST SUPPLIER CODE: VK0680 REFERENCE SERVICE BULLETIN: 71-0058R4 QUALIFIED SB I/W DATA: INTERMIX OF ONE OR SUBSTITUTION OF TWO DIFFERENT CONFIGURATION RB211-535E4-37/() ENGINES FOR RB211-535 E4 BASE ENGINES REFERENCE SERVICE BULLETIN: RB211-72-C547 VK0680 FOR NHA/OTHER SYS DET SEE: 71-00-02-04	006999 121503 904949 952999	RF
- 1	UL20702		ENGINE ASSY-Q.E.C.U. RB211-535E43711 BASIC ENGINE CONFIG. WITH GRAVINER FIRE DETECTORS, BAYONET MCD, NON-MODULATED IDG COOLING 40,100 LB THRUST SUPPLIER CODE: VK0680 FOR NHA/OTHER SYS DET SEE: 71-00-02-10	504903	RF
- 1	UL19722		ENGINE ASSY-Q.E.C.U. RB211-535E43711 MAXIMUM NEUT SUPPLIER CODE: VK0680 FOR NHA/OTHER SYS DET SEE: 71-00-02-04	107107	RF

MISSING ITEM NUMBERS NOT APPLICABLE

- ITEM NOT ILLUSTRATED

BRI

72-51-51-01

BOEING PROPRIETARY - Copyright © - Unpublished Work - See title page for details.

72-51-51
FIG. 01
PAGE 1
JAN 20/09



757

PARTS CATALOG (MAINTENANCE)

FIG ITEM	PART NUMBER	1 2 3 4 5 6 7	NOMENCLATURE	EFFECT FROM TO	UNITS PER ASSY
1					
- 2	UL20698		ENGINE ASSY-Q.E.C.U. RB211-535E43712 MAXIMUM NEUT SUPPLIER CODE: VK0680 REFERENCE SERVICE BULLETIN: 71-0058R7 QUALIFIED SB I/W DATA: INTERMIX OF ONE OR SUBSTITUTION OF TWO DIFFERENT CONFIGURATION RB211-535E4-37/() ENGINES FOR RB211-535E4 BASE ENGINES OR DIFFERENT CONFIGURATION RB211-535E4-B-37/() ENGINES FOR RB211-535E4-B BASE ENGINES REFERENCE SERVICE BULLETIN: RB211-72-C547 VK0680 RB211-72-8910 VK0680 POST RAPID REVISION: RR92014-183A-RC-E FOR NHA/OTHER SYS DET SEE: 71-00-02-04	002004 006100 102102	RF
- 2	UL36209		ENGINE ASSY-Q.E.C.U. RB211-535E43719 MAXIMUM NEUT SUPPLIER CODE: VK0680 FOR NHA/OTHER SYS DET SEE: 71-00-02-04	950951	RF
- 3	BCREF17395		ENGINE ASSY-Q.E.C.U. RB211-535E43739 BASIC ENGINE CONFIGURATION AND PHASE 5 COMBUSTOR 40,100 LB THRUST SUPPLIER CODE: VK0680 OVERLENGTH PART NUMBER: RB211-535E4-37-39E FOR NHA/OTHER SYS DET SEE: 71-00-02-10	108120	RF

MISSING ITEM NUMBERS NOT APPLICABLE

- ITEM NOT ILLUSTRATED

BRI

72-51-51-01

BOEING PROPRIETARY - Copyright © - Unpublished Work - See title page for details.

72-51-51
FIG. 01
PAGE 2
JAN 20/09



757

PARTS CATALOG (MAINTENANCE)

FIG ITEM	PART NUMBER	1 2 3 4 5 6 7	NOMENCLATURE	EFFECT FROM TO	UNITS PER ASSY
1					
- 3	BCREF17101		ENGINE ASSY-Q.E.C.U. RB211-535E43744 BASIC ENGINE CONFIGURATION, BAYONET MCD AND PHASE 5 COMBUSTOR 40,100 LB THRUST SUPPLIER CODE: VK0680 OVERLENGTH PART NUMBER: RB211-535E4-3744E FOR NHA/OTHER SYS DET SEE: 71-00-02-10	103106	RF
- 3	UL38163		ENGINE ASSY-Q.E.C.U. RB211-535E43724 BASIC ENGINE CONFIGURATION, BAYONET MCD, 40,100 LB THRUST SUPPLIER CODE: VK0680 FOR NHA/OTHER SYS DET SEE: 71-00-02-10	101101	RF
- 4	UL18685		.MODULE TURBINE INSTL- SUPPLIER CODE: VK0680 PRE SERVICE BULLETIN: 72-9812 VK0680	002004 006102 107999	RF
- 4	UL36928		.MODULE TURBINE INSTL- SUPPLIER CODE: VK0680 POST SERVICE BULLETIN: 72-9812 VK0680 PRE SERVICE BULLETIN: 72-C230 VK0680	002004 006999	RF
- 4	FW12057		.MODULE TURBINE INSTL- SUPPLIER CODE: VK0680 POST SERVICE BULLETIN: 72-C230PT01 VK0680	103106 108120	RF
7	AS22223		..BOLT-	002004 006999	10
8	AS22221		..BOLT-	002004 006999	67
12	AS22226		..BOLT-	002004 006999	4

MISSING ITEM NUMBERS NOT APPLICABLE

- ITEM NOT ILLUSTRATED

72-51-51-01

72-51-51
FIG. 01
PAGE 3
JAN 20/09

BRI



757

PARTS CATALOG (MAINTENANCE)

FIG ITEM	PART NUMBER	1 2 3 4 5 6 7	NOMENCLATURE	EFFECT FROM TO	UNITS PER ASSY
1					
17	LK74576	..	PIN- SUPPLIER CODE: VK0680 POST SERVICE BULLETIN: 72-9782PT01 VK0680	002004 006999	2
18	UP10269	..	PIN- SUPPLIER CODE: VK0680	002004 006999	4
23	LK33612	..	WASHER- SUPPLIER CODE: VK0680 POST SERVICE BULLETIN: 72-9782PT01 VK0680	002004 006999	9
27	SP123J	..	WASHER-	002004 006999	6
28	K8835	..	WASHER- SUPPLIER CODE: VK0680	002004 006999	5
35	AS20627	..	NUT	002004 006999	81
38	UL38650	..	BRACKET- SUPPLIER CODE: VK0680 POST SERVICE BULLETIN: 72-C230PT01 VK0680 PRE SERVICE BULLETIN: 72-D352 VK0680	103106 108120	1
38	FW18543	..	BRACKET- SUPPLIER CODE: VK0680 POST SERVICE BULLETIN: 72-D352PT01 VK0680	103106 108120	1
42	LK53842	..	BRACKET-CLIPPING ANGLE SUPPLIER CODE: VK0680	002004 006100 102102 107107 121949 952999	17
42B	LK53842	..	BRACKET-CLIPPING ANGLE SUPPLIER CODE: VK0680 POST SERVICE BULLETIN: 26-9210PT01 VK0680	101101 103106 108120 950951	16

MISSING ITEM NUMBERS NOT APPLICABLE

- ITEM NOT ILLUSTRATED

72-51-51-01

72-51-51
FIG. 01
PAGE 4
JAN 20/09

BRI

BOEING PROPRIETARY - Copyright © - Unpublished Work - See title page for details.



757

PARTS CATALOG (MAINTENANCE)

FIG ITEM	PART NUMBER	1 2 3 4 5 6 7	NOMENCLATURE	EFFECT FROM TO	UNITS PER ASSY
1					
43	LK83810		..BRACKET-CLIPPING ANGLE SUPPLIER CODE: VK0680	002004 006999	2
44	UP10489		..BRACKET-CLIPPING ANGLE SUPPLIER CODE: VK0680	002004 006100 102102 107107 121949 952999	20
45	UP10489		..BRACKET-CLIPPING ANGLE SUPPLIER CODE: VK0680 POST SERVICE BULLETIN: 26-9210PT01 VK0680	101101 950951	19
48	LK53099		..BRACKET-CLIPPING ANGLE SUPPLIER CODE: VK0680	002004 006999	1
55	UL14764		..BRACKET ASSY-C DUCT STRUT ALIGN. SUPPLIER CODE: VK0680 POSITION DATA: CTR LH	002004 006999	1
60	UL11610		..STRUT ASSY-C DUCT SPRT SUPPLIER CODE: VK0680 POSITION DATA: CTR	002004 006999	1
65	UL14765		..BRACKET ASSY-C DUCT STRUT ALIGN. SUPPLIER CODE: VK0680 POSITION DATA: CTR RH	002004 006999	1
70	LK76683		..SPACER-IP TURB SHAFT AND CPLG ADJUSTMENT SUPPLIER CODE: VK0680	002004 006999	1
75	LK76684		..SPACER- SUPPLIER CODE: VK0680	002004 006999	1
80	LK76685		..SPACER- SUPPLIER CODE: VK0680	002004 006999	1
85	LK76686		..SPACER- SUPPLIER CODE: VK0680	002004 006999	1

MISSING ITEM NUMBERS NOT APPLICABLE

- ITEM NOT ILLUSTRATED

72-51-51-01

72-51-51
FIG. 01
PAGE 5
JAN 20/09

BRI

BOEING PROPRIETARY - Copyright © - Unpublished Work - See title page for details.



757

PARTS CATALOG (MAINTENANCE)

FIG ITEM	PART NUMBER	1 2 3 4 5 6 7	NOMENCLATURE	EFFECT FROM TO	UNITS PER ASSY
1					
90	LK76687	..	SPACER- SUPPLIER CODE: VK0680	002004 006999	1
95	LK76688	..	SPACER- SUPPLIER CODE: VK0680	002004 006999	1
100	LK76689	..	SPACER- SUPPLIER CODE: VK0680	002004 006999	1
105	LK76690	..	SPACER- SUPPLIER CODE: VK0680	002004 006999	1
110	LK76691	..	SPACER- SUPPLIER CODE: VK0680	002004 006999	1
115	LK76692	..	SPACER- SUPPLIER CODE: VK0680	002004 006999	1
120	LK76693	..	SPACER- SUPPLIER CODE: VK0680	002004 006999	1
125	LK76694	..	SPACER- SUPPLIER CODE: VK0680	002004 006999	1
130	LK76695	..	SPACER- SUPPLIER CODE: VK0680	002004 006999	1
135	LK76696	..	SPACER- SUPPLIER CODE: VK0680	002004 006999	1
140	LK76697	..	SPACER- SUPPLIER CODE: VK0680	002004 006999	1
145	LK76698	..	SPACER- SUPPLIER CODE: VK0680	002004 006999	1
150	LK76699	..	SPACER- SUPPLIER CODE: VK0680	002004 006999	1
155	LK76700	..	SPACER- SUPPLIER CODE: VK0680	002004 006999	1
160	UP10503	..	CAP-C DUCT CPRSN STRUT SUPPLIER CODE: VK0680 PRE SERVICE BULLETIN: 72-8576 VK0680	002004 006100 102102 107107 121949 952999	2

MISSING ITEM NUMBERS NOT APPLICABLE

- ITEM NOT ILLUSTRATED

72-51-51-01

72-51-51
FIG. 01
PAGE 6
JAN 20/09

BRI

BOEING PROPRIETARY - Copyright © - Unpublished Work - See title page for details.



757

PARTS CATALOG (MAINTENANCE)

FIG ITEM	PART NUMBER	1 2 3 4 5 6 7	NOMENCLATURE	EFFECT FROM TO	UNITS PER ASSY
1 160	UL25376		..CAP-C DUCT CPRSN STRUT TRANSPORTATION ONLY SUPPLIER CODE: VK0680 POST SERVICE BULLETIN: 72-8576PTE VK0680	002004 006999	2
165	UL17192		..PLUG-C DUCT ALIGN. BRKT TRANSPORTATION ONLY SUPPLIER CODE: VK0680 PRE SERVICE BULLETIN: 72-8576 VK0680	002004 006100 102102 107107 121949 952999	2
165	UL25375		..PLUG-C DUCT ALIGN. BRKT TRANSPORTATION ONLY SUPPLIER CODE: VK0680 POST SERVICE BULLETIN: 72-8576PTE VK0680	002004 006999	2

MISSING ITEM NUMBERS NOT APPLICABLE

- ITEM NOT ILLUSTRATED

BRI

72-51-51-01

BOEING PROPRIETARY - Copyright © - Unpublished Work - See title page for details.

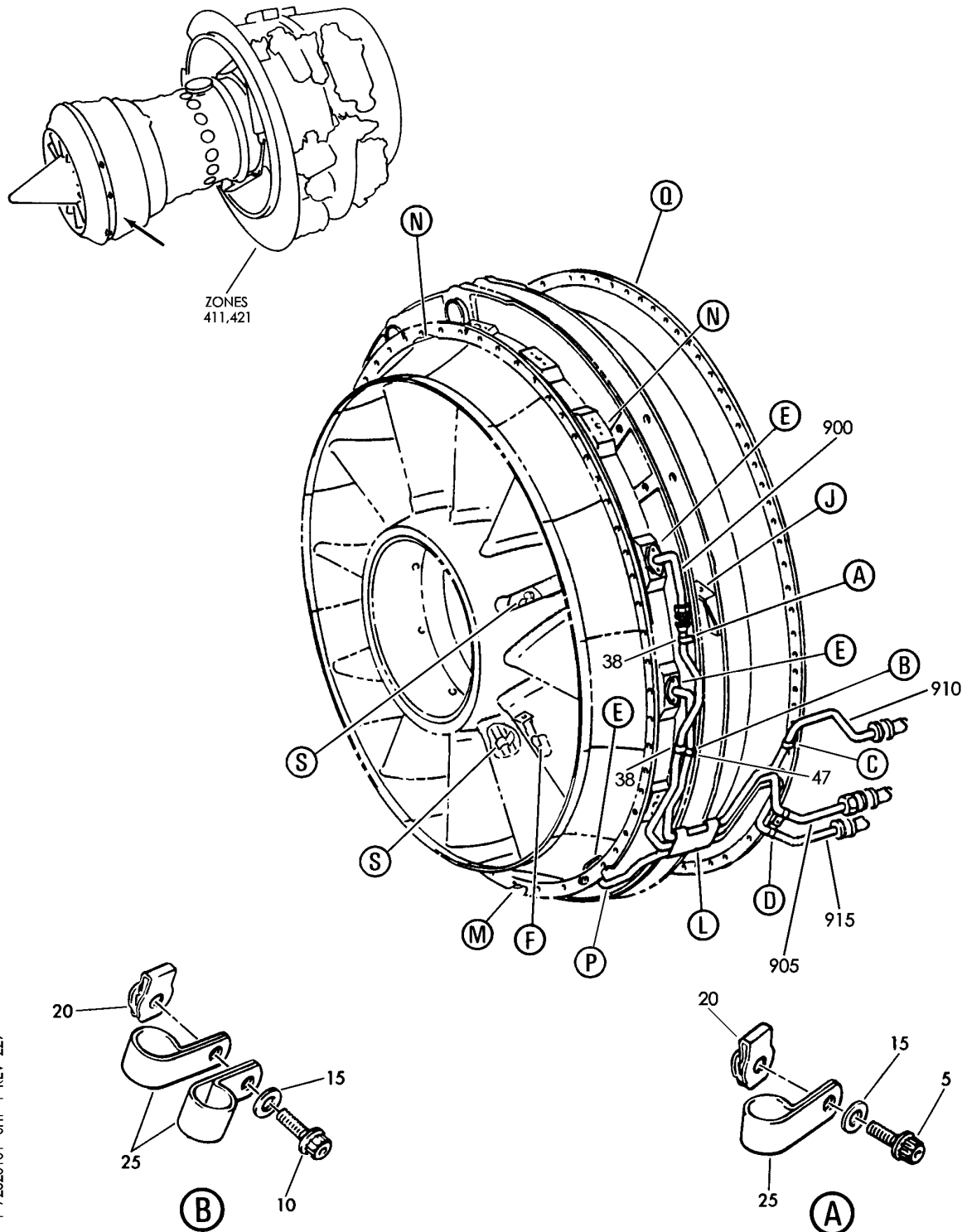
72-51-51
FIG. 01
PAGE 7
JAN 20/09

HIGH PRESSURE TURBINE STAGE 2 NOZZLE

BRI
MAY 28/07

72-52-00
SECTION TITLE
PAGE 1

BOEING
757
PARTS CATALOG (MAINTENANCE)



Y 72520101 SHT 1 REV 229

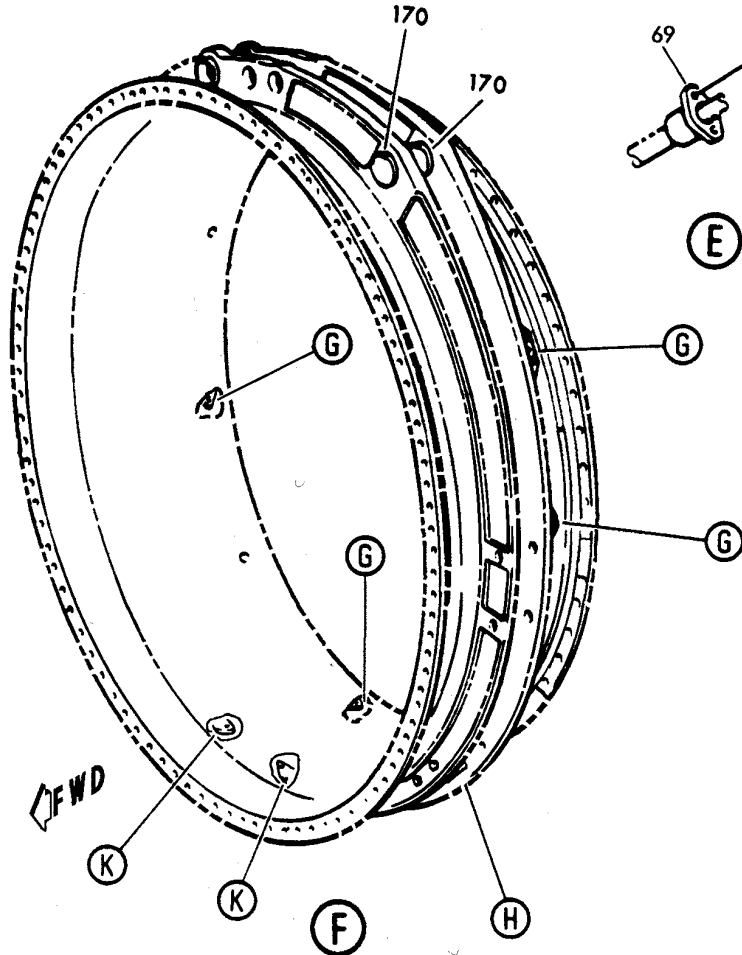
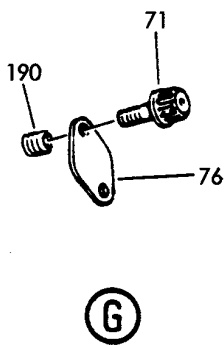
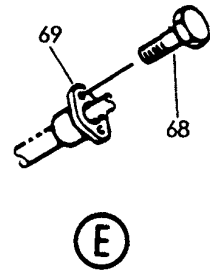
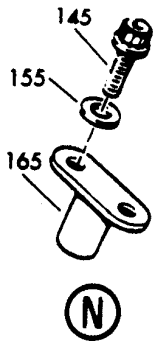
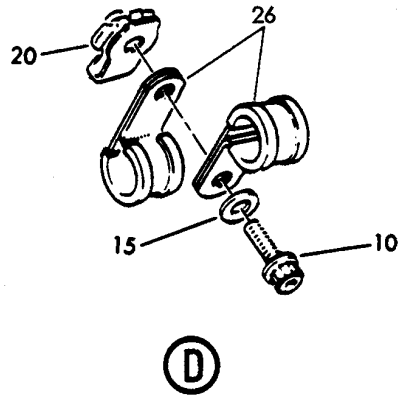
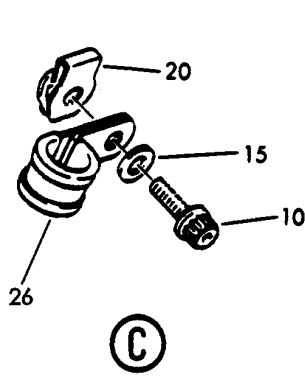
TURBINE EXHAUST CASE (RB211-535)
FIGURE 1 (SHEET 1)

72-52-01-01

BRI
MAY 28/07

72-52-01-01
PAGE 0

BOEING
757
PARTS CATALOG (MAINTENANCE)



Y 72520101 SH1 2 REV 212

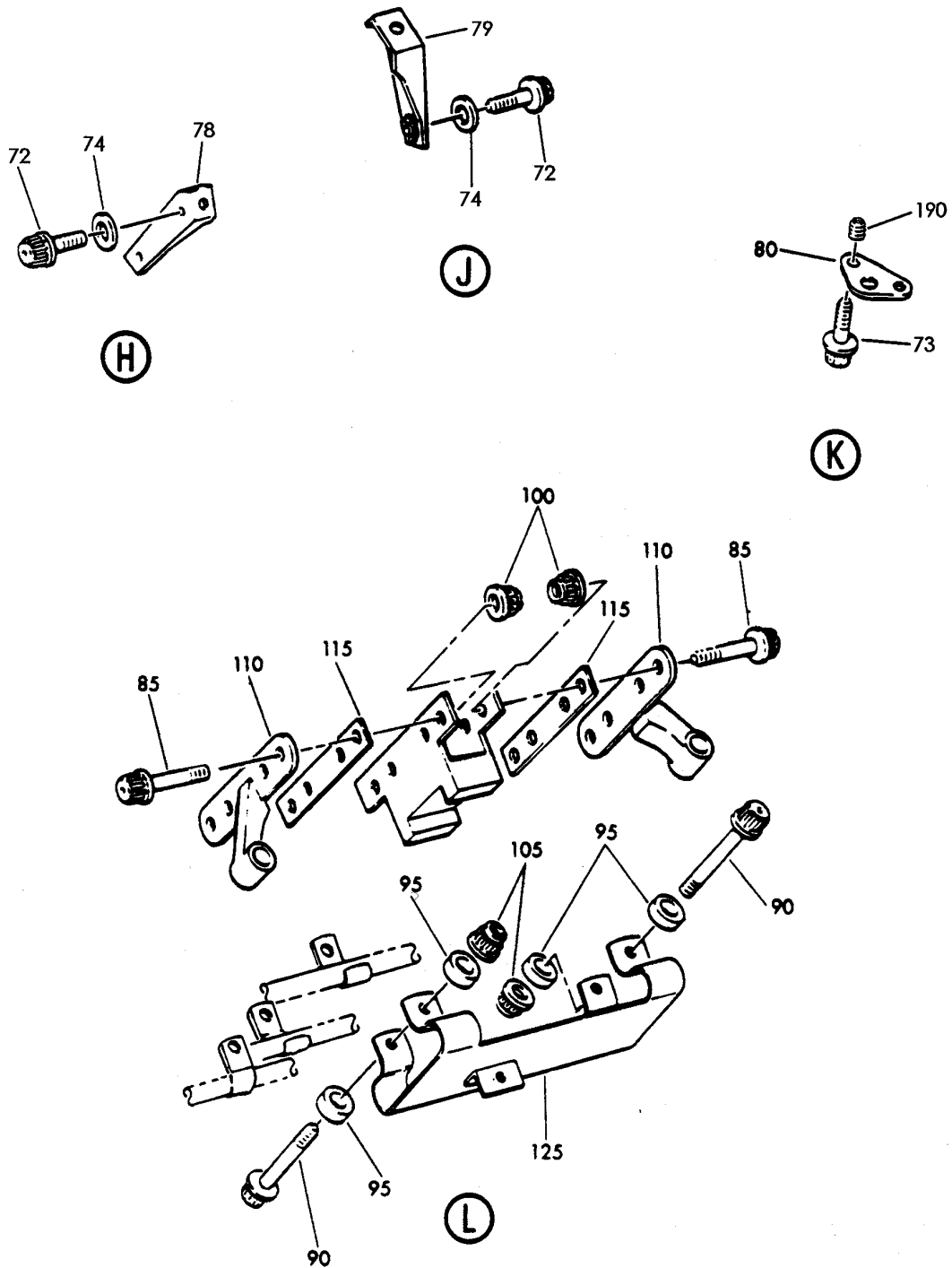
TURBINE EXHAUST CASE (RB211-535)
FIGURE 1 (SHEET 2)

72-52-01-01

BRI
MAY 28/07

72-52-01-01
PAGE 0A

BOEING
757
PARTS CATALOG (MAINTENANCE)



Y 72520101 SHT 3 REV 212

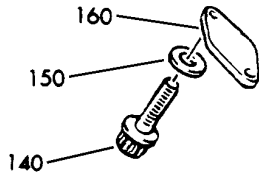
TURBINE EXHAUST CASE (RB211-535)
FIGURE 1 (SHEET 3)

72-52-01-01

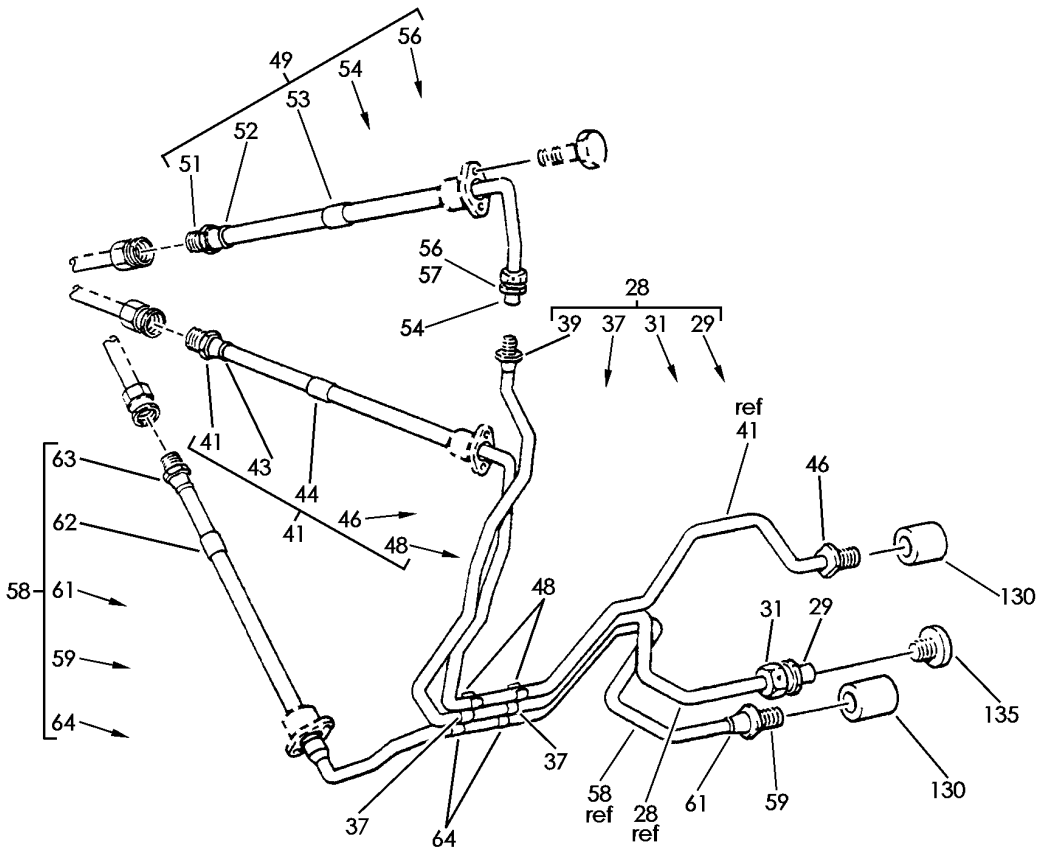
BRI
MAY 28/07

72-52-01-01
PAGE 0B

BOEING
757
PARTS CATALOG (MAINTENANCE)



(M)



(P)

Y 72520101 SH4 4 REV 229

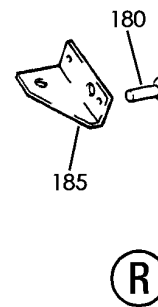
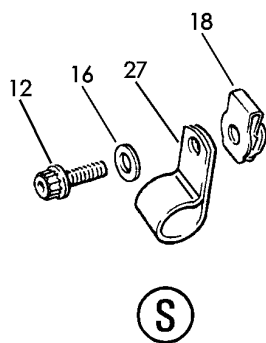
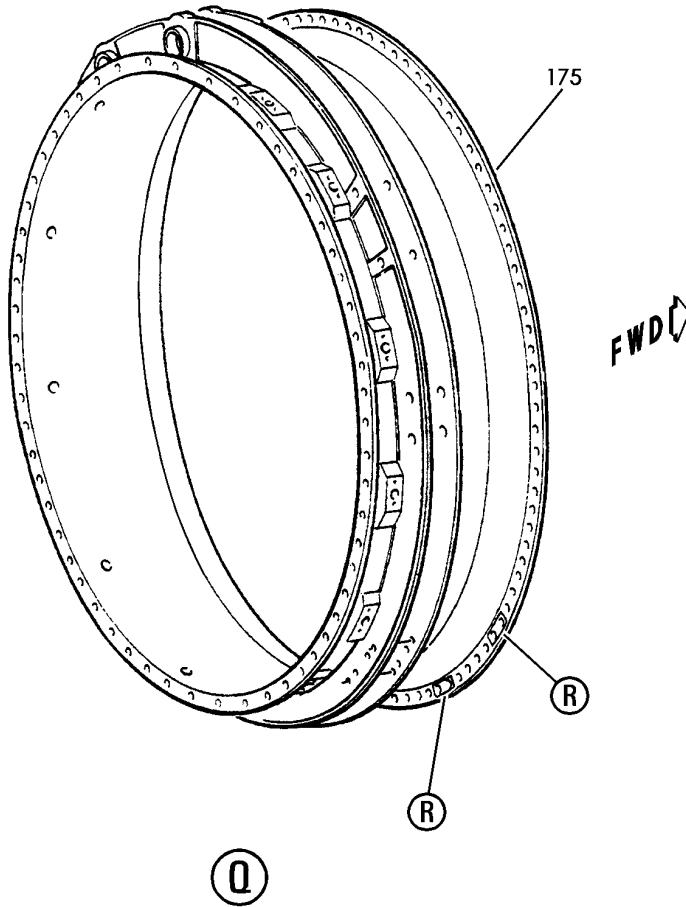
TURBINE EXHAUST CASE (RB211-535)
FIGURE 1 (SHEET 4)

72-52-01-01

BRI
MAY 28/07

72-52-01-01
PAGE 0C

BOEING
757
PARTS CATALOG (MAINTENANCE)



Y 72520101 SHT 5 REV 229

TURBINE EXHAUST CASE (RB211-535)
FIGURE 1 (SHEET 5)

72-52-01-01

BRI
MAY 28/07

72-52-01-01
PAGE 0D



757

PARTS CATALOG (MAINTENANCE)

FIG ITEM	PART NUMBER	1 2 3 4 5 6 7	NOMENCLATURE	EFFECT FROM TO	UNITS PER ASSY
1			TURBINE EXHAUST CASE (RB211-535)	002004 006999	
- 1	UL19722		ENGINE ASSY-Q.E.C.U. RB211-535E43711 MAXIMUM NEUT SUPPLIER CODE: VK0680 FOR NHA/OTHER SYS DET SEE: 71-00-02-04	107107	RF
- 1	UL20697		ENGINE ASSY-Q.E.C.U. RB211-535E43711 MAXIMUM NEUT WITH GRAVINER FIRE DETECTORS, BAYONET MCD, NON-MODULATED IDG COOLING 40,000 LB THRUST SUPPLIER CODE: VK0680 REFERENCE SERVICE BULLETIN: 71-0058R4 QUALIFIED SB I/W DATA: INTERMIX OF ONE OR SUBSTITUTION OF TWO DIFFERENT CONFIGURATION RB211-535E4-37/() ENGINES FOR RB211-535 E4 BASE ENGINES REFERENCE SERVICE BULLETIN: RB211-72-C547 VK0680 FOR NHA/OTHER SYS DET SEE: 71-00-02-04	121503 904949 952999	RF

MISSING ITEM NUMBERS NOT APPLICABLE

- ITEM NOT ILLUSTRATED

BRI

72-52-01-01

BOEING PROPRIETARY - Copyright © - Unpublished Work - See title page for details.

72-52-01
FIG. 01
PAGE 1
JAN 20/09



757

PARTS CATALOG (MAINTENANCE)

FIG ITEM	PART NUMBER	1 2 3 4 5 6 7	NOMENCLATURE	EFFECT FROM TO	UNITS PER ASSY
1					
- 1	UL20698		ENGINE ASSY-Q.E.C.U. RB211-535E43712 MAXIMUM NEUT SUPPLIER CODE: VK0680 REFERENCE SERVICE BULLETIN: 71-0058R7 QUALIFIED SB I/W DATA: INTERMIX OF ONE OR SUBSTITUTION OF TWO DIFFERENT CONFIGURATION RB211-535E4-37/() ENGINES FOR RB211-535E4 BASE ENGINES OR DIFFERENT CONFIGURATION RB211-535E4-B-37/() ENGINES FOR RB211-535E4-B BASE ENGINES REFERENCE SERVICE BULLETIN: RB211-72-C547 VK0680 RB211-72-8910 VK0680 POST RAPID REVISION: RR92014-183A-RC-E FOR NHA/OTHER SYS DET SEE: 71-00-02-04	002004 006100 102102	RF
- 1	UL20702		ENGINE ASSY-Q.E.C.U. RB211-535E43711 BASIC ENGINE CONFIG. WITH GRAVINER FIRE DETECTORS,BAYONET MCD, NON-MODULATED IDG COOLING 40,100 LB THRUST SUPPLIER CODE: VK0680 REFERENCE SERVICE BULLETIN: VK0680 FOR NHA/OTHER SYS DET SEE: 71-00-02-10	504903	RF
- 1	UL36209		ENGINE ASSY-Q.E.C.U. RB211-535E43719 MAXIMUM NEUT SUPPLIER CODE: VK0680 FOR NHA/OTHER SYS DET SEE: 71-00-02-04	950951	RF

MISSING ITEM NUMBERS NOT APPLICABLE

- ITEM NOT ILLUSTRATED

BRI

72-52-01-01

BOEING PROPRIETARY - Copyright © - Unpublished Work - See title page for details.

72-52-01
FIG. 01
PAGE 2
JAN 20/09



757

PARTS CATALOG (MAINTENANCE)

FIG ITEM	PART NUMBER	1 2 3 4 5 6 7	NOMENCLATURE	EFFECT FROM TO	UNITS PER ASSY
1					
- 3	BCREF17395		ENGINE ASSY-Q.E.C.U. RB211-535E43739 BASIC ENGINE CONFIGURATION AND PHASE 5 COMBUSTOR 40,100 LB THRUST SUPPLIER CODE: VK0680 OVERLENGTH PART NUMBER: RB211-535E4-37-39E FOR NHA/OTHER SYS DET SEE: 71-00-02-10	108120	RF
- 3	BCREF17101		ENGINE ASSY-Q.E.C.U. RB211-535E43744 BASIC ENGINE CONFIGURATION, BAYONET MCD AND PHASE 5 COMBUSTOR 40,100 LB THRUST SUPPLIER CODE: VK0680 OVERLENGTH PART NUMBER: RB211-535E4-3744E FOR NHA/OTHER SYS DET SEE: 71-00-02-10	103106	RF
- 3	UL38163		ENGINE ASSY-Q.E.C.U. RB211-535E43724 BASIC ENGINE CONFIGURATION, BAYONET MCD, 40,100 LB THRUST SUPPLIER CODE: VK0680 FOR NHA/OTHER SYS DET SEE: 71-00-02-10	101101	RF
- 4	UL17841		.LP TURBINE-MINI MODULE 05/3 SUPPLIER CODE: VK0680	002004 006999	RF
5	AS21407		..BOLT	002004 006999	1
10	AS21409		..BOLT	002004 006999	3
15	K8831		..WASHER- SUPPLIER CODE: VK0680	002004 006999	4
20	AS41104		..NUT	002004 006999	4

MISSING ITEM NUMBERS NOT APPLICABLE

- ITEM NOT ILLUSTRATED

72-52-01-01

72-52-01
FIG. 01
PAGE 3
JAN 20/09

BRI



757

PARTS CATALOG (MAINTENANCE)

FIG ITEM	PART NUMBER	1 2 3 4 5 6 7	NOMENCLATURE	EFFECT FROM TO	UNITS PER ASSY
1					
25	LK39525	..	CLIP- SUPPLIER CODE: VK0680 PRE SERVICE BULLETIN: 72-C754 VK0680	002004 006999	3
25	UP12008	..	CLIP- SUPPLIER CODE: VK0680 POST SERVICE BULLETIN: 72-C754PTA VK0680	002004 006999	3
26	400WSS6	..	CLIP- SUPPLIER CODE: V83930	002004 006999	3
27	UP12009	..	CLIP- SUPPLIER CODE: VK0680 POST SERVICE BULLETIN: 72-C754PTA VK0680	002004 006999	2
28	UL14914	..	TUBE ASSY-TURBINE OIL FEED SUPPLIER CODE: VK0680 POSITION DATA: LOWER	002004 006999	1
41	UL16569	..	TUBE ASSY-TURBINE OIL SCAVENGE LP SUPPLIER CODE: VK0680 POSITION DATA: RH	002004 006999	1
68	BLT3411	..	BOLT- SUPPLIER CODE: VK0680	002004 006999	6
69	UP10091	..	SLEEVE-SERVICE TUBES BEARING SUPPLIER CODE: VK0680	002004 006999	3
71	BLT3411	..	BOLT- SUPPLIER CODE: VK0680	002004 006999	8
72	AS21017	..	BOLT	002004 006999	4
73	AS21008	..	BOLT	002004 006999	4
74	AS12944	..	WASHER	002004 006999	4

MISSING ITEM NUMBERS NOT APPLICABLE

- ITEM NOT ILLUSTRATED

72-52-01-01

72-52-01
FIG. 01
PAGE 4
JAN 20/09

BRI

BOEING PROPRIETARY - Copyright © - Unpublished Work - See title page for details.



757

PARTS CATALOG (MAINTENANCE)

FIG ITEM	PART NUMBER	1 2 3 4 5 6 7	NOMENCLATURE	EFFECT FROM TO	UNITS PER ASSY
1	76 UP10255		..PLATE- SUPPLIER CODE: VK0680	002004 006999	4
	78 UL17189		..BRACKET ASSY-C-DUCT PROP SUPPLIER CODE: VK0680 POSITION DATA: LH CONFIG CHG DATA FROM A CMM: FOR INTRCHG SEE RR IPC OPTIONAL PART: UL17191 VK0680	002004 006106 108120 950951	1
	78 UL17191		..BRACKET ASSY-C-DUCT PROP SUPPLIER CODE: VK0680 POSITION DATA: LH OPTIONAL PART: UL17189 VK0680	002004 006999	1
	78 UL17189		..BRACKET ASSY-C-DUCT PROP SUPPLIER CODE: VK0680 POSITION DATA: LH OPTIONAL PART: UL17191 VK0680	107107 121949 952999	1
	79 UL17188		..BRACKET ASSY-C-DUCT PROP SUPPLIER CODE: VK0680 POSITION DATA: RH CONFIG CHG DATA FROM A CMM: FOR INTRCHG SEE RR IPC OPTIONAL PART: UL17190 VK0680	002004 006106 108120 950951	1
	79 UL17190		..BRACKET ASSY-C-DUCT PROP SUPPLIER CODE: VK0680 POSITION DATA: RH CONFIG CHG DATA FROM A CMM: FOR INTRCHG SEE RR IPC OPTIONAL PART: UL17188 VK0680	002004 006106 108120 950951	1

MISSING ITEM NUMBERS NOT APPLICABLE

- ITEM NOT ILLUSTRATED

72-52-01-01

72-52-01
FIG. 01
PAGE 5
JAN 20/09

BRI



757

PARTS CATALOG (MAINTENANCE)

FIG ITEM	PART NUMBER	1 2 3 4 5 6 7	NOMENCLATURE	EFFECT FROM TO	UNITS PER ASSY
1					
79	UL17188		..BRACKET ASSY-C-DUCT PROP SUPPLIER CODE: VK0680 POSITION DATA: RH OPTIONAL PART: UL17190 VK0680	107107 121949 952999	1
79	UL17190		..BRACKET ASSY-C-DUCT PROP SUPPLIER CODE: VK0680 POSITION DATA: RH OPTIONAL PART: UL17188 VK0680	107107 121949 952999	1
80	UP10469		..PLUG- SUPPLIER CODE: VK0680	002004 006999	2
85	AS22617		..BOLT	002004 006999	8
90	AS20919		..BOLT	002004 006999	2
95	AS12943		..WASHER	002004 006999	4
100	AS27824		..NUT	002004 006999	8
105	AS20624		..NUT	002004 006999	2
110	UP10089		..BRACKET-SUPPORTING SVCE TUBES, LOW PRESSURE TURB BRG SUPPLIER CODE: VK0680	002004 006999	2
115	LK86586		..SHIM- SUPPLIER CODE: VK0680	002004 006999	2
120	LK86585		..BRACKET-C-DUCT SUPPLIER CODE: VK0680	002004 006999	1
125	UL12845		..COVER ASSY-SERVICE TUBES, LOW PRESSURE TURB BRG SUPPLIER CODE: VK0680	002004 006999	1
130	LK37504		..CAP- TRANSPORTATION ONLY SUPPLIER CODE: VK0680	002004 006999	2

MISSING ITEM NUMBERS NOT APPLICABLE

- ITEM NOT ILLUSTRATED

72-52-01-01

72-52-01
FIG. 01
PAGE 6
JAN 20/09

BRI

BOEING PROPRIETARY - Copyright © - Unpublished Work - See title page for details.

 **BOEING**
757
PARTS CATALOG (MAINTENANCE)

FIG ITEM	PART NUMBER	1 2 3 4 5 6 7	NOMENCLATURE	EFFECT FROM TO	UNITS PER ASSY
1					
135	UP10501	..	PLUG- TRANSPORTATION ONLY SUPPLIER CODE: VK0680	002004 006999	1
140	LK40932	..	BOLT- SUPPLIER CODE: VK0680	002004 006999	2
145	LK65064	..	BOLT- SUPPLIER CODE: VK0680	002004 006999	8
150	CU35917	..	WASHER- SUPPLIER CODE: VK0680	002004 006999	2
155	CU19152	..	WASHER- SUPPLIER CODE: VK0680	002004 006999	8
160	UP10497	..	BLANK-CABLE BOSS O/SPEED TRANSPORTATION ONLY SUPPLIER CODE: VK0680	002004 006999	1
165	UL15936	..	BLANK-FEED BOSS IP6 C/A TRANSPORTATION ONLY SUPPLIER CODE: VK0680	002004 006999	4
170	LK82742	..	CAP- TRANSPORTATION ONLY SUPPLIER CODE: VK0680	002004 006999	6
900			ILLUSTRATION REFERENCE: COVERS-LP TURB AND BRG HSG END (RB211-535) 72-52-51-02	002004 006999	RF
905			ILLUSTRATION REFERENCE: TUBES AND FITTINGS-OIL SYS 79-21-05-11	103106 108120	RF
910			ILLUSTRATION REFERENCE: TUBES AND FITTINGS-OIL RETURN SYS (RB211-535) 79-21-05-06	002004 006999	RF
915			ILLUSTRATION REFERENCE: TUBES AND FITTINGS-OIL RETURN SYS (RB211-535) 79-21-05-06	002004 006999	RF

MISSING ITEM NUMBERS NOT APPLICABLE

— ITEM NOT ILLUSTRATED

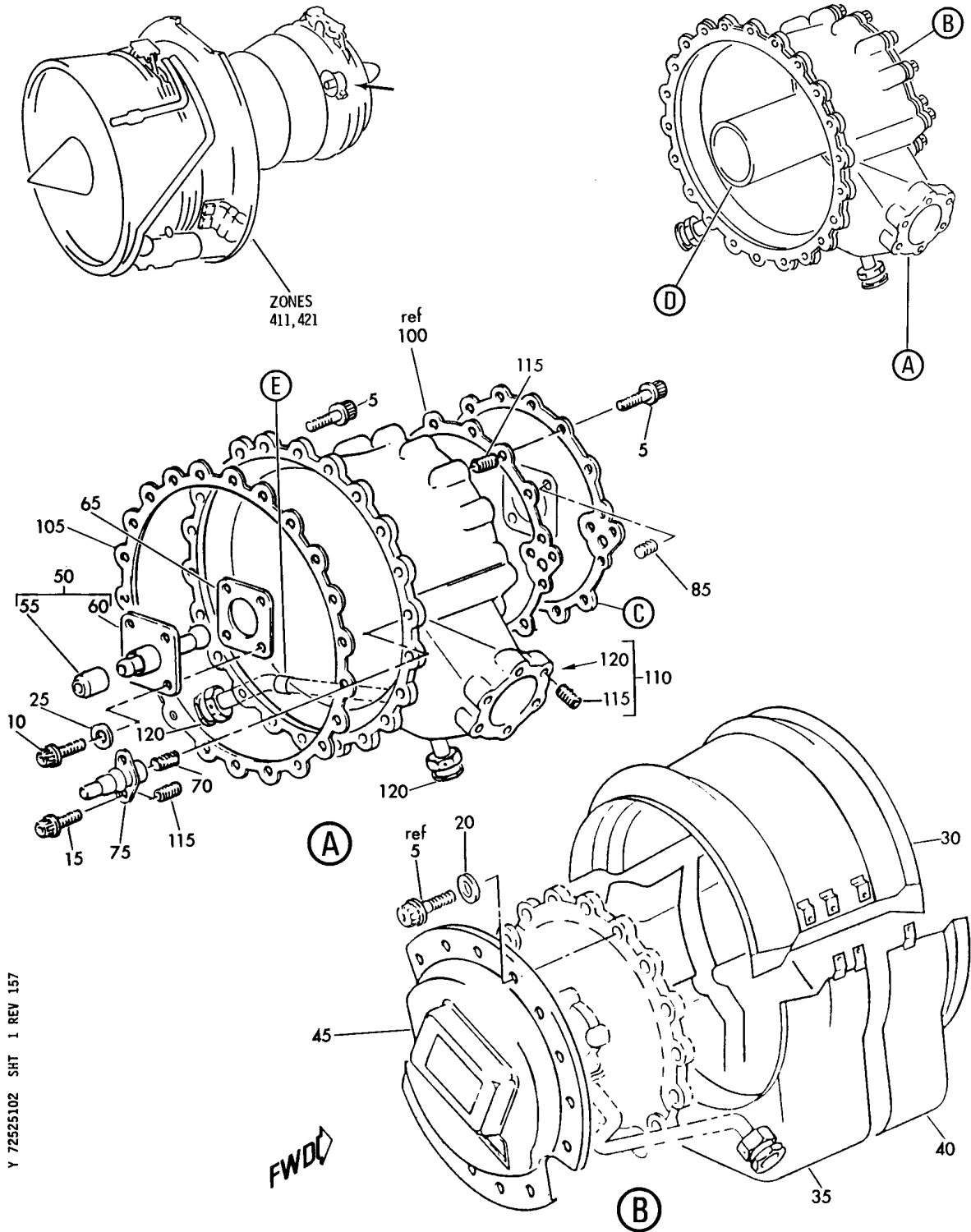
BRI

72-52-01-01

72-52-01
FIG. 01
PAGE 7
JAN 20/09

BOEING PROPRIETARY - Copyright © - Unpublished Work - See title page for details.

BOEING
757
PARTS CATALOG (MAINTENANCE)



Y 72525102 SHT 1 REV 157

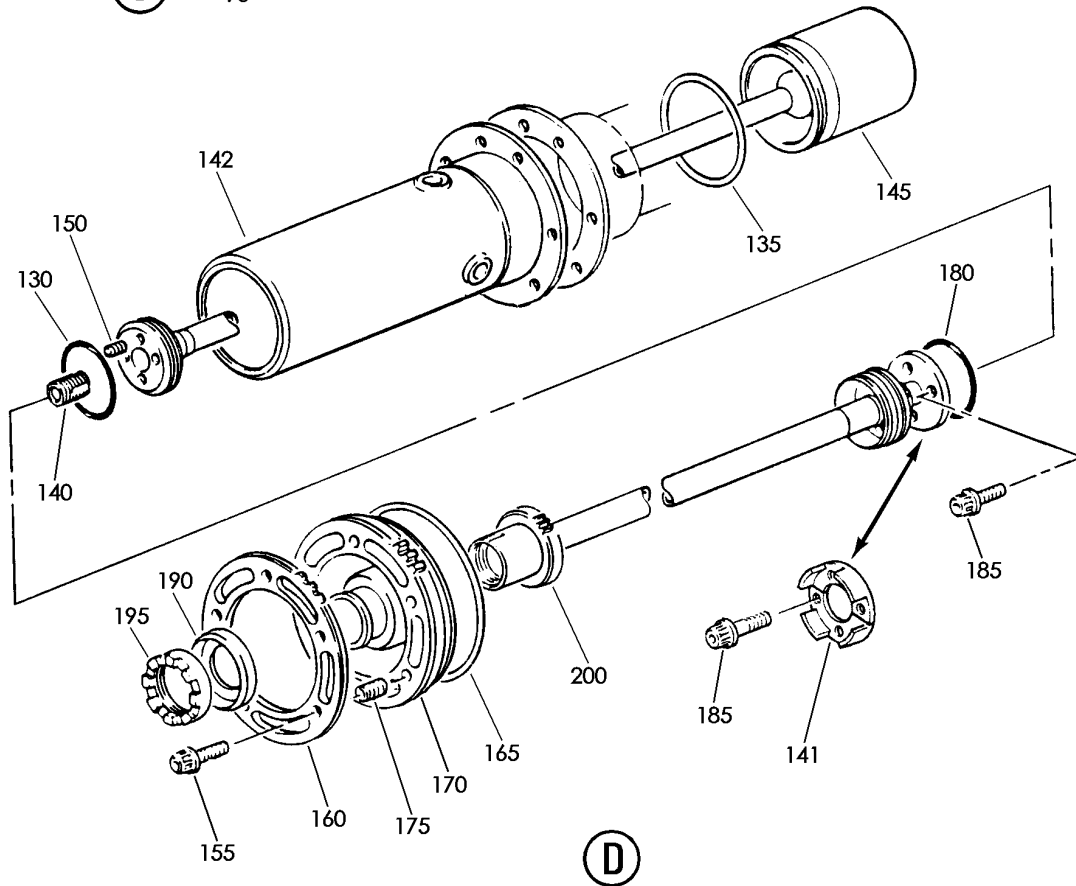
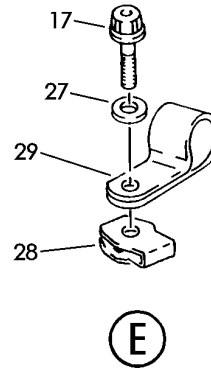
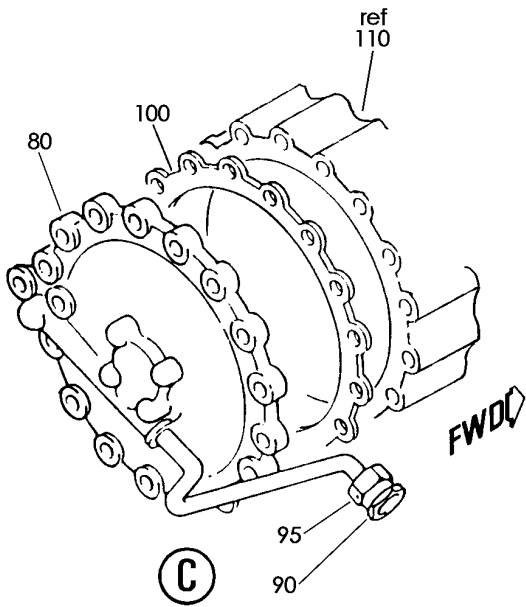
COVERS-LP TURB AND BRG HSG END (RB211-535)
FIGURE 2 (SHEET 1)

72-52-51-02

BRI
MAY 28/07

72-52-51-02
PAGE 0

BOEING
757
PARTS CATALOG (MAINTENANCE)



Y 72525102 SHT 2 REV 222

COVERS-LP TURB AND BRG HSG END (RB211-535)
FIGURE 2 (SHEET 2)

72-52-51-02

BRI
MAY 28/07

72-52-51-02
PAGE 0A



757

PARTS CATALOG (MAINTENANCE)

FIG ITEM	PART NUMBER	1 2 3 4 5 6 7	NOMENCLATURE	EFFECT FROM TO	UNITS PER ASSY
2			COVERS-LP TURB AND BRG HSG END (RB211-535)	002004 006999	
- 1	UL19722		ENGINE ASSY-Q.E.C.U. RB211-535E43711 MAXIMUM NEUT SUPPLIER CODE: VK0680 FOR NHA/OTHER SYS DET SEE: 71-00-02-04	107107	RF
- 1	UL20697		ENGINE ASSY-Q.E.C.U. RB211-535E43711 MAXIMUM NEUT WITH GRAVINER FIRE DETECTORS, BAYONET MCD, NON-MODULATED IDG COOLING 40,000 LB THRUST SUPPLIER CODE: VK0680 REFERENCE SERVICE BULLETIN: 71-0058R4 QUALIFIED SB I/W DATA: INTERMIX OF ONE OR SUBSTITUTION OF TWO DIFFERENT CONFIGURATION RB211-535E4-37/() ENGINES FOR RB211-535 E4 BASE ENGINES REFERENCE SERVICE BULLETIN: RB211-72-C547 VK0680 FOR NHA/OTHER SYS DET SEE: 71-00-02-04	121503 904949 952999	RF

MISSING ITEM NUMBERS NOT APPLICABLE

- ITEM NOT ILLUSTRATED

BRI

72-52-51-02

BOEING PROPRIETARY - Copyright © - Unpublished Work - See title page for details.

72-52-51
FIG. 02
PAGE 1
JAN 20/09



757

PARTS CATALOG (MAINTENANCE)

FIG ITEM	PART NUMBER	1 2 3 4 5 6 7	NOMENCLATURE	EFFECT FROM TO	UNITS PER ASSY
2 - 1	UL20698		ENGINE ASSY-Q.E.C.U. RB211-535E43712 MAXIMUM NEUT SUPPLIER CODE: VK0680 REFERENCE SERVICE BULLETIN: 71-0058R7 QUALIFIED SB I/W DATA: INTERMIX OF ONE OR SUBSTITUTION OF TWO DIFFERENT CONFIGURATION RB211-535E4-37/() ENGINES FOR RB211-535E4 BASE ENGINES OR DIFFERENT CONFIGURATION RB211-535E4-B-37/() ENGINES FOR RB211-535E4-B BASE ENGINES REFERENCE SERVICE BULLETIN: RB211-72-C547 VK0680 RB211-72-8910 VK0680 POST RAPID REVISION: RR92014-183E FOR NHA/OTHER SYS DET SEE: 71-00-02-04	002004 006100 102102	RF
- 1	UL20702		ENGINE ASSY-Q.E.C.U. RB211-535E43711 BASIC ENGINE CONFIG. WITH GRAVINER FIRE DETECTORS,BAYONET MCD, NON-MODULATED IDG COOLING 40,100 LB THRUST SUPPLIER CODE: VK0680 FOR NHA/OTHER SYS DET SEE: 71-00-02-10	504903	RF
- 1	UL36209		ENGINE ASSY-Q.E.C.U. RB211-535E43719 MAXIMUM NEUT SUPPLIER CODE: VK0680 FOR NHA/OTHER SYS DET SEE: 71-00-02-04	950951	RF

MISSING ITEM NUMBERS NOT APPLICABLE

- ITEM NOT ILLUSTRATED

72-52-51-02

72-52-51
FIG. 02
PAGE 2
JAN 20/09

BRI



757

PARTS CATALOG (MAINTENANCE)

FIG ITEM	PART NUMBER	1 2 3 4 5 6 7	NOMENCLATURE	EFFECT FROM TO	UNITS PER ASSY
2					
- 3	BCREF17395		ENGINE ASSY-Q.E.C.U. RB211-535E43739 BASIC ENGINE CONFIGURATION AND PHASE 5 COMBUSTOR 40,100 LB THRUST SUPPLIER CODE: VK0680 OVERLENGTH PART NUMBER: RB211-535E4-37-39E FOR NHA/OTHER SYS DET SEE: 71-00-02-10	108120	RF
- 3	BCREF17101		ENGINE ASSY-Q.E.C.U. RB211-535E43744 BASIC ENGINE CONFIGURATION, BAYONET MCD AND PHASE 5 COMBUSTOR 40,100 LB THRUST SUPPLIER CODE: VK0680 OVERLENGTH PART NUMBER: RB211-535E4-3744E FOR NHA/OTHER SYS DET SEE: 71-00-02-10	103106	RF
- 3	UL38163		ENGINE ASSY-Q.E.C.U. RB211-535E43724 BASIC ENGINE CONFIGURATION, BAYONET MCD, 40,100 LB THRUST SUPPLIER CODE: VK0680 FOR NHA/OTHER SYS DET SEE: 71-00-02-10	101101	RF
- 4	UL17838		.COVER-LP TURBINE SHAFT AND BRG HSG END SUPPLIER CODE: VK0680	002004 006999	RF
5	AS21012		..BOLT	002004 006999	40
10	AS21013		..BOLT	002004 006999	4
15	AS21010		..BOLT	002004 006999	2
17	AS20908		..BOLT	002004 006999	1

MISSING ITEM NUMBERS NOT APPLICABLE

- ITEM NOT ILLUSTRATED

BRI

72-52-51-02

BOEING PROPRIETARY - Copyright © - Unpublished Work - See title page for details.

72-52-51
FIG. 02
PAGE 3
JAN 20/09



757

PARTS CATALOG (MAINTENANCE)

FIG ITEM	PART NUMBER	1 2 3 4 5 6 7	NOMENCLATURE	EFFECT FROM TO	UNITS PER ASSY
2					
20	B474297		.. WASHER- SUPPLIER CODE: VK0680 POST SERVICE BULLETIN: 72-7727PT01 VK0680	002004 006999	18
25	AS12944		.. WASHER	002004 006999	4
27	K8831		.. WASHER- SUPPLIER CODE: VK0680	002004 006999	1
28	AS41104		.. NUT	002004 006999	1
29	LK39525		.. CLIP- SUPPLIER CODE: VK0680 PRE SERVICE BULLETIN: 72-C754 VK0680	002004 006999	1
29	UP12008		.. CLIP- SUPPLIER CODE: VK0680 POST SERVICE BULLETIN: 72-C754PTA V77445	002004 006999	1
30	1-06803-00-00		.. INSULATION-BLANKET SUPPLIER CODE: VU5197 POSITION DATA: UPR POST SERVICE BULLETIN: 72-7727PT01 VK0680	002004 006999	1
35	1-06801-00-00		.. INSULATION-BLANKET SUPPLIER CODE: VU5197 POSITION DATA: CENTRE POST SERVICE BULLETIN: 72-7727PT01 VK0680	002004 006999	1
40	1-06802-00-00		.. INSULATION-BLANKET SUPPLIER CODE: VU5197 POSITION DATA: FRONT POST SERVICE BULLETIN: 72-7727PT01 VK0680	002004 006999	1

MISSING ITEM NUMBERS NOT APPLICABLE

- ITEM NOT ILLUSTRATED

BRI

72-52-51-02

BOEING PROPRIETARY - Copyright © - Unpublished Work - See title page for details.

72-52-51
FIG. 02
PAGE 4
JAN 20/09



757

PARTS CATALOG (MAINTENANCE)

FIG ITEM	PART NUMBER	1 2 3 4 5 6 7	NOMENCLATURE	EFFECT FROM TO	UNITS PER ASSY
2					
45	1-06800-00-00		.. INSULATION-BLANKET SUPPLIER CODE: VU5197 POSITION DATA: REAR POST SERVICE BULLETIN: 72-7727PT01 VK0680	002004 006999	1
50	UL11554		.. TUBE ASSY-REAR COVER TO SHAFT SPHER OIL SUPPLIER CODE: VK0680	002004 006999	1
- 52	CU48926		... TUBE-SPHERICAL ENDED COVER SUPPLIER CODE: VK0680 POSITION DATA: REAR	002004 006999	RF
55	CU60172		... SLEEVE- SUPPLIER CODE: VK0680	002004 006999	1
60	UP10237		... SEAT- SUPPLIER CODE: VK0680	002004 006999	1
65	CU38971		.. SEAT-OIL TUBE RETAINING SPHER SUPPLIER CODE: VK0680	002004 006999	1
70	FX10219		.. FILTER-OIL FEED THREAD TYPE SUPPLIER CODE: VK0680	002004 006999	1
75	UL11566		.. NOZZLE-LUB SUPPLIER CODE: VK0680	002004 006999	1
80	UL17802		.. COVER ASSY- SUPPLIER CODE: VK0680 POSITION DATA: REAR PRE SERVICE BULLETIN: 72-7727	107107 121949 952999	1

MISSING ITEM NUMBERS NOT APPLICABLE

- ITEM NOT ILLUSTRATED

BRI

72-52-51-02

BOEING PROPRIETARY - Copyright © - Unpublished Work - See title page for details.

72-52-51
FIG. 02
PAGE 5
JAN 20/09



757

PARTS CATALOG (MAINTENANCE)

FIG ITEM	PART NUMBER	1 2 3 4 5 6 7	NOMENCLATURE	EFFECT FROM TO	UNITS PER ASSY
2					
80	UL18693	..	COVER ASSY- SUPPLIER CODE: VK0680 POSITION DATA: REAR POST SERVICE BULLETIN: 72-7727PT01 VK0680	002004 006999	1
85	AGS3732	...	INSERT-WIRE THREAD	002004 006999	4
- 87	UL17803	...	COVER ASSY-LP TURBINE BEARING HOUSING SUPPLIER CODE: VK0680 PRE SERVICE BULLETIN: 72-7727	107107 121949 952999	RF
- 87	UL18694	...	COVER ASSY-LP TURBINE BEARING HOUSING SUPPLIER CODE: VK0680 POST SERVICE BULLETIN: 72-7727PT01 VK0680	002004 006999	RF
90	AS15702	NUT	002004 006999	1
- 95	AS15778	WIRE-THRUST	002004 006999	1
100	UL17180	..	GASKET- SUPPLIER CODE: VK0680	002004 006999	1
105	UL17183	.	GASKET- SUPPLIER CODE: VK0680	002004 006999	1
110	UL17181	..	HOUSING ASSY-OIL SCAV AND O/ SPEED CABLE SUPPLIER CODE: VK0680	002004 006999	1
115	AGS3732	...	INSERT-WIRE THREAD	002004 006999	26
120	AS15702	...	NUT	002004 006999	2
- 125	AS15778	...	WIRE-THRUST	002004 006999	2
130	AS43013-224	..	RING-SEALING	002004 006999	1
135	LK33450	..	SEAL-METAL RING SUPPLIER CODE: VK0680	002004 006999	1

MISSING ITEM NUMBERS NOT APPLICABLE

- ITEM NOT ILLUSTRATED

72-52-51-02

72-52-51
FIG. 02
PAGE 6
JAN 20/09

BRI

BOEING PROPRIETARY - Copyright © - Unpublished Work - See title page for details.



757

PARTS CATALOG (MAINTENANCE)

FIG ITEM	PART NUMBER	1 2 3 4 5 6 7	NOMENCLATURE	EFFECT FROM TO	UNITS PER ASSY
2					
140	EU49751	..	FILTER-OIL SUPPLIER CODE: VK0680	002004 006999	1
141	UL35856	..	DEFLECTOR-OIL SUPPLIER CODE: VK0680 POST SERVICE BULLETIN: 72-9706PT01 VK0680	002004 006100 102102 107107 121949 952999	1
142	UL12829	..	TUBE ASSY-TURBINE GUIDE LP SUPPLIER CODE: VK0680	002004 006999	1
145	UL17766	..	TUBE ASSY-OIL FEED AND FUEL CUT-OFF SIGNAL SUPPLIER CODE: VK0680	002004 006999	1
150	AGS3732	...	INSERT-SCREW THREAD	002004 006999	4
- 153	UL17767	...	TUBE ASSY-OIL FEED AND FUEL CUT-OFF SIGNAL SUPPLIER CODE: VK0680	002004 006999	RF
155	AS21012	..	BOLT	002004 006999	5
160	UL14498	..	PLATE-CPLG RETAINING SUPPLIER CODE: VK0680 PRE SERVICE BULLETIN: 72-9331 VK0680	107107 121949 952999	1
160	UL25960	..	PLATE-CPLG RETAINING SUPPLIER CODE: VK0680 POST SERVICE BULLETIN: 72-9331PT01 VK0680	002004 006100 102102 107107 121949 952999	1
165	AS43013-347	..	RING-SEALING	002004 006999	1
170	UL14496	..	COUPLING ASSY-FAN SUPPLIER CODE: VK0680	002004 006999	1
- 172	UL14497	...	COUPLING- SUPPLIER CODE: VK0680	002004 006999	RF
175	AGS3732	...	INSERT-WIRE THREAD	002004 006999	5
180	AS43013-224	..	RING-SEALING	002004 006999	1

MISSING ITEM NUMBERS NOT APPLICABLE

- ITEM NOT ILLUSTRATED

72-52-51-02

72-52-51
FIG. 02
PAGE 7
JAN 20/09

BRI

BOEING PROPRIETARY - Copyright © - Unpublished Work - See title page for details.



757

PARTS CATALOG (MAINTENANCE)

FIG ITEM	PART NUMBER	1 2 3 4 5 6 7	NOMENCLATURE	EFFECT FROM TO	UNITS PER ASSY
2					
185	AS21510	..	BOLT- PRE SERVICE BULLETIN: 72-9706 VK0680	002004 006102 107999	4
185	AS21512	..	BOLT- POST SERVICE BULLETIN: 72-9706PT01 VK0680	002004 006999	4
190	MS9952-16	..	WASHER	002004 006999	1
195	MS9951-16	..	NUT	002004 006999	1
200	UL15955	..	TUBE ASSY-EMER FUEL CUT-OFF SIGNAL DRIVE SUPPLIER CODE: VK0680	002004 006999	1
900			ILLUSTRATION REFERENCE: SHUT OFF AND CABLE ASSY EMERGENCY FUEL (RB211-535) 76-22-00-01	002004 006999	RF
905			ILLUSTRATION REFERENCE: TURBINE EXHAUST CASE (RB211-535) 72-52-01-01	002004 006999	RF

MISSING ITEM NUMBERS NOT APPLICABLE

- ITEM NOT ILLUSTRATED

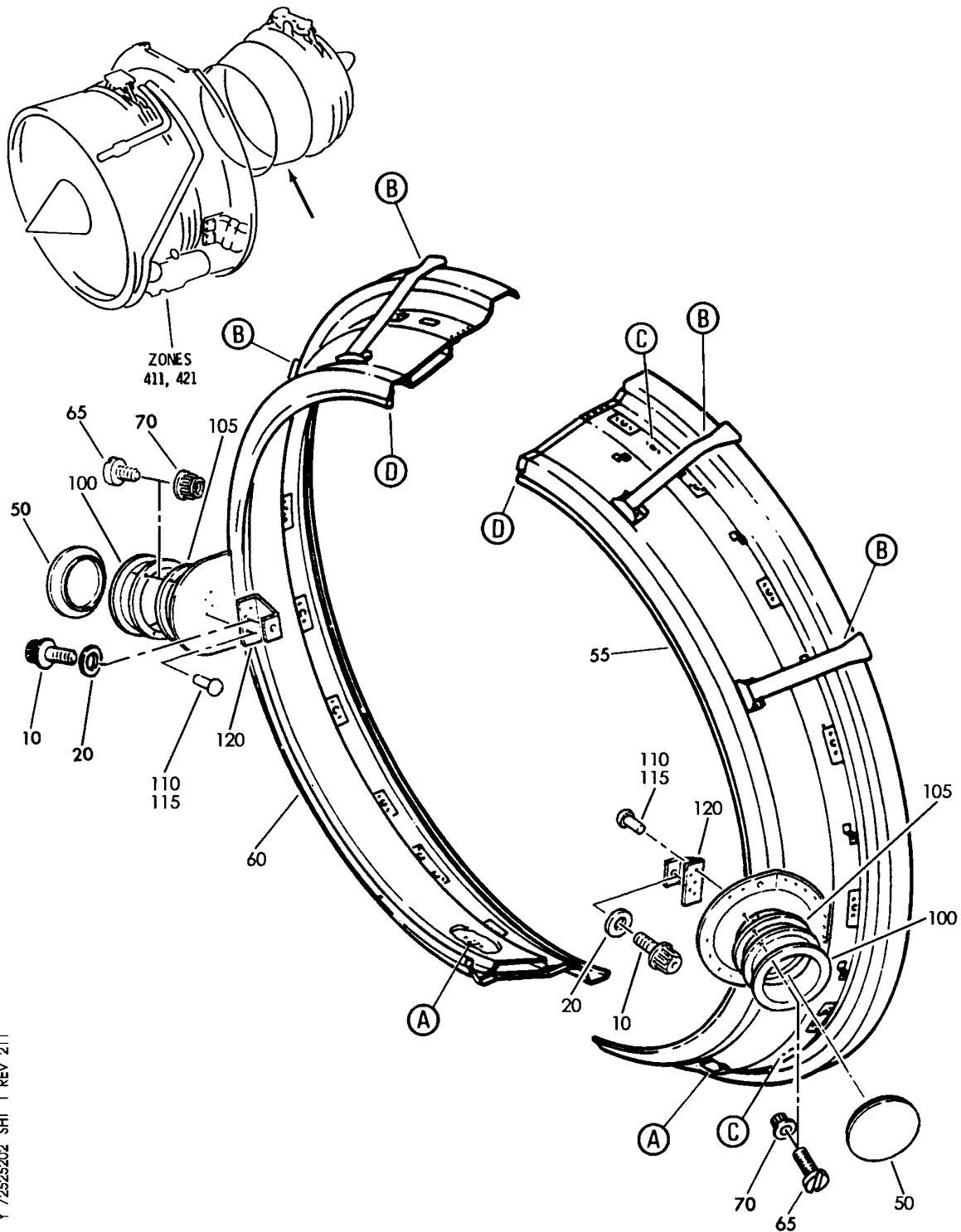
BRI

72-52-51-02

BOEING PROPRIETARY - Copyright © - Unpublished Work - See title page for details.

72-52-51
FIG. 02
PAGE 8
JAN 20/09

BOEING
757
PARTS CATALOG (MAINTENANCE)



Y 72525202 SHT 1 REV 211

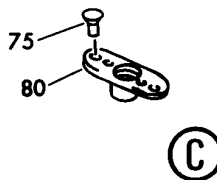
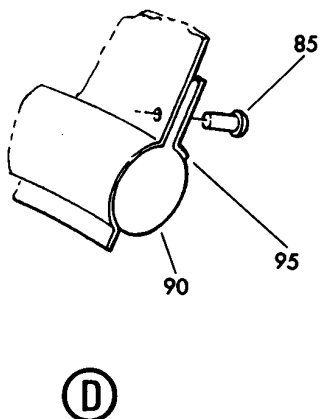
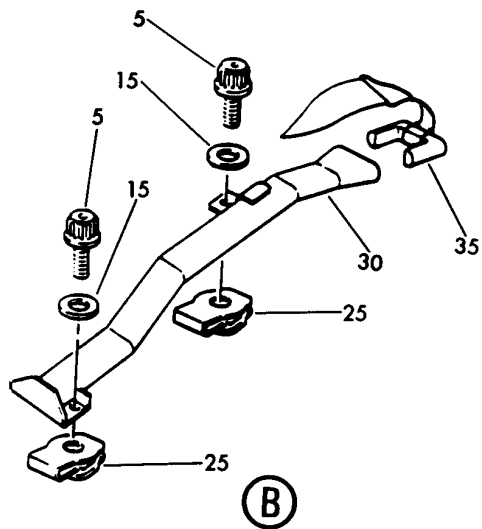
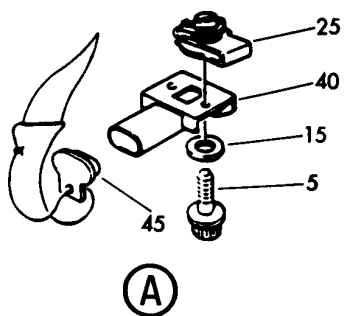
MANIFOLD-COOLING AIR (RB211-535)
FIGURE 2 (SHEET 1)

72-52-52-02

BRI
MAY 28/07

72-52-52-02
PAGE 0

BOEING
757
PARTS CATALOG (MAINTENANCE)



Y 72525202 SHT 2 REV 112

MANIFOLD-COOLING AIR (RB211-535)
FIGURE 2 (SHEET 2)

72-52-52-02

BRI
MAY 28/07

72-52-52-02
PAGE 0A



757

PARTS CATALOG (MAINTENANCE)

FIG ITEM	PART NUMBER	1 2 3 4 5 6 7	NOMENCLATURE	EFFECT FROM TO	UNITS PER ASSY
2			MANIFOLD-COOLING AIR (RB211-535)	002004 006999	
- 1	UL19722		ENGINE ASSY-Q.E.C.U. RB211-535E43711 MAXIMUM NEUT SUPPLIER CODE: VK0680 FOR NHA/OTHER SYS DET SEE: 71-00-02-04	107107	RF
- 1	UL20697		ENGINE ASSY-Q.E.C.U. RB211-535E43711 MAXIMUM NEUT WITH GRAVINER FIRE DETECTORS, BAYONET MCD, NON-MODULATED IDG COOLING 40,000 LB THRUST SUPPLIER CODE: VK0680 REFERENCE SERVICE BULLETIN: 71-0058R4 QUALIFIED SB I/W DATA: INTERMIX OF ONE OR SUBSTITUTION OF TWO DIFFERENT CONFIGURATION RB211-535E4-37/() ENGINES FOR RB211-535 E4 BASE ENGINES REFERENCE SERVICE BULLETIN: RB211-72-C547 VK0680 FOR NHA/OTHER SYS DET SEE: 71-00-02-04	121503 904949 952999	RF

MISSING ITEM NUMBERS NOT APPLICABLE

- ITEM NOT ILLUSTRATED

BRI

72-52-52-02

BOEING PROPRIETARY - Copyright © - Unpublished Work - See title page for details.

72-52-52
FIG. 02
PAGE 1
JAN 20/09



757

PARTS CATALOG (MAINTENANCE)

FIG ITEM	PART NUMBER	1 2 3 4 5 6 7	NOMENCLATURE	EFFECT FROM TO	UNITS PER ASSY
2 - 1	UL20698		ENGINE ASSY-Q.E.C.U. RB211-535E43712 MAXIMUM NEUT SUPPLIER CODE: VK0680 REFERENCE SERVICE BULLETIN: 71-0058R7 QUALIFIED SB I/W DATA: INTERMIX OF ONE OR SUBSTITUTION OF TWO DIFFERENT CONFIGURATION RB211-535E4-37/() ENGINES FOR RB211-535E4 BASE ENGINES OR DIFFERENT CONFIGURATION RB211-535E4-B-37/() ENGINES FOR RB211-535E4-B BASE ENGINES REFERENCE SERVICE BULLETIN: RB211-72-C547 VK0680 RB211-72-8910 VK0680 POST RAPID REVISION: RR92014-183A-RC-E FOR NHA/OTHER SYS DET SEE: 71-00-02-04	002004 006100 102102	RF
- 1	UL36209		ENGINE ASSY-Q.E.C.U. RB211-535E43719 MAXIMUM NEUT SUPPLIER CODE: VK0680 FOR NHA/OTHER SYS DET SEE: 71-00-02-04	950951	RF
- 1	UL20702		ENGINE ASSY-Q.E.C.U. RB211-535E43711 BASIC ENGINE CONFIG. WITH GRAVINER FIRE DETECTORS,BAYONET MCD, NON-MODULATED IDG COOLING 40,100 LB THRUST SUPPLIER CODE: VK0680 FOR NHA/OTHER SYS DET SEE: 71-00-02-10	504903	RF

MISSING ITEM NUMBERS NOT APPLICABLE

- ITEM NOT ILLUSTRATED

BRI

72-52-52-02

BOEING PROPRIETARY - Copyright © - Unpublished Work - See title page for details.

72-52-52
FIG. 02
PAGE 2
JAN 20/09



757

PARTS CATALOG (MAINTENANCE)

FIG ITEM	PART NUMBER	1 2 3 4 5 6 7	NOMENCLATURE	EFFECT FROM TO	UNITS PER ASSY
2					
- 3	BCREF17395		ENGINE ASSY-Q.E.C.U. RB211-535E43739 BASIC ENGINE CONFIGURATION AND PHASE 5 COMBUSTOR 40,100 LB THRUST SUPPLIER CODE: VK0680 OVERLENGTH PART NUMBER: RB211-535E4-37-39E FOR NHA/OTHER SYS DET SEE: 71-00-02-10	108120	RF
- 3	BCREF17101		ENGINE ASSY-Q.E.C.U. RB211-535E43744 BASIC ENGINE CONFIGURATION, BAYONET MCD AND PHASE 5 COMBUSTOR 40,100 LB THRUST SUPPLIER CODE: VK0680 OVERLENGTH PART NUMBER: RB211-535E4-3744E FOR NHA/OTHER SYS DET SEE: 71-00-02-10	103106	RF
- 3	UL38163		ENGINE ASSY-Q.E.C.U. RB211-535E43724 BASIC ENGINE CONFIGURATION, BAYONET MCD, 40,100 LB THRUST SUPPLIER CODE: VK0680 FOR NHA/OTHER SYS DET SEE: 71-00-02-10	101101	RF
- 4	UL18686		.MANIFOLD-COOLING AIR & TGT T/C IP TURBINE SUPPLIER CODE: VK0680	002004 006999	RF
5	AS21408		..BOLT	002004 006999	16
10	AS21008		..BOLT	002004 006999	2
15	AS12943		..WASHER	002004 006999	16
20	AS12944		..WASHER	002004 006999	2
25	AS41104		..NUT	002004 006999	16

MISSING ITEM NUMBERS NOT APPLICABLE

- ITEM NOT ILLUSTRATED

72-52-52-02

72-52-52
FIG. 02
PAGE 3
JAN 20/09

BRI



757

PARTS CATALOG (MAINTENANCE)

FIG ITEM	PART NUMBER	1 2 3 4 5 6 7	NOMENCLATURE	EFFECT FROM TO	UNITS PER ASSY
2					
30	UL18596		..MANIFOLD ASSY-SPRAY SUPPLIER CODE: VK0680 POSITION DATA: UPR ZONE 3	002004 006999	4
35	UL17149		..PLUG ASSY-AIR SPRAY MANIFOLD TRANSPORTATION ONLY SUPPLIER CODE: VK0680	002004 006999	4
40	UL18597		..NOZZLE ASSY-SPRAY SUPPLIER CODE: VK0680 POSITION DATA: LOWER MISCELLANEOUS DATA: ZONE 3	002004 006999	2
45	UL17150		..PLUG ASSY-AIR SPRAY NOZZLE TRANSPORTATION ONLY SUPPLIER CODE: VK0680	002004 006999	2
50	UL10187		..COVER-INLET TRANSPORTATION ONLY SUPPLIER CODE: VK0680	002004 006999	2
55	UL18593		..MANIFOLD ASSY-OUTER CASE AIR SUPPLIER CODE: VK0680 POSITION DATA: LH CONFIG CHG DATA FROM A CMM: FOR INTRCHG SEE RR IPC PRE SERVICE BULLETIN: 72-8015 VK0680	002004 006100 102102 107107 121949 952999	1
55	UL19379		..MANIFOLD ASSY-OUTER CASE AIR SUPPLIER CODE: VK0680 POSITION DATA: LH PRE SERVICE BULLETIN: 72-8063 VK0680 REFERENCE SERVICE BULLETIN: 72-8015PT02 VK0680	002004 006100 102102	1

MISSING ITEM NUMBERS NOT APPLICABLE

- ITEM NOT ILLUSTRATED

72-52-52-02

72-52-52
FIG. 02
PAGE 4
JAN 20/09

BRI

BOEING PROPRIETARY - Copyright © - Unpublished Work - See title page for details.

 **BOEING**
757
PARTS CATALOG (MAINTENANCE)

FIG ITEM	PART NUMBER	1 2 3 4 5 6 7	NOMENCLATURE	EFFECT FROM TO	UNITS PER ASSY
2	55 UL19765		..MANIFOLD ASSY-OUTER CASE AIR SUPPLIER CODE: VK0680 POSITION DATA: LH POST SERVICE BULLETIN: 72-8063PT02 VK0680	002004 006999	1
	55 UL19379		..MANIFOLD ASSY-OUTER CASE AIR SUPPLIER CODE: VK0680 POSITION DATA: LH CONFIG CHG DATA FROM A CMM: FOR INTRCHG SEE RR IPC PRE SERVICE BULLETIN: 72-8063 VK0680 REFERENCE SERVICE BULLETIN: 72-8015PT02 VK0680	002004 006100 102102 107107 121949 952999	1
	60 UL18592		..MANIFOLD ASSY-OUTER CASE AIR SUPPLIER CODE: VK0680 POSITION DATA: RH CONFIG CHG DATA FROM A CMM: FOR INTRCHG SEE RR IPC PRE SERVICE BULLETIN: 72-8015 VK0680	002004 006100 102102 107107 121949 952999	1
	60 UL19378		..MANIFOLD ASSY-OUTER CASE AIR SUPPLIER CODE: VK0680 POSITION DATA: RH PRE SERVICE BULLETIN: 72-8063 VK0680 REFERENCE SERVICE BULLETIN: 72-8015PT01 VK0680	002004 006100 102102	1

MISSING ITEM NUMBERS NOT APPLICABLE

— ITEM NOT ILLUSTRATED

BRI

72-52-52-02

BOEING PROPRIETARY - Copyright © - Unpublished Work - See title page for details.

72-52-52
FIG. 02
PAGE 5
JAN 20/09



757

PARTS CATALOG (MAINTENANCE)

FIG ITEM	PART NUMBER	1 2 3 4 5 6 7	NOMENCLATURE	EFFECT FROM TO	UNITS PER ASSY
2 60	UL19764		..MANIFOLD ASSY-OUTER CASE AIR SUPPLIER CODE: VK0680 POSITION DATA: RH POST SERVICE BULLETIN: 72-8063PT01 VK0680	002004 006999	1
60	UL19378		..MANIFOLD ASSY-OUTER CASE AIR SUPPLIER CODE: VK0680 POSITION DATA: RH CONFIG CHG DATA FROM A CMM: FOR INTRCHG SEE RR IPC PRE SERVICE BULLETIN: 72-8063 VK0680 REFERENCE SERVICE BULLETIN: 72-8015PT01 VK0680	002004 006100 102102 107107 121949 952999	1
- 125	BR45319		..PLATE- TRANSPORTATION ONLY SUPPLIER CODE: VK0680	101101 107107 121999	1

MISSING ITEM NUMBERS NOT APPLICABLE

- ITEM NOT ILLUSTRATED

BRI

72-52-52-02

BOEING PROPRIETARY - Copyright © - Unpublished Work - See title page for details.

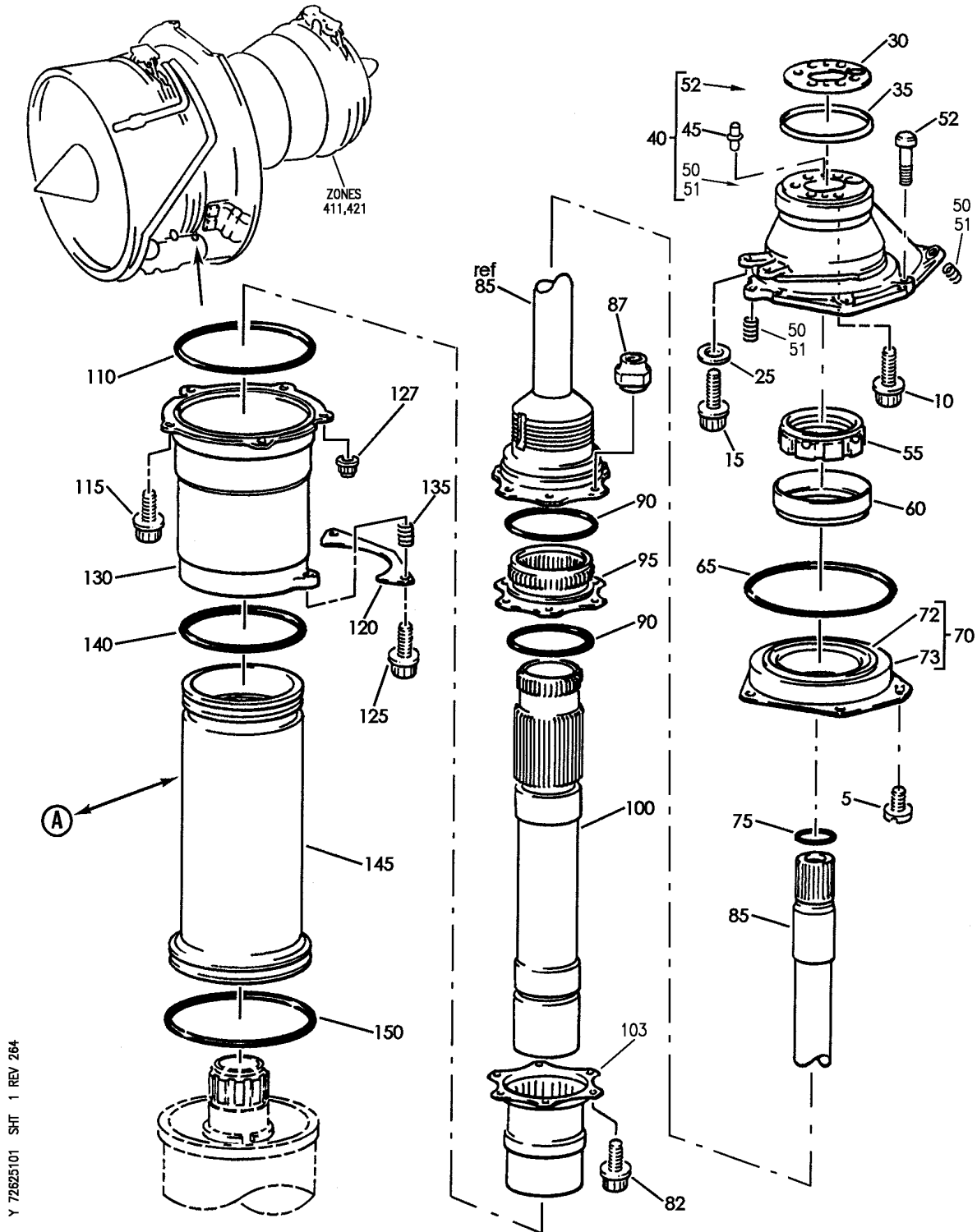
72-52-52
FIG. 02
PAGE 6
JAN 20/09

ANGLE GEARBOX SECTION

BRI
MAY 28/07

72-62-00
SECTION TITLE
PAGE 1

BOEING
757
PARTS CATALOG (MAINTENANCE)



Y 72625101 SHT 1 REV 264

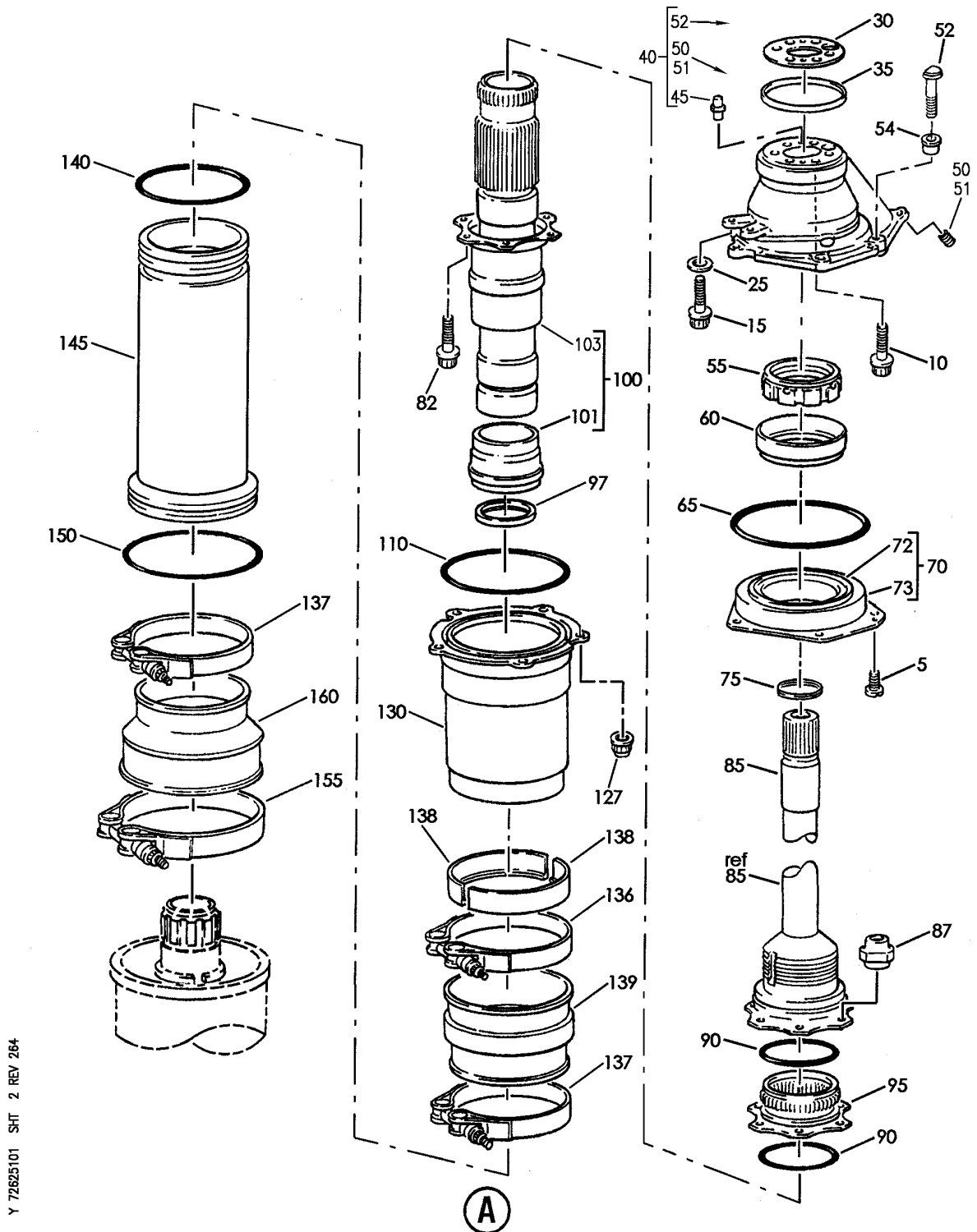
SHAFT-HIGH SPEED GEARBOX DRIVE (RB211-535)
FIGURE 1 (SHEET 1)

72-62-51-01

BRI
MAY 28/07

72-62-51-01
PAGE 0

BOEING
757
PARTS CATALOG (MAINTENANCE)



Y 72625101 SHT 2 REV 264

SHAFT-HIGH SPEED GEARBOX DRIVE (RB211-535)
FIGURE 1 (SHEET 2)

72-62-51-01

BRI
MAY 28/07

72-62-51-01
PAGE 0A



757

PARTS CATALOG (MAINTENANCE)

FIG ITEM	PART NUMBER	1 2 3 4 5 6 7	NOMENCLATURE	EFFECT FROM TO	UNITS PER ASSY
1			SHAFT-HIGH SPEED GEARBOX DRIVE (RB211-535)	002004	
- 1	UL20697		ENGINE ASSY-Q.E.C.U. RB211-535E43711 MAXIMUM NEUT WITH GRAVINER FIRE DETECTORS, BAYONET MCD, NON-MODULATED IDG COOLING 40,000 LB THRUST SUPPLIER CODE: VK0680 REFERENCE SERVICE BULLETIN: 71-0058R4 QUALIFIED SB I/W DATA: INTERMIX OF ONE OR SUBSTITUTION OF TWO DIFFERENT CONFIGURATION RB211-535E4-37/() ENGINES FOR RB211-535 E4 BASE ENGINES REFERENCE SERVICE BULLETIN: RB211-72-C547 VK0680 FOR NHA/OTHER SYS DET SEE: 71-00-02-04	006999 121503 904949 952999	RF
- 1	UL20702		ENGINE ASSY-Q.E.C.U. RB211-535E43711 BASIC ENGINE CONFIG. WITH GRAVINER FIRE DETECTORS, BAYONET MCD, NON-MODULATED IDG COOLING 40,100 LB THRUST SUPPLIER CODE: VK0680 FOR NHA/OTHER SYS DET SEE: 71-00-02-10	504903	RF
- 1	UL19722		ENGINE ASSY-Q.E.C.U. RB211-535E43711 MAXIMUM NEUT SUPPLIER CODE: VK0680 FOR NHA/OTHER SYS DET SEE: 71-00-02-04	107107	RF

MISSING ITEM NUMBERS NOT APPLICABLE

- ITEM NOT ILLUSTRATED

BRI

72-62-51-01

BOEING PROPRIETARY - Copyright © - Unpublished Work - See title page for details.

72-62-51
FIG. 01
PAGE 1
JAN 20/09

 **BOEING**
757
PARTS CATALOG (MAINTENANCE)

FIG ITEM	PART NUMBER	1 2 3 4 5 6 7	NOMENCLATURE	EFFECT FROM TO	UNITS PER ASSY
1					
- 2	UL20698		ENGINE ASSY-Q.E.C.U. RB211-535E43712 MAXIMUM NEUT SUPPLIER CODE: VK0680 REFERENCE SERVICE BULLETIN: 71-0058R7 QUALIFIED SB I/W DATA: INTERMIX OF ONE OR SUBSTITUTION OF TWO DIFFERENT CONFIGURATION RB211-535E4-37/() ENGINES FOR RB211-535E4 BASE ENGINES OR DIFFERENT CONFIGURATION RB211-535E4-B-37/() ENGINES FOR RB211-535E4-B BASE ENGINES REFERENCE SERVICE BULLETIN: RB211-72-C547 VK0680 RB211-72-8910 VK0680 POST RAPID REVISION: RR92014-183E FOR NHA/OTHER SYS DET SEE: 71-00-02-04	002004 006100 102102	RF
- 2	UL36209		ENGINE ASSY-Q.E.C.U. RB211-535E43719 MAXIMUM NEUT SUPPLIER CODE: VK0680 FOR NHA/OTHER SYS DET SEE: 71-00-02-04	950951	RF
- 3	BCREF17395		ENGINE ASSY-Q.E.C.U. RB211-535E43739 BASIC ENGINE CONFIGURATION AND PHASE 5 COMBUSTOR 40,100 LB THRUST SUPPLIER CODE: VK0680 OVERLENGTH PART NUMBER: RB211-535E4-37-39E FOR NHA/OTHER SYS DET SEE: 71-00-02-10	108120	RF

MISSING ITEM NUMBERS NOT APPLICABLE

- ITEM NOT ILLUSTRATED

BRI

72-62-51-01

BOEING PROPRIETARY - Copyright © - Unpublished Work - See title page for details.

72-62-51
FIG. 01
PAGE 2
JAN 20/09



757

PARTS CATALOG (MAINTENANCE)

FIG ITEM	PART NUMBER	1 2 3 4 5 6 7	NOMENCLATURE	EFFECT FROM TO	UNITS PER ASSY
1					
- 3	BCREF17101		ENGINE ASSY-Q.E.C.U. RB211-535E43744 BASIC ENGINE CONFIGURATION, BAYONET MCD AND PHASE 5 COMBUSTOR 40,100 LB THRUST SUPPLIER CODE: VK0680 OVERLENGTH PART NUMBER: RB211-535E4-3744E FOR NHA/OTHER SYS DET SEE: 71-00-02-10	103106	RF
- 3	UL38163		ENGINE ASSY-Q.E.C.U. RB211-535E43724 BASIC ENGINE CONFIGURATION, BAYONET MCD, 40,100 LB THRUST SUPPLIER CODE: VK0680 FOR NHA/OTHER SYS DET SEE: 71-00-02-10	101101	RF
- 4	LK83427		. GEARBOX-HS DRIVE SHAFT SUPPLIER CODE: VK0680	002004 006999	RF
5	NAS5403U7		.. SCREW	002004 006999	2
10	AS21012		.. BOLT	002004 006999	6
15	AS21013		.. BOLT	002004 006999	2
25	AS12944		.. WASHER	002004 006999	2
30	LK76088		.. GASKET-BRG HSG CORRUGATED SUPPLIER CODE: VK0680	002004 006999	1
35	LK76087		.. SEAL-BRG HSG METAL RING SUPPLIER CODE: VK0680 POSITION DATA: INNER	002004 006999	1

MISSING ITEM NUMBERS NOT APPLICABLE

- ITEM NOT ILLUSTRATED

BRI

72-62-51-01

BOEING PROPRIETARY - Copyright © - Unpublished Work - See title page for details.

72-62-51
FIG. 01
PAGE 3
JAN 20/09



757

PARTS CATALOG (MAINTENANCE)

FIG ITEM	PART NUMBER	1 2 3 4 5 6 7	NOMENCLATURE	EFFECT FROM TO	UNITS PER ASSY
1					
40	UL25393		..HOUSING ASSY-SHAFT BRG SUPPLIER CODE: VK0680 POSITION DATA: INNER CONFIG CHG DATA FROM A CMM: FOR INTRCHG SEE RR IPC POST SERVICE BULLETIN: 72-8704PT02 VK0680	002004 006999	1
40	UL16294		..HOUSING ASSY-SHAFT BRG SUPPLIER CODE: VK0680 POSITION DATA: INNER PRE SERVICE BULLETIN: 72-8704 VK0680	002004 006100 102102 107107 121949 952999	1
40	UL25391		..HOUSING ASSY-SHAFT BRG SUPPLIER CODE: VK0680 POSITION DATA: INNER CONFIG CHG DATA FROM A CMM: FOR INTRCHG SEE RR IPC POST SERVICE BULLETIN: 72-8704PT01 VK0680	002004 006999	1
45	LK76102		...PIN- SUPPLIER CODE: VK0680	002004 006999	2
50	AGS3732		...INSERT- PRE SERVICE BULLETIN: 72-8704 VK0680	002004 006100 102102 107107 121949 952999	8
51	AGS3732		...INSERT- POST SERVICE BULLETIN: 72-8704PT01 VK0680	002004 006999	3
52	AS26217		...BOLT- POST SERVICE BULLETIN: 72-8704PT01 VK0680	002004 006999	5

MISSING ITEM NUMBERS NOT APPLICABLE

- ITEM NOT ILLUSTRATED

72-62-51-01

72-62-51
FIG. 01
PAGE 4
JAN 20/09

BRI

BOEING PROPRIETARY - Copyright © - Unpublished Work - See title page for details.



757

PARTS CATALOG (MAINTENANCE)

FIG ITEM	PART NUMBER	1 2 3 4 5 6 7	NOMENCLATURE	EFFECT FROM TO	UNITS PER ASSY
1					
- 53	UL25392	...	HOUSING-SHAFT BRG SUPPLIER CODE: VK0680 POSITION DATA: INNER CONFIG CHG DATA FROM A CMM: FOR INTRCHG SEE RR IPC POST SERVICE BULLETIN: 72-8704PT01 VK0680	002004 006999	RF
- 53	UL25394	...	HOUSING-SHAFT BRG SUPPLIER CODE: VK0680 POSITION DATA: INNER CONFIG CHG DATA FROM A CMM: FOR INTRCHG SEE RR IPC POST SERVICE BULLETIN: 72-8704PT02 VK0680	002004 006999	RF
55	LK76074	..	NUT- SUPPLIER CODE: VK0680 POSITION DATA: INNER	002004 006999	1
60	LK76073	..	WASHER- SUPPLIER CODE: VK0680 POSITION DATA: INNER	002004 006999	1
65	KB27155	..	SEAL-BRG HSG TOROIDAL SEALING SUPPLIER CODE: VK0680	002004 006999	1
70	LK76084	..	BEARING-SHAFT BALL SUPPLIER CODE: VK0680 POSITION DATA: INNER PRE SERVICE BULLETIN: 72-C925 VK0680	002004 006999	1

MISSING ITEM NUMBERS NOT APPLICABLE

- ITEM NOT ILLUSTRATED

BRI

72-62-51-01

BOEING PROPRIETARY - Copyright © - Unpublished Work - See title page for details.

72-62-51
FIG. 01
PAGE 5
JAN 20/09



757

PARTS CATALOG (MAINTENANCE)

FIG ITEM	PART NUMBER	1 2 3 4 5 6 7	NOMENCLATURE	EFFECT FROM TO	UNITS PER ASSY
1	70 FB222165		.. BEARING-SHAFT BALL SUPPLIER CODE: VK0680 POSITION DATA: INNER POST SERVICE BULLETIN: 72-C925PT01 VK0680	002004 006999	1
	75 LK30089		.. RING-SHAFT METAL SUPPLIER CODE: VK0680 POSITION DATA: INNER	002004 006999	1
	82 BLT5148		.. BOLT- SUPPLIER CODE: VK0680 POST SERVICE BULLETIN: 72-8044PT01 VK0680 PRE SERVICE BULLETIN: 72-8044 VK0680	002004 006999	6
	85 LK80197		.. SHAFT ASSY- SUPPLIER CODE: VK0680 POSITION DATA: INNER PRE SERVICE BULLETIN: 72-7860 VK0680	002004 006100 102102 107107 121949 952999	1
	87 AS27852		... NUT	002004 006999	6
-	88 LK80198		... SHAFT-HS GEARBOX DRIVE SUPPLIER CODE: VK0680 POSITION DATA: INNER PRE SERVICE BULLETIN: 72-7860 VK0680	002004 006100 102102 107107 121949 952999	RF

MISSING ITEM NUMBERS NOT APPLICABLE

- ITEM NOT ILLUSTRATED

BRI

72-62-51-01

BOEING PROPRIETARY - Copyright © - Unpublished Work - See title page for details.

72-62-51
FIG. 01
PAGE 6
JAN 20/09

 **BOEING**
757
PARTS CATALOG (MAINTENANCE)

FIG ITEM	PART NUMBER	1 2 3 4 5 6 7	NOMENCLATURE	EFFECT FROM TO	UNITS PER ASSY
1					
- 88	UL16315		...SHAFT-HS GEARBOX DRIVE SUPPLIER CODE: VK0680 POSITION DATA: INNER POST SERVICE BULLETIN: 72-7860PT01 VK0680 PRE SERVICE BULLETIN: 72-9359 VK0680	002004 006100 102102 107107 121949 952999	RF
- 88	UL29501		...SHAFT-HS GEARBOX DRIVE SUPPLIER CODE: VK0680 POSITION DATA: INNER POST SERVICE BULLETIN: 72-9359PT01 VK0680 PRE SERVICE BULLETIN: 72-B141 VK0680	002004 006102 107999	RF
- 88	UL37477		...SHAFT-HS GEARBOX DRIVE SUPPLIER CODE: VK0680 POSITION DATA: INNER POST SERVICE BULLETIN: 72-B141PT01 VK0680	002004 006999	RF
90	KB27141		..RING-RIGID COUPLING TOROIDAL SEALING SUPPLIER CODE: VK0680	002004 006999	2
95	LK80196		..COUPLING-INNER SHAFT TO OUTER SHAFT RIGID SUPPLIER CODE: VK0680 PRE SERVICE BULLETIN: 72-7860 VK0680	002004 006100 102102 107107 121949 952999	1

MISSING ITEM NUMBERS NOT APPLICABLE

- ITEM NOT ILLUSTRATED

BRI

72-62-51-01

BOEING PROPRIETARY - Copyright © - Unpublished Work - See title page for details.

72-62-51
FIG. 01
PAGE 7
JAN 20/09



757

PARTS CATALOG (MAINTENANCE)

FIG ITEM	PART NUMBER	1 2 3 4 5 6 7	NOMENCLATURE	EFFECT FROM TO	UNITS PER ASSY
1	95 UL16316		.. COUPLING-INNER SHAFT TO OUTER SHAFT RIGID SUPPLIER CODE: VK0680 POST SERVICE BULLETIN: 72-7860PT01 VK0680 PRE SERVICE BULLETIN: 72-9359 VK0680	002004 006100 102102 107107 121949 952999	1
	97 UL19012		.. SEAL- SUPPLIER CODE: VK0680 POST SERVICE BULLETIN: 72-8044PT01 VK0680	002004 006999	1
	100 UL19955		.. SHAFT ASSY-HS GEARBOX DRIVE SUPPLIER CODE: VK0680 POSITION DATA: OUTER CONFIG CHG DATA FROM A CMM: FOR INTRCHG SEE RR IPC OPTIONAL PART: UL29495 VK0680 POST SERVICE BULLETIN: 72-9359PT01 VK0680 72-7860PT01 VK0680 PRE SERVICE BULLETIN: 72-9359 VK0680 72-B141 VK0680	002004 006102 107999	1
	100 LK76077		.. SHAFT- SUPPLIER CODE: VK0680 POSITION DATA: OUTER PRE SERVICE BULLETIN: 72-8044 VK0680	107107 121949 952999	1

MISSING ITEM NUMBERS NOT APPLICABLE

- ITEM NOT ILLUSTRATED

BRI

72-62-51-01

BOEING PROPRIETARY - Copyright © - Unpublished Work - See title page for details.

72-62-51
FIG. 01
PAGE 8
JAN 20/09



757

PARTS CATALOG (MAINTENANCE)

FIG ITEM	PART NUMBER	1 2 3 4 5 6 7	NOMENCLATURE	EFFECT FROM TO	UNITS PER ASSY
1 100	UL19016		..SHAFT ASSY-BOX DRIVE H5 G SUPPLIER CODE: VK0680 POSITION DATA: OUTER POST SERVICE BULLETIN: 72-8044 VK0680 PRE SERVICE BULLETIN: 72-7860 VK0680	002004 006100 102102 107107 121949 952999	1
100	UL29495		..SHAFT ASSY-BOX DRIVE BALANCING SUPPLIER CODE: VK0680 CONFIG CHG DATA FROM A CMM: FOR INTRCHG SEE RR IPC OPTIONAL PART: UL19955 VK0680	002004 006102 107999	1
101	UL19018		...HOUSING- SUPPLIER CODE: VK0680 POST SERVICE BULLETIN: 72-8044PT01 VK0680	002004 006999	1
103	LK80195		...COUPLING-SHAFT SUPPLIER CODE: VK0680 POSITION DATA: OUTER POST SERVICE BULLETIN: 72-8044PT01 VK0680 PRE SERVICE BULLETIN: 72-7860 VK0680 72-8044 VK0680	002004 006100 102102 107107 121949 952999	1
- 104	UL16317		...COUPLING- SUPPLIER CODE: VK0680 POST SERVICE BULLETIN: 72-7860PT01 VK0680	002004 006999	RF

MISSING ITEM NUMBERS NOT APPLICABLE

- ITEM NOT ILLUSTRATED

BRI

72-62-51-01

BOEING PROPRIETARY - Copyright © - Unpublished Work - See title page for details.

72-62-51
FIG. 01
PAGE 9
JAN 20/09



757

PARTS CATALOG (MAINTENANCE)

FIG ITEM	PART NUMBER	1 2 3 4 5 6 7	NOMENCLATURE	EFFECT FROM TO	UNITS PER ASSY
1					
110	KB27155		.. SEAL-SHROUD TUBE TOROIDAL SEALING SUPPLIER CODE: VK0680 POSITION DATA: INNER	002004 006999	1
115	AS21014		.. BOLT- PRE SERVICE BULLETIN: 72-8704 VK0680	002004 006100 102102 107107 121949 952999	5
120	LK76083		.. PLATE- SUPPLIER CODE: VK0680 PRE SERVICE BULLETIN: 72-9008 VK0680 ATTACHING PARTS	002004 006100 102102 107107 121949 952999	1
125	AS20908		.. BOLT- PRE SERVICE BULLETIN: 72-9008 VK0680	002004 006100 102102 107107 121949 952999	2
127	AS20625		-----*----- .. NUT- POST SERVICE BULLETIN: 72-8704PT01 VK0680	002004 006999	5
130	UL24748		.. TUBE ASSY-OUTER SHAFT INNER SHROUD SUPPLIER CODE: VK0680 CONFIG CHG DATA FROM A CMM: FOR INTRCHG SEE RR IPC POST SERVICE BULLETIN: 72-8499PT02 VK0680 PRE SERVICE BULLETIN: 72-9008 VK0680	002004 006100 102102 107107 121949 952999	1

MISSING ITEM NUMBERS NOT APPLICABLE

- ITEM NOT ILLUSTRATED

BRI

72-62-51-01

BOEING PROPRIETARY - Copyright © - Unpublished Work - See title page for details.

72-62-51
FIG. 01
PAGE 10
JAN 20/09



757

PARTS CATALOG (MAINTENANCE)

FIG ITEM	PART NUMBER	1 2 3 4 5 6 7	NOMENCLATURE	EFFECT FROM TO	UNITS PER ASSY
1					
130	LK76078		..TUBE ASSY-OUTER SHAFT INNER SHROUD SUPPLIER CODE: VK0680 CONFIG CHG DATA FROM A CMM: FOR INTRCHG SEE RR IPC PRE SERVICE BULLETIN: 72-8499 VK0680	002004 006100 102102 107107 121949 952999	1
130	UL24518		..TUBE ASSY-OUTER SHAFT INNER SHROUD SUPPLIER CODE: VK0680 POST SERVICE BULLETIN: 72-8499PT01 VK0680 PRE SERVICE BULLETIN: 72-9008 VK0680	002004 006100 102102 107107 121949 952999	1
130	UL26908		..TUBE ASSY-OUTER SHAFT INNER SHROUD SUPPLIER CODE: VK0680 POST SERVICE BULLETIN: 72-9008PT02 VK0680	002004 006999	1
130	UL26865		..TUBE ASSY-OUTER SHAFT INNER SHROUD SUPPLIER CODE: VK0680 POST SERVICE BULLETIN: 72-9008PT03 VK0680	002004 006999	1
130	UL26862		..TUBE ASSY-OUTER SHAFT INNER SHROUD SUPPLIER CODE: VK0680 POST SERVICE BULLETIN: 72-9008PT01 VK0680	002004 006999	1
135	AGS3731		...INSERT- PRE SERVICE BULLETIN: 72-9008 VK0680	002004 006100 102102 107107 121949 952999	2

MISSING ITEM NUMBERS NOT APPLICABLE

- ITEM NOT ILLUSTRATED

BRI

72-62-51-01

BOEING PROPRIETARY - Copyright © - Unpublished Work - See title page for details.

72-62-51
FIG. 01
PAGE 11
JAN 20/09



757

PARTS CATALOG (MAINTENANCE)

FIG ITEM	PART NUMBER	1 2 3 4 5 6 7	NOMENCLATURE	EFFECT FROM TO	UNITS PER ASSY
1					
136	C18392-4	..	CLAMP- SUPPLIER CODE: VU2569 POST SERVICE BULLETIN: 72-9008PT01 VK0680 PRE SERVICE BULLETIN: 72-9246 VK0680	002004 006100 102102 107107 121949 952999	1
136	6099147-0400	..	CLAMP- SUPPLIER CODE: VU2569 CONFIG CHG DATA FROM A CMM: FOR INTRCHG SEE RR IPC POST SERVICE BULLETIN: 72-9246PT01 VK0680 PRE SERVICE BULLETIN: 72-9343 VK0680	002004 006100 102102 107107 121949 952999	1
136	UL28278	..	CLAMP- SUPPLIER CODE: VK0680 CONFIG CHG DATA FROM A CMM: FOR INTRCHG SEE RR IPC POST SERVICE BULLETIN: 72-9246PT02 VK0680 PRE SERVICE BULLETIN: 72-9343 VK0680	002004 006100 102102 107107 121949 952999	1
136	UL29908	..	CLAMP- SUPPLIER CODE: VK0680 CONFIG CHG DATA FROM A CMM: FOR INTRCHG SEE RR IPC POST SERVICE BULLETIN: 72-9343PT01 VK0680	002004 006999	1
137	C18392-3-5-8	..	CLAMP- SUPPLIER CODE: VU2569 POST SERVICE BULLETIN: 72-9008PT01 VK0680 PRE SERVICE BULLETIN: 72-9246 VK0680	002004 006100 102102 107107 121949 952999	2

MISSING ITEM NUMBERS NOT APPLICABLE

- ITEM NOT ILLUSTRATED

72-62-51-01

72-62-51
FIG. 01
PAGE 12
JAN 20/09

BRI

BOEING PROPRIETARY - Copyright © - Unpublished Work - See title page for details.



757

PARTS CATALOG (MAINTENANCE)

FIG ITEM	PART NUMBER	1 2 3 4 5 6 7	NOMENCLATURE	EFFECT FROM TO	UNITS PER ASSY
1 137	6099147-0362		..CLAMP- SUPPLIER CODE: VU2569 CONFIG CHG DATA FROM A CMM: FOR INTRCHG SEE RR IPC POST SERVICE BULLETIN: 72-9246PT01 VK0680 PRE SERVICE BULLETIN: 72-9343 VK0680	002004 006100 102102 107107 121949 952999	2
137	UL28279		..CLAMP- SUPPLIER CODE: VK0680 CONFIG CHG DATA FROM A CMM: FOR INTRCHG SEE RR IPC POST SERVICE BULLETIN: 72-9246PT02 VK0680 PRE SERVICE BULLETIN: 72-9343 VK0680	002004 006100 102102 107107 121949 952999	2
137	UL29909		..CLAMP- SUPPLIER CODE: VK0680 CONFIG CHG DATA FROM A CMM: FOR INTRCHG SEE RR IPC POST SERVICE BULLETIN: 72-9343PT01 VK0680	002004 006999	2
138	UL26863		..SLEEVE- SUPPLIER CODE: VK0680 CONFIG CHG DATA FROM A CMM: FOR INTRCHG SEE RR IPC POST SERVICE BULLETIN: 72-9008PT01 VK0680 PRE SERVICE BULLETIN: 72-9343 VK0680	002004 006100 102102 107107 121949 952999	2
138	UL29260		..SLEEVE- SUPPLIER CODE: VK0680 CONFIG CHG DATA FROM A CMM: FOR INTRCHG SEE RR IPC POST SERVICE BULLETIN: 72-9343PT01 VK0680	002004 006999	2

MISSING ITEM NUMBERS NOT APPLICABLE

- ITEM NOT ILLUSTRATED

72-62-51-01

72-62-51
FIG. 01
PAGE 13
JAN 20/09

BRI



757

PARTS CATALOG (MAINTENANCE)

FIG ITEM	PART NUMBER	1 2 3 4 5 6 7	NOMENCLATURE	EFFECT FROM TO	UNITS PER ASSY
1 139	ARM968	..	SLEEVE- SUPPLIER CODE: VK1406 CONFIG CHG DATA FROM A CMM: FOR INTRCHG SEE RR IPC POST SERVICE BULLETIN: 72-9008PT01 VK0680 PRE SERVICE BULLETIN: 72-9343 VK0680	002004 006100 102102 107107 121949 952999	1
139	ARM981	..	SLEEVE- SUPPLIER CODE: VK1406 CONFIG CHG DATA FROM A CMM: FOR INTRCHG SEE RR IPC POST SERVICE BULLETIN: 72-9343PT01 VK0680 PRE SERVICE BULLETIN: 72-B061 VK0680	002004 006102 107999	1
139	ARM1135	..	SLEEVE- SUPPLIER CODE: VK1406 POST SERVICE BULLETIN: 72-B061PT01 VK0680	002004 006999	1
140	LK76086	..	RING-OUTER SHROUD TUBE INNER SEALING SUPPLIER CODE: VK0680 PRE SERVICE BULLETIN: 72-D540 VK0680	002004 006999	1
140	198-831-2129	..	RING-OUTER SHROUD TUBE INNER SEALING SUPPLIER CODE: VU6415 POST SERVICE BULLETIN: 72-D540PT01 VK0680	002004 006999	1
145	LK83396	..	TUBE ASSY-OUTER SHAFT OUTER SHROUD SUPPLIER CODE: VK0680 PRE SERVICE BULLETIN: 72-9008 VK0680	002004 006100 102102 107107 121949 952999	1

MISSING ITEM NUMBERS NOT APPLICABLE

- ITEM NOT ILLUSTRATED

BRI

72-62-51-01

BOEING PROPRIETARY - Copyright © - Unpublished Work - See title page for details.

72-62-51
FIG. 01
PAGE 14
JAN 20/09



757

PARTS CATALOG (MAINTENANCE)

FIG ITEM	PART NUMBER	1 2 3 4 5 6 7	NOMENCLATURE	EFFECT FROM TO	UNITS PER ASSY
1					
145	UL26864		..TUBE ASSY-OUTER SHAFT OUTER SHROUD SUPPLIER CODE: VK0680 POST SERVICE BULLETIN: 72-9008PT01 VK0680	002004 006999	1
150	LK76085		..RING-OUTER SHROUD TUBE OUTER SEALING SUPPLIER CODE: VK0680	002004 006999	1
155	C18392-4-3-8		..CLAMP- SUPPLIER CODE: VU2569 POST SERVICE BULLETIN: 72-9008PT01 VK0680 PRE SERVICE BULLETIN: 72-9246 VK0680	002004 006100 102102 107107 121949 952999	1
155	6099147-0438		..CLAMP- SUPPLIER CODE: VU2569 CONFIG CHG DATA FROM A CMM: FOR INTRCHG SEE RR IPC POST SERVICE BULLETIN: 72-9246PT01 VK0680 PRE SERVICE BULLETIN: 72-9343 VK0680	002004 006100 102102 107107 121949 952999	1
155	UL28280		..CLAMP- SUPPLIER CODE: VK0680 POST SERVICE BULLETIN: 72-9246PT02 VK0680 PRE SERVICE BULLETIN: 72-9343 VK0680	002004 006100 102102 107107 121949 952999	1
155	UL29910		..CLAMP- SUPPLIER CODE: VK0680 CONFIG CHG DATA FROM A CMM: FOR INTRCHG SEE RR IPC POST SERVICE BULLETIN: 72-9343PT01 VK0680	002004 006999	1

MISSING ITEM NUMBERS NOT APPLICABLE

- ITEM NOT ILLUSTRATED

BRI

72-62-51-01

BOEING PROPRIETARY - Copyright © - Unpublished Work - See title page for details.

72-62-51
FIG. 01
PAGE 15
JAN 20/09



757

PARTS CATALOG (MAINTENANCE)

FIG ITEM	PART NUMBER	1 2 3 4 5 6 7	NOMENCLATURE	EFFECT FROM TO	UNITS PER ASSY
1 160	ARM969		.. SLEEVE- SUPPLIER CODE: VK1406 CONFIG CHG DATA FROM A CMM: FOR INTRCHG SEE RR IPC POST SERVICE BULLETIN: 72-9008PT01 VK0680 PRE SERVICE BULLETIN: 72-9343 VK0680	002004 006100 102102 107107 121949 952999	1
160	ARM982		.. SLEEVE- SUPPLIER CODE: VK1406 CONFIG CHG DATA FROM A CMM: FOR INTRCHG SEE RR IPC POST SERVICE BULLETIN: 72-9343PT01 VK0680 PRE SERVICE BULLETIN: 72-B061 VK0680	002004 006102 107999	1
160	ARM1112		.. SLEEVE- SUPPLIER CODE: VK1406 POST SERVICE BULLETIN: 72-B061PT01 VK0680	002004 006999	1

MISSING ITEM NUMBERS NOT APPLICABLE

- ITEM NOT ILLUSTRATED

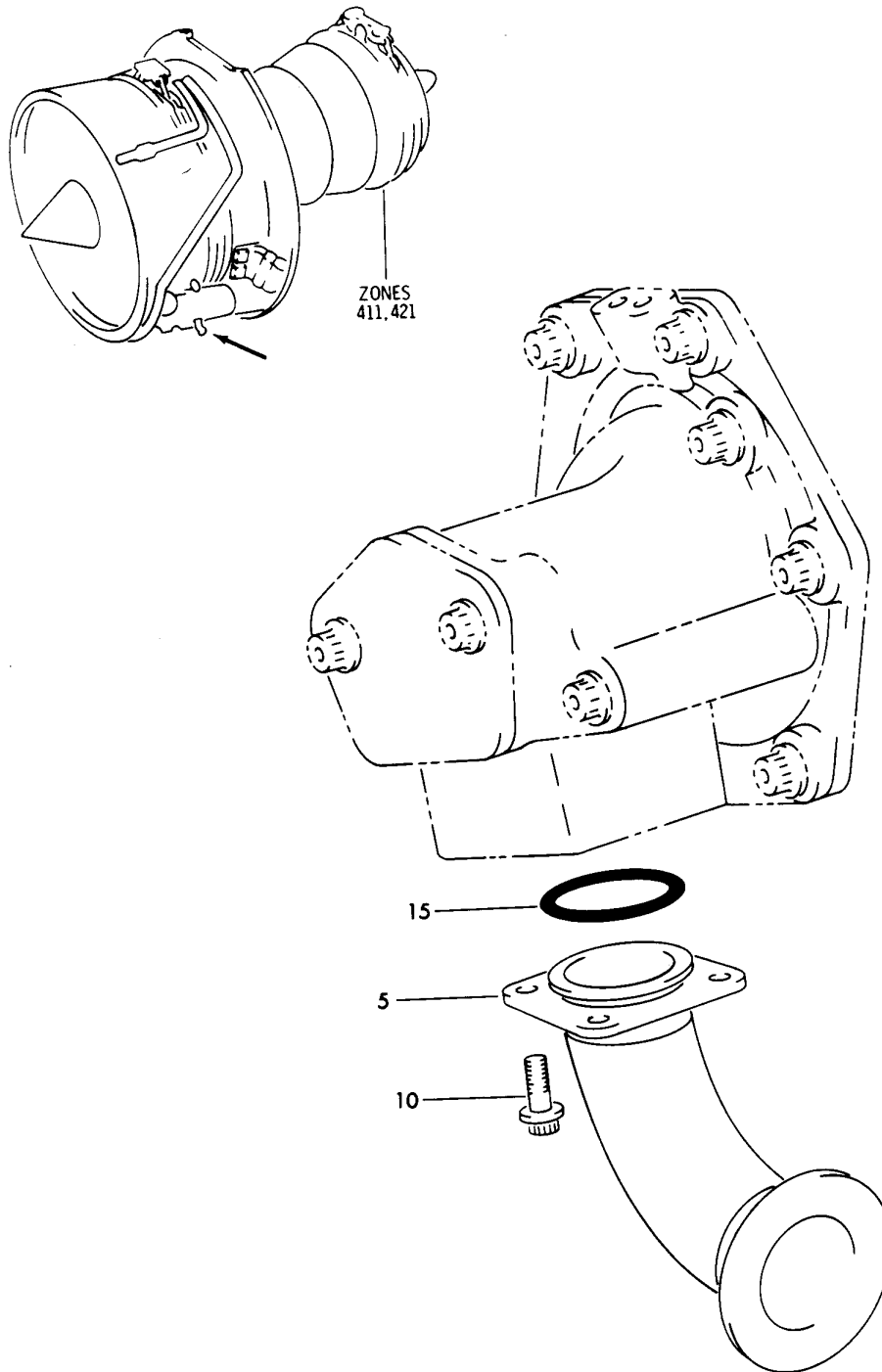
BRI

72-62-51-01

BOEING PROPRIETARY - Copyright © - Unpublished Work - See title page for details.

72-62-51
FIG. 01
PAGE 16
JAN 20/09

BOEING
757
PARTS CATALOG (MAINTENANCE)



Y 72625201 SH1 1 REV 020

GEARBOX BREATHER DUCT (RB211-535)

FIGURE 1

72-62-52-01

BRI
MAY 28/07

72-62-52-01
PAGE 0



757

PARTS CATALOG (MAINTENANCE)

FIG ITEM	PART NUMBER	1 2 3 4 5 6 7	NOMENCLATURE	EFFECT FROM TO	UNITS PER ASSY
1			GEARBOX BREATHER DUCT (RB211-535)	002004 006999	
- 1	UL20697		ENGINE ASSY-Q.E.C.U. RB211-535E43711 MAXIMUM NEUT WITH GRAVINER FIRE DETECTORS, BAYONET MCD, NON-MODULATED IDG COOLING 40,000 LB THRUST SUPPLIER CODE: VK0680 REFERENCE SERVICE BULLETIN: 71-0058R4 QUALIFIED SB I/W DATA: INTERMIX OF ONE OR SUBSTITUTION OF TWO DIFFERENT CONFIGURATION RB211-535E4-37/() ENGINES FOR RB211-535 E4 BASE ENGINES REFERENCE SERVICE BULLETIN: RB211-72-C547 VK0680 FOR NHA/OTHER SYS DET SEE: 71-00-02-04	121503 904949 952999	RF
- 1	UL20702		ENGINE ASSY-Q.E.C.U. RB211-535E43711 BASIC ENGINE CONFIG. WITH GRAVINER FIRE DETECTORS, BAYONET MCD, NON-MODULATED IDG COOLING 40,100 LB THRUST SUPPLIER CODE: VK0680 FOR NHA/OTHER SYS DET SEE: 71-00-02-10	504903	RF
- 1	UL19722		ENGINE ASSY-Q.E.C.U. RB211-535E43711 MAXIMUM NEUT SUPPLIER CODE: VK0680 FOR NHA/OTHER SYS DET SEE: 71-00-02-04	107107	RF

MISSING ITEM NUMBERS NOT APPLICABLE

- ITEM NOT ILLUSTRATED

BRI

72-62-52-01

BOEING PROPRIETARY - Copyright © - Unpublished Work - See title page for details.

72-62-52
FIG. 01
PAGE 1
JAN 20/09



757

PARTS CATALOG (MAINTENANCE)

FIG ITEM	PART NUMBER	1 2 3 4 5 6 7	NOMENCLATURE	EFFECT FROM TO	UNITS PER ASSY
1					
- 2	UL20698		ENGINE ASSY-Q.E.C.U. RB211-535E43712 MAXIMUM NEUT SUPPLIER CODE: VK0680 REFERENCE SERVICE BULLETIN: 71-0058R7 QUALIFIED SB I/W DATA: INTERMIX OF ONE OR SUBSTITUTION OF TWO DIFFERENT CONFIGURATION RB211-535E4-37/() ENGINES FOR RB211-535E4 BASE ENGINES OR DIFFERENT CONFIGURATION RB211-535E4-B-37/() ENGINES FOR RB211-535E4-B BASE ENGINES REFERENCE SERVICE BULLETIN: RB211-72-C547 VK0680 RB211-72-8910 VK0680 POST RAPID REVISION: RR92014-183A-RC-E FOR NHA/OTHER SYS DET SEE: 71-00-02-04	002004 006100 102102	RF
- 2	UL36209		ENGINE ASSY-Q.E.C.U. RB211-535E43719 MAXIMUM NEUT SUPPLIER CODE: VK0680 FOR NHA/OTHER SYS DET SEE: 71-00-02-04	950951	RF
- 3	BCREF17395		ENGINE ASSY-Q.E.C.U. RB211-535E43739 BASIC ENGINE CONFIGURATION AND PHASE 5 COMBUSTOR 40,100 LB THRUST SUPPLIER CODE: VK0680 OVERLENGTH PART NUMBER: RB211-535E4-37-39E FOR NHA/OTHER SYS DET SEE: 71-00-02-10	108120	RF

MISSING ITEM NUMBERS NOT APPLICABLE

- ITEM NOT ILLUSTRATED

BRI

72-62-52-01

BOEING PROPRIETARY - Copyright © - Unpublished Work - See title page for details.

72-62-52
FIG. 01
PAGE 2
JAN 20/09



757

PARTS CATALOG (MAINTENANCE)

FIG ITEM	PART NUMBER	1 2 3 4 5 6 7	NOMENCLATURE	EFFECT FROM TO	UNITS PER ASSY
1					
- 3	BCREF17101		ENGINE ASSY-Q.E.C.U. RB211-535E43744 BASIC ENGINE CONFIGURATION, BAYONET MCD AND PHASE 5 COMBUSTOR 40,100 LB THRUST SUPPLIER CODE: VK0680 OVERLENGTH PART NUMBER: RB211-535E4-3744E FOR NHA/OTHER SYS DET SEE: 71-00-02-10	103106	RF
- 3	UL38163		ENGINE ASSY-Q.E.C.U. RB211-535E43724 BASIC ENGINE CONFIGURATION, BAYONET MCD, 40,100 LB THRUST SUPPLIER CODE: VK0680 FOR NHA/OTHER SYS DET SEE: 71-00-02-10	101101	RF
- 4	LJ33077		. GEARBOX-BREATHER DUCT SUPPLIER CODE: VK0680	002004 006999	RF
5	LJ33046		.. DUCT ASSY-RIGID SUPPLIER CODE: VK0680	002004 006999	1
10	AS21014		ATTACHING PARTS .. BOLT-	002004 006999	4
15	KB27140		-----*----- .. RING- SUPPLIER CODE: VK0680	002004 006999	1

MISSING ITEM NUMBERS NOT APPLICABLE

- ITEM NOT ILLUSTRATED

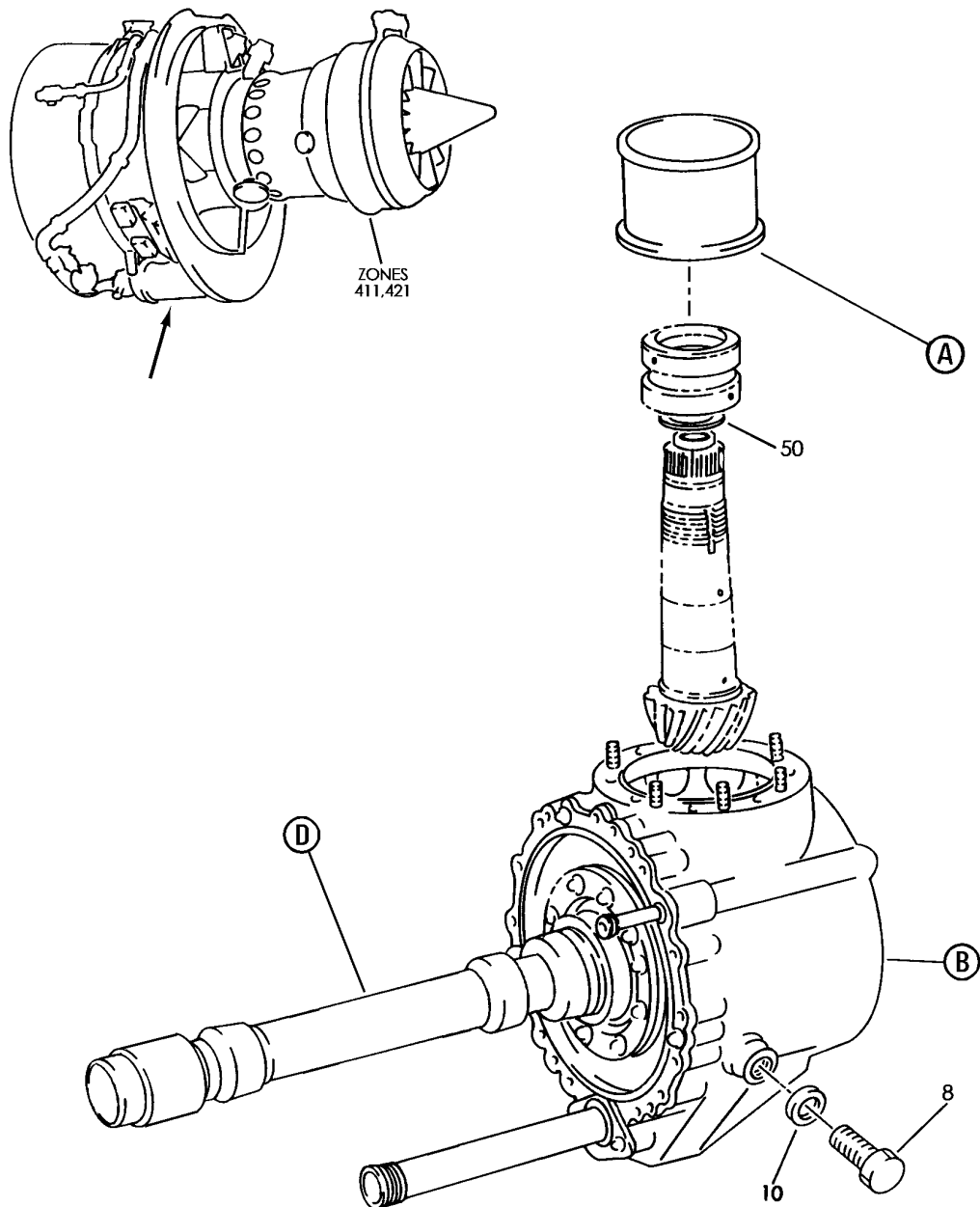
BRI

72-62-52-01

BOEING PROPRIETARY - Copyright © - Unpublished Work - See title page for details.

72-62-52
FIG. 01
PAGE 3
JAN 20/09

BOEING
757
PARTS CATALOG (MAINTENANCE)



Y 72625502 SHT 1 REV 228

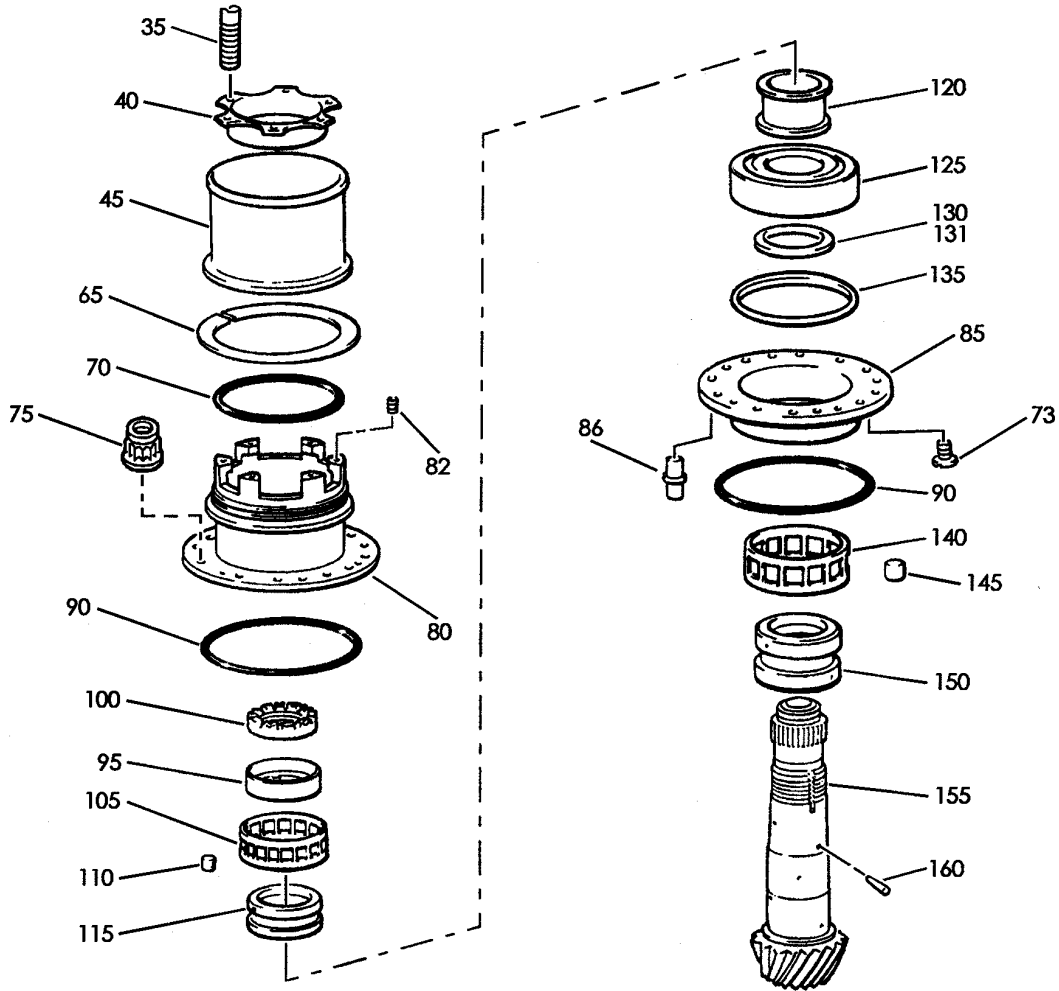
HIGH SPEED GEARBOX-INPUT DRIVE BEVEL HOUSINGS AND FITTINGS (RB211-535)
FIGURE 2 (SHEET 1)

72-62-55-02

BRI
MAY 28/07

72-62-55-02
PAGE 0

BOEING
757
PARTS CATALOG (MAINTENANCE)



(A)

Y 72625502 SHT 2 REV 212

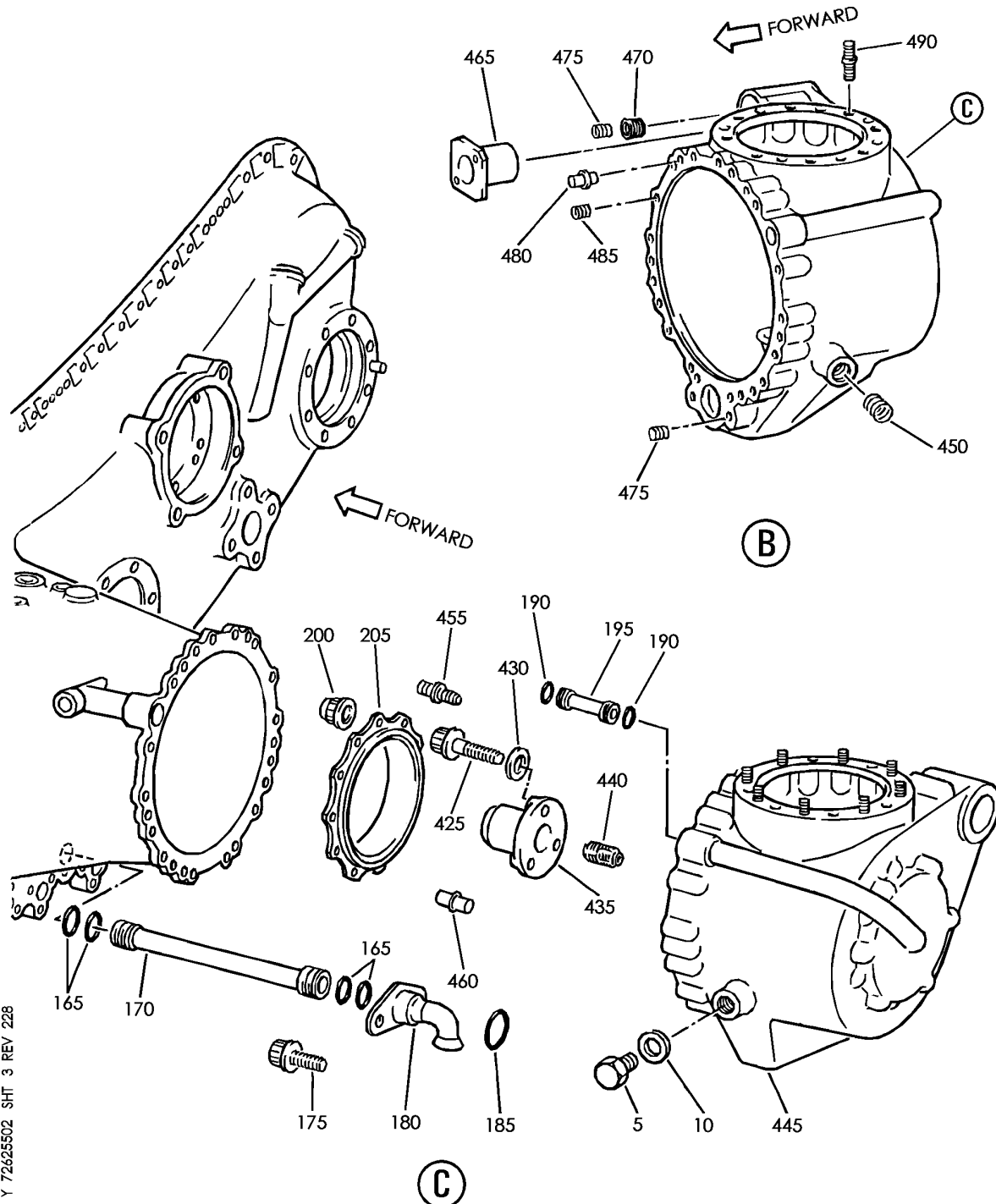
HIGH SPEED GEARBOX-INPUT DRIVE BEVEL HOUSINGS AND FITTINGS (RB211-535)
FIGURE 2 (SHEET 2)

72-62-55-02

BRI
MAY 28/07

72-62-55-02
PAGE 0A

BOEING
757
PARTS CATALOG (MAINTENANCE)



Y 72625502 SHT 3 REV 228

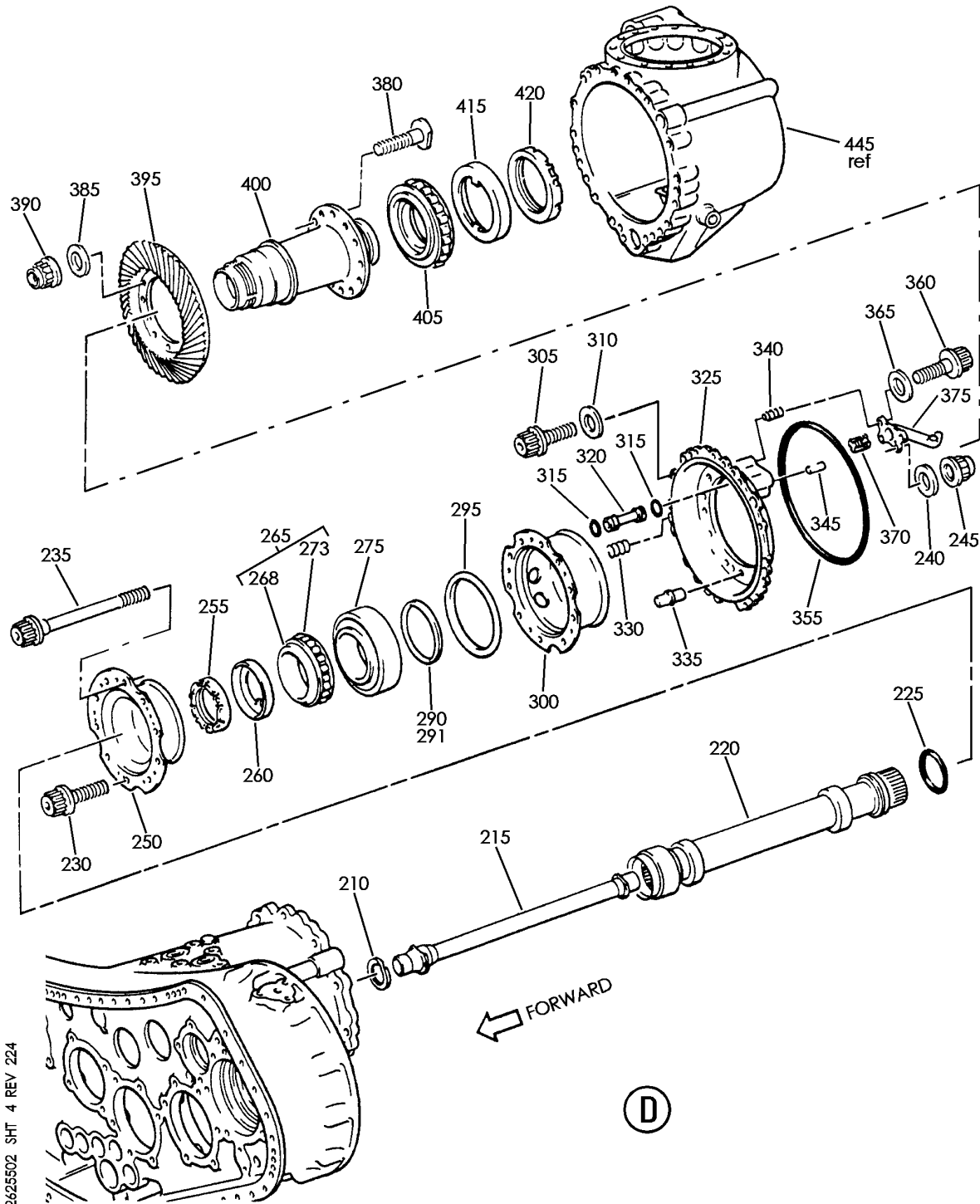
HIGH SPEED GEARBOX-INPUT DRIVE BEVEL HOUSINGS AND FITTINGS (RB211-535)
FIGURE 2 (SHEET 3)

72-62-55-02

BRI
MAY 28/07

72-62-55-02
PAGE 0B

BOEING
757
PARTS CATALOG (MAINTENANCE)



Y 72625502 SH1 4 REV 224

HIGH SPEED GEARBOX-INPUT DRIVE BEVEL HOUSINGS AND FITTINGS (RB211-535)
FIGURE 2 (SHEET 4)

72-62-55-02

BRI
MAY 28/07

72-62-55-02
PAGE 0C



757

PARTS CATALOG (MAINTENANCE)

FIG ITEM	PART NUMBER	1 2 3 4 5 6 7	NOMENCLATURE	EFFECT FROM TO	UNITS PER ASSY
2			HIGH SPEED GEARBOX-INPUT DRIVE BEVEL HOUSINGS AND FITTINGS (RB211-535)	002004 006999	
- 1	UL19722		ENGINE ASSY-Q.E.C.U. RB211-535E43711 MAXIMUM NEUT SUPPLIER CODE: VK0680 FOR NHA/OTHER SYS DET SEE: 71-00-02-04	107107	RF
- 1	UL20697		ENGINE ASSY-Q.E.C.U. RB211-535E43711 MAXIMUM NEUT WITH GRAVINER FIRE DETECTORS, BAYONET MCD, NON-MODULATED IDG COOLING 40,000 LB THRUST SUPPLIER CODE: VK0680 REFERENCE SERVICE BULLETIN: 71-0058R4 QUALIFIED SB I/W DATA: INTERMIX OF ONE OR SUBSTITUTION OF TWO DIFFERENT CONFIGURATION RB211-535E4-37/() ENGINES FOR RB211-535 E4 BASE ENGINES REFERENCE SERVICE BULLETIN: RB211-72-C547 VK0680 FOR NHA/OTHER SYS DET SEE: 71-00-02-04	121503 904949 952999	RF

MISSING ITEM NUMBERS NOT APPLICABLE

- ITEM NOT ILLUSTRATED

BRI

72-62-55-02

BOEING PROPRIETARY - Copyright © - Unpublished Work - See title page for details.

72-62-55
FIG. 02
PAGE 1
JAN 20/09



757

PARTS CATALOG (MAINTENANCE)

FIG ITEM	PART NUMBER	1 2 3 4 5 6 7	NOMENCLATURE	EFFECT FROM TO	UNITS PER ASSY
2 - 1	UL20698		ENGINE ASSY-Q.E.C.U. RB211-535E43712 MAXIMUM NEUT SUPPLIER CODE: VK0680 REFERENCE SERVICE BULLETIN: 71-0058R7 QUALIFIED SB I/W DATA: INTERMIX OF ONE OR SUBSTITUTION OF TWO DIFFERENT CONFIGURATION RB211-535E4-37/() ENGINES FOR RB211-535E4 BASE ENGINES OR DIFFERENT CONFIGURATION RB211-535E4-B-37/() ENGINES FOR RB211-535E4-B BASE ENGINES REFERENCE SERVICE BULLETIN: RB211-72-C547 VK0680 RB211-72-8910 VK0680 POST RAPID REVISION: RR92014-183A-RC-E FOR NHA/OTHER SYS DET SEE: 71-00-02-04	002004 006100 102102	RF
- 1	UL36209		ENGINE ASSY-Q.E.C.U. RB211-535E43719 MAXIMUM NEUT SUPPLIER CODE: VK0680 FOR NHA/OTHER SYS DET SEE: 71-00-02-04	950951	RF
- 1	UL20702		ENGINE ASSY-Q.E.C.U. RB211-535E43711 BASIC ENGINE CONFIG. WITH GRAVINER FIRE DETECTORS,BAYONET MCD, NON-MODULATED IDG COOLING 40,100 LB THRUST SUPPLIER CODE: VK0680 FOR NHA/OTHER SYS DET SEE: 71-00-02-10	504903	RF

MISSING ITEM NUMBERS NOT APPLICABLE

- ITEM NOT ILLUSTRATED

72-62-55-02

72-62-55
FIG. 02
PAGE 2
JAN 20/09

BRI



757

PARTS CATALOG (MAINTENANCE)

FIG ITEM	PART NUMBER	1 2 3 4 5 6 7	NOMENCLATURE	EFFECT FROM TO	UNITS PER ASSY
2					
- 4	BCREF17395		ENGINE ASSY-Q.E.C.U. RB211-535E43739 BASIC ENGINE CONFIGURATION AND PHASE 5 COMBUSTOR 40,100 LB THRUST SUPPLIER CODE: VK0680 OVERLENGTH PART NUMBER: RB211-535E4-37-39E FOR NHA/OTHER SYS DET SEE: 71-00-02-10	108120	RF
- 4	BCREF17101		ENGINE ASSY-Q.E.C.U. RB211-535E43744 BASIC ENGINE CONFIGURATION, BAYONET MCD AND PHASE 5 COMBUSTOR 40,100 LB THRUST SUPPLIER CODE: VK0680 OVERLENGTH PART NUMBER: RB211-535E4-3744E FOR NHA/OTHER SYS DET SEE: 71-00-02-10	103106	RF
- 4	UL38163		ENGINE ASSY-Q.E.C.U. RB211-535E43724 BASIC ENGINE CONFIGURATION, BAYONET MCD, 40,100 LB THRUST SUPPLIER CODE: VK0680 FOR NHA/OTHER SYS DET SEE: 71-00-02-10	101101	RF
- 6	UL12992		.GEARBOX-HS MODULE NO. 6 SUPPLIER CODE: VK0680 PRE SERVICE BULLETIN: 73-7951 VK0680	107107 121949 952999	RF
- 6	UL18550		.GEARBOX-HS MODULE NO. 6 SUPPLIER CODE: VK0680 POST SERVICE BULLETIN: 73-7951 VK0680 PRE SERVICE BULLETIN: 26-7816 VK0680	107107 121949 952999	RF

MISSING ITEM NUMBERS NOT APPLICABLE

- ITEM NOT ILLUSTRATED

BRI

72-62-55-02

BOEING PROPRIETARY - Copyright © - Unpublished Work - See title page for details.

72-62-55
FIG. 02
PAGE 3
JAN 20/09



757

PARTS CATALOG (MAINTENANCE)

FIG ITEM	PART NUMBER	1 2 3 4 5 6 7	NOMENCLATURE	EFFECT FROM TO	UNITS PER ASSY
2 - 6	UL19962		. GEARBOX-HS MODULE NO. 6 SUPPLIER CODE: VK0680 POST SERVICE BULLETIN: 72-8044 VK0680 PRE SERVICE BULLETIN: 72-8088 VK0680	002004 006100 102102	RF
- 6	UL19964		. GEARBOX-HS MODULE NO. 6 SUPPLIER CODE: VK0680 POST SERVICE BULLETIN: 72-8044 VK0680 PRE SERVICE BULLETIN: 72-8088 VK0680	107107 121949 952999	RF
- 6	UL19995		. GEARBOX-HS MODULE NO. 6 SUPPLIER CODE: VK0680 POST SERVICE BULLETIN: 72-8088 VK0680 PRE SERVICE BULLETIN: 79-9179 VK0680	002004 006100 102102	RF
- 6	UL19996		. GEARBOX-HS MODULE NO. 6 SUPPLIER CODE: VK0680 POST SERVICE BULLETIN: 72-8088 VK0680 PRE SERVICE BULLETIN: 79-7179 VK0680	107107 121949 952999	RF
- 6	UL28676		. GEARBOX-HS MODULE NO. 6 SUPPLIER CODE: VK0680 POST SERVICE BULLETIN: 79-9179 VK0680 72-8088 VK0680 PRE SERVICE BULLETIN: 72-9406 VK0680	002004 006106 108120 950951	RF

MISSING ITEM NUMBERS NOT APPLICABLE

- ITEM NOT ILLUSTRATED

72-62-55-02

72-62-55
FIG. 02
PAGE 4
JAN 20/09

BRI



757

PARTS CATALOG (MAINTENANCE)

FIG ITEM	PART NUMBER	1 2 3 4 5 6 7	NOMENCLATURE	EFFECT FROM TO	UNITS PER ASSY
2					
- 6	UL28677		. GEARBOX-HS MODULE NO. 6 SUPPLIER CODE: VK0680 POST SERVICE BULLETIN: 79-9179 VK0680 PRE SERVICE BULLETIN: 72-9406 VK0680	107107 121949 952999	RF
- 6	UL33301		. GEARBOX-HS MODULE NO. 6 SUPPLIER CODE: VK0680 POST SERVICE BULLETIN: 72-9406 VK0680 PRE SERVICE BULLETIN: 72-9890 VK0680	002004 006102 108120 950951	RF
- 6	UL33302		. GEARBOX-HS MODULE NO. 6 SUPPLIER CODE: VK0680 POST SERVICE BULLETIN: 72-9406 VK0680 PRE SERVICE BULLETIN: 72-9890 VK0680	107107 121949 952999	RF
- 6	UL37124		. GEARBOX-HS MODULE NO. 6 SUPPLIER CODE: VK0680 POST SERVICE BULLETIN: 72-9890 VK0680 PRE SERVICE BULLETIN: 72-C661 VK0680	002004 006999	RF
- 6	UL39666		. GEARBOX-HS MODULE NO. 6 SUPPLIER CODE: VK0680 POST SERVICE BULLETIN: 72-C661 VK0680	002004 006999	RF
8	BLT3448		.. BOLT- SUPPLIER CODE: VK0680	002004 006999	1
10	KB1087		.. WASHER- SUPPLIER CODE: VK0680	002004 006999	1

MISSING ITEM NUMBERS NOT APPLICABLE

- ITEM NOT ILLUSTRATED

BRI

72-62-55-02

72-62-55
FIG. 02
PAGE 5
JAN 20/09



757

PARTS CATALOG (MAINTENANCE)

FIG ITEM	PART NUMBER	1 2 3 4 5 6 7	NOMENCLATURE	EFFECT FROM TO	UNITS PER ASSY
2					
45	UL26990	..	SLEEVE- SUPPLIER CODE: VK0680 POST SERVICE BULLETIN: 72-9008PT01 VK0680	002004 006999	1
50	KB27219	..	SEAL- SUPPLIER CODE: VK0680 PRE SERVICE BULLETIN: 72-8044 VK0680	002004 006100 102102 107107 121949 952999	1
- 55	LK75805	...	DISTRIBUTOR-OIL SUPPLIER CODE: VK0680 PRE SERVICE BULLETIN: 72-8044 VK0680	002004 006100 102102 107107 121949 952999	RF
- 55	UL19738	...	DISTRIBUTOR-OIL SUPPLIER CODE: VK0680 POST SERVICE BULLETIN: 72-8044PT01 VK0680	002004 006999	RF
- 55	FW16016	...	DISTRIBUTOR-OIL SUPPLIER CODE: VK0680 POST SERVICE BULLETIN: 72-D266PT01 VK0680	002004 006999	RF
- 57	UL19738	...	DISTRIBUTOR-OIL SUPPLIER CODE: VK0680	002004 006999	1
- 57	FW16016	...	DISTRIBUTOR-OIL SUPPLIER CODE: VK0680	002004 006999	1
- 60	UL12919	...	GEARSHIFT- SUPPLIER CODE: VK0680 PRE SERVICE BULLETIN: 72-8044 VK0680	002004 006999	RF
- 60	UL19827	...	GEARSHIFT- SUPPLIER CODE: VK0680 POST SERVICE BULLETIN: 72-8044 VK0680	002004 006999	RF

MISSING ITEM NUMBERS NOT APPLICABLE

- ITEM NOT ILLUSTRATED

72-62-55-02

72-62-55
FIG. 02
PAGE 6
JAN 20/09

BRI

BOEING PROPRIETARY - Copyright © - Unpublished Work - See title page for details.



757

PARTS CATALOG (MAINTENANCE)

FIG ITEM	PART NUMBER	1 2 3 4 5 6 7	NOMENCLATURE	EFFECT FROM TO	UNITS PER ASSY
2					
65	LK74918	..	RING-PISTON SEALING HS GEARBOX RADIAL DRIVE SUPPLIER CODE: VK0680	002004 006102 107107 121999	1
70	KB27239	..	SEAL-RING SUPPLIER CODE: VK0680	002004 006102 107107 121999	1
75	AS20625	..	NUT	002004 006999	8
80	LK74916	..	RETAINER ASSY-ROLLER BEARING SUPPLIER CODE: VK0680 POSITION DATA: INNER	002004 006102 107107 121999	1
85	LK74877	..	RACE ASSY-ROLLER BRG INPUT DRIVE SUPPLIER CODE: VK0680 POSITION DATA: OUTER	002004 006102 107107 121999	1
90	KB27157	..	SEAL- SUPPLIER CODE: VK0680	002004 006102 107107 121999	2
200	AS20625	..	NUT	103106 108120	6
245	AS20625	..	NUT	103106 108120	10
390	AS20625	..	NUT	950951 103106 108120	12
445	UL12913	..	HOUSING ASSY-BEVEL GEARS SUPPLIER CODE: VK0680 PRE SERVICE BULLETIN: 72-B574 VK0680	002004 006102 107999	1
445	UL37609	..	HOUSING ASSY-BEVEL GEARS SUPPLIER CODE: VK0680 POST SERVICE BULLETIN: 72-B574 VK0680	002004 006102 107107 121999	1
- 515	UL12914	...	HOUSING- SUPPLIER CODE: VK0680	002004 006999	RF

MISSING ITEM NUMBERS NOT APPLICABLE

- ITEM NOT ILLUSTRATED

BRI

72-62-55-02

BOEING PROPRIETARY - Copyright © - Unpublished Work - See title page for details.

72-62-55
FIG. 02
PAGE 7
JAN 20/09