



757 MANUAL SUPPLEMENT - ATP.2860

SECTION 2 CHAPTER 73

CONTROL PAGE ISSUE 2

- A. File the attached Temporary Revisions/Alerts in the Manual supplement in ATA Chapter/Section/Subject/Page sequence.
- B. File this control page in front of the chapter TRs/Alerts.
- C. The following list shows active TRs/Alerts together with TRs/Alerts added by this control page.

Chapter Section Subject	Page	TR/Alert No.
73-11-01-01	0	BA.73-501
73-11-03-01	0	BA.73-502
73-11-06-05	3	* BA.73-505
73-21-01-01	0	* BA.73-508
73-21-08-01	0	BA.73-504

- D Remove and Destroy the following TR's/Alerts:

73-21-01-01	0	BA.73-503
-------------	---	-----------

\* - TR's/Alerts issued with this control page

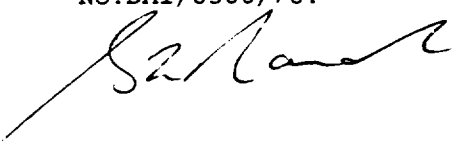
**ATP  
TEMPORARY  
REVISION**

**AIRPLANES  
NA351, NA352**

TR Page 1 of 1  
May 1994

757 ILLUSTRATED PARTS CATALOG

THIS TEMPORARY REVISION IS ISSUED BY BRITISH AIRWAYS TECHNICAL SERVICES AND COMPLIES WITH BCAR'S CHAPTER A5-3, B5-3 AND/OR TSS No.0-2 AS REQUIRED. CAA DESIGN APPROVAL No.DAI/8566/78.



FOR CHIEF ENGINEER TECHNICAL SERVICES

TEMPORARY REVISION No.73-505

Manual Reference 73-11-06-05 Page 3

**REASON FOR REVISION**

To correct the parts list.

**ACTION**

FIG & ITEM	PART NUMBER	NOMENCLATURE	EFFECT	UPA	AUTHORITY
------------	-------------	--------------	--------	-----	-----------

5

IGNORE EXISTING ITEMS 157, AND 158 AND READ THE FOLLOWING

157	UP11044	.CONNECTOR-FLUID LINE (VK0680) (SB73-8382 PT01)	120121	2	EPA/856
157	K16736	.CONNECTOR-FLUID LINE (VK0680) (PRE SB73-8382)	120121	2	EPA/856
158	UP11044	.CONNECTOR-FLUID LINE (VK0680) (SB73-8382 PT02)	120121	2	EPA/856
158	K16736	.CONNECTOR-FLUID LINE (VK0680) (PRE SB73-83-82)	120121	2	EPA/856

ORIGINATOR: R.VIDLER  
REFERENCE: -  
WORK RECORD: ENG.-175

73-11-06-05  
Page 3

**ATP  
TEMPORARY  
REVISION**

**AIRPLANES**

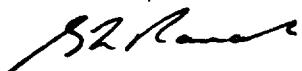
TR Page 1 of 1

NA351, NA352

January 1993

757 ILLUSTRATED PARTS CATALOG

THIS TEMPORARY REVISION IS ISSUED BY BRITISH AIRWAYS TECHNICAL SERVICES AND COMPLIES WITH BCAR'S CHAPTER A6-3, B6-3 AND/OR TSS No. 0-2 AS REQUIRED. CAA DESIGN APPROVAL No. DAI/8666/78.



FOR CHIEF ENGINEER TECHNICAL SERVICES.

TEMPORARY REVISION No.73-501

Manual Reference 73-11-01-01 Page 0

REASON FOR REVISION

To list components specifically approved for ETOPS.

ACTION

FIG & ITEM	PART NUMBER	NOMENCLATURE	EFFECT	UPA	AUTHORITY
1 15	BPU200MK1	.PUMP ASSY-(VK0131) (APPROVED FOR ETOPS PROVIDED CP6367 AND CP6407 ON MOD PLATE)	120121	1	EPA/247 EPA/690

ORIGINATOR: R.VIDLER  
REFERENCE: -  
RECORD NO: ENG-53

73-11-01-01  
Page 0

**ATP  
TEMPORARY  
REVISION**


**AIRPLANES  
NA351, NA352**

TR Page 1 of 1

January 1993

757 ILLUSTRATED PARTS CATALOG

THIS TEMPORARY REVISION IS ISSUED BY BRITISH AIRWAYS TECHNICAL SERVICES AND COMPLIES WITH BCAR'S CHAPTER A6-3, B6-3 AND/OR TSS No. 0-2 AS REQUIRED. CAA DESIGN APPROVAL No. DA1/8568/78.



FOR CHIEF ENGINEER TECHNICAL SERVICES.

TEMPORARY REVISION No. 73-502

Manual Reference 73-11-03-01 Page 0

REASON FOR REVISION

To list components specifically approved for ETOPS.

ACTION

FIG & ITEM	PART NUMBER	NOMENCLATURE	EFFECT	UPA	AUTHORITY
1 15	GP200MK6	.PUMP ASSY-HP FUEL (VK0131) (APPROVED FOR ETOPS PROVIDED CP6413 AND CP6537 ON MOD PLATE) (PRE SB73-8903) (SB73-7733 PT01)	120121	1	EPA/690
15	GP200MK7	.PUMP ASSY-HP FUEL (VK0131) (APPROVED FOR ETOPS PROVIDED CP6413 AND CP6537 ON MOD PLATE) (SB73-8903 PT01)	120121	1	EPA/690

ORIGINATOR: R.VIDLER  
REFERENCE: -  
RECORD NO: ENG-120

73-11-03-01  
Page 0

**ATP  
TEMPORARY  
REVISION**

**AIRPLANES  
NA351, NA352**

TR Page 1 of 2  
May 1994

757 ILLUSTRATED PARTS CATALOG

THIS TEMPORARY REVISION IS ISSUED BY BRITISH AIRWAYS TECHNICAL SERVICES AND COMPLIES WITH BCAR'S CHAPTER A5-3, B5-3 AND/OR TSS No.0-2 AS REQUIRED. CAA DESIGN APPROVAL No.DAI/8566/78.

*S. J. Anderson* FOR CHIEF ENGINEER TECHNICAL SERVICES

TEMPORARY REVISION No.73-508

Manual Reference 73-21-01-01 Page 0

REASON FOR REVISION

To correct the parts list.

ACTION

PART NUMBER	NOMENCLATURE	EFFECT	UPA	AUTHORITY
FFG021AF	.GOVERNOR ASSY-FUEL FLOW (V66503) (WOODWARD PT NO 8062-523, 8062-524, 8062-525) (APPROVED FOR ETOPS PROVIDED 8915 OR 9650 ON MOD PLATE UPTO 31-12-94 ONLY) (APPROVED FOR ETOPS PROVIDED 8915 OR 9650 AND 9442 ON MOD PLATE) (PRE SB73-8914)	120121	1	EPA/633
25 FFG021BA	.GOVERNOR ASSY-FUEL FLOW (V66503) (WOODWARD PT NO 8062-530) (APPROVED FOR ETOPS PROVIDED 8915 OR 9650 ON MOD PLATE UPTO 31-12-94 ONLY) (APPROVED FOR ETOPS PROVIDED 8915 OR 9650 AND 9442 ON MOD PLATE) (PRE SB73-8914 PT01)	120121	1	EPA/633

ORIGINATOR: R.VIDLER

REFERENCE: -

WORK RECORD: ENG-176

73-21-01-01

Page 0

**AIRPLANES**

**NA351, NA352**

757 ILLUSTRATED PARTS CATALOG  
 TEMPORARY REVISION No.73-508

IG & TEM	PART NUMBER	NOMENCLATURE	EFFECT	UPA	AUTHORITY
-------------	-------------	--------------	--------	-----	-----------

1

25	FFG021BA	.GOVERNOR ASSY-FUEL FLOW (V66503) (WOODWARD PT NO 8062-540) (APPROVED FOR ETOPS PROVIDED 9117 ON MOD PLATE UPTO 31-12-94 ONLY) (APPROVED FOR ETOPS PROVIDED 9117 AND 9442 ON MOD PLATE) (SB73-7274 PT01) (PRE SB73-8483)	120121	1	EPA/633
----	----------	--	--------	---	---------

25	FFG021AH	.GOVERNOR ASSY-FUEL FLOW (V66503) (APPROVED FOR ETOPS PROVIDED 8915 ON MOD PLATE UPTO 31-12-94 ONLY) (APPROVED FOR ETOPS PROVIDED 8915 OR 9117 AND 9442 ON MOD PLATE) (SB73-7274 PT01) (PRE SB73-8483)	120121	1	EPA/633
----	----------	---	--------	---	---------

**ATP  
TEMPORARY  
REVISION**

**AIRPLANES  
NA351, NA352**


TR Page 1 of 1

757

July 1993

**ILLUSTRATED PARTS CATALOG**

THIS TEMPORARY REVISION IS ISSUED BY BRITISH AIRWAYS TECHNICAL SERVICES AND COMPLIES WITH BCAR'S CHAPTER A6-3, B6-3 AND/OR TSS No. 0-2 AS REQUIRED. CAA DESIGN APPROVAL No. DAI/8666/78.



FOR CHIEF ENGINEER TECHNICAL SERVICES.

TEMPORARY REVISION No.73-504

Manual Reference 73-21-08-01 Page 0

**REASON FOR REVISION**

To list components specifically approved for ETOPS.

**ACTION**

FIG & ITEM	PART NUMBER	NOMENCLATURE	EFFECT	UPA	AUTHORITY
---------------	-------------	--------------	--------	-----	-----------

1

45	46035	..ROTOR (APPROVED FOR ETOPS)			EPA/086
45	46354	..ROTOR (APPROVED FOR ETOPS)			EPA/086

ORIGINATOR: R.VIDLER  
REFERENCE: -  
RECORD NO: ENG-142

73-21-08-01  
Page 0





757

PARTS CATALOG (MAINTENANCE)

CH-SECT-UNIT-FIG	PAGE NO.	DATE	CH-SECT-UNIT-FIG	PAGE NO.	DATE
*73	1	MAY 20/09	73-11-06- 5	13	JAN 20/09
*73	2	MAY 20/09	73-11-06- 5	14	JAN 20/09
*73	3	MAY 20/09	73-11-06- 5	15	JAN 20/09
*73	4	MAY 20/09	73-11-06- 5	16	JAN 20/09
73-11-00	1	MAY 28/07	73-11-06- 6	0	MAY 28/07
73-11-01- 1	0	MAY 28/07	73-11-06- 6	0A	MAY 28/07
73-11-01- 1	0A	MAY 28/07	73-11-06- 6	0B	MAY 28/07
73-11-01- 1	1	JAN 20/09	73-11-06- 6	0C	MAY 28/07
73-11-01- 1	2	JAN 20/09	73-11-06- 6	0D	JAN 20/09
73-11-01- 1	3	JAN 20/09	73-11-06- 6	0E	MAY 28/07
73-11-01- 1	4	JAN 20/09	73-11-06- 6	0F	MAY 28/07
73-11-01- 1	5	JAN 20/09	73-11-06- 6	1	JAN 20/09
73-11-01- 1	6	JAN 20/09	73-11-06- 6	2	JAN 20/09
73-11-03- 1	0	SEP 28/07	73-11-06- 6	3	JAN 20/09
73-11-03- 1	1	JAN 20/09	73-11-06- 6	4	JAN 20/09
73-11-03- 1	2	JAN 20/09	73-11-06- 6	5	JAN 20/09
73-11-03- 1	3	JAN 20/09	73-11-06- 6	6	JAN 20/09
73-11-03- 1	4	JAN 20/09	73-11-06- 6	7	JAN 20/09
73-11-03- 1	5	JAN 20/09	73-11-06- 6	8	JAN 20/09
73-11-03- 1	6	JAN 20/09	73-11-06- 6	9	JAN 20/09
73-11-03- 1	7	JAN 20/09	73-11-06- 6	10	JAN 20/09
73-11-05- 1A	0	MAY 28/07	73-11-06- 6	11	JAN 20/09
73-11-05- 1A	0A	MAY 28/07	73-11-06- 6	12	JAN 20/09
73-11-05- 1A	0B	MAY 28/07	73-11-06- 6	13	JAN 20/09
73-11-05- 1A	1	JAN 20/09	73-11-06- 6	14	JAN 20/09
73-11-05- 1A	2	JAN 20/09	73-11-06- 6	15	JAN 20/09
73-11-05- 1A	3	JAN 20/09	73-11-06- 6	16	JAN 20/09
73-11-05- 1A	4	JAN 20/09	73-11-06- 6	17	JAN 20/09
73-11-05- 1A	5	JAN 20/09	73-11-06- 6	18	JAN 20/09
73-11-05- 1A	6	JAN 20/09	73-11-06- 6	19	JAN 20/09
73-11-05- 1A	7	JAN 20/09	73-11-06- 6	20	JAN 20/09
73-11-05- 1A	8	JAN 20/09	73-11-07- 1	0	MAY 28/07
73-11-05- 1A	9	JAN 20/09	73-11-07- 1	1	JAN 20/09
73-11-05- 1A	10	JAN 20/09	73-11-07- 1	2	JAN 20/09
73-11-06- 5	0	MAY 28/07	73-11-07- 1	3	JAN 20/09
73-11-06- 5	0A	MAY 28/07	73-11-07- 1	4	JAN 20/09
73-11-06- 5	0B	MAY 28/07	73-11-07- 1	5	JAN 20/09
73-11-06- 5	0C	MAY 28/07	73-11-07- 4	0	MAY 28/07
73-11-06- 5	0D	MAY 28/07	73-11-07- 4	1	JAN 20/09
73-11-06- 5	1	JAN 20/09	73-11-10- 1	0	SEP 28/07
73-11-06- 5	2	JAN 20/09	73-11-10- 1	1	JAN 20/09
73-11-06- 5	3	JAN 20/09	73-11-10- 1	2	JAN 20/09
73-11-06- 5	4	JAN 20/09	73-11-10- 1	3	JAN 20/09
73-11-06- 5	5	JAN 20/09	73-11-10- 1	4	JAN 20/09
73-11-06- 5	6	JAN 20/09	73-11-10- 1	5	JAN 20/09
73-11-06- 5	7	JAN 20/09	73-11-11- 1	0	MAY 28/07
73-11-06- 5	8	JAN 20/09	73-11-11- 1	0A	MAY 28/07
73-11-06- 5	9	JAN 20/09	73-11-11- 1	1	JAN 20/09
73-11-06- 5	10	JAN 20/09	73-11-11- 1	2	JAN 20/09
73-11-06- 5	11	JAN 20/09	73-11-11- 1	3	JAN 20/09
73-11-06- 5	12	JAN 20/09	73-11-11- 1	4	JAN 20/09

\* THE ASTERISK INDICATES PAGES CHANGED OR ADDED BY THE CURRENT REVISION


**BOEING**  
 757  
**PARTS CATALOG (MAINTENANCE)**

CH-SECT-UNIT-FIG	PAGE NO.	DATE	CH-SECT-UNIT-FIG	PAGE NO.	DATE
73-11-11- 1	5	JAN 20/09	73-21-04- 3	0A	MAY 28/07
73-11-11- 1	6	JAN 20/09	73-21-04- 3	0B	MAY 28/07
73-11-11- 1	7	JAN 20/09	73-21-04- 3	0C	MAY 28/07
73-11-11- 3	0	JAN 20/09	73-21-04- 3	1	JAN 20/09
73-11-11- 3	0A	JAN 20/09	73-21-04- 3	2	JAN 20/09
73-11-11- 3	1	JAN 20/09	73-21-04- 3	3	JAN 20/09
73-11-11- 3	2	JAN 20/09	73-21-04- 3	4	JAN 20/09
73-11-11- 3	3	JAN 20/09	73-21-04- 3	5	JAN 20/09
73-11-12- 1	0	MAY 28/07	73-21-04- 3	6	JAN 20/09
73-11-12- 1	1	JAN 20/09	73-21-04- 3	7	JAN 20/09
73-11-12- 1	2	JAN 20/09	73-21-04- 3	8	JAN 20/09
73-11-12- 1	3	JAN 20/09	73-21-04- 3	9	JAN 20/09
73-11-12- 1	4	JAN 20/09	73-21-08- 1	0	MAY 28/07
73-21-00	1	MAY 28/07	73-21-08- 1	1	JAN 20/09
73-21-01- 1	0	MAY 28/07	73-21-08- 1	2	JAN 20/09
73-21-01- 1	0A	MAY 28/07	73-21-08- 1	3	JAN 20/09
73-21-01- 1	1	JAN 20/09	73-21-08- 1	4	JAN 20/09
73-21-01- 1	2	JAN 20/09	73-21-08- 1	5	JAN 20/09
73-21-01- 1	3	JAN 20/09	73-21-08- 1	6	JAN 20/09
73-21-01- 1	4	JAN 20/09	73-21-10- 1	0	MAY 28/07
73-21-01- 1	5	JAN 20/09	73-21-10- 1	1	JAN 20/09
73-21-01- 1	6	JAN 20/09	73-21-10- 1	2	JAN 20/09
73-21-01- 1	7	JAN 20/09	73-21-10- 1	3	JAN 20/09
73-21-01- 1	8	JAN 20/09	73-21-10- 1	4	JAN 20/09
73-21-01- 1	9	JAN 20/09	73-21-10- 3	0	MAY 28/07
73-21-01- 1	10	JAN 20/09	73-21-10- 3	1	JAN 20/09
73-21-01- 1	11	JAN 20/09	73-21-10- 3	2	JAN 20/09
73-21-01- 1	12	JAN 20/09	73-21-10- 3	3	JAN 20/09
73-21-01- 1	13	JAN 20/09	73-21-10- 3	4	JAN 20/09
73-21-01- 1	14	JAN 20/09	73-21-11- 1	0	MAY 28/07
73-21-01- 1	15	JAN 20/09	73-21-11- 1	0A	MAY 28/07
73-21-01- 1	16	JAN 20/09	73-21-11- 1	1	JAN 20/09
73-21-01- 1	17	JAN 20/09	73-21-11- 1	2	JAN 20/09
73-21-01- 1	18	JAN 20/09	73-21-11- 1	3	JAN 20/09
73-21-01- 1	19	JAN 20/09	73-21-11- 1	4	JAN 20/09
73-21-01- 1	20	JAN 20/09	73-21-11- 1	5	JAN 20/09
73-21-01- 1	21	JAN 20/09	73-21-13- 2	0	MAY 28/07
73-21-01- 1	22	JAN 20/09	73-21-13- 2	0A	MAY 28/07
73-21-01- 1	23	JAN 20/09	73-21-13- 2	0B	MAY 28/07
73-21-01- 1	24	JAN 20/09	73-21-13- 2	1	JAN 20/09
73-21-01- 1	25	JAN 20/09	73-21-13- 2	2	JAN 20/09
73-21-01- 1	26	JAN 20/09	73-21-13- 2	3	JAN 20/09
73-21-01- 1	27	JAN 20/09	73-21-13- 2	4	JAN 20/09
73-21-01- 1	28	JAN 20/09	73-21-13- 2	5	JAN 20/09
73-21-01- 1	29	JAN 20/09	73-21-13- 2	6	JAN 20/09
73-21-01- 1	30	JAN 20/09	73-21-13- 3	0	MAY 28/07
73-21-01- 1	31	JAN 20/09	73-21-13- 3	0A	MAY 28/07
73-21-01- 1	32	JAN 20/09	73-21-13- 3	0B	MAY 28/07
73-21-01- 1	33	JAN 20/09	73-21-13- 3	0C	MAY 28/07
73-21-01- 1	34	JAN 20/09	73-21-13- 3	1	JAN 20/09
73-21-04- 3	0	MAY 28/07	73-21-13- 3	2	JAN 20/09

\* THE ASTERISK INDICATES PAGES CHANGED OR ADDED BY THE CURRENT REVISION



757

PARTS CATALOG (MAINTENANCE)

CH-SECT-UNIT-FIG	PAGE NO.	DATE	CH-SECT-UNIT-FIG	PAGE NO.	DATE
73-21-13- 3	3	JAN 20/09	73-21-53- 1	2	JAN 20/09
73-21-13- 3	4	JAN 20/09	73-21-53- 1	3	JAN 20/09
73-21-13- 3	5	JAN 20/09	73-21-53- 1	4	JAN 20/09
73-21-13- 3	6	JAN 20/09	73-21-53- 1	5	JAN 20/09
73-21-13- 3	7	JAN 20/09	73-21-53- 1	6	JAN 20/09
73-21-13- 3	8	JAN 20/09	73-21-53- 1	7	JAN 20/09
73-21-13- 3	9	JAN 20/09	73-21-53- 1	8	JAN 20/09
73-21-13- 3	10	JAN 20/09	73-21-53- 1	9	JAN 20/09
73-21-14- 1	0	MAY 28/07	73-21-53- 1	10	JAN 20/09
73-21-14- 1	1	JAN 20/09	73-21-53- 1	11	JAN 20/09
73-21-14- 1	2	JAN 20/09	73-21-53- 1	12	JAN 20/09
73-21-14- 1	3	JAN 20/09	73-21-53- 1	13	JAN 20/09
73-21-14- 1	4	JAN 20/09	73-21-53- 1	14	JAN 20/09
73-21-51- 2	0	JAN 20/09	73-21-53- 1	15	JAN 20/09
73-21-51- 2	1	JAN 20/09	73-21-55- 1	0	MAY 28/07
73-21-51- 2	2	JAN 20/09	73-21-55- 1	0A	MAY 28/07
73-21-51- 2	3	JAN 20/09	73-21-55- 1	1	JAN 20/09
73-21-52- 1	0	MAY 28/07	73-21-55- 1	2	JAN 20/09
73-21-52- 1	1	JAN 20/09	73-21-55- 1	3	JAN 20/09
73-21-52- 1	2	JAN 20/09	73-21-55- 1	4	JAN 20/09
73-21-52- 1	3	JAN 20/09	73-21-55- 1	5	JAN 20/09
73-21-52- 1	4	JAN 20/09	73-21-55- 1A	0	MAY 28/07
73-21-52- 1	5	JAN 20/09	73-21-55- 1A	0A	MAY 28/07
73-21-52- 1	6	JAN 20/09	73-21-55- 1A	1	JAN 20/09
73-21-52- 1	7	JAN 20/09	73-21-55- 1A	2	JAN 20/09
73-21-52- 1	8	JAN 20/09	73-21-55- 1B	0	MAY 28/07
73-21-52- 1	9	JAN 20/09	73-21-55- 1B	0A	MAY 28/07
73-21-52- 1	10	JAN 20/09	73-21-55- 1B	1	JAN 20/09
73-21-52- 1	11	JAN 20/09	73-21-55- 1B	2	JAN 20/09
73-21-52- 2	0	MAY 28/07	73-21-55- 1C	0	JAN 20/09
73-21-52- 2	0A	MAY 28/07	73-21-55- 1C	1	JAN 20/09
73-21-52- 2	1	JAN 20/09	73-21-55- 1C	2	JAN 20/09
73-21-52- 2	2	JAN 20/09	73-21-55- 1C	3	JAN 20/09
73-21-52- 2	3	JAN 20/09	73-21-55- 1C	4	JAN 20/09
73-21-52- 2	4	JAN 20/09	73-21-55- 1D	0	JAN 20/09
73-21-52- 2	5	JAN 20/09	73-21-55- 1D	1	JAN 20/09
73-21-52- 2	6	JAN 20/09	73-21-55- 1D	2	JAN 20/09
73-21-52- 2	7	JAN 20/09	73-21-55- 1D	3	JAN 20/09
73-21-52- 2	8	JAN 20/09	73-21-55- 1D	4	JAN 20/09
73-21-52- 2	9	JAN 20/09	73-21-55- 1D	5	JAN 20/09
73-21-52- 2	10	JAN 20/09	73-21-55- 1D	6	JAN 20/09
73-21-52- 2	11	JAN 20/09	73-21-60- 1	0	MAY 28/07
73-21-52- 2	12	JAN 20/09	73-21-60- 1	0A	MAY 28/07
73-21-52- 2	13	JAN 20/09	73-21-60- 1	1	JAN 20/09
73-21-52- 2	14	JAN 20/09	73-21-60- 1	2	JAN 20/09
73-21-52- 2	15	JAN 20/09	73-21-60- 1	3	JAN 20/09
73-21-52- 2	16	JAN 20/09	73-21-60- 1	4	JAN 20/09
73-21-52- 2	17	JAN 20/09	73-21-60- 1	5	JAN 20/09
73-21-53- 1	0	MAY 28/07	73-21-60- 1	6	JAN 20/09
73-21-53- 1	0A	MAY 28/07	73-21-60- 1	7	JAN 20/09
73-21-53- 1	1	JAN 20/09	73-31-00	1	MAY 28/07

\* THE ASTERISK INDICATES PAGES CHANGED OR ADDED BY THE CURRENT REVISION





**BOEING**  
757  
PARTS CATALOG (MAINTENANCE)

CHAPTER 73 — ENGINE FUEL AND CONTROL

TABLE OF CONTENTS

SUBJECT	CC-SS-UU	FIGURE	EFFECT
FUEL DISTRIBUTION SYSTEM	73-11-00		
ELEMENT-HIGH PRESSURE FUEL FILTER (RB211-535)	73-11-12	01	002004 006999
ELEMENT-LOW PRESSURE FUEL FILTER (RB211-535)	73-11-10	01	002004 006999
FUEL PUMP AND SHUT OFF VALVE (RB211-535)	73-11-01	01	002004 006999
MANIFOLD-FUEL (RB211-535)	73-11-11	01	002004 006102 107107 121999
MANIFOLD-FUEL (RB211-535)	73-11-11	03	103106 108120
NOZZLES-FUEL SPRAY (RB211-535)	73-11-05	01A	002004 006999
PUMP-HIGH PRESSURE FUEL (RB211-535)	73-11-03	01	002004 006999
SYSTEMS AND ENGINE INTEGRATION (RB211-535E4) (ENGINE FUEL AND CONTROL ONLY)	73-11-07	04	101106 108120 504903
TUBES AND FITTINGS-FUEL SYS (RB211-535)	73-11-06	05	002004 006999
TUBES AND FITTINGS-FUEL SYS (RB211-535)	73-11-07	01	002004 006999
TUBES AND FITTINGS-FUEL SYSTEM (RB211-535)	73-11-06	06	002004 006999

 **BOEING**  
757  
**PARTS CATALOG (MAINTENANCE)**

**CHAPTER 73 — ENGINE FUEL AND CONTROL**

**TABLE OF CONTENTS**

SUBJECT	CC-SS-UU	FIGURE	EFFECT
FUEL CONTROL SYSTEM	73-21-00		
EEC GENERATOR CONTROL UNIT (RB211-535)	73-21-10	01	002004 006999
EEC GENERATOR CONTROL UNIT (RB211-535)	73-21-10	03	002004 006999
ENGINE CONTROL INSTL-MAIN EQPT CTR ELECTRONIC (ENGINE FUEL AND CONTROL ONLY) (RB211-535)	73-21-53	01	002004 006999
FUEL SYSTEM AIR TUBES (RB211-535)	73-21-13	03	002004 006999
GENERATOR INSTL-DEDICATED (RB211-535)	73-21-08	01	002004 006999
GOVERNOR-FUEL FLOW (RB211-535)	73-21-01	01	002004 006999
JUNCTION BOX-EES CONTROL UNIT PATCH MODULE (RB211-535)	73-21-60	01	002004 006999
OPTION PACKAGE ASSY-P36 MISC RELAY L (ENGINE FUEL AND CONTROL ONLY)	73-21-55	01A	101102 504903
PACKAGE ASSY-OPTION P37 MISC RELAY (ENGINE FUEL AND CONTROL ONLY)	73-21-55	01B	101102 504903
PANEL ASSY-P36 AND P37 MISC RELAY (ENGINE FUEL AND CONTROL ONLY) (PW2000)	73-21-55	01	002004 006100 107107 121503 904999
PANEL INSTL-P36 L MISC RELAY (ENGINE FUEL AND CONTROL ONLY)	73-21-55	01C	103106 108120
PANEL INSTL-P37 R MISC RELAY (ENGINE FUEL AND CONTROL ONLY)	73-21-55	01D	103106 108120
PANEL INSTL-P5 OVERHEAD (ENGINE FUEL AND CONTROL ONLY)	73-21-52	01	002004 006010 107107 121503 904999
PANEL INSTL-P5 OVHD (ENGINE FUEL AND CONTROL ONLY) (RB211-535)	73-21-52	02	011106 108120 504903
P1 PROBE AND TUBES (RB211-535)	73-21-04	03	002004 006999

 **BOEING**  
757  
**PARTS CATALOG (MAINTENANCE)**

**CHAPTER 73 — ENGINE FUEL AND CONTROL**

**TABLE OF CONTENTS**

<b>SUBJECT</b>	<b>CC-SS-UU</b>	<b>FIGURE</b>	<b>EFFECT</b>
SENSOR-FAN STREAM TEMP (RB211-535)	73-21-11	01	002004 006999
TUBES-FUEL SYSTEMS AIR (RB211-535)	73-21-13	02	002004 006999
VALVE-TRANSIENT FUEL (RB211-535)	73-21-14	01	002004 006999
WIRE INSTL-ELECTRICAL (CONTROLLING ONLY) (PW2000)	73-21-51	02	103106



**BOEING**  
757  
PARTS CATALOG (MAINTENANCE)

CHAPTER 73 — ENGINE FUEL AND CONTROL

TABLE OF CONTENTS

SUBJECT	CC-SS-UU	FIGURE	EFFECT
FUEL FLOW INDICATING SYSTEM	73-31-00		
TRANSMITTER-LOW PRESSURE FLOWMETER (RB211-535)	73-31-01	01	002004 006999
FUEL PRESSURE INDICATING SYSTEM	73-33-00		
INDICATING SYSTEM AND WIRE INSTL-PW2000 ENG (ENGINE FUEL PUMP INTERSTAGE PRESSURE TRANSMITTER ONLY)	73-33-01	01	103106
FUEL FILTER BYPASS WARNING SYSTEM	73-34-00		
SWITCH-LOW PRESSURE FUEL DIFFERENTIAL (RB211-535)	73-34-01	01	002004 006999
FUEL LOW PRESSURE WARNING SYSTEM	73-35-00		
SWITCH AND BRACKET-LOW LOW PRESSURE FUEL (RB211-535)	73-35-01	01	002004 006999

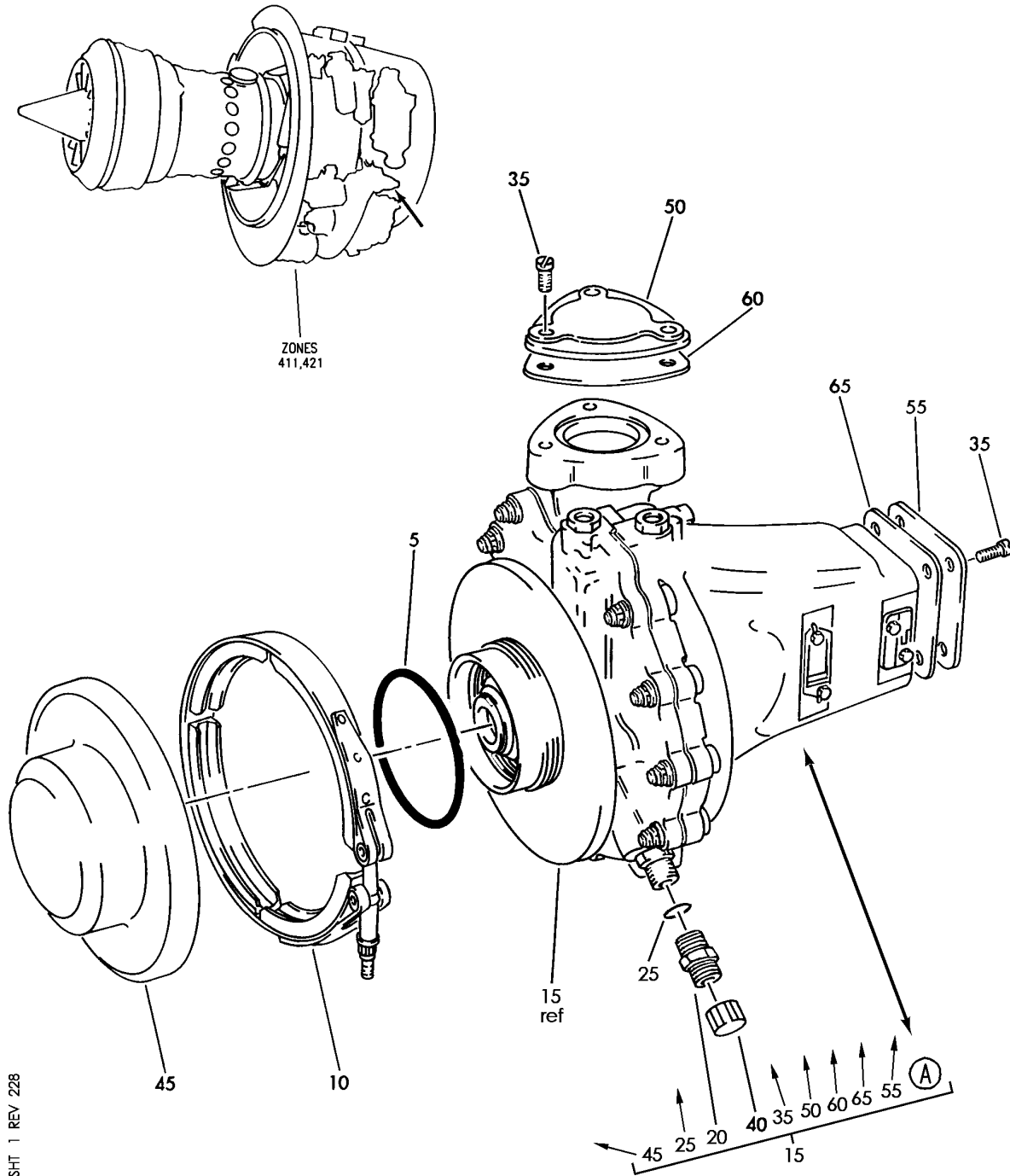


## FUEL DISTRIBUTION SYSTEM

BRI  
MAY 28/07

73-11-00  
SECTION TITLE  
PAGE 1

**BOEING**  
757  
PARTS CATALOG (MAINTENANCE)



Y 73110101 SHT 1 REV 228

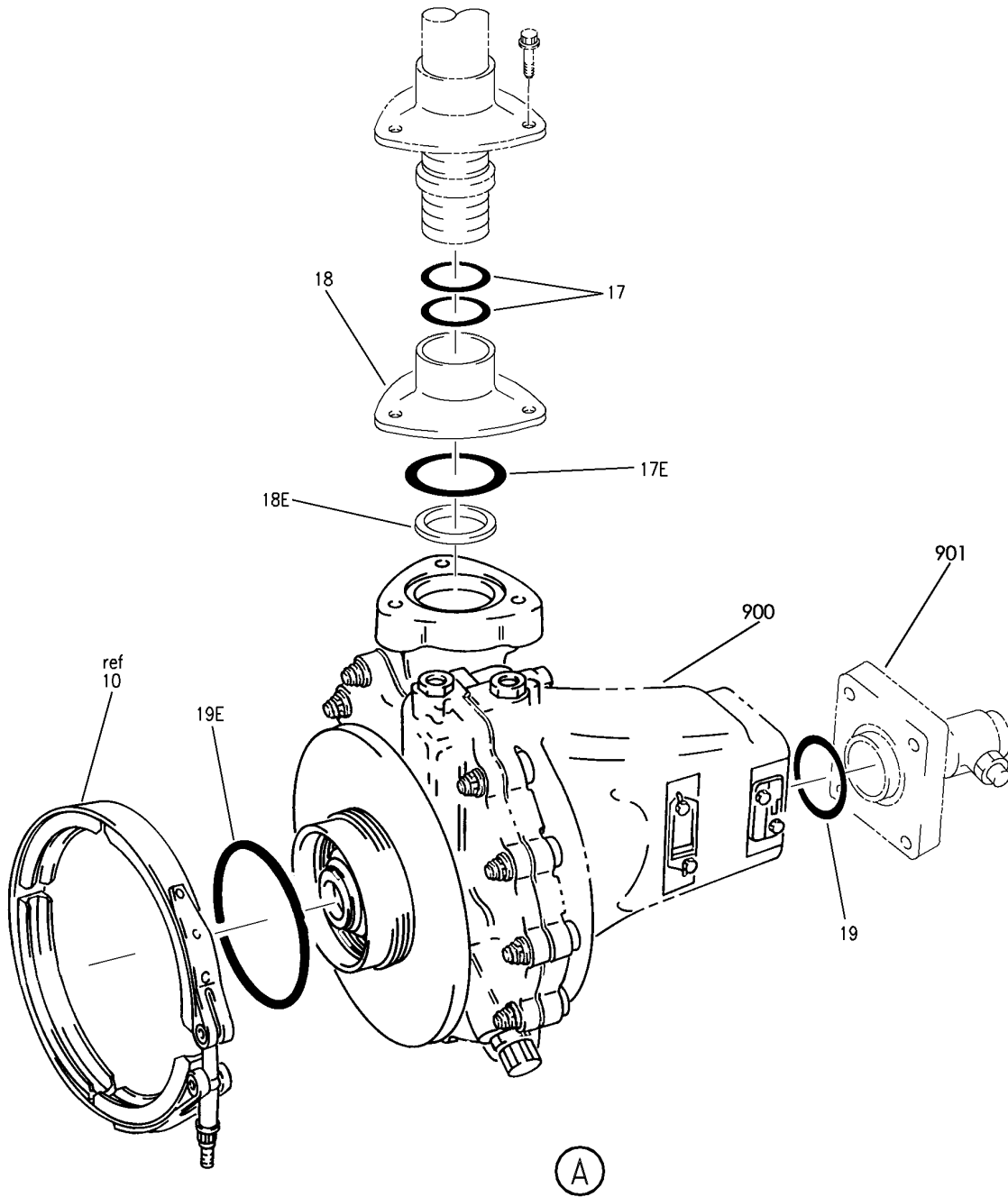
FUEL PUMP AND SHUT OFF VALVE (RB211-535)  
FIGURE 1 (SHEET 1)

**73-11-01-01**

BRI  
MAY 28/07

73-11-01-01  
PAGE 0

**BOEING**  
757  
PARTS CATALOG (MAINTENANCE)



Y 73110101 SHT 2 REV 228

FUEL PUMP AND SHUT OFF VALVE (RB211-535)  
FIGURE 1 (SHEET 2)

**73-11-01-01**

BRI  
MAY 28/07

73-11-01-01  
PAGE 0A



757

PARTS CATALOG (MAINTENANCE)

FIG ITEM	PART NUMBER	1 2 3 4 5 6 7	NOMENCLATURE	EFFECT FROM TO	UNITS PER ASSY
1			FUEL PUMP AND SHUT OFF VALVE (RB211-535)	002004	
- 1	UL20697		ENGINE ASSY-Q.E.C.U. RB211-535E43711 MAXIMUM NEUT WITH GRAVINER FIRE DETECTORS, BAYONET MCD, NON-MODULATED IDG COOLING 40,000 LB THRUST SUPPLIER CODE: VK0680 REFERENCE SERVICE BULLETIN: 71-0058R4 QUALIFIED SB I/W DATA: INTERMIX OF ONE OR SUBSTITUTION OF TWO DIFFERENT CONFIGURATION RB211-535E4-37/() ENGINES FOR RB211-535 E4 BASE ENGINES REFERENCE SERVICE BULLETIN: RB211-72-C547 VK0680 FOR NHA/OTHER SYS DET SEE: 71-00-02-04	006999 121503 904949 952999	RF
- 1	UL20702		ENGINE ASSY-Q.E.C.U. RB211-535E43711 BASIC ENGINE CONFIG. WITH GRAVINER FIRE DETECTORS, BAYONET MCD, NON-MODULATED IDG COOLING 40,100 LB THRUST SUPPLIER CODE: VK0680 FOR NHA/OTHER SYS DET SEE: 71-00-02-10	504903	RF
- 1	UL19722		ENGINE ASSY-Q.E.C.U. RB211-535E43711 MAXIMUM NEUT SUPPLIER CODE: VK0680 FOR NHA/OTHER SYS DET SEE: 71-00-02-04	107107	RF

MISSING ITEM NUMBERS NOT APPLICABLE

- ITEM NOT ILLUSTRATED

BRI

73-11-01-01

BOEING PROPRIETARY - Copyright © - Unpublished Work - See title page for details.

73-11-01  
FIG. 01  
PAGE 1  
JAN 20/09



757

PARTS CATALOG (MAINTENANCE)

FIG ITEM	PART NUMBER	1 2 3 4 5 6 7	NOMENCLATURE	EFFECT FROM TO	UNITS PER ASSY
1					
- 2	UL20698		ENGINE ASSY-Q.E.C.U. RB211-535E43712 MAXIMUM NEUT SUPPLIER CODE: VK0680 REFERENCE SERVICE BULLETIN: 71-0058R7 QUALIFIED SB I/W DATA: INTERMIX OF ONE OR SUBSTITUTION OF TWO DIFFERENT CONFIGURATION RB211-535E4-37/() ENGINES FOR RB211-535E4 BASE ENGINES OR DIFFERENT CONFIGURATION RB211-535E4-B-37/() ENGINES FOR RB211-535E4-B BASE ENGINES REFERENCE SERVICE BULLETIN: RB211-72-C547 VK0680 RB211-72-8910 VK0680 POST RAPID REVISION: RR92014-183A-RC-E FOR NHA/OTHER SYS DET SEE: 71-00-02-04	002004 006100 102102	RF
- 2	UL36209		ENGINE ASSY-Q.E.C.U. RB211-535E43719 MAXIMUM NEUT SUPPLIER CODE: VK0680 FOR NHA/OTHER SYS DET SEE: 71-00-02-04	950951	RF
- 3	BCREF17101		ENGINE ASSY-Q.E.C.U. RB211-535E43744 BASIC ENGINE CONFIGURATION, BAYONET MCD AND PHASE 5 COMBUSTOR 40,100 LB THRUST SUPPLIER CODE: VK0680 OVERLENGTH PART NUMBER: RB211-535E4-3744E FOR NHA/OTHER SYS DET SEE: 71-00-02-10	103106	RF

MISSING ITEM NUMBERS NOT APPLICABLE

- ITEM NOT ILLUSTRATED

73-11-01-01

73-11-01  
FIG. 01  
PAGE 2  
JAN 20/09

BRI



757

PARTS CATALOG (MAINTENANCE)

FIG ITEM	PART NUMBER	1 2 3 4 5 6 7	NOMENCLATURE	EFFECT FROM TO	UNITS PER ASSY
1					
- 3	BCREF17395		ENGINE ASSY-Q.E.C.U. RB211-535E43739 BASIC ENGINE CONFIGURATION AND PHASE 5 COMBUSTOR 40,100 LB THRUST SUPPLIER CODE: VK0680 OVERLENGTH PART NUMBER: RB211-535E4-37-39E FOR NHA/OTHER SYS DET SEE: 71-00-02-10	108120	RF
- 3	UL38163		ENGINE ASSY-Q.E.C.U. RB211-535E43724 BASIC ENGINE CONFIGURATION, BAYONET MCD, 40,100 LB THRUST SUPPLIER CODE: VK0680 FOR NHA/OTHER SYS DET SEE: 71-00-02-10	101101	RF
- 4	UL10884		.PUMP-FUEL & SHUT OFF VALVE SUPPLIER CODE: VK0680	002004 006999	RF
5	AS12801-149		..RING-SEALING TOROIDAL	002004 006999	1
10	62-99-061		..CLAMP- SUPPLIER CODE: VU2569	002004 006999	1

MISSING ITEM NUMBERS NOT APPLICABLE

- ITEM NOT ILLUSTRATED

BRI

73-11-01-01

BOEING PROPRIETARY - Copyright © - Unpublished Work - See title page for details.

73-11-01  
FIG. 01  
PAGE 3  
JAN 20/09



757

PARTS CATALOG (MAINTENANCE)

FIG ITEM	PART NUMBER	1 2 3 4 5 6 7	NOMENCLATURE	EFFECT FROM TO	UNITS PER ASSY
1 15	BPU200MK1		..PUMP ASSY-FUEL LP SUPPLIER CODE: VK0131 NOT APPROVED FOR ETOPS. POST SERVICE BULLETIN: 73-6978PTS VK0680 73-7639PTB VK0680 73-7761PTA VK0680 73-8133PT01 VK0680 73-8467PT01 VK0680 73-7834PT01 VK0680 73-8361PTA VK0680 73-6977PTA VK0680 73-7196PTE VK0680 73-7757PT01 VK0680 73-7196PTB VK0680 PRE SERVICE BULLETIN: 73-6977 VK0680 73-7196 VK0680 73-7757 VK0680 73-7834 VK0680 73-8361 VK0680 73-B163PT01 VK0680 73-7639 VK0680 73-7761 VK0680 73-8133 VK0680 73-8467 VK0680	002004 006999	1

MISSING ITEM NUMBERS NOT APPLICABLE

- ITEM NOT ILLUSTRATED

73-11-01-01

73-11-01  
FIG. 01  
PAGE 4  
JAN 20/09

BRI



757

PARTS CATALOG (MAINTENANCE)

FIG ITEM	PART NUMBER	1 2 3 4 5 6 7	NOMENCLATURE	EFFECT FROM TO	UNITS PER ASSY
1					
15	BPU200MK2	..	PUMP ASSY-FUEL LP SUPPLIER CODE: VK0131 POST SERVICE BULLETIN: 73-B163PT01 VK0680	002004 006999	1
20	AS27467	...	UNION-DBL ENDED TUBE POST SERVICE BULLETIN: 73-B635PTA VK0680	002004 006999	1
25	GTS345-905	...	SEAL-RING SUPPLIER CODE: VK0131 POST SERVICE BULLETIN: 73-B635PTA VK0680	002004 006999	1
35	77850509	...	SCREW-FILLISTER HEAD TRANSPORTATION ONLY SUPPLIER CODE: VK0131 POST SERVICE BULLETIN: 73-8049PTE VK0680	002004 006999	7
40	GTS169-4	...	CAP-DUST TRANS TRANSPORTATION ONLY SUPPLIER CODE: VK0131 POST SERVICE BULLETIN: 73-8049PTE VK0680	002004 006999	1
45	77850798	...	COVER-MTG FLANGE TRANSPORTATION ONLY SUPPLIER CODE: VK0131 POST SERVICE BULLETIN: 73-8049PTE VK0680	002004 006999	1
50	77852653	...	COVER-OUTLET PORT TRANSPORTATION ONLY SUPPLIER CODE: VK0131 POST SERVICE BULLETIN: 73-8049PTE VK0680	002004 006999	1

MISSING ITEM NUMBERS NOT APPLICABLE

- ITEM NOT ILLUSTRATED

BRI

73-11-01-01

BOEING PROPRIETARY - Copyright © - Unpublished Work - See title page for details.

73-11-01  
FIG. 01  
PAGE 5  
JAN 20/09





757

PARTS CATALOG (MAINTENANCE)

FIG ITEM	PART NUMBER	1 2 3 4 5 6 7	NOMENCLATURE	EFFECT FROM TO	UNITS PER ASSY
1					
55	77852655		...COVER-INLET PORT TRANSPORTATION ONLY SUPPLIER CODE: VK0131 POST SERVICE BULLETIN: 73-8049PTE VK0680	002004 006999	1
60	77852658		...GASKET-PORT COVER TRANSPORTATION ONLY SUPPLIER CODE: VK0131 POST SERVICE BULLETIN: 73-8049PTE VK0680	002004 006999	1
65	77852656		...GASKET-PORT COVER TRANSPORTATION ONLY SUPPLIER CODE: VK0131 POST SERVICE BULLETIN: 73-8049PTE VK0680	002004 006999	1
901			ILLUSTRATION REFERENCE: TUBES AND FITTINGS-FUEL SYS (RB211-535) 73-11-07-01	002004 006999	RF

MISSING ITEM NUMBERS NOT APPLICABLE

- ITEM NOT ILLUSTRATED

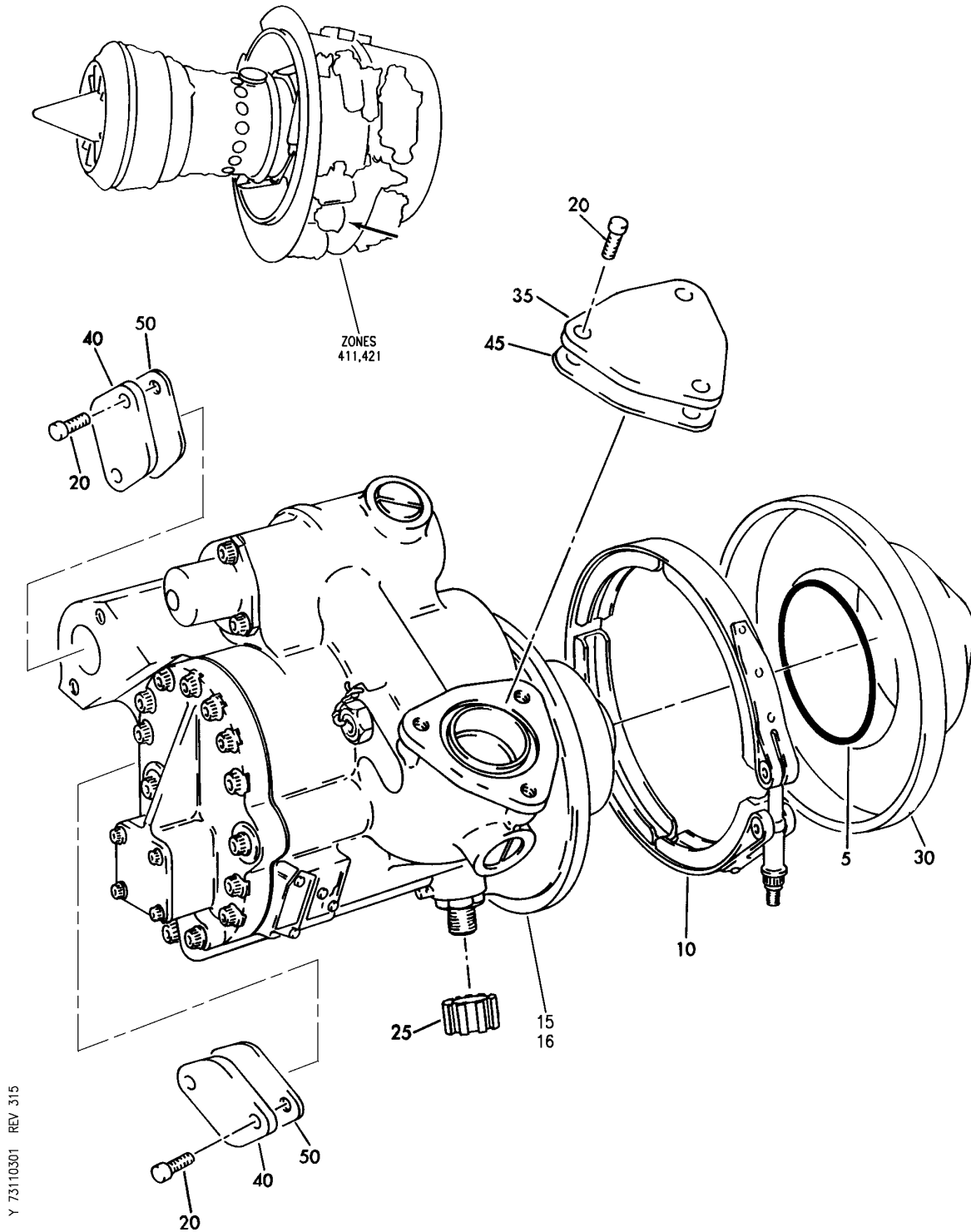
BRI

73-11-01-01

BOEING PROPRIETARY - Copyright © - Unpublished Work - See title page for details.

73-11-01  
FIG. 01  
PAGE 6  
JAN 20/09

**BOEING**  
757  
PARTS CATALOG (MAINTENANCE)



Y 73110301 REV 315

PUMP-HIGH PRESSURE FUEL (RB211-535)  
FIGURE 1 (SHEET 1)

**73-11-03-01**

BRI  
SEP 28/07

73-11-03-01  
PAGE 0



757

PARTS CATALOG (MAINTENANCE)

FIG ITEM	PART NUMBER	1 2 3 4 5 6 7	NOMENCLATURE	EFFECT FROM TO	UNITS PER ASSY
1			PUMP-HIGH PRESSURE FUEL (RB211-535)	002004 006999	
- 1	UL20697		ENGINE ASSY-Q.E.C.U. RB211-535E43711 MAXIMUM NEUT WITH GRAVINER FIRE DETECTORS, BAYONET MCD, NON-MODULATED IDG COOLING 40,000 LB THRUST SUPPLIER CODE: VK0680 REFERENCE SERVICE BULLETIN: 71-0058R4 QUALIFIED SB I/W DATA: INTERMIX OF ONE OR SUBSTITUTION OF TWO DIFFERENT CONFIGURATION RB211-535E4-37/() ENGINES FOR RB211-535 E4 BASE ENGINES REFERENCE SERVICE BULLETIN: RB211-72-C547 VK0680 FOR NHA/OTHER SYS DET SEE: 71-00-02-04	121503 904949 952999	RF
- 1	UL20702		ENGINE ASSY-Q.E.C.U. RB211-535E43711 BASIC ENGINE CONFIG. WITH GRAVINER FIRE DETECTORS, BAYONET MCD, NON-MODULATED IDG COOLING 40,100 LB THRUST SUPPLIER CODE: VK0680 FOR NHA/OTHER SYS DET SEE: 71-00-02-10	504903	RF
- 1	UL19722		ENGINE ASSY-Q.E.C.U. RB211-535E43711 MAXIMUM NEUT SUPPLIER CODE: VK0680 FOR NHA/OTHER SYS DET SEE: 71-00-02-04	107107	RF

MISSING ITEM NUMBERS NOT APPLICABLE

- ITEM NOT ILLUSTRATED

73-11-03-01

73-11-03  
FIG. 01  
PAGE 1  
JAN 20/09

BRI



757

PARTS CATALOG (MAINTENANCE)

FIG ITEM	PART NUMBER	1 2 3 4 5 6 7	NOMENCLATURE	EFFECT FROM TO	UNITS PER ASSY
1					
- 2	UL20698		ENGINE ASSY-Q.E.C.U. RB211-535E43712 MAXIMUM NEUT SUPPLIER CODE: VK0680 REFERENCE SERVICE BULLETIN: 71-0058R7 QUALIFIED SB I/W DATA: INTERMIX OF ONE OR SUBSTITUTION OF TWO DIFFERENT CONFIGURATION RB211-535E4-37/() ENGINES FOR RB211-535E4 BASE ENGINES OR DIFFERENT CONFIGURATION RB211-535E4-B-37/() ENGINES FOR RB211-535E4-B BASE ENGINES REFERENCE SERVICE BULLETIN: RB211-72-C547 VK0680 RB211-72-8910 VK0680 FOR NHA/OTHER SYS DET SEE: 71-00-02-04	002004 006100 102102	RF
- 2	UL36209		ENGINE ASSY-Q.E.C.U. RB211-535E43719 MAXIMUM NEUT SUPPLIER CODE: VK0680 FOR NHA/OTHER SYS DET SEE: 71-00-02-04	950951	RF
- 3	BCREF17101		ENGINE ASSY-Q.E.C.U. RB211-535E43744 BASIC ENGINE CONFIGURATION, BAYONET MCD AND PHASE 5 COMBUSTOR 40,100 LB THRUST SUPPLIER CODE: VK0680 OVERLENGTH PART NUMBER: RB211-535E4-3744E FOR NHA/OTHER SYS DET SEE: 71-00-02-10	103106	RF

MISSING ITEM NUMBERS NOT APPLICABLE

- ITEM NOT ILLUSTRATED

73-11-03-01

73-11-03  
FIG. 01  
PAGE 2  
JAN 20/09

BRI



757

PARTS CATALOG (MAINTENANCE)

FIG ITEM	PART NUMBER	1 2 3 4 5 6 7	NOMENCLATURE	EFFECT FROM TO	UNITS PER ASSY
1					
- 3	BCREF17395		ENGINE ASSY-Q.E.C.U. RB211-535E43739 BASIC ENGINE CONFIGURATION AND PHASE 5 COMBUSTOR 40,100 LB THRUST SUPPLIER CODE: VK0680 OVERLENGTH PART NUMBER: RB211-535E4-37-39E FOR NHA/OTHER SYS DET SEE: 71-00-02-10	108120	RF
- 3	UL38163		ENGINE ASSY-Q.E.C.U. RB211-535E43724 BASIC ENGINE CONFIGURATION, BAYONET MCD, 40,100 LB THRUST SUPPLIER CODE: VK0680 FOR NHA/OTHER SYS DET SEE: 71-00-02-10	101101	RF
5	AS12801-149		.RING-SEAL PUMP	002004 006999	1
10	62-99-061		.CLAMP- SUPPLIER CODE: VU2569	002004 006999	1
15	GP200MK6		.PUMP ASSY-BW FUEL SUPPLIER CODE: VK0131 NOT APPROVED FOR ETOPS. POST SERVICE BULLETIN: 73-8192PT01 VK0680 73-8653PT01 VK0680 73-8449PT01 VK0680 PRE SERVICE BULLETIN: 73-8903 VK0680 73-8449 VK0680 73-8653 VK0680	002004 006102 107107 121999	1

MISSING ITEM NUMBERS NOT APPLICABLE

- ITEM NOT ILLUSTRATED

BRI

73-11-03-01

BOEING PROPRIETARY - Copyright © - Unpublished Work - See title page for details.

73-11-03  
FIG. 01  
PAGE 3  
JAN 20/09



757

PARTS CATALOG (MAINTENANCE)

FIG ITEM	PART NUMBER	1 2 3 4 5 6 7	NOMENCLATURE	EFFECT FROM TO	UNITS PER ASSY
1	15 GP200MK7		.PUMP ASSY-HP FUEL SUPPLIER CODE: VK0131 NOT APPROVED FOR ETOPS. OPTIONAL PART: GP202MK1 VK0131 POST SERVICE BULLETIN: 73-8903PT01 VK0680 73-8192PT01 VK0680 73-8653PT01 VK0680 73-8449PT01 VK0680 PRE SERVICE BULLETIN: 73-8449 VK0680 73-B168 VK0680 73-8653 VK0680	002004 006100 102102 107107 121999	1
	15 GP200MK11		.PUMP ASSY-HP FUEL SUPPLIER CODE: VK0131 CONFIG CHG DATA FROM A CMM: FOR INTRCHG SEE RR IPC POST SERVICE BULLETIN: 73-9975PT01 VK0680 PRE SERVICE BULLETIN: 73-B631 VK0680	002004 006102 107107 121999	1
	15 GP200MK10		.PUMP ASSY-HP FUEL SUPPLIER CODE: VK0131 POST SERVICE BULLETIN: 73-9975PT01 VK0680 PRE SERVICE BULLETIN: 73-B631 VK0680	002004 006102 107107 121999	1

MISSING ITEM NUMBERS NOT APPLICABLE

- ITEM NOT ILLUSTRATED

BRI

73-11-03-01

BOEING PROPRIETARY - Copyright © - Unpublished Work - See title page for details.

73-11-03  
FIG. 01  
PAGE 4  
JAN 20/09



757

PARTS CATALOG (MAINTENANCE)

FIG ITEM	PART NUMBER	1 2 3 4 5 6 7	NOMENCLATURE	EFFECT FROM TO	UNITS PER ASSY
1	15 GP200MK8		.PUMP ASSY-HP FUEL SUPPLIER CODE: VK0131 POST SERVICE BULLETIN: 73-B168 VK0680 PRE SERVICE BULLETIN: 73-9975 VK0680	002004 006102 107107 121999	1
	15 GP200MK9		.PUMP ASSY-HP FUEL SUPPLIER CODE: VK0131 CONFIG CHG DATA FROM A CMM: FOR INTRCHG SEE RRIPC POST SERVICE BULLETIN: 73-B168 VK0680 PRE SERVICE BULLETIN: 73-9975 VK0680	002004 006102 107107 121999	1
	15 GP202MK1		.PUMP ASSY-HP FUEL SUPPLIER CODE: VK0131 OPTIONAL PART: GP200MK7 VK0131 POST SERVICE BULLETIN: 73-B631PT01 VK0680 73-8449PT01 VK0680 PRE SERVICE BULLETIN: 73-8449 VK0680 73-B946 VK0680	002004 006102 107107 121999	1
	16 GP202MK1		.PUMP ASSY-HP FUEL SUPPLIER CODE: VK0131 CONFIG CHG DATA FROM A CMM: FOR INTRCHG SEE RR IPC POST SERVICE BULLETIN: 73-8449 VK0680	002004 006100	1

MISSING ITEM NUMBERS NOT APPLICABLE

- ITEM NOT ILLUSTRATED

BRI

73-11-03-01

BOEING PROPRIETARY - Copyright © - Unpublished Work - See title page for details.

73-11-03  
FIG. 01  
PAGE 5  
JAN 20/09



757

PARTS CATALOG (MAINTENANCE)

FIG ITEM	PART NUMBER	1 2 3 4 5 6 7	NOMENCLATURE	EFFECT FROM TO	UNITS PER ASSY
1					
16	830100-1		.PUMP-FUEL SUPPLIER CODE: V59875 CONFIG CHG DATA FROM A CMM: FOR INTRCHG SEE RR IPC POST SERVICE BULLETIN: 73-B946 VK0680	002004 006999	1
20	77850509		..SCREW-FILLISTER HEAD TRANSPORTATION ONLY SUPPLIER CODE: VK0131 POST SERVICE BULLETIN: 73-8049PTF VK0680	002004 006999	7
25	GTS169-4		..CAP-DUST DRAIN UNION TRANSPORTATION ONLY SUPPLIER CODE: VK0131 POST SERVICE BULLETIN: 73-8049PTF VK0680	002004 006999	1
30	77850731		..COVER-DRIVE END TRANS TRANSPORTATION ONLY SUPPLIER CODE: VK0131 POST SERVICE BULLETIN: 73-8049PTF VK0680	002004 006999	1
35	77852653		..COVER-OUTLET PORT INLET PORT TRANSPORTATION ONLY SUPPLIER CODE: VK0131 POST SERVICE BULLETIN: 73-8049PTF VK0680	002004 006999	1
40	77852654		..COVER-PORT OUTLET TRANSPORTATION ONLY SUPPLIER CODE: VK0131 POST SERVICE BULLETIN: 73-8049PTF VK0680	002004 006999	2

MISSING ITEM NUMBERS NOT APPLICABLE

- ITEM NOT ILLUSTRATED

BRI

# 73-11-03-01

BOEING PROPRIETARY - Copyright © - Unpublished Work - See title page for details.

73-11-03  
FIG. 01  
PAGE 6  
JAN 20/09





757

PARTS CATALOG (MAINTENANCE)

FIG ITEM	PART NUMBER	1 2 3 4 5 6 7	NOMENCLATURE	EFFECT FROM TO	UNITS PER ASSY
1 45	77852658		.. GASKET-PORT COVER TRANSPORTATION ONLY SUPPLIER CODE: VK0131 POST SERVICE BULLETIN: 73-8049PTF VK0680	002004 006999	1
50	77852657		.. GASKET-COVER TRANSPORTATION ONLY SUPPLIER CODE: VK0131 POST SERVICE BULLETIN: 73-8049PTF VK0680	002004 006999	2

MISSING ITEM NUMBERS NOT APPLICABLE

- ITEM NOT ILLUSTRATED

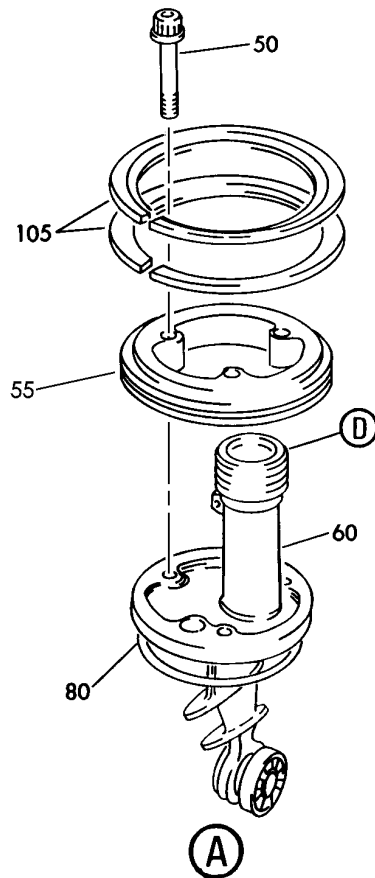
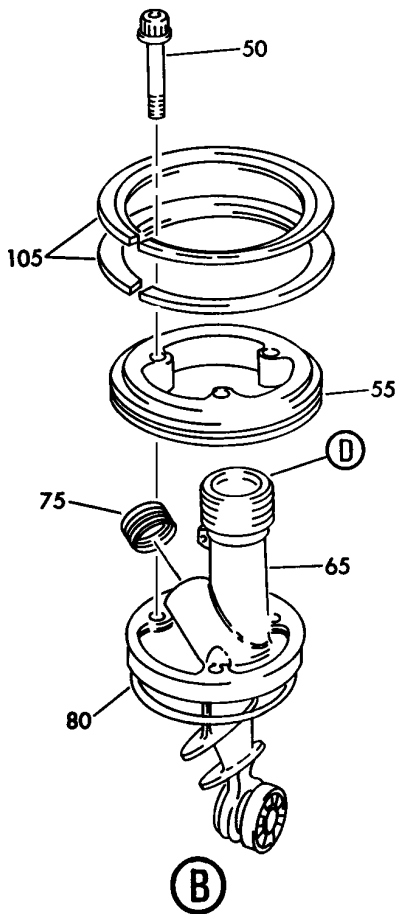
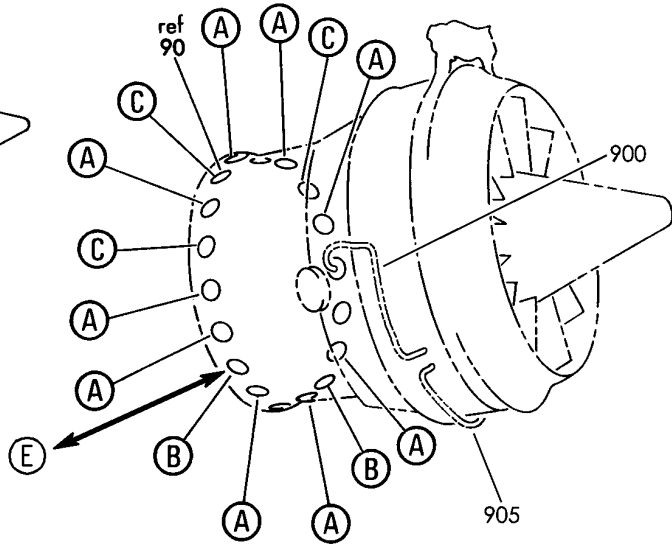
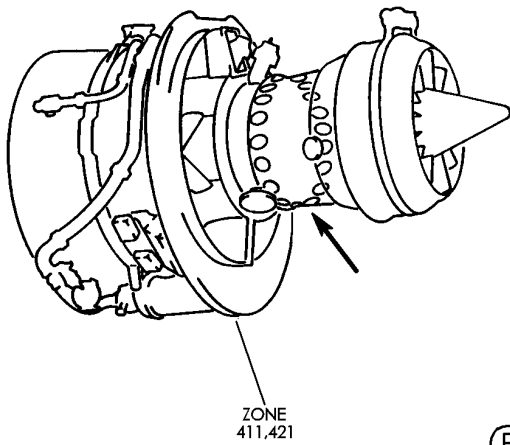
BRI

# 73-11-03-01

BOEING PROPRIETARY - Copyright © - Unpublished Work - See title page for details.

73-11-03  
FIG. 01  
PAGE 7  
JAN 20/09

**BOEING**  
757  
PARTS CATALOG (MAINTENANCE)



Y 73110501A SHT 1 REV 229

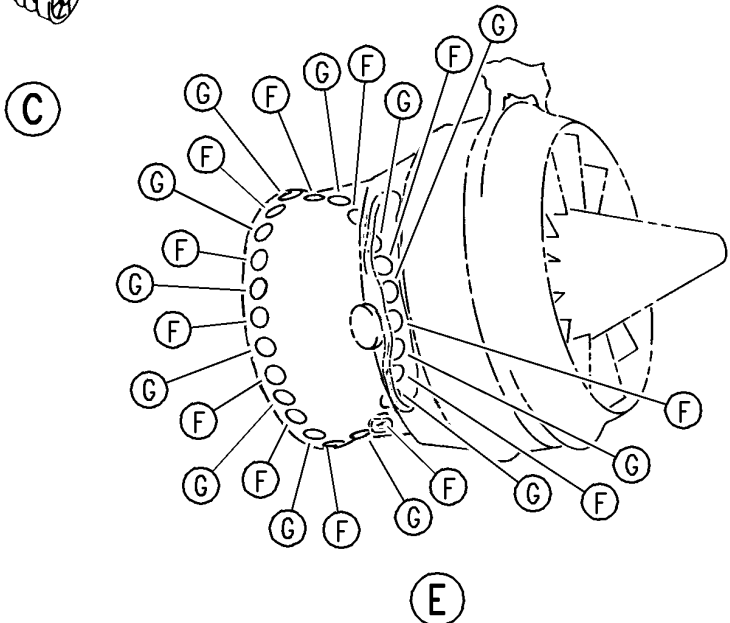
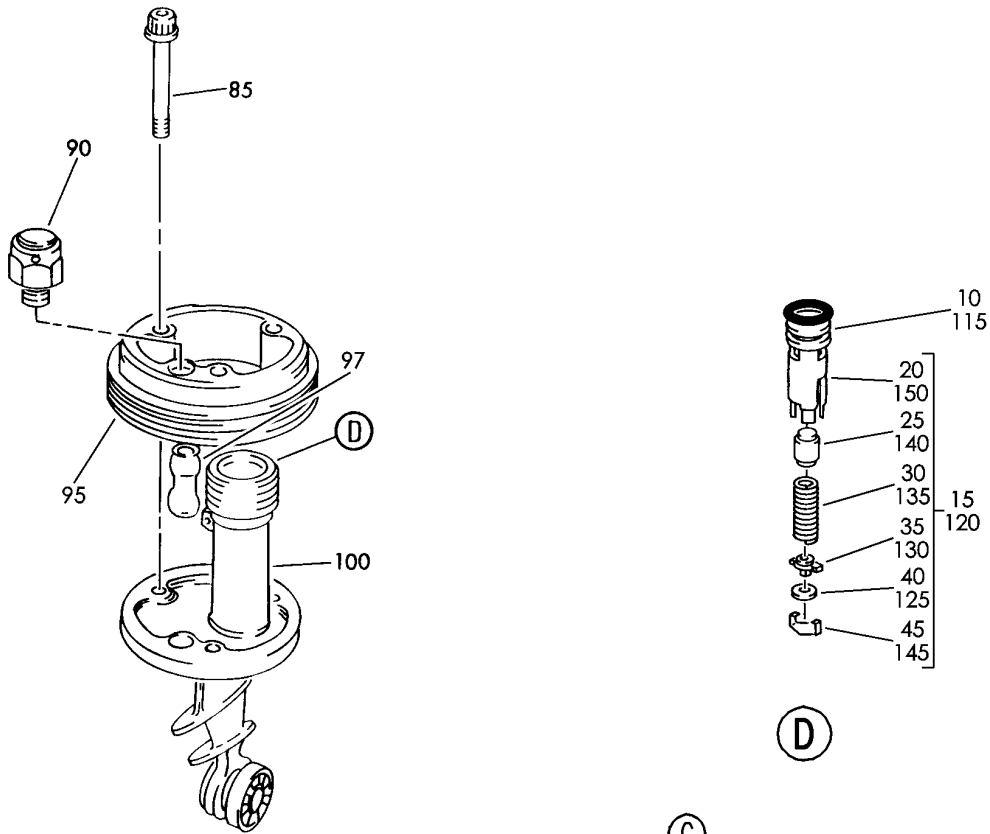
NOZZLES-FUEL SPRAY (RB211-535)  
FIGURE 1A (SHEET 1)

**73-11-05-01A**

BRI  
MAY 28/07

73-11-05-01A  
PAGE 0


**BOEING**  
 757  
**PARTS CATALOG (MAINTENANCE)**



Y 73110501A SHT 2 REV 229

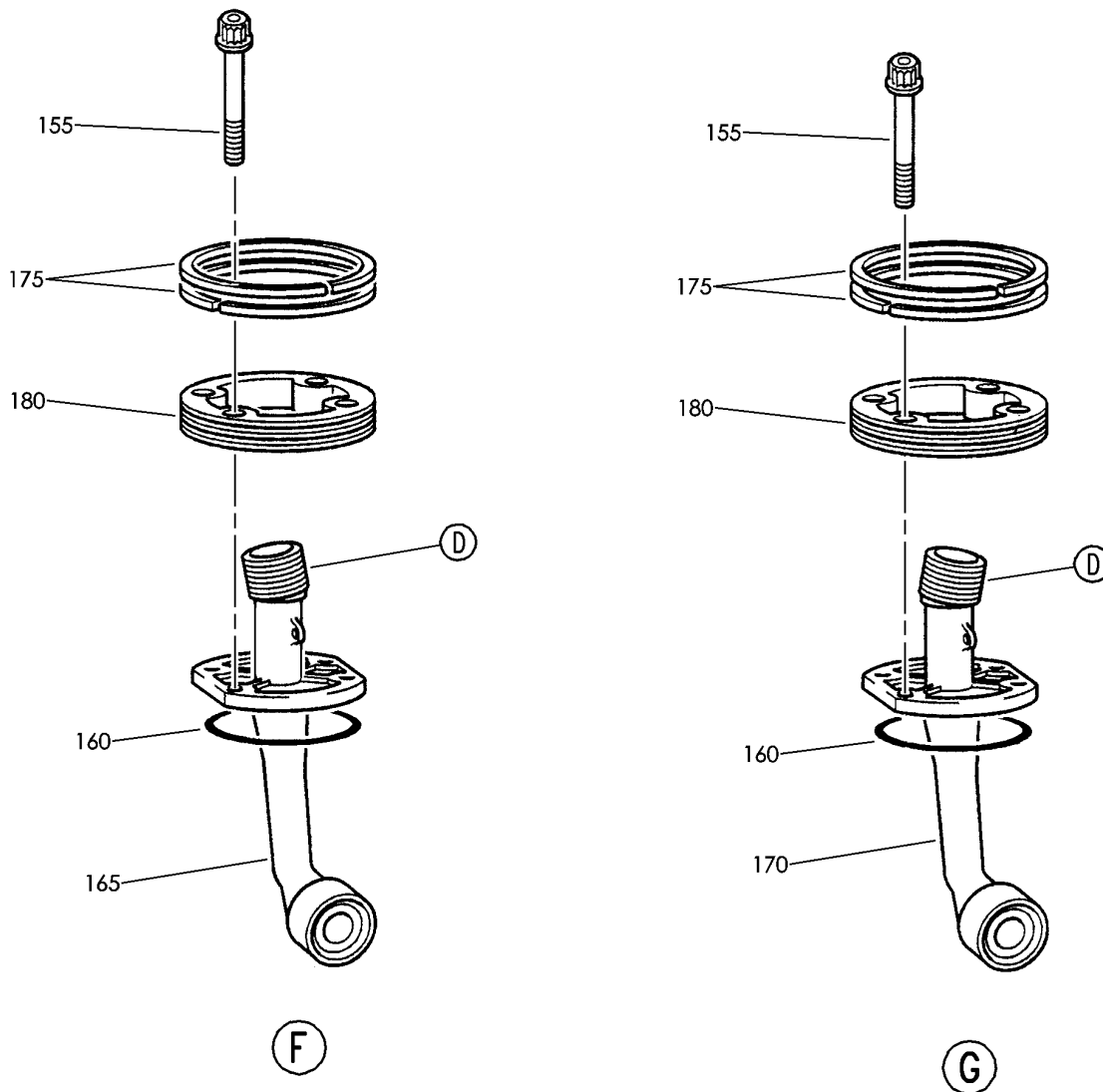
NOZZLES-FUEL SPRAY (RB211-535)  
FIGURE 1A (SHEET 2)

**73-11-05-01A**

BRI  
MAY 28/07

73-11-05-01A  
PAGE 0A

**BOEING**  
757  
PARTS CATALOG (MAINTENANCE)



Y 73110501A SH1 3 REV 226

NOZZLES-FUEL SPRAY (RB211-535)  
FIGURE 1A (SHEET 3)

**73-11-05-01A**

BRI  
MAY 28/07

73-11-05-01A  
PAGE 0B



757

PARTS CATALOG (MAINTENANCE)

FIG ITEM	PART NUMBER	1 2 3 4 5 6 7	NOMENCLATURE	EFFECT FROM TO	UNITS PER ASSY
1 A					
- 1	UL20697		NOZZLES-FUEL SPRAY (RB211-535) ENGINE ASSY-Q.E.C.U. RB211-535E43711 MAXIMUM NEUT WITH GRAVINER FIRE DETECTORS, BAYONET MCD, NON-MODULATED IDG COOLING 40,000 LB THRUST SUPPLIER CODE: VK0680 REFERENCE SERVICE BULLETIN: 71-0058R4 QUALIFIED SB I/W DATA: INTERMIX OF ONE OR SUBSTITUTION OF TWO DIFFERENT CONFIGURATION RB211-535E4-37/() ENGINES FOR RB211-535 E4 BASE ENGINES REFERENCE SERVICE BULLETIN: RB211-72-C547 VK0680 FOR NHA/OTHER SYS DET SEE: 71-00-02-04	002004 006999 121503 904949 952999	RF
- 1	UL19722		ENGINE ASSY-Q.E.C.U. RB211-535E43711 MAXIMUM NEUT SUPPLIER CODE: VK0680 FOR NHA/OTHER SYS DET SEE: 71-00-02-04	107107	RF

MISSING ITEM NUMBERS NOT APPLICABLE

- ITEM NOT ILLUSTRATED

BRI

**73-11-05-01A**

BOEING PROPRIETARY - Copyright © - Unpublished Work - See title page for details.

73-11-05  
FIG. 01A  
PAGE 1  
JAN 20/09



757

PARTS CATALOG (MAINTENANCE)

FIG ITEM	PART NUMBER	1 2 3 4 5 6 7	NOMENCLATURE	EFFECT FROM TO	UNITS PER ASSY
1A - 1	UL20698		ENGINE ASSY-Q.E.C.U. RB211-535E43712 MAXIMUM NEUT SUPPLIER CODE: VK0680 REFERENCE SERVICE BULLETIN: 71-0058R7 QUALIFIED SB I/W DATA: INTERMIX OF ONE OR SUBSTITUTION OF TWO DIFFERENT CONFIGURATION RB211-535E4-37/() ENGINES FOR RB211-535E4 BASE ENGINES OR DIFFERENT CONFIGURATION RB211-535E4-B-37/() ENGINES FOR RB211-535E4-B BASE ENGINES REFERENCE SERVICE BULLETIN: RB211-72-C547 VK0680 RB211-72-8910 VK0680 POST RAPID REVISION: RR92014-183A-RC-E FOR NHA/OTHER SYS DET SEE: 71-00-02-04	002004 006100 102102	RF
- 1	UL20702		ENGINE ASSY-Q.E.C.U. RB211-535E43711 BASIC ENGINE CONFIG. WITH GRAVINER FIRE DETECTORS,BAYONET MCD, NON-MODULATED IDG COOLING 40,100 LB THRUST SUPPLIER CODE: VK0680 FOR NHA/OTHER SYS DET SEE: 71-00-02-10	504903	RF
- 2	UL36209		ENGINE ASSY-Q.E.C.U. RB211-535E43719 MAXIMUM NEUT SUPPLIER CODE: VK0680 FOR NHA/OTHER SYS DET SEE: 71-00-02-04	950951	RF

MISSING ITEM NUMBERS NOT APPLICABLE

- ITEM NOT ILLUSTRATED

73-11-05-01A

73-11-05  
FIG. 01A  
PAGE 2  
JAN 20/09

BRI



757

PARTS CATALOG (MAINTENANCE)

FIG ITEM	PART NUMBER	1 2 3 4 5 6 7	NOMENCLATURE	EFFECT FROM TO	UNITS PER ASSY
1A					
- 3	BCREF17101		ENGINE ASSY-Q.E.C.U. RB211-535E43744 BASIC ENGINE CONFIGURATION, BAYONET MCD AND PHASE 5 COMBUSTOR 40,100 LB THRUST SUPPLIER CODE: VK0680 OVERLENGTH PART NUMBER: RB211-535E4-3744E FOR NHA/OTHER SYS DET SEE: 71-00-02-10	103106	RF
- 3	BCREF17395		ENGINE ASSY-Q.E.C.U. RB211-535E43739 BASIC ENGINE CONFIGURATION AND PHASE 5 COMBUSTOR 40,100 LB THRUST SUPPLIER CODE: VK0680 OVERLENGTH PART NUMBER: RB211-535E4-37-39E FOR NHA/OTHER SYS DET SEE: 71-00-02-10	108120	RF
- 3	UL38163		ENGINE ASSY-Q.E.C.U. RB211-535E43724 BASIC ENGINE CONFIGURATION, BAYONET MCD, 40,100 LB THRUST SUPPLIER CODE: VK0680 FOR NHA/OTHER SYS DET SEE: 71-00-02-10	101101	RF
- 5	UL16960		.NOZZLES-FUEL SPRAY SUPPLIER CODE: VK0680 PRE SERVICE BULLETIN: 79-9199 VK0680	002004 006100 102102 107107 121949 952999	RF
- 5	UL28187		.NOZZLES-FUEL SPRAY SUPPLIER CODE: VK0680 POST SERVICE BULLETIN: 79-9199PT01 VK0680	002004 006102 107107 121999	RF
10	KB27112		..SEAL-RING SUPPLIER CODE: VK0680	002004 006102 107107 121999	18

MISSING ITEM NUMBERS NOT APPLICABLE

- ITEM NOT ILLUSTRATED

73-11-05-01A

73-11-05  
FIG. 01A  
PAGE 3  
JAN 20/09

BRI

BOEING PROPRIETARY - Copyright © - Unpublished Work - See title page for details.



757

PARTS CATALOG (MAINTENANCE)

FIG ITEM	PART NUMBER	1 2 3 4 5 6 7	NOMENCLATURE	EFFECT FROM TO	UNITS PER ASSY
1A					
15	UL20060	..	WEIGHT ASSY-FUEL DISTRIBUTOR SUPPLIER CODE: VK0680 POST SERVICE BULLETIN: 73-8038PTE VK0680	002004 006102 107107 121999	18
15	LK79403	..	WEIGHT ASSY-FUEL DISTRIBUTOR SUPPLIER CODE: VK0680 PRE SERVICE BULLETIN: 73-8038 VK0680	002004 006100 102102 107107 121949 952999	18
20	UL20061	...	BODY- SUPPLIER CODE: VK0680 POST SERVICE BULLETIN: 73-8038PTE VK0680	002004 006102 107107 121999	1
20	LK79348	...	BODY- SUPPLIER CODE: VK0680 PRE SERVICE BULLETIN: 73-8038 VK0680	002004 006100 102102 107107 121949 952999	1
25	LK76481	...	WEIGHT- SUPPLIER CODE: VK0680	002004 006102 107107 121999	1
30	LK76480	...	SPRING-HELICAL CPRSN SUPPLIER CODE: VK0680	002004 006102 107107 121999	1
35	LK76482	...	GUIDE-SPR SUPPLIER CODE: VK0680	002004 006102 107107 121999	1
40	LK76483	...	NUT-ADJUSTING SUPPLIER CODE: VK0680	002004 006102 107107 121999	1
45	LK79404	...	CLIP-SPR TNSN SUPPLIER CODE: VK0680	002004 006102 107107 121999	1

MISSING ITEM NUMBERS NOT APPLICABLE

- ITEM NOT ILLUSTRATED

73-11-05-01A

73-11-05  
FIG. 01A  
PAGE 4  
JAN 20/09

BRI

BOEING PROPRIETARY - Copyright © - Unpublished Work - See title page for details.





757

PARTS CATALOG (MAINTENANCE)

FIG ITEM	PART NUMBER	1 2 3 4 5 6 7	NOMENCLATURE	EFFECT FROM TO	UNITS PER ASSY
1 A					
50	BLT5265	..	BOLT- SUPPLIER CODE: VK0680	002004 006102 107107 121999	45
55	UL11018	..	CARRIER ASSY-SEAL RING SUPPLIER CODE: VK0680 PRE SERVICE BULLETIN: 72-8678 VK0680	002004 006100 102102 107107 121949 952999	15
55	UL21733	..	CARRIER ASSY-SEAL RING SUPPLIER CODE: VK0680 POST SERVICE BULLETIN: 72-8678PTH VK0680 PRE SERVICE BULLETIN: 72-C230 VK0680	002004 006102 107107 121999	15
60	6830037M4	..	NOZZLE ASSY- SUPPLIER CODE: V2Y939 OPTIONAL PART: 6830052M4 V2Y939 POST SERVICE BULLETIN: 73-9671PTA VK0680 PRE SERVICE BULLETIN: 73-9671 VK0680	002004 006102 107107 121999	13
60	6830052M4	..	NOZZLE ASSY- SUPPLIER CODE: V2Y939 OPTIONAL PART: 6830037M4 V2Y939 POST SERVICE BULLETIN: 73-9671PTA VK0680	002004 006102 107107 121999	13

MISSING ITEM NUMBERS NOT APPLICABLE

- ITEM NOT ILLUSTRATED

**73-11-05-01A**

73-11-05  
FIG. 01A  
PAGE 5  
JAN 20/09

BRI

BOEING PROPRIETARY - Copyright © - Unpublished Work - See title page for details.



757

PARTS CATALOG (MAINTENANCE)

FIG ITEM	PART NUMBER	1 2 3 4 5 6 7	NOMENCLATURE	EFFECT FROM TO	UNITS PER ASSY
1 A					
65	6830038M4		..NOZZLE ASSY-IGNITER FUEL SUPPLIER CODE: V2Y939 OPTIONAL PART: 6830053M4 V2Y939 POST SERVICE BULLETIN: 73-9671PTA VK0680 PRE SERVICE BULLETIN: 73-9671 VK0680	002004 006102 107107 121999	2
65	6830053M4		..NOZZLE ASSY-IGNITER FUEL SUPPLIER CODE: V2Y939 OPTIONAL PART: 6830038M4 V2Y939 POST SERVICE BULLETIN: 73-9671PTA VK0680	002004 006102 107107 121999	2
75	U781161		..INSERT-HELICAL COIL SUPPLIER CODE: VK0680 POST SERVICE BULLETIN: 73-8777PTA VK0680	002004 006102 107107 121999	1
80	U5310-02875PFA		..SEAL-METAL RING SUPPLIER CODE: V05939 OPTIONAL PART: 3506755 VB1255 PRE SERVICE BULLETIN: 72-C230 VK0680	002004 006102 107107 121999	15
80	3506755		..SEAL-METAL RING SUPPLIER CODE: VB1255 OPTIONAL PART: U5310-02875PFA V05939 PRE SERVICE BULLETIN: 72-C230 VK0680	002004 006102 107107 121999	15
85	BLT5266		..BOLT- SUPPLIER CODE: VK0680	002004 006102 107107 121999	9

MISSING ITEM NUMBERS NOT APPLICABLE

- ITEM NOT ILLUSTRATED

73-11-05-01A

73-11-05  
FIG. 01A  
PAGE 6  
JAN 20/09

BRI

BOEING PROPRIETARY - Copyright © - Unpublished Work - See title page for details.



757

PARTS CATALOG (MAINTENANCE)

FIG ITEM	PART NUMBER	1 2 3 4 5 6 7	NOMENCLATURE	EFFECT FROM TO	UNITS PER ASSY
1A					
90	UL11114	..	NUT ASSY- SUPPLIER CODE: VK0680 PRE SERVICE BULLETIN: 72-C230 VK0680	002004 006102 107107 121999	1
95	UL11025	..	CARRIER ASSY-SEAL RING SUPPLIER CODE: VK0680 PRE SERVICE BULLETIN: 72-8678 VK0680	002004 006100 102102 107107 121949 952999	3
95	UL27079	..	CARRIER ASSY-SEAL RING SUPPLIER CODE: VK0680 POST SERVICE BULLETIN: 72-8678 VK0680	002004 006102 107107 121999	3
97	UP10208	...	TUBE-TRANSFER P-4 AIR SUPPLIER CODE: VK0680	002004 006102 107107 121999	1
100	6830039M4	..	NOZZLE ASSY-P-4 AIR SUPPLIER CODE: V2Y939 OPTIONAL PART: 6830054M4 V2Y939 POST SERVICE BULLETIN: 73-9671PTA VK0680 PRE SERVICE BULLETIN: 73-9671 VK0680	002004 006102 107107 121999	3
100	6830054M4	..	NOZZLE ASSY-P-4 AIR SUPPLIER CODE: V09523 OPTIONAL PART: 6830039M4 V2Y939 POST SERVICE BULLETIN: 73-9671PTA VK0680	002004 006102 107107 121999	3
105	UP10200	..	RING-METAL SEAL SUPPLIER CODE: VK0680 PRE SERVICE BULLETIN: 72-C230 VK0680	002004 006102 107107 121999	30

MISSING ITEM NUMBERS NOT APPLICABLE

- ITEM NOT ILLUSTRATED

73-11-05-01A

73-11-05  
FIG. 01A  
PAGE 7  
JAN 20/09

BRI

BOEING PROPRIETARY - Copyright © - Unpublished Work - See title page for details.



757

PARTS CATALOG (MAINTENANCE)

FIG ITEM	PART NUMBER	1 2 3 4 5 6 7	NOMENCLATURE	EFFECT FROM TO	UNITS PER ASSY
1A 115	AS43013-110		.RING-SEALING TOROIDAL POST SERVICE BULLETIN: 72-C230PT01 VK0680	103106 108120	24
120	FK19942		.WEIGHT ASSY-FUEL DISTRIBUTOR SUPPLIER CODE: VK0680 POST SERVICE BULLETIN: 72-C230PT01 VK0680	103106 108120	24
125	FK11870		..NUT-ADJUSTING FUEL DISTRIBUTOR SUPPLIER CODE: VK0680 POST SERVICE BULLETIN: 72-C230PT01 VK0680	103106 108120	1
130	FK11869		..GUIDE-SPRING FUEL DISTRIBUTOR SUPPLIER CODE: VK0680 POST SERVICE BULLETIN: 72-C230PT01 VK0680	103106 108120	1
135	FK11867		..SPRING-HELICAL COMPRESSION FUEL DISTRIBUTOR SUPPLIER CODE: VK0680 POST SERVICE BULLETIN: 72-C230PT01 VK0680	103106 108120	1
140	FK19318		..WEIGHT-FUEL DISTRIBUTOR SUPPLIER CODE: VK0680 POST SERVICE BULLETIN: 72-C230PT01 VK0680	103106 108120	1
145	FK11871		..CLIP-SPRING TENSION SPRING GUIDE SUPPLIER CODE: VK0680 POST SERVICE BULLETIN: 72-C230PT01 VK0680	103106 108120	1

MISSING ITEM NUMBERS NOT APPLICABLE

- ITEM NOT ILLUSTRATED

**73-11-05-01A**

73-11-05  
FIG. 01A  
PAGE 8  
JAN 20/09

BRI

BOEING PROPRIETARY - Copyright © - Unpublished Work - See title page for details.



757

PARTS CATALOG (MAINTENANCE)

FIG ITEM	PART NUMBER	1 2 3 4 5 6 7	NOMENCLATURE	EFFECT FROM TO	UNITS PER ASSY
1A 150	FK19700		..BODY-WEIGHT DISTRIBUTOR SUPPLIER CODE: VK0680 POST SERVICE BULLETIN: 72-C230PT01 VK0680	103106 108120	1
155	AS48518		.BOLT- POST SERVICE BULLETIN: 72-C230PT01 VK0680	103106 108120	96
160	S2357		.SEAL-FACE FUEL NOZZLE TO COMB. CASE SUPPLIER CODE: VON220 POST SERVICE BULLETIN: 72-C230PT01 VK0680	103106 108120	24
165	75669		.NOZZLE ASSY-FUEL SPRAY SUPPLIER CODE: V71895 POSITION DATA: LH POST SERVICE BULLETIN: 72-C230PT01 VK0680	103106 108120	12
170	75668		.NOZZLE ASSY-FUEL SPRAY SUPPLIER CODE: V71895 POSITION DATA: RH POST SERVICE BULLETIN: 72-C230PT01 VK0680	103106 108120	12
175	FK12981		.RING-SEAL METAL SUPPLIER CODE: VK0680 POST SERVICE BULLETIN: 72-C230PT01 VK0680	103106 108120	48
180	FK20192		.CARRIER-SEAL RING SUPPLIER CODE: VK0680 POST SERVICE BULLETIN: 72-C230PT01 VK0680	103106 108120	24

MISSING ITEM NUMBERS NOT APPLICABLE

- ITEM NOT ILLUSTRATED

**73-11-05-01A**

73-11-05  
FIG. 01A  
PAGE 9  
JAN 20/09

BRI

BOEING PROPRIETARY - Copyright © - Unpublished Work - See title page for details.



757

PARTS CATALOG (MAINTENANCE)

FIG ITEM	PART NUMBER	1 2 3 4 5 6 7	NOMENCLATURE	EFFECT FROM TO	UNITS PER ASSY
1 A 900			ILLUSTRATION REFERENCE: TUBES AND FITTINGS-P6 TO CAB. AIR CONT VALVE (RB211-535) 36-11-08-01	002004 006999	RF
905			ILLUSTRATION REFERENCE: TUBES-FUEL SYSTEMS AIR (RB211-535) 73-21-13-02	002004 006102 107107 121999	RF

MISSING ITEM NUMBERS NOT APPLICABLE

- ITEM NOT ILLUSTRATED

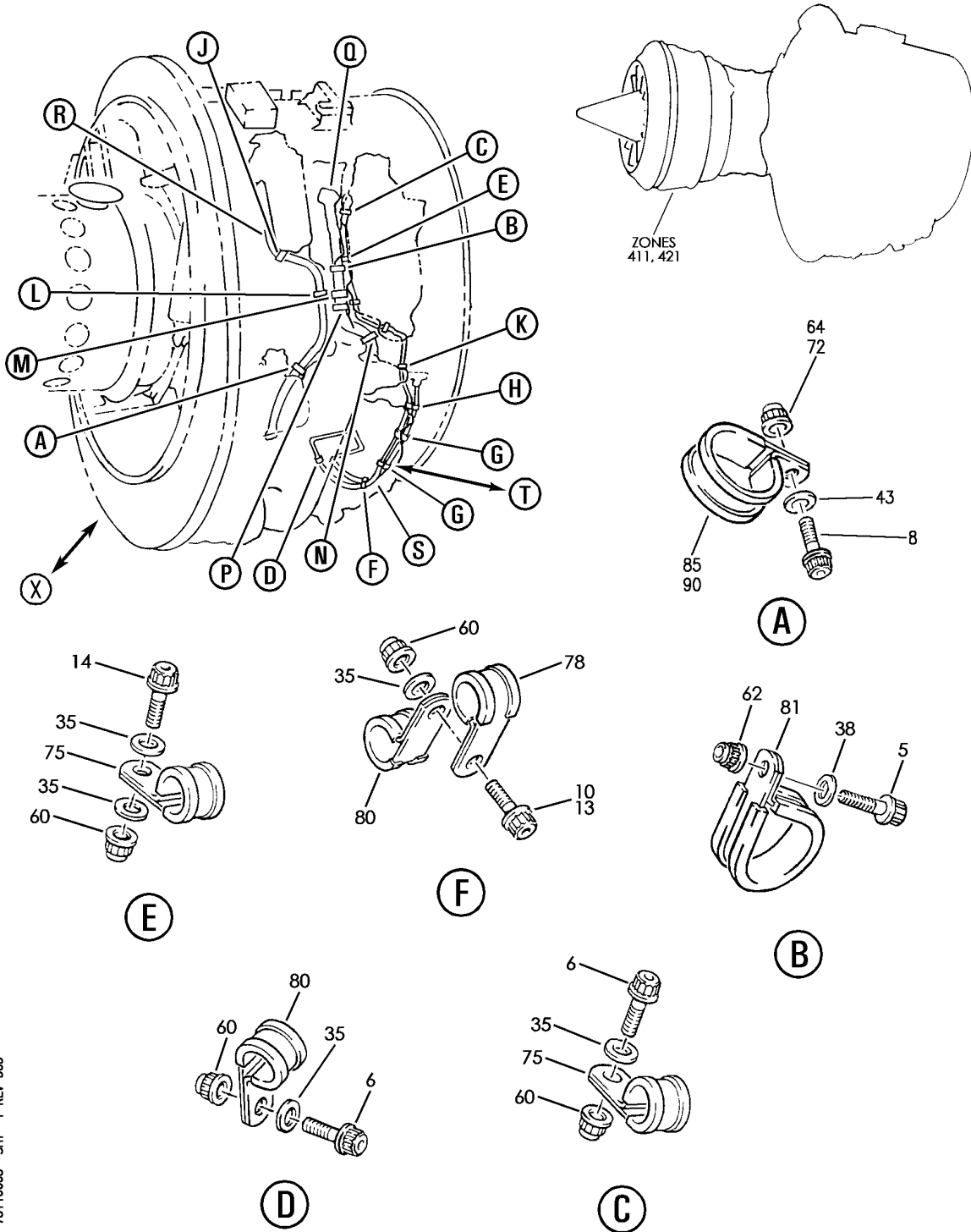
BRI

**73-11-05-01A**

BOEING PROPRIETARY - Copyright © - Unpublished Work - See title page for details.

73-11-05  
FIG. 01A  
PAGE 10  
JAN 20/09

**BOEING**  
757  
PARTS CATALOG (MAINTENANCE)



Y 73110605 SHT 1 REV 303

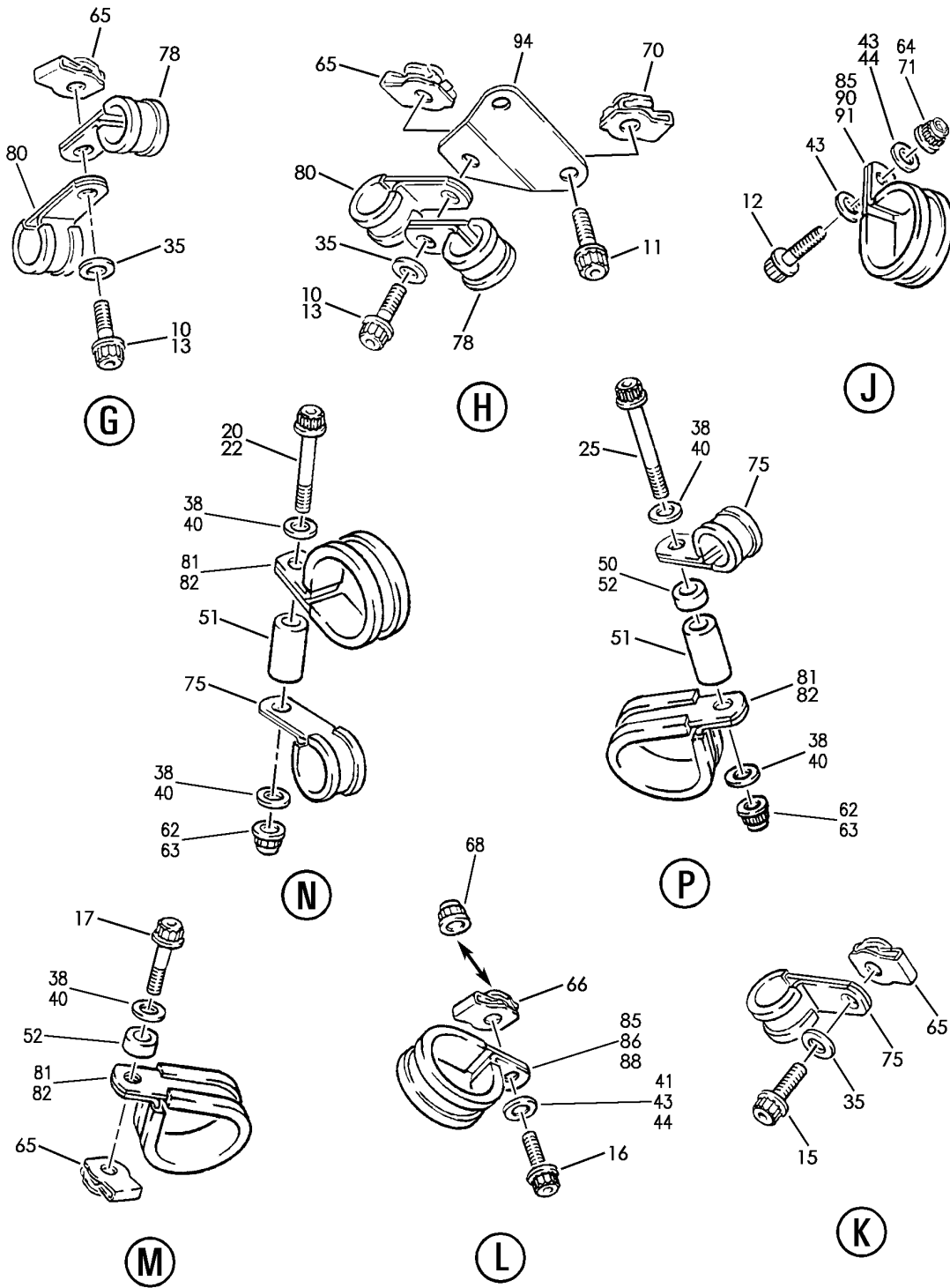
TUBES AND FITTINGS-FUEL SYS (RB211-535)  
FIGURE 5 (SHEET 1)

**73-11-06-05**

BRI  
MAY 28/07

73-11-06-05  
PAGE 0

**BOEING**  
757  
PARTS CATALOG (MAINTENANCE)



Y 73110605 SHT 2 REV 303

TUBES AND FITTINGS-FUEL SYS (RB211-535)  
FIGURE 5 (SHEET 2)

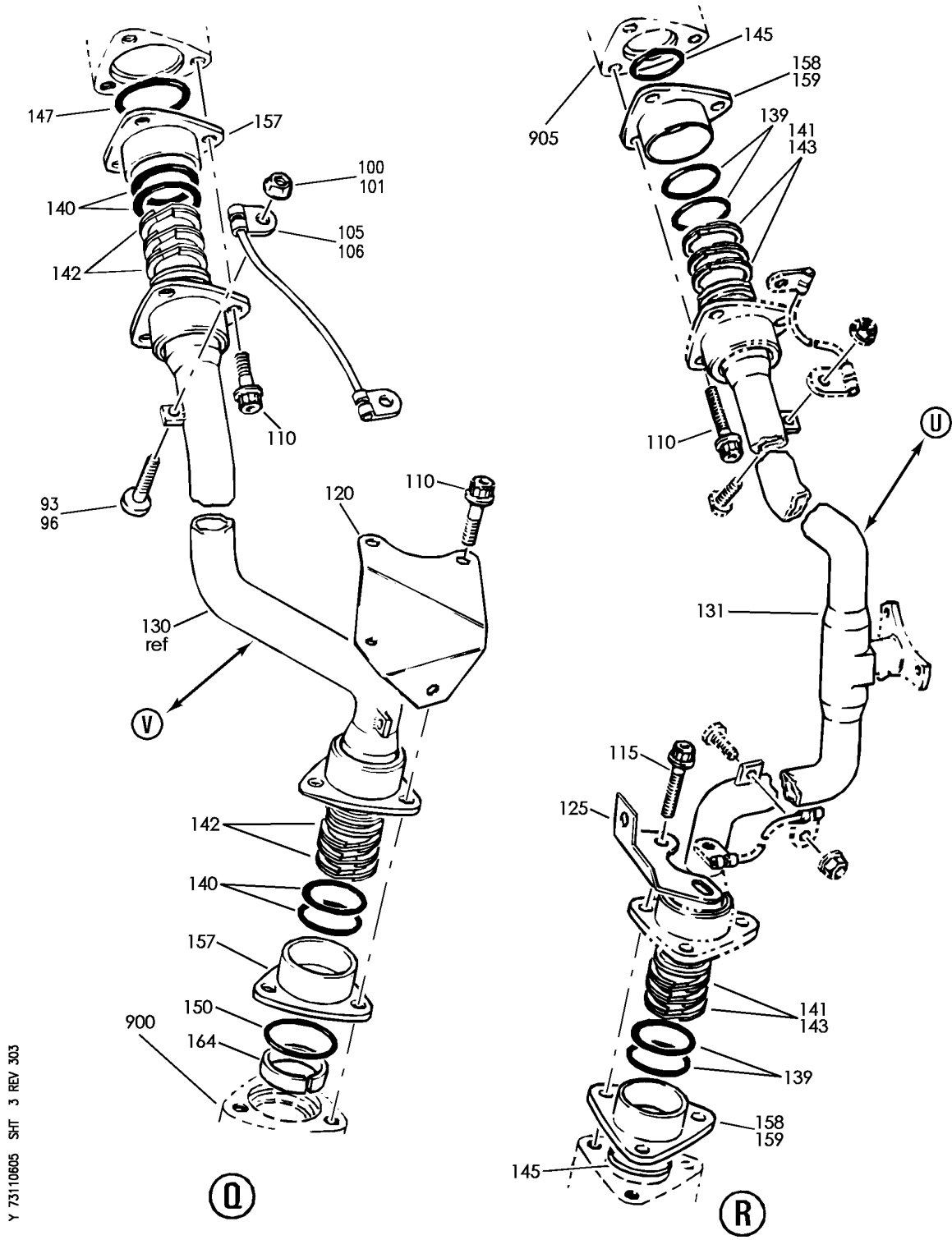
**73-11-06-05**

BRI  
MAY 28/07

73-11-06-05  
PAGE 0A



**BOEING**  
757  
PARTS CATALOG (MAINTENANCE)



Y 73110605 SHT 3 REV 303

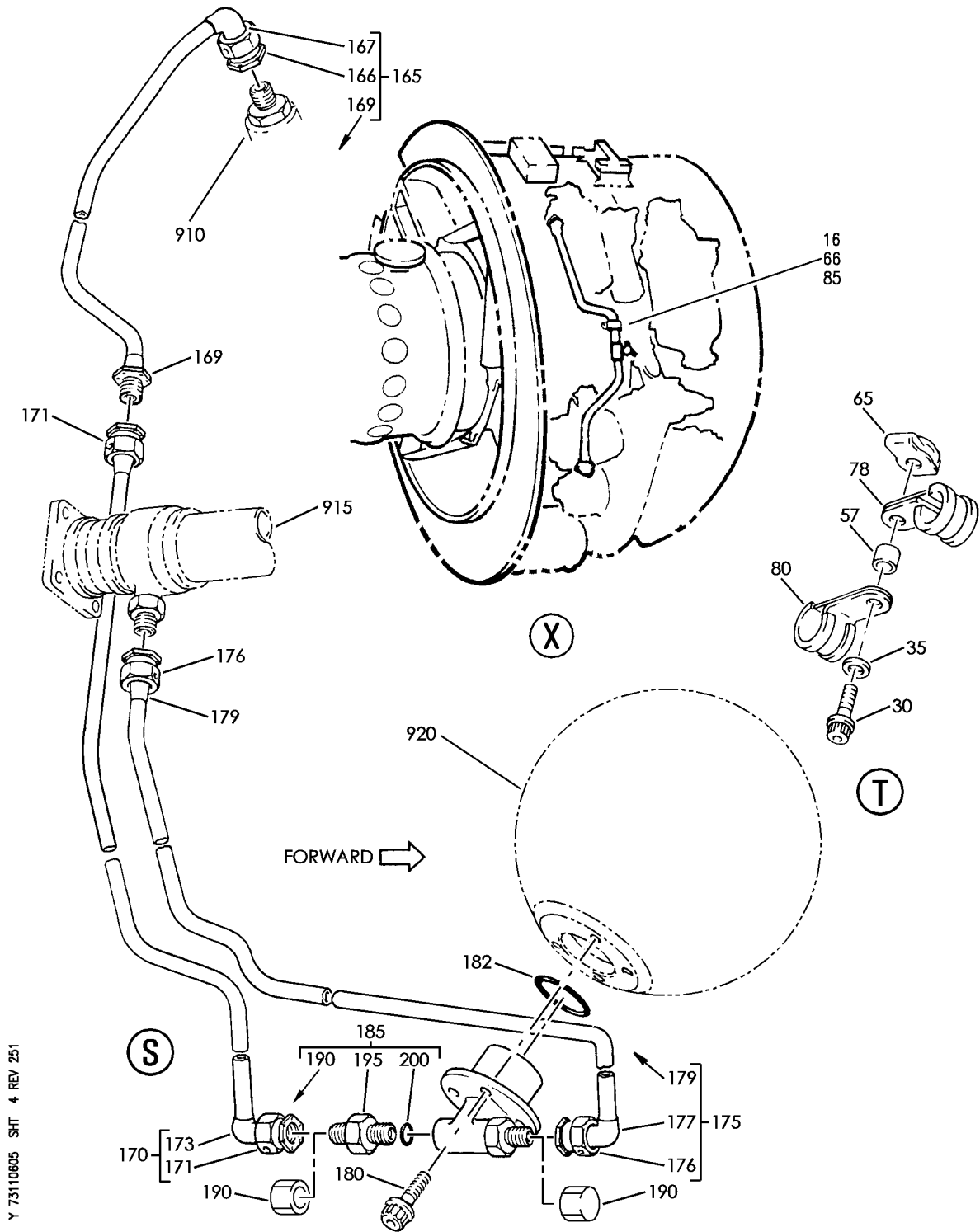
TUBES AND FITTINGS-FUEL SYS (RB211-535)  
FIGURE 5 (SHEET 3)

**73-11-06-05**

BRI  
MAY 28/07

73-11-06-05  
PAGE 0B


**BOEING**  
 757  
**PARTS CATALOG (MAINTENANCE)**



Y 73110605 SHIT 4 REV 251

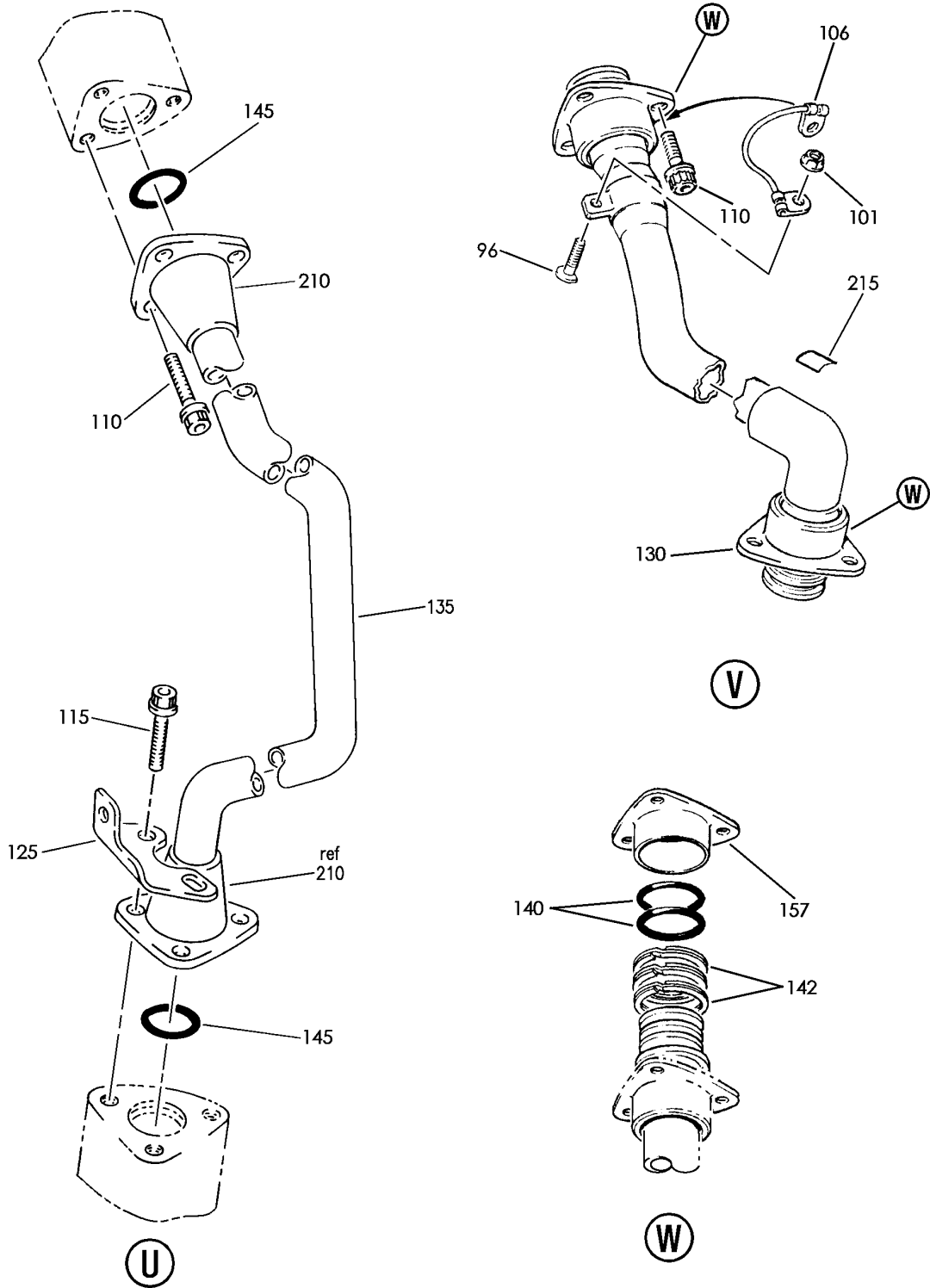
TUBES AND FITTINGS-FUEL SYS (RB211-535)  
 FIGURE 5 (SHEET 4)

**73-11-06-05**

BRI  
 MAY 28/07

73-11-06-05  
 PAGE 0C

**BOEING**  
757  
PARTS CATALOG (MAINTENANCE)



Y 73110605 SHT 5 REV 303

TUBES AND FITTINGS-FUEL SYS (RB211-535)  
FIGURE 5 (SHEET 5)

**73-11-06-05**

BRI  
MAY 28/07

73-11-06-05  
PAGE 0D



757

PARTS CATALOG (MAINTENANCE)

FIG ITEM	PART NUMBER	1 2 3 4 5 6 7	NOMENCLATURE	EFFECT FROM TO	UNITS PER ASSY
5			TUBES AND FITTINGS-FUEL SYS (RB211-535)	002004	
- 1	UL19722		ENGINE ASSY-Q.E.C.U. RB211-535E43711 MAXIMUM NEUT SUPPLIER CODE: VK0680 FOR NHA/OTHER SYS DET SEE: 71-00-02-04	006999 107107	RF
- 1	UL20697		ENGINE ASSY-Q.E.C.U. RB211-535E43711 MAXIMUM NEUT WITH GRAVINER FIRE DETECTORS, BAYONET MCD, NON-MODULATED IDG COOLING 40,000 LB THRUST SUPPLIER CODE: VK0680 REFERENCE SERVICE BULLETIN: 71-0058R4 QUALIFIED SB I/W DATA: INTERMIX OF ONE OR SUBSTITUTION OF TWO DIFFERENT CONFIGURATION RB211-535E4-37/() ENGINES FOR RB211-535 E4 BASE ENGINES REFERENCE SERVICE BULLETIN: RB211-72-C547 VK0680 FOR NHA/OTHER SYS DET SEE: 71-00-02-04	121503 904949 952999	RF

MISSING ITEM NUMBERS NOT APPLICABLE

- ITEM NOT ILLUSTRATED

BRI

73-11-06-05

BOEING PROPRIETARY - Copyright © - Unpublished Work - See title page for details.

73-11-06  
FIG. 05  
PAGE 1  
JAN 20/09



757

PARTS CATALOG (MAINTENANCE)

FIG ITEM	PART NUMBER	1 2 3 4 5 6 7	NOMENCLATURE	EFFECT FROM TO	UNITS PER ASSY
5 - 1	UL20698		ENGINE ASSY-Q.E.C.U. RB211-535E43712 MAXIMUM NEUT SUPPLIER CODE: VK0680 REFERENCE SERVICE BULLETIN: 71-0058R7 QUALIFIED SB I/W DATA: INTERMIX OF ONE OR SUBSTITUTION OF TWO DIFFERENT CONFIGURATION RB211-535E4-37/() ENGINE FOR RB211-535E4 BASE ENGINES OR DIFFERENT CONFIGURATION RB211-535E4-B-37/() ENGINES FOR RB211-535E4-B BASE ENGINES REFERENCE SERVICE BULLETIN: RB211-72C547 VK0680 RB211-72-8910 VK0680 POST RAPID REVISION: RR92014-183E FOR NHA/OTHER SYS DET SEE: 71-00-02-04	002004 006100 102102	RF
- 1	UL20702		ENGINE ASSY-Q.E.C.U. RB211-535E43711 BASIC ENGINE CONFIG. WITH GRAVINER FIRE DETECTORS,BAYONET MCD, NON-MODULATED IDG COOLING 40,100 LB THRUST SUPPLIER CODE: VK0680 FOR NHA/OTHER SYS DET SEE: 71-00-02-10	504903	RF
- 1	UL36209		ENGINE ASSY-Q.E.C.U. RB211-535E43719 MAXIMUM NEUT SUPPLIER CODE: VK0680 FOR NHA/OTHER SYS DET SEE: 71-00-02-04	950951	RF

MISSING ITEM NUMBERS NOT APPLICABLE

- ITEM NOT ILLUSTRATED

73-11-06-05

73-11-06  
FIG. 05  
PAGE 2  
JAN 20/09

BRI



757

PARTS CATALOG (MAINTENANCE)

FIG ITEM	PART NUMBER	1 2 3 4 5 6 7	NOMENCLATURE	EFFECT FROM TO	UNITS PER ASSY
5 -	3 BCREF17101		ENGINE ASSY-Q.E.C.U. RB211-535E43744 BASIC ENGINE CONFIGURATION, BAYONET MCD AND PHASE 5 COMBUSTOR 40,100 LB THRUST SUPPLIER CODE: VK0680 OVERLENGTH PART NUMBER: RB211-535E4-3744E FOR NHA/OTHER SYS DET SEE: 71-00-02-10	103106	RF
-	3 BCREF17395		ENGINE ASSY-Q.E.C.U. RB211-535E43739 BASIC ENGINE CONFIGURATION AND PHASE 5 COMBUSTOR 40,100 LB THRUST SUPPLIER CODE: VK0680 OVERLENGTH PART NUMBER: RB211-535E4-37-39E FOR NHA/OTHER SYS DET SEE: 71-00-02-10	108120	RF
-	3 UL38163		ENGINE ASSY-Q.E.C.U. RB211-535E43724 BASIC ENGINE CONFIGURATION, BAYONET MCD, 40,100 LB THRUST SUPPLIER CODE: VK0680 FOR NHA/OTHER SYS DET SEE: 71-00-02-10	101101	RF
-	4 UL19431		.TUBES AND FITTINGS-FUEL SYSTEM SUPPLIER CODE: VK0680 POST SERVICE BULLETIN: 73-7951PT01 VK0680	002004 006999	RF
	5 AS21408		..BOLT- PRE SERVICE BULLETIN: 73-7951 VK0680	107107 121949 952999	1
	10 AS21409		..BOLT- PRE SERVICE BULLETIN: 72-B160 VK0680	002004 006102 107999	4

MISSING ITEM NUMBERS NOT APPLICABLE

- ITEM NOT ILLUSTRATED

73-11-06-05

73-11-06  
FIG. 05  
PAGE 3  
JAN 20/09

BRI



757

PARTS CATALOG (MAINTENANCE)

FIG ITEM	PART NUMBER	1 2 3 4 5 6 7	NOMENCLATURE	EFFECT FROM TO	UNITS PER ASSY
5					
11	AS21509	..	BOLT	002004 006999	2
12	AS21409	..	BOLT- PRE SERVICE BULLETIN: 73-B048 VK0680	101101	1
13	AS21409	..	BOLT- POST SERVICE BULLETIN: 72-B160PT01 VK0680	002004 006999	3
14	AS21409	..	BOLT	002004 006107 121999	1
15	AS21407	..	BOLT	002004 006999	1
16	AS21407	..	BOLT- PRE SERVICE BULLETIN: 73-B048 VK0680	101101	1
16	AS21408	..	BOLT- POST SERVICE BULLETIN: 73-B048PT01 VK0680	002004 006999	1
17	AS21407	..	BOLT- PRE SERVICE BULLETIN: 73-7951 VK0680	107107 121949 952999	1
17	AS21412	..	BOLT- POST SERVICE BULLETIN: 73-7951PT01 VK0680	002004 006999	1
20	AS21424	..	BOLT- PRE SERVICE BULLETIN: 73-B076 VK0680	002004 006102 107999	1
22	AS21418	..	BOLT- POST SERVICE BULLETIN: 73-B076PT01 VK0680	002004 006999	1
25	AS21428	..	BOLT	002004 006999	1
30	AS21416	..	BOLT- POST SERVICE BULLETIN: 72-B160PT01 VK0680	002004 006999	1
35	K8831	..	WASHER- SUPPLIER CODE: VK0680	002004 006999	9

MISSING ITEM NUMBERS NOT APPLICABLE

- ITEM NOT ILLUSTRATED

73-11-06-05

73-11-06  
FIG. 05  
PAGE 4  
JAN 20/09

BRI



757

PARTS CATALOG (MAINTENANCE)

FIG ITEM	PART NUMBER	1 2 3 4 5 6 7	NOMENCLATURE	EFFECT FROM TO	UNITS PER ASSY
5 38	K8831		.. WASHER- SUPPLIER CODE: VK0680 PRE SERVICE BULLETIN: 73-7951 VK0680	107107 121949 952999	6
40	K8831		.. WASHER- SUPPLIER CODE: VK0680 POST SERVICE BULLETIN: 73-7951PT01 VK0680	002004 006999	5
41	K8831		.. WASHER- SUPPLIER CODE: VK0680 NOT APPROVED FOR ETOPS. POST SERVICE BULLETIN: 73-B048PT01 VK0680	002004 006999	1
43	K8831		.. WASHER- SUPPLIER CODE: VK0680 POST SERVICE BULLETIN: 73-7951PT01 VK0680 PRE SERVICE BULLETIN: 73-B048 VK0680	101101	4
50	UP10478		.. SPACER- SUPPLIER CODE: VK0680 PRE SERVICE BULLETIN: 73-7951 VK0680	107107 121949 952999	1
51	UP10482		.. SPACER- SUPPLIER CODE: VK0680 PRE SERVICE BULLETIN: 73-B076 VK0680	002004 006102 107999	2
52	UP10478		.. SPACER- SUPPLIER CODE: VK0680 POST SERVICE BULLETIN: 73-7951PT01 VK0680	002004 006999	2

MISSING ITEM NUMBERS NOT APPLICABLE

- ITEM NOT ILLUSTRATED

73-11-06-05

73-11-06  
FIG. 05  
PAGE 5  
JAN 20/09

BRI





757

PARTS CATALOG (MAINTENANCE)

FIG ITEM	PART NUMBER	1 2 3 4 5 6 7	NOMENCLATURE	EFFECT FROM TO	UNITS PER ASSY
5					
- 53	UP10482	..	SPACER- SUPPLIER CODE: VK0680 POST SERVICE BULLETIN: 73-B076PT01 VK0680	002004 006999	1
- 55	UP10480	..	SPACER- SUPPLIER CODE: VK0680 POST SERVICE BULLETIN: 73-B076PT01 VK0680	002004 006999	1
57	UL37312	..	SPACER- SUPPLIER CODE: VK0680 POST SERVICE BULLETIN: 72-B160PT01 VK0680 PRE SERVICE BULLETIN: 72-E573 VK0680	101101	1
60	AS20624	..	NUT-	002004 006999	4
62	AS20624	..	NUT- PRE SERVICE BULLETIN: 73-7951 VK0680	107107 121949 952999	3
63	AS20624	..	NUT- POST SERVICE BULLETIN: 73-7951 VK0680	002004 006999	2
64	AS20624	..	NUT-	101101	2
65	AS41104	..	NUT	002004 006999	5
66	AS41104	..	NUT- PRE SERVICE BULLETIN: 73-B048 VK0680	101101 103106	1
66	AS20624	..	NUT- POST SERVICE BULLETIN: 73-B048PT01 VK0680	002004 006999	1
70	AS41105	..	NUT- PRE SERVICE BULLETIN: 72-8183 VK0680	002004 006100 102102 107107 121949 952999	2

MISSING ITEM NUMBERS NOT APPLICABLE

- ITEM NOT ILLUSTRATED

73-11-06-05

73-11-06  
FIG. 05  
PAGE 6  
JAN 20/09

BRI



757

PARTS CATALOG (MAINTENANCE)

FIG ITEM	PART NUMBER	1 2 3 4 5 6 7	NOMENCLATURE	EFFECT FROM TO	UNITS PER ASSY
5	70 AS20625	..	NUT- POST SERVICE BULLETIN: 72-8183 VK0680	002004 006999	2
	75 400WSS5	..	CLIP- SUPPLIER CODE: V83930 PRE SERVICE BULLETIN: 73-8744 VK0680	002004 006100 102102 107107 121949 952999	5
	75 TA025028-5	..	CLIP- SUPPLIER CODE: V84971 POST SERVICE BULLETIN: 73-8744PT13 VK0680	002004 006999	5
	78 400WSS5	..	CLIP- SUPPLIER CODE: V83930 PRE SERVICE BULLETIN: 73-8744 VK0680	002004 006100 102102 107107 121949 952999	4
	78 TA025028-5	..	CLIP- SUPPLIER CODE: V84971 POST SERVICE BULLETIN: 73-8744 VK0680	002004 006999	4
	80 400WSS5	..	CLIP- SUPPLIER CODE: V83930 PRE SERVICE BULLETIN: 73-8744 VK0680	002004 006100 102102 107107 121949 952999	5
	80 TA025028-5	..	CLIP- SUPPLIER CODE: V84971 POST SERVICE BULLETIN: 73-8744PT14 VK0680	002004 006999	5
	81 400WSS16	..	CLIP- SUPPLIER CODE: V83930 PRE SERVICE BULLETIN: 73-7951 VK0680	107107 121949 952999	4

MISSING ITEM NUMBERS NOT APPLICABLE

- ITEM NOT ILLUSTRATED

73-11-06-05

73-11-06  
FIG. 05  
PAGE 7  
JAN 20/09

BRI

BOEING PROPRIETARY - Copyright © - Unpublished Work - See title page for details.



757

PARTS CATALOG (MAINTENANCE)

FIG ITEM	PART NUMBER	1 2 3 4 5 6 7	NOMENCLATURE	EFFECT FROM TO	UNITS PER ASSY
5	82 TA025028-16		..CLIP- SUPPLIER CODE: V84971 POST SERVICE BULLETIN: 73-8457PT01 VK0680 PRE SERVICE BULLETIN: 73-B076 VK0680	002004 006102 107999	3
	82 400WSS16		..CLIP- SUPPLIER CODE: V83930 POST SERVICE BULLETIN: 73-7951 VK0680 PRE SERVICE BULLETIN: 73-8457 VK0680	107107 121949 952999	3
-	84 TA025028-16		..CLIP- SUPPLIER CODE: V84971 NOT APPROVED FOR ETOPS. POST SERVICE BULLETIN: 73-B076 VK0680	002004 006999	2
	85 TA025028-16		..CLIP- SUPPLIER CODE: V84971 POST SERVICE BULLETIN: 73-8457 VK0680 PRE SERVICE BULLETIN: 73-B048 VK0680	101101 950951	3
	88 TA025028-16		..CLIP- SUPPLIER CODE: V84971 NOT APPROVED FOR ETOPS. POST SERVICE BULLETIN: 73-B048PT01 VK0680	002004 006999	1

MISSING ITEM NUMBERS NOT APPLICABLE

- ITEM NOT ILLUSTRATED

BRI

73-11-06-05

BOEING PROPRIETARY - Copyright © - Unpublished Work - See title page for details.

73-11-06  
FIG. 05  
PAGE 8  
JAN 20/09



757

PARTS CATALOG (MAINTENANCE)

FIG ITEM	PART NUMBER	1 2 3 4 5 6 7	NOMENCLATURE	EFFECT FROM TO	UNITS PER ASSY
5 - 89	TA025028-24	..	CLIP- SUPPLIER CODE: V84971 CONFIG CHG DATA FROM A CMM: FOR INTRCHG. SEE RR IPC OPTIONAL PART: TA025028-25 V84971 TA025028-26 V84971 POST SERVICE BULLETIN: 73-B076PT01 VK0680	002004 006999	1
- 89	TA025028-25	..	CLIP- SUPPLIER CODE: V84971 CONFIG CHG DATA FROM A CMM: FOR INTRCHG. SEE RR IPC OPTIONAL PART: TA025028-26 V84971 TA025028-24 V84971 POST SERVICE BULLETIN: 73-B076PT01 VK0680	002004 006999	1
- 89	TA025028-26	..	CLIP- SUPPLIER CODE: V84971 CONFIG CHG DATA FROM A CMM: FOR INTRCHG. SEE RR IPC OPTIONAL PART: TA025028-24 V84971 TA025028-25 V84971 POST SERVICE BULLETIN: 73-B076PT01 VK0680	002004 006999	1
93	KU305	..	BOLT- SUPPLIER CODE: VK0680 PRE SERVICE BULLETIN: 73-8178 VK0680	002004 006100 102102 107107 121949 952999	2
94	UP10400	..	BRACKET-ANGLE CLIPPING SUPPLIER CODE: VK0680	002004 006999	1

MISSING ITEM NUMBERS NOT APPLICABLE

- ITEM NOT ILLUSTRATED

73-11-06-05

73-11-06  
FIG. 05  
PAGE 9  
JAN 20/09

BRI



757

PARTS CATALOG (MAINTENANCE)

FIG ITEM	PART NUMBER	1 2 3 4 5 6 7	NOMENCLATURE	EFFECT FROM TO	UNITS PER ASSY
5					
96	AS21408		..BOLT- NOT APPROVED FOR ETOPS. POST SERVICE BULLETIN: 73-8178PT01 VK0680 PRE SERVICE BULLETIN: 73-B076 VK0680	002004 006102 107999	1
100	U122953		..NUT- SUPPLIER CODE: VK0680 PRE SERVICE BULLETIN: 73-8178 VK0680	002004 006100 102102 107107 121949 952999	2
101	AS20624		..NUT- NOT APPROVED FOR ETOPS. POST SERVICE BULLETIN: 73-8178PT01 VK0680 PRE SERVICE BULLETIN: 73-B076 VK0680	002004 006102 107999	1
105	K12522A		..LEAD ASSY-BONDING SUPPLIER CODE: VK0680 PRE SERVICE BULLETIN: 73-8178 VK0680	002004 006100 102102 107107 121949 952999	2
106	K12522A		..LEAD ASSY-BONDING SUPPLIER CODE: VK0680 NOT APPROVED FOR ETOPS. POST SERVICE BULLETIN: 73-8178PT01 VK0680 PRE SERVICE BULLETIN: 73-B076 VK0680	002004 006102 107999	1
110	AS21517		..BOLT	002004 006999	9
115	AS21516		..BOLT- PRE SERVICE BULLETIN: 72-7948 VK0680	002004 006100 102102 107107 121949 952999	3

MISSING ITEM NUMBERS NOT APPLICABLE

- ITEM NOT ILLUSTRATED

BRI

73-11-06-05

BOEING PROPRIETARY - Copyright © - Unpublished Work - See title page for details.

73-11-06  
FIG. 05  
PAGE 10  
JAN 20/09



757

PARTS CATALOG (MAINTENANCE)

FIG ITEM	PART NUMBER	1 2 3 4 5 6 7	NOMENCLATURE	EFFECT FROM TO	UNITS PER ASSY
5 115	AS21515	..	BOLT- POST SERVICE BULLETIN: 72-7948PTE VK0680 PRE SERVICE BULLETIN: 73-B759 VK0680	002004 006102 107999	3
115	AS21517	..	BOLT- POST SERVICE BULLETIN: 73-B759PTA VK0680	002004 006999	3
120	UL18508	..	BRACKET-SPRT SUPPLIER CODE: VK0680	002004 006999	1
125	LK82511	..	BRACKET-ANGLE CLIPPING HARNESS SUPPLIER CODE: VK0680	002004 006999	1
130	UL14970	..	TUBE ASSY-LOW PRESSURE FUEL-PUMP FCOC SUPPLIER CODE: VK0680 PRE SERVICE BULLETIN: 73-8178 VK0680	002004 006100 102102 107107 121949 952999	1
130	UL16694	..	TUBE ASSY-LOW PRESSURE FUEL-PUMP FCOC SUPPLIER CODE: VK0680 CONFIG CHG DATA FROM A CMM: FOR INTRCHG SEE RR IPC POST SERVICE BULLETIN: 73-8178PT01 VK0680 PRE SERVICE BULLETIN: 73-B076 VK0680	002004 006102 107999	1
130	UL16693	..	TUBE ASSY-LOW PRESSURE FUEL-PUMP FCOC SUPPLIER CODE: VK0680 CONFIG CHG DATA FROM A CMM: FOR INTRCHG SEE RR IPC POST SERVICE BULLETIN: 73-8178PT02 VK0680 PRE SERVICE BULLETIN: 73-B076 VK0680	002004 006102 107999	1

MISSING ITEM NUMBERS NOT APPLICABLE

- ITEM NOT ILLUSTRATED

BRI

73-11-06-05

73-11-06  
FIG. 05  
PAGE 11  
JAN 20/09



757

PARTS CATALOG (MAINTENANCE)

FIG ITEM	PART NUMBER	1 2 3 4 5 6 7	NOMENCLATURE	EFFECT FROM TO	UNITS PER ASSY
5 130	AE709623-2		..TUBE ASSY-LOW PRESSURE FUEL-PUMP FCOC SUPPLIER CODE: VU2569 CONFIG CHG DATA FROM A CMM: FOR INTRCHG. SEE RR IPC OPTIONAL PART: 163521539 VU1603 POST SERVICE BULLETIN: 73-B076PT01 VK0680	002004 006999	1
130	163521539		..TUBE ASSY-LOW PRESSURE FUEL-PUMP FCOC SUPPLIER CODE: VU1603 CONFIG CHG DATA FROM A CMM: FOR INTRCHG. SEE RR IPC OPTIONAL PART: AE709623-2 VU2569 POST SERVICE BULLETIN: 73-B076PT01 VK0680	002004 006999	1
131	163521538		..TUBE ASSY-LOW PRESSURE SUPPLIER CODE: VU1603 POST SERVICE BULLETIN: 73-C297PT01 VK0680 PRE SERVICE BULLETIN: 79-C947 VK0680	002004 006999	1
135	163521545		..TUBE ASSY-LOW PRESSURE SUPPLIER CODE: VU1603 POST SERVICE BULLETIN: 79-C947PT01 VK0680	002004 006100 102999	1
139	KB27127		..RING-SEALING TOROIDAL SUPPLIER CODE: VK0680 PRE SERVICE BULLETIN: 73-B048 VK0680	101101 950951	4

MISSING ITEM NUMBERS NOT APPLICABLE

- ITEM NOT ILLUSTRATED

73-11-06-05

73-11-06  
FIG. 05  
PAGE 12  
JAN 20/09

BRI

BOEING PROPRIETARY - Copyright © - Unpublished Work - See title page for details.



757

PARTS CATALOG (MAINTENANCE)

FIG ITEM	PART NUMBER	1 2 3 4 5 6 7	NOMENCLATURE	EFFECT FROM TO	UNITS PER ASSY
5 140	KB27127		..RING-SEALING TOROIDAL SUPPLIER CODE: VK0680 PRE SERVICE BULLETIN: 73-B076 VK0680	002004 006102 107999	4
141	RR181S		..RING-RETAINING SUPPLIER CODE: V80756 POST SERVICE BULLETIN: 73-9181PT01 VK0680 PRE SERVICE BULLETIN: 73-9761 VK0680	101101 950951	6
142	RR181S		..RING-RETAINING SUPPLIER CODE: V80756 NOT APPROVED FOR ETOPS. POST SERVICE BULLETIN: 73-9181PT01 VK0680 PRE SERVICE BULLETIN: 73-B076 VK0680	002004 006102 107999	6
143	RR181S		..RING-RETAINING SUPPLIER CODE: V80756 POST SERVICE BULLETIN: 73-9761PT01 VK0680 PRE SERVICE BULLETIN: 73-B048 VK0680	101102 950951	6
145	KB27133		..RING-SEALING TOROIDAL SUPPLIER CODE: VK0680	002004 006999	2
147	KB27133		..RING-SEALING TOROIDAL SUPPLIER CODE: VK0680	002004 006999	1
150	KB27130		..RING-SEALING TOROIDAL SUPPLIER CODE: VK0680	002004 006999	1

MISSING ITEM NUMBERS NOT APPLICABLE

- ITEM NOT ILLUSTRATED

BRI

73-11-06-05

BOEING PROPRIETARY - Copyright © - Unpublished Work - See title page for details.

73-11-06  
FIG. 05  
PAGE 13  
JAN 20/09





757

PARTS CATALOG (MAINTENANCE)

FIG ITEM	PART NUMBER	1 2 3 4 5 6 7	NOMENCLATURE	EFFECT FROM TO	UNITS PER ASSY
5 157	K16736		..CONNECTOR-FLUID LINE SUPPLIER CODE: VK0680 POST SERVICE BULLETIN: 73-9181PT01 VK0680 PRE SERVICE BULLETIN: 73-B076 VK0680	002004 006102 108120 950951	2
157	UP11044		..CONNECTOR-FLUID LINE SUPPLIER CODE: VK0680 NOT APPROVED FOR ETOPS. POST SERVICE BULLETIN: 73-8382 VK0680 PRE SERVICE BULLETIN: 73-9181 VK0680	002004 006100 102102	2
157	K16736		..CONNECTOR-FLUID LINE SUPPLIER CODE: VK0680 CONFIG CHG DATA FROM A CMM: FOR INTCHG. SEE RR IPC POST SERVICE BULLETIN: 73-9181 VK0680 PRE SERVICE BULLETIN: 73-B076 VK0680 73-8382 VK0680	107107 121949 952999	2
157	UP11044		..CONNECTOR-FLUID LINE SUPPLIER CODE: VK0680 NOT APPROVED FOR ETOPS. CONFIG CHG DATA FROM A CMM: FOR INTRCHG, SEE RR IPC POST SERVICE BULLETIN: 73-8382 VK0680 PRE SERVICE BULLETIN: 73-9181 VK0680	107107 121949 952999	2

MISSING ITEM NUMBERS NOT APPLICABLE

- ITEM NOT ILLUSTRATED

BRI

73-11-06-05

BOEING PROPRIETARY - Copyright © - Unpublished Work - See title page for details.

73-11-06  
FIG. 05  
PAGE 14  
JAN 20/09



757

PARTS CATALOG (MAINTENANCE)

FIG ITEM	PART NUMBER	1 2 3 4 5 6 7	NOMENCLATURE	EFFECT FROM TO	UNITS PER ASSY
5 158	K16736		..CONNECTOR-FLUID LINE SUPPLIER CODE: VK0680 POST SERVICE BULLETIN: 73-8382 VK0680 PRE SERVICE BULLETIN: 73-B048 VK0680	101101 950951	2
164	2708442		..HOUSING-O RING RET SUPPLIER CODE: VK0680	002004 006999	1
165	UL11341		..TUBE ASSY-FUEL DRAINS TANK FCOC DISC. SUPPLIER CODE: VK0680	002004 006999	1
170	UL11208		..TUBE ASSY-LOW PRESSURE FUEL DRAINS TANK DISC. EJECTOR SUPPLIER CODE: VK0680	002004 006999	1
175	UL11209		..TUBE ASSY-LOW PRESSURE FUEL DRAINS TANK PUMP SUPPLIER CODE: VK0680	002004 006999	1
180	AS21509		..BOLT	002004 006999	4
182	KB27131		..SEAL-RING FLOAT VALVE EJECTOR SUPPLIER CODE: VK0680	002004 006999	1
185	P39-401REVF		..VALVE ASSY-DRAINS TANK FUEL SUPPLIER CODE: V91816 SERVICE BULLETIN OPT DATA: P39-401F V91816	002004 006999	1
185	P39-401F		..VALVE ASSY- SUPPLIER CODE: V91816 SERVICE BULLETIN OPT DATA: P39-401REVF V91816	002004 006999	1

MISSING ITEM NUMBERS NOT APPLICABLE

- ITEM NOT ILLUSTRATED

BRI

73-11-06-05

BOEING PROPRIETARY - Copyright © - Unpublished Work - See title page for details.

73-11-06  
FIG. 05  
PAGE 15  
JAN 20/09



757

PARTS CATALOG (MAINTENANCE)

FIG ITEM	PART NUMBER	1 2 3 4 5 6 7	NOMENCLATURE	EFFECT FROM TO	UNITS PER ASSY
5 190	PD80		...COVER-TRANSPORTATION SUPPLIER CODE: V99017 POST SERVICE BULLETIN: 73-6923PTA VK0680	002004 006999	2
195	18241		...FILTER ASSY- SUPPLIER CODE: V91816	002004 006999	1
200	4907-52		...RING-SEALING SEAL SUPPLIER CODE: V91816	002004 006999	1
215	UL17697		..PATCH-FIRESEAL SUPPLIER CODE: VK0680	101101	1
900			ILLUSTRATION REFERENCE: TANK-ENG DRAINS COLLECTOR (RB211-535) 71-71-01-01	002004 006999	RF
905			ILLUSTRATION REFERENCE: FUEL PUMP AND SHUT OFF VALVE (RB211-535) 73-11-01-01	002004 006999	RF
910			ILLUSTRATION REFERENCE: PUMP-HIGH PRESSURE FUEL (RB211-535) 73-11-03-01	002004 006999	RF
915			ILLUSTRATION REFERENCE: TUBES AND FITTINGS-FUEL SYS (RB211-535) 73-11-07-01	002004 006999	RF
920			ILLUSTRATION REFERENCE: HOUSING-LOW PRESSURE FUEL FILTER AND FUEL COOLED OIL COOLER (RB211-535) 79-21-01-01	002004 006999	RF

MISSING ITEM NUMBERS NOT APPLICABLE

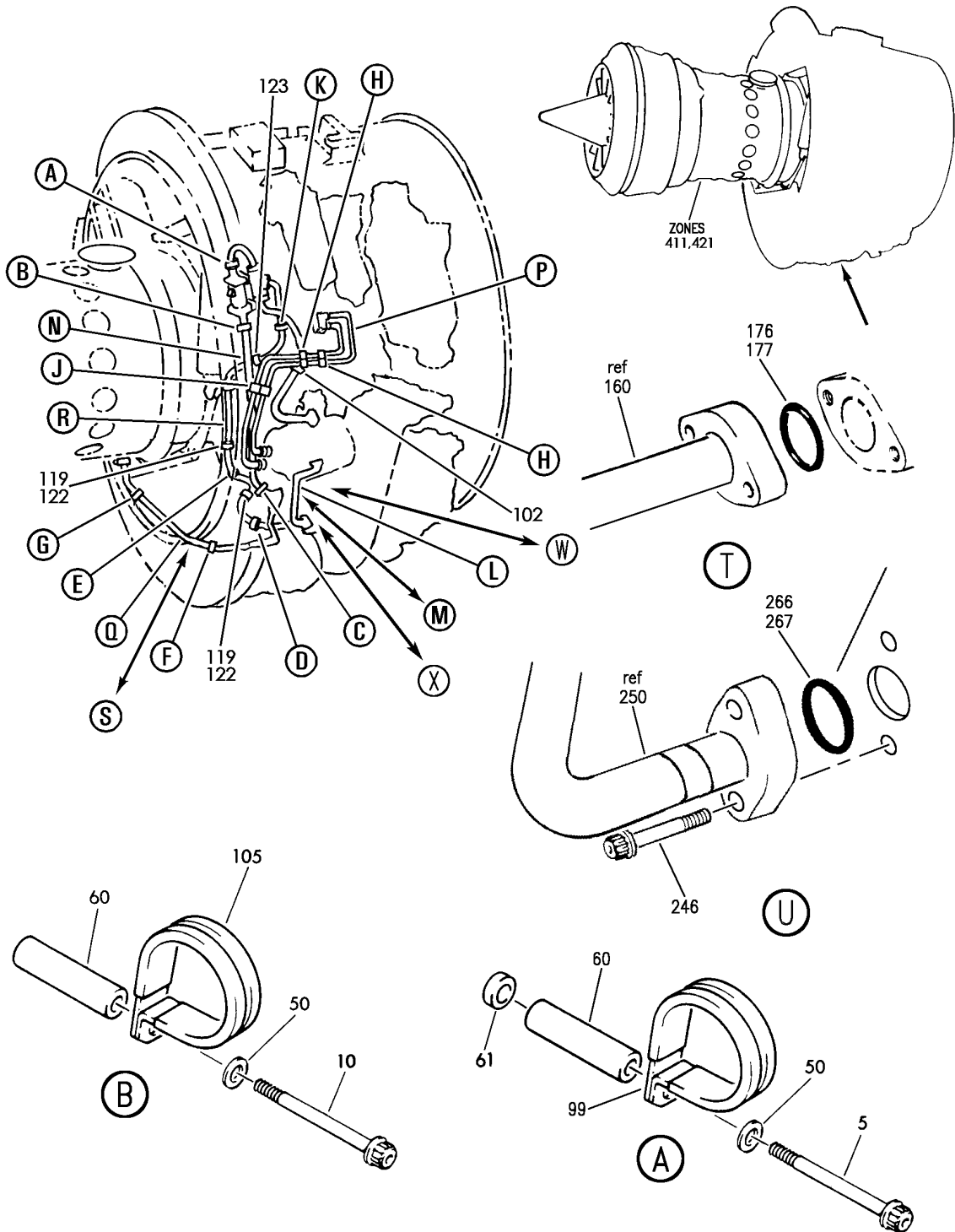
- ITEM NOT ILLUSTRATED

73-11-06-05

73-11-06  
FIG. 05  
PAGE 16  
JAN 20/09

BRI

**BOEING**  
757  
PARTS CATALOG (MAINTENANCE)



Y 73110606 SH1 1 REV 303

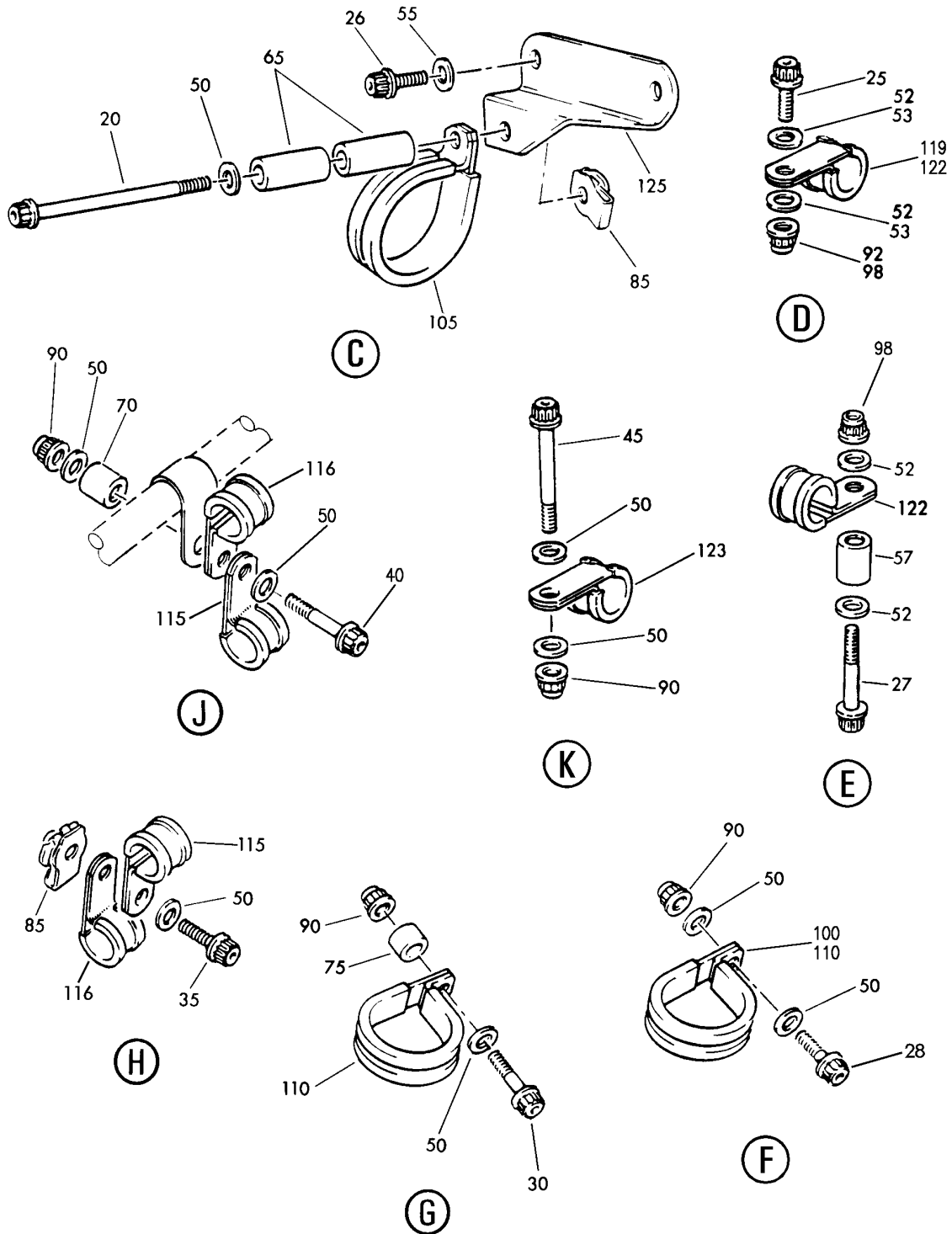
TUBES AND FITTINGS-FUEL SYSTEM (RB211-535)  
FIGURE 6 (SHEET 1)

**73-11-06-06**

BRI  
MAY 28/07

73-11-06-06  
PAGE 0

**BOEING**  
757  
PARTS CATALOG (MAINTENANCE)



Y 73110606 SHT 2 REV 303

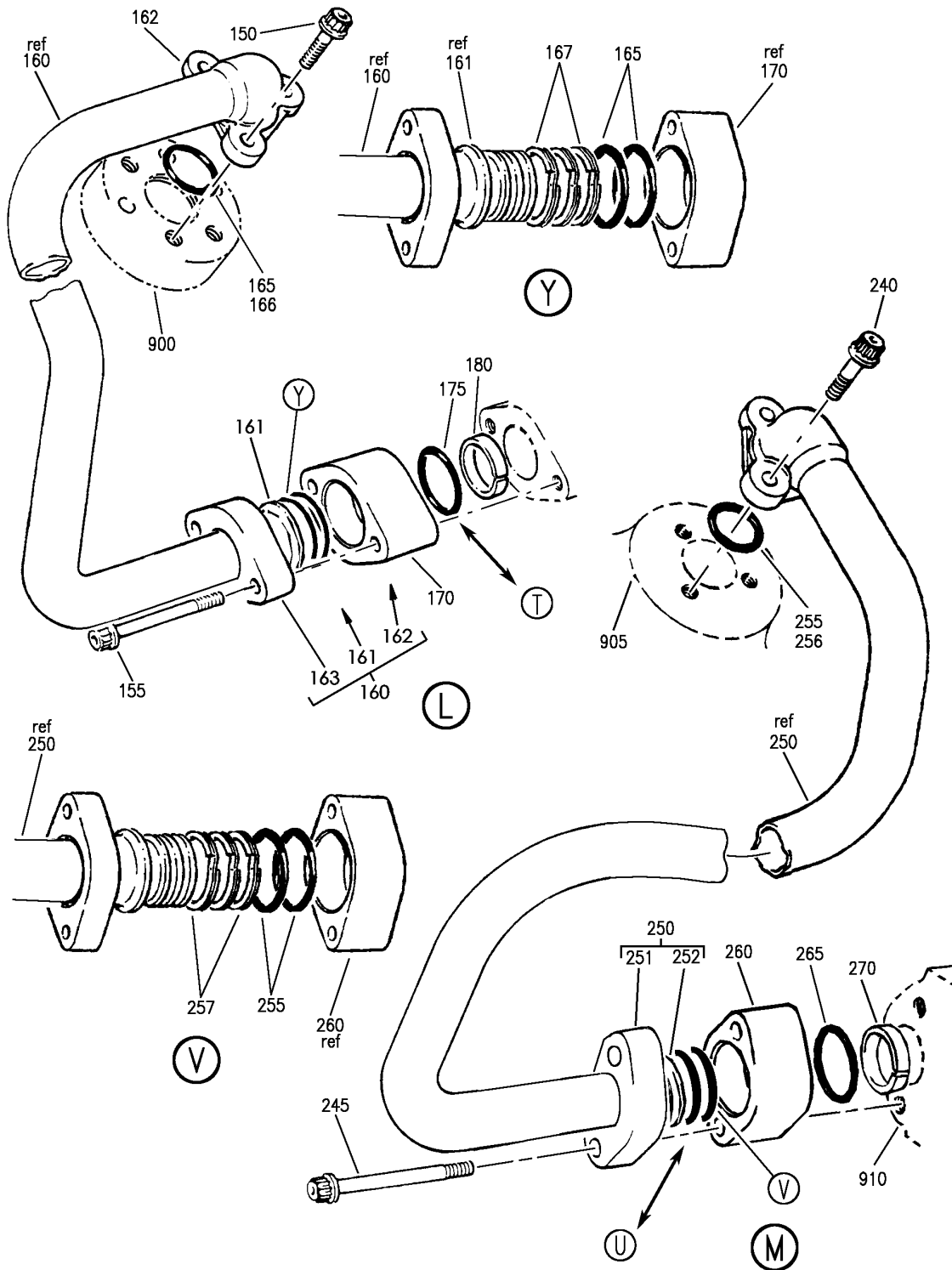
TUBES AND FITTINGS-FUEL SYSTEM (RB211-535)  
FIGURE 6 (SHEET 2)

**73-11-06-06**

BRI  
MAY 28/07

73-11-06-06  
PAGE 0A


**BOEING**  
 757  
**PARTS CATALOG (MAINTENANCE)**



Y 73110606 SHT 3 REV 303

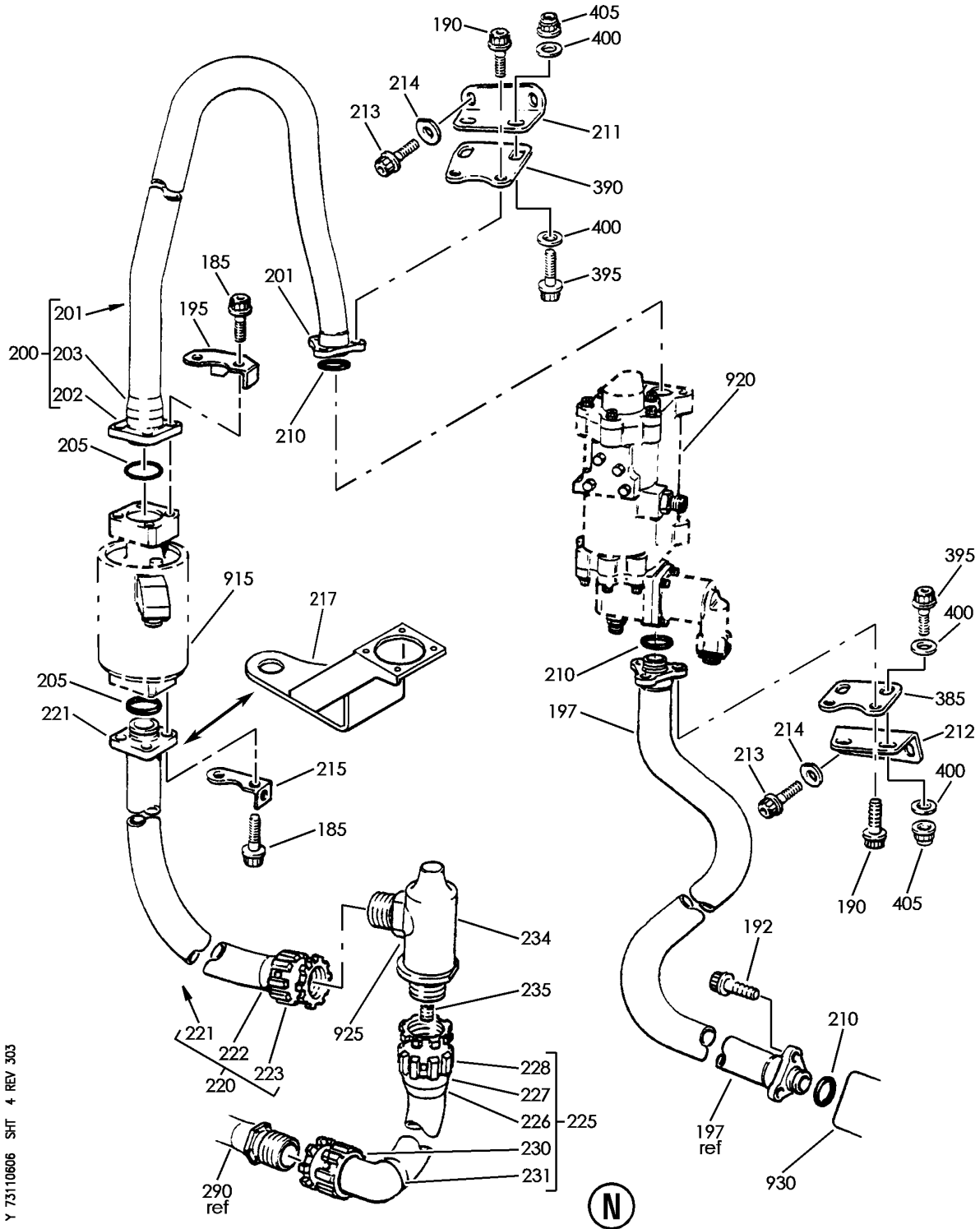
TUBES AND FITTINGS-FUEL SYSTEM (RB211-535)  
 FIGURE 6 (SHEET 3)

**73-11-06-06**

BRI  
 MAY 28/07

73-11-06-06  
 PAGE 0B

**BOEING**  
757  
PARTS CATALOG (MAINTENANCE)



Y 73110606 SHIT 4 REV 303

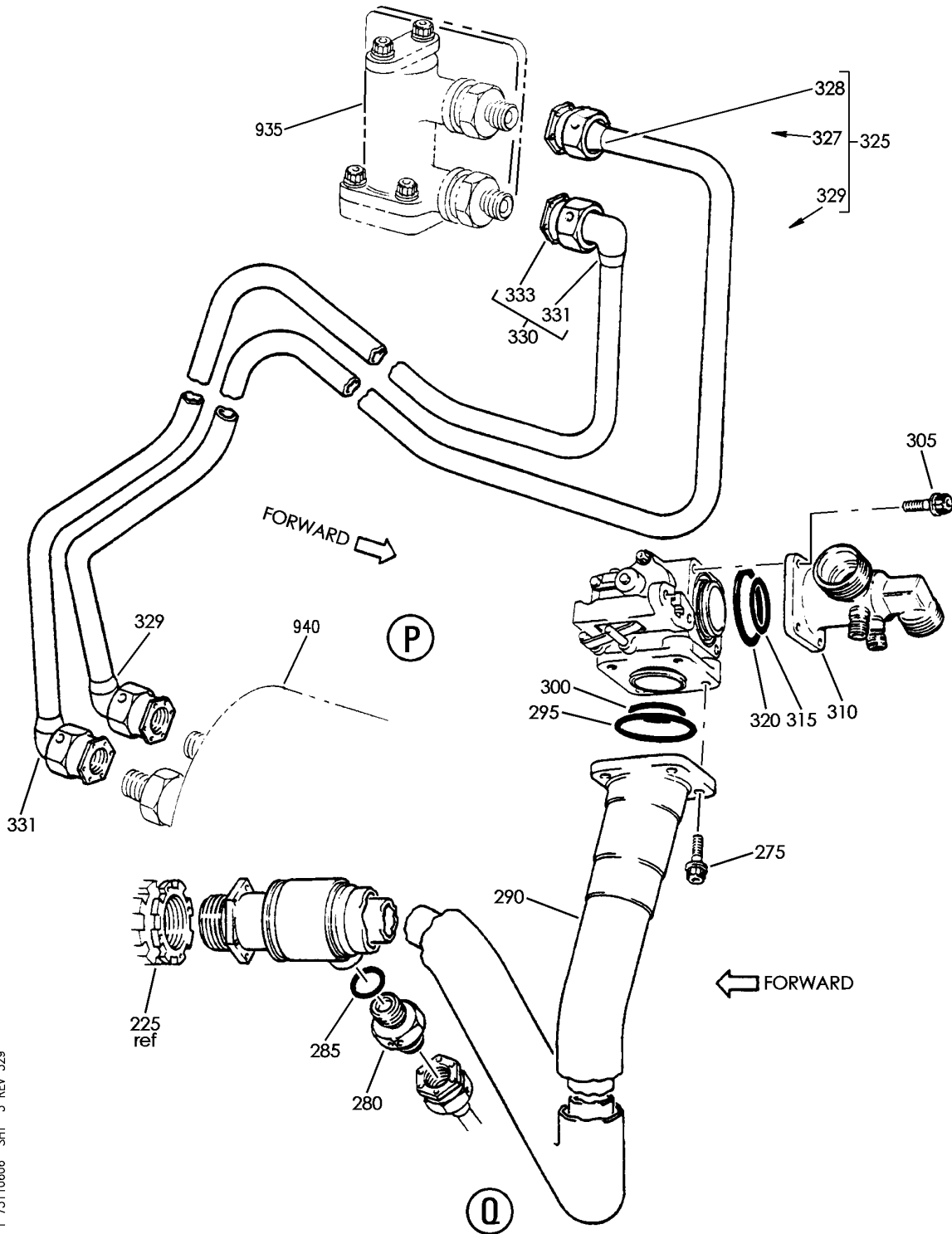
TUBES AND FITTINGS-FUEL SYSTEM (RB211-535)  
FIGURE 6 (SHEET 4)

**73-11-06-06**

BRI  
MAY 28/07

73-11-06-06  
PAGE 0C

**BOEING**  
757  
PARTS CATALOG (MAINTENANCE)



Y 73110606 SHT 5 REV 329

TUBES AND FITTINGS-FUEL SYSTEM (RB211-535)  
FIGURE 6 (SHEET 5)

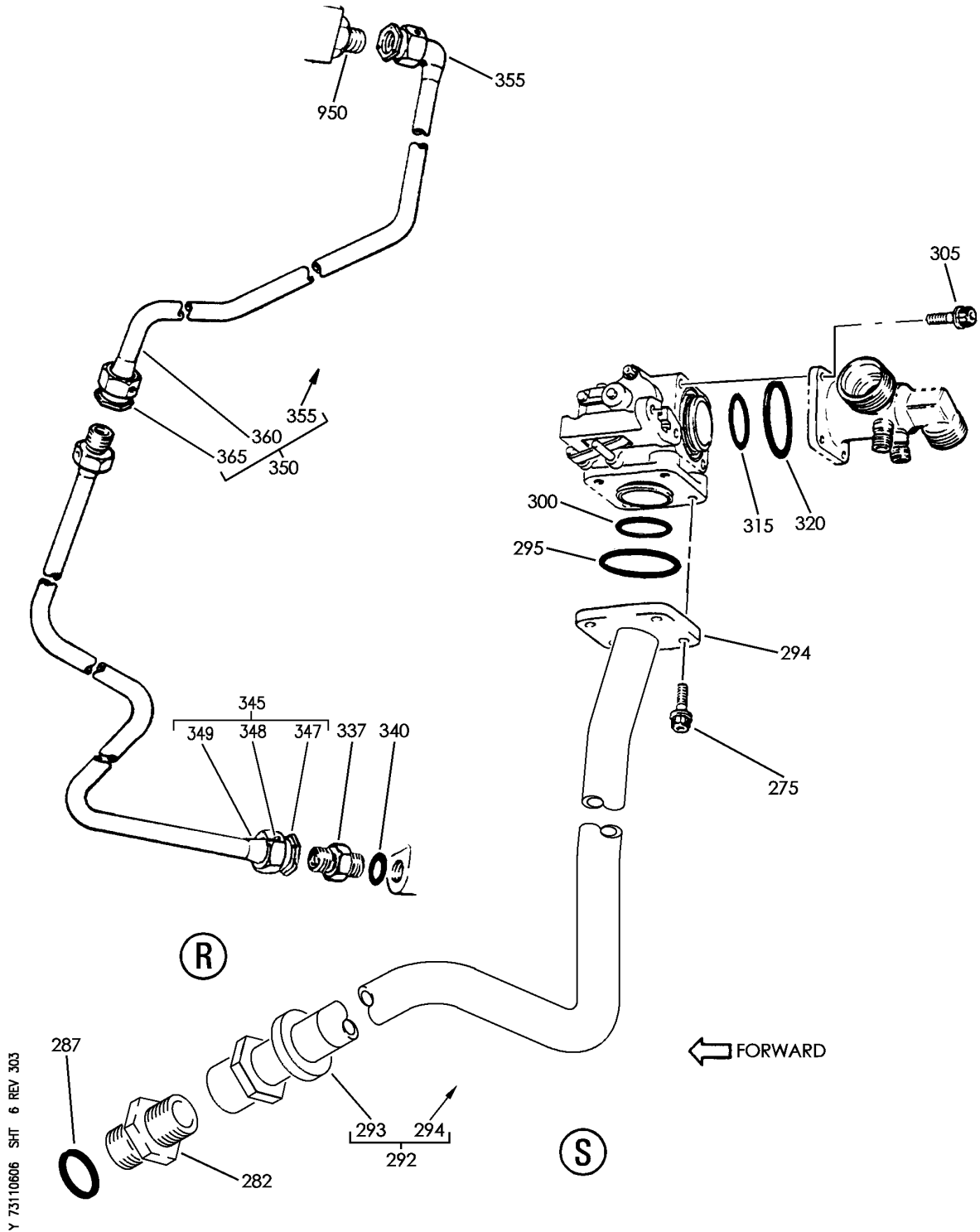
**73-11-06-06**

BRI  
JAN 20/09

73-11-06-06  
PAGE 0D



**BOEING**  
757  
PARTS CATALOG (MAINTENANCE)



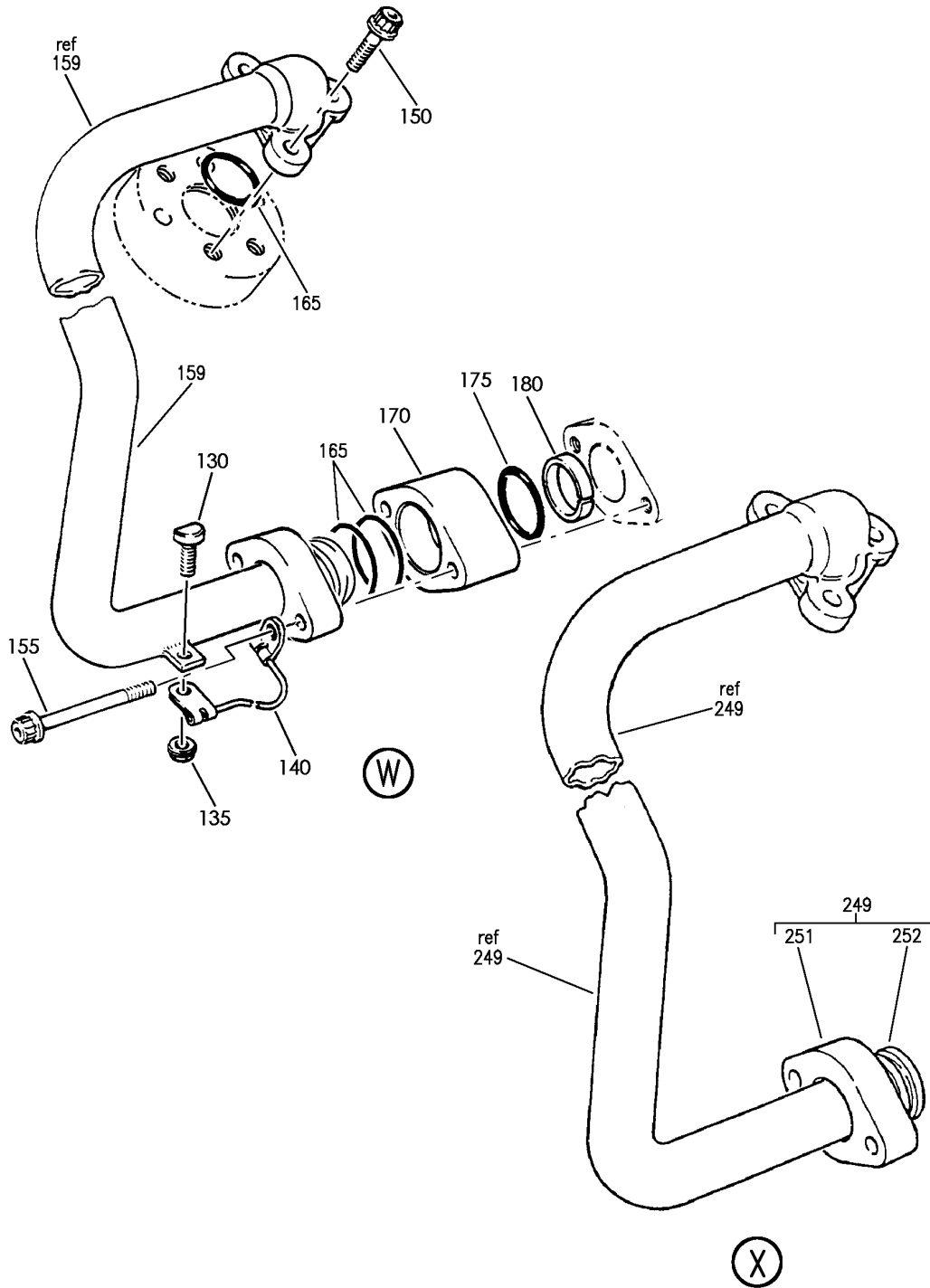
TUBES AND FITTINGS-FUEL SYSTEM (RB211-535)  
FIGURE 6 (SHEET 6)

**73-11-06-06**

BRI  
MAY 28/07

73-11-06-06  
PAGE 0E

**BOEING**  
757  
PARTS CATALOG (MAINTENANCE)



Y 73110606 SH1 7 REV 303

TUBES AND FITTINGS-FUEL SYSTEM (RB211-535)  
FIGURE 6 (SHEET 7)

**73-11-06-06**

BRI  
MAY 28/07

73-11-06-06  
PAGE OF



757

PARTS CATALOG (MAINTENANCE)

FIG ITEM	PART NUMBER	1 2 3 4 5 6 7	NOMENCLATURE	EFFECT FROM TO	UNITS PER ASSY
6			TUBES AND FITTINGS-FUEL SYSTEM (RB211-535)	002004	
- 1	UL19722		ENGINE ASSY-Q.E.C.U. RB211-535E43711 MAXIMUM NEUT SUPPLIER CODE: VK0680 FOR NHA/OTHER SYS DET SEE: 71-00-02-04	006999 107107	RF
- 1	UL20697		ENGINE ASSY-Q.E.C.U. RB211-535E43711 MAXIMUM NEUT WITH GRAVINER FIRE DETECTORS, BAYONET MCD, NON-MODULATED IDG COOLING 40,000 LB THRUST SUPPLIER CODE: VK0680 REFERENCE SERVICE BULLETIN: 71-0058R4 QUALIFIED SB I/W DATA: INTERMIX OF ONE OR SUBSTITUTION OF TWO DIFFERENT CONFIGURATION RB211-535E4-37/() ENGINES FOR RB211-535 E4 BASE ENGINES REFERENCE SERVICE BULLETIN: RB211-72-C547 VK0680 FOR NHA/OTHER SYS DET SEE: 71-00-02-04	121503 904949 952999	RF

MISSING ITEM NUMBERS NOT APPLICABLE

- ITEM NOT ILLUSTRATED

BRI

73-11-06-06

BOEING PROPRIETARY - Copyright © - Unpublished Work - See title page for details.

73-11-06  
FIG. 06  
PAGE 1  
JAN 20/09



757

PARTS CATALOG (MAINTENANCE)

FIG ITEM	PART NUMBER	1 2 3 4 5 6 7	NOMENCLATURE	EFFECT FROM TO	UNITS PER ASSY
6 - 1	UL20698		ENGINE ASSY-Q.E.C.U. RB211-535E43712 MAXIMUM NEUT SUPPLIER CODE: VK0680 QUALIFIED SB I/W DATA: INTERMIX OF ONE OR SUBSTITUTION OF TWO DIFFERENT CONFIGURATION RB211-535E4-37/() ENGINES FOR RB211-535E4 BASE ENGINES OR DIFFERENT CONFIGURATION RB211-535E4-B-37/() ENGINES FOR RB211-535E4-B BASE ENGINES POST SERVICE BULLETIN: 71-0058R7 VK0680 72-C547 VK0680 72-8910 VK0680 POST RAPID REVISION: RR92014-183E FOR NHA/OTHER SYS DET SEE: 71-00-02-04	002004 006100 102102	RF
- 1	UL20702		ENGINE ASSY-Q.E.C.U. RB211-535E43711 BASIC ENGINE CONFIG. WITH GRAVINER FIRE DETECTORS,BAYONET MCD, NON-MODULATED IDG COOLING 40,100 LB THRUST SUPPLIER CODE: VK0680 FOR NHA/OTHER SYS DET SEE: 71-00-02-10	504903	RF
- 1	UL36209		ENGINE ASSY-Q.E.C.U. RB211-535E43719 MAXIMUM NEUT SUPPLIER CODE: VK0680 FOR NHA/OTHER SYS DET SEE: 71-00-02-04	950951	RF

MISSING ITEM NUMBERS NOT APPLICABLE

- ITEM NOT ILLUSTRATED

73-11-06-06

73-11-06  
FIG. 06  
PAGE 2  
JAN 20/09

BRI



757

PARTS CATALOG (MAINTENANCE)

FIG ITEM	PART NUMBER	1 2 3 4 5 6 7	NOMENCLATURE	EFFECT FROM TO	UNITS PER ASSY
6					
- 3	BCREF17101		ENGINE ASSY-Q.E.C.U. RB211-535E43744 BASIC ENGINE CONFIGURATION, BAYONET MCD AND PHASE 5 COMBUSTOR 40,100 LB THRUST SUPPLIER CODE: VK0680 OVERLENGTH PART NUMBER: RB211-535E4-3744E FOR NHA/OTHER SYS DET SEE: 71-00-02-10	103106	RF
- 3	BCREF17395		ENGINE ASSY-Q.E.C.U. RB211-535E43739 BASIC ENGINE CONFIGURATION AND PHASE 5 COMBUSTOR 40,100 LB THRUST SUPPLIER CODE: VK0680 OVERLENGTH PART NUMBER: RB211-535E4-37-39E FOR NHA/OTHER SYS DET SEE: 71-00-02-10	108120	RF
- 3	UL38163		ENGINE ASSY-Q.E.C.U. RB211-535E43724 BASIC ENGINE CONFIGURATION BAYONET MCD 40,100 LB THRUST SUPPLIER CODE: VK0680 FOR NHA/OTHER SYS DET SEE: 71-00-02-10	101101	RF
5	AS21438		.BOLT- PRE SERVICE BULLETIN: 73-9050 VK0680	002004 006100 102102 107107 121949 952999	1
5	AS21442		.BOLT- POST SERVICE BULLETIN: 73-9050PT01 VK0680	002004 006999	1
10	AS21438		.BOLT	002004 006999	1
20	AS21440		.BOLT	002004 006999	1
25	AS21408		.BOLT	002004 006999	1

MISSING ITEM NUMBERS NOT APPLICABLE

- ITEM NOT ILLUSTRATED

73-11-06-06

73-11-06  
FIG. 06  
PAGE 3  
JAN 20/09

BRI



757

PARTS CATALOG (MAINTENANCE)

FIG ITEM	PART NUMBER	1 2 3 4 5 6 7	NOMENCLATURE	EFFECT FROM TO	UNITS PER ASSY
6					
26	AS21508	.	BOLT	002004 006999	2
27	AS21413	.	BOLT- POST SERVICE BULLETIN: 71-8891PT01 VK0680	002004 006999	1
28	AS21408	.	BOLT	002004 006102 107107 121999	1
28	AS21409	.	BOLT- POST SERVICE BULLETIN: 72-C230PT01 VK0680	103106 108120	1
30	AS21411	.	BOLT	002004 006102 107107 121999	1
30	AS21413	.	BOLT- POST SERVICE BULLETIN: 72-C230PT01 VK0680	103106 108120	1
30	AS21412	.	BOLT- POST SERVICE BULLETIN: 72-D352PT01 VK0680	103106 108120	1
35	AS21409	.	BOLT	002004 006999	2
40	AS21411	.	BOLT- POST SERVICE BULLETIN: 73-7951PT01 VK0680	002004 006101 103999	1
40	AS21417	.	BOLT- PRE SERVICE BULLETIN: 73-7951 VK0680	103107 121949 952999	1
45	AS21409	.	BOLT- POST SERVICE BULLETIN: 73-7951PT01 VK0680	002004 006999	1
45	AS21419	.	BOLT- PRE SERVICE BULLETIN: 73-7793 VK0680	107107 121949 952999	1

MISSING ITEM NUMBERS NOT APPLICABLE

- ITEM NOT ILLUSTRATED

BRI

73-11-06-06

BOEING PROPRIETARY - Copyright © - Unpublished Work - See title page for details.

73-11-06  
FIG. 06  
PAGE 4  
JAN 20/09



757

PARTS CATALOG (MAINTENANCE)

FIG ITEM	PART NUMBER	1 2 3 4 5 6 7	NOMENCLATURE	EFFECT FROM TO	UNITS PER ASSY
6					
45	AS21422		.BOLT- POST SERVICE BULLETIN: 73-7793PT01 VK0680 PRE SERVICE BULLETIN: 73-7951 VK0680	107107 121949 952999	1
50	K8831		.WASHER- SUPPLIER CODE: VK0680 PRE SERVICE BULLETIN: 72-D352 VK0680	002004 006999	12
52	K8831		.WASHER- SUPPLIER CODE: VK0680 POST SERVICE BULLETIN: 71-8891PT01 VK0680	002004 006999	4
53	K8831		.WASHER- SUPPLIER CODE: VK0680 POST SERVICE BULLETIN: 72-D352PT01 VK0680 PRE SERVICE BULLETIN: 71-8891 VK0680	002004 006100 102949 952999	2
55	LK74669		.WASHER- SUPPLIER CODE: VK0680	002004 006999	2
57	UP10478		.SPACER- SUPPLIER CODE: VK0680 POST SERVICE BULLETIN: 71-8891PT01 VK0680	002004 006999	1
60	LK58489		.SPACER- SUPPLIER CODE: VK0680	002004 006999	2
61	UP10478		.SPACER- SUPPLIER CODE: VK0680 POST SERVICE BULLETIN: 73-9050PT01 VK0680	002004 006999	1
65	UP10482		.SPACER- SUPPLIER CODE: VK0680	002004 006999	2

MISSING ITEM NUMBERS NOT APPLICABLE

- ITEM NOT ILLUSTRATED

73-11-06-06

73-11-06  
FIG. 06  
PAGE 5  
JAN 20/09

BRI

BOEING PROPRIETARY - Copyright © - Unpublished Work - See title page for details.

 **BOEING**  
757  
**PARTS CATALOG (MAINTENANCE)**

FIG ITEM	PART NUMBER	1 2 3 4 5 6 7	NOMENCLATURE	EFFECT FROM TO	UNITS PER ASSY
6	70 UP10479		.SPACER- SUPPLIER CODE: VK0680 PRE SERVICE BULLETIN: 73-7951 VK0680	107107 121949 952999	1
-	74 UP10478		.SPACER- SUPPLIER CODE: VK0680 NOT APPROVED FOR ETOPS. POST SERVICE BULLETIN: 73-7793PT01 VK0680 PRE SERVICE BULLETIN: 73-7951 VK0680	107107 121949 952999	1
	75 UP10478		.SPACER- SUPPLIER CODE: VK0680	002004 006999	1
-	80 UP10480		.SPACER- SUPPLIER CODE: VK0680 PRE SERVICE BULLETIN: 73-7951 VK0680	107107 121949 952999	1
	85 AS41104		.NUT	002004 006999	3
	90 AS20624		.NUT-	002004 006999	4
	92 AS20624		.NUT- PRE SERVICE BULLETIN: 71-8891 VK0680	002004 006100 102102 107107 121949 952999	1
	98 AS20624		.NUT- POST SERVICE BULLETIN: 71-8891PT01 VK0680	002004 006999	2
	99 400WSS16		.CLIP- SUPPLIER CODE: V83930 PRE SERVICE BULLETIN: 73-8744 VK0680	002004 006100 102102 107107 121949 952999	1

MISSING ITEM NUMBERS NOT APPLICABLE

- ITEM NOT ILLUSTRATED

BRI

# 73-11-06-06

BOEING PROPRIETARY - Copyright © - Unpublished Work - See title page for details.

73-11-06  
FIG. 06  
PAGE 6  
JAN 20/09





757

PARTS CATALOG (MAINTENANCE)

FIG ITEM	PART NUMBER	1 2 3 4 5 6 7	NOMENCLATURE	EFFECT FROM TO	UNITS PER ASSY
6 99	TA025028-16	.CLIP-	SUPPLIER CODE: V84971 POST SERVICE BULLETIN: 73-8744PT07 VK0680	002004 006999	1
100	400WSS16	.CLIP-	SUPPLIER CODE: V83930 POST SERVICE BULLETIN: 72-D352PT01 VK0680	103106 108120	1
102	400WSS8	.CLIP-	SUPPLIER CODE: V83930 CONFIG CHG DATA FROM A CMM: FOR INTRCHG. SEE RR IPC PRE SERVICE BULLETIN: 73-7793 VK0680	107107 121949 952999	1
102	400WSS16	.CLIP-	SUPPLIER CODE: V83930 POST SERVICE BULLETIN: 73-7793PT01 VK0680 PRE SERVICE BULLETIN: 73-8744 VK0680	002004 006100 102102 107107 121949 952999	1
102	TA025028-16	.CLIP-	SUPPLIER CODE: V84971 POST SERVICE BULLETIN: 73-8744PT06 VK0680	002004 006106 108120 950951	1
102	TA025028-16	.CLIP-	SUPPLIER CODE: V84971 CONFIG CHG DATA FROM A CMM: FOR INTRCHG. SEE RR IPC POST SERVICE BULLETIN: 73-8744PT06 VK0680	107107 121949 952999	1
105	400WSS20	.CLIP-	SUPPLIER CODE: V83930 PRE SERVICE BULLETIN: 73-8744 VK0680	002004 006100 102102 107107 121949 952999	2

MISSING ITEM NUMBERS NOT APPLICABLE

- ITEM NOT ILLUSTRATED

73-11-06-06

73-11-06  
FIG. 06  
PAGE 7  
JAN 20/09

BRI



757

PARTS CATALOG (MAINTENANCE)

FIG ITEM	PART NUMBER	1 2 3 4 5 6 7	NOMENCLATURE	EFFECT FROM TO	UNITS PER ASSY
6 105	TA025028-20	.CLIP-	SUPPLIER CODE: V84971 POST SERVICE BULLETIN: 73-8744PT08 VK0680	002004 006999	2
110	400WSS18	.CLIP-	SUPPLIER CODE: V83930 PRE SERVICE BULLETIN: 73-8744 VK0680	002004 006100 102102 107107 121949 952999	2
110	TA025028-18	.CLIP-	SUPPLIER CODE: V84971 POST SERVICE BULLETIN: 73-8744PT10 VK0680	002004 006102 107107 121999	2
110	TA025028-16	.CLIP-	SUPPLIER CODE: V84971 POST SERVICE BULLETIN: 73-C230PT01 VK0680 72-D352PT01 VK0680 PRE SERVICE BULLETIN: 72-D352 VK0680	103106 108120	2
115	400WSS6	.CLIP-	SUPPLIER CODE: V83930 PRE SERVICE BULLETIN: 73-8744 VK0680	002004 006100 102102 107107 121949 952999	3
115	TA025028-6	.CLIP-	SUPPLIER CODE: V84971 POST SERVICE BULLETIN: 73-8744PT11 VK0680	002004 006999	3
116	400WSS6	.CLIP-	SUPPLIER CODE: V83930 PRE SERVICE BULLETIN: 73-8744 VK0680	002004 006100 102102 107107 121949 952999	3

MISSING ITEM NUMBERS NOT APPLICABLE

- ITEM NOT ILLUSTRATED

73-11-06-06

73-11-06  
FIG. 06  
PAGE 8  
JAN 20/09

BRI



757

PARTS CATALOG (MAINTENANCE)

FIG ITEM	PART NUMBER	1 2 3 4 5 6 7	NOMENCLATURE	EFFECT FROM TO	UNITS PER ASSY
6 116	TA025028-6	.CLIP-	SUPPLIER CODE: V84971 POST SERVICE BULLETIN: 73-8744PT12 VK0680	002004 006999	3
119	400WSS4	.CLIP-	SUPPLIER CODE: V83930 PRE SERVICE BULLETIN: 73-8744 VK0680	002004 006100 102102 107107 121949 952999	3
119	TA025028-4	.CLIP-	SUPPLIER CODE: V84971 POST SERVICE BULLETIN: 73-8744 VK0680 PRE SERVICE BULLETIN: 71-8891 VK0680	002004 006100 102102 107107 121949 952999	3
122	TA025028-4	.CLIP-	SUPPLIER CODE: V84971 POST SERVICE BULLETIN: 71-8891PT01 VK0680	002004 006999	4
123	400WSS4	.CLIP-	SUPPLIER CODE: V83930 PRE SERVICE BULLETIN: 73-8744 VK0680	002004 006100 102102 107107 121949 952999	2
123	TA025028-4	.CLIP-	SUPPLIER CODE: V84971 POST SERVICE BULLETIN: 73-8744PT05 VK0680	002004 006999	2
125	LK64688	.BRACKET-DBL ANGLE	SUPPLIER CODE: VK0680	002004 006999	1
130	KU305	.BOLT-	SUPPLIER CODE: VK0680 PRE SERVICE BULLETIN: 73-8195 VK0680	002004 006100 102102 107107 121949 952999	1

MISSING ITEM NUMBERS NOT APPLICABLE

- ITEM NOT ILLUSTRATED

73-11-06-06

73-11-06  
FIG. 06  
PAGE 9  
JAN 20/09

BRI



757

PARTS CATALOG (MAINTENANCE)

FIG ITEM	PART NUMBER	1 2 3 4 5 6 7	NOMENCLATURE	EFFECT FROM TO	UNITS PER ASSY
6					
135	U122953		.NUT- SUPPLIER CODE: VK0680 PRE SERVICE BULLETIN: 73-8195 VK0680	002004 006100 102102 107107 121949 952999	1
140	K12521A		.LEAD ASSY- SUPPLIER CODE: VK0680 PRE SERVICE BULLETIN: 73-8195 VK0680	002004 006100 102102 107107 121949 952999	1
150	AS21514		.BOLT-	002004 006999	3
155	AS21520		.BOLT- POST SERVICE BULLETIN: 73-B047PT01 VK0680 PRE SERVICE BULLETIN: RB211-73-21-01 VK0680	002004 006999	2
155	AS21538		.BOLT- PRE SERVICE BULLETIN: 73-B047 VK0680	002004 006999	2
159	LK86051		.TUBE ASSY-HIGH PRESSURE PUMP TO FUEL FLOW REGULATOR SUPPLIER CODE: VK0680 PRE SERVICE BULLETIN: 73-8195 VK0680	002004 006100 102102 107107 121949 952999	1
160	UL16691		.TUBE ASSY-HIGH PRESSURE PUMP TO FUEL FLOW REGULATOR SUPPLIER CODE: VK0680 POST SERVICE BULLETIN: 73-8195PT01 VK0680 PRE SERVICE BULLETIN: 73-B047 VK0680	002004 006102 107999	1

MISSING ITEM NUMBERS NOT APPLICABLE

- ITEM NOT ILLUSTRATED

73-11-06-06

73-11-06  
FIG. 06  
PAGE 10  
JAN 20/09

BRI



757

PARTS CATALOG (MAINTENANCE)

FIG ITEM	PART NUMBER	1 2 3 4 5 6 7	NOMENCLATURE	EFFECT FROM TO	UNITS PER ASSY
6 160	UL37214		.TUBE ASSY-HIGH PRESSURE PUMP TO FUEL FLOW REGULATOR SUPPLIER CODE: VK0680 MISCELLANEOUS DATA: PREFERRED PART POST SERVICE BULLETIN: 73-B047PT01 VK0680	002004 006999	1
165	KB27120		.SEAL-TOROIDAL SUPPLIER CODE: VK0680 PRE SERVICE BULLETIN: 73-B047 VK0680	002004 006100 102999	3
166	KB27120		.SEAL-TOROIDAL SUPPLIER CODE: VK0680 POST SERVICE BULLETIN: 73-B047PT01 VK0680	002004 006999	1
167	RRT137S		.RING-RETAINING SUPPLIER CODE: V80756	002004 006999	3
170	LK76825		.HOUSING- SUPPLIER CODE: VK0680 PRE SERVICE BULLETIN: 73-B047 VK0680	002004 006100 102999	1
175	KB27121		.RING-TOROIDAL SUPPLIER CODE: VK0680 OPTIONAL PART: AS43013-121 PRE SERVICE BULLETIN: 73-B047 VK0680	002004 006999	1
175	AS43013-121		.RING-SEALING TOROIDAL OPTIONAL PART: KB27121 VK0680 POST SERVICE BULLETIN: 72-9480PTC VK0680 PRE SERVICE BULLETIN: 73-B047 VK0680	002004 006999	1

MISSING ITEM NUMBERS NOT APPLICABLE

- ITEM NOT ILLUSTRATED

73-11-06-06

73-11-06  
FIG. 06  
PAGE 11  
JAN 20/09

BRI



757

PARTS CATALOG (MAINTENANCE)

FIG ITEM	PART NUMBER	1 2 3 4 5 6 7	NOMENCLATURE	EFFECT FROM TO	UNITS PER ASSY
6					
176	AS43013-123		.RING-SEALING TOROIDAL POST SERVICE BULLETIN: 73-B047PT01 VK0680	002004 006999	1
180	K11530		.RING- SUPPLIER CODE: VK0680 PRE SERVICE BULLETIN: 73-B047 VK0680	002004 006100 102999	1
185	AS43714		.BOLT-	002004 006999	8
190	AS21515		.BOLT	002004 006999	6
192	AS21516		.BOLT	002004 006999	3
195	UL11914		.BRACKET-ANGLE SUPPLIER CODE: VK0680	002004 006999	1
197	UL16634		.TUBE ASSY-HP FUEL FLOW GOVERNOR TO TFU SUPPLIER CODE: VK0680	002004 006999	1
200	UL16635		.TUBE ASSY-FUEL FLOW REGULATOR TO FLOWMETER SUPPLIER CODE: VK0680 PRE SERVICE BULLETIN: 73-9050 VK0680	002004 006100 102102 107107 121949 952999	1
200	UL26055		.TUBE ASSY-FUEL FLOW REGULATOR TO FLOWMETER SUPPLIER CODE: VK0680 POST SERVICE BULLETIN: 73-9050PT01 VK0680	002004 006999	1
205	AS43013-216		.RING-	002004 006999	2
210	AS43013-120		.SEAL-TOROIDAL	002004 006999	3

MISSING ITEM NUMBERS NOT APPLICABLE

- ITEM NOT ILLUSTRATED

73-11-06-06

73-11-06  
FIG. 06  
PAGE 12  
JAN 20/09

BRI

BOEING PROPRIETARY - Copyright © - Unpublished Work - See title page for details.



757

PARTS CATALOG (MAINTENANCE)

FIG ITEM	PART NUMBER	1 2 3 4 5 6 7	NOMENCLATURE	EFFECT FROM TO	UNITS PER ASSY
6 211	UL18472		.BRACKET-TRANSIENT FUEL UNIT SPRT SUPPLIER CODE: VK0680 POSITION DATA: UPR PRE SERVICE BULLETIN: 73-8839 VK0680	002004 006100 102102 107107 121949 952999	1
211	UL23094		.BRACKET-TRANSIENT FUEL UNIT SPRT SUPPLIER CODE: VK0680 POSITION DATA: UPR POST SERVICE BULLETIN: 73-8839PT01 VK0680	002004 006999	1
212	UL18473		.BRACKET-TRANSIENT FUEL UNIT SPRT SUPPLIER CODE: VK0680 POSITION DATA: LWR PRE SERVICE BULLETIN: 73-8839 VK0680	002004 006100 102102 107107 121949 952999	1
212	UL23092		.BRACKET-TRANSIENT FUEL UNIT SPRT SUPPLIER CODE: VK0680 POSITION DATA: LWR POST SERVICE BULLETIN: 73-8839PT01 VK0680	002004 006999	1
213	AS21508		ATTACHING PARTS .BOLT	002004 006999	4
214	AS12944		.WASHER- PRE SERVICE BULLETIN: 73-8839 VK0680	002004 006100 102102 107107 121949 952999	4

MISSING ITEM NUMBERS NOT APPLICABLE

- ITEM NOT ILLUSTRATED

73-11-06-06

73-11-06  
FIG. 06  
PAGE 13  
JAN 20/09

BRI



757

PARTS CATALOG (MAINTENANCE)

FIG ITEM	PART NUMBER	1 2 3 4 5 6 7	NOMENCLATURE	EFFECT FROM TO	UNITS PER ASSY
6					
214	AS26095		.WASHER- POST SERVICE BULLETIN: 73-8839PT01 VK0680	002004 006999	4
			-----*-----		
215	LK63467		.BRACKET-ANGLE SUPPLIER CODE: VK0680	002004 006999	1
220	LK85971		.TUBE ASSY-FLOWMETER TO HIGH PRESSURE FILTER SUPPLIER CODE: VK0680	002004 006999	1
225	LK85931		.TUBE ASSY-HIGH PRESSURE FILTER TO DISC. SUPPLIER CODE: VK0680	002004 006999	1
234	LK73834		.FILTER ASSY-BODY AND INSERT SUPPLIER CODE: VK0680	002004 006999	1
235	AGS3707		..INSERT	002004 006999	1
- 237	LK73835		..BODY- SUPPLIER CODE: VK0680	002004 006999	RF
240	AS21516		.BOLT	002004 006999	3
245	AS21536		.BOLT- PRE SERVICE BULLETIN: 73-B047 VK0680	002004 006102 107999	2
246	AS21518		.BOLT- POST SERVICE BULLETIN: 73-B047PT02 VK0680	002004 006999	2
249	LK86046		.TUBE ASSY-FUEL FLOW REGULATOR TO HIGH PRESSURE PUMP INLET SUPPLIER CODE: VK0680 PRE SERVICE BULLETIN: 73-8195 VK0680	002004 006100 102102 107107 121949 952999	1

MISSING ITEM NUMBERS NOT APPLICABLE

- ITEM NOT ILLUSTRATED

BRI

73-11-06-06

BOEING PROPRIETARY - Copyright © - Unpublished Work - See title page for details.

73-11-06  
FIG. 06  
PAGE 14  
JAN 20/09





757

PARTS CATALOG (MAINTENANCE)

FIG ITEM	PART NUMBER	1 2 3 4 5 6 7	NOMENCLATURE	EFFECT FROM TO	UNITS PER ASSY
6 249	UL16690		.TUBE ASSY-FUEL FLOW REGULATOR TO HIGH PRESSURE PUMP INLET SUPPLIER CODE: VK0680 POST SERVICE BULLETIN: 73-8195PT01 VK0680 PRE SERVICE BULLETIN: 73-B047 VK0680	002004 006102 107999	1
250	UL37213		.TUBE ASSY-HIGH PRESSURE PUMP TO FUEL FLOW REGULATOR SUPPLIER CODE: VK0680 MISCELLANEOUS DATA: PREFERRED PART POST SERVICE BULLETIN: 73-B047PT02 VK0680	002004 006999	1
255	KB27120		.SEAL-TOROIDAL SUPPLIER CODE: VK0680 PRE SERVICE BULLETIN: 73-B047 VK0680	002004 006100 102999	3
256	KB27120		.SEAL-TOROIDAL SUPPLIER CODE: VK0680 POST SERVICE BULLETIN: 73-B047PT02 VK0680	002004 006999	1
257	RRT137S		.RING-INTERNAL SUPPLIER CODE: V80756 POST SERVICE BULLETIN: 73-9181PT01 VK0680 PRE SERVICE BULLETIN: 73-B047 VK0680	002004 006100 102999	3
260	LK76825		.HOUSING-SEAL SUPPLIER CODE: VK0680 PRE SERVICE BULLETIN: 73-B047 VK0680	002004 006100 102999	1

MISSING ITEM NUMBERS NOT APPLICABLE

- ITEM NOT ILLUSTRATED

73-11-06-06

73-11-06  
FIG. 06  
PAGE 15  
JAN 20/09

BRI



757

PARTS CATALOG (MAINTENANCE)

FIG ITEM	PART NUMBER	1 2 3 4 5 6 7	NOMENCLATURE	EFFECT FROM TO	UNITS PER ASSY
6 265	KB27121		.RING-TOROIDAL SUPPLIER CODE: VK0680 OPTIONAL PART: AS43013-121 PRE SERVICE BULLETIN: 73-B047 VK0680	002004 006102 107999	1
265	AS43013-121		.RING-SEALING TOROIDAL OPTIONAL PART: KB27121 VK0680 POST SERVICE BULLETIN: 72-9480PTC VK0680 PRE SERVICE BULLETIN: 73-B047 VK0680	002004 006102 107999	1
266	AS43013-123		.RING-SEALING TOROIDAL POST SERVICE BULLETIN: 73-B047PT02 VK0680	002004 006999	1
270	K11530		.RING- SUPPLIER CODE: VK0680 PRE SERVICE BULLETIN: 73-B047 VK0680	002004 006999	1
275	AS21512		.BOLT	002004 006999	4
280	AS27467		.UNION-DBL ENDED	002004 006102 107107 121999	1
282	AS27467		.UNION-DBL ENDED	002004 006102 107107 121999	1
285	AS12800-905		.RING-TOROIDAL SEALING	002004 006102 107107 121999	1
287	AS12800-905		.RING-TOROIDAL SEALING	002004 006102 107107 121999	1

MISSING ITEM NUMBERS NOT APPLICABLE

- ITEM NOT ILLUSTRATED

73-11-06-06

73-11-06  
FIG. 06  
PAGE 16  
JAN 20/09

BRI

BOEING PROPRIETARY - Copyright © - Unpublished Work - See title page for details.



757

PARTS CATALOG (MAINTENANCE)

FIG ITEM	PART NUMBER	1 2 3 4 5 6 7	NOMENCLATURE	EFFECT FROM TO	UNITS PER ASSY
6					
290	UL16481		.TUBE ASSY-BULKHEAD TO SHUT OFF VALVE SUPPLIER CODE: VK0680	002004 006102 107107 121999	1
292	UL38556		.TUBE ASSY-HIGH PRESSURE FUEL FEED BULKHEAD TO SHUT OFF VALVE SUPPLIER CODE: VK0680 POST SERVICE BULLETIN: 72-C230PT01 VK0680	103106	1
295	KB27135		.SEAL-TOROIDAL SUPPLIER CODE: VK0680	002004 006102 107107 121999	1
295	KB27135		.SEAL-TOROIDAL SUPPLIER CODE: VK0680 POST SERVICE BULLETIN: 72-C230PT01 VK0680	103106 108120	1
300	KB27122		.SEAL-TOROIDAL SUPPLIER CODE: VK0680	002004 006102 107107 121999	1
300	KB27122		.SEAL-TOROIDAL SUPPLIER CODE: VK0680 POST SERVICE BULLETIN: 72-C230PT01 VK0680	103106 108120	1
305	AS21512		.BOLT	002004 006102 107999	4
310	LK79519		.ADAPTOR ASSY-HIGH PRESSURE FUEL FEED SUPPLIER CODE: VK0680 PRE SERVICE BULLETIN: 73-7374 VK0680	002004 006100 102102 107107 121949 952999	1

MISSING ITEM NUMBERS NOT APPLICABLE

- ITEM NOT ILLUSTRATED

BRI

73-11-06-06

BOEING PROPRIETARY - Copyright © - Unpublished Work - See title page for details.

73-11-06  
FIG. 06  
PAGE 17  
JAN 20/09

 **BOEING**  
757  
**PARTS CATALOG (MAINTENANCE)**

FIG ITEM	PART NUMBER	1 2 3 4 5 6 7	NOMENCLATURE	EFFECT FROM TO	UNITS PER ASSY
6 310	UL16834		.ADAPTOR ASSY-HIGH PRESSURE FUEL FEED SUPPLIER CODE: VK0680 POST SERVICE BULLETIN: 73-7374PT01 VK0680 PRE SERVICE BULLETIN: 72-C230 VK0680	101102 950951	1
315	KB27119		.SEAL-TOROIDAL SUPPLIER CODE: VK0680	002004 006999	1
320	KB27130		.RING-TOROIDAL SUPPLIER CODE: VK0680	002004 006999	1
325	LK85973		.TUBE ASSY-FUEL FLOW GOVERNOR TO SENSOR SUPPLIER CODE: VK0680	002004 006999	1
330	LK85974		.TUBE ASSY-SENSOR TO FUEL FLOW GOVERNOR SUPPLIER CODE: VK0680	002004 006999	1
337	AS27467		.UNION	002004 006999	1
340	AS43003-905		.RING-SEALING TOROIDAL	002004 006999	1
345	UL16638		.TUBE ASSY-HP FUEL PUMP TO TFU SUPPLIER CODE: VK0680	002004 006999	1
347	AS15701		..NUT	002004 006999	1
348	AS15777		..WIRE	002004 006999	1
350	UL16668		.TUBE ASSY-HP FUEL DISCONNECT TO TFU SUPPLIER CODE: VK0680 POST SERVICE BULLETIN: 73-7951PT01 VK0680	002004 006999	1

MISSING ITEM NUMBERS NOT APPLICABLE

— ITEM NOT ILLUSTRATED

BRI

# 73-11-06-06

BOEING PROPRIETARY - Copyright © - Unpublished Work - See title page for details.

73-11-06  
FIG. 06  
PAGE 18  
JAN 20/09



757

PARTS CATALOG (MAINTENANCE)

FIG ITEM	PART NUMBER	1 2 3 4 5 6 7	NOMENCLATURE	EFFECT FROM TO	UNITS PER ASSY
6					
350	UL16636		.TUBE ASSY-HP FUEL DISCONNECT TO TFU SUPPLIER CODE: VK0680 PRE SERVICE BULLETIN: 73-7951 VK0680	107107 121949 952999	1
385	UL23093		.BRACKET-TRANSIENT FUEL UNIT SPRT SUPPLIER CODE: VK0680 POSITION DATA: LWR POST SERVICE BULLETIN: 73-8839PT01 VK0680	002004 006999	1
390	UL23095		.BRACKET-TRANSIENT FUEL UNIT SPRT SUPPLIER CODE: VK0680 POSITION DATA: UPR POST SERVICE BULLETIN: 73-8839PT01 VK0680	002004 006999	1
395	AS21511		.BOLT- POST SERVICE BULLETIN: 73-8839PT01 VK0680	002004 006999	4
400	AS12944		.WASHER- POST SERVICE BULLETIN: 73-8839PT01 VK0680	002004 006999	8
405	AS20625		.NUT- POST SERVICE BULLETIN: 73-8839PT01 VK0680	002004 006999	4
900			ILLUSTRATION REFERENCE: GOVERNOR-FUEL FLOW (RB211-535) 73-21-01-01	002004 006999	RF
905			ILLUSTRATION REFERENCE: GOVERNOR-FUEL FLOW (RB211-535) 73-21-01-01	002004 006999	RF
910			ILLUSTRATION REFERENCE: PUMP-HIGH PRESSURE FUEL (RB211-535) 73-11-03-01	002004 006999	RF

MISSING ITEM NUMBERS NOT APPLICABLE

- ITEM NOT ILLUSTRATED

73-11-06-06

73-11-06  
FIG. 06  
PAGE 19  
JAN 20/09

BRI



757

PARTS CATALOG (MAINTENANCE)

FIG ITEM	PART NUMBER	1 2 3 4 5 6 7	NOMENCLATURE	EFFECT FROM TO	UNITS PER ASSY
6 915			ILLUSTRATION REFERENCE: TRANSMITTER-LOW PRESSURE FLOWMETER (RB211-535) 73-31-01-01	002004 006999	RF
920			ILLUSTRATION REFERENCE: VALVE-TRANSIENT FUEL (RB211-535) 73-21-14-01	002004 006999	RF
925			ILLUSTRATION REFERENCE: ELEMENT-HIGH PRESSURE FUEL FILTER (RB211-535) 73-11-12-01	002004 006999	RF
930			ILLUSTRATION REFERENCE: GOVERNOR-FUEL FLOW (RB211-535) 73-21-01-01	002004 006999	RF
935			ILLUSTRATION REFERENCE: SENSOR-FAN STREAM TEMP (RB211-535) 73-21-11-01	002004 006999	RF
940			ILLUSTRATION REFERENCE: GOVERNOR-FUEL FLOW (RB211-535) 73-21-01-01	002004 006999	RF

MISSING ITEM NUMBERS NOT APPLICABLE

- ITEM NOT ILLUSTRATED

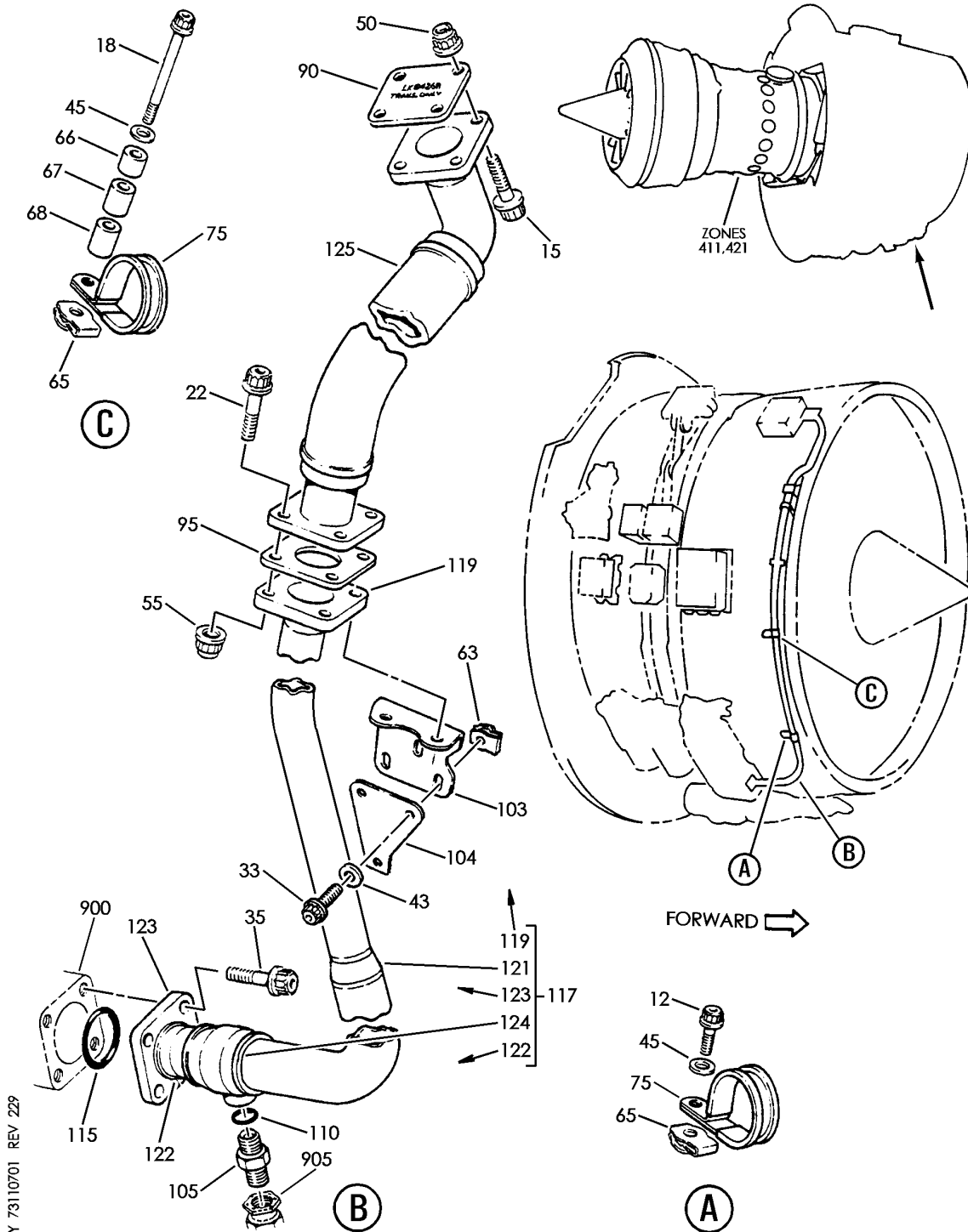
BRI

**73-11-06-06**

BOEING PROPRIETARY - Copyright © - Unpublished Work - See title page for details.

73-11-06  
FIG. 06  
PAGE 20  
JAN 20/09

**BOEING**  
757  
PARTS CATALOG (MAINTENANCE)



TUBES AND FITTINGS-FUEL SYS (RB211-535)  
FIGURE 1

**73-11-07-01**



757

PARTS CATALOG (MAINTENANCE)

FIG ITEM	PART NUMBER	1 2 3 4 5 6 7	NOMENCLATURE	EFFECT FROM TO	UNITS PER ASSY
1			TUBES AND FITTINGS-FUEL SYS (RB211-535)	002004 006999	
- 1	UL20697		ENGINE ASSY-Q.E.C.U. RB211-535E43711 MAXIMUM NEUT WITH GRAVINER FIRE DETECTORS, BAYONET MCD, NON-MODULATED IDG COOLING 40,000 LB THRUST SUPPLIER CODE: VK0680 REFERENCE SERVICE BULLETIN: 71-0058R4 QUALIFIED SB I/W DATA: INTERMIX OF ONE OR SUBSTITUTION OF TWO DIFFERENT CONFIGURATION RB211-535E4-37/() ENGINES FOR RB211-535 E4 BASE ENGINES REFERENCE SERVICE BULLETIN: RB211-72-C547 VK0680 FOR NHA/OTHER SYS DET SEE: 71-00-02-04	121503 904949 952999	RF
- 1	UL20702		ENGINE ASSY-Q.E.C.U. RB211-535E43711 BASIC ENGINE CONFIGURATION WITH GRAVINER FIRE DETECTORS, BAYONET MCD, NON-MODULATED IDG COOLING 40,100 LB THRUST SUPPLIER CODE: VK0680 FOR NHA/OTHER SYS DET SEE: 71-00-02-10	504903	RF
- 1	UL19722		ENGINE ASSY-Q.E.C.U. RB211-535E43711 MAXIMUM NEUT SUPPLIER CODE: VK0680 FOR NHA/OTHER SYS DET SEE: 71-00-02-04	107107	RF

MISSING ITEM NUMBERS NOT APPLICABLE

- ITEM NOT ILLUSTRATED

73-11-07-01

73-11-07  
FIG. 01  
PAGE 1  
JAN 20/09

BRI





757

PARTS CATALOG (MAINTENANCE)

FIG ITEM	PART NUMBER	1 2 3 4 5 6 7	NOMENCLATURE	EFFECT FROM TO	UNITS PER ASSY
1					
- 2	UL20698		ENGINE ASSY-Q.E.C.U. RB211-535E43712 MAXIMUM NEUT SUPPLIER CODE: VK0680 REFERENCE SERVICE BULLETIN: 71-0058R7 QUALIFIED SB I/W DATA: INTERMIX OF ONE OR SUBSTITUTION OF TWO DIFFERENT CONFIGURATION RB211-535E4-37/() ENGINES FOR RB211-535E4 BASE ENGINES OR DIFFERENT CONFIGURATION RB211-535E4-B-37/() ENGINES FOR RB211-535E4-B BASE ENGINES REFERENCE SERVICE BULLETIN: RB211-72-C547 VK0680 RB211-72-8910 VK0680 POST RAPID REVISION: RR92014-183A-RC-E FOR NHA/OTHER SYS DET SEE: 71-00-02-04	002004 006100 102102	RF
- 2	UL36209		ENGINE ASSY-Q.E.C.U. RB211-535E43719 MAXIMUM NEUT SUPPLIER CODE: VK0680 FOR NHA/OTHER SYS DET SEE: 71-00-02-04	950951	RF
- 3	BCREF17395		ENGINE ASSY-Q.E.C.U. RB211-535E43739 BASIC ENGINE CONFIGURATION AND PHASE 5 COMBUSTOR 40,100 LB THRUST SUPPLIER CODE: VK0680 OVERLENGTH PART NUMBER: RB211-535E4-37-39E FOR NHA/OTHER SYS DET SEE: 71-00-02-10	108120	RF

MISSING ITEM NUMBERS NOT APPLICABLE

- ITEM NOT ILLUSTRATED

73-11-07-01

73-11-07  
FIG. 01  
PAGE 2  
JAN 20/09

BRI



757

PARTS CATALOG (MAINTENANCE)

FIG ITEM	PART NUMBER	1 2 3 4 5 6 7	NOMENCLATURE	EFFECT FROM TO	UNITS PER ASSY
1					
- 3	BCREF17101		ENGINE ASSY-Q.E.C.U. RB211-535E43744 BASIC ENGINE CONFIGURATION, BAYONET MCD AND PHASE 5 COMBUSTOR 40,100 LB THRUST SUPPLIER CODE: VK0680 OVERLENGTH PART NUMBER: RB211-535E4-3744E FOR NHA/OTHER SYS DET SEE: 71-00-02-10	103106	RF
- 3	UL38163		ENGINE ASSY-Q.E.C.U. RB211-535E43724 BASIC ENGINE CONFIGURATION, BAYONET MCD, 40,100 LB THRUST SUPPLIER CODE: VK0680 FOR NHA/OTHER SYS DET SEE: 71-00-02-10	101101	RF
12	AS21407		.BOLT-	002004 006999	1
15	AS21517		.BOLT	002004 006999	4
18	AS21448		.BOLT-	002004 006999	1
22	AS21521		.BOLT-	002004 006999	4
33	AS21408		.BOLT-	002004 006999	3
35	AS21518		.BOLT	002004 006999	4
43	AS12943		.WASHER-	002004 006999	3
45	K8831		.WASHER- SUPPLIER CODE: VK0680	002004 006999	2
50	LK71659		.NUT- SUPPLIER CODE: VK0680	002004 006999	4
55	AS20625		.NUT	002004 006999	4
63	AS41104		.NUT-	002004 006999	3
65	AS41104		.NUT	002004 006999	2

MISSING ITEM NUMBERS NOT APPLICABLE

- ITEM NOT ILLUSTRATED

73-11-07-01

73-11-07  
FIG. 01  
PAGE 3  
JAN 20/09

BRI



757

PARTS CATALOG (MAINTENANCE)

FIG ITEM	PART NUMBER	1 2 3 4 5 6 7	NOMENCLATURE	EFFECT FROM TO	UNITS PER ASSY
1					
66	UP10480	.	SPACER- SUPPLIER CODE: VK0680	002004 006999	1
67	UP10481	.	SPACER- SUPPLIER CODE: VK0680	002004 006999	1
68	UP10482	.	SPACER- SUPPLIER CODE: VK0680	002004 006999	1
75	TA025028-24	.	CLIP- SUPPLIER CODE: V84971 POST SERVICE BULLETIN: 73-8457PT02 VK0680 POST AIRLINE MOD: EAS73QL-G195-1C VEAA	002004 006999	2
75	400WSS24	.	CLIP- SUPPLIER CODE: V83930 PRE SERVICE BULLETIN: 73-8457 VK0680	107107 121949 952999	2
90	LK84268	.	COVER-A/C DISC. LP FUEL TUBE TRANSPORTATION ONLY SUPPLIER CODE: VK0680	002004 006999	1
95	808298	.	SEAL- SUPPLIER CODE: V83259	002004 006999	1
103	UP10534	.	BRACKET-LP FUEL TUBE SPRT SUPPLIER CODE: VK0680	002004 006999	1
104	UP10297	.	BRACKET-P-1 PIPE CLIPPING SUPPLIER CODE: VK0680 PRE SERVICE BULLETIN: 77-9676 VK0680	101101 107107 121949 952999	1
105	AS27468	.	UNION	002004 006999	1
110	AS12800-907	.	RING-TOROIDAL SEALING	002004 006999	1
115	KB27136	.	SEAL-TOROIDAL SEALING SUPPLIER CODE: VK0680	002004 006999	1

MISSING ITEM NUMBERS NOT APPLICABLE

- ITEM NOT ILLUSTRATED

73-11-07-01

73-11-07  
FIG. 01  
PAGE 4  
JAN 20/09

BRI

BOEING PROPRIETARY - Copyright © - Unpublished Work - See title page for details.



757

PARTS CATALOG (MAINTENANCE)

FIG ITEM	PART NUMBER	1 2 3 4 5 6 7	NOMENCLATURE	EFFECT FROM TO	UNITS PER ASSY
1					
117	UL11207		.TUBE-LP FUEL SUPPLIER CODE: VK0680	002004 006999	1
125	AE706557-1		.HOSE ASSY-LP FUEL SUPPLIER CODE: VU2569 CONFIG CHG DATA FROM A CMM: FOR INTRCHNG SEE RR IPC OPTIONAL PART: 107180 V78570	002004 006999	1
125	107180		.HOSE ASSY-LP FUEL SUPPLIER CODE: V78570 CONFIG CHG DATA FROM A CMM: FOR INTRCHNG SEE RR IPC OPTIONAL PART: AE706557-1 VU2569	002004 006999	1
900			ILLUSTRATION REFERENCE: FUEL PUMP AND SHUT OFF VALVE (RB211-535) 73-11-01-01	002004 006999	RF

MISSING ITEM NUMBERS NOT APPLICABLE

- ITEM NOT ILLUSTRATED

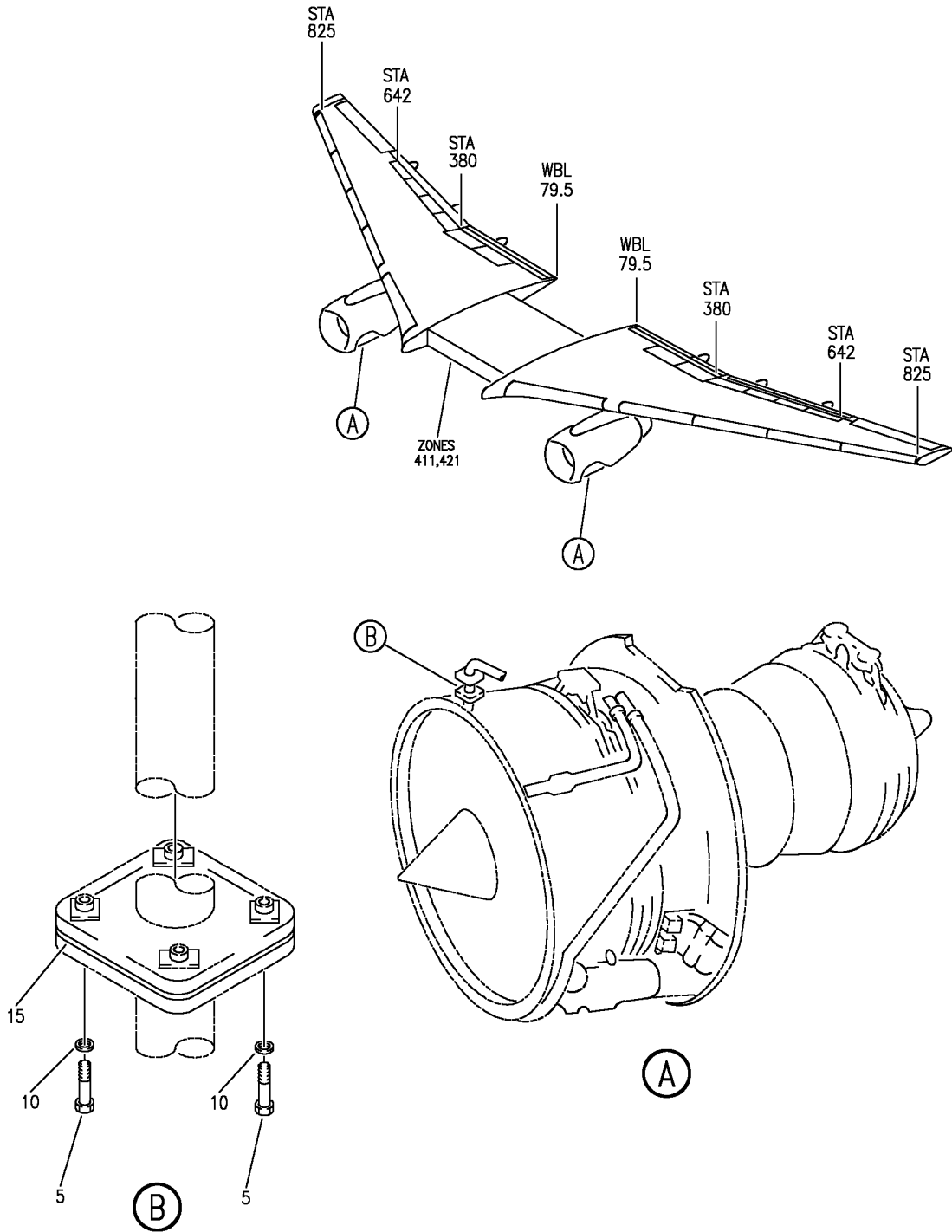
BRI

73-11-07-01

BOEING PROPRIETARY - Copyright © - Unpublished Work - See title page for details.

73-11-07  
FIG. 01  
PAGE 5  
JAN 20/09

**BOEING**  
757  
PARTS CATALOG (MAINTENANCE)



Y 73110704 REV 262

SYSTEMS AND ENGINE INTEGRATION (RB211-535E4) (ENGINE FUEL AND CONTROL ONLY)

FIGURE 4

**73-11-07-04**

BRI  
MAY 28/07

73-11-07-04  
PAGE 0



757

PARTS CATALOG (MAINTENANCE)

FIG ITEM	PART NUMBER	1 2 3 4 5 6 7	NOMENCLATURE	EFFECT FROM TO	UNITS PER ASSY
4			SYSTEMS AND ENGINE INTEGRATION (RB211-535E4) (ENGINE FUEL AND CONTROL ONLY)	101106 108120 504903	
- 1	310N5010-3		SYSTEMS INTEGRATION- (ENGINE FUEL AND CONTROL ONLY) FOR NHA/OTHER SYS DET SEE: 71-00-01-02A	101102 108120 504903	RF
- 1	MODREF13781		SYSTEMS INTEGRATION- (ENGINE FUEL AND CONTROL ONLY) MODULE NUMBER: 310N5010-3 REV A FOR OTHER SYS DETAILS SEE: 71-71-02-07 76-11-12-02	103106	1
5	BACB30LJ4U10		.BOLT-	101106 108120 504903	8
10	NAS1149C0432R		.WASHER-	101106 108120 504903	8
15	808298		.SEAL- SUPPLIER CODE: V83259	101106 108120 504903	2

MISSING ITEM NUMBERS NOT APPLICABLE

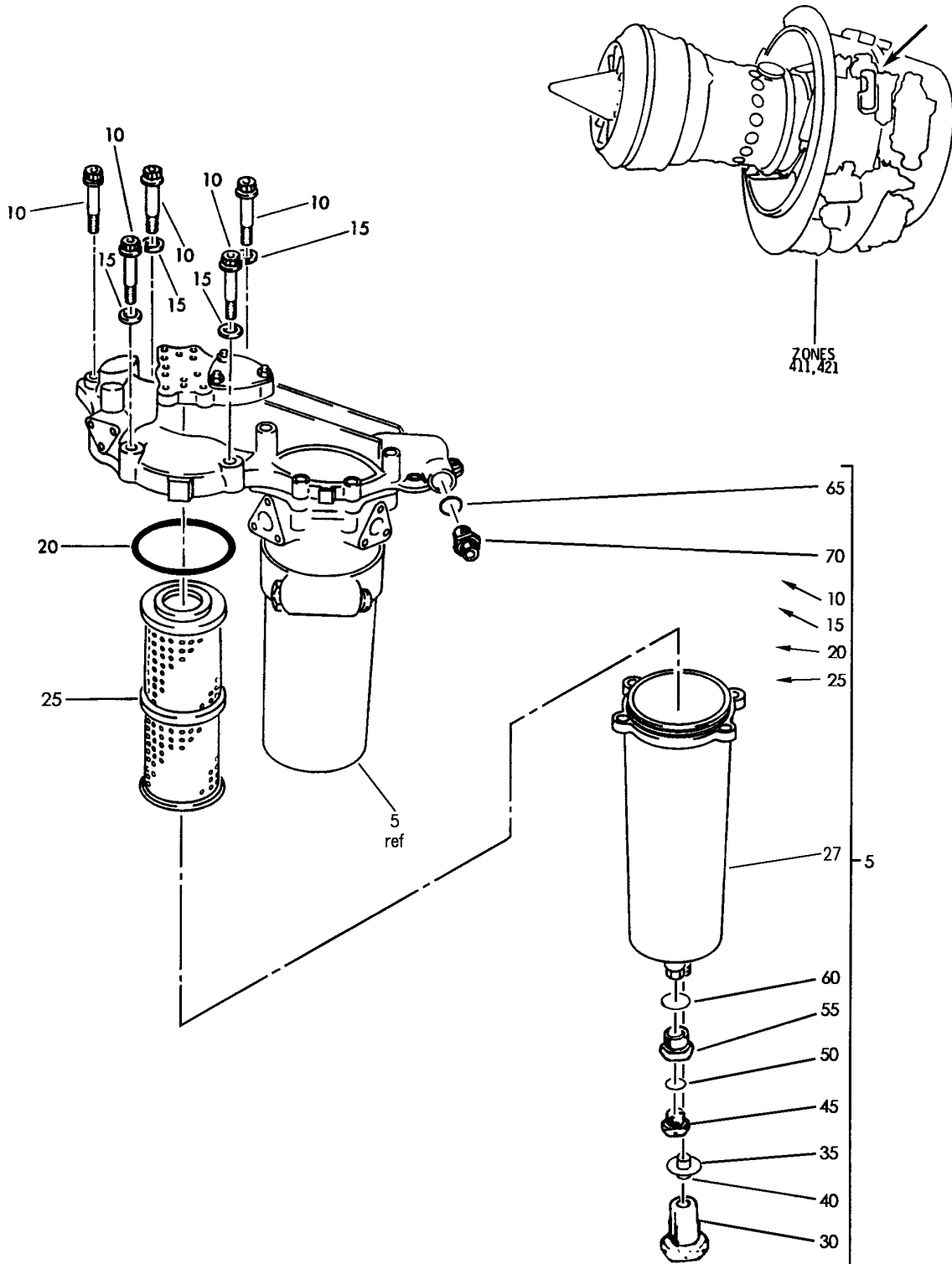
- ITEM NOT ILLUSTRATED

73-11-07-04

73-11-07  
FIG. 04  
PAGE 1  
JAN 20/09

BRI

**BOEING**  
757  
PARTS CATALOG (MAINTENANCE)



Y 73111001 REV 315

ELEMENT-LOW PRESSURE FUEL FILTER (RB211-535)  
FIGURE 1

**73-11-10-01**

BRI  
SEP 28/07

73-11-10-01  
PAGE 0



757

PARTS CATALOG (MAINTENANCE)

FIG ITEM	PART NUMBER	1 2 3 4 5 6 7	NOMENCLATURE	EFFECT FROM TO	UNITS PER ASSY
1			ELEMENT-LOW PRESSURE FUEL FILTER (RB211-535)	002004 006999	
- 1	UL20697		ENGINE ASSY-Q.E.C.U. RB211-535E43711 MAXIMUM NEUT WITH GRAVINER FIRE DETECTORS, BAYONET MCD, NON-MODULATED IDG COOLING 40,000 LB THRUST SUPPLIER CODE: VK0680 REFERENCE SERVICE BULLETIN: 71-0058R4 QUALIFIED SB I/W DATA: INTERMIX OF ONE OR SUBSTITUTION OF TWO DIFFERENT CONFIGURATION RB211-535E4-37/() ENGINES FOR RB211-535 E4 BASE ENGINES REFERENCE SERVICE BULLETIN: RB211-72-C547 VK0680 FOR NHA/OTHER SYS DET SEE: 71-00-02-04	121503 904949 952999	RF
- 1	UL20702		ENGINE ASSY-Q.E.C.U. RB211-535E43711 BASIC ENGINE CONFIG. WITH GRAVINER FIRE DETECTORS, BAYONET MCD, NON-MODULATED IDG COOLING 40,100 LB THRUST SUPPLIER CODE: VK0680 FOR NHA/OTHER SYS DET SEE: 71-00-02-10	504903	RF
- 1	UL19722		ENGINE ASSY-Q.E.C.U. RB211-535E43711 MAXIMUM NEUT SUPPLIER CODE: VK0680 FOR NHA/OTHER SYS DET SEE: 71-00-02-04	107107	RF

MISSING ITEM NUMBERS NOT APPLICABLE

- ITEM NOT ILLUSTRATED

BRI

73-11-10-01

73-11-10  
FIG. 01  
PAGE 1  
JAN 20/09





757

PARTS CATALOG (MAINTENANCE)

FIG ITEM	PART NUMBER	1 2 3 4 5 6 7	NOMENCLATURE	EFFECT FROM TO	UNITS PER ASSY
1					
- 2	UL20698		ENGINE ASSY-Q.E.C.U. RB211-535E43712 MAXIMUM NEUT SUPPLIER CODE: VK0680 REFERENCE SERVICE BULLETIN: 71-0058R7 QUALIFIED SB I/W DATA: INTERMIX OF ONE OR SUBSTITUTION OF TWO DIFFERENT CONFIGURATION RB211-535E4-37/() ENGINES FOR RB211-535E4 BASE ENGINES OR DIFFERENT CONFIGURATION RB211-535E4-B-37/() ENGINES FOR RB211-535E4-B BASE ENGINES REFERENCE SERVICE BULLETIN: RB211-72-C547 VK0680 RB211-72-8910 VK0680 POST RAPID REVISION: RR92014-183E FOR NHA/OTHER SYS DET SEE: 71-00-02-04	002004 006100 102102	RF
- 2	UL36209		ENGINE ASSY-Q.E.C.U. RB211-535E43719 MAXIMUM NEUT SUPPLIER CODE: VK0680 FOR NHA/OTHER SYS DET SEE: 71-00-02-04	950951	RF
- 3	BCREF17395		ENGINE ASSY-Q.E.C.U. RB211-535E43739 BASIC ENGINE CONFIGURATION AND PHASE 5 COMBUSTOR 40,100 LB THRUST SUPPLIER CODE: VK0680 OVERLENGTH PART NUMBER: RB211-535E4-37-39E FOR NHA/OTHER SYS DET SEE: 71-00-02-10	108120	RF

MISSING ITEM NUMBERS NOT APPLICABLE

- ITEM NOT ILLUSTRATED

BRI

73-11-10-01

BOEING PROPRIETARY - Copyright © - Unpublished Work - See title page for details.

73-11-10  
FIG. 01  
PAGE 2  
JAN 20/09



757

PARTS CATALOG (MAINTENANCE)

FIG ITEM	PART NUMBER	1 2 3 4 5 6 7	NOMENCLATURE	EFFECT FROM TO	UNITS PER ASSY
1					
- 3	BCREF17101		ENGINE ASSY-Q.E.C.U. RB211-535E43744 BASIC ENGINE CONFIGURATION, BAYONET MCD AND PHASE 5 COMBUSTOR 40,100 LB THRUST SUPPLIER CODE: VK0680 OVERLENGTH PART NUMBER: RB211-535E4-3744E FOR NHA/OTHER SYS DET SEE: 71-00-02-10	103106	RF
- 3	UL38163		ENGINE ASSY-Q.E.C.U. RB211-535E43724 BASIC ENGINE CONFIGURATION, BAYONET MCD 40,100 LB THRUST SUPPLIER CODE: VK0680 FOR NHA/OTHER SYS DET SEE: 71-00-02-10	101101	RF
5	45731-1261		.COOLER-OIL-FUEL COOLED SUPPLIER CODE: VU6578 POST SERVICE BULLETIN: 79-8215PTA VK0680 PRE SERVICE BULLETIN: 79-9657 VK0680	002004 006102 107999	1
5	45731-1262		.COOLER-OIL-FUEL COOLED SUPPLIER CODE: VU1841 POST SERVICE BULLETIN: 79-9657PT01 VK0680	002004 006100 102949 952999	1
10	AS21736		..BOLT	002004 006999	5
15	AS12946		..WASHER	002004 006999	4
20	KB27161		..SEAL- SUPPLIER CODE: VK0680	002004 006999	1

MISSING ITEM NUMBERS NOT APPLICABLE

- ITEM NOT ILLUSTRATED

73-11-10-01

73-11-10  
FIG. 01  
PAGE 3  
JAN 20/09

BRI



757

PARTS CATALOG (MAINTENANCE)

FIG ITEM	PART NUMBER	1 2 3 4 5 6 7	NOMENCLATURE	EFFECT FROM TO	UNITS PER ASSY
1	25 MFFA938		..ELEMENT-FUEL FILTER SUPPLIER CODE: VU6829 OPTIONAL PART: QA07624 VK6593 POST SERVICE BULLETIN: 73-B602PTA VK0680 PRE SERVICE BULLETIN: 73-B602 VK0680	002004 006999	1
	25 QA07624		..ELEMENT-FUEL FILTER SUPPLIER CODE: VK6539 OPTIONAL PART: MFFA938 VU6829 POST SERVICE BULLETIN: 73-B602PTA VK0680	002004 006999	1
	30 32273-1004		..PLUG-RTNR SUPPLIER CODE: VU1653	002004 006102 107107 121999	1
	35 AGS3757		..INSERT- 22881-1043 SUPPLIER CODE: VK1012	002004 006102 107107 121999	1
	40 AS43003-910		..RING- 26121-7710	002004 006102 107107 121999	1
	45 AS27906		..PLUG-	002004 006999	1
	50 AS12800-906		..SEAL-	002004 006100 102102 107107 121949 952999	1
	50 AS43003-906		..SEAL- POST SERVICE BULLETIN: 79-7923PTA VK0680	002004 006999	1

MISSING ITEM NUMBERS NOT APPLICABLE

- ITEM NOT ILLUSTRATED

73-11-10-01

73-11-10  
FIG. 01  
PAGE 4  
JAN 20/09

BRI

BOEING PROPRIETARY - Copyright © - Unpublished Work - See title page for details.



757

PARTS CATALOG (MAINTENANCE)

FIG ITEM	PART NUMBER	1 2 3 4 5 6 7	NOMENCLATURE	EFFECT FROM TO	UNITS PER ASSY
1					
55	32373-4006		.. INSERT- SUPPLIER CODE: VU6578 POST SERVICE BULLETIN: 79-8215PTA VK0680	002004 006999	1
60	AS43003-908		.. SEAL-FILTER POST SERVICE BULLETIN: 79-8215PTA VK0680	002004 006999	1
65	AS12800-910		.. RING-FILTER PRE SERVICE BULLETIN: 79-7923	002004 006100 102102 107107 121949 952999	1
65	AS43003-910		.. RING-FILTER POST SERVICE BULLETIN: 79-7923PTA VK0680	002004 006999	1
70	32588-1011		.. UNION- SUPPLIER CODE: VU6578 POST SERVICE BULLETIN: 79-7232PT01 VK0680	002004 006999	1

MISSING ITEM NUMBERS NOT APPLICABLE

- ITEM NOT ILLUSTRATED

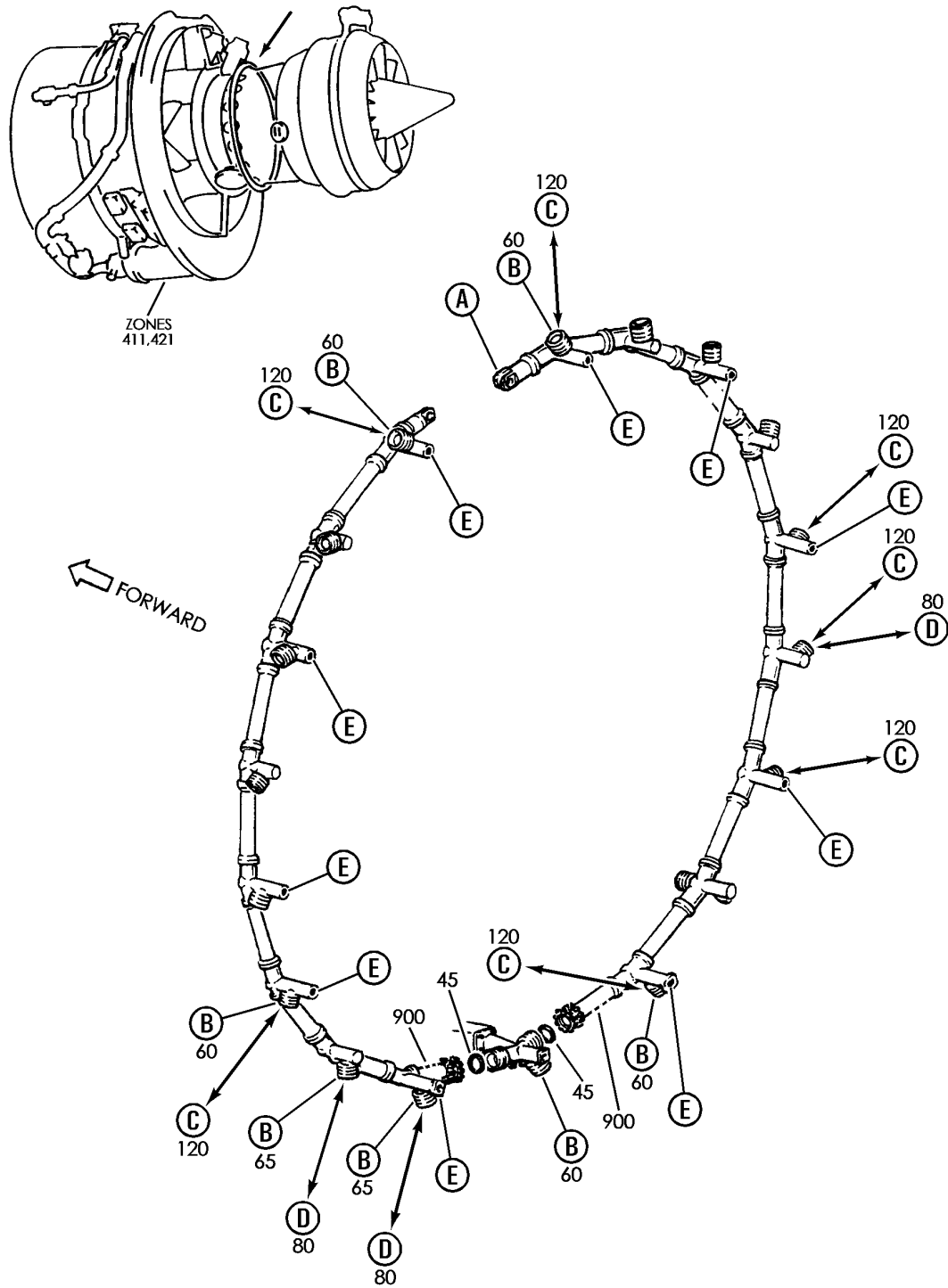
BRI

73-11-10-01

BOEING PROPRIETARY - Copyright © - Unpublished Work - See title page for details.

73-11-10  
FIG. 01  
PAGE 5  
JAN 20/09

**BOEING**  
757  
PARTS CATALOG (MAINTENANCE)



Y 73111101 SHT 1 REV 229

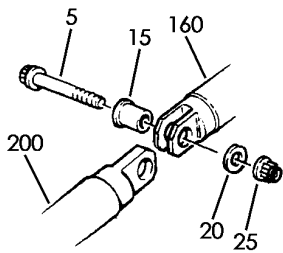
MANIFOLD-FUEL (RB211-535)  
FIGURE 1 (SHEET 1)

**73-11-11-01**

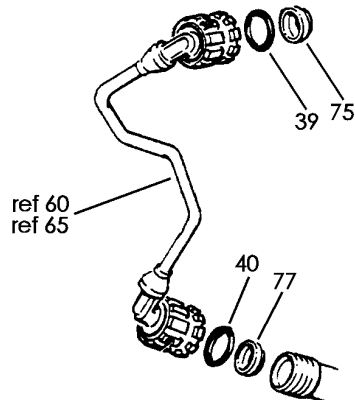
BRI  
MAY 28/07

73-11-11-01  
PAGE 0

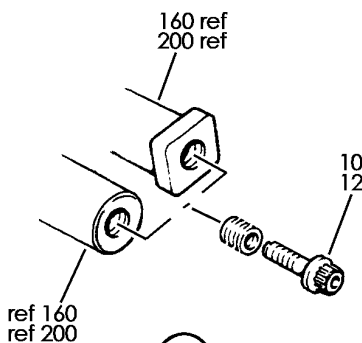
**BOEING**  
757  
PARTS CATALOG (MAINTENANCE)



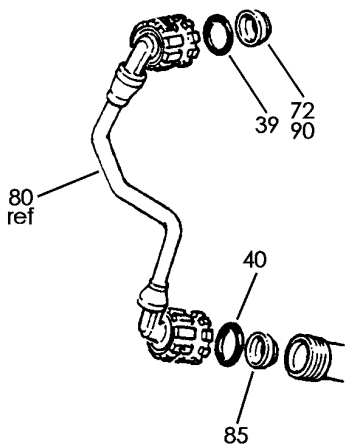
**A**



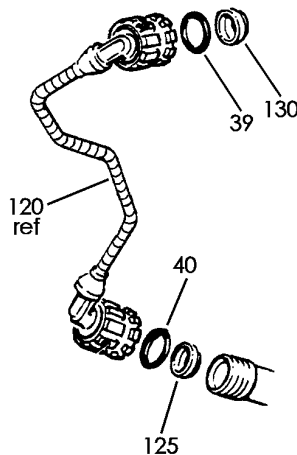
**B**



**E**



**D**



**C**

Y 73111101 SHT 2 REV 229

MANIFOLD-FUEL (RB211-535)  
FIGURE 1 (SHEET 2)

**73-11-11-01**

BRI  
MAY 28/07

73-11-11-01  
PAGE 0A



757

PARTS CATALOG (MAINTENANCE)

FIG ITEM	PART NUMBER	1 2 3 4 5 6 7	NOMENCLATURE	EFFECT FROM TO	UNITS PER ASSY
1			MANIFOLD-FUEL (RB211-535)	002004 006102 107107 121999	
- 1	UL20697		ENGINE ASSY-Q.E.C.U. RB211-535E43711 MAXIMUM NEUT WITH GRAVINER FIRE DETECTORS, BAYONET MCD, NON-MODULATED IDG COOLING 40,000 LB THRUST SUPPLIER CODE: VK0680 REFERENCE SERVICE BULLETIN: 71-0058R4 QUALIFIED SB I/W DATA: INTERMIX OF ONE OR SUBSTITUTION OF TWO DIFFERENT CONFIGURATION RB211-535E4-37/() ENGINES FOR RB211-535 E4 BASE ENGINES REFERENCE SERVICE BULLETIN: RB211-72-C547 VK0680 FOR NHA/OTHER SYS DET SEE: 71-00-02-04	121503 904949 952999	RF
- 1	UL20702		ENGINE ASSY-Q.E.C.U. RB211-535E43711 BASIC ENGINE CONFIGURATION WITH GRAVINER FIRE DETECTORS, BAYONET MCD, NON-MODULATED IDG COOLING 40,100 LB THRUST SUPPLIER CODE: VK0680 FOR NHA/OTHER SYS DET SEE: 71-00-02-10	504903	RF
- 1	UL19722		ENGINE ASSY-Q.E.C.U. RB211-535E43711 MAXIMUM NEUT SUPPLIER CODE: VK0680 FOR NHA/OTHER SYS DET SEE: 71-00-02-04	107107	RF

MISSING ITEM NUMBERS NOT APPLICABLE

- ITEM NOT ILLUSTRATED

73-11-11-01

73-11-11  
FIG. 01  
PAGE 1  
JAN 20/09

BRI



757

PARTS CATALOG (MAINTENANCE)

FIG ITEM	PART NUMBER	1 2 3 4 5 6 7	NOMENCLATURE	EFFECT FROM TO	UNITS PER ASSY
1					
- 2	UL20698		ENGINE ASSY-Q.E.C.U. RB211-535E43712 MAXIMUM NEUT SUPPLIER CODE: VK0680 REFERENCE SERVICE BULLETIN: 71-0058R7 QUALIFIED SB I/W DATA: INTERMIX OF ONE OR SUBSTITUTION OF TWO DIFFERENT CONFIGURATION RB211-535E4-37/() ENGINES FOR RB211-535E4 BASE ENGINES OR DIFFERENT CONFIGURATION RB211-535E4-B-37/() ENGINES FOR RB211-535E4-B BASE ENGINES REFERENCE SERVICE BULLETIN: RB211-72-C547 VK0680 RB211-72-8910 VK0680 POST RAPID REVISION: RR92014-183E FOR NHA/OTHER SYS DET SEE: 71-00-02-04	002004 006100 102102	RF
- 2	UL36209		ENGINE ASSY-Q.E.C.U. RB211-535E43719 MAXIMUM NEUT SUPPLIER CODE: VK0680 FOR NHA/OTHER SYS DET SEE: 71-00-02-04	950951	RF
- 3	UL38163		ENGINE ASSY-Q.E.C.U. RB211-535E43724 BASIC ENGINE CONFIGURATION, BAYONET MCD, 40,100 LB THRUST SUPPLIER CODE: VK0680 FOR NHA/OTHER SYS DET SEE: 71-00-02-10	101101	RF
5	AS21516		.BOLT- PRE SERVICE BULLETIN: 72-C230 VK0680	002004 006102 107107 121999	1

MISSING ITEM NUMBERS NOT APPLICABLE

- ITEM NOT ILLUSTRATED

73-11-11-01

73-11-11  
FIG. 01  
PAGE 2  
JAN 20/09

BRI





757

PARTS CATALOG (MAINTENANCE)

FIG ITEM	PART NUMBER	1 2 3 4 5 6 7	NOMENCLATURE	EFFECT FROM TO	UNITS PER ASSY
1					
10	AS21510		.BOLT- PRE SERVICE BULLETIN: 72-C230 VK0680	002004 006102 107107 121999	5
12	AS21510		.BOLT- PRE SERVICE BULLETIN: 72-C230 VK0680	002004 006102 107107 121999	4
15	LK76495		.BUSHING- SUPPLIER CODE: VK0680 PRE SERVICE BULLETIN: 72-C230 VK0680	002004 006102 107107 121999	1
20	AS12944		.WASHER- PRE SERVICE BULLETIN: 72-C230 VK0680	002004 006102 107107 121999	1
25	AS20625		.NUT- PRE SERVICE BULLETIN: 72-C230 VK0680	002004 006102 107107 121999	1
39	KB27113		.SEAL-RING SUPPLIER CODE: VK0680	002004 006102 107107 121999	18
40	KB27114		.SEAL-RING SUPPLIER CODE: VK0680	002004 006102 107107 121999	18
45	KB27118		.SEAL-RING SUPPLIER CODE: VK0680 OPTIONAL PART: AS43013-118 POST SERVICE BULLETIN: 72-9480PTC VK0680 PRE SERVICE BULLETIN: 72-C230 VK0680	002004 006102 107107 121999	2

MISSING ITEM NUMBERS NOT APPLICABLE

- ITEM NOT ILLUSTRATED

BRI

73-11-11-01

BOEING PROPRIETARY - Copyright © - Unpublished Work - See title page for details.

73-11-11  
FIG. 01  
PAGE 3  
JAN 20/09



757

PARTS CATALOG (MAINTENANCE)

FIG ITEM	PART NUMBER	1 2 3 4 5 6 7	NOMENCLATURE	EFFECT FROM TO	UNITS PER ASSY
1					
45	AS43013-118		.SEAL-TOROIDAL OPTIONAL PART: KB27118 VK0680 POST SERVICE BULLETIN: 72-9480PTC VK0680 PRE SERVICE BULLETIN: 72-C230 VK0680	002004 006102 107107 121999	2
45	KB27118		.SEAL-RING SUPPLIER CODE: VK0680 PRE SERVICE BULLETIN: 72-9480 VK0680	002004 006100 102102 107107 121949 952999	2
60	UL16589		.TUBE ASSY-FUEL MANIFOLD TO BURNERS SUPPLIER CODE: VK0680 POST SERVICE BULLETIN: 73-7374PT01 VK0680 PRE SERVICE BULLETIN: 79-9199 VK0680	002004 006100 102102 107107 121949 952999	16
60	UL14248		.TUBE ASSY-FUEL MANIFOLD TO BURNERS SUPPLIER CODE: VK0680 PRE SERVICE BULLETIN: 73-7374 VK0680	002004 006100 102102 107107 121949 952999	16
65	UL11336		.TUBE ASSY-FUEL MANIFOLD TO BURNERS SUPPLIER CODE: VK0680 PRE SERVICE BULLETIN: 73-7374 VK0680	002004 006100 102102 107107 121949 952999	2

MISSING ITEM NUMBERS NOT APPLICABLE

- ITEM NOT ILLUSTRATED

BRI

73-11-11-01

BOEING PROPRIETARY - Copyright © - Unpublished Work - See title page for details.

73-11-11  
FIG. 01  
PAGE 4  
JAN 20/09



757

PARTS CATALOG (MAINTENANCE)

FIG ITEM	PART NUMBER	1 2 3 4 5 6 7	NOMENCLATURE	EFFECT FROM TO	UNITS PER ASSY
1	65 UL16590		.TUBE ASSY-FUEL MANIFOLD TO BURNERS SUPPLIER CODE: VK0680 POST SERVICE BULLETIN: 73-7374PT01 VK0680 PRE SERVICE BULLETIN: 79-9199 VK0680	002004 006100 102102 107107 121949 952999	2
	72 UP10275		..WASHER-SEALING MANIFOLD FERRULE SUPPLIER CODE: VK0680 PRE SERVICE BULLETIN: 79-9199 VK0680	002004 006100 102102 107107 121949 952999	2
	75 UP10275		..WASHER-SEALING MANIFOLD FERRULE SUPPLIER CODE: VK0680 PRE SERVICE BULLETIN: 79-9199 VK0680	002004 006102 107107 121999	16
	77 UP10274		..WASHER-SEALING BURNER FERRULE SUPPLIER CODE: VK0680 PRE SERVICE BULLETIN: 79-9199 VK0680	002004 006100 102102 107107 121949 952999	18
	80 UL16590		.TUBE ASSY-FUEL MANIFOLD TO BURNERS SUPPLIER CODE: VK0680 POST SERVICE BULLETIN: 79-9199PT01 VK0680 PRE SERVICE BULLETIN: 72-C230 VK0680	002004 006102 107107 121999	3

MISSING ITEM NUMBERS NOT APPLICABLE

- ITEM NOT ILLUSTRATED

BRI

73-11-11-01

BOEING PROPRIETARY - Copyright © - Unpublished Work - See title page for details.

73-11-11  
FIG. 01  
PAGE 5  
JAN 20/09



757

PARTS CATALOG (MAINTENANCE)

FIG ITEM	PART NUMBER	1 2 3 4 5 6 7	NOMENCLATURE	EFFECT FROM TO	UNITS PER ASSY
1 85	UP10274		.. WASHER-SEALING BURNER FERRULE SUPPLIER CODE: VK0680 POST SERVICE BULLETIN: 79-9199PT01 VK0680 PRE SERVICE BULLETIN: 72-C230 VK0680	002004 006102 107107 121999	1
90	UP10275		.. WASHER-SEALING MANIFOLD FERRULE SUPPLIER CODE: VK0680 POST SERVICE BULLETIN: 79-9199PT01 VK0680 PRE SERVICE BULLETIN: 72-C230 VK0680	002004 006102 107107 121999	1
120	UL16589		. TUBE ASSY-FUEL MANIFOLD TO BURNERS SUPPLIER CODE: VK0680 POST SERVICE BULLETIN: 79-9199PT01 VK0680 PRE SERVICE BULLETIN: 72-C230 VK0680	002004 006102 107107 121999	15
125	UP10274		.. WASHER-SEALING BURNER FERRULE SUPPLIER CODE: VK0680 POST SERVICE BULLETIN: 79-9199PT01 VK0680 PRE SERVICE BULLETIN: 72-C230 VK0680	002004 006102 107107 121999	1
130	UP10275		.. WASHER-SEALING MANIFOLD FERRULE SUPPLIER CODE: VK0680 POST SERVICE BULLETIN: 79-9199PT01 VK0680	002004 006100 102102 107107 121949 952999	1

MISSING ITEM NUMBERS NOT APPLICABLE

- ITEM NOT ILLUSTRATED

73-11-11-01

73-11-11  
FIG. 01  
PAGE 6  
JAN 20/09

BRI



757

PARTS CATALOG (MAINTENANCE)

FIG ITEM	PART NUMBER	1 2 3 4 5 6 7	NOMENCLATURE	EFFECT FROM TO	UNITS PER ASSY
1 160	UL16970		.MANIFOLD ASSY-FUEL SUPPLIER CODE: VK0680 POSITION DATA: RH POST SERVICE BULLETIN: 73-7374PT01 VK0680 PRE SERVICE BULLETIN: 72-C230 VK0680	002004 006102 107107 121999	1
160	LK76485		.MANIFOLD ASSY-FUEL SUPPLIER CODE: VK0680 POSITION DATA: RH PRE SERVICE BULLETIN: 73-7374 VK0680	002004 006100 102102 107107 121949 952999	1
200	UL16969		.MANIFOLD ASSY-FUEL SUPPLIER CODE: VK0680 POSITION DATA: LH POST SERVICE BULLETIN: 73-7374PT01 VK0680 PRE SERVICE BULLETIN: 73-7374 VK0680	002004 006102 107107 121999	1
200	LK76486		.MANIFOLD ASSY-FUEL SUPPLIER CODE: VK0680 POSITION DATA: LH PRE SERVICE BULLETIN: 73-7374 VK0680	002004 006100 102102 107107 121949 952999	1
900			ILLUSTRATION REFERENCE: TUBES AND FITTINGS-FUEL SYSTEM (RB211-535) 73-11-06-06	002004 006102 107107 121999	RF

MISSING ITEM NUMBERS NOT APPLICABLE

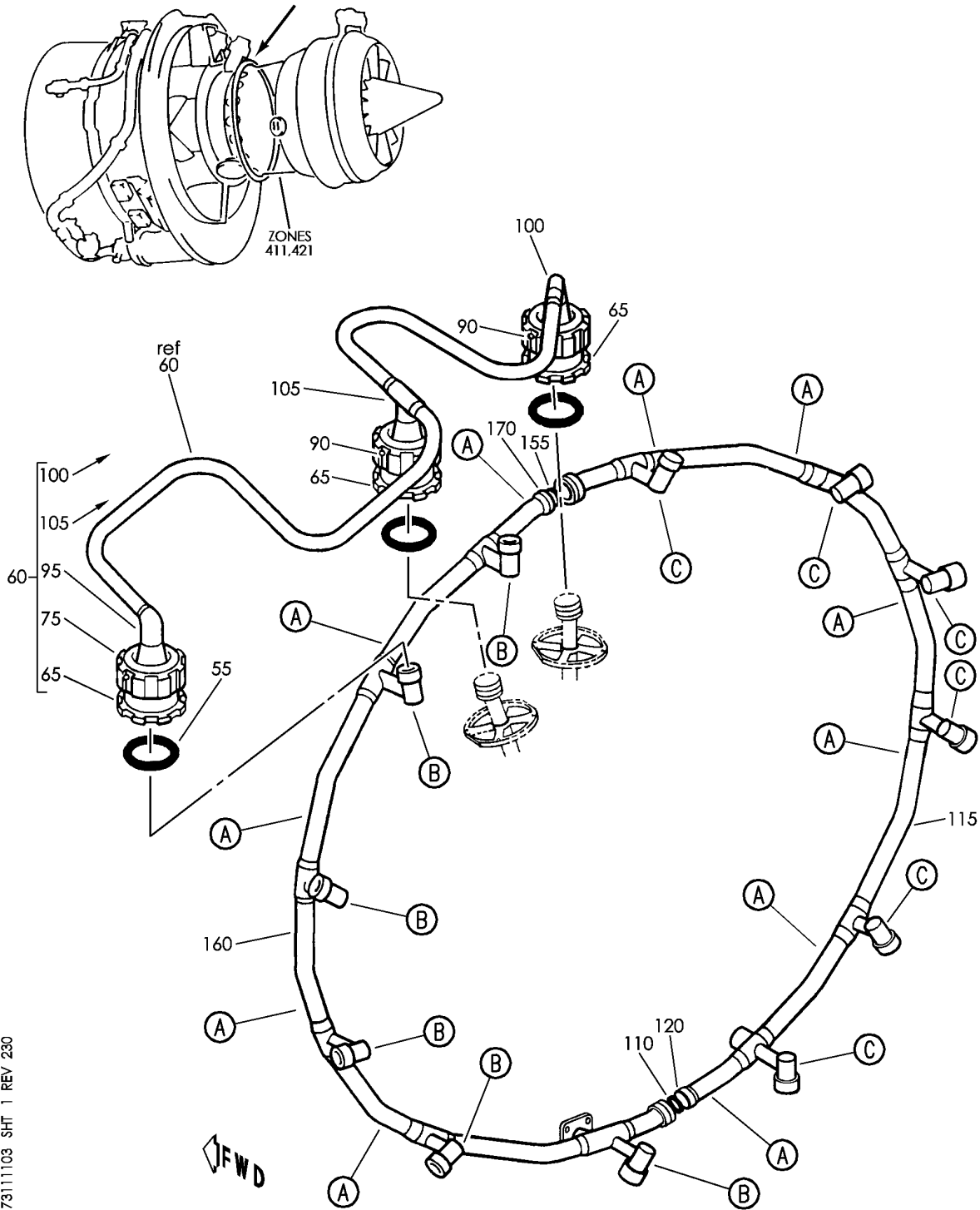
- ITEM NOT ILLUSTRATED

**73-11-11-01**

73-11-11  
FIG. 01  
PAGE 7  
JAN 20/09

BRI


**BOEING**  
 757  
**PARTS CATALOG (MAINTENANCE)**



Y 7311103 SHT 1 REV 230

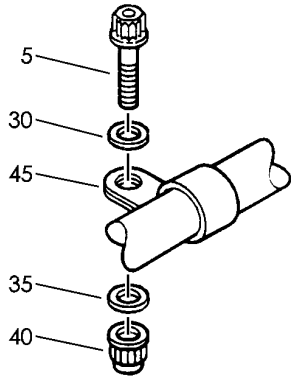
MANIFOLD-FUEL (RB211-535)  
 FIGURE 3 (SHEET 1)

**73-11-11-03**

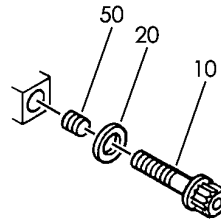
BRI  
JAN 20/09

73-11-11-03  
 PAGE 0

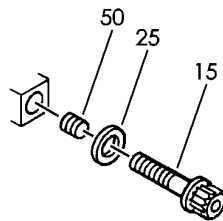
**BOEING**  
757  
PARTS CATALOG (MAINTENANCE)



(A)



(B)



(C)

Y 73111103 SHT 2 REV 230

MANIFOLD-FUEL (RB211-535)  
FIGURE 3 (SHEET 2)

**73-11-11-03**

BRI  
JAN 20/09

73-11-11-03  
PAGE 0A



757

PARTS CATALOG (MAINTENANCE)

FIG ITEM	PART NUMBER	1 2 3 4 5 6 7	NOMENCLATURE	EFFECT FROM TO	UNITS PER ASSY
3			MANIFOLD-FUEL (RB211-535)	103106 108120	
- 1	BCREF17395		ENGINE ASSY- RB211-535E43739 BASIC ENGINE CONFIGURATION AND PHASE 5 COMBUSTOR 40,100 LB THRUST SUPPLIER CODE: VK0680 OVERLENGTH PART NUMBER: RB211-535E4-37-39E FOR NHA/OTHER SYS DET SEE: 71-00-02-10	108120	RF
- 1	BCREF17101		ENGINE ASSY- RB211-535E43744 BASIC ENGINE CONFIGURATION BAYONET MCD AND PHASE 5 COMBUSTOR 40,100 LB THRUST SUPPLIER CODE: VK0680 OVERLENGTH PART NUMBER: RB211-535E4-3744E FOR NHA/OTHER SYS DET SEE: 71-00-02-10	103106	RF
	5 AS48409		.BOLT- POST SERVICE BULLETIN: 72-C230PT01 VK0680	103106 108120	18
	10 AS21010		.BOLT- POST SERVICE BULLETIN: 72-C230PT01 VK0680	103106 108120	5
	30 K8831		.WASHER- SUPPLIER CODE: VK0680 POST SERVICE BULLETIN: 72-C230PT01 VK0680	103106 108120	18
	35 AS12943		.WASHER- POST SERVICE BULLETIN: 72-C230PT01 VK0680	103106 108120	18
	40 AS20624		.NUT- POST SERVICE BULLETIN: 72-C230PT01 VK0680	103106 108120	18

MISSING ITEM NUMBERS NOT APPLICABLE

- ITEM NOT ILLUSTRATED

73-11-11-03

73-11-11  
FIG. 03  
PAGE 1  
JAN 20/09

BRI





757

PARTS CATALOG (MAINTENANCE)

FIG ITEM	PART NUMBER	1 2 3 4 5 6 7	NOMENCLATURE	EFFECT FROM TO	UNITS PER ASSY
3					
45	AS62408		.CLIP- POST SERVICE BULLETIN: 72-C230PT01 VK0680	103106 108120	18
55	AS43013-112		.SEAL-TOROIDAL POST SERVICE BULLETIN: 72-C230PT01 VK0680	103106 108120	36
60	UL39697		.TUBE ASSY-FUEL MANIFOLD TO BURNERS SUPPLIER CODE: VK0680 POST SERVICE BULLETIN: 72-C230PT01 VK0680	103106 108120	12
65	FK11864		..WASHER-SEALING BURNER FERRULE SUPPLIER CODE: VK0680 POST SERVICE BULLETIN: 72-C230PT01 VK0680	103106 108120	3
- 70	UP10275		..WASHER-SEALING MANIFOLD FERRULE SUPPLIER CODE: VK0680 POST SERVICE BULLETIN: 79-9199PT01 VK0680	103106 108120	15
- 72	UP10275		..WASHER-SEALING MANIFOLD FERRULE SUPPLIER CODE: VK0680	103106 108120	16
110	AS43013-114		.RING-TOROIDAL POST SERVICE BULLETIN: 72-C230PT01 VK0680	103106 108120	1
115	UL38117		.MANIFOLD ASSY-FUEL SUPPLIER CODE: VK0680 POSITION DATA: RH POST SERVICE BULLETIN: 72-C230PT01 VK0680	103106 108120	1
155	AS43013-114		.RING-TOROIDAL POST SERVICE BULLETIN: 72-C230PT01 VK0680	103106 108120	1

MISSING ITEM NUMBERS NOT APPLICABLE

- ITEM NOT ILLUSTRATED

73-11-11-03

73-11-11  
FIG. 03  
PAGE 2  
JAN 20/09

BRI



757

PARTS CATALOG (MAINTENANCE)

FIG ITEM	PART NUMBER	1 2 3 4 5 6 7	NOMENCLATURE	EFFECT FROM TO	UNITS PER ASSY
3 160	UL38664		.MANIFOLD ASSY-FUEL SUPPLIER CODE: VK0680 POSITION DATA: LH POST SERVICE BULLETIN: 72-C230PT01 VK0680	103106 108120	1

MISSING ITEM NUMBERS NOT APPLICABLE

- ITEM NOT ILLUSTRATED

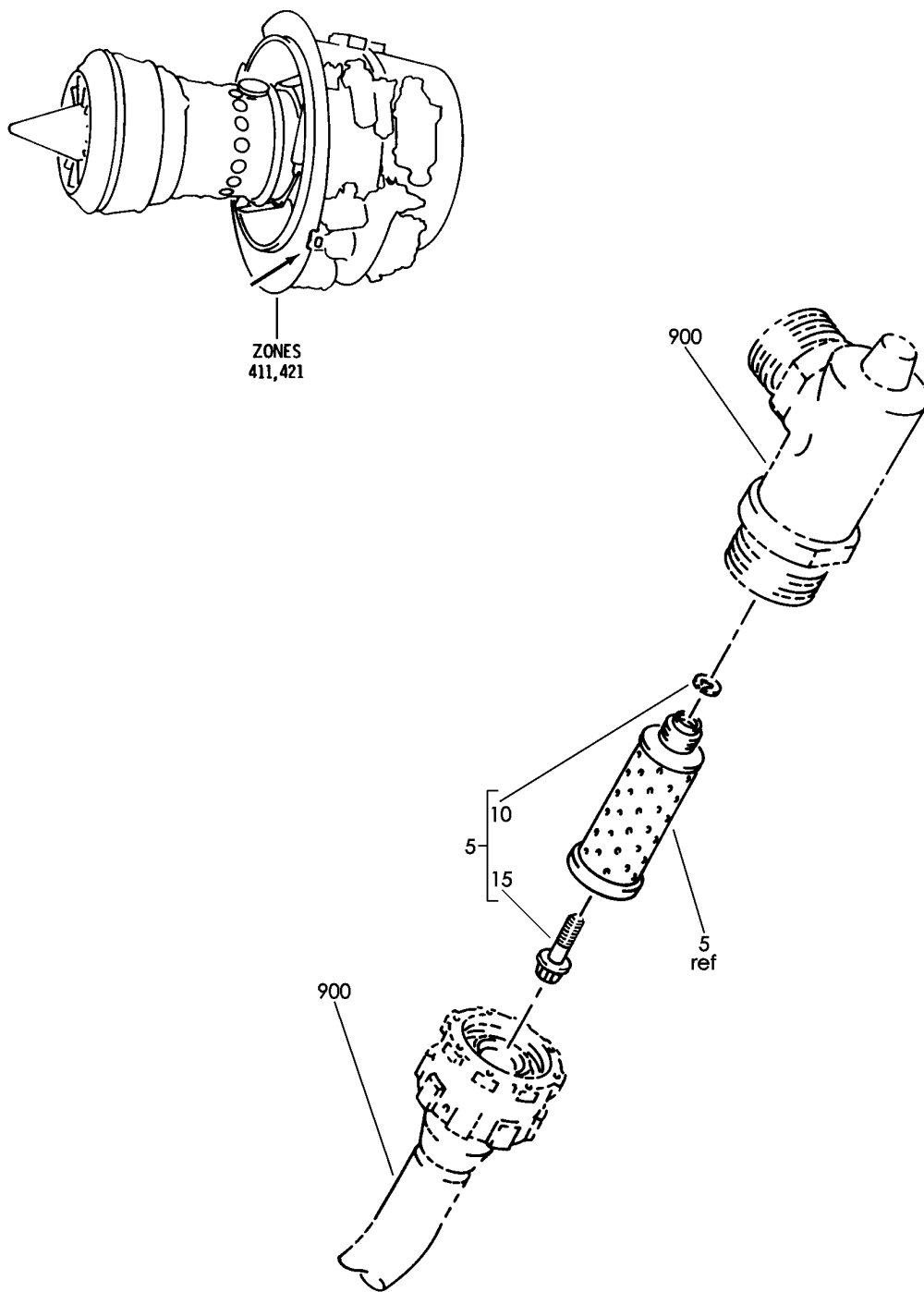
BRI

73-11-11-03

BOEING PROPRIETARY - Copyright © - Unpublished Work - See title page for details.

73-11-11  
FIG. 03  
PAGE 3  
JAN 20/09

**BOEING**  
757  
PARTS CATALOG (MAINTENANCE)



Y 73111201 REV 229

ELEMENT-HIGH PRESSURE FUEL FILTER (RB211-535)

FIGURE 1

**73-11-12-01**

BRI  
MAY 28/07

73-11-12-01  
PAGE 0



757

PARTS CATALOG (MAINTENANCE)

FIG ITEM	PART NUMBER	1 2 3 4 5 6 7	NOMENCLATURE	EFFECT FROM TO	UNITS PER ASSY
1			ELEMENT-HIGH PRESSURE FUEL FILTER (RB211-535)	002004 006999	
- 1	UL20697		ENGINE ASSY-Q.E.C.U. RB211-535E43711 MAXIMUM NEUT WITH GRAVINER FIRE DETECTORS, BAYONET MCD, NON-MODULATED IDG COOLING 40,000 LB THRUST SUPPLIER CODE: VK0680 REFERENCE SERVICE BULLETIN: 71-0058R4 QUALIFIED SB I/W DATA: INTERMIX OF ONE OR SUBSTITUTION OF TWO DIFFERENT CONFIGURATION RB211-535E4-37/() ENGINES FOR RB211-535 E4 BASE ENGINES REFERENCE SERVICE BULLETIN: RB211-72-C547 VK0680 FOR NHA/OTHER SYS DET SEE: 71-00-02-04	121503 904949 952999	RF
- 1	UL20702		ENGINE ASSY-Q.E.C.U. RB211-535E43711 BASIC ENGINE CONFIGURATION WITH GRAVINER FIRE DETECTORS, BAYONET MCD, NON-MODULATED IDG COOLING 40,100 LB THRUST SUPPLIER CODE: VK0680 FOR NHA/OTHER SYS DET SEE: 71-00-02-10	504903	RF
- 1	UL19722		ENGINE ASSY-Q.E.C.U. RB211-535E43711 MAXIMUM NEUT SUPPLIER CODE: VK0680 FOR NHA/OTHER SYS DET SEE: 71-00-02-04	107107	RF

MISSING ITEM NUMBERS NOT APPLICABLE

- ITEM NOT ILLUSTRATED

73-11-12-01

73-11-12  
FIG. 01  
PAGE 1  
JAN 20/09

BRI



757

PARTS CATALOG (MAINTENANCE)

FIG ITEM	PART NUMBER	1 2 3 4 5 6 7	NOMENCLATURE	EFFECT FROM TO	UNITS PER ASSY
1					
- 2	UL20698		ENGINE ASSY-Q.E.C.U. RB211-535E43712 MAXIMUM NEUT SUPPLIER CODE: VK0680 REFERENCE SERVICE BULLETIN: 71-0058R7 QUALIFIED SB I/W DATA: INTERMIX OF ONE OR SUBSTITUTION OF TWO DIFFERENT CONFIGURATION RB211-535E4-37/() ENGINES FOR RB211-535E4 BASE ENGINES OR DIFFERENT CONFIGURATION RB211-535E4-B-37/() ENGINES FOR RB211-535E4-B BASE ENGINES REFERENCE SERVICE BULLETIN: RB211-72-C547 VK0680 RB211-72-8910 VK0680 POST RAPID REVISION: RR92014-183E FOR NHA/OTHER SYS DET SEE: 71-00-02-04	002004 006100 102102	RF
- 2	UL36209		ENGINE ASSY-Q.E.C.U. RB211-535E43719 MAXIMUM NEUT SUPPLIER CODE: VK0680 FOR NHA/OTHER SYS DET SEE: 71-00-02-04	950951	RF
- 3	BCREF17395		ENGINE ASSY-Q.E.C.U. RB211-535E43739 BASIC ENGINE CONFIGURATION AND PHASE 5 COMBUSTOR 40,100 LB THRUST SUPPLIER CODE: VK0680 OVERLENGTH PART NUMBER: RB211-535E4-37-39E FOR NHA/OTHER SYS DET SEE: 71-00-02-10	108120	RF

MISSING ITEM NUMBERS NOT APPLICABLE

- ITEM NOT ILLUSTRATED

73-11-12-01

73-11-12  
FIG. 01  
PAGE 2  
JAN 20/09

BRI



757

PARTS CATALOG (MAINTENANCE)

FIG ITEM	PART NUMBER	1 2 3 4 5 6 7	NOMENCLATURE	EFFECT FROM TO	UNITS PER ASSY
1					
- 3	BCREF17101		ENGINE ASSY-Q.E.C.U. RB211-535E43744 BASIC ENGINE CONFIGURATION, BAYONET MCD AND PHASE 5 COMBUSTOR 40,100 LB THRUST SUPPLIER CODE: VK0680 OVERLENGTH PART NUMBER: RB211-535E4-3744E FOR NHA/OTHER SYS DET SEE: 71-00-02-10	103106	RF
- 3	UL38163		ENGINE ASSY-Q.E.C.U. RB211-535E43724 BASIC ENGINE CONFIGURATION, BAYONET MCD, 40,100 LB THRUST SUPPLIER CODE: VK0680 FOR NHA/OTHER SYS DET SEE: 71-00-02-10	101101	RF
5	QA0816		ELEMENT ASSY-FUEL FILTER SUPPLIER CODE: VK6539 PRE SERVICE BULLETIN: 73-B844 VK0680	002004 006999	1
5	QA07601		ELEMENT ASSY-FUEL FILTER SUPPLIER CODE: VK6539 POST SERVICE BULLETIN: 73-B844PTA VK0680	002004 006999	1
10	QA2229		..RING-RETAINING SUPPLIER CODE: VL6539 POST SERVICE BULLETIN: 73-8320PTA VK0680 PRE SERVICE BULLETIN: 73-B844 VK0680	002004 006999	1

MISSING ITEM NUMBERS NOT APPLICABLE

- ITEM NOT ILLUSTRATED

BRI

73-11-12-01

73-11-12  
FIG. 01  
PAGE 3  
JAN 20/09



757

PARTS CATALOG (MAINTENANCE)

FIG ITEM	PART NUMBER	1 2 3 4 5 6 7	NOMENCLATURE	EFFECT FROM TO	UNITS PER ASSY
1 15	QA2227		. . BOLT- SUPPLIER CODE: VK6539 POST SERVICE BULLETIN: 73-8320PTA VK0680 PRE SERVICE BULLETIN: 73-B844 VK0680	002004 006999	1
900			ILLUSTRATION REFERENCE: TUBES AND FITTINGS-FUEL SYS (RB211-535) 73-11-06-05	002004 006999	RF

MISSING ITEM NUMBERS NOT APPLICABLE

- ITEM NOT ILLUSTRATED

BRI

# 73-11-12-01

BOEING PROPRIETARY - Copyright © - Unpublished Work - See title page for details.

73-11-12  
FIG. 01  
PAGE 4  
JAN 20/09

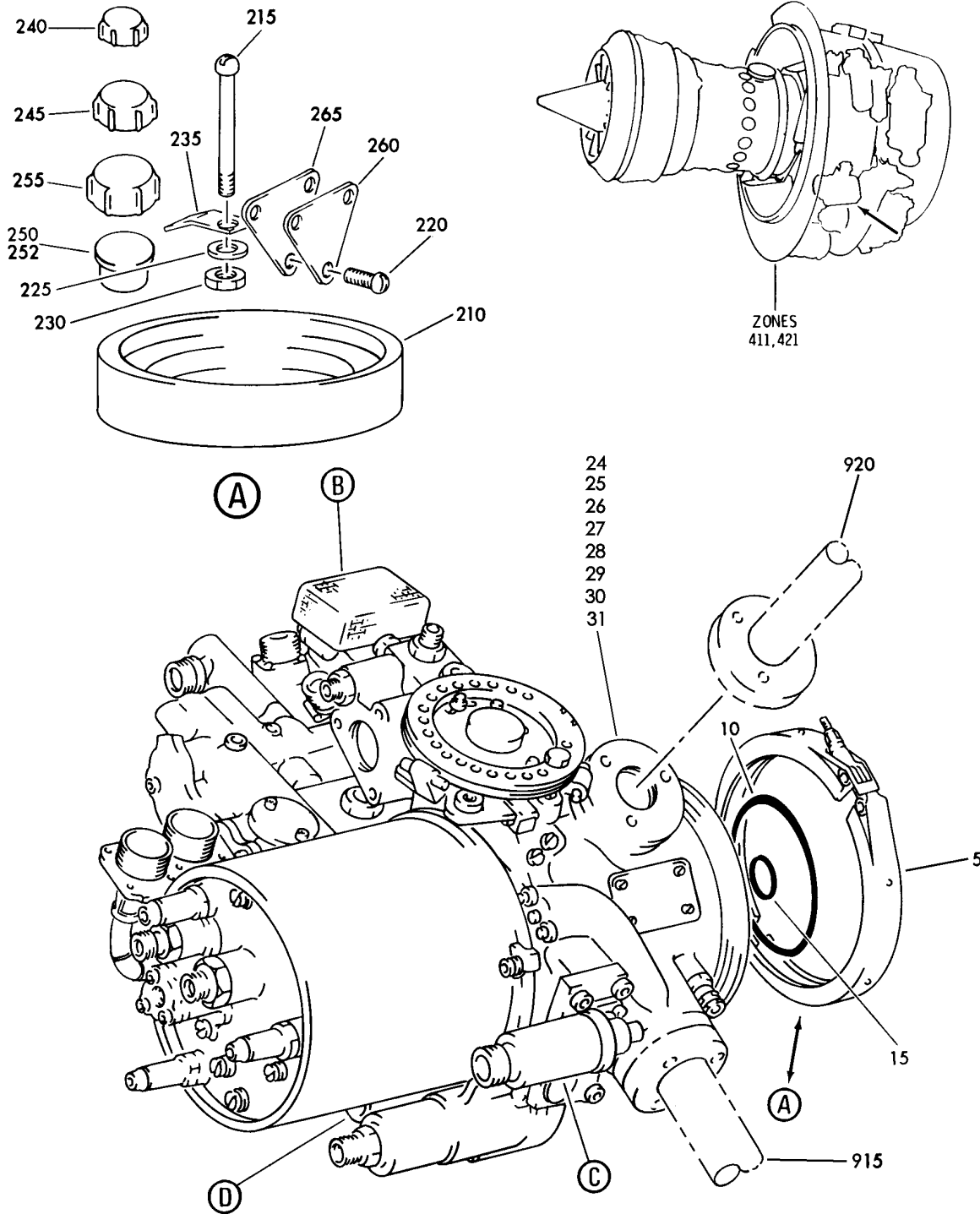
## **FUEL CONTROL SYSTEM**

**BRI**  
**MAY 28/07**

**73-21-00**  
**SECTION TITLE**  
**PAGE 1**



**BOEING**  
757  
PARTS CATALOG (MAINTENANCE)



Y 73210101 SHT 1 REV 230

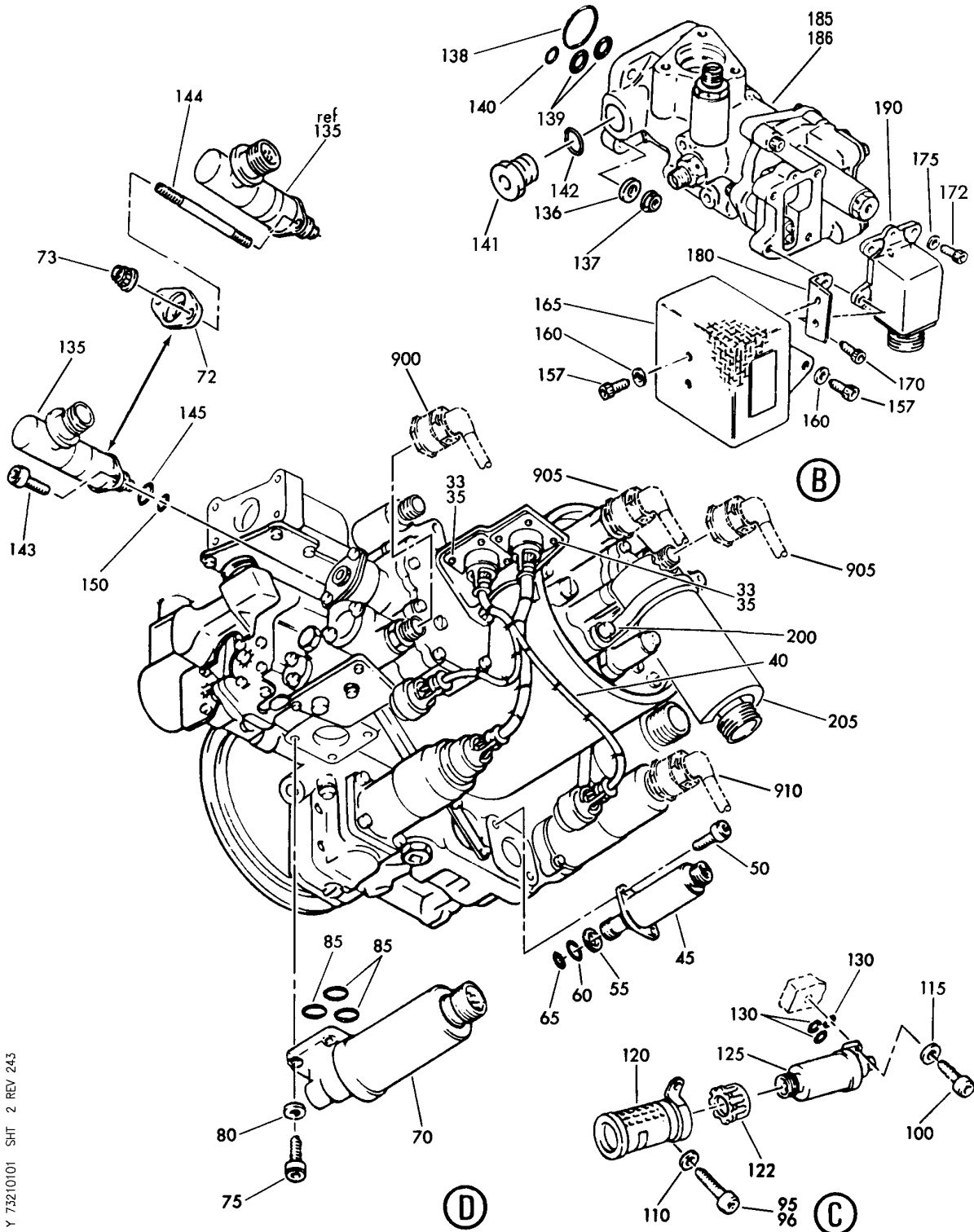
GOVERNOR-FUEL FLOW (RB211-535)  
FIGURE 1 (SHEET 1)

**73-21-01-01**

BRI  
MAY 28/07

73-21-01-01  
PAGE 0

**BOEING**  
757  
PARTS CATALOG (MAINTENANCE)



Y 73210101 SHT 2 REV 243

GOVERNOR-FUEL FLOW (RB211-535)  
FIGURE 1 (SHEET 2)

**73-21-01-01**

BRI  
MAY 28/07

73-21-01-01  
PAGE 0A



757

PARTS CATALOG (MAINTENANCE)

FIG ITEM	PART NUMBER	1 2 3 4 5 6 7	NOMENCLATURE	EFFECT FROM TO	UNITS PER ASSY
1			GOVERNOR-FUEL FLOW (RB211-535)	002004 006999	
- 1	UL20697		ENGINE ASSY-Q.E.C.U. RB211-535E43711 MAXIMUM NEUT WITH GRAVINER FIRE DETECTORS, BAYONET MCD, NON-MODULATED IDG COOLING 40,000 LB THRUST SUPPLIER CODE: VK0680 REFERENCE SERVICE BULLETIN: 71-0058R4 QUALIFIED SB I/W DATA: INTERMIX OF ONE OR SUBSTITUTION OF TWO DIFFERENT CONFIGURATION RB211-535E4-37/() ENGINES FOR RB211-535 E4 BASE ENGINES REFERENCE SERVICE BULLETIN: RB211-72-C547 VK0680 FOR NHA/OTHER SYS DET SEE: 71-00-02-04	121503 904949 952999	RF
- 1	UL20702		ENGINE ASSY-Q.E.C.U. RB211-535E43711 BASIC ENGINE CONFIGURATION WITH GRAVINER FIRE DETECTORS, BAYONET MCD, NON-MODULATED IDG COOLING 40,100 LB THRUST SUPPLIER CODE: VK0680 FOR NHA/OTHER SYS DET SEE: 71-00-02-10	504903	RF
- 1	UL19722		ENGINE ASSY-Q.E.C.U. RB211-535E43711 MAXIMUM NEUT SUPPLIER CODE: VK0680 FOR NHA/OTHER SYS DET SEE: 71-00-02-04	107107	RF

MISSING ITEM NUMBERS NOT APPLICABLE

- ITEM NOT ILLUSTRATED

BRI

73-21-01-01

BOEING PROPRIETARY - Copyright © - Unpublished Work - See title page for details.

73-21-01  
FIG. 01  
PAGE 1  
JAN 20/09



757

PARTS CATALOG (MAINTENANCE)

FIG ITEM	PART NUMBER	1 2 3 4 5 6 7	NOMENCLATURE	EFFECT FROM TO	UNITS PER ASSY
1					
- 2	UL20698		ENGINE ASSY-Q.E.C.U. RB211-535E43712 MAXIMUM NEUT SUPPLIER CODE: VK0680 REFERENCE SERVICE BULLETIN: 71-0058R7 QUALIFIED SB I/W DATA: INTERMIX OF ONE OR SUBSTITUTION OF TWO DIFFERENT CONFIGURATION RB211-535E4-37/() ENGINES FOR RB211-535E4 BASE ENGINES OR DIFFERENT CONFIGURATION RB211-535E4-B-37/() ENGINES FOR RB211-535E4-B BASE ENGINES REFERENCE SERVICE BULLETIN: RB211-72-C547 VK0680 RB211-72-8910 VK0680 POST RAPID REVISION: RR92014-183E FOR NHA/OTHER SYS DET SEE: 71-00-02-04	002004 006100 102102	RF
- 2	UL36209		ENGINE ASSY-Q.E.C.U. RB211-535E43719 MAXIMUM NEUT SUPPLIER CODE: VK0680 FOR NHA/OTHER SYS DET SEE: 71-00-02-04	950951	RF
- 3	BCREF17395		ENGINE ASSY-Q.E.C.U. RB211-535E43739 BASIC ENGINE CONFIGURATION AND PHASE 5 COMBUSTOR 40,100 LB THRUST SUPPLIER CODE: VK0680 OVERLENGTH PART NUMBER: RB211-535E4-37-39E FOR NHA/OTHER SYS DET SEE: 71-00-02-10	108120	RF

MISSING ITEM NUMBERS NOT APPLICABLE

- ITEM NOT ILLUSTRATED

73-21-01-01

73-21-01  
FIG. 01  
PAGE 2  
JAN 20/09

BRI



757

PARTS CATALOG (MAINTENANCE)

FIG ITEM	PART NUMBER	1 2 3 4 5 6 7	NOMENCLATURE	EFFECT FROM TO	UNITS PER ASSY
1					
- 3	BCREF17101		ENGINE ASSY-Q.E.C.U. RB211-535E43744 BASIC ENGINE CONFIGURATION BAYONET MCD AND PHASE 5 COMBUSTOR 40,100 LB THRUST SUPPLIER CODE: VK0680 OVERLENGTH PART NUMBER: RB211-535E4-3744E FOR NHA/OTHER SYS DET SEE: 71-00-02-10	103106	RF
- 3	UL38163		ENGINE ASSY-Q.E.C.U. RB211-535E43724 BASIC ENGINE CONFIGURATION BAYONET MCD 40,100 LB THRUST SUPPLIER CODE: VK0680 FOR NHA/OTHER SYS DET SEE: 71-00-02-10	101101	RF
- 4	UL10915		. FUEL CONTROL SYSTEM- SUPPLIER CODE: VK0680 POST SERVICE BULLETIN: 73-6352PT01 VK0680 PRE SERVICE BULLETIN: 73-7905 VK0680	107107 121949 952999	RF
- 4	UL10962		. FUEL CONTROL SYSTEM- SUPPLIER CODE: VK0680 POST SERVICE BULLETIN: 73-7905PT01 VK0680	002004 006999	RF
5	62-99-061		.. CLAMP- SUPPLIER CODE: VU2569	002004 006999	1
10	AS12801-149		.. RING-SEALING TOROIDAL	002004 006999	1
15	KB27114		.. SEAL-RING SUPPLIER CODE: VK0680	002004 006999	1

MISSING ITEM NUMBERS NOT APPLICABLE

- ITEM NOT ILLUSTRATED

73-21-01-01

73-21-01  
FIG. 01  
PAGE 3  
JAN 20/09

BRI



757

PARTS CATALOG (MAINTENANCE)

FIG ITEM	PART NUMBER	1 2 3 4 5 6 7	NOMENCLATURE	EFFECT FROM TO	UNITS PER ASSY
1					
24	FFG052AD		.. GOVERNOR ASSY-FUEL FLOW SUPPLIER CODE: V66503 POST SERVICE BULLETIN: 73-D716PT01 VK0680	103106 108120	1
24	FFG052AE		.. GOVERNOR-FUEL FLOW SUPPLIER CODE: V66503 POST SERVICE BULLETIN: 73-D716PT01 VK0680	103106 108120	1
24	FFG052AB		.. GOVERNOR ASSY-FUEL FLOW SUPPLIER CODE: V0W773 POST SERVICE BULLETIN: 73-C857PT01 VK0680 72-C230PT01 VK0680 PRE SERVICE BULLETIN: 73-C793 VK0680 73-D570 VK0680	103106 108120	1
24	FFG052AC		.. GOVERNOR ASSY-FUEL FLOW SUPPLIER CODE: V0W773 POST SERVICE BULLETIN: 73-C793PT01 VK0680 73-857PT01 VK0680 PRE SERVICE BULLETIN: 73-C857 VK0680 73-D570 VK0680	103106 108120	1

MISSING ITEM NUMBERS NOT APPLICABLE

- ITEM NOT ILLUSTRATED

BRI

73-21-01-01

BOEING PROPRIETARY - Copyright © - Unpublished Work - See title page for details.

73-21-01  
FIG. 01  
PAGE 4  
JAN 20/09



757

PARTS CATALOG (MAINTENANCE)

FIG ITEM	PART NUMBER	1 2 3 4 5 6 7	NOMENCLATURE	EFFECT FROM TO	UNITS PER ASSY
1	24 FFG051BB		.. GOVERNOR ASSY-FUEL FLOW SUPPLIER CODE: VOW773 POST SERVICE BULLETIN: 73-C857PT01 VK0680 73-C230PT02 VK0680 PRE SERVICE BULLETIN: 73-C857 VK0680 73-D570 VK0680	103106 108120	1
	24 FFG051BC		.. GOVERNOR ASSY-FUEL FLOW SUPPLIER CODE: VOW773 POST SERVICE BULLETIN: 73-C857PT01 VK0680 PRE SERVICE BULLETIN: 73-D570 VK0680	103106 108120	1
	24 FFG051BD		.. GOVERNOR ASSY-FUEL FLOW SUPPLIER CODE: V66503 POST SERVICE BULLETIN: 73-D716PT01 VK0680	103106 108120	1
	24 FFG051BE		.. GOVERNOR ASSY-FUEL FLOW SUPPLIER CODE: V66503 POST SERVICE BULLETIN: 73-D716PT01 VK0680	103106 108120	1
	25 FFG020AD		.. GOVERNOR ASSY-FUEL FLOW SUPPLIER CODE: V66503 NOT APPROVED FOR ETOPS. POST SERVICE BULLETIN: 73-7918 VK0680	101101	1

MISSING ITEM NUMBERS NOT APPLICABLE

- ITEM NOT ILLUSTRATED

73-21-01-01

73-21-01  
FIG. 01  
PAGE 5  
JAN 20/09

BRI



757

PARTS CATALOG (MAINTENANCE)

FIG ITEM	PART NUMBER	1 2 3 4 5 6 7	NOMENCLATURE	EFFECT FROM TO	UNITS PER ASSY
1					
25	FFG021AD		.. GOVERNOR ASSY-FUEL FLOW SUPPLIER CODE: V66503 NOT APPROVED FOR ETOPS. POST SERVICE BULLETIN: 73-8351PT01 VK0680 73-8453PT01 VK0680 PRE SERVICE BULLETIN: 73-8453 VK0680	101101	1
25	FFG021AK		.. GOVERNOR ASSY-FUEL FLOW SUPPLIER CODE: V66503 OPTIONAL PART: FFG021AJ V66503	101101	1
25	FFG021AK		.. GOVERNOR ASSY-FUEL FLOW SUPPLIER CODE: V66503 POST SERVICE BULLETIN: 73-9650 VK0680 73-9515 VK0680	101101	1
25	FFG021AJ		.. GOVERNOR ASSY-FUEL FLOW SUPPLIER CODE: V66503 POST SERVICE BULLETIN: 73-9650 VK0680 73-9515 VK0680 73-8918 VK0680 73-8917 VK0680	101101	1

MISSING ITEM NUMBERS NOT APPLICABLE

- ITEM NOT ILLUSTRATED

BRI

73-21-01-01

BOEING PROPRIETARY - Copyright © - Unpublished Work - See title page for details.

73-21-01  
FIG. 01  
PAGE 6  
JAN 20/09





757

PARTS CATALOG (MAINTENANCE)

FIG ITEM	PART NUMBER	1 2 3 4 5 6 7	NOMENCLATURE	EFFECT FROM TO	UNITS PER ASSY
1	25 FFG021AG		.. GOVERNOR ASSY-FUEL FLOW SUPPLIER CODE: V66503 NOT APPROVED FOR ETOPS. POST SERVICE BULLETIN: 73-9707PT01 VK0680 73-9745PT01 VK0680 PRE SERVICE BULLETIN: 73-9745 VK0680 73-9746 VK0680	002004 006100 107107 121949 952999	1
	25 FFG021AH		.. GOVERNOR ASSY-FUEL FLOW SUPPLIER CODE: V66503 NOT APPROVED FOR ETOPS. POST SERVICE BULLETIN: 73-9707PT01 VK0680 73-9745PT01 VK0680 PRE SERVICE BULLETIN: 73-9745 VK0680 73-9746 VK0680	002004 006100 107107 121949 952999	1
	26 FFG021AF		.. GOVERNOR ASSY-FUEL FLOW SUPPLIER CODE: V66503 NOT APPROVED FOR ETOPS. POST SERVICE BULLETIN: 73-9745PT01 VK0680 73-8916PT01 VK0680 73-8915PT01 VK0680 73-8305PT01 VK0680 73-B392PT01 VK0680 73-8193PT01 VK0680 73-8453PT01 VK0680 73-8865PT01 VK0860	002004 006102 107107 121949 952999	1

MISSING ITEM NUMBERS NOT APPLICABLE

- ITEM NOT ILLUSTRATED

73-21-01-01

73-21-01  
FIG. 01  
PAGE 7  
JAN 20/09

BRI



757

PARTS CATALOG (MAINTENANCE)

FIG ITEM	PART NUMBER	1 2 3 4 5 6 7	NOMENCLATURE	EFFECT FROM TO	UNITS PER ASSY
1			73-8918PT01 VK0860 73-B584PT01 VK0680 73-8340PT01 VK0680 73-8417PT01 VK0680 73-8917PT01 VK0680 73-9515PT01 VK0680 73-9650PT01 VK0680 73-9707PT01 VK0680 73-9746PT01 VK0680 PRE SERVICE BULLETIN: 73-8915 VK0680 73-8917 VK0680 73-8453 VK0680 73-8305 VK0680 73-8351 VK0680 73-8918 VK0680 73-B584 VK0680 73-8865 VK0680 73-8340 VK0680 73-8417 VK0680 73-8916 VK0680 73-9746 VK0680 73-9707 VK0680 73-9745 VK0680 73-B392 VK0680		

MISSING ITEM NUMBERS NOT APPLICABLE

- ITEM NOT ILLUSTRATED

BRI

# 73-21-01-01

BOEING PROPRIETARY - Copyright © - Unpublished Work - See title page for details.

73-21-01  
FIG. 01  
PAGE 8  
JAN 20/09



757

PARTS CATALOG (MAINTENANCE)

FIG ITEM	PART NUMBER	1 2 3 4 5 6 7	NOMENCLATURE	EFFECT FROM TO	UNITS PER ASSY
1 26	FFG021AX		.. GOVERNOR ASSY-FUEL FLOW SUPPLIER CODE: V66503 CONFIG CHG DATA FROM A CMM: FOR INTRCHG SEE RR IPC POST SERVICE BULLETIN: 73-C332PT01 VK0680 73-C181PT01 VK0680 73-B869PT03 VK0680 PRE SERVICE BULLETIN: 73-C181 VK0680 73-C332 VK0680	002004 006102 107107 121999	1
26	FFG021BA		.. GOVERNOR ASSY-FUEL FLOW SUPPLIER CODE: V66503 NOT APPROVED FOR ETOPS. OPTIONAL PART: FFG021BC V66503 POST SERVICE BULLETIN: 73-8917 VK0680	101101	1

MISSING ITEM NUMBERS NOT APPLICABLE

- ITEM NOT ILLUSTRATED

BRI

**73-21-01-01**

BOEING PROPRIETARY - Copyright © - Unpublished Work - See title page for details.

73-21-01  
 FIG. 01  
 PAGE 9  
 JAN 20/09



757

PARTS CATALOG (MAINTENANCE)

FIG ITEM	PART NUMBER	1 2 3 4 5 6 7	NOMENCLATURE	EFFECT FROM TO	UNITS PER ASSY
1 26	FFG021BA		.. GOVERNOR ASSY-FUEL FLOW SUPPLIER CODE: V66503 NOT APPROVED FOR ETOPS. POST SERVICE BULLETIN: 73-B392 VK0680 73-9746 VK0680 73-9745 VK0680 73-9708 VK0680 73-9650 VK0680 PRE SERVICE BULLETIN: 73-B584 VK0680 73-B392 VK0680 73-9746 VK0680 73-9745 VK0680 73-9707 VK0680	101101	1
26	FFG021AG		.. GOVERNOR ASSY-FUEL FLOW SUPPLIER CODE: V66503 POST SERVICE BULLETIN: 73-9707PT01 VK0680 73-9745PT01 VK0680 PRE SERVICE BULLETIN: 73-9745 VK0680 73-9746 VK0680	101102	1

MISSING ITEM NUMBERS NOT APPLICABLE

- ITEM NOT ILLUSTRATED

BRI

73-21-01-01

BOEING PROPRIETARY - Copyright © - Unpublished Work - See title page for details.

73-21-01  
 FIG. 01  
 PAGE 10  
 JAN 20/09



757

PARTS CATALOG (MAINTENANCE)

FIG ITEM	PART NUMBER	1 2 3 4 5 6 7	NOMENCLATURE	EFFECT FROM TO	UNITS PER ASSY
1 26	FFG021AH		.. GOVERNOR ASSY-FUEL FLOW SUPPLIER CODE: V66503 POST SERVICE BULLETIN: 73-9707PT01 VK0680 73-9745PT01 VK0680 PRE SERVICE BULLETIN: 73-9745 VK0680 73-9746 VK0680	101102	1
27	FFG021AJ		.. GOVERNOR ASSY-FUEL FLOW SUPPLIER CODE: V66503 CONFIG CHG DATA FROM A CMM: FOR INTRCHG SEE RR IPC POST SERVICE BULLETIN: 73-9745PT01 VK0680 73-9650PT01 VK0680 73-B136PT01 VK0680 73-8056PT01 VK0680 73-8719PT01 VK0680 73-7814PT01 VK0680 73-8305PT01 VK0680 73-8453PT01 VK0680 73-8916PT01 VK0680 73-8918PT01 VK0680 73-9707PT01 VK0680 73-9746PT01 VK0680 73-8634PT01 VK0680 73-7918PT01 VK0680 73-8340PT01 VK0680	002004 006102 107107 121999	1

MISSING ITEM NUMBERS NOT APPLICABLE

- ITEM NOT ILLUSTRATED

BRI

73-21-01-01

BOEING PROPRIETARY - Copyright © - Unpublished Work - See title page for details.

73-21-01  
FIG. 01  
PAGE 11  
JAN 20/09



757

PARTS CATALOG (MAINTENANCE)

FIG ITEM	PART NUMBER	1 2 3 4 5 6 7 NOMENCLATURE	EFFECT FROM TO	UNITS PER ASSY
1		73-9515PT01 VK0680 73-9399PT01 VK0680 73-8865PT01 VK0680 73-B392PT01 VK0680 PRE SERVICE BULLETIN: 73-B869 VK0680 73-8634 VK0680 73-9399 VK0680 73-7918 VK0680 73-8340 VK0680 73-8865 VK0680 73-8917 VK0680 73-9746 VK0680 73-8719 VK0680 73-7814 VK0680 73-8305 VK0680 73-8453 VK0680 73-8916 VK0680 73-8918 VK0680 73-9745 VK0680 73-B392 VK0680		

MISSING ITEM NUMBERS NOT APPLICABLE

- ITEM NOT ILLUSTRATED

BRI

73-21-01-01

BOEING PROPRIETARY - Copyright © - Unpublished Work - See title page for details.

73-21-01  
FIG. 01  
PAGE 12  
JAN 20/09



757

PARTS CATALOG (MAINTENANCE)

FIG ITEM	PART NUMBER	1 2 3 4 5 6 7	NOMENCLATURE	EFFECT FROM TO	UNITS PER ASSY
1					
27	FFG021AL		.. GOVERNOR ASSY-FUEL FLOW SUPPLIER CODE: V66503 NOT APPROVED FOR ETOPS. POST SERVICE BULLETIN: 73-9707PT01 VK0680 73-9745PT01 VK0680 PRE SERVICE BULLETIN: 73-9745 VK0680 73-9746 VK0680	002004 006100 107107 121949 952999	1
27	FFG021AM		.. GOVERNOR ASSY-FUEL FLOW SUPPLIER CODE: V66503 NOT APPROVED FOR ETOPS. POST SERVICE BULLETIN: 73-9707PT01 VK0680 73-9745PT01 VK0680 PRE SERVICE BULLETIN: 73-9745 VK0680 73-9746 VK0680	002004 006100 107107 121949 952999	1
27	FFG021BB		.. GOVERNOR ASSY-FUEL FLOW SUPPLIER CODE: V66503 NOT APPROVED FOR ETOPS. POST SERVICE BULLETIN: 73-9707PT01 VK0680 73-9745PT01 VK0680 PRE SERVICE BULLETIN: 73-9745 VK0680 73-9746 VK0680	002004 006100 107107 121949 952999	1

MISSING ITEM NUMBERS NOT APPLICABLE

- ITEM NOT ILLUSTRATED

73-21-01-01

73-21-01  
FIG. 01  
PAGE 13  
JAN 20/09

BRI



757

PARTS CATALOG (MAINTENANCE)

FIG ITEM	PART NUMBER	1 2 3 4 5 6 7	NOMENCLATURE	EFFECT FROM TO	UNITS PER ASSY
1	27 FFG021BD		.. GOVERNOR ASSY-FUEL FLOW SUPPLIER CODE: V66503 NOT APPROVED FOR ETOPS. POST SERVICE BULLETIN: 73-9707PT01 VK0680 73-9745PT01 VK0680 PRE SERVICE BULLETIN: 73-9745 VK0680 73-9746 VK0680	002004 006100 107107 121949 952999	1
	28 FFG021AL		.. GOVERNOR ASSY-FUEL FLOW SUPPLIER CODE: V66503 POST SERVICE BULLETIN: 73-9707PT01 VK0680 73-9745PT01 VK0680 PRE SERVICE BULLETIN: 73-9745 VK0680 73-9746 VK0680	101102	1
	28 FFG021AM		.. GOVERNOR ASSY-FUEL FLOW SUPPLIER CODE: V66503 POST SERVICE BULLETIN: 73-9707PT01 VK0680 73-9745PT01 VK0680 PRE SERVICE BULLETIN: 73-9745 VK0680 73-9746 VK0680	101102	1

MISSING ITEM NUMBERS NOT APPLICABLE

- ITEM NOT ILLUSTRATED

BRI

73-21-01-01

BOEING PROPRIETARY - Copyright © - Unpublished Work - See title page for details.

73-21-01  
FIG. 01  
PAGE 14  
JAN 20/09





757

PARTS CATALOG (MAINTENANCE)

FIG ITEM	PART NUMBER	1 2 3 4 5 6 7	NOMENCLATURE	EFFECT FROM TO	UNITS PER ASSY
1 28	FFG021BB		.. GOVERNOR ASSY-FUEL FLOW SUPPLIER CODE: V66503 POST SERVICE BULLETIN: 73-9707PT01 VK0680 73-9745PT01 VK0680 PRE SERVICE BULLETIN: 73-9745 VK0680 73-9746 VK0680 73-8719 VK0680	101102	1
	28 FFG021BD		.. GOVERNOR ASSY-FUEL FLOW SUPPLIER CODE: V66503 POST SERVICE BULLETIN: 73-9707PT01 VK0680 73-9745PT01 VK0680 PRE SERVICE BULLETIN: 73-9745 VK0680 73-9746 VK0680 73-8719 VK0680	101102 504903	1
	28 FFG021AE		.. GOVERNOR ASSY-FUEL FLOW SUPPLIER CODE: V66503 NOT APPROVED FOR ETOPS. POST SERVICE BULLETIN: 73-B392PT01 VK0680	101101 950951	1

MISSING ITEM NUMBERS NOT APPLICABLE

- ITEM NOT ILLUSTRATED

BRI

**73-21-01-01**

BOEING PROPRIETARY - Copyright © - Unpublished Work - See title page for details.

73-21-01  
FIG. 01  
PAGE 15  
JAN 20/09



757

PARTS CATALOG (MAINTENANCE)

FIG ITEM	PART NUMBER	1 2 3 4 5 6 7 NOMENCLATURE	EFFECT FROM TO	UNITS PER ASSY
1 28	FFG022AC	.. GOVERNOR ASSY-FUEL FLOW SUPPLIER CODE: V66503 CONFIG CHG DATA FROM A CMM: FOR INTRCHG SEE RR IPC POST SERVICE BULLETIN: 73-8305 VK0680 73-C332PT01 VK0680 73-C181PT01 VK0680 73-B869PT01 VK0680 73-C857PT01 VK0680 73-D570PT01 VK0680 PRE SERVICE BULLETIN: 73-C181 VK0680 73-C793 VK0680 73-8340 VK0680 73-C332 VK0680 73-D570 VK0680 POST AIRLINE MOD: RFSA178246 VAAL	002004 006102 107107 121999	1

MISSING ITEM NUMBERS NOT APPLICABLE

- ITEM NOT ILLUSTRATED

BRI

# 73-21-01-01

BOEING PROPRIETARY - Copyright © - Unpublished Work - See title page for details.

73-21-01  
FIG. 01  
PAGE 16  
JAN 20/09



757

PARTS CATALOG (MAINTENANCE)

FIG ITEM	PART NUMBER	1 2 3 4 5 6 7	NOMENCLATURE	EFFECT FROM TO	UNITS PER ASSY
1 29	FFG022AC		.. GOVERNOR ASSY-FUEL FLOW SUPPLIER CODE: V66503 CONFIG CHG DATA FROM A CMM: FOR INTRCHG SEE RR IPC POST SERVICE BULLETIN: FFG020-73-036 V66503 73-0869 VK0680 73-9442 VK0680 73-9650 VK0680 73-B869 VK0680 73-C181PT01 VK0680 73-D570PT01 VK0680 PRE SERVICE BULLETIN: 73-C332 VK0680 73-D570 VK0680 POST AIRLINE MOD: RFSA178246 VAAL	002004 006102 107107 121999	1

MISSING ITEM NUMBERS NOT APPLICABLE

- ITEM NOT ILLUSTRATED

BRI

**73-21-01-01**

BOEING PROPRIETARY - Copyright © - Unpublished Work - See title page for details.

73-21-01  
 FIG. 01  
 PAGE 17  
 JAN 20/09



757

PARTS CATALOG (MAINTENANCE)

FIG ITEM	PART NUMBER	1 2 3 4 5 6 7	NOMENCLATURE	EFFECT FROM TO	UNITS PER ASSY
1 29	FFG021BH		.. GOVERNOR ASSY-FUEL FLOW SUPPLIER CODE: V66503 POST SERVICE BULLETIN: FFG020-73-036 V66503 73-B869 VK0680 73-0869 VK0680 73-0876 VK0680 73-9442 VK0680 73-9650 VK0680 PRE SERVICE BULLETIN: 73-D570 VK0680 POST AIRLINE MOD: RFS A178246 V33586	002004 006100 950951	1
29	FFG021AV		.. GOVERNOR ASSY-FUEL FLOW SUPPLIER CODE: V66503 NOT APPROVED FOR ETOPS. CONFIG CHG DATA FROM A CMM: FOR INTRCHG SEE RR IPC	101101	1
29	FFG021AY		.. GOVERNOR ASSY-FUEL FLOW SUPPLIER CODE: V66503 CONFIG CHG DATA FROM A CMM: FOR INTRCHG SEE RR IPC POST SERVICE BULLETIN: FFG020-73-036 V66503	101101	1
29	FFG021AW		.. GOVERNOR ASSY-FUEL FLOW SUPPLIER CODE: V66503 NOT APPROVED FOR ETOPS. POST SERVICE BULLETIN: FFG020-73-036 V66503 73-B869 VK0680	002004 006102 107107 121999	1

MISSING ITEM NUMBERS NOT APPLICABLE

- ITEM NOT ILLUSTRATED

73-21-01-01

73-21-01  
FIG. 01  
PAGE 18  
JAN 20/09

BRI



757

PARTS CATALOG (MAINTENANCE)

FIG ITEM	PART NUMBER	1 2 3 4 5 6 7	NOMENCLATURE	EFFECT FROM TO	UNITS PER ASSY
1					
29	FFG021AX		.. GOVERNOR ASSY-FUEL FLOW SUPPLIER CODE: V66503 POST SERVICE BULLETIN: FFG020-73-036 V66503	002004 006102 107107 121999	1
29	FFG021BG		.. GOVERNOR ASSY-FUEL FLOW SUPPLIER CODE: V66503 NOT APPROVED FOR ETOPS. POST SERVICE BULLETIN: FFG020-73-036 V66503 73-B869 VK0680 PRE SERVICE BULLETIN: 73-D570 VK0680	002004 006100 950951	1
30	FFG021AU		.. GOVERNOR ASSY-FUEL FLOW SUPPLIER CODE: V66503 NOT APPROVED FOR ETOPS. CONFIG CHG DATA FROM A CMM: FOR INTRCHG SEE RR IPC POST SERVICE BULLETIN: 73-B869PT08 VK0680	101101	1
30	FFG020AF		.. GOVERNOR ASSY-FUEL FLOW SUPPLIER CODE: V66503 NOT APPROVED FOR ETOPS. CONFIG CHG DATA FROM A CMM: FOR INTRCHG SEE RR IPC POST SERVICE BULLETIN: 73-B869PT09 VK0680	101101	1
30	FFG022AA		.. GOVERNOR ASSY-FUEL FLOW SUPPLIER CODE: V66503 CONFIG CHG DATA FROM A CMM: FOR INTRCHNG SEE RR IPC POST SERVICE BULLETIN: 73-B584PT01 VK0680 73-B393PT01 VK0680 PRE SERVICE BULLETIN: 73-B869 VK0680	101102	1

MISSING ITEM NUMBERS NOT APPLICABLE

- ITEM NOT ILLUSTRATED

BRI

73-21-01-01

BOEING PROPRIETARY - Copyright © - Unpublished Work - See title page for details.

73-21-01  
FIG. 01  
PAGE 19  
JAN 20/09



757

PARTS CATALOG (MAINTENANCE)

FIG ITEM	PART NUMBER	1 2 3 4 5 6 7 NOMENCLATURE	EFFECT FROM TO	UNITS PER ASSY
1 30	FFG021BG	.. GOVERNOR ASSY-FUEL FLOW SUPPLIER CODE: V66503 NOT APPROVED FOR ETOPS. CONFIG CHG DATA FROM A CMM: FOR INTRCHG SEE RR IPC POST SERVICE BULLETIN: 73-C332PT01 VK0680 73-C181PT01 VK0680 73-B869PT05 VK0680 73-C857PT01 VK0680 PRE SERVICE BULLETIN: 73-C181 VK0680 73-C857 VK0680 73-C332 VK0680 73-D570 VK0680	002004 006102 107107 121999	1

MISSING ITEM NUMBERS NOT APPLICABLE

- ITEM NOT ILLUSTRATED

BRI

# 73-21-01-01

BOEING PROPRIETARY - Copyright © - Unpublished Work - See title page for details.

73-21-01  
FIG. 01  
PAGE 20  
JAN 20/09



757

PARTS CATALOG (MAINTENANCE)

FIG ITEM	PART NUMBER	1 2 3 4 5 6 7	NOMENCLATURE	EFFECT FROM TO	UNITS PER ASSY
1 30	FFG021BH		.. GOVERNOR ASSY-FUEL FLOW SUPPLIER CODE: V66503 CONFIG CHG DATA FROM A CMM: FOR INTRCHG SEE RR IPC POST SERVICE BULLETIN: 73-C332PT01 VK0680 73-C181PT01 VK0680 73-B869PT02 VK0680 73-857PT01 VK0680 PRE SERVICE BULLETIN: 73-C181 VK0680 72-C230 VK0680 73-C857 VK0680 73-C332 VK0680 73-D570 VK0680 POST AIRLINE MOD: RFS A178246 V33586	002004 006102 107107 121999	1
30	FFG021AW		.. GOVERNOR ASSY-FUEL FLOW SUPPLIER CODE: V66503 NOT APPROVED FOR ETOPS. CONFIG CHG DATA FROM A CMM: FOR INTRCHG SEE RR IPC POST SERVICE BULLETIN: 73-C332PT01 VK0680 73-C181PT01 VK0680 73-B869PT06 VK0680 PRE SERVICE BULLETIN: 73-C181 VK0680 73-C332 VK0680	002004 006102 107107 121999	1

MISSING ITEM NUMBERS NOT APPLICABLE

- ITEM NOT ILLUSTRATED

BRI

73-21-01-01

BOEING PROPRIETARY - Copyright © - Unpublished Work - See title page for details.

73-21-01  
FIG. 01  
PAGE 21  
JAN 20/09



757

PARTS CATALOG (MAINTENANCE)

FIG ITEM	PART NUMBER	1 2 3 4 5 6 7	NOMENCLATURE	EFFECT FROM TO	UNITS PER ASSY
1					
30	FFG022AD		.. GOVERNOR ASSY-FUEL FLOW SUPPLIER CODE: V66503 CONFIG CHG DATA FROM A CMM: FOR INTRCHG SEE RR IPC POST SERVICE BULLETIN: 73-C793PT01 VK0680 73-C857PT01 VK0680 73-D570PT01 VK0680 PRE SERVICE BULLETIN: 73-857 VK0680 73-D570 VK0680	002004 006100 102102 107107 121999	1
33	1101-510		... SCREW-CAP SUPPLIER CODE: V66503	002004 006999	8
35	H01-04		... NUT- SUPPLIER CODE: V15653	002004 006999	8
40	5404-054		... HARNESS-WIRE SUPPLIER CODE: V66503	002004 006999	1
45	1310-132		... VALVE ASSY-COLD ENG ENRICHMENT SOL SUPPLIER CODE: V66503 PRE SERVICE BULLETIN: 73-B393 VK0680	002004 006102 107999	1
45	1310-194		... VALVE ASSY-COLD ENG ENRICHMENT SOL SUPPLIER CODE: V66503 POST SERVICE BULLETIN: 73-B393PT01 VK0680 ATTACHING PARTS	002004 006999	1
50	1037-032		... SCREW-CAP SUPPLIER CODE: V66503 -----*-----	002004 006999	2

MISSING ITEM NUMBERS NOT APPLICABLE

- ITEM NOT ILLUSTRATED

73-21-01-01

73-21-01  
FIG. 01  
PAGE 22  
JAN 20/09

BRI





757

PARTS CATALOG (MAINTENANCE)

FIG ITEM	PART NUMBER	1 2 3 4 5 6 7	NOMENCLATURE	EFFECT FROM TO	UNITS PER ASSY
1					
55	S11109-018		...RING-SPIRAL BACKUP SUPPLIER CODE: V09257 PRE SERVICE BULLETIN: 73-9927 VK0680	002004 006102 107999	1
55	S11109-018-1		...RING-SPIRAL BACKUP SUPPLIER CODE: V09257 POST SERVICE BULLETIN: 73-9927 VK0680	002004 006999	1
60	2-018L806-80		...PACKING- SUPPLIER CODE: V83259 PRE SERVICE BULLETIN: 73-B393 VK0680	002004 006102 107999	1
60	2-018V747-75		...PACKING- SUPPLIER CODE: V83259 POST SERVICE BULLETIN: 73-B393PT01 VK0680	002004 006999	1
65	2-016V747-75		...PACKING- SUPPLIER CODE: V83259	002004 006999	1
70	1311-508		...VALVE ASSY-IDLE RESET SOL VITRON SUPPLIER CODE: V66503 PRE SERVICE BULLETIN: 73-B393 VK0680	002004 006999	1
70	1311-528		...VALVE ASSY-IDLE RESET SOL VITRON SUPPLIER CODE: V66503 POST SERVICE BULLETIN: 73-B393PT01 VK0680	002004 006999	1
72	3856-070		...CLAMP- SUPPLIER CODE: V66503 POST SERVICE BULLETIN: 73-8147PT01 VK0680	002004 006999	1

MISSING ITEM NUMBERS NOT APPLICABLE

- ITEM NOT ILLUSTRATED

73-21-01-01

73-21-01  
FIG. 01  
PAGE 23  
JAN 20/09

BRI



757

PARTS CATALOG (MAINTENANCE)

FIG ITEM	PART NUMBER	1 2 3 4 5 6 7	NOMENCLATURE	EFFECT FROM TO	UNITS PER ASSY
1					
73	H42-3		...NUT- SUPPLIER CODE: V15653 POST SERVICE BULLETIN: 73-8147PT01 VK0680 ATTACHING PARTS	002004 006999	2
75	218408		...SCREW-CAP SUPPLIER CODE: V66503	002004 006999	4
80	218400		...WASHER- SUPPLIER CODE: V66503 -----*-----	002004 006999	4
85	2-010L806-80		...PACKING- SUPPLIER CODE: V83259 PRE SERVICE BULLETIN: 73-B393 VK0680	002004 006102 107999	3
85	2-010V747-75		...PACKING- (VITRON) SUPPLIER CODE: V83259 POST SERVICE BULLETIN: 73-B393PT01 VK0680	002004 006999	3
96	1039-839		...SCREW-CAP SUPPLIER CODE: V66503	002004 006999	3
100	218199		...SCREW-CAP SUPPLIER CODE: V66503	002004 006999	4
115	218400		...WASHER- SUPPLIER CODE: V66503	002004 006999	4
120	3003-916		...SHIELD-MIN FLOW RESET SOL SUPPLIER CODE: V66503 PRE SERVICE BULLETIN: 73-7348 VK0680	107107 121949 952999	1

MISSING ITEM NUMBERS NOT APPLICABLE

- ITEM NOT ILLUSTRATED

BRI

73-21-01-01

73-21-01  
FIG. 01  
PAGE 24  
JAN 20/09



757

PARTS CATALOG (MAINTENANCE)

FIG ITEM	PART NUMBER	1 2 3 4 5 6 7	NOMENCLATURE	EFFECT FROM TO	UNITS PER ASSY
1 120	3003-922		...SHIELD-MIN FLOW RESET SOL SUPPLIER CODE: V66503 POST SERVICE BULLETIN: 73-7348 VK0680	002004 006999	1
122	1735-724		...BUSHING- SUPPLIER CODE: V66503 POST SERVICE BULLETIN: 73-8634 VK0680	002004 006999	1
125	1311-866		...VALVE ASSY-MIN FLOW RESET SOL SUPPLIER CODE: V66503 POST SERVICE BULLETIN: 73-B393PT01 VK0680	002004 006999	1
125	1311-840		...VALVE ASSY-MIN FLOW RESET SOL SUPPLIER CODE: V66503 PRE SERVICE BULLETIN: 73-B393 VK0680	002004 006102 107999	1
130	2-010L806-80		...PACKING- SUPPLIER CODE: V83259 PRE SERVICE BULLETIN: 73-B393 VK0680	002004 006102 107999	3
130	2-010V747-75		...PACKING- SUPPLIER CODE: V83259 POST SERVICE BULLETIN: 73-B393PT01 VK0680	002004 006999	3
135	1310-124		...VALVE ASSY-FAIL FIX SOL SUPPLIER CODE: V66503	002004 006999	1
136	AN960C416L		...WASHER- POST SERVICE BULLETIN: 73-8068PTA VK0680	002004 006999	4

MISSING ITEM NUMBERS NOT APPLICABLE

- ITEM NOT ILLUSTRATED

BRI

# 73-21-01-01

BOEING PROPRIETARY - Copyright © - Unpublished Work - See title page for details.

73-21-01  
FIG. 01  
PAGE 25  
JAN 20/09



757

PARTS CATALOG (MAINTENANCE)

FIG ITEM	PART NUMBER	1 2 3 4 5 6 7	NOMENCLATURE	EFFECT FROM TO	UNITS PER ASSY
1 137	1137-576	...	NUT- SUPPLIER CODE: V66503 POST SERVICE BULLETIN: 73-8068PTA VK0680	002004 006999	4
138	2-121L806-80	...	RING- SUPPLIER CODE: V02697 POST SERVICE BULLETIN: 73-8068 VK0680 PRE SERVICE BULLETIN: 73-B393 VK0680	002004 006102 107999	1
138	2-121V747-75	...	RING- SUPPLIER CODE: V02697 POST SERVICE BULLETIN: 73-B393PT01 VK0680	002004 006999	1
139	2-110L806-80	...	RING- SUPPLIER CODE: V02697 POST SERVICE BULLETIN: 73-B393 VK0680 PRE SERVICE BULLETIN: 73-B393 VK0680	002004 006102 107999	2
139	2-110V747-75	...	RING- SUPPLIER CODE: V02697 POST SERVICE BULLETIN: 73-B393PT01 VK0680	002004 006999	2
140	2-109V747-75	...	RING- SUPPLIER CODE: V02697 POST SERVICE BULLETIN: 73-B393PT01 VK0680	002004 006999	1

MISSING ITEM NUMBERS NOT APPLICABLE

- ITEM NOT ILLUSTRATED

BRI

73-21-01-01

BOEING PROPRIETARY - Copyright © - Unpublished Work - See title page for details.

73-21-01  
FIG. 01  
PAGE 26  
JAN 20/09



757

PARTS CATALOG (MAINTENANCE)

FIG ITEM	PART NUMBER	1 2 3 4 5 6 7	NOMENCLATURE	EFFECT FROM TO	UNITS PER ASSY
1 140	2-109L806-80		...RING- SUPPLIER CODE: V02697 POST SERVICE BULLETIN: 73-8068 VK0680 PRE SERVICE BULLETIN: 73-B393 VK0680 ATTACHING PARTS	002004 006102 107999	1
143	218199		...SCREW-CAP SUPPLIER CODE: V66503 PRE SERVICE BULLETIN: 73-8147 VK0680	107107 121949 952999	2
144	3572-110		...STUD- SUPPLIER CODE: V66503 POST SERVICE BULLETIN: 73-8147PT01 VK0680	002004 006999	2
145	2-112L806-80		-----*----- ...PACKING- SUPPLIER CODE: V83259 POST SERVICE BULLETIN: 73-B393PT01 VK0680 PRE SERVICE BULLETIN: 73-B393 VK0680	002004 006102 107999	1
145	2-112V747-75		...PACKING- SUPPLIER CODE: V83259 POST SERVICE BULLETIN: 73-B393PT01 VK0680	002004 006999	1
150	2-008V747-75		...PACKING- SUPPLIER CODE: V83259	002004 006999	1
157	1037-008		...SCREW-CAP SUPPLIER CODE: V66503 POST SERVICE BULLETIN: 73-8621PTB VK0680	002004 006999	3

MISSING ITEM NUMBERS NOT APPLICABLE

- ITEM NOT ILLUSTRATED

73-21-01-01

73-21-01  
FIG. 01  
PAGE 27  
JAN 20/09

BRI



757

PARTS CATALOG (MAINTENANCE)

FIG ITEM	PART NUMBER	1 2 3 4 5 6 7	NOMENCLATURE	EFFECT FROM TO	UNITS PER ASSY
1					
160	3203-088	...	WASHER- SUPPLIER CODE: V66503	002004 006999	3
165	3003-914	...	SHIELD-P&D VALVE FIRE SUPPLIER CODE: V66503 POST SERVICE BULLETIN: 73-9616 VK0680 PRE SERVICE BULLETIN: 73-7348 VK0680	002004 006999	1
165	3003-926	...	SHIELD-P&D VALVE FIRE SUPPLIER CODE: V66503 POST SERVICE BULLETIN: 73-7348PTA VK0680 PRE SERVICE BULLETIN: 73-9616 VK0680	002004 006999	1
170	218408	...	SCREW-CAP SUPPLIER CODE: V66503	002004 006999	2
172	218408	...	SCREW-CAP SUPPLIER CODE: V66503	002004 006999	1
175	186389	...	WASHER-FLAT SUPPLIER CODE: V66503	002004 006999	1
180	4334-046	...	BRACKET ASSY-FIRE SHIELD SUPPLIER CODE: V66503	002004 006999	1
185	5252-082	...	VALVE ASSY-PRESSURIZING AND DRAIN SUPPLIER CODE: V66503 POST SERVICE BULLETIN: 73-8719PT01 VK0680 PRE SERVICE BULLETIN: 73-C887 VK0680 73-C332 VK0680	002004 006102 107107 121999	1

MISSING ITEM NUMBERS NOT APPLICABLE

- ITEM NOT ILLUSTRATED

BRI

73-21-01-01

BOEING PROPRIETARY - Copyright © - Unpublished Work - See title page for details.

73-21-01  
FIG. 01  
PAGE 28  
JAN 20/09



757

PARTS CATALOG (MAINTENANCE)

FIG ITEM	PART NUMBER	1 2 3 4 5 6 7	NOMENCLATURE	EFFECT FROM TO	UNITS PER ASSY
1 185	5252-074		...VALVE ASSY-PRESSURIZING AND DRAIN SUPPLIER CODE: V66503 POST SERVICE BULLETIN: 73-8056 VK0680 PRE SERVICE BULLETIN: 73-8329 VK0680	002004 006100 102102 107107 121949 952999	1
185	5252-076		...VALVE ASSY-PRESSURIZING AND DRAIN SUPPLIER CODE: V66503 POST SERVICE BULLETIN: 73-8329 VK0680 PRE SERVICE BULLETIN: 73-8719 VK0680	002004 006100 102102 107107 121949 952999	1
185	5252-050		...VALVE ASSY-PRESSURIZING AND DRAIN SUPPLIER CODE: V66503 PRE SERVICE BULLETIN: 73-8056 VK0680	002004 006100 102102 107107 121949 952999	1
185	5252-092		...VALVE ASSY-PRESSURIZING AND DRAIN SUPPLIER CODE: V66503 POST SERVICE BULLETIN: 73-9515PT01 VK0680	101101 950951	1
185	5252-152		...VALVE ASSY-PRESSURIZING AND DRAIN SUPPLIER CODE: V66503 POST SERVICE BULLETIN: 72-C230PT01 VK0680	103106 108120	1

MISSING ITEM NUMBERS NOT APPLICABLE

- ITEM NOT ILLUSTRATED

BRI

73-21-01-01

BOEING PROPRIETARY - Copyright © - Unpublished Work - See title page for details.

73-21-01  
FIG. 01  
PAGE 29  
JAN 20/09



757

PARTS CATALOG (MAINTENANCE)

FIG ITEM	PART NUMBER	1 2 3 4 5 6 7	NOMENCLATURE	EFFECT FROM TO	UNITS PER ASSY
1 185	5252-104		...VALVE ASSY-PRESSURIZING AND DRAIN SUPPLIER CODE: V66503 POST SERVICE BULLETIN: 73-C887 VK0680 PRE SERVICE BULLETIN: 73-C332 VK0680	002004 006102 107107 121999	1
185	5252-092		...VALVE ASSY-PRESSURIZING AND DRAIN SUPPLIER CODE: V66503 CONFIG CHG DATA FROM A CMM: FOR INTRCHNG SEE RR IPC POST SERVICE BULLETIN: 73-9515PT01 VK0680	002004 006102 107107 121999	1
185	5252-130		...VALVE ASSY-PRESSURIZING AND DRAIN SUPPLIER CODE: V66503 OPTIONAL PART: 5252-150 V66503 POST SERVICE BULLETIN: 73-C332PT01 VK0680	002004 006102 107107 121999	1
185	5252-150		...VALVE ASSY-PRESSURIZING AND DRAIN SUPPLIER CODE: V66503 CONFIG CHG DATA FROM A CMM: FOR INTRCHNG SEE RR IPC OPTIONAL PART: 5252-130 V66503 POST SERVICE BULLETIN: 73-C332 VK0680 POST AIRLINE MOD: TPCR 5-73-IPC-980113 VUPS	002004 006102 107107 121999	1

MISSING ITEM NUMBERS NOT APPLICABLE

- ITEM NOT ILLUSTRATED

73-21-01-01

73-21-01  
FIG. 01  
PAGE 30  
JAN 20/09

BRI





757

PARTS CATALOG (MAINTENANCE)

FIG ITEM	PART NUMBER	1 2 3 4 5 6 7	NOMENCLATURE	EFFECT FROM TO	UNITS PER ASSY
1 185	5252-154		...VALVE ASSY-PRESSURIZING AND DRAIN SUPPLIER CODE: V66503 POST SERVICE BULLETIN: 72-C230PT01 VK0680 PRE SERVICE BULLETIN: 73-C332 VK0680	103106 108120	1
186	5252-156		...VALVE ASSY-PRESSURIZING AND DRAIN SUPPLIER CODE: V66503 POST SERVICE BULLETIN: 73-C332PT01 VK0680	103106 108120	1
186	5252-158		...VALVE ASSY-PRESSURIZING AND DRAIN SUPPLIER CODE: V66503 POST SERVICE BULLETIN: 73-C332PT01 VK0680	103106 108120	1
190	5447-096		....HOUSING ASSY- SUPPLIER CODE: V66503 POST SERVICE BULLETIN: 73-8068PTA VK0680 PRE SERVICE BULLETIN: 73-C332 VK0680	002004 006102 107107 121999	1
190	5447-154		....HOUSING ASSY-PRESSURE VALVE SWITCH SUPPLIER CODE: V66503 POST SERVICE BULLETIN: 73-C332PT01 VK0680	002004 006102 107107 121999	1

MISSING ITEM NUMBERS NOT APPLICABLE

- ITEM NOT ILLUSTRATED

BRI

73-21-01-01

BOEING PROPRIETARY - Copyright © - Unpublished Work - See title page for details.

73-21-01  
FIG. 01  
PAGE 31  
JAN 20/09



757

PARTS CATALOG (MAINTENANCE)

FIG ITEM	PART NUMBER	1 2 3 4 5 6 7	NOMENCLATURE	EFFECT FROM TO	UNITS PER ASSY
1					
190	5447-366	....	HOUSING ASSY-PRESSURE VALVE SWITCH SUPPLIER CODE: V66503 POST SERVICE BULLETIN: 73-C230PT01 VK0680 PRE SERVICE BULLETIN: 73-C332 VK0680	103106 108120	1
190	5447-368	....	HOUSING ASSY-PRESSURE VALVE SWITCH SUPPLIER CODE: V66503 POST SERVICE BULLETIN: 73-C332PT01 VK0680	103106 108120	1
200	1037-007	...	SCREW-CAP SUPPLIER CODE: V66503 POST SERVICE BULLETIN: 73-8621PTA VK0680	002004 006999	2
205	3003-920	...	SHIELD-ACCEL RESET SOLENOID SUPPLIER CODE: V66503 POST SERVICE BULLETIN: 73-8621 VK0680	002004 006999	1
210	3009-934	...	BLOCK-TRANSPORTATION ONLY SUPPLIER CODE: V66503 POST SERVICE BULLETIN: 73-8049PTA VK0680	002004 006999	1
215	190996	...	SCREW-TRANSPORTATION ONLY SUPPLIER CODE: V66503 POST SERVICE BULLETIN: 73-8049PTA VK0680	002004 006999	4

MISSING ITEM NUMBERS NOT APPLICABLE

- ITEM NOT ILLUSTRATED

BRI

73-21-01-01

BOEING PROPRIETARY - Copyright © - Unpublished Work - See title page for details.

73-21-01  
FIG. 01  
PAGE 32  
JAN 20/09

 **BOEING**  
757  
**PARTS CATALOG (MAINTENANCE)**

FIG ITEM	PART NUMBER	1 2 3 4 5 6 7	NOMENCLATURE	EFFECT FROM TO	UNITS PER ASSY
1					
220	188426	...	SCREW- TRANSPORTATION ONLY SUPPLIER CODE: V66503 POST SERVICE BULLETIN: 73-8049 VK0680	002004 006999	9
225	186234	...	WASHER- TRANSPORTATION ONLY SUPPLIER CODE: V66503 POST SERVICE BULLETIN: 73-8049PTA VK0680	002004 006999	4
230	190574	...	NUT- TRANSPORTATION ONLY SUPPLIER CODE: V66503 POST SERVICE BULLETIN: 73-8049 VK0680	002004 006999	4
235	401848	...	CLAMP- TRANSPORTATION ONLY SUPPLIER CODE: V66503 POST SERVICE BULLETIN: 73-8049PTA VK0680	002004 006999	4
240	1196-116	...	CAP- TRANSPORTATION ONLY SUPPLIER CODE: V66503 POST SERVICE BULLETIN: 73-8049PTA VK0680	002004 006999	4
245	1196-134	...	CAP- TRANSPORTATION ONLY SUPPLIER CODE: V66503 POST SERVICE BULLETIN: 73-8049PTA VK0680	002004 006999	2
250	1198-316	...	CAP- TRANSPORTATION ONLY SUPPLIER CODE: V66503 POST SERVICE BULLETIN: 73-8049 VK0680	002004 006999	5

MISSING ITEM NUMBERS NOT APPLICABLE

— ITEM NOT ILLUSTRATED

BRI

# 73-21-01-01

BOEING PROPRIETARY - Copyright © - Unpublished Work - See title page for details.

73-21-01  
FIG. 01  
PAGE 33  
JAN 20/09



757

PARTS CATALOG (MAINTENANCE)

FIG ITEM	PART NUMBER	1 2 3 4 5 6 7	NOMENCLATURE	EFFECT FROM TO	UNITS PER ASSY
1 255	189937		...CAP- TRANSPORTATION ONLY SUPPLIER CODE: V66503 POST SERVICE BULLETIN: 73-8049 VK0680	002004 006999	6
260	3854-036		...COVER- TRANSPORTATION ONLY SUPPLIER CODE: V66503 POST SERVICE BULLETIN: 73-8049PTA VK0680	002004 006999	3
265	3052-182		...GASKET- TRANSPORTATION ONLY SUPPLIER CODE: V66503 POST SERVICE BULLETIN: 73-8049PTA VK0680	002004 006999	3

MISSING ITEM NUMBERS NOT APPLICABLE

- ITEM NOT ILLUSTRATED

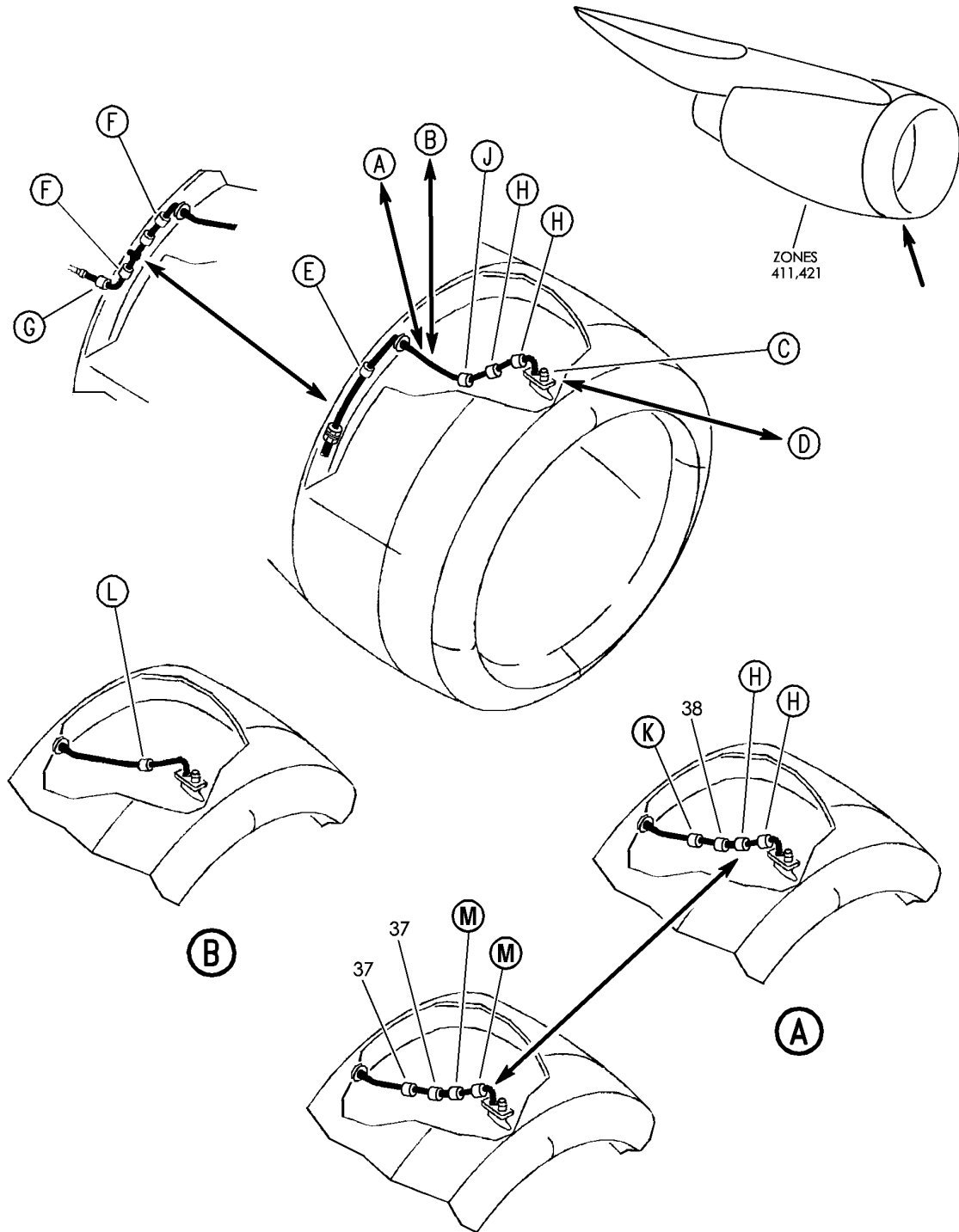
BRI

73-21-01-01

BOEING PROPRIETARY - Copyright © - Unpublished Work - See title page for details.

73-21-01  
FIG. 01  
PAGE 34  
JAN 20/09

**BOEING**  
757  
PARTS CATALOG (MAINTENANCE)



Y 73210403 SHT 1 REV 228

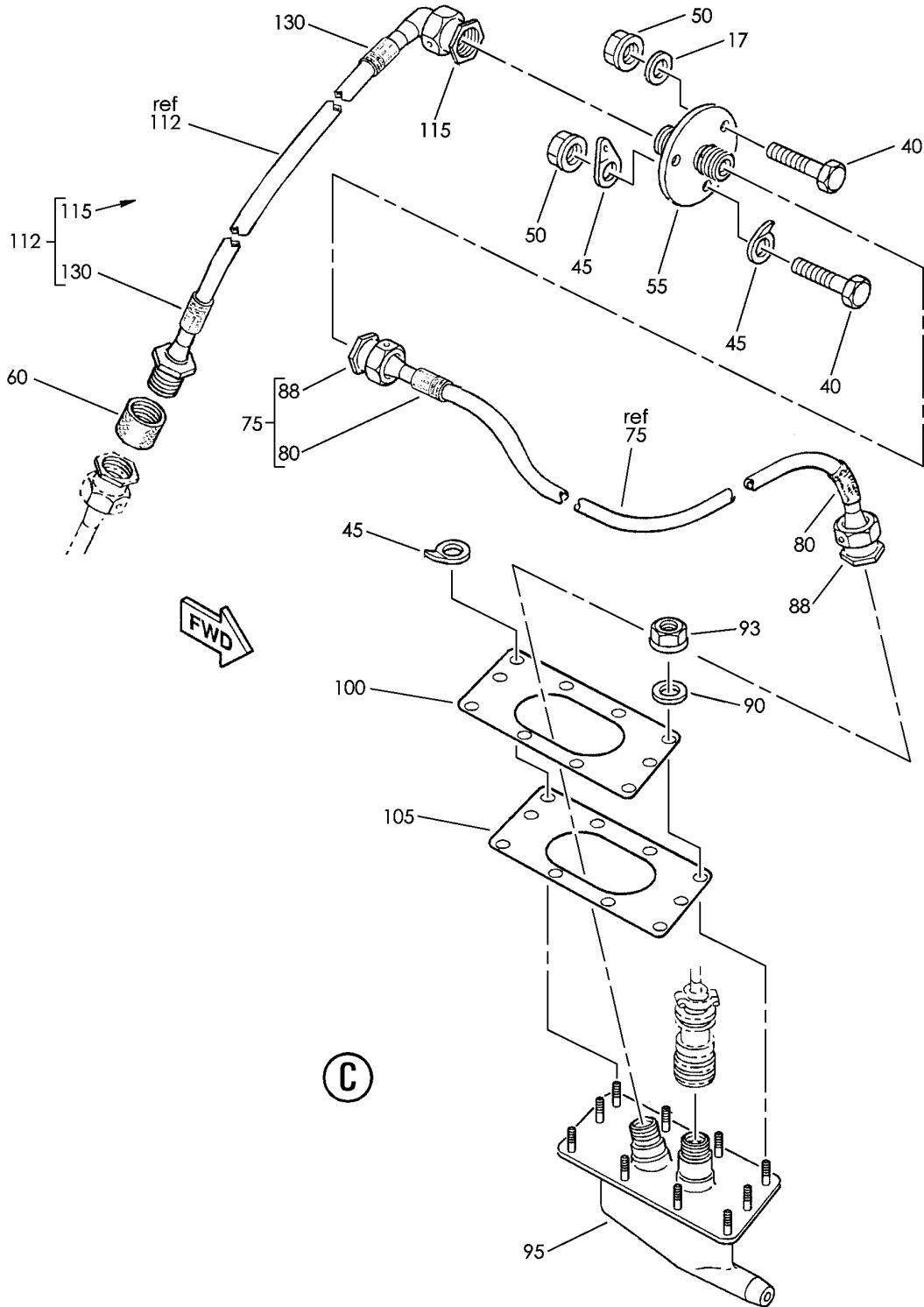
P1 PROBE AND TUBES (RB211-535)  
FIGURE 3 (SHEET 1)

**73-21-04-03**

BRI  
MAY 28/07

73-21-04-03  
PAGE 0

**BOEING**  
757  
PARTS CATALOG (MAINTENANCE)



Y 73210403 SHT 2 REV 228

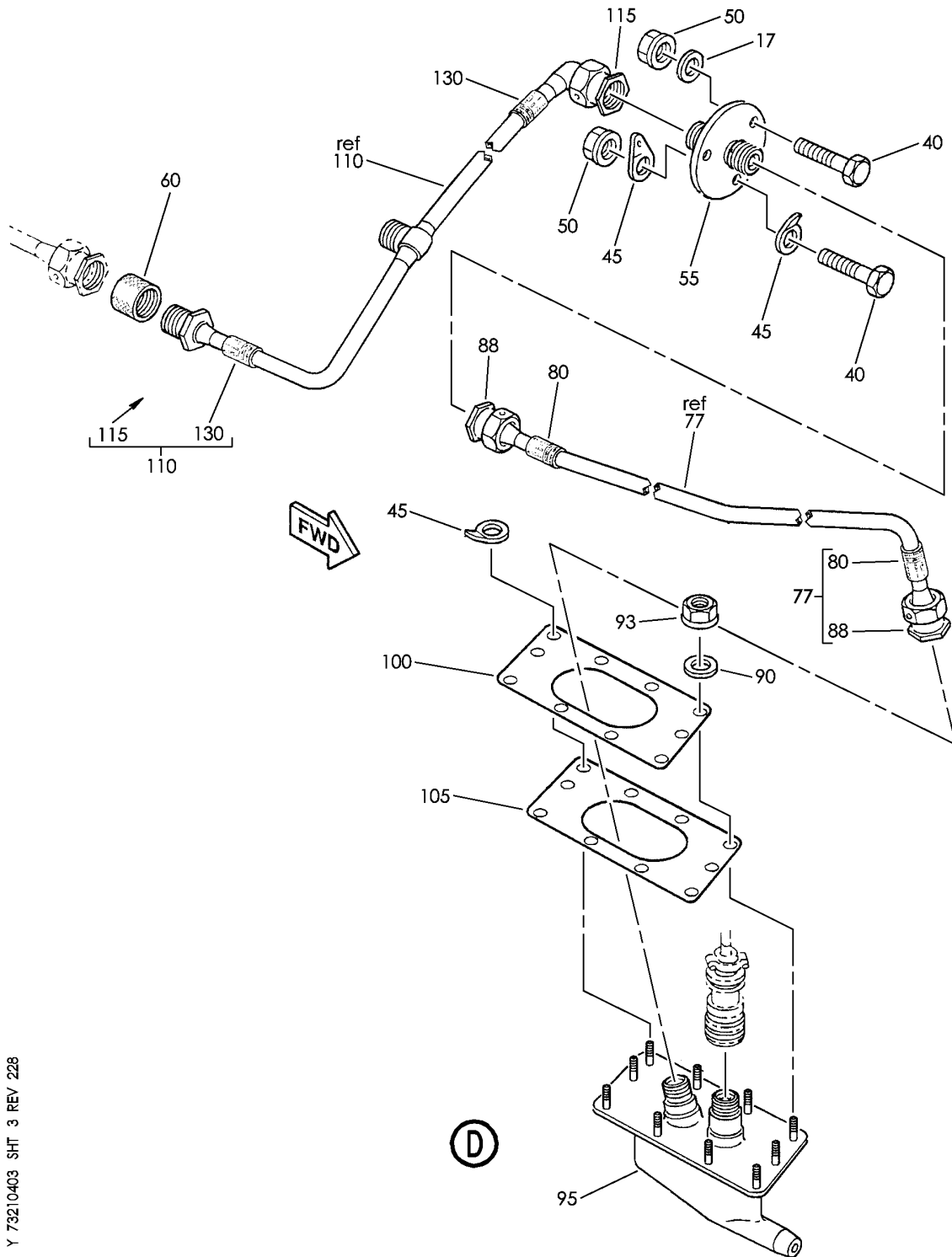
P1 PROBE AND TUBES (RB211-535)  
FIGURE 3 (SHEET 2)

**73-21-04-03**

BRI  
MAY 28/07

73-21-04-03  
PAGE 0A

**BOEING**  
757  
PARTS CATALOG (MAINTENANCE)



Y 73210403 SHT 3 REV 228

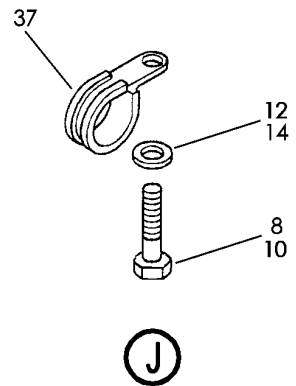
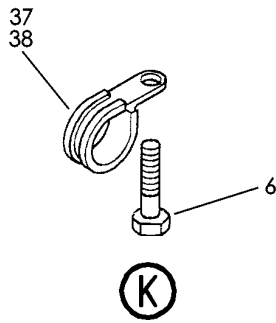
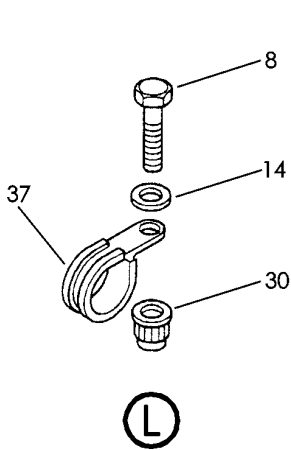
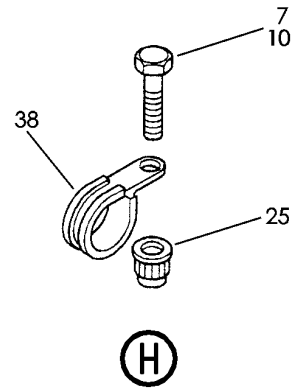
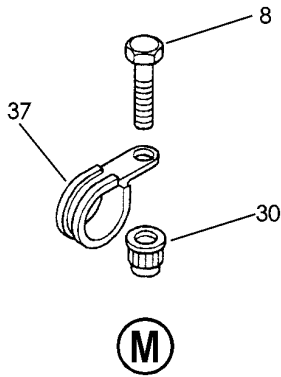
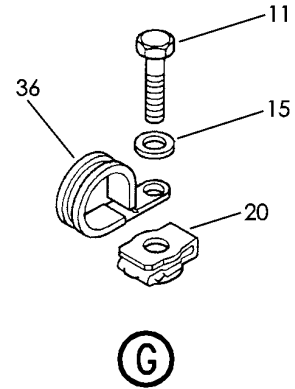
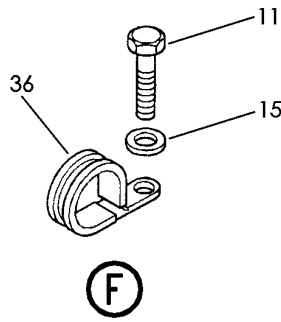
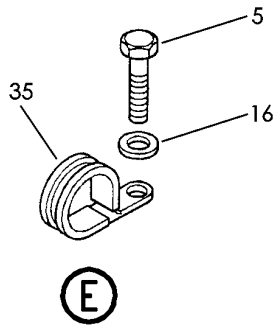
P1 PROBE AND TUBES (RB211-535)  
FIGURE 3 (SHEET 3)

**73-21-04-03**

BRI  
MAY 28/07

73-21-04-03  
PAGE 0B

**BOEING**  
757  
PARTS CATALOG (MAINTENANCE)



Y 73210403 SHT 4 REV 228

P1 PROBE AND TUBES (RB211-535)  
FIGURE 3 (SHEET 4)

**73-21-04-03**

BRI  
MAY 28/07

73-21-04-03  
PAGE 0C





757

PARTS CATALOG (MAINTENANCE)

FIG ITEM	PART NUMBER	1 2 3 4 5 6 7	NOMENCLATURE	EFFECT FROM TO	UNITS PER ASSY
3			P1 PROBE AND TUBES (RB211-535)	002004	
- 1	UL19722		ENGINE ASSY-Q.E.C.U. RB211-535E43711 MAXIMUM NEUT SUPPLIER CODE: VK0680 FOR NHA/OTHER SYS DET SEE: 71-00-02-04	006999 107107	RF
- 1	UL20697		ENGINE ASSY-Q.E.C.U. RB211-535E43711 MAXIMUM NEUT WITH GRAVINER FIRE DETECTORS, BAYONET MCD, NON-MODULATED IDG COOLING 40,000 LB THRUST SUPPLIER CODE: VK0680 REFERENCE SERVICE BULLETIN: 71-0058R4 QUALIFIED SB I/W DATA: INTERMIX OF ONE OR SUBSTITUTION OF TWO DIFFERENT CONFIGURATION RB211-535E4-37/() ENGINES FOR RB211-535 E4 BASE ENGINES REFERENCE SERVICE BULLETIN: RB211-72-C547 VK0680 FOR NHA/OTHER SYS DET SEE: 71-00-02-04	121503 904949 952999	RF

MISSING ITEM NUMBERS NOT APPLICABLE

- ITEM NOT ILLUSTRATED

BRI

73-21-04-03

BOEING PROPRIETARY - Copyright © - Unpublished Work - See title page for details.

73-21-04  
FIG. 03  
PAGE 1  
JAN 20/09



757

PARTS CATALOG (MAINTENANCE)

FIG ITEM	PART NUMBER	1 2 3 4 5 6 7	NOMENCLATURE	EFFECT FROM TO	UNITS PER ASSY
3 - 1	UL20698		ENGINE ASSY-Q.E.C.U. RB211-535E43712 MAXIMUM NEUT SUPPLIER CODE: VK0680 REFERENCE SERVICE BULLETIN: 71-0058R7 QUALIFIED SB I/W DATA: INTERMIX OF ONE OR SUBSTITUTION OF TWO DIFFERENT CONFIGURATION RB211-535E4-37/() ENGINES FOR RB211-535E4 BASE ENGINES OR DIFFERENT CONFIGURATION RB211-535E4-B-37/() ENGINES FOR RB211-535E4-B BASE ENGINES REFERENCE SERVICE BULLETIN: RB211-72-C547 VK0680 RB211-72-8910 VK0680 POST RAPID REVISION: RR92014-183A-RC-E FOR NHA/OTHER SYS DET SEE: 71-00-02-04	002004 006100 102102	RF
- 1	UL20702		ENGINE ASSY-Q.E.C.U. RB211-535E43711 BASIC ENGINE CONFIG. WITH GRAVINER FIRE DETECTORS,BAYONET MCD, NON-MODULATED IDG COOLING 40,100 LB THRUST SUPPLIER CODE: VK0680 FOR NHA/OTHER SYS DET SEE: 71-00-02-10	504903	RF
- 1	UL36209		ENGINE ASSY-Q.E.C.U. RB211-535E43719 MAXIMUM NEUT SUPPLIER CODE: VK0680 FOR NHA/OTHER SYS DET SEE: 71-00-02-04	950951	RF

MISSING ITEM NUMBERS NOT APPLICABLE

- ITEM NOT ILLUSTRATED

73-21-04-03

73-21-04  
FIG. 03  
PAGE 2  
JAN 20/09

BRI



757

PARTS CATALOG (MAINTENANCE)

FIG ITEM	PART NUMBER	1 2 3 4 5 6 7	NOMENCLATURE	EFFECT FROM TO	UNITS PER ASSY
3					
- 2	UL38163		ENGINE ASSY-Q.E.C.U. RB211-535E43724 BASIC ENGINE CONFIG. BAYONET MCD 40,100 LB THRUST SUPPLIER CODE: VK0680 FOR NHA/OTHER SYS DET SEE: 71-00-02-10	101101	RF
- 3	BCREF17395		ENGINE ASSY-Q.E.C.U. RB211-535E43739 BASIC ENGINE CONFIG. AND PHASE 5 COMBUSTOR 40,100 LB THRUST SUPPLIER CODE: VK0680 OVERLENGTH PART NUMBER: RB211-535E4-37-39E FOR NHA/OTHER SYS DET SEE: 71-00-02-10	108120	RF
- 3	BCREF17101		ENGINE ASSY-Q.E.C.U. RB211-535E43744 BASIC ENGINE CONFIG. BAYONET MCD AND PHASE 5 COMBUSTOR 40,100 LB THRUST SUPPLIER CODE: VK0680 OVERLENGTH PART NUMBER: RB211-535E4-3744E FOR NHA/OTHER SYS DET SEE: 71-00-02-10	103106	RF
- 4	LJ50527		.PROBE INSTL-P1 SENSOR TUBES SUPPLIER CODE: VK4585 POST SERVICE BULLETIN: 71-9634PT01 VK0680	002004 006999	RF
- 4	LJ35380		.PROBE INSTL-P1 SENSOR SUPPLIER CODE: VK4585 PRE SERVICE BULLETIN: 73-9099 VK0680	002004 006100 102102 107107 121949 952999	RF

MISSING ITEM NUMBERS NOT APPLICABLE

- ITEM NOT ILLUSTRATED

73-21-04-03

73-21-04  
FIG. 03  
PAGE 3  
JAN 20/09

BRI



757

PARTS CATALOG (MAINTENANCE)

FIG ITEM	PART NUMBER	1 2 3 4 5 6 7	NOMENCLATURE	EFFECT FROM TO	UNITS PER ASSY
3					
- 4	LJ38063		.PROBE INSTL-P1 SUPPLIER CODE: VK4585 POST SERVICE BULLETIN: 73-9099PT01 VK0680 PRE SERVICE BULLETIN: 71-9634 VK0680	002004 006999	RF
5	A102-1D		..BOLT- PRE SERVICE BULLETIN: 73-9099 VK0680	002004 006100 102102 107949 952999	1
6	A102HALFD		..BOLT- POST SERVICE BULLETIN: 73-7901PT01 VK0680 PRE SERVICE BULLETIN: 71-9634 VK0680	002004 006999	1
7	A102-1D		..BOLT- POST SERVICE BULLETIN: 73-7901PT01 VK0680 PRE SERVICE BULLETIN: 71-9634 VK0680	002004 006100 102999	2
7	A102-1D		..BOLT- PRE SERVICE BULLETIN: 71-9634 VK0680	002004 006100 102999	2
8	AS21408		..BOLT- NOT APPROVED FOR ETOPS. POST SERVICE BULLETIN: 71-9634PT01 VK0680	002004 006999	1
10	A102-1D		..BOLT- PRE SERVICE BULLETIN: 73-7901 VK0680	107107 121949 952999	3
11	A104-1D		..BOLT- POST SERVICE BULLETIN: 73-9099PT01 VK0680	002004 006100 102999	4
12	SP154D		..WASHER- PRE SERVICE BULLETIN: 73-7901 VK0680	107107 121949 952999	1

MISSING ITEM NUMBERS NOT APPLICABLE

- ITEM NOT ILLUSTRATED

73-21-04-03

73-21-04  
FIG. 03  
PAGE 4  
JAN 20/09

BRI

**BOEING**  
757  
**PARTS CATALOG (MAINTENANCE)**

FIG ITEM	PART NUMBER	1 2 3 4 5 6 7	NOMENCLATURE	EFFECT FROM TO	UNITS PER ASSY
3	14 AN960C10L		.. WASHER- NOT APPROVED FOR ETOPS. POST SERVICE BULLETIN: 71-9634PT01 VK0680	002004 006999	1
	15 SP154D		.. WASHER- POST SERVICE BULLETIN: 73-9099PT01 VK0680	002004 006999	4
	16 SP154D		.. WASHER- PRE SERVICE BULLETIN: 73-9099 VK0680	002004 006100 102102 107107 121949 952999	1
	17 SP154D		.. WASHER	002004 006999	2
-	18 ST1698D47		.. SPACER- SUPPLIER CODE: VK4585 POST SERVICE BULLETIN: 71-E737PTA VK0680	002004 006100 102999	1
	20 AS41104		.. NUT- POST SERVICE BULLETIN: 73-9099PT01 VK0680	002004 006999	1
	25 U755122		.. NUT- SUPPLIER CODE: VK0680 PRE SERVICE BULLETIN: 71-9634 VK0680	002004 006999	2
	30 AS20624		.. NUT- POST SERVICE BULLETIN: 71-9634PT01 VK0680	002004 006999	1
	35 400WSS5		.. CLIP- SUPPLIER CODE: V83930 PRE SERVICE BULLETIN: 73-9099 VK0680	002004 006100 102102 107107 121949 952999	1
	36 TA025028-6		.. CLIP- SUPPLIER CODE: V84971 POST SERVICE BULLETIN: 73-9099PT01 VK0680	002004 006999	4

MISSING ITEM NUMBERS NOT APPLICABLE

- ITEM NOT ILLUSTRATED

BRI

# 73-21-04-03

BOEING PROPRIETARY - Copyright © - Unpublished Work - See title page for details.

73-21-04  
FIG. 03  
PAGE 5  
JAN 20/09



757

PARTS CATALOG (MAINTENANCE)

FIG ITEM	PART NUMBER	1 2 3 4 5 6 7	NOMENCLATURE	EFFECT FROM TO	UNITS PER ASSY
3					
37	TA025028-6	..	CLIP- SUPPLIER CODE: V84971 POST SERVICE BULLETIN: 71-9634PT01 VK0680	002004 006100 102999	4
38	400WSS5	..	CLIP- SUPPLIER CODE: V83930 PRE SERVICE BULLETIN: 71-9634 VK0680	002004 006100 102999	4
38	TA025028-6	..	CLIP- SUPPLIER CODE: V84971 POST SERVICE BULLETIN: 73-C803PT01 VK0680	002004 006100 102999	4
40	A104-1D	..	BOLT	002004 006999	3
- 42	HL585DU6AW	..	COLLAR- SUPPLIER CODE: V73197 POST SERVICE BULLETIN: 71-E737PTA VK0680	002004 006100 102999	25
45	LJ14378	..	WASHER- SUPPLIER CODE: VK4585	002004 006999	3
50	U128443	..	NUT- SUPPLIER CODE: VK0680	002004 006999	3
- 52	HL349VF6-5	..	PIN- SUPPLIER CODE: V73197 POST SERVICE BULLETIN: 71-E737PTA VK0680	002004 006100 102999	25
- 53	LJ50518	..	PLATE-MOUNTING SUPPLIER CODE: VK4585 POST SERVICE BULLETIN: 71-E737PTA VK0680	002004 006100 102999	1
55	LJ14051	..	UNION-BULKHEAD STRAIGHT P1 AIR SUPPLIER CODE: VK4585	002004 006999	1

MISSING ITEM NUMBERS NOT APPLICABLE

- ITEM NOT ILLUSTRATED

73-21-04-03

73-21-04  
FIG. 03  
PAGE 6  
JAN 20/09

BRI

BOEING PROPRIETARY - Copyright © - Unpublished Work - See title page for details.



757

PARTS CATALOG (MAINTENANCE)

FIG ITEM	PART NUMBER	1 2 3 4 5 6 7	NOMENCLATURE	EFFECT FROM TO	UNITS PER ASSY
3	60 LK37504		..CAP- TRANSPORTATION ONLY SUPPLIER CODE: VK0680	002004 006999	1
-	65 U440038		..TAPE-IDENT SUPPLIER CODE: VK0680 MISCELLANEOUS DATA: BULK STOCK 3105784	002004 006999	1
	75 LJ35383		..TUBE ASSY-P1 AIR PROBE TO NOSE COWL BULKHEAD SUPPLIER CODE: VK4585 POSITION DATA: REAR PRE SERVICE BULLETIN: 73-7901 VK0680	107107 121949 952999	1
	77 LJ35801		..TUBE ASSY-P1 AIR PROBE TO NOSE COWL REAR BULKHEAD SUPPLIER CODE: VK4585 POST SERVICE BULLETIN: 73-7901PT01 VK0680	002004 006100 102999	1
-	78 AS15779		...WIRE-THRUST	002004 006100 102999	2
	80 AGS2091		...CLIP-TAPE IDENT	002004 006999	2
-	82 3105784		...TAPE-IDENTIFICATION SUPPLIER CODE: VU1653 MISCELLANEOUS DATA: SPARE IS AGS2090BSM23-8-003	002004 006999	RF
	90 SP155D		..WASHER	002004 006100 102999	10
	93 U128443		..NUT- SUPPLIER CODE: VK0680	002004 006100 102999	10

MISSING ITEM NUMBERS NOT APPLICABLE

- ITEM NOT ILLUSTRATED

73-21-04-03

73-21-04  
FIG. 03  
PAGE 7  
JAN 20/09

BRI



757

PARTS CATALOG (MAINTENANCE)

FIG ITEM	PART NUMBER	1 2 3 4 5 6 7	NOMENCLATURE	EFFECT FROM TO	UNITS PER ASSY
3					
95	851JA		.. PROBE ASSY- SUPPLIER CODE: VK5459 NOT APPROVED FOR ETOPS WITHOUT INCORP OF SB: 73-8085 CONFIG CHG DATA FROM A CMM: FOR INTRCHG SEE RR IPC POST SERVICE BULLETIN: 73-8085PT03 VK0680 PRE SERVICE BULLETIN: 73-7520 VK0680	002004 006100 102999	1
95	851JB		.. PROBE ASSY- SUPPLIER CODE: VK5459 NOT APPROVED FOR ETOPS WITHOUT INCORP OF SB: 73-8085 CONFIG CHG DATA FROM A CMM: FOR INTRCHG SEE RR IPC POST SERVICE BULLETIN: 73-7520PT01 VK0680 73-8085PT01 VK0680 73-8085PT02 VK0680 PRE SERVICE BULLETIN: 73-8085 VK0680	002004 006100 102999	1
100	LJ50661		.. PLATE-PACKING PROBE SUPPLIER CODE: VK4585 POST SERVICE BULLETIN: 71-9634PT01 VK0680	002004 006999	1
105	LJ50662		.. SHIM-LAMINATED PROBE SUPPLIER CODE: VK4585 POST SERVICE BULLETIN: 71-9634PT01 VK0680	002004 006999	1

MISSING ITEM NUMBERS NOT APPLICABLE

- ITEM NOT ILLUSTRATED

73-21-04-03

73-21-04  
FIG. 03  
PAGE 8  
JAN 20/09

BRI





757

PARTS CATALOG (MAINTENANCE)

FIG ITEM	PART NUMBER	1 2 3 4 5 6 7	NOMENCLATURE	EFFECT FROM TO	UNITS PER ASSY
3 110	LJ38039		..TUBE ASSY-P1 AIR TO FFR NOSE COWL DISCONNECT SUPPLIER CODE: VK4585 POST SERVICE BULLETIN: 73-9099PT01 VK0680	002004 006999	1
112	LJ35347		..TUBE ASSY-P1 AIR TO FFR NOSE COWL DISCON TO DISCON SUPPLIER CODE: VK4585 PRE SERVICE BULLETIN: 73-9099 VK0680	002004 006100 102102 107107 121949 952999	1
130	AGS2091		...CLIP	002004 006999	2

MISSING ITEM NUMBERS NOT APPLICABLE

- ITEM NOT ILLUSTRATED

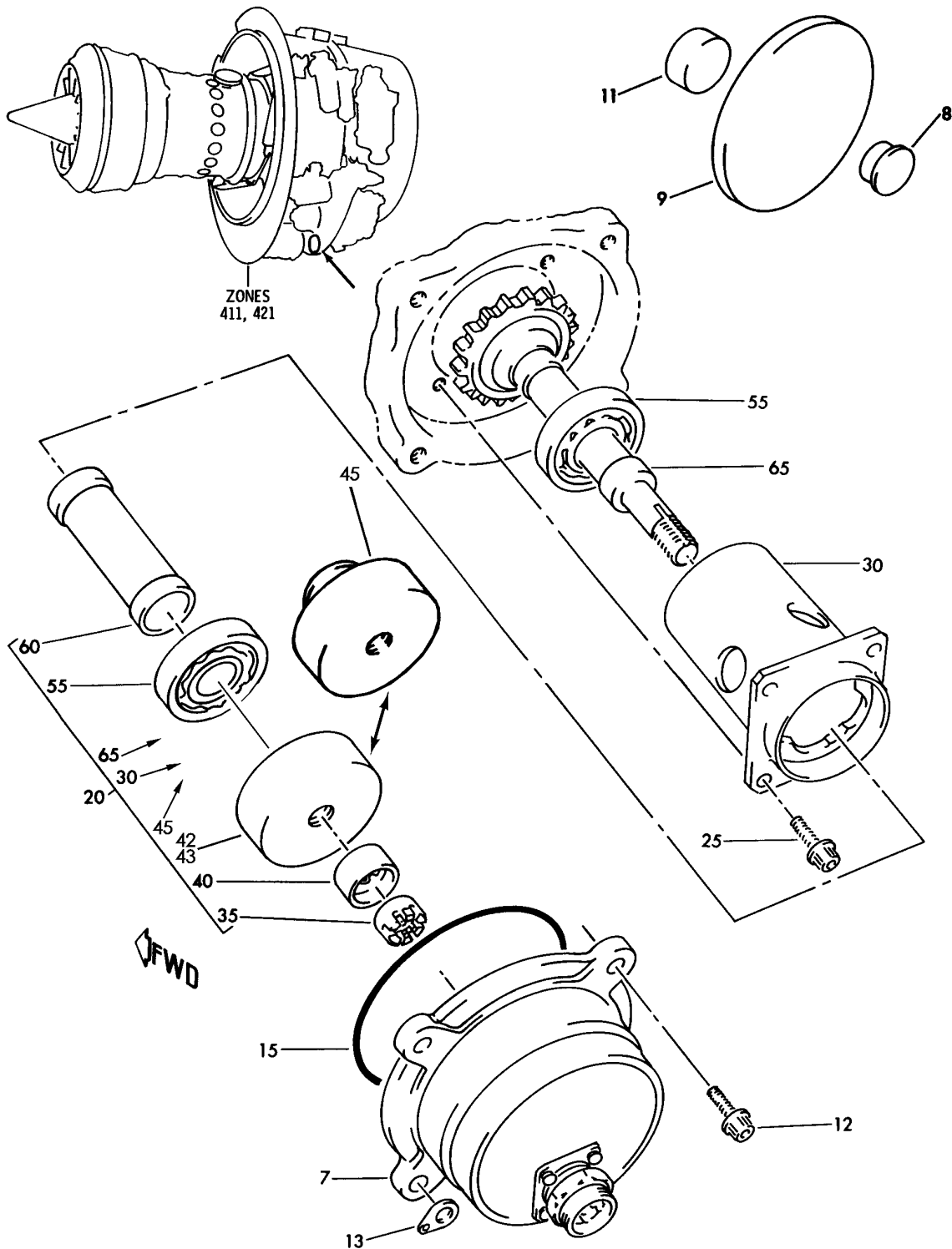
BRI

**73-21-04-03**

BOEING PROPRIETARY - Copyright © - Unpublished Work - See title page for details.

73-21-04  
FIG. 03  
PAGE 9  
JAN 20/09

**BOEING**  
757  
PARTS CATALOG (MAINTENANCE)



Y 73210801 REV 229

GENERATOR INSTL-DEDICATED (RB211-535)  
FIGURE 1

**73-21-08-01**

BRI  
MAY 28/07

73-21-08-01  
PAGE 0



757

PARTS CATALOG (MAINTENANCE)

FIG ITEM	PART NUMBER	1 2 3 4 5 6 7	NOMENCLATURE	EFFECT FROM TO	UNITS PER ASSY
1			GENERATOR INSTL-DEDICATED (RB211-535)	002004 006999	
- 1	UL20697		ENGINE ASSY-Q.E.C.U. RB211-535E43711 MAXIMUM NEUT WITH GRAVINER FIRE DETECTORS, BAYONET MCD, NON-MODULATED IDG COOLING 40,000 LB THRUST SUPPLIER CODE: VK0680 REFERENCE SERVICE BULLETIN: 71-0058R4 QUALIFIED SB I/W DATA: INTERMIX OF ONE OR SUBSTITUTION OF TWO DIFFERENT CONFIGURATION RB211-535E4-37/() ENGINES FOR RB211-535 E4 BASE ENGINES REFERENCE SERVICE BULLETIN: RB211-72-C547 VK0680 FOR NHA/OTHER SYS DET SEE: 71-00-02-04	121503 904949 952999	RF
- 1	UL20702		ENGINE ASSY-Q.E.C.U. RB211-535E43711 BASIC ENGINE CONFIGURATION WITH GRAVINER FIRE DETECTORS, BAYONET MCD, NON-MODULATED IDG COOLING 40,100 LB THRUST SUPPLIER CODE: VK0680 FOR NHA/OTHER SYS DET SEE: 71-00-02-10	504903	RF
- 1	UL19722		ENGINE ASSY-Q.E.C.U. RB211-535E43711 MAXIMUM NEUT SUPPLIER CODE: VK0680 FOR NHA/OTHER SYS DET SEE: 71-00-02-04	107107	RF

MISSING ITEM NUMBERS NOT APPLICABLE

- ITEM NOT ILLUSTRATED

BRI

73-21-08-01

73-21-08  
FIG. 01  
PAGE 1  
JAN 20/09



757

PARTS CATALOG (MAINTENANCE)

FIG ITEM	PART NUMBER	1 2 3 4 5 6 7	NOMENCLATURE	EFFECT FROM TO	UNITS PER ASSY
1					
- 2	UL20698		ENGINE ASSY-Q.E.C.U. RB211-535E43712 MAXIMUM NEUT SUPPLIER CODE: VK0680 REFERENCE SERVICE BULLETIN: 71-0058R7 QUALIFIED SB I/W DATA: INTERMIX OF ONE OR SUBSTITUTION OF TWO DIFFERENT CONFIGURATION RB211-535E4-37/() ENGINES FOR RB211-535E4 BASE ENGINES OR DIFFERENT CONFIGURATION RB211-535E4-B-37/() ENGINES FOR RB211-535E4-B BASE ENGINES REFERENCE SERVICE BULLETIN: RB211-72-C547 VK0680 RB211-72-8910 VK0680 POST RAPID REVISION: 92014-183A-RC-E FOR NHA/OTHER SYS DET SEE: 71-00-02-04	002004 006100 102102	RF
- 2	UL36209		ENGINE ASSY-Q.E.C.U. RB211-535E43719 MAXIMUM NEUT SUPPLIER CODE: VK0680 FOR NHA/OTHER SYS DET SEE: 71-00-02-04	950951	RF
- 3	BCREF17395		ENGINE ASSY-Q.E.C.U. RB211-535E43739 BASIC ENGINE CONFIGURATION AND PHASE 5 COMBUSTOR 40,100 LB THRUST SUPPLIER CODE: VK0680 OVERLENGTH PART NUMBER: RB211-535E4-37-39E FOR NHA/OTHER SYS DET SEE: 71-00-02-10	108120	RF

MISSING ITEM NUMBERS NOT APPLICABLE

- ITEM NOT ILLUSTRATED

73-21-08-01

73-21-08  
FIG. 01  
PAGE 2  
JAN 20/09

BRI



757

PARTS CATALOG (MAINTENANCE)

FIG ITEM	PART NUMBER	1 2 3 4 5 6 7	NOMENCLATURE	EFFECT FROM TO	UNITS PER ASSY
1					
- 3	BCREF17101		ENGINE ASSY-Q.E.C.U. RB211-535E43744 BASIC ENGINE CONFIGURATION, BAYONET MCD AND PHASE 5 COMBUSTOR 40,100 LB THRUST SUPPLIER CODE: VK0680 OVERLENGTH PART NUMBER: RB211-535E4-3744E FOR NHA/OTHER SYS DET SEE: 71-00-02-10	103106	RF
- 3	UL38163		ENGINE ASSY-Q.E.C.U. RB211-535E43724 BASIC ENGINE CONFIGURATION, BAYONET MCD, 40,100 LB THRUST SUPPLIER CODE: VK0680 FOR NHA/OTHER SYS DET SEE: 71-00-02-10	101101	RF
- 5	UL10943		.GENERATOR INSTL-DEDICATED SUPPLIER CODE: VK0680 PRE SERVICE BULLETIN: 73-9039 VK0680	002004 006100 102102 107107 121949 952999	RF
- 5	UL26786		.GENERATOR INSTL-DEDICATED SUPPLIER CODE: VK0680 POST SERVICE BULLETIN: 73-9039PT01 VK0680	002004 006999	RF
7	47369		..STATOR-DEDICATED GEN SUPPLIER CODE: V83311 PRE SERVICE BULLETIN: 73-7548 VK0680	107107 121949 952999	1

MISSING ITEM NUMBERS NOT APPLICABLE

- ITEM NOT ILLUSTRATED

BRI

73-21-08-01

BOEING PROPRIETARY - Copyright © - Unpublished Work - See title page for details.

73-21-08  
FIG. 01  
PAGE 3  
JAN 20/09



757

PARTS CATALOG (MAINTENANCE)

FIG ITEM	PART NUMBER	1 2 3 4 5 6 7	NOMENCLATURE	EFFECT FROM TO	UNITS PER ASSY
1					
7	45040		.. STATOR-DEDICATED GEN SUPPLIER CODE: V83311 POST SERVICE BULLETIN: 73-8225PTA VK0680 73-8061PTA VK0680 73-7548PT01 VK0680 PRE SERVICE BULLETIN: 73-9717 VK0680 73-8225 VK0680 73-8061 VK0680	002004 006102 107999	1
7	45040-1		.. STATOR-DEDICATED GEN SUPPLIER CODE: V83311 POST SERVICE BULLETIN: 73-9717PT01 VK0680	002004 006999	1
7	47369-1		.. STATOR-DEDICATED GEN SUPPLIER CODE: V83311 POST SERVICE BULLETIN: 73-9717 VK0680	002004 006999	1
8	24202		...CAP-DUST TRANSPORTATION ONLY SUPPLIER CODE: V83311 POST SERVICE BULLETIN: 73-8049PTC VK0680	002004 006999	1
9	110850		...COVER-FLANGE TRANSPORTATION ONLY SUPPLIER CODE: V83311 POST SERVICE BULLETIN: 73-8049PTC VK0680	002004 006999	1

MISSING ITEM NUMBERS NOT APPLICABLE

- ITEM NOT ILLUSTRATED

BRI

73-21-08-01

BOEING PROPRIETARY - Copyright © - Unpublished Work - See title page for details.

73-21-08  
FIG. 01  
PAGE 4  
JAN 20/09



757

PARTS CATALOG (MAINTENANCE)

FIG ITEM	PART NUMBER	1 2 3 4 5 6 7	NOMENCLATURE	EFFECT FROM TO	UNITS PER ASSY
1					
11	106471		...COVER-ROTOR TRANSPORTATION ONLY SUPPLIER CODE: V83311 POST SERVICE BULLETIN: 73-8049PTD VK0680	002004 006999	2
12	AS21516		..BOLT-	002004 006999	4
13	LK56287		..WASHER- SUPPLIER CODE: VK0680	002004 006999	1
15	KB27154		..RING- SUPPLIER CODE: VK0680	002004 006999	1
20	LK67318		..GENERATOR ASSY- ROTOR AND DRIVE SUPPLIER CODE: VK0680 PRE SERVICE BULLETIN: 73-8524 VK0680	002004 006100 102102 107107 121949 952999	1
20	UL25037		..GENERATOR ASSY- ROTOR AND DRIVE SUPPLIER CODE: VK0680 POST SERVICE BULLETIN: 73-8524 VK0680 PRE SERVICE BULLETIN: 73-9093 VK0680	002004 006100 102102 107107 121949 952999	1
20	UL26784		..GENERATOR ASSY- ROTOR AND DRIVE SUPPLIER CODE: VK0680 POST SERVICE BULLETIN: 73-9039PT01 VK0680 PRE SERVICE BULLETIN: 73-C670 VK0680	002004 006999	1
20	UL39542		..GENERATOR ASSY- ROTOR AND DRIVE SUPPLIER CODE: VK0680 POST SERVICE BULLETIN: 73-C670PT01 VK0680	002004 006999	1

MISSING ITEM NUMBERS NOT APPLICABLE

- ITEM NOT ILLUSTRATED

BRI

73-21-08-01

BOEING PROPRIETARY - Copyright © - Unpublished Work - See title page for details.

73-21-08  
FIG. 01  
PAGE 5  
JAN 20/09



757

PARTS CATALOG (MAINTENANCE)

FIG ITEM	PART NUMBER	1 2 3 4 5 6 7	NOMENCLATURE	EFFECT FROM TO	UNITS PER ASSY
1			ATTACHING PARTS		
25	AS21411	..	BOLT-	002004 006999	4
35	LK80982	...NUT-	SUPPLIER CODE: VK0680	002004 006999	1
40	KC2407	...WASHER-CUP	SUPPLIER CODE: VK0680	002004 006999	1
42	44653	...ROTOR-	SUPPLIER CODE: V89305 NOT APPROVED FOR ETOPS. CONFIG CHG DATA FROM A CMM: FOR INTRCHNG SEE RR IPC PRE SERVICE BULLETIN: 73-8524 VK0680	002004 006100 102102 107107 121949 952999	1
43	46035	...ROTOR-	SUPPLIER CODE: V83311 NOT APPROVED FOR ETOPS. CONFIG CHG DATA FROM A CMM: FOR INTRCHNG SEE RR IPC POST SERVICE BULLETIN: 73-8524 VK0680 PRE SERVICE BULLETIN: 73-9039 VK0680	002004 006100 102102 107107 121949 952999	1
45	46354	...ROTOR-	SUPPLIER CODE: V83311 POST SERVICE BULLETIN: 73-9039PT01 VK0680	002004 006999	1

MISSING ITEM NUMBERS NOT APPLICABLE

- ITEM NOT ILLUSTRATED

BRI

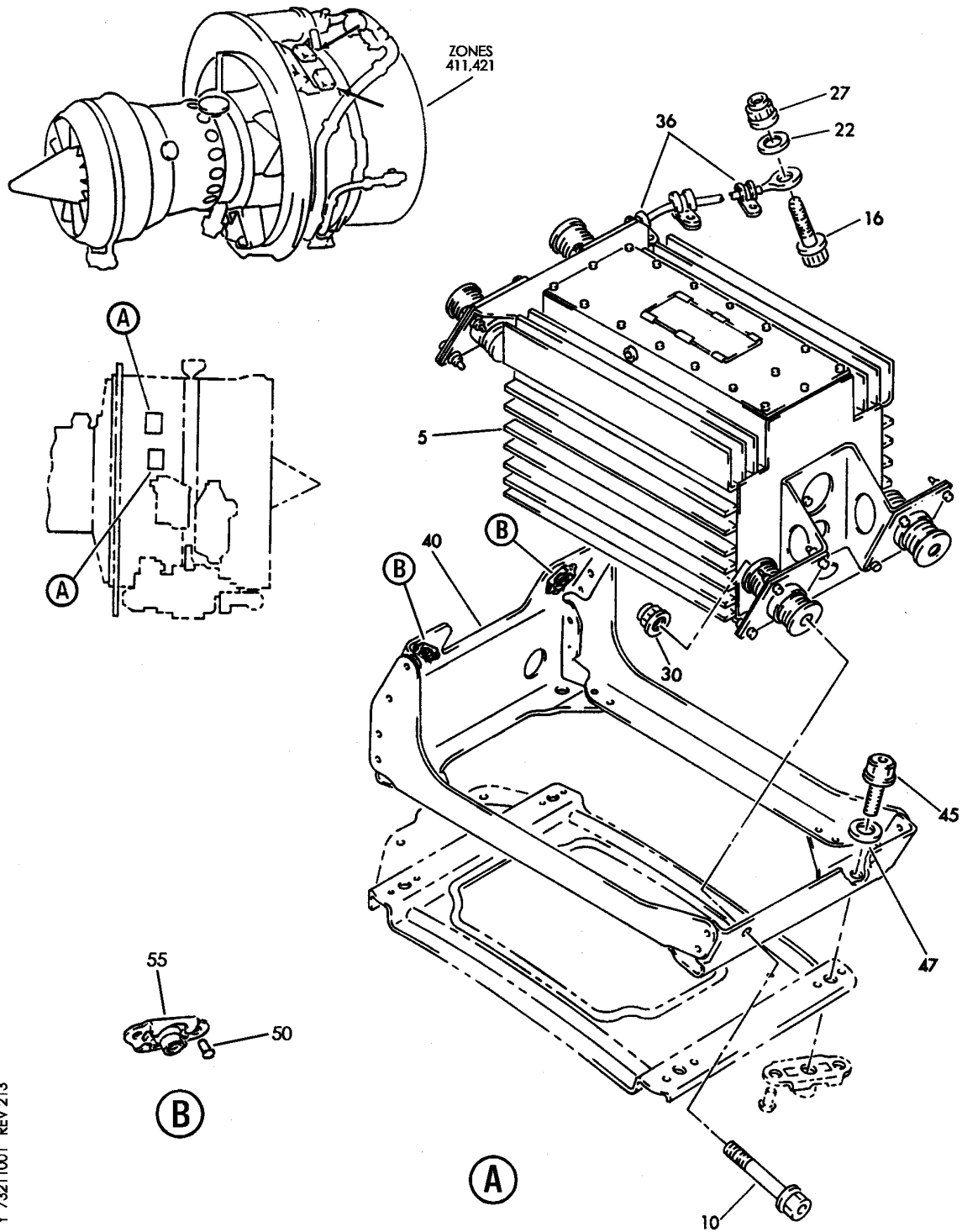
73-21-08-01

BOEING PROPRIETARY - Copyright © - Unpublished Work - See title page for details.

73-21-08  
FIG. 01  
PAGE 6  
JAN 20/09



**BOEING**  
757  
PARTS CATALOG (MAINTENANCE)



Y 73211001 REV 213

EEC GENERATOR CONTROL UNIT (RB211-535)  
FIGURE 1

**73-21-10-01**

BRI  
MAY 28/07

73-21-10-01  
PAGE 0



757

PARTS CATALOG (MAINTENANCE)

FIG ITEM	PART NUMBER	1 2 3 4 5 6 7	NOMENCLATURE	EFFECT FROM TO	UNITS PER ASSY
1			EEC GENERATOR CONTROL UNIT (RB211-535)	002004 006999	
- 1	UL20697		ENGINE ASSY-Q.E.C.U. RB211-535E43711 MAXIMUM NEUT WITH GRAVINER FIRE DETECTORS, BAYONET MCD, NON-MODULATED IDG COOLING 40,000 LB THRUST SUPPLIER CODE: VK0680 REFERENCE SERVICE BULLETIN: 71-0058R4 QUALIFIED SB I/W DATA: INTERMIX OF ONE OR SUBSTITUTION OF TWO DIFFERENT CONFIGURATION RB211-535E4-37/() ENGINES FOR RB211-535 E4 BASE ENGINES REFERENCE SERVICE BULLETIN: RB211-72-C547 VK0680 FOR NHA/OTHER SYS DET SEE: 71-00-02-04	121503 904949 952999	RF
- 1	UL20702		ENGINE ASSY-Q.E.C.U. RB211-535E43711 BASIC ENGINE CONFIGURATION WITH GRAVINER FIRE DETECTORS, BAYONET MCD, NON-MODULATED IDG COOLING 40,100 LB THRUST SUPPLIER CODE: VK0680 FOR NHA/OTHER SYS DET SEE: 71-00-02-10	504903	RF
- 1	UL38163		ENGINE ASSY-Q.E.C.U. RB211-535E43724 BASIC ENGINE CONFIGURATION, BAYONET MCD, 40,100 LB THRUST SUPPLIER CODE: VK0680 FOR NHA/OTHER SYS DET SEE: 71-00-02-10	101101	RF

MISSING ITEM NUMBERS NOT APPLICABLE

- ITEM NOT ILLUSTRATED

BRI

73-21-10-01

BOEING PROPRIETARY - Copyright © - Unpublished Work - See title page for details.

73-21-10  
FIG. 01  
PAGE 1  
JAN 20/09



757

PARTS CATALOG (MAINTENANCE)

FIG ITEM	PART NUMBER	1 2 3 4 5 6 7	NOMENCLATURE	EFFECT FROM TO	UNITS PER ASSY
1					
- 1	UL19722		ENGINE ASSY-Q.E.C.U. RB211-535E43711 MAXIMUM NEUT SUPPLIER CODE: VK0680 FOR NHA/OTHER SYS DET SEE: 71-00-02-04	107107	RF
- 2	UL20698		ENGINE ASSY-Q.E.C.U. RB211-535E43712 MAXIMUM NEUT SUPPLIER CODE: VK0680 REFERENCE SERVICE BULLETIN: 71-0058R7 QUALIFIED SB I/W DATA: INTERMIX OF ONE OR SUBSTITUTION OF TWO DIFFERENT CONFIGURATION RB211-535E4-37/() ENGINES FOR RB211-535E4 BASE ENGINES OR DIFFERENT CONFIGURATION RB211-535E4-B-37/() ENGINES FOR RB211-535E4-B BASE ENGINES REFERENCE SERVICE BULLETIN: RB211-72-C547 VK0680 RB211-72-8910 VK0680 POST RAPID REVISION: RR92014-183A-RC-E FOR NHA/OTHER SYS DET SEE: 71-00-02-04	002004 006100 102102	RF
- 2	UL36209		ENGINE ASSY-Q.E.C.U. RB211-535E43719 MAXIMUM NEUT SUPPLIER CODE: VK0680 FOR NHA/OTHER SYS DET SEE: 71-00-02-04	950951	RF

MISSING ITEM NUMBERS NOT APPLICABLE

- ITEM NOT ILLUSTRATED

BRI

73-21-10-01

BOEING PROPRIETARY - Copyright © - Unpublished Work - See title page for details.

73-21-10  
FIG. 01  
PAGE 2  
JAN 20/09



757

PARTS CATALOG (MAINTENANCE)

FIG ITEM	PART NUMBER	1 2 3 4 5 6 7	NOMENCLATURE	EFFECT FROM TO	UNITS PER ASSY
1					
- 3	BCREF17395		ENGINE ASSY-Q.E.C.U. RB211-535E43739 BASIC ENGINE CONFIGURATION AND PHASE 5 COMBUSTOR 40,100 LB THRUST SUPPLIER CODE: VK0680 OVERLENGTH PART NUMBER: RB211-535E4-37-39E FOR NHA/OTHER SYS DET SEE: 71-00-02-10	108120	RF
- 3	BCREF17101		ENGINE ASSY-Q.E.C.U. RB211-535E43744 BASIC ENGINE CONFIGURATION, BAYONET MCD AND PHASE 5 COMBUSTOR 40,100 LB THRUST SUPPLIER CODE: VK0680 OVERLENGTH PART NUMBER: RB211-535E4-3744E FOR NHA/OTHER SYS DET SEE: 71-00-02-10	103106	RF
5	47385		.CONTROLLER-POWER CONDITIONING SUPPLIER CODE: V83311 POST SERVICE BULLETIN: 73-9981PT01 VK0680 73-8225PTC VK0680 73-7410PT01 VK0680 73-8225PTB VK0680 PRE SERVICE BULLETIN: 73-8225 VK0680 73-C103 VK0680 73-7410 VK0680 73-9981 VK0680	002004 006999	2

MISSING ITEM NUMBERS NOT APPLICABLE

- ITEM NOT ILLUSTRATED

BRI

73-21-10-01

BOEING PROPRIETARY - Copyright © - Unpublished Work - See title page for details.

73-21-10  
FIG. 01  
PAGE 3  
JAN 20/09



757

PARTS CATALOG (MAINTENANCE)

FIG ITEM	PART NUMBER	1 2 3 4 5 6 7	NOMENCLATURE	EFFECT FROM TO	UNITS PER ASSY
1					
5	430101		.CONTROLLER-POWER CONDITIONING SUPPLIER CODE: V83311 POST SERVICE BULLETIN: 73-C103PT01 VK0680 ATTACHING PARTS	002004 006999	2
10	AS21540		.BOLT	002004 006999	8
16	AS21407		.BOLT-	002004 006999	1
22	K8831		.WASHER- SUPPLIER CODE: VK0680	002004 006999	1
27	AS20624		.NUT-	002004 006999	1
30	AS20625		.NUT	002004 006999	4
			-----*-----		
36	3505461		.CLAMP- SUPPLIER CODE: VK0680 PRE SERVICE BULLETIN: 73-9639 VK0680	002004 006102 107999	1
38	3505461		.CLAMP- SUPPLIER CODE: VK0680 POST SERVICE BULLETIN: 73-9639PTC VK0680	002004 006999	2
40	UL10893		.BRACKET ASSY- SUPPLIER CODE: VK0680 ATTACHING PARTS	002004 006999	2
45	AS21508		.BOLT	002004 006999	8
47	AS12944		.WASHER-	002004 006999	8
			-----*-----		

MISSING ITEM NUMBERS NOT APPLICABLE

- ITEM NOT ILLUSTRATED

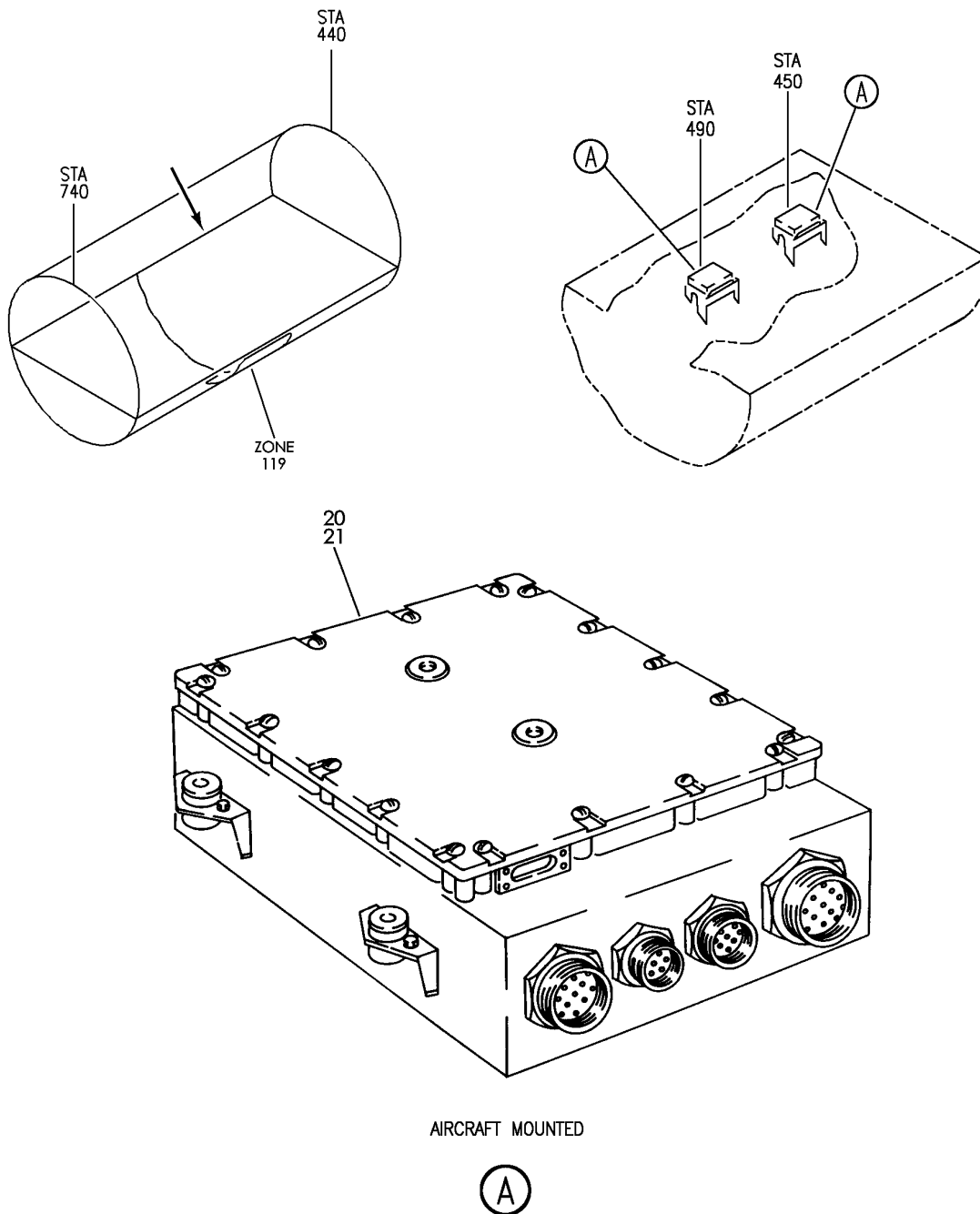
BRI

73-21-10-01

BOEING PROPRIETARY - Copyright © - Unpublished Work - See title page for details.

73-21-10  
FIG. 01  
PAGE 4  
JAN 20/09

**BOEING**  
757  
PARTS CATALOG (MAINTENANCE)



Y 73211003 REV 299

ECC GENERATOR CONTROL UNIT (RB211-535)  
FIGURE 3

**73-21-10-03**

BRI  
MAY 28/07

73-21-10-03  
PAGE 0



757

PARTS CATALOG (MAINTENANCE)

FIG ITEM	PART NUMBER	1 2 3 4 5 6 7	NOMENCLATURE	EFFECT FROM TO	UNITS PER ASSY
3			EEC GENERATOR CONTROL UNIT (RB211-535)	002004 006999	
- 1	BCREF17101		ENGINE ASSY-Q.E.C.U. RB211-535E43744 BASIC ENGINE CONFIGURATION, BAYONET MCD AND PHASE 5 COMBUSTOR 40,100 LB THRUST SUPPLIER CODE: VK0680 OVERLENGTH PART NUMBER: RB211-535E4-3744E FOR NHA/OTHER SYS DET SEE: 71-00-02-10	103106	RF
- 1	BCREF17395		ENGINE ASSY-Q.E.C.U. RB211-535E43739 BASIC ENGINE CONFIGURATION AND PHASE 5 COMBUSTOR 40,100 LB THRUST SUPPLIER CODE: VK0680 OVERLENGTH PART NUMBER: RB211-535E4-37-39E FOR NHA/OTHER SYS DET SEE: 71-00-02-10	108120	RF
- 1	UL19722		ENGINE ASSY-Q.E.C.U. RB211-535E43711 MAXIMUM NEUT SUPPLIER CODE: VK0680 FOR NHA/OTHER SYS DET SEE: 71-00-02-04	107107	RF
- 1	UL38163		ENGINE ASSY-Q.E.C.U. RB211-535E43724 BASIC ENGINE CONFIGURATION, BAYONET MCD, 40,100 LB THRUST SUPPLIER CODE: VK0680 FOR NHA/OTHER SYS DET SEE: 71-00-02-10	101101	RF

MISSING ITEM NUMBERS NOT APPLICABLE

- ITEM NOT ILLUSTRATED

73-21-10-03

73-21-10  
FIG. 03  
PAGE 1  
JAN 20/09

BRI



757

PARTS CATALOG (MAINTENANCE)

FIG ITEM	PART NUMBER	1 2 3 4 5 6 7	NOMENCLATURE	EFFECT FROM TO	UNITS PER ASSY
3 -	2 UL20698		ENGINE ASSY-Q.E.C.U. RB211-535E43712 MAXIMUM NEUT SUPPLIER CODE: VK0680 REFERENCE SERVICE BULLETIN: 71-0058R7 QUALIFIED SB I/W DATA: INTERMIX OF ONE OR SUBSTITUTION OF TWO DIFFERENT CONFIGURATION RB211-535E4-37/() ENGINES FOR RB211-535E4 BASE ENGINES OR DIFFERENT CONFIGURATION RB211-535E4-B-37/() ENGINES FOR RB211-535E4-B BASE ENGINES REFERENCE SERVICE BULLETIN: RB211-72-C547 VK0680 RB211-72-8910 VK0680 POST RAPID REVISION: RR92014-183A-RC-E FOR NHA/OTHER SYS DET SEE: 71-00-02-04	002004 006100 102102	RF
-	2 UL20702		ENGINE ASSY-Q.E.C.U. RB211-535E43711 BASIC ENGINE CONFIG. WITH GRAVINER FIRE DETECTORS,BAYONET MCD, NON-MODULATED IDG COOLING 40,100 LB THRUST SUPPLIER CODE: VK0680 FOR NHA/OTHER SYS DET SEE: 71-00-02-10	504903	RF
-	2 UL36209		ENGINE ASSY-Q.E.C.U. RB211-535E43719 MAXIMUM NEUT SUPPLIER CODE: VK0680 FOR NHA/OTHER SYS DET SEE: 71-00-02-04	950951	RF

MISSING ITEM NUMBERS NOT APPLICABLE

- ITEM NOT ILLUSTRATED

73-21-10-03

73-21-10  
FIG. 03  
PAGE 2  
JAN 20/09

BRI





757

PARTS CATALOG (MAINTENANCE)

FIG ITEM	PART NUMBER	1 2 3 4 5 6 7	NOMENCLATURE	EFFECT FROM TO	UNITS PER ASSY
3 -	4 UL20697		ENGINE ASSY-Q.E.C.U. RB211-535E43711 MAXIMUM NEUT WITH GRAVINER FIRE DETECTORS, BAYONET MCD, NON-MODULATED IDG COOLING 40,000 LB THRUST SUPPLIER CODE: VK0680 REFERENCE SERVICE BULLETIN: 71-0058R4 QUALIFIED SB I/W DATA: INTERMIX OF ONE OR SUBSTITUTION OF TWO DIFFERENT CONFIGURATION RB211-535E4-37/() ENGINES FOR RB211-535 E4 BASE ENGINES REFERENCE SERVICE BULLETIN: RB211-72-C547 VK0680 FOR NHA/OTHER SYS DET SEE: 71-00-02-04	121503 904949 952999	RF
-	5 UL10914		. CONTROL UNIT-EEC GENERATOR SUPPLIER CODE: VK0680 REFERENCE SERVICE BULLETIN: 73-6352PT01 VK0680	002004 006999	RF
	20 356A7065G152		.. CONTROL-SUPERVISORY ENGINE SUPPLIER CODE: V89954 POST SERVICE BULLETIN: 73-C713PT01 VK0680	002004 006999	RF
	20 356A7065G151		.. CONTROL-SUPERVISORY ENGINE SUPPLIER CODE: V89954 POST SERVICE BULLETIN: 73-B861PT01 VK0680 PRE SERVICE BULLETIN: 73-C713 VK0680	002004 006999	RF

MISSING ITEM NUMBERS NOT APPLICABLE

- ITEM NOT ILLUSTRATED

73-21-10-03

73-21-10  
FIG. 03  
PAGE 3  
JAN 20/09

BRI



757

PARTS CATALOG (MAINTENANCE)

FIG ITEM	PART NUMBER	1 2 3 4 5 6 7	NOMENCLATURE	EFFECT FROM TO	UNITS PER ASSY
3					
20	ESC103-04C4		.. CONTROL-SUPERVISORY ENGINE SUPPLIER CODE: VK0131 POST SERVICE BULLETIN: 73-6352PT01 VK0680 73-9287PT01 VK0680 73-9642PT01 VK0680 PRE SERVICE BULLETIN: RB211-73-B861 VK0680 73-9287 VK0680 73-B861 VK0680 73-9642 VK0680	002004 006999	RF
20	ESC103-04E4		.. CONTROL-ENGINE SUPPLIER CODE: VU4287 POST SERVICE BULLETIN: 73-C271PT01 VK0680 RB211-73-C271 VK0680	002004 006999	RF
21	356A7066G151		.. CONTROL-SUPERVISORY ENGINE SUPPLIER CODE: V89954 POST SERVICE BULLETIN: 73-C068PT01 VK0680	002004 006999	RF

MISSING ITEM NUMBERS NOT APPLICABLE

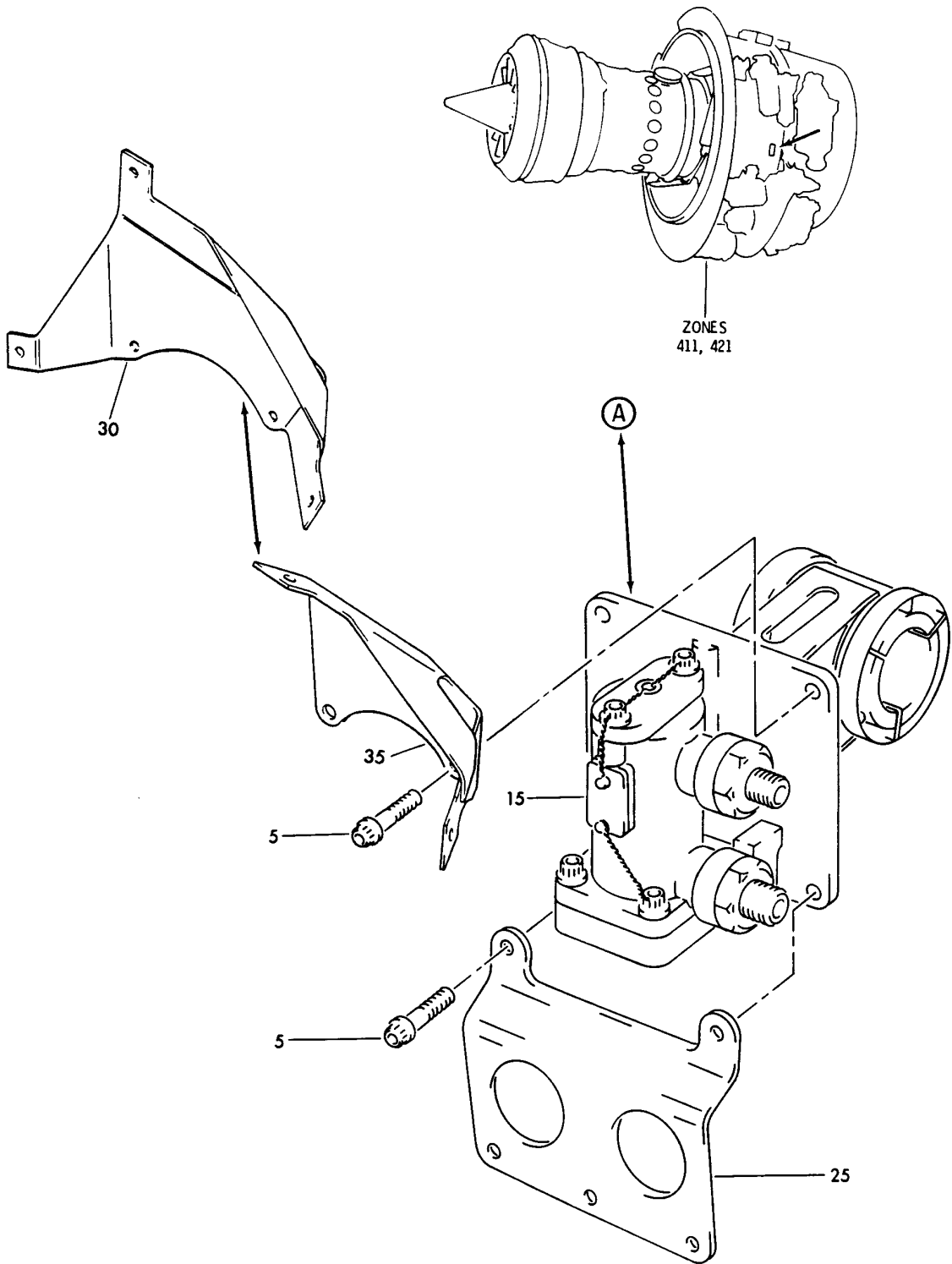
- ITEM NOT ILLUSTRATED

73-21-10-03

73-21-10  
FIG. 03  
PAGE 4  
JAN 20/09

BRI

**BOEING**  
757  
PARTS CATALOG (MAINTENANCE)



Y 73211101 SHT 1 REV 180

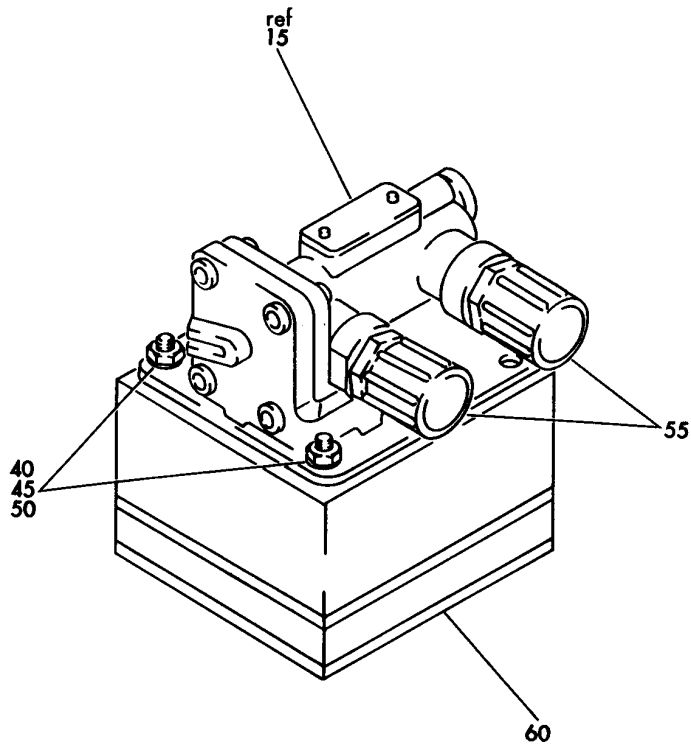
SENSOR-FAN STREAM TEMP (RB211-535)  
FIGURE 1 (SHEET 1)

**73-21-11-01**

BRI  
MAY 28/07

73-21-11-01  
PAGE 0

**BOEING**  
757  
PARTS CATALOG (MAINTENANCE)



(A)

Y 73211101 SHT 2 REV 137

SENSOR-FAN STREAM TEMP (RB211-535)  
FIGURE 1 (SHEET 2)

**73-21-11-01**

BRI  
MAY 28/07

73-21-11-01  
PAGE 0A



757

PARTS CATALOG (MAINTENANCE)

FIG ITEM	PART NUMBER	1 2 3 4 5 6 7	NOMENCLATURE	EFFECT FROM TO	UNITS PER ASSY
1			SENSOR-FAN STREAM TEMP (RB211-535)	002004	
- 1	UL20697		ENGINE ASSY-Q.E.C.U. RB211-535E43711 MAXIMUM NEUT SUPPLIER CODE: VK0680 REFERENCE SERVICE BULLETIN: 71-0058R4 QUALIFIED SB I/W DATA: INTERMIX OF ONE OR SUBSTITUTION OF TWO DIFFERENT CONFIGURATION RB211-535E4-37/() ENGINES FOR RB211-535 E4 BASE ENGINES REFERENCE SERVICE BULLETIN: RB211-72-C547 VK0680 FOR NHA/OTHER SYS DET SEE: 71-00-02-04	006999 121503 904949 952999	RF
- 1	UL20702		ENGINE ASSY-Q.E.C.U. RB211-535E43711 BASIC ENGINE CONFIGURATION WITH GRAVINER FIRE DETECTORS, BAYONET MCD, NON-MODULATED IDG COOLING 40,100 LB THRUST SUPPLIER CODE: VK0680 FOR NHA/OTHER SYS DET SEE: 71-00-02-10	504903	RF
- 1	UL19722		ENGINE ASSY-Q.E.C.U. RB211-535E43711 MAXIMUM NEUT SUPPLIER CODE: VK0680 FOR NHA/OTHER SYS DET SEE: 71-00-02-04	107107	RF

MISSING ITEM NUMBERS NOT APPLICABLE

- ITEM NOT ILLUSTRATED

BRI

73-21-11-01

BOEING PROPRIETARY - Copyright © - Unpublished Work - See title page for details.

73-21-11  
FIG. 01  
PAGE 1  
JAN 20/09



757

PARTS CATALOG (MAINTENANCE)

FIG ITEM	PART NUMBER	1 2 3 4 5 6 7	NOMENCLATURE	EFFECT FROM TO	UNITS PER ASSY
1					
- 2	UL20698		ENGINE ASSY-Q.E.C.U. RB211-535E43712 MAXIMUM NEUT SUPPLIER CODE: VK0680 REFERENCE SERVICE BULLETIN: 71-0058R7 QUALIFIED SB I/W DATA: INTERMIX OF ONE OR SUBSTITUTION OF TWO DIFFERENT CONFIGURATION RB211-535E4-37/() ENGINES FOR RB211-535E4 BASE ENGINES OR DIFFERENT CONFIGURATION RB211-535E4-B-37/() ENGINES FOR RB211-535E4-B BASE ENGINES REFERENCE SERVICE BULLETIN: RB211-72-C547 VK0680 RB211-72-8910 VK0680 POST RAPID REVISION: RR92014-183E FOR NHA/OTHER SYS DET SEE: 71-00-02-04	002004 006100 102102	RF
- 2	UL38163		ENGINE ASSY-Q.E.C.U. RB211-535E43724 BASIC ENGINE CONFIGURATION, BAYONET MCD, 40,100 LB THRUST SUPPLIER CODE: VK0680 FOR NHA/OTHER SYS DET SEE: 71-00-02-10	101101	RF
- 2	UL36209		ENGINE ASSY-Q.E.C.U. RB211-535E43719 MAXIMUM NEUT SUPPLIER CODE: VK0680 FOR NHA/OTHER SYS DET SEE: 71-00-02-04	950951	RF

MISSING ITEM NUMBERS NOT APPLICABLE

- ITEM NOT ILLUSTRATED

BRI

73-21-11-01

BOEING PROPRIETARY - Copyright © - Unpublished Work - See title page for details.

73-21-11  
FIG. 01  
PAGE 2  
JAN 20/09



757

PARTS CATALOG (MAINTENANCE)

FIG ITEM	PART NUMBER	1 2 3 4 5 6 7	NOMENCLATURE	EFFECT FROM TO	UNITS PER ASSY
1					
- 3	BCREF17395		ENGINE ASSY-Q.E.C.U. RB211-535E43739 BASIC ENGINE CONFIGURATION AND PHASE 5 COMBUSTOR 40,100 LB THRUST SUPPLIER CODE: VK0680 OVERLENGTH PART NUMBER: RB211-535E4-37-39E FOR NHA/OTHER SYS DET SEE: 71-00-02-10	108120	RF
- 3	BCREF17101		ENGINE ASSY-Q.E.C.U. RB211-535E43744 BASIC ENGINE CONFIGURATION, BAYONET MCD AND PHASE 5 COMBUSTOR 40,100 LB THRUST SUPPLIER CODE: VK0680 OVERLENGTH PART NUMBER: RB211-535E4-3744E FOR NHA/OTHER SYS DET SEE: 71-00-02-10	103106	RF
5	AS21510		.BOLT	002004 006999	4
15	TSF010A		.SENSOR-FAN AIR TEMP SUPPLIER CODE: V66503 MISCELLANEOUS DATA: RR NO L455001	002004 006999	1
25	LK82785		.BRACKET-CLIPPING DBL ANGLE SUPPLIER CODE: VK0680	002004 006999	1
30	UL10923		.BRACKET-SPRT FUEL AND AIR TUBES SUPPLIER CODE: VK0680 PRE SERVICE BULLETIN: 73-8396 VK0680	002004 006100 102102 107107 121949 952999	1

MISSING ITEM NUMBERS NOT APPLICABLE

- ITEM NOT ILLUSTRATED

73-21-11-01

73-21-11  
FIG. 01  
PAGE 3  
JAN 20/09

BRI



757

PARTS CATALOG (MAINTENANCE)

FIG ITEM	PART NUMBER	1 2 3 4 5 6 7	NOMENCLATURE	EFFECT FROM TO	UNITS PER ASSY
1					
35	UL25490		.BRACKET-SPRT SUPPLIER CODE: VK0680 POST SERVICE BULLETIN: 73-8696PT01 VK0680 PRE SERVICE BULLETIN: 73-B048 VK0680	002004 006999	1
35	UL37357		.BRACKET-SPRT SUPPLIER CODE: VK0680 POST SERVICE BULLETIN: 73-B048PT01 VK0680	002004 006999	1
40	1052-360		..SCREW- TRANSPORTATION ONLY SUPPLIER CODE: V66503 POST SERVICE BULLETIN: 73-8049PTB VK0680	002004 006999	2
45	218758		..WASHER- TRANSPORTATION ONLY SUPPLIER CODE: V66503 POST SERVICE BULLETIN: 73-8049PTB VK0680	002004 006999	2
50	188616		..NUT- TRANSPORTATION ONLY SUPPLIER CODE: V66503 POST SERVICE BULLETIN: 73-8049PTB VK0680	002004 006999	2
55	1196-134		..CAP- TRANSPORTATION ONLY SUPPLIER CODE: V66503 POST SERVICE BULLETIN: 73-8049PTB VK0680	002004 006999	2

MISSING ITEM NUMBERS NOT APPLICABLE

- ITEM NOT ILLUSTRATED

BRI

73-21-11-01

BOEING PROPRIETARY - Copyright © - Unpublished Work - See title page for details.

73-21-11  
FIG. 01  
PAGE 4  
JAN 20/09





757

PARTS CATALOG (MAINTENANCE)

FIG ITEM	PART NUMBER	1 2 3 4 5 6 7	NOMENCLATURE	EFFECT FROM TO	UNITS PER ASSY
1 60	3009-932		..BLOCK- TRANSPORTATION ONLY SUPPLIER CODE: V66503 POST SERVICE BULLETIN: 73-8049PTB VK0680	002004 006999	1
900			ILLUSTRATION REFERENCE: TUBES AND FITTINGS-FUEL SYSTEM (RB211-535) 73-11-06-06	002004 006999	RF

MISSING ITEM NUMBERS NOT APPLICABLE

- ITEM NOT ILLUSTRATED

BRI

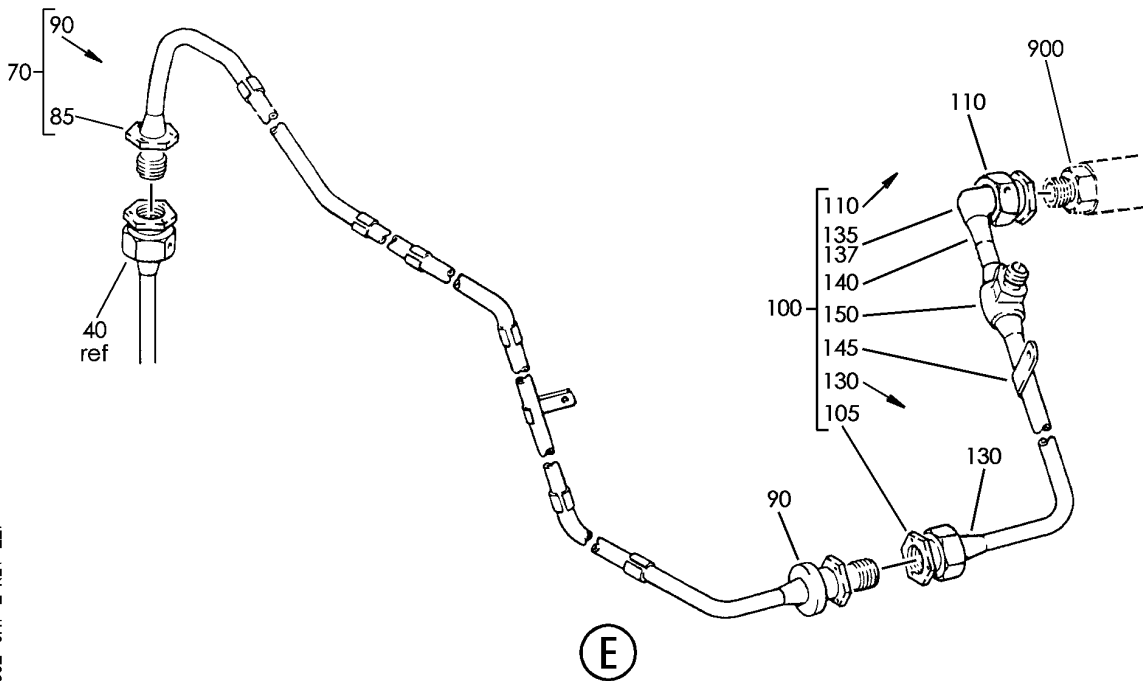
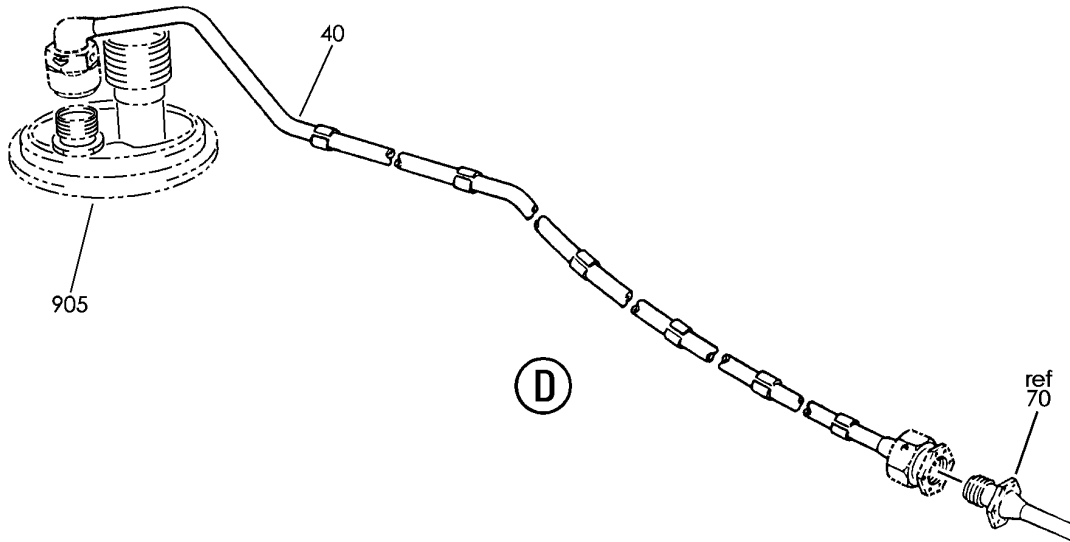
# 73-21-11-01

BOEING PROPRIETARY - Copyright © - Unpublished Work - See title page for details.

73-21-11  
FIG. 01  
PAGE 5  
JAN 20/09



**BOEING**  
757  
PARTS CATALOG (MAINTENANCE)



Y 73211302 SHT 2 REV 229

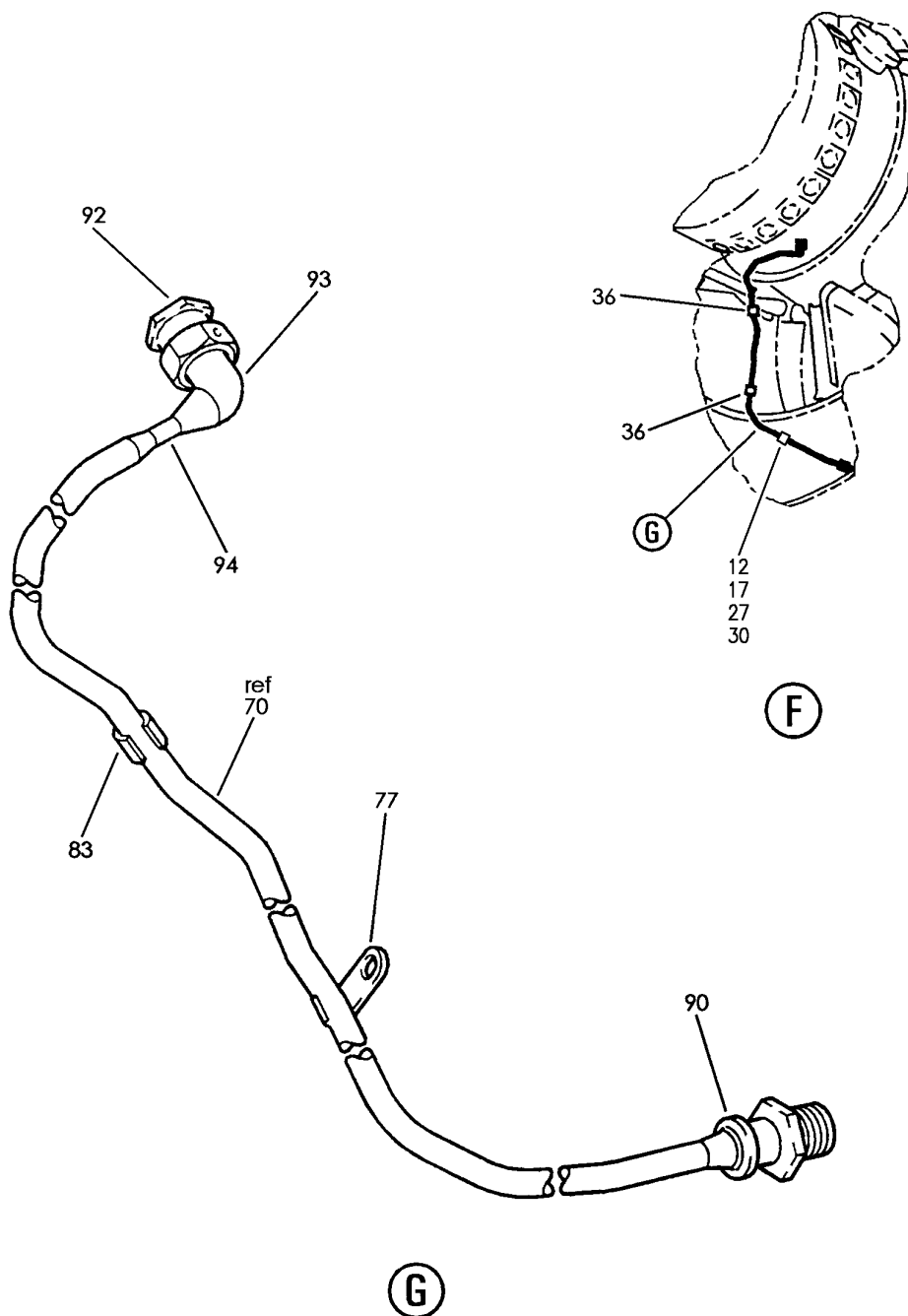
TUBES-FUEL SYSTEMS AIR (RB211-535)  
FIGURE 2 (SHEET 2)

**73-21-13-02**

BRI  
MAY 28/07

73-21-13-02  
PAGE 0A

**BOEING**  
757  
PARTS CATALOG (MAINTENANCE)



Y 73211302 SH1 3 REV 256

TUBES-FUEL SYSTEMS AIR (RB211-535)  
FIGURE 2 (SHEET 3)

**73-21-13-02**

BRI  
MAY 28/07

73-21-13-02  
PAGE 0B



757

PARTS CATALOG (MAINTENANCE)

FIG ITEM	PART NUMBER	1 2 3 4 5 6 7	NOMENCLATURE	EFFECT FROM TO	UNITS PER ASSY
2			TUBES-FUEL SYSTEMS AIR (RB211-535)	002004 006999	
- 1	UL20697		ENGINE ASSY-Q.E.C.U. RB211-535E43711 MAXIMUM NEUT WITH GRAVINER FIRE DETECTORS, BAYONET MCD, NON-MODULATED IDG COOLING 40,000 LB THRUST SUPPLIER CODE: VK0680 REFERENCE SERVICE BULLETIN: 71-0058R4 QUALIFIED SB I/W DATA: INTERMIX OF ONE OR SUBSTITUTION OF TWO DIFFERENT CONFIGURATION RB211-535E4-37/() ENGINES FOR RB211-535 E4 BASE ENGINES REFERENCE SERVICE BULLETIN: RB211-72-C547 VK0680 FOR NHA/OTHER SYS DET SEE: 71-00-02-04	121503 904949 952999	RF
- 1	UL20702		ENGINE ASSY-Q.E.C.U. RB211-535E43711 BASIC ENGINE CONFIGURATION WITH GRAVINER FIRE DETECTORS, BAYONET MCD, NON-MODULATED IDG COOLING 40,100 LB THRUST SUPPLIER CODE: VK0680 FOR NHA/OTHER SYS DET SEE: 71-00-02-10	504903	RF
- 1	UL19722		ENGINE ASSY-Q.E.C.U. RB211-535E43711 MAXIMUM NEUT SUPPLIER CODE: VK0680 FOR NHA/OTHER SYS DET SEE: 71-00-02-04	107107	RF

MISSING ITEM NUMBERS NOT APPLICABLE

- ITEM NOT ILLUSTRATED

BRI

73-21-13-02

BOEING PROPRIETARY - Copyright © - Unpublished Work - See title page for details.

73-21-13  
FIG. 02  
PAGE 1  
JAN 20/09



757

PARTS CATALOG (MAINTENANCE)

FIG ITEM	PART NUMBER	1 2 3 4 5 6 7	NOMENCLATURE	EFFECT FROM TO	UNITS PER ASSY
2 -	1 UL38163		ENGINE ASSY-Q.E.C.U. RB211-535E43724 BASIC ENGINE CONFIGURATION, BAYONET MCD, 40,100 LB THRUST SUPPLIER CODE: VK0680 FOR NHA/OTHER SYS DET SEE: 71-00-02-10	101101	RF
-	2 UL20698		ENGINE ASSY-Q.E.C.U. RB211-535E43712 MAXIMUM NEUT SUPPLIER CODE: VK0680 REFERENCE SERVICE BULLETIN: 71-0058R7 QUALIFIED SB I/W DATA: INTERMIX OF ONE OR SUBSTITUTION OF TWO DIFFERENT CONFIGURATION RB211-535E4-37/() ENGINES FOR RB211-535E4 BASE ENGINES OR DIFFERENT CONFIGURATION RB211-535E4-B-37/() ENGINES FOR RB211-535E4-B BASE ENGINES REFERENCE SERVICE BULLETIN: RB211-72-C547 VK0680 RB211-72-8910 VK0680 POST RAPID REVISION: RR92014-183E FOR NHA/OTHER SYS DET SEE: 71-00-02-04	002004 006100 102102	RF
-	2 UL36209		ENGINE ASSY-Q.E.C.U. RB211-535E43719 MAXIMUM NEUT SUPPLIER CODE: VK0680 FOR NHA/OTHER SYS DET SEE: 71-00-02-04	950951	RF

MISSING ITEM NUMBERS NOT APPLICABLE

- ITEM NOT ILLUSTRATED

BRI

73-21-13-02

BOEING PROPRIETARY - Copyright © - Unpublished Work - See title page for details.

73-21-13  
FIG. 02  
PAGE 2  
JAN 20/09



757

PARTS CATALOG (MAINTENANCE)

FIG ITEM	PART NUMBER	1 2 3 4 5 6 7	NOMENCLATURE	EFFECT FROM TO	UNITS PER ASSY
2					
- 3	BCREF17395		ENGINE ASSY-Q.E.C.U. RB211-535E43739 BASIC ENGINE CONFIGURATION AND PHASE 5 COMBUSTOR 40,100 LB THRUST SUPPLIER CODE: VK0680 OVERLENGTH PART NUMBER: RB211-535E4-37-39E FOR NHA/OTHER SYS DET SEE: 71-00-02-10	108120	RF
- 3	BCREF17101		ENGINE ASSY-Q.E.C.U. RB211-535E43744 BASIC ENGINE CONFIGURATION, BAYONET MCD AND PHASE 5 COMBUSTOR 40,100 LB THRUST SUPPLIER CODE: VK0680 OVERLENGTH PART NUMBER: RB211-535E4-3744E FOR NHA/OTHER SYS DET SEE: 71-00-02-10	103106	RF
5	AS21408		.BOLT-	002004 006102 107107 121999	1
10	AS21407		.BOLT-	002004 006102 107107 121999	1
12	AS21410		.BOLT- POST SERVICE BULLETIN: 72-D352PT01 VK0680	103106 108120	1
15	K8831		.WASHER- SUPPLIER CODE: VK0680	002004 006102 107107 121999	2
17	K8831		.WASHER- SUPPLIER CODE: VK0680 POST SERVICE BULLETIN: 72-D352PT01 VK0680	103106 108120	1

MISSING ITEM NUMBERS NOT APPLICABLE

- ITEM NOT ILLUSTRATED

73-21-13-02

73-21-13  
FIG. 02  
PAGE 3  
JAN 20/09

BRI



757

PARTS CATALOG (MAINTENANCE)

FIG ITEM	PART NUMBER	1 2 3 4 5 6 7	NOMENCLATURE	EFFECT FROM TO	UNITS PER ASSY
2					
20	AS41104	.	NUT-	002004 006102 107107 121999	1
25	AS20624	.	NUT-	002004 006102 107107 121999	1
27	AS20624	.	NUT- POST SERVICE BULLETIN: 72-D352PT01 VK0680	103106 108120	1
30	400WSS6	.	CLIP- SUPPLIER CODE: V83930 POST SERVICE BULLETIN: 72-D352 VK0680	103106 108120	1
35	LK39525	.	CLIP- SUPPLIER CODE: VK0680 PRE SERVICE BULLETIN: 72-C754 VK0680	002004 006102 107107 121999	3
35	UP12008	.	CLIP- SUPPLIER CODE: VK0680 POST SERVICE BULLETIN: 72-C754PTA VK0680	002004 006100 102102 107107 121999	3
36	LK39525	.	CLIP- SUPPLIER CODE: VK0680 POST SERVICE BULLETIN: 72-C230PT01 VK0680	103106 108120	2
37	400WSS6	.	CLIP- SUPPLIER CODE: V83930	002004 006999	1
38	LK39525	.	CLIP- SUPPLIER CODE: VK0680 PRE SERVICE BULLETIN: 72-C754 VK0680	002004 006102 107107 121999	3

MISSING ITEM NUMBERS NOT APPLICABLE

- ITEM NOT ILLUSTRATED

73-21-13-02

73-21-13  
FIG. 02  
PAGE 4  
JAN 20/09

BRI





757

PARTS CATALOG (MAINTENANCE)

FIG ITEM	PART NUMBER	1 2 3 4 5 6 7	NOMENCLATURE	EFFECT FROM TO	UNITS PER ASSY
2	38 UP12008		.CLIP- SUPPLIER CODE: VK0680 POST SERVICE BULLETIN: 72-C754PTA VK0680	002004 006100 102102 107107 121999	3
-	39 UP12008		.CLIP- SUPPLIER CODE: VK0680 POST SERVICE BULLETIN: 72-C754PTA VK0680	002004 006100 102102 107107 121999	3
	40 UL16553		.TUBE ASSY-P4 AIR FUEL FLOW REGULATOR BURNER NO. 15 TO DISC. SUPPLIER CODE: VK0680	002004 006102 107107 121999	1
	70 UL16489		.TUBE ASSY-P4 AIR TO FUEL FLOW REGULATOR DISC. TO DISC. SUPPLIER CODE: VK0680 PRE SERVICE BULLETIN: 72-C230 VK0680	002004 006102 107107 121999	1
	70 UL39047		.TUBE ASSY-P4 AIR TO FUEL FLOW REGULATOR DISC. TO DISC. SUPPLIER CODE: VK0680 POST SERVICE BULLETIN: 72-C230PT01 VK0680 PRE SERVICE BULLETIN: 72-D352 VK0680	103106 108120	1
	70 FW15699		.TUBE ASSY-P4 AIR TO FUEL FLOW REGULATOR DISC. TO DISC. SUPPLIER CODE: VK0680 POST SERVICE BULLETIN: 72-D352PT01 VK0680	103106 108120	1
	100 UL14912		.TUBE ASSY-P4 AIR DISC. PNL TO FUEL FLOW REGULATOR SUPPLIER CODE: VK0680	002004 006999	1

MISSING ITEM NUMBERS NOT APPLICABLE

- ITEM NOT ILLUSTRATED

73-21-13-02

73-21-13  
FIG. 02  
PAGE 5  
JAN 20/09

BRI



757

PARTS CATALOG (MAINTENANCE)

FIG ITEM	PART NUMBER	1 2 3 4 5 6 7	NOMENCLATURE	EFFECT FROM TO	UNITS PER ASSY
2 900			ILLUSTRATION REFERENCE: GOVERNOR-FUEL FLOW (RB211-535) 73-21-01-01	002004 006999	RF
905			ILLUSTRATION REFERENCE: NOZZLES-FUEL SPRAY (RB211-535) 73-11-05-01A	002004 006999	RF

MISSING ITEM NUMBERS NOT APPLICABLE

- ITEM NOT ILLUSTRATED

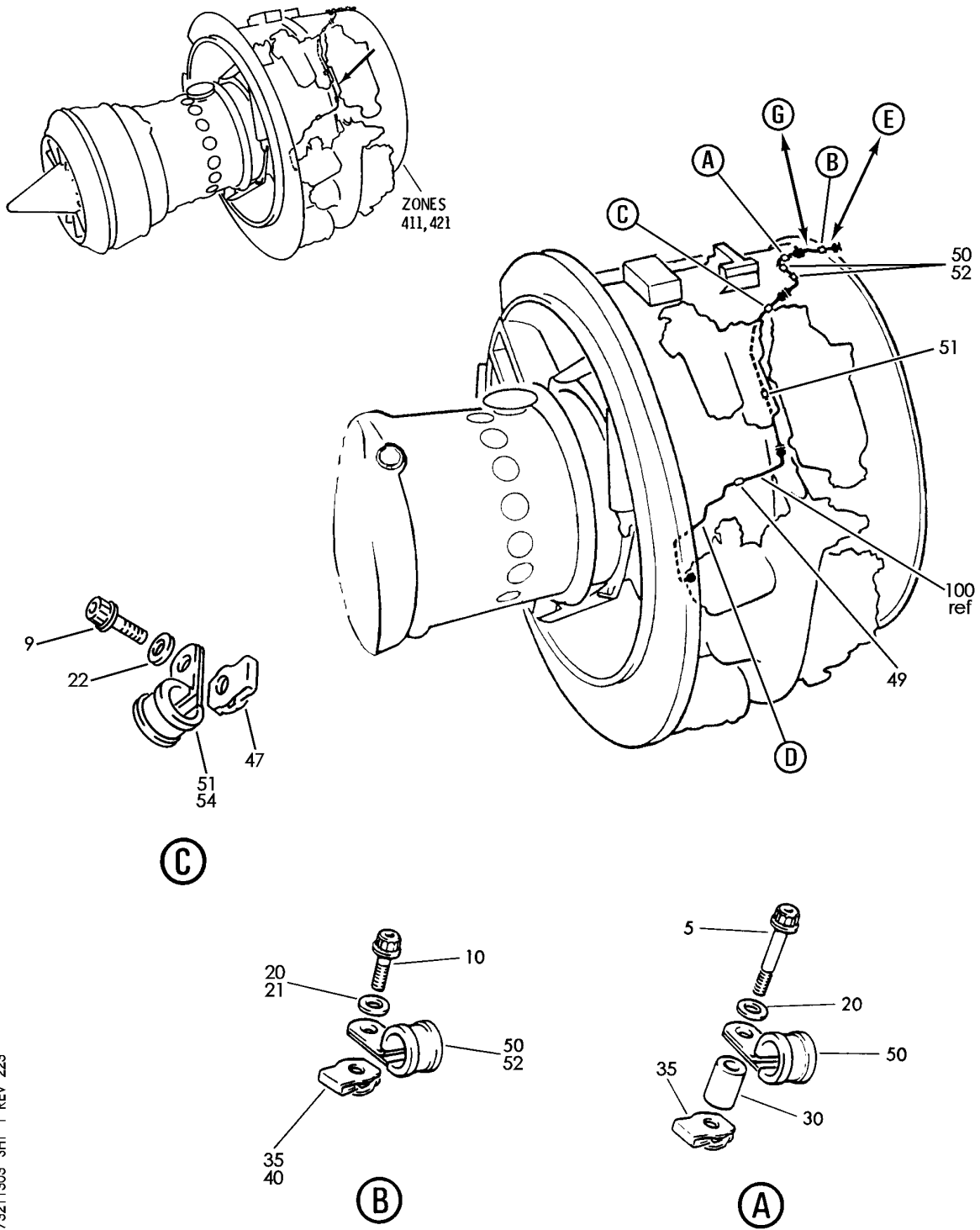
BRI

# 73-21-13-02

BOEING PROPRIETARY - Copyright © - Unpublished Work - See title page for details.

73-21-13  
FIG. 02  
PAGE 6  
JAN 20/09

**BOEING**  
757  
PARTS CATALOG (MAINTENANCE)



Y 73211303 SHT 1 REV 223

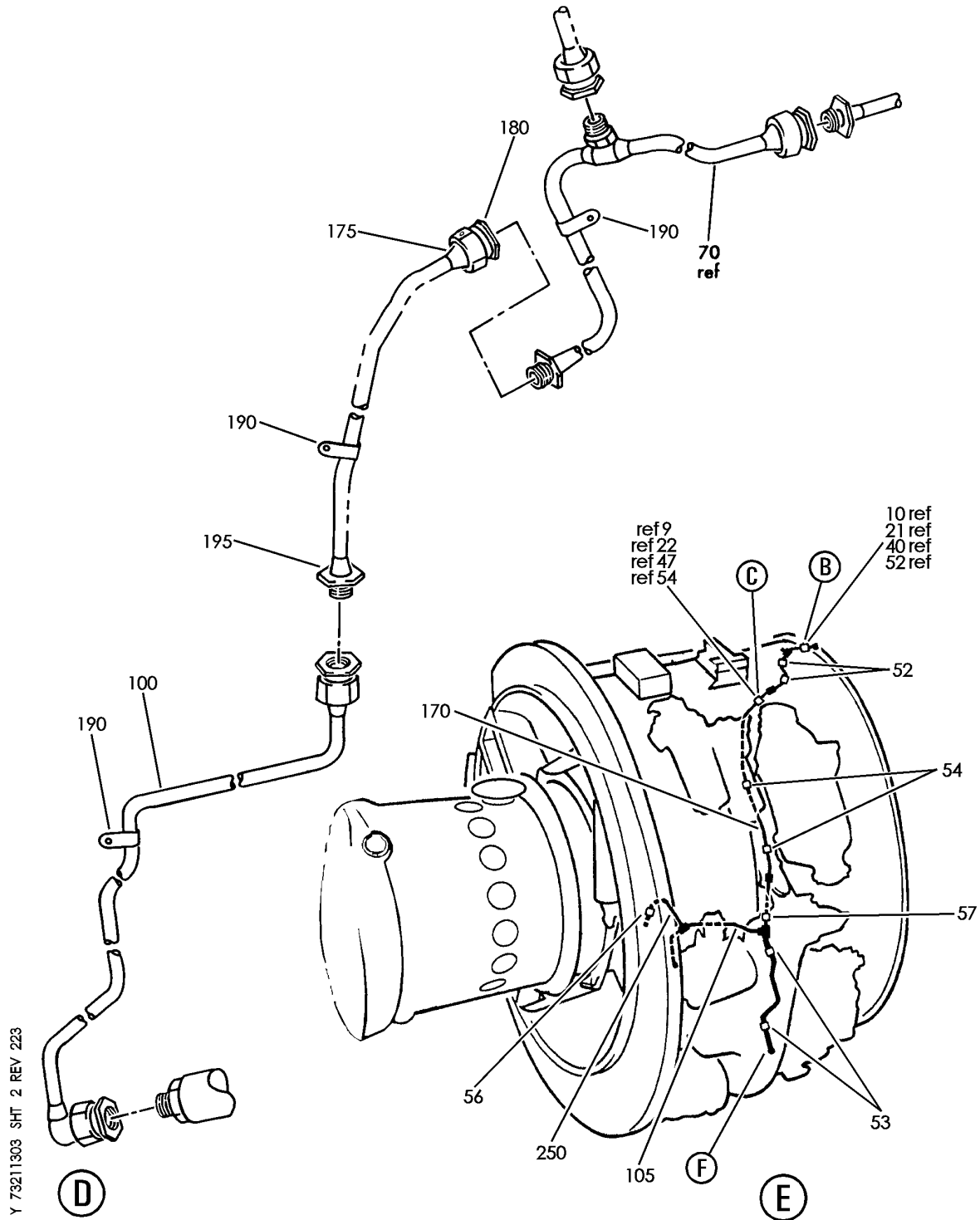
FUEL SYSTEM AIR TUBES (RB211-535)  
FIGURE 3 (SHEET 1)

**73-21-13-03**

BRI  
MAY 28/07

73-21-13-03  
PAGE 0

**BOEING**  
757  
PARTS CATALOG (MAINTENANCE)



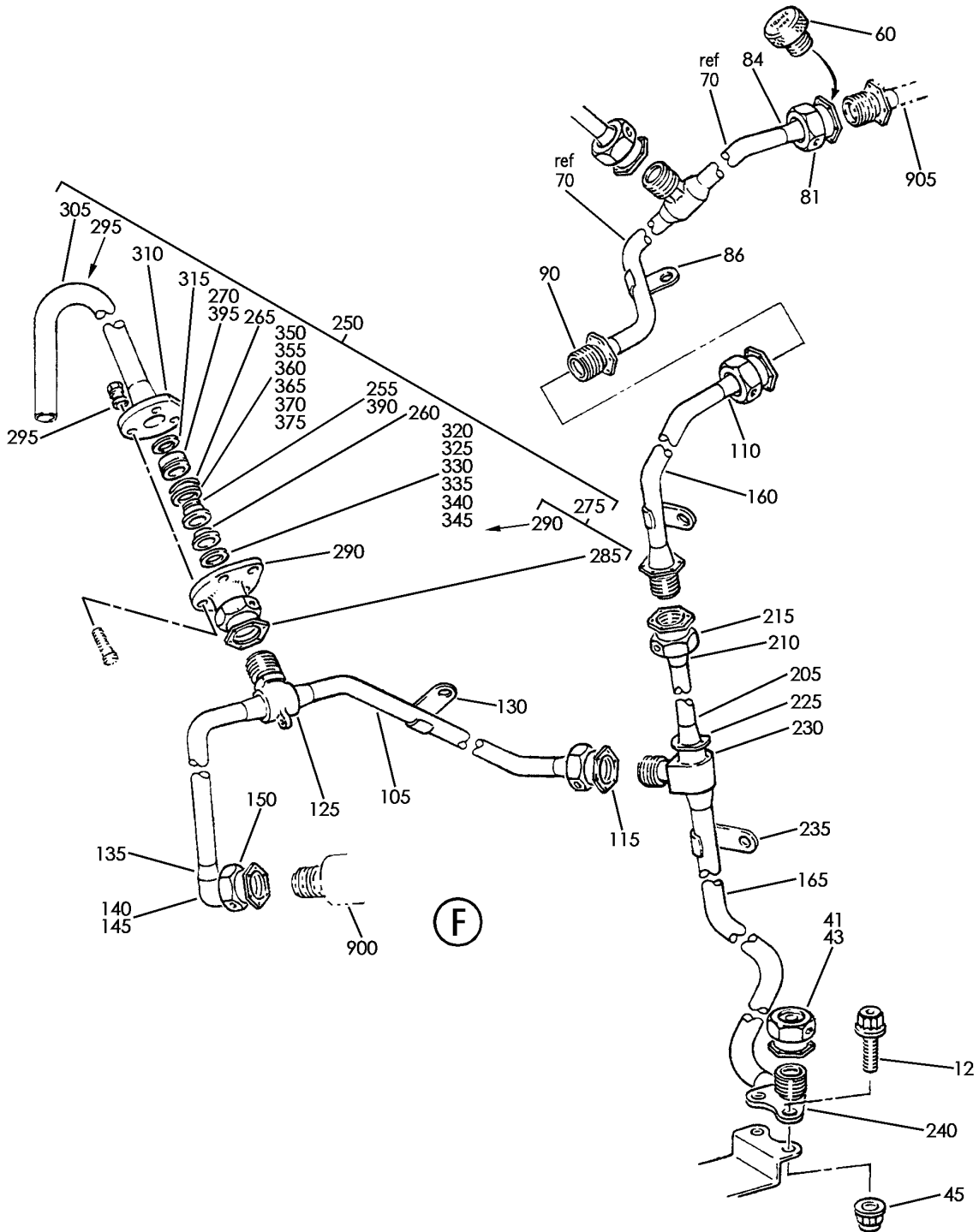
FUEL SYSTEM AIR TUBES (RB211-535)  
FIGURE 3 (SHEET 2)

**73-21-13-03**

BRI  
MAY 28/07

73-21-13-03  
PAGE 0A

**BOEING**  
757  
PARTS CATALOG (MAINTENANCE)



Y 73211303 SHT 3 REV 283

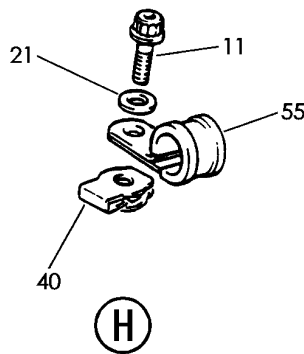
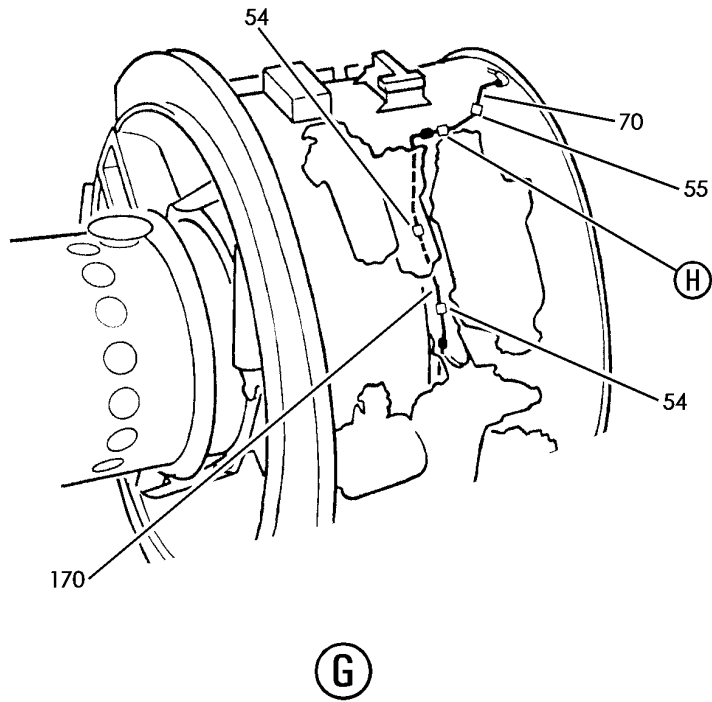
FUEL SYSTEM AIR TUBES (RB211-535)  
FIGURE 3 (SHEET 3)

**73-21-13-03**

BRI  
MAY 28/07

73-21-13-03  
PAGE 0B

**BOEING**  
757  
PARTS CATALOG (MAINTENANCE)



Y 73211303 SHT 4 REV 223

FUEL SYSTEM AIR TUBES (RB211-535)  
FIGURE 3 (SHEET 4)

BRI  
MAY 28/07

**73-21-13-03**

73-21-13-03  
PAGE 0C



757

PARTS CATALOG (MAINTENANCE)

FIG ITEM	PART NUMBER	1 2 3 4 5 6 7	NOMENCLATURE	EFFECT FROM TO	UNITS PER ASSY
3			FUEL SYSTEM AIR TUBES (RB211-535)	002004	
- 1	UL19722		ENGINE ASSY-Q.E.C.U. RB211-535E43711 MAXIMUM NEUT SUPPLIER CODE: VK0680 FOR NHA/OTHER SYS DET SEE: 71-00-02-04	006999 107107	RF
- 1	UL20697		ENGINE ASSY-Q.E.C.U. RB211-535E43711 MAXIMUM NEUT WITH GRAVINER FIRE DETECTORS, BAYONET MCD, NON-MODULATED IDG COOLING 40,000 LB THRUST SUPPLIER CODE: VK0680 REFERENCE SERVICE BULLETIN: 71-0058R4 QUALIFIED SB I/W DATA: INTERMIX OF ONE OR SUBSTITUTION OF TWO DIFFERENT CONFIGURATION RB211-535E4-37/() ENGINES FOR RB211-535 E4 BASE ENGINES REFERENCE SERVICE BULLETIN: RB211-72-C547 VK0680 FOR NHA/OTHER SYS DET SEE: 71-00-02-04	121503 904949 952999	RF

MISSING ITEM NUMBERS NOT APPLICABLE

- ITEM NOT ILLUSTRATED

BRI

73-21-13-03

BOEING PROPRIETARY - Copyright © - Unpublished Work - See title page for details.

73-21-13  
FIG. 03  
PAGE 1  
JAN 20/09



757

PARTS CATALOG (MAINTENANCE)

FIG ITEM	PART NUMBER	1 2 3 4 5 6 7	NOMENCLATURE	EFFECT FROM TO	UNITS PER ASSY
3 - 1	UL20698		ENGINE ASSY-Q.E.C.U. RB211-535E43712 MAXIMUM NEUT SUPPLIER CODE: VK0680 REFERENCE SERVICE BULLETIN: 71-0058R7 QUALIFIED SB I/W DATA: INTERMIX OF ONE OR SUBSTITUTION OF TWO DIFFERENT CONFIGURATION RB211-535E4-37/() ENGINES FOR RB211-535E4 BASE ENGINES OR DIFFERENT CONFIGURATION RB211-535E4-B-37/() ENGINES FOR RB211-535E4-B BASE ENGINES REFERENCE SERVICE BULLETIN: RB211-72-C547 VK0680 RB211-72-8910 VK0680 POST RAPID REVISION: RR92014-183A-RC-E FOR NHA/OTHER SYS DET SEE: 71-00-02-04	002004 006100 102102	RF
- 1	UL20702		ENGINE ASSY-Q.E.C.U. RB211-535E43711 BASIC ENGINE CONFIGURATION WITH GRAVINER FIRE DETECTORS,BAYONET MCD, NON-MODULATED IDG COOLING 40,100 LB THRUST SUPPLIER CODE: VK0680 FOR NHA/OTHER SYS DET SEE: 71-00-02-10	504903	RF
- 1	UL36209		ENGINE ASSY-Q.E.C.U. RB211-535E43719 MAXIMUM NEUT SUPPLIER CODE: VK0680 FOR NHA/OTHER SYS DET SEE: 71-00-02-04	950951	RF

MISSING ITEM NUMBERS NOT APPLICABLE

- ITEM NOT ILLUSTRATED

73-21-13-03

73-21-13  
FIG. 03  
PAGE 2  
JAN 20/09

BRI





757

PARTS CATALOG (MAINTENANCE)

FIG ITEM	PART NUMBER	1 2 3 4 5 6 7	NOMENCLATURE	EFFECT FROM TO	UNITS PER ASSY
3					
- 3	BCREF17395		ENGINE ASSY-Q.E.C.U. RB211-535E43739 BASIC ENGINE CONFIGURATION AND PHASE 5 COMBUSTOR 40,100 LB THRUST SUPPLIER CODE: VK0680 OVERLENGTH PART NUMBER: RB211-535E4-37-39E FOR NHA/OTHER SYS DET SEE: 71-00-02-10	108120	RF
- 3	BCREF17101		ENGINE ASSY-Q.E.C.U. RB211-535E43744 BASIC ENGINE CONFIGURATION, BAYONET MCD AND PHASE 5 COMBUSTOR 40,100 LB THRUST SUPPLIER CODE: VK0680 OVERLENGTH PART NUMBER: RB211-535E4-3744E FOR NHA/OTHER SYS DET SEE: 71-00-02-10	103106	RF
- 3	UL38163		ENGINE ASSY-Q.E.C.U. RB211-535E43724 BASIC ENGINE CONFIGURATION, BAYONET MCD, 40,100 LB THRUST SUPPLIER CODE: VK0680 FOR NHA/OTHER SYS DET SEE: 71-00-02-10	101101	RF
- 4	UL12407		.TUBES-AIR, FUEL SYSTEM SUPPLIER CODE: VK0680 POST SERVICE BULLETIN: 73-7951PT01 VK0680 PRE SERVICE BULLETIN: 73-8941 VK0680	002004 006100 102102 107107 121949 952999	RF
- 4	UL28423		.TUBES-AIR, FUEL SYSTEM SUPPLIER CODE: VK0680 POST SERVICE BULLETIN: 77-8941PT01 VK0680	002004 006999	RF

MISSING ITEM NUMBERS NOT APPLICABLE

- ITEM NOT ILLUSTRATED

73-21-13-03

73-21-13  
FIG. 03  
PAGE 3  
JAN 20/09

BRI



757

PARTS CATALOG (MAINTENANCE)

FIG ITEM	PART NUMBER	1 2 3 4 5 6 7	NOMENCLATURE	EFFECT FROM TO	UNITS PER ASSY
3					
5	AS21414	..	BOLT- PRE SERVICE BULLETIN: 73-7885 VK0680	107107 121949 952999	1
9	AS21407	..	BOLT- .190 DIA X .438 VU1653	002004 006999	1
10	AS21407	..	BOLT- PRE SERVICE BULLETIN: 77-8941 VK0680	002004 006100 102102 107107 121949 952999	2
11	AS21407	..	BOLT-.190 DIA X .438 VU1653 POST SERVICE BULLETIN: 77-8941PT01 VK0680	002004 006999	1
12	AS21408	..	BOLT- .190 DIA X .500 VU1653 POST SERVICE BULLETIN: 73-7951PT01 VK0680	002004 006999	2
- 14	AS21424	..	BOLT- .190 DIA X 1.500 VU1653 POST SERVICE BULLETIN: 79-C947PT01 VK0680	002004 006100 102999	1
- 14	AS21408	..	BOLT-.190 DIA X .500 VU1653 POST SERVICE BULLETIN: 79-C947PT01 VK0680	002004 006100 102999	1
20	K8831	..	WASHER- SUPPLIER CODE: VK0680 PRE SERVICE BULLETIN: 73-7885 VK0680	107107 121949 952999	2
21	K8831	..	WASHER- .190 DIA X 0,51 THK SUPPLIER CODE: VK0680 POST SERVICE BULLETIN: 73-7885PT01 VK0680	002004 006999	1

MISSING ITEM NUMBERS NOT APPLICABLE

- ITEM NOT ILLUSTRATED

73-21-13-03

73-21-13  
FIG. 03  
PAGE 4  
JAN 20/09

BRI



757

PARTS CATALOG (MAINTENANCE)

FIG ITEM	PART NUMBER	1 2 3 4 5 6 7	NOMENCLATURE	EFFECT FROM TO	UNITS PER ASSY
3					
22	K8831		.. WASHER- .190 DIA X 0,51 THK SUPPLIER CODE: VK0680 PRE SERVICE BULLETIN: 79-C947 VK0680	002004 006999	1
- 24	K8831		.. WASHER- .190 DIA X 0,51 THK SUPPLIER CODE: VK0680 POST SERVICE BULLETIN: 79-C947PT01 VK0680	002004 006100 102999	3
30	UP10479		.. SPACER- SUPPLIER CODE: VK0680 PRE SERVICE BULLETIN: 73-7885 VK0680	107107 121949 952999	1
- 32	UP10482		.. SPACER-25MM SUPPLIER CODE: VK0680 POST SERVICE BULLETIN: 79-C947PT01 VK0680	002004 006100 102999	1
35	AS41104		.. NUT- PRE SERVICE BULLETIN: 73-7885 VK0680	107107 121949 952999	2
40	AS41104		.. NUT-.190 DIA VU1653 POST SERVICE BULLETIN: 73-7885PT01 VK0680	002004 006999	1
41	AS15824		.. NUT ASSY-TUBE CLOSURE VU1653 POST SERVICE BULLETIN: 73-7951PT01 VK0680	002004 006999	1
45	AS20624		.. NUT-.190 DIA VU1653 POST SERVICE BULLETIN: 73-7951PT01 VK0680	002004 006999	2

MISSING ITEM NUMBERS NOT APPLICABLE

- ITEM NOT ILLUSTRATED

73-21-13-03

73-21-13  
FIG. 03  
PAGE 5  
JAN 20/09

BRI

BOEING PROPRIETARY - Copyright © - Unpublished Work - See title page for details.



757

PARTS CATALOG (MAINTENANCE)

FIG ITEM	PART NUMBER	1 2 3 4 5 6 7	NOMENCLATURE	EFFECT FROM TO	UNITS PER ASSY
3					
- 46	AS20624		..NUT-.190 DIA VU1653 POST SERVICE BULLETIN: 79-C947PT01 VK0680	002004 006100 102999	2
47	AS41104		..NUT-.190 DIA VU1653	002004 006999	1
49	400WSS6		..CLIP- SUPPLIER CODE: V83930	002004 006100 102102 107107 121949 952999	1
50	400WSS6		..CLIP- SUPPLIER CODE: V83930 PRE SERVICE BULLETIN: 73-7885 VK0680	107107 121949 952999	4
51	400WSS6		..CLIP- SUPPLIER CODE: V83930 PRE SERVICE BULLETIN: 73-7951 VK0680	107107 121949 952999	2
52	400WSS6		..CLIP- SUPPLIER CODE: V83930 POST SERVICE BULLETIN: 73-7885PT01 VK0680 PRE SERVICE BULLETIN: 29-8194 VK0680	002004 006100 102102 107107 121949 952999	3
52	TA025028-6		..CLIP- SUPPLIER CODE: V84971 NOT APPROVED FOR ETOPS. POST SERVICE BULLETIN: 29-8194PT01 VK0680	002004 006999	3
53	400WSS8		..CLIP- SUPPLIER CODE: V83930 POST SERVICE BULLETIN: 73-7951PT01 VK0680	002004 006999	2

MISSING ITEM NUMBERS NOT APPLICABLE

- ITEM NOT ILLUSTRATED

73-21-13-03

73-21-13  
FIG. 03  
PAGE 6  
JAN 20/09

BRI



757

PARTS CATALOG (MAINTENANCE)

FIG ITEM	PART NUMBER	1 2 3 4 5 6 7	NOMENCLATURE	EFFECT FROM TO	UNITS PER ASSY
3					
54	400WSS6	..	CLIP- SUPPLIER CODE: V83930 POST SERVICE BULLETIN: 73-7951PT01 VK0680 PRE SERVICE BULLETIN: 79-C947 VK0680	002004 006999	3
55	TA025028-6	..	CLIP- SUPPLIER CODE: V84971 NOT APPROVED FOR ETOPS. POST SERVICE BULLETIN: 77-8941PT01 VK0680	002004 006999	2
56	400WSS4	..	CLIP- SUPPLIER CODE: V83930 POST SERVICE BULLETIN: 73-7951PT01 VK0680	002004 006999	1
57	400WSS6	..	CLIP- SUPPLIER CODE: V83930 POST SERVICE BULLETIN: 73-7951PT01 VK0680	002004 006999	1
- 59	400WSS6	..	CLIP- SUPPLIER CODE: V83930 POST SERVICE BULLETIN: 79-C947PT01 VK0680	002004 006100 102999	5
60	UP10501	..	PLUG-BLANKING TRANSPORTATION ONLY .6875-16UNJ-3A THREA SUPPLIER CODE: VK0680	002004 006999	1
70	UL16543	..	TUBE ASSY-P1 SUPPLIER CODE: VK0680 POSITION DATA: UPR NOT APPROVED FOR ETOPS. PRE SERVICE BULLETIN: 73-7885 VK0680	107107 121949 952999	1

MISSING ITEM NUMBERS NOT APPLICABLE

- ITEM NOT ILLUSTRATED

73-21-13-03

73-21-13  
FIG. 03  
PAGE 7  
JAN 20/09

BRI



757

PARTS CATALOG (MAINTENANCE)

FIG ITEM	PART NUMBER	1 2 3 4 5 6 7	NOMENCLATURE	EFFECT FROM TO	UNITS PER ASSY
3	70 UL16660		..TUBE ASSY-P1 SUPPLIER CODE: VK0680 POSITION DATA: UPR POST SERVICE BULLETIN: 73-7885PT01 VK0680 PRE SERVICE BULLETIN: 71-8163 VK0680	107107 121949 952999	1
	70 UL16688		..TUBE ASSY-P1 SUPPLIER CODE: VK0680 POSITION DATA: UPR POST SERVICE BULLETIN: 71-8163PT01 VK0680	002004 006999	1
	70 UL26051		..TUBE ASSY-P1 AIR TO FFR DISCON TO DISCON SUPPLIER CODE: VK0680 POSITION DATA: UPR POST SERVICE BULLETIN: 77-8941PT01 VK0680	002004 006999	1
	100 UL14981		..TUBE ASSY-P1 AIR TO FUEL FLOW REGULATOR SUPPLIER CODE: VK0680 POSITION DATA: UPR PRE SERVICE BULLETIN: 73-7885 VK0680	107107 121949 952999	1
	100 UL16661		..TUBE ASSY-P1 AIR TO FUEL FLOW REGULATOR SUPPLIER CODE: VK0680 POSITION DATA: UPR POST SERVICE BULLETIN: 73-7885PT01 VK0680 PRE SERVICE BULLETIN: 73-7951 VK0680	107107 121949 952999	1

MISSING ITEM NUMBERS NOT APPLICABLE

- ITEM NOT ILLUSTRATED

73-21-13-03

73-21-13  
FIG. 03  
PAGE 8  
JAN 20/09

BRI



757

PARTS CATALOG (MAINTENANCE)

FIG ITEM	PART NUMBER	1 2 3 4 5 6 7	NOMENCLATURE	EFFECT FROM TO	UNITS PER ASSY
3 105	UL16672		..TUBE ASSY-P1 AIR 3 WAY CONNECTOR TO FUEL FLOW REGULATOR SUPPLIER CODE: VK0680 POSITION DATA: UPR POST SERVICE BULLETIN: 73-7951PT01 VK0680	002004 006999	1
160	UL16665		..TUBE ASSY-P1 SUPPLIER CODE: VK0680 POSITION DATA: LWR POST SERVICE BULLETIN: 73-7951PT01 VK0680	002004 006100 102999	1
165	UL16542		..TUBE ASSY-P1 SUPPLIER CODE: VK0680 POSITION DATA: LWR PRE SERVICE BULLETIN: 73-7951 VK0680	107107 121949 952999	1
170	UL26054		..TUBE ASSY-P1 AIR DISCONN TO DISCONN SUPPLIER CODE: VK0680 POSITION DATA: LWR POST SERVICE BULLETIN: 77-8941PT01 VK0680	002004 006999	1
205	UL16670		..TUBE ASSY-P1 AIR DISCON TO DRAIN CONNECTION SUPPLIER CODE: VK0680 POST SERVICE BULLETIN: 73-7951PT01 VK0680	002004 006999	1

MISSING ITEM NUMBERS NOT APPLICABLE

- ITEM NOT ILLUSTRATED

73-21-13-03

73-21-13  
FIG. 03  
PAGE 9  
JAN 20/09

BRI



757

PARTS CATALOG (MAINTENANCE)

FIG ITEM	PART NUMBER	1 2 3 4 5 6 7	NOMENCLATURE	EFFECT FROM TO	UNITS PER ASSY
3 250	UL12405		..HOUSING ASSY-PO AIR ZONE 1 TO P1 - 3 WAY ADAPTOR SUPPLIER CODE: VK0680 POST SERVICE BULLETIN: 73-7951PT01 VK0680	002004 006999	1
900			ILLUSTRATION REFERENCE: GOVERNOR-FUEL FLOW (RB211-535) 73-21-01-01	002004 006999	RF
905			ILLUSTRATION REFERENCE: P1 PROBE AND TUBES (RB211-535) 73-21-04-03	002004 006999	RF

MISSING ITEM NUMBERS NOT APPLICABLE

- ITEM NOT ILLUSTRATED

BRI

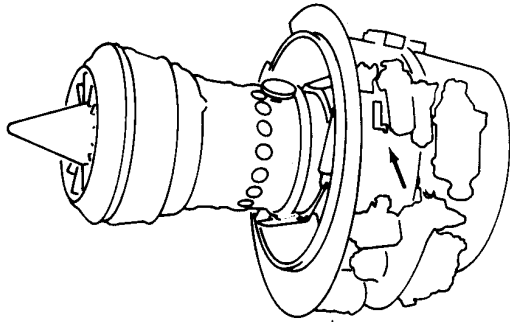
# 73-21-13-03

BOEING PROPRIETARY - Copyright © - Unpublished Work - See title page for details.

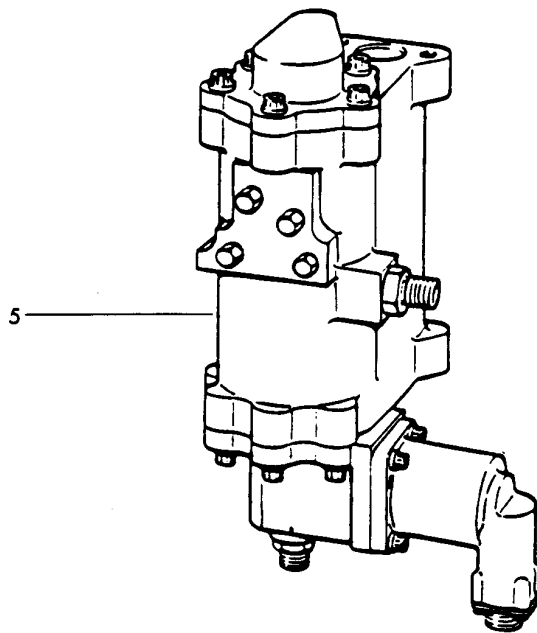
73-21-13  
FIG. 03  
PAGE 10  
JAN 20/09



**BOEING**  
757  
PARTS CATALOG (MAINTENANCE)



ZONES  
411, 421



5

Y 73211401 SHT 1 REV 05 1

VALVE-TRANSIENT FUEL (RB211-535)

FIGURE 1

**73-21-14-01**

BRI  
MAY 28/07

73-21-14-01  
PAGE 0



757

PARTS CATALOG (MAINTENANCE)

FIG ITEM	PART NUMBER	1 2 3 4 5 6 7	NOMENCLATURE	EFFECT FROM TO	UNITS PER ASSY
1			VALVE-TRANSIENT FUEL (RB211-535)	002004	
- 1	UL19722		ENGINE ASSY-Q.E.C.U. RB211-535E43711 MAXIMUM NEUT SUPPLIER CODE: VK0680 FOR NHA/OTHER SYS DET SEE: 71-00-02-04	006999 107107	RF
- 1	UL20697		ENGINE ASSY-Q.E.C.U. RB211-535E43711 MAXIMUM NEUT WITH GRAVINER FIRE DETECTORS, BAYONET MCD, NON-MODULATED IDG COOLING 40,000 LB THRUST SUPPLIER CODE: VK0680 REFERENCE SERVICE BULLETIN: 71-0058R4 QUALIFIED SB I/W DATA: INTERMIX OF ONE OR SUBSTITUTION OF TWO DIFFERENT CONFIGURATION RB211-535E4-37/() ENGINES FOR RB211-535 E4 BASE ENGINES REFERENCE SERVICE BULLETIN: RB211-72-C547 VK0680 FOR NHA/OTHER SYS DET SEE: 71-00-02-04	121503 904949 952999	RF

MISSING ITEM NUMBERS NOT APPLICABLE

- ITEM NOT ILLUSTRATED

BRI

73-21-14-01

BOEING PROPRIETARY - Copyright © - Unpublished Work - See title page for details.

73-21-14  
FIG. 01  
PAGE 1  
JAN 20/09



757

PARTS CATALOG (MAINTENANCE)

FIG ITEM	PART NUMBER	1 2 3 4 5 6 7	NOMENCLATURE	EFFECT FROM TO	UNITS PER ASSY
1					
- 1	UL20698		ENGINE ASSY-Q.E.C.U. RB211-535E43712 MAXIMUM NEUT SUPPLIER CODE: VK0680 REFERENCE SERVICE BULLETIN: 71-0058R7 QUALIFIED SB I/W DATA: INTERMIX OF ONE OR SUBSTITUTION OF TWO DIFFERENT CONFIGURATION RB211-535E4-37/() ENGINES FOR RB211-535E4 BASE ENGINES OR DIFFERENT CONFIGURATION RB211-535E4-B-37/() ENGINES FOR RB211-535E4-B BASE ENGINES REFERENCE SERVICE BULLETIN: RB211-72-C547 VK0680 RB211-72-8910 VK0680 POST RAPID REVISION: RR92014-183A-RC-E FOR NHA/OTHER SYS DET SEE: 71-00-02-04	002004 006100 102102	RF
- 1	UL20702		ENGINE ASSY-Q.E.C.U. RB211-535E43711 BASIC ENGINE CONFIGURATION WITH GRAVINER FIRE DETECTORS,BAYONET MCD, NON-MODULATED IDG COOLING 40,100 LB THRUST SUPPLIER CODE: VK0680 FOR NHA/OTHER SYS DET SEE: 71-00-02-10	504903	RF
- 1	UL36209		ENGINE ASSY-Q.E.C.U. RB211-535E43719 MAXIMUM NEUT SUPPLIER CODE: VK0680 FOR NHA/OTHER SYS DET SEE: 71-00-02-04	950951	RF

MISSING ITEM NUMBERS NOT APPLICABLE

- ITEM NOT ILLUSTRATED

73-21-14-01

73-21-14  
FIG. 01  
PAGE 2  
JAN 20/09

BRI



757

PARTS CATALOG (MAINTENANCE)

FIG ITEM	PART NUMBER	1 2 3 4 5 6 7	NOMENCLATURE	EFFECT FROM TO	UNITS PER ASSY
1 - 3	BCREF17395		ENGINE ASSY-Q.E.C.U. RB211-535E43739 BASIC ENGINE CONFIGURATION AND PHASE 5 COMBUSTOR 40,100 LB THRUST SUPPLIER CODE: VK0680 OVERLENGTH PART NUMBER: RB211-535E4-37-39E FOR NHA/OTHER SYS DET SEE: 71-00-02-10	108120	RF
- 3	BCREF17101		ENGINE ASSY-Q.E.C.U. RB211-535E43744 BASIC ENGINE CONFIGURATION, BAYONET MCD AND PHASE 5 COMBUSTOR 40,100 LB THRUST SUPPLIER CODE: VK0680 OVERLENGTH PART NUMBER: RB211-535E4-3744E FOR NHA/OTHER SYS DET SEE: 71-00-02-10	103106	RF
- 3	UL38163		ENGINE ASSY-Q.E.C.U. RB211-535E43724 BASIC ENGINE CONFIGURATION, BAYONET MCD, 40,100 LB THRUST SUPPLIER CODE: VK0680 FOR NHA/OTHER SYS DET SEE: 71-00-02-10	101101	RF

MISSING ITEM NUMBERS NOT APPLICABLE

- ITEM NOT ILLUSTRATED

BRI

# 73-21-14-01

BOEING PROPRIETARY - Copyright © - Unpublished Work - See title page for details.

73-21-14  
FIG. 01  
PAGE 3  
JAN 20/09



**757  
PARTS CATALOG (MAINTENANCE)**

FIG ITEM	PART NUMBER	1 2 3 4 5 6 7 NOMENCLATURE	EFFECT FROM TO	UNITS PER ASSY
1 5	TFU100MK2	. VALVE- SUPPLIER CODE: VK0131 POST SERVICE BULLETIN: 73-8227PTA VK0680 73-8047PTC VK0680 73-8404PTA VK0680 PRE SERVICE BULLETIN: 73-8404 VK0680 73-8227 VK0680 73-8047 VK0680	002004 006999	1

MISSING ITEM NUMBERS NOT APPLICABLE

— ITEM NOT ILLUSTRATED

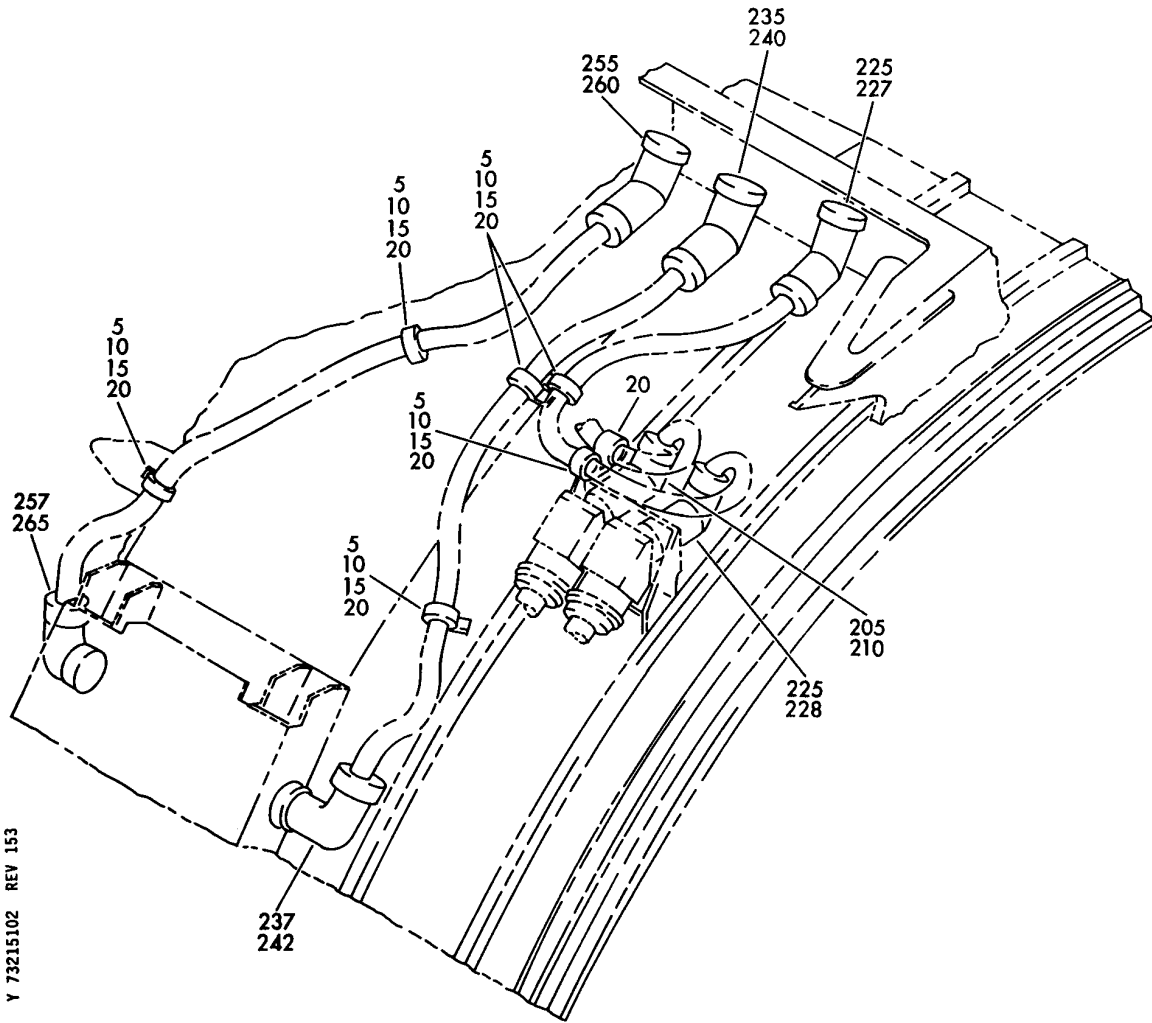
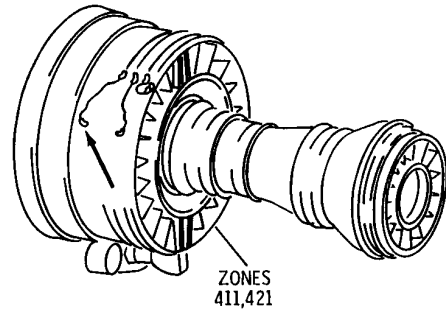
BRI

# 73-21-14-01

BOEING PROPRIETARY - Copyright © - Unpublished Work - See title page for details.

73-21-14  
FIG. 01  
PAGE 4  
JAN 20/09

**BOEING**  
 757  
 PARTS CATALOG (MAINTENANCE)



Y 73215102 REV 153

WIRE INSTL-ELECTRICAL (CONTROLLING ONLY) (PW2000)  
 FIGURE 2

**73-21-51-02**

BRI  
 JAN 20/09

73-21-51-02  
 PAGE 0



757

PARTS CATALOG (MAINTENANCE)

FIG ITEM	PART NUMBER	1 2 3 4 5 6 7	NOMENCLATURE	EFFECT FROM TO	UNITS PER ASSY
2			WIRE INSTL-ELECTRICAL (CONTROLLING ONLY) (PW2000)	103106	
- 200	286N5602-014		.WIRE BUNDLE ASSY-	103106	1
- 200	286N5602-021		.WIRE BUNDLE ASSY-	103106	1
205	S2277-24-34		..CLAMP-	103106	1
			SUPPLIER CODE: V06324 ELECTRICAL EQUIP NUMBER: D42248PQ		
210	BCREF110379		..PLUG-	103106	1
			OVERLENGTH PART NUMBER: BACC63BP24C30S7L ELECTRICAL EQUIP NUMBER: D42248P WIRING DIAGRAM REF: 732133		
- 220	286N5604-007		.WIRE BUNDLE ASSY-	103106	1
- 220	286N5604-010		.WIRE BUNDLE ASSY-	103106	1
- 220	286N5604-301		.WIRE BUNDLE ASSY-	103106	1
225	S2277-24-34		..CLAMP-	103106	2
			SUPPLIER CODE: V06324 ELECTRICAL EQUIP NUMBER: D01088PQ D42242PQ		
227	BACC63CM2430PN		..PLUG-	103106	1
			ELECTRICAL EQUIP NUMBER: D01088P WIRING DIAGRAM REF: 732133		
228	BCREF110378		..PLUG-	103106	1
			OVERLENGTH PART NUMBER: BACC63BP24C30S6L ELECTRICAL EQUIP NUMBER: D42242P WIRING DIAGRAM REF: 732133		
- 230	286N5614-010		.WIRE BUNDLE ASSY-	103106	1
235	S2277-28-34		..CLAMP-	103106	1
			SUPPLIER CODE: V06324 ELECTRICAL EQUIP NUMBER: D01070PQ		

MISSING ITEM NUMBERS NOT APPLICABLE

- ITEM NOT ILLUSTRATED

73-21-51-02

73-21-51  
FIG. 02  
PAGE 1  
JAN 20/09

BRI



757

PARTS CATALOG (MAINTENANCE)

FIG ITEM	PART NUMBER	1 2 3 4 5 6 7	NOMENCLATURE	EFFECT FROM TO	UNITS PER ASSY
2 237	G899428NF		.. CLAMP- SUPPLIER CODE: V06324 SPECIFICATION NUMBER: BACC10HG28C OPTIONAL PART: S2252-28-65 V07418 900-555L28-55 V31461 ELECTRICAL EQUIP NUMBER: D0500T	103106	1
242	R071028D42PNL		.. CONNECTOR- SUPPLIER CODE: V41118 SPECIFICATION NUMBER: BCREF101305 OVERLENGTH PART NUMBER: BACC63BP28D42PNL ELECTRICAL EQUIP NUMBER: D05000 WIRING DIAGRAM REF: 732131	103106	1
- 250	286N5616-010		. WIRE BUNDLE ASSY-	103106	1
255	S2277-28-34		.. CLAMP- SUPPLIER CODE: V06324 ELECTRICAL EQUIP NUMBER: D01078PQ	103106	1
257	G899428NF		.. CLAMP- SUPPLIER CODE: V06324 SPECIFICATION NUMBER: BACC10HG28C OPTIONAL PART: S2252-28-65 V07418 900-555L28-55 V31461 ELECTRICAL EQUIP NUMBER: D05002T	103106	1
260	BACC63CM2842PN		.. PLUG- ELECTRICAL EQUIP NUMBER: D01078P WIRING DIAGRAM REF: 732131	103106	1

MISSING ITEM NUMBERS NOT APPLICABLE

- ITEM NOT ILLUSTRATED

BRI

73-21-51-02

BOEING PROPRIETARY - Copyright © - Unpublished Work - See title page for details.

73-21-51  
FIG. 02  
PAGE 2  
JAN 20/09





757

PARTS CATALOG (MAINTENANCE)

FIG ITEM	PART NUMBER	1 2 3 4 5 6 7	NOMENCLATURE	EFFECT FROM TO	UNITS PER ASSY
2 265	R071028D42P8L		.. CONNECTOR- SUPPLIER CODE: V41118 SPECIFICATION NUMBER: BCREF110384 OVERLENGTH PART NUMBER: BACC63BP28D42P8L ELECTRICAL EQUIP NUMBER: D05002 WIRING DIAGRAM REF: 732131	103106	1

MISSING ITEM NUMBERS NOT APPLICABLE

- ITEM NOT ILLUSTRATED

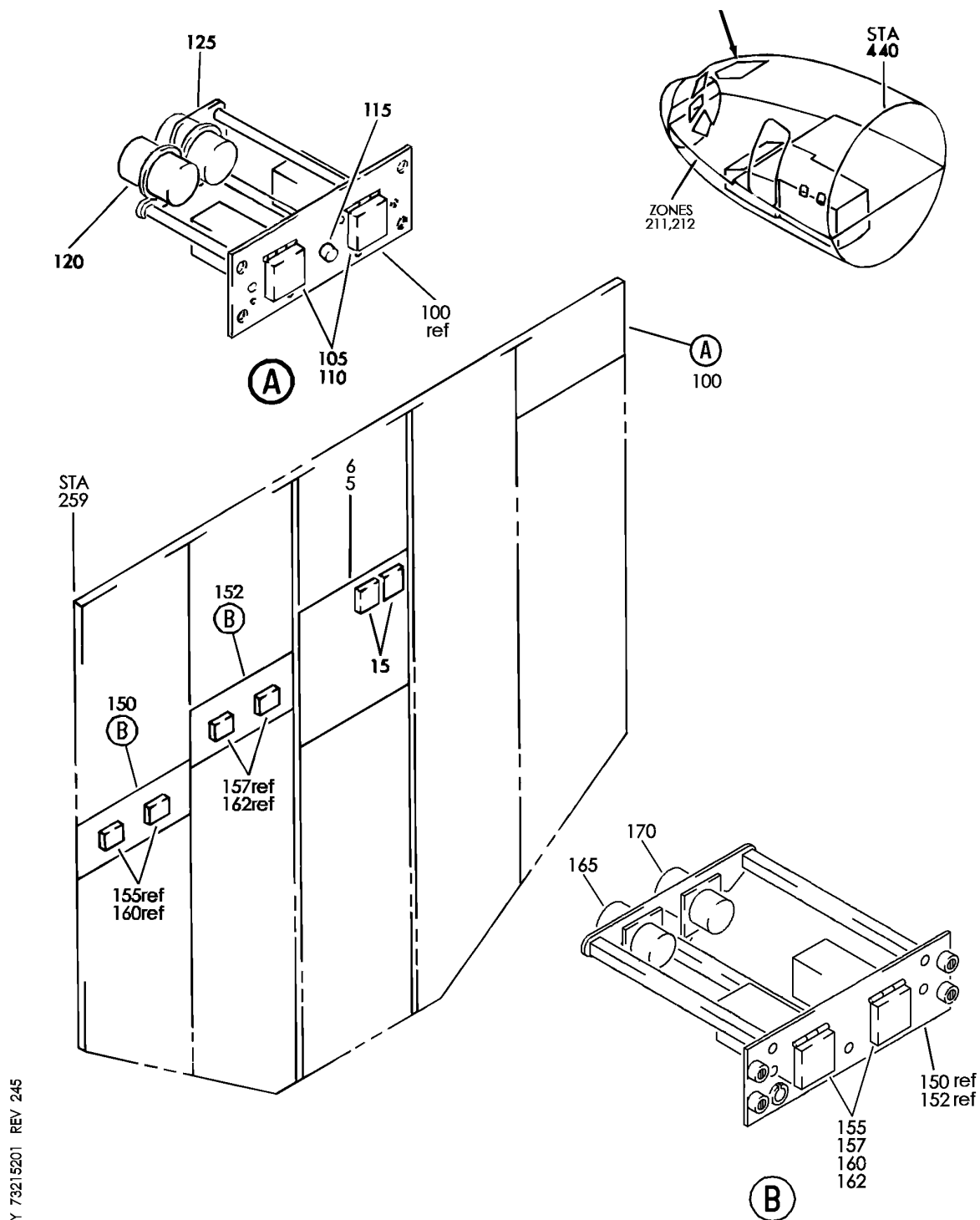
BRI

# 73-21-51-02

BOEING PROPRIETARY - Copyright © - Unpublished Work - See title page for details.

73-21-51  
FIG. 02  
PAGE 3  
JAN 20/09

**BOEING**  
757  
PARTS CATALOG (MAINTENANCE)



Y 73215201 REV 245

PANEL INSTL-P5 OVERHEAD (ENGINE FUEL AND CONTROL ONLY)  
FIGURE 1

**73-21-52-01**

BRI  
MAY 28/07

73-21-52-01  
PAGE 0



757

PARTS CATALOG (MAINTENANCE)

FIG ITEM	PART NUMBER	1 2 3 4 5 6 7	NOMENCLATURE	EFFECT FROM TO	UNITS PER ASSY
1			PANEL INSTL-P5 OVERHEAD (ENGINE FUEL AND CONTROL ONLY)	002004 006010 107107 121503 904999	
- 1	233N3101-1		PANEL INSTL-P5 OVERHEAD (ENGINE FUEL AND CONTROL ONLY) VARIABLE DRAWING REF: 233N3101-5005 233N3101-5025 233N3101-5041 233N3101-5042 233N3101-5045 FOR NHA/OTHER SYS DET SEE: 25-10-00-05A	002004 006010 107107 121503 904999	RF
5	233N3223-17		.PANEL ASSY-M10468 ENG START/RAM AIR TURB SUPPLIER CODE: V89954 COMPONENT MAINT MANUAL REF: 31-12-01 PRE SERVICE BULLETIN: 71-0001 PRE ALERT SB: 33A0044R1	002004 006010 107107 950999	RF
5	233N3223-37		.PANEL ASSY-M10468 ENG START/RAM AIR TURB SUPPLIER CODE: V89954 COMPONENT MAINT MANUAL REF: 31-12-01 PRE ALERT SB: 33A0044	002004 006010 107107 950999	RF
5	233N3223-32		.PANEL ASSY-M10468 ENG START/RAM AIR TURB SUPPLIER CODE: V89954 COMPONENT MAINT MANUAL REF: 31-12-01 POST SERVICE BULLETIN: 71-0001 PRE ALERT SB: 33A0044R1	002004 006010 107107 950999	RF

MISSING ITEM NUMBERS NOT APPLICABLE

- ITEM NOT ILLUSTRATED

BRI

73-21-52-01

BOEING PROPRIETARY - Copyright © - Unpublished Work - See title page for details.

73-21-52  
FIG. 01  
PAGE 1  
JAN 20/09



757

PARTS CATALOG (MAINTENANCE)

FIG ITEM	PART NUMBER	1 2 3 4 5 6 7	NOMENCLATURE	EFFECT FROM TO	UNITS PER ASSY
1					
5	233N3223-39		.PANEL ASSY-M10468 ENG START/RAM AIR TURB SUPPLIER CODE: V89954 MISCELLANEOUS DATA: FOR SPARES PROCURE NEXT HIGHER ASSY COMPONENT MAINT MANUAL REF: 31-12-01 QUALIFIED I/W DATA: THE 233N3223-300 PANEL ASSY IS I/W THE 233N3223-39 PANEL ASSY T/W THE S233T100-6046 LIGHTPLATE AND (3) BP248-127 KNOBS. PRE ALERT SB: 33A0044	002004 006010 107107 950999	RF
5	233N3223-1039		.PANEL ASSY-M10468 ENG START/RAM AIR TURB SUPPLIER CODE: V89954 ELECTRICAL EQUIP NUMBER: M10468 COMPONENT MAINT MANUAL REF: 31-12-01 POST ALERT SB: 33A0044	002004 006010 107107 950999	RF
6	233N3223-51		.PANEL ASSY-M10468 ENG START/RAM AIR TURB SUPPLIER CODE: V89954 COMPONENT MAINT MANUAL REF: 31-12-01 PRE ALERT SB: 33A0044R1	121503 904949	RF
6	233N3223-1017		.PANEL ASSY-M10468 ENG START/RAM AIR TURB SUPPLIER CODE: V89954 ELECTRICAL EQUIP NUMBER: M10468 COMPONENT MAINT MANUAL REF: 31-12-01 POST ALERT SB: 33A0044R1	002004 006010 107107 950999	RF

MISSING ITEM NUMBERS NOT APPLICABLE

- ITEM NOT ILLUSTRATED

73-21-52-01

73-21-52  
FIG. 01  
PAGE 2  
JAN 20/09

BRI



757

PARTS CATALOG (MAINTENANCE)

FIG ITEM	PART NUMBER	1 2 3 4 5 6 7	NOMENCLATURE	EFFECT FROM TO	UNITS PER ASSY
1	6 233N3223-1032		.PANEL ASSY-M10468 ENG START/RAM AIR TURB SUPPLIER CODE: V89954 ELECTRICAL EQUIP NUMBER: M10468 COMPONENT MAINT MANUAL REF: 31-12-01 POST ALERT SB: 33A0044R1	002004 006010 107107 950999	RF
	6 233N3223-1037		.PANEL ASSY-M10468 ENG START/RAM AIR TURB SUPPLIER CODE: V89954 ELECTRICAL EQUIP NUMBER: M10468 COMPONENT MAINT MANUAL REF: 31-12-01 POST ALERT SB: 33A0044	002004 006010 107107 950999	RF
	6 233N3223-1051		.PANEL ASSY-M10468 ENG START/RAM AIR TURB SUPPLIER CODE: V89954 ELECTRICAL EQUIP NUMBER: M10468 COMPONENT MAINT MANUAL REF: 31-12-01 POST ALERT SB: 33A0044R1	121503 904949	RF

MISSING ITEM NUMBERS NOT APPLICABLE

- ITEM NOT ILLUSTRATED

BRI

73-21-52-01

BOEING PROPRIETARY - Copyright © - Unpublished Work - See title page for details.

73-21-52  
FIG. 01  
PAGE 3  
JAN 20/09



757

PARTS CATALOG (MAINTENANCE)

FIG ITEM	PART NUMBER	1 2 3 4 5 6 7 NOMENCLATURE	EFFECT FROM TO	UNITS PER ASSY
1 15	BCREF7606	<p>.. SWITCH ASSY-LIGHTED PUSH            BUTTON IND ON/INOP            SUPPLIER CODE:            V81590            OVERLENGTH PART NUMBER:            433-673-1001-1016            SPECIFICATION NUMBER:            S231T290-1016            MISCELLANEOUS DATA:            WHEN REPLACING THE            PUSHBUTTON SWITCH ASSY            OR THE MASTER MODULE            WITHIN, VERIFY THAT A            CONFIG D MASTER MODULE            P/N 13206-001 IS            INSTALLED IN LIEU OF ANY            EARLIER CONFIGURATION            MASTER MODULES.            USED ON:            233N3223-27            233N3223-36            233N3223-37            233N3223-40            233N3223-48            233N3223-1036            233N3223-1037            233N3223-1040            233N3223-1048            REFERENCE SERVICE BULLETIN:            33A0044            REWORKED BY SB:            433-33-05            V81590            FOR DETAILS SEE:            33-13-00-16</p>	002004 006010 107107 950999	2

MISSING ITEM NUMBERS NOT APPLICABLE

- ITEM NOT ILLUSTRATED

BRI

**73-21-52-01**

BOEING PROPRIETARY - Copyright © - Unpublished Work - See title page for details.

73-21-52  
 FIG. 01  
 PAGE 4  
 JAN 20/09



757

PARTS CATALOG (MAINTENANCE)

FIG ITEM	PART NUMBER	1 2 3 4 5 6 7	NOMENCLATURE	EFFECT FROM TO	UNITS PER ASSY
1 15	851-30768-2016		..SWITCH ASSY-LIGHTED PUSH BUTTON IND ON/INOP SUPPLIER CODE: V96182 SPECIFICATION NUMBER: S231T290-2016 USED ON: 233N3223-16 233N3223-17 233N3223-32 233N3223-1016 233N3223-1017 233N3223-1032 FOR DETAILS SEE: 33-13-00-26	002004 006010 107107 121503 904999	2

MISSING ITEM NUMBERS NOT APPLICABLE

- ITEM NOT ILLUSTRATED

BRI

# 73-21-52-01

BOEING PROPRIETARY - Copyright © - Unpublished Work - See title page for details.

73-21-52  
FIG. 01  
PAGE 5  
JAN 20/09



757

PARTS CATALOG (MAINTENANCE)

FIG ITEM	PART NUMBER	1 2 3 4 5 6 7	NOMENCLATURE	EFFECT FROM TO	UNITS PER ASSY
1 15	BCREFA0505		<p>.. SWITCH ASSY-LIGHTED PUSH            BUTTON IND ON/INOP            SUPPLIER CODE:            V81590            OVERLENGTH PART NUMBER:            433-673-1004-4016            SPECIFICATION NUMBER:            S231T290-4016            MISCELLANEOUS DATA:            WHEN REPLACING THE            PUSHBUTTON SWITCH ASSY            OR THE MASTER MODULE            WITHIN, VERIFY THAT A            CONFIG D MASTER MODULE            P/N 13206-001 IS            INSTALLED IN LIEU OF ANY            EARLIER CONFIGURATION            MASTER MODULES.            USED ON:            233N3223-39            233N3223-40            233N3223-47            233N3223-50            233N3223-1039            233N3223-1040            233N3223-1047            233N3223-1050            REFERENCE SERVICE BULLETIN:            33A0044            REWORKED BY SB:            433-33-05            V81590            PRE SERVICE LETTER:            33-027            FOR DETAILS SEE:            33-13-00-46</p>	<p>002004            006010            107107            121503            904999</p>	2

MISSING ITEM NUMBERS NOT APPLICABLE

- ITEM NOT ILLUSTRATED

BRI

**73-21-52-01**

BOEING PROPRIETARY - Copyright © - Unpublished Work - See title page for details.

73-21-52  
 FIG. 01  
 PAGE 6  
 JAN 20/09





757

PARTS CATALOG (MAINTENANCE)

FIG ITEM	PART NUMBER	1 2 3 4 5 6 7	NOMENCLATURE	EFFECT FROM TO	UNITS PER ASSY
1	15 851-30768-3016		..SWITCH ASSY-LIGHTED PUSH BUTTON IND ON/INOP SUPPLIER CODE: V96182 SPECIFICATION NUMBER: S231T290-3016 OPTIONAL PART: 851-35100-5016 V96182 USED ON: 233N3223-16 233N3223-27 233N3223-36 233N3223-37 233N3223-48 233N3223-51 233N3223-1016 233N3223-1036 233N3223-1037 233N3223-1048 233N3223-1051 FOR DETAILS SEE: 33-13-00-36	002004 006010 107107 121503 904999	2
	15 4336731004-4216		..SWITCH ASSY-LIGHTED PUSH BUTTON IND SUPPLIER CODE: V81590 SPECIFICATION NUMBER: S231T290-4216 POST SERVICE LETTER: 33-027	002004 006010 107107 121503 904999	2
	15 851-35100-5016		..SWITCH ASSY-LIGHTED PUSH BUTTON IND ON/INOP SUPPLIER CODE: V96182 SPECIFICATION NUMBER: S231T290-5016 OPTIONAL PART: 851-30768-3016 V96182 USED ON: 233N3223-39 233N3223-47 233N3223-50 233N3223-51 233N3223-1039 233N3223-1047 233N3223-1050 233N3223-1051	002004 006010 107107 121503 904999	2

MISSING ITEM NUMBERS NOT APPLICABLE

- ITEM NOT ILLUSTRATED

73-21-52-01

73-21-52  
FIG. 01  
PAGE 7  
JAN 20/09

BRI



757

PARTS CATALOG (MAINTENANCE)

FIG ITEM	PART NUMBER	1 2 3 4 5 6 7	NOMENCLATURE	EFFECT FROM TO	UNITS PER ASSY
1 150	233T3242-6		.PANEL ASSY-EEC CONT SUPPLIER CODE: V89954 ELECTRICAL EQUIP NUMBER: M10761 COMPONENT MAINT MANUAL REF: 73-21-86 QUALIFIED I/W DATA: 233T3242-301 PANEL ASSY IS I/W 233T3242-6 PANEL ASSY T/W S233T100-1092 LIGHTPLATE POST SERVICE BULLETIN: 73-0018 PRE ALERT SB: 33A0044	002004 006010 107107 950999	RF
150	233T3242-1006		.PANEL ASSY-EEC CONT SUPPLIER CODE: V89954 ELECTRICAL EQUIP NUMBER: M10761 COMPONENT MAINT MANUAL REF: 73-21-86 POST ALERT SB: 33A0044	002004 006010 107107 950999	RF
152	233T3242-7		.PANEL ASSY-EEC CONT SUPPLIER CODE: V89954 ELECTRICAL EQUIP NUMBER: M10761 COMPONENT MAINT MANUAL REF: 73-21-86 PRE ALERT SB: 33A0044R1	121503 904949	RF
152	233T3242-1007		.PANEL ASSY-EEC CONT SUPPLIER CODE: V89954 ELECTRICAL EQUIP NUMBER: M10761 COMPONENT MAINT MANUAL REF: 73-21-86 POST ALERT SB: 33A0044R1	121503 904949	RF
155	433-100-004		..GUARD-SWITCH SUPPLIER CODE: V81590 SPECIFICATION NUMBER: S231T290-823	002004 006010 950999	2

MISSING ITEM NUMBERS NOT APPLICABLE

- ITEM NOT ILLUSTRATED

73-21-52-01

73-21-52  
FIG. 01  
PAGE 8  
JAN 20/09

BRI



757

PARTS CATALOG (MAINTENANCE)

FIG ITEM	PART NUMBER	1 2 3 4 5 6 7	NOMENCLATURE	EFFECT FROM TO	UNITS PER ASSY
1 157	433-100-004		.. GUARD-SWITCH SUPPLIER CODE: V81590 SPECIFICATION NUMBER: S231T290-823	121503 904949	2
160	BCREFA0505		.. SWITCH ASSY-LIGHTED PUSH BUTTON IND ON/INOP SUPPLIER CODE: V81590 OVERLENGTH PART NUMBER: 433-673-1004-4016 SPECIFICATION NUMBER: S231T290-4016 MISCELLANEOUS DATA: WHEN REPLACING THE PUSHBUTTON SWITCH ASSY OR THE MASTER MODULE WITHIN, VERIFY THAT A CONFIG D MASTER MODULE P/N 13206-001 IS INSTALLED IN LIEU OF ANY EARLIER CONFIGURATION MASTER MODULES. ELECTRICAL EQUIP NUMBER: S00001 S00002 OPTIONAL PART: 851-35100-5016 V96182 REFERENCE SERVICE BULLETIN: 33A0044 REWORKED BY SB: 433-33-05 V81590 PRE SERVICE LETTER: 33-027 FOR DETAILS SEE: 33-13-00-46	002004 006010 950999	2
160	851-35100-5016		.. SWITCH ASSY-LIGHTED PUSH BUTTON IND ON/INOP SUPPLIER CODE: V96182 SPECIFICATION NUMBER: S231T290-5016 OPTIONAL PART: BCREFA0505 V81590	002004 006010 950999	2

MISSING ITEM NUMBERS NOT APPLICABLE

- ITEM NOT ILLUSTRATED

73-21-52-01

73-21-52  
FIG. 01  
PAGE 9  
JAN 20/09

BRI



757

PARTS CATALOG (MAINTENANCE)

FIG ITEM	PART NUMBER	1 2 3 4 5 6 7	NOMENCLATURE	EFFECT FROM TO	UNITS PER ASSY
1 160	4336731004-4216		.. SWITCH ASSY-LIGHTED PUSH BUTTON IND SUPPLIER CODE: V81590 SPECIFICATION NUMBER: S231T290-4216 POST SERVICE LETTER: 33-027	002004 006010 950999	2
162	851-30768-3016		.. SWITCH ASSY-LIGHTED PUSH BUTTON IND ON/INOP SUPPLIER CODE: V96182 SPECIFICATION NUMBER: S231T290-3016 OPTIONAL PART: 851-35100-5016 V96182 FOR DETAILS SEE: 33-13-00-36	121503 904949	2
162	851-35100-5016		.. SWITCH ASSY-LIGHTED PUSH BUTTON IND ON/INOP SUPPLIER CODE: V96182 SPECIFICATION NUMBER: S231T290-5016 OPTIONAL PART: 851-30768-3016 V81590	121503 904949	2
162	4336731004-4216		.. SWITCH ASSY-LIGHTED PUSH BUTTON IND SUPPLIER CODE: V81590 SPECIFICATION NUMBER: S231T290-4216	121503 904949	2
165	BACC45FN16-24P		.. CONNECTOR	002004 006010 121503 904999	1
170	BACC45FN16-24P7		.. CONNECTOR	002004 006010 121503 904999	1
- 175	BACS12CK04U5		ATTACHING PARTS .. SCREW	002004 006010 121503 904999	6

MISSING ITEM NUMBERS NOT APPLICABLE

- ITEM NOT ILLUSTRATED

73-21-52-01

73-21-52  
FIG. 01  
PAGE 10  
JAN 20/09

BRI



757

PARTS CATALOG (MAINTENANCE)

FIG ITEM	PART NUMBER	1 2 3 4 5 6 7	NOMENCLATURE	EFFECT FROM TO	UNITS PER ASSY
1 - 180	K19798-04	. .	NUT SUPPLIER CODE: V15653 SPECIFICATION NUMBER: BACN10NW1 OPTIONAL PART: RMA4812-160-40 V72962 293162 V60119 -----*-----	002004 006010 121503 904999	6

MISSING ITEM NUMBERS NOT APPLICABLE

- ITEM NOT ILLUSTRATED

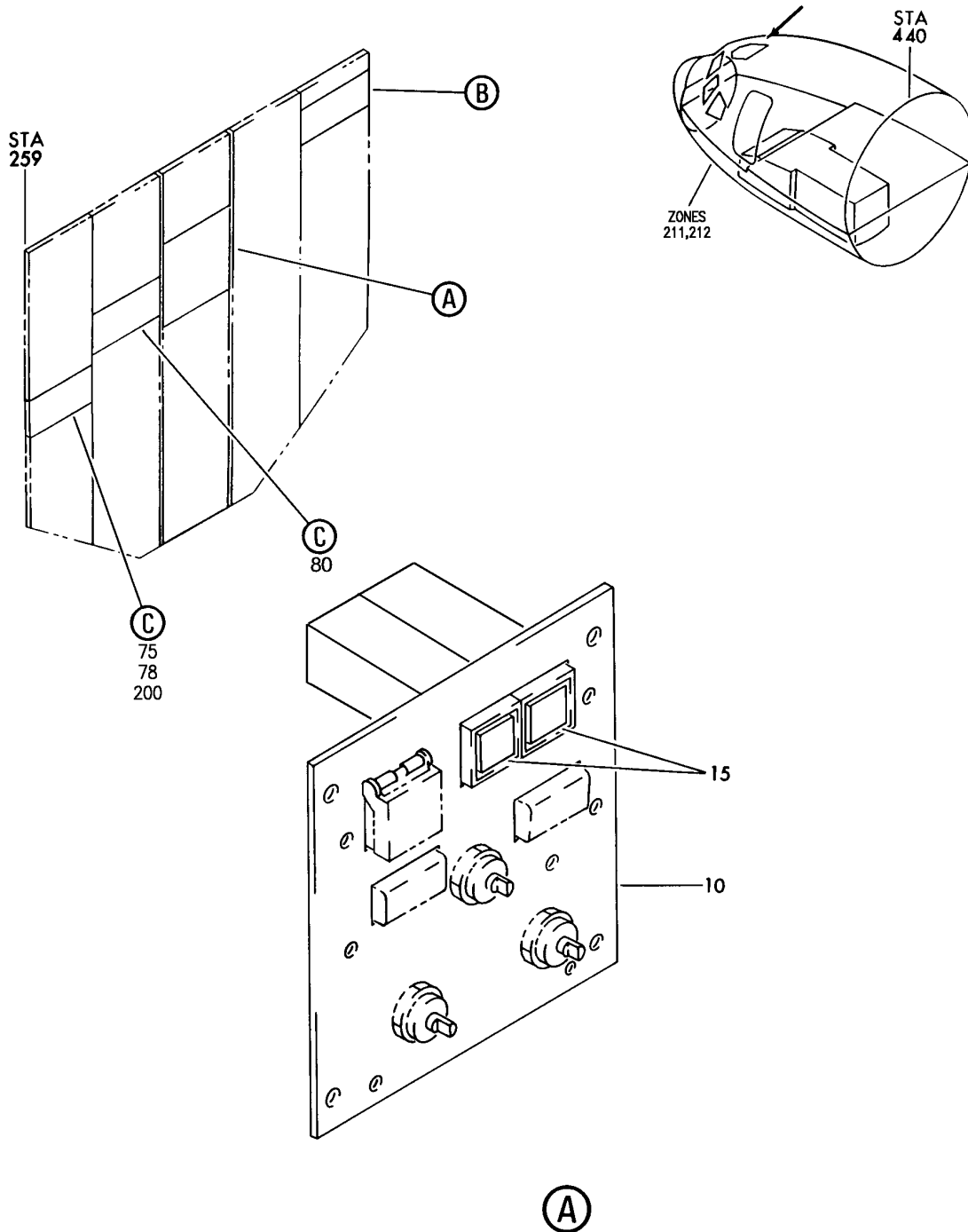
BRI

# 73-21-52-01

BOEING PROPRIETARY - Copyright © - Unpublished Work - See title page for details.

73-21-52  
FIG. 01  
PAGE 11  
JAN 20/09

**BOEING**  
757  
PARTS CATALOG (MAINTENANCE)



Y 73215202 SH1 1 REV 277

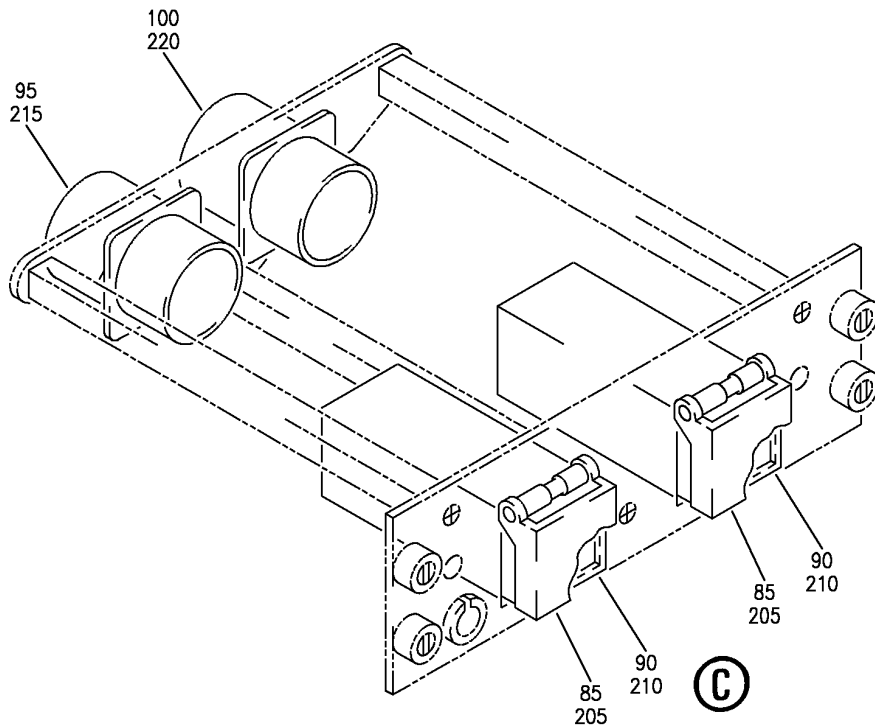
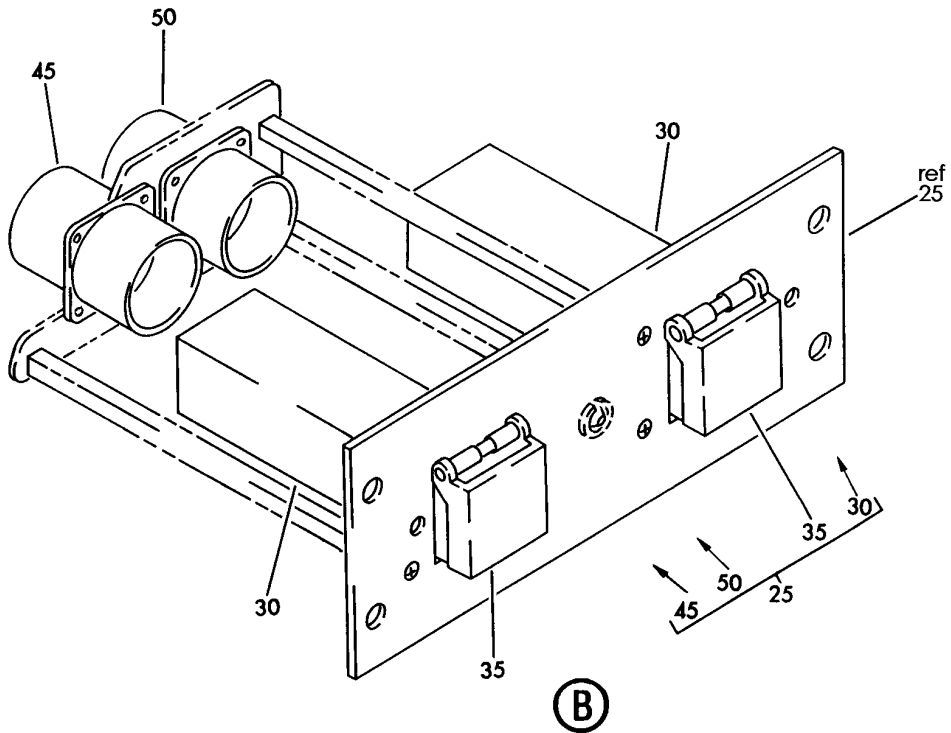
PANEL INSTL-P5 OVHD (ENGINE FUEL AND CONTROL ONLY) (RB211-535)  
FIGURE 2 (SHEET 1)

**73-21-52-02**

BRI  
MAY 28/07

73-21-52-02  
PAGE 0

**BOEING**  
757  
PARTS CATALOG (MAINTENANCE)



Y 73215202 SH1 2 REV 277

PANEL INSTL-P5 OVHD (ENGINE FUEL AND CONTROL ONLY) (RB211-535)  
FIGURE 2 (SHEET 2)

**73-21-52-02**

BRI  
MAY 28/07

73-21-52-02  
PAGE 0A



757

PARTS CATALOG (MAINTENANCE)

FIG ITEM	PART NUMBER	1 2 3 4 5 6 7	NOMENCLATURE	EFFECT FROM TO	UNITS PER ASSY
2			PANEL INSTL-P5 OVHD (ENGINE FUEL AND CONTROL ONLY) (RB211-535)	011106 108120 504903	
- 1	233N3101-1		PANEL INSTL-P5 OVHD (ENGINE FUEL AND CONTROL ONLY) VARIABLE DRAWING REF: 233N3101-5142 FOR NHA/OTHER SYS DET SEE: 25-10-00-05A	011100	RF
- 1	MODREF33760		PANEL INSTL-P5 OVHD (ENGINE FUEL AND CONTROL ONLY) MODULE NUMBER: 233N3103-351 REV C FOR OTHER SYS DETAILS SEE: 11-31-10-12 21-25-55-03 21-31-01-02 21-33-51-03 21-51-54-03 21-58-19-10 21-58-51-03 21-61-04-03 21-65-51-01 22-21-01-04 22-24-51-02 23-24-01-01 23-32-00-11 23-42-02-02 23-71-05-02 24-11-52-05 24-22-01-03 24-31-01-10 24-31-03-09 24-33-04-01 24-41-51-04 24-51-62-01 26-18-51-04 27-21-53-02 27-41-55-01 27-61-51-03 27-62-52-02 28-22-51-02 28-41-04-01 28-41-51-03 29-11-02-03 29-11-05-04 29-11-52-07 29-21-54-03 29-31-00-01	103103	1

MISSING ITEM NUMBERS NOT APPLICABLE

- ITEM NOT ILLUSTRATED

BRI

73-21-52-02

BOEING PROPRIETARY - Copyright © - Unpublished Work - See title page for details.

73-21-52  
FIG. 02  
PAGE 1  
JAN 20/09





757

PARTS CATALOG (MAINTENANCE)

FIG ITEM	PART NUMBER	1 2 3 4 5 6 7	NOMENCLATURE	EFFECT FROM TO	UNITS PER ASSY
2			29-32-51-03 29-33-52-03 30-11-51-03 30-21-51-03 30-31-51-02 30-32-51-01 30-33-51-02 30-41-51-03 30-42-51-03 31-12-11-91 31-12-11-91 A 32-42-52-03 33-11-03-03 33-11-51-17 33-13-01-65 33-13-02-03 33-16-51-03 33-24-51-02 33-41-52-04 33-42-01-04 33-42-02-04 33-42-52-04 33-43-51-04 33-44-51-05 33-45-53-03 33-51-08-05 34-21-02-01 35-21-51-04 36-11-04-01 36-21-00-01 36-21-02-05 36-22-51-03 49-41-00-02 49-52-00-01 49-70-00-01 52-51-51-03 52-71-51-02 74-31-51-05 75-32-00-01 80-11-09-02		
-	1 MODREF34038		PANEL INSTL-P5 OVHD (ENGINE FUEL AND CONTROL ONLY) MODULE NUMBER: 233N3103-351 REV D FOR OTHER SYS DETAILS SEE: 11-31-10-12 21-25-55-03 21-31-01-02 21-33-51-03	104105	1
MISSING ITEM NUMBERS NOT APPLICABLE					

- ITEM NOT ILLUSTRATED

BRI

# 73-21-52-02

BOEING PROPRIETARY - Copyright © - Unpublished Work - See title page for details.

73-21-52  
 FIG. 02  
 PAGE 2  
 JAN 20/09



757

PARTS CATALOG (MAINTENANCE)

FIG ITEM	PART NUMBER	1 2 3 4 5 6 7	NOMENCLATURE	EFFECT FROM TO	UNITS PER ASSY
2			21-51-54-03 21-58-19-10 21-58-51-03 21-61-04-03 21-65-51-01 22-21-01-04 22-24-51-02 23-24-01-01 23-32-00-11 23-42-02-02 23-71-05-02 24-11-52-05 24-22-01-03 24-31-01-10 24-31-03-09 24-33-04-01 24-41-51-04 24-51-62-01 26-18-51-04 27-21-53-02 27-41-55-01 27-61-51-03 27-62-52-02 28-22-51-02 28-41-04-01 28-41-51-03 29-11-02-03 29-11-05-04 29-11-52-07 29-21-54-03 29-31-00-01 29-32-51-03 29-33-52-03 30-11-51-03 30-21-51-03 30-31-51-02 30-32-51-01 30-33-51-02 30-41-51-03 30-42-51-03 31-12-11-91 31-12-11-91 A 32-42-52-03 33-11-03-03 33-11-51-17 33-13-01-65 33-13-02-03 33-16-51-03 33-24-51-02		

MISSING ITEM NUMBERS NOT APPLICABLE

- ITEM NOT ILLUSTRATED

BRI

# 73-21-52-02

BOEING PROPRIETARY - Copyright © - Unpublished Work - See title page for details.

73-21-52  
FIG. 02  
PAGE 3  
JAN 20/09



757

PARTS CATALOG (MAINTENANCE)

FIG ITEM	PART NUMBER	1 2 3 4 5 6 7	NOMENCLATURE	EFFECT FROM TO	UNITS PER ASSY
2			33-41-52-04 33-42-01-04 33-42-02-04 33-42-52-04 33-43-51-04 33-44-51-05 33-45-53-03 33-51-08-05 34-21-02-01 35-21-51-04 36-11-04-01 36-21-00-01 36-21-02-05 36-22-51-03 49-41-00-02 49-52-00-01 49-70-00-01 52-51-51-03 52-71-51-02 74-31-51-05 75-32-00-01 80-11-09-02		
- 4	233N3103-132		PANEL INSTL-P5 OVHD (ENGINE FUEL AND CONTROL ONLY) FOR NHA/OTHER SYS DET SEE: 25-10-00-15E	101102	RF
- 4	233N3103-136		PANEL INSTL-P5 OVHD (ENGINE FUEL AND CONTROL ONLY) FOR NHA/OTHER SYS DET SEE: 25-10-00-15E	504903	RF
- 5	233N3103-59		PANEL INSTL-P5 OVHD (ENGINE FUEL AND CONTROL ONLY) FOR NHA/OTHER SYS DET SEE: 25-10-00-15E	108120	RF
- 6	MODREF170180		PANEL INSTL-P5 OVHD (ENGINE FUEL AND CONTROL ONLY) MODULE NUMBER: 233N3103-353 REV B FOR OTHER SYS DETAILS SEE: 11-31-10-12 21-25-55-03 21-31-01-02 21-33-51-03 21-51-54-03 21-58-19-10 21-58-51-03 21-61-04-03 21-65-51-01 22-21-01-04	106106	1

MISSING ITEM NUMBERS NOT APPLICABLE

- ITEM NOT ILLUSTRATED

**73-21-52-02**

73-21-52  
FIG. 02  
PAGE 4  
JAN 20/09

BRI



757

PARTS CATALOG (MAINTENANCE)

FIG ITEM	PART NUMBER	1 2 3 4 5 6 7	NOMENCLATURE	EFFECT FROM TO	UNITS PER ASSY
2			22-24-51-02 23-24-01-01 23-32-00-11 23-42-02-02 23-71-05-02 24-11-52-05 24-22-01-03 24-31-01-10 24-31-03-09 24-33-04-01 24-41-51-04 24-51-62-01 26-18-51-04 27-21-53-02 27-41-55-01 27-61-51-03 27-62-52-02 28-22-51-02 28-41-04-01 28-41-51-03 29-11-02-03 29-11-05-04 29-11-52-07 29-21-54-03 29-31-00-01 29-32-51-03 29-33-52-03 30-11-51-03 30-21-51-03 30-31-51-02 30-32-51-01 30-33-51-02 30-41-51-03 30-42-51-03 31-12-11-84 31-12-11-84 A 32-42-52-03 33-11-03-03 33-11-51-17 33-13-01-65 33-13-02-03 33-16-51-03 33-24-51-02 33-41-52-04 33-42-01-04 33-42-02-04 33-42-52-04 33-43-51-04 33-44-51-05		

MISSING ITEM NUMBERS NOT APPLICABLE

- ITEM NOT ILLUSTRATED

BRI

# 73-21-52-02

BOEING PROPRIETARY - Copyright © - Unpublished Work - See title page for details.

73-21-52  
FIG. 02  
PAGE 5  
JAN 20/09



757

PARTS CATALOG (MAINTENANCE)

FIG ITEM	PART NUMBER	1 2 3 4 5 6 7 NOMENCLATURE	EFFECT FROM TO	UNITS PER ASSY
2		33-45-53-03 33-51-08-05 34-21-02-01 35-21-51-04 36-11-04-01 36-21-00-01 36-21-02-05 36-22-51-03 49-41-00-02 49-52-00-01 49-70-00-01 52-51-51-03 52-71-51-02 74-31-51-05 75-32-00-01 80-11-09-02		
-	8 233N3223-300	.PANEL ASSY-START/RAM AIR TURB SUPPLIER CODE: V89954 ELECTRICAL EQUIP NUMBER: M10468 COMPONENT MAINT MANUAL REF: 31-12-01 QUALIFIED I/W DATA: THE 233N3223-300 PANEL ASSY IS I/W THE 233N3223-39 PANEL ASSY T/W THE S233T100-6046 LIGHTPLATE AND (3) BP248-127 KNOBS. PRE ALERT SB: 33A0044	011100	RF

MISSING ITEM NUMBERS NOT APPLICABLE

- ITEM NOT ILLUSTRATED

BRI

**73-21-52-02**

BOEING PROPRIETARY - Copyright © - Unpublished Work - See title page for details.

73-21-52  
 FIG. 02  
 PAGE 6  
 JAN 20/09



757

PARTS CATALOG (MAINTENANCE)

FIG ITEM	PART NUMBER	1 2 3 4 5 6 7	NOMENCLATURE	EFFECT FROM TO	UNITS PER ASSY
2 -	8 233N3223-300		.PANEL ASSY-START/RAM AIR TURB SUPPLIER CODE: V89954 ELECTRICAL EQUIP NUMBER: M10468 COMPONENT MAINT MANUAL REF: 31-12-01 QUALIFIED I/W DATA: THE 233N3223-300 PANEL ASSY IS I/W THE 233N3223-39 PANEL ASSY T/W THE S233T100-6046 LIGHTPLATE AND (3) BP248-127 KNOBS. OPTIONAL PART: 233N3223-301 V89954 PRE ALERT SB: 33A0044	101102 108120	RF
-	8 233N3223-301		.PANEL ASSY-START/RAM AIR TURB SUPPLIER CODE: V89954 ELECTRICAL EQUIP NUMBER: M10468 COMPONENT MAINT MANUAL REF: 31-12-01 QUALIFIED I/W DATA: THE 233N3223-301 PANEL ASSY IS I/W THE 233N3223-40 PANEL ASSY T/W THE S233T100-6046 LIGHTPLATE AND (3) BP248-127 KNOBS. OPTIONAL PART: 233N3223-300 V89954 PRE ALERT SB: 33A0044	101102 108120	RF

MISSING ITEM NUMBERS NOT APPLICABLE

- ITEM NOT ILLUSTRATED

BRI

73-21-52-02

BOEING PROPRIETARY - Copyright © - Unpublished Work - See title page for details.

73-21-52  
FIG. 02  
PAGE 7  
JAN 20/09



757

PARTS CATALOG (MAINTENANCE)

FIG ITEM	PART NUMBER	1 2 3 4 5 6 7	NOMENCLATURE	EFFECT FROM TO	UNITS PER ASSY
2					
- 8	233N3223-302		.PANEL ASSY-START/RAM AIR TURB SUPPLIER CODE: V89954 ELECTRICAL EQUIP NUMBER: M10468 QUALIFIED I/W DATA: THE 233N3223-302 PANEL ASSY IS I/W THE 233N3223-50 PANEL ASSY T/W THE S233T100-6046 LIGHTPLATE AND (3) BP248-127 KNOBS. PRE ALERT SB: 33A0044	504903	RF
- 8	233N3223-343		.PANEL ASSY-START/RAM AIR TURB SUPPLIER CODE: V89954 ELECTRICAL EQUIP NUMBER: M10468	101106 108120	RF
- 8	233N3223-1300		.PANEL ASSY-START/RAM AIR TURB SUPPLIER CODE: V89954 ELECTRICAL EQUIP NUMBER: M10468 COMPONENT MAINT MANUAL REF: 31-12-01 OPTIONAL PART: 233N3223-1301 V89954 POST ALERT SB: 33A0044	011102 108120	RF
- 8	233N3223-343		.PANEL ASSY-ENG START/RAT SUPPLIER CODE: V89954 ELECTRICAL EQUIP NUMBER: M10468	011100	RF
- 8	233N3223-1302		.PANEL ASSY-START/RAM AIR TURB SUPPLIER CODE: V89954 ELECTRICAL EQUIP NUMBER: M10468 POST ALERT SB: 33A0044	504903	RF

MISSING ITEM NUMBERS NOT APPLICABLE

- ITEM NOT ILLUSTRATED

BRI

73-21-52-02

BOEING PROPRIETARY - Copyright © - Unpublished Work - See title page for details.

73-21-52  
FIG. 02  
PAGE 8  
JAN 20/09



757

PARTS CATALOG (MAINTENANCE)

FIG ITEM	PART NUMBER	1 2 3 4 5 6 7	NOMENCLATURE	EFFECT FROM TO	UNITS PER ASSY
2					
10	233N3223-39		..PANEL ASSY- SUPPLIER CODE: V89954 MISCELLANEOUS DATA: FOR SPARES PROCURE NEXT HIGHER ASSY COMPONENT MAINT MANUAL REF: 31-12-01 QUALIFIED I/W DATA: THE 233N3223-300 PANEL ASSY IS I/W THE 233N3223-39 PANEL ASSY T/W THE S233T100-6046 LIGHTPLATE AND (3) BP248-127 KNOBS. USED ON: 233N3223-300 PRE ALERT SB: 33A0044	011100	RF
10	233N3223-53		..PANEL ASSY- SUPPLIER CODE: V89954 MISCELLANEOUS DATA: FOR SPARES PROCURE NEXT HIGHER ASSY COMPONENT MAINT MANUAL REF: 31-12-01 USED ON: 233N3223-343	011100	RF
10	233N3223-39		..PANEL ASSY- SUPPLIER CODE: V89954 MISCELLANEOUS DATA: FOR SPARES PROCURE NEXT HIGHER ASSY COMPONENT MAINT MANUAL REF: 31-12-01 QUALIFIED I/W DATA: THE 233N3223-300 PANEL ASSY IS I/W THE 233N3223-39 PANEL ASSY T/W THE S233T100-6046 LIGHTPLATE AND (3) BP248-127 KNOBS. USED ON: 233N3223-300 PRE ALERT SB: 33A0044	101102 108120	RF

MISSING ITEM NUMBERS NOT APPLICABLE

- ITEM NOT ILLUSTRATED

73-21-52-02

73-21-52  
FIG. 02  
PAGE 9  
JAN 20/09

BRI





757

PARTS CATALOG (MAINTENANCE)

FIG ITEM	PART NUMBER	1 2 3 4 5 6 7	NOMENCLATURE	EFFECT FROM TO	UNITS PER ASSY
2 10	233N3223-40		..PANEL ASSY- SUPPLIER CODE: V89954 MISCELLANEOUS DATA: FOR SPARES PROCURE NEXT HIGHER ASSY COMPONENT MAINT MANUAL REF: 31-12-01 QUALIFIED I/W DATA: THE 233N3223-301 PANEL ASSY IS I/W THE 233N3223-40 PANEL ASSY T/W THE S233T100-6046 LIGHTPLATE AND (3) BP248-127 KNOBS. USED ON: 233N3223-301 PRE ALERT SB: 33A0044	101102 108120	RF
10	233N3223-50		..PANEL ASSY- SUPPLIER CODE: V89954 COMPONENT MAINT MANUAL REF: 31-12-01 QUALIFIED I/W DATA: THE 233N3223-302 PANEL ASSY IS I/W THE 233N3223-50 PANEL ASSY T/W THE S233T100-6046 LIGHTPLATE AND (3) BP248-127 KNOBS. PRE ALERT SB: 33A0044	504903	RF
10	233N3223-53		..PANEL ASSY- SUPPLIER CODE: V89954 MISCELLANEOUS DATA: FOR SPARES PROCURE NEXT HIGHER ASSY COMPONENT MAINT MANUAL REF: 31-12-01 USED ON: 233N3223-343	101106 108120	RF

MISSING ITEM NUMBERS NOT APPLICABLE

- ITEM NOT ILLUSTRATED

BRI

73-21-52-02

BOEING PROPRIETARY - Copyright © - Unpublished Work - See title page for details.

73-21-52  
FIG. 02  
PAGE 10  
JAN 20/09



757

PARTS CATALOG (MAINTENANCE)

FIG ITEM	PART NUMBER	1 2 3 4 5 6 7	NOMENCLATURE	EFFECT FROM TO	UNITS PER ASSY
2					
10	233N3223-1039		.. PANEL ASSY- SUPPLIER CODE: V89954 ELECTRICAL EQUIP NUMBER: M10468 COMPONENT MAINT MANUAL REF: 31-12-01 POST ALERT SB: 33A0044	011102 108120	RF
10	233N3223-1050		.. PANEL ASSY- SUPPLIER CODE: V89954 COMPONENT MAINT MANUAL REF: 31-12-01 USED ON: 233N3223-1301 POST ALERT SB: 33A0044	504903	RF
15	BCREF7606		... SWITCH ASSY-LIGHTED PUSH BUTTON IND ON/INOP SUPPLIER CODE: V81590 OVERLENGTH PART NUMBER: 433-673-1001-1016 SPECIFICATION NUMBER: S231T290-1016 MISCELLANEOUS DATA: WHEN REPLACING THE PUSHBUTTON SWITCH ASSY OR THE MASTER MODULE WITHIN, VERIFY THAT A CONFIG D MASTER MODULE P/N 13206-001 IS INSTALLED IN LIEU OF ANY EARLIER CONFIGURATION MASTER MODULES. USED ON: 233N3223-40 233N3223-1040 REFERENCE SERVICE BULLETIN: 33A0044 REWORKED BY SB: 433-33-05 V81590 FOR DETAILS SEE: 33-13-00-16	101102 108120	2

MISSING ITEM NUMBERS NOT APPLICABLE

- ITEM NOT ILLUSTRATED

73-21-52-02

73-21-52  
FIG. 02  
PAGE 11  
JAN 20/09

BRI



757

PARTS CATALOG (MAINTENANCE)

FIG ITEM	PART NUMBER	1 2 3 4 5 6 7	NOMENCLATURE	EFFECT FROM TO	UNITS PER ASSY
2 15	BCREFA0505		...SWITCH ASSY-LIGHTED PUSH BUTTON IND ON/INOP SUPPLIER CODE: V81590 OVERLENGTH PART NUMBER: 433-673-1004-4016 SPECIFICATION NUMBER: S231T290-4016 MISCELLANEOUS DATA: WHEN REPLACING THE PUSHBUTTON SWITCH ASSY OR THE MASTER MODULE WITHIN, VERIFY THAT A CONFIG D MASTER MODULE P/N 13206-001 IS INSTALLED IN LIEU OF ANY EARLIER CONFIGURATION MASTER MODULES. OPTIONAL PART: 851-35100-5016 V96182 USED ON: 233N3223-39 233N3223-40 233N3223-50 233N3223-1039 233N3223-1040 233N3223-1050 REFERENCE SERVICE BULLETIN: 33A0044 REWORKED BY SB: 433-33-05 V81590 FOR DETAILS SEE: 33-13-00-46	011102 108120 504903	2
15	851-30768-2016		...SWITCH ASSY-LIGHTED PUSH BUTTON IND ON/INOP SUPPLIER CODE: V96182 SPECIFICATION NUMBER: S231T290-2016 FOR DETAILS SEE: 33-13-00-26	011102 108120 504903	2

MISSING ITEM NUMBERS NOT APPLICABLE

- ITEM NOT ILLUSTRATED

BRI

73-21-52-02

BOEING PROPRIETARY - Copyright © - Unpublished Work - See title page for details.

73-21-52  
FIG. 02  
PAGE 12  
JAN 20/09



757

PARTS CATALOG (MAINTENANCE)

FIG ITEM	PART NUMBER	1 2 3 4 5 6 7	NOMENCLATURE	EFFECT FROM TO	UNITS PER ASSY
2					
15	851-30768-3016	...	SWITCH ASSY-LIGHTED PUSH BUTTON IND ON/INOP SUPPLIER CODE: V96182 SPECIFICATION NUMBER: S231T290-3016 FOR DETAILS SEE: 33-13-00-36	011102 108120 504903	2
15	851-35100-5016	...	SWITCH ASSY-LIGHTED PUSH BUTTON IND ON/INOP SUPPLIER CODE: V96182 SPECIFICATION NUMBER: S231T290-5016 OPTIONAL PART: BCREFA0505 V81590 USED ON: 233N3223-39 233N3223-50 233N3223-1039 233N3223-1050	011102 108120 504903	2
15	4336731004-4216	...	SWITCH ASSY-LIGHTED PUSH BUTTON IND ON/INOP SUPPLIER CODE: V81590 SPECIFICATION NUMBER: S231T290-4216 USED ON: 233N3223-53	011106 108120 504903	2
- 65	233T3242-301	.	PANEL ASSY-EEC CONT SUPPLIER CODE: V89954 ELECTRICAL EQUIP NUMBER: M10761 COMPONENT MAINT MANUAL REF: 73-21-86 QUALIFIED I/W DATA: 233T3242-301 PANEL ASSY IS I/W 233T3242-6 PANEL ASSY T/W S233T100-1092 LIGHTPLATE PRE ALERT SB: 33A0044	011100	RF

MISSING ITEM NUMBERS NOT APPLICABLE

- ITEM NOT ILLUSTRATED

73-21-52-02

73-21-52  
FIG. 02  
PAGE 13  
JAN 20/09

BRI



757

PARTS CATALOG (MAINTENANCE)

FIG ITEM	PART NUMBER	1 2 3 4 5 6 7	NOMENCLATURE	EFFECT FROM TO	UNITS PER ASSY
2 - 65	233T3242-301		.PANEL ASSY-EEC CONT SUPPLIER CODE: V89954 ELECTRICAL EQUIP NUMBER: M10761 COMPONENT MAINT MANUAL REF: 73-21-86 QUALIFIED I/W DATA: 233T3242-301 PANEL ASSY IS I/W 233T3242-6 PANEL ASSY T/W S233T100-1092 LIGHTPLATE PRE ALERT SB: 33A0044	101106 108120	RF
- 65	233T3242-1301		.PANEL ASSY-EEC CONT SUPPLIER CODE: V89954 ELECTRICAL EQUIP NUMBER: M10761 COMPONENT MAINT MANUAL REF: 73-21-86 POST ALERT SB: 33A0044	011106 108120	RF
- 70	233T3242-301		.PANEL ASSY-EEC CONT SUPPLIER CODE: V89954 ELECTRICAL EQUIP NUMBER: M10761 COMPONENT MAINT MANUAL REF: 73-21-86 QUALIFIED I/W DATA: 233T3242-301 PANEL ASSY IS I/W 233T3242-6 PANEL ASSY T/W S233T100-1092 LIGHTPLATE PRE ALERT SB: 33A0044	504903	RF
- 70	233T3242-1301		.PANEL ASSY-EEC CONT SUPPLIER CODE: V89954 ELECTRICAL EQUIP NUMBER: M10761 COMPONENT MAINT MANUAL REF: 73-21-86 POST ALERT SB: 33A0044	504903	RF

MISSING ITEM NUMBERS NOT APPLICABLE

- ITEM NOT ILLUSTRATED

BRI

73-21-52-02

BOEING PROPRIETARY - Copyright © - Unpublished Work - See title page for details.

73-21-52  
FIG. 02  
PAGE 14  
JAN 20/09



757

PARTS CATALOG (MAINTENANCE)

FIG ITEM	PART NUMBER	1 2 3 4 5 6 7	NOMENCLATURE	EFFECT FROM TO	UNITS PER ASSY
2					
75	233T3242-6		..PANEL ASSY- SUPPLIER CODE: V89954 COMPONENT MAINT MANUAL REF: 73-21-86 QUALIFIED I/W DATA: 233T3242-302 PANEL ASSY IS I/W 233T3242-15 PANEL ASSY T/W S233T100-1097 LIGHTPLATE PRE ALERT SB: 33A0044	011100	RF
75	233T3242-6		..PANEL ASSY- SUPPLIER CODE: V89954 COMPONENT MAINT MANUAL REF: 73-21-86 QUALIFIED I/W DATA: 233T3242-302 PANEL ASSY IS I/W 233T3242-15 PANEL ASSY T/W S233T100-1097 LIGHTPLATE PRE ALERT SB: 33A0044	101106 108120	RF
75	233T3242-1006		..PANEL ASSY- SUPPLIER CODE: V89954 ELECTRICAL EQUIP NUMBER: M10761 COMPONENT MAINT MANUAL REF: 73-21-86 POST ALERT SB: 33A0044	101102 108120	RF
80	233T3242-6		..PANEL ASSY- SUPPLIER CODE: V89954 COMPONENT MAINT MANUAL REF: 73-21-86 QUALIFIED I/W DATA: 233T3242-302 PANEL ASSY IS I/W 233T3242-15 PANEL ASSY T/W S233T100-1097 LIGHTPLATE PRE ALERT SB: 33A0044	504903	RF

MISSING ITEM NUMBERS NOT APPLICABLE

- ITEM NOT ILLUSTRATED

BRI

73-21-52-02

BOEING PROPRIETARY - Copyright © - Unpublished Work - See title page for details.

73-21-52  
FIG. 02  
PAGE 15  
JAN 20/09



757

PARTS CATALOG (MAINTENANCE)

FIG ITEM	PART NUMBER	1 2 3 4 5 6 7	NOMENCLATURE	EFFECT FROM TO	UNITS PER ASSY
2					
80	233T3242-1006		.. PANEL ASSY- SUPPLIER CODE: V89954 ELECTRICAL EQUIP NUMBER: M10761 COMPONENT MAINT MANUAL REF: 73-21-86 POST ALERT SB: 33A0044	504903	RF
85	433-100-004		... GUARD-SWITCH SUPPLIER CODE: V81590 SPECIFICATION NUMBER: S231T290-823	011106 108120 504903	2
90	BCREFA0505		... SWITCH ASSY-LIGHTED PUSH BUTTON IND ON/INOP SUPPLIER CODE: V81590 OVERLENGTH PART NUMBER: 433-673-1001-4016 SPECIFICATION NUMBER: S231T290-4016 MISCELLANEOUS DATA: WHEN REPLACING THE PUSHBUTTON SWITCH ASSY OR THE MASTER MODULE WITHIN, VERIFY THAT A CONFIG D MASTER MODULE P/N 13206-001 IS INSTALLED IN LIEU OF ANY EARLIER CONFIGURATION MASTER MODULES. OPTIONAL PART: 851-35100-5016 V81590 REFERENCE SERVICE BULLETIN: 33A0044 REWORKED BY SB: 433-33-05 V81590 FOR DETAILS SEE: 33-13-00-46	011106 108120 504903	2

MISSING ITEM NUMBERS NOT APPLICABLE

- ITEM NOT ILLUSTRATED

BRI

73-21-52-02

BOEING PROPRIETARY - Copyright © - Unpublished Work - See title page for details.

73-21-52  
FIG. 02  
PAGE 16  
JAN 20/09



757

PARTS CATALOG (MAINTENANCE)

FIG ITEM	PART NUMBER	1 2 3 4 5 6 7	NOMENCLATURE	EFFECT FROM TO	UNITS PER ASSY
2	90 851-35100-5016		...SWITCH ASSY-LIGHTED PUSH BUTTON IND ON/INOP SUPPLIER CODE: V96182 SPECIFICATION NUMBER: S231T290-5016 OPTIONAL PART: BCREFA0505 V81590	011106 108120 504903	2
	95 BACC45FN16-24P		...CONNECTOR	011106 108120 504903	1
	100 BACC45FN16-24P7		...CONNECTOR	011106 108120 504903	1
	ATTACHING PARTS				
- 105	BACS12CK04U5		...SCREW	011106 108120 504903	6
- 110	K19798-04		...NUT SUPPLIER CODE: V15653 SPECIFICATION NUMBER: BACN10NW1 OPTIONAL PART: RMA4812-160-40 V72962 293162 V60119 -----*-----	011106 108120 504903	6

MISSING ITEM NUMBERS NOT APPLICABLE

- ITEM NOT ILLUSTRATED

BRI

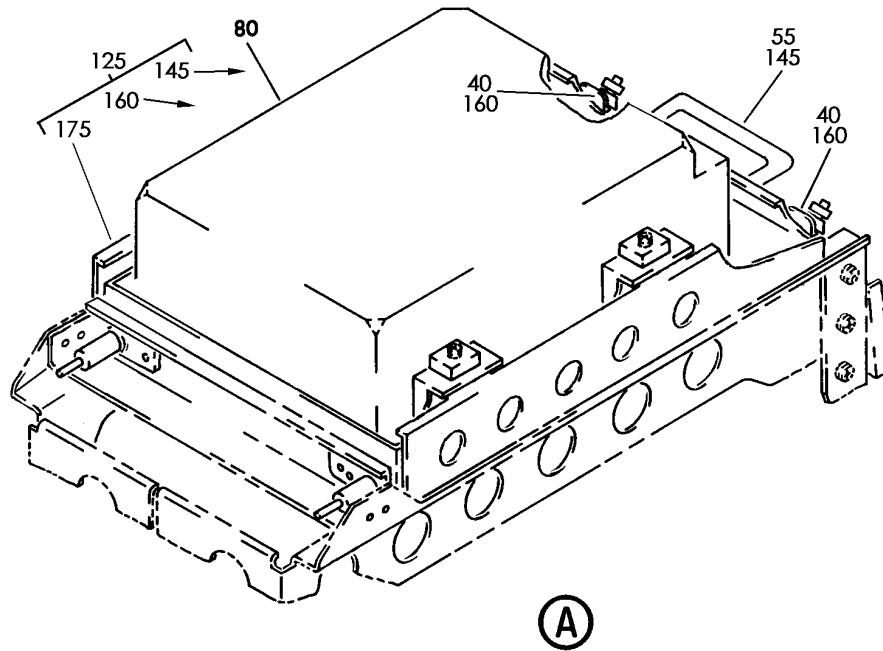
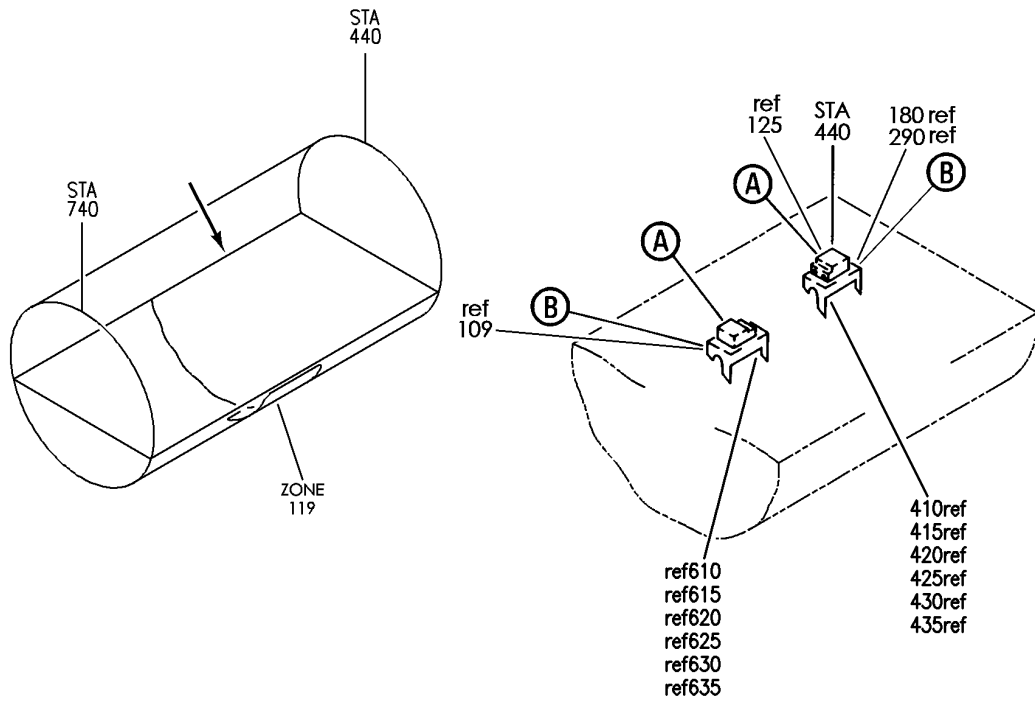
73-21-52-02

BOEING PROPRIETARY - Copyright © - Unpublished Work - See title page for details.

73-21-52  
FIG. 02  
PAGE 17  
JAN 20/09



**BOEING**  
757  
PARTS CATALOG (MAINTENANCE)



Y 73215301 SHT 1 REV 240

ENGINE CONTROL INSTL-MAIN EQPT CTR ELECTRONIC (ENGINE FUEL AND CONTROL ONLY) (RB211-535)  
FIGURE 1 (SHEET 1)

BRI  
MAY 28/07

**73-21-53-01**

73-21-53-01  
PAGE 0





757

PARTS CATALOG (MAINTENANCE)

FIG ITEM	PART NUMBER	1 2 3 4 5 6 7	NOMENCLATURE	EFFECT FROM TO	UNITS PER ASSY
1			ENGINE CONTROL INSTL-MAIN EQPT CTR ELECTRONIC (ENGINE FUEL AND CONTROL ONLY) (RB211-535)	002004 006999	
- 1	284N1375-7		ENGINE CONTROL INSTL-MAIN EQPT CTR ELECTRONIC (ENGINE FUEL AND CONTROL ONLY) POSITION DATA: FWD FOR NHA/OTHER SYS DET SEE: 24-00-58-01C	002004 006017 107107 121503 904999	RF
- 3	284N1375-14		ENGINE CONTROL INSTL-MAIN EQPT CTR ELECTRONIC (ENGINE FUEL AND CONTROL ONLY) POSITION DATA: FWD FOR NHA SEE: 24-00-58-01C	018102 504903	RF
- 3	284N1375-19		ENGINE CONTROL INSTL-MAIN EQPT CTR ELECTRONIC (ENGINE FUEL AND CONTROL ONLY) POSITION DATA: FWD FOR NHA SEE: 24-00-58-01C 24-00-58-05C	108120	RF
- 3	MODREF10104		ENGINE CONTROL INSTL-MAIN EQPT CTR ELECTRONIC (ENGINE FUEL AND CONTROL ONLY) MODULE NUMBER: 284N1375-19 REV A POSITION DATA: FWD	103106	1
- 5	284N1375-8		ENGINE CONTROL INSTL-MAIN EQPT CTR ELECTRONIC (ENGINE FUEL AND CONTROL ONLY) POSITION DATA: REAR FOR NHA/OTHER SYS DET SEE: 24-00-58-01C	002004 006017 107107 121503 904999	RF

MISSING ITEM NUMBERS NOT APPLICABLE

- ITEM NOT ILLUSTRATED

73-21-53-01

73-21-53  
FIG. 01  
PAGE 1  
JAN 20/09

BRI



757

PARTS CATALOG (MAINTENANCE)

FIG ITEM	PART NUMBER	1 2 3 4 5 6 7	NOMENCLATURE	EFFECT FROM TO	UNITS PER ASSY
1					
- 7	284N1375-16		ENGINE CONTROL INSTL-MAIN EQPT CTR ELECTRONIC (ENGINE FUEL AND CONTROL ONLY) POSITION DATA: REAR FOR NHA SEE: 24-00-58-01C 24-00-58-05C	018102 504903	RF
- 7	284N1375-21		ENGINE CONTROL INSTL-MAIN EQPT CTR ELECTRONIC (ENGINE FUEL AND CONTROL ONLY) POSITION DATA: REAR FOR NHA SEE: 24-00-58-05C	108120	RF
- 7	MODREF10106		ENGINE CONTROL INSTL-MAIN EQPT CTR ELECTRONIC (ENGINE FUEL AND CONTROL ONLY) MODULE NUMBER: 284N1375-21 REV A POSITION DATA: REAR	103106	1
10	BAC27NEX1791		.DECAL- PLACARD CONTENT: EEC LEFT M10391 USED ON: 284N1375-1 284N1375-3 284N1375-5 284N1375-7 284N1375-9 284N1375-13 284N1198-1	002004 006017 107107 121503 904999	1
15	BAC27NEX1792		.DECAL- PLACARD CONTENT: EEC RIGHT M10392 USED ON: 284N1375-2 284N1375-4 284N1375-6 284N1375-8 284N1375-10 284N1375-11 284N1375-12 284N1198-2	002004 006017 107107 121503 904999	1

MISSING ITEM NUMBERS NOT APPLICABLE

- ITEM NOT ILLUSTRATED

BRI

73-21-53-01

BOEING PROPRIETARY - Copyright © - Unpublished Work - See title page for details.

73-21-53  
FIG. 01  
PAGE 2  
JAN 20/09



757

PARTS CATALOG (MAINTENANCE)

FIG ITEM	PART NUMBER	1 2 3 4 5 6 7	NOMENCLATURE	EFFECT FROM TO	UNITS PER ASSY
1	20 8168-727		.KNOB-HOLDDOWN SUPPLIER CODE: V30528 POSITION DATA: FRONT ATTACHING PARTS	002004 006017 107107 121503 904999	2
-	25 NAS601-6P		.SCREW-	002004 006017 107107 121503 904999	4
-	30 AN960PD6L		.WASHER	002004 006017 107107 121503 904999	4
-	35 BRH10A06		.NUT SUPPLIER CODE: V52828 SPECIFICATION NUMBER: BACN10JC06 OPTIONAL PART: H10-06BAC V15653 RMLH9075-62W V72962 VN303A62 V92215 96-62 V80539 NS202101-62 V80539 T6S632J V11815 -----*-----	002004 006017 107107 121503 904999	4
	40 NAS622CE2		.HOOK	002004 006017 107107 121503 904999	2
-	45 NAS514P632-7		ATTACHING PARTS .SCREW	002004 006017 107107 121503 904999	4

MISSING ITEM NUMBERS NOT APPLICABLE

- ITEM NOT ILLUSTRATED

BRI

73-21-53-01

BOEING PROPRIETARY - Copyright © - Unpublished Work - See title page for details.

73-21-53  
FIG. 01  
PAGE 3  
JAN 20/09

**BOEING**  
757  
**PARTS CATALOG (MAINTENANCE)**

FIG ITEM	PART NUMBER	1 2 3 4 5 6 7	NOMENCLATURE	EFFECT FROM TO	UNITS PER ASSY
1 - 50	BRH10A06		.NUT SUPPLIER CODE: V52828 SPECIFICATION NUMBER: BACN10JC06 OPTIONAL PART: H10-06BAC V15653 RMLH9075-62W V72962 VN303A62 V92215 96-62 V80539 NS202101-62 V80539 T6S632J V11815 -----*-----	002004 006017 107107 121503 904999	4
	55 BACH10G1A		.HANDLE	002004 006017 107107 121503 904999	1
- 60	NAS1801-3-10		ATTACHING PARTS .SCREW	002004 006017 107107 121503 904999	2
- 65	MS35333-73B		.WASHER	002004 006017 107107 121503 904999	2
	70 AN960PD716		-----*----- .WASHER	002004 006017 107107 121503 904999	2
	75 101169		.PIN-HOLDDOWN SUPPLIER CODE: V30528 POSITION DATA: REAR	002004 006017 107107 121503 904999	2

MISSING ITEM NUMBERS NOT APPLICABLE

- ITEM NOT ILLUSTRATED

BRI

# 73-21-53-01

BOEING PROPRIETARY - Copyright © - Unpublished Work - See title page for details.

73-21-53  
FIG. 01  
PAGE 4  
JAN 20/09



757

PARTS CATALOG (MAINTENANCE)

FIG ITEM	PART NUMBER	1 2 3 4 5 6 7	NOMENCLATURE	EFFECT FROM TO	UNITS PER ASSY
1					
80	ESC103-04E4		.CONTROL- SUPPLIER CODE: VU4287 SERVICE BULLETIN OPT DATA: ESC103-04C4 VK0131 POST SERVICE BULLETIN: RB211-73-C271 VK0680 ESC103-73-7404 VK0131	018106 108120 504903	1
80	ESC102-07G6		.CONTROL- SUPPLIER CODE: VK0131	121503 904949	1
80	ESC102-08H7		.CONTROL- SUPPLIER CODE: VK0131	121503 904949	1
80	ESC103-04C4		.CONTROL- SUPPLIER CODE: VK0131 OPTIONAL PART: 356A7065G151 VK0131 PRE SERVICE BULLETIN: VK0131	018106 108120 504903	1
80	ESC103-04C4		.CONTROL-(CUSTOMER FURNISHED) SUPPLIER CODE: VK0131 POST SERVICE BULLETIN: 72-9329 VK0680	018106 108120 504903	1
80	356A7065G151		.CONTROL- SUPPLIER CODE: V89954 ELECTRICAL EQUIP NUMBER: M10391 M10392 OPTIONAL PART: ESC103-04C4 VK0131	018106 108120 504903	1
80	356A7065G152		.CONTROL- SUPPLIER CODE: V89954 ELECTRICAL EQUIP NUMBER: M10391 M10392	018106 108120 504903	1

MISSING ITEM NUMBERS NOT APPLICABLE

- ITEM NOT ILLUSTRATED

73-21-53-01

73-21-53  
FIG. 01  
PAGE 5  
JAN 20/09

BRI



757

PARTS CATALOG (MAINTENANCE)

FIG ITEM	PART NUMBER	1 2 3 4 5 6 7	NOMENCLATURE	EFFECT FROM TO	UNITS PER ASSY
1			ATTACHING PARTS		
- 85	NAS1801-3-22		.SCREW-	002004 006017 107107 121503 904999	4
- 85	NAS1801-3-23		.SCREW-	018106 108120 504903	4
- 90	AN960PD10L		.WASHER-	002004 006017 107107 121503 904999	4
- 90	NAS1149D0332J		.WASHER-	018102 504903	4
- 90	NAS1149D0332H		.WASHER-	103106 108120	4
95	284N1386-1		-----*----- .BRACKET ASSY- USED ON: 284N1375-2 284N1375-4 284N1375-6 284N1375-8 284N1375-10 284N1375-11 284N1375-12 284N1198-2	002004 006017 107107 121503 904999	1
100	NAS1801-3-6		ATTACHING PARTS .SCREW	002004 006017 107107 121503 904999	6
102	NAS1801-3-6		.SCREW-	002004 006017 107107 121503 904999	7
105	AN960PD10L		.WASHER	002004 006017 107107 121503 904999	6

MISSING ITEM NUMBERS NOT APPLICABLE

- ITEM NOT ILLUSTRATED

BRI

73-21-53-01

BOEING PROPRIETARY - Copyright © - Unpublished Work - See title page for details.

73-21-53  
FIG. 01  
PAGE 6  
JAN 20/09





757

PARTS CATALOG (MAINTENANCE)

FIG ITEM	PART NUMBER	1 2 3 4 5 6 7	NOMENCLATURE	EFFECT FROM TO	UNITS PER ASSY
1 107	AN960PD10L		.WASHER-	002004 006017 107107 121503 904999	7
110	284N1388-1		-----*----- .PLATE-SPLICE USED ON: 284N1375-2 284N1375-4 284N1375-6 284N1375-8 284N1375-10 284N1375-11 284N1375-12 284N1198-2	002004 006017 107107 121503 904999	1
- 115	BACR15FT5D		ATTACHING PARTS .RIVET- SIZE DETERMINED ON INSTL.	002004 006017 107107 121503 904999	4
120	284N1377-3		-----*----- .BRACKET ASSY- USED ON: 284N1375-2 284N1375-6 284N1375-8 284N1375-10 284N1375-11 284N1375-12 284N1198-2	002004 006017 107107 121503 904999	1
125	284N1376-5		.BRACKET ASSY	018106 108120 504903	1
125	284N1376-3		.BRACKET ASSY- USED ON: 284N1375-2 284N1375-4 284N1375-6 284N1375-8 284N1375-10 284N1375-11 284N1375-12 284N1198-1	002004 006017 107107 121503 904999	1

MISSING ITEM NUMBERS NOT APPLICABLE

- ITEM NOT ILLUSTRATED

73-21-53-01

73-21-53  
FIG. 01  
PAGE 7  
JAN 20/09

BRI

 **BOEING**  
757  
**PARTS CATALOG (MAINTENANCE)**

FIG ITEM	PART NUMBER	1 2 3 4 5 6 7	NOMENCLATURE	EFFECT FROM TO	UNITS PER ASSY
1			ATTACHING PARTS		
130	BACR15FT5D		.RIVET- SIZE DETERMINED ON INSTL.	002004 006017 107107 121503 904999	8
135	NAS1801-3-6		.SCREW	002004 006017 107107 121503 904999	8
140	AN960PD10L		.WASHER	002004 006017 107107 121503 904999	8
145	BACH10G1A		-----*----- ..HANDLE	018106 108120 504903	1
- 150	NAS1801-3-10		ATTACHING PARTS ..SCREW	018106 108120 504903	2
- 155	MS35333-73B		..WASHER	018106 108120 504903	2
160	NAS622CE2		-----*----- ..HOOK	018106 108120 504903	2
- 165	NAS514P632-8P		ATTACHING PARTS ..SCREW	018106 108120 504903	4
- 170	MS21042L06		..NUT	018106 108120 504903	4
175	284N1378-1		-----*----- ..BRACKET ASSY	018106 108120 504903	1
180	284N1376-8		.RACK ASSY- POSITION DATA: REAR	018106 108120 504903	1
185	BAC27NEX1142		..DECAL- PLACARD CONTENT: S10380	018106 108120 504903	1

MISSING ITEM NUMBERS NOT APPLICABLE

- ITEM NOT ILLUSTRATED

BRI

# 73-21-53-01

BOEING PROPRIETARY - Copyright © - Unpublished Work - See title page for details.

73-21-53  
FIG. 01  
PAGE 8  
JAN 20/09

 **BOEING**  
757  
**PARTS CATALOG (MAINTENANCE)**

FIG ITEM	PART NUMBER	1 2 3 4 5 6 7	NOMENCLATURE	EFFECT FROM TO	UNITS PER ASSY
1					
190	BAC27NEX1726	..	DECAL- PLACARD CONTENT: RIGHT EEC GND TEST	018106 108120 504903	1
195	BAC27NEX1792	..	DECAL- PLACARD CONTENT: EEC RIGHT M10392	018106 108120 504903	1
200	8168-727	..	KNOB- SUPPLIER CODE: V30528	018106 108120 504903	2
- 205	NAS601-6P	..	SCREW	018106 108120 504903	4
- 210	PLH506CM	..	NUT SUPPLIER CODE: V62554 SPECIFICATION NUMBER: BACN10YR06CM OPTIONAL PART: H52732-06CM V15653 -----*-----	018106 108120 504903	4
215	26ET24-3	..	SWITCH- SUPPLIER CODE: V91929 ELECTRICAL EQUIP NUMBER: S10380	018106 108120 504903	1
220	MS25081C4	..	WASHER	018106 108120 504903	1
225	101169	..	PIN- SUPPLIER CODE: V30528	018106 108120 504903	2
230	NAS1149D0763J	..	WASHER	018106 108120 504903	2
235	NAS1801-3-6	..	SCREW	018106 108120 504903	21
240	BACR15FT4D5	..	RIVET	018106 108120 504903	16
245	NAS1149D0332J	..	WASHER	018106 108120 504903	21
250	284N1385-1	..	BRACKET	018106 108120 504903	1

MISSING ITEM NUMBERS NOT APPLICABLE

- ITEM NOT ILLUSTRATED

BRI

# 73-21-53-01

BOEING PROPRIETARY - Copyright © - Unpublished Work - See title page for details.

73-21-53  
FIG. 01  
PAGE 9  
JAN 20/09

**BOEING**  
757  
PARTS CATALOG (MAINTENANCE)

FIG ITEM	PART NUMBER	1 2 3 4 5 6 7	NOMENCLATURE	EFFECT FROM TO	UNITS PER ASSY
1					
255	284N1387-1	..	CLIP	018106 108120 504903	2
260	284N1379-1	..	BRACKET	018106 108120 504903	1
265	284N1376-3	..	BRACKET ASSY	018106 108120 504903	1
270	284N1377-3	..	BRACKET ASSY	018106 108120 504903	1
275	284N1386-1	..	BRACKET ASSY	018106 108120 504903	1
280	284N1388-1	..	PLATE	018106 108120 504903	1
285	284N1384-2	..	BRACKET	018106 108120 504903	1
290	284N1376-6	.RACK ASSY-	POSITION DATA: FWD	018106 108120 504903	1
295	BAC27NEX1154	..	DECAL- PLACARD CONTENT: S10379	018106 108120 504903	1
300	BAC27NEX1725	..	DECAL- PLACARD CONTENT: LEFT EEC GND TEST	018106 108120 504903	1
305	8168-727	..	KNOB- SUPPLIER CODE: V30528	018106 108120 504903	2
- 310	NAS601-6P	..	SCREW	018106 108120 504903	4
- 315	PLH506CM	..	NUT SUPPLIER CODE: V62554 SPECIFICATION NUMBER: BACN10YR06CM OPTIONAL PART: H52732-06CM V15653 -----*-----	018106 108120 504903	4
320	101169	..	PIN- SUPPLIER CODE: V30528	018106 108120 504903	2

MISSING ITEM NUMBERS NOT APPLICABLE

- ITEM NOT ILLUSTRATED

BRI

# 73-21-53-01

BOEING PROPRIETARY - Copyright © - Unpublished Work - See title page for details.

73-21-53  
FIG. 01  
PAGE 10  
JAN 20/09



757

PARTS CATALOG (MAINTENANCE)

FIG ITEM	PART NUMBER	1 2 3 4 5 6 7	NOMENCLATURE	EFFECT FROM TO	UNITS PER ASSY
1					
325	NAS1149D0763J	..	WASHER	018106 108120 504903	2
330	26ET24-3	..	SWITCH- SUPPLIER CODE: V91929 ELECTRICAL EQUIP NUMBER: S10379	018106 108120 504903	1
335	MS25081C4	..	WASHER	018106 108120 504903	1
- 403	286N4228-013		WIRE BUNDLE ASSY-	107107 121503 904949	RF
- 403	286N4228-015		WIRE BUNDLE ASSY-	002004 006100 950999	RF
- 404	286N4228-329		WIRE BUNDLE ASSY-	101102	RF
- 404	286N4228-340		WIRE BUNDLE ASSY-	504903	RF
- 405	286N4228-355		WIRE BUNDLE ASSY-	108120	RF
- 407	286N6662-601		WIRE BUNDLE ASSY	103106	RF
410	BCREF110375	.	CONNECTOR- OVERLENGTH PART NUMBER: BACC63BP24A30S6L ELECTRICAL EQUIP NUMBER: D04162 WIRING DIAGRAM REF: 732111	002004 006999	1
415	GS3418-24CD	.	CLAMP- SUPPLIER CODE: V06324 SPECIFICATION NUMBER: BACC10HG24 OPTIONAL PART: S2126-24-8 V07418 ELECTRICAL EQUIP NUMBER: D04162T WIRING DIAGRAM REF: 732111 732112	002004 006102 107999	1

MISSING ITEM NUMBERS NOT APPLICABLE

- ITEM NOT ILLUSTRATED

BRI

73-21-53-01

BOEING PROPRIETARY - Copyright © - Unpublished Work - See title page for details.

73-21-53  
FIG. 01  
PAGE 11  
JAN 20/09



757

PARTS CATALOG (MAINTENANCE)

FIG ITEM	PART NUMBER	1 2 3 4 5 6 7	NOMENCLATURE	EFFECT FROM TO	UNITS PER ASSY
1 415	620AA028NF24L		.CLAMP- SUPPLIER CODE: V06324 SPECIFICATION NUMBER: BACC10KE24 OPTIONAL PART: S3820-24-65 V07418 ELECTRICAL EQUIP NUMBER: D04162T WIRING DIAGRAM REF: 732111	103106	1
420	R071014A7S6L		.CONNECTOR- SUPPLIER CODE: V41118 SPECIFICATION NUMBER: BACC63BP14A7S6L ELECTRICAL EQUIP NUMBER: D04164 WIRING DIAGRAM REF: 753111	002004 006999	1
425	GS3418-14CD		.CLAMP- SUPPLIER CODE: V06324 SPECIFICATION NUMBER: BACC10HG14 OPTIONAL PART: S2126-14-8 V07418 ELECTRICAL EQUIP NUMBER: D04164T WIRING DIAGRAM REF: 732112 753111	002004 006102 107999	1
425	620AA028NF14L		.CLAMP- SUPPLIER CODE: V06324 SPECIFICATION NUMBER: BACC10KE14 OPTIONAL PART: S3820-14-65 V07418 ELECTRICAL EQUIP NUMBER: D04164T WIRING DIAGRAM REF: 753111	103106	1

MISSING ITEM NUMBERS NOT APPLICABLE

- ITEM NOT ILLUSTRATED

BRI

73-21-53-01

BOEING PROPRIETARY - Copyright © - Unpublished Work - See title page for details.

73-21-53  
FIG. 01  
PAGE 12  
JAN 20/09



757

PARTS CATALOG (MAINTENANCE)

FIG ITEM	PART NUMBER	1 2 3 4 5 6 7	NOMENCLATURE	EFFECT FROM TO	UNITS PER ASSY
1 430	BCREF110381		.CONNECTOR- OVERLENGTH PART NUMBER: BACC63BP28A42S6L ELECTRICAL EQUIP NUMBER: D04160 WIRING DIAGRAM REF: 732112	002004 006999	1
435	GS3418-28CD		.CLAMP- SUPPLIER CODE: V06324 SPECIFICATION NUMBER: BACC10HG28 OPTIONAL PART: S2126-28-8 V07418 ELECTRICAL EQUIP NUMBER: D04160T WIRING DIAGRAM REF: 732112	002004 006102 107999	1
435	S3820-28-65		.CLAMP- SUPPLIER CODE: V07418 SPECIFICATION NUMBER: BACC10KE28 OPTIONAL PART: 620AA028NF28L V06324 ELECTRICAL EQUIP NUMBER: D04160T WIRING DIAGRAM REF: 732112	103106	1
- 603	286N4236-010		WIRE BUNDLE ASSY-	107107 121503 904949	RF
- 603	286N4236-015		WIRE BUNDLE ASSY-	002004 006100 950999	RF
- 604	286N4236-326		WIRE BUNDLE ASSY-	101102	RF
- 604	286N4236-340		WIRE BUNDLE ASSY-	504903	RF
- 605	286N4236-346		WIRE BUNDLE ASSY-	108120	RF
- 606	286N6670-601		WIRE BUNDLE ASSY	103106	RF
610	BCREF110381		.CONNECTOR- OVERLENGTH PART NUMBER: BACC63BP28A42S6L ELECTRICAL EQUIP NUMBER: D04062 WIRING DIAGRAM REF: 732122	002004 006999	1

MISSING ITEM NUMBERS NOT APPLICABLE

- ITEM NOT ILLUSTRATED

73-21-53-01

73-21-53  
FIG. 01  
PAGE 13  
JAN 20/09

BRI



757

PARTS CATALOG (MAINTENANCE)

FIG ITEM	PART NUMBER	1 2 3 4 5 6 7	NOMENCLATURE	EFFECT FROM TO	UNITS PER ASSY
1 615	GS3418-28CD		.CLAMP- SUPPLIER CODE: V06324 SPECIFICATION NUMBER: BACC10HG28 OPTIONAL PART: S2126-28-8 V07418 ELECTRICAL EQUIP NUMBER: D04062T WIRING DIAGRAM REF: 732122	002004 006102 107999	1
615	S3820-28-65		.CLAMP- SUPPLIER CODE: V07418 SPECIFICATION NUMBER: BACC10KE28 OPTIONAL PART: 620AA028NF28L V06324 ELECTRICAL EQUIP NUMBER: D04062T WIRING DIAGRAM REF: 732122	103106	1
620	R071014A7S6L		.CONNECTOR- SUPPLIER CODE: V41118 SPECIFICATION NUMBER: BACC63BP14A7S6L ELECTRICAL EQUIP NUMBER: D04066 WIRING DIAGRAM REF: 753111	002004 006999	1
625	GS3418-14CD		.CLAMP- SUPPLIER CODE: V06324 SPECIFICATION NUMBER: BACC10HG14 OPTIONAL PART: S2126-14-8 V07418 ELECTRICAL EQUIP NUMBER: D04066T WIRING DIAGRAM REF: 753111 753121	002004 006102 107999	1

MISSING ITEM NUMBERS NOT APPLICABLE

- ITEM NOT ILLUSTRATED

BRI

73-21-53-01

BOEING PROPRIETARY - Copyright © - Unpublished Work - See title page for details.

73-21-53  
FIG. 01  
PAGE 14  
JAN 20/09





757

PARTS CATALOG (MAINTENANCE)

FIG ITEM	PART NUMBER	1 2 3 4 5 6 7	NOMENCLATURE	EFFECT FROM TO	UNITS PER ASSY
1 630	BCREF110375		.CONNECTOR- OVERLENGTH PART NUMBER: BACC63BP24A30S6L ELECTRICAL EQUIP NUMBER: D04064 WIRING DIAGRAM REF: 732121	002004 006999	1
635	GS3418-24CD		.CLAMP- SUPPLIER CODE: V06324 SPECIFICATION NUMBER: BACC10HG24 OPTIONAL PART: S2126-24-8 V07418 ELECTRICAL EQUIP NUMBER: D04064T WIRING DIAGRAM REF: 732121	002004 006102 107999	1
635	620AA028NF24L		.CLAMP- SUPPLIER CODE: V06324 SPECIFICATION NUMBER: BACC10KE24 OPTIONAL PART: S3820-24-65 V07418 ELECTRICAL EQUIP NUMBER: D04064T WIRING DIAGRAM REF: 732121	103106	1

MISSING ITEM NUMBERS NOT APPLICABLE

- ITEM NOT ILLUSTRATED

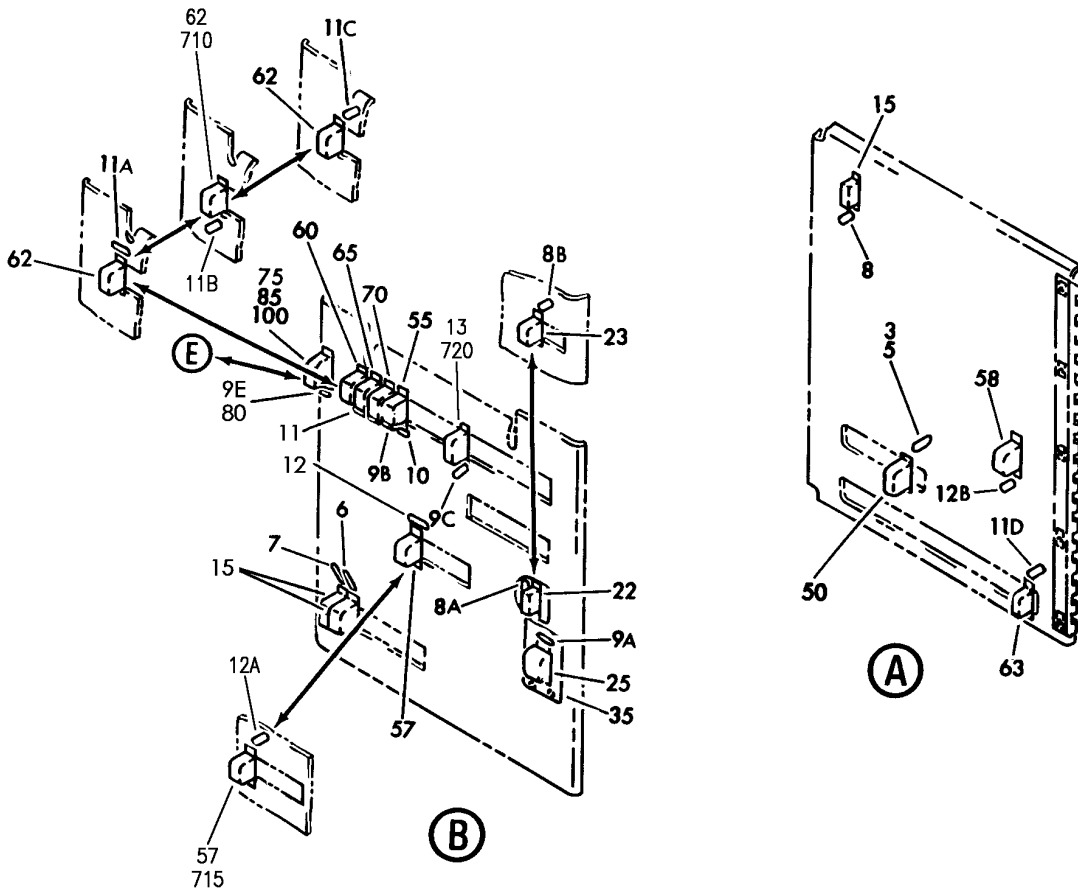
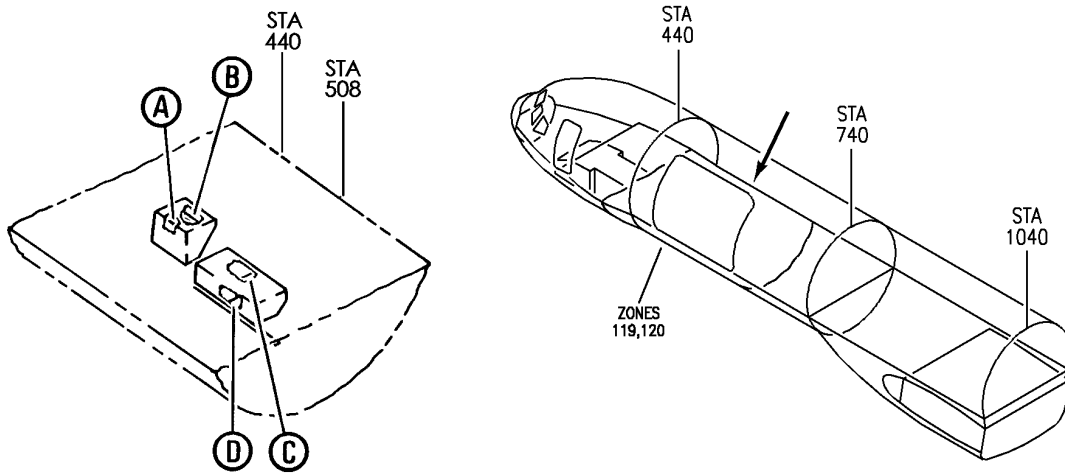
BRI

73-21-53-01

BOEING PROPRIETARY - Copyright © - Unpublished Work - See title page for details.

73-21-53  
FIG. 01  
PAGE 15  
JAN 20/09

**BOEING**  
757  
PARTS CATALOG (MAINTENANCE)



Y 73215501 SHT 1 REV 274

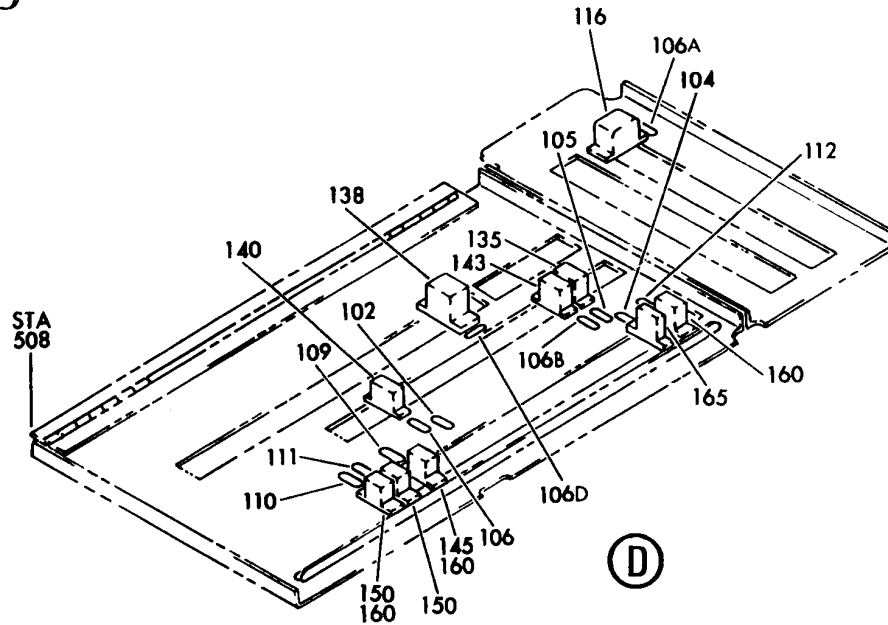
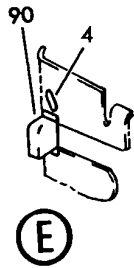
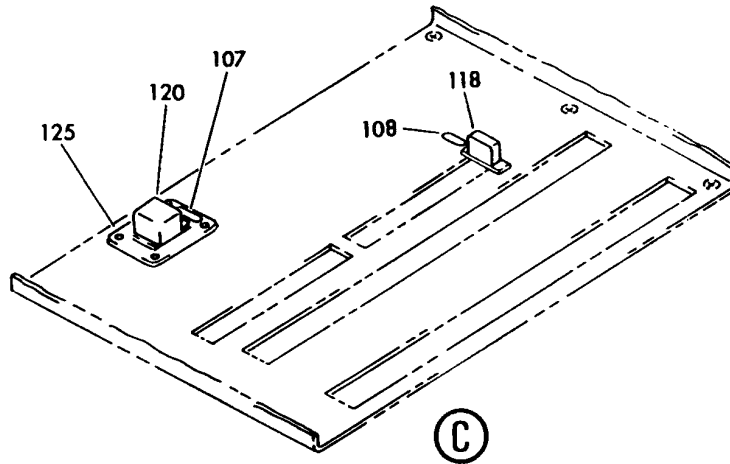
PANEL ASSY-P36 AND P37 MISC RELAY (ENGINE FUEL AND CONTROL ONLY) (PW2000)  
FIGURE 1 (SHEET 1)

**73-21-55-01**

BRI  
MAY 28/07

73-21-55-01  
PAGE 0

**BOEING**  
757  
PARTS CATALOG (MAINTENANCE)



Y 73215501 SHT 2 REV 200

PANEL ASSY-P36 AND P37 MISC RELAY (ENGINE FUEL AND CONTROL ONLY) (PW2000)  
FIGURE 1 (SHEET 2)

BRI  
MAY 28/07

**73-21-55-01**

73-21-55-01  
PAGE 0A



757

PARTS CATALOG (MAINTENANCE)

FIG ITEM	PART NUMBER	1 2 3 4 5 6 7	NOMENCLATURE	EFFECT FROM TO	UNITS PER ASSY
1			PANEL ASSY-P36 AND P37 MISC RELAY (ENGINE FUEL AND CONTROL ONLY) (PW2000)	002004 006100 107107 121503 904999	
- 1	284N1127-1		PANEL ASSY-P37 MISC RELAY (ENGINE FUEL AND CONTROL ONLY) POSITION DATA: R VARIABLE DRAWING REF: 284N1127-5028 284N1127-5039 284N1127-5063 284N1127-5064 284N1127-5068 REWORKED BY SB: 33-0039 34-0200 REWORKED BY ALERT SB: 27A0130 FOR NHA/OTHER SYS DET SEE: 31-01-37-01B	002004 006100 107107 121503 904999	RF
9C	BAC27NEX1970		.DECAL- PLACARD CONTENT: K10543	107107	1
10	BAC27NEX1971		.DECAL- PLACARD CONTENT: K10544	107107	1
11B	BAC27NEX1970		.DECAL- PLACARD CONTENT: K10543	002004 006100 121503 904999	1
12A	BAC27NEX1971		.DECAL- PLACARD CONTENT: K10544	002004 006100 121503 904999	1

MISSING ITEM NUMBERS NOT APPLICABLE

- ITEM NOT ILLUSTRATED

BRI

73-21-55-01

BOEING PROPRIETARY - Copyright © - Unpublished Work - See title page for details.

73-21-55  
FIG. 01  
PAGE 1  
JAN 20/09



757

PARTS CATALOG (MAINTENANCE)

FIG ITEM	PART NUMBER	1 2 3 4 5 6 7	NOMENCLATURE	EFFECT FROM TO	UNITS PER ASSY
1 13	E210-1631		.RELAY- SUPPLIER CODE: V99699 SPECIFICATION NUMBER: BACR13CF2A OPTIONAL PART: BR246S0112 V56623 FCA210-70 V78290 E215-1050 V99699 JD4A017 V35344 BR64S104 V56623 61GB19-1A320 V98927 ELECTRICAL EQUIP NUMBER: K10543 WIRING DIAGRAM REF: 732122	107107	1
55	TDH8120-1001		.RELAY- SUPPLIER CODE: V58657 ELECTRICAL EQUIP NUMBER: K10544	107107	1
57	TDH8120-1001		.RELAY- SUPPLIER CODE: V58657 ELECTRICAL EQUIP NUMBER: K10544 WIRING DIAGRAM REF: 732122	002004 006100 121503 904999	1

MISSING ITEM NUMBERS NOT APPLICABLE

- ITEM NOT ILLUSTRATED

BRI

73-21-55-01

BOEING PROPRIETARY - Copyright © - Unpublished Work - See title page for details.

73-21-55  
FIG. 01  
PAGE 2  
JAN 20/09

 **BOEING**  
757  
**PARTS CATALOG (MAINTENANCE)**

FIG ITEM	PART NUMBER	1 2 3 4 5 6 7	NOMENCLATURE	EFFECT FROM TO	UNITS PER ASSY
1 62	E210-1631		.RELAY- SUPPLIER CODE: V99699 SPECIFICATION NUMBER: BACR13CF2A OPTIONAL PART: BR246S0112 V56623 FCA210-70 V78290 E215-1050 V99699 JD4A017 V35344 BR64S104 V56623 61GB19-1A320 V98927 ELECTRICAL EQUIP NUMBER: K10543	002004 006100 121503 904999	1
- 100	284N1125-1		PANEL ASSY-P36 MISC RELAY (ENGINE FUEL AND CONTROL ONLY) POSITION DATA: L VARIABLE DRAWING REF: 284N1125-5023 284N1125-5030 284N1125-5049 284N1125-5050 284N1125-5054 REWORKED BY SB: 34-0200 REWORKED BY ALERT SB: 27A0130 FOR NHA/OTHER SYS DET SEE: 31-01-36-01B	002004 006100 107107 121503 904999	RF
106	BAC27NEX1968		.DECAL- PLACARD CONTENT: K10541	002004 006100 107107 950999	1
106A	BAC27NEX1969		.DECAL- PLACARD CONTENT: K10542	002004 006100 107107 121503 904999	1
106D	BAC27NEX1968		.DECAL- PLACARD CONTENT: K10541	121503 904949	1

MISSING ITEM NUMBERS NOT APPLICABLE

- ITEM NOT ILLUSTRATED

BRI

# 73-21-55-01

BOEING PROPRIETARY - Copyright © - Unpublished Work - See title page for details.

73-21-55  
FIG. 01  
PAGE 3  
JAN 20/09



757

PARTS CATALOG (MAINTENANCE)

FIG ITEM	PART NUMBER	1 2 3 4 5 6 7	NOMENCLATURE	EFFECT FROM TO	UNITS PER ASSY
1 116	TDH8120-1001		.RELAY- SUPPLIER CODE: V58657 ELECTRICAL EQUIP NUMBER: K10542 OPTIONAL PART: TD1862-7500 V58657	002004 006100 107107 121503 904999	1
138	E210-1631		.RELAY- SUPPLIER CODE: V99699 SPECIFICATION NUMBER: BACR13CF2A OPTIONAL PART: BR246S0112 V56623 FCA210-70 V78290 E215-1050 V99699 JD4A017 V35344 BR64S104 V56623 61GB19-1A320 V98927 ELECTRICAL EQUIP NUMBER: K10541	121503 904949	1
140	E210-1631		.RELAY- SUPPLIER CODE: V99699 SPECIFICATION NUMBER: BACR13CF2A OPTIONAL PART: BR246S0112 V56623 FCA210-70 V78290 E215-1050 V99699 JD4A017 V35344 BR64S104 V56623 61GB19-1A320 V98927 ELECTRICAL EQUIP NUMBER: K10541	002004 006100 107107 950999	1

MISSING ITEM NUMBERS NOT APPLICABLE

- ITEM NOT ILLUSTRATED

73-21-55-01

73-21-55  
FIG. 01  
PAGE 4  
JAN 20/09

BRI



757

PARTS CATALOG (MAINTENANCE)

FIG ITEM	PART NUMBER	1 2 3 4 5 6 7	NOMENCLATURE	EFFECT FROM TO	UNITS PER ASSY
1					
- 700	286N1270-005		WIRE BUNDLE ASSY- REWORKED BY ALERT SB: 34A0222 27A0130	002004 006100 950999	RF
- 700	286N1270-003		WIRE BUNDLE ASSY- REWORKED BY ALERT SB: 34A0222	107107	RF
- 700	286N1270-002		WIRE BUNDLE ASSY- REWORKED BY ALERT SB: 34A0222	121503 904949	RF
710	RSF116200		.SOCKET- SUPPLIER CODE: V58982 SPECIFICATION NUMBER: BACS16X1A OPTIONAL PART: 102-006-1 V09922 000300-1538 V05574 ELECTRICAL EQUIP NUMBER: D07006 WIRING DIAGRAM REF: 732122	002004 006100 107107 121503 904999	1
715	RSF116416		.SOCKET- SUPPLIER CODE: V58982 SPECIFICATION NUMBER: BACS16W5A OPTIONAL PART: 102-010-1 V09922 000300-1545 V05574 ELECTRICAL EQUIP NUMBER: D07008 WIRING DIAGRAM REF: 732122	002004 006100 107107 121503 904999	1

MISSING ITEM NUMBERS NOT APPLICABLE

- ITEM NOT ILLUSTRATED

BRI

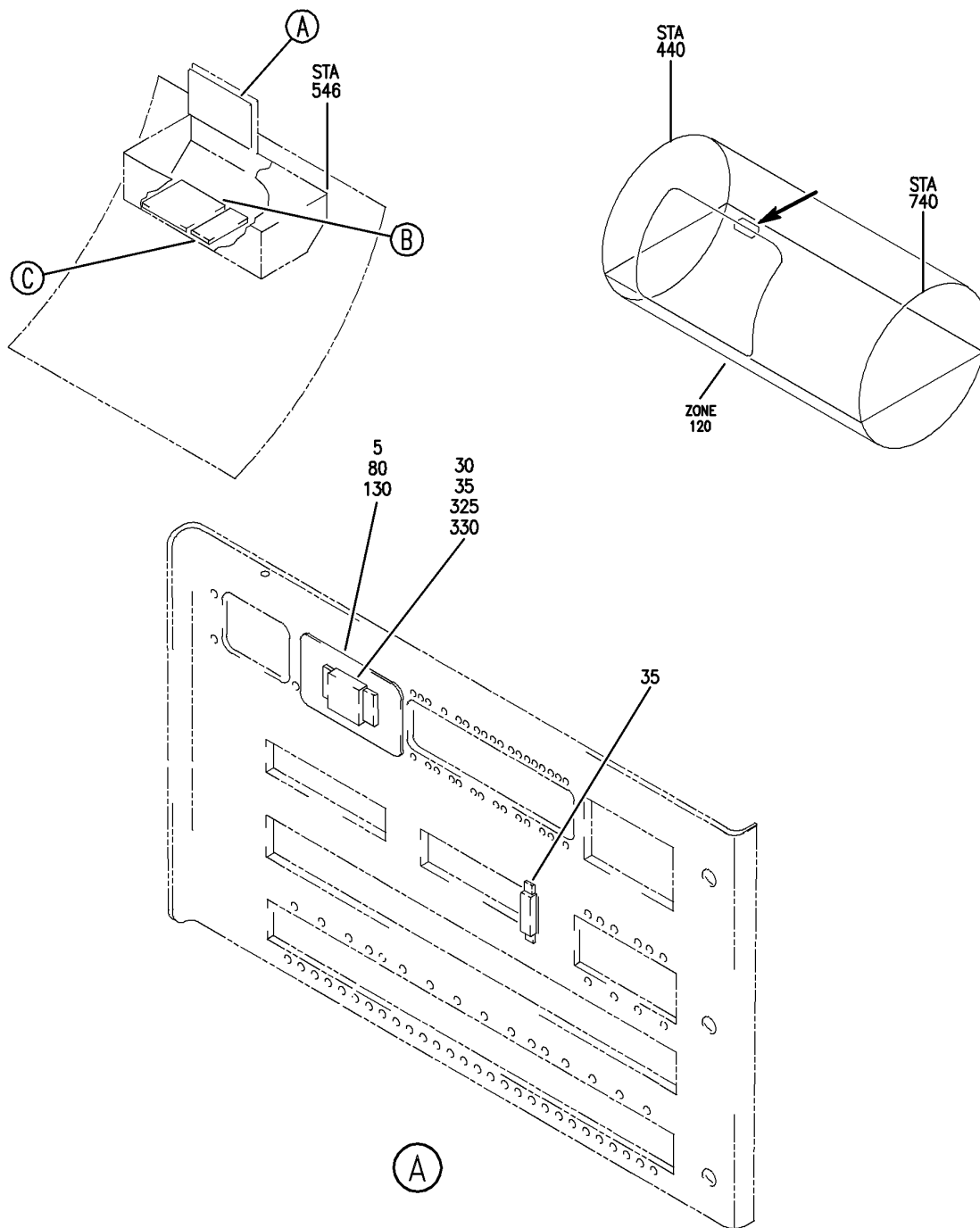
73-21-55-01

BOEING PROPRIETARY - Copyright © - Unpublished Work - See title page for details.

73-21-55  
FIG. 01  
PAGE 5  
JAN 20/09



**BOEING**  
757  
PARTS CATALOG (MAINTENANCE)



Y 73215501A SHT 1 REV 225

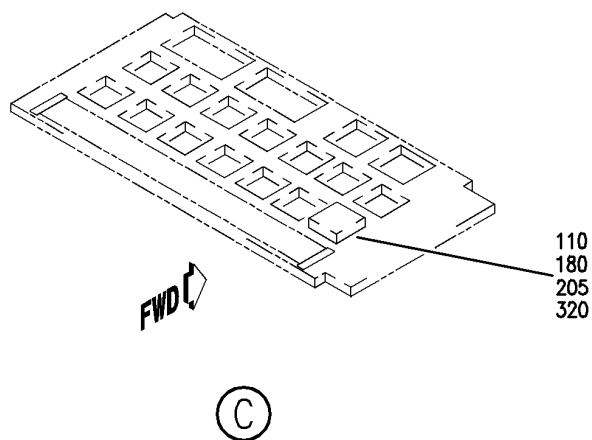
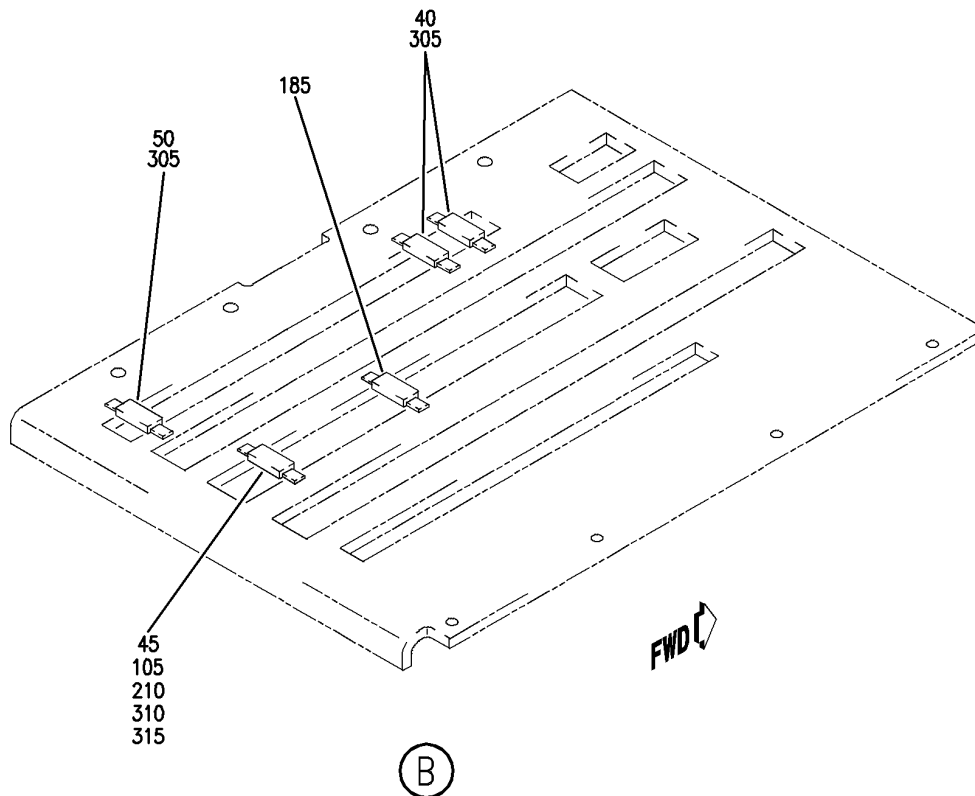
OPTION PACKAGE ASSY-P36 MISC RELAY L (ENGINE FUEL AND CONTROL ONLY)  
FIGURE 1A (SHEET 1)

**73-21-55-01A**

BRI  
MAY 28/07

73-21-55-01A  
PAGE 0

**BOEING**  
757  
PARTS CATALOG (MAINTENANCE)



Y 73215501A SH1 2 REV 225

OPTION PACKAGE ASSY-P36 MISC RELAY L (ENGINE FUEL AND CONTROL ONLY)  
FIGURE 1A (SHEET 2)

**73-21-55-01A**

BRI  
MAY 28/07

73-21-55-01A  
PAGE 0A



757

PARTS CATALOG (MAINTENANCE)

FIG ITEM	PART NUMBER	1 2 3 4 5 6 7	NOMENCLATURE	EFFECT FROM TO	UNITS PER ASSY
1A			OPTION PACKAGE ASSY-P36 MISC RELAY L (ENGINE FUEL AND CONTROL ONLY)	101102 504903	
- 100	284N1125-1010		OPTION PACKAGE ASSY-P36 MISC RELAY (ENGINE FUEL AND CONTROL ONLY) POSITION DATA: L REWORKED BY ALERT SB: 27A0130 FOR NHA/OTHER SYS DET SEE: 31-01-36-05	101102 504903	RF
105	E210-1631		.RELAY- SUPPLIER CODE: V99699 SPECIFICATION NUMBER: BACR13CF2A OPTIONAL PART: BR246S0112 V56623 FCA210-70 V78290 E215-1050 V99699 JD4A017 V35344 BR64S104 V56623 61GB19-1A320 V98927 ELECTRICAL EQUIP NUMBER: K10541	101102 504903	1
110	TDH8120-1001		.RELAY- SUPPLIER CODE: V58657 ELECTRICAL EQUIP NUMBER: K10542	101102 504903	1
- 301	286N1260-358		WIRE BUNDLE ASSY- REWORKED BY ALERT SB: 27A0130	101102	RF
- 301	286N1260-364		WIRE BUNDLE ASSY- REWORKED BY ALERT SB: 27A0130	504903	RF

MISSING ITEM NUMBERS NOT APPLICABLE

- ITEM NOT ILLUSTRATED

73-21-55-01A

73-21-55  
FIG. 01A  
PAGE 1  
JAN 20/09

BRI

BOEING PROPRIETARY - Copyright © - Unpublished Work - See title page for details.



757

PARTS CATALOG (MAINTENANCE)

FIG ITEM	PART NUMBER	1 2 3 4 5 6 7	NOMENCLATURE	EFFECT FROM TO	UNITS PER ASSY
1A 315	RSF116200		. SOCKET- SUPPLIER CODE: V58982 SPECIFICATION NUMBER: BACS16X1A OPTIONAL PART: 102-006-1 V09922 000300-1538 V05574 ELECTRICAL EQUIP NUMBER: D07002 WIRING DIAGRAM REF: 732112	101102 504903	1
320	RSF116416		. SOCKET- SUPPLIER CODE: V58982 SPECIFICATION NUMBER: BACS16W5A OPTIONAL PART: 102-010-1 V09922 000300-1545 V05574 ELECTRICAL EQUIP NUMBER: D07004 WIRING DIAGRAM REF: 732112	101102 504903	1

MISSING ITEM NUMBERS NOT APPLICABLE

- ITEM NOT ILLUSTRATED

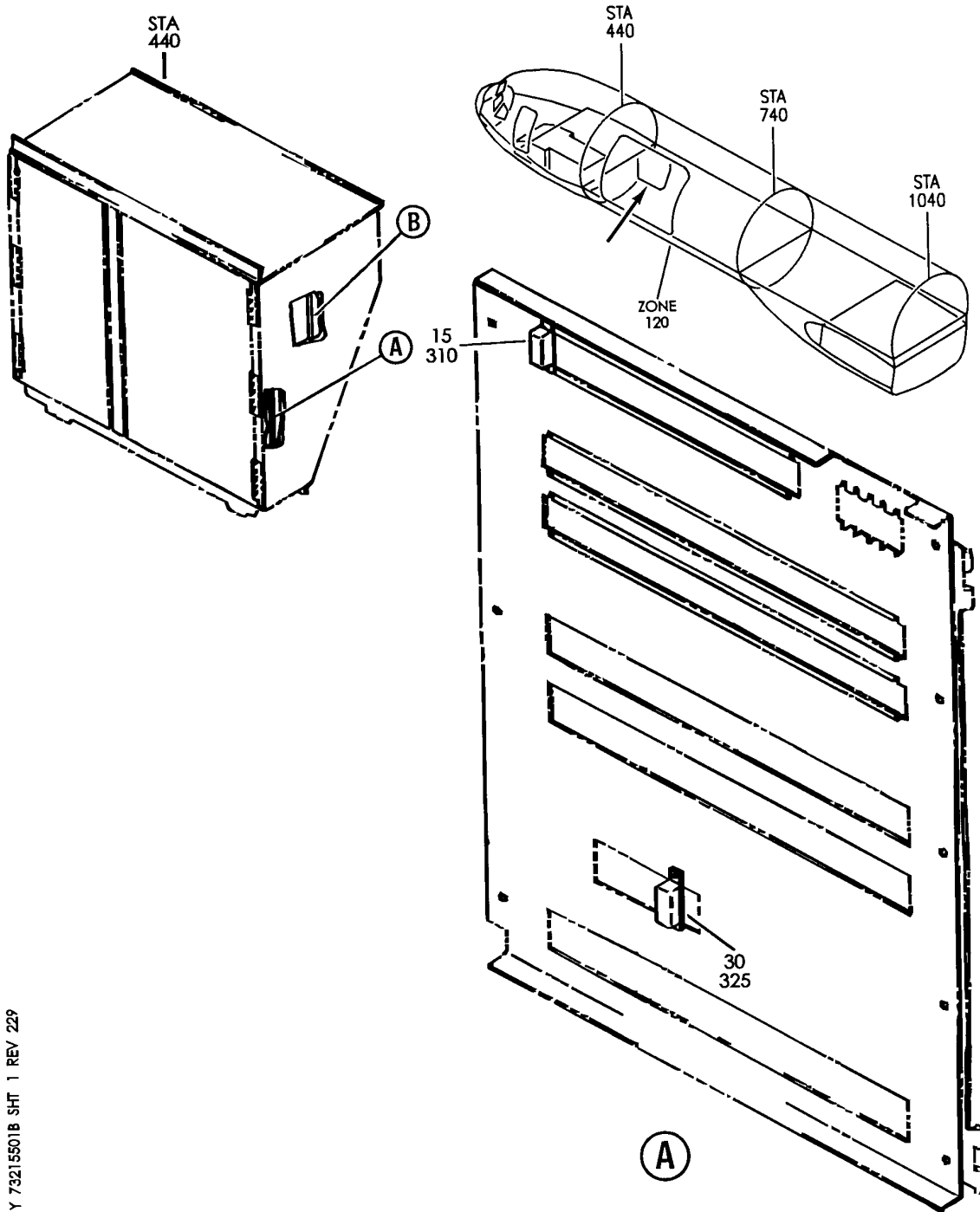
BRI

**73-21-55-01A**

BOEING PROPRIETARY - Copyright © - Unpublished Work - See title page for details.

73-21-55  
FIG. 01A  
PAGE 2  
JAN 20/09

**BOEING**  
757  
PARTS CATALOG (MAINTENANCE)



Y 7321 5501B SHT 1 REV 229

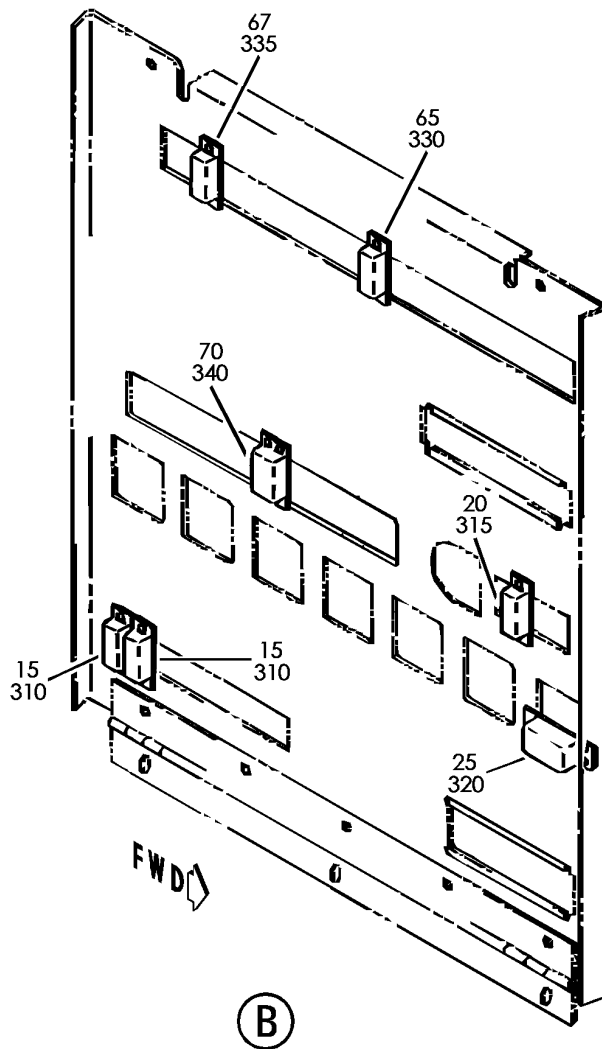
PACKAGE ASSY-OPTION P37 MISC RELAY (ENGINE FUEL AND CONTROL ONLY)  
FIGURE 1B (SHEET 1)

**73-21-55-01B**

BRI  
MAY 28/07

73-21-55-01B  
PAGE 0

**BOEING**  
757  
PARTS CATALOG (MAINTENANCE)



Y 73215501B SHT. 2 REV 226

PACKAGE ASSY-OPTION P37 MISC RELAY (ENGINE FUEL AND CONTROL ONLY)  
FIGURE 1B (SHEET 2)

**73-21-55-01B**

BRI  
MAY 28/07

73-21-55-01B  
PAGE 0A



757

PARTS CATALOG (MAINTENANCE)

FIG ITEM	PART NUMBER	1 2 3 4 5 6 7	NOMENCLATURE	EFFECT FROM TO	UNITS PER ASSY
1B			PACKAGE ASSY-OPTION P37 MISC RELAY (ENGINE FUEL AND CONTROL ONLY)	101102 504903	
- 50	284N1127-1033		PACKAGE ASSY-OPTION P37 MISC RELAY (ENGINE FUEL AND CONTROL ONLY)	101102 504903	RF
67	E210-1631		MISCELLANEOUS DATA: ROLLS ROYCE ENGINES REWORKED BY ALERT SB: 27A0130 FOR NHA SEE: 31-01-37-02 .RELAY-	101102 504903	1
			SUPPLIER CODE: V99699 SPECIFICATION NUMBER: BACR13CF2A OPTIONAL PART: BR246S0112 V56623 FCA210-70 V78290 E215-1050 V99699 JD4A017 V35344 BR64S104 V56623 61GB19-1A320 V98927 ELECTRICAL EQUIP NUMBER: K10543		
70	TDH8120-1001		.RELAY-	101102 504903	1
			SUPPLIER CODE: V58657 ELECTRICAL EQUIP NUMBER: K10544		
- 300	286N1270-336		WIRE BUNDLE ASSY- REWORKED BY ALERT SB: 34A0222 27A0130	504903	RF
- 301	286N1270-361		WIRE BUNDLE ASSY- REWORKED BY ALERT SB: 34A0222 27A0130	101101	RF
- 302	286N1270-399		WIRE BUNDLE ASSY- REWORKED BY ALERT SB: 34A0222 27A0130	102102	RF

MISSING ITEM NUMBERS NOT APPLICABLE

- ITEM NOT ILLUSTRATED

**73-21-55-01B**

73-21-55  
FIG. 01B  
PAGE 1  
JAN 20/09

BRI

BOEING PROPRIETARY - Copyright © - Unpublished Work - See title page for details.



757

PARTS CATALOG (MAINTENANCE)

FIG ITEM	PART NUMBER	1 2 3 4 5 6 7	NOMENCLATURE	EFFECT FROM TO	UNITS PER ASSY
1B 335	RSF116200		. SOCKET- SUPPLIER CODE: V58982 SPECIFICATION NUMBER: BACS16X1A OPTIONAL PART: 102-006-1 V09922 000300-1538 V05574 ELECTRICAL EQUIP NUMBER: D07006 WIRING DIAGRAM REF: 732122	101102 504903	1
340	RSF116416		. SOCKET- SUPPLIER CODE: V58982 SPECIFICATION NUMBER: BACS16W5A OPTIONAL PART: 102-010-1 V09922 000300-1545 V05574 ELECTRICAL EQUIP NUMBER: D07008 WIRING DIAGRAM REF: 732122	101102 504903	1

MISSING ITEM NUMBERS NOT APPLICABLE

- ITEM NOT ILLUSTRATED

BRI

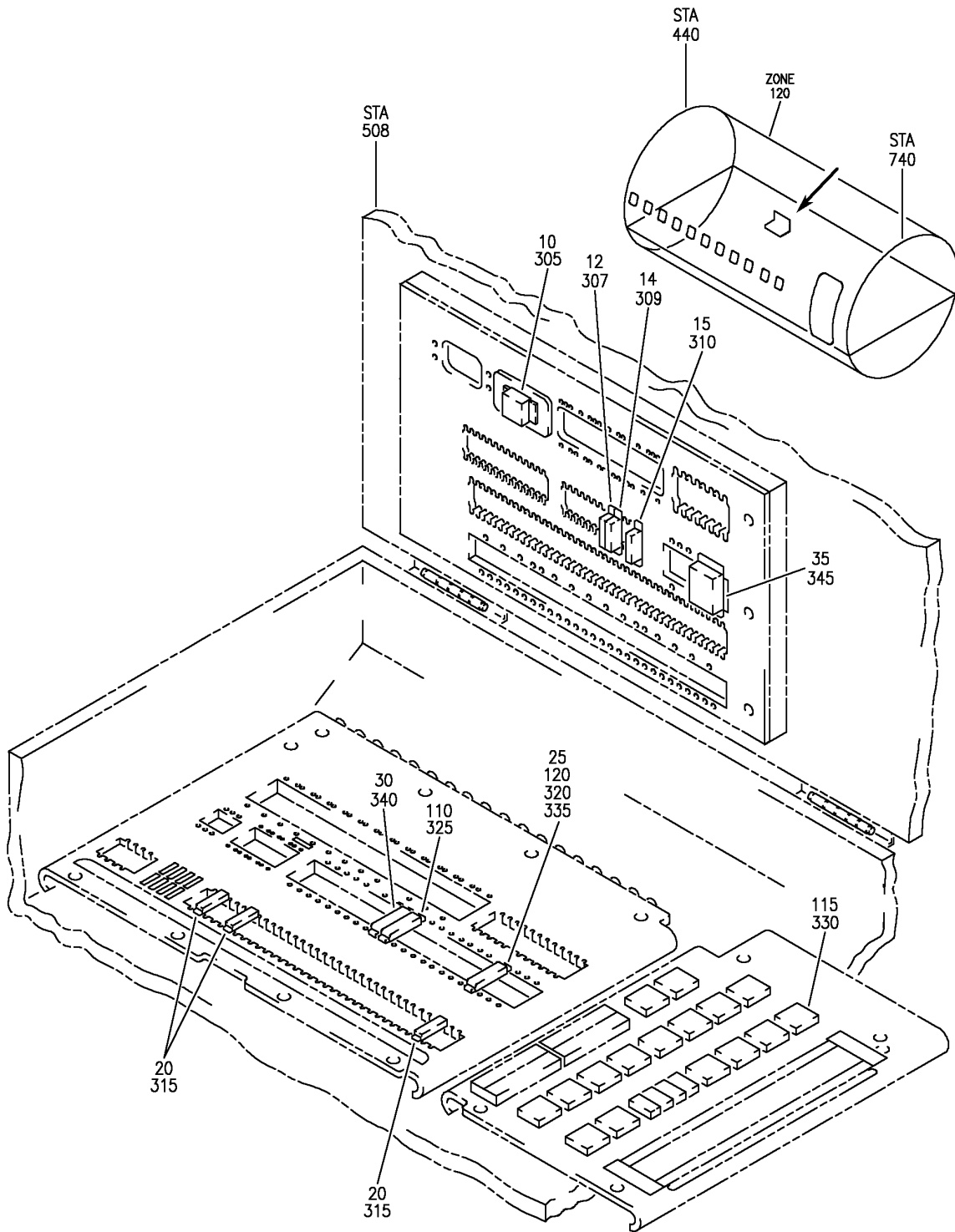
**73-21-55-01B**

BOEING PROPRIETARY - Copyright © - Unpublished Work - See title page for details.

73-21-55  
FIG. 01B  
PAGE 2  
JAN 20/09



**BOEING**  
757  
PARTS CATALOG (MAINTENANCE)



Y 73215501C REV 274

PANEL INSTL-P36 L MISC RELAY (ENGINE FUEL AND CONTROL ONLY)  
FIGURE 1C

**73-21-55-01C**

BRI  
JAN 20/09

73-21-55-01C  
PAGE 0



757

PARTS CATALOG (MAINTENANCE)

FIG ITEM	PART NUMBER	1 2 3 4 5 6 7	NOMENCLATURE	EFFECT FROM TO	UNITS PER ASSY
1 C			PANEL INSTL-P36 L MISC RELAY (ENGINE FUEL AND CONTROL ONLY)	103106 108120	
- 101	284N1125-94		PANEL INSTL-P36 L MISC RELAY (ENGINE FUEL AND CONTROL ONLY) FOR NHA/OTHER SYS DET SEE: 24-00-58-05C	108120	RF

MISSING ITEM NUMBERS NOT APPLICABLE

- ITEM NOT ILLUSTRATED

BRI

# 73-21-55-01C

BOEING PROPRIETARY - Copyright © - Unpublished Work - See title page for details.

73-21-55  
FIG. 01C  
PAGE 1  
JAN 20/09



757

PARTS CATALOG (MAINTENANCE)

FIG ITEM	PART NUMBER	1 2 3 4 5 6 7 NOMENCLATURE	EFFECT FROM TO	UNITS PER ASSY
1C - 103	MODREF31944	PANEL INSTL-P36 L MISC RELAY (ENGINE FUEL AND CONTROL ONLY) MODULE NUMBER: 284N1125-123 REV A FOR OTHER SYS DETAILS SEE: 11-36-08-03C 21-25-71-02C 21-33-71-02C 21-51-56-01C 21-58-71-02C 23-12-00-05 23-31-54-01C 23-34-52-01C 24-21-51-01A 26-15-71-02C 26-16-71-01C 26-22-71-01C 27-48-52-03C 27-51-71-03C 27-58-71-02C 27-62-71-03C 29-11-71-03C 29-21-71-01C 30-21-71-03C 30-34-51-01C 31-01-36-01 32-09-02-03C 32-35-71-01C 32-42-71-02C 32-44-71-02C 32-61-71-02C 34-12-71-02C 34-21-71-02C 34-22-52-01C 34-61-52-01C 36-11-71-02C 74-31-71-02C 76-11-71-02C 77-12-71-01C 78-34-71-02C 78-36-71-02C 80-11-71-02C	103106	1

MISSING ITEM NUMBERS NOT APPLICABLE

- ITEM NOT ILLUSTRATED

BRI

**73-21-55-01C**

BOEING PROPRIETARY - Copyright © - Unpublished Work - See title page for details.

73-21-55  
 FIG. 01C  
 PAGE 2  
 JAN 20/09



757

PARTS CATALOG (MAINTENANCE)

FIG ITEM	PART NUMBER	1 2 3 4 5 6 7	NOMENCLATURE	EFFECT FROM TO	UNITS PER ASSY
1C 110	E210-1631		.RELAY- SUPPLIER CODE: V99699 SPECIFICATION NUMBER: BACR13CF2A OPTIONAL PART: BR246S0112 V56623 FCA210-70 V78290 E215-1050 V99699 JD4A017 V35344 BR64S104 V56623 61GB19-1A320 V98927 ELECTRICAL EQUIP NUMBER: K10541	103106 108120	1
115	TDH8120-1001		.RELAY- SUPPLIER CODE: V58657 ELECTRICAL EQUIP NUMBER: K10542	103106 108120	1
- 300	286N1260-357		WIRE BUNDLE ASSY	108120	RF
- 302	286N1260-601		WIRE BUNDLE ASSY	103106	RF
325	RSF116200		.SOCKET- SUPPLIER CODE: V58982 SPECIFICATION NUMBER: BACS16X1A OPTIONAL PART: 102-006-1 V09922 000300-1538 V05574 ELECTRICAL EQUIP NUMBER: D07002 WIRING DIAGRAM REF: 732112	103106 108120	1

MISSING ITEM NUMBERS NOT APPLICABLE

- ITEM NOT ILLUSTRATED

**73-21-55-01C**

73-21-55  
FIG. 01C  
PAGE 3  
JAN 20/09

BRI



757  
PARTS CATALOG (MAINTENANCE)

FIG ITEM	PART NUMBER	1 2 3 4 5 6 7	NOMENCLATURE	EFFECT FROM TO	UNITS PER ASSY
1C 330	RSF116416		. SOCKET- SUPPLIER CODE: V58982 SPECIFICATION NUMBER: BACS16W5A OPTIONAL PART: 102-010-1 V09922 000300-1545 V05574 ELECTRICAL EQUIP NUMBER: D07004 WIRING DIAGRAM REF: 732112	103106 108120	1

MISSING ITEM NUMBERS NOT APPLICABLE

- ITEM NOT ILLUSTRATED

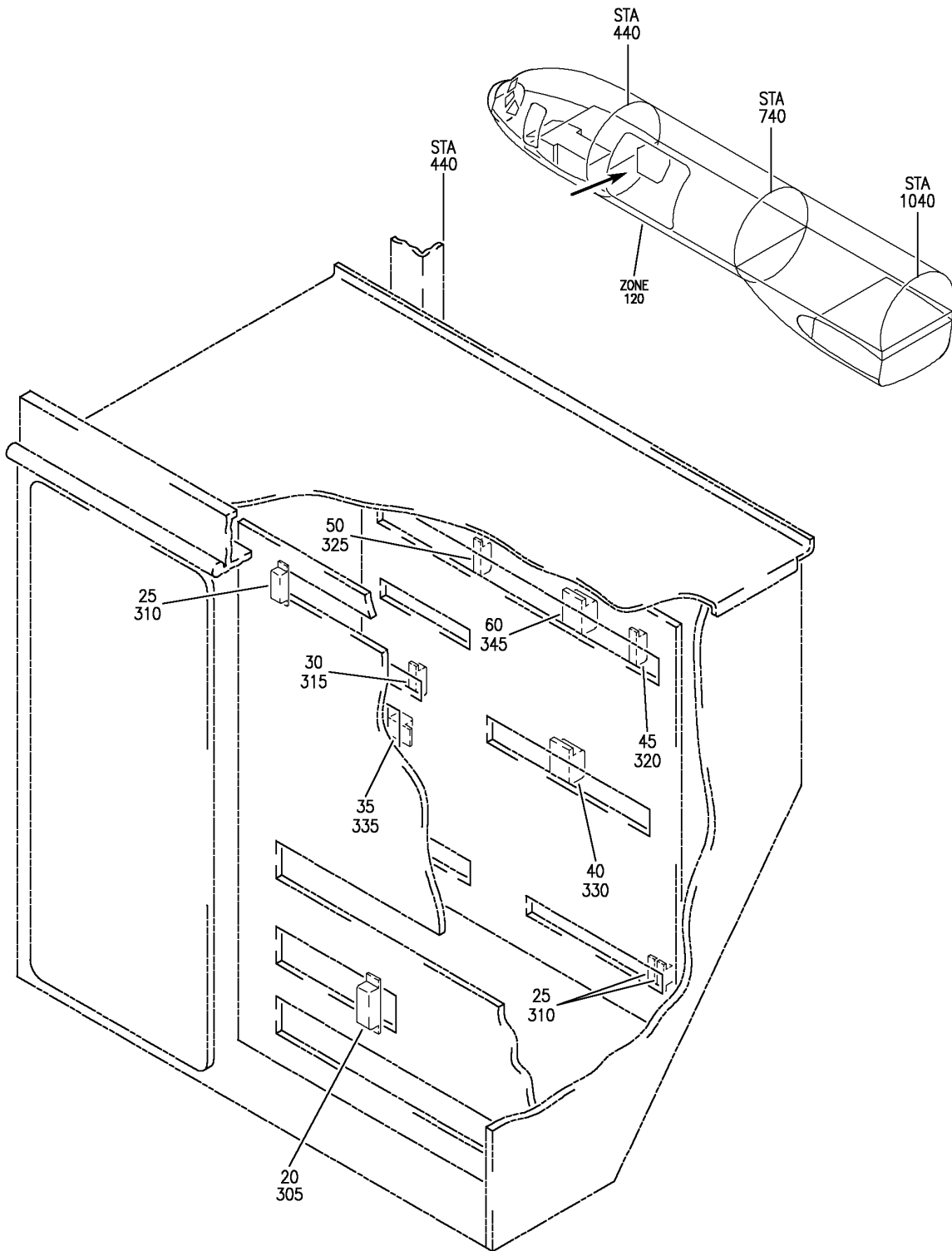
BRI

**73-21-55-01C**

BOEING PROPRIETARY - Copyright © - Unpublished Work - See title page for details.

73-21-55  
FIG. 01C  
PAGE 4  
JAN 20/09

**BOEING**  
757  
PARTS CATALOG (MAINTENANCE)



Y 73215501D REV 256

PANEL INSTL-P37 R MISC RELAY (ENGINE FUEL AND CONTROL ONLY)  
FIGURE 1D

**73-21-55-01D**

BRI  
JAN 20/09

73-21-55-01D  
PAGE 0



757

PARTS CATALOG (MAINTENANCE)

FIG ITEM	PART NUMBER	1 2 3 4 5 6 7	NOMENCLATURE	EFFECT FROM TO	UNITS PER ASSY
1 D			PANEL INSTL-P37 R MISC RELAY (ENGINE FUEL AND CONTROL ONLY)	103106 108120	
- 1	MODREF185037		PANEL INSTL-P37 R MISC RELAY (ENGINE FUEL AND CONTROL ONLY) MODULE NUMBER: 284N1127-169 REV D FOR OTHER SYS DETAILS SEE: 11-36-12-02A 21-25-71-02D 21-44-71-02D 21-45-31-01D 21-51-55-01D 21-58-71-02D 21-61-71-02D 23-31-51-05 24-21-51-05 24-51-01-02 24-51-02-03 24-51-58-02D 27-62-71-03D 28-22-71-03D 29-21-71-01D 30-11-71-02D 30-21-71-03D 30-31-71-02D 30-32-71-02D 30-33-71-02D 30-34-51-01D 31-01-37-10 31-31-71-02D 32-09-02-04D 32-42-71-02D 32-61-71-02D 33-43-55-01D 33-51-71-01D 34-12-71-02D 34-25-50-01D 34-61-52-01D 35-21-71-02D 36-11-71-02D 38-15-71-02D 74-31-71-02D 76-11-71-02D 77-12-71-01D 78-34-71-02D 78-36-71-02D 80-11-71-02D	106106	1
MISSING ITEM NUMBERS NOT APPLICABLE					

- ITEM NOT ILLUSTRATED

**73-21-55-01D**

73-21-55  
FIG. 01D  
PAGE 1  
JAN 20/09

BRI



757

PARTS CATALOG (MAINTENANCE)

FIG ITEM	PART NUMBER	1 2 3 4 5 6 7	NOMENCLATURE	EFFECT FROM TO	UNITS PER ASSY
1D - 3	284N1127-118		PANEL INSTL-P37 R MISC RELAY (ENGINE FUEL AND CONTROL ONLY) FOR NHA/OTHER SYS DET SEE: 24-00-58-05C	108108	RF
- 4	284N1127-139		PANEL INSTL-P37 R MISC RELAY (ENGINE FUEL AND CONTROL ONLY) FOR NHA/OTHER SYS DET SEE: 24-00-58-05C	109120	RF

MISSING ITEM NUMBERS NOT APPLICABLE

- ITEM NOT ILLUSTRATED

BRI

**73-21-55-01D**

BOEING PROPRIETARY - Copyright © - Unpublished Work - See title page for details.

73-21-55  
FIG. 01D  
PAGE 2  
JAN 20/09





757

PARTS CATALOG (MAINTENANCE)

FIG ITEM	PART NUMBER	1 2 3 4 5 6 7	NOMENCLATURE	EFFECT FROM TO	UNITS PER ASSY
1 D - 8	MODREF31945		PANEL INSTL-P37 R MISC RELAY (ENGINE FUEL AND CONTROL ONLY) MODULE NUMBER: 284N1127-169 REV B FOR OTHER SYS DETAILS SEE: 11-36-12-02A 21-25-71-02D 21-44-71-02D 21-45-31-01D 21-51-55-01D 21-58-71-02D 21-61-71-02D 23-31-51-05 24-21-51-05 24-51-01-02 24-51-02-03 24-51-58-02D 27-62-71-03D 28-22-71-03D 29-21-71-01D 30-11-71-02D 30-21-71-03D 30-31-71-02D 30-32-71-02D 30-33-71-02D 30-34-51-01D 31-01-37-10 31-31-71-02D 32-09-02-04D 32-42-71-02D 32-61-71-02D 33-43-55-01D 33-51-71-01D 34-12-71-02D 34-25-50-01D 34-61-52-01D 35-21-71-02D 36-11-71-02D 38-15-71-02D 74-31-71-02D 76-11-71-02D 77-12-71-01D 78-34-71-02D 78-36-71-02D 80-11-71-02D	103103	1

MISSING ITEM NUMBERS NOT APPLICABLE

- ITEM NOT ILLUSTRATED

73-21-55-01D

73-21-55  
FIG. 01D  
PAGE 3  
JAN 20/09

BRI



757

PARTS CATALOG (MAINTENANCE)

FIG ITEM	PART NUMBER	1 2 3 4 5 6 7	NOMENCLATURE	EFFECT FROM TO	UNITS PER ASSY
1 D - 9	MODREF34305		PANEL INSTL-P37 R MISC RELAY (ENGINE FUEL AND CONTROL ONLY) MODULE NUMBER: 284N1127-169 REV C FOR OTHER SYS DETAILS SEE: 11-36-12-02A 21-25-71-02D 21-44-71-02D 21-45-31-01D 21-51-55-01D 21-58-71-02D 21-61-71-02D 23-31-51-05 24-21-51-05 24-51-01-02 24-51-02-03 24-51-58-02D 27-62-71-03D 28-22-71-03D 29-21-71-01D 30-11-71-02D 30-21-71-03D 30-31-71-02D 30-32-71-02D 30-33-71-02D 30-34-51-01D 31-01-37-10 31-31-71-02D 32-09-02-04D 32-42-71-02D 32-61-71-02D 33-43-55-01D 33-51-71-01D 34-12-71-02D 34-25-50-01D 34-61-52-01D 35-21-71-02D 36-11-71-02D 38-15-71-02D 74-31-71-02D 76-11-71-02D 77-12-71-01D 78-34-71-02D 78-36-71-02D 80-11-71-02D	104105	1

MISSING ITEM NUMBERS NOT APPLICABLE

- ITEM NOT ILLUSTRATED

# 73-21-55-01D

BRI

BOEING PROPRIETARY - Copyright © - Unpublished Work - See title page for details.

73-21-55  
FIG. 01D  
PAGE 4  
JAN 20/09



757

PARTS CATALOG (MAINTENANCE)

FIG ITEM	PART NUMBER	1 2 3 4 5 6 7	NOMENCLATURE	EFFECT FROM TO	UNITS PER ASSY
1D 40	TDH8120-1001		.RELAY- SUPPLIER CODE: V58657 ELECTRICAL EQUIP NUMBER: K10544	103106 108120	1
45	E210-1631		.RELAY- SUPPLIER CODE: V99699 SPECIFICATION NUMBER: BACR13CF2A OPTIONAL PART: BR246S0112 V56623 FCA210-70 V78290 E215-1050 V99699 JD4A017 V35344 BR64S104 V56623 61GB19-1A320 V98927 ELECTRICAL EQUIP NUMBER: K10543	103106	1
50	E210-1631		.RELAY- SUPPLIER CODE: V99699 SPECIFICATION NUMBER: BACR13CF2A OPTIONAL PART: BR246S0112 V56623 FCA210-70 V78290 E215-1050 V99699 JD4A017 V35344 BR64S104 V56623 61GB19-1A320 V98927 ELECTRICAL EQUIP NUMBER: K10543	108120	1
- 300	286N1270-360		WIRE BUNDLE ASSY- REWORKED BY ALERT SB: 34A022	108120	RF
- 302	286N1270-602		WIRE BUNDLE ASSY	103106	RF

MISSING ITEM NUMBERS NOT APPLICABLE

- ITEM NOT ILLUSTRATED

73-21-55-01D

73-21-55  
FIG. 01D  
PAGE 5  
JAN 20/09

BRI

BOEING PROPRIETARY - Copyright © - Unpublished Work - See title page for details.



757

PARTS CATALOG (MAINTENANCE)

FIG ITEM	PART NUMBER	1 2 3 4 5 6 7	NOMENCLATURE	EFFECT FROM TO	UNITS PER ASSY
1D 320	RSF116200		.SOCKET- SUPPLIER CODE: V58982 SPECIFICATION NUMBER: BACS16X1A OPTIONAL PART: 102-006-1 V09922 000300-1538 V05574 ELECTRICAL EQUIP NUMBER: D07006 WIRING DIAGRAM REF: 732122	103106	1
325	RSF116200		.SOCKET- SUPPLIER CODE: V58982 SPECIFICATION NUMBER: BACS16X1A OPTIONAL PART: 102-006-1 V09922 000300-1538 V05574 ELECTRICAL EQUIP NUMBER: D07006 WIRING DIAGRAM REF: 732122	108120	1
330	RSF116416		.SOCKET- SUPPLIER CODE: V58982 SPECIFICATION NUMBER: BACS16W5A OPTIONAL PART: 102-010-1 V09922 000300-1545 V05574 ELECTRICAL EQUIP NUMBER: D07008 WIRING DIAGRAM REF: 732122	103106 108120	1

MISSING ITEM NUMBERS NOT APPLICABLE

- ITEM NOT ILLUSTRATED

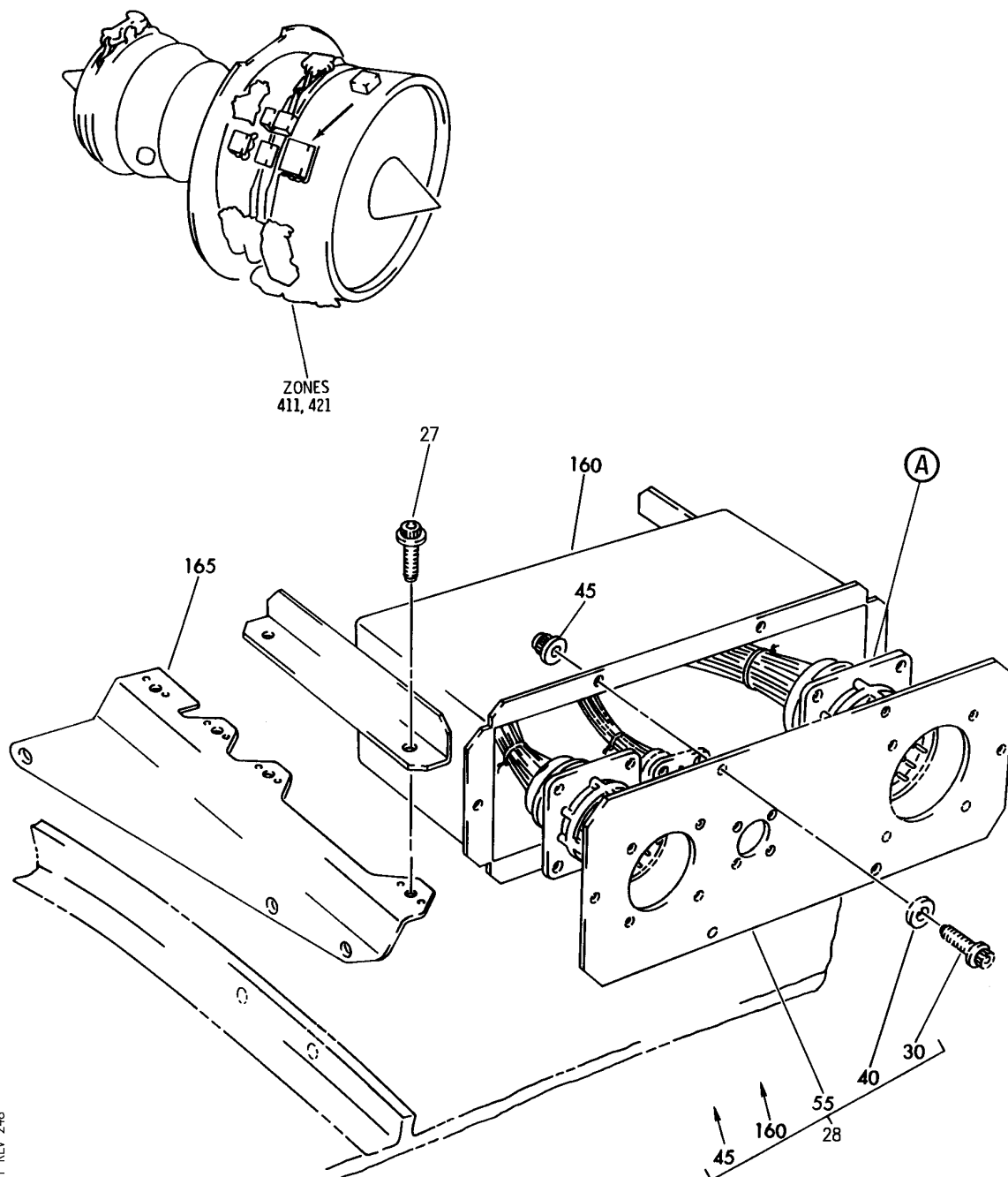
BRI

**73-21-55-01D**

BOEING PROPRIETARY - Copyright © - Unpublished Work - See title page for details.

73-21-55  
FIG. 01D  
PAGE 6  
JAN 20/09

**BOEING**  
757  
PARTS CATALOG (MAINTENANCE)



Y 73216001 SHT 1 REV 248

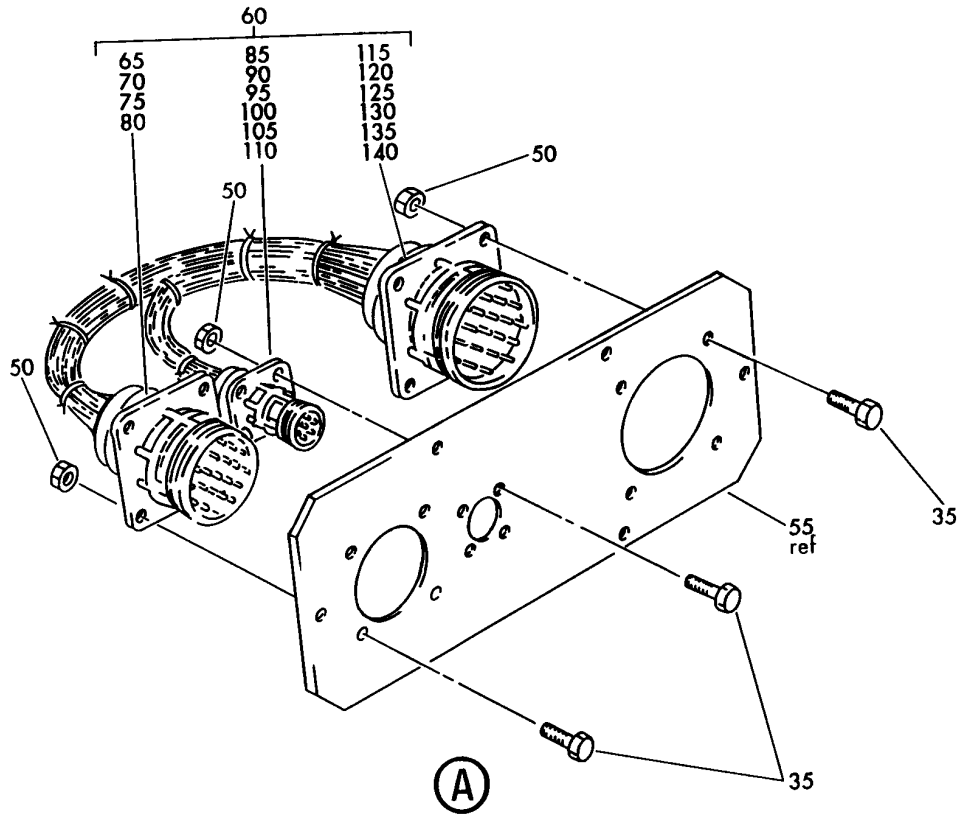
JUNCTION BOX-EES CONTROL UNIT PATCH MODULE (RB211-535)  
FIGURE 1 (SHEET 1)

**73-21-60-01**

BRI  
MAY 28/07

73-21-60-01  
PAGE 0

**BOEING**  
757  
PARTS CATALOG (MAINTENANCE)



Y 73216001 SHT 2 REV 229

JUNCTION BOX-EES CONTROL UNIT PATCH MODULE (RB211-535)  
FIGURE 1 (SHEET 2)

**73-21-60-01**

BRI  
MAY 28/07

73-21-60-01  
PAGE 0A



757

PARTS CATALOG (MAINTENANCE)

FIG ITEM	PART NUMBER	1 2 3 4 5 6 7	NOMENCLATURE	EFFECT FROM TO	UNITS PER ASSY
1			JUNCTION BOX-EES CONTROL UNIT PATCH MODULE (RB211-535)	002004 006999	
- 1	UL20702		ENGINE ASSY-Q.E.C.U. RB211-535E43711 BASIC ENGINE CONFIGURATION WITH GRAVINER FIRE DETECTORS, BAYONET MCD, NON-MODULATED IDG COOLING 40,100 LB THRUST SUPPLIER CODE: VK0680 FOR NHA/OTHER SYS DET SEE: 71-00-02-10	504903	RF
- 1	UL19722		ENGINE ASSY-Q.E.C.U. RB211-535E43711 MAXIMUM NEUT SUPPLIER CODE: VK0680 FOR NHA/OTHER SYS DET SEE: 71-00-02-04	107107	RF
- 1	UL20697		ENGINE ASSY-Q.E.C.U. RB211-535E43711 MAXIMUM NEUT WITH GRAVINER FIRE DETECTORS, BAYONET MCD, NON-MODULATED IDG COOLING 40,000 LB THRUST SUPPLIER CODE: VK0680 REFERENCE SERVICE BULLETIN: 71-0058R4 QUALIFIED SB I/W DATA: INTERMIX OF ONE OR SUBSTITUTION OF TWO DIFFERENT CONFIGURATION RB211-535E4-37/() ENGINES FOR RB211-535 E4 BASE ENGINES REFERENCE SERVICE BULLETIN: RB211-72-C547 VK0680 FOR NHA/OTHER SYS DET SEE: 71-00-02-04	121503 904949 952999	RF

MISSING ITEM NUMBERS NOT APPLICABLE

- ITEM NOT ILLUSTRATED

BRI

73-21-60-01

BOEING PROPRIETARY - Copyright © - Unpublished Work - See title page for details.

73-21-60  
FIG. 01  
PAGE 1  
JAN 20/09



757

PARTS CATALOG (MAINTENANCE)

FIG ITEM	PART NUMBER	1 2 3 4 5 6 7	NOMENCLATURE	EFFECT FROM TO	UNITS PER ASSY
1					
- 1	UL20698		ENGINE ASSY-Q.E.C.U. RB211-535E43712 MAXIMUM NEUT SUPPLIER CODE: VK0680 REFERENCE SERVICE BULLETIN: 71-0058R7 QUALIFIED SB I/W DATA: INTERMIX OF ONE OR SUBSTITUTION OF TWO DIFFERENT CONFIGURATION RB211-535E4-37/() ENGINES FOR RB211-535E4 BASE ENGINES OR DIFFERENT CONFIGURATION RB211-535E4-B-37/() ENGINES FOR RB211-535E4-B BASE ENGINES REFERENCE SERVICE BULLETIN: RB211-72-C547 VK0680 RB211-72-8910 VK0680 POST RAPID REVISION: RR92014-183E FOR NHA/OTHER SYS DET SEE: 71-00-02-04	002004 006100 102102	RF
- 2	UL36209		ENGINE ASSY-Q.E.C.U. RB211-535E43719 MAXIMUM NEUT SUPPLIER CODE: VK0680 FOR NHA/OTHER SYS DET SEE: 71-00-02-04	950951	RF
- 3	BCREF17395		ENGINE ASSY-Q.E.C.U. RB211-535E43739 BASIC ENGINE CONFIGURATION AND PHASE 5 COMBUSTOR 40,100 LB THRUST SUPPLIER CODE: VK0680 OVERLENGTH PART NUMBER: RB211-535E4-37-39E FOR NHA/OTHER SYS DET SEE: 71-00-02-10	108120	RF

MISSING ITEM NUMBERS NOT APPLICABLE

- ITEM NOT ILLUSTRATED

73-21-60-01

73-21-60  
FIG. 01  
PAGE 2  
JAN 20/09

BRI





757

PARTS CATALOG (MAINTENANCE)

FIG ITEM	PART NUMBER	1 2 3 4 5 6 7	NOMENCLATURE	EFFECT FROM TO	UNITS PER ASSY
1					
- 3	BCREF17101		ENGINE ASSY-Q.E.C.U. RB211-535E43744 BASIC ENGINE CONFIGURATION, BAYONET MCD AND PHASE 5 COMBUSTOR 40,100 LB THRUST SUPPLIER CODE: VK0680 OVERLENGTH PART NUMBER: RB211-535E4-3744E FOR NHA/OTHER SYS DET SEE: 71-00-02-10	103106	RF
- 3	UL38163		ENGINE ASSY-Q.E.C.U. RB211-535E43724 BASIC ENGINE CONFIGURATION, BAYONET MCD, 40,100 LB THRUST SUPPLIER CODE: VK0680 FOR NHA/OTHER SYS DET SEE: 71-00-02-10	101101	RF
- 15	U440109		.CABLE- SUPPLIER CODE: VK0680 MISCELLANEOUS DATA: BULK STOCK 3106042 POST SERVICE BULLETIN: 73-6352PT01 VK0680 PRE SERVICE BULLETIN: 71-B304 VK0680	002004 006102 107999	1
- 15	U440181		.CABLE- SUPPLIER CODE: VK0680 MISCELLANEOUS DATA: BULK STOCK U324020 POST SERVICE BULLETIN: 71-B304PTD VK0680	002004 006100 102949 952999	1
- 20	U440025		.CABLE- SUPPLIER CODE: VK0680 MISCELLANEOUS DATA: BULK STOCK U322532 POST SERVICE BULLETIN: 73-6352PT01 VK0680	002004 006999	1

MISSING ITEM NUMBERS NOT APPLICABLE

- ITEM NOT ILLUSTRATED

73-21-60-01

73-21-60  
FIG. 01  
PAGE 3  
JAN 20/09

BRI



757

PARTS CATALOG (MAINTENANCE)

FIG ITEM	PART NUMBER	1 2 3 4 5 6 7	NOMENCLATURE	EFFECT FROM TO	UNITS PER ASSY
1					
- 25	U440026		.CABLE- SUPPLIER CODE: VK0680 MISCELLANEOUS DATA: BULK STOCK U322533 POST SERVICE BULLETIN: 73-6352PT01 VK0680	002004 006999	1
27	AS21408		.BOLT- PRE SERVICE BULLETIN: 73-6352PT01 VK0680	002004 006999	4
28	UL10933		.BOX ASSY- SUPPLIER CODE: VK0680 POST SERVICE BULLETIN: 73-6352PT01 VK0680	002004 006999	1
30	AS21408		..BOLT- POST SERVICE BULLETIN: 73-6352PT01 VK0680	002004 006999	6
35	AS36505		..BOLT- POST SERVICE BULLETIN: 73-6352PT01 VK0680	002004 006999	12
40	AS12943		..WASHER- POST SERVICE BULLETIN: 73-6352PT01 VK0680	002004 006999	6
45	AS20624		..NUT- POST SERVICE BULLETIN: 73-6352PT01 VK0680	002004 006999	6
50	AS27830		..NUT- POST SERVICE BULLETIN: 73-6352PT01 VK0680	002004 006999	12
55	LK67349		..BOX- SUPPLIER CODE: VK0680 POST SERVICE BULLETIN: 73-6352PT01 VK0680	002004 006999	1

MISSING ITEM NUMBERS NOT APPLICABLE

- ITEM NOT ILLUSTRATED

73-21-60-01

73-21-60  
FIG. 01  
PAGE 4  
JAN 20/09

BRI



757

PARTS CATALOG (MAINTENANCE)

FIG ITEM	PART NUMBER	1 2 3 4 5 6 7	NOMENCLATURE	EFFECT FROM TO	UNITS PER ASSY
1 60	UL10934	..	L00M ASSY- SUPPLIER CODE: VK0680 POST SERVICE BULLETIN: 73-6352PT01 VK0680	002004 006999	1
65	ZZLRC1724-30P6	...	CONNECTOR-PLUG ELEC SUPPLIER CODE: V49367 POST SERVICE BULLETIN: 73-6352PT01 VK0680	002004 006999	1
70	ZZL5624-11Q	....	CAP-DUST FRONT SUPPLIER CODE: V49367 POST SERVICE BULLETIN: 73-6352PT01 VK0680	002004 006999	1
75	ZZL4016-36LT	....	CONTACT-MALE SUPPLIER CODE: V49367 POST SERVICE BULLETIN: 73-6352PT01 VK0680	002004 006999	30
80	ZZLR01724-30P6	....	SHELL ASSY- SUPPLIER CODE: V49367 POST SERVICE BULLETIN: 73-6352PT01 VK0680	002004 006999	RF
85	ZZLRC1714-7P6	...	CONNECTOR-PLUG ELEC SUPPLIER CODE: V49367 POST SERVICE BULLETIN: 73-6352PT01 VK0680	002004 006999	1
90	ZZL5614-11Q	....	CAP-DUST FRONT SUPPLIER CODE: V49367 POST SERVICE BULLETIN: 73-6352PT01 VK0680	002004 006999	1
95	ZZL4016-36LT	....	CONTACT-MALE SUPPLIER CODE: V49367 POST SERVICE BULLETIN: 73-6352PT01 VK0680	002004 006999	7

MISSING ITEM NUMBERS NOT APPLICABLE

- ITEM NOT ILLUSTRATED

73-21-60-01

73-21-60  
FIG. 01  
PAGE 5  
JAN 20/09

BRI

BOEING PROPRIETARY - Copyright © - Unpublished Work - See title page for details.



757

PARTS CATALOG (MAINTENANCE)

FIG ITEM	PART NUMBER	1 2 3 4 5 6 7	NOMENCLATURE	EFFECT FROM TO	UNITS PER ASSY
1 100	ZZL4016-10P	....	CONTACT-CHROMEL SUPPLIER CODE: V49367 POST SERVICE BULLETIN: 73-6352PT01 VK0680	002004 006999	2
105	ZZL4016-10R	....	CONTACT-ALUMEL SUPPLIER CODE: V49367 POST SERVICE BULLETIN: 73-6352PT01 VK0680	002004 006999	2
110	ZZLR01714-7P6	....	SHELL ASSY- SUPPLIER CODE: V49367 POST SERVICE BULLETIN: 73-6352PT01 VK0680	002004 006999	RF
115	ZZLRC1728-42P6	...	CONNECTOR-PLUG ELEC SUPPLIER CODE: V49367 POST SERVICE BULLETIN: 73-6352PT01 VK0680	002004 006999	1
120	ZZL5628-11Q	....	CAP-DUST FRONT SUPPLIER CODE: V49367 POST SERVICE BULLETIN: 73-6352PT01 VK0680	002004 006999	1
125	ZZL4016-36LT	....	CONTACT-MALE SUPPLIER CODE: V49367 POST SERVICE BULLETIN: 73-6352PT01 VK0680	002004 006999	42
130	ZZL4016-10P	...	CONTACT-CHROMEL SUPPLIER CODE: V49367 POST SERVICE BULLETIN: 73-6352PT01 VK0680	002004 006999	2
135	ZZL4016-10R	...	CONTACT-ALUMEL SUPPLIER CODE: V49367 POST SERVICE BULLETIN: 73-6352PT01 VK0680	002004 006999	2

MISSING ITEM NUMBERS NOT APPLICABLE

- ITEM NOT ILLUSTRATED

# 73-21-60-01

73-21-60  
FIG. 01  
PAGE 6  
JAN 20/09

BRI



757

PARTS CATALOG (MAINTENANCE)

FIG ITEM	PART NUMBER	1 2 3 4 5 6 7	NOMENCLATURE	EFFECT FROM TO	UNITS PER ASSY
1 140	ZZLR01728-42P6	....	SHELL ASSY- SUPPLIER CODE: V49367 POST SERVICE BULLETIN: 73-6352PT01 VK0680	002004 006999	RF
- 145	3106042	...	CABLE- SUPPLIER CODE: V92607 MISCELLANEOUS DATA: SPARE IS U440109 POST SERVICE BULLETIN: 73-6352PT01 VK0680	002004 006999	RF
- 150	U322532	...	CABLE- SINGLE CH/NI ALLOY SUPPLIER CODE: VKA723 MISCELLANEOUS DATA: SPARE IS U440026 POST SERVICE BULLETIN: 73-6352PT01 VK0680	002004 006999	RF
- 155	U322533	...	CABLE- SINGLE CH/NI ALLOY SUPPLIER CODE: VKA723 MISCELLANEOUS DATA: SPARE IS U440026 POST SERVICE BULLETIN: 73-6352PT01 VK0680	002004 006999	RF
160	LK67347	..	BOX- SUPPLIER CODE: VK0680 POST SERVICE BULLETIN: 73-6352PT01 VK0680	002004 006999	1

MISSING ITEM NUMBERS NOT APPLICABLE

- ITEM NOT ILLUSTRATED

BRI

73-21-60-01

BOEING PROPRIETARY - Copyright © - Unpublished Work - See title page for details.

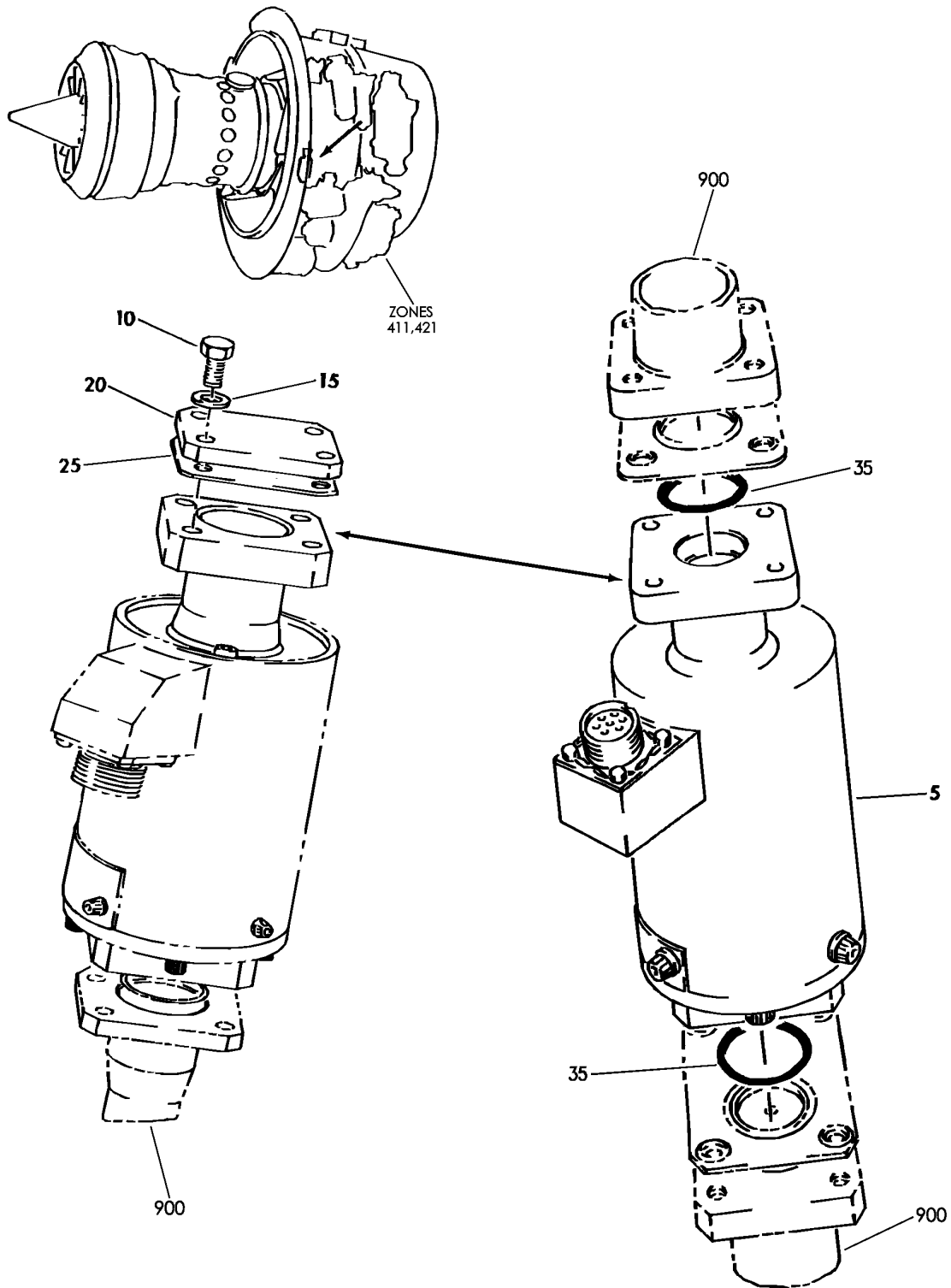
73-21-60  
FIG. 01  
PAGE 7  
JAN 20/09

## FUEL FLOW INDICATING SYSTEM

BRI  
MAY 28/07

73-31-00  
SECTION TITLE  
PAGE 1

**BOEING**  
757  
PARTS CATALOG (MAINTENANCE)



Y 73310101 REV 229

TRANSMITTER-LOW PRESSURE FLOWMETER (RB211-535)  
FIGURE 1

**73-31-01-01**

BRI  
MAY 28/07

73-31-01-01  
PAGE 0



757

PARTS CATALOG (MAINTENANCE)

FIG ITEM	PART NUMBER	1 2 3 4 5 6 7	NOMENCLATURE	EFFECT FROM TO	UNITS PER ASSY
1			TRANSMITTER-LOW PRESSURE FLOWMETER (RB211-535)	002004	
- 1	UL20697		ENGINE ASSY-Q.E.C.U. RB211-535E43711 MAXIMUM NEUT WITH GRAVINER FIRE DETECTORS, BAYONET MCD, NON-MODULATED IDG COOLING 40,000 LB THRUST SUPPLIER CODE: VK0680 REFERENCE SERVICE BULLETIN: 71-0058R4 QUALIFIED SB I/W DATA: INTERMIX OF ONE OR SUBSTITUTION OF TWO DIFFERENT CONFIGURATION RB211-535E4-37/() ENGINES FOR RB211-535 E4 BASE ENGINES REFERENCE SERVICE BULLETIN: RB211-72-C547 VK0680 FOR NHA/OTHER SYS DET SEE: 71-00-02-04	006999 121503 904949 952999	RF
- 1	UL20702		ENGINE ASSY-Q.E.C.U. RB211-535E43711 BASIC ENGINE CONFIGURATION WITH GRAVINER FIRE DETECTORS, BAYONET MCD, NON-MODULATED IDG COOLING 40,100 LB THRUST SUPPLIER CODE: VK0680 FOR NHA/OTHER SYS DET SEE: 71-00-02-10	504903	RF
- 1	UL19722		ENGINE ASSY-Q.E.C.U. RB211-535E43711 MAXIMUM NEUT SUPPLIER CODE: VK0680 FOR NHA/OTHER SYS DET SEE: 71-00-02-04	107107	RF

MISSING ITEM NUMBERS NOT APPLICABLE

- ITEM NOT ILLUSTRATED

73-31-01-01

73-31-01  
FIG. 01  
PAGE 1  
JAN 20/09

BRI





757

PARTS CATALOG (MAINTENANCE)

FIG ITEM	PART NUMBER	1 2 3 4 5 6 7	NOMENCLATURE	EFFECT FROM TO	UNITS PER ASSY
1					
- 2	UL20698		ENGINE ASSY-Q.E.C.U. RB211-535E43712 MAXIMUM NEUT SUPPLIER CODE: VK0680 REFERENCE SERVICE BULLETIN: 71-0058R7 QUALIFIED SB I/W DATA: INTERMIX OF ONE OR SUBSTITUTION OF TWO DIFFERENT CONFIGURATION RB211-535E4-37/() ENGINES FOR RB211-535E4 BASE ENGINES OR DIFFERENT CONFIGURATION RB211-535E4-B-37/() ENGINES FOR RB211-535E4-B BASE ENGINES REFERENCE SERVICE BULLETIN: RB211-72-C547 VK0680 RB211-72-8910 VK0680 POST RAPID REVISION: RR92014-183E FOR NHA/OTHER SYS DET SEE: 71-00-02-04	002004 006100 102102	RF
- 2	UL36209		ENGINE ASSY-Q.E.C.U. RB211-535E43719 MAXIMUM NEUT SUPPLIER CODE: VK0680 FOR NHA/OTHER SYS DET SEE: 71-00-02-04	950951	RF
- 3	BCREF17395		ENGINE ASSY-Q.E.C.U. RB211-535E43739 BASIC ENGINE CONFIGURATION AND PHASE 5 COMBUSTOR 40,100 LB THRUST SUPPLIER CODE: VK0680 OVERLENGTH PART NUMBER: RB211-535E4-37-39E FOR NHA/OTHER SYS DET SEE: 71-00-02-10	108120	RF

MISSING ITEM NUMBERS NOT APPLICABLE

- ITEM NOT ILLUSTRATED

73-31-01-01

73-31-01  
FIG. 01  
PAGE 2  
JAN 20/09

BRI



757

PARTS CATALOG (MAINTENANCE)

FIG ITEM	PART NUMBER	1 2 3 4 5 6 7	NOMENCLATURE	EFFECT FROM TO	UNITS PER ASSY
1					
- 3	BCREF17101		ENGINE ASSY-Q.E.C.U. RB211-535E43744 BASIC ENGINE CONFIGURATION, BAYONET MCD AND PHASE 5 COMBUSTOR 40,100 LB THRUST SUPPLIER CODE: VK0680 OVERLENGTH PART NUMBER: RB211-535E4-3744E FOR NHA/OTHER SYS DET SEE: 71-00-02-10	103106	RF
- 3	UL38163		ENGINE ASSY-Q.E.C.U. RB211-535E43724 BASIC ENGINE CONFIGURATION, BAYONET MCD, 40,100 LB THRUST SUPPLIER CODE: VK0680 FOR NHA/OTHER SYS DET SEE: 71-00-02-10	101101	RF
5	8TJ124GGL1		.TRANSMITTER ASSY-FUEL FLOWMETER SUPPLIER CODE: V97424 POST SERVICE BULLETIN: 73-9483PT01 VK0680 73-9073PT01 VK0680 PRE SERVICE BULLETIN: 73-7962 VK0680	002004 006999	1
5	8TJ124GGL1		.TRANSMITTER ASSY-FUEL FLOWMETER SUPPLIER CODE: V97424 POST SERVICE BULLETIN: 73-7962PT0A VK0680 PRE SERVICE BULLETIN: 73-9073 VK0680 73-9483 VK0680	002004 006100 102102 107107 121949 952999	1

MISSING ITEM NUMBERS NOT APPLICABLE

- ITEM NOT ILLUSTRATED

BRI

73-31-01-01

BOEING PROPRIETARY - Copyright © - Unpublished Work - See title page for details.

73-31-01  
FIG. 01  
PAGE 3  
JAN 20/09



757

PARTS CATALOG (MAINTENANCE)

FIG ITEM	PART NUMBER	1 2 3 4 5 6 7	NOMENCLATURE	EFFECT FROM TO	UNITS PER ASSY
1					
10	N50P20008C1	..	BOLT-HEX HEAD TRANSPORTATION ONLY SUPPLIER CODE: V97424 POST SERVICE BULLETIN: 73-8411PTB VK0680	002004 006999	8
10	NAUAC20008	..	BOLT-HEX HEAD TRANSPORTATION ONLY SUPPLIER CODE: V97424 PRE SERVICE BULLETIN: 73-8411 VK0680 REFERENCE SERVICE BULLETIN: 73-8049PTG VK0680	002004 006100 102102 107107 121949 952999	8
15	N400P11-1	..	WASHER-FLAT TRANSPORTATION ONLY SUPPLIER CODE: V97424 POST SERVICE BULLETIN: 73-8411PTB VK0680	002004 006999	8
15	NTAHB11000	..	WASHER-FLAT TRANSPORTATION ONLY SUPPLIER CODE: V97424 PRE SERVICE BULLETIN: 73-8411 VK0680 REFERENCE SERVICE BULLETIN: 73-8049PTG VK0680	002004 006100 102102 107107 121949 952999	8
20	2818W13P001	..	COVER-FUEL TRANSPORTATION ONLY SUPPLIER CODE: V97424 POST SERVICE BULLETIN: 73-8049PTG VK0680	002004 006999	2
25	3830W91P001	..	GASKET-COVER TRANSPORTATION ONLY SUPPLIER CODE: V97424 POST SERVICE BULLETIN: 73-8049PTG VK0680	002004 006999	2

MISSING ITEM NUMBERS NOT APPLICABLE

- ITEM NOT ILLUSTRATED

73-31-01-01

73-31-01  
FIG. 01  
PAGE 4  
JAN 20/09

BRI



757

PARTS CATALOG (MAINTENANCE)

FIG ITEM	PART NUMBER	1 2 3 4 5 6 7	NOMENCLATURE	EFFECT FROM TO	UNITS PER ASSY
1 900			ILLUSTRATION REFERENCE: TUBES AND FITTINGS-FUEL SYSTEM (RB211-535) 73-11-06-06	002004 006999	RF

MISSING ITEM NUMBERS NOT APPLICABLE

- ITEM NOT ILLUSTRATED

BRI

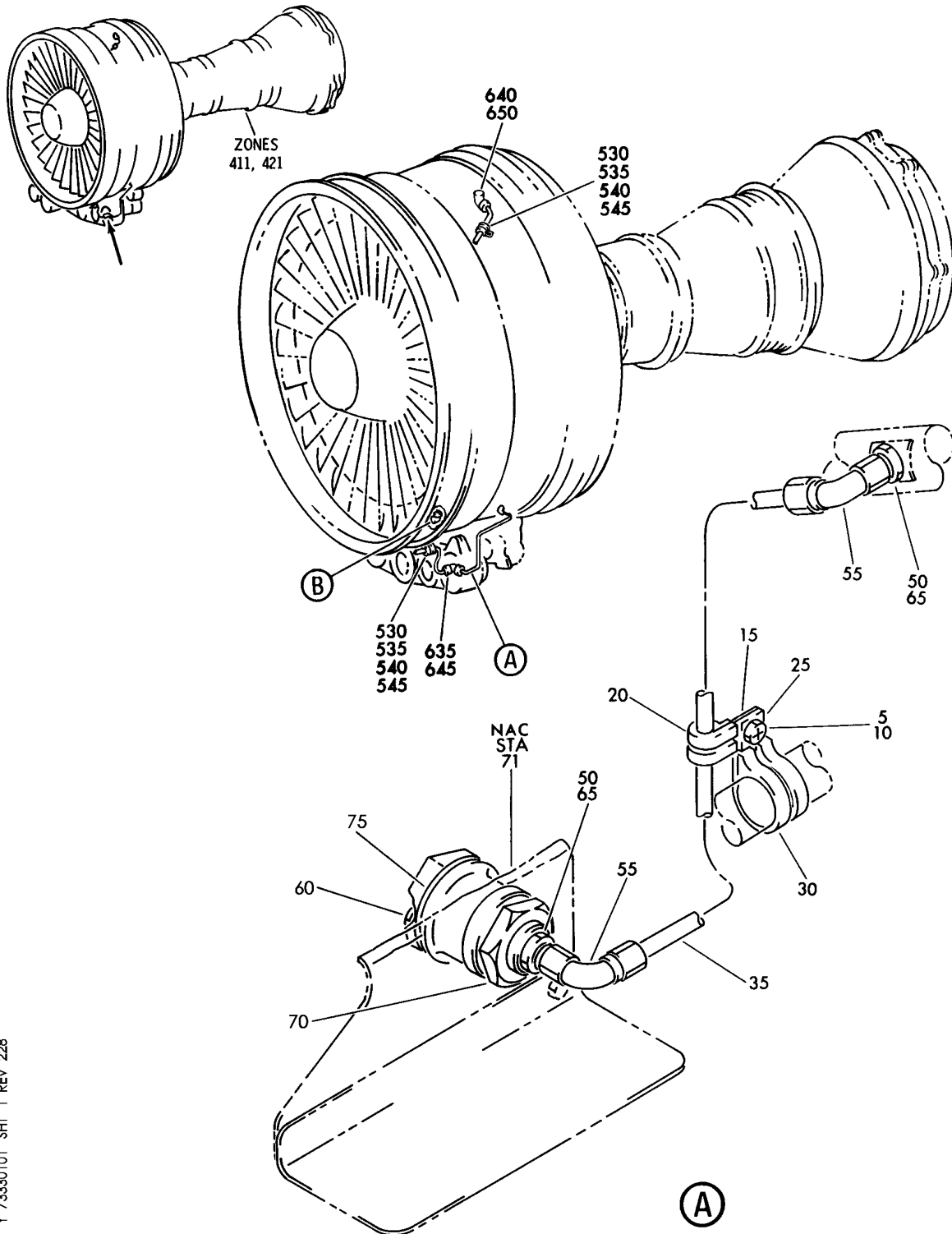
# 73-31-01-01

BOEING PROPRIETARY - Copyright © - Unpublished Work - See title page for details.

73-31-01  
FIG. 01  
PAGE 5  
JAN 20/09

## FUEL PRESSURE INDICATING SYSTEM

**BOEING**  
757  
PARTS CATALOG (MAINTENANCE)



Y 73330101 SHT 1 REV 228

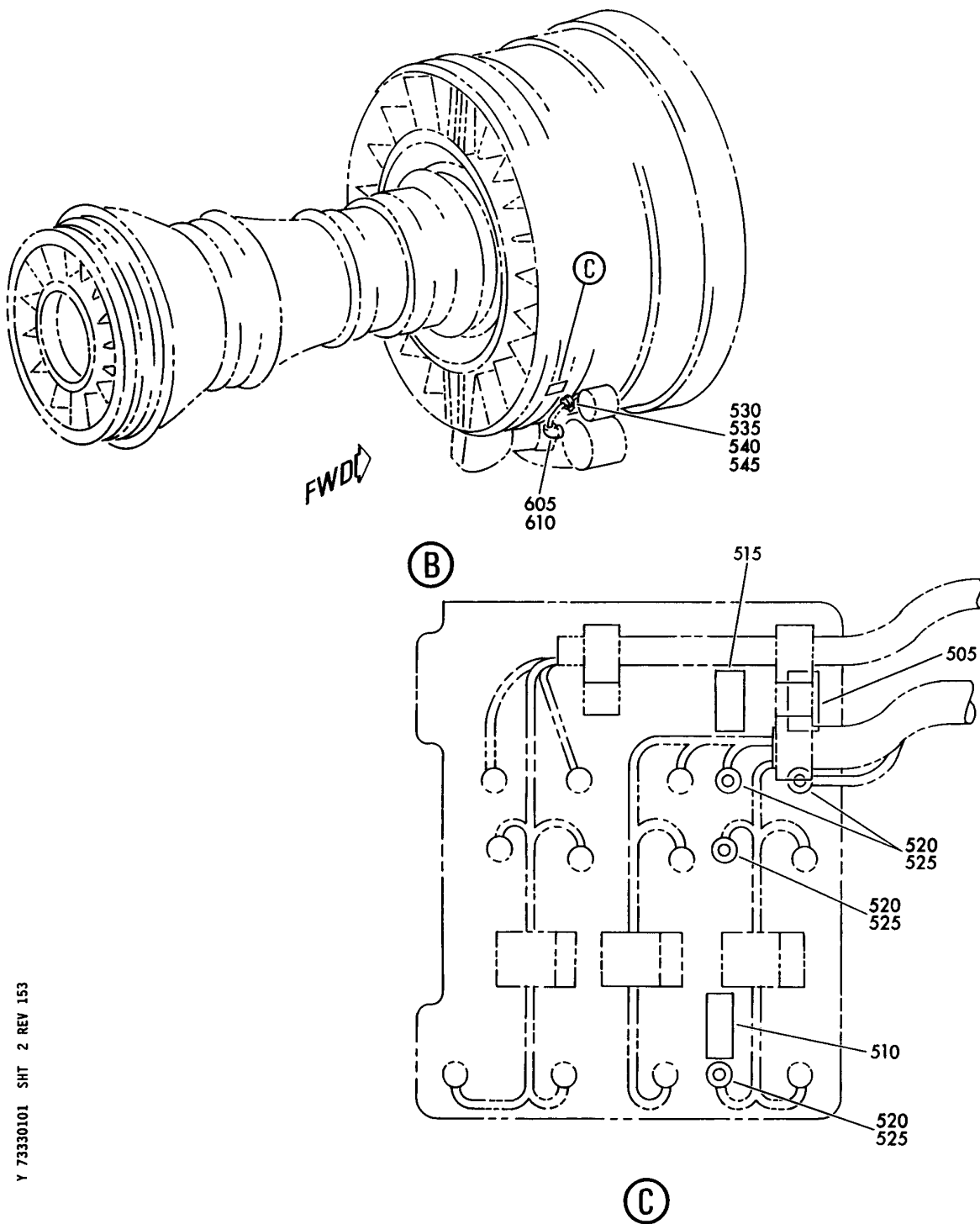
INDICATING SYSTEM AND WIRE INSTL-PW2000 ENG (ENGINE FUEL PUMP INTERSTAGE PRESSURE TRANSMITTER ONLY)  
FIGURE 1 (SHEET 1)

**73-33-01-01**

BRI  
JAN 20/09

73-33-01-01  
PAGE 0

**BOEING**  
757  
PARTS CATALOG (MAINTENANCE)



Y 73330101 SHT 2 REV 153

INDICATING SYSTEM AND WIRE INSTL-PW2000 ENG (ENGINE FUEL PUMP INTERSTAGE PRESSURE TRANSMITTER ONLY)  
FIGURE 1 (SHEET 2)

BRI  
JAN 20/09

**73-33-01-01**

73-33-01-01  
PAGE 0A



757

PARTS CATALOG (MAINTENANCE)

FIG ITEM	PART NUMBER	1 2 3 4 5 6 7	NOMENCLATURE	EFFECT FROM TO	UNITS PER ASSY
1			INDICATING SYSTEM AND WIRE INSTL-PW2000 ENG (ENGINE FUEL PUMP INTERSTAGE PRESSURE TRANSMITTER ONLY)	103106	
- 600	286N5600-012		.WIRE BUNDLE ASSY-	103106	RF
605	S1347-14-2		..CLAMP-	103106	1
			SUPPLIER CODE: V06324 ELECTRICAL EQUIP NUMBER: D05004T		
610	FVF6-14S7S13		..PLUG-	103106	1
			SUPPLIER CODE: V71468 ELECTRICAL EQUIP NUMBER: D05004 WIRING DIAGRAM REF: 733311		
- 630	286N5602-014		.WIRE BUNDLE ASSY-	103106	RF
- 630	286N5602-021		.WIRE BUNDLE ASSY-	103106	RF
640	S2277-24-34		..CLAMP-CABLE	103106	1
			SUPPLIER CODE: V06324 ELECTRICAL EQUIP NUMBER: D01072PQ		
650	BACC63CM2430P6		..PLUG-	103106	1
			ELECTRICAL EQUIP NUMBER: D01072P WIRING DIAGRAM REF: 773111 733511		

MISSING ITEM NUMBERS NOT APPLICABLE

- ITEM NOT ILLUSTRATED

BRI

73-33-01-01

BOEING PROPRIETARY - Copyright © - Unpublished Work - See title page for details.

73-33-01  
FIG. 01  
PAGE 1  
JAN 20/09

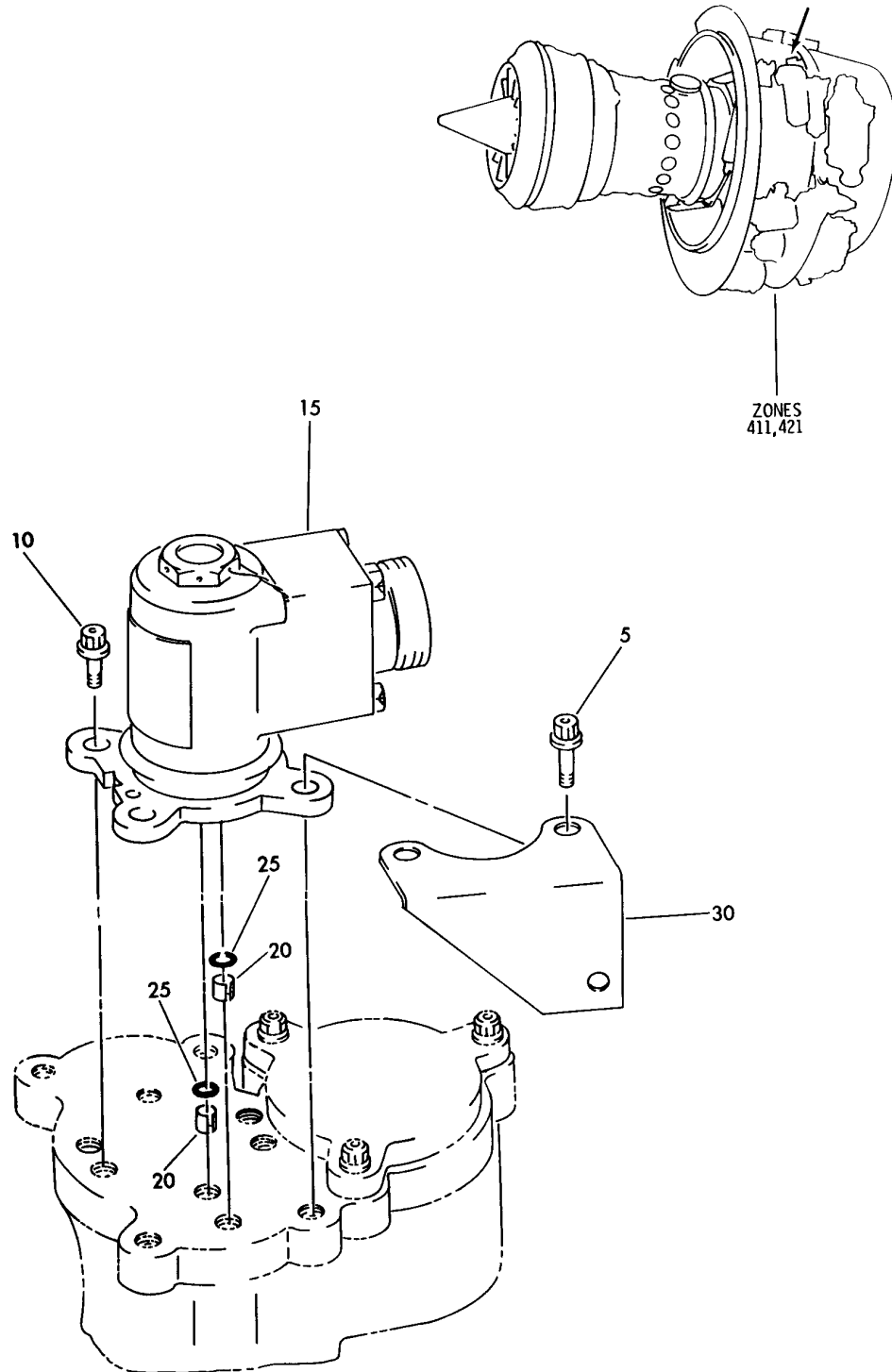


## FUEL FILTER BYPASS WARNING SYSTEM

BRI  
MAY 28/07

73-34-00  
SECTION TITLE  
PAGE 1

**BOEING**  
757  
PARTS CATALOG (MAINTENANCE)



Y 73340101 REV 154

SWITCH-LOW PRESSURE FUEL DIFFERENTIAL (RB211-535)  
FIGURE 1

**73-34-01-01**

BRI  
MAY 28/07

73-34-01-01  
PAGE 0



757

PARTS CATALOG (MAINTENANCE)

FIG ITEM	PART NUMBER	1 2 3 4 5 6 7	NOMENCLATURE	EFFECT FROM TO	UNITS PER ASSY
1			SWITCH-LOW PRESSURE FUEL DIFFERENTIAL (RB211-535)	002004	
- 1	UL20697		ENGINE ASSY-Q.E.C.U. RB211-535E43711 MAXIMUM NEUT WITH GRAVINER FIRE DETECTORS, BAYONET MCD, NON-MODULATED IDG COOLING 40,000 LB THRUST SUPPLIER CODE: VK0680 REFERENCE SERVICE BULLETIN: 71-0058R4 QUALIFIED SB I/W DATA: INTERMIX OF ONE OR SUBSTITUTION OF TWO DIFFERENT CONFIGURATION RB211-535E4-37/() ENGINES FOR RB211-535 E4 BASE ENGINES REFERENCE SERVICE BULLETIN: RB211-72-C547 VK0680 FOR NHA/OTHER SYS DET SEE: 71-00-02-04	006999 121503 904949 952999	RF
- 1	UL20702		ENGINE ASSY-Q.E.C.U. RB211-535E43711 BASIC ENGINE CONFIGURATION WITH GRAVINER FIRE DETECTORS, BAYONET MCD, NON-MODULATED IDG COOLING 40,100 LB THRUST SUPPLIER CODE: VK0680 FOR NHA/OTHER SYS DET SEE: 71-00-02-10	504903	RF
- 1	UL19722		ENGINE ASSY-Q.E.C.U. RB211-535E43711 MAXIMUM NEUT SUPPLIER CODE: VK0680 FOR NHA/OTHER SYS DET SEE: 71-00-02-04	107107	RF

MISSING ITEM NUMBERS NOT APPLICABLE

- ITEM NOT ILLUSTRATED

73-34-01-01

73-34-01  
FIG. 01  
PAGE 1  
JAN 20/09

BRI



757

PARTS CATALOG (MAINTENANCE)

FIG ITEM	PART NUMBER	1 2 3 4 5 6 7	NOMENCLATURE	EFFECT FROM TO	UNITS PER ASSY
1					
- 2	UL20698		ENGINE ASSY-Q.E.C.U. RB211-535E43712 MAXIMUM NEUT SUPPLIER CODE: VK0680 REFERENCE SERVICE BULLETIN: 71-0058R7 QUALIFIED SB I/W DATA: INTERMIX OF ONE OR SUBSTITUTION OF TWO DIFFERENT CONFIGURATION RB211-535E4-37/() ENGINES FOR RB211-535E4 BASE ENGINES OR DIFFERENT CONFIGURATION RB211-535E4-B-37/() ENGINES FOR RB211-535E4-B BASE ENGINES REFERENCE SERVICE BULLETIN: RB211-72-C547 VK0680 RB211-72-8910 VK0680 POST RAPID REVISION: RR92014-183A-RC-E FOR NHA/OTHER SYS DET SEE: 71-00-02-04	002004 006100 102102	RF
- 2	UL36209		ENGINE ASSY-Q.E.C.U. RB211-535E43719 MAXIMUM NEUT SUPPLIER CODE: VK0680 FOR NHA/OTHER SYS DET SEE: 71-00-02-04	950951	RF
- 3	BCREF17395		ENGINE ASSY-Q.E.C.U. RB211-535E43739 BASIC ENGINE CONFIGURATION AND PHASE 5 COMBUSTOR 40,100 LB THRUST SUPPLIER CODE: VK0680 OVERLENGTH PART NUMBER: RB211-535E4-37-39E FOR NHA/OTHER SYS DET SEE: 71-00-02-10	108120	RF

MISSING ITEM NUMBERS NOT APPLICABLE

- ITEM NOT ILLUSTRATED

73-34-01-01

73-34-01  
FIG. 01  
PAGE 2  
JAN 20/09

BRI



757

PARTS CATALOG (MAINTENANCE)

FIG ITEM	PART NUMBER	1 2 3 4 5 6 7	NOMENCLATURE	EFFECT FROM TO	UNITS PER ASSY
1					
- 3	BCREF17101		ENGINE ASSY-Q.E.C.U. RB211-535E43744 BASIC ENGINE CONFIGURATION, BAYONET MCD AND PHASE 5 COMBUSTOR 40,100 LB THRUST SUPPLIER CODE: VK0680 OVERLENGTH PART NUMBER: RB211-535E4-3744E FOR NHA/OTHER SYS DET SEE: 71-00-02-10	103106	RF
- 3	UL38163		ENGINE ASSY-Q.E.C.U. RB211-535E43724 BASIC ENGINE CONFIGURATION, BAYONET MCD, 40,100 LB THRUST SUPPLIER CODE: VK0680 FOR NHA/OTHER SYS DET SEE: 71-00-02-10	101101	RF
5	AS21514		.BOLT	002004 006999	2
10	AS21512		.BOLT	002004 006999	2
15	21SN04-158C		.SWITCH ASSY-FUEL DIFF PRESSURE SUPPLIER CODE: V02750 POST SERVICE BULLETIN: 73-9826PT01 VK0680	002004 006999	1
15	21SN04-158A		.SWITCH ASSY-FUEL DIFF PRESSURE SUPPLIER CODE: V02750 PRE SERVICE BULLETIN: 73-8849 VK0680	002004 006100 102102 107107 121949 952999	1
15	21SN04-158B		.SWITCH ASSY-FUEL DIFF PRESSURE SUPPLIER CODE: V02750 POST SERVICE BULLETIN: 73-8849PT01 VK0680 PRE SERVICE BULLETIN: 73-9826 VK0680	002004 006102 107999	1

MISSING ITEM NUMBERS NOT APPLICABLE

- ITEM NOT ILLUSTRATED

73-34-01-01

73-34-01  
FIG. 01  
PAGE 3  
JAN 20/09

BRI



757

PARTS CATALOG (MAINTENANCE)

FIG ITEM	PART NUMBER	1 2 3 4 5 6 7	NOMENCLATURE	EFFECT FROM TO	UNITS PER ASSY
1					
20	K11504		.RING-RETAINING SUPPLIER CODE: VK0680	002004 006999	2
25	KB27106		.SEAL-RING SUPPLIER CODE: VK0680	002004 006999	2
30	LK67332		.BRACKET-FUEL DRAIN ANGLE SUPPLIER CODE: VK0680	002004 006999	1

MISSING ITEM NUMBERS NOT APPLICABLE

- ITEM NOT ILLUSTRATED

BRI

73-34-01-01

BOEING PROPRIETARY - Copyright © - Unpublished Work - See title page for details.

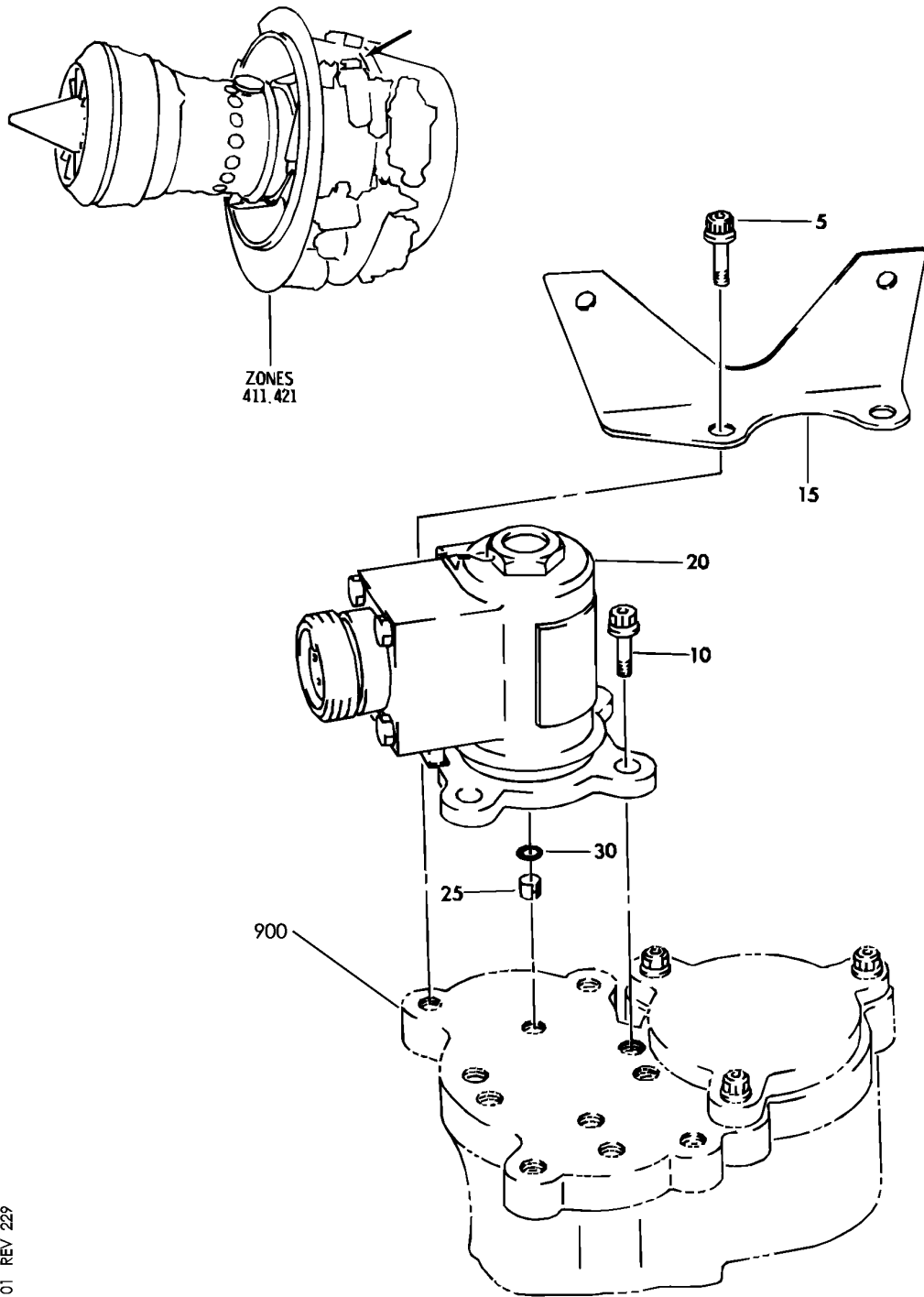
73-34-01  
FIG. 01  
PAGE 4  
JAN 20/09

## FUEL LOW PRESSURE WARNING SYSTEM

BRI  
MAY 28/07

73-35-00  
SECTION TITLE  
PAGE 1

**BOEING**  
757  
PARTS CATALOG (MAINTENANCE)



Y 73350101 REV 229

SWITCH AND BRACKET-LOW LOW PRESSURE FUEL (RB211-535)  
FIGURE 1

**73-35-01-01**

BRI  
MAY 28/07

73-35-01-01  
PAGE 0





757

PARTS CATALOG (MAINTENANCE)

FIG ITEM	PART NUMBER	1 2 3 4 5 6 7	NOMENCLATURE	EFFECT FROM TO	UNITS PER ASSY
1			SWITCH AND BRACKET-LOW LOW PRESSURE FUEL (RB211-535)	002004 006999	
- 1	UL20697		ENGINE ASSY-Q.E.C.U. RB211-535E43711 MAXIMUM NEUT WITH GRAVINER FIRE DETECTORS, BAYONET MCD NON-MODULATED IDG COOLING 40,000 LB THRUST SUPPLIER CODE: VK0680 REFERENCE SERVICE BULLETIN: 71-0058R4 QUALIFIED SB I/W DATA: INTERMIX OF ONE OR SUBSTITUTION OF TWO DIFFERENT CONFIGURATION RB211-535E4-37/() ENGINES FOR RB211-535 E4 BASE ENGINES REFERENCE SERVICE BULLETIN: RB211-72-C547 VK0680 FOR NHA/OTHER SYS DET SEE: 71-00-02-04	121503 904949 952999	RF
- 1	UL20702		ENGINE ASSY-Q.E.C.U. RB211-535E43711 BASIC ENGINE CONFIGURATION WITH GRAVINER FIRE DETECTORS, BAYONET MCD, NON-MODULATED IDG COOLING 40,100 LB THRUST SUPPLIER CODE: VK0680 FOR NHA/OTHER SYS DET SEE: 71-00-02-10	504903	RF
- 1	UL19722		ENGINE ASSY-Q.E.C.U. RB211-535E43711 MAXIMUM NEUT SUPPLIER CODE: VK0680 FOR NHA/OTHER SYS DET SEE: 71-00-02-04	107107	RF

MISSING ITEM NUMBERS NOT APPLICABLE

- ITEM NOT ILLUSTRATED

BRI

73-35-01-01

BOEING PROPRIETARY - Copyright © - Unpublished Work - See title page for details.

73-35-01  
FIG. 01  
PAGE 1  
JAN 20/09



757

PARTS CATALOG (MAINTENANCE)

FIG ITEM	PART NUMBER	1 2 3 4 5 6 7	NOMENCLATURE	EFFECT FROM TO	UNITS PER ASSY
1					
- 2	UL20698		ENGINE ASSY-Q.E.C.U. RB211-535E43712 MAXIMUM NEUT SUPPLIER CODE: VK0680 REFERENCE SERVICE BULLETIN: 71-0058R7 QUALIFIED SB I/W DATA: INTERMIX OF ONE OR SUBSTITUTION OF TWO DIFFERENT CONFIGURATION RB211-535E4-37/() ENGINES FOR RB211-535E4 BASE ENGINES OR DIFFERENT CONFIGURATION RB211-535E4-B-37/() ENGINES FOR RB211-535E4-B BASE ENGINES REFERENCE SERVICE BULLETIN: RB211-72-C547 VK0680 RB211-72-8910 VK0680 POST RAPID REVISION: RR92014-183A-RC-E FOR NHA/OTHER SYS DET SEE: 71-00-02-04	002004 006100 102102	RF
- 2	UL36209		ENGINE ASSY-Q.E.C.U. RB211-535E43719 MAXIMUM NEUT SUPPLIER CODE: VK0680 FOR NHA/OTHER SYS DET SEE: 71-00-02-04	950951	RF
- 3	BCREF17395		ENGINE ASSY-Q.E.C.U. RB211-535E43739 BASIC ENGINE CONFIGURATION AND PHASE 5 COMBUSTOR 40,100 LB THRUST SUPPLIER CODE: VK0680 OVERLENGTH PART NUMBER: RB211-535E4-37-39E FOR NHA/OTHER SYS DET SEE: 71-00-02-10	108120	RF

MISSING ITEM NUMBERS NOT APPLICABLE

- ITEM NOT ILLUSTRATED

BRI

73-35-01-01

BOEING PROPRIETARY - Copyright © - Unpublished Work - See title page for details.

73-35-01  
FIG. 01  
PAGE 2  
JAN 20/09



757

PARTS CATALOG (MAINTENANCE)

FIG ITEM	PART NUMBER	1 2 3 4 5 6 7	NOMENCLATURE	EFFECT FROM TO	UNITS PER ASSY
1					
- 3	BCREF17101		ENGINE ASSY-Q.E.C.U. RB211-535E43744 BASIC ENGINE CONFIGURATION, BAYONET MCD AND PHASE 5 COMBUSTOR 40,100 LB THRUST SUPPLIER CODE: VK0680 OVERLENGTH PART NUMBER: RB211-535E4-3744E FOR NHA/OTHER SYS DET SEE: 71-00-02-10	103106	RF
- 3	UL38163		ENGINE ASSY-Q.E.C.U. RB211-535E43724 BASIC ENGINE CONFIGURATION, BAYONET MCD, 40,100 LB THRUST SUPPLIER CODE: VK0680 FOR NHA/OTHER SYS DET SEE: 71-00-02-10	101101	RF
- 4	UL10886		. FUEL INDICATING SYSTEM- SUPPLIER CODE: VK0680	002004 006999	RF
5	AS21514		.. BOLT	002004 006999	2
10	AS21512		.. BOLT	002004 006999	2
15	LK50923		.. BRACKET-ANGLE SUPPLIER CODE: VK0680	002004 006999	1
20	21SN04-159A		.. SWITCH ASSY-FUEL LOW PRESSURE SUPPLIER CODE: V02750 PRE SERVICE BULLETIN: 73-8849 VK0680 REFERENCE SERVICE BULLETIN: 73-7178PT01 VK0680	002004 006100 102102 107107 121949 952999	1

MISSING ITEM NUMBERS NOT APPLICABLE

- ITEM NOT ILLUSTRATED

73-35-01-01

73-35-01  
FIG. 01  
PAGE 3  
JAN 20/09

BRI



757

PARTS CATALOG (MAINTENANCE)

FIG ITEM	PART NUMBER	1 2 3 4 5 6 7	NOMENCLATURE	EFFECT FROM TO	UNITS PER ASSY
1					
20	21SN04-159B		..SWITCH ASSY-FUEL LOW PRESSURE SUPPLIER CODE: V02750 POST SERVICE BULLETIN: 73-8849PT01 VK0680 PRE SERVICE BULLETIN: 73-9826 VK0680	002004 006102 107999	1
20	21SN04-159C		..SWITCH ASSY-FUEL LOW PRESSURE SUPPLIER CODE: V02750 POST SERVICE BULLETIN: 73-9826PT01 VK0680	002004 006999	1
20	21SN04-159D		..SWITCH ASSY-FUEL LOW PRESSURE SUPPLIER CODE: V02750 POST SERVICE BULLETIN: 73-9826PT01 VK0680	002004 006999	1
25	K11504		..RING-RETAINING SUPPLIER CODE: VK0680	002004 006999	1
30	KB27106		..SEAL-RING SUPPLIER CODE: VK0680	002004 006999	1
900			ILLUSTRATION REFERENCE: HOUSING-LOW PRESSURE FUEL FILTER AND FUEL COOLED OIL COOLER (RB211-535) 79-21-01-01	002004 006999	RF

MISSING ITEM NUMBERS NOT APPLICABLE

- ITEM NOT ILLUSTRATED

BRI

**73-35-01-01**

BOEING PROPRIETARY - Copyright © - Unpublished Work - See title page for details.

73-35-01  
FIG. 01  
PAGE 4  
JAN 20/09