



757

PARTS CATALOG (MAINTENANCE)

CH-SECT-UNIT-FIG	PAGE NO.	DATE	CH-SECT-UNIT-FIG	PAGE NO.	DATE
*74	1	MAY 20/09	74-31-51- 5	0	MAY 28/07
*74	2	MAY 20/09	74-31-51- 5	0A	MAY 28/07
*74	3	MAY 20/09	74-31-51- 5	1	JAN 20/09
74-11-00	1	MAY 28/07	74-31-51- 5	2	JAN 20/09
74-11-01- 1	0	MAY 28/07	74-31-51- 5	3	JAN 20/09
74-11-01- 1	1	JAN 20/09	74-31-51- 5	4	JAN 20/09
74-11-01- 1	2	JAN 20/09	74-31-51- 5	5	JAN 20/09
74-11-01- 1	3	JAN 20/09	74-31-51- 5	6	JAN 20/09
74-11-01- 1	4	JAN 20/09	74-31-51- 5	7	JAN 20/09
74-11-01- 1	5	JAN 20/09	74-31-51- 5	8	JAN 20/09
74-11-01- 1	6	JAN 20/09	74-31-51- 5	9	JAN 20/09
74-11-01- 1	7	JAN 20/09	74-31-51- 5	10	JAN 20/09
74-21-00	1	MAY 28/07	74-31-51- 5	11	JAN 20/09
74-21-01- 1	0	MAY 28/07	74-31-51- 5	12	JAN 20/09
74-21-01- 1	0A	MAY 28/07	74-31-51- 5	13	JAN 20/09
74-21-01- 1	0B	MAY 28/07	74-31-51- 5	14	JAN 20/09
74-21-01- 1	1	JAN 20/09	74-31-52- 1	0	MAY 28/07
74-21-01- 1	2	JAN 20/09	74-31-52- 1	1	JAN 20/09
74-21-01- 1	3	JAN 20/09	74-31-52- 1	2	SEP 20/08
74-21-01- 1	4	JAN 20/09	74-31-71- 1A	0	JAN 20/09
74-21-01- 1	5	JAN 20/09	74-31-71- 1A	1	JAN 20/09
74-21-01- 1	6	JAN 20/09	74-31-71- 1B	0	JAN 20/09
74-21-01- 1	7	JAN 20/09	74-31-71- 1B	1	JAN 20/09
74-21-01- 1	8	JAN 20/09	74-31-71- 2	0	MAY 28/07
74-21-01- 2	0	MAY 28/07	74-31-71- 2	0A	MAY 28/07
74-21-01- 2	0A	MAY 28/07	74-31-71- 2	1	JAN 20/09
74-21-01- 2	0B	MAY 28/07	74-31-71- 2	2	JAN 20/09
74-21-01- 2	1	JAN 20/09	74-31-71- 2	3	JAN 20/09
74-21-01- 2	2	JAN 20/09	74-31-71- 2	4	JAN 20/09
74-21-01- 2	3	JAN 20/09	74-31-71- 2	5	JAN 20/09
74-21-01- 2	4	JAN 20/09	74-31-71- 2	6	JAN 20/09
74-21-01- 2	5	JAN 20/09	74-31-71- 2	7	JAN 20/09
74-21-01- 2	6	JAN 20/09	74-31-71- 2A	0	MAY 28/07
74-21-01- 2	7	JAN 20/09	74-31-71- 2A	1	JAN 20/09
74-21-02- 1	0	MAY 28/07	74-31-71- 2A	2	JAN 20/09
74-21-02- 1	1	JAN 20/09	74-31-71- 2A	3	JAN 20/09
74-21-02- 1	2	JAN 20/09	74-31-71- 2B	0	MAY 28/07
74-21-02- 1	3	JAN 20/09	74-31-71- 2B	1	JAN 20/09
74-21-02- 1	4	JAN 20/09	74-31-71- 2B	2	JAN 20/09
74-21-02- 1	5	JAN 20/09	74-31-71- 2B	3	JAN 20/09
74-21-02- 1	6	JAN 20/09	*74-31-71- 2C	0	MAY 20/09
74-31-00	1	MAY 28/07	74-31-71- 2C	1	JAN 20/09
74-31-51- 1	0	MAY 28/07	74-31-71- 2C	2	JAN 20/09
74-31-51- 1	1	JAN 20/09	74-31-71- 2C	3	JAN 20/09
74-31-51- 1	2	JAN 20/09	74-31-71- 2D	0	JAN 20/09
74-31-51- 1	3	JAN 20/09	74-31-71- 2D	1	JAN 20/09
74-31-51- 1	4	JAN 20/09	74-31-71- 2D	2	JAN 20/09
74-31-51- 1	5	JAN 20/09	74-31-71- 2D	3	JAN 20/09
74-31-51- 2	0	MAY 28/07	74-31-71- 2D	4	JAN 20/09
74-31-51- 2	1	JAN 20/09	74-31-71- 2D	5	JAN 20/09
74-31-51- 2	2	JAN 20/09	74-31-71- 2D	6	JAN 20/09

* THE ASTERISK INDICATES PAGES CHANGED OR ADDED BY THE CURRENT REVISION

BRI
MAY 20/09

74 - LIST OF EFFECTIVE PAGES
PAGE 1

 **BOEING**
757
PARTS CATALOG (MAINTENANCE)

CHAPTER 74 — IGNITION

TABLE OF CONTENTS

SUBJECT	CC-SS-UU	FIGURE	EFFECT
IGNITION POWER SUPPLY	74-11-00		
IGNITION UNIT-HIGH ENERGY (RB211-535)	74-11-01	01	002004 006999

 **BOEING**
757
PARTS CATALOG (MAINTENANCE)

CHAPTER 74 — IGNITION

TABLE OF CONTENTS

SUBJECT	CC-SS-UU	FIGURE	EFFECT
HIGH TENSION DISTRIBUTION	74-21-00		
HIGH ENERGY IGNITER PLUGS (RB211-535)	74-21-02	01	002004 006999
HIGH ENERGY IGNITION LEADS (RB211-535)	74-21-01	01	002004 006999
LEAD-RH IGNITER (RB211-535)	74-21-01	02	002004 006999

 **BOEING**
757
PARTS CATALOG (MAINTENANCE)

CHAPTER 74 — IGNITION

TABLE OF CONTENTS

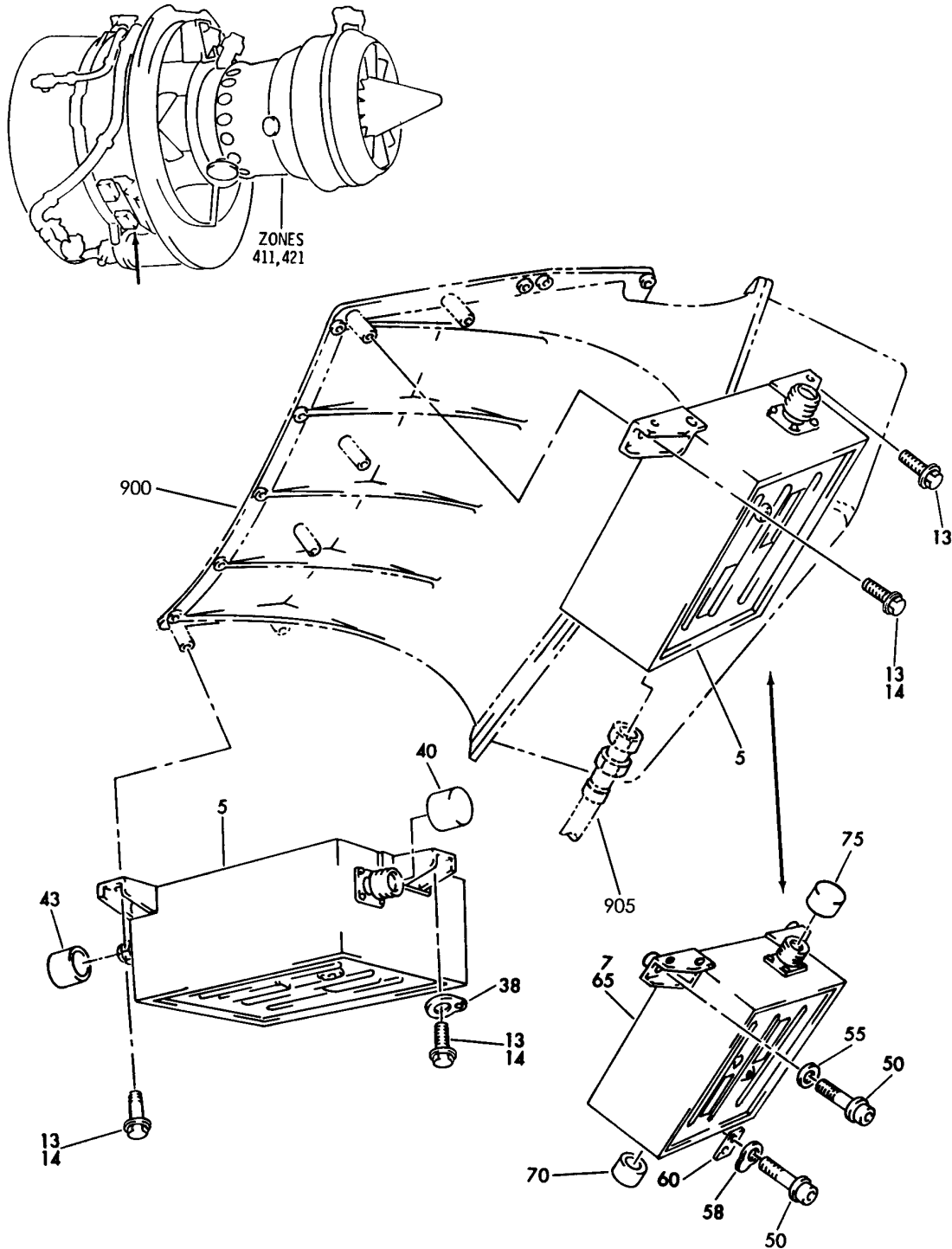
SUBJECT	CC-SS-UU	FIGURE	EFFECT
ENGINE IGNITION CONTROL	74-31-00		
OPTION PACKAGE ASSY-P36 MISC RELAY L (IGNITION ONLY)	74-31-71	01A	504903
OPTION PACKAGE ASSY-P36 MISC RELAY L (IGNITION ONLY)	74-31-71	02A	101102 504903
PACKAGE ASSY-OPTION P37 MISC RELAY (IGNITION ONLY)	74-31-71	01B	504903
PACKAGE ASSY-OPTION P37 MISC RELAY (IGNITION ONLY)	74-31-71	02B	101102 504903
PANEL ASSY-P36 AND P37 MISC RELAY (IGNITION ONLY)	74-31-71	02	002004 006100 107107 121503 904999
PANEL INSTL-P36 L MISC RELAY (IGNITION ONLY)	74-31-71	02C	103106 108120
PANEL INSTL-P37 R MISC RELAY (IGNITION ONLY)	74-31-71	02D	103106 108120
PANEL INSTL-P5 OVERHEAD (IGNITION ONLY)	74-31-51	01	002004 006010 107107 121503 904999
PANEL INSTL-P5 OVERHEAD (IGNITION ONLY) (RB211-535)	74-31-51	02	011100
PANEL INSTL-P5 OVHD (SWITCHING ONLY)	74-31-51	05	101106 108120 504903
WIRE BUNDLE ASSY AND STRUCTURE ASSY-CONT STAND (ENGINE IGNITION CONTROL ONLY)	74-31-52	01	002004 006999

IGNITION POWER SUPPLY

BRI
MAY 28/07

74-11-00
SECTION TITLE
PAGE 1

BOEING
757
PARTS CATALOG (MAINTENANCE)



Y 74110101 REV 229

IGNITION UNIT-HIGH ENERGY (RB211-535)
FIGURE 1

74-11-01-01

BRI
MAY 28/07

74-11-01-01
PAGE 0



757

PARTS CATALOG (MAINTENANCE)

FIG ITEM	PART NUMBER	1 2 3 4 5 6 7	NOMENCLATURE	EFFECT FROM TO	UNITS PER ASSY
1			IGNITION UNIT-HIGH ENERGY (RB211-535)	002004	
- 1	UL20697		ENGINE ASSY-Q.E.C.U. RB211-535E43711 MAXIMUM NEUT WITH GRAVINER FIRE DETECTORS, BAYONET MCD, NON-MODULATED IDG COOLING 40,000 LB THRUST SUPPLIER CODE: VK0680 REFERENCE SERVICE BULLETIN: 71-0058R4 QUALIFIED SB I/W DATA: INTERMIX OF ONE OR SUBSTITUTION OF TWO DIFFERENT CONFIGURATION RB211-535E4-37/() ENGINES FOR RB211-535 E4 BASE ENGINES REFERENCE SERVICE BULLETIN: RB211-72-C547 VK0680 FOR NHA/OTHER SYS DET SEE: 71-00-02-04	006999 121503 904949 952999	RF
- 1	UL20702		ENGINE ASSY-Q.E.C.U. RB211-535E43711 BASIC ENGINE CONFIG. WITH GRAVINER FIRE DETECTORS, BAYONET MCD, NON-MODULATED IDG COOLING 40,100 LB THRUST SUPPLIER CODE: VK0680 FOR NHA/OTHER SYS DET SEE: 71-00-02-10	504903	RF
- 1	UL19722		ENGINE ASSY-Q.E.C.U. RB211-535E43711 MAXIMUM NEUT SUPPLIER CODE: VK0680 FOR NHA/OTHER SYS DET SEE: 71-00-02-04	107107	RF

MISSING ITEM NUMBERS NOT APPLICABLE

- ITEM NOT ILLUSTRATED

BRI

74-11-01-01

BOEING PROPRIETARY - Copyright © - Unpublished Work - See title page for details.

74-11-01
FIG. 01
PAGE 1
JAN 20/09



757

PARTS CATALOG (MAINTENANCE)

FIG ITEM	PART NUMBER	1 2 3 4 5 6 7	NOMENCLATURE	EFFECT FROM TO	UNITS PER ASSY
1					
- 2	UL20698		ENGINE ASSY-Q.E.C.U. RB211-535E43712 MAXIMUM NEUT SUPPLIER CODE: VK0680 REFERENCE SERVICE BULLETIN: 71-0058R7 QUALIFIED SB I/W DATA: INTERMIX OF ONE OR SUBSTITUTION OF TWO DIFFERENT CONFIGURATION RB211-535E4-37/() ENGINES FOR RB211-535E4 BASE ENGINES OR DIFFERENT CONFIGURATION RB211-535E4-B-37/() ENGINES FOR RB211-535E4-B BASE ENGINES REFERENCE SERVICE BULLETIN: RB211-72-C547 VK0680 RB211-72-8910 VK0680 POST RAPID REVISION: RR92014-183A-RC-E FOR NHA/OTHER SYS DET SEE: 71-00-02-04	002004 006100 102102	RF
- 2	UL36209		ENGINE ASSY-Q.E.C.U. RB211-535E43719 MAXIMUM NEUT SUPPLIER CODE: VK0680 FOR NHA/OTHER SYS DET SEE: 71-00-02-04	950951	RF
- 3	BCREF17101		ENGINE ASSY-Q.E.C.U. RB211-535E43744 BASIC ENGINE CONFIGURATION, BAYONET MCD AND PHASE 5 COMBUSTOR 40,100 LB THRUST SUPPLIER CODE: VK0680 OVERLENGTH PART NUMBER: RB211-535E4-3744E FOR NHA/OTHER SYS DET SEE: 71-00-02-10	103106	RF

MISSING ITEM NUMBERS NOT APPLICABLE

- ITEM NOT ILLUSTRATED

BRI

74-11-01-01

BOEING PROPRIETARY - Copyright © - Unpublished Work - See title page for details.

74-11-01
FIG. 01
PAGE 2
JAN 20/09



757

PARTS CATALOG (MAINTENANCE)

FIG ITEM	PART NUMBER	1 2 3 4 5 6 7	NOMENCLATURE	EFFECT FROM TO	UNITS PER ASSY
1 -	3 BCRE17395		ENGINE ASSY-Q.E.C.U. RB211-535E43739 BASIC ENGINE CONFIGURATION AND PHASE 5 COMBUSTOR 40,100 LB THRUST SUPPLIER CODE: VK0680 OVERLENGTH PART NUMBER: RB211-535E4-37-39E FOR NHA/OTHER SYS DET SEE: 71-00-02-10	108120	RF
-	3 UL38163		ENGINE ASSY-Q.E.C.U. RB211-535E43724 BASIC ENGINE CONFIGURATION, BAYONET MCD, 40,100 LB THRUST SUPPLIER CODE: VK0680 FOR NHA/OTHER SYS DET SEE: 71-00-02-10	101101	RF
-	4 UL12397		.IGNITION SYSTEM-HIGH ENERGY SUPPLIER CODE: VK0680 POST SERVICE BULLETIN: 26-7205PT01 VK0680 PRE SERVICE BULLETIN: 79-9179 VK0680	107107 121949 952999	RF
-	4 UL28059		.IGNITION SYSTEM-HIGH ENERGY SUPPLIER CODE: VK0680 POST SERVICE BULLETIN: 79-9179PT01 VK0680	002004 006106 108120 950951	RF
-	4 UL28692		.IGNITION SYSTEM-HIGH ENERGY SUPPLIER CODE: VK0680 POST SERVICE BULLETIN: 79-9179PT01 VK0680	107107 121949 952999	RF

MISSING ITEM NUMBERS NOT APPLICABLE

- ITEM NOT ILLUSTRATED

BRI

74-11-01-01

BOEING PROPRIETARY - Copyright © - Unpublished Work - See title page for details.

74-11-01
FIG. 01
PAGE 3
JAN 20/09



757

PARTS CATALOG (MAINTENANCE)

FIG ITEM	PART NUMBER	1 2 3 4 5 6 7	NOMENCLATURE	EFFECT FROM TO	UNITS PER ASSY
1					
5	44760		..IGNITION ASSY-HIGH ENERGY SUPPLIER CODE: V83311 PRE SERVICE BULLETIN: 79-9179 VK0680	002004 006100 102102 107107 121949 952999	2
7	44760		..IGNITION ASSY-HIGH ENERGY SUPPLIER CODE: V83311 CONFIG CHG DATA FROM A CMM: FOR INTRCHG SEE RR IPC POST SERVICE BULLETIN: 79-9179PT01 VK0680 PRE SERVICE BULLETIN: 74-C025 VK0680	002004 006102 107107 121999	1
7	430107		..IGNITION ASSY-HIGH ENERGY SUPPLIER CODE: V83311 CONFIG CHG DATA FROM A CMM: FOR INTRCHG SEE RR IPC POST SERVICE BULLETIN: 74-C025PT01 VK0680 PRE SERVICE BULLETIN: 74-C616 VK0680	002004 006102 107107 121999	1
7	430152		..IGNITION ASSY- SUPPLIER CODE: V83311 POST SERVICE BULLETIN: 74-C616PT01 VK0680	002004 006100 102999	1
13	AS21519		ATTACHING PARTS ..BOLT- PRE SERVICE BULLETIN: 79-9179 VK0680	002004 006102 107107 121999	6
14	AS21519		..BOLT- POST SERVICE BULLETIN: 79-9179PT01 VK0680	002004 006999	3

MISSING ITEM NUMBERS NOT APPLICABLE

- ITEM NOT ILLUSTRATED

BRI

74-11-01-01

BOEING PROPRIETARY - Copyright © - Unpublished Work - See title page for details.

74-11-01
FIG. 01
PAGE 4
JAN 20/09

BOEING
757
PARTS CATALOG (MAINTENANCE)

FIG ITEM	PART NUMBER	1 2 3 4 5 6 7	NOMENCLATURE	EFFECT FROM TO	UNITS PER ASSY
1 38	CU37148		.. WASHER- SUPPLIER CODE: VK0680 POST SERVICE BULLETIN: 74-9500PT01 VK0680 -----*-----	002004 006999	1
40	24165		... CAP- TRANSPORTATION ONLY SUPPLIER CODE: V83311 POST SERVICE BULLETIN: 74-8050PTA VK0680	002004 006999	1
43	24166		... CAP- TRANSPORTATION ONLY SUPPLIER CODE: V83311 POST SERVICE BULLETIN: 74-8050PTA VK0680	002004 006999	1
50	AS21520		.. BOLT- POST SERVICE BULLETIN: 79-9179PT01 VK0680	002004 006999	3
55	K8833		.. WASHER- SUPPLIER CODE: VK0680 POST SERVICE BULLETIN: 79-9179PT01 VK0680	002004 006999	2
58	CU37148		.. WASHER- SUPPLIER CODE: VK0680 POST SERVICE BULLETIN: 74-9500PT01 VK0680	002004 006999	1
60	UP11262		.. BRACKET- SUPPLIER CODE: VK0680 POST SERVICE BULLETIN: 79-9179PT01 VK0680	002004 006999	1

MISSING ITEM NUMBERS NOT APPLICABLE

— ITEM NOT ILLUSTRATED

BRI

74-11-01-01

BOEING PROPRIETARY - Copyright © - Unpublished Work - See title page for details.

74-11-01
FIG. 01
PAGE 5
JAN 20/09



757

PARTS CATALOG (MAINTENANCE)

FIG ITEM	PART NUMBER	1 2 3 4 5 6 7	NOMENCLATURE	EFFECT FROM TO	UNITS PER ASSY
1					
65	44760		.. IGNITION ASSY-HIGH ENERGY SUPPLIER CODE: V83311 CONFIG CHG DATA FROM A CMM: FOR INTRCHG SEE RR IPC POST SERVICE BULLETIN: 79-9179PT01 VK0680 PRE SERVICE BULLETIN: 74-C025 VK0680	002004 006102 107107 121999	1
65	430107		.. IGNITION ASSY-HIGH ENERGY SUPPLIER CODE: V83311 CONFIG CHG DATA FROM A CMM: FOR INTRCHG SEE RR IPC POST SERVICE BULLETIN: 74-C025PT01 VK0680 PRE SERVICE BULLETIN: 74-C616 VK0680	002004 006102 107107 121999	1
65	430152		.. IGNITION ASSY- SUPPLIER CODE: V83311 POST SERVICE BULLETIN: 74-C616PT01 VK0680	002004 006100 102999	1
70	24165		...CAP- TRANSPORTATION ONLY SUPPLIER CODE: V83311 POST SERVICE BULLETIN: 79-9179PT01 VK0680	002004 006999	1
75	24166		...CAP- TRANSPORTATION ONLY SUPPLIER CODE: V83311 POST SERVICE BULLETIN: 79-9179PT01 VK0680	002004 006999	1
900			ILLUSTRATION REFERENCE: LP COMPRESSOR-FAN CASE (RB211-535) 72-34-10-02	002004 006999	RF

MISSING ITEM NUMBERS NOT APPLICABLE

- ITEM NOT ILLUSTRATED

74-11-01-01

74-11-01
FIG. 01
PAGE 6
JAN 20/09

BRI



757

PARTS CATALOG (MAINTENANCE)

FIG ITEM	PART NUMBER	1 2 3 4 5 6 7	NOMENCLATURE	EFFECT FROM TO	UNITS PER ASSY
1 905			ILLUSTRATION REFERENCE: HIGH ENERGY IGNITION LEADS (RB211-535) 74-21-01-01	002004 006999	RF

MISSING ITEM NUMBERS NOT APPLICABLE

- ITEM NOT ILLUSTRATED

BRI

74-11-01-01

BOEING PROPRIETARY - Copyright © - Unpublished Work - See title page for details.

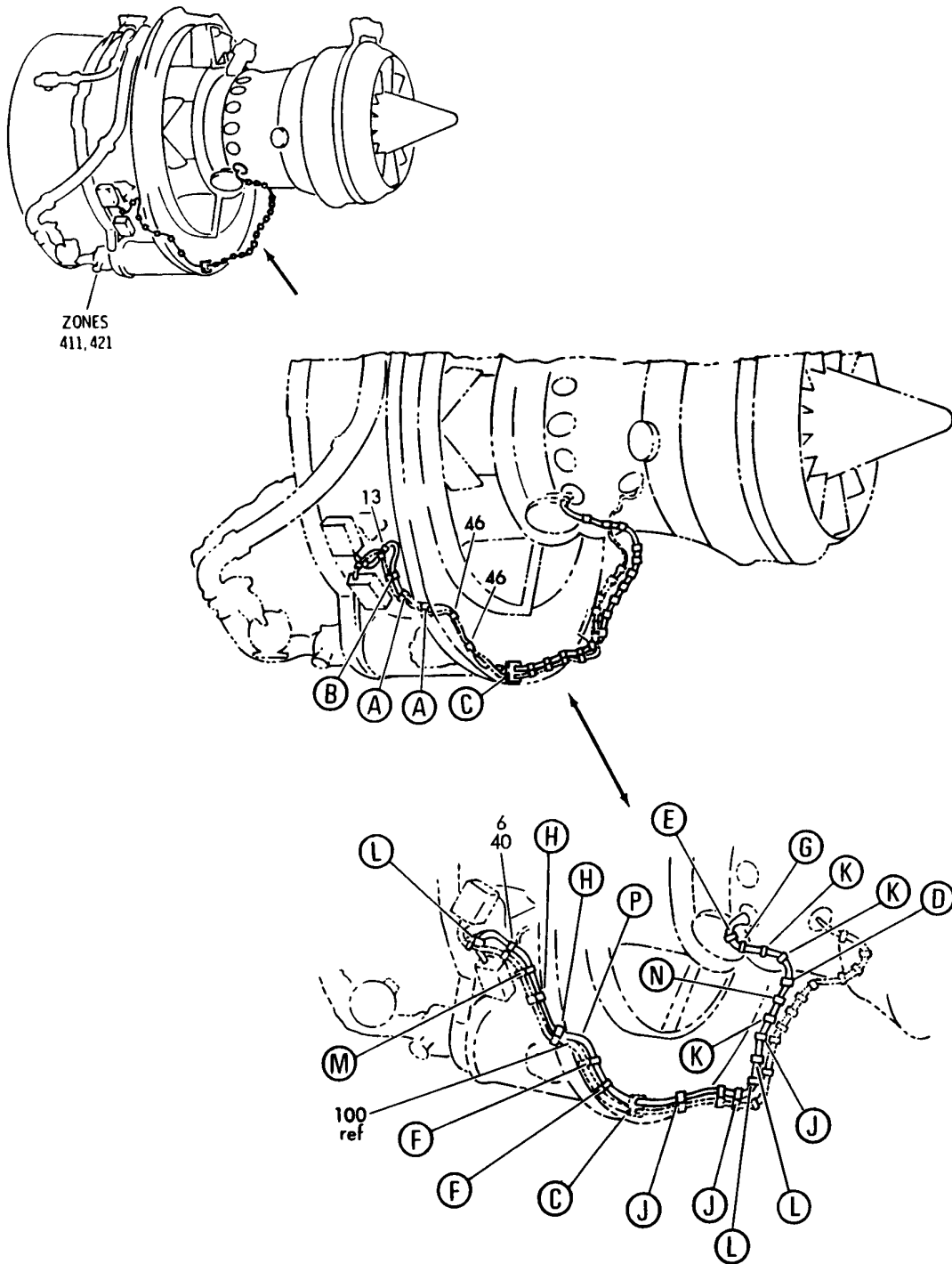
74-11-01
FIG. 01
PAGE 7
JAN 20/09

HIGH TENSION DISTRIBUTION

BRI
MAY 28/07

74-21-00
SECTION TITLE
PAGE 1

BOEING
757
PARTS CATALOG (MAINTENANCE)



Y 74210101 SHT 1 REV 256

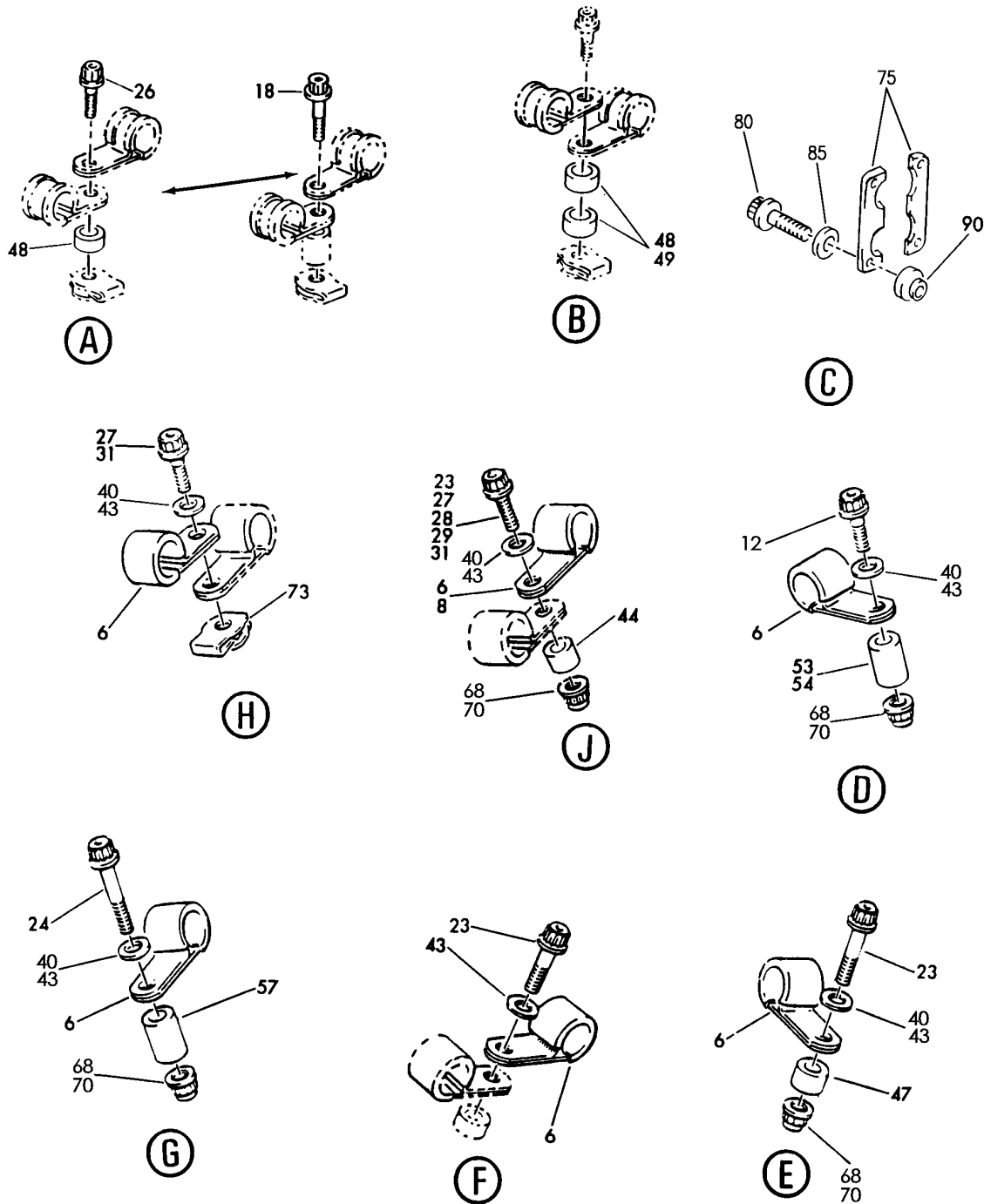
HIGH ENERGY IGNITION LEADS (RB211-535)
FIGURE 1 (SHEET 1)

74-21-01-01

BRI
MAY 28/07

74-21-01-01
PAGE 0

BOEING
757
PARTS CATALOG (MAINTENANCE)



Y 74210101 SHT 2 REV 256

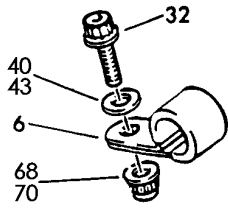
HIGH ENERGY IGNITION LEADS (RB211-535)
FIGURE 1 (SHEET 2)

74-21-01-01

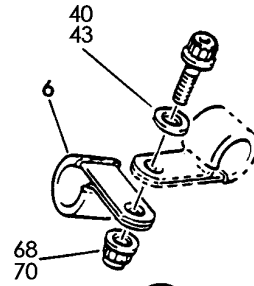
BRI
MAY 28/07

74-21-01-01
PAGE 0A

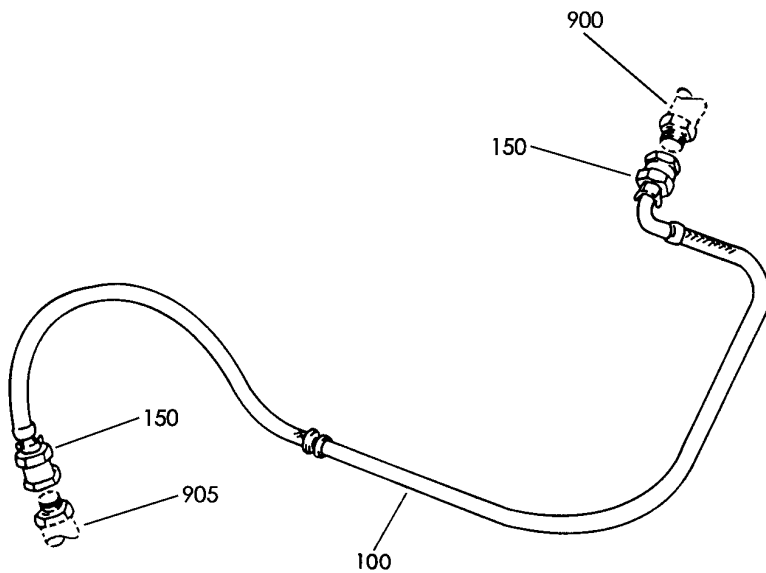
BOEING
757
PARTS CATALOG (MAINTENANCE)



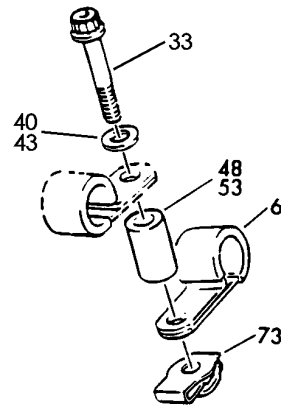
(K)



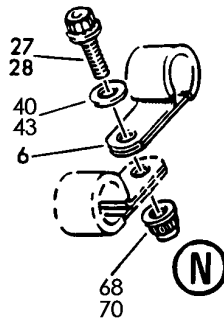
(L)



(P)



(M)



(N)

Y 74210101 SHT 3 REV 237

HIGH ENERGY IGNITION LEADS (RB211-535)
FIGURE 1 (SHEET 3)

74-21-01-01

BRI
MAY 28/07

74-21-01-01
PAGE 0B



757

PARTS CATALOG (MAINTENANCE)

FIG ITEM	PART NUMBER	1 2 3 4 5 6 7	NOMENCLATURE	EFFECT FROM TO	UNITS PER ASSY
1			HIGH ENERGY IGNITION LEADS (RB211-535)	002004	
- 1	UL20697		ENGINE ASSY-Q.E.C.U. RB211-535E43711 MAXIMUM NEUT WITH GRAVINER FIRE DETECTORS, BAYONET MCD, NON-MODULATED IDG COOLING 40,000 LB THRUST SUPPLIER CODE: VK0680 REFERENCE SERVICE BULLETIN: 71-0058R4 QUALIFIED SB I/W DATA: INTERMIX OF ONE OR SUBSTITUTION OF TWO DIFFERENT CONFIGURATION RB211-535E4-37/() ENGINES FOR RB211-535 E4 BASE ENGINES REFERENCE SERVICE BULLETIN: RB211-72-C547 VK0680 FOR NHA/OTHER SYS DET SEE: 71-00-02-04	006999 121503 904949 952999	RF
- 1	UL20702		ENGINE ASSY-Q.E.C.U. RB211-535E43711 BASIC ENGINE CONFIGURATION WITH GRAVINER FIRE DETECTORS, BAYONET MCD, NON-MODULATED IDG COOLING 40,100 LB THRUST SUPPLIER CODE: VK0680 FOR NHA/OTHER SYS DET SEE: 71-00-02-10	504903	RF
- 1	UL19722		ENGINE ASSY-Q.E.C.U. RB211-535E43711 MAXIMUM NEUT SUPPLIER CODE: VK0680 FOR NHA/OTHER SYS DET SEE: 71-00-02-04	107107	RF

MISSING ITEM NUMBERS NOT APPLICABLE

- ITEM NOT ILLUSTRATED

BRI

74-21-01-01

74-21-01
FIG. 01
PAGE 1
JAN 20/09



757

PARTS CATALOG (MAINTENANCE)

FIG ITEM	PART NUMBER	1 2 3 4 5 6 7	NOMENCLATURE	EFFECT FROM TO	UNITS PER ASSY
1					
- 2	UL20698		ENGINE ASSY-Q.E.C.U. RB211-535E43712 MAXIMUM NEUT SUPPLIER CODE: VK0680 REFERENCE SERVICE BULLETIN: 71-0058R7 QUALIFIED SB I/W DATA: INTERMIX OF ONE OR SUBSTITUTION OF TWO DIFFERENT CONFIGURATION RB211-535E4-37/() ENGINES FOR RB211-535E4 BASE ENGINES OR DIFFERENT CONFIGURATION RB211-535E4-B-37/() ENGINES FOR RB211-535E4-B BASE ENGINES REFERENCE SERVICE BULLETIN: RB211-72-C547 VK0680 RB211-72-8910 VK0680 POST RAPID REVISION: RR92014-183A-RC-E FOR NHA/OTHER SYS DET SEE: 71-00-02-04	002004 006100 102102	RF
- 2	UL36209		ENGINE ASSY-Q.E.C.U. RB211-535E43719 MAXIMUM NEUT SUPPLIER CODE: VK0680 FOR NHA/OTHER SYS DET SEE: 71-00-02-04	950951	RF
- 4	BCREF17395		ENGINE ASSY-Q.E.C.U. RB211-535E43739 BASIC ENGINE CONFIGURATION AND PHASE 5 COMBUSTOR 40,100 LB THRUST SUPPLIER CODE: VK0680 OVERLENGTH PART NUMBER: RB211-535E4-37-39E FOR NHA/OTHER SYS DET SEE: 71-00-02-10	108120	RF

MISSING ITEM NUMBERS NOT APPLICABLE

- ITEM NOT ILLUSTRATED

BRI

74-21-01-01

74-21-01
FIG. 01
PAGE 2
JAN 20/09



757

PARTS CATALOG (MAINTENANCE)

FIG ITEM	PART NUMBER	1 2 3 4 5 6 7	NOMENCLATURE	EFFECT FROM TO	UNITS PER ASSY
1					
- 4	BCREF17101		ENGINE ASSY-Q.E.C.U. RB211-535E43744 BASIC ENGINE CONFIGURATION, BAYONET MCD AND PHASE 5 COMBUSTOR 40,100 LB THRUST SUPPLIER CODE: VK0680 OVERLENGTH PART NUMBER: RB211-535E4-3744E FOR NHA/OTHER SYS DET SEE: 71-00-02-10	103106	RF
- 4	UL38163		ENGINE ASSY-Q.E.C.U. RB211-535E43724 BASIC ENGINE CONFIGURATION, BAYONET MCD, 40,100 LB THRUST SUPPLIER CODE: VK0680 FOR NHA/OTHER SYS DET SEE: 71-00-02-10	101101	RF
- 5	UL12397		.IGNITION SYSTEM-HIGH ENERGY SUPPLIER CODE: VK0680 POST SERVICE BULLETIN: 26-7205PT01 VK0680 PRE SERVICE BULLETIN: 79-9179 VK0680	107107 121949 952999	RF
- 5	UL28059		.IGNITION SYSTEM-HIGH ENERGY SUPPLIER CODE: VK0680 POST SERVICE BULLETIN: 79-9179PT01 VK0680	002004 006106 108120 950951	RF
- 5	UL28692		.IGNITION SYSTEM-HIGH ENERGY SUPPLIER CODE: VK0680 POST SERVICE BULLETIN: 79-9179PT01 VK0680	107107 121949 952999	RF
6	UL12509		..CLIP- SUPPLIER CODE: VK0680	002004 006102 107107 121999	20

MISSING ITEM NUMBERS NOT APPLICABLE

- ITEM NOT ILLUSTRATED

74-21-01-01

74-21-01
FIG. 01
PAGE 3
JAN 20/09

BRI



757

PARTS CATALOG (MAINTENANCE)

FIG ITEM	PART NUMBER	1 2 3 4 5 6 7	NOMENCLATURE	EFFECT FROM TO	UNITS PER ASSY
1	6 UL12509		..CLIP- SUPPLIER CODE: VK0680 POST SERVICE BULLETIN: 72-C230PT01 VK0680 PRE SERVICE BULLETIN: 72-D352 VK0680	103106	20
-	7 UL12509		..CLIP- SUPPLIER CODE: VK0680 POST SERVICE BULLETIN: 72-C230PT01 VK0680 PRE SERVICE BULLETIN: 72-D352 VK0680	108120	18
	8 UL12509		..CLIP- SUPPLIER CODE: VK0680 POST SERVICE BULLETIN: 72-D352PT01 VK0680	103106	1
-	10 UL12509		..CLIP- SUPPLIER CODE: VK0680 POST SERVICE BULLETIN: 72-D352PT01 VK0680	103106 108120	15
-	11 UL12509		..CLIP- SUPPLIER CODE: VK0680 POST SERVICE BULLETIN: 72-D352PT01 VK0680	108120	3
	12 AS21431		ATTACHING PARTS ..BOLT- POST SERVICE BULLETIN: 71-8310PT01 VK0680	107107 121949 952999	1
	13 AS21422		..BOLT- PRE SERVICE BULLETIN: 71-8310 VK0680	002004 006100 102102 107107 121949 952999	1

MISSING ITEM NUMBERS NOT APPLICABLE

- ITEM NOT ILLUSTRATED

BRI

74-21-01-01

BOEING PROPRIETARY - Copyright © - Unpublished Work - See title page for details.

74-21-01
FIG. 01
PAGE 4
JAN 20/09



757

PARTS CATALOG (MAINTENANCE)

FIG ITEM	PART NUMBER	1 2 3 4 5 6 7	NOMENCLATURE	EFFECT FROM TO	UNITS PER ASSY
1					
18	AS21423	..	BOLT- POST SERVICE BULLETIN: 71-8310PT01 VK0680	101101 950951	2
22	AS21412	..	BOLT- POST SERVICE BULLETIN: 71-8310PT01 VK0680 PRE SERVICE BULLETIN: 72-C230 VK0680	002004 006102 107107 121999	4
23	AS21412	..	BOLT- POST SERVICE BULLETIN: 72-C230PT01 VK0680 PRE SERVICE BULLETIN: 71-8310 VK0680	002004 006100 102949 952999	3
24	AS21424	..	BOLT-	002004 006102 107107 121999	1
26	AS21421	..	BOLT- POST SERVICE BULLETIN: 26-7205PT01 VK0680	107107 121949 952999	2
27	AS21409	..	BOLT- PRE SERVICE BULLETIN: 71-8310 VK0680	002004 006100 102102	6
28	AS21409	..	BOLT- POST SERVICE BULLETIN: 26-7205PT01 VK0680 PRE SERVICE BULLETIN: 71-8310 VK0680	107107 121949 952999	4
29	AS21409	..	BOLT- POST SERVICE BULLETIN: 71-8310PT01 VK0680	107107 121949 952999	3
31	AS21409	..	BOLT- POST SERVICE BULLETIN: 71-8310PT01 VK0680	002004 006106 108120 950951	5
32	AS21408	..	BOLT-	002004 006999	6

MISSING ITEM NUMBERS NOT APPLICABLE

- ITEM NOT ILLUSTRATED

BRI

74-21-01-01

BOEING PROPRIETARY - Copyright © - Unpublished Work - See title page for details.

74-21-01
FIG. 01
PAGE 5
JAN 20/09



757

PARTS CATALOG (MAINTENANCE)

FIG ITEM	PART NUMBER	1 2 3 4 5 6 7	NOMENCLATURE	EFFECT FROM TO	UNITS PER ASSY
1					
33	AS21423		..BOLT- POST SERVICE BULLETIN: 72-C230PT01 VK0680 71-8310PT01 VK0680 PRE SERVICE BULLETIN: 71-8310 VK0680	002004 006100 102949 952999	1
33	AS21431		..BOLT- POST SERVICE BULLETIN: 26-7205PT01 VK0680 PRE SERVICE BULLETIN: 71-8310 VK0680	107107 121949 952999	1
40	K8831		..WASHER- SUPPLIER CODE: VK0680 POST SERVICE BULLETIN: 72-C230PT01 VK0680	103106	18
- 42	K8831		..WASHER- SUPPLIER CODE: VK0680 POST SERVICE BULLETIN: 72-C230PT01 VK0680	108120	16
43	K8831		..WASHER- SUPPLIER CODE: VK0680	002004 006102 107107 121999	19
44	UP10478		..SPACER- SUPPLIER CODE: VK0680 POST SERVICE BULLETIN: 71-8310PT01 VK0680	002004 006999	3
46	UP10478		..SPACER- SUPPLIER CODE: VK0680 PRE SERVICE BULLETIN: 71-8310 VK0680	002004 006100 102102 107107 121949 952999	2

MISSING ITEM NUMBERS NOT APPLICABLE

- ITEM NOT ILLUSTRATED

BRI

74-21-01-01

BOEING PROPRIETARY - Copyright © - Unpublished Work - See title page for details.

74-21-01
FIG. 01
PAGE 6
JAN 20/09



757

PARTS CATALOG (MAINTENANCE)

FIG ITEM	PART NUMBER	1 2 3 4 5 6 7	NOMENCLATURE	EFFECT FROM TO	UNITS PER ASSY
1					
47	LK30979	..	SPACER- SUPPLIER CODE: VK0680 PRE SERVICE BULLETIN: 72-C230 VK0680	002004 006102 107107 121999	1
48	UP10480	..	SPACER- SUPPLIER CODE: VK0680 POST SERVICE BULLETIN: 26-7205PT01 VK0680	107107 121949 952999	4
49	UP10479	..	SPACER- SUPPLIER CODE: VK0680 POST SERVICE BULLETIN: 71-8310PT01 VK0680	002004 006102 107107 121999	2
53	UP10481	..	SPACER- SUPPLIER CODE: VK0680 PRE SERVICE BULLETIN: 71-8310 VK0680	002004 006100 102102	2
54	UP10481	..	SPACER- SUPPLIER CODE: VK0680 POST SERVICE BULLETIN: 26-7205PT01 VK0680 PRE SERVICE BULLETIN: 71-8310 VK0680	107107 121949 952999	1
54	UP10481	..	SPACER- SUPPLIER CODE: VK0680 POST SERVICE BULLETIN: 71-8310PT01 VK0680	002004 006106 108120 950951	1
57	UP10482	..	SPACER- SUPPLIER CODE: VK0680 PRE SERVICE BULLETIN: 72-C230 VK0680	002004 006102 107107 121999	1
- 65	AS20624	..	NUT- POST SERVICE BULLETIN: 72-C230PT01 VK0680	108120	10

MISSING ITEM NUMBERS NOT APPLICABLE

- ITEM NOT ILLUSTRATED

BRI

74-21-01-01

BOEING PROPRIETARY - Copyright © - Unpublished Work - See title page for details.

74-21-01
FIG. 01
PAGE 7
JAN 20/09



757

PARTS CATALOG (MAINTENANCE)

FIG ITEM	PART NUMBER	1 2 3 4 5 6 7	NOMENCLATURE	EFFECT FROM TO	UNITS PER ASSY
1					
68	AS20624	..	NUT- PRE SERVICE BULLETIN: 72-C230 VK0680	002004 006102 107107 121999	13
70	AS20624	..	NUT- POST SERVICE BULLETIN: 72-C230PT01 VK0680	103106	13
73	AS41104	..	NUT-	002004 006999	3
75	LK78072	..	-----*----- PLATE-MATCHED PAIR SEAL HIGH ENERGY IGNITER LEADS SUPPLIER CODE: VK0680 ATTACHING PARTS	002004 006999	1
80	AS21412	..	BOLT-	002004 006999	4
85	AS12943	..	WASHER-	002004 006999	4
90	AS20624	..	NUT-	002004 006999	4
100	66946	..	-----*----- LEAD ASSY-IGNITER SUPPLIER CODE: V83311 POSITION DATA: LH	002004 006102 107107 121999	1
100	431032-2	..	LEAD-IGNITER BOX SUPPLIER CODE: V83311 POSITION DATA: LH POST SERVICE BULLETIN: 72-C230PT01 VK0680	103106 108120	1
900			ILLUSTRATION REFERENCE: HIGH ENERGY IGNITER PLUGS (RB211-535) 74-21-02-01	002004 006999	RF
905			ILLUSTRATION REFERENCE: IGNITION UNIT-HIGH ENERGY (RB211-535) 74-11-01-01	002004 006999	RF

MISSING ITEM NUMBERS NOT APPLICABLE

- ITEM NOT ILLUSTRATED

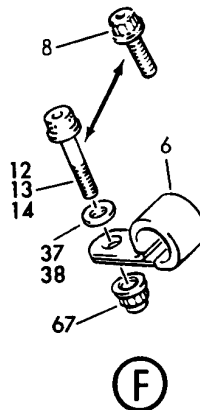
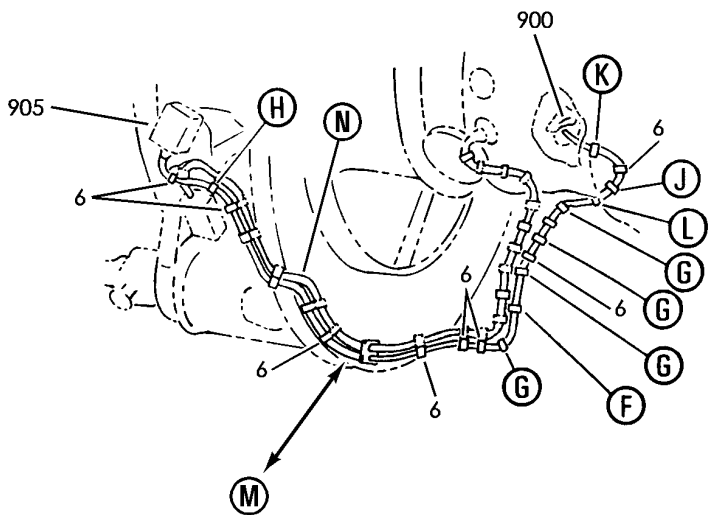
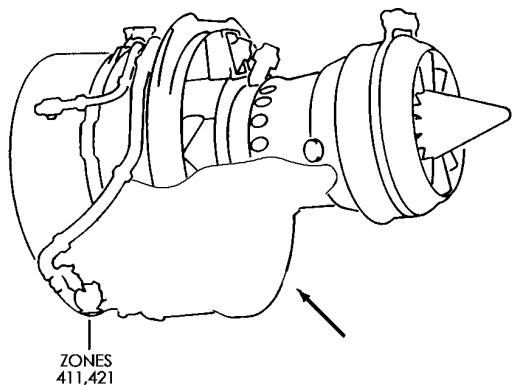
BRI

74-21-01-01

BOEING PROPRIETARY - Copyright © - Unpublished Work - See title page for details.

74-21-01
FIG. 01
PAGE 8
JAN 20/09

BOEING
757
PARTS CATALOG (MAINTENANCE)



Y 74210102 SH1 1 REV 256

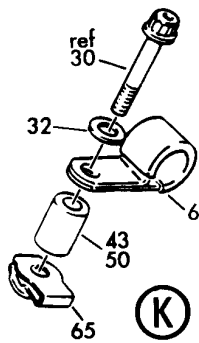
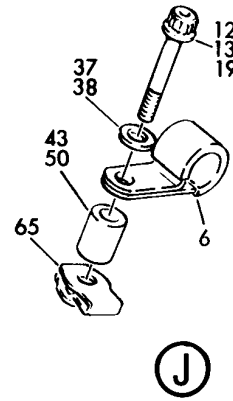
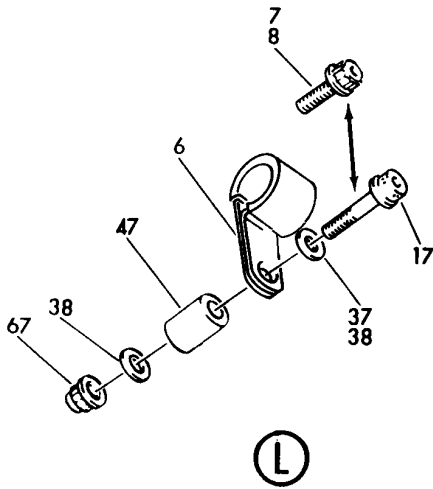
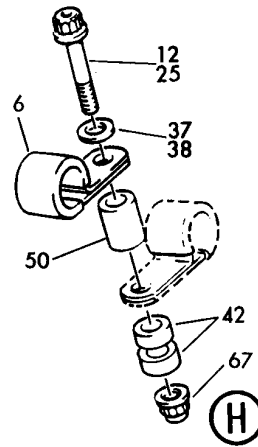
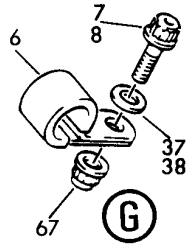
LEAD-RH IGNITER (RB211-535)
FIGURE 2 (SHEET 1)

74-21-01-02

BRI
MAY 28/07

74-21-01-02
PAGE 0

BOEING
757
PARTS CATALOG (MAINTENANCE)



Y 74210102 SHT 2 REV 229

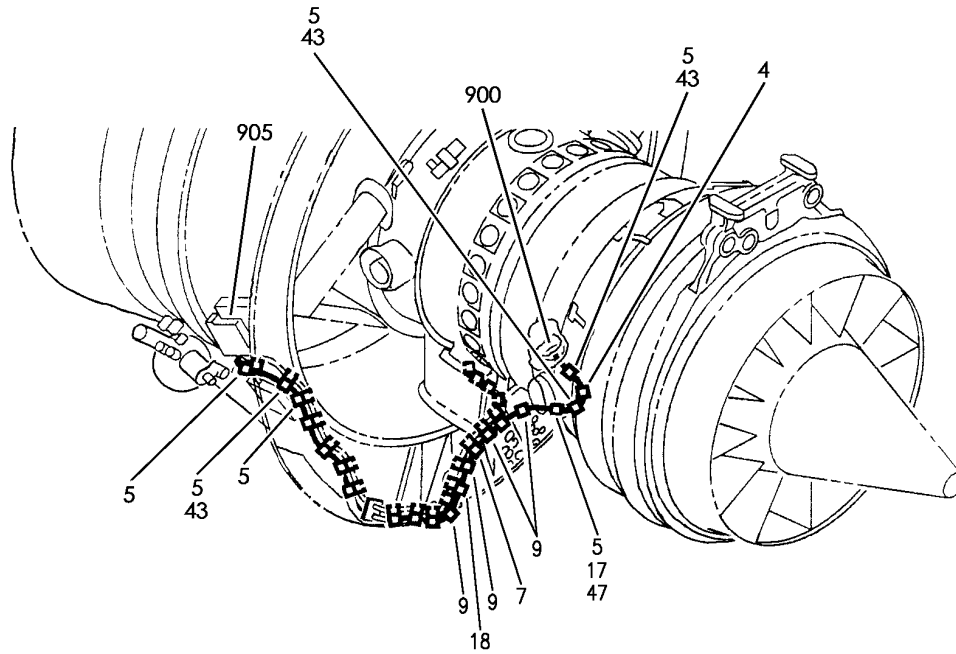
LEAD-RH IGNITER (RB211-535)
FIGURE 2 (SHEET 2)

74-21-01-02

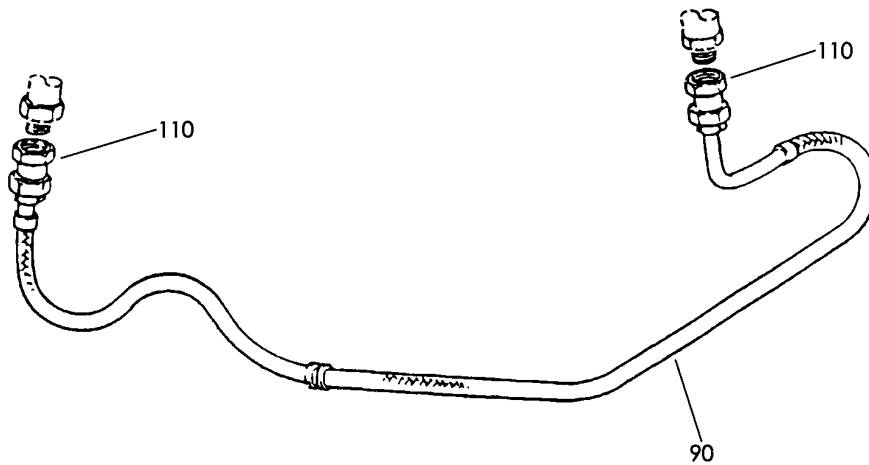
BRI
MAY 28/07

74-21-01-02
PAGE 0A

BOEING
757
PARTS CATALOG (MAINTENANCE)



(M)



(N)

Y 74210102 SH1 3 REV 256

LEAD-RH IGNITER (RB211-535)
FIGURE 2 (SHEET 3)

74-21-01-02

BRI
MAY 28/07

74-21-01-02
PAGE 0B



757

PARTS CATALOG (MAINTENANCE)

FIG ITEM	PART NUMBER	1 2 3 4 5 6 7	NOMENCLATURE	EFFECT FROM TO	UNITS PER ASSY
2			LEAD-RH IGNITER (RB211-535)	002004	
- 1	UL20697		ENGINE ASSY-Q.E.C.U. RB211-535E43711 MAXIMUM NEUT WITH GRAVINER FIRE DETECTORS, BAYONET MCD, NON-MODULATED IDG COOLING 40,000 LB THRUST SUPPLIER CODE: VK0680 REFERENCE SERVICE BULLETIN: 71-0058R4 QUALIFIED SB I/W DATA: INTERMIX OF ONE OR SUBSTITUTION OF TWO DIFFERENT CONFIGURATION RB211-535E4-37/() ENGINES FOR RB211-535 E4 BASE ENGINES REFERENCE SERVICE BULLETIN: RB211-72-C547 VK0680 FOR NHA/OTHER SYS DET SEE: 71-00-02-04	006999 121503 904949 952999	RF
- 1	UL20702		ENGINE ASSY-Q.E.C.U. RB211-535E43711 BASIC ENG CONFIGURATION WITH GRAVINER FIRE DETECTORS, BAYONET MCD, NON-MODULATED IDG COOLING 40,100 LB THRUST SUPPLIER CODE: VK0680 FOR NHA/OTHER SYS DET SEE: 71-00-02-10	504903	RF
- 1	UL19722		ENGINE ASSY-Q.E.C.U. RB211-535E43711 MAXIMUM NEUT SUPPLIER CODE: VK0680 FOR NHA/OTHER SYS DET SEE: 71-00-02-04	107107	RF

MISSING ITEM NUMBERS NOT APPLICABLE

- ITEM NOT ILLUSTRATED

BRI

74-21-01-02

74-21-01
FIG. 02
PAGE 1
JAN 20/09



757

PARTS CATALOG (MAINTENANCE)

FIG ITEM	PART NUMBER	1 2 3 4 5 6 7	NOMENCLATURE	EFFECT FROM TO	UNITS PER ASSY
2					
- 2	UL20698		ENGINE ASSY-Q.E.C.U. RB211-535E43712 MAXIMUM NEUT SUPPLIER CODE: VK0680 REFERENCE SERVICE BULLETIN: 71-0058R7 QUALIFIED SB I/W DATA: INTERMIX OF ONE OR SUBSTITUTION OF TWO DIFFERENT CONFIGURATION RB211-535E4-37/() ENGINES FOR RB211-535E4 BASE ENGINES OR DIFFERENT CONFIGURATION RB211-535E4-B-37/() ENGINES FOR RB211-535E4-B BASE ENGINES REFERENCE SERVICE BULLETIN: RB211-72-C547 VK0680 RB211-72-8910 VK0680 POST RAPID REVISION: RR92014-183A-RC-E FOR NHA/OTHER SYS DET SEE: 71-00-02-04	002004 006100 102102	RF
- 2	UL36209		ENGINE ASSY-Q.E.C.U. RB211-535E43719 MAXIMUM NEUT SUPPLIER CODE: VK0680 FOR NHA/OTHER SYS DET SEE: 71-00-02-04	950951	RF
- 3	BCREF17395		ENGINE ASSY-Q.E.C.U. RB211-535E43739 BASIC ENG CONFIGURATION AND PHASE 5 COMBUSTOR 40,100 LB THRUST SUPPLIER CODE: VK0680 OVERLENGTH PART NUMBER: RB211-535E4-37-39E FOR NHA/OTHER SYS DET SEE: 71-00-02-10	108120	RF

MISSING ITEM NUMBERS NOT APPLICABLE

- ITEM NOT ILLUSTRATED

74-21-01-02

74-21-01
FIG. 02
PAGE 2
JAN 20/09

BRI



757

PARTS CATALOG (MAINTENANCE)

FIG ITEM	PART NUMBER	1 2 3 4 5 6 7	NOMENCLATURE	EFFECT FROM TO	UNITS PER ASSY
2 -	3 BCRE17101		ENGINE ASSY-Q.E.C.U. RB211-535E43744 BASIC ENG CONFIGURATION,BAYONET MCD AND PHASE 5 COMBUSTOR 40,100 LB THRUST SUPPLIER CODE: VK0680 OVERLENGTH PART NUMBER: RB211-535E4-3744E FOR NHA/OTHER SYS DET SEE: 71-00-02-10	103106	RF
-	3 UL38163		ENGINE ASSY-Q.E.C.U. RB211-535E43724 BASIC ENG CONFIGURATION,BAYONET MCD 40,100 LB THRUST MCD, 40,100 LB THRUST SUPPLIER CODE: VK0680 FOR NHA/OTHER SYS DET SEE: 71-00-02-10	101101	RF
	4 UL12507		.CLIP- SUPPLIER CODE: VK0680 POST SERVICE BULLETIN: 72-C230PT01 VK0680	103106 108120	1
	5 UL12509		.CLIP- SUPPLIER CODE: VK0680 POST SERVICE BULLETIN: 72-C230PT01 VK0680 PRE SERVICE BULLETIN: 72-D352 VK0680	103106 108120	20
	6 UL12509		.CLIP- SUPPLIER CODE: VK0680 POST SERVICE BULLETIN: 71-6962PT01 VK0680	002004 006102 107107 121999	21
	7 UL12509		.CLIP- SUPPLIER CODE: VK0680 POST SERVICE BULLETIN: 72-D352PT01 VK0680	103106 108120	1

MISSING ITEM NUMBERS NOT APPLICABLE

- ITEM NOT ILLUSTRATED

74-21-01-02

74-21-01
FIG. 02
PAGE 3
JAN 20/09

BRI



757

PARTS CATALOG (MAINTENANCE)

FIG ITEM	PART NUMBER	1 2 3 4 5 6 7	NOMENCLATURE	EFFECT FROM TO	UNITS PER ASSY
2			ATTACHING PARTS		
8	AS21408		.BOLT- POST SERVICE BULLETIN: 74-8288PTA VK0680 PRE SERVICE BULLETIN: 71-8310 VK0680	002004 006100 102102 107107 121949 952999	7
9	AS21408		.BOLT- POST SERVICE BULLETIN: 72-D352PT01 VK0680	103106 108120	5
- 10	AS21408		.BOLT- POST SERVICE BULLETIN: 71-8310PT01 VK0680 PRE SERVICE BULLETIN: 74-8288 VK0680 72-D352 VK0680	002004 006999	6
12	AS21426		.BOLT- PRE SERVICE BULLETIN: 74-8288 VK0680	002004 006102 108120 950951	3
13	AS21426		.BOLT- POST SERVICE BULLETIN: 74-8288PTA VK0680 26-7205PT01 VK0680 PRE SERVICE BULLETIN: 71-8310 VK0680 74-8288 VK0680	002004 006100 102102 107107 121949 952999	2
14	AS21426		.BOLT- POST SERVICE BULLETIN: 74-8288PTA VK0680 71-8310PT01 VK0680 PRE SERVICE BULLETIN: 71-8310 VK0680	002004 006999	1

MISSING ITEM NUMBERS NOT APPLICABLE

- ITEM NOT ILLUSTRATED

BRI

74-21-01-02

74-21-01
FIG. 02
PAGE 4
JAN 20/09



757

PARTS CATALOG (MAINTENANCE)

FIG ITEM	PART NUMBER	1 2 3 4 5 6 7	NOMENCLATURE	EFFECT FROM TO	UNITS PER ASSY
2					
17	AS21415		.BOLT- POST SERVICE BULLETIN: 71-8310PT01 VK0680 PRE SERVICE BULLETIN: 72-D352 VK0680	002004 006999	1
17	AS21419		.BOLT- POST SERVICE BULLETIN: 72-D352PT01 VK0680	103106 108120	1
18	AS21409		.BOLT- POST SERVICE BULLETIN: 72-D352PT01 VK0680	103106 108120	1
19	AS21425		.BOLT- POST SERVICE BULLETIN: 71-8310PT01 VK0680	002004 006102 107107 121999	1
25	AS21432		.BOLT- POST SERVICE BULLETIN: 26-7205PT01 VK0680	107107 121949 952999	1
30	AS21440		.BOLT-	002004 006102 107107 121999	1
32	AS12943		.WASHER-	002004 006102 107107 121999	1
37	K8831		.WASHER- SUPPLIER CODE: VK0680 POST SERVICE BULLETIN: 72-D352PT01 VK0680 PRE SERVICE BULLETIN: 71-8310 VK0680	002004 006100 102949 952999	9
38	K8831		.WASHER- SUPPLIER CODE: VK0680 POST SERVICE BULLETIN: 71-8310PT01 VK0680 PRE SERVICE BULLETIN: 72-D352 VK0680	002004 006999	10

MISSING ITEM NUMBERS NOT APPLICABLE

- ITEM NOT ILLUSTRATED

BRI

74-21-01-02

BOEING PROPRIETARY - Copyright © - Unpublished Work - See title page for details.

74-21-01
FIG. 02
PAGE 5
JAN 20/09



757

PARTS CATALOG (MAINTENANCE)

FIG ITEM	PART NUMBER	1 2 3 4 5 6 7	NOMENCLATURE	EFFECT FROM TO	UNITS PER ASSY
2					
42	UP10480		. SPACER- SUPPLIER CODE: VK0680 POST SERVICE BULLETIN: 26-7205PT01 VK0680	107107 121949 952999	2
43	UP10482		. SPACER- SUPPLIER CODE: VK0680 POST SERVICE BULLETIN: 26-7205PT01 VK0680 72-C230PT01 VK0680	103949 952999	3
47	UP10479		. SPACER- SUPPLIER CODE: VK0680 POST SERVICE BULLETIN: 71-8310PT01 VK0680 PRE SERVICE BULLETIN: 72-D352 VK0680	002004 006999	1
47	UP10480		. SPACER- SUPPLIER CODE: VK0680 POST SERVICE BULLETIN: 72-D352PT01 VK0680	103106 108120	1
50	UP10482		. SPACER- SUPPLIER CODE: VK0680	002004 006102 950951	4
65	AS41104		. NUT-	002004 006102 107107 121999	2
67	AS20624		. NUT-	002004 006999	8
- 69	UL12509		. CLIP- SUPPLIER CODE: VK0680 POST SERVICE BULLETIN: 72-D352PT01 VK0680 -----*-----	103106 108120	13

MISSING ITEM NUMBERS NOT APPLICABLE

- ITEM NOT ILLUSTRATED

BRI

74-21-01-02

BOEING PROPRIETARY - Copyright © - Unpublished Work - See title page for details.

74-21-01
FIG. 02
PAGE 6
JAN 20/09



757

PARTS CATALOG (MAINTENANCE)

FIG ITEM	PART NUMBER	1 2 3 4 5 6 7	NOMENCLATURE	EFFECT FROM TO	UNITS PER ASSY
2					
90	66946		.LEAD ASSY-IGNITER SUPPLIER CODE: V83311 POSITION DATA: RH	002004 006102 107107 121999	1
90	431032-2		.LEAD-IGNITER BOX SUPPLIER CODE: V83311 POSITION DATA: RH POST SERVICE BULLETIN: 72-C230PT01 VK0680	103106 108120	1
900			ILLUSTRATION REFERENCE: HIGH ENERGY IGNITER PLUGS (RB211-535) 74-21-02-01	002004 006999	RF
905			ILLUSTRATION REFERENCE: IGNITION UNIT-HIGH ENERGY (RB211-535) 74-11-01-01	002004 006999	RF

MISSING ITEM NUMBERS NOT APPLICABLE

- ITEM NOT ILLUSTRATED

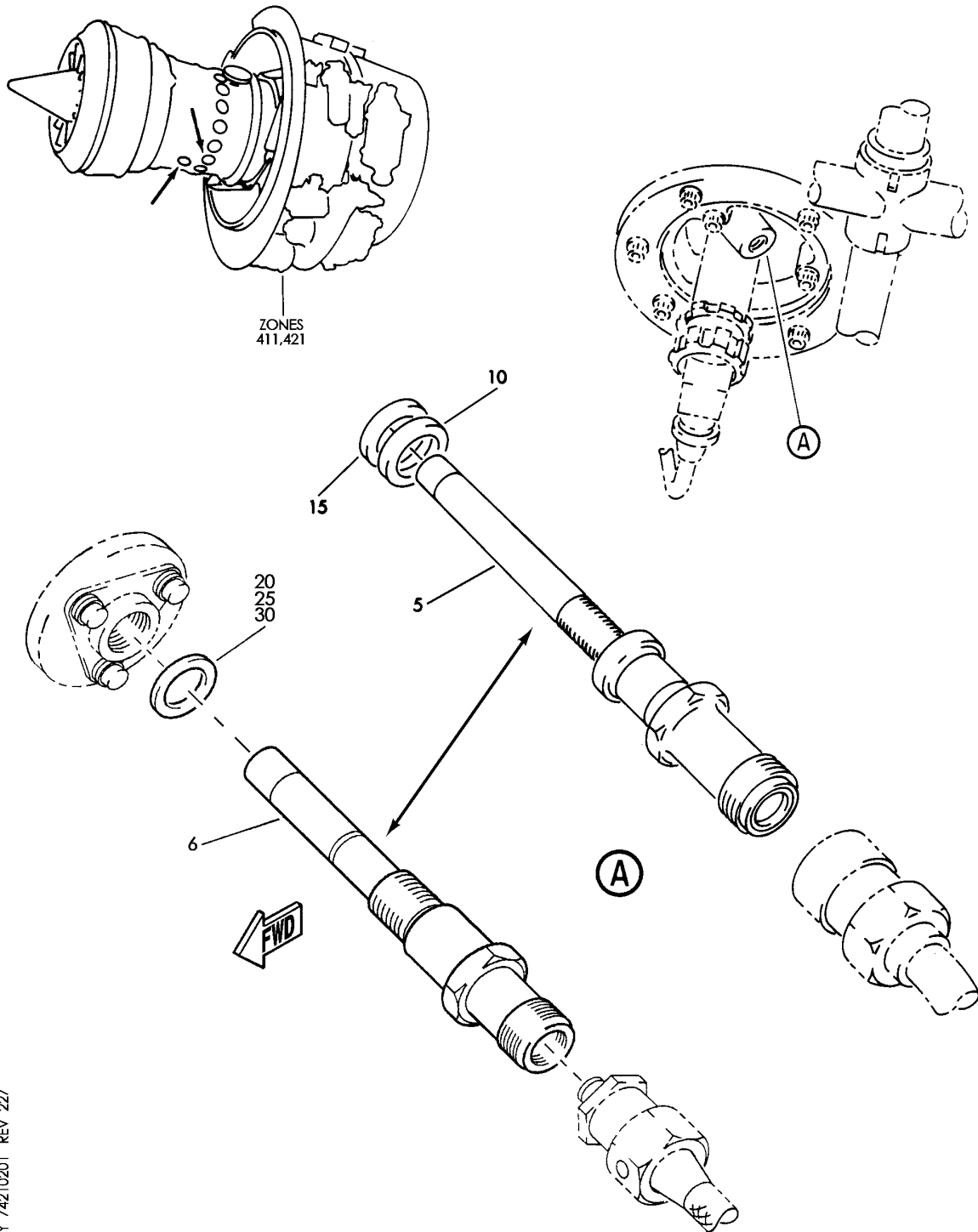
BRI

74-21-01-02

BOEING PROPRIETARY - Copyright © - Unpublished Work - See title page for details.

74-21-01
FIG. 02
PAGE 7
JAN 20/09

BOEING
757
PARTS CATALOG (MAINTENANCE)



Y 74210201 REV 227

HIGH ENERGY IGNITER PLUGS (RB211-535)
FIGURE 1

74-21-02-01

BRI
MAY 28/07

74-21-02-01
PAGE 0



757

PARTS CATALOG (MAINTENANCE)

FIG ITEM	PART NUMBER	1 2 3 4 5 6 7	NOMENCLATURE	EFFECT FROM TO	UNITS PER ASSY
1			HIGH ENERGY IGNITER PLUGS (RB211-535)	002004	
- 1	UL20697		ENGINE ASSY-Q.E.C.U. RB211-535E43711 MAXIMUM NEUT WITH GRAVINER FIRE DETECTORS, BAYONET MCD, NON-MODULATED IDG COOLING 40,000 LB THRUST SUPPLIER CODE: VK0680 REFERENCE SERVICE BULLETIN: 71-0058R4 QUALIFIED SB I/W DATA: INTERMIX OF ONE OR SUBSTITUTION OF TWO DIFFERENT CONFIGURATION RB211-535E4-37/() ENGINES FOR RB211-535 E4 BASE ENGINES REFERENCE SERVICE BULLETIN: RB211-72-C547 VK0680 FOR NHA/OTHER SYS DET SEE: 71-00-02-04	006999 121503 904949 952999	RF
- 1	UL20702		ENGINE ASSY-Q.E.C.U. RB211-535E43711 BASIC ENGINE CONFIG. WITH GRAVINER FIRE DETECTORS, BAYONET MCD, NON-MODULATED IDG COOLING 40,100 LB THRUST SUPPLIER CODE: VK0680 FOR NHA/OTHER SYS DET SEE: 71-00-02-10	504903	RF
- 1	UL19722		ENGINE ASSY-Q.E.C.U. RB211-535E43711 MAXIMUM NEUT SUPPLIER CODE: VK0680 FOR NHA/OTHER SYS DET SEE: 71-00-02-04	107107	RF

MISSING ITEM NUMBERS NOT APPLICABLE

- ITEM NOT ILLUSTRATED

BRI

74-21-02-01

BOEING PROPRIETARY - Copyright © - Unpublished Work - See title page for details.

74-21-02
FIG. 01
PAGE 1
JAN 20/09



757

PARTS CATALOG (MAINTENANCE)

FIG ITEM	PART NUMBER	1 2 3 4 5 6 7	NOMENCLATURE	EFFECT FROM TO	UNITS PER ASSY
1					
- 2	UL20698		ENGINE ASSY-Q.E.C.U. RB211-535E43711 MAXIMUM NEUT SUPPLIER CODE: VK0680 REFERENCE SERVICE BULLETIN: 71-0058R7 QUALIFIED SB I/W DATA: INTERMIX OF ONE OR SUBSTITUTION OF TWO DIFFERENT CONFIGURATION RB211-535E4-37/() ENGINES FOR RB211-535E4 BASE ENGINES OR DIFFERENT CONFIGURATION RB211-535E4-B-37/() ENGINES FOR RB211-535E4-B BASE ENGINES REFERENCE SERVICE BULLETIN: RB211-72-C547 VK0680 RB211-72-8910 VK0680 POST RAPID REVISION: RR92014-183A-RC-E FOR NHA/OTHER SYS DET SEE: 71-00-02-04	002004 006100 102102	RF
- 2	UL36209		ENGINE ASSY-Q.E.C.U. RB211-535E43719 MAXIMUM NEUT SUPPLIER CODE: VK0680 FOR NHA/OTHER SYS DET SEE: 71-00-02-04	950951	RF
- 3	BCREF17395		ENGINE ASSY-Q.E.C.U. RB211-535E43739 BASIC ENGINE CONFIGURATION AND PHASE 5 COMBUSTOR 40,100 LB THRUST SUPPLIER CODE: VK0680 OVERLENGTH PART NUMBER: RB211-535E4-37-39E FOR NHA/OTHER SYS DET SEE: 71-00-02-10	108120	RF

MISSING ITEM NUMBERS NOT APPLICABLE

- ITEM NOT ILLUSTRATED

74-21-02-01

74-21-02
FIG. 01
PAGE 2
JAN 20/09

BRI



757

PARTS CATALOG (MAINTENANCE)

FIG ITEM	PART NUMBER	1 2 3 4 5 6 7	NOMENCLATURE	EFFECT FROM TO	UNITS PER ASSY
1					
- 3	BCREF17101		ENGINE ASSY-Q.E.C.U. RB211-535E43744 BASIC ENGINE CONFIGURATION, BAYONET MCD AND PHASE 5 COMBUSTOR 40,100 LB THRUST SUPPLIER CODE: VK0680 OVERLENGTH PART NUMBER: RB211-535E4-3744E FOR NHA/OTHER SYS DET SEE: 71-00-02-10	103106	RF
- 3	UL38163		ENGINE ASSY-Q.E.C.U. RB211-535E43724 BASIC ENGINE CONFIGURATION, BAYONET MCD, 40,100 LB THRUST SUPPLIER CODE: VK0680 FOR NHA/OTHER SYS DET SEE: 71-00-02-10	101101	RF
- 4	UL12397		.IGNITION SYSTEM-HIGH ENERGY SUPPLIER CODE: VK0680 POST SERVICE BULLETIN: 26-7205PT01 VK0680 PRE SERVICE BULLETIN: 79-9179 VK0680	107107 121949 952999	RF
- 4	UL28059		.IGNITION SYSTEM-HIGH ENERGY SUPPLIER CODE: VK0680 POST SERVICE BULLETIN: 79-9179PT01 VK0680	002004 006106 108120 950951	RF
- 4	UL28692		.IGNITION SYSTEM-HIGH ENERGY SUPPLIER CODE: VK0680 POST SERVICE BULLETIN: 79-9179PT01 VK0680	107107 121949 952999	RF

MISSING ITEM NUMBERS NOT APPLICABLE

- ITEM NOT ILLUSTRATED

BRI

74-21-02-01

BOEING PROPRIETARY - Copyright © - Unpublished Work - See title page for details.

74-21-02
FIG. 01
PAGE 3
JAN 20/09



757

PARTS CATALOG (MAINTENANCE)

FIG ITEM	PART NUMBER	1 2 3 4 5 6 7	NOMENCLATURE	EFFECT FROM TO	UNITS PER ASSY
1					
5	YA211-19		..PLUG ASSY-HIGH ENERGY IGNITER SUPPLIER CODE: V70673 POST SERVICE BULLETIN: 74-9597PTA VK0680 PRE SERVICE BULLETIN: 74-9036 VK0680	002004 006100 102102 107107 121949 952999	2
5	YA211-19		..PLUG ASSY-HIGH ENERGY IGNITER SUPPLIER CODE: V70673 OPTIONAL PART: 2701RIG3 VK0802 POST SERVICE BULLETIN: 74-9036PTA VK0680 PRE SERVICE BULLETIN: 74-9597 VK0680	002004 006100 102102 107107 121949 952999	2
5	2701RIG3		..PLUG ASSY-HIGH ENERGY IGNITER SUPPLIER CODE: VK0802 OPTIONAL PART: YA211-19 V70673 POST SERVICE BULLETIN: 74-9036PTA VK0680 PRE SERVICE BULLETIN: 74-9597 VK0680	002004 006100 102102 107107 121949 952999	2
5	2701RIG4		..PLUG ASSY-HIGH ENERGY IGNITER SUPPLIER CODE: VK0802 OPTIONAL PART: YA211-19 V70673 POST SERVICE BULLETIN: 74-9597PTA VK0680 PRE SERVICE BULLETIN: 74-9699 VK0680	002004 006100 102102 107107 121949 952999	2

MISSING ITEM NUMBERS NOT APPLICABLE

- ITEM NOT ILLUSTRATED

74-21-02-01

74-21-02
FIG. 01
PAGE 4
JAN 20/09

BRI



757

PARTS CATALOG (MAINTENANCE)

FIG ITEM	PART NUMBER	1 2 3 4 5 6 7	NOMENCLATURE	EFFECT FROM TO	UNITS PER ASSY
1					
5	YA211-25		..PLUG ASSY-HIGH ENERGY IGNITER SUPPLIER CODE: V70673 OPTIONAL PART: CH34698 VOAFL4 POST SERVICE BULLETIN: 74-9718PTA VK0680 74-9699PT01 VK0680 PRE SERVICE BULLETIN: 72-C230 VK0680 74-9718 VK0680	002004 006102 107107 121999	2
5	CH34698		..PLUG ASSY-HIGH ENERGY IGNITER SUPPLIER CODE: VOAFL4 OPTIONAL PART: YA211-25 V70673 POST SERVICE BULLETIN: 74-9718PTA VK0680 PRE SERVICE BULLETIN: 72-C230 VK0680	002004 006102 107107 121999	2
5	CH34743		..PLUG ASSY-HIGH ENERGY IGNITER SUPPLIER CODE: VOAFL4 POST SERVICE BULLETIN: 72-C230PT01 VK0680	103106 108120	2
10	LK50396		..WASHER-THIN ADJUSTING SUPPLIER CODE: VK0680 PRE SERVICE BULLETIN: 72-C230 VK0680	002004 006999	1
15	EU45691		..WASHER-ADJUSTING SUPPLIER CODE: VK0680 PRE SERVICE BULLETIN: 72-C230 VK0680	002004 006999	1

MISSING ITEM NUMBERS NOT APPLICABLE

- ITEM NOT ILLUSTRATED

74-21-02-01

74-21-02
FIG. 01
PAGE 5
JAN 20/09

BRI



757

PARTS CATALOG (MAINTENANCE)

FIG ITEM	PART NUMBER	1 2 3 4 5 6 7	NOMENCLATURE	EFFECT FROM TO	UNITS PER ASSY
1					
20	FK20158		.. WASHER-IGNITER PLUG ADJUSTING SUPPLIER CODE: VK0680 POST SERVICE BULLETIN: 72-C230PT01 VK0680	103106 108120	1
25	FK20159		.. WASHER-IGNITER PLUG ADJUSTING SUPPLIER CODE: VK0680 POST SERVICE BULLETIN: 72-C230PT01 VK0680	103106 108120	1
30	FK20160		.. WASHER-IGNITER PLUG ADJUSTING SUPPLIER CODE: VK0680 POST SERVICE BULLETIN: 72-C230PT01 VK0680	103106 108120	1

MISSING ITEM NUMBERS NOT APPLICABLE

- ITEM NOT ILLUSTRATED

BRI

74-21-02-01

BOEING PROPRIETARY - Copyright © - Unpublished Work - See title page for details.

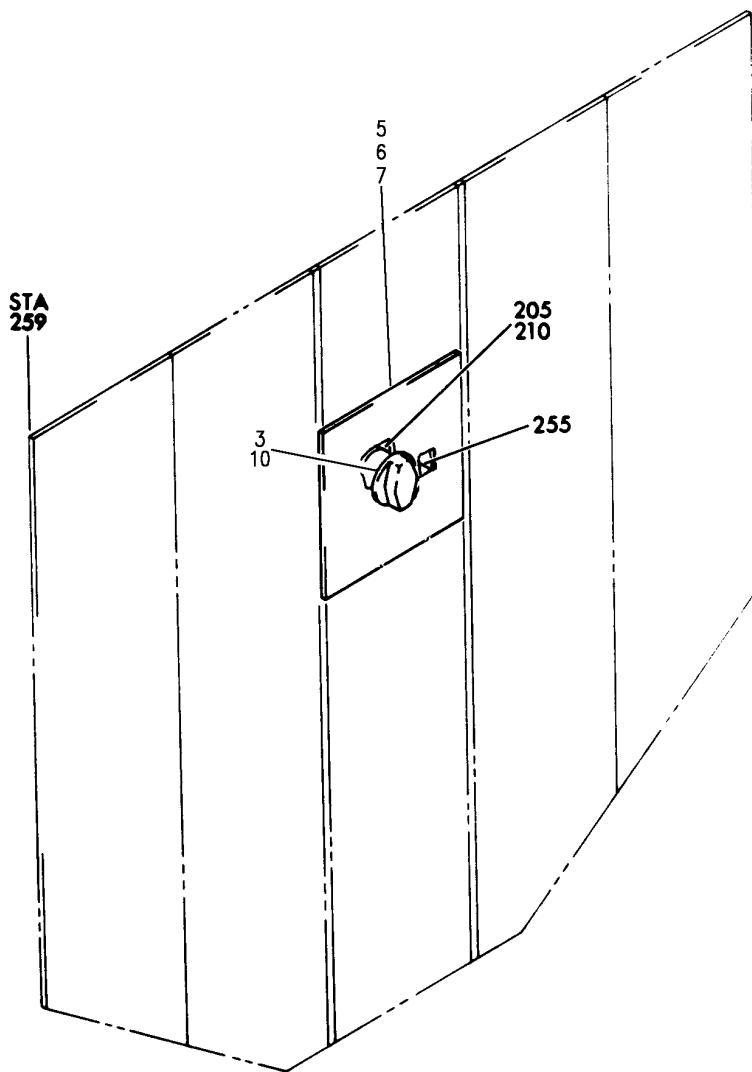
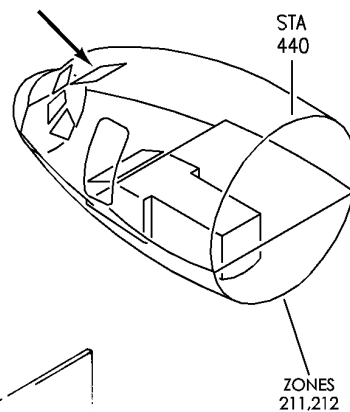
74-21-02
FIG. 01
PAGE 6
JAN 20/09

ENGINE IGNITION CONTROL

BRI
MAY 28/07

74-31-00
SECTION TITLE
PAGE 1

BOEING
757
PARTS CATALOG (MAINTENANCE)



Y 74315101 REV 277

PANEL INSTL-P5 OVERHEAD (IGNITION ONLY)
FIGURE 1

74-31-51-01

BRI
MAY 28/07

74-31-51-01
PAGE 0



**757
PARTS CATALOG (MAINTENANCE)**

FIG ITEM	PART NUMBER	1 2 3 4 5 6 7	NOMENCLATURE	EFFECT FROM TO	UNITS PER ASSY
1			PANEL INSTL-P5 OVERHEAD (IGNITION ONLY)	002004 006010 107107 121503 904999	
- 1	233N3101-1		PANEL INSTL-P5 OVERHEAD (IGNITION ONLY) VARIABLE DRAWING REF: 233N3101-5005 233N3101-5025 233N3101-5041 233N3101-5042 233N3101-5045 FOR NHA/OTHER SYS DET SEE: 25-10-00-05A	002004 006010 107107 121503 904999	RF
3	BP248-110		.KNOB- SUPPLIER CODE: V81590 SPECIFICATION NUMBER: 452-016-9001	002004 006010 107107 121503 904999	1
3	BP248-127		.KNOB- SUPPLIER CODE: V81590	002004 006010 107107 121503 904999	1
5	233N3223-17		.PANEL ASSY-ENG START/RAM AIR TURB SUPPLIER CODE: V89954 ELECTRICAL EQUIP NUMBER: M10468 COMPONENT MAINT MANUAL REF: 31-12-01 PRE SERVICE BULLETIN: 71-0001 PRE ALERT SB: 33A0044R1	002004 006010 107107 950999	RF
5	233N3223-52		.PANEL ASSY-ENG START/RAM AIR TURB SUPPLIER CODE: V89954 ELECTRICAL EQUIP NUMBER: M10468 COMPONENT MAINT MANUAL REF: 31-12-01 PRE ALERT SB: 33A0044R1	121503 904949	RF

MISSING ITEM NUMBERS NOT APPLICABLE

- ITEM NOT ILLUSTRATED

BRI

74-31-51-01

BOEING PROPRIETARY - Copyright © - Unpublished Work - See title page for details.

74-31-51
FIG. 01
PAGE 1
JAN 20/09



757

PARTS CATALOG (MAINTENANCE)

FIG ITEM	PART NUMBER	1 2 3 4 5 6 7	NOMENCLATURE	EFFECT FROM TO	UNITS PER ASSY
1	5 233N3223-37		.PANEL ASSY-ENG START/RAM AIR TURB SUPPLIER CODE: V89954 ELECTRICAL EQUIP NUMBER: M10468 COMPONENT MAINT MANUAL REF: 31-12-01 PRE ALERT SB: 33A0044	002004 006010 107107 950999	RF
	5 233N3223-32		.PANEL ASSY-ENG START/RAM AIR TURB SUPPLIER CODE: V89954 ELECTRICAL EQUIP NUMBER: M10468 COMPONENT MAINT MANUAL REF: 31-12-01 PRE ALERT SB: 33A0044	002004 006010 107107 950999	RF
	6 233N3223-39		.PANEL ASSY-ENG START/RAM AIR TURB SUPPLIER CODE: V89954 MISCELLANEOUS DATA: FOR SPARES PROCURE NEXT HIGHER ASSY ELECTRICAL EQUIP NUMBER: M10468 COMPONENT MAINT MANUAL REF: 31-12-01 QUALIFIED I/W DATA: THE 233N3223-300 PANEL ASSY IS I/W THE 233N3223-39 PANEL ASSY T/W THE S233T100-6046 LIGHTPLATE AND (3) BP248-127 KNOBS. PRE ALERT SB: 33A0044	002004 006010 107107 950999	RF

MISSING ITEM NUMBERS NOT APPLICABLE

- ITEM NOT ILLUSTRATED

BRI

74-31-51-01

BOEING PROPRIETARY - Copyright © - Unpublished Work - See title page for details.

74-31-51
FIG. 01
PAGE 2
JAN 20/09



757

PARTS CATALOG (MAINTENANCE)

FIG ITEM	PART NUMBER	1 2 3 4 5 6 7	NOMENCLATURE	EFFECT FROM TO	UNITS PER ASSY
1	6 233N3223-51		.PANEL ASSY-ENG START/RAM AIR TURB SUPPLIER CODE: V89954 ELECTRICAL EQUIP NUMBER: M10468 COMPONENT MAINT MANUAL REF: 31-12-01 PRE ALERT SB: 33A0044R1	121503 904949	RF
	6 233N3223-1039		.PANEL ASSY-ENG START/RAM AIR TURB SUPPLIER CODE: V89954 ELECTRICAL EQUIP NUMBER: M10468 COMPONENT MAINT MANUAL REF: 31-12-01 POST ALERT SB: 33A0044	002004 006010 107107 950999	RF
	6 233N3223-1017		.PANEL ASSY-ENG START/RAM AIR TURB SUPPLIER CODE: V89954 ELECTRICAL EQUIP NUMBER: M10468 COMPONENT MAINT MANUAL REF: 31-12-01 POST ALERT SB: 33A0044R1	002004 006010 107107 950999	RF
	6 233N3223-1032		.PANEL ASSY-ENG START/RAM AIR TURB SUPPLIER CODE: V89954 ELECTRICAL EQUIP NUMBER: M10468 COMPONENT MAINT MANUAL REF: 31-12-01 POST ALERT SB: 33A0044R1	002004 006010 107107 950999	RF

MISSING ITEM NUMBERS NOT APPLICABLE

- ITEM NOT ILLUSTRATED

BRI

74-31-51-01

BOEING PROPRIETARY - Copyright © - Unpublished Work - See title page for details.

74-31-51
FIG. 01
PAGE 3
JAN 20/09



757

PARTS CATALOG (MAINTENANCE)

FIG ITEM	PART NUMBER	1 2 3 4 5 6 7	NOMENCLATURE	EFFECT FROM TO	UNITS PER ASSY
1	6 233N3223-1037		.PANEL ASSY-ENG START/RAM AIR TURB SUPPLIER CODE: V89954 ELECTRICAL EQUIP NUMBER: M10468 COMPONENT MAINT MANUAL REF: 31-12-01 POST ALERT SB: 33A0044	002004 006010 107107 950999	RF
	7 233N3223-1051		.PANEL ASSY-ENG START/RAM AIR TURB SUPPLIER CODE: V89954 ELECTRICAL EQUIP NUMBER: M10468 COMPONENT MAINT MANUAL REF: 31-12-01 POST ALERT SB: 33A0044	121503 904949	RF
	7 233N3223-1052		.PANEL ASSY-ENG START/RAM AIR TURB SUPPLIER CODE: V89954 ELECTRICAL EQUIP NUMBER: M10468 COMPONENT MAINT MANUAL REF: 31-12-01 POST ALERT SB: 33A0044R1	121503 904949	RF
	10 AC45-0010-2		..SWITCH-ROTARY SUPPLIER CODE: V91812 OPTIONAL PART: AC45-0010-1 V91812	002004 006010 107107 121503 904999	1
	10 AC45-0010-1		..SWITCH-ROTARY SUPPLIER CODE: V91812 OPTIONAL PART: AC45-0010-2 V91812	002004 006010 107107 121503 904999	1
- 200	286N4230-001		WIRE BUNDLE ASSY-(IGNITION ONLY)	107107 121503 904949	RF
- 200	286N4230-002		WIRE BUNDLE ASSY-(IGNITION ONLY)	002004 006010 950999	RF

MISSING ITEM NUMBERS NOT APPLICABLE

- ITEM NOT ILLUSTRATED

74-31-51-01

74-31-51
FIG. 01
PAGE 4
JAN 20/09

BRI



757

PARTS CATALOG (MAINTENANCE)

FIG ITEM	PART NUMBER	1 2 3 4 5 6 7	NOMENCLATURE	EFFECT FROM TO	UNITS PER ASSY
1					
210	BACC45FT10A5S8	.	CONNECTOR- ELECTRICAL EQUIP NUMBER: D03580 WIRING DIAGRAM REF: 743111	121503 904949	1
210	BACC45FT12A12S	.	CONNECTOR- ELECTRICAL EQUIP NUMBER: D03580 WIRING DIAGRAM REF: 743111	002004 006010 107107 950999	1
- 250	286N4220-005		WIRE BUNDLE ASSY-(IGNITION ONLY)	107107	RF
- 250	286N4220-006		WIRE BUNDLE ASSY-(IGNITION ONLY)	121503 904949	RF
- 250	286N4220-007		WIRE BUNDLE ASSY-(IGNITION ONLY)	002004 006010 950999	RF
255	BACC45FT20A39S6	.	CONNECTOR- ELECTRICAL EQUIP NUMBER: D03574 WIRING DIAGRAM REF: 743121	002004 006010 950999	1
255	BCREF6357	.	CONNECTOR- OVERLENGTH PART NUMBER: BACC45FT20A39S10 ELECTRICAL EQUIP NUMBER: D03574 WIRING DIAGRAM REF: 801121 743121	121503 904949	1

MISSING ITEM NUMBERS NOT APPLICABLE

- ITEM NOT ILLUSTRATED

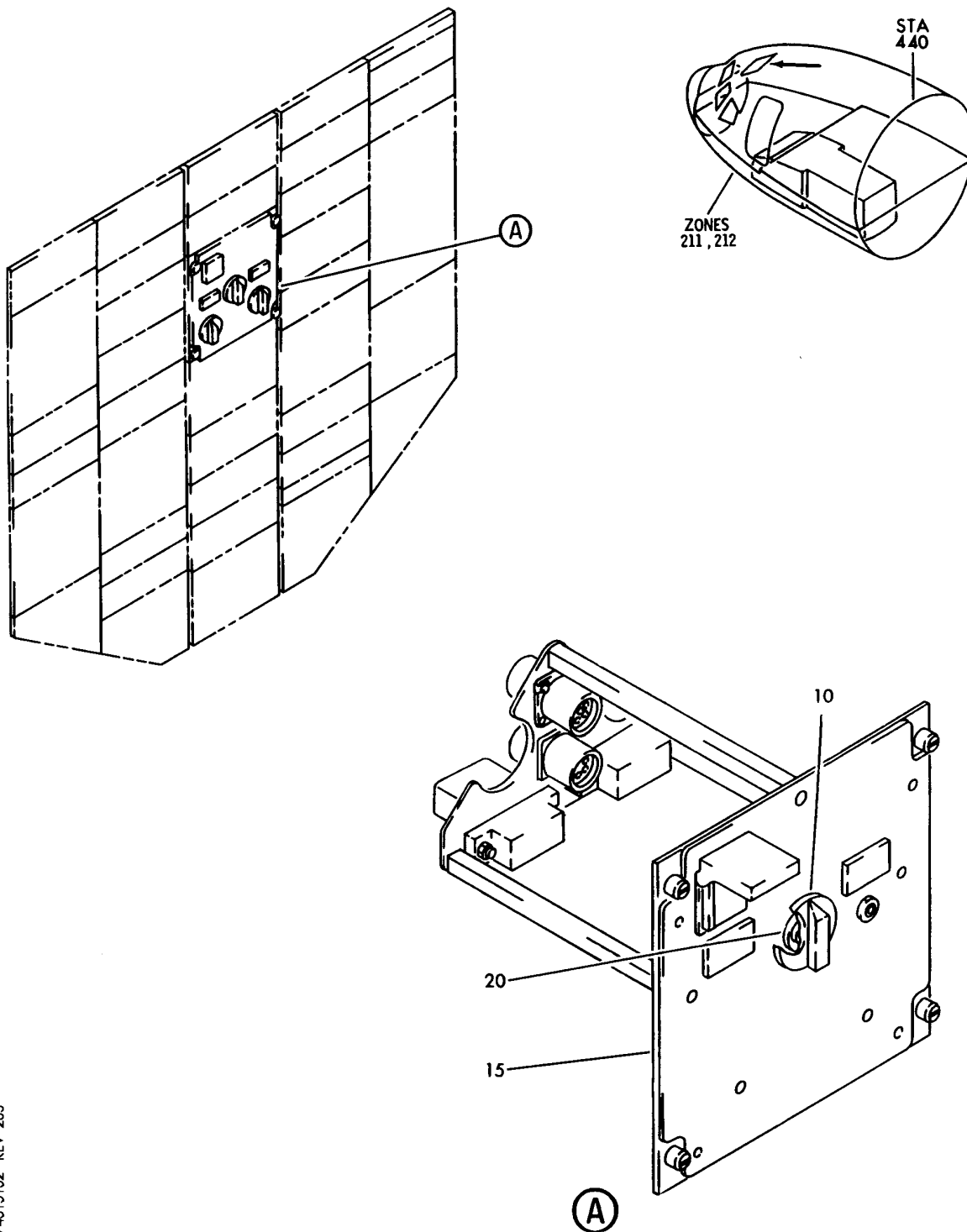
BRI

74-31-51-01

BOEING PROPRIETARY - Copyright © - Unpublished Work - See title page for details.

74-31-51
FIG. 01
PAGE 5
JAN 20/09

BOEING
757
PARTS CATALOG (MAINTENANCE)



Y 74315102 REV 205

PANEL INSTL-P5 OVERHEAD (IGNITION ONLY) (RB211-535)
FIGURE 2

74-31-51-02

BRI
MAY 28/07

74-31-51-02
PAGE 0



757

PARTS CATALOG (MAINTENANCE)

FIG ITEM	PART NUMBER	1 2 3 4 5 6 7	NOMENCLATURE	EFFECT FROM TO	UNITS PER ASSY
2			PANEL INSTL-P5 OVERHEAD (IGNITION ONLY) (RB211-535)	011100	
- 1	233N3101-1		PANEL INSTL-P5 OVERHEAD (IGNITION ONLY) VARIABLE DRAWING REF: 233N3101-5142 FOR NHA/OTHER SYS DET SEE: 25-10-00-05A	011100	RF
- 5	233N3223-300		.PANEL ASSY-ENG START/RAM AIR TURB SUPPLIER CODE: V89954 ELECTRICAL EQUIP NUMBER: M10468 COMPONENT MAINT MANUAL REF: 31-12-01 QUALIFIED I/W DATA: THE 233N3223-300 PANEL ASSY IS I/W THE 233N3223-39 PANEL ASSY T/W THE S233T100-6046 LIGHTPLATE AND (3) BP248-127 KNOBS. PRE ALERT SB: 33A0044	011100	RF
- 5	233N3223-1300		.PANEL ASSY-ENG START/RAM AIR TURB SUPPLIER CODE: V89954 ELECTRICAL EQUIP NUMBER: M10468 COMPONENT MAINT MANUAL REF: 31-12-01 OPTIONAL PART: 233N3223-1301 V89954 POST ALERT SB: 33A0044	011100	RF
- 5	233N3223-343		.PANEL ASSY-ENG START/RAT SUPPLIER CODE: V89954 ELECTRICAL EQUIP NUMBER: M10468	011100	RF
10	BP248-127		..KNOB- SUPPLIER CODE: V81590	011100	1

MISSING ITEM NUMBERS NOT APPLICABLE

- ITEM NOT ILLUSTRATED

BRI

74-31-51-02

BOEING PROPRIETARY - Copyright © - Unpublished Work - See title page for details.

74-31-51
FIG. 02
PAGE 1
JAN 20/09



757

PARTS CATALOG (MAINTENANCE)

FIG ITEM	PART NUMBER	1 2 3 4 5 6 7	NOMENCLATURE	EFFECT FROM TO	UNITS PER ASSY
2 15	233N3223-39		..PANEL ASSY- SUPPLIER CODE: V89954 MISCELLANEOUS DATA: FOR SPARES PROCURE NEXT HIGHER ASSY COMPONENT MAINT MANUAL REF: 31-12-01 QUALIFIED I/W DATA: THE 233N3223-300 PANEL ASSY IS I/W THE 233N3223-39 PANEL ASSY T/W THE S233T100-6046 LIGHTPLATE AND (3) BP248-127 KNOBS. PRE ALERT SB: 33A0044	011100	RF
15	233N3223-1039		..PANEL ASSY- SUPPLIER CODE: V89954 ELECTRICAL EQUIP NUMBER: M10468 COMPONENT MAINT MANUAL REF: 31-12-01 POST ALERT SB: 33A0044	011100	RF
15	233N3223-53		..PANEL ASSY- SUPPLIER CODE: V89954 MISCELLANEOUS DATA: FOR SPARES PROCURE NEXT HIGHER ASSY COMPONENT MAINT MANUAL REF: 31-12-01 USED ON: 233N3223-343	011100	RF
20	AC45-0010-2		...SWITCH-ROTARY SUPPLIER CODE: V91812 OPTIONAL PART: AC45-0010-1 V91812	011100	1
20	AC45-0010-1		...SWITCH-ROTARY SUPPLIER CODE: V91812 OPTIONAL PART: AC45-0010-2 V91812	011100	1

MISSING ITEM NUMBERS NOT APPLICABLE

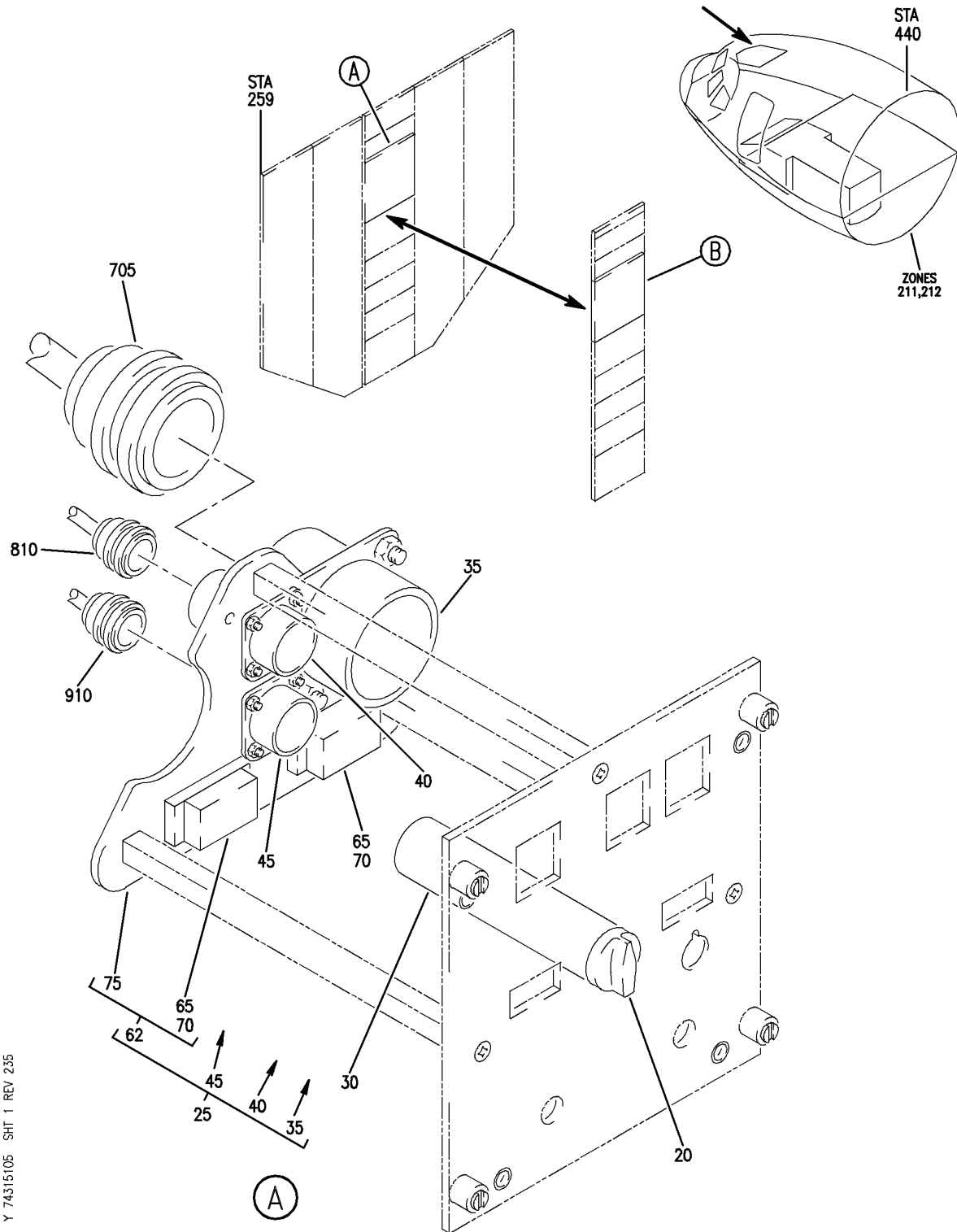
- ITEM NOT ILLUSTRATED

74-31-51-02

74-31-51
 FIG. 02
 PAGE 2
 JAN 20/09

BRI

BOEING
757
PARTS CATALOG (MAINTENANCE)



Y 74315105 SHT 1 REV 235

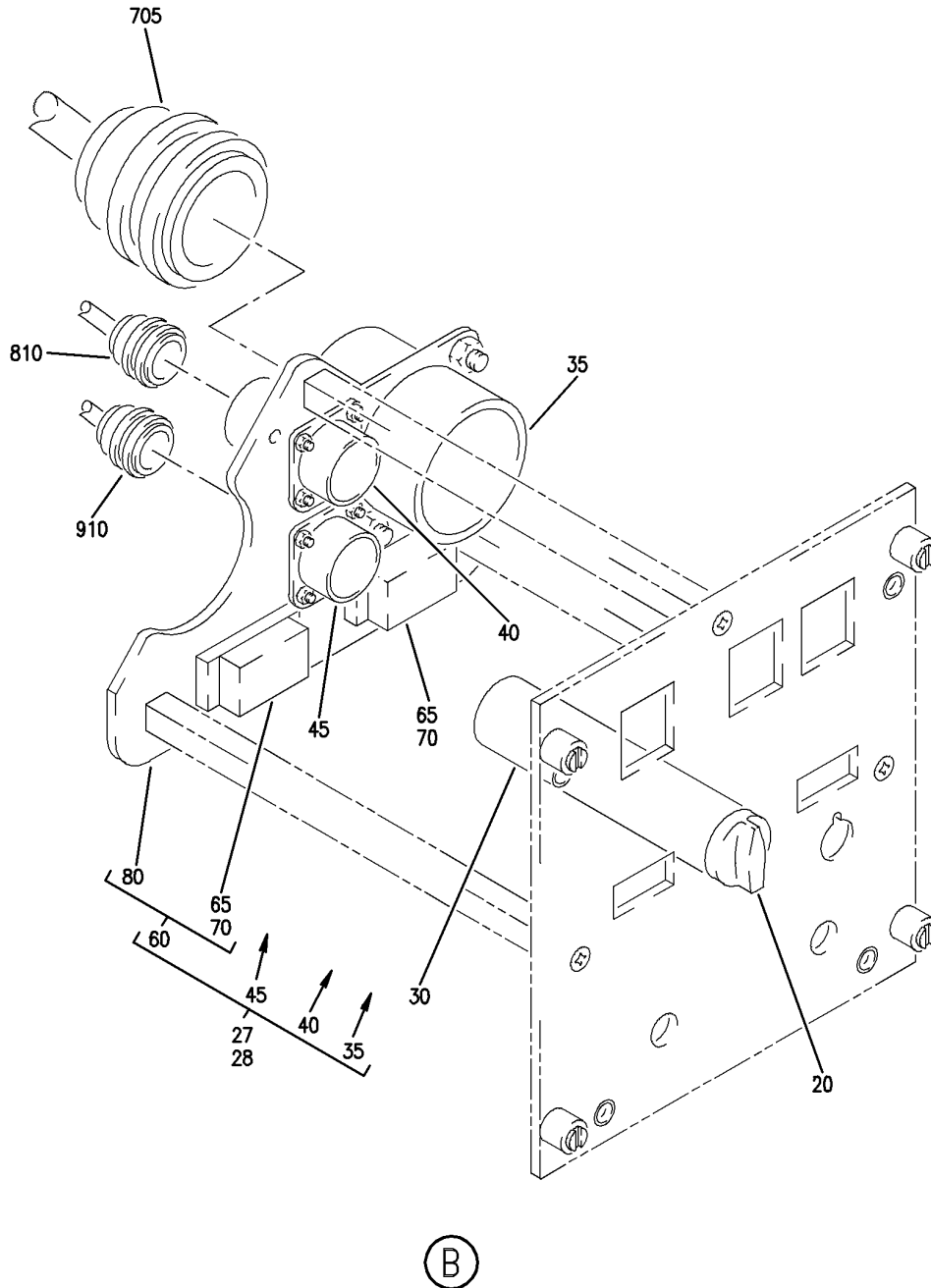
PANEL INSTL-P5 OVHD (SWITCHING ONLY)
FIGURE 5 (SHEET 1)

74-31-51-05

BRI
MAY 28/07

74-31-51-05
PAGE 0

BOEING
757
PARTS CATALOG (MAINTENANCE)



Y 74315105 SHT 2 REV 240

PANEL INSTL-P5 OVHD (SWITCHING ONLY)
FIGURE 5 (SHEET 2)

74-31-51-05

BRI
MAY 28/07

74-31-51-05
PAGE 0A



757

PARTS CATALOG (MAINTENANCE)

FIG ITEM	PART NUMBER	1 2 3 4 5 6 7	NOMENCLATURE	EFFECT FROM TO	UNITS PER ASSY
5			PANEL INSTL-P5 OVHD (SWITCHING ONLY)	101106 108120 504903	
- 3	233N3103-132		PANEL INSTL-P5 OVHD (SWITCHING ONLY) FOR NHA/OTHER SYS DET SEE: 25-10-00-15E	101102	RF
- 3	233N3103-136		PANEL INSTL-P5 OVHD (SWITCHING ONLY) FOR NHA/OTHER SYS DET SEE: 25-10-00-15E	504903	RF
- 6	233N3103-59		PANEL INSTL-P5 OVHD (SWITCHING ONLY) FOR NHA/OTHER SYS DET SEE: 25-10-00-15E	108120	RF
- 7	MODREF33760		PANEL INSTL-P5 OVHD (SWITCHING ONLY) MODULE NUMBER: 233N3103-351 REV C FOR OTHER SYS DETAILS SEE: 11-31-10-12 21-25-55-03 21-31-01-02 21-33-51-03 21-51-54-03 21-58-19-10 21-58-51-03 21-61-04-03 21-65-51-01 22-21-01-04 22-24-51-02 23-24-01-01 23-32-00-11 23-42-02-02 23-71-05-02 24-11-52-05 24-22-01-03 24-31-01-10 24-31-03-09 24-33-04-01 24-41-51-04 24-51-62-01 26-18-51-04 27-21-53-02 27-41-55-01 27-61-51-03 27-62-52-02 28-22-51-02 28-41-04-01	103103	1
MISSING ITEM NUMBERS NOT APPLICABLE					

- ITEM NOT ILLUSTRATED

74-31-51-05

74-31-51
FIG. 05
PAGE 1
JAN 20/09

BRI



757

PARTS CATALOG (MAINTENANCE)

FIG ITEM	PART NUMBER	1 2 3 4 5 6 7	NOMENCLATURE	EFFECT FROM TO	UNITS PER ASSY
5			28-41-51-03 29-11-02-03 29-11-05-04 29-11-52-07 29-21-54-03 29-31-00-01 29-32-51-03 29-33-52-03 30-11-51-03 30-21-51-03 30-31-51-02 30-32-51-01 30-33-51-02 30-41-51-03 30-42-51-03 31-12-11-91 31-12-11-91 A 32-42-52-03 33-11-03-03 33-11-51-17 33-13-01-65 33-13-02-03 33-16-51-03 33-24-51-02 33-41-52-04 33-42-01-04 33-42-02-04 33-42-52-04 33-43-51-04 33-44-51-05 33-45-53-03 33-51-08-05 34-21-02-01 35-21-51-04 36-11-04-01 36-21-00-01 36-21-02-05 36-22-51-03 49-41-00-02 49-52-00-01 49-70-00-01 52-51-51-03 52-71-51-02 73-21-52-02 75-32-00-01 80-11-09-02		
- 7	MODREF34038		PANEL INSTL-P5 OVHD (SWITCHING ONLY) MODULE NUMBER: MISSING ITEM NUMBERS NOT APPLICABLE	104105	1

- ITEM NOT ILLUSTRATED

BRI

74-31-51-05

BOEING PROPRIETARY - Copyright © - Unpublished Work - See title page for details.

74-31-51
FIG. 05
PAGE 2
JAN 20/09



757

PARTS CATALOG (MAINTENANCE)

FIG ITEM	PART NUMBER	1 2 3 4 5 6 7 NOMENCLATURE	EFFECT FROM TO	UNITS PER ASSY
5		233N3103-351 REV D FOR OTHER SYS DETAILS SEE : 11-31-10-12 21-25-55-03 21-31-01-02 21-33-51-03 21-51-54-03 21-58-19-10 21-58-51-03 21-61-04-03 21-65-51-01 22-21-01-04 22-24-51-02 23-24-01-01 23-32-00-11 23-42-02-02 23-71-05-02 24-11-52-05 24-22-01-03 24-31-01-10 24-31-03-09 24-33-04-01 24-41-51-04 24-51-62-01 26-18-51-04 27-21-53-02 27-41-55-01 27-61-51-03 27-62-52-02 28-22-51-02 28-41-04-01 28-41-51-03 29-11-02-03 29-11-05-04 29-11-52-07 29-21-54-03 29-31-00-01 29-32-51-03 29-33-52-03 30-11-51-03 30-21-51-03 30-31-51-02 30-32-51-01 30-33-51-02 30-41-51-03 30-42-51-03 31-12-11-91 31-12-11-91A 32-42-52-03 MISSING ITEM NUMBERS NOT APPLICABLE		

- ITEM NOT ILLUSTRATED

74-31-51-05

74-31-51
FIG. 05
PAGE 3
JAN 20/09

BRI



757

PARTS CATALOG (MAINTENANCE)

FIG ITEM	PART NUMBER	1 2 3 4 5 6 7	NOMENCLATURE	EFFECT FROM TO	UNITS PER ASSY
5			33-11-03-03 33-11-51-17 33-13-01-65 33-13-02-03 33-16-51-03 33-24-51-02 33-41-52-04 33-42-01-04 33-42-02-04 33-42-52-04 33-43-51-04 33-44-51-05 33-45-53-03 33-51-08-05 34-21-02-01 35-21-51-04 36-11-04-01 36-21-00-01 36-21-02-05 36-22-51-03 49-41-00-02 49-52-00-01 49-70-00-01 52-51-51-03 52-71-51-02 73-21-52-02 75-32-00-01 80-11-09-02		
- 8	MODREF170180		PANEL INSTL-P5 OVHD (SWITCHING ONLY) MODULE NUMBER: 233N3103-353 REV B FOR OTHER SYS DETAILS SEE: 11-31-10-12 21-25-55-03 21-31-01-02 21-33-51-03 21-51-54-03 21-58-19-10 21-58-51-03 21-61-04-03 21-65-51-01 22-21-01-04 22-24-51-02 23-24-01-01 23-32-00-11 23-42-02-02 23-71-05-02 24-11-52-05	106106	1
MISSING ITEM NUMBERS NOT APPLICABLE					

- ITEM NOT ILLUSTRATED

BRI

74-31-51-05

BOEING PROPRIETARY - Copyright © - Unpublished Work - See title page for details.

74-31-51
FIG. 05
PAGE 4
JAN 20/09



757

PARTS CATALOG (MAINTENANCE)

FIG ITEM	PART NUMBER	1 2 3 4 5 6 7 NOMENCLATURE	EFFECT FROM TO	UNITS PER ASSY
5		24-22-01-03 24-31-01-10 24-31-03-09 24-33-04-01 24-41-51-04 24-51-62-01 26-18-51-04 27-21-53-02 27-41-55-01 27-61-51-03 27-62-52-02 28-22-51-02 28-41-04-01 28-41-51-03 29-11-02-03 29-11-05-04 29-11-52-07 29-21-54-03 29-31-00-01 29-32-51-03 29-33-52-03 30-11-51-03 30-21-51-03 30-31-51-02 30-32-51-01 30-33-51-02 30-41-51-03 30-42-51-03 31-12-11-84 31-12-11-84 A 32-42-52-03 33-11-03-03 33-11-51-17 33-13-01-65 33-13-02-03 33-16-51-03 33-24-51-02 33-41-52-04 33-42-01-04 33-42-02-04 33-42-52-04 33-43-51-04 33-44-51-05 33-45-53-03 33-51-08-05 34-21-02-01 35-21-51-04 36-11-04-01 36-21-00-01		

MISSING ITEM NUMBERS NOT APPLICABLE

- ITEM NOT ILLUSTRATED

74-31-51-05

74-31-51
FIG. 05
PAGE 5
JAN 20/09

BRI



757

PARTS CATALOG (MAINTENANCE)

FIG ITEM	PART NUMBER	1 2 3 4 5 6 7	NOMENCLATURE	EFFECT FROM TO	UNITS PER ASSY
5			36-21-02-05 36-22-51-03 49-41-00-02 49-52-00-01 49-70-00-01 52-51-51-03 52-71-51-02 73-21-52-02 75-32-00-01 80-11-09-02		
- 15	233N3223-300		.PANEL ASSY-ENG START/RAM AIR TURB SUPPLIER CODE: V89954 ELECTRICAL EQUIP NUMBER: M10468 COMPONENT MAINT MANUAL REF: 31-12-01 QUALIFIED I/W DATA: THE 233N3223-300 PANEL ASSY IS I/W THE 233N3223-39 PANEL ASSY T/W THE S233T100-6046 LIGHTPLATE AND (3) BP248-127 KNOBS. OPTIONAL PART: 233N3223-301 V89954 PRE ALERT SB: 33A0044	101102 108120	RF

MISSING ITEM NUMBERS NOT APPLICABLE

- ITEM NOT ILLUSTRATED

BRI

74-31-51-05

BOEING PROPRIETARY - Copyright © - Unpublished Work - See title page for details.

74-31-51
FIG. 05
PAGE 6
JAN 20/09



757

PARTS CATALOG (MAINTENANCE)

FIG ITEM	PART NUMBER	1 2 3 4 5 6 7	NOMENCLATURE	EFFECT FROM TO	UNITS PER ASSY
5 - 15	233N3223-301		.PANEL ASSY-ENG START/RAM AIR TURB SUPPLIER CODE: V89954 ELECTRICAL EQUIP NUMBER: M10468 COMPONENT MAINT MANUAL REF: 31-12-01 QUALIFIED I/W DATA: THE 233N3223-301 PANEL ASSY IS I/W THE 233N3223-40 PANEL ASSY T/W THE S233T100-6046 LIGHTPLATE AND (3) BP248-127 KNOBS. OPTIONAL PART: 233N3223-300 V89954 PRE ALERT SB: 33A0044	101102 108120	RF
- 15	233N3223-302		.PANEL ASSY-ENG START/RAM AIR TURB SUPPLIER CODE: V89954 ELECTRICAL EQUIP NUMBER: M10468 QUALIFIED I/W DATA: THE 233N3223-302 PANEL ASSY IS I/W THE 233N3223-50 PANEL ASSY T/W THE S233T100-6046 LIGHTPLATE AND (3) BP248-127 KNOBS. PRE ALERT SB: 33A0044	504903	RF
- 15	233N3223-343		.PANEL ASSY-ENG START/RAM AIR TURB SUPPLIER CODE: V89954 ELECTRICAL EQUIP NUMBER: M10468	101106 108120	RF

MISSING ITEM NUMBERS NOT APPLICABLE

- ITEM NOT ILLUSTRATED

BRI

74-31-51-05

BOEING PROPRIETARY - Copyright © - Unpublished Work - See title page for details.

74-31-51
FIG. 05
PAGE 7
JAN 20/09



757

PARTS CATALOG (MAINTENANCE)

FIG ITEM	PART NUMBER	1 2 3 4 5 6 7	NOMENCLATURE	EFFECT FROM TO	UNITS PER ASSY
5					
- 15	233N3223-1300		.PANEL ASSY-ENG START/RAM AIR TURB SUPPLIER CODE: V89954 ELECTRICAL EQUIP NUMBER: M10468 COMPONENT MAINT MANUAL REF: 31-12-01 OPTIONAL PART: 233N3223-1301 V89954 POST ALERT SB: 33A0044	101102 108120	RF
- 15	233N3223-1301		.PANEL ASSY-ENG START/RAM AIR TURB SUPPLIER CODE: V89954 ELECTRICAL EQUIP NUMBER: M10468 COMPONENT MAINT MANUAL REF: 31-12-01 OPTIONAL PART: 233N3223-1300 V89954 POST ALERT SB: 33A0044	101102 108120	RF
- 16	233N3223-1302		.PANEL ASSY-ENG START/RAM AIR TURB SUPPLIER CODE: V89954 ELECTRICAL EQUIP NUMBER: M10468 POST ALERT SB: 33A0044	504903	RF
20	BP248-127		..KNOB- SUPPLIER CODE: V81590	101106 108120 504903	1
20	BP248-110		..KNOB- SUPPLIER CODE: V81590 SPECIFICATION NUMBER: 452-016-9001	101106 108120 504903	1

MISSING ITEM NUMBERS NOT APPLICABLE

- ITEM NOT ILLUSTRATED

74-31-51-05

74-31-51
FIG. 05
PAGE 8
JAN 20/09

BRI



757

PARTS CATALOG (MAINTENANCE)

FIG ITEM	PART NUMBER	1 2 3 4 5 6 7	NOMENCLATURE	EFFECT FROM TO	UNITS PER ASSY
5 25	233N3223-39		..PANEL ASSY- SUPPLIER CODE: V89954 MISCELLANEOUS DATA: FOR SPARES PROCURE NEXT HIGHER ASSY COMPONENT MAINT MANUAL REF: 31-12-01 QUALIFIED I/W DATA: THE 233N3223-300 PANEL ASSY IS I/W THE 233N3223-39 PANEL ASSY T/W THE S233T100-6046 LIGHTPLATE AND (3) BP248-127 KNOBS. USED ON: 233N3223-300 PRE ALERT SB: 33A0044	101102 108120	RF
25	233N3223-40		..PANEL ASSY- SUPPLIER CODE: V89954 MISCELLANEOUS DATA: FOR SPARES PROCURE NEXT HIGHER ASSY COMPONENT MAINT MANUAL REF: 31-12-01 QUALIFIED I/W DATA: THE 233N3223-301 PANEL ASSY IS I/W THE 233N3223-40 PANEL ASSY T/W THE S233T100-6046 LIGHTPLATE AND (3) BP248-127 KNOBS. USED ON: 233N3223-301 PRE ALERT SB: 33A0044	101102 108120	RF

MISSING ITEM NUMBERS NOT APPLICABLE

- ITEM NOT ILLUSTRATED

BRI

74-31-51-05

BOEING PROPRIETARY - Copyright © - Unpublished Work - See title page for details.

74-31-51
 FIG. 05
 PAGE 9
 JAN 20/09



757

PARTS CATALOG (MAINTENANCE)

FIG ITEM	PART NUMBER	1 2 3 4 5 6 7	NOMENCLATURE	EFFECT FROM TO	UNITS PER ASSY
5					
25	233N3223-53		..PANEL ASSY- SUPPLIER CODE: V89954 MISCELLANEOUS DATA: FOR SPARES PROCURE NEXT HIGHER ASSY COMPONENT MAINT MANUAL REF: 31-12-01 USED ON: 233N3223-343 USED ON: 233N3223-343	101106 108120	RF
25	233N3223-1039		..PANEL ASSY- SUPPLIER CODE: V89954 COMPONENT MAINT MANUAL REF: 31-12-01 USED ON: 233N3223-1300 POST ALERT SB: 33A0044	101102 108120	RF
25	233N3223-1040		..PANEL ASSY- SUPPLIER CODE: V89954 COMPONENT MAINT MANUAL REF: 31-12-01 USED ON: 233N3223-1301 POST ALERT SB: 33A0044	101102 108120	RF
27	233N3223-50		..PANEL ASSY- SUPPLIER CODE: V89954 COMPONENT MAINT MANUAL REF: 31-12-01 QUALIFIED I/W DATA: THE 233N3223-302 PANEL ASSY IS I/W THE 233N3223-50 PANEL ASSY T/W THE S233T100-6046 LIGHTPLATE AND (3) BP248-127 KNOBS. PRE ALERT SB: 33A0044	504903	RF

MISSING ITEM NUMBERS NOT APPLICABLE

- ITEM NOT ILLUSTRATED

BRI

74-31-51-05

BOEING PROPRIETARY - Copyright © - Unpublished Work - See title page for details.

74-31-51
FIG. 05
PAGE 10
JAN 20/09



757

PARTS CATALOG (MAINTENANCE)

FIG ITEM	PART NUMBER	1 2 3 4 5 6 7	NOMENCLATURE	EFFECT FROM TO	UNITS PER ASSY
5					
27	233N3223-1050	..	PANEL ASSY- SUPPLIER CODE: V89954 COMPONENT MAINT MANUAL REF: 31-12-01 POST ALERT SB: 33A0044	504903	RF
30	AC45-0010-2	...	SWITCH-ROTARY SUPPLIER CODE: V91812 OPTIONAL PART: AC45-0010-1 V91812	101106 108120 504903	1
30	AC45-0010-1	...	SWITCH-ROTARY SUPPLIER CODE: V91812 OPTIONAL PART: AC45-0010-2 V91812	101106 108120 504903	1
35	BACC45FN20-39P6	...	CONNECTOR	101106 108120	1
35	R071720-39P10	...	CONNECTOR- SUPPLIER CODE: V41118 SPECIFICATION NUMBER: BCREF5794 OVERLENGTH PART NUMBER: BACC45FN20-39P10	504903	1
40	BACC45FN10-5P8	...	CONNECTOR	504903	1
40	BACC45FN12-12P	...	CONNECTOR	101106 108120	1
45	BACC45FN10-5P9	...	CONNECTOR	504903	1
45	BACC45FN12-12P9	...	CONNECTOR	101106 108120	1
- 50	NAS1801-04-5	...	ATTACHING PARTS SCREW- USED ON: 233N3223-39 233N3223-40 233N3223-42 233N3223-50 233N3223-1039 233N3223-1040 233N3223-1042 233N3223-1050	101102 108120 504903	6

MISSING ITEM NUMBERS NOT APPLICABLE

- ITEM NOT ILLUSTRATED

BRI

74-31-51-05

BOEING PROPRIETARY - Copyright © - Unpublished Work - See title page for details.

74-31-51
FIG. 05
PAGE 11
JAN 20/09



757

PARTS CATALOG (MAINTENANCE)

FIG ITEM	PART NUMBER	1 2 3 4 5 6 7	NOMENCLATURE	EFFECT FROM TO	UNITS PER ASSY
5					
- 51	NAS1801-04-5	...	SCREW- OPTIONAL PART: BACS12HN04-5 USED ON: 233N3223-53	101106 108120	7
- 51	BACS12HN04-5	...	SCREW- OPTIONAL PART: NAS1801-04-5 USED ON: 233N3223-53 233N3223-54	101106 108120	7
- 55	K19798-04	...	NUT- SUPPLIER CODE: V15653 SPECIFICATION NUMBER: BACN10NW1 OPTIONAL PART: RMA4812-160-40 V72962 293162 V60119 USED ON: 233N3223-39 233N3223-40 233N3223-42 233N3223-50 233N3223-1039 233N3223-1040 233N3223-1042 233N3223-1050	101102 108120 504903	6
- 56	K19798-04	...	NUT- SUPPLIER CODE: V15653 SPECIFICATION NUMBER: BACN10NW1 OPTIONAL PART: RMA4812-160-40 V72962 293162 V60119 USED ON: 233N3223-53 233N3223-54	101106 108120	7
60	233N3223-4	-----*	...BRACKET ASSY-SPRT SUPPLIER CODE: V89954	504903	1

MISSING ITEM NUMBERS NOT APPLICABLE

- ITEM NOT ILLUSTRATED

BRI

74-31-51-05

BOEING PROPRIETARY - Copyright © - Unpublished Work - See title page for details.

74-31-51
FIG. 05
PAGE 12
JAN 20/09



757

PARTS CATALOG (MAINTENANCE)

FIG ITEM	PART NUMBER	1 2 3 4 5 6 7	NOMENCLATURE	EFFECT FROM TO	UNITS PER ASSY
5					
62	233N3223-35	...	BRACKET ASSY-SPRT SUPPLIER CODE: V89954	101106 108120	1
65	ES210-1632	RELAY SUPPLIER CODE: V99699 SPECIFICATION NUMBER: BACR13CF2AB OPTIONAL PART: JD4L018 V35344 JD4L031 V35344 BR246S0111 V56623 BR64S105 V56623 FCA210-71 V78290 61GB2319-1A320 V98927	101106 108120 504903	2
70	RSF116200	SOCKET- SUPPLIER CODE: V58982 SPECIFICATION NUMBER: BACS16X1A OPTIONAL PART: 102-006-1 V09922 000300-1538 V05574	101106 108120 504903	2
75	233N3250-49	BRACKET-CONN.	101106 108120	1
80	233N3250-29	BRACKET	504903	1
- 700	286N4220-305		WIRE BUNDLE ASSY	101102	RF
- 700	286N4220-312		WIRE BUNDLE ASSY	504903	RF
- 701	286N4220-320		WIRE BUNDLE ASSY	108120	RF
705	BACC45FT20A39S6	.	CONNECTOR- ELECTRICAL EQUIP NUMBER: D03574 WIRING DIAGRAM REF: 743121	101102 108120	1
705	BCREF6357	.	CONNECTOR- OVERLENGTH PART NUMBER: BACC45FT20A39S10 ELECTRICAL EQUIP NUMBER: D03574 WIRING DIAGRAM REF: 743121	504903	1

MISSING ITEM NUMBERS NOT APPLICABLE

- ITEM NOT ILLUSTRATED

74-31-51-05

74-31-51
FIG. 05
PAGE 13
JAN 20/09

BRI



757

PARTS CATALOG (MAINTENANCE)

FIG ITEM	PART NUMBER	1 2 3 4 5 6 7	NOMENCLATURE	EFFECT FROM TO	UNITS PER ASSY
5					
- 805	286N4230-306		WIRE BUNDLE ASSY	101102 108120	RF
- 805	286N4230-311		WIRE BUNDLE ASSY-	504903	RF
- 808	286N6664-601		WIRE BUNDLE ASSY	103106	RF
810	BACC45FT10A5S8		.CONNECTOR- ELECTRICAL EQUIP NUMBER: D03580 WIRING DIAGRAM REF: 743111	504903	1
810	BACC45FT12A12S		.CONNECTOR- ELECTRICAL EQUIP NUMBER: D03580 WIRING DIAGRAM REF: 743111	101106 108120	1
- 900	286N4234-308		WIRE BUNDLE ASSY	101101	RF
- 900	286N4234-316		WIRE BUNDLE ASSY	102102 108120	RF
- 900	286N4234-321		WIRE BUNDLE ASSY	504903	RF
- 908	286N6668-601		WIRE BUNDLE ASSY	103106	RF
910	BACC45FT10A5S9		.CONNECTOR- ELECTRICAL EQUIP NUMBER: D03582 WIRING DIAGRAM REF: 743121	504903	1
910	BACC45FT12A12S9		.CONNECTOR- ELECTRICAL EQUIP NUMBER: D03582 WIRING DIAGRAM REF: 743121	101106 108120	1

MISSING ITEM NUMBERS NOT APPLICABLE

- ITEM NOT ILLUSTRATED

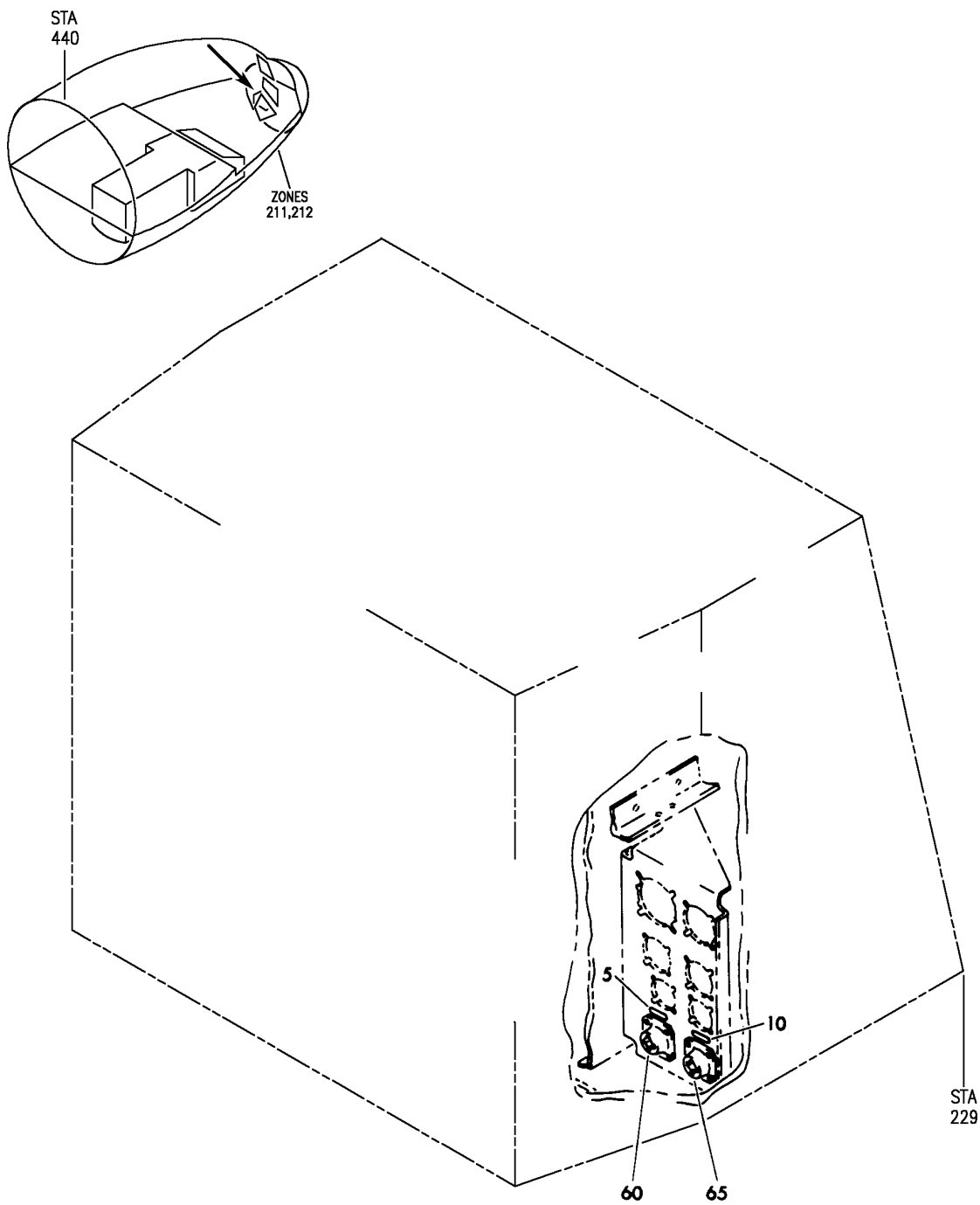
74-31-51-05

74-31-51
FIG. 05
PAGE 14
JAN 20/09

BRI

BOEING PROPRIETARY - Copyright © - Unpublished Work - See title page for details.

BOEING
757
PARTS CATALOG (MAINTENANCE)



Y 74315201 REV 298

WIRE BUNDLE ASSY AND STRUCTURE ASSY-CONT STAND (ENGINE IGNITION CONTROL ONLY)

FIGURE 1

74-31-52-01

BRI
MAY 28/07

74-31-52-01
PAGE 0



757

PARTS CATALOG (MAINTENANCE)

FIG ITEM	PART NUMBER	1 2 3 4 5 6 7	NOMENCLATURE	EFFECT FROM TO	UNITS PER ASSY
1			WIRE BUNDLE ASSY AND STRUCTURE ASSY-CONT STAND (ENGINE IGNITION CONTROL ONLY)	002004 006999	
- 1	254N1051-8		STRUCTURE ASSY-CONT STAND (ENGINE IGNITION CONTROL ONLY) FOR NHA/OTHER SYS DET SEE: 76-11-04-02	006106 108120 504903 950951 953999	RF
- 1	254N1051-6		STRUCTURE ASSY-CONT STAND (ENGINE IGNITION CONTROL ONLY) FOR NHA/OTHER SYS DET SEE: 76-11-04-02	107107 904949	RF
- 1	254N1051-7		STRUCTURE ASSY-CONT STAND (ENGINE IGNITION CONTROL ONLY) FOR NHA/OTHER SYS DET SEE: 76-11-04-02	002004 121503 952952	RF
5	BAC27NEL0125		.DECAL- PLACARD CONTENT: D40782J	002004 006999	1
10	BAC27NEL0124		.DECAL- PLACARD CONTENT: D40784J	002004 006999	1
- 55	254N1115-9		WIRE BUNDLE ASSY-CONT STAND (ENGINE IGNITION CONTROL ONLY) OPTIONAL PART: 254N1115-7 FOR NHA/OTHER SYS DET SEE: 76-11-04-02	006100 950951 953999	RF
- 55	254N1115-5		WIRE BUNDLE ASSY-CONT STAND (ENGINE IGNITION CONTROL ONLY) FOR NHA/OTHER SYS DET SEE: 76-11-04-02	107107 904949	RF
- 55	254N1115-7		WIRE BUNDLE ASSY-CONT STAND (ENGINE IGNITION CONTROL ONLY) OPTIONAL PART: 254N1115-9 FOR NHA/OTHER SYS DET SEE: 76-11-04-02	002004 006100 121503 950999	RF
- 55	254N1115-11		WIRE BUNDLE ASSY-CONT STAND (ENGINE IGNITION CONTROL ONLY) FOR NHA/OTHER SYS DET SEE: 76-11-04-02	101106 108120 504903	RF

MISSING ITEM NUMBERS NOT APPLICABLE

- ITEM NOT ILLUSTRATED

BRI

74-31-52-01

BOEING PROPRIETARY - Copyright © - Unpublished Work - See title page for details.

74-31-52
FIG. 01
PAGE 1
JAN 20/09



757

PARTS CATALOG (MAINTENANCE)

FIG ITEM	PART NUMBER	1 2 3 4 5 6 7	NOMENCLATURE	EFFECT FROM TO	UNITS PER ASSY
1					
60	BACC45FN12-12P	.CON	CONNECTOR- ELECTRICAL EQUIP NUMBER: D40782J	002004 006999	1
65	BACC45FN12-12P6	.CON	CONNECTOR- ELECTRICAL EQUIP NUMBER: D40784J	002004 006999	1

MISSING ITEM NUMBERS NOT APPLICABLE

- ITEM NOT ILLUSTRATED

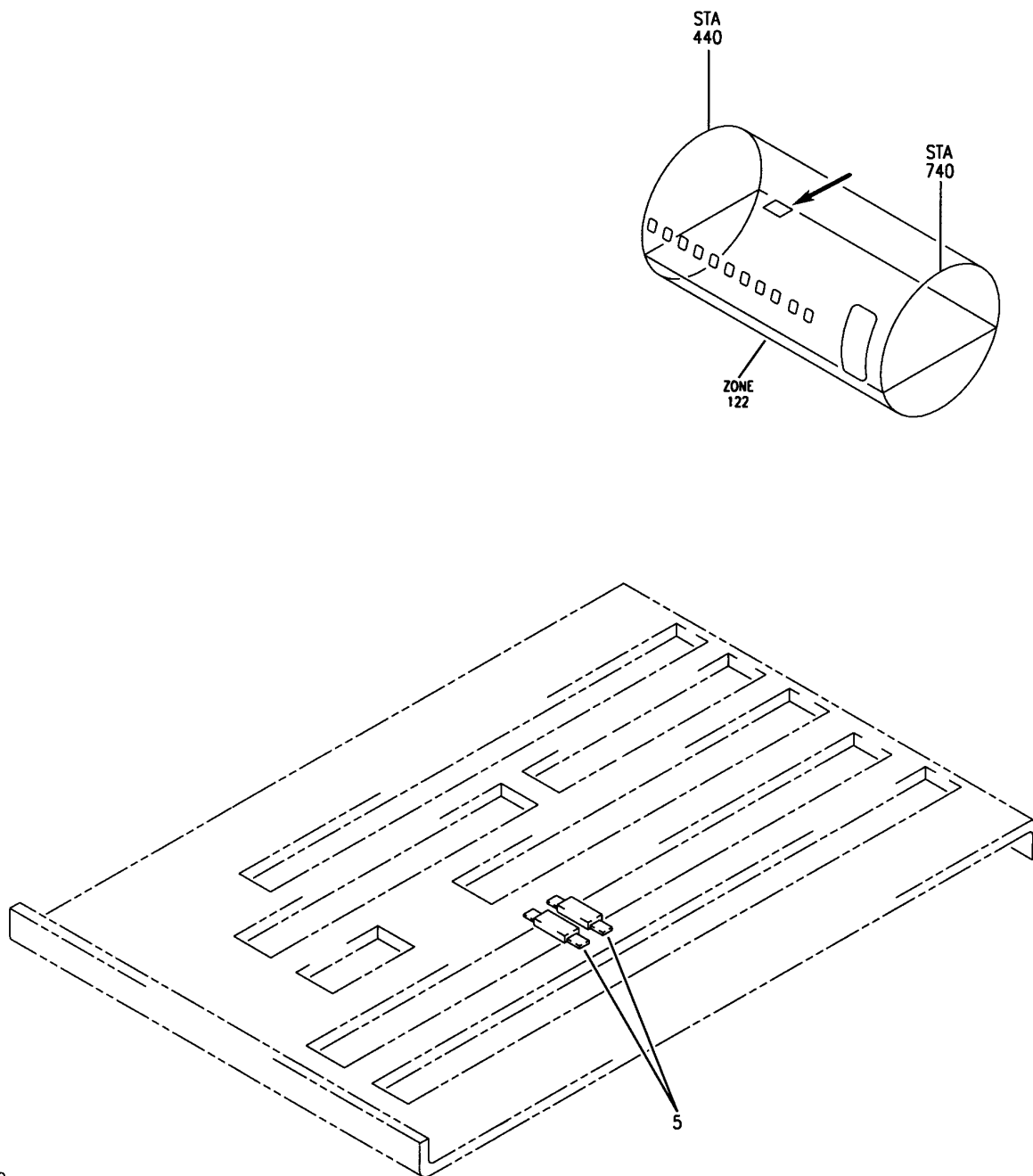
BRI

74-31-52-01

BOEING PROPRIETARY - Copyright © - Unpublished Work - See title page for details.

74-31-52
FIG. 01
PAGE 2
SEP 20/08

BOEING
757
PARTS CATALOG (MAINTENANCE)



Y 74317101A REV 205

OPTION PACKAGE ASSY-P36 MISC RELAY L (IGNITION ONLY)
FIGURE 1A

74-31-71-01A

BRI
JAN 20/09

74-31-71-01A
PAGE 0



757

PARTS CATALOG (MAINTENANCE)

FIG ITEM	PART NUMBER	1 2 3 4 5 6 7	NOMENCLATURE	EFFECT FROM TO	UNITS PER ASSY
1 A			OPTION PACKAGE ASSY-P36 MISC RELAY L (IGNITION ONLY)	504903	
- 1	284N1125-1031		OPTION PACKAGE ASSY-P36 MISC RELAY (IGNITION ONLY) POSITION DATA: L REWORKED BY ALERT SB: 27A0130 FOR NHA SEE: 31-01-36-05	504903	RF
5	E210-1631		.RELAY- SUPPLIER CODE: V99699 SPECIFICATION NUMBER: BACR13CF2A OPTIONAL PART: BR246S0112 V56623 FCA210-70 V78290 E215-1050 V99699 JD4A017 V35344 BR64S104 V56623 61GB19-1A320 V98927 ELECTRICAL EQUIP NUMBER: K10188 K10189	504903	2

MISSING ITEM NUMBERS NOT APPLICABLE

- ITEM NOT ILLUSTRATED

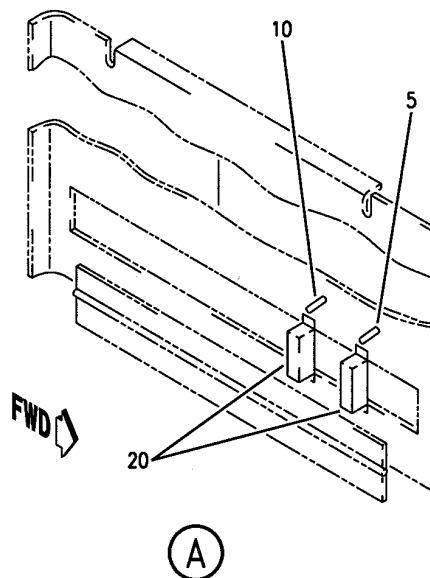
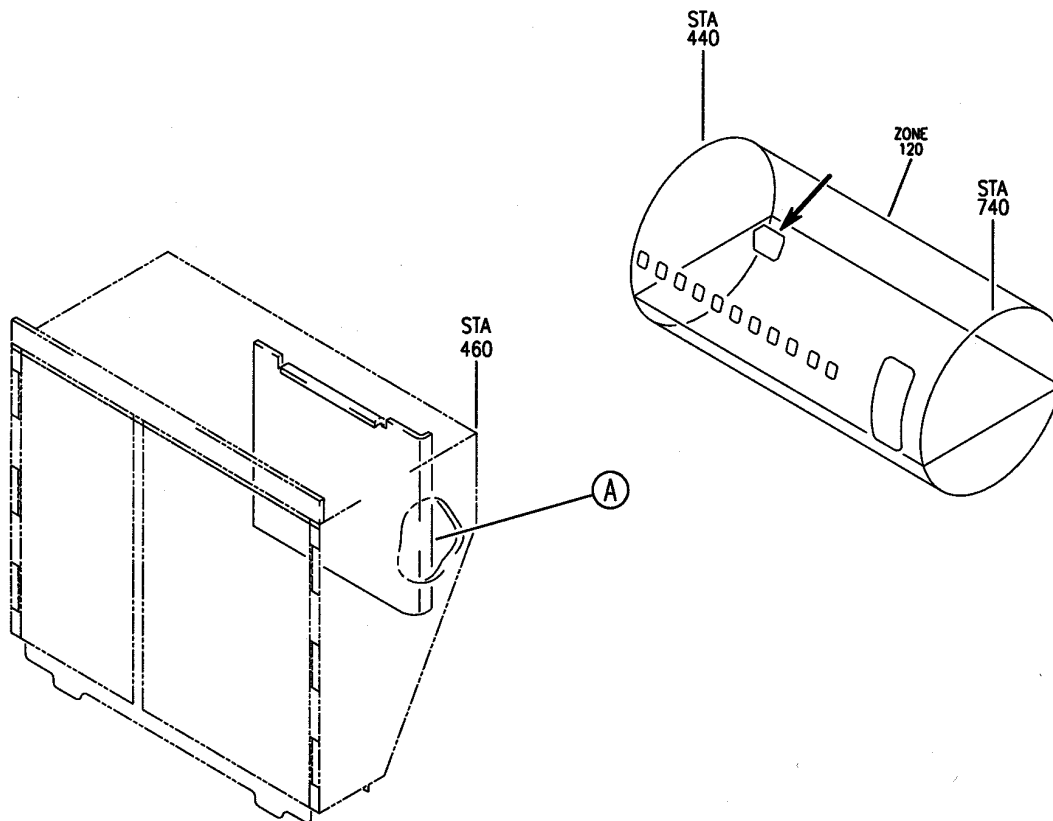
BRI

74-31-71-01A

BOEING PROPRIETARY - Copyright © - Unpublished Work - See title page for details.

74-31-71
FIG. 01A
PAGE 1
JAN 20/09

BOEING
757
PARTS CATALOG (MAINTENANCE)



Y 74317101B REV 210

PACKAGE ASSY-OPTION P37 MISC RELAY (IGNITION ONLY)
FIGURE 1B

74-31-71-01B

BRI
JAN 20/09

74-31-71-01B
PAGE 0

BOEING
757
PARTS CATALOG (MAINTENANCE)

FIG ITEM	PART NUMBER	1 2 3 4 5 6 7	NOMENCLATURE	EFFECT FROM TO	UNITS PER ASSY
1B			PACKAGE ASSY-OPTION P37 MISC RELAY (IGNITION ONLY)	504903	
- 1	284N1127-2005		PACKAGE ASSY-OPTION P37 MISC RELAY (IGNITION ONLY) POSITION DATA: R MISCELLANEOUS DATA: SPECIAL ENGINE REWORKED BY ALERT SB: 27A0130 FOR NHA/OTHER SYS DET SEE: 31-01-37-02	504903	RF
5	BAC27NEX0307		.DECAL- PLACARD CONTENT: K10192	504903	1
10	BAC27NEX0308		.DECAL- PLACARD CONTENT: K10193	504903	1
20	E210-1631		.RELAY- SUPPLIER CODE: V99699 SPECIFICATION NUMBER: BACR13CF2A OPTIONAL PART: BR246S0112 V56623 FCA210-70 V78290 E215-1050 V99699 JD4A017 V35344 BR64S104 V56623 61GB19-1A320 V98927 ELECTRICAL EQUIP NUMBER: K10192 K10193	504903	2

MISSING ITEM NUMBERS NOT APPLICABLE

- ITEM NOT ILLUSTRATED

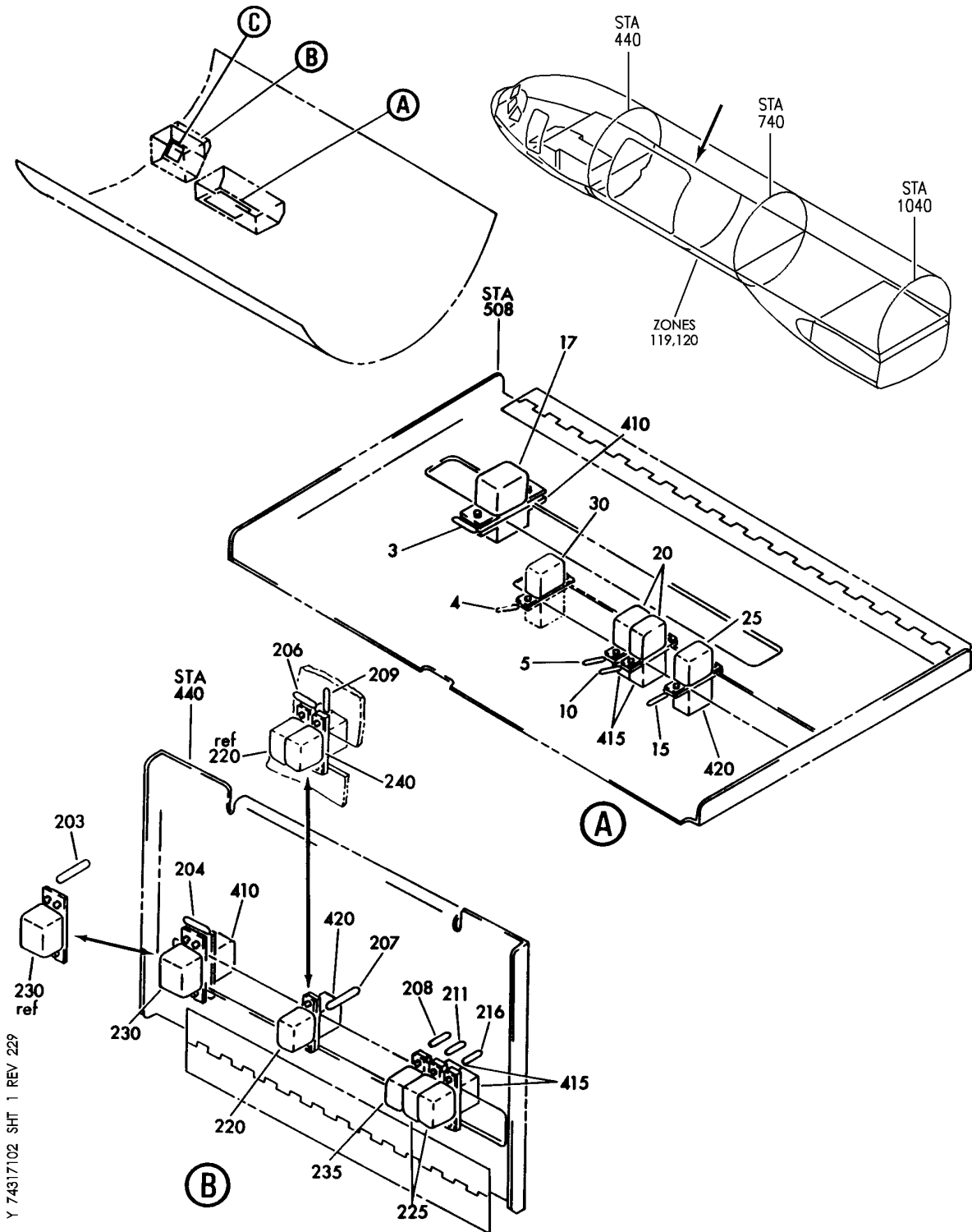
BRI

74-31-71-01B

BOEING PROPRIETARY - Copyright © - Unpublished Work - See title page for details.

74-31-71
FIG. 01B
PAGE 1
JAN 20/09

BOEING
757
PARTS CATALOG (MAINTENANCE)



Y 74317102 SHT 1 REV 229

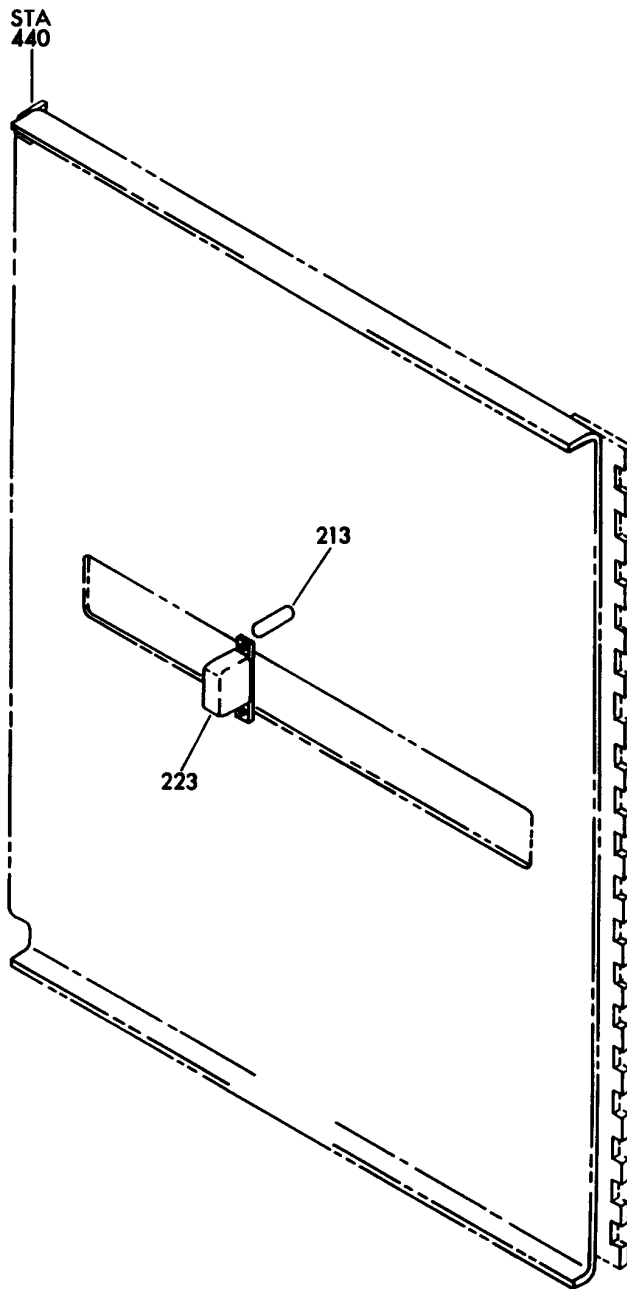
PANEL ASSY-P36 AND P37 MISC RELAY (IGNITION ONLY)
FIGURE 2 (SHEET 1)

74-31-71-02

BRI
MAY 28/07

74-31-71-02
PAGE 0

BOEING
757
PARTS CATALOG (MAINTENANCE)



Y 74317102 SHT 2 REV 111

©

PANEL ASSY-P36 AND P37 MISC RELAY (IGNITION ONLY)
FIGURE 2 (SHEET 2)

74-31-71-02

BRI
MAY 28/07

74-31-71-02
PAGE 0A



757

PARTS CATALOG (MAINTENANCE)

FIG ITEM	PART NUMBER	1 2 3 4 5 6 7	NOMENCLATURE	EFFECT FROM TO	UNITS PER ASSY
2			PANEL ASSY-P36 AND P37 MISC RELAY (IGNITION ONLY)	002004 006100 107107 121503 904999	
- 1	284N1125-1		PANEL ASSY-P36 MISC RELAY (IGNITION ONLY) POSITION DATA: L VARIABLE DRAWING REF: 284N1125-5023 284N1125-5030 284N1125-5049 284N1125-5050 284N1125-5054 REWORKED BY SB: 34-0200 REWORKED BY ALERT SB: 27A0130 FOR NHA/OTHER SYS DET SEE: 31-01-36-01B	002004 006100 107107 121503 904999	RF
3	BAC27NEX1383		.DECAL- PLACARD CONTENT: K10401	002004 006100 107107 121503 904999	1
4	BAC27NEX1998		.DECAL- PLACARD CONTENT: K10550	002004 006100 107107 121503 904999	1
5	BAC27NEX0214		.DECAL- PLACARD CONTENT: K10188	121503 904949	1
10	BAC27NEX0215		.DECAL- PLACARD CONTENT: K10189	121503 904949	1
15	BAC27NEX0889		.DECAL- PLACARD CONTENT: K10329	107107 121503 904949	1
15	BAC27NEX0819		.DECAL- PLACARD CONTENT: K10329	002004 006100 950999	1

MISSING ITEM NUMBERS NOT APPLICABLE

- ITEM NOT ILLUSTRATED

74-31-71-02

74-31-71
FIG. 02
PAGE 1
JAN 20/09

BRI



757

PARTS CATALOG (MAINTENANCE)

FIG ITEM	PART NUMBER	1 2 3 4 5 6 7	NOMENCLATURE	EFFECT FROM TO	UNITS PER ASSY
2 17	E410-1537		.RELAY- SUPPLIER CODE: V99699 SPECIFICATION NUMBER: BACR13CG2A OPTIONAL PART: E415-1078 V99699 BR230S0116 V56623 KD4A017 V58687 FCA410-62 V78290 ELECTRICAL EQUIP NUMBER: K10401	002004 006100 107107 121503 904999	1
20	E210-1631		.RELAY- SUPPLIER CODE: V99699 SPECIFICATION NUMBER: BACR13CF2A OPTIONAL PART: BR246S0112 V56623 FCA210-70 V78290 E215-1050 V99699 JD4A017 V35344 BR64S104 V56623 61GB19-1A320 V98927 ELECTRICAL EQUIP NUMBER: K10188 K10189	121503 904949	2
25	JAD9F007		.RELAY- SUPPLIER CODE: V58657 SPECIFICATION NUMBER: BACR13CJ2 ELECTRICAL EQUIP NUMBER: K10329	002004 006100 107107 121503 904999	1

MISSING ITEM NUMBERS NOT APPLICABLE

- ITEM NOT ILLUSTRATED

BRI

74-31-71-02

BOEING PROPRIETARY - Copyright © - Unpublished Work - See title page for details.

74-31-71
FIG. 02
PAGE 2
JAN 20/09



757

PARTS CATALOG (MAINTENANCE)

FIG ITEM	PART NUMBER	1 2 3 4 5 6 7	NOMENCLATURE	EFFECT FROM TO	UNITS PER ASSY
2	30 ES210-1632		.RELAY- SUPPLIER CODE: V99699 SPECIFICATION NUMBER: BACR13CF2AB OPTIONAL PART: JD4L018 V35344 JD4L031 V35344 BR246S0111 V56623 BR64S105 V56623 FCA210-71 V78290 61GB2319-1A320 V98927 ELECTRICAL EQUIP NUMBER: K10550	002004 006100 107107 121503 904999	1
- 200	284N1127-1		PANEL ASSY-P37 MISC RELAY (IGNITION ONLY) POSITION DATA: R VARIABLE DRAWING REF: 284N1127-5028 284N1127-5039 284N1127-5063 284N1127-5064 284N1127-5068 REWORKED BY SB: 33-0039 34-0200 REWORKED BY ALERT SB: 27A0130 34A0222 FOR NHA/OTHER SYS DET SEE: 31-01-37-01B	002004 006100 107107 121503 904999	RF
203	BAC27NEX1218		.DECAL- PLACARD CONTENT: K10402	002004 006100 121503 904999	1
204	BAC27NEX1218		.DECAL- PLACARD CONTENT: K10402	107107	1
206	BAC27NEX1033		.DECAL- PLACARD CONTENT: K10331	107107	1

MISSING ITEM NUMBERS NOT APPLICABLE

- ITEM NOT ILLUSTRATED

BRI

74-31-71-02

BOEING PROPRIETARY - Copyright © - Unpublished Work - See title page for details.

74-31-71
FIG. 02
PAGE 3
JAN 20/09



757

PARTS CATALOG (MAINTENANCE)

FIG ITEM	PART NUMBER	1 2 3 4 5 6 7	NOMENCLATURE	EFFECT FROM TO	UNITS PER ASSY
2					
207	BAC27NEX1033	.DECAL-	PLACARD CONTENT: K10331	002004 006100 121503 904999	1
208	BAC27NEX2000	.DECAL-	PLACARD CONTENT: K10549	107107	1
209	BAC27NEX2000	.DECAL-	PLACARD CONTENT: K10549	002004 006100 950999	1
211	BAC27NEX0996	.DECAL-	PLACARD CONTENT: K10193	121503 904949	1
216	BAC27NEX0995	.DECAL-	PLACARD CONTENT: K10192	121503 904949	1
220	JAD9F007	.RELAY-	SUPPLIER CODE: V58657 SPECIFICATION NUMBER: BACR13CJ2 ELECTRICAL EQUIP NUMBER: K10331	002004 006100 107107 121503 904999	1
225	E210-1631	.RELAY-	SUPPLIER CODE: V99699 SPECIFICATION NUMBER: BACR13CF2A OPTIONAL PART: BR246S0112 V56623 FCA210-70 V78290 E215-1050 V99699 JD4A017 V35344 BR64S104 V56623 61GB19-1A320 V98927 ELECTRICAL EQUIP NUMBER: K10192 K10193	121503 904949	2

MISSING ITEM NUMBERS NOT APPLICABLE

- ITEM NOT ILLUSTRATED

BRI

74-31-71-02

BOEING PROPRIETARY - Copyright © - Unpublished Work - See title page for details.

74-31-71
FIG. 02
PAGE 4
JAN 20/09



757

PARTS CATALOG (MAINTENANCE)

FIG ITEM	PART NUMBER	1 2 3 4 5 6 7	NOMENCLATURE	EFFECT FROM TO	UNITS PER ASSY
2 230	E410-1537		.RELAY- SUPPLIER CODE: V99699 SPECIFICATION NUMBER: BACR13CG2A OPTIONAL PART: E415-1078 V99699 BR230S0116 V56623 KD4A017 V58687 FCA410-62 V78290 ELECTRICAL EQUIP NUMBER: K10402	002004 006100 107107 121503 904999	1
235	ES210-1632		.RELAY- SUPPLIER CODE: V99699 SPECIFICATION NUMBER: BACR13CF2AB OPTIONAL PART: JD4L018 V35344 JD4L031 V35344 BR246S0111 V56623 BR64S105 V56623 FCA210-71 V78290 61GB2319-1A320 V98927 ELECTRICAL EQUIP NUMBER: K10549	107107	1

MISSING ITEM NUMBERS NOT APPLICABLE

- ITEM NOT ILLUSTRATED

BRI

74-31-71-02

BOEING PROPRIETARY - Copyright © - Unpublished Work - See title page for details.

74-31-71
FIG. 02
PAGE 5
JAN 20/09

 **BOEING**
757
PARTS CATALOG (MAINTENANCE)

FIG ITEM	PART NUMBER	1 2 3 4 5 6 7	NOMENCLATURE	EFFECT FROM TO	UNITS PER ASSY
2 240	ES210-1632		.RELAY- SUPPLIER CODE: V99699 SPECIFICATION NUMBER: BACR13CF2AB OPTIONAL PART: JD4L018 V35344 JD4L031 V35344 BR246S0111 V56623 BR64S105 V56623 FCA210-71 V78290 61GB2319-1A320 V98927 ELECTRICAL EQUIP NUMBER: K10549	002004 006100 950999	1
- 400	286N1270-002		WIRE BUNDLE ASSY- REWORKED BY ALERT SB: 27A0130 34A0222	121503 904949	RF
- 400	286N1270-003		WIRE BUNDLE ASSY- REWORKED BY ALERT SB: 34A0222	107107	RF
- 400	286N1270-005		WIRE BUNDLE ASSY- REWORKED BY SB: 33-0039 34-0200 REWORKED BY ALERT SB: 27A0130 34A0222	002004 006100 950999	RF
- 405	286N1260-002		WIRE BUNDLE ASSY- REWORKED BY ALERT SB: 27A0130	121503 904949	RF
- 405	286N1260-003		WIRE BUNDLE ASSY-	107107	RF
- 405	286N1260-005		WIRE BUNDLE ASSY- REWORKED BY SB: 34-0200 REWORKED BY ALERT SB: 27A0130	002004 006100 950999	RF

MISSING ITEM NUMBERS NOT APPLICABLE

- ITEM NOT ILLUSTRATED

BRI

74-31-71-02

BOEING PROPRIETARY - Copyright © - Unpublished Work - See title page for details.

74-31-71
FIG. 02
PAGE 6
JAN 20/09



757

PARTS CATALOG (MAINTENANCE)

FIG ITEM	PART NUMBER	1 2 3 4 5 6 7	NOMENCLATURE	EFFECT FROM TO	UNITS PER ASSY
2	410 BACS16W1		.SOCKET- ELECTRICAL EQUIP NUMBER: D04498 D04584 WIRING DIAGRAM REF: 743111 743121	002004 006100 107107 121503 904999	1
	415 BACS16X1		.SOCKET- ELECTRICAL EQUIP NUMBER: D02470 D02472 D02520 D02522 WIRING DIAGRAM REF: 743111 743121	121503 904949	2
	420 BACS16X3		.SOCKET- ELECTRICAL EQUIP NUMBER: D04228 D04306 WIRING DIAGRAM REF: 743111 743121	002004 006100 107107 121503 904999	1

MISSING ITEM NUMBERS NOT APPLICABLE

- ITEM NOT ILLUSTRATED

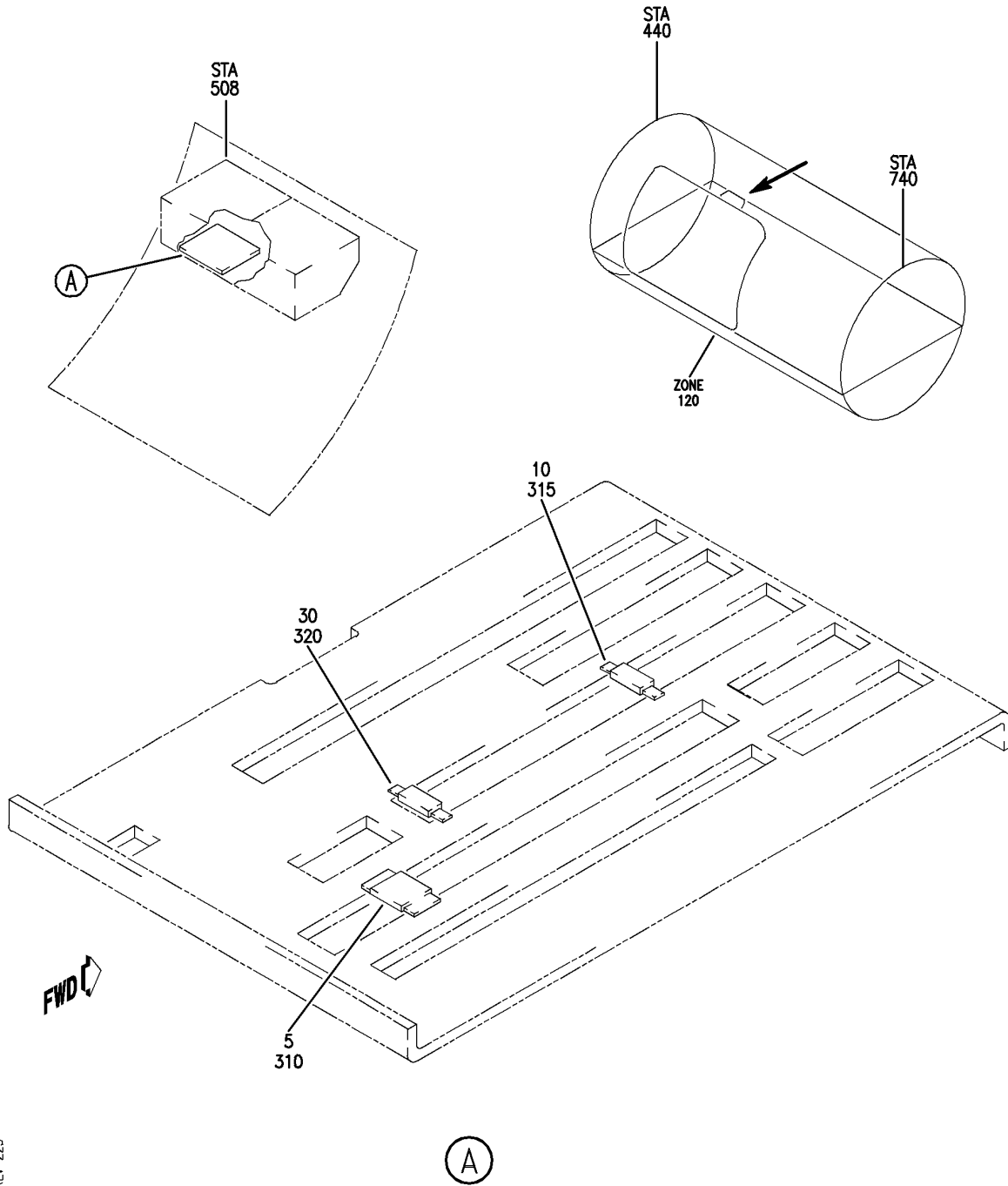
BRI

74-31-71-02

BOEING PROPRIETARY - Copyright © - Unpublished Work - See title page for details.

74-31-71
FIG. 02
PAGE 7
JAN 20/09

BOEING
757
PARTS CATALOG (MAINTENANCE)



Y 74317102A REV 225

OPTION PACKAGE ASSY-P36 MISC RELAY L (IGNITION ONLY)
FIGURE 2A

74-31-71-02A

BRI
MAY 28/07

74-31-71-02A
PAGE 0



757

PARTS CATALOG (MAINTENANCE)

FIG ITEM	PART NUMBER	1 2 3 4 5 6 7	NOMENCLATURE	EFFECT FROM TO	UNITS PER ASSY
2A			OPTION PACKAGE ASSY-P36 MISC RELAY L (IGNITION ONLY)	101102 504903	
- 1	284N1125-1018		OPTION PACKAGE ASSY-P36 MISC RELAY L (IGNITION ONLY) REWORKED BY ALERT SB: 27A0130 FOR NHA/OTHER SYS DET SEE: 31-01-36-05	101102 504903	RF
5	E410-1537		.RELAY- SUPPLIER CODE: V99699 SPECIFICATION NUMBER: BACR13CG2A OPTIONAL PART: E415-1078 V99699 BR230S0116 V56623 KD4A017 V58687 FCA410-62 V78290 ELECTRICAL EQUIP NUMBER: K10401	101102 504903	1
10	JAD9F007		.RELAY- SUPPLIER CODE: V58657 SPECIFICATION NUMBER: BACR13CJ2 ELECTRICAL EQUIP NUMBER: K10329	101102 504903	1
- 25	284N1125-1010		OPTION PACKAGE ASSY-P36 MISC RELAY L (IGNITION ONLY) REWORKED BY ALERT SB: 27A0130 FOR NHA/OTHER SYS DET SEE: 31-01-36-05	101102 504903	RF

MISSING ITEM NUMBERS NOT APPLICABLE

- ITEM NOT ILLUSTRATED

74-31-71-02A

74-31-71
FIG. 02A
PAGE 1
JAN 20/09

BRI



757

PARTS CATALOG (MAINTENANCE)

FIG ITEM	PART NUMBER	1 2 3 4 5 6 7	NOMENCLATURE	EFFECT FROM TO	UNITS PER ASSY
2A 30	ES210-1632		.RELAY- SUPPLIER CODE: V99699 SPECIFICATION NUMBER: BACR13CF2AB OPTIONAL PART: JD4L018 V35344 JD4L031 V35344 BR246S0111 V56623 BR64S105 V56623 FCA210-71 V78290 61GB2319-1A320 V98927 ELECTRICAL EQUIP NUMBER: K10550	101102 504903	1
- 301	286N1260-358		WIRE BUNDLE ASSY- REWORKED BY ALERT SB: 27A0130	101102	RF
- 301	286N1260-364		WIRE BUNDLE ASSY- REWORKED BY ALERT SB: 27A0130	504903	RF
310	BACS16W1		.SOCKET- ELECTRICAL EQUIP NUMBER: D04584 WIRING DIAGRAM REF: 801111	101102 504903	1
315	RSF116208		.SOCKET- SUPPLIER CODE: V58982 SPECIFICATION NUMBER: BACS16X3A OPTIONAL PART: 102-005-1 V09922 000300-1541 V05574 ELECTRICAL EQUIP NUMBER: D04306 WIRING DIAGRAM REF: 743111	101102 504903	1

MISSING ITEM NUMBERS NOT APPLICABLE

- ITEM NOT ILLUSTRATED

74-31-71-02A

74-31-71
FIG. 02A
PAGE 2
JAN 20/09

BRI



757
PARTS CATALOG (MAINTENANCE)

FIG ITEM	PART NUMBER	1 2 3 4 5 6 7	NOMENCLATURE	EFFECT FROM TO	UNITS PER ASSY
2A 320	RSF116200		. SOCKET- SUPPLIER CODE: V58982 SPECIFICATION NUMBER: BACS16X1A OPTIONAL PART: 102-006-1 V09922 000300-1538 V05574 ELECTRICAL EQUIP NUMBER: D07028 WIRING DIAGRAM REF: 743111	101102 504903	1

MISSING ITEM NUMBERS NOT APPLICABLE

- ITEM NOT ILLUSTRATED

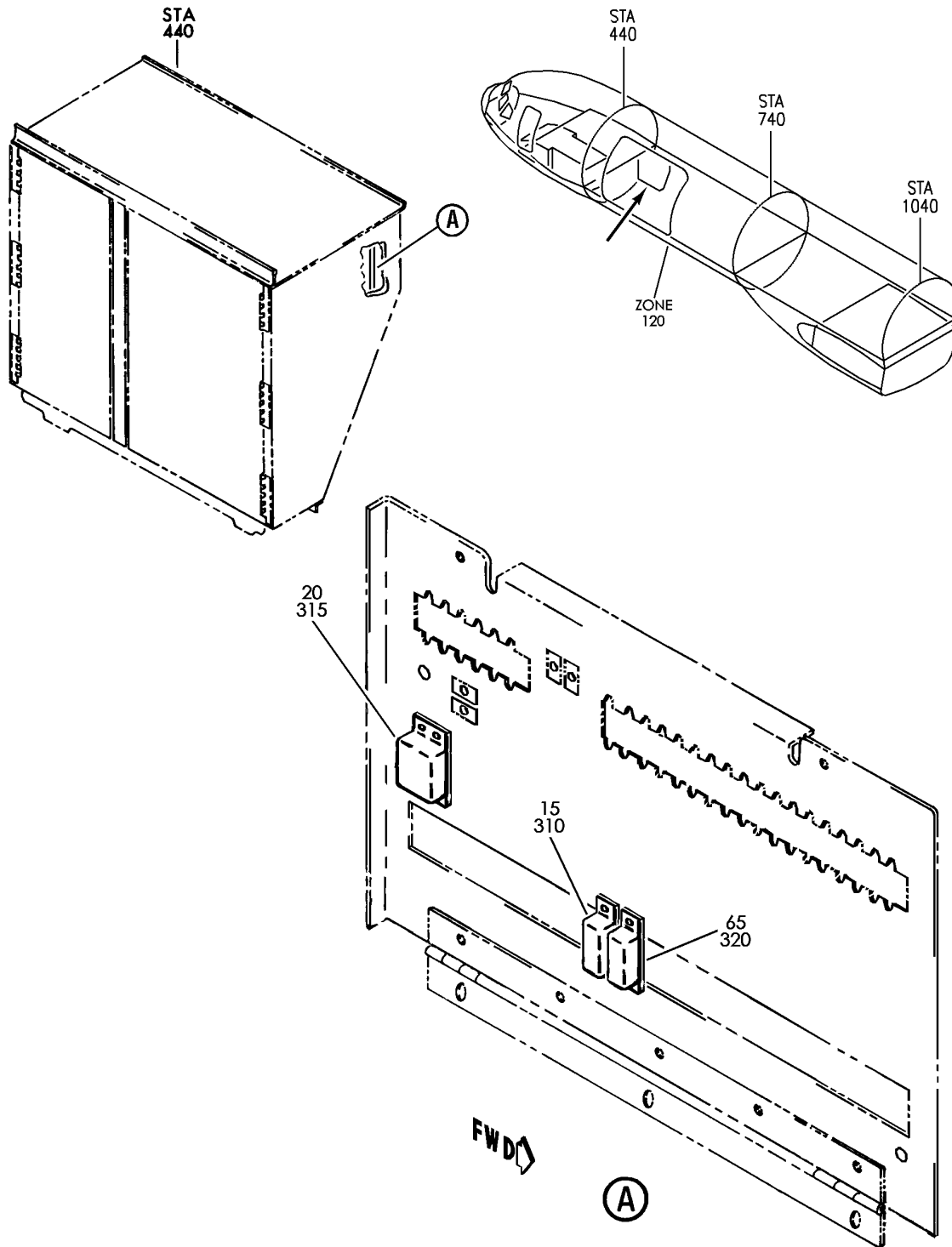
BRI

74-31-71-02A

BOEING PROPRIETARY - Copyright © - Unpublished Work - See title page for details.

74-31-71
FIG. 02A
PAGE 3
JAN 20/09

BOEING
757
PARTS CATALOG (MAINTENANCE)



Y 74317102B REV 229

PACKAGE ASSY-OPTION P37 MISC RELAY (IGNITION ONLY)
FIGURE 2B

74-31-71-02B

BRI
MAY 28/07

74-31-71-02B
PAGE 0



757

PARTS CATALOG (MAINTENANCE)

FIG ITEM	PART NUMBER	1 2 3 4 5 6 7	NOMENCLATURE	EFFECT FROM TO	UNITS PER ASSY
2B			PACKAGE ASSY-OPTION P37 MISC RELAY (IGNITION ONLY)	101102 504903	
1	284N1127-1041		PACKAGE ASSY-OPTION P37 MISC RELAY (IGNITION ONLY) MISCELLANEOUS DATA: 757 MAJOR MODEL REWORKED BY ALERT SB: 27A0130 FOR NHA/OTHER SYS DET SEE: 31-01-37-02	101102 504903	RF
15	JAD9F007		.RELAY- SUPPLIER CODE: V58657 SPECIFICATION NUMBER: BACR13CJ2 ELECTRICAL EQUIP NUMBER: K10331	101102 504903	1
20	E410-1537		.RELAY- SUPPLIER CODE: V99699 SPECIFICATION NUMBER: BACR13CG2A OPTIONAL PART: E415-1078 V99699 BR230S0116 V56623 KD4A017 V58687 FCA410-62 V78290 ELECTRICAL EQUIP NUMBER: K10402	101102 504903	1
50	284N1127-1033		PACKAGE ASSY-OPTION P37 MISC RELAY (IGNITION ONLY) MISCELLANEOUS DATA: ROLLS ROYCE ENGINES REWORKED BY ALERT SB: 27A0130 FOR NHA/OTHER SYS DET SEE: 31-01-37-02	101102 504903	RF

MISSING ITEM NUMBERS NOT APPLICABLE

- ITEM NOT ILLUSTRATED

74-31-71-02B

74-31-71
FIG. 02B
PAGE 1
JAN 20/09

BRI

 **BOEING**
757
PARTS CATALOG (MAINTENANCE)

FIG ITEM	PART NUMBER	1 2 3 4 5 6 7	NOMENCLATURE	EFFECT FROM TO	UNITS PER ASSY
2B 65	ES210-1632		.RELAY- SUPPLIER CODE: V99699 SPECIFICATION NUMBER: BACR13CF2AB OPTIONAL PART: JD4L018 V35344 JD4L031 V35344 BR246S0111 V56623 BR64S105 V56623 FCA210-71 V78290 61GB2319-1A320 V98927 ELECTRICAL EQUIP NUMBER: K10549	101102 504903	1
- 300	286N1270-336		WIRE BUNDLE ASSY- REWORKED BY ALERT SB: 34A0222 27A0130	504903	RF
- 301	286N1270-361		WIRE BUNDLE ASSY- REWORKED BY ALERT SB: 34A0222 27A0130	101101	RF
- 302	286N1270-399		WIRE BUNDLE ASSY- REWORKED BY ALERT SB: 34A0222 27A0130	102102	RF
310	RSF116208		.SOCKET- SUPPLIER CODE: V58982 SPECIFICATION NUMBER: BACS16X3A OPTIONAL PART: 102-005-1 V09922 000300-1541 V05574 ELECTRICAL EQUIP NUMBER: D04228 WIRING DIAGRAM REF: 743121	101102 504903	1

MISSING ITEM NUMBERS NOT APPLICABLE

- ITEM NOT ILLUSTRATED

BRI

74-31-71-02B

BOEING PROPRIETARY - Copyright © - Unpublished Work - See title page for details.

74-31-71
FIG. 02B
PAGE 2
JAN 20/09



757

PARTS CATALOG (MAINTENANCE)

FIG ITEM	PART NUMBER	1 2 3 4 5 6 7	NOMENCLATURE	EFFECT FROM TO	UNITS PER ASSY
2B 315	BACS16W1	.	SOCKET- ELECTRICAL EQUIP NUMBER: D04498 WIRING DIAGRAM REF: 743121	101102 504903	1
320	RSF116200	.	SOCKET- SUPPLIER CODE: V58982 SPECIFICATION NUMBER: BACS16X1A OPTIONAL PART: 102-006-1 V09922 000300-1538 V05574 ELECTRICAL EQUIP NUMBER: D07026 WIRING DIAGRAM REF: 743121	101102 504903	1

MISSING ITEM NUMBERS NOT APPLICABLE

- ITEM NOT ILLUSTRATED

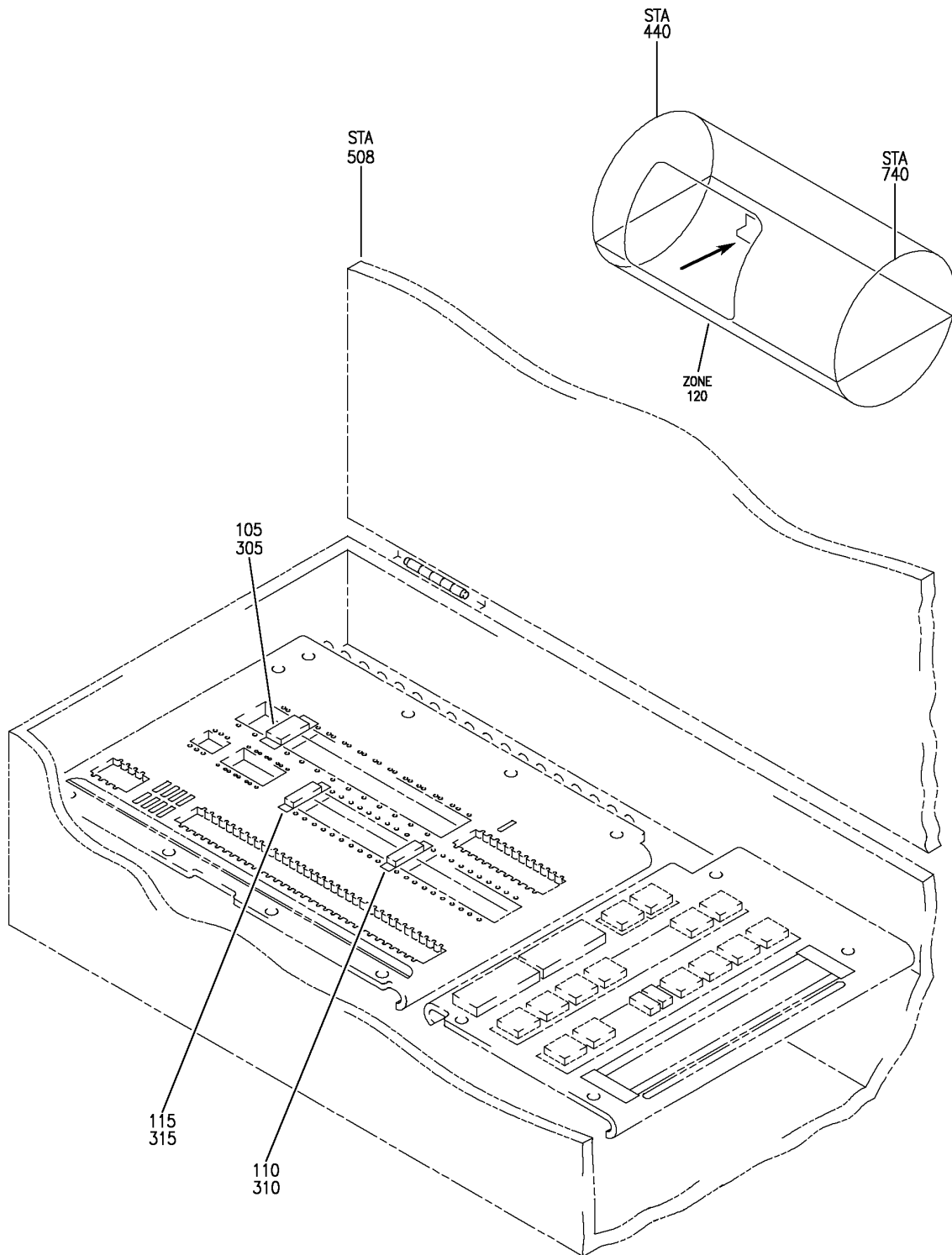
BRI

74-31-71-02B

BOEING PROPRIETARY - Copyright © - Unpublished Work - See title page for details.

74-31-71
FIG. 02B
PAGE 3
JAN 20/09

BOEING
757
PARTS CATALOG (MAINTENANCE)



Y 74317102C REV 332

PANEL INSTL-P36 L MISC RELAY (IGNITION ONLY)
FIGURE 2C

74-31-71-02C

BRI
MAY 20/09

74-31-71-02C
PAGE 0



757

PARTS CATALOG (MAINTENANCE)

FIG ITEM	PART NUMBER	1 2 3 4 5 6 7	NOMENCLATURE	EFFECT FROM TO	UNITS PER ASSY
2C			PANEL INSTL-P36 L MISC RELAY (IGNITION ONLY)	103106 108120	
- 3	284N1125-94		PANEL INSTL-P36 L MISC RELAY (IGNITION ONLY) FOR NHA/OTHER SYS DET SEE: 24-00-58-05C	108120	RF
- 7	MODREF31944		PANEL INSTL-P36 L MISC RELAY (IGNITION ONLY) MODULE NUMBER: 284N1125-123 REV A FOR OTHER SYS DETAILS SEE: 11-36-08-03C 21-25-71-02C 21-33-71-02C 21-51-56-01C 21-58-71-02C 23-12-00-05 23-31-54-01C 23-34-52-01C 24-21-51-01A 26-15-71-02C 26-16-71-01C 26-22-71-01C 27-48-52-03C 27-51-71-03C 27-58-71-02C 27-62-71-03C 29-11-71-03C 29-21-71-01C 30-21-71-03C 30-34-51-01C 31-01-36-01 32-09-02-03C 32-35-71-01C 32-42-71-02C 32-44-71-02C 32-61-71-02C 34-12-71-02C 34-21-71-02C 34-22-52-01C 34-61-52-01C 36-11-71-02C 73-21-55-01C 76-11-71-02C 77-12-71-01C 78-34-71-02C 78-36-71-02C 80-11-71-02C	103106	1
MISSING ITEM NUMBERS NOT APPLICABLE					

- ITEM NOT ILLUSTRATED

74-31-71-02C

74-31-71
FIG. 02C
PAGE 1
JAN 20/09

BRI



757

PARTS CATALOG (MAINTENANCE)

FIG ITEM	PART NUMBER	1 2 3 4 5 6 7	NOMENCLATURE	EFFECT FROM TO	UNITS PER ASSY
2C 105	E410-1537		.RELAY- SUPPLIER CODE: V99699 SPECIFICATION NUMBER: BACR13CG2A OPTIONAL PART: E415-1078 V99699 BR230S0116 V56623 KD4A017 V58687 FCA410-62 V78290 ELECTRICAL EQUIP NUMBER: K10401	103106 108120	1
110	JAD9F007		.RELAY- SUPPLIER CODE: V58657 SPECIFICATION NUMBER: BACR13CJ2 ELECTRICAL EQUIP NUMBER: K10329	103106 108120	1
115	ES210-1632		.RELAY- SUPPLIER CODE: V99699 SPECIFICATION NUMBER: BACR13CF2AB OPTIONAL PART: JD4L018 V35344 JD4L031 V35344 BR246S0111 V56623 BR64S105 V56623 FCA210-71 V78290 61GB2319-1A320 V98927 ELECTRICAL EQUIP NUMBER: K10550	103106 108120	1
- 300	286N1260-357		WIRE BUNDLE ASSY	108120	RF
- 302	286N1260-601		WIRE BUNDLE ASSY	103106	RF

MISSING ITEM NUMBERS NOT APPLICABLE

- ITEM NOT ILLUSTRATED

74-31-71-02C

74-31-71
FIG. 02C
PAGE 2
JAN 20/09

BRI

BOEING PROPRIETARY - Copyright © - Unpublished Work - See title page for details.



757

PARTS CATALOG (MAINTENANCE)

FIG ITEM	PART NUMBER	1 2 3 4 5 6 7	NOMENCLATURE	EFFECT FROM TO	UNITS PER ASSY
2C 305	BACS16W1	.	SOCKET- ELECTRICAL EQUIP NUMBER: D04584 WIRING DIAGRAM REF: 801111	103106 108120	1
310	RSF116208	.	SOCKET- SUPPLIER CODE: V58982 SPECIFICATION NUMBER: BACS16X3A OPTIONAL PART: 102-005-1 V09922 000300-1541 V05574 ELECTRICAL EQUIP NUMBER: D04306 WIRING DIAGRAM REF: 743111	103106 108120	1
315	RSF116200	.	SOCKET- SUPPLIER CODE: V58982 SPECIFICATION NUMBER: BACS16X1A OPTIONAL PART: 102-006-1 V09922 000300-1538 V05574 ELECTRICAL EQUIP NUMBER: D07028 WIRING DIAGRAM REF: 743111	103106 108120	1

MISSING ITEM NUMBERS NOT APPLICABLE

- ITEM NOT ILLUSTRATED

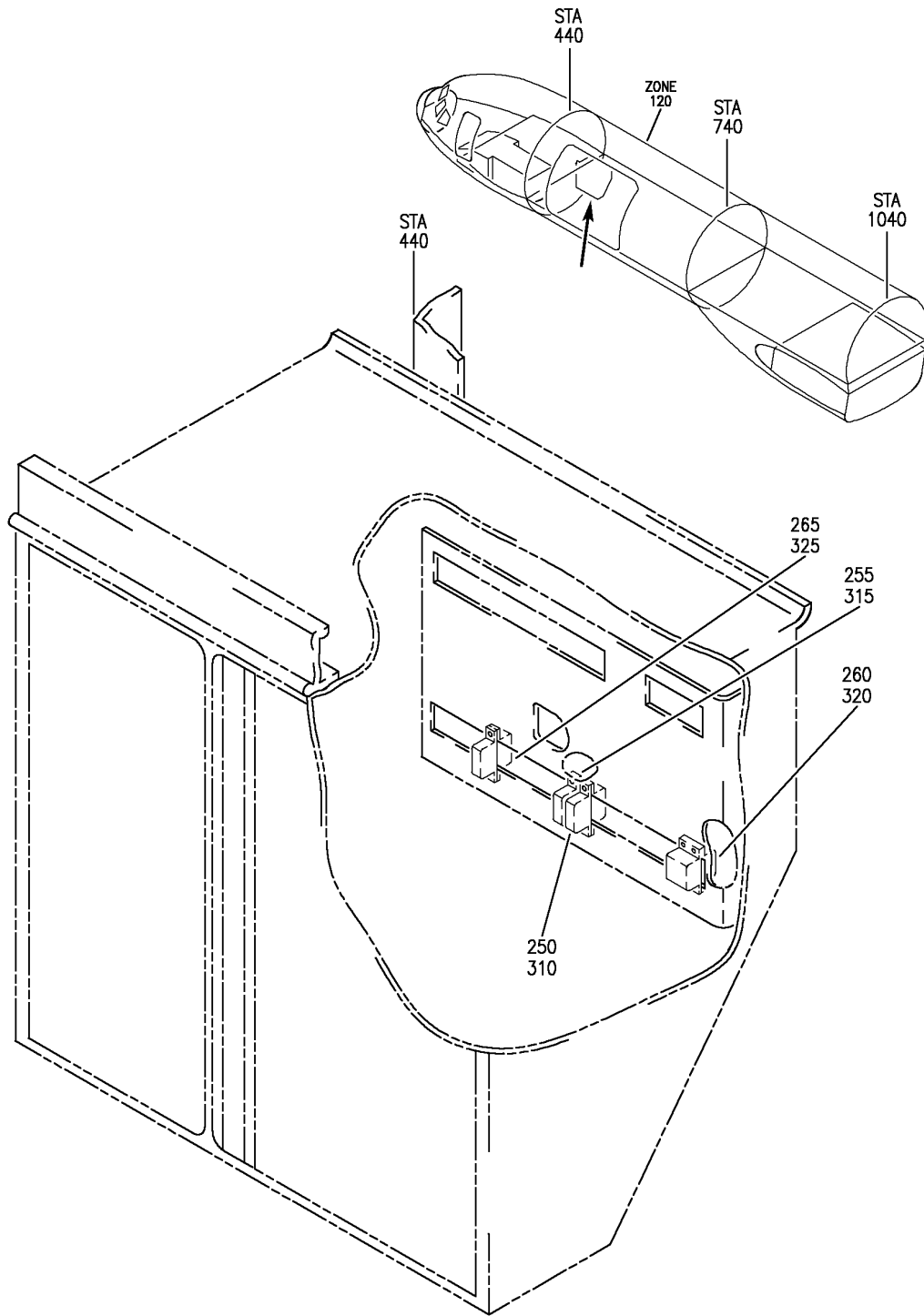
BRI

74-31-71-02C

BOEING PROPRIETARY - Copyright © - Unpublished Work - See title page for details.

74-31-71
FIG. 02C
PAGE 3
JAN 20/09

BOEING
757
PARTS CATALOG (MAINTENANCE)



Y 74317102D REV 250

PANEL INSTL-P37 R MISC RELAY (IGNITION ONLY)
FIGURE 2D

74-31-71-02D

BRI
JAN 20/09

74-31-71-02D
PAGE 0



757

PARTS CATALOG (MAINTENANCE)

FIG ITEM	PART NUMBER	1 2 3 4 5 6 7	NOMENCLATURE	EFFECT FROM TO	UNITS PER ASSY
2D					
- 1	MODREF185037		PANEL INSTL-P37 R MISC RELAY (IGNITION ONLY) PANEL INSTL-P37 R MISC RELAY (IGNITION ONLY) MODULE NUMBER: 284N1127-169 REV D FOR OTHER SYS DETAILS SEE: 11-36-12-02A 21-25-71-02D 21-44-71-02D 21-45-31-01D 21-51-55-01D 21-58-71-02D 21-61-71-02D 23-31-51-05 24-21-51-05 24-51-01-02 24-51-02-03 24-51-58-02D 27-62-71-03D 28-22-71-03D 29-21-71-01D 30-11-71-02D 30-21-71-03D 30-31-71-02D 30-32-71-02D 30-33-71-02D 30-34-51-01D 31-01-37-10 31-31-71-02D 32-09-02-04D 32-42-71-02D 32-61-71-02D 33-43-55-01D 33-51-71-01D 34-12-71-02D 34-25-50-01D 34-61-52-01D 35-21-71-02D 36-11-71-02D 38-15-71-02D 73-21-55-01D 76-11-71-02D 77-12-71-01D 78-34-71-02D 78-36-71-02D 80-11-71-02D	103106 108120 106106	1
MISSING ITEM NUMBERS NOT APPLICABLE					

- ITEM NOT ILLUSTRATED

74-31-71-02D

74-31-71
 FIG. 02D
 PAGE 1
 JAN 20/09

BRI



757

PARTS CATALOG (MAINTENANCE)

FIG ITEM	PART NUMBER	1 2 3 4 5 6 7	NOMENCLATURE	EFFECT FROM TO	UNITS PER ASSY
2D - 3	284N1127-118		PANEL INSTL-P37 R MISC RELAY (IGNITION ONLY) FOR NHA/OTHER SYS DET SEE: 24-00-58-05C	108108	RF
- 4	284N1127-139		PANEL INSTL-P37 R MISC RELAY (IGNITION ONLY) FOR NHA/OTHER SYS DET SEE: 24-00-58-05C	109120	RF

MISSING ITEM NUMBERS NOT APPLICABLE

- ITEM NOT ILLUSTRATED

BRI

74-31-71-02D

BOEING PROPRIETARY - Copyright © - Unpublished Work - See title page for details.

74-31-71
FIG. 02D
PAGE 2
JAN 20/09



757

PARTS CATALOG (MAINTENANCE)

FIG ITEM	PART NUMBER	1 2 3 4 5 6 7	NOMENCLATURE	EFFECT FROM TO	UNITS PER ASSY
2D - 8	MODREF31945		PANEL INSTL-P37 R MISC RELAY (IGNITION ONLY) MODULE NUMBER: 284N1127-169 REV B FOR OTHER SYS DETAILS SEE: 11-36-12-02A 21-25-71-02D 21-44-71-02D 21-45-31-01D 21-51-55-01D 21-58-71-02D 21-61-71-02D 23-31-51-05 24-21-51-05 24-51-01-02 24-51-02-03 24-51-58-02D 27-62-71-03D 28-22-71-03D 29-21-71-01D 30-11-71-02D 30-21-71-03D 30-31-71-02D 30-32-71-02D 30-33-71-02D 30-34-51-01D 31-01-37-10 31-31-71-02D 32-09-02-04D 32-42-71-02D 32-61-71-02D 33-43-55-01D 33-51-71-01D 34-12-71-02D 34-25-50-01D 34-61-52-01D 35-21-71-02D 36-11-71-02D 38-15-71-02D 73-21-55-01D 76-11-71-02D 77-12-71-01D 78-34-71-02D 78-36-71-02D 80-11-71-02D	103103	1

MISSING ITEM NUMBERS NOT APPLICABLE

- ITEM NOT ILLUSTRATED

BRI

74-31-71-02D

BOEING PROPRIETARY - Copyright © - Unpublished Work - See title page for details.

74-31-71
FIG. 02D
PAGE 3
JAN 20/09



757

PARTS CATALOG (MAINTENANCE)

FIG ITEM	PART NUMBER	1 2 3 4 5 6 7	NOMENCLATURE	EFFECT FROM TO	UNITS PER ASSY
2D - 9	MODREF34305		PANEL INSTL-P37 R MISC RELAY (IGNITION ONLY) MODULE NUMBER: 284N1127-169 REV C FOR OTHER SYS DETAILS SEE: 11-36-12-02A 21-25-71-02D 21-44-71-02D 21-45-31-01D 21-51-55-01D 21-58-71-02D 21-61-71-02D 23-31-51-05 24-21-51-05 24-51-01-02 24-51-02-03 24-51-58-02D 27-62-71-03D 28-22-71-03D 29-21-71-01D 30-11-71-02D 30-21-71-03D 30-31-71-02D 30-32-71-02D 30-33-71-02D 30-34-51-01D 31-01-37-10 31-31-71-02D 32-09-02-04D 32-42-71-02D 32-61-71-02D 33-43-55-01D 33-51-71-01D 34-12-71-02D 34-25-50-01D 34-61-52-01D 35-21-71-02D 36-11-71-02D 38-15-71-02D 73-21-55-01D 76-11-71-02D 77-12-71-01D 78-34-71-02D 78-36-71-02D 80-11-71-02D	104105	1

MISSING ITEM NUMBERS NOT APPLICABLE

- ITEM NOT ILLUSTRATED

74-31-71-02D

74-31-71
FIG. 02D
PAGE 4
JAN 20/09

BRI



757

PARTS CATALOG (MAINTENANCE)

FIG ITEM	PART NUMBER	1 2 3 4 5 6 7	NOMENCLATURE	EFFECT FROM TO	UNITS PER ASSY
2D 250	JAD9F007		.RELAY- SUPPLIER CODE: V58657 SPECIFICATION NUMBER: BACR13CJ2 ELECTRICAL EQUIP NUMBER: K10331	103106 108120	1
255	ES210-1632		.RELAY- SUPPLIER CODE: V99699 SPECIFICATION NUMBER: BACR13CF2AB OPTIONAL PART: JD4L018 V35344 JD4L031 V35344 BR246S0111 V56623 BR64S105 V56623 FCA210-71 V78290 61GB2319-1A320 V98927 ELECTRICAL EQUIP NUMBER: K10549	103106 108120	1
260	E410-1537		.RELAY- SUPPLIER CODE: V99699 SPECIFICATION NUMBER: BACR13CG2A OPTIONAL PART: E415-1078 V99699 BR230S0116 V56623 KD4A017 V58687 FCA410-62 V78290 ELECTRICAL EQUIP NUMBER: K10402	103106 108120	1
- 300	286N1270-360		WIRE BUNDLE ASSY- REWORKED BY ALERT SB: 34A022	108120	RF
- 302	286N1270-602		WIRE BUNDLE ASSY	103106	RF

MISSING ITEM NUMBERS NOT APPLICABLE

- ITEM NOT ILLUSTRATED

74-31-71-02D

74-31-71
FIG. 02D
PAGE 5
JAN 20/09

BRI

BOEING PROPRIETARY - Copyright © - Unpublished Work - See title page for details.



757

PARTS CATALOG (MAINTENANCE)

FIG ITEM	PART NUMBER	1 2 3 4 5 6 7	NOMENCLATURE	EFFECT FROM TO	UNITS PER ASSY
2D 310	RSF116208		.SOCKET- SUPPLIER CODE: V58982 SPECIFICATION NUMBER: BACS16X3A OPTIONAL PART: 102-005-1 V09922 000300-1541 V05574 ELECTRICAL EQUIP NUMBER: D04228 WIRING DIAGRAM REF: 743121	103106 108120	1
315	RSF116200		.SOCKET- SUPPLIER CODE: V58982 SPECIFICATION NUMBER: BACS16X1A OPTIONAL PART: 102-006-1 V09922 000300-1538 V05574 ELECTRICAL EQUIP NUMBER: D07026 WIRING DIAGRAM REF: 743121	103106 108120	1
320	BACS16W1		.SOCKET- ELECTRICAL EQUIP NUMBER: D04498 WIRING DIAGRAM REF: 743121	103106 108120	1

MISSING ITEM NUMBERS NOT APPLICABLE

- ITEM NOT ILLUSTRATED

BRI

74-31-71-02D

BOEING PROPRIETARY - Copyright © - Unpublished Work - See title page for details.

74-31-71
FIG. 02D
PAGE 6
JAN 20/09