

757 MANUAL SUPPLEMENT - ATP.2860

SECTION 2 CHAPTER 75

CONTROL PAGE ISSUE 1

- A. File the attached Temporary Revisions/Alerts in the Manual supplement in ATA Chapter/Section/Subject/Page sequence.
- B. File this control page in front of the chapter TRs/Alerts.
- C. The following list shows active TRs/Alerts together with TRs/Alerts added by this control page.

Chapter Section Subject	Page	TR/Alert No.	Distribution (Ref.P.TEC.01.02 Para 5)
75-32-01-01	0	* BA.75-502	ATP
75-32-15-01	0	BA.75-501	ATP

- D Remove and Destroy the following TR's/Alerts:

* - TR's/Alerts issued with this control page

**ATP
TEMPORARY
REVISION**

**AIRPLANES
NA351, NA352**

TR Page 1 of 1

757

July 1993

ILLUSTRATED PARTS CATALOG

THIS TEMPORARY REVISION IS ISSUED BY BRITISH AIRWAYS TECHNICAL SERVICES AND COMPLIES WITH BCAR'S CHAPTER A6-3, B6-3 AND/OR TSS No. 0-2 AS REQUIRED. CAA DESIGN APPROVAL No. DAI/8566/78.



FOR CHIEF ENGINEER TECHNICAL SERVICES.

TEMPORARY REVISION No.75-502

Manual Reference 75-32-01-01 Page 0

REASON FOR REVISION

To list components specifically approved for ETOPS.

ACTION

FIG & ITEM	PART NUMBER	NOMENCLATURE	EFFECT	UPA	AUTHORITY
---------------	-------------	--------------	--------	-----	-----------

1

25	C8E38-9	.CONTROLLER-HIGH PRESSURE AND IP BLEED (VK8081) (SB75-8898) (APPROVED FOR ETOPS)			EPA/086
----	---------	--	--	--	---------

ORIGINATOR: R.VIDLER
REFERENCE: -
RECORD NO: ENG-142

75-32-01-01
Page 0

**ATP
TEMPORARY
REVISION**

AIRPLANES

TR Page 1 of 1

NA351, NA352

January 1993

757 ILLUSTRATED PARTS CATALOG

THIS TEMPORARY REVISION IS ISSUED BY BRITISH AIRWAYS TECHNICAL SERVICES AND COMPLIES WITH BCAR'S CHAPTER A5-3, B5-3 AND/OR TSS No. 0-2 AS REQUIRED. CAA DESIGN APPROVAL No. DAI/8666/78.



FOR CHIEF ENGINEER TECHNICAL SERVICES.

TEMPORARY REVISION No.75-501

Manual Reference 75-32-15-01 Page 0

REASON FOR REVISION

To list components specifically approved for ETOPS.

ACTION

FIG & ITEM	PART NUMBER	NOMENCLATURE	EFFECT	UPA	AUTHORITY
1 30	ETPU100-02B	.SENSOR-(VK0131) (APPROVED FOR ETOPS PROVIDED CP7189 OR CP7262 AND CP7204 ON MOD PLATE)	120121	1	EPA/690
30	ETPU100-02C	.SENSOR-(VK0131) (APPROVED FOR ETOPS PROVIDED CP7204 ON MOD PLATE)	120121	1	EPA/247

ORIGINATOR: R.VIDLER
REFERENCE: -
RECORD NO: ENG-120

75-32-15-01
Page 0



757

PARTS CATALOG (MAINTENANCE)

CH-SECT-UNIT-FIG	PAGE NO.	DATE	CH-SECT-UNIT-FIG	PAGE NO.	DATE
*75	1	MAY 20/09	75-32-00- 5	1	JAN 20/09
*75	2	MAY 20/09	75-32-00- 5	2	JAN 20/09
*75	3	MAY 20/09	75-32-01- 1	0	MAY 28/07
75-00-00	1	MAY 28/07	75-32-01- 1	1	JAN 20/09
75-00-51- 1	0	MAY 28/07	75-32-01- 1	2	JAN 20/09
75-00-51- 1	0A	MAY 28/07	75-32-01- 1	3	JAN 20/09
75-00-51- 1	1	JAN 20/09	75-32-01- 1	4	JAN 20/09
75-00-51- 1	2	JAN 20/09	75-32-01- 1	5	JAN 20/09
75-00-51- 1	3	JAN 20/09	75-32-01- 1	6	JAN 20/09
75-00-51- 1	4	JAN 20/09	75-32-01- 1	7	JAN 20/09
75-00-51- 1	5	JAN 20/09	75-32-01- 1	8	JAN 20/09
75-31-00	1	MAY 28/07	75-32-01- 1	9	JAN 20/09
75-31-52- 1	0	MAY 28/07	75-32-02- 4	0	MAY 28/07
75-31-52- 1	1	JAN 20/09	75-32-02- 4	1	JAN 20/09
75-31-52- 1	2	JAN 20/09	75-32-02- 4	2	JAN 20/09
75-32-00	1	MAY 28/07	75-32-02- 4	3	JAN 20/09
75-32-00- 1	0	MAY 28/07	75-32-02- 4	4	JAN 20/09
75-32-00- 1	1	JAN 20/09	75-32-02- 4	5	JAN 20/09
75-32-00- 1	2	JAN 20/09	75-32-03- 1	0	SEP 20/08
75-32-00- 1	3	JAN 20/09	75-32-03- 1	1	JAN 20/09
75-32-00- 1	4	JAN 20/09	75-32-03- 1	2	JAN 20/09
75-32-00- 1	5	JAN 20/09	75-32-03- 1	3	JAN 20/09
75-32-00- 1	6	JAN 20/09	75-32-03- 1	4	JAN 20/09
75-32-00- 1	7	JAN 20/09	75-32-03- 1	5	JAN 20/09
75-32-00- 1	8	JAN 20/09	75-32-04- 1	0	MAY 28/07
75-32-00- 1	9	JAN 20/09	75-32-04- 1	0A	MAY 28/07
75-32-00- 1	10	JAN 20/09	75-32-04- 1	1	JAN 20/09
75-32-00- 1	11	JAN 20/09	75-32-04- 1	2	JAN 20/09
75-32-00- 1	12	JAN 20/09	75-32-04- 1	3	JAN 20/09
75-32-00- 1	13	JAN 20/09	75-32-04- 1	4	JAN 20/09
75-32-00- 1	14	JAN 20/09	75-32-04- 1	5	JAN 20/09
75-32-00- 2	0	MAY 28/07	75-32-05- 1	0	MAY 28/07
75-32-00- 2	1	JAN 20/09	75-32-05- 1	1	JAN 20/09
75-32-00- 2	2	JAN 20/09	75-32-05- 1	2	JAN 20/09
75-32-00- 2	3	JAN 20/09	75-32-05- 1	3	JAN 20/09
75-32-00- 2	4	JAN 20/09	75-32-05- 1	4	JAN 20/09
75-32-00- 2	5	JAN 20/09	75-32-05- 1	5	JAN 20/09
75-32-00- 2	6	JAN 20/09	75-32-05- 2	0	MAY 28/07
75-32-00- 2	7	JAN 20/09	75-32-05- 2	1	JAN 20/09
75-32-00- 2	8	JAN 20/09	75-32-05- 2	2	JAN 20/09
75-32-00- 2	9	JAN 20/09	75-32-05- 2	3	JAN 20/09
75-32-00- 3	0	MAY 28/07	75-32-05- 2	4	JAN 20/09
75-32-00- 3	1	JAN 20/09	75-32-05- 2	5	JAN 20/09
75-32-00- 3	2	JAN 20/09	75-32-05- 5	0	MAY 28/07
75-32-00- 3	3	JAN 20/09	75-32-05- 5	1	JAN 20/09
75-32-00- 3	4	JAN 20/09	75-32-05- 5	2	JAN 20/09
75-32-00- 3	5	JAN 20/09	75-32-05- 5	3	JAN 20/09
75-32-00- 3	6	JAN 20/09	75-32-05- 5	4	JAN 20/09
75-32-00- 3	7	JAN 20/09	75-32-05- 5	5	JAN 20/09
75-32-00- 3	8	JAN 20/09	75-32-06- 2	0	MAY 28/07
75-32-00- 5	0	JAN 20/09	75-32-06- 2	1	JAN 20/09

* THE ASTERISK INDICATES PAGES CHANGED OR ADDED BY THE CURRENT REVISION



757

PARTS CATALOG (MAINTENANCE)

CH-SECT-UNIT-FIG	PAGE NO.	DATE	CH-SECT-UNIT-FIG	PAGE NO.	DATE
75-32-06- 2	2	JAN 20/09	75-32-09-11	1	JAN 20/09
75-32-06- 2	3	JAN 20/09	75-32-09-11	2	JAN 20/09
75-32-06- 2	4	JAN 20/09	75-32-09-11	3	JAN 20/09
75-32-07- 1	0	MAY 28/07	75-32-09-11	4	JAN 20/09
75-32-07- 1	1	JAN 20/09	75-32-09-11	5	JAN 20/09
75-32-07- 1	2	JAN 20/09	75-32-09-11	6	JAN 20/09
75-32-07- 1	3	JAN 20/09	75-32-09-11	7	JAN 20/09
75-32-07- 1	4	JAN 20/09	75-32-09-11	8	JAN 20/09
75-32-09- 2	0	MAY 28/07	75-32-09-11	9	JAN 20/09
75-32-09- 2	0A	MAY 28/07	75-32-09-11	10	JAN 20/09
75-32-09- 2	0B	MAY 28/07	75-32-09-11	11	JAN 20/09
75-32-09- 2	1	JAN 20/09	75-32-09-11	12	JAN 20/09
75-32-09- 2	2	JAN 20/09	75-32-12- 2	0	MAY 28/07
75-32-09- 2	3	JAN 20/09	75-32-12- 2	0A	MAY 28/07
75-32-09- 2	4	JAN 20/09	75-32-12- 2	0B	MAY 28/07
75-32-09- 2	5	JAN 20/09	75-32-12- 2	1	JAN 20/09
75-32-09- 2	6	JAN 20/09	75-32-12- 2	2	JAN 20/09
75-32-09- 2	7	JAN 20/09	75-32-12- 2	3	JAN 20/09
75-32-09- 2	8	JAN 20/09	75-32-12- 2	4	JAN 20/09
75-32-09- 2	9	JAN 20/09	75-32-12- 2	5	JAN 20/09
75-32-09- 3	0	MAY 28/07	75-32-15- 1	0	MAY 28/07
75-32-09- 3	0A	MAY 28/07	75-32-15- 1	1	JAN 20/09
75-32-09- 3	1	JAN 20/09	75-32-15- 1	2	JAN 20/09
75-32-09- 3	2	JAN 20/09	75-32-15- 1	3	JAN 20/09
75-32-09- 3	3	JAN 20/09	75-32-15- 1	4	JAN 20/09
75-32-09- 3	4	JAN 20/09	75-32-15- 1	5	JAN 20/09
75-32-09- 3	5	JAN 20/09	75-32-15- 1	6	JAN 20/09
75-32-09- 3	6	JAN 20/09	75-32-15- 1	7	JAN 20/09
75-32-09- 5	0	MAY 28/07	75-32-15- 2	0	JAN 20/09
75-32-09- 5	0A	MAY 28/07	75-32-15- 2	1	JAN 20/09
75-32-09- 5	1	JAN 20/09	75-32-15- 2	2	JAN 20/09
75-32-09- 5	2	JAN 20/09	75-32-15- 2	3	JAN 20/09
75-32-09- 5	3	JAN 20/09			
75-32-09- 5	4	JAN 20/09			
75-32-09- 6	0	MAY 28/07			
75-32-09- 6	0A	MAY 28/07			
75-32-09- 6	0B	MAY 28/07			
75-32-09- 6	1	JAN 20/09			
75-32-09- 6	2	JAN 20/09			
75-32-09- 6	3	JAN 20/09			
75-32-09- 6	4	JAN 20/09			
75-32-09- 6	5	JAN 20/09			
75-32-09-11	0	MAY 28/07			
75-32-09-11	0A	MAY 28/07			
75-32-09-11	0B	MAY 28/07			
75-32-09-11	0C	MAY 28/07			
75-32-09-11	0D	MAY 28/07			
75-32-09-11	0E	MAY 28/07			
75-32-09-11	0F	MAY 28/07			
75-32-09-11	0G	MAY 28/07			
75-32-09-11	0H	MAY 28/07			

* THE ASTERISK INDICATES PAGES CHANGED OR ADDED BY THE CURRENT REVISION

 **BOEING**
757
PARTS CATALOG (MAINTENANCE)

CHAPTER 75 — AIR

TABLE OF CONTENTS

SUBJECT	CC-SS-UU	FIGURE	EFFECT
AIR	75-00-00		
HP COMPRESSOR OUTLET DUCTS (RB211-535)	75-00-51	01	002004 006999

 **BOEING**
757
PARTS CATALOG (MAINTENANCE)

CHAPTER 75 — AIR

TABLE OF CONTENTS

SUBJECT	CC-SS-UU	FIGURE	EFFECT
COMPRESSOR STATOR VANE CONTROL SYSTEM	75-31-00		
ENGINE CONTROL INSTL-MAIN ELECTRONIC	75-31-52	01	002004
EQPT CTR (AIR ONLY) (RB211-535)			006017
			107107
			121503
			904999
COMPRESSOR BLEED CONTROL SYSTEM	75-32-00		
AIR FLOW CONTROL B/V REGULATOR AND	75-32-06	02	002004
ACTUATOR (RB211-535)			006999
AIR FLOW CONTROL-BLEED VALVE REGULATOR	75-32-02	04	002004
AND ACTUATOR (RB211-535)			006999
COMPRESSOR BLEED CONTROL SYSTEM ONLY	75-32-00	05	103106
(RB211-535)			108120
COMPRESSOR-BLEED CONT AIR TUBES	75-32-09	06	002004
INTERMEDIATE PRESSURE (RB211-535)			006999
COMPRESSOR-BLEED VALVE CONT UNIT IP	75-32-01	01	002004
(RB211-535)			006999
COMPRESSOR-BLEED VALVE SOL HIGH	75-32-05	02	002004
PRESSURE SET (RB211-535)			006999
COMPRESSOR-BLEED VALVE SOL HIGH	75-32-05	05	002004
PRESSURE SET (RB211-535)			006999
PANEL INSTL-P5 OVHD (AIR ONLY)	75-32-00	01	101106
			108120
			504903
PANEL INSTL-P5 OVHD (AIR ONLY)	75-32-00	02	002004
			006010
			107107
			121503
			904999
PANEL INSTL-P5 OVHD (AIR ONLY)	75-32-00	03	011100
SENSOR UNIT-CPRSR BLEED VALVES	75-32-15	02	103106
TRANSIENT PRESSURE (RB211-535)			108120
SENSOR UNIT-CSPR BLEED VALVES	75-32-15	01	002004
TRANSIENT PRESSURE (RB211-535)			006102
			107107
			121999
SOLENOIDS-IP CPRSR BLEED VALVE	75-32-03	01	002004
(RB211-535)			006999
SWITCH-ALTITUDE (RB211-535)	75-32-07	01	002004
			006999

 **BOEING**
757
PARTS CATALOG (MAINTENANCE)

CHAPTER 75 — AIR

TABLE OF CONTENTS

SUBJECT	CC-SS-UU	FIGURE	EFFECT
TUBES-HIGH PRESSURE CPRSR BLEED CONT AIR (RB211-535)	75-32-09	02	002004 006999
TUBES-HIGH PRESSURE CPRSR BLEED CONT AIR (RB211-535)	75-32-09	03	002004 006999
TUBES-HIGH PRESSURE CPRSR BLEED CONT AIR (RB211-535)	75-32-09	11	002004 006999
TUBES-INTERMEDIATE PRESSURE BLEED CONT AIR (RB211-535)	75-32-09	05	002004 006999
T2 SONIC THERMOCOUPLE (RB211-535)	75-32-12	02	002004 006999
VALVE-HIGH PRESSURE CPRSR BLEED SOL. LOW SET (RB211-535)	75-32-05	01	002004 006999
VALVES-HIGH PRESSURE CPRSR BLEED (RB211-535)	75-32-04	01	002004 006999

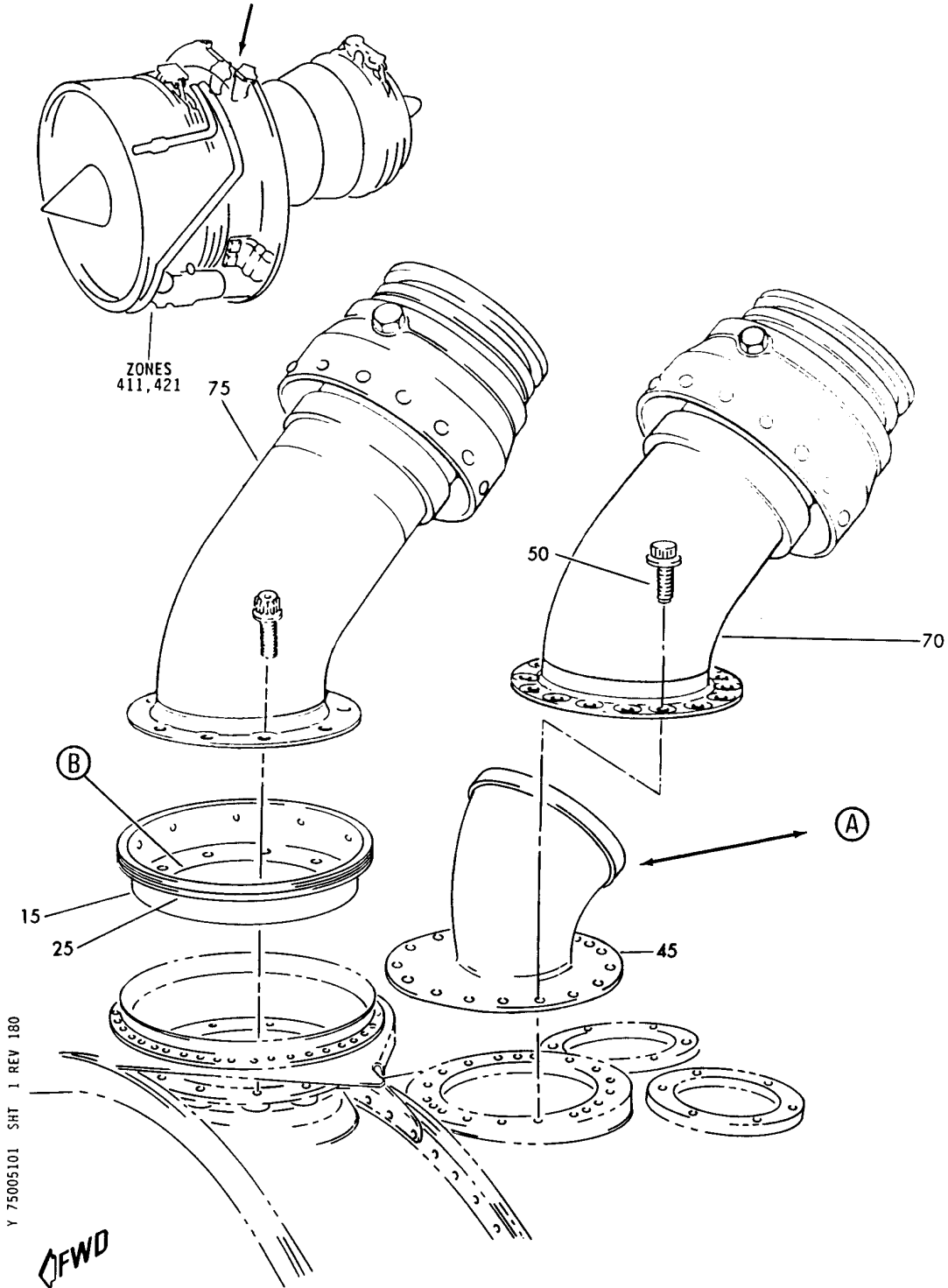
 **BOEING**
757
PARTS CATALOG (MAINTENANCE)

AIR

BRI
MAY 28/07

75-00-00
SECTION TITLE
PAGE 1

BOEING
757
PARTS CATALOG (MAINTENANCE)



Y 75005101 SHT 1 REV 180

FWD

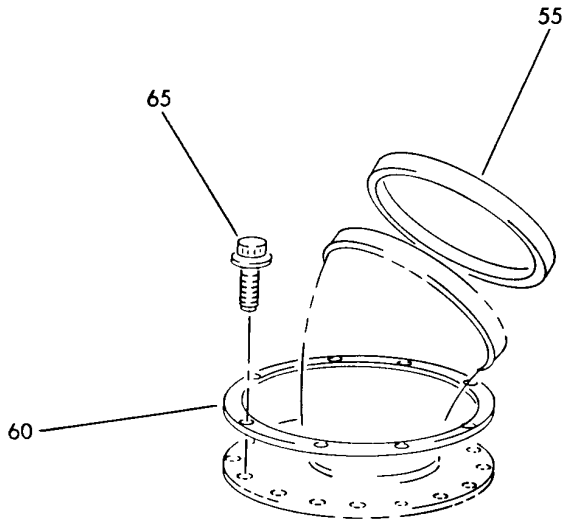
HP COMPRESSOR OUTLET DUCTS (RB211-535)
FIGURE 1 (SHEET 1)

75-00-51-01

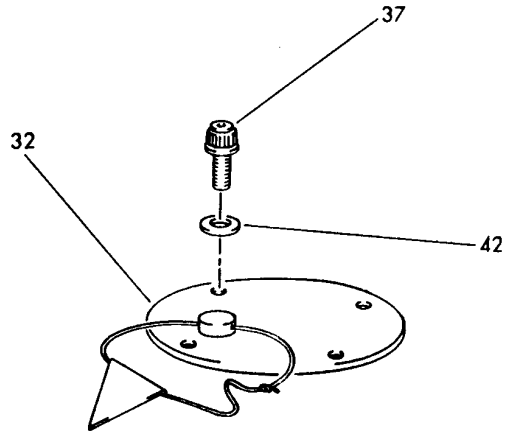
BRI
MAY 28/07

75-00-51-01
PAGE 0

BOEING
757
PARTS CATALOG (MAINTENANCE)



(A)



(B)

Y 75005101 SHT 2 REV 180

HP COMPRESSOR OUTLET DUCTS (RB211-535)
FIGURE 1 (SHEET 2)

75-00-51-01

BRI
MAY 28/07

75-00-51-01
PAGE 0A



757

PARTS CATALOG (MAINTENANCE)

FIG ITEM	PART NUMBER	1 2 3 4 5 6 7	NOMENCLATURE	EFFECT FROM TO	UNITS PER ASSY
1			HP COMPRESSOR OUTLET DUCTS (RB211-535)	002004 006999	
- 1	UL20697		ENGINE ASSY-Q.E.C.U. RB211-535E43711 MAXIMUM NEUT WITH GRAVINER FIRE DETECTORS, BAYONET MCD, NON-MODULATED IDG COOLING 40,000 LB THRUST SUPPLIER CODE: VK0680 REFERENCE SERVICE BULLETIN: 71-0058R4 QUALIFIED SB I/W DATA: INTERMIX OF ONE OR SUBSTITUTION OF TWO DIFFERENT CONFIGURATION RB211-535E4-37/() ENGINES FOR RB211-535 E4 BASE ENGINES REFERENCE SERVICE BULLETIN: RB211-72-C547 VK0680 FOR NHA/OTHER SYS DET SEE: 71-00-02-04	121503 904949 952999	RF
- 1	UL20702		ENGINE ASSY-Q.E.C.U. RB211-535E43711 BASIC ENGINE CONFIG. WITH GRAVINER FIRE DETECTORS, BAYONET MCD, NON-MODULATED IDG COOLING 40,100 LB THRUST SUPPLIER CODE: VK0680 FOR NHA/OTHER SYS DET SEE: 71-00-02-10	504903	RF
- 1	UL19722		ENGINE ASSY-Q.E.C.U. RB211-535E43711 MAXIMUM NEUT SUPPLIER CODE: VK0680 FOR NHA/OTHER SYS DET SEE: 71-00-02-04	107107	RF

MISSING ITEM NUMBERS NOT APPLICABLE

- ITEM NOT ILLUSTRATED

BRI

75-00-51-01

BOEING PROPRIETARY - Copyright © - Unpublished Work - See title page for details.

75-00-51
FIG. 01
PAGE 1
JAN 20/09



757

PARTS CATALOG (MAINTENANCE)

FIG ITEM	PART NUMBER	1 2 3 4 5 6 7	NOMENCLATURE	EFFECT FROM TO	UNITS PER ASSY
1					
- 2	UL20698		ENGINE ASSY-Q.E.C.U. RB211-535E43712 MAXIMUM NEUT SUPPLIER CODE: VK0680 REFERENCE SERVICE BULLETIN: 71-0058R7 QUALIFIED SB I/W DATA: INTERMIX OF ONE OR SUBSTITUTION OF TWO DIFFERENT CONFIGURATION RB211-535E4-37/() ENGINES FOR RB211-535E4 BASE ENGINES OR DIFFERENT CONFIGURATION RB211-535E4-B-37/() ENGINES FOR RB211-535E4-B BASE ENGINES REFERENCE SERVICE BULLETIN: RB211-72-C547 VK0680 RB211-72-8910 VK0680 POST RAPID REVISION: RR92014-183A-RC-E FOR NHA/OTHER SYS DET SEE: 71-00-02-04	002004 006100 102102	RF
- 2	UL36209		ENGINE ASSY-Q.E.C.U. RB211-535E43719 MAXIMUM NEUT SUPPLIER CODE: VK0680 FOR NHA/OTHER SYS DET SEE: 71-00-02-04	950951	RF
- 3	BCREF17101		ENGINE ASSY-Q.E.C.U. RB211-535E43744 BASIC ENGINE CONFIGURATION, BAYONET MCD AND PHASE 5 COMBUSTOR 40,100 LB THRUST SUPPLIER CODE: VK0680 OVERLENGTH PART NUMBER: RB211-535E4-3744E FOR NHA/OTHER SYS DET SEE: 71-00-02-10	103106	RF

MISSING ITEM NUMBERS NOT APPLICABLE

- ITEM NOT ILLUSTRATED

75-00-51-01

75-00-51
FIG. 01
PAGE 2
JAN 20/09

BRI



757

PARTS CATALOG (MAINTENANCE)

FIG ITEM	PART NUMBER	1 2 3 4 5 6 7	NOMENCLATURE	EFFECT FROM TO	UNITS PER ASSY
1					
- 3	BCREF17395		ENGINE ASSY-Q.E.C.U. RB211-535E43739 BASIC ENGINE CONFIGURATION AND PHASE 5 COMBUSTOR 40,100 LB THRUST SUPPLIER CODE: VK0680 OVERLENGTH PART NUMBER: RB211-535E4-37-39E FOR NHA/OTHER SYS DET SEE: 71-00-02-10	108120	RF
- 3	UL38163		ENGINE ASSY-Q.E.C.U. RB211-535E43724 BASIC ENGINE CONFIGURATION, BAYONET MCD, 40,100 LB THRUST SUPPLIER CODE: VK0680 FOR NHA/OTHER SYS DET SEE: 71-00-02-10	101101	RF
- 5	UL14077		.AIR OUTLETS AND FITTINGS- HP SUPPLIER CODE: VK0680 PRE SERVICE BULLETIN: 70-7899 VK0680	002004 006102 107999	RF
- 5	UL14078		.AIR OUTLETS AND FITTINGS- HP SUPPLIER CODE: VK0680 PRE SERVICE BULLETIN: 70-7899 VK0680	002004 006102 107999	RF
- 5	UL15347		.AIR OUTLETS AND FITTINGS- HP SUPPLIER CODE: VK0680 POST SERVICE BULLETIN: 70-7899PTB VK0680	002004 006999	RF
- 5	UL15348		.AIR OUTLETS AND FITTINGS- HP SUPPLIER CODE: VK0680 POST SERVICE BULLETIN: 70-7899PTB VK0680	002004 006999	RF

MISSING ITEM NUMBERS NOT APPLICABLE

- ITEM NOT ILLUSTRATED

75-00-51-01

75-00-51
FIG. 01
PAGE 3
JAN 20/09

BRI



757

PARTS CATALOG (MAINTENANCE)

FIG ITEM	PART NUMBER	1 2 3 4 5 6 7	NOMENCLATURE	EFFECT FROM TO	UNITS PER ASSY
1	15 LK73823		..HOUSING- SUPPLIER CODE: VK0680 ATTACHING PARTS	002004 006999	1
-	20 AS21011		..BOLT	002004 006999	11
	25 LK73824		-----*----- ...SEAL- SUPPLIER CODE: VK0680	002004 006999	1
	32 UL18799		..COVER-HP2 AIR OUTLET TRANSPORTATION ONLY SUPPLIER CODE: VK0680 POST SERVICE BULLETIN: 75-7858PTA VK0680 ATTACHING PARTS	002004 006999	1
	37 LK41268		..BOLT- SUPPLIER CODE: VK0680 POST SERVICE BULLETIN: 75-7858PTA VK0680	002004 006999	4
	42 CU19152		..WASHER- SUPPLIER CODE: VK0680 POST SERVICE BULLETIN: 75-7858 VK0680 PRE SERVICE BULLETIN: 75-B322 VK0680 -----*-----	101101	4
	45 UL18738		..DIFFUSER ASSY-AIR OFFTAKE SUPPLIER CODE: VK0680	002004 006999	1
	45 FW22716		..DIFFUSER ASSY-AIR OFFTAKE SUPPLIER CODE: VK0680 POST SERVICE BULLETIN: RB211-75-D737 VK0680 75-D737PT01 VK0680 ATTACHING PARTS	103106 108120	1
	50 AS22010		..BOLT -----*-----	002004 006999	16

MISSING ITEM NUMBERS NOT APPLICABLE

- ITEM NOT ILLUSTRATED

75-00-51-01

75-00-51
FIG. 01
PAGE 4
JAN 20/09

BRI



757

PARTS CATALOG (MAINTENANCE)

FIG ITEM	PART NUMBER	1 2 3 4 5 6 7	NOMENCLATURE	EFFECT FROM TO	UNITS PER ASSY
1					
55	UL16353		..COVER-HP6 AIR OFFTAKE TRANSPORTATION ONLY SUPPLIER CODE: VK0680 POST SERVICE BULLETIN: 72-7721PTD VK0680	002004 006999	1
60	UL18730		..RING-HP6 AIR OFFTAKE SUPPLIER CODE: VK0680 POST SERVICE BULLETIN: 72-7721PTD VK0680	002004 006999	1
65	UL18731		ATTACHING PARTS ..BOLT- SUPPLIER CODE: VK0680 POST SERVICE BULLETIN: 72-7721PTD VK0680	002004 006999	8
70	312N5321-7		-----*----- ..DUCT ASSY-HP6	002004 006999	1
75	312N5306-1		..DUCT ASSY-HP2 OPTIONAL PART: V00672	002004 006999	1

MISSING ITEM NUMBERS NOT APPLICABLE

- ITEM NOT ILLUSTRATED

BRI

75-00-51-01

BOEING PROPRIETARY - Copyright © - Unpublished Work - See title page for details.

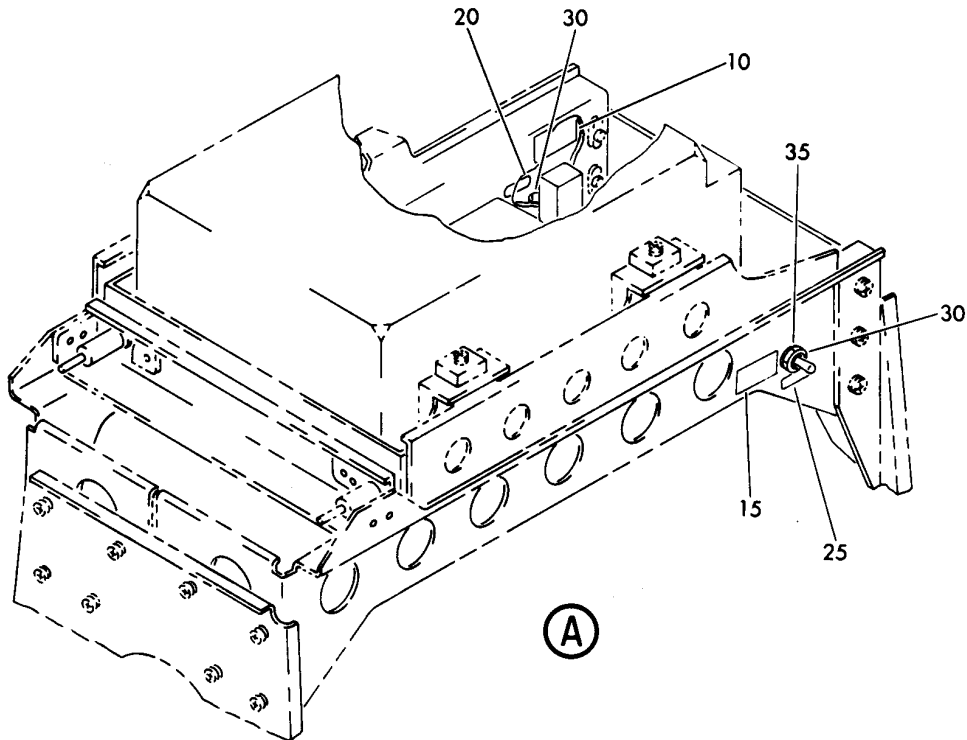
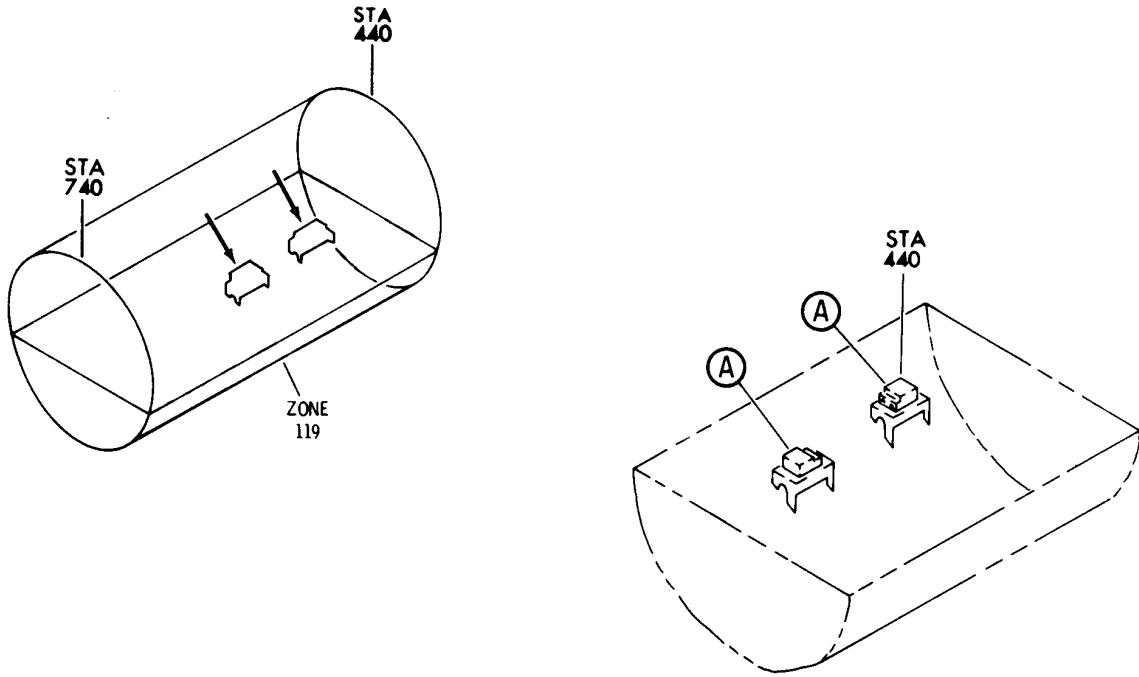
75-00-51
FIG. 01
PAGE 5
JAN 20/09

COMPRESSOR STATOR VANE CONTROL SYSTEM

BRI
MAY 28/07

75-31-00
SECTION TITLE
PAGE 1

BOEING
757
PARTS CATALOG (MAINTENANCE)



Y 75315201 SMT 1 REV 032

ENGINE CONTROL INSTL-MAIN ELECTRONIC EQPT CTR (AIR ONLY) (RB211-535)
FIGURE 1

75-31-52-01

BRI
MAY 28/07

75-31-52-01
PAGE 0



757

PARTS CATALOG (MAINTENANCE)

FIG ITEM	PART NUMBER	1 2 3 4 5 6 7	NOMENCLATURE	EFFECT FROM TO	UNITS PER ASSY
1			ENGINE CONTROL INSTL-MAIN ELECTRONIC EQPT CTR (AIR ONLY) (RB211-535)	002004 006017 107107 121503 904999	
- 1	284N1375-7		ENGINE CONTROL INSTL-MAIN ELECTRONIC EQPT CTR (AIR ONLY) POSITION DATA: FWD ELECTRICAL EQUIP NUMBER: M70007 FOR NHA/OTHER SYS DET SEE: 24-00-58-01C	002004 006017 107107 121503 904999	RF
- 5	284N1375-8		ENGINE CONTROL INSTL-MAIN ELECTRONIC EQPT CTR (AIR ONLY) POSITION DATA: REAR ELECTRICAL EQUIP NUMBER: M70008 FOR NHA/OTHER SYS DET SEE: 24-00-58-01C	002004 006017 107107 121503 904999	RF
10	BAC27NEX1725		.DECAL- PLACARD CONTENT: LEFT EEC GND TEST USED ON: 284N1375-1 284N1375-3 284N1375-5 284N1375-7 284N1375-9 284N1375-13 284N1198-1	002004 006017 107107 121503 904999	1
15	BAC27NEX1726		.DECAL- PLACARD CONTENT: RIGHT EEC GND TEST USED ON: 284N1375-2 284N1375-4 284N1375-6 284N1375-8 284N1375-10 284N1375-11 284N1375-12 284N1198-2	002004 006017 107107 121503 904999	1

MISSING ITEM NUMBERS NOT APPLICABLE

- ITEM NOT ILLUSTRATED

BRI

75-31-52-01

BOEING PROPRIETARY - Copyright © - Unpublished Work - See title page for details.

75-31-52
FIG. 01
PAGE 1
JAN 20/09



757

PARTS CATALOG (MAINTENANCE)

FIG ITEM	PART NUMBER	1 2 3 4 5 6 7	NOMENCLATURE	EFFECT FROM TO	UNITS PER ASSY
1	20	BAC27NEX1154	.DECAL- PLACARD CONTENT: S10379 USED ON: 284N1375-1 284N1375-3 284N1375-5 284N1375-7 284N1375-9 284N1375-13 284N1198-1	002004 006017 107107 121503 904999	1
	25	BAC27NEX1142	.DECAL- PLACARD CONTENT: S10380 USED ON: 284N1375-2 284N1375-4 284N1375-6 284N1375-8 284N1375-10 284N1375-11 284N1375-12 284N1198-2	002004 006017 107107 121503 904999	1
	30	26ET24-3	.SWITCH- SUPPLIER CODE: V91929 ELECTRICAL EQUIP NUMBER: S10379 S10380	002004 006017 107107 121503 904999	1
	35	MS25081C4	.WASHER-	002004 006017 107107 121503 904999	1

MISSING ITEM NUMBERS NOT APPLICABLE

- ITEM NOT ILLUSTRATED

BRI

75-31-52-01

BOEING PROPRIETARY - Copyright © - Unpublished Work - See title page for details.

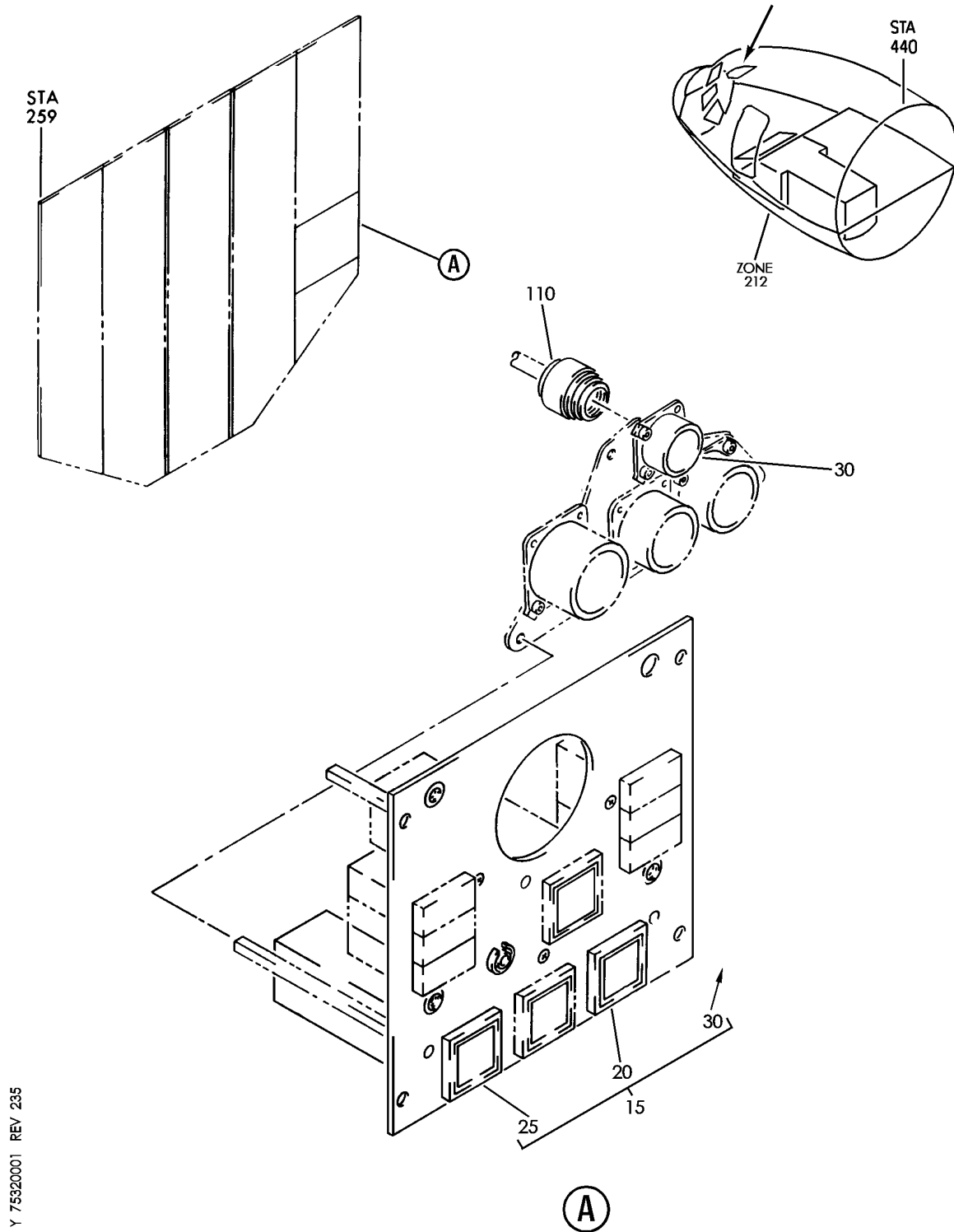
75-31-52
FIG. 01
PAGE 2
JAN 20/09

COMPRESSOR BLEED CONTROL SYSTEM

BRI
MAY 28/07

75-32-00
SECTION TITLE
PAGE 1

BOEING
757
PARTS CATALOG (MAINTENANCE)



Y 75320001 REV 235

PANEL INSTL-P5 OVHD (AIR ONLY)
FIGURE 1

75-32-00-01

BRI
MAY 28/07

75-32-00-01
PAGE 0



757

PARTS CATALOG (MAINTENANCE)

FIG ITEM	PART NUMBER	1 2 3 4 5 6 7	NOMENCLATURE	EFFECT FROM TO	UNITS PER ASSY
1			PANEL INSTL-P5 OVHD (AIR ONLY)	101106 108120 504903	
- 3	233N3103-59		PANEL INSTL-P5 OVHD (AIR ONLY) FOR NHA/OTHER SYS DET SEE: 25-10-00-15E	108120	RF
- 5	233N3103-132		PANEL INSTL-P5 OVHD (AIR ONLY) FOR NHA/OTHER SYS DET SEE: 25-10-00-15E	101102	RF
- 5	233N3103-136		PANEL INSTL-P5 OVHD (AIR ONLY) FOR NHA/OTHER SYS DET SEE: 25-10-00-15E	504903	RF
- 7	MODREF33760		PANEL INSTL-P5 OVHD (AIR ONLY) MODULE NUMBER: 233N3103-351 REV C FOR OTHER SYS DETAILS SEE: 11-31-10-12 21-25-55-03 21-31-01-02 21-33-51-03 21-51-54-03 21-58-19-10 21-58-51-03 21-61-04-03 21-65-51-01 22-21-01-04 22-24-51-02 23-24-01-01 23-32-00-11 23-42-02-02 23-71-05-02 24-11-52-05 24-22-01-03 24-31-01-10 24-31-03-09 24-33-04-01 24-41-51-04 24-51-62-01 26-18-51-04 27-21-53-02 27-41-55-01 27-61-51-03 27-62-52-02 28-22-51-02 28-41-04-01	103103	1
MISSING ITEM NUMBERS NOT APPLICABLE					

- ITEM NOT ILLUSTRATED

75-32-00-01

75-32-00
FIG. 01
PAGE 1
JAN 20/09

BRI



757

PARTS CATALOG (MAINTENANCE)

FIG ITEM	PART NUMBER	1 2 3 4 5 6 7	NOMENCLATURE	EFFECT FROM TO	UNITS PER ASSY
1			28-41-51-03 29-11-02-03 29-11-05-04 29-11-52-07 29-21-54-03 29-31-00-01 29-32-51-03 29-33-52-03 30-11-51-03 30-21-51-03 30-31-51-02 30-32-51-01 30-33-51-02 30-41-51-03 30-42-51-03 31-12-11-91 31-12-11-91 A 32-42-52-03 33-11-03-03 33-11-51-17 33-13-01-65 33-13-02-03 33-16-51-03 33-24-51-02 33-41-52-04 33-42-01-04 33-42-02-04 33-42-52-04 33-43-51-04 33-44-51-05 33-45-53-03 33-51-08-05 34-21-02-01 35-21-51-04 36-11-04-01 36-21-00-01 36-21-02-05 36-22-51-03 49-41-00-02 49-52-00-01 49-70-00-01 52-51-51-03 52-71-51-02 73-21-52-02 74-31-51-05 80-11-09-02		
- 7	MODREF34038		PANEL INSTL-P5 OVHD (AIR ONLY) MODULE NUMBER: MISSING ITEM NUMBERS NOT APPLICABLE	104105	1

- ITEM NOT ILLUSTRATED

75-32-00-01

75-32-00
 FIG. 01
 PAGE 2
 JAN 20/09

BRI



757

PARTS CATALOG (MAINTENANCE)

FIG ITEM	PART NUMBER	1 2 3 4 5 6 7	NOMENCLATURE	EFFECT FROM TO	UNITS PER ASSY
1			233N3103-351 REV D FOR OTHER SYS DETAILS SEE: 11-31-10-12 21-25-55-03 21-31-01-02 21-33-51-03 21-51-54-03 21-58-19-10 21-58-51-03 21-61-04-03 21-65-51-01 22-21-01-04 22-24-51-02 23-24-01-01 23-32-00-11 23-42-02-02 23-71-05-02 24-11-52-05 24-22-01-03 24-31-01-10 24-31-03-09 24-33-04-01 24-41-51-04 24-51-62-01 26-18-51-04 27-21-53-02 27-41-55-01 27-61-51-03 27-62-52-02 28-22-51-02 28-41-04-01 28-41-51-03 29-11-02-03 29-11-05-04 29-11-52-07 29-21-54-03 29-31-00-01 29-32-51-03 29-33-52-03 30-11-51-03 30-21-51-03 30-31-51-02 30-32-51-01 30-33-51-02 30-41-51-03 30-42-51-03 31-12-11-91 31-12-11-91A 32-42-52-03		
MISSING ITEM NUMBERS NOT APPLICABLE					

- ITEM NOT ILLUSTRATED

75-32-00-01

75-32-00
FIG. 01
PAGE 3
JAN 20/09

BRI



757

PARTS CATALOG (MAINTENANCE)

FIG ITEM	PART NUMBER	1 2 3 4 5 6 7	NOMENCLATURE	EFFECT FROM TO	UNITS PER ASSY
1			33-11-03-03 33-11-51-17 33-13-01-65 33-13-02-03 33-16-51-03 33-24-51-02 33-41-52-04 33-42-01-04 33-42-02-04 33-42-52-04 33-43-51-04 33-44-51-05 33-45-53-03 33-51-08-05 34-21-02-01 35-21-51-04 36-11-04-01 36-21-00-01 36-21-02-05 36-22-51-03 49-41-00-02 49-52-00-01 49-70-00-01 52-51-51-03 52-71-51-02 73-21-52-02 74-31-51-05 80-11-09-02		
- 8	MODREF170180		PANEL INSTL-P5 OVHD (AIR ONLY) MODULE NUMBER: 233N3103-353 REV B FOR OTHER SYS DETAILS SEE: 11-31-10-12 21-25-55-03 21-31-01-02 21-33-51-03 21-51-54-03 21-58-19-10 21-58-51-03 21-61-04-03 21-65-51-01 22-21-01-04 22-24-51-02 23-24-01-01 23-32-00-11 23-42-02-02 23-71-05-02 24-11-52-05	106106	1

MISSING ITEM NUMBERS NOT APPLICABLE

- ITEM NOT ILLUSTRATED

BRI

75-32-00-01

BOEING PROPRIETARY - Copyright © - Unpublished Work - See title page for details.

75-32-00
 FIG. 01
 PAGE 4
 JAN 20/09



757

PARTS CATALOG (MAINTENANCE)

FIG ITEM	PART NUMBER	1 2 3 4 5 6 7 NOMENCLATURE	EFFECT FROM TO	UNITS PER ASSY
1		24-22-01-03 24-31-01-10 24-31-03-09 24-33-04-01 24-41-51-04 24-51-62-01 26-18-51-04 27-21-53-02 27-41-55-01 27-61-51-03 27-62-52-02 28-22-51-02 28-41-04-01 28-41-51-03 29-11-02-03 29-11-05-04 29-11-52-07 29-21-54-03 29-31-00-01 29-32-51-03 29-33-52-03 30-11-51-03 30-21-51-03 30-31-51-02 30-32-51-01 30-33-51-02 30-41-51-03 30-42-51-03 31-12-11-84 31-12-11-84 A 32-42-52-03 33-11-03-03 33-11-51-17 33-13-01-65 33-13-02-03 33-16-51-03 33-24-51-02 33-41-52-04 33-42-01-04 33-42-02-04 33-42-52-04 33-43-51-04 33-44-51-05 33-45-53-03 33-51-08-05 34-21-02-01 35-21-51-04 36-11-04-01 36-21-00-01		

MISSING ITEM NUMBERS NOT APPLICABLE

- ITEM NOT ILLUSTRATED

BRI

75-32-00-01

BOEING PROPRIETARY - Copyright © - Unpublished Work - See title page for details.

75-32-00
FIG. 01
PAGE 5
JAN 20/09



757

PARTS CATALOG (MAINTENANCE)

FIG ITEM	PART NUMBER	1 2 3 4 5 6 7	NOMENCLATURE	EFFECT FROM TO	UNITS PER ASSY
1			36-21-02-05 36-22-51-03 49-41-00-02 49-52-00-01 49-70-00-01 52-51-51-03 52-71-51-02 73-21-52-02 74-31-51-05 80-11-09-02		
- 13	233N3215-300	.	PANEL ASSY-BLEED AIR SUPPLIER CODE: V89954 ELECTRICAL EQUIP NUMBER: M10259 COMPONENT MAINT MANUAL REF: 36-11-71 QUALIFIED I/W DATA: THE 233N3215-300 PANEL ASSY IS I/W THE 233N3215-16 PANEL ASSY T/W THE S233T100-6009 LIGHTPLATE PRE ALERT SB: 33A0044	101102 504903	RF
- 13	233N3215-1300	.	PANEL ASSY-BLEED AIR SUPPLIER CODE: V89954 ELECTRICAL EQUIP NUMBER: M10259 COMPONENT MAINT MANUAL REF: 36-11-71 POST ALERT SB: 33A0044	101102 504903	RF
- 13	233N3215-302	.	PANEL ASSY-BLEED AIR SUPPLIER CODE: V89954 ELECTRICAL EQUIP NUMBER: M10259 COMPONENT MAINT MANUAL REF: 36-11-71 QUALIFIED I/W DATA: THE 233N3215-302 PANEL ASSY IS I/W THE 233N3215-20 PANEL ASSY T/W THE S233T100-6009 LIGHTPLATE PRE ALERT SB: 33A0044	108120	RF

MISSING ITEM NUMBERS NOT APPLICABLE

- ITEM NOT ILLUSTRATED

BRI

75-32-00-01

BOEING PROPRIETARY - Copyright © - Unpublished Work - See title page for details.

75-32-00
FIG. 01
PAGE 6
JAN 20/09



757

PARTS CATALOG (MAINTENANCE)

FIG ITEM	PART NUMBER	1 2 3 4 5 6 7	NOMENCLATURE	EFFECT FROM TO	UNITS PER ASSY
1					
- 13	233N3215-1302		.PANEL ASSY-BLEED AIR SUPPLIER CODE: V89954 ELECTRICAL EQUIP NUMBER: M10259 COMPONENT MAINT MANUAL REF: 36-11-71 REWORK DRAWING REF: 233N6251-4 POST ALERT SB: 33A0044	108120	RF
- 13	233N3215-303		.PANEL ASSY-BLEED AIR SUPPLIER CODE: V89954 ELECTRICAL EQUIP NUMBER: M10259 COMPONENT MAINT MANUAL REF: 36-11-71	101106 504903	RF
- 13	233N3215-305		.PANEL ASSY-BLEED AIR SUPPLIER CODE: V89954 ELECTRICAL EQUIP NUMBER: M10259	108120	RF
15	233N3215-16		..PANEL ASSY- SUPPLIER CODE: V89954 MISCELLANEOUS DATA: FOR SPARES PROCURE NEXT HIGHER ASSY COMPONENT MAINT MANUAL REF: 36-11-71 QUALIFIED I/W DATA: THE 233N3215-300 PANEL ASSY IS I/W THE 233N3215-16 PANEL ASSY T/W THE S233T100-6009 LIGHTPLATE USED ON: 233N3215-300 PRE ALERT SB: 33A0044	101102 504903	RF

MISSING ITEM NUMBERS NOT APPLICABLE

- ITEM NOT ILLUSTRATED

BRI

75-32-00-01

BOEING PROPRIETARY - Copyright © - Unpublished Work - See title page for details.

75-32-00
FIG. 01
PAGE 7
JAN 20/09



757

PARTS CATALOG (MAINTENANCE)

FIG ITEM	PART NUMBER	1 2 3 4 5 6 7	NOMENCLATURE	EFFECT FROM TO	UNITS PER ASSY
1					
15	233N3215-20		..PANEL ASSY- SUPPLIER CODE: V89954 MISCELLANEOUS DATA: FOR SPARES PROCURE NEXT HIGHER ASSY COMPONENT MAINT MANUAL REF: 36-11-71 QUALIFIED I/W DATA: THE 233N3215-302 PANEL ASSY IS I/W THE 233N3215-20 PANEL ASSY T/W THE S233T100-6009 LIGHTPLATE USED ON: 233N3215-302 PRE ALERT SB: 33A0044	108120	RF
15	233N3215-22		..PANEL ASSY- SUPPLIER CODE: V89954 MISCELLANEOUS DATA: FOR SPARES PROCURE NEXT HIGHER ASSY COMPONENT MAINT MANUAL REF: 36-11-71 USED ON: 233N3215-303	101106 504903	RF
15	233N3215-23		..PANEL ASSY- SUPPLIER CODE: V89954 MISCELLANEOUS DATA: FOR SPARES PROCURE NEXT HIGHER ASSY COMPONENT MAINT MANUAL REF: 36-11-71	108120	RF
15	233N3215-1016		..PANEL ASSY- SUPPLIER CODE: V89954 COMPONENT MAINT MANUAL REF: 36-11-71 USED ON: 233N3215-1300 POST ALERT SB: 33A0044	101102 504903	RF

MISSING ITEM NUMBERS NOT APPLICABLE

- ITEM NOT ILLUSTRATED

BRI

75-32-00-01

BOEING PROPRIETARY - Copyright © - Unpublished Work - See title page for details.

75-32-00
FIG. 01
PAGE 8
JAN 20/09



757

PARTS CATALOG (MAINTENANCE)

FIG ITEM	PART NUMBER	1 2 3 4 5 6 7	NOMENCLATURE	EFFECT FROM TO	UNITS PER ASSY
1	233N3215-1020		.. PANEL ASSY- SUPPLIER CODE: V89954 COMPONENT MAINT MANUAL REF: 36-11-71 QUALIFIED I/W DATA: 233N3215-1009,-1015, -1019 AND -1020 ARE INTERCHANGEABLE PER CUSTOMER PREFERENCE. USED ON: 233N3215-1302 POST ALERT SB: 33A0044	108120	RF
20	BCREFA0504		...SWITCH ASSY-LIGHTED PUSH BUTTON IND SUPPLIER CODE: V81590 OVERLENGTH PART NUMBER: 433-673-1004-4013 SPECIFICATION NUMBER: S231T290-4013 MISCELLANEOUS DATA: WHEN REPLACING THE PUSHBUTTON SWITCH ASSY OR THE MASTER MODULE WITHIN, VERIFY THAT A CONFIG D MASTER MODULE P/N 13206-001 IS INSTALLED IN LIEU OF ANY EARLIER CONFIGURATION MASTER MODULES. OPTIONAL PART: S231T290-5013 USED ON: 233N3215-16 233N3215-17 233N3215-20 233N3215-1016 233N3215-1017 233N3215-1020 REFERENCE SERVICE BULLETIN: 33A0044 REWORKED BY SB: 433-33-05 V81590 FOR DETAILS SEE: 33-13-00-48	101102 108120 504903	1

MISSING ITEM NUMBERS NOT APPLICABLE

- ITEM NOT ILLUSTRATED

BRI

75-32-00-01

BOEING PROPRIETARY - Copyright © - Unpublished Work - See title page for details.

75-32-00
FIG. 01
PAGE 9
JAN 20/09



757

PARTS CATALOG (MAINTENANCE)

FIG ITEM	PART NUMBER	1 2 3 4 5 6 7	NOMENCLATURE	EFFECT FROM TO	UNITS PER ASSY
1					
20	S231T290-5013		...SWITCH ASSY-LIGHTED PUSH BUTTON IND OPTIONAL PART: BCREFA0504 V81590 USED ON: 233N3215-16 233N3215-20 233N3215-1016 233N3215-1020	101102 108120 504903	1
20	851-30768-2013		...SWITCH ASSY-LIGHTED PUSH BUTTON IND OFF SUPPLIER CODE: V96182 SPECIFICATION NUMBER: S231T290-2013 FOR DETAILS SEE: 33-13-00-28	101102 108120 504903	1
20	851-30768-3013		...SWITCH ASSY-LIGHTED PUSH BUTTON IND OFF SUPPLIER CODE: V96182 SPECIFICATION NUMBER: S231T290-3013 FOR DETAILS SEE: 33-13-00-38	101102 108120 504903	1
20	4336731004-4213		...SWITCH ASSY-LIGHTED PUSH BUTTON IND SUPPLIER CODE: V81590 SPECIFICATION NUMBER: S231T290-4213 MISCELLANEOUS DATA: WHEN REPLACING THE PUSHBUTTON SWITCH ASSY OR THE MASTER MODULE WITHIN, VERIFY THAT A CONFIG D MASTER MODULE P/N 13203-001 IS INSTALLED IN LIEU OF ANY EARLIER CONFIGURATION MASTER MODULES. USED ON: 233N3215-22 233N3215-23	101106 108120 504903	1

MISSING ITEM NUMBERS NOT APPLICABLE

- ITEM NOT ILLUSTRATED

75-32-00-01

75-32-00
FIG. 01
PAGE 10
JAN 20/09

BRI



757

PARTS CATALOG (MAINTENANCE)

FIG ITEM	PART NUMBER	1 2 3 4 5 6 7	NOMENCLATURE	EFFECT FROM TO	UNITS PER ASSY
1 25	BCREFA0513		...SWITCH ASSY-LIGHTED PUSH BUTTON IND OFF SUPPLIER CODE: V81590 OVERLENGTH PART NUMBER: 433-673-1004-4030 SPECIFICATION NUMBER: S231T290-4030 MISCELLANEOUS DATA: WHEN REPLACING THE PUSHBUTTON SWITCH ASSY OR THE MASTER MODULE WITHIN, VERIFY THAT A CONFIG D MASTER MODULE P/N 13206-001 IS INSTALLED IN LIEU OF ANY EARLIER CONFIGURATION MASTER MODULES. OPTIONAL PART: S231T290-5030 USED ON: 233N3215-16 233N3215-17 233N3215-20 233N3215-1016 233N3215-1017 233N3215-1020 REFERENCE SERVICE BULLETIN: 33A0044 REWORKED BY SB: 433-33-05 V81590 FOR DETAILS SEE: 33-13-00-48	101102 108120 504903	1
25	S231T290-5030		...SWITCH ASSY-LIGHTED PUSH BUTTON IND OPTIONAL PART: BCREFA0513 V81590 USED ON: 233N3215-16 233N3215-20 233N3215-1016 233N3215-1020	101102 108120 504903	1

MISSING ITEM NUMBERS NOT APPLICABLE

- ITEM NOT ILLUSTRATED

BRI

75-32-00-01

BOEING PROPRIETARY - Copyright © - Unpublished Work - See title page for details.

75-32-00
FIG. 01
PAGE 11
JAN 20/09



757

PARTS CATALOG (MAINTENANCE)

FIG ITEM	PART NUMBER	1 2 3 4 5 6 7	NOMENCLATURE	EFFECT FROM TO	UNITS PER ASSY
1 25	BCREF7614		...SWITCH ASSY-LIGHTED PUSH BUTTON IND OFF SUPPLIER CODE: V81590 OVERLENGTH PART NUMBER: 433-673-1001-1030 SPECIFICATION NUMBER: S231T290-1030 MISCELLANEOUS DATA: WHEN REPLACING THE PUSHBUTTON SWITCH ASSY OR THE MASTER MODULE WITHIN, VERIFY THAT A CONFIG D MASTER MODULE P/N 13206-001 IS INSTALLED IN LIEU OF ANY EARLIER CONFIGURATION MASTER MODULES. USED ON: 233N3215-17 233N3215-1017 REFERENCE SERVICE BULLETIN: 33A0044 REWORKED BY SB: 433-33-05 V81590 FOR DETAILS SEE: 33-13-00-18	101102 108120 504903	1
25	851-30768-2030		...SWITCH ASSY-LIGHTED PUSH BUTTON IND OFF SUPPLIER CODE: V96182 SPECIFICATION NUMBER: S231T290-2030 FOR DETAILS SEE: 33-13-00-28	101102 108120 504903	1
25	851-30768-3030		...SWITCH ASSY-LIGHTED PUSH BUTTON IND OFF SUPPLIER CODE: V96182 SPECIFICATION NUMBER: S231T290-3030 FOR DETAILS SEE: 33-13-00-38	101102 108120 504903	1

MISSING ITEM NUMBERS NOT APPLICABLE

- ITEM NOT ILLUSTRATED

BRI

75-32-00-01

BOEING PROPRIETARY - Copyright © - Unpublished Work - See title page for details.

75-32-00
FIG. 01
PAGE 12
JAN 20/09



757

PARTS CATALOG (MAINTENANCE)

FIG ITEM	PART NUMBER	1 2 3 4 5 6 7	NOMENCLATURE	EFFECT FROM TO	UNITS PER ASSY
1	25 4336731004-4230		...SWITCH ASSY-LIGHTED PUSH BUTTON IND SUPPLIER CODE: V81590 SPECIFICATION NUMBER: S231T290-4230 MISCELLANEOUS DATA: WHEN REPLACING THE PUSHBUTTON SWITCH ASSY OR THE MASTER MODULE WITHIN, VERIFY THAT A CONFIG D MASTER MODULE P/N 13203-001 IS INSTALLED IN LIEU OF ANY EARLIER CONFIGURATION MASTER MODULES. USED ON: 233N3215-22 233N3215-23	101106 108120 504903	1
	30 BCRE4925		...CONNECTOR- OVERLENGTH PART NUMBER: BACC45FN12-12P10 ATTACHING PARTS	101106 108120 504903	1
-	35 NAS1801-04-5		...SCREW- USED ON: 233N3215-16 233N3215-17 233N3215-20 233N3215-1016 233N3215-1017 233N3215-1020	101106 108120 504903	2
-	35 BACS12HN04-5		...SCREW- OPTIONAL PART: NAS1801-04-5 USED ON: 233N3215-22 233N3215-23	101106 108120 504903	2
-	35 NAS1801-04-5		...SCREW- OPTIONAL PART: BACS12HN04-5 USED ON: 233N3215-22 233N3215-23	101106 108120 504903	2

MISSING ITEM NUMBERS NOT APPLICABLE

- ITEM NOT ILLUSTRATED

75-32-00-01

75-32-00
FIG. 01
PAGE 13
JAN 20/09

BRI



757

PARTS CATALOG (MAINTENANCE)

FIG ITEM	PART NUMBER	1 2 3 4 5 6 7	NOMENCLATURE	EFFECT FROM TO	UNITS PER ASSY
1					
- 40	K19798-04		...NUT SUPPLIER CODE: V15653 SPECIFICATION NUMBER: BACN10NW1 OPTIONAL PART: RMA4812-160-40 V72962 293162 V60119	101106 108120 504903	2
- 102	286N2070-335		-----*----- WIRE BUNDLE ASSY	101102	RF
- 102	286N2070-337		WIRE BUNDLE ASSY	108120	RF
- 102	286N2070-340		WIRE BUNDLE ASSY	504903	RF
- 105	286N2070-601		WIRE BUNDLE ASSY	103106	RF
110	R071612A12S10		.CONNECTOR- SUPPLIER CODE: V41118 SPECIFICATION NUMBER: BCREF7872 OPTIONAL PART: BMS2426612A12S1 V11139 OVERLENGTH PART NUMBER: BACC45FT12A12S10 ELECTRICAL EQUIP NUMBER: D03540 WIRING DIAGRAM REF: 361111 361121	101106 108120 504903	1

MISSING ITEM NUMBERS NOT APPLICABLE

- ITEM NOT ILLUSTRATED

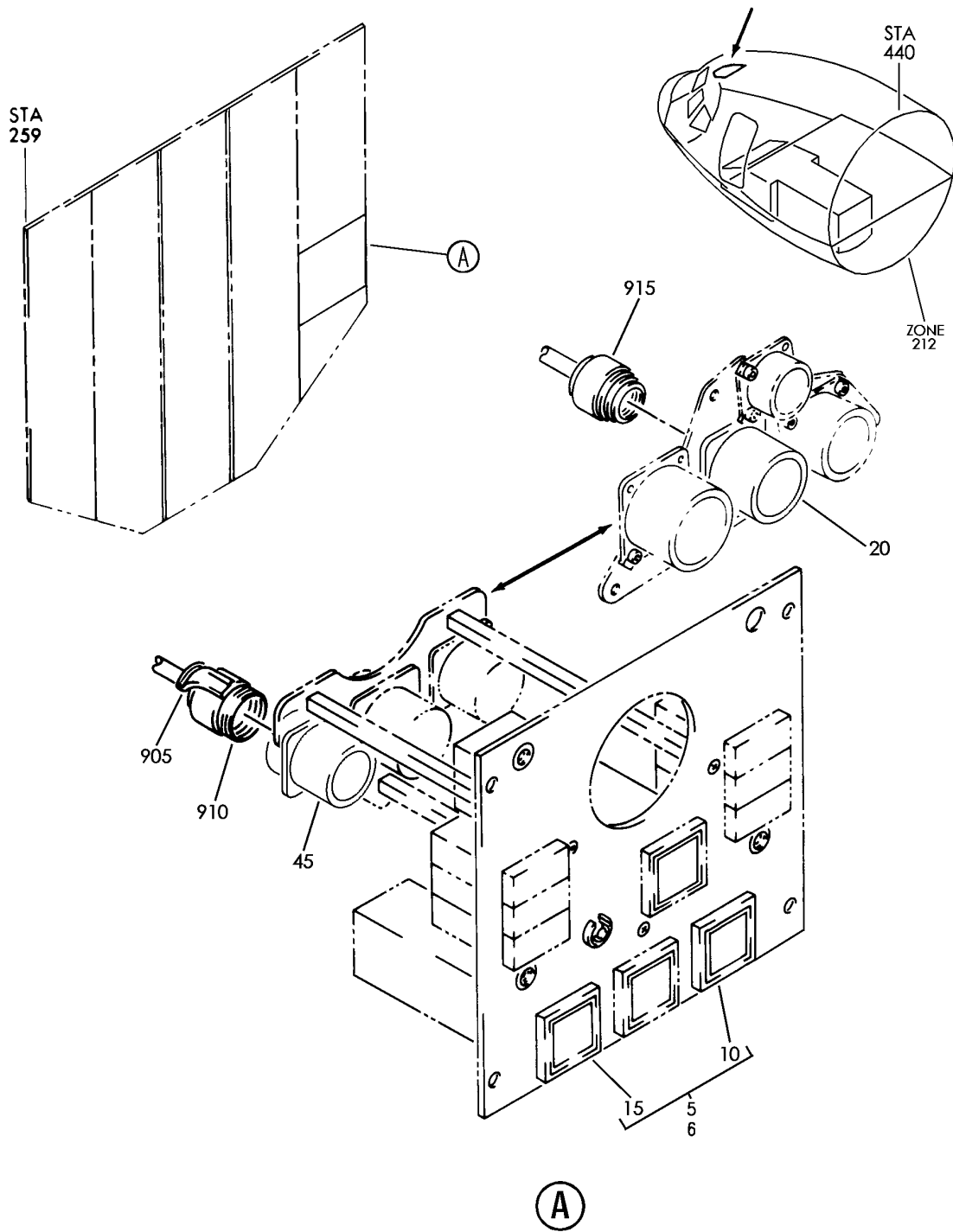
BRI

75-32-00-01

BOEING PROPRIETARY - Copyright © - Unpublished Work - See title page for details.

75-32-00
FIG. 01
PAGE 14
JAN 20/09

BOEING
757
PARTS CATALOG (MAINTENANCE)



Y 75320002 REV 278

PANEL INSTL-P5 OVHD (AIR ONLY)
FIGURE 2

75-32-00-02

BRI
MAY 28/07

75-32-00-02
PAGE 0



757

PARTS CATALOG (MAINTENANCE)

FIG ITEM	PART NUMBER	1 2 3 4 5 6 7	NOMENCLATURE	EFFECT FROM TO	UNITS PER ASSY
2			PANEL INSTL-P5 OVHD (AIR ONLY)	002004 006010 107107 121503 904999	
- 1	233N3101-1		PANEL INSTL-P5 OVHD (AIR ONLY) VARIABLE DRAWING REF: 233N3101-5005 233N3101-5025 233N3101-5041 233N3101-5042 233N3101-5045 FOR NHA/OTHER SYS DET SEE: 25-10-00-05A	002004 006010 107107 121503 904999	RF
5	233N3215-15		.PANEL ASSY-BLEED AIR SUPPLIER CODE: V89954 ELECTRICAL EQUIP NUMBER: M10259 COMPONENT MAINT MANUAL REF: 36-11-71 QUALIFIED I/W DATA: 233N3215-9 -15 -19 -20 ARE ALL INTERCHANGEABLE EXCEPT SUBJECT TO CUSTOMER PREFERENCE PRE ALERT SB: 33A0044	107107	RF
5	233N3215-16		.PANEL ASSY-BLEED AIR SUPPLIER CODE: V89954 MISCELLANEOUS DATA: FOR SPARES PROCURE NEXT HIGHER ASSY ELECTRICAL EQUIP NUMBER: M10259 COMPONENT MAINT MANUAL REF: 36-11-71 QUALIFIED I/W DATA: 233N3215-13 -14 -16 -17 ARE ALL INTERCHANGEABLE EXCEPT SUBJECT TO CUSTOMER PREFERENCE PRE ALERT SB: 33A0044	002004 006010 950999	RF

MISSING ITEM NUMBERS NOT APPLICABLE

- ITEM NOT ILLUSTRATED

BRI

75-32-00-02

BOEING PROPRIETARY - Copyright © - Unpublished Work - See title page for details.

75-32-00
FIG. 02
PAGE 1
JAN 20/09



757

PARTS CATALOG (MAINTENANCE)

FIG ITEM	PART NUMBER	1 2 3 4 5 6 7	NOMENCLATURE	EFFECT FROM TO	UNITS PER ASSY
2					
5	233N3215-19		.PANEL ASSY-BLEED AIR SUPPLIER CODE: V89954 ELECTRICAL EQUIP NUMBER: M10259 COMPONENT MAINT MANUAL REF: 36-11-71 QUALIFIED I/W DATA: 233N3215-9 -15 -19 -20 ARE ALL INTERCHANGEABLE EXCEPT SUBJECT TO CUSTOMER PREFERENCE PRE ALERT SB: 33A0044R1	121503 904949	RF
5	233N3215-1016		.PANEL ASSY-BLEED AIR SUPPLIER CODE: V89954 ELECTRICAL EQUIP NUMBER: M10259 COMPONENT MAINT MANUAL REF: 36-11-71 POST ALERT SB: 33A0044	002004 006010 950999	RF
5	233N3215-1015		.PANEL ASSY-BLEED AIR SUPPLIER CODE: V89954 ELECTRICAL EQUIP NUMBER: M10259 COMPONENT MAINT MANUAL REF: 36-11-71 QUALIFIED I/W DATA: 233N3215-1009,-1015, -1019 AND -1020 ARE INTERCHANGEABLE PER CUSTOMER PREFERENCE. POST ALERT SB: 33A0044	107107	RF

MISSING ITEM NUMBERS NOT APPLICABLE

- ITEM NOT ILLUSTRATED

BRI

75-32-00-02

BOEING PROPRIETARY - Copyright © - Unpublished Work - See title page for details.

75-32-00
FIG. 02
PAGE 2
JAN 20/09



757

PARTS CATALOG (MAINTENANCE)

FIG ITEM	PART NUMBER	1 2 3 4 5 6 7	NOMENCLATURE	EFFECT FROM TO	UNITS PER ASSY
2					
6	233N3215-1019		.PANEL ASSY-BLEED AIR SUPPLIER CODE: V89954 ELECTRICAL EQUIP NUMBER: M10259 COMPONENT MAINT MANUAL REF: 36-11-71 QUALIFIED I/W DATA: 233N3215-1009,-1015, -1019 AND -1020 ARE INTERCHANGEABLE PER CUSTOMER PREFERENCE. POST ALERT SB: 33A0044R1	121503 904949	RF
6	233N3215-22		.PANEL ASSY-BLEED AIR SUPPLIER CODE: V89954 ELECTRICAL EQUIP NUMBER: M10259	002004 006010 950999	RF
10	BCREF7605		..SWITCH ASSY-LIGHTED PUSH BUTTON IND OFF SUPPLIER CODE: V81590 OVERLENGTH PART NUMBER: 433-673-1001-1013 SPECIFICATION NUMBER: S231T290-1013 MISCELLANEOUS DATA: WHEN REPLACING THE PUSHBUTTON SWITCH ASSY OR THE MASTER MODULE WITHIN, VERIFY THAT A CONFIG D MASTER MODULE P/N 13206-001 IS INSTALLED IN LIEU OF ANY EARLIER CONFIGURATION MASTER MODULES. REFERENCE SERVICE BULLETIN: 33A0044 REWORKED BY SB: 433-33-5 V81590 FOR DETAILS SEE: 33-13-00-18	107107	1

MISSING ITEM NUMBERS NOT APPLICABLE

- ITEM NOT ILLUSTRATED

BRI

75-32-00-02

BOEING PROPRIETARY - Copyright © - Unpublished Work - See title page for details.

75-32-00
FIG. 02
PAGE 3
JAN 20/09



757

PARTS CATALOG (MAINTENANCE)

FIG ITEM	PART NUMBER	1 2 3 4 5 6 7	NOMENCLATURE	EFFECT FROM TO	UNITS PER ASSY
2 10	BCREFA0504		..SWITCH ASSY-LIGHTED PUSH BUTTON IND SUPPLIER CODE: V81590 OVERLENGTH PART NUMBER: 433-673-1004-4013 SPECIFICATION NUMBER: S231T290-4013 MISCELLANEOUS DATA: WHEN REPLACING THE PUSHBUTTON SWITCH ASSY OR THE MASTER MODULE WITHIN, VERIFY THAT A CONFIG D MASTER MODULE P/N 13206-001 IS INSTALLED IN LIEU OF ANY EARLIER CONFIGURATION MASTER MODULES. OPTIONAL PART: S231T290-5013 REFERENCE SERVICE BULLETIN: 33A0044 REWORKED BY SB: 433-33-05 V81590 PRE SERVICE LETTER: 33-027 FOR DETAILS SEE: 33-13-00-48	002004 006010 107107 121503 904999	1
10	851-30768-2013		..SWITCH ASSY-LIGHTED PUSH BUTTON IND OFF SUPPLIER CODE: V96182 SPECIFICATION NUMBER: S231T290-2013 FOR DETAILS SEE: 33-13-00-28	002004 006010 107107 121503 904999	1
10	851-30768-3013		..SWITCH ASSY-LIGHTED PUSH BUTTON IND OFF SUPPLIER CODE: V96182 SPECIFICATION NUMBER: S231T290-3013 OPTIONAL PART: S231T290-5013 FOR DETAILS SEE: 33-13-00-38	002004 006010 107107 121503 904999	1

MISSING ITEM NUMBERS NOT APPLICABLE

- ITEM NOT ILLUSTRATED

75-32-00-02

75-32-00
FIG. 02
PAGE 4
JAN 20/09

BRI



757

PARTS CATALOG (MAINTENANCE)

FIG ITEM	PART NUMBER	1 2 3 4 5 6 7	NOMENCLATURE	EFFECT FROM TO	UNITS PER ASSY
2					
10	S231T290-5013		..SWITCH ASSY-LIGHTED PUSH BUTTON IND OPTIONAL PART: BCREFA0504 V81590 851-30768-3013 V96182	002004 006010 107107 121503 904999	1
10	4336731004-4213		..SWITCH ASSY-LIGHTED PUSHBUTTON IND SUPPLIER CODE: V81590 SPECIFICATION NUMBER: S231T290-4213 MISCELLANEOUS DATA: WHEN REPLACING THE PUSHBUTTON SWITCH ASSY OR THE MASTER MODULE WITHIN, VERIFY THAT A CONFIG D MASTER MODULE P/N 13203-001 IS INSTALLED IN LIEU OF ANY EARLIER CONFIGURATION MASTER MODULES. POST SERVICE LETTER: 33-027	002004 006010 107107 121503 904999	1

MISSING ITEM NUMBERS NOT APPLICABLE

- ITEM NOT ILLUSTRATED

BRI

75-32-00-02

BOEING PROPRIETARY - Copyright © - Unpublished Work - See title page for details.

75-32-00
FIG. 02
PAGE 5
JAN 20/09



757

PARTS CATALOG (MAINTENANCE)

FIG ITEM	PART NUMBER	1 2 3 4 5 6 7	NOMENCLATURE	EFFECT FROM TO	UNITS PER ASSY
2 15	BCREF7614		..SWITCH ASSY-LIGHTED PUSH BUTTON IND OFF SUPPLIER CODE: V81590 OVERLENGTH PART NUMBER: 433-673-1001-1030 SPECIFICATION NUMBER: S231T290-1030 MISCELLANEOUS DATA: WHEN REPLACING THE PUSHBUTTON SWITCH ASSY OR THE MASTER MODULE WITHIN, VERIFY THAT A CONFIG D MASTER MODULE P/N 13206-001 IS INSTALLED IN LIEU OF ANY EARLIER CONFIGURATION MASTER MODULES. REFERENCE SERVICE BULLETIN: 33A0044 REWORKED BY SB: 433-33-05 V81590 FOR DETAILS SEE: 33-13-00-18	002004 006010 107107 121503 904999	1

MISSING ITEM NUMBERS NOT APPLICABLE

- ITEM NOT ILLUSTRATED

BRI

75-32-00-02

BOEING PROPRIETARY - Copyright © - Unpublished Work - See title page for details.

75-32-00
FIG. 02
PAGE 6
JAN 20/09



757

PARTS CATALOG (MAINTENANCE)

FIG ITEM	PART NUMBER	1 2 3 4 5 6 7	NOMENCLATURE	EFFECT FROM TO	UNITS PER ASSY
2 15	BCREFA0513		..SWITCH ASSY-LIGHTED PUSH BUTTON IND SUPPLIER CODE: V81590 OVERLENGTH PART NUMBER: 433-673-1004-4030 SPECIFICATION NUMBER: S231T290-4030 MISCELLANEOUS DATA: WHEN REPLACING THE PUSHBUTTON SWITCH ASSY OR THE MASTER MODULE WITHIN, VERIFY THAT A CONFIG D MASTER MODULE P/N 13206-001 IS INSTALLED IN LIEU OF ANY EARLIER CONFIGURATION MASTER MODULES. OPTIONAL PART: S231T290-5030 REFERENCE SERVICE BULLETIN: 33A0044 REWORKED BY SB: 433-33-05 V81590 PRE SERVICE LETTER: 33-027 FOR DETAILS SEE: 33-13-00-48	002004 006010 107107 121503 904999	1
15	851-30768-2030		..SWITCH ASSY-LIGHTED PUSH BUTTON IND OFF SUPPLIER CODE: V96182 SPECIFICATION NUMBER: S231T290-2030 FOR DETAILS SEE: 33-13-00-28	002004 006010 107107 121503 904999	1
15	851-30768-3030		..SWITCH ASSY-LIGHTED PUSH BUTTON IND OFF SUPPLIER CODE: V96182 SPECIFICATION NUMBER: S231T290-3030 OPTIONAL PART: S231T290-5030 FOR DETAILS SEE: 33-13-00-38	002004 006010 107107 121503 904999	1

MISSING ITEM NUMBERS NOT APPLICABLE

- ITEM NOT ILLUSTRATED

75-32-00-02

75-32-00
FIG. 02
PAGE 7
JAN 20/09

BRI



757

PARTS CATALOG (MAINTENANCE)

FIG ITEM	PART NUMBER	1 2 3 4 5 6 7	NOMENCLATURE	EFFECT FROM TO	UNITS PER ASSY
2					
15	S231T290-5030	..	SWITCH ASSY-LIGHTED PUSH BUTTON IND OPTIONAL PART: BCREFA0513 V81590 851-30768-3030 V96182	002004 006010 107107 121503 904999	1
15	4336731004-4230	..	SWITCH ASSY-LIGHTED PUSHBUTTON IND SUPPLIER CODE: V81590 SPECIFICATION NUMBER: S231T290-4230 MISCELLANEOUS DATA: WHEN REPLACING THE PUSHBUTTON SWITCH ASSY OR THE MASTER MODULE WITHIN, VERIFY THAT A CONFIG D MASTER MODULE P/N 13203-001 IS INSTALLED IN LIEU OF ANY EARLIER CONFIGURATION MASTER MODULES. POST SERVICE LETTER: 33-027	002004 006010 107107 121503 904999	1
20	BCREF4925	..	CONNECTOR- OVERLENGTH PART NUMBER: BACC45FN12-12P10	002004 006010 107107 121503 904999	1
-	25	NAS1801-04-5	ATTACHING PARTS .. SCREW	002004 006010 121503 904999	2
-	30	BACS12CB04-5	.. SCREW	107107	3
-	35	K19798-04	.. NUT SUPPLIER CODE: V15653 SPECIFICATION NUMBER: BACN10NW1 OPTIONAL PART: RMA4812-160-40 V72962 293162 V60119	002004 006010 121503 904999	2

MISSING ITEM NUMBERS NOT APPLICABLE

- ITEM NOT ILLUSTRATED

75-32-00-02

75-32-00
FIG. 02
PAGE 8
JAN 20/09

BRI



757

PARTS CATALOG (MAINTENANCE)

FIG ITEM	PART NUMBER	1 2 3 4 5 6 7	NOMENCLATURE	EFFECT FROM TO	UNITS PER ASSY
2 - 40	K19798-04	. . NUT	SUPPLIER CODE: V15653 SPECIFICATION NUMBER: BACN10NW1 OPTIONAL PART: RMA4812-160-40 V72962 293162 V60119	107107	3
- 900	286N2070-003	-----*-----	WIRE BUNDLE ASSY-	121503	RF
- 900	286N2070-004		WIRE BUNDLE ASSY	904949	
- 900	286N2070-005		WIRE BUNDLE ASSY-	107107	RF
				002004	RF
				006010	
				950999	
915	R071612A12S10	. CONNECTOR-	SUPPLIER CODE: V41118 SPECIFICATION NUMBER: BCREF7872 OPTIONAL PART: BMS2426612A12S1 V11139 OVERLENGTH PART NUMBER: BACC45FT12A12S10 ELECTRICAL EQUIP NUMBER: D03540 WIRING DIAGRAM REF: 361111	002004	1
				006010	
				107107	
				121503	
				904999	

MISSING ITEM NUMBERS NOT APPLICABLE

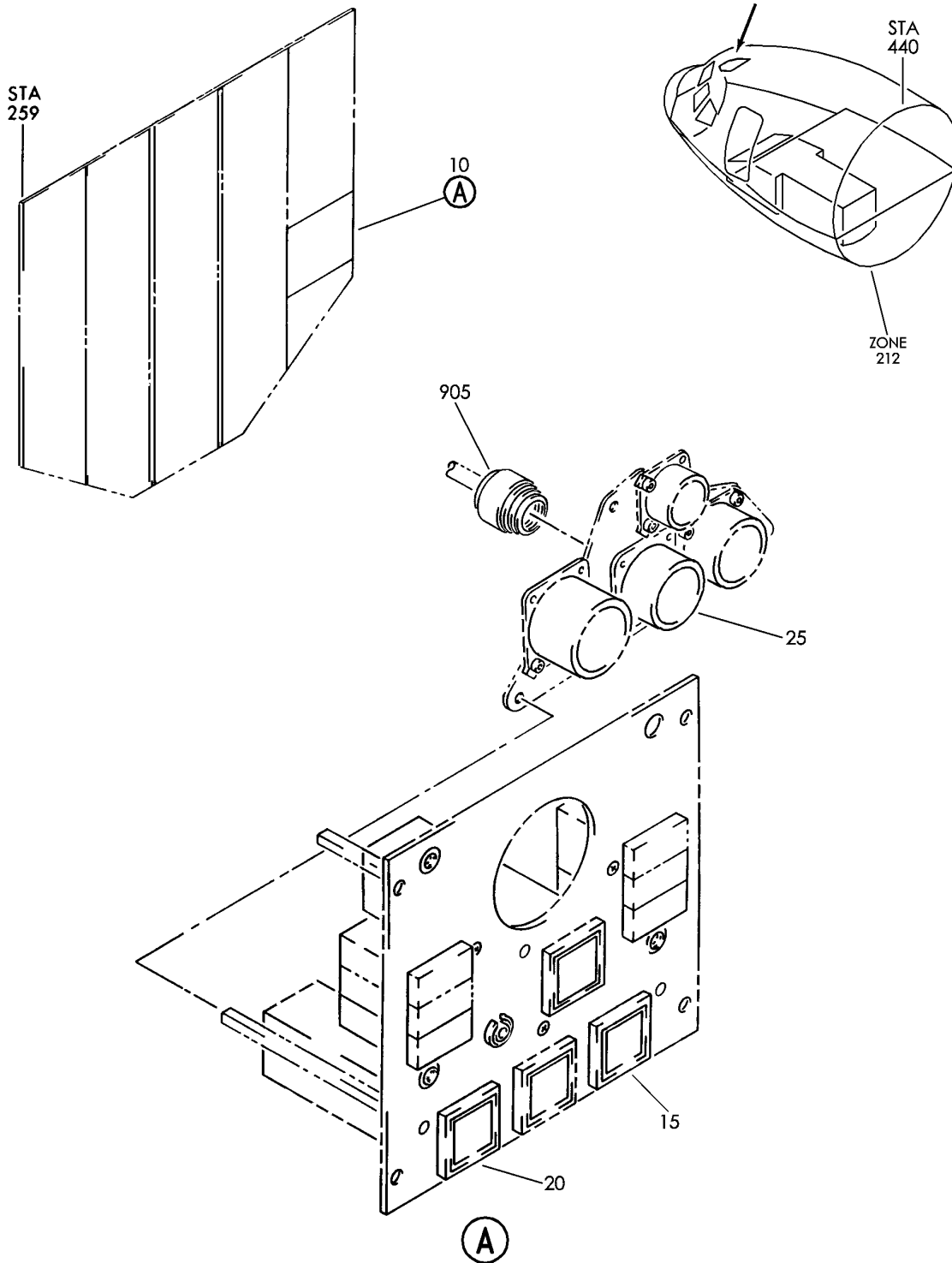
- ITEM NOT ILLUSTRATED

75-32-00-02

75-32-00
FIG. 02
PAGE 9
JAN 20/09

BRI

BOEING
757
PARTS CATALOG (MAINTENANCE)



Y 75320003 REV 239

PANEL INSTL-P5 OVHD (AIR ONLY)
FIGURE 3

75-32-00-03

BRI
MAY 28/07

75-32-00-03
PAGE 0



757

PARTS CATALOG (MAINTENANCE)

FIG ITEM	PART NUMBER	1 2 3 4 5 6 7	NOMENCLATURE	EFFECT FROM TO	UNITS PER ASSY
3			PANEL INSTL-P5 OVHD (AIR ONLY)	011100	
- 1	233N3101-1		PANEL INSTL-P5 OVHD (AIR ONLY)	011100	RF
			VARIABLE DRAWING REF: 233N3101-5142 FOR NHA/OTHER SYS DET SEE: 25-10-00-05A		
- 5	233N3215-300		.PANEL ASSY-BLEED AIR SUPPLIER CODE: V89954 ELECTRICAL EQUIP NUMBER: M10259 COMPONENT MAINT MANUAL REF: 36-11-71 QUALIFIED I/W DATA: THE 233N3215-300 PANEL ASSY IS I/W THE 233N3215-16 PANEL ASSY T/W THE S233T100-6009 LIGHTPLATE PRE ALERT SB: 33A0044	011100	RF
- 5	233N3215-1300		.PANEL ASSY-BLEED AIR SUPPLIER CODE: V89954 ELECTRICAL EQUIP NUMBER: M10259 COMPONENT MAINT MANUAL REF: 36-11-71 POST ALERT SB: 33A0044	011100	RF
- 5	233N3215-303		.PANEL ASSY-BLEED AIR SUPPLIER CODE: V89954 ELECTRICAL EQUIP NUMBER: M10259	011100	RF

MISSING ITEM NUMBERS NOT APPLICABLE

- ITEM NOT ILLUSTRATED

BRI

75-32-00-03

BOEING PROPRIETARY - Copyright © - Unpublished Work - See title page for details.

75-32-00
FIG. 03
PAGE 1
JAN 20/09



757

PARTS CATALOG (MAINTENANCE)

FIG ITEM	PART NUMBER	1 2 3 4 5 6 7	NOMENCLATURE	EFFECT FROM TO	UNITS PER ASSY
3 10	233N3215-16		..PANEL ASSY- SUPPLIER CODE: V89954 MISCELLANEOUS DATA: FOR SPARES PROCURE NEXT HIGHER ASSY COMPONENT MAINT MANUAL REF: 36-11-71 QUALIFIED I/W DATA: 233N3215-13 -14 -16 -17 ARE ALL INTERCHANGEABLE EXCEPT SUBJECT TO CUSTOMER PREFERENCE THE 233N3215-300 PANEL ASSY IS I/W THE 233N3215-16 PANEL ASSY T/W THE S233T100-6009 LIGHTPLATE PRE ALERT SB: 33A0044	011100	RF
10	233N3215-1016		..PANEL ASSY- SUPPLIER CODE: V89954 ELECTRICAL EQUIP NUMBER: M10259 COMPONENT MAINT MANUAL REF: 36-11-71 POST ALERT SB: 33A0044	011100	RF
10	233N3215-22		..PANEL ASSY- SUPPLIER CODE: V89954 MISCELLANEOUS DATA: FOR SPARES PROCURE NEXT HIGHER ASSY ELECTRICAL EQUIP NUMBER: M10259 COMPONENT MAINT MANUAL REF: 36-11-71	011100	RF

MISSING ITEM NUMBERS NOT APPLICABLE

- ITEM NOT ILLUSTRATED

BRI

75-32-00-03

BOEING PROPRIETARY - Copyright © - Unpublished Work - See title page for details.

75-32-00
 FIG. 03
 PAGE 2
 JAN 20/09



757

PARTS CATALOG (MAINTENANCE)

FIG ITEM	PART NUMBER	1 2 3 4 5 6 7	NOMENCLATURE	EFFECT FROM TO	UNITS PER ASSY
3 15	BCREFA0504		...SWITCH ASSY-LIGHTED PUSH BUTTON IND SUPPLIER CODE: V81590 OVERLENGTH PART NUMBER: 433-673-1004-4013 SPECIFICATION NUMBER: S231T290-4013 MISCELLANEOUS DATA: WHEN REPLACING THE PUSHBUTTON SWITCH ASSY OR THE MASTER MODULE WITHIN, VERIFY THAT A CONFIG D MASTER MODULE P/N 13206-001 IS INSTALLED IN LIEU OF ANY EARLIER CONFIGURATION MASTER MODULES. OPTIONAL PART: S231T290-5013 USED ON: 233N3215-16 233N3215-17 233N3215-20 233N3215-1016 233N3215-1017 233N3215-1020 REFERENCE SERVICE BULLETIN: 33A0044 REWORKED BY SB: 433-33-05 V81590 FOR DETAILS SEE: 33-13-00-48	011100	1
15	851-30768-2013		...SWITCH ASSY-LIGHTED PUSH BUTTON IND OFF SUPPLIER CODE: V96182 SPECIFICATION NUMBER: S231T290-2013 FOR DETAILS SEE: 33-13-00-28	011100	1

MISSING ITEM NUMBERS NOT APPLICABLE

- ITEM NOT ILLUSTRATED

BRI

75-32-00-03

BOEING PROPRIETARY - Copyright © - Unpublished Work - See title page for details.

75-32-00
FIG. 03
PAGE 3
JAN 20/09



757

PARTS CATALOG (MAINTENANCE)

FIG ITEM	PART NUMBER	1 2 3 4 5 6 7	NOMENCLATURE	EFFECT FROM TO	UNITS PER ASSY
3					
15	851-30768-3013		...SWITCH ASSY-LIGHTED PUSH BUTTON IND OFF SUPPLIER CODE: V96182 SPECIFICATION NUMBER: S231T290-3013 FOR DETAILS SEE: 33-13-00-38	011100	1
15	S231T290-5013		...SWITCH ASSY-LIGHTED PUSH BUTTON IND OPTIONAL PART: BCREFA0504 V81590 USED ON: 233N3215-16 233N3215-20 233N3215-1016 233N3215-1020	011100	1
15	4336731004-4213		...SWITCH ASSY-LIGHTED PUSHBUTTON IND SUPPLIER CODE: V81590 SPECIFICATION NUMBER: S231T290-4213 MISCELLANEOUS DATA: WHEN REPLACING THE PUSHBUTTON SWITCH ASSY OR THE MASTER MODULE WITHIN, VERIFY THAT A CONFIG D MASTER MODULE P/N 13203-001 IS INSTALLED IN LIEU OF ANY EARLIER CONFIGURATION MASTER MODULES. USED ON: 233N3215-22 233N3215-23	011100	1

MISSING ITEM NUMBERS NOT APPLICABLE

- ITEM NOT ILLUSTRATED

BRI

75-32-00-03

BOEING PROPRIETARY - Copyright © - Unpublished Work - See title page for details.

75-32-00
FIG. 03
PAGE 4
JAN 20/09



757

PARTS CATALOG (MAINTENANCE)

FIG ITEM	PART NUMBER	1 2 3 4 5 6 7 NOMENCLATURE	EFFECT FROM TO	UNITS PER ASSY
3 20	BCREF7614	...SWITCH ASSY-LIGHTED PUSH BUTTON IND OFF SUPPLIER CODE: V81590 OVERLENGTH PART NUMBER: 433-673-1001-1030 SPECIFICATION NUMBER: S231T290-1030 MISCELLANEOUS DATA: WHEN REPLACING THE PUSHBUTTON SWITCH ASSY OR THE MASTER MODULE WITHIN, VERIFY THAT A CONFIG D MASTER MODULE P/N 13206-001 IS INSTALLED IN LIEU OF ANY EARLIER CONFIGURATION MASTER MODULES. USED ON: 233N3215-17 233N3215-1017 REFERENCE SERVICE BULLETIN: 33A0044 REWORKED BY SB: 433-33-05 V81590 FOR DETAILS SEE: 33-13-00-18	011100	1

MISSING ITEM NUMBERS NOT APPLICABLE

- ITEM NOT ILLUSTRATED

BRI

75-32-00-03

BOEING PROPRIETARY - Copyright © - Unpublished Work - See title page for details.

75-32-00
 FIG. 03
 PAGE 5
 JAN 20/09



757

PARTS CATALOG (MAINTENANCE)

FIG ITEM	PART NUMBER	1 2 3 4 5 6 7	NOMENCLATURE	EFFECT FROM TO	UNITS PER ASSY
3 20	BCREFA0513		...SWITCH ASSY-LIGHTED PUSH BUTTON IND OFF SUPPLIER CODE: V81590 OVERLENGTH PART NUMBER: 433-673-1004-4030 SPECIFICATION NUMBER: S231T290-4030 MISCELLANEOUS DATA: WHEN REPLACING THE PUSHBUTTON SWITCH ASSY OR THE MASTER MODULE WITHIN, VERIFY THAT A CONFIG D MASTER MODULE P/N 13206-001 IS INSTALLED IN LIEU OF ANY EARLIER CONFIGURATION MASTER MODULES. OPTIONAL PART: S231T290-5030 USED ON: 233N3215-16 233N3215-17 233N3215-20 233N3215-1016 233N3215-1017 233N3215-1020 REFERENCE SERVICE BULLETIN: 33A0044 REWORKED BY SB: 433-33-05 V81590 FOR DETAILS SEE: 33-13-00-48	011100	1
20	851-30768-2030		...SWITCH ASSY-LIGHTED PUSH BUTTON IND OFF SUPPLIER CODE: V96182 SPECIFICATION NUMBER: S231T290-2030 FOR DETAILS SEE: 33-13-00-28	011100	1

MISSING ITEM NUMBERS NOT APPLICABLE

- ITEM NOT ILLUSTRATED

BRI

75-32-00-03

BOEING PROPRIETARY - Copyright © - Unpublished Work - See title page for details.

75-32-00
FIG. 03
PAGE 6
JAN 20/09



757

PARTS CATALOG (MAINTENANCE)

FIG ITEM	PART NUMBER	1 2 3 4 5 6 7	NOMENCLATURE	EFFECT FROM TO	UNITS PER ASSY
3					
20	851-30768-3030		...SWITCH ASSY-LIGHTED PUSH BUTTON IND OFF SUPPLIER CODE: V96182 SPECIFICATION NUMBER: S231T290-3030 FOR DETAILS SEE: 33-13-00-38	011100	1
20	S231T290-5030		...SWITCH ASSY-LIGHTED PUSH BUTTON IND OPTIONAL PART: BCREFA0513 V81590 USED ON: 233N3215-16 233N3215-20 233N3215-1016 233N3215-1020	011100	1
20	4336731004-4230		...SWITCH ASSY-LIGHTED PUSHBUTTON IND SUPPLIER CODE: V81590 SPECIFICATION NUMBER: S231T290-4230 MISCELLANEOUS DATA: WHEN REPLACING THE PUSHBUTTON SWITCH ASSY OR THE MASTER MODULE WITHIN, VERIFY THAT A CONFIG D MASTER MODULE P/N 13203-001 IS INSTALLED IN LIEU OF ANY EARLIER CONFIGURATION MASTER MODULES. USED ON: 233N3215-22 233N3215-23	011100	1
25	BCREF4925		...CONNECTOR- OVERLENGTH PART NUMBER: BACC45FN12-12P10 ATTACHING PARTS	011100	1
- 30	NAS1801-04-5		...SCREW- USED ON: 233N3215-16 233N3215-17 233N3215-20 233N3215-1016 233N3215-1017 233N3215-1020	011100	2

MISSING ITEM NUMBERS NOT APPLICABLE

- ITEM NOT ILLUSTRATED

75-32-00-03

75-32-00
FIG. 03
PAGE 7
JAN 20/09

BRI



757

PARTS CATALOG (MAINTENANCE)

FIG ITEM	PART NUMBER	1 2 3 4 5 6 7	NOMENCLATURE	EFFECT FROM TO	UNITS PER ASSY
3					
- 30	NAS1801-04-5	...	SCREW- OPTIONAL PART: BACS12HN04-5 USED ON: 233N3215-22 233N3215-23	011100	2
- 30	BACS12HN04-5	...	SCREW- OPTIONAL PART: NAS1801-04-5 USED ON: 233N3215-22 233N3215-23	011100	2
- 35	K19798-04	...	NUT SUPPLIER CODE: V15653 SPECIFICATION NUMBER: BACN10NW1 OPTIONAL PART: RMA4812-160-40 V72962 293162 V60119	011100	2
- 900	286N2070-005		WIRE BUNDLE ASSY-	011100	RF
905	R071612A12S10	.	CONNECTOR- SUPPLIER CODE: V41118 SPECIFICATION NUMBER: BCREF7872 OPTIONAL PART: BMS2426612A12S1 V11139 OVERLENGTH PART NUMBER: BACC45FT12A12S10 ELECTRICAL EQUIP NUMBER: D03540 WIRING DIAGRAM REF: 361111	011100	1

MISSING ITEM NUMBERS NOT APPLICABLE

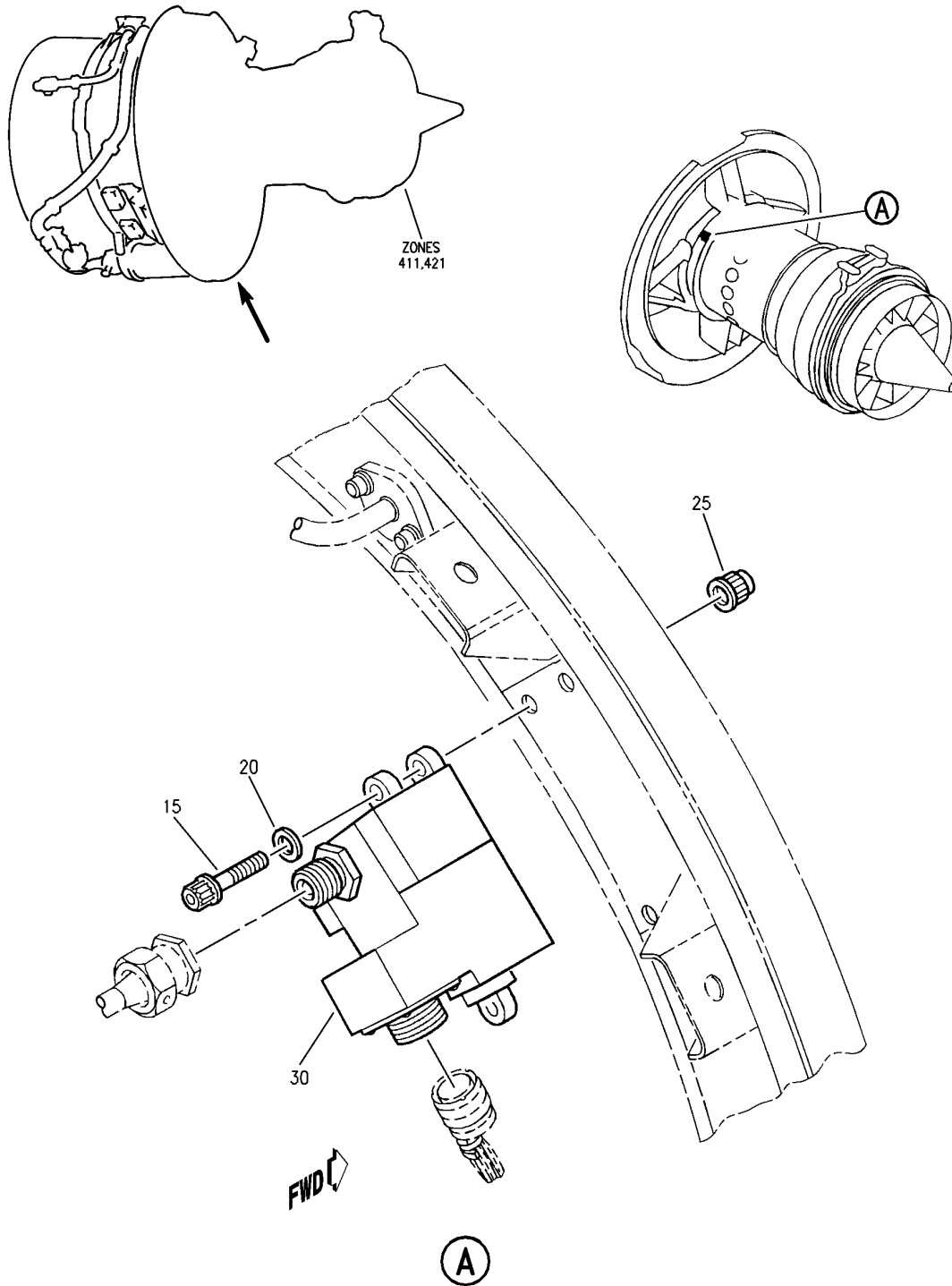
- ITEM NOT ILLUSTRATED

75-32-00-03

75-32-00
FIG. 03
PAGE 8
JAN 20/09

BRI

BOEING
757
PARTS CATALOG (MAINTENANCE)



Y 75320005 REV 244

COMPRESSOR BLEED CONTROL SYSTEM ONLY (RB211-535)
FIGURE 5

75-32-00-05

BRI
JAN 20/09

75-32-00-05
PAGE 0



757

PARTS CATALOG (MAINTENANCE)

FIG ITEM	PART NUMBER	1 2 3 4 5 6 7	NOMENCLATURE	EFFECT FROM TO	UNITS PER ASSY
5			COMPRESSOR BLEED CONTROL SYSTEM ONLY (RB211-535)	103106	
- 1	BCREF17395		ENGINE ASSY-Q.E.C.U. (COMPRESSOR BLEED CONTROL SYSTEM ONLY) RB211-535E43739 BASIC ENGINE CONFIGURATION AND PHASE 5 COMBUSTOR 40,100 LB THRUST SUPPLIER CODE: VK0680 OVERLENGTH PART NUMBER: RB211-535E4-37-39E FOR NHA/OTHER SYS DET SEE: 71-00-02-10	108120 108120	RF
- 1	BCREF17101		ENGINE ASSY-Q.E.C.U. (COMPRESSOR BLEED CONTROL SYSTEM ONLY) RB211-535E43744 BASIC ENGINE CONFIGURATION, BAYONET MCD AND PHASE 5 COMBUSTOR 40,100 LB THRUST SUPPLIER CODE: VK0680 OVERLENGTH PART NUMBER: RB211-535E4-3744E FOR NHA/OTHER SYS DET SEE: 71-00-02-10	103106	RF
- 10	UL39731		AIR FLOW CONTROL- BLEED VALVE REGULATOR AND ACTR SUPPLIER CODE: VK0680 POST SERVICE BULLETIN: 75-C796PT01 VK0680	103106 108120	RF
15	AS21414		BOLT- POST SERVICE BULLETIN: 75-C796PT01 VK0680 PRE SERVICE BULLETIN: 72-D494 VK0680	103106 108120	3
15	AS21413		BOLT- POST SERVICE BULLETIN: 72-D494PT02 VK0680	103106 108120	3

MISSING ITEM NUMBERS NOT APPLICABLE

- ITEM NOT ILLUSTRATED

75-32-00-05

75-32-00
FIG. 05
PAGE 1
JAN 20/09

BRI



757

PARTS CATALOG (MAINTENANCE)

FIG ITEM	PART NUMBER	1 2 3 4 5 6 7	NOMENCLATURE	EFFECT FROM TO	UNITS PER ASSY
5					
20	AS12943		.. WASHER- POST SERVICE BULLETIN: 75-C796PT01 VK0680	103106 108120	3
25	AS20624		.. NUT- POST SERVICE BULLETIN: 75-C796PT01 VK0680	103106 108120	3
30	EB100907B		.. VALVE-BLEED SUPPLIER CODE: VU8976 POST SERVICE BULLETIN: 75-C796PT01 VK0680	103106 108120	1

MISSING ITEM NUMBERS NOT APPLICABLE

- ITEM NOT ILLUSTRATED

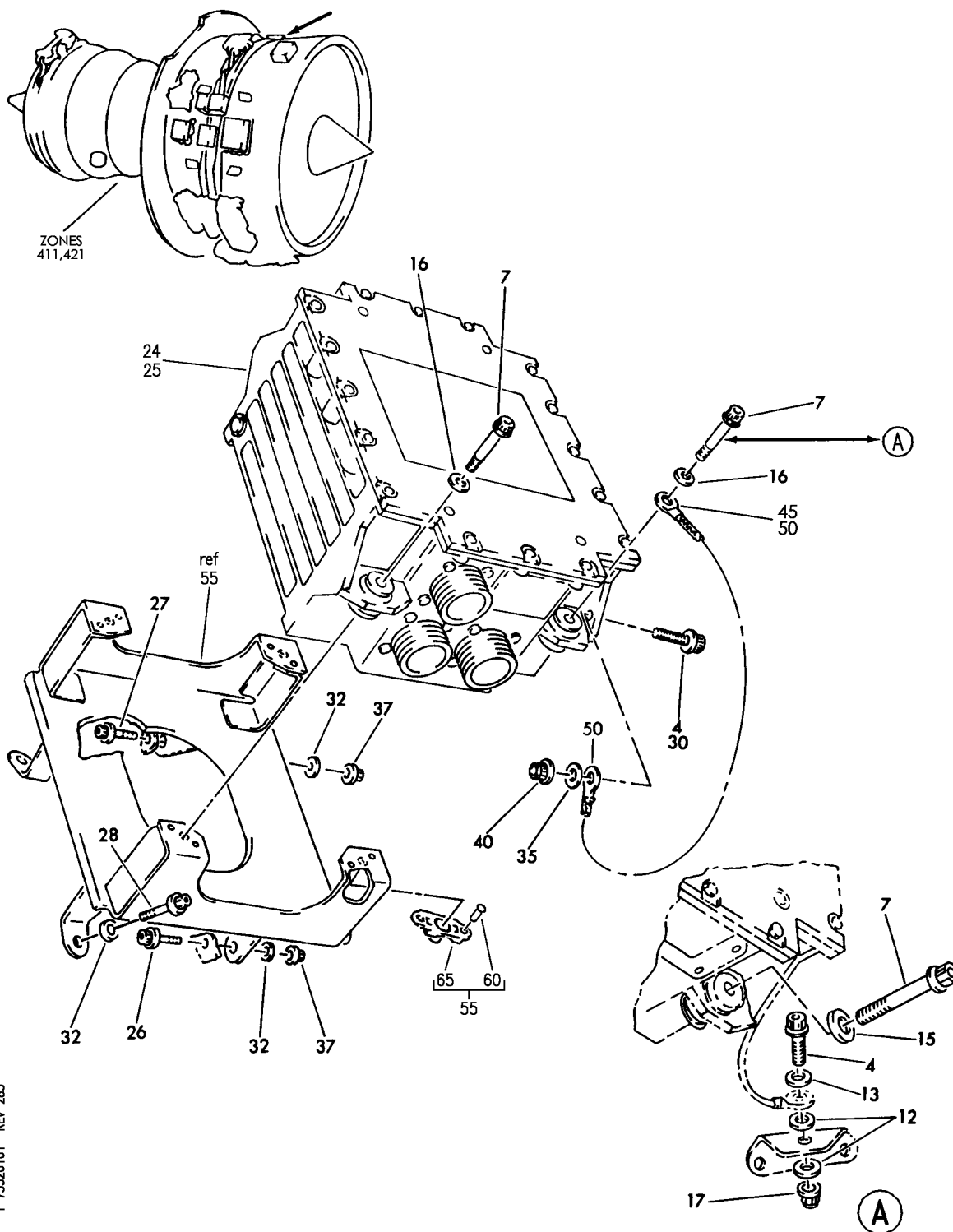
BRI

75-32-00-05

BOEING PROPRIETARY - Copyright © - Unpublished Work - See title page for details.

75-32-00
FIG. 05
PAGE 2
JAN 20/09

BOEING
757
PARTS CATALOG (MAINTENANCE)



Y 75320101 REV 283

COMPRESSOR-BLEED VALVE CONT UNIT IP (RB211-535)

FIGURE 1

75-32-01-01

BRI
MAY 28/07

75-32-01-01
PAGE 0



757

PARTS CATALOG (MAINTENANCE)

FIG ITEM	PART NUMBER	1 2 3 4 5 6 7	NOMENCLATURE	EFFECT FROM TO	UNITS PER ASSY
1			COMPRESSOR-BLEED VALVE CONT UNIT IP (RB211-535)	002004 006999	
- 1	UL20697		ENGINE ASSY-Q.E.C.U. RB211-535E43711 MAXIMUM NEUT WITH GRAVINER FIRE DETECTORS, BAYONET MCD NON-MODULATED IDG COOLING 40,000 LB THRUST SUPPLIER CODE: VK0680 REFERENCE SERVICE BULLETIN: 71-0058R4 QUALIFIED SB I/W DATA: INTERMIX OF ONE OR SUBSTITUTION OF TWO DIFFERENT CONFIGURATION RB211-535E4-37/()	121503 904949 952999	RF
- 1	UL20702		ENGINE ASSY-Q.E.C.U. RB211-535E43711 BASIC ENGINE CONFIG. WITH GRAVINER FIRE DETECTORS, BAYONET MCD, NON-MODULATED IDG COOLING 40,100 LB THRUST SUPPLIER CODE: VK0680 FOR NHA/OTHER SYS DET SEE: 71-00-02-04	504903	RF
- 1	UL19722		ENGINE ASSY-Q.E.C.U. RB211-535E43711 MAXIMUM NEUT SUPPLIER CODE: VK0680 FOR NHA/OTHER SYS DET SEE: 71-00-02-04	107107	RF

MISSING ITEM NUMBERS NOT APPLICABLE

- ITEM NOT ILLUSTRATED

BRI

75-32-01-01

BOEING PROPRIETARY - Copyright © - Unpublished Work - See title page for details.

75-32-01
FIG. 01
PAGE 1
JAN 20/09



757

PARTS CATALOG (MAINTENANCE)

FIG ITEM	PART NUMBER	1 2 3 4 5 6 7	NOMENCLATURE	EFFECT FROM TO	UNITS PER ASSY
1					
- 2	UL20698		ENGINE ASSY-Q.E.C.U. RB211-535E43712 MAXIMUM NEUT SUPPLIER CODE: VK0680 REFERENCE SERVICE BULLETIN: 71-0058R7 QUALIFIED SB I/W DATA: INTERMIX OF ONE OR SUBSTITUTION OF TWO DIFFERENT CONFIGURATION RB211-535E4-37/() ENGINES FOR RB211-535E4 BASE ENGINES OR DIFFERENT CONFIGURATION RB211-535E4-B-37/() ENGINES FOR RB211-535E4-B BASE ENGINES REFERENCE SERVICE BULLETIN: RB211-72-C547 VK0680 RB211-72-8910 VK0680 POST RAPID REVISION: RR92014-183A-RC-E FOR NHA/OTHER SYS DET SEE: 71-00-02-04	002004 006100 102102	RF
- 2	UL36209		ENGINE ASSY-Q.E.C.U. RB211-535E43719 MAXIMUM NEUT SUPPLIER CODE: VK0680 FOR NHA/OTHER SYS DET SEE: 71-00-02-04	950951	RF
- 3	BCREF17395		ENGINE ASSY-Q.E.C.U. RB211-535E43739 BASIC ENGINE CONFIGURATION AND PHASE 5 COMBUSTOR 40,100 LB THRUST SUPPLIER CODE: VK0680 OVERLENGTH PART NUMBER: RB211-535E4-37-39E FOR NHA/OTHER SYS DET SEE: 71-00-02-10	108120	RF

MISSING ITEM NUMBERS NOT APPLICABLE

- ITEM NOT ILLUSTRATED

75-32-01-01

75-32-01
FIG. 01
PAGE 2
JAN 20/09

BRI



757

PARTS CATALOG (MAINTENANCE)

FIG ITEM	PART NUMBER	1 2 3 4 5 6 7	NOMENCLATURE	EFFECT FROM TO	UNITS PER ASSY
1					
- 3	BCREF17101		ENGINE ASSY-Q.E.C.U. RB211-535E43744 BASIC ENGINE CONFIGURATION, BAYONET MCD AND PHASE 5 COMBUSTOR 40,100 LB THRUST SUPPLIER CODE: VK0680 OVERLENGTH PART NUMBER: RB211-535E4-3744E FOR NHA/OTHER SYS DET SEE: 71-00-02-10	103106	RF
- 3	UL38163		ENGINE ASSY-Q.E.C.U. RB211-535E43724 BASIC ENGINE CONFIGURATION, BAYONET MCD, 40,100 LB THRUST SUPPLIER CODE: VK0680 FOR NHA/OTHER SYS DET SEE: 71-00-02-10	101101	RF
4	AS21714		.BOLT- CONFIG CHG DATA FROM A CMM: FOR INTRCHG SEE RR IPC POST SERVICE BULLETIN: 71-8891PT01 VK0680	002004 006999	1
7	AS21420		.BOLT-	002004 006999	4
12	K8835		.WASHER- SUPPLIER CODE: VK0680 CONFIG CHG DATA FROM A CMM: FOR INTRCHG SEE RR IPC POST SERVICE BULLETIN: 71-8891PT01 VK0680	002004 006999	2
13	AS12946		.WASHER- CONFIG CHG DATA FROM A CMM: FOR INTRCHG SEE RR IPC POST SERVICE BULLETIN: 71-8891PT01 VK0680	002004 006999	1
15	AS12943		.WASHER- CONFIG CHG DATA FROM A CMM: FOR INTRCHG SEE RR IPC POST SERVICE BULLETIN: 71-8891PT01 VK0680	002004 006999	4

MISSING ITEM NUMBERS NOT APPLICABLE

- ITEM NOT ILLUSTRATED

75-32-01-01

75-32-01
FIG. 01
PAGE 3
JAN 20/09

BRI



757

PARTS CATALOG (MAINTENANCE)

FIG ITEM	PART NUMBER	1 2 3 4 5 6 7	NOMENCLATURE	EFFECT FROM TO	UNITS PER ASSY
1	16 AS12943		.WASHER- CONFIG CHG DATA FROM A CMM: FOR INTRCHG SEE RR IPC PRE SERVICE BULLETIN: 71-8891 VK0680	002004 006100 102102 107107 121949 952999	3
	17 AS20627		.NUT- CONFIG CHG DATA FROM A CMM: FOR INTRCHG SEE RR IPC POST SERVICE BULLETIN: 71-8891PT01 VK0680	002004 006999	1
	25 C8E38-7		.CONTROLLER-HIGH PRESSURE AND IP BLEED SUPPLIER CODE: VK0131 NOT APPROVED FOR ETOPS. CONFIG CHG DATA FROM A CMM: FOR INTRCHG SEE RR IPC POST SERVICE BULLETIN: 75-7984PT01 VK0680 75-8615PT91 VK0680 PRE SERVICE BULLETIN: 75-8898 VK0680 75-8277 VK0680	002004 006100 102102 107107 121949 952999	1
	25 C8E38-4		.CONTROLLER-HIGH PRESSURE AND IP BLEED SUPPLIER CODE: VK0131 NOT APPROVED FOR ETOPS. CONFIG CHG DATA FROM A CMM: FOR INTRCHG SEE RR IPC PRE SERVICE BULLETIN: 75-8092 VK0680	107107 121949 952999	1

MISSING ITEM NUMBERS NOT APPLICABLE

- ITEM NOT ILLUSTRATED

BRI

75-32-01-01

BOEING PROPRIETARY - Copyright © - Unpublished Work - See title page for details.

75-32-01
FIG. 01
PAGE 4
JAN 20/09



757

PARTS CATALOG (MAINTENANCE)

FIG ITEM	PART NUMBER	1 2 3 4 5 6 7	NOMENCLATURE	EFFECT FROM TO	UNITS PER ASSY
1 25	C8E38-9		.CONTROLLER-HIGH PRESSURE AND IP BLEED SUPPLIER CODE: VK8081 NOT APPROVED FOR ETOPS WITHOUT INCORP OF SB: 75-9082 CONFIG CHG DATA FROM A CMM: FOR INTRCHG SEE RR IPC POST SERVICE BULLETIN: 75-8898PT01 VK0680 75-9490PT01 VK0680 PRE SERVICE BULLETIN: 75-9082 VK0680 75-B506 VK0680	002004 006100 102102 107107 121949 952999	1
25	C8E38-11		.CONTROLLER-HIGH PRESSURE AND IP BLEED SUPPLIER CODE: VK8081 CONFIG CHG DATA FROM A CMM: FOR INTRCHG SEE RR IPC POST SERVICE BULLETIN: 75-B506PT01 VK0680 PRE SERVICE BULLETIN: 75-C267 VK0680	002004 006100 102102 107107 121949 952999	1
25	C8E38-12		.CONTROLLER-HIGH PRESSURE AND IP BLEED SUPPLIER CODE: VK8081 CONFIG CHG DATA FROM A CMM: FOR INTRCHG SEE RR IPC POST SERVICE BULLETIN: 75-C267PT01 VK0680 PRE SERVICE BULLETIN: 75-C694 VK0680	002004 006100 102102 107107 121949 952999	1

MISSING ITEM NUMBERS NOT APPLICABLE

- ITEM NOT ILLUSTRATED

75-32-01-01

75-32-01
FIG. 01
PAGE 5
JAN 20/09

BRI



757

PARTS CATALOG (MAINTENANCE)

FIG ITEM	PART NUMBER	1 2 3 4 5 6 7	NOMENCLATURE	EFFECT FROM TO	UNITS PER ASSY
1 25	C8E38-4		.CONTROLLER-HIGH PRESSURE AND IP BLEED SUPPLIER CODE: VK0131 NOT APPROVED FOR ETOPS. CONFIG CHG DATA FROM A CMM: FOR INTRCHG SEE RR IPC POST SERVICE BULLETIN: 75-8092PT01 VK0680 PRE SERVICE BULLETIN: 75-7984 VK0680	002004 006100 102102 107107 121949 952999	1
25	C8E38-7		.CONTROLLER-HIGH PRESSURE AND IP BLEED SUPPLIER CODE: VK0131 NOT APPROVED FOR ETOPS. CONFIG CHG DATA FROM A CMM: FOR INTRCHG SEE RR IPC POST SERVICE BULLETIN: 75-8277PT01 VK0680 PRE SERVICE BULLETIN: 75-8615 VK0680	002004 006100 102102 107107 121949 952999	1
25	C8E38-12		.CONTROLLER-HIGH PRESSURE AND IP BLEED SUPPLIER CODE: VK8081 POST SERVICE BULLETIN: C8E30-75-013 VK8081 75-C267PT01 VK0680 PRE SERVICE BULLETIN: 75-C694 VK0680	101101 950951	1

MISSING ITEM NUMBERS NOT APPLICABLE

- ITEM NOT ILLUSTRATED

BRI

75-32-01-01

BOEING PROPRIETARY - Copyright © - Unpublished Work - See title page for details.

75-32-01
FIG. 01
PAGE 6
JAN 20/09



757

PARTS CATALOG (MAINTENANCE)

FIG ITEM	PART NUMBER	1 2 3 4 5 6 7	NOMENCLATURE	EFFECT FROM TO	UNITS PER ASSY
1	25 C8E38-9		.CONTROLLER-HIGH PRESSURE AND IP BLEED SUPPLIER CODE: VK8081 NOT APPROVED FOR ETOPS WITHOUT INCORP OF SB: 75-9082 CONFIG CHG DATA FROM A CMM: FOR INTRCHG SEE RR IPC POST SERVICE BULLETIN: 75-9082PT01 VK0680 PRE SERVICE BULLETIN: 75-9490 VK0680	002004 006100 102102 107107 121949 952999	1
	25 C8E38-14		.CONTROLLER-HIGH PRESSURE AND IP BLEED SUPPLIER CODE: VK8081 POST SERVICE BULLETIN: 75-C737PT01 VK0680 75-C694PT01 VK0680	002004 006102 107107 121999	1
	25 C8E38-15		.CONTROLLER-HIGH PRESSURE AND IP BLEED SUPPLIER CODE: VK8081 POST SERVICE BULLETIN: 75-C737PT01 VK0680 75-C796PT01 VK0680 75-C824PT01 VK0680	002004 006999	1
	25 C8E38-9		.CONTROLLER-HIGH PRESSURE AND IP BLEED SUPPLIER CODE: VK8081 POST SERVICE BULLETIN: 75-9490PT01 VK0680 PRE SERVICE BULLETIN: 75-B506 VK0680	101101	1

MISSING ITEM NUMBERS NOT APPLICABLE

- ITEM NOT ILLUSTRATED

BRI

75-32-01-01

BOEING PROPRIETARY - Copyright © - Unpublished Work - See title page for details.

75-32-01
FIG. 01
PAGE 7
JAN 20/09



757

PARTS CATALOG (MAINTENANCE)

FIG ITEM	PART NUMBER	1 2 3 4 5 6 7	NOMENCLATURE	EFFECT FROM TO	UNITS PER ASSY
1	25 C8E38-11		.CONTROLLER-HIGH PRESSURE AND IP BLEED SUPPLIER CODE: VK8081 POST SERVICE BULLETIN: 75-9490 VK0680 PRE SERVICE BULLETIN: 75-C267 VK0680	101101	1
	25 C8E38-7		.CONTROLLER-HIGH PRESSURE AND IP BLEED SUPPLIER CODE: VK0131 NOT APPROVED FOR ETOPS. POST SERVICE BULLETIN: 75-8277 VK0680 PRE SERVICE BULLETIN: 75-8615 VK0680	002004 006100 102102	1
	25 C8E38-7		.CONTROLLER-HIGH PRESSURE AND IP BLEED SUPPLIER CODE: VK0131 NOT APPROVED FOR ETOPS. POST SERVICE BULLETIN: 75-8615PT91 VK0680 PRE SERVICE BULLETIN: 75-8898 VK0680	002004 006100 102102	1
	26 AS21012		.BOLT-	002004 006999	1
	27 AS21014		.BOLT-	002004 006999	1
	28 AS21509		.BOLT-	002004 006999	2
	30 AS21408		.BOLT- PRE SERVICE BULLETIN: 71-8891 VK0680	002004 006100 102102 107107 121949 952999	1
	32 AS12944		.WASHER-	002004 006999	4

MISSING ITEM NUMBERS NOT APPLICABLE

- ITEM NOT ILLUSTRATED

BRI

75-32-01-01

BOEING PROPRIETARY - Copyright © - Unpublished Work - See title page for details.

75-32-01
FIG. 01
PAGE 8
JAN 20/09



757

PARTS CATALOG (MAINTENANCE)

FIG ITEM	PART NUMBER	1 2 3 4 5 6 7	NOMENCLATURE	EFFECT FROM TO	UNITS PER ASSY
1					
35	K8831		.WASHER- SUPPLIER CODE: VK0680 PRE SERVICE BULLETIN: 71-8891 VK0680	002004 006100 102102 107107 121949 952999	1
37	AS20625		.NUT-	002004 006999	2
40	AS20624		.NUT- PRE SERVICE BULLETIN: 71-8891 VK0680	002004 006100 102102 107107 121949 952999	1
45	UL18891		.LEAD- SUPPLIER CODE: VK0680 PRE SERVICE BULLETIN: 71-8891 VK0680	002004 006100 102102 107107 121949 952999	1
50	323068		..TERMINAL- SUPPLIER CODE: VK1636 PRE SERVICE BULLETIN: 71-8891 VK0680	002004 006100 102102 107107 121949 952999	2
- 52	RAY90-12-5		..BRAID- SUPPLIER CODE: VK1010 PRE SERVICE BULLETIN: 71-8891 VK0680	002004 006100 102102 107107 121949 952999	RF
55	LK87398		.BRACKET ASSY-MOUNTING BLEED VALVE CONTROL SUPPLIER CODE: VK0680	002004 006999	1

MISSING ITEM NUMBERS NOT APPLICABLE

- ITEM NOT ILLUSTRATED

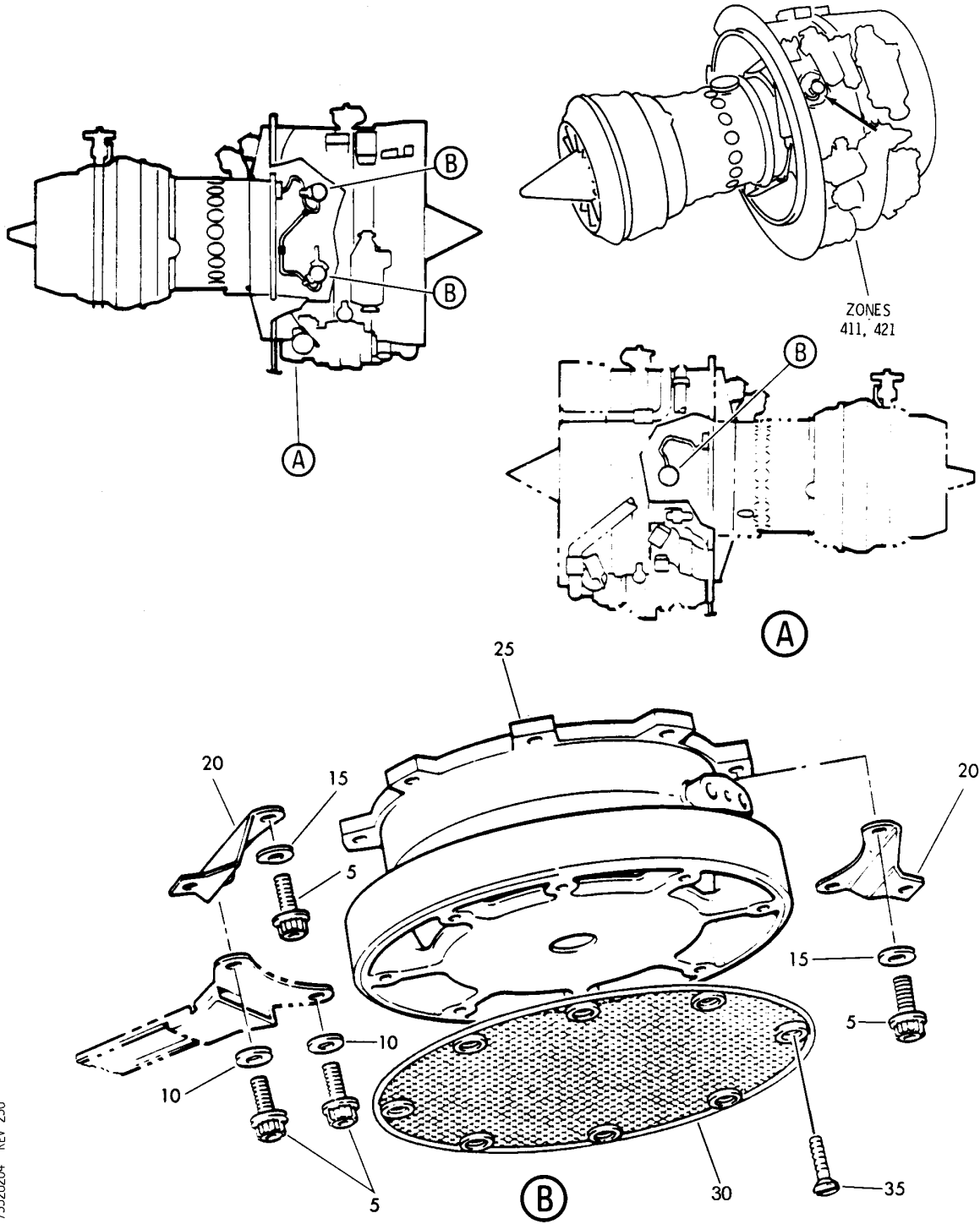
BRI

75-32-01-01

BOEING PROPRIETARY - Copyright © - Unpublished Work - See title page for details.

75-32-01
FIG. 01
PAGE 9
JAN 20/09

BOEING
757
PARTS CATALOG (MAINTENANCE)



Y 75320204 REV 230

AIR FLOW CONTROL-BLEED VALVE REGULATOR AND ACTUATOR (RB211-535)
FIGURE 4

75-32-02-04

BRI
MAY 28/07

75-32-02-04
PAGE 0



757

PARTS CATALOG (MAINTENANCE)

FIG ITEM	PART NUMBER	1 2 3 4 5 6 7	NOMENCLATURE	EFFECT FROM TO	UNITS PER ASSY
4			AIR FLOW CONTROL-BLEED VALVE REGULATOR AND ACTUATOR (RB211-535)	002004 006999	
- 1	UL19722		ENGINE ASSY-Q.E.C.U. RB211-535E43711 MAXIMUM NEUT SUPPLIER CODE: VK0680 FOR NHA/OTHER SYS DET SEE: 71-00-02-04	107107	RF
- 1	UL20697		ENGINE ASSY-Q.E.C.U. RB211-535E43711 MAXIMUM NEUT WITH GRAVINER FIRE DETECTORS, BAYONET MCD, NON-MODULATED IDG COOLING 40,000 LB THRUST SUPPLIER CODE: VK0680 REFERENCE SERVICE BULLETIN: 71-0058R4 QUALIFIED SB I/W DATA: INTERMIX OF ONE OR SUBSTITUTION OF TWO DIFFERENT CONFIGURATION RB211-535E4-37/() ENGINES FOR RB211-535 E4 BASE ENGINES REFERENCE SERVICE BULLETIN: RB211-72-C547 VK0680 FOR NHA/OTHER SYS DET SEE: 71-00-02-04	121503 904949 952999	RF

MISSING ITEM NUMBERS NOT APPLICABLE

- ITEM NOT ILLUSTRATED

BRI

75-32-02-04

BOEING PROPRIETARY - Copyright © - Unpublished Work - See title page for details.

75-32-02
FIG. 04
PAGE 1
JAN 20/09



757

PARTS CATALOG (MAINTENANCE)

FIG ITEM	PART NUMBER	1 2 3 4 5 6 7	NOMENCLATURE	EFFECT FROM TO	UNITS PER ASSY
4 - 1	UL20698		ENGINE ASSY-Q.E.C.U. RB211-535E43712 MAXIMUM NEUT SUPPLIER CODE: VK0680 REFERENCE SERVICE BULLETIN: 71-0058R7 QUALIFIED SB I/W DATA: INTERMIX OF ONE OR SUBSTITUTION OF TWO DIFFERENT CONFIGURATION RB211-535E4-37/() ENGINES FOR RB211-535E4 BASE ENGINES OR DIFFERENT CONFIGURATION RB211-535E4-B-37/() ENGINES FOR RB211-535E4-B BASE ENGINES REFERENCE SERVICE BULLETIN: RB211-72-C547 VK0680 RB211-72-8910 VK0680 POST RAPID REVISION: RR92014-183A-RC-E FOR NHA/OTHER SYS DET SEE: 71-00-02-04	002004 006100 102102	RF
- 1	UL20702		ENGINE ASSY-Q.E.C.U. RB211-535E43711 BASIC ENGINE CONFIG. WITH GRAVINER FIRE DETECTORS,BAYONET MCD, NON-MODULATED IDG COOLING 40,100 LB THRUST SUPPLIER CODE: VK0680 FOR NHA/OTHER SYS DET SEE: 71-00-02-10	504903	RF
- 1	UL36209		ENGINE ASSY-Q.E.C.U. RB211-535E43719 MAXIMUM NEUT SUPPLIER CODE: VK0680 FOR NHA/OTHER SYS DET SEE: 71-00-02-04	950951	RF

MISSING ITEM NUMBERS NOT APPLICABLE

- ITEM NOT ILLUSTRATED

75-32-02-04

75-32-02
FIG. 04
PAGE 2
JAN 20/09

BRI



757

PARTS CATALOG (MAINTENANCE)

FIG ITEM	PART NUMBER	1 2 3 4 5 6 7	NOMENCLATURE	EFFECT FROM TO	UNITS PER ASSY
4 -	3 BCRE17395		ENGINE ASSY-Q.E.C.U. RB211-535E43739 BASIC ENGINE CONFIGURATION AND PHASE 5 COMBUSTOR 40,100 LB THRUST SUPPLIER CODE: VK0680 OVERLENGTH PART NUMBER: RB211-535E4-37-39E FOR NHA/OTHER SYS DET SEE: 71-00-02-10	108120	RF
-	3 BCRE17101		ENGINE ASSY-Q.E.C.U. RB211-535E43744 BASIC ENGINE CONFIGURATION, BAYONET MCD AND PHASE 5 COMBUSTOR 40,100 LB THRUST SUPPLIER CODE: VK0680 OVERLENGTH PART NUMBER: RB211-535E4-3744E FOR NHA/OTHER SYS DET SEE: 71-00-02-10	103106	RF
-	3 UL38163		ENGINE ASSY-Q.E.C.U. RB211-535E43724 BASIC ENGINE CONFIGURATION, BAYONET MCD, 40,100 LB THRUST SUPPLIER CODE: VK0680 FOR NHA/OTHER SYS DET SEE: 71-00-02-10	101101	RF
-	4 UL18962		AIR FLOW CONTROL-BV REGULATOR AND ACTUATOR SUPPLIER CODE: VK0680 PRE SERVICE BULLETIN: 75-9593 VK0680	002004 006102 107107 121999	RF

MISSING ITEM NUMBERS NOT APPLICABLE

- ITEM NOT ILLUSTRATED

BRI

75-32-02-04

BOEING PROPRIETARY - Copyright © - Unpublished Work - See title page for details.

75-32-02
FIG. 04
PAGE 3
JAN 20/09



757

PARTS CATALOG (MAINTENANCE)

FIG ITEM	PART NUMBER	1 2 3 4 5 6 7	NOMENCLATURE	EFFECT FROM TO	UNITS PER ASSY
4					
- 4	UL33465		.AIR FLOW CONTROL-BLEED VALVE REGULATOR AND ACTUATOR SUPPLIER CODE: VK0680 CONFIG CHG DATA FROM A CMM: FOR INTRCHG SEE RR IPC POST SERVICE BULLETIN: 75-9593 VK0680	002004 006102 107107 121999	RF
- 4	UL39731		.AIR FLOW CONTROL-B/V REGULATOR AND ACTUATOR SUPPLIER CODE: VK0680 POST SERVICE BULLETIN: 75-C796PT01 VK0680	103106 108120	RF
5	AS21013		..BOLT-	002004 006999	24
10	LK74669		..WASHER- SUPPLIER CODE: VK0680	002004 006999	2
15	AS26095		..WASHER	002004 006999	22
20	LK87689		..BRACKET-SPRT SUPPLIER CODE: VK0680	002004 006999	4
25	AC69022		..VALVE ASSY- SUPPLIER CODE: VU8976 PRE SERVICE BULLETIN: 75-9264 VK0680	002004 006100 102102 107107 121949 952999	3
25	AC69606		..VALVE ASSY- SUPPLIER CODE: VU8976 POST SERVICE BULLETIN: 75-9264PT01 VK0680 75-D024PT01 V77445 PRE SERVICE BULLETIN: 75-D024 VK0680	002004 006999	3

MISSING ITEM NUMBERS NOT APPLICABLE

- ITEM NOT ILLUSTRATED

BRI

75-32-02-04

BOEING PROPRIETARY - Copyright © - Unpublished Work - See title page for details.

75-32-02
FIG. 04
PAGE 4
JAN 20/09



757

PARTS CATALOG (MAINTENANCE)

FIG ITEM	PART NUMBER	1 2 3 4 5 6 7	NOMENCLATURE	EFFECT FROM TO	UNITS PER ASSY
4 30	AC69024		.. ATTENUATOR-ACOUSTIC SUPPLIER CODE: VU8976 PRE SERVICE BULLETIN: 75-9264 VK0680	002004 006100 102102 107107 121949 952999	3
30	AC69608		.. ATTENUATOR-ACOUSTIC SUPPLIER CODE: VU8976 POST SERVICE BULLETIN: 75-9264PT01 VK0680 PRE SERVICE BULLETIN: 75-D024 VK0680	002004 006999	3
30	ED101208		.. ATTENUATOR-ACOUSTIC SUPPLIER CODE: VU8976 POST SERVICE BULLETIN: 75-D024PT01 V77445	002004 006999	3
35	U756263		ATTACHING PARTS .. SCREW- SUPPLIER CODE: VK0680 -----*-----	002004 006999	24

MISSING ITEM NUMBERS NOT APPLICABLE

- ITEM NOT ILLUSTRATED

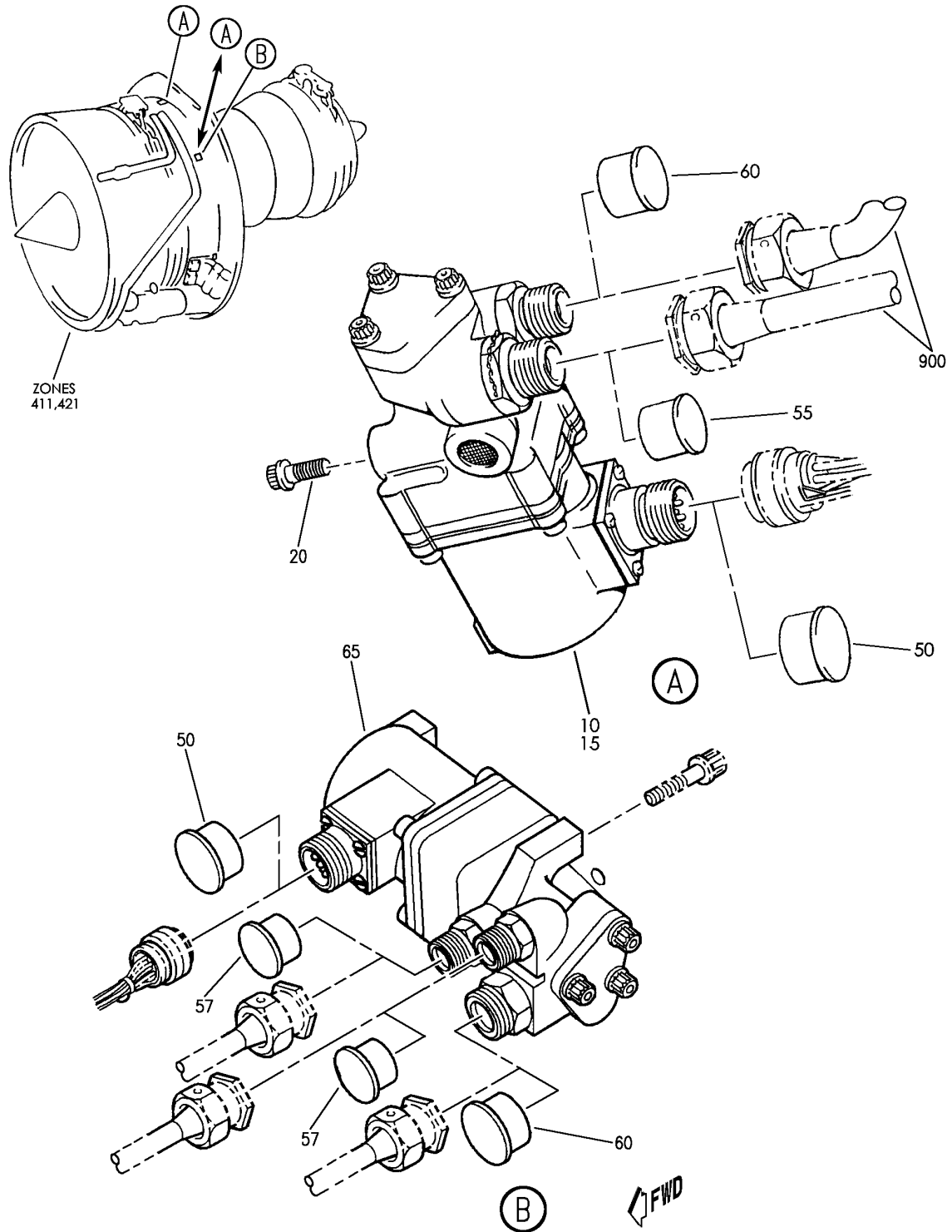
BRI

75-32-02-04

BOEING PROPRIETARY - Copyright © - Unpublished Work - See title page for details.

75-32-02
FIG. 04
PAGE 5
JAN 20/09

BOEING
757
PARTS CATALOG (MAINTENANCE)



Y 75320301 REV 327

SOLENOIDS-IP CPRSR BLEED VALVE (RB211-535)
FIGURE 1

75-32-03-01

BRI
SEP 20/08

75-32-03-01
PAGE 0



757

PARTS CATALOG (MAINTENANCE)

FIG ITEM	PART NUMBER	1 2 3 4 5 6 7	NOMENCLATURE	EFFECT FROM TO	UNITS PER ASSY
1			SOLENOIDS-IP CPRSR BLEED VALVE (RB211-535)	002004	
- 1	UL20697		ENGINE ASSY-Q.E.C.U. RB211-535E43711 MAXIMUM NEUT WITH GRAVINER FIRE DETECTORS, BAYONET MCD, NON-MODULATED IDG COOLING 40,000 LB THRUST SUPPLIER CODE: VK0680 REFERENCE SERVICE BULLETIN: 71-0058R4 QUALIFIED SB I/W DATA: INTERMIX OF ONE OR SUBSTITUTION OF TWO DIFFERENT CONFIGURATION RB211-535E4-37/() ENGINES FOR RB211-535 E4 BASE ENGINES REFERENCE SERVICE BULLETIN: RB211-72-C547 VK0680 FOR NHA/OTHER SYS DET SEE: 71-00-02-04	006999 121503 904949 952999	RF
- 1	UL20702		ENGINE ASSY-Q.E.C.U. RB211-535E43711 BASIC ENGINE CONFIG. WITH GRAVINER FIRE DETECTORS, BAYONET MCD, NON-MODULATED IDG COOLING 40,100 LB THRUST SUPPLIER CODE: VK0680 FOR NHA/OTHER SYS DET SEE: 71-00-02-10	504903	RF
- 1	UL19722		ENGINE ASSY-Q.E.C.U. RB211-535E43711 MAXIMUM NEUT SUPPLIER CODE: VK0680 FOR NHA/OTHER SYS DET SEE: 71-00-02-04	107107	RF

MISSING ITEM NUMBERS NOT APPLICABLE

- ITEM NOT ILLUSTRATED

75-32-03-01

75-32-03
FIG. 01
PAGE 1
JAN 20/09

BRI



757

PARTS CATALOG (MAINTENANCE)

FIG ITEM	PART NUMBER	1 2 3 4 5 6 7	NOMENCLATURE	EFFECT FROM TO	UNITS PER ASSY
1					
- 2	UL20698		ENGINE ASSY-Q.E.C.U. RB211-535E43712 MAXIMUM NEUT SUPPLIER CODE: VK0680 REFERENCE SERVICE BULLETIN: 71-0058R7 QUALIFIED SB I/W DATA: INTERMIX OF ONE OR SUBSTITUTION OF TWO DIFFERENT CONFIGURATION RB211-535E4-37/() ENGINES FOR RB211-535E4 BASE ENGINES OR DIFFERENT CONFIGURATION RB211-535E4-B-37/() ENGINES FOR RB211-535E4-B BASE ENGINES REFERENCE SERVICE BULLETIN: RB211-72-C547 VK0680 RB211-72-8910 VK0680 POST RAPID REVISION: RR92014-183A-RC-E FOR NHA/OTHER SYS DET SEE: 71-00-02-04	002004 006100 102102	RF
- 2	UL36209		ENGINE ASSY-Q.E.C.U. RB211-535E43719 MAXIMUM NEUT SUPPLIER CODE: VK0680 FOR NHA/OTHER SYS DET SEE: 71-00-02-04	950951	RF
- 3	BCREF17395		ENGINE ASSY-Q.E.C.U. RB211-535E43739 BASIC ENGINE CONFIGURATION AND PHASE 5 COMBUSTOR 40,100 LB THRUST SUPPLIER CODE: VK0680 OVERLENGTH PART NUMBER: RB211-535E4-37-39E FOR NHA/OTHER SYS DET SEE: 71-00-02-10	108120	RF

MISSING ITEM NUMBERS NOT APPLICABLE

- ITEM NOT ILLUSTRATED

75-32-03-01

75-32-03
FIG. 01
PAGE 2
JAN 20/09

BRI



757

PARTS CATALOG (MAINTENANCE)

FIG ITEM	PART NUMBER	1 2 3 4 5 6 7	NOMENCLATURE	EFFECT FROM TO	UNITS PER ASSY
1					
- 3	BCREF17101		ENGINE ASSY-Q.E.C.U. RB211-535E43744 BASIC ENGINE CONFIGURATION, BAYONET MCD AND PHASE 5 COMBUSTOR 40,100 LB THRUST SUPPLIER CODE: VK0680 OVERLENGTH PART NUMBER: RB211-535E4-3744E FOR NHA/OTHER SYS DET SEE: 71-00-02-10	103106	RF
- 3	UL38163		ENGINE ASSY-Q.E.C.U. RB211-535E43724 BASIC ENGINE CONFIGURATION, BAYONET MCD, 40,100 LB THRUST SUPPLIER CODE: VK0680 FOR NHA/OTHER SYS DET SEE: 71-00-02-10	101101	RF
10	AC67760		.VALVE ASSY- SUPPLIER CODE: VU8976 PRE SERVICE BULLETIN: 75-C796 VK0680	002004 006102 107107 121999	2
15	AC67760		.VALVE ASSY- SUPPLIER CODE: VU8976 POST SERVICE BULLETIN: 75-C796PT01 VK0680	103106 108120	1
20	AS21013		ATTACHING PARTS .BOLT- POST SERVICE BULLETIN: 72-D494PT03 VK0680	002004 006100 102102 107107 121999	6
20	AS21014		.BOLT- PRE SERVICE BULLETIN: 72-D494 VK0680	002004 006102 107107 121999	6

MISSING ITEM NUMBERS NOT APPLICABLE

- ITEM NOT ILLUSTRATED

75-32-03-01

75-32-03
FIG. 01
PAGE 3
JAN 20/09

BRI



757

PARTS CATALOG (MAINTENANCE)

FIG ITEM	PART NUMBER	1 2 3 4 5 6 7	NOMENCLATURE	EFFECT FROM TO	UNITS PER ASSY
1					
- 25	AS21014		.BOLT- POST SERVICE BULLETIN: 75-C796PT01 VK0680 PRE SERVICE BULLETIN: 72-D494 VK0680	103106 108120	3
- 25	AS21013		.BOLT- POST SERVICE BULLETIN: 72-D494PT04 VK0680	103106 108120	3
50	025-0480-000		-----*----- ..CAP-DUST TRANS TRANSPORTATION ONLY SUPPLIER CODE: VK0316 POST SERVICE BULLETIN: 75-8051PTD VK0680	002004 006999	2
55	AQ330-18		..CAP-PROTECTIVE PORT COLOUR RED TRANSPORTATION ONLY SUPPLIER CODE: VK6658 POST SERVICE BULLETIN: 75-8051PTD VK0680	002004 006102 107107 121999	2
57	AQ330-18		..CAP-PROTECTIVE PORT COLOUR RED TRANSPORTATION ONLY SUPPLIER CODE: VK6658 POST SERVICE BULLETIN: 75-8051PTD VK0680	103106 108120	3
60	AQ330-16		..CAP-PROTECTIVE PORT COLOUR RED TRANSPORTATION ONLY SUPPLIER CODE: VK6658 POST SERVICE BULLETIN: 75-8051PTD VK0680	002004 006999	2

MISSING ITEM NUMBERS NOT APPLICABLE

- ITEM NOT ILLUSTRATED

75-32-03-01

75-32-03
FIG. 01
PAGE 4
JAN 20/09

BRI



757

PARTS CATALOG (MAINTENANCE)

FIG ITEM	PART NUMBER	1 2 3 4 5 6 7	NOMENCLATURE	EFFECT FROM TO	UNITS PER ASSY
1	65 EB100906B		.SOLENOID-BLEED VALVE IP AIR SUPPLIER CODE: VU8976 POST SERVICE BULLETIN: 75-C796PT01 VK0680 ATTACHING PARTS	103106 108120	1
-	70 AS21014		.BOLT- POST SERVICE BULLETIN: 75-C796PT01 VK0680 PRE SERVICE BULLETIN: 72-D494 VK0680	103106 108120	3
-	70 AS21013		.BOLT- POST SERVICE BULLETIN: 72-D494PT02 VK0680	103106 108120	3
	900		-----*----- ILLUSTRATION REFERENCE: COMPRESSOR-BLEED CONT AIR TUBES INTERMEDIATE PRESSURE (RB211-535) 75-32-09-06	002004 006999	RF

MISSING ITEM NUMBERS NOT APPLICABLE

- ITEM NOT ILLUSTRATED

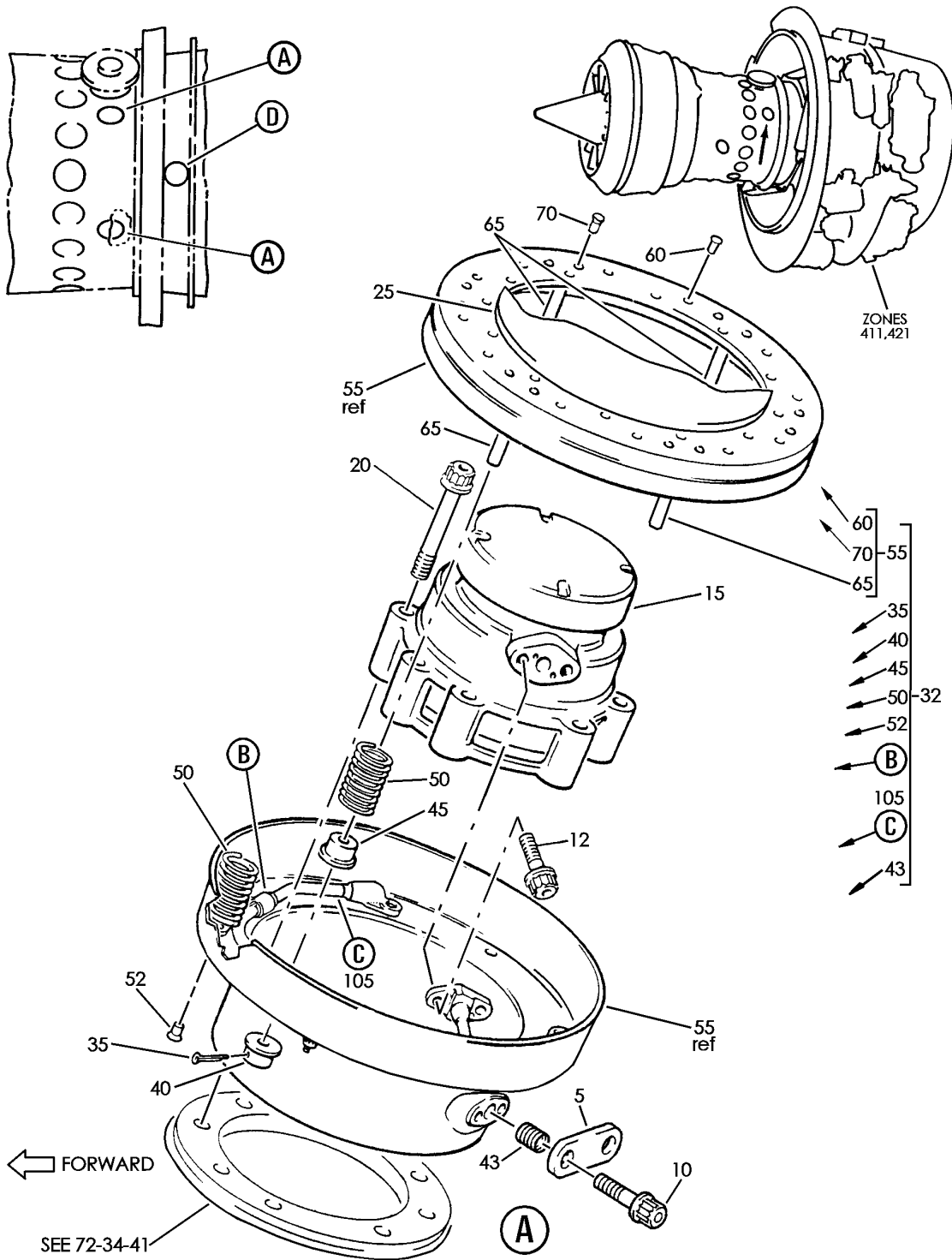
BRI

75-32-03-01

BOEING PROPRIETARY - Copyright © - Unpublished Work - See title page for details.

75-32-03
FIG. 01
PAGE 5
JAN 20/09

BOEING
757
PARTS CATALOG (MAINTENANCE)



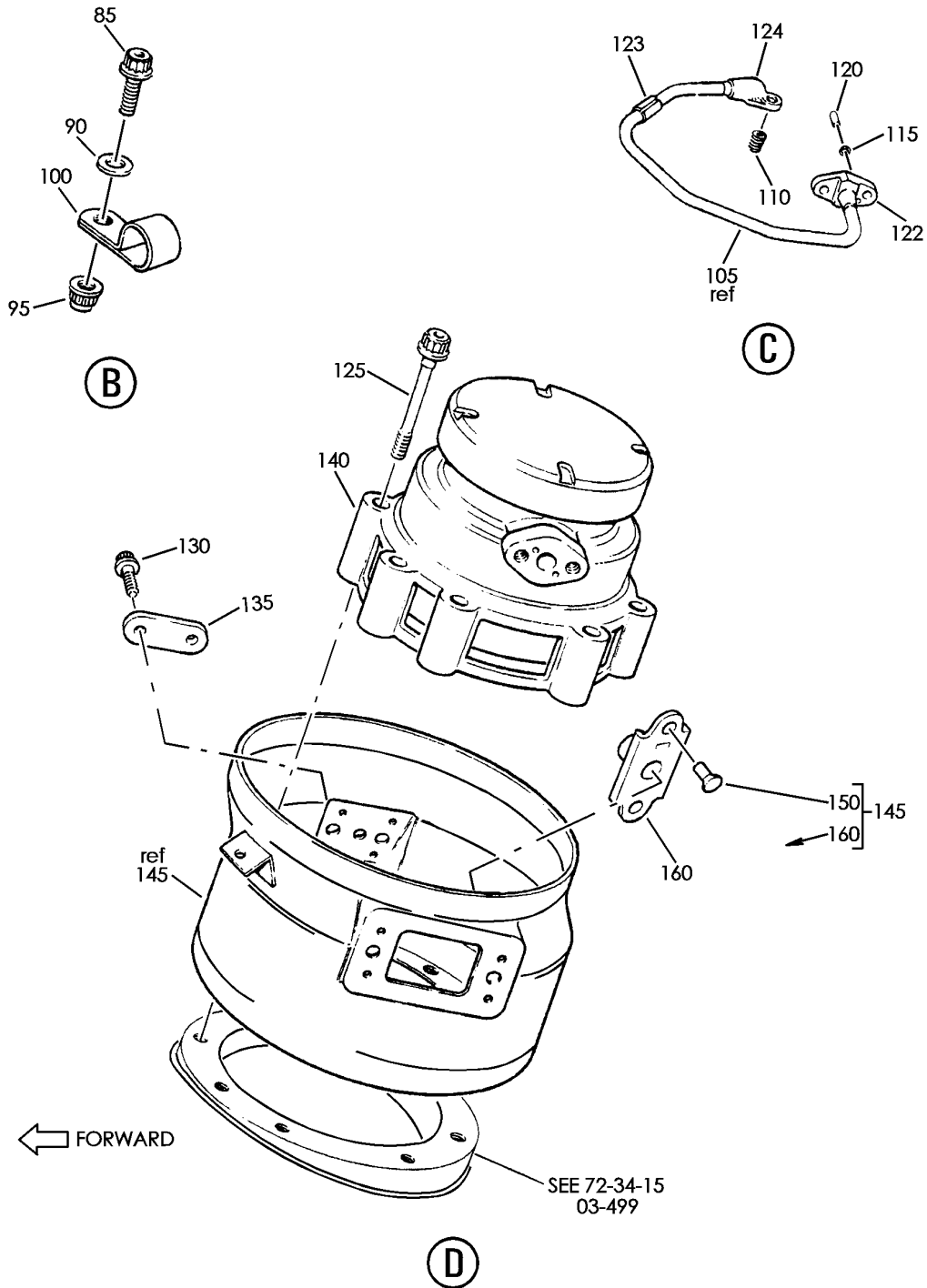
VALVES-HIGH PRESSURE CPRSR BLEED (RB211-535)
FIGURE 1 (SHEET 1)

75-32-04-01

BRI
MAY 28/07

75-32-04-01
PAGE 0

BOEING
757
PARTS CATALOG (MAINTENANCE)



Y 75320401 SH1 2 REV 229

VALVES-HIGH PRESSURE CPRSR BLEED (RB211-535)
FIGURE 1 (SHEET 2)

75-32-04-01

BRI
MAY 28/07

75-32-04-01
PAGE 0A



757

PARTS CATALOG (MAINTENANCE)

FIG ITEM	PART NUMBER	1 2 3 4 5 6 7	NOMENCLATURE	EFFECT FROM TO	UNITS PER ASSY
1			VALVES-HIGH PRESSURE CPRSR BLEED (RB211-535)	002004	
- 1	UL20697		ENGINE ASSY-Q.E.C.U. RB211-535E43711 MAXIMUM NEUT WITH GRAVINER FIRE DETECTORS, BAYONET MCD, NON-MODULATED IDG COOLING 40,000 LB THRUST SUPPLIER CODE: VK0680 REFERENCE SERVICE BULLETIN: 71-0058R4 QUALIFIED SB I/W DATA: INTERMIX OF ONE OR SUBSTITUTION OF TWO DIFFERENT CONFIGURATION RB211-535E4-37/() ENGINES FOR RB211-535 E4 BASE ENGINES REFERENCE SERVICE BULLETIN: RB211-72-C547 VK0680 FOR NHA/OTHER SYS DET SEE: 71-00-02-04	006999 121503 904949 952999	RF
- 1	UL20702		ENGINE ASSY-Q.E.C.U. RB211-535E43711 BASIC ENGINE CONFIG. WITH GRAVINER FIRE DETECTORS, BAYONET MCD, NON-MODULATED IDG COOLING 40,100 LB THRUST SUPPLIER CODE: VK0680 FOR NHA/OTHER SYS DET SEE: 71-00-02-10	504903	RF
- 1	UL19722		ENGINE ASSY-Q.E.C.U. RB211-535E43711 MAXIMUM NEUT SUPPLIER CODE: VK0680 FOR NHA/OTHER SYS DET SEE: 71-00-02-04	107107	RF

MISSING ITEM NUMBERS NOT APPLICABLE

- ITEM NOT ILLUSTRATED

75-32-04-01

75-32-04
FIG. 01
PAGE 1
JAN 20/09

BRI



757

PARTS CATALOG (MAINTENANCE)

FIG ITEM	PART NUMBER	1 2 3 4 5 6 7	NOMENCLATURE	EFFECT FROM TO	UNITS PER ASSY
1					
- 2	UL20698		ENGINE ASSY-Q.E.C.U. RB211-535E43712 MAXIMUM NEUT SUPPLIER CODE: VK0680 REFERENCE SERVICE BULLETIN: 71-0058R7 QUALIFIED SB I/W DATA: INTERMIX OF ONE OR SUBSTITUTION OF TWO DIFFERENT CONFIGURATION RB211-535E4-37/() ENGINES FOR RB211-535E4 BASE ENGINES OR DIFFERENT CONFIGURATION RB211-535E4-B-37/() ENGINES FOR RB211-535E4-B BASE ENGINES REFERENCE SERVICE BULLETIN: RB211-72-C547 VK0680 RB211-72-8910 VK0680 POST RAPID REVISION: RR2014-183A-RC-E FOR NHA/OTHER SYS DET SEE: 71-00-02-04	002004 006100 102102	RF
- 2	UL36209		ENGINE ASSY-Q.E.C.U. RB211-535E43719 MAXIMUM NEUT SUPPLIER CODE: VK0680 FOR NHA/OTHER SYS DET SEE: 71-00-02-04	950951	RF
- 3	BCREF17395		ENGINE ASSY-Q.E.C.U. RB211-535E43739 BASIC ENGINE CONFIGURATION AND PHASE 5 COMBUSTOR 40,100 LB THRUST SUPPLIER CODE: VK0680 OVERLENGTH PART NUMBER: RB211-535E4-37-39E FOR NHA/OTHER SYS DET SEE: 71-00-02-10	108120	RF

MISSING ITEM NUMBERS NOT APPLICABLE

- ITEM NOT ILLUSTRATED

75-32-04-01

75-32-04
FIG. 01
PAGE 2
JAN 20/09

BRI

 **BOEING**
757
PARTS CATALOG (MAINTENANCE)

FIG ITEM	PART NUMBER	1 2 3 4 5 6 7	NOMENCLATURE	EFFECT FROM TO	UNITS PER ASSY
1					
- 3	BCREF17101		ENGINE ASSY-Q.E.C.U. RB211-535E43744 BASIC ENGINE CONFIGURATION, BAYONET MCD AND PHASE 5 COMBUSTOR 40,100 LB THRUST SUPPLIER CODE: VK0680 OVERLENGTH PART NUMBER: RB211-535E4-3744E FOR NHA/OTHER SYS DET SEE: 71-00-02-10	103106	RF
- 3	UL38163		ENGINE ASSY-Q.E.C.U. RB211-535E43724 BASIC ENGINE CONFIGURATION, BAYONET MCD, 40,100 LB THRUST SUPPLIER CODE: VK0680 FOR NHA/OTHER SYS DET SEE: 71-00-02-10	101101	RF
- 4	UL15507		.AIR FLOW CONTROL-BLEED VALVE SUPPLIER CODE: VK0680	002004 006999	RF
5	RN78002		..PLATE-T COUPLE BLANKING BOSS SUPPLIER CODE: VK0680	002004 006999	4
10	AS21508		ATTACHING PARTS ..BOLT-BIHEX HD .250 DIA X .500 -----*-----	002004 006999	8
12	AS21408		..BOLT-BIHEX HD .190 DIA X .500	002004 006999	4
15	AC67926		..VALVE ASSY-HANDLING HP3 BLEED SUPPLIER CODE: VK1037	002004 006999	2
20	AS24530		ATTACHING PARTS ..BOLT-.250 DIA X 1.875 -----*-----	002004 006999	16
25	LK87390		..CAP-PROTECTIVE IP BLEED TRANSPORTATION ONLY SUPPLIER CODE: VK0680	002004 006999	2

MISSING ITEM NUMBERS NOT APPLICABLE

- ITEM NOT ILLUSTRATED

BRI

75-32-04-01

BOEING PROPRIETARY - Copyright © - Unpublished Work - See title page for details.

75-32-04
FIG. 01
PAGE 3
JAN 20/09



757

PARTS CATALOG (MAINTENANCE)

FIG ITEM	PART NUMBER	1 2 3 4 5 6 7	NOMENCLATURE	EFFECT FROM TO	UNITS PER ASSY
1					
32	UL17952		..CASE ASSY-HP3 BLEED VALVE SUPPLIER CODE: VK0680 PRE SERVICE BULLETIN: 75-E956 VK0680	002004 006999	2
32	FW42368		..CASE ASSY-HP3 BLEED VALVE SUPPLIER CODE: VK0680 POST SERVICE BULLETIN: 75-E956PT01 VK0680	002004 006999	2
35	MS9245-25		...PIN-COTTER SPLIT OPTIONAL PART: SP90C4 POST SERVICE BULLETIN: 75-E956PT01 VK0680 75-F013PTA VK0680 PRE SERVICE BULLETIN: 75-E956 VK0680	002004 006999	4
35	SP90C4		...PIN-COTTER SPLIT OPTIONAL PART: MS9245-25 POST SERVICE BULLETIN: 75-E956PT01 VK0680 75-F013PTA VK0680	002004 006999	4
40	LK35445		...COLLAR-GUIDE PIN SUPPLIER CODE: VK0680	002004 006999	4
45	LK35446		...SLEEVE-SPR LOCATING SUPPLIER CODE: VK0680	002004 006999	4
50	LK76708		...SPRING-CPRSN HELICAL SUPPLIER CODE: VK0680	002004 006999	6
55	LK77157		...PLATE ASSY-SEAL SUPPLIER CODE: VK0680 POST SERVICE BULLETIN: 75-C155PTA VK0680	002004 006999	1
70	AS16448	RIVET	002004 006999	12

MISSING ITEM NUMBERS NOT APPLICABLE

- ITEM NOT ILLUSTRATED

75-32-04-01

75-32-04
FIG. 01
PAGE 4
JAN 20/09

BRI

BOEING PROPRIETARY - Copyright © - Unpublished Work - See title page for details.



757

PARTS CATALOG (MAINTENANCE)

FIG ITEM	PART NUMBER	1 2 3 4 5 6 7	NOMENCLATURE	EFFECT FROM TO	UNITS PER ASSY
1					
85	AS21408	...	BOLT-BIHEX HD .190 DIA X .500	002004 006999	4
90	K8831	...	WASHER- SUPPLIER CODE: VK0680	002004 006999	4
95	AS20624	...	NUT-SELF LOCKING	002004 006999	4
100	LK39523	...	CLIP- SUPPLIER CODE: VK0680 PRE SERVICE BULLETIN: 72-C754 VK0680	002004 006999	4
100	UP12006	...	CLIP- SUPPLIER CODE: VK0680 POST SERVICE BULLETIN: 72-C754PTA VK0680	002004 006100 102999	4
105	UL16614	...	TUBE ASSY-INTERNAL HP3 BLEED VALVE SUPPLIER CODE: VK0680	002004 006999	1
110	AGS3706	INSERT	002004 006999	2
115	AS20761	RING	002004 006999	1
120	AS20740	PIN	002004 006999	1
			ATTACHING PARTS		
125	AS24531	..	BOLT-	002004 006999	8
130	AS21509	..	BOLT-	002004 006999	2
			-----*-----		
135	RN78002	..	PLATE-T COUPLE BLANKING SUPPLIER CODE: VK0680	002004 006999	1
140	AC67926	..	VALVE ASSY-HP2 BLEED SUPPLIER CODE: VK1037	002004 006999	1
145	LK87389	..	DUCT ASSY-HP2 BLEED VALVE SUPPLIER CODE: VK0680	002004 006999	1

MISSING ITEM NUMBERS NOT APPLICABLE

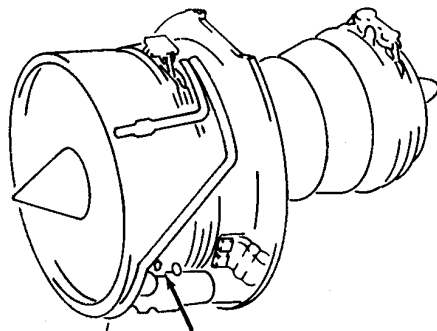
- ITEM NOT ILLUSTRATED

BRI

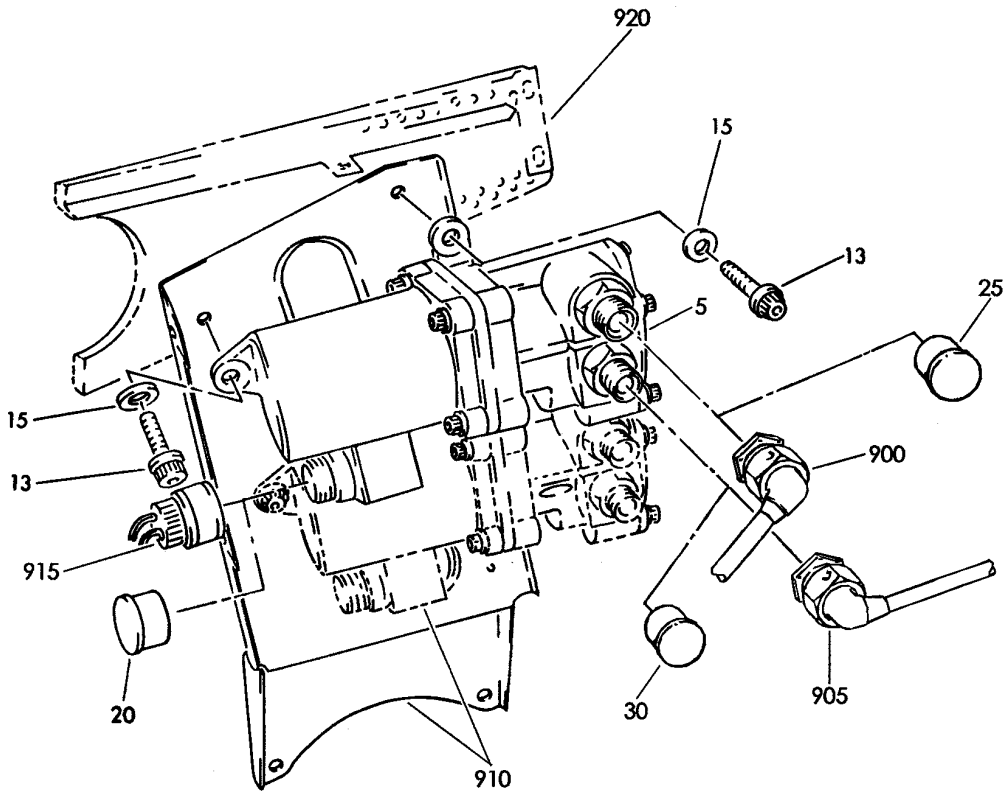
75-32-04-01

75-32-04
FIG. 01
PAGE 5
JAN 20/09

BOEING
757
PARTS CATALOG (MAINTENANCE)



ZONES
411, 421



Y 75320501 REV 213

VALVE-HIGH PRESSURE CPRSR BLEED SOL. LOW SET (RB211-535)
FIGURE 1

75-32-05-01

BRI
MAY 28/07

75-32-05-01
PAGE 0



757

PARTS CATALOG (MAINTENANCE)

FIG ITEM	PART NUMBER	1 2 3 4 5 6 7	NOMENCLATURE	EFFECT FROM TO	UNITS PER ASSY
1			VALVE-HIGH PRESSURE CPRSR BLEED SOL. LOW SET (RB211-535)	002004 006999	
- 1	UL20697		ENGINE ASSY-Q.E.C.U. RB211-535E43711 MAXIMUM NEUT WITH GRAVINER FIRE DETECTORS, BAYONET MCD, NON-MODULATED IDG COOLING 40,000 LB THRUST SUPPLIER CODE: VK0680 REFERENCE SERVICE BULLETIN: 71-0058R4 QUALIFIED SB I/W DATA: INTERMIX OF ONE OR SUBSTITUTION OF TWO DIFFERENT CONFIGURATION RB211-535E4-37/() ENGINES FOR RB211-535 E4 BASE ENGINES REFERENCE SERVICE BULLETIN: RB211-72-C547 VK0680	121503 904949 952999	RF
- 1	UL20702		FOR NHA/OTHER SYS DET SEE: 71-00-02-04 ENGINE ASSY-Q.E.C.U. RB211-535E43711 BASIC ENGINE CONFIGURATION WITH GRAVINER FIRE DETECTORS, BAYONET MCD, NON-MODULATED IDG COOLING 40,100 LB THRUST SUPPLIER CODE: VK0680 FOR NHA/OTHER SYS DET SEE: 71-00-02-10	504903	RF
- 1	UL19722		ENGINE ASSY-Q.E.C.U. RB211-535E43711 MAXIMUM NEUT SUPPLIER CODE: VK0680 FOR NHA/OTHER SYS DET SEE: 71-00-02-04	107107	RF

MISSING ITEM NUMBERS NOT APPLICABLE

- ITEM NOT ILLUSTRATED

75-32-05-01

75-32-05
FIG. 01
PAGE 1
JAN 20/09

BRI



757

PARTS CATALOG (MAINTENANCE)

FIG ITEM	PART NUMBER	1 2 3 4 5 6 7	NOMENCLATURE	EFFECT FROM TO	UNITS PER ASSY
1					
- 2	UL20698		ENGINE ASSY-Q.E.C.U. RB211-535E43712 MAXIMUM NEUT SUPPLIER CODE: VK0680 REFERENCE SERVICE BULLETIN: 71-0058R7 QUALIFIED SB I/W DATA: INTERMIX OF ONE OR SUBSTITUTION OF TWO DIFFERENT CONFIGURATION RB211-535E4-37/() ENGINES FOR RB211-535E4 BASE ENGINES OR DIFFERENT CONFIGURATION RB211-535E4-B-37/() ENGINES FOR RB211-535E4-B BASE ENGINES REFERENCE SERVICE BULLETIN: RB211-72-C547 VK0680 RB211-72-8910 VK0680 POST RAPID REVISION: RR92014-183A-RC-E FOR NHA/OTHER SYS DET SEE: 71-00-02-04	002004 006100 102102	RF
- 2	UL36209		ENGINE ASSY-Q.E.C.U. RB211-535E43719 MAXIMUM NEUT SUPPLIER CODE: VK0680 FOR NHA/OTHER SYS DET SEE: 71-00-02-04	950951	RF
- 3	BCREF17395		ENGINE ASSY-Q.E.C.U. RB211-535E43739 BASIC ENGINE CONFIGURATION AND PHASE 5 COMBUSTOR 40,100 LB THRUST SUPPLIER CODE: VK0680 OVERLENGTH PART NUMBER: RB211-535E4-37-39E FOR NHA/OTHER SYS DET SEE: 71-00-02-10	108120	RF

MISSING ITEM NUMBERS NOT APPLICABLE

- ITEM NOT ILLUSTRATED

BRI

75-32-05-01

BOEING PROPRIETARY - Copyright © - Unpublished Work - See title page for details.

75-32-05
FIG. 01
PAGE 2
JAN 20/09



757

PARTS CATALOG (MAINTENANCE)

FIG ITEM	PART NUMBER	1 2 3 4 5 6 7	NOMENCLATURE	EFFECT FROM TO	UNITS PER ASSY
1 -	3 BCRE17101		ENGINE ASSY-Q.E.C.U. RB211-535E43744 BASIC ENGINE CONFIGURATION, BAYONET MCD AND PHASE 5 COMBUSTOR 40,100 LB THRUST SUPPLIER CODE: VK0680 OVERLENGTH PART NUMBER: RB211-535E4-3744E FOR NHA/OTHER SYS DET SEE: 71-00-02-10	103106	RF
-	3 UL38163		ENGINE ASSY-Q.E.C.U. RB211-535E43724 BASIC ENGINE CONFIGURATION, BAYONET MCD, 40,100 LB THRUST SUPPLIER CODE: VK0680 FOR NHA/OTHER SYS DET SEE: 71-00-02-10	101101	RF
	5 AC69214		.VALVE ASSY-HIGH PRESSURE BLEED VALVE OP SUPPLIER CODE: VU8976 POST SERVICE BULLETIN: 75-8285PT70 VK0680 PRE SERVICE BULLETIN: 75-8256 VK0680	002004 006100 102102 107107 121949 952999	1
	5 AC67758		.VALVE ASSY-HIGH PRESSURE BLEED VALVE OP SUPPLIER CODE: VU8976 NOT APPROVED FOR ETOPS. CONFIG CHG DATA FROM A CMM: FOR INTRCHG SEE RR IPC	002004 006100 102102 107107 121949 952999	1
	5 AC67958		.VALVE ASSY-HIGH PRESSURE BLEED VALVE OP SUPPLIER CODE: VU8976 POST SERVICE BULLETIN: 75-7991PT02 VK0680 PRE SERVICE BULLETIN: 75-8285 VK0680	107107 121949 952999	1

MISSING ITEM NUMBERS NOT APPLICABLE

- ITEM NOT ILLUSTRATED

75-32-05-01

75-32-05
FIG. 01
PAGE 3
JAN 20/09

BRI

BOEING
757
PARTS CATALOG (MAINTENANCE)

FIG ITEM	PART NUMBER	1 2 3 4 5 6 7	NOMENCLATURE	EFFECT FROM TO	UNITS PER ASSY
1					
5	AC67758		.VALVE ASSY-HIGH PRESSURE BLEED VALVE OP SUPPLIER CODE: VU8976 NOT APPROVED FOR ETOPS. REFERENCE SERVICE BULLETIN: 75-7145PT02 VK0680	101101 950951	1
5	AC69178		.VALVE ASSY-HIGH PRESSURE BLEED VALVE OP SUPPLIER CODE: VU8976 POST SERVICE BULLETIN: 75-8256PT01 VK0680	103106 108120	1
5	AC69176		.VALVE ASSY-HIGH PRESSURE BLEED VALVE MANDATORY SUPPLIER CODE: VU8976 MISCELLANEOUS DATA: CAUTION: NOT INTERCHANGABLE WITH PRE-MOD STANDARD POST SERVICE BULLETIN: 75-8285PT71 VK0680 PRE SERVICE BULLETIN: 75-8256 VK0680	002004 006100 102102 107107 121949 952999	1
5	AC69178		.VALVE ASSY-HIGH PRESSURE BLEED VALVE OP SUPPLIER CODE: VU8976 CONFIG CHG DATA FROM A CMM: FOR INTRCHG SEE RR IPC POST SERVICE BULLETIN: 75-8256PT01 VK0680	002004 006100 102102 107107 121999	1
13	AS21514		ATTACHING PARTS .BOLT- POST SERVICE BULLETIN: 75-6556PT01 VK0680	002004 006999	3
15	AS12944		.WASHER- POST SERVICE BULLETIN: 75-6556PT01 VK0680 -----*-----	002004 006999	3

MISSING ITEM NUMBERS NOT APPLICABLE

— ITEM NOT ILLUSTRATED

BRI

75-32-05-01

BOEING PROPRIETARY - Copyright © - Unpublished Work - See title page for details.

75-32-05
FIG. 01
PAGE 4
JAN 20/09



757

PARTS CATALOG (MAINTENANCE)

FIG ITEM	PART NUMBER	1 2 3 4 5 6 7	NOMENCLATURE	EFFECT FROM TO	UNITS PER ASSY
1	20 025-0480-000		..CAP-DUST TRANS TRANSPORTATION ONLY SUPPLIER CODE: VK0316 POST SERVICE BULLETIN: 75-8051PTC VK0680	002004 006999	1
	25 AQ330-18		..CAP-PROTECTIVE PORT COLOUR RED TRANSPORTATION ONLY SUPPLIER CODE: VK6658 POST SERVICE BULLETIN: 75-8051PTC VK0680	002004 006999	1
	30 AQ330-16		..CAP-PROTECTIVE PORT COLOUR RED TRANSPORTATION ONLY SUPPLIER CODE: VK6658 POST SERVICE BULLETIN: 75-8051PTC VK0680	002004 006999	1
	900		ILLUSTRATION REFERENCE: TUBES-HIGH PRESSURE CPRSR BLEED CONT AIR (RB211-535) 75-32-09-11	002004 006999	RF
	905		ILLUSTRATION REFERENCE: TUBES-HIGH PRESSURE CPRSR BLEED CONT AIR (RB211-535) 75-32-09-02	002004 006999	RF
	910		ILLUSTRATION REFERENCE: COMPRESSOR-BLEED VALVE SOL HIGH PRESSURE SET (RB211-535) 75-32-05-02	002004 006999	RF
	915		ILLUSTRATION REFERENCE: HARNES-L.D. ELECTRICAL GENERAL SERVICES LOOM C1 (RB211-535) 71-51-57-02	002004 006999	RF

MISSING ITEM NUMBERS NOT APPLICABLE

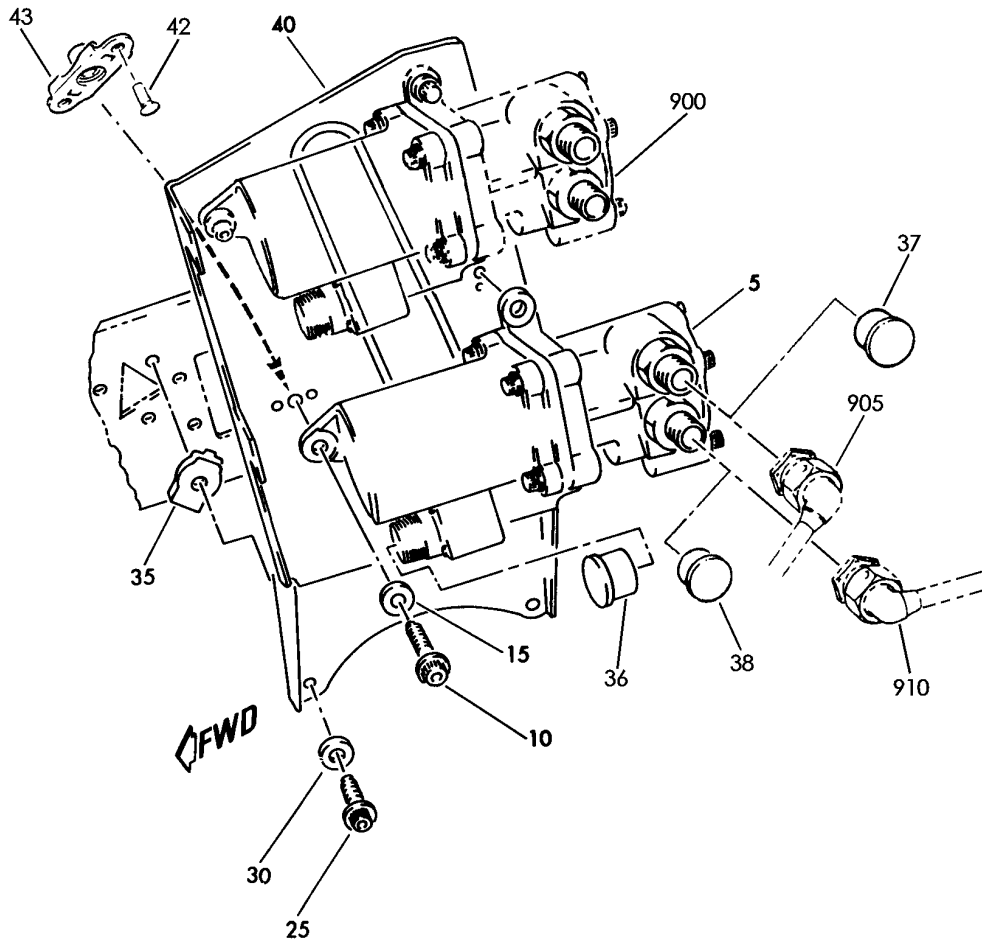
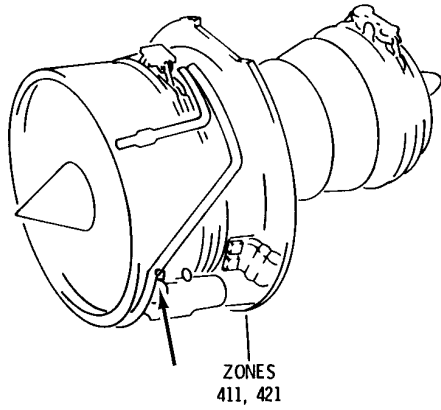
- ITEM NOT ILLUSTRATED

75-32-05-01

75-32-05
FIG. 01
PAGE 5
JAN 20/09

BRI

BOEING
757
PARTS CATALOG (MAINTENANCE)



Y 75320502 REV 229

COMPRESSOR-BLEED VALVE SOL HIGH PRESSURE SET (RB211-535)
FIGURE 2

75-32-05-02

BRI
MAY 28/07

75-32-05-02
PAGE 0



757

PARTS CATALOG (MAINTENANCE)

FIG ITEM	PART NUMBER	1 2 3 4 5 6 7	NOMENCLATURE	EFFECT FROM TO	UNITS PER ASSY
2			COMPRESSOR-BLEED VALVE SOL HIGH PRESSURE SET (RB211-535)	002004 006999	
- 1	UL20697		ENGINE ASSY-Q.E.C.U. RB211-535E43711 MAXIMUM NEUT DETECTORS, BAYONET WITH GRAVINER FIRE MCD, NON-MODULATED IDG COOLING 40,000 LB THRUST SUPPLIER CODE: VK0680 REFERENCE SERVICE BULLETIN: 71-0058R4 QUALIFIED SB I/W DATA: INTERMIX OF ONE OR SUBSTITUTION OF TWO DIFFERENT CONFIGURATION RB211-535E4-37/() ENGINES FOR RB211-535 E4 BASE ENGINES REFERENCE SERVICE BULLETIN: RB211-72-C547 VK0680 FOR NHA/OTHER SYS DET SEE: 71-00-02-04	121503 904949 952999	RF
- 1	UL20702		ENGINE ASSY-Q.E.C.U. RB211-535E43711 BASIC ENGINE CONFIGURATION WITH GRAVINER FIRE DETECTORS, BAYONET MCD, NON-MODULATED IDG COOLING 40,100 LB THRUST SUPPLIER CODE: VK0680 FOR NHA/OTHER SYS DET SEE: 71-00-02-10	504903	RF
- 1	UL19722		ENGINE ASSY-Q.E.C.U. RB211-535E43711 MAXIMUM NEUT SUPPLIER CODE: VK0680 FOR NHA/OTHER SYS DET SEE: 71-00-02-04	107107	RF

MISSING ITEM NUMBERS NOT APPLICABLE

- ITEM NOT ILLUSTRATED

75-32-05-02

75-32-05
FIG. 02
PAGE 1
JAN 20/09

BRI



757

PARTS CATALOG (MAINTENANCE)

FIG ITEM	PART NUMBER	1 2 3 4 5 6 7	NOMENCLATURE	EFFECT FROM TO	UNITS PER ASSY
2 -	2 UL20698		ENGINE ASSY-Q.E.C.U. RB211-535E43712 MAXIMUM NEUT SUPPLIER CODE: VK0680 REFERENCE SERVICE BULLETIN: 71-0058R7 QUALIFIED SB I/W DATA: INTERMIX OF ONE OR SUBSTITUTION OF TWO DIFFERENT CONFIGURATION RB211-535E4-37/() ENGINES FOR RB211-535E4 BASE ENGINES OR DIFFERENT CONFIGURATION RB211-535E4-B-37/() ENGINES FOR RB211-535E4-B BASE ENGINES REFERENCE SERVICE BULLETIN: RB211-72-C547 VK0680 RB211-72-8910 VK0680 POST RAPID REVISION: RR92014-183A-RC-E FOR NHA/OTHER SYS DET SEE: 71-00-02-04	002004 006100 102102	RF
-	2 UL36209		ENGINE ASSY-Q.E.C.U. RB211-535E43719 MAXIMUM NEUT SUPPLIER CODE: VK0680 FOR NHA/OTHER SYS DET SEE: 71-00-02-04	950951	RF
-	3 BCREP17395		ENGINE ASSY-Q.E.C.U. RB211-535E43739 BASIC ENGINE CONFIGURATION AND PHASE 5 COMBUSTOR 40,100 LB THRUST SUPPLIER CODE: VK0680 OVERLENGTH PART NUMBER: RB211-535E4-37-39E FOR NHA/OTHER SYS DET SEE: 71-00-02-10	108120	RF

MISSING ITEM NUMBERS NOT APPLICABLE

- ITEM NOT ILLUSTRATED

75-32-05-02

75-32-05
FIG. 02
PAGE 2
JAN 20/09

BRI



757

PARTS CATALOG (MAINTENANCE)

FIG ITEM	PART NUMBER	1 2 3 4 5 6 7	NOMENCLATURE	EFFECT FROM TO	UNITS PER ASSY
2					
- 3	BCREF17101		ENGINE ASSY-Q.E.C.U. RB211-535E43744 BASIC ENGINE CONFIGURATION, BAYONET MCD AND PHASE 5 COMBUSTOR 40,100 LB THRUST SUPPLIER CODE: VK0680 OVERLENGTH PART NUMBER: RB211-535E4-3744E FOR NHA/OTHER SYS DET SEE: 71-00-02-10	103106	RF
- 3	UL38163		ENGINE ASSY-Q.E.C.U. RB211-535E43724 BASIC ENGINE CONFIGURATION, BAYONET MCD, 40,100 LB THRUST SUPPLIER CODE: VK0680 FOR NHA/OTHER SYS DET SEE: 71-00-02-10	101101	RF
- 4	UL30299		.COMPRESSOR-BLEED VALVE CONTROL SYSTEM-HP SUPPLIER CODE: VK0680 POST SERVICE BULLETIN: 24-9280PT01 VK0680	101101 103106 108120 950951	RF
- 4	UL33088		.COMPRESSOR-BLEED VALVE CONTROL SYSTEM-HP SUPPLIER CODE: VK0680 POST SERVICE BULLETIN: 24-9280PT01 VK0680	101101 103106 108120 950951	RF
5	AC67960		..VALVE ASSY-SOL HP3 BV OP SUPPLIER CODE: VU8976 POST SERVICE BULLETIN: 75-7991PT01 VK0680	002004 006999	1

MISSING ITEM NUMBERS NOT APPLICABLE

- ITEM NOT ILLUSTRATED

BRI

75-32-05-02

BOEING PROPRIETARY - Copyright © - Unpublished Work - See title page for details.

75-32-05
FIG. 02
PAGE 3
JAN 20/09



757

PARTS CATALOG (MAINTENANCE)

FIG ITEM	PART NUMBER	1 2 3 4 5 6 7	NOMENCLATURE	EFFECT FROM TO	UNITS PER ASSY
2	5 AC67756		.. VALVE ASSY-SOL HP3 BV OP SUPPLIER CODE: VK1037 POST SERVICE BULLETIN: 75-7991 VK0680 PRE SERVICE BULLETIN: 75-7991 VK0680 ATTACHING PARTS	002004 006100 102102 107107 121949 952999	1
10	AS21514		.. BOLT	002004 006999	3
15	AS12944		.. WASHER-	002004 006999	3
			-----*-----		
25	AS21510		.. BOLT	002004 006999	2
30	AS12944		.. WASHER	002004 006999	2
35	AS41105		.. NUT	002004 006999	2
36	025-0480-000		... CAP-DUST TRANSPORTATION ONLY SUPPLIER CODE: VK0316 POST SERVICE BULLETIN: 75-8051PTA VK0680	002004 006999	1
37	AQ330-18		... CAP-PROTECTIVE PORT TRANSPORTATION ONLY COLOUR RED SUPPLIER CODE: VK6658 POST SERVICE BULLETIN: 75-8051PTA VK0680	002004 006999	1
38	AQ330-16		... CAP-PROTECTIVE PORT COLOUR RED TRANSPORTATION ONLY SUPPLIER CODE: VK6658 POST SERVICE BULLETIN: 75-8051PTA VK0680	002004 006999	1
40	LK87418		.. BRACKET ASSY-MTG HP3 SOLENOID SUPPLIER CODE: VK0680	002004 006999	1

MISSING ITEM NUMBERS NOT APPLICABLE

- ITEM NOT ILLUSTRATED

75-32-05-02

75-32-05
FIG. 02
PAGE 4
JAN 20/09

BRI



757

PARTS CATALOG (MAINTENANCE)

FIG ITEM	PART NUMBER	1 2 3 4 5 6 7	NOMENCLATURE	EFFECT FROM TO	UNITS PER ASSY
2 900			ILLUSTRATION REFERENCE: VALVE-HIGH PRESSURE CPRSR BLEED SOL. LOW SET (RB211-535) 75-32-05-01	002004 006999	RF
905			ILLUSTRATION REFERENCE: TUBES-HIGH PRESSURE CPRSR BLEED CONT AIR (RB211-535) 75-32-09-11	002004 006999	RF
910			ILLUSTRATION REFERENCE: TUBES-HIGH PRESSURE CPRSR BLEED CONT AIR (RB211-535) 75-32-09-03	002004 006999	RF

MISSING ITEM NUMBERS NOT APPLICABLE

- ITEM NOT ILLUSTRATED

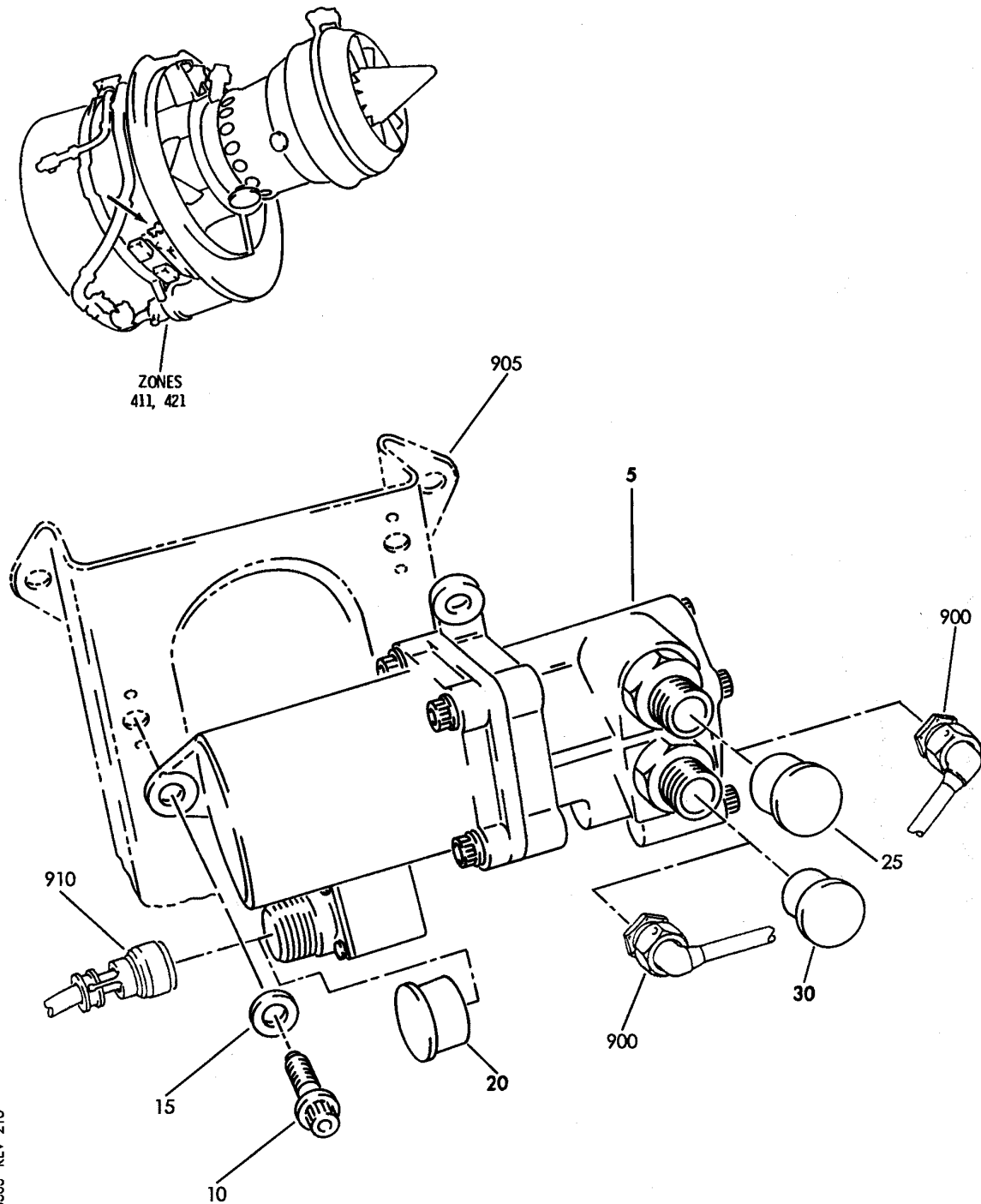
BRI

75-32-05-02

BOEING PROPRIETARY - Copyright © - Unpublished Work - See title page for details.

75-32-05
FIG. 02
PAGE 5
JAN 20/09

BOEING
757
PARTS CATALOG (MAINTENANCE)



Y 75320505 REV 213

COMPRESSOR-BLEED VALVE SOL HIGH PRESSURE SET (RB211-535)
FIGURE 5

75-32-05-05

BRI
MAY 28/07

75-32-05-05
PAGE 0



757

PARTS CATALOG (MAINTENANCE)

FIG ITEM	PART NUMBER	1 2 3 4 5 6 7	NOMENCLATURE	EFFECT FROM TO	UNITS PER ASSY
5			COMPRESSOR-BLEED VALVE SOL HIGH PRESSURE SET (RB211-535)	002004 006999	
- 1	UL19722		ENGINE ASSY-Q.E.C.U. RB211-535E43711 MAXIMUM NEUT SUPPLIER CODE: VK0680 FOR NHA/OTHER SYS DET SEE: 71-00-02-04	107107	RF
- 1	UL20697		ENGINE ASSY-Q.E.C.U. RB211-535E43711 MAXIMUM NEUT WITH GRAVINER FIRE DETECTORS, BAYONET MCD, NON-MODULATED IDG COOLING 40,000 LB THRUST SUPPLIER CODE: VK0680 REFERENCE SERVICE BULLETIN: 71-0058R4 QUALIFIED SB I/W DATA: INTERMIX OF ONE OR SUBSTITUTION OF TWO DIFFERENT CONFIGURATION RB211-535E4-37/() ENGINES FOR RB211-535 E4 BASE ENGINES REFERENCE SERVICE BULLETIN: RB211-72-C547 VK0680 FOR NHA/OTHER SYS DET SEE: 71-00-02-04	121503 904949 952999	RF

MISSING ITEM NUMBERS NOT APPLICABLE

- ITEM NOT ILLUSTRATED

BRI

75-32-05-05

BOEING PROPRIETARY - Copyright © - Unpublished Work - See title page for details.

75-32-05
FIG. 05
PAGE 1
JAN 20/09



757

PARTS CATALOG (MAINTENANCE)

FIG ITEM	PART NUMBER	1 2 3 4 5 6 7	NOMENCLATURE	EFFECT FROM TO	UNITS PER ASSY
5 - 1	UL20698		ENGINE ASSY-Q.E.C.U. RB211-535E43712 MAXIMUM NEUT SUPPLIER CODE: VK0680 REFERENCE SERVICE BULLETIN: 71-0058R7 QUALIFIED SB I/W DATA: INTERMIX OF ONE OR SUBSTITUTION OF TWO DIFFERENT CONFIGURATION RB211-535E4-37/() ENGINES FOR RB211-535E4 BASE ENGINES OR DIFFERENT CONFIGURATION RB211-535E4-B-37/() ENGINES FOR RB211-535E4-B BASE ENGINES REFERENCE SERVICE BULLETIN: RB211-72-C547 VK0680 RB211-72-8910 VK0680 POST RAPID REVISION: RR92014-183A-RC-E FOR NHA/OTHER SYS DET SEE: 71-00-02-04	002004 006100 102102	RF
- 1	UL20702		ENGINE ASSY-Q.E.C.U. RB211-535E43711 BASIC ENGINE CONFIGURATION WITH GRAVINER FIRE DETECTORS,BAYONET MCD, NON-MODULATED IDG COOLING 40,100 LB THRUST SUPPLIER CODE: VK0680 FOR NHA/OTHER SYS DET SEE: 71-00-02-10	504903	RF
- 1	UL36209		ENGINE ASSY-Q.E.C.U. RB211-535E43719 MAXIMUM NEUT SUPPLIER CODE: VK0680 FOR NHA/OTHER SYS DET SEE: 71-00-02-04	950951	RF

MISSING ITEM NUMBERS NOT APPLICABLE

- ITEM NOT ILLUSTRATED

75-32-05-05

75-32-05
FIG. 05
PAGE 2
JAN 20/09

BRI



757

PARTS CATALOG (MAINTENANCE)

FIG ITEM	PART NUMBER	1 2 3 4 5 6 7	NOMENCLATURE	EFFECT FROM TO	UNITS PER ASSY
5 -	3 BCRE17395		ENGINE ASSY-Q.E.C.U. RB211-535E43739 BASIC ENGINE CONFIGURATION AND PHASE 5 COMBUSTOR 40,100 LB THRUST SUPPLIER CODE: VK0680 OVERLENGTH PART NUMBER: RB211-535E4-37-39E FOR NHA/OTHER SYS DET SEE: 71-00-02-10	108120	RF
-	3 BCRE17101		ENGINE ASSY-Q.E.C.U. RB211-535E43744 BASIC ENGINE CONFIGURATION BAYONET MCD AND PHASE 5 COMBUSTOR 40,100 LB THRUST SUPPLIER CODE: VK0680 OVERLENGTH PART NUMBER: RB211-535E4-3744E FOR NHA/OTHER SYS DET SEE: 71-00-02-10	103106	RF
-	3 UL38163		ENGINE ASSY-Q.E.C.U. RB211-535E43724 BASIC ENGINE CONFIGURATION BAYONET MCD 40,100 LB THRUST SUPPLIER CODE: VK0680 FOR NHA/OTHER SYS DET SEE: 71-00-02-10	101101	RF
	5 AC67756		. VALVE ASSY-HIGH PRESSURE BLEED VALVE OP SOL. SUPPLIER CODE: VU8976 PRE SERVICE BULLETIN: 75-7991 VK0680	107107 121949 952999	1

MISSING ITEM NUMBERS NOT APPLICABLE

- ITEM NOT ILLUSTRATED

BRI

75-32-05-05

BOEING PROPRIETARY - Copyright © - Unpublished Work - See title page for details.

75-32-05
FIG. 05
PAGE 3
JAN 20/09



757

PARTS CATALOG (MAINTENANCE)

FIG ITEM	PART NUMBER	1 2 3 4 5 6 7	NOMENCLATURE	EFFECT FROM TO	UNITS PER ASSY
5	5 AC67960		.VALVE ASSY-HIGH PRESSURE BLEED VALVE OP SOL. SUPPLIER CODE: VU8976 POST SERVICE BULLETIN: 75-7991 V77445 PRE SERVICE BULLETIN: 75-C737 VK0680	002004 006102 107107 121999	1
	5 AC69178		.VALVE ASSY-SOL HP2 BV OP SUPPLIER CODE: VU8976 POST SERVICE BULLETIN: 75-C796 V77445 75-C737 V77445	002004 006999	1
	10 AS21515		ATTACHING PARTS .BOLT-	002004 006999	3
	15 AS12944		.WASHER-	002004 006999	3
	20 025-0480-000		-----*----- ..CAP-DUST TRANS TRANSPORTATION ONLY SUPPLIER CODE: VK0316 POST SERVICE BULLETIN: 75-8051PTB VK0680	002004 006999	1
	25 AQ330-18		..CAP-PROTECTIVE PORT COLOUR RED TRANSPORTATION ONLY SUPPLIER CODE: VK6658 POST SERVICE BULLETIN: 75-8051PTB VK0680	002004 006999	1
	30 AQ330-16		..CAP-PROTECTIVE PORT COLOUR RED TRANSPORTATION ONLY SUPPLIER CODE: VK6658 POST SERVICE BULLETIN: 75-8051PTB VK0680	002004 006999	1

MISSING ITEM NUMBERS NOT APPLICABLE

- ITEM NOT ILLUSTRATED

75-32-05-05

75-32-05
FIG. 05
PAGE 4
JAN 20/09

BRI



757

PARTS CATALOG (MAINTENANCE)

FIG ITEM	PART NUMBER	1 2 3 4 5 6 7	NOMENCLATURE	EFFECT FROM TO	UNITS PER ASSY
5 900			ILLUSTRATION REFERENCE: TUBES-HIGH PRESSURE CPRSR BLEED CONT AIR (RB211-535) 75-32-09-11	002004 006999	RF

MISSING ITEM NUMBERS NOT APPLICABLE

- ITEM NOT ILLUSTRATED

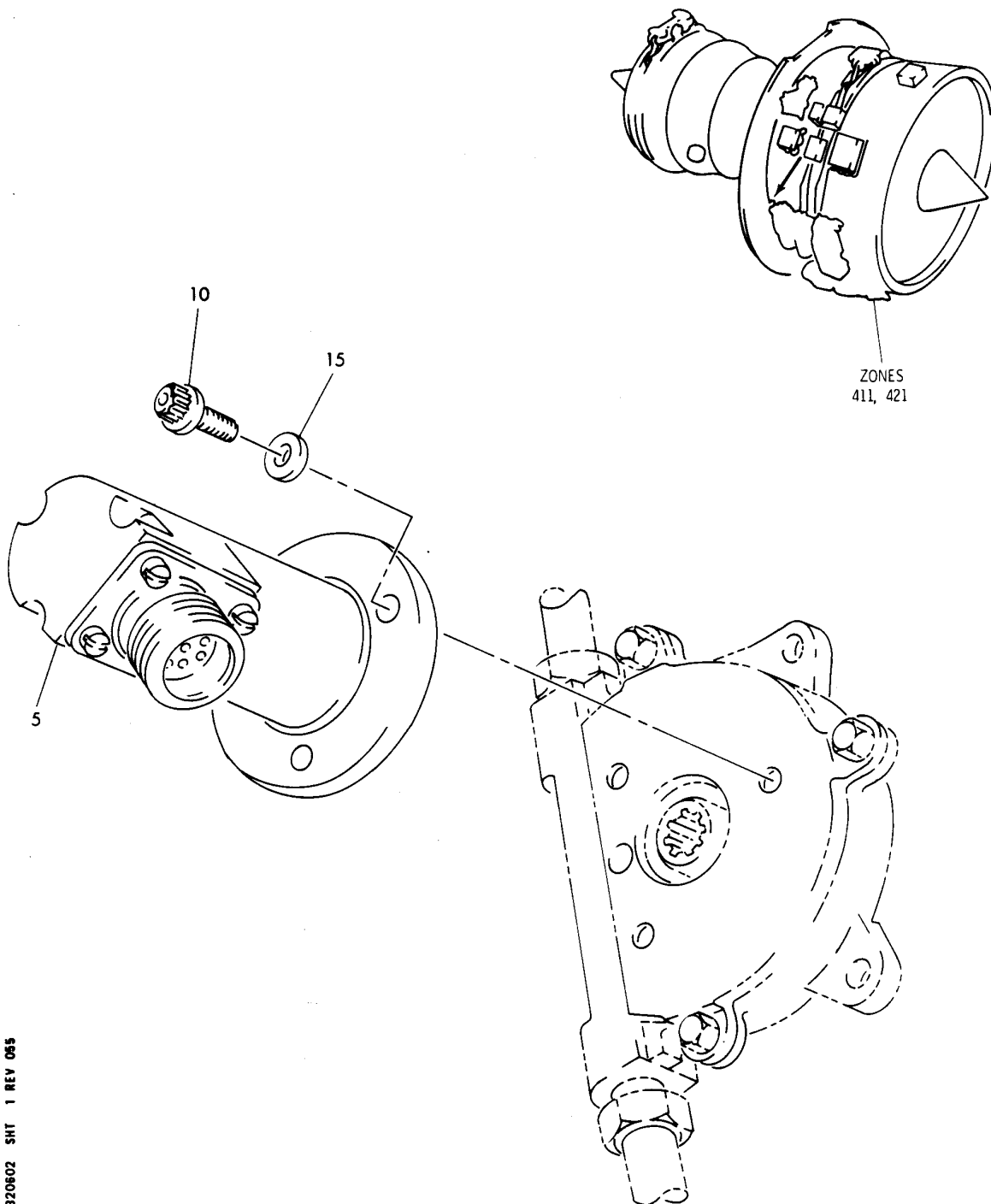
BRI

75-32-05-05

BOEING PROPRIETARY - Copyright © - Unpublished Work - See title page for details.

75-32-05
FIG. 05
PAGE 5
JAN 20/09

BOEING
757
PARTS CATALOG (MAINTENANCE)



Y 75320602 SH1 1 REV 085

AIR FLOW CONTROL B/V REGULATOR AND ACTUATOR (RB211-535)
FIGURE 2

75-32-06-02

BRI
MAY 28/07

75-32-06-02
PAGE 0



757

PARTS CATALOG (MAINTENANCE)

FIG ITEM	PART NUMBER	1 2 3 4 5 6 7	NOMENCLATURE	EFFECT FROM TO	UNITS PER ASSY
2			AIR FLOW CONTROL B/V REGULATOR AND ACTUATOR (RB211-535)	002004 006999	
- 1	UL19722		ENGINE ASSY-Q.E.C.U. RB211-535E43711 MAXIMUM NEUT SUPPLIER CODE: VK0680 FOR NHA/OTHER SYS DET SEE: 71-00-02-04	107107	RF
- 1	UL20697		ENGINE ASSY-Q.E.C.U. RB211-535E43711 MAXIMUM NEUT WITH GRAVINER FIRE DETECTORS, BAYONET MCD, NON-MODULATED IDG COOLING 40,000 LB THRUST SUPPLIER CODE: VK0680 REFERENCE SERVICE BULLETIN: 71-0058R4 QUALIFIED SB I/W DATA: INTERMIX OF ONE OR SUBSTITUTION OF TWO DIFFERENT CONFIGURATION RB211-535E4-37/() ENGINES FOR RB211-535 E4 BASE ENGINES REFERENCE SERVICE BULLETIN: RB211-72-C547 VK0680 FOR NHA/OTHER SYS DET SEE: 71-00-02-04	121503 904949 952999	RF

MISSING ITEM NUMBERS NOT APPLICABLE

- ITEM NOT ILLUSTRATED

75-32-06-02

75-32-06
FIG. 02
PAGE 1
JAN 20/09

BRI



757

PARTS CATALOG (MAINTENANCE)

FIG ITEM	PART NUMBER	1 2 3 4 5 6 7	NOMENCLATURE	EFFECT FROM TO	UNITS PER ASSY
2 - 1	UL20698		ENGINE ASSY-Q.E.C.U. RB211-535E43712 MAXIMUM NEUT SUPPLIER CODE: VK0680 REFERENCE SERVICE BULLETIN: 71-0058R7 QUALIFIED SB I/W DATA: INTERMIX OF ONE OR SUBSTITUTION OF TWO DIFFERENT CONFIGURATION RB211-535E4-37/() ENGINES FOR RB211-535E4 BASE ENGINES OR DIFFERENT CONFIGURATION RB211-535E4-B-37/() ENGINES FOR RB211-535E4-B BASE ENGINES REFERENCE SERVICE BULLETIN: RB211-72-C547 VK0680 RB211-72-8910 VK0680 POST RAPID REVISION: RR92014-183A-RC-E FOR NHA/OTHER SYS DET SEE: 71-00-02-04	002004 006100 102102	RF
- 1	UL36209		ENGINE ASSY-Q.E.C.U. RB211-535E43719 MAXIMUM NEUT SUPPLIER CODE: VK0680 FOR NHA/OTHER SYS DET SEE: 71-00-02-04	950951	RF
- 2	UL20702		ENGINE ASSY-Q.E.C.U. RB211-535E43711 BASIC ENGINE CONFIGURATION WITH GRAVINER FIRE DETECTORS,BAYONET MCD, NON-MODULATED IDG COOLING 40,100 LB THRUST SUPPLIER CODE: VK0680 FOR NHA/OTHER SYS DET SEE: 71-00-02-10	504903	RF

MISSING ITEM NUMBERS NOT APPLICABLE

- ITEM NOT ILLUSTRATED

75-32-06-02

75-32-06
FIG. 02
PAGE 2
JAN 20/09

BRI



757

PARTS CATALOG (MAINTENANCE)

FIG ITEM	PART NUMBER	1 2 3 4 5 6 7	NOMENCLATURE	EFFECT FROM TO	UNITS PER ASSY
2					
- 3	BCREF17395		ENGINE ASSY-Q.E.C.U. RB211-535E43739 BASIC ENGINE CONFIGURATION AND PHASE 5 COMBUSTOR 40,100 LB THRUST SUPPLIER CODE: VK0680 OVERLENGTH PART NUMBER: RB211-535E4-37-39E FOR NHA/OTHER SYS DET SEE: 71-00-02-10	108120	RF
- 3	BCREF17101		ENGINE ASSY-Q.E.C.U. RB211-535E43744 BASIC ENGINE CONFIGURATION, BAYONET MCD AND PHASE 5 COMBUSTOR 40,100 LB THRUST SUPPLIER CODE: VK0680 OVERLENGTH PART NUMBER: RB211-535E4-3744E FOR NHA/OTHER SYS DET SEE: 71-00-02-10	103106	RF
- 3	UL38163		ENGINE ASSY-Q.E.C.U. RB211-535E43724 BASIC ENGINE CONFIGURATION, BAYONET MCD, 40,100 LB THRUST SUPPLIER CODE: VK0680 FOR NHA/OTHER SYS DET SEE: 71-00-02-10	101101	RF
- 4	UL18962		.AIR FLOW CONTROL-B/V REGULATOR AND ACTUATOR SUPPLIER CODE: VK0680 PRE SERVICE BULLETIN: 75-9593 VK0680	002004 006102 107107 121999	RF
- 4	UL33465		.AIR FLOW CONTROL-B/V REGULATOR AND ACTUATOR SUPPLIER CODE: VK0680 REFERENCE SERVICE BULLETIN: 75-9593PT01 VK0680	002004 006102 107107 121999	RF

MISSING ITEM NUMBERS NOT APPLICABLE

- ITEM NOT ILLUSTRATED

75-32-06-02

75-32-06
FIG. 02
PAGE 3
JAN 20/09

BRI



757

PARTS CATALOG (MAINTENANCE)

FIG ITEM	PART NUMBER	1 2 3 4 5 6 7	NOMENCLATURE	EFFECT FROM TO	UNITS PER ASSY
2 -	4 UL39731		.AIR FLOW CONTROL-B/V REGULATOR AND ACTUATOR SUPPLIER CODE: VK0680 POST SERVICE BULLETIN: 75-C796PT01 VK0680	103106 108120	RF
	5 N14FF101		..TRANSDUCER-THROT ANGLE SUPPLIER CODE: VK0624 PRE SERVICE BULLETIN: 75-9734 VK0680	002004 006100 102102 107999	1
	5 N14FF104		..TRANSDUCER-THROT ANGLE SUPPLIER CODE: VK0624 POST SERVICE BULLETIN: 75-9734PT01 VK0680 ATTACHING PARTS	002004 006999	1
	10 AS21511		..BOLT-	002004 006999	3
	15 AS12944		..WASHER-	002004 006999	3
			-----*-----		

MISSING ITEM NUMBERS NOT APPLICABLE

- ITEM NOT ILLUSTRATED

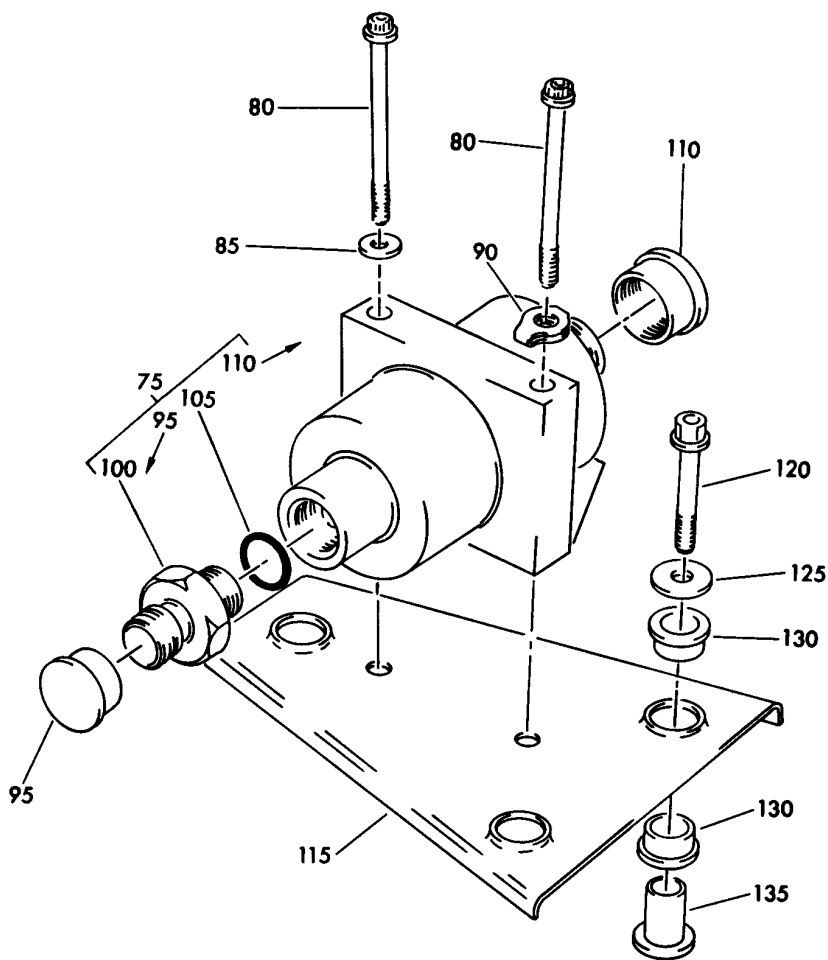
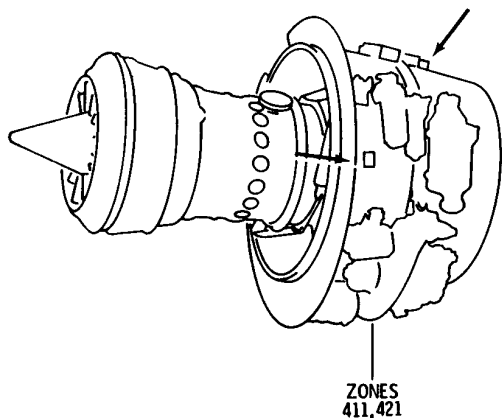
BRI

75-32-06-02

BOEING PROPRIETARY - Copyright © - Unpublished Work - See title page for details.

75-32-06
FIG. 02
PAGE 4
JAN 20/09

BOEING
757
PARTS CATALOG (MAINTENANCE)



Y 75320701 REV 181

SWITCH-ALTITUDE (RB211-535)
FIGURE 1

75-32-07-01

BRI
MAY 28/07

75-32-07-01
PAGE 0



757

PARTS CATALOG (MAINTENANCE)

FIG ITEM	PART NUMBER	1 2 3 4 5 6 7	NOMENCLATURE	EFFECT FROM TO	UNITS PER ASSY
1			SWITCH-ALTITUDE (RB211-535)	002004	
- 1	UL20697		ENGINE ASSY-Q.E.C.U. RB211-535E43711 MAXIMUM NEUT WITH GRAVINER FIRE DETECTORS, BAYONET MCD, NON-MODULATED IDG COOLING 40,000 LB THRUST SUPPLIER CODE: VK0680 REFERENCE SERVICE BULLETIN: 71-0058R4 QUALIFIED SB I/W DATA: INTERMIX OF ONE OR SUBSTITUTION OF TWO DIFFERENT CONFIGURATION RB211-535E4-37/() ENGINES FOR RB211-535 E4 BASE ENGINES REFERENCE SERVICE BULLETIN: RB211-72-C547 VK0680 FOR NHA/OTHER SYS DET SEE: 71-00-02-04	006999 121503 904949 952999	RF
- 1	UL19722		ENGINE ASSY-Q.E.C.U. RB211-535E43711 MAXIMUM NEUT SUPPLIER CODE: VK0680 FOR NHA/OTHER SYS DET SEE: 71-00-02-04	107107	RF
- 1	UL20702		ENGINE ASSY-Q.E.C.U. RB211-535E43711 BASIC ENGINE CONFIGURATION WITH GRAVINER FIRE DETECTORS, BAYONET MCD, NON-MODULATED IDG COOLING 40,100 LB THRUST SUPPLIER CODE: VK0680 FOR NHA/OTHER SYS DET SEE: 71-00-02-10	504903	RF

MISSING ITEM NUMBERS NOT APPLICABLE

- ITEM NOT ILLUSTRATED

75-32-07-01

75-32-07
FIG. 01
PAGE 1
JAN 20/09

BRI



757

PARTS CATALOG (MAINTENANCE)

FIG ITEM	PART NUMBER	1 2 3 4 5 6 7	NOMENCLATURE	EFFECT FROM TO	UNITS PER ASSY
1					
- 2	UL20698		ENGINE ASSY-Q.E.C.U. RB211-535E43712 MAXIMUM NEUT SUPPLIER CODE: VK0680 REFERENCE SERVICE BULLETIN: 71-0058R7 QUALIFIED SB I/W DATA: INTERMIX OF ONE OR SUBSTITUTION OF TWO DIFFERENT CONFIGURATION RB211-535E4-37/() ENGINES FOR RB211-535E4 BASE ENGINES OR DIFFERENT CONFIGURATION RB211-535E4-B-37/() ENGINES FOR RB211-535E4-B BASE ENGINES REFERENCE SERVICE BULLETIN: RB211-72-C547 VK0680 RB211-72-8910 VK0680 POST RAPID REVISION: RR92014-183A-RC-E FOR NHA/OTHER SYS DET SEE: 71-00-02-04	002004 006100 102102	RF
- 2	UL36209		ENGINE ASSY-Q.E.C.U. RB211-535E43719 MAXIMUM NEUT SUPPLIER CODE: VK0680 FOR NHA/OTHER SYS DET SEE: 71-00-02-04	950951	RF
- 3	BCREF17395		ENGINE ASSY-Q.E.C.U. RB211-535E43739 BASIC ENGINE CONFIGURATION AND PHASE 5 COMBUSTOR 40,100 LB THRUST SUPPLIER CODE: VK0680 OVERLENGTH PART NUMBER: RB211-535E4-37-39E FOR NHA/OTHER SYS DET SEE: 71-00-02-10	108120	RF

MISSING ITEM NUMBERS NOT APPLICABLE

- ITEM NOT ILLUSTRATED

75-32-07-01

75-32-07
FIG. 01
PAGE 2
JAN 20/09

BRI



757

PARTS CATALOG (MAINTENANCE)

FIG ITEM	PART NUMBER	1 2 3 4 5 6 7	NOMENCLATURE	EFFECT FROM TO	UNITS PER ASSY
1					
- 3	BCREF17101		ENGINE ASSY-Q.E.C.U. RB211-535E43744 BASIC ENGINE CONFIGURATION, BAYONET MCD AND PHASE 5 COMBUSTOR 40,100 LB THRUST SUPPLIER CODE: VK0680 OVERLENGTH PART NUMBER: RB211-535E4-3744E FOR NHA/OTHER SYS DET SEE: 71-00-02-10	103106	RF
- 3	UL38163		ENGINE ASSY-Q.E.C.U. RB211-535E43724 BASIC ENGINE CONFIGURATION, BAYONET MCD, 40,100 LB THRUST SUPPLIER CODE: VK0680 FOR NHA/OTHER SYS DET SEE: 71-00-02-10	101101	RF
75	44A256-2		.SWITCH ASSY-SENSING SUPPLIER CODE: V09049 ATTACHING PARTS	002004 006999	1
80	AS21432		.BOLT	002004 006999	2
85	AS12943		.WASHER	002004 006999	1
90	AS4561MK2		.LUG	002004 006999	1
95	EC8		-----*----- ..CAP-DUST TRANSPORTATION ONLY SUPPLIER CODE: V99017	002004 006999	1
100	AS27467		..UNION-DOUBLE ENDED TUBE	002004 006999	1
105	3-905L677-70		..RING-SEALING SUPPLIER CODE: V02697	002004 006999	1
110	EC10		..CAP-DUST TRANSPORTATION ONLY SUPPLIER CODE: V99017	002004 006999	1
115	UL15631		.BRACKET-MTG SUPPLIER CODE: VK0680	002004 006999	1

MISSING ITEM NUMBERS NOT APPLICABLE

- ITEM NOT ILLUSTRATED

75-32-07-01

75-32-07
FIG. 01
PAGE 3
JAN 20/09

BRI



757

PARTS CATALOG (MAINTENANCE)

FIG ITEM	PART NUMBER	1 2 3 4 5 6 7	NOMENCLATURE	EFFECT FROM TO	UNITS PER ASSY
1			ATTACHING PARTS		
120	AS21518		.BOLT-	002004 006999	3
125	LK67300		.WASHER-	002004 006999	3
			SUPPLIER CODE: VK0680		
130	LK84399		.BUSHING-	002004 006999	6
			SUPPLIER CODE: VK0680		
135	LK67301		.SLEEVE-	002004 006999	3
			SUPPLIER CODE: VK0680		
			-----*-----		

MISSING ITEM NUMBERS NOT APPLICABLE

- ITEM NOT ILLUSTRATED

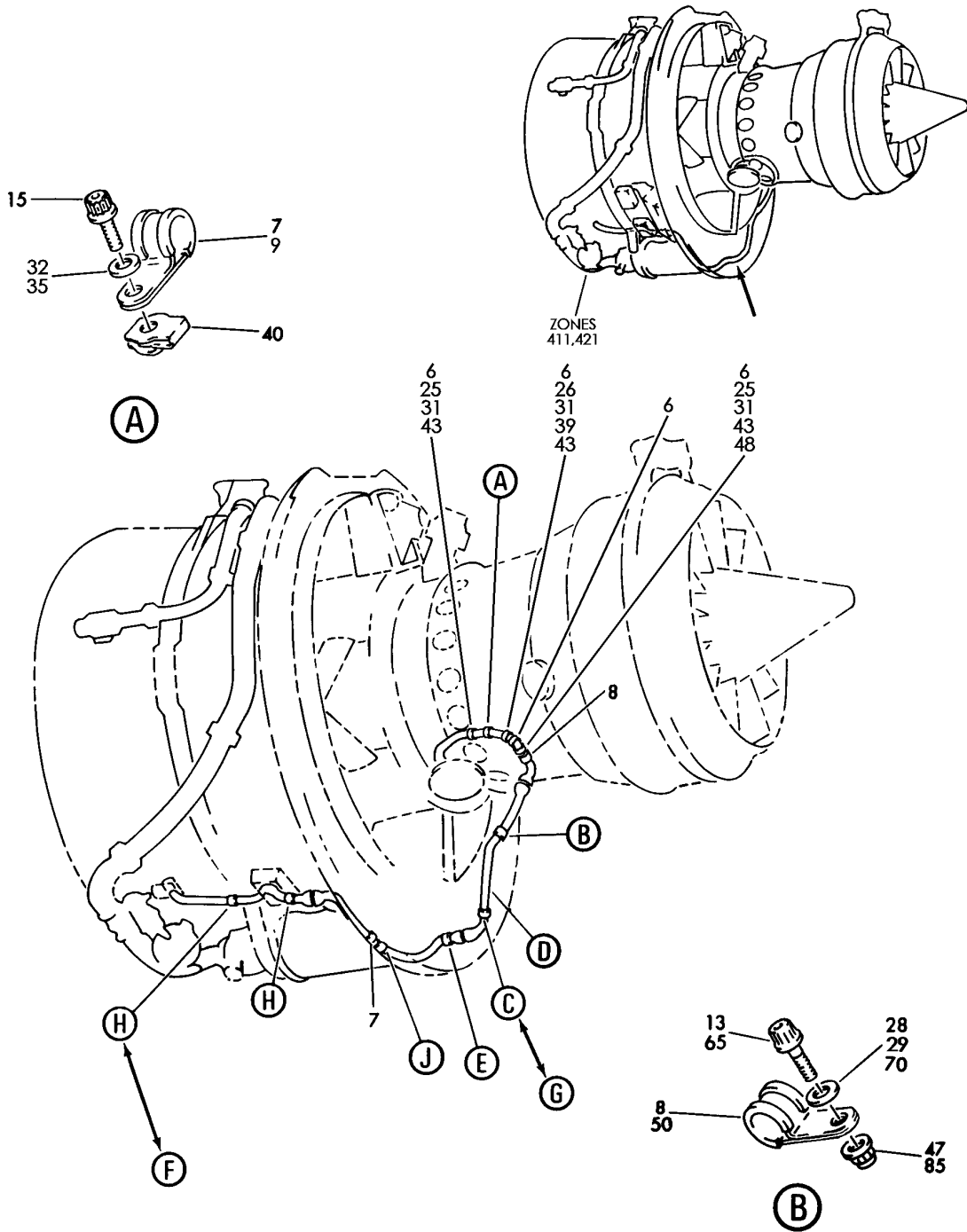
BRI

75-32-07-01

BOEING PROPRIETARY - Copyright © - Unpublished Work - See title page for details.

75-32-07
FIG. 01
PAGE 4
JAN 20/09

BOEING
757
PARTS CATALOG (MAINTENANCE)



Y 75320902 SHT 1 REV 229

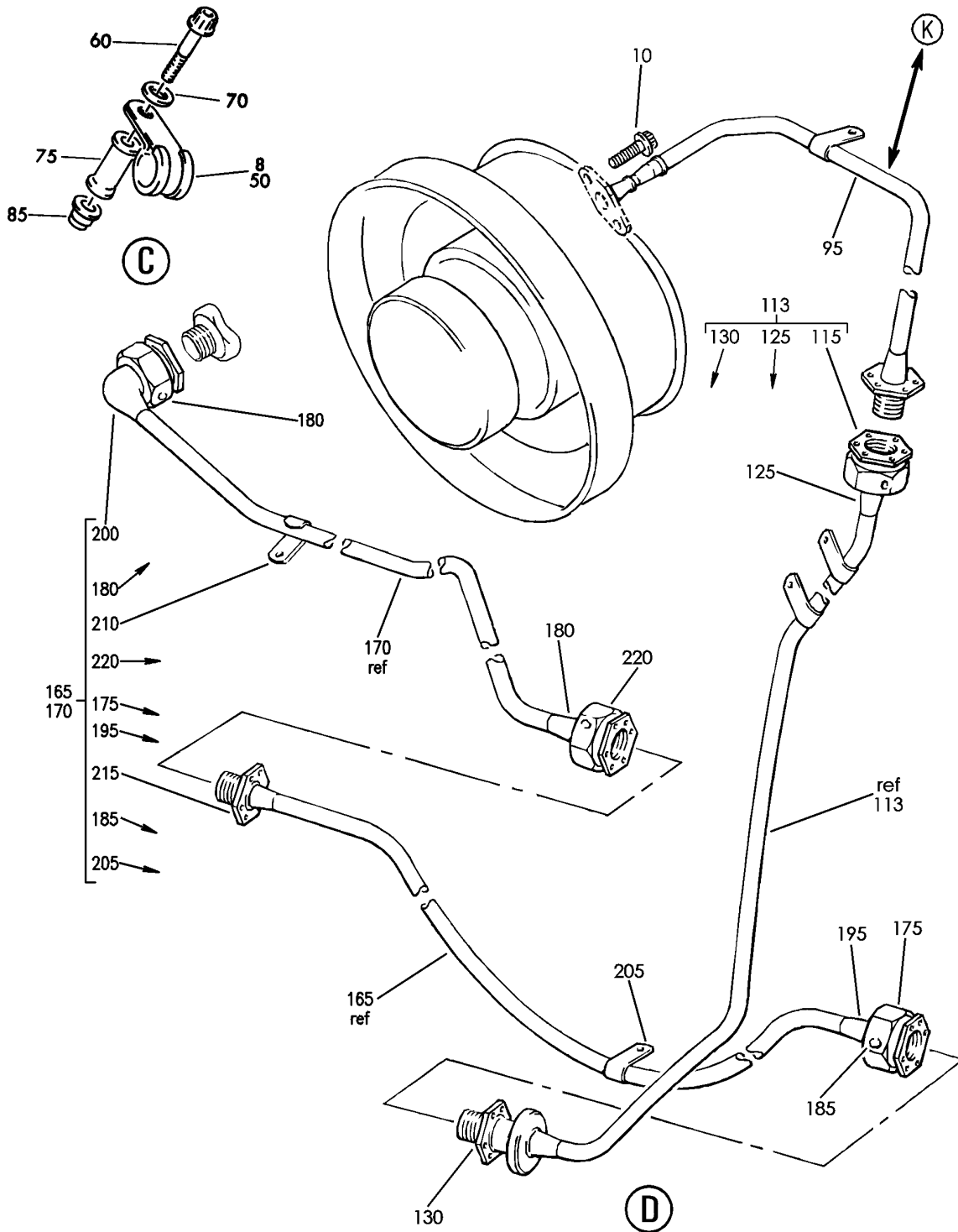
TUBES-HIGH PRESSURE CPRSR BLEED CONT AIR (RB211-535)
FIGURE 2 (SHEET 1)

75-32-09-02

BRI
MAY 28/07

75-32-09-02
PAGE 0


BOEING
 757
PARTS CATALOG (MAINTENANCE)



Y 75320902 SHT 2 REV 229

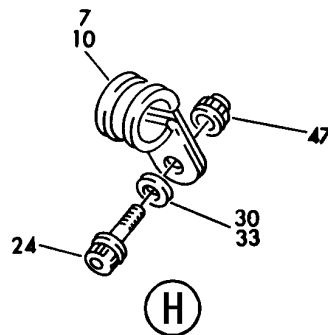
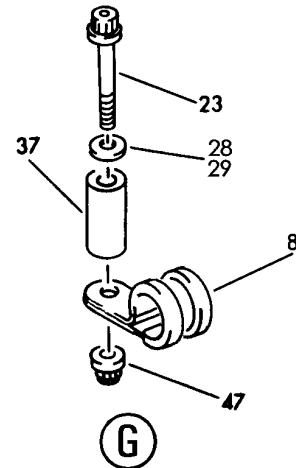
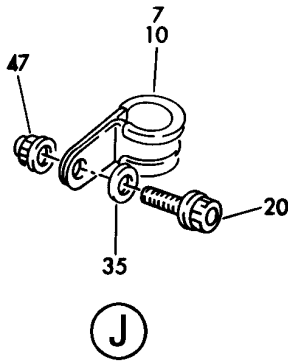
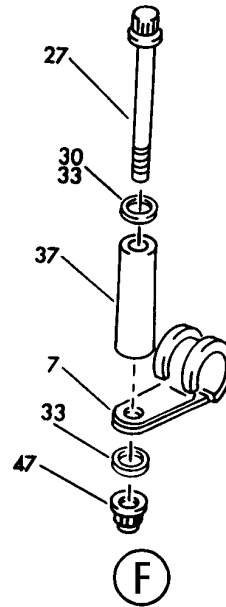
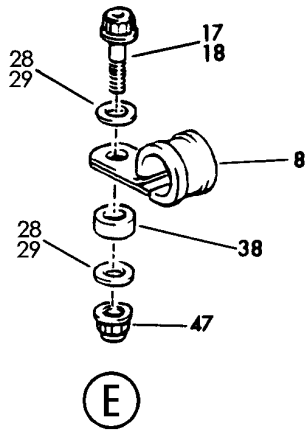
TUBES-HIGH PRESSURE CPRSR BLEED CONT AIR (RB211-535)
 FIGURE 2 (SHEET 2)

75-32-09-02

BRI
 MAY 28/07

75-32-09-02
 PAGE 0A

BOEING
757
PARTS CATALOG (MAINTENANCE)



Y 75320902 SHT 3 REV 222

TUBES-HIGH PRESSURE CPRSR BLEED CONT AIR (RB211-535)
FIGURE 2 (SHEET 3)

75-32-09-02

BRI
MAY 28/07

75-32-09-02
PAGE 0B



757

PARTS CATALOG (MAINTENANCE)

FIG ITEM	PART NUMBER	1 2 3 4 5 6 7	NOMENCLATURE	EFFECT FROM TO	UNITS PER ASSY
2			TUBES-HIGH PRESSURE CPRSR BLEED CONT AIR (RB211-535)	002004 006999	
- 1	UL20697		ENGINE ASSY-Q.E.C.U. RB211-535E43711 MAXIMUM NEUT WITH GRAVINER FIRE DETECTORS, BAYONET MCD, NON-MODULATED IDG COOLING 40,000 LB THRUST SUPPLIER CODE: VK0680 REFERENCE SERVICE BULLETIN: 71-0058R4 QUALIFIED SB I/W DATA: INTERMIX OF ONE OR SUBSTITUTION OF TWO DIFFERENT CONFIGURATION RB211-535E4-37/() ENGINES FOR RB211-535 E4 BASE ENGINES REFERENCE SERVICE BULLETIN: RB211-72-C547 VK0680 FOR NHA/OTHER SYS DET SEE: 71-00-02-04	121503 904949 952999	RF
- 1	UL19722		ENGINE ASSY-Q.E.C.U. RB211-535E43711 MAXIMUM NEUT SUPPLIER CODE: VK0680 FOR NHA/OTHER SYS DET SEE: 71-00-02-04	107107	RF
- 1	UL20702		ENGINE ASSY-Q.E.C.U. RB211-535E43711 BASIC ENGINE CONFIGURATION WITH GRAVINER FIRE DETECTORS, BAYONET MCD, NON-MODULATED IDG COOLING 40,100 LB THRUST SUPPLIER CODE: VK0680 FOR NHA/OTHER SYS DET SEE: 71-00-02-10	504903	RF

MISSING ITEM NUMBERS NOT APPLICABLE

- ITEM NOT ILLUSTRATED

75-32-09-02

75-32-09
FIG. 02
PAGE 1
JAN 20/09

BRI



757

PARTS CATALOG (MAINTENANCE)

FIG ITEM	PART NUMBER	1 2 3 4 5 6 7	NOMENCLATURE	EFFECT FROM TO	UNITS PER ASSY
2					
- 2	UL20698		ENGINE ASSY-Q.E.C.U. RB211-535E43712 MAXIMUM NEUT SUPPLIER CODE: VK0680 REFERENCE SERVICE BULLETIN: 71-0058R7 QUALIFIED SB I/W DATA: INTERMIX OF ONE OR SUBSTITUTION OF TWO DIFFERENT CONFIGURATION RB211-535E4-37/() ENGINES FOR RB211-535E4 BASE ENGINES OR DIFFERENT CONFIGURATION RB211-535E4-B-37/() ENGINES FOR RB211-535E4-B BASE ENGINES REFERENCE SERVICE BULLETIN: RB211-72-C547 VK0680 RB211-72-8910 VK0680 POST RAPID REVISION: RR92014-183A-RC-E FOR NHA/OTHER SYS DET SEE: 71-00-02-04	002004 006100 102102	RF
- 2	UL36209		ENGINE ASSY-Q.E.C.U. RB211-535E43719 MAXIMUM NEUT SUPPLIER CODE: VK0680 FOR NHA/OTHER SYS DET SEE: 71-00-02-04	950951	RF
- 3	BCREF17395		ENGINE ASSY-Q.E.C.U. RB211-535E43739 BASIC ENGINE CONFIGURATION AND PHASE 5 COMBUSTOR 40,100 LB THRUST SUPPLIER CODE: VK0680 OVERLENGTH PART NUMBER: RB211-535E4-37-39E FOR NHA/OTHER SYS DET SEE: 71-00-02-10	108120	RF

MISSING ITEM NUMBERS NOT APPLICABLE

- ITEM NOT ILLUSTRATED

BRI

75-32-09-02

BOEING PROPRIETARY - Copyright © - Unpublished Work - See title page for details.

75-32-09
FIG. 02
PAGE 2
JAN 20/09



757

PARTS CATALOG (MAINTENANCE)

FIG ITEM	PART NUMBER	1 2 3 4 5 6 7	NOMENCLATURE	EFFECT FROM TO	UNITS PER ASSY
2					
- 3	BCREF17101		ENGINE ASSY-Q.E.C.U. RB211-535E43744 BASIC ENGINE CONFIGURATION, BAYONET MCD AND PHASE 5 COMBUSTOR 40,100 LB THRUST SUPPLIER CODE: VK0680 OVERLENGTH PART NUMBER: RB211-535E4-3744E FOR NHA/OTHER SYS DET SEE: 71-00-02-10	103106	RF
- 3	UL38163		ENGINE ASSY-Q.E.C.U. RB211-535E43724 BASIC ENGINE CONFIGURATION, BAYONET MCD, 40,100 LB THRUST SUPPLIER CODE: VK0680 FOR NHA/OTHER SYS DET SEE: 71-00-02-10	101101	RF
5	400WSS6		.CLIP- SUPPLIER CODE: V83930	002004 006999	2
6	400WSS6		.CLIP- SUPPLIER CODE: V83930 POST SERVICE BULLETIN: 72-C230PT01 VK0680	103106 108120	4
7	400WSS6		.CLIP- SUPPLIER CODE: V83930	002004 006999	2
8	400WSS6		.CLIP- SUPPLIER CODE: V83930 PRE SERVICE BULLETIN: 72-D352 VK0680	002004 006999	4
9	400WSS6		.CLIP- SUPPLIER CODE: V83930	002004 006102 107107 121999	1
10	AS21409		.BOLT	002004 006999	2
13	AS21412		.BOLT- PRE SERVICE BULLETIN: 72-D352 VK0680	002004 006999	1

MISSING ITEM NUMBERS NOT APPLICABLE

- ITEM NOT ILLUSTRATED

75-32-09-02

75-32-09
FIG. 02
PAGE 3
JAN 20/09

BRI



757

PARTS CATALOG (MAINTENANCE)

FIG ITEM	PART NUMBER	1 2 3 4 5 6 7	NOMENCLATURE	EFFECT FROM TO	UNITS PER ASSY
2					
13	AS21411		.BOLT- POST SERVICE BULLETIN: 72-D352PT01 VK0680	103106 108120	1
15	AS21407		.BOLT-	002004 006102 107107 121999	1
- 16	AS21410		.BOLT- POST SERVICE BULLETIN: 72-D352PT01 VK0680	103106 108120	1
17	AS21416		.BOLT- POST SERVICE BULLETIN: 71-8173PT01 VK0860	002004 006102 107107 121999	1
18	AS21410		.BOLT- PRE SERVICE BULLETIN: 71-8723 VK0680	002004 006100 102102 107107 121949 952999	1
- 19	AS21409		.BOLT- POST SERVICE BULLETIN: 72-D352PT01 VK0680	103106 108120	2
20	AS21408		.BOLT	002004 006999	1
21	AS21425		.BOLT- POST SERVICE BULLETIN: 72-C230PT01 VK0680 PRE SERVICE BULLETIN: 72-D352 VK0680	103106 108120	1
22	AS21417		.BOLT- POST SERVICE BULLETIN: 72-C230PT01 VK0680 PRE SERVICE BULLETIN: 72-D352 VK0680	103106 108120	1
23	AS21426		.BOLT-	002004 006102 107107 121999	1
24	AS21410		.BOLT-	002004 006999	1

MISSING ITEM NUMBERS NOT APPLICABLE

- ITEM NOT ILLUSTRATED

BRI

75-32-09-02

75-32-09
FIG. 02
PAGE 4
JAN 20/09



757

PARTS CATALOG (MAINTENANCE)

FIG ITEM	PART NUMBER	1 2 3 4 5 6 7	NOMENCLATURE	EFFECT FROM TO	UNITS PER ASSY
2					
25	AS21408		.BOLT- POST SERVICE BULLETIN: 72-C230PT01 VK0680	103106 108120	2
26	AS21424		.BOLT- POST SERVICE BULLETIN: 72-C230PT01 VK0680	103106 108120	1
27	AS21429		.BOLT-	002004 006999	1
28	K8331		.WASHER- SUPPLIER CODE: VK0680 PRE SERVICE BULLETIN: 71-8173 VK0680	002004 006100 102102 107107 121949 952999	4
29	K8831		.WASHER- SUPPLIER CODE: VK0680 POST SERVICE BULLETIN: 71-8173PT01 VK0680 PRE SERVICE BULLETIN: 72-D352 VK0680	002004 006999	5
- 30	K8831		.WASHER- SUPPLIER CODE: VK0680 POST SERVICE BULLETIN: 72-D352PT01 VK0680	103106 108120	4
31	K8831		.WASHER- SUPPLIER CODE: VK0680 POST SERVICE BULLETIN: 72-C230PT01 VK0680	103106 108120	3
32	K8831		.WASHER- SUPPLIER CODE: VK0680	002004 006102 107107 121999	1
33	K8831		.WASHER- SUPPLIER CODE: VK0680	002004 006999	3
35	K8831		.WASHER- SUPPLIER CODE: VK0680	002004 006999	1

MISSING ITEM NUMBERS NOT APPLICABLE

- ITEM NOT ILLUSTRATED

BRI

75-32-09-02

75-32-09
FIG. 02
PAGE 5
JAN 20/09



757

PARTS CATALOG (MAINTENANCE)

FIG ITEM	PART NUMBER	1 2 3 4 5 6 7	NOMENCLATURE	EFFECT FROM TO	UNITS PER ASSY
2					
37	UP10482		.SPACER- SUPPLIER CODE: VK0680 PRE SERVICE BULLETIN: 72-D352 VK0680	002004 006999	2
38	UP10479		.SPACER- SUPPLIER CODE: VK0680 POST SERVICE BULLETIN: 71-8173PT01 VK0680 PRE SERVICE BULLETIN: 72-C352 VK0680	002004 006999	1
39	UP10482		.SPACER- SUPPLIER CODE: VK0680 POST SERVICE BULLETIN: 72-C230PT01 VK0680	103106 108120	1
40	AS41104		.NUT	002004 006102 107107 121999	1
43	AS41104		.NUT- POST SERVICE BULLETIN: 72-C230PT01 VK0680	103106 108120	2
47	AS20624		.NUT- PRE SERVICE BULLETIN: 72-D352 VK0680	002004 006999	6
48	AS20624		.NUT- POST SERVICE BULLETIN: 72-C230PT01 VK0680	103106 108120	1
- 49	AS20624		.NUT- POST SERVICE BULLETIN: 72-D352PT01 VK0680	103106 108120	4
- 50	400WSS6		.CLIP- SUPPLIER CODE: V83930 POST SERVICE BULLETIN: 72-D352PT01 VK0680	103106 108120	5

MISSING ITEM NUMBERS NOT APPLICABLE

- ITEM NOT ILLUSTRATED

75-32-09-02

75-32-09
FIG. 02
PAGE 6
JAN 20/09

BRI

BOEING PROPRIETARY - Copyright © - Unpublished Work - See title page for details.



757

PARTS CATALOG (MAINTENANCE)

FIG ITEM	PART NUMBER	1 2 3 4 5 6 7	NOMENCLATURE	EFFECT FROM TO	UNITS PER ASSY
2	95 UL14929		.TUBE ASSY-HIGH PRESSURE 3 AIR BLEED VALVE TO SOL. DUCT TO DISC. PNL SUPPLIER CODE: VK0680 POSITION DATA: LH	002004 006102 107107 121999	1
	100 UL38559		.TUBE ASSY-HIGH PRESSURE 3 AIR BLEED VALVE TO SOLENOID DISCONN. SUPPLIER CODE: VK0680 POSITION DATA: LH POST SERVICE BULLETIN: 72-C230PT01 VK0680	103106 108120	1
	113 UL16595		.TUBE ASSY-HIGH PRESSURE 3 AIR BLEED VALVE TO SOL. DISC. TO PNL SUPPLIER CODE: VK0680 POSITION DATA: LH PRE SERVICE BULLETIN: 72-D352 VK0680	002004 006999	1
	113 FW15698		.TUBE ASSY-HIGH PRESSURE 3 AIR BLEED VALVE TO SOL. DISC. TO PNL SUPPLIER CODE: VK0680 POSITION DATA: LH POST SERVICE BULLETIN: 72-D352PT01 VK0680	103106 108120	1
	165 UL14913		.TUBE ASSY-HIGH PRESSURE 3 AIR BLEED VALVE DISC. PNL TO DISC. SUPPLIER CODE: VK0680 POSITION DATA: LH	002004 006999	1

MISSING ITEM NUMBERS NOT APPLICABLE

- ITEM NOT ILLUSTRATED

BRI

75-32-09-02

BOEING PROPRIETARY - Copyright © - Unpublished Work - See title page for details.

75-32-09
FIG. 02
PAGE 7
JAN 20/09



757

PARTS CATALOG (MAINTENANCE)

FIG ITEM	PART NUMBER	1 2 3 4 5 6 7	NOMENCLATURE	EFFECT FROM TO	UNITS PER ASSY
2 170	UL14989		.TUBE ASSY-HIGH PRESSURE 3 AIR BLEED VALVE DISC. TO SOL. SUPPLIER CODE: VK0680 POSITION DATA: LH	002004 006999	1
- 230	U440068		.BRAID- SUPPLIER CODE: VK0680 NOT APPROVED FOR ETOPS. MISCELLANEOUS DATA: BLK 3100631 OR VENDOR PART T085 OPTIONAL PART: ESW1900 VU1653 3100631 VK0680 U440254 VK0680 OPTIONAL SUPPLIER CODE: VKA723 POST SERVICE BULLETIN: 71-C469PTA VK0680	002004 006102 107107 121999	RF
- 230	3100631		..BRAID- SUPPLIER CODE: VK0680 NOT APPROVED FOR ETOPS. OPTIONAL PART: U440068 VK0680 ESW1900 VU1653 U440254 VK0680 POST SERVICE BULLETIN: 71-C469PTA VK0860	002004 006102 107107 121999	RF

MISSING ITEM NUMBERS NOT APPLICABLE

- ITEM NOT ILLUSTRATED

BRI

75-32-09-02

BOEING PROPRIETARY - Copyright © - Unpublished Work - See title page for details.

75-32-09
FIG. 02
PAGE 8
JAN 20/09



757

PARTS CATALOG (MAINTENANCE)

FIG ITEM	PART NUMBER	1 2 3 4 5 6 7	NOMENCLATURE	EFFECT FROM TO	UNITS PER ASSY
2 - 242	ESW1900		.TAPE- SUPPLIER CODE: VU1653 NOT APPROVED FOR ETOPS. OPTIONAL PART: U440068 VK0680 3100631 VK0680 U440254 VK0680 POST SERVICE BULLETIN: 71-C469PTA VK0680	002004 006102 107107 121999	RF
- 242	U440254		.TAPE- SUPPLIER CODE: VU1653 NOT APPROVED FOR ETOPS. MISCELLANEOUS DATA: BULK STOCK ESW1900 OPTIONAL PART: 3100631 VK0680 ESW1900 VU1653 U440068 VK0680 POST SERVICE BULLETIN: 71-C469PTA VK0680	002004 006102 107107 121999	RF

MISSING ITEM NUMBERS NOT APPLICABLE

- ITEM NOT ILLUSTRATED

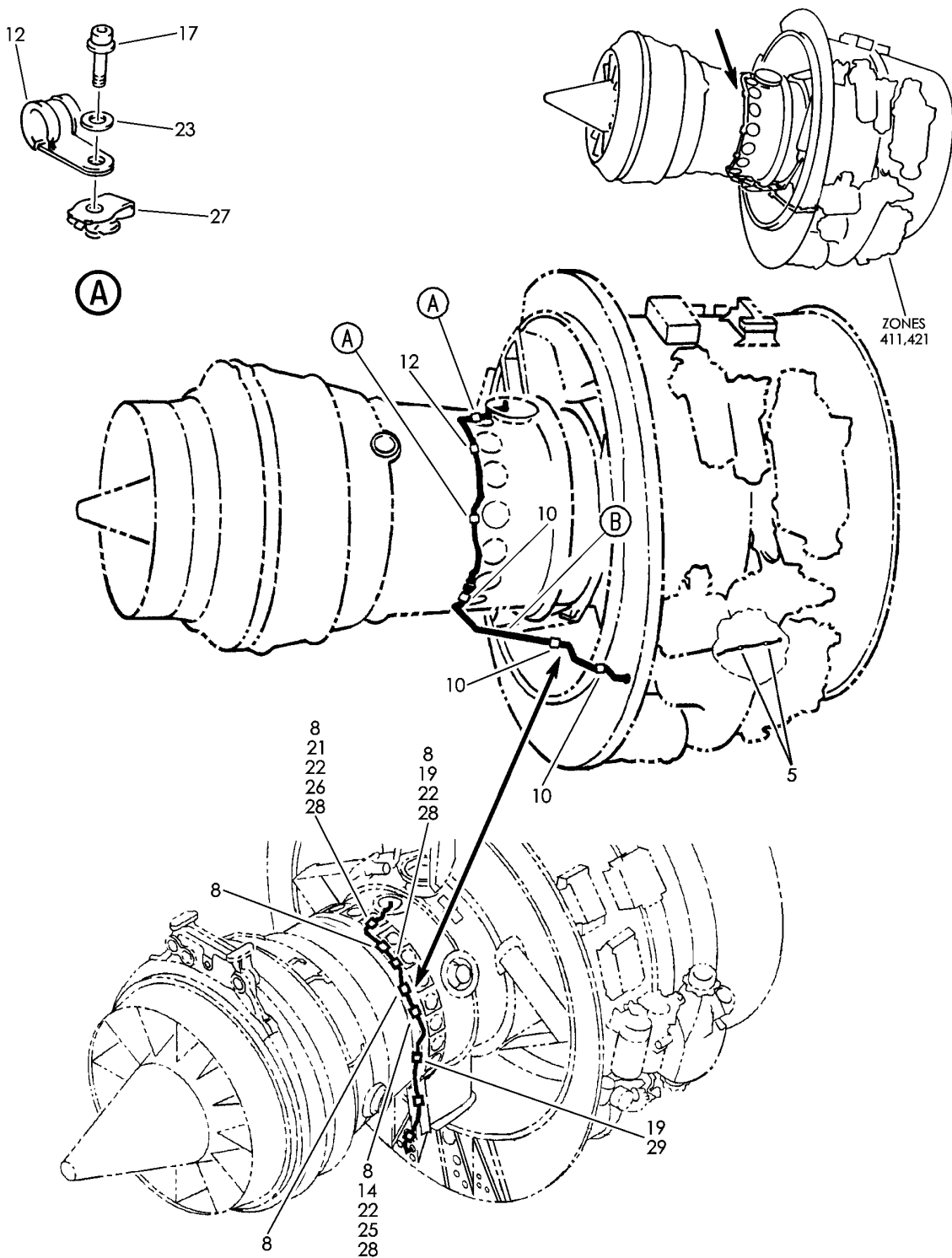
BRI

75-32-09-02

BOEING PROPRIETARY - Copyright © - Unpublished Work - See title page for details.

75-32-09
FIG. 02
PAGE 9
JAN 20/09

BOEING
757
PARTS CATALOG (MAINTENANCE)



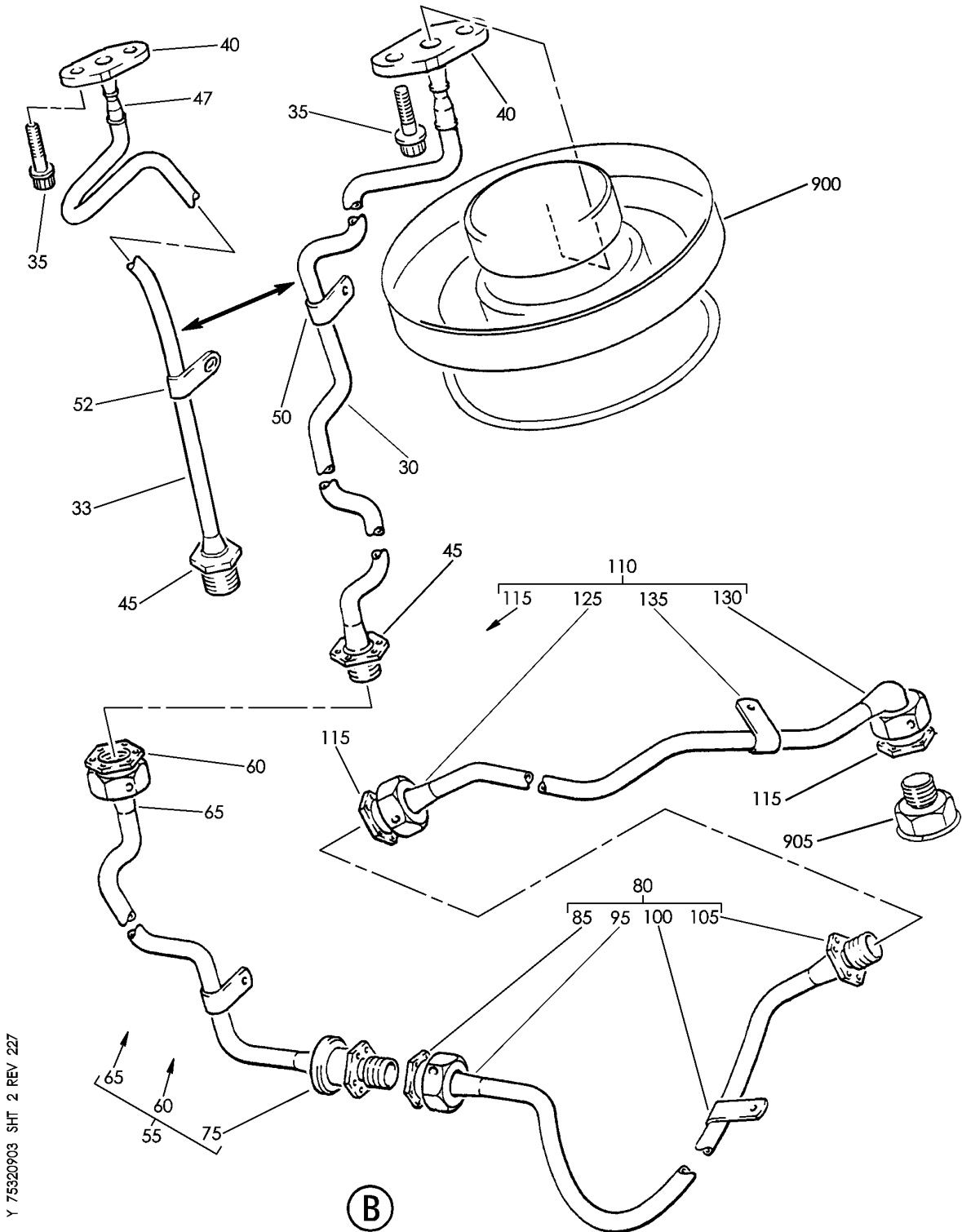
TUBES-HIGH PRESSURE CPRSR BLEED CONT AIR (RB211-535)
FIGURE 3 (SHEET 1)

75-32-09-03

BRI
MAY 28/07

75-32-09-03
PAGE 0

BOEING
757
PARTS CATALOG (MAINTENANCE)



TUBES-HIGH PRESSURE CPRSR BLEED CONT AIR (RB211-535)
FIGURE 3 (SHEET 2)

75-32-09-03

BRI
MAY 28/07

75-32-09-03
PAGE 0A



757

PARTS CATALOG (MAINTENANCE)

FIG ITEM	PART NUMBER	1 2 3 4 5 6 7	NOMENCLATURE	EFFECT FROM TO	UNITS PER ASSY
3			TUBES-HIGH PRESSURE CPRSR BLEED CONT AIR (RB211-535)	002004 006999	
- 1	UL20697		ENGINE ASSY-Q.E.C.U. RB211-535E43711 MAXIMUM NEUT WITH GRAVINER FIRE DETECTORS, BAYONET MCD, NON-MODULATED IDG COOLING 40,000 LB THRUST SUPPLIER CODE: VK0680 REFERENCE SERVICE BULLETIN: 71-0058R4 QUALIFIED SB I/W DATA: INTERMIX OF ONE OR SUBSTITUTION OF TWO DIFFERENT CONFIGURATION RB211-535E4-37/() ENGINES FOR RB211-535 E4 BASE ENGINES REFERENCE SERVICE BULLETIN: RB211-72-C547 VK0680 FOR NHA/OTHER SYS DET SEE: 71-00-02-04	121503 904949 952999	RF
- 1	UL19722		ENGINE ASSY-Q.E.C.U. RB211-535E43711 MAXIMUM NEUT SUPPLIER CODE: VK0680 FOR NHA/OTHER SYS DET SEE: 71-00-02-04	107107	RF
- 1	UL20702		ENGINE ASSY-Q.E.C.U. RB211-535E43711 BASIC ENGINE CONFIGURATION WITH GRAVINER FIRE DETECTORS, BAYONET MCD, NON-MODULATED IDG COOLING 40,100 LB THRUST SUPPLIER CODE: VK0680 FOR NHA/OTHER SYS DET SEE: 71-00-02-10	504903	RF

MISSING ITEM NUMBERS NOT APPLICABLE

- ITEM NOT ILLUSTRATED

75-32-09-03

75-32-09
FIG. 03
PAGE 1
JAN 20/09

BRI



757

PARTS CATALOG (MAINTENANCE)

FIG ITEM	PART NUMBER	1 2 3 4 5 6 7	NOMENCLATURE	EFFECT FROM TO	UNITS PER ASSY
3 - 2	UL20698		ENGINE ASSY-Q.E.C.U. RB211-535E43712 MAXIMUM NEUT SUPPLIER CODE: VK0680 REFERENCE SERVICE BULLETIN: 71-0058R7 QUALIFIED SB I/W DATA: INTERMIX OF ONE OR SUBSTITUTION OF TWO DIFFERENT CONFIGURATION RB211-535E4-37/() ENGINES FOR RB211-535E4 BASE ENGINES OR DIFFERENT CONFIGURATION RB211-535E4-B-37/() ENGINES FOR RB211-535E4-B BASE ENGINES REFERENCE SERVICE BULLETIN: RB211-72-C547 VK0680 RB211-72-8910 VK0680 POST RAPID REVISION: RR92014-183A-RC-E FOR NHA/OTHER SYS DET SEE: 71-00-02-04	002004 006100 102102	RF
- 2	UL36209		ENGINE ASSY-Q.E.C.U. RB211-535E43719 MAXIMUM NEUT SUPPLIER CODE: VK0680 FOR NHA/OTHER SYS DET SEE: 71-00-02-04	950951	RF
- 3	BCREF17395		ENGINE ASSY-Q.E.C.U. RB211-535E43739 BASIC ENGINE CONFIGURATION AND PHASE 5 COMBUSTOR 40,100 LB THRUST SUPPLIER CODE: VK0680 OVERLENGTH PART NUMBER: RB211-535E4-37-39E FOR NHA/OTHER SYS DET SEE: 71-00-02-10	108120	RF

MISSING ITEM NUMBERS NOT APPLICABLE

- ITEM NOT ILLUSTRATED

75-32-09-03

75-32-09
FIG. 03
PAGE 2
JAN 20/09

BRI

 **BOEING**
757
PARTS CATALOG (MAINTENANCE)

FIG ITEM	PART NUMBER	1 2 3 4 5 6 7	NOMENCLATURE	EFFECT FROM TO	UNITS PER ASSY
3					
- 3	BCREF17101		ENGINE ASSY-Q.E.C.U. RB211-535E43744 BASIC ENGINE CONFIGURATION BAYONET MCD AND PHASE 5 COMBUSTOR 40,100 LB THRUST SUPPLIER CODE: VK0680 OVERLENGTH PART NUMBER: RB211-535E4-3744E FOR NHA/OTHER SYS DET SEE: 71-00-02-10	103106	RF
- 3	UL38163		ENGINE ASSY-Q.E.C.U. RB211-535E43724 BASIC ENGINE CONFIGURATION BAYONET MCD 40,100 LB THRUST SUPPLIER CODE: VK0680 FOR NHA/OTHER SYS DET SEE: 71-00-02-10	101101	RF
5	400WSS6		.CLIP- SUPPLIER CODE: V83930	002004 006999	2
8	400WSS6		.CLIP- SUPPLIER CODE: V83930 POST SERVICE BULLETIN: 72-C230PT01 VK0680	103106 108120	5
10	400WSS6		.CLIP- SUPPLIER CODE: V83930	002004 006999	3
12	400WSS6		.CLIP- SUPPLIER CODE: V83930 PRE SERVICE BULLETIN: 75-7120	002004 006102 107107 121999	3
14	AS21411		.BOLT- POST SERVICE BULLETIN: 72-C230PT01 VK0680	103106 108120	1
17	AS21407		.BOLT-	002004 006102 107107 121999	2

MISSING ITEM NUMBERS NOT APPLICABLE

- ITEM NOT ILLUSTRATED

BRI

75-32-09-03

BOEING PROPRIETARY - Copyright © - Unpublished Work - See title page for details.

75-32-09
FIG. 03
PAGE 3
JAN 20/09



757

PARTS CATALOG (MAINTENANCE)

FIG ITEM	PART NUMBER	1 2 3 4 5 6 7	NOMENCLATURE	EFFECT FROM TO	UNITS PER ASSY
3					
19	AS21408		.BOLT- POST SERVICE BULLETIN: 72-C230PT01 VK0680	103106 108120	2
21	AS21429		.BOLT- POST SERVICE BULLETIN: 72-C230PT01 VK0680	103106 108120	1
22	K8831		.WASHER- SUPPLIER CODE: VK0680 POST SERVICE BULLETIN: 72-C230PT01 VK0680	103106 108120	4
23	K8831		.WASHER- SUPPLIER CODE: VK0680	002004 006102 107107 121999	2
25	UP10478		.SPACER- SUPPLIER CODE: VK0680 POST SERVICE BULLETIN: 72-C230PT01 VK0680	103106 108120	1
26	UP10480		.SPACER- SUPPLIER CODE: VK0680 POST SERVICE BULLETIN: 72-C230PT01 VK0680	103106 108120	2
27	AS41104		.NUT-	002004 006102 107107 121999	2
28	AS41104		.NUT- POST SERVICE BULLETIN: 72-C230PT01 VK0680	103106 108120	3
29	AS20624		.NUT- POST SERVICE BULLETIN: 72-C230PT01 VK0680	103106 108120	1

MISSING ITEM NUMBERS NOT APPLICABLE

- ITEM NOT ILLUSTRATED

75-32-09-03

75-32-09
FIG. 03
PAGE 4
JAN 20/09

BRI



757

PARTS CATALOG (MAINTENANCE)

FIG ITEM	PART NUMBER	1 2 3 4 5 6 7	NOMENCLATURE	EFFECT FROM TO	UNITS PER ASSY
3					
30	UL38560		.TUBE ASSY-HIGH PRESSURE 3 AIR BLEED VALVE SOL. DUCT TO DISC. SUPPLIER CODE: VK0680 POSITION DATA: RH POST SERVICE BULLETIN: 72-C230PT01 VK0680	103106 108120	1
30	UL16559		.TUBE ASSY-HIGH PRESSURE 3 AIR BLEED VALVE SOL. DUCT TO DISC. SUPPLIER CODE: VK0680 POSITION DATA: RH ATTACHING PARTS	002004 006102 107107 121999	1
35	AS21409		.BOLT-	002004 006999	2
			-----*-----		
55	UL16507		.TUBE ASSY-HIGH PRESSURE 3 AIR BLEED VALVE SOL. DISC. TO DISC. SUPPLIER CODE: VK0680 POSITION DATA: RH PRE SERVICE BULLETIN: 72-D352 VK0680	002004 006999	1
55	FW15697		.TUBE ASSY-HIGH PRESSURE 3 AIR BLEED VALVE SOL. DISC. TO DISC. SUPPLIER CODE: VK0680 POSITION DATA: RH POST SERVICE BULLETIN: 72-D352PT01 VK0680	103106 108120	1
80	LK85941		.TUBE ASSY-HIGH PRESSURE 3 AIR BLEED VALVE DISC. PNL TO DISC. SUPPLIER CODE: VK0680 POSITION DATA: RH	002004 006999	1

MISSING ITEM NUMBERS NOT APPLICABLE

- ITEM NOT ILLUSTRATED

75-32-09-03

75-32-09
FIG. 03
PAGE 5
JAN 20/09

BRI

BOEING PROPRIETARY - Copyright © - Unpublished Work - See title page for details.



757

PARTS CATALOG (MAINTENANCE)

FIG ITEM	PART NUMBER	1 2 3 4 5 6 7	NOMENCLATURE	EFFECT FROM TO	UNITS PER ASSY
3 110	UL14904		.TUBE ASSY-HIGH PRESSURE 3 AIR RH BLEED VALVE DISC. TO SOL. SUPPLIER CODE: VK0680 POSITION DATA: RH	002004 006999	1
- 157	U440068		.BRAID- SUPPLIER CODE: VK0680 MISCELLANEOUS DATA: BULK STOCK T085/3100631 OPTIONAL SUPPLIER CODE: VKA723 POST SERVICE BULLETIN: 71-C469PTA VK0680	002004 006102 107107 121999	1
- 162	ESW1900		.TAPE- SUPPLIER CODE: VU1653 NOT APPROVED FOR ETOPS. MISCELLANEOUS DATA: BULK STOCK 1023879 OPTIONAL PART: U440254 VK0680 POST SERVICE BULLETIN: 71-C469PTA VK0680	002004 006102 107107 121999	1
- 162	U440254		.TAPE- SUPPLIER CODE: VU1653 NOT APPROVED FOR ETOPS. MISCELLANEOUS DATA: BULK STOCK ESW1900 POST SERVICE BULLETIN: 71-C469PTA VK0680	002004 006100 102102 107107 121949 952999	1
900			ILLUSTRATION REFERENCE: VALVES-HIGH PRESSURE CPRSR BLEED (RB211-535) 75-32-04-01	002004 006999	

MISSING ITEM NUMBERS NOT APPLICABLE

- ITEM NOT ILLUSTRATED

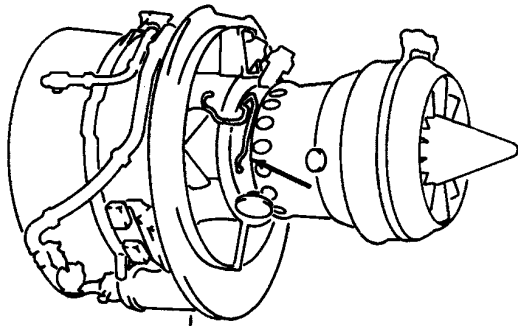
BRI

75-32-09-03

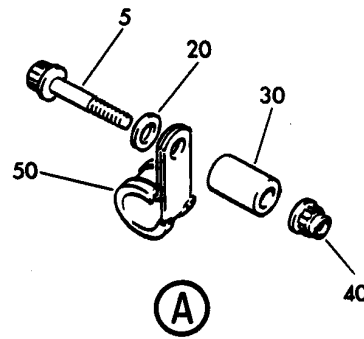
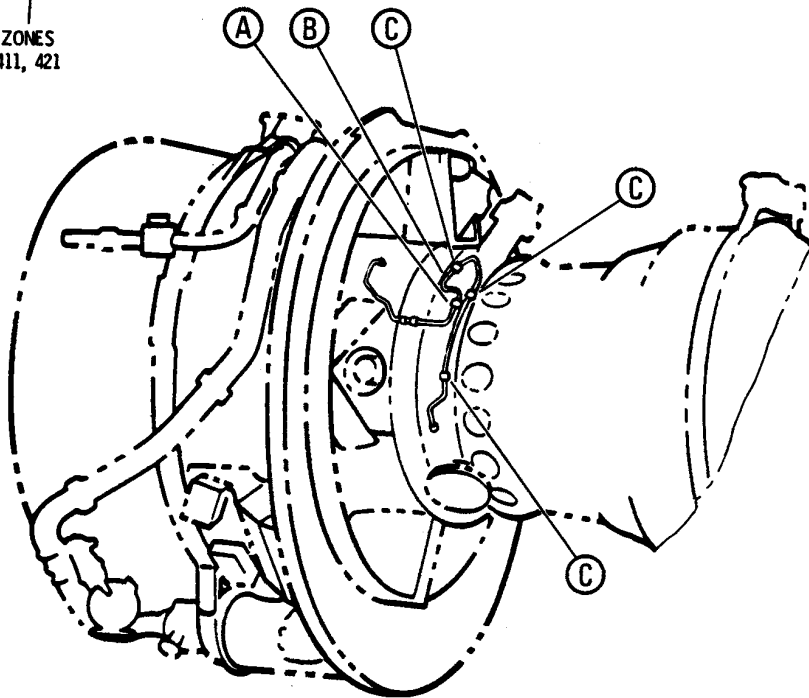
BOEING PROPRIETARY - Copyright © - Unpublished Work - See title page for details.

75-32-09
FIG. 03
PAGE 6
JAN 20/09

BOEING
757
PARTS CATALOG (MAINTENANCE)



ZONES
411, 421



Y 75320905 SHT 1 REV 212

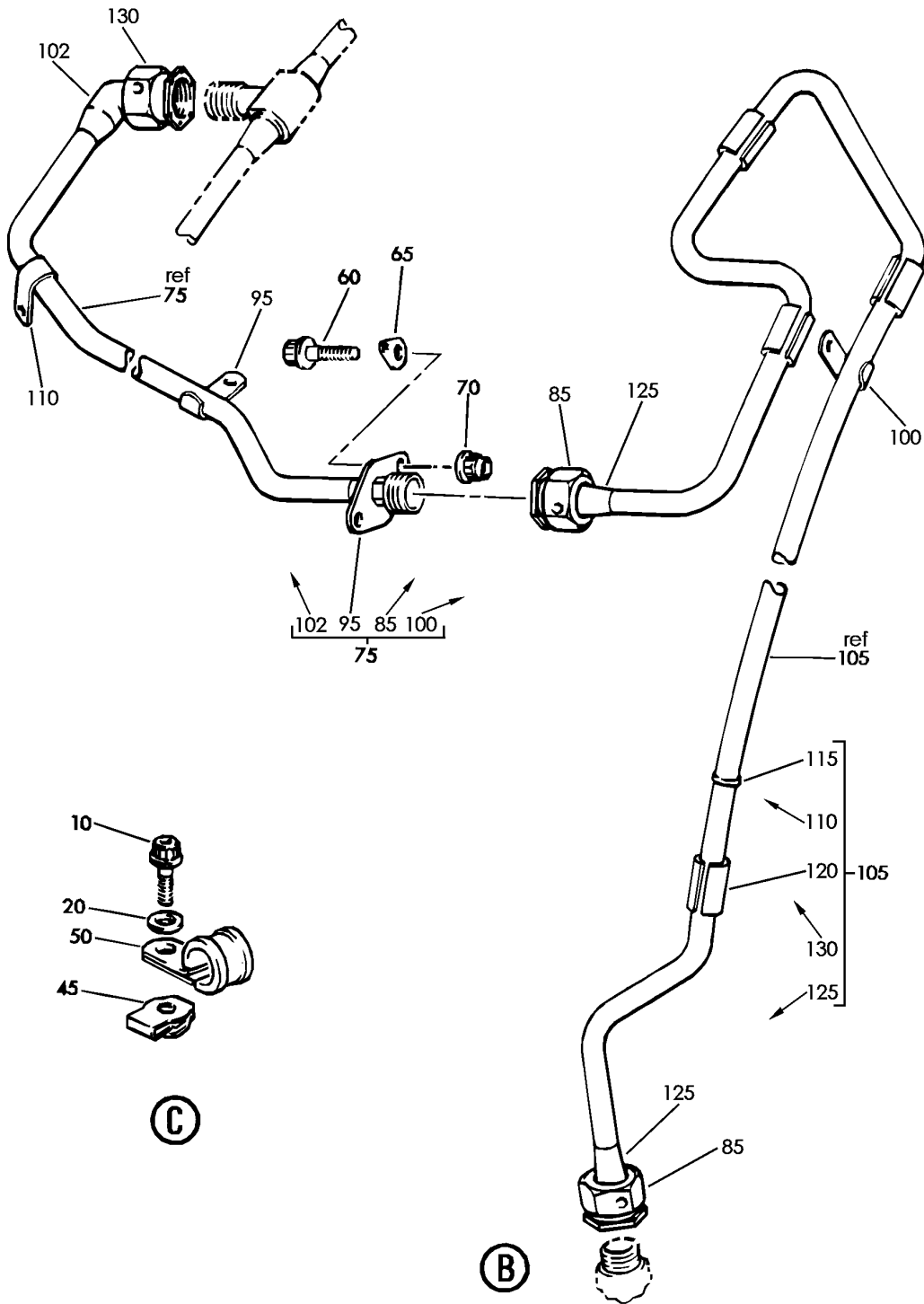
TUBES-INTERMEDIATE PRESSURE BLEED CONT AIR (RB211-535)
FIGURE 5 (SHEET 1)

75-32-09-05

BRI
MAY 28/07

75-32-09-05
PAGE 0

BOEING
757
PARTS CATALOG (MAINTENANCE)



Y 75320905 SHT 2 REV 222

TUBES-INTERMEDIATE PRESSURE BLEED CONT AIR (RB211-535)
FIGURE 5 (SHEET 2)

75-32-09-05

BRI
MAY 28/07

75-32-09-05
PAGE 0A



757

PARTS CATALOG (MAINTENANCE)

FIG ITEM	PART NUMBER	1 2 3 4 5 6 7	NOMENCLATURE	EFFECT FROM TO	UNITS PER ASSY
5			TUBES-INTERMEDIATE PRESSURE BLEED CONT AIR (RB211-535)	002004 006999	
- 1	UL19722		ENGINE ASSY-Q.E.C.U. RB211-535E43711 MAXIMUM NEUT SUPPLIER CODE: VK0680 FOR NHA/OTHER SYS DET SEE: 71-00-02-04	107107	RF
- 1	UL20697		ENGINE ASSY-Q.E.C.U. RB211-535E43711 MAXIMUM NEUT WITH GRAVINER FIRE DETECTORS, BAYONET MCD, NON-MODULATED IDG COOLING 40,000 LB THRUST SUPPLIER CODE: VK0680 REFERENCE SERVICE BULLETIN: 71-0058R4 QUALIFIED SB I/W DATA: INTERMIX OF ONE OR SUBSTITUTION OF TWO DIFFERENT CONFIGURATION RB211-535E4-37/() ENGINES FOR RB211-535 E4 BASE ENGINES REFERENCE SERVICE BULLETIN: RB211-72-C547 VK0680 FOR NHA/OTHER SYS DET SEE: 71-00-02-04	121503 904949 952999	RF

MISSING ITEM NUMBERS NOT APPLICABLE

- ITEM NOT ILLUSTRATED

BRI

75-32-09-05

BOEING PROPRIETARY - Copyright © - Unpublished Work - See title page for details.

75-32-09
FIG. 05
PAGE 1
JAN 20/09



757

PARTS CATALOG (MAINTENANCE)

FIG ITEM	PART NUMBER	1 2 3 4 5 6 7	NOMENCLATURE	EFFECT FROM TO	UNITS PER ASSY
5 - 1	UL20698		ENGINE ASSY-Q.E.C.U. RB211-535E43712 MAXIMUM NEUT SUPPLIER CODE: VK0680 REFERENCE SERVICE BULLETIN: 71-0058R7 QUALIFIED SB I/W DATA: INTERMIX OF ONE OR SUBSTITUTION OF TWO DIFFERENT CONFIGURATION RB211-535E4-37/() ENGINES FOR RB211-535E4 BASE ENGINES OR DIFFERENT CONFIGURATION RB211-535E4-B-37/() ENGINES FOR RB211-535E4-B BASE ENGINES REFERENCE SERVICE BULLETIN: RB211-72-C547 VK0680 RB211-72-8910 VK0680 POST RAPID REVISION: RR92014-183A-RC-E FOR NHA/OTHER SYS DET SEE: 71-00-02-04	002004 006100 102102	RF
- 1	UL36209		ENGINE ASSY-Q.E.C.U. RB211-535E43719 MAXIMUM NEUT SUPPLIER CODE: VK0680 FOR NHA/OTHER SYS DET SEE: 71-00-02-04	950951	RF

MISSING ITEM NUMBERS NOT APPLICABLE

- ITEM NOT ILLUSTRATED

BRI

75-32-09-05

BOEING PROPRIETARY - Copyright © - Unpublished Work - See title page for details.

75-32-09
FIG. 05
PAGE 2
JAN 20/09



757

PARTS CATALOG (MAINTENANCE)

FIG ITEM	PART NUMBER	1 2 3 4 5 6 7	NOMENCLATURE	EFFECT FROM TO	UNITS PER ASSY
5 -	1 UL20702		ENGINE ASSY-Q.E.C.U. RB211-535E43711 BASIC ENGINE CONFIGURATION WITH GRAVINER FIRE DETECTORS, BAYONET MCD, NON-MODULATED IDG COOLING 40,100 LB THRUST SUPPLIER CODE: VK0680 REFERENCE SERVICE BULLETIN: RB211-72-C547 VK0680 FOR NHA/OTHER SYS DET SEE: 71-00-02-10	504903	RF
-	3 BCREP17395		ENGINE ASSY-Q.E.C.U. RB211-535E43739 BASIC ENGINE CONFIGURATION AND PHASE 5 COMBUSTOR 40,100 LB THRUST SUPPLIER CODE: VK0680 OVERLENGTH PART NUMBER: RB211-535E4-37-39E FOR NHA/OTHER SYS DET SEE: 71-00-02-10	108120	RF
-	3 BCREP17101		ENGINE ASSY-Q.E.C.U. RB211-535E43744 BASIC ENGINE CONFIGURATION, BAYONET MCD AND PHASE 5 COMBUSTOR 40,100 LB THRUST SUPPLIER CODE: VK0680 OVERLENGTH PART NUMBER: RB211-535E4-3744E FOR NHA/OTHER SYS DET SEE: 71-00-02-10	103106	RF
-	3 UL38163		ENGINE ASSY-Q.E.C.U. RB211-535E43724 BASIC ENGINE CONFIGURATION, BAYONET MCD, 40,100 LB THRUST SUPPLIER CODE: VK0680 FOR NHA/OTHER SYS DET SEE: 71-00-02-10	101101	RF

MISSING ITEM NUMBERS NOT APPLICABLE

- ITEM NOT ILLUSTRATED

BRI

75-32-09-05

BOEING PROPRIETARY - Copyright © - Unpublished Work - See title page for details.

75-32-09
FIG. 05
PAGE 3
JAN 20/09



757

PARTS CATALOG (MAINTENANCE)

FIG ITEM	PART NUMBER	1 2 3 4 5 6 7	NOMENCLATURE	EFFECT FROM TO	UNITS PER ASSY
5					
5	AS21417	.	BOLT	002004 006999	1
10	AS21407	.	BOLT	002004 006999	3
20	K8831	.	WASHER- SUPPLIER CODE: VK0680	002004 006999	4
30	UP10480	.	SPACER- SUPPLIER CODE: VK0680	002004 006999	1
40	AS20624	.	NUT	002004 006999	1
45	AS41104	.	NUT	002004 006999	3
50	LK39527	.	CLIP- SUPPLIER CODE: VK0680 PRE SERVICE BULLETIN: 72-C754 VK0680	002004 006999	4
50	UP12010	.	CLIP- SUPPLIER CODE: VK0680 POST SERVICE BULLETIN: 72-C754PTA VK0680	002004 006999	4
60	AS21512	.	BOLT	002004 006999	2
65	CU37148	.	WASHER- SUPPLIER CODE: VK0680	002004 006999	1
70	AS20625	.	NUT	002004 006999	2
75	LK85907	.	TUBE ASSY-BLEED VALVE BHD TO DISC. HIGH PRESSURE 3 AIR SUPPLIER CODE: VK0680	002004 006999	1
105	UL16578	.	TUBE ASSY-BLEED VALVE SOL. COMB CASE TO DISC. HIGH PRESSURE 3 AIR SUPPLIER CODE: VK0680	002004 006999	1

MISSING ITEM NUMBERS NOT APPLICABLE

- ITEM NOT ILLUSTRATED

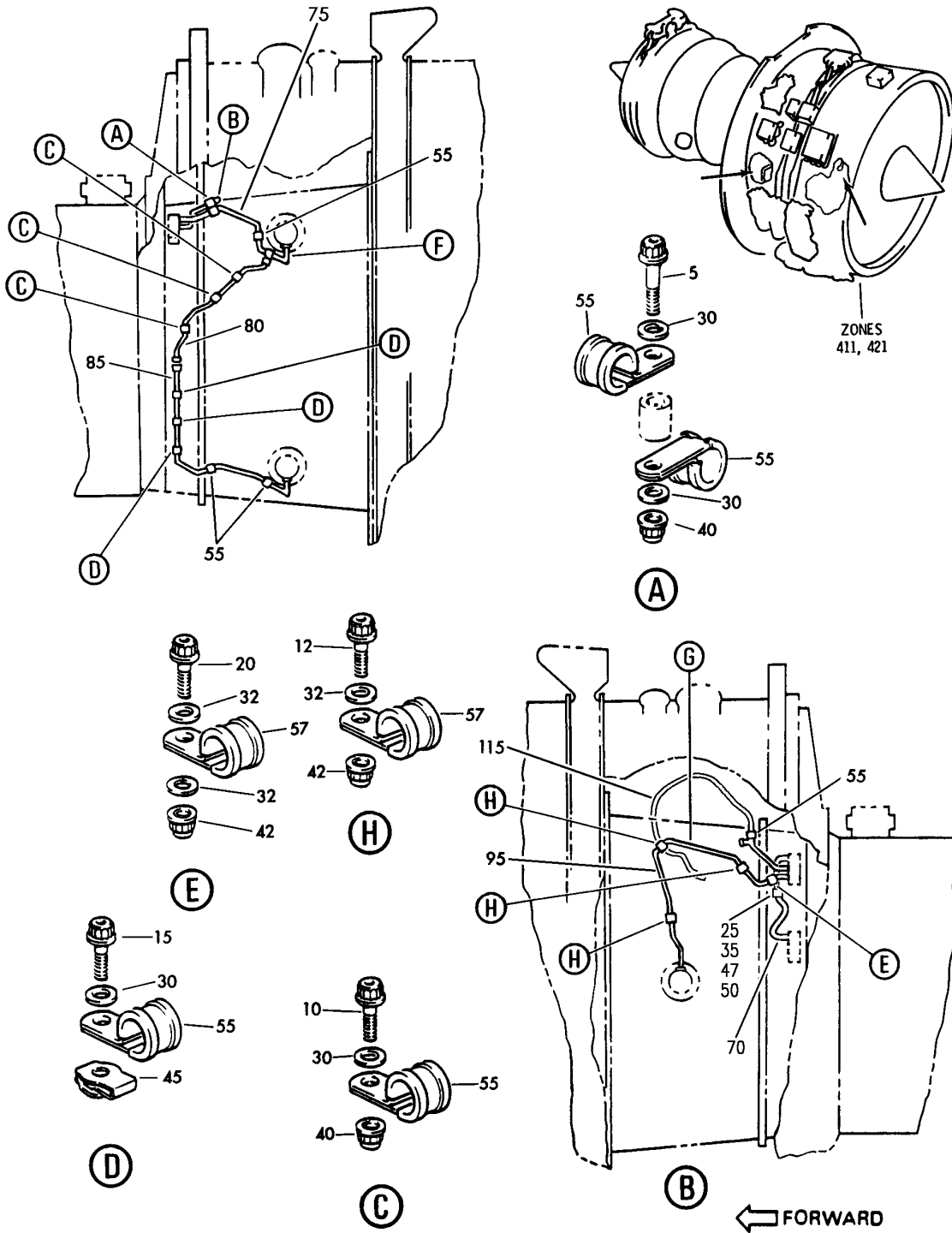
BRI

75-32-09-05

BOEING PROPRIETARY - Copyright © - Unpublished Work - See title page for details.

75-32-09
FIG. 05
PAGE 4
JAN 20/09

BOEING
757
PARTS CATALOG (MAINTENANCE)



Y 75320906 SHT 1 REV 247

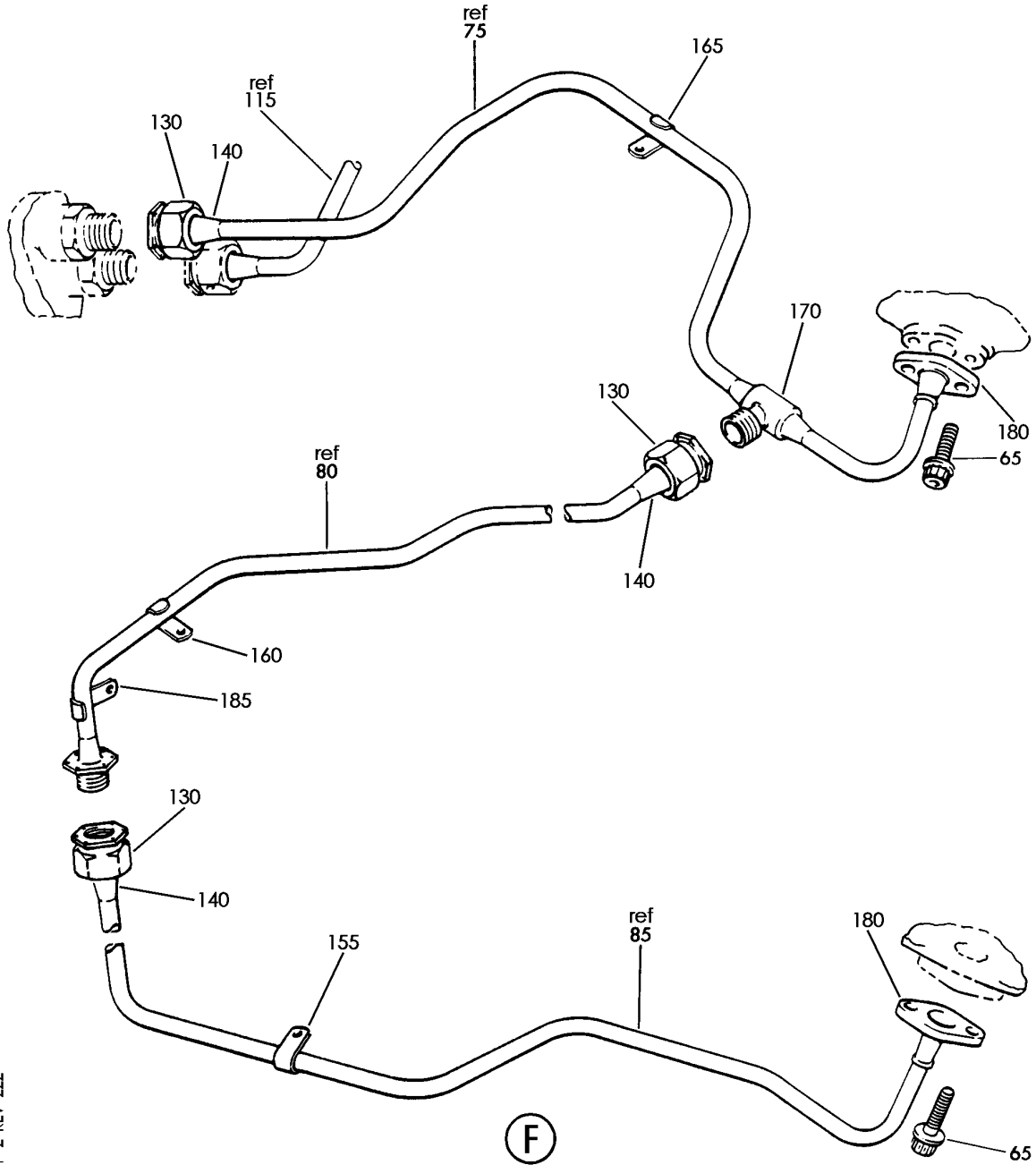
COMPRESSOR-BLEED CONT AIR TUBES INTERMEDIATE PRESSURE (RB211-535)
FIGURE 6 (SHEET 1)

75-32-09-06

BRI
MAY 28/07

75-32-09-06
PAGE 0

BOEING
757
PARTS CATALOG (MAINTENANCE)



Y 75320906 SHT 2 REV 222

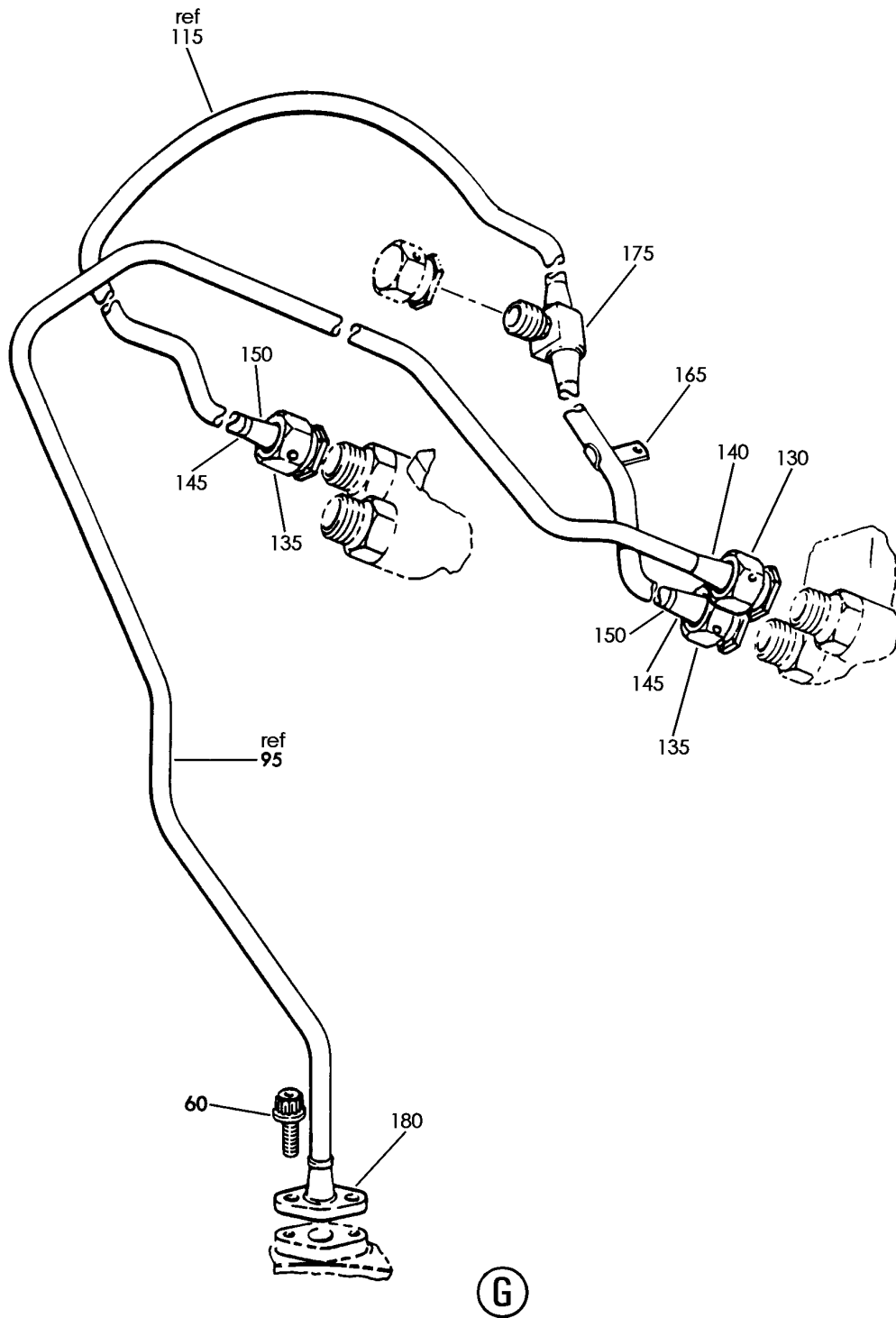
COMPRESSOR-BLEED CONT AIR TUBES INTERMEDIATE PRESSURE (RB211-535)
FIGURE 6 (SHEET 2)

75-32-09-06

BRI
MAY 28/07

75-32-09-06
PAGE 0A

BOEING
757
PARTS CATALOG (MAINTENANCE)



Y 75320906 SHT 3 REV 222

COMPRESSOR-BLEED CONT AIR TUBES INTERMEDIATE PRESSURE (RB211-535)
FIGURE 6 (SHEET 3)

75-32-09-06

BRI
MAY 28/07

75-32-09-06
PAGE 0B



757

PARTS CATALOG (MAINTENANCE)

FIG ITEM	PART NUMBER	1 2 3 4 5 6 7	NOMENCLATURE	EFFECT FROM TO	UNITS PER ASSY
6			COMPRESSOR-BLEED CONT AIR TUBES INTERMEDIATE PRESSURE (RB211-535)	002004 006999	
- 1	UL19722		ENGINE ASSY-Q.E.C.U. RB211-535E43711 MAXIMUM NEUT SUPPLIER CODE: VK0680 POST SERVICE BULLETIN: 71-0001 FOR NHA/OTHER SYS DET SEE: 71-00-02-04	107107	RF
- 1	UL20697		ENGINE ASSY-Q.E.C.U. RB211-535E43711 MAXIMUM NEUT WITH GRAVINER FIRE DETECTORS, BAYONET MCD, NON-MODULATED IDG COOLING 40,000 LB THRUST SUPPLIER CODE: VK0680 REFERENCE SERVICE BULLETIN: 71-0058R4 QUALIFIED SB I/W DATA: INTERMIX OF ONE OR SUBSTITUTION OF TWO DIFFERENT CONFIGURATION RB211-535E4-37/() ENGINES FOR RB211-535 E4 BASE ENGINES REFERENCE SERVICE BULLETIN: RB211-72-C547 VK0680 FOR NHA/OTHER SYS DET SEE: 71-00-02-04	121503 904949 952999	RF

MISSING ITEM NUMBERS NOT APPLICABLE

- ITEM NOT ILLUSTRATED

BRI

75-32-09-06

BOEING PROPRIETARY - Copyright © - Unpublished Work - See title page for details.

75-32-09
FIG. 06
PAGE 1
JAN 20/09



757

PARTS CATALOG (MAINTENANCE)

FIG ITEM	PART NUMBER	1 2 3 4 5 6 7	NOMENCLATURE	EFFECT FROM TO	UNITS PER ASSY
6 - 1	UL20698		ENGINE ASSY-Q.E.C.U. RB211-535E43712 MAXIMUM NEUT SUPPLIER CODE: VK0680 REFERENCE SERVICE BULLETIN: 71-0058R7 QUALIFIED SB I/W DATA: INTERMIX OF ONE OR SUBSTITUTION OF TWO DIFFERENT CONFIGURATION RB211-535E4-37/() ENGINES FOR RB211-535E4 BASE ENGINES OR DIFFERENT CONFIGURATION RB211-535E4-B-37/() ENGINES FOR RB211-535E4-B BASE ENGINES REFERENCE SERVICE BULLETIN: RB211-72C547 VK0680 RB211-72-8910 VK0680 POST RAPID REVISION: RR92014-183A-RC-E FOR NHA/OTHER SYS DET SEE: 71-00-02-04	002004 006100 102102	RF
- 1	UL20702		ENGINE ASSY-Q.E.C.U. RB211-535E43711 BASIC ENGINE CONFIG. WITH GRAVINER FIRE DETECTORS,BAYONET MCD, NON-MODULATED IDG COOLING 40,100 LB THRUST SUPPLIER CODE: VK0680 FOR NHA/OTHER SYS DET SEE: 71-00-02-10	504903	RF
- 1	UL36209		ENGINE ASSY-Q.E.C.U. RB211-535E43719 MAXIMUM NEUT SUPPLIER CODE: VK0680 FOR NHA/OTHER SYS DET SEE: 71-00-02-04	950951	RF

MISSING ITEM NUMBERS NOT APPLICABLE

- ITEM NOT ILLUSTRATED

75-32-09-06

75-32-09
FIG. 06
PAGE 2
JAN 20/09

BRI



757

PARTS CATALOG (MAINTENANCE)

FIG ITEM	PART NUMBER	1 2 3 4 5 6 7	NOMENCLATURE	EFFECT FROM TO	UNITS PER ASSY
6					
- 3	BCREF17395		ENGINE ASSY-Q.E.C.U. RB211-535E43739 BASIC ENGINE CONFIGURATION AND PHASE 5 COMBUSTOR 40,100 LB THRUST SUPPLIER CODE: VK0680 OVERLENGTH PART NUMBER: RB211-535E4-37-39E FOR NHA/OTHER SYS DET SEE: 71-00-02-10	108120	RF
- 3	BCREF17101		ENGINE ASSY-Q.E.C.U. RB211-535E43744 BASIC ENGINE CONFIGURATION, BAYONET MCD AND PHASE 5 COMBUSTOR 40,100 LB THRUST SUPPLIER CODE: VK0680 OVERLENGTH PART NUMBER: RB211-535E4-3744E FOR NHA/OTHER SYS DET SEE: 71-00-02-10	103106	RF
- 3	UL38163		ENGINE ASSY-Q.E.C.U. RB211-535E43724 BASIC ENGINE CONFIGURATION, BAYONET MCD, 40,100 LB THRUST SUPPLIER CODE: VK0680 FOR NHA/OTHER SYS DET SEE: 71-00-02-10	101101	RF
5	AS21410		.BOLT	002004 006999	1
10	AS21408		.BOLT-	002004 006999	3
12	AS21408		.BOLT-	002004 006999	3
15	AS21407		.BOLT	002004 006999	3
20	AS21409		.BOLT-	002004 006999	1
25	AS21408		.BOLT- POST SERVICE BULLETIN: 75-C796PT01 VK0680	103106 108120	1

MISSING ITEM NUMBERS NOT APPLICABLE

- ITEM NOT ILLUSTRATED

75-32-09-06

75-32-09
FIG. 06
PAGE 3
JAN 20/09

BRI



757

PARTS CATALOG (MAINTENANCE)

FIG ITEM	PART NUMBER	1 2 3 4 5 6 7	NOMENCLATURE	EFFECT FROM TO	UNITS PER ASSY
6					
30	K8831		.WASHER- SUPPLIER CODE: VK0680	002004 006999	8
32	K8831		.WASHER- SUPPLIER CODE: VK0680	002004 006999	5
35	K8831		.WASHER- SUPPLIER CODE: VK0680 POST SERVICE BULLETIN: 75-C796PT01 VK0680	103106 108120	1
40	AS20624		.NUT-	002004 006999	4
42	AS20624		.NUT-	002004 006999	4
45	AS41104		.NUT	002004 006999	3
47	AS20624		.NUT- POST SERVICE BULLETIN: 75-C796PT01 VK0680	103106 108120	1
50	400WSS4		.CLIP- SUPPLIER CODE: V83930 POST SERVICE BULLETIN: 75-C796PT01 VK0680	103106 108120	1
- 52	400WSS8		.CLIP- SUPPLIER CODE: V83930 POST SERVICE BULLETIN: 75-C796PT01 VK0680	103106 108120	1
55	400WSS6		.CLIP- SUPPLIER CODE: V83930	002004 006999	12
57	400WSS6		.CLIP- SUPPLIER CODE: V83930	002004 006999	4
60	AS21512		.BOLT-	002004 006999	2
65	AS21512		.BOLT-	002004 006999	4

MISSING ITEM NUMBERS NOT APPLICABLE

- ITEM NOT ILLUSTRATED

75-32-09-06

75-32-09
FIG. 06
PAGE 4
JAN 20/09

BRI



757

PARTS CATALOG (MAINTENANCE)

FIG ITEM	PART NUMBER	1 2 3 4 5 6 7	NOMENCLATURE	EFFECT FROM TO	UNITS PER ASSY
6					
70	UL39701		.TUBE ASSY-INTERMEDIATE PRESSURE 6 BLEED VALVE SOL TO P30 SOLENOID SUPPLIER CODE: VK0680 POST SERVICE BULLETIN: 75-C796PT01 VK0680	103106 108120	1
75	LK86000		.TUBE ASSY-HIGH PRESSURE 3 AIR SOL. TO INTERMEDIATE PRESSURE BLEED VALVE SUPPLIER CODE: VK0680	002004 006999	1
80	LK86001		.TUBE ASSY-HIGH PRESSURE 3 AIR CONN. TO DISC. SUPPLIER CODE: VK0680	002004 006999	1
85	LK86002		.TUBE ASSY-HIGH PRESSURE 3 AIR DISC. SUPPLIER CODE: VK0680	002004 006999	1
95	LK85999		.TUBE ASSY-HIGH PRESSURE 3 AIR SOL. TO INTERMEDIATE BLEED VALVE SUPPLIER CODE: VK0680	002004 006999	1
115	UL14971		.TUBE ASSY-BLEED VALVE SOL. TO SOL. VALVE SUPPLIER CODE: VK0680	002004 006999	1
900			ILLUSTRATION REFERENCE: SOLENOIDS-IP CPRSR BLEED VALVE (RB211-535) 75-32-03-01	002004 006999	RF

MISSING ITEM NUMBERS NOT APPLICABLE

- ITEM NOT ILLUSTRATED

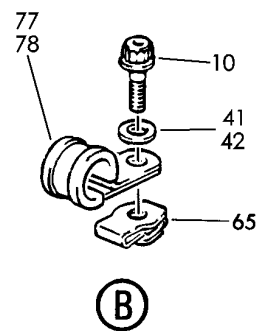
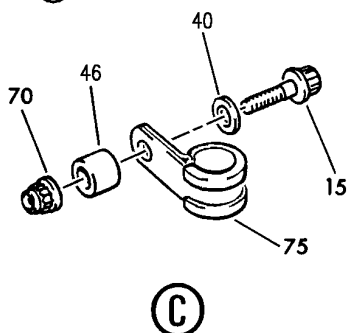
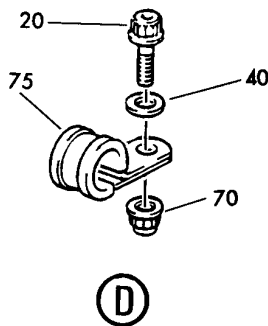
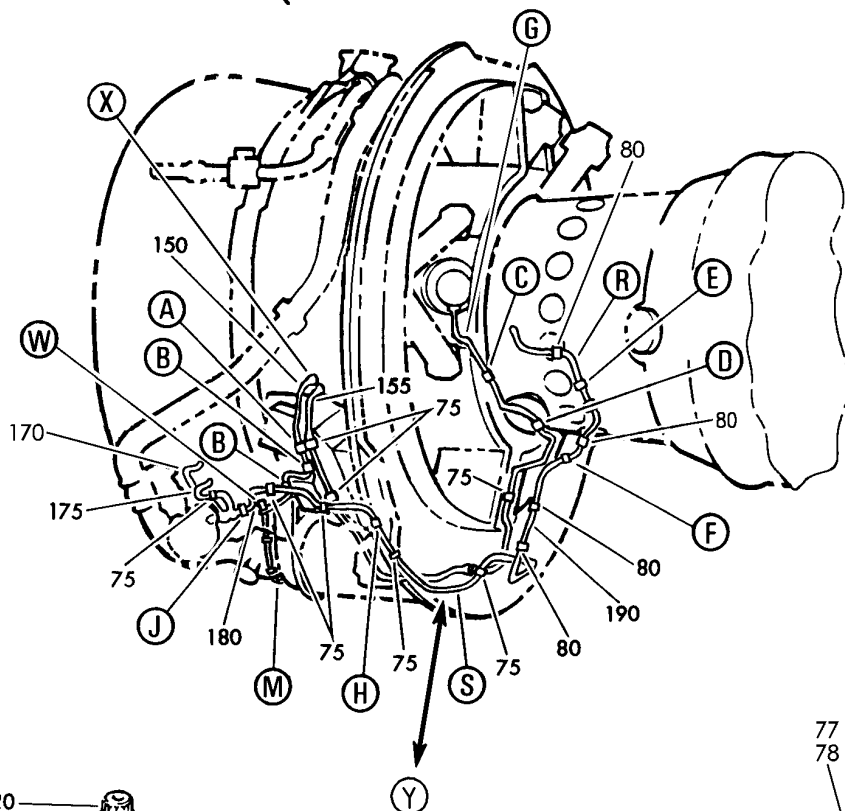
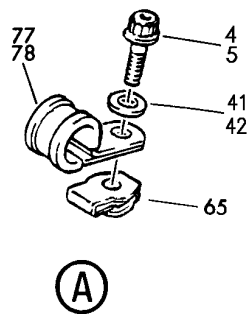
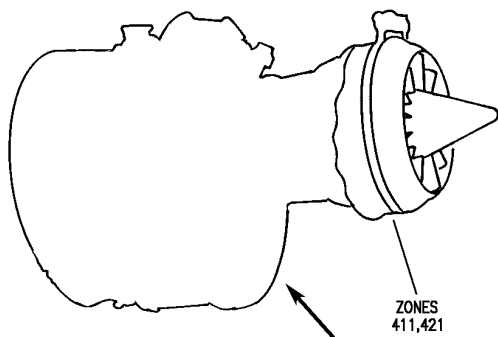
BRI

75-32-09-06

BOEING PROPRIETARY - Copyright © - Unpublished Work - See title page for details.

75-32-09
FIG. 06
PAGE 5
JAN 20/09

BOEING
757
PARTS CATALOG (MAINTENANCE)



Y 75320911 SH1 1 REV 256

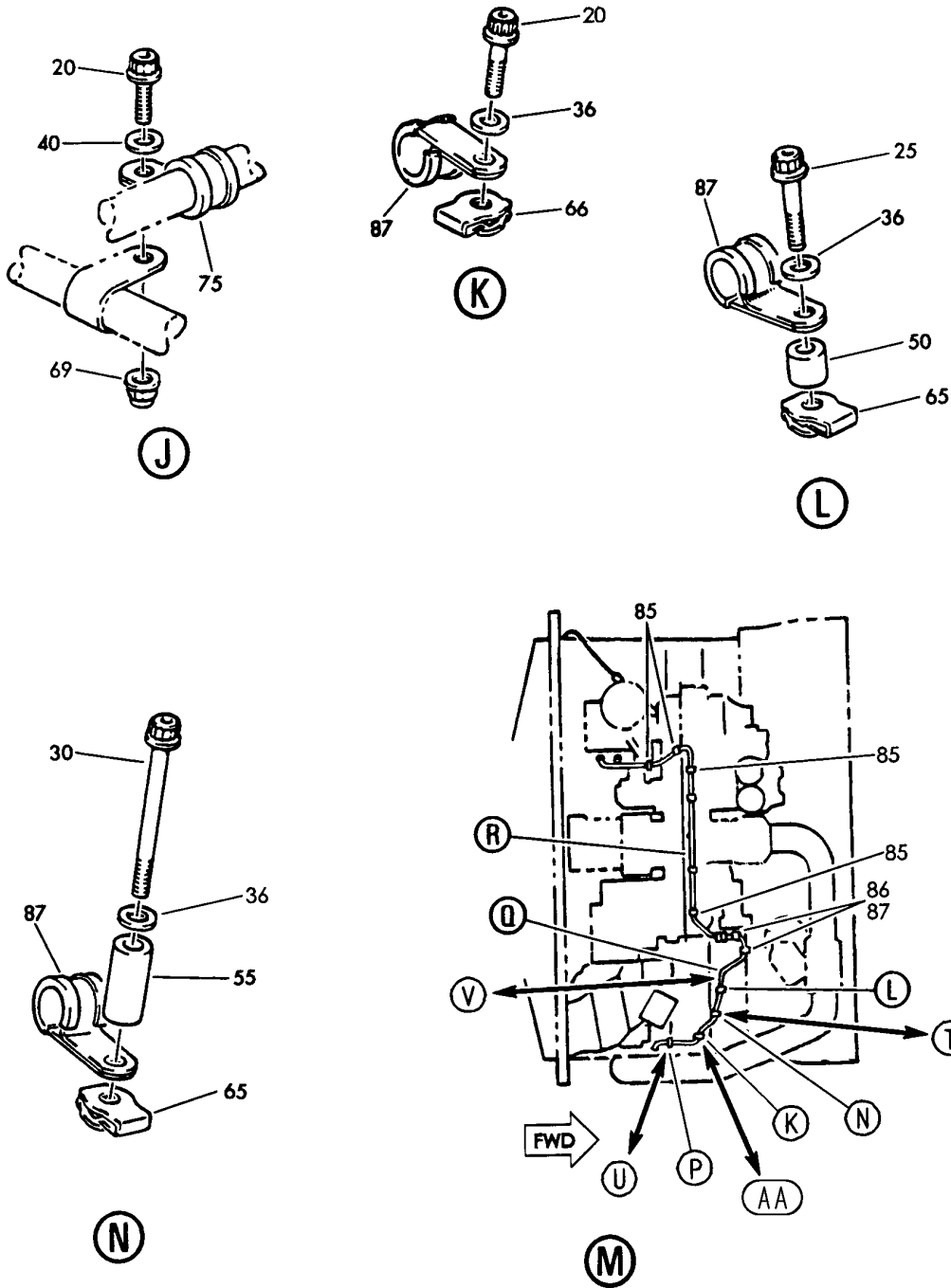
TUBES-HIGH PRESSURE CPRSR BLEED CONT AIR (RB211-535)
FIGURE 11 (SHEET 1)

75-32-09-11

BRI
MAY 28/07

75-32-09-11
PAGE 0

BOEING
757
PARTS CATALOG (MAINTENANCE)



Y 75320911 SHT 3 REV 297

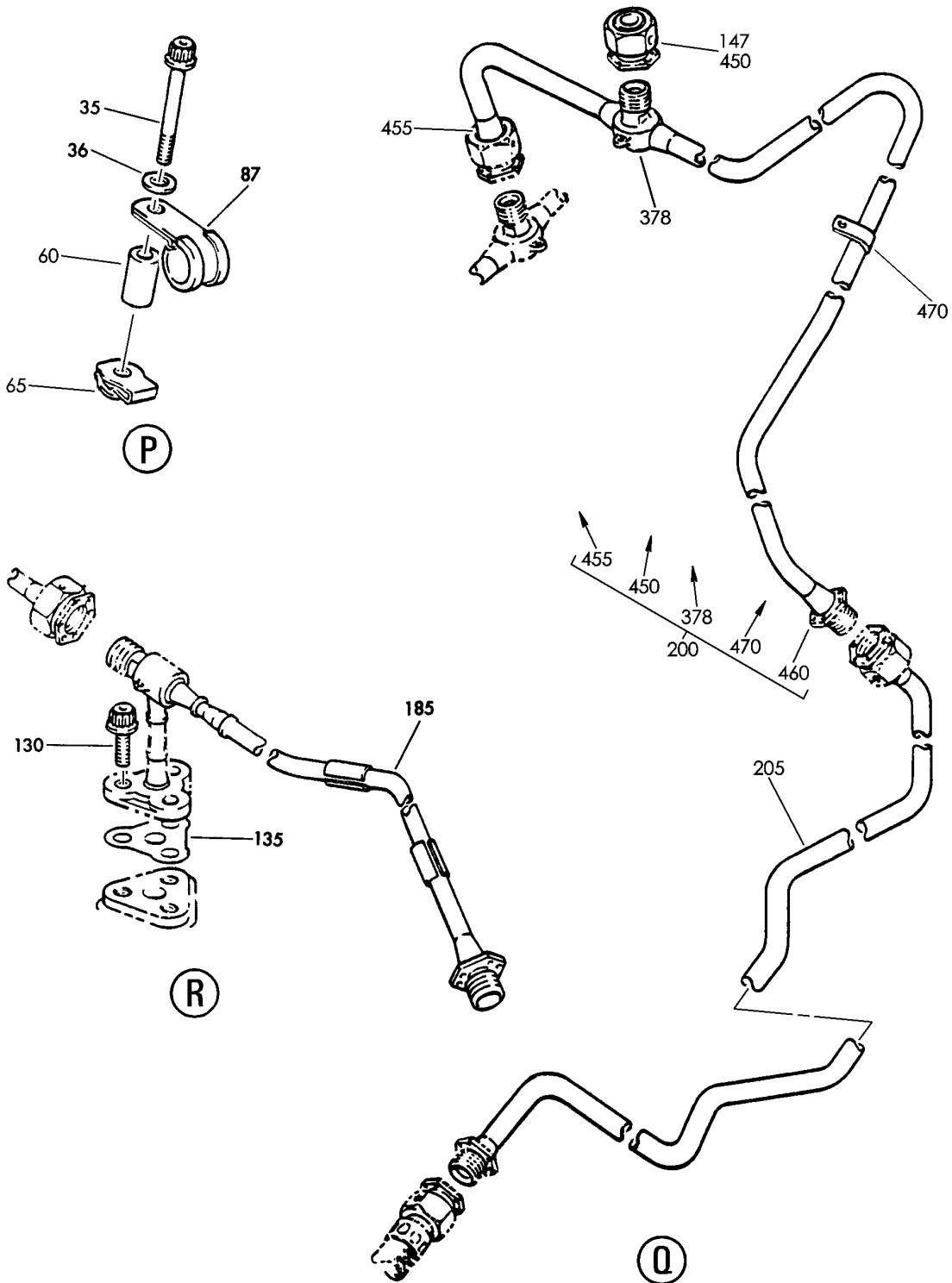
TUBES-HIGH PRESSURE CPRSR BLEED CONT AIR (RB211-535)
FIGURE 11 (SHEET 3)

75-32-09-11

BRI
MAY 28/07

75-32-09-11
PAGE 0B

BOEING
757
PARTS CATALOG (MAINTENANCE)



Y 75320911 SHT 4 REV 227

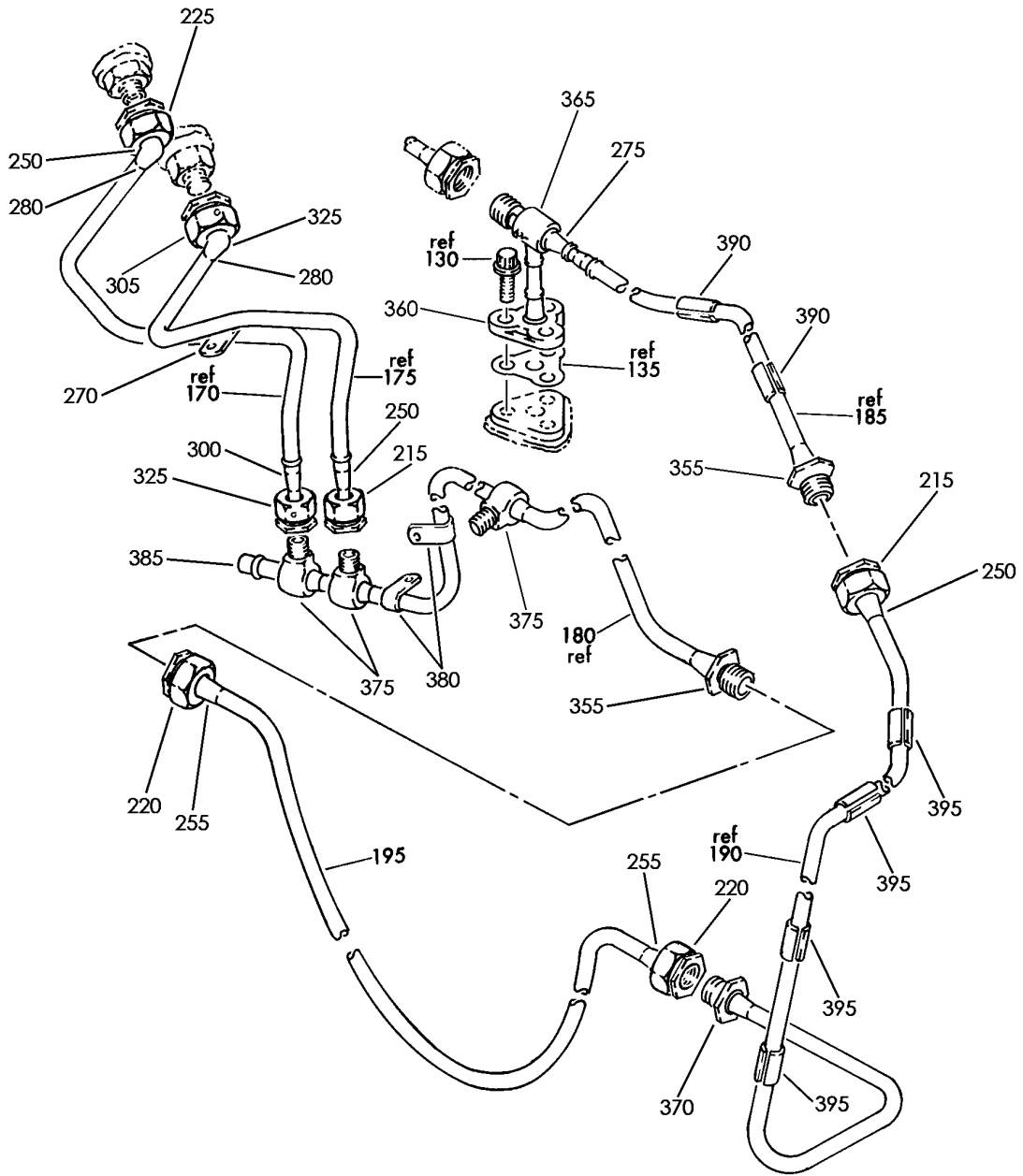
TUBES-HIGH PRESSURE CPRSR BLEED CONT AIR (RB211-535)
FIGURE 11 (SHEET 4)

75-32-09-11

BRI
MAY 28/07

75-32-09-11
PAGE 0C

BOEING
757
PARTS CATALOG (MAINTENANCE)



(S)

Y 75320911 SHT 5 REV 227

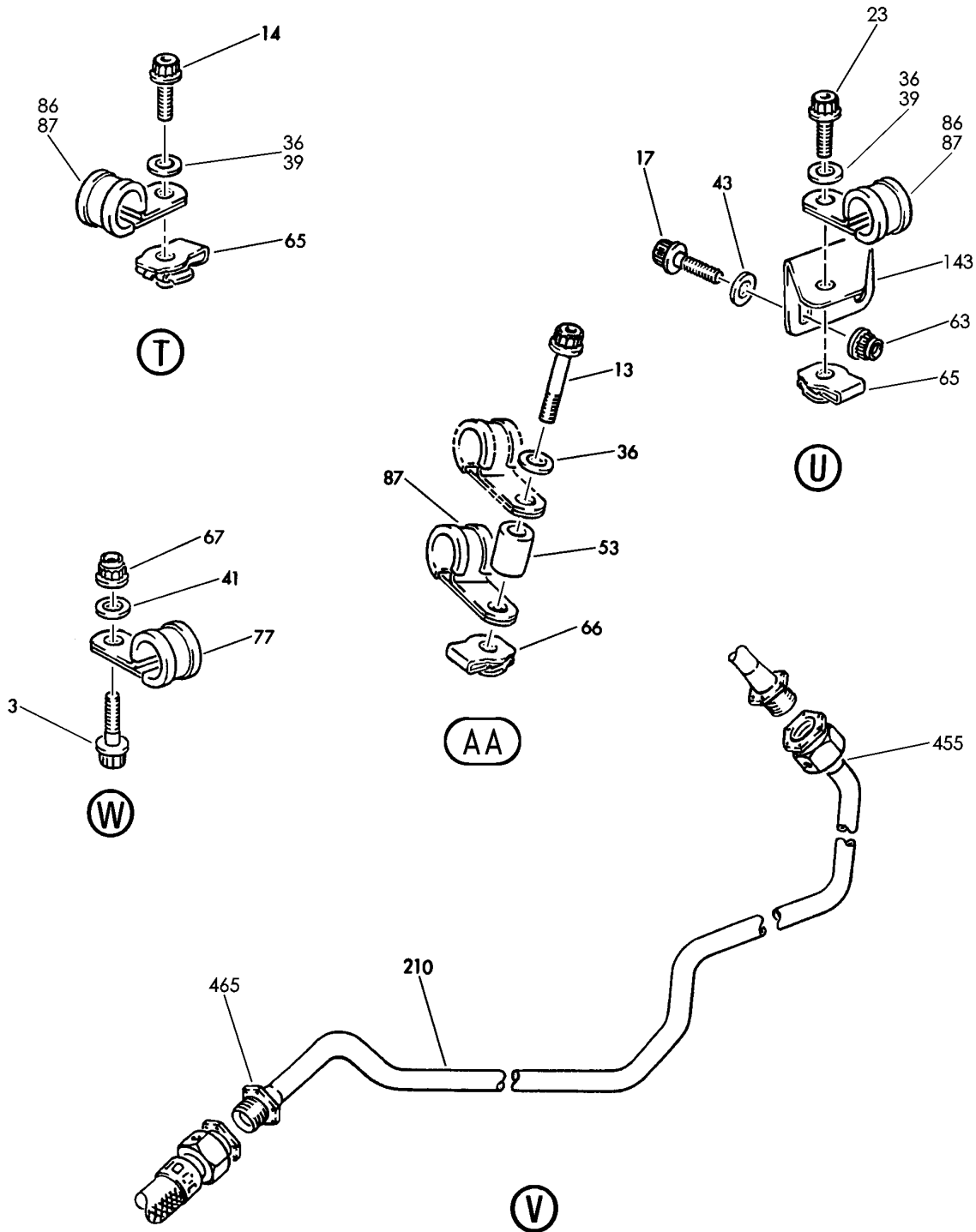
TUBES-HIGH PRESSURE CPRSR BLEED CONT AIR (RB211-535)
FIGURE 11 (SHEET 5)

75-32-09-11

BRI
MAY 28/07

75-32-09-11
PAGE 0D

BOEING
757
PARTS CATALOG (MAINTENANCE)



Y 75320911 SHT 6 REV 297

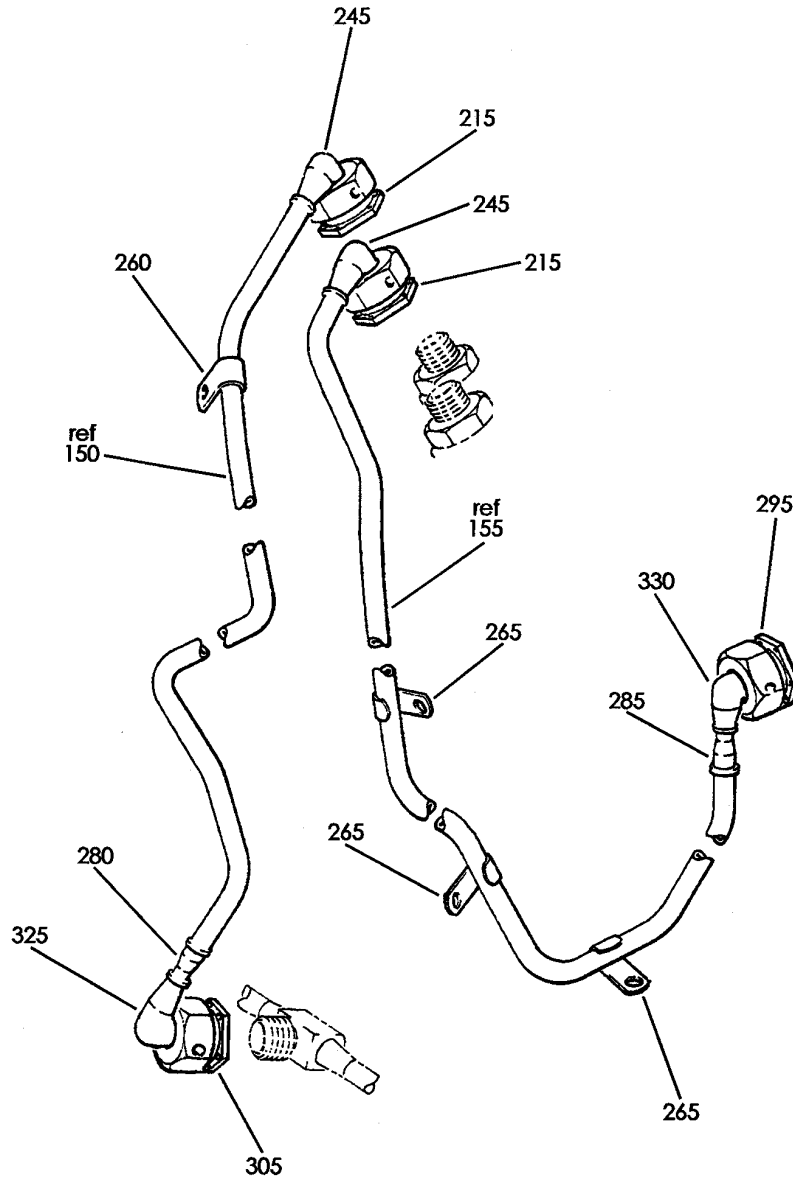
TUBES-HIGH PRESSURE CPRSR BLEED CONT AIR (RB211-535)
FIGURE 11 (SHEET 6)

75-32-09-11

BRI
MAY 28/07

75-32-09-11
PAGE 0E

BOEING
757
PARTS CATALOG (MAINTENANCE)



(X)

Y 75320911 SHT 7 REV 212

TUBES-HIGH PRESSURE CPRSR BLEED CONT AIR (RB211-535)
FIGURE 11 (SHEET 7)

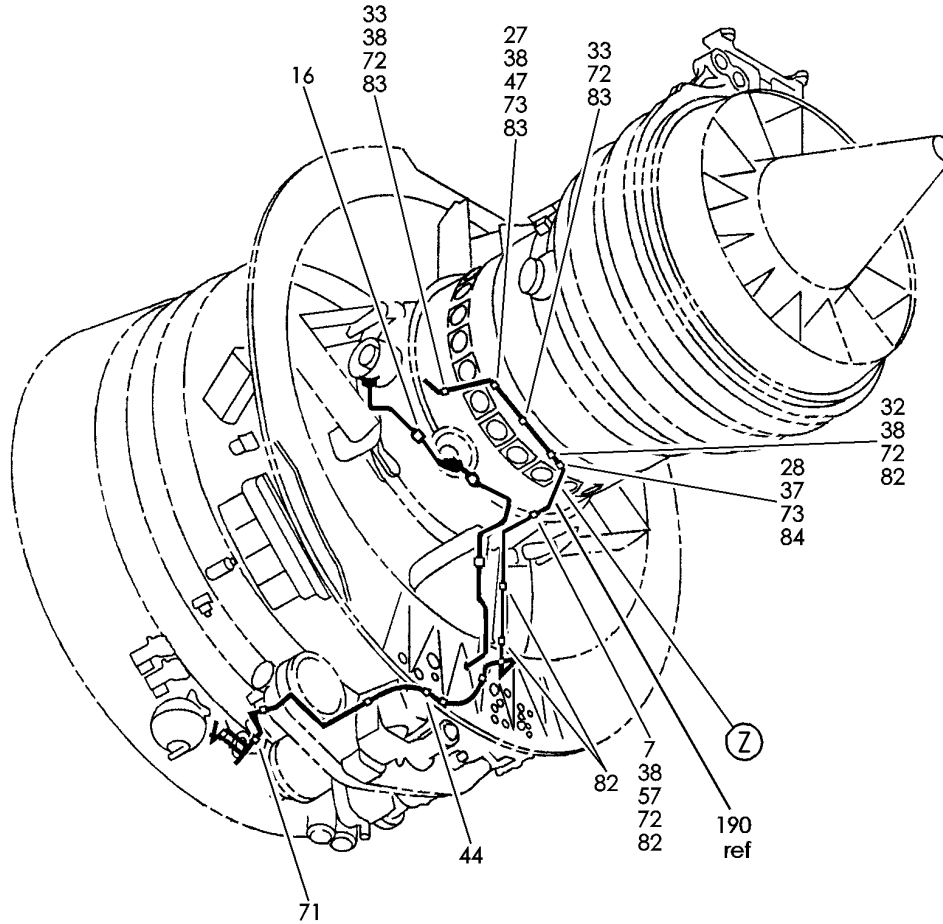
75-32-09-11

BRI
MAY 28/07

75-32-09-11
PAGE OF

BOEING PROPRIETARY - Copyright © - Unpublished Work - See title page for details.

BOEING
757
PARTS CATALOG (MAINTENANCE)



VIEW LOOKING UP



Y 75320911 SHT 8 REV 227

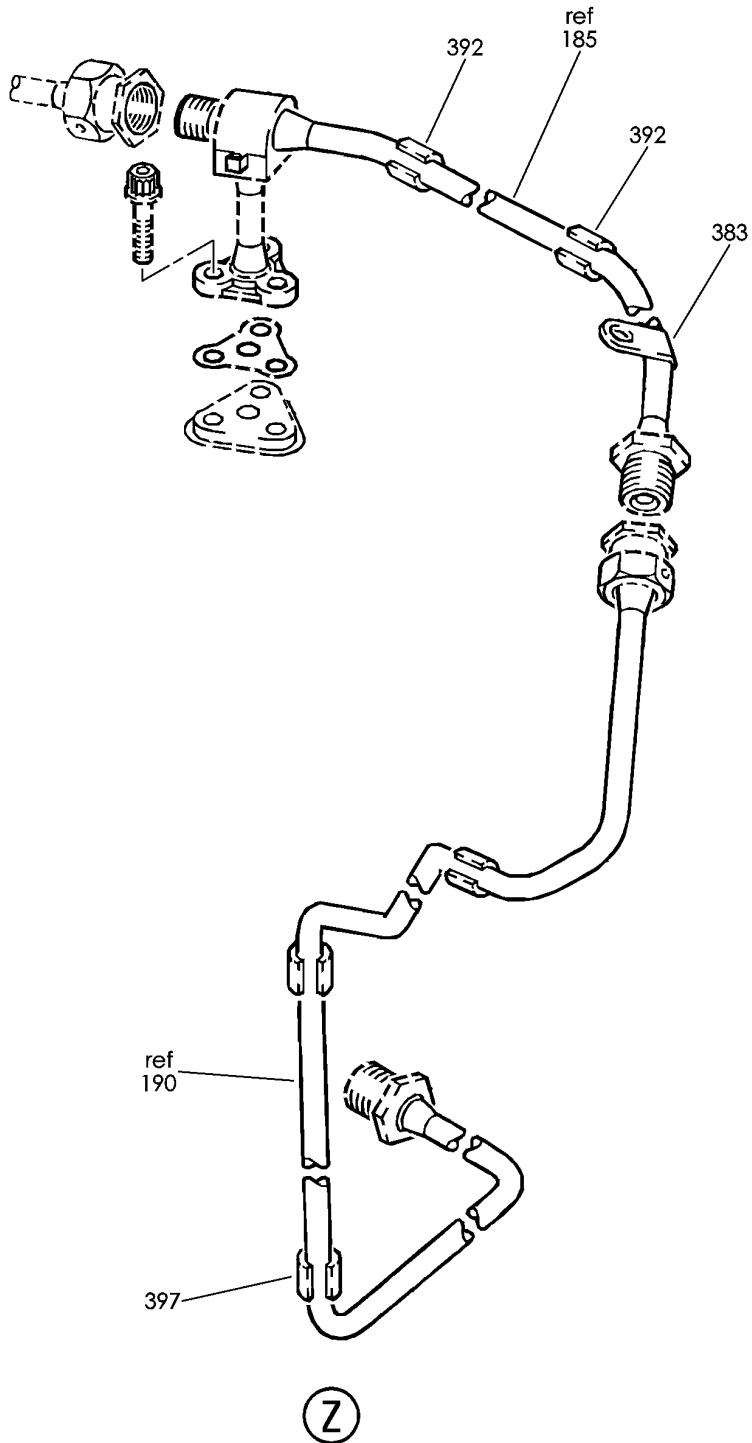
TUBES-HIGH PRESSURE CPRSR BLEED CONT AIR (RB211-535)
FIGURE 11 (SHEET 8)

75-32-09-11

BRI
MAY 28/07

75-32-09-11
PAGE 06

BOEING
757
PARTS CATALOG (MAINTENANCE)



Y 75320911 SHT 9 REV 227

TUBES-HIGH PRESSURE CPRSR BLEED CONT AIR (RB211-535)
FIGURE 11 (SHEET 9)

75-32-09-11

BRI
MAY 28/07

75-32-09-11
PAGE 0H



757

PARTS CATALOG (MAINTENANCE)

FIG ITEM	PART NUMBER	1 2 3 4 5 6 7	NOMENCLATURE	EFFECT FROM TO	UNITS PER ASSY
11			TUBES-HIGH PRESSURE CPRSR BLEED CONT AIR (RB211-535)	002004 006999	
- 1	UL19722		ENGINE ASSY-Q.E.C.U. RB211-535E43711 MAXIMUM NEUT SUPPLIER CODE: VK0680 FOR NHA/OTHER SYS DET SEE: 71-00-02-04	107107	RF
- 1	UL20697		ENGINE ASSY-Q.E.C.U. RB211-535E43711 MAXIMUM NEUT WITH GRAVINER FIRE DETECTORS, BAYONET MCD, NON-MODULATED IDG COOLING 40,000 LB THRUST SUPPLIER CODE: VK0680 REFERENCE SERVICE BULLETIN: 71-0058R4 QUALIFIED SB I/W DATA: INTERMIX OF ONE OR SUBSTITUTION OF TWO DIFFERENT CONFIGURATION RB211-535E4-37/() ENGINES FOR RB211-535 E4 BASE ENGINES REFERENCE SERVICE BULLETIN: RB211-72-C547 VK0680 FOR NHA/OTHER SYS DET SEE: 71-00-02-04	121503 904949 952999	RF

MISSING ITEM NUMBERS NOT APPLICABLE

- ITEM NOT ILLUSTRATED

BRI

75-32-09-11

BOEING PROPRIETARY - Copyright © - Unpublished Work - See title page for details.

75-32-09
FIG. 11
PAGE 1
JAN 20/09



757

PARTS CATALOG (MAINTENANCE)

FIG ITEM	PART NUMBER	1 2 3 4 5 6 7	NOMENCLATURE	EFFECT FROM TO	UNITS PER ASSY
11 - 1	UL20698		ENGINE ASSY-Q.E.C.U. RB211-535E43712 MAXIMUM NEUT SUPPLIER CODE: VK0680 REFERENCE SERVICE BULLETIN: 71-0058R7 QUALIFIED SB I/W DATA: INTERMIX OF ONE OR SUBSTITUTION OF TWO DIFFERENT CONFIGURATION RB211-535E4-37/() ENGINES FOR RB211-535E4 BASE ENGINES OR DIFFERENT CONFIGURATION RB211-535E4-B-37/() ENGINES FOR RB211-535 E4-B BASE ENGINES REFERENCE SERVICE BULLETIN: RB211-72-C547 VK0680 RB211-72-8910 VK0680 POST RAPID REVISION: RR92014-183A-RC-E FOR NHA/OTHER SYS DET SEE: 71-00-02-04	002004 006100 102102	RF
- 1	UL36209		ENGINE ASSY-Q.E.C.U. RB211-535E43719 MAXIMUM NEUT SUPPLIER CODE: VK0680 REFERENCE SERVICE BULLETIN: 71-0058R7 FOR NHA/OTHER SYS DET SEE: 71-00-02-04	950951	RF
- 1	UL20702		ENGINE ASSY-Q.E.C.U. RB211-535E43711 BASIC ENGINE CONFIG. WITH GRAVINER FIRE DETECTORS,BAYONET MCD, NON-MODULATED IDG COOLING 40,100 LB THRUST SUPPLIER CODE: VK0680 FOR NHA/OTHER SYS DET SEE: 71-00-02-10	504903	RF

MISSING ITEM NUMBERS NOT APPLICABLE

- ITEM NOT ILLUSTRATED

BRI

75-32-09-11

BOEING PROPRIETARY - Copyright © - Unpublished Work - See title page for details.

75-32-09
FIG. 11
PAGE 2
JAN 20/09



757

PARTS CATALOG (MAINTENANCE)

FIG ITEM	PART NUMBER	1 2 3 4 5 6 7	NOMENCLATURE	EFFECT FROM TO	UNITS PER ASSY
11					
- 2	UL28074		ENGINE ASSY-Q.E.C.U. RB211-535E43721B BASIC ENGINE CONFIG. WITH P&W COMPATIBLE STARTER 43,100 LB THRUST SUPPLIER CODE: VK0680	103106 108120	RF
- 3	BCREF17395		ENGINE ASSY-Q.E.C.U. RB211-535E43739 BASIC ENGINE CONFIGURATION AND PHASE 5 COMBUSTOR 40,100 LB THRUST SUPPLIER CODE: VK0680 OVERLENGTH PART NUMBER: RB211-535E4-37-39E FOR NHA/OTHER SYS DET SEE: 71-00-02-10	108120	RF
- 3	BCREF17101		ENGINE ASSY-Q.E.C.U. RB211-535E43744 BASIC ENGINE CONFIGURATION, BAYONET MCD AND PHASE 5 COMBUSTOR 40,100 LB THRUST SUPPLIER CODE: VK0680 OVERLENGTH PART NUMBER: RB211-535E4-3744E FOR NHA/OTHER SYS DET SEE: 71-00-02-10	103106	RF
- 3	UL38163		ENGINE ASSY-Q.E.C.U. RB211-535E43724 BASIC ENGINE CONFIGURATION, BAYONET MCD, 40,100 LB THRUST SUPPLIER CODE: VK0680 FOR NHA/OTHER SYS DET SEE: 71-00-02-10	101101	RF
4	AS21409		.BOLT- POST SERVICE BULLETIN: 79-9179PT01 VK0680	002004 006999	2

MISSING ITEM NUMBERS NOT APPLICABLE

- ITEM NOT ILLUSTRATED

75-32-09-11

75-32-09
FIG. 11
PAGE 3
JAN 20/09

BRI

 **BOEING**
757
PARTS CATALOG (MAINTENANCE)

FIG ITEM	PART NUMBER	1 2 3 4 5 6 7	NOMENCLATURE	EFFECT FROM TO	UNITS PER ASSY
11	5 AS21409		.BOLT- PRE SERVICE BULLETIN: 79-9179 VK0680	002004 006100 102102 107107 121949 952999	1
	7 AS21413		.BOLT- POST SERVICE BULLETIN: 72-C230PT01 VK0680	002004 006100 102949 952999	1
	10 AS21407		.BOLT	002004 006999	2
	12 AS21407		.BOLT- PRE SERVICE BULLETIN: 79-9179 VK0680	002004 006100 102102 107107 121949 952999	1
	13 AS21418		.BOLT- POST SERVICE BULLETIN: 79-9179PT01 VK0680 PRE SERVICE BULLETIN: 24-9280 VK0680	002004 006100 102102 107107 121949 952999	1
	14 AS21407		.BOLT- POST SERVICE BULLETIN: 24-9280PT01 VK0680 PRE SERVICE BULLETIN: 79-9179 VK0680	002004 006106 108120 950951	1
	15 AS21417		.BOLT	002004 006999	2
	17 AS21409		.BOLT- POST SERVICE BULLETIN: 24-9280PT01 VK0680	101101 103106 108120 950951	2
	20 AS21408		.BOLT	002004 006999	4
	23 AS21408		.BOLT- POST SERVICE BULLETIN: 24-9280PT01 VK0680	101101 103106 108120 950951	1
	25 AS21414		.BOLT	002004 006999	1

MISSING ITEM NUMBERS NOT APPLICABLE

— ITEM NOT ILLUSTRATED

BRI

75-32-09-11

BOEING PROPRIETARY - Copyright © - Unpublished Work - See title page for details.

75-32-09
FIG. 11
PAGE 4
JAN 20/09



757

PARTS CATALOG (MAINTENANCE)

FIG ITEM	PART NUMBER	1 2 3 4 5 6 7	NOMENCLATURE	EFFECT FROM TO	UNITS PER ASSY
11					
27	AS21427	.BOLT-		002004	1
			POST SERVICE BULLETIN:	006100	
			72-C230PT01	102949	
			VK0680	952999	
28	AS21407	.BOLT-		002004	1
			POST SERVICE BULLETIN:	006100	
			72-C230PT01	102949	
			VK0680	952999	
30	AS21425	.BOLT-		002004	1
				006100	
				102102	
				107107	
				121949	
				952999	
32	AS21408	.BOLT-		002004	1
			POST SERVICE BULLETIN:	006100	
			72-C230PT01	102949	
			VK0680	952999	
33	AS21408	.BOLT-		002004	2
			POST SERVICE BULLETIN:	006100	
			72-C230PT01	102949	
			VK0680	952999	
35	AS21420	.BOLT-		002004	1
				006100	
				102102	
				107107	
				121949	
				952999	
36	K8831	.WASHER-		002004	4
			SUPPLIER CODE:	006100	
			VK0680	102102	
				107107	
				121949	
				952999	
37	AS21408	.BOLT		002004	2
				006999	
38	K8831	.WASHER-		002004	7
			SUPPLIER CODE:	006100	
			VK0680	102949	
			POST SERVICE BULLETIN:	952999	
			72-C230PT01		
			VK0680		
			PRE SERVICE BULLETIN:		
			72-D352		
			VK0680		

MISSING ITEM NUMBERS NOT APPLICABLE

- ITEM NOT ILLUSTRATED

BRI

75-32-09-11

BOEING PROPRIETARY - Copyright © - Unpublished Work - See title page for details.

75-32-09
FIG. 11
PAGE 5
JAN 20/09



757

PARTS CATALOG (MAINTENANCE)

FIG ITEM	PART NUMBER	1 2 3 4 5 6 7	NOMENCLATURE	EFFECT FROM TO	UNITS PER ASSY
11					
39	K8831		.WASHER- SUPPLIER CODE: VK0680 POST SERVICE BULLETIN: 24-9280PT01 VK0680	101101 103106 108120 950951	3
40	K8831		.WASHER- SUPPLIER CODE: VK0680	101101 950951	6
41	K8831		.WASHER- SUPPLIER CODE: VK0680 POST SERVICE BULLETIN: 79-9179PT01 VK0680	002004 006999	4
42	K8831		.WASHER- SUPPLIER CODE: VK0680 PRE SERVICE BULLETIN: 79-9179 VK0680	002004 006100 102102 107107 121949 952999	3
42A	K8831		.WASHER- SUPPLIER CODE: VK0680	002004 006100 102999	2
43	AS12943		.WASHER- POST SERVICE BULLETIN: 24-9280PT01 VK0680	101101 103106 108120 950951	2
44	K8831		.WASHER- SUPPLIER CODE: VK0680	002004 006100 102949 952999	4
- 45	K8831		.WASHER- SUPPLIER CODE: VK0680 POST SERVICE BULLETIN: 72-D352PT01 VK0680	103106 108120	2
46	UP10480		.SPACER- SUPPLIER CODE: VK0680	002004 006999	2
47	UP10480		.SPACER- SUPPLIER CODE: VK0680 POST SERVICE BULLETIN: 72-C230PT01 VK0680	002004 006100 102949 952999	2

MISSING ITEM NUMBERS NOT APPLICABLE

- ITEM NOT ILLUSTRATED

BRI

75-32-09-11

BOEING PROPRIETARY - Copyright © - Unpublished Work - See title page for details.

75-32-09
FIG. 11
PAGE 6
JAN 20/09



757

PARTS CATALOG (MAINTENANCE)

FIG ITEM	PART NUMBER	1 2 3 4 5 6 7	NOMENCLATURE	EFFECT FROM TO	UNITS PER ASSY
11					
50	UP10479	.	SPACER- SUPPLIER CODE: VK0680	002004 006999	1
55	UP10482	.	SPACER- SUPPLIER CODE: VK0680	002004 006100 102102 107107 121949 952999	1
57	UP10478	.	SPACER- SUPPLIER CODE: VK0680 POST SERVICE BULLETIN: 72-C230PT01 VK0680	002004 006100 102949 952999	1
60	UP10481	.	SPACER- SUPPLIER CODE: VK0680	002004 006100 102102 107107 121949 952999	1
63	AS20624	.	NUT- POST SERVICE BULLETIN: 24-9280PT01 VK0680	101101 103106 108120 950951	2
65	AS41104	.	NUT	002004 006999	6
66	AS41104	.	NUT- PRE SERVICE BULLETIN: 24-9280 VK0680	002004 006100 102102 107107 121949 952999	1
67	AS20624	.	NUT- POST SERVICE BULLETIN: 79-9179PT01 VK0680	002004 006999	1
69	AS20624	.	NUT	101101 950951	4
70	AS20624	.	NUT	002004 006999	2
71	AS20624	.	NUT	002004 006100 102949 952999	4
72	AS20624	.	NUT- POST SERVICE BULLETIN: 72-C230PT01 VK0680	002004 006100 102949 952999	4

MISSING ITEM NUMBERS NOT APPLICABLE

- ITEM NOT ILLUSTRATED

75-32-09-11

75-32-09
FIG. 11
PAGE 7
JAN 20/09

BRI

BOEING PROPRIETARY - Copyright © - Unpublished Work - See title page for details.



757

PARTS CATALOG (MAINTENANCE)

FIG ITEM	PART NUMBER	1 2 3 4 5 6 7	NOMENCLATURE	EFFECT FROM TO	UNITS PER ASSY
11					
73	AS41104		.NUT- POST SERVICE BULLETIN: 72-C230PT01 VK0680	002004 006100 102949 952999	2
75	400WSS6		.CLIP- SUPPLIER CODE: V83930	002004 006999	12
77	400WSS6		.CLIP- SUPPLIER CODE: V83930 POST SERVICE BULLETIN: 79-9179PT01 VK0680	002004 006999	4
78	400WSS6		.CLIP- SUPPLIER CODE: V83930 PRE SERVICE BULLETIN: 79-9179 VK0680	002004 006100 102102 107107 121949 952999	3
80	LK39525		.CLIP- SUPPLIER CODE: VK0680 PRE SERVICE BULLETIN: 72-C754 VK0680	002004 006100 102102 107107 121999	6
80	UP12008		.CLIP- SUPPLIER CODE: VK0680 POST SERVICE BULLETIN: 72-C754PTA VK0680	002004 006100 102102 107107 121999	6
82	LK39525		.CLIP- SUPPLIER CODE: VK0680 PRE SERVICE BULLETIN: 72-C754 VK0680	103106 108120	4
82	UP12008		.CLIP- SUPPLIER CODE: VK0680 POST SERVICE BULLETIN: 72-C754PTA VK0680	103106 108120	4
83	LK39525		.CLIP- SUPPLIER CODE: VK0680 POST SERVICE BULLETIN: 72-C230PT01 VK0680	103106 108120	3

MISSING ITEM NUMBERS NOT APPLICABLE

- ITEM NOT ILLUSTRATED

BRI

75-32-09-11

BOEING PROPRIETARY - Copyright © - Unpublished Work - See title page for details.

75-32-09
FIG. 11
PAGE 8
JAN 20/09



757

PARTS CATALOG (MAINTENANCE)

FIG ITEM	PART NUMBER	1 2 3 4 5 6 7	NOMENCLATURE	EFFECT FROM TO	UNITS PER ASSY
11					
84	LK39525		.CLIP- SUPPLIER CODE: VK0680 POST SERVICE BULLETIN: 72-C230PT01 VK0680	002004 006100 102949 952999	1
85	400WSS4		.CLIP- SUPPLIER CODE: V83930	002004 006999	6
86	400WSS4		.CLIP- SUPPLIER CODE: V83930 POST SERVICE BULLETIN: 24-9280PT01 VK0680	101101 103106 108120 950951	5
87	400WSS4		.CLIP- SUPPLIER CODE: V83930	002004 006100 102102 107107 121949 952999	6
90	AS21008		.BOLT	002004 006999	2
95	LK70941		.WASHER- SUPPLIER CODE: VK0680	002004 006999	2
105	AS21512		.BOLT	002004 006999	2
110	AS12944		.WASHER	002004 006999	2
115	CU37148		.WASHER- SUPPLIER CODE: VK0680	002004 006999	2
120	AS20625		.NUT	002004 006999	2
125	LK48227		.PLATE- SUPPLIER CODE: VK0680	002004 006999	1
130	AS21510		.BOLT	002004 006999	3
135	AGS3896		.GASKET	002004 006999	1
140	AS21408		.BOLT	002004 006999	2

MISSING ITEM NUMBERS NOT APPLICABLE

- ITEM NOT ILLUSTRATED

BRI

75-32-09-11

BOEING PROPRIETARY - Copyright © - Unpublished Work - See title page for details.

75-32-09
FIG. 11
PAGE 9
JAN 20/09



757

PARTS CATALOG (MAINTENANCE)

FIG ITEM	PART NUMBER	1 2 3 4 5 6 7	NOMENCLATURE	EFFECT FROM TO	UNITS PER ASSY
11					
143	UL29212		.BRACKET- SUPPLIER CODE: VK0680 POST SERVICE BULLETIN: 24-9280PT01 VK0680	101101 103106 108120 950951	1
145	LK81810		.PLATE- SUPPLIER CODE: VK0680	002004 006999	1
147	AS15825		.NUT ASSY	002004 006999	1
150	UL14905		.TUBE ASSY-DISC. TO SOL. SUPPLIER CODE: VK0680	002004 006999	1
155	UL14906		.TUBE ASSY-SOL. TO DISC. PANEL SUPPLIER CODE: VK0680	002004 006999	1
160	UL16613		.TUBE ASSY- SUPPLIER CODE: VK0680	002004 006999	1
165	UL16484		.TUBE ASSY-FIREWALL DISC. TO BHD SUPPLIER CODE: VK0680	002004 006999	1
170	UL11356		.TUBE ASSY-CONN. TO SOL. SUPPLIER CODE: VK0680	002004 006999	1
175	UL11355		.TUBE ASSY-CONN. TO SOL. SUPPLIER CODE: VK0680	002004 006100 102102 107107 121949 952999	1
175	UL29508		.TUBE ASSY-CONN TO SOL SUPPLIER CODE: VK0680 POST SERVICE BULLETIN: 24-9280PT01 VK0680	101101 103106 108120 950951	1
180	UL11313		.TUBE ASSY-DISC. TO TEE CONN. SUPPLIER CODE: VK0680	002004 006999	1
185	UL14895		.TUBE ASSY-HIGH PRESSURE 3 AIR-3WAY CONN TO DISC. SUPPLIER CODE: VK0680	002004 006100 102102 107107 121999	1

MISSING ITEM NUMBERS NOT APPLICABLE

- ITEM NOT ILLUSTRATED

75-32-09-11

75-32-09
FIG. 11
PAGE 10
JAN 20/09

BRI



757

PARTS CATALOG (MAINTENANCE)

FIG ITEM	PART NUMBER	1 2 3 4 5 6 7	NOMENCLATURE	EFFECT FROM TO	UNITS PER ASSY
11 185	UL38554		.TUBE ASSY-HIGH PRESSURE 3 AIR-3WAY CONN TO DISC. SUPPLIER CODE: VK0680 POST SERVICE BULLETIN: 72-C230PT01 VK0680	002004 006999	1
190	UL16486		.TUBE ASSY-DISC. TO BHD SUPPLIER CODE: VK0680 PRE SERVICE BULLETIN: 71-8135 VK0680	002004 006100 102102 107107 121949 952999	1
190	UL16655		.TUBE ASSY-DISC. TO BHD SUPPLIER CODE: VK0680 POST SERVICE BULLETIN: 71-8135PT01 VK0680	101101 950951	1
190	UL39341		.TUBE ASSY-HIGH PRESSURE 3 AIR-BLEED VALVE SOLENOID DISC. TO BHD SUPPLIER CODE: VK0680 POST SERVICE BULLETIN: 72-C230PT01 VK0680	002004 006100 102949 952999	1
195	LK85944		.TUBE ASSY-DISC. PANEL TO DISC. SUPPLIER CODE: VK0680	002004 006999	1
200	UL16633		.TUBE ASSY-TEE TO DISC. SUPPLIER CODE: VK0680	002004 006999	1
205	UL16632		.TUBE ASSY-DISC. TO DISC. SUPPLIER CODE: VK0680 PRE SERVICE BULLETIN: 75-7756	107107 121949 952999	1
205	UL16653		.TUBE ASSY-DISC. TO DISC. SUPPLIER CODE: VK0680 POST SERVICE BULLETIN: 75-7756PT01 VK0680	002004 006100 102102 107107 121949 952999	1

MISSING ITEM NUMBERS NOT APPLICABLE

- ITEM NOT ILLUSTRATED

75-32-09-11

75-32-09
FIG. 11
PAGE 11
JAN 20/09

BRI



757

PARTS CATALOG (MAINTENANCE)

FIG ITEM	PART NUMBER	1 2 3 4 5 6 7	NOMENCLATURE	EFFECT FROM TO	UNITS PER ASSY
11 210	UL28675		.TUBE ASSY-DISC TO DISC SUPPLIER CODE: VK0680 POST SERVICE BULLETIN: 24-9280PT01 VK0680	101101 103106 108120 950951	1
- 400	U440068		.BRAID- SUPPLIER CODE: VK0680 MISCELLANEOUS DATA: BLK 3100631 OR VENDOR PART T085 OPTIONAL SUPPLIER CODE: VKA723 POST SERVICE BULLETIN: 71-C469PTA VK0680	002004 006102 107107 121999	1
- 437	U440254		.TAPE- SUPPLIER CODE: VU1653 NOT APPROVED FOR ETOPS. MISCELLANEOUS DATA: BULK NO.1023879 POST SERVICE BULLETIN: 71-C469PTA VK0680	002004 006102 107107 121999	1

MISSING ITEM NUMBERS NOT APPLICABLE

- ITEM NOT ILLUSTRATED

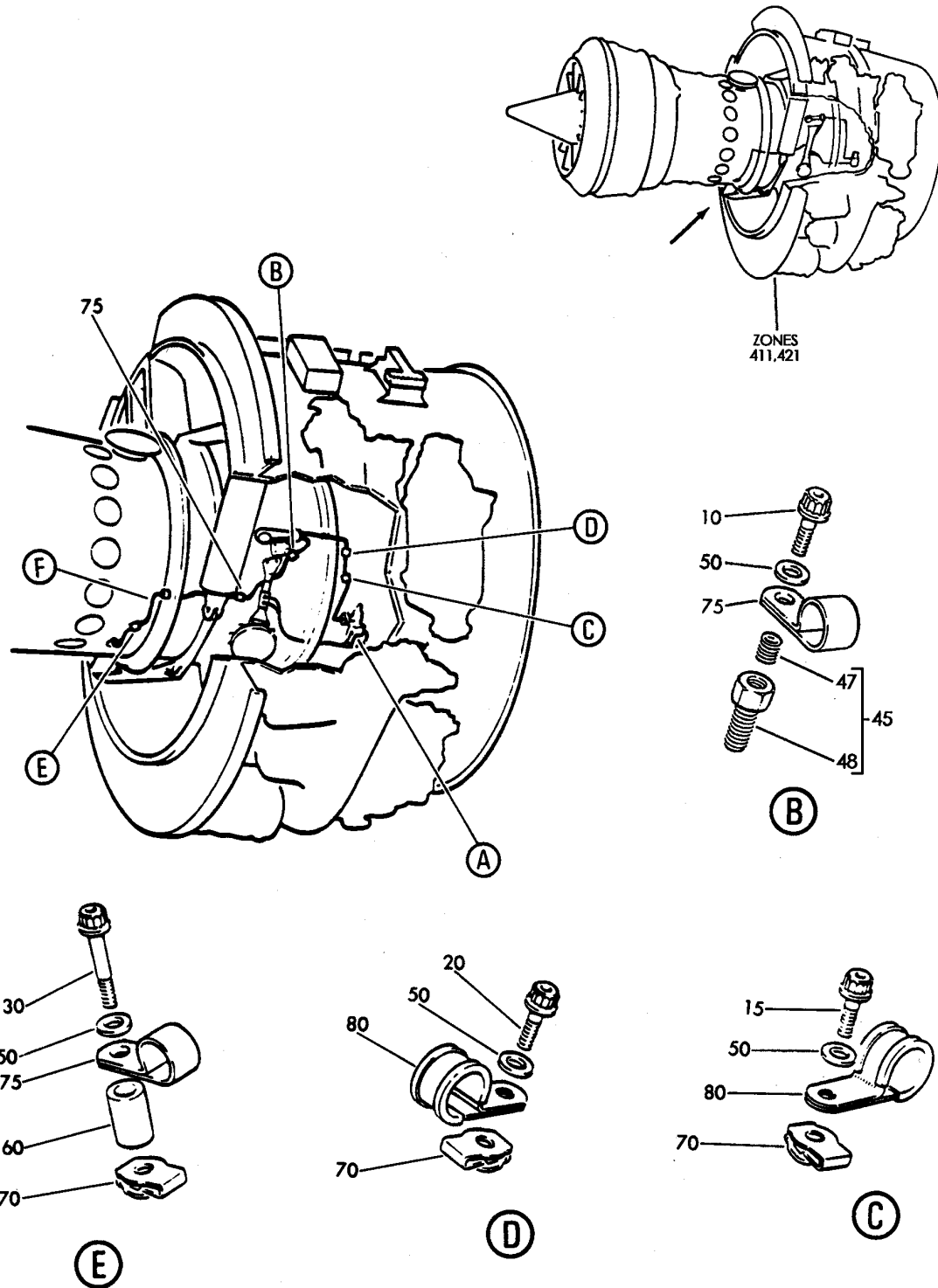
BRI

75-32-09-11

BOEING PROPRIETARY - Copyright © - Unpublished Work - See title page for details.

75-32-09
FIG. 11
PAGE 12
JAN 20/09

BOEING
757
PARTS CATALOG (MAINTENANCE)



Y 75321202 SHT 1 REV 213

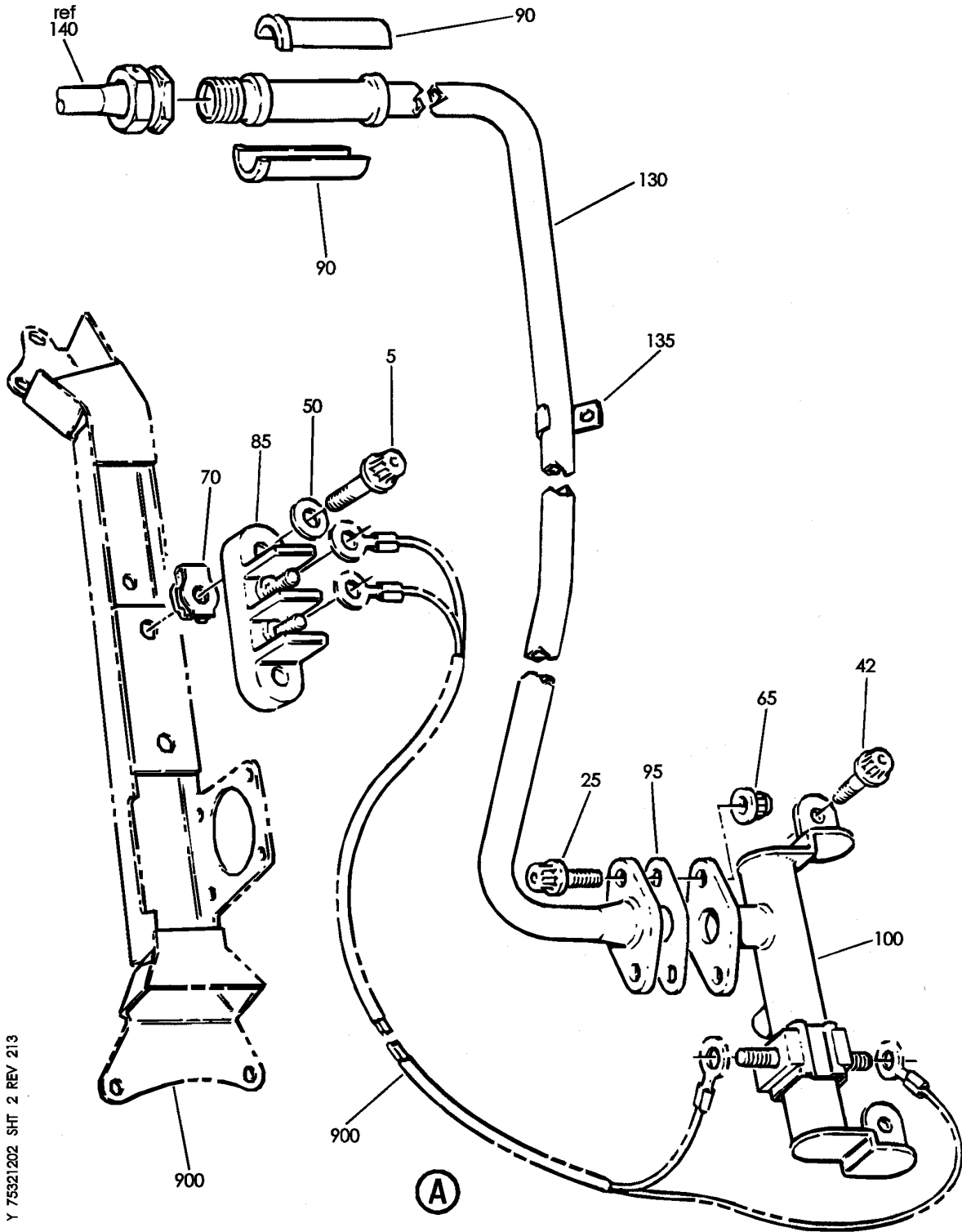
T2 SONIC THERMOCOUPLE (RB211-535)
FIGURE 2 (SHEET 1)

75-32-12-02

BRI
MAY 28/07

75-32-12-02
PAGE 0

BOEING
757
PARTS CATALOG (MAINTENANCE)



Y 75321202 SHT 2 REV 213

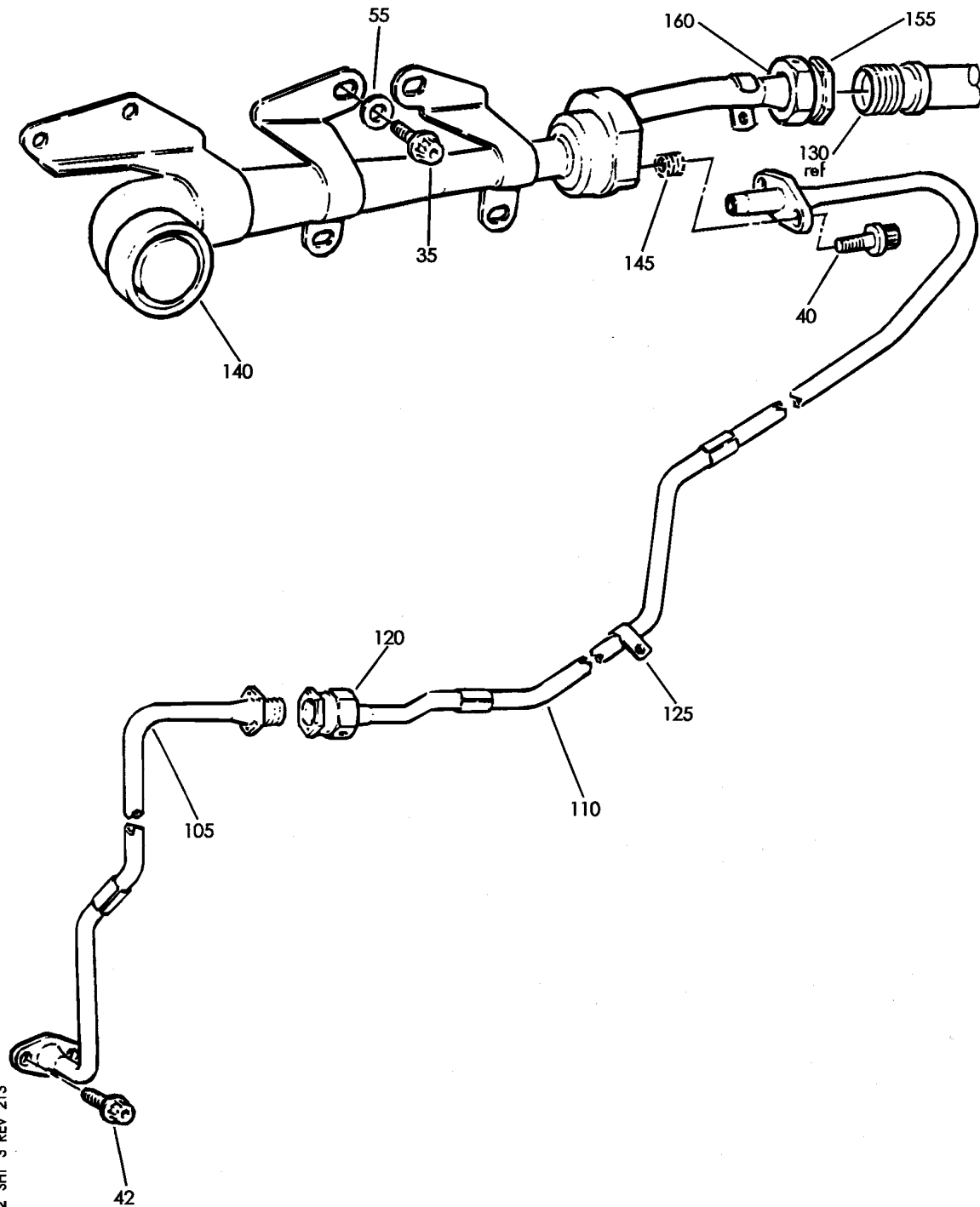
T2 SONIC THERMOCOUPLE (RB211-535)
FIGURE 2 (SHEET 2)

75-32-12-02

BRI
MAY 28/07

75-32-12-02
PAGE 0A

BOEING
757
PARTS CATALOG (MAINTENANCE)



Y 75521202 SHT 3 REV 213

(F)

T2 SONIC THERMOCOUPLE (RB211-535)
FIGURE 2 (SHEET 3)

75-32-12-02

BRI
MAY 28/07

75-32-12-02
PAGE 0B



757

PARTS CATALOG (MAINTENANCE)

FIG ITEM	PART NUMBER	1 2 3 4 5 6 7	NOMENCLATURE	EFFECT FROM TO	UNITS PER ASSY
2			T2 SONIC THERMOCOUPLE (RB211-535)	002004 006999	
- 1	UL19722		ENGINE ASSY-Q.E.C.U. RB211-535E43711 MAXIMUM NEUT SUPPLIER CODE: VK0680 FOR NHA/OTHER SYS DET SEE: 71-00-02-04	107107	RF
- 1	UL20697		ENGINE ASSY-Q.E.C.U. RB211-535E43711 MAXIMUM NEUT WITH GRAVINER FIRE DETECTORS, BAYONET MCD, NON-MODULATED IDG COOLING 40,000 LB THRUST SUPPLIER CODE: VK0680 REFERENCE SERVICE BULLETIN: 71-0058R4 QUALIFIED SB I/W DATA: INTERMIX OF ONE OR SUBSTITUTION OF TWO DIFFERENT CONFIGURATION RB211-535E4-37/() ENGINES FOR RB211-535 E4 BASE ENGINES REFERENCE SERVICE BULLETIN: RB211-72-C547 VK0680 FOR NHA/OTHER SYS DET SEE: 71-00-02-04	121503 904949 952999	RF

MISSING ITEM NUMBERS NOT APPLICABLE

- ITEM NOT ILLUSTRATED

BRI

75-32-12-02

BOEING PROPRIETARY - Copyright © - Unpublished Work - See title page for details.

75-32-12
FIG. 02
PAGE 1
JAN 20/09



757

PARTS CATALOG (MAINTENANCE)

FIG ITEM	PART NUMBER	1 2 3 4 5 6 7	NOMENCLATURE	EFFECT FROM TO	UNITS PER ASSY
2 - 1	UL20698		ENGINE ASSY-Q.E.C.U. RB211-535E43712 MAXIMUM NEUT SUPPLIER CODE: VK0680 REFERENCE SERVICE BULLETIN: 71-0058R7 QUALIFIED SB I/W DATA: INTERMIX OF ONE OR SUBSTITUTION OF TWO DIFFERENT CONFIGURATION RB211-535E4-37/() ENGINES FOR RB211-535E4 BASE ENGINES OR DIFFERENT CONFIGURATION RB211-535E4-B-37/() ENGINES FOR RB211-535E4-B BASE ENGINES REFERENCE SERVICE BULLETIN: RB211-72-C547 VK0680 RB211-72-8910 VK0680 POST RAPID REVISION: RR92014-183A-RC-E FOR NHA/OTHER SYS DET SEE: 71-00-02-04	002004 006100 102102	RF
- 1	UL20702		ENGINE ASSY-Q.E.C.U. RB211-535E43711 BASIC ENGINE CONFIGURATION WITH GRAVINER FIRE DETECTORS,BAYONET MCD, NON-MODULATED IDG COOLING 40,100 LB THRUST SUPPLIER CODE: VK0680 FOR NHA/OTHER SYS DET SEE: 71-00-02-10	504903	RF
- 1	UL36209		ENGINE ASSY-Q.E.C.U. RB211-535E43719 MAXIMUM NEUT SUPPLIER CODE: VK0680 FOR NHA/OTHER SYS DET SEE: 71-00-02-04	950951	RF

MISSING ITEM NUMBERS NOT APPLICABLE

- ITEM NOT ILLUSTRATED

BRI

75-32-12-02

BOEING PROPRIETARY - Copyright © - Unpublished Work - See title page for details.

75-32-12
FIG. 02
PAGE 2
JAN 20/09



757

PARTS CATALOG (MAINTENANCE)

FIG ITEM	PART NUMBER	1 2 3 4 5 6 7	NOMENCLATURE	EFFECT FROM TO	UNITS PER ASSY
2					
- 3	BCREF17395		ENGINE ASSY-Q.E.C.U. RB211-535E43739 BASIC ENGINE CONFIGURATION AND PHASE 5 COMBUSTOR 40,100 LB THRUST SUPPLIER CODE: VK0680 OVERLENGTH PART NUMBER: RB211-535E4-37-39E FOR NHA/OTHER SYS DET SEE: 71-00-02-10	108120	RF
- 3	BCREF17101		ENGINE ASSY-Q.E.C.U. RB211-535E43744 BASIC ENGINE CONFIGURATION BAYONET MCD AND PHASE 5 COMBUSTOR 40,100 LB THRUST SUPPLIER CODE: VK0680 OVERLENGTH PART NUMBER: RB211-535E4-3744E FOR NHA/OTHER SYS DET SEE: 71-00-02-10	103106	RF
- 3	UL38163		ENGINE ASSY-Q.E.C.U. RB211-535E43724 BASIC ENGINE CONFIGURATION BAYONET MCD 40,100 LB THRUST SUPPLIER CODE: VK0680 FOR NHA/OTHER SYS DET SEE: 71-00-02-10	101101	RF
5	AS20914		.BOLT	002004 006999	2
10	AS21406		.BOLT	002004 006999	1
15	AS21407		.BOLT	002004 006999	1
20	AS21409		.BOLT	002004 006999	1
25	AS21410		.BOLT- NOT APPROVED FOR ETOPS.	002004 006999	2
30	AS21421		.BOLT	002004 006999	1
35	AS21508		.BOLT	002004 006999	2

MISSING ITEM NUMBERS NOT APPLICABLE

- ITEM NOT ILLUSTRATED

75-32-12-02

75-32-12
FIG. 02
PAGE 3
JAN 20/09

BRI



757

PARTS CATALOG (MAINTENANCE)

FIG ITEM	PART NUMBER	1 2 3 4 5 6 7	NOMENCLATURE	EFFECT FROM TO	UNITS PER ASSY
2					
40	AS21510		.BOLT- PRE SERVICE BULLETIN: 75-7858 VK0680	107107 121949 952999	2
40	AS21509		.BOLT- POST SERVICE BULLETIN: 75-7858 VK0680	002004 006999	2
42	AS21510		.BOLT	002004 006999	4
45	LK40564		.NUT ASSY- SUPPLIER CODE: VK0680	002004 006999	1
50	K8831		.WASHER- SUPPLIER CODE: VK0680	002004 006999	6
55	LK74669		.WASHER- SUPPLIER CODE: VK0680	002004 006999	2
60	UP10481		.SPACER- SUPPLIER CODE: VK0680	002004 006999	1
65	AS20624		.NUT	002004 006999	2
70	AS41104		.NUT	002004 006999	5
75	LK39525		.CLIP- SUPPLIER CODE: VK0680 PRE SERVICE BULLETIN: 72-C754 VK0680	002004 006999	3
75	UP12008		.CLIP- SUPPLIER CODE: VK0680 POST SERVICE BULLETIN: 72-C754PTA VK0680	002004 006999	3
80	400WSS8		.CLIP- SUPPLIER CODE: V83930	002004 006999	2
85	LK77585		.BLOCK ASSY-TERM. SUPPLIER CODE: VK0680	002004 006999	1
90	LK74816		.BUSHING-SLEEVE HALF- T2 SONIC THERMOCOUPLE TUBE SUPPLIER CODE: VK0680	002004 006999	2

MISSING ITEM NUMBERS NOT APPLICABLE

- ITEM NOT ILLUSTRATED

BRI

75-32-12-02

75-32-12
FIG. 02
PAGE 4
JAN 20/09



757

PARTS CATALOG (MAINTENANCE)

FIG ITEM	PART NUMBER	1 2 3 4 5 6 7	NOMENCLATURE	EFFECT FROM TO	UNITS PER ASSY
2					
95	EU18749		.JOINT-T2 SONIC THERMOCOUPLE CONNECTION SUPPLIER CODE: VK0680	002004 006999	1
100	S496-7-44		.THERMOCOUPLE ASSY-SONIC T2 SUPPLIER CODE: VK0405 PRE SERVICE BULLETIN: 75-8148 VK0680	002004 006100 102102 107107 121949 952999	1
100	S496-7-49		.THERMOCOUPLE ASSY-SONIC T2 SUPPLIER CODE: VK0405 POST SERVICE BULLETIN: 75-8148 VK0680	002004 006999	1
105	UL14926		.TUBE ASSY-HP3 AIR TO T2 T/C COMB. CSG TO BHD SUPPLIER CODE: VK0680	002004 006999	1
110	UL14886		.TUBE ASSY-HP3 AIR TO T2 TC-BHD TO EJECTOR SUPPLIER CODE: VK0680	002004 006999	1
130	UL11280		.TUBE ASSY-T2 SONIC THERMOCOUPLE TO DISC. SUPPLIER CODE: VK0680	002004 006999	1
140	LK82823		.TUBE ASSY-EJECTOR-T2 SONIC THERMOCOUPLE SUPPLIER CODE: VK0680	002004 006999	1
905			ILLUSTRATION REFERENCE: HARNESS-L.D. ELECTRICAL SPEED PROBES (RB211-535) 71-51-53-02	002004 006102 107107 121999	RF

MISSING ITEM NUMBERS NOT APPLICABLE

- ITEM NOT ILLUSTRATED

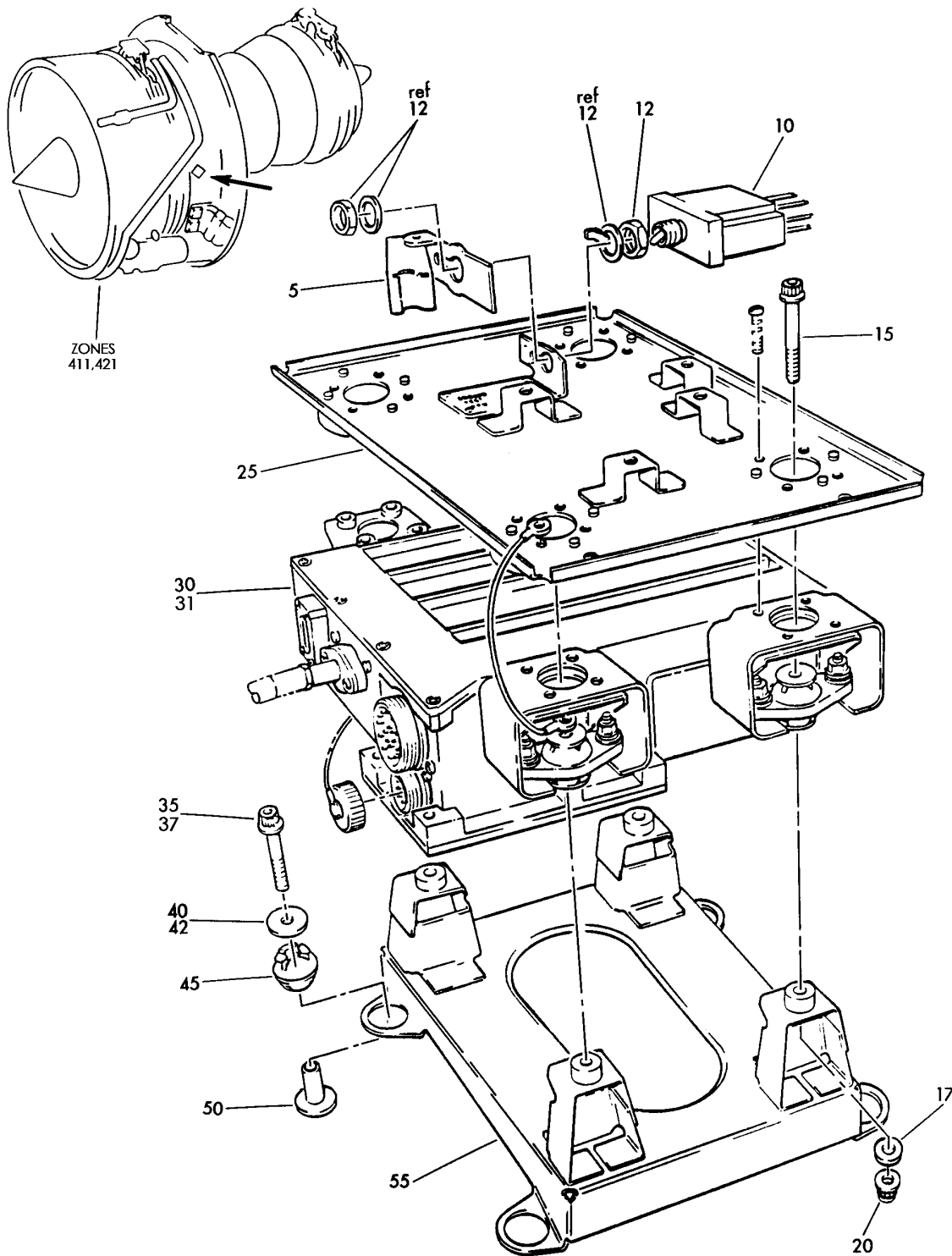
BRI

75-32-12-02

BOEING PROPRIETARY - Copyright © - Unpublished Work - See title page for details.

75-32-12
FIG. 02
PAGE 5
JAN 20/09

BOEING
757
PARTS CATALOG (MAINTENANCE)



Y 75321501 REV 229

SENSOR UNIT-CPSPR BLEED VALVES TRANSIENT PRESSURE (RB211-535)
FIGURE 1

75-32-15-01

BRI
MAY 28/07

75-32-15-01
PAGE 0



757

PARTS CATALOG (MAINTENANCE)

FIG ITEM	PART NUMBER	1 2 3 4 5 6 7	NOMENCLATURE	EFFECT FROM TO	UNITS PER ASSY
1			SENSOR UNIT-CSPR BLEED VALVES TRANSIENT PRESSURE (RB211-535)	002004 006102 107107 121999	
- 1	UL19722		ENGINE ASSY-Q.E.C.U. RB211-535E43711 MAXIMUM NEUT SUPPLIER CODE: VK0680 FOR NHA/OTHER SYS DET SEE: 71-00-02-04	107107	RF
- 1	UL20697		ENGINE ASSY-Q.E.C.U. RB211-535E43711 MAXIMUM NEUT WITH GRAVINER FIRE DETECTORS, BAYONET MCD, NON-MODULATED IDG COOLING 40,000 LB THRUST SUPPLIER CODE: VK0680 REFERENCE SERVICE BULLETIN: 71-0058R4 QUALIFIED SB I/W DATA: INTERMIX OF ONE OR SUBSTITUTION OF TWO DIFFERENT CONFIGURATION RB211-535E4-37/() ENGINES FOR RB211-535 E4 BASE ENGINES REFERENCE SERVICE BULLETIN: RB211-72-C547 VK0680 FOR NHA/OTHER SYS DET SEE: 71-00-02-04	121503 904949 952999	RF

MISSING ITEM NUMBERS NOT APPLICABLE

- ITEM NOT ILLUSTRATED

BRI

75-32-15-01

BOEING PROPRIETARY - Copyright © - Unpublished Work - See title page for details.

75-32-15
FIG. 01
PAGE 1
JAN 20/09



757

PARTS CATALOG (MAINTENANCE)

FIG ITEM	PART NUMBER	1 2 3 4 5 6 7	NOMENCLATURE	EFFECT FROM TO	UNITS PER ASSY
1					
- 1	UL20698		ENGINE ASSY-Q.E.C.U. RB211-535E43712 MAXIMUM NEUT SUPPLIER CODE: VK0680 REFERENCE SERVICE BULLETIN: 71-0058R7 QUALIFIED SB I/W DATA: INTERMIX OF ONE OR SUBSTITUTION OF TWO DIFFERENT CONFIGURATION RB211-535E4-37/() ENGINES FOR RB211-535E4 BASE ENGINES OR DIFFERENT CONFIGURATION RB211-535E4-B-37/() ENGINES FOR RB211-535E4-B BASE ENGINES REFERENCE SERVICE BULLETIN: RB211-72-C547 VK0680 RB211-72-8910 VK0680 POST RAPID REVISION: RR92014-183A-RC-E FOR NHA/OTHER SYS DET SEE: 71-00-02-04	002004 006100 102102	RF
- 1	UL36209		ENGINE ASSY-Q.E.C.U. RB211-535E43719 MAXIMUM NEUT SUPPLIER CODE: VK0680 FOR NHA/OTHER SYS DET SEE: 71-00-02-04	950951	RF
- 1	UL20702		ENGINE ASSY-Q.E.C.U. RB211-535E43711 BASIC ENGINE CONFIG. WITH GRAVINER FIRE DETECTORS,BAYONET MCD, NON-MODULATED IDG COOLING 40,100 LB THRUST SUPPLIER CODE: VK0680 FOR NHA/OTHER SYS DET SEE: 71-00-02-10	504903	RF

MISSING ITEM NUMBERS NOT APPLICABLE

- ITEM NOT ILLUSTRATED

75-32-15-01

75-32-15
FIG. 01
PAGE 2
JAN 20/09

BRI



757

PARTS CATALOG (MAINTENANCE)

FIG ITEM	PART NUMBER	1 2 3 4 5 6 7	NOMENCLATURE	EFFECT FROM TO	UNITS PER ASSY
1					
- 3	UL38163		ENGINE ASSY-Q.E.C.U. RB211-535E43724 BASIC ENGINE CONFIGURATION, BAYONET MCD, 40,100 LB THRUST SUPPLIER CODE: VK0680 FOR NHA/OTHER SYS DET SEE: 71-00-02-10	101101	RF
5	MS25223-2		.GUARD ASSY-TPU GROUND TEST SWITCH PRE SERVICE BULLETIN: 75-8137 VK0680	002004 006100 102102 107107 121949 952999	1
5	MS25225-3		.GUARD-SWITCH TPU GROUND TEST SWITCH POST SERVICE BULLETIN: 75-8137PT01 VK0680	002004 006102 107107 121999	1
10	UL15559		.SWITCH ASSY-TPU GROUND TEST SUPPLIER CODE: VK0680 PRE SERVICE BULLETIN: 75-8137 VK0680	002004 006100 102102 107107 121949 952999	1
10	UL19994		.SWITCH ASSY-TPU GROUND TEST SUPPLIER CODE: VK0680 POST SERVICE BULLETIN: 75-8137PT01 VK0680	002004 006102 107107 121999	1
12	19PA9		..NUT-LOCKNUT KIT SUPPLIER CODE: V91929	002004 006102 107107 121999	1
15	AS21422		.BOLT	002004 006102 107107 121999	4
17	K8831		.WASHER- SUPPLIER CODE: VK0680	002004 006102 107107 121999	4

MISSING ITEM NUMBERS NOT APPLICABLE

- ITEM NOT ILLUSTRATED

75-32-15-01

75-32-15
FIG. 01
PAGE 3
JAN 20/09

BRI



757

PARTS CATALOG (MAINTENANCE)

FIG ITEM	PART NUMBER	1 2 3 4 5 6 7	NOMENCLATURE	EFFECT FROM TO	UNITS PER ASSY
1	20 AS20624	.	NUT	002004 006102 107107 121999	4
30	ETPU100-01A	.	SENSOR- SUPPLIER CODE: VU4287 NOT APPROVED FOR ETOPS. CONFIG CHG DATA FROM A CMM: FOR INTRCHG SEE RR IPC POST SERVICE BULLETIN: 75-7841PT01 VK0680 75-7808PT01 VK0680 75-7842PT01 VK0680 75-8017PT01 VK0680 PRE SERVICE BULLETIN: 75-7841 VK0680 75-7808 VK0680 75-7842 VK0680 75-8017 VK0680 75-8070 VK0680	002004 006100 102102 107107 121949 952999	1
30	ETPU100-02B	.	SENSOR- SUPPLIER CODE: VU4287 NOT APPROVED FOR ETOPS. CONFIG CHG DATA FROM A CMM: FOR INTRCHG SEE RR IPC POST SERVICE BULLETIN: 75-8070PT01 VK0680 PRE SERVICE BULLETIN: 75-8315 VK0680	002004 006100 102102 107107 121949 952999	1

MISSING ITEM NUMBERS NOT APPLICABLE

- ITEM NOT ILLUSTRATED

BRI

75-32-15-01

BOEING PROPRIETARY - Copyright © - Unpublished Work - See title page for details.

75-32-15
FIG. 01
PAGE 4
JAN 20/09



757

PARTS CATALOG (MAINTENANCE)

FIG ITEM	PART NUMBER	1 2 3 4 5 6 7	NOMENCLATURE	EFFECT FROM TO	UNITS PER ASSY
1	30 ETPU100-03C		.SENSOR- SUPPLIER CODE: VU4287 CONFIG CHG DATA FROM A CMM: FOR INTRCHG SEE RR IPC POST SERVICE BULLETIN: 75-B699PT01 VK0680 PRE SERVICE BULLETIN: 75-B945 VK0680	002004 006102 107107 121999	1
	30 ETPU100-02C		.SENSOR- SUPPLIER CODE: VU4287 NOT APPROVED FOR ETOPS. CONFIG CHG DATA FROM A CMM: FOR INTRCHG SEE RR IPC POST SERVICE BULLETIN: 75-8315PT01 VK0680 75-9350PT01 VK0680 75-8832PT90 VK0680 75-8587PT90 VK0680 75-9208PT01 VK0680 PRE SERVICE BULLETIN: 75-8587 VK0680 75-9208 VK0680 75-B699 VK0680 75-8832 VK0680 75-9350 VK0680	002004 006102 107107 121999	1

MISSING ITEM NUMBERS NOT APPLICABLE

- ITEM NOT ILLUSTRATED

BRI

75-32-15-01

BOEING PROPRIETARY - Copyright © - Unpublished Work - See title page for details.

75-32-15
FIG. 01
PAGE 5
JAN 20/09



757

PARTS CATALOG (MAINTENANCE)

FIG ITEM	PART NUMBER	1 2 3 4 5 6 7	NOMENCLATURE	EFFECT FROM TO	UNITS PER ASSY
1	30 ETPU200-01		.SENSOR-TRANSIENT PRESSURE SUPPLIER CODE: VU4287 CONFIG CHG DATA FROM A CMM: FOR INTRCHG SEE RR IPC POST SERVICE BULLETIN: 75-B945PT01 VK0680 PRE SERVICE BULLETIN: 75-C823 VK0680	002004 006102 107107 121999	1
	31 ETPU300-01		.SENSOR-TRANSIENT PRESSURE SUPPLIER CODE: VU4287 CONFIG CHG DATA FROM A CMM: FOR INTRCHG SEE RR IPC POST SERVICE BULLETIN: 75-C823PT01 VK0680 75-E874PT01 VK0680 PRE SERVICE BULLETIN: 75-E874 VK0680	002004 006102 107107 121999	1
	35 AS21518		.BOLT- PRE SERVICE BULLETIN: 75-9593 VK0680	002004 006102 107107 121999	4
	35 AS21020		.BOLT- POST SERVICE BULLETIN: 75-9593PT01 VK0680 PRE SERVICE BULLETIN: 75-B902 VK0680	002004 006102 107107 121999	4
-	36 AS21026		.BOLT- POST SERVICE BULLETIN: 75-B902PT01 VK0680	002004 006102 107107 121999	2
	37 AS21020		.BOLT- POST SERVICE BULLETIN: 75-B902PT01 VK0680	002004 006102 107107 121999	2
	40 UL16471		.WASHER- SUPPLIER CODE: VK0680 PRE SERVICE BULLETIN: 75-9593 VK0680	002004 006102 107107 121999	4

MISSING ITEM NUMBERS NOT APPLICABLE

- ITEM NOT ILLUSTRATED

75-32-15-01

75-32-15
FIG. 01
PAGE 6
JAN 20/09

BRI



757

PARTS CATALOG (MAINTENANCE)

FIG ITEM	PART NUMBER	1 2 3 4 5 6 7	NOMENCLATURE	EFFECT FROM TO	UNITS PER ASSY
1					
42	UP11562		.WASHER- SUPPLIER CODE: VK0680 POST SERVICE BULLETIN: 75-9593PT01 VK0680	002004 006102 107107 121999	8
45	P500-19-5		.BUSHING- SUPPLIER CODE: VK0479	002004 006102 107107 121999	4
50	UL18514		.SPACER- SUPPLIER CODE: VK0680 PRE SERVICE BULLETIN: 75-9593 VK0680	002004 006102 107107 121999	4
50	UP11563		.SPACER- SUPPLIER CODE: VK0680 POST SERVICE BULLETIN: 75-9593PT01 VK0680	002004 006102 107107 121999	4
55	UL18515		.BRACKET ASSY-TPU SUPPLIER CODE: VK0680 PRE SERVICE BULLETIN: 75-B902 VK0680	002004 006102 107107 121999	1
55	UL37789		.BRACKET ASSY-TPU SUPPLIER CODE: VK0680 POST SERVICE BULLETIN: 75-B902PT01 VK0680	002004 006102 107107 121999	1
- 60	B482874		.SPACER- SUPPLIER CODE: VK0680 POST SERVICE BULLETIN: 75-B902PT01 VK0680	002004 006102 107107 121999	2

MISSING ITEM NUMBERS NOT APPLICABLE

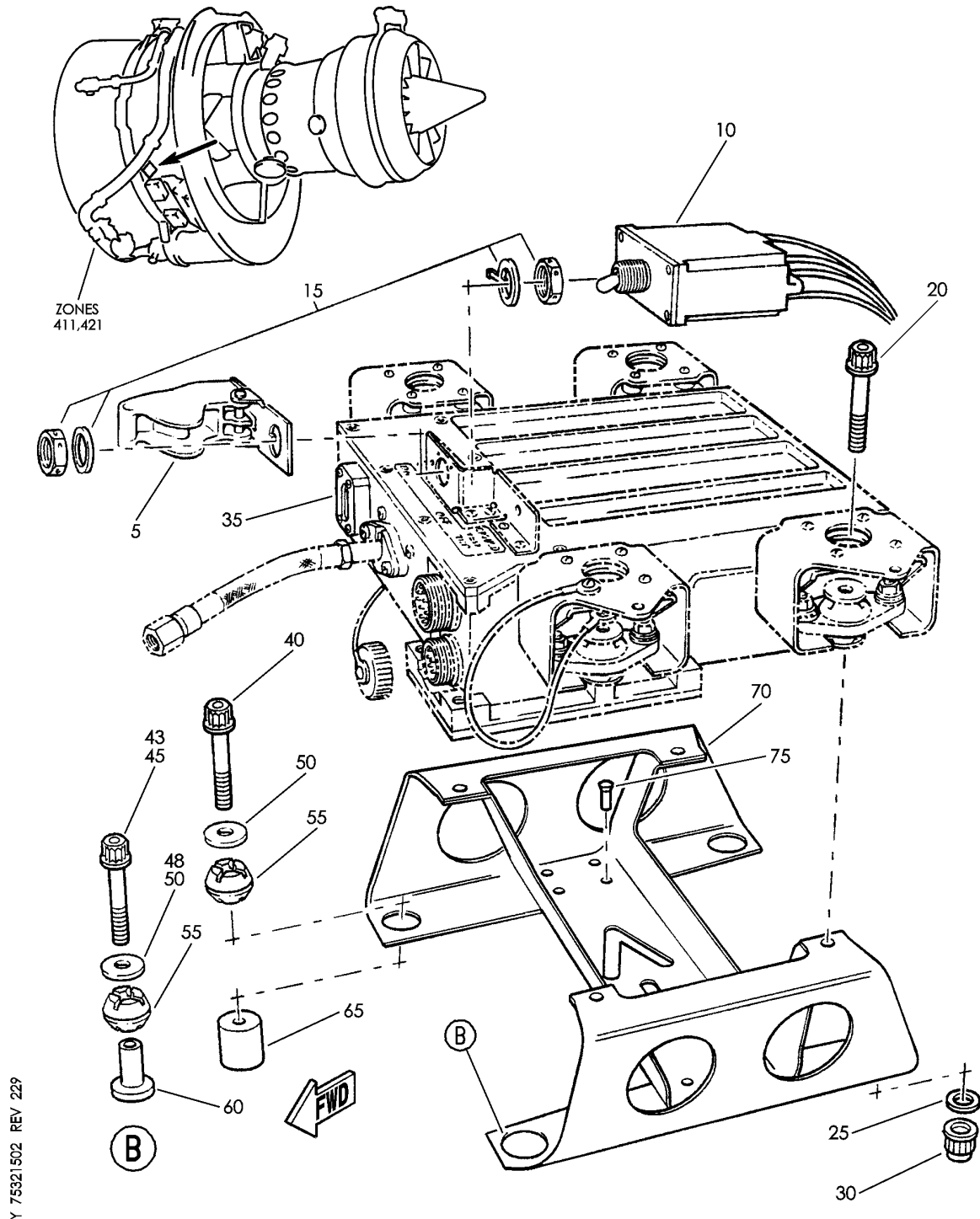
- ITEM NOT ILLUSTRATED

BRI

75-32-15-01

75-32-15
FIG. 01
PAGE 7
JAN 20/09

BOEING
757
PARTS CATALOG (MAINTENANCE)



Y 75321502 REV 229

SENSOR UNIT-CPRSR BLEED VALVES TRANSIENT PRESSURE (RB211-535)
FIGURE 2

75-32-15-02

BRI
JAN 20/09

75-32-15-02
PAGE 0



757

PARTS CATALOG (MAINTENANCE)

FIG ITEM	PART NUMBER	1 2 3 4 5 6 7	NOMENCLATURE	EFFECT FROM TO	UNITS PER ASSY
2			SENSOR UNIT-CPRSR BLEED VALVES TRANSIENT PRESSURE (RB211-535)	103106 108120	
- 1	BCREF17101		ENGINE ASSY- RB211-535E43744 BASIC ENGINE CONFIGURATION, BAYONET MCD AND PHASE 5 COMBUSTOR 40,100 LB THRUST SUPPLIER CODE: VK0680 OVERLENGTH PART NUMBER: RB211-535E4-3744E FOR NHA/OTHER SYS DET SEE: 71-00-02-10	103106	RF
- 1	BCREF17395		ENGINE ASSY- RB211-535E43739 BASIC ENGINE CONFIGURATION AND PHASE 5 COMBUSTOR 40,100 LB THRUST SUPPLIER CODE: VK0680 OVERLENGTH PART NUMBER: RB211-535E4-37-39E FOR NHA/OTHER SYS DET SEE: 71-00-02-10	108120	RF
5	MS25225-3		.GUARD-SWITCH TPU GROUND TEST SWITCH POST SERVICE BULLETIN: 75-8137PT01 VK0680	103106 108120	1
10	UL19994		.SWITCH ASSY-TPU GROUND TEST SUPPLIER CODE: VK0680 POST SERVICE BULLETIN: 75-8137PT01 VK0680	103106 108120	1
15	19PA9		..NUT-LOCKNUT KIT SUPPLIER CODE: V91929	103106 108120	1
20	AS21422		.BOLT	103106 108120	4
25	K8831		.WASHER- SUPPLIER CODE: VK0680	103106 108120	4
30	AS20624		.NUT	103106 108120	4

MISSING ITEM NUMBERS NOT APPLICABLE

- ITEM NOT ILLUSTRATED

75-32-15-02

75-32-15
FIG. 02
PAGE 1
JAN 20/09

BRI



757

PARTS CATALOG (MAINTENANCE)

FIG ITEM	PART NUMBER	1 2 3 4 5 6 7	NOMENCLATURE	EFFECT FROM TO	UNITS PER ASSY
2	35 ETPU300-01		.SENSOR- SUPPLIER CODE: VU4287 POST SERVICE BULLETIN: 75-C823PT01 VK0680 75-E874PT01 VK0680 PRE SERVICE BULLETIN: 75-E874 VK0680	103106 108120	1
	40 AS21026		.BOLT- POST SERVICE BULLETIN: 75-B902PT01 VK0680	103106 108120	2
	43 AS21518		.BOLT- PRE SERVICE BULLETIN: 75-9593 VK0680	108120	4
	43 AS21020		.BOLT- POST SERVICE BULLETIN: 75-9593PT01 VK0680 PRE SERVICE BULLETIN: 75-B902 VK0680	108120	4
	45 AS21020		.BOLT- POST SERVICE BULLETIN: 75-B902PT01 VK0680	103106 108120	2
	48 UL16471		.WASHER- SUPPLIER CODE: VK0680 PRE SERVICE BULLETIN: 75-9593 VK0680	108120	4
	50 UP11562		.WASHER- SUPPLIER CODE: VK0680 POST SERVICE BULLETIN: 75-9593PT01 VK0680	103106 108120	8
	55 P500-19-5		.BUSHING- SUPPLIER CODE: VK0479	103106 108120	4

MISSING ITEM NUMBERS NOT APPLICABLE

- ITEM NOT ILLUSTRATED

BRI

75-32-15-02

BOEING PROPRIETARY - Copyright © - Unpublished Work - See title page for details.

75-32-15
FIG. 02
PAGE 2
JAN 20/09



757

PARTS CATALOG (MAINTENANCE)

FIG ITEM	PART NUMBER	1 2 3 4 5 6 7	NOMENCLATURE	EFFECT FROM TO	UNITS PER ASSY
2					
60	UP11563		. SPACER- SUPPLIER CODE: VK0680 POST SERVICE BULLETIN: 75-9593PT01 VK0680	103106 108120	4
60	UL18514		. SPACER- SUPPLIER CODE: VK0680 PRE SERVICE BULLETIN: 75-9593 VK0680	108120	4
65	B482874		. SPACER- SUPPLIER CODE: VK0680 POST SERVICE BULLETIN: 75-B902PT01 VK0680	103106 108120	2
70	UL37789		. BRACKET ASSY-TPU SUPPLIER CODE: VK0680 POST SERVICE BULLETIN: 75-B902PT01 VK0680	103106 108120	1
70	UL18515		. BRACKET ASSY-TPU SUPPLIER CODE: VK0680 PRE SERVICE BULLETIN: 75-B902 VK0680	108120	1

MISSING ITEM NUMBERS NOT APPLICABLE

- ITEM NOT ILLUSTRATED

BRI

75-32-15-02

BOEING PROPRIETARY - Copyright © - Unpublished Work - See title page for details.

75-32-15
FIG. 02
PAGE 3
JAN 20/09