



757 MANUAL SUPPLEMENT - ATP.2860

SECTION 2 CHAPTER 76

CONTROL PAGE ISSUE 1

- A. File the attached Temporary Revisions/Alerts in the Manual supplement in ATA Chapter/Section/Subject/Page sequence.
- B. File this control page in front of the chapter TRs/Alerts.
- C. The following list shows active TRs/Alerts together with TRs/Alerts added by this control page.

Chapter Section Subject	Page	TR/Alert No.	Distribution (Ref.P.TEC.01.02 Para 5)
76-11-59-01	0	* BA.76-502	ATP

- D Remove and Destroy the following TR's/Alerts:

76-11-59-01	0	BA.76-501	ATP
-------------	---	-----------	-----

\* - TR's/Alerts issued with this control page

**ATP  
TEMPORARY  
REVISION**

**AIRPLANES  
NA351, NA352**

TR Page 1 of 1  
July 1993

757 ILLUSTRATED PARTS CATALOG

THIS TEMPORARY REVISION IS ISSUED BY BRITISH AIRWAYS TECHNICAL SERVICES AND COMPLIES WITH BCAR'S CHAPTER A5-3, B5-3 AND/OR TSS No. 0-2 AS REQUIRED. CAA DESIGN APPROVAL No. DAI/8666/78.



FOR CHIEF ENGINEER TECHNICAL SERVICES.

TEMPORARY REVISION No.76-502

Manual Reference 76-11-59-01 Page 0

**REASON FOR REVISION**

To list components specifically approved for ETOPS.

**ACTION**

FIG & ITEM	PART NUMBER	NOMENCLATURE	EFFECT	UPA	AUTHORITY
1 30	44111-112	.BOX ASSY-LWR(V78710) (APPROVED FOR ETOPS UNTIL 31-12-94)	120121	1	EPA/690
30	44111-114	.BOX ASSY-LWR(V78710) (APPROVED FOR ETOPS UNTIL 31-12-94)	120121	1	EPA/086
30	44111-115	.BOX ASSY-LWR(V78710) (APPROVED FOR ETOPS)	120121	1	EPA/690
30	44111-116	.BOX ASSY-LWR(V78710) (APPROVED FOR ETOPS)	120121	1	EPA/690

ORIGINATOR: R.VIDLER  
REFERENCE: -  
RECORD NO: ENG-142

76-11-59-01  
Page 0



757

PARTS CATALOG (MAINTENANCE)

CH-SECT-UNIT-FIG	PAGE NO.	DATE	CH-SECT-UNIT-FIG	PAGE NO.	DATE
*76	1	MAY 20/09	76-11-01-16	0E	MAY 28/07
*76	2	MAY 20/09	76-11-01-16	1	JAN 20/09
*76	3	MAY 20/09	*76-11-01-16	2	MAY 20/09
*76	4	MAY 20/09	76-11-01-16	3	JAN 20/09
76-11-00	1	MAY 28/07	76-11-01-16	4	JAN 20/09
76-11-00- 1	0	MAY 28/07	76-11-01-16	5	JAN 20/09
76-11-00- 1	1	JAN 20/09	76-11-01-16	6	JAN 20/09
76-11-00- 1	2	JAN 20/09	76-11-01-16	7	JAN 20/09
76-11-00- 1	3	JAN 20/09	76-11-01-16	8	JAN 20/09
76-11-00- 1	4	JAN 20/09	*76-11-01-16	9	MAY 20/09
76-11-00- 1	5	JAN 20/09	*76-11-01-16	10	MAY 20/09
76-11-00- 5	0	MAY 28/07	*76-11-01-16	11	MAY 20/09
76-11-00- 5	1	JAN 20/09	*76-11-01-16	12	MAY 20/09
76-11-01- 5	0	MAY 28/07	76-11-04- 2	0	MAY 28/07
76-11-01- 5	0A	MAY 28/07	76-11-04- 2	0A	MAY 28/07
76-11-01- 5	0B	MAY 28/07	76-11-04- 2	0B	MAY 28/07
76-11-01- 5	0C	MAY 28/07	76-11-04- 2	0C	MAY 28/07
76-11-01- 5	1	JAN 20/09	76-11-04- 2	0D	MAY 28/07
76-11-01- 5	2	JAN 20/09	76-11-04- 2	1	JAN 20/09
76-11-01- 5	3	JAN 20/09	76-11-04- 2	2	JAN 20/09
*76-11-01- 5	4	MAY 20/09	76-11-04- 2	3	JAN 20/09
*76-11-01- 5	5	MAY 20/09	76-11-04- 2	4	JAN 20/09
76-11-01- 5	6	JAN 20/09	76-11-04- 2	5	JAN 20/09
76-11-01- 5	7	JAN 20/09	76-11-04- 2	6	JAN 20/09
76-11-01- 5	8	JAN 20/09	76-11-04- 2	7	JAN 20/09
76-11-01- 5	9	JAN 20/09	76-11-04- 2	8	JAN 20/09
76-11-01- 6	0	MAY 28/07	76-11-04- 2	9	JAN 20/09
76-11-01- 6	1	JAN 20/09	76-11-04- 2	10	JAN 20/09
76-11-01- 6	2	JAN 20/09	76-11-04- 2	11	JAN 20/09
76-11-01- 7	0	MAY 28/07	76-11-04- 2	12	JAN 20/09
76-11-01- 7	1	JAN 20/09	76-11-04- 2	13	JAN 20/09
76-11-01- 7	2	JAN 20/09	76-11-04- 2	14	JAN 20/09
76-11-01-15	0	MAY 28/07	76-11-04- 2	15	JAN 20/09
76-11-01-15	0A	MAY 28/07	76-11-04- 2	16	JAN 20/09
76-11-01-15	0B	MAY 28/07	76-11-04- 2	17	JAN 20/09
76-11-01-15	0C	MAY 28/07	76-11-04- 2	18	JAN 20/09
76-11-01-15	0D	MAY 28/07	76-11-04- 2	19	JAN 20/09
76-11-01-15	1	JAN 20/09	76-11-04- 2	20	JAN 20/09
76-11-01-15	2	JAN 20/09	76-11-04- 2	21	JAN 20/09
*76-11-01-15	3	MAY 20/09	76-11-04- 2	22	JAN 20/09
76-11-01-15	4	JAN 20/09	76-11-04- 2	23	JAN 20/09
76-11-01-15	5	JAN 20/09	76-11-04- 3	0	MAY 28/07
76-11-01-15	6	JAN 20/09	76-11-04- 3	0A	MAY 28/07
76-11-01-15	7	JAN 20/09	76-11-04- 3	0B	MAY 28/07
76-11-01-15	8	JAN 20/09	76-11-04- 3	0C	MAY 28/07
76-11-01-15	9	JAN 20/09	76-11-04- 3	0D	MAY 28/07
76-11-01-16	0	MAY 28/07	76-11-04- 3	1	JAN 20/09
76-11-01-16	0A	MAY 28/07	76-11-04- 3	2	JAN 20/09
76-11-01-16	0B	MAY 28/07	76-11-04- 3	3	JAN 20/09
76-11-01-16	0C	MAY 28/07	76-11-04- 3	4	JAN 20/09
76-11-01-16	0D	MAY 28/07	76-11-04- 3	5	JAN 20/09

\* THE ASTERISK INDICATES PAGES CHANGED OR ADDED BY THE CURRENT REVISION



757

**PARTS CATALOG (MAINTENANCE)**

CH-SECT-UNIT-FIG	PAGE NO.	DATE	CH-SECT-UNIT-FIG	PAGE NO.	DATE
76-11-04- 3	6	JAN 20/09	76-11-51- 5	0A	MAY 28/07
76-11-04- 3	7	JAN 20/09	76-11-51- 5	0B	MAY 28/07
76-11-04- 3	8	JAN 20/09	76-11-51- 5	1	JAN 20/09
76-11-04- 3	9	JAN 20/09	76-11-51- 5	2	SEP 20/08
76-11-04- 3	10	JAN 20/09	76-11-51- 5	3	JAN 20/09
76-11-04- 4	0	MAY 28/07	76-11-51- 5	4	SEP 20/08
76-11-04- 4	0A	MAY 28/07	76-11-51- 5	5	SEP 20/08
76-11-04- 4	0B	MAY 28/07	76-11-51- 5	6	SEP 20/08
76-11-04- 4	1	JAN 20/09	76-11-51- 5	7	SEP 20/08
76-11-04- 4	2	JAN 20/09	76-11-51- 5	8	SEP 20/08
76-11-04- 4	3	SEP 20/08	76-11-51- 5	9	JAN 20/09
76-11-04- 4	4	JAN 20/09	76-11-51- 5	10	JAN 20/09
76-11-04- 4	5	JAN 20/09	76-11-52- 1	0	MAY 28/07
76-11-04- 4	6	JAN 20/09	76-11-52- 1	0A	MAY 28/07
76-11-04- 4	7	JAN 20/09	76-11-52- 1	0B	MAY 28/07
76-11-04- 4	8	JAN 20/09	76-11-52- 1	1	JAN 20/09
76-11-04- 4	9	JAN 20/09	76-11-52- 1	2	JAN 20/09
76-11-04- 4	10	JAN 20/09	76-11-52- 1	3	JAN 20/09
76-11-04- 4	11	JAN 20/09	76-11-52- 1	4	JAN 20/09
76-11-12- 2	0	MAY 28/07	76-11-52- 1	5	JAN 20/09
76-11-12- 2	1	JAN 20/09	76-11-52- 1	6	JAN 20/09
76-11-51- 1	0	MAY 28/07	76-11-52- 1	7	JAN 20/09
76-11-51- 1	1	JAN 20/09	76-11-52- 1	8	JAN 20/09
76-11-51- 1	2	JAN 20/09	76-11-52- 1	9	JAN 20/09
76-11-51- 1	3	JAN 20/09	76-11-52- 1	10	JAN 20/09
76-11-51- 1	4	JAN 20/09	76-11-52- 1	11	JAN 20/09
76-11-51- 1	5	JAN 20/09	76-11-52- 2	0	MAY 28/07
76-11-51- 1	6	JAN 20/09	76-11-52- 2	1	JAN 20/09
76-11-51- 1	7	JAN 20/09	76-11-52- 2	2	SEP 20/08
76-11-51- 1	8	JAN 20/09	76-11-52- 2	3	JAN 20/09
76-11-51- 1	9	JAN 20/09	76-11-52- 2	4	JAN 20/09
76-11-51- 1	10	JAN 20/09	76-11-52- 2	5	JAN 20/09
76-11-51- 1	11	JAN 20/09	76-11-52- 2	6	JAN 20/09
76-11-51- 4	0	MAY 28/07	76-11-52- 3	0	MAY 28/07
76-11-51- 4	0A	MAY 28/07	76-11-52- 3	0A	MAY 28/07
76-11-51- 4	0B	MAY 28/07	76-11-52- 3	0B	MAY 28/07
76-11-51- 4	1	JAN 20/09	76-11-52- 3	1	JAN 20/09
76-11-51- 4	2	JAN 20/09	76-11-52- 3	2	JAN 20/09
76-11-51- 4	3	JAN 20/09	76-11-52- 3	3	JAN 20/09
76-11-51- 4	4	JAN 20/09	76-11-52- 3	4	JAN 20/09
76-11-51- 4	5	JAN 20/09	76-11-52- 3	5	JAN 20/09
76-11-51- 4	6	JAN 20/09	76-11-52- 3	6	JAN 20/09
76-11-51- 4	7	JAN 20/09	76-11-52- 5	0	MAY 28/07
76-11-51- 4	8	JAN 20/09	76-11-52- 5	0A	MAY 28/07
76-11-51- 4	9	JAN 20/09	76-11-52- 5	0B	MAY 28/07
76-11-51- 4	10	JAN 20/09	76-11-52- 5	1	JAN 20/09
76-11-51- 4	11	JAN 20/09	76-11-52- 5	2	SEP 20/08
76-11-51- 4	12	JAN 20/09	76-11-52- 5	3	SEP 20/08
76-11-51- 4	13	JAN 20/09	76-11-52- 5	4	JAN 20/09
76-11-51- 4	14	JAN 20/09	76-11-52- 5	5	SEP 20/08
76-11-51- 5	0	MAY 28/07	76-11-52- 5	6	SEP 20/08

\* THE ASTERISK INDICATES PAGES CHANGED OR ADDED BY THE CURRENT REVISION



**757**  
**PARTS CATALOG (MAINTENANCE)**

CH-SECT-UNIT-FIG	PAGE NO.	DATE	CH-SECT-UNIT-FIG	PAGE NO.	DATE
76-11-52- 5	7	SEP 20/08	76-11-57- 1	1	JAN 20/09
76-11-52- 5	8	SEP 20/08	76-11-57- 1	2	JAN 20/09
76-11-52- 6	0	MAY 28/07	76-11-57- 1	3	JAN 20/09
76-11-52- 6	1	JAN 20/09	76-11-57- 1	4	JAN 20/09
76-11-52- 6	2	JAN 20/09	76-11-57- 1	5	JAN 20/09
76-11-52- 6	3	SEP 20/08	76-11-57- 1	6	JAN 20/09
76-11-52- 6	4	SEP 20/08	76-11-57- 1	7	JAN 20/09
76-11-52- 6	5	SEP 20/08	76-11-57- 1	8	JAN 20/09
76-11-52- 6	6	SEP 20/08	76-11-57- 1	9	JAN 20/09
76-11-52- 6	7	JAN 20/09	76-11-57- 1	10	JAN 20/09
76-11-52- 6	8	SEP 20/08	76-11-57- 1	11	JAN 20/09
76-11-52- 6	9	SEP 20/08	76-11-57- 1	12	JAN 20/09
76-11-52- 6	10	JAN 20/09	76-11-57- 1A	0	MAY 28/07
76-11-52- 6	11	SEP 20/08	76-11-57- 1A	1	JAN 20/09
76-11-53- 1	0	MAY 28/07	76-11-57- 1A	2	JAN 20/09
76-11-53- 1	0A	MAY 28/07	76-11-58- 1	0	MAY 28/07
76-11-53- 1	1	JAN 20/09	76-11-58- 1	0A	MAY 28/07
76-11-53- 1	2	JAN 20/09	76-11-58- 1	1	JAN 20/09
76-11-53- 1	3	JAN 20/09	76-11-58- 1	2	JAN 20/09
76-11-53- 1	4	JAN 20/09	76-11-59- 1	0	MAY 28/07
76-11-53- 1	5	JAN 20/09	76-11-59- 1	0A	MAY 28/07
76-11-53- 1	6	JAN 20/09	76-11-59- 1	1	JAN 20/09
76-11-53- 1	7	JAN 20/09	76-11-59- 1	2	JAN 20/09
76-11-53- 1	8	JAN 20/09	76-11-59- 1	3	JAN 20/09
76-11-53- 2	0	MAY 28/07	76-11-59- 1	4	JAN 20/09
76-11-53- 2	1	JAN 20/09	76-11-59- 1	5	JAN 20/09
76-11-53- 2	2	JAN 20/09	76-11-59- 1	6	JAN 20/09
76-11-53- 2	3	JAN 20/09	76-11-59- 1	7	JAN 20/09
76-11-53- 2	4	JAN 20/09	*76-11-71- 2	0	MAY 20/09
76-11-53- 2	5	JAN 20/09	76-11-71- 2	0A	MAY 28/07
76-11-54- 1	0	MAY 28/07	76-11-71- 2	1	JAN 20/09
76-11-54- 1	0A	MAY 28/07	76-11-71- 2	2	JAN 20/09
76-11-54- 1	1	JAN 20/09	76-11-71- 2	3	JAN 20/09
76-11-54- 1	2	JAN 20/09	76-11-71- 2	4	JAN 20/09
76-11-54- 1	3	JAN 20/09	76-11-71- 2	5	JAN 20/09
76-11-54- 1	4	JAN 20/09	76-11-71- 2	6	JAN 20/09
76-11-54- 1	5	JAN 20/09	76-11-71- 2	7	JAN 20/09
76-11-56- 1	0	MAY 28/07	76-11-71- 2	8	JAN 20/09
76-11-56- 1	1	JAN 20/09	76-11-71- 2	9	JAN 20/09
76-11-56- 1	2	JAN 20/09	76-11-71- 2	10	JAN 20/09
76-11-56- 1	3	JAN 20/09	76-11-71- 2A	0	MAY 28/07
76-11-56- 1	4	JAN 20/09	76-11-71- 2A	0A	MAY 28/07
76-11-56- 1	5	JAN 20/09	76-11-71- 2A	1	JAN 20/09
76-11-56- 1	6	JAN 20/09	76-11-71- 2A	2	JAN 20/09
76-11-56- 1	7	JAN 20/09	76-11-71- 2A	3	JAN 20/09
76-11-56- 1	8	JAN 20/09	76-11-71- 2A	4	JAN 20/09
76-11-56- 1	9	JAN 20/09	76-11-71- 2B	0	MAY 28/07
76-11-56- 1	10	JAN 20/09	76-11-71- 2B	0A	MAY 28/07
76-11-57- 1	0	MAY 28/07	76-11-71- 2B	1	JAN 20/09
76-11-57- 1	0A	MAY 28/07	76-11-71- 2B	2	JAN 20/09
76-11-57- 1	0B	MAY 28/07	76-11-71- 2B	3	JAN 20/09

\* THE ASTERISK INDICATES PAGES CHANGED OR ADDED BY THE CURRENT REVISION

BRI  
MAY 20/09

76 - LIST OF EFFECTIVE PAGES  
PAGE 3


**BOEING**  
 757  
**PARTS CATALOG (MAINTENANCE)**

CH-SECT-UNIT-FIG	PAGE NO.	DATE	CH-SECT-UNIT-FIG	PAGE NO.	DATE
*76-11-71- 2C	0	MAY 20/09			
76-11-71- 2C	1	JAN 20/09			
76-11-71- 2C	2	JAN 20/09			
76-11-71- 2C	3	JAN 20/09			
76-11-71- 2C	4	JAN 20/09			
*76-11-71- 2D	0	MAY 20/09			
76-11-71- 2D	1	JAN 20/09			
76-11-71- 2D	2	JAN 20/09			
76-11-71- 2D	3	JAN 20/09			
76-11-71- 2D	4	JAN 20/09			
76-11-71- 2D	5	JAN 20/09			
76-11-71- 2D	6	JAN 20/09			
76-22-00	1	MAY 28/07			
76-22-00- 1	0	MAY 28/07			
76-22-00- 1	1	JAN 20/09			
76-22-00- 1	2	JAN 20/09			
76-22-00- 1	3	JAN 20/09			
76-22-00- 1	4	JAN 20/09			
76-22-00- 1	5	JAN 20/09			
76-22-01- 1	0	MAY 28/07			
76-22-01- 1	1	JAN 20/09			
76-22-01- 1	2	JAN 20/09			
76-22-01- 1	3	JAN 20/09			
76-22-01- 1	4	JAN 20/09			
76-22-01- 2	0	JAN 20/09			
76-22-01- 2	0A	JAN 20/09			
76-22-01- 2	1	JAN 20/09			
76-22-01- 2	2	JAN 20/09			

\* THE ASTERISK INDICATES PAGES CHANGED OR ADDED BY THE CURRENT REVISION

 **BOEING**  
757  
**PARTS CATALOG (MAINTENANCE)**

**CHAPTER 76 — ENGINE CONTROLS**

**TABLE OF CONTENTS**

SUBJECT	CC-SS-UU	FIGURE	EFFECT
ENGINE CONTROL SYSTEM	76-11-00		
BRACKET AND SUPPORT INSTL-PPS 180 LNAC TLA AND TLB PULLEY (RB211-535)	76-11-52	01	002004 006999
BRACKET AND SUPPORT INSTL-PPS 185 TRA AND TRB R NAC PULLEY (RB211-535)	76-11-52	02	002004 006999
BRACKET INSTL-PROPULSION POD STA 150 ENG NAC THROT L A THROT R A PULLEY	76-11-51	04	002004 006999
BRACKET INSTL-PULLEY STA 230 THRU STA 247	76-11-53	01	002004 006999
BRACKET INSTL-STA 230 THRU STA 247 PULLEY (RB211-535)	76-11-53	02	002004 006999
BRACKET INSTL-STA 324 AND 345 PULLEY	76-11-52	03	002004 006999
BRACKET INSTL-STA 365.25 PULLEY (RB211-535)	76-11-52	05	002004 006999
BRACKET INSTL-STA 894 TLA, TLB, TRA AND TRB THROT OUTBD PULLEY	76-11-52	06	002004 006999
CONTROL INSTL-ENG	76-11-00	01	101102 108120 504903
CONTROL INSTL-ENGINE CONT	76-11-57	01	002004 006100 107107 121503 904999
CONTROL INSTL-ENGINE CONT	76-11-57	01A	101106 108120 504903
DRUM INSTL-ENG CONT STRUT (RB211-535)	76-11-51	05	002004 006999
FAIRLEAD INSTL-WING FRONT SPAR TLA AND TLB TRA AND TRB (RB211-535)	76-11-56	01	002004 006999
LEVER ASSY-CONT STAND THRUST	76-11-01	15	002004 006102 108903 950999
LEVER ASSY-CONT STAND THRUST	76-11-01	16	002004 006102 108903 950999




**BOEING**  
 757  
**PARTS CATALOG (MAINTENANCE)**

**CHAPTER 76 — ENGINE CONTROLS**

**TABLE OF CONTENTS**

SUBJECT	CC-SS-UU	FIGURE	EFFECT
LEVER INSTL-CONT STAND THRUST	76-11-01	05	107107 904949
LEVER INSTL-CONT STAND THRUST	76-11-01	06	002004 006016 121503 950999
LEVER INSTL-CONT STAND THRUST (RB211-535)	76-11-01	07	017106 108120 504903
MANAGEMENT COLLECTOR CONTROL STAND	76-11-00	05	101102 108120 504903
MODULE ASSY-CONT STAND ENG FUEL CONT (ENGINE CONTROL ONLY)	76-11-51	01	002004 006102 107999
OPTION PACKAGE ASSY-P36 MISC RELAY L (ENGINE CONTROLS ONLY)	76-11-71	02A	101102 504903
PACKAGE ASSY-OPTION P37 MISC RELAY (ENGINE CONTROLS ONLY)	76-11-71	02B	101102 504903
PANEL ASSY-P36 AND P37 MISC RELAY (ENGINE CONTROLS ONLY)	76-11-71	02	002004 006100 107107 121999
PANEL INSTL-P36 L MISC RELAY (ENGINE CONTROLS ONLY)	76-11-71	02C	103106 108120
PANEL INSTL-P37 R MISC RELAY (ENGINE CONTROL ONLY)	76-11-71	02D	103106 108120
POWER CONTROL BOXES AND LINKAGE (RB211-535)	76-11-59	01	002004 006999
RAIL INSTL-CONT STAND THRUST CONT LEVER	76-11-58	01	002004 006102 107999
SEAL INSTL-ENG CONT CABLES WING LE VAPOR AND PLATE INSTL-SEAL ENG CONT (RB211-535)	76-11-54	01	002004 006999
SEAL INSTL-LEVERS CONT STAND	76-11-04	03	002004 006999
STAND INSTL-CONT	76-11-04	02	002004 006999

 **BOEING**  
757  
**PARTS CATALOG (MAINTENANCE)**

**CHAPTER 76 — ENGINE CONTROLS**

**TABLE OF CONTENTS**

<b>SUBJECT</b>	<b>CC-SS-UU</b>	<b>FIGURE</b>	<b>EFFECT</b>
STRUCTURE ASSY-CONT STAND (ENGINE CONTROLS ONLY)	76-11-04	04	002004 006999
SYSTEMS INTEGRATION (RB211-535E4) (ENGINE CONTROL SYSTEM ONLY)	76-11-12	02	101106 108120 504903

 **BOEING**  
757  
**PARTS CATALOG (MAINTENANCE)**

**CHAPTER 76 — ENGINE CONTROLS**

**TABLE OF CONTENTS**

<b>SUBJECT</b>	<b>CC-SS-UU</b>	<b>FIGURE</b>	<b>EFFECT</b>
TURBINE OVERSPEED EMERGENCY SHUTDOWN SYSTEM	76-22-00		
SHUT OFF AND CABLE ASSY EMERGENCY FUEL (RB211-535)	76-22-00	01	002004 006999
VALVE AND CABLE ASSY EMER CUTOFF (RB211-535)	76-22-01	02	103106 108120
VALVE AND CABLE ASSY-EMER CUTOFF (RB211-535)	76-22-01	01	002004 006102 107107 121999

## ENGINE CONTROL SYSTEM

BRI  
MAY 28/07

76-11-00  
SECTION TITLE  
PAGE 1

 **BOEING**  
757  
PARTS CATALOG (MAINTENANCE)

NON-ILLUSTRATED FIGURE

THE ITEMS REFLECTED IN THIS FIGURE ARE INTENTIONALLY  
NON-ILLUSTRATED. THEY ARE REFERENCED TO EITHER A  
NEXT HIGHER OR NEXT LOWER ASSEMBLY/INSTALLATION FIGURE.

CONTROL INSTL-ENG  
FIGURE 1

**76-11-00-01**

BRI  
MAY 28/07

76-11-00-01  
PAGE 0



757

PARTS CATALOG (MAINTENANCE)

FIG ITEM	PART NUMBER	1 2 3 4 5 6 7	NOMENCLATURE	EFFECT FROM TO	UNITS PER ASSY
1			CONTROL INSTL-ENG	101102 108120	
- 50	254N0001-1002		CONTROL INSTL-ENG VARIABLE DRAWING REF: 254N0001-5002 254N0001-5012	504903 101102 108120 504903	1
- 55	251N6001-17		.BRACKET INSTL-PULLEY POSITION DATA: STA 230 THRU 247 FOR DETAILS SEE: 76-11-53-01 76-11-53-02	101102 108120 504903	1
- 80	251N6009-1		.BRACKET INSTL-TLA PULLEY POSITION DATA: STA 365.25 FOR DETAILS SEE: 76-11-52-05	101102 108120 504903	1
- 85	251N6009-3		.BRACKET INSTL-THROT B PULLEY POSITION DATA: STA 345 L FOR DETAILS SEE: 76-11-52-03	101102 108120 504903	1
- 90	251N6009-4		.BRACKET INSTL-THROT B PULLEY POSITION DATA: STA 324 R FOR DETAILS SEE: 76-11-52-03	101102 108120 504903	1
- 95	251N6009-8		.BRACKET INSTL-TRA PULLEY POSITION DATA: STA 365.25 FOR DETAILS SEE: 76-11-52-05	101102 108120 504903	1
- 100	251N6013-1		.FAIRLEAD INSTL-WING FRONT SPAR TLA AND TLB POSITION DATA: STA 127.5 FOR DETAILS SEE: 76-11-56-01	101102 108120 504903	1
- 105	251N6013-2		.FAIRLEAD INSTL-WING FRONT SPAR TRA AND TRB POSITION DATA: STA 127.5 FOR DETAILS SEE: 76-11-56-01	101102 108120 504903	1

MISSING ITEM NUMBERS NOT APPLICABLE

- ITEM NOT ILLUSTRATED

BRI

# 76-11-00-01

76-11-00  
FIG. 01  
PAGE 1  
JAN 20/09



757

PARTS CATALOG (MAINTENANCE)

FIG ITEM	PART NUMBER	1 2 3 4 5 6 7	NOMENCLATURE	EFFECT FROM TO	UNITS PER ASSY
1					
- 110	251N6013-7		.FAIRLEAD INSTL-WING FRONT SPAR TLA AND TLB POSITION DATA: STA 120.18 FOR DETAILS SEE: 76-11-56-01	101102 108120 504903	1
- 115	251N6018-17		.BRACKET INSTL-IDLER PULLEY POSITION DATA: SECT. 43 STA 560 FOR DETAILS SEE: 53-30-51-35	101102 108120 504903	1
- 120	251N6018-31		.BRACKET INSTL-IDLER PULLEY ENGINE CONTROL POSITION DATA: SECT. 43 STA 720 FOR DETAILS SEE: 53-30-51-35	101102 108120 504903	1
- 125	251N6019-8		.BRACKET INSTL-PULLEY POSITION DATA: STA 868 RH FOR DETAILS SEE: 53-30-51-33	101102 108120 504903	1
- 130	251N6019-7		.BRACKET INSTL-PULLEY POSITION DATA: STA 868 LH FOR DETAILS SEE: 53-30-51-33	101102 108120 504903	1
- 135	251N6020-23		.BRACKET INSTL-TLA AND TLB THROT PULLEY POSITION DATA: STA 894 OUTBD FOR DETAILS SEE: 76-11-52-06	101102 108120 504903	1
- 140	251N6020-24		.BRACKET INSTL-TRA AND TRB THROT PULLEY POSITION DATA: STA 894 OUTBD FOR DETAILS SEE: 76-11-52-06	101102 108120 504903	1
- 145	251N6022-23		.SEAL INSTL-WING ROOT BODY SKIN PRESSURE POSITION DATA: LH FOR DETAILS SEE: 53-36-51-01	101102 108120 504903	1

MISSING ITEM NUMBERS NOT APPLICABLE

- ITEM NOT ILLUSTRATED

76-11-00-01

76-11-00  
FIG. 01  
PAGE 2  
JAN 20/09

BRI



757

PARTS CATALOG (MAINTENANCE)

FIG ITEM	PART NUMBER	1 2 3 4 5 6 7	NOMENCLATURE	EFFECT FROM TO	UNITS PER ASSY
1					
- 150	251N6022-24		.SEAL INSTL-WING ROOT BODY SKIN PRESSURE POSITION DATA: RH FOR DETAILS SEE: 53-36-51-01	101102 108120 504903	1
- 155	251N6036-10		.BRACKET INSTL-THROT L A AND B THROT R A AND B F.S. PULLEY POSITION DATA: STA 160 RH FOR DETAILS SEE: 53-11-53-02	101102 108120 504903	1
- 160	251N6036-7		.BRACKET INSTL-SUPPORT FOR DETAILS SEE: 53-11-53-02	101102 108120 504903	1
- 165	251N6036-8		.BRACKET INSTL-SUPPORT FOR DETAILS SEE: 53-11-53-02	101102 108120 504903	1
- 170	251N6036-9		.BRACKET INSTL-THROT L A AND B THROT R A AND B F.S. PULLEY POSITION DATA: STA 160 FOR DETAILS SEE: 53-11-53-02	101102 108120 504903	1
- 175	251N6037-11		.BRACKET INSTL-THROT L A AND B THROT R A AND B F.S. PULLEY POSITION DATA: STA 260 AND 275 FOR DETAILS SEE: 53-11-53-03	101102 108120 504903	1
- 180	251N6038-5		.BRACKET INSTL-FRONT SPARE THROT R A AND THROT R B PULLEY POSITION DATA: STA 278 RH FOR DETAILS SEE: 53-11-53-06	101102 108120 504903	1
- 195	251N6055-12		.SEAL INSTL-ENG CONT CABLES WING LE VAPOR POSITION DATA: RH FOR DETAILS SEE: 76-11-54-01	101102 504903	1

MISSING ITEM NUMBERS NOT APPLICABLE

- ITEM NOT ILLUSTRATED

76-11-00-01

76-11-00  
FIG. 01  
PAGE 3  
JAN 20/09

BRI





757

## PARTS CATALOG (MAINTENANCE)

FIG ITEM	PART NUMBER	1 2 3 4 5 6 7	NOMENCLATURE	EFFECT FROM TO	UNITS PER ASSY
1					
- 195	251N6055-18		.SEAL INSTL-ENG CONT CABLES WING LE VAPOR POSITION DATA: RH FOR DETAILS SEE: 76-11-54-01	108120	1
- 200	251N6055-7		.SEAL INSTL-ENG CONT CABLES WING LE VAPOR LH POSITION DATA: LH FOR DETAILS SEE: 76-11-54-01	101102 108120 504903	1
- 205	251N6055-8		.SEAL INSTL-ENG CONT CABLES WING LE VAPOR POSITION DATA: RH FOR DETAILS SEE: 76-11-54-01	101102 108120 504903	1
- 210	251N6055-11		.SEAL INSTL-ENG CONT CABLES WING LE VAPOR POSITION DATA: LH FOR DETAILS SEE: 76-11-54-01	101102 504903	1
- 210	251N6055-17		.SEAL INSTL-ENG CONT CABLES WING LE VAPOR POSITION DATA: LH FOR DETAILS SEE: 76-11-54-01	108120	1
- 215	251N6056-8		.MARKER INSTL- FOR DETAILS SEE: 11-24-25-01	101102 108120 504903	1
- 220	251N6066-3		.FAIRLEAD INSTL- POSITION DATA: FSS 190 AND FSS 222.7 FOR DETAILS SEE: 76-11-56-01	101102 108120 504903	1
- 225	251N6066-4		.FAIRLEAD INSTL- POSITION DATA: FSS 190 AND FSS 222.7 FOR DETAILS SEE: 76-11-56-01	101102 108120 504903	1

MISSING ITEM NUMBERS NOT APPLICABLE

- ITEM NOT ILLUSTRATED

BRI

# 76-11-00-01

BOEING PROPRIETARY - Copyright © - Unpublished Work - See title page for details.

76-11-00  
FIG. 01  
PAGE 4  
JAN 20/09



757

PARTS CATALOG (MAINTENANCE)

FIG ITEM	PART NUMBER	1 2 3 4 5 6 7	NOMENCLATURE	EFFECT FROM TO	UNITS PER ASSY
1					
- 230	251N6067-7		.BRACKET INSTL-FRONT SPAR WING LE CABLE BRKR AND PULLEY POSITION DATA: STA 261.2 LH FOR DETAILS SEE: 53-11-53-09	101102 108120 504903	1
- 235	251N6067-8		.BRACKET INSTL-FRONT SPAR WING LE CABLE BRKR AND PULLEY POSITION DATA: STA 261.2 RH FOR DETAILS SEE: 53-11-53-09	101102 108120 504903	1
- 240	254N1001-178		.CONTROL INSTL-ENG CONT FOR DETAILS SEE: 76-11-57-01A	101102 108120 504903	1
- 245	254N1002-20		.AUTO THROTTLE INSTL- FOR DETAILS SEE: 22-32-51-05	101102 108120 504903	1

MISSING ITEM NUMBERS NOT APPLICABLE

- ITEM NOT ILLUSTRATED

BRI

76-11-00-01

BOEING PROPRIETARY - Copyright © - Unpublished Work - See title page for details.

76-11-00  
FIG. 01  
PAGE 5  
JAN 20/09

NON-ILLUSTRATED FIGURE

THE ITEMS REFLECTED IN THIS FIGURE ARE INTENTIONALLY  
NON-ILLUSTRATED. THEY ARE REFERENCED TO EITHER A  
NEXT HIGHER OR NEXT LOWER ASSEMBLY/INSTALLATION FIGURE.

MANAGEMENT COLLECTOR CONTROL STAND  
FIGURE 5

**76-11-00-05**

BRI  
MAY 28/07

76-11-00-05  
PAGE 0



757

PARTS CATALOG (MAINTENANCE)

FIG ITEM	PART NUMBER	1 2 3 4 5 6 7	NOMENCLATURE	EFFECT FROM TO	UNITS PER ASSY
5			MANAGEMENT COLLECTOR CONTROL STAND	101102 108120	
- 1	254N0002-1001		CONTROL STAND	504903 101102	1
- 1	254N0002-1002		CONTROL STAND	504903 108120	1
- 10	254N1009-5		.STAND INSTL-CONT FOR DETAILS SEE: 76-11-04-02	101102 504903	1
- 10	254N1009-19		.STAND INSTL-CONT FOR DETAILS SEE: 76-11-04-02	108120	1
- 40	254N1111-5		.CABLE INSTL-PARKING BRAKE FOR DETAILS SEE: 32-44-01-01	108120	1

MISSING ITEM NUMBERS NOT APPLICABLE

- ITEM NOT ILLUSTRATED

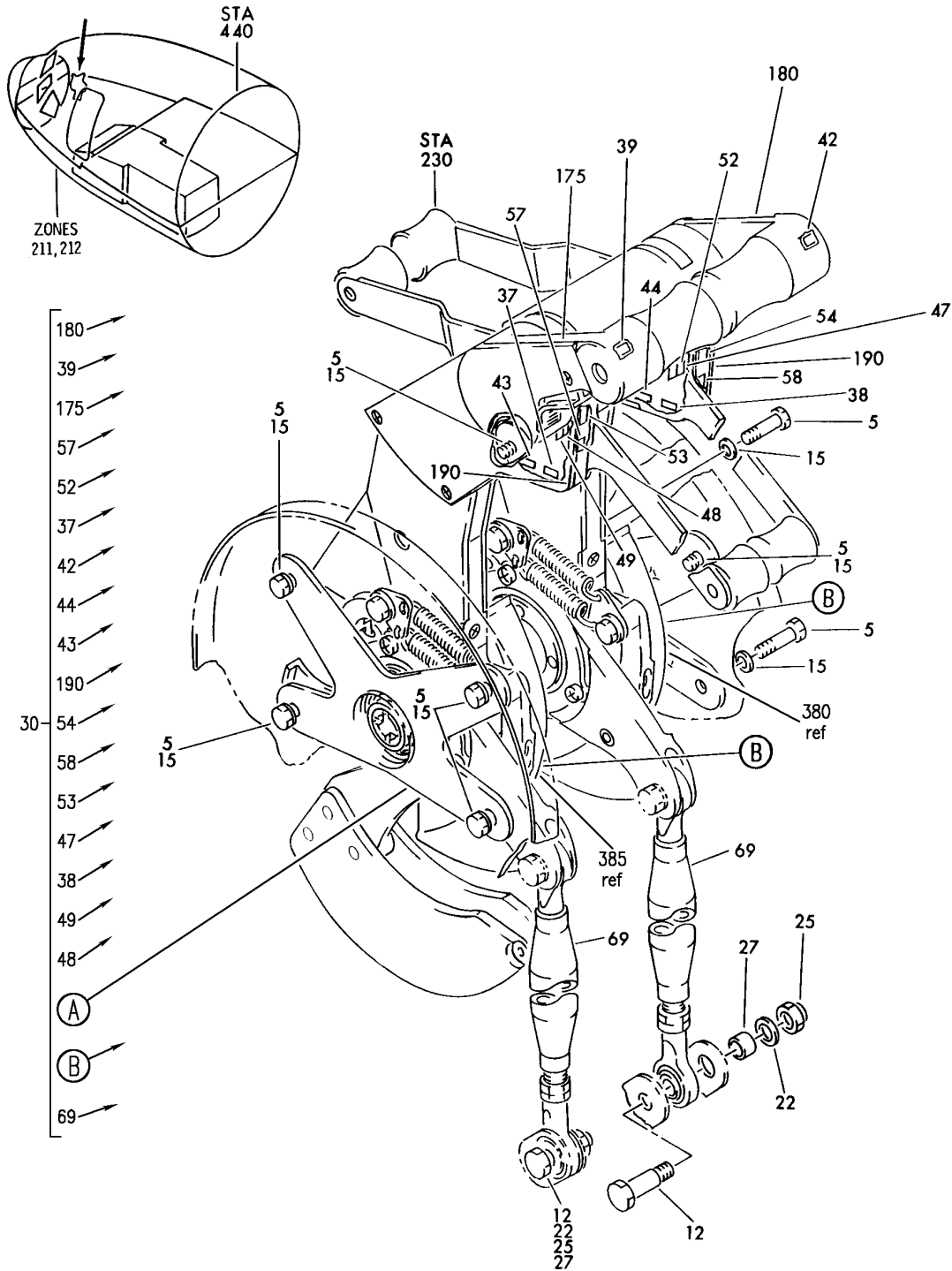
BRI

**76-11-00-05**

BOEING PROPRIETARY - Copyright © - Unpublished Work - See title page for details.

76-11-00  
FIG. 05  
PAGE 1  
JAN 20/09

**BOEING**  
757  
PARTS CATALOG (MAINTENANCE)



Y 76110105 SHT 1 REV 291

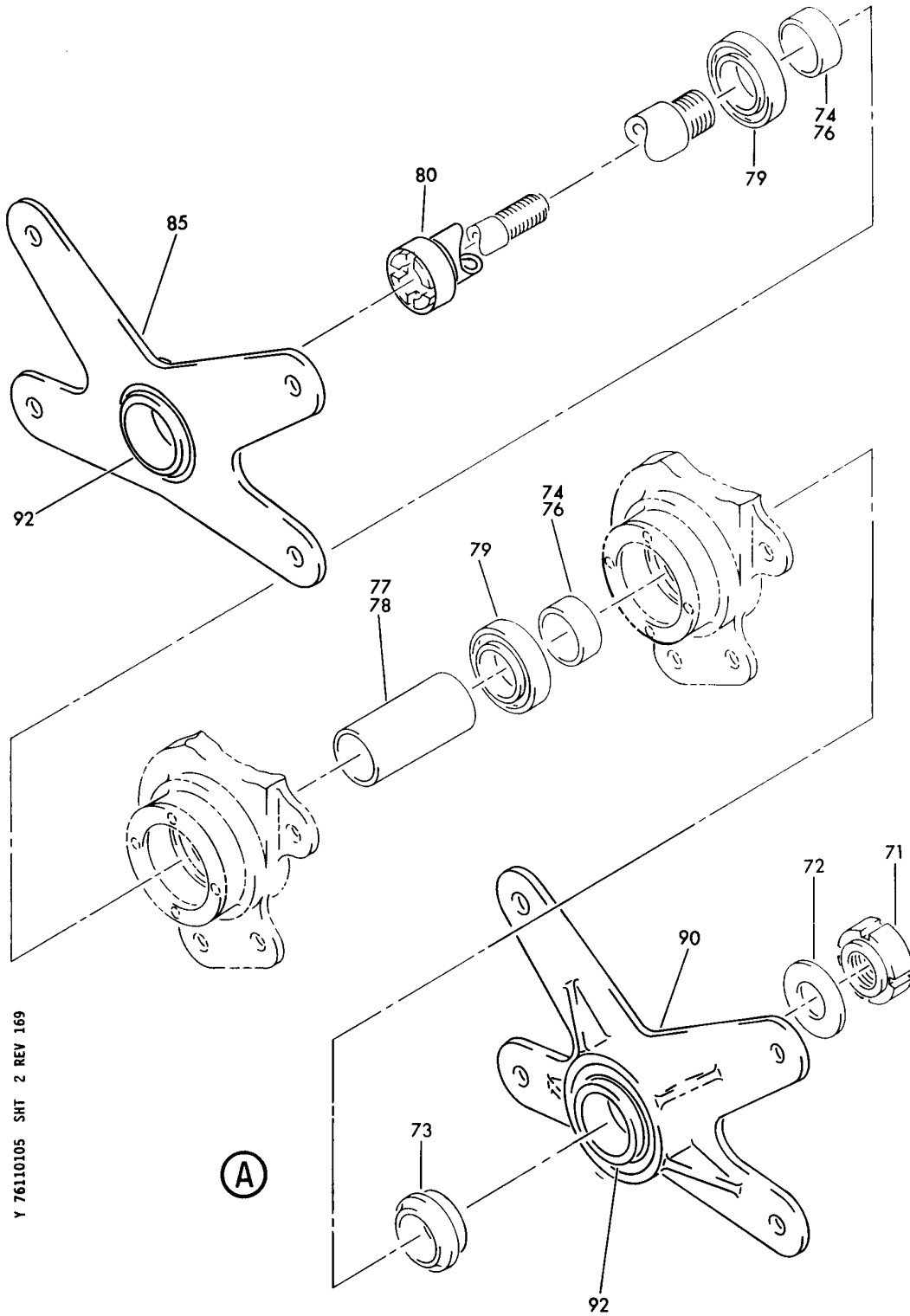
LEVER INSTL-CONT STAND THRUST  
FIGURE 5 (SHEET 1)

**76-11-01-05**

BRI  
MAY 28/07

76-11-01-05  
PAGE 0

**BOEING**  
757  
PARTS CATALOG (MAINTENANCE)



Y 76110105 SHT 2 REV 169

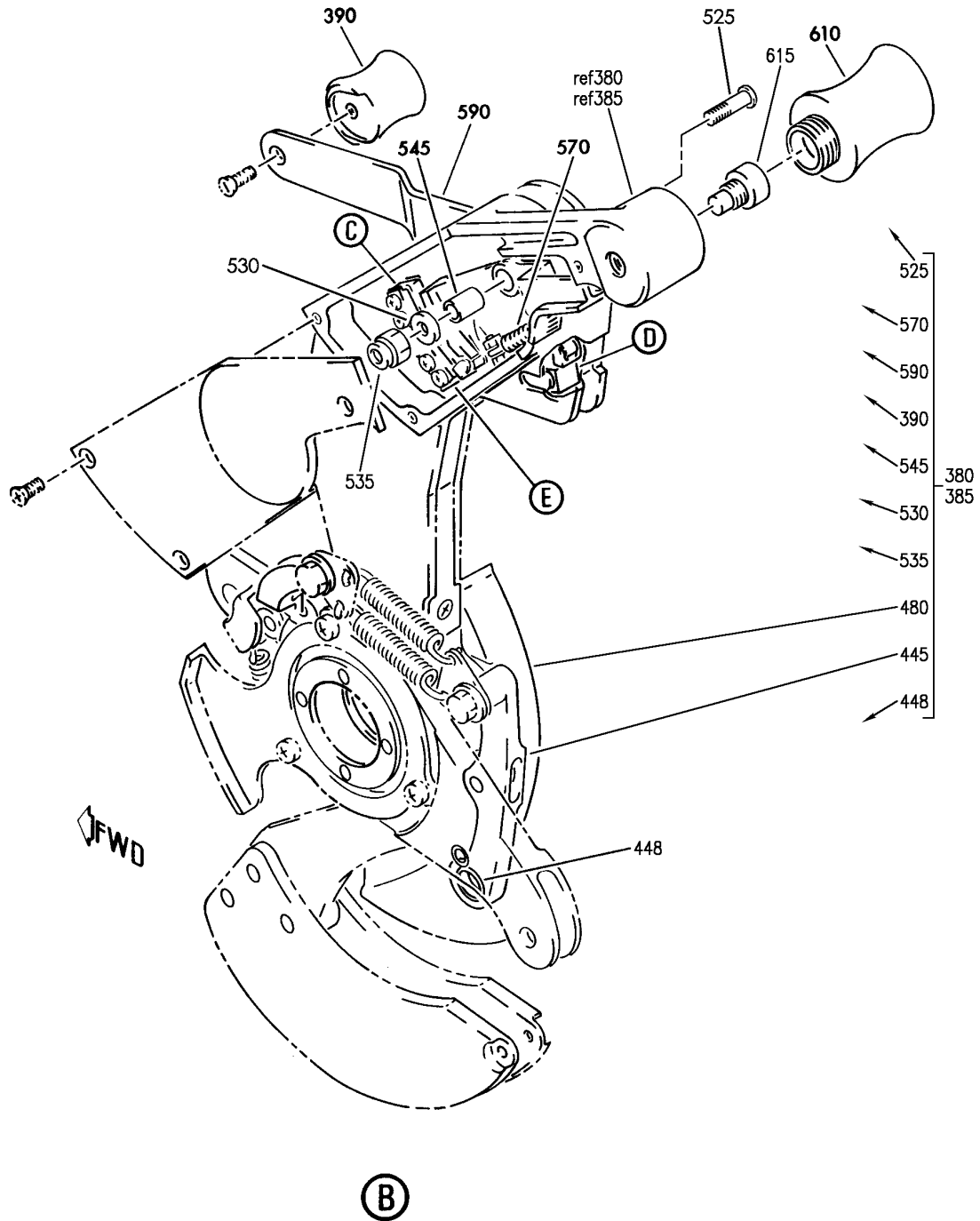
LEVER INSTL-CONT STAND THRUST  
FIGURE 5 (SHEET 2)

**76-11-01-05**

BRI  
MAY 28/07

76-11-01-05  
PAGE 0A

**BOEING**  
757  
PARTS CATALOG (MAINTENANCE)



Y 76110105 SH1 3 REV 291

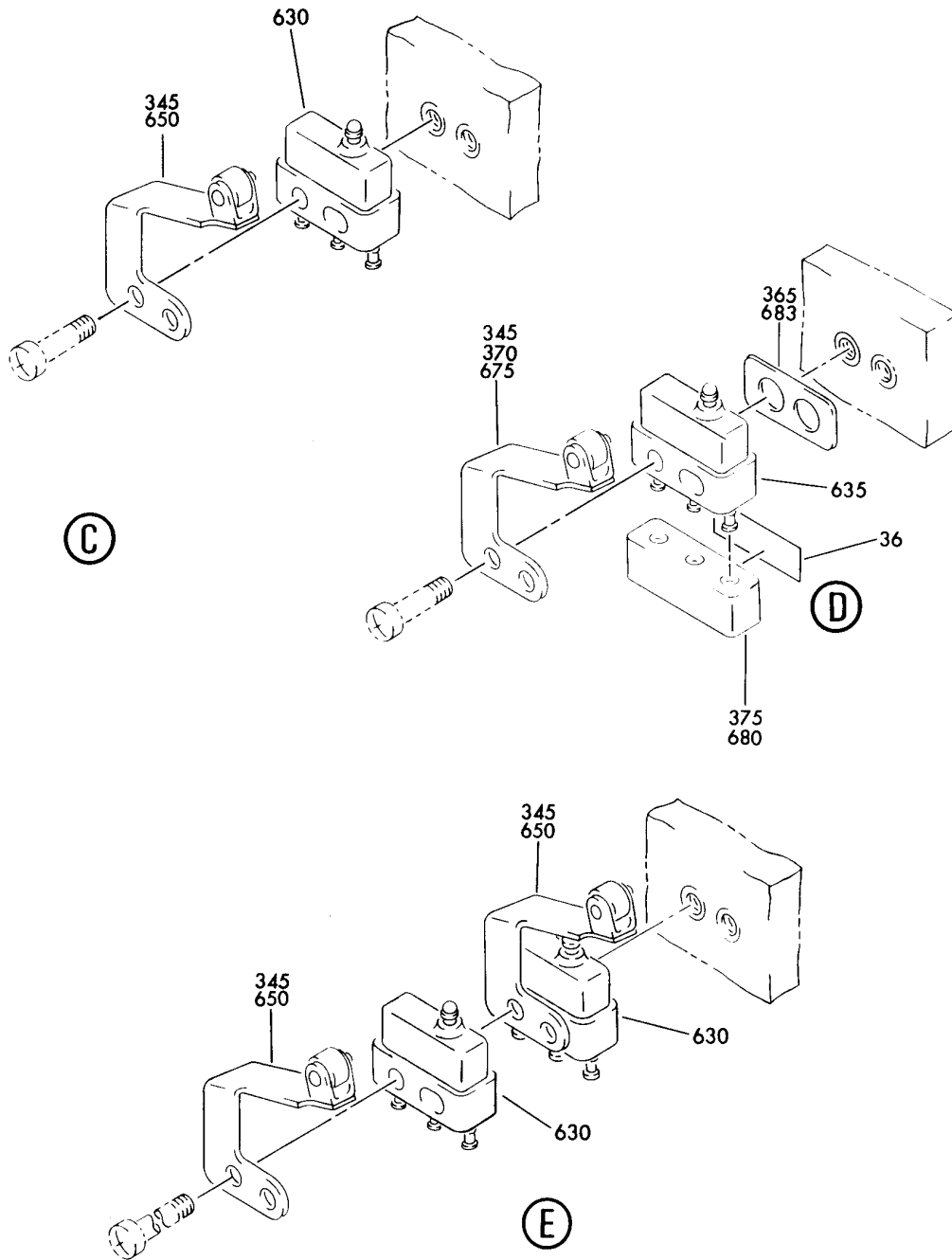
LEVER INSTL-CONT STAND THRUST  
FIGURE 5 (SHEET 3)

**76-11-01-05**

BRI  
MAY 28/07

76-11-01-05  
PAGE 0B

**BOEING**  
757  
PARTS CATALOG (MAINTENANCE)



Y 76110105 SHT 4 REV 167

LEVER INSTL-CONT STAND THRUST  
FIGURE 5 (SHEET 4)

**76-11-01-05**

BRI  
MAY 28/07

76-11-01-05  
PAGE 0C





757

PARTS CATALOG (MAINTENANCE)

FIG ITEM	PART NUMBER	1 2 3 4 5 6 7	NOMENCLATURE	EFFECT FROM TO	UNITS PER ASSY
5			LEVER INSTL-CONT STAND THRUST	107107 904949	
- 1	254N1054-22		LEVER INSTL-CONT STAND THRUST FOR NHA SEE: 76-11-04-02	107107 904949	RF
5	BACB30NR4K2		.BOLT	107107 904949	8
12	BACB30NR4K8		.BOLT-	107107 904949	2
15	AN960D416		.WASHER	107107 904949	8
22	AN960D416L		.WASHER	107107 904949	2
25	BRH10A4		.NUT SUPPLIER CODE: V52828 SPECIFICATION NUMBER: BACN10JC4 OPTIONAL PART: T6S428J V11815 96-048 V80539 VN303A048 V92215 RMLH9075-4W V72962 NS202101-048 V80539 H10-4BAC V15653	107107 904949	2
30	254N1054-31		.LEVER ASSY- POST SERVICE BULLETIN: 76-0009R1	107107	1
30	254N1054-23		.LEVER ASSY- COMPONENT MAINT MANUAL REF: 76-11-26	904949	1
36	BAC27TCT0443		..DECAL- PLACARD CONTENT: C NO NC POST SERVICE BULLETIN: 76-0009R1	107107	2
37	BAC27NEL0161		..DECAL	107107 904949	1
38	BAC27NEL0162		..DECAL	107107 904949	1

MISSING ITEM NUMBERS NOT APPLICABLE

- ITEM NOT ILLUSTRATED

BRI

76-11-01-05

BOEING PROPRIETARY - Copyright © - Unpublished Work - See title page for details.

76-11-01  
FIG. 05  
PAGE 1  
JAN 20/09



757

PARTS CATALOG (MAINTENANCE)

FIG ITEM	PART NUMBER	1 2 3 4 5 6 7	NOMENCLATURE	EFFECT FROM TO	UNITS PER ASSY
5					
39	BAC27NEL0115	..	DECAL- PLACARD CONTENT: S17	107107 904949	1
42	BAC27NEL0116	..	DECAL- PLACARD CONTENT: S18	107107 904949	1
43	BAC27TCT0031	..	DECAL- PLACARD CONTENT: S7	107107 904949	1
44	BAC27TCT0032	..	DECAL- PLACARD CONTENT: S8	107107 904949	1
47	BAC27NEL0129	..	DECAL- PLACARD CONTENT: S518	107107 904949	1
48	BAC27NEL0130	..	DECAL- PLACARD CONTENT: S517	107107 904949	1
49	BAC27NEL0113	..	DECAL- PLACARD CONTENT: S519	107107 904949	1
52	BAC27NEL0114	..	DECAL- PLACARD CONTENT: S520	107107 904949	1
53	BAC27NEL0103	..	DECAL- PLACARD CONTENT: S134	107107 904949	1
54	BAC27NEL0104	..	DECAL- PLACARD CONTENT: S135	107107 904949	1
57	BAC27NEL0119	..	DECAL- PLACARD CONTENT: D2906	107107 904949	1
58	BAC27NEL0120	..	DECAL- PLACARD CONTENT: D2836	107107 904949	1
69	250N2004-113	..	ROD ASSY- COMPONENT MAINT MANUAL REF: 27-00-12 OPTIONAL PART: 251T0100-140 USED ON: 254N1054-9 254N1054-10 254N1054-15 254N1054-19 254N1054-23	107107	2

MISSING ITEM NUMBERS NOT APPLICABLE

- ITEM NOT ILLUSTRATED

76-11-01-05

76-11-01  
FIG. 05  
PAGE 2  
JAN 20/09

BRI

BOEING PROPRIETARY - Copyright © - Unpublished Work - See title page for details.



757

PARTS CATALOG (MAINTENANCE)

FIG ITEM	PART NUMBER	1 2 3 4 5 6 7	NOMENCLATURE	EFFECT FROM TO	UNITS PER ASSY
5					
69	251T0100-140	..	ROD ASSY- COMPONENT MAINT MANUAL REF: 27-00-11 OPTIONAL PART: 250N2004-113 USED ON: 254N1054-7 254N1054-13 254N1054-17 254N1054-23	107107 904949	2
69	251T0100-147	..	ROD ASSY- COMPONENT MAINT MANUAL REF: 27-00-11 USED ON: 254N1054-21 254N1054-25	107107 904949	2
71	82631-1018	..	NUT SUPPLIER CODE: V56878 SPECIFICATION NUMBER: BACN10RF10 OPTIONAL PART: BR9080-10 V72962 SL2822-10 V97393	107107 904949	1
72	AN960D1016	..	WASHER	107107 904949	1
73	254N1173-1	..	SPACER	107107 904949	1
76	253T4006-11	..	SPACER	107107 904949	2
78	253T4006-1	..	SPACER	107107 904949	1

MISSING ITEM NUMBERS NOT APPLICABLE

- ITEM NOT ILLUSTRATED

BRI

76-11-01-05

BOEING PROPRIETARY - Copyright © - Unpublished Work - See title page for details.

76-11-01  
FIG. 05  
PAGE 3  
JAN 20/09



757

PARTS CATALOG (MAINTENANCE)

FIG ITEM	PART NUMBER	1 2 3 4 5 6 7	NOMENCLATURE	EFFECT FROM TO	UNITS PER ASSY
5 R	79	MB539DDFS428	.. BEARING SUPPLIER CODE: V06144 SPECIFICATION NUMBER: BACB10AS12 OPTIONAL PART: LLMB539 V38443 MB539-2TS V43991 MB539DDFS428 V21335 MB539TT V43991 MB539DDG20 V38443 MT339E VK8455 MB539DDL196 V40920 MB539DD V06144 MB539DDNJC V06144 NB539DDSD610 V83086	107107 904949	2
	80	254N1172-1	.. SHAFT ASSY	107107 904949	1
	85	254N1201-1	.. SUPPORT ASSY- OPTIONAL PART: 253T5829-1	107107 904949	1
	85	253T5829-1	.. SUPPORT ASSY-	107107 904949	1
	90	253T5830-1	.. SUPPORT ASSY-	107107 904949	1

MISSING ITEM NUMBERS NOT APPLICABLE

- ITEM NOT ILLUSTRATED

76-11-01-05

76-11-01  
FIG. 05  
PAGE 4  
MAY 20/09

BRI



757

PARTS CATALOG (MAINTENANCE)

FIG ITEM	PART NUMBER	1 2 3 4 5 6 7	NOMENCLATURE	EFFECT FROM TO	UNITS PER ASSY
5 92	Y010		... BEARING- SUPPLIER CODE: V40920 SPECIFICATION NUMBER: 60B00179-100 OPTIONAL PART: LLKP16BS1 V38443 10633 V06144 MKP16BS2E9881 V21335 MKP16BS2SD750 V83086 Y164 V40920	107107 904949	1
175	254N1138-1		.. COVER	107107 904949	1
180	254N1138-2		.. COVER	107107 904949	1
- 185	NAS514P632-4B		ATTACHING PARTS .. SCREW	107107 904949	12
190	254N1140-1		-----*----- .. COVER	107107 904949	2
- 195	BACS12BP06-5		ATTACHING PARTS .. SCREW	107107 904949	2
380	254N1131-17		-----*----- .. LEVER ASSY- POSITION DATA: LH POST SERVICE BULLETIN: 76-0009R1	107107	1
385	254N1131-18		.. LEVER ASSY- POSITION DATA: RH POST SERVICE BULLETIN: 76-0009R1	107107	1
390	65C14183-46		... KNOB	107107 904949	1
- 395	BACS12BP3-8		ATTACHING PARTS ... SCREW	107107 904949	1
445	254N1205-1		-----*----- ... FOLLOWER ASSY- POST SERVICE BULLETIN: 76-0009R1	107107	1

MISSING ITEM NUMBERS NOT APPLICABLE

- ITEM NOT ILLUSTRATED

76-11-01-05

76-11-01  
FIG. 05  
PAGE 5  
MAY 20/09

BRI

 **BOEING**  
757  
**PARTS CATALOG (MAINTENANCE)**

FIG ITEM	PART NUMBER	1 2 3 4 5 6 7	NOMENCLATURE	EFFECT FROM TO	UNITS PER ASSY
5 448	KJB60516-327		... BUSHING- SUPPLIER CODE: V50632 SPECIFICATION NUMBER: 10-60516-327 OPTIONAL PART: 90792 V09455 AJF05A109 VS0352 FBR05A11BA V73134 KJN5-22 V97613 NHF05-203A V15860 YTS754 V77896 DBAF5-184 V81376	107107 904949	1
480	254N1212-1		... CAM-DETENT OPTIONAL PART: 253T5834-1 POST SERVICE BULLETIN: 76-0009R1	107107	1
480	253T5834-1		... CAM-DETENT OPTIONAL PART: 254N1212-1 POST SERVICE BULLETIN: 76-0009R1	107107	1

MISSING ITEM NUMBERS NOT APPLICABLE

— ITEM NOT ILLUSTRATED

BRI

# 76-11-01-05

BOEING PROPRIETARY - Copyright © - Unpublished Work - See title page for details.

76-11-01  
FIG. 05  
PAGE 6  
JAN 20/09



757

PARTS CATALOG (MAINTENANCE)

FIG ITEM	PART NUMBER	1 2 3 4 5 6 7	NOMENCLATURE	EFFECT FROM TO	UNITS PER ASSY
5 525	HL441UC6-8	...	BOLT- SUPPLIER CODE: V60516 SPECIFICATION NUMBER: BACB30FM6A8 OPTIONAL PART: HL440UC6-8 V73197 HL440UC6-8 V92215 HL440UC6-8 V97928 HL440UC6-8 V80539 67067-6A8 V56878 HL440UC6-8 V08524 HL440UC6-8 V56878 HL440UC6-8 V56878 POST SERVICE BULLETIN: 76-0009R1	107107	1
530	AN960C10L	...	WASHER- SERVICE BULLETIN OPT DATA: NAS1149C0332R POST SERVICE BULLETIN: 76-0009R1	107107	1
530	NAS1149C0332R	...	WASHER- SERVICE BULLETIN OPT DATA: AN960C10L POST SERVICE BULLETIN: 76-0009R1	107107	1

MISSING ITEM NUMBERS NOT APPLICABLE

- ITEM NOT ILLUSTRATED

BRI

76-11-01-05

BOEING PROPRIETARY - Copyright © - Unpublished Work - See title page for details.

76-11-01  
FIG. 05  
PAGE 7  
JAN 20/09



757

PARTS CATALOG (MAINTENANCE)

FIG ITEM	PART NUMBER	1 2 3 4 5 6 7	NOMENCLATURE	EFFECT FROM TO	UNITS PER ASSY
5 535	HL79-6		...COLLAR- SUPPLIER CODE: V5M902 SPECIFICATION NUMBER: BACC30M6 OPTIONAL PART: HL79-6 V73197 HL79-6 V92215 66014-6 V56878 HL79-6 V56878 POST SERVICE BULLETIN: 76-0009R1	107107	1
545	BACB28Y3F046		...BUSHING	107107 904949	2
570	254N1179-1		...SPRING- POSITION DATA: LH SIDE	107107	1
570	254N1179-3		...SPRING- POSITION DATA: LH SIDE	107107	1
- 575	254N1179-2		...SPRING- POSITION DATA: RH SIDE	107107	1
- 575	254N1179-4		...SPRING-(RH SIDE)	107107	1
590	254N1210-5		...LINK ASSY- POSITION DATA: L POST SERVICE BULLETIN: 76-0009R1	107107	1
- 595	254N1210-6		...LINK ASSY- POSITION DATA: R POST SERVICE BULLETIN: 76-0009R1	107107	1
610	253T5811-1		..KNOB	107107 904949	2
615	C2006		..SWITCH- SUPPLIER CODE: V81640	107107 904949	2
630	MS24547-1		..SWITCH	107107 904949	6
635	MS24547-1		..SWITCH-	107107 904949	2

MISSING ITEM NUMBERS NOT APPLICABLE

- ITEM NOT ILLUSTRATED

BRI

76-11-01-05

BOEING PROPRIETARY - Copyright © - Unpublished Work - See title page for details.

76-11-01  
FIG. 05  
PAGE 8  
JAN 20/09





757

PARTS CATALOG (MAINTENANCE)

FIG ITEM	PART NUMBER	1 2 3 4 5 6 7	NOMENCLATURE	EFFECT FROM TO	UNITS PER ASSY
5					
650	JX45	..	ACTUATOR- SUPPLIER CODE: V91929	107107 904949	6
675	JX45	..	ACTUATOR- SUPPLIER CODE: V91929	107107 904949	2
680	DLV2004	..	CONNECTOR- SUPPLIER CODE: VOLYY8	107107 904949	2
680	DLV2002	..	CONNECTOR- SUPPLIER CODE: VOLYY8 POST SERVICE BULLETIN: 76-0009R1	107107	2
683	253T5836-1	..	SHIM-	107107 904949	2

MISSING ITEM NUMBERS NOT APPLICABLE

- ITEM NOT ILLUSTRATED

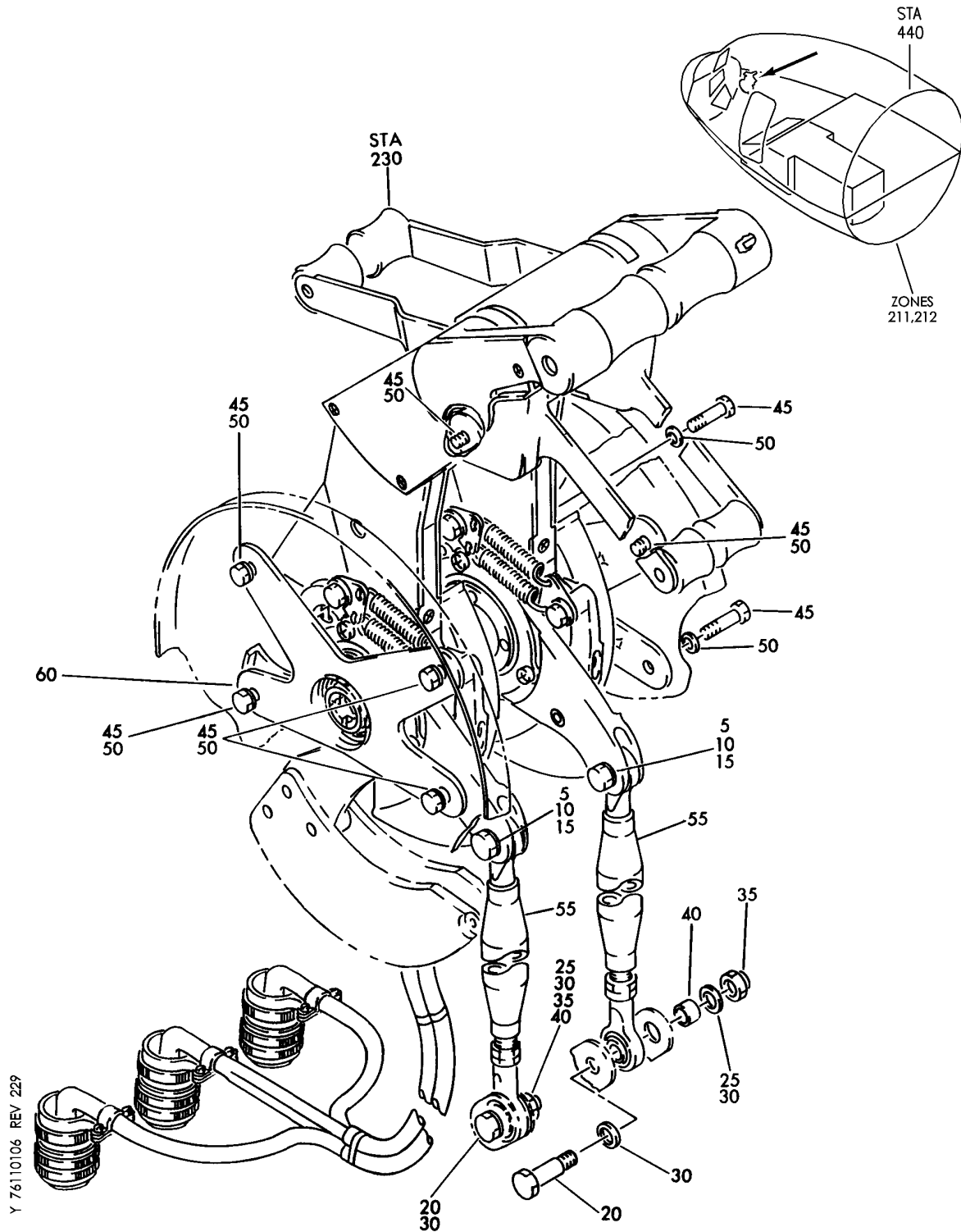
BRI

76-11-01-05

BOEING PROPRIETARY - Copyright © - Unpublished Work - See title page for details.

76-11-01  
FIG. 05  
PAGE 9  
JAN 20/09

**BOEING**  
757  
PARTS CATALOG (MAINTENANCE)



LEVER INSTL-CONT STAND THRUST  
FIGURE 6

**76-11-01-06**

BRI  
MAY 28/07

76-11-01-06  
PAGE 0



757

PARTS CATALOG (MAINTENANCE)

FIG ITEM	PART NUMBER	1 2 3 4 5 6 7	NOMENCLATURE	EFFECT FROM TO	UNITS PER ASSY
6			LEVER INSTL-CONT STAND THRUST	002004 006016 121503 950999	
- 1	254N1054-32		LEVER INSTL-CONT STAND THRUST FOR NHA SEE: 76-11-04-02	002004 006016 121503 950999	RF
5	BACB30NR4K8		.BOLT	002004 006016 121503 950999	2
10	AN960D416L		.WASHER	002004 006016 121503 950999	4
15	BRH10A4		.NUT- SUPPLIER CODE: V52828 SPECIFICATION NUMBER: BACN10JC4 OPTIONAL PART: T6S428J V11815 96-048 V80539 VN303A048 V92215 RMLH9075-4W V72962 NS202101-048 V80539 H10-4BAC V15653	002004 006016 121503 950999	2
20	BACB30NR4K8		.BOLT	002004 006016 121503 950999	2
30	AN960D416L		.WASHER	002004 006016 121503 950999	4

MISSING ITEM NUMBERS NOT APPLICABLE

- ITEM NOT ILLUSTRATED

BRI

76-11-01-06

BOEING PROPRIETARY - Copyright © - Unpublished Work - See title page for details.

76-11-01  
FIG. 06  
PAGE 1  
JAN 20/09



757

PARTS CATALOG (MAINTENANCE)

FIG ITEM	PART NUMBER	1 2 3 4 5 6 7	NOMENCLATURE	EFFECT FROM TO	UNITS PER ASSY
6	35 BRH10A4	.NUT	SUPPLIER CODE:	002004	2
			V52828	006016	
			SPECIFICATION NUMBER:	121503	
			BACN10JC4	950999	
			OPTIONAL PART:		
			T6S428J		
			V11815		
96-048					
V80539					
VN303A048					
V92215					
RMLH9075-4W					
V72962					
NS202101-048					
V80539					
H10-4BAC					
V15653					
45	BACB30NR4K2	.BOLT		002004	8
				006016	
				121503	
				950999	
50	AN960D416	.WASHER		002004	8
				006016	
				121503	
				950999	
55	251T0100-140	.ROD ASSY-		002004	2
		COMPONENT MAINT MANUAL REF:		006016	
		27-00-11		121503	
				950999	
60	254N1054-31	.LEVER ASSY-		002004	1
		FOR DETAILS SEE:		006016	
		76-11-01-15		121503	
				950999	
60	254N1054-34	.LEVER ASSY-		002004	1
		FOR DETAILS SEE:		006016	
		76-11-01-16		121503	
				950999	

MISSING ITEM NUMBERS NOT APPLICABLE

- ITEM NOT ILLUSTRATED

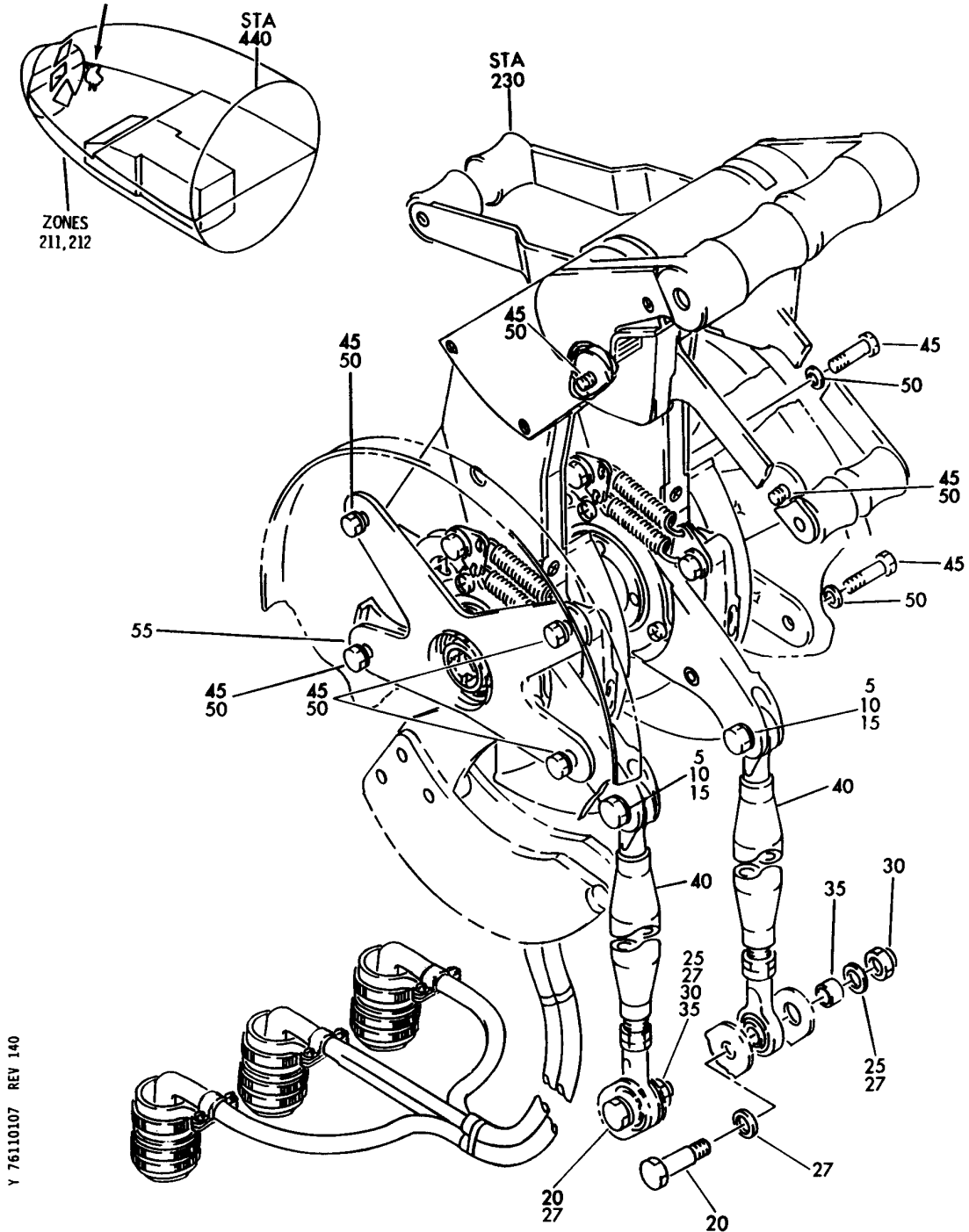
BRI

76-11-01-06

BOEING PROPRIETARY - Copyright © - Unpublished Work - See title page for details.

76-11-01  
FIG. 06  
PAGE 2  
JAN 20/09

**BOEING**  
757  
PARTS CATALOG (MAINTENANCE)



Y 76110107 REV 140

LEVER INSTL-CONT STAND THRUST (RB211-535)  
FIGURE 7

**76-11-01-07**

BRI  
MAY 28/07

76-11-01-07  
PAGE 0



757

PARTS CATALOG (MAINTENANCE)

FIG ITEM	PART NUMBER	1 2 3 4 5 6 7	NOMENCLATURE	EFFECT FROM TO	UNITS PER ASSY
7			LEVER INSTL-CONT STAND THRUST (RB211-535)	017106 108120 504903	
- 1	254N1054-36		LEVER INSTL-CONT STAND THRUST FOR NHA SEE: 76-11-04-02	017106 108120 504903	RF
5	BACB30NR4K8		.BOLT	017106 108120 504903	2
10	AN960D416L		.WASHER	017106 108120 504903	4
15	MS21042L4		.NUT-	017106 108120 504903	2
20	BACB30NR4K8		.BOLT-	017106 108120 504903	2
27	AN960D416L		.WASHER	017106 108120 504903	4
30	BRH10A4		.NUT SUPPLIER CODE: V52828 SPECIFICATION NUMBER: BACN10JC4 OPTIONAL PART: T6S428J V11815 96-048 V80539 VN303A048 V92215 RMLH9075-4W V72962 NS202101-048 V80539 H10-4BAC V15653	017106 108120 504903	2
40	251T0100-140		.ROD ASSY- COMPONENT MAINT MANUAL REF: 27-00-11	017106 108120 504903	2
45	BACB30NR4K2		.BOLT	017106 108120 504903	8
50	AN960D416L		.WASHER	017106 108120 504903	8

MISSING ITEM NUMBERS NOT APPLICABLE

- ITEM NOT ILLUSTRATED

BRI

76-11-01-07

BOEING PROPRIETARY - Copyright © - Unpublished Work - See title page for details.

76-11-01  
FIG. 07  
PAGE 1  
JAN 20/09



757

PARTS CATALOG (MAINTENANCE)

FIG ITEM	PART NUMBER	1 2 3 4 5 6 7	NOMENCLATURE	EFFECT FROM TO	UNITS PER ASSY
7					
55	254N1054-34		. LEVER ASSY- FOR DETAILS SEE: 76-11-01-16	017106 108120 504903	1
55	254N1054-31		. LEVER ASSY- FOR DETAILS SEE: 76-11-01-15	017106 108120 504903	1

MISSING ITEM NUMBERS NOT APPLICABLE

- ITEM NOT ILLUSTRATED

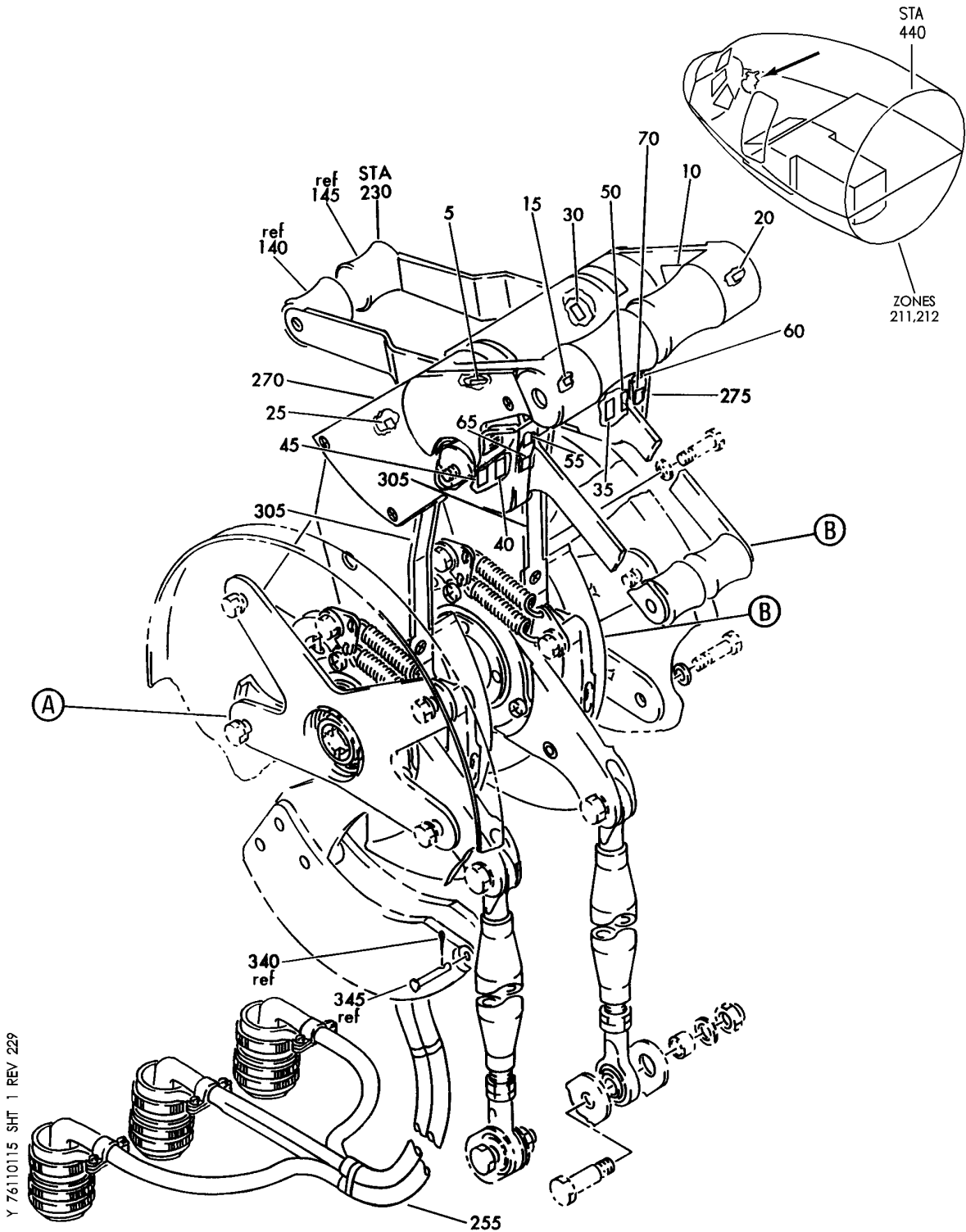
BRI

76-11-01-07

BOEING PROPRIETARY - Copyright © - Unpublished Work - See title page for details.

76-11-01  
FIG. 07  
PAGE 2  
JAN 20/09

**BOEING**  
757  
PARTS CATALOG (MAINTENANCE)



LEVER ASSY-CONT STAND THRUST  
FIGURE 15 (SHEET 1)

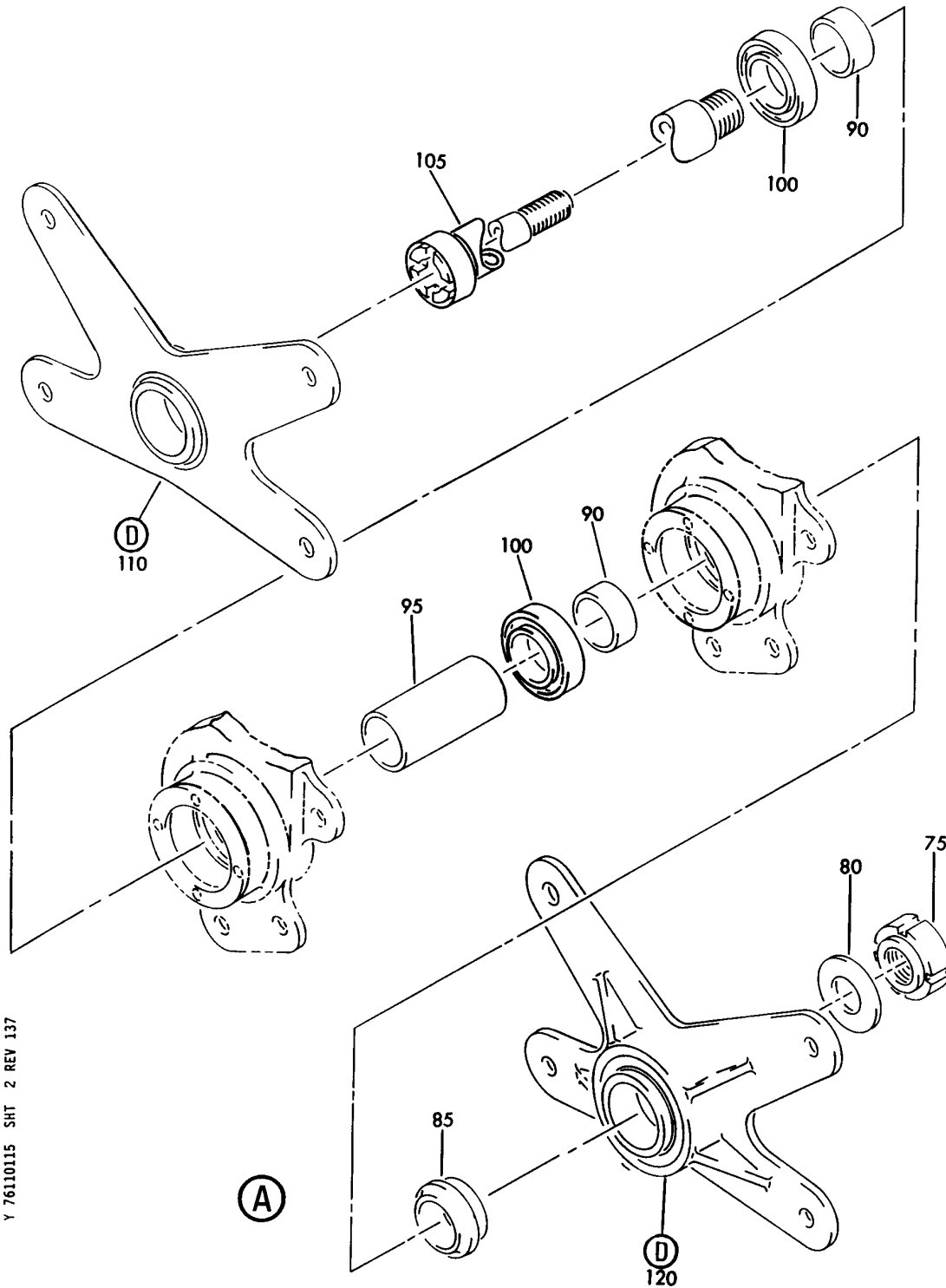
**76-11-01-15**

BRI  
MAY 28/07

76-11-01-15  
PAGE 0



**BOEING**  
757  
PARTS CATALOG (MAINTENANCE)



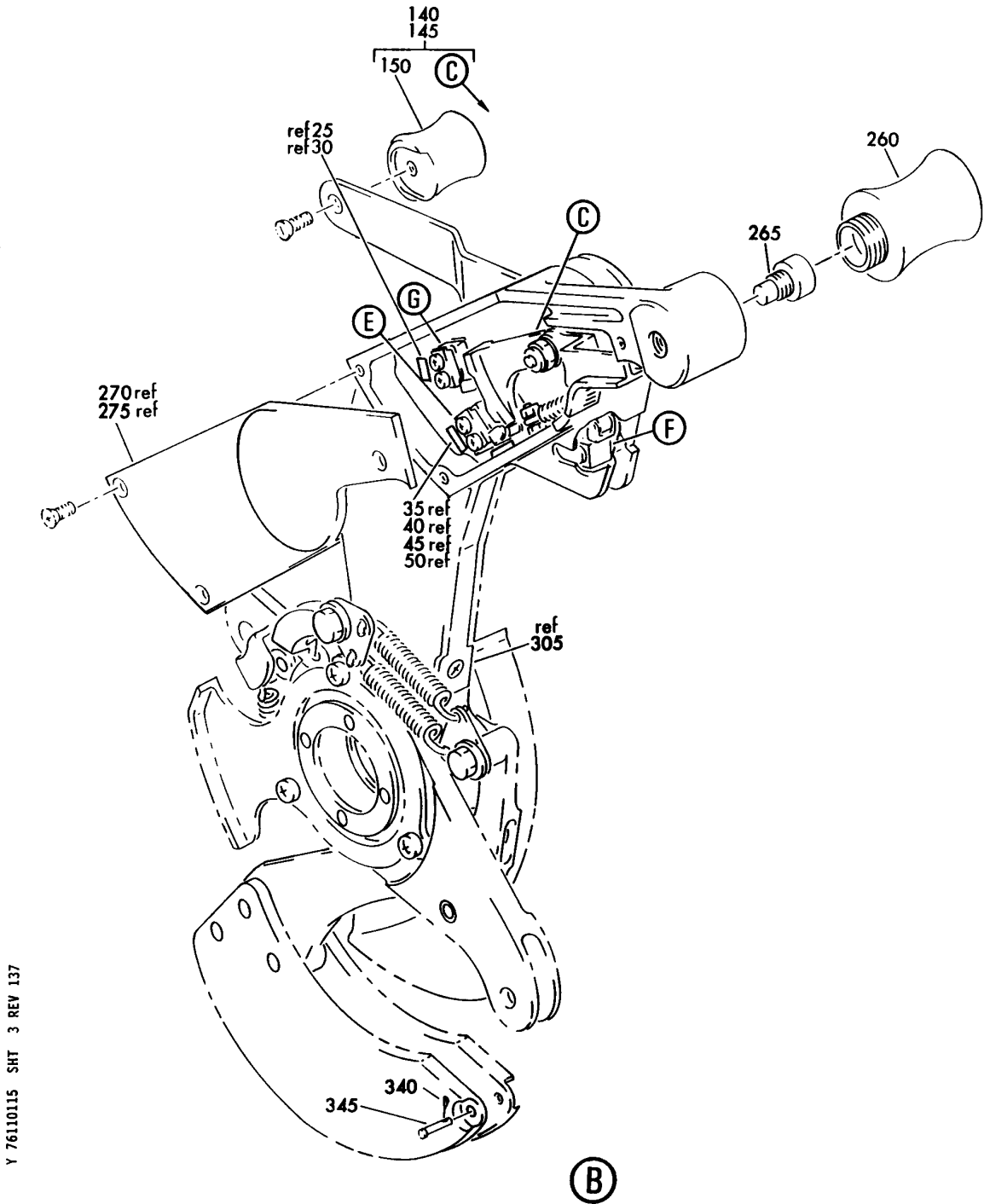
LEVER ASSY-CONT STAND THRUST  
FIGURE 15 (SHEET 2)

**76-11-01-15**

BRI  
MAY 28/07

76-11-01-15  
PAGE 0A

**BOEING**  
757  
PARTS CATALOG (MAINTENANCE)



Y 76110115 SHT 3 REV 137

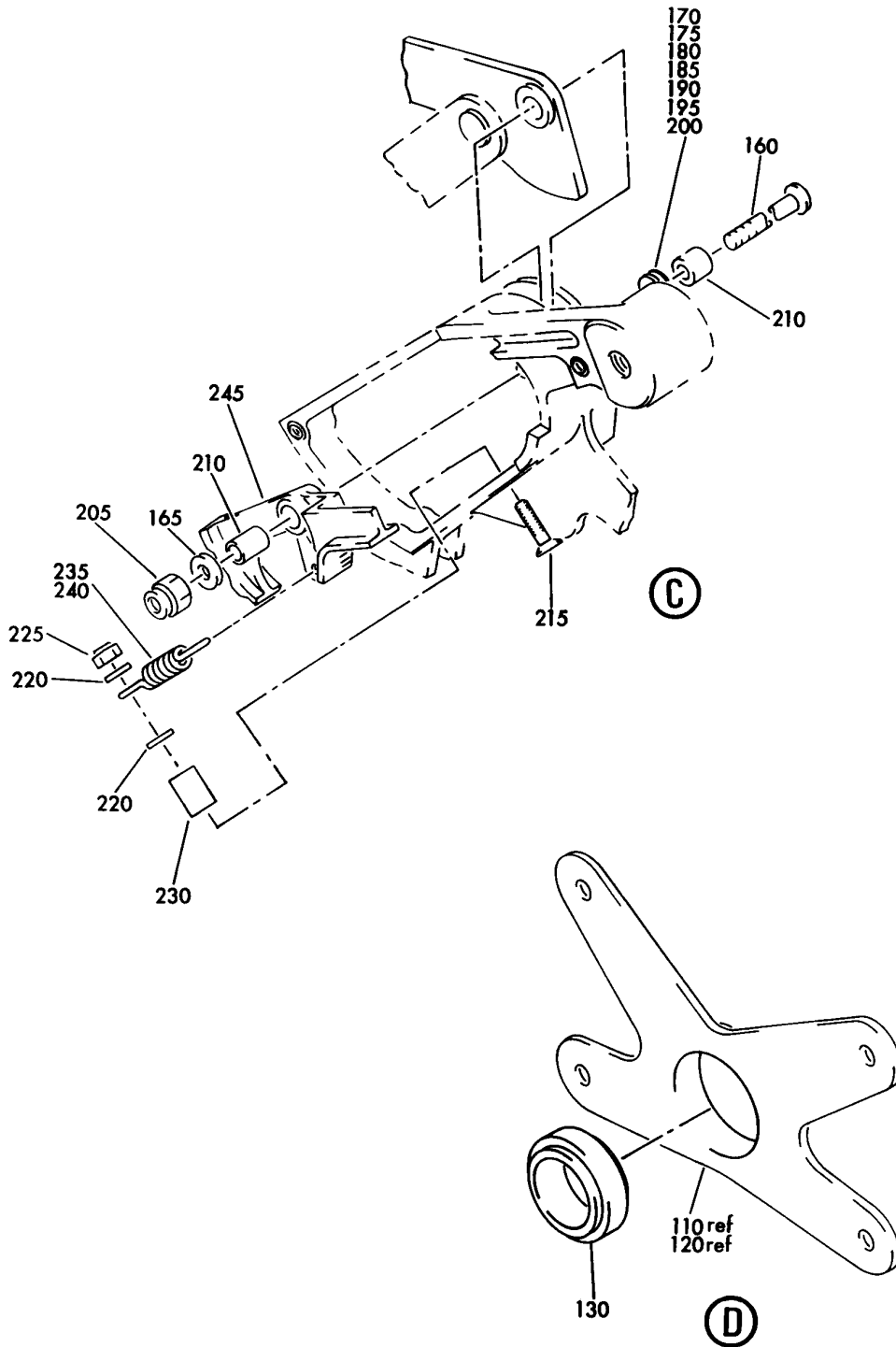
LEVER ASSY-CONT STAND THRUST  
FIGURE 15 (SHEET 3)

**76-11-01-15**

BRI  
MAY 28/07

76-11-01-15  
PAGE 0B

**BOEING**  
757  
PARTS CATALOG (MAINTENANCE)



Y 76110115 SHT 4 REV 137

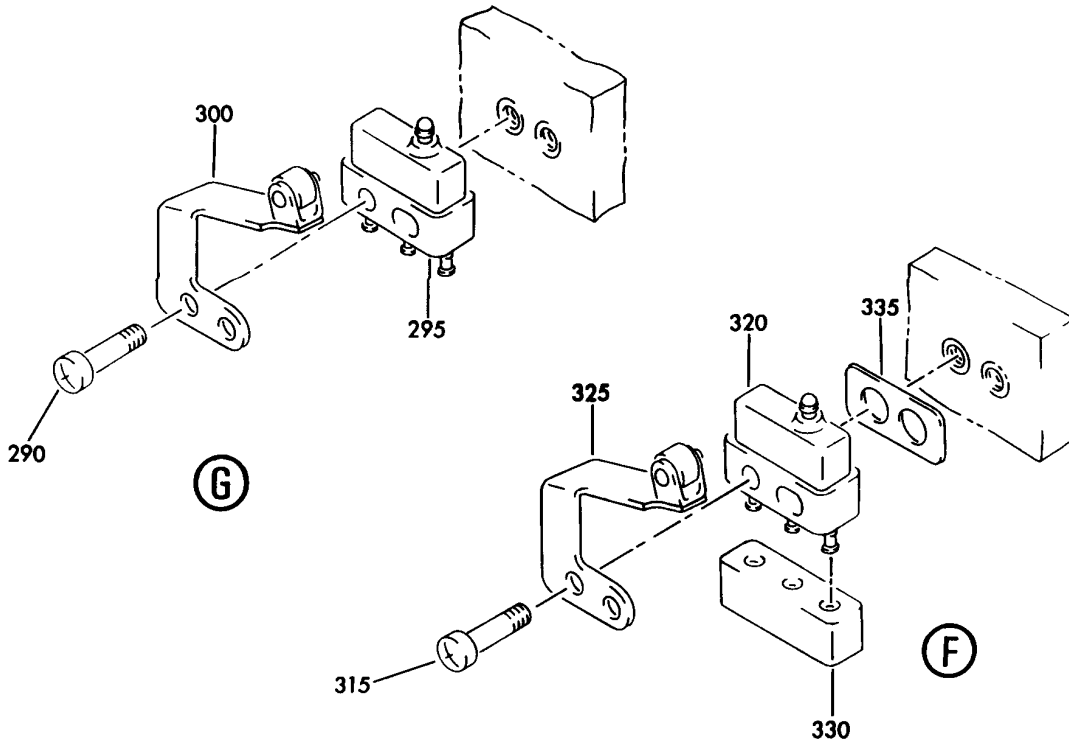
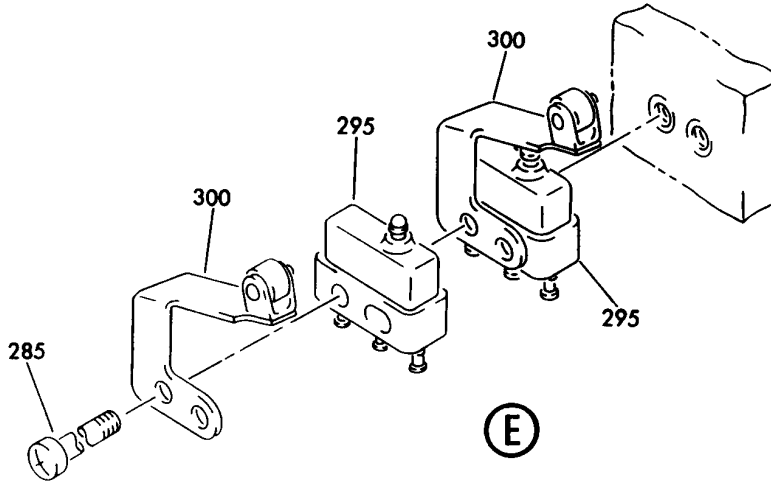
LEVER ASSY-CONT STAND THRUST  
FIGURE 15 (SHEET 4)

**76-11-01-15**

BRI  
MAY 28/07

76-11-01-15  
PAGE 0C

**BOEING**  
757  
PARTS CATALOG (MAINTENANCE)



Y 76110115 SHT 5 REV 137

LEVER ASSY-CONT STAND THRUST  
FIGURE 15 (SHEET 5)

**76-11-01-15**

BRI  
MAY 28/07

76-11-01-15  
PAGE 0D



757

PARTS CATALOG (MAINTENANCE)

FIG ITEM	PART NUMBER	1 2 3 4 5 6 7	NOMENCLATURE	EFFECT FROM TO	UNITS PER ASSY
15			LEVER ASSY-CONT STAND THRUST	002004 006102 108903 950999	
- 1	254N1054-31		LEVER ASSY-CONT STAND THRUST FOR NHA SEE: 76-11-01-06 76-11-01-07	002004 006102 108903 950999	RF
5	BAC27NEL0161		.DECAL	002004 006102 108903 950999	1
10	BAC27NEL0162		.DECAL	002004 006102 108903 950999	1
15	BAC27NEL0115		.DECAL- PLACARD CONTENT: S17	002004 006102 108903 950999	1
20	BAC27NEL0116		.DECAL- POSITION DATA: S18	002004 006102 108903 950999	1
25	BAC27TCT0031		.DECAL- PLACARD CONTENT: S7	002004 006102 108903 950999	1
30	BAC27TCT0032		.DECAL- PLACARD CONTENT: S8	002004 006102 108903 950999	1
35	BAC27NEL0129		.DECAL- PLACARD CONTENT: S515	002004 006102 108903 950999	1
40	BAC27NEL0130		.DECAL- PLACARD CONTENT: S517	002004 006102 108903 950999	1
45	BAC27NEL0130		.DECAL- PLACARD CONTENT: S517	002004 006102 108903 950999	1
50	BAC27NEL0114		.DECAL- PLACARD CONTENT: S520	002004 006102 108903 950999	1

MISSING ITEM NUMBERS NOT APPLICABLE

- ITEM NOT ILLUSTRATED

BRI

76-11-01-15

76-11-01  
FIG. 15  
PAGE 1  
JAN 20/09



757

PARTS CATALOG (MAINTENANCE)

FIG ITEM	PART NUMBER	1 2 3 4 5 6 7	NOMENCLATURE	EFFECT FROM TO	UNITS PER ASSY
15					
55	BAC27NEL0103	.DECAL-	PLACARD CONTENT: S134	002004 006102 108903 950999	1
60	BAC27NEL0104	.DECAL-	PLACARD CONTENT: S135	002004 006102 108903 950999	1
65	BAC27NEL0119	.DECAL-	PLACARD CONTENT: D2906	002004 006102 108903 950999	1
70	BAC27NEL0120	.DECAL-	PLACARD CONTENT: D2836	002004 006102 108903 950999	1
75	82631-1018	.NUT	SUPPLIER CODE: V56878 SPECIFICATION NUMBER: BACN10RF10 OPTIONAL PART: BR9080-10 V72962 SL2822-10 V97393	002004 006102 108903 950999	1
80	AN960D1016	.WASHER		002004 006102 108903 950999	1
85	254N1173-1	.SPACER		002004 006102 108903 950999	1
90	253T4006-11	.SPACER		002004 006102 108903 950999	2
95	253T4006-1	.SPACER		002004 006102 108903 950999	1

MISSING ITEM NUMBERS NOT APPLICABLE

- ITEM NOT ILLUSTRATED

BRI

76-11-01-15

BOEING PROPRIETARY - Copyright © - Unpublished Work - See title page for details.

76-11-01  
FIG. 15  
PAGE 2  
JAN 20/09

 **BOEING**  
757  
**PARTS CATALOG (MAINTENANCE)**

FIG ITEM	PART NUMBER	1 2 3 4 5 6 7	NOMENCLATURE	EFFECT FROM TO	UNITS PER ASSY
R R R R R R R R R R R R R R R	15 100	MB539DDFS428	.BEARING SUPPLIER CODE: V06144 SPECIFICATION NUMBER: BACB10AS12 OPTIONAL PART: LLMB539 V38443 MB539-2TS V43991 MB539DDFS428 V21335 MB539TT V43991 MB539DDG20 V38443 MT339E VK8455 MB539DDL196 V40920 MB539DD V06144 MB539DDNJC V06144 NB539DDSD610 V83086	002004 006102 108903 950999	2
	105	254N1172-1	.SHAFT ASSY	002004 006102 108903 950999	1
	110	253T5829-1	.SUPPORT ASSY- OPTIONAL PART: 254N1201-1	002004 006102 108903 950999	1
	110	254N1201-1	.SUPPORT ASSY- OPTIONAL PART: 253T5829-1	002004 006102 108903 950999	1
	120	253T5830-1	.SUPPORT ASSY- OPTIONAL PART: 254N1202-1	002004 006102 108903 950999	1
	120	254N1202-1	.SUPPORT ASSY- OPTIONAL PART: 253T5830-1	002004 006102 108903 950999	1

MISSING ITEM NUMBERS NOT APPLICABLE

— ITEM NOT ILLUSTRATED

BRI

# 76-11-01-15

BOEING PROPRIETARY - Copyright © - Unpublished Work - See title page for details.

76-11-01  
FIG. 15  
PAGE 3  
MAY 20/09



757

PARTS CATALOG (MAINTENANCE)

FIG ITEM	PART NUMBER	1 2 3 4 5 6 7	NOMENCLATURE	EFFECT FROM TO	UNITS PER ASSY
15 130	Y010		.. BEARING- SUPPLIER CODE: V40920 SPECIFICATION NUMBER: 60B00179-100 OPTIONAL PART: MKP16BS2E9881 V21335 10633 V06144 LLKP16BS1 V38443 MKP16BS2SD750 V83086 Y164 V40920	002004 006102 108903 950999	1
140	254N1131-17		. LEVER ASSY- POSITION DATA: LH	002004 006102 108903 950999	1
145	254N1131-18		. LEVER ASSY- POSITION DATA: RH	002004 006102 108903 950999	1
150	65C14183-46		.. KNOB	002004 006102 108903 950999	1
- 155	BACS12BP3-8		ATTACHING PARTS .. SCREW  -----*-----	002004 006102 108903 950999	1

MISSING ITEM NUMBERS NOT APPLICABLE

- ITEM NOT ILLUSTRATED

BRI

76-11-01-15

BOEING PROPRIETARY - Copyright © - Unpublished Work - See title page for details.

76-11-01  
FIG. 15  
PAGE 4  
JAN 20/09





757

PARTS CATALOG (MAINTENANCE)

FIG ITEM	PART NUMBER	1 2 3 4 5 6 7	NOMENCLATURE	EFFECT FROM TO	UNITS PER ASSY
15 160	HL40-6-15	..	BOLT SUPPLIER CODE: V97928 SPECIFICATION NUMBER: BACB30FM6A15U OPTIONAL PART: 67067-6A15U V56878 HL40-6-15 V56878 HL40-6-15 V73197 HL40-6-15 V80539 HL40-6-15 V92215 HL40-6-15 V08524 L8056A15U V06725	002004 006102 108903 950999	1
165	AN960D10L	..	WASHER	002004 006102 108903 950999	1
170	254N1144-2	..	WASHER	002004 006102 108903 950999	AR
175	254N1144-3	..	WASHER	002004 006102 108903 950999	AR
180	254N1144-5	..	WASHER	002004 006102 108903 950999	AR
185	254N1144-6	..	WASHER	002004 006102 108903 950999	AR
190	254N1144-7	..	WASHER	002004 006102 108903 950999	AR
195	254N1144-8	..	WASHER	002004 006102 108903 950999	AR

MISSING ITEM NUMBERS NOT APPLICABLE

- ITEM NOT ILLUSTRATED

BRI

76-11-01-15

BOEING PROPRIETARY - Copyright © - Unpublished Work - See title page for details.

76-11-01  
FIG. 15  
PAGE 5  
JAN 20/09



757

PARTS CATALOG (MAINTENANCE)

FIG ITEM	PART NUMBER	1 2 3 4 5 6 7	NOMENCLATURE	EFFECT FROM TO	UNITS PER ASSY
15 200	254N1144-9		.. WASHER	002004 006102 108903 950999	AR
205	BRH10A3		.. NUT SUPPLIER CODE: V52828 SPECIFICATION NUMBER: BACN10JC3 OPTIONAL PART: H10-3BAC V15653 NS202101-02 V80539 RMLH9075-3W V72962 VN303A02 V92215 96-02 V80539 T6S1032J V11815	002004 006102 108903 950999	1
210	BACB28Y3F046		.. BUSHING	002004 006102 108903 950999	2
215	NAS514P440-6		.. SCREW	002004 006102 108903 950999	1
220	AN960C4L		.. WASHER	002004 006102 108903 950999	2

MISSING ITEM NUMBERS NOT APPLICABLE

- ITEM NOT ILLUSTRATED

BRI

76-11-01-15

BOEING PROPRIETARY - Copyright © - Unpublished Work - See title page for details.

76-11-01  
FIG. 15  
PAGE 6  
JAN 20/09



757

PARTS CATALOG (MAINTENANCE)

FIG ITEM	PART NUMBER	1 2 3 4 5 6 7	NOMENCLATURE	EFFECT FROM TO	UNITS PER ASSY
15 225	BRH10A04	..	NUT SUPPLIER CODE: V52828 SPECIFICATION NUMBER: BACN10JCO4 OPTIONAL PART: NS202101-40 V80539 RMLH9075-40W V72962 VN303A40 V92215 96-40 V80539 T6S440J V11815 H10-04BAC V15653	002004 006102 108903 950999	1
230	NAS1057T0-010	..	SPACER	002004 006102 108903 950999	1
235	254N1179-3	..	SPRING- USED ON: 254N1131-17	002004 006102 108903 950999	1
235	254N1179-1	..	SPRING-	002004 006102 108903 950999	1
240	254N1179-4	..	SPRING- USED ON: 254N1131-18	002004 006102 108903 950999	1
240	254N1179-2	..	SPRING-	002004 006102 108903 950999	1
245	254N1175-1	..	TRIGGER- USED ON: 254N1131-17	002004 006102 108903 950999	1
- 250	254N1175-2	..	TRIGGER- USED ON: 254N1131-18	002004 006102 108903 950999	1

MISSING ITEM NUMBERS NOT APPLICABLE

- ITEM NOT ILLUSTRATED

BRI

76-11-01-15

BOEING PROPRIETARY - Copyright © - Unpublished Work - See title page for details.

76-11-01  
FIG. 15  
PAGE 7  
JAN 20/09



757

PARTS CATALOG (MAINTENANCE)

FIG ITEM	PART NUMBER	1 2 3 4 5 6 7	NOMENCLATURE	EFFECT FROM TO	UNITS PER ASSY
15					
255	254N1054-11	.	WIRE BUNDLE ASSY	002004 006102 108903 950999	1
260	253T5811-1	.	KNOB	002004 006102 108903 950999	2
265	C2006	.	SWITCH- SUPPLIER CODE: V81640	002004 006102 108903 950999	2
270	254N1138-1	.	COVER	002004 006102 108903 950999	1
275	254N1138-2	.	COVER	002004 006102 108903 950999	1
- 280	NAS514P632-4B	.	ATTACHING PARTS SCREW	002004 006102 108903 950999	6
			-----*-----		
285	BACS12BG02AP5	.	SCREW	002004 006102 108903 950999	4
290	BACS12BG02AP9	.	SCREW	002004 006102 108903 950999	4
295	MS24547-1	.	SWITCH	002004 006102 108903 950999	6
300	JX45	.	ACTUATOR- SUPPLIER CODE: V91929	002004 006102 108903 950999	6
305	254N1140-1	.	COVER	002004 006102 108903 950999	2

MISSING ITEM NUMBERS NOT APPLICABLE

- ITEM NOT ILLUSTRATED

BRI

76-11-01-15

BOEING PROPRIETARY - Copyright © - Unpublished Work - See title page for details.

76-11-01  
FIG. 15  
PAGE 8  
JAN 20/09



757

PARTS CATALOG (MAINTENANCE)

FIG ITEM	PART NUMBER	1 2 3 4 5 6 7	NOMENCLATURE	EFFECT FROM TO	UNITS PER ASSY
15			ATTACHING PARTS		
- 310	BACS128P06-5		.SCREW	002004 006102 108903 950999	2
315	BACS12BG2AP5		-----*----- .SCREW	002004 006102 108903 950999	4
320	MS24547-1		.SWITCH	002004 006102 108903 950999	2
325	JX45		.ACTUATOR- SUPPLIER CODE: V91929	002004 006102 108903 950999	2
330	DLV2002		.CONNECTOR- SUPPLIER CODE: VOLYY8	002004 006102 108903 950999	2
335	253T5836-1		.SHIM	002004 006102 108903 950999	2
340	MS24665-151		.PIN	002004 006102 108903 950999	2
345	MS20392-2C19		.PIN	002004 006102 108903 950999	2

MISSING ITEM NUMBERS NOT APPLICABLE

- ITEM NOT ILLUSTRATED

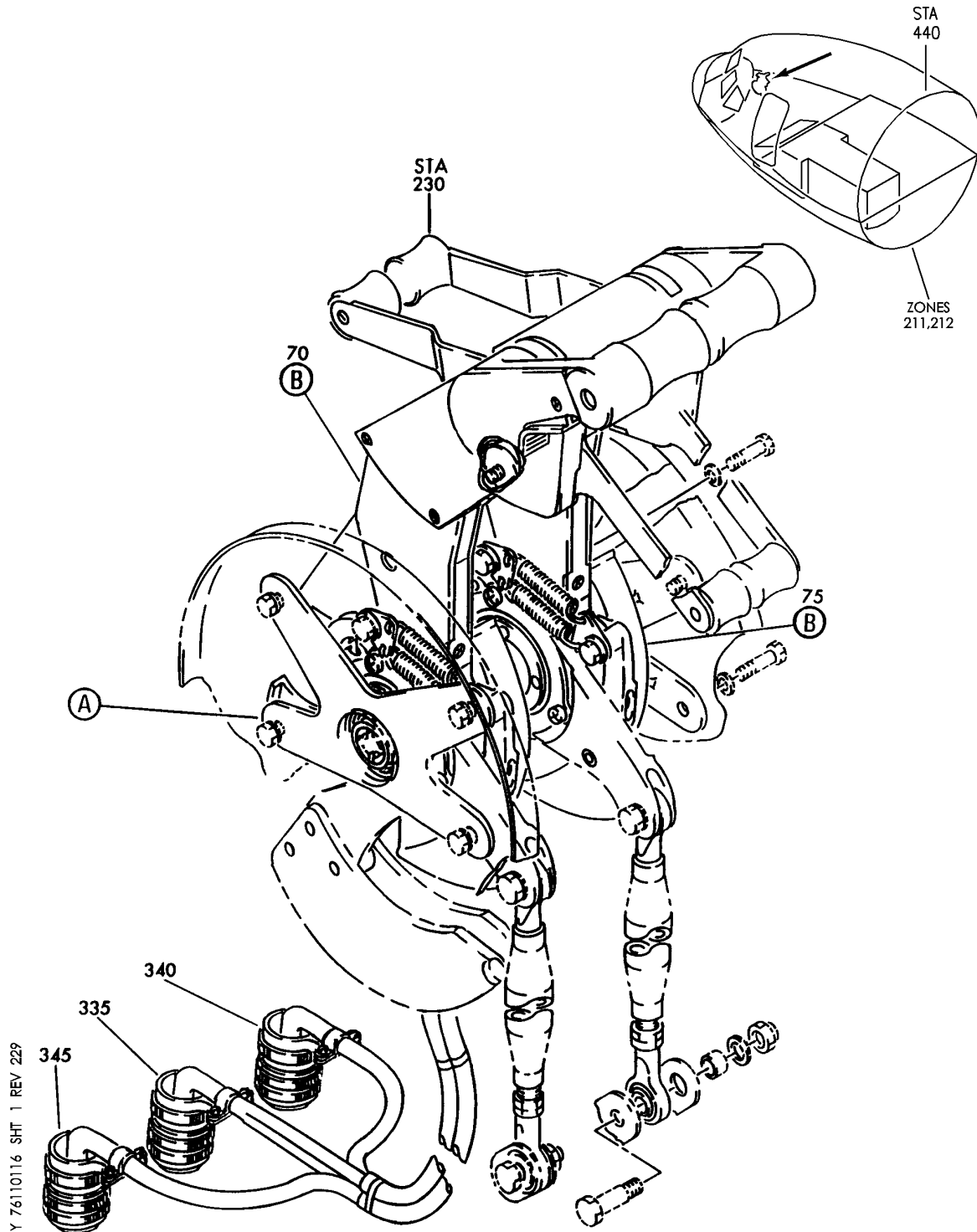
BRI

76-11-01-15

BOEING PROPRIETARY - Copyright © - Unpublished Work - See title page for details.

76-11-01  
FIG. 15  
PAGE 9  
JAN 20/09

**BOEING**  
757  
PARTS CATALOG (MAINTENANCE)



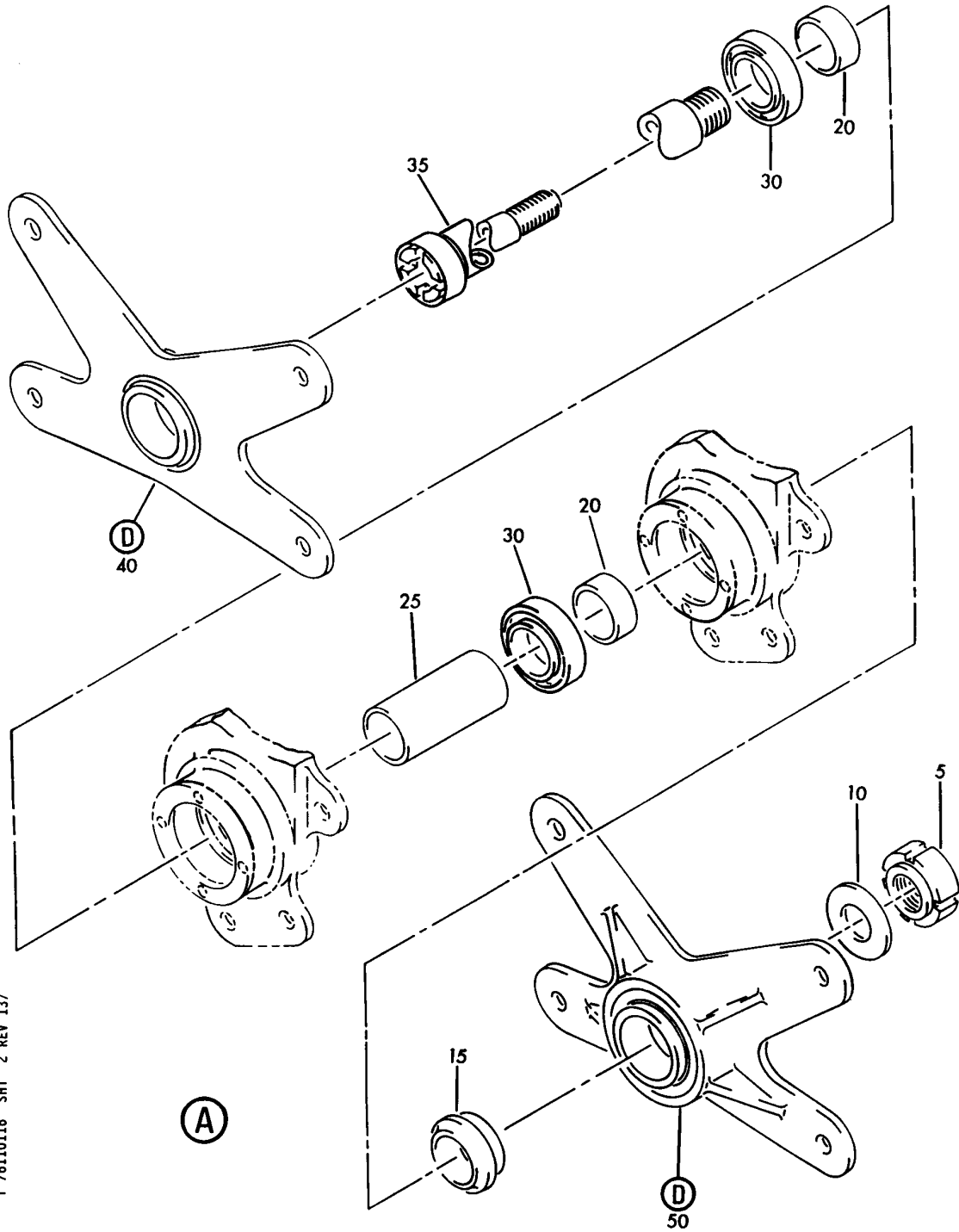
LEVER ASSY-CONT STAND THRUST  
FIGURE 16 (SHEET 1)

**76-11-01-16**

BRI  
MAY 28/07

76-11-01-16  
PAGE 0

**BOEING**  
757  
PARTS CATALOG (MAINTENANCE)



Y 76110116 SHT 2 REV 137

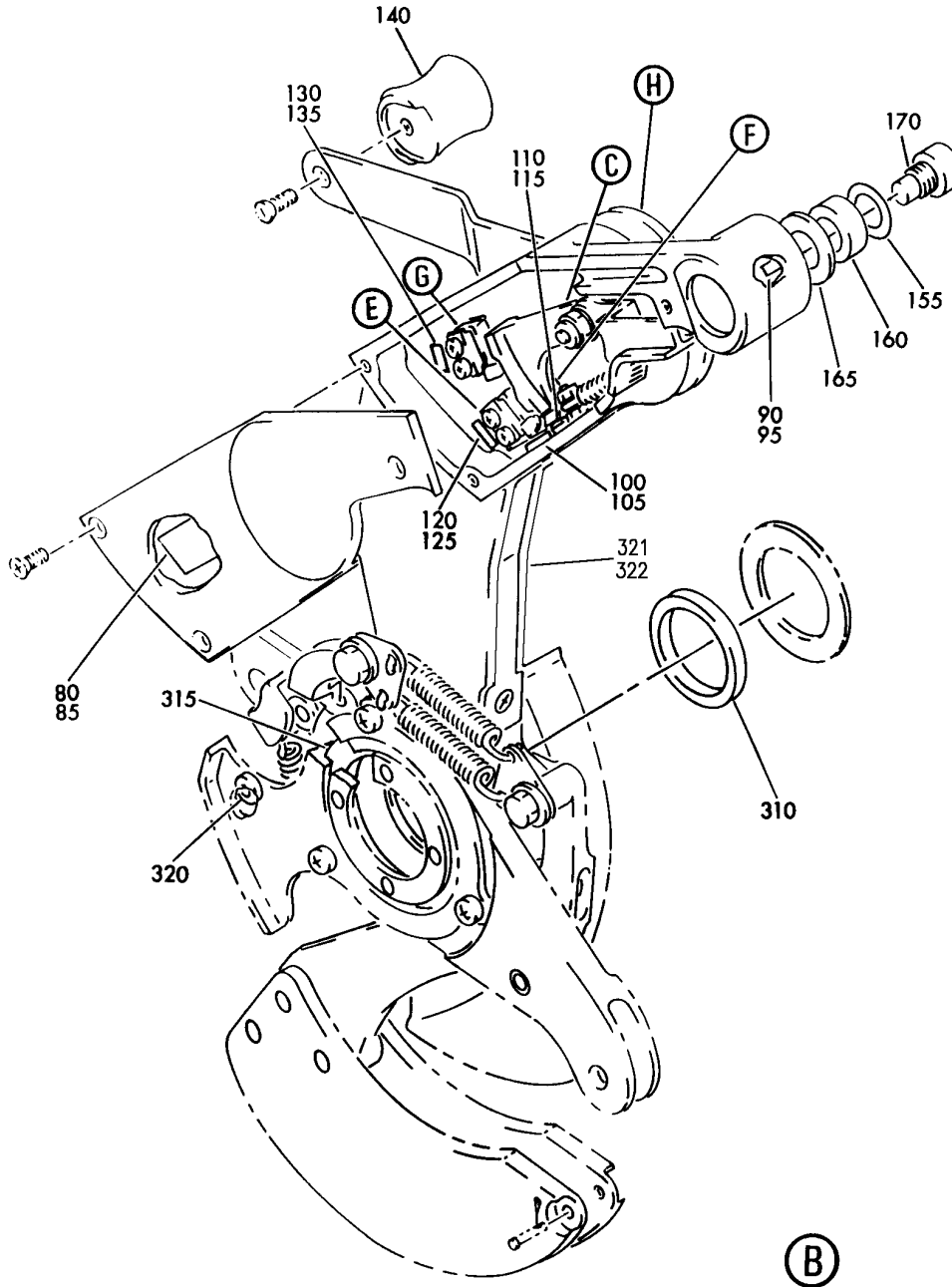
LEVER ASSY-CONT STAND THRUST  
FIGURE 16 (SHEET 2)

**76-11-01-16**

BRI  
MAY 28/07

76-11-01-16  
PAGE 0A

**BOEING**  
757  
PARTS CATALOG (MAINTENANCE)



Y 76110116 SH1 3 REV 245

LEVER ASSY-CONT STAND THRUST  
FIGURE 16 (SHEET 3)

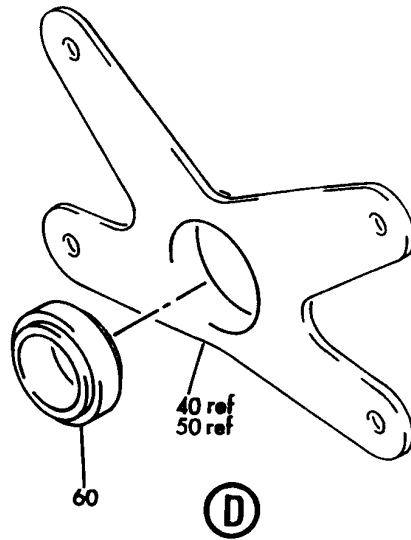
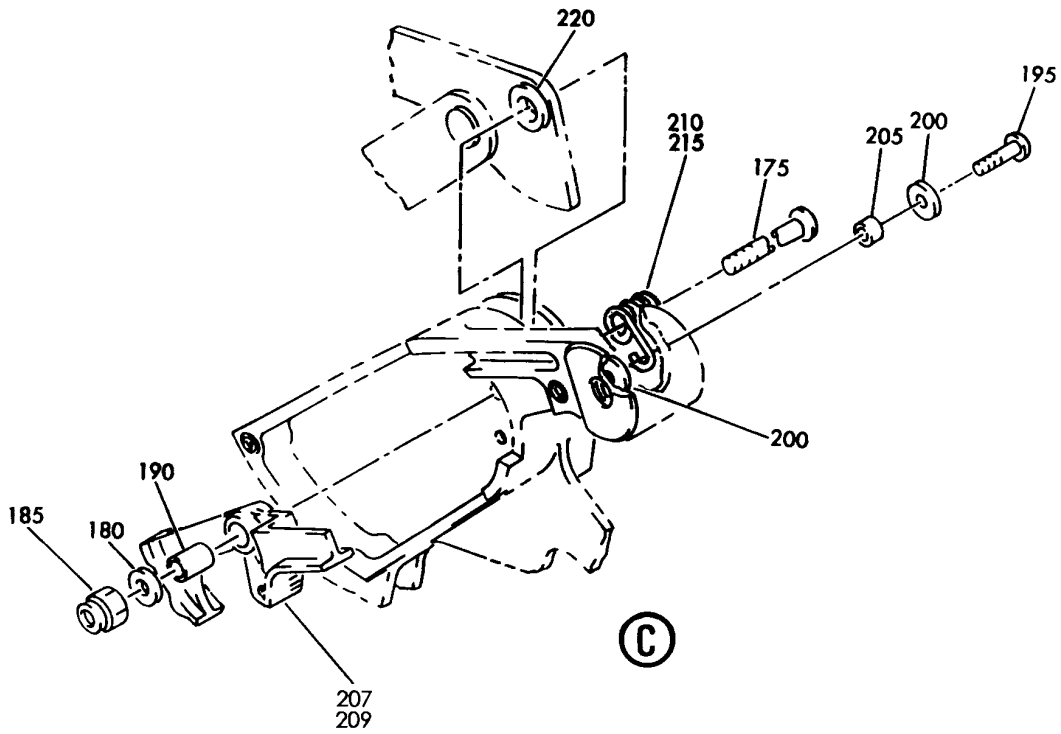
**76-11-01-16**

BRI  
MAY 28/07

76-11-01-16  
PAGE 0B



**BOEING**  
757  
PARTS CATALOG (MAINTENANCE)



Y 76110116 SHT 4 REV 198

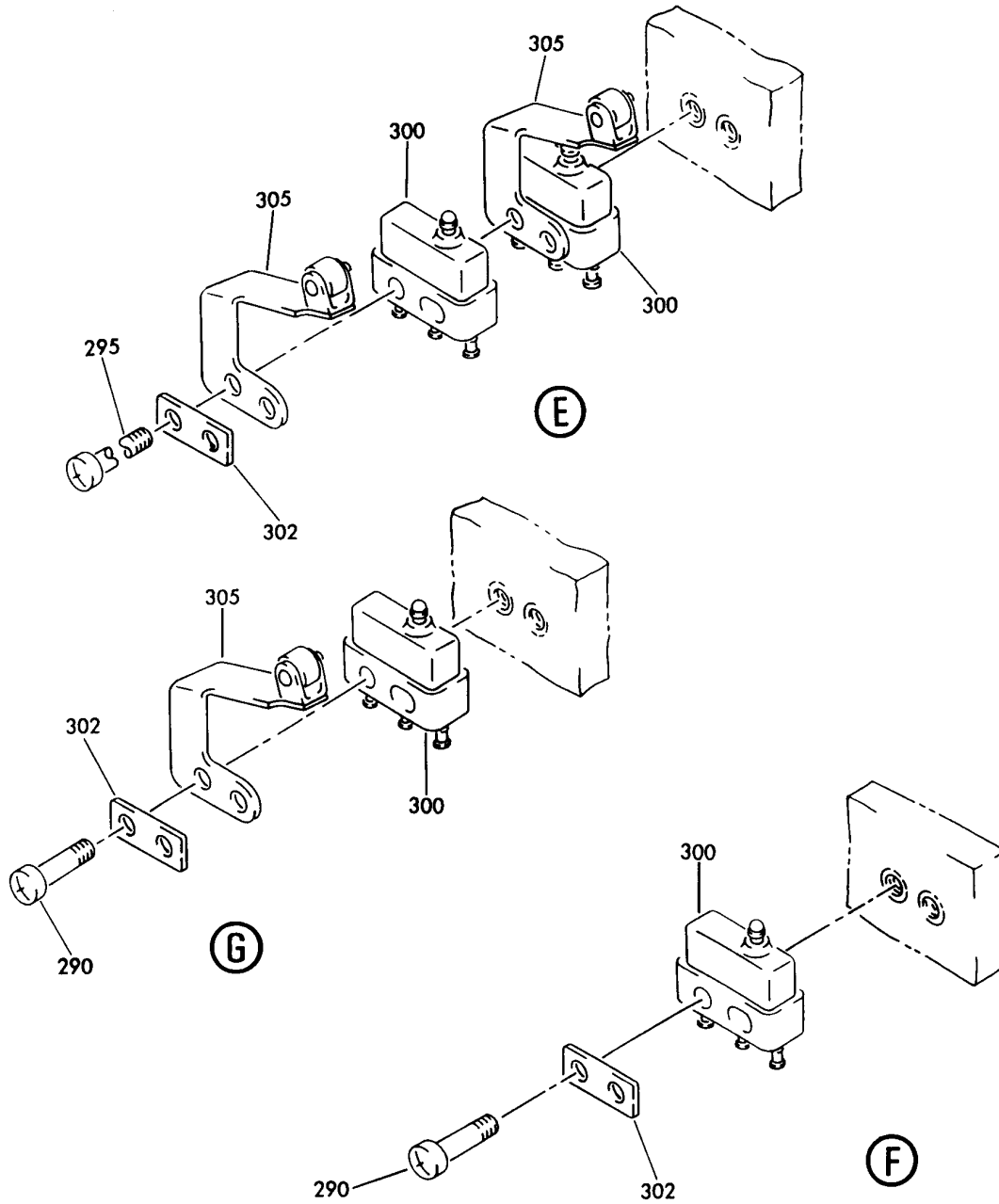
LEVER ASSY-CONT STAND THRUST  
FIGURE 16 (SHEET 4)

**76-11-01-16**

BRI  
MAY 28/07

76-11-01-16  
PAGE 0C

**BOEING**  
757  
PARTS CATALOG (MAINTENANCE)



Y 76110116 SHT 5 REV 161

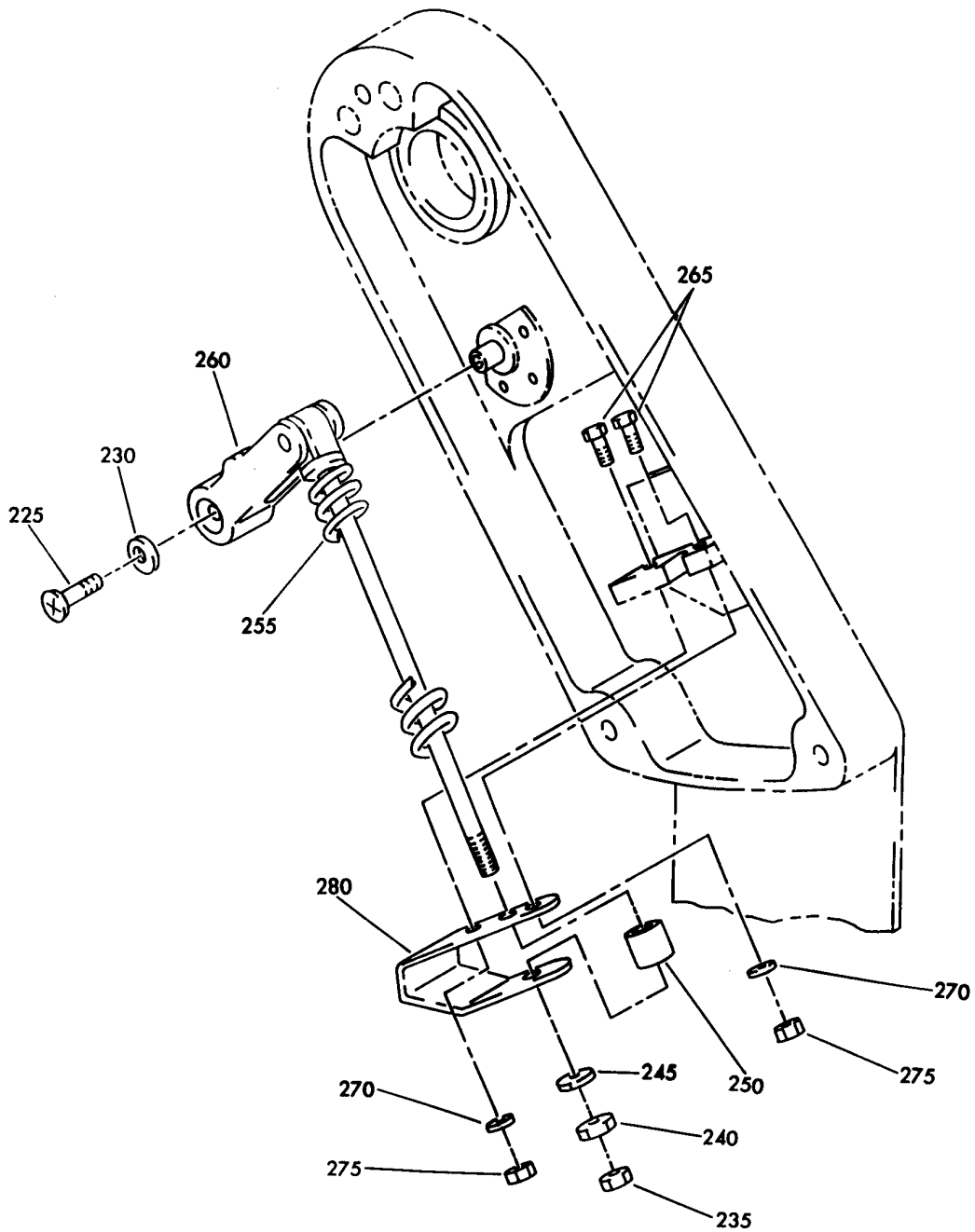
LEVER ASSY-CONT STAND THRUST  
FIGURE 16 (SHEET 5)

**76-11-01-16**

BRI  
MAY 28/07

76-11-01-16  
PAGE 0D

**BOEING**  
757  
PARTS CATALOG (MAINTENANCE)



Y 76110116 SHT 6 REV 137

(H)

LEVER ASSY-CONT STAND THRUST  
FIGURE 16 (SHEET 6)

**76-11-01-16**

BRI  
MAY 28/07

76-11-01-16  
PAGE 0E



757

PARTS CATALOG (MAINTENANCE)

FIG ITEM	PART NUMBER	1 2 3 4 5 6 7	NOMENCLATURE	EFFECT FROM TO	UNITS PER ASSY
16			LEVER ASSY-CONT STAND THRUST	002004 006102 108903 950999	
- 1	254N1054-34		LEVER ASSY-CONT STAND THRUST FOR NHA SEE: 76-11-01-06 76-11-01-07	002004 006102 108903 950999	RF
5	82631-1018		.NUT SUPPLIER CODE: V56878 SPECIFICATION NUMBER: BACN10RF10 OPTIONAL PART: BR9080-10 V72962 SL2822-10 V97393	002004 006102 108903 950999	1
10	AN960JD1016		.WASHER	002004 006102 108903 950999	1
15	254N1173-1		.SPACER	002004 006102 108903 950999	1
20	253T4006-11		.SPACER	002004 006102 108903 950999	2
25	253T4006-1		.SPACER	002004 006102 108903 950999	1

MISSING ITEM NUMBERS NOT APPLICABLE

- ITEM NOT ILLUSTRATED

BRI

76-11-01-16

BOEING PROPRIETARY - Copyright © - Unpublished Work - See title page for details.

76-11-01  
FIG. 16  
PAGE 1  
JAN 20/09



757

PARTS CATALOG (MAINTENANCE)

FIG ITEM	PART NUMBER	1 2 3 4 5 6 7	NOMENCLATURE	EFFECT FROM TO	UNITS PER ASSY
R R R R R R R R R R R R R R R R	16 30	MB539DDFS428	.BEARING SUPPLIER CODE: V06144 SPECIFICATION NUMBER: BACB10AS12 OPTIONAL PART: LLMB539 V38443 MB539-2TS V43991 MB539DDFS428 V21335 MB539TT V43991 MB539DDG20 V38443 MT339E VK8455 MB539DDL196 V40920 MB539DD V06144 MB539DDNJC V06144 NB539DDSD610 V83086	002004 006102 108903 950999	2
	35	254N1172-1	.SHAFT ASSY	002004 006102 108903 950999	1
	40	253T5829-1	.SUPPORT ASSY- OPTIONAL PART: 254N1202-1	002004 006102 108903 950999	1
	40	254N1202-1	.SUPPORT ASSY- OPTIONAL PART: 253T5829-1	002004 006102 108903 950999	1
	50	253T5830-1	.SUPPORT ASSY- OPTIONAL PART: 254N1201-1	002004 006102 108903 950999	1
	50	254N1201-1	.SUPPORT ASSY- OPTIONAL PART: 253T5830-1	002004 006102 108903 950999	1

MISSING ITEM NUMBERS NOT APPLICABLE

- ITEM NOT ILLUSTRATED

76-11-01-16

76-11-01  
FIG. 16  
PAGE 2  
MAY 20/09

BRI



757

PARTS CATALOG (MAINTENANCE)

FIG ITEM	PART NUMBER	1 2 3 4 5 6 7	NOMENCLATURE	EFFECT FROM TO	UNITS PER ASSY
16 60	Y010		.. BEARING- SUPPLIER CODE: V40920 SPECIFICATION NUMBER: 60B00179-100 OPTIONAL PART: MKP16BS2E9881 V21335 10633 V06144 LLKP16BS1 V38443 MKP16BS2SD750 V83086 Y164 V40920	002004 006102 108903 950999	1
70	254N1073-1		. LEVER ASSY- POSITION DATA: LH	002004 006102 108903 950999	1
75	254N1073-2		. LEVER ASSY- POSITION DATA: RH	002004 006102 108903 950999	1
80	BAC27NEL0161		.. DECAL- PLACARD CONTENT: S7 S517 S519 SWITCHES (PLAN VIEW) GO-AROUND USED ON: 254N1073-1	002004 006102 108903 950999	1
85	BAC27NEL0162		.. DECAL- PLACARD CONTENT: S8 S520 S518 SWITCHES (PLAN VIEW) GO-AROUND USED ON: 254N1073-2	002004 006102 108903 950999	1
90	BAC27NEL0115		.. DECAL- PLACARD CONTENT: S17 USED ON: 254N1073-1	002004 006102 108903 950999	1
95	BAC27NEL0116		.. DECAL- PLACARD CONTENT: S18 USED ON: 254N1073-2	002004 006102 108903 950999	1

MISSING ITEM NUMBERS NOT APPLICABLE

- ITEM NOT ILLUSTRATED

76-11-01-16

76-11-01  
FIG. 16  
PAGE 3  
JAN 20/09

BRI

BOEING PROPRIETARY - Copyright © - Unpublished Work - See title page for details.



757

PARTS CATALOG (MAINTENANCE)

FIG ITEM	PART NUMBER	1 2 3 4 5 6 7	NOMENCLATURE	EFFECT FROM TO	UNITS PER ASSY
16 100	BAC27NEL0113	..	DECAL- PLACARD CONTENT: S519 USED ON: 254N1073-1	002004 006102 108903 950999	1
105	BAC27NEL0114	..	DECAL- PLACARD CONTENT: S520 USED ON: 254N1073-2	002004 006102 108903 950999	1
110	BAC27NEL0103	..	DECAL- PLACARD CONTENT: S134 USED ON: 254N1073-1	002004 006102 108903 950999	1
115	BAC27NEL0104	..	DECAL- PLACARD CONTENT: S135 USED ON: 254N1073-2	002004 006102 108903 950999	1
120	BAC27NEL0130	..	DECAL- PLACARD CONTENT: S517 USED ON: 254N1073-1	002004 006102 108903 950999	1
125	BAC27NEL0129	..	DECAL- PLACARD CONTENT: S518 USED ON: 254N1073-2	002004 006102 108903 950999	1
130	BAC27TCT0031	..	DECAL- PLACARD CONTENT: S7 USED ON: 254N1073-1	002004 006102 108903 950999	1
135	BAC27TCT0032	..	DECAL- PLACARD CONTENT: S8 USED ON: 254N1073-2	002004 006102 108903 950999	1
140	65C14183-46	..	KNOB	002004 006102 108903 950999	1

MISSING ITEM NUMBERS NOT APPLICABLE

- ITEM NOT ILLUSTRATED

BRI

76-11-01-16

BOEING PROPRIETARY - Copyright © - Unpublished Work - See title page for details.

76-11-01  
FIG. 16  
PAGE 4  
JAN 20/09

 **BOEING**  
757  
**PARTS CATALOG (MAINTENANCE)**

FIG ITEM	PART NUMBER	1 2 3 4 5 6 7	NOMENCLATURE	EFFECT FROM TO	UNITS PER ASSY
16			ATTACHING PARTS		
- 145	BACS12BP3-8		.. SCREW	002004 006102 108903 950999	1
155	MS28775-114		-----*----- .. PACKING	002004 006102 108903 950999	1
160	69-35353-3		.. RETAINER	002004 006102 108903 950999	1
165	MS16625-4086		.. PACKING	002004 006102 108903 950999	1
170	C2006		.. SWITCH- SUPPLIER CODE: V81640	002004 006102 108903 950999	1
170	P8-4000003		.. SWITCH- SUPPLIER CODE: V21649	002004 006102 108903 950999	1
175	HL445-6-8		.. BOLT SUPPLIER CODE: V60516 SPECIFICATION NUMBER: BACB30ND6A8U OPTIONAL PART: HL445-6-8 V73197 HL445-6-8 V99215 HL445-6-8 V97928 69310-6A8U V56878 HL445-6-8 V56878	002004 006102 108903 950999	1
180	AN960D10L		.. WASHER	002004 006102 108903 950999	1

MISSING ITEM NUMBERS NOT APPLICABLE

- ITEM NOT ILLUSTRATED

BRI

# 76-11-01-16

BOEING PROPRIETARY - Copyright © - Unpublished Work - See title page for details.

76-11-01  
FIG. 16  
PAGE 5  
JAN 20/09





757

PARTS CATALOG (MAINTENANCE)

FIG ITEM	PART NUMBER	1 2 3 4 5 6 7	NOMENCLATURE	EFFECT FROM TO	UNITS PER ASSY
16					
185	MS21042L3	..	NUT	002004 006102 108903 950999	1
190	BACB28Y3F046	..	BUSHING	002004 006102 108903 950999	1
195	NAS8200A8	..	SCREW-	002004 006102 108903 950999	1
200	NAS1149CN416R	..	WASHER-	002004 006102 108903 950999	2
205	NAS1057T0-010	..	SPACER	002004 006102 108903 950999	1
207	254N1175-3	..	TRIGGER- POSITION DATA: LH OPTIONAL PART: 254N1175-5	002004 006102 108903 950999	1
207	254N1175-5	..	TRIGGER- POSITION DATA: LH OPTIONAL PART: 254N1175-3	002004 006102 108903 950999	1
209	254N1175-4	..	ATTACHING PARTS TRIGGER- POSITION DATA: RH OPTIONAL PART: 254N1175-6	002004 006102 108903 950999	1
209	254N1175-6	..	TRIGGER- POSITION DATA: RH OPTIONAL PART: 254N1175-4	002004 006102 108903 950999	1
210	254N1179-3	..	-----*----- SPRING- USED ON: 254N1073-1	002004 006102 108903 950999	1

MISSING ITEM NUMBERS NOT APPLICABLE

- ITEM NOT ILLUSTRATED

BRI

76-11-01-16

76-11-01  
FIG. 16  
PAGE 6  
JAN 20/09

 **BOEING**  
757  
**PARTS CATALOG (MAINTENANCE)**

FIG ITEM	PART NUMBER	1 2 3 4 5 6 7	NOMENCLATURE	EFFECT FROM TO	UNITS PER ASSY
16					
215	254N1179-4	..	SPRING- USED ON: 254N1073-2	002004 006102 108903 950999	1
220	B5538WZZFS428	..	BEARING- SUPPLIER CODE: V21335	002004 006102 108903 950999	1
225	NAS8200A6	..	SCREW-	002004 006102 108903 950999	1
230	NAS1149CN416R	..	WASHER-	002004 006102 108903 950999	1
235	PLH504CM	..	NUT- SUPPLIER CODE: VFO224 SPECIFICATION NUMBER: BACN10YR04CM OPTIONAL PART: H52732-04CM V15653	002004 006102 108903 950999	1
240	MS35649-244	..	NUT-	002004 006102 108903 950999	1
245	NAS1149CN416R	..	WASHER-	002004 006102 108903 950999	1
250	69-73369-1	..	SPACER	002004 006102 108903 950999	1
255	253T5867-1	..	SPRING	002004 006102 108903 950999	1
260	253T5863-2	..	BELLCRANK ASSY-	002004 006102 108903 950999	1
265	NAS8200A6	..	SCREW-	002004 006102 108903 950999	2

MISSING ITEM NUMBERS NOT APPLICABLE

— ITEM NOT ILLUSTRATED

BRI

# 76-11-01-16

BOEING PROPRIETARY - Copyright © - Unpublished Work - See title page for details.

76-11-01  
FIG. 16  
PAGE 7  
JAN 20/09



757

PARTS CATALOG (MAINTENANCE)

FIG ITEM	PART NUMBER	1 2 3 4 5 6 7	NOMENCLATURE	EFFECT FROM TO	UNITS PER ASSY
16 270	NAS1149CN416R	..	WASHER-	002004 006102 108903 950999	2
275	BRH10C04D	..	NUT- SUPPLIER CODE: V52828 SPECIFICATION NUMBER: BACN10JCO4CD OPTIONAL PART: H51650-04BAC V15653 102LH9075-40W V72962 NS202486-40 V80539 T6C440JCD V11815 T6C440JCD V11815	002004 006102 108903 950999	2
280	253T5856-2	..	SPRING-	002004 006102 108903 950999	1
290	BACS12BE02A6	..	SCREW	002004 006102 108903 950999	4
295	BACS12BE02A9	..	SCREW	002004 006102 108903 950999	2
300	MS24547-1	..	SWITCH	002004 006102 108903 950999	4
302	253T5836-1	..	SHIM	002004 006102 108903 950999	3
305	JX45	..	ACTUATOR- SUPPLIER CODE: V91929	002004 006102 108903 950999	3

MISSING ITEM NUMBERS NOT APPLICABLE

- ITEM NOT ILLUSTRATED

76-11-01-16

76-11-01  
FIG. 16  
PAGE 8  
JAN 20/09

BRI



757

PARTS CATALOG (MAINTENANCE)

FIG ITEM	PART NUMBER	1 2 3 4 5 6 7	NOMENCLATURE	EFFECT FROM TO	UNITS PER ASSY
16					
R	310		.. BEARING	002004	1
R			SUPPLIER CODE:	006102	
R			V06144	108903	
R			SPECIFICATION NUMBER:	950999	
R			BACB10AS12		
R			OPTIONAL PART:		
R			LLMB539		
R			V38443		
R			MB539-2TS		
R			V43991		
R			MB539DDFS428		
R			V21335		
R			MB539TT		
R			V43991		
R			MB539DDG20		
R			V38443		
R			MT339E		
R			VK8455		
R			MB539DDL196		
R			V40920		
R			MB539DD		
R			V06144		
R			MB539DDNJC		
R			V06144		
R			NB539DDSD610		
R			V83086		

MISSING ITEM NUMBERS NOT APPLICABLE

- ITEM NOT ILLUSTRATED

BRI

76-11-01-16

BOEING PROPRIETARY - Copyright © - Unpublished Work - See title page for details.

76-11-01  
 FIG. 16  
 PAGE 9  
 MAY 20/09

**BOEING**  
757  
**PARTS CATALOG (MAINTENANCE)**

FIG ITEM	PART NUMBER	1 2 3 4 5 6 7	NOMENCLATURE	EFFECT FROM TO	UNITS PER ASSY
16	MB544DDFS428		.. BEARING	002004	1
315			SUPPLIER CODE:	006102	
			V06144	108903	
			SPECIFICATION NUMBER:	950999	
			BACB10AS29		
			OPTIONAL PART:		
			LLMB544		
			V38443		
			MB544-2TS		
			V43991		
			MB544DDFS428		
			V21335		
			MB544TT		
			V43991		
			MB544DDG20		
			V38443		
			MT344E		
			VK8455		
			MB544DDL196		
			V40920		
			MB544DD		
			V06144		
			MB544DDNJC		
			V06144		
			MB544DDSD610		
			V83086		

MISSING ITEM NUMBERS NOT APPLICABLE

— ITEM NOT ILLUSTRATED

BRI

# 76-11-01-16

BOEING PROPRIETARY - Copyright © - Unpublished Work - See title page for details.

76-11-01  
FIG. 16  
PAGE 10  
MAY 20/09



757

PARTS CATALOG (MAINTENANCE)

FIG ITEM	PART NUMBER	1 2 3 4 5 6 7	NOMENCLATURE	EFFECT FROM TO	UNITS PER ASSY
R R R R R R R R R R	16 320	MKP3AFS428	.. BEARING SUPPLIER CODE: V06144 SPECIFICATION NUMBER: BACB10AP3 OPTIONAL PART: MKP3ASD610 V83086 LLMKP3A V38443 MKP3AFS428 V21335 MKP3ATT V43991 MKP3A2TS V43991 MKP3E6531 V21335 MKP3AG20 V38443 MKP3ALY196 V40920 MKP3A V38443 MC203E VK8455 MCS23E VK8455	002004 006102 108903 950999	1
	321	253T5862-1	.. HANDLE ASSY	002004 006102 108903 950999	1
	322	253T5811-3	... KNOB	002004 006102 108903 950999	1
	- 325	254N1073-3	.. WIRE BUNDLE- USED ON: 254N1073-1	002004 006102 108903 950999	1
	- 330	254N1073-4	.. WIRE BUNDLE- USED ON: 254N1073-2	002004 006102 108903 950999	1
	335	BACC45FT14B15P	. PLUG	002004 006102 108903 950999	1

MISSING ITEM NUMBERS NOT APPLICABLE

- ITEM NOT ILLUSTRATED

76-11-01-16

76-11-01  
FIG. 16  
PAGE 11  
MAY 20/09

BRI



757

PARTS CATALOG (MAINTENANCE)

FIG ITEM	PART NUMBER	1 2 3 4 5 6 7	NOMENCLATURE	EFFECT FROM TO	UNITS PER ASSY
16 340	C0909A12B12PN	.	CONNECTOR SUPPLIER CODE: V13556 SPECIFICATION NUMBER: BACC63BN12B12P OPTIONAL PART: 48-63N12B12P V02660 R071212B12P V41118	002004 006102 108903 950999	1
345	C0909A12B12P9	.	CONNECTOR SUPPLIER CODE: V13556 SPECIFICATION NUMBER: BACC63BN12B12P9 OPTIONAL PART: C0909A12-12P9 V13556 48-63N12B12P9 V02660	002004 006102 108903 950999	1

MISSING ITEM NUMBERS NOT APPLICABLE

- ITEM NOT ILLUSTRATED

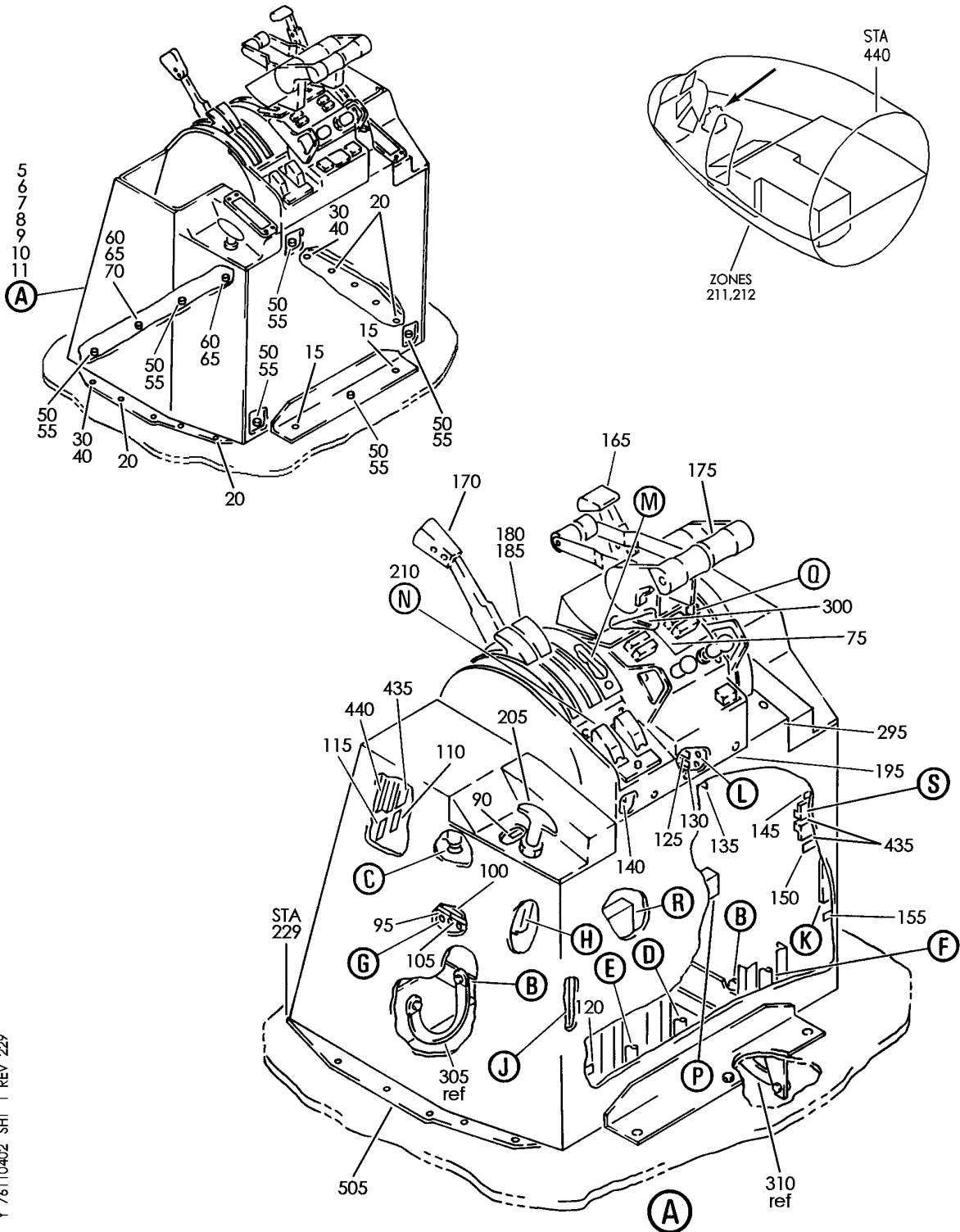
BRI

# 76-11-01-16

BOEING PROPRIETARY - Copyright © - Unpublished Work - See title page for details.

76-11-01  
FIG. 16  
PAGE 12  
MAY 20/09

**BOEING**  
757  
PARTS CATALOG (MAINTENANCE)



Y 76110402 SHT 1 REV 229

STAND INSTL-CONT  
FIGURE 2 (SHEET 1)

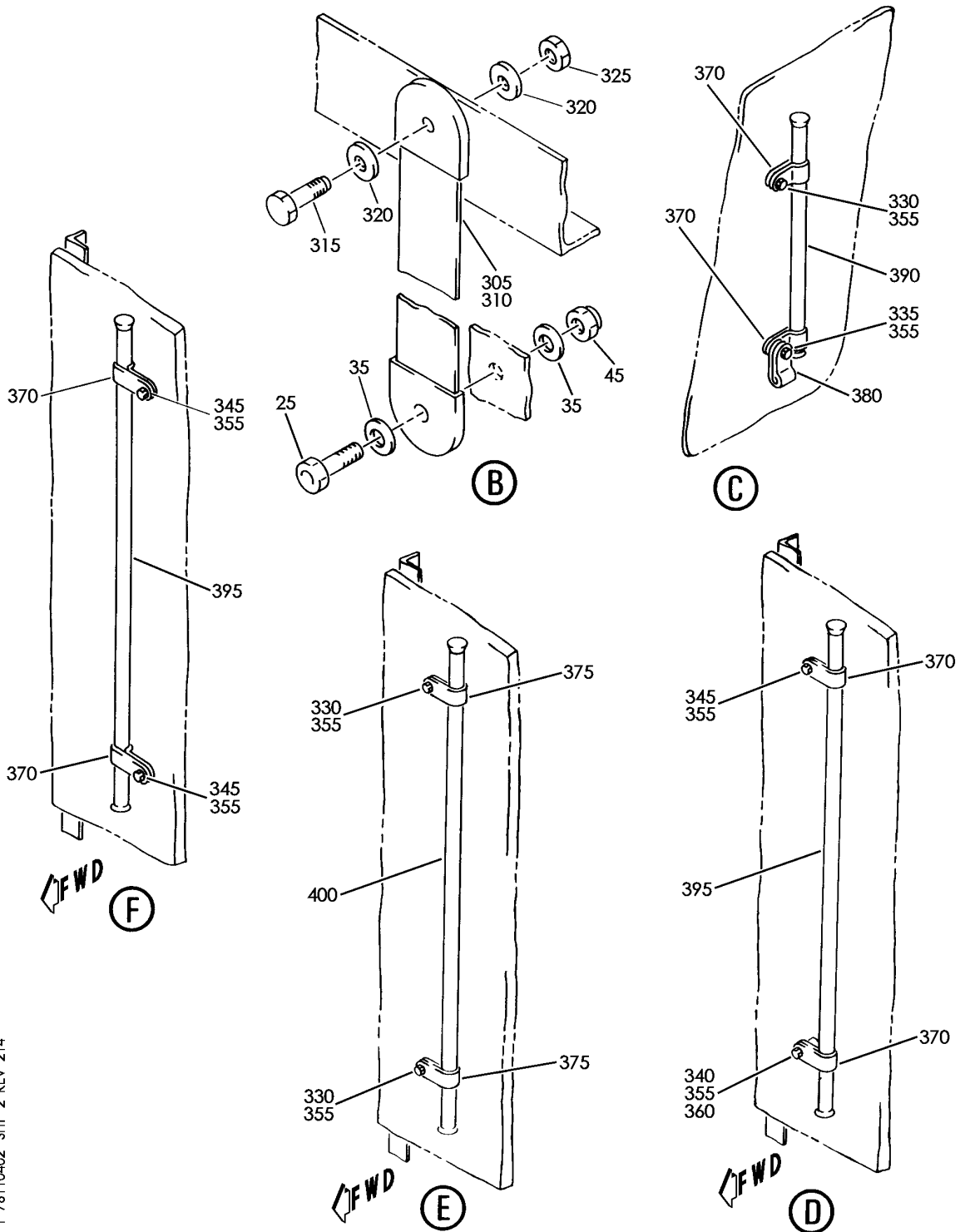
**76-11-04-02**

BRI  
MAY 28/07

76-11-04-02  
PAGE 0



**BOEING**  
757  
PARTS CATALOG (MAINTENANCE)



Y 76110402 SHT 2 REV 214

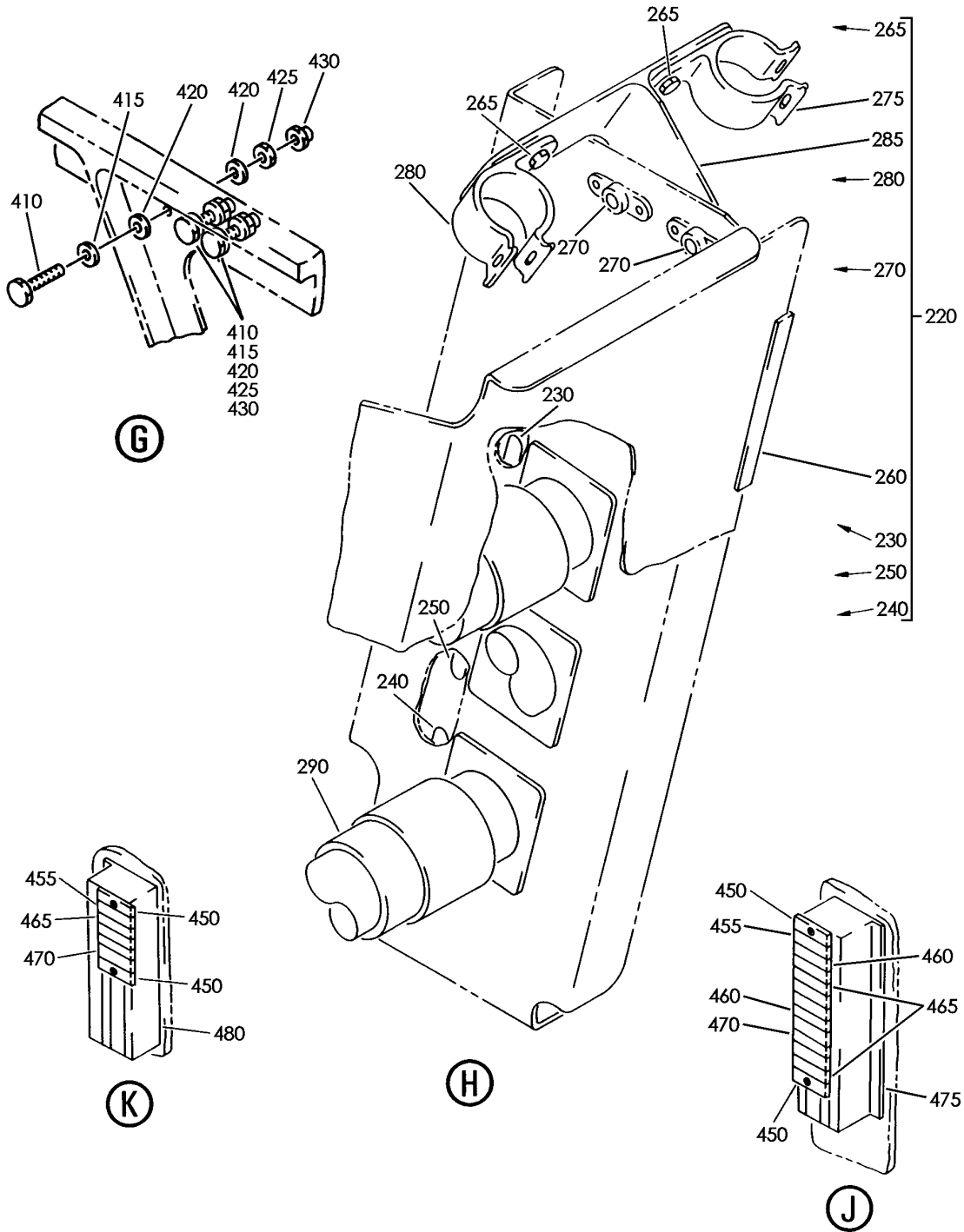
STAND INSTL-CONT  
FIGURE 2 (SHEET 2)

**76-11-04-02**

BRI  
MAY 28/07

76-11-04-02  
PAGE 0A

**BOEING**  
757  
PARTS CATALOG (MAINTENANCE)



Y 76110402 SHT 3 REV 214

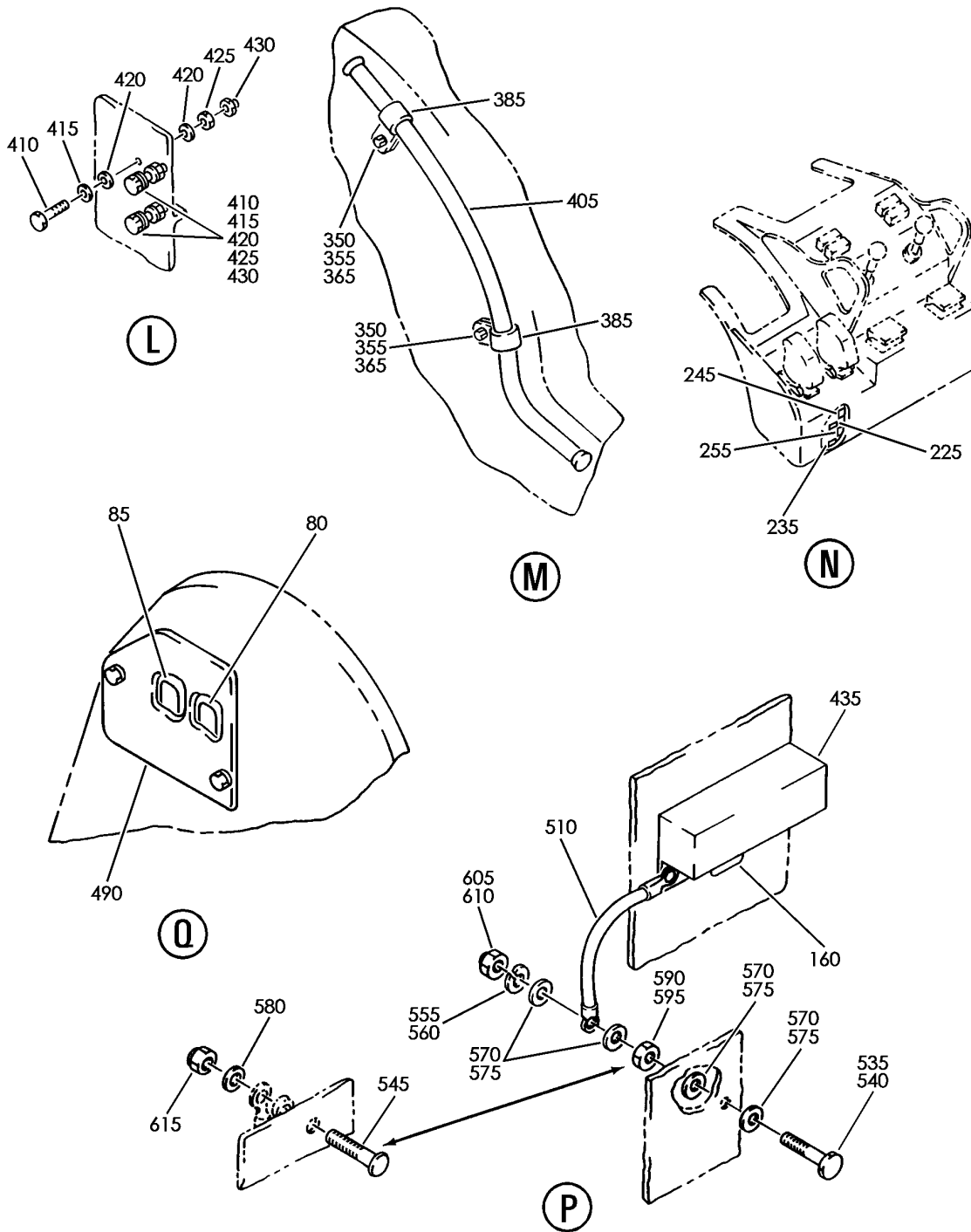
STAND INSTL-CONT  
FIGURE 2 (SHEET 3)

**76-11-04-02**

BRI  
MAY 28/07

76-11-04-02  
PAGE 0B

**BOEING**  
757  
PARTS CATALOG (MAINTENANCE)



Y 76110402 SHT 4 REV 214

STAND INSTL-CONT  
FIGURE 2 (SHEET 4)

**76-11-04-02**

BRI  
MAY 28/07

76-11-04-02  
PAGE 0C





757

PARTS CATALOG (MAINTENANCE)

FIG ITEM	PART NUMBER	1 2 3 4 5 6 7	NOMENCLATURE	EFFECT FROM TO	UNITS PER ASSY
2			STAND INSTL-CONT	002004 006999	
- 1	254N1009-1		STAND INSTL-CONT FOR NHA SEE: 76-11-57-01	107107 904949	RF
- 1	254N1009-3		STAND INSTL-CONT FOR NHA SEE: 76-11-57-01	002004 006100 121503 950999	RF
- 1	254N1009-5		STAND INSTL-CONT FOR NHA SEE: 76-11-00-05	101102 504903	RF
- 2	254N1009-19		STAND INSTL-CONT FOR NHA SEE: 76-11-00-05	108120	RF
- 2	MODREF8885		STAND INSTL-CONT MODULE NUMBER: 254N1009-23 REV A	103103	1
- 2	MODREF34002		STAND INSTL-CONT MODULE NUMBER: 254N1009-23 REV B	104106	1
6	254N1008-311		.STAND ASSY-CONT VAR (EQUIPMENT/FURNISHINGS ONLY) FUNCTIONAL REFERENCE: PLACARDS AND MARKINGS FOR DETAILS SEE 11-31-51-02 FLIGHT CONTROLS FOR DETAILS SEE 27-48-06-01	006006 015016	1
7	254N1008-241		.STAND ASSY-CONT VAR (EQUIPMENT/FURNISHINGS ONLY) FUNCTIONAL REFERENCE: PLACARDS AND MARKINGS FOR DETAILS SEE 11-31-51-02 FLIGHT CONTROLS FOR DETAILS SEE 27-48-06-01	107107	1

MISSING ITEM NUMBERS NOT APPLICABLE

- ITEM NOT ILLUSTRATED

BRI

76-11-04-02

BOEING PROPRIETARY - Copyright © - Unpublished Work - See title page for details.

76-11-04  
FIG. 02  
PAGE 1  
JAN 20/09



757

PARTS CATALOG (MAINTENANCE)

FIG ITEM	PART NUMBER	1 2 3 4 5 6 7	NOMENCLATURE	EFFECT FROM TO	UNITS PER ASSY
2	8 254N1008-302		.STAND ASSY-CONT VAR (EQUIPMENT/FURNISHINGS ONLY) FUNCTIONAL REFERENCE: PLACARDS AND MARKINGS FOR DETAILS SEE 11-31-51-02 FLIGHT CONTROLS FOR DETAILS SEE 27-48-06-01	904949	1
	9 254N1008-307		.STAND ASSY-CONT VAR (EQUIPMENT/FURNISHINGS ONLY) FUNCTIONAL REFERENCE: PLACARDS AND MARKINGS FOR DETAILS SEE 11-31-51-02 FLIGHT CONTROLS FOR DETAILS SEE 27-48-06-01	002004 952952	1
	9 254N1008-308		.STAND ASSY-CONT VAR (EQUIPMENT/FURNISHINGS ONLY) FUNCTIONAL REFERENCE: PLACARDS AND MARKINGS FOR DETAILS SEE 11-31-51-02 FLIGHT CONTROLS FOR DETAILS SEE 27-48-06-01	121503	1
	9 254N1008-309		.STAND ASSY-CONT VAR (EQUIPMENT/FURNISHINGS ONLY) FUNCTIONAL REFERENCE: PLACARDS AND MARKINGS FOR DETAILS SEE 11-31-51-02 FLIGHT CONTROLS FOR DETAILS SEE 27-48-06-01	017100	1

MISSING ITEM NUMBERS NOT APPLICABLE

- ITEM NOT ILLUSTRATED

BRI

76-11-04-02

BOEING PROPRIETARY - Copyright © - Unpublished Work - See title page for details.

76-11-04  
FIG. 02  
PAGE 2  
JAN 20/09



757

PARTS CATALOG (MAINTENANCE)

FIG ITEM	PART NUMBER	1 2 3 4 5 6 7	NOMENCLATURE	EFFECT FROM TO	UNITS PER ASSY
2					
10	254N1008-316		.STAND ASSY-CONT VAR (EQUIPMENT/FURNISHINGS ONLY) FUNCTIONAL REFERENCE: PLACARDS AND MARKINGS FOR DETAILS SEE 11-31-51-02 FLIGHT CONTROL FOR DETAILS SEE 27-48-06-01	007014 950951 953999	1
10	254N1008-321		.STAND ASSY-CONT VAR (EQUIPMENT/FURNISHINGS ONLY) FUNCTIONAL REFERENCE: PLACARDS AND MARKINGS FOR DETAILS SEE 11-31-51-02 FLIGHT CONTROL FOR DETAILS SEE 27-48-06-01	101102 504903	1
11	254N1008-456		.STAND ASSY-CONT VAR (EQUIPMENT/FURNISHINGS ONLY) FUNCTIONAL REFERENCE: PLACARDS AND MARKINGS FOR DETAILS SEE 11-31-51-02 FLIGHT CONTROL FOR DETAILS SEE 27-48-06-01	108120	1
12	254N1008-460		.STAND ASSY-CONT VAR (EQUIPMENT/FURNISHINGS ONLY) FUNCTIONAL REFERENCE: PLACARDS AND MARKINGS FOR DETAILS SEE 11-31-51-02 FLIGHT CONTROL FOR DETAILS SEE 27-48-06-01	103106	1
15	BACB30LU4-4		ATTACHING PARTS .BOLT	002004 006999	2
20	BACB30LU3-5		.BOLT	002004 006999	8
25	BACB30LJ3-3		.BOLT	002004 006999	2

MISSING ITEM NUMBERS NOT APPLICABLE

- ITEM NOT ILLUSTRATED

76-11-04-02

76-11-04  
FIG. 02  
PAGE 3  
JAN 20/09

BRI



757

PARTS CATALOG (MAINTENANCE)

FIG ITEM	PART NUMBER	1 2 3 4 5 6 7	NOMENCLATURE	EFFECT FROM TO	UNITS PER ASSY
2					
30	BACB30NE3-6	.BOLT-	OPTIONAL PART: BACB30LM3-6	002004 006999	2
30	BACB30LM3-6	.BOLT-	OPTIONAL PART: BACB30NE3-6	104105	2
35	NAS1149D0316J	.WASHER-		002004 006999	4
40	NAS1149D0363J	.WASHER-		002004 006999	2
45	BRH10A3	.NUT	SUPPLIER CODE: V52828 SPECIFICATION NUMBER: BACN10JC3 OPTIONAL PART: H10-3BAC V15653 NS202101-02 V80539 RMLH9075-3W V72962 VN303A02 V92215 96-02 V80539 T6S1032J V11815	002004 006999	2
50	BACB30NE4-8	.BOLT-		002004 006999	6
55	NAS1149D0463H	.WASHER-		002004 006999	6
60	BACB30NE4-8	.BOLT-		002004 006999	2
65	NAS1149D0463H	.WASHER-		002004 006999	2

MISSING ITEM NUMBERS NOT APPLICABLE

- ITEM NOT ILLUSTRATED

BRI

76-11-04-02

BOEING PROPRIETARY - Copyright © - Unpublished Work - See title page for details.

76-11-04  
FIG. 02  
PAGE 4  
JAN 20/09





757

PARTS CATALOG (MAINTENANCE)

FIG ITEM	PART NUMBER	1 2 3 4 5 6 7	NOMENCLATURE	EFFECT FROM TO	UNITS PER ASSY
2	70 BRH10A4	.	NUT SUPPLIER CODE: V52828 SPECIFICATION NUMBER: BACN10JC4 OPTIONAL PART: T6S428J V11815 96-048 V80539 VN303A048 V92215 RMLH9075-4W V72962 NS202101-048 V80539 H10-4BAC V15653	002004 006999	2
		-----*			
	80 BAC27NCT0279	..	DECAL- PLACARD CONTENT: D6894	002004 006106 108903 950999	1
	85 BAC27NCT0280	..	DECAL- PLACARD CONTENT: D6896	002004 006106 108903 950999	1
	90 BAC27NEL0111	..	DECAL- PLACARD CONTENT: L413	002004 006999	1
	95 BAC27NEL0153	..	DECAL- PLACARD CONTENT: GD105-ST	002004 006999	1
	100 BAC27NEL0171	..	DECAL- PLACARD CONTENT: GD1644-ST	002004 006999	1
	105 BAC27NEL0902	..	DECAL- PLACARD CONTENT: GD1609-ST	002004 006999	1
	110 BAC27NEL0148	..	DECAL- PLACARD CONTENT: GD1601-DC	002004 006999	1
	115 BAC27NEL0149	..	DECAL- PLACARD CONTENT: GD1603-AC	002004 006999	1
	120 BAC27NEL0155	..	DECAL- PLACARD CONTENT: TB190	002004 006999	1

MISSING ITEM NUMBERS NOT APPLICABLE

- ITEM NOT ILLUSTRATED

76-11-04-02

76-11-04  
FIG. 02  
PAGE 5  
JAN 20/09

BRI

BOEING PROPRIETARY - Copyright © - Unpublished Work - See title page for details.



757

PARTS CATALOG (MAINTENANCE)

FIG ITEM	PART NUMBER	1 2 3 4 5 6 7	NOMENCLATURE	EFFECT FROM TO	UNITS PER ASSY
2					
125	BAC27NEL0157	..	DECAL- PLACARD CONTENT: GD1599-ST	002004 006999	1
130	BAC27NEL0172	..	DECAL- PLACARD CONTENT: GD1645-ST	002004 006999	1
135	BAC27NEL0154	..	DECAL- PLACARD CONTENT: GD104-ST	002004 006999	1
140	BAC27NEL0112	..	DECAL- PLACARD CONTENT: TS5046	002004 006999	1
145	BAC27NEL0151	..	DECAL- PLACARD CONTENT: GD1602-DC	002004 006999	1
150	BAC27NEL0152	..	DECAL- PLACARD CONTENT: GD1604-AC	002004 006999	1
155	BAC27NEL0156	..	DECAL- PLACARD CONTENT: TB192	002004 006999	1
160	BAC27NEL1019	..	DECAL- PLACARD CONTENT: GD-2519	002004 006999	1
- 165	254N1052-2	..	LEVER INSTL-FLAP FOR DETAILS SEE: 27-51-32-01	002004 006016 107107 121503 904999	1
- 165	254N1052-3	..	LEVER INSTL-FLAP FOR DETAILS SEE: 27-51-32-01	017100	1
- 165	254N1052-4	..	LEVER INSTL-FLAP FOR DETAILS SEE: 27-51-32-01	101106 108120 504903	1
- 170	254N1053-9	..	LEVER INSTL-SPEED BRAKE CONT AND ACTR FOR DETAILS SEE: 27-62-51-02	103503 904949	1
- 170	254N1053-10	..	LEVER INSTL-SPEED BRAKE CONT AND ACTR FOR DETAILS SEE: 27-62-51-02	107503 904949	1
- 170	254N1053-11	..	LEVER INSTL-SPEED BRAKE CONT AND ACTR FOR DETAILS SEE: 27-62-51-02	007014 950951 953999	1

MISSING ITEM NUMBERS NOT APPLICABLE

- ITEM NOT ILLUSTRATED

76-11-04-02

76-11-04  
FIG. 02  
PAGE 6  
JAN 20/09

BRI

 **BOEING**  
757  
**PARTS CATALOG (MAINTENANCE)**

FIG ITEM	PART NUMBER	1 2 3 4 5 6 7	NOMENCLATURE	EFFECT FROM TO	UNITS PER ASSY
2					
- 175	254N1054-22	..	LEVER INSTL-THRUST FOR DETAILS SEE: 76-11-01-05	107107 904949	1
- 175	254N1054-32	..	LEVER INSTL-THRUST FOR DETAILS SEE: 76-11-01-06	002004 006016 121503 950999	1
- 175	254N1054-36	..	LEVER INSTL-THRUST FOR DETAILS SEE: 76-11-01-07	017106 108120 504903	1
- 180	254N1055-11	..	LEVER INSTL-STAB. TRIM FOR DETAILS SEE: 27-41-02-01	107107 904949	1
- 185	254N1055-12	..	TRIM INSTL-STAB. FOR DETAILS SEE: 27-41-02-01	002004 121503 952952	1
- 185	254N1055-13	..	TRIM INSTL-STAB. FOR DETAILS SEE: 27-41-02-01	006106 108120 504903 950951 953999	1
- 190	254N1106-20	..	MODULE INSTL-ENG FUEL	107107	1
- 190	254N1106-34	..	MODULE INSTL-ENG FUEL OPTIONAL PART: 254N1106-37	006106 108120 504903 950951 953999	1
- 190	254N1106-30	..	MODULE INSTL-ENG FUEL	002004 121503 904949 952952	1
- 190	254N1106-37	..	MODULE INSTL-ENG FUEL OPTIONAL PART: 254N1106-34	006100 950951 953999	1
195	254N1106-35	...	MODULE ASSY-ENG FUEL CONT COMPONENT MAINT MANUAL REF: 76-11-71 USED ON: 254N1106-34 POST SERVICE BULLETIN: 78-0032 FOR DETAILS SEE: 76-11-51-01	006102 107903 950951 953999	1

MISSING ITEM NUMBERS NOT APPLICABLE

- ITEM NOT ILLUSTRATED

BRI

# 76-11-04-02

BOEING PROPRIETARY - Copyright © - Unpublished Work - See title page for details.

76-11-04  
FIG. 02  
PAGE 7  
JAN 20/09



757

PARTS CATALOG (MAINTENANCE)

FIG ITEM	PART NUMBER	1 2 3 4 5 6 7	NOMENCLATURE	EFFECT FROM TO	UNITS PER ASSY
2 195	254N1106-38		...MODULE ASSY-ENG FUEL CONT COMPONENT MAINT MANUAL REF: 76-11-71 USED ON: 254N1106-37 POST SERVICE BULLETIN: 78-0032 FOR DETAILS SEE: 76-11-51-01	006102 107903 950951 953999	1
195	254N1106-31		...MODULE ASSY-ENG FUEL CONT COMPONENT MAINT MANUAL REF: 76-11-71 FOR DETAILS SEE: 76-11-51-01	002004 904949 952952	1
- 200	BACB30LU3-2		...BOLT	002004 006999	4
- 205	254N1111-2		-----*----- ..CABLE INSTL-PARKING BRAKE FOR DETAILS SEE: 32-44-01-01	002004 006100 107107 121503 904999	1
- 205	254N1111-3		..CABLE INSTL-PARKING BRAKE FOR DETAILS SEE: 32-44-01-01	101102 504903	1
- 205	254N1111-4		..CABLE INSTL-PARKING BRAKE FOR DETAILS SEE: 32-44-01-01	103106 108120	1
- 215	254N1112-5		..LIGHTPLATE INSTL- FUNCTIONAL REFERENCE: LANDING GEAR FOR DETAILS SEE 32-44-51-01 LIGHTS FOR DETAILS SEE 33-13-54-01 PLACARDS AND MARKINGS FOR DETAILS SEE 11-31-51-01	107107	1

MISSING ITEM NUMBERS NOT APPLICABLE

- ITEM NOT ILLUSTRATED

BRI

76-11-04-02

BOEING PROPRIETARY - Copyright © - Unpublished Work - See title page for details.

76-11-04  
FIG. 02  
PAGE 8  
JAN 20/09

 **BOEING**  
757  
**PARTS CATALOG (MAINTENANCE)**

FIG ITEM	PART NUMBER	1 2 3 4 5 6 7	NOMENCLATURE	EFFECT FROM TO	UNITS PER ASSY
2 - 215	254N1112-8		..LIGHTPLATE INSTL- FUNCTIONAL REFERENCE: LANDING GEAR FOR DETAILS SEE 32-44-51-01 LIGHTS FOR DETAILS SEE 33-13-54-01 PLACARDS AND MARKINGS FOR DETAILS SEE 11-31-51-01	904949	1
- 215	254N1112-9		..LIGHTPLATE INSTL- FUNCTIONAL REFERENCE: LANDING GEAR FOR DETAILS SEE 32-44-51-01 LIGHTS FOR DETAILS SEE 33-13-54-01 PLACARDS AND MARKINGS FOR DETAILS SEE 11-31-51-01	002004 006100 121503 950999	1
- 215	254N1112-12		..LIGHTPLATE INSTL- FUNCTIONAL REFERENCE: LANDING GEAR FOR DETAILS SEE 32-44-51-01 LIGHTS FOR DETAILS SEE 33-13-54-01 PLACARDS AND MARKINGS FOR DETAILS SEE 11-31-51-01	101106 108120 504903	1
- 220	254N1114-1		..SUPPORT INSTL-ELEC DISC PANEL AND WIRE (EQUIPMENT/FURNISHINGS ONLY) FUNCTIONAL REFERENCE: AUTOFLIGHT FOR DETAILS SEE 22-12-51-01 22-32-52-01	002004 006999	1
225	BAC27NEL0117		...DECAL- PLACARD CONTENT: D2146J	002004 006999	1
230	BAC27TCT0036		...DECAL- PLACARD CONTENT: P1	002004 006999	1

MISSING ITEM NUMBERS NOT APPLICABLE

- ITEM NOT ILLUSTRATED

BRI

# 76-11-04-02

BOEING PROPRIETARY - Copyright © - Unpublished Work - See title page for details.

76-11-04  
FIG. 02  
PAGE 9  
JAN 20/09



757

PARTS CATALOG (MAINTENANCE)

FIG ITEM	PART NUMBER	1 2 3 4 5 6 7	NOMENCLATURE	EFFECT FROM TO	UNITS PER ASSY
2					
235	BAC27NEL0118	...	DECAL- PLACARD CONTENT: D2148J	002004 006999	1
240	BAC27TCT0037	...	DECAL- PLACARD CONTENT: P2	002004 006999	1
245	BAC27TCT0040	...	DECAL- PLACARD CONTENT: P8	002004 006999	1
250	BAC27TCT0038	...	DECAL- PLACARD CONTENT: P3	002004 006999	1
255	BAC27TCT0041	...	DECAL- PLACARD CONTENT: P9	002004 006999	1
260	BACG20ZC200B	...	GROMMET	002004 006999	1
265	NAS1801-3-8	...	SCREW	002004 006999	2
270	NAS623-3-2	...	SCREW	002004 006999	2
275	287T0011-1	...	CLAMP	002004 006999	1
280	287T0011-2	...	CLAMP	002004 006999	1
285	254N1118-8	...	BRACKET ASSY	002004 006999	1
290	254N1115-5	..	WIRE BUNDLE ASSY- FUNCTIONAL REFERENCE: AUTOFLIGHT FOR DETAILS SEE 22-12-51-01 22-32-52-01 FIRE PROTECTION FOR DETAILS SEE 26-11-56-01 FLIGHT CONTROL FOR DETAILS SEE 27-51-51-02 27-62-51-05 IGNITION FOR DETAILS SEE 74-31-52-01	107107 904949	1

MISSING ITEM NUMBERS NOT APPLICABLE

- ITEM NOT ILLUSTRATED

BRI

76-11-04-02

BOEING PROPRIETARY - Copyright © - Unpublished Work - See title page for details.

76-11-04  
FIG. 02  
PAGE 10  
JAN 20/09



757

PARTS CATALOG (MAINTENANCE)

FIG ITEM	PART NUMBER	1 2 3 4 5 6 7	NOMENCLATURE	EFFECT FROM TO	UNITS PER ASSY
2 290	254N1115-7		..WIRE BUNDLE ASSY- OPTIONAL PART: 254N1115-9 FUNCTIONAL REFERENCE: AUTOFLIGHT FOR DETAILS SEE 22-12-51-01 22-32-52-01 FIRE PROTECTION FOR DETAILS SEE 26-11-56-01 FLIGHT CONTROL FOR DETAILS SEE 27-51-51-02 27-62-51-05 IGNITION FOR DETAILS SEE 74-31-52-01 LIGHTS FOR DETAILS SEE 33-13-54-02	002004 006100 121503 950999	1
290	254N1115-9		..WIRE BUNDLE ASSY- OPTIONAL PART: 254N1115-7 FUNCTIONAL REFERENCE: AUTOFLIGHT FOR DETAILS SEE 22-12-51-01 22-32-52-01 FIRE PROTECTION FOR DETAILS SEE 26-11-56-01 FLIGHT CONTROL FOR DETAILS SEE 27-51-51-02 27-62-51-05 IGNITION FOR DETAILS SEE 74-31-52-01 LIGHTS FOR DETAILS SEE 33-13-54-02	006100 950951 953999	1

MISSING ITEM NUMBERS NOT APPLICABLE

- ITEM NOT ILLUSTRATED

BRI

76-11-04-02

BOEING PROPRIETARY - Copyright © - Unpublished Work - See title page for details.

76-11-04  
FIG. 02  
PAGE 11  
JAN 20/09



757

PARTS CATALOG (MAINTENANCE)

FIG ITEM	PART NUMBER	1 2 3 4 5 6 7	NOMENCLATURE	EFFECT FROM TO	UNITS PER ASSY
2 290	254N1115-11		..WIRE BUNDLE ASSY- FUNCTIONAL REFERENCE: AUTOFLIGHT FOR DETAILS SEE 22-12-51-01 22-32-52-01 FIRE PROTECTION FOR DETAILS SEE 26-11-56-01 FLIGHT CONTROL FOR DETAILS SEE 27-51-51-02 27-62-51-05 IGNITION FOR DETAILS SEE 74-31-52-01 LIGHTS FOR DETAILS SEE 33-13-54-02	101106 108120 504903	1
- 295	253T5523-3		..SEAL INSTL-LEVERS FUNCTIONAL REFERENCE: ENGINE CONTROLS FOR DETAILS SEE 76-11-04-03 PLACARDS AND MARKINGS FOR DETAILS SEE 11-31-51-03	107107	1
- 295	253T5523-4		..SEAL INSTL-LEVERS FUNCTIONAL REFERENCE: ENGINE CONTROLS FOR DETAILS SEE 76-11-04-03 PLACARDS AND MARKINGS FOR DETAILS SEE 11-31-51-03	904949	1
- 295	253T5523-6		..SEAL INSTL-LEVERS FUNCTIONAL REFERENCE: ENGINE CONTROLS FOR DETAILS SEE 76-11-04-03 LIGHTS FOR DETAILS SEE 33-13-54-02 PLACARDS AND MARKINGS FOR DETAILS SEE 11-31-51-03	002004 006100 108903 950999	1

MISSING ITEM NUMBERS NOT APPLICABLE

- ITEM NOT ILLUSTRATED

BRI

**76-11-04-02**

76-11-04  
FIG. 02  
PAGE 12  
JAN 20/09





757

PARTS CATALOG (MAINTENANCE)

FIG ITEM	PART NUMBER	1 2 3 4 5 6 7	NOMENCLATURE	EFFECT FROM TO	UNITS PER ASSY
2					
- 295	253T5523-8	..	SEAL INSTL-JBVERS FUNCTIONAL REFERENCE: ENGINE CONTROLS FOR DETAILS SEE 76-11-04-03 LIGHTS FOR DETAILS SEE 33-13-54-02 PLACARDS AND MARKINGS FOR DETAILS SEE 11-31-51-03	101106 108120 504903	1
- 300	253T5533-1	..	RAIL INSTL-THRUST FOR DETAILS SEE: 76-11-58-01	002004 006100 107107 121503 904999	1
- 300	253T5533-2	..	RAIL INSTL-THRUST FOR DETAILS SEE: 76-11-58-01	101106 108120 504903	1
305	RBEJ40D10-20	..	JUMPER ASSY SUPPLIER CODE: V1GK47 SPECIFICATION NUMBER: BACJ40D10-20	002004 107107 121503 904949	1
305	RBEJ40D10-32	..	JUMPER ASSY SUPPLIER CODE: V1GK47 SPECIFICATION NUMBER: BACJ40D10-32 OPTIONAL PART: 4E32E V79550	006106 108120 504903 952952 950951 953999	1
310	RBEJ40D10-32	..	JUMPER ASSY SUPPLIER CODE: V1GK47 SPECIFICATION NUMBER: BACJ40D10-32 OPTIONAL PART: 4E32E V79550	002004 006999	1
315	NAS1801-3-8	..	ATTACHING PARTS SCREW	002004 006999	2
320	AN960PD10L	..	WASHER-	002004 006999	4
320	AN960JD10L	..	WASHER-	002004 006999	4

MISSING ITEM NUMBERS NOT APPLICABLE

- ITEM NOT ILLUSTRATED

BRI

76-11-04-02

BOEING PROPRIETARY - Copyright © - Unpublished Work - See title page for details.

76-11-04  
FIG. 02  
PAGE 13  
JAN 20/09



757

PARTS CATALOG (MAINTENANCE)

FIG ITEM	PART NUMBER	1 2 3 4 5 6 7	NOMENCLATURE	EFFECT FROM TO	UNITS PER ASSY
2 325	BRH10A3	..	NUT SUPPLIER CODE: V52828 SPECIFICATION NUMBER: BACN10JC3 OPTIONAL PART: H10-3BAC V15653 NS202101-02 V80539 RMLH9075-3W V72962 VN303A02 V92215 96-02 V80539 T6S1032J V11815 -----*-----	002004 006999	2
330	NAS1801-3-6	..	SCREW	002004 006999	3
335	NAS1801-3-8	..	SCREW	002004 006999	1
340	NAS1801-3-10	..	SCREW	002004 006100 950999	1
345	BACS12CB3-6	..	SCREW	002004 006999	3
350	NAS1801-3-7	..	SCREW	002004 006100 107107 121503 904999	2
355	AN960PD10L	..	WASHER	002004 006100 107107 121503 904999	10
360	NAS43DD3-9	..	SPACER	002004 006100 950999	1

MISSING ITEM NUMBERS NOT APPLICABLE

- ITEM NOT ILLUSTRATED

76-11-04-02

76-11-04  
FIG. 02  
PAGE 14  
JAN 20/09

BRI



757

PARTS CATALOG (MAINTENANCE)

FIG ITEM	PART NUMBER	1 2 3 4 5 6 7	NOMENCLATURE	EFFECT FROM TO	UNITS PER ASSY
2 365	BRH10A3	..	NUT SUPPLIER CODE: V52828 SPECIFICATION NUMBER: BACN10JC3 OPTIONAL PART: H10-3BAC V15653 NS202101-02 V80539 RMLH9075-3W V72962 VN303A02 V92215 96-02 V80539 T6S1032J V11815	002004 006100 107107 121503 904999	2
370	BACC10DK6	..	CLAMP	002004 006999	5
375	BACC10DK8A	..	CLAMP	002004 006999	3
380	BACC10DK3	..	CLAMP	002004 006999	1
385	AN742F4	..	CLAMP	002004 006100 107107 121503 904999	2
390	254N1008-12	..	CONDUIT	002004 006999	1
395	253T5100-11	..	CONDUIT- OPTIONAL PART: 254N1008-11	002004 006999	2
395	254N1008-11	..	CONDUIT- OPTIONAL PART: 253T5100-11	002004 006100 107107 121503 904999	2
400	253T5100-12	..	CONDUIT	002004 006999	1
405	253T5110-1	..	CONDUIT	002004 006100 107107 121503 904999	1
410	NAS1801-3-12	..	SCREW- OPTIONAL PART: BACS53B1EA2	002004 006999	6

MISSING ITEM NUMBERS NOT APPLICABLE

- ITEM NOT ILLUSTRATED

BRI

76-11-04-02

BOEING PROPRIETARY - Copyright © - Unpublished Work - See title page for details.

76-11-04  
FIG. 02  
PAGE 15  
JAN 20/09



757

PARTS CATALOG (MAINTENANCE)

FIG ITEM	PART NUMBER	1 2 3 4 5 6 7	NOMENCLATURE	EFFECT FROM TO	UNITS PER ASSY
2 410	VNS1924CA2-8	..	STUD- SUPPLIER CODE: V5M902 SPECIFICATION NUMBER: BACS53B1EA2 OPTIONAL PART: VNS1924CA3-2-8 V92215 NAS1801-3-12	002004 006100 121503 950999	6
415	MS35338-43	..	WASHER	002004 006999	6
420	AN960D10L	..	WASHER	002004 006999	12
425	MS35650-305S	..	NUT	002004 006999	6
430	BRH10A3	..	NUT SUPPLIER CODE: V52828 SPECIFICATION NUMBER: BACN10JC3 OPTIONAL PART: H10-3BAC V15653 NS202101-02 V80539 RMLH9075-3W V72962 VN303A02 V92215 96-02 V80539 T6S1032J V11815	002004 006999	6
435	YHLZG16-1	..	BLOCK-TERM. SUPPLIER CODE: V09922	002004 006999	4
440	YHLZG8-1	..	BLOCK-TERM. SUPPLIER CODE: V09922	002004 006999	1
- 445	BACR15BA4AD	..	RIVET- ATTACHING PARTS SIZE DETERMINED ON INSTL. -----*-----	002004 006999	16

MISSING ITEM NUMBERS NOT APPLICABLE

- ITEM NOT ILLUSTRATED

76-11-04-02

76-11-04  
FIG. 02  
PAGE 16  
JAN 20/09

BRI



757

PARTS CATALOG (MAINTENANCE)

FIG ITEM	PART NUMBER	1 2 3 4 5 6 7	NOMENCLATURE	EFFECT FROM TO	UNITS PER ASSY
2 450	BACC49A1	..	CLAMP SUPPLIER CODE: V09922 SPECIFICATION NUMBER: BACC49A1 OPTIONAL PART: FAB278 V15805 H28-1 V34941 UP103 V6E102	002004 006999	4
455	H21-1	..	SPACER SUPPLIER CODE: V34941 SPECIFICATION NUMBER: BACS18AR1 OPTIONAL PART: FAB276A V15805 YHLZ1C2 V09922	002004 006999	2
460	YHLZ16-2	..	BLOCK-TERM. SUPPLIER CODE: V09922	002004 006999	2
465	YHLZ16-4	..	BLOCK-TERM. SUPPLIER CODE: V09922	002004 006999	3
470	YHLZ16-8	..	BLOCK-TERM. SUPPLIER CODE: V09922	002004 006999	2
475	AMY0500T1	..	TRACK SUPPLIER CODE: V09922 SPECIFICATION NUMBER: BACT44A0500U	002004 006999	1
480	AMY0400T1	..	TRACK SUPPLIER CODE: V09922 SPECIFICATION NUMBER: BACT44A0400U ATTACHING PARTS	002004 006999	1
- 485	BACR15BA5AD	..	RIVET- SIZE DETERMINED ON INSTL. -----*-----	002004 006999	6
490	253T5519-8	..	PLATE	002004 006106 108903 950999	1

MISSING ITEM NUMBERS NOT APPLICABLE

- ITEM NOT ILLUSTRATED

BRI

76-11-04-02

BOEING PROPRIETARY - Copyright © - Unpublished Work - See title page for details.

76-11-04  
FIG. 02  
PAGE 17  
JAN 20/09



757

PARTS CATALOG (MAINTENANCE)

FIG ITEM	PART NUMBER	1 2 3 4 5 6 7	NOMENCLATURE	EFFECT FROM TO	UNITS PER ASSY
2			ATTACHING PARTS		
- 495	BACS12CK3-8		.. SCREW-	002004 006106 108903 950999	2
- 500	NAS1149D0316J		.. WASHER-	002004 017102 108903 952952	2
- 500	NAS1149D0332J		.. WASHER-	006006 015016 103106	2
505	254N1051-6		-----*----- .. STRUCTURE ASSY- FUNCTIONAL REFERENCE: AUTOFLIGHT FOR DETAILS SEE 22-12-51-01 ENGINE CONTROLS FOR DETAILS SEE 76-11-04-04 FIRE PROTECTION FOR DETAILS SEE 26-11-56-01 FLIGHT CONTROL FOR DETAILS SEE 27-51-51-02 27-62-51-05 IGNITION FOR DETAILS SEE 74-31-52-01	107107 904949	1
505	254N1051-7		.. STRUCTURE ASSY- FUNCTIONAL REFERENCE: AUTOFLIGHT FOR DETAILS SEE 22-12-51-01 ENGINE CONTROLS FOR DETAILS SEE 76-11-04-04 FIRE PROTECTION FOR DETAILS SEE 26-11-56-01 FLIGHT CONTROL FOR DETAILS SEE 27-51-51-02 IGNITION FOR DETAILS SEE 74-31-52-01	002004 121503 952952	1

MISSING ITEM NUMBERS NOT APPLICABLE

- ITEM NOT ILLUSTRATED

BRI

76-11-04-02

76-11-04  
FIG. 02  
PAGE 18  
JAN 20/09



757

PARTS CATALOG (MAINTENANCE)

FIG ITEM	PART NUMBER	1 2 3 4 5 6 7	NOMENCLATURE	EFFECT FROM TO	UNITS PER ASSY
2 505	254N1051-8		.. STRUCTURE ASSY- FUNCTIONAL REFERENCE: AUTOFLIGHT FOR DETAILS SEE 22-12-51-01 ENGINE CONTROLS FOR DETAILS SEE 76-11-04-04 FIRE PROTECTION FOR DETAILS SEE 26-11-56-01 FLIGHT CONTROL FOR DETAILS SEE 27-51-51-02 27-62-51-05 IGNITION FOR DETAILS SEE 74-31-52-01	006106 108120 504903 950951 953999	1
510	740A20-3		.. JUMPER ASSY-GROUNDING SUPPLIER CODE: V91812 SPECIFICATION NUMBER: BACJ40A20-3 OPTIONAL PART: TJEJ40A20-3 V33483 RBEJ20-3 V1GK47	006106 108120 504903 950951 953999	3
515	740A20-4		.. JUMPER ASSY-GROUNDING SUPPLIER CODE: V91812 SPECIFICATION NUMBER: BACJ40A20-4 OPTIONAL PART: TJEJ40A20-4 V33483 RBEJ20-4 V1GK47	006106 108120 504903 950951 953999	1
520	BACJ40A20-7		.. JUMPER ASSY-GROUNDING	006106 108120 504903 950951 953999	1
525	NAS8703-3		ATTACHING PARTS .. SCREW	006106 108120 504903 950951 953999	5

MISSING ITEM NUMBERS NOT APPLICABLE

- ITEM NOT ILLUSTRATED

76-11-04-02

76-11-04  
FIG. 02  
PAGE 19  
JAN 20/09

BRI



757

PARTS CATALOG (MAINTENANCE)

FIG ITEM	PART NUMBER	1 2 3 4 5 6 7	NOMENCLATURE	EFFECT FROM TO	UNITS PER ASSY
2					
530	NAS1801-3-12	..	SCREW	006106 108120 504903 950951 953999	1
535	NAS1801-3-12	..	SCREW	006106 108120 504903 950951 953999	4
540	NAS1801-3-12	..	SCREW- QUALIFIED OPTIONAL DATA: (NAS1801-3-12 TOGETHER WITH MS35338-43, AN960JD10L (QTY 3), MS35650-305S AND BACN10YR3CD OPTIONAL TO BACS53B1EA2 TOGETHER WITH AN960D10L AND MS21042L3)	006010 950951 953999	4
545	VNS1924CA2-8	..	STUD- SUPPLIER CODE: V5M902 SPECIFICATION NUMBER: BACS53B1EA2 OPTIONAL PART: VNS1924CA3-2-8 V92215 QUALIFIED OPTIONAL DATA: (NAS1801-3-12 TOGETHER WITH MS35338-43, AN960JD10L (QTY 3), MS35650-305S AND BACN10YR3CD OPTIONAL TO BACS53B1EA2 TOGETHER WITH AN960D10L AND MS21042L3)	006010 950951 953999	4
550	MS35338-43	..	WASHER	006106 108120 504903 950951 953999	1
555	MS35338-43	..	WASHER	006106 108120 504903 950951	4

MISSING ITEM NUMBERS NOT APPLICABLE

- ITEM NOT ILLUSTRATED

BRI

76-11-04-02

BOEING PROPRIETARY - Copyright © - Unpublished Work - See title page for details.

76-11-04  
FIG. 02  
PAGE 20  
JAN 20/09





757

PARTS CATALOG (MAINTENANCE)

FIG ITEM	PART NUMBER	1 2 3 4 5 6 7	NOMENCLATURE	EFFECT FROM TO	UNITS PER ASSY
2 560	MS35338-43		.. WASHER- QUALIFIED OPTIONAL DATA: (NAS1801-3-12 TOGETHER WITH MS35338-43, AN960JD10L (QTY 3), MS35650-305S AND BACN10YR3CD OPTIONAL TO BACS53B1EA2 TOGETHER WITH AN960D10L AND MS21042L3)	006010 950951 953999	4
565	AN960JD10L		.. WASHER	006106 108120 504903 950951 953999	3
570	AN960JD10L		.. WASHER	006106 108120 504903 950951 953999	12
575	AN960JD10L		.. WASHER- QUALIFIED OPTIONAL DATA: (NAS1801-3-12 TOGETHER WITH MS35338-43, AN960JD10L (QTY 3), MS35650-305S AND BACN10YR3CD OPTIONAL TO BACS53B1EA2 TOGETHER WITH AN960D10L AND MS21042L3)	006010 950951 953999	13
580	AN960D10L		.. WASHER- QUALIFIED OPTIONAL DATA: (NAS1801-3-12 TOGETHER WITH MS35338-43, AN960JD10L (QTY 3), MS35650-305S AND BACN10YR3CD OPTIONAL TO BACS53B1EA2 TOGETHER WITH AN960D10L AND MS21042L3)	006010 950951 953999	4
585	MS35650-305S		.. NUT	006106 108120 504903 950951 953999	1
590	MS35650-305S		.. NUT	006106 108120 504903 950951	4

MISSING ITEM NUMBERS NOT APPLICABLE

- ITEM NOT ILLUSTRATED

76-11-04-02

76-11-04  
FIG. 02  
PAGE 21  
JAN 20/09

BRI



757

PARTS CATALOG (MAINTENANCE)

FIG ITEM	PART NUMBER	1 2 3 4 5 6 7	NOMENCLATURE	EFFECT FROM TO	UNITS PER ASSY
2 595	MS35650-305S	..NUT-	QUALIFIED OPTIONAL DATA: (NAS1801-3-12 TOGETHER WITH MS35338-43, AN960JD10L (QTY 3), MS35650-305S AND BACN10YR3CD OPTIONAL TO BACS53B1EA2 TOGETHER WITH AN960D10L AND MS21042L3)	006010 950951 953999	4
600	PLH53CD	..NUT	SUPPLIER CODE: VF0224 SPECIFICATION NUMBER: BACN10YR3CD OPTIONAL PART: H52732-3CD V15653	006106 108120 504903 950951 953999	1
605	PLH53CD	..NUT	SUPPLIER CODE: VF0224 SPECIFICATION NUMBER: BACN10YR3CD OPTIONAL PART: H52732-3CD V15653	006106 108120 504903 950951	4
610	PLH53CD	..NUT-	SUPPLIER CODE: VF0224 SPECIFICATION NUMBER: BACN10YR3CD OPTIONAL PART: H52732-3CD V15653 QUALIFIED OPTIONAL DATA: (NAS1801-3-12 TOGETHER WITH MS35338-43, AN960JD10L (QTY 3), MS35650-305S AND BACN10YR3CD OPTIONAL TO BACS53B1EA2 TOGETHER WITH AN960D10L AND MS21042L3)	006010 950951 953999	4

MISSING ITEM NUMBERS NOT APPLICABLE

- ITEM NOT ILLUSTRATED

BRI

76-11-04-02

BOEING PROPRIETARY - Copyright © - Unpublished Work - See title page for details.

76-11-04  
FIG. 02  
PAGE 22  
JAN 20/09



**757  
PARTS CATALOG (MAINTENANCE)**

FIG ITEM	PART NUMBER	1 2 3 4 5 6 7 NOMENCLATURE	EFFECT FROM TO	UNITS PER ASSY
2 615	MS21042L3	. . NUT- QUALIFIED OPTIONAL DATA: (NAS1801-3-12 TOGETHER WITH MS35338-43, AN960JD10L (QTY 3), MS35650-305S AND BACN10YR3CD OPTIONAL TO BACS53B1EA2 TOGETHER WITH AN960D10L AND MS21042L3) -----*-----	006010 950951 953999	4

MISSING ITEM NUMBERS NOT APPLICABLE

— ITEM NOT ILLUSTRATED

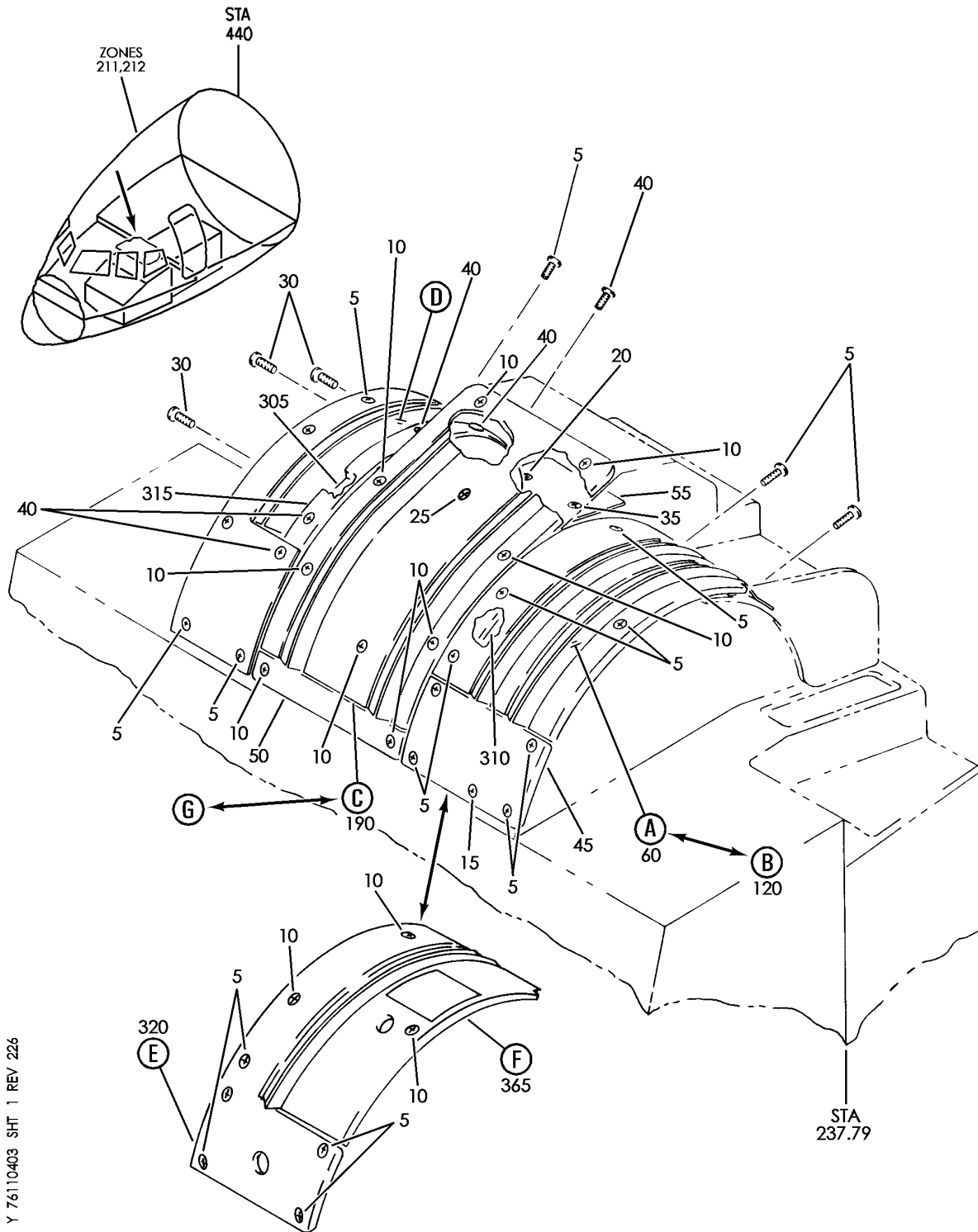
BRI

# 76-11-04-02

BOEING PROPRIETARY - Copyright © - Unpublished Work - See title page for details.

76-11-04  
FIG. 02  
PAGE 23  
JAN 20/09

**BOEING**  
757  
PARTS CATALOG (MAINTENANCE)



Y 76110403 SHT 1 REV 226

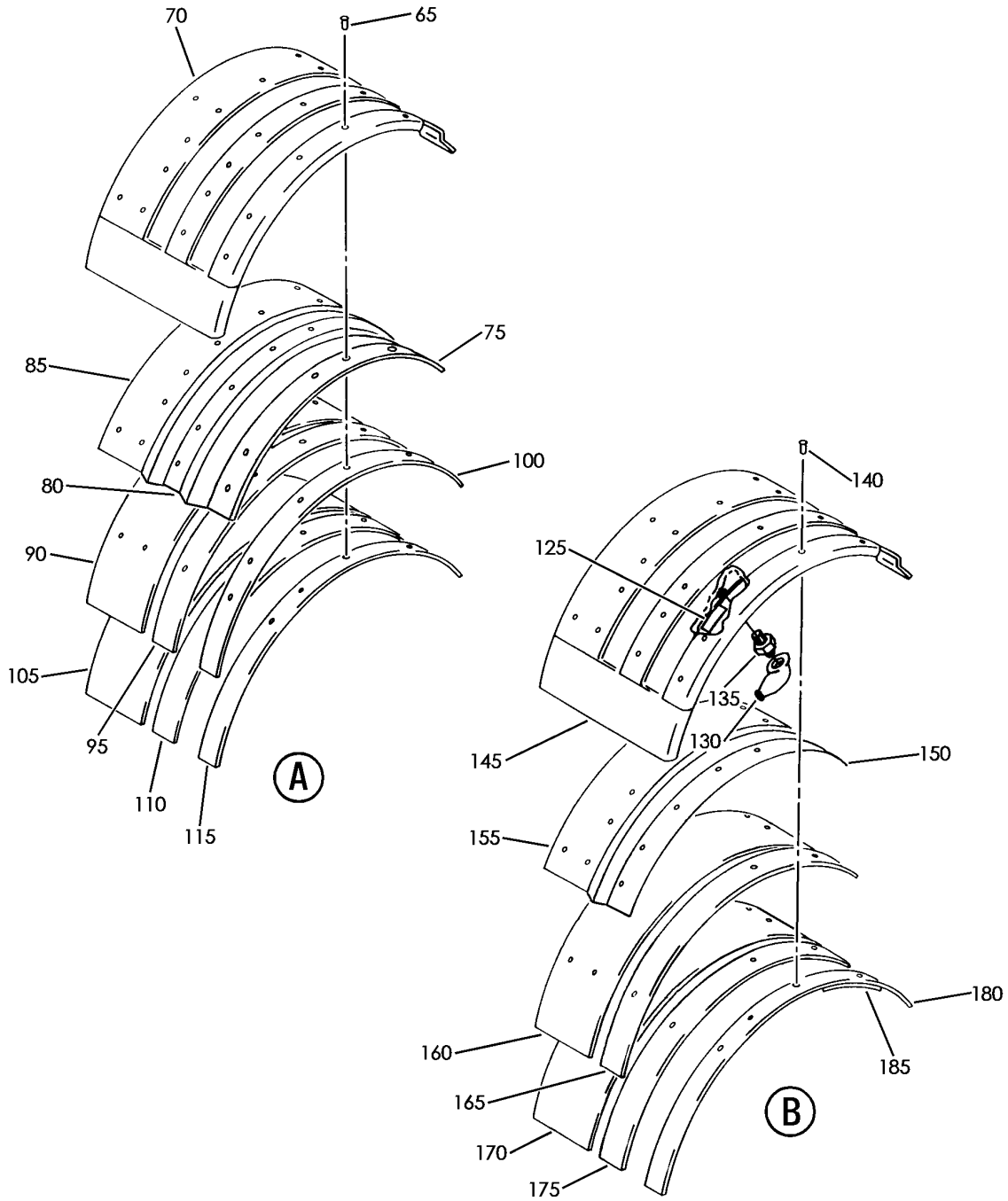
SEAL INSTL-LEVERS CONT STAND  
FIGURE 3 (SHEET 1)

**76-11-04-03**

BRI  
MAY 28/07

76-11-04-03  
PAGE 0

**BOEING**  
757  
PARTS CATALOG (MAINTENANCE)



Y 76110403 SHT 2 REV 226

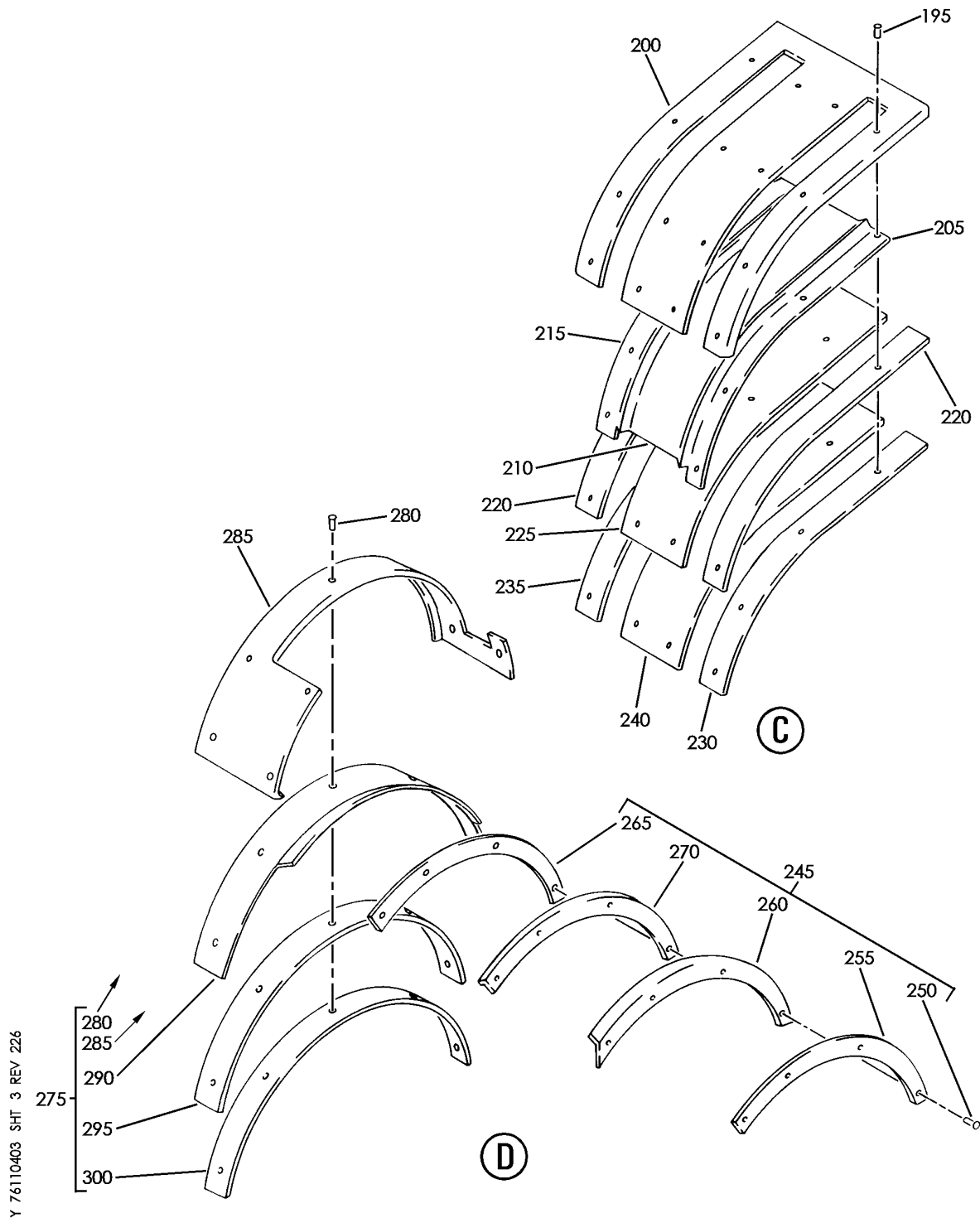
SEAL INSTL-LEVERS CONT STAND  
FIGURE 3 (SHEET 2)

**76-11-04-03**

BRI  
MAY 28/07

76-11-04-03  
PAGE 0A

**BOEING**  
757  
PARTS CATALOG (MAINTENANCE)



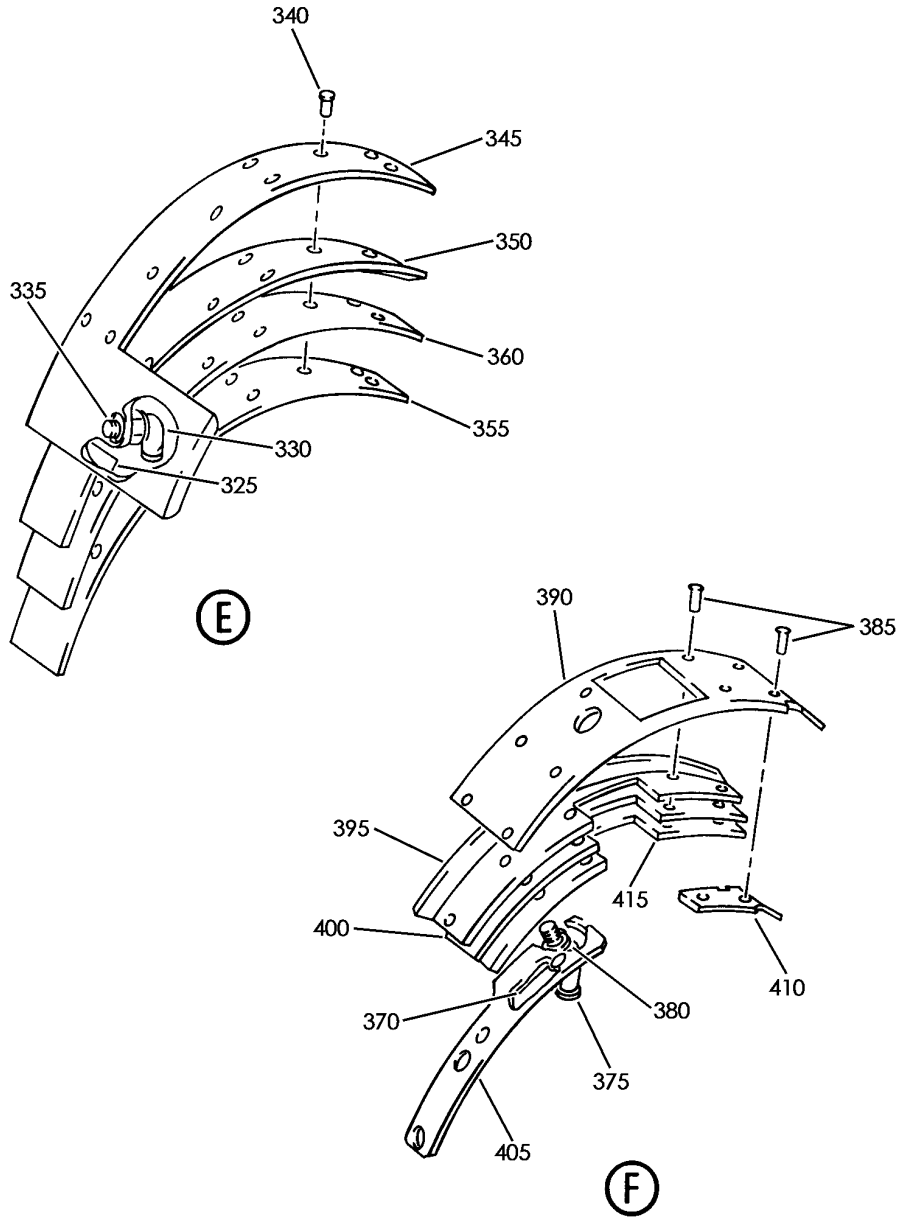
SEAL INSTL-LEVERS CONT STAND  
FIGURE 3 (SHEET 3)

**76-11-04-03**

BRI  
MAY 28/07

76-11-04-03  
PAGE 0B

**BOEING**  
757  
PARTS CATALOG (MAINTENANCE)



Y 76110403 SHT 4 REV 213

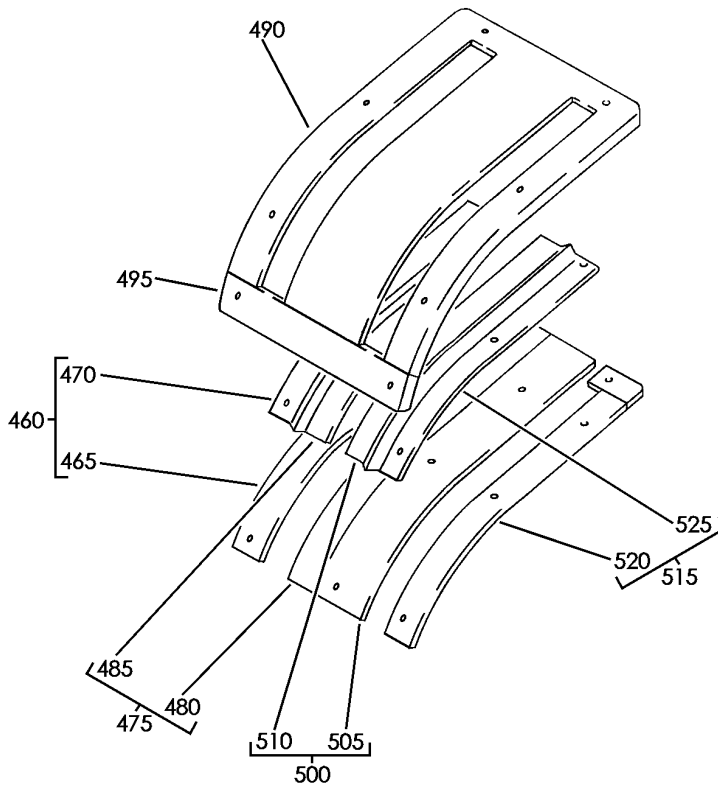
SEAL INSTL-LEVERS CONT STAND  
FIGURE 3 (SHEET 4)

**76-11-04-03**

BRI  
MAY 28/07

76-11-04-03  
PAGE 0C

**BOEING**  
757  
PARTS CATALOG (MAINTENANCE)



(G)

Y 76110403 SHT 5 REV 226

SEAL INSTL-LEVERS CONT STAND  
FIGURE 3 (SHEET 5)

**76-11-04-03**

BRI  
MAY 28/07

76-11-04-03  
PAGE 0D





757

PARTS CATALOG (MAINTENANCE)

FIG ITEM	PART NUMBER	1 2 3 4 5 6 7	NOMENCLATURE	EFFECT FROM TO	UNITS PER ASSY
3			SEAL INSTL-LEVERS CONT STAND	002004 006999	
- 1	253T5523-3		SEAL INSTL-LEVERS CONT STAND (ENGINE CONTROLS ONLY) FOR NHA/OTHER SYS DET SEE: 76-11-04-02	107107	RF
- 1	253T5523-4		SEAL INSTL-LEVERS CONT STAND (ENGINE CONTROLS ONLY) FOR NHA/OTHER SYS DET SEE: 76-11-04-02	904949	RF
- 1	253T5523-6		SEAL INSTL-LEVERS CONT STAND (ENGINE CONTROLS ONLY) FOR NHA/OTHER SYS DET SEE: 76-11-04-02	002004 006100 121503 950999	RF
- 1	253T5523-8		SEAL INSTL-LEVERS CONT STAND (ENGINE CONTROLS ONLY) FOR NHA/OTHER SYS DET SEE: 76-11-04-02	101106 108120 504903	RF
5	NAS514P1032-11		.SCREW	002004 006999	16
10	NAS514P1032-11		.SCREW- USED ON: 253T5523-2 253T5523-3 253T5523-4 253T5523-6	002004 006100 107107 121503 904999	9
10	BACB30VF3K4		.BOLT	101106 108120 504903	9
15	NAS514P1032-11		.SCREW	002004 006100 121503 950999	1
20	NAS514P1032-5		.SCREW- USED ON: 253T5523-6 253T5523-8	002004 006106 108903 950999	1
25	BACB30VF3K4		.BOLT	101106 108120 504903	1
30	NAS514P1032-7		.SCREW	002004 006999	3
35	NAS514P1032-8		.SCREW	002004 006999	1

MISSING ITEM NUMBERS NOT APPLICABLE

- ITEM NOT ILLUSTRATED

BRI

76-11-04-03

76-11-04  
FIG. 03  
PAGE 1  
JAN 20/09

 **BOEING**  
757  
**PARTS CATALOG (MAINTENANCE)**

FIG ITEM	PART NUMBER	1 2 3 4 5 6 7	NOMENCLATURE	EFFECT FROM TO	UNITS PER ASSY
3					
40	NAS514P1032-16	.	SCREW	002004 006999	5
45	253T5532-9	.	COVER- USED ON: 253T5523-2 253T5523-3 253T5523-4 253T5523-6	002004 006100 107107 121503 904999	1
50	253T5532-13	.	COVER	002004 006100 107107 121503 904999	1
55	253T5532-11	.	COVER	002004 006999	1
60	253T5512-3	.	SEAL ASSY- USED ON: 253T5523-3 253T5523-4	107107 904949	1
65	BACR15CE4B	..	RIVET- SIZE DETERMINED ON INSTL.	107107 904949	20
70	253T5532-1	..	COVER	107107 904949	1
75	253T5530-1	..	SEAL-	107107 904949	1
75	253T5530-11	..	SEAL-	107107 904949	1
80	253T5530-2	..	SEAL-	107107 904949	1
80	253T5530-12	..	SEAL	107107 904949	1
85	253T5530-3	..	SEAL-	107107 904949	1
85	253T5530-13	..	SEAL-	107107 904949	1
85	253T5530-22	..	SEAL-	107107 904949	1
90	253T5531-4	..	RUBSTRIP-	107107 904949	1
90	253T5531-9	..	RUBSTRIP-	107107 904949	1
95	253T5531-5	..	RUBSTRIP	107107 904949	1
100	253T5531-6	..	RUBSTRIP	107107 904949	1
105	253T5529-5	..	BASE	107107 904949	1
110	253T5529-6	..	BASE	107107 904949	1

MISSING ITEM NUMBERS NOT APPLICABLE

— ITEM NOT ILLUSTRATED

BRI

# 76-11-04-03

BOEING PROPRIETARY - Copyright © - Unpublished Work - See title page for details.

76-11-04  
FIG. 03  
PAGE 2  
JAN 20/09



757

PARTS CATALOG (MAINTENANCE)

FIG ITEM	PART NUMBER	1 2 3 4 5 6 7	NOMENCLATURE	EFFECT FROM TO	UNITS PER ASSY
3					
115	253T5529-7	..	BASE	107107 904949	1
120	253T5512-7	..	SEAL ASSY- USED ON: 253T5523-6	002004 006100 121503 950999	1
125	BAC27NCT0276	..	MARKER- PLACARD CONTENT: L815	002004 006100 121503 950999	1
130	MS25171-1S	..	NIPPLE	002004 006100 121503 950999	1
135	138-102	..	CONNECTOR- SUPPLIER CODE: V26742	002004 006100 121503 950999	1
140	BACR15CE4B	..	RIVET- SIZE DETERMINED ON INSTL.	002004 006100 121503 950999	18
145	253T5532-14	..	COVER	002004 006100 121503 950999	1
150	253T5530-19	..	SEAL-	002004 006100 121503 950999	1
150	253T5530-21	..	SEAL-	002004 006100 121503 950999	1
155	253T5530-3	..	SEAL-	002004 006100 121503 950999	1
155	253T5530-13	..	SEAL-	002004 006100 121503 950999	1
155	253T5530-22	..	SEAL-	002004 006100 121503 950999	1

MISSING ITEM NUMBERS NOT APPLICABLE

- ITEM NOT ILLUSTRATED

76-11-04-03

76-11-04  
FIG. 03  
PAGE 3  
JAN 20/09

BRI

BOEING PROPRIETARY - Copyright © - Unpublished Work - See title page for details.



757

PARTS CATALOG (MAINTENANCE)

FIG ITEM	PART NUMBER	1 2 3 4 5 6 7	NOMENCLATURE	EFFECT FROM TO	UNITS PER ASSY
3					
160	253T5531-4	..	RUBSTRIP-	002004 006100 121503 950999	1
160	253T5531-9	..	RUBSTRIP-	002004 006100 121503 950999	1
165	253T5531-7	..	RUBSTRIP-	002004 006100 121503 950999	1
165	253T5531-10	..	RUBSTRIP-	002004 006100 121503 950999	1
170	253T5529-5	..	BASE	002004 006100 121503 950999	1
175	253T5529-14	..	BASE	002004 006100 121503 950999	1
180	253T5529-12	..	BASE	002004 006100 121503 950999	1
185	253T5529-13	..	BASE	002004 006100 121503 950999	1
190	253T5514-3	.	SEAL ASSY- USED ON: 253T5523-3 253T5523-4 253T5523-6	002004 006100 107107 121503 904999	1
195	BACR15CE4B	..	RIVET- SIZE DETERMINED ON INSTL.	002004 006100 107107 121503 904999	16
200	253T5532-12	..	COVER	002004 006100 107107 121503 904999	1

MISSING ITEM NUMBERS NOT APPLICABLE

- ITEM NOT ILLUSTRATED

76-11-04-03

76-11-04  
FIG. 03  
PAGE 4  
JAN 20/09

BRI

BOEING PROPRIETARY - Copyright © - Unpublished Work - See title page for details.

 **BOEING**  
757  
**PARTS CATALOG (MAINTENANCE)**

FIG ITEM	PART NUMBER	1 2 3 4 5 6 7	NOMENCLATURE	EFFECT FROM TO	UNITS PER ASSY
3					
205	253T5530-4	..	SEAL-	002004 006100 107107 121503 904999	1
205	253T5530-14	..	SEAL-	002004 006100 107107 121503 904999	1
210	253T5530-5	..	SEAL-	002004 006100 107107 121503 904999	1
210	253T5530-15	..	SEAL-	002004 006100 107107 121503 904999	1
215	253T5530-6	..	SEAL-	002004 006100 107107 121503 904999	1
215	253T5530-16	..	SEAL-	002004 006100 107107 121503 904999	1
220	253T5531-2	..	RUBSTRIP	002004 006100 107107 121503 904999	2
225	253T5531-3	..	RUBSTRIP	002004 006100 107107 121503 904999	1
230	253T5529-1	..	BASE	002004 006100 107107 121503 904999	1

MISSING ITEM NUMBERS NOT APPLICABLE

— ITEM NOT ILLUSTRATED

BRI

# 76-11-04-03

BOEING PROPRIETARY - Copyright © - Unpublished Work - See title page for details.

76-11-04  
FIG. 03  
PAGE 5  
JAN 20/09



757

PARTS CATALOG (MAINTENANCE)

FIG ITEM	PART NUMBER	1 2 3 4 5 6 7	NOMENCLATURE	EFFECT FROM TO	UNITS PER ASSY
3					
235	253T5529-2	..	BASE	002004 006100 107107 121503 904999	1
240	253T5529-4	..	BASE	002004 006100 107107 121503 904999	1
245	253T5516-5	.SEAL ASSY- USED ON: 253T5523-2 253T5523-3		107107	1
245	253T5516-7	.SEAL ASSY- POSITION DATA: R USED ON: 253T5523-4 253T5523-6 253T5523-8		002004 006106 108999	1
250	BACR15CE4B	..RIVET- SIZE DETERMINED ON INSTL.		002004 006999	4
255	253T5529-8	..	BASE	002004 006999	1
260	253T5530-9	..	SEAL	002004 006999	1
265	253T5529-11	..	BASE-SEAL	002004 006999	1
270	253T5539-1	..	RUBSTRIP	107107	1
270	253T5539-2	..	RUBSTRIP	002004 006106 108999	1
275	253T5516-6	.SEAL ASSY- USED ON: 253T5523-3 253T5523-4		107107 904949	1
275	253T5516-8	.SEAL ASSY		002004 006100 121503 950999	1
280	BACR15CE4B	..RIVET- SIZE DETERMINED ON INSTL.		002004 006100 107107 121503 904999	5
285	253T5532-4	..	COVER ASSY	107107 904949	1

MISSING ITEM NUMBERS NOT APPLICABLE

- ITEM NOT ILLUSTRATED

BRI

76-11-04-03

76-11-04  
FIG. 03  
PAGE 6  
JAN 20/09



757

PARTS CATALOG (MAINTENANCE)

FIG ITEM	PART NUMBER	1 2 3 4 5 6 7	NOMENCLATURE	EFFECT FROM TO	UNITS PER ASSY
3					
285	253T5532-16	..	COVER ASSY	002004 006100 121503 950999	1
290	253T5530-8	..	SEAL-	002004 006100 107107 121503 904999	1
290	253T5530-18	..	SEAL-	002004 006100 107107 121503 904999	1
290	253T5530-20	..	SEAL-	002004 006100 107107 121503 904999	1
295	253T5531-1	..	RUBSTRIP-	002004 006100 107107 121503 904999	1
295	253T5531-8	..	RUBSTRIP-	002004 006100 107107 121503 904999	1
300	253T5529-3	..	BASE	002004 006100 107107 121503 904999	1
305	253T5529-10	.	BASE ASSY	002004 006999	1
310	253T5527-1	.	PLATFORM ASSY- POSITION DATA: L	002004 006999	1
315	253T5528-3	.	PLATFORM ASSY- POSITION DATA: R	002004 006999	1
320	253T5512-16	.	SEAL ASSY- POSITION DATA: LH SIDE	101106 108120 504903	1
325	BAC27NCT310	..	MARKER	101106 108120 504903	1

MISSING ITEM NUMBERS NOT APPLICABLE

- ITEM NOT ILLUSTRATED

BRI

76-11-04-03

76-11-04  
FIG. 03  
PAGE 7  
JAN 20/09



757

PARTS CATALOG (MAINTENANCE)

FIG ITEM	PART NUMBER	1 2 3 4 5 6 7	NOMENCLATURE	EFFECT FROM TO	UNITS PER ASSY
3					
330	MS25171-1S	..	NIPPLE	101106 108120 504903	1
335	138-102	..	CONNECTOR- SUPPLIER CODE: V26742	101106 108120 504903	1
340	BACR15CE4B	..	RIVET- SIZE DETERMINED ON INSTL.	101106 108120 504903	9
345	253T5532-20	..	COVER	101106 108120 504903	1
350	253T5530-22	..	SEAL-	101106 108120 504903	1
355	253T5531-9	..	RUBSTRIP-	101106 108120 504903	1
360	253T5529-16	..	BASE	101106 108120 504903	1
365	253T5512-13	.SEAL ASSY-	POSITION DATA: L	101106 108120 504903	1
370	BAC27NCT0276	..	MARKER- PLACARD CONTENT: L815	101106 108120 504903	1
375	MS25171-1S	..	NIPPLE	101106 108120 504903	1
380	138-102	..	CONNECTOR- SUPPLIER CODE: V26742	101106 108120 504903	1
385	BACR15CE4B	..	RIVET- SIZE DETERMINED ON INSTL.	101106 108120 504903	9
390	253T5532-22	..	COVER	101106 108120 504903	1
395	253T5530-21	..	SEAL-	101106 108120 504903	1
400	253T5531-10	..	RUBSTRIP-	101106 108120 504903	1
405	253T5529-12	..	BASE	101106 108120 504903	1

MISSING ITEM NUMBERS NOT APPLICABLE

- ITEM NOT ILLUSTRATED

76-11-04-03

76-11-04  
FIG. 03  
PAGE 8  
JAN 20/09

BRI

BOEING PROPRIETARY - Copyright © - Unpublished Work - See title page for details.



 **BOEING**  
757  
**PARTS CATALOG (MAINTENANCE)**

FIG ITEM	PART NUMBER	1 2 3 4 5 6 7	NOMENCLATURE	EFFECT FROM TO	UNITS PER ASSY
3					
410	253T5529-13	..	BASE	101106 108120 504903	1
415	253T5529-17	..	BASE	101106 108120 504903	1
- 420	253T5516-9	.SEAL ASSY-	POSITION DATA: R	101106 108120 504903	1
- 425	BAC27NT309	..	MARKER	101106 108120 504903	1
- 430	MS25171-1S	..	NIPPLE	101106 108120 504903	1
- 435	138-102	..	CONNECTOR- SUPPLIER CODE: V26742	101106 108120 504903	1
- 440	253T5532-18	..	COVER ASSY	101106 108120 504903	1
- 445	253T5530-20	..	SEAL-	101106 108120 504903	1
- 450	253T5531-8	..	RUBSTRIP-	101106 108120 504903	1
- 455	253T5529-15	..	BASE	101106 108120 504903	1
460	254N1018-1	.SEAL ASSY		101106 108120 504903	1
465	254N1021-1	..	RUBSTRIP	101106 108120 504903	1
470	254N1020-1	..	SEAL	101106 108120 504903	1
475	254N1018-3	.SEAL ASSY		101106 108120 504903	1
480	254N1021-3	..	RUBSTRIP	101106 108120 504903	1
485	254N1020-2	..	SEAL	101106 108120 504903	1

MISSING ITEM NUMBERS NOT APPLICABLE

- ITEM NOT ILLUSTRATED

BRI

# 76-11-04-03

BOEING PROPRIETARY - Copyright © - Unpublished Work - See title page for details.

76-11-04  
FIG. 03  
PAGE 9  
JAN 20/09



757

PARTS CATALOG (MAINTENANCE)

FIG ITEM	PART NUMBER	1 2 3 4 5 6 7	NOMENCLATURE	EFFECT FROM TO	UNITS PER ASSY
3					
490	254N1022-1	.	COVER- POSITION DATA: CTR	101106 108120 504903	1
495	254N1022-2	.	COVER-END CAP POSITION DATA: CTR	101106 108120 504903	1
500	254N1018-2	.	SEAL ASSY	101106 108120 504903	1
505	254N1021-4	..	RUBSTRIP	101106 108120 504903	1
510	254N1020-1	..	SEAL	101106 108120 504903	1
515	254N1018-4	.	SEAL ASSY	101106 108120 504903	1
520	254N1021-2	..	RUBSTRIP	101106 108120 504903	1
525	254N1020-2	..	SEAL	101106 108120 504903	1

MISSING ITEM NUMBERS NOT APPLICABLE

- ITEM NOT ILLUSTRATED

BRI

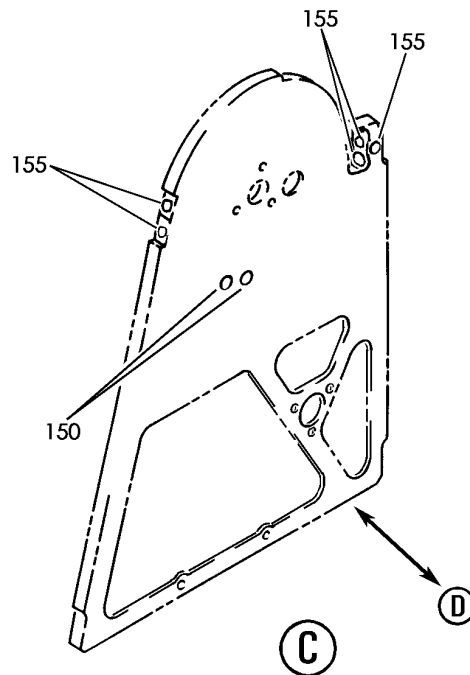
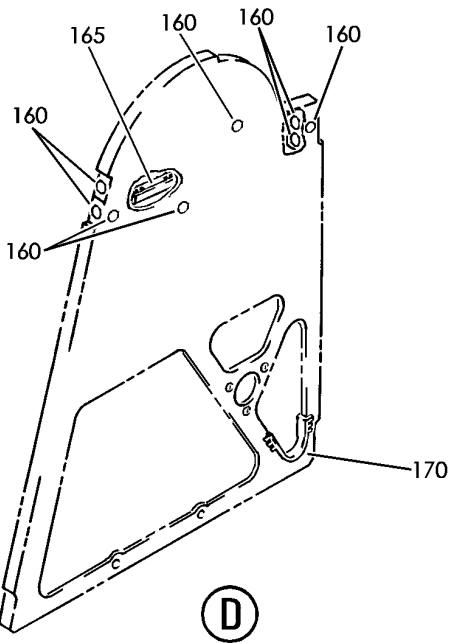
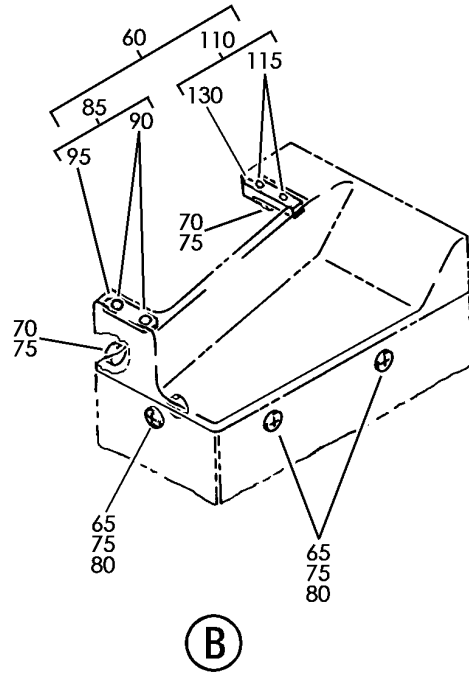
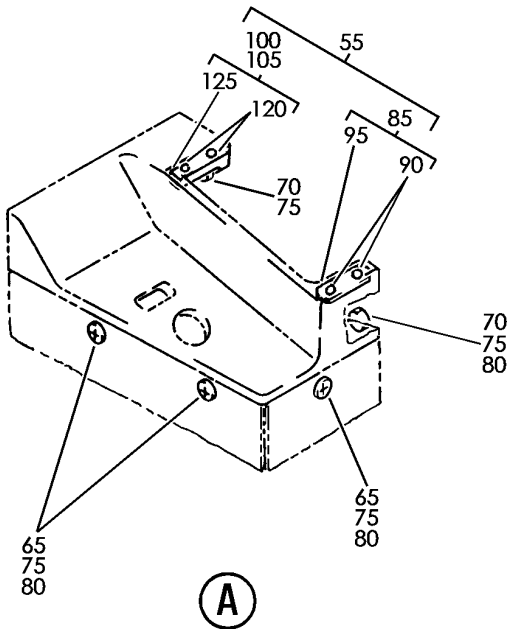
76-11-04-03

BOEING PROPRIETARY - Copyright © - Unpublished Work - See title page for details.

76-11-04  
FIG. 03  
PAGE 10  
JAN 20/09




**BOEING**  
 757  
**PARTS CATALOG (MAINTENANCE)**



Y 76110404 SH1 2 REV 274

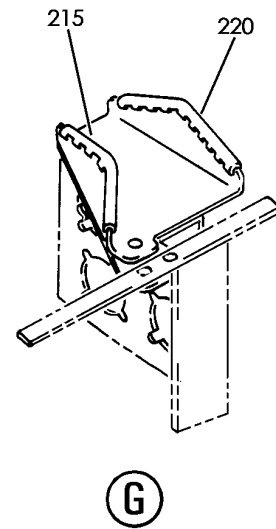
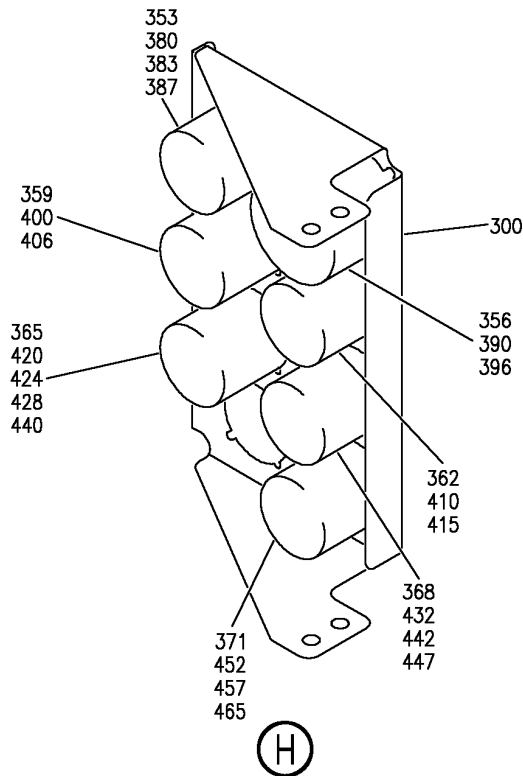
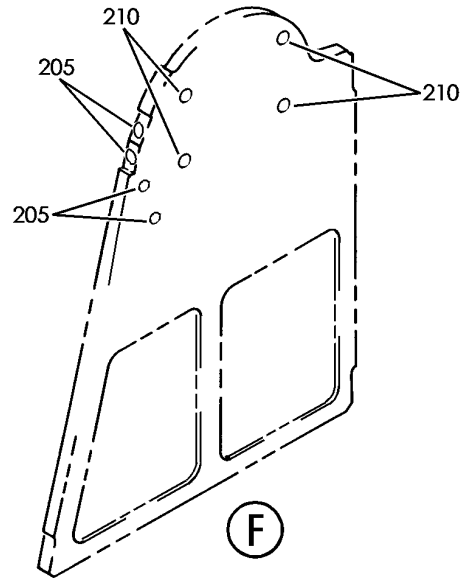
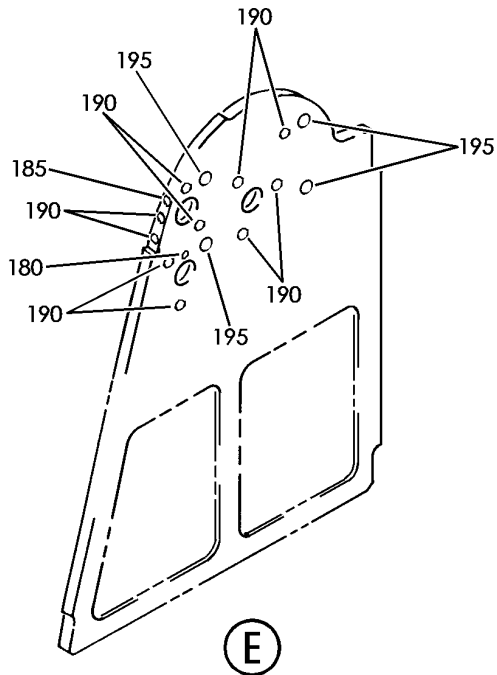
STRUCTURE ASSY-CONT STAND (ENGINE CONTROLS ONLY)  
FIGURE 4 (SHEET 2)

**76-11-04-04**

BRI  
MAY 28/07

76-11-04-04  
PAGE 0A


**BOEING**  
 757  
**PARTS CATALOG (MAINTENANCE)**



Y 76110404 SH1 3 REV 274

STRUCTURE ASSY-CONT STAND (ENGINE CONTROLS ONLY)  
FIGURE 4 (SHEET 3)

**76-11-04-04**

BRI  
MAY 28/07

76-11-04-04  
PAGE 0B



757

PARTS CATALOG (MAINTENANCE)

FIG ITEM	PART NUMBER	1 2 3 4 5 6 7	NOMENCLATURE	EFFECT FROM TO	UNITS PER ASSY
4			STRUCTURE ASSY-CONT STAND (ENGINE CONTROLS ONLY)	002004 006999	
- 1	254N1051-8		STRUCTURE ASSY-CONT STAND (ENGINE CONTROLS ONLY) FOR NHA/OTHER SYS DET SEE: 76-11-04-02	006106 108120 504903 950951 953999	RF
- 1	254N1051-6		STRUCTURE ASSY-CONT STAND (ENGINE CONTROLS ONLY) FOR NHA/OTHER SYS DET SEE: 76-11-04-02	107107 904949	RF
- 1	254N1051-7		STRUCTURE ASSY-CONT STAND (ENGINE CONTROLS ONLY) FOR NHA/OTHER SYS DET SEE: 76-11-04-02	002004 121503 952952	RF
5	BAC27TCT0150		.DECAL- PLACARD CONTENT: P5	002004 006999	1
10	BACG20ZA940		.GROMMET	002004 006999	1
15	BACG20ZA820		.GROMMET	002004 006999	1
20	BACG20ZA1130		.GROMMET	002004 006999	2
25	BACG20ZA880		.GROMMET	002004 006999	1
30	BACG20ZA1095		.GROMMET	002004 006999	1
35	253T5526-12		.PANEL-COVER OPTIONAL PART: 253T5526-15	002004 006999	1
35	253T5526-15		.PANEL-COVER OPTIONAL PART: 253T5526-12	002004 006999	1
40	253T5526-4		.PANEL-COVER OPTIONAL PART: 253T5526-14	002004 006999	1
40	253T5526-14		.PANEL-COVER OPTIONAL PART: 253T5526-4	002004 006999	1
- 45	BACB30LU3-1		ATTACHING PARTS .BOLT	002004 006999	42

MISSING ITEM NUMBERS NOT APPLICABLE

- ITEM NOT ILLUSTRATED

76-11-04-04

76-11-04  
FIG. 04  
PAGE 1  
JAN 20/09

BRI



757

PARTS CATALOG (MAINTENANCE)

FIG ITEM	PART NUMBER	1 2 3 4 5 6 7	NOMENCLATURE	EFFECT FROM TO	UNITS PER ASSY
4 - 50	MF53049-3		.NUTPLATE SUPPLIER CODE: V15653 SPECIFICATION NUMBER: BACN10JN3 OPTIONAL PART: BRFM20A3 V52828 MF1000-3BAC V15653 NS103218-02 V80539 RMF9201M3 V72962 VN252A02 V92215 T8124S3S V11815 -----*-----	002004 006999	42
55	253T5524-15		.PANEL ASSY- OPTIONAL PART: 253T5524-19 USED ON: 254N1051-6 254N1051-7 254N1051-8	002004 006999	1
55	253T5524-19		.PANEL ASSY- OPTIONAL PART: 253T5524-15 USED ON: 254N1051-8	006106 108120 504903 950951 953999	1
60	253T5524-12		.PANEL ASSY- OPTIONAL PART: 253T5524-20 USED ON: 254N1051-4 254N1051-5 254N1051-6 254N1051-7 254N1051-8	002004 006999	1
60	253T5524-20		.PANEL ASSY- OPTIONAL PART: 253T5524-12 USED ON: 254N1051-8	006106 108120 504903 950951 953999	1
65	BACB30LU3-3		ATTACHING PARTS .BOLT	002004 006999	6

MISSING ITEM NUMBERS NOT APPLICABLE

- ITEM NOT ILLUSTRATED

76-11-04-04

76-11-04  
FIG. 04  
PAGE 2  
JAN 20/09

BRI



757

PARTS CATALOG (MAINTENANCE)

FIG ITEM	PART NUMBER	1 2 3 4 5 6 7	NOMENCLATURE	EFFECT FROM TO	UNITS PER ASSY
4					
70	NAS6603-2	.BOLT		002004 006999	4
75	AN960D10L	.WASHER		002004 006999	10
80	BRH10A3	.NUT		002004 006999	7
		SUPPLIER CODE:			
		V52828			
		SPECIFICATION NUMBER:			
		BACN10JC3			
		OPTIONAL PART:			
		H10-3BAC			
		V15653			
		NS202101-02			
		V80539			
		RMLH9075-3W			
		V72962			
		VN303A02			
		V92215			
		96-02			
		V80539			
		T6S1032J			
		V11815			
		-----*-----			
85	253T5524-7	..DOUBLER ASSY		002004 006999	1
90	MS21209C0610	...INSERT		002004 006999	2
95	253T5524-8	...DOUBLER		002004 006999	1
100	253T5534-7	..BRACKET-		002004 006999	1
		USED ON:			
		253T5524-15			
		253T5524-11			
110	253T5534-6	..BRACKET ASSY-		002004 006999	1
		USED ON:			
		253T5524-12			
115	MS21209C0610	...INSERT-		002004 006999	2
		USED ON:			
		253T5534-6			
130	253T5534-8	...BRACKET-		002004 006999	1
		USED ON:			
		253T5534-6			
135	253T5519-6	.INTERCOSTAL ASSY		002004 006999	1
- 140	BACB30LU3-2	.BOLT		002004 006999	4
		ATTACHING PARTS			
		-----*-----			

MISSING ITEM NUMBERS NOT APPLICABLE

- ITEM NOT ILLUSTRATED

76-11-04-04

76-11-04  
FIG. 04  
PAGE 3  
SEP 20/08

BRI





757

PARTS CATALOG (MAINTENANCE)

FIG ITEM	PART NUMBER	1 2 3 4 5 6 7	NOMENCLATURE	EFFECT FROM TO	UNITS PER ASSY
4					
145	253T5511-7		.FRAME ASSY- USED ON: 254N1051-6 USED ON: 254N1051-3 254N1051-4	107107 904949	1
145	253T5511-9		.FRAME ASSY	002004 006106 108903 950999	1
155	MS21209F1-20		..INSERT-	002004 006999	5
160	MS21209F1-20P		..INSERT-	002004 006999	8
165	BACG20ZC0250		..GROMMET	002004 006106 108903 950999	1
170	BACG20ZC0330		..GROMMET	002004 006106 108903 950999	1
175	253T5513-3		.FRAME ASSY	002004 006999	1
180	MS21209C0620		..INSERT	002004 006999	1
185	MS21209F1-15		..INSERT	002004 006999	1
190	MS21209F1-20		..INSERT	002004 006999	10
195	MS21209F4-15		..INSERT	002004 006999	4
200	253T5515-3		.FRAME ASSY	002004 006999	1
205	MS21209F1-15		..INSERT	002004 006999	4
210	MS21209F4-15		..INSERT	002004 006999	4
215	BACG20ZA270		.GROMMET	002004 006999	1
220	BACG20ZA310		.GROMMET	002004 006999	1
225	254N1127-8		.FRAME ASSY	006106 108120 504903 950951 953999	1

MISSING ITEM NUMBERS NOT APPLICABLE

- ITEM NOT ILLUSTRATED

76-11-04-04

76-11-04  
FIG. 04  
PAGE 4  
JAN 20/09

BRI



**757  
PARTS CATALOG (MAINTENANCE)**

FIG ITEM	PART NUMBER	1 2 3 4 5 6 7	NOMENCLATURE	EFFECT FROM TO	UNITS PER ASSY
4					
225	254N1127-1		.FRAME ASSY- OPTIONAL PART: 254N1127-3	107107 904949	1
225	254N1127-3		.FRAME ASSY- OPTIONAL PART: 254N1127-1	107107 904949	1
225	254N1127-6		.FRAME ASSY	002004 121503 952952	1
230	254N1051-9		.GUIDE ASSY- OPTIONAL PART: 253T5540-1	006106 108120 504903 950951 953999	1
230	253T5540-1		.GUIDE ASSY- QUALIFIED OPTIONAL DATA: (253T5540-1 ASSY WITH NUTPLATES IS OPTIONAL TO 253T5540-2 T/W (4) AN960JD10L AND (4) BACN10R10) OPTIONAL PART: 254N1051-9	002004 006999	1
230	253T5540-2		.GUIDE- QUALIFIED OPTIONAL DATA: (253T5540-1 ASSY WITH NUTPLATES IS OPTIONAL TO 253T5540-2 T/W (4) AN960JD10L AND (4) BACN10R10)	002004 107107 121503 904949 952952	1
- 235	BACB30LU3-2		ATTACHING PARTS .BOLT	002004 006999	4
- 240	AN960JD10L		.WASHER- QUALIFIED OPTIONAL DATA: (253T5540-1 ASSY WITH NUTPLATES IS OPTIONAL TO 253T5540-2 T/W (4) AN960JD10L AND (4) BACN10R10)	002004 006999	4

MISSING ITEM NUMBERS NOT APPLICABLE

- ITEM NOT ILLUSTRATED

BRI

# 76-11-04-04

BOEING PROPRIETARY - Copyright © - Unpublished Work - See title page for details.

76-11-04  
FIG. 04  
PAGE 5  
JAN 20/09



757

PARTS CATALOG (MAINTENANCE)

FIG ITEM	PART NUMBER	1 2 3 4 5 6 7	NOMENCLATURE	EFFECT FROM TO	UNITS PER ASSY
4 - 245	26C02		.NUT- SUPPLIER CODE: V80539 SPECIFICATION NUMBER: BACN10R10 QUALIFIED OPTIONAL DATA: (3T5540-1 ASSY WITH NUTPLATES IS OPTIONAL TO 253T5540-2 T/W (4) AN960JD10L AND (4) BACN10R10)	002004 006999	4
300	254N1119-1		-----*----- .PANEL-DISCONNECT POSITION DATA: FAR SIDE ELECTRICAL EQUIP NUMBER: AP0010 ATTACHING PARTS	002004 006999	1
- 305	BACR15FT5AD		.RIVET- SIZE DETERMINED ON INSTL. OPTIONAL PART: BACR15BB5D	002004 006999	6
- 305	BACR15BB5AD		.RIVET- SIZE DETERMINED ON INSTL. OPTIONAL PART: BACR15FT5AD	002004 006999	6
- 350	286N1115-001		-----*----- WIRE BUNDLE ASSY	002004 006100 107107 121503 904999	RF
- 350	286N1115-301		WIRE BUNDLE ASSY	108120	RF
- 350	286N1115-312		WIRE BUNDLE ASSY	504903	RF
- 350	286N1115-315		WIRE BUNDLE ASSY	101102	RF
- 350	286N1115-601		WIRE BUNDLE ASSY	103105	RF
- 351	286N1115-602		WIRE BUNDLE ASSY	106106	RF
353	BACC45FN18-31P7		.CONNECTOR- POSITION DATA: POS 1 ELECTRICAL EQUIP NUMBER: D40901J WIRING DIAGRAM REF: 261111 761111	002004 006999	1

MISSING ITEM NUMBERS NOT APPLICABLE

- ITEM NOT ILLUSTRATED

76-11-04-04

76-11-04  
FIG. 04  
PAGE 6  
JAN 20/09

BRI



757

PARTS CATALOG (MAINTENANCE)

FIG ITEM	PART NUMBER	1 2 3 4 5 6 7	NOMENCLATURE	EFFECT FROM TO	UNITS PER ASSY
4 356	BACC45FN20-41P8	.	CONNECTOR- POSITION DATA: POS 2 ELECTRICAL EQUIP NUMBER: D40501J WIRING DIAGRAM REF: 221211	002004 006999	1
359	BACC45FN16-24P	.	CONNECTOR- POSITION DATA: POS 3 ELECTRICAL EQUIP NUMBER: D40503J WIRING DIAGRAM REF: 221231	002004 006999	1
362	BACC45FN16-24P6	.	CONNECTOR- POSITION DATA: POS 4 ELECTRICAL EQUIP NUMBER: D40495J WIRING DIAGRAM REF: 221222 276211 324212	002004 006999	1
365	BACC45FN12-12P6	.	CONNECTOR- POSITION DATA: POS 5 ELECTRICAL EQUIP NUMBER: D40784J WIRING DIAGRAM REF: 324411 743121	002004 006999	1
368	BACC45FN12-12P	.	CONNECTOR- POSITION DATA: POS 6 ELECTRICAL EQUIP NUMBER: D40782J WIRING DIAGRAM REF: 275141 743111	002004 006999	1
371	BACC45FN16-24P7	.	CONNECTOR- POSITION DATA: POS 8 ELECTRICAL EQUIP NUMBER: D40899J WIRING DIAGRAM REF: 261121	002004 006999	1
- 375	286N4228-013		WIRE BUNDLE ASSY	107107 121503 904949	RF

MISSING ITEM NUMBERS NOT APPLICABLE

- ITEM NOT ILLUSTRATED

76-11-04-04

76-11-04  
FIG. 04  
PAGE 7  
JAN 20/09

BRI



757

PARTS CATALOG (MAINTENANCE)

FIG ITEM	PART NUMBER	1 2 3 4 5 6 7	NOMENCLATURE	EFFECT FROM TO	UNITS PER ASSY
4					
- 375	286N4228-015		WIRE BUNDLE ASSY	002004 006100 950999	RF
- 377	286N4228-329		WIRE BUNDLE ASSY	101102	RF
- 377	286N4228-340		WIRE BUNDLE ASSY	504903	RF
- 378	286N4228-355		WIRE BUNDLE ASSY	108120	RF
380	BACC45FT18-31S7		.PLUG- POSITION DATA: POS 1 ELECTRICAL EQUIP NUMBER: D40901P WIRING DIAGRAM REF: 761111	002004 006102 107999	1
- 385	286N6662-601		WIRE BUNDLE ASSY	103106	RF
387	BACC45FT18-31S7		.PLUG- POSITION DATA: POS 01 ELECTRICAL EQUIP NUMBER: D40901P WIRING DIAGRAM REF: 761111	103106	1
- 392	286N2355-002		WIRE BUNDLE ASSY	002004 006100 107107 950999	RF
- 392	286N2355-003		WIRE BUNDLE ASSY	121503 904949	RF
- 392	286N2355-314		WIRE BUNDLE ASSY	504903	RF
- 393	286N2355-321		WIRE BUNDLE ASSY	101102	RF
- 393	286N2355-334		WIRE BUNDLE ASSY	108120	RF
- 394	286N2355-601		WIRE BUNDLE ASSY	103106	RF
396	BACC45FT20A41S8		.CONNECTOR- POSITION DATA: POS 02 ELECTRICAL EQUIP NUMBER: D40501P WIRING DIAGRAM REF: 221211	002004 006999	1
- 403	286N2359-001		WIRE BUNDLE ASSY	002004 006100 107107 121503 904999	RF
- 403	286N2359-303		WIRE BUNDLE ASSY	101102	RF
- 403	286N2359-308		WIRE BUNDLE ASSY	504903	RF
- 403	286N2359-312		WIRE BUNDLE ASSY	108120	RF
- 404	286N2359-701		WIRE BUNDLE ASSY	103106	RF

MISSING ITEM NUMBERS NOT APPLICABLE

- ITEM NOT ILLUSTRATED

76-11-04-04

76-11-04  
FIG. 04  
PAGE 8  
JAN 20/09

BRI



757

PARTS CATALOG (MAINTENANCE)

FIG ITEM	PART NUMBER	1 2 3 4 5 6 7	NOMENCLATURE	EFFECT FROM TO	UNITS PER ASSY
4 406	BACC45FT16A24S		.CONNECTOR- POSITION DATA: POS 3 ELECTRICAL EQUIP NUMBER: D40503P	002004 006999	1
- 412	286N2357-002		WIRE BUNDLE ASSY	002004 006100 107107 950999	RF
- 412	286N2357-003		WIRE BUNDLE ASSY	121503 904949	RF
- 412	286N2357-305		WIRE BUNDLE ASSY	101102	RF
- 412	286N2357-312		WIRE BUNDLE ASSY	504903	RF
- 412	286N2357-317		WIRE BUNDLE ASSY	108120	RF
- 413	286N2357-601		WIRE BUNDLE ASSY	103106	RF
415	BACC45FT16A24S6		.CONNECTOR- POSITION DATA: POS 04 ELECTRICAL EQUIP NUMBER: D40495P WIRING DIAGRAM REF: 221122	002004 006999	RF
- 422	286N4238-003		WIRE BUNDLE ASSY	121503 904949	RF
- 422	286N4238-005		WIRE BUNDLE ASSY	107107	RF
424	BACC45FT12A12S6		.CONNECTOR- POSITION DATA: POS 05 ELECTRICAL EQUIP NUMBER: D40784P WIRING DIAGRAM REF: 732121	107107 121503 904949	1
- 425	286N4220-007		WIRE BUNDLE ASSY	002004 006100 950999	RF
- 425	286N4220-305		WIRE BUNDLE ASSY	101102	RF
- 425	286N4220-312		WIRE BUNDLE ASSY	504903	RF
- 426	286N4220-320		WIRE BUNDLE ASSY	108120	RF
428	BACC45FT12-12S6		.CONNECTOR- POSITION DATA: POS 05 ELECTRICAL EQUIP NUMBER: D40784P WIRING DIAGRAM REF: 331351 783611	002004 006102 108120 504903 950999	1

MISSING ITEM NUMBERS NOT APPLICABLE

- ITEM NOT ILLUSTRATED

76-11-04-04

76-11-04  
FIG. 04  
PAGE 9  
JAN 20/09

BRI



757

PARTS CATALOG (MAINTENANCE)

FIG ITEM	PART NUMBER	1 2 3 4 5 6 7	NOMENCLATURE	EFFECT FROM TO	UNITS PER ASSY
4					
432	BACC45FT12-12S		.CONNECTOR- POSITION DATA: POS 06 ELECTRICAL EQUIP NUMBER: D40782P WIRING DIAGRAM REF: 275141	002004 006102 108120 504903 950999	1
- 439	286N6658-601		WIRE BUNDLE ASSY	103106	RF
440	BACC45FT12-12S6		.CONNECTOR- POSITION DATA: POS 05 ELECTRICAL EQUIP NUMBER: D40784P WIRING DIAGRAM REF: 783611	103106	RF
442	BACC45FT12-12S		.CONNECTOR- POSITION DATA: POS 06 ELECTRICAL EQUIP NUMBER: D40782P WIRING DIAGRAM REF: 275141	103106	RF
- 445	286N4232-001		WIRE BUNDLE ASSY	107107 121503 904949	RF
447	BACC45FT12A12S		.CONNECTOR- POSITION DATA: POS 06 ELECTRICAL EQUIP NUMBER: D40782P WIRING DIAGRAM REF: 732111	107107 121503 904949	1
- 455	286N6670-601		WIRE BUNDLE ASSY	103106	RF
457	BACC45FT16-24S7		.PLUG- POSITION DATA: POS 08 ELECTRICAL EQUIP NUMBER: D40899P WIRING DIAGRAM REF: 761112	103106	1
- 460	286N4236-010		WIRE BUNDLE ASSY	107107 121503 904949	RF
- 460	286N4236-015		WIRE BUNDLE ASSY	002004 006100 950999	RF
- 462	286N4236-326		WIRE BUNDLE ASSY	101102	RF
- 462	286N4236-340		WIRE BUNDLE ASSY	504903	RF
- 463	286N4236-346		WIRE BUNDLE ASSY	108120	RF

MISSING ITEM NUMBERS NOT APPLICABLE

- ITEM NOT ILLUSTRATED

76-11-04-04

76-11-04  
FIG. 04  
PAGE 10  
JAN 20/09

BRI



757

PARTS CATALOG (MAINTENANCE)

FIG ITEM	PART NUMBER	1 2 3 4 5 6 7	NOMENCLATURE	EFFECT FROM TO	UNITS PER ASSY
4 465	BACC45FT16-24S7		.PLUG- POSITION DATA: POS 08 ELECTRICAL EQUIP NUMBER: D40899P WIRING DIAGRAM REF: 761112	002004 006102 107999	1

MISSING ITEM NUMBERS NOT APPLICABLE

- ITEM NOT ILLUSTRATED

BRI

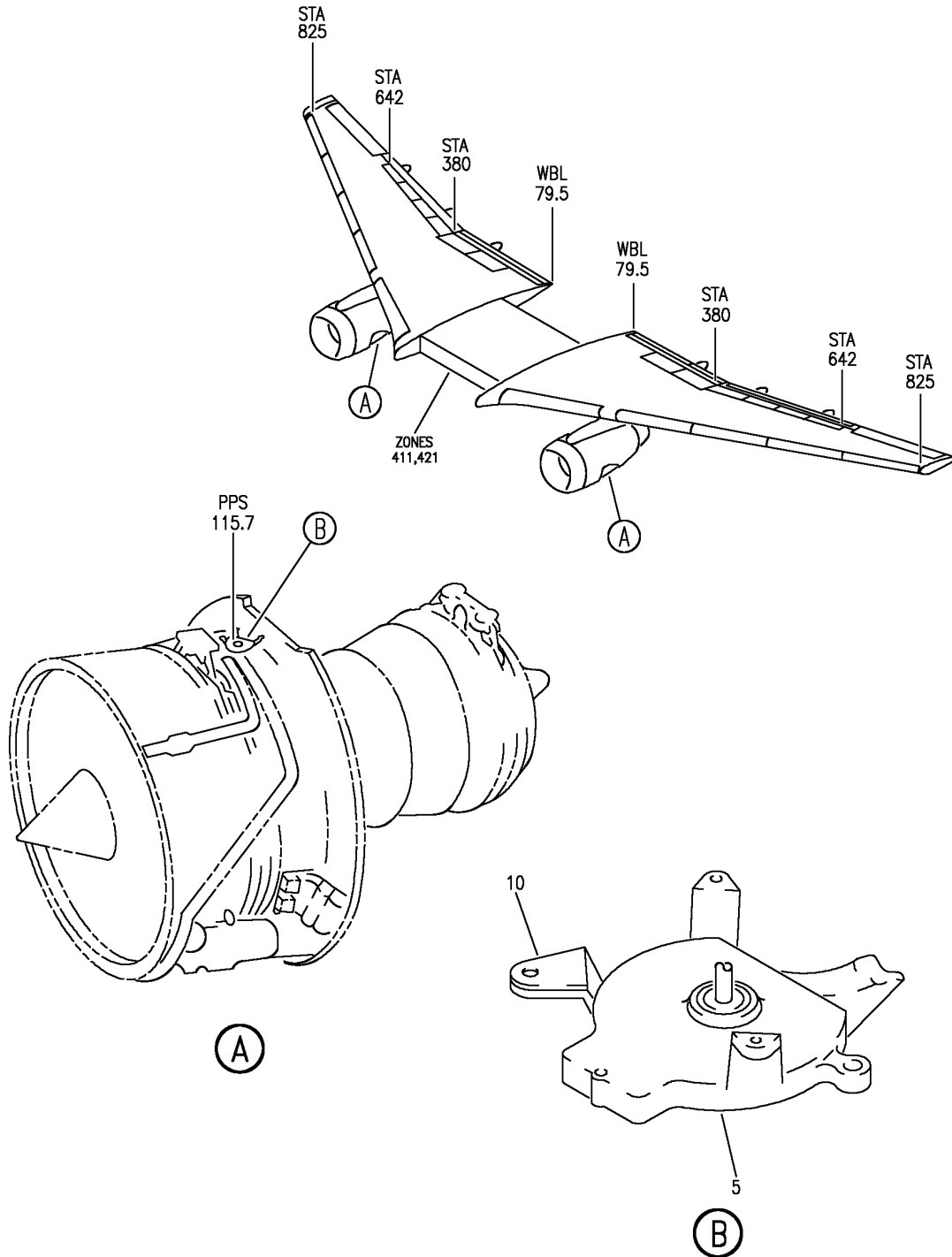
# 76-11-04-04

BOEING PROPRIETARY - Copyright © - Unpublished Work - See title page for details.

76-11-04  
FIG. 04  
PAGE 11  
JAN 20/09



**BOEING**  
757  
PARTS CATALOG (MAINTENANCE)



Y 7611202 REV 262

SYSTEMS INTEGRATION (RB211-535E4) (ENGINE CONTROL SYSTEM ONLY)  
FIGURE 2

**76-11-12-02**

BRI  
MAY 28/07

76-11-12-02  
PAGE 0

BOEING PROPRIETARY - Copyright © - Unpublished Work - See title page for details.



757

PARTS CATALOG (MAINTENANCE)

FIG ITEM	PART NUMBER	1 2 3 4 5 6 7	NOMENCLATURE	EFFECT FROM TO	UNITS PER ASSY
2			SYSTEMS INTEGRATION (RB211-535E4) (ENGINE CONTROL SYSTEM ONLY)	101106 108120 504903	
- 1	310N5010-3		SYSTEMS INTEGRATION- (ENGINE CONTROL SYSTEM ONLY) FOR NHA/OTHER SYS DET SEE: 71-00-01-02A	101102 108120 504903	RF
- 1	MODREF13781		SYSTEMS INTEGRATION- (ENGINE CONTROL SYSTEM ONLY) MODULE NUMBER: 310N5010-3 REV A FOR OTHER SYS DETAILS SEE: 71-71-02-07 73-11-07-04	103106	1
5	44111-204		.BOX ASSY-TELEFLEX SUPPLIER CODE: VK0680 POSITION DATA: UPR	101106 108120 504903	2
10	15351-94		.SHIM- SUPPLIER CODE: VK0680	101106 108120 504903	2

MISSING ITEM NUMBERS NOT APPLICABLE

- ITEM NOT ILLUSTRATED

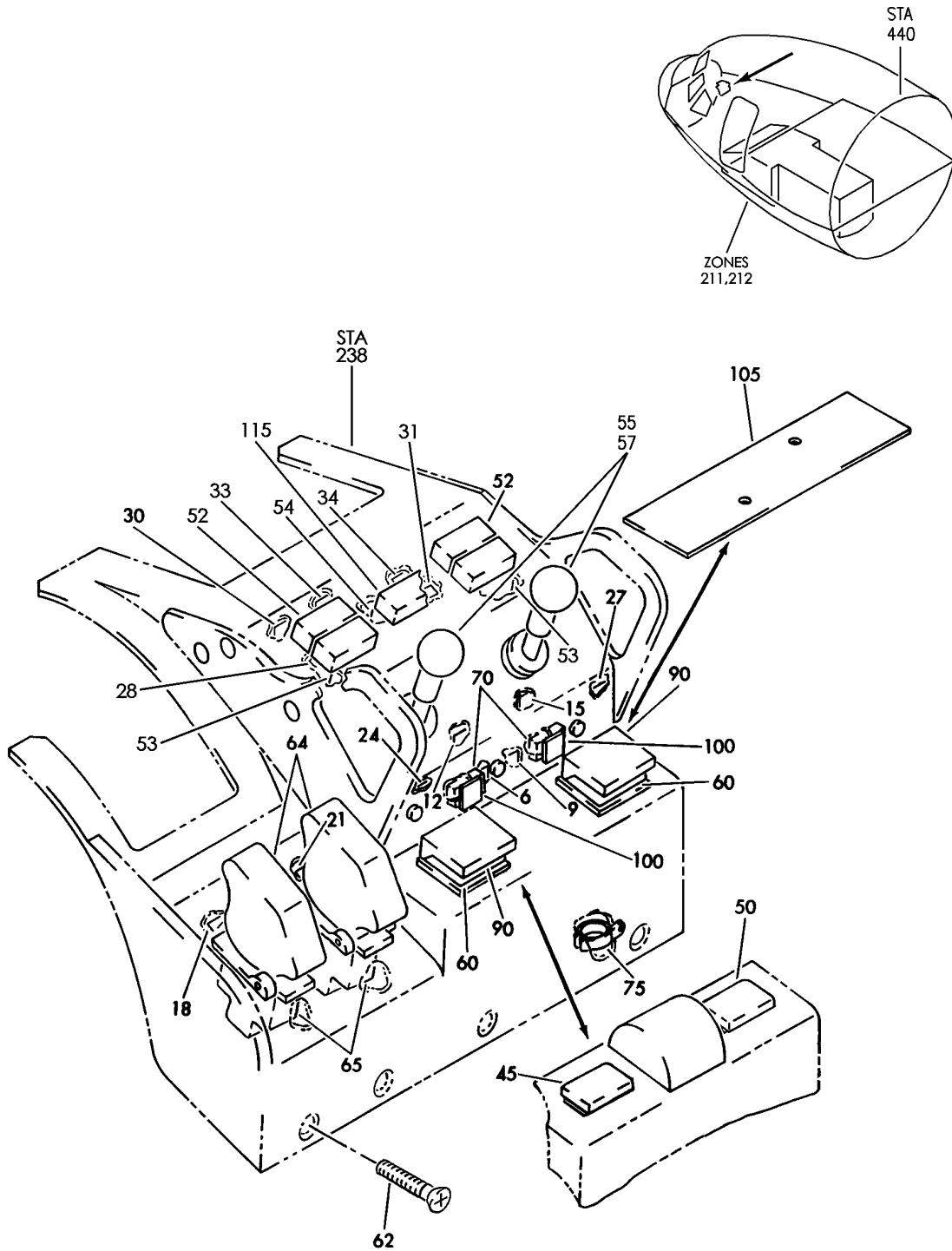
BRI

76-11-12-02

BOEING PROPRIETARY - Copyright © - Unpublished Work - See title page for details.

76-11-12  
FIG. 02  
PAGE 1  
JAN 20/09

**BOEING**  
757  
PARTS CATALOG (MAINTENANCE)



Y 76115101 REV 265

MODULE ASSY-CONT STAND ENG FUEL CONT (ENGINE CONTROL ONLY)  
FIGURE 1

**76-11-51-01**

BRI  
MAY 28/07

76-11-51-01  
PAGE 0



757

PARTS CATALOG (MAINTENANCE)

FIG ITEM	PART NUMBER	1 2 3 4 5 6 7	NOMENCLATURE	EFFECT FROM TO	UNITS PER ASSY
1			MODULE ASSY-CONT STAND ENG FUEL CONT (ENGINE CONTROL ONLY)	002004 006102 107999	
- 1	254N1106-31		MODULE ASSY-CONT STAND ENG FUEL CONT (ENGINE CONTROL ONLY)	002004 904949 952952	RF
- 1	254N1106-35		COMPONENT MAINT MANUAL REF: 76-11-71 FOR NHA SEE: 76-11-04-02		
- 1	254N1106-35		MODULE ASSY-CONT STAND ENG FUEL CONT (ENGINE CONTROL ONLY)	006102 107903 950951 953999	RF
- 1	254N1106-38		COMPONENT MAINT MANUAL REF: 76-11-71 POST SERVICE BULLETIN: 78-0032 FOR NHA SEE: 76-11-04-02		
- 1	254N1106-38		MODULE ASSY-CONT STAND ENG FUEL CONT (ENGINE CONTROL ONLY)	006102 107903 950951 953999	RF
12	BAC27TCT0012		.DECAL- PLACARD CONTENT: S1 USED ON: 254N1106-15 254N1106-19 254N1106-21 254N1106-25 254N1106-29 254N1106-31 254N1106-35 254N1106-38 254N1195-6 254N1195-12 254N1195-15	002004 006102 107999	1

MISSING ITEM NUMBERS NOT APPLICABLE

- ITEM NOT ILLUSTRATED

BRI

76-11-51-01

BOEING PROPRIETARY - Copyright © - Unpublished Work - See title page for details.

76-11-51  
FIG. 01  
PAGE 1  
JAN 20/09



757

PARTS CATALOG (MAINTENANCE)

FIG ITEM	PART NUMBER	1 2 3 4 5 6 7	NOMENCLATURE	EFFECT FROM TO	UNITS PER ASSY
1 15	BAC27TCT0014		.DECAL- PLACARD CONTENT: S3 USED ON: 254N1106-15 254N1106-19 254N1106-21 254N1106-25 254N1106-29 254N1106-31 254N1106-35 254N1106-38 254N1195-6 254N1195-12 254N1195-15	002004 006102 107999	1
18	BAC27TCT0016		.DECAL- PLACARD CONTENT: S5 USED ON: 254N1106-15 254N1106-19 254N1106-21 254N1106-25 254N1106-29 254N1106-31 254N1106-35 254N1106-38 254N1195-6 254N1195-12 254N1195-15	002004 006102 107999	1
21	BAC27TCT0017		.DECAL- PLACARD CONTENT: S6 USED ON: 254N1106-15 254N1106-19 254N1106-21 254N1106-25 254N1106-29 254N1106-31 254N1106-35 254N1106-38 254N1195-6 254N1195-12 254N1195-15	002004 006102 107999	1

MISSING ITEM NUMBERS NOT APPLICABLE

- ITEM NOT ILLUSTRATED

BRI

76-11-51-01

BOEING PROPRIETARY - Copyright © - Unpublished Work - See title page for details.

76-11-51  
FIG. 01  
PAGE 2  
JAN 20/09



757

PARTS CATALOG (MAINTENANCE)

FIG ITEM	PART NUMBER	1 2 3 4 5 6 7	NOMENCLATURE	EFFECT FROM TO	UNITS PER ASSY
1	24 BAC27TCT0018		.DECAL- POSITION DATA: K1 USED ON: 254N1106-15 254N1106-19 254N1106-21 254N1106-25 254N1106-29 254N1106-31 254N1106-35 254N1106-38 254N1195-6 254N1195-12 254N1195-15	002004 006102 107999	1
	27 BAC27TCT0019		.DECAL- PLACARD CONTENT: K2 USED ON: 254N1106-15 254N1106-19 254N1106-21 254N1106-25 254N1106-29 254N1106-31 254N1106-35 254N1106-38 254N1195-6 254N1195-12 254N1195-15	002004 006102 107999	1
	28 BAC27TCT0020		.DECAL- PLACARD CONTENT: L1 USED ON: 254N1106-15 254N1106-19 254N1106-21 254N1106-25 254N1106-29 254N1106-31 254N1106-35 254N1106-38 254N1195-6 254N1195-12 254N1195-15	002004 006102 107999	1

MISSING ITEM NUMBERS NOT APPLICABLE

- ITEM NOT ILLUSTRATED

BRI

76-11-51-01

BOEING PROPRIETARY - Copyright © - Unpublished Work - See title page for details.

76-11-51  
FIG. 01  
PAGE 3  
JAN 20/09



757

PARTS CATALOG (MAINTENANCE)

FIG ITEM	PART NUMBER	1 2 3 4 5 6 7	NOMENCLATURE	EFFECT FROM TO	UNITS PER ASSY
1	30 BAC27TCT0021		.DECAL- PLACARD CONTENT: L2 USED ON: 254N1106-15 254N1106-19 254N1106-21 254N1106-25 254N1106-29 254N1106-31 254N1106-35 254N1106-38 254N1195-6 254N1195-12 254N1195-15	002004 006102 107999	1
	31 BAC27TCT0022		.DECAL- PLACARD CONTENT: L3	002004 006102 107999	1
	33 BAC27TCT0023		.DECAL- PLACARD CONTENT: L4 USED ON: 254N1106-15 254N1106-19 254N1106-21 254N1106-25 254N1106-29 254N1106-31 254N1106-35 254N1106-38 254N1195-6 254N1195-12 254N1195-15	002004 006102 107999	1
	34 BAC27NEL0321		.DECAL- PLACARD CONTENT: L5	002004 904949 952952	1

MISSING ITEM NUMBERS NOT APPLICABLE

- ITEM NOT ILLUSTRATED

76-11-51-01

76-11-51  
FIG. 01  
PAGE 4  
JAN 20/09

BRI



757

PARTS CATALOG (MAINTENANCE)

FIG ITEM	PART NUMBER	1 2 3 4 5 6 7	NOMENCLATURE	EFFECT FROM TO	UNITS PER ASSY
1	52 BCRE6164		.LIGHT ASSY-ENG VALVE IND SUPPLIER CODE: V81590 OVERLENGTH PART NUMBER: 434-674-1005-1034 SPECIFICATION NUMBER: S231T300-1034 OPTIONAL PART: BCREF8402 V81590 USED ON: 254N1106-15 254N1106-19 254N1106-21 254N1106-25 254N1106-29 254N1106-31 254N1106-35 254N1106-38 254N1195-6 254N1195-15 FOR DETAILS SEE: 33-14-70-01	002004 006102 108999	2
	52 BCRE8402		.LIGHT ASSY-ENG VALVE IND SUPPLIER CODE: V81590 OVERLENGTH PART NUMBER: 434-674-1031-2034 SPECIFICATION NUMBER: S231T300-2034 OPTIONAL PART: BCREF6164 V81590 USED ON: 254N1106-15 254N1106-19 254N1106-21 254N1106-25 254N1106-29 254N1106-31 254N1106-35 254N1106-38 254N1195-6 254N1195-12 254N1195-15 FOR DETAILS SEE: 33-14-70-01	002004 006102 107999	2

MISSING ITEM NUMBERS NOT APPLICABLE

- ITEM NOT ILLUSTRATED

BRI

76-11-51-01

BOEING PROPRIETARY - Copyright © - Unpublished Work - See title page for details.

76-11-51  
FIG. 01  
PAGE 5  
JAN 20/09





757

PARTS CATALOG (MAINTENANCE)

FIG ITEM	PART NUMBER	1 2 3 4 5 6 7	NOMENCLATURE	EFFECT FROM TO	UNITS PER ASSY
1	53 BCRE6166		.LIGHT ASSY-SPAR VALVE IND SUPPLIER CODE: V81590 OVERLENGTH PART NUMBER: 434-674-1005-1109 SPECIFICATION NUMBER: S231T300-1109 OPTIONAL PART: BCRE6166 V81590 USED ON: 254N1106-15 254N1106-19 254N1106-21 254N1106-25 254N1106-29 254N1106-31 254N1106-35 254N1106-38 254N1195-6 254N1195-15 FOR DETAILS SEE: 33-14-70-01	002004 006102 108999	2
	53 BCRE8404		.LIGHT ASSY-SPAR VALVE IND SUPPLIER CODE: V81590 OVERLENGTH PART NUMBER: 434-674-1031-2109 SPECIFICATION NUMBER: S231T300-2109 OPTIONAL PART: BCRE6166 V81590 USED ON: 254N1106-15 254N1106-19 254N1106-21 254N1106-25 254N1106-29 254N1106-31 254N1106-35 254N1106-38 254N1195-6 254N1195-12 254N1195-15 FOR DETAILS SEE: 33-14-70-01	002004 006102 107999	2

MISSING ITEM NUMBERS NOT APPLICABLE

- ITEM NOT ILLUSTRATED

BRI

76-11-51-01

BOEING PROPRIETARY - Copyright © - Unpublished Work - See title page for details.

76-11-51  
FIG. 01  
PAGE 6  
JAN 20/09



757

PARTS CATALOG (MAINTENANCE)

FIG ITEM	PART NUMBER	1 2 3 4 5 6 7	NOMENCLATURE	EFFECT FROM TO	UNITS PER ASSY
1 54	BCREF6165		.LIGHT ASSY-REV ISLN IND SUPPLIER CODE: V81590 OVERLENGTH PART NUMBER: 434-674-1005-1101 SPECIFICATION NUMBER: S231T300-1101 OPTIONAL PART: BCREF8403 V81590 USED ON: 254N1106-15 254N1106-19 254N1106-21 254N1106-25 254N1106-29 254N1106-31 254N1195-6 FOR DETAILS SEE: 33-14-70-01	002004 904949 952952	1
54	BCREF8403		.LIGHT ASSY-REV ISLN IND SUPPLIER CODE: V81590 OVERLENGTH PART NUMBER: 434-674-1031-2101 SPECIFICATION NUMBER: S231T300-2101 OPTIONAL PART: BCREF6165 V81590 USED ON: 254N1106-15 254N1106-19 254N1106-21 254N1106-25 254N1106-29 254N1106-31 254N1195-6 FOR DETAILS SEE: 33-14-70-01	002004 904949 952952	1

MISSING ITEM NUMBERS NOT APPLICABLE

- ITEM NOT ILLUSTRATED

BRI

**76-11-51-01**

BOEING PROPRIETARY - Copyright © - Unpublished Work - See title page for details.

76-11-51  
FIG. 01  
PAGE 7  
JAN 20/09



757

PARTS CATALOG (MAINTENANCE)

FIG ITEM	PART NUMBER	1 2 3 4 5 6 7	NOMENCLATURE	EFFECT FROM TO	UNITS PER ASSY
1 55	3TL32-12A		.SWITCH- SUPPLIER CODE: V91929 USED ON: 254N1106-15 254N1106-19 254N1106-21 254N1106-25 254N1106-29 254N1106-31 254N1106-35 254N1106-38	002004 006102 107999	2
60	BCREF7607		.SWITCH ASSY-LIGHTED PUSH BUTTON IND SUPPLIER CODE: V81590 OVERLENGTH PART NUMBER: 433-673-1001-1017 SPECIFICATION NUMBER: S231T290-1017 QUALIFIED I/W DATA: 851-30768-2017 TOGETHER WITH 851-30768-8150R 433-100-004 SWITCHGUARD I/W BCREF7607 OR 851-30768-3017TOGETHER WITH 433-100-004 SWITCHGUARD OPTIONAL PART: 851-30768-3017 V96182 USED ON: 254N1106-19 254N1106-21 FOR DETAILS SEE: 33-13-00-12	107107	2

MISSING ITEM NUMBERS NOT APPLICABLE

- ITEM NOT ILLUSTRATED

BRI

**76-11-51-01**

BOEING PROPRIETARY - Copyright © - Unpublished Work - See title page for details.

76-11-51  
FIG. 01  
PAGE 8  
JAN 20/09



757

PARTS CATALOG (MAINTENANCE)

FIG ITEM	PART NUMBER	1 2 3 4 5 6 7	NOMENCLATURE	EFFECT FROM TO	UNITS PER ASSY
1 60	BCREFA0506		.SWITCH ASSY-LIGHTED PUSH BUTTON IND SUPPLIER CODE: V81590 OVERLENGTH PART NUMBER: 433-673-1004-4017 SPECIFICATION NUMBER: S231T290-4017 QUALIFIED I/W DATA: 851-30768-2017 TOGETHER WITH 851-30768-815 OR 433-100-004 SWITCHGUARD I/W BCREFA0506 OR 851-30768-3017 BCREFA0506 OR S231T290-5017 TOGETHER WITH 433-100-004 USED ON: 254N1106-25 FOR DETAILS SEE: 33-13-00-42	107107	2
60	851-30768-3017		.SWITCH ASSY-LIGHTED PUSH BUTTON IND SUPPLIER CODE: V96182 SPECIFICATION NUMBER: S231T290-3017 QUALIFIED I/W DATA: 851-30768-2017 TOGETHER WITH 851-30768-815 OR 433-100-004 SWITCHGUARD I/W BCREFA0506 OR 851-30768-3017 BCREFA0506 OR S231T290-5017 TOGETHER WITH 433-100-004 OPTIONAL PART: BCREF7607 V81590 USED ON: 254N1106-15 254N1106-19 254N1106-21 FOR DETAILS SEE: 33-13-00-32	107107	2

MISSING ITEM NUMBERS NOT APPLICABLE

- ITEM NOT ILLUSTRATED

BRI

76-11-51-01

BOEING PROPRIETARY - Copyright © - Unpublished Work - See title page for details.

76-11-51  
FIG. 01  
PAGE 9  
JAN 20/09



757

PARTS CATALOG (MAINTENANCE)

FIG ITEM	PART NUMBER	1 2 3 4 5 6 7	NOMENCLATURE	EFFECT FROM TO	UNITS PER ASSY
1 60	S231T290-5017	.	SWITCH ASSY-LIGHTED PUSH BUTTON IND QUALIFIED I/W DATA: 851-30768-2017 TOGETHER WITH 851-30768-815 OR 433-100-004 SWITCHGUARD I/W BCRE7607 851-30768-3017 S231T290-4017 OR -5017 TOGETHER WITH 433-100-004 USED ON: 254N1106-25	107107	2
62	BACB30LU3-2	.	BOLT	002004 006102 107999	4
64	MS25224-3	.	GUARD	002004 006102 107999	2
65	MS24523-23	.	SWITCH	002004 006102 107999	2
70	W260F4AM11	.	RELAY SUPPLIER CODE: VF0219 SPECIFICATION NUMBER: BACR13CD2 OPTIONAL PART: BR16S233 V09026 EE4AA005 V35344 3SAV1338A2 V01526 HFW1206K03 V58614 HFW1204K01 V71482	002004 006102 107999	2
75	287T0011-2	.	CLAMP	002004 006102 107999	1
- 80	NAS514P1032-7	.	ATTACHING PARTS SCREW	002004 006102 107999	1

MISSING ITEM NUMBERS NOT APPLICABLE

- ITEM NOT ILLUSTRATED

BRI

76-11-51-01

BOEING PROPRIETARY - Copyright © - Unpublished Work - See title page for details.

76-11-51  
FIG. 01  
PAGE 10  
JAN 20/09



757

PARTS CATALOG (MAINTENANCE)

FIG ITEM	PART NUMBER	1 2 3 4 5 6 7	NOMENCLATURE	EFFECT FROM TO	UNITS PER ASSY
1 - 85	BRH10A3	.NUT	SUPPLIER CODE: V52828 SPECIFICATION NUMBER: BACN10JC3 OPTIONAL PART: H10-3BAC V15653 NS202101-02 V80539 RMLH9075-3W V72962 VN303A02 V92215 96-02 V80539 T6S1032J V11815 -----*-----	002004 006102 107999	1
100	HRTS17KM	.SOCKET-RELAY	SUPPLIER CODE: V91663	002004 006102 107999	2
100	HRTS17KJV2	.SOCKET-RELAY	SUPPLIER CODE: V91663	002004 006102 107999	2
105	253T5917-1	.COVERPLATE-	POST SERVICE BULLETIN: 73-0018	107107	1
- 110	BACB30LU06-1	.BOLT-	POST SERVICE BULLETIN: 73-0018 -----*-----	107107	2

MISSING ITEM NUMBERS NOT APPLICABLE

- ITEM NOT ILLUSTRATED

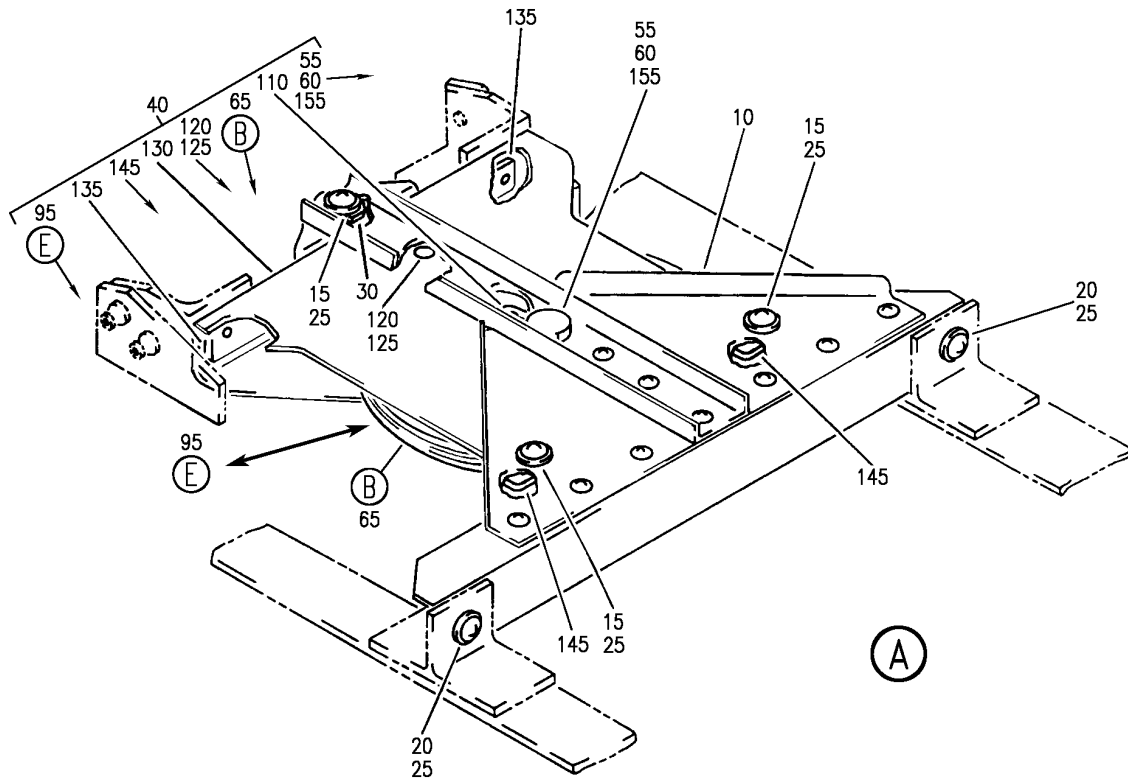
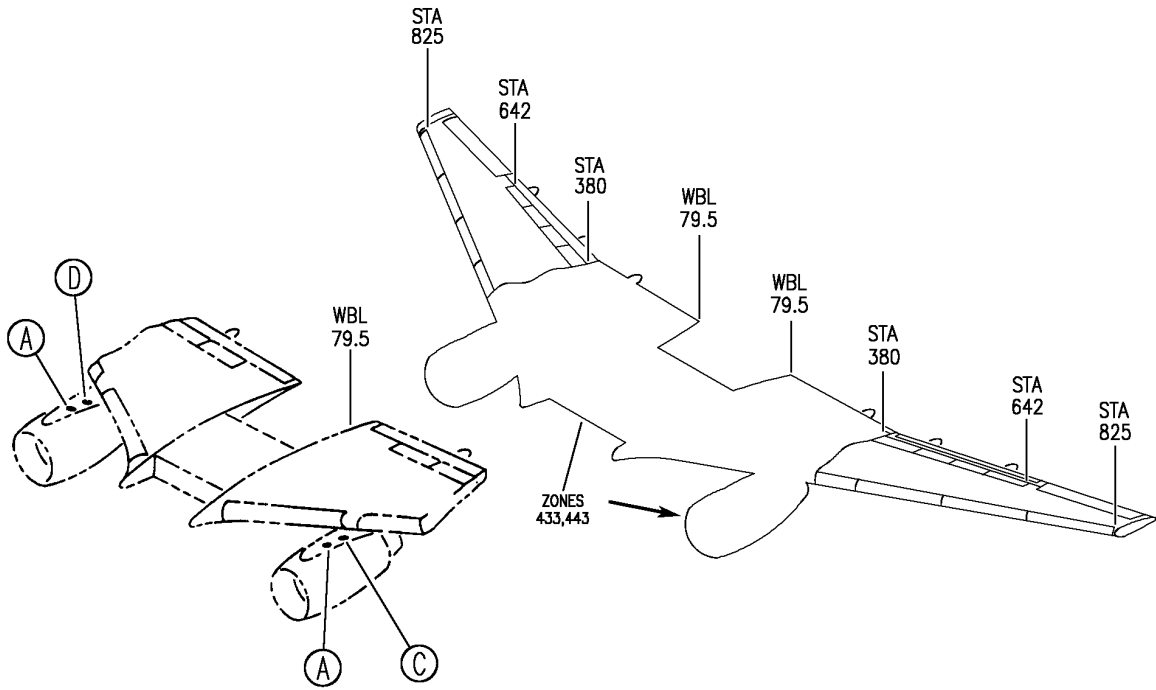
BRI

76-11-51-01

BOEING PROPRIETARY - Copyright © - Unpublished Work - See title page for details.

76-11-51  
FIG. 01  
PAGE 11  
JAN 20/09

**BOEING**  
757  
PARTS CATALOG (MAINTENANCE)



Y 76115104 SHT 1 REV 252

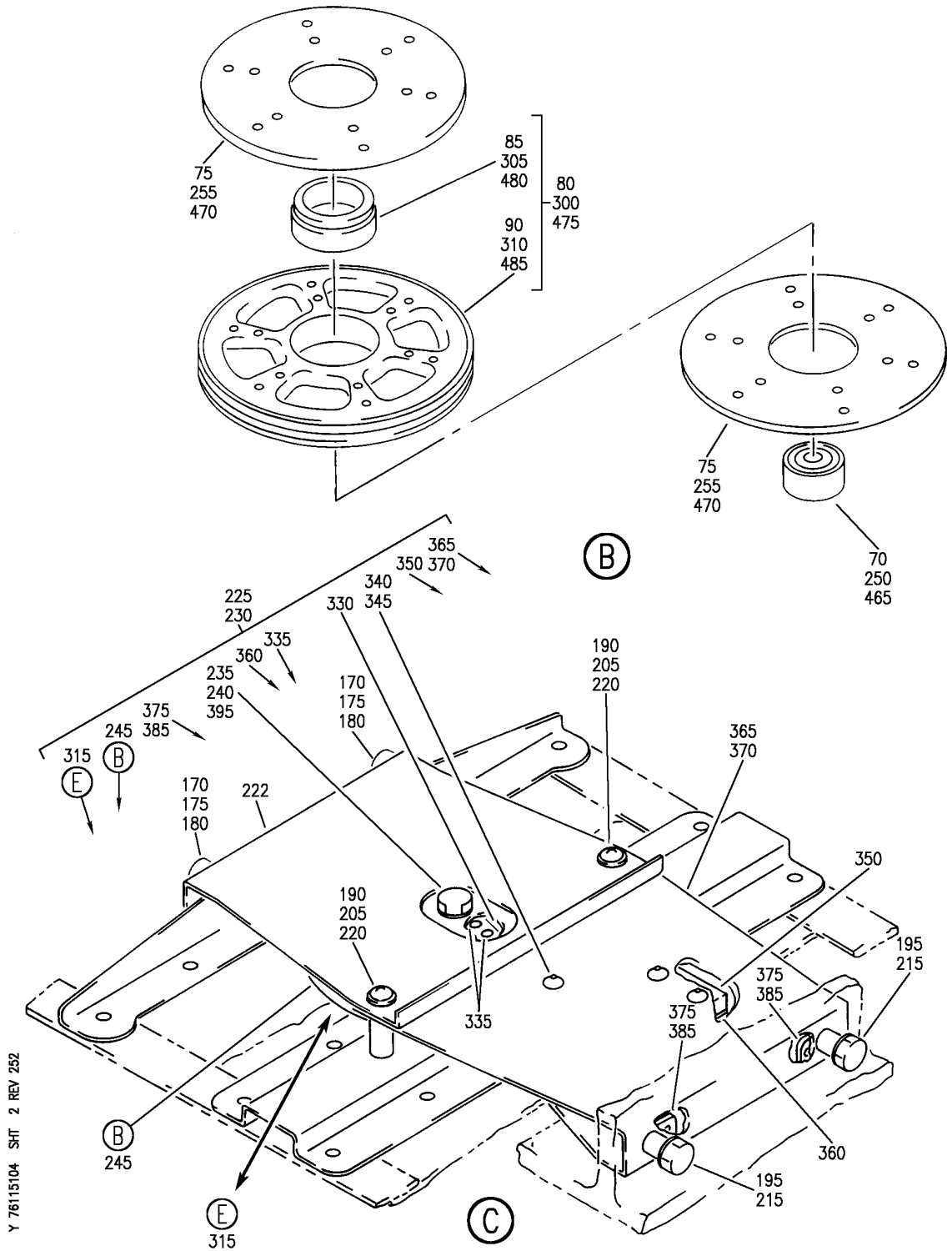
BRACKET INSTL-PROPULSION POD STA 150 ENG NAC THROT L A THROT R A PULLEY  
FIGURE 4 (SHEET 1)

BRI  
MAY 28/07

**76-11-51-04**

76-11-51-04  
PAGE 0

**BOEING**  
757  
PARTS CATALOG (MAINTENANCE)



Y 76115104 SH1 2 REV 252

BRACKET INSTL-PROPULSION POD STA 150 ENG NAC THROT L A THROT R A PULLEY  
FIGURE 4 (SHEET 2)

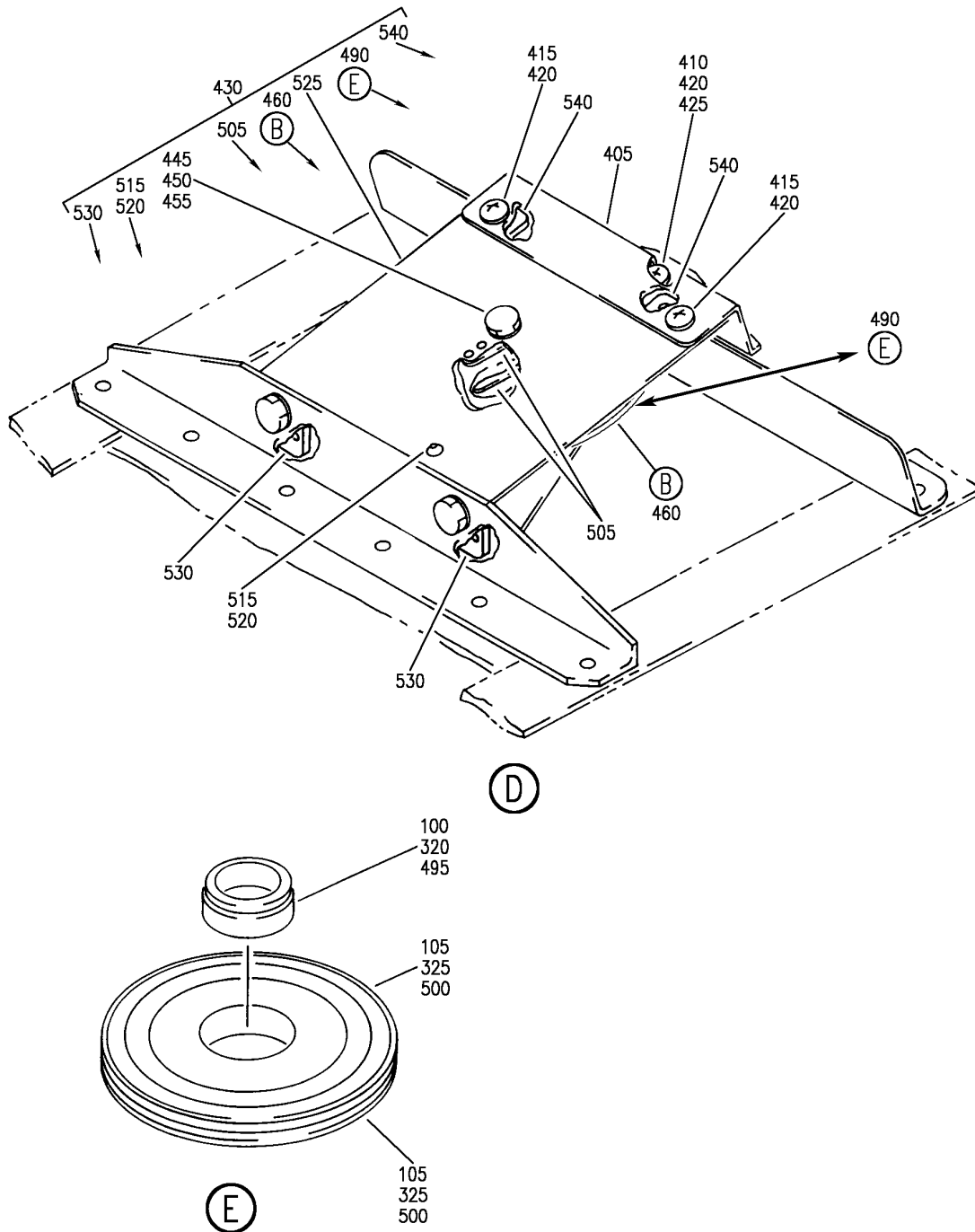
**76-11-51-04**

BRI  
MAY 28/07

76-11-51-04  
PAGE 0A



**BOEING**  
757  
PARTS CATALOG (MAINTENANCE)



Y 76115104 SHT 3 REV 252

BRACKET INSTL-PROPULSION POD STA 150 ENG NAC THROT L A THROT R A PULLEY  
FIGURE 4 (SHEET 3)

BRI  
MAY 28/07

**76-11-51-04**

76-11-51-04  
PAGE 0B

**BOEING**  
757  
**PARTS CATALOG (MAINTENANCE)**

FIG ITEM	PART NUMBER	1 2 3 4 5 6 7	NOMENCLATURE	EFFECT FROM TO	UNITS PER ASSY
4			BRACKET INSTL-PROPULSION POD STA 150 ENG NAC THROT L A THROT R A PULLEY	002004 006999	
- 1	251N6039-12		BRACKET INSTL-PROPULSION POD ENG NAC THROT L A THROT R A PULLEY POSITION DATA: STA 150 LH FOR NHA SEE: 54-00-51-01	002004 006017 107107 121503 904999	RF
- 1	251N6039-15		BRACKET INSTL-PROPULSION POD ENG NAC THROT L A THROT R A PULLEY POSITION DATA: STA 150 LH FOR NHA SEE: 54-00-00-04 54-00-51-01	018106 108120 504903	RF
- 5	251N6039-2		BRACKET INSTL-PROPULSION POD ENG NAC THROT L A THROT R A PULLEY POSITION DATA: STA 150 RH FOR NHA SEE: 54-00-51-01	002004 006017 107107 121503 904999	RF
- 5	251N6039-16		BRACKET INSTL-PROPULSION POD ENG NAC THROT L A THROT R A PULLEY POSITION DATA: STA 150 RH FOR NHA SEE: 54-00-00-04 54-00-51-01	018106 108120 504903	RF
10	251N6127-11		.COVER ASSY	002004 006999	1
15	BACS12CK3-6		.SCREW	002004 006999	3
20	BACS12CK3-9		.SCREW	002004 006999	2
25	AN960PD10L		.WASHER	002004 006017 107107 121503 904999	5
25	NAS1149D0332J		.WASHER	018106 108120 504903	5
-----*-----					
MISSING ITEM NUMBERS NOT APPLICABLE					

- ITEM NOT ILLUSTRATED

BRI

# 76-11-51-04

BOEING PROPRIETARY - Copyright © - Unpublished Work - See title page for details.

76-11-51  
FIG. 04  
PAGE 1  
JAN 20/09

 **BOEING**  
757  
**PARTS CATALOG (MAINTENANCE)**

FIG ITEM	PART NUMBER	1 2 3 4 5 6 7	NOMENCLATURE	EFFECT FROM TO	UNITS PER ASSY
4	30 MF53050-3CD		.NUTPLATE SUPPLIER CODE: V15653 SPECIFICATION NUMBER: BACN10JN3CD OPTIONAL PART: BRFM20C3D V52828 102F9201M3 V72962 NS202487-02 V80539 MF51637-3 V15653 ATTACHING PARTS	002004 006999	1
- 35	BACR15BA3AD		.RIVET- SIZE DETERMINED ON INSTL. -----*-----	002004 006999	1
40	251N6127-1		.BRACKET ASSY	002004 006017 107107 121503 904999	1
40	251N6127-12		.BRACKET ASSY  ATTACHING PARTS	018106 108120 504903	1
- 45	BACB30NR4K6		.BOLT	002004 006999	2
- 50	NAS1149D0463J		.WASHER  -----*-----	018106 108120 504903	2
55	BACB30LK4-13		..BOLT	002004 006999	1
60	BACW10BN4AC		..WASHER	002004 006999	1
65	65B80977-1		..PULLEY ASSY-4 IN. DIA 3/32 IN. CABLE FOR SPARES PROCURE: BACP30M4 PRE SERVICE BULLETIN: 76-0015	002004 006017 904949	1

MISSING ITEM NUMBERS NOT APPLICABLE

- ITEM NOT ILLUSTRATED

BRI

# 76-11-51-04

BOEING PROPRIETARY - Copyright © - Unpublished Work - See title page for details.

76-11-51  
FIG. 04  
PAGE 2  
JAN 20/09



757

PARTS CATALOG (MAINTENANCE)

FIG ITEM	PART NUMBER	1 2 3 4 5 6 7	NOMENCLATURE	EFFECT FROM TO	UNITS PER ASSY
4	70	JMKP4P25LY196	... BEARING SUPPLIER CODE: V40920 SPECIFICATION NUMBER: BACB10AN4 OPTIONAL PART: MKP4FS428 V21335 MKP4G20 V38443 LLMKP4 V38443 MKP4 V38443 MKP4-2TS V43991 MKP4E6531 V21335 MKP4TT V43991 MKP4SD610 V83086	002004 006017 904949	1
	75	69B81979-1	... SHIELD	002004 006017 904949	2
	80	65B80978-1	... SHEAVE ASSY	002004 006017 904949	1
	85	69B81362-2	.... INSERT	002004 006017 904949	1
	90	65B80978-2	.... SHEAVE	002004 006017 904949	1
	95	255T1232-7	.. PULLEY ASSY-4 IN. DIA 3/32 IN. CABLE POST SERVICE BULLETIN: 76-0015	002004 006999	1
	100	MKP4FS777	... BEARING- SUPPLIER CODE: V21335 OPTIONAL PART: MKP4-1C1-01 V21335 MKP4SD572 V21335	002004 006999	1

MISSING ITEM NUMBERS NOT APPLICABLE

- ITEM NOT ILLUSTRATED

76-11-51-04

76-11-51  
FIG. 04  
PAGE 3  
JAN 20/09

BRI



757

PARTS CATALOG (MAINTENANCE)

FIG ITEM	PART NUMBER	1 2 3 4 5 6 7	NOMENCLATURE	EFFECT FROM TO	UNITS PER ASSY
4					
100	MKP4-1C1-01	...	BEARING- SUPPLIER CODE: V21335 OPTIONAL PART: MKP4FS777 V21335 MKP4SD572 V21335	002004 006999	1
100	MKP4SD572	...	BEARING- SUPPLIER CODE: V21335 OPTIONAL PART: MKP4FS777 V21335 MKP4-1C1-01 V21335	002004 006999	1
105	255T1232-8	...	PULLEY	002004 006999	2
110	NAS463TKDD416H	..	SPACER	002004 006999	1
			ATTACHING PARTS		
- 115	BACR15BA3AD	..	RIVET- SIZE DETERMINED ON INSTL. -----*-----	002004 006999	2
120	BACR15BA4AD	..	RIVET- SIZE DETERMINED ON INSTL.	002004 006999	1
125	NAS42DD4-42	..	SPACER	002004 006017 107107 121503 904999	1
125	NAS42DD4-42FC	..	SPACER	018106 108120 504903	1
130	251N6127-4	..	BRACKET	002004 006999	1

MISSING ITEM NUMBERS NOT APPLICABLE

- ITEM NOT ILLUSTRATED

BRI

76-11-51-04

BOEING PROPRIETARY - Copyright © - Unpublished Work - See title page for details.

76-11-51  
FIG. 04  
PAGE 4  
JAN 20/09



757

PARTS CATALOG (MAINTENANCE)

FIG ITEM	PART NUMBER	1 2 3 4 5 6 7	NOMENCLATURE	EFFECT FROM TO	UNITS PER ASSY
4 135	MF53050-4CD		..NUTPLATE SUPPLIER CODE: V15653 SPECIFICATION NUMBER: BACN10JN4CD OPTIONAL PART: BRFM20C4D V52828 T8301C428CD V11815 102F9201M4 V72962 NS202487-048 V80539 MF51637-4 V15653 ATTACHING PARTS	002004 006999	2
- 140	BACR15BA3AD		..RIVET- SIZE DETERMINED ON INSTL. -----*-----	002004 006999	4
145	BACN10JP3BCD		..NUTPLATE  ATTACHING PARTS	002004 006999	2
- 150	BACR15BA3AD		..RIVET- SIZE DETERMINED ON INSTL. -----*-----	002004 006999	4
155	BACN10JP4ACD		..NUTPLATE  ATTACHING PARTS	002004 006999	1
- 160	BACR15BA3AD		..RIVET- SIZE DETERMINED ON INSTL.	002004 006999	2
- 175	AN960PD10L		.WASHER	002004 006017 107107 121503 904999	2
- 175	NAS1149D0332J		.WASHER  -----*-----	018106 108120 504903	2

MISSING ITEM NUMBERS NOT APPLICABLE

- ITEM NOT ILLUSTRATED

BRI

76-11-51-04

BOEING PROPRIETARY - Copyright © - Unpublished Work - See title page for details.

76-11-51  
FIG. 04  
PAGE 5  
JAN 20/09

 **BOEING**  
757  
**PARTS CATALOG (MAINTENANCE)**

FIG ITEM	PART NUMBER	1 2 3 4 5 6 7	NOMENCLATURE	EFFECT FROM TO	UNITS PER ASSY
4 180	T8076S1032		.NUTPLATE SUPPLIER CODE: V11815 SPECIFICATION NUMBER: BACN10JP3A OPTIONAL PART: MK1000-3BAC V15653 NS103197-02 V80539 RMA9201M3 V72962 VN202A1-02 V92215 BRM200A3 V52828	002004 006999	2
- 185	BACR15BA3AD		.ATTACHING PARTS .RIVET- SIZE DETERMINED ON INSTL. -----*-----	002004 006999	4
190	NAS6603H12		.BOLT- POSITION DATA: LH SIDE	002004 006999	2
195	BACB30NR4K5		.BOLT- POSITION DATA: LH SIDE	002004 006999	2
205	NAS1149D0332J		.WASHER- POSITION DATA: LH SIDE	018106 108120 504903	2
205	AN960PD10		.WASHER- POSITION DATA: LH SIDE	002004 006017 107107 121503 904999	2
220	NAS42DD6-40		.SPACER- POSITION DATA: LH SIDE	002004 006017 107107 121503 904999	2
220	NAS42DD6-40FC		.SPACER- POSITION DATA: LH SIDE	018106 108120 504903	2
222	251N6128-6		.BRACKET	002004 006999	1
230	251N6128-16		.BRACKET ASSY- POSITION DATA: LH SIDE	002004 006017 107107 121503 904999	1

MISSING ITEM NUMBERS NOT APPLICABLE

- ITEM NOT ILLUSTRATED

BRI

# 76-11-51-04

BOEING PROPRIETARY - Copyright © - Unpublished Work - See title page for details.

76-11-51  
FIG. 04  
PAGE 6  
JAN 20/09



757

PARTS CATALOG (MAINTENANCE)

FIG ITEM	PART NUMBER	1 2 3 4 5 6 7	NOMENCLATURE	EFFECT FROM TO	UNITS PER ASSY
4					
230	251N6128-19	.	BRACKET ASSY- POSITION DATA: LH SIDE	018106 108120 504903	1
235	BACB30NF4-11	..	BOLT	002004 006999	1
240	AN960PD416	..	WASHER	002004 006017 107107 121503 904999	1
240	NAS1149D0463J	..	WASHER	018106 108120 504903	1
245	65B80977-1	..	PULLEY ASSY-4 IN. DIA 3/32 IN. CABLE FOR SPARES PROCURE: BACP30M4 PRE SERVICE BULLETIN: 76-0015	002004 006017 904949	1
250	JMKP4P25LY196	...	BEARING SUPPLIER CODE: V40920 SPECIFICATION NUMBER: BACB10AN4 OPTIONAL PART: MKP4FS428 V21335 MKP4G20 V38443 LLMKP4 V38443 MKP4 V38443 MKP4-2TS V43991 MKP4E6531 V21335 MKP4TT V43991 MKP4SD610 V83086	002004 006017 904949	1
255	69B81979-1	...	SHIELD	002004 006017 904949	2
300	65B80978-1	...	SHEAVE ASSY	002004 006017 904949	1

MISSING ITEM NUMBERS NOT APPLICABLE

- ITEM NOT ILLUSTRATED

BRI

76-11-51-04

BOEING PROPRIETARY - Copyright © - Unpublished Work - See title page for details.

76-11-51  
FIG. 04  
PAGE 7  
JAN 20/09





757

PARTS CATALOG (MAINTENANCE)

FIG ITEM	PART NUMBER	1 2 3 4 5 6 7	NOMENCLATURE	EFFECT FROM TO	UNITS PER ASSY
4					
305	69B81362-2	....	INSERT	002004 006017 904949	1
310	65B80978-2	....	SHEAVE	002004 006017 904949	1
315	255T1232-7	..	PULLEY ASSY-4 IN. DIA 3/32 IN. CABLE POST SERVICE BULLETIN: 76-0015	002004 006999	1
320	MKP4FS777	...	BEARING- SUPPLIER CODE: V21335 OPTIONAL PART: MKP4-1C1-01 V21335 MKP4SD572 V21335	002004 006999	1
320	MKP4-1C1-01	...	BEARING- SUPPLIER CODE: V21335 OPTIONAL PART: MKP4FS777 V21335 MKP4SD572 V21335	002004 006999	1
320	MKP4SD572	...	BEARING- SUPPLIER CODE: V21335 OPTIONAL PART: MKP4FS777 V21335 MKP4-1C1-01 V21335	002004 006999	1
325	255T1232-8	...	PULLEY	002004 006999	2
330	NAS463TKDD416H	..	SPACER	002004 006999	1
335	BACR15BA3AD	..	RIVET- SIZE DETERMINED ON INSTL.	002004 006999	2
340	BACR15BA4AD	..	RIVET- SIZE DETERMINED ON INSTL.	002004 006999	1
345	NAS42DD4-42	..	SPACER	002004 006017 107107 121503 904999	1

MISSING ITEM NUMBERS NOT APPLICABLE

- ITEM NOT ILLUSTRATED

76-11-51-04

76-11-51  
FIG. 04  
PAGE 8  
JAN 20/09

BRI

BOEING PROPRIETARY - Copyright © - Unpublished Work - See title page for details.



757

PARTS CATALOG (MAINTENANCE)

FIG ITEM	PART NUMBER	1 2 3 4 5 6 7	NOMENCLATURE	EFFECT FROM TO	UNITS PER ASSY
4					
345	NAS42DD4-42FC	..	SPACER	018106 108120 504903	1
360	BACS40R06B13F	..	SHIM-	002004 006017 107107 121503 904999	1
370	251N6128-12	..	BRACKET-	002004 006999	1
375	102F177-4	..	NUTPLATE SUPPLIER CODE: V72962 SPECIFICATION NUMBER: BACN10JA4CD OPTIONAL PART: BRF110C4D V52828 BRF170C4D V52828 NS202484-048 V80539 F51636-4 V15653	002004 006999	2
- 380	BACR15BA3AD	..	RIVET- ATTACHING PARTS SIZE DETERMINED ON INSTL. -----*-----	002004 006999	4
395	BACN10JP4ACD	..	NUTPLATE ATTACHING PARTS	002004 006999	1
- 400	BACR15BA3AD	..	RIVET- ATTACHING PARTS SIZE DETERMINED ON INSTL. -----*-----	002004 006999	2
405	251N6129-5	.COVER-	POSITION DATA: RH SIDE ATTACHING PARTS	002004 006999	1
410	BACS12CK3-7	.SCREW		002004 006999	1
415	BACS12CK3-6	.SCREW		002004 006999	2
420	AN960PD10L	.WASHER		002004 006017 107107 121503 904999	3

MISSING ITEM NUMBERS NOT APPLICABLE

- ITEM NOT ILLUSTRATED

76-11-51-04

76-11-51  
FIG. 04  
PAGE 9  
JAN 20/09

BRI

BOEING PROPRIETARY - Copyright © - Unpublished Work - See title page for details.



757

PARTS CATALOG (MAINTENANCE)

FIG ITEM	PART NUMBER	1 2 3 4 5 6 7	NOMENCLATURE	EFFECT FROM TO	UNITS PER ASSY
4					
420	NAS1149D0332J	.	WASHER	018106 108120	3
425	BRH10A3	.	NUT SUPPLIER CODE: V52828 SPECIFICATION NUMBER: BACN10JC3 OPTIONAL PART: H10-3BAC V15653 NS202101-02 V80539 RMLH9075-3W V72962 VN303A02 V92215 96-02 V80539 T6S1032J V11815	002004 006017 107107 121503 904999	1
425	BRH10C3D	.	NUT SUPPLIER CODE: V52828 SPECIFICATION NUMBER: BACN10JC3CD OPTIONAL PART: T6C1032JCD V11815 NS202486-02 V80539 102LH9075-3W V72962 H51650-3BAC V15653	018106 108120 504903	1
430	251N6129-1	-----*-----	.BRACKET ASSY- POSITION DATA: RH SIDE	002004 006017 107107 121503 904999	1
430	251N6129-10	.	BRACKET ASSY- POSITION DATA: RH SIDE	018106 108120 504903	1
- 435	BACB30NR4K5	.	ATTACHING PARTS BOLT	002004 006999	2

MISSING ITEM NUMBERS NOT APPLICABLE

- ITEM NOT ILLUSTRATED

76-11-51-04

76-11-51  
FIG. 04  
PAGE 10  
JAN 20/09

BRI

 **BOEING**  
757  
**PARTS CATALOG (MAINTENANCE)**

FIG ITEM	PART NUMBER	1 2 3 4 5 6 7	NOMENCLATURE	EFFECT FROM TO	UNITS PER ASSY
4					
- 440	AN960PD416	.	WASHER	002004 006017 107107 121503 904999	2
- 440	NAS1149D0463J	.	WASHER	018106 108120 504903	2
		-----*			
445	BACB30NF4-12	..	BOLT	002004 006999	1
450	AN960PD416	..	WASHER	002004 006017 107107 121503 904999	1
450	NAS1149D0463J	..	WASHER	018106 108120 504903	1
455	K2000-4	..	NUT SUPPLIER CODE: V15653 SPECIFICATION NUMBER: BACN10KB4 OPTIONAL PART: NS103184-048 V80539 RMA9207-4 V72962 T8109S428 V11815 VN101A1-048 V92215 BR1000A4 V52828	002004 006999	1
460	65B80977-1	..	PULLEY ASSY-4 IN. DIA 3/32 IN. CABLE FOR SPARES PROCURE: BACP30M4 PRE SERVICE BULLETIN: 76-0015	002004 006017 904949	1

MISSING ITEM NUMBERS NOT APPLICABLE

- ITEM NOT ILLUSTRATED

BRI

# 76-11-51-04

BOEING PROPRIETARY - Copyright © - Unpublished Work - See title page for details.

76-11-51  
FIG. 04  
PAGE 11  
JAN 20/09



757

PARTS CATALOG (MAINTENANCE)

FIG ITEM	PART NUMBER	1 2 3 4 5 6 7	NOMENCLATURE	EFFECT FROM TO	UNITS PER ASSY
4 465	JMKP4P25LY196	...	BEARING SUPPLIER CODE: V40920 SPECIFICATION NUMBER: BACB10AN4 OPTIONAL PART: MKP4FS428 V21335 MKP4G20 V38443 LLMKP4 V38443 MKP4 V38443 MKP4-2TS V43991 MKP4E6531 V21335 MKP4TT V43991 MKP4SD610 V83086	002004 006017 904949	1
470	69B81979-1	...	SHIELD	002004 006017 904949	2
475	65B80978-1	...	SHEAVE ASSY	002004 006017 904949	1
480	69B81362-2	....	INSERT	002004 006017 904949	1
485	65B80978-2	....	SHEAVE	002004 006017 904949	1
490	255T1232-7	..	PULLEY ASSY-4 IN. DIA 3/32 IN. CABLE POST SERVICE BULLETIN: 76-0015	002004 006999	1
495	MKP4FS777	...	BEARING- SUPPLIER CODE: V21335 OPTIONAL PART: MKP4-1C1-01 V21335 MKP4SD572 V21335	002004 006999	1

MISSING ITEM NUMBERS NOT APPLICABLE

- ITEM NOT ILLUSTRATED

76-11-51-04

76-11-51  
FIG. 04  
PAGE 12  
JAN 20/09

BRI

 **BOEING**  
757  
**PARTS CATALOG (MAINTENANCE)**

FIG ITEM	PART NUMBER	1 2 3 4 5 6 7	NOMENCLATURE	EFFECT FROM TO	UNITS PER ASSY
4					
495	MKP4-1C1-01	...	BEARING- SUPPLIER CODE: V21335 OPTIONAL PART: MKP4FS777 V21335 MKP4SD572 V21335	002004 006999	1
495	MKP4SD572	...	BEARING- SUPPLIER CODE: V21335 OPTIONAL PART: MKP4FS777 V21335 MKP4-1C1-01 V21335	002004 006999	1
500	255T1232-8	...	PULLEY	002004 006999	2
505	NAS463TKDD416H	..	SPACER	002004 006999	2
			ATTACHING PARTS		
- 510	BACR15BA3AD	..	RIVET- SIZE DETERMINED ON INSTL. -----*-----	002004 006999	4
515	BACR15BB4AD	..	RIVET- SIZE DETERMINED ON INSTL.	002004 006999	1
520	NAS42DD4-42	..	SPACER	002004 006017 107107 121503 904999	1
520	NAS42DD4-42FC	..	SPACER	018106 108120 504903	1
525	251N6129-2	..	BRACKET	002004 006999	1

MISSING ITEM NUMBERS NOT APPLICABLE

- ITEM NOT ILLUSTRATED

BRI

# 76-11-51-04

BOEING PROPRIETARY - Copyright © - Unpublished Work - See title page for details.

76-11-51  
FIG. 04  
PAGE 13  
JAN 20/09



757

PARTS CATALOG (MAINTENANCE)

FIG ITEM	PART NUMBER	1 2 3 4 5 6 7	NOMENCLATURE	EFFECT FROM TO	UNITS PER ASSY
4 530	MF53050-4CD		..NUTPLATE SUPPLIER CODE: V15653 SPECIFICATION NUMBER: BACN10JN4CD OPTIONAL PART: BRFM20C4D V52828 T8301C428CD V11815 102F9201M4 V72962 NS202487-048 V80539 MF51637-4 V15653 ATTACHING PARTS	002004 006999	2
- 535	BACR15BA3AD		..RIVET- SIZE DETERMINED ON INSTL. -----*-----	002004 006999	4
540	MF53050-3CD		..NUTPLATE- SUPPLIER CODE: V15653 SPECIFICATION NUMBER: BACN10JN3CD OPTIONAL PART: BRFM20C3D V52828 102F9201M3 V72962 NS202487-02 V80539 MF51637-3 V15653 POSITION DATA: RH SIDE ATTACHING PARTS	002004 006999	2
- 545	BACR15BA3AD		..RIVET- SIZE DETERMINED ON INSTL. -----*-----	002004 006999	2

MISSING ITEM NUMBERS NOT APPLICABLE

- ITEM NOT ILLUSTRATED

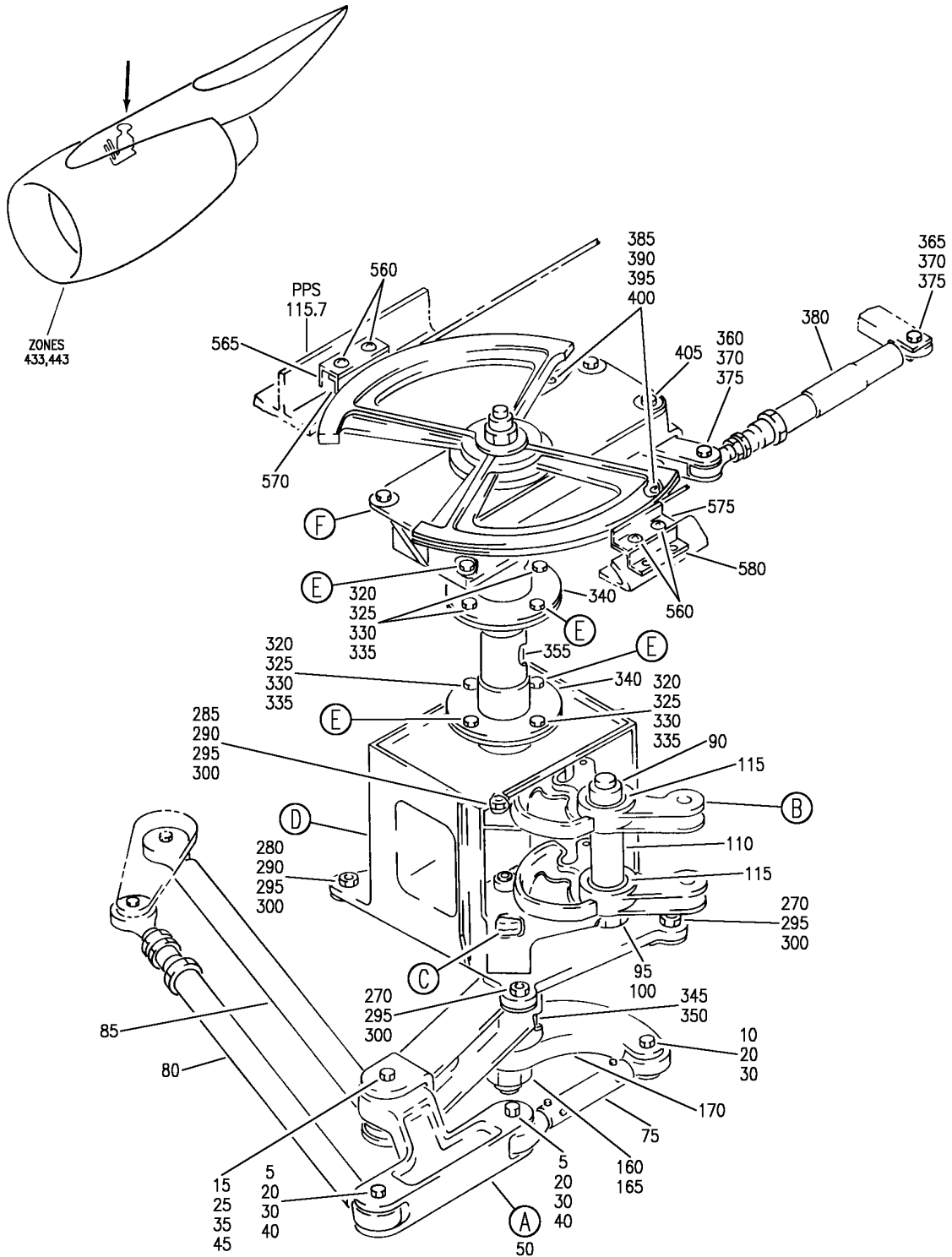
BRI

76-11-51-04

BOEING PROPRIETARY - Copyright © - Unpublished Work - See title page for details.

76-11-51  
FIG. 04  
PAGE 14  
JAN 20/09

**BOEING**  
757  
PARTS CATALOG (MAINTENANCE)



Y 76115105 SHT 1 REV 252

DRUM INSTL-ENG CONT STRUT (RB211-535)  
FIGURE 5 (SHEET 1)

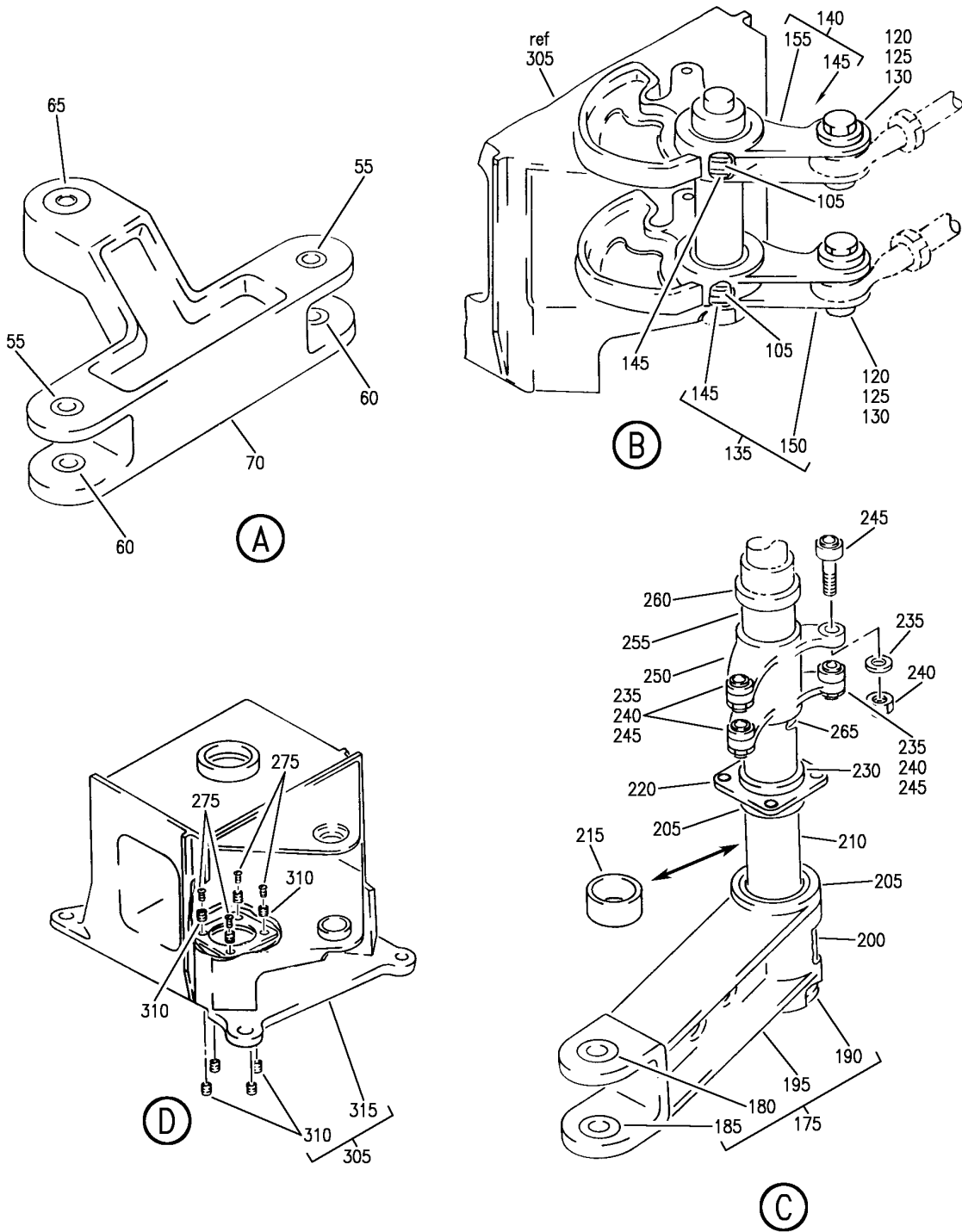
**76-11-51-05**

BRI  
MAY 28/07

76-11-51-05  
PAGE 0



**BOEING**  
757  
PARTS CATALOG (MAINTENANCE)



Y 76115105 SH1 2 REV 252

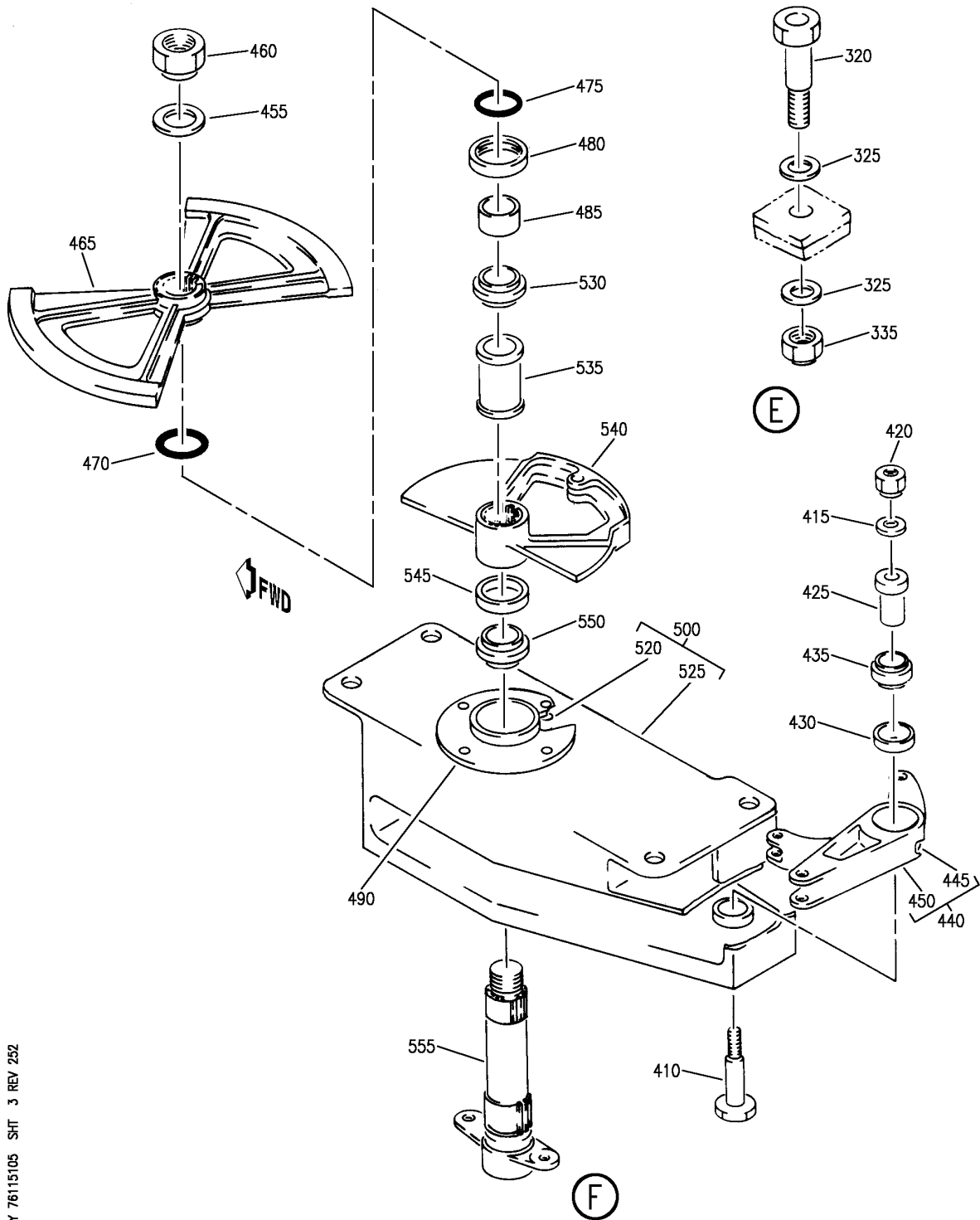
DRUM INSTL-ENG CONT STRUT (RB211-535)  
FIGURE 5 (SHEET 2)

**76-11-51-05**

BRI  
MAY 28/07

76-11-51-05  
PAGE 0A

**BOEING**  
757  
PARTS CATALOG (MAINTENANCE)



Y 76115105 SH1 3 REV 252

DRUM INSTL-ENG CONT STRUT (RB211-535)  
FIGURE 5 (SHEET 3)

**76-11-51-05**

BRI  
MAY 28/07

76-11-51-05  
PAGE 0B



757

PARTS CATALOG (MAINTENANCE)

FIG ITEM	PART NUMBER	1 2 3 4 5 6 7	NOMENCLATURE	EFFECT FROM TO	UNITS PER ASSY
5			DRUM INSTL-ENG CONT	002004	
			STRUT (RB211-535)	006999	
- 1	254N1006-4		DRUM INSTL-ENG CONT	002004	RF
			RB211-535 STRUT	006017	
			FOR NHA SEE:	107107	
			54-00-51-01	121503	
				904999	
- 1	254N1006-5		DRUM INSTL-ENG CONT	018106	RF
			RB211-535 STRUT	108120	
			FOR NHA SEE:	504903	
			54-00-51-01		
			54-00-00-04		
90	254N1080-1		.PIN-CAM PIVOT	002004	1
				006999	
95	AN960C816		.WASHER	002004	1
				006999	
100	BMN4122C1S8		.NUT	002004	1
			SUPPLIER CODE:	006999	
			V97928		
			SPECIFICATION NUMBER:		
			BACN10JC8C		
			OPTIONAL PART:		
			101LH9074-8		
			V72962		
			H31-8BAC		
			V15653		
			69235-820C		
			V56878		
105	NAS1057T10-016		.SPACER	002004	2
				006999	
110	NAS1057T10-078		.SPACER	002004	1
				006999	
115	MS27646-38		.BEARING	002004	2
				006999	
120	BACB30NF5-9		.BOLT	002004	2
				006999	
125	AN960C516		.WASHER	002004	2
				006999	

MISSING ITEM NUMBERS NOT APPLICABLE

- ITEM NOT ILLUSTRATED

BRI

76-11-51-05

BOEING PROPRIETARY - Copyright © - Unpublished Work - See title page for details.

76-11-51  
FIG. 05  
PAGE 1  
JAN 20/09



757

PARTS CATALOG (MAINTENANCE)

FIG ITEM	PART NUMBER	1 2 3 4 5 6 7	NOMENCLATURE	EFFECT FROM TO	UNITS PER ASSY
5					
130	BRH10A5	.	NUT SUPPLIER CODE: V52828 SPECIFICATION NUMBER: BACN10JC5 OPTIONAL PART: T6S524J V11815 96-054 V80539 RMLH9075-5W V72962 H10-5BAC V15653	002004 006999	2
135	254N1079-4	.	CAM ASSY-INTERLOCK FEEDBACK POSITION DATA: R	002004 006999	1
140	254N1078-4	.	CAM ASSY-INTERLOCK FEEDBACK POSITION DATA: L	002004 006999	1
145	MS27646-38	..	BEARING	002004 006999	1
150	254N1079-5	..	CAM- USED ON: 254N1079-4	002004 006999	1
155	254N1078-5	..	CAM- USED ON: 254N1078-4	002004 006999	1
205	MS27646-40	.	BEARING	002004 006999	2
215	NAS1057T14-046	.	SPACER-	002004 006999	1
220	254N1059-1	.	RETAINER	002004 006999	1
			ATTACHING PARTS		
- 225	NAS1351C3-8P	.	SCREW- OPTIONAL PART: BACB30LK3U2	002004 006999	4
- 225	BACB30LK3U2	.	BOLT- OPTIONAL PART: NAS1351C3-8P	002004 006999	4
			-----*-----		
230	254N1070-6	.	SPACER	002004 006999	1
235	AN960C516L	.	WASHER	002004 006999	4

MISSING ITEM NUMBERS NOT APPLICABLE

- ITEM NOT ILLUSTRATED

BRI

76-11-51-05

BOEING PROPRIETARY - Copyright © - Unpublished Work - See title page for details.

76-11-51  
FIG. 05  
PAGE 2  
SEP 20/08



757

PARTS CATALOG (MAINTENANCE)

FIG ITEM	PART NUMBER	1 2 3 4 5 6 7	NOMENCLATURE	EFFECT FROM TO	UNITS PER ASSY
5 240	BRH10A5	.	NUT SUPPLIER CODE: V52828 SPECIFICATION NUMBER: BACN10JC5 OPTIONAL PART: T6S524J V11815 96-054 V80539 RMLH9075-5W V72962 H10-5BAC V15653	002004 006999	4
245	MS21432-5FEE3AG	.	BEARING-	002004 006999	4
250	254N1084-1	.	CRANK-INTERLOCK ROLLER	002004 006017 107107 121503 904999	1
250	254N1084-3	.	CRANK-INTERLOCK ROLLER	018106 108120 504903	1
255	254N1070-4	.	SPACER	002004 006999	1
260	MS27646-41	.	BEARING	002004 006999	1
265	M83248-1-020	.	PACKING	002004 006999	1
270	BACB30LJ4SU7	.	BOLT-	002004 006999	2
275	BACB30LK3U2	.	BOLT	002004 006999	4
280	BACB30LJ4SU11	.	BOLT-	002004 006999	1
285	BACB30LJ4SU13	.	BOLT-	002004 006999	1
295	AN960C416L	.	WASHER-UNDER NUT	002004 006999	4

MISSING ITEM NUMBERS NOT APPLICABLE

- ITEM NOT ILLUSTRATED

BRI

76-11-51-05

BOEING PROPRIETARY - Copyright © - Unpublished Work - See title page for details.

76-11-51  
FIG. 05  
PAGE 3  
JAN 20/09



757

PARTS CATALOG (MAINTENANCE)

FIG ITEM	PART NUMBER	1 2 3 4 5 6 7	NOMENCLATURE	EFFECT FROM TO	UNITS PER ASSY
5 300	BRH10C4	.NUT	SUPPLIER CODE: V52828 SPECIFICATION NUMBER: BACN10JC4C OPTIONAL PART: T6C428J V11815 97-048 V80539 101LH9075-4W V72962 VN303B048 V92215 NS202101S048 V80539 H31-4BAC V15653	002004 006999	4
305	254N1077-1	.BRACKET ASSY		002004 006999	1
310	MS21209F1-15	..INSERT		002004 006999	8
315	254N1077-2	..BRACKET		002004 006999	1
320	BACB30LJ4SU3	.BOLT		002004 006999	8
325	AN960C416L	.WASHER		002004 006999	12
330	AN960C416L	.WASHER		002004 006999	AR
335	BRH10C4	.NUT	SUPPLIER CODE: V52828 SPECIFICATION NUMBER: BACN10JC4C OPTIONAL PART: T6C428J V11815 97-048 V80539 101LH9075-4W V72962 VN303B048 V92215 NS202101S048 V80539 H31-4BAC V15653	002004 006999	8

MISSING ITEM NUMBERS NOT APPLICABLE

- ITEM NOT ILLUSTRATED

BRI

76-11-51-05

BOEING PROPRIETARY - Copyright © - Unpublished Work - See title page for details.

76-11-51  
FIG. 05  
PAGE 4  
SEP 20/08



757

PARTS CATALOG (MAINTENANCE)

FIG ITEM	PART NUMBER	1 2 3 4 5 6 7	NOMENCLATURE	EFFECT FROM TO	UNITS PER ASSY
5					
340	254N1075-1		.DISK- OPTIONAL PART: 254N1197-1 254N1197-2 254N1197-3 254N1197-4 254N1197-5	002004 006999	2
340	254N1197-1		.DISK- OPTIONAL PART: 254N1075-1 254N1197-2 254N1197-3 254N1197-4 254N1197-5	002004 006999	2
340	254N1197-2		.DISK- OPTIONAL PART: 254N1075-1 254N1197-1 254N1197-3 254N1197-4 254N1197-5	002004 006999	2
340	254N1197-3		.DISK- OPTIONAL PART: 254N1075-1 254N1197-1 254N1197-2 254N1197-4 254N1197-5	002004 006999	2
340	254N1197-4		.DISK- OPTIONAL PART: 254N1075-1 254N1197-1 254N1197-2 254N1197-3 254N1197-5	002004 006999	2
340	254N1197-5		.DISK- OPTIONAL PART: 254N1075-1 254N1197-1 254N1197-2 254N1197-3 254N1197-4	002004 006999	2
350	254N1188-1		.SHAFT ASSY-	002004 006999	1
355	254N1072-1		.SHAFT ASSY	002004 006999	1
360	BACB30NF4-12		.BOLT	002004 006999	1

MISSING ITEM NUMBERS NOT APPLICABLE

- ITEM NOT ILLUSTRATED

76-11-51-05

76-11-51  
FIG. 05  
PAGE 5  
SEP 20/08

BRI

BOEING PROPRIETARY - Copyright © - Unpublished Work - See title page for details.



757

PARTS CATALOG (MAINTENANCE)

FIG ITEM	PART NUMBER	1 2 3 4 5 6 7	NOMENCLATURE	EFFECT FROM TO	UNITS PER ASSY
5					
365	BACB30NF4-13	.	BOLT-	002004 006999	1
370	AN960PD416	.	WASHER-	002004 006999	2
375	BRH10A4	.	NUT-	002004 006999	2
			SUPPLIER CODE: V52828		
			SPECIFICATION NUMBER: BACN10JC4		
			OPTIONAL PART: T6S428J		
			V11815		
			96-048		
			V80539		
			VN303A048		
			V92215		
			RMLH9075-4W		
			V72962		
			NS202101-048		
			V80539		
			H10-4BAC		
			V15653		
380	250N2004-703	.	ROD ASSY-	002004 006999	1
			COMPONENT MAINT MANUAL REF: 27-00-12		
385	NAS623-3-8	.	SCREW	002004 006999	2
390	MS21438-103	.	BEARING-	002004 006999	2
			OPTIONAL PART: MS24465-3		
390	MS24465-3	.	BEARING-	002004 006999	2
			OPTIONAL PART: MS21438-103		
395	AN960C10	.	WASHER	002004 006999	2

MISSING ITEM NUMBERS NOT APPLICABLE

- ITEM NOT ILLUSTRATED

BRI

76-11-51-05

BOEING PROPRIETARY - Copyright © - Unpublished Work - See title page for details.

76-11-51  
FIG. 05  
PAGE 6  
SEP 20/08





757

PARTS CATALOG (MAINTENANCE)

FIG ITEM	PART NUMBER	1 2 3 4 5 6 7	NOMENCLATURE	EFFECT FROM TO	UNITS PER ASSY
5 400	BRH10A3	.NUT	SUPPLIER CODE: V52828 SPECIFICATION NUMBER: BACN10JC3 OPTIONAL PART: H10-3BAC V15653 NS202101-02 V80539 RMLH9075-3W V72962 VN303A02 V92215 96-02 V80539 T6S1032J V11815	002004 006999	2
405	BACB30LJ4-5	.BOLT		002004 006999	1
410	BACB30LJ4SU19	.BOLT		002004 006999	1
415	AN960C416	.WASHER		002004 006999	1
420	BRH10C4	.NUT	SUPPLIER CODE: V52828 SPECIFICATION NUMBER: BACN10JC4C OPTIONAL PART: T6C428J V11815 97-048 V80539 101LH9075-4W V72962 VN303B048 V92215 NS202101S048 V80539 H31-4BAC V15653	002004 006999	1
425	254N1062-1	.PIN		002004 006999	1
430	NAS1057T10-009	.SPACER		002004 006999	1
435	MS27646-38	.BEARING		002004 006999	1

MISSING ITEM NUMBERS NOT APPLICABLE

- ITEM NOT ILLUSTRATED

76-11-51-05

76-11-51  
FIG. 05  
PAGE 7  
SEP 20/08

BRI

 **BOEING**  
757  
**PARTS CATALOG (MAINTENANCE)**

FIG ITEM	PART NUMBER	1 2 3 4 5 6 7	NOMENCLATURE	EFFECT FROM TO	UNITS PER ASSY
5					
440	254N1061-1	.	CRANK ASSY-T/R VALVE SELECTOR	002004 006999	1
440	254N1061-4	.	CRANK ASSY-T/R VALVE SELECTOR	002004 006999	1
445	MS27646-38	..	BEARING	002004 006999	1
450	254N1061-2	..	CRANK- USED ON: 254N1061-1	002004 006999	1
450	254N1061-5	..	CRANK- USED ON: 254N1061-4	002004 006999	1
455	BACW10BP10P	.	WASHER	002004 006999	1
460	BMN4122AD3-10	.	NUT SUPPLIER CODE: V97928 SPECIFICATION NUMBER: BACN10JC10 OPTIONAL PART: BMN4122A10 V85495 H10-10BAC V15653 RMLH9074-10 V72962 48FT1018 V56878	002004 006999	1
465	254N1067-1	.	QUADRANT-	002004 006999	1
470	M83248-1-115	.	PACKING	002004 006999	1
475	M83248-1-121	.	PACKING	002004 006999	1
480	S12066-120	.	RING-GLYD SUPPLIER CODE: V09257	002004 006999	1
485	254N1070-3	.	SPACER	002004 006999	1
490	254N1069-2	.	RETAINER-SEAL	002004 006999	1
- 495	NAS623-3-5	.	ATTACHING PARTS SCREW	002004 006999	4
500	254N1060-1	-----*-----	BRACKET ASSY-SPRT POSITION DATA: UPR	002004 006999	1

MISSING ITEM NUMBERS NOT APPLICABLE

- ITEM NOT ILLUSTRATED

BRI

# 76-11-51-05

BOEING PROPRIETARY - Copyright © - Unpublished Work - See title page for details.

76-11-51  
FIG. 05  
PAGE 8  
SEP 20/08



757

PARTS CATALOG (MAINTENANCE)

FIG ITEM	PART NUMBER	1 2 3 4 5 6 7	NOMENCLATURE	EFFECT FROM TO	UNITS PER ASSY
5			ATTACHING PARTS		
- 505	BACB30LJ4-5		.BOLT	002004 006999	3
- 510	AN960C416		.WASHER	002004 006999	3
- 515	BRH10A4		.NUT	002004 006999	3
			SUPPLIER CODE: V52828		
			SPECIFICATION NUMBER: BACN10JC4		
			OPTIONAL PART: T6S428J		
			V11815		
			96-048		
			V80539		
			VN303A048		
			V92215		
			RMLH9075-4W		
			V72962		
			NS202101-048		
			V80539		
			H10-4BAC		
			V15653		
			-----*-----		
520	MS21209F1-10		.. INSERT	002004 006999	4
525	254N1060-2		.. BRACKET	002004 006999	1
530	MS27646-40		. BEARING	002004 006999	1
535	254N1070-1		. SPACER	002004 006999	1
540	254N1066-1		. CAM-	002004 006102 107107 121999	1
540	254N1066-3		. CAM-	002004	1
			OPTIONAL PART: 254N1066-1	006102 107107 121999	
545	254N1070-5		. SPACER	002004 006999	1
550	MS27646-41		. BEARING	002004 006999	1
555	254N1063-1		. SHAFT ASSY	002004 006999	1
560	NAS623-3-2		. SCREW	002004 006999	4

MISSING ITEM NUMBERS NOT APPLICABLE

- ITEM NOT ILLUSTRATED

76-11-51-05

76-11-51  
FIG. 05  
PAGE 9  
JAN 20/09

BRI

BOEING PROPRIETARY - Copyright © - Unpublished Work - See title page for details.



757

PARTS CATALOG (MAINTENANCE)

FIG ITEM	PART NUMBER	1 2 3 4 5 6 7	NOMENCLATURE	EFFECT FROM TO	UNITS PER ASSY
5					
565	254N1068-1	.	BRACKET	002004 006999	1
570	254N1068-4	.	BRACKET	002004 006999	1
575	254N1068-3	.	BRACKET	002004 006999	1
580	254N1068-2	.	BRACKET	002004 006999	1
900			ILLUSTRATION REFERENCE: POWER CONTROL BOXES AND LINKAGE (RB211-535) 76-11-59-01	002004 006102 107999	RF

MISSING ITEM NUMBERS NOT APPLICABLE

- ITEM NOT ILLUSTRATED

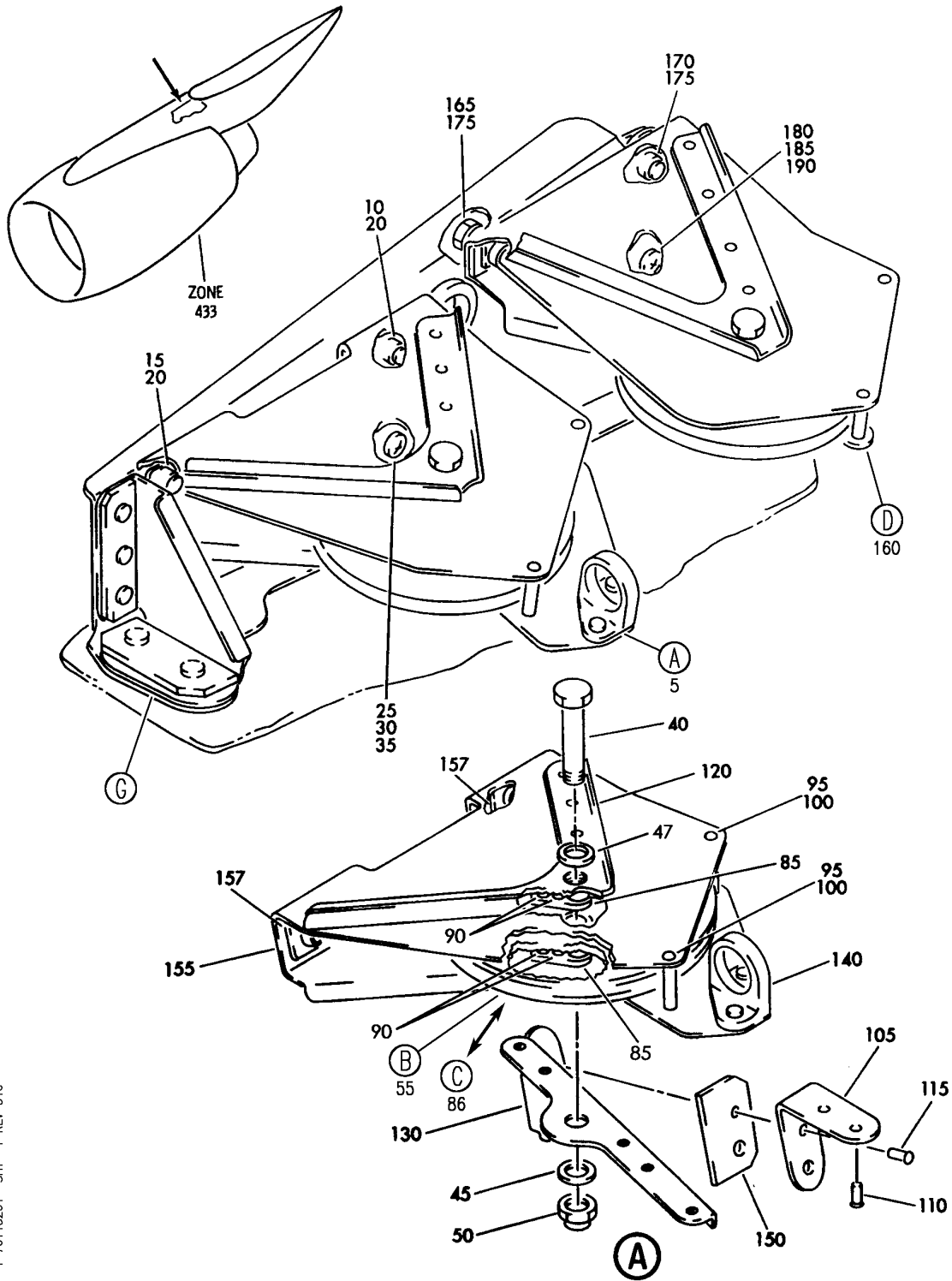
BRI

76-11-51-05

BOEING PROPRIETARY - Copyright © - Unpublished Work - See title page for details.

76-11-51  
FIG. 05  
PAGE 10  
JAN 20/09

**BOEING**  
757  
PARTS CATALOG (MAINTENANCE)



Y 76115201 SH1 1 REV 310

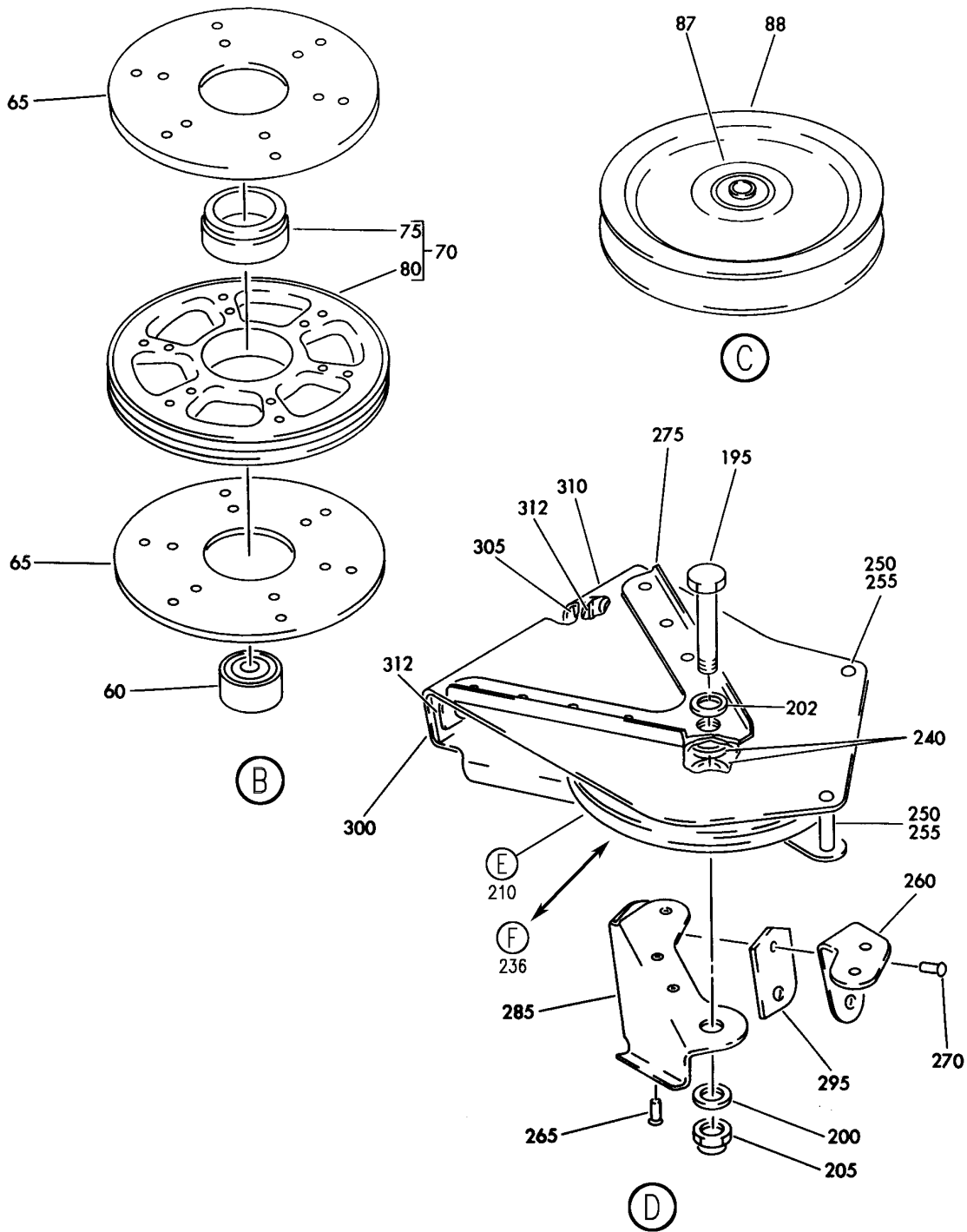
BRACKET AND SUPPORT INSTL-PPS 180 LNAC TLA AND TLB PULLEY (RB211-535)  
FIGURE 1 (SHEET 1)

**76-11-52-01**

BRI  
MAY 28/07

76-11-52-01  
PAGE 0

**BOEING**  
757  
PARTS CATALOG (MAINTENANCE)



Y 76115201 SH1 2 REV 310

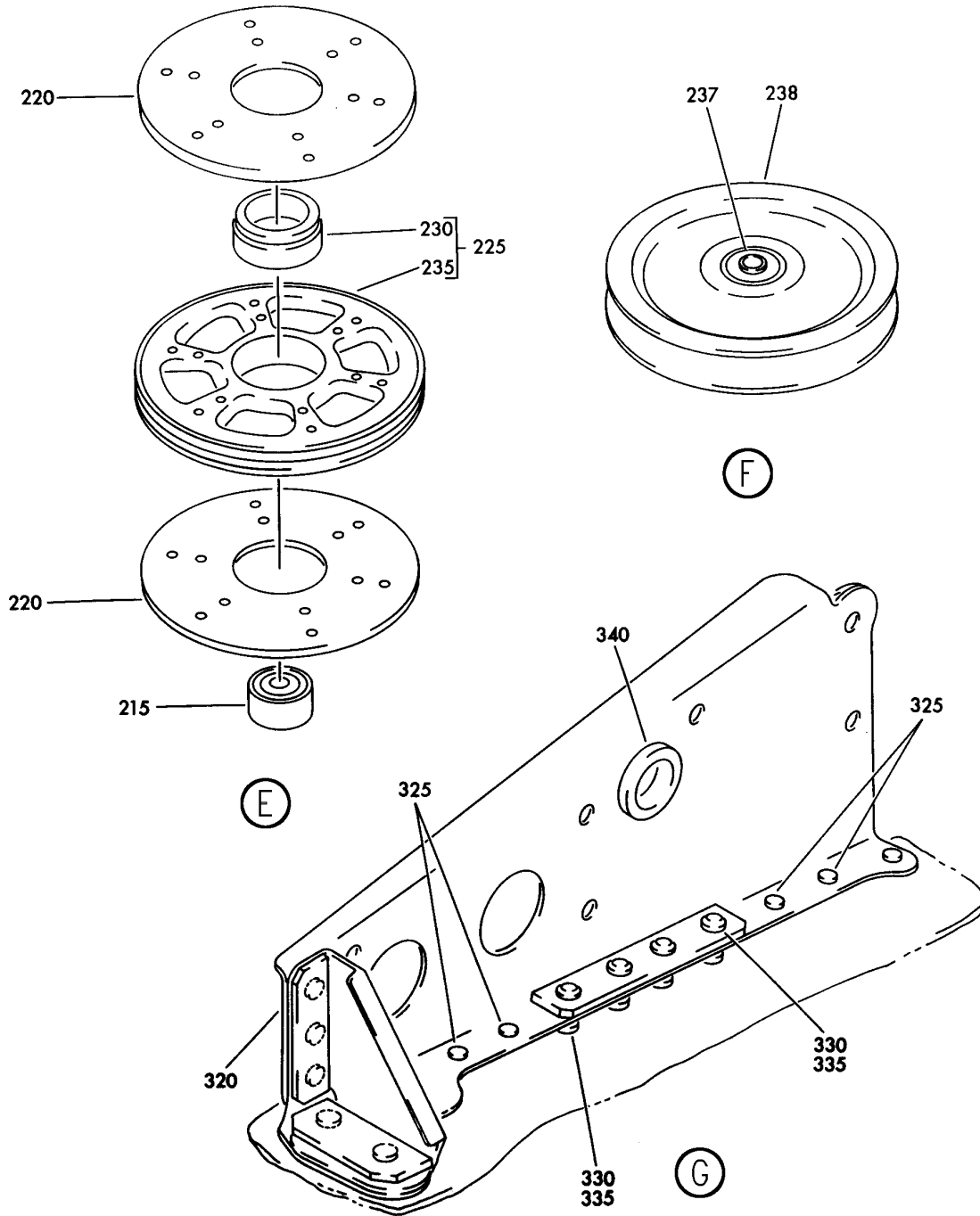
BRACKET AND SUPPORT INSTL-PPS 180 LNAC TLA AND TLB PULLEY (RB211-535)  
FIGURE 1 (SHEET 2)

**76-11-52-01**

BRI  
MAY 28/07

76-11-52-01  
PAGE 0A

**BOEING**  
757  
PARTS CATALOG (MAINTENANCE)



Y 76115201 SH1 3 REV 310

BRACKET AND SUPPORT INSTL-PPS 180 LNAC TLA AND TLB PULLEY (RB211-535)  
FIGURE 1 (SHEET 3)

**76-11-52-01**

BRI  
MAY 28/07

76-11-52-01  
PAGE 0B



757

PARTS CATALOG (MAINTENANCE)

FIG ITEM	PART NUMBER	1 2 3 4 5 6 7	NOMENCLATURE	EFFECT FROM TO	UNITS PER ASSY
1			BRACKET AND SUPPORT INSTL-PPS 180 LNAC TLA AND TLB PULLEY (RB211-535)	002004 006999	
- 1	251N6004-5		BRACKET INSTL-TLA AND TLB PULLEY POSITION DATA: PPS 180 L NAC FOR NHA SEE: 54-00-51-01	002004 006017 107107 121503 904999	RF
- 1	251N6004-7		BRACKET INSTL-TLA AND TLB PULLEY POSITION DATA: PPS 180 L NAC FOR NHA SEE: 54-00-51-01	018106 108120 504903	RF
	5 251N6123-7		.BRACKET ASSY-	002004 006017 107107 121503 904999	1
	5 251N6123-8		.BRACKET ASSY-	018106 108120 504903	1
			ATTACHING PARTS		
10	BACB30NR4K4		.BOLT-	002004 006999	1
15	BACB30NR4K3		.BOLT	002004 006999	1
20	AN960PD416		.WASHER-	002004 006017 107107 121503 904999	2
20	NAS1149D0463J		.WASHER-	018106 108120 504903	2
25	BACB30NT3K6		.BOLT-	002004 006999	1
30	AN960PD10		.WASHER-	002004 006017 107107 121503 904999	1
30	NAS1149D0363J		.WASHER-	018106 108120 504903	1

MISSING ITEM NUMBERS NOT APPLICABLE

- ITEM NOT ILLUSTRATED

BRI

76-11-52-01

76-11-52  
FIG. 01  
PAGE 1  
JAN 20/09





757

PARTS CATALOG (MAINTENANCE)

FIG ITEM	PART NUMBER	1 2 3 4 5 6 7	NOMENCLATURE	EFFECT FROM TO	UNITS PER ASSY
1 35	BRH10C3D	.NUT	SUPPLIER CODE: V52828 SPECIFICATION NUMBER: BACN10JC3CD OPTIONAL PART: T6C1032JCD V11815 NS202486-02 V80539 102LH9075-3W V72962 H51650-3BAC V15653	002004 006999	1
40	BACB30NF4-15	..BOLT		002004 006999	1
47	AN960PD416	..WASHER-	USED ON: 251N6123-7	002004 006017 107107 121503 904999	1
47	NAS1149D0463J	..WASHER-	ATTACHING PARTS	018106 108120 504903	1
50	K2000-4	..NUT-	SUPPLIER CODE: V15653 SPECIFICATION NUMBER: BACN10KB4 OPTIONAL PART: NS103184-048 V80539 RMA9207-4 V72962 T8109S428 V11815 VN101A1-048 V92215 BR1000A4 V52828 USED ON: 251N6123-7 251N6123-8	002004 006999	1

MISSING ITEM NUMBERS NOT APPLICABLE

- ITEM NOT ILLUSTRATED

BRI

76-11-52-01

BOEING PROPRIETARY - Copyright © - Unpublished Work - See title page for details.

76-11-52  
FIG. 01  
PAGE 2  
JAN 20/09



757

PARTS CATALOG (MAINTENANCE)

FIG ITEM	PART NUMBER	1 2 3 4 5 6 7	NOMENCLATURE	EFFECT FROM TO	UNITS PER ASSY
1					
55	65B80977-1	..	PULLEY ASSY-4 IN. DIA 3/32 IN. CABLE FOR SPARES PROCURE: BACP30M4 PRE SERVICE BULLETIN: 76-0015	002004 006017 904949	1
60	JMKP4P25LY196	...	BEARING- SUPPLIER CODE: V40920 SPECIFICATION NUMBER: BACB10AN4 OPTIONAL PART: MKP4FS428 V21335 MKP4G20 V38443 LLMKP4 V38443 MKP4 V38443 MKP4-2TS V43991 MKP4E6531 V21335 MKP4TT V43991 MKP4SD610 V83086	002004 006017 904949	1
65	69B81979-1	...	SHIELD	002004 006017 904949	2
70	65B80978-1	...	SHEAVE ASSY	002004 006017 904949	1
75	69B81362-2	....	INSERT	002004 006017 904949	1
80	65B80978-2	....	SHEAVE	002004 006017 904949	1
85	BACS18S15B	..	SPACER SUPPLIER CODE: V76530 SPECIFICATION NUMBER: BACS18S15B	002004 006999	2
86	255T1232-7	..	PULLEY ASSY-3/32 DIA CABLE POST SERVICE BULLETIN: 76-0015	002004 006999	1

MISSING ITEM NUMBERS NOT APPLICABLE

- ITEM NOT ILLUSTRATED

76-11-52-01

76-11-52  
FIG. 01  
PAGE 3  
JAN 20/09

BRI



757

PARTS CATALOG (MAINTENANCE)

FIG ITEM	PART NUMBER	1 2 3 4 5 6 7	NOMENCLATURE	EFFECT FROM TO	UNITS PER ASSY
1					
87	MKP4FS777	...	BEARING- SUPPLIER CODE: V21335 OPTIONAL PART: MKP4-1C1-01 V21335 MKP4SD572 V21335	002004 006999	1
87	MKP4-1C1-01	...	BEARING- SUPPLIER CODE: V21335 OPTIONAL PART: MKP4FS777 V21335 MKP4SD572 V21335	002004 006999	1
87	MKP4SD572	...	BEARING- SUPPLIER CODE: V21335 OPTIONAL PART: MKP4FS777 V21335 MKP4-1C1-01 V21335	002004 006999	1
88	255T1232-8	...	PULLEY	002004 006999	1
90	BACR15BB3AD	..	RIVET- SIZE DETERMINED ON INSTL.	002004 006999	4
95	BACR15BB4AD	..	RIVET- SIZE DETERMINED ON INSTL.	002004 006999	2
100	NAS42DD4-50	..	SPACER-	002004 006017 107107 121503 904999	2
100	NAS42DD4-50FC	..	SPACER-	018106 108120 504903	2
105	251N6123-5	..	CLIP	002004 006999	1
110	BACR15FT5D	..	RIVET- SIZE DETERMINED ON INSTL.	002004 006999	2
115	BACR15CE5D	..	RIVET- SIZE DETERMINED ON INSTL.	002004 006999	1
120	251N6123-4	..	STIFFENER	002004 006999	1

MISSING ITEM NUMBERS NOT APPLICABLE

- ITEM NOT ILLUSTRATED

76-11-52-01

76-11-52  
FIG. 01  
PAGE 4  
JAN 20/09

BRI

BOEING PROPRIETARY - Copyright © - Unpublished Work - See title page for details.

 **BOEING**  
757  
**PARTS CATALOG (MAINTENANCE)**

FIG ITEM	PART NUMBER	1 2 3 4 5 6 7	NOMENCLATURE	EFFECT FROM TO	UNITS PER ASSY
1			ATTACHING PARTS		
- 125	BACR15FT5D	..	RIVET- SIZE DETERMINED ON INSTL. -----*-----	002004 006999	8
130	251N6123-3	..	BRACE-SIDE	002004 006999	1
			ATTACHING PARTS		
- 135	BACR15FT5D	..	RIVET- SIZE DETERMINED ON INSTL. -----*-----	002004 006999	5
140	251N6142-1	..	GUIDE	002004 006999	1
			ATTACHING PARTS		
- 145	BACR15BB4A	..	RIVET- SIZE DETERMINED ON INSTL. -----*-----	002004 006999	2
150	251N6123-6	..	FILLER	002004 006999	1
155	251N6123-2	..	BRACKET	002004 006999	1
157	102F177-4	..	NUTPLATE SUPPLIER CODE: V72962 SPECIFICATION NUMBER: BACN10JA4CD OPTIONAL PART: BRF110C4D V52828 BRF170C4D V52828 NS202484-048 V80539 F51636-4 V15653	002004 006999	2
			ATTACHING PARTS		
- 158	BACR15BA3AD	..	RIVET- SIZE DETERMINED ON INSTL. -----*-----	002004 006999	4
160	251N6124-8	.BRACKET ASSY-		002004 006017 107107 121503 904999	1
160	251N6124-9	.BRACKET ASSY-		018106 108120 504903	1
			ATTACHING PARTS		
165	BACB30NT4K4	.BOLT-		002004 006999	1

MISSING ITEM NUMBERS NOT APPLICABLE

- ITEM NOT ILLUSTRATED

BRI

# 76-11-52-01

BOEING PROPRIETARY - Copyright © - Unpublished Work - See title page for details.

76-11-52  
FIG. 01  
PAGE 5  
JAN 20/09



757

PARTS CATALOG (MAINTENANCE)

FIG ITEM	PART NUMBER	1 2 3 4 5 6 7	NOMENCLATURE	EFFECT FROM TO	UNITS PER ASSY
1					
170	BACB30NR4K6	.BOLT-		002004 006999	1
175	AN960PD416	.WASHER-		002004 006017 107107 121503 904999	2
175	NAS1149D0463J	.WASHER-		018106 108120 504903	2
180	BACB30NT3K5	.BOLT		002004 006999	1
185	AN960PD10	.WASHER-		002004 006017 107107 121503 904999	1
185	NAS1149D0463J	.WASHER-		018106 108120 504903	1
190	BRH10C3D	.NUT	SUPPLIER CODE: V52828 SPECIFICATION NUMBER: BACN10JC3CD OPTIONAL PART: T6C1032JCD V11815 NS202486-02 V80539 102LH9075-3W V72962 H51650-3BAC V15653 -----*-----	002004 006999	1
195	BACB30NF4-16	..BOLT		002004 006999	1
202	AN960PD416	..WASHER-	USED ON: 251N6124-8	002004 006017 107107 121503 904999	1
203	NAS1149D0463J	..WASHER-	ATTACHING PARTS -----*-----	018106 108120 504903	1

MISSING ITEM NUMBERS NOT APPLICABLE

- ITEM NOT ILLUSTRATED

BRI

76-11-52-01

BOEING PROPRIETARY - Copyright © - Unpublished Work - See title page for details.

76-11-52  
FIG. 01  
PAGE 6  
JAN 20/09

 **BOEING**  
757  
**PARTS CATALOG (MAINTENANCE)**

FIG ITEM	PART NUMBER	1 2 3 4 5 6 7	NOMENCLATURE	EFFECT FROM TO	UNITS PER ASSY
1 205	K2000-4		..NUT- SUPPLIER CODE: V15653 SPECIFICATION NUMBER: BACN10KB4 OPTIONAL PART: NS103184-048 V80539 RMA9207-4 V72962 T8109S428 V11815 VN101A1-048 V92215 BR1000A4 V52828 USED ON: 251N6124-8 251N6124-9	002004 006999	1
210	65B80977-1		..PULLEY ASSY-4 IN. DIA 3/32 IN. CABLE FOR SPARES PROCURE: BACP30M4 PRE SERVICE BULLETIN: 76-0015	002004 006017 904949	1
215	JMKP4P25LY196		...BEARING- SUPPLIER CODE: V40920 SPECIFICATION NUMBER: BACB10AN4 OPTIONAL PART: MKP4FS428 V21335 MKP4G20 V38443 LLMKP4 V38443 MKP4 V38443 MKP4-2TS V43991 MKP4E6531 V21335 MKP4TT V43991 MKP4SD610 V83086	002004 006017 904949	1

MISSING ITEM NUMBERS NOT APPLICABLE

— ITEM NOT ILLUSTRATED

BRI

# 76-11-52-01

BOEING PROPRIETARY - Copyright © - Unpublished Work - See title page for details.

76-11-52  
FIG. 01  
PAGE 7  
JAN 20/09



757

PARTS CATALOG (MAINTENANCE)

FIG ITEM	PART NUMBER	1 2 3 4 5 6 7	NOMENCLATURE	EFFECT FROM TO	UNITS PER ASSY
1					
220	69B81979-1	...	SHIELD	002004 006017 904949	2
225	65B80978-1	...	SHEAVE ASSY	002004 006017 904949	1
230	69B81362-2	....	INSERT	002004 006017 904949	1
235	65B80978-2	....	SHEAVE	002004 006017 904949	1
236	255T1232-7	..	PULLEY ASSY-3/32 DIA CABLE POST SERVICE BULLETIN: 76-0015	002004 006999	1
237	MKP4FS777	...	BEARING- SUPPLIER CODE: V21335 OPTIONAL PART: MKP4-1C1-01 V21335 MKP4SD572 V21335	002004 006999	1
237	MKP4-1C1-01	...	BEARING- SUPPLIER CODE: V21335 OPTIONAL PART: MKP4FS777 V21335 MKP4SD572 V21335	002004 006999	1
237	MKP4SD572	...	BEARING- SUPPLIER CODE: V21335 OPTIONAL PART: MKP4FS777 V21335 MKP4-1C1-01 V21335	002004 006999	1
238	255T1232-8	...	PULLEY	002004 006999	1
240	BACS18S15B	..	SPACER SUPPLIER CODE: V76530 SPECIFICATION NUMBER: BACS18S15B	002004 006999	2

MISSING ITEM NUMBERS NOT APPLICABLE

- ITEM NOT ILLUSTRATED

BRI

76-11-52-01

BOEING PROPRIETARY - Copyright © - Unpublished Work - See title page for details.

76-11-52  
FIG. 01  
PAGE 8  
JAN 20/09



757

PARTS CATALOG (MAINTENANCE)

FIG ITEM	PART NUMBER	1 2 3 4 5 6 7	NOMENCLATURE	EFFECT FROM TO	UNITS PER ASSY
1			ATTACHING PARTS		
- 245	BACR15BB3AD	..	RIVET- SIZE DETERMINED ON INSTL. -----*-----	002004 006999	4
250	BACR15BB4AD	..	RIVET- SIZE DETERMINED ON INSTL.	002004 006999	2
255	NAS42DD4-50	..	SPACER-	002004 006017 107107 121503 904999	2
255	NAS42DD4-50FC	..	SPACER-	018106 108120 504903	2
260	251N6124-4	..	CLIP	002004 006999	1
			ATTACHING PARTS		
265	BACR15FT5D	..	RIVET- SIZE DETERMINED ON INSTL.	002004 006999	2
270	BACR15BA5AD	..	RIVET- SIZE DETERMINED ON INSTL. -----*-----	002004 006999	1
275	251N6124-5	..	STIFFENER	002004 006999	1
			ATTACHING PARTS		
- 280	BACR15FT5D	..	RIVET- SIZE DETERMINED ON INSTL. -----*-----	002004 006999	8
285	251N6124-3	..	BRACE-SIDE	002004 006999	1
			ATTACHING PARTS		
- 290	BACR15FT5D	..	RIVET- SIZE DETERMINED ON INSTL. -----*-----	002004 006999	2
295	251N6124-6	..	FILLER	002004 006999	1
300	251N6124-7	..	FILLER	002004 006999	1
305	50-3361-8588	..	FILLER	002004 006999	1
310	251N6124-2	..	BRACKET	002004 006999	1

MISSING ITEM NUMBERS NOT APPLICABLE

- ITEM NOT ILLUSTRATED

76-11-52-01

76-11-52  
FIG. 01  
PAGE 9  
JAN 20/09

BRI

BOEING PROPRIETARY - Copyright © - Unpublished Work - See title page for details.





757

PARTS CATALOG (MAINTENANCE)

FIG ITEM	PART NUMBER	1 2 3 4 5 6 7	NOMENCLATURE	EFFECT FROM TO	UNITS PER ASSY
1 312	102F177-4		..NUTPLATE SUPPLIER CODE: V72962 SPECIFICATION NUMBER: BACN10JA4CD OPTIONAL PART: BRF110C4D V52828 BRF170C4D V52828 NS202484-048 V80539 F51636-4 V15653 ATTACHING PARTS	002004 006999	2
- 313	BACR15BA3AD		..RIVET- SIZE DETERMINED ON INSTL. -----*-----	002004 006999	4
- 315	251N6004-2		SUPPORT INSTL-TLA AND TLB PULLEY POSITION DATA: PPS 180 L NAC FOR NHA SEE: 54-51-59-02	107107 904949	RF
- 315	251N6004-8		SUPPORT INSTL-TLA AND TLB PULLEY POSITION DATA: PPS 180 L NAC FOR NHA SEE: 54-00-00-04	101106 108120 504903	RF
320	251N6125-30		.SUPPORT ASSY- USED ON: 251N6004-2	107107 904949	1
320	251N6125-41		.SUPPORT ASSY-	107107 904949	1
320	251N6125-42		.SUPPORT ASSY- USED ON: 251N6004-6 251N6004-8	002004 006999	1
325	BACR15FT6KE		ATTACHING PARTS .RIVET- SIZE DETERMINED ON INSTL.	002004 006999	4
330	L8006K4		.BOLT SUPPLIER CODE: V06725 SPECIFICATION NUMBER: BACB30MY6K4	002004 006999	4

MISSING ITEM NUMBERS NOT APPLICABLE

- ITEM NOT ILLUSTRATED

76-11-52-01

76-11-52  
FIG. 01  
PAGE 10  
JAN 20/09

BRI



757

PARTS CATALOG (MAINTENANCE)

FIG ITEM	PART NUMBER	1 2 3 4 5 6 7	NOMENCLATURE	EFFECT FROM TO	UNITS PER ASSY
1 335	HL79-6		. COLLAR SUPPLIER CODE: V5M902 SPECIFICATION NUMBER: BACC30M6 OPTIONAL PART: HL79-6 V73197 HL79-6 V92215 66014-6 V56878 HL79-6 V56878	002004 006999	4
340	NAS1368N12A		-----*----- . . GROMMET	002004 006999	1

MISSING ITEM NUMBERS NOT APPLICABLE

- ITEM NOT ILLUSTRATED

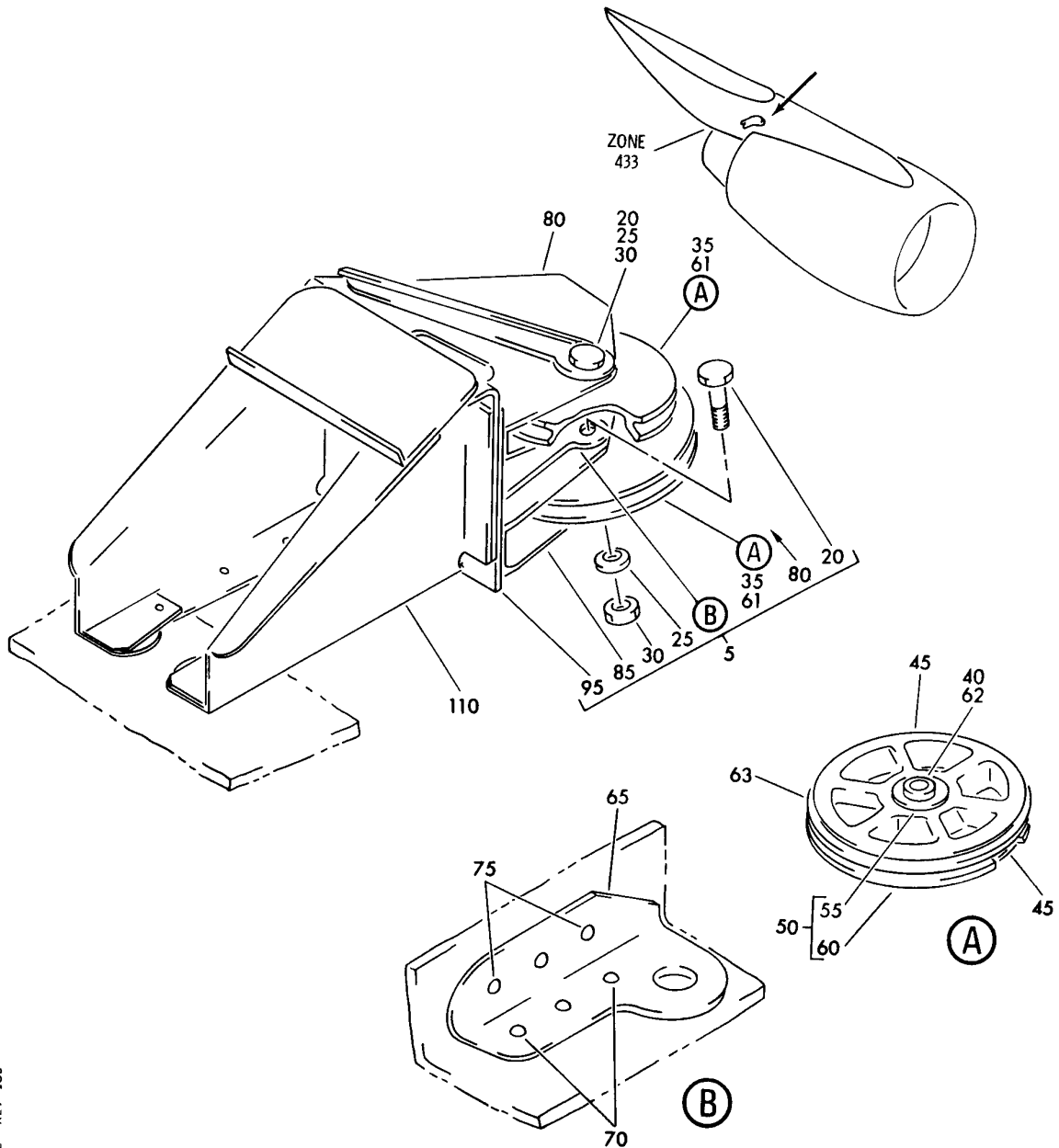
BRI

76-11-52-01

BOEING PROPRIETARY - Copyright © - Unpublished Work - See title page for details.

76-11-52  
FIG. 01  
PAGE 11  
JAN 20/09

**BOEING**  
757  
PARTS CATALOG (MAINTENANCE)



Y 76115202 REV 183

BRACKET AND SUPPORT INSTL-PPS 185 TRA AND TRB R NAC PULLEY (RB211-535)  
FIGURE 2

**76-11-52-02**

BRI  
MAY 28/07

76-11-52-02  
PAGE 0



757

PARTS CATALOG (MAINTENANCE)

FIG ITEM	PART NUMBER	1 2 3 4 5 6 7	NOMENCLATURE	EFFECT FROM TO	UNITS PER ASSY
2			BRACKET AND SUPPORT INSTL- PPS 185 TRA AND TRB R NAC PULLEY (RB211-535)	002004 006999	
- 1	251N6005-3		BRACKET INSTL-TRA AND TRB PULLEY POSITION DATA: PPS 185 R NAC FOR NHA SEE: 54-00-51-01	002004 006017 107107 121503 904999	RF
- 1	251N6005-5		BRACKET INSTL-TRA AND TRB PULLEY POSITION DATA: PPS 185 R NAC FOR NHA SEE: 54-00-51-01	018106 108120 504903	RF
5	251N6126-14		.BRACKET ASSY-	002004 006010 107107 121503 904999	1
5	251N6126-16		.BRACKET ASSY-	011017	1
5	251N6126-20		.BRACKET ASSY-	018106 108120 504903	1

MISSING ITEM NUMBERS NOT APPLICABLE

- ITEM NOT ILLUSTRATED

BRI

76-11-52-02

BOEING PROPRIETARY - Copyright © - Unpublished Work - See title page for details.

76-11-52  
FIG. 02  
PAGE 1  
JAN 20/09



757

PARTS CATALOG (MAINTENANCE)

FIG ITEM	PART NUMBER	1 2 3 4 5 6 7	NOMENCLATURE	EFFECT FROM TO	UNITS PER ASSY
2 - 10	HL1012AZ8-6		ATTACHING PARTS .BOLT SUPPLIER CODE: VOPTK6 SPECIFICATION NUMBER: BACB30NX8K6 OPTIONAL PART: HL12VAZ8-6 V73197 HL12VAZ8-6 V92215 HL12VAZ8-6 V97928 L802-8K6 V06725 HL12VAZ8-6 V56878 HL1012AZ8-6 V06725 HL1012AZ8-6 V06950 HL1012AZ8-6 V17446 HL1012AZ8-6 V56878 HL1012AZ8-6 V60516 HL1012AZ8-6 V73197 HL1012AZ8-6 V97928	002004 006999	4

MISSING ITEM NUMBERS NOT APPLICABLE

- ITEM NOT ILLUSTRATED

BRI

76-11-52-02

BOEING PROPRIETARY - Copyright © - Unpublished Work - See title page for details.

76-11-52  
FIG. 02  
PAGE 2  
SEP 20/08

**BOEING**  
757  
**PARTS CATALOG (MAINTENANCE)**

FIG ITEM	PART NUMBER	1 2 3 4 5 6 7	NOMENCLATURE	EFFECT FROM TO	UNITS PER ASSY
2 - 15	HL1187-8		. COLLAR SUPPLIER CODE: V5M902 SPECIFICATION NUMBER: BACC30X8 OPTIONAL PART: HL87-8 V92215 HL87-8 V73197 HL1187-8 V56878 HL1187-8 V92215 HL87-8 V56878 HL1187-8 V73197 -----*-----	002004 006999	4
20	BACB30NF4-14		.. BOLT	002004 006999	2
25	AN960PD416		.. WASHER-	002004 006017 107107 121503 904999	2
25	AN960JD416		.. WASHER-	002004 006017 107107 121503 904999	2
25	NAS1149D0463J		.. WASHER-	018106 108120 504903 904999	2
35	65B80977-1		.. PULLEY ASSY-4 IN. DIA 3/32 IN. CABLE FOR SPARES PROCURE: BACP30M4 PRE SERVICE BULLETIN: 76-0015	008010 904949	2

MISSING ITEM NUMBERS NOT APPLICABLE

- ITEM NOT ILLUSTRATED

BRI

# 76-11-52-02

BOEING PROPRIETARY - Copyright © - Unpublished Work - See title page for details.

76-11-52  
FIG. 02  
PAGE 3  
JAN 20/09



757

PARTS CATALOG (MAINTENANCE)

FIG ITEM	PART NUMBER	1 2 3 4 5 6 7	NOMENCLATURE	EFFECT FROM TO	UNITS PER ASSY
2					
35	AVS4M		..PULLEY ASSY- SUPPLIER CODE: V29965 SPECIFICATION NUMBER: BACP30M4 OPTIONAL PART: R30M4 V25337 BMP30M4 V22277 PRE SERVICE BULLETIN: 76-0015	011017	2
40	JMKP4P25LY196		...BEARING- SUPPLIER CODE: V40920 SPECIFICATION NUMBER: BACB10AN4 OPTIONAL PART: MKP4FS428 V21335 MKP4G20 V38443 LLMKP4 V38443 MKP4 V38443 MKP4-2TS V43991 MKP4E6531 V21335 MKP4TT V43991 MKP4SD610 V83086	008010 904949	1
45	69B81979-1		...SHIELD	008010 904949	2
50	65B80978-1		...SHEAVE ASSY	008010 904949	1
55	69B81362-2		....INSERT	008010 904949	1
60	65B80978-2		....SHEAVE	008010 904949	1
61	255T1232-7		..PULLEY ASSY-4 IN. DIA 3/32 IN. CABLE POST SERVICE BULLETIN: 76-0015	002004 006999	2

MISSING ITEM NUMBERS NOT APPLICABLE

- ITEM NOT ILLUSTRATED

BRI

76-11-52-02

BOEING PROPRIETARY - Copyright © - Unpublished Work - See title page for details.

76-11-52  
FIG. 02  
PAGE 4  
JAN 20/09



757

PARTS CATALOG (MAINTENANCE)

FIG ITEM	PART NUMBER	1 2 3 4 5 6 7	NOMENCLATURE	EFFECT FROM TO	UNITS PER ASSY
2					
62	MKP4FS777	...	BEARING- SUPPLIER CODE: V21335 OPTIONAL PART: MKP4-1C1-01 V21335 MKP4SD572 V21335	002004 006999	1
62	MKP4-1C1-01	...	BEARING- SUPPLIER CODE: V21335 OPTIONAL PART: MKP4FS777 V21335 MKP4SD572 V21335	002004 006999	1
62	MKP4SD572	...	BEARING- SUPPLIER CODE: V21335 OPTIONAL PART: MKP4FS777 V21335 MKP4-1C1-01 V21335	002004 006999	1
63	255T1232-8	...	PULLEY	002004 006999	2
65	251N6126-8	..	CLIP-	002004 006010 107107 121503 904999	1
65	251N6126-18	..	CLIP ASSY-	011106 108120 504903	1
70	BACR15BA5D	..	RIVET- ATTACHING PARTS SIZE DETERMINED ON INSTL.	002004 006999	3
75	BACR15FT5D	..	RIVET- SIZE DETERMINED ON INSTL.	002004 006999	3
80	251N6126-15	..	BRACKET ASSY- -----*-----	002004 006010 107107 121503 904999	1
80	251N6126-17	..	BRACKET ASSY-	011106 108120 504903	1

MISSING ITEM NUMBERS NOT APPLICABLE

- ITEM NOT ILLUSTRATED

BRI

76-11-52-02

BOEING PROPRIETARY - Copyright © - Unpublished Work - See title page for details.

76-11-52  
FIG. 02  
PAGE 5  
JAN 20/09





757

PARTS CATALOG (MAINTENANCE)

FIG ITEM	PART NUMBER	1 2 3 4 5 6 7	NOMENCLATURE	EFFECT FROM TO	UNITS PER ASSY
2	85 251N6126-12		..BRACKET ASSY-	002004 006999	1
-	90 BACR15CE5D		ATTACHING PARTS ..RIVET-	002004 006999	4
	95 251N6126-10		SIZE DETERMINED ON INSTL. -----*----- ..PLATE	002004 006999	1
-	105 251N6005-2		SUPPORT INSTL-TRA AND TRB PULLEY POSITION DATA: PPS 185 R NAC FOR NHA SEE: 54-51-59-02 54-00-00-04	002004 006999	RF
	110 251N6125-29		.SUPPORT ASSY-	002004 006999	1

MISSING ITEM NUMBERS NOT APPLICABLE

- ITEM NOT ILLUSTRATED

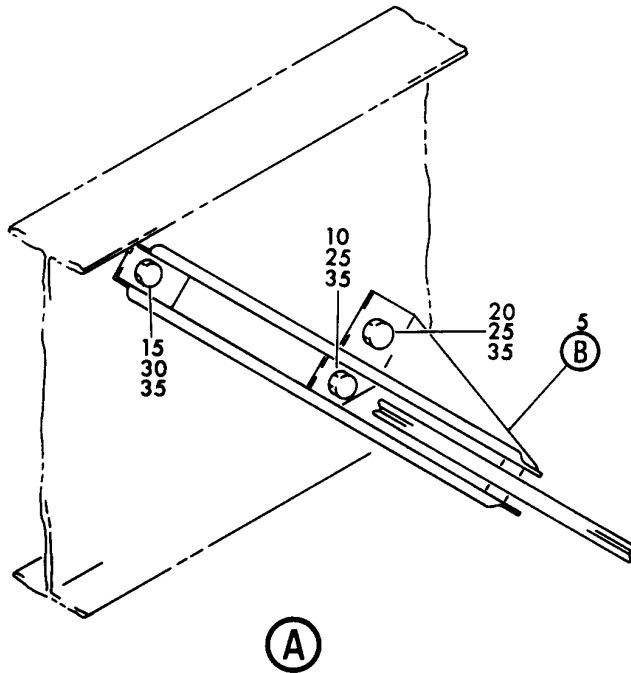
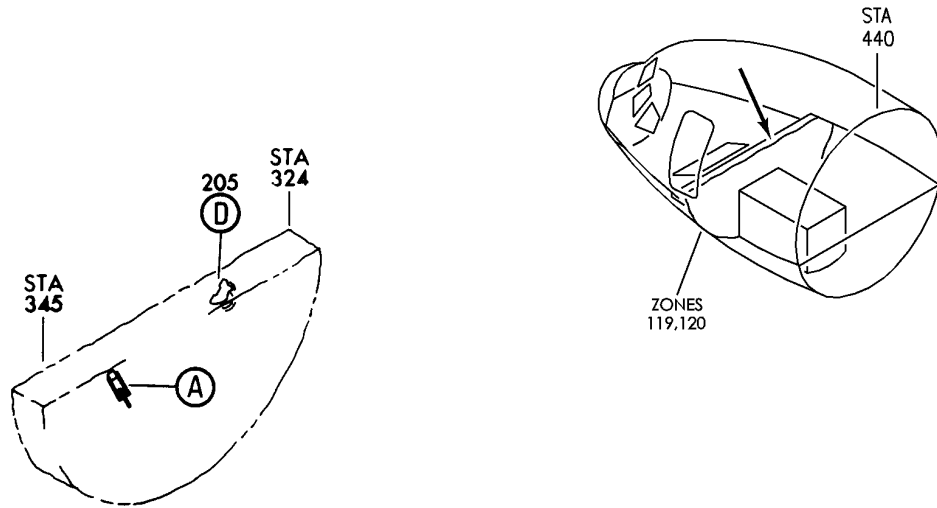
BRI

76-11-52-02

BOEING PROPRIETARY - Copyright © - Unpublished Work - See title page for details.

76-11-52  
FIG. 02  
PAGE 6  
JAN 20/09

**BOEING**  
757  
PARTS CATALOG (MAINTENANCE)



Y 76115203 SHT 1 REV 229

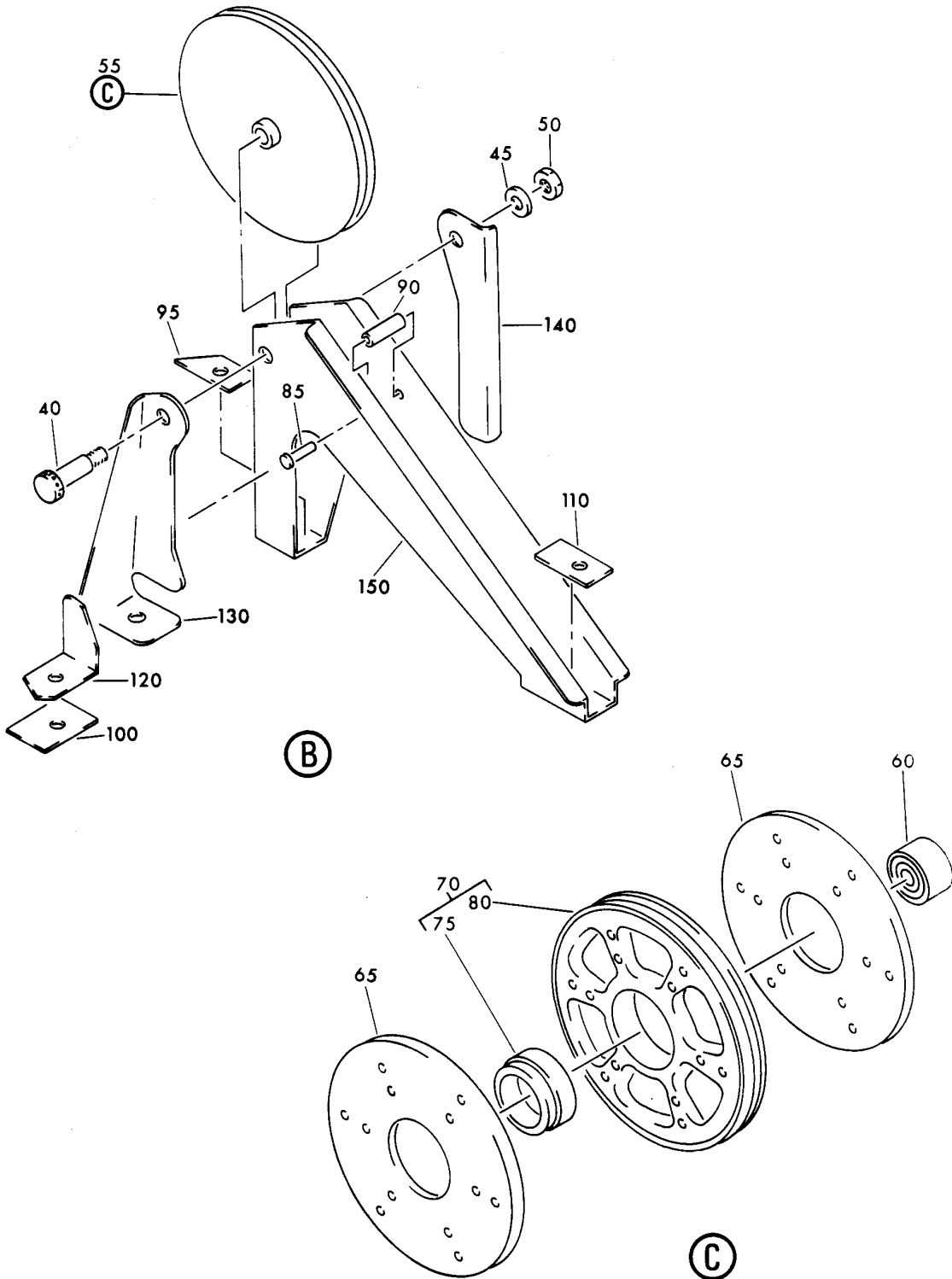
BRACKET INSTL-STA 324 AND 345 PULLEY  
FIGURE 3 (SHEET 1)

**76-11-52-03**

BRI  
MAY 28/07

76-11-52-03  
PAGE 0

**BOEING**  
757  
PARTS CATALOG (MAINTENANCE)



Y 76115203 SHT 2 REV 008

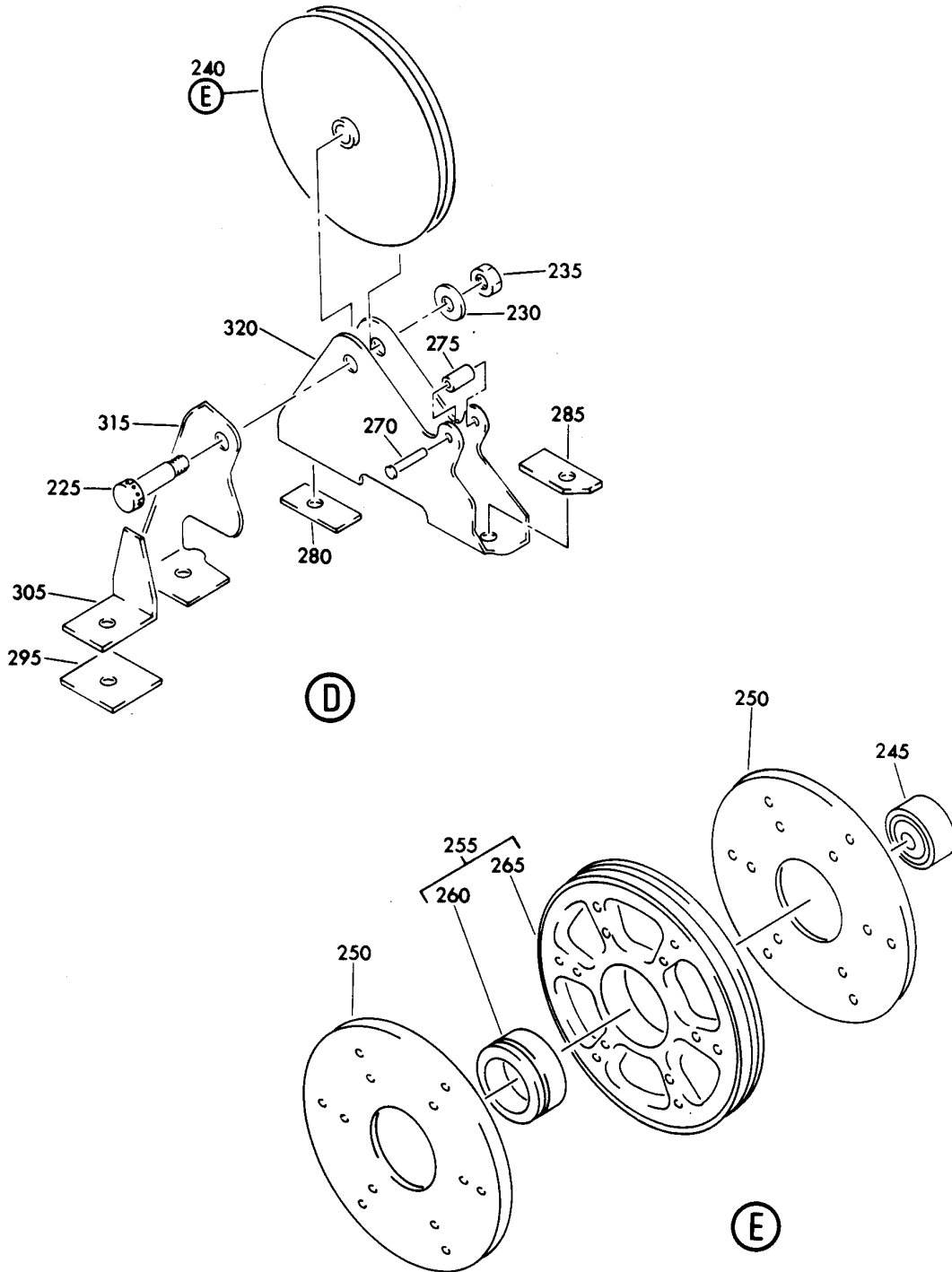
BRACKET INSTL-STA 324 AND 345 PULLEY  
FIGURE 3 (SHEET 2)

**76-11-52-03**

BRI  
MAY 28/07

76-11-52-03  
PAGE 0A

**BOEING**  
757  
PARTS CATALOG (MAINTENANCE)



Y 78115203 SHT 3 REV 008

BRACKET INSTL-STA 324 AND 345 PULLEY  
FIGURE 3 (SHEET 3)

**76-11-52-03**

BRI  
MAY 28/07

76-11-52-03  
PAGE 0B



757

PARTS CATALOG (MAINTENANCE)

FIG ITEM	PART NUMBER	1 2 3 4 5 6 7	NOMENCLATURE	EFFECT FROM TO	UNITS PER ASSY
3			BRACKET INSTL-STA 324 AND 345 PULLEY	002004 006999	
- 1	251N6009-3		BRACKET INSTL-THROT B PULLEY POSITION DATA: STA 345 L FOR NHA SEE: 76-11-57-01 76-11-00-01	002004 006102 107999	RF
- 1	MODREF7889		BRACKET INSTL-THROT B PULLEY MODULE NUMBER: 251N6009-3 REV A POSITION DATA: STA 345 L	103106	1
5	251N6146-1		.BRACKET ASSY-PULLEY	002004 006999	1
10	BACB30NF4-3		ATTACHING PARTS .BOLT	002004 006999	1
15	BACB30NF4-4		.BOLT	002004 006999	1
20	BACB30NF4-5		.BOLT	002004 006999	1
25	AN960PD416		.WASHER	002004 006999	2
30	AN960D416		.WASHER	002004 006999	1
35	BRH10A4		.NUT SUPPLIER CODE: V52828 SPECIFICATION NUMBER: BACN10JC4 OPTIONAL PART: T6S428J V11815 96-048 V80539 VN303A048 V92215 RMLH9075-4W V72962 NS202101-048 V80539 H10-4BAC V15653	002004 006999	3
40	BACB30NF4-13		-----*----- .BOLT	002004 006999	1

MISSING ITEM NUMBERS NOT APPLICABLE

- ITEM NOT ILLUSTRATED

BRI

76-11-52-03

BOEING PROPRIETARY - Copyright © - Unpublished Work - See title page for details.

76-11-52  
FIG. 03  
PAGE 1  
JAN 20/09



757

PARTS CATALOG (MAINTENANCE)

FIG ITEM	PART NUMBER	1 2 3 4 5 6 7	NOMENCLATURE	EFFECT FROM TO	UNITS PER ASSY
3					
45	AN960PD416	..	WASHER	002004 006999	1
50	BRH10A4	..	NUT SUPPLIER CODE: V52828 SPECIFICATION NUMBER: BACN10JC4 OPTIONAL PART: T6S428J V11815 96-048 V80539 VN303A048 V92215 RMLH9075-4W V72962 NS202101-048 V80539 H10-4BAC V15653	002004 006999	1
55	65B80977-1	..	PULLEY ASSY-4 IN. DIA 3/32 IN. CABLE FOR SPARES PROCURE: BACP30M4	002004 006999	1
60	JMKP4P25LY196	...	BEARING- SUPPLIER CODE: V40920 SPECIFICATION NUMBER: BACB10AN4 OPTIONAL PART: MKP4FS428 V21335 MKP4G20 V38443 LLMKP4 V38443 MKP4 V38443 MKP4-2TS V43991 MKP4E6531 V21335 MKP4TT V43991 MKP4SD610 V83086	002004 006999	1
65	69B81979-1	...	SHIELD	002004 006999	2

MISSING ITEM NUMBERS NOT APPLICABLE

- ITEM NOT ILLUSTRATED

BRI

76-11-52-03

BOEING PROPRIETARY - Copyright © - Unpublished Work - See title page for details.

76-11-52  
FIG. 03  
PAGE 2  
JAN 20/09

 **BOEING**  
757  
**PARTS CATALOG (MAINTENANCE)**

FIG ITEM	PART NUMBER	1 2 3 4 5 6 7	NOMENCLATURE	EFFECT FROM TO	UNITS PER ASSY
3					
70	65B80978-1	...	SHEAVE ASSY	002004 006999	1
75	69B81362-2	....	INSERT	002004 006999	1
80	65B80978-2	....	SHEAVE	002004 006999	1
85	BACR15FT4D	..	RIVET- SIZE DETERMINED ON INSTL.	002004 006999	1
90	NAS42DD4-42	..	SPACER	002004 006999	1
95	251N6146-7	..	FILLER-RADIUS	002004 006999	1
100	50-3361-8551	..	FILLER-RADIUS	002004 006999	1
			ATTACHING PARTS		
- 105	BACR15BA4AD	..	RIVET- SIZE DETERMINED ON INSTL. -----*-----	002004 006999	1
110	50-3361-8503	..	FILLER-RADIUS	002004 006999	1
			ATTACHING PARTS		
- 115	BACR15BA5AD	..	RIVET- SIZE DETERMINED ON INSTL. -----*-----	002004 006999	2
120	251N6146-4	..	CLIP	002004 006999	1
			ATTACHING PARTS		
- 125	BACR15FT5D	..	RIVET- SIZE DETERMINED ON INSTL. -----*-----	002004 006999	4
130	251N6146-3	..	SUPPORT	002004 006999	1
			ATTACHING PARTS		
- 135	BACR15BA5AD	..	RIVET- SIZE DETERMINED ON INSTL. -----*-----	002004 006999	2
140	251N6146-5	..	SUPPORT	002004 006999	1
			ATTACHING PARTS		
- 145	BACR15BA5AD	..	RIVET- SIZE DETERMINED ON INSTL. -----*-----	002004 006999	3
150	251N6146-2	..	BRACKET	002004 006999	1

MISSING ITEM NUMBERS NOT APPLICABLE

- ITEM NOT ILLUSTRATED

BRI

# 76-11-52-03

BOEING PROPRIETARY - Copyright © - Unpublished Work - See title page for details.

76-11-52  
FIG. 03  
PAGE 3  
JAN 20/09



757

PARTS CATALOG (MAINTENANCE)

FIG ITEM	PART NUMBER	1 2 3 4 5 6 7	NOMENCLATURE	EFFECT FROM TO	UNITS PER ASSY
3					
- 200	251N6009-4		BRACKET INSTL-THROT B PULLEY POSITION DATA: STA 324 R FOR NHA SEE: 76-11-57-01 76-11-00-01	002004 006102 107999	RF
- 200	MODREF7890		BRACKET INSTL-THROT B PULLEY MODULE NUMBER: 251N6009-4 REV A POSITION DATA: STA 324 R	103106	1
205	251N6148-1		.BRACKET ASSY-PULLEY	002004 006999	1
- 210	BACB30NF4-7		ATTACHING PARTS .BOLT	002004 006999	3
- 215	AN960PD416		.WASHER	002004 006999	3
- 220	BRH10A4		.NUT SUPPLIER CODE: V52828 SPECIFICATION NUMBER: BACN10JC4 OPTIONAL PART: T6S428J V11815 96-048 V80539 VN303A048 V92215 RMLH9075-4W V72962 NS202101-048 V80539 H10-4BAC V15653	002004 006999	3
225	BACB30NF4-13		-----*----- . . BOLT	002004 006999	1
230	AN960PD416		. . WASHER	002004 006999	1

MISSING ITEM NUMBERS NOT APPLICABLE

- ITEM NOT ILLUSTRATED

76-11-52-03

76-11-52  
FIG. 03  
PAGE 4  
JAN 20/09

BRI





757

PARTS CATALOG (MAINTENANCE)

FIG ITEM	PART NUMBER	1 2 3 4 5 6 7	NOMENCLATURE	EFFECT FROM TO	UNITS PER ASSY
3 235	BRH10A4	..	NUT SUPPLIER CODE: V52828 SPECIFICATION NUMBER: BACN10JC4 OPTIONAL PART: T6S428J V11815 96-048 V80539 VN303A048 V92215 RMLH9075-4W V72962 NS202101-048 V80539 H10-4BAC V15653	002004 006999	1
240	65B80977-1	..	PULLEY ASSY-4 IN. DIA 3/32 IN. CABLE FOR SPARES PROCURE: BACP30M4	002004 006999	1
245	JMKP4P25LY196	...	BEARING- SUPPLIER CODE: V40920 SPECIFICATION NUMBER: BACB10AN4 OPTIONAL PART: MKP4FS428 V21335 MKP4G20 V38443 LLMKP4 V38443 MKP4 V38443 MKP4-2TS V43991 MKP4E6531 V21335 MKP4TT V43991 MKP4SD610 V83086	002004 006999	1
250	69B81979-1	...	SHIELD	002004 006999	2
255	65B80978-1	...	SHEAVE ASSY	002004 006999	1

MISSING ITEM NUMBERS NOT APPLICABLE

- ITEM NOT ILLUSTRATED

76-11-52-03

76-11-52  
FIG. 03  
PAGE 5  
JAN 20/09

BRI

BOEING PROPRIETARY - Copyright © - Unpublished Work - See title page for details.



757

PARTS CATALOG (MAINTENANCE)

FIG ITEM	PART NUMBER	1 2 3 4 5 6 7	NOMENCLATURE	EFFECT FROM TO	UNITS PER ASSY
3					
260	69B81362-2	....	INSERT	002004 006999	1
265	65B80978-2	....	SHEAVE	002004 006999	1
270	BACR15BB4AD	..	RIVET- SIZE DETERMINED ON INSTL.	002004 006999	1
275	NAS42DD4-42	..	SPACER	002004 006999	1
280	251N6148-5	..	SHIM	002004 006999	1
285	251N6148-6	..	FILLER-RADIUS	002004 006999	1
			ATTACHING PARTS		
- 290	BACR15BA4AD	..	RIVET- SIZE DETERMINED ON INSTL.	002004 006999	2
			-----*-----		
295	50-3361-8527	..	FILLER-RADIUS	002004 006999	1
			ATTACHING PARTS		
- 300	BACR15BA5AD	..	RIVET- SIZE DETERMINED ON INSTL.	002004 006999	1
			-----*-----		
305	251N6148-3	..	CLIP	002004 006999	1
			ATTACHING PARTS		
- 310	BACR15FT5D	..	RIVET- SIZE DETERMINED ON INSTL.	002004 006999	2
			-----*-----		
315	251N6148-4	..	BRACE-SIDE	002004 006999	1
320	251N6148-2	..	BRACKET	002004 006999	1

MISSING ITEM NUMBERS NOT APPLICABLE

- ITEM NOT ILLUSTRATED

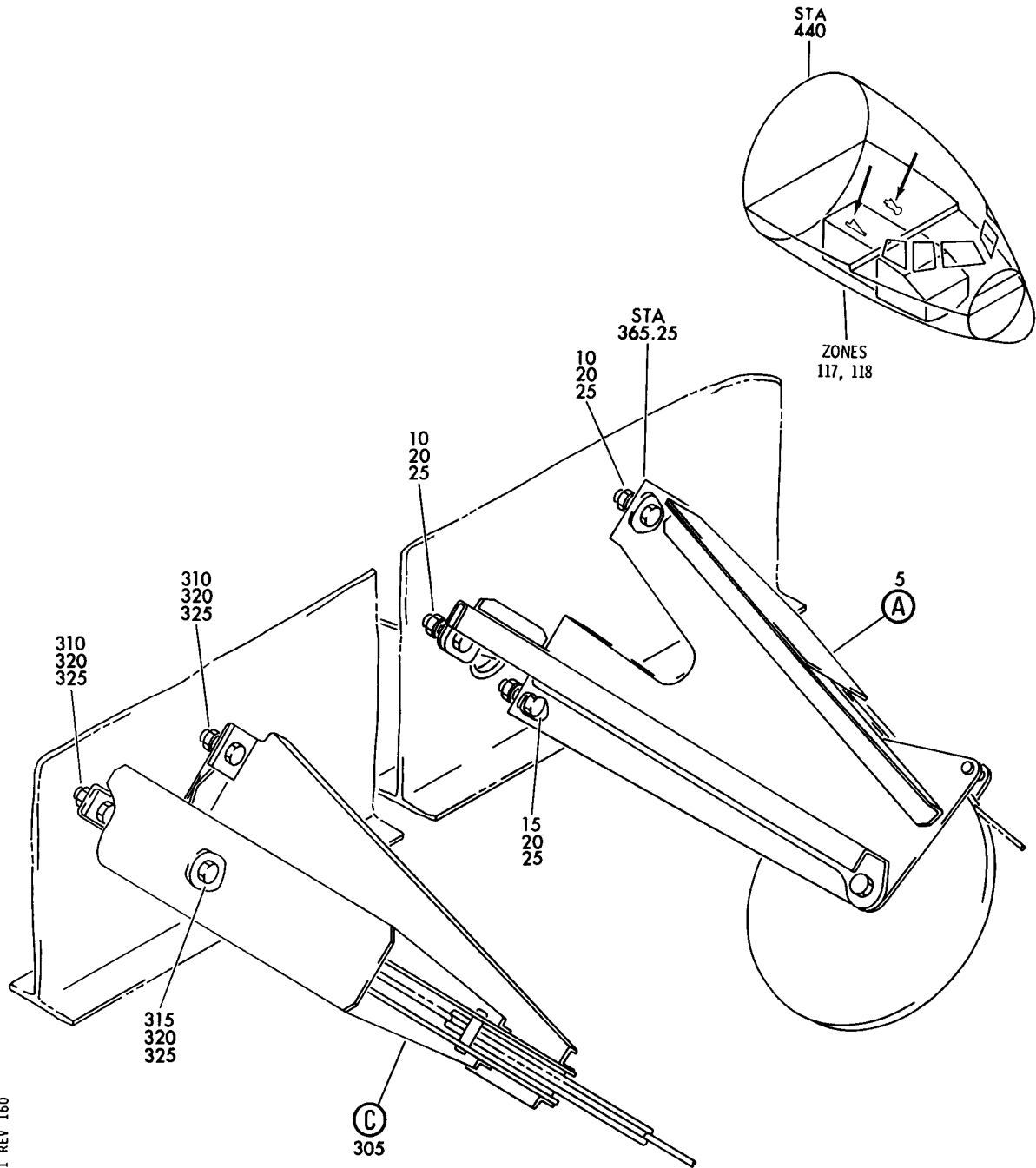
BRI

76-11-52-03

BOEING PROPRIETARY - Copyright © - Unpublished Work - See title page for details.

76-11-52  
FIG. 03  
PAGE 6  
JAN 20/09

**BOEING**  
757  
PARTS CATALOG (MAINTENANCE)



Y 76115205 SHT 1 REV 160

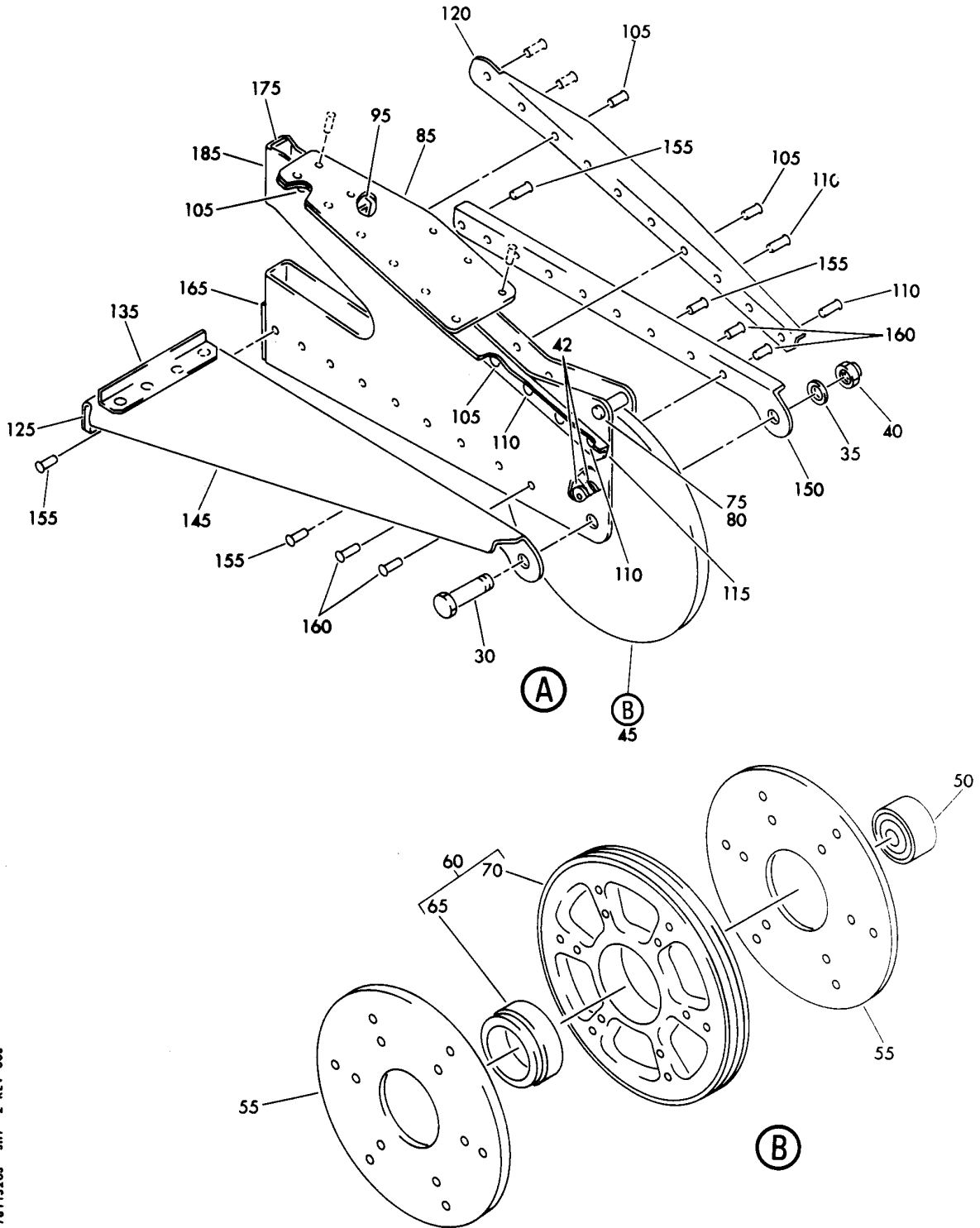
BRACKET INSTL-STA 365.25 PULLEY (RB211-535)  
FIGURE 5 (SHEET 1)

**76-11-52-05**

BRI  
MAY 28/07

76-11-52-05  
PAGE 0

**BOEING**  
757  
PARTS CATALOG (MAINTENANCE)



Y 78115205 SH1 2 REV 005

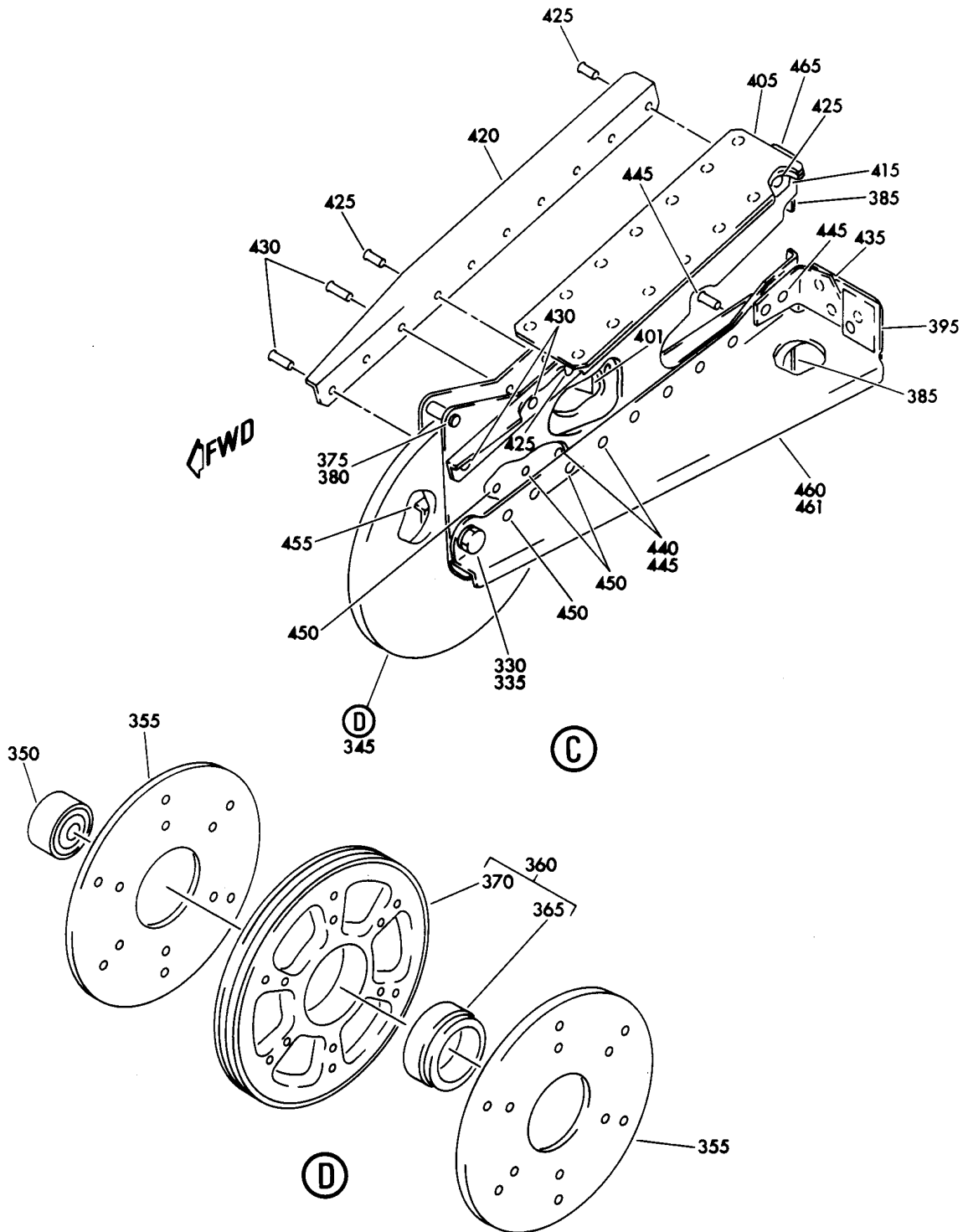
BRACKET INSTL-STA 365.25 PULLEY (RB211-535)  
FIGURE 5 (SHEET 2)

**76-11-52-05**

BRI  
MAY 28/07

76-11-52-05  
PAGE 0A

**BOEING**  
757  
PARTS CATALOG (MAINTENANCE)



Y 78115205 SH1 3 REV 011

BRACKET INSTL-STA 365.25 PULLEY (RB211-535)  
FIGURE 5 (SHEET 3)

**76-11-52-05**

BRI  
MAY 28/07

76-11-52-05  
PAGE 0B



757

PARTS CATALOG (MAINTENANCE)

FIG ITEM	PART NUMBER	1 2 3 4 5 6 7	NOMENCLATURE	EFFECT FROM TO	UNITS PER ASSY
5			BRACKET INSTL-STA 365.25 PULLEY (RB211-535)	002004 006999	
- 1	251N6009-1		BRACKET INSTL-TLA PULLEY POSITION DATA: STA 365.25 FOR NHA SEE: 76-11-57-01 76-11-00-01	002004 006102 107999	RF
- 1	MODREF7887		BRACKET INSTL-TLA PULLEY MODULE NUMBER: 251N6009-1 REV A POSITION DATA: STA 365.25	103106	1
5	251N6145-503		.BRACKET ASSY-PULLEY	002004 006999	1
10	BACB30NF4-6		ATTACHING PARTS .BOLT	002004 006999	2
15	BACB30NF4-3		.BOLT	002004 006999	1
20	AN960PD416		.WASHER	002004 006999	3
25	BRH10A4		.NUT SUPPLIER CODE: V52828 SPECIFICATION NUMBER: BACN10JC4 OPTIONAL PART: T6S428J V11815 96-048 V80539 VN303A048 V92215 RMLH9075-4W V72962 NS202101-048 V80539 H10-4BAC V15653	002004 006999	3
30	BACB30NF4-13		-----*----- ..BOLT	002004 006999	1
35	AN960PD416		..WASHER	002004 006999	1

MISSING ITEM NUMBERS NOT APPLICABLE

- ITEM NOT ILLUSTRATED

BRI

76-11-52-05

BOEING PROPRIETARY - Copyright © - Unpublished Work - See title page for details.

76-11-52  
FIG. 05  
PAGE 1  
JAN 20/09



757

PARTS CATALOG (MAINTENANCE)

FIG ITEM	PART NUMBER	1 2 3 4 5 6 7	NOMENCLATURE	EFFECT FROM TO	UNITS PER ASSY
5	40 BRH10A4	..	NUT SUPPLIER CODE: V52828 SPECIFICATION NUMBER: BACN10JC4 OPTIONAL PART: T6S428J V11815 96-048 V80539 VN303A048 V92215 RMLH9075-4W V72962 NS202101-048 V80539 H10-4BAC V15653	002004 006999	1
	42 NAS643TKDD416H	..	NUT-SPACER	002004 006999	2
-	43 BACR15CE5D	..	RIVET- SIZE DETERMINED ON INSTL.	002004 006999	4
	45 65B80973-1	..	PULLEY ASSY-6 IN. DIA 3/32 IN. CABLE	002004 006999	1
	50 JMKP4P25LY196	...	BEARING- SUPPLIER CODE: V40920 SPECIFICATION NUMBER: BACB10AN4 OPTIONAL PART: MKP4FS428 V21335 MKP4G20 V38443 LLMKP4 V38443 MKP4 V38443 MKP4-2TS V43991 MKP4E6531 V21335 MKP4TT V43991 MKP4SD610 V83086	002004 006999	1
	55 65B81234-1	...	SHIELD	002004 006999	2

MISSING ITEM NUMBERS NOT APPLICABLE

- ITEM NOT ILLUSTRATED

BRI

76-11-52-05

BOEING PROPRIETARY - Copyright © - Unpublished Work - See title page for details.

76-11-52  
FIG. 05  
PAGE 2  
SEP 20/08



757

PARTS CATALOG (MAINTENANCE)

FIG ITEM	PART NUMBER	1 2 3 4 5 6 7	NOMENCLATURE	EFFECT FROM TO	UNITS PER ASSY
5	60 65B80974-1	...	SHEAVE ASSY	002004 006999	1
	65 69B81362-2	....	INSERT	002004 006999	1
	70 65B80974-2	....	SHEAVE	002004 006999	1
	75 BACR15BB4AD	..	RIVET- SIZE DETERMINED ON INSTL.	002004 006999	1
	80 NAS42DD4-42	..	SPACER	002004 006999	1
	85 251N6145-10	..	PLATE	002004 006999	1
			ATTACHING PARTS		
-	90 BACR15FT5D	..	RIVET- SIZE DETERMINED ON INSTL. -----*-----	002004 006999	11
	95 251N6145-13	..	ANGLE	002004 006999	1
			ATTACHING PARTS		
-	100 BACR15FT5D	..	RIVET- SIZE DETERMINED ON INSTL. -----*-----	002004 006999	2
	105 BACR15FT5D	..	RIVET- SIZE DETERMINED ON INSTL.	002004 006999	12
	110 BACR15CE5D	..	RIVET- SIZE DETERMINED ON INSTL.	002004 006999	6
	115 251N6145-11	..	ANGLE	002004 006999	1
	120 251N6145-12	..	ANGLE	002004 006999	1
	125 251N6145-8	..	FILLER-RADIUS	002004 006999	1
			ATTACHING PARTS		
-	130 BACR15BA4AD	..	RIVET- SIZE DETERMINED ON INSTL. -----*-----	002004 006999	1
	135 251N6145-5	..	ANGLE	002004 006999	1
			ATTACHING PARTS		
-	140 BACR15FT5D	..	RIVET- SIZE DETERMINED ON INSTL. -----*-----	002004 006999	4
	145 251N6145-3	..	SUPPORT	002004 006999	1
	150 251N6145-4	..	SUPPORT	002004 006999	1
			ATTACHING PARTS		
	155 BACR15FT5D	..	RIVET- SIZE DETERMINED ON INSTL.	002004 006999	14

MISSING ITEM NUMBERS NOT APPLICABLE

- ITEM NOT ILLUSTRATED

76-11-52-05

76-11-52  
FIG. 05  
PAGE 3  
SEP 20/08

BRI





757

PARTS CATALOG (MAINTENANCE)

FIG ITEM	PART NUMBER	1 2 3 4 5 6 7	NOMENCLATURE	EFFECT FROM TO	UNITS PER ASSY
5					
160	BACR15CE5D	..	RIVET- SIZE DETERMINED ON INSTL. -----*-----	002004 006999	4
165	251N6145-6	..	FILLER  ATTACHING PARTS	002004 006999	1
- 170	BACR15BA5AD	..	RIVET- SIZE DETERMINED ON INSTL. -----*-----	002004 006999	2
175	251N6145-7	..	FILLER-RADIUS  ATTACHING PARTS	002004 006999	1
- 180	BACR15BA5AD	..	RIVET- SIZE DETERMINED ON INSTL. -----*-----	002004 006999	1
185	251N6145-502	..	BRACKET-	002004 006999	1
- 300	251N6009-2		BRACKET INSTL-TRA PULLEY POSITION DATA: STA 365.25 FOR NHA SEE: 76-11-57-01	002004 006100 107107 121503 904999	RF
- 300	251N6009-8		BRACKET INSTL-TRA PULLEY POSITION DATA: STA 365.25 FOR NHA SEE: 76-11-00-01	101102 108120 504903	RF
- 300	MODREF7969		BRACKET INSTL-TRA PULLEY MODULE NUMBER: 251N6009-8 REV A POSITION DATA: STA 365.25	103106	1
305	251N6147-10	.	BRACKET ASSY-PULLEY	002004 006999	1
305	251N6147-14	.	BRACKET ASSY-PULLEY	002004 006999	1
305	251N6147-15	.	BRACKET ASSY-PULLEY  ATTACHING PARTS	002004 006999	1
310	BACB30NF4-5	.	BOLT	002004 006999	2
315	BACB30NF4-4	.	BOLT	002004 006999	1
320	AN960PD416	.	WASHER	002004 006999	3

MISSING ITEM NUMBERS NOT APPLICABLE

- ITEM NOT ILLUSTRATED

76-11-52-05

76-11-52  
FIG. 05  
PAGE 4  
JAN 20/09

BRI

BOEING PROPRIETARY - Copyright © - Unpublished Work - See title page for details.



**757  
PARTS CATALOG (MAINTENANCE)**

FIG ITEM	PART NUMBER	1 2 3 4 5 6 7	NOMENCLATURE	EFFECT FROM TO	UNITS PER ASSY
5 325	BRH10A4	.	NUT SUPPLIER CODE: V52828 SPECIFICATION NUMBER: BACN10JC4 OPTIONAL PART: T6S428J V11815 96-048 V80539 VN303A048 V92215 RMLH9075-4W V72962 NS202101-048 V80539 H10-4BAC V15653 -----*-----	002004 006999	3
330	BACB30NF4-14	..	BOLT	002004 006999	1
335	AN960PD416	..	WASHER-	002004 006999	1
340	BRH10A4	..	NUT SUPPLIER CODE: V52828 SPECIFICATION NUMBER: BACN10JC4 OPTIONAL PART: T6S428J V11815 96-048 V80539 VN303A048 V92215 RMLH9075-4W V72962 NS202101-048 V80539 H10-4BAC V15653	002004 006999	1
345	65B80973-1	..	PULLEY ASSY-6 IN. DIA 3/32 IN. CABLE	002004 006999	1

MISSING ITEM NUMBERS NOT APPLICABLE

— ITEM NOT ILLUSTRATED

BRI

# 76-11-52-05

BOEING PROPRIETARY - Copyright © - Unpublished Work - See title page for details.

76-11-52  
FIG. 05  
PAGE 5  
SEP 20/08

 **BOEING**  
757  
**PARTS CATALOG (MAINTENANCE)**

FIG ITEM	PART NUMBER	1 2 3 4 5 6 7	NOMENCLATURE	EFFECT FROM TO	UNITS PER ASSY
5 350	JMKP4P25LY196	...	BEARING- SUPPLIER CODE: V40920 SPECIFICATION NUMBER: BACB10AN4 OPTIONAL PART: MKP4FS428 V21335 MKP4G20 V38443 LLMKP4 V38443 MKP4 V38443 MKP4-2TS V43991 MKP4E6531 V21335 MKP4TT V43991 MKP4SD610 V83086	002004 006999	1
355	65B81234-1	...	SHIELD	002004 006999	2
360	65B80974-1	...	SHEAVE ASSY	002004 006999	1
365	69B81362-2	....	INSERT	002004 006999	1
370	65B80974-2	....	SHEAVE	002004 006999	1
375	BACR15BB4AD	..	RIVET- SIZE DETERMINED ON INSTL.	002004 006999	1
380	NAS42DD4-42	..	SPACER	002004 006999	1
385	50-3361-8512	..	FILLER-RADIUS	002004 006999	2
- 390	BACR15BA4AD	..	RIVET- SIZE DETERMINED ON INSTL. -----*-----	002004 006999	2
395	50-3361-8529	..	FILLER-RADIUS	002004 006999	1
- 400	BACR15CE5D	..	RIVET- SIZE DETERMINED ON INSTL. -----*-----	002004 006999	1
401	251N6194-10	..	FAIRLEAD ASSY	002004 006999	1

MISSING ITEM NUMBERS NOT APPLICABLE

- ITEM NOT ILLUSTRATED

BRI

# 76-11-52-05

BOEING PROPRIETARY - Copyright © - Unpublished Work - See title page for details.

76-11-52  
FIG. 05  
PAGE 6  
SEP 20/08



757

PARTS CATALOG (MAINTENANCE)

FIG ITEM	PART NUMBER	1 2 3 4 5 6 7	NOMENCLATURE	EFFECT FROM TO	UNITS PER ASSY
5			ATTACHING PARTS		
- 402	BACR15FT5D		..RIVET- SIZE DETERMINED ON INSTL. -----*-----	002004 006999	3
405	251N6147-6		..PLATE- USED ON: 251N6147-10 251N6147-14	002004 006999	1
407	251N6147-16		..PLATE- USED ON: 251N6147-15	002004 006999	1
- 412	BACR15FT5D		ATTACHING PARTS ..RIVET- SIZE DETERMINED ON INSTL. -----*-----	002004 006999	10
415	251N6147-7		..ANGLE- USED ON: 251N6147-10 251N6147-14	002004 006999	1
415	251N6147-17		..ANGLE- USED ON: 251N6147-15	002004 006999	1
420	251N6147-8		..ANGLE- USED ON: 251N6147-10 251N6147-14	002004 006999	1
420	251N6147-18		..ANGLE- USED ON: 251N6147-15	002004 006999	1
425	BACR15FT5D		ATTACHING PARTS ..RIVET- SIZE DETERMINED ON INSTL.	002004 006999	14
430	BACR15CE5D		..RIVET- SIZE DETERMINED ON INSTL. -----*-----	002004 006999	6
435	251N6147-5		..CLIP	002004 006999	1
- 440	BACR15CE5D		ATTACHING PARTS ..RIVET- SIZE DETERMINED ON INSTL. -----*-----	002004 006999	2
445	BACR15FT5D		..RIVET- SIZE DETERMINED ON INSTL.	002004 006999	14
450	BACR15CE5D		..RIVET- SIZE DETERMINED ON INSTL.	002004 006999	5
455	251N6147-3		..SUPPORT	002004 006999	1
460	251N6147-11		..SUPPORT-	002004 006999	1

MISSING ITEM NUMBERS NOT APPLICABLE

- ITEM NOT ILLUSTRATED

76-11-52-05

76-11-52  
FIG. 05  
PAGE 7  
SEP 20/08

BRI



757

PARTS CATALOG (MAINTENANCE)

FIG ITEM	PART NUMBER	1 2 3 4 5 6 7	NOMENCLATURE	EFFECT FROM TO	UNITS PER ASSY
5 461	251N6147-12		.. STIFFENER	002004 006999	1
- 462	BACR15FT5D		ATTACHING PARTS .. RIVET- SIZE DETERMINED ON INSTL. -----*-----	002004 006999	9
465	251N6147-2		.. BRACKET	002004 006999	1

MISSING ITEM NUMBERS NOT APPLICABLE

- ITEM NOT ILLUSTRATED

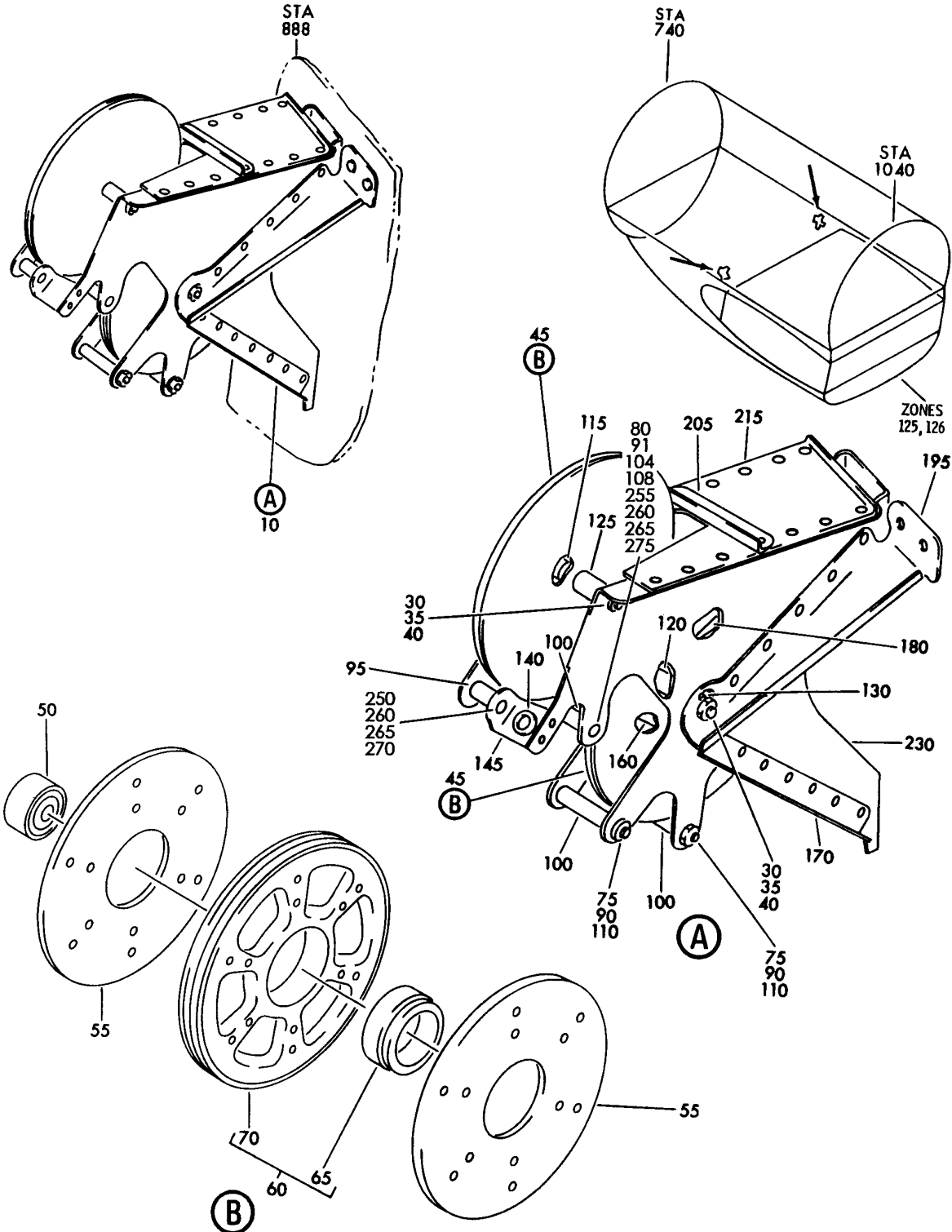
BRI

**76-11-52-05**

BOEING PROPRIETARY - Copyright © - Unpublished Work - See title page for details.

76-11-52  
FIG. 05  
PAGE 8  
SEP 20/08

**BOEING**  
757  
PARTS CATALOG (MAINTENANCE)



Y 76115206 REV 206

BRACKET INSTL-STA 894 TLA, TLB, TRA AND TRB THROT OUTBD PULLEY  
FIGURE 6

**76-11-52-06**

BRI  
MAY 28/07

76-11-52-06  
PAGE 0



757

PARTS CATALOG (MAINTENANCE)

FIG ITEM	PART NUMBER	1 2 3 4 5 6 7	NOMENCLATURE	EFFECT FROM TO	UNITS PER ASSY
6			BRACKET INSTL-STA 894 TLA, TLB, TRA AND TRB THROT OUTBD PULLEY	002004 006999	
- 1	251N6020-21		BRACKET INSTL-TLA AND TLB THROT PULLEY POSITION DATA: STA 894 OUTBD FOR NHA SEE: 76-11-57-01	002004 006100 107107 121503 904999	RF
- 1	251N6020-23		BRACKET INSTL-TLA AND TLB THROT PULLEY POSITION DATA: STA 894 OUTBD FOR NHA SEE: 76-11-00-01	101102 108120 504903	RF
- 1	MODREF8176		BRACKET INSTL-TLA AND TLB THROT PULLEY MODULE NUMBER: 251N6020-23 REV A POSITION DATA: STA 894 OUTBD	103103	1
- 1	MODREF27554		BRACKET INSTL-TLA AND TLB THROT PULLEY MODULE NUMBER: 251N6020-23 REV B POSITION DATA: STA 894 OUTBD	104106	1
- 5	251N6020-22		BRACKET INSTL-TRA AND TRB THROT PULLEY POSITION DATA: STA 894 OUTBD FOR NHA SEE: 76-11-57-01	002004 006100 107107 121503 904999	RF
- 5	251N6020-24		BRACKET INSTL-TRA AND TRB THROT PULLEY POSITION DATA: STA 894 OUTBD FOR NHA SEE: 76-11-00-01	101102 108120 504903	RF
- 5	MODREF8177		BRACKET INSTL-TRA AND TRB THROT PULLEY MODULE NUMBER: 251N6020-24 REV A POSITION DATA: STA 894 OUTBD	103103	1

MISSING ITEM NUMBERS NOT APPLICABLE

- ITEM NOT ILLUSTRATED

76-11-52-06

76-11-52  
FIG. 06  
PAGE 1  
JAN 20/09

BRI



757

PARTS CATALOG (MAINTENANCE)

FIG ITEM	PART NUMBER	1 2 3 4 5 6 7	NOMENCLATURE	EFFECT FROM TO	UNITS PER ASSY
6					
- 5	MODREF27555		BRACKET INSTL-TRA AND TRB THROT PULLEY MODULE NUMBER: 251N6020-24 REV B POSITION DATA: STA 894 OUTBD	104106	1
10	251N6196-49		.BRACKET ASSY- POSITION DATA: LH SIDE	002004 006999	1
- 15	251N6196-50		.BRACKET ASSY- POSITION DATA: RH SIDE	002004 006999	1
- 20	HL1012AZ8-12		ATTACHING PARTS .BOLT SUPPLIER CODE: V97928 SPECIFICATION NUMBER: BACB30NX8K12 OPTIONAL PART: HL12VAZ8-12 V73197 HL12VAZ8-12 V92215 HL12VAZ8-12 V97928 L802-8K12 V06725 HL12VAZ8-12 V56878 HL1012AZ8-12 V73197 HL1012AZ8-12 V60516 HL1012AZ8-12 V56878 HL1012AZ8-12 V17446 HL1012AZ8-12 V06950 HL1012AZ8-12 V06725 HL1012AZ8-12 VOPTK6	002004 006999	6

MISSING ITEM NUMBERS NOT APPLICABLE

- ITEM NOT ILLUSTRATED

BRI

76-11-52-06

BOEING PROPRIETARY - Copyright © - Unpublished Work - See title page for details.

76-11-52  
FIG. 06  
PAGE 2  
JAN 20/09





757

PARTS CATALOG (MAINTENANCE)

FIG ITEM	PART NUMBER	1 2 3 4 5 6 7	NOMENCLATURE	EFFECT FROM TO	UNITS PER ASSY
6 - 25	HL1187-8		. COLLAR SUPPLIER CODE: V5M902 SPECIFICATION NUMBER: BACC30X8 OPTIONAL PART: HL87-8 V92215 HL87-8 V73197 HL1187-8 V56878 HL1187-8 V92215 HL87-8 V56878 HL1187-8 V73197	002004 006999	6
30	BACB30NF4-32		-----*----- . . BOLT- USED ON: 251N6196-37 251N6196-38 251N6196-41 251N6196-42 251N6196-49 251N6196-50 USED ON: 251N6196-25 251N6196-26	002004 006999	2
35	AN960PD416		. . WASHER	002004 006999	2

MISSING ITEM NUMBERS NOT APPLICABLE

- ITEM NOT ILLUSTRATED

BRI

76-11-52-06

BOEING PROPRIETARY - Copyright © - Unpublished Work - See title page for details.

76-11-52  
FIG. 06  
PAGE 3  
SEP 20/08



757

PARTS CATALOG (MAINTENANCE)

FIG ITEM	PART NUMBER	1 2 3 4 5 6 7	NOMENCLATURE	EFFECT FROM TO	UNITS PER ASSY
6 40	BRH10A4	..	NUT SUPPLIER CODE: V52828 SPECIFICATION NUMBER: BACN10JC4 OPTIONAL PART: T6S428J V11815 96-048 V80539 VN303A048 V92215 RMLH9075-4W V72962 NS202101-048 V80539 H10-4BAC V15653	002004 006999	2
45	65B80973-1	..	PULLEY ASSY-6 IN. DIA 3/32 IN. CABLE	002004 006999	2
50	JMKP4P25LY196	...	BEARING- SUPPLIER CODE: V40920 SPECIFICATION NUMBER: BACB10AN4 OPTIONAL PART: MKP4FS428 V21335 MKP4G20 V38443 LLMKP4 V38443 MKP4 V38443 MKP4-2TS V43991 MKP4E6531 V21335 MKP4TT V43991 MKP4SD610 V83086	002004 006999	1
55	65B81234-1	...	SHIELD	002004 006999	2
60	65B80974-1	...	SHEAVE ASSY	002004 006999	1
65	69B81362-2	....	INSERT	002004 006999	1

MISSING ITEM NUMBERS NOT APPLICABLE

- ITEM NOT ILLUSTRATED

BRI

76-11-52-06

BOEING PROPRIETARY - Copyright © - Unpublished Work - See title page for details.

76-11-52  
FIG. 06  
PAGE 4  
SEP 20/08



757

PARTS CATALOG (MAINTENANCE)

FIG ITEM	PART NUMBER	1 2 3 4 5 6 7	NOMENCLATURE	EFFECT FROM TO	UNITS PER ASSY
6					
70	65B80974-2	....	SHEAVE	002004 006999	1
75	NAS623-3-31	..	SCREW- USED ON: 251N6196-37 251N6196-38 251N6196-41 251N6196-42 251N6196-49 251N6196-50	002004 006999	2
90	AN960PD10	..	WASHER	002004 006999	2
95	NAS43DD3-54	..	SPACER	002004 006999	1
100	NAS43DD3-115	..	SPACER	002004 006999	3
110	BRH10A3	..	NUT SUPPLIER CODE: V52828 SPECIFICATION NUMBER: BACN10JC3 OPTIONAL PART: H10-3BAC V15653 NS202101-02 V80539 RMLH9075-3W V72962 VN303A02 V92215 96-02 V80539 T6S1032J V11815	002004 006999	2
115	BACS18G30B	..	SPACER	002004 006999	1
120	BACS18G105B	..	SPACER	002004 006999	1
125	BACS18G102B	..	SPACER	002004 006999	1
130	BACS18G27B	..	SPACER	002004 006999	1
- 135	BACR15FT3D	..	ATTACHING PARTS RIVET- SIZE DETERMINED ON INSTL. -----*-----	002004 006999	8
140	NAS1368N6A	..	GROMMET	002004 006999	1

MISSING ITEM NUMBERS NOT APPLICABLE

- ITEM NOT ILLUSTRATED

76-11-52-06

76-11-52  
FIG. 06  
PAGE 5  
SEP 20/08

BRI

BOEING PROPRIETARY - Copyright © - Unpublished Work - See title page for details.



757

PARTS CATALOG (MAINTENANCE)

FIG ITEM	PART NUMBER	1 2 3 4 5 6 7	NOMENCLATURE	EFFECT FROM TO	UNITS PER ASSY
6					
145	251N6196-11	..	CLIP- POSITION DATA: LH SIDE	002004 006999	1
- 150	251N6196-12	..	CLIP- POSITION DATA: RH SIDE	002004 006999	1
- 155	BACR15FT4D	..	RIVET- ATTACHING PARTS SIZE DETERMINED ON INSTL. -----*-----	002004 006999	2
160	251N6196-9	..	STIFFENER ATTACHING PARTS	002004 006999	1
- 165	BACR15FT5D	..	RIVET- SIZE DETERMINED ON INSTL. -----*-----	002004 006999	8
170	251N6196-10	..	STIFFENER ATTACHING PARTS	002004 006999	1
- 175	BACR15FT5D	..	RIVET- SIZE DETERMINED ON INSTL. -----*-----	002004 006999	7
180	251N6196-31	..	STIFFENER- USED ON: 251N6196-37 251N6196-41 251N6196-49	002004 006999	1
- 185	251N6196-32	..	STIFFENER- USED ON: 251N6196-25 251N6196-38 251N6196-42 251N6196-50	002004 006999	1
- 190	BACR15FT5D	..	RIVET- ATTACHING PARTS SIZE DETERMINED ON INSTL. -----*-----	002004 006999	5
195	251N6196-29	..	BRACE- USED ON: 251N6196-37 251N6196-41 251N6196-49	002004 006999	1
			USED ON: 251N6196-25		

MISSING ITEM NUMBERS NOT APPLICABLE

- ITEM NOT ILLUSTRATED

BRI

76-11-52-06

BOEING PROPRIETARY - Copyright © - Unpublished Work - See title page for details.

76-11-52  
FIG. 06  
PAGE 6  
SEP 20/08



757

PARTS CATALOG (MAINTENANCE)

FIG ITEM	PART NUMBER	1 2 3 4 5 6 7	NOMENCLATURE	EFFECT FROM TO	UNITS PER ASSY
6					
- 200	251N6196-30		.. BRACE- USED ON: 251N6196-38 251N6196-42 251N6196-50 USED ON: 251N6196-26	002004 006999	1
205	251N6196-19		.. ANGLE  ATTACHING PARTS	002004 006999	1
- 210	BACR15FT5D		.. RIVET- SIZE DETERMINED ON INSTL. -----*-----	002004 006999	4
215	251N6196-43		.. PLATE- POSITION DATA: LH SIDE USED ON: 251N6196-41 251N6196-49	002004 006102 107999	1
- 220	251N6196-44		.. PLATE- POSITION DATA: RH SIDE USED ON: 251N6196-42 251N6196-50 ATTACHING PARTS	002004 006102 107999	1
- 225	BACR15FT5D		.. RIVET- SIZE DETERMINED ON INSTL. -----*-----	002004 006999	13
230	251N6196-45		.. BRACKET- POSITION DATA: LH SIDE USED ON: 251N6196-41 251N6196-49	002004 006102 107999	1
- 235	251N6196-46		.. BRACKET- POSITION DATA: RH SIDE USED ON: 251N6196-42 251N6196-50	002004 006102 107999	1
- 240	251N6196-51		.. SUB KIT ASSY- OPTIONAL PART: 251N6196-52	002004 006999	1
- 240	251N6196-52		.. SUB KIT ASSY- OPTIONAL PART: 251N6196-51	002004 006999	1

MISSING ITEM NUMBERS NOT APPLICABLE

- ITEM NOT ILLUSTRATED

76-11-52-06

76-11-52  
FIG. 06  
PAGE 7  
JAN 20/09

BRI

BOEING PROPRIETARY - Copyright © - Unpublished Work - See title page for details.



757

PARTS CATALOG (MAINTENANCE)

FIG ITEM	PART NUMBER	1 2 3 4 5 6 7	NOMENCLATURE	EFFECT FROM TO	UNITS PER ASSY
6					
- 245	251N6196-53	..	SUB KIT ASSY- OPTIONAL PART: 251N6196-54	002004 006999	1
- 245	251N6196-54	..	SUB KIT ASSY- OPTIONAL PART: 251N6196-53	002004 006999	1
250	HL1012AZ6-15	...	BOLT- SUPPLIER CODE: V97928 SPECIFICATION NUMBER: BACB30NX6K15 OPTIONAL PART: HL12VAZ6-15 V73197 HL12VAZ6-15 V92215 HL12VAZ6-15 V97928 L802-6K15 V06725 HL1012AZ6-15 VOPTK6 HL1012AZ6-15 V06725 HL1012AZ6-15 V06950 HL1012AZ6-15 V17446 HL1012AZ6-15 V56878 HL1012AZ6-15 V60516 HL1012AZ6-15 V73197 USED ON: 251N6196-51	002004 006999	1
250	NAS623-3-16	...	SCREW- USED ON: 251N6196-52	002004 006999	1

MISSING ITEM NUMBERS NOT APPLICABLE

- ITEM NOT ILLUSTRATED

BRI

76-11-52-06

BOEING PROPRIETARY - Copyright © - Unpublished Work - See title page for details.

76-11-52  
FIG. 06  
PAGE 8  
SEP 20/08



757

PARTS CATALOG (MAINTENANCE)

FIG ITEM	PART NUMBER	1 2 3 4 5 6 7	NOMENCLATURE	EFFECT FROM TO	UNITS PER ASSY
6 255	HL1012AZ6-30	...	BOLT- SUPPLIER CODE: V97928 SPECIFICATION NUMBER: BACB30NX6K30 OPTIONAL PART: HL12VAZ6-30 V73197 HL12VAZ6-30 V92215 HL12VAZ6-30 V97928 L802-6K30 V06725 HL12VAZ6-30 V56878 HL1012AZ6-30 VOPTK6 HL1012AZ6-30 V06725 HL1012AZ6-30 V06950 HL1012AZ6-30 V17446 HL1012AZ6-30 V56878 HL1012AZ6-30 V60516 HL1012AZ6-30 V73197 USED ON: 251N6196-53	002004 006999	1
255	NAS623-3-31	...	SCREW- USED ON: 251N6196-54	002004 006999	1
260	AN960PD10	...	WASHER- USED ON: 251N6196-52 251N6196-54	002004 006999	1

MISSING ITEM NUMBERS NOT APPLICABLE

- ITEM NOT ILLUSTRATED

BRI

76-11-52-06

BOEING PROPRIETARY - Copyright © - Unpublished Work - See title page for details.

76-11-52  
FIG. 06  
PAGE 9  
SEP 20/08



757

PARTS CATALOG (MAINTENANCE)

FIG ITEM	PART NUMBER	1 2 3 4 5 6 7	NOMENCLATURE	EFFECT FROM TO	UNITS PER ASSY
6 265	HL1187-6		... COLLAR- SUPPLIER CODE: V5M902 SPECIFICATION NUMBER: BACC30X6 OPTIONAL PART: HL87-6 V92215 HL87-6 V73197 HL1187-6 V56878 HL1187-6 V92215 HL87-6 V56878 HL1187-6 V73197 USED ON: 251N6196-51 251N6196-53	002004 006999	1
270	PLH53CD		... NUT- SUPPLIER CODE: VF0224 SPECIFICATION NUMBER: BACN10YR3CD OPTIONAL PART: H52732-3CD V15653 USED ON: 251N6196-52	002004 006999	1

MISSING ITEM NUMBERS NOT APPLICABLE

- ITEM NOT ILLUSTRATED

BRI

76-11-52-06

BOEING PROPRIETARY - Copyright © - Unpublished Work - See title page for details.

76-11-52  
 FIG. 06  
 PAGE 10  
 JAN 20/09





757

PARTS CATALOG (MAINTENANCE)

FIG ITEM	PART NUMBER	1 2 3 4 5 6 7	NOMENCLATURE	EFFECT FROM TO	UNITS PER ASSY
6 275	BRH10A3		. . . NUT- SUPPLIER CODE: V52828 SPECIFICATION NUMBER: BACN10JC3 OPTIONAL PART: H10-3BAC V15653 NS202101-02 V80539 RMLH9075-3W V72962 VN303A02 V92215 96-02 V80539 T6S1032J V11815 USED ON: 251N6196-54	002004 006999	1

MISSING ITEM NUMBERS NOT APPLICABLE

- ITEM NOT ILLUSTRATED

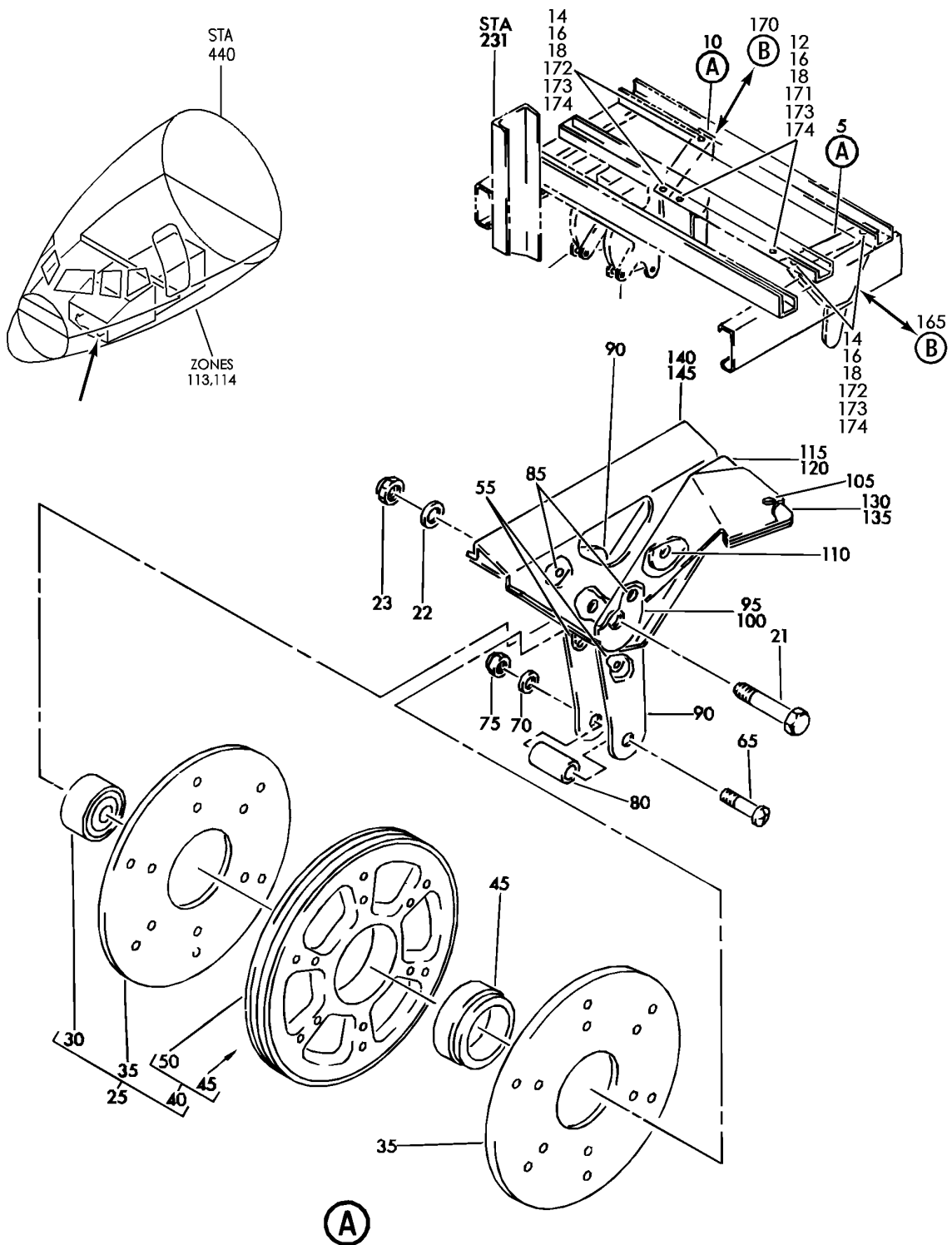
BRI

# 76-11-52-06

BOEING PROPRIETARY - Copyright © - Unpublished Work - See title page for details.

76-11-52  
FIG. 06  
PAGE 11  
SEP 20/08

**BOEING**  
757  
PARTS CATALOG (MAINTENANCE)



Y 76115301 SHT 1 REV 229

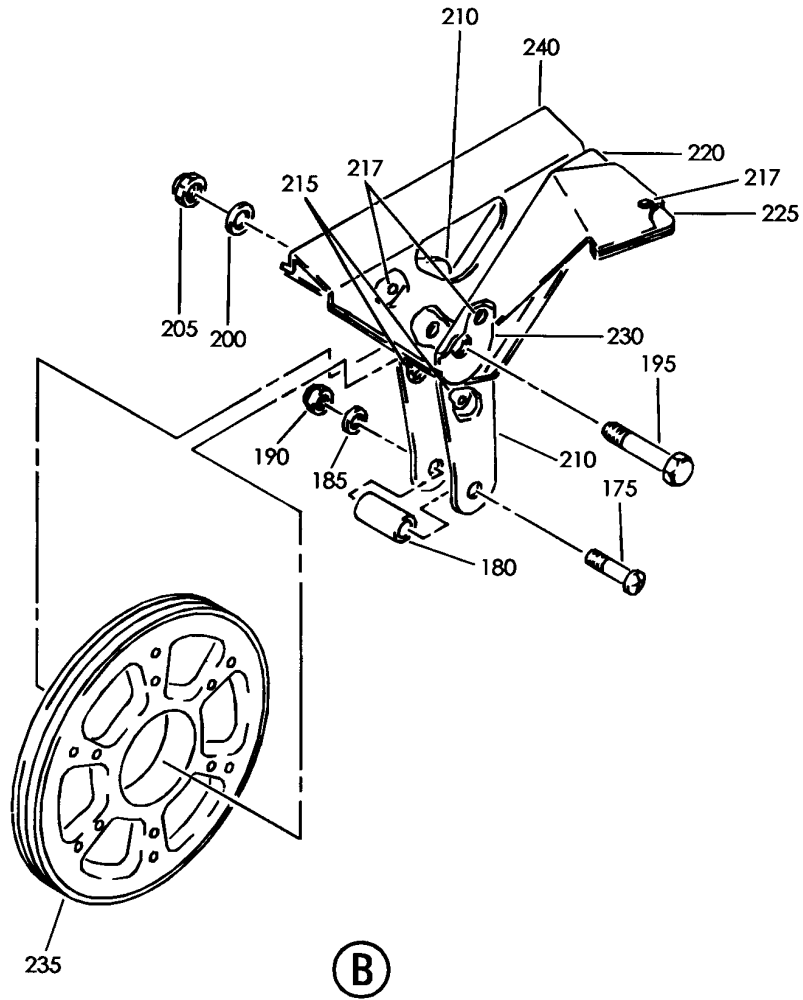
BRACKET INSTL-PULLEY STA 230 THRU STA 247  
FIGURE 1 (SHEET 1)

**76-11-53-01**

BRI  
MAY 28/07

76-11-53-01  
PAGE 0

**BOEING**  
757  
PARTS CATALOG (MAINTENANCE)



Y 76115301 SHT 2 REV 200

BRACKET INSTL-PULLEY STA 230 THRU STA 247  
FIGURE 1 (SHEET 2)

**76-11-53-01**

BRI  
MAY 28/07

76-11-53-01  
PAGE 0A



757

PARTS CATALOG (MAINTENANCE)

FIG ITEM	PART NUMBER	1 2 3 4 5 6 7	NOMENCLATURE	EFFECT FROM TO	UNITS PER ASSY
1			BRACKET INSTL-PULLEY STA 230 THRU STA 247	002004 006999	
- 1	251N6001-3		BRACKET INSTL-PULLEY POSITION DATA: STA 230 THRU 247 VARIABLE DRAWING REF: 251N6001-5 FOR NHA/OTHER SYS DET SEE: 27-31-00-02	107107 904949	RF
- 1	251N6001-8		BRACKET INSTL-PULLEY POSITION DATA: STA 230 THRU 247 VARIABLE DRAWING REF: 251N6001-5 FOR NHA/OTHER SYS DET SEE: 27-31-00-02	003004 006100 121503 950999	RF
5	251N6103-1		.BRACKET ASSY-TLA POSITION DATA: STA 230 THRU STA 247	002004 006100 107107 121503 904999	1
10	251N6103-2		.BRACKET ASSY-TRA POSITION DATA: STA 230 THRU STA 247	002004 006100 107107 121503 904999	1
12	BACB30NF4-3		ATTACHING PARTS .BOLT	002004 006100 107107 121503 904999	2
14	BACB30NF4-2		.BOLT	002004 006100 107107 121503 904999	4
16	AN960PD416		.WASHER	002004 006100 107107 121503 904999	6

MISSING ITEM NUMBERS NOT APPLICABLE

- ITEM NOT ILLUSTRATED

BRI

76-11-53-01

BOEING PROPRIETARY - Copyright © - Unpublished Work - See title page for details.

76-11-53  
FIG. 01  
PAGE 1  
JAN 20/09



757

PARTS CATALOG (MAINTENANCE)

FIG ITEM	PART NUMBER	1 2 3 4 5 6 7	NOMENCLATURE	EFFECT FROM TO	UNITS PER ASSY
1 18	BRH10A4	.NUT	SUPPLIER CODE: V52828 SPECIFICATION NUMBER: BACN10JC4 OPTIONAL PART: T6S428J V11815 96-048 V80539 VN303A048 V92215 RMLH9075-4W V72962 NS202101-048 V80539 H10-4BAC V15653	002004 006100 107107 121503 904999	6
21	BACB30NF4-14	..BOLT	-----*-----	002004 006100 107107 121503 904999	1
22	AN960PD416	..WASHER		002004 006100 107107 121503 904999	1
23	BRH10A4	..NUT	SUPPLIER CODE: V52828 SPECIFICATION NUMBER: BACN10JC4 OPTIONAL PART: T6S428J V11815 96-048 V80539 VN303A048 V92215 RMLH9075-4W V72962 NS202101-048 V80539 H10-4BAC V15653	002004 006100 107107 121503 904999	1

MISSING ITEM NUMBERS NOT APPLICABLE

- ITEM NOT ILLUSTRATED

BRI

76-11-53-01

BOEING PROPRIETARY - Copyright © - Unpublished Work - See title page for details.

76-11-53  
FIG. 01  
PAGE 2  
JAN 20/09



757

PARTS CATALOG (MAINTENANCE)

FIG ITEM	PART NUMBER	1 2 3 4 5 6 7	NOMENCLATURE	EFFECT FROM TO	UNITS PER ASSY
1					
25	65B80977-1		..PULLEY ASSY-4 IN. DIA 3/32 IN. CABLE FOR SPARES PROCURE: BACP30M4	002004 006100 107107 121503 904999	1
30	JMKP4P25LY196		...BEARING- SUPPLIER CODE: V40920 SPECIFICATION NUMBER: BACB10AN4 OPTIONAL PART: MKP4FS428 V21335 MKP4G20 V38443 LLMKP4 V38443 MKP4 V38443 MKP4-2TS V43991 MKP4E6531 V21335 MKP4TT V43991 MKP4SD610 V83086	002004 006100 107107 121503 904999	1
35	69B81979-1		...SHIELD	002004 006100 107107 121503 904999	2
40	65B80978-1		...SHEAVE ASSY	002004 006100 107107 121503 904999	1
45	69B81362-2		....INSERT	002004 006100 107107 121503 904999	1
50	65B80978-2		....SHEAVE	002004 006100 107107 121503 904999	1

MISSING ITEM NUMBERS NOT APPLICABLE

- ITEM NOT ILLUSTRATED

BRI

76-11-53-01

BOEING PROPRIETARY - Copyright © - Unpublished Work - See title page for details.

76-11-53  
FIG. 01  
PAGE 3  
JAN 20/09

 **BOEING**  
757  
**PARTS CATALOG (MAINTENANCE)**

FIG ITEM	PART NUMBER	1 2 3 4 5 6 7	NOMENCLATURE	EFFECT FROM TO	UNITS PER ASSY
1	55 NAS463TKDD416		.. SPACER	002004 006100 107107 121503 904999	2
- 60	BACR15BA3AD		ATTACHING PARTS .. RIVET- SIZE DETERMINED ON INSTL.	002004 006100 107107 121503 904999	4
65	NAS623-3-12		-----*----- .. SCREW	002004 006100 107107 121503 904999	1
70	AN960PD10		.. WASHER	002004 006100 107107 121503 904999	1
75	BRH10A3		.. NUT SUPPLIER CODE: V52828 SPECIFICATION NUMBER: BACN10JC3 OPTIONAL PART: H10-3BAC V15653 NS202101-02 V80539 RMLH9075-3W V72962 VN303A02 V92215 96-02 V80539 T6S1032J V11815	002004 006100 107107 121503 904999	1
80	NAS42DD6-39		.. SPACER	002004 006100 107107 121503 904999	1

MISSING ITEM NUMBERS NOT APPLICABLE

- ITEM NOT ILLUSTRATED

BRI

# 76-11-53-01

BOEING PROPRIETARY - Copyright © - Unpublished Work - See title page for details.

76-11-53  
FIG. 01  
PAGE 4  
JAN 20/09

**BOEING**  
757  
PARTS CATALOG (MAINTENANCE)

FIG ITEM	PART NUMBER	1 2 3 4 5 6 7	NOMENCLATURE	EFFECT FROM TO	UNITS PER ASSY
1	85	BACR15BA5AD	..RIVET- SIZE DETERMINED ON INSTL.	002004 006100 107107 121503 904999	3
	90	251N6103-11	..SUPPORT-GUARD	002004 006100 107107 121503 904999	2
	95	251N6103-5	..SUPPORT- USED ON: 251N6103-1	002004 006100 107107 121503 904999	1
	100	251N6103-6	..SUPPORT- USED ON: 251N6103-2	002004 006100 107107 121503 904999	1
	105	BACR15BA5AD	ATTACHING PARTS ..RIVET- SIZE DETERMINED ON INSTL.	002004 006100 107107 121503 904999	1
	110	BACR15BA4AD	..RIVET- SIZE DETERMINED ON INSTL.	002004 006100 107107 121503 904999	1
	115	251N6103-7	-----*----- ..CLIP- USED ON: 251N6103-1	002004 006100 107107 121503 904999	1
	120	251N6103-8	..CLIP- USED ON: 251N6103-2	002004 006100 107107 121503 904999	1
-	125	BACR15BA5AD	ATTACHING PARTS ..RIVET- SIZE DETERMINED ON INSTL.  -----*-----	002004 006100 107107 121503 904999	2

MISSING ITEM NUMBERS NOT APPLICABLE

- ITEM NOT ILLUSTRATED

BRI

# 76-11-53-01

BOEING PROPRIETARY - Copyright © - Unpublished Work - See title page for details.

76-11-53  
FIG. 01  
PAGE 5  
JAN 20/09





757

PARTS CATALOG (MAINTENANCE)

FIG ITEM	PART NUMBER	1 2 3 4 5 6 7	NOMENCLATURE	EFFECT FROM TO	UNITS PER ASSY
1					
130	251N6103-9	..	FILLER-RADIUS USED ON: 251N6103-1	002004 006100 107107 121503 904999	1
135	251N6103-10	..	FILLER-RADIUS USED ON: 251N6103-2	002004 006100 107107 121503 904999	1
140	251N6103-3	..	BRACKET- USED ON: 251N6103-1	002004 006100 107107 121503 904999	1
145	251N6103-4	..	BRACKET- USED ON: 251N6103-2	002004 006100 107107 121503 904999	1
- 160	251N6001-17		BRACKET INSTL-PULLEY POSITION DATA: STA 240 THRU 260 FOR NHA SEE: 76-11-00-01	101102 108120 504903	RF
- 160	MODREF7874		BRACKET INSTL-PULLEY MODULE NUMBER: 251N6001-17 REV A POSITION DATA: STA 240 THRU 260	103106	1
165	251N6103-13	.BRACKET ASSY-TLA POSITION DATA: STA 240 THRU 260		101106 108120 504903	1
170	251N6103-14	.BRACKET ASSY-TRA POSITION DATA: STA 240 THRU 260		101106 108120 504903	1
171	BACB30NF4-3	.BOLT	ATTACHING PARTS	101106 108120 504903	2
172	BACB30NF4-2	.BOLT		101106 108120 504903	4
173	NAS1149D0463J	.WASHER		101106 108120 504903	6

MISSING ITEM NUMBERS NOT APPLICABLE

- ITEM NOT ILLUSTRATED

76-11-53-01

76-11-53  
FIG. 01  
PAGE 6  
JAN 20/09

BRI



757

PARTS CATALOG (MAINTENANCE)

FIG ITEM	PART NUMBER	1 2 3 4 5 6 7	NOMENCLATURE	EFFECT FROM TO	UNITS PER ASSY
1 174	BRH10C4D	.NUT	SUPPLIER CODE: V52828 SPECIFICATION NUMBER: BACN10JC4CD OPTIONAL PART: T6C428JCD V11815 NS202486-048 V80539 102LH9075-4W V72962 H51650-4BAC V15653	101106 108120 504903	6
175	NAS623-3-12	..SCREW	-----*-----	101106 108120 504903	1
180	NAS42DD6-39FC	..SPACER		101106 108120 504903	1
185	NAS1149D0363J	..WASHER		101106 108120 504903	1
190	BRH10C3D	..NUT	SUPPLIER CODE: V52828 SPECIFICATION NUMBER: BACN10JC3CD OPTIONAL PART: T6C1032JCD V11815 NS202486-02 V80539 102LH9075-3W V72962 H51650-3BAC V15653	101106 108120 504903	1
195	BACB30NF4-14	..BOLT		101106 108120 504903	1
200	NAS1149DD463J	..WASHER		101106 108120 504903	1

MISSING ITEM NUMBERS NOT APPLICABLE

- ITEM NOT ILLUSTRATED

BRI

76-11-53-01

BOEING PROPRIETARY - Copyright © - Unpublished Work - See title page for details.

76-11-53  
FIG. 01  
PAGE 7  
JAN 20/09



757

PARTS CATALOG (MAINTENANCE)

FIG ITEM	PART NUMBER	1 2 3 4 5 6 7	NOMENCLATURE	EFFECT FROM TO	UNITS PER ASSY
1 205	BRH10C4D	..	NUT SUPPLIER CODE: V52828 SPECIFICATION NUMBER: BACN10JC4CD OPTIONAL PART: T6C428JCD V11815 NS202486-048 V80539 102LH9075-4W V72962 H51650-4BAC V15653	101106 108120 504903	1
210	251N6103-11	..	SUPPORT-GUARD	101106 108120 504903	2
215	NAS463TKDD416	..	SPACER	101106 108120 504903	2
217	BACR15BA5AD	..	RIVET	101106 108120 504903	2
220	251N6103-15	..	CLIP	101106 108120 504903	1
225	251N6103-9	..	FILLER-RADIUS	101106 108120 504903	1
230	251N6103-5	..	SUPPORT-BRACKET	101106 108120 504903	1
235	BACP30MA	..	PULLEY	101106 108120 504903	1
240	251N6103-3	..	BRACKET	101106 108120 504903	1

MISSING ITEM NUMBERS NOT APPLICABLE

- ITEM NOT ILLUSTRATED

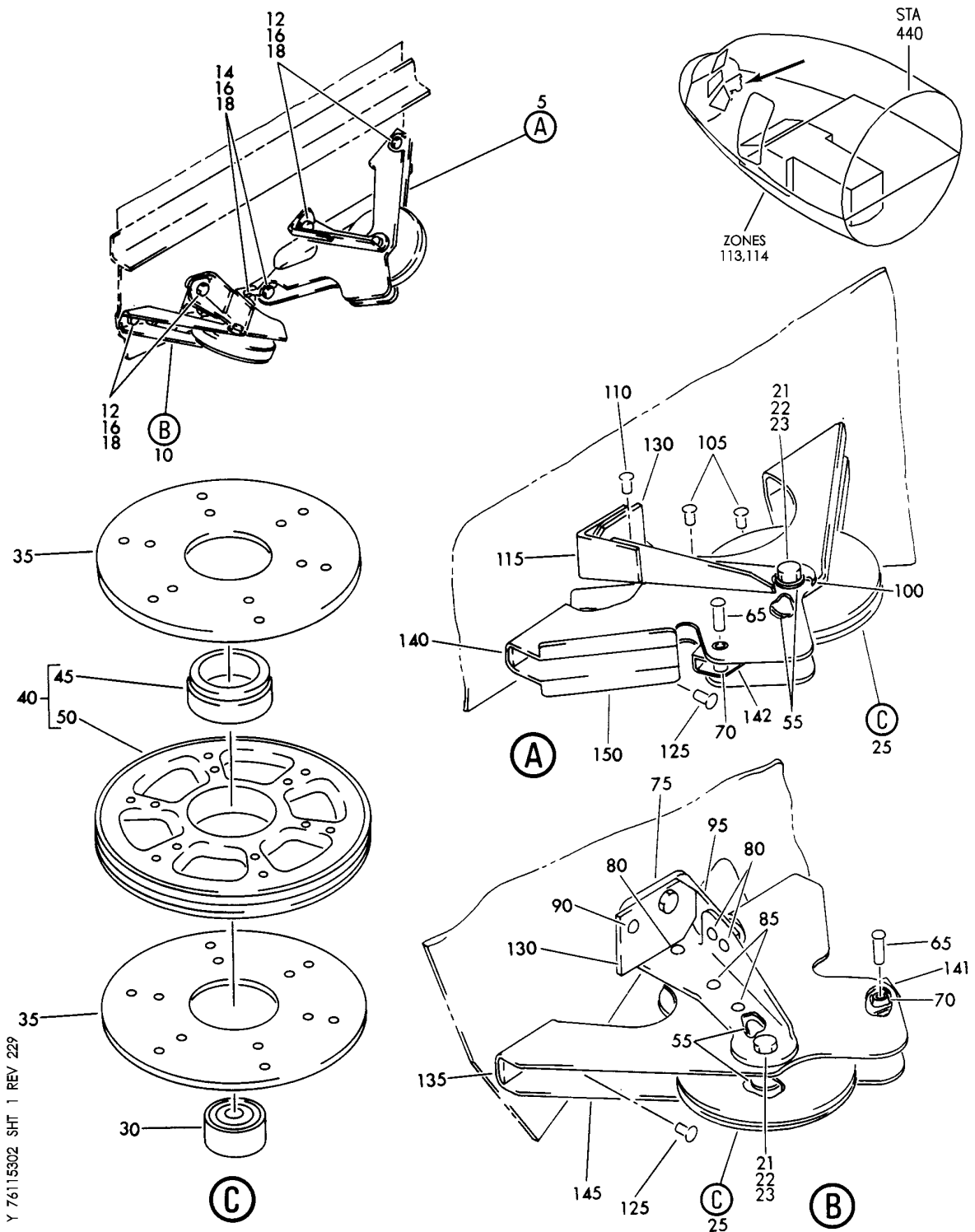
BRI

76-11-53-01

BOEING PROPRIETARY - Copyright © - Unpublished Work - See title page for details.

76-11-53  
FIG. 01  
PAGE 8  
JAN 20/09

**BOEING**  
757  
PARTS CATALOG (MAINTENANCE)



Y 76115302 SHT 1 REV 229

BRACKET INSTL-STA 230 THRU STA 247 PULLEY (RB211-535)  
FIGURE 2

**76-11-53-02**

BRI  
MAY 28/07

76-11-53-02  
PAGE 0



757

PARTS CATALOG (MAINTENANCE)

FIG ITEM	PART NUMBER	1 2 3 4 5 6 7	NOMENCLATURE	EFFECT FROM TO	UNITS PER ASSY
2			BRACKET INSTL-STA 230 THRU STA 247 PULLEY (RB211-535)	002004 006999	
- 1	251N6001-3		BRACKET INSTL-PULLEY POSITION DATA: STA 230 THRU STA 247 VARIABLE DRAWING REF: 251N6001-5 251N6001-6 FOR NHA/OTHER SYS DET SEE: 27-31-00-02	107107 904949	RF
- 1	251N6001-8		BRACKET INSTL-PULLEY POSITION DATA: STA 230 THRU STA 247 VARIABLE DRAWING REF: 251N6001-5 251N6001-6 FOR NHA/OTHER SYS DET SEE: 27-31-00-02	003004 006100 121503 950999	RF
- 1	251N6001-17		BRACKET INSTL-PULLEY POSITION DATA: STA 230 THRU STA 247 FOR NHA SEE: 76-11-00-01	101102 108120 504903	RF
- 1	MODREF7874		BRACKET INSTL-PULLEY MODULE NUMBER: 251N6001-17 REV A POSITION DATA: STA 230 THRU STA 247	103106	1
5	251N6108-13		.BRACKET ASSY-TRB POSITION DATA: STA 240 THRU STA 247	006100 950951 953999	1
5	251N6108-11		.BRACKET ASSY-TRB POSITION DATA: STA 240 THRU STA 247	002004 107107 121503 904949 952952	1
5	251N6108-17		.BRACKET ASSY-TRB POSITION DATA: STA 240 THRU STA 247	101106 108120 504903	1
10	251N6104-7		.BRACKET ASSY-TLB POSITION DATA: STA 240 THRU STA 247	002004 006017 107107 121503 904999	1
10	251N6104-9		.BRACKET ASSY-TLB POSITION DATA: STA 240 THRU STA 247	018106 108120 504903	1

MISSING ITEM NUMBERS NOT APPLICABLE

- ITEM NOT ILLUSTRATED

76-11-53-02

76-11-53  
FIG. 02  
PAGE 1  
JAN 20/09

BRI



757

PARTS CATALOG (MAINTENANCE)

FIG ITEM	PART NUMBER	1 2 3 4 5 6 7	NOMENCLATURE	EFFECT FROM TO	UNITS PER ASSY
2			ATTACHING PARTS		
12	BACB30NF4-3	.BOLT		002004 006999	4
14	BACB30NF4-4	.BOLT		002004 006999	2
16	AN960PD416	.WASHER		002004 006999	6
18	BRH10A4	.NUT		002004 006999	6
			SUPPLIER CODE: V52828		
			SPECIFICATION NUMBER: BACN10JC4		
			OPTIONAL PART: T6S428J		
			V11815		
			96-048		
			V80539		
			VN303A048		
			V92215		
			RMLH9075-4W		
			V72962		
			NS202101-048		
			V80539		
			H10-4BAC		
			V15653		
			-----*-----		
21	BACB30NF4-14	..BOLT-		002004 006999	1
22	AN960PD416	..WASHER		002004 006999	1
23	BRH10A4	..NUT		002004 006999	1
			SUPPLIER CODE: V52828		
			SPECIFICATION NUMBER: BACN10JC4		
			OPTIONAL PART: T6S428J		
			V11815		
			96-048		
			V80539		
			VN303A048		
			V92215		
			RMLH9075-4W		
			V72962		
			NS202101-048		
			V80539		
			H10-4BAC		
			V15653		

MISSING ITEM NUMBERS NOT APPLICABLE

- ITEM NOT ILLUSTRATED

BRI

76-11-53-02

76-11-53  
FIG. 02  
PAGE 2  
JAN 20/09



757

PARTS CATALOG (MAINTENANCE)

FIG ITEM	PART NUMBER	1 2 3 4 5 6 7	NOMENCLATURE	EFFECT FROM TO	UNITS PER ASSY
2					
25	65B80977-1	..	PULLEY ASSY-4 IN. DIA 3/32 IN. CABLE FOR SPARES PROCURE: BACP30M4	002004 006999	1
30	JMKP4P25LY196	...	BEARING- SUPPLIER CODE: V40920 SPECIFICATION NUMBER: BACB10AN4 OPTIONAL PART: MKP4FS428 V21335 MKP4G20 V38443 LLMKP4 V38443 MKP4 V38443 MKP4-2TS V43991 MKP4E6531 V21335 MKP4TT V43991 MKP4SD610 V83086	002004 006999	1
35	69B81979-1	...	SHIELD	002004 006999	2
40	65B80978-1	...	SHEAVE ASSY	002004 006999	1
45	69B81362-2	....	INSERT-	002004 006999	1
50	65B80978-2	....	SHEAVE	002004 006999	1
55	NAS463TKDD416H	..	SPACER	002004 006999	2
60	BACR15BA3AD	..	RIVET- SIZE DETERMINED ON INSTL.	002004 006999	4
65	BACR15FT4D	..	RIVET- SIZE DETERMINED ON INSTL.	002004 006999	2
70	NAS42DD4-42	..	SPACER	002004 006999	2
75	251N6104-3	..	SUPPORT- USED ON: 251N6104-7 251N6104-9 ATTACHING PARTS	002004 006999	1
80	BACR15FT5D	..	RIVET- SIZE DETERMINED ON INSTL.	002004 006999	3

MISSING ITEM NUMBERS NOT APPLICABLE

- ITEM NOT ILLUSTRATED

76-11-53-02

76-11-53  
FIG. 02  
PAGE 3  
JAN 20/09

BRI

BOEING PROPRIETARY - Copyright © - Unpublished Work - See title page for details.



757

PARTS CATALOG (MAINTENANCE)

FIG ITEM	PART NUMBER	1 2 3 4 5 6 7	NOMENCLATURE	EFFECT FROM TO	UNITS PER ASSY
2					
85	BACR15BA5AD	..	RIVET- SIZE DETERMINED ON INSTL. -----*-----	002004 006999	2
90	BACR15BA4AD	..	RIVET- SIZE DETERMINED ON INSTL.	002004 006999	1
95	251N6104-4	..	CLIP-SPRT USED ON: 251N6104-7	002004 006017 107107 121503 904999	1
95	251N6104-10	..	CLIP-SPRT USED ON: 251N6104-9	018106 108120 504903	1
100	251N6108-3	..	STIFFENER- USED ON: 251N6108-11 251N6108-13 251N6108-17 ATTACHING PARTS	002004 006999	1
105	BACR15BA5AD	..	RIVET- SIZE DETERMINED ON INSTL.	002004 006999	2
110	BACR15FT5D	..	RIVET- SIZE DETERMINED ON INSTL. -----*-----	002004 006999	1
115	251N6108-4	..	CLIP- USED ON: 251N6108-11	002004 107107 121503 904949 952952	1
115	251N6108-14	..	CLIP- USED ON: 251N6108-13 251N6108-17 ATTACHING PARTS	006106 108120 504903 950951 953999	1
- 120	BACR15FT5D	..	RIVET- SIZE DETERMINED ON INSTL. -----*-----	002004 006999	2
125	BACR15BA5AD	..	RIVET- SIZE DETERMINED ON INSTL.	002004 006999	1
130	251N6104-5	..	FILLER-RADIUS	002004 006999	1
135	50-3361-8503	..	FILLER-RADIUS USED ON: 251N6104-7 251N6104-9	002004 006999	1

MISSING ITEM NUMBERS NOT APPLICABLE

- ITEM NOT ILLUSTRATED

76-11-53-02

76-11-53  
FIG. 02  
PAGE 4  
JAN 20/09

BRI





757

PARTS CATALOG (MAINTENANCE)

FIG ITEM	PART NUMBER	1 2 3 4 5 6 7	NOMENCLATURE	EFFECT FROM TO	UNITS PER ASSY
2					
140	251N6108-5	..	FILLER-RADIUS USED ON: 251N6108-11 251N6108-13	002004 006100 107107 121503 904999	1
140	251N6108-18	..	FILLER-RADIUS USED ON: 251N6108-17	101106 108120 504903	1
141	251N6108-12	..	CLIP-GUARD USED ON: 251N6104-7 251N6104-9	002004 006999	1
142	251N6108-9	..	CLIP-GUARD USED ON: 251N6108-11 251N6108-13 251N6108-17	002004 006999	1
- 143	BACR15BA5AD	..	RIVET- SIZE DETERMINED ON INSTL. -----*-----	002004 006999	2
145	251N6104-2	..	BRACKET- USED ON: 251N6104-7 251N6104-9	002004 006999	1
150	251N6108-2	..	BRACKET- USED ON: 251N6108-11 251N6108-13 251N6108-17	002004 006999	1

MISSING ITEM NUMBERS NOT APPLICABLE

- ITEM NOT ILLUSTRATED

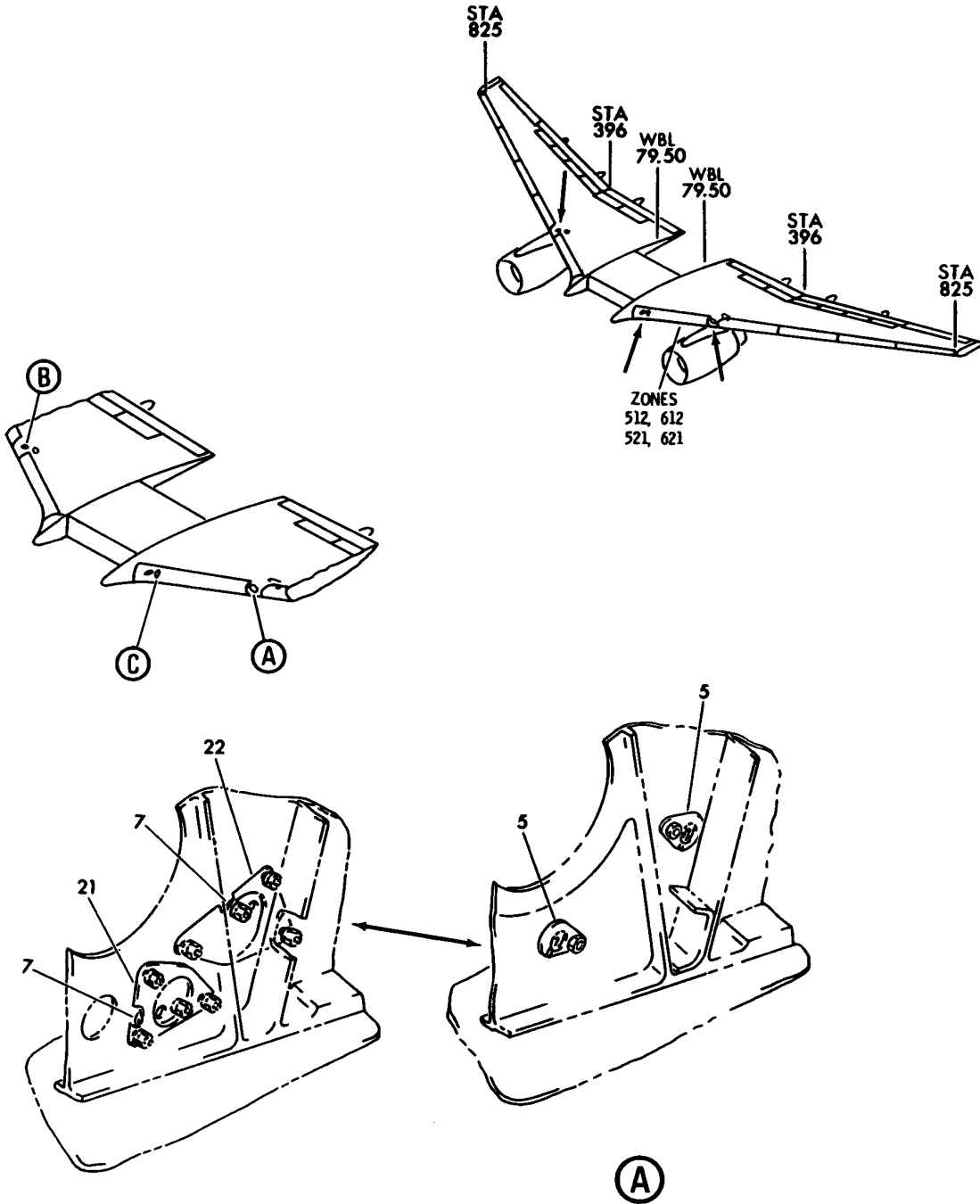
BRI

76-11-53-02

BOEING PROPRIETARY - Copyright © - Unpublished Work - See title page for details.

76-11-53  
FIG. 02  
PAGE 5  
JAN 20/09

**BOEING**  
757  
PARTS CATALOG (MAINTENANCE)



Y 76115401 SH1 1 REV 206

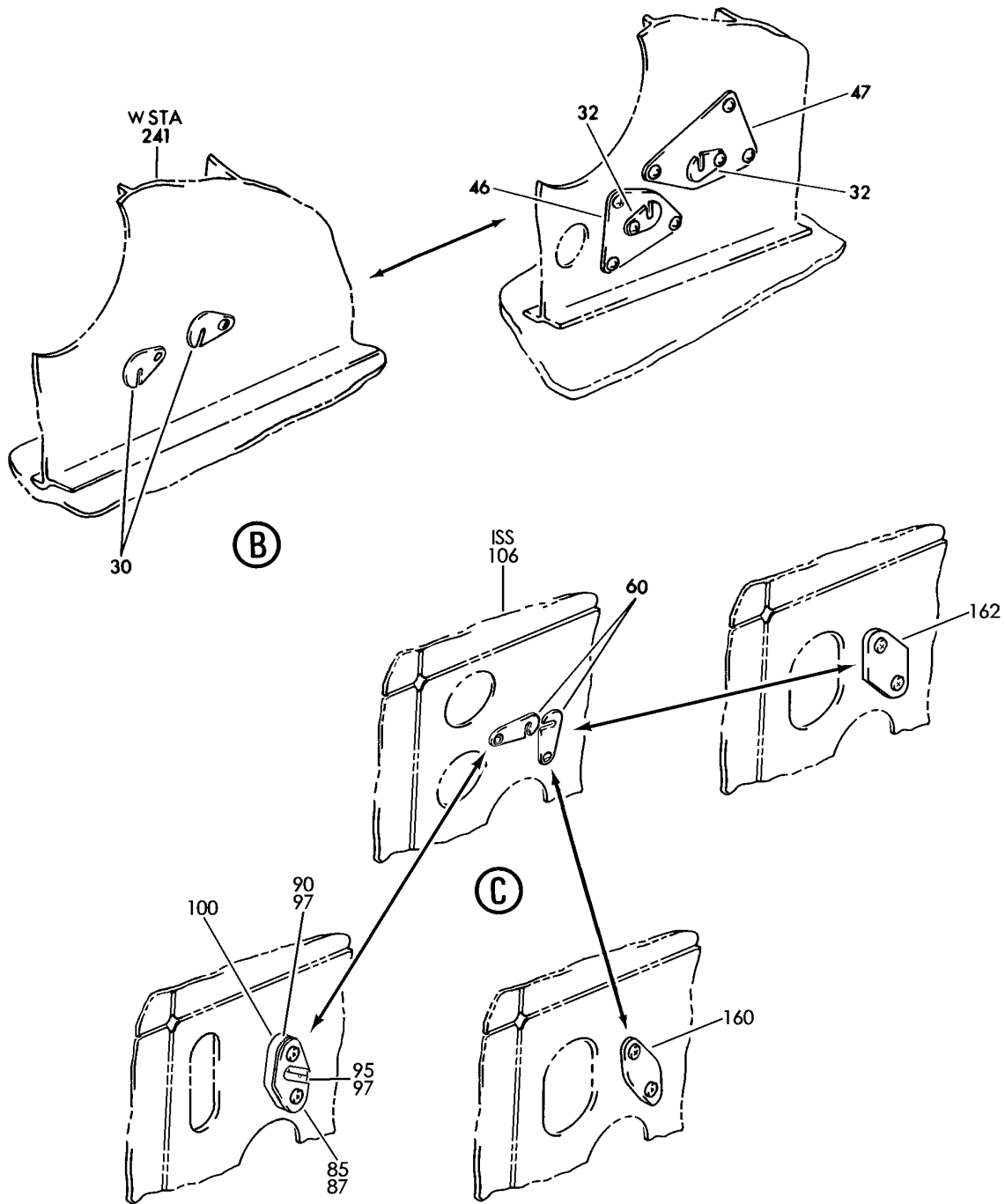
SEAL INSTL-ENG CONT CABLES WING LE VAPOR AND PLATE INSTL-SEAL ENG CONT (RB211-535)  
FIGURE 1 (SHEET 1)

**76-11-54-01**

BRI  
MAY 28/07

76-11-54-01  
PAGE 0

**BOEING**  
757  
PARTS CATALOG (MAINTENANCE)



Y 76115401 SHT 2 REV 222

SEAL INSTL-ENG CONT CABLES WING LE VAPOR AND PLATE INSTL-SEAL ENG CONT (RB211-535)  
FIGURE 1 (SHEET 2)

BRI  
MAY 28/07

**76-11-54-01**

76-11-54-01  
PAGE 0A

 **BOEING**  
757  
**PARTS CATALOG (MAINTENANCE)**

FIG ITEM	PART NUMBER	1 2 3 4 5 6 7	NOMENCLATURE	EFFECT FROM TO	UNITS PER ASSY
1			SEAL INSTL-ENG CONT CABLES WING LE VAPOR AND PLATE INSTL-SEAL ENG CONT (RB211-535)	002004 006999	
- 1	251N6055-7		SEAL INSTL-ENG CONT CABLES WING LE VAPOR LH POSITION DATA: LH FOR NHA SEE: 76-11-57-01 76-11-00-01	002004 006102 107999	RF
- 1	MODREF8574		SEAL INSTL-ENG CONT CABLES WING LE VAPOR LH MODULE NUMBER: 251N6055-7 REV A POSITION DATA: LH	103106	1
7	69-68128-3		.SEAL- OPTIONAL PART: 69-68128-4	002004 006999	2
7	69-68128-4		.SEAL- OPTIONAL PART: 69-68128-3	002004 006999	2
- 10	BACS12CK3-7		ATTACHING PARTS .SCREW	002004 006999	2
- 15	AN960PD10L		.WASHER-	002004 006999	4
- 15	AN960KD10L		.WASHER-	002004 006999	4
			-----*-----		
21	251N6329-1		.PLATE	002004 006999	1
22	251N6329-3		.PLATE	002004 006999	1
			ATTACHING PARTS		
- 23	BACB30NF4-4		.BOLT	002004 006999	3
- 24	AN960KD416		.WASHER	002004 006999	6
			-----*-----		
- 25	251N6055-8		SEAL INSTL-ENG CONT CABLES WING LE VAPOR POSITION DATA: RH FOR NHA SEE: 76-11-57-01 76-11-00-01	002004 006102 107999	RF

MISSING ITEM NUMBERS NOT APPLICABLE

- ITEM NOT ILLUSTRATED

BRI

# 76-11-54-01

BOEING PROPRIETARY - Copyright © - Unpublished Work - See title page for details.

76-11-54  
FIG. 01  
PAGE 1  
JAN 20/09



757

PARTS CATALOG (MAINTENANCE)

FIG ITEM	PART NUMBER	1 2 3 4 5 6 7	NOMENCLATURE	EFFECT FROM TO	UNITS PER ASSY
1					
- 25	MODREF8575		SEAL INSTL-ENG CONT CABLES WING LE VAPOR MODULE NUMBER: 251N6055-8 REV A POSITION DATA: RH	103106	1
32	69-68128-3		.SEAL- OPTIONAL PART: 69-68128-4	002004 006999	2
32	69-68128-4		.SEAL- OPTIONAL PART: 69-68128-3	002004 006999	2
- 35	BACS12CK3-7		ATTACHING PARTS .SCREW	002004 006999	2
- 40	AN960PD10L		.WASHER-	002004 006999	4
- 40	AN960KD10L		.WASHER-	002004 006999	4
			-----*-----		
46	251N6329-2		.PLATE	002004 006999	1
47	251N6329-4		.PLATE	002004 006999	1
			ATTACHING PARTS		
- 48	BACB30NF4-4		.BOLT	002004 006999	3
- 49	AN960KD416		.WASHER	002004 006999	6
			-----*-----		
- 50	251N6055-9		SEAL INSTL-ENG CONT CABLES WING LE VAPOR POSITION DATA: LH FOR NHA SEE: 76-11-57-01	002004 006100 107107 121503 904999	RF
- 55	251N6055-10		SEAL INSTL-ENG CONT CABLES WING LE VAPOR POSITION DATA: RH FOR NHA SEE: 76-11-57-01	002004 006100 107107 121503 904999	RF
60	69-70838-1		.SEAL	002004 006100 107999	2

MISSING ITEM NUMBERS NOT APPLICABLE

- ITEM NOT ILLUSTRATED

BRI

76-11-54-01

76-11-54  
FIG. 01  
PAGE 2  
JAN 20/09



757

PARTS CATALOG (MAINTENANCE)

FIG ITEM	PART NUMBER	1 2 3 4 5 6 7	NOMENCLATURE	EFFECT FROM TO	UNITS PER ASSY
1			ATTACHING PARTS		
- 65	BACS12CK3-8		.SCREW-	002004 006100 107107 121503 904999	2
- 70	BACW10P43AL		.WASHER-	002004 006100 107107 121503 904999	4
- 75	251N6055-11		-----*----- SEAL INSTL-ENG CONT CABLES WING LE VAPOR POSITION DATA: LH FOR NHA SEE: 76-11-00-01	101102 504903	RF
- 75	251N6055-17		SEAL INSTL-ENG CONT CABLES WING LE VAPOR POSITION DATA: LH FOR NHA SEE: 76-11-00-01	108120	RF
- 75	MODREF8570		SEAL INSTL-ENG CONT CABLES WING LE VAPOR MODULE NUMBER: 251N6055-17 REV A POSITION DATA: LH	103103	1
- 75	MODREF27594		SEAL INSTL-ENG CONT CABLES WING LE VAPOR MODULE NUMBER: 251N6055-17 REV B POSITION DATA: LH	104106	1
- 80	251N6055-12		SEAL INSTL-ENG CONT CABLES WING LE VAPOR POSITION DATA: RH FOR NHA SEE: 76-11-00-01	101102 504903	RF
- 80	251N6055-18		SEAL INSTL-ENG CONT CABLES WING LE VAPOR POSITION DATA: RH FOR NHA SEE: 76-11-00-01	108120	RF

MISSING ITEM NUMBERS NOT APPLICABLE

- ITEM NOT ILLUSTRATED

76-11-54-01

76-11-54  
FIG. 01  
PAGE 3  
JAN 20/09

BRI



757

PARTS CATALOG (MAINTENANCE)

FIG ITEM	PART NUMBER	1 2 3 4 5 6 7	NOMENCLATURE	EFFECT FROM TO	UNITS PER ASSY
1					
- 80	MODREF8571		SEAL INSTL-ENG CONT CABLES WING LE VAPOR MODULE NUMBER: 251N6055-18 REV A POSITION DATA: RH	103103	1
- 80	MODREF27595		SEAL INSTL-ENG CONT CABLES WING LE VAPOR MODULE NUMBER: 251N6055-18 REV B POSITION DATA: RH	104106	1
85	251N6428-2	.	SEAL-COVER	101102 504903	1
87	251N6428-3	.	SEAL-COVER	103106 108120	1
90	69-70838-7	.	SEAL	101102 504903	1
95	69-70838-6	.	SEAL	101102 504903	1
97	69-70838-9	.	SEAL	103106 108120	2
100	69-70838-8	.	SEAL	101106 108120 504903	1
			ATTACHING PARTS		
- 105	BACS12CK3-12	.	SCREW-	101102 504903	2
- 107	BACS12CK3-13	.	SCREW	103106 108120	2
- 110	BACW10P43AL	.	WASHER	101102 504903	4
- 112	BACW10P43AL	.	WASHER	103106 108120	2
- 115	BRH10C3D	.	NUT SUPPLIER CODE: V52828 SPECIFICATION NUMBER: BACN10JC3CD OPTIONAL PART: T6C1032JCD V11815 NS202486-02 V80539 102LH9075-3W V72962 H51650-3BAC V15653	101102 504903	2

MISSING ITEM NUMBERS NOT APPLICABLE

- ITEM NOT ILLUSTRATED

BRI

76-11-54-01

76-11-54  
FIG. 01  
PAGE 4  
JAN 20/09


**BOEING**  
 757  
**PARTS CATALOG (MAINTENANCE)**

FIG ITEM	PART NUMBER	1 2 3 4 5 6 7	NOMENCLATURE	EFFECT FROM TO	UNITS PER ASSY
1 - 120	K1000-3BAC		.NUTPLATE SUPPLIER CODE: V15653 SPECIFICATION NUMBER: BACN10JR3 OPTIONAL PART: NS103202-02 V80539 RMA9201-3 V72962 VN102A1-02 V92215 BR2000A3 V52828 T8088S1032 V11815 -----*-----	103106 108120	2

MISSING ITEM NUMBERS NOT APPLICABLE

- ITEM NOT ILLUSTRATED

BRI

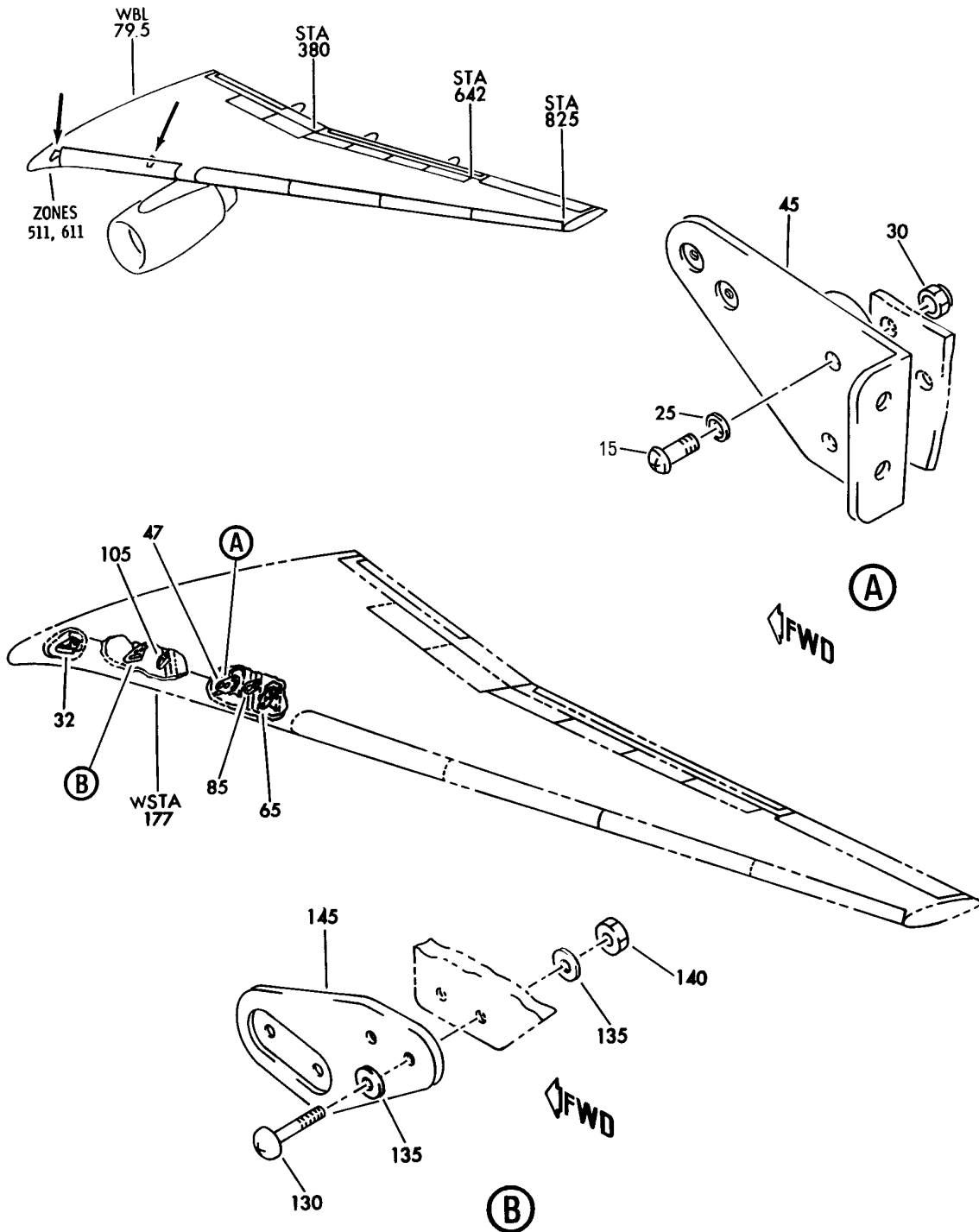
# 76-11-54-01

BOEING PROPRIETARY - Copyright © - Unpublished Work - See title page for details.

76-11-54  
 FIG. 01  
 PAGE 5  
 JAN 20/09



**BOEING**  
757  
PARTS CATALOG (MAINTENANCE)



Y 76115601 REV 272

FAIRLEAD INSTL-WING FRONT SPAR TLA AND TLB TRA AND TRB (RB211-535)  
FIGURE 1

**76-11-56-01**

BRI  
MAY 28/07

76-11-56-01  
PAGE 0



757

PARTS CATALOG (MAINTENANCE)

FIG ITEM	PART NUMBER	1 2 3 4 5 6 7	NOMENCLATURE	EFFECT FROM TO	UNITS PER ASSY
1			FAIRLEAD INSTL-WING FRONT SPAR TLA AND TLB TRA AND TRB (RB211-535)	002004 006999	
- 1	251N6013-1		FAIRLEAD INSTL-WING FRONT SPAR TLA AND TLB POSITION DATA: STA 127.5 LH FOR NHA SEE: 76-11-57-01 76-11-00-01	002004 006102 107999	RF
- 1	MODREF7980		FAIRLEAD INSTL-WING FRONT SPAR TLA AND TLB MODULE NUMBER: 251N6013-1 REV A POSITION DATA: STA 127.5 LH	103106	1
- 5	251N6013-2		FAIRLEAD INSTL-WING FRONT SPAR TRA AND TRB POSITION DATA: STA 127.5 RH FOR NHA SEE: 76-11-57-01 76-11-00-01	002004 006102 107999	RF
- 5	MODREF7984		FAIRLEAD INSTL-WING FRONT SPAR TRA AND TRB MODULE NUMBER: 251N6013-2 REV A POSITION DATA: STA 127.5 RH	103106	1
15	NAS623-3-3		.SCREW- POSITION DATA: RH SIDE	002004 006999	3
- 20	NAS623-3-4		.SCREW- POSITION DATA: LH SIDE	002004 006999	3
25	AN960PD10		.WASHER	002004 006999	3

MISSING ITEM NUMBERS NOT APPLICABLE

- ITEM NOT ILLUSTRATED

BRI

76-11-56-01

BOEING PROPRIETARY - Copyright © - Unpublished Work - See title page for details.

76-11-56  
FIG. 01  
PAGE 1  
JAN 20/09

**BOEING**  
757  
**PARTS CATALOG (MAINTENANCE)**

FIG ITEM	PART NUMBER	1 2 3 4 5 6 7	NOMENCLATURE	EFFECT FROM TO	UNITS PER ASSY
1	30 BRH10A3	.	NUT SUPPLIER CODE: V52828 SPECIFICATION NUMBER: BACN10JC3 OPTIONAL PART: H10-3BAC V15653 NS202101-02 V80539 RMLH9075-3W V72962 VN303A02 V92215 96-02 V80539 T6S1032J V11815	002004 006999	3
	32 251N6122-5	.	FAIRLEAD	002004 006999	1
-	35 251N6066-1		FAIRLEAD INSTL- POSITION DATA: FSS 190 AND FSS 222.7 LH FOR NHA SEE: 76-11-57-01	002004 107107 121503 904949 952952	RF
-	35 251N6066-3		FAIRLEAD INSTL- POSITION DATA: FSS 190 AND FSS 222.7 LH FOR NHA SEE: 76-11-57-01 76-11-00-01	006102 108120 504903 950951 953999	RF
-	35 MODREF8777		FAIRLEAD INSTL- MODULE NUMBER: 251N6066-3 REV A POSITION DATA: FSS 190 AND FSS 222.7 LH	103103	1
-	35 MODREF27600		FAIRLEAD INSTL- MODULE NUMBER: 251N6066-3 REV B POSITION DATA: FSS 190 AND FSS 222.7 LH	104106	1
-	40 251N6066-2		FAIRLEAD INSTL- POSITION DATA: FSS 190 AND FSS 222.7 RH FOR NHA SEE: 76-11-57-01	002004 107107 121503 904949 952952	RF

MISSING ITEM NUMBERS NOT APPLICABLE

- ITEM NOT ILLUSTRATED

BRI

# 76-11-56-01

BOEING PROPRIETARY - Copyright © - Unpublished Work - See title page for details.

76-11-56  
FIG. 01  
PAGE 2  
JAN 20/09



757

PARTS CATALOG (MAINTENANCE)

FIG ITEM	PART NUMBER	1 2 3 4 5 6 7	NOMENCLATURE	EFFECT FROM TO	UNITS PER ASSY
1					
- 40	251N6066-4		FAIRLEAD INSTL- POSITION DATA: FSS 190 AND FSS 222.7 RH FOR NHA SEE: 76-11-57-01 76-11-00-01	006102 108120 504903 950951 953999	RF
- 40	MODREF8778		FAIRLEAD INSTL- MODULE NUMBER: 251N6066-4 REV A POSITION DATA: FSS 190 AND FSS 222.7 RH	103103	1
- 40	MODREF27601		FAIRLEAD INSTL- MODULE NUMBER: 251N6066-4 REV B POSITION DATA: FSS 190 AND FSS 222.7 RH	104106	1
47	251N6366-1		.FAIRLEAD	002004 006999	1
- 52	NAS6603-5		.ATTACHING PARTS .BOLT- QUALIFIED OPTIONAL DATA: (QTY 3 BACB30MY6K6 USED WITH QTY 3 BACN10YR3CD OPTIONAL TO QTY 3 NAS6603-5 USED WITH QTY 3 BACN10YR3CD. QTY 3 NAS623-3-4 USED WITH QTY 3 BACN10JC3 OPTIONAL TO QTY 3 NAS6603-5 USED WITH QTY 3 BACN10YR3CD)	002004 107107 121503 904949 952952	3
- 52	NAS623-3-4		.SCREW- QUALIFIED OPTIONAL DATA: (QTY 3 BACB30MY6K6 USED WITH QTY 3 BACN10YR3CD OPTIONAL TO QTY 3 NAS6603-5 USED WITH QTY 3 BACN10YR3CD. QTY 3 NAS623-3-4 USED WITH QTY 3 BACN10JC3 OPTIONAL TO QTY 3 NAS6603-5 USED WITH QTY 3 BACN10YR3CD)	002004 107107 121503 904949 952952	3

MISSING ITEM NUMBERS NOT APPLICABLE

- ITEM NOT ILLUSTRATED

BRI

76-11-56-01

BOEING PROPRIETARY - Copyright © - Unpublished Work - See title page for details.

76-11-56  
FIG. 01  
PAGE 3  
JAN 20/09



757

PARTS CATALOG (MAINTENANCE)

FIG ITEM	PART NUMBER	1 2 3 4 5 6 7	NOMENCLATURE	EFFECT FROM TO	UNITS PER ASSY
1 - 52	L8006K6		.BOLT- SUPPLIER CODE: V06725 SPECIFICATION NUMBER: BACB30MY6K6 QUALIFIED OPTIONAL DATA: (QTY 3 BACB30MY6K6 USED WITH QTY 3 BACN10YR3CD OPTIONAL TO QTY 3 NAS6603-5 USED WITH QTY 3 BACN10YR3CD. QTY 3 NAS623-3-4 USED WITH QTY 3 BACN10JC3 OPTIONAL TO QTY 3 NAS6603-5 USED WITH QTY 3 BACN10YR3CD)	002004 107107 121503 904949 952952	3
- 52	NAS6603-5		.BOLT	006106 108120 504903 950951 953999	3
- 57	AN960KD10		.WASHER	002004 006999	6

MISSING ITEM NUMBERS NOT APPLICABLE

- ITEM NOT ILLUSTRATED

BRI

76-11-56-01

BOEING PROPRIETARY - Copyright © - Unpublished Work - See title page for details.

76-11-56  
FIG. 01  
PAGE 4  
JAN 20/09



757

PARTS CATALOG (MAINTENANCE)

FIG ITEM	PART NUMBER	1 2 3 4 5 6 7	NOMENCLATURE	EFFECT FROM TO	UNITS PER ASSY
1 - 62	BRH10A3	.NUT-	SUPPLIER CODE: V52828 SPECIFICATION NUMBER: BACN10JC3 OPTIONAL PART: H10-3BAC V15653 NS202101-02 V80539 RMLH9075-3W V72962 VN303A02 V92215 96-02 V80539 T6S1032J V11815 QUALIFIED OPTIONAL DATA: (QTY 3 BACB30MY6K6 USED WITH QTY 3 BACN10YR3CD OPTIONAL TO QTY 3 NAS6603-5 USED WITH QTY 3 BACN10YR3CD. QTY 3 NAS623-3-4 USED WITH QTY 3 BACN10JC3 OPTIONAL TO QTY 3 NAS6603-5 USED WITH QTY 3 BACN10YR3CD)	002004 107107 121503 904949 952952	3
- 62	PLH53CD	.NUT-	SUPPLIER CODE: VF0224 SPECIFICATION NUMBER: BACN10YR3CD OPTIONAL PART: H52732-3CD V15653 QUALIFIED OPTIONAL DATA: (QTY 3 BACB30MY6K6 USED WITH QTY 3 BACN10YR3CD OPTIONAL TO QTY 3 NAS6603-5 USED WITH QTY 3 BACN10YR3CD. QTY 3 NAS623-3-4 USED WITH QTY 3 BACN10JC3 OPTIONAL TO QTY 3 NAS6603-5 USED WITH QTY 3 BACN10YR3CD)	002004 107107 121503 904949 952952	3

MISSING ITEM NUMBERS NOT APPLICABLE

- ITEM NOT ILLUSTRATED

BRI

76-11-56-01

BOEING PROPRIETARY - Copyright © - Unpublished Work - See title page for details.

76-11-56  
FIG. 01  
PAGE 5  
JAN 20/09



757

PARTS CATALOG (MAINTENANCE)

FIG ITEM	PART NUMBER	1 2 3 4 5 6 7	NOMENCLATURE	EFFECT FROM TO	UNITS PER ASSY
1					
- 62	PLH53CD		.NUT SUPPLIER CODE: VF0224 SPECIFICATION NUMBER: BACN10YR3CD OPTIONAL PART: H52732-3CD V15653 -----*-----	006106 108120 504903 950951 953999	3
65	251N6366-2		.FAIRLEAD  ATTACHING PARTS	002004 006999	1
- 70	L8006K6		.BOLT- SUPPLIER CODE: V06725 SPECIFICATION NUMBER: BACB30MY6K6 QUALIFIED OPTIONAL DATA: (QTY 3 BACB30MY6K6 USED WITH QTY 3 BACN10YR3CD OPTIONAL TO QTY 3 NAS6603-5 USED WITH QTY 3 BACN10YR3CD. QTY 3 NAS612-3-4 USED WITH QTY 3 BACN10JC3 OPTIONAL TO QTY 3 NAS6603-5 USED WITH QTY 3 BACN10YR3CD)	002004 107107 121503 904949 952952	3
- 70	NAS6603-5		.BOLT- QUALIFIED OPTIONAL DATA: (QTY 3 BACB30MY6K6 USED WITH QTY 3 BACN10YR3CD OPTIONAL TO QTY 3 NAS6603-5 USED WITH QTY 3 BACN10YR3CD. QTY 3 NAS612-3-4 USED WITH QTY 3 BACN10JC3 OPTIONAL TO QTY 3 NAS6603-5 USED WITH QTY 3 BACN10YR3CD)	002004 107107 121503 904949 952952	3
- 70	NAS623-3-4		.SCREW- QUALIFIED OPTIONAL DATA: (QTY 3 BACB30MY6K6 USED WITH QTY 3 BACN10YR3CD OPTIONAL TO QTY 3 NAS6603-5 USED WITH QTY 3 BACN10YR3CD. QTY 3 NAS612-3-4 USED WITH QTY 3 BACN10JC3 OPTIONAL TO QTY 3 NAS6603-5 USED WITH QTY 3 BACN10YR3CD)	002004 107107 121503 904949 952952	3

MISSING ITEM NUMBERS NOT APPLICABLE

- ITEM NOT ILLUSTRATED

BRI

76-11-56-01

BOEING PROPRIETARY - Copyright © - Unpublished Work - See title page for details.

76-11-56  
FIG. 01  
PAGE 6  
JAN 20/09



757

PARTS CATALOG (MAINTENANCE)

FIG ITEM	PART NUMBER	1 2 3 4 5 6 7	NOMENCLATURE	EFFECT FROM TO	UNITS PER ASSY
1					
- 70	NAS6603-5	.	BOLT	006106 108120 504903 950951 953999	3
- 75	AN960KD10	.	WASHER	002004	6
- 80	PLH53CD	.	NUT	006106	3
			SUPPLIER CODE: VF0224	108120	
			SPECIFICATION NUMBER: BACN10YR3CD	504903	
			OPTIONAL PART: H52732-3CD V15653	950951 953999	
- 80	PLH53CD	.	NUT-	002004	3
			SUPPLIER CODE: VF0224	107107	
			SPECIFICATION NUMBER: BACN10YR3CD	121503	
			OPTIONAL PART: H52732-3CD V15653	904949 952952	
			QUALIFIED OPTIONAL DATA: (QTY 3 BACB30MY6K6 USED WITH QTY 3 BACN10YR3CD OPTIONAL TO QTY 3 NAS6603-5 USED WITH QTY 3 BACN10YR3CD. QTY 3 NAS623-3-4 USED WITH QTY 3 BACN10JC3 OPTIONAL TO QTY 3 NAS6603-5 USED WITH QTY 3 BACN10YR3CD)		

MISSING ITEM NUMBERS NOT APPLICABLE

- ITEM NOT ILLUSTRATED

BRI

76-11-56-01

BOEING PROPRIETARY - Copyright © - Unpublished Work - See title page for details.

76-11-56  
FIG. 01  
PAGE 7  
JAN 20/09





757

PARTS CATALOG (MAINTENANCE)

FIG ITEM	PART NUMBER	1 2 3 4 5 6 7	NOMENCLATURE	EFFECT FROM TO	UNITS PER ASSY
1 - 80	BRH10A3		.NUT- SUPPLIER CODE: V52828 SPECIFICATION NUMBER: BACN10JC3 OPTIONAL PART: H10-3BAC V15653 NS202101-02 V80539 RMLH9075-3W V72962 VN303A02 V92215 96-02 V80539 T6S1032J V11815 QUALIFIED OPTIONAL DATA: (QTY 3 BACB30MY6K6 USED WITH QTY 3 BACN10YR3CD OPTIONAL TO QTY 3 NAS6603-5 USED WITH QTY 3 BACN10YR3CD. QTY 3 NAS623-3-4 USED WITH QTY 3 BACN10JC3 OPTIONAL TO QTY 3 NAS6603-5 USED WITH QTY 3 BACN10YR3CD)	002004 107107 121503 904949 952952	3
	85 251N6366-3		.FAIRLEAD	006106 108120 504903 950951 953999	1
- 90	NAS6603-5		ATTACHING PARTS .BOLT	006106 108120 504903 950951 953999	2
- 95	AN960KD10		.WASHER	006106 108120 504903 950951 953999	4

MISSING ITEM NUMBERS NOT APPLICABLE

- ITEM NOT ILLUSTRATED

BRI

76-11-56-01

BOEING PROPRIETARY - Copyright © - Unpublished Work - See title page for details.

76-11-56  
FIG. 01  
PAGE 8  
JAN 20/09



757

PARTS CATALOG (MAINTENANCE)

FIG ITEM	PART NUMBER	1 2 3 4 5 6 7	NOMENCLATURE	EFFECT FROM TO	UNITS PER ASSY
1					
- 100	PLH53CD		.NUT SUPPLIER CODE: VF0224 SPECIFICATION NUMBER: BACN10YR3CD OPTIONAL PART: H52732-3CD V15653 -----*-----	006106 108120 504903 950951 953999	2
105	251N6366-4		.FAIRLEAD	006106 108120 504903 950951 953999	1
- 110	NAS6603-5		ATTACHING PARTS .BOLT	006106 108120 504903 950951 953999	2
- 115	AN960KD10		.WASHER	006106 108120 504903 950951 953999	4
- 120	PLH53CD		.NUT SUPPLIER CODE: VF0224 SPECIFICATION NUMBER: BACN10YR3CD OPTIONAL PART: H52732-3CD V15653 -----*-----	006106 108120 504903 950951 953999	2
- 125	251N6013-7		FAIRLEAD INSTL-WING FRONT SPAR TLA AND TLB POSITION DATA: STA 120.18 FOR NHA SEE: 76-11-57-01 76-11-00-01	009102 108120 504903 950951	RF
- 125	MODREF7987		FAIRLEAD INSTL-WING FRONT SPAR TLA AND TLB MODULE NUMBER: 251N6013-7 REV A POSITION DATA: STA 120.18	103106	1

MISSING ITEM NUMBERS NOT APPLICABLE

- ITEM NOT ILLUSTRATED

76-11-56-01

76-11-56  
FIG. 01  
PAGE 9  
JAN 20/09

BRI



757

PARTS CATALOG (MAINTENANCE)

FIG ITEM	PART NUMBER	1 2 3 4 5 6 7	NOMENCLATURE	EFFECT FROM TO	UNITS PER ASSY
1					
130	NAS623-3-7	.	SCREW	009106 108120 504903 950951	2
135	AN960JD10	.	WASHER	009106 108120 504903 950951	4
140	PLH53CD	.	NUT SUPPLIER CODE: VF0224 SPECIFICATION NUMBER: BACN10YR3CD OPTIONAL PART: H52732-3CD V15653	009106 108120 504903 950951	2
145	251N6122-4	.	FAIRLEAD	009106 108120 504903 950951	1

MISSING ITEM NUMBERS NOT APPLICABLE

- ITEM NOT ILLUSTRATED

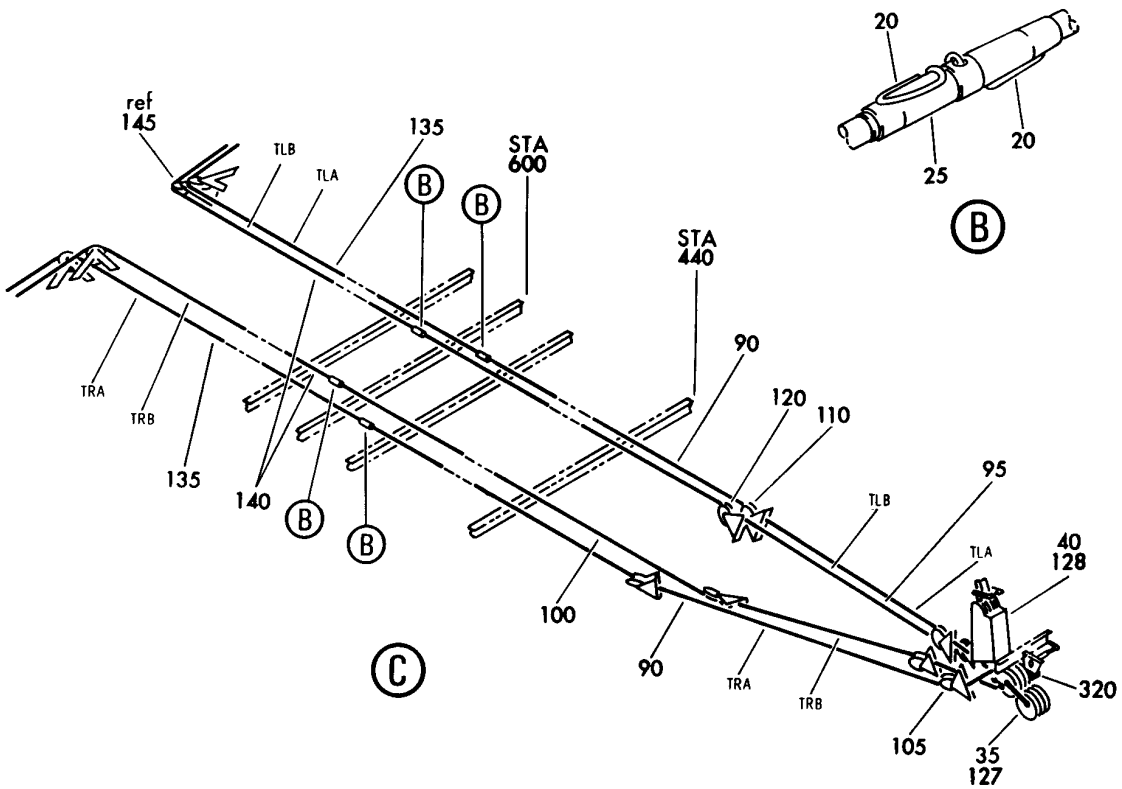
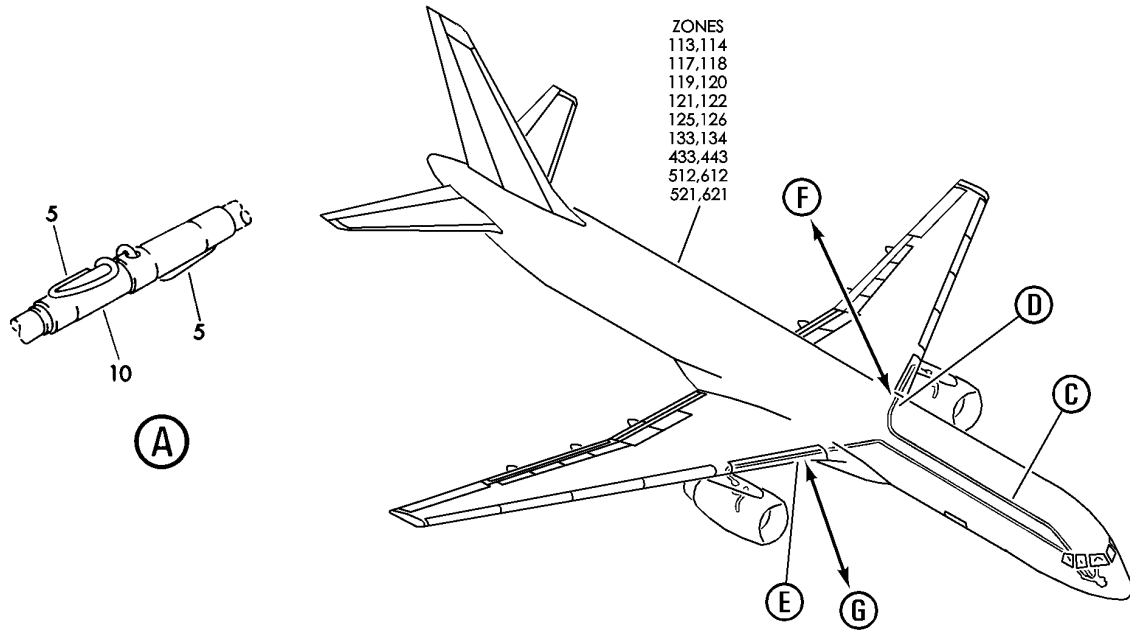
BRI

76-11-56-01

BOEING PROPRIETARY - Copyright © - Unpublished Work - See title page for details.

76-11-56  
FIG. 01  
PAGE 10  
JAN 20/09

**BOEING**  
757  
PARTS CATALOG (MAINTENANCE)



Y 76115701 SHT 1 REV 229

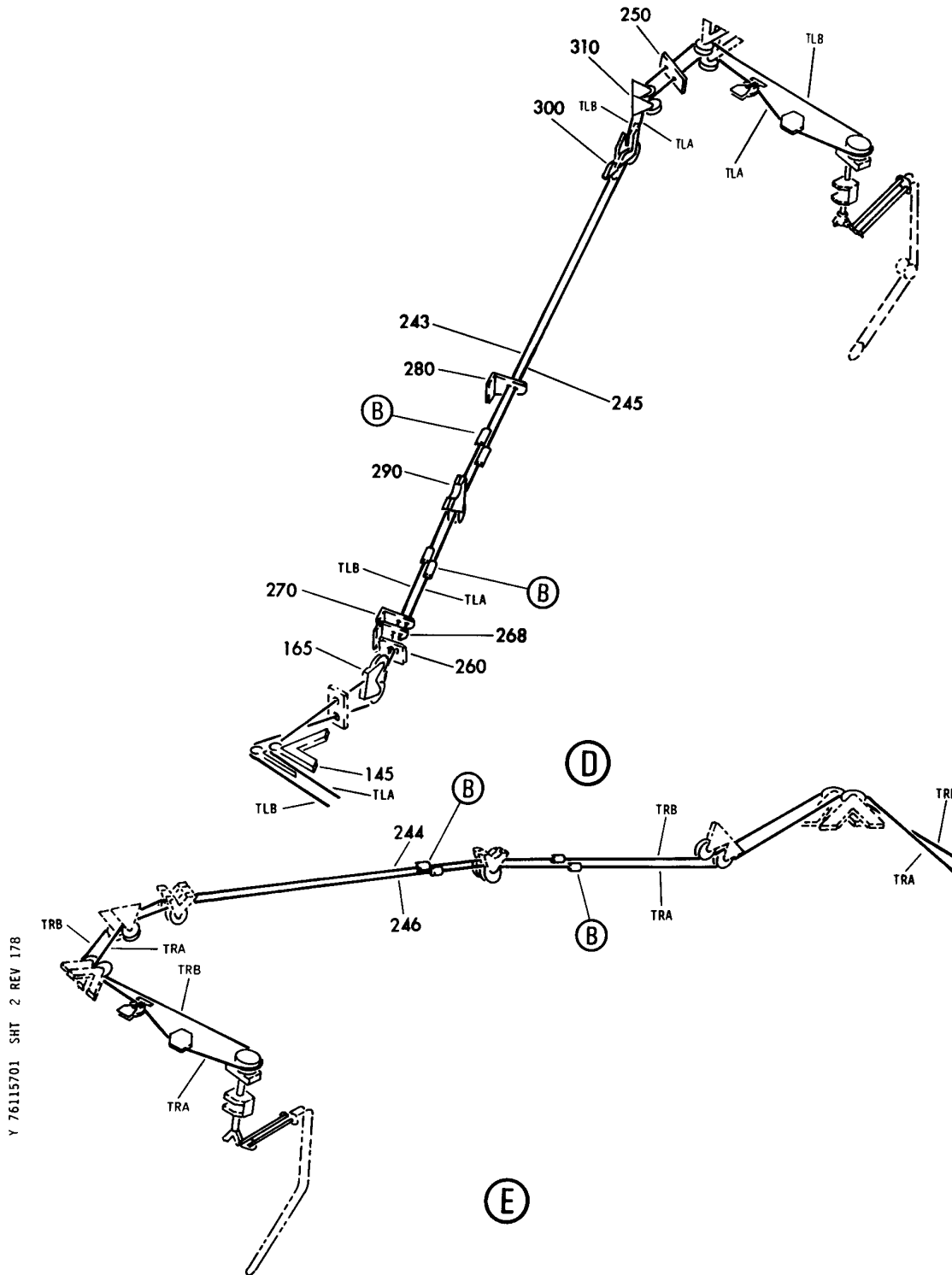
CONTROL INSTL-ENGINE CONT  
FIGURE 1 (SHEET 1)

**76-11-57-01**

BRI  
MAY 28/07

76-11-57-01  
PAGE 0

**BOEING**  
757  
PARTS CATALOG (MAINTENANCE)



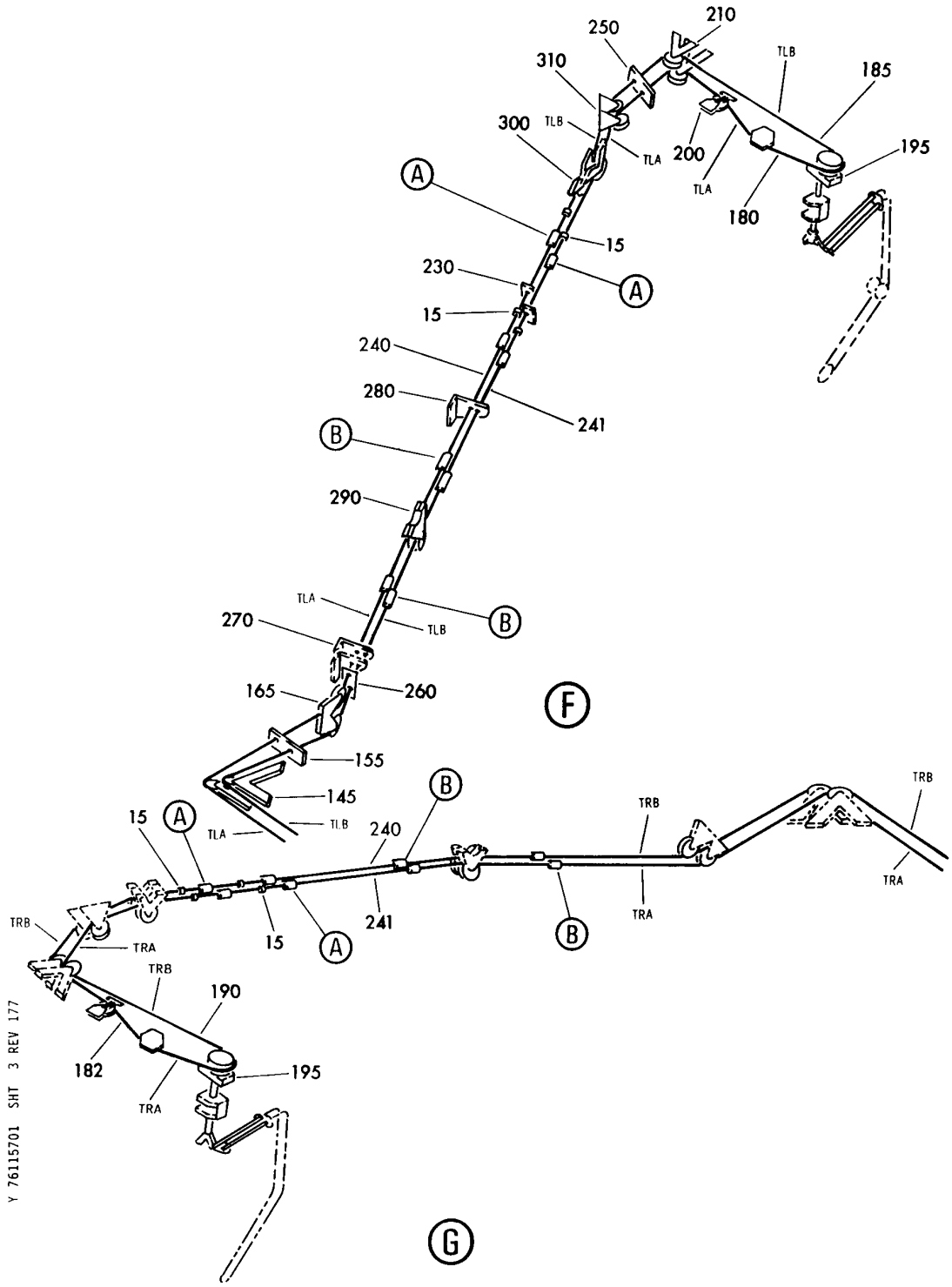
CONTROL INSTL-ENGINE CONT  
FIGURE 1 (SHEET 2)

**76-11-57-01**

BRI  
MAY 28/07

76-11-57-01  
PAGE 0A

**BOEING**  
757  
PARTS CATALOG (MAINTENANCE)



CONTROL INSTL-ENGINE CONT  
FIGURE 1 (SHEET 3)

**76-11-57-01**

BRI  
MAY 28/07

76-11-57-01  
PAGE 0B



757

PARTS CATALOG (MAINTENANCE)

FIG ITEM	PART NUMBER	1 2 3 4 5 6 7	NOMENCLATURE	EFFECT FROM TO	UNITS PER ASSY
1			CONTROL INSTL-ENGINE CONT	002004 006100 107107 121503 904999	
- 1	254N1001-10		CONTROL INSTL-ENGINE CONT VARIABLE DRAWING REF: 254N1001-1 254N1001-15 254N1001-83 254N1001-85 254N1001-86 254N1001-87 254N1001-88 254N1001-91 250N0500-5004 250N0500-5005 250N0500-5012 250N0500-5029 250N0500-5030 250N0500-5034	002004 006100 107107 121503 904999	1
	20 BACC15AJ2		.CLIP	002004 006100 107107 121503 904999	16
	25 MS21251B3L		.TURNBUCKLE BODY	002004 006100 107107 121503 904999	8
- 30	254N1001-741		.CONTROL INSTL- POSITION DATA: SECT. 41	002004 006100 107107 121503 904999	1

MISSING ITEM NUMBERS NOT APPLICABLE

- ITEM NOT ILLUSTRATED

BRI

76-11-57-01

BOEING PROPRIETARY - Copyright © - Unpublished Work - See title page for details.

76-11-57  
FIG. 01  
PAGE 1  
JAN 20/09



757

PARTS CATALOG (MAINTENANCE)

FIG ITEM	PART NUMBER	1 2 3 4 5 6 7	NOMENCLATURE	EFFECT FROM TO	UNITS PER ASSY
1					
90	BACC2C3A03815FG	..	CABLE ASSY-TLA AND TRA MISCELLANEOUS DATA: ZINC-ONLY AND TIN-OVER-ZINC COATED CABLES ARE INTERCHANGEABLE, AND MAY BE INTERMIXED WITHIN A SYSTEM, PROVIDING OPPOSITE CABLES WITHIN A GIVEN CABLE LOOP ARE REPLACED WITH CABLES OF THE SAME TYPE. (PRE 757-SL-20-7)	002004 006100 107107 121503 904999	2
90	BACC2C3D03815FG	..	CABLE ASSY-TLA AND TRA	002004 006100 107107 121503 904999	2
95	BACC2C3A04005EG	..	CABLE ASSY-TLB MISCELLANEOUS DATA: ZINC-ONLY AND TIN-OVER-ZINC COATED CABLES ARE INTERCHANGEABLE, AND MAY BE INTERMIXED WITHIN A SYSTEM, PROVIDING OPPOSITE CABLES WITHIN A GIVEN CABLE LOOP ARE REPLACED WITH CABLES OF THE SAME TYPE. (PRE 757-SL-20-7)	002004 006100 107107 121503 904999	1
95	BACC2C3D04005EG	..	CABLE ASSY-TLB	002004 006100 107107 121503 904999	1

MISSING ITEM NUMBERS NOT APPLICABLE

- ITEM NOT ILLUSTRATED

BRI

76-11-57-01

BOEING PROPRIETARY - Copyright © - Unpublished Work - See title page for details.

76-11-57  
FIG. 01  
PAGE 2  
JAN 20/09





757

PARTS CATALOG (MAINTENANCE)

FIG ITEM	PART NUMBER	1 2 3 4 5 6 7	NOMENCLATURE	EFFECT FROM TO	UNITS PER ASSY
1 100	BACC2C3A04012EG	..	CABLE ASSY-TRB MISCELLANEOUS DATA: ZINC-ONLY AND TIN-OVER-ZINC COATED CABLES ARE INTERCHANGEABLE, AND MAY BE INTERMIXED WITHIN A SYSTEM, PROVIDING OPPOSITE CABLES WITHIN A GIVEN CABLE LOOP ARE REPLACED WITH CABLES OF THE SAME TYPE. MAY BE INTERMIXED PRE SERVICE LETTER: 20-7	002004 006100 107107 121503 904999	1
100	BACC2C3D04012EG	..	CABLE ASSY-TRB	002004 006100 107107 121503 904999	1
110	251N6009-1	..	BRACKET INSTL-TLA PULLEY POSITION DATA: STA 365.25 FOR DETAILS SEE: 76-11-52-05	002004 006100 107107 121503 904999	1
- 115	251N6009-2	..	BRACKET INSTL-TRA PULLEY POSITION DATA: STA 365.25 FOR DETAILS SEE: 76-11-52-05	002004 006100 107107 121503 904999	1
120	251N6009-3	..	BRACKET INSTL-TLB PULLEY POSITION DATA: STA 345 FOR DETAILS SEE: 76-11-52-03	002004 006100 107107 121503 904999	1
- 125	251N6009-4	..	BRACKET INSTL-TRB PULLEY POSITION DATA: STA 324 FOR DETAILS SEE: 76-11-52-03	002004 006100 107107 121503 904999	1
127	254N1002-7	.AUTO	THROTTLE INSTL- FOR DETAILS SEE: 22-32-51-05	107107	1
127	254N1002-8	.AUTO	THROTTLE INSTL- FOR DETAILS SEE: 22-32-51-05	107107	1

MISSING ITEM NUMBERS NOT APPLICABLE

- ITEM NOT ILLUSTRATED

BRI

# 76-11-57-01

BOEING PROPRIETARY - Copyright © - Unpublished Work - See title page for details.

76-11-57  
FIG. 01  
PAGE 3  
JAN 20/09



757

PARTS CATALOG (MAINTENANCE)

FIG ITEM	PART NUMBER	1 2 3 4 5 6 7	NOMENCLATURE	EFFECT FROM TO	UNITS PER ASSY
1					
127	254N1002-12		.AUTO THROTTLE INSTL- FOR DETAILS SEE: 22-32-51-05	002004 121503 904949 952952	1
127	254N1002-18		.AUTO THROTTLE INSTL- FOR DETAILS SEE: 22-32-51-05	006010 950951 953999	1
127	254N1002-20		.AUTO THROTTLE INSTL- FOR DETAILS SEE: 22-32-51-05	011100	1
128	254N1009-1		.STAND INSTL-CONT FOR DETAILS SEE: 76-11-04-02	107107 904949	1
128	254N1009-3		.STAND INSTL-CONT FOR DETAILS SEE: 76-11-04-02	002004 006100 121503 950999	1
- 130	254N1001-43		.CONTROL INSTL- POSITION DATA: SECT. 43 VARIABLE DRAWING REF: 254N1001-743 254N1001-1343 254N1001-1543 254N1001-1743	002004 006100 107107 121503 904999	1
135	BACC2C3A03906EE		..CABLE ASSY-TLA AND TRA MISCELLANEOUS DATA: ZINC-ONLY AND TIN-OVER-ZINC COATED CABLES ARE INTERCHANGEABLE, AND MAY BE INTERMIXED WITHIN A SYSTEM, PROVIDING OPPOSITE CABLES WITHIN A GIVEN CABLE LOOP ARE REPLACED WITH CABLES OF THE SAME TYPE. PRE SERVICE LETTER: 20-7	002004 006100 107107 121503 904999	2
135	BACC2C3D03906EE		..CABLE ASSY-TLA AND TRA	002004 006100 107107 121503 904999	2

MISSING ITEM NUMBERS NOT APPLICABLE

- ITEM NOT ILLUSTRATED

BRI

76-11-57-01

76-11-57  
FIG. 01  
PAGE 4  
JAN 20/09

**BOEING**  
757  
**PARTS CATALOG (MAINTENANCE)**

FIG ITEM	PART NUMBER	1 2 3 4 5 6 7	NOMENCLATURE	EFFECT FROM TO	UNITS PER ASSY
1 140	BACC2C3A04030FF		..CABLE ASSY-TLB AND TRB MISCELLANEOUS DATA: ZINC-ONLY AND TIN-OVER-ZINC COATED CABLES ARE INTERCHANGEABLE, AND MAY BE INTERMIXED WITHIN A SYSTEM, PROVIDING OPPOSITE CABLES WITHIN A GIVEN CABLE LOOP ARE REPLACED WITH CABLES OF THE SAME TYPE. PRE SERVICE LETTER: 20-7	002004 006100 107107 121503 904999	2
140	BACC2C3D04030FF		..CABLE ASSY-TLB AND TRB	002004 006100 107107 121503 904999	2
145	251N6019-1		..BRACKET INSTL-BODY THROTTLE PULLEY POSITION DATA: STA 868 LH FOR DETAILS SEE: 53-30-51-33	002004 006100 107107 121503 904999	1
- 150	251N6019-2		..BRACKET INSTL-BODY THROTTLE PULLEY POSITION DATA: STA 868 RH FOR DETAILS SEE: 53-30-51-33	002004 006100 107107 121503 904999	1
155	251N6022-17		..SEAL INSTL-WING ROOT BODY SKIN PRESSURE POSITION DATA: LH VARIABLE DRAWING REF: 251N6022-15 FOR DETAILS SEE: 53-36-51-01	002004 006006 121503 904949 952952	1
155	251N6022-9		..SEAL INSTL-WING ROOT BODY SKIN PRESSURE POSITION DATA: LH VARIABLE DRAWING REF: 251N6022-13 FOR DETAILS SEE: 53-36-51-01	107107	1

MISSING ITEM NUMBERS NOT APPLICABLE

- ITEM NOT ILLUSTRATED

BRI

# 76-11-57-01

BOEING PROPRIETARY - Copyright © - Unpublished Work - See title page for details.

76-11-57  
FIG. 01  
PAGE 5  
JAN 20/09



757

PARTS CATALOG (MAINTENANCE)

FIG ITEM	PART NUMBER	1 2 3 4 5 6 7	NOMENCLATURE	EFFECT FROM TO	UNITS PER ASSY
1 155	251N6022-21		..SEAL INSTL-WING ROOT BODY SKIN PRESSURE POSITION DATA: LH VARIABLE DRAWING REF: 251N6022-19 FOR DETAILS SEE: 53-36-51-01	007100 950951 953999	1
- 160	251N6022-18		..SEAL INSTL-WING ROOT BODY SKIN PRESSURE POSITION DATA: RH VARIABLE DRAWING REF: 251N6022-16 FOR DETAILS SEE: 53-36-51-01	002004 006006 121503 904949 952952	1
- 160	251N6022-10		..SEAL INSTL-WING ROOT BODY SKIN PRESSURE POSITION DATA: RH VARIABLE DRAWING REF: 251N6022-14 FOR DETAILS SEE: 53-36-51-01	107107	1
- 160	251N6022-22		..SEAL INSTL-WING ROOT BODY SKIN PRESSURE POSITION DATA: RH VARIABLE DRAWING REF: 251N6022-20 FOR DETAILS SEE: 53-36-51-01	007100 950951 953999	1
165	251N6020-21		..BRACKET INSTL-TLA AND TLB THROTTLE PULLEY POSITION DATA: STA 894 OUTBD FOR DETAILS SEE: 76-11-52-06	002004 006100 107107 121503 904999	1
- 170	251N6020-22		..BRACKET INSTL-TRA AND TRB THROTTLE PULLEY POSITION DATA: STA 894 OUTBD FOR DETAILS SEE: 76-11-52-06	002004 006100 107107 121503 904999	1

MISSING ITEM NUMBERS NOT APPLICABLE

- ITEM NOT ILLUSTRATED

BRI

76-11-57-01

BOEING PROPRIETARY - Copyright © - Unpublished Work - See title page for details.

76-11-57  
FIG. 01  
PAGE 6  
JAN 20/09



757

PARTS CATALOG (MAINTENANCE)

FIG ITEM	PART NUMBER	1 2 3 4 5 6 7	NOMENCLATURE	EFFECT FROM TO	UNITS PER ASSY
1					
- 171	251N6018-13		..BRACKET INSTL-IDLER PULLEY POSITION DATA: SECT. 43 STA 560 VARIABLE DRAWING REF: 251N6018-17 FOR DETAILS SEE: 53-30-51-35	018100	1
- 172	251N6018-13		..BRACKET INSTL-IDLER PULLEY POSITION DATA: SECT. 43 STA 560, 720 VARIABLE DRAWING REF: 251N6018-12 251N6018-16 FOR DETAILS SEE: 53-30-51-35	002004 006017 107107 121503 904999	2
- 173	251N6018-13		..BRACKET INSTL-IDLER PULLEY POSITION DATA: SECT. 43 STA 720 VARIABLE DRAWING REF: 251N6018-16 FOR DETAILS SEE: 53-30-51-35	018100	1
- 220	254N1001-1812		.CONTROL INSTL- POSITION DATA: SECT. 12 LH	002004 107107 904949 952952	1
- 220	254N1001-2212		.CONTROL INSTL- POSITION DATA: SECT. 12 LH	006008 953999	1
- 220	254N1001-2512		.CONTROL INSTL- POSITION DATA: SECT. 12 LH	121503	1
- 220	254N1001-2712		.CONTROL INSTL- POSITION DATA: SECT. 12 LH	009017 950951	1
- 221	254N1001-3212		.CONTROL INSTL- POSITION DATA: SECT. 12 LH	018100	1
- 221	254N1001-1913		.CONTROL INSTL- POSITION DATA: SECT. 12 LH	009100	1
- 225	254N1001-2012		.CONTROL INSTL- POSITION DATA: SECT. 12	002004 107107 904949 952952	1

MISSING ITEM NUMBERS NOT APPLICABLE

- ITEM NOT ILLUSTRATED

76-11-57-01

76-11-57  
FIG. 01  
PAGE 7  
JAN 20/09

BRI



757

PARTS CATALOG (MAINTENANCE)

FIG ITEM	PART NUMBER	1 2 3 4 5 6 7	NOMENCLATURE	EFFECT FROM TO	UNITS PER ASSY
1					
- 225	254N1001-2312	.	CONTROL INSTL- POSITION DATA: SECT. 12	006100 950951 953999	1
- 225	254N1001-2612	.	CONTROL INSTL- POSITION DATA: SECT. 12	121503	1
- 225	254N1001-3112	.	CONTROL INSTL- POSITION DATA: SECT. 12 RH	018100	1
243	251N6371-10	..	CABLE ASSY-TLB	002004 006100 107107 121503 904999	1
243	251N6371-18	..	CABLE ASSY-TLB	002004 006100 107107 121503 904999	1
244	251N6371-12	..	CABLE ASSY-TRB	002004 006100 107107 121503 904999	1
244	251N6371-20	..	CABLE ASSY-TRB	002004 006100 107107 121503 904999	1
245	251N6371-9	..	CABLE ASSY-TLA	002004 006100 107107 121503 904999	1
245	251N6371-17	..	CABLE ASSY-TLA	002004 006100 107107 121503 904999	1
246	251N6371-11	..	CABLE ASSY-TRA	002004 006100 107107 121503 904999	1
246	251N6371-19	..	CABLE ASSY-TRA	002004 006100 107107 121503 904999	1

MISSING ITEM NUMBERS NOT APPLICABLE

- ITEM NOT ILLUSTRATED

76-11-57-01

76-11-57  
FIG. 01  
PAGE 8  
JAN 20/09

BRI



757

PARTS CATALOG (MAINTENANCE)

FIG ITEM	PART NUMBER	1 2 3 4 5 6 7	NOMENCLATURE	EFFECT FROM TO	UNITS PER ASSY
1 -247D	MS21260L3LH		... TERMINAL- USED ON: 251N6371-10 251N6371-12 251N6371-18 251N6371-20	002004 006100 107107 121503 904999	1
-247G	MS21260L3RH		... TERMINAL- USED ON: 251N6371-9 251N6371-11 251N6371-17 251N6371-19	002004 006100 107107 121503 904999	1
- 248	251N6370-1		... STOP	002004 006100 107107 121503 904999	1
-248D	HI2098		... TERMINAL SUPPLIER CODE: V26590 SPECIFICATION NUMBER: BACT14A3 OPTIONAL PART: HI100-3 V83014 ST2098 V80523 BM2488A3 V22277 8-04057-3 V11328 ST24-3 V65196	002004 006100 107107 121503 904999	1
250	251N6055-7		.. SEAL INSTL-ENG CONT CABLE WING LE VAPOR POSITION DATA: LH SIDE FOR DETAILS SEE: 76-11-54-01	002004 006100 107107 121503 904999	1
- 255	251N6055-8		.. SEAL INSTL-ENG CONT CABLE WING LE VAPOR POSITION DATA: RH SIDE FOR DETAILS SEE: 76-11-54-01	002004 006100 107107 121503 904999	1

MISSING ITEM NUMBERS NOT APPLICABLE

- ITEM NOT ILLUSTRATED

BRI

76-11-57-01

BOEING PROPRIETARY - Copyright © - Unpublished Work - See title page for details.

76-11-57  
FIG. 01  
PAGE 9  
JAN 20/09



757

PARTS CATALOG (MAINTENANCE)

FIG ITEM	PART NUMBER	1 2 3 4 5 6 7	NOMENCLATURE	EFFECT FROM TO	UNITS PER ASSY
1 260	251N6055-9		..SEAL INSTL-ENG CONT CABLE WING LE VAPOR POSITION DATA: LH SIDE FOR DETAILS SEE: 76-11-54-01	002004 006100 107107 121503 904949 952999	1
- 265	251N6055-10		..SEAL INSTL-ENG CONT CABLE WING LE VAPOR POSITION DATA: RH SIDE FOR DETAILS SEE: 76-11-54-01	002004 006100 107107 121503 904949 952999	1
268	251N6013-7		..FAIRLEAD INSTL-TLA AND TLB WING SPAR POSITION DATA: FRONT FOR DETAILS SEE: 76-11-56-01	008100 950951	1
270	251N6013-1		..FAIRLEAD INSTL-TLA AND TLB WING SPAR POSITION DATA: FRONT FOR DETAILS SEE: 76-11-56-01	002004 006100 107107 121503 904999	1
- 275	251N6013-2		..FAIRLEAD INSTL-TRA AND TRB WING SPAR POSITION DATA: FRONT FOR DETAILS SEE: 76-11-56-01	002004 006100 107107 121503 904999	1
280	251N6066-1		..FAIRLEAD INSTL- POSITION DATA: FSS 190 AND FSS 222.7 FOR DETAILS SEE: 76-11-56-01	002004 107107 121503 904949 952952	1
280	251N6066-3		..FAIRLEAD INSTL- POSITION DATA: FSS 190 AND FSS 222.7 FOR DETAILS SEE: 76-11-56-01	006100 950951 953999	1
- 285	251N6066-2		..FAIRLEAD INSTL- POSITION DATA: FSS 190 AND FSS 222.7 FOR DETAILS SEE: 76-11-56-01	002004 107107 121503 904949 952952	1

MISSING ITEM NUMBERS NOT APPLICABLE

- ITEM NOT ILLUSTRATED

**76-11-57-01**

76-11-57  
FIG. 01  
PAGE 10  
JAN 20/09

BRI





757

PARTS CATALOG (MAINTENANCE)

FIG ITEM	PART NUMBER	1 2 3 4 5 6 7	NOMENCLATURE	EFFECT FROM TO	UNITS PER ASSY
1					
- 285	251N6066-4		..FAIRLEAD INSTL- POSITION DATA: FSS 190 AND FSS 222.7 FOR DETAILS SEE: 76-11-56-01	006100 950951 953999	1
290	251N6036-1		..BRACKET INSTL-TLA AND TLB PULLEY POSITION DATA: STA 160 FOR DETAILS SEE: 53-11-53-02	002004 107107 904949 952952	1
290	251N6036-9		..BRACKET INSTL-TLA AND TLB PULLEY POSITION DATA: STA 160 FOR DETAILS SEE: 53-11-53-02	006100 121503 950951 953999	1
- 295	251N6036-2		..BRACKET INSTL-TRA AND TRB PULLEY POSITION DATA: STA 160 FOR DETAILS SEE: 53-11-53-02	002004 107107 904949 952952	1
- 295	251N6036-10		..BRACKET INSTL-TRA AND TRB PULLEY POSITION DATA: STA 160 FOR DETAILS SEE: 53-11-53-02	006100 121503 950951 953999	1
300	251N6067-1		..PULLEY BRACKET INSTL- CABLE BREAKER WING LE POSITION DATA: FSS 261.2 FOR DETAILS SEE: 53-11-53-08	002004 006100 107107 121503 904999	1
300	251N6067-7		..BRACKET INSTL-SPAR WING LE CABLE BRKR AND PULLEY POSITION DATA: FRONT STA 261.2 LH SIDE FOR DETAILS SEE: 53-11-53-09	018100	1
- 305	251N6067-2		..PULLEY BRACKET INSTL- CABLE BREAKER WING LE POSITION DATA: STA 261.2 FOR DETAILS SEE: 53-11-53-08	002004 006100 107107 121503 904999	1

MISSING ITEM NUMBERS NOT APPLICABLE

- ITEM NOT ILLUSTRATED

BRI

76-11-57-01

76-11-57  
FIG. 01  
PAGE 11  
JAN 20/09



757

PARTS CATALOG (MAINTENANCE)

FIG ITEM	PART NUMBER	1 2 3 4 5 6 7	NOMENCLATURE	EFFECT FROM TO	UNITS PER ASSY
1					
- 305	251N6067-8		..BRACKET INSTL-SPAR WING LE CABLE BRKR AND PULLEY POSITION DATA: FRONT STA 261.2 RH SIDE FOR DETAILS SEE: 53-11-53-09	018100	1
310	251N6037-9		..BRACKET INSTL-TLA AND TLB PULLEY FOR DETAILS SEE: 53-11-53-03	002004 006100 107107 121503 904999	1
- 315	251N6038-1		..BRACKET INSTL-TRA AND TRB PULLEY POSITION DATA: STA 278 FOR DETAILS SEE: 53-11-53-06	002004 006100 107107 121503 904999	1
330	251N1416-2		.SENSOR INSTL-CONTROL COLUMN FOR DETAILS SEE: 31-31-08-01	952999	1

MISSING ITEM NUMBERS NOT APPLICABLE

- ITEM NOT ILLUSTRATED

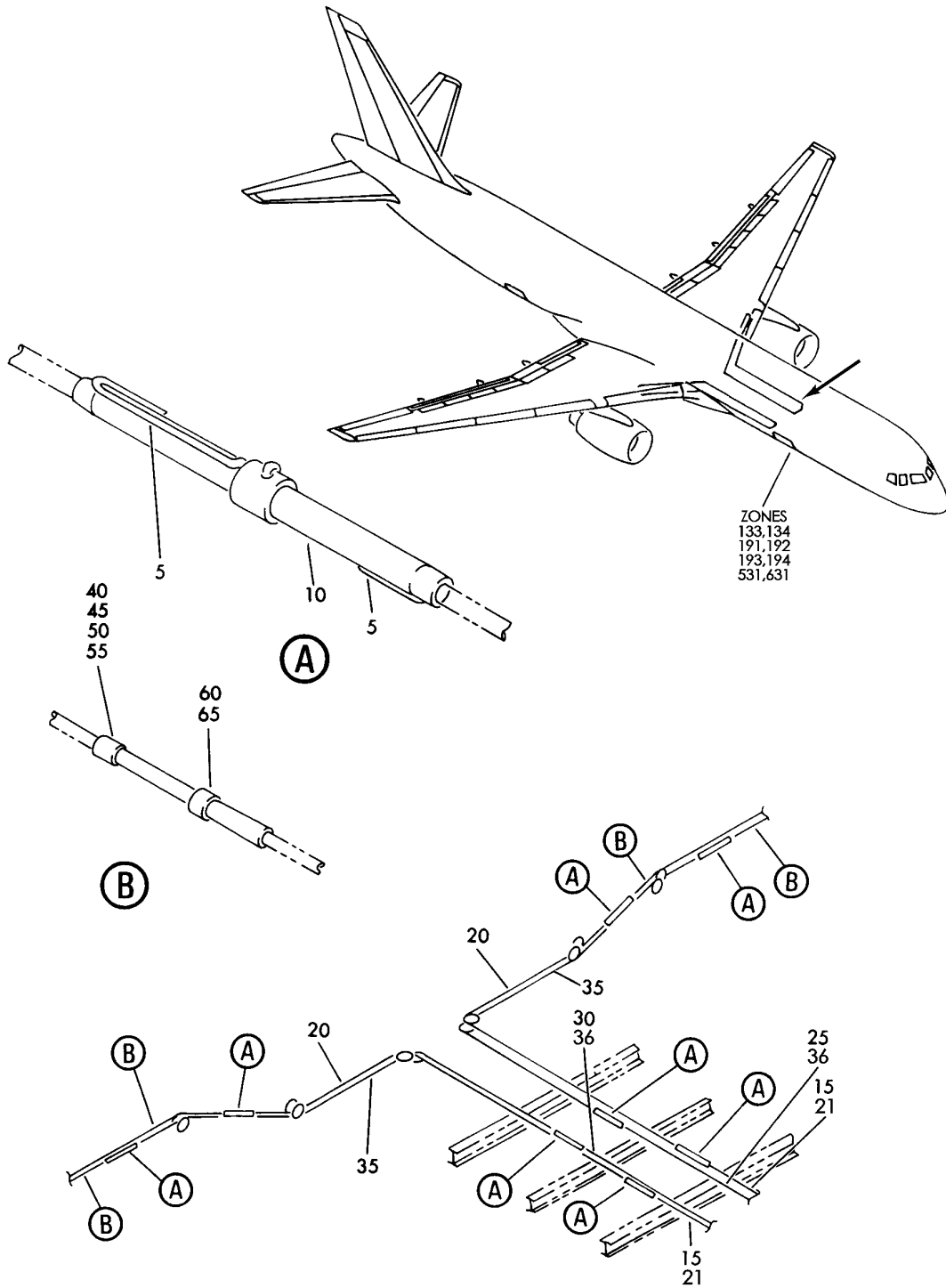
BRI

76-11-57-01

BOEING PROPRIETARY - Copyright © - Unpublished Work - See title page for details.

76-11-57  
FIG. 01  
PAGE 12  
JAN 20/09

**BOEING**  
757  
PARTS CATALOG (MAINTENANCE)



Y 76115701A REV 219

CONTROL INSTL-ENGINE CONT  
FIGURE 1A

**76-11-57-01A**

BRI  
MAY 28/07

76-11-57-01A  
PAGE 0

 **BOEING**  
757  
**PARTS CATALOG (MAINTENANCE)**

FIG ITEM	PART NUMBER	1 2 3 4 5 6 7	NOMENCLATURE	EFFECT FROM TO	UNITS PER ASSY
1 A			CONTROL INSTL-ENGINE CONT	101106 108120 504903	
- 1	254N1001-178		CONTROL INSTL-ENGINE CONT FOR NHA SEE: 76-11-00-01	101102 108120 504903	RF
- 1	MODREF8795		CONTROL INSTL-ENGINE CONT MODULE NUMBER: 254N1001-178 REV A	103106	1
5	BACC15AJ2		.CLIP	101106 108120 504903	16
10	MS21251B3L		.TURNBUCKLE BODY	101106 108120 504903	8
15	BACC2C3D03815FG		.CABLE ASSY-TLA AND TRA	101106 108120 504903	2
20	BACC2C3D03906EE		.CABLE ASSY-TLA AND TRA	101106 108120 504903	2
25	BACC2C3D04005EG		.CABLE ASSY-TLB	101106 108120 504903	1
30	BACC2C3D04012EG		.CABLE ASSY-TRB	101106 108120 504903	1
35	BACC2C3D04030FF		.CABLE ASSY-TLB AND TRB	101106 108120 504903	1
40	251N6371-17		.CABLE ASSY-TLA	101106 108120 504903	1
40	251N6371-9		.CABLE ASSY-TLA	101106 108120 504903	1
45	251N6371-18		.CABLE ASSY-TLB	101106 108120 504903	1
45	251N6371-10		.CABLE ASSY-TLB	101106 108120 504903	1
50	251N6371-19		.CABLE ASSY-TRA	101106 108120 504903	1
50	251N6371-11		.CABLE ASSY-TRA	101106 108120 504903	1

MISSING ITEM NUMBERS NOT APPLICABLE

- ITEM NOT ILLUSTRATED

BRI

# 76-11-57-01A

BOEING PROPRIETARY - Copyright © - Unpublished Work - See title page for details.

76-11-57  
FIG. 01A  
PAGE 1  
JAN 20/09



757

PARTS CATALOG (MAINTENANCE)

FIG ITEM	PART NUMBER	1 2 3 4 5 6 7	NOMENCLATURE	EFFECT FROM TO	UNITS PER ASSY
1 A					
55	251N6371-20	.	CABLE ASSY-TRB	101106 108120 504903	1
55	251N6371-12	.	CABLE ASSY-TRB	101106 108120 504903	1
60	MS21260L3LH	..	TERMINAL- USED ON: 251N6371-10 251N6371-12 251N6371-18 251N6371-20	101106 108120 504903	1
65	MS21260L3RH	..	TERMINAL- USED ON: 251N6371-9 251N6371-11 251N6371-17 251N6371-19	101106 108120 504903	1
- 70	251N6370-1	..	STOP	101106 108120 504903	1
- 75	HI2098	..	TERMINAL SUPPLIER CODE: V26590 SPECIFICATION NUMBER: BACT14A3 OPTIONAL PART: HI100-3 V83014 ST2098 V80523 BM2488A3 V22277 8-04057-3 V11328 ST24-3 V65196	101106 108120 504903	1
- 80	251N6371-21	..	CABLE- USED ON: 251N6371-17	101106 108120 504903	1
- 85	251N6371-22	..	CABLE- USED ON: 251N6371-18	101106 108120 504903	1
- 90	251N6371-23	..	CABLE- USED ON: 251N6371-19	101106 108120 504903	1
- 95	251N6371-24	..	CABLE- USED ON: 251N6371-20	101106 108120 504903	1

MISSING ITEM NUMBERS NOT APPLICABLE

- ITEM NOT ILLUSTRATED

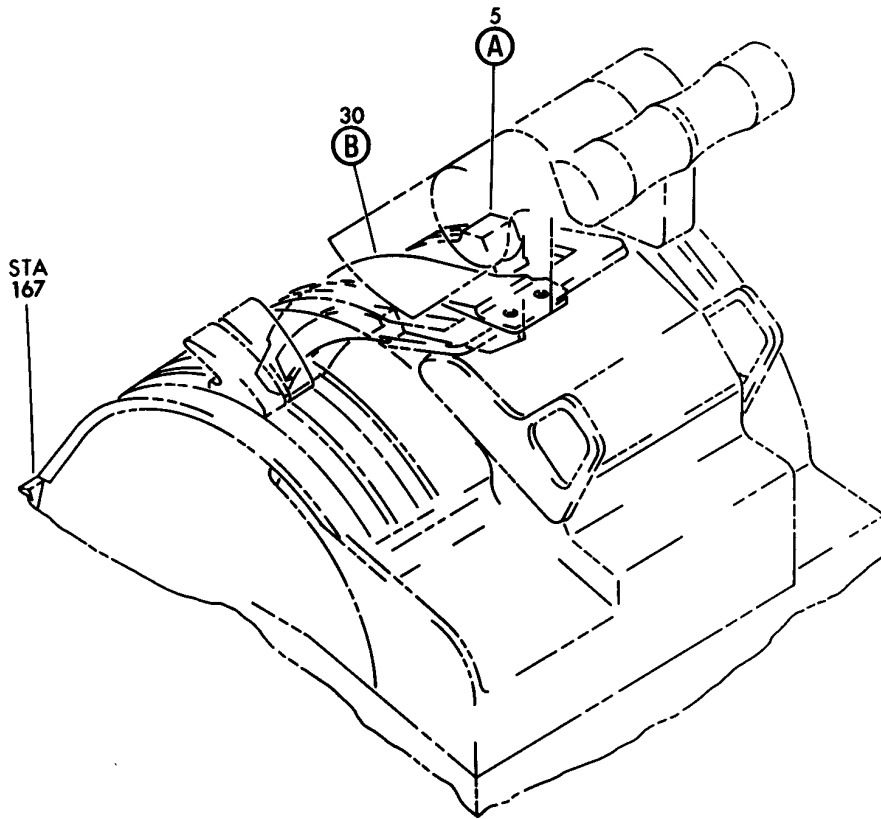
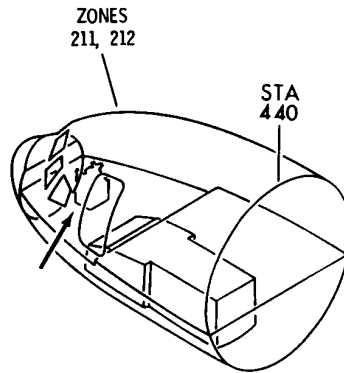
76-11-57-01A

76-11-57  
FIG. 01A  
PAGE 2  
JAN 20/09

BRI

BOEING PROPRIETARY - Copyright © - Unpublished Work - See title page for details.

**BOEING**  
757  
PARTS CATALOG (MAINTENANCE)



Y 76115801 SMT 1 REV 155

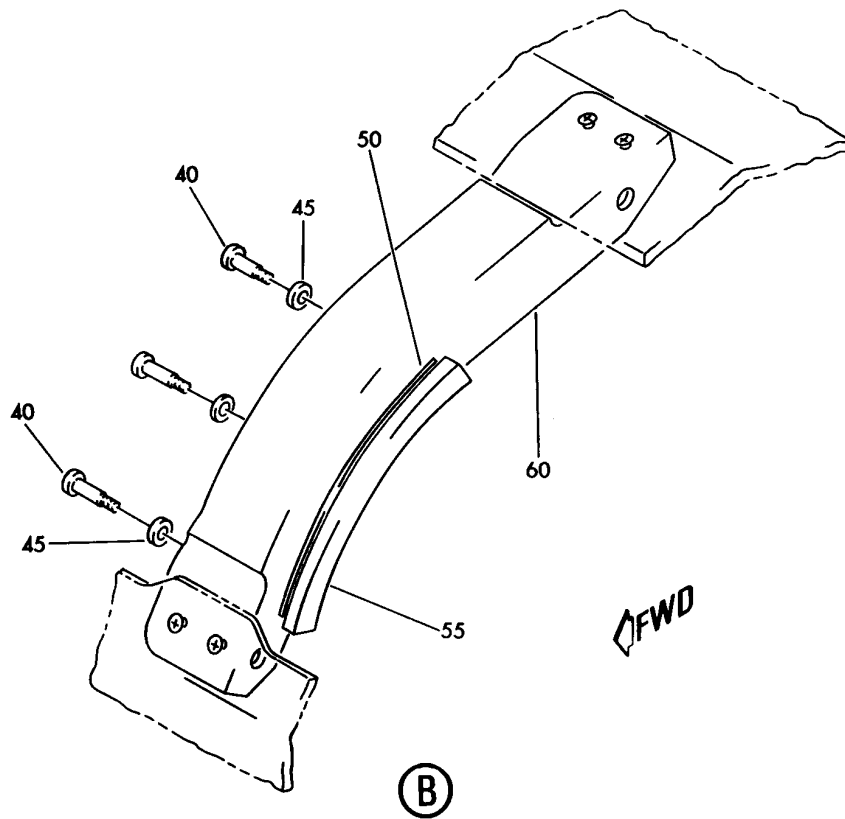
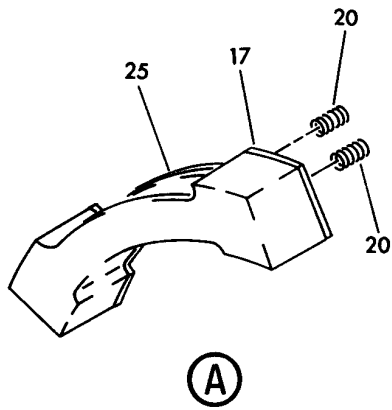
RAIL INSTL-CONT STAND THRUST CONT LEVER  
FIGURE 1 (SHEET 1)

**76-11-58-01**

BRI  
MAY 28/07

76-11-58-01  
PAGE 0

**BOEING**  
757  
PARTS CATALOG (MAINTENANCE)



Y 76115801 SHT 2 REV 155

RAIL INSTL-CONT STAND THRUST CONT LEVER  
FIGURE 1 (SHEET 2)

**76-11-58-01**

BRI  
MAY 28/07

76-11-58-01  
PAGE 0A

**BOEING**  
757  
**PARTS CATALOG (MAINTENANCE)**

FIG ITEM	PART NUMBER	1 2 3 4 5 6 7	NOMENCLATURE	EFFECT FROM TO	UNITS PER ASSY
1			RAIL INSTL-CONT STAND THRUST CONT LEVER	002004 006102 107999	RF
- 1	253T5533-1		RAIL INSTL-CONT STAND THRUST CONT LEVER FOR NHA SEE: 76-11-04-02	002004 006100 107107 121503 904999	RF
- 1	253T5533-2		RAIL INSTL-CONT STAND THRUST CONT LEVER FOR NHA SEE: 76-11-04-02	101102 108120 504903	RF
5	253T5525-1		.RAIL ASSY	002004 006102 107999	1
- 10	BACB30LJ3-3		ATTACHING PARTS .BOLT	002004 006102 107999	2
- 15	AN960D10L		.WASHER	002004 006102 107999	2
17	253T5542-1		-----*----- .SHIM	002004 006102 107999	AR
20	MS21209F1-20		..INSERT	002004 006102 107999	2
25	253T5525-2		..RAIL	002004 006102 107999	1
30	253T5522-1		.RAIL ASSY- OPTIONAL PART: 253T5543-1	002004 006100 107107 121503 904999	1
30	253T5543-1		.RAIL ASSY- OPTIONAL PART: 253T5522-1	002004 006100 107107 121503 904999	1
30	253T5522-3		.RAIL ASSY- OPTIONAL PART: 253T5543-2	101102 108120 504903	1
30	253T5543-2		.RAIL ASSY- OPTIONAL PART: 253T5522-3	101102 108120 504903	1

MISSING ITEM NUMBERS NOT APPLICABLE

- ITEM NOT ILLUSTRATED

BRI

# 76-11-58-01

BOEING PROPRIETARY - Copyright © - Unpublished Work - See title page for details.

76-11-58  
FIG. 01  
PAGE 1  
JAN 20/09



 **BOEING**  
757  
**PARTS CATALOG (MAINTENANCE)**

FIG ITEM	PART NUMBER	1 2 3 4 5 6 7	NOMENCLATURE	EFFECT FROM TO	UNITS PER ASSY
1			ATTACHING PARTS		
- 35	BACB30LU3-3		.BOLT	002004 006102 107999	4
40	NAS623-3-2		-----*----- .. SCREW- USED ON: 253T5543-1 253T5543-2	002004 006102 107999	3
45	AN960PD10L		.. WASHER- USED ON: 253T5543-1 253T5543-2	002004 006102 107999	3
50	253T5546-1		.. SHIM- USED ON: 253T5543-1 253T5543-2	002004 006102 107999	1
55	253T5545-1		.. BLOCKER ASSY- USED ON: 253T5543-1 253T5543-2	002004 006102 107999	1
60	253T5544-1		.. RAIL ASSY- OPTIONAL PART: 253T5544-3 USED ON: 253T5543-1	002004 006100 107107 121503 904999	1
60	253T5544-3		.. RAIL ASSY- OPTIONAL PART: 253T5544-1 USED ON: 253T5543-1	002004 006100 107107 121503 904999	1
60	253T5544-6		.. RAIL ASSY- USED ON: 253T5543-2	101102 108120 504903	1

MISSING ITEM NUMBERS NOT APPLICABLE

- ITEM NOT ILLUSTRATED

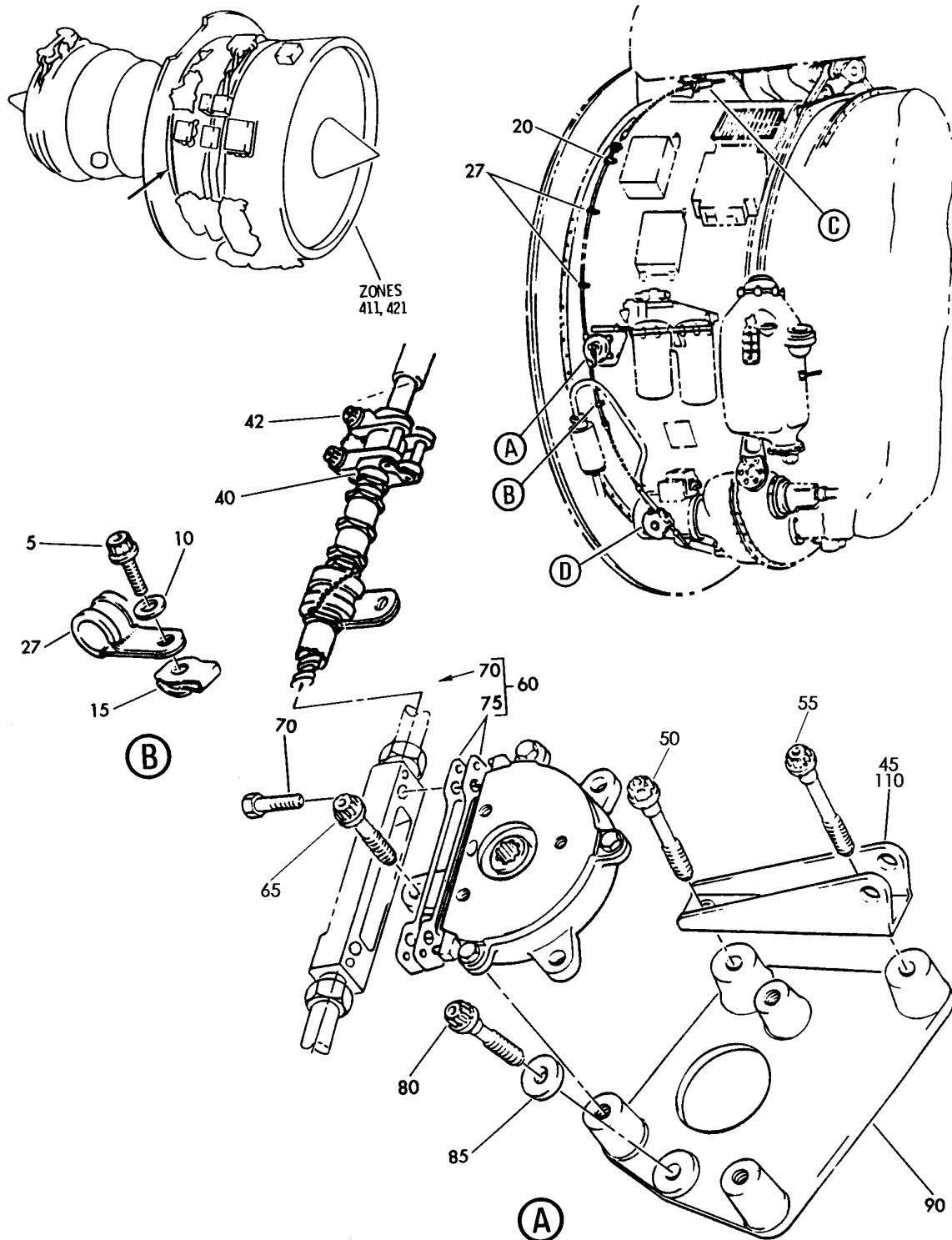
BRI

# 76-11-58-01

BOEING PROPRIETARY - Copyright © - Unpublished Work - See title page for details.

76-11-58  
FIG. 01  
PAGE 2  
JAN 20/09

**BOEING**  
757  
PARTS CATALOG (MAINTENANCE)



Y 76115901 SHT 1 REV 228

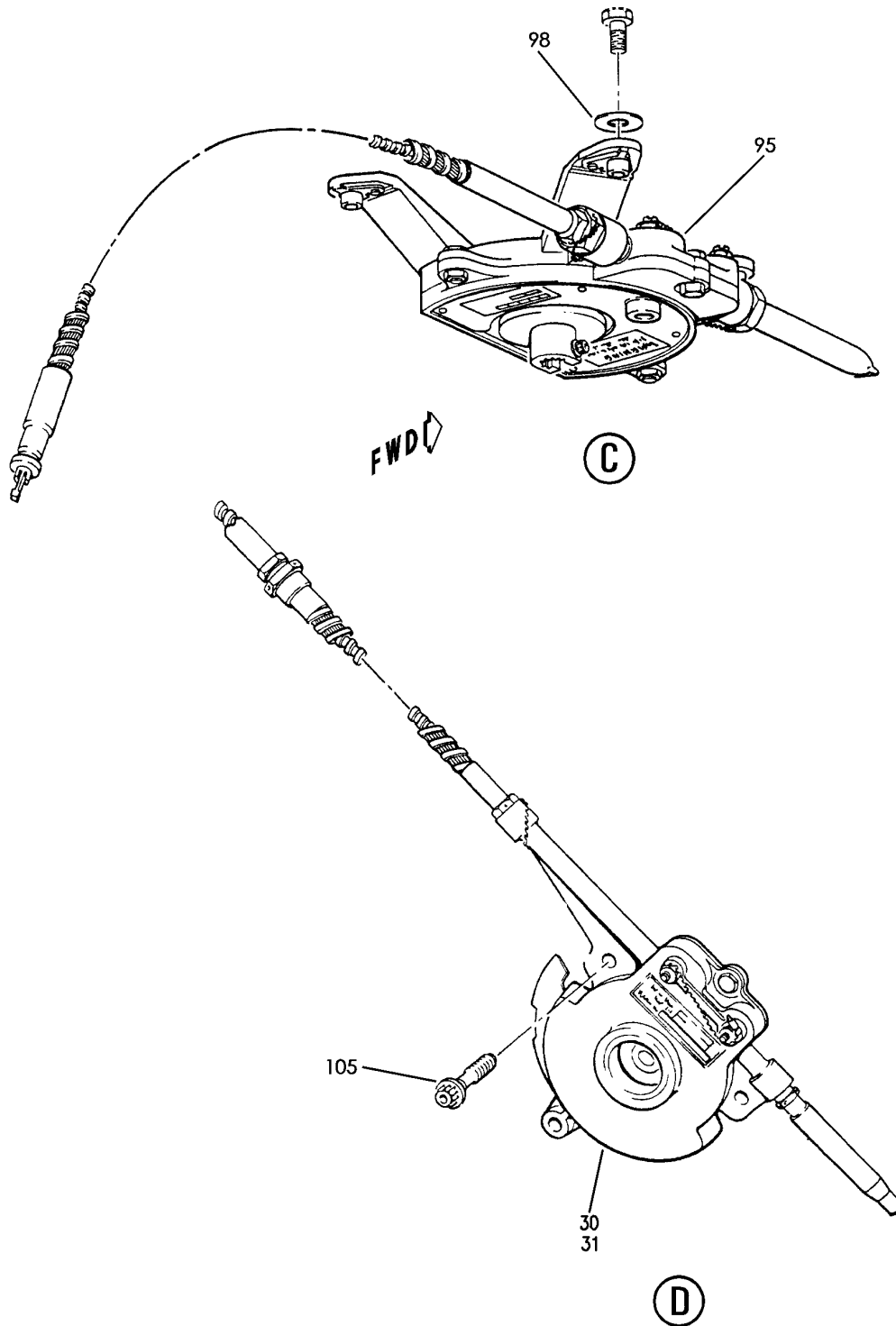
POWER CONTROL BOXES AND LINKAGE (RB211-535)  
FIGURE 1 (SHEET 1)

**76-11-59-01**

BRI  
MAY 28/07

76-11-59-01  
PAGE 0

**BOEING**  
757  
PARTS CATALOG (MAINTENANCE)



Y 76115901 SHT 2 REV 239

POWER CONTROL BOXES AND LINKAGE (RB211-535)  
FIGURE 1 (SHEET 2)

**76-11-59-01**

BRI  
MAY 28/07

76-11-59-01  
PAGE 0A



757

PARTS CATALOG (MAINTENANCE)

FIG ITEM	PART NUMBER	1 2 3 4 5 6 7	NOMENCLATURE	EFFECT FROM TO	UNITS PER ASSY
1			POWER CONTROL BOXES AND LINKAGE (RB211-535)	002004	
- 1	UL19722		ENGINE ASSY-Q.E.C.U. RB211-535E43711 MAXIMUM NEUT SUPPLIER CODE: VK0680 FOR NHA/OTHER SYS DET SEE: 71-00-02-04	006999 107107	RF
- 1	UL20697		ENGINE ASSY-Q.E.C.U. RB211-535E43711 MAXIMUM NEUT WITH GRAVINER FIRE DETECTORS, BAYONET MCD, NON-MODULATED IDG COOLING 40,000 LB THRUST SUPPLIER CODE: VK0680 REFERENCE SERVICE BULLETIN: 71-0058R4 QUALIFIED SB I/W DATA: INTERMIX OF ONE OR SUBSTITUTION OF TWO DIFFERENT CONFIGURATION RB211-535E4-37/() ENGINES FOR RB211-535 E4 BASE ENGINES REFERENCE SERVICE BULLETIN: RB211-72-C547 VK0680 FOR NHA/OTHER SYS DET SEE: 71-00-02-04	121503 904949 952999	RF

MISSING ITEM NUMBERS NOT APPLICABLE

- ITEM NOT ILLUSTRATED

BRI

76-11-59-01

BOEING PROPRIETARY - Copyright © - Unpublished Work - See title page for details.

76-11-59  
FIG. 01  
PAGE 1  
JAN 20/09



757

PARTS CATALOG (MAINTENANCE)

FIG ITEM	PART NUMBER	1 2 3 4 5 6 7	NOMENCLATURE	EFFECT FROM TO	UNITS PER ASSY
1					
- 1	UL20698		ENGINE ASSY-Q.E.C.U. RB211-535E43712 MAXIMUM NEUT SUPPLIER CODE: VK0680 REFERENCE SERVICE BULLETIN: 71-0058R7 QUALIFIED SB I/W DATA: INTERMIX OF ONE OR SUBSTITUTION OF TWO DIFFERENT CONFIGURATION RB211-535E4-37/() ENGINES FOR RB211-535E4 BASE ENGINES OR DIFFERENT CONFIGURATION RB211-535E4-B-37/() ENGINES FOR RB211-535E4-B BASE ENGINES REFERENCE SERVICE BULLETIN: RB211-72-C547 VK0680 RB211-72-8910 VK0680 POST RAPID REVISION: RR92014-183A-RC-E FOR NHA/OTHER SYS DET SEE: 71-00-02-04	002004 006100 102102	RF
- 1	UL36209		ENGINE ASSY-Q.E.C.U. RB211-535E43719 MAXIMUM NEUT SUPPLIER CODE: VK0680 FOR NHA/OTHER SYS DET SEE: 71-00-02-04	950951	RF
- 1	UL20702		ENGINE ASSY-Q.E.C.U. RB211-535E43711 BASIC ENGINE CONFIG. WITH GRAVINER FIRE DETECTORS,BAYONET MCD, NON-MODULATED IDG COOLING 40,100 LB THRUST SUPPLIER CODE: VK0680 FOR NHA/OTHER SYS DET SEE: 71-00-02-10	504903	RF

MISSING ITEM NUMBERS NOT APPLICABLE

- ITEM NOT ILLUSTRATED

76-11-59-01

76-11-59  
FIG. 01  
PAGE 2  
JAN 20/09

BRI



757

PARTS CATALOG (MAINTENANCE)

FIG ITEM	PART NUMBER	1 2 3 4 5 6 7	NOMENCLATURE	EFFECT FROM TO	UNITS PER ASSY
1					
- 3	BCREF17101		ENGINE ASSY-Q.E.C.U. RB211-535E43744 BASIC ENGINE CONFIGURATION, BAYONET MCD AND PHASE 5 COMBUSTOR 40,100 LB THRUST SUPPLIER CODE: VK0680 OVERLENGTH PART NUMBER: RB211-535E4-3744E FOR NHA/OTHER SYS DET SEE: 71-00-02-10	103106	RF
- 3	BCREF17395		ENGINE ASSY-Q.E.C.U. RB211-535E43739 BASIC ENGINE CONFIGURATION AND PHASE 5 COMBUSTOR 40,100 LB THRUST SUPPLIER CODE: VK0680 OVERLENGTH PART NUMBER: RB211-535E4-37-39E FOR NHA/OTHER SYS DET SEE: 71-00-02-10	108120	RF
- 3	UL38163		ENGINE ASSY-Q.E.C.U. RB211-535E43724 BASIC ENGINE CONFIGURATION, BAYONET MCD, 40,100 LB THRUST SUPPLIER CODE: VK0680 FOR NHA/OTHER SYS DET SEE: 71-00-02-10	101101	RF
5	AS21407		.BOLT	002004 006999	1
10	K8831		.WASHER- SUPPLIER CODE: VK0680	002004 006999	1
15	AS41104		.NUT	002004 006999	1
20	400WSS8		.CLIP- SUPPLIER CODE: V83930	002004 006999	1
27	400WSS5		.CLIP- SUPPLIER CODE: V83930	002004 006999	3

MISSING ITEM NUMBERS NOT APPLICABLE

- ITEM NOT ILLUSTRATED

BRI

76-11-59-01

BOEING PROPRIETARY - Copyright © - Unpublished Work - See title page for details.

76-11-59  
FIG. 01  
PAGE 3  
JAN 20/09



757

PARTS CATALOG (MAINTENANCE)

FIG ITEM	PART NUMBER	1 2 3 4 5 6 7	NOMENCLATURE	EFFECT FROM TO	UNITS PER ASSY
1 30	44111-108		.BOX ASSY-LWR PWR CONT LINKAGE SUPPLIER CODE: V78710 NOT APPROVED FOR ETOPS. PRE SERVICE BULLETIN: 76-7729 VK0680	107107 121949 952999	1
30	44111-107		.BOX ASSY-LWR PWR CONT LINKAGE SUPPLIER CODE: V78710 NOT APPROVED FOR ETOPS. POST SERVICE BULLETIN: 76-7729 VK0680 PRE SERVICE BULLETIN: 76-8081 VK0680	002004 006100 102102 107107 121949 952999	1
30	44111-109		.BOX ASSY-LWR PWR CONT LINKAGE SUPPLIER CODE: V78710 NOT APPROVED FOR ETOPS. POST SERVICE BULLETIN: 76-8082 VK0680 PRE SERVICE BULLETIN: 76-8386 VK0680	002004 006100 102102 107107 121949 952999	1
30	44111-110		.BOX ASSY-LWR PWR CONT LINKAGE SUPPLIER CODE: V78710 NOT APPROVED FOR ETOPS. POST SERVICE BULLETIN: 76-8081 VK0680 PRE SERVICE BULLETIN: 76-8082 VK0680	002004 006100 102102 107107 121949 952999	1

MISSING ITEM NUMBERS NOT APPLICABLE

- ITEM NOT ILLUSTRATED

BRI

**76-11-59-01**

BOEING PROPRIETARY - Copyright © - Unpublished Work - See title page for details.

76-11-59  
FIG. 01  
PAGE 4  
JAN 20/09



757

PARTS CATALOG (MAINTENANCE)

FIG ITEM	PART NUMBER	1 2 3 4 5 6 7	NOMENCLATURE	EFFECT FROM TO	UNITS PER ASSY
1					
30	44111-115		.BOX ASSY-LWR PWR CONT LINKAGE SUPPLIER CODE: V78710 CONFIG CHG DATA FROM A CMM: FOR INTRCHG, SEE RR IPC OPTIONAL PART: 44111-116 V78710 POST SERVICE BULLETIN: 76-9395 VK0680	002004 006100 102102 107107 121949 952999	1
30	44111-116		.BOX ASSY-LWR PWR CONT LINKAGE SUPPLIER CODE: V78710 OPTIONAL PART: 44111-115 V78710 POST SERVICE BULLETIN: 76-9395PT01 VK0680	002004 006999	1
30	44111-115		.BOX ASSY-LWR PWR CONT LINKAGE SUPPLIER CODE: V78710 OPTIONAL PART: 44111-116 V78710 POST SERVICE BULLETIN: 76-9395PT01 VK0680	101101 103106 108120 950951	1
30	44111-112		.BOX ASSY-A877445 SUPPLIER CODE: V78710 POSITION DATA: LWR NOT APPROVED FOR ETOPS. CONFIG CHG DATA FROM A CMM: FOR INTRCHG.SEE RR IPC OPTIONAL PART: 44111-114 V78710 POST SERVICE BULLETIN: 76-8386 VK0680 PRE SERVICE BULLETIN: 76-9395 VK0680	002004 006100 102102 107107 121949 952999	1

MISSING ITEM NUMBERS NOT APPLICABLE

- ITEM NOT ILLUSTRATED

BRI

76-11-59-01

BOEING PROPRIETARY - Copyright © - Unpublished Work - See title page for details.

76-11-59  
FIG. 01  
PAGE 5  
JAN 20/09





757

PARTS CATALOG (MAINTENANCE)

FIG ITEM	PART NUMBER	1 2 3 4 5 6 7	NOMENCLATURE	EFFECT FROM TO	UNITS PER ASSY
1					
30	44111-114		.BOX ASSY- SUPPLIER CODE: V78710 POSITION DATA: LWR NOT APPROVED FOR ETOPS. OPTIONAL PART: 44111-112 V78710 POST SERVICE BULLETIN: 76-8386 VK0680 PRE SERVICE BULLETIN: 76-9395 VK0680	002004 006100 102102 107107 121949 952999	1
40	27210-1		..CLAMP ASSY- SUPPLIER CODE: V78710	002004 006999	1
42	MS9088-10		...BOLT	002004 006999	2
45	LK83591		.BRACKET- SUPPLIER CODE: VK0680 ATTACHING PARTS	002004 006999	1
50	AS24524		.BOLT	002004 006999	1
55	AS24527		.BOLT	002004 006999	1
60	44111-307		-----*----- .BOX ASSY-INTERMEDIATE SUPPLIER CODE: V78710 ATTACHING PARTS	002004 006999	1
65	BLT4509		.BOLT- SUPPLIER CODE: VK0680 -----*-----	002004 006999	3
70	AN3CH7A		..BOLT	002004 006999	2
75	57400-1		..SHIM- SUPPLIER CODE: V78710	002004 006999	2
80	AS24514		.BOLT	002004 006999	1
85	AS12944		.WASHER	002004 006999	1
90	LK86464		.BRACKET ASSY-MTG SUPPLIER CODE: VK0680	002004 006999	1

MISSING ITEM NUMBERS NOT APPLICABLE

- ITEM NOT ILLUSTRATED

76-11-59-01

76-11-59  
FIG. 01  
PAGE 6  
JAN 20/09

BRI



757

PARTS CATALOG (MAINTENANCE)

FIG ITEM	PART NUMBER	1 2 3 4 5 6 7	NOMENCLATURE	EFFECT FROM TO	UNITS PER ASSY
1					
95	44111-204		.BOX ASSY-UPR PWR CONT LINKAGE SUPPLIER CODE: V78710 MISCELLANEOUS DATA: TO LOCATE THE FOUR BOLTS THAT SECURE THE POWER CONTROL BOX TO THE PYLON SEE FIG. 76-11-51-05 ITEM 270, 275, 280, 285	002004 006999	1
98	15351-94		..SHIM- SUPPLIER CODE: VK0680 POST SERVICE BULLETIN: 76-8052 VK0680	002004 006999	15
105	AS21014		.BOLT- PRE SERVICE BULLETIN: 76-9170 VK0680	002004 006100 102102 107107 121949 952999	3
105	AS21019		.BOLT- POST SERVICE BULLETIN: 76-9170PT01 VK0680	002004 006999	3
110	UL27693		.BRACKET- SUPPLIER CODE: VK0680 POST SERVICE BULLETIN: 76-9170PT01 VK0680	002004 006999	1
900			ILLUSTRATION REFERENCE: DRUM INSTL-ENG CONT STRUT (RB211-535) 76-11-51-05	002004 006102 107999	RF

MISSING ITEM NUMBERS NOT APPLICABLE

- ITEM NOT ILLUSTRATED

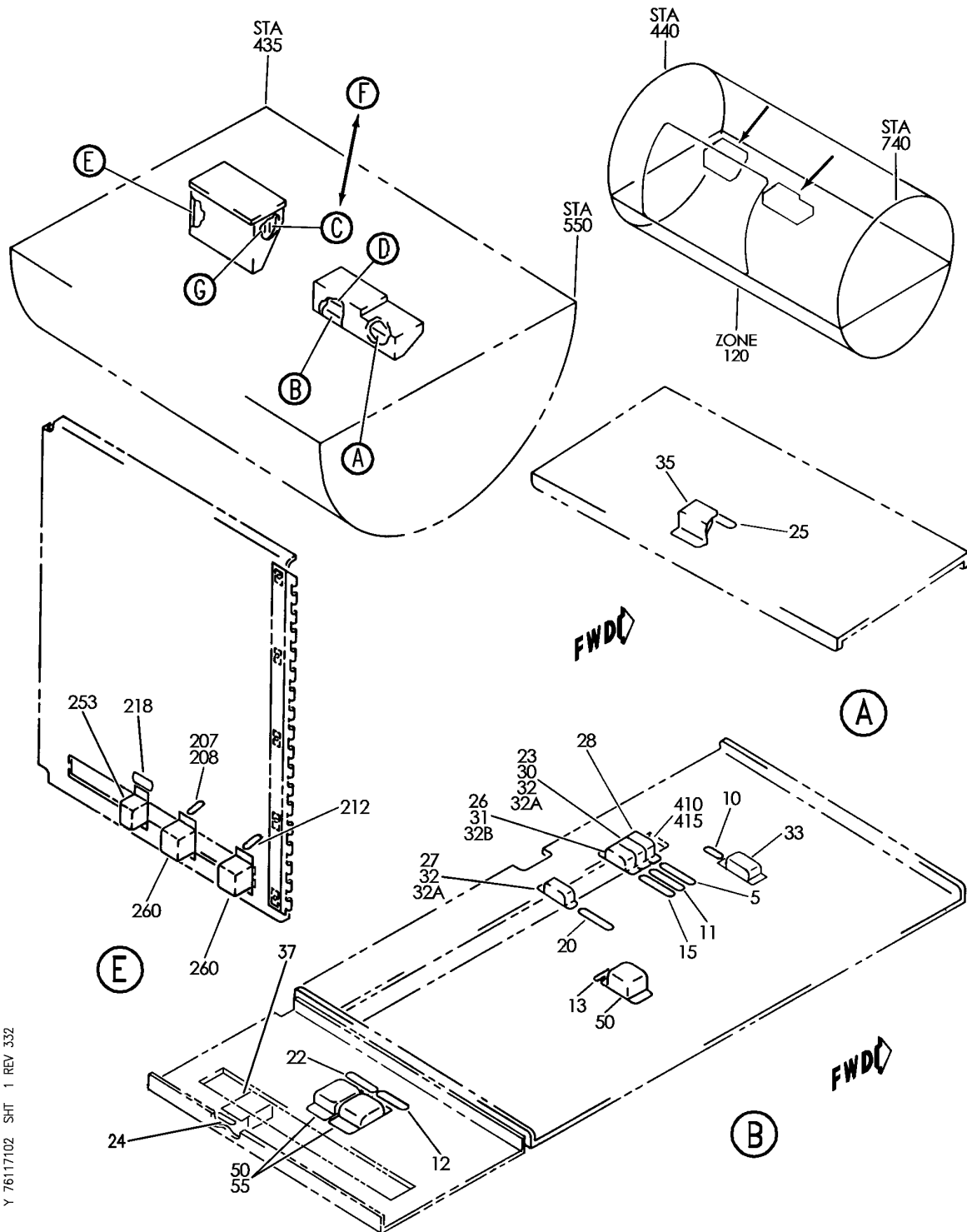
BRI

76-11-59-01

BOEING PROPRIETARY - Copyright © - Unpublished Work - See title page for details.

76-11-59  
FIG. 01  
PAGE 7  
JAN 20/09


**BOEING**  
 757  
**PARTS CATALOG (MAINTENANCE)**



Y 76117102 SHF 1 REV 332

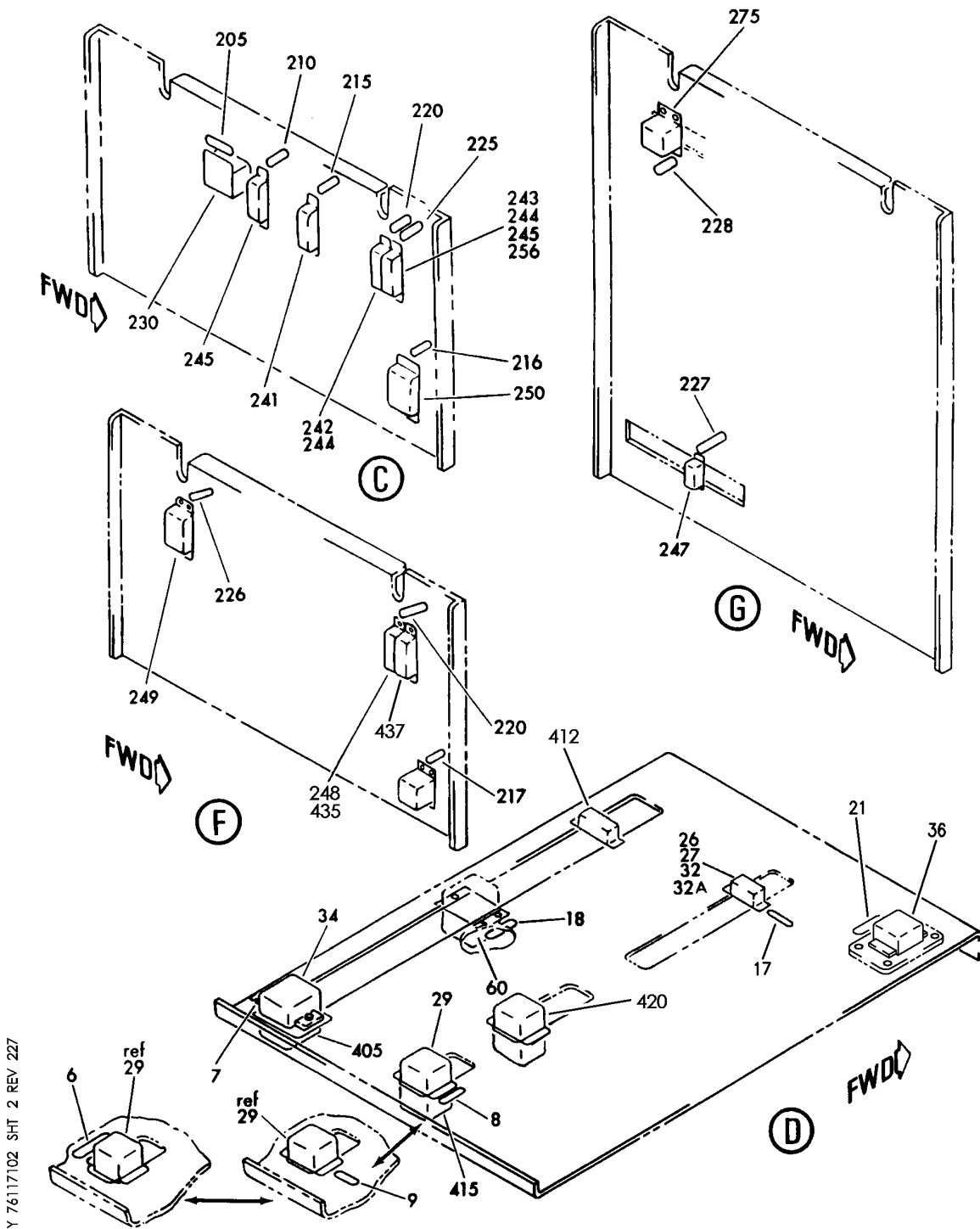
PANEL ASSY-P36 AND P37 MISC RELAY (ENGINE CONTROLS ONLY)  
 FIGURE 2 (SHEET 1)

# 76-11-71-02

BRI  
MAY 20/09

76-11-71-02  
PAGE 0


**BOEING**  
 757  
**PARTS CATALOG (MAINTENANCE)**



PANEL ASSY-P36 AND P37 MISC RELAY (ENGINE CONTROLS ONLY)  
 FIGURE 2 (SHEET 2)

# 76-11-71-02

BRI  
MAY 28/07

76-11-71-02  
PAGE 0A



757

PARTS CATALOG (MAINTENANCE)

FIG ITEM	PART NUMBER	1 2 3 4 5 6 7	NOMENCLATURE	EFFECT FROM TO	UNITS PER ASSY
2			PANEL ASSY-P36 AND P37 MISC RELAY (ENGINE CONTROLS ONLY)	002004 006100 107107 121999	
- 1	284N1125-1		PANEL ASSY-P36 MISC RELAY (ENGINE CONTROLS ONLY) POSITION DATA: L VARIABLE DRAWING REF: 284N1125-5023 284N1125-5030 284N1125-5049 284N1125-5050 284N1125-5054 REWORKED BY SB: 34-0200 REWORKED BY ALERT SB: 27A0130 FOR NHA/OTHER SYS DET SEE: 31-01-36-01B	002004 006100 107107 121503 904999	RF
8	BAC27NEX0203		.DECAL- PLACARD CONTENT: K10103	107107	1
8	BAC27NEX2478		.DECAL- PLACARD CONTENT: K10103	002004 006100 950999	1
9	BAC27NEX0203		.DECAL- PLACARD CONTENT: K10103	904949	1
9	BAC27NEX2478		.DECAL- PLACARD CONTENT: K10103	121503	1
11	BAC27NEX2481		.DECAL- PLACARD CONTENT: K10124	002004 006100 950999	1
11	BAC27NEX0209		.DECAL- PLACARD CONTENT: K10124	107107	1
15	BAC27NEX0210		.DECAL- PLACARD CONTENT: K10126	904949	1
15	BAC27NEX2482		.DECAL- PLACARD CONTENT: K10126 PRE SERVICE BULLETIN: 76-0011	002004 006010 950951	1

MISSING ITEM NUMBERS NOT APPLICABLE

- ITEM NOT ILLUSTRATED

BRI

76-11-71-02

76-11-71  
FIG. 02  
PAGE 1  
JAN 20/09



757

PARTS CATALOG (MAINTENANCE)

FIG ITEM	PART NUMBER	1 2 3 4 5 6 7	NOMENCLATURE	EFFECT FROM TO	UNITS PER ASSY
2	17 BAC27NEX1767	.DECAL-	PLACARD CONTENT: K10505	002004 006100 107107 121503 904999	1
	20 BAC27NEX0897	.DECAL-	PLACARD CONTENT: K10349	107107 121503 904949	1
	20 BAC27NEX0824	.DECAL-	PLACARD CONTENT: K10349	002004 006100 950999	1
	23 W260F4AM11	.RELAY-	SUPPLIER CODE: VF0219 SPECIFICATION NUMBER: BACR13CD2 OPTIONAL PART: BR16S233 V09026 EE4AA005 V35344 3SAV1338A2 V01526 HFW1206K03 V58614 HFW1204K01 V71482 ELECTRICAL EQUIP NUMBER: K10124	011100	1
27	W260F4AM11	.RELAY-	SUPPLIER CODE: VF0219 SPECIFICATION NUMBER: BACR13CD2 OPTIONAL PART: BR16S233 V09026 EE4AA005 V35344 3SAV1338A2 V01526 HFW1206K03 V58614 HFW1204K01 V71482 ELECTRICAL EQUIP NUMBER: K10349 K10505	002004 006010 107107 121503 904999	2

MISSING ITEM NUMBERS NOT APPLICABLE

- ITEM NOT ILLUSTRATED

BRI

76-11-71-02

BOEING PROPRIETARY - Copyright © - Unpublished Work - See title page for details.

76-11-71  
FIG. 02  
PAGE 2  
JAN 20/09



757

PARTS CATALOG (MAINTENANCE)

FIG ITEM	PART NUMBER	1 2 3 4 5 6 7	NOMENCLATURE	EFFECT FROM TO	UNITS PER ASSY
2	29 TDH8119-5001	.	RELAY- SUPPLIER CODE: V58657 ELECTRICAL EQUIP NUMBER: K10103 OPTIONAL PART: TDH8116-5001 V58657	904949 952952	1
	29 TDH8116-5001	.	RELAY- SUPPLIER CODE: V58657 ELECTRICAL EQUIP NUMBER: K10103 OPTIONAL PART: TDH8119-5001 V58657	904949 952952	1
	29 600-486	.	RELAY- SUPPLIER CODE: V15420 ELECTRICAL EQUIP NUMBER: K10103	002004 006100 121503 950951 953999	1
	30 W260F4AM11	.	RELAY- SUPPLIER CODE: VF0219 SPECIFICATION NUMBER: BACR13CD2 OPTIONAL PART: BR16S233 V09026 EE4AA005 V35344 3SAV1338A2 V01526 HFW1206K03 V58614 HFW1204K01 V71482 ELECTRICAL EQUIP NUMBER: K10124	002004 006010 107107 121503 904999	1

MISSING ITEM NUMBERS NOT APPLICABLE

- ITEM NOT ILLUSTRATED

BRI

76-11-71-02

BOEING PROPRIETARY - Copyright © - Unpublished Work - See title page for details.

76-11-71  
FIG. 02  
PAGE 3  
JAN 20/09



757

PARTS CATALOG (MAINTENANCE)

FIG ITEM	PART NUMBER	1 2 3 4 5 6 7	NOMENCLATURE	EFFECT FROM TO	UNITS PER ASSY
2 31	W260F4AM11		.RELAY- SUPPLIER CODE: VF0219 SPECIFICATION NUMBER: BACR13CD2 OPTIONAL PART: BR16S233 V09026 EE4AA005 V35344 3SAV1338A2 V01526 HFW1206K03 V58614 HFW1204K01 V71482 ELECTRICAL EQUIP NUMBER: K10126 PRE SERVICE BULLETIN: 76-0011	002004 006010 904951	1
34	TDH8119-5001		.RELAY- SUPPLIER CODE: V58657 ELECTRICAL EQUIP NUMBER: K10103 OPTIONAL PART: TDH8116-5001 V58657	107107	1
34	TDH8116-5001		.RELAY- SUPPLIER CODE: V58657 ELECTRICAL EQUIP NUMBER: K10103 OPTIONAL PART: TDH8119-5001 V58657	107107	1

MISSING ITEM NUMBERS NOT APPLICABLE

- ITEM NOT ILLUSTRATED

BRI

76-11-71-02

BOEING PROPRIETARY - Copyright © - Unpublished Work - See title page for details.

76-11-71  
FIG. 02  
PAGE 4  
JAN 20/09



 **BOEING**  
757  
**PARTS CATALOG (MAINTENANCE)**

FIG ITEM	PART NUMBER	1 2 3 4 5 6 7	NOMENCLATURE	EFFECT FROM TO	UNITS PER ASSY
2 - 200	284N1127-1		PANEL ASSY-P37 MISC RELAY (ENGINE CONTROLS ONLY) POSITION DATA: R VARIABLE DRAWING REF: 284N1127-5028 284N1127-5039 284N1127-5063 284N1127-5064 284N1127-5068 REWORKED BY SB: 33-0039 34-0200 REWORKED BY ALERT SB: 27A0130 FOR NHA/OTHER SYS DET SEE: 31-01-37-01B	002004 006100 107107 121503 904999	RF
205	BAC27NEX1046		.DECAL- PLACARD CONTENT: M10223	121503 904949	1
210	BAC27NEX1038		.DECAL- PLACARD CONTENT: K10348	002004 006100 107107 121503 904999	1
217	BAC27NEX0298		.DECAL- PLACARD CONTENT: K10102	002004 006100 107107 121503 904999	1
220	BAC27NEX0991		.DECAL- PLACARD CONTENT: K10127 PRE SERVICE BULLETIN: 76-0011	002004 006100 904951	1
225	BAC27NEX0990		.DECAL- PLACARD CONTENT: K10125	002004 006100 107107 121503 904999	1
227	BAC27NEX1766		.DECAL- PLACARD CONTENT: K10504	002004 006100 107107 121503 904999	1

MISSING ITEM NUMBERS NOT APPLICABLE

- ITEM NOT ILLUSTRATED

BRI

# 76-11-71-02

BOEING PROPRIETARY - Copyright © - Unpublished Work - See title page for details.

76-11-71  
FIG. 02  
PAGE 5  
JAN 20/09



757

PARTS CATALOG (MAINTENANCE)

FIG ITEM	PART NUMBER	1 2 3 4 5 6 7	NOMENCLATURE	EFFECT FROM TO	UNITS PER ASSY
2 245	W260F4AM11		.RELAY- SUPPLIER CODE: VF0219 SPECIFICATION NUMBER: BACR13CD2 OPTIONAL PART: BR16S233 V09026 EE4AA005 V35344 3SAV1338A2 V01526 HFW1206K03 V58614 HFW1204K01 V71482 ELECTRICAL EQUIP NUMBER: K10125 K10348	002004 006100 107107 121503 904999	2
247	W260F4AM11		.RELAY- SUPPLIER CODE: VF0219 SPECIFICATION NUMBER: BACR13CD2 OPTIONAL PART: BR16S233 V09026 EE4AA005 V35344 3SAV1338A2 V01526 HFW1206K03 V58614 HFW1204K01 V71482 ELECTRICAL EQUIP NUMBER: K10504	002004 006100 107107 121503 904999	1

MISSING ITEM NUMBERS NOT APPLICABLE

- ITEM NOT ILLUSTRATED

BRI

76-11-71-02

BOEING PROPRIETARY - Copyright © - Unpublished Work - See title page for details.

76-11-71  
FIG. 02  
PAGE 6  
JAN 20/09



757

PARTS CATALOG (MAINTENANCE)

FIG ITEM	PART NUMBER	1 2 3 4 5 6 7	NOMENCLATURE	EFFECT FROM TO	UNITS PER ASSY
2 248	W260F4AM11		.RELAY- SUPPLIER CODE: VF0219 SPECIFICATION NUMBER: BACR13CD2 OPTIONAL PART: BR16S233 V09026 EE4AA005 V35344 3SAV1338A2 V01526 HFW1206K03 V58614 HFW1204K01 V71482 ELECTRICAL EQUIP NUMBER: K10127 PRE SERVICE BULLETIN: 76-0011	002004 006010 904951	1
250	TDH8119-5001		.RELAY- SUPPLIER CODE: V58657 ELECTRICAL EQUIP NUMBER: K10102 OPTIONAL PART: TDH8116-5001 V58657	107107 904949 952952	1
250	TDH8116-5001		.RELAY- SUPPLIER CODE: V58657 ELECTRICAL EQUIP NUMBER: K10102 OPTIONAL PART: TDH8119-5001 V58657	107107 904949 952952	1
250	600-486		.RELAY- SUPPLIER CODE: V15420 ELECTRICAL EQUIP NUMBER: K10102	002004 006100 121503 950951 953999	1

MISSING ITEM NUMBERS NOT APPLICABLE

- ITEM NOT ILLUSTRATED

BRI

76-11-71-02

BOEING PROPRIETARY - Copyright © - Unpublished Work - See title page for details.

76-11-71  
FIG. 02  
PAGE 7  
JAN 20/09



757

PARTS CATALOG (MAINTENANCE)

FIG ITEM	PART NUMBER	1 2 3 4 5 6 7	NOMENCLATURE	EFFECT FROM TO	UNITS PER ASSY
2 256	W260F4AM11		.RELAY- SUPPLIER CODE: VF0219 SPECIFICATION NUMBER: BACR13CD2 OPTIONAL PART: BR16S233 V09026 EE4AA005 V35344 3SAV1338A2 V01526 HFW1206K03 V58614 HFW1204K01 V71482 ELECTRICAL EQUIP NUMBER: K10348	011100	1
- 400	286N1260-002		WIRE BUNDLE ASSY- REWORKED BY SB: 76-0014 REWORKED BY ALERT SB: 27A0130	121503 904949	RF
- 400	286N1260-003		WIRE BUNDLE ASSY- REWORKED BY ALERT SB: 27A0130	107107	RF
- 400	286N1260-005		WIRE BUNDLE ASSY- REWORKED BY SB: 34-0200 REWORKED BY ALERT SB: 27A0130	002004 006100 950999	RF
405	BACS16W5		.SOCKET- ELECTRICAL EQUIP NUMBER: D01726 WIRING DIAGRAM REF: 761121	107107	1
410	RSE120026		.SOCKET- SUPPLIER CODE: V58982 SPECIFICATION NUMBER: BACS16AG1 OPTIONAL PART: 451120-026 V58982 ELECTRICAL EQUIP NUMBER: D01726 WIRING DIAGRAM REF: 761121	121503 904949	1

MISSING ITEM NUMBERS NOT APPLICABLE

- ITEM NOT ILLUSTRATED

BRI

76-11-71-02

BOEING PROPRIETARY - Copyright © - Unpublished Work - See title page for details.

76-11-71  
FIG. 02  
PAGE 8  
JAN 20/09



757

PARTS CATALOG (MAINTENANCE)

FIG ITEM	PART NUMBER	1 2 3 4 5 6 7	NOMENCLATURE	EFFECT FROM TO	UNITS PER ASSY
2 415	BACS16W5		.SOCKET- ELECTRICAL EQUIP NUMBER: D01726 WIRING DIAGRAM REF: 761121	002004 006100 950999	1
- 430	286N1270-005		WIRE BUNDLE ASSY- REWORKED BY SB: 33-0039 34-0200 REWORKED BY ALERT SB: 27A0130 34A0222	002004 006100 950999	RF
- 430	286N1270-003		WIRE BUNDLE ASSY- REWORKED BY ALERT SB: 27A0130 34A0222	107107	RF
- 430	286N1270-002		WIRE BUNDLE ASSY- REWORKED BY SB: 76-0014 REWORKED BY ALERT SB: 34A0222 27A0130	121503 904949	RF
435	RSE120026		.SOCKET- SUPPLIER CODE: V58982 SPECIFICATION NUMBER: BACS16AG1 OPTIONAL PART: 451120-026 V58982 ELECTRICAL EQUIP NUMBER: D02220 WIRING DIAGRAM REF: 761112	121949 952999	1
437	RSE120027		.SOCKET- SUPPLIER CODE: V58982 SPECIFICATION NUMBER: BACS16AF1 OPTIONAL PART: 451120-027 V58982 ELECTRICAL EQUIP NUMBER: D02216 WIRING DIAGRAM REF: 761112	002004 006100 950999	1

MISSING ITEM NUMBERS NOT APPLICABLE

- ITEM NOT ILLUSTRATED

BRI

76-11-71-02

BOEING PROPRIETARY - Copyright © - Unpublished Work - See title page for details.

76-11-71  
FIG. 02  
PAGE 9  
JAN 20/09



757  
PARTS CATALOG (MAINTENANCE)

FIG ITEM	PART NUMBER	1 2 3 4 5 6 7	NOMENCLATURE	EFFECT FROM TO	UNITS PER ASSY
2 437	RSE120026		. SOCKET- SUPPLIER CODE: V58982 SPECIFICATION NUMBER: BACS16AG1 OPTIONAL PART: 451120-026 V58982 ELECTRICAL EQUIP NUMBER: D02216 WIRING DIAGRAM REF: 761112	002004 006100 107107 121503 904951	1

MISSING ITEM NUMBERS NOT APPLICABLE

- ITEM NOT ILLUSTRATED

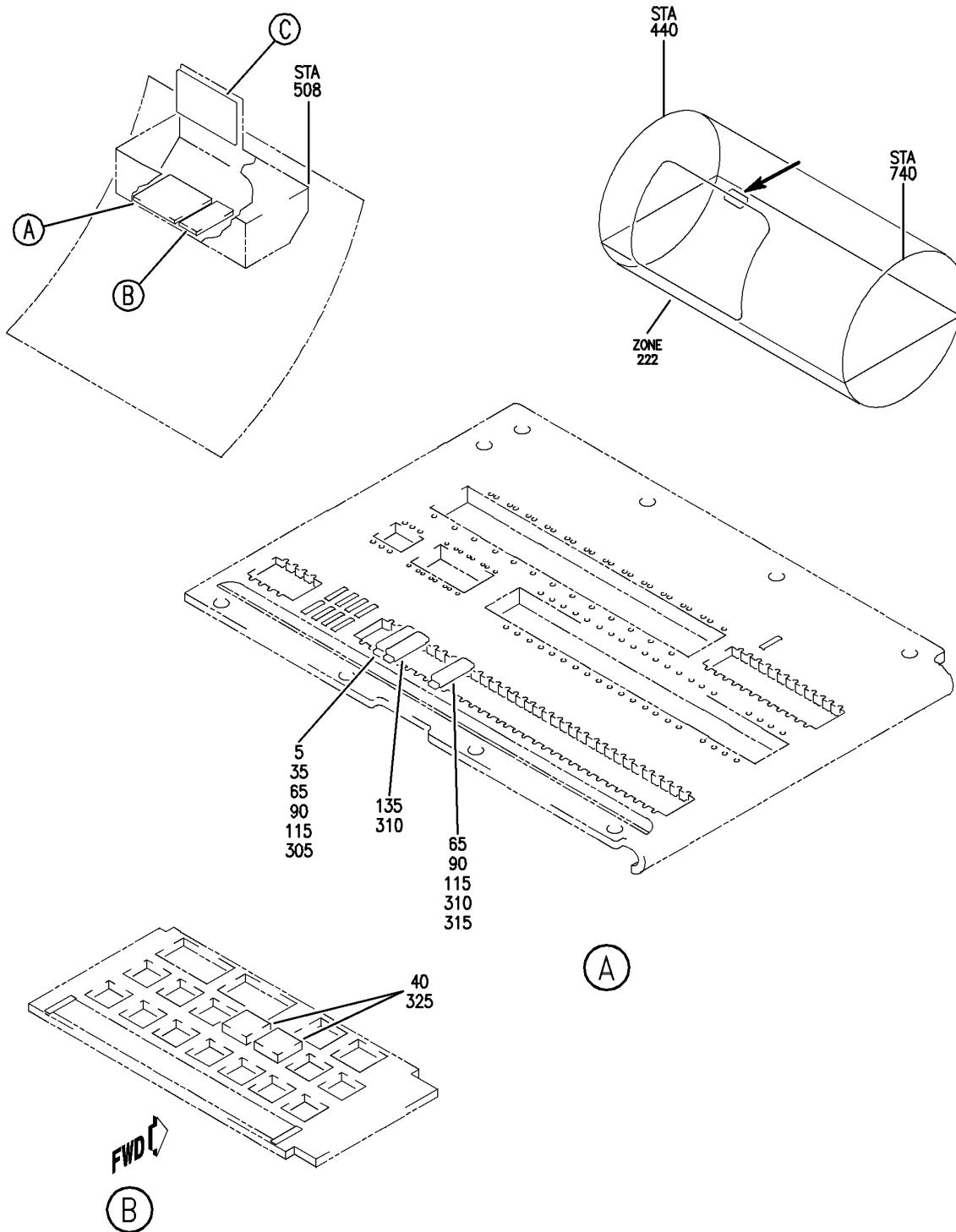
BRI

# 76-11-71-02

BOEING PROPRIETARY - Copyright © - Unpublished Work - See title page for details.

76-11-71  
FIG. 02  
PAGE 10  
JAN 20/09


**BOEING**  
 757  
**PARTS CATALOG (MAINTENANCE)**



Y 76117102A SHT 1 REV Z25

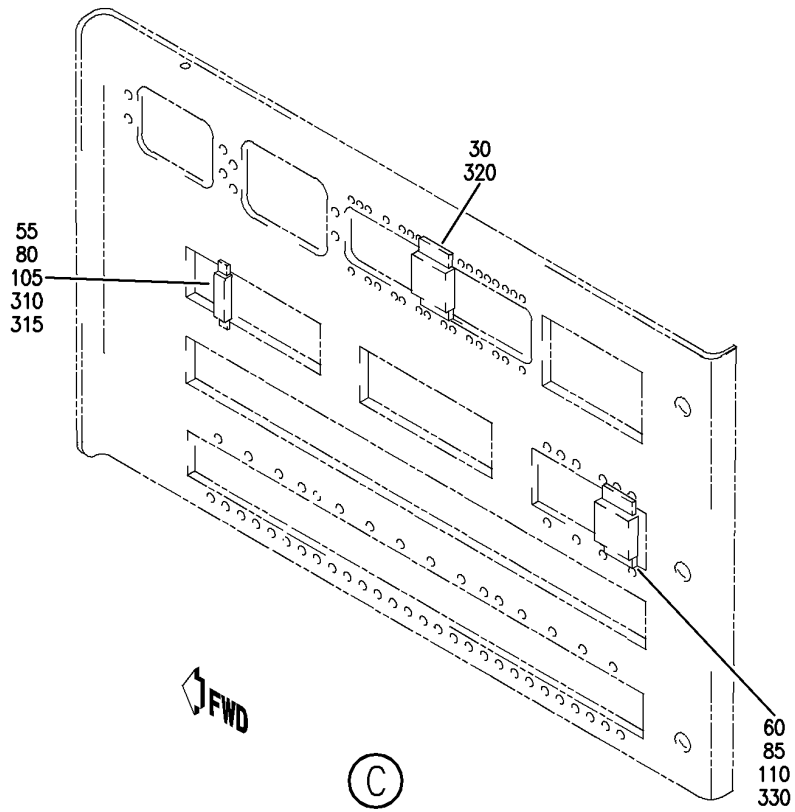
OPTION PACKAGE ASSY-P36 MISC RELAY L (ENGINE CONTROLS ONLY)  
 FIGURE 2A (SHEET 1)

**76-11-71-02A**

BRI  
 MAY 28/07

76-11-71-02A  
 PAGE 0

**BOEING**  
757  
PARTS CATALOG (MAINTENANCE)



Y 76117102A SHT 2 REV 225

OPTION PACKAGE ASSY-P36 MISC RELAY L (ENGINE CONTROLS ONLY)  
FIGURE 2A (SHEET 2)

**76-11-71-02A**

BRI  
MAY 28/07

76-11-71-02A  
PAGE 0A





757

PARTS CATALOG (MAINTENANCE)

FIG ITEM	PART NUMBER	1 2 3 4 5 6 7	NOMENCLATURE	EFFECT FROM TO	UNITS PER ASSY
2A			OPTION PACKAGE ASSY-P36 MISC RELAY L (ENGINE CONTROLS ONLY)	101102 504903	
- 50	284N1125-1010		OPTION PACKAGE ASSY-P36 MISC RELAY L (ENGINE CONTROLS ONLY) REWORKED BY ALERT SB: 27A0130 FOR NHA/OTHER SYS DET SEE: 31-01-36-05	101102 504903	RF
55	W260F4AM11		.RELAY- SUPPLIER CODE: VF0219 SPECIFICATION NUMBER: BACR13CD2 OPTIONAL PART: BR16S233 V09026 EE4AA005 V35344 3SAV1338A2 V01526 HFW1206K03 V58614 HFW1204K01 V71482 ELECTRICAL EQUIP NUMBER: K10505	101102 504903	1
60	600-486		.RELAY- SUPPLIER CODE: V15420 ELECTRICAL EQUIP NUMBER: K10103	101102 504903	1

MISSING ITEM NUMBERS NOT APPLICABLE

- ITEM NOT ILLUSTRATED

BRI

76-11-71-02A

BOEING PROPRIETARY - Copyright © - Unpublished Work - See title page for details.

76-11-71  
FIG. 02A  
PAGE 1  
JAN 20/09



757

PARTS CATALOG (MAINTENANCE)

FIG ITEM	PART NUMBER	1 2 3 4 5 6 7	NOMENCLATURE	EFFECT FROM TO	UNITS PER ASSY
2A 65	W260F4AM11		.RELAY- SUPPLIER CODE: VF0219 SPECIFICATION NUMBER: BACR13CD2 OPTIONAL PART: BR16S233 V09026 EE4AA005 V35344 3SAV1338A2 V01526 HFW1206K03 V58614 HFW1204K01 V71482 ELECTRICAL EQUIP NUMBER: K10124 K10349	101102 504903	2
- 130	284N1125-1030		OPTION PACKAGE ASSY-P36 MISC RELAY L (ENGINE CONTROLS ONLY) REWORKED BY ALERT SB: 27A0130 FOR NHA/OTHER SYS DET SEE: 31-01-36-05	504903	RF
135	W260F4AM11		.RELAY- SUPPLIER CODE: VF0219 SPECIFICATION NUMBER: BACR13CD2 OPTIONAL PART: BR16S233 V09026 EE4AA005 V35344 3SAV1338A2 V01526 HFW1206K03 V58614 HFW1204K01 V71482 ELECTRICAL EQUIP NUMBER: K10126	504903	1
- 301	286N1260-358		WIRE BUNDLE ASSY- REWORKED BY ALERT SB: 27A0130	101102	RF

MISSING ITEM NUMBERS NOT APPLICABLE

- ITEM NOT ILLUSTRATED

76-11-71-02A

76-11-71  
FIG. 02A  
PAGE 2  
JAN 20/09

BRI



757

PARTS CATALOG (MAINTENANCE)

FIG ITEM	PART NUMBER	1 2 3 4 5 6 7	NOMENCLATURE	EFFECT FROM TO	UNITS PER ASSY
2A - 301	286N1260-364		WIRE BUNDLE ASSY- REWORKED BY ALERT SB: 27A0130	504903	RF
305	RSE120027		.SOCKET- SUPPLIER CODE: V58982 SPECIFICATION NUMBER: BACS16AF1 OPTIONAL PART: 451120-027 V58982 ELECTRICAL EQUIP NUMBER: D02154 WIRING DIAGRAM REF: 761111	101102 504903	1
310	RSE120026		.SOCKET- SUPPLIER CODE: V58982 SPECIFICATION NUMBER: BACS16AG1 OPTIONAL PART: 451120-026 V58982 ELECTRICAL EQUIP NUMBER: D02158 D04322 D05594 WIRING DIAGRAM REF: 761111 761121	504903	3
315	RSE120026		.SOCKET- SUPPLIER CODE: V58982 SPECIFICATION NUMBER: BACS16AG1 OPTIONAL PART: 451120-026 V58982 ELECTRICAL EQUIP NUMBER: D04322 D05594 WIRING DIAGRAM REF: 761121	101102	2

MISSING ITEM NUMBERS NOT APPLICABLE

- ITEM NOT ILLUSTRATED

**76-11-71-02A**

76-11-71  
FIG. 02A  
PAGE 3  
JAN 20/09

BRI

BOEING PROPRIETARY - Copyright © - Unpublished Work - See title page for details.



757

PARTS CATALOG (MAINTENANCE)

FIG ITEM	PART NUMBER	1 2 3 4 5 6 7	NOMENCLATURE	EFFECT FROM TO	UNITS PER ASSY
2A 330	RSF116416		. SOCKET- SUPPLIER CODE: V58982 SPECIFICATION NUMBER: BACS16W5A OPTIONAL PART: 102-010-1 V09922 000300-1545 V05574 ELECTRICAL EQUIP NUMBER: D01726 WIRING DIAGRAM REF: 761121	101102 504903	1

MISSING ITEM NUMBERS NOT APPLICABLE

- ITEM NOT ILLUSTRATED

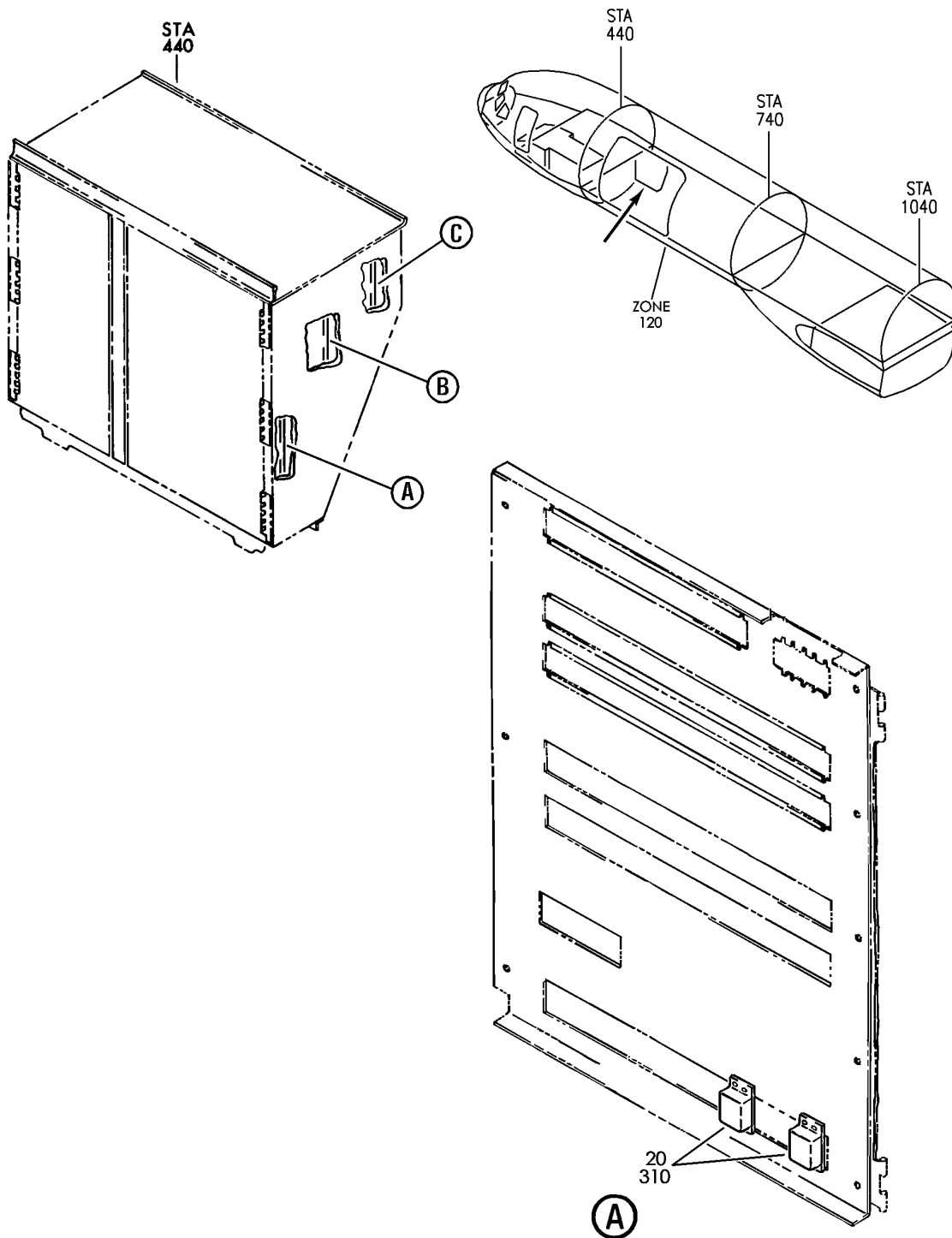
BRI

**76-11-71-02A**

BOEING PROPRIETARY - Copyright © - Unpublished Work - See title page for details.

76-11-71  
FIG. 02A  
PAGE 4  
JAN 20/09

**BOEING**  
757  
PARTS CATALOG (MAINTENANCE)



Y 76117102B SHT. 1 REV 229

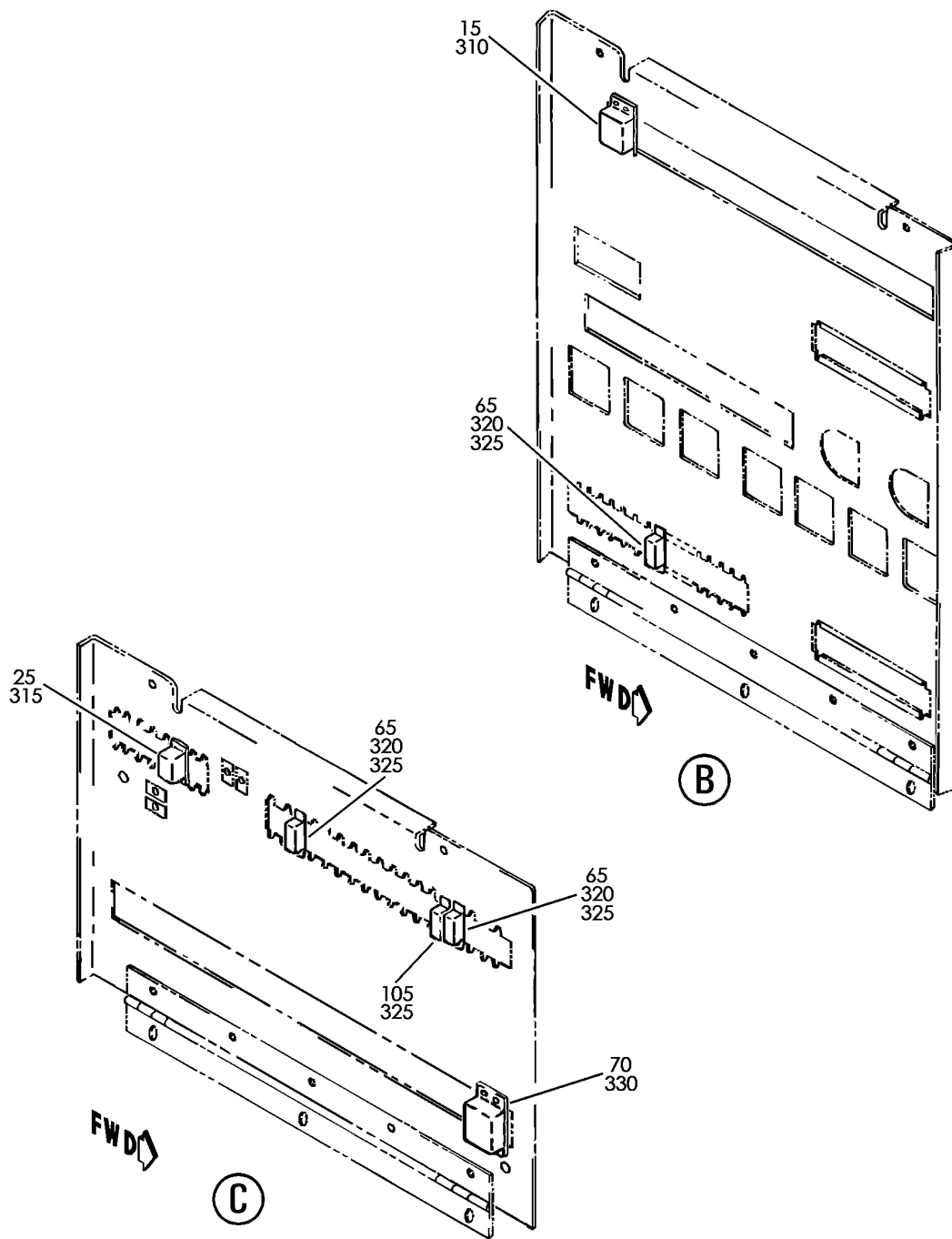
PACKAGE ASSY-OPTION P37 MISC RELAY (ENGINE CONTROLS ONLY)  
FIGURE 2B (SHEET 1)

**76-11-71-02B**

BRI  
MAY 28/07

76-11-71-02B  
PAGE 0

**BOEING**  
757  
PARTS CATALOG (MAINTENANCE)



Y 76117102B SHT 2 REV 226

PACKAGE ASSY-OPTION P37 MISC RELAY (ENGINE CONTROLS ONLY)  
FIGURE 2B (SHEET 2)

**76-11-71-02B**

BRI  
MAY 28/07

76-11-71-02B  
PAGE 0A

 **BOEING**  
757  
**PARTS CATALOG (MAINTENANCE)**

FIG ITEM	PART NUMBER	1 2 3 4 5 6 7	NOMENCLATURE	EFFECT FROM TO	UNITS PER ASSY
2B			PACKAGE ASSY-OPTION P37 MISC RELAY (ENGINE CONTROLS ONLY)	101102 504903	
- 50	284N1127-1033		PACKAGE ASSY-OPTION P37 MISC RELAY (ENGINE CONTROLS ONLY) MISCELLANEOUS DATA: ROLLS ROYCE ENGINES REWORKED BY ALERT SB: 27A0130 FOR NHA SEE: 31-01-37-02	101102 504903	RF
65	W260F4AM11		.RELAY- SUPPLIER CODE: VF0219 SPECIFICATION NUMBER: BACR13CD2 OPTIONAL PART: BR16S233 V09026 EE4AA005 V35344 3SAV1338A2 V01526 HFW1206K03 V58614 HFW1204K01 V71482 ELECTRICAL EQUIP NUMBER: K10125 K10348 K10504	101102 504903	3
70	600-486		.RELAY- SUPPLIER CODE: V15420 ELECTRICAL EQUIP NUMBER: K10102	101102 504903	1
- 100	284N1127-2005		PACKAGE ASSY-OPTION P37 MISC RELAY (ENGINE CONTROLS ONLY) MISCELLANEOUS DATA: SPECIAL ENGINE REWORKED BY ALERT SB: 27A0130 FOR NHA/OTHER SYS DET SEE: 31-01-37-02	504903	RF

MISSING ITEM NUMBERS NOT APPLICABLE

- ITEM NOT ILLUSTRATED

BRI

# 76-11-71-02B

BOEING PROPRIETARY - Copyright © - Unpublished Work - See title page for details.

76-11-71  
FIG. 02B  
PAGE 1  
JAN 20/09



757

PARTS CATALOG (MAINTENANCE)

FIG ITEM	PART NUMBER	1 2 3 4 5 6 7	NOMENCLATURE	EFFECT FROM TO	UNITS PER ASSY
2B 105	W260F4AM11		.RELAY- SUPPLIER CODE: VF0219 SPECIFICATION NUMBER: BACR13CD2 OPTIONAL PART: BR16S233 V09026 EE4AA005 V35344 3SAV1338A2 V01526 HFW1206K03 V58614 HFW1204K01 V71482 ELECTRICAL EQUIP NUMBER: K10127	504903	1
- 300	286N1270-336		WIRE BUNDLE ASSY- REWORKED BY ALERT SB: 34A0222 27A0130	504903	RF
- 301	286N1270-361		WIRE BUNDLE ASSY- REWORKED BY ALERT SB: 34A0222 27A0130	101101	RF
- 302	286N1270-399		WIRE BUNDLE ASSY- REWORKED BY ALERT SB: 34A0222 27A0130	102102	RF
320	RSE120026		.SOCKET- SUPPLIER CODE: V58982 SPECIFICATION NUMBER: BACS16AG1 OPTIONAL PART: 451120-026 V58982 ELECTRICAL EQUIP NUMBER: D02216 D04248 D05694 WIRING DIAGRAM REF: 761112 761121	101102	3

MISSING ITEM NUMBERS NOT APPLICABLE

- ITEM NOT ILLUSTRATED

BRI

**76-11-71-02B**

BOEING PROPRIETARY - Copyright © - Unpublished Work - See title page for details.

76-11-71  
FIG. 02B  
PAGE 2  
JAN 20/09





757

PARTS CATALOG (MAINTENANCE)

FIG ITEM	PART NUMBER	1 2 3 4 5 6 7	NOMENCLATURE	EFFECT FROM TO	UNITS PER ASSY
2B 325	RSE120026		.SOCKET- SUPPLIER CODE: V58982 SPECIFICATION NUMBER: BACS16AG1 OPTIONAL PART: 451120-026 V58982 ELECTRICAL EQUIP NUMBER: D02216 D02220 D04248 D05694 WIRING DIAGRAM REF: 761112 761121	504903	4
330	RSF116416		.SOCKET- SUPPLIER CODE: V58982 SPECIFICATION NUMBER: BACS16W5A OPTIONAL PART: 102-010-1 V09922 000300-1545 V05574 ELECTRICAL EQUIP NUMBER: D01814 WIRING DIAGRAM REF: 761121	101102 504903	1

MISSING ITEM NUMBERS NOT APPLICABLE

- ITEM NOT ILLUSTRATED

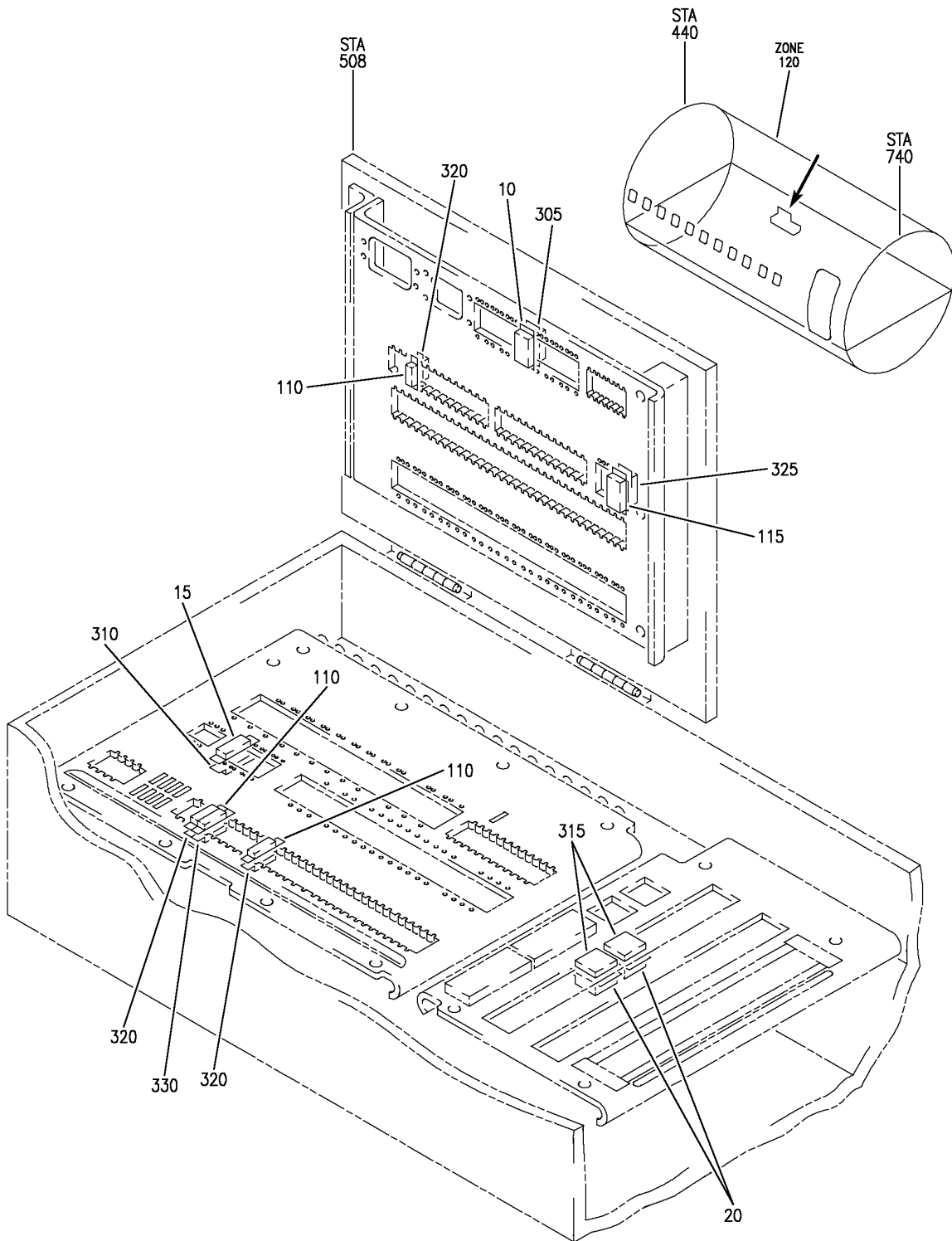
BRI

# 76-11-71-02B

BOEING PROPRIETARY - Copyright © - Unpublished Work - See title page for details.

76-11-71  
FIG. 02B  
PAGE 3  
JAN 20/09

**BOEING**  
757  
PARTS CATALOG (MAINTENANCE)



Y 76117102C REV 332

PANEL INSTL-P36 L MISC RELAY (ENGINE CONTROLS ONLY)  
FIGURE 2C

**76-11-71-02C**

BRI  
MAY 20/09

76-11-71-02C  
PAGE 0

BOEING PROPRIETARY - Copyright © - Unpublished Work - See title page for details.



757

PARTS CATALOG (MAINTENANCE)

FIG ITEM	PART NUMBER	1 2 3 4 5 6 7	NOMENCLATURE	EFFECT FROM TO	UNITS PER ASSY
2C			PANEL INSTL-P36 L MISC RELAY (ENGINE CONTROLS ONLY)	103106 108120	
- 101	284N1125-94		PANEL INSTL-P36 L MISC RELAY (ENGINE CONTROLS ONLY) FOR NHA/OTHER SYS DET SEE: 24-00-58-05C	108120	RF

MISSING ITEM NUMBERS NOT APPLICABLE

- ITEM NOT ILLUSTRATED

BRI

# 76-11-71-02C

BOEING PROPRIETARY - Copyright © - Unpublished Work - See title page for details.

76-11-71  
FIG. 02C  
PAGE 1  
JAN 20/09



757

PARTS CATALOG (MAINTENANCE)

FIG ITEM	PART NUMBER	1 2 3 4 5 6 7	NOMENCLATURE	EFFECT FROM TO	UNITS PER ASSY
2C - 103	MODREF31944		PANEL INSTL-P36 L MISC RELAY (ENGINE CONTROLS ONLY) MODULE NUMBER: 284N1125-123 REV A FOR OTHER SYS DETAILS SEE: 11-36-08-03C 21-25-71-02C 21-33-71-02C 21-51-56-01C 21-58-71-02C 23-12-00-05 23-31-54-01C 23-34-52-01C 24-21-51-01A 26-15-71-02C 26-16-71-01C 26-22-71-01C 27-48-52-03C 27-51-71-03C 27-58-71-02C 27-62-71-03C 29-11-71-03C 29-21-71-01C 30-21-71-03C 30-34-51-01C 31-01-36-01 32-09-02-03C 32-35-71-01C 32-42-71-02C 32-44-71-02C 32-61-71-02C 34-12-71-02C 34-21-71-02C 34-22-52-01C 34-61-52-01C 36-11-71-02C 73-21-55-01C 74-31-71-02C 77-12-71-01C 78-34-71-02C 78-36-71-02C 80-11-71-02C	103106	1

MISSING ITEM NUMBERS NOT APPLICABLE

- ITEM NOT ILLUSTRATED

BRI

# 76-11-71-02C

BOEING PROPRIETARY - Copyright © - Unpublished Work - See title page for details.

76-11-71  
FIG. 02C  
PAGE 2  
JAN 20/09



757

PARTS CATALOG (MAINTENANCE)

FIG ITEM	PART NUMBER	1 2 3 4 5 6 7	NOMENCLATURE	EFFECT FROM TO	UNITS PER ASSY
2C 110	W260F4AM11		.RELAY- SUPPLIER CODE: VF0219 SPECIFICATION NUMBER: BACR13CD2 OPTIONAL PART: BR16S233 V09026 EE4AA005 V35344 3SAV1338A2 V01526 HFW1206K03 V58614 HFW1204K01 V71482 ELECTRICAL EQUIP NUMBER: K10124 K10349 K10505	103106 108120	3
115	600-486		.RELAY- SUPPLIER CODE: V15420 ELECTRICAL EQUIP NUMBER: K10103	103106 108120	1
- 300	286N1260-357		WIRE BUNDLE ASSY	108120	RF
- 302	286N1260-601		WIRE BUNDLE ASSY	103106	RF
320	RSE120026		.SOCKET- SUPPLIER CODE: V58982 SPECIFICATION NUMBER: BACS16AG1 OPTIONAL PART: 451120-026 V58982 ELECTRICAL EQUIP NUMBER: D02154 D04322 D05594 WIRING DIAGRAM REF: 761111 761121	103106 108120	3

MISSING ITEM NUMBERS NOT APPLICABLE

- ITEM NOT ILLUSTRATED

**76-11-71-02C**

76-11-71  
FIG. 02C  
PAGE 3  
JAN 20/09

BRI



757

PARTS CATALOG (MAINTENANCE)

FIG ITEM	PART NUMBER	1 2 3 4 5 6 7	NOMENCLATURE	EFFECT FROM TO	UNITS PER ASSY
2C 325	RSF116416		. SOCKET- SUPPLIER CODE: V58982 SPECIFICATION NUMBER: BACS16W5A OPTIONAL PART: 102-010-1 V09922 000300-1545 V05574 ELECTRICAL EQUIP NUMBER: D01726 WIRING DIAGRAM REF: 761121	103106 108120	1

MISSING ITEM NUMBERS NOT APPLICABLE

- ITEM NOT ILLUSTRATED

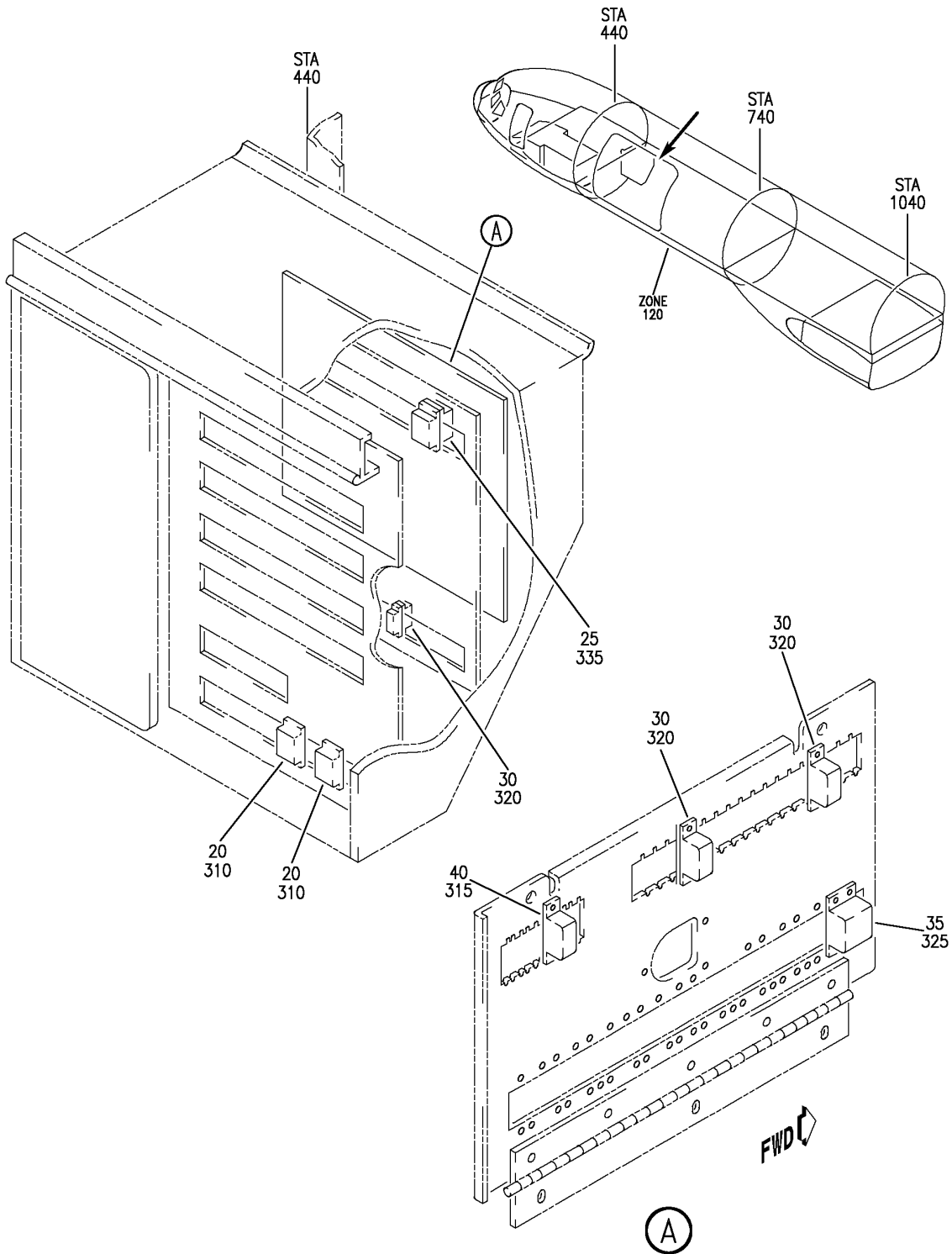
BRI

76-11-71-02C

BOEING PROPRIETARY - Copyright © - Unpublished Work - See title page for details.

76-11-71  
FIG. 02C  
PAGE 4  
JAN 20/09

**BOEING**  
757  
PARTS CATALOG (MAINTENANCE)



Y 76117102D REV 332

PANEL INSTL-P37 R MISC RELAY (ENGINE CONTROL ONLY)  
FIGURE 2D

**76-11-71-02D**

BRI  
MAY 20/09

76-11-71-02D  
PAGE 0



757

PARTS CATALOG (MAINTENANCE)

FIG ITEM	PART NUMBER	1 2 3 4 5 6 7	NOMENCLATURE	EFFECT FROM TO	UNITS PER ASSY
2D			PANEL INSTL-P37 R MISC RELAY (ENGINE CONTROL ONLY)	103106 108120	
- 1	MODREF185037		PANEL INSTL-P37 R MISC RELAY (ENGINE CONTROL ONLY) MODULE NUMBER: 284N1127-169 REV D FOR OTHER SYS DETAILS SEE: 11-36-12-02A 21-25-71-02D 21-44-71-02D 21-45-31-01D 21-51-55-01D 21-58-71-02D 21-61-71-02D 23-31-51-05 24-21-51-05 24-51-01-02 24-51-02-03 24-51-58-02D 27-62-71-03D 28-22-71-03D 29-21-71-01D 30-11-71-02D 30-21-71-03D 30-31-71-02D 30-32-71-02D 30-33-71-02D 30-34-51-01D 31-01-37-10 31-31-71-02D 32-09-02-04D 32-42-71-02D 32-61-71-02D 33-43-55-01D 33-51-71-01D 34-12-71-02D 34-25-50-01D 34-61-52-01D 35-21-71-02D 36-11-71-02D 38-15-71-02D 73-21-55-01D 74-31-71-02D 77-12-71-01D 78-34-71-02D 78-36-71-02D 80-11-71-02D	106106	1
MISSING ITEM NUMBERS NOT APPLICABLE					

- ITEM NOT ILLUSTRATED

BRI

# 76-11-71-02D

BOEING PROPRIETARY - Copyright © - Unpublished Work - See title page for details.

76-11-71  
FIG. 02D  
PAGE 1  
JAN 20/09





757

PARTS CATALOG (MAINTENANCE)

FIG ITEM	PART NUMBER	1 2 3 4 5 6 7	NOMENCLATURE	EFFECT FROM TO	UNITS PER ASSY
2D - 3	284N1127-118		PANEL INSTL-P37 R MISC RELAY (ENGINE CONTROL ONLY) FOR NHA/OTHER SYS DET SEE: 24-00-58-05C	108108	RF
- 4	284N1127-139		PANEL INSTL-P37 R MISC RELAY (ENGINE CONTROL ONLY) FOR NHA/OTHER SYS DET SEE: 24-00-58-05C	109120	RF

MISSING ITEM NUMBERS NOT APPLICABLE

- ITEM NOT ILLUSTRATED

BRI

76-11-71-02D

BOEING PROPRIETARY - Copyright © - Unpublished Work - See title page for details.

76-11-71  
FIG. 02D  
PAGE 2  
JAN 20/09



757

PARTS CATALOG (MAINTENANCE)

FIG ITEM	PART NUMBER	1 2 3 4 5 6 7	NOMENCLATURE	EFFECT FROM TO	UNITS PER ASSY
2D - 8	MODREF31945		PANEL INSTL-P37 R MISC RELAY (ENGINE CONTROL ONLY) MODULE NUMBER: 284N1127-169 REV B FOR OTHER SYS DETAILS SEE: 11-36-12-02A 21-25-71-02D 21-44-71-02D 21-45-31-01D 21-51-55-01D 21-58-71-02D 21-61-71-02D 23-31-51-05 24-21-51-05 24-51-01-02 24-51-02-03 24-51-58-02D 27-62-71-03D 28-22-71-03D 29-21-71-01D 30-11-71-02D 30-21-71-03D 30-31-71-02D 30-32-71-02D 30-33-71-02D 30-34-51-01D 31-01-37-10 31-31-71-02D 32-09-02-04D 32-42-71-02D 32-61-71-02D 33-43-55-01D 33-51-71-01D 34-12-71-02D 34-25-50-01D 34-61-52-01D 35-21-71-02D 36-11-71-02D 38-15-71-02D 73-21-55-01D 74-31-71-02D 77-12-71-01D 78-34-71-02D 78-36-71-02D 80-11-71-02D	103103	1

MISSING ITEM NUMBERS NOT APPLICABLE

- ITEM NOT ILLUSTRATED

BRI

# 76-11-71-02D

BOEING PROPRIETARY - Copyright © - Unpublished Work - See title page for details.

76-11-71  
FIG. 02D  
PAGE 3  
JAN 20/09



757

PARTS CATALOG (MAINTENANCE)

FIG ITEM	PART NUMBER	1 2 3 4 5 6 7	NOMENCLATURE	EFFECT FROM TO	UNITS PER ASSY
2D - 9	MODREF34305		PANEL INSTL-P37 R MISC RELAY (ENGINE CONTROL ONLY) MODULE NUMBER: 284N1127-169 REV C FOR OTHER SYS DETAILS SEE: 11-36-12-02A 21-25-71-02D 21-44-71-02D 21-45-31-01D 21-51-55-01D 21-58-71-02D 21-61-71-02D 23-31-51-05 24-21-51-05 24-51-01-02 24-51-02-03 24-51-58-02D 27-62-71-03D 28-22-71-03D 29-21-71-01D 30-11-71-02D 30-21-71-03D 30-31-71-02D 30-32-71-02D 30-33-71-02D 30-34-51-01D 31-01-37-10 31-31-71-02D 32-09-02-04D 32-42-71-02D 32-61-71-02D 33-43-55-01D 33-51-71-01D 34-12-71-02D 34-25-50-01D 34-61-52-01D 35-21-71-02D 36-11-71-02D 38-15-71-02D 73-21-55-01D 74-31-71-02D 77-12-71-01D 78-34-71-02D 78-36-71-02D 80-11-71-02D	104105	1

MISSING ITEM NUMBERS NOT APPLICABLE

- ITEM NOT ILLUSTRATED

BRI

# 76-11-71-02D

BOEING PROPRIETARY - Copyright © - Unpublished Work - See title page for details.

76-11-71  
FIG. 02D  
PAGE 4  
JAN 20/09



757

PARTS CATALOG (MAINTENANCE)

FIG ITEM	PART NUMBER	1 2 3 4 5 6 7	NOMENCLATURE	EFFECT FROM TO	UNITS PER ASSY
2D 30	W260F4AM11		.RELAY- SUPPLIER CODE: VF0219 SPECIFICATION NUMBER: BACR13CD2 OPTIONAL PART: BR16S233 V09026 EE4AA005 V35344 3SAV1338A2 V01526 HFW1206K03 V58614 HFW1204K01 V71482 ELECTRICAL EQUIP NUMBER: K10125 K10348 K10504	103106 108120	3
35	600-486		.RELAY- SUPPLIER CODE: V15420 ELECTRICAL EQUIP NUMBER: K10102	103106 108120	1
- 300	286N1270-360		WIRE BUNDLE ASSY- REWORKED BY ALERT SB: 34A0222	108120	RF
- 302	286N1270-602		WIRE BUNDLE ASSY	103106	RF
320	RSE120026		.SOCKET- SUPPLIER CODE: V58982 SPECIFICATION NUMBER: BACS16AG1 OPTIONAL PART: 451120-026 V58982 ELECTRICAL EQUIP NUMBER: D02216 D04248 D05694 WIRING DIAGRAM REF: 761112 761121	103106 108120	3

MISSING ITEM NUMBERS NOT APPLICABLE

- ITEM NOT ILLUSTRATED

BRI

**76-11-71-02D**

BOEING PROPRIETARY - Copyright © - Unpublished Work - See title page for details.

76-11-71  
FIG. 02D  
PAGE 5  
JAN 20/09



757

PARTS CATALOG (MAINTENANCE)

FIG ITEM	PART NUMBER	1 2 3 4 5 6 7	NOMENCLATURE	EFFECT FROM TO	UNITS PER ASSY
2D 325	RSF116416		. SOCKET- SUPPLIER CODE: V58982 SPECIFICATION NUMBER: BACS16W5A OPTIONAL PART: 102-010-1 V09922 000300-1545 V05574 ELECTRICAL EQUIP NUMBER: D01814 WIRING DIAGRAM REF: 761121	103106 108120	1

MISSING ITEM NUMBERS NOT APPLICABLE

- ITEM NOT ILLUSTRATED

BRI

# 76-11-71-02D

BOEING PROPRIETARY - Copyright © - Unpublished Work - See title page for details.

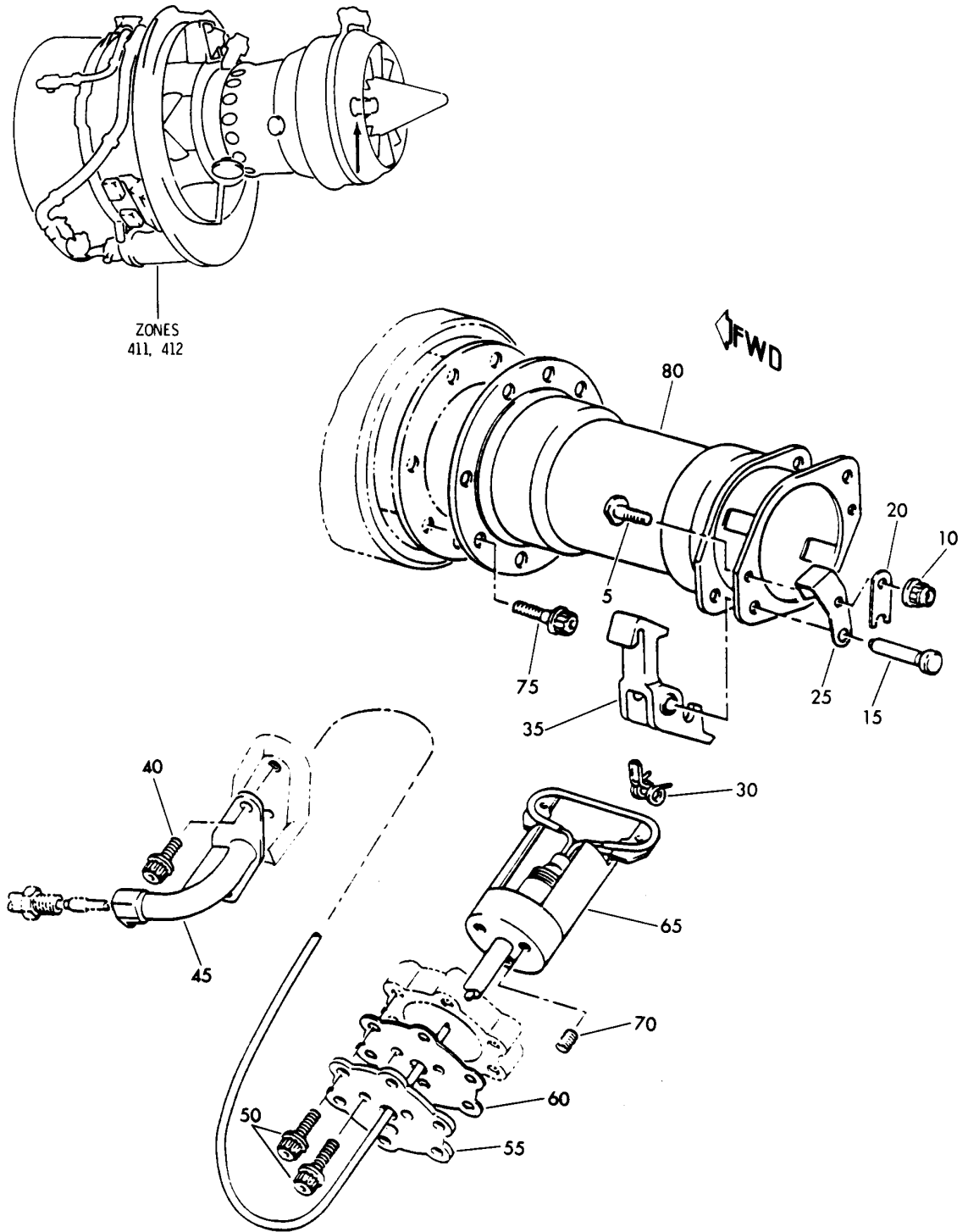
76-11-71  
FIG. 02D  
PAGE 6  
JAN 20/09

## TURBINE OVERSPEED EMERGENCY SHUTDOWN SYSTEM

BRI  
MAY 28/07

76-22-00  
SECTION TITLE  
PAGE 1

**BOEING**  
757  
PARTS CATALOG (MAINTENANCE)



Y 76220001 SHIT 1 REV 051

SHUT OFF AND CABLE ASSY EMERGENCY FUEL (RB211-535)  
FIGURE 1

**76-22-00-01**

BRI  
MAY 28/07

76-22-00-01  
PAGE 0



757

PARTS CATALOG (MAINTENANCE)

FIG ITEM	PART NUMBER	1 2 3 4 5 6 7	NOMENCLATURE	EFFECT FROM TO	UNITS PER ASSY
1			SHUT OFF AND CABLE ASSY EMERGENCY FUEL (RB211-535)	002004 006999	
- 1	UL19722		ENGINE ASSY-Q.E.C.U. RB211-535E43711 MAXIMUM NEUT SUPPLIER CODE: VK0680 FOR NHA/OTHER SYS DET SEE: 71-00-02-04	107107	RF
- 1	UL20697		ENGINE ASSY-Q.E.C.U. RB211-535E43711 MAXIMUM NEUT WITH GRAVINER FIRE DETECTORS, BAYONET MCD, NON-MODULATED IDG COOLING 40,000 LB THRUST SUPPLIER CODE: VK0680 REFERENCE SERVICE BULLETIN: 71-0058R4 QUALIFIED SB I/W DATA: INTERMIX OF ONE OR SUBSTITUTION OF TWO DIFFERENT CONFIGURATION RB211-535E4-37/() ENGINES FOR RB211-535 E4 BASE ENGINES REFERENCE SERVICE BULLETIN: RB211-72-C547 VK0680 FOR NHA/OTHER SYS DET SEE: 71-00-02-04	121503 904949 952999	RF

MISSING ITEM NUMBERS NOT APPLICABLE

- ITEM NOT ILLUSTRATED

BRI

76-22-00-01

BOEING PROPRIETARY - Copyright © - Unpublished Work - See title page for details.

76-22-00  
FIG. 01  
PAGE 1  
JAN 20/09





757

PARTS CATALOG (MAINTENANCE)

FIG ITEM	PART NUMBER	1 2 3 4 5 6 7	NOMENCLATURE	EFFECT FROM TO	UNITS PER ASSY
1					
- 1	UL20698		ENGINE ASSY-Q.E.C.U. RB211-535E43712 MAXIMUM NEUT SUPPLIER CODE: VK0680 REFERENCE SERVICE BULLETIN: 71-0058R7 QUALIFIED SB I/W DATA: INTERMIX OF ONE OR SUBSTITUTION OF TWO DIFFERENT CONFIGURATION RB211-535E4-37/() ENGINES FOR RB211-535E4 BASE ENGINES OR DIFFERENT CONFIGURATION RB211-535E4-B-37/() ENGINES FOR RB211-535E4-B BASE ENGINES REFERENCE SERVICE BULLETIN: RB211-72-C547 VK0680 RB211-72-8910 VK0680 POST RAPID REVISION: RR92014-183A-RC-E FOR NHA/OTHER SYS DET SEE: 71-00-02-04	002004 006100 102102	RF
- 1	UL36209		ENGINE ASSY-Q.E.C.U. RB211-535E43719 MAXIMUM NEUT SUPPLIER CODE: VK0680 FOR NHA/OTHER SYS DET SEE: 71-00-02-04	950951	RF
- 1	UL20702		ENGINE ASSY-Q.E.C.U. RB211-535E43711 BASIC ENGINE CONFIG. WITH GRAVINER FIRE DETECTORS, BAYONET MCD, NON-MODULATED IDG COOLING 40,100 LB THRUST SUPPLIER CODE: VK0680 FOR NHA/OTHER SYS DET SEE: 71-00-02-10	504903	RF

MISSING ITEM NUMBERS NOT APPLICABLE

- ITEM NOT ILLUSTRATED

BRI

76-22-00-01

BOEING PROPRIETARY - Copyright © - Unpublished Work - See title page for details.

76-22-00  
FIG. 01  
PAGE 2  
JAN 20/09



757

PARTS CATALOG (MAINTENANCE)

FIG ITEM	PART NUMBER	1 2 3 4 5 6 7	NOMENCLATURE	EFFECT FROM TO	UNITS PER ASSY
1					
- 3	BCREF17395		ENGINE ASSY-Q.E.C.U. RB211-535E43739 BASIC ENGINE CONFIGURATION AND PHASE 5 COMBUSTOR 40,100 LB THRUST SUPPLIER CODE: VK0680 OVERLENGTH PART NUMBER: RB211-535E4-37-39E FOR NHA/OTHER SYS DET SEE: 71-00-02-10	108120	RF
- 3	BCREF17101		ENGINE ASSY-Q.E.C.U. RB211-535E43744 BASIC ENGINE CONFIGURATION, BAYONET MCD AND PHASE 5 COMBUSTOR 40,100 LB THRUST SUPPLIER CODE: VK0680 OVERLENGTH PART NUMBER: RB211-535E4-3744E FOR NHA/OTHER SYS DET SEE: 71-00-02-10	103106	RF
- 3	UL38163		ENGINE ASSY-Q.E.C.U. RB211-535E43724 BASIC ENGINE CONFIGURATION, BAYONET MCD, 40,100 LB THRUST SUPPLIER CODE: VK0680 FOR NHA/OTHER SYS DET SEE: 71-00-02-10	101101	RF
- 4	UL19331		. SHUT DOWN SYSTEM-EMERGENCY SUPPLIER CODE: VK0680	002004 006999	RF
5	AS26213		.. BOLT	002004 006999	2
10	AS27823		.. NUT	002004 006999	2
15	UP10415		.. PIN- SUPPLIER CODE: VK0680	002004 006999	2
20	UP10416		.. PLATE- SUPPLIER CODE: VK0680	002004 006999	2
25	UL18637		.. CLIP-SPR SUPPLIER CODE: VK0680	002004 006999	2

MISSING ITEM NUMBERS NOT APPLICABLE

- ITEM NOT ILLUSTRATED

BRI

76-22-00-01

BOEING PROPRIETARY - Copyright © - Unpublished Work - See title page for details.

76-22-00  
FIG. 01  
PAGE 3  
JAN 20/09



757

PARTS CATALOG (MAINTENANCE)

FIG ITEM	PART NUMBER	1 2 3 4 5 6 7	NOMENCLATURE	EFFECT FROM TO	UNITS PER ASSY
1					
30	UL18704	..	SPRING- SUPPLIER CODE: VK0680	002004 006999	2
35	UL18638	..	PAWL- SUPPLIER CODE: VK0680	002004 006999	2
40	BLT3411	..	BOLT- SUPPLIER CODE: VK0680	002004 006999	2
45	UL14823	..	ELBOW- SUPPLIER CODE: VK0680	002004 006999	1
50	AS21012	..	BOLT	002004 006999	9
55	UP10411	..	PLATE- SUPPLIER CODE: VK0680	002004 006999	1
60	UP10412	..	GASKET- SUPPLIER CODE: VK0680	002004 006999	1
65	UL17175	..	CABLE AND GUIDE ASSY- SUPPLIER CODE: VK0680 CONFIG CHG DATA FROM A CMM: FOR INTRCHG SEE RR IPC PRE SERVICE BULLETIN: 72-B355 VK0680	002004 006102 107999	1
65	UL37504	..	CABLE AND GUIDE ASSY- SUPPLIER CODE: VK0680 CONFIG CHG DATA FROM A CMM: FOR INTRCHG SEE RR IPC POST SERVICE BULLETIN: 72-B355PT01 VK0680 PRE SERVICE BULLETIN: 72-C854 VK0680	002004 006999	1
65	UL39689	..	CABLE AND GUIDE ASSY- SUPPLIER CODE: VK0680 CONFIG CHG DATA FROM A CMM: FOR INTRCHG SEE RR IPC POST SERVICE BULLETIN: 72-C854PT01 VK0680	002004 006999	1

MISSING ITEM NUMBERS NOT APPLICABLE

- ITEM NOT ILLUSTRATED

76-22-00-01

76-22-00  
FIG. 01  
PAGE 4  
JAN 20/09

BRI

BOEING PROPRIETARY - Copyright © - Unpublished Work - See title page for details.



757

PARTS CATALOG (MAINTENANCE)

FIG ITEM	PART NUMBER	1 2 3 4 5 6 7	NOMENCLATURE	EFFECT FROM TO	UNITS PER ASSY
1	70 AGS3732		...INSERT- PRE SERVICE BULLETIN: 72-C854 VK0680	002004 006999	3
-	73 UL17176		...CABLE- SUPPLIER CODE: VK0680 PRE SERVICE BULLETIN: 72-B355 VK0680	002004 006999	RF
-	73 UL37505		...CABLE- SUPPLIER CODE: VK0680 POST SERVICE BULLETIN: 72-B355PT01 VK0680 PRE SERVICE BULLETIN: 72-C854 VK0680	002004 006999	RF
-	73 UL39690		...CABLE- SUPPLIER CODE: VK0680 POST SERVICE BULLETIN: 72-C854PT01 VK0680	002004 006999	RF
	75 AS21015		..BOLT	002004 006999	8
	80 UL18639		..SLEEVE- SUPPLIER CODE: VK0680	002004 006999	1
	900		ILLUSTRATION REFERENCE: COVERS-LP TURB AND BRG HSG END (RB211-535) 72-52-51-02	002004 006999	RF
	905		ILLUSTRATION REFERENCE: VALVE AND CABLE ASSY EMER CUTOFF (RB211-535) 76-22-01-02	103106 108120	RF

MISSING ITEM NUMBERS NOT APPLICABLE

- ITEM NOT ILLUSTRATED

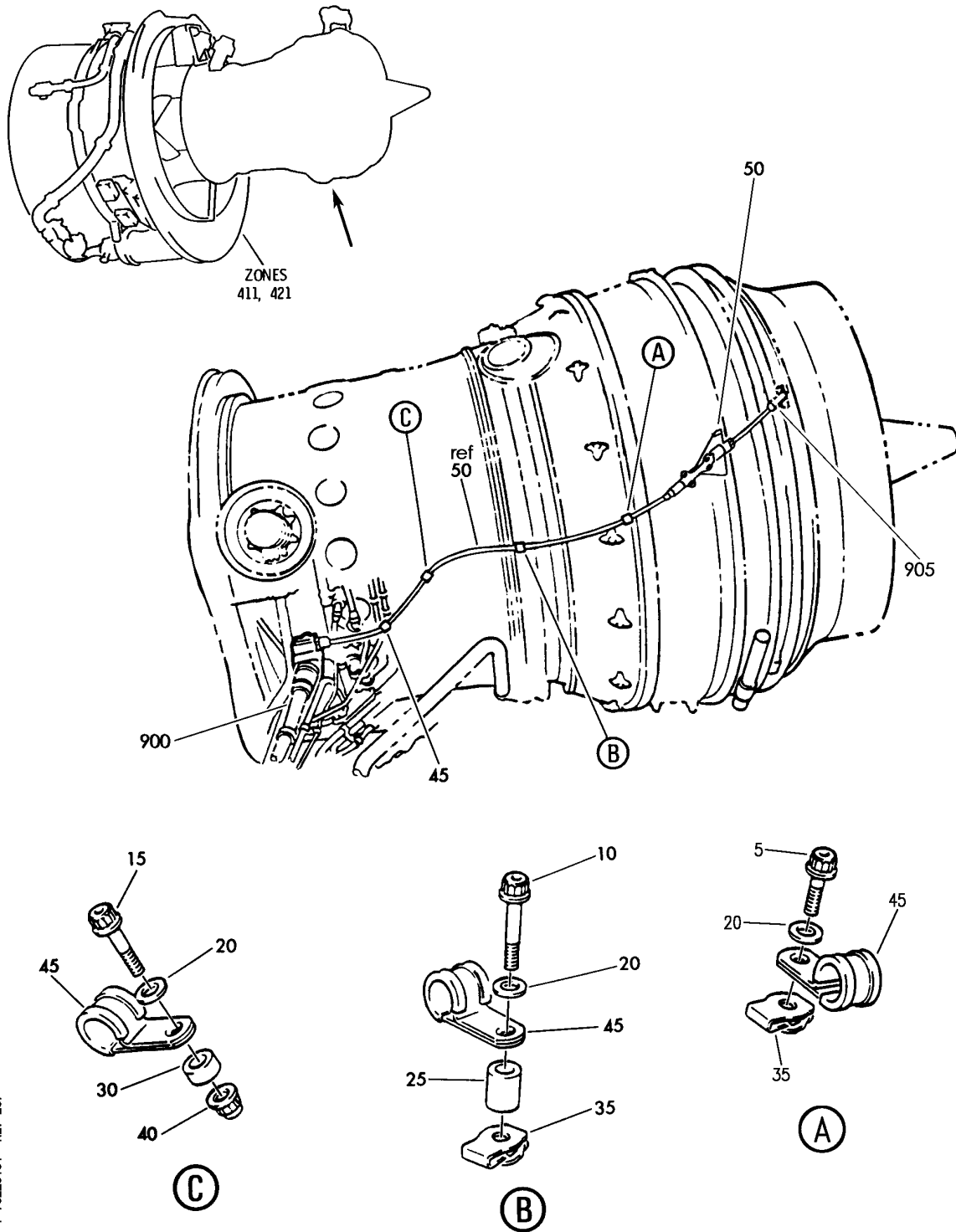
BRI

76-22-00-01

BOEING PROPRIETARY - Copyright © - Unpublished Work - See title page for details.

76-22-00  
FIG. 01  
PAGE 5  
JAN 20/09

**BOEING**  
757  
PARTS CATALOG (MAINTENANCE)



Y 76220101 REV 267

VALVE AND CABLE ASSY-EMER CUTOFF (RB211-535)  
FIGURE 1

**76-22-01-01**

BRI  
MAY 28/07

76-22-01-01  
PAGE 0



757

PARTS CATALOG (MAINTENANCE)

FIG ITEM	PART NUMBER	1 2 3 4 5 6 7	NOMENCLATURE	EFFECT FROM TO	UNITS PER ASSY
1			VALVE AND CABLE ASSY-EMER CUTOFF (RB211-535)	002004 006102 107107 121999 107107	
- 1	UL19722		ENGINE ASSY-Q.E.C.U. RB211-535E43711 MAXIMUM NEUT SUPPLIER CODE: VK0680 FOR NHA/OTHER SYS DET SEE: 71-00-02-04		RF
- 1	UL20697		ENGINE ASSY-Q.E.C.U. RB211-535E43711 MAXIMUM NEUT WITH GRAVINER FIRE DETECTORS, BAYONET MCD, NON-MODULATED IDG COOLING 40,000 LB THRUST SUPPLIER CODE: VK0680 REFERENCE SERVICE BULLETIN: 71-0058R4 QUALIFIED SB I/W DATA: INTERMIX OF ONE OR SUBSTITUTION OF TWO DIFFERENT CONFIGURATION RB211-535E4-37/() ENGINES FOR RB211-535 E4 BASE ENGINES REFERENCE SERVICE BULLETIN: RB211-72-C547 VK0680 FOR NHA/OTHER SYS DET SEE: 71-00-02-04	121503 904949 952999	RF

MISSING ITEM NUMBERS NOT APPLICABLE

- ITEM NOT ILLUSTRATED

BRI

76-22-01-01

BOEING PROPRIETARY - Copyright © - Unpublished Work - See title page for details.

76-22-01  
FIG. 01  
PAGE 1  
JAN 20/09



757

PARTS CATALOG (MAINTENANCE)

FIG ITEM	PART NUMBER	1 2 3 4 5 6 7	NOMENCLATURE	EFFECT FROM TO	UNITS PER ASSY
1					
- 1	UL20698		ENGINE ASSY-Q.E.C.U. RB211-535E43712 MAXIMUM NEUT SUPPLIER CODE: VK0680 REFERENCE SERVICE BULLETIN: 71-0058R7 QUALIFIED SB I/W DATA: INTERMIX OF ONE OR SUBSTITUTION OF TWO DIFFERENT CONFIGURATION RB211-535E4-37/() ENGINES FOR RB211-535E4 BASE ENGINES OR DIFFERENT CONFIGURATION RB211-535E4-B-37/() ENGINES FOR RB211-535E4-B BASE ENGINES REFERENCE SERVICE BULLETIN: RB211-72-C547 VK0680 RB211-72-8910 VK0680 POST RAPID REVISION: RR92014-183A-RC-E FOR NHA/OTHER SYS DET SEE: 71-00-02-04	002004 006100 102102	RF
- 1	UL36209		ENGINE ASSY-Q.E.C.U. RB211-535E43719 MAXIMUM NEUT SUPPLIER CODE: VK0680 FOR NHA/OTHER SYS DET SEE: 71-00-02-04	950951	RF
- 1	UL20702		ENGINE ASSY-Q.E.C.U. RB211-535E43711 BASIC ENGINE CONFIG. WITH GRAVINER FIRE DETECTORS,BAYONET MCD, NON-MODULATED IDG COOLING 40,100 LB THRUST SUPPLIER CODE: VK0680 FOR NHA/OTHER SYS DET SEE: 71-00-02-10	504903	RF

MISSING ITEM NUMBERS NOT APPLICABLE

- ITEM NOT ILLUSTRATED

BRI

76-22-01-01

BOEING PROPRIETARY - Copyright © - Unpublished Work - See title page for details.

76-22-01  
FIG. 01  
PAGE 2  
JAN 20/09



757

PARTS CATALOG (MAINTENANCE)

FIG ITEM	PART NUMBER	1 2 3 4 5 6 7	NOMENCLATURE	EFFECT FROM TO	UNITS PER ASSY
1					
- 3	UL38163		ENGINE ASSY-Q.E.C.U. RB211-535E43724 BASIC ENGINE CONFIGURATION, BAYONET MCD, 40,100 LB THRUST SUPPLIER CODE: VK0680 FOR NHA/OTHER SYS DET SEE: 71-00-02-10	101101	RF
5	AS21407		.BOLT	002004 006102 107107 121999	1
10	AS21417		.BOLT	002004 006102 107107 121999	1
15	AS21411		.BOLT	002004 006102 107107 121999	1
20	K8831		.WASHER- SUPPLIER CODE: VK0680	002004 006102 107107 121999	3
25	UP10480		.SPACER- SUPPLIER CODE: VK0680	002004 006102 107107 121999	1
30	UP10478		.SPACER- SUPPLIER CODE: VK0680	002004 006102 107107 121999	1
35	AS41104		.NUT	002004 006102 107107 121999	2
40	AS20624		.NUT	002004 006102 107107 121999	1
45	400WSS6		.CLIP- SUPPLIER CODE: V83930	002004 006102 107107 121999	4

MISSING ITEM NUMBERS NOT APPLICABLE

- ITEM NOT ILLUSTRATED

BRI

76-22-01-01

BOEING PROPRIETARY - Copyright © - Unpublished Work - See title page for details.

76-22-01  
FIG. 01  
PAGE 3  
JAN 20/09





757

PARTS CATALOG (MAINTENANCE)

FIG ITEM	PART NUMBER	1 2 3 4 5 6 7	NOMENCLATURE	EFFECT FROM TO	UNITS PER ASSY
1	50 UL10951		.CABLE ASSY-VALVE FUEL SHUT OFF SUPPLIER CODE: VK0680 PRE SERVICE BULLETIN: 76-7837 VK0680	107107 121949 952999	1
	50 UL10953		.CABLE ASSY-VALVE FUEL SHUT OFF SUPPLIER CODE: VK0680 POST SERVICE BULLETIN: 76-7837PT01 VK0680	002004 006102 107107 121999	1
	900		ILLUSTRATION REFERENCE: TUBES AND FITTINGS-FUEL SYSTEM (RB211-535) 73-11-06-06	002004 006102 107107 121999	RF
	905		ILLUSTRATION REFERENCE: SHUT OFF AND CABLE ASSY EMERGENCY FUEL (RB211-535) 76-22-00-01	002004 006102 107107 121999	RF

MISSING ITEM NUMBERS NOT APPLICABLE

- ITEM NOT ILLUSTRATED

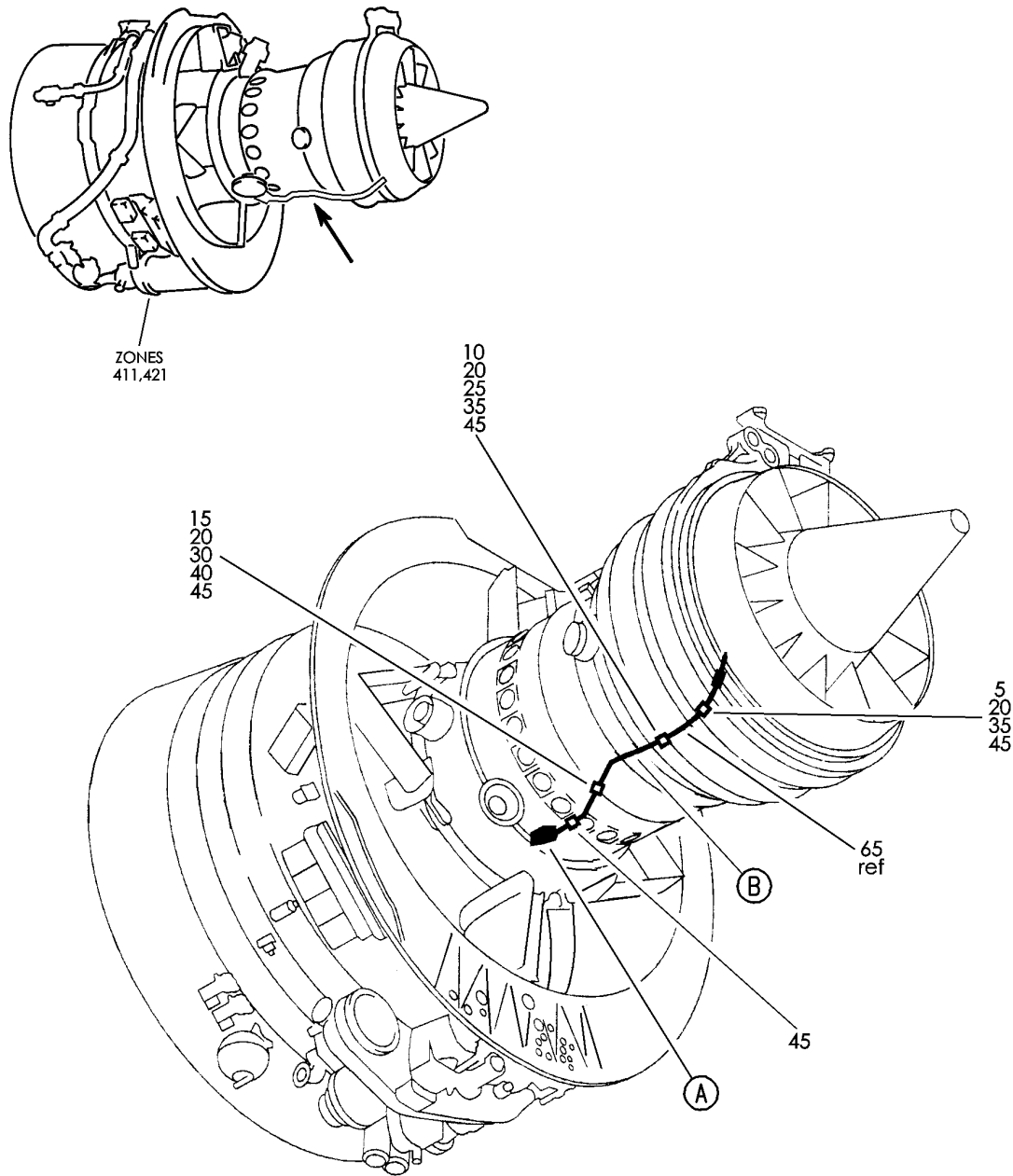
BRI

**76-22-01-01**

BOEING PROPRIETARY - Copyright © - Unpublished Work - See title page for details.

76-22-01  
FIG. 01  
PAGE 4  
JAN 20/09

**BOEING**  
757  
PARTS CATALOG (MAINTENANCE)



Y 76220102 SHT 1 REV 237

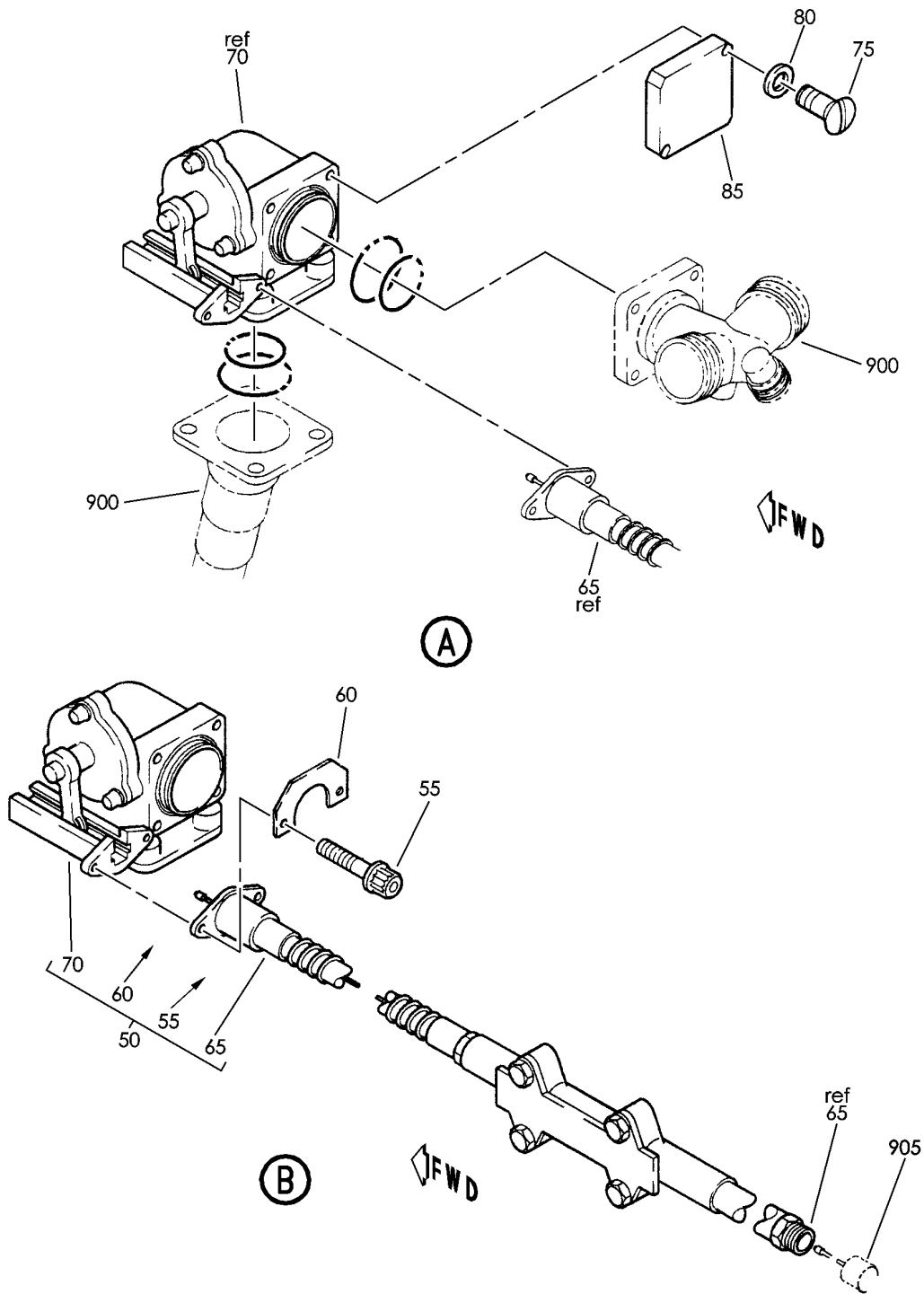
VALVE AND CABLE ASSY EMER CUTOFF (RB211-535)  
FIGURE 2 (SHEET 1)

**76-22-01-02**

BRI  
JAN 20/09

76-22-01-02  
PAGE 0

**BOEING**  
757  
PARTS CATALOG (MAINTENANCE)



Y 76220102 SHT 2 REV 237

VALVE AND CABLE ASSY EMER CUTOFF (RB211-535)  
FIGURE 2 (SHEET 2)

**76-22-01-02**

BRI  
JAN 20/09

76-22-01-02  
PAGE 0A



757

PARTS CATALOG (MAINTENANCE)

FIG ITEM	PART NUMBER	1 2 3 4 5 6 7	NOMENCLATURE	EFFECT FROM TO	UNITS PER ASSY
2			VALVE AND CABLE ASSY EMER CUTOFF (RB211-535)	103106 108120	
- 1	BCREF17101		ENGINE ASSY- RB211-535E43744 BASIC ENGINE CONFIGURATION, BAYONET MCD AND PHASE 5 COMBUSTOR 40,100 LB THRUST SUPPLIER CODE: VK0680 OVERLENGTH PART NUMBER: RB211-535E4-3744E FOR NHA/OTHER SYS DET SEE: 71-00-02-10	103106	RF
- 1	BCREF17395		ENGINE ASSY- RB211-535E43739 BASIC ENGINE CONFIGURATION AND PHASE 5 COMBUSTOR 40,100 LB THRUST SUPPLIER CODE: VK0680 OVERLENGTH PART NUMBER: RB211-535E4-37-39E FOR NHA/OTHER SYS DET SEE: 71-00-02-10	108120	RF
5	AS21407		.BOLT	103106 108120	1
10	AS21417		.BOLT	103106 108120	1
15	AS21423		.BOLT- POST SERVICE BULLETIN: 72-C230PT01 VK0680	103106 108120	1
20	K8831		.WASHER- SUPPLIER CODE: VK0680 POST SERVICE BULLETIN: 72-C230PT01 VK0680	103106 108120	3
25	UP10480		.SPACER- SUPPLIER CODE: VK0680	103106 108120	1
30	UP10479		.SPACER- SUPPLIER CODE: VK0680 POST SERVICE BULLETIN: 72-C230PT01 VK0680	103106 108120	2

MISSING ITEM NUMBERS NOT APPLICABLE

- ITEM NOT ILLUSTRATED

76-22-01-02

76-22-01  
FIG. 02  
PAGE 1  
JAN 20/09

BRI



757

PARTS CATALOG (MAINTENANCE)

FIG ITEM	PART NUMBER	1 2 3 4 5 6 7	NOMENCLATURE	EFFECT FROM TO	UNITS PER ASSY
2					
35	AS41104	.	NUT	103106 108120	2
40	AS20624	.	NUT-	103106 108120	1
			POST SERVICE BULLETIN: 72-C230PT01 VK0680		
45	400WSS6	.	CLIP-	103106 108120	3
			SUPPLIER CODE: V83930 POST SERVICE BULLETIN: 72-C230PT01 VK0680		
50	UL39261	.	CABLE ASSY-VALVE FUEL SHUT OFF	103106 108120	1
			SUPPLIER CODE: VK0680 POST SERVICE BULLETIN: 72-C230PT01 VK0680		
900			ILLUSTRATION REFERENCE: TUBES AND FITTINGS-FUEL SYSTEM (RB211-535) 73-11-06-06	103106 108120	RF
905			ILLUSTRATION REFERENCE: SHUT OFF AND CABLE ASSY EMERGENCY FUEL (RB211-535) 76-22-00-01	103106 108120	RF

MISSING ITEM NUMBERS NOT APPLICABLE

- ITEM NOT ILLUSTRATED

BRI

76-22-01-02

BOEING PROPRIETARY - Copyright © - Unpublished Work - See title page for details.

76-22-01  
FIG. 02  
PAGE 2  
JAN 20/09