

SECTION 2 CHAPTER 77

CONTROL PAGE INITIAL ISSUE

- A. File the attached Temporary Revisions/Alerts in the Manual supplement in ATA Chapter/Section/Subject/Page sequence.
- B. File this control page in front of the chapter TRs/Alerts.
- C. The following list shows active TRs/Alerts together with TRs/Alerts added by this control page.

Chapter Section Subject	Page	TR/Alert No.	Distribution (Ref.P.TEC.01.02 Para 5)
77-11-53-02	0	* BA.77-501	ATP

- D Remove and Destroy the following TR's/Alerts:

* - TR's/Alerts issued with this control page

**ATP
TEMPORARY
REVISION**

**AIRPLANES
NA351, NA352
757**

TR Page 1 of 1
July 1993

ILLUSTRATED PARTS CATALOG

THIS TEMPORARY REVISION IS ISSUED BY BRITISH AIRWAYS TECHNICAL SERVICES AND COMPLIES WITH BCAR'S CHAPTER A5-3, B5-3 AND/OR TSS No. 0-2 AS REQUIRED. CAA DESIGN APPROVAL No. DAI/8566/78.



FOR CHIEF ENGINEER TECHNICAL SERVICES.

TEMPORARY REVISION No.77-501

Manual Reference 77-11-53-02 Page 0

REASON FOR REVISION

To list components specifically approved for ETOPS.

ACTION

FIG & ITEM	PART NUMBER	NOMENCLATURE	EFFECT	UPA	AUTHORITY
---------------	-------------	--------------	--------	-----	-----------

2

155	UL26803	.ACCUMULATOR ASSY-P1 AIR (VK0680) (SB77-8941 PT01) (APPROVED FOR ETOPS)			EPA/086
-----	---------	---	--	--	---------

ORIGINATOR: R.VIDLER
REFERENCE: -
RECORD NO: ENG-142

77-11-53-02
Page 0


BOEING
 757
PARTS CATALOG (MAINTENANCE)

CH-SECT-UNIT-FIG	PAGE NO.	DATE	CH-SECT-UNIT-FIG	PAGE NO.	DATE
*77	1	MAY 20/09	77-11-53- 2	10	JAN 20/09
*77	2	MAY 20/09	77-11-53- 2	11	JAN 20/09
*77	3	MAY 20/09	77-11-53- 2	12	JAN 20/09
*77	4	MAY 20/09	77-11-53- 2	13	JAN 20/09
77-11-00	1	MAY 28/07	77-11-53- 2	14	JAN 20/09
77-11-01- 1	0	MAY 28/07	77-12-00	1	MAY 28/07
77-11-01- 1	0A	MAY 28/07	77-12-01- 1	0	MAY 28/07
77-11-01- 1	0B	MAY 28/07	77-12-01- 1	1	JAN 20/09
77-11-01- 1	1	JAN 20/09	77-12-01- 1	2	JAN 20/09
77-11-01- 1	2	JAN 20/09	77-12-01- 1	3	JAN 20/09
77-11-01- 1	3	JAN 20/09	77-12-01- 8	0	JAN 20/09
77-11-01- 1	4	JAN 20/09	77-12-01- 8	1	JAN 20/09
77-11-01- 1	5	JAN 20/09	77-12-01- 8	2	JAN 20/09
77-11-01- 1	6	JAN 20/09	77-12-03- 3	0	MAY 28/07
77-11-01- 1	7	JAN 20/09	77-12-03- 3	1	JAN 20/09
77-11-01- 1	8	JAN 20/09	77-12-03- 3	2	JAN 20/09
77-11-52- 2	0	MAY 28/07	77-12-03- 3	3	JAN 20/09
77-11-52- 2	0A	MAY 28/07	77-12-03- 3B	0	MAY 28/07
77-11-52- 2	0B	MAY 28/07	77-12-03- 3B	1	JAN 20/09
77-11-52- 2	0C	MAY 28/07	77-12-03- 3B	2	JAN 20/09
77-11-52- 2	0D	MAY 28/07	77-12-71- 1	0	MAY 28/07
77-11-52- 2	1	JAN 20/09	77-12-71- 1	0A	MAY 28/07
77-11-52- 2	2	JAN 20/09	77-12-71- 1	1	JAN 20/09
77-11-52- 2	3	JAN 20/09	77-12-71- 1	2	JAN 20/09
77-11-52- 2	4	JAN 20/09	77-12-71- 1	3	JAN 20/09
77-11-52- 2	5	JAN 20/09	77-12-71- 1	4	JAN 20/09
77-11-52- 2	6	JAN 20/09	77-12-71- 1	5	JAN 20/09
77-11-52- 2	7	JAN 20/09	77-12-71- 1	6	JAN 20/09
77-11-52- 3	0	JAN 20/09	77-12-71- 1	7	JAN 20/09
77-11-52- 3	0A	JAN 20/09	77-12-71- 1	8	JAN 20/09
77-11-52- 3	0B	JAN 20/09	77-12-71- 1	9	JAN 20/09
77-11-52- 3	0C	JAN 20/09	77-12-71- 1A	0	MAY 28/07
77-11-52- 3	0D	JAN 20/09	77-12-71- 1A	0A	MAY 28/07
77-11-52- 3	1	JAN 20/09	77-12-71- 1A	1	JAN 20/09
77-11-52- 3	2	JAN 20/09	77-12-71- 1A	2	JAN 20/09
77-11-52- 3	3	JAN 20/09	77-12-71- 1A	3	JAN 20/09
77-11-52- 3	4	JAN 20/09	77-12-71- 1B	0	MAY 28/07
77-11-52- 3	5	JAN 20/09	77-12-71- 1B	1	JAN 20/09
77-11-53- 2	0	MAY 28/07	77-12-71- 1B	2	JAN 20/09
77-11-53- 2	0A	MAY 28/07	77-12-71- 1B	3	JAN 20/09
77-11-53- 2	0B	MAY 28/07	77-12-71- 1B	4	JAN 20/09
77-11-53- 2	0C	MAY 28/07	77-12-71- 1C	0	JAN 20/09
77-11-53- 2	1	JAN 20/09	77-12-71- 1C	1	JAN 20/09
77-11-53- 2	2	JAN 20/09	77-12-71- 1C	2	JAN 20/09
77-11-53- 2	3	JAN 20/09	77-12-71- 1C	3	JAN 20/09
77-11-53- 2	4	JAN 20/09	77-12-71- 1C	4	JAN 20/09
77-11-53- 2	5	JAN 20/09	77-12-71- 1D	0	JAN 20/09
77-11-53- 2	6	JAN 20/09	77-12-71- 1D	1	JAN 20/09
77-11-53- 2	7	JAN 20/09	77-12-71- 1D	2	JAN 20/09
77-11-53- 2	8	JAN 20/09	77-12-71- 1D	3	JAN 20/09
77-11-53- 2	9	JAN 20/09	77-12-71- 1D	4	JAN 20/09

* THE ASTERISK INDICATES PAGES CHANGED OR ADDED BY THE CURRENT REVISION


BOEING
 757
PARTS CATALOG (MAINTENANCE)

CH-SECT-UNIT-FIG	PAGE NO.	DATE	CH-SECT-UNIT-FIG	PAGE NO.	DATE
77-12-71- 1D	5	JAN 20/09	77-31-51- 3	13	JAN 20/09
77-12-71- 1D	6	JAN 20/09	77-31-51- 3	14	JAN 20/09
77-12-71- 1D	7	JAN 20/09	77-31-51- 3	15	JAN 20/09
77-21-00	1	MAY 28/07	77-31-51- 3B	0	MAY 28/07
77-21-01- 1	0	MAY 28/07	77-31-51- 3B	0A	MAY 28/07
77-21-01- 1	1	JAN 20/09	77-31-51- 3B	0B	MAY 28/07
77-21-01- 1	2	JAN 20/09	77-31-51- 3B	1	JAN 20/09
77-21-01- 1	3	JAN 20/09	77-31-51- 3B	2	JAN 20/09
77-21-01- 1	4	JAN 20/09	77-31-51- 3B	3	JAN 20/09
77-21-01- 1	5	JAN 20/09	77-31-51- 3B	4	JAN 20/09
77-21-02- 2	0	MAY 28/07	77-31-51- 8	0	JAN 20/09
77-21-02- 2	1	JAN 20/09	77-31-51- 8	0A	JAN 20/09
77-21-02- 2	2	JAN 20/09	77-31-51- 8	1	JAN 20/09
77-21-02- 2	3	JAN 20/09	77-31-51- 8	2	JAN 20/09
*77-21-02- 2	4	MAY 20/09	77-41-00	1	MAY 28/07
77-21-02- 2	5	JAN 20/09	77-41-01- 1	0	MAY 28/07
77-21-02- 2	6	JAN 20/09	77-41-01- 1	0A	MAY 28/07
77-21-51- 2	0	MAY 28/07	77-41-01- 1	1	JAN 20/09
77-21-51- 2	1	JAN 20/09	77-41-01- 1	2	JAN 20/09
77-21-51- 2	2	JAN 20/09	77-41-01- 1	3	JAN 20/09
77-21-51- 2	3	JAN 20/09	77-41-01- 1	4	JAN 20/09
77-21-51- 2	4	JAN 20/09	77-41-01- 1	5	JAN 20/09
77-21-51- 2	5	JAN 20/09	77-41-01- 1	6	JAN 20/09
77-21-51- 2	6	JAN 20/09	77-41-01- 2	0	MAY 28/07
77-31-00	1	MAY 28/07	77-41-01- 2	1	JAN 20/09
77-31-01- 1	0	MAY 28/07	77-41-01- 2	2	JAN 20/09
77-31-01- 1	1	JAN 20/09	77-41-01- 2	3	JAN 20/09
77-31-01- 1	2	JAN 20/09	77-41-01- 3	0	MAY 28/07
77-31-01- 1	3	JAN 20/09	77-41-01- 3	0A	MAY 28/07
77-31-01- 1	4	JAN 20/09	77-41-01- 3	1	JAN 20/09
77-31-04- 2	0	MAY 28/07	77-41-01- 3	2	JAN 20/09
77-31-04- 2	1	JAN 20/09			
77-31-04- 2	2	JAN 20/09			
77-31-04- 2	3	JAN 20/09			
77-31-04- 2	4	JAN 20/09			
77-31-51- 3	0	MAY 28/07			
77-31-51- 3	0A	MAY 28/07			
77-31-51- 3	0B	MAY 28/07			
77-31-51- 3	0C	MAY 28/07			
77-31-51- 3	1	JAN 20/09			
*77-31-51- 3	2	MAY 20/09			
77-31-51- 3	3	JAN 20/09			
77-31-51- 3	4	JAN 20/09			
*77-31-51- 3	5	MAY 20/09			
*77-31-51- 3	6	MAY 20/09			
*77-31-51- 3	7	MAY 20/09			
*77-31-51- 3	8	MAY 20/09			
77-31-51- 3	9	JAN 20/09			
77-31-51- 3	10	JAN 20/09			
77-31-51- 3	11	JAN 20/09			
77-31-51- 3	12	JAN 20/09			

* THE ASTERISK INDICATES PAGES CHANGED OR ADDED BY THE CURRENT REVISION

BRI
MAY 20/09

77 - LIST OF EFFECTIVE PAGES
PAGE 2

 **BOEING**
757
PARTS CATALOG (MAINTENANCE)

CHAPTER 77 — ENGINE INDICATING

TABLE OF CONTENTS

SUBJECT	CC-SS-UU	FIGURE	EFFECT
ENGINE PRESSURE RATIO (EPR) INDICATING SYSTEM	77-11-00		
AIR PRESSURE AND TEMPERATURE INDICATING SYSTEM (RB211-535)	77-11-53	02	002004 006999
CONNECTOR-PF RAKE AND MULTIPLE (RB211-535)	77-11-52	02	002004 006102 107107 121999
CONNECTOR-PF RAKE AND MULTIPLE (RB211-535)	77-11-52	03	103106 108120
TRANSMITTER-ENG INTEGRATED PRESSURE RATIO (RB211-535)	77-11-01	01	002004 006999
ENGINE TACHOMETER SYSTEM	77-12-00		
EQPT INSTL-MAIN ELECTRONICS EQPT CTR (ENGINE TACHOMETER SYSTEM ONLY-ROLLS ROYCE)	77-12-03	03	002004 006100 107107 121999
EQPT INSTL-MAIN ELECTRONICS EQPT CTR (ENGINE TACHOMETER SYSTEM ONLY-ROLLS ROYCE)	77-12-03	03B	101102
EQUIPMENT INSTL-MAIN ELECTRONICS EQPT CTR ENG SPEED IND	77-12-01	08	103106 108120
HIGH PRESSURE TACHOMETER GENERATOR (RB211-535)	77-12-01	01	002004 006999
OPTION PACKAGE ASSY-P36 MISC RELAY L (ENGINE INDICATING ONLY)	77-12-71	01A	101102 504903
PACKAGE ASSY-OPTION P37 MISC RELAY (ENGINE TACHOMETER SYSTEM ONLY)	77-12-71	01B	101102 504903
PANEL ASSY-P36 AND P37 MISC RELAY (ENGINE TACHOMETER SYSTEM ONLY)	77-12-71	01	002004 006100 107107 121503 904999
PANEL INSTL-P36 L MISC RELAY (ENGINE INDICATING ONLY)	77-12-71	01C	103106 108120
PANEL INSTL-P37 R MISC RELAY (ENGINE INDICATING ONLY)	77-12-71	01D	103106 108120

 **BOEING**
757
PARTS CATALOG (MAINTENANCE)

CHAPTER 77 — ENGINE INDICATING

TABLE OF CONTENTS

SUBJECT	CC-SS-UU	FIGURE	EFFECT
EXHAUST GAS TEMPERATURE (EGT) INDICATING SYSTEM	77-21-00		
CABLES-TERM. BLK AND RES. EGT ELECTRICAL (RB211-535)	77-21-51	02	002004 006999
LEADS-EGT THERMOCOUPLE HARNESS (RB211-535)	77-21-02	02	002004 006999
TURBINE GAS TEMPERATURE THERMOCOUPLES (RB211-535)	77-21-01	01	002004 006999


BOEING
 757
PARTS CATALOG (MAINTENANCE)

CHAPTER 77 — ENGINE INDICATING

TABLE OF CONTENTS

SUBJECT	CC-SS-UU	FIGURE	EFFECT
AIRBORNE VIBRATION MONITORING (AVM) SYSTEM	77-31-00		
ENGINE VIBRATION INDICATOR (RB211-535)	77-31-01	01	002004 006999
EQUIPMENT INSTL-MAIN ELECTRONICS EQPT CTR (AIRBORNE VIBRATION MON SYS ONLY- ROLLS ROYCE)	77-31-51	03	002004 006100 107107 121999
EQUIPMENT INSTL-MAIN ELECTRONICS EQPT CTR (AIRBORNE VIBRATION MON SYS ONLY-ROLLS ROYCE)	77-31-51	03B	101102
EQUIPMENT INSTL-MAIN ELECTRONICS EQPT CTR ENG VIBRATION MON	77-31-51	08	103106 108120
JUNCTION BOX-VIBRATION INDICATOR (RB211-535)	77-31-04	02	002004 006999

 **BOEING**
757
PARTS CATALOG (MAINTENANCE)

CHAPTER 77 — ENGINE INDICATING

TABLE OF CONTENTS

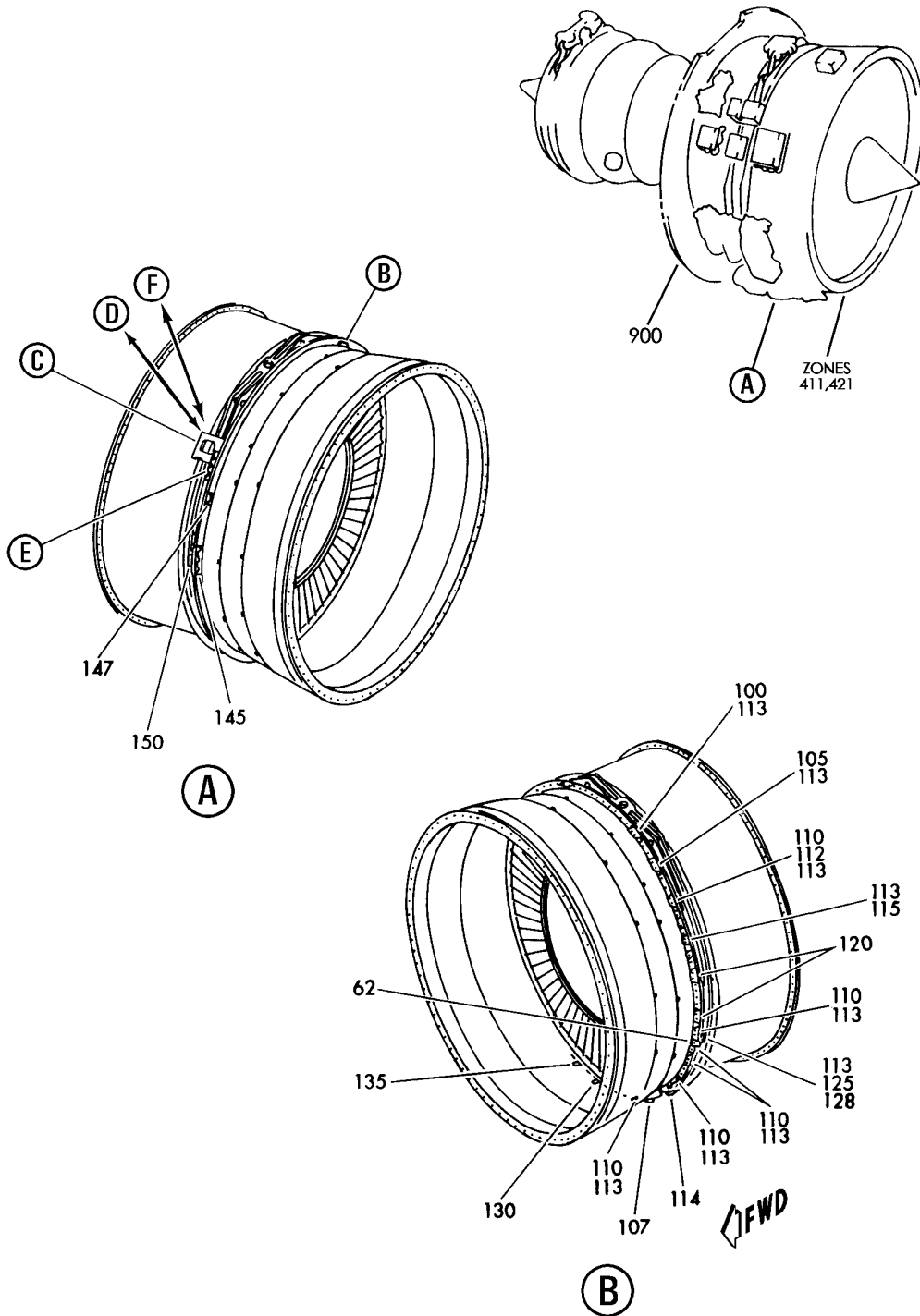
SUBJECT	CC-SS-UU	FIGURE	EFFECT
STANDBY ENGINE INDICATION SYSTEM	77-41-00		
PANEL INSTL-CAPT AND FIRST OFFICER FWD (ENGINE INDICATING ONLY)	77-41-01	02	002004 006100 107107 121503 904999
PANEL INSTL-CAPT AND FIRST OFFICER FWD (ENGINE INDICATING ONLY)	77-41-01	03	011100
PANEL INSTL-P1-3 (ENGINE INDICATING ONLY)	77-41-01	01	101106 108120 504903

ENGINE PRESSURE RATIO (EPR) INDICATING SYSTEM

BRI
MAY 28/07

77-11-00
SECTION TITLE
PAGE 1

BOEING
757
PARTS CATALOG (MAINTENANCE)



Y 77110101 SHT 1 REV 243

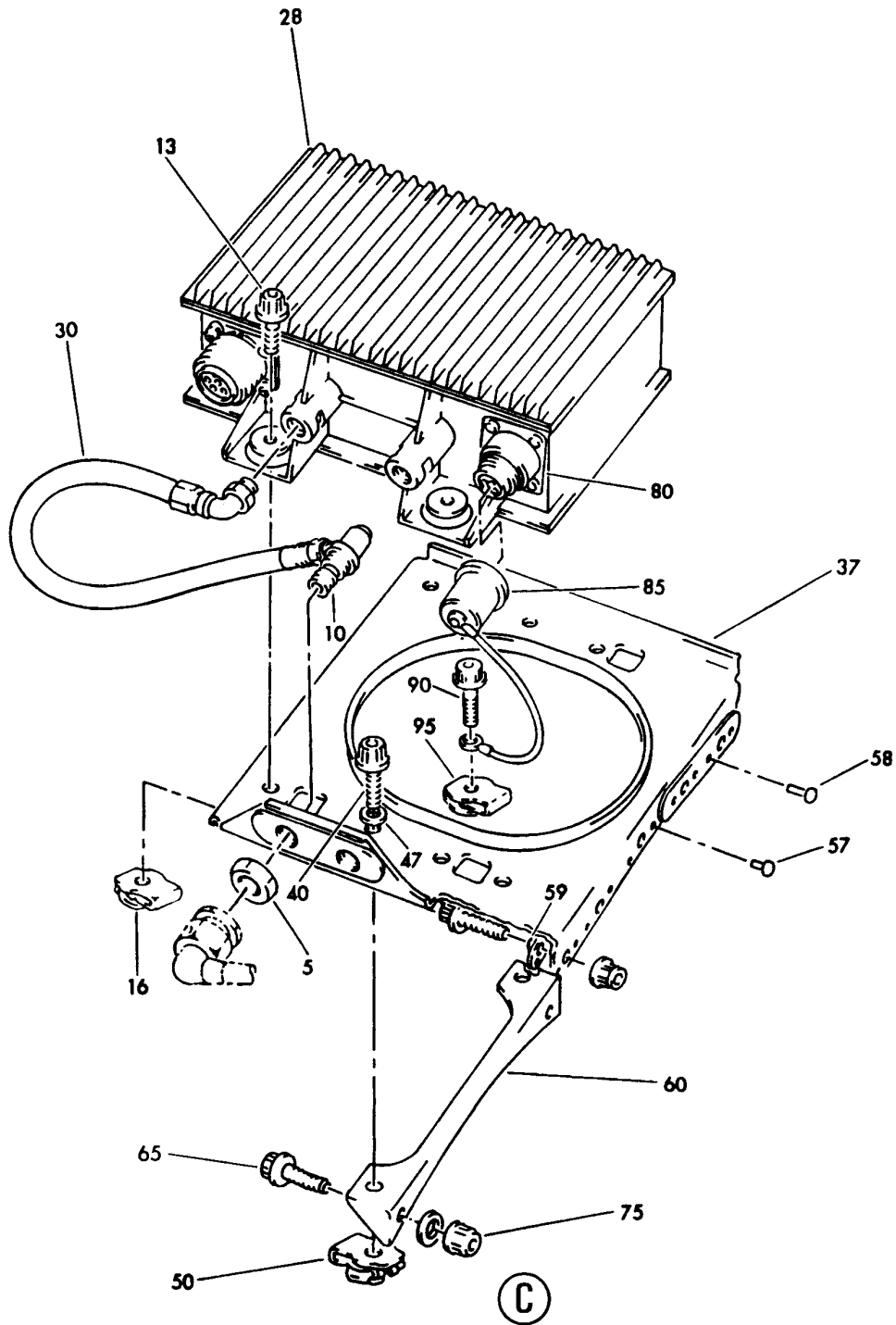
TRANSMITTER-ENG INTEGRATED PRESSURE RATIO (RB211-535)
FIGURE 1 (SHEET 1)

77-11-01-01

BRI
MAY 28/07

77-11-01-01
PAGE 0

BOEING
757
PARTS CATALOG (MAINTENANCE)



Y 77110101 SHT 2 REV 243

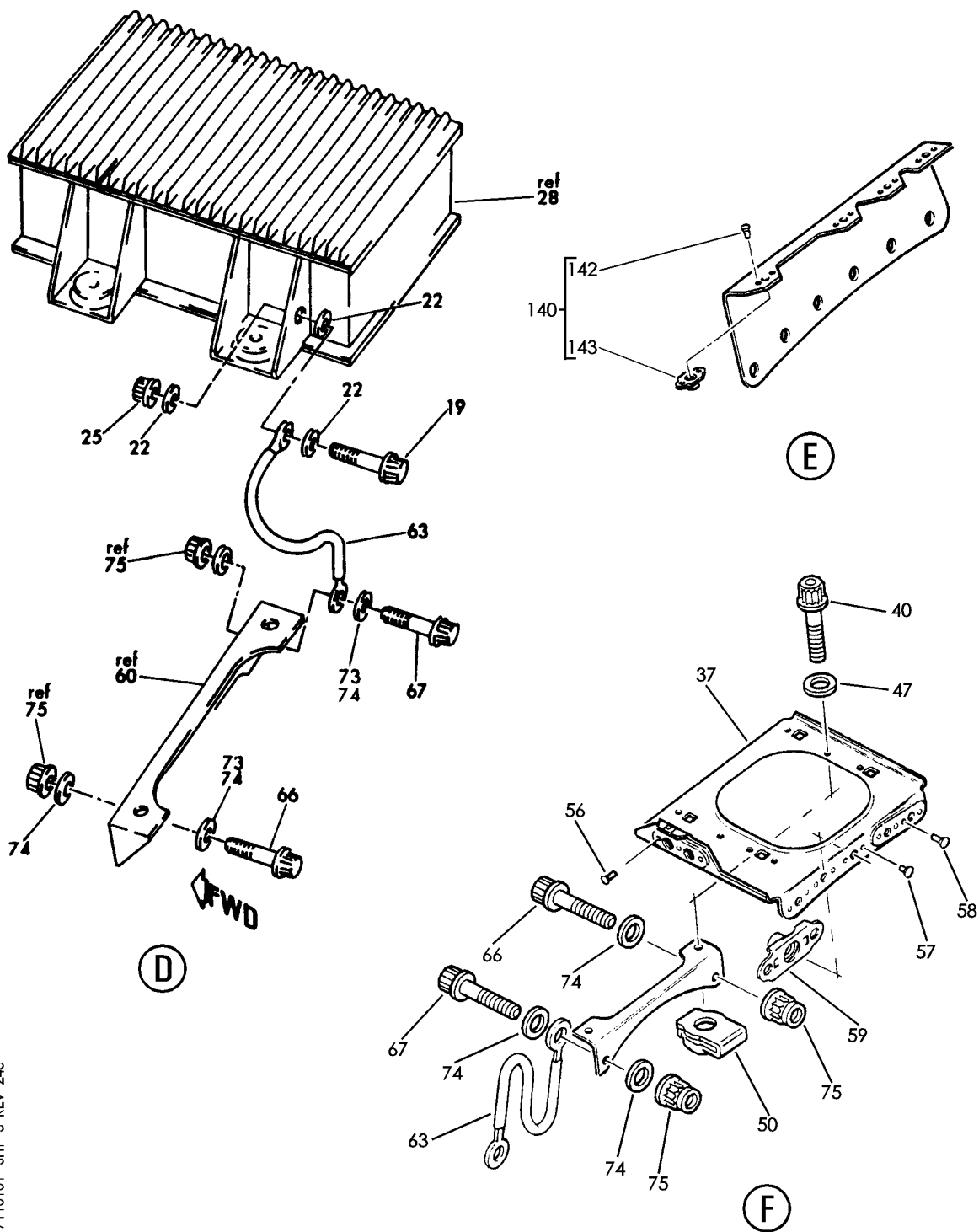
TRANSMITTER-ENG INTEGRATED PRESSURE RATIO (RB211-535)
FIGURE 1 (SHEET 2)

77-11-01-01

BRI
MAY 28/07

77-11-01-01
PAGE 0A

BOEING
757
PARTS CATALOG (MAINTENANCE)



Y 77110101 SHT 3 REV 243

TRANSMITTER-ENG INTEGRATED PRESSURE RATIO (RB211-535)
FIGURE 1 (SHEET 3)

77-11-01-01

BRI
MAY 28/07

77-11-01-01
PAGE 0B



**757
PARTS CATALOG (MAINTENANCE)**

FIG ITEM	PART NUMBER	1 2 3 4 5 6 7	NOMENCLATURE	EFFECT FROM TO	UNITS PER ASSY
1			TRANSMITTER-ENG INTEGRATED PRESSURE RATIO (RB211-535)	002004 006999	
- 1	UL20697		ENGINE ASSY-Q.E.C.U. RB211-535E43711 MAXIMUM NEUT WITH GRAVINER FIRE DETECTORS, BAYONET MCD, NON-MODULATED IDG COOLING 40,000 LB THRUST SUPPLIER CODE: VK0680 REFERENCE SERVICE BULLETIN: 71-0058R4 QUALIFIED SB I/W DATA: INTERMIX OF ONE OR SUBSTITUTION OF TWO DIFFERENT CONFIGURATION RB211-535E4-37/() ENGINES FOR RB211-535 E4 BASE ENGINES REFERENCE SERVICE BULLETIN: RB211-72-C547 VK0680 FOR NHA/OTHER SYS DET SEE: 71-00-02-04	121503 904949 952999	RF
- 1	UL19722		ENGINE ASSY-Q.E.C.U. RB211-535E43711 MAXIMUM NEUT SUPPLIER CODE: VK0680 FOR NHA/OTHER SYS DET SEE: 71-00-02-04	107107	RF
- 1	UL20702		ENGINE ASSY-Q.E.C.U. RB211-535E43711 BASIC ENGINE CONFIGURATION WITH GRAVINER FIRE DETECTORS, BAYONET MCD, NON-MODULATED IDG COOLING 40,100 LB THRUST SUPPLIER CODE: VK0680 FOR NHA/OTHER SYS DET SEE: 71-00-02-10	504903	RF

MISSING ITEM NUMBERS NOT APPLICABLE

- ITEM NOT ILLUSTRATED

BRI

77-11-01-01

BOEING PROPRIETARY - Copyright © - Unpublished Work - See title page for details.

77-11-01
FIG. 01
PAGE 1
JAN 20/09



757

PARTS CATALOG (MAINTENANCE)

FIG ITEM	PART NUMBER	1 2 3 4 5 6 7	NOMENCLATURE	EFFECT FROM TO	UNITS PER ASSY
1					
- 2	UL20698		ENGINE ASSY-Q.E.C.U. RB211-535E43712 MAXIMUM NEUT SUPPLIER CODE: VK0680 REFERENCE SERVICE BULLETIN: 71-0058R7 QUALIFIED SB I/W DATA: INTERMIX OF ONE OR SUBSTITUTION OF TWO DIFFERENT CONFIGURATION RB211-535E4-37/() ENGINES FOR RB211-535E4 BASE ENGINES OR DIFFERENT CONFIGURATION RB211-535E4-B-37/() ENGINES FOR RB211-535E4-B BASE ENGINES REFERENCE SERVICE BULLETIN: RB211-72-C547 VK0680 RB211-72-8910 VK0680 POST RAPID REVISION: RR92014-183A-RC-E FOR NHA/OTHER SYS DET SEE: 71-00-02-04	002004 006100 102102	RF
- 2	UL36209		ENGINE ASSY-Q.E.C.U. RB211-535E43719 MAXIMUM NEUT SUPPLIER CODE: VK0680 FOR NHA/OTHER SYS DET SEE: 71-00-02-04	950951	RF
- 3	BCREF17395		ENGINE ASSY-Q.E.C.U. RB211-535E43739 BASIC ENGINE CONFIGURATION AND PHASE 5 COMBUSTOR 40,100 LB THRUST SUPPLIER CODE: VK0680 OVERLENGTH PART NUMBER: RB211-535E4-37-39E FOR NHA/OTHER SYS DET SEE: 71-00-02-10	108120	RF

MISSING ITEM NUMBERS NOT APPLICABLE

- ITEM NOT ILLUSTRATED

77-11-01-01

77-11-01
FIG. 01
PAGE 2
JAN 20/09

BRI



757

PARTS CATALOG (MAINTENANCE)

FIG ITEM	PART NUMBER	1 2 3 4 5 6 7	NOMENCLATURE	EFFECT FROM TO	UNITS PER ASSY
1					
- 3	BCREF17101		ENGINE ASSY-Q.E.C.U. RB211-535E43744 BASIC ENGINE CONFIGURATION BAYONET MCD AND PHASE 5 COMBUSTOR 40,100 LB THRUST SUPPLIER CODE: VK0680 OVERLENGTH PART NUMBER: RB211-535E4-3744E FOR NHA/OTHER SYS DET SEE: 71-00-02-10	103106	RF
- 3	UL38163		ENGINE ASSY-Q.E.C.U. RB211-535E43724 BASIC ENGINE CONFIGURATION BAYONET MCD 40,100 LB THRUST SUPPLIER CODE: VK0680 FOR NHA/OTHER SYS DET SEE: 71-00-02-10	101101	RF
- 4	UL10927		.TRANSMITTER-ENGINE INTEGRATED PRESSURE RATIO SUPPLIER CODE: VK0680 PRE SERVICE BULLETIN: 72-9461	002004 006100 102102 107107 121949 952999	RF
- 4	LK67310		.TRIMMER UNIT-ENGINE INTEGRATED PRESSURE RATIO SUPPLIER CODE: VK0680	002004 006999	RF
- 4	UL31958		.CONTROL UNIT-ENGINE INTEGRATED PRESSURE RATIO SUPPLIER CODE: VK0680 POST SERVICE BULLETIN: 72-9461PT01 VK0680	002004 006999	RF
5	MS9201-07		..NUT	002004 006999	2
10	752527-1		..FITTING-END SUPPLIER CODE: V73030	002004 006999	2
13	AS21421		..BOLT	002004 006999	4
16	AS41104		..NUT	002004 006999	4

MISSING ITEM NUMBERS NOT APPLICABLE

- ITEM NOT ILLUSTRATED

BRI

77-11-01-01

BOEING PROPRIETARY - Copyright © - Unpublished Work - See title page for details.

77-11-01
FIG. 01
PAGE 3
JAN 20/09



757

PARTS CATALOG (MAINTENANCE)

FIG ITEM	PART NUMBER	1 2 3 4 5 6 7	NOMENCLATURE	EFFECT FROM TO	UNITS PER ASSY
1					
19	AS21013	..	BOLT- POST SERVICE BULLETIN: 72-9461PT01 VK0680	002004 006999	1
22	AS12944	..	WASHER- POST SERVICE BULLETIN: 72-9461PT01 VK0680	002004 006999	3
25	AS20625	..	NUT- POST SERVICE BULLETIN: 72-9461PT01 VK0680	002004 006999	1
28	789830-1	..	TRANSMITTER ASSY- INDICATING SUPPLIER CODE: V73030 POST SERVICE BULLETIN: 77-7961 VK0680 77-9524PT01 VK0680 PRE SERVICE BULLETIN: 77-8060 VK0680	002004 006999	1
28	789830-1	..	TRANSMITTER ASSY- INDICATING SUPPLIER CODE: V73030 POST SERVICE BULLETIN: 77-8060 VK0680 PRE SERVICE BULLETIN: 77-7961 VK0680 77-9524 VK0680	002004 006102 107999	1
30	752526-1	..	HOSE ASSY- SUPPLIER CODE: V73030	002004 006999	2
37	UL17477	..	BRACKET ASSY-MOUNTING EIPR UNIT SUPPLIER CODE: VK0680 ATTACHING PARTS	002004 006999	1
40	AS21510	..	BOLT-	002004 006999	2
47	AS12944	..	WASHER-	002004 006999	2

MISSING ITEM NUMBERS NOT APPLICABLE

- ITEM NOT ILLUSTRATED

BRI

77-11-01-01

BOEING PROPRIETARY - Copyright © - Unpublished Work - See title page for details.

77-11-01
FIG. 01
PAGE 4
JAN 20/09



757

PARTS CATALOG (MAINTENANCE)

FIG ITEM	PART NUMBER	1 2 3 4 5 6 7	NOMENCLATURE	EFFECT FROM TO	UNITS PER ASSY
1					
50	AS41105	..	NUT-SELF LOCKING	002004 006999	2
			-----*-----		
57	SP71U404	...	RIVET-	002004 006999	6
58	SP71U406	...	RIVET-	002004 006999	4
59	AS46727	...	NUT-SELF LOCKING	002004 006999	5
60	UL10397	..	BRACKET-SPRT EPR TRANSMITTER MOUNT SUPPLIER CODE: VK0680	002004 006999	1
62	LK56558	..	BRACKET- SUPPLIER CODE: VK0680 POST SERVICE BULLETIN: 79-9179PT01 VK0680	002004 006999	1
63	FEB5042	..	STRAP- SUPPLIER CODE: VU5082 POST SERVICE BULLETIN: 72-9461PT01 VK0680	002004 006999	1
			ATTACHING PARTS		
65	AS21514	..	BOLT- PRE SERVICE BULLETIN: 72-9461 VK0680	002004 006100 102102 107107 121949 952999	2
66	AS21514	..	BOLT- POST SERVICE BULLETIN: 72-9461PT01 VK0680	002004 006999	1
67	AS21517	..	BOLT- POST SERVICE BULLETIN: 72-9461PT01 VK0680	002004 006999	1
73	AS12944	..	WASHER- NOT APPROVED FOR ETOPS. PRE SERVICE BULLETIN: 72-9461 VK0680	002004 006100 102102 107107 121949 952999	2

MISSING ITEM NUMBERS NOT APPLICABLE

- ITEM NOT ILLUSTRATED

BRI

77-11-01-01

77-11-01
FIG. 01
PAGE 5
JAN 20/09



757

PARTS CATALOG (MAINTENANCE)

FIG ITEM	PART NUMBER	1 2 3 4 5 6 7	NOMENCLATURE	EFFECT FROM TO	UNITS PER ASSY
1					
74	AS12944		.. WASHER- POST SERVICE BULLETIN: 72-9461PT01 VK0680	002004 006999	3
75	AS20625		.. NUT-	002004 006999	2
			-----*-----		
80	ZZLRC1216-10P		.. CONNECTOR-I. E. P. R. TRIMMER PLUG ELEC SUPPLIER CODE: V49367	002004 006999	1
85	GK5074		.. COVER-I. E. P. R. TRIMMER CONNECTOR SUPPLIER CODE: VU0419	002004 006999	1
			ATTACHING PARTS		
90	AS21407		.. BOLT	002004 006999	1
95	AS41104		.. NUT	002004 006999	1
			-----*-----		
100	UL17534		.. BRACKET-SUPPORT SUPPLIER CODE: VK0680	002004 006999	1
105	UL16464		.. BRACKET-SUPPORT SUPPLIER CODE: VK0680	002004 006999	1
110	UL10562		.. BRACKET-SUPPORT SUPPLIER CODE: VK0680 NOT APPROVED FOR ETOPS. POST SERVICE BULLETIN: 72-8090 VK0680 PRE SERVICE BULLETIN: 79-9179 VK0680	002004 006100 102102 107107 121949 952999	11
110	UL10562		.. BRACKET-SUPPORT SUPPLIER CODE: VK0680 POST SERVICE BULLETIN: 24-9280 VK0680	101101 103106 108120 950951	11
112	UL10562		.. BRACKET-SUPPORT SUPPLIER CODE: VK0680 POST SERVICE BULLETIN: 79-9179 VK0680	002004 006100 102102 107107 121949 952999	13

MISSING ITEM NUMBERS NOT APPLICABLE

- ITEM NOT ILLUSTRATED

BRI

77-11-01-01

77-11-01
FIG. 01
PAGE 6
JAN 20/09



757

PARTS CATALOG (MAINTENANCE)

FIG ITEM	PART NUMBER	1 2 3 4 5 6 7	NOMENCLATURE	EFFECT FROM TO	UNITS PER ASSY
1					
113	UL10562		..BRACKET- SUPPLIER CODE: VK0680 PRE SERVICE BULLETIN: 72-8090 VK0680	002004 006100 102102 107107 121949 952999	10
115	UL10573		..BRACKET-SUPPORT SUPPLIER CODE: VK0680	002004 006999	1
120	UL10563		..BRACKET- SUPPLIER CODE: VK0680 PRE SERVICE BULLETIN: 72-9188 VK0680	002004 006999	3
121	UL10563		..BRACKET-SUPPORT SUPPLIER CODE: VK0680 POST SERVICE BULLETIN: 72-9188PT01 VK0680	002004 006999	2
122	UL33887		..BRACKET-SUPPORT SUPPLIER CODE: VK0680 POST SERVICE BULLETIN: 72-9188PT01 VK0680	002004 006999	1
125	UL17471		..BRACKET-TAI SUPPORT SUPPLIER CODE: VK0680 POSITION DATA: MID UPPER POST SERVICE BULLETIN: 72-7412PT01 VK0680	002004 006999	1
125	LJ33222		..BRACKET-TAI SUPPORT SUPPLIER CODE: VK0680 POSITION DATA: MID UPPER PRE SERVICE BULLETIN: 72-7412	107107 121949 952999	1
128	UL29970		..BRACKET-SOLENOID MOUNTING SUPPLIER CODE: VK0680 POST SERVICE BULLETIN: 24-9280 VK0680	101101 103106 108120 950951	1

MISSING ITEM NUMBERS NOT APPLICABLE

- ITEM NOT ILLUSTRATED

BRI

77-11-01-01

BOEING PROPRIETARY - Copyright © - Unpublished Work - See title page for details.

77-11-01
FIG. 01
PAGE 7
JAN 20/09



757

PARTS CATALOG (MAINTENANCE)

FIG ITEM	PART NUMBER	1 2 3 4 5 6 7	NOMENCLATURE	EFFECT FROM TO	UNITS PER ASSY
1					
130	UP10402	..	BRACKET-SUPPORT SUPPLIER CODE: VK0680	002004 006999	1
135	UP10401	..	BRACKET-SUPPORT SUPPLIER CODE: VK0680	002004 006999	1
140	UL10572	..	BRACKET ASSY-MOUNTING EEC UNIT SUPPLIER CODE: VK0680 POSITION DATA: REAR	002004 006999	1
142	SP71U304	...	RIVET- SUPPLIER CODE: VK7766	002004 006999	8
143	AS46725	...	NUT-SELF LOCKING	002004 006999	4
145	LK82848	..	BRACKET-SUPPORT SUPPLIER CODE: VK0680 PRE SERVICE BULLETIN: 72-9188 VK0680	002004 006999	1
145	UL27198	..	BRACKET-SUPPORT SUPPLIER CODE: VK0680 POST SERVICE BULLETIN: 72-9188 VK0680	002004 006999	1
150	UP10190	..	BRACKET-EARTH TERMINAL SUPPLIER CODE: VK0680	002004 006999	1
- 155	U324020	..	CABLE- SUPPLIER CODE: VKA723 MISCELLANEOUS DATA: SPARE PART # U440181	002004 006999	RF
900			ILLUSTRATION REFERENCE: AIR PRESSURE AND TEMPERATURE INDICATING SYSTEM (RB211-535) 77-11-53-02	002004 006999	RF

MISSING ITEM NUMBERS NOT APPLICABLE

- ITEM NOT ILLUSTRATED

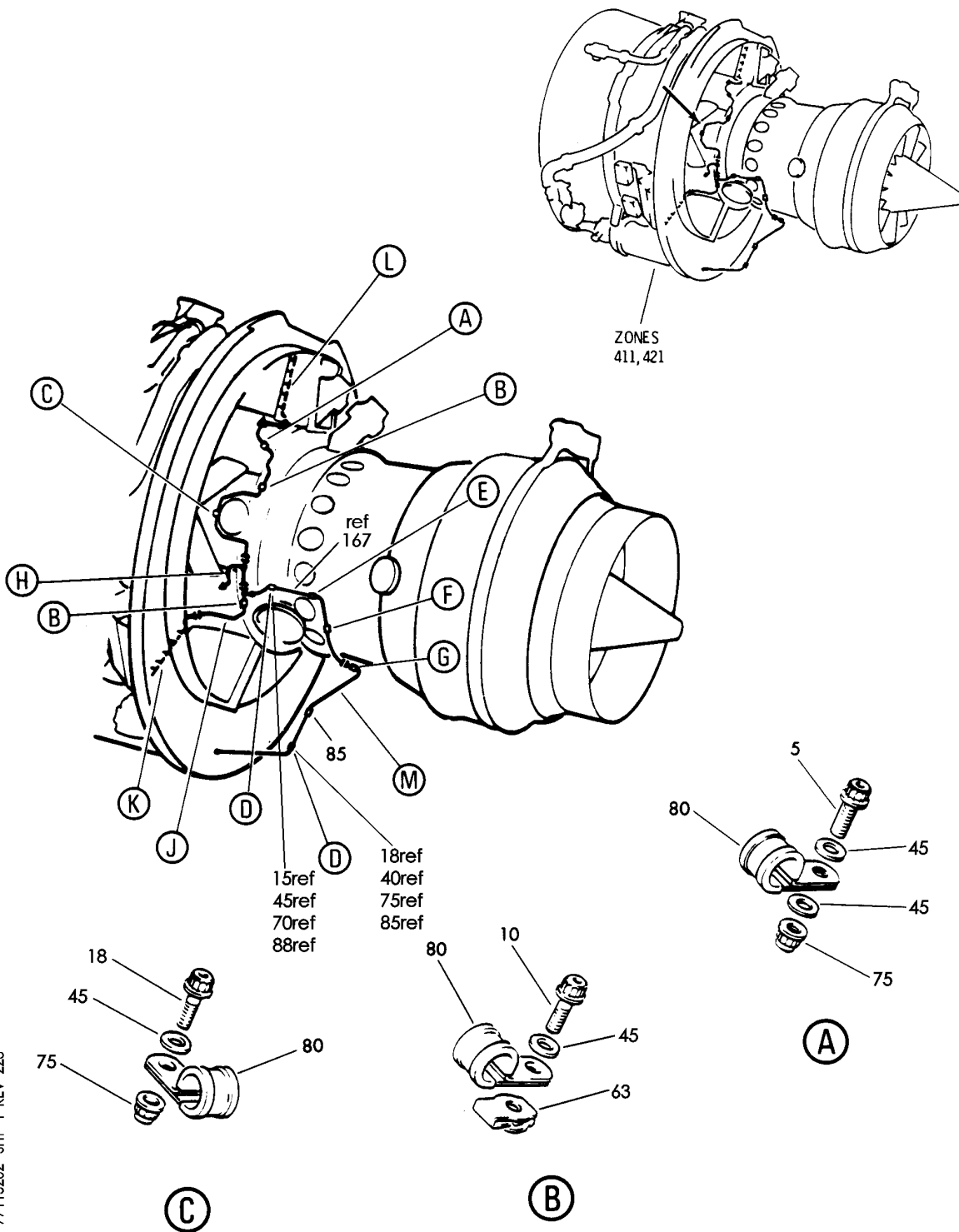
BRI

77-11-01-01

BOEING PROPRIETARY - Copyright © - Unpublished Work - See title page for details.

77-11-01
FIG. 01
PAGE 8
JAN 20/09

BOEING
757
PARTS CATALOG (MAINTENANCE)



Y 77115202 SHT 1 REV 228

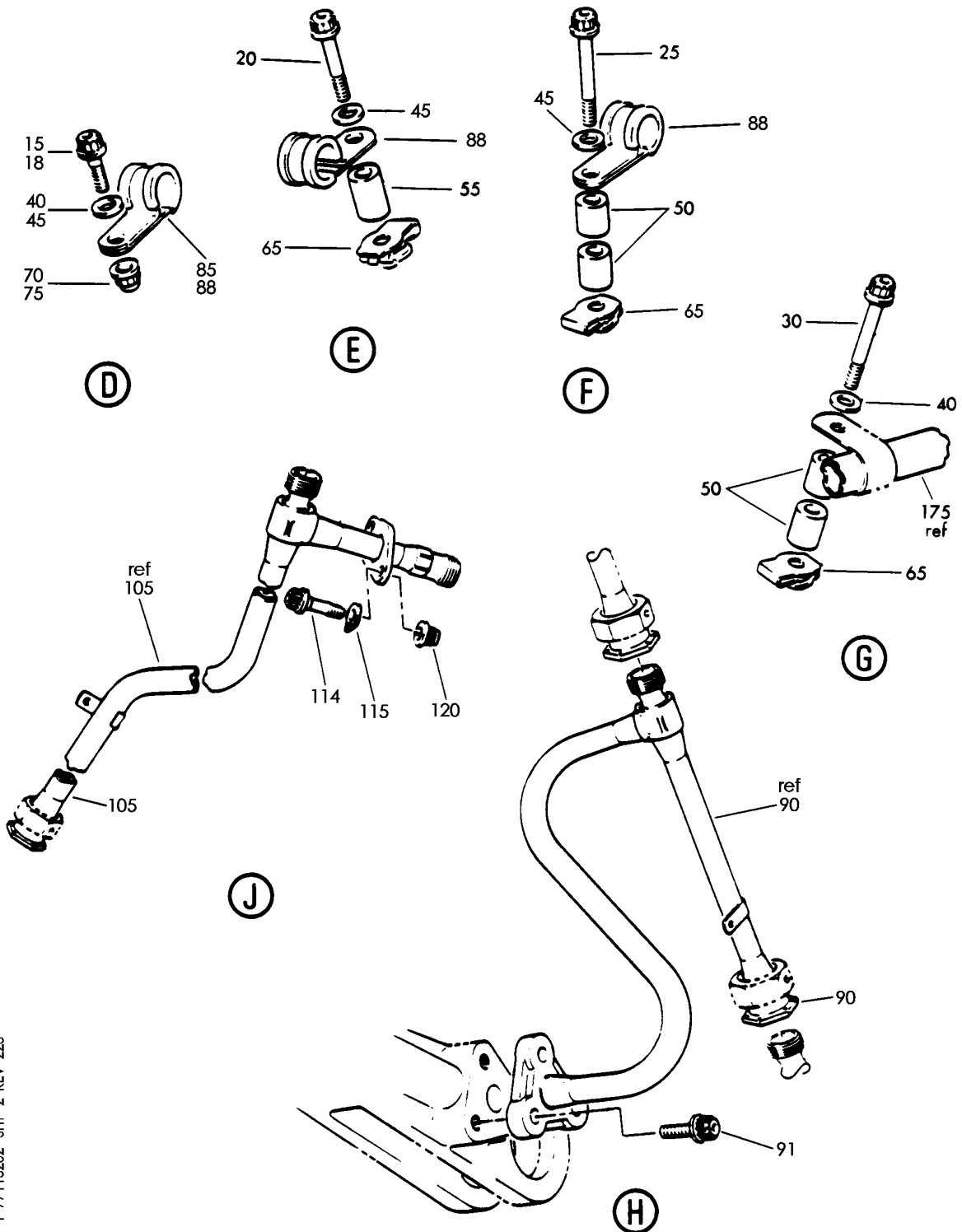
CONNECTOR-PF RAKE AND MULTIPLE (RB211-535)
FIGURE 2 (SHEET 1)

77-11-52-02

BRI
MAY 28/07

77-11-52-02
PAGE 0

BOEING
757
PARTS CATALOG (MAINTENANCE)



Y 77115202 SHT 2 REV 228

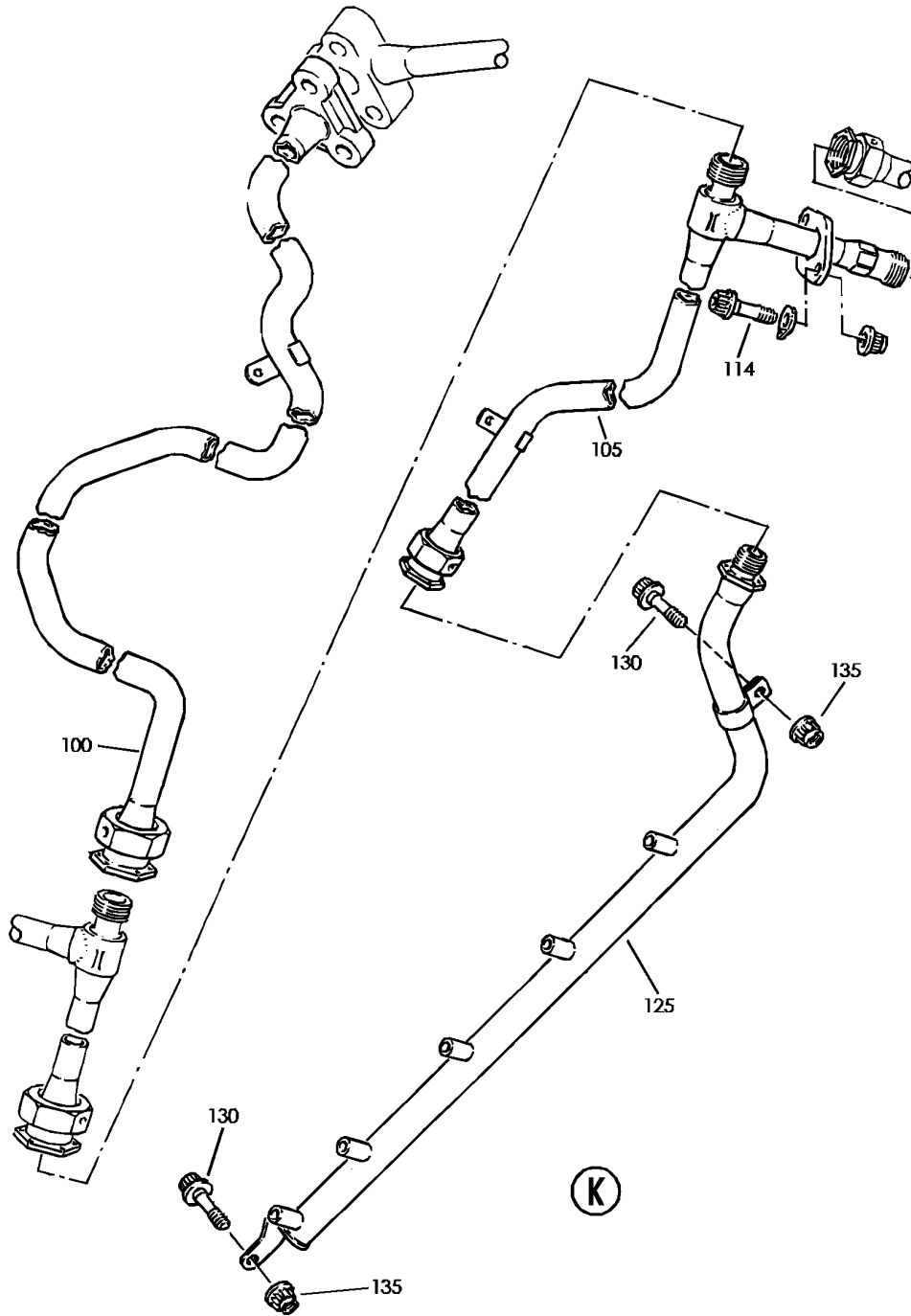
CONNECTOR-PF RAKE AND MULTIPLE (RB211-535)
FIGURE 2 (SHEET 2)

77-11-52-02

BRI
MAY 28/07

77-11-52-02
PAGE 0A

BOEING
757
PARTS CATALOG (MAINTENANCE)



Y 77115202 SHT 3 REV 228

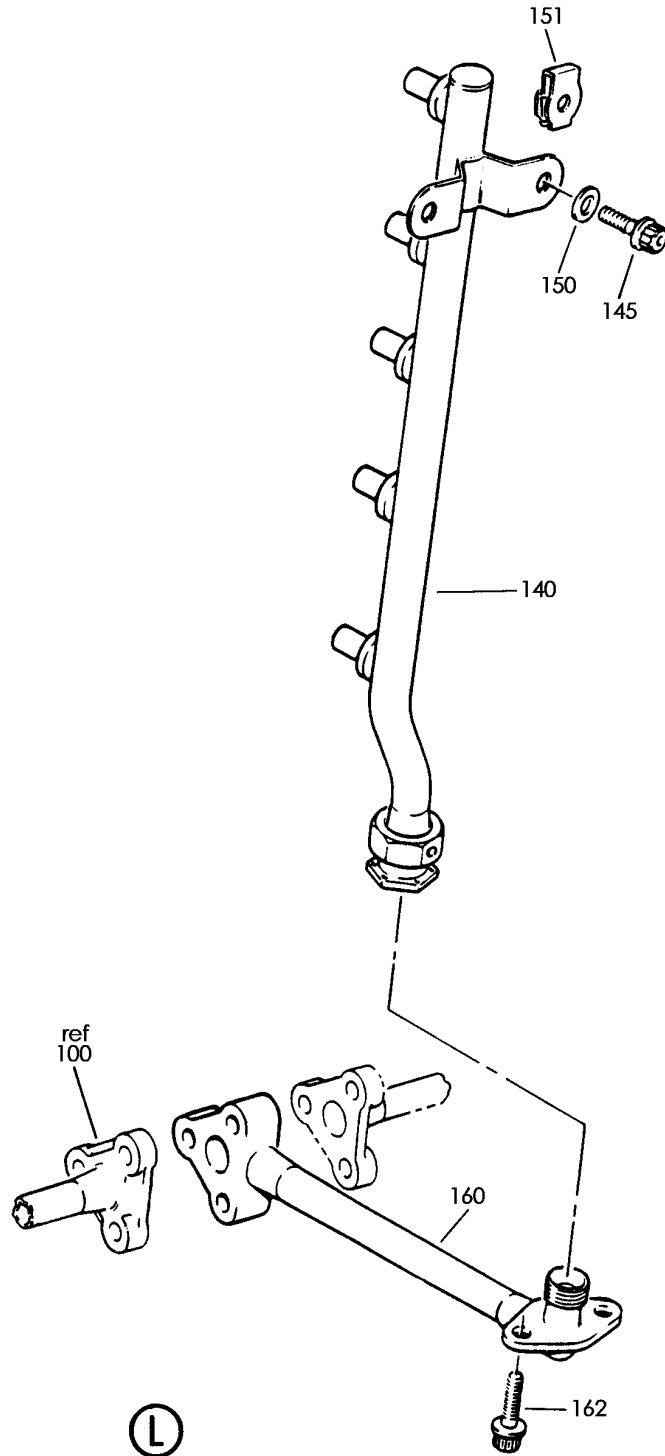
CONNECTOR-PF RAKE AND MULTIPLE (RB211-535)
FIGURE 2 (SHEET 3)

77-11-52-02

BRI
MAY 28/07

77-11-52-02
PAGE 0B

BOEING
757
PARTS CATALOG (MAINTENANCE)



Y 77115202 SH1 4 REV 228

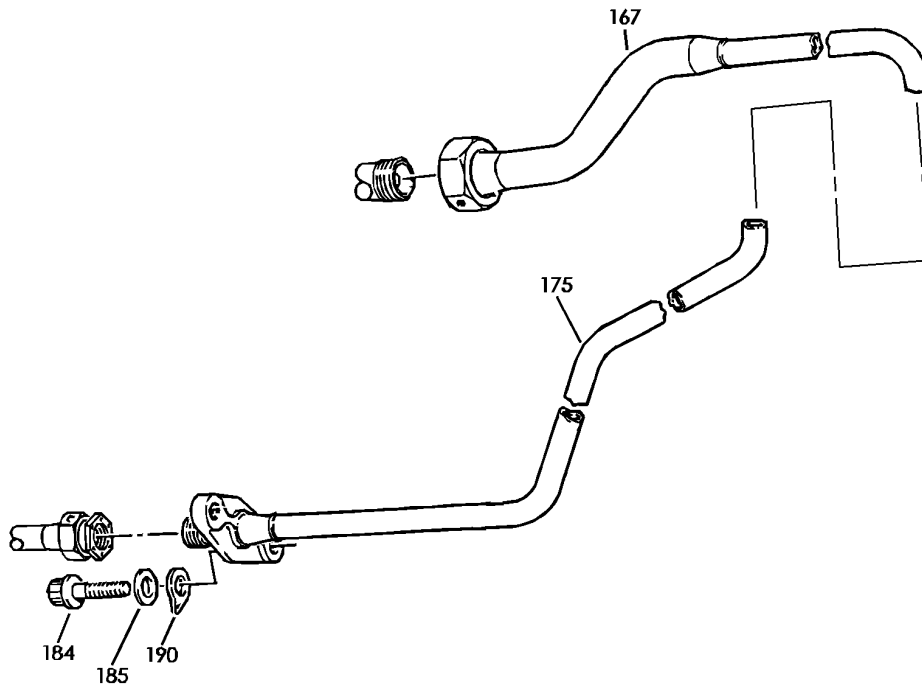
CONNECTOR-PF RAKE AND MULTIPLE (RB211-535)
FIGURE 2 (SHEET 4)

77-11-52-02

BRI
MAY 28/07

77-11-52-02
PAGE 0C

BOEING
757
PARTS CATALOG (MAINTENANCE)



(M)

Y 77115202 SH1 5 REV 228

CONNECTOR-PF RAKE AND MULTIPLE (RB211-535)
FIGURE 2 (SHEET 5)

77-11-52-02

BRI
MAY 28/07

77-11-52-02
PAGE 0D



757

PARTS CATALOG (MAINTENANCE)

FIG ITEM	PART NUMBER	1 2 3 4 5 6 7	NOMENCLATURE	EFFECT FROM TO	UNITS PER ASSY
2			CONNECTOR-PF RAKE AND MULTIPLE (RB211-535)	002004 006102 107107 121999 107107	
- 1	UL19722		ENGINE ASSY-Q.E.C.U. RB211-535E43711 MAXIMUM NEUT SUPPLIER CODE: VK0680 FOR NHA/OTHER SYS DET SEE: 71-00-02-04		RF
- 1	UL20697		ENGINE ASSY-Q.E.C.U. RB211-535E43711 MAXIMUM NEUT WITH GRAVINER FIRE DETECTORS, BAYONET MCD, NON-MODULATED IDG COOLING 40,000 LB THRUST SUPPLIER CODE: VK0680 REFERENCE SERVICE BULLETIN: 71-0058R4 QUALIFIED SB I/W DATA: INTERMIX OF ONE OR SUBSTITUTION OF TWO DIFFERENT CONFIGURATION RB211-535E4-37/() ENGINES FOR RB211-535 E4 BASE ENGINES REFERENCE SERVICE BULLETIN: RB211-72-C547 VK0680 FOR NHA/OTHER SYS DET SEE: 71-00-02-04	121503 904949 952999	RF

MISSING ITEM NUMBERS NOT APPLICABLE

- ITEM NOT ILLUSTRATED

BRI

77-11-52-02

BOEING PROPRIETARY - Copyright © - Unpublished Work - See title page for details.

77-11-52
FIG. 02
PAGE 1
JAN 20/09



757

PARTS CATALOG (MAINTENANCE)

FIG ITEM	PART NUMBER	1 2 3 4 5 6 7	NOMENCLATURE	EFFECT FROM TO	UNITS PER ASSY
2 - 1	UL20698		ENGINE ASSY-Q.E.C.U. RB211-535E43712 MAXIMUM NEUT SUPPLIER CODE: VK0680 REFERENCE SERVICE BULLETIN: 71-0058R7 QUALIFIED SB I/W DATA: INTERMIX OF ONE OR SUBSTITUTION OF TWO DIFFERENT CONFIGURATION RB211-535E4-37/() ENGINES FOR RB211-535E4 BASE ENGINES OR DIFFERENT CONFIGURATION RB211-535E4-B-37/() ENGINES FOR RB211-535E4-B BASE ENGINES REFERENCE SERVICE BULLETIN: RB211-72-C547 VK0680 RB211-72-8910 VK0680 POST RAPID REVISION: RR92014-183A-RC-E FOR NHA/OTHER SYS DET SEE: 71-00-02-04	002004 006100 102102	RF
- 1	UL36209		ENGINE ASSY-Q.E.C.U. RB211-535E43719 MAXIMUM NEUT SUPPLIER CODE: VK0680 FOR NHA/OTHER SYS DET SEE: 71-00-02-04	950951	RF
- 1	UL20702		ENGINE ASSY-Q.E.C.U. RB211-535E43711 BASIC ENGINE CONFIG. WITH GRAVINER FIRE DETECTORS,BAYONET MCD, NON-MODULATED IDG COOLING 40,100 LB THRUST SUPPLIER CODE: VK0680 FOR NHA/OTHER SYS DET SEE: 71-00-02-10	504903	RF

MISSING ITEM NUMBERS NOT APPLICABLE

- ITEM NOT ILLUSTRATED

BRI

77-11-52-02

BOEING PROPRIETARY - Copyright © - Unpublished Work - See title page for details.

77-11-52
FIG. 02
PAGE 2
JAN 20/09



757

PARTS CATALOG (MAINTENANCE)

FIG ITEM	PART NUMBER	1 2 3 4 5 6 7	NOMENCLATURE	EFFECT FROM TO	UNITS PER ASSY
2					
- 3	UL38163		ENGINE ASSY-Q.E.C.U. RB211-535E43724 BASIC ENGINE CONFIG. BAYONET MCD 40,100 LB THRUST SUPPLIER CODE: VK0680 FOR NHA/OTHER SYS DET SEE: 71-00-02-10	101101	RF
5	AS21409		.BOLT	002004 006102 107107 121999	1
10	AS21407		.BOLT	002004 006102 107107 121999	2
15	AS21408		.BOLT- PRE SERVICE BULLETIN: 72-C230 VK0680	002004 006102 107107 121999	1
18	AS21408		.BOLT	002004 006102 107107 121999	2
20	AS21421		.BOLT- PRE SERVICE BULLETIN: 72-C230 VK0680	002004 006102 107107 121999	1
25	AS21428		.BOLT- PRE SERVICE BULLETIN: 72-C230 VK0680	002004 006102 107107 121999	1
30	AS21430		.BOLT- PRE SERVICE BULLETIN: 72-C230 VK0680	002004 006102 107107 121999	1
40	K8831		.WASHER- SUPPLIER CODE: VK0680 PRE SERVICE BULLETIN: 72-C230 VK0680	002004 006102 107107 121999	2
45	K8831		.WASHER- SUPPLIER CODE: VK0680	002004 006102 107107 121999	8

MISSING ITEM NUMBERS NOT APPLICABLE

- ITEM NOT ILLUSTRATED

BRI

77-11-52-02

BOEING PROPRIETARY - Copyright © - Unpublished Work - See title page for details.

77-11-52
FIG. 02
PAGE 3
JAN 20/09



757

PARTS CATALOG (MAINTENANCE)

FIG ITEM	PART NUMBER	1 2 3 4 5 6 7	NOMENCLATURE	EFFECT FROM TO	UNITS PER ASSY
2					
50	UP10480		. SPACER- SUPPLIER CODE: VK0680 PRE SERVICE BULLETIN: 72-C230 VK0680	002004 006102 107107 121999	4
55	UP10481		. SPACER- SUPPLIER CODE: VK0680 PRE SERVICE BULLETIN: 72-C230 VK0680	002004 006102 107107 121999	1
63	AS41104		. NUT	002004 006102 107107 121999	2
65	AS41104		. NUT- PRE SERVICE BULLETIN: 72-C230 VK0680	002004 006102 107107 121999	3
70	AS20624		. NUT- PRE SERVICE BULLETIN: 72-C230 VK0680	002004 006102 107107 121999	1
75	AS20624		. NUT	002004 006102 107107 121999	3
80	400WSS8		. CLIP- SUPPLIER CODE: V83930	002004 006102 107107 121999	4
85	400WSS4		. CLIP- SUPPLIER CODE: V83930 PRE SERVICE BULLETIN: 72-C230 VK0680	002004 006102 107107 121999	2
88	400WSS4		. CLIP- SUPPLIER CODE: V83930	002004 006102 107107 121999	3
90	LK85959		. TUBE ASSY-A-FRAME TO COMBINED JCT SUPPLIER CODE: VK0680	002004 006102 107107 121999	1

MISSING ITEM NUMBERS NOT APPLICABLE

- ITEM NOT ILLUSTRATED

BRI

77-11-52-02

BOEING PROPRIETARY - Copyright © - Unpublished Work - See title page for details.

77-11-52
FIG. 02
PAGE 4
JAN 20/09



757

PARTS CATALOG (MAINTENANCE)

FIG ITEM	PART NUMBER	1 2 3 4 5 6 7	NOMENCLATURE	EFFECT FROM TO	UNITS PER ASSY
2			ATTACHING PARTS		
91	AS21510		.BOLT	002004 006102 107107 121999	3
			-----*-----		
100	UL14891		.TUBE ASSY-DISC. TO DISC. SUPPLIER CODE: VK0680	002004 006102 107107 121999	1
105	LK85960		.TUBE ASSY-RAKE TO DISC. SUPPLIER CODE: VK0680	002004 006102 107107 121999	1
			ATTACHING PARTS		
114	AS21512		.BOLT	002004 006102 107107 121999	2
115	CU37148		.WASHER- SUPPLIER CODE: VK0680	002004 006102 107107 121999	1
120	AS20625		.NUT	002004 006102 107107 121999	2
			-----*-----		
125	LK82806		.PROBE ASSY-AIR FAN PRESSURE SUPPLIER CODE: VK0680 POSITION DATA: LWR	002004 006102 107107 121999	1
			ATTACHING PARTS		
130	AS20911		.BOLT	002004 006102 107107 121999	2
135	AS20624		.NUT	002004 006102 107107 121999	2
			-----*-----		

MISSING ITEM NUMBERS NOT APPLICABLE

- ITEM NOT ILLUSTRATED

BRI

77-11-52-02

BOEING PROPRIETARY - Copyright © - Unpublished Work - See title page for details.

77-11-52
FIG. 02
PAGE 5
JAN 20/09



757

PARTS CATALOG (MAINTENANCE)

FIG ITEM	PART NUMBER	1 2 3 4 5 6 7	NOMENCLATURE	EFFECT FROM TO	UNITS PER ASSY
2					
140	LK82815		.PROBE ASSY-AIR FAN PRESSURE SUPPLIER CODE: VK0680 POSITION DATA: UPR ATTACHING PARTS	002004 006102 107107 121999	1
145	AS21009		.BOLT	002004 006102 107107 121999	2
150	AS12944		.WASHER	002004 006102 107107 121999	2
151	AS41105		.NUT	002004 006102 107107 121999	2
160	LK86030		-----*----- .TUBE ASSY-AIR SPLITTER TO COMBINED JCT SUPPLIER CODE: VK0680 ATTACHING PARTS	002004 006102 107107 121999	1
162	AS21511		.BOLT	002004 006102 107107 121999	2
167	UL14925		-----*----- .TUBE ASSY-DISC. TO DISC. SUPPLIER CODE: VK0680 PRE SERVICE BULLETIN: 72-C230 VK0680	002004 006102 107107 121999	1
175	UL16574		.TUBE ASSY-AIR TO INDICATING ENG PRESSURE RATIO UNIT TO DISC. SUPPLIER CODE: VK0680 PRE SERVICE BULLETIN: 72-C230 VK0680 ATTACHING PARTS	002004 006102 107107 121999	1
184	AS21008		.BOLT	002004 006102 107107 121999	2

MISSING ITEM NUMBERS NOT APPLICABLE

- ITEM NOT ILLUSTRATED

77-11-52-02

77-11-52
FIG. 02
PAGE 6
JAN 20/09

BRI

BOEING PROPRIETARY - Copyright © - Unpublished Work - See title page for details.



757

PARTS CATALOG (MAINTENANCE)

FIG ITEM	PART NUMBER	1 2 3 4 5 6 7	NOMENCLATURE	EFFECT FROM TO	UNITS PER ASSY
2 185	LK70941		.WASHER- SUPPLIER CODE: VK0680 PRE SERVICE BULLETIN: 72-C230 VK0680	002004 006102 107107 121999	2
190	CU37148		.WASHER- SUPPLIER CODE: VK0680 -----*-----	002004 006102 107107 121999	1

MISSING ITEM NUMBERS NOT APPLICABLE

- ITEM NOT ILLUSTRATED

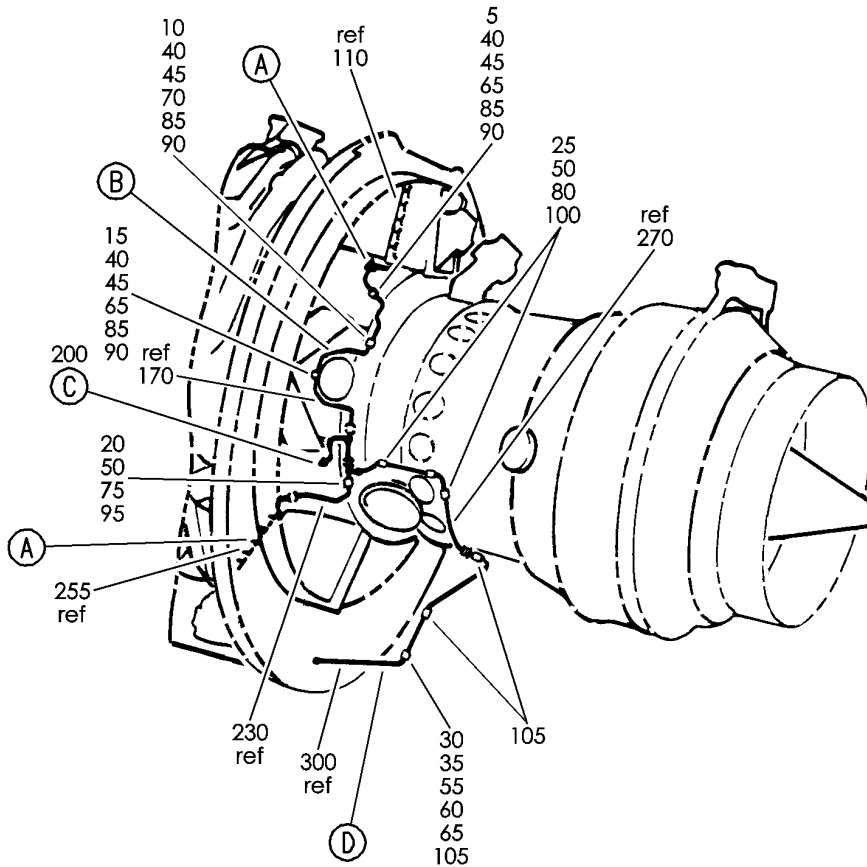
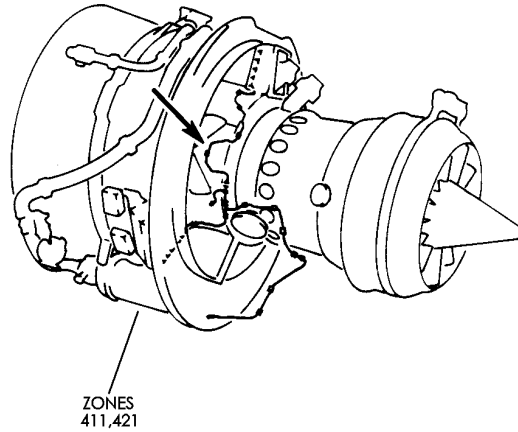
BRI

77-11-52-02

BOEING PROPRIETARY - Copyright © - Unpublished Work - See title page for details.

77-11-52
FIG. 02
PAGE 7
JAN 20/09

BOEING
757
PARTS CATALOG (MAINTENANCE)



Y 77115203 SHT 1 REV 227

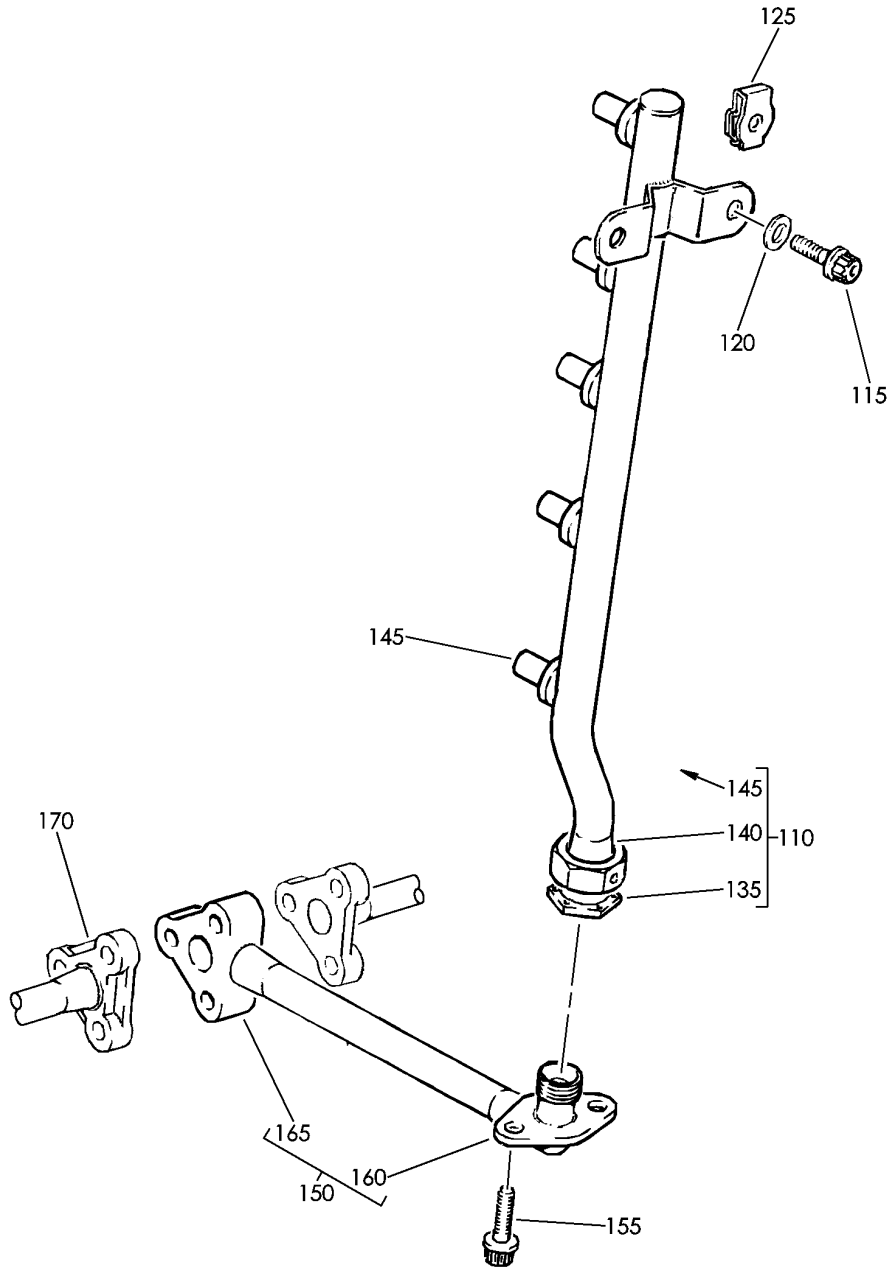
CONNECTOR-PF RAKE AND MULTIPLE (RB211-535)
FIGURE 3 (SHEET 1)

77-11-52-03

BRI
JAN 20/09

77-11-52-03
PAGE 0

BOEING
757
PARTS CATALOG (MAINTENANCE)



(A)

Y 77115203 SH1 2 REV 227

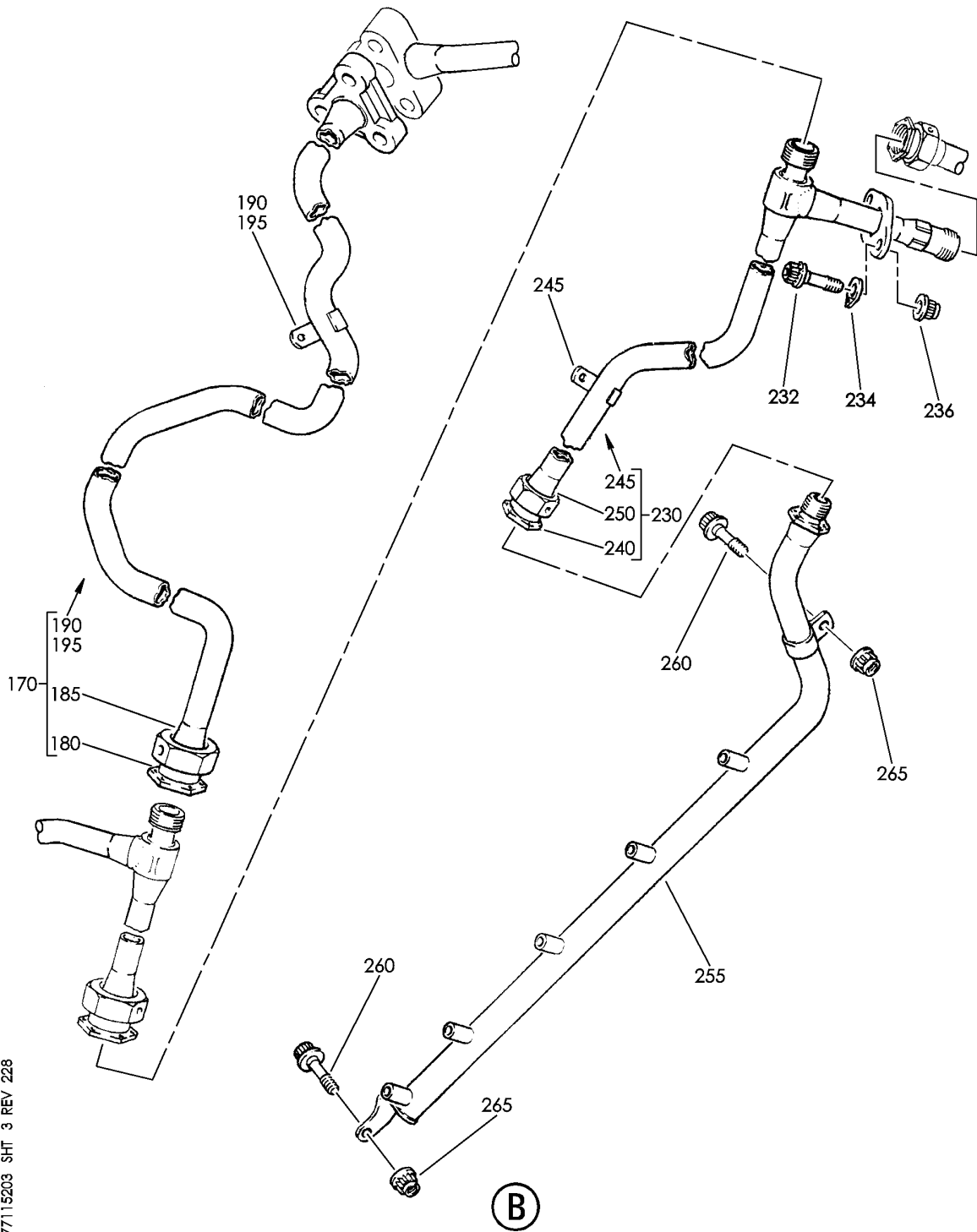
CONNECTOR-PF RAKE AND MULTIPLE (RB211-535)
FIGURE 3 (SHEET 2)

77-11-52-03

BRI
JAN 20/09

77-11-52-03
PAGE 0A

BOEING
757
PARTS CATALOG (MAINTENANCE)



Y 77115203 SH1 3 REV 228

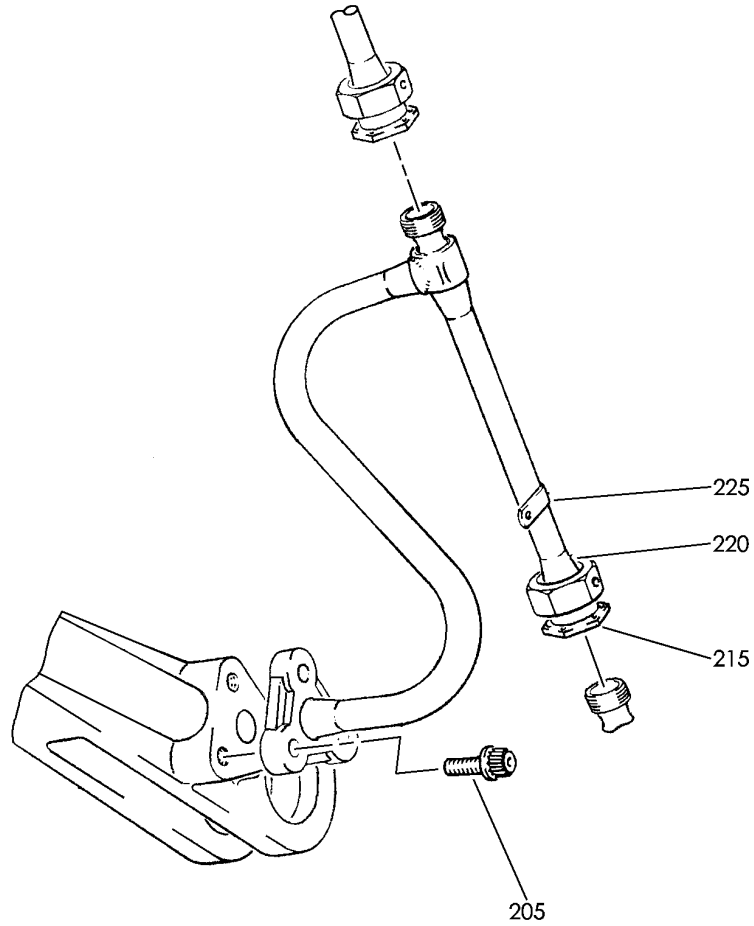
CONNECTOR-PF RAKE AND MULTIPLE (RB211-535)
FIGURE 3 (SHEET 3)

77-11-52-03

BRI
JAN 20/09

77-11-52-03
PAGE 0B

BOEING
757
PARTS CATALOG (MAINTENANCE)



(C)

Y 77115203 SHT 4 REV 227

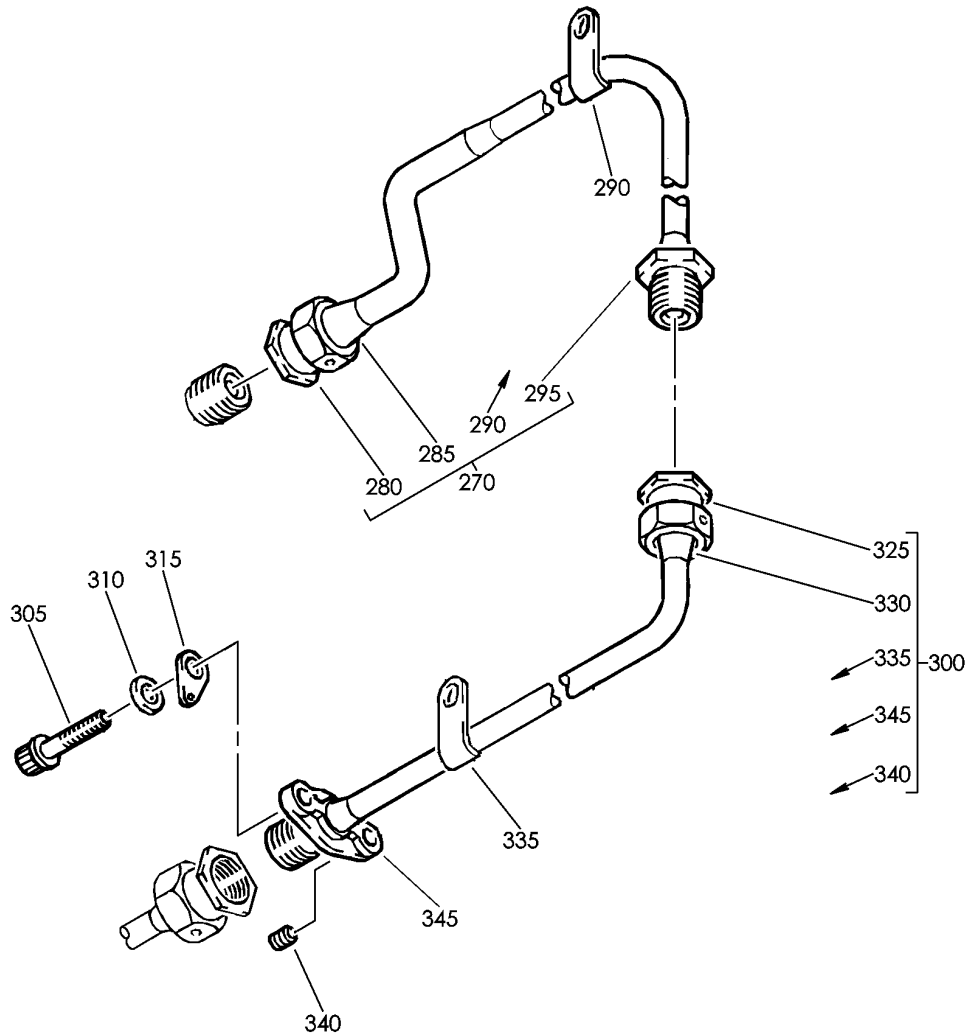
CONNECTOR-PF RAKE AND MULTIPLE (RB211-535)
FIGURE 3 (SHEET 4)

77-11-52-03

BRI
JAN 20/09

77-11-52-03
PAGE 0C

BOEING
757
PARTS CATALOG (MAINTENANCE)



VIEW LOOKING UP

(D)

Y 77115203 SH1 5 REV 227

CONNECTOR-PF RAKE AND MULTIPLE (RB211-535)
FIGURE 3 (SHEET 5)

77-11-52-03

BRI
JAN 20/09

77-11-52-03
PAGE 0D



757

PARTS CATALOG (MAINTENANCE)

FIG ITEM	PART NUMBER	1 2 3 4 5 6 7	NOMENCLATURE	EFFECT FROM TO	UNITS PER ASSY
3			CONNECTOR-PF RAKE AND MULTIPLE (RB211-535)	103106 108120	
- 1	BCREF17395		ENGINE ASSY- RB211-535E43739 BASIC ENGINE CONFIG. AND PHASE 5 COMBUSTOR 40,100 LB THRUST SUPPLIER CODE: VK0680 OVERLENGTH PART NUMBER: RB211-535E4-37-39E QUALIFIED SB I/W DATA: INTERMIX OF ONE OR FOR NHA/OTHER SYS DET SEE: 71-00-02-10	108120	RF
- 1	BCREF17101		ENGINE ASSY- RB211-535E43744 BASIC ENGINE CONFIG. BAYONET MCD AND PHASE 5 COMBUSTOR 40,100 LB THRUST SUPPLIER CODE: VK0680 OVERLENGTH PART NUMBER: RB211-535E4-3744E FOR NHA/OTHER SYS DET SEE: 71-00-02-10	103106	RF
	5 AS21409		.BOLT	103106 108120	1
	15 AS21408		.BOLT	103106 108120	1
	20 AS21407		.BOLT	103106 108120	1
	25 AS21408		.BOLT- POST SERVICE BULLETIN: 72-C230PT01 VK0680	103106 108120	3
	35 AS21411		.BOLT- POST SERVICE BULLETIN: 72-C230PT01 VK0680 PRE SERVICE BULLETIN: 72-D352 VK0680	103106 108120	1
- 37	AS21408		.BOLT- POST SERVICE BULLETIN: 72-D352PT01 VK0680	103106 108120	1

MISSING ITEM NUMBERS NOT APPLICABLE

- ITEM NOT ILLUSTRATED

77-11-52-03

77-11-52
FIG. 03
PAGE 1
JAN 20/09

BRI



757

PARTS CATALOG (MAINTENANCE)

FIG ITEM	PART NUMBER	1 2 3 4 5 6 7	NOMENCLATURE	EFFECT FROM TO	UNITS PER ASSY
3					
45	K8831		.WASHER- SUPPLIER CODE: VK0680 POST SERVICE BULLETIN: 75-C796PT01 VK0680	103106 108120	3
50	K8831		.WASHER- SUPPLIER CODE: VK0680	103106 108120	4
55	K8831		.WASHER- SUPPLIER CODE: VK0680 POST SERVICE BULLETIN: 72-C230PT01 VK0680 PRE SERVICE BULLETIN: 72-D352 VK0680	103106 108120	1
60	UP10478		.SPACER- SUPPLIER CODE: VK0680 POST SERVICE BULLETIN: 72-C230PT01 VK0680	103106 108120	1
65	AS20624		.NUT- PRE SERVICE BULLETIN: 72-D352 VK0680	103106 108120	3
75	AS41104		.NUT	103106 108120	1
80	AS20624		.NUT- POST SERVICE BULLETIN: 72-C230PT01 VK0680	103106 108120	3
90	400WSS8		.CLIP- SUPPLIER CODE: V83930 POST SERVICE BULLETIN: 75-C796PT01 VK0680	103106 108120	2
95	400WSS8		.CLIP- SUPPLIER CODE: V83930	103106 108120	1
100	400WSS4		.CLIP- SUPPLIER CODE: V83930	103106 108120	3

MISSING ITEM NUMBERS NOT APPLICABLE

- ITEM NOT ILLUSTRATED

77-11-52-03

77-11-52
FIG. 03
PAGE 2
JAN 20/09

BRI

BOEING PROPRIETARY - Copyright © - Unpublished Work - See title page for details.



757

PARTS CATALOG (MAINTENANCE)

FIG ITEM	PART NUMBER	1 2 3 4 5 6 7	NOMENCLATURE	EFFECT FROM TO	UNITS PER ASSY
3					
105	400WSS4		.CLIP- SUPPLIER CODE: V83930 POST SERVICE BULLETIN: 72-C230PT01 VK0680 PRE SERVICE BULLETIN: 72-D352 VK0680	103106 108120	3
- 109	400WSS4		.CLIP- SUPPLIER CODE: V83930 POST SERVICE BULLETIN: 72-D352PT01 VK0680	103106 108120	5
110	LK82815		.PROBE ASSY-PITOT AIR FAN PRESSURE SUPPLIER CODE: VK0680 POSITION DATA: UPR ATTACHING PARTS	103106 108120	1
115	AS21009		.BOLT	103106 108120	2
120	AS12944		.WASHER	103106 108120	2
125	AS41105		.NUT	103106 108120	2
150	LK86030		-----*----- .TUBE ASSY-PF AIR SPLITTER RAKE TO COMBINED JCT SUPPLIER CODE: VK0680 ATTACHING PARTS	103106 108120	1
155	AS21511		.BOLT	103106 108120	2
170	UL39702		-----*----- .TUBE ASSY-PF AIR DISC. TO DISC. SUPPLIER CODE: VK0680 POST SERVICE BULLETIN: 75-C796PT01 VK0680	103106 108120	1
200	LK85959		.TUBE ASSY-PF AIR-A-FRAME TO COMBINED JCT SUPPLIER CODE: VK0680	103106 108120	1

MISSING ITEM NUMBERS NOT APPLICABLE

- ITEM NOT ILLUSTRATED

77-11-52-03

77-11-52
FIG. 03
PAGE 3
JAN 20/09

BRI



757

PARTS CATALOG (MAINTENANCE)

FIG ITEM	PART NUMBER	1 2 3 4 5 6 7	NOMENCLATURE	EFFECT FROM TO	UNITS PER ASSY
3			ATTACHING PARTS		
205	AS21510		.BOLT	103106 108120	3
			-----*-----		
230	LK85960		.TUBE ASSY-PF AIR RAKE TO DISC SUPPLIER CODE: VK0680 POSITION DATA: LWR	103106 108120	1
			ATTACHING PARTS		
232	AS21512		.BOLT	103106 108120	2
234	CU37148		.WASHER- SUPPLIER CODE: VK0680	103106 108120	1
236	AS20625		.NUT	103106 108120	2
			-----*-----		
255	LK82806		.PROBE ASSY-PITOT AIR FAN PRESSURE SUPPLIER CODE: VK0680 POSITION DATA: LWR	103106 108120	1
			ATTACHING PARTS		
260	AS20911		.BOLT	103106 108120	2
265	AS20624		.NUT	103106 108120	2
			-----*-----		
- 267	AS20624		.NUT- POST SERVICE BULLETIN: 72-D352PT01 VK0680	103106 108120	1
270	UL38558		.TUBE ASSY-PF AIR DISC. TO DISC. SUPPLIER CODE: VK0680 POST SERVICE BULLETIN: 72-C230PT01 VK0680	103106 108120	1

MISSING ITEM NUMBERS NOT APPLICABLE

- ITEM NOT ILLUSTRATED

BRI

77-11-52-03

BOEING PROPRIETARY - Copyright © - Unpublished Work - See title page for details.

77-11-52
FIG. 03
PAGE 4
JAN 20/09



757

PARTS CATALOG (MAINTENANCE)

FIG ITEM	PART NUMBER	1 2 3 4 5 6 7	NOMENCLATURE	EFFECT FROM TO	UNITS PER ASSY
3 300	UL38561		.TUBE ASSY-P INT AIR TO IEPR UNIT DISC. TO DISC. SUPPLIER CODE: VK0680 POST SERVICE BULLETIN: 72-C230PT01 VK0680 PRE SERVICE BULLETIN: 72-D352 VK0680	103106 108120	1
300	FW15696		.TUBE ASSY-P INT AIR TO IEPR UNIT DISC. TO DISC. SUPPLIER CODE: VK0680 POST SERVICE BULLETIN: 72-D352PT01 VK0680	103106 108120	1
305	AS21009		ATTACHING PARTS .BOLT- POST SERVICE BULLETIN: 72-C230PT01 VK0680	103106 108120	2
310	AS12944		.WASHER- POST SERVICE BULLETIN: 72-C230PT01 VK0680	103106 108120	2
315	CU37148		.WASHER- SUPPLIER CODE: VK0680	103106 108120	1
- 317	K8831		-----*----- .WASHER- SUPPLIER CODE: VK0680 POST SERVICE BULLETIN: 72-D352PT01 VK0680	103106 108120	1

MISSING ITEM NUMBERS NOT APPLICABLE

- ITEM NOT ILLUSTRATED

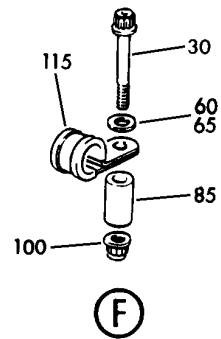
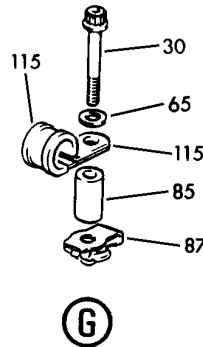
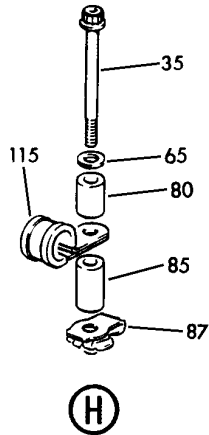
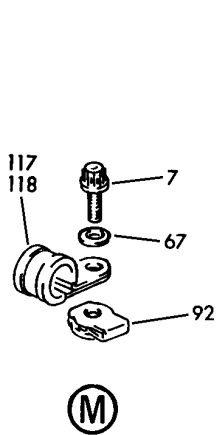
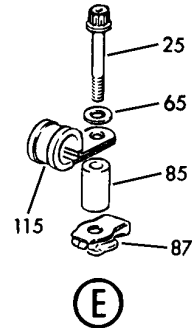
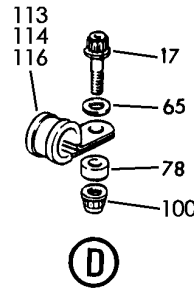
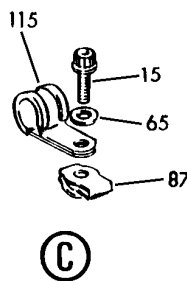
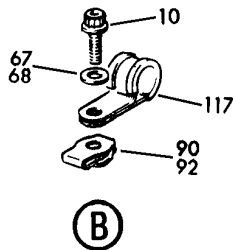
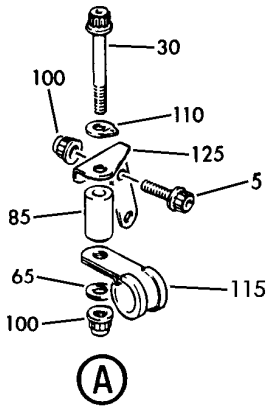
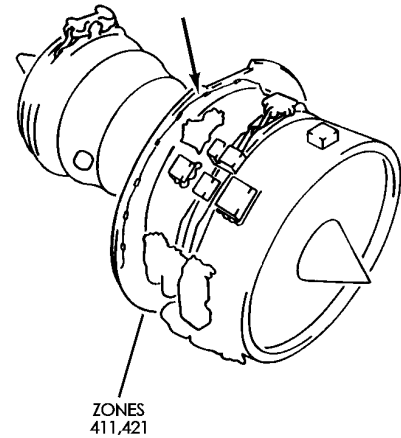
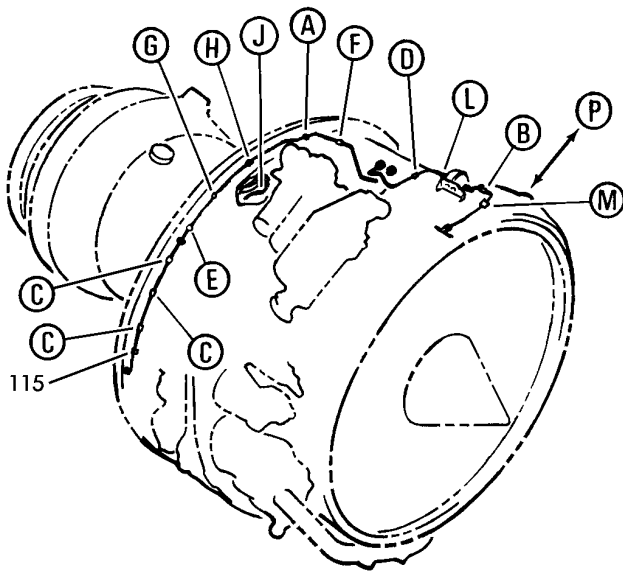
BRI

77-11-52-03

BOEING PROPRIETARY - Copyright © - Unpublished Work - See title page for details.

77-11-52
FIG. 03
PAGE 5
JAN 20/09

BOEING
757
PARTS CATALOG (MAINTENANCE)



Y 77115302 SHT 1 REV 228

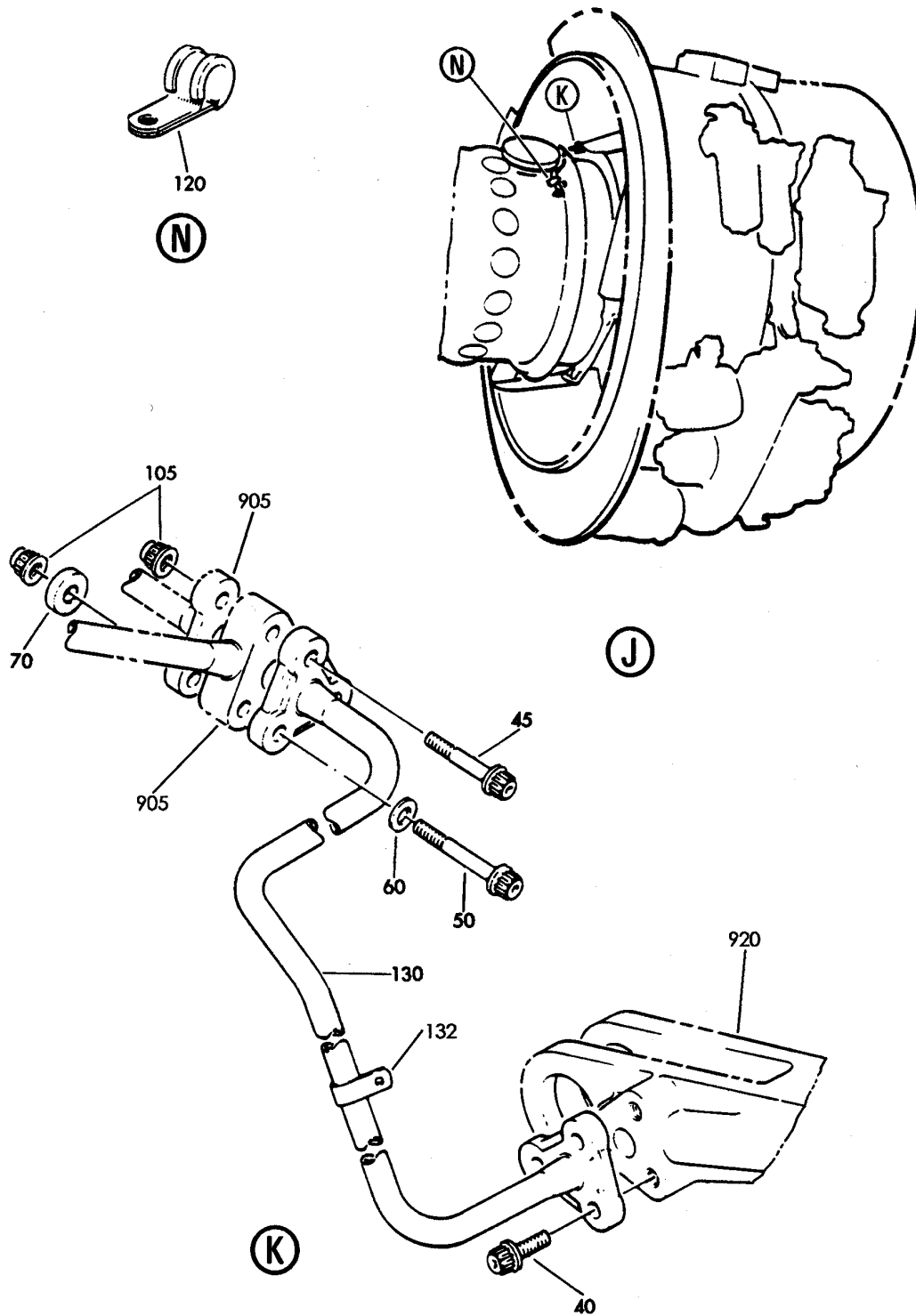
AIR PRESSURE AND TEMPERATURE INDICATING SYSTEM (RB211-535)
FIGURE 2 (SHEET 1)

77-11-53-02

BRI
MAY 28/07

77-11-53-02
PAGE 0

BOEING
757
PARTS CATALOG (MAINTENANCE)



Y 77115302 SHT 2 REV 213

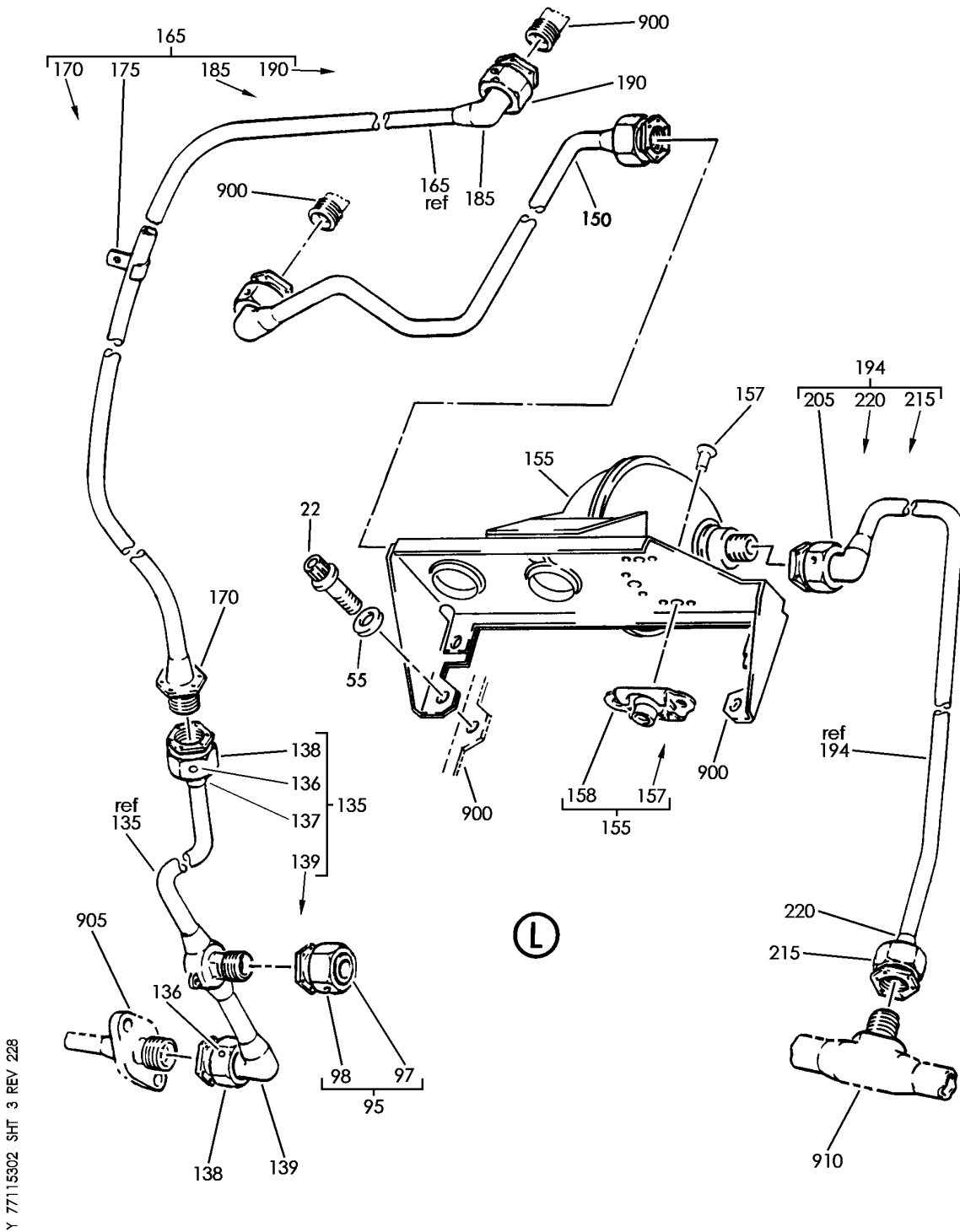
AIR PRESSURE AND TEMPERATURE INDICATING SYSTEM (RB211-535)
FIGURE 2 (SHEET 2)

77-11-53-02

BRI
MAY 28/07

77-11-53-02
PAGE 0A


BOEING
 757
PARTS CATALOG (MAINTENANCE)



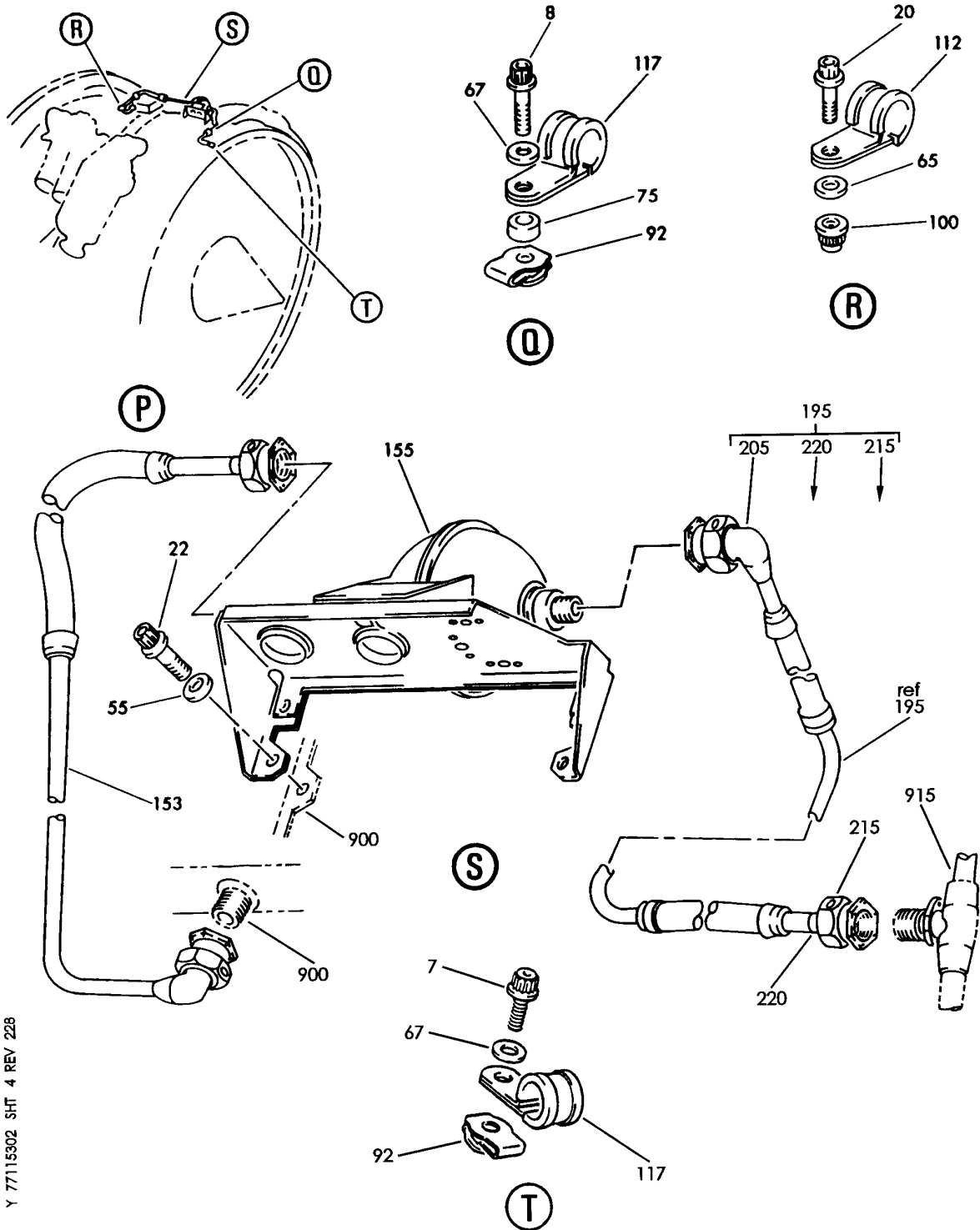
AIR PRESSURE AND TEMPERATURE INDICATING SYSTEM (RB211-535)
 FIGURE 2 (SHEET 3)

77-11-53-02

BRI
 MAY 28/07

77-11-53-02
 PAGE 0B

BOEING
757
PARTS CATALOG (MAINTENANCE)



AIR PRESSURE AND TEMPERATURE INDICATING SYSTEM (RB211-535)
FIGURE 2 (SHEET 4)

77-11-53-02

BRI
MAY 28/07

77-11-53-02
PAGE 0C



757

PARTS CATALOG (MAINTENANCE)

FIG ITEM	PART NUMBER	1 2 3 4 5 6 7	NOMENCLATURE	EFFECT FROM TO	UNITS PER ASSY
2			AIR PRESSURE AND TEMPERATURE INDICATING SYSTEM (RB211-535)	002004 006999	
- 1	UL19722		ENGINE ASSY-Q.E.C.U. RB211-535E43711 MAXIMUM NEUT SUPPLIER CODE: VK0680 FOR NHA/OTHER SYS DET SEE: 71-00-02-04	107107	RF
- 1	UL20697		ENGINE ASSY-Q.E.C.U. RB211-535E43711 MAXIMUM NEUT WITH GRAVINER FIRE DETECTORS, BAYONET MCD, NON-MODULATED IDG COOLING 40,000 LB THRUST SUPPLIER CODE: VK0680 REFERENCE SERVICE BULLETIN: 71-0058R4 QUALIFIED SB I/W DATA: INTERMIX OF ONE OR SUBSTITUTION OF TWO DIFFERENT CONFIGURATION RB211-535E4-37/() ENGINES FOR RB211-535 E4 BASE ENGINES REFERENCE SERVICE BULLETIN: RB211-72-C547 VK0680 FOR NHA/OTHER SYS DET SEE: 71-00-02-04	121503 904949 952999	RF

MISSING ITEM NUMBERS NOT APPLICABLE

- ITEM NOT ILLUSTRATED

BRI

77-11-53-02

BOEING PROPRIETARY - Copyright © - Unpublished Work - See title page for details.

77-11-53
FIG. 02
PAGE 1
JAN 20/09



757

PARTS CATALOG (MAINTENANCE)

FIG ITEM	PART NUMBER	1 2 3 4 5 6 7	NOMENCLATURE	EFFECT FROM TO	UNITS PER ASSY
2 - 1	UL20698		ENGINE ASSY-Q.E.C.U. RB211-535E43712 MAXIMUM NEUT SUPPLIER CODE: VK0680 REFERENCE SERVICE BULLETIN: 71-0058R1 QUALIFIED SB I/W DATA: INTERMIX OF ONE OR SUBSTITUTION OF TWO DIFFERENT CONFIGURATION RB211-535E4-37/() ENGINES FOR RB211-535E4 BASE ENGINES OR DIFFERENT CONFIGURATION RB211-535E4-B-37/() ENGINES FOR RB211-535E4-B BASE ENGINES REFERENCE SERVICE BULLETIN: RB211-72-C547 VK0680 RB211-72-8910 VK0680 POST RAPID REVISION: RR92014-183A-RC-E FOR NHA/OTHER SYS DET SEE: 71-00-02-04	002004 006100 102102	RF
- 1	UL36209		ENGINE ASSY-Q.E.C.U. RB211-535E43719 MAXIMUM NEUT SUPPLIER CODE: VK0680 FOR NHA/OTHER SYS DET SEE: 71-00-02-04	950951	RF
- 1	UL20702		ENGINE ASSY-Q.E.C.U. RB211-535E43711 BASIC ENGINE CONFIG. WITH GRAVINER FIRE DETECTORS, BAYONET MCD, NON-MODULATED IDG COOLING 40,100 LB THRUST SUPPLIER CODE: VK0680 FOR NHA/OTHER SYS DET SEE: 71-00-02-10	504903	RF

MISSING ITEM NUMBERS NOT APPLICABLE

- ITEM NOT ILLUSTRATED

77-11-53-02

77-11-53
FIG. 02
PAGE 2
JAN 20/09

BRI



757

PARTS CATALOG (MAINTENANCE)

FIG ITEM	PART NUMBER	1 2 3 4 5 6 7	NOMENCLATURE	EFFECT FROM TO	UNITS PER ASSY
2					
- 3	BCREF17101		ENGINE ASSY-Q.E.C.U. RB211-535E43744 BASIC ENGINE CONFIGURATION, BAYONET MCD AND PHASE 5 COMBUSTOR 40,100 LB THRUST SUPPLIER CODE: VK0680 OVERLENGTH PART NUMBER: RB211-535E4-3744E FOR NHA/OTHER SYS DET SEE: 71-00-02-10	103106	RF
- 3	BCREF17395		ENGINE ASSY-Q.E.C.U. RB211-535E43739 BASIC ENGINE CONFIGURATION AND PHASE 5 COMBUSTOR 40,100 LB THRUST SUPPLIER CODE: VK0680 OVERLENGTH PART NUMBER: RB211-535E4-37-39E FOR NHA/OTHER SYS DET SEE: 71-00-02-10	108120	RF
- 3	UL38163		ENGINE ASSY-Q.E.C.U. RB211-535E43724 BASIC ENGINE CONFIGURATION, BAYONET MCD, 40,100 LB THRUST SUPPLIER CODE: VK0680 FOR NHA/OTHER SYS DET SEE: 71-00-02-10	101101	RF
- 4	UL28425		AIR INDICATING SYS- PRESSURE AND TEMP SUPPLIER CODE: VK0680 POST SERVICE BULLETIN: 77-8941PT01 VK0680	002004 006999	RF
5	AS21407		..BOLT	002004 006999	2
7	AS21407		..BOLT- POST SERVICE BULLETIN: 73-7885PT01 VK0680	002004 006999	1

MISSING ITEM NUMBERS NOT APPLICABLE

- ITEM NOT ILLUSTRATED

BRI

77-11-53-02

BOEING PROPRIETARY - Copyright © - Unpublished Work - See title page for details.

77-11-53
FIG. 02
PAGE 3
JAN 20/09



757

PARTS CATALOG (MAINTENANCE)

FIG ITEM	PART NUMBER	1 2 3 4 5 6 7	NOMENCLATURE	EFFECT FROM TO	UNITS PER ASSY
2					
8	AS21410	..	BOLT- NOT APPROVED FOR ETOPS. POST SERVICE BULLETIN: 77-8941PT01 VK0680 PRE SERVICE BULLETIN: 77-9676R2 VK0680 77-9676 VK0680	002004 006102 107949 952999	1
8	AS21407	..	BOLT- POST SERVICE BULLETIN: 77-9676PT01 VK0680	002004 006999	1
10	AS21408	..	BOLT- PRE SERVICE BULLETIN: 77-8941 VK0680	002004 006100 102102 107107 121949 952999	1
15	AS21409	..	BOLT	002004 006999	3
17	AS21411	..	BOLT- PRE SERVICE BULLETIN: 77-8941 VK0680	002004 006100 102102 107107 121949 952999	1
20	AS21407	..	BOLT- POST SERVICE BULLETIN: 77-8941PT01 VK0680	002004 006999	1
22	AS21411	..	BOLT- POST SERVICE BULLETIN: 73-6352PT01 VK0680	002004 006999	4
25	AS21424	..	BOLT	002004 006999	1
30	AS21426	..	BOLT	002004 006999	3
35	AS21442	..	BOLT	002004 006999	1
40	AS21510	..	BOLT	002004 006999	3
45	AS21525	..	BOLT	002004 006999	2
50	AS21531	..	BOLT	002004 006999	1

MISSING ITEM NUMBERS NOT APPLICABLE

- ITEM NOT ILLUSTRATED

77-11-53-02

77-11-53
FIG. 02
PAGE 4
JAN 20/09

BRI

BOEING PROPRIETARY - Copyright © - Unpublished Work - See title page for details.



757

PARTS CATALOG (MAINTENANCE)

FIG ITEM	PART NUMBER	1 2 3 4 5 6 7	NOMENCLATURE	EFFECT FROM TO	UNITS PER ASSY
2					
55	AS12943		.. WASHER- POST SERVICE BULLETIN: 73-6352PT01 VK0680	002004 006999	4
60	AS12944		.. WASHER	002004 006999	1
65	K8831		.. WASHER- SUPPLIER CODE: VK0680	002004 006999	10
67	K8831		.. WASHER- SUPPLIER CODE: VK0680 POST SERVICE BULLETIN: 73-7885PT01 VK0680	002004 006999	2
68	K8831		.. WASHER- SUPPLIER CODE: VK0680 PRE SERVICE BULLETIN: 73-7885 VK0680	107107 121949 952999	1
70	LK64813		.. SPACER- SUPPLIER CODE: VK0680	002004 006999	1
75	UP10478		.. SPACER- SUPPLIER CODE: VK0680 NOT APPROVED FOR ETOPS. POST SERVICE BULLETIN: 77-8941PT01 VK0680 PRE SERVICE BULLETIN: 77-9676R2 VK0680 77-9676 VK0680	002004 006102 107949 952999	1
78	UP10478		.. SPACER- SUPPLIER CODE: VK0680 PRE SERVICE BULLETIN: 77-8941 VK0680	002004 006100 102102 107107 121949 952999	1
80	UP10481		.. SPACER- SUPPLIER CODE: VK0680	002004 006999	1
85	UP10482		.. SPACER- SUPPLIER CODE: VK0680	002004 006999	5

MISSING ITEM NUMBERS NOT APPLICABLE

- ITEM NOT ILLUSTRATED

77-11-53-02

77-11-53
FIG. 02
PAGE 5
JAN 20/09

BRI

BOEING PROPRIETARY - Copyright © - Unpublished Work - See title page for details.



757

PARTS CATALOG (MAINTENANCE)

FIG ITEM	PART NUMBER	1 2 3 4 5 6 7	NOMENCLATURE	EFFECT FROM TO	UNITS PER ASSY
2					
87	AS41104	..	NUT	002004 006999	6
90	AS41104	..	NUT- PRE SERVICE BULLETIN: 73-7885 VK0680	107107 121949 952999	1
92	AS41104	..	NUT- POST SERVICE BULLETIN: 73-7885PT01 VK0680	002004 006999	2
95	AS15825	..	NUT ASSY	002004 006999	1
100	AS20624	..	NUT	002004 006999	5
105	AS20625	..	NUT	002004 006999	3
110	EU14448	..	TAB- SUPPLIER CODE: VK0680	002004 006999	1
112	TA025028-4	..	CLIP- SUPPLIER CODE: V84971 POST SERVICE BULLETIN: 77-8941PT01 VK0680	002004 006999	1
113	TA025028-10	..	CLIP- SUPPLIER CODE: V84971 NOT APPROVED FOR ETOPS. POST SERVICE BULLETIN: 77-8941PT01 VK0680 PRE SERVICE BULLETIN: 77-9676R2 VK0680 77-9676 VK0680	002004 006102 107949 952999	2
113	TA025028-10	..	CLIP- SUPPLIER CODE: V84971 CONFIG CHG DATA FROM A CMM: FOR INTRCHG SEE RR IPC POST SERVICE BULLETIN: 77-B522PT01 VK0680 PRE SERVICE BULLETIN: 77-C281 VK0680	002004 006999	2

MISSING ITEM NUMBERS NOT APPLICABLE

- ITEM NOT ILLUSTRATED

BRI

77-11-53-02

77-11-53
FIG. 02
PAGE 6
JAN 20/09



757

PARTS CATALOG (MAINTENANCE)

FIG ITEM	PART NUMBER	1 2 3 4 5 6 7	NOMENCLATURE	EFFECT FROM TO	UNITS PER ASSY
2 113	TA025028-10	..	CLIP- SUPPLIER CODE: V84971 CONFIG CHG DATA FROM A CMM: FOR INTRCHG SEE RR IPC POST SERVICE BULLETIN: 77-C281PT01 VK0680	002004 006999	2
114	TA025028-10	..	CLIP- SUPPLIER CODE: V84971 POST SERVICE BULLETIN: 77-9676PT01 VK0680 PRE SERVICE BULLETIN: 77-B522 VK0680	002004 006102 107999	1
115	400WSS4	..	CLIP- SUPPLIER CODE: V83930	002004 006999	9
116	400WSS4	..	CLIP- SUPPLIER CODE: V83930 PRE SERVICE BULLETIN: 77-8941 VK0680	002004 006100 102102 107107 121949 952999	1
117	400WSS4	..	CLIP- SUPPLIER CODE: V83930 POST SERVICE BULLETIN: 73-7885PT01 VK0680 PRE SERVICE BULLETIN: 29-8194 VK0680	107107 121949 952999	2
117	TA025028-4	..	CLIP- SUPPLIER CODE: V84971 NOT APPROVED FOR ETOPS. POST SERVICE BULLETIN: 29-8194PT01 VK0680 PRE SERVICE BULLETIN: 77-9676 VK0680	002004 006102 107999	2

MISSING ITEM NUMBERS NOT APPLICABLE

- ITEM NOT ILLUSTRATED

BRI

77-11-53-02

BOEING PROPRIETARY - Copyright © - Unpublished Work - See title page for details.

77-11-53
FIG. 02
PAGE 7
JAN 20/09



757

PARTS CATALOG (MAINTENANCE)

FIG ITEM	PART NUMBER	1 2 3 4 5 6 7	NOMENCLATURE	EFFECT FROM TO	UNITS PER ASSY
2 117	TA025028-10	..	CLIP- SUPPLIER CODE: V84971 CONFIG CHG DATA FROM A CMM: FOR INTRCHG SEE RR IPC POST SERVICE BULLETIN: 77-9676PT01 VK0680 PRE SERVICE BULLETIN: 77-C281 VK0680	002004 006999	2
117	TA025028-10	..	CLIP- SUPPLIER CODE: V84971 NOT APPROVED FOR ETOPS. CONFIG CHG DATA FROM A CMM: FOR INTRCHG SEE RR IPC POST SERVICE BULLETIN: 77-C281PT01 VK0680	002004 006999	2
118	400WSS4	..	CLIP- SUPPLIER CODE: V83930 PRE SERVICE BULLETIN: 73-7885 VK0680	107107 121949 952999	1
- 119	AS62408	..	CLIP- POST SERVICE BULLETIN: 77-C281PT01 VK0680	002004 006999	4
120	400WSS8	..	CLIP- SUPPLIER CODE: V83930	002004 006999	1
- 121	TA025028-08	..	CLIP- SUPPLIER CODE: V84971 POST SERVICE BULLETIN: 77-C281PT01 VK0680	002004 006999	4
125	EU62281	..	BRACKET-ANGLE CLIPPING FUEL DRAIN AND PF AIR TUBES SUPPLIER CODE: VK0680	002004 006999	1
130	UL14885	..	TUBE ASSY-PF AIR-RH A FRAME TO COMBINED JCT SUPPLIER CODE: VK0680	002004 006999	1

MISSING ITEM NUMBERS NOT APPLICABLE

- ITEM NOT ILLUSTRATED

77-11-53-02

77-11-53
FIG. 02
PAGE 8
JAN 20/09

BRI



757

PARTS CATALOG (MAINTENANCE)

FIG ITEM	PART NUMBER	1 2 3 4 5 6 7	NOMENCLATURE	EFFECT FROM TO	UNITS PER ASSY
2					
135	UL16535		..TUBE ASSY-PF AIR-EIPR DISC. PNL TO DISCON SUPPLIER CODE: VK0680	002004 006999	1
150	UL11242		..TUBE ASSY-P1 AIR ACCUMULATOR TO EPR SUPPLIER CODE: VK0680 PRE SERVICE BULLETIN: 77-8941 VK0680	002004 006100 102102 107107 121949 952999	1
153	556-1-15463-000		..TUBE ASSY-P1 AIR- ACCUMULATOR TO EPR SUPPLIER CODE: VU1603 NOT APPROVED FOR ETOPS. CONFIG CHG DATA FROM A CMM: FOR INTRCHG SEE RR IPC OPTIONAL PART: C39904 VU1596 POST SERVICE BULLETIN: 77-8941PT01 VK0680 PRE SERVICE BULLETIN: 77-9676R2 VK0680 77-9676 VK0680	002004 006102 107949 952999	1
153	C39904		..PIPE ASSY-P1 AIR ACCUMULATOR TO E.P.R. SUPPLIER CODE: VU1596 CONFIG CHG DATA FROM A CMM: FOR INTRCHG SEE RR IPC OPTIONAL PART: 556-1-15463-000 VU1603 POST SERVICE BULLETIN: 77-8941PT01 VK0680	002004 006102 107949 952999	1

MISSING ITEM NUMBERS NOT APPLICABLE

- ITEM NOT ILLUSTRATED

BRI

77-11-53-02

BOEING PROPRIETARY - Copyright © - Unpublished Work - See title page for details.

77-11-53
FIG. 02
PAGE 9
JAN 20/09



757

PARTS CATALOG (MAINTENANCE)

FIG ITEM	PART NUMBER	1 2 3 4 5 6 7	NOMENCLATURE	EFFECT FROM TO	UNITS PER ASSY
2 153	0435-10499		..PIPE ASSY-P1 AIR ACCUMULATOR TO E.P.R. SUPPLIER CODE: VU1603 CONFIG CHG DATA FROM A CMM: FOR INTRCHG SEE RR IPC OPTIONAL PART: AE709570-1 VU2569 C39904 VU1596 POST SERVICE BULLETIN: 77-9676PT01 VK0680	002004 006102 107999	1
153	AE709570-1		..PIPE ASSY-P1 AIR ACCUMULATOR TO E.P.R. SUPPLIER CODE: VU2569 CONFIG CHG DATA FROM A CMM: FOR INTRCHG SEE RR IPC OPTIONAL PART: 0435-10499 VU1603 C39904 VU1596 POST SERVICE BULLETIN: 77-9676PT01 VK0680	002004 006102 107999	1
153	0435-10499		..PIPE ASSY-P1 AIR ACCUMULATOR TO E.P.R. SUPPLIER CODE: VU1603 OPTIONAL PART: AE709570-1 VU2569 POST SERVICE BULLETIN: 77-9676PT01 VK0680	103106	1
153	AE709570-1		..PIPE ASSY-P1 AIR ACCUMULATOR TO E.P.R. SUPPLIER CODE: VU2569 OPTIONAL PART: 0435-10499 VU1603 POST SERVICE BULLETIN: 77-9676PT01 VK0680	103106	1

MISSING ITEM NUMBERS NOT APPLICABLE

- ITEM NOT ILLUSTRATED

BRI

77-11-53-02

BOEING PROPRIETARY - Copyright © - Unpublished Work - See title page for details.

77-11-53
FIG. 02
PAGE 10
JAN 20/09



757

PARTS CATALOG (MAINTENANCE)

FIG ITEM	PART NUMBER	1 2 3 4 5 6 7	NOMENCLATURE	EFFECT FROM TO	UNITS PER ASSY
2 155	UL26803		..ACCUMULATOR ASSY-P1 AIR SUPPLIER CODE: VK0680 POST SERVICE BULLETIN: 77-8941PT01 VK0680	002004 006999	1
155	UL12390		..ACCUMULATOR ASSY-P1 AIR SUPPLIER CODE: VK0680 PRE SERVICE BULLETIN: 77-8941 VK0680	002004 006100 102102 107107 121949 952999	1
- 160	FK22991		..COVER-TRANSPORTATION P1 AIR ACCUMULATOR SUPPLIER CODE: VK0680 POST SERVICE BULLETIN: 77-B944PTA VK0680	002004 006999	1
165	LK85977		..TUBE ASSY-PF AIR-DISC. TO EIPR UNIT SUPPLIER CODE: VK0680	002004 006999	1
194	UL16659		..TUBE ASSY-P1 AIR-TEE CONNECTION TO ACCUMULATOR SUPPLIER CODE: VK0680 POST SERVICE BULLETIN: 73-7885PT01 VK0680 PRE SERVICE BULLETIN: 77-7900 VK0680	107107 121949 952999	1
194	UL16664		..TUBE ASSY-P1 AIR-TEE CONNECTION TO ACCUMULATOR SUPPLIER CODE: VK0680 CONFIG CHG DATA FROM A CMM: FOR INTRCHG SEE RR IPC POST SERVICE BULLETIN: 77-7900PT01 VK0680 PRE SERVICE BULLETIN: 77-8941 VK0680	002004 006100 102102 107107 121949 952999	1

MISSING ITEM NUMBERS NOT APPLICABLE

- ITEM NOT ILLUSTRATED

BRI

77-11-53-02

BOEING PROPRIETARY - Copyright © - Unpublished Work - See title page for details.

77-11-53
FIG. 02
PAGE 11
JAN 20/09



757

PARTS CATALOG (MAINTENANCE)

FIG ITEM	PART NUMBER	1 2 3 4 5 6 7	NOMENCLATURE	EFFECT FROM TO	UNITS PER ASSY
2 194	UL16544		..TUBE ASSY-P1 AIR-TEE CONNECTION TO ACCUMULATOR SUPPLIER CODE: VK0680 PRE SERVICE BULLETIN: 73-7885 VK0680	107107 121949 952999	1
194	UL16663		..TUBE ASSY-P1 AIR-TEE CONNECTION TO ACCUMULATOR SUPPLIER CODE: VK0680 CONFIG CHG DATA FROM A CMM: FOR INTRCHG SEE RR IPC POST SERVICE BULLETIN: 77-7900PT02 VK0680 PRE SERVICE BULLETIN: 77-8941 VK0680	002004 006100 102102 107107 121949 952999	1
195	C40095		..TUBE ASSY-P1 AIR-TEE CONNECTION TO ACCUMULATOR SUPPLIER CODE: VU1596 NOT APPROVED FOR ETOPS. CONFIG CHG DATA FROM A CMM: FOR INTRCHG SEE RR IPC OPTIONAL PART: 107450 VK0685 556-1-15488-000 VU1603 POST SERVICE BULLETIN: 77-8941PT01 VK0680 PRE SERVICE BULLETIN: 77-9676R2 VK0680 77-9676 VK0680	002004 006102 107949 952999	1

MISSING ITEM NUMBERS NOT APPLICABLE

- ITEM NOT ILLUSTRATED

BRI

77-11-53-02

BOEING PROPRIETARY - Copyright © - Unpublished Work - See title page for details.

77-11-53
FIG. 02
PAGE 12
JAN 20/09



757

PARTS CATALOG (MAINTENANCE)

FIG ITEM	PART NUMBER	1 2 3 4 5 6 7	NOMENCLATURE	EFFECT FROM TO	UNITS PER ASSY
2 195	107450		..TUBE ASSY-P1 AIR-TEE CONNECTION TO ACCUMULATOR SUPPLIER CODE: VK0685 NOT APPROVED FOR ETOPS. CONFIG CHG DATA FROM A CMM: FOR INTRCHG SEE RR IPC OPTIONAL PART: C40095 VU1596 556-1-15488-000 VU1603 POST SERVICE BULLETIN: 77-8941PT01 VK0680 PRE SERVICE BULLETIN: 77-9676R2 VK0680 77-9676 VK0680	002004 006102 107949 952999	1
195	556-1-15488-000		..TUBE ASSY-P1 AIR-TEE CONNECTION TO ACCUMULATOR SUPPLIER CODE: VU1603 NOT APPROVED FOR ETOPS. CONFIG CHG DATA FROM A CMM: FOR INTRCHG SEE RR IPC OPTIONAL PART: C40095 VU1596 107450 VK0685 POST SERVICE BULLETIN: 77-8941PT01 VK0680 PRE SERVICE BULLETIN: 77-9676R2 VK0680 77-9676 VK0680	002004 006102 107949 952999	1

MISSING ITEM NUMBERS NOT APPLICABLE

- ITEM NOT ILLUSTRATED

BRI

77-11-53-02

BOEING PROPRIETARY - Copyright © - Unpublished Work - See title page for details.

77-11-53
FIG. 02
PAGE 13
JAN 20/09



757

PARTS CATALOG (MAINTENANCE)

FIG ITEM	PART NUMBER	1 2 3 4 5 6 7	NOMENCLATURE	EFFECT FROM TO	UNITS PER ASSY
2 195	AE709570-2		..TUBE ASSY-P1 AIR-TEE CONNECTION TO ACCUMULATOR SUPPLIER CODE: VU2569 CONFIG CHG DATA FROM A CMM: FOR INTRCHG SEE RR IPC OPTIONAL PART: 0435-10500 VU1603 POST SERVICE BULLETIN: 77-9676PT01 VK0680	002004 006999	1
195	0435-10500		..TUBE ASSY-P1 AIR-TEE CONNECTION TO ACCUMULATOR SUPPLIER CODE: VU1603 CONFIG CHG DATA FROM A CMM: FOR INTRCHG SEE RR IPC OPTIONAL PART: AE709570-2 VU2569 POST SERVICE BULLETIN: 77-9676PT01 VK0680	002004 006999	1
900			ILLUSTRATION REFERENCE: TRANSMITTER-ENG INTEGRATED PRESSURE RATIO (RB211-535) 77-11-01-01	002004 006999	RF
910			ILLUSTRATION REFERENCE: FUEL SYSTEM AIR TUBES (RB211-535) 73-21-13-03	002004 006999	RF
915			ILLUSTRATION REFERENCE: P1 PROBE AND TUBES (RB211-535) 73-21-04-03	002004 006999	RF

MISSING ITEM NUMBERS NOT APPLICABLE

- ITEM NOT ILLUSTRATED

BRI

77-11-53-02

BOEING PROPRIETARY - Copyright © - Unpublished Work - See title page for details.

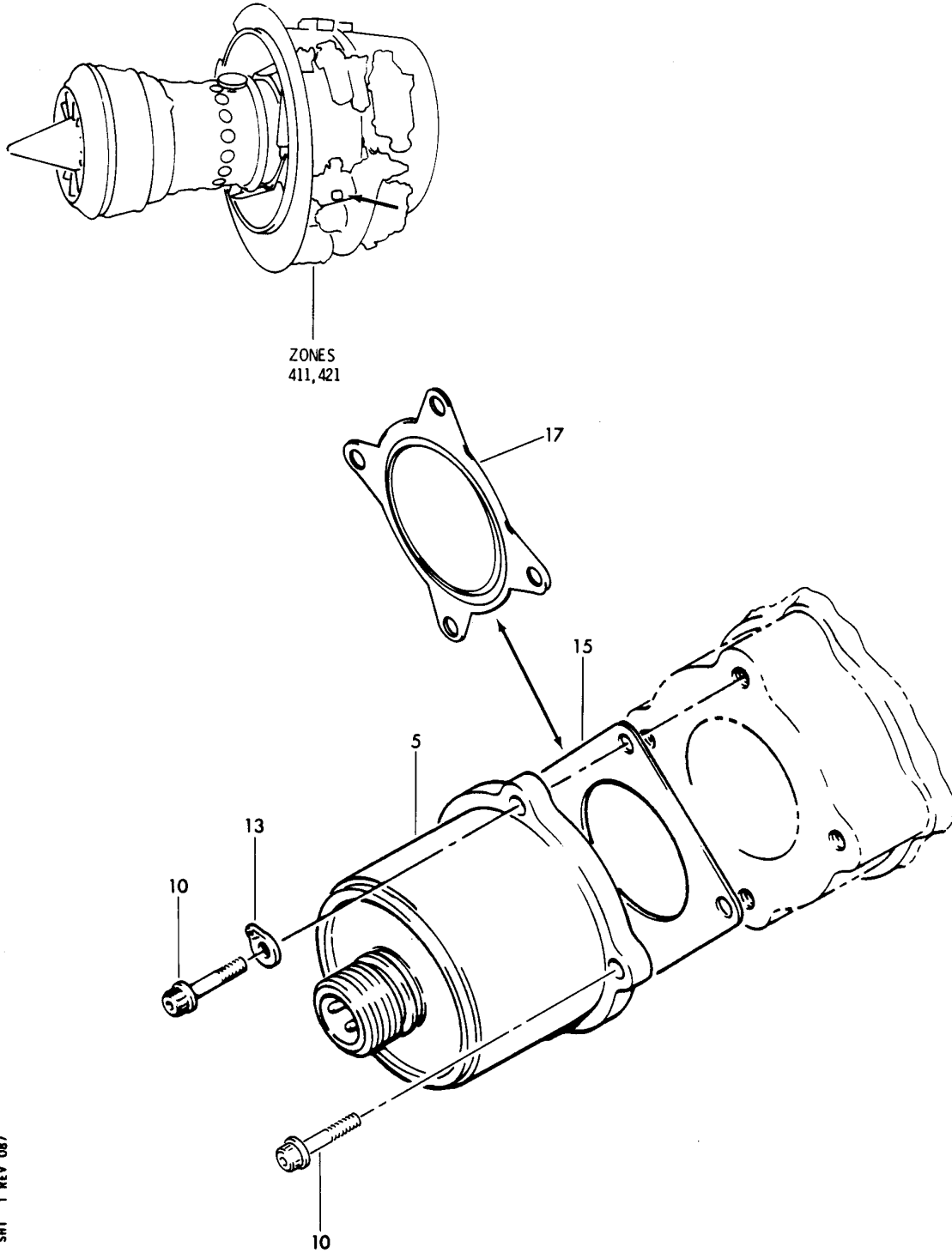
77-11-53
FIG. 02
PAGE 14
JAN 20/09

ENGINE TACHOMETER SYSTEM

BRI
MAY 28/07

77-12-00
SECTION TITLE
PAGE 1

BOEING
757
PARTS CATALOG (MAINTENANCE)



Y 77120101 SHY 1 REV 087

HIGH PRESSURE TACHOMETER GENERATOR (RB211-535)

FIGURE 1

77-12-01-01

BRI
MAY 28/07

77-12-01-01
PAGE 0

BOEING PROPRIETARY - Copyright © - Unpublished Work - See title page for details.



757

PARTS CATALOG (MAINTENANCE)

FIG ITEM	PART NUMBER	1 2 3 4 5 6 7	NOMENCLATURE	EFFECT FROM TO	UNITS PER ASSY
1			HIGH PRESSURE TACHOMETER GENERATOR (RB211-535)	002004 006999	
- 1	UL20697		ENGINE ASSY-Q.E.C.U. RB211-535E43711 MAXIMUM NEUT SUPPLIER CODE: VK0680 REFERENCE SERVICE BULLETIN: 71-0058R4 QUALIFIED SB I/W DATA: INTERMIX OF ONE OR SUBSTITUTION OF TWO DIFFERENT CONFIGURATION RB211-535E4-37/() ENGINES FOR RB211-535 E4 BASE ENGINES REFERENCE SERVICE BULLETIN: RB211-72-C547 VK0680 FOR NHA/OTHER SYS DET SEE: 71-00-02-04	121503 904949 952999	RF
- 1	UL19722		ENGINE ASSY-Q.E.C.U. RB211-535E43711 MAXIMUM NEUT SUPPLIER CODE: VK0680 FOR NHA/OTHER SYS DET SEE: 71-00-02-04	107107	RF
- 1	UL20702		ENGINE ASSY-Q.E.C.U. RB211-535E43711 BASIC ENGINE CONFIG. WITH GRAVINER FIRE DETECTORS, BAYONET MCD, NON-MODULATED IDG COOLING 40,100 LB THRUST SUPPLIER CODE: VK0680 FOR NHA/OTHER SYS DET SEE: 71-00-02-10	504903	RF

MISSING ITEM NUMBERS NOT APPLICABLE

- ITEM NOT ILLUSTRATED

BRI

77-12-01-01

BOEING PROPRIETARY - Copyright © - Unpublished Work - See title page for details.

77-12-01
FIG. 01
PAGE 1
JAN 20/09



757

PARTS CATALOG (MAINTENANCE)

FIG ITEM	PART NUMBER	1 2 3 4 5 6 7	NOMENCLATURE	EFFECT FROM TO	UNITS PER ASSY
1					
- 2	UL20698		ENGINE ASSY-Q.E.C.U. RB211-535E43712 MAXIMUM NEUT SUPPLIER CODE: VK0680 REFERENCE SERVICE BULLETIN: 71-0058R7 QUALIFIED SB I/W DATA: INTERMIX OF ONE OR SUBSTITUTION OF TWO DIFFERENT CONFIGURATION RB211-535E4-37/() ENGINES FOR RB211-535E4 BASE ENGINES OR DIFFERENT CONFIGURATION RB211-535E4-B-37/() ENGINES FOR RB211-535E4-B BASE ENGINES REFERENCE SERVICE BULLETIN: RB211-72-C547 VK0680 RB211-72-8910 VK0680 POST RAPID REVISION: RR92014-183A-RC-E FOR NHA/OTHER SYS DET SEE: 71-00-02-04	002004 006100 102102	RF
- 2	UL36209		ENGINE ASSY-Q.E.C.U. RB211-535E43719 MAXIMUM NEUT SUPPLIER CODE: VK0680 FOR NHA/OTHER SYS DET SEE: 71-00-02-04	950951	RF
- 3	BCREF17101		ENGINE ASSY-Q.E.C.U. RB211-535E43744 BASIC ENGINE CONFIG. BAYONET MCD AND PHASE 5 COMBUSTOR 40,100 LB THRUST SUPPLIER CODE: VK0680 OVERLENGTH PART NUMBER: RB211-535E4-3744E FOR NHA/OTHER SYS DET SEE: 71-00-02-10	103106	RF

MISSING ITEM NUMBERS NOT APPLICABLE

- ITEM NOT ILLUSTRATED

77-12-01-01

77-12-01
FIG. 01
PAGE 2
JAN 20/09

BRI



757

PARTS CATALOG (MAINTENANCE)

FIG ITEM	PART NUMBER	1 2 3 4 5 6 7	NOMENCLATURE	EFFECT FROM TO	UNITS PER ASSY
1					
- 3	BCREF17395		ENGINE ASSY-Q.E.C.U. RB211-535E43739 BASIC ENGINE CONFIG. AND PHASE 5 COMBUSTOR 40,100 LB THRUST SUPPLIER CODE: VK0680 OVERLENGTH PART NUMBER: RB211-535E4-37-39E FOR NHA/OTHER SYS DET SEE: 71-00-02-10	108120	RF
- 3	UL38163		ENGINE ASSY-Q.E.C.U. RB211-535E43724 BASIC ENGINE CONFIG. BAYONET MCD 40,100 LB THRUST SUPPLIER CODE: VK0680 FOR NHA/OTHER SYS DET SEE: 71-00-02-10	101101	RF
- 4	UL12394		.RPM INDICATING SYSTEM- SUPPLIER CODE: VK0680	002004 006999	RF
5	3301KGAMS1		..GENERATOR ASSY-TACHOMETER SUPPLIER CODE: VK0802	002004 006999	1
5	L962571		..GENERATOR ASSY-TACHOMETER SUPPLIER CODE: VK0680	002004 006999	1
10	AS21515		ATTACHING PARTS ..BOLT	002004 006999	4
13	CU37148		..WASHER- SUPPLIER CODE: VK0680	002004 006999	1
15	CU13461		-----*----- ..GASKET- SUPPLIER CODE: VK0680 PRE SERVICE BULLETIN: 77-8021 VK0680	002004 006100 102102 107107 121949 952999	1
17	UP10575		..GASKET- SUPPLIER CODE: VK0680 POST SERVICE BULLETIN: 77-8021PT01 VK0680	002004 006999	1

MISSING ITEM NUMBERS NOT APPLICABLE

- ITEM NOT ILLUSTRATED

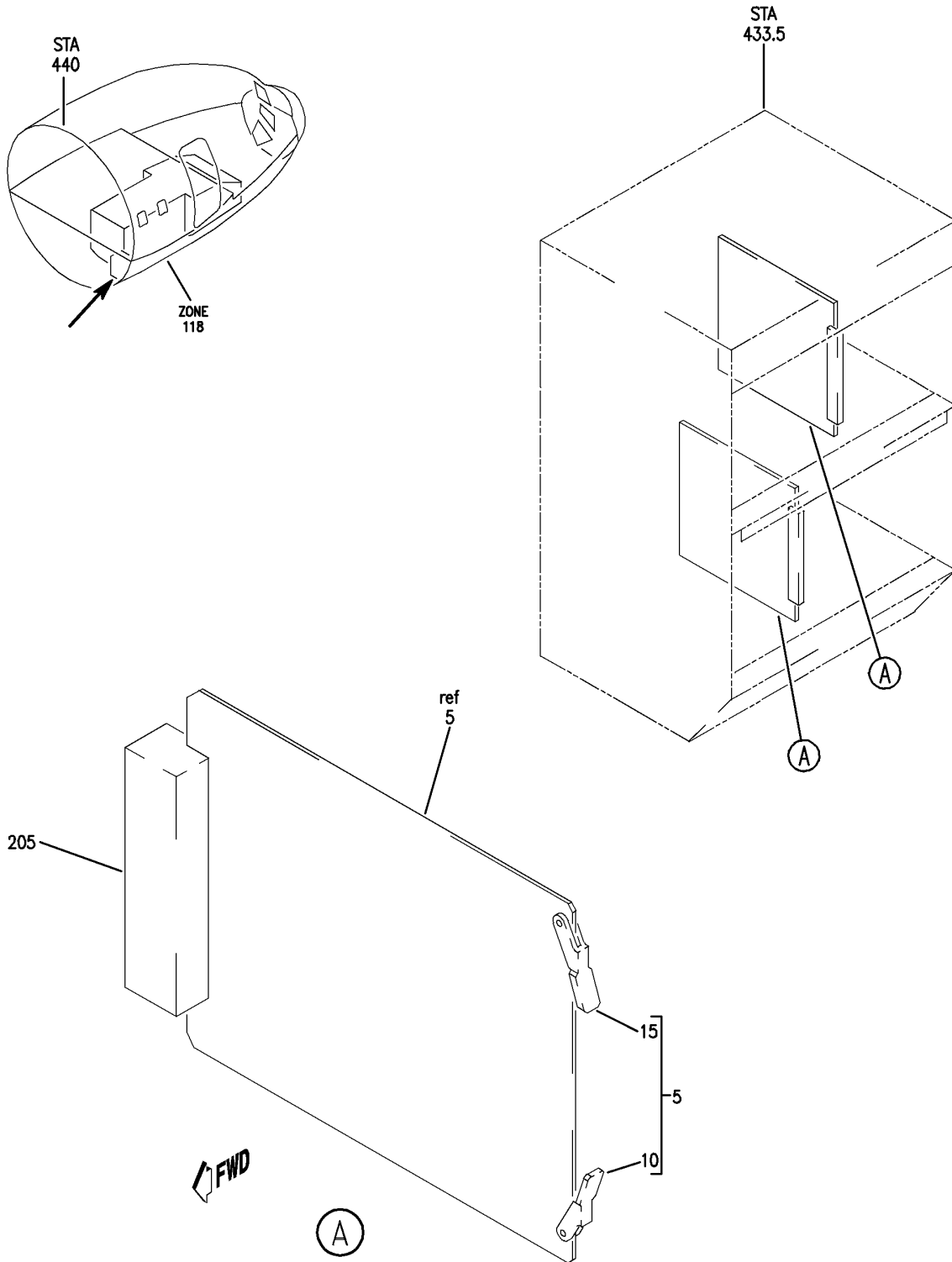
BRI

77-12-01-01

BOEING PROPRIETARY - Copyright © - Unpublished Work - See title page for details.

77-12-01
FIG. 01
PAGE 3
JAN 20/09

BOEING
757
PARTS CATALOG (MAINTENANCE)



Y 77120108 REV 222

EQUIPMENT INSTL-MAIN ELECTRONICS EQPT CTR ENG SPEED IND
FIGURE 8

77-12-01-08

BRI
JAN 20/09

77-12-01-08
PAGE 0



757

PARTS CATALOG (MAINTENANCE)

FIG ITEM	PART NUMBER	1 2 3 4 5 6 7	NOMENCLATURE	EFFECT FROM TO	UNITS PER ASSY
8			EQUIPMENT INSTL-MAIN ELECTRONICS EQPT CTR ENG SPEED IND	103106 108120	
- 1	284N4000-770002		EQUIPMENT INSTL-MAIN ELECTRONICS EQPT CTR ENG SPEED IND FOR NHA SEE: 24-00-58-05F	108120	RF
- 1	MODREF10508		EQUIPMENT INSTL-MAIN ELECTRONICS EQPT CTR ENG SPEED IND MODULE NUMBER: 284N4000-770002 REV A	103106	1
5	285N0200-203		.CARD ASSY- SUPPLIER CODE: V89954 ELECTRICAL EQUIP NUMBER: M10298 M10311 COMPONENT MAINT MANUAL REF: 77-12-02 FUNCTIONAL REFERENCE: PLACARDS AND MARKINGS FOR DETAILS SEE 11-36-25-08	103106 108120	2
10	71-2LA		..EXTRACTOR- SUPPLIER CODE: V18915	103106 108120	1
15	71-2RA		..EXTRACTOR- SUPPLIER CODE: V18915	103106 108120	1
- 200	286N1140-324		WIRE BUNDLE ASSY-	108120	RF
- 200	286N1140-701		WIRE BUNDLE ASSY	103106	RF

MISSING ITEM NUMBERS NOT APPLICABLE

- ITEM NOT ILLUSTRATED

BRI

77-12-01-08

BOEING PROPRIETARY - Copyright © - Unpublished Work - See title page for details.

77-12-01
FIG. 08
PAGE 1
JAN 20/09



757

PARTS CATALOG (MAINTENANCE)

FIG ITEM	PART NUMBER	1 2 3 4 5 6 7	NOMENCLATURE	EFFECT FROM TO	UNITS PER ASSY
8 205	300052-001		.CONNECTOR- SUPPLIER CODE: V0D9V3 SPECIFICATION NUMBER: BACC65L66 OPTIONAL PART: 200620-01 V16512 300052-001 V03877 192-366-0010 V26742 S1009-00833 V03877 ELECTRICAL EQUIP NUMBER: D02838 D02996 WIRING DIAGRAM REF: 771241 771242	103106 108120	2

MISSING ITEM NUMBERS NOT APPLICABLE

- ITEM NOT ILLUSTRATED

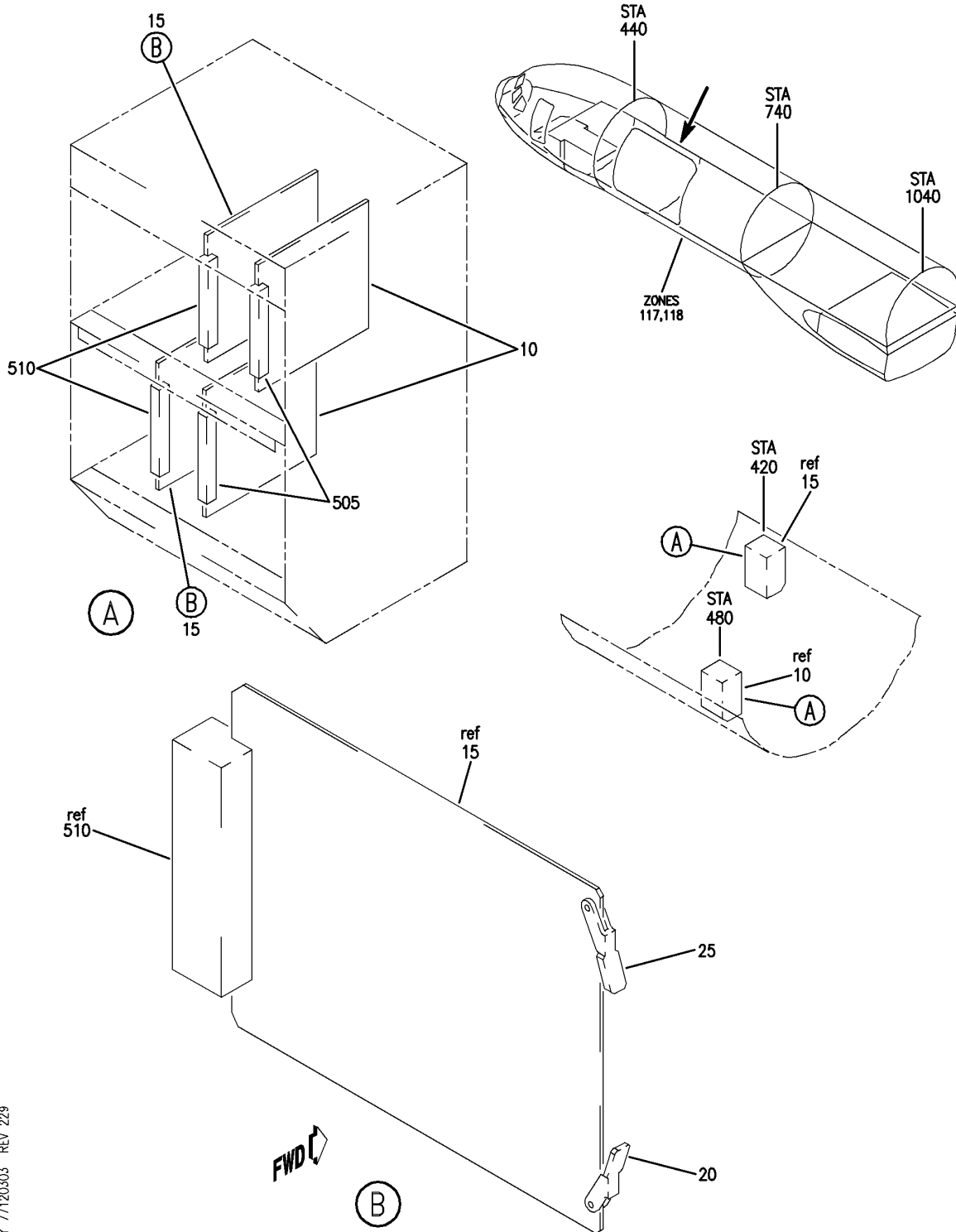
BRI

77-12-01-08

BOEING PROPRIETARY - Copyright © - Unpublished Work - See title page for details.

77-12-01
FIG. 08
PAGE 2
JAN 20/09

BOEING
757
PARTS CATALOG (MAINTENANCE)



Y 77120303 REV 229

EQPT INSTL-MAIN ELECTRONICS EQPT CTR (ENGINE TACHOMETER SYSTEM ONLY-ROLLS ROYCE)
FIGURE 3

BRI
MAY 28/07

77-12-03-03

77-12-03-03
PAGE 0



757

PARTS CATALOG (MAINTENANCE)

FIG ITEM	PART NUMBER	1 2 3 4 5 6 7	NOMENCLATURE	EFFECT FROM TO	UNITS PER ASSY
3			EQPT INSTL-MAIN ELECTRONICS EQPT CTR (ENGINE TACHOMETER SYSTEM ONLY-ROLLS ROYCE)	002004 006100 107107 121999	
- 1	284N1307-33		EQUIPMENT INSTL-MAIN ELECTRONICS EQPT CTR (ENGINE TACHOMETER SYSTEM ONLY) FOR NHA/OTHER SYS DET SEE: 24-00-58-01	107107	RF
- 2	284N1800-16		EQUIPMENT INSTL-MAIN ELECTRONICS EQPT CTR (ENGINE TACHOMETER SYSTEM ONLY) FOR NHA/OTHER SYS DET SEE: 24-00-58-01	121503 904949	RF
- 3	284N1800-32		EQUIPMENT INSTL-MAIN ELECTRONICS EQPT CTR (ENGINE TACHOMETER SYSTEM ONLY) FOR NHA/OTHER SYS DET SEE: 24-00-58-01	952999	RF
- 3	284N1800-34		EQUIPMENT INSTL-MAIN ELECTRONICS EQPT CTR (ENGINE TACHOMETER SYSTEM ONLY) FOR NHA/OTHER SYS DET SEE: 24-00-58-01	002004 006100	RF
- 3	284N1800-38		EQUIPMENT INSTL-MAIN ELECTRONICS EQPT CTR (ENGINE TACHOMETER SYSTEM ONLY) FOR NHA/OTHER SYS DET SEE: 24-00-58-01	950951	RF
- 4	284N1800-88		EQUIPMENT INSTL-MAIN ELECTRONICS EQPT CTR (ENGINE TACHOMETER SYSTEM ONLY) FOR NHA/OTHER SYS DET SEE: 24-00-58-01	505505	RF
- 5	284N1800-190		EQUIPMENT INSTL-MAIN ELECTRONICS EQPT CTR (ENGINE TACHOMETER SYSTEM ONLY) FOR NHA/OTHER SYS DET SEE: 24-00-58-05E	504504 506903	RF

MISSING ITEM NUMBERS NOT APPLICABLE

- ITEM NOT ILLUSTRATED

77-12-03-03

77-12-03
FIG. 03
PAGE 1
JAN 20/09

BRI



757

PARTS CATALOG (MAINTENANCE)

FIG ITEM	PART NUMBER	1 2 3 4 5 6 7	NOMENCLATURE	EFFECT FROM TO	UNITS PER ASSY
3					
15	70-101-04		.CARD ASSY-ENG SPEED SUPPLIER CODE: V35012 SPECIFICATION NUMBER: S283N901-4 ELECTRICAL EQUIP NUMBER: M10298 M10311 COMPONENT MAINT MANUAL REF: 77-12-04	002004 006010 107107 121503 904999	2
15	285N0200-201		.CARD ASSY-ENG SPEED SUPPLIER CODE: V89954 ELECTRICAL EQUIP NUMBER: M10298 M10311 COMPONENT MAINT MANUAL REF: 77-12-02	002004 006014 107107 121503 904999	2
15	285N0200-203		.CARD ASSY-ENG SPEED SUPPLIER CODE: V89954 ELECTRICAL EQUIP NUMBER: M10298 M10311 COMPONENT MAINT MANUAL REF: 77-12-02	002004 006100 107107 121999	2
20	71-2LA		..EXTRACTOR- SUPPLIER CODE: V18915	011100 504903	1
25	71-2RA		..EXTRACTOR- SUPPLIER CODE: V18915	011100 504903	1
- 500	286N1140-002		WIRE BUNDLE ASSY	107107 121503 904949	RF
- 500	286N1140-004		WIRE BUNDLE ASSY	002004 006100 950999	RF
- 500	286N1140-314		WIRE BUNDLE ASSY	504903	RF

MISSING ITEM NUMBERS NOT APPLICABLE

- ITEM NOT ILLUSTRATED

BRI

77-12-03-03

77-12-03
FIG. 03
PAGE 2
JAN 20/09



757

PARTS CATALOG (MAINTENANCE)

FIG ITEM	PART NUMBER	1 2 3 4 5 6 7	NOMENCLATURE	EFFECT FROM TO	UNITS PER ASSY
3 510	300052-001		.CONNECTOR- SUPPLIER CODE: V0D9V3 SPECIFICATION NUMBER: BACC65L66 OPTIONAL PART: 200620-01 V16512 300052-001 V03877 192-366-0010 V26742 S1009-00833 V03877 ELECTRICAL EQUIP NUMBER: D02838 D02996 WIRING DIAGRAM REF: 771241 771242	002004 006100 107107 121999	2

MISSING ITEM NUMBERS NOT APPLICABLE

- ITEM NOT ILLUSTRATED

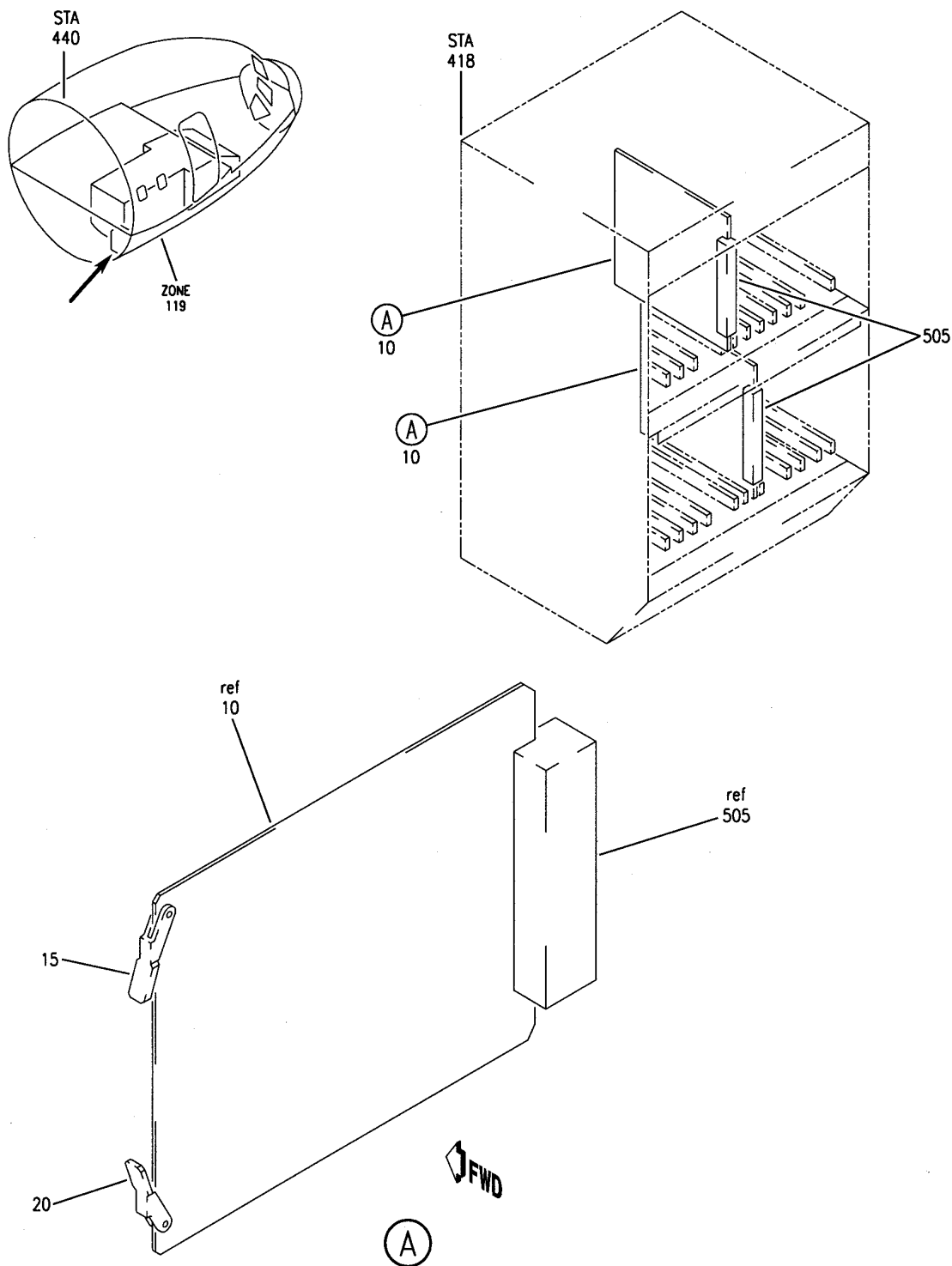
BRI

77-12-03-03

BOEING PROPRIETARY - Copyright © - Unpublished Work - See title page for details.

77-12-03
FIG. 03
PAGE 3
JAN 20/09

BOEING
757
PARTS CATALOG (MAINTENANCE)



Y 77120303B REV 214

EQPT INSTL-MAIN ELECTRONICS EQPT CTR (ENGINE TACHOMETER SYSTEM ONLY-ROLLS ROYCE)
FIGURE 3B

BRI
MAY 28/07

77-12-03-03B

77-12-03-03B
PAGE 0



757

PARTS CATALOG (MAINTENANCE)

FIG ITEM	PART NUMBER	1 2 3 4 5 6 7	NOMENCLATURE	EFFECT FROM TO	UNITS PER ASSY
3B			EQPT INSTL-MAIN ELECTRONICS EQPT CTR (ENGINE TACHOMETER SYSTEM ONLY-ROLLS ROYCE)	101102	
- 2	284N1800-140		EQUIPMENT INSTL-MAIN ELECTRONICS EQPT CTR (ENGINE TACHOMETER SYSTEM ONLY) FOR NHA/OTHER SYS DET SEE: 24-00-58-05E	101101	RF
- 2	284N1800-141		EQUIPMENT INSTL-MAIN ELECTRONICS EQPT CTR (ENGINE TACHOMETER SYSTEM ONLY) FOR NHA/OTHER SYS DET SEE: 24-00-58-05E	102102	RF
10	285N0200-203		.CARD ASSY-ENG SPEED SUPPLIER CODE: V89954 ELECTRICAL EQUIP NUMBER: M10298 M10311 COMPONENT MAINT MANUAL REF: 77-12-02	101102	2
15	71-2LA		..EXTRACTOR- SUPPLIER CODE: V18915	101102	1
20	71-2RA		..EXTRACTOR- SUPPLIER CODE: V18915	101102	1
- 500	286N1140-306		WIRE BUNDLE ASSY	101102	RF

MISSING ITEM NUMBERS NOT APPLICABLE

- ITEM NOT ILLUSTRATED

BRI

77-12-03-03B

BOEING PROPRIETARY - Copyright © - Unpublished Work - See title page for details.

77-12-03
FIG. 03B
PAGE 1
JAN 20/09



757

PARTS CATALOG (MAINTENANCE)

FIG ITEM	PART NUMBER	1 2 3 4 5 6 7	NOMENCLATURE	EFFECT FROM TO	UNITS PER ASSY
3B 505	300052-001		.CONNECTOR- SUPPLIER CODE: V0D9V3 SPECIFICATION NUMBER: BACC65L66 OPTIONAL PART: 200620-01 V16512 300052-001 V03877 192-366-0010 V26742 S1009-00833 V03877 ELECTRICAL EQUIP NUMBER: D02838 D02996 WIRING DIAGRAM REF: 771241 771242	101102	2

MISSING ITEM NUMBERS NOT APPLICABLE

- ITEM NOT ILLUSTRATED

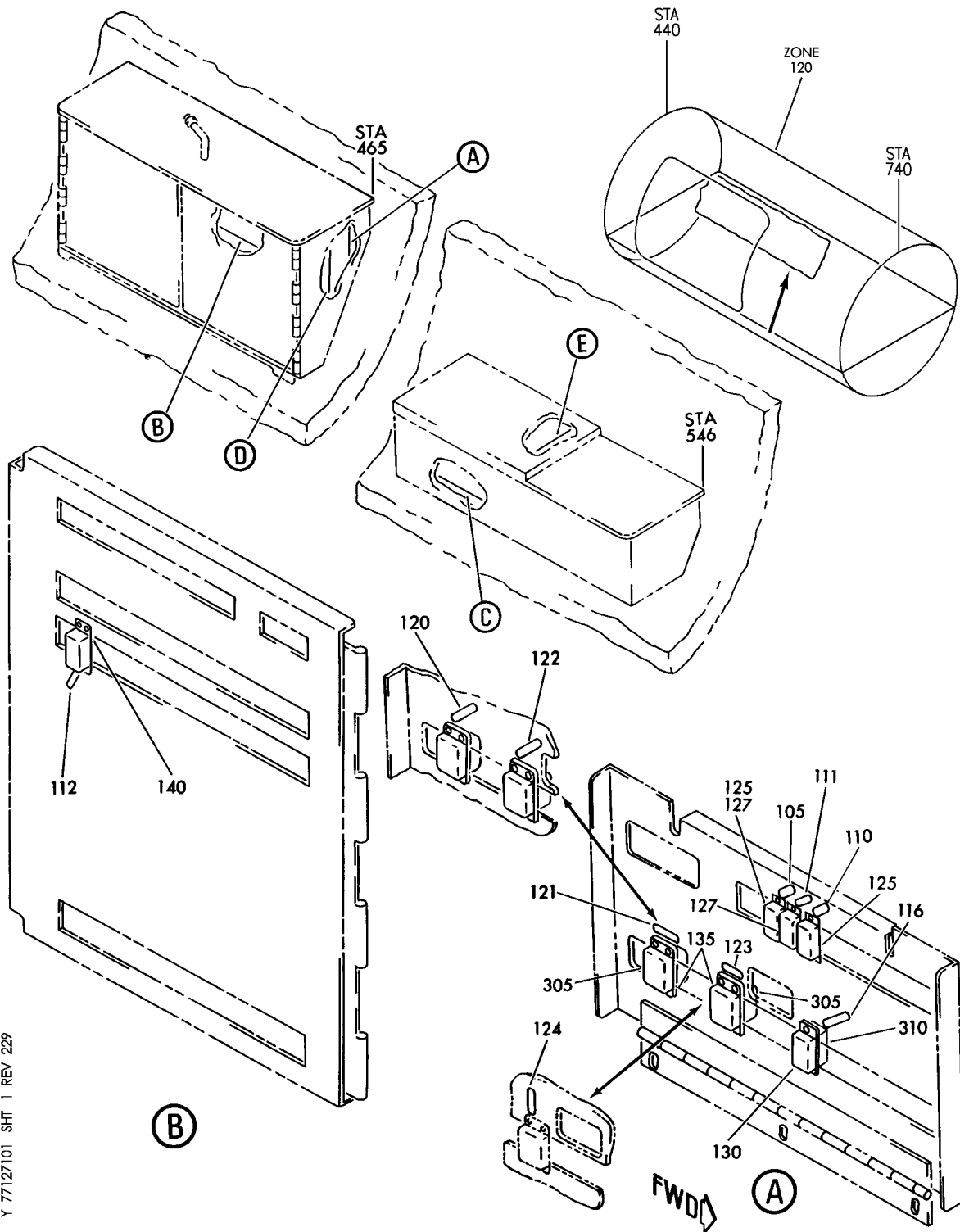
BRI

77-12-03-03B

BOEING PROPRIETARY - Copyright © - Unpublished Work - See title page for details.

77-12-03
FIG. 03B
PAGE 2
JAN 20/09

BOEING
757
PARTS CATALOG (MAINTENANCE)



Y 77127101 SHT 1 REV 229

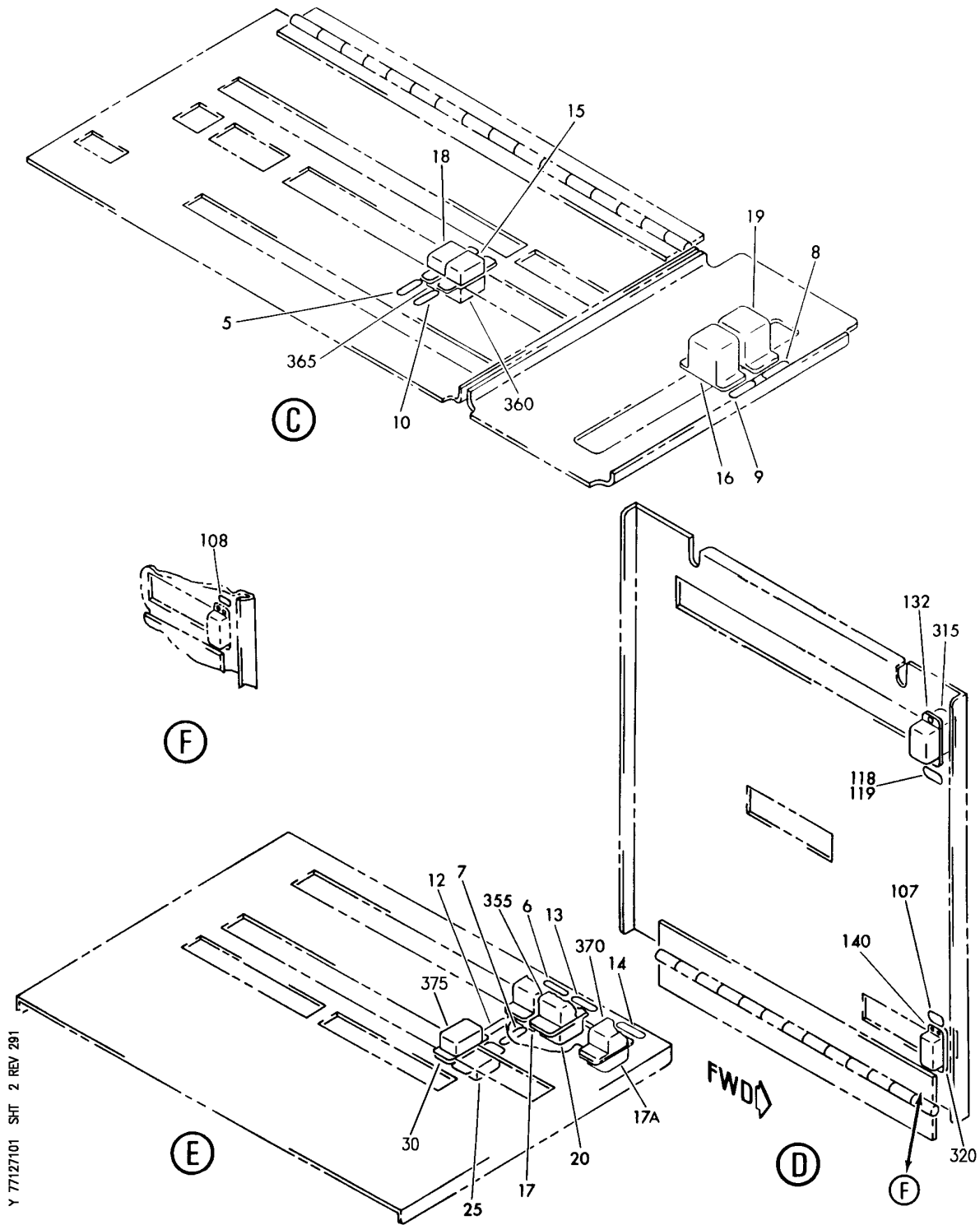
PANEL ASSY-P36 AND P37 MISC RELAY (ENGINE TACHOMETER SYSTEM ONLY)
FIGURE 1 (SHEET 1)

77-12-71-01

BRI
MAY 28/07

77-12-71-01
PAGE 0

BOEING
757
PARTS CATALOG (MAINTENANCE)



Y 77127101 SH1 2 REV 291

PANEL ASSY-P36 AND P37 MISC RELAY (ENGINE TACHOMETER SYSTEM ONLY)
FIGURE 1 (SHEET 2)

77-12-71-01

BRI
MAY 28/07

77-12-71-01
PAGE 0A



757

PARTS CATALOG (MAINTENANCE)

FIG ITEM	PART NUMBER	1 2 3 4 5 6 7	NOMENCLATURE	EFFECT FROM TO	UNITS PER ASSY
1			PANEL ASSY-P36 AND P37 MISC RELAY (ENGINE TACHOMETER SYSTEM ONLY)	002004 006100 107107 121503 904999	
- 1	284N1125-1		PANEL ASSY-P36 MISC RELAY (ENGINE TACHOMETER SYSTEM ONLY) POSITION DATA: L VARIABLE DRAWING REF: 284N1125-5023 284N1125-5030 284N1125-5049 284N1125-5050 284N1125-5054 REWORKED BY SB: 34-0200 REWORKED BY ALERT SB: 27A0130 FOR NHA/OTHER SYS DET SEE: 31-01-36-01B	002004 006100 107107 121503 904999	RF
7	BAC27NEX1712		.DECAL- PLACARD CONTENT: K10446	002004 006100 107107 121503 904999	1
8	BAC27NEX0893		.DECAL- PLACARD CONTENT: K10337	107107	1
10	BAC27NEX0961		.DECAL- PLACARD CONTENT: K10340	002004 006100 107107 121503 904999	1
12	BAC27NEX2003		.DECAL- PLACARD CONTENT: K10556	002004 006100 107107 121503 904999	1
13	BAC27NEX1402		.DECAL- PLACARD CONTENT: K10398	002004 006100 107107 121503 904999	1
14	BAC27NEX0893		.DECAL- PLACARD CONTENT: K10337	121503 904949	1

MISSING ITEM NUMBERS NOT APPLICABLE

- ITEM NOT ILLUSTRATED

BRI

77-12-71-01

77-12-71
FIG. 01
PAGE 1
JAN 20/09



757

PARTS CATALOG (MAINTENANCE)

FIG ITEM	PART NUMBER	1 2 3 4 5 6 7	NOMENCLATURE	EFFECT FROM TO	UNITS PER ASSY
1	14 BAC27NEX0822		.DECAL- PLACARD CONTENT: K10337	002004 006100 950999	1
	15 E210-1631		.RELAY- SUPPLIER CODE: V99699 SPECIFICATION NUMBER: BACR13CF2A OPTIONAL PART: BR246S0112 V56623 FCA210-70 V78290 E215-1050 V99699 JD4A017 V35344 BR64S104 V56623 61GB19-1A320 V98927 ELECTRICAL EQUIP NUMBER: K10340	002004 006100 107107 121503 904999	1
	17A E410-1537		.RELAY- SUPPLIER CODE: V99699 SPECIFICATION NUMBER: BACR13CG2A OPTIONAL PART: E415-1078 V99699 BR230S0116 V56623 KD4A017 V58687 FCA410-62 V78290 ELECTRICAL EQUIP NUMBER: K10337	002004 006100 121503 904999	1

MISSING ITEM NUMBERS NOT APPLICABLE

- ITEM NOT ILLUSTRATED

BRI

77-12-71-01

BOEING PROPRIETARY - Copyright © - Unpublished Work - See title page for details.

77-12-71
FIG. 01
PAGE 2
JAN 20/09



757

PARTS CATALOG (MAINTENANCE)

FIG ITEM	PART NUMBER	1 2 3 4 5 6 7	NOMENCLATURE	EFFECT FROM TO	UNITS PER ASSY
1 19	E410-1537		.RELAY- SUPPLIER CODE: V99699 SPECIFICATION NUMBER: BACR13CG2A OPTIONAL PART: E415-1078 V99699 BR230S0116 V56623 KD4A017 V58687 FCA410-62 V78290 ELECTRICAL EQUIP NUMBER: K10337	107107	1
20	E410-1537		.RELAY- SUPPLIER CODE: V99699 SPECIFICATION NUMBER: BACR13CG2A OPTIONAL PART: E415-1078 V99699 BR230S0116 V56623 KD4A017 V58687 FCA410-62 V78290 ELECTRICAL EQUIP NUMBER: K10398	002004 006100 107107 121503 904999	1
25	W460F1A		.RELAY- SUPPLIER CODE: VF0219 SPECIFICATION NUMBER: BACR13CE2 OPTIONAL PART: 3SAH5-13-4K1 V01526 3SAH1326A2 V01526 ELECTRICAL EQUIP NUMBER: K10446	002004 006100 107107 121503 904999	1

MISSING ITEM NUMBERS NOT APPLICABLE

- ITEM NOT ILLUSTRATED

BRI

77-12-71-01

BOEING PROPRIETARY - Copyright © - Unpublished Work - See title page for details.

77-12-71
FIG. 01
PAGE 3
JAN 20/09



757

PARTS CATALOG (MAINTENANCE)

FIG ITEM	PART NUMBER	1 2 3 4 5 6 7	NOMENCLATURE	EFFECT FROM TO	UNITS PER ASSY
1	30 W460F1A		.RELAY- SUPPLIER CODE: VF0219 SPECIFICATION NUMBER: BACR13CE2 OPTIONAL PART: 3SAH5-13-4K1 V01526 3SAH1326A2 V01526 ELECTRICAL EQUIP NUMBER: K10556	002004 006100 107107 121503 904999	1
- 100	284N1127-1		PANEL ASSY-P37 MISC RELAY R (ENGINE TACHOMETER SYSTEM ONLY) VARIABLE DRAWING REF: 284N1127-5028 284N1127-5039 284N1127-5063 284N1127-5064 284N1127-5068 REWORKED BY SB: 33-0039 34-0200 REWORKED BY ALERT SB: 27A0130 FOR NHA/OTHER SYS DET SEE: 31-01-37-01B	002004 006100 107107 121503 904999	RF
105	BAC27NEX1037		.DECAL- PLACARD CONTENT: K10342	002004 006100 107107 121503 904999	1
107	BAC27NEX1711		.DECAL- PLACARD CONTENT: K10444	002004 006100 950999	1
108	BAC27NEX1711		.DECAL- PLACARD CONTENT: K10444	107107 121503 904949	1
110	BAC27NEX1035		.DECAL- PLACARD CONTENT: K10339	107107 121503 904949	1
111	BAC27NEX1035		.DECAL- PLACARD CONTENT: K10339	002004 006100 950999	1

MISSING ITEM NUMBERS NOT APPLICABLE

- ITEM NOT ILLUSTRATED

BRI

77-12-71-01

BOEING PROPRIETARY - Copyright © - Unpublished Work - See title page for details.

77-12-71
FIG. 01
PAGE 4
JAN 20/09



757

PARTS CATALOG (MAINTENANCE)

FIG ITEM	PART NUMBER	1 2 3 4 5 6 7	NOMENCLATURE	EFFECT FROM TO	UNITS PER ASSY
1					
112	BAC27NEX1713	.DECAL-	PLACARD CONTENT: K10448	002004 006100 107107 121503 904999	1
116	BAC27NEX1036	.DECAL-	PLACARD CONTENT: K10341	002004 006100 121503 904999	1
118	BAC27NEX1036	.DECAL-	PLACARD CONTENT: K10341	107107	1
120	BAC27NEX1034	.DECAL-	PLACARD CONTENT: K10338	002004 006100 121503 904999	1
121	BAC27NEX1034	.DECAL-	PLACARD CONTENT: K10338	107107	1
123	BAC27NEX0855	.DECAL-	PLACARD CONTENT: K10399	002004 006100 107107 121503 904999	1
125	W260F4AM11	.RELAY-	SUPPLIER CODE: VF0219 SPECIFICATION NUMBER: BACR13CD2 OPTIONAL PART: BR16S233 V09026 EE4AA005 V35344 3SAV1338A2 V01526 HFW1206K03 V58614 HFW1204K01 V71482 ELECTRICAL EQUIP NUMBER: K10342 K10339	107107 121503 904949	2

MISSING ITEM NUMBERS NOT APPLICABLE

- ITEM NOT ILLUSTRATED

BRI

77-12-71-01

BOEING PROPRIETARY - Copyright © - Unpublished Work - See title page for details.

77-12-71
FIG. 01
PAGE 5
JAN 20/09



757

PARTS CATALOG (MAINTENANCE)

FIG ITEM	PART NUMBER	1 2 3 4 5 6 7	NOMENCLATURE	EFFECT FROM TO	UNITS PER ASSY
1 127	W260F4AM11		.RELAY- SUPPLIER CODE: VF0219 SPECIFICATION NUMBER: BACR13CD2 OPTIONAL PART: BR16S233 V09026 EE4AA005 V35344 3SAV1338A2 V01526 HFW1206K03 V58614 HFW1204K01 V71482 ELECTRICAL EQUIP NUMBER: K10342 K10339	002004 006100 950999	2
130	E210-1631		.RELAY- SUPPLIER CODE: V99699 SPECIFICATION NUMBER: BACR13CF2A OPTIONAL PART: BR246S0112 V56623 FCA210-70 V78290 E215-1050 V99699 JD4A017 V35344 BR64S104 V56623 61GB19-1A320 V98927 ELECTRICAL EQUIP NUMBER: K10341	107107 121503 904949	1

MISSING ITEM NUMBERS NOT APPLICABLE

- ITEM NOT ILLUSTRATED

BRI

77-12-71-01

BOEING PROPRIETARY - Copyright © - Unpublished Work - See title page for details.

77-12-71
FIG. 01
PAGE 6
JAN 20/09

 **BOEING**
757
PARTS CATALOG (MAINTENANCE)

FIG ITEM	PART NUMBER	1 2 3 4 5 6 7	NOMENCLATURE	EFFECT FROM TO	UNITS PER ASSY
1 130	E410-1537		.RELAY- SUPPLIER CODE: V99699 SPECIFICATION NUMBER: BACR13CG2A OPTIONAL PART: E415-1078 V99699 BR230S0116 V56623 KD4A017 V58687 FCA410-62 V78290 ELECTRICAL EQUIP NUMBER: K10341	002004 006100 950999	1
132	E410-1537		.RELAY- SUPPLIER CODE: V99699 SPECIFICATION NUMBER: BACR13CG2A OPTIONAL PART: E415-1078 V99699 BR230S0116 V56623 KD4A017 V58687 FCA410-62 V78290 ELECTRICAL EQUIP NUMBER: K10341	107107	1
135	E410-1537		.RELAY- SUPPLIER CODE: V99699 SPECIFICATION NUMBER: BACR13CG2A OPTIONAL PART: E415-1078 V99699 BR230S0116 V56623 KD4A017 V58687 FCA410-62 V78290 ELECTRICAL EQUIP NUMBER: K10338 K10399	002004 006100 107107 121503 904999	2

MISSING ITEM NUMBERS NOT APPLICABLE

— ITEM NOT ILLUSTRATED

BRI

77-12-71-01

BOEING PROPRIETARY - Copyright © - Unpublished Work - See title page for details.

77-12-71
FIG. 01
PAGE 7
JAN 20/09



757

PARTS CATALOG (MAINTENANCE)

FIG ITEM	PART NUMBER	1 2 3 4 5 6 7	NOMENCLATURE	EFFECT FROM TO	UNITS PER ASSY
1 140	W460F1A		.RELAY- SUPPLIER CODE: VF0219 SPECIFICATION NUMBER: BACR13CE2 OPTIONAL PART: 3SAH5-13-4K1 V01526 3SAH1326A2 V01526 ELECTRICAL EQUIP NUMBER: K10444 K10448	002004 006100 107107 121503 904999	2
- 300	286N1270-002		WIRE BUNDLE ASSY- REWORKED BY ALERT SB: 27A0130 34A0222	121503 904949	RF
- 300	286N1270-003		WIRE BUNDLE ASSY- REWORKED BY ALERT SB: 27A0130 34A0222	107107	RF
- 300	286N1270-005		WIRE BUNDLE ASSY- REWORKED BY SB: 33-0039 34-0200 REWORKED BY ALERT SB: 27A0130 34A0222	002004 006100 950999	RF
305	BACS16W1		.SOCKET- ELECTRICAL EQUIP NUMBER: D04314 D04664 WIRING DIAGRAM REF: 771241 771242	002004 006100 107107 121503 904999	2
310	RSF116200		.SOCKET- SUPPLIER CODE: V58982 SPECIFICATION NUMBER: BACS16X1A OPTIONAL PART: 102-006-1 V09922 000300-1538 V05574 ELECTRICAL EQUIP NUMBER: D04244 WIRING DIAGRAM REF: 771242	121503 904949	1

MISSING ITEM NUMBERS NOT APPLICABLE

- ITEM NOT ILLUSTRATED

BRI

77-12-71-01

BOEING PROPRIETARY - Copyright © - Unpublished Work - See title page for details.

77-12-71
FIG. 01
PAGE 8
JAN 20/09



757

PARTS CATALOG (MAINTENANCE)

FIG ITEM	PART NUMBER	1 2 3 4 5 6 7	NOMENCLATURE	EFFECT FROM TO	UNITS PER ASSY
1					
310	BACS16W1	.	SOCKET- ELECTRICAL EQUIP NUMBER: D04244 WIRING DIAGRAM REF: 771242	002004 006100 950999	1
315	BACS16W1	.	SOCKET- ELECTRICAL EQUIP NUMBER: D04244 WIRING DIAGRAM REF: 771242	107107	1
- 350	286N1260-002		WIRE BUNDLE ASSY- REWORKED BY ALERT SB: 27A0130	121503 904949	RF
- 350	286N1260-003		WIRE BUNDLE ASSY- REWORKED BY ALERT SB: 27A0130	107107	RF
- 350	286N1260-005		WIRE BUNDLE ASSY- REWORKED BY SB: 34-0200 REWORKED BY ALERT SB: 27A0130	002004 006100 950999	RF
355	BACS16W1	.	SOCKET- ELECTRICAL EQUIP NUMBER: D04704 WIRING DIAGRAM REF: 771241	002004 006100 107107 121503 904999	1
360	BACS16X1	.	SOCKET- ELECTRICAL EQUIP NUMBER: D04242 WIRING DIAGRAM REF: 215811 771241	002004 006100 107107 121503 904999	1
365	BACS16X1	.	SOCKET- ELECTRICAL EQUIP NUMBER: D04312 WIRING DIAGRAM REF: 771241	107107 121503 904949	1
370	BACS16W1	.	SOCKET- ELECTRICAL EQUIP NUMBER: D04312 WIRING DIAGRAM REF: 771241	002004 006100 950999	1

MISSING ITEM NUMBERS NOT APPLICABLE

- ITEM NOT ILLUSTRATED

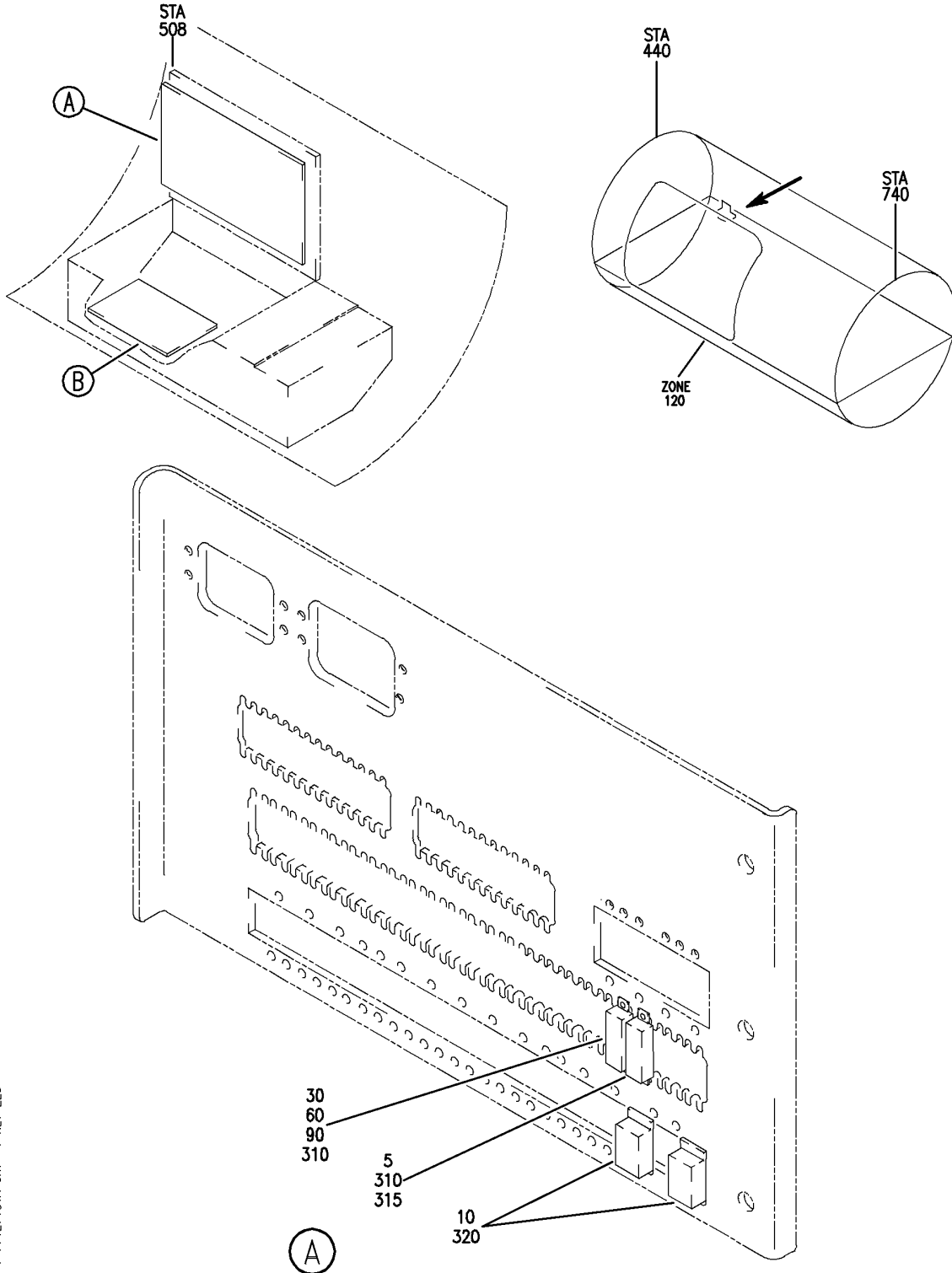
BRI

77-12-71-01

BOEING PROPRIETARY - Copyright © - Unpublished Work - See title page for details.

77-12-71
FIG. 01
PAGE 9
JAN 20/09

BOEING
757
PARTS CATALOG (MAINTENANCE)



Y 77127101A SHT 1 REV 225

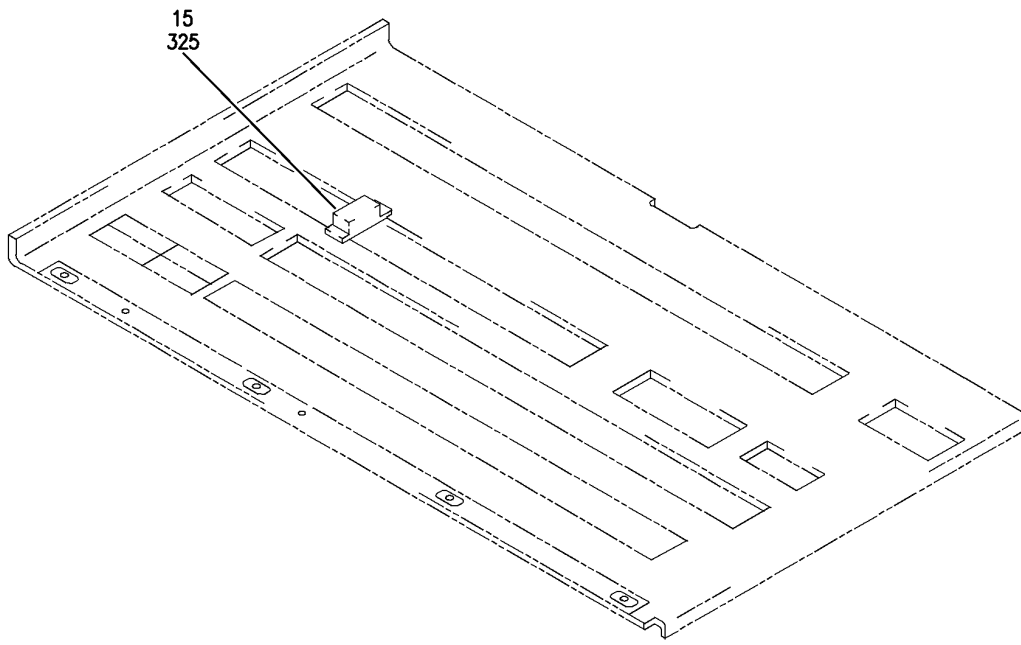
OPTION PACKAGE ASSY-P36 MISC RELAY L (ENGINE INDICATING ONLY)
FIGURE 1A (SHEET 1)

77-12-71-01A

BRI
MAY 28/07

77-12-71-01A
PAGE 0

BOEING
757
PARTS CATALOG (MAINTENANCE)



(B)

Y 77127101A SHT 2 REV 225

OPTION PACKAGE ASSY-P36 MISC RELAY L (ENGINE INDICATING ONLY)
FIGURE 1A (SHEET 2)

77-12-71-01A

BRI
MAY 28/07

77-12-71-01A
PAGE 0A

BOEING PROPRIETARY - Copyright © - Unpublished Work - See title page for details.



757

PARTS CATALOG (MAINTENANCE)

FIG ITEM	PART NUMBER	1 2 3 4 5 6 7	NOMENCLATURE	EFFECT FROM TO	UNITS PER ASSY
1 A			OPTION PACKAGE ASSY-P36 MISC RELAY L (ENGINE INDICATING ONLY)	101102 504903	
- 1	284N1125-1018		OPTION PACKAGE ASSY-P36 MISC RELAY (ENGINE INDICATING ONLY) REWORKED BY ALERT SB: 27A0130 FOR NHA/OTHER SYS DET SEE: 31-01-36-05	101102 504903	RF
5	W460F1A		.RELAY- SUPPLIER CODE: VF0219 SPECIFICATION NUMBER: BACR13CE2 OPTIONAL PART: 3SAH5-13-4K1 V01526 3SAH1326A2 V01526 ELECTRICAL EQUIP NUMBER: K10446	101102 504903	1
10	E410-1537		.RELAY- SUPPLIER CODE: V99699 SPECIFICATION NUMBER: BACR13CG2A OPTIONAL PART: E415-1078 V99699 BR230S0116 V56623 KD4A017 V58687 FCA410-62 V78290 ELECTRICAL EQUIP NUMBER: K10337 K10398	101102 504903	2

MISSING ITEM NUMBERS NOT APPLICABLE

- ITEM NOT ILLUSTRATED

BRI

77-12-71-01A

BOEING PROPRIETARY - Copyright © - Unpublished Work - See title page for details.

77-12-71
FIG. 01A
PAGE 1
JAN 20/09



757

PARTS CATALOG (MAINTENANCE)

FIG ITEM	PART NUMBER	1 2 3 4 5 6 7	NOMENCLATURE	EFFECT FROM TO	UNITS PER ASSY
1A 15	E210-1631		.RELAY- SUPPLIER CODE: V99699 SPECIFICATION NUMBER: BACR13CF2A OPTIONAL PART: BR246S0112 V56623 FCA210-70 V78290 E215-1050 V99699 JD4A017 V35344 BR64S104 V56623 61GB19-1A320 V98927 ELECTRICAL EQUIP NUMBER: K10340	101102 504903	1
- 25	284N1125-1010		OPTION PACKAGE ASSY-P36 MISC RELAY L (ENGINE TACHOMETER SYSTEM ONLY) REWORKED BY ALERT SB: 27A0130 FOR NHA/OTHER SYS DET SEE: 31-01-36-05	101102 504903	RF
30	W460F1A		.RELAY- SUPPLIER CODE: VF0219 SPECIFICATION NUMBER: BACR13CE2 OPTIONAL PART: 3SAH5-13-4K1 V01526 3SAH1326A2 V01526 ELECTRICAL EQUIP NUMBER: K10556	101102 504903	1
- 301	286N1260-358		WIRE BUNDLE ASSY- REWORKED BY ALERT SB: 27A0130	101102	RF
- 301	286N1260-364		WIRE BUNDLE ASSY- REWORKED BY ALERT SB: 27A0130	504903	RF

MISSING ITEM NUMBERS NOT APPLICABLE

- ITEM NOT ILLUSTRATED

77-12-71-01A

77-12-71
FIG. 01A
PAGE 2
JAN 20/09

BRI



757

PARTS CATALOG (MAINTENANCE)

FIG ITEM	PART NUMBER	1 2 3 4 5 6 7	NOMENCLATURE	EFFECT FROM TO	UNITS PER ASSY
1A 310	RSE120027		.SOCKET- SUPPLIER CODE: V58982 SPECIFICATION NUMBER: BACS16AF1 OPTIONAL PART: 451120-027 V58982 ELECTRICAL EQUIP NUMBER: D05198 D07046 WIRING DIAGRAM REF: 771241	101102 504903	2
320	BACS16W1		.SOCKET- ELECTRICAL EQUIP NUMBER: D04312 D04704 WIRING DIAGRAM REF: 771241	101102 504903	2
325	RSF116200		.SOCKET- SUPPLIER CODE: V58982 SPECIFICATION NUMBER: BACS16X1A OPTIONAL PART: 102-006-1 V09922 000300-1538 V05574 ELECTRICAL EQUIP NUMBER: D04242 WIRING DIAGRAM REF: 215811	101102 504903	1

MISSING ITEM NUMBERS NOT APPLICABLE

- ITEM NOT ILLUSTRATED

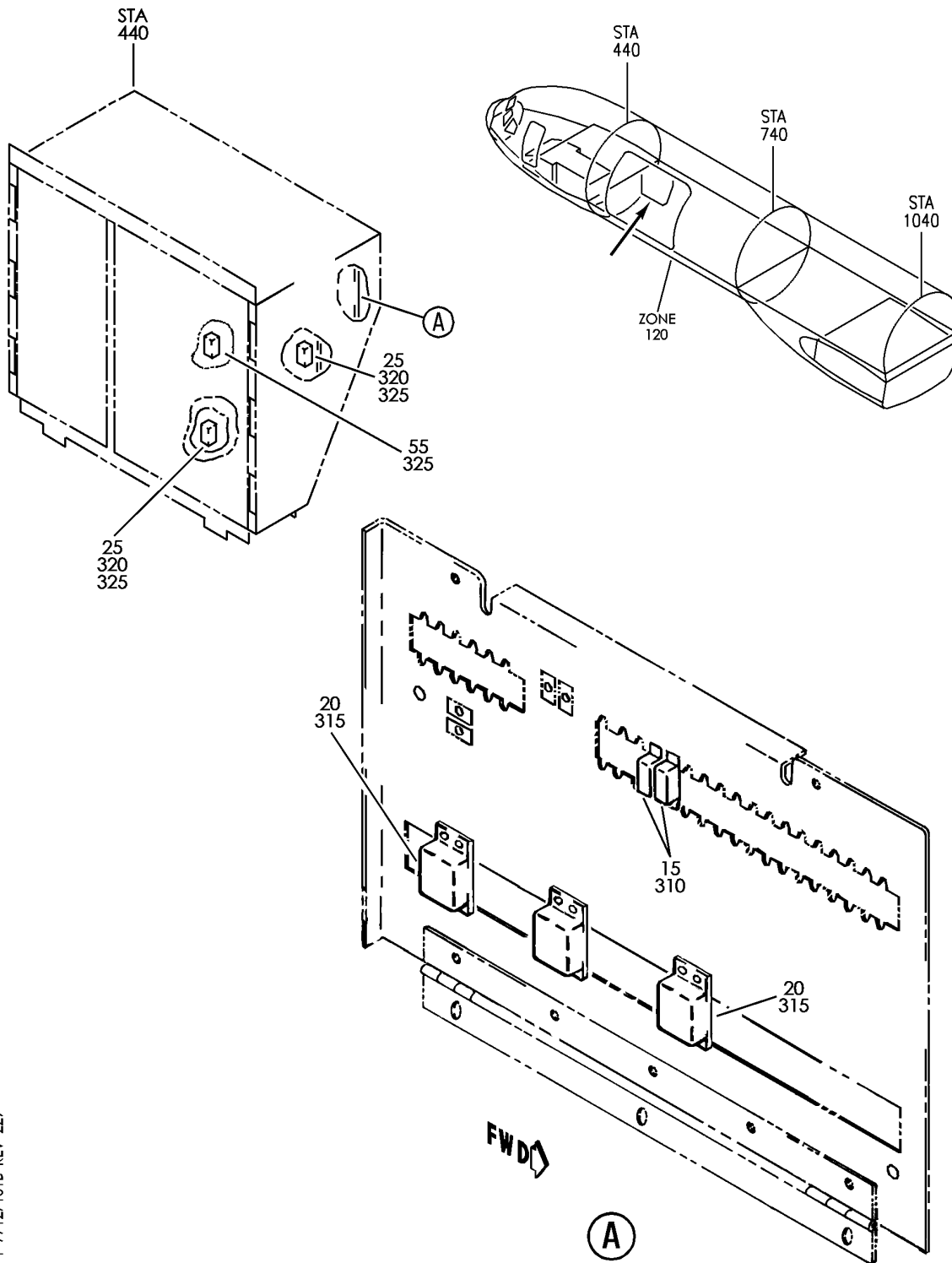
BRI

77-12-71-01A

BOEING PROPRIETARY - Copyright © - Unpublished Work - See title page for details.

77-12-71
FIG. 01A
PAGE 3
JAN 20/09

BOEING
757
PARTS CATALOG (MAINTENANCE)



Y 77127101B REV 229

PACKAGE ASSY-OPTION P37 MISC RELAY (ENGINE TACHOMETER SYSTEM ONLY)
FIGURE 1B

77-12-71-01B

BRI
MAY 28/07

77-12-71-01B
PAGE 0



757

PARTS CATALOG (MAINTENANCE)

FIG ITEM	PART NUMBER	1 2 3 4 5 6 7	NOMENCLATURE	EFFECT FROM TO	UNITS PER ASSY
1B			PACKAGE ASSY-OPTION P37 MISC RELAY (ENGINE TACHOMETER SYSTEM ONLY)	101102 504903	
- 1	284N1127-1041		PACKAGE ASSY-OPTION P37 MISC RELAY (ENGINE TACHOMETER SYSTEM ONLY)	101102 504903	RF
15	W260F4AM11		MISCELLANEOUS DATA: 757 MAJOR MODEL REWORKED BY ALERT SB: 27A0130 FOR NHA/OTHER SYS DET SEE: 31-01-37-02 .RELAY- SUPPLIER CODE: VF0219 SPECIFICATION NUMBER: BACR13CD2 OPTIONAL PART: BR16S233 V09026 EE4AA005 V35344 3SAV1338A2 V01526 HFW1206K03 V58614 HFW1204K01 V71482 ELECTRICAL EQUIP NUMBER: K10342 K10339	101102 504903	2

MISSING ITEM NUMBERS NOT APPLICABLE

- ITEM NOT ILLUSTRATED

BRI

77-12-71-01B

BOEING PROPRIETARY - Copyright © - Unpublished Work - See title page for details.

77-12-71
FIG. 01B
PAGE 1
JAN 20/09



757

PARTS CATALOG (MAINTENANCE)

FIG ITEM	PART NUMBER	1 2 3 4 5 6 7	NOMENCLATURE	EFFECT FROM TO	UNITS PER ASSY
1B 20	E410-1537		.RELAY- SUPPLIER CODE: V99699 SPECIFICATION NUMBER: BACR13CG2A OPTIONAL PART: E415-1078 V99699 BR230S0116 V56623 KD4A017 V58687 FCA410-62 V78290 ELECTRICAL EQUIP NUMBER: K10341 K10338 K10399	101102 504903	3
25	W460F1A		.RELAY- SUPPLIER CODE: VF0219 SPECIFICATION NUMBER: BACR13CE2 OPTIONAL PART: 3SAH5-13-4K1 V01526 3SAH1326A2 V01526 ELECTRICAL EQUIP NUMBER: K10444 K10448	101102 504903	2
- 50	284N1127-2018		PACKAGE ASSY-OPTION P37 MISC RELAY (ENGINE TACHOMETER SYSTEM ONLY) MISCELLANEOUS DATA: VOICE RECORDER REWORKED BY ALERT SB: 27A0130 FOR NHA SEE: 31-01-37-02	101102 504903	RF

MISSING ITEM NUMBERS NOT APPLICABLE

- ITEM NOT ILLUSTRATED

BRI

77-12-71-01B

BOEING PROPRIETARY - Copyright © - Unpublished Work - See title page for details.

77-12-71
FIG. 01B
PAGE 2
JAN 20/09



757

PARTS CATALOG (MAINTENANCE)

FIG ITEM	PART NUMBER	1 2 3 4 5 6 7	NOMENCLATURE	EFFECT FROM TO	UNITS PER ASSY
1B 55	W460F1A		.RELAY- SUPPLIER CODE: VF0219 SPECIFICATION NUMBER: BACR13CE2 OPTIONAL PART: 3SAH5-13-4K1 V01526 3SAH1326A2 V01526 ELECTRICAL EQUIP NUMBER: K10801	101102 504903	1
- 300	286N1270-336		WIRE BUNDLE ASSY- REWORKED BY ALERT SB: 34A0222 27A0130	504903	RF
- 301	286N1270-361		WIRE BUNDLE ASSY- REWORKED BY ALERT SB: 34A0222 27A0130	101101	RF
- 302	286N1270-399		WIRE BUNDLE ASSY- REWORKED BY ALERT SB: 34A0222 27A0130	102102	RF
310	RSE120026		.SOCKET- SUPPLIER CODE: V58982 SPECIFICATION NUMBER: BACS16AG1 OPTIONAL PART: 451120-026 V58982 ELECTRICAL EQUIP NUMBER: D04316 D04246 WIRING DIAGRAM REF: 771241 771242	101102 504903	2
315	BACS16W1		.SOCKET- ELECTRICAL EQUIP NUMBER: D04244 D04314 D04664 WIRING DIAGRAM REF: 771241 771242	101102 504903	3

MISSING ITEM NUMBERS NOT APPLICABLE

- ITEM NOT ILLUSTRATED

77-12-71-01B

77-12-71
FIG. 01B
PAGE 3
JAN 20/09

BRI

BOEING PROPRIETARY - Copyright © - Unpublished Work - See title page for details.



757

PARTS CATALOG (MAINTENANCE)

FIG ITEM	PART NUMBER	1 2 3 4 5 6 7	NOMENCLATURE	EFFECT FROM TO	UNITS PER ASSY
1B 325	RSE120027		. SOCKET- SUPPLIER CODE: V58982 SPECIFICATION NUMBER: BACS16AF1 OPTIONAL PART: 451120-027 V58982 ELECTRICAL EQUIP NUMBER: D05194 D05246 D10706 WIRING DIAGRAM REF: 732142 771241 771242	101102 504903	3

MISSING ITEM NUMBERS NOT APPLICABLE

- ITEM NOT ILLUSTRATED

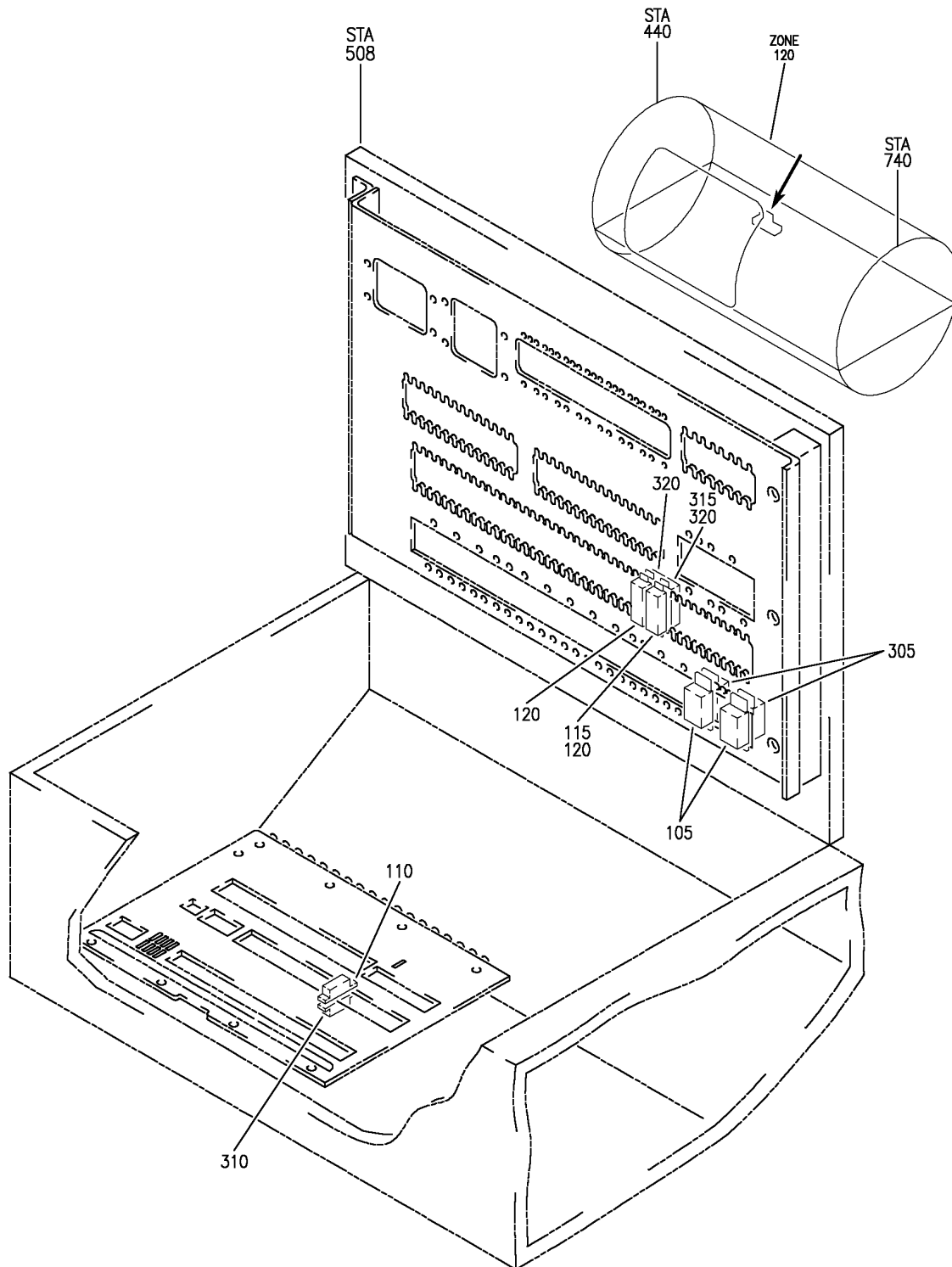
BRI

77-12-71-01B

BOEING PROPRIETARY - Copyright © - Unpublished Work - See title page for details.

77-12-71
FIG. 01B
PAGE 4
JAN 20/09

BOEING
757
PARTS CATALOG (MAINTENANCE)



Y 77127101C REV 250

PANEL INSTL-P36 L MISC RELAY (ENGINE INDICATING ONLY)
FIGURE 1C

77-12-71-01C

BRI
JAN 20/09

77-12-71-01C
PAGE 0



757

PARTS CATALOG (MAINTENANCE)

FIG ITEM	PART NUMBER	1 2 3 4 5 6 7	NOMENCLATURE	EFFECT FROM TO	UNITS PER ASSY
1 C			PANEL INSTL-P36 L MISC RELAY (ENGINE INDICATING ONLY)	103106 108120	
- 3	284N1125-94		PANEL INSTL-P36 L MISC RELAY (ENGINE INDICATING ONLY) FOR NHA/OTHER SYS DET SEE: 24-00-58-05C	108120	RF

MISSING ITEM NUMBERS NOT APPLICABLE

- ITEM NOT ILLUSTRATED

BRI

77-12-71-01C

BOEING PROPRIETARY - Copyright © - Unpublished Work - See title page for details.

77-12-71
FIG. 01C
PAGE 1
JAN 20/09



757

PARTS CATALOG (MAINTENANCE)

FIG ITEM	PART NUMBER	1 2 3 4 5 6 7	NOMENCLATURE	EFFECT FROM TO	UNITS PER ASSY
1C - 7	MODREF31944		PANEL INSTL-P36 L MISC RELAY (ENGINE INDICATING ONLY) MODULE NUMBER: 284N1125-123 REV A FOR OTHER SYS DETAILS SEE: 11-36-08-03C 21-25-71-02C 21-33-71-02C 21-51-56-01C 21-58-71-02C 23-12-00-05 23-31-54-01C 23-34-52-01C 24-21-51-01A 26-15-71-02C 26-16-71-01C 26-22-71-01C 27-48-52-03C 27-51-71-03C 27-58-71-02C 27-62-71-03C 29-11-71-03C 29-21-71-01C 30-21-71-03C 30-34-51-01C 31-01-36-01 32-09-02-03C 32-35-71-01C 32-42-71-02C 32-44-71-02C 32-61-71-02C 34-12-71-02C 34-21-71-02C 34-22-52-01C 34-61-52-01C 36-11-71-02C 73-21-55-01C 74-31-71-02C 76-11-71-02C 78-34-71-02C 78-36-71-02C 80-11-71-02C	103106	1

MISSING ITEM NUMBERS NOT APPLICABLE

- ITEM NOT ILLUSTRATED

BRI

77-12-71-01C

BOEING PROPRIETARY - Copyright © - Unpublished Work - See title page for details.

77-12-71
FIG. 01C
PAGE 2
JAN 20/09



757

PARTS CATALOG (MAINTENANCE)

FIG ITEM	PART NUMBER	1 2 3 4 5 6 7	NOMENCLATURE	EFFECT FROM TO	UNITS PER ASSY
1C 105	E410-1537		.RELAY- SUPPLIER CODE: V99699 SPECIFICATION NUMBER: BACR13CG2A OPTIONAL PART: E415-1078 V99699 BR230S0116 V56623 KD4A017 V58687 FCA410-62 V78290 ELECTRICAL EQUIP NUMBER: K10337 K10398	103106 108120	2
110	E210-1631		.RELAY- SUPPLIER CODE: V99699 SPECIFICATION NUMBER: BACR13CF2A OPTIONAL PART: BR246S0112 V56623 FCA210-70 V78290 E215-1050 V99699 JD4A017 V35344 BR64S104 V56623 61GB19-1A320 V98927 ELECTRICAL EQUIP NUMBER: K10340	103106 108120	1

MISSING ITEM NUMBERS NOT APPLICABLE

- ITEM NOT ILLUSTRATED

BRI

77-12-71-01C

BOEING PROPRIETARY - Copyright © - Unpublished Work - See title page for details.

77-12-71
FIG. 01C
PAGE 3
JAN 20/09



757

PARTS CATALOG (MAINTENANCE)

FIG ITEM	PART NUMBER	1 2 3 4 5 6 7	NOMENCLATURE	EFFECT FROM TO	UNITS PER ASSY
1C 120	W460F1A		.RELAY- SUPPLIER CODE: VF0219 SPECIFICATION NUMBER: BACR13CE2 OPTIONAL PART: 3SAH5-13-4K1 V01526 3SAH1326A2 V01526 ELECTRICAL EQUIP NUMBER: K10446 K10556	103106 108120	2
- 300	286N1260-357		WIRE BUNDLE ASSY	108120	RF
- 302	286N1260-601		WIRE BUNDLE ASSY	103106	RF
305	BACS16W1		.SOCKET- ELECTRICAL EQUIP NUMBER: D04312 D04704 WIRING DIAGRAM REF: 771241	103106 108120	2
310	RSF116200		.SOCKET- SUPPLIER CODE: V58982 SPECIFICATION NUMBER: BACS16X1A OPTIONAL PART: 102-006-1 V09922 000300-1538 V05574 ELECTRICAL EQUIP NUMBER: D04242 WIRING DIAGRAM REF: 215811	103106 108120	1
320	RSE120027		.SOCKET- SUPPLIER CODE: V58982 SPECIFICATION NUMBER: BACS16AF1 OPTIONAL PART: 451120-027 V58982 ELECTRICAL EQUIP NUMBER: D05198 D07046 WIRING DIAGRAM REF: 771241	103106 108120	2

MISSING ITEM NUMBERS NOT APPLICABLE

- ITEM NOT ILLUSTRATED

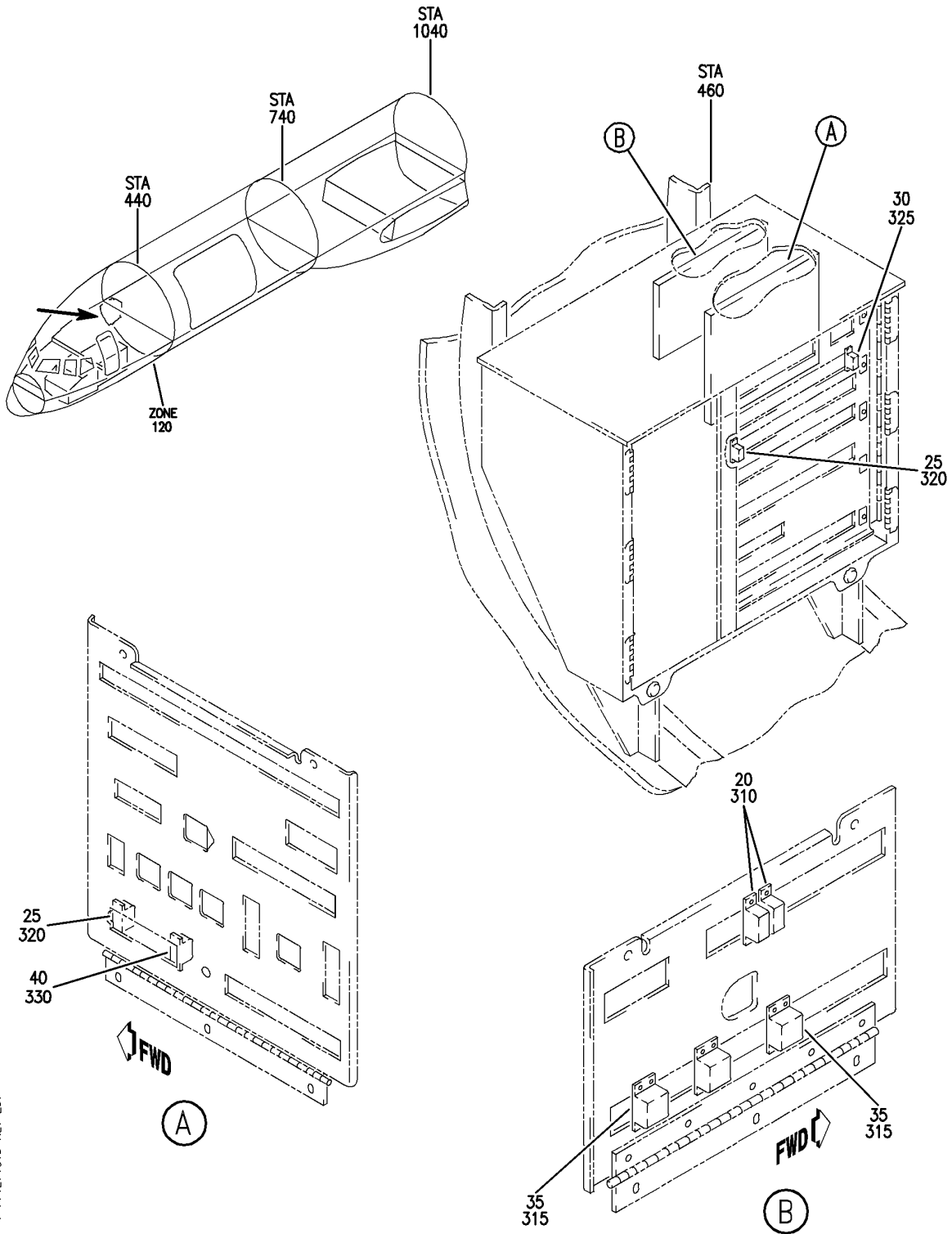
77-12-71-01C

77-12-71
FIG. 01C
PAGE 4
JAN 20/09

BRI

BOEING PROPRIETARY - Copyright © - Unpublished Work - See title page for details.

BOEING
757
PARTS CATALOG (MAINTENANCE)



Y 77127101D REV 237

PANEL INSTL-P37 R MISC RELAY (ENGINE INDICATING ONLY)
FIGURE 1D

77-12-71-01D

BRI
JAN 20/09

77-12-71-01D
PAGE 0



757

PARTS CATALOG (MAINTENANCE)

FIG ITEM	PART NUMBER	1 2 3 4 5 6 7	NOMENCLATURE	EFFECT FROM TO	UNITS PER ASSY
1 D			PANEL INSTL-P37 R MISC RELAY (ENGINE INDICATING ONLY)	103106 108120	
- 1	MODREF185037		PANEL INSTL-P37 R MISC RELAY (ENGINE INDICATING ONLY) MODULE NUMBER: 284N1127-169 REV D FOR OTHER SYS DETAILS SEE: 11-36-12-02A 21-25-71-02D 21-44-71-02D 21-45-31-01D 21-51-55-01D 21-58-71-02D 21-61-71-02D 23-31-51-05 24-21-51-05 24-51-01-02 24-51-02-03 24-51-58-02D 27-62-71-03D 28-22-71-03D 29-21-71-01D 30-11-71-02D 30-21-71-03D 30-31-71-02D 30-32-71-02D 30-33-71-02D 30-34-51-01D 31-01-37-10 31-31-71-02D 32-09-02-04D 32-42-71-02D 32-61-71-02D 33-43-55-01D 33-51-71-01D 34-12-71-02D 34-25-50-01D 34-61-52-01D 35-21-71-02D 36-11-71-02D 38-15-71-02D 73-21-55-01D 74-31-71-02D 76-11-71-02D 78-34-71-02D 78-36-71-02D 80-11-71-02D	106106	1
MISSING ITEM NUMBERS NOT APPLICABLE					

- ITEM NOT ILLUSTRATED

BRI

77-12-71-01D

BOEING PROPRIETARY - Copyright © - Unpublished Work - See title page for details.

77-12-71
FIG. 01D
PAGE 1
JAN 20/09



757

PARTS CATALOG (MAINTENANCE)

FIG ITEM	PART NUMBER	1 2 3 4 5 6 7	NOMENCLATURE	EFFECT FROM TO	UNITS PER ASSY
1D - 3	284N1127-118		PANEL INSTL-P37 R MISC RELAY (ENGINE INDICATING ONLY) FOR NHA/OTHER SYS DET SEE: 24-00-58-05C	108108	RF
- 4	284N1127-139		PANEL INSTL-P37 R MISC RELAY (ENGINE INDICATING ONLY) FOR NHA/OTHER SYS DET SEE: 24-00-58-05C	109120	RF

MISSING ITEM NUMBERS NOT APPLICABLE

- ITEM NOT ILLUSTRATED

BRI

77-12-71-01D

BOEING PROPRIETARY - Copyright © - Unpublished Work - See title page for details.

77-12-71
FIG. 01D
PAGE 2
JAN 20/09



757

PARTS CATALOG (MAINTENANCE)

FIG ITEM	PART NUMBER	1 2 3 4 5 6 7	NOMENCLATURE	EFFECT FROM TO	UNITS PER ASSY
1 D - 8	MODREF31945		PANEL INSTL-P37 R MISC RELAY (ENGINE INDICATING ONLY) MODULE NUMBER: 284N1127-169 REV B FOR OTHER SYS DETAILS SEE: 11-36-12-02A 21-25-71-02D 21-44-71-02D 21-45-31-01D 21-51-55-01D 21-58-71-02D 21-61-71-02D 23-31-51-05 24-21-51-05 24-51-01-02 24-51-02-03 24-51-58-02D 27-62-71-03D 28-22-71-03D 29-21-71-01D 30-11-71-02D 30-21-71-03D 30-31-71-02D 30-32-71-02D 30-33-71-02D 30-34-51-01D 31-01-37-10 31-31-71-02D 32-09-02-04D 32-42-71-02D 32-61-71-02D 33-43-55-01D 33-51-71-01D 34-12-71-02D 34-25-50-01D 34-61-52-01D 35-21-71-02D 36-11-71-02D 38-15-71-02D 73-21-55-01D 74-31-71-02D 76-11-71-02D 78-34-71-02D 78-36-71-02D 80-11-71-02D	103103	1

MISSING ITEM NUMBERS NOT APPLICABLE

- ITEM NOT ILLUSTRATED

BRI

77-12-71-01D

BOEING PROPRIETARY - Copyright © - Unpublished Work - See title page for details.

77-12-71
FIG. 01D
PAGE 3
JAN 20/09



757

PARTS CATALOG (MAINTENANCE)

FIG ITEM	PART NUMBER	1 2 3 4 5 6 7	NOMENCLATURE	EFFECT FROM TO	UNITS PER ASSY
1 D - 9	MODREF34305		PANEL INSTL-P37 R MISC RELAY (ENGINE INDICATING ONLY) MODULE NUMBER: 284N1127-169 REV C FOR OTHER SYS DETAILS SEE: 11-36-12-02A 21-25-71-02D 21-44-71-02D 21-45-31-01D 21-51-55-01D 21-58-71-02D 21-61-71-02D 23-31-51-05 24-21-51-05 24-51-01-02 24-51-02-03 24-51-58-02D 27-62-71-03D 28-22-71-03D 29-21-71-01D 30-11-71-02D 30-21-71-03D 30-31-71-02D 30-32-71-02D 30-33-71-02D 30-34-51-01D 31-01-37-10 31-31-71-02D 32-09-02-04D 32-42-71-02D 32-61-71-02D 33-43-55-01D 33-51-71-01D 34-12-71-02D 34-25-50-01D 34-61-52-01D 35-21-71-02D 36-11-71-02D 38-15-71-02D 73-21-55-01D 74-31-71-02D 76-11-71-02D 78-34-71-02D 78-36-71-02D 80-11-71-02D	104105	1

MISSING ITEM NUMBERS NOT APPLICABLE

- ITEM NOT ILLUSTRATED

BRI

77-12-71-01D

BOEING PROPRIETARY - Copyright © - Unpublished Work - See title page for details.

77-12-71
FIG. 01D
PAGE 4
JAN 20/09



757

PARTS CATALOG (MAINTENANCE)

FIG ITEM	PART NUMBER	1 2 3 4 5 6 7	NOMENCLATURE	EFFECT FROM TO	UNITS PER ASSY
1D 20	W260F4AM11		.RELAY- SUPPLIER CODE: VF0219 SPECIFICATION NUMBER: BACR13CD2 OPTIONAL PART: BR16S233 V09026 EE4AA005 V35344 3SAV1338A2 V01526 HFW1206K03 V58614 HFW1204K01 V71482 ELECTRICAL EQUIP NUMBER: K10339 K10342	103106 108120	2
25	W460F1A		.RELAY- SUPPLIER CODE: VF0219 SPECIFICATION NUMBER: BACR13CE2 OPTIONAL PART: 3SAH5-13-4K1 V01526 3SAH1326A2 V01526 ELECTRICAL EQUIP NUMBER: K10444 K10448	103106 108120	2

MISSING ITEM NUMBERS NOT APPLICABLE

- ITEM NOT ILLUSTRATED

BRI

77-12-71-01D

BOEING PROPRIETARY - Copyright © - Unpublished Work - See title page for details.

77-12-71
FIG. 01D
PAGE 5
JAN 20/09

 **BOEING**
757
PARTS CATALOG (MAINTENANCE)

FIG ITEM	PART NUMBER	1 2 3 4 5 6 7	NOMENCLATURE	EFFECT FROM TO	UNITS PER ASSY
1D 35	E410-1537		.RELAY- SUPPLIER CODE: V99699 SPECIFICATION NUMBER: BACR13CG2A OPTIONAL PART: E415-1078 V99699 BR230S0116 V56623 KD4A017 V58687 FCA410-62 V78290 ELECTRICAL EQUIP NUMBER: K10338 K10341 K10399	103106 108120	3
40	W460F1A		.RELAY- SUPPLIER CODE: VF0219 SPECIFICATION NUMBER: BACR13CE2 OPTIONAL PART: 3SAH5-13-4K1 V01526 3SAH1326A2 V01526 ELECTRICAL EQUIP NUMBER: K10801	103106	1
- 300	286N1270-360		WIRE BUNDLE ASSY- REWORKED BY ALERT SB: 34A022	108120	RF
- 302 310	286N1270-602 RSE120026		WIRE BUNDLE ASSY .SOCKET- SUPPLIER CODE: V58982 SPECIFICATION NUMBER: BACS16AG1 OPTIONAL PART: 451120-026 V58982 ELECTRICAL EQUIP NUMBER: D04316 D04246 WIRING DIAGRAM REF: 771241 771242	103106 103106 108120	RF 2

MISSING ITEM NUMBERS NOT APPLICABLE

- ITEM NOT ILLUSTRATED

BRI

77-12-71-01D

BOEING PROPRIETARY - Copyright © - Unpublished Work - See title page for details.

77-12-71
FIG. 01D
PAGE 6
JAN 20/09



757

PARTS CATALOG (MAINTENANCE)

FIG ITEM	PART NUMBER	1 2 3 4 5 6 7	NOMENCLATURE	EFFECT FROM TO	UNITS PER ASSY
1D 315	BACS16W1		.SOCKET- ELECTRICAL EQUIP NUMBER: D04244 D04314 D04664 WIRING DIAGRAM REF: 771241 771242	103106 108120	3
320	RSE120027		.SOCKET- SUPPLIER CODE: V58982 SPECIFICATION NUMBER: BACS16AF1 OPTIONAL PART: 451120-027 V58982 ELECTRICAL EQUIP NUMBER: D05194 D05246 WIRING DIAGRAM REF: 732142 771241	103106 108120	2
330	RSE120027		.SOCKET- SUPPLIER CODE: V58982 SPECIFICATION NUMBER: BACS16AF1 OPTIONAL PART: 451120-027 V58982 ELECTRICAL EQUIP NUMBER: D10706 WIRING DIAGRAM REF: 771241 771242	103106	1

MISSING ITEM NUMBERS NOT APPLICABLE

- ITEM NOT ILLUSTRATED

BRI

77-12-71-01D

BOEING PROPRIETARY - Copyright © - Unpublished Work - See title page for details.

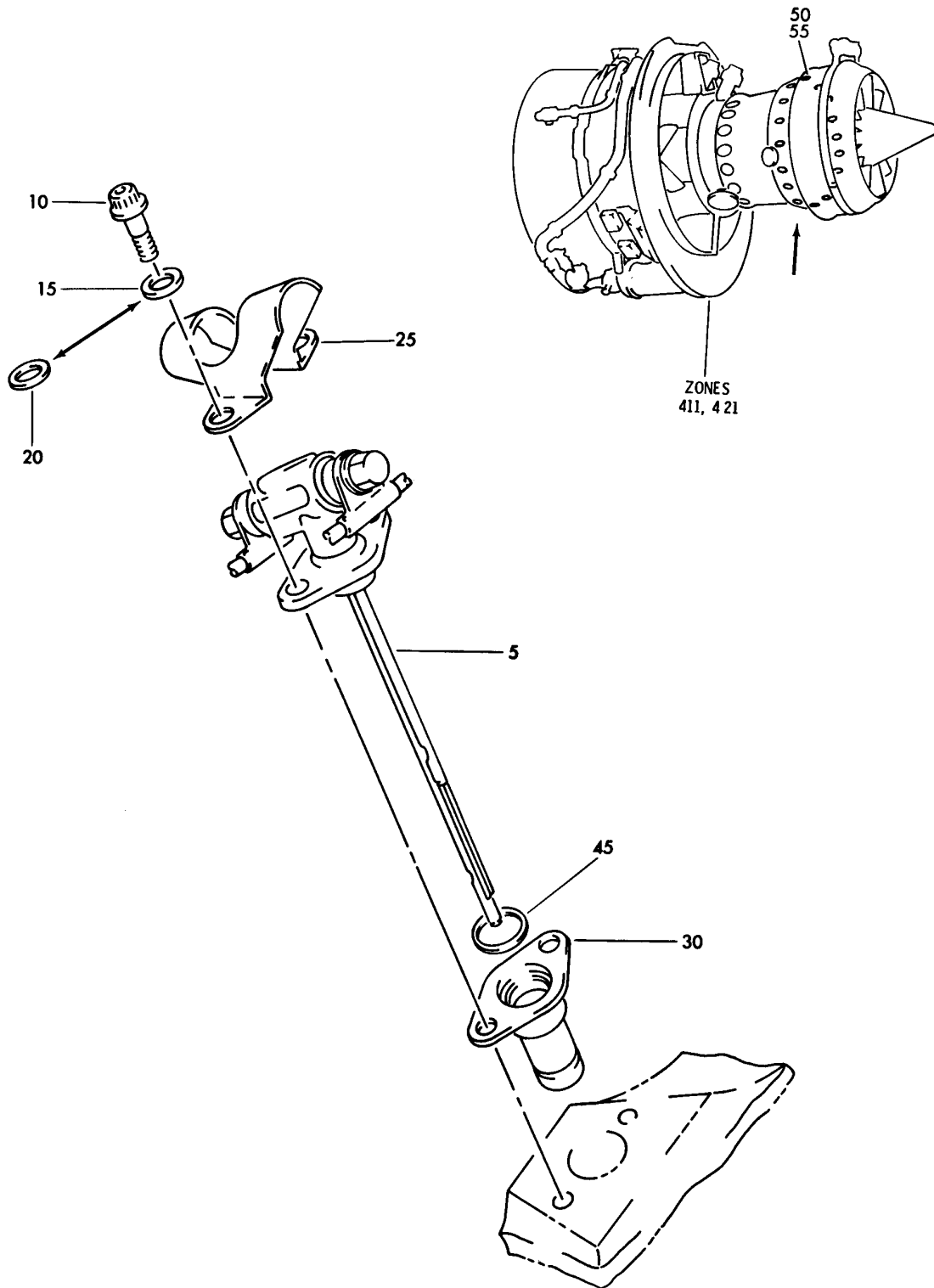
77-12-71
FIG. 01D
PAGE 7
JAN 20/09

EXHAUST GAS TEMPERATURE (EGT) INDICATING SYSTEM

BRI
MAY 28/07

77-21-00
SECTION TITLE
PAGE 1

BOEING
757
PARTS CATALOG (MAINTENANCE)



Y 77210101 REV 181

TURBINE GAS TEMPERATURE THERMOCOUPLES (RB211-535)
FIGURE 1

77-21-01-01

BRI
MAY 28/07

77-21-01-01
PAGE 0



757

PARTS CATALOG (MAINTENANCE)

FIG ITEM	PART NUMBER	1 2 3 4 5 6 7	NOMENCLATURE	EFFECT FROM TO	UNITS PER ASSY
1			TURBINE GAS TEMPERATURE THERMOCOUPLES (RB211-535)	002004 006999	
- 1	UL20697		ENGINE ASSY-Q.E.C.U. RB211-535E43711 MAXIMUM NEUT WITH P&W COMPATIBLE STARTER 43,100 LB THRUST SUPPLIER CODE: VK0680 REFERENCE SERVICE BULLETIN: 71-0058R4 QUALIFIED SB I/W DATA: INTERMIX OF ONE OR SUBSTITUTION OF TWO DIFFERENT CONFIGURATION RB211-535E4-37/()	121503 904949 952999	RF
- 1	UL19722		ENGINE ASSY-Q.E.C.U. RB211-535E43711 MAXIMUM NEUT SUPPLIER CODE: VK0680 FOR NHA/OTHER SYS DET SEE: 71-00-02-04	107107	RF
- 1	UL20702		ENGINE ASSY-Q.E.C.U. RB211-535E43711 BASIC ENGINE CONFIG. WITH GRAVINER FIRE DETECTORS, BAYONET MCD, NON-MODULATED IDG COOLING 40,100 LB THRUST SUPPLIER CODE: VK0680 FOR NHA/OTHER SYS DET SEE: 71-00-02-10	504903	RF

MISSING ITEM NUMBERS NOT APPLICABLE

- ITEM NOT ILLUSTRATED

BRI

77-21-01-01

BOEING PROPRIETARY - Copyright © - Unpublished Work - See title page for details.

77-21-01
FIG. 01
PAGE 1
JAN 20/09



757

PARTS CATALOG (MAINTENANCE)

FIG ITEM	PART NUMBER	1 2 3 4 5 6 7	NOMENCLATURE	EFFECT FROM TO	UNITS PER ASSY
1					
- 2	UL20698		ENGINE ASSY-Q.E.C.U. RB211-535E43712 MAXIMUM NEUT SUPPLIER CODE: VK0680 REFERENCE SERVICE BULLETIN: 71-0058R7 QUALIFIED SB I/W DATA: INTERMIX OF ONE OR SUBSTITUTION OF TWO DIFFERENT CONFIGURATION RB211-535E4-37/() ENGINES FOR RB211-535E4 BASE ENGINES OR DIFFERENT CONFIGURATION RB211-535E4-B-37/() ENGINES FOR RB211-535E4-B BASE ENGINES REFERENCE SERVICE BULLETIN: RB211-72-C547 VK0680 RB211-72-8910 VK0680 POST RAPID REVISION: RR92014-183A-RC-E FOR NHA/OTHER SYS DET SEE: 71-00-02-04	002004 006100 102102	RF
- 2	UL36209		ENGINE ASSY-Q.E.C.U. RB211-535E43719 MAXIMUM NEUT SUPPLIER CODE: VK0680 FOR NHA/OTHER SYS DET SEE: 71-00-02-04	950951	RF
- 3	BCREF17101		ENGINE ASSY-Q.E.C.U. RB211-535E43744 BASIC ENGINE CONFIGURATION, BAYONET MCD AND PHASE 5 COMBUSTOR 40,100 LB THRUST SUPPLIER CODE: VK0680 OVERLENGTH PART NUMBER: RB211-535E4-3744E FOR NHA/OTHER SYS DET SEE: 71-00-02-10	103106	RF

MISSING ITEM NUMBERS NOT APPLICABLE

- ITEM NOT ILLUSTRATED

BRI

77-21-01-01

BOEING PROPRIETARY - Copyright © - Unpublished Work - See title page for details.

77-21-01
FIG. 01
PAGE 2
JAN 20/09



757

PARTS CATALOG (MAINTENANCE)

FIG ITEM	PART NUMBER	1 2 3 4 5 6 7	NOMENCLATURE	EFFECT FROM TO	UNITS PER ASSY
1					
- 3	BCREF17395		ENGINE ASSY-Q.E.C.U. RB211-535E43739 BASIC ENGINE CONFIGURATION AND PHASE 5 COMBUSTOR 40,100 LB THRUST SUPPLIER CODE: VK0680 OVERLENGTH PART NUMBER: RB211-535E4-37-39E FOR NHA/OTHER SYS DET SEE: 71-00-02-10	108120	RF
- 3	UL38163		ENGINE ASSY-Q.E.C.U. RB211-535E43724 BASIC ENGINE CONFIGURATION, BAYONET MCD, 40,100 LB THRUST SUPPLIER CODE: VK0680 FOR NHA/OTHER SYS DET SEE: 71-00-02-10	101101	RF
- 4	UL18686		.MANIFOLD- TGT T/C-IP TURBINE SUPPLIER CODE: VK0680	002004 006999	RF
5	684-4-33		..THERMOCOUPLE ASSY-T7 SUPPLIER CODE: VK0405 POST SERVICE BULLETIN: 77-B774PT01 VK0680	002004 006999	17
5	S684-4-14		..THERMOCOUPLE ASSY-T7 SUPPLIER CODE: VK0405 PRE SERVICE BULLETIN: 77-B774 VK0680	002004 006102 107999	17
10	AS22012		ATTACHING PARTS ..BOLT-	002004 006999	34
15	K8833		..WASHER- SUPPLIER CODE: VK0680	002004 006999	28
20	AS12944		..WASHER	002004 006999	6
25	UL15885		-----*----- ..COVER- SUPPLIER CODE: VK0680	002004 006999	14

MISSING ITEM NUMBERS NOT APPLICABLE

- ITEM NOT ILLUSTRATED

BRI

77-21-01-01

BOEING PROPRIETARY - Copyright © - Unpublished Work - See title page for details.

77-21-01
FIG. 01
PAGE 3
JAN 20/09



757

PARTS CATALOG (MAINTENANCE)

FIG ITEM	PART NUMBER	1 2 3 4 5 6 7	NOMENCLATURE	EFFECT FROM TO	UNITS PER ASSY
1					
30	UL12790		.. SLEEVE ASSY-THERMOCOUPLE MTG SUPPLIER CODE: VK0680	002004 006999	17
45	S1980		.. SEAL-METAL RING SUPPLIER CODE: VON220 OPTIONAL PART: 3506970 VB1255 612V59-0010-2 VON220 POST SERVICE BULLETIN: 77-9648PTA VK0680	002004 006999	17
45	3506970		.. SEAL-METAL RING SUPPLIER CODE: VB1255 MISCELLANEOUS DATA: VENDOR PART NUMBER IS EC1000750-05-07-2SPB OPTIONAL PART: S1980 VON220 612V59-0010-2 VON220 POST SERVICE BULLETIN: 77-9648PTA VK0680 PRE SERVICE BULLETIN: 77-9648 VK0680	002004 006999	17
45	612V59-0010-2		.. SEAL-METAL RING SUPPLIER CODE: VON220 OPTIONAL PART: 3506970 VB1255 S1980 VON220 POST SERVICE BULLETIN: 77-9648PTA VK0680 PRE SERVICE BULLETIN: 77-9648 VK0680	002004 006999	17

MISSING ITEM NUMBERS NOT APPLICABLE

- ITEM NOT ILLUSTRATED

BRI

77-21-01-01

BOEING PROPRIETARY - Copyright © - Unpublished Work - See title page for details.

77-21-01
FIG. 01
PAGE 4
JAN 20/09



757

PARTS CATALOG (MAINTENANCE)

FIG ITEM	PART NUMBER	1 2 3 4 5 6 7	NOMENCLATURE	EFFECT FROM TO	UNITS PER ASSY
1 900			ILLUSTRATION REFERENCE: LEADS-EGT THERMOCOUPLE HARNESS (RB211-535) 77-21-02-02	002004 006999	RF

MISSING ITEM NUMBERS NOT APPLICABLE

- ITEM NOT ILLUSTRATED

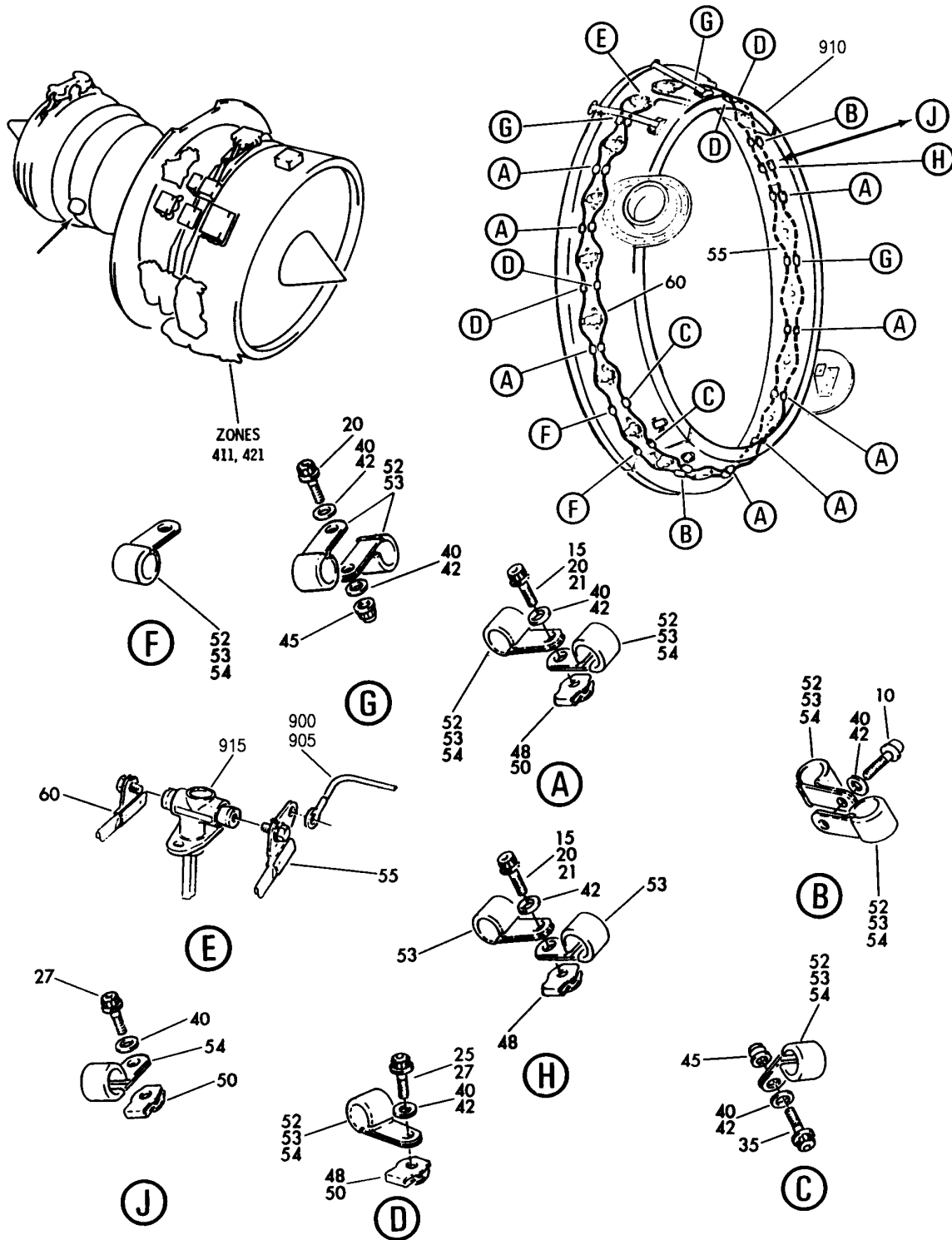
BRI

77-21-01-01

BOEING PROPRIETARY - Copyright © - Unpublished Work - See title page for details.

77-21-01
FIG. 01
PAGE 5
JAN 20/09

BOEING
757
PARTS CATALOG (MAINTENANCE)



Y 77210202 REV 246

LEADS-EGT THERMOCOUPLE HARNESS (RB211-535)
FIGURE 2

77-21-02-02

BRI
MAY 28/07

77-21-02-02
PAGE 0



757

PARTS CATALOG (MAINTENANCE)

FIG ITEM	PART NUMBER	1 2 3 4 5 6 7	NOMENCLATURE	EFFECT FROM TO	UNITS PER ASSY
2					
- 1	UL19722		LEADS-EGT THERMOCOUPLE HARNESS (RB211-535) ENGINE ASSY-Q.E.C.U. RB211-535E43711 MAXIMUM NEUT SUPPLIER CODE: VK0680 FOR NHA/OTHER SYS DET SEE: 71-00-02-04	002004 006999 107107	RF
- 1	UL20697		ENGINE ASSY-Q.E.C.U. RB211-535E43711 MAXIMUM NEUT SUPPLIER CODE: VK0680 REFERENCE SERVICE BULLETIN: 71-0058R4 QUALIFIED SB I/W DATA: INTERMIX OF ONE OR SUBSTITUTION OF TWO DIFFERENT CONFIGURATION RB211-535E4-37/() ENGINES FOR RB211-535 E4 BASE ENGINES REFERENCE SERVICE BULLETIN: RB211-72-C547 VK0680 FOR NHA/OTHER SYS DET SEE: 71-00-02-04	121503 904949 952999	RF

MISSING ITEM NUMBERS NOT APPLICABLE

- ITEM NOT ILLUSTRATED

BRI

77-21-02-02

BOEING PROPRIETARY - Copyright © - Unpublished Work - See title page for details.

77-21-02
FIG. 02
PAGE 1
JAN 20/09



757

PARTS CATALOG (MAINTENANCE)

FIG ITEM	PART NUMBER	1 2 3 4 5 6 7	NOMENCLATURE	EFFECT FROM TO	UNITS PER ASSY
2 - 1	UL20698		ENGINE ASSY-Q.E.C.U. RB211-535E43712 MAXIMUM NEUT SUPPLIER CODE: VK0680 REFERENCE SERVICE BULLETIN: 71-0058R7 QUALIFIED SB I/W DATA: INTERMIX OF ONE OR SUBSTITUTION OF TWO DIFFERENT CONFIGURATION RB211-535E4-37/() ENGINES FOR RB211-535E4 BASE ENGINES OR DIFFERENT CONFIGURATION RB211-535E4-B-37/() ENGINES FOR RB211-535E4-B BASE ENGINES REFERENCE SERVICE BULLETIN: RB211-72-C547 VK0680 RB211-72-8910 VK0680 POST RAPID REVISION: RR92014-183A-RC-E FOR NHA/OTHER SYS DET SEE: 71-00-02-04	002004 006100 102102	RF
- 1	UL36209		ENGINE ASSY-Q.E.C.U. RB211-535E43719 MAXIMUM NEUT SUPPLIER CODE: VK0680 FOR NHA/OTHER SYS DET SEE: 71-00-02-04	950951	RF
- 2	UL20702		ENGINE ASSY-Q.E.C.U. RB211-535E43711 BASIC ENGINE CONFIG. WITH GRAVINER FIRE DETECTORS,BAYONET MCD, NON-MODULATED IDG COOLING 40,100 LB THRUST SUPPLIER CODE: VK0680 FOR NHA/OTHER SYS DET SEE: 71-00-02-10	504903	RF

MISSING ITEM NUMBERS NOT APPLICABLE

- ITEM NOT ILLUSTRATED

BRI

77-21-02-02

BOEING PROPRIETARY - Copyright © - Unpublished Work - See title page for details.

77-21-02
FIG. 02
PAGE 2
JAN 20/09



757

PARTS CATALOG (MAINTENANCE)

FIG ITEM	PART NUMBER	1 2 3 4 5 6 7	NOMENCLATURE	EFFECT FROM TO	UNITS PER ASSY
2					
- 3	BCREF17101		ENGINE ASSY-Q.E.C.U. RB211-535E43744 BASIC ENGINE CONFIGURATION BAYONET MCD AND PHASE 5 COMBUSTOR 40,100 LB THRUST SUPPLIER CODE: VK0680 OVERLENGTH PART NUMBER: RB211-535E4-3744E FOR NHA/OTHER SYS DET SEE: 71-00-02-10	103106	RF
- 3	BCREF17395		ENGINE ASSY-Q.E.C.U. RB211-535E43739 BASIC ENGINE CONFIGURATION AND PHASE 5 COMBUSTOR 40,100 LB THRUST SUPPLIER CODE: VK0680 OVERLENGTH PART NUMBER: RB211-535E4-37-39E FOR NHA/OTHER SYS DET SEE: 71-00-02-10	108120	RF
- 3	UL38163		ENGINE ASSY-Q.E.C.U. RB211-535E43724 BASIC ENGINE CONFIGURATION BAYONET MCD 40,100 LB THRUST SUPPLIER CODE: VK0680 FOR NHA/OTHER SYS DET SEE: 71-00-02-10	101101	RF
- 5	UL26754		. THERMOCOUPLES AND CABLE- TURBINE SUPPLIER CODE: VK0680	002004 006999	RF
10	AS21410		.. BOLT- NOT APPROVED FOR ETOPS. PRE SERVICE BULLETIN: 72-8576 VK0680	002004 006100 102102 107107 121949 952999	2
15	AS21409		.. BOLT- PRE SERVICE BULLETIN: 72-7872 VK0680	107107 121949 952999	11

MISSING ITEM NUMBERS NOT APPLICABLE

- ITEM NOT ILLUSTRATED

77-21-02-02

77-21-02
FIG. 02
PAGE 3
JAN 20/09

BRI



757

PARTS CATALOG (MAINTENANCE)

FIG ITEM	PART NUMBER	1 2 3 4 5 6 7	NOMENCLATURE	EFFECT FROM TO	UNITS PER ASSY
2					
20	AS21409	..	BOLT- POST SERVICE BULLETIN: 72-7872PTH VK0680 PRE SERVICE BULLETIN: 72-8576 VK0680	002004 006100 102102 107107 121949 952999	3
21	AS21409	..	BOLT- POST SERVICE BULLETIN: 77-9353PT01 VK0680 72-8576PTF VK0680 PRE SERVICE BULLETIN: 72-8678 VK0680	002004 006999	5
22	AS21409	..	BOLT- POST SERVICE BULLETIN: 72-8678PTF VK0680 PRE SERVICE BULLETIN: 77-9353 VK0680	002004 006100 102102 107107 121949 952999	6
25	AS21407	..	BOLT- PRE SERVICE BULLETIN: 77-9353 VK0680	002004 006100 102102 107107 121949 952999	4
27	AS21407	..	BOLT- POST SERVICE BULLETIN: 77-9353PT01 VK0680	002004 006999	5
30	AS21408	..	BOLT- POST SERVICE BULLETIN: 72-7872PTH VK0680 PRE SERVICE BULLETIN: 72-D352 VK0680	002004 006999	10
35	AS21408	..	BOLT- PRE SERVICE BULLETIN: 72-7872 VK0680	107107 121949 952999	2
- 37	AS21408	..	BOLT- POST SERVICE BULLETIN: 72-D352PT01 VK0680	103106	9

R
R
R
R
R
R
R
R

MISSING ITEM NUMBERS NOT APPLICABLE

- ITEM NOT ILLUSTRATED

77-21-02-02

77-21-02
FIG. 02
PAGE 4
MAY 20/09

BRI



757

PARTS CATALOG (MAINTENANCE)

FIG ITEM	PART NUMBER	1 2 3 4 5 6 7	NOMENCLATURE	EFFECT FROM TO	UNITS PER ASSY
2	40 K8831		.. WASHER- SUPPLIER CODE: VK0680 PRE SERVICE BULLETIN: 72-8678 VK0680	002004 006100 102102 107107 121949 952999	22
	42 K8831		.. WASHER- SUPPLIER CODE: VK0680 POST SERVICE BULLETIN: 72-8678PTF VK0680 PRE SERVICE BULLETIN: 72-D352 VK0680	002004 006999	23
-	43 K8831		.. WASHER- SUPPLIER CODE: VK0680 POST SERVICE BULLETIN: 72-D352PT01 VK0680	103106	22
	45 AS20624		.. NUT- PRE SERVICE BULLETIN: 72-D352 VK0680	002004 006999	5
	48 AS41104		.. NUT- POST SERVICE BULLETIN: 72-8678PTF VK0680	002004 006999	13
	50 AS41104		.. NUT- PRE SERVICE BULLETIN: 72-8678 VK0680	002004 006100 102102 107107 121949 952999	12
-	51 AS20624		.. NUT- POST SERVICE BULLETIN: 72-D352PT01 VK0680	103106	4
	52 UL12504		.. CLIP- SUPPLIER CODE: VK0680 PRE SERVICE BULLETIN: 72-8678 VK0680	002004 006100 102102 107107 121949 952999	34

MISSING ITEM NUMBERS NOT APPLICABLE

- ITEM NOT ILLUSTRATED

BRI

77-21-02-02

BOEING PROPRIETARY - Copyright © - Unpublished Work - See title page for details.

77-21-02
FIG. 02
PAGE 5
JAN 20/09



757

PARTS CATALOG (MAINTENANCE)

FIG ITEM	PART NUMBER	1 2 3 4 5 6 7	NOMENCLATURE	EFFECT FROM TO	UNITS PER ASSY
2					
53	UL12504	..	CLIP- SUPPLIER CODE: VK0680 POST SERVICE BULLETIN: 72-8678PTF VK0680 PRE SERVICE BULLETIN: 77-9353 VK0680	002004 006100 102102 107107 121949 952999	36
54	UL12504	..	CLIP- SUPPLIER CODE: VK0680 POST SERVICE BULLETIN: 77-9353PT01 VK0680	002004 006999	35
55	UL17857	..	LEAD ASSY-NEGATIVE T7 THERMOCOUPLE SUPPLIER CODE: VK0680 PRE SERVICE BULLETIN: 77-7440 VK0680	107107 121949 952999	1
55	S685-2-13	..	LEAD ASSY-NEGATIVE T7 THERMOCOUPLE SUPPLIER CODE: VK0405 POST SERVICE BULLETIN: 77-7440PTA VK0680	002004 006999	1
60	S685-1-11	..	LEAD ASSY-POSITIVE T7 THERMOCOUPLE SUPPLIER CODE: VK0405	002004 006999	1
900			ILLUSTRATION REFERENCE: HARNESS-L.D. ELECTRICAL FWD CORE FWD (RB211-535) 71-51-51-04	103106 108120	RF
905			ILLUSTRATION REFERENCE: HARNESS-L.D. ELECTRICAL FWD CORE (RB211-535) 71-51-51-05	103106 108120	RF
910			ILLUSTRATION REFERENCE: MANIFOLD-COOLING AIR (RB211-535) 72-52-52-02	002004 006999	RF
915			ILLUSTRATION REFERENCE: TURBINE GAS TEMPERATURE THERMOCOUPLES (RB211-535) 77-21-01-01	002004 006999	RF

MISSING ITEM NUMBERS NOT APPLICABLE

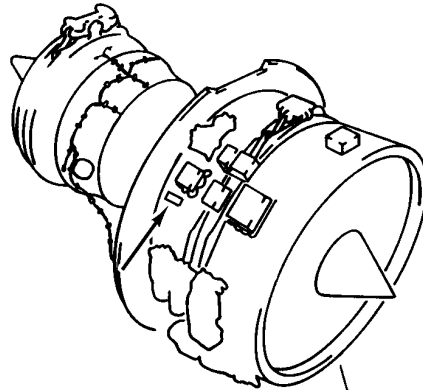
- ITEM NOT ILLUSTRATED

BRI

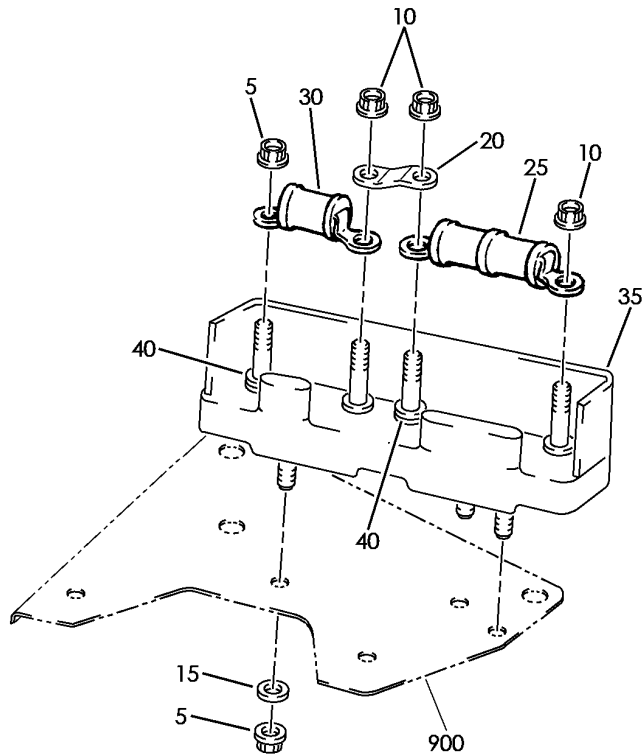
77-21-02-02

77-21-02
FIG. 02
PAGE 6
JAN 20/09

BOEING
757
PARTS CATALOG (MAINTENANCE)



ZONES
411,421



Y 77215102 REV 228

CABLES-TERM. BLK AND RES. EGT ELECTRICAL (RB211-535)
FIGURE 2

77-21-51-02

BRI
MAY 28/07

77-21-51-02
PAGE 0



757

PARTS CATALOG (MAINTENANCE)

FIG ITEM	PART NUMBER	1 2 3 4 5 6 7	NOMENCLATURE	EFFECT FROM TO	UNITS PER ASSY
2			CABLES-TERM. BLK AND RES. EGT ELECTRICAL (RB211-535)	002004 006999	
- 1	UL19722		ENGINE ASSY-Q.E.C.U. RB211-535E43711 MAXIMUM NEUT SUPPLIER CODE: VK0680 FOR NHA/OTHER SYS DET SEE: 71-00-02-04	107107	RF
- 1	UL20697		ENGINE ASSY-Q.E.C.U. RB211-535E43711 MAXIMUM NEUT WITH GRAVINER FIRE DETECTORS, BAYONET MCD, NON-MODULATED IDG COOLING 40,000 LB THRUST SUPPLIER CODE: VK0680 REFERENCE SERVICE BULLETIN: 71-0058R4 QUALIFIED SB I/W DATA: INTERMIX OF ONE OR SUBSTITUTION OF TWO DIFFERENT CONFIGURATION RB211-535E4-37/() ENGINES FOR RB211-535 E4 BASE ENGINES REFERENCE SERVICE BULLETIN: RB211-72-C547 VK0680 FOR NHA/OTHER SYS DET SEE: 71-00-02-04	121503 904949 952999	RF
- 1	UL20702		ENGINE ASSY-Q.E.C.U. RB211-535E43711 BASIC ENGINE CONFIG. WITH GRAVINER FIRE DETECTORS, BAYONET MCD, NON-MODULATED IDG COOLING 40,100 LB THRUST SUPPLIER CODE: VK0680 FOR NHA/OTHER SYS DET SEE: 71-00-02-10	504903	RF

MISSING ITEM NUMBERS NOT APPLICABLE

- ITEM NOT ILLUSTRATED

BRI

77-21-51-02

BOEING PROPRIETARY - Copyright © - Unpublished Work - See title page for details.

77-21-51
FIG. 02
PAGE 1
JAN 20/09



757

PARTS CATALOG (MAINTENANCE)

FIG ITEM	PART NUMBER	1 2 3 4 5 6 7	NOMENCLATURE	EFFECT FROM TO	UNITS PER ASSY
2 - 1	UL20698		ENGINE ASSY-Q.E.C.U. RB211-535E43712 MAXIMUM NEUT SUPPLIER CODE: VK0680 REFERENCE SERVICE BULLETIN: 71-0058R7 QUALIFIED SB I/W DATA: INTERMIX OF ONE OR SUBSTITUTION OF TWO DIFFERENT CONFIGURATION RB211-535E4-37/() ENGINES FOR RB211-535E4 BASE ENGINES OR DIFFERENT CONFIGURATION RB211-535E4-B-37/() ENGINES FOR RB211-535E4-B BASE ENGINES REFERENCE SERVICE BULLETIN: RB211-72-C547 VK0680 RB211-72-8910 VK0680 POST RAPID REVISION: RR92014-183A-RC-E FOR NHA/OTHER SYS DET SEE: 71-00-02-04	002004 006100 102102	RF
- 2	UL36209		ENGINE ASSY-Q.E.C.U. RB211-535E43719 MAXIMUM NEUT SUPPLIER CODE: VK0680 FOR NHA/OTHER SYS DET SEE: 71-00-02-04	950951	RF
- 3	BCREF17101		ENGINE ASSY-Q.E.C.U. RB211-535E43744 BASIC ENGINE CONFIGURATION, BAYONET MCD AND PHASE 5 COMBUSTOR 40,100 LB THRUST SUPPLIER CODE: VK0680 OVERLENGTH PART NUMBER: RB211-535E4-3744E FOR NHA/OTHER SYS DET SEE: 71-00-02-10	103106	RF

MISSING ITEM NUMBERS NOT APPLICABLE

- ITEM NOT ILLUSTRATED

BRI

77-21-51-02

BOEING PROPRIETARY - Copyright © - Unpublished Work - See title page for details.

77-21-51
FIG. 02
PAGE 2
JAN 20/09

 **BOEING**
757
PARTS CATALOG (MAINTENANCE)

FIG ITEM	PART NUMBER	1 2 3 4 5 6 7	NOMENCLATURE	EFFECT FROM TO	UNITS PER ASSY
2					
- 3	BCREF17395		ENGINE ASSY-Q.E.C.U. RB211-535E43739 BASIC ENGINE CONFIGURATION AND PHASE 5 COMBUSTOR 40,100 LB THRUST SUPPLIER CODE: VK0680 OVERLENGTH PART NUMBER: RB211-535E4-37-39E FOR NHA/OTHER SYS DET SEE: 71-00-02-10	108120	RF
- 3	UL38163		ENGINE ASSY-Q.E.C.U. RB211-535E43724 BASIC ENGINE CONFIGURATION, BAYONET MCD, 40,100 LB THRUST SUPPLIER CODE: VK0680 FOR NHA/OTHER SYS DET SEE: 71-00-02-10	101101	RF
5	AS20624		.NUT-	002004 006999	4
10	AS20625		.NUT-	002004 006999	3
15	AU12568		.WASHER- SUPPLIER CODE: VK0680	002004 006999	3
20	CWF507		.LINK-TERM. STUD SUPPLIER CODE: VU3499	002004 006999	1
25	R20-871		.RESISTOR-COMPENSATING SUPPLIER CODE: VK0405 PRE SERVICE BULLETIN: 77-C840 V77445	002004 006100 102999	1
25	R20-1082		.RESISTOR-TRIM SUPPLIER CODE: VK0405 POST SERVICE BULLETIN: 77-C840PT01 VK0680	002004 006100 102999	1

MISSING ITEM NUMBERS NOT APPLICABLE

- ITEM NOT ILLUSTRATED

BRI

77-21-51-02

BOEING PROPRIETARY - Copyright © - Unpublished Work - See title page for details.

77-21-51
FIG. 02
PAGE 3
JAN 20/09



757

PARTS CATALOG (MAINTENANCE)

FIG ITEM	PART NUMBER	1 2 3 4 5 6 7	NOMENCLATURE	EFFECT FROM TO	UNITS PER ASSY
2					
30	R18-815		.RESISTOR-67.480HMS CODE G BALLAST SUPPLIER CODE: VK0405 CONFIG CHG DATA FROM A CMM: FOR INTRCHG SEE RR IPC POST SERVICE BULLETIN: 77-9129PT01 VK0680 PRE SERVICE BULLETIN: 77-9238 VK0680	002004 006100 102102 107107 121949 952999	1
30	R18-822		.RESISTOR-53.250HMS CODE P BALLAST SUPPLIER CODE: VK0405 CONFIG CHG DATA FROM A CMM: FOR INTRCHG SEE RR IPC POST SERVICE BULLETIN: 77-9238PT01 VK0680 PRE SERVICE BULLETIN: 77-C840 VK0680	002004 006102 107107 121999	1
30	R18-820		.RESISTOR-56.64 OHMS CODE M BALLAST SUPPLIER CODE: VK0405 POST SERVICE BULLETIN: 77-8994PT01 VK0680 72-C230PT01 VK0680 PRE SERVICE BULLETIN: 77-9129 VK0680 77-C840 VK0680	002004 006999	1
30	R18-815		.RESISTOR-67.480HMS CODE G BALLAST SUPPLIER CODE: VK0405 PRE SERVICE BULLETIN: 77-8994 VK0680	002004 006100 102102 107107 121949 952999	1

MISSING ITEM NUMBERS NOT APPLICABLE

- ITEM NOT ILLUSTRATED

BRI

77-21-51-02

BOEING PROPRIETARY - Copyright © - Unpublished Work - See title page for details.

77-21-51
FIG. 02
PAGE 4
JAN 20/09



757

PARTS CATALOG (MAINTENANCE)

FIG ITEM	PART NUMBER	1 2 3 4 5 6 7	NOMENCLATURE	EFFECT FROM TO	UNITS PER ASSY
2	30 R18-1077		.RESISTOR-56.64 OHMS CODE M BALLAST SUPPLIER CODE: VK0405 POST SERVICE BULLETIN: 77-C840PT01 VK0680 PRE SERVICE BULLETIN: 77-D418 VK0680 77-E797 VK0680	103106 108120 950951	1
	30 R18-1079		.RESISTOR-53.25 OHMS CODE P BALLAST SUPPLIER CODE: VK0405 CONFIG CHG DATA FROM A CMM: FOR INTRCHG SEE RR IPC POST SERVICE BULLETIN: 77-C840PT01 VK0680 PRE SERVICE BULLETIN: 77-D418 VK0680	002004 006100 102102 107107 121999	1
	30 R18-1071		.RESISTOR-70.14 OHMS CODE F BALLAST SUPPLIER CODE: VK0405 CONFIG CHG DATA FROM A CMM: FOR INTRCHG SEE RR IPC POST SERVICE BULLETIN: 77-C840PT01 VK0680 PRE SERVICE BULLETIN: 77-D418 VK0680	108120	1
	35 LK83996		.TERMINAL ASSY-THERMOCOUPLE LEADS AND BALLAST RES. SUPPLIER CODE: VK0680 PRE SERVICE BULLETIN: 71-8093 VK0680	002004 006100 102102 107107 121949 952999	1

MISSING ITEM NUMBERS NOT APPLICABLE

- ITEM NOT ILLUSTRATED

BRI

77-21-51-02

BOEING PROPRIETARY - Copyright © - Unpublished Work - See title page for details.

77-21-51
FIG. 02
PAGE 5
JAN 20/09



757

PARTS CATALOG (MAINTENANCE)

FIG ITEM	PART NUMBER	1 2 3 4 5 6 7	NOMENCLATURE	EFFECT FROM TO	UNITS PER ASSY
2	35 UL18518		. TERMINAL ASSY-THERMOCOUPLE LEADS AND BALLAST RES. SUPPLIER CODE: VK0680 POST SERVICE BULLETIN: 71-8093PT01 VK0680	002004 006100 102999	1
900			ILLUSTRATION REFERENCE: HARNESS-L.D. ELECTRICAL MULTI-LOOM FITMENT (RB211-535) 71-51-60-02	002004 006999	RF

MISSING ITEM NUMBERS NOT APPLICABLE

- ITEM NOT ILLUSTRATED

BRI

77-21-51-02

BOEING PROPRIETARY - Copyright © - Unpublished Work - See title page for details.

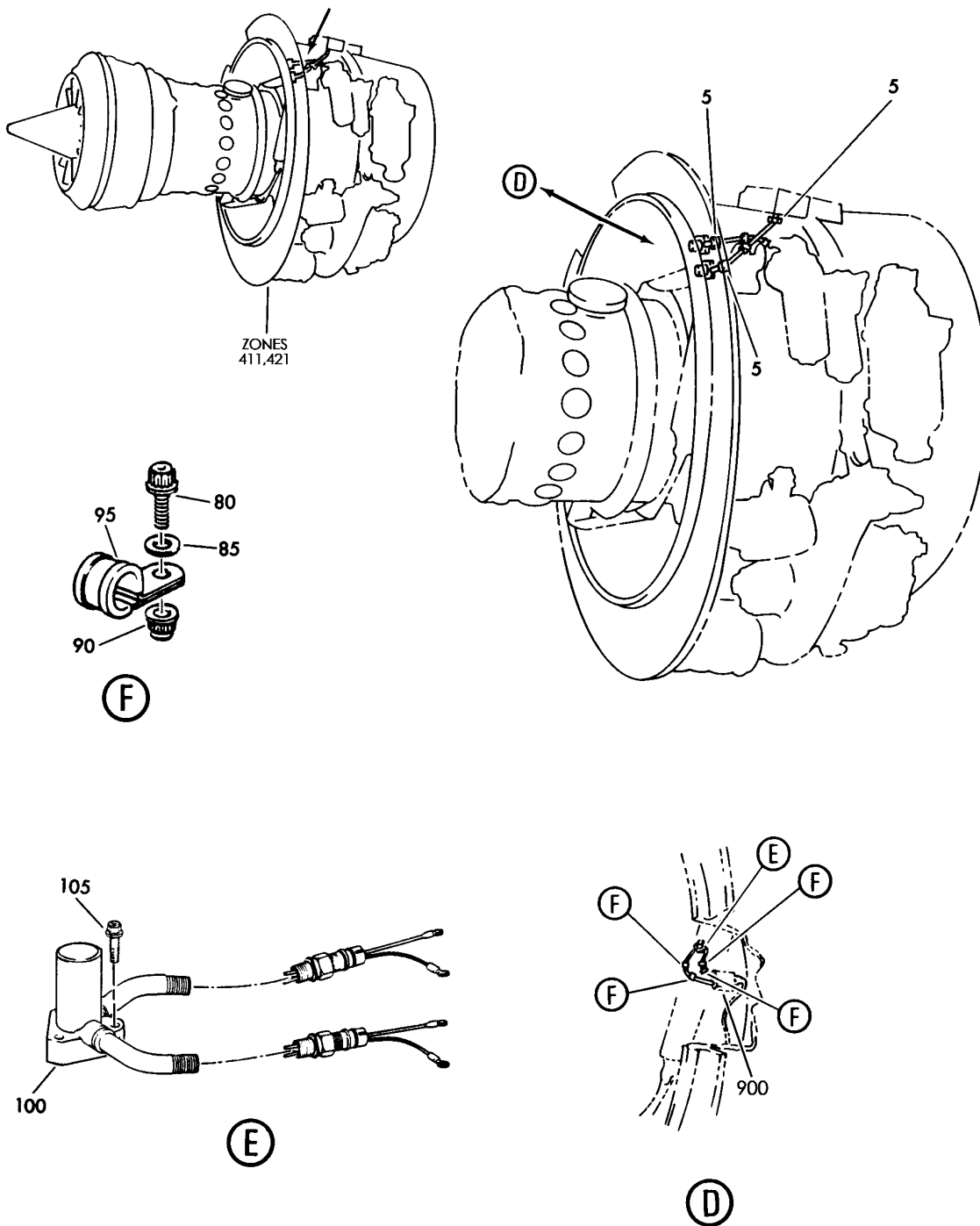
77-21-51
FIG. 02
PAGE 6
JAN 20/09

AIRBORNE VIBRATION MONITORING (AVM) SYSTEM

BRI
MAY 28/07

77-31-00
SECTION TITLE
PAGE 1

BOEING
757
PARTS CATALOG (MAINTENANCE)



Y 77310101 REV 228

ENGINE VIBRATION INDICATOR (RB211-535)
FIGURE 1

77-31-01-01

BRI
MAY 28/07

77-31-01-01
PAGE 0



757

PARTS CATALOG (MAINTENANCE)

FIG ITEM	PART NUMBER	1 2 3 4 5 6 7	NOMENCLATURE	EFFECT FROM TO	UNITS PER ASSY
1			ENGINE VIBRATION INDICATOR (RB211-535)	002004 006999	
- 1	UL20697		ENGINE ASSY-Q.E.C.U. RB211-535E43711 MAXIMUM NEUT WITH GRAVINER FIRE DETECTORS, BAYONET MCD, NON-MODULATED IDG COOLING 40,000 LB THRUST SUPPLIER CODE: VK0680 REFERENCE SERVICE BULLETIN: 71-0058R4 QUALIFIED SB I/W DATA: INTERMIX OF ONE OR SUBSTITUTION OF TWO DIFFERENT CONFIGURATION RB211-535E4-37/() ENGINES FOR RB211-535 E4 BASE ENGINES REFERENCE SERVICE BULLETIN: RB211-72-C547 VK0680 FOR NHA/OTHER SYS DET SEE: 71-00-02-04	121503 904949 952999	RF
- 1	UL19722		ENGINE ASSY-Q.E.C.U. RB211-535E43711 MAXIMUM NEUT SUPPLIER CODE: VK0680 FOR NHA/OTHER SYS DET SEE: 71-00-02-04	107107	RF
- 1	UL20702		ENGINE ASSY-Q.E.C.U. RB211-535E43711 BASIC ENGINE CONFIG. WITH GRAVINER FIRE DETECTORS, BAYONET MCD, NON-MODULATED IDG COOLING 40,100 LB THRUST SUPPLIER CODE: VK0680 FOR NHA/OTHER SYS DET SEE: 71-00-02-10	504903	RF

MISSING ITEM NUMBERS NOT APPLICABLE

- ITEM NOT ILLUSTRATED

BRI

77-31-01-01

BOEING PROPRIETARY - Copyright © - Unpublished Work - See title page for details.

77-31-01
FIG. 01
PAGE 1
JAN 20/09



757

PARTS CATALOG (MAINTENANCE)

FIG ITEM	PART NUMBER	1 2 3 4 5 6 7	NOMENCLATURE	EFFECT FROM TO	UNITS PER ASSY
1					
- 2	UL20698		ENGINE ASSY-Q.E.C.U. RB211-535E43712 MAXIMUM NEUT SUPPLIER CODE: VK0680 REFERENCE SERVICE BULLETIN: 71-0058R7 QUALIFIED SB I/W DATA: INTERMIX OF ONE OR SUBSTITUTION OF TWO DIFFERENT CONFIGURATION RB211-535E4-37/() ENGINES FOR RB211-535E4 BASE ENGINES OR DIFFERENT CONFIGURATION RB211-535E4-B-37/() ENGINES FOR RB211-535E4-B BASE ENGINES REFERENCE SERVICE BULLETIN: RB211-72-C547 VK0680 RB211-72-8910 VK0680 POST RAPID REVISION: RR92014-183A-RC-E FOR NHA/OTHER SYS DET SEE: 71-00-02-04	002004 006100 102102	RF
- 2	UL36209		ENGINE ASSY-Q.E.C.U. RB211-535E43719 MAXIMUM NEUT SUPPLIER CODE: VK0680 FOR NHA/OTHER SYS DET SEE: 71-00-02-04	950951	RF
- 3	BCREF17101		ENGINE ASSY-Q.E.C.U. RB211-535E43744 BASIC ENGINE CONFIG. BAYONET MCD AND PHASE 5 COMBUSTOR 40,100 LB THRUST SUPPLIER CODE: VK0680 OVERLENGTH PART NUMBER: RB211-535E4-3744E FOR NHA/OTHER SYS DET SEE: 71-00-02-10	103106	RF

MISSING ITEM NUMBERS NOT APPLICABLE

- ITEM NOT ILLUSTRATED

BRI

77-31-01-01

BOEING PROPRIETARY - Copyright © - Unpublished Work - See title page for details.

77-31-01
FIG. 01
PAGE 2
JAN 20/09



757

PARTS CATALOG (MAINTENANCE)

FIG ITEM	PART NUMBER	1 2 3 4 5 6 7	NOMENCLATURE	EFFECT FROM TO	UNITS PER ASSY
1					
- 3	BCREF17395		ENGINE ASSY-Q.E.C.U. RB211-535E43739 BASIC ENGINE CONFIG. AND PHASE 5 COMBUSTOR 40,100 LB THRUST SUPPLIER CODE: VK0680 OVERLENGTH PART NUMBER: RB211-535E4-37-39E FOR NHA/OTHER SYS DET SEE: 71-00-02-10	108120	RF
- 3	UL38163		ENGINE ASSY-Q.E.C.U. RB211-535E43724 BASIC ENGINE CONFIG. BAYONET MCD 40,100 LB THRUST SUPPLIER CODE: VK0680 FOR NHA/OTHER SYS DET SEE: 71-00-02-10	101101	RF
- 10	UL26749		. VIBRATION INDICATOR- ENGINE SUPPLIER CODE: VK0680	002004 006999	RF
80	AS21408		.. BOLT-	002004 006999	4
85	K8831		.. WASHER- SUPPLIER CODE: VK0680	002004 006999	4
90	AS20624		.. NUT-	002004 006999	4
95	3505462		.. CLAMP- SUPPLIER CODE: VK0680	002004 006999	4
100	144-957-000M101		.. TRANSMITTER ASSY- SUPPLIER CODE: VS3960 PRE SERVICE BULLETIN: 77-9715 VK0680	002004 006102 107999	1
100	144-957-000-111		.. TRANSMITTER ASSY- SUPPLIER CODE: VS3960 POST SERVICE BULLETIN: 77-9715PTA VK0680	002004 006100 102999	1

MISSING ITEM NUMBERS NOT APPLICABLE

- ITEM NOT ILLUSTRATED

BRI

77-31-01-01

BOEING PROPRIETARY - Copyright © - Unpublished Work - See title page for details.

77-31-01
FIG. 01
PAGE 3
JAN 20/09



**757
PARTS CATALOG (MAINTENANCE)**

FIG ITEM	PART NUMBER	1 2 3 4 5 6 7	NOMENCLATURE	EFFECT FROM TO	UNITS PER ASSY
1					
105	AS21415		ATTACHING PARTS ..BOLT-	002004 006999	3
900			-----*----- ILLUSTRATION REFERENCE: JUNCTION BOX-VIBRATION INDICATOR (RB211-535) 77-31-04-02	002004 006999	RF

MISSING ITEM NUMBERS NOT APPLICABLE

— ITEM NOT ILLUSTRATED

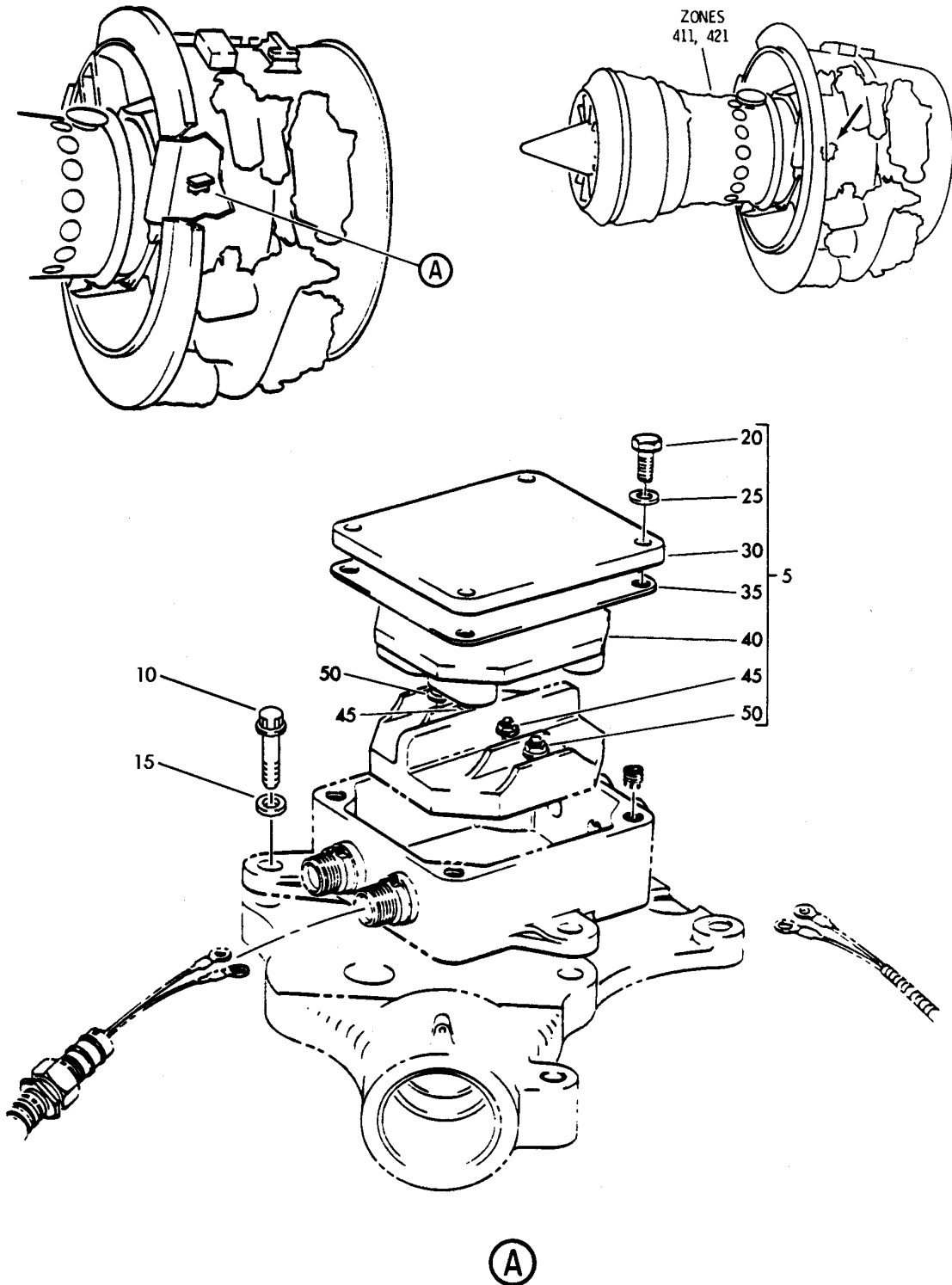
BRI

77-31-01-01

BOEING PROPRIETARY - Copyright © - Unpublished Work - See title page for details.

77-31-01
FIG. 01
PAGE 4
JAN 20/09

BOEING
757
PARTS CATALOG (MAINTENANCE)



Y 77310402 REV 213

JUNCTION BOX-VIBRATION INDICATOR (RB211-535)
FIGURE 2

77-31-04-02

BRI
MAY 28/07

77-31-04-02
PAGE 0



757

PARTS CATALOG (MAINTENANCE)

FIG ITEM	PART NUMBER	1 2 3 4 5 6 7	NOMENCLATURE	EFFECT FROM TO	UNITS PER ASSY
2			JUNCTION BOX-VIBRATION INDICATOR (RB211-535)	002004	
- 1	UL20697		ENGINE ASSY-Q.E.C.U. RB211-535E43711 MAXIMUM NEUT WITH GRAVINER FIRE DETECTORS, BAYONET MCD, NON-MODULATED IDG COOLING 40,000 LB THRUST SUPPLIER CODE: VK0680 REFERENCE SERVICE BULLETIN: 71-0058R4 QUALIFIED SB I/W DATA: INTERMIX OF ONE OR SUBSTITUTION OF TWO DIFFERENT CONFIGURATION RB211-535E4-37/() ENGINES FOR RB211-535 E4 BASE ENGINES REFERENCE SERVICE BULLETIN: RB211-72-C547 VK0680 FOR NHA/OTHER SYS DET SEE: 71-00-02-04	006999 121503 904949 952999	RF
- 1	UL19722		ENGINE ASSY-Q.E.C.U. RB211-535E43711 MAXIMUM NEUT SUPPLIER CODE: VK0680 FOR NHA/OTHER SYS DET SEE: 71-00-02-04	107107	RF

MISSING ITEM NUMBERS NOT APPLICABLE

- ITEM NOT ILLUSTRATED

BRI

77-31-04-02

BOEING PROPRIETARY - Copyright © - Unpublished Work - See title page for details.

77-31-04
FIG. 02
PAGE 1
JAN 20/09

 **BOEING**
757
PARTS CATALOG (MAINTENANCE)

FIG ITEM	PART NUMBER	1 2 3 4 5 6 7	NOMENCLATURE	EFFECT FROM TO	UNITS PER ASSY
2 - 1	UL20698		ENGINE ASSY-Q.E.C.U. RB211-535E43712 MAXIMUM NEUT SUPPLIER CODE: VK0680 REFERENCE SERVICE BULLETIN: 71-0058R7 QUALIFIED SB I/W DATA: INTERMIX OF ONE OR SUBSTITUTION OF TWO DIFFERENT CONFIGURATION RB211-535E4-37/() ENGINES FOR RB211-535E4 BASE ENGINES OR DIFFERENT CONFIGURATION RB211-535E4-B-37/() ENGINES FOR RB211-535E4-B BASE ENGINES REFERENCE SERVICE BULLETIN: RB211-72-C547 VK0680 RB211-72-8910 VK0680 POST RAPID REVISION: RR92014-183A-RC-E FOR NHA/OTHER SYS DET SEE: 71-00-02-04	002004 006100 102102	RF
- 1	UL36209		ENGINE ASSY-Q.E.C.U. RB211-535E43719 MAXIMUM NEUT SUPPLIER CODE: VK0680 FOR NHA/OTHER SYS DET SEE: 71-00-02-04	950951	RF
- 1	UL20702		ENGINE ASSY-Q.E.C.U. RB211-535E43711 BASIC ENGINE CONFIG. WITH GRAVINER FIRE DETECTORS, BAYONET MCD, NON-MODULATED IDG COOLING 40,100 LB THRUST SUPPLIER CODE: VK0680 FOR NHA/OTHER SYS DET SEE: 71-00-02-10	504903	RF

MISSING ITEM NUMBERS NOT APPLICABLE

- ITEM NOT ILLUSTRATED

BRI

77-31-04-02

BOEING PROPRIETARY - Copyright © - Unpublished Work - See title page for details.

77-31-04
FIG. 02
PAGE 2
JAN 20/09



757

PARTS CATALOG (MAINTENANCE)

FIG ITEM	PART NUMBER	1 2 3 4 5 6 7	NOMENCLATURE	EFFECT FROM TO	UNITS PER ASSY
2					
- 3	BCREF17101		ENGINE ASSY-Q.E.C.U. RB211-535E43744 BASIC ENGINE CONFIG. CONFIGURATION, BAYONET MCD AND PHASE 5 COMBUSTOR 40,100 LB THRUST SUPPLIER CODE: VK0680 OVERLENGTH PART NUMBER: RB211-535E4-3744E FOR NHA/OTHER SYS DET SEE: 71-00-02-10	103106	RF
- 3	BCREF17395		ENGINE ASSY-Q.E.C.U. RB211-535E43739 BASIC ENGINE CONFIGURATION AND PHASE 5 COMBUSTOR 40,100 LB THRUST SUPPLIER CODE: VK0680 OVERLENGTH PART NUMBER: RB211-535E4-37-39E FOR NHA/OTHER SYS DET SEE: 71-00-02-10	108120	RF
- 3	UL38163		ENGINE ASSY-Q.E.C.U. RB211-535E43724 BASIC ENGINE CONFIGURATION, BAYONET MCD 40,100 LB THRUST SUPPLIER CODE: VK0680 FOR NHA/OTHER SYS DET SEE: 71-00-02-10	101101	RF
5	822-201-000-201		.BOX-JCT VIBRATION SUPPLIER CODE: VS3960	002004 006999	1
10	AS21524		ATTACHING PARTS .BOLT	002004 006999	3
15	AS12944		.WASHER	002004 006999	3
20	V4A10-32UNF16MM		-----*----- .BOLT- SUPPLIER CODE: VS3960 POST SERVICE BULLETIN: 77-8688PTA VK0680	002004 006999	4

MISSING ITEM NUMBERS NOT APPLICABLE

- ITEM NOT ILLUSTRATED

BRI

77-31-04-02

BOEING PROPRIETARY - Copyright © - Unpublished Work - See title page for details.

77-31-04
FIG. 02
PAGE 3
JAN 20/09



757

PARTS CATALOG (MAINTENANCE)

FIG ITEM	PART NUMBER	1 2 3 4 5 6 7	NOMENCLATURE	EFFECT FROM TO	UNITS PER ASSY
2					
25	V4ADIN125AM5	..	BOLT-FLAT SUPPLIER CODE: VS3960 POST SERVICE BULLETIN: 77-8688PTA VK0680	002004 006999	4
30	822-201-003-101	..	PLATE-COVER SUPPLIER CODE: VS3960 POST SERVICE BULLETIN: 77-8688PTA VK0680	002004 006999	1
35	822-201-002-101	..	GASKET-COVER SUPPLIER CODE: VS3960 POST SERVICE BULLETIN: 77-8688PTA VK0680	002004 006999	1
40	822-201-001-101	..	INSERT-ELASTOMER SUPPLIER CODE: VS3960 POST SERVICE BULLETIN: 77-8688PTA VK0680	002004 006999	1
45	H41-08	..	NUT- SUPPLIER CODE: V15653	002004 006999	2
50	3804734	..	NUT- SUPPLIER CODE: VK0680	002004 006999	2
900			ILLUSTRATION REFERENCE: ENGINE VIBRATION INDICATOR (RB211-535) 77-31-01-01	002004 006999	RF
905			ILLUSTRATION REFERENCE: HARNESS-L.D. ELECTRICAL FWD CORE FWD (RB211-535) 71-51-51-04	103106 108120	RF
905			ILLUSTRATION REFERENCE: HARNESS-L.D. ELECTRICAL FWD CORE (RB211-535) 71-51-51-05	103106 108120	RF

MISSING ITEM NUMBERS NOT APPLICABLE

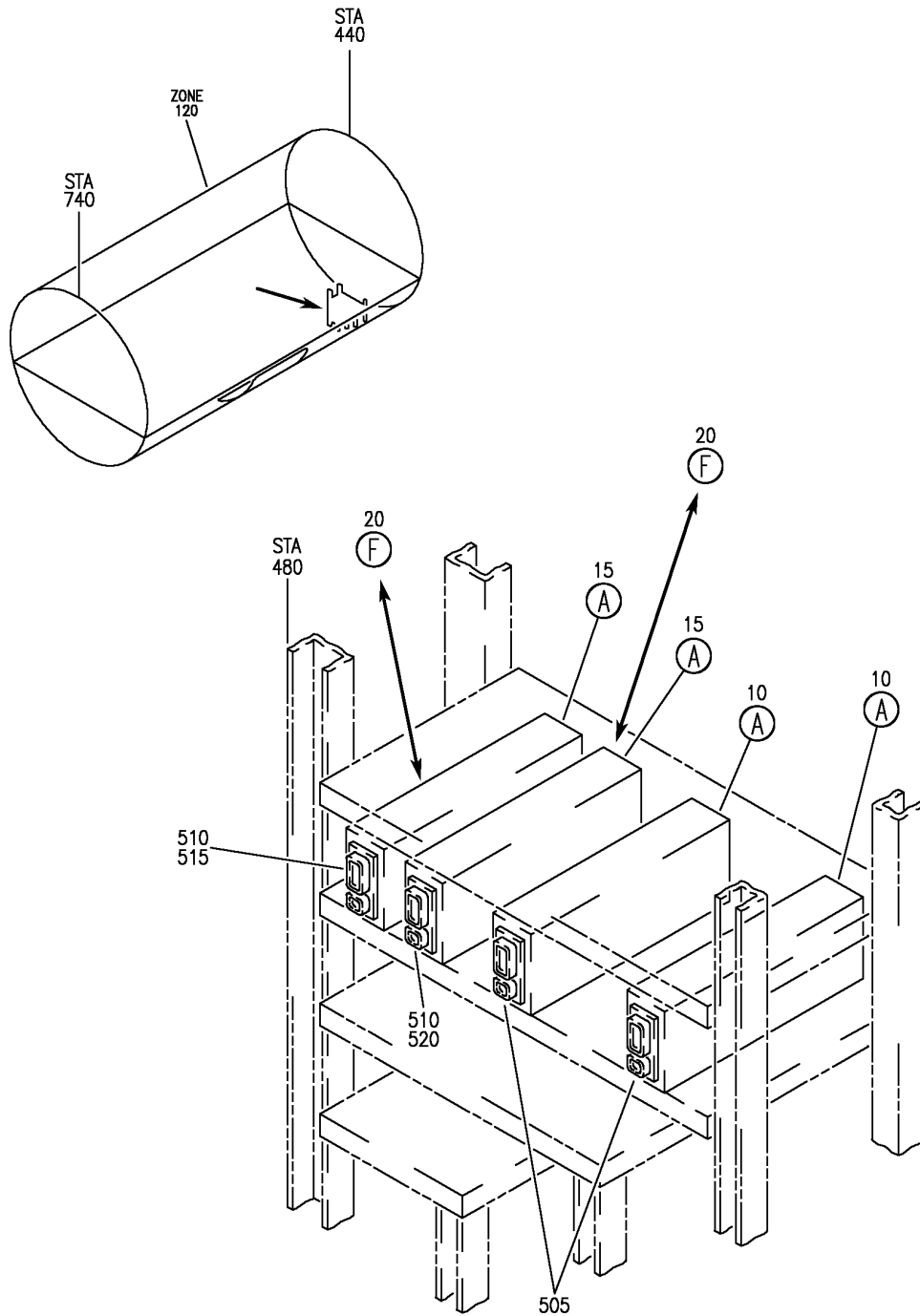
- ITEM NOT ILLUSTRATED

77-31-04-02

77-31-04
FIG. 02
PAGE 4
JAN 20/09

BRI

BOEING
757
PARTS CATALOG (MAINTENANCE)



Y 77315103 SH1 1 REV 268

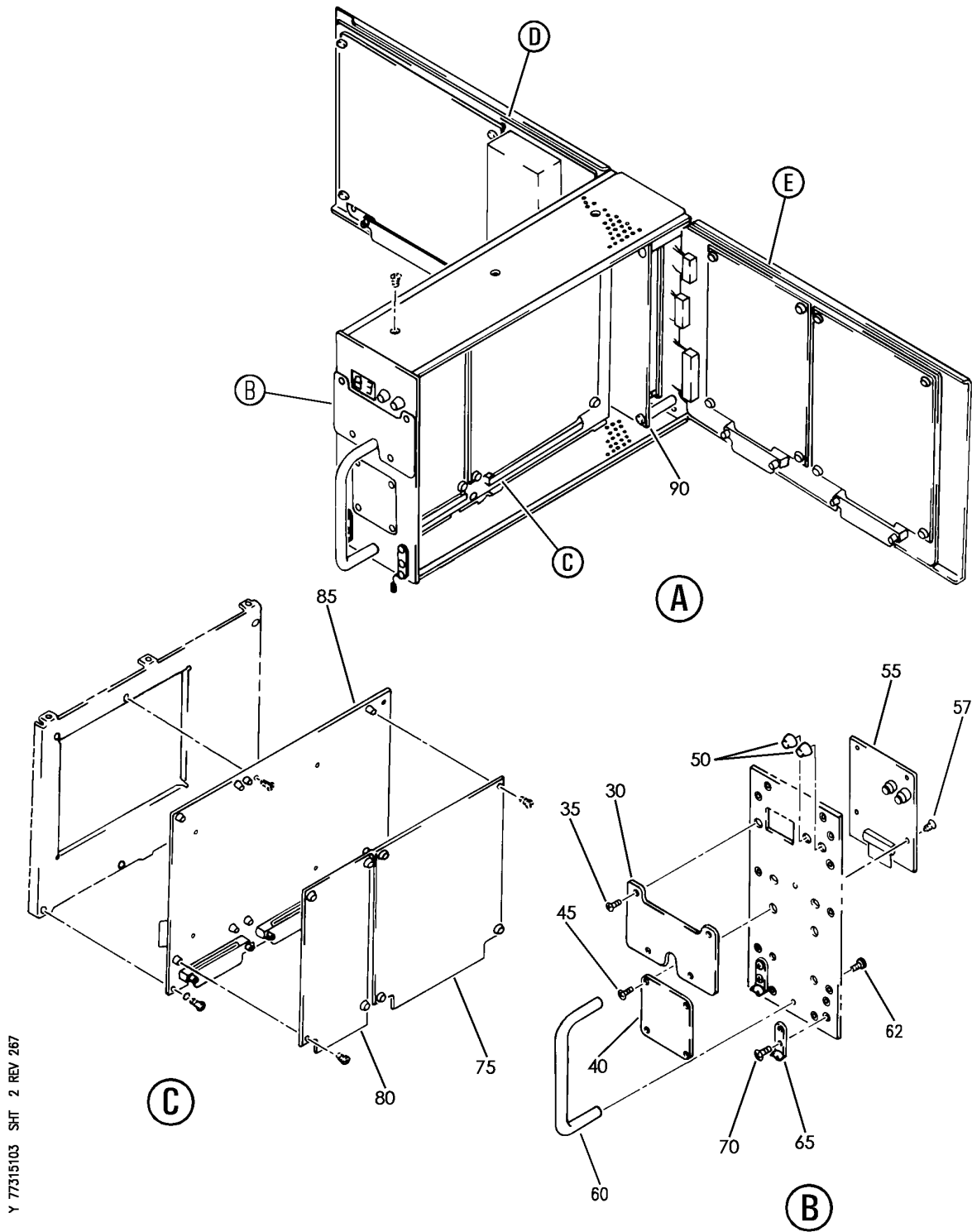
EQUIPMENT INSTL-MAIN ELECTRONICS EQPT CTR (AIRBORNE VIBRATION MON SYS ONLY- ROLLS ROYCE)
FIGURE 3 (SHEET 1)

BRI
MAY 28/07

77-31-51-03

77-31-51-03
PAGE 0

BOEING
757
PARTS CATALOG (MAINTENANCE)



Y 77315103 SHT 2 REV 267

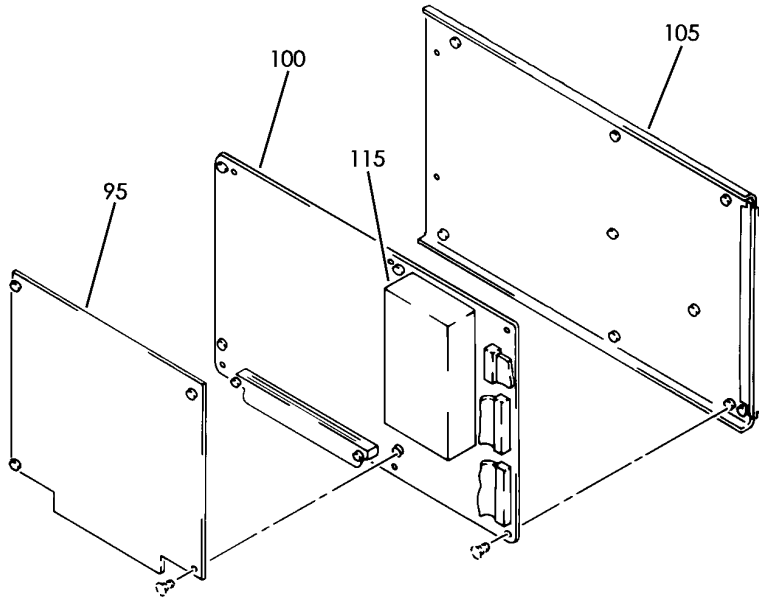
EQUIPMENT INSTL-MAIN ELECTRONICS EQPT CTR (AIRBORNE VIBRATION MON SYS ONLY- ROLLS ROYCE)
FIGURE 3 (SHEET 2)

77-31-51-03

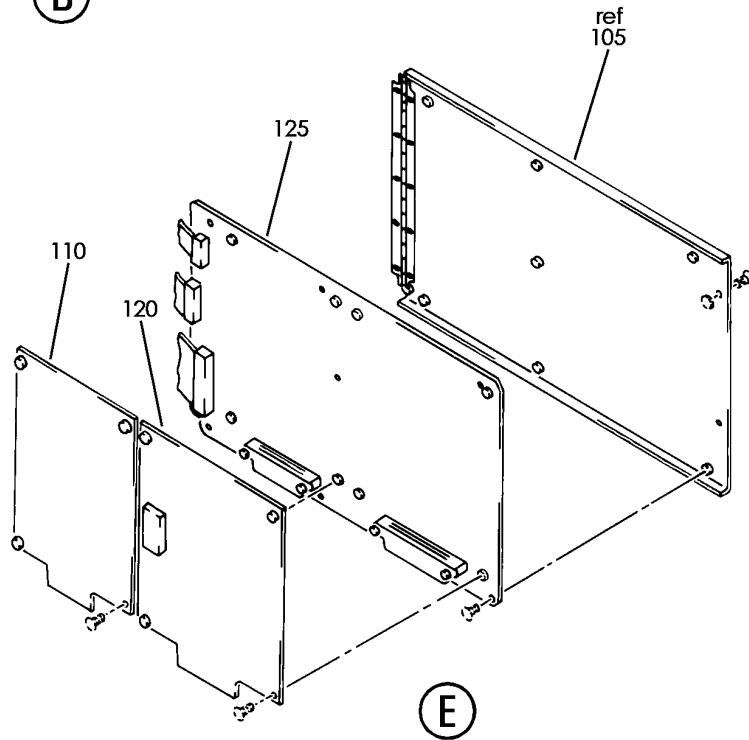
BRI
MAY 28/07

77-31-51-03
PAGE 0A

BOEING
757
PARTS CATALOG (MAINTENANCE)



(D)



(E)

Y 77315103 SHT 3 REV 214

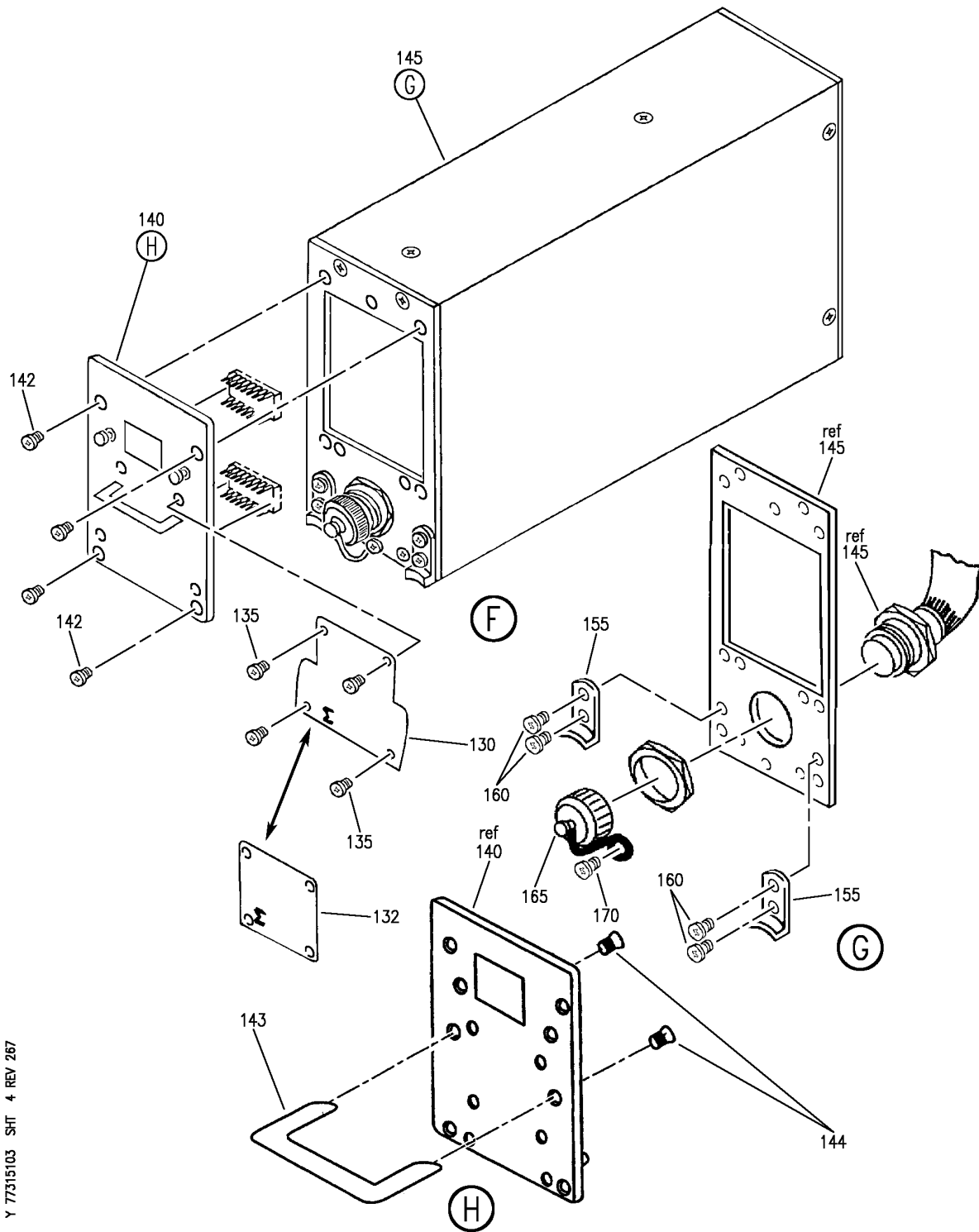
EQUIPMENT INSTL-MAIN ELECTRONICS EQPT CTR (AIRBORNE VIBRATION MON SYS ONLY- ROLLS ROYCE)
FIGURE 3 (SHEET 3)

BRI
MAY 28/07

77-31-51-03

77-31-51-03
PAGE 0B

BOEING
757
PARTS CATALOG (MAINTENANCE)



Y 77315103 SH1 4 REV 267

EQUIPMENT INSTL-MAIN ELECTRONICS EQPT CTR (AIRBORNE VIBRATION MON SYS ONLY- ROLLS ROYCE)
FIGURE 3 (SHEET 4)

BRI
MAY 28/07

77-31-51-03

77-31-51-03
PAGE 0C



757

PARTS CATALOG (MAINTENANCE)

FIG ITEM	PART NUMBER	1 2 3 4 5 6 7	NOMENCLATURE	EFFECT FROM TO	UNITS PER ASSY
3			EQUIPMENT INSTL-MAIN ELECTRONICS EQPT CTR (AIRBORNE VIBRATION MON SYS ONLY- ROLLS ROYCE)	002004 006100 107107 121999	
- 1	284N1307-33		EQUIPMENT INSTL-MAIN ELECTRONICS EQPT CTR (AIRBORNE VIBRATION MONITORING SYSTEM ONLY) FOR NHA/OTHER SYS DET SEE: 24-00-58-01	107107	RF
- 2	284N1800-16		EQUIPMENT INSTL-MAIN ELECTRONICS EQPT CTR (AIRBORNE VIBRATION MONITORING SYSTEM ONLY) FOR NHA/OTHER SYS DET SEE: 24-00-58-01	121503 904949	RF
- 3	284N1800-32		EQUIPMENT INSTL-MAIN ELECTRONICS EQPT CTR (AIRBORNE VIBRATION MONITORING SYSTEM ONLY) FOR NHA/OTHER SYS DET SEE: 24-00-58-01	952999	RF
- 3	284N1800-34		EQUIPMENT INSTL-MAIN ELECTRONICS EQPT CTR (AIRBORNE VIBRATION MONITORING SYSTEM ONLY) FOR NHA/OTHER SYS DET SEE: 24-00-58-01	002004 006100	RF
- 3	284N1800-38		EQUIPMENT INSTL-MAIN ELECTRONICS EQPT CTR (AIRBORNE VIBRATION MONITORING SYSTEM ONLY) FOR NHA/OTHER SYS DET SEE: 24-00-58-01	950951	RF
- 4	284N1800-88		EQUIPMENT INSTL-MAIN ELECTRONICS EQPT CTR (AIRBORNE VIBRATION MONITORING SYSTEM ONLY) FOR NHA/OTHER SYS DET SEE: 24-00-58-05E	505505	RF
- 5	284N1800-190		EQUIPMENT INSTL-MAIN ELECTRONICS EQPT CTR (AIRBORNE VIBRATION MONITORING SYSTEM ONLY) FOR NHA/OTHER SYS DET SEE: 24-00-58-05E	504504 506903	RF

MISSING ITEM NUMBERS NOT APPLICABLE

- ITEM NOT ILLUSTRATED

BRI

77-31-51-03

BOEING PROPRIETARY - Copyright © - Unpublished Work - See title page for details.

77-31-51
FIG. 03
PAGE 1
JAN 20/09



757

PARTS CATALOG (MAINTENANCE)

FIG ITEM	PART NUMBER	1 2 3 4 5 6 7	NOMENCLATURE	EFFECT FROM TO	UNITS PER ASSY
3					
15	6670M2315		.MONITOR UNIT ASSY-ENG VIBRATION SUPPLIER CODE: V95411 SPECIFICATION NUMBER: S332T304-15 ELECTRICAL EQUIP NUMBER: M00132 M10571 COMPONENT MAINT MANUAL REF: 77-31-04	107107	2
15	6670M2318		.MONITOR UNIT ASSY-ENG VIBRATION SUPPLIER CODE: V95411 SPECIFICATION NUMBER: S332T304-18 ELECTRICAL EQUIP NUMBER: M00132 M10571 COMPONENT MAINT MANUAL REF: 77-30-28	107107	2
15	6670M2320		.MONITOR UNIT ASSY-ENG VIBRATION SUPPLIER CODE: V95411 SPECIFICATION NUMBER: S332T304-20 ELECTRICAL EQUIP NUMBER: M00132 M10571 COMPONENT MAINT MANUAL REF: 77-30-26	107107	2
15	6672M451		.MONITOR UNIT ASSY-ENG VIBRATION SUPPLIER CODE: V95411 SPECIFICATION NUMBER: S360N021-451 ELECTRICAL EQUIP NUMBER: M00132 M10571 COMPONENT MAINT MANUAL REF: 77-30-50 PRE SERVICE BULLETIN: 77-0009	002002 006100 904949 953999	2

R
R
R
R
R
R
R
R
R
R

MISSING ITEM NUMBERS NOT APPLICABLE

- ITEM NOT ILLUSTRATED

77-31-51-03

77-31-51
FIG. 03
PAGE 2
MAY 20/09

BRI



757

PARTS CATALOG (MAINTENANCE)

FIG ITEM	PART NUMBER	1 2 3 4 5 6 7	NOMENCLATURE	EFFECT FROM TO	UNITS PER ASSY
3 15	6670M2318	.	MONITOR UNIT ASSY-ENG VIBRATION SUPPLIER CODE: V95411 SPECIFICATION NUMBER: S332T304-18 ELECTRICAL EQUIP NUMBER: M00132 M10571 COMPONENT MAINT MANUAL REF: 77-30-28 OPTIONAL PART: 6670M2320 V95411 PRE SERVICE BULLETIN: 77-0009	002002 006100 904949 953999	2
15	6670M2320	.	MONITOR UNIT ASSY-ENG VIBRATION SUPPLIER CODE: V95411 SPECIFICATION NUMBER: S332T304-20 ELECTRICAL EQUIP NUMBER: M00132 M10571 COMPONENT MAINT MANUAL REF: 77-30-26 PRE SERVICE BULLETIN: 77-0009	002002 006100 904949 953999	2

MISSING ITEM NUMBERS NOT APPLICABLE

- ITEM NOT ILLUSTRATED

BRI

77-31-51-03

BOEING PROPRIETARY - Copyright © - Unpublished Work - See title page for details.

77-31-51
FIG. 03
PAGE 3
JAN 20/09



757

PARTS CATALOG (MAINTENANCE)

FIG ITEM	PART NUMBER	1 2 3 4 5 6 7	NOMENCLATURE	EFFECT FROM TO	UNITS PER ASSY
3 15	241-280-051-012		.MONITOR UNIT ASSY-ENG VIBRATION SUPPLIER CODE: VS3960 FUNCTIONAL DESCRIPTION: MONITORS ACCELEROMETER AND TACHOMETER SIGNALS FROM THE ENGINE AND PROVIDES INDIVIDUAL ROTOR AND OVERALL ENGINE VIBRATION LEVELS FOR FLIGHT DECK INDICATION AND AIRBORNE DATA ACQUISITION SYSTEMS SPECIFICATION NUMBER: S362A001-1 ELECTRICAL EQUIP NUMBER: M00132 M10571 SERVICE BULLETIN OPT DATA: 241-280-056-014 VS3960 241-280-053-013 VS3960 POST SERVICE BULLETIN: 77-0009	003004 121903 950999	2
15	6672M451		.MONITOR UNIT ASSY-ENG VIBRATION SUPPLIER CODE: V95411 SPECIFICATION NUMBER: S360N021-451 ELECTRICAL EQUIP NUMBER: M00132 M10571 COMPONENT MAINT MANUAL REF: 77-30-50	107107	2

MISSING ITEM NUMBERS NOT APPLICABLE

- ITEM NOT ILLUSTRATED

BRI

77-31-51-03

BOEING PROPRIETARY - Copyright © - Unpublished Work - See title page for details.

77-31-51
FIG. 03
PAGE 4
JAN 20/09



757

PARTS CATALOG (MAINTENANCE)

FIG ITEM	PART NUMBER	1 2 3 4 5 6 7	NOMENCLATURE	EFFECT FROM TO	UNITS PER ASSY
3					
20	6670M2317		.MONITOR UNIT-ENG VIBRATION SUPPLIER CODE: V95411 SPECIFICATION NUMBER: S332T304-17 ELECTRICAL EQUIP NUMBER: M00132 M10571 COMPONENT MAINT MANUAL REF: 77-31-04 OPTIONAL PART: 6670M2315 V95411	107107	2
20	6672M452		.MONITOR UNIT-ENG VIBRATION SUPPLIER CODE: V95411 SPECIFICATION NUMBER: S360N021-452 ELECTRICAL EQUIP NUMBER: M00132 M10571 COMPONENT MAINT MANUAL REF: 77-30-72 PRE SERVICE BULLETIN: 77-0009	002002 006100 904949 953999	2
30	25249		.. LABEL-FAULT SUPPLIER CODE: V95411 USED ON: 6670M2315 USED ON: 6670M2315	107107	1
30	26407		.. LABEL-FAULT SUPPLIER CODE: V95411 USED ON: 6670M2318 USED ON: 6670M2318	002002 006100 107107 904949 953999	1
30	26074		.. LABEL-FAULT SUPPLIER CODE: V95411 USED ON: 6670M2320 USED ON: 6670M2320	002002 006100 107107 904949 953999	1

MISSING ITEM NUMBERS NOT APPLICABLE

- ITEM NOT ILLUSTRATED

77-31-51-03

77-31-51
FIG. 03
PAGE 5
MAY 20/09

BRI



757

PARTS CATALOG (MAINTENANCE)

FIG ITEM	PART NUMBER	1 2 3 4 5 6 7	NOMENCLATURE	EFFECT FROM TO	UNITS PER ASSY
3			ATTACHING PARTS		
35	MS51957-13		.. SCREW- USED ON: 6670M2315 6670M2318 6670M2320	002002 006100 107107 904949 953999	4
40	26104		-----*----- .. LABEL-IDENT SUPPLIER CODE: V95411 USED ON: 6670M2318 6670M2320 USED ON: 6670M2318 6670M2320	002002 006100 107107 904949 953999	1
40	24977		.. LABEL-IDENT SUPPLIER CODE: V95411 USED ON: 6670M2315 USED ON: 6670M2315	107107	1
45	MS51957-13		ATTACHING PARTS .. SCREW- USED ON: 6670M2315 6670M2318 6670M2320	002002 006100 107107 904949 953999	4
50	8025WBLKCAP		-----*----- .. DRESS NUT AND BLACK CAP- SUPPLIER CODE: V09353 USED ON: 6670M2315 6670M2318	002002 006100 107107 904949 953999	2
50	8025		.. DRESS NUT AND BLACK CAP- SUPPLIER CODE: V09353 USED ON: 6670M2320 USED ON: 6670M2320	002002 006100 107107 904949 953999	2

MISSING ITEM NUMBERS NOT APPLICABLE

- ITEM NOT ILLUSTRATED

77-31-51-03

77-31-51
FIG. 03
PAGE 6
MAY 20/09

BRI



757

PARTS CATALOG (MAINTENANCE)

FIG ITEM	PART NUMBER	1 2 3 4 5 6 7	NOMENCLATURE	EFFECT FROM TO	UNITS PER ASSY
3					
55	24974-1		..BOARD ASSY-CKT PNL LOGIC SUPPLIER CODE: V95411 POSITION DATA: FRONT USED ON: 6670M2315 6670M2318 USED ON: 6670M2318	002002 006100 107107 904949 953999	1
55	26387-2		..BOARD ASSY-CKT PNL LOGIC SUPPLIER CODE: V95411 POSITION DATA: FRONT USED ON: 6670M2320 USED ON: 6670M2320 ATTACHING PARTS	002002 006100 107107 904949 953999	1
57	MS21090-0621		..SCREW- USED ON: 6670M2315 6670M2318 6670M2320	002002 006100 107107 904949 953999	4
60	10222SS0832-7		-----*----- ..HANDLE- SUPPLIER CODE: V06540 USED ON: 6670M2315 6670M2318 6670M2320 USED ON: 6670M2320 ATTACHING PARTS	002002 006100 107107 904949 953999	1
62	MS21090-0836		..SCREW- USED ON: 6670M2315 6670M2318 6670M2320	002002 006100 107107 904949 953999	2
65	43-0913-00-901		-----*----- ..HOOK-HOLD DOWN SUPPLIER CODE: V81860 USED ON: 6670M2315 6670M2318 6670M2320	002002 006100 107107 904949 953999	2

MISSING ITEM NUMBERS NOT APPLICABLE

- ITEM NOT ILLUSTRATED

BRI

77-31-51-03

BOEING PROPRIETARY - Copyright © - Unpublished Work - See title page for details.

77-31-51
FIG. 03
PAGE 7
MAY 20/09



757

PARTS CATALOG (MAINTENANCE)

FIG ITEM	PART NUMBER	1 2 3 4 5 6 7	NOMENCLATURE	EFFECT FROM TO	UNITS PER ASSY
3			ATTACHING PARTS		
70	MS21090-0836		.. SCREW- USED ON: 6670M2315 6670M2318 6670M2320	002002 006100 107107 904949 953999	4
75	24962-13		-----*----- .. BOARD ASSY-CKT TACH SHAPER SUPPLIER CODE: V95411 USED ON: 6670M2315 6670M2318 USED ON: 6670M2318	002002 006100 107107 904949 953999	1
75	26381-3		.. BOARD ASSY-CKT TACH SHAPER SUPPLIER CODE: V95411 USED ON: 6670M2320 USED ON: 6670M2320	002002 006100 107107 904949 953999	1
80	24968		.. BOARD ASSY-CKT 429 BUS SUPPLIER CODE: V95411 USED ON: 6670M2315 6670M2318 USED ON: 6670M2318	002002 006100 107107 904949 953999	1
80	26385		.. BOARD ASSY-CKT 429 BUS SUPPLIER CODE: V95411 USED ON: 6670M2320 USED ON: 6670M2320	002002 006100 107107 904949 953999	1

MISSING ITEM NUMBERS NOT APPLICABLE

- ITEM NOT ILLUSTRATED

BRI

77-31-51-03

BOEING PROPRIETARY - Copyright © - Unpublished Work - See title page for details.

77-31-51
FIG. 03
PAGE 8
MAY 20/09



757

PARTS CATALOG (MAINTENANCE)

FIG ITEM	PART NUMBER	1 2 3 4 5 6 7	NOMENCLATURE	EFFECT FROM TO	UNITS PER ASSY
3					
85	24986-1		..BOARD ASSY-CKT INTERCONNECT 429 BUS AND TACH SHAPER SUPPLIER CODE: V95411 USED ON: 6670M2315 6670M2318 6670M2320 USED ON: 6670M2318 6670M2320	002002 006100 107107 904949 953999	1
90	24982		..BOARD ASSY-CKT INTERCONNECT PNL SUPPLIER CODE: V95411 POSITION DATA: REAR USED ON: 6670M2315 6670M2318 6670M2320 USED ON: 6670M2318 6670M2320	002002 006100 107107 904949 953999	1
95	26335		..BOARD ASSY-CKT RATIO GEN SUPPLIER CODE: V95411 USED ON: 6670M2318 USED ON: 6670M2318	002002 006100 107107 904949 953999	1
95	24960-3		..BOARD ASSY-CKT RATIO GEN SUPPLIER CODE: V95411 USED ON: 6670M2315 USED ON: 6670M2315	107107	1
95	26571		..BOARD ASSY-CKT RATIO GEN SUPPLIER CODE: V95411 USED ON: 6670M2320 USED ON: 6670M2320	002002 006100 107107 904949 953999	1

MISSING ITEM NUMBERS NOT APPLICABLE

- ITEM NOT ILLUSTRATED

BRI

77-31-51-03

BOEING PROPRIETARY - Copyright © - Unpublished Work - See title page for details.

77-31-51
FIG. 03
PAGE 9
JAN 20/09



757

PARTS CATALOG (MAINTENANCE)

FIG ITEM	PART NUMBER	1 2 3 4 5 6 7	NOMENCLATURE	EFFECT FROM TO	UNITS PER ASSY
3 100	24976		..BOARD ASSY-CKT INTERCONNECT RATIO GEN AND PWR SUPPLY SUPPLIER CODE: V95411 USED ON: 6670M2315 6670M2318 USED ON: 6670M2318	002002 006100 107107 904949 953999	1
100	26389		..BOARD ASSY-CKT INTERCONNECT RATIO GEN AND PWR SUPPLY SUPPLIER CODE: V95411 CONFIG CHG DATA FROM A CMM: SUPSD BY 27259 USED ON: 6670M2320 USED ON: 6670M2320	002002 006100 107107 904949 953999	1
100	27259		..BOARD ASSY-CKT INTERCONNECT RATIO GEN AND PWR SUPPLY SUPPLIER CODE: V95411 CONFIG CHG DATA FROM A CMM: SUPERSEDES 26389 USED ON: 6670M2320 USED ON: 6670M2320	002002 006100 107107 904949 953999	1
105	24887		..FRAME ASSY- SUPPLIER CODE: V95411 USED ON: 6670M2315 6670M2318 6670M2320 USED ON: 6670M2318 6670M2320	002002 006100 107107 904949 953999	1

MISSING ITEM NUMBERS NOT APPLICABLE

- ITEM NOT ILLUSTRATED

77-31-51-03

77-31-51
FIG. 03
PAGE 10
JAN 20/09

BRI



757

PARTS CATALOG (MAINTENANCE)

FIG ITEM	PART NUMBER	1 2 3 4 5 6 7	NOMENCLATURE	EFFECT FROM TO	UNITS PER ASSY
3					
110	24964-1		..BOARD ASSY-CKT CHARGE AMPL SUPPLIER CODE: V95411 USED ON: 6670M2315 6670M2318 USED ON: 6670M2318	002002 006100 107107 904949 953999	1
110	26379-4		..BOARD ASSY-CKT CHARGE AMPL SUPPLIER CODE: V95411 USED ON: 6670M2320 USED ON: 6670M2320	002002 006100 107107 904949 953999	1
115	26217		..POWER SUPPLY- SUPPLIER CODE: V95411 USED ON: 6670M2318 6670M2320 USED ON: 6670M2318 6670M2320	002002 006100 107107 904949 953999	1
120	24966-1		..BOARD ASSY-CKT TRACKING FILTER SUPPLIER CODE: V95411 USED ON: 6670M2315 6670M2318 USED ON: 6670M2318	002002 006100 107107 904949 953999	1
120	26383-2		..BOARD ASSY-CKT TRACKING FILTER SUPPLIER CODE: V95411 USED ON: 6670M2320 USED ON: 6670M2320	002002 006100 107107 904949 953999	1

MISSING ITEM NUMBERS NOT APPLICABLE

- ITEM NOT ILLUSTRATED

BRI

77-31-51-03

BOEING PROPRIETARY - Copyright © - Unpublished Work - See title page for details.

77-31-51
FIG. 03
PAGE 11
JAN 20/09



757

PARTS CATALOG (MAINTENANCE)

FIG ITEM	PART NUMBER	1 2 3 4 5 6 7	NOMENCLATURE	EFFECT FROM TO	UNITS PER ASSY
3					
125	24984		.. BOARD ASSY-CKT INTERCONNECT CHARGE AMPL AND TRACKING FILTER SUPPLIER CODE: V95411 USED ON: 6670M2315 6670M2318 6670M2320 USED ON: 6670M2318 6670M2320	002002 006100 107107 904949 953999	1
130	31594		.. LABEL-IDENT SUPPLIER CODE: V95411 USED ON: 6672M452	002002 006100 904949 953999	1
132	29873		.. LABEL-IDENT SUPPLIER CODE: V95411 USED ON: 6672M451	002002 006100 107107 904949 953999	1
135	MS21090-0410		ATTACHING PARTS .. SCREW- USED ON: 6672M451 6672M452	002002 006100 107107 904949 953999	4
140	29796		-----*----- .. MODULE-PERSONALITY SUPPLIER CODE: V95411 USED ON: 6672M452 6672M451	002002 006100 107107 904949 953999	1
142	MS21093-0832		ATTACHING PARTS .. SCREW- USED ON: 6672M452 6672M451	002002 006100 107107 904949 953999	4
143	1015		-----*----- ... HANDLE- SUPPLIER CODE: V88245	002002 006100 107107 904949 953999	1

MISSING ITEM NUMBERS NOT APPLICABLE

- ITEM NOT ILLUSTRATED

BRI

77-31-51-03

BOEING PROPRIETARY - Copyright © - Unpublished Work - See title page for details.

77-31-51
FIG. 03
PAGE 12
JAN 20/09



757

PARTS CATALOG (MAINTENANCE)

FIG ITEM	PART NUMBER	1 2 3 4 5 6 7	NOMENCLATURE	EFFECT FROM TO	UNITS PER ASSY
3			ATTACHING PARTS		
144	MS21093-345	...	SCREW	002002 006100 107107 904949 953999	2
145	27813-6*	.. SIGNAL COND ASSY-SIGNAL SUPPLIER CODE: V95411 USED ON: 6672M451 6672M452	002002 006100 107107 904949 953999	1
- 150	29841	...	LABEL-MOD SUPPLIER CODE: V95411 USED WITH: 6672M452	002002 006100 904949 953999	1
155	HDH11	...	HOOK-HOLD DOWN SUPPLIER CODE: V13636	002002 006100 107107 904949 953999	2
160	MS21090-0836	...	ATTACHING PARTS SCREW	002002 006100 107107 904949 953999	4
165	MS27295-4*	...CAP-PROTECTIVE	002002 006100 107107 904949 953999	1
170	MS21090-0409	...	ATTACHING PARTS SCREW	002002 006100 107107 904949 953999	1
- 500	286N1275-002*	WIRE BUNDLE ASSY- REWORKED BY SB: 31-0059 REWORKED BY ALERT SB: 34A0222	107107	RF

MISSING ITEM NUMBERS NOT APPLICABLE

- ITEM NOT ILLUSTRATED

BRI

77-31-51-03

BOEING PROPRIETARY - Copyright © - Unpublished Work - See title page for details.

77-31-51
FIG. 03
PAGE 13
JAN 20/09



757

PARTS CATALOG (MAINTENANCE)

FIG ITEM	PART NUMBER	1 2 3 4 5 6 7	NOMENCLATURE	EFFECT FROM TO	UNITS PER ASSY
3					
- 500	286N1275-004		WIRE BUNDLE ASSY- REWORKED BY SB: 31-0059 77-0009	121503 904949	RF
- 500	286N1275-011		WIRE BUNDLE ASSY- REWORKED BY SB: 31-0059 34-0200 77-0009	002004 006100 950999	RF
- 501	286N1275-369		WIRE BUNDLE ASSY- REWORKED BY SB: 77-0009	504903	RF
510	BKA11C0901		.CONNECTOR- SUPPLIER CODE: V71468 SPECIFICATION NUMBER: BACC66F11C0901 OPTIONAL PART: S611C0901 V59610 NIC66F11C0901 V00779 ELECTRICAL EQUIP NUMBER: D04240 D05602 WIRING DIAGRAM REF: 773111 REWORKED BY SB: 77-0009	121503 904949	2

MISSING ITEM NUMBERS NOT APPLICABLE

- ITEM NOT ILLUSTRATED

BRI

77-31-51-03

BOEING PROPRIETARY - Copyright © - Unpublished Work - See title page for details.

77-31-51
FIG. 03
PAGE 14
JAN 20/09



757

PARTS CATALOG (MAINTENANCE)

FIG ITEM	PART NUMBER	1 2 3 4 5 6 7	NOMENCLATURE	EFFECT FROM TO	UNITS PER ASSY
3 510	BKAC1-125-30081		.CONNECTOR- SUPPLIER CODE: V71468 SPECIFICATION NUMBER: BACC66F11C8101 OPTIONAL PART: S621MG05W2P0081 V59610 NIC66F11C8101 V00779 ELECTRICAL EQUIP NUMBER: D04240 D05602 WIRING DIAGRAM REF: 773111 REWORKED BY SB: 77-0009	002004 006100 107107 504903 950999	2

MISSING ITEM NUMBERS NOT APPLICABLE

- ITEM NOT ILLUSTRATED

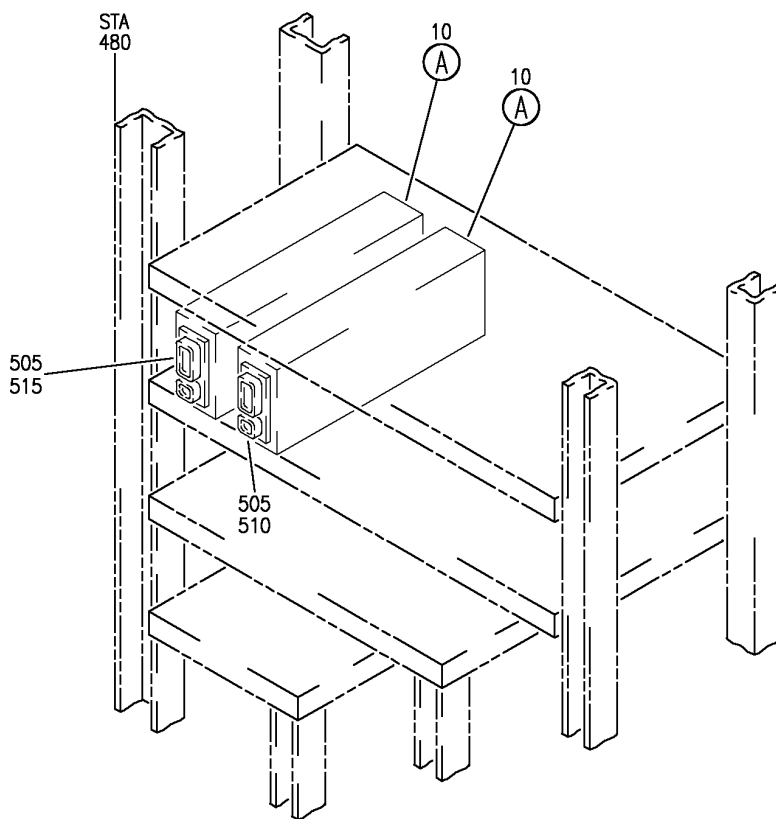
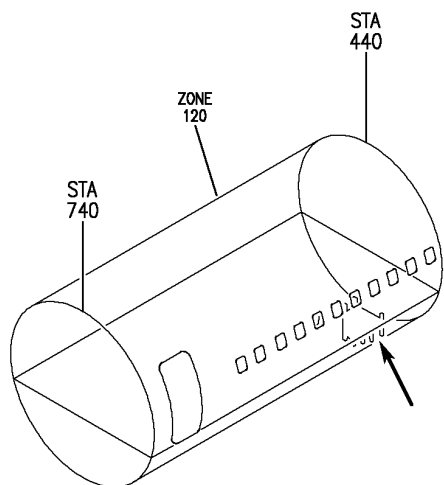
BRI

77-31-51-03

BOEING PROPRIETARY - Copyright © - Unpublished Work - See title page for details.

77-31-51
FIG. 03
PAGE 15
JAN 20/09

BOEING
757
PARTS CATALOG (MAINTENANCE)



Y 77315103B SHT 1 REV 256

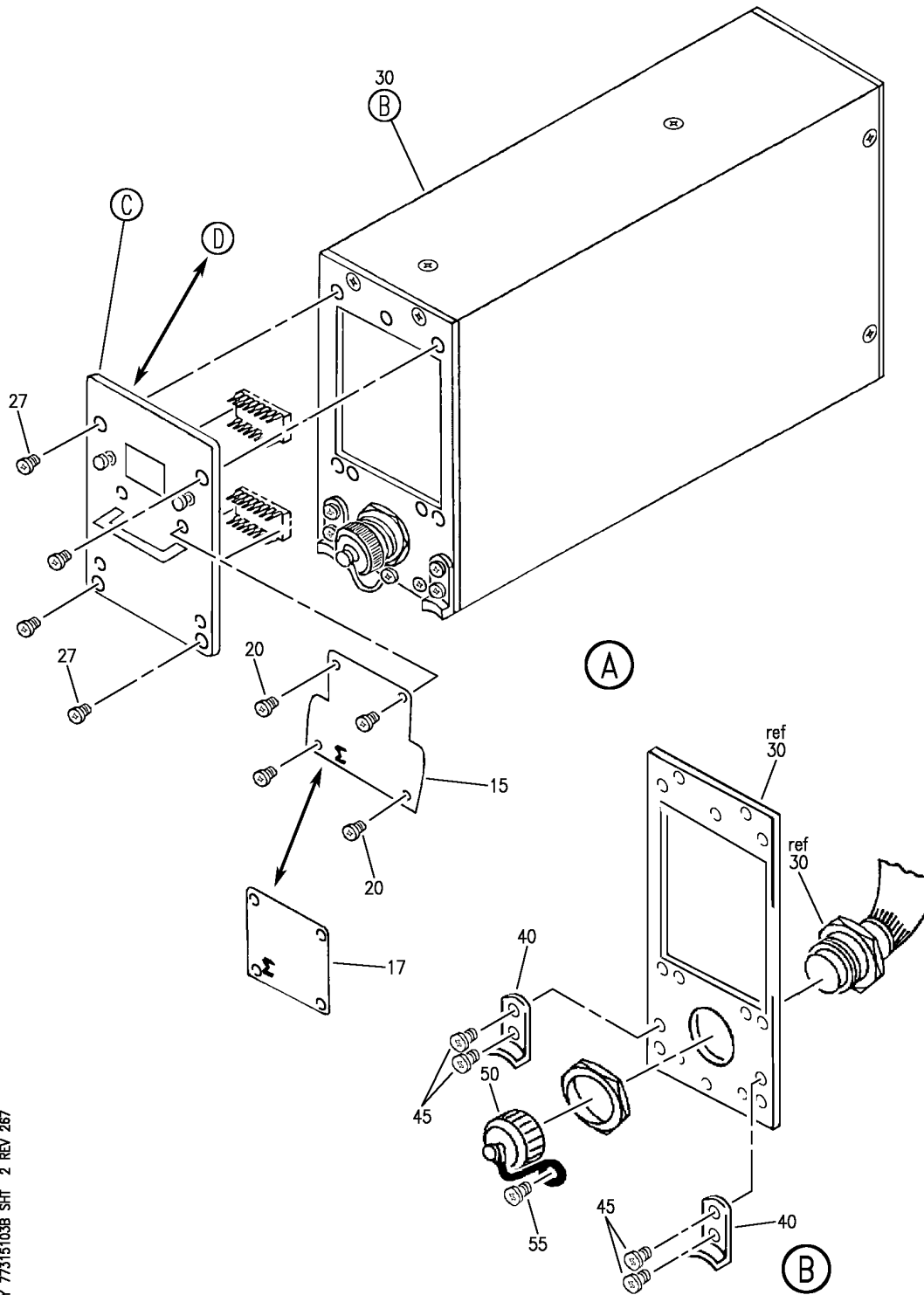
EQUIPMENT INSTL-MAIN ELECTRONICS EQPT CTR (AIRBORNE VIBRATION MON SYS ONLY-ROLLS ROYCE)
FIGURE 3B (SHEET 1)

BRI
MAY 28/07

77-31-51-03B

77-31-51-03B
PAGE 0

BOEING
757
PARTS CATALOG (MAINTENANCE)



Y 77315103B SHT 2 REV 267

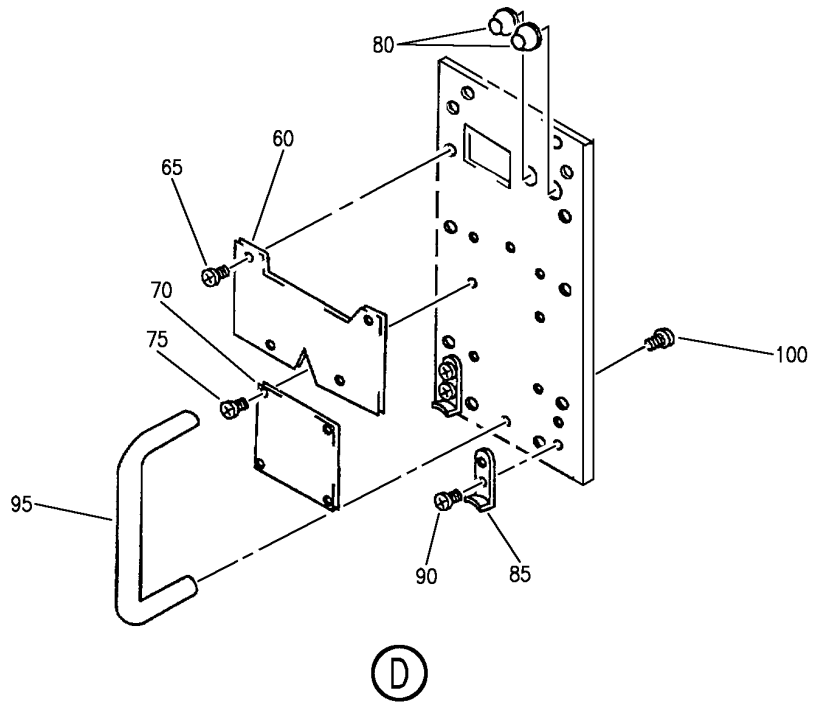
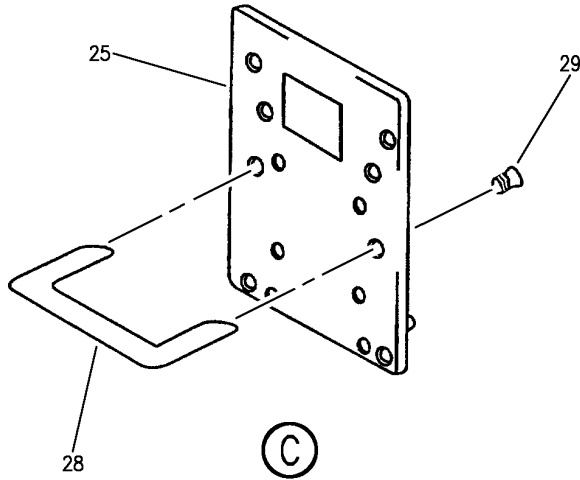
EQUIPMENT INSTL-MAIN ELECTRONICS EQPT CTR (AIRBORNE VIBRATION MON SYS ONLY-ROLLS ROYCE)
FIGURE 3B (SHEET 2)

BRI
MAY 28/07

77-31-51-03B

77-31-51-03B
PAGE 0A

BOEING
757
PARTS CATALOG (MAINTENANCE)



Y 77315103B SHT 3 REV 267

EQUIPMENT INSTL-MAIN ELECTRONICS EQPT CTR (AIRBORNE VIBRATION MON SYS ONLY-ROLLS ROYCE)
FIGURE 3B (SHEET 3)

BRI
MAY 28/07

77-31-51-03B

77-31-51-03B
PAGE 0B



757

PARTS CATALOG (MAINTENANCE)

FIG ITEM	PART NUMBER	1 2 3 4 5 6 7	NOMENCLATURE	EFFECT FROM TO	UNITS PER ASSY
3B			EQUIPMENT INSTL-MAIN ELECTRONICS EQPT CTR (AIRBORNE VIBRATION MON SYS ONLY-ROLLS ROYCE)	101102	
- 2	284N1800-140		EQUIPMENT INSTL-MAIN ELECTRONICS EQPT CTR (AIRBORNE VIBRATION MONITORING SYSTEM ONLY) FOR NHA/OTHER SYS DET SEE: 24-00-58-05E	101101	RF
- 2	284N1800-141		EQUIPMENT INSTL-MAIN ELECTRONICS EQPT CTR (AIRBORNE VIBRATION MONITORING SYSTEM ONLY) FOR NHA/OTHER SYS DET SEE: 24-00-58-05E	102102	RF
10	6672M452		.MONITOR UNIT-ENG VIBRATION SUPPLIER CODE: V95411 SPECIFICATION NUMBER: S360N021-452 ELECTRICAL EQUIP NUMBER: M00132 M10571 COMPONENT MAINT MANUAL REF: 77-30-72	101102	2
10	6672M451		.MONITOR UNIT ASSY-ENG VIBRATION SUPPLIER CODE: V95411 SPECIFICATION NUMBER: S360N021-451 ELECTRICAL EQUIP NUMBER: M00132 M10571 COMPONENT MAINT MANUAL REF: 77-30-51	101102	2
10	6670M2320		.MONITOR UNIT ASSY-ENG VIBRATION SUPPLIER CODE: V95411 SPECIFICATION NUMBER: S332T304-20 ELECTRICAL EQUIP NUMBER: M00132 M10571 COMPONENT MAINT MANUAL REF: 77-30-26	101102	2

MISSING ITEM NUMBERS NOT APPLICABLE

- ITEM NOT ILLUSTRATED

77-31-51-03B

77-31-51
FIG. 03B
PAGE 1
JAN 20/09

BRI



**757
PARTS CATALOG (MAINTENANCE)**

FIG ITEM	PART NUMBER	1 2 3 4 5 6 7	NOMENCLATURE	EFFECT FROM TO	UNITS PER ASSY
3B					
15	31594	..	LABEL-IDENT SUPPLIER CODE: V95411 USED ON: 6672M452	101102	1
17	29873	..	LABEL-IDENT SUPPLIER CODE: V95411 USED ON: 6672M451	101102	1
20	MS21090-0410	..	SCREW ATTACHING PARTS	101102	4
25	29796	..	MODULE-PERSONALITY SUPPLIER CODE: V95411 USED ON: 6672M452 6672M451	101102	1
27	MS21093-0832	..	SCREW ATTACHING PARTS	101102	4
28	1015	...	HANDLE- SUPPLIER CODE: V88245	101102	1
29	MS21093-345	...	SCREW ATTACHING PARTS	101102	2
30	27813-6	..	SIGNAL COND ASSY-SIGNAL SUPPLIER CODE: V95411	101102	1
- 35	29841	...	LABEL-MOD SUPPLIER CODE: V95411	101102	1
40	HDH11	...	HOOK-HOLD DOWN SUPPLIER CODE: V13636	101102	2
45	MS21090-0836	...	SCREW ATTACHING PARTS	101102	4
50	MS27295-4	...	CAP-PROTECTIVE ATTACHING PARTS	101102	1
55	MS21090-0409	...	SCREW ATTACHING PARTS	101102	1
60	26074	..	LABEL-FAULT SUPPLIER CODE: V95411 USED ON: 6670M2320	101102	1

MISSING ITEM NUMBERS NOT APPLICABLE

- ITEM NOT ILLUSTRATED

77-31-51-03B

77-31-51
FIG. 03B
PAGE 2
JAN 20/09

BRI

BOEING PROPRIETARY - Copyright © - Unpublished Work - See title page for details.



757

PARTS CATALOG (MAINTENANCE)

FIG ITEM	PART NUMBER	1 2 3 4 5 6 7	NOMENCLATURE	EFFECT FROM TO	UNITS PER ASSY
3B			ATTACHING PARTS		
65	MS51957-13		.. SCREW- USED ON: 6670M2320 -----*-----	101102	4
70	26104		.. LABEL-IDENT SUPPLIER CODE: V95411 USED ON: 6670M2320 ATTACHING PARTS	101102	1
75	MS51957-13		.. SCREW- USED ON: 6670M2320 -----*-----	101102	4
80	8025WBLKCAP		.. DRESS NUT AND BLACK CAP- SUPPLIER CODE: V09353 USED ON: 6670M2320	101102	2
85	43-0913-00-901		.. HOOK-HOLD DOWN SUPPLIER CODE: V81860 USED ON: 6670M2320 ATTACHING PARTS	101102	2
90	MS21090-0836		.. SCREW- USED ON: 6670M2320 -----*-----	101102	4
95	10222SS0832-7		.. HANDLE- SUPPLIER CODE: V06540 USED ON: 6670M2320 ATTACHING PARTS	101102	1
100	MS21090-0836		.. SCREW -----*-----	101102	2
- 501	286N1275-393		WIRE BUNDLE ASSY	101101	RF
- 501	286N1275-397		WIRE BUNDLE ASSY	102102	RF

MISSING ITEM NUMBERS NOT APPLICABLE

- ITEM NOT ILLUSTRATED

77-31-51-03B

77-31-51
FIG. 03B
PAGE 3
JAN 20/09

BRI

BOEING PROPRIETARY - Copyright © - Unpublished Work - See title page for details.

 **BOEING**
757
PARTS CATALOG (MAINTENANCE)

FIG ITEM	PART NUMBER	1 2 3 4 5 6 7 NOMENCLATURE	EFFECT FROM TO	UNITS PER ASSY
3B 505	BKAC1-125-30081	.CONNECTOR- SUPPLIER CODE: V71468 SPECIFICATION NUMBER: BACC66F11C8101 OPTIONAL PART: S621MG05W2P0081 V59610 NIC66F11C8101 V00779 ELECTRICAL EQUIP NUMBER: D04240 D05602 WIRING DIAGRAM REF: 773111	101102	2

MISSING ITEM NUMBERS NOT APPLICABLE

— ITEM NOT ILLUSTRATED

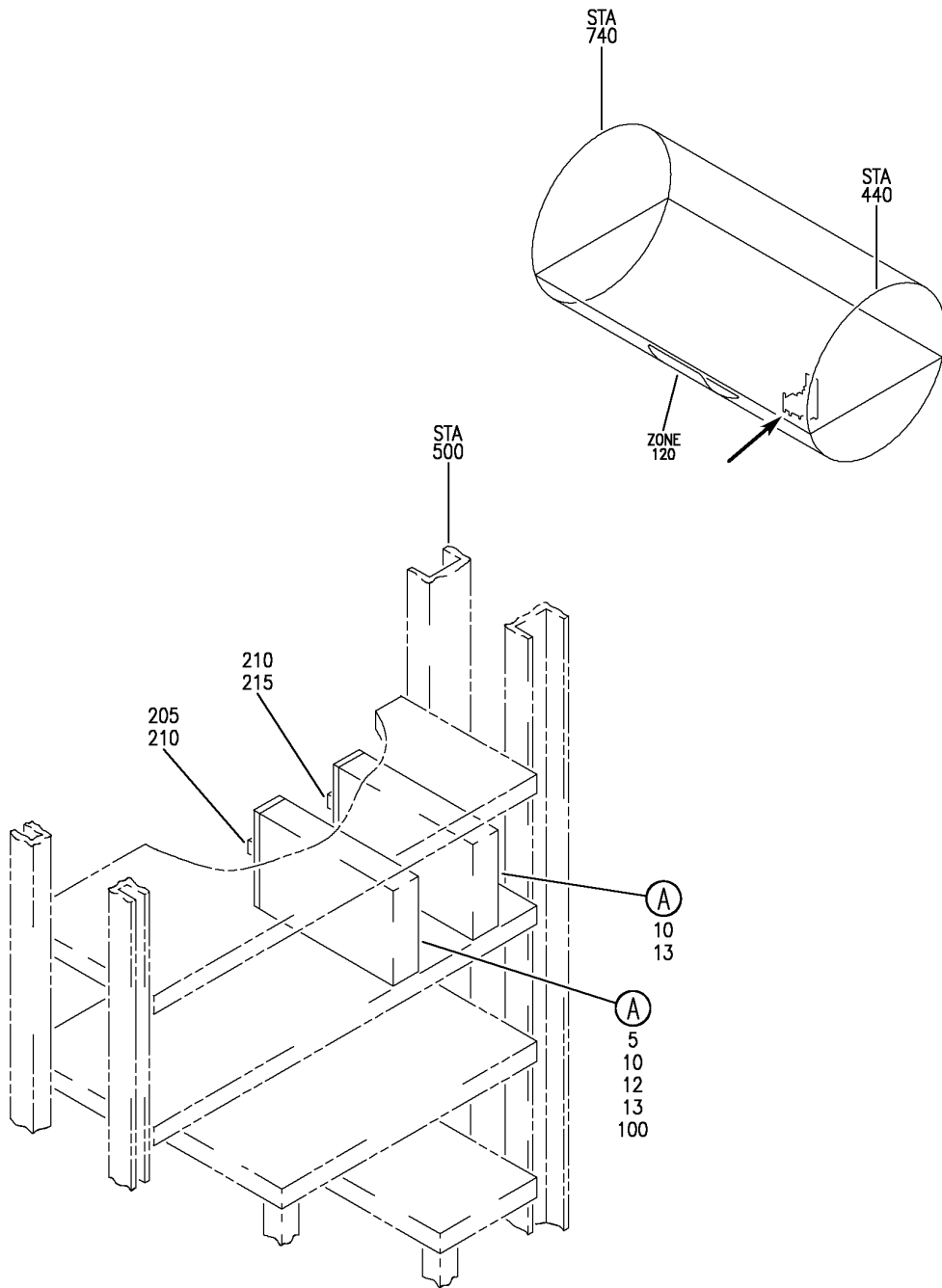
BRI

77-31-51-03B

BOEING PROPRIETARY - Copyright © - Unpublished Work - See title page for details.

77-31-51
FIG. 03B
PAGE 4
JAN 20/09

BOEING
757
PARTS CATALOG (MAINTENANCE)



Y 77315108 SH1 1 REV 316

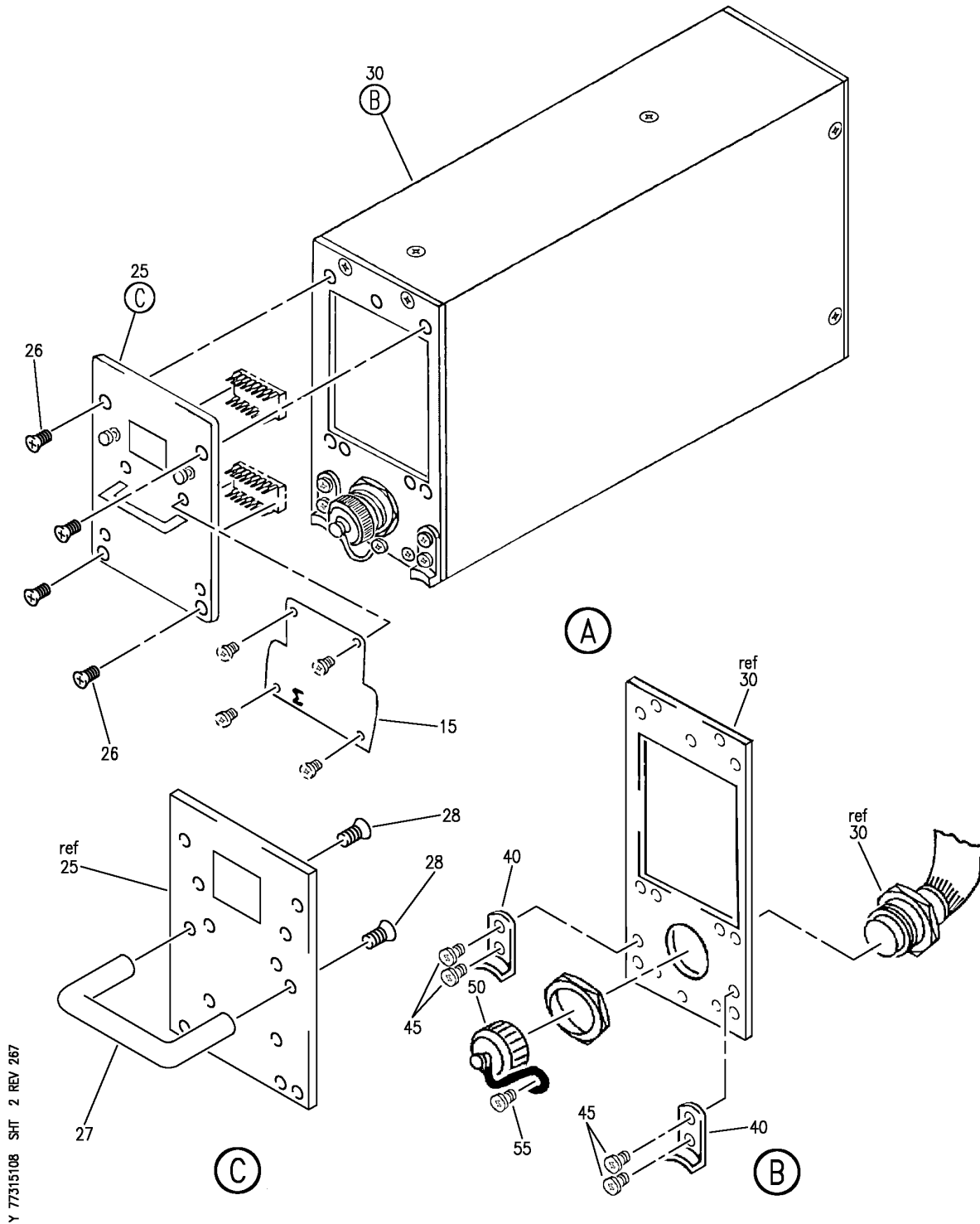
EQUIPMENT INSTL-MAIN ELECTRONICS EQPT CTR ENG VIBRATION MON
FIGURE 8 (SHEET 1)

77-31-51-08

BRI
JAN 20/09

77-31-51-08
PAGE 0

BOEING
757
PARTS CATALOG (MAINTENANCE)



Y 77315108 SHT 2 REV 267

EQUIPMENT INSTL-MAIN ELECTRONICS EQPT CTR ENG VIBRATION MON
FIGURE 8 (SHEET 2)

77-31-51-08

BRI
JAN 20/09

77-31-51-08
PAGE 0A



757

PARTS CATALOG (MAINTENANCE)

FIG ITEM	PART NUMBER	1 2 3 4 5 6 7	NOMENCLATURE	EFFECT FROM TO	UNITS PER ASSY
8			EQUIPMENT INSTL-MAIN ELECTRONICS EQPT CTR ENG VIBRATION MON	103106 108120	
- 1	284N4000-770003		EQUIPMENT INSTL-MAIN ELECTRONICS EQPT CTR ENG INDICATION AND CREW ALERTING SYS FOR NHA SEE: 24-00-58-05F	108120	RF
- 1	MODREF19950		EQUIPMENT INSTL-MAIN ELECTRONICS EQPT CTR ENG INDICATION AND CREW ALERTING SYS MODULE NUMBER: 284N4000-770006 REV A	103105	1
- 1	MODREF34360		EQUIPMENT INSTL-MAIN ELECTRONICS EQPT CTR ENG INDICATION AND CREW ALERTING SYS MODULE NUMBER: 284N4000-770006 REV B	106106	1
10	241-280-056-014		.MONITOR UNIT ASSY- SUPPLIER CODE: VS3960 ELECTRICAL EQUIP NUMBER: M00132 M10571	103106 108120	2
10	241-280-051-012		.MONITOR UNIT ASSY- SUPPLIER CODE: VS3960 FUNCTIONAL DESCRIPTION: MONITORS ACCELEROMETER AND TACHOMETER SIGNALS FROM THE ENGINE AND PROVIDES INDIVIDUAL ROTOR AND OVERALL ENGINE VIBRATION LEVELS FOR FLIGHT DECK INDICATION AND AIRBORNE DATA ACQUISITION SYSTEMS SPECIFICATION NUMBER: S362A001-1 ELECTRICAL EQUIP NUMBER: M00132 M10571 POST SERVICE BULLETIN: 77-0009	103106 108120	2
- 200	286N1275-603		WIRE BUNDLE ASSY	103106	RF

MISSING ITEM NUMBERS NOT APPLICABLE

- ITEM NOT ILLUSTRATED

BRI

77-31-51-08

BOEING PROPRIETARY - Copyright © - Unpublished Work - See title page for details.

77-31-51
FIG. 08
PAGE 1
JAN 20/09



757

PARTS CATALOG (MAINTENANCE)

FIG ITEM	PART NUMBER	1 2 3 4 5 6 7	NOMENCLATURE	EFFECT FROM TO	UNITS PER ASSY
8					
- 200	286N1275-412		WIRE BUNDLE ASSY- REWORKED BY SB: 77-0009	108120	RF
205	BACC66F11C5301		.CONNECTOR- ELECTRICAL EQUIP NUMBER: D04240 WIRING DIAGRAM REF: 773111	103106	1
210	BKAC1-125-30081		.CONNECTOR- SUPPLIER CODE: V71468 SPECIFICATION NUMBER: BACC66F11C8101 OPTIONAL PART: S621MG05W2P0081 V59610 NIC66F11C8101 V00779 ELECTRICAL EQUIP NUMBER: D04240 D05602 WIRING DIAGRAM REF: 771211 773111 REWORKED BY SB: 77-0009	108120	2
215	BKAC1-125-30081		.CONNECTOR- SUPPLIER CODE: V71468 SPECIFICATION NUMBER: BACC66F11C8101 OPTIONAL PART: S621MG05W2P0081 V59610 NIC66F11C8101 V00779 ELECTRICAL EQUIP NUMBER: D05602 WIRING DIAGRAM REF: 771211 773111	103106	1

MISSING ITEM NUMBERS NOT APPLICABLE

- ITEM NOT ILLUSTRATED

BRI

77-31-51-08

BOEING PROPRIETARY - Copyright © - Unpublished Work - See title page for details.

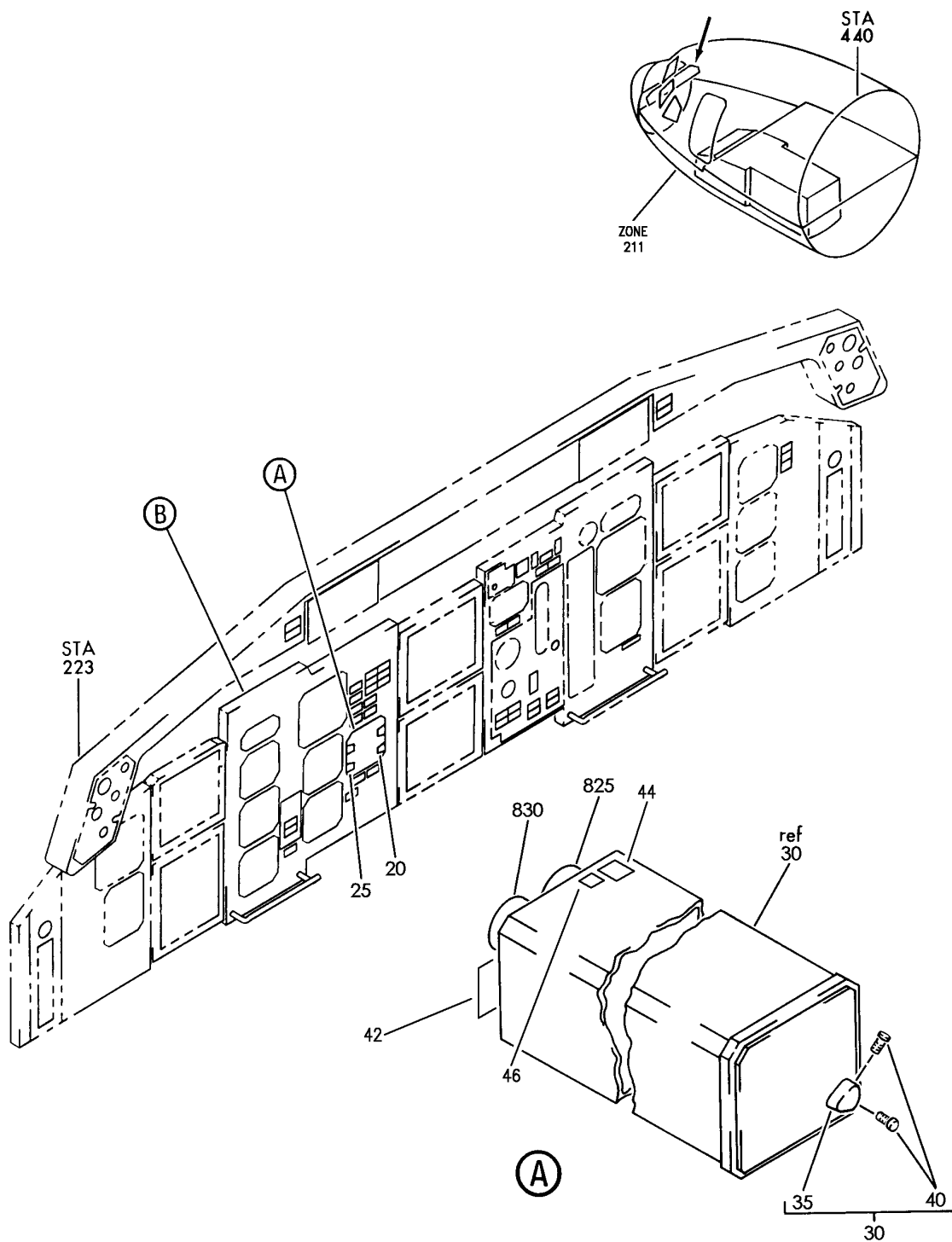
77-31-51
FIG. 08
PAGE 2
JAN 20/09

STANDBY ENGINE INDICATION SYSTEM

BRI
MAY 28/07

77-41-00
SECTION TITLE
PAGE 1

BOEING
757
PARTS CATALOG (MAINTENANCE)



Y 77410101 SHT 1 REV 268

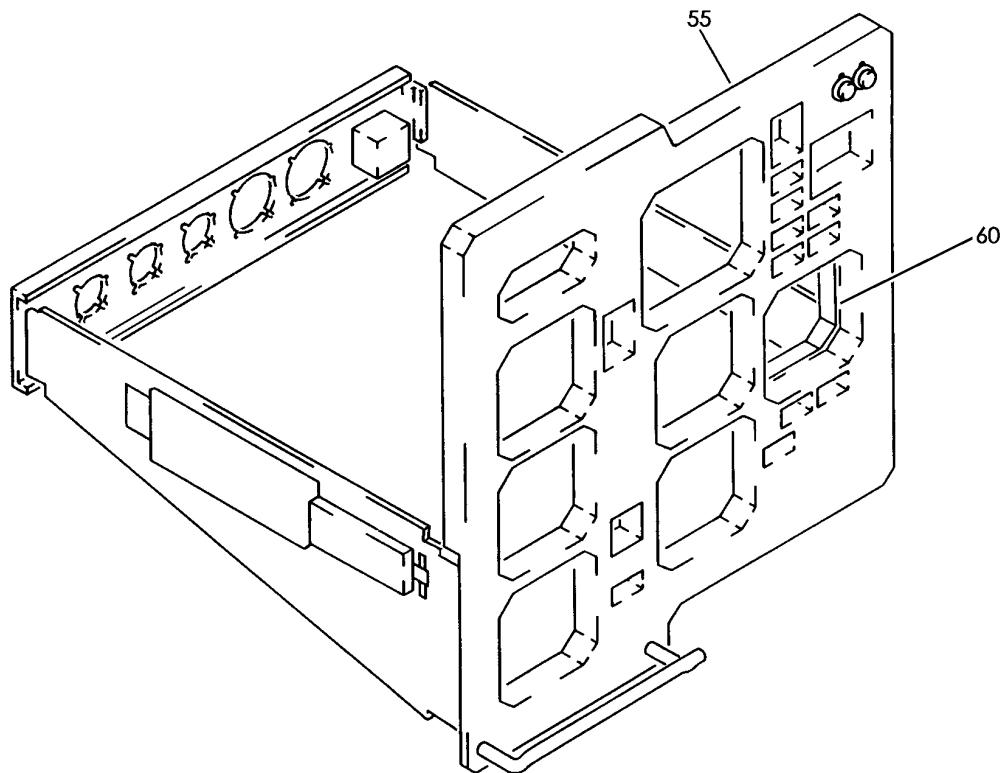
PANEL INSTL-P1-3 (ENGINE INDICATING ONLY)
FIGURE 1 (SHEET 1)

77-41-01-01

BRI
MAY 28/07

77-41-01-01
PAGE 0

BOEING
757
PARTS CATALOG (MAINTENANCE)



(B)

Y 77410101 SHT 2 REV 234

PANEL INSTL-P1-3 (ENGINE INDICATING ONLY)
FIGURE 1 (SHEET 2)

77-41-01-01

BRI
MAY 28/07

77-41-01-01
PAGE 0A



**757
PARTS CATALOG (MAINTENANCE)**

FIG ITEM	PART NUMBER	1 2 3 4 5 6 7	NOMENCLATURE	EFFECT FROM TO	UNITS PER ASSY
1			PANEL INSTL-P1-3 (ENGINE INDICATING ONLY)	101106 108120 504903	
- 1	233N2103-10		PANEL INSTL-P1-3 (ENGINE INDICATING ONLY) FOR NHA/OTHER SYS DET SEE: 25-10-00-15B	108120	RF
- 1	233N2103-72		PANEL INSTL-P1-3 (ENGINE INDICATING ONLY) FOR NHA/OTHER SYS DET SEE: 25-10-00-15B	101102	RF
- 1	233N2103-280		PANEL INSTL-P1-3 (ENGINE INDICATING ONLY) FOR NHA/OTHER SYS DET SEE: 25-10-00-15B	504903	RF

MISSING ITEM NUMBERS NOT APPLICABLE

- ITEM NOT ILLUSTRATED

BRI

77-41-01-01

BOEING PROPRIETARY - Copyright © - Unpublished Work - See title page for details.

77-41-01
FIG. 01
PAGE 1
JAN 20/09



757

PARTS CATALOG (MAINTENANCE)

FIG ITEM	PART NUMBER	1 2 3 4 5 6 7	NOMENCLATURE	EFFECT FROM TO	UNITS PER ASSY
1 - 5	MODREF31741		PANEL INSTL-P1-3 (ENGINE INDICATING ONLY) MODULE NUMBER: 233N2103-425 REV A FOR OTHER SYS DETAILS SEE: 11-31-01-38 22-11-02-03 22-14-01-03 22-31-02-01 22-34-51-02 26-17-51-05 27-51-57-03 27-58-00-02 27-81-00-01 29-21-55-02 31-11-11-19 31-11-16-01 31-11-26-38 31-25-01-03 31-41-52-02 31-51-52-02 32-35-52-03 32-41-52-02 32-42-55-03 32-46-00-01 32-61-51-03 33-13-57-01A 33-16-52-03 34-12-01-03 34-13-01-03 34-13-02-01 34-13-05-01 34-13-06-01 34-16-51-03 34-21-02-02 34-22-02-02 34-22-05-01A 34-22-06-01 34-24-01-03 34-32-00-02 34-46-51-02 34-51-02-02 34-57-00-01 34-61-01-07 34-61-02-02 79-33-51-05	103105	1

MISSING ITEM NUMBERS NOT APPLICABLE

- ITEM NOT ILLUSTRATED

BRI

77-41-01-01

BOEING PROPRIETARY - Copyright © - Unpublished Work - See title page for details.

77-41-01
FIG. 01
PAGE 2
JAN 20/09



757

PARTS CATALOG (MAINTENANCE)

FIG ITEM	PART NUMBER	1 2 3 4 5 6 7	NOMENCLATURE	EFFECT FROM TO	UNITS PER ASSY
1 - 5	MODREF104335		PANEL INSTL-P1-3 (ENGINE INDICATING ONLY) MODULE NUMBER: 233N2103-425 REV B FOR OTHER SYS DETAILS SEE: 11-31-01-38 22-11-02-03 22-14-01-03 22-31-02-01 22-34-51-02 26-17-51-05 27-51-57-03 27-58-00-02 27-81-00-01 29-21-55-02 31-11-11-19 31-11-16-01 31-11-26-38 31-25-01-03 31-41-52-02 31-51-52-02 32-35-52-03 32-41-52-02 32-42-55-03 32-46-00-01 32-61-51-03 33-13-57-01A 33-16-52-03 34-12-01-03 34-13-01-03 34-13-02-01 34-13-05-01 34-13-06-01 34-16-51-03 34-21-02-02 34-22-02-02 34-22-05-01A 34-22-06-01 34-24-01-03 34-32-00-02 34-46-51-02 34-51-02-02 34-57-00-01 34-61-01-07 34-61-02-02 79-33-51-05	106106	1

MISSING ITEM NUMBERS NOT APPLICABLE

- ITEM NOT ILLUSTRATED

BRI

77-41-01-01

BOEING PROPRIETARY - Copyright © - Unpublished Work - See title page for details.

77-41-01
FIG. 01
PAGE 3
JAN 20/09

BOEING
757
PARTS CATALOG (MAINTENANCE)

FIG ITEM	PART NUMBER	1 2 3 4 5 6 7	NOMENCLATURE	EFFECT FROM TO	UNITS PER ASSY
1					
20	801EED21		.PLACARD- SUPPLIER CODE: VK5294 POSITION DATA: RIGHT USED WITH: RB211-535E4	101106 108120 504903	1
25	800EED21		.PLACARD- SUPPLIER CODE: VK5294 POSITION DATA: LEFT USED WITH: RB211-535E4	101106 108120 504903	1
30	404EED1-1		.INDICATOR ASSY-STBY ENG SUPPLIER CODE: VK5294 SPECIFICATION NUMBER: S231N001-7 ELECTRICAL EQUIP NUMBER: N10016 COMPONENT MAINT MANUAL REF: 77-40-03	101106 108120 504903	1
35	EED837		..KNOB-FINISHED SUPPLIER CODE: VK5294 ATTACHING PARTS	101106 108120 504903	1
40	30-296-551-11		..SETSCREW- SUPPLIER CODE: VK5294 -----*-----	101106 108120 504903	2
42	STD1737		..NAMEPLATE- SUPPLIER CODE: VK5294	101106 108120 504903	1
44	STD3155-1		..LABEL-WARNING, ESD SUPPLIER CODE: VK5294	101106 108120 504903	1
46	CUF4771		..LABEL- SUPPLIER CODE: VK5294	101106 108120 504903	1
- 50	233N2221-301		.MODULE ASSY- COMPONENT MAINT MANUAL REF: 31-11-48	101102 108120	RF
- 50	233N2221-317		.MODULE ASSY- COMPONENT MAINT MANUAL REF: 31-11-48	505505 507903	RF
- 50	RR92002-134A101		.MODULE ASSY- POST RAPID REVISION: RR92002-134A	504504 506506	RF

MISSING ITEM NUMBERS NOT APPLICABLE

- ITEM NOT ILLUSTRATED

BRI

77-41-01-01

BOEING PROPRIETARY - Copyright © - Unpublished Work - See title page for details.

77-41-01
FIG. 01
PAGE 4
JAN 20/09



757

PARTS CATALOG (MAINTENANCE)

FIG ITEM	PART NUMBER	1 2 3 4 5 6 7	NOMENCLATURE	EFFECT FROM TO	UNITS PER ASSY
1					
- 50	233N2221-320		.MODULE ASSY- COMPONENT MAINT MANUAL REF: 31-11-48	101102 108120	RF
- 50	233N2221-325		.MODULE ASSY- COMPONENT MAINT MANUAL REF: 31-11-48	103106	RF
- 50	233N2221-326		.MODULE ASSY- COMPONENT MAINT MANUAL REF: 31-11-48	101102 108120	RF
- 51	233N2221-328		.MODULE ASSY- COMPONENT MAINT MANUAL REF: 31-11-48	101102 108120	RF
55	233N2221-51		..MODULE ASSY- USED ON: 233N2221-301	101102 108120	RF
55	233N2221-74		..MODULE ASSY	504903	RF
55	233N2221-81		..MODULE ASSY- USED ON: 233N2221-320 233N2221-326 233N2221-328	101106 108120	RF
60	123-03004A3		...CLAMP- SUPPLIER CODE: V33463	101106 108120 504903	1
60	123-3232HK		...CLAMP- SUPPLIER CODE: V28277	101106 108120 504903	1
- 802	286N0001-357		WIRE BUNDLE ASSY- REWORKED BY ALERT SB: 34A022	505505 507903	RF
- 802	286N0001-361		WIRE BUNDLE ASSY- REWORKED BY ALERT SB: 34A022	101101	RF
- 802	286N0001-365		WIRE BUNDLE ASSY- REWORKED BY ALERT SB: 34A022	102102	RF
- 803	286N0001-382		WIRE BUNDLE ASSY- REWORKED BY ALERT SB: 34A022	504504 506506	RF
- 803	286N0001-392		WIRE BUNDLE ASSY- REWORKED BY ALERT SB: 34A022	108120	RF
- 806	286N0001-709		WIRE BUNDLE ASSY-	103106	RF
825	BACC45FT16A24S6		.CONNECTOR- ELECTRICAL EQUIP NUMBER: D02210 WIRING DIAGRAM REF: 774111	101106 108120 504903	1

MISSING ITEM NUMBERS NOT APPLICABLE

- ITEM NOT ILLUSTRATED

BRI

77-41-01-01

77-41-01
FIG. 01
PAGE 5
JAN 20/09



757

PARTS CATALOG (MAINTENANCE)

FIG ITEM	PART NUMBER	1 2 3 4 5 6 7	NOMENCLATURE	EFFECT FROM TO	UNITS PER ASSY
1 830	BACC45FT16A24S		.CONNECTOR- ELECTRICAL EQUIP NUMBER: D02208 WIRING DIAGRAM REF: 331312	101106 108120 504903	1

MISSING ITEM NUMBERS NOT APPLICABLE

- ITEM NOT ILLUSTRATED

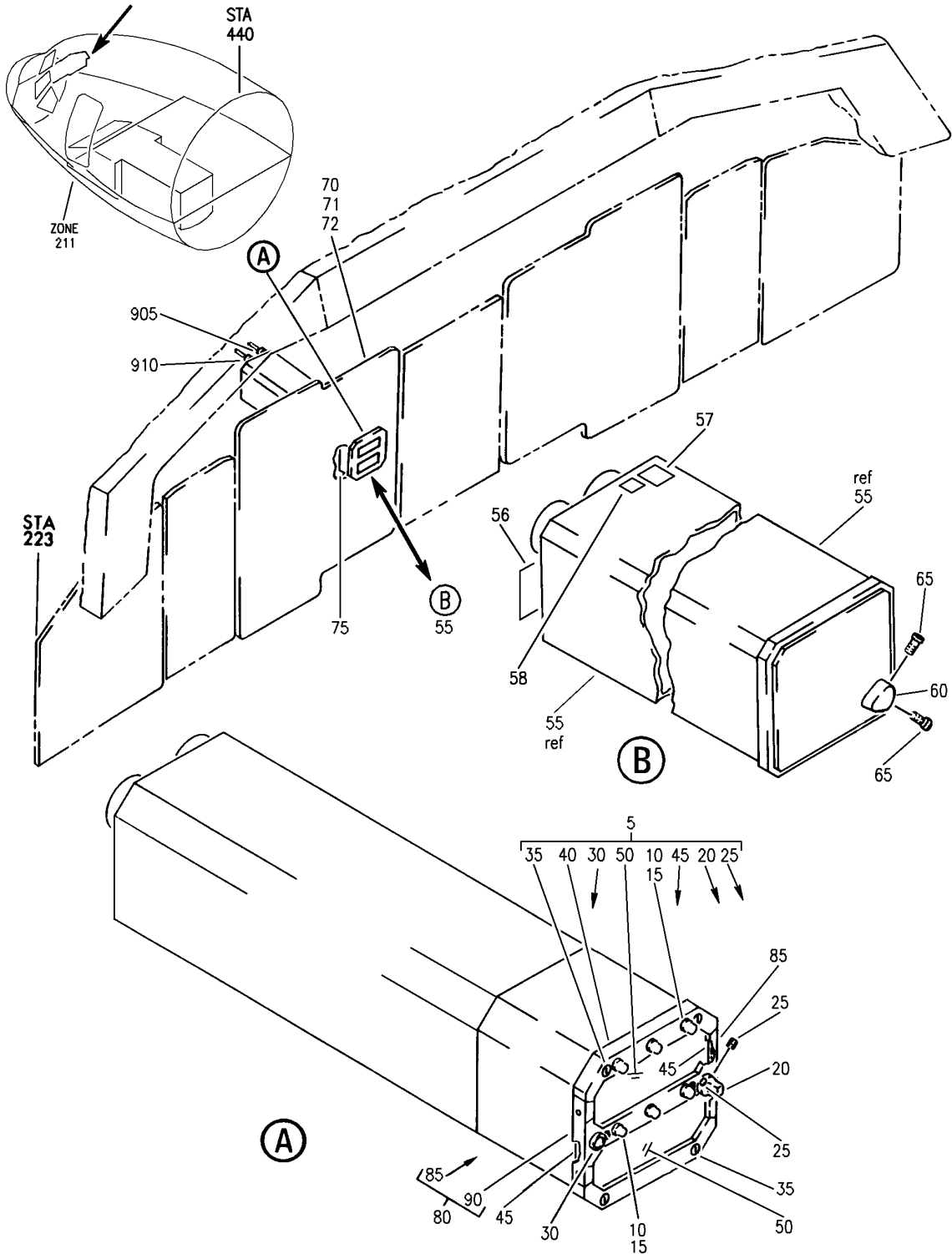
BRI

77-41-01-01

BOEING PROPRIETARY - Copyright © - Unpublished Work - See title page for details.

77-41-01
FIG. 01
PAGE 6
JAN 20/09


BOEING
 757
PARTS CATALOG (MAINTENANCE)



Y 77410102 REV 268

PANEL INSTL-CAPT AND FIRST OFFICER FWD (ENGINE INDICATING ONLY)
 FIGURE 2

77-41-01-02

BRI
 MAY 28/07

77-41-01-02
 PAGE 0



757

PARTS CATALOG (MAINTENANCE)

FIG ITEM	PART NUMBER	1 2 3 4 5 6 7	NOMENCLATURE	EFFECT FROM TO	UNITS PER ASSY
2			PANEL INSTL-CAPT AND FIRST OFFICER FWD (ENGINE INDICATING ONLY)	002004 006100 107107 121503 904999	
- 1	233N2101-1		PANEL INSTL-CAPT AND FIRST OFFICER (ENGINE INDICATING ONLY) POSITION DATA: FWD VARIABLE DRAWING REF: 233N2101-5003 233N2101-5004 233N2101-5037 233N2101-5039 233N2101-5041 FOR NHA/OTHER SYS DET SEE: 25-10-00-05A	002004 006010 107107 121503 904999	RF
55	404EED1-1		. INDICATOR ASSY-STBY SUPPLIER CODE: VK5294 SPECIFICATION NUMBER: S231N001-7 ELECTRICAL EQUIP NUMBER: N10016 COMPONENT MAINT MANUAL REF: 77-40-03	002004 006010 107107 121503 904999	1
56	STD1737		.. NAMEPLATE- SUPPLIER CODE: VK5294	002004 006010 107107 121503 904999	1
57	STD3155-1		.. LABEL-WARNING, ESD SUPPLIER CODE: VK5294	002004 006010 107107 121503 904999	1
58	CUF4771		.. LABEL- SUPPLIER CODE: VK5294	002004 006010 107107 121503 904999	1
60	EED837		.. KNOB-FINISHED SUPPLIER CODE: VK5294	002004 006010 107107 121503 904999	1

MISSING ITEM NUMBERS NOT APPLICABLE

- ITEM NOT ILLUSTRATED

BRI

77-41-01-02

BOEING PROPRIETARY - Copyright © - Unpublished Work - See title page for details.

77-41-01
FIG. 02
PAGE 1
JAN 20/09

 **BOEING**
757
PARTS CATALOG (MAINTENANCE)

FIG ITEM	PART NUMBER	1 2 3 4 5 6 7	NOMENCLATURE	EFFECT FROM TO	UNITS PER ASSY
2			ATTACHING PARTS		
65	30-296-551-11		.. SETSCREW- SUPPLIER CODE: VK5294	002004 006010 107107 121503 904999	2
71	233N2221-51		-----*----- .MODULE ASSY-P1-3	002004 006010 950999	RF
72	233N2221-59		.MODULE ASSY-P1-3	107107	RF
72	233N2221-62		.MODULE ASSY-P1-3	121503 904949	RF
75	123-03004A3		.. CLAMP- SUPPLIER CODE: V33463	002004 006010 107107 121503 904999	1
75	123-3232HK		.. CLAMP- SUPPLIER CODE: V28277	002004 006010 107107 121503 904999	1
80	233T2111-28		.PLACARD INSTL-	002004 006100 121503 950999	RF
80	233T2111-15		.PLACARD INSTL-	107107 904949	RF
85	801EED21		.. PLACARD- SUPPLIER CODE: VK5294 PLACARD CONTENT: RIGHT	002004 006100 121503 950999	RF
85	801EED5		.. PLACARD- SUPPLIER CODE: VK5294 PLACARD CONTENT: RIGHT	107107 904949	RF
90	800EED21		.. PLACARD- SUPPLIER CODE: VK5294 PLACARD CONTENT: LEFT	002004 006100 121503 950999	RF
90	800EED5		.. PLACARD- SUPPLIER CODE: VK5294 PLACARD CONTENT: LEFT	107107 904949	RF

MISSING ITEM NUMBERS NOT APPLICABLE

— ITEM NOT ILLUSTRATED

BRI

77-41-01-02

BOEING PROPRIETARY - Copyright © - Unpublished Work - See title page for details.

77-41-01
FIG. 02
PAGE 2
JAN 20/09



757

PARTS CATALOG (MAINTENANCE)

FIG ITEM	PART NUMBER	1 2 3 4 5 6 7	NOMENCLATURE	EFFECT FROM TO	UNITS PER ASSY
2					
- 900	286N0001-002		WIRE BUNDLE ASSY- REWORKED BY ALERT SB: 34A0222	121503 904949	RF
- 900	286N0001-003		WIRE BUNDLE ASSY- REWORKED BY ALERT SB: 34A0222	107107	RF
- 900	286N0001-005		WIRE BUNDLE ASSY- REWORKED BY ALERT SB: 34A0222	002004 006010 950999	RF
905	BACC45FT16A24S		.CONNECTOR- ELECTRICAL EQUIP NUMBER: D02208 WIRING DIAGRAM REF: 331312	002004 006010 107107 121503 904999	1
910	BACC45FT16A24S6		.CONNECTOR- ELECTRICAL EQUIP NUMBER: D02210 WIRING DIAGRAM REF: 771211 774111	002004 006010 107107 121503 904999	1

MISSING ITEM NUMBERS NOT APPLICABLE

- ITEM NOT ILLUSTRATED

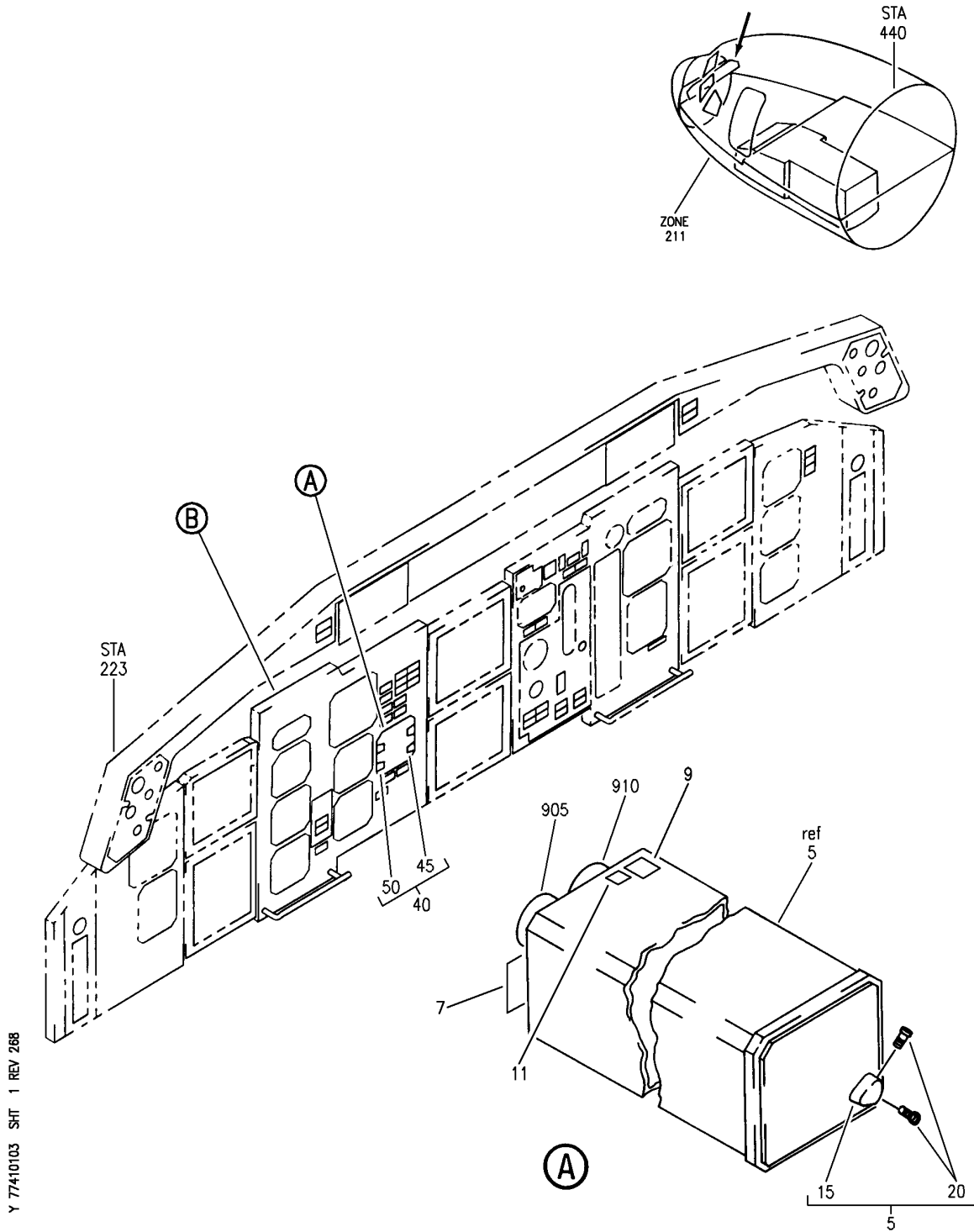
BRI

77-41-01-02

BOEING PROPRIETARY - Copyright © - Unpublished Work - See title page for details.

77-41-01
FIG. 02
PAGE 3
JAN 20/09

BOEING
757
PARTS CATALOG (MAINTENANCE)



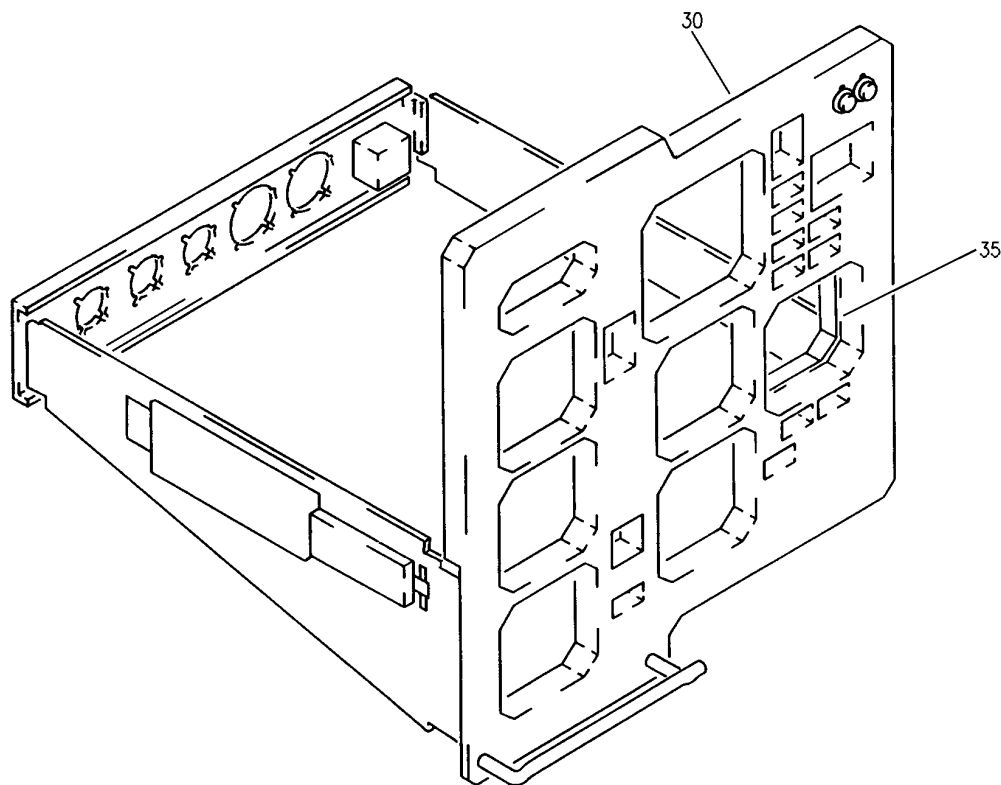
PANEL INSTL-CAPT AND FIRST OFFICER FWD (ENGINE INDICATING ONLY)
FIGURE 3 (SHEET 1)

77-41-01-03

BRI
MAY 28/07

77-41-01-03
PAGE 0

BOEING
757
PARTS CATALOG (MAINTENANCE)



(B)

Y 77410103 SHT 2 REV 240

PANEL INSTL-CAPT AND FIRST OFFICER FWD (ENGINE INDICATING ONLY)
FIGURE 3 (SHEET 2)

77-41-01-03

BRI
MAY 28/07

77-41-01-03
PAGE 0A



757

PARTS CATALOG (MAINTENANCE)

FIG ITEM	PART NUMBER	1 2 3 4 5 6 7	NOMENCLATURE	EFFECT FROM TO	UNITS PER ASSY
3			PANEL INSTL-CAPT AND FIRST OFFICER FWD (ENGINE INDICATING ONLY)	011100	
- 1	233N2101-1		PANEL INSTL-CAPT AND FIRST OFFICER (ENGINE INDICATING ONLY) POSITION DATA: FWD VARIABLE DRAWING REF: 233N2101-5039 FOR NHA/OTHER SYS DET SEE: 25-10-00-05A	011100	RF
5	404EED1-1		.INDICATOR ASSY-STBY ENG SUPPLIER CODE: VK5294 SPECIFICATION NUMBER: S231N001-7 ELECTRICAL EQUIP NUMBER: N10016 COMPONENT MAINT MANUAL REF: 77-40-03	011100	1
7	STD1737		..NAMEPLATE- SUPPLIER CODE: VK5294	011100	1
9	STD3155-1		..LABEL-WARNING, ESD SUPPLIER CODE: VK5294	011100	1
11	CUF4771		..LABEL- SUPPLIER CODE: VK5294	011100	1
15	EED837		..KNOB-FINISHED SUPPLIER CODE: VK5294	011100	1
20	30-296-551-11		ATTACHING PARTS ..SETSCREW- SUPPLIER CODE: VK5294	011100	2
- 25	233N2221-301		-----*----- .MODULE ASSY-P1-3 COMPONENT MAINT MANUAL REF: 31-11-48	011100	RF
30	233N2221-51		..MODULE ASSY	011100	RF
35	123-03004A3		...CLAMP- SUPPLIER CODE: V33463	011100	1
35	123-3232HK		...CLAMP- SUPPLIER CODE: V28277	011100	1
40	233T2111-28		.PLACARD INSTL	011100	RF

MISSING ITEM NUMBERS NOT APPLICABLE

- ITEM NOT ILLUSTRATED

77-41-01-03

77-41-01
FIG. 03
PAGE 1
JAN 20/09

BRI

BOEING PROPRIETARY - Copyright © - Unpublished Work - See title page for details.



757

PARTS CATALOG (MAINTENANCE)

FIG ITEM	PART NUMBER	1 2 3 4 5 6 7	NOMENCLATURE	EFFECT FROM TO	UNITS PER ASSY
3					
45	801EED21		.. PLACARD- SUPPLIER CODE: VK5294 PLACARD CONTENT: RIGHT	011100	RF
50	800EED21		.. PLACARD- SUPPLIER CODE: VK5294 PLACARD CONTENT: LEFT	011100	RF
- 900	286N0001-005		WIRE BUNDLE ASSY- REWORKED BY ALERT SB: 34A0222	011100	RF
905	BACC45FT16A24S		.CONNECTOR- ELECTRICAL EQUIP NUMBER: D02208 WIRING DIAGRAM REF: 331312	011100	1
910	BACC45FT16A24S6		.CONNECTOR- ELECTRICAL EQUIP NUMBER: D02210 WIRING DIAGRAM REF: 774111	011100	1

MISSING ITEM NUMBERS NOT APPLICABLE

- ITEM NOT ILLUSTRATED

BRI

77-41-01-03

BOEING PROPRIETARY - Copyright © - Unpublished Work - See title page for details.

77-41-01
FIG. 03
PAGE 2
JAN 20/09