


BOEING
 757
PARTS CATALOG (MAINTENANCE)

CH-SECT-UNIT-FIG	PAGE NO.	DATE	CH-SECT-UNIT-FIG	PAGE NO.	DATE
*80	1	MAY 20/09	80-11-51- 1	3	JAN 20/09
*80	2	MAY 20/09	80-11-51- 1	4	JAN 20/09
80-00-00	1	MAY 28/07	80-11-51- 1	5	JAN 20/09
80-00-00- 1	0	MAY 28/07	80-11-51- 1	6	JAN 20/09
80-00-00- 1	1	JAN 20/09	*80-11-51- 1	7	MAY 20/09
80-00-00- 1	2	JAN 20/09	80-11-51- 1A	0	MAY 28/07
80-00-00- 1A	0	JAN 20/09	80-11-51- 1A	1	JAN 20/09
80-00-00- 1A	1	JAN 20/09	80-11-53- 1	0	MAY 28/07
80-11-00	1	MAY 28/07	80-11-53- 1	0A	MAY 28/07
80-11-01- 1	0	MAY 28/07	80-11-53- 1	0B	MAY 28/07
80-11-01- 1	0A	MAY 28/07	80-11-53- 1	1	JAN 20/09
80-11-01- 1	1	JAN 20/09	80-11-53- 1	2	JAN 20/09
80-11-01- 1	2	JAN 20/09	80-11-53- 1	3	JAN 20/09
*80-11-01- 1	3	MAY 20/09	80-11-53- 1	4	JAN 20/09
*80-11-01- 1	4	MAY 20/09	80-11-53- 1	5	JAN 20/09
*80-11-01- 1	5	MAY 20/09	80-11-53- 1	6	JAN 20/09
*80-11-01- 1	6	MAY 20/09	80-11-53- 1	7	JAN 20/09
*80-11-01- 1	7	MAY 20/09	80-11-53- 1	8	JAN 20/09
*80-11-01- 1	8	MAY 20/09	80-11-71- 2	0	MAY 28/07
*80-11-01- 1	9	MAY 20/09	80-11-71- 2	0A	MAY 28/07
80-11-02- 1	0	MAY 28/07	80-11-71- 2	1	JAN 20/09
80-11-02- 1	1	JAN 20/09	80-11-71- 2	2	JAN 20/09
80-11-02- 1	2	JAN 20/09	80-11-71- 2	3	JAN 20/09
80-11-02- 1	3	JAN 20/09	80-11-71- 2	4	JAN 20/09
80-11-02- 1	4	JAN 20/09	80-11-71- 2	5	JAN 20/09
80-11-02- 1	5	JAN 20/09	80-11-71- 2	6	JAN 20/09
80-11-02- 1	6	JAN 20/09	80-11-71- 2	7	JAN 20/09
80-11-02- 1	7	JAN 20/09	80-11-71- 2	8	JAN 20/09
80-11-09- 2	0	MAY 28/07	80-11-71- 2	9	JAN 20/09
80-11-09- 2	1	JAN 20/09	80-11-71- 2A	0	MAY 28/07
80-11-09- 2	2	JAN 20/09	80-11-71- 2A	1	JAN 20/09
80-11-09- 2	3	JAN 20/09	80-11-71- 2A	2	JAN 20/09
80-11-09- 2	4	JAN 20/09	80-11-71- 2A	3	JAN 20/09
80-11-09- 2	5	JAN 20/09	80-11-71- 2A	4	JAN 20/09
80-11-09- 2	6	JAN 20/09	80-11-71- 2A	5	JAN 20/09
80-11-09- 2	7	JAN 20/09	80-11-71- 2A	6	JAN 20/09
80-11-09- 2	8	JAN 20/09	80-11-71- 2A	6	JAN 20/09
80-11-09- 2	9	JAN 20/09	80-11-71- 2A	0	MAY 28/07
80-11-09- 2	10	JAN 20/09	80-11-71- 2B	1	JAN 20/09
80-11-09- 2	11	JAN 20/09	80-11-71- 2B	2	JAN 20/09
80-11-09- 2	12	JAN 20/09	80-11-71- 2B	3	JAN 20/09
80-11-09- 2	13	JAN 20/09	80-11-71- 2B	4	JAN 20/09
80-11-09- 2	13	JAN 20/09	80-11-71- 2B	5	JAN 20/09
80-11-09- 3	0	MAY 28/07	*80-11-71- 2C	0	MAY 20/09
80-11-09- 3	1	JAN 20/09	80-11-71- 2C	1	JAN 20/09
80-11-09- 3	2	JAN 20/09	80-11-71- 2C	2	JAN 20/09
80-11-09- 3	3	JAN 20/09	80-11-71- 2C	3	JAN 20/09
80-11-09- 3	4	JAN 20/09	80-11-71- 2C	4	JAN 20/09
80-11-51- 1	0	MAY 28/07	*80-11-71- 2D	0	MAY 20/09
80-11-51- 1	0A	MAY 28/07	80-11-71- 2D	1	JAN 20/09
80-11-51- 1	1	JAN 20/09	80-11-71- 2D	2	JAN 20/09
*80-11-51- 1	2	MAY 20/09	80-11-71- 2D	3	JAN 20/09

* THE ASTERISK INDICATES PAGES CHANGED OR ADDED BY THE CURRENT REVISION

BRI
MAY 20/09

80 - LIST OF EFFECTIVE PAGES
PAGE 1



BOEING
757
PARTS CATALOG (MAINTENANCE)

CH-SECT-UNIT-FIG	PAGE NO.	DATE
80-11-71- 2D	4	JAN 20/09
80-11-71- 2D	5	JAN 20/09
80-11-71- 2D	6	JAN 20/09
80-11-71- 2D	7	JAN 20/09

CH-SECT-UNIT-FIG	PAGE NO.	DATE
------------------	----------	------

* THE ASTERISK INDICATES PAGES CHANGED OR ADDED BY THE CURRENT REVISION

BRI
MAY 20/09

80 - LIST OF EFFECTIVE PAGES
PAGE 2

 **BOEING**
757
PARTS CATALOG (MAINTENANCE)

CHAPTER 80 — STARTING

TABLE OF CONTENTS

SUBJECT	CC-SS-UU	FIGURE	EFFECT
STARTING	80-00-00		
PREMODULE COLLECTOR-757 RB211 SYSTEMS (STARTING ONLY)	80-00-00	01	101102 108120 504903
STRUT SYSTEM INSTL 757 RB211 (FIRE PROTECTION ONLY)	80-00-00	01A	103106



BOEING
757
PARTS CATALOG (MAINTENANCE)

CHAPTER 80 — STARTING

TABLE OF CONTENTS

SUBJECT	CC-SS-UU	FIGURE	EFFECT
ENGINE STARTING SYSTEM	80-11-00		
DUCT INSTL-STARTER AND TAI (STARTING ONLY) (RB211-535)	80-11-51	01A	101106 108120 504903
DUCT-STARTER AIR (RB211-535)	80-11-53	01	002004 006999
EQUIPMENT INSTL-STRUT PNEU (STARTING ONLY) (RB211-535)	80-11-51	01	002004 006999
OPTION PACKAGE ASSY-P36 MISC RELAY L (STARTING ONLY)	80-11-71	02A	101102 504903
PACKAGE ASSY-OPTION P37 MISC RELAY (STARTING ONLY)	80-11-71	02B	101102 504903
PANEL ASSY-P36 AND P37 MISC RELAY (STARTING ONLY)	80-11-71	02	002004 006100 107107 121503 904999
PANEL INSTL-P36 L MISC RELAY (STARTING ONLY)	80-11-71	02C	103106 108120
PANEL INSTL-P37 R MISC RELAY (STARTING ONLY)	80-11-71	02D	103106 108120
PANEL INSTL-P5 OVHD (ENGINE STARTING ONLY)	80-11-09	03	002004 006010 107107 121503 904999
PANEL INSTL-P5 OVHD (STARTING ONLY)	80-11-09	02	011106 108120 504903
STARTER-PNEU (RB211-535)	80-11-01	01	002004 006999
VALVE-PNEU STARTER CONT (RB211-535)	80-11-02	01	002004 006999

STARTING

BRI
MAY 28/07

80-00-00
SECTION TITLE
PAGE 1

NON-ILLUSTRATED FIGURE

THE ITEMS REFLECTED IN THIS FIGURE ARE INTENTIONALLY
NON-ILLUSTRATED. THEY ARE REFERENCED TO EITHER A
NEXT HIGHER OR NEXT LOWER ASSEMBLY/INSTALLATION FIGURE.

Y 80000001 REV 237

PREMODULE COLLECTOR-757 RB211 SYSTEMS (STARTING ONLY)
FIGURE 1

80-00-00-01

BRI
MAY 28/07

80-00-00-01
PAGE 0



757

PARTS CATALOG (MAINTENANCE)

FIG ITEM	PART NUMBER	1 2 3 4 5 6 7	NOMENCLATURE	EFFECT FROM TO	UNITS PER ASSY
1			PREMODULE COLLECTOR- 757 RB211 SYSTEMS (STARTING ONLY)	101102 108120 504903	
- 1	301N5090-300		PREMODULE COLLECTOR-RB211 757 RB211 SYSTEMS (STARTING ONLY) POSITION DATA: ENG POS 1 AND 2 FOR OTHER SYS DETAILS SEE: 26-00-00-01 28-00-00-02 29-00-51-11 30-00-00-01 36-00-00-01 54-00-00-06 71-00-01-02A 78-00-00-05	101102 108120 504903	RF
- 40	312N5080-7		.PREMODULE COLLECTOR-RB211 STRUT SYSTEM (INSTALLED BY ROHR) POSITION DATA: ENG POS 1	101102 504505	RF
- 40	312N5080-9		.PREMODULE COLLECTOR-RB211 STRUT SYSTEM (INSTALLED BY ROHR) POSITION DATA: ENG POS 1	506903	RF
- 40	312N5080-11		.PREMODULE COLLECTOR-RB211 STRUT SYSTEM (INSTALLED BY ROHR) POSITION DATA: ENG POS 1	108120	RF
- 45	312N5080-8		.PREMODULE COLLECTOR-RB211 STRUT SYSTEM (INSTALLED BY ROHR) POSITION DATA: ENG POS 2	101102 504505	RF
- 45	312N5080-10		.PREMODULE COLLECTOR-RB211 STRUT SYSTEM (INSTALLED BY ROHR) POSITION DATA: ENG POS 2	506903	RF
- 45	312N5080-12		.PREMODULE COLLECTOR-RB211 STRUT SYSTEM (INSTALLED BY ROHR) POSITION DATA: ENG POS 2	108120	RF

MISSING ITEM NUMBERS NOT APPLICABLE

- ITEM NOT ILLUSTRATED

80-00-00-01

80-00-00
FIG. 01
PAGE 1
JAN 20/09

BRI



757

PARTS CATALOG (MAINTENANCE)

FIG ITEM	PART NUMBER	1 2 3 4 5 6 7	NOMENCLATURE	EFFECT FROM TO	UNITS PER ASSY
1					
- 50	312N5301-12		..EQUIPMENT INSTL-STRUT PNEU FOR DETAILS SEE: 80-11-51-01	101102 108120 504903	RF
- 55	312N5304-4		..DUCT INSTL-STARTER AND TAI FOR DETAILS SEE: 80-11-51-01A	101102 108120 504903	RF

MISSING ITEM NUMBERS NOT APPLICABLE

- ITEM NOT ILLUSTRATED

BRI

80-00-00-01

BOEING PROPRIETARY - Copyright © - Unpublished Work - See title page for details.

80-00-00
FIG. 01
PAGE 2
JAN 20/09

 **BOEING**
757
PARTS CATALOG (MAINTENANCE)

NON-ILLUSTRATED FIGURE

THE ITEMS REFLECTED IN THIS FIGURE ARE INTENTIONALLY
NON-ILLUSTRATED. THEY ARE REFERENCED TO EITHER A
NEXT HIGHER OR NEXT LOWER ASSEMBLY/INSTALLATION FIGURE.

Y 80000001A REV 251

STRUT SYSTEM INSTL 757 RB211 (FIRE PROTECTION ONLY)
FIGURE 1A

80-00-00-01A

BRI
JAN 20/09

80-00-00-01A
PAGE 0

BOEING PROPRIETARY - Copyright © - Unpublished Work - See title page for details.



757

PARTS CATALOG (MAINTENANCE)

FIG ITEM	PART NUMBER	1 2 3 4 5 6 7	NOMENCLATURE	EFFECT FROM TO	UNITS PER ASSY
1 A			STRUT SYSTEM INSTL 757 RB211 (FIRE PROTECTION ONLY)	103106	
- 1	MODREF23488		STRUT SYSTEMS INSTL-RB211 (STARTING ONLY) MODULE NUMBER: 312N5080-13 REV B POSITION DATA: ENG POSITION 1 FOR OTHER SYS DETAILS SEE: 26-00-00-01A 28-00-00-02A 29-00-51-11A 30-00-00-01A 36-00-00-01A 54-00-00-06A 78-00-00-05A	103106	1
- 5	MODREF23489		STRUT SYSTEMS INSTL-RB211 (STARTING ONLY) MODULE NUMBER: 312N5080-14 REV B POSITION DATA: ENG POSITION 2 FOR OTHER SYS DETAILS SEE: 26-00-00-01A 28-00-00-02A 29-00-51-11A 30-00-00-01A 36-00-00-01A 54-00-00-06A 78-00-00-05A	103106	1
- 10	312N5301-12		.EQUIPMENT INSTL-STRUT PNEU FOR DETAILS SEE: 80-11-51-01	103106	RF
- 15	312N5304-4		.DUCT INSTL-STARTER AND TAI FOR DETAILS SEE: 80-11-51-01A	103106	RF

MISSING ITEM NUMBERS NOT APPLICABLE

- ITEM NOT ILLUSTRATED

80-00-00-01A

80-00-00
FIG. 01A
PAGE 1
JAN 20/09

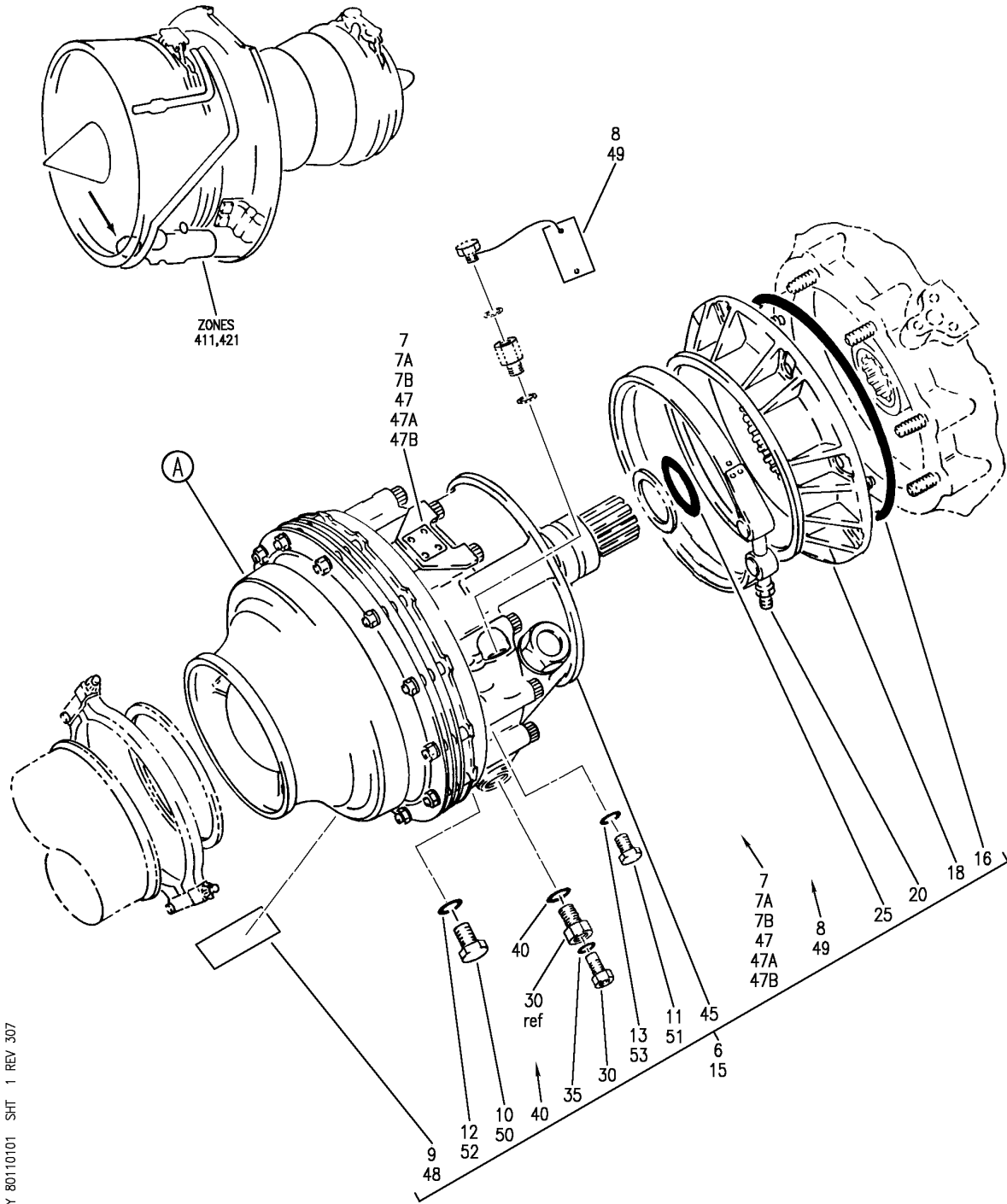
BRI

ENGINE STARTING SYSTEM

BRI
MAY 28/07

80-11-00
SECTION TITLE
PAGE 1

BOEING
757
PARTS CATALOG (MAINTENANCE)



Y 80110101 SH- 1 REV 307

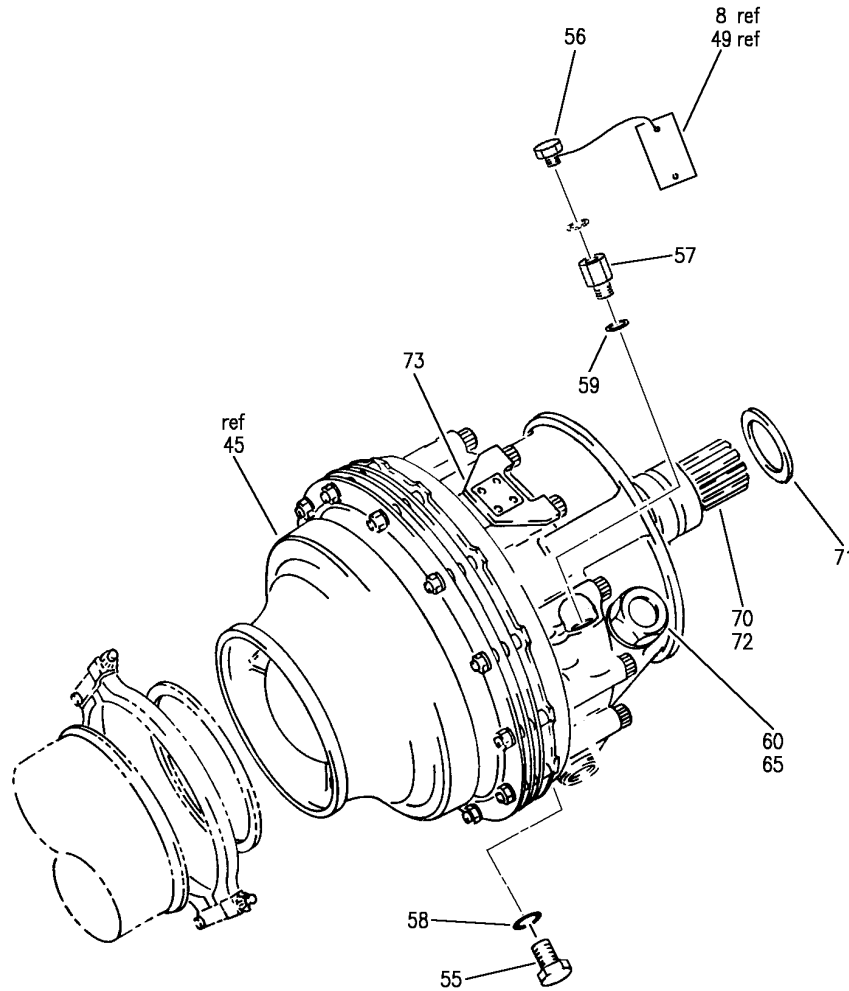
STARTER-PNEU (RB211-535)
FIGURE 1 (SHEET 1)

80-11-01-01

BRI
MAY 28/07

80-11-01-01
PAGE 0

BOEING
757
PARTS CATALOG (MAINTENANCE)



(A)

Y 80110101 SHF 2 REV 307

STARTER-PNEU (RB211-535)
FIGURE 1 (SHEET 2)

80-11-01-01

BRI
MAY 28/07

80-11-01-01
PAGE 0A



757

PARTS CATALOG (MAINTENANCE)

FIG ITEM	PART NUMBER	1 2 3 4 5 6 7	NOMENCLATURE	EFFECT FROM TO	UNITS PER ASSY
1			STARTER-PNEU (RB211-535)	002004	
- 1	UL20697		ENGINE ASSY-Q.E.C.U. RB211-535E43711 MAXIMUM NEUT WITH GRAVINER FIRE DETECTORS, BAYONET MCD, NON-MODULATED IDG COOLING 40,000 LB THRUST SUPPLIER CODE: VK0680 REFERENCE SERVICE BULLETIN: 71-0058R4 QUALIFIED SB I/W DATA: INTERMIX OF ONE OR SUBSTITUTION OF TWO DIFFERENT CONFIGURATION RB211-535E4-37/() ENGINES FOR RB211-535 E4 BASE ENGINES REFERENCE SERVICE BULLETIN: RB211-72-C547 VK0680 FOR NHA/OTHER SYS DET SEE: 71-00-02-04	006999 121503 904949 952999	RF
- 1	UL20702		ENGINE ASSY-Q.E.C.U. RB211-535E43711 BASIC ENGINE CONFIG. WITH GRAVINER FIRE DETECTORS, BAYONET MCD, NON-MODUATED IDG COOLING 40,100 LB THRUST SUPPLIER CODE: VK0680 FOR NHA/OTHER SYS DET SEE: 71-00-02-10	504903	RF
- 1	UL19722		ENGINE ASSY-Q.E.C.U. RB211-535E43711 MAXIMUM NEUT SUPPLIER CODE: VK0680 FOR NHA/OTHER SYS DET SEE: 71-00-02-04	107107	RF

MISSING ITEM NUMBERS NOT APPLICABLE

- ITEM NOT ILLUSTRATED

80-11-01-01

80-11-01
FIG. 01
PAGE 1
JAN 20/09

BRI



757

PARTS CATALOG (MAINTENANCE)

FIG ITEM	PART NUMBER	1 2 3 4 5 6 7	NOMENCLATURE	EFFECT FROM TO	UNITS PER ASSY
1					
- 2	UL20698		ENGINE ASSY-Q.E.C.U. RB211-535E43712 MAXIMUM NEUT SUPPLIER CODE: VK0680 REFERENCE SERVICE BULLETIN: 71-0058R7 QUALIFIED SB I/W DATA: INTERMIX OF ONE OR SUBSTITUTION OF TWO DIFFERENT CONFIGURATION RB211-535E4-37/() ENGINES FOR RB211-535E4 BASE ENGINES OR DIFFERENT CONFIGURATION RB211-535E4-B-37/() ENGINES FOR RB211-535E4-B BASE ENGINES REFERENCE SERVICE BULLETIN: RB211-72-C547 VK0680 RB211-72-8910 VK0680 POST RAPID REVISION: RR92014-183A-RC-E FOR NHA/OTHER SYS DET SEE: 71-00-02-04	002004 006100 102102	RF
- 2	UL36209		ENGINE ASSY-Q.E.C.U. RB211-535E43719 MAXIMUM NEUT SUPPLIER CODE: VK0680 FOR NHA/OTHER SYS DET SEE: 71-00-02-04	950951	RF
- 3	BCREF17395		ENGINE ASSY-Q.E.C.U. RB211-535E43739 BASIC ENGINE CONFIG. AND PHASE 5 COMBUSTOR 40,100 LB THRUST SUPPLIER CODE: VK0680 OVERLENGTH PART NUMBER: RB211-535E4-37-39E FOR NHA/OTHER SYS DET SEE: 71-00-02-10	108120	RF

MISSING ITEM NUMBERS NOT APPLICABLE

- ITEM NOT ILLUSTRATED

80-11-01-01

80-11-01
FIG. 01
PAGE 2
JAN 20/09

BRI



757

PARTS CATALOG (MAINTENANCE)

FIG ITEM	PART NUMBER	1 2 3 4 5 6 7	NOMENCLATURE	EFFECT FROM TO	UNITS PER ASSY
R R	1		VK0680		
			80-B007PT01		
			VK0680		
			80-B010PT01		
			VK0680		
			80-C006PT01		
			VK0680		
			80-8466PT01		
			VK0680		
			80-8252PTA		
			VK0680		
			PRE SERVICE BULLETIN:		
			80-6998		
			VK0680		
			80-8466		
			VK0680		
			80-B009		
			VK0680		
			80-8252		
			VK0680		
			80-8271		
			VK0680		
			80-9617		
			VK0680		
			80-B006		
			VK0680		
			80-C006		
			VK0680		
	80-B007				
	VK0680				
	80-B008				
	VK0680				
	80-F509				
	VK0680				

MISSING ITEM NUMBERS NOT APPLICABLE

- ITEM NOT ILLUSTRATED

80-11-01-01

80-11-01
FIG. 01
PAGE 4
MAY 20/09

BRI



757

PARTS CATALOG (MAINTENANCE)

FIG ITEM	PART NUMBER	1 2 3 4 5 6 7	NOMENCLATURE	EFFECT FROM TO	UNITS PER ASSY
1 15	774984-2		.. STARTER ASSY-AIRCRAFT ENG PNEUMATIC SUPPLIER CODE: V73030 CONFIG CHG DATA FROM A CMM: FOR INTRCHG SEE RR IPC COMPONENT MAINT MANUAL REF: 80-13-01 OPTIONAL PART: 774984-1 V73030 774984-3 V73030 POST SERVICE BULLETIN: 80-C006PT01 VK0680 80-B009PT01 VK0680 80-B010PT01 VK0680 PRE SERVICE BULLETIN: 80-B010 VK0680 80-B059 VK0680 80-F509 VK0680	002004 006999	1

R
R
R
R
R
R
R
R
R
R
R
R
R
R
R
R
R
R
R
R
R
R
R

MISSING ITEM NUMBERS NOT APPLICABLE

- ITEM NOT ILLUSTRATED

80-11-01-01

80-11-01
FIG. 01
PAGE 5
MAY 20/09

BRI

 **BOEING**
757
PARTS CATALOG (MAINTENANCE)

FIG ITEM	PART NUMBER	1 2 3 4 5 6 7	NOMENCLATURE	EFFECT FROM TO	UNITS PER ASSY
R R R R R R R R R R R R R R R	15	774984-3	.. STARTER ASSY-AIRCRAFT ENG PNEUMATIC SUPPLIER CODE: V73030 CONFIG CHG DATA FROM A CMM: FOR INTRCHG SEE RR IPC COMPONENT MAINT MANUAL REF: 80-13-01 OPTIONAL PART: 774984-1 V73030 774984-2 V73030 POST SERVICE BULLETIN: 80-B059PT01 VK0680 80-C006PT01 VK0680 PRE SERVICE BULLETIN: 80-C006 VK0680 80-F509 VK0680	002004 006999	1
	16	69490D261	...RING-SEALING SUPPLIER CODE: V73030	002004 006999	1
	18	739051-2	...HOUSING-ADAPTOR SUPPLIER CODE: V73030	002004 006999	1
	20	43176AA	...CLAMP-QUICK ATTACH SUPPLIER CODE: V94581 PRE SERVICE BULLETIN: 80-7972 VK0680	107107 121949 952999	1
	20	43176AB	...CLAMP-QUICK DETACH SUPPLIER CODE: V94581 POST SERVICE BULLETIN: 80-7972PTA VK0680 PRE SERVICE BULLETIN: 80-8218 VK0680	002004 006102 107999	1

MISSING ITEM NUMBERS NOT APPLICABLE

— ITEM NOT ILLUSTRATED

80-11-01-01

80-11-01
FIG. 01
PAGE 6
MAY 20/09

BRI

BOEING PROPRIETARY - Copyright © - Unpublished Work - See title page for details.



757

PARTS CATALOG (MAINTENANCE)

FIG ITEM	PART NUMBER	1 2 3 4 5 6 7	NOMENCLATURE	EFFECT FROM TO	UNITS PER ASSY
1	20 43176AC		...CLAMP-QUICK DETACH 728879-3 V73030 SUPPLIER CODE: V94581 POST SERVICE BULLETIN: 80-8218PTA VK0680	002004 006999	1
	25 69490D216		...RING-SEALING SUPPLIER CODE: V73030	002004 006999	1
	30 3806454		...PLUG-DRAIN SUPPLIER CODE: V97484 OPTIONAL PART: A75J V97484 HS728873-1 V73030 VP13 V82829	002004 006999	1
	30 A75J		...PLUG-DRAIN SUPPLIER CODE: V97484 OPTIONAL PART: 3806454 V97484 HS728873-1 V73030 VP13 V82829	002004 006999	1
	30 VP13		...PLUG-DRAIN SUPPLIER CODE: V82829 OPTIONAL PART: 3806454 V97484 A75J V97484 HS728873-1 V73030	002004 006999	1

MISSING ITEM NUMBERS NOT APPLICABLE

- ITEM NOT ILLUSTRATED

80-11-01-01

80-11-01
FIG. 01
PAGE 7
MAY 20/09

BRI

BOEING PROPRIETARY - Copyright © - Unpublished Work - See title page for details.



757

PARTS CATALOG (MAINTENANCE)

FIG ITEM	PART NUMBER	1 2 3 4 5 6 7	NOMENCLATURE	EFFECT FROM TO	UNITS PER ASSY
1					
30	HS728873-1	...	PLUG-DRAIN SUPPLIER CODE: V36540 OPTIONAL PART: 3806454 V97484 A75J V97484 VP13 V82829	002004 006999	1
35	NAS1595-2	PACKING-SEALING CONFIG CHG DATA FROM A CMM: FOR INTRCHG SEE RR IPC OPTIONAL PART: M83248-1-902	002004 006999	1
35	M83248-1-902	PACKING-SEALING CONFIG CHG DATA FROM A CMM: FOR INTRCHG SEE RR IPC OPTIONAL PART: NAS1595-2	002004 006999	1
40	720752-10	...	PACKING-SEALING SUPPLIER CODE: V73030	002004 006999	1
45	774984A1	...	STARTER-PNEUMATIC CORE SUPPLIER CODE: V73030 USED ON: 774984-1	002004 006999	1
45	774984A2	...	STARTER-PNEUMATIC CORE SUPPLIER CODE: V73030 USED ON: 774984-2	002004 006999	1
45	774984A3	...	STARTER-PNEUMATIC CORE SUPPLIER CODE: V73030 USED ON: 774984-3	002004 006999	1
56	MS9015-06	..	PLUG-OIL FILLER POST SERVICE BULLETIN: 80-7798PTA VK0680	002004 006999	1
59	720752-14	..	PACKING-SEALING SUPPLIER CODE: V73030 POST SERVICE BULLETIN: 80-7798PTA VK0680	002004 006999	1

MISSING ITEM NUMBERS NOT APPLICABLE

- ITEM NOT ILLUSTRATED

80-11-01-01

80-11-01
FIG. 01
PAGE 8
MAY 20/09

BRI

BOEING PROPRIETARY - Copyright © - Unpublished Work - See title page for details.



757

PARTS CATALOG (MAINTENANCE)

FIG ITEM	PART NUMBER	1 2 3 4 5 6 7	NOMENCLATURE	EFFECT FROM TO	UNITS PER ASSY
1 60	738277-3		.. PLUG-OIL LEVEL SUPPLIER CODE: V73030 POST SERVICE BULLETIN: 80-7798PTA VK0680	002004 006999	1
65	720752-33		.. PACKING-SEALING SUPPLIER CODE: V73030 POST SERVICE BULLETIN: 80-7798PTA VK0680	002004 006999	1

MISSING ITEM NUMBERS NOT APPLICABLE

- ITEM NOT ILLUSTRATED

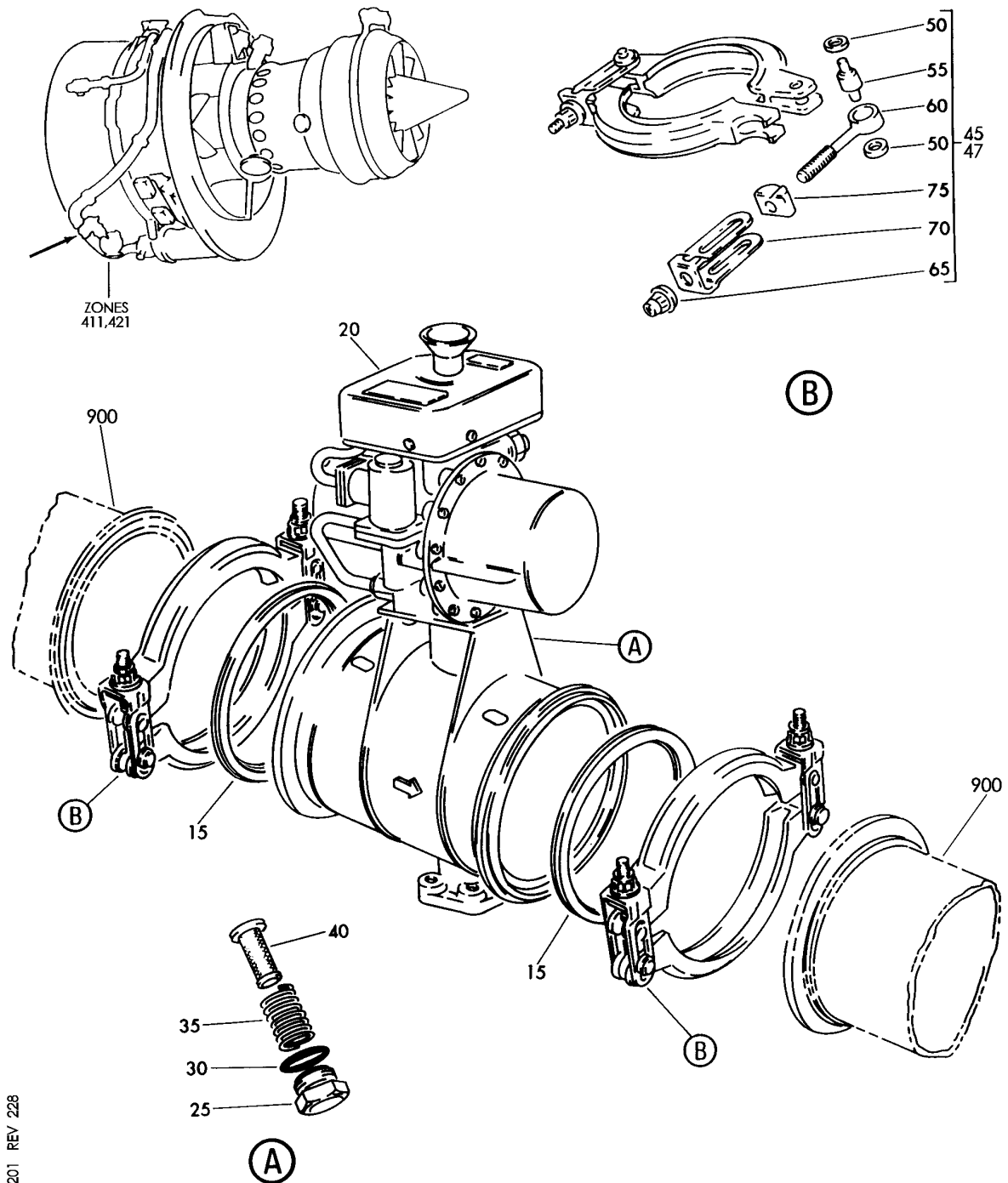
BRI

80-11-01-01

BOEING PROPRIETARY - Copyright © - Unpublished Work - See title page for details.

80-11-01
FIG. 01
PAGE 9
MAY 20/09

BOEING
757
PARTS CATALOG (MAINTENANCE)



Y 80110201 REV 228

VALVE-PNEU STARTER CONT (RB211-535)
FIGURE 1

80-11-02-01

BRI
MAY 28/07

80-11-02-01
PAGE 0



757

PARTS CATALOG (MAINTENANCE)

FIG ITEM	PART NUMBER	1 2 3 4 5 6 7	NOMENCLATURE	EFFECT FROM TO	UNITS PER ASSY
1			VALVE-PNEU STARTER CONT (RB211-535)	002004 006999	
- 1	UL20697		ENGINE ASSY-Q.E.C.U. RB211-535E43711 MAXIMUM NEUT WITH GRAVINER FIRE DETECTORS, BAYONET MCD, NON-MODULATED IDG COOLING 40,000 LB THRUST SUPPLIER CODE: VK0680 REFERENCE SERVICE BULLETIN: 71-0058R4 QUALIFIED SB I/W DATA: INTERMIX OF ONE OR SUBSTITUTION OF TWO DIFFERENT CONFIGURATION RB211-535E4-37/() ENGINES FOR RB211-535 E4 BASE ENGINES REFERENCE SERVICE BULLETIN: RB211-72-C547 VK0680 FOR NHA/OTHER SYS DET SEE: 71-00-02-04	121503 904949 952999	RF
- 1	UL20702		ENGINE ASSY-Q.E.C.U. RB211-535E43711 BASIC ENGINE CONFIG. WITH GRAVINER FIRE DETECTORS, BAYONET MCD, NON-MODUATED IDG COOLING 40,100 LB THRUST SUPPLIER CODE: VK0680 FOR NHA/OTHER SYS DET SEE: 71-00-02-10	504903	RF
- 1	UL19722		ENGINE ASSY-Q.E.C.U. RB211-535E43711 MAXIMUM NEUT SUPPLIER CODE: VK0680 FOR NHA/OTHER SYS DET SEE: 71-00-02-04	107107	RF

MISSING ITEM NUMBERS NOT APPLICABLE

- ITEM NOT ILLUSTRATED

80-11-02-01

80-11-02
FIG. 01
PAGE 1
JAN 20/09

BRI



757

PARTS CATALOG (MAINTENANCE)

FIG ITEM	PART NUMBER	1 2 3 4 5 6 7	NOMENCLATURE	EFFECT FROM TO	UNITS PER ASSY
1					
- 2	UL20698		ENGINE ASSY-Q.E.C.U RB211-535E43712 MAXIMUM NEUT SUPPLIER CODE: VK0680 REFERENCE SERVICE BULLETIN: 71-0058R7 QUALIFIED SB I/W DATA: INTERMIX OF ONE OR SUBSTITUTION OF TWO DIFFERENT CONFIGURATION RB211-535E4-37/() ENGINES FOR RB211-535E4 BASE ENGINES OR DIFFERENT CONFIGURATION RB211-535E4-B-37/() ENGINES FOR RB211-535E4-B BASE ENGINES REFERENCE SERVICE BULLETIN: RB211-72C547 VK0680 RB211-72-8910 VK0680 POST RAPID REVISION: RR92014-183A-RC-E FOR NHA/OTHER SYS DET SEE: 71-00-02-04	002004 006100 102102	RF
- 2	UL36209		ENGINE ASSY-Q.E.C.U. RB211-535E43719 MAXIMUM NEUT SUPPLIER CODE: VK0680 FOR NHA/OTHER SYS DET SEE: 71-00-02-04	950951	RF
- 3	BCREF17395		ENGINE ASSY-Q.E.C.U. RB211-535E43739 BASIC ENGINE CONFIG. AND PHASE 5 COMBUSTOR 40,100 LB THRUST SUPPLIER CODE: VK0680 OVERLENGTH PART NUMBER: RB211-535E4-37-39E FOR NHA/OTHER SYS DET SEE: 71-00-02-10	108120	RF

MISSING ITEM NUMBERS NOT APPLICABLE

- ITEM NOT ILLUSTRATED

80-11-02-01

80-11-02
FIG. 01
PAGE 2
JAN 20/09

BRI



757

PARTS CATALOG (MAINTENANCE)

FIG ITEM	PART NUMBER	1 2 3 4 5 6 7	NOMENCLATURE	EFFECT FROM TO	UNITS PER ASSY
1					
- 3	BCREF17101		ENGINE ASSY-Q.E.C.U. RB211-535E43744 BASIC ENGINE CONFIG. BAYONET MCD AND PHASE 5 COMBUSTOR 40,100 LB THRUST SUPPLIER CODE: VK0680 OVERLENGTH PART NUMBER: RB211-535E4-3744E FOR NHA/OTHER SYS DET SEE: 71-00-02-10	103106	RF
- 3	UL38163		ENGINE ASSY-Q.E.C.U. RB211-535E43724 BASIC ENGINE CONFIG. BAYONET MCD 40,100 LB THRUST SUPPLIER CODE: VK0680 FOR NHA/OTHER SYS DET SEE: 71-00-02-10	101101	RF
- 10	LJ33078		. VALVE-STARTER CONT SUPPLIER CODE: VK0680 CONFIG CHG DATA FROM A CMM: FOR INTRCHG SEE RR IPC	002004 006999	RF
15	BE28943		.. SEAL- SUPPLIER CODE: VK0680 CONFIG CHG DATA FROM A CMM: FOR INTRCHG SEE RR IPC OPTIONAL PART: 3505879 V15284 S2314-450 VON220 POST SERVICE BULLETIN: 80-C153PTA VK0680 PRE SERVICE BULLETIN: 80-C153 VK0680	002004 006100 102949 952999	2

MISSING ITEM NUMBERS NOT APPLICABLE

- ITEM NOT ILLUSTRATED

80-11-02-01

80-11-02
FIG. 01
PAGE 3
JAN 20/09

BRI



757

PARTS CATALOG (MAINTENANCE)

FIG ITEM	PART NUMBER	1 2 3 4 5 6 7	NOMENCLATURE	EFFECT FROM TO	UNITS PER ASSY
1	15 3505879		..SEAL- SUPPLIER CODE: V15284 CONFIG CHG DATA FROM A CMM: FOR INTRCHG SEE RR IPC OPTIONAL PART: BE28943 VU1596 S2314-450 VON220 POST SERVICE BULLETIN: 80-C153PTA VK0680 PRE SERVICE BULLETIN: 80-C153 VK0680	002004 006100 102949 952999	2
	15 S2314-450		..SEAL- SUPPLIER CODE: VK0680 CONFIG CHG DATA FROM A CMM: FOR INTRCHG SEE RR IPC OPTIONAL PART: BE28943 VU1596 3505879 V15284 POST SERVICE BULLETIN: 80-C153PTA VK0680	002004 006100 102949 952999	2
	20 774987-1		..VALVE-PNEU STARTER CONT SUPPLIER CODE: V73030 POST SERVICE BULLETIN: 80-7055PT01 VK0680 80-9486PT01 VK0680 80-9710PTA VK0680 80-B539PT01 VK0680 PRE SERVICE BULLETIN: 80-9710 VK0680 80-B539 VK0680 80-9486 VK0680	002004 006999	1

MISSING ITEM NUMBERS NOT APPLICABLE

- ITEM NOT ILLUSTRATED

80-11-02-01

80-11-02
FIG. 01
PAGE 4
JAN 20/09

BRI



757

PARTS CATALOG (MAINTENANCE)

FIG ITEM	PART NUMBER	1 2 3 4 5 6 7	NOMENCLATURE	EFFECT FROM TO	UNITS PER ASSY
1					
25	AN814-10SL	...	PLUG- POST SERVICE BULLETIN: 80-7465PTA VK0680	002004 006999	1
30	69494J910	...	SEAL-RING SUPPLIER CODE: V73030 POST SERVICE BULLETIN: 80-7465PTA VK0680	002004 006999	1
35	727591-5	...	SPRING-HELICAL SUPPLIER CODE: V73030 POST SERVICE BULLETIN: 80-7465PTA VK0680	002004 006999	1
40	727604-4	...	FILTER-AIR SUPPLIER CODE: V73030 POST SERVICE BULLETIN: 80-7465PTA VK0680	002004 006999	1
45	DE26495	..	CLAMP ASSY- SUPPLIER CODE: VU1596 CONFIG CHG DATA FROM A CMM: FOR INTRCHG SEE RR IPC SELECT FROM ITEM. OPTIONAL PART: C3228-450 V15284	002004 006999	2
45	C3228-450	..	CLAMP ASSY- SUPPLIER CODE: V15284 CONFIG CHG DATA FROM A CMM: FOR INTRCHG SEE RR IPC SELECT FROM ITEM. OPTIONAL PART: DE26495 VU1596	002004 006999	2
47	C3228-450	..	CLAMP ASSY- SUPPLIER CODE: V15284	002004 006999	RF
47	C3228-450	..	CLAMP ASSY- SUPPLIER CODE: V15284 CONFIG CHG DATA FROM A CMM: FOR INTRCHG SEE RR IPC	002004 006100 102102 107107 121949 952999	RF

MISSING ITEM NUMBERS NOT APPLICABLE

- ITEM NOT ILLUSTRATED

80-11-02-01

80-11-02
FIG. 01
PAGE 5
JAN 20/09

BRI



757

PARTS CATALOG (MAINTENANCE)

FIG ITEM	PART NUMBER	1 2 3 4 5 6 7	NOMENCLATURE	EFFECT FROM TO	UNITS PER ASSY
1					
50	BE27528		...WASHER- SUPPLIER CODE: VU1596 CONFIG CHG DATA FROM A CMM: FOR INTRCHG SEE RR IPC SELECT FROM ITEM. USED ON: DE26495	002004 006999	8
50	3806071		...WASHER- SUPPLIER CODE: V15284 CONFIG CHG DATA FROM A CMM: FOR INTRCHG SEE RR IPC SELECT FROM ITEM.	002004 006999	8
55	BE26829		...RIVET- SUPPLIER CODE: VU1596 CONFIG CHG DATA FROM A CMM: FOR INTRCHG SEE RR IPC SELECT FROM ITEM.	002004 006999	4
55	3806072		...RIVET- SUPPLIER CODE: V15284 CONFIG CHG DATA FROM A CMM: FOR INTRCHG SEE RR IPC SELECT FROM ITEM.	002004 006999	4
60	CE27390		...BOLT- SUPPLIER CODE: VU1596 CONFIG CHG DATA FROM A CMM: FOR INTRCHG SEE RR IPC SELECT FROM ITEM. USED ON: DE26495	002004 006999	4
60	3653-500		...BOLT- SUPPLIER CODE: V15284 CONFIG CHG DATA FROM A CMM: FOR INTRCHG SEE RR IPC SELECT FROM ITEM. USED ON: C3228-450	002004 006999	4

MISSING ITEM NUMBERS NOT APPLICABLE

- ITEM NOT ILLUSTRATED

80-11-02-01

80-11-02
FIG. 01
PAGE 6
JAN 20/09

BRI

BOEING PROPRIETARY - Copyright © - Unpublished Work - See title page for details.



757

PARTS CATALOG (MAINTENANCE)

FIG ITEM	PART NUMBER	1 2 3 4 5 6 7	NOMENCLATURE	EFFECT FROM TO	UNITS PER ASSY
1					
65	AS20626	...	NUT- CONFIG CHG DATA FROM A CMM: FOR INTRCHG SEE RR IPC SELECT FROM ITEM. USED ON: DE26495	002004 006999	4
65	3806074	...	NUT- SUPPLIER CODE: V15284 CONFIG CHG DATA FROM A CMM: FOR INTRCHG SEE RR IPC SELECT FROM ITEM.	002004 006999	4
70	BE27524	...	LINK- SUPPLIER CODE: VU1596 CONFIG CHG DATA FROM A CMM: FOR INTRCHG SEE RR IPC SELECT FROM ITEM. USED ON: DE26495	002004 006999	4
70	2353-500	...	LINK- SUPPLIER CODE: V15284 CONFIG CHG DATA FROM A CMM: FOR INTRCHG SEE RR IPC SELECT FROM ITEM. USED ON: C3228-450	002004 006999	4
75	BE27615	...	WASHER- SUPPLIER CODE: VU1596 CONFIG CHG DATA FROM A CMM: FOR INTRCHG SEE RR IPC SELECT FROM ITEM. USED ON: DE26495	002004 006999	4
75	3806073	...	WASHER- SUPPLIER CODE: V15284 CONFIG CHG DATA FROM A CMM: FOR INTRCHG SEE RR IPC SELECT FROM ITEM.	002004 006999	4
900			ILLUSTRATION REFERENCE: DUCT-STARTER AIR (RB211-535) 80-11-53-01	002004 006999	RF

MISSING ITEM NUMBERS NOT APPLICABLE

- ITEM NOT ILLUSTRATED

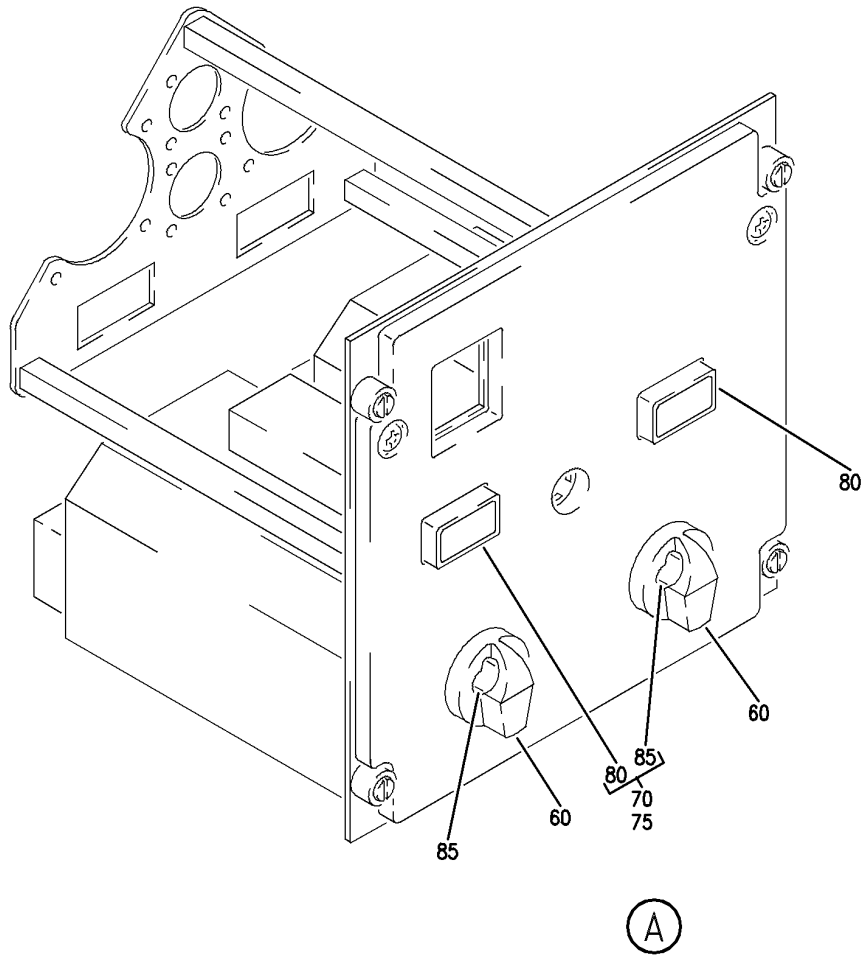
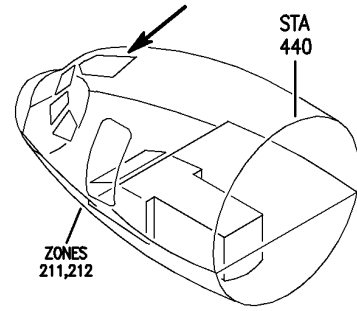
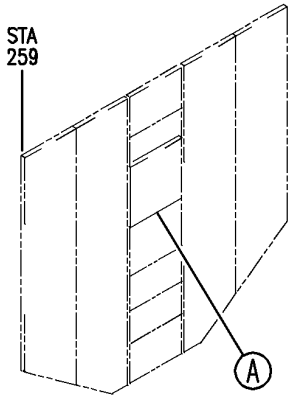
80-11-02-01

80-11-02
FIG. 01
PAGE 7
JAN 20/09

BRI

BOEING PROPRIETARY - Copyright © - Unpublished Work - See title page for details.

BOEING
757
PARTS CATALOG (MAINTENANCE)



Y 80110902 REV 247

PANEL INSTL-P5 OVHD (STARTING ONLY)
FIGURE 2

80-11-09-02

BRI
MAY 28/07

80-11-09-02
PAGE 0



757

PARTS CATALOG (MAINTENANCE)

FIG ITEM	PART NUMBER	1 2 3 4 5 6 7	NOMENCLATURE	EFFECT FROM TO	UNITS PER ASSY
2			PANEL INSTL-P5 OVHD (STARTING ONLY)	011106 108120 504903	
- 1	233N3101-1		PANEL INSTL-P5 OVHD (STARTING ONLY) VARIABLE DRAWING REF: 233N3101-5142 FOR NHA/OTHER SYS DET SEE: 25-10-00-05A	011100	RF
- 3	233N3103-132		PANEL INSTL-P5 OVHD (STARTING ONLY) FOR NHA/OTHER SYS DET SEE: 25-10-00-15E	101102	RF
- 3	233N3103-136		PANEL INSTL-P5 OVHD (STARTING ONLY) FOR NHA/OTHER SYS DET SEE: 25-10-00-15E	504903	RF
- 6	233N3103-49		PANEL INSTL-P5 OVHD (STARTING ONLY)	108120	RF
- 7	233N3103-59		PANEL INSTL-P5 OVHD (STARTING ONLY) FOR NHA/OTHER SYS DET SEE: 25-10-00-15E	108120	RF
- 8	MODREF33760		PANEL INSTL-P5 OVHD (STARTING ONLY) MODULE NUMBER: 233N3103-351 REV C FOR OTHER SYS DETAILS SEE: 11-31-10-12 21-25-55-03 21-31-01-02 21-33-51-03 21-51-54-03 21-58-19-10 21-58-51-03 21-61-04-03 21-65-51-01 22-21-01-04 22-24-51-02 23-24-01-01 23-32-00-11 23-42-02-02 23-71-05-02 24-11-52-05 24-22-01-03 24-31-01-10 24-31-03-09 24-33-04-01 24-41-51-04	103103	1

MISSING ITEM NUMBERS NOT APPLICABLE

- ITEM NOT ILLUSTRATED

80-11-09-02

80-11-09
FIG. 02
PAGE 1
JAN 20/09

BRI



757

PARTS CATALOG (MAINTENANCE)

FIG ITEM	PART NUMBER	1 2 3 4 5 6 7	NOMENCLATURE	EFFECT FROM TO	UNITS PER ASSY
2			24-51-62-01 26-18-51-04 27-21-53-02 27-41-55-01 27-61-51-03 27-62-52-02 28-22-51-02 28-41-04-01 28-41-51-03 29-11-02-03 29-11-05-04 29-11-52-07 29-21-54-03 29-31-00-01 29-32-51-03 29-33-52-03 30-11-51-03 30-21-51-03 30-31-51-02 30-32-51-01 30-33-51-02 30-41-51-03 30-42-51-03 31-12-11-91 31-12-11-91 A 32-42-52-03 33-11-03-03 33-11-51-17 33-13-01-65 33-13-02-03 33-16-51-03 33-24-51-02 33-41-52-04 33-42-01-04 33-42-02-04 33-42-52-04 33-43-51-04 33-44-51-05 33-45-53-03 33-51-08-05 34-21-02-01 35-21-51-04 36-11-04-01 36-21-00-01 36-21-02-05 36-22-51-03 49-41-00-02 49-52-00-01 49-70-00-01		
MISSING ITEM NUMBERS NOT APPLICABLE					

- ITEM NOT ILLUSTRATED

80-11-09-02

80-11-09
FIG. 02
PAGE 2
JAN 20/09

BRI



757

PARTS CATALOG (MAINTENANCE)

FIG ITEM	PART NUMBER	1 2 3 4 5 6 7	NOMENCLATURE	EFFECT FROM TO	UNITS PER ASSY
2			52-51-51-03 52-71-51-02 73-21-52-02 74-31-51-05 75-32-00-01		
- 8	MODREF34038		PANEL INSTL-P5 OVHD (STARTING ONLY) MODULE NUMBER: 233N3103-351 REV D FOR OTHER SYS DETAILS SEE: 11-31-10-12 21-25-55-03 21-31-01-02 21-33-51-03 21-51-54-03 21-58-19-10 21-58-51-03 21-61-04-03 21-65-51-01 22-21-01-04 22-24-51-02 23-24-01-01 23-32-00-11 23-42-02-02 23-71-05-02 24-11-52-05 24-22-01-03 24-31-01-10 24-31-03-09 24-33-04-01 24-41-51-04 24-51-62-01 26-18-51-04 27-21-53-02 27-41-55-01 27-61-51-03 27-62-52-02 28-22-51-02 28-41-04-01 28-41-51-03 29-11-02-03 29-11-05-04 29-11-52-07 29-21-54-03 29-31-00-01 29-32-51-03 29-33-52-03 30-11-51-03 30-21-51-03	104105	1
MISSING ITEM NUMBERS NOT APPLICABLE					

- ITEM NOT ILLUSTRATED

80-11-09-02

80-11-09
FIG. 02
PAGE 3
JAN 20/09

BRI



757

PARTS CATALOG (MAINTENANCE)

FIG ITEM	PART NUMBER	1 2 3 4 5 6 7	NOMENCLATURE	EFFECT FROM TO	UNITS PER ASSY
2			30-31-51-02 30-32-51-01 30-33-51-02 30-41-51-03 30-42-51-03 31-12-11-91 31-12-11-91 A 32-42-52-03 33-11-03-03 33-11-51-17 33-13-01-65 33-13-02-03 33-16-51-03 33-24-51-02 33-41-52-04 33-42-01-04 33-42-02-04 33-42-52-04 33-43-51-04 33-44-51-05 33-45-53-03 33-51-08-05 34-21-02-01 35-21-51-04 36-11-04-01 36-21-00-01 36-21-02-05 36-22-51-03 49-41-00-02 49-52-00-01 49-70-00-01 52-51-51-03 52-71-51-02 73-21-52-02 74-31-51-05 75-32-00-01		
- 9	MODREF170180		PANEL INSTL-P5 OVHD (STARTING ONLY) MODULE NUMBER: 233N3103-353 REV B FOR OTHER SYS DETAILS SEE: 11-31-10-12 21-25-55-03 21-31-01-02 21-33-51-03 21-51-54-03 21-58-19-10 21-58-51-03 21-61-04-03	106106	1
MISSING ITEM NUMBERS NOT APPLICABLE					

- ITEM NOT ILLUSTRATED

80-11-09-02

80-11-09
 FIG. 02
 PAGE 4
 JAN 20/09

BRI



757

PARTS CATALOG (MAINTENANCE)

FIG ITEM	PART NUMBER	1 2 3 4 5 6 7 NOMENCLATURE	EFFECT FROM TO	UNITS PER ASSY
2		21-65-51-01 22-21-01-04 22-24-51-02 23-24-01-01 23-32-00-11 23-42-02-02 23-71-05-02 24-11-52-05 24-22-01-03 24-31-01-10 24-31-03-09 24-33-04-01 24-41-51-04 24-51-62-01 26-18-51-04 27-21-53-02 27-41-55-01 27-61-51-03 27-62-52-02 28-22-51-02 28-41-04-01 28-41-51-03 29-11-02-03 29-11-05-04 29-11-52-07 29-21-54-03 29-31-00-01 29-32-51-03 29-33-52-03 30-11-51-03 30-21-51-03 30-31-51-02 30-32-51-01 30-33-51-02 30-41-51-03 30-42-51-03 31-12-11-84 31-12-11-84 A 32-42-52-03 33-11-03-03 33-11-51-17 33-13-01-65 33-13-02-03 33-16-51-03 33-24-51-02 33-41-52-04 33-42-01-04 33-42-02-04 33-42-52-04		

MISSING ITEM NUMBERS NOT APPLICABLE

- ITEM NOT ILLUSTRATED

80-11-09-02

80-11-09
FIG. 02
PAGE 5
JAN 20/09

BRI



757

PARTS CATALOG (MAINTENANCE)

FIG ITEM	PART NUMBER	1 2 3 4 5 6 7 NOMENCLATURE	EFFECT FROM TO	UNITS PER ASSY
2		33-43-51-04 33-44-51-05 33-45-53-03 33-51-08-05 34-21-02-01 35-21-51-04 36-11-04-01 36-21-00-01 36-21-02-05 36-22-51-03 49-41-00-02 49-52-00-01 49-70-00-01 52-51-51-03 52-71-51-02 73-21-52-02 74-31-51-05 75-32-00-01		
- 50	233N3223-300	.PANEL ASSY-ENG START/RAM AIR TURB SUPPLIER CODE: V89954 ELECTRICAL EQUIP NUMBER: M10468 COMPONENT MAINT MANUAL REF: 31-12-01 QUALIFIED I/W DATA: THE 233N3223-300 PANEL ASSY IS I/W THE 233N3223-39 PANEL ASSY T/W THE S233T100-6046 LIGHTPLATE AND (3) BP248-127 KNOBS. PRE ALERT SB: 33A0044	011100	RF

MISSING ITEM NUMBERS NOT APPLICABLE

- ITEM NOT ILLUSTRATED

BRI

80-11-09-02

BOEING PROPRIETARY - Copyright © - Unpublished Work - See title page for details.

80-11-09
 FIG. 02
 PAGE 6
 JAN 20/09



757

PARTS CATALOG (MAINTENANCE)

FIG ITEM	PART NUMBER	1 2 3 4 5 6 7	NOMENCLATURE	EFFECT FROM TO	UNITS PER ASSY
2 - 50	233N3223-300		.PANEL ASSY-ENG START/RAM AIR TURB SUPPLIER CODE: V89954 ELECTRICAL EQUIP NUMBER: M10468 COMPONENT MAINT MANUAL REF: 31-12-01 QUALIFIED I/W DATA: THE 233N3223-300 PANEL ASSY IS I/W THE 233N3223-39 PANEL ASSY T/W THE S233T100-6046 LIGHTPLATE AND (3) BP248-127 KNOBS. OPTIONAL PART: 233N3223-301 V89954 PRE ALERT SB: 33A0044	101102 108120	RF
- 50	233N3223-301		.PANEL ASSY-ENG START/RAM AIR TURB SUPPLIER CODE: V89954 ELECTRICAL EQUIP NUMBER: M10468 COMPONENT MAINT MANUAL REF: 31-12-01 QUALIFIED I/W DATA: THE 233N3223-301 PANEL ASSY IS I/W THE 233N3223-40 PANEL ASSY T/W THE S233T100-6046 LIGHTPLATE AND (3) BP248-127 KNOBS. OPTIONAL PART: 233N3223-300 V89954 PRE ALERT SB: 33A0044	101102 108120	RF

MISSING ITEM NUMBERS NOT APPLICABLE

- ITEM NOT ILLUSTRATED

80-11-09-02

80-11-09
FIG. 02
PAGE 7
JAN 20/09

BRI



757

PARTS CATALOG (MAINTENANCE)

FIG ITEM	PART NUMBER	1 2 3 4 5 6 7	NOMENCLATURE	EFFECT FROM TO	UNITS PER ASSY
2 - 50	233N3223-1301		.PANEL ASSY-ENG START/RAM AIR TURB SUPPLIER CODE: V89954 ELECTRICAL EQUIP NUMBER: M10468 COMPONENT MAINT MANUAL REF: 31-12-01 OPTIONAL PART: 233N3223-1300 V89954 POST ALERT SB: 33A0044	101102 108120	RF
- 50	233N3223-302		.PANEL ASSY-ENG START/RAM AIR TURB SUPPLIER CODE: V89954 ELECTRICAL EQUIP NUMBER: M10468 QUALIFIED I/W DATA: THE 233N3223-302 PANEL ASSY IS I/W THE 233N3223-50 PANEL ASSY T/W THE S233T100-6046 LIGHTPLATE AND (3) BP248-127 KNOBS. PRE ALERT SB: 33A0044	504903	RF
- 50	233N3223-343		.PANEL ASSY-ENG START/RAM AIR TURB SUPPLIER CODE: V89954 ELECTRICAL EQUIP NUMBER: M10468	101106 108120	RF
- 50	233N3223-1300		.PANEL ASSY-ENG START/RAM AIR TURB SUPPLIER CODE: V89954 ELECTRICAL EQUIP NUMBER: M10468 COMPONENT MAINT MANUAL REF: 31-12-01 OPTIONAL PART: 233N3223-1301 V89954 POST ALERT SB: 33A0044	011102 108120	RF

MISSING ITEM NUMBERS NOT APPLICABLE

- ITEM NOT ILLUSTRATED

80-11-09-02

80-11-09
FIG. 02
PAGE 8
JAN 20/09

BRI



757

PARTS CATALOG (MAINTENANCE)

FIG ITEM	PART NUMBER	1 2 3 4 5 6 7	NOMENCLATURE	EFFECT FROM TO	UNITS PER ASSY
2					
- 50	233N3223-343		.PANEL ASSY-ENG START/RAT SUPPLIER CODE: V89954 ELECTRICAL EQUIP NUMBER: M10468	011100	RF
- 50	233N3223-1302		.PANEL ASSY-ENG START/RAM AIR TURB SUPPLIER CODE: V89954 ELECTRICAL EQUIP NUMBER: M10468 POST ALERT SB: 33A0044	504903	RF
60	BP248-127		..KNOB- SUPPLIER CODE: V81590	011106 108120 504903	2
70	233N3223-39		..PANEL ASSY- SUPPLIER CODE: V89954 MISCELLANEOUS DATA: FOR SPARES PROCURE NEXT HIGHER ASSY COMPONENT MAINT MANUAL REF: 31-12-01 QUALIFIED I/W DATA: THE 233N3223-300 PANEL ASSY IS I/W THE 233N3223-39 PANEL ASSY T/W THE S233T100-6046 LIGHTPLATE AND (3) BP248-127 KNOBS. USED ON: 233N3223-300 PRE ALERT SB: 33A0044	011100	RF

MISSING ITEM NUMBERS NOT APPLICABLE

- ITEM NOT ILLUSTRATED

80-11-09-02

80-11-09
FIG. 02
PAGE 9
JAN 20/09

BRI



757

PARTS CATALOG (MAINTENANCE)

FIG ITEM	PART NUMBER	1 2 3 4 5 6 7	NOMENCLATURE	EFFECT FROM TO	UNITS PER ASSY
2 70	233N3223-39		..PANEL ASSY- SUPPLIER CODE: V89954 MISCELLANEOUS DATA: FOR SPARES PROCURE NEXT HIGHER ASSY COMPONENT MAINT MANUAL REF: 31-12-01 QUALIFIED I/W DATA: THE 233N3223-300 PANEL ASSY IS I/W THE 233N3223-39 PANEL ASSY T/W THE S233T100-6046 LIGHTPLATE AND (3) BP248-127 KNOBS. USED ON: 233N3223-300 PRE ALERT SB: 33A0044	101102 108120	RF
70	233N3223-40		..PANEL ASSY- SUPPLIER CODE: V89954 MISCELLANEOUS DATA: FOR SPARES PROCURE NEXT HIGHER ASSY COMPONENT MAINT MANUAL REF: 31-12-01 QUALIFIED I/W DATA: THE 233N3223-301 PANEL ASSY IS I/W THE 233N3223-40 PANEL ASSY T/W THE S233T100-6046 LIGHTPLATE AND (3) BP248-127 KNOBS. USED ON: 233N3223-301 PRE ALERT SB: 33A0044	101102 108120	RF

MISSING ITEM NUMBERS NOT APPLICABLE

- ITEM NOT ILLUSTRATED

80-11-09-02

80-11-09
FIG. 02
PAGE 10
JAN 20/09

BRI



757

PARTS CATALOG (MAINTENANCE)

FIG ITEM	PART NUMBER	1 2 3 4 5 6 7	NOMENCLATURE	EFFECT FROM TO	UNITS PER ASSY
2 70	233N3223-50		..PANEL ASSY- SUPPLIER CODE: V89954 COMPONENT MAINT MANUAL REF: 31-12-01 QUALIFIED I/W DATA: THE 233N3223-302 PANEL ASSY IS I/W THE 233N3223-50 PANEL ASSY T/W THE S233T100-6046 LIGHTPLATE AND (3) BP248-127 KNOBS. PRE ALERT SB: 33A0044	504903	RF
70	233N3223-53		..PANEL ASSY- SUPPLIER CODE: V89954 MISCELLANEOUS DATA: FOR SPARES PROCURE NEXT HIGHER ASSY COMPONENT MAINT MANUAL REF: 31-12-01 USED ON: 233N3223-343	101106 108120	RF
70	233N3223-1039		..PANEL ASSY- SUPPLIER CODE: V89954 ELECTRICAL EQUIP NUMBER: M10468 COMPONENT MAINT MANUAL REF: 31-12-01 USED ON: 233N3223-1300 POST ALERT SB: 33A0044	011102 108120	RF
70	233N3223-1040		..PANEL ASSY- SUPPLIER CODE: V89954 COMPONENT MAINT MANUAL REF: 31-12-01 USED ON: 233N3223-1301 POST ALERT SB: 33A0044	101102 108120	RF

MISSING ITEM NUMBERS NOT APPLICABLE

- ITEM NOT ILLUSTRATED

80-11-09-02

80-11-09
FIG. 02
PAGE 11
JAN 20/09

BRI



757

PARTS CATALOG (MAINTENANCE)

FIG ITEM	PART NUMBER	1 2 3 4 5 6 7	NOMENCLATURE	EFFECT FROM TO	UNITS PER ASSY
2					
70	233N3223-53		..PANEL ASSY- SUPPLIER CODE: V89954 MISCELLANEOUS DATA: FOR SPARES PROCURE NEXT HIGHER ASSY COMPONENT MAINT MANUAL REF: 31-12-01 USED ON: 233N3223-343	011100	RF
70	233N3223-1050		..PANEL ASSY- SUPPLIER CODE: V89954 COMPONENT MAINT MANUAL REF: 31-12-01 POST ALERT SB: 33A0044	504903	RF
80	BCREF8486		...LIGHT ASSY-VALVE IND SUPPLIER CODE: V81590 OVERLENGTH PART NUMBER: 434-674-1031-2115 SPECIFICATION NUMBER: S231T300-2115 OPTIONAL PART: BCREF6200 V81590 FOR DETAILS SEE: 33-14-70-02	011106 108120 504903	2
80	BCREF6200		...LIGHT ASSY-VALVE IND SUPPLIER CODE: V81590 OVERLENGTH PART NUMBER: 434-674-1005-1115 SPECIFICATION NUMBER: S231T300-1115 OPTIONAL PART: BCREF8486 V81590 FOR DETAILS SEE: 33-14-70-02	011106 108120 504903	2
85	AC30-0004-1		...SWITCH-ROTARY SUPPLIER CODE: V91812 OPTIONAL PART: AC30-0004 V91812	011106 108120 504903	2

MISSING ITEM NUMBERS NOT APPLICABLE

- ITEM NOT ILLUSTRATED

80-11-09-02

80-11-09
FIG. 02
PAGE 12
JAN 20/09

BRI



757

PARTS CATALOG (MAINTENANCE)

FIG ITEM	PART NUMBER	1 2 3 4 5 6 7	NOMENCLATURE	EFFECT FROM TO	UNITS PER ASSY
2 85	AC30-0004		... SWITCH-ROTARY SUPPLIER CODE: V91812 OPTIONAL PART: AC30-0004-1 V91812 USED ON: 233N3223-39 233N3223-40 233N3223-42 233N3223-43 233N3223-50 233N3223-1039 233N3223-1040	011102 108120 504903	2

MISSING ITEM NUMBERS NOT APPLICABLE

- ITEM NOT ILLUSTRATED

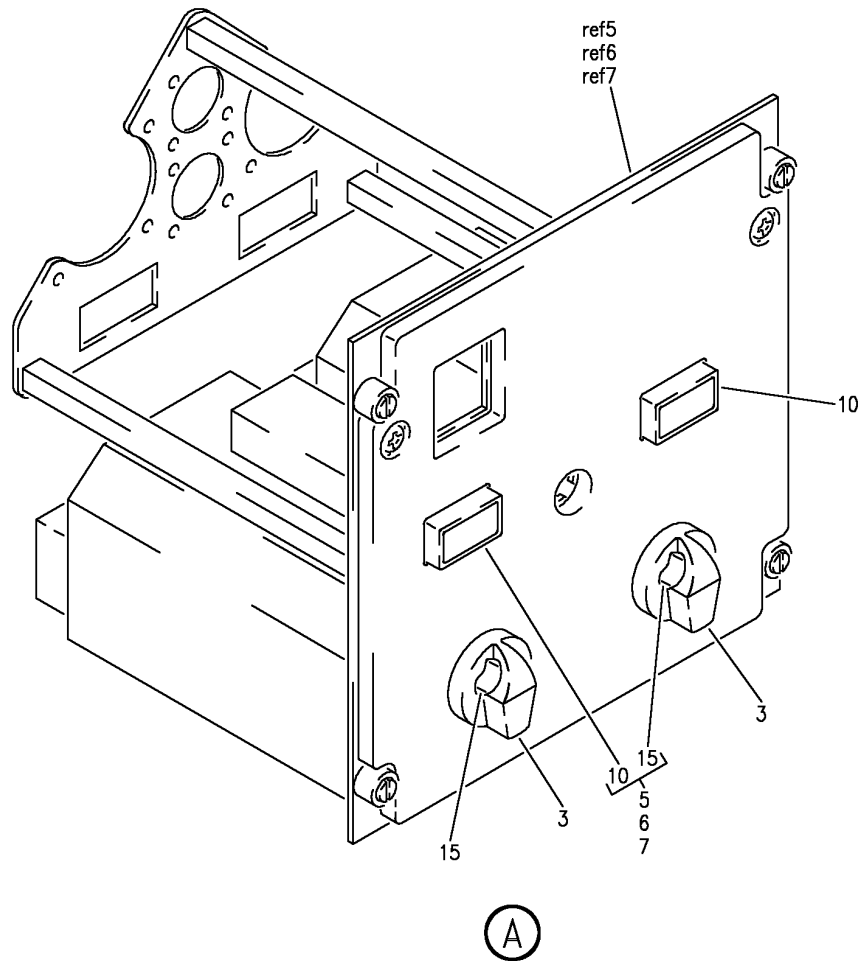
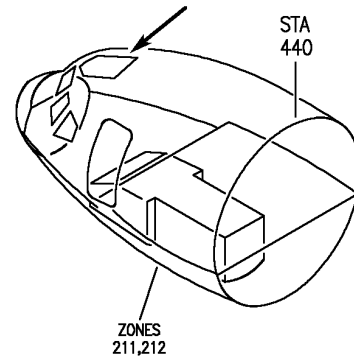
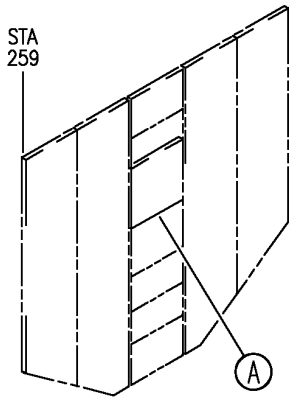
BRI

80-11-09-02

BOEING PROPRIETARY - Copyright © - Unpublished Work - See title page for details.

80-11-09
FIG. 02
PAGE 13
JAN 20/09

BOEING
757
PARTS CATALOG (MAINTENANCE)



Y 80110903 REV 278

PANEL INSTL-P5 OVHD (ENGINE STARTING ONLY)
FIGURE 3

80-11-09-03

BRI
MAY 28/07

80-11-09-03
PAGE 0



757

PARTS CATALOG (MAINTENANCE)

FIG ITEM	PART NUMBER	1 2 3 4 5 6 7	NOMENCLATURE	EFFECT FROM TO	UNITS PER ASSY
3			PANEL INSTL-P5 OVHD (ENGINE STARTING ONLY)	002004 006010 107107 121503 904999	RF
- 1	233N3101-1		PANEL INSTL-P5 OVHD (ENGINE STARTING ONLY) VARIABLE DRAWING REF: 233N3101-5005 233N3101-5025 233N3101-5041 233N3101-5042 233N3101-5045 FOR NHA/OTHER SYS DET SEE: 25-10-00-05A	002004 006010 107107 121503 904999	RF
3	BP248-110		.KN0B- SUPPLIER CODE: V81590 SPECIFICATION NUMBER: 452-016-9001	002004 006010 107107 121503 904999	2
3	BP248-127		.KN0B- SUPPLIER CODE: V81590	002004 006010 107107 121503 904999	2
5	233N3223-52		.PANEL ASSY-ENG START/RAM AIR TURB SUPPLIER CODE: V89954 ELECTRICAL EQUIP NUMBER: M10468 COMPONENT MAINT MANUAL REF: 31-12-01 PRE ALERT SB: 33A0044R1	121503 904949	RF
5	233N3223-37		.PANEL ASSY-ENG START/RAM AIR TURB SUPPLIER CODE: V89954 ELECTRICAL EQUIP NUMBER: M10468 COMPONENT MAINT MANUAL REF: 31-12-01 PRE ALERT SB: 33A0044	002004 006010 107107 950999	RF

MISSING ITEM NUMBERS NOT APPLICABLE

- ITEM NOT ILLUSTRATED

80-11-09-03

80-11-09
FIG. 03
PAGE 1
JAN 20/09

BRI



757

PARTS CATALOG (MAINTENANCE)

FIG ITEM	PART NUMBER	1 2 3 4 5 6 7	NOMENCLATURE	EFFECT FROM TO	UNITS PER ASSY
3	5 233N3223-32		.PANEL ASSY-ENG START/RAM AIR TURB SUPPLIER CODE: V89954 ELECTRICAL EQUIP NUMBER: M10468 COMPONENT MAINT MANUAL REF: 31-12-01 PRE ALERT SB: 33A0044R1	002004 006010 107107 950999	RF
	5 233N3223-39		.PANEL ASSY-ENG START/RAM AIR TURB SUPPLIER CODE: V89954 MISCELLANEOUS DATA: FOR SPARES PROCURE NEXT HIGHER ASSY ELECTRICAL EQUIP NUMBER: M10468 COMPONENT MAINT MANUAL REF: 31-12-01 QUALIFIED I/W DATA: THE 233N3223-300 PANEL ASSY IS I/W THE 233N3223-39 PANEL ASSY T/W THE S233T100-6046 LIGHTPLATE AND (3) BP248-127 KNOBS. PRE ALERT SB: 33A0044	002004 006010 107107 950999	RF
	6 233N3223-51		.PANEL ASSY-ENG START/RAM AIR TURB SUPPLIER CODE: V89954 ELECTRICAL EQUIP NUMBER: M10468 COMPONENT MAINT MANUAL REF: 31-12-01 PRE ALERT SB: 33A0044R1	121503 904949	RF

MISSING ITEM NUMBERS NOT APPLICABLE

- ITEM NOT ILLUSTRATED

80-11-09-03

80-11-09
FIG. 03
PAGE 2
JAN 20/09

BRI



757

PARTS CATALOG (MAINTENANCE)

FIG ITEM	PART NUMBER	1 2 3 4 5 6 7	NOMENCLATURE	EFFECT FROM TO	UNITS PER ASSY
3	6 233N3223-1039		.PANEL ASSY-ENG START/RAM AIR TURB SUPPLIER CODE: V89954 ELECTRICAL EQUIP NUMBER: M10468 COMPONENT MAINT MANUAL REF: 31-12-01 POST ALERT SB: 33A0044	002004 006010 107107 950999	RF
	6 233N3223-1032		.PANEL ASSY-ENG START/RAM AIR TURB SUPPLIER CODE: V89954 ELECTRICAL EQUIP NUMBER: M10468 COMPONENT MAINT MANUAL REF: 31-12-01 POST ALERT SB: 33A0044	002004 006010 107107 950999	RF
	6 233N3223-1037		.PANEL ASSY-ENG START/RAM AIR TURB SUPPLIER CODE: V89954 ELECTRICAL EQUIP NUMBER: M10468 COMPONENT MAINT MANUAL REF: 31-12-01 POST ALERT SB: 33A0044R1	002004 006010 107107 950999	RF
	6 233N3223-1052		.PANEL ASSY-ENG START/RAM AIR TURB SUPPLIER CODE: V89954 ELECTRICAL EQUIP NUMBER: M10468 COMPONENT MAINT MANUAL REF: 31-12-01 POST ALERT SB: 33A0044R1	121503 904949	RF

MISSING ITEM NUMBERS NOT APPLICABLE

- ITEM NOT ILLUSTRATED

80-11-09-03

80-11-09
FIG. 03
PAGE 3
JAN 20/09

BRI

 **BOEING**
757
PARTS CATALOG (MAINTENANCE)

FIG ITEM	PART NUMBER	1 2 3 4 5 6 7	NOMENCLATURE	EFFECT FROM TO	UNITS PER ASSY
3					
7	233N3223-1051		.PANEL ASSY-ENG START/RAM AIR TURB SUPPLIER CODE: V89954 ELECTRICAL EQUIP NUMBER: M10468 COMPONENT MAINT MANUAL REF: 31-12-01 POST ALERT SB: 33A0044R1	121503 904949	RF
10	BCREF8486		..LIGHT ASSY-VALVE IND SUPPLIER CODE: V81590 OVERLENGTH PART NUMBER: 434-674-1031-2115 SPECIFICATION NUMBER: S231T300-2115 OPTIONAL PART: BCREF6200 V81590 FOR DETAILS SEE: 33-14-70-02	002004 006010 107107 121503 904999	2
10	BCREF6200		..LIGHT ASSY-VALVE IND SUPPLIER CODE: V81590 OVERLENGTH PART NUMBER: 434-674-1005-1115 SPECIFICATION NUMBER: S231T300-1115 OPTIONAL PART: BCREF8486 V81590 FOR DETAILS SEE: 33-14-70-02	002004 006010 107107 121503 904999	2
15	AC30-0004		..SWITCH-ROTARY SUPPLIER CODE: V91812 OPTIONAL PART: AC30-0004-1 V91812	002004 006010 107107 121503 904999	2
15	AC30-0004-1		..SWITCH-ROTARY SUPPLIER CODE: V91812 OPTIONAL PART: AC30-0004 V91812	002004 006010 107107 121503 904999	2

MISSING ITEM NUMBERS NOT APPLICABLE

— ITEM NOT ILLUSTRATED

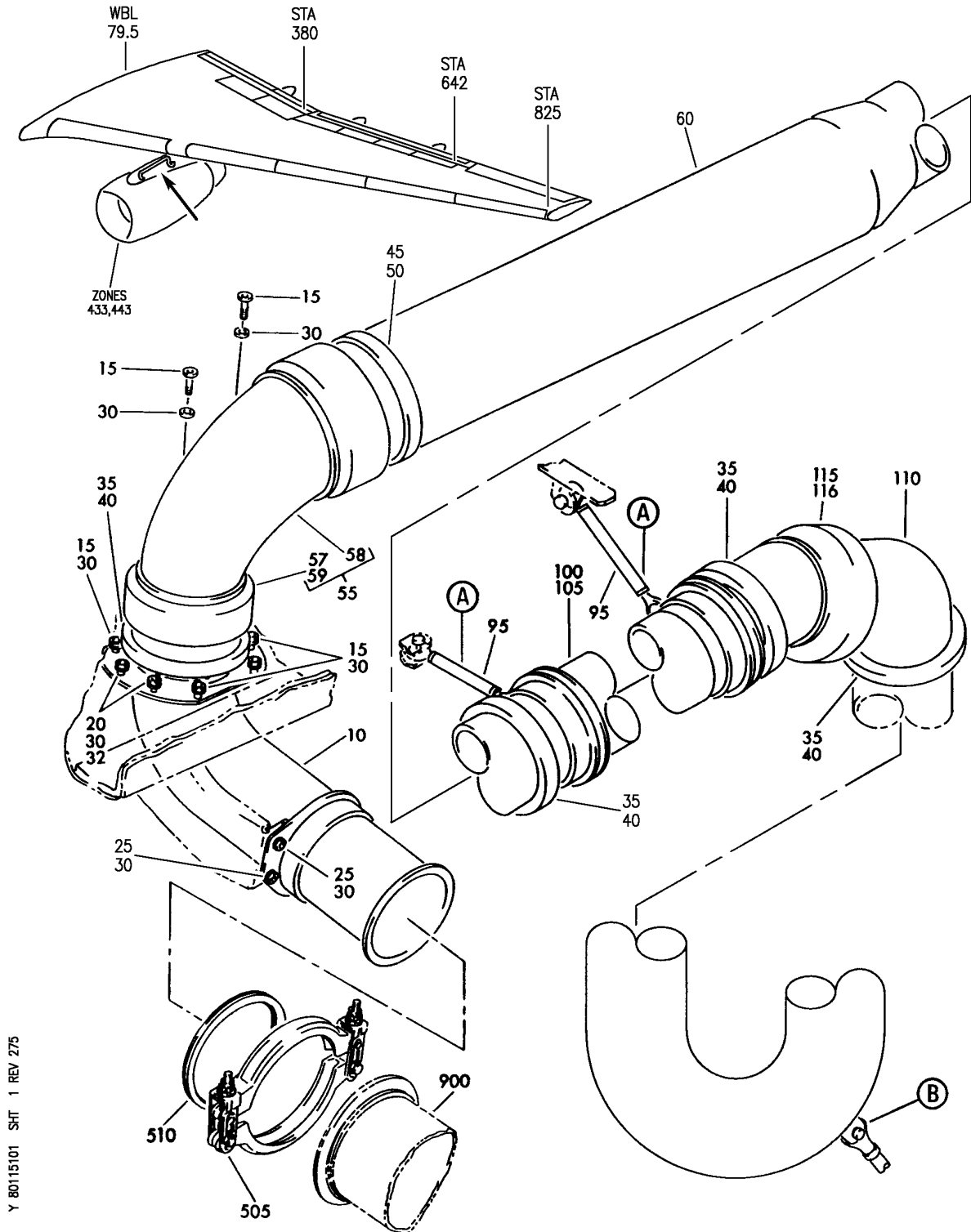
BRI

80-11-09-03

BOEING PROPRIETARY - Copyright © - Unpublished Work - See title page for details.

80-11-09
FIG. 03
PAGE 4
JAN 20/09

BOEING
757
PARTS CATALOG (MAINTENANCE)



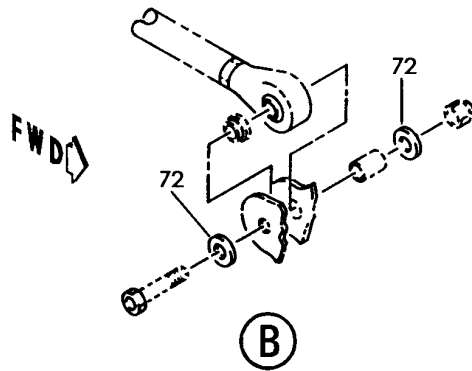
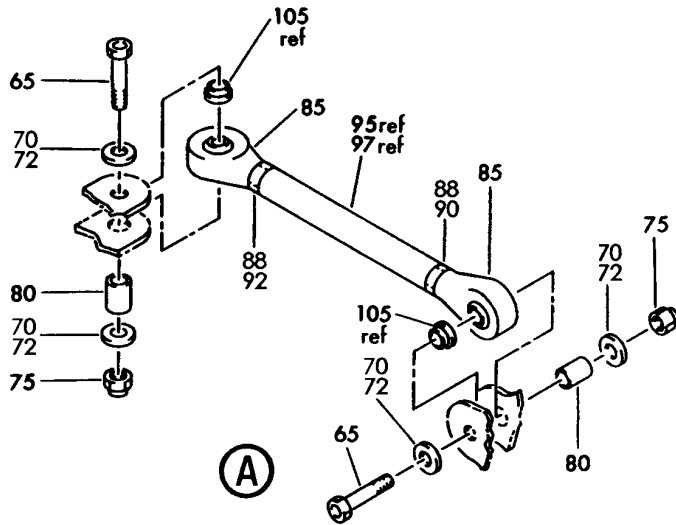
EQUIPMENT INSTL-STRUT PNEU (STARTING ONLY) (RB211-535)
FIGURE 1 (SHEET 1)

80-11-51-01

BRI
MAY 28/07

80-11-51-01
PAGE 0

BOEING
757
PARTS CATALOG (MAINTENANCE)



Y 80115101 SHT 2 REV 206

EQUIPMENT INSTL-STRUT PNEU (STARTING ONLY) (RB211-535)
FIGURE 1 (SHEET 2)

80-11-51-01

BRI
MAY 28/07

80-11-51-01
PAGE 0A



757

PARTS CATALOG (MAINTENANCE)

FIG ITEM	PART NUMBER	1 2 3 4 5 6 7	NOMENCLATURE	EFFECT FROM TO	UNITS PER ASSY
1			EQUIPMENT INSTL-STRUT PNEU (STARTING ONLY) (RB211-535)	002004 006999	
- 1	312N5301-7		EQUIPMENT INSTL-STRUT PNEU (STARTING ONLY) FOR NHA/OTHER SYS DET SEE: 54-00-51-01	002004 006100 107107 121503 904999	RF
- 1	312N5301-12		EQUIPMENT INSTL-STRUT PNEU (STARTING ONLY) FOR NHA SEE: 80-00-00-01 80-00-00-01A	101106 108120 504903	RF
- 5	312N5304-2		.DUCT INSTL-STARTER AND TAI	002004 006100 107107 121503 904999	RF
10	312N5316-1		..DUCT ASSY-	002004 006100 107107 121503 904999	1
10	312N5316-8		..DUCT ASSY-	002004 006100 107107 121503 904999	1
10	312N5316-9		..DUCT ASSY-	002004 006100 107107 121503 904999	1
15	NAS6703U6		ATTACHING PARTS ..BOLT-	002004 006100 107107 121503 904999	6
20	NAS6703U7		..BOLT-	002004 006100 107107 121503 904999	2
25	NAS6703U2		..BOLT	002004 006100 107107 121503 904999	2

MISSING ITEM NUMBERS NOT APPLICABLE

- ITEM NOT ILLUSTRATED

80-11-51-01

80-11-51
FIG. 01
PAGE 1
JAN 20/09

BRI

BOEING
757
PARTS CATALOG (MAINTENANCE)

FIG ITEM	PART NUMBER	1 2 3 4 5 6 7	NOMENCLATURE	EFFECT FROM TO	UNITS PER ASSY
1 32	BRH10A3		. . NUT- SUPPLIER CODE: V52828 SPECIFICATION NUMBER: BACN10JC3 OPTIONAL PART: H10-3BAC V15653 NS202101-02 V80539 RMLH9075-3W V72962 VN303A02 V92215 96-02 V80539 T6S1032J V11815 -----*-----	002004 006100 107107 121503 904999	2
	35 2703-400		. COUPLING-V FLANGE SUPPLIER CODE: V15284 OPTIONAL PART: VR1025-400 V14242	002004 006100 107107 121503 904999	4
	35 AS1895-4-400		. COUPLING-V FLANGE	101106 108120 504903	4
	35 VR1025-400		. COUPLING-V SUPPLIER CODE: V14242 OPTIONAL PART: 2703-400 V15284	002004 006100 107107 121503 904999	4
	40 AS1895-7-400		. GASKET-E SEAL	101106 108120 504903	4
R R R R R	40 2873-400		. GASKET-E SEAL SUPPLIER CODE: V15284	002004 006100 107107 121503 904999	4
	45 2703-450		. COUPLING-V FLANGE SUPPLIER CODE: V15284 OPTIONAL PART: VR1025-450 V14242	002004 006100 107107 121503 904999	1

MISSING ITEM NUMBERS NOT APPLICABLE

— ITEM NOT ILLUSTRATED

BRI

80-11-51-01

BOEING PROPRIETARY - Copyright © - Unpublished Work - See title page for details.

80-11-51
FIG. 01
PAGE 2
MAY 20/09



757

PARTS CATALOG (MAINTENANCE)

FIG ITEM	PART NUMBER	1 2 3 4 5 6 7	NOMENCLATURE	EFFECT FROM TO	UNITS PER ASSY
1					
45	AS1895-4-450	.	COUPLING-V FLANGE	101106 108120 504903	1
45	VR1025-450	.	COUPLING-V FLANGE SUPPLIER CODE: V14242 OPTIONAL PART: 2703-450 V15284	002004 006100 107107 121503 904999	1
50	A2873-450	.	GASKET-E SEAL SUPPLIER CODE: V15284	002004 006100 107107 121503 904999	1
50	AS1895-7-450	.	GASKET-E SEAL	101106 108120 504903	1
55	312N5315-1	.	DUCT ASSY- OPTIONAL PART: 312N5315-6	002004 006999	1
55	312N5315-6	.	DUCT ASSY- OPTIONAL PART: 312N5315-1	002004 006999	1
55	312N5315-9	.	DUCT ASSY- OPTIONAL PART: 312N5315-10	002004 006999	1
55	312N5315-10	.	DUCT ASSY- OPTIONAL PART: 312N5315-9	002004 006999	1
57	12800-93	..	JOINT-FLEX SUPPLIER CODE: V70628 SPECIFICATION NUMBER: S312N301-3 USED ON: 312N5315-1 312N5315-10	002004 006999	1
58	12800-94	..	JOINT-FLEX SUPPLIER CODE: V70628 SPECIFICATION NUMBER: S312N301-4	002004 006999	1

MISSING ITEM NUMBERS NOT APPLICABLE

- ITEM NOT ILLUSTRATED

80-11-51-01

80-11-51
FIG. 01
PAGE 3
JAN 20/09

BRI

BOEING PROPRIETARY - Copyright © - Unpublished Work - See title page for details.



757

PARTS CATALOG (MAINTENANCE)

FIG ITEM	PART NUMBER	1 2 3 4 5 6 7	NOMENCLATURE	EFFECT FROM TO	UNITS PER ASSY
1					
59	12800-120		.. JOINT-FLEX SUPPLIER CODE: V70628 SPECIFICATION NUMBER: S312N301-20 USED ON: 312N5315-6 312N5315-9	002004 006999	1
60	312N5314-7		. DUCT ASSY-	002004 006999	1
60	312N5314-9		. DUCT ASSY-	002004 006999	1
65	NAS6704U11		. BOLT	002004 006999	4
70	AN960C416L		. WASHER	002004 006100 107107 121503 904999	8
70	NAS1149C0432R		. WASHER	101106 108120 504903	8
72	NAS1149C0432R		. WASHER	101106 108120 504903	10
75	BRH10C4		. NUT SUPPLIER CODE: V52828 SPECIFICATION NUMBER: BACN10JC4C OPTIONAL PART: T6C428J V11815 97-048 V80539 101LH9075-4W V72962 VN303B048 V92215 NS202101S048 V80539 H31-4BAC V15653	002004 006100 107107 121503 904999	4

MISSING ITEM NUMBERS NOT APPLICABLE

- ITEM NOT ILLUSTRATED

80-11-51-01

80-11-51
FIG. 01
PAGE 4
JAN 20/09

BRI



757

PARTS CATALOG (MAINTENANCE)

FIG ITEM	PART NUMBER	1 2 3 4 5 6 7	NOMENCLATURE	EFFECT FROM TO	UNITS PER ASSY
1	75	PLH54C	.NUT SUPPLIER CODE: V62554 SPECIFICATION NUMBER: BACN10YR4C OPTIONAL PART: H52732-4C V15653	101106 108120 504903	4
	80	BACB28AK04-020	.BUSHING	002004 006999	4
	85	10E4-116T	.BEARING SUPPLIER CODE: V16746 SPECIFICATION NUMBER: BACB10Y4T OPTIONAL PART: BRES4-2236EL1 V81376 HB4E212KT V02758 KBE4-150WT V97613 MSSK4AS2 V73134 51588-041VL V09455 ASMK4-1DT V56644 AR4E8W3 VS0352 ARB4E60TW V15860	002004 006999	4
	88	NAS509-5C	.NUT	101106 108120 504903	4
	90	NAS509-5C	.NUT	002004 006100 107107 121503 904999	2

MISSING ITEM NUMBERS NOT APPLICABLE

- ITEM NOT ILLUSTRATED

80-11-51-01

80-11-51
FIG. 01
PAGE 5
JAN 20/09

BRI

BOEING PROPRIETARY - Copyright © - Unpublished Work - See title page for details.



757

PARTS CATALOG (MAINTENANCE)

FIG ITEM	PART NUMBER	1 2 3 4 5 6 7	NOMENCLATURE	EFFECT FROM TO	UNITS PER ASSY
1 92	BRH10C5	.	NUT SUPPLIER CODE: V52828 SPECIFICATION NUMBER: BACN10JC5C OPTIONAL PART: T6C524J V11815 97-054 V80539 101LH9075-5W V72962 H31-5BAC V15653	002004 006100 107107 121503 904999	2
95	312N5343-8700	.	ROD-DUCT SPRT OPTIONAL PART: 312N5343-8701	002004 006999	2
95	312N5343-8701	.	ROD-DUCT SPRT OPTIONAL PART: 312N5343-8700	002004 006999	2
100	312N5307-1	.	DUCT ASSY-	002004 006999	1
100	312N5307-8700	.	DUCT ASSY-	002004 006999	1
105	312T3071-3	..	BUSHING-FLANGED	002004 006999	2
110	312N5336-8701	.	DUCT ASSY- OPTIONAL PART: 312N5336-11	002004 006999	1
110	312N5336-11	.	DUCT ASSY- OPTIONAL PART: 312N5336-8701	002004 006999	1
110	312N5336-15	.	DUCT ASSY- OPTIONAL PART: 312N5336-16	002004 006999	1
110	312N5336-16	.	DUCT ASSY- OPTIONAL PART: 312N5336-15	002004 006999	1
110	312N5336-17	.	DUCT ASSY-	002004 006999	1
115	12800-93	..	JOINT-FLEX SUPPLIER CODE: V70628 SPECIFICATION NUMBER: S312N301-3 USED ON: 312N5336-8701 312N5336-16	002004 006999	1

MISSING ITEM NUMBERS NOT APPLICABLE

- ITEM NOT ILLUSTRATED

80-11-51-01

80-11-51
FIG. 01
PAGE 6
JAN 20/09

BRI

BOEING
757
PARTS CATALOG (MAINTENANCE)

FIG ITEM	PART NUMBER	1 2 3 4 5 6 7	NOMENCLATURE	EFFECT FROM TO	UNITS PER ASSY
1 116	12800-120		.. JOINT-FLEX SUPPLIER CODE: V70628 SPECIFICATION NUMBER: S312N301-20 USED ON: 312N5336-17 USED ON: 312N5336-11 312N5336-15	002004 006999	1
- 500	300N5002-1		SYSTEM AND EQUIPMENT ASSY	002004 006100 107107 121503 904999	RF
505	2703-400		. COUPLING-V SUPPLIER CODE: V15284 OPTIONAL PART: VR1025-400 V14242	002004 006100 107107 121503 904999	1
505	VR1025-400		. COUPLING-V SUPPLIER CODE: V14242 OPTIONAL PART: 2703-400 V15284	002004 006100 107107 121503 904999	1
R R R R R	510	2873-400	. GASKET- SUPPLIER CODE: V15284	002004 006100 107107 121503 904999	1
	900		ILLUSTRATION REFERENCE: DUCT-STARTER AIR (RB211-535) 80-11-53-01	002004 006100 107107 121503 904999	RF

MISSING ITEM NUMBERS NOT APPLICABLE

- ITEM NOT ILLUSTRATED

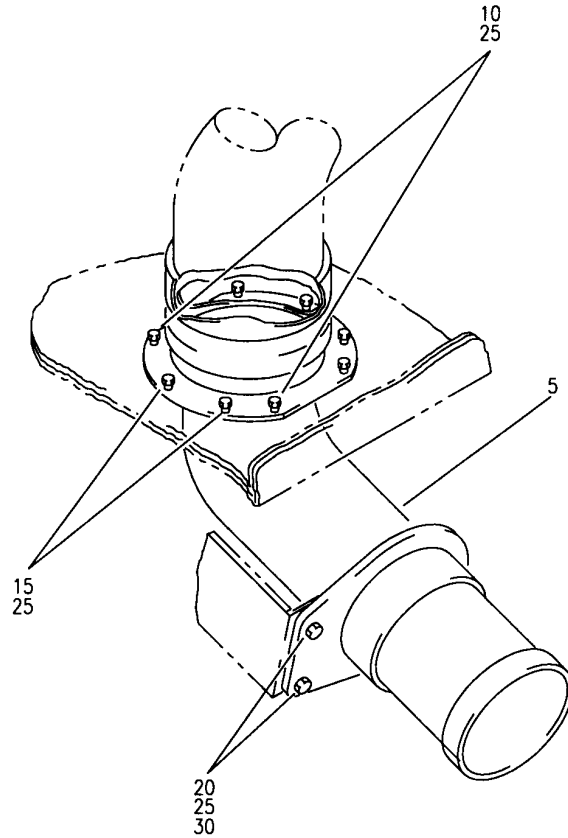
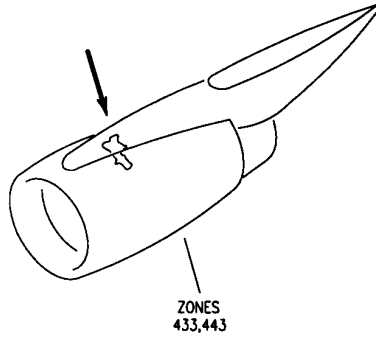
BRI

80-11-51-01

BOEING PROPRIETARY - Copyright © - Unpublished Work - See title page for details.

80-11-51
FIG. 01
PAGE 7
MAY 20/09

BOEING
757
PARTS CATALOG (MAINTENANCE)



Y 80115101A REV 177

DUCT INSTL-STARTER AND TAI (STARTING ONLY) (RB211-535)
FIGURE 1A

80-11-51-01A

BRI
MAY 28/07

BOEING PROPRIETARY - Copyright © - Unpublished Work - See title page for details.

80-11-51-01A
PAGE 0



757

PARTS CATALOG (MAINTENANCE)

FIG ITEM	PART NUMBER	1 2 3 4 5 6 7	NOMENCLATURE	EFFECT FROM TO	UNITS PER ASSY
1 A			DUCT INSTL-STARTER AND TAI (STARTING ONLY) (RB211-535)	101106 108120 504903	
- 1	312N5304-4		DUCT INSTL-STARTER AND TAI (STARTING ONLY) FOR NHA SEE: 80-00-00-01 80-00-00-01A	101106 108120 504903	RF
5	312N5316-9		.DUCT ASSY-	101106 108120 504903	1
5	312N5316-1		.DUCT ASSY-	101106 108120 504903	1
5	312N5316-8		.DUCT ASSY-	101106 108120 504903	1
10	NAS6703U6		ATTACHING PARTS .BOLT	101106 108120 504903	6
15	NAS6703U7		.BOLT	101106 108120 504903	2
20	NAS6703U2		.BOLT	101106 108120 504903	2
25	NAS1149C0332R		.WASHER	101106 108120 504903	10
30	PLH53CD		.NUT SUPPLIER CODE: VF0224 SPECIFICATION NUMBER: BACN10YR3CD OPTIONAL PART: H52732-3CD V15653 -----*-----	101106 108120 504903	2

MISSING ITEM NUMBERS NOT APPLICABLE

- ITEM NOT ILLUSTRATED

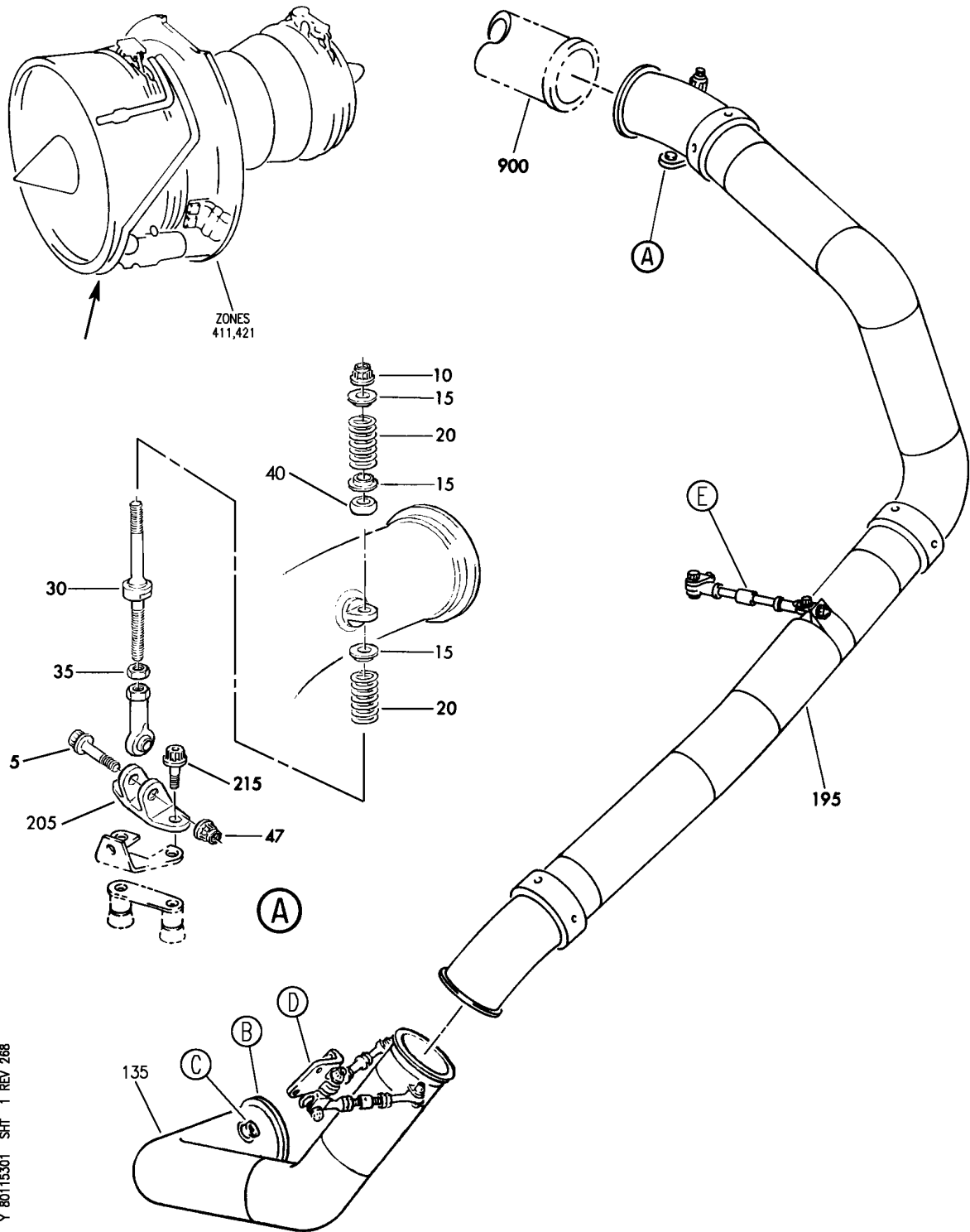
80-11-51-01A

80-11-51
FIG. 01A
PAGE 1
JAN 20/09

BRI

BOEING PROPRIETARY - Copyright © - Unpublished Work - See title page for details.

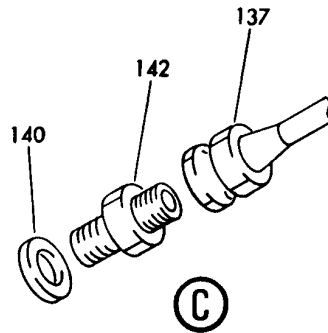
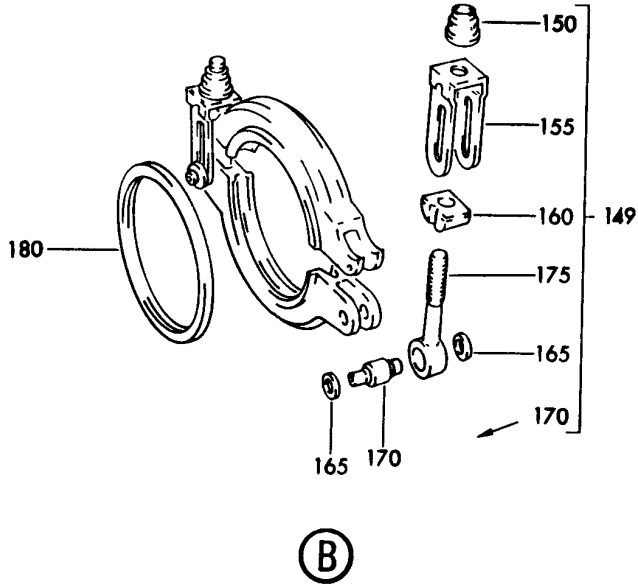
BOEING
757
PARTS CATALOG (MAINTENANCE)



DUCT-STARTER AIR (RB211-535)
FIGURE 1 (SHEET 1)

80-11-53-01

BOEING
757
PARTS CATALOG (MAINTENANCE)



Y 80115301 SH1 2 REV 268

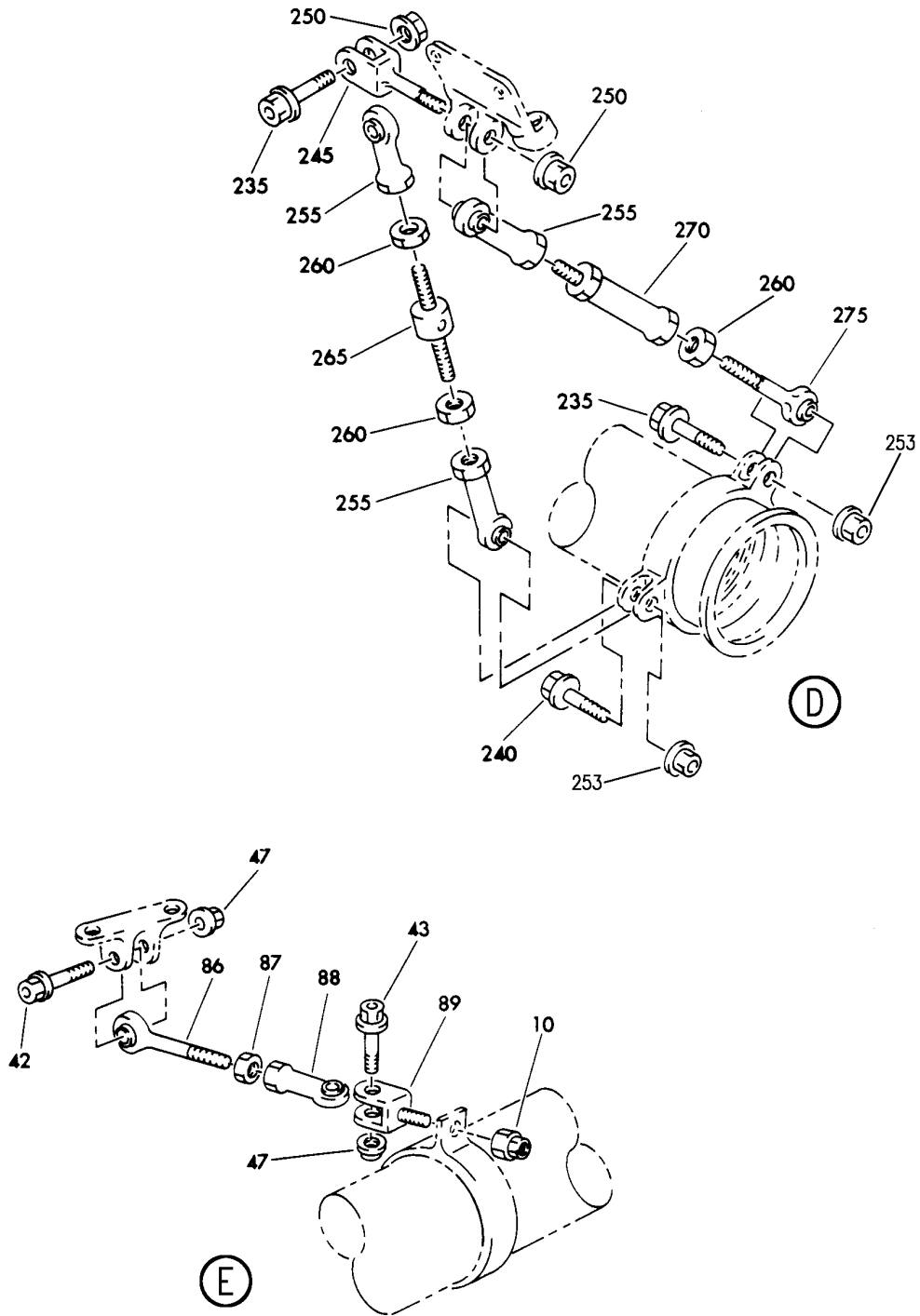
DUCT-STARTER AIR (RB211-535)
FIGURE 1 (SHEET 2)

80-11-53-01

BRI
MAY 28/07

80-11-53-01
PAGE 0A

BOEING
757
PARTS CATALOG (MAINTENANCE)



Y 80115301 SHT 3 REV 268

DUCT-STARTER AIR (RB211-535)
FIGURE 1 (SHEET 3)

80-11-53-01

BRI
MAY 28/07

80-11-53-01
PAGE 0B



757

PARTS CATALOG (MAINTENANCE)

FIG ITEM	PART NUMBER	1 2 3 4 5 6 7	NOMENCLATURE	EFFECT FROM TO	UNITS PER ASSY
1			DUCT-STARTER AIR (RB211-535)	002004 006999	
- 1	UL20697		ENGINE ASSY-Q.E.C.U. RB211-535E43711 MAXIMUM NEUT WITH GRAVINER FIRE DETECTORS, BAYONET MCD, NON-MODULATED IDG COOLING 40,000 LB THRUST SUPPLIER CODE: VK0680 REFERENCE SERVICE BULLETIN: 71-0058R4 QUALIFIED SB I/W DATA: INTERMIX OF ONE OR SUBSTITUTION OF TWO DIFFERENT CONFIGURATION RB211-535E4-37/() ENGINES FOR RB211-535 E4 BASE ENGINES REFERENCE SERVICE BULLETIN: RB211-72-C547 VK0680 FOR NHA/OTHER SYS DET SEE: 71-00-02-04	121503 904949 952999	RF
- 1	UL20702		ENGINE ASSY-Q.E.C.U. RB211-535E43711 BASIC ENGINE CONFIG. WITH GRAVINER FIRE DETECTORS, BAYONET MCD, NON-MODULATED IDG COOLING 40,100 LB THRUST SUPPLIER CODE: VK0680 FOR NHA/OTHER SYS DET SEE: 71-00-02-10	504903	RF
- 1	UL19722		ENGINE ASSY-Q.E.C.U. RB211-535E43711 MAXIMUM NEUT SUPPLIER CODE: VK0680 FOR NHA/OTHER SYS DET SEE: 71-00-02-04	107107	RF

MISSING ITEM NUMBERS NOT APPLICABLE

- ITEM NOT ILLUSTRATED

80-11-53-01

80-11-53
FIG. 01
PAGE 1
JAN 20/09

BRI



757

PARTS CATALOG (MAINTENANCE)

FIG ITEM	PART NUMBER	1 2 3 4 5 6 7	NOMENCLATURE	EFFECT FROM TO	UNITS PER ASSY
1					
- 2	UL20698		ENGINE ASSY-Q.E.C.U. RB211-535E43712 MAXIMUM NEUT SUPPLIER CODE: VK0680 REFERENCE SERVICE BULLETIN: 71-0058R7 QUALIFIED SB I/W DATA: INTERMIX OF ONE OR SUBSTITUTION OF TWO DIFFERENT CONFIGURATION RB211-535E4-37/() ENGINES FOR RB211-535E4 BASE ENGINES OR DIFFERENT CONFIGURATION RB211-535E4-B-37/() ENGINES FOR RB211-535E4-B BASE ENGINES REFERENCE SERVICE BULLETIN: RB211-72-C547 VK0680 RB211-72-8910 VK0680 POST RAPID REVISION: RR92014-183A-RC-E FOR NHA/OTHER SYS DET SEE: 71-00-02-04	002004 006100 102102	RF
- 2	UL36209		ENGINE ASSY-Q.E.C.U. RB211-535E43719 MAXIMUM NEUT SUPPLIER CODE: VK0680 FOR NHA/OTHER SYS DET SEE: 71-00-02-04	950951	RF
- 3	BCREF17395		ENGINE ASSY-Q.E.C.U. RB211-535E43739 BASIC ENGINE CONFIGURATION AND PHASE 5 COMBUSTOR 40,100 LB THRUST SUPPLIER CODE: VK0680 OVERLENGTH PART NUMBER: RB211-535E4-37-39E FOR NHA/OTHER SYS DET SEE: 71-00-02-10	108120	RF

MISSING ITEM NUMBERS NOT APPLICABLE

- ITEM NOT ILLUSTRATED

80-11-53-01

80-11-53
FIG. 01
PAGE 2
JAN 20/09

BRI



757

PARTS CATALOG (MAINTENANCE)

FIG ITEM	PART NUMBER	1 2 3 4 5 6 7	NOMENCLATURE	EFFECT FROM TO	UNITS PER ASSY
1					
- 3	BCREF17101		ENGINE ASSY-Q.E.C.U. RB211-535E43744 BASIC ENGINE CONFIGURATION, BAYONET MCD AND PHASE 5 COMBUSTOR 40,100 LB THRUST SUPPLIER CODE: VK0680 OVERLENGTH PART NUMBER: RB211-535E4-3744E FOR NHA/OTHER SYS DET SEE: 71-00-02-10	103106	RF
- 3	UL38163		ENGINE ASSY-Q.E.C.U. RB211-535E43724 BASIC ENGINE CONFIGURATION, BAYONET MCD 40,100 LB THRUST SUPPLIER CODE: VK0680 FOR NHA/OTHER SYS DET SEE: 71-00-02-10	101101	RF
- 4	LJ33143		.DUCT-AIR STARTER SUPPLIER CODE: VK4585	002004 006999	RF
5	AS22520		..BOLT	002004 006999	1
10	AS20625		..NUT	002004 006999	2
15	EU35539		..WASHER- SUPPLIER CODE: VK0680	002004 006999	3
20	AX55740		..SPRING- SUPPLIER CODE: VK0680	002004 006999	2
30	LJ33131		..ROD-THREADED DUCT SUPPORT SUPPLIER CODE: VK4585	002004 006999	1
35	A105ET		..NUT	002004 006999	1
42	AS22519		..BOLT-	002004 006999	1
43	AS22518		..BOLT-	002004 006999	1
47	AS20625		..NUT-	002004 006999	3
86	RMY04UH		..ROD-MALE END SUPPLIER CODE: VK7067	002004 006999	1

MISSING ITEM NUMBERS NOT APPLICABLE

- ITEM NOT ILLUSTRATED

80-11-53-01

80-11-53
FIG. 01
PAGE 3
JAN 20/09

BRI



757

PARTS CATALOG (MAINTENANCE)

FIG ITEM	PART NUMBER	1 2 3 4 5 6 7	NOMENCLATURE	EFFECT FROM TO	UNITS PER ASSY
1			ATTACHING PARTS		
87	A234-4R		..NUT-LOCK	002004 006999	1
			-----*-----		
88	RFQ04UR		..ROD-FEMALE END SUPPLIER CODE: VK7067	002004 006999	2
89	UP10017		..BOLT-FORK END CONNECTOR SUPPLIER CODE: VK4585	002004 006999	1
135	LJ33219		..DUCT ASSY-AIR STARTER SUPPLIER CODE: VK0680 POSITION DATA: LWR PRE SERVICE BULLETIN: 80-9610 VK0680	002004 006102 107999	1
135	LJ41486		..DUCT ASSY-AIR STARTER SUPPLIER CODE: VK4585 POSITION DATA: LWR POST SERVICE BULLETIN: 80-9610PT01 VK0680	002004 006999	1
137	AS15825		..NUT ASSY- PRE SERVICE BULLETIN: 80-9610 VK0680	002004 006100 102949 952999	1
140	KB6657		..WASHER-FLAT SUPPLIER CODE: VK4585 PRE SERVICE BULLETIN: 80-9610 VK0680	002004 006100 102949 952999	1
142	LJ14089		..ADAPTOR-STRAIGHT SUPPLIER CODE: VK4585 PRE SERVICE BULLETIN: 80-9610 VK0680 80-7159 VK0680	002004 006100 102949 952999	1

MISSING ITEM NUMBERS NOT APPLICABLE

- ITEM NOT ILLUSTRATED

80-11-53-01

80-11-53
FIG. 01
PAGE 4
JAN 20/09

BRI



757

PARTS CATALOG (MAINTENANCE)

FIG ITEM	PART NUMBER	1 2 3 4 5 6 7	NOMENCLATURE	EFFECT FROM TO	UNITS PER ASSY
1					
- 145	LJ33220		.. DUCT-AIR STARTER SUPPLIER CODE: VK4585 POSITION DATA: LOWER PRE SERVICE BULLETIN: 80-9610 VK0680	002004 006999	RF
149	DE26495		.. CLAMP ASSY- SUPPLIER CODE: VU1596 CONFIG CHG DATA FROM A CMM: FOR INTRCHG SEE RR IPC OPTIONAL PART: C3228-450 V15284	002004 006999	1
149	C3228-450		.. CLAMP ASSY- SUPPLIER CODE: V15284 CONFIG CHG DATA FROM A CMM: FOR INTRCHG SEE RR IPC OPTIONAL PART: DE26495 VU1596	002004 006999	1
150	AS20626		... NUT	002004 006999	2
150	3806074		... NUT- SUPPLIER CODE: V15284	002004 006999	2
155	BE27524		... LINK- SUPPLIER CODE: VU1596	002004 006999	2
155	2353-500		... LINK- SUPPLIER CODE: V15284	002004 006999	2
160	BE27615		... WASHER- SUPPLIER CODE: VU1596	002004 006999	2
160	3806073		... WASHER- SUPPLIER CODE: V15284	002004 006999	2
165	BE27528		... WASHER- SUPPLIER CODE: VU1596	002004 006999	4
165	3806071		... WASHER- SUPPLIER CODE: V15284	002004 006999	4

MISSING ITEM NUMBERS NOT APPLICABLE

- ITEM NOT ILLUSTRATED

80-11-53-01

80-11-53
FIG. 01
PAGE 5
JAN 20/09

BRI



757

PARTS CATALOG (MAINTENANCE)

FIG ITEM	PART NUMBER	1 2 3 4 5 6 7	NOMENCLATURE	EFFECT FROM TO	UNITS PER ASSY
1					
170	BE26829	...	RIVET- SUPPLIER CODE: VU1596	002004 006999	2
170	3806072	...	RIVET- SUPPLIER CODE: V15284	002004 006999	2
175	CE27390	...	BOLT- SUPPLIER CODE: VU1596	002004 006999	2
175	3653-500	...	BOLT- SUPPLIER CODE: V15284	002004 006999	2
180	3505879	..	SEAL- SUPPLIER CODE: V15284 OPTIONAL PART: BE28943 VU1596 S2314-450 VON220 POST SERVICE BULLETIN: 80-C153PTA VK0680 PRE SERVICE BULLETIN: 80-C153 VK0680	002004 006999	1
180	S2314-450	..	SEAL- SUPPLIER CODE: VK0680 OPTIONAL PART: 3505879 V15284 BE28943 VU1596 POST SERVICE BULLETIN: 80-C153PTA VK0680	002004 006999	1

MISSING ITEM NUMBERS NOT APPLICABLE

- ITEM NOT ILLUSTRATED

BRI

80-11-53-01

BOEING PROPRIETARY - Copyright © - Unpublished Work - See title page for details.

80-11-53
FIG. 01
PAGE 6
JAN 20/09

 **BOEING**
757
PARTS CATALOG (MAINTENANCE)

FIG ITEM	PART NUMBER	1 2 3 4 5 6 7	NOMENCLATURE	EFFECT FROM TO	UNITS PER ASSY
1 180	BE28943		..SEAL- SUPPLIER CODE: VK0680 OPTIONAL PART: 3505879 V15284 S2314-450 VON220 POST SERVICE BULLETIN: 80-C153PTA VK0680 PRE SERVICE BULLETIN: 80-C153 VK0680	002004 006999	1
195	LJ33216		..DUCT ASSY-AIR STARTER SUPPLIER CODE: VK4585 POSITION DATA: UPR OPTIONAL PART: LJ34945 VK0680 POST SERVICE BULLETIN: 80-7224PTB VK0680 PRE SERVICE BULLETIN: 80-7224 VK0680	002004 006999	1
195	LJ34945		..DUCT ASSY-AIR STARTER SUPPLIER CODE: VK4585 POSITION DATA: UPR OPTIONAL PART: LJ33216 VK0680 POST SERVICE BULLETIN: 80-7224PTB VK0680	002004 006999	1
205	LJ33129		..BRACKET-SPRT FORK SUPPLIER CODE: VK4585 ATTACHING PARTS	002004 006999	1
215	AS21009		..BOLT	002004 006999	2
235	AS22518		-----*----- ..BOLT-	002004 006999	2

MISSING ITEM NUMBERS NOT APPLICABLE

— ITEM NOT ILLUSTRATED

BRI

80-11-53-01

BOEING PROPRIETARY - Copyright © - Unpublished Work - See title page for details.

80-11-53
FIG. 01
PAGE 7
JAN 20/09



757

PARTS CATALOG (MAINTENANCE)

FIG ITEM	PART NUMBER	1 2 3 4 5 6 7	NOMENCLATURE	EFFECT FROM TO	UNITS PER ASSY
1					
240	AS22520	..	BOLT-	002004 006999	1
245	UP10007	..	BOLT-CONNECTOR FORK END SUPPLIER CODE: VK4585	002004 006999	1
250	AS20625	..	NUT- POST SERVICE BULLETIN: 80-9797PTA VK0680	002004 006999	2
- 251	AS20625	..	NUT- PRE SERVICE BULLETIN: 80-9797 VK0680	002004 006999	3
253	AS20625	..	NUT	002004 006999	2
255	RFQ04UR	..	ROD-FEMALE END SUPPLIER CODE: VK7067	002004 006999	3
260	A234-4R	..	NUT-	002004 006999	3
265	LJ33141	..	ROD-THREADED SUPPLIER CODE: VK4585	002004 006999	1
270	LJ33142	..	ROD-THREADED SUPPLIER CODE: VK4585	002004 006999	1
275	RMY04UH	..	ROD-MALE END SUPPLIER CODE: VK7067	002004 006999	1
900			ILLUSTRATION REFERENCE: EQUIPMENT INSTL-STRUT PNEU (STARTING ONLY) (RB211-535) 80-11-51-01	002004 006100 107107 121503 904999	RF

MISSING ITEM NUMBERS NOT APPLICABLE

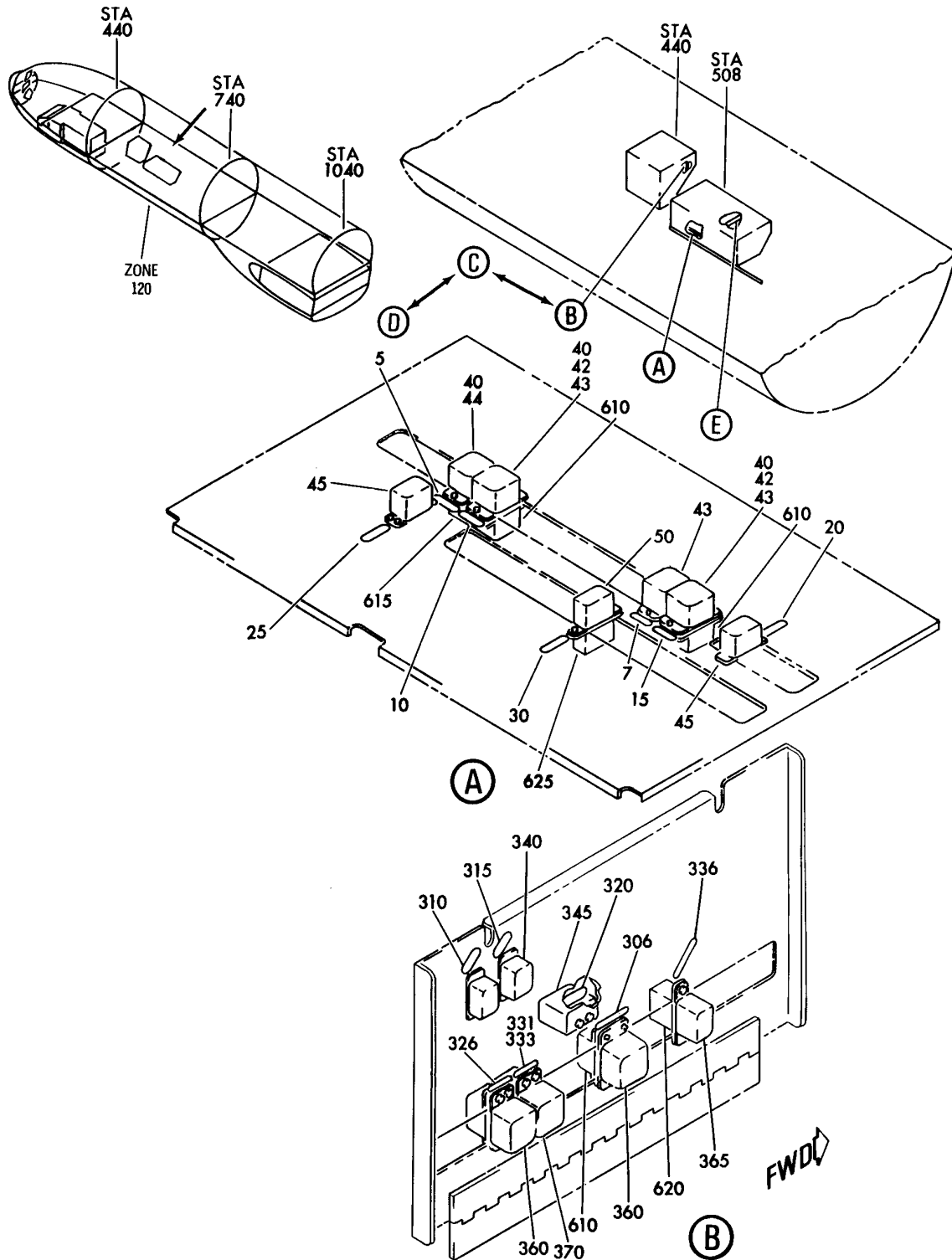
- ITEM NOT ILLUSTRATED

80-11-53-01

80-11-53
FIG. 01
PAGE 8
JAN 20/09

BRI

BOEING
757
PARTS CATALOG (MAINTENANCE)



Y 80117102 SHT 1 REV 168

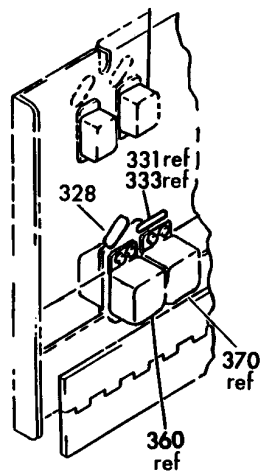
PANEL ASSY-P36 AND P37 MISC RELAY (STARTING ONLY)
FIGURE 2 (SHEET 1)

80-11-71-02

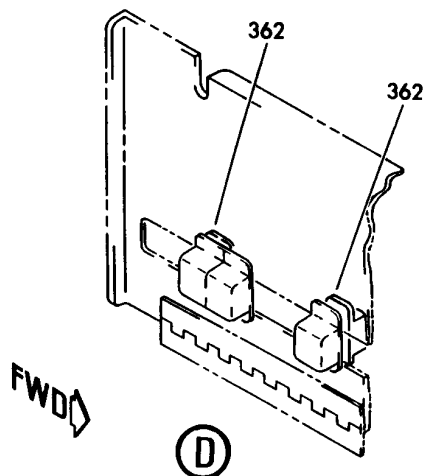
BRI
MAY 28/07

80-11-71-02
PAGE 0

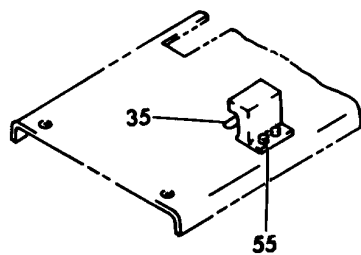
BOEING
757
PARTS CATALOG (MAINTENANCE)



(C)



(D)



(E)

Y 80117102 SHT 2 REV 155

PANEL ASSY-P36 AND P37 MISC RELAY (STARTING ONLY)
FIGURE 2 (SHEET 2)

80-11-71-02

BRI
MAY 28/07

80-11-71-02
PAGE 0A



757

PARTS CATALOG (MAINTENANCE)

FIG ITEM	PART NUMBER	1 2 3 4 5 6 7	NOMENCLATURE	EFFECT FROM TO	UNITS PER ASSY
2			PANEL ASSY-P36 AND P37 MISC RELAY (STARTING ONLY)	002004 006100 107107 121503 904999	
- 1	284N1125-1		PANEL ASSY-P36 MISC RELAY (STARTING ONLY) POSITION DATA: L VARIABLE DRAWING REF: 284N1125-5023 284N1125-5030 284N1125-5049 284N1125-5050 284N1125-5054 REWORKED BY SB: 34-0200 REWORKED BY ALERT SB: 27A0130 FOR NHA/OTHER SYS DET SEE: 31-01-36-01B	002004 006100 107107 121503 904999	RF
5	BAC27NEX0219		.DECAL- PLACARD CONTENT: K10208	107107 121503 904949	1
5	BAC27NEX2489		.DECAL- PLACARD CONTENT: K10208	002004 006100 950999	1
10	BAC27NEX0223		.DECAL- PLACARD CONTENT: K10212	107107 121503 904949	1
10	BAC27NEX2491		.DECAL- PLACARD CONTENT: K10212	002004 006100 950999	1
15	BAC27NEX0237		.DECAL- PLACARD CONTENT: K10247	107107 121503 904949	1
15	BAC27NEX0833		.DECAL- PLACARD CONTENT: K10247	002004 006100 950999	1
20	BAC27NEX0238		.DECAL- PLACARD CONTENT: K10248	107107 121503 904949	1
20	BAC27NEX0834		.DECAL- PLACARD CONTENT: K10248	002004 006100 950999	1
25	BAC27NEX0220		.DECAL- PLACARD CONTENT: K10209	107107 121503 904949	1

MISSING ITEM NUMBERS NOT APPLICABLE

- ITEM NOT ILLUSTRATED

80-11-71-02

80-11-71
FIG. 02
PAGE 1
JAN 20/09

BRI



757

PARTS CATALOG (MAINTENANCE)

FIG ITEM	PART NUMBER	1 2 3 4 5 6 7	NOMENCLATURE	EFFECT FROM TO	UNITS PER ASSY
2					
25	BAC27NEX2490	.DECAL-	PLACARD CONTENT: K10209	002004 006100 950999	1
30	BAC27NEX0236	.DECAL-	PLACARD CONTENT: K10246	121503 904949	1
35	BAC27NEX0261	.DECAL-	PLACARD CONTENT: M10334	107107 121503 904949	1
35	BAC27NEX2506	.DECAL-	PLACARD CONTENT: M10334	002004 006100 950999	1
40	E410-1537	.RELAY-	SUPPLIER CODE: V99699 SPECIFICATION NUMBER: BACR13CG2A OPTIONAL PART: E415-1078 V99699 BR230S0116 V56623 KD4A017 V58687 FCA410-62 V78290 ELECTRICAL EQUIP NUMBER: K10208 K10212 K10247	002004 006100 107107 121503 904999	3
45	W460F1A	.RELAY-	SUPPLIER CODE: VF0219 SPECIFICATION NUMBER: BACR13CE2 OPTIONAL PART: 3SAH5-13-4K1 V01526 3SAH1326A2 V01526 ELECTRICAL EQUIP NUMBER: K10209 K10248	002004 006100 107107 121503 904999	2

MISSING ITEM NUMBERS NOT APPLICABLE

- ITEM NOT ILLUSTRATED

80-11-71-02

80-11-71
FIG. 02
PAGE 2
JAN 20/09

BRI



757

PARTS CATALOG (MAINTENANCE)

FIG ITEM	PART NUMBER	1 2 3 4 5 6 7	NOMENCLATURE	EFFECT FROM TO	UNITS PER ASSY
2 50	E210-1631		.RELAY- SUPPLIER CODE: V99699 SPECIFICATION NUMBER: BACR13CF2A OPTIONAL PART: BR246S0112 V56623 FCA210-70 V78290 E215-1050 V99699 JD4A017 V35344 BR64S104 V56623 61GB19-1A320 V98927 ELECTRICAL EQUIP NUMBER: K10246	121503 904949	1
55	10167-2001BT		.RELAY-TIME DELAY SUPPLIER CODE: V08719 ELECTRICAL EQUIP NUMBER: M10334 OPTIONAL PART: 530750-2001 V08719 TD1982-2001 V58657	002004 006100 107107 121503 904999	1
55	530750-2001		.RELAY-TIME DELAY SUPPLIER CODE: V08719 ELECTRICAL EQUIP NUMBER: M10334 OPTIONAL PART: TD1767-2001 V58657 10167-2001BT V08719 TD1982-2001 V58657	002004 006100 107107 121503 904999	1

MISSING ITEM NUMBERS NOT APPLICABLE

- ITEM NOT ILLUSTRATED

80-11-71-02

80-11-71
FIG. 02
PAGE 3
JAN 20/09

BRI



757

PARTS CATALOG (MAINTENANCE)

FIG ITEM	PART NUMBER	1 2 3 4 5 6 7	NOMENCLATURE	EFFECT FROM TO	UNITS PER ASSY
2 55	TD1982-2001		.RELAY-TIME DELAY SUPPLIER CODE: V58657 ELECTRICAL EQUIP NUMBER: M10334 OPTIONAL PART: TD1767-2001 V58657 10167-2001BT V08719 530750-2001 V08719	002004 006100 107107 121503 904999	1
- 60	NAS601-13P		.ATTACHING PARTS .SCREW-	002004 006100 107107 121503 904999	2
- 65	AN960PD6L		.WASHER-	002004 006100 107107 121503 904999	2
- 300	284N1127-1		-----*----- PANEL ASSY-P37 MISC RELAY (STARTING ONLY) POSITION DATA: R VARIABLE DRAWING REF: 284N1127-5028 284N1127-5039 284N1127-5063 284N1127-5064 284N1127-5068 REWORKED BY SB: 33-0039 34-0200 REWORKED BY ALERT SB: 27A0130 FOR NHA/OTHER SYS DET SEE: 31-01-37-01B	002004 006100 107107 121503 904999	RF
306	BAC27NEX1012		.DECAL- PLACARD CONTENT: K10250	002004 006100 107107 121503 904999	1

MISSING ITEM NUMBERS NOT APPLICABLE

- ITEM NOT ILLUSTRATED

80-11-71-02

80-11-71
FIG. 02
PAGE 4
JAN 20/09

BRI



757

PARTS CATALOG (MAINTENANCE)

FIG ITEM	PART NUMBER	1 2 3 4 5 6 7	NOMENCLATURE	EFFECT FROM TO	UNITS PER ASSY
2					
310	BAC27NEX1006	.DECAL-	PLACARD CONTENT: K10221	002004 006100 107107 121503 904999	1
315	BAC27NEX1013	.DECAL-	PLACARD CONTENT: K10251	002004 006100 107107 121503 904999	1
320	BAC27NEX1047	.DECAL-	PLACARD CONTENT: M10335	002004 006100 107107 121503 904999	1
326	BAC27NEX1007	.DECAL-	PLACARD CONTENT: K10224	107107	1
328	BAC27NEX1007	.DECAL-	PLACARD CONTENT: K10224	002004 006100 121503 904999	1
331	BAC27NEX1005	.DECAL-	PLACARD CONTENT: K10220	002004 006100 107107 121503 904999	1
336	BAC27NEX1011	.DECAL-	PLACARD CONTENT: K10249	121503 904949	1
340	W460F1A	.RELAY-	SUPPLIER CODE: VF0219 SPECIFICATION NUMBER: BACR13CE2 OPTIONAL PART: 3SAH5-13-4K1 V01526 3SAH1326A2 V01526 ELECTRICAL EQUIP NUMBER: K10221 K10251	002004 006100 107107 121503 904999	2

MISSING ITEM NUMBERS NOT APPLICABLE

- ITEM NOT ILLUSTRATED

80-11-71-02

80-11-71
FIG. 02
PAGE 5
JAN 20/09

BRI

BOEING PROPRIETARY - Copyright © - Unpublished Work - See title page for details.



757

PARTS CATALOG (MAINTENANCE)

FIG ITEM	PART NUMBER	1 2 3 4 5 6 7	NOMENCLATURE	EFFECT FROM TO	UNITS PER ASSY
2 345	10167-2001BT		.RELAY-TIME DELAY SUPPLIER CODE: V08719 ELECTRICAL EQUIP NUMBER: M10335 OPTIONAL PART: TD1767-2001 V58657 530750-2001 V08719 TD1982-2001 V58657	002004 006100 107107 121503 904999	1
345	530750-2001		.RELAY-TIME DELAY SUPPLIER CODE: V08719 ELECTRICAL EQUIP NUMBER: M10335 OPTIONAL PART: TD1767-2001 V58657 10167-2001BT V08719 TD1982-2001 V58657	002004 006100 107107 121503 904999	1
345	TD1982-2001		.RELAY-TIME DELAY SUPPLIER CODE: V58657 ELECTRICAL EQUIP NUMBER: M10335 OPTIONAL PART: TD1767-2001 V58657 10167-2001BT V08719 530750-2001 V08719	002004 006100 107107 121503 904999	1
345	TD1767-2001		.RELAY-TIME DELAY SUPPLIER CODE: V58657 ELECTRICAL EQUIP NUMBER: M10335 OPTIONAL PART: 10167-2001BT V08719 530750-2001 V08719 TD1982-2001 V58657	002004 006100 107107 121503 904999	1

MISSING ITEM NUMBERS NOT APPLICABLE

- ITEM NOT ILLUSTRATED

80-11-71-02

80-11-71
FIG. 02
PAGE 6
JAN 20/09

BRI



757

PARTS CATALOG (MAINTENANCE)

FIG ITEM	PART NUMBER	1 2 3 4 5 6 7	NOMENCLATURE	EFFECT FROM TO	UNITS PER ASSY
2			ATTACHING PARTS		
- 350	NAS601-13P		.SCREW-	002004 006100 107107 121503 904999	2
- 355	AN960D6L		.WASHER-	002004 006100 107107 121503 904999	2
362	E410-1537		-----*----- .RELAY- SUPPLIER CODE: V99699 SPECIFICATION NUMBER: BACR13CG2A OPTIONAL PART: E415-1078 V99699 BR230S0116 V56623 KD4A017 V58687 FCA410-62 V78290 ELECTRICAL EQUIP NUMBER: K10220 K10224 K10250	002004 006100 107107 121503 904999	3

MISSING ITEM NUMBERS NOT APPLICABLE

- ITEM NOT ILLUSTRATED

BRI

80-11-71-02

BOEING PROPRIETARY - Copyright © - Unpublished Work - See title page for details.

80-11-71
FIG. 02
PAGE 7
JAN 20/09



757

PARTS CATALOG (MAINTENANCE)

FIG ITEM	PART NUMBER	1 2 3 4 5 6 7	NOMENCLATURE	EFFECT FROM TO	UNITS PER ASSY
2 365	E210-1631		.RELAY- SUPPLIER CODE: V99699 SPECIFICATION NUMBER: BACR13CF2A OPTIONAL PART: BR246S0112 V56623 FCA210-70 V78290 E215-1050 V99699 JD4A017 V35344 BR64S104 V56623 61GB19-1A320 V98927 ELECTRICAL EQUIP NUMBER: K10249	121503 904949	1
- 600	286N1270-002		WIRE BUNDLE ASSY- REWORKED BY ALERT SB: 27A0130 34A0222	121503 904949	RF
- 600	286N1270-003		WIRE BUNDLE ASSY- REWORKED BY ALERT SB: 34A0222	107107	RF
- 600	286N1270-005		WIRE BUNDLE ASSY- REWORKED BY SB: 33-0039 34-0200 REWORKED BY ALERT SB: 27A0130 34A0222	002004 006100 950999	RF
- 605	286N1260-002		WIRE BUNDLE ASSY- REWORKED BY ALERT SB: 27A0130	121503 904949	RF
- 605	286N1260-003		WIRE BUNDLE ASSY-	107107	RF
- 605	286N1260-005		WIRE BUNDLE ASSY- REWORKED BY SB: 34-0200 REWORKED BY ALERT SB: 27A0130	002004 006100 950999	RF
- 606	286N1260-344		WIRE BUNDLE ASSY- REWORKED BY ALERT SB: 27A0130	002004 006100 107107 121503 904999	RF

MISSING ITEM NUMBERS NOT APPLICABLE

- ITEM NOT ILLUSTRATED

80-11-71-02

80-11-71
FIG. 02
PAGE 8
JAN 20/09

BRI



757

PARTS CATALOG (MAINTENANCE)

FIG ITEM	PART NUMBER	1 2 3 4 5 6 7	NOMENCLATURE	EFFECT FROM TO	UNITS PER ASSY
2 610	BACS16W1		.SOCKET- ELECTRICAL EQUIP NUMBER: D02638 D02708 D02992 D03054 WIRING DIAGRAM REF: 801111 801121	002004 006100 107107 121503 904999	2
615	BACS16W1		.SOCKET- ELECTRICAL EQUIP NUMBER: D02700 WIRING DIAGRAM REF: 801111	107107 121503 904949	1
620	RSF116200		.SOCKET- SUPPLIER CODE: V58982 SPECIFICATION NUMBER: BACS16X1A OPTIONAL PART: 102-006-1 V09922 000300-1538 V05574 ELECTRICAL EQUIP NUMBER: D03052 WIRING DIAGRAM REF: 801121	121503 904949	1
625	RSF116200		.SOCKET- SUPPLIER CODE: V58982 SPECIFICATION NUMBER: BACS16X1A OPTIONAL PART: 102-006-1 V09922 000300-1538 V05574 ELECTRICAL EQUIP NUMBER: D02990 WIRING DIAGRAM REF: 801111	121503 904949	1

MISSING ITEM NUMBERS NOT APPLICABLE

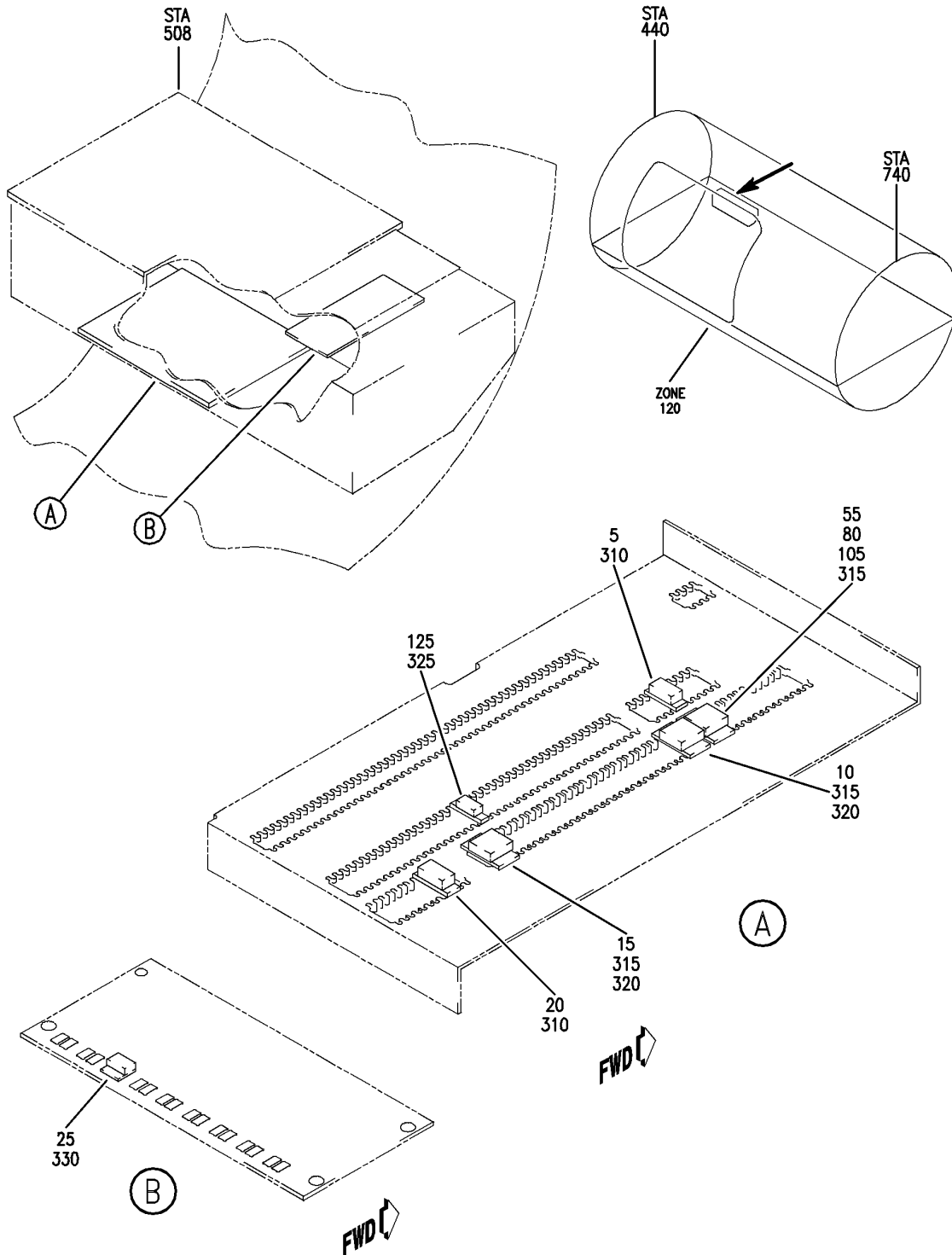
- ITEM NOT ILLUSTRATED

80-11-71-02

80-11-71
FIG. 02
PAGE 9
JAN 20/09

BRI

BOEING
757
PARTS CATALOG (MAINTENANCE)



Y 80117102A REV 225

OPTION PACKAGE ASSY-P36 MISC RELAY L (STARTING ONLY)
FIGURE 2A

80-11-71-02A

BRI
MAY 28/07

80-11-71-02A
PAGE 0



757

PARTS CATALOG (MAINTENANCE)

FIG ITEM	PART NUMBER	1 2 3 4 5 6 7	NOMENCLATURE	EFFECT FROM TO	UNITS PER ASSY
2A			OPTION PACKAGE ASSY-P36 MISC RELAY L (STARTING ONLY)	101102 504903	
- 1	284N1125-1018		OPTION PACKAGE ASSY-P36 MISC RELAY L (STARTING ONLY) REWORKED BY ALERT SB: 27A0130 FOR NHA/OTHER SYS DET SEE: 31-01-36-05	101102 504903	RF
5	W460F1A		.RELAY- SUPPLIER CODE: VF0219 SPECIFICATION NUMBER: BACR13CE2 OPTIONAL PART: 3SAH5-13-4K1 V01526 3SAH1326A2 V01526 ELECTRICAL EQUIP NUMBER: K10209	101102 504903	1
10	E410-1537		.RELAY- SUPPLIER CODE: V99699 SPECIFICATION NUMBER: BACR13CG2A OPTIONAL PART: E415-1078 V99699 BR230S0116 V56623 KD4A017 V58687 FCA410-62 V78290 ELECTRICAL EQUIP NUMBER: K10212	101102 504903	1

MISSING ITEM NUMBERS NOT APPLICABLE

- ITEM NOT ILLUSTRATED

BRI

80-11-71-02A

BOEING PROPRIETARY - Copyright © - Unpublished Work - See title page for details.

80-11-71
FIG. 02A
PAGE 1
JAN 20/09



757

PARTS CATALOG (MAINTENANCE)

FIG ITEM	PART NUMBER	1 2 3 4 5 6 7	NOMENCLATURE	EFFECT FROM TO	UNITS PER ASSY
2A 15	E410-1537	.	RELAY- SUPPLIER CODE: V99699 SPECIFICATION NUMBER: BACR13CG2A OPTIONAL PART: E415-1078 V99699 BR230S0116 V56623 KD4A017 V58687 FCA410-62 V78290 ELECTRICAL EQUIP NUMBER: K10247	101102 504903	1
20	W460F1A	.	RELAY- SUPPLIER CODE: VF0219 SPECIFICATION NUMBER: BACR13CE2 OPTIONAL PART: 3SAH5-13-4K1 V01526 3SAH1326A2 V01526 ELECTRICAL EQUIP NUMBER: K10248	101102 504903	1
25	10167-2001BT	.	RELAY-TIME DELAY SUPPLIER CODE: V08719 ELECTRICAL EQUIP NUMBER: M10334 OPTIONAL PART: TD1767-2001 V58657 530750-2001 V08719 TD1982-2001 V58657	101102 504903	1

MISSING ITEM NUMBERS NOT APPLICABLE

- ITEM NOT ILLUSTRATED

80-11-71-02A

80-11-71
FIG. 02A
PAGE 2
JAN 20/09

BRI

BOEING PROPRIETARY - Copyright © - Unpublished Work - See title page for details.



757

PARTS CATALOG (MAINTENANCE)

FIG ITEM	PART NUMBER	1 2 3 4 5 6 7	NOMENCLATURE	EFFECT FROM TO	UNITS PER ASSY
2A 25	530750-2001		.RELAY-TIME DELAY SUPPLIER CODE: V08719 ELECTRICAL EQUIP NUMBER: M10334 OPTIONAL PART: TD1767-2001 V58657 10167-2001BT V08719 TD1982-2001 V58657	101102 504903	1
25	TD1767-2001		.RELAY-TIME DELAY SUPPLIER CODE: V58657 ELECTRICAL EQUIP NUMBER: M10334 OPTIONAL PART: 10167-2001BT V08719 530750-2001 V08719 TD1982-2001 V58657	101102 504903	1
25	TD1982-2001		.RELAY-TIME DELAY SUPPLIER CODE: V58657 ELECTRICAL EQUIP NUMBER: M10334 OPTIONAL PART: TD1767-2001 V58657 530750-2001 V08719 10167-2001BT V08719	101102 504903	1
25	10167-2BT		.RELAY-TIME DELAY SUPPLIER CODE: V08719 ELECTRICAL EQUIP NUMBER: M10334	101102 504903	1
- 27	NAS601-13P		ATTACHING PARTS .SCREW	101102 504903	2
- 28	NAS1149DN616H		.WASHER -----*-----	101102 504903	2

MISSING ITEM NUMBERS NOT APPLICABLE

- ITEM NOT ILLUSTRATED

80-11-71-02A

80-11-71
FIG. 02A
PAGE 3
JAN 20/09

BRI

BOEING PROPRIETARY - Copyright © - Unpublished Work - See title page for details.



757

PARTS CATALOG (MAINTENANCE)

FIG ITEM	PART NUMBER	1 2 3 4 5 6 7	NOMENCLATURE	EFFECT FROM TO	UNITS PER ASSY
2A - 50	284N1125-1010		OPTION PACKAGE ASSY-P36 MISC RELAY L (STARTING ONLY) REWORKED BY ALERT SB: 27A0130 FOR NHA/OTHER SYS DET SEE: 31-01-36-05	101102 504903	RF
55	E410-1537		.RELAY- SUPPLIER CODE: V99699 SPECIFICATION NUMBER: BACR13CG2A OPTIONAL PART: E415-1078 V99699 BR230S0116 V56623 KD4A017 V58687 FCA410-62 V78290 ELECTRICAL EQUIP NUMBER: K10208	101102 504903	1
- 120	284N1125-1030		OPTION PACKAGE ASSY-P36 MISC RELAY L (STARTING ONLY) REWORKED BY ALERT SB: 27A0130 FOR NHA/OTHER SYS DET SEE: 31-01-36-05	504903	RF

MISSING ITEM NUMBERS NOT APPLICABLE

- ITEM NOT ILLUSTRATED

80-11-71-02A

80-11-71
FIG. 02A
PAGE 4
JAN 20/09

BRI

BOEING PROPRIETARY - Copyright © - Unpublished Work - See title page for details.



757

PARTS CATALOG (MAINTENANCE)

FIG ITEM	PART NUMBER	1 2 3 4 5 6 7	NOMENCLATURE	EFFECT FROM TO	UNITS PER ASSY
2A 125	E210-1631		.RELAY- SUPPLIER CODE: V99699 SPECIFICATION NUMBER: BACR13CF2A OPTIONAL PART: BR246S0112 V56623 FCA210-70 V78290 E215-1050 V99699 JD4A017 V35344 BR64S104 V56623 61GB19-1A320 V98927 ELECTRICAL EQUIP NUMBER: K10246	504903	1
- 301	286N1260-358		WIRE BUNDLE ASSY- REWORKED BY ALERT SB: 27A0130	101102	RF
- 301	286N1260-364		WIRE BUNDLE ASSY- REWORKED BY ALERT SB: 27A0130	504903	RF
310	RSE120027		.SOCKET- SUPPLIER CODE: V58982 SPECIFICATION NUMBER: BACS16AF1 OPTIONAL PART: 451120-027 V58982 ELECTRICAL EQUIP NUMBER: D02702 D02994 WIRING DIAGRAM REF: 801111	101102 504903	2
315	BACS16W1		.SOCKET- ELECTRICAL EQUIP NUMBER: D02700 D02708 D02992 WIRING DIAGRAM REF: 801111	101102 504903	3

MISSING ITEM NUMBERS NOT APPLICABLE

- ITEM NOT ILLUSTRATED

80-11-71-02A

80-11-71
FIG. 02A
PAGE 5
JAN 20/09

BRI



757

PARTS CATALOG (MAINTENANCE)

FIG ITEM	PART NUMBER	1 2 3 4 5 6 7	NOMENCLATURE	EFFECT FROM TO	UNITS PER ASSY
2A 325	RSE120027		.SOCKET- SUPPLIER CODE: V58982 SPECIFICATION NUMBER: BACS16AF1 OPTIONAL PART: 451120-027 V58982 ELECTRICAL EQUIP NUMBER: D02990 WIRING DIAGRAM REF: 801111	504903	1
330	MS25171-1S		.NIPPLE- ELECTRICAL EQUIP NUMBER: M10334T WIRING DIAGRAM REF: 801111	101102 504903	2

MISSING ITEM NUMBERS NOT APPLICABLE

- ITEM NOT ILLUSTRATED

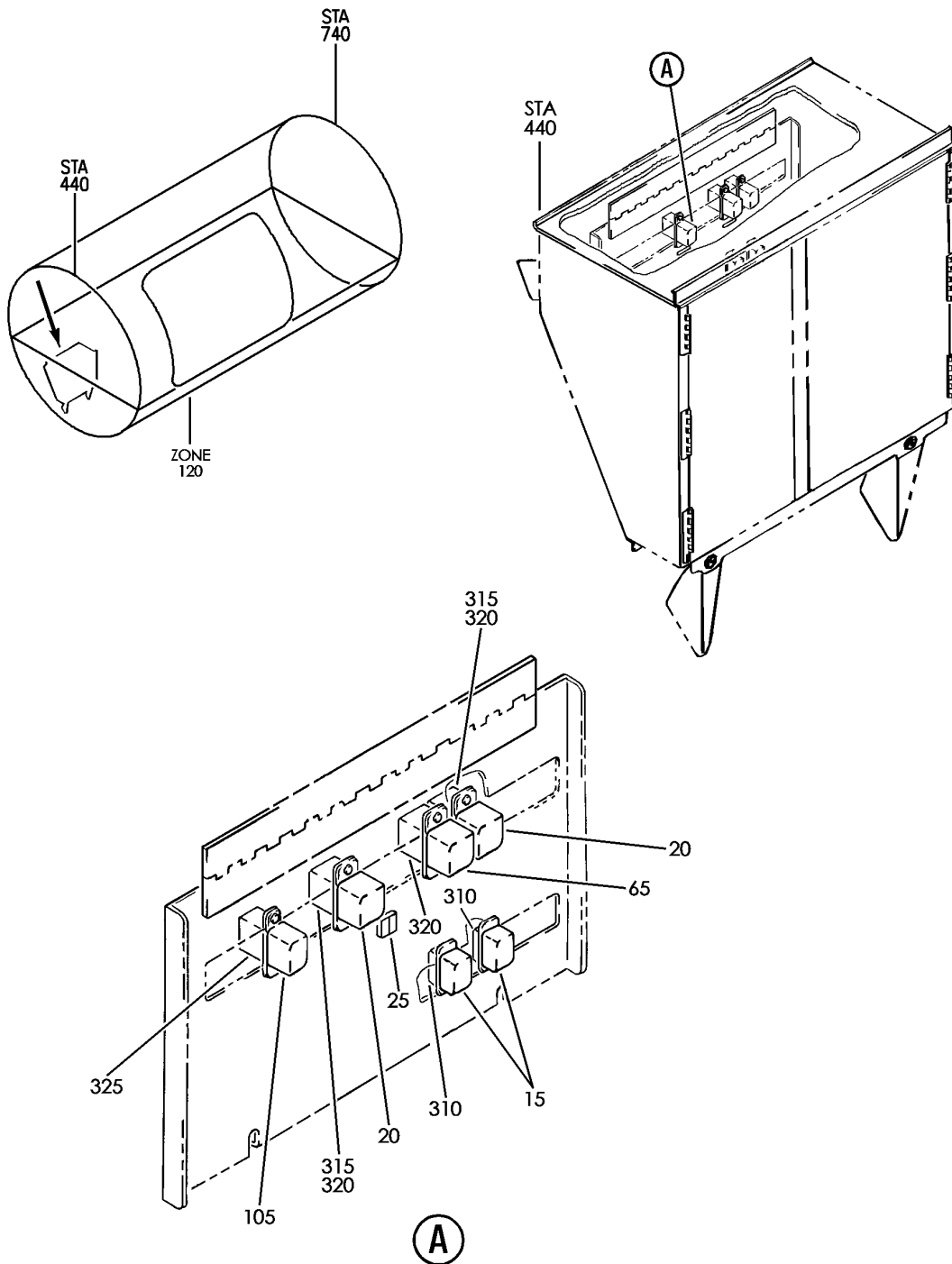
BRI

80-11-71-02A

BOEING PROPRIETARY - Copyright © - Unpublished Work - See title page for details.

80-11-71
FIG. 02A
PAGE 6
JAN 20/09

BOEING
757
PARTS CATALOG (MAINTENANCE)



Y 80117102B REV 226

PACKAGE ASSY-OPTION P37 MISC RELAY (STARTING ONLY)
FIGURE 2B

80-11-71-02B

BRI
MAY 28/07

80-11-71-02B
PAGE 0



757

PARTS CATALOG (MAINTENANCE)

FIG ITEM	PART NUMBER	1 2 3 4 5 6 7	NOMENCLATURE	EFFECT FROM TO	UNITS PER ASSY
2B			PACKAGE ASSY-OPTION P37 MISC RELAY (STARTING ONLY)	101102 504903	
- 1	284N1127-1041		PACKAGE ASSY-OPTION P37 MISC RELAY (STARTING ONLY)	101102 504903	RF
15	W460F1A		MISCELLANEOUS DATA: 757 MAJOR MODEL REWORKED BY ALERT SB: 27A0130 FOR NHA/OTHER SYS DET SEE: 31-01-37-02 .RELAY-	101102 504903	2
20	E410-1537		.RELAY- SUPPLIER CODE: VF0219 SPECIFICATION NUMBER: BACR13CE2 OPTIONAL PART: 3SAH5-13-4K1 V01526 3SAH1326A2 V01526 ELECTRICAL EQUIP NUMBER: K10221 K10251 .RELAY- SUPPLIER CODE: V99699 SPECIFICATION NUMBER: BACR13CG2A OPTIONAL PART: E415-1078 V99699 BR230S0116 V56623 KD4A017 V58687 FCA410-62 V78290 ELECTRICAL EQUIP NUMBER: K10224 K10250	101102 504903	2

MISSING ITEM NUMBERS NOT APPLICABLE

- ITEM NOT ILLUSTRATED

80-11-71-02B

80-11-71
FIG. 02B
PAGE 1
JAN 20/09

BRI



757

PARTS CATALOG (MAINTENANCE)

FIG ITEM	PART NUMBER	1 2 3 4 5 6 7	NOMENCLATURE	EFFECT FROM TO	UNITS PER ASSY
2B 25	10167-2001BT		.RELAY-TIME DELAY SUPPLIER CODE: V08719 ELECTRICAL EQUIP NUMBER: M10335 OPTIONAL PART: 530750-2001 V08719 TD1982-2001 V58657 TD1767-2001 V58657	101102 504903	1
25	530750-2001		.RELAY-TIME DELAY SUPPLIER CODE: V08719 ELECTRICAL EQUIP NUMBER: M10335 OPTIONAL PART: 10167-2001BT V08719 TD1982-2001 V58657 TD1767-2001 V58657	101102 504903	1
25	TD1982-2001		.RELAY-TIME DELAY SUPPLIER CODE: V58657 ELECTRICAL EQUIP NUMBER: M10335 OPTIONAL PART: 10167-2001BT V08719 530750-2001 V08719 TD1767-2001 V58657	101102 504903	1
25	TD1767-2001		.RELAY-TIME DELAY SUPPLIER CODE: V58657 ELECTRICAL EQUIP NUMBER: M10335 OPTIONAL PART: 10167-2001BT V08719 530750-2001 V08719 TD1982-2001 V58657	101102 504903	1

MISSING ITEM NUMBERS NOT APPLICABLE

- ITEM NOT ILLUSTRATED

80-11-71-02B

80-11-71
FIG. 02B
PAGE 2
JAN 20/09

BRI



757

PARTS CATALOG (MAINTENANCE)

FIG ITEM	PART NUMBER	1 2 3 4 5 6 7	NOMENCLATURE	EFFECT FROM TO	UNITS PER ASSY
2B 25	10167-2BT		.RELAY-TIME DELAY SUPPLIER CODE: V08719 ELECTRICAL EQUIP NUMBER: M10335	101102 504903	1
- 50	284N1127-1033		PACKAGE ASSY-OPTION P37 MISC RELAY (STARTING ONLY) MISCELLANEOUS DATA: ROLLS ROYCE ENGINES REWORKED BY ALERT SB: 27A0130 FOR NHA/OTHER SYS DET SEE: 31-01-37-02	101102 504903	RF
65	E410-1537		.RELAY- SUPPLIER CODE: V99699 SPECIFICATION NUMBER: BACR13CG2A OPTIONAL PART: E415-1078 V99699 BR230S0116 V56623 KD4A017 V58687 FCA410-62 V78290 ELECTRICAL EQUIP NUMBER: K10220	101102 504903	1
- 100	284N1127-2005		PACKAGE ASSY-OPTION P37 MISC RELAY (STARTING ONLY) POSITION DATA: R MISCELLANEOUS DATA: SPECIAL ENGINE REWORKED BY ALERT SB: 27A0130 FOR NHA/OTHER SYS DET SEE: 31-01-37-02	504903	RF

MISSING ITEM NUMBERS NOT APPLICABLE

- ITEM NOT ILLUSTRATED

80-11-71-02B

80-11-71
FIG. 02B
PAGE 3
JAN 20/09

BRI

 **BOEING**
757
PARTS CATALOG (MAINTENANCE)

FIG ITEM	PART NUMBER	1 2 3 4 5 6 7	NOMENCLATURE	EFFECT FROM TO	UNITS PER ASSY
2B 105	E210-1631		.RELAY- SUPPLIER CODE: V99699 SPECIFICATION NUMBER: BACR13CF2A OPTIONAL PART: BR246S0112 V56623 FCA210-70 V78290 E215-1050 V99699 JD4A017 V35344 BR64S104 V56623 61GB19-1A320 V98927 ELECTRICAL EQUIP NUMBER: K10249	504903	1
- 300	286N1270-336		WIRE BUNDLE ASSY- REWORKED BY ALERT SB: 34A0222 27A0130	504903	RF
- 301	286N1270-361		WIRE BUNDLE ASSY- REWORKED BY ALERT SB: 34A0222 27A0130	101101	RF
- 302	286N1270-399		WIRE BUNDLE ASSY- REWORKED BY ALERT SB: 34A0222 27A0130	102102	RF
310	RSE120027		.SOCKET- SUPPLIER CODE: V58982 SPECIFICATION NUMBER: BACS16AF1 OPTIONAL PART: 451120-027 V58982 ELECTRICAL EQUIP NUMBER: D02632 D03056 WIRING DIAGRAM REF: 801121	101102 504903	2

MISSING ITEM NUMBERS NOT APPLICABLE

- ITEM NOT ILLUSTRATED

BRI

80-11-71-02B

BOEING PROPRIETARY - Copyright © - Unpublished Work - See title page for details.

80-11-71
FIG. 02B
PAGE 4
JAN 20/09



757

PARTS CATALOG (MAINTENANCE)

FIG ITEM	PART NUMBER	1 2 3 4 5 6 7	NOMENCLATURE	EFFECT FROM TO	UNITS PER ASSY
2B 320	BACS16W1		. SOCKET- ELECTRICAL EQUIP NUMBER: D02630 D03054 D02638 WIRING DIAGRAM REF: 801121	101102 504903	3
325	RSF116200		. SOCKET- SUPPLIER CODE: V58982 SPECIFICATION NUMBER: BACS16X1A OPTIONAL PART: 102-006-1 V09922 000300-1538 V05574 ELECTRICAL EQUIP NUMBER: D03052 WIRING DIAGRAM REF: 801112	504903	1

MISSING ITEM NUMBERS NOT APPLICABLE

- ITEM NOT ILLUSTRATED

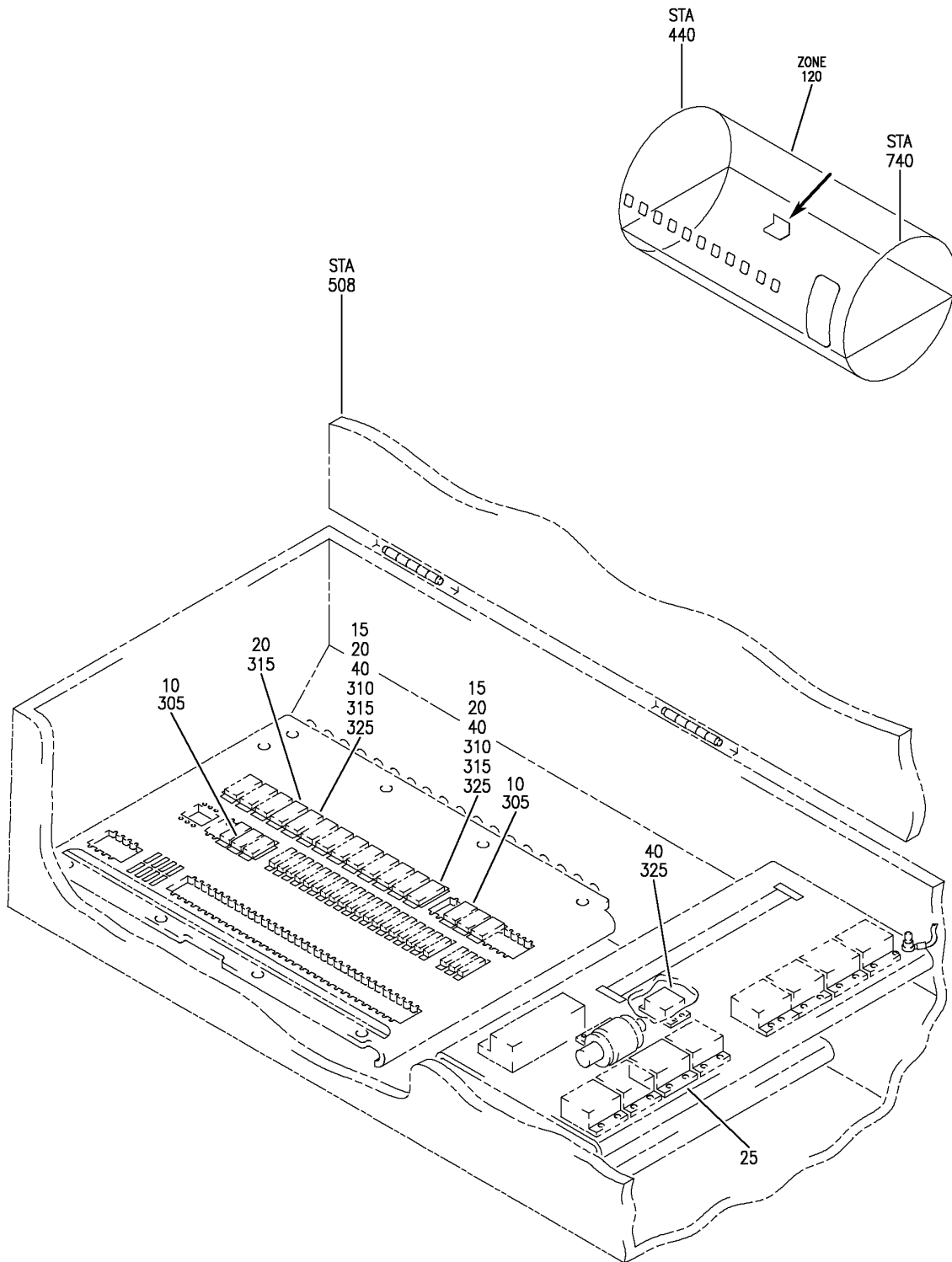
BRI

80-11-71-02B

BOEING PROPRIETARY - Copyright © - Unpublished Work - See title page for details.

80-11-71
FIG. 02B
PAGE 5
JAN 20/09

BOEING
757
PARTS CATALOG (MAINTENANCE)



Y 80117102C REV 332

PANEL INSTL-P36 L MISC RELAY (STARTING ONLY)
FIGURE 2C

80-11-71-02C

BRI
MAY 20/09

80-11-71-02C
PAGE 0



757

PARTS CATALOG (MAINTENANCE)

FIG ITEM	PART NUMBER	1 2 3 4 5 6 7	NOMENCLATURE	EFFECT FROM TO	UNITS PER ASSY
2C			PANEL INSTL-P36 L MISC RELAY (STARTING ONLY)	103106 108120	
- 3	284N1125-94		PANEL INSTL-P36 L MISC RELAY (STARTING ONLY) FOR NHA/OTHER SYS DET SEE: 24-00-58-05C	108120	RF
- 7	MODREF31944		PANEL INSTL-P36 L MISC RELAY (STARTING ONLY) MODULE NUMBER: 284N1125-123 REV A FOR OTHER SYS DETAILS SEE: 11-36-08-03C 21-25-71-02C 21-33-71-02C 21-51-56-01C 21-58-71-02C 23-12-00-05 23-31-54-01C 23-34-52-01C 24-21-51-01A 26-15-71-02C 26-16-71-01C 26-22-71-01C 27-48-52-03C 27-51-71-03C 27-58-71-02C 27-62-71-03C 29-11-71-03C 29-21-71-01C 30-21-71-03C 30-34-51-01C 31-01-36-01 32-09-02-03C 32-35-71-01C 32-42-71-02C 32-44-71-02C 32-61-71-02C 34-12-71-02C 34-21-71-02C 34-22-52-01C 34-61-52-01C 36-11-71-02C 73-21-55-01C 74-31-71-02C 76-11-71-02C 77-12-71-01C 78-34-71-02C 78-36-71-02C	103106	1
MISSING ITEM NUMBERS NOT APPLICABLE					

- ITEM NOT ILLUSTRATED

80-11-71-02C

80-11-71
FIG. 02C
PAGE 1
JAN 20/09

BRI



757

PARTS CATALOG (MAINTENANCE)

FIG ITEM	PART NUMBER	1 2 3 4 5 6 7	NOMENCLATURE	EFFECT FROM TO	UNITS PER ASSY
2C 10	W460F1A		.RELAY- SUPPLIER CODE: VF0219 SPECIFICATION NUMBER: BACR13CE2 OPTIONAL PART: 3SAH5-13-4K1 V01526 3SAH1326A2 V01526 ELECTRICAL EQUIP NUMBER: K10209 K10248	103106 108120	2
20	E410-1537		.RELAY- SUPPLIER CODE: V99699 SPECIFICATION NUMBER: BACR13CG2A OPTIONAL PART: E415-1078 V99699 BR230S0116 V56623 KD4A017 V58687 FCA410-62 V78290 ELECTRICAL EQUIP NUMBER: K10208 K10212 K10247	108120	3
25	10167-2001BT		.RELAY-TIME DELAY SUPPLIER CODE: V08719 ELECTRICAL EQUIP NUMBER: M10334 OPTIONAL PART: 530750-2001 V08719 TD1892-2001 V58657	108120	1

MISSING ITEM NUMBERS NOT APPLICABLE

- ITEM NOT ILLUSTRATED

80-11-71-02C

80-11-71
FIG. 02C
PAGE 2
JAN 20/09

BRI

BOEING PROPRIETARY - Copyright © - Unpublished Work - See title page for details.



757

PARTS CATALOG (MAINTENANCE)

FIG ITEM	PART NUMBER	1 2 3 4 5 6 7	NOMENCLATURE	EFFECT FROM TO	UNITS PER ASSY
2C					
25	530750-2001		.RELAY-TIME DELAY SUPPLIER CODE: V08719 ELECTRICAL EQUIP NUMBER: M10334 OPTIONAL PART: 10167-2001BT V08719 TD1892-2001 V58657	108120	1
25	TD1892-2001		.TIME DELAY- SUPPLIER CODE: V58657 ELECTRICAL EQUIP NUMBER: M10334 OPTIONAL PART: 10167-2001BT V08719 530750-2001 V08719	108120	1
25	530740-2001		.RELAY- SUPPLIER CODE: V08719 ELECTRICAL EQUIP NUMBER: M10334	103106	1
25	10167-2BT		.RELAY-TIME DELAY SUPPLIER CODE: V08719 ELECTRICAL EQUIP NUMBER: M10334	108120	1
- 30	NAS601-13P		ATTACHING PARTS .SCREW-	108120	2
- 30	BACS12CK06-13		.SCREW-	103106	2
- 35	NAS1149DN616H		.WASHER	103106	2
			-----*-----	108120	

MISSING ITEM NUMBERS NOT APPLICABLE

- ITEM NOT ILLUSTRATED

80-11-71-02C

80-11-71
FIG. 02C
PAGE 3
JAN 20/09

BRI

BOEING PROPRIETARY - Copyright © - Unpublished Work - See title page for details.



757

PARTS CATALOG (MAINTENANCE)

FIG ITEM	PART NUMBER	1 2 3 4 5 6 7	NOMENCLATURE	EFFECT FROM TO	UNITS PER ASSY
2C 40	E410-1537		.RELAY- SUPPLIER CODE: V99699 SPECIFICATION NUMBER: BACR13CG2A OPTIONAL PART: E415-1078 V99699 BR230S0116 V56623 KD4A017 V58687 FCA410-62 V78290 ELECTRICAL EQUIP NUMBER: K10208 K10212 K10247	103106	3
- 300	286N1260-357		WIRE BUNDLE ASSY	108120	RF
- 302	286N1260-601		WIRE BUNDLE ASSY	103106	RF
305	RSE120027		.SOCKET- SUPPLIER CODE: V58982 SPECIFICATION NUMBER: BACS16AF1 OPTIONAL PART: 451120-027 V58982 ELECTRICAL EQUIP NUMBER: D02702 D02994 WIRING DIAGRAM REF: 801111	103106 108120	2
315	BACS16W1		.SOCKET- ELECTRICAL EQUIP NUMBER: D02708 D02992 D02700 WIRING DIAGRAM REF: 801111	108120	3
325	BACS16W1		.SOCKET- ELECTRICAL EQUIP NUMBER: D02708 D02992 D02700 WIRING DIAGRAM REF: 801111	103106	3

MISSING ITEM NUMBERS NOT APPLICABLE

- ITEM NOT ILLUSTRATED

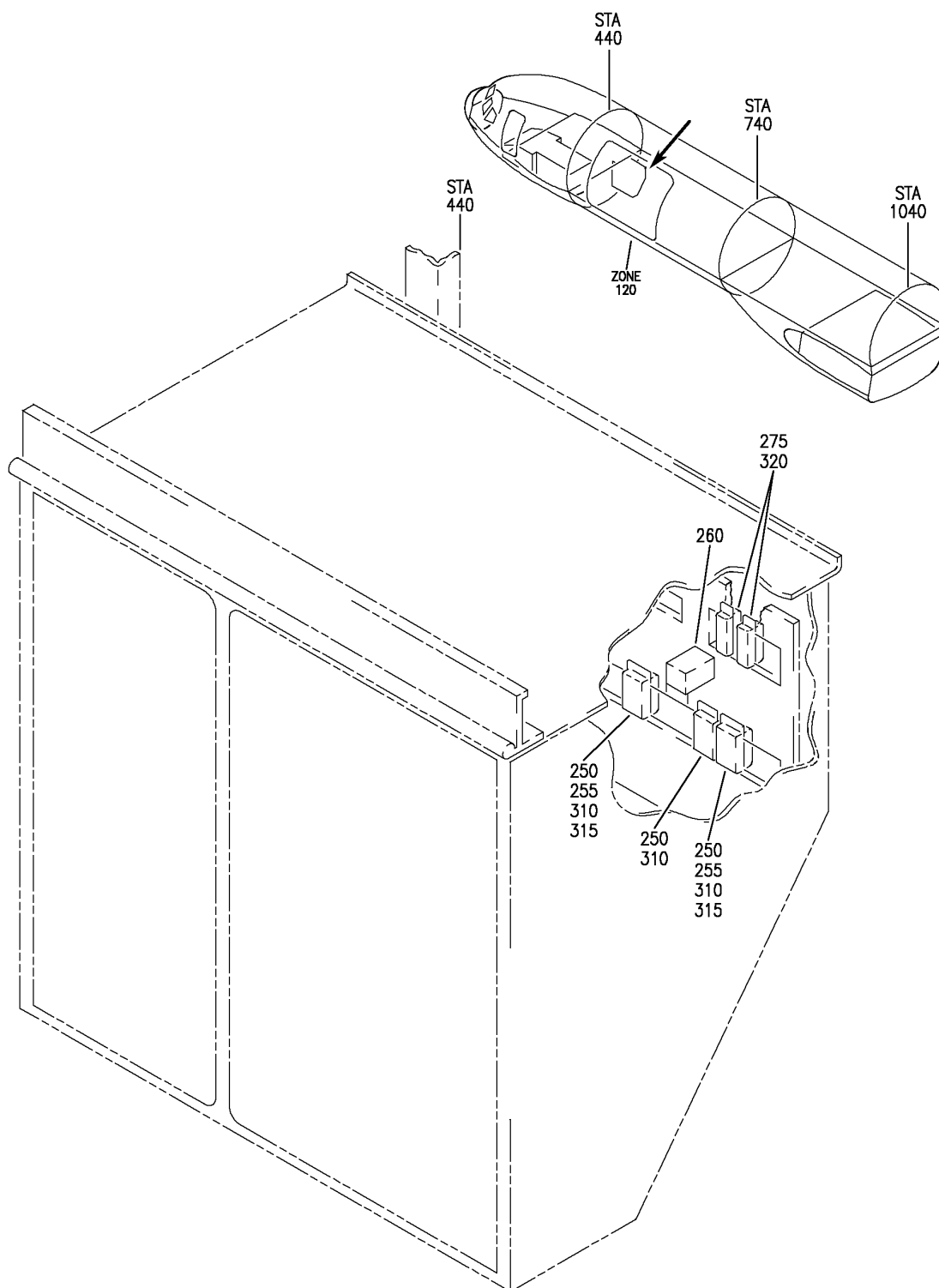
80-11-71-02C

80-11-71
FIG. 02C
PAGE 4
JAN 20/09

BRI

BOEING PROPRIETARY - Copyright © - Unpublished Work - See title page for details.

BOEING
 757
 PARTS CATALOG (MAINTENANCE)



Y 80117102D REV 332

PANEL INSTL-P37 R MISC RELAY (STARTING ONLY)
 FIGURE 2D

80-11-71-02D

BRI
 MAY 20/09

80-11-71-02D
 PAGE 0



757

PARTS CATALOG (MAINTENANCE)

FIG ITEM	PART NUMBER	1 2 3 4 5 6 7	NOMENCLATURE	EFFECT FROM TO	UNITS PER ASSY
2D					
- 1	MODREF185037		PANEL INSTL-P37 R MISC RELAY (STARTING ONLY) PANEL INSTL-P37 R MISC RELAY (STARTING ONLY) MODULE NUMBER: 284N1127-169 REV D FOR OTHER SYS DETAILS SEE: 11-36-12-02A 21-25-71-02D 21-44-71-02D 21-45-31-01D 21-51-55-01D 21-58-71-02D 21-61-71-02D 23-31-51-05 24-21-51-05 24-51-01-02 24-51-02-03 24-51-58-02D 27-62-71-03D 28-22-71-03D 29-21-71-01D 30-11-71-02D 30-21-71-03D 30-31-71-02D 30-32-71-02D 30-33-71-02D 30-34-51-01D 31-01-37-10 31-31-71-02D 32-09-02-04D 32-42-71-02D 32-61-71-02D 33-43-55-01D 33-51-71-01D 34-12-71-02D 34-25-50-01D 34-61-52-01D 35-21-71-02D 36-11-71-02D 38-15-71-02D 73-21-55-01D 74-31-71-02D 76-11-71-02D 77-12-71-01D 78-34-71-02D 78-36-71-02D	103106 108120 106106	1
MISSING ITEM NUMBERS NOT APPLICABLE					

- ITEM NOT ILLUSTRATED

80-11-71-02D

80-11-71
FIG. 02D
PAGE 1
JAN 20/09

BRI



757

PARTS CATALOG (MAINTENANCE)

FIG ITEM	PART NUMBER	1 2 3 4 5 6 7	NOMENCLATURE	EFFECT FROM TO	UNITS PER ASSY
2D - 3	284N1127-118		PANEL INSTL-P37 R MISC RELAY (STARTING ONLY) FOR NHA/OTHER SYS DET SEE: 24-00-58-05C	108108	RF
- 4	284N1127-139		PANEL INSTL-P37 R MISC RELAY (STARTING ONLY) FOR NHA/OTHER SYS DET SEE: 24-00-58-05C	109120	RF

MISSING ITEM NUMBERS NOT APPLICABLE

- ITEM NOT ILLUSTRATED

BRI

80-11-71-02D

BOEING PROPRIETARY - Copyright © - Unpublished Work - See title page for details.

80-11-71
FIG. 02D
PAGE 2
JAN 20/09



757

PARTS CATALOG (MAINTENANCE)

FIG ITEM	PART NUMBER	1 2 3 4 5 6 7	NOMENCLATURE	EFFECT FROM TO	UNITS PER ASSY
2D - 8	MODREF31945		PANEL INSTL-P37 R MISC RELAY (STARTING ONLY) MODULE NUMBER: 284N1127-169 REV B FOR OTHER SYS DETAILS SEE: 11-36-12-02A 21-25-71-02D 21-44-71-02D 21-45-31-01D 21-51-55-01D 21-58-71-02D 21-61-71-02D 23-31-51-05 24-21-51-05 24-51-01-02 24-51-02-03 24-51-58-02D 27-62-71-03D 28-22-71-03D 29-21-71-01D 30-11-71-02D 30-21-71-03D 30-31-71-02D 30-32-71-02D 30-33-71-02D 30-34-51-01D 31-01-37-10 31-31-71-02D 32-09-02-04D 32-42-71-02D 32-61-71-02D 33-43-55-01D 33-51-71-01D 34-12-71-02D 34-25-50-01D 34-61-52-01D 35-21-71-02D 36-11-71-02D 38-15-71-02D 73-21-55-01D 74-31-71-02D 76-11-71-02D 77-12-71-01D 78-34-71-02D 78-36-71-02D	103103	1

MISSING ITEM NUMBERS NOT APPLICABLE

- ITEM NOT ILLUSTRATED

BRI

80-11-71-02D

BOEING PROPRIETARY - Copyright © - Unpublished Work - See title page for details.

80-11-71
FIG. 02D
PAGE 3
JAN 20/09



757

PARTS CATALOG (MAINTENANCE)

FIG ITEM	PART NUMBER	1 2 3 4 5 6 7	NOMENCLATURE	EFFECT FROM TO	UNITS PER ASSY
2D - 9	MODREF34305		PANEL INSTL-P37 R MISC RELAY (STARTING ONLY) MODULE NUMBER: 284N1127-169 REV C FOR OTHER SYS DETAILS SEE: 11-36-12-02A 21-25-71-02D 21-44-71-02D 21-45-31-01D 21-51-55-01D 21-58-71-02D 21-61-71-02D 23-31-51-05 24-21-51-05 24-51-01-02 24-51-02-03 24-51-58-02D 27-62-71-03D 28-22-71-03D 29-21-71-01D 30-11-71-02D 30-21-71-03D 30-31-71-02D 30-32-71-02D 30-33-71-02D 30-34-51-01D 31-01-37-10 31-31-71-02D 32-09-02-04D 32-42-71-02D 32-61-71-02D 33-43-55-01D 33-51-71-01D 34-12-71-02D 34-25-50-01D 34-61-52-01D 35-21-71-02D 36-11-71-02D 38-15-71-02D 73-21-55-01D 74-31-71-02D 76-11-71-02D 77-12-71-01D 78-34-71-02D 78-36-71-02D	104105	1

MISSING ITEM NUMBERS NOT APPLICABLE

- ITEM NOT ILLUSTRATED

80-11-71-02D

80-11-71
FIG. 02D
PAGE 4
JAN 20/09

BRI



757

PARTS CATALOG (MAINTENANCE)

FIG ITEM	PART NUMBER	1 2 3 4 5 6 7	NOMENCLATURE	EFFECT FROM TO	UNITS PER ASSY
2D 250	E410-1537		.RELAY- SUPPLIER CODE: V99699 SPECIFICATION NUMBER: BACR13CG2A OPTIONAL PART: E415-1078 V99699 BR230S0116 V56623 KD4A017 V58687 FCA410-62 V78290 ELECTRICAL EQUIP NUMBER: K10220 K10224 K10250	103106 108120	3
260	10167-2001BT		.RELAY-TIME DELAY SUPPLIER CODE: V08719 ELECTRICAL EQUIP NUMBER: M10335 OPTIONAL PART: 530750-2001 V08719 TD1982-2001 V58657 TD1767-2001 V58657	108120	1
260	530750-2001		.RELAY-TIME DELAY SUPPLIER CODE: V08719 ELECTRICAL EQUIP NUMBER: M10335 OPTIONAL PART: 10167-2001BT V08719 TD1982-2001 V58657 TD1767-2001 V58657	108120	1

MISSING ITEM NUMBERS NOT APPLICABLE

- ITEM NOT ILLUSTRATED

80-11-71-02D

80-11-71
FIG. 02D
PAGE 5
JAN 20/09

BRI

BOEING PROPRIETARY - Copyright © - Unpublished Work - See title page for details.



757

PARTS CATALOG (MAINTENANCE)

FIG ITEM	PART NUMBER	1 2 3 4 5 6 7	NOMENCLATURE	EFFECT FROM TO	UNITS PER ASSY
2D 260	TD1982-2001		.RELAY-TIME DELAY SUPPLIER CODE: V58657 ELECTRICAL EQUIP NUMBER: M10335 OPTIONAL PART: 10167-2001BT V08719 530750-2001 V08719 TD1767-2001 V58657	108120	1
260	TD1767-2001		.RELAY-TIME DELAY SUPPLIER CODE: V58657 ELECTRICAL EQUIP NUMBER: M10335 OPTIONAL PART: 10167-2001BT V08719 530750-2001 V08719 TD1982-2001 V58657	103103 108120	1
260	530740-2001		.RELAY- SUPPLIER CODE: V08719 ELECTRICAL EQUIP NUMBER: M10335	103106	1
260	10167-2BT		.RELAY-TIME DELAY SUPPLIER CODE: V08719 ELECTRICAL EQUIP NUMBER: M10335	108120	1
- 265	NAS601-13P		.SCREW-	108120	2
- 265	BACS12CK06-13		.SCREW-	103106	2
- 270	NAS1149DN616H		.WASHER	103106 108120	2
			-----*-----		

MISSING ITEM NUMBERS NOT APPLICABLE

- ITEM NOT ILLUSTRATED

80-11-71-02D

80-11-71
FIG. 02D
PAGE 6
JAN 20/09

BRI

BOEING PROPRIETARY - Copyright © - Unpublished Work - See title page for details.



757

PARTS CATALOG (MAINTENANCE)

FIG ITEM	PART NUMBER	1 2 3 4 5 6 7	NOMENCLATURE	EFFECT FROM TO	UNITS PER ASSY
2D 275	W460F1A		.RELAY- SUPPLIER CODE: VF0219 SPECIFICATION NUMBER: BACR13CE2 OPTIONAL PART: 3SAH5-13-4K1 V01526 3SAH1326A2 V01526 ELECTRICAL EQUIP NUMBER: K10221 K10251	103106 108120	2
- 300	286N1270-360		WIRE BUNDLE ASSY- REWORKED BY ALERT SB: 34A0222	108120	RF
- 302 310	286N1270-602 BACS16W1		WIRE BUNDLE ASSY .SOCKET- ELECTRICAL EQUIP NUMBER: D02630 D03054 D02638 WIRING DIAGRAM REF: 801121	103106 103106 108120	RF 3
320	RSE120027		.SOCKET- SUPPLIER CODE: V58982 SPECIFICATION NUMBER: BACS16AF1 OPTIONAL PART: 451120-027 V58982 ELECTRICAL EQUIP NUMBER: D02632 D03056 WIRING DIAGRAM REF: 801121	103106 108120	2

MISSING ITEM NUMBERS NOT APPLICABLE

- ITEM NOT ILLUSTRATED

BRI

80-11-71-02D

BOEING PROPRIETARY - Copyright © - Unpublished Work - See title page for details.

80-11-71
FIG. 02D
PAGE 7
JAN 20/09