



BOEING
757
FAULT ISOLATION/MAINT MANUAL

GPA Group plc

PAGE	DATE	CODE	PAGE	DATE	CODE	PAGE	DATE	CODE
CHAPTER 23 TAB			23-FAULT CODE INDEX			CONT.		
COMMUNICATIONS			7	SEP 20/08	29	23-32-00	101	SEP 20/92
EFFECTIVE PAGES			8	SEP 20/08	24	102	DEC 20/93	11
SEE LAST PAGE OF LIST FOR			9	SEP 20/08	28	103	SEP 20/92	11
NUMBER OF PAGES			10	SEP 20/08	27	104	BLANK	
23-CONTENTS			11	SEP 20/08	27	23-34-00		
1	JAN 28/00	GUI	12	SEP 20/08	27	101	SEP 20/92	14
2	MAY 28/04	GUI	13	SEP 20/08	26	102	SEP 20/92	16
3	JAN 28/00	GUI	14	SEP 20/08	27	103	SEP 20/92	11
4	SEP 28/99	GUI	15	SEP 20/08	25	104	SEP 20/92	10
23-HOW TO USE THE FIM			16	SEP 20/08	24	105	SEP 20/92	09
1	SEP 20/98	01	17	SEP 20/08	26	106	SEP 20/92	09
2	SEP 20/98	01	18	SEP 20/08	24	107	SEP 20/92	02
3	SEP 28/99	01	19	SEP 20/08	22	108	BLANK	
4	SEP 20/98	01	20	SEP 20/08	23	23-41-00		
5	SEP 20/98	01	23-BITE INDEX			101	SEP 20/90	05
6	SEP 20/98	01	1	SEP 28/99	01	102	SEP 20/90	05
23-INDEX			2	SEP 28/99	01	23-42-00		
1	JAN 28/00	26	3	SEP 28/99	01	101	MAR 20/94	12
2	SEP 20/94	28	4	BLANK		102	MAR 20/94	01
3	SEP 20/94	18	23-11-00			103	MAR 20/94	18
4	SEP 20/94	02	101	DEC 20/93	16	104	MAR 20/94	15
23-FAULT CODE DIAGRAM			102	DEC 20/93	16	105	JAN 28/03	02
1	MAR 20/93	21	103	DEC 20/93	14	106	MAY 28/04	02
2	JAN 20/99	03	104	DEC 20/93	08	107	MAY 28/04	01
3	SEP 20/91	23	105	DEC 20/95	01	108	BLANK	
4	JUN 20/91	24	106	MAY 28/03	01	23-43-00		
5	MAY 20/98	06	107	MAY 28/03	01	101	MAR 20/94	01
6	SEP 20/98	23	108	MAY 28/03	01	102	MAR 20/94	01
7	MAR 20/95	25	109	MAY 28/03	01	103	MAR 20/97	09
8	MAY 28/01	28	110	BLANK		104	MAR 20/97	09
9	JAN 20/99	08	23-12-00			23-51-00		
10	DEC 20/87	15	101	DEC 20/93	15	101	DEC 20/91	01
11	MAY 20/98	10	102	DEC 20/95	06	102	DEC 20/91	13
12	SEP 20/98	13	103	DEC 20/93	18	103	DEC 20/91	20
13	JAN 28/01	11	104	DEC 20/93	15	104	SEP 20/93	14
14	JUN 20/96	09	105	DEC 20/93	09	105	SEP 20/93	04
15	DEC 20/92	17	106	DEC 20/93	13	106	SEP 20/93	01
16	DEC 20/96	06	107	DEC 20/93	07	23-61-00		
17	JUN 20/92	18	108	DEC 20/93	01	101	SEP 20/93	01
18	JAN 20/98	12	109	DEC 20/93	01	102	SEP 20/90	01
19	DEC 20/87	05	110	DEC 20/93	01	103	SEP 20/93	01
20	JAN 28/00	23	23-21-00			104	SEP 20/90	01
23-FAULT CODE INDEX			101	MAR 20/94	17	105	SEP 20/90	01
1	SEP 20/08	02	102	MAR 20/94	19	106	BLANK	
2	SEP 20/08	21	23-31-00			23-71-00		
3	SEP 20/08	18	101	DEC 20/92	27	CONFIG 1		
4	SEP 20/08	21	102	DEC 20/92	23	101	MAR 20/93	02
5	SEP 20/08	24	103	DEC 20/92	25	102	MAR 20/93	02
6	SEP 20/08	26	104	DEC 20/92	10	103	MAR 20/93	02
			105	DEC 20/92	24	104	MAR 20/93	02
			106	DEC 20/92	06	105	MAR 20/93	02
						106	MAR 20/93	02

R = REVISED, A = ADDED OR D = DELETED

F = FOLDOUT PAGE

32

JAN 20/09

D633N632

CHAPTER 23

EFFECTIVE PAGES

PAGE 1

CONTINUED


BOEING
 757
 FAULT ISOLATION/MAINT MANUAL

GPA Group plc

PAGE	DATE	CODE	PAGE	DATE	CODE	PAGE	DATE	CODE
23-71-00	CONFIG 1	CONT.						
107	MAR 20/93	02						
108	BLANK							
23-71-00	CONFIG 2							
101	MAR 20/93	02						
102	MAR 20/93	02						
103	MAR 20/93	02						
104	MAR 20/93	02						
105	MAR 20/93	02						
106	MAR 20/93	02						
107	MAR 20/93	02						
108	MAR 20/93	02						

R = REVISED, A = ADDED OR D = DELETED
 F = FOLDOUT PAGE
 32
 JAN 20/09

D633N632

CHAPTER 23
 EFFECTIVE PAGES
 PAGE 2
 LAST PAGE



BOEING
757
FAULT ISOLATION/MAINT MANUAL

CHAPTER 23 - COMMUNICATIONS

TABLE OF CONTENTS

<u>Subject</u>	Chapter Section <u>Subject</u>	<u>Page</u>	<u>Effectivity</u>
HOW TO USE THE FIM	23-HOW TO USE THE FIM	1	ALL
INDEX	23-INDEX	1	ALL
EICAS MESSAGES	23-EICAS MESSAGES	1	ALL
FAULT CODE DIAGRAMS	23-FAULT CODE DIAGRAM	1	ALL
FAULT CODE INDEX	23-FAULT CODE INDEX	1	ALL
BITE INDEX	23-BITE INDEX	1	ALL
<u>COMMUNICATIONS</u>	23-00-00		
<u>SPEECH COMMUNICATION SYSTEM</u>	23-10-00		
HF COMMUNICATION SYSTEM	23-11-00		
Component Location		101	ALL
Component Index			
Component Location			
Fault Isolation			
High Frequency Communications System BITE Procedure (Fig. 103)		104	
VHF COMMUNICATION SYSTEM	23-12-00		
Component Location		101	ALL
Component Index			
Component Location			
Fault Isolation			
VHF Communications Transceiver BITE Procedure (Fig. 103)		105	
<u>DATA TRANSMISSION AND AUTOMATIC CALLING</u>	23-20-00		
SELCAL SYSTEM	23-21-00		
Component Location		101	ALL
Component Index			
Component Location			

23-CONTENTS



BOEING
757
FAULT ISOLATION/MAINT MANUAL

CHAPTER 23 - COMMUNICATIONS

TABLE OF CONTENTS

<u>Subject</u>	Chapter Section <u>Subject</u>	<u>Page</u>	<u>Effectivity</u>
<u>PASSENGER ADDRESS AND ENTERTAINMENT</u>	23-30-00		
PASSENGER ADDRESS SYSTEM	23-31-00		
Component Location		101	ALL
Component Index			
Component Location			
Fault Isolation			
Passenger Address Amplifier		105	
BITE Procedure (Fig. 103)			
PASSENGER ENTERTAINMENT (VIDEO) SYSTEM	23-32-00		
Component Location		101	[*]
Component Index			
Component Location			
[*] GUI 115			
PASSENGER ENTERTAINMENT SYSTEM	23-34-00		
Component Location		101	ALL
Component Index			
Component Location			
Fault Isolation			
Passenger Entertainment System (PES) BITE Procedure (Fig. 103)		105	
<u>INTERPHONE</u>	23-40-00		
SERVICE INTERPHONE SYSTEM	23-41-00		
Component Location		101	ALL
Component Index			
Component Location			
CABIN INTERPHONE SYSTEM	23-42-00		
Component Location		101	ALL
Component Index			
Component Location			
Fault Isolation			
Cabin Chime and Call Light/Attendant Call from Pilot or Attendant Problem (Fig. 103)		105	
Pilot Call Chime and Light Problem (Fig. 104)		106	

23-CONTENTS



BOEING
757
FAULT ISOLATION/MAINT MANUAL

CHAPTER 23 - COMMUNICATIONS

TABLE OF CONTENTS

<u>Subject</u>	Chapter Section <u>Subject</u>	<u>Page</u>	<u>Effectivity</u>
GROUND CREW CALL SYSTEM	23-43-00		
Component Location		101	ALL
Component Index			
Component Location			
Fault Isolation			
Ground Crew Call Horn Fails to Sound. EQPT CLG FLOW or EQPT CLG SENSOR EICAS Status Message(s) Displayed. (Fig. 103)		103	
Ground Crew Call Horn Fails to Sound. IRS Mode Select Switch (L, C, or R) On. L and R DC Power Off (Fig. 104)		104	
<u>AUDIO INTEGRATING</u>	23-50-00		
FLIGHT INTERPHONE SYSTEM	23-51-00		
Component Location		101	ALL
Component Index			
Component Location			
<u>STATIC DISCHARGING</u>	23-60-00		
STATIC DISCHARGING	23-61-00		
Component Location		101	ALL
Component Index			
Component Location			

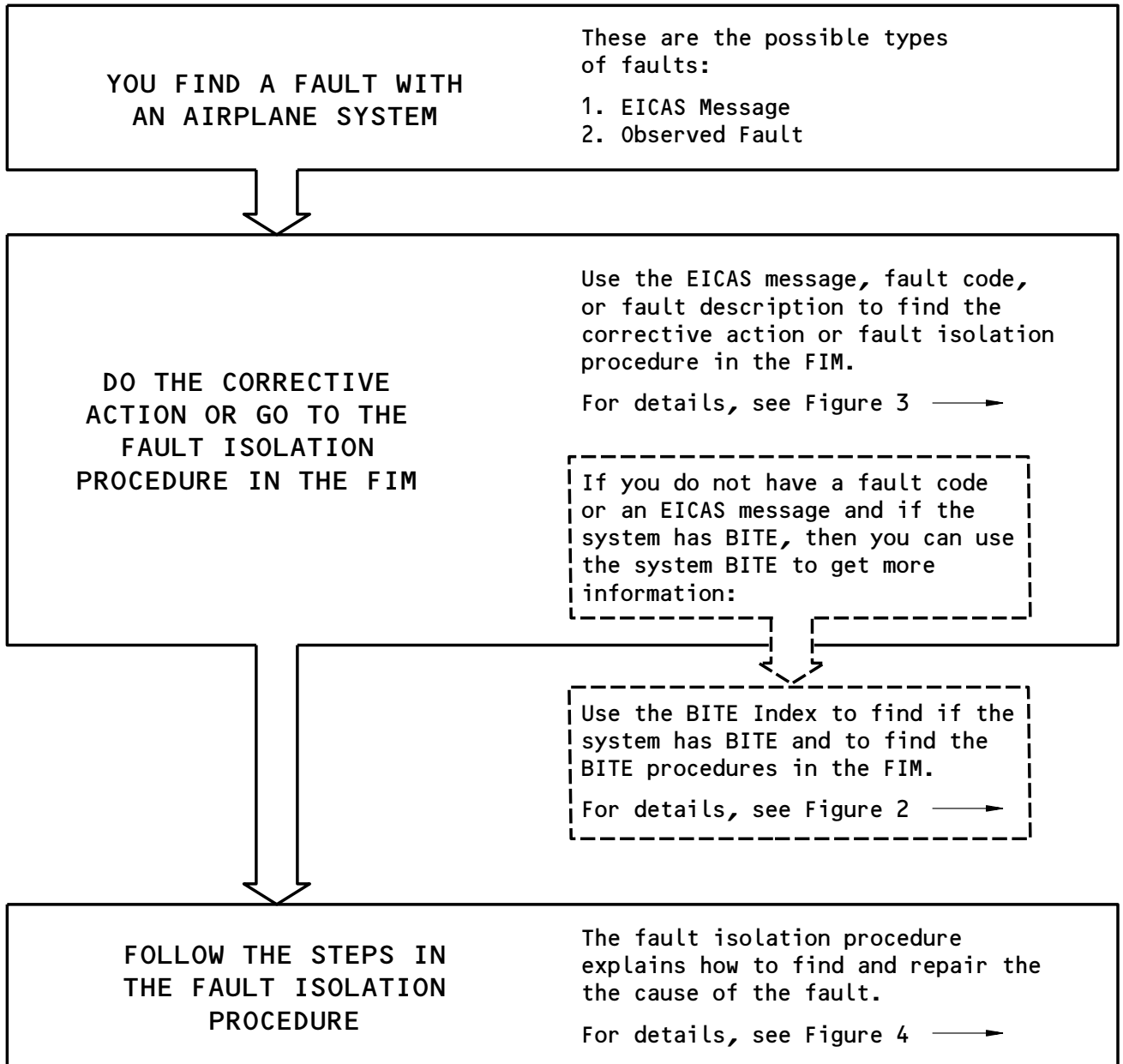
23-CONTENTS

CHAPTER 23 - COMMUNICATIONS

TABLE OF CONTENTS

<u>Subject</u>	<u>Chapter Section Subject</u>	<u>Page</u>	<u>Effectivity</u>
<u>AUDIO AND VIDEO MONITORING</u>	23-70-00		
VOICE RECORDER SYSTEM	23-71-00		
Component Location		101	CONFIG 1 [*]
Component Index			
Component Location			
Fault Isolation			
Voice Recorder BITE Procedure (Fig. 103)		103	
Voice Recorder System Fault Isolation (Fig. 104)		104	
[*] GUI 009,115			
Component Location		101	CONFIG 2 [*]
Component Index			
Component Location			
Fault Isolation			
Voice Recorder BITE Procedure (Fig. 103)		103	
Voice Recorder System Fault Isolation (Fig. 104)		104	
[*] GUI 001-008,010-013			

23-CONTENTS



Basic Fault Isolation Process
Figure 1

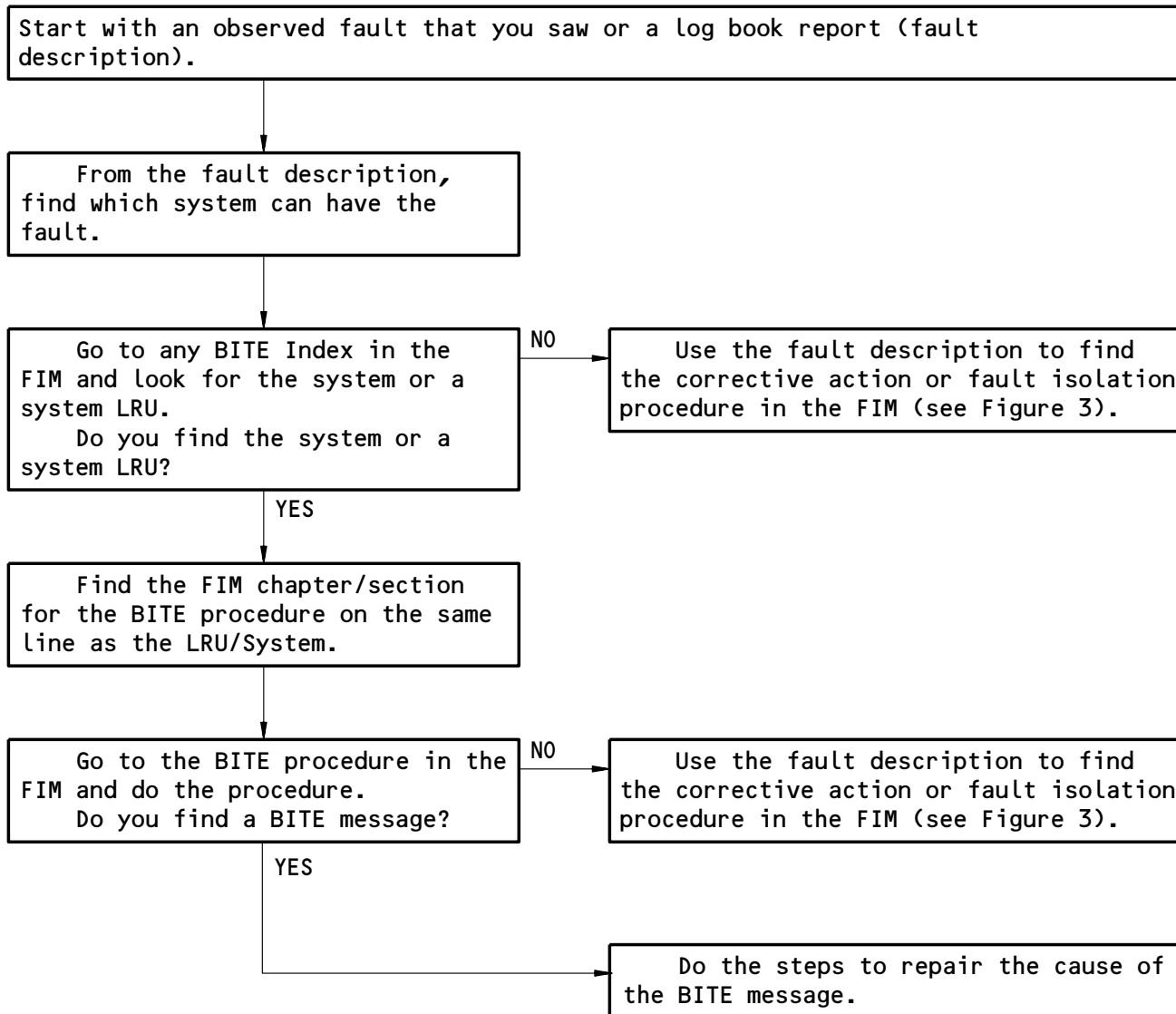
EFFECTIVITY

ALL

23-HOW TO USE THE FIM

01

Page 1
Sep 20/98



How to Get Fault Information from BITE
Figure 2

EFFECTIVITY

ALL

23-HOW TO USE THE FIM

01

Page 2
Sep 20/98

IF YOU HAVE:

THEN DO THIS TO FIND THE CORRECTIVE ACTION OR FAULT ISOLATION PROCEDURE IN THE FIM:

FAULT CODE

1. The first two digits of the fault code are the FIM chapter that you need. Go to the Fault Code Index in that chapter and find the fault code.
2. Find the Fault Isolation Reference for the fault code and do the corrective action. If there is a FIM reference, then go to that fault isolation procedure in the FIM and do the steps in the procedure (see Figure 4).

EICAS MESSAGE TEXT
(with no fault code)

1. If you know the chapter of the EICAS message, then go to the EICAS Messages section in that chapter and find the EICAS message.

If you do not know the chapter of the EICAS message, then do these steps:
 - A. Go to FIM EICAS MESSAGE LIST and find the EICAS message in the table.

NOTE: The list follows the INTRODUCTION to the FIM.
 - B. Find the chapter number on the same line as the EICAS message. Go to the EICAS Messages section in that chapter and find the EICAS message.
2. Do the corrective action in the "Procedure" column for the EICAS message. If there is a FIM reference, then go to that fault isolation procedure in the FIM and do the steps in the procedure (see Figure 4).

OBSERVED FAULT DESCRIPTION

1. Go to the Fault Code Diagram for the problem in the applicable chapter.
2. Do the fault analysis on the diagram and find the fault code.
3. The first two digits of the fault code are the FIM chapter that you need. Go to the Fault Code Index in that chapter and find the fault code.
4. Find the Fault Isolation Reference for the fault code and do the corrective action. If there is a FIM reference, then go to that fault isolation procedure in the FIM and do the steps in the procedure (see Figure 4).

How to Find the Corrective Action or Fault Isolation Procedure in the FIM

Figure 3

EFFECTIVITY

ALL

23-HOW TO USE THE FIM

ASSUMED CONDITIONS AT START OF TASK

- External electrical power is OFF
- Hydraulic power and pneumatic power are OFF
- Engines are shut down
- Circuit breakers for the system are closed
- No equipment in the system is deactivated

PREREQUISITES

- This box gives the steps to get the airplane from the normal shutdown condition to the configuration necessary to do the fault isolation procedure.
- The Prerequisites give procedure references, circuit breakers, and special tools and equipment requirements.

FAULT ISOLATION BLOCKS

- Start the fault isolation procedure at block 1 unless specified differently.
- Do the check to get an answer to the question in the box. Follow the arrow that applies to your answer. This will go to the next check.
- When you get to a box in the column at the right of the page, you have isolated that fault. Do the steps in that box to repair the cause of the fault.
- Make sure that fault is corrected to complete the procedure.

Do the Fault Isolation Procedure
Figure 4

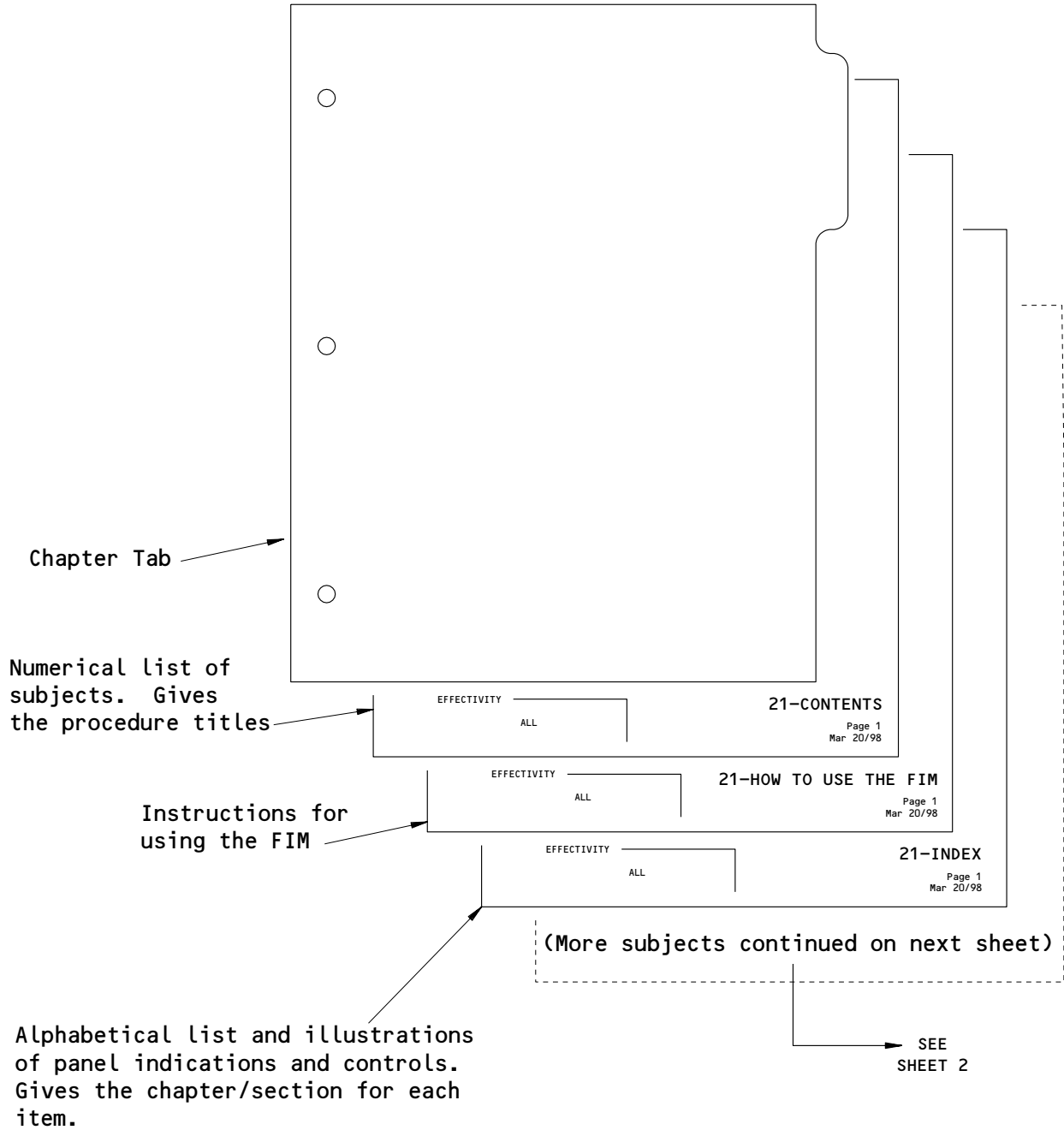
EFFECTIVITY

ALL

23-HOW TO USE THE FIM

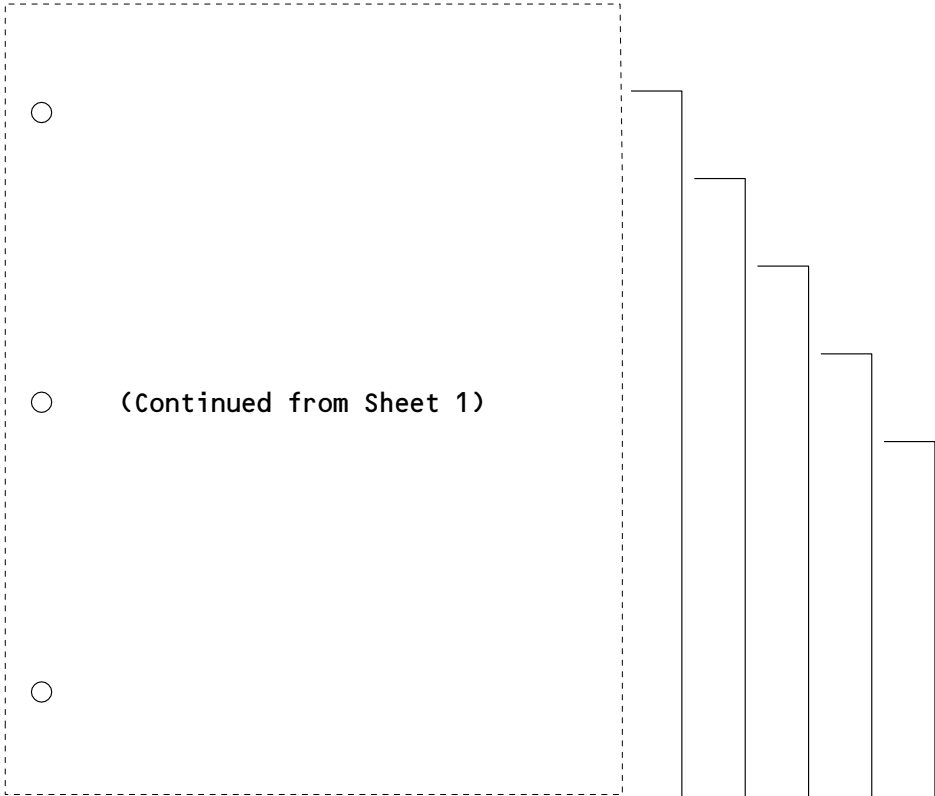
01

Page 4
Sep 20/98



Subjects in Each FIM Chapter
Figure 5 (Sheet 1)

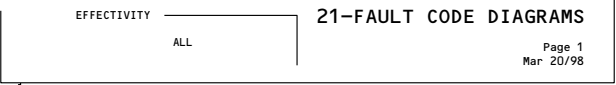
EFFECTIVITY	ALL	23-HOW TO USE THE FIM	01	Page 5 Sep 20/98
-------------	-----	------------------------------	----	---------------------



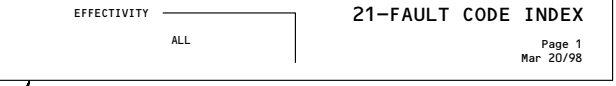
Alphabetical list of the EICAS messages. Gives the procedure to repair the cause of the message or a reference to a fault isolation procedure.



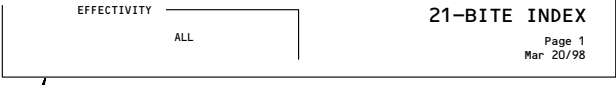
Failure analysis diagrams for the airplane systems to find the correct fault code for the fault.



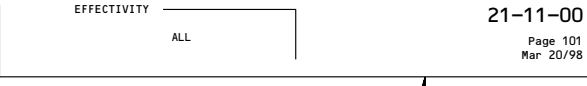
Numerical list of fault codes. Gives the procedure to repair the cause of the fault or a reference to a fault isolation procedure.



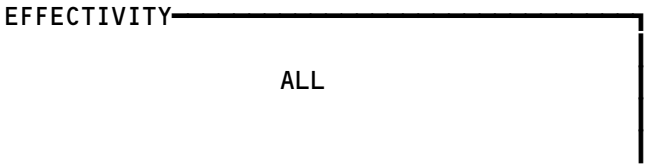
Alphabetical list of all the LRUs/systems that have BITE. Gives the chapter/section for the BITE procedure.



Component index, component location, and fault isolation procedures for the systems in the chapter.



Subjects in Each FIM Chapter
Figure 5 (Sheet 2)



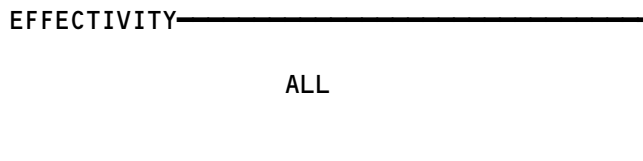
23-HOW TO USE THE FIM

H54343


BOEING
 757
 FAULT ISOLATION/MAINT MANUAL

<u>TITLE</u>	<u>CHAP/SEC</u>
ATTENDANT	
CALL FROM ATTENDANT.....	2342
CALL FROM LAV.....	3325
CALL FROM PILOT.....	2342
CALL FROM SEATS.....	3325
AUDIO SELECTOR PANEL (ASP).....	2351
BOARDING MUSIC AND PRERECORDED	
ANNOUNCEMENTS.....	2331
CABIN	
CHIME.....	2331
HANDSET.....	2342
INTERPHONE.....	2342
SPEAKER.....	2331
COCKPIT	
CALL.....	2342
CHIME.....	2342
HEADSET.....	2351
MIC.....	2351
SPEAKER.....	2351
EICAS MESSAGES.....	2315, 2323
FLIGHT INTERPHONE.....	2351
GROUND CALL.....	2343
HF COMM.....	2311
PASSENGER ADDRESS.....	2331
PUSH TO TALK (PTT).....	2351
READING LIGHTS.....	CHAPTER 33
SELCAL.....	2321
SERVICE INTERPHONE.....	2341
VHF COMM.....	2312
VIDEO	
CONTROL UNIT.....	2332
SOUND TRACK.....	2332
TAPE REPRODUCER.....	2332
VIDEO MONITOR.....	2332
VOICE RECORDER.....	2371

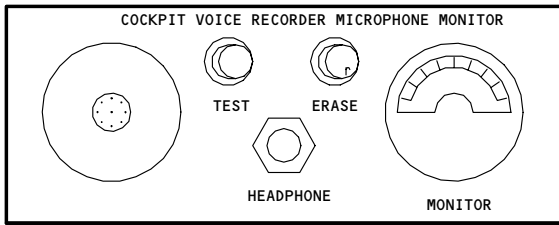
COMMUNICATIONS - INDEX
Figure 1 (Sheet 1)



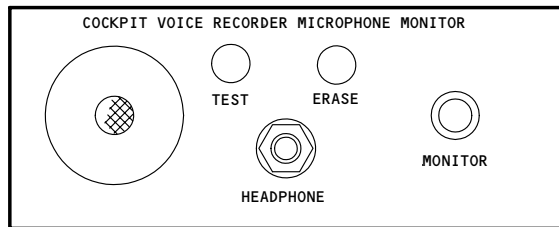
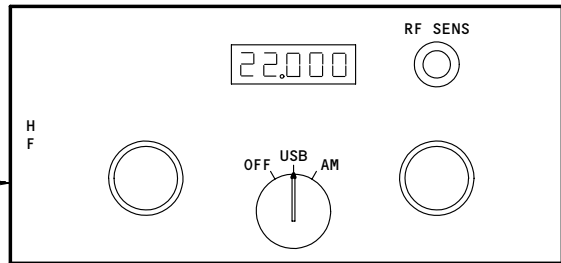
23-INDEX

BOEING

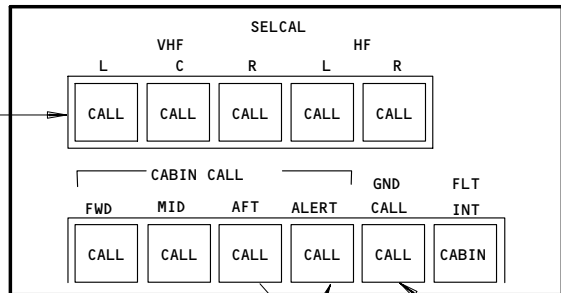
757 FAULT ISOLATION/MAINT MANUAL



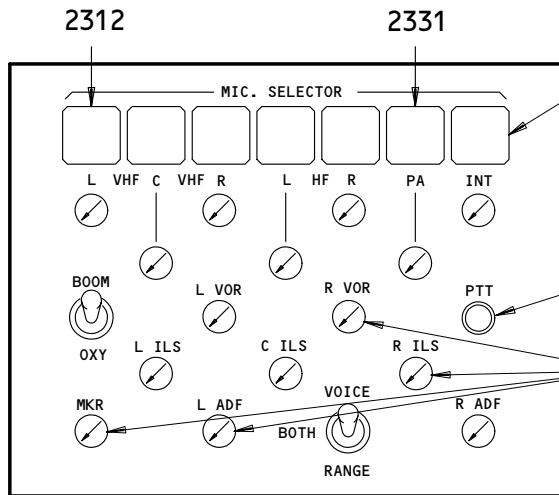
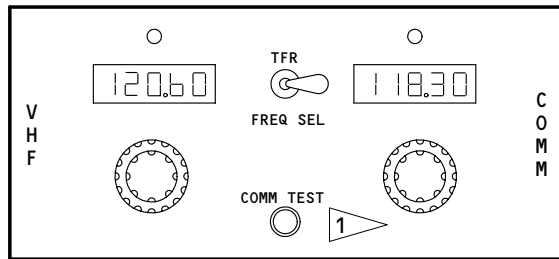
OVERHEAD PANEL



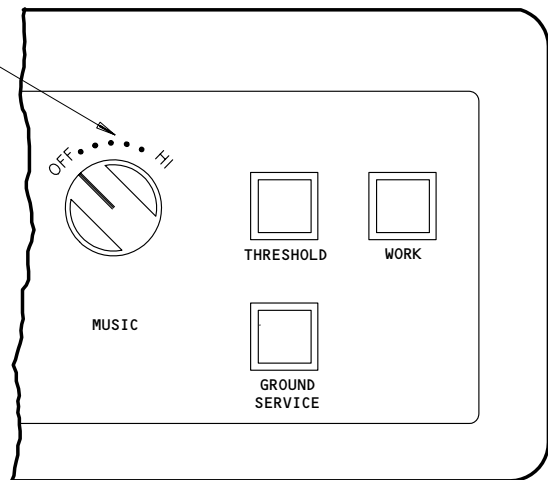
OVERHEAD PANEL



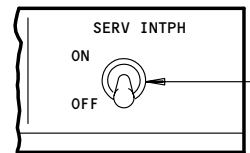
OVERHEAD PANEL



AFT ELECTRONIC PANEL



FORWARD ATTENDANT'S PANEL



ACCESSORY PANEL

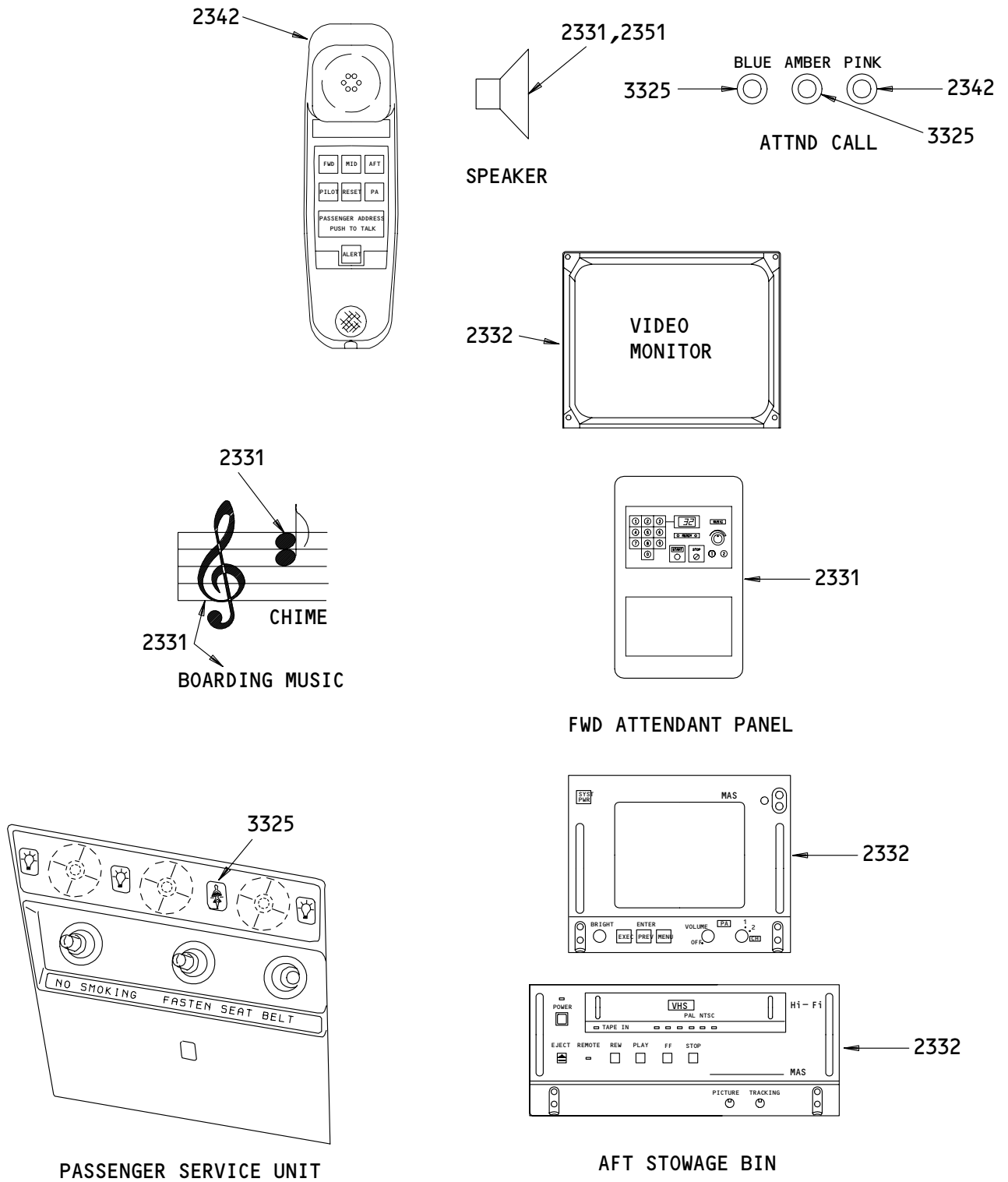
1 AS INSTALLED

COMMUNICATIONS - INDEX Figure 1 (Sheet 2)

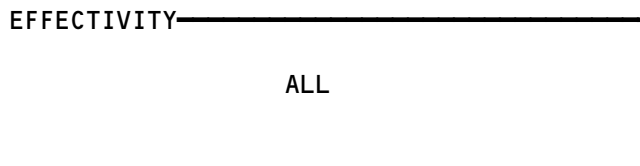
EFFECTIVITY	ALL
-------------	-----

23-INDEX

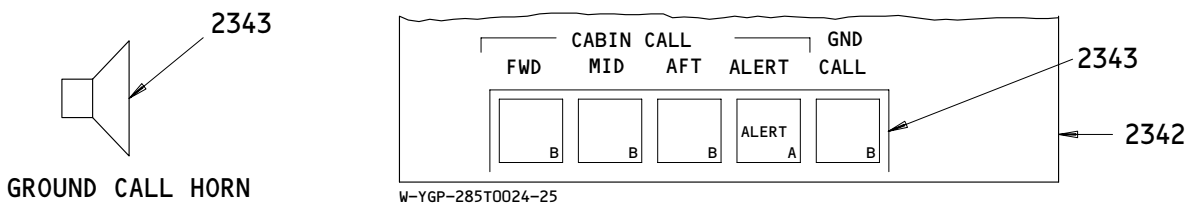
BOEING
757
FAULT ISOLATION/MAINT MANUAL



COMMUNICATIONS - INDEX
Figure 1 (Sheet 3)

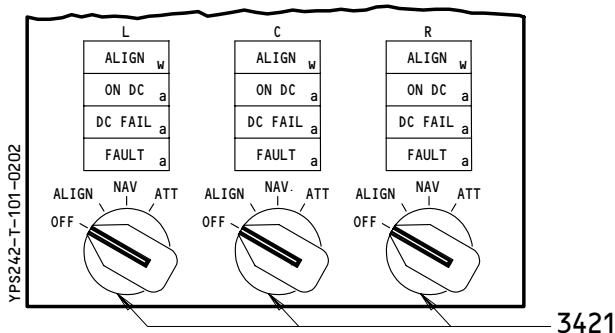


23-INDEX

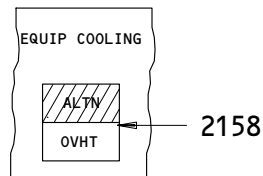


W-YGP-285T0024-25

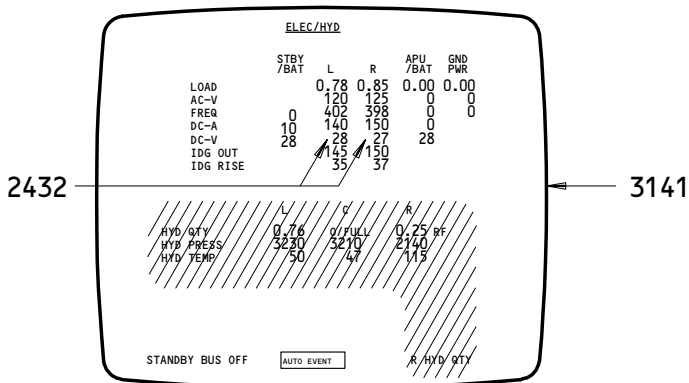
PILOTS' CALL PANEL



INERTIAL REFERENCE MODE PANEL (IRMP)



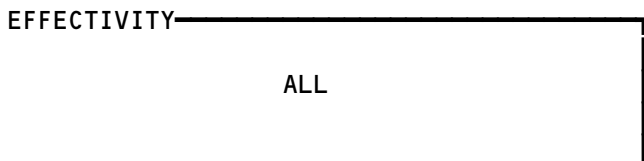
OVERHEAD PANEL



PILOTS' CENTER INSTRUMENT PANEL

<u>TITLE</u>	<u>CHAP/SEC</u>
GROUND CALL HORN.....	2343
PILOTS CALL PANEL.....	2342
INERTIAL REFERENCE MODE PANEL.....	3421
E/E COOLING MODULE.....	2158
EICAS DISPLAY UNIT.....	3141

GROUND CALL HORN - INDEX (GROUND)
Figure 2

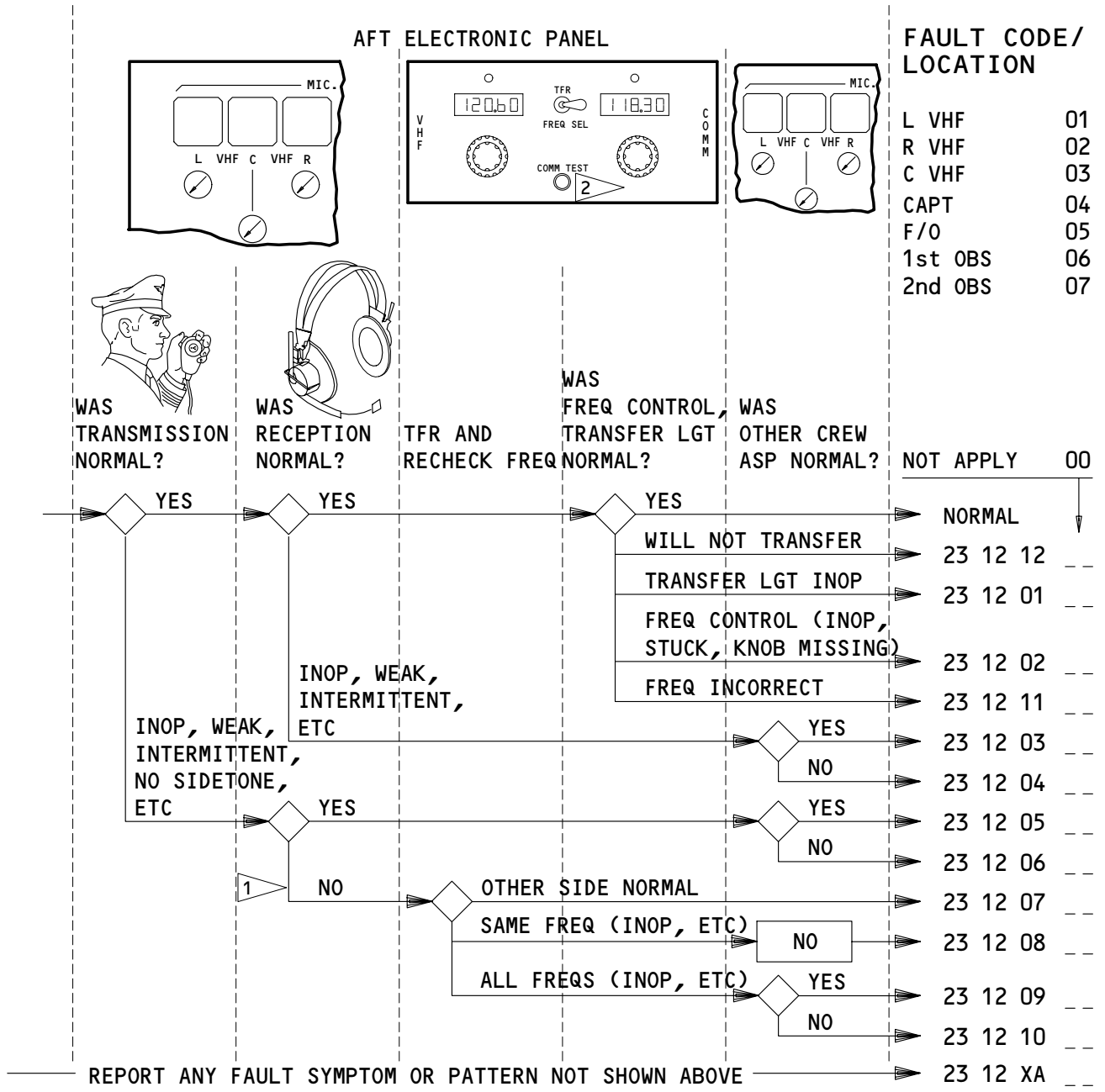


23-INDEX

BOEING

757

FAULT ISOLATION/MAINT MANUAL



1 LOSS OF R VHF ON GROUND COULD BE NORMAL RESULT OF ANTENNA POSITION. IF AUDIO SELECTOR PANEL OR MIC IS FAULTY, SEE "ASP, COCKPIT MIC, HEADSET, SPEAKER" FAULT CODES.

2 IF INSTALLED

APPLICABLE CIRCUIT BREAKERS

11C3	VHF COMM LEFT	11G4	VHF COMM CENTER
11C25	CAPT FLT AMPL	11G29	CAPT FLT AMPL
11C26	F/O OBS	11G30	F/O OBS
		11G31	VHF COMM RIGHT

VHF COMM - FAULT CODES

EFFECTIVITY

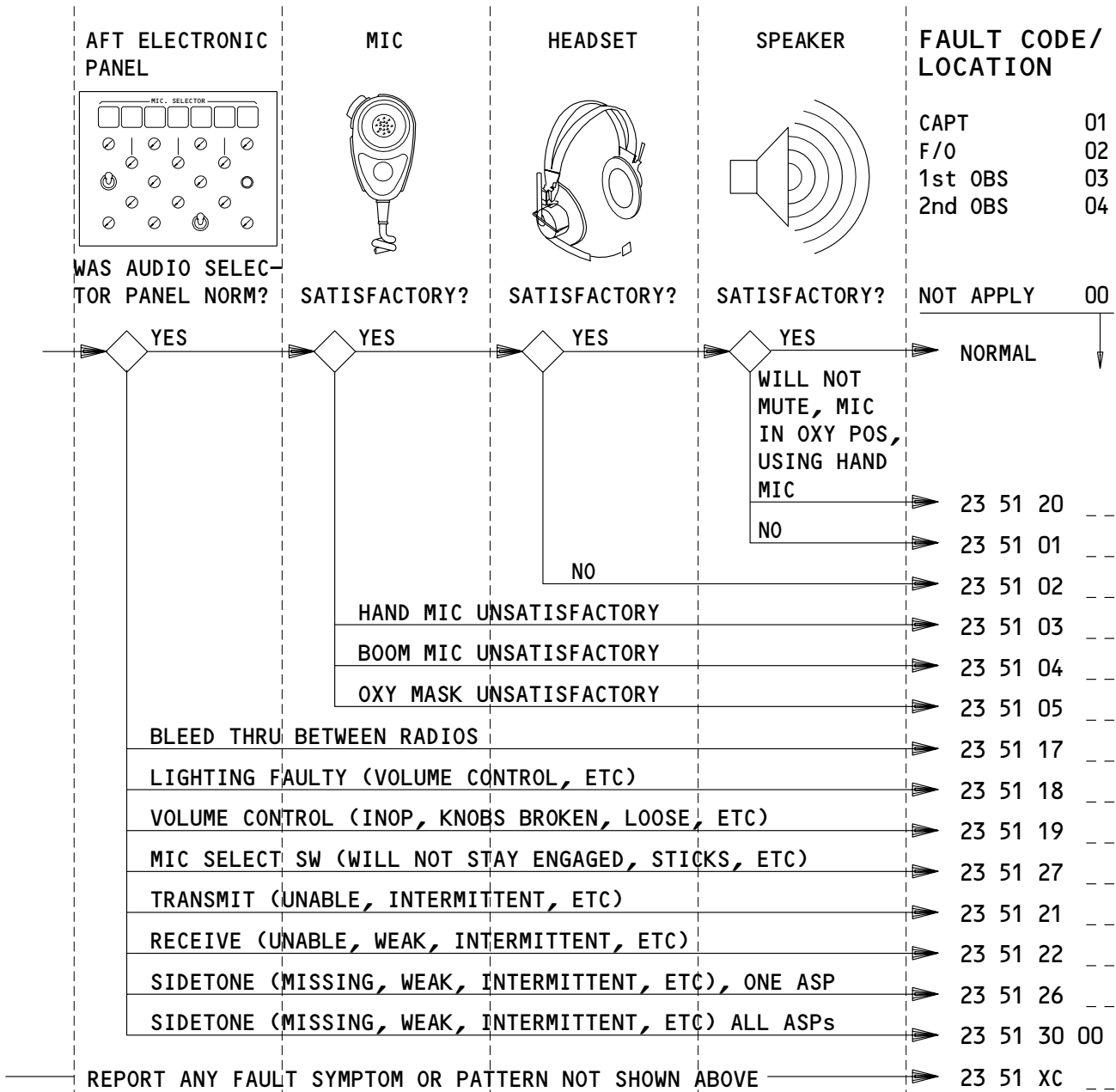
ALL

23-FAULT CODE DIAGRAM

872262

BOEING

757 FAULT ISOLATION/MAINT MANUAL



APPLICABLE CIRCUIT BREAKERS AS INSTALLED

11C25	CAPT (-S/O) FLT AMPL (DUAL PWR)
11C26	F/O (OBS, OBSR) (DUAL PWR)
11G29	CAPT (-S/O) FLT AMPL (DUAL PWR)
11G30	F/O (OBS, OBSR) (DUAL PWR)

ASP, COCKPIT MIC, HEADSET, SPEAKER - FAULT CODES

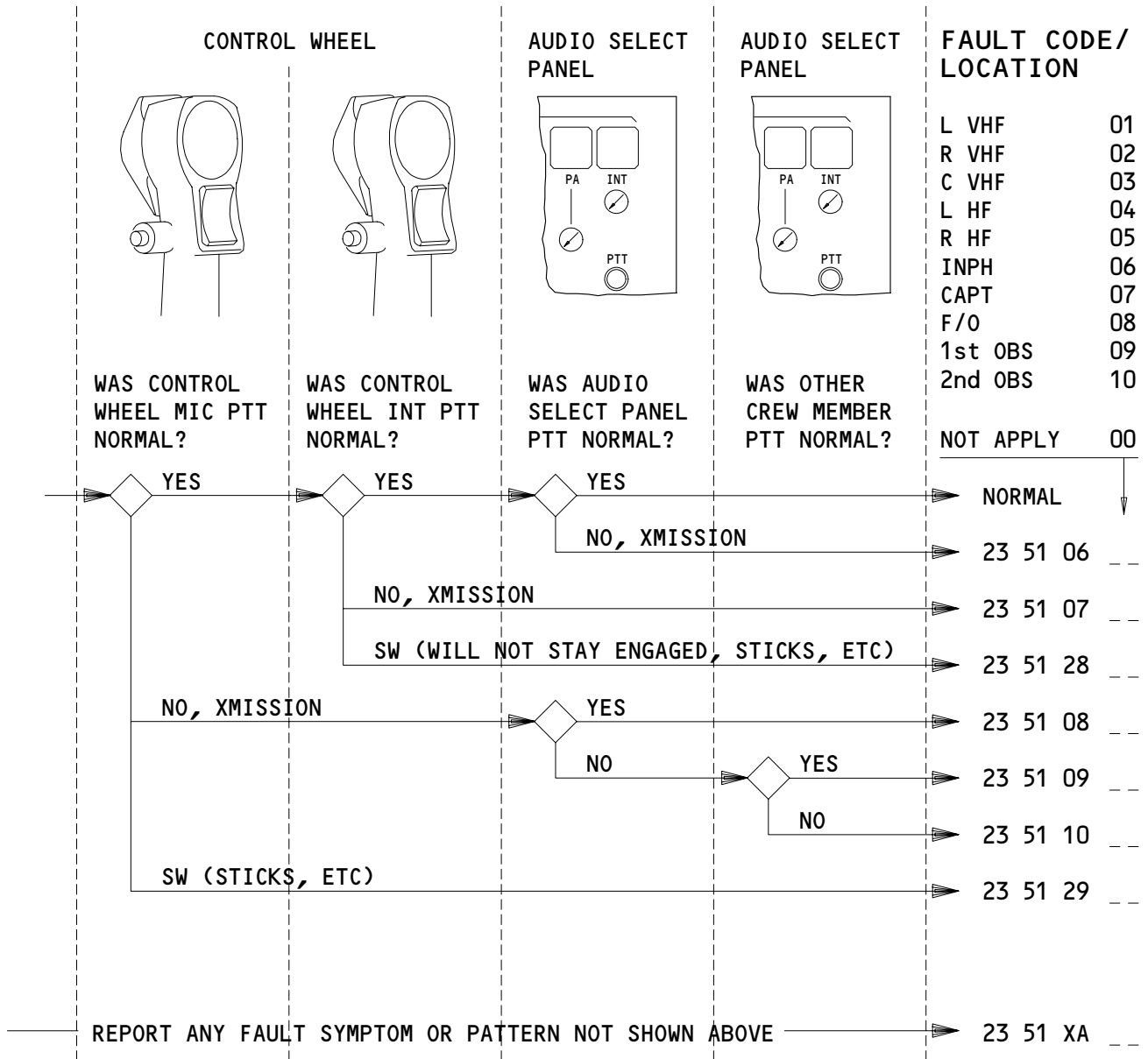
EFFECTIVITY

ALL

23-FAULT CODE DIAGRAM

BOEING

757 FAULT ISOLATION/MAINT MANUAL



APPLICABLE CIRCUIT BREAKERS

11C3 VHF COMM LEFT	11G8 HF COMM LEFT
11C23 CABIN SERVICE	11G29 CAPT FLT AMPL
11C25 CAPT FLT AMPL	11G30 F/O OBS
11C26 F/O OBS	11G31 VHF COMM RIGHT
11G4 VHF COMM CENTER	11G34 HF COMM RIGHT

PUSH TO TALK (PTT) – FAULT CODES

EFFECTIVITY

ALL

23-FAULT CODE DIAGRAM

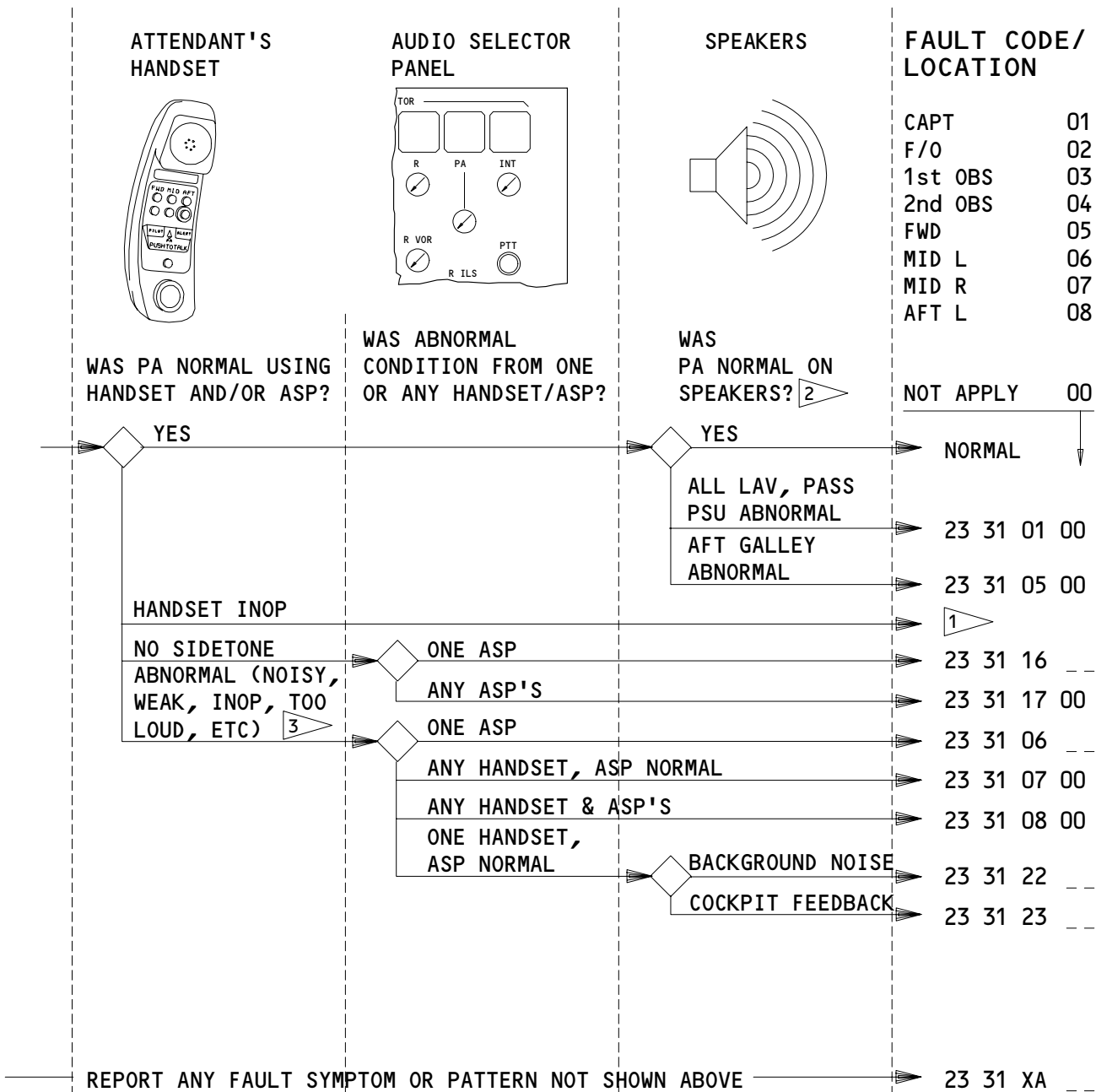
23

Page 3
Sep 20/91

BOEING

757

FAULT ISOLATION/MAINT MANUAL



1 IF ONE HANDSET INOP, SEE "CABIN HANDSETS AND SPEAKERS" FAULT CODES.

2 IF ONE SPEAKER INOP, SEE "CABIN HANDSETS AND SPEAKERS" FAULT CODES.

3 SYSTEM MAY RESET BY CYCLING CABIN SERVICE CB.

APPLICABLE CIRCUIT BREAKERS

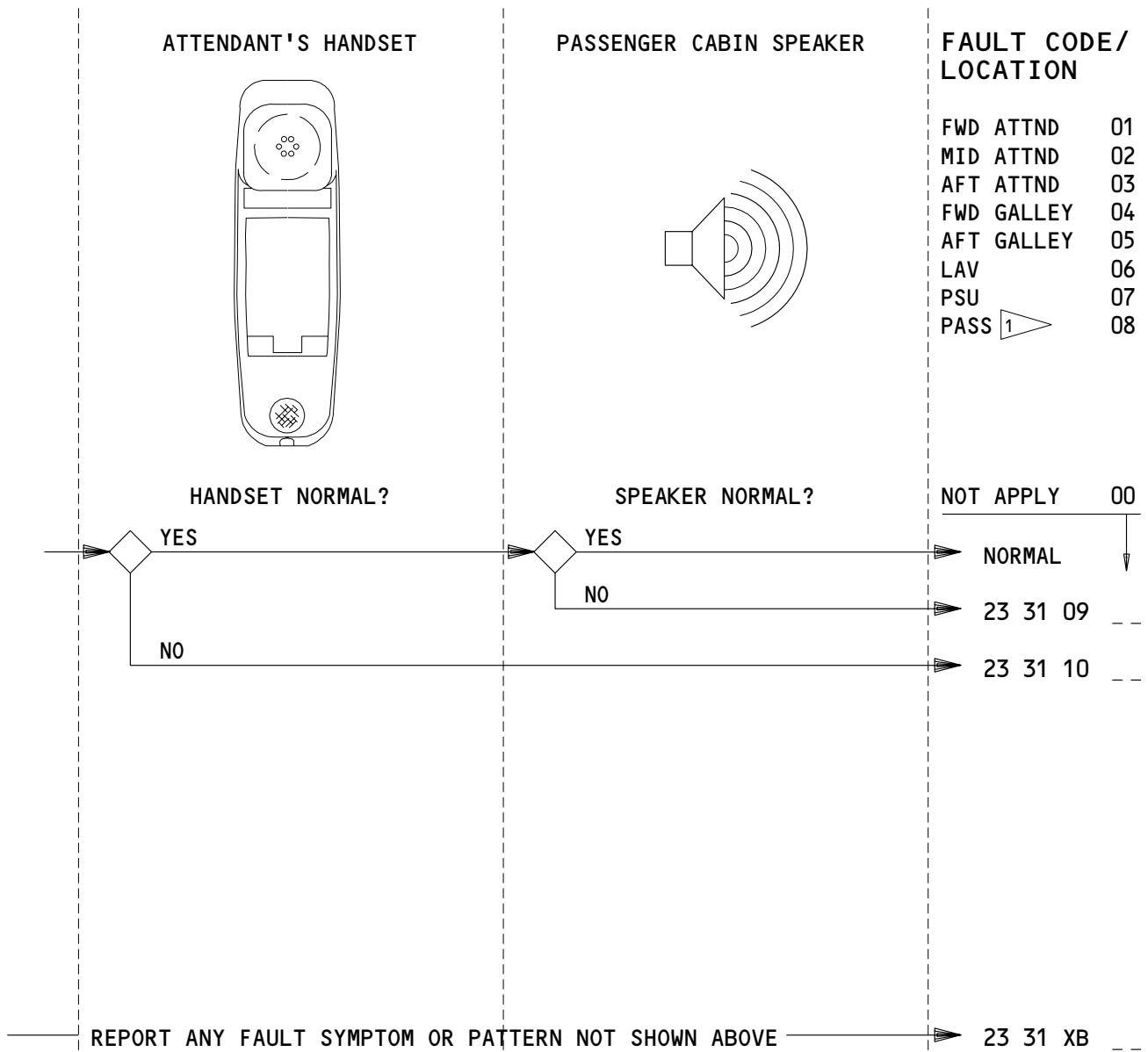
11C22 PASS ADRS AMPL	11C26 F/O OBS
11C23 CABIN SERVICE	11G29 CAPT FLT AMPL
11C25 CAPT FLT AMPL	11G30 F/O OBS

PASSENGER ADDRESS SYSTEM - FAULT CODES

EFFECTIVITY

ALL

23-FAULT CODE DIAGRAM



 PASS SPEAKERS ARE LOCATED IN CEILING.

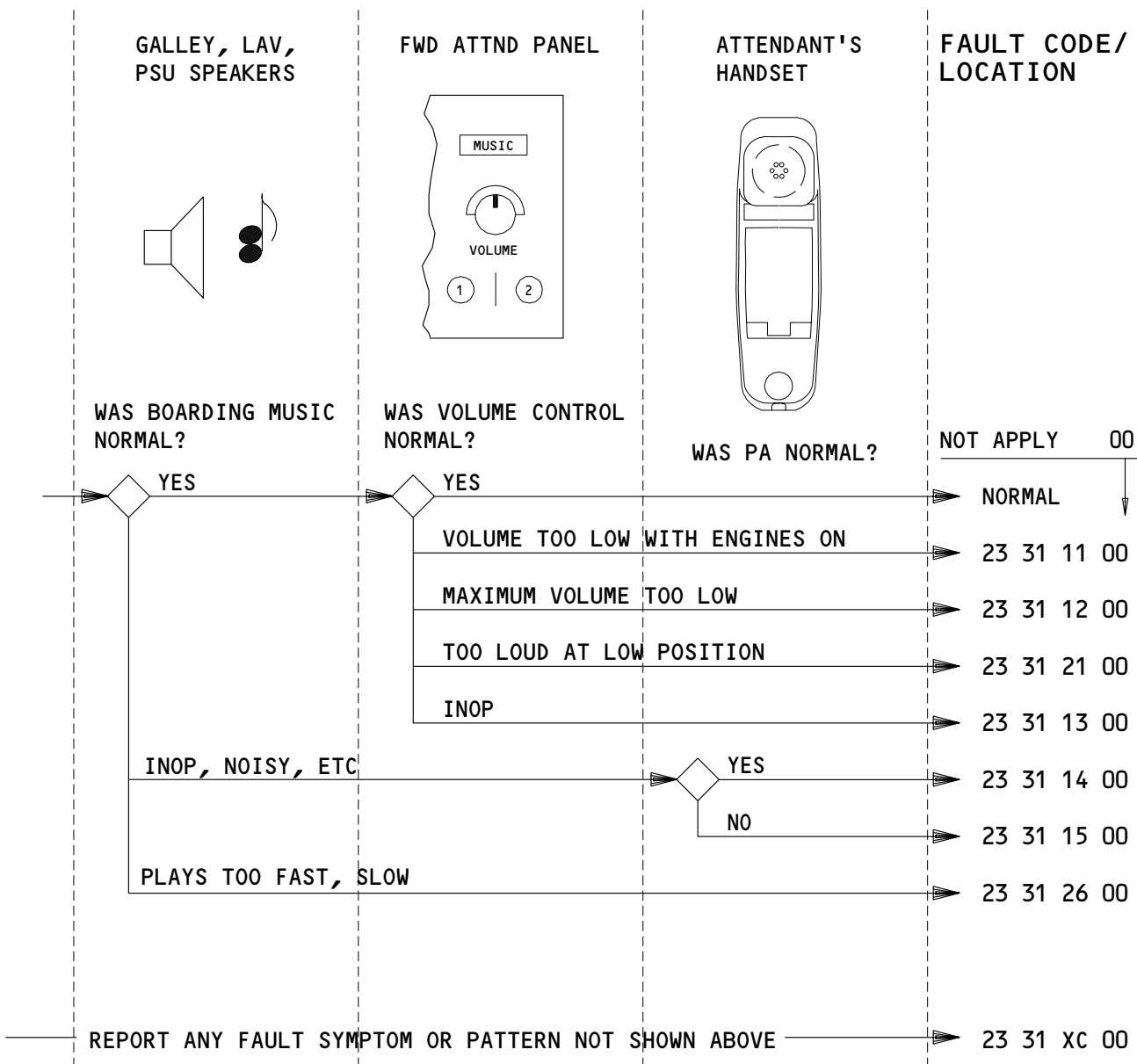
APPLICABLE CIRCUIT BREAKERS

- 11C22 PASS ADRS AMPL
- 11C23 CABIN SERVICE

CABIN HANDSETS AND SPEAKERS – FAULT CODES

EFFECTIVITY	ALL
--------------------	-----

23-FAULT CODE DIAGRAM



APPLICABLE CIRCUIT BREAKERS

11C22 PASS ADRS AMPL

BOARDING MUSIC - FAULT CODES

EFFECTIVITY

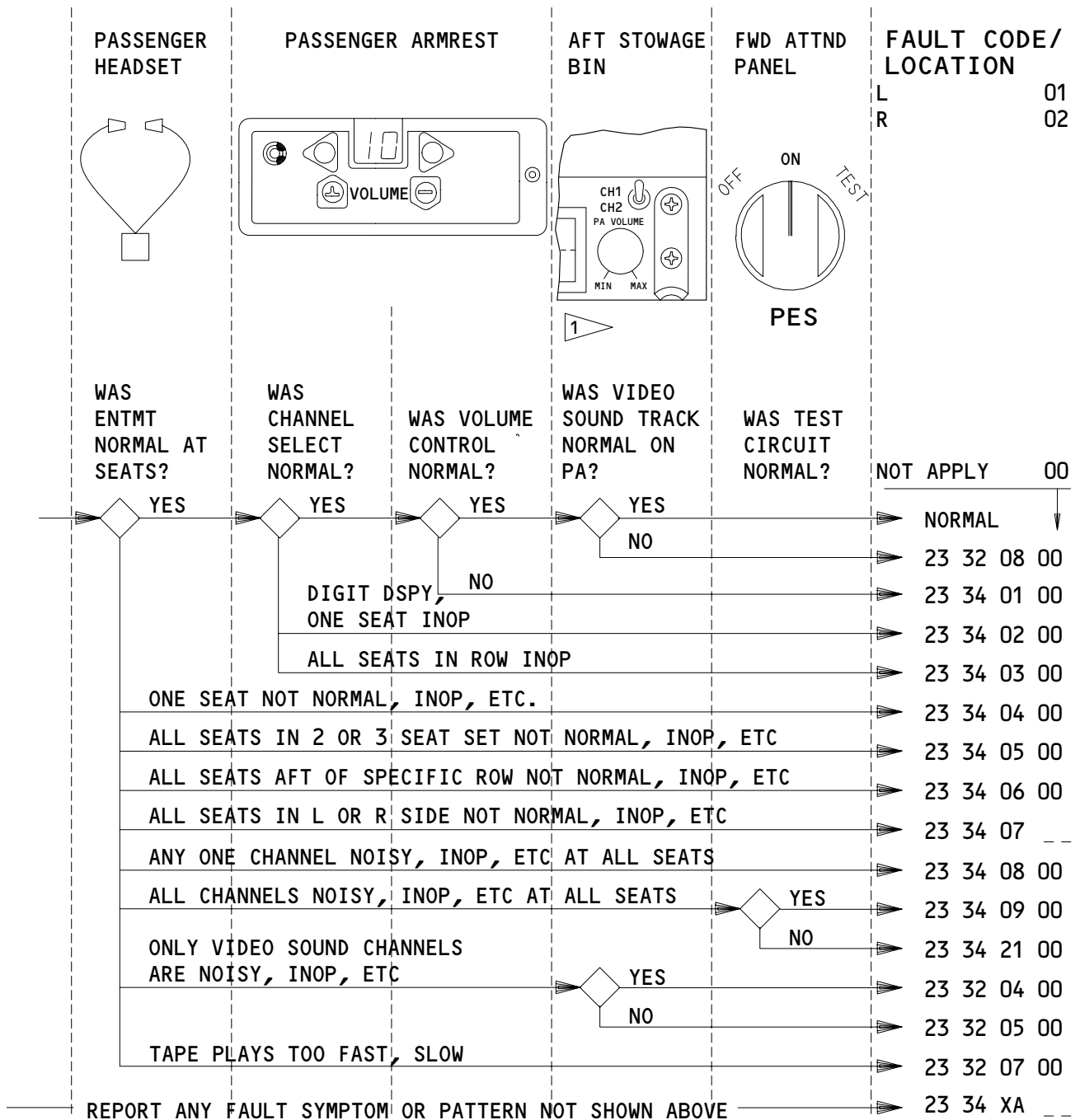
ALL

23-FAULT CODE DIAGRAM

BOEING

757

FAULT ISOLATION/MAINT MANUAL



1 IF INSTALLED

APPLICABLE CIRCUIT BREAKERS

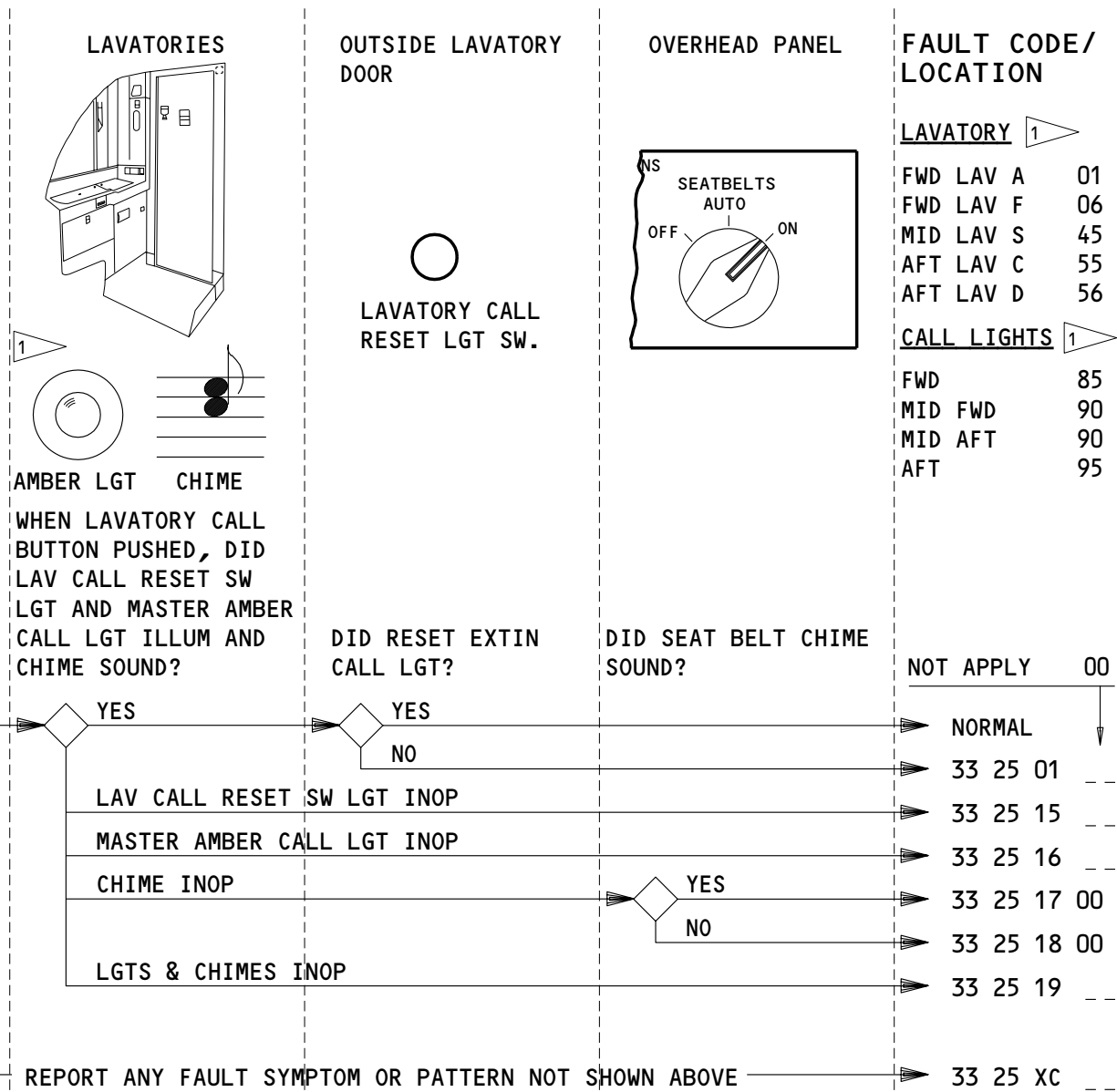
11H30 VIDEO SYSTEM DC

PASSENGER ENTERTAINMENT - FAULT CODES

EFFECTIVITY

ALL

23-FAULT CODE DIAGRAM



1 LAVATORY/MASTER CALL LGT LOCATIONS IF INSTALLED



APPLICABLE CIRCUIT BREAKERS

- 11C22 PASS ADRS AMPL
- 11N8 PASS CALL LAV SMOKE DET LEFT
- 11N9 PASS CALL LAV SMOKE DET RIGHT

ATTENDANT CALL FROM LAVATORY – FAULT CODES

EFFECTIVITY

ALL

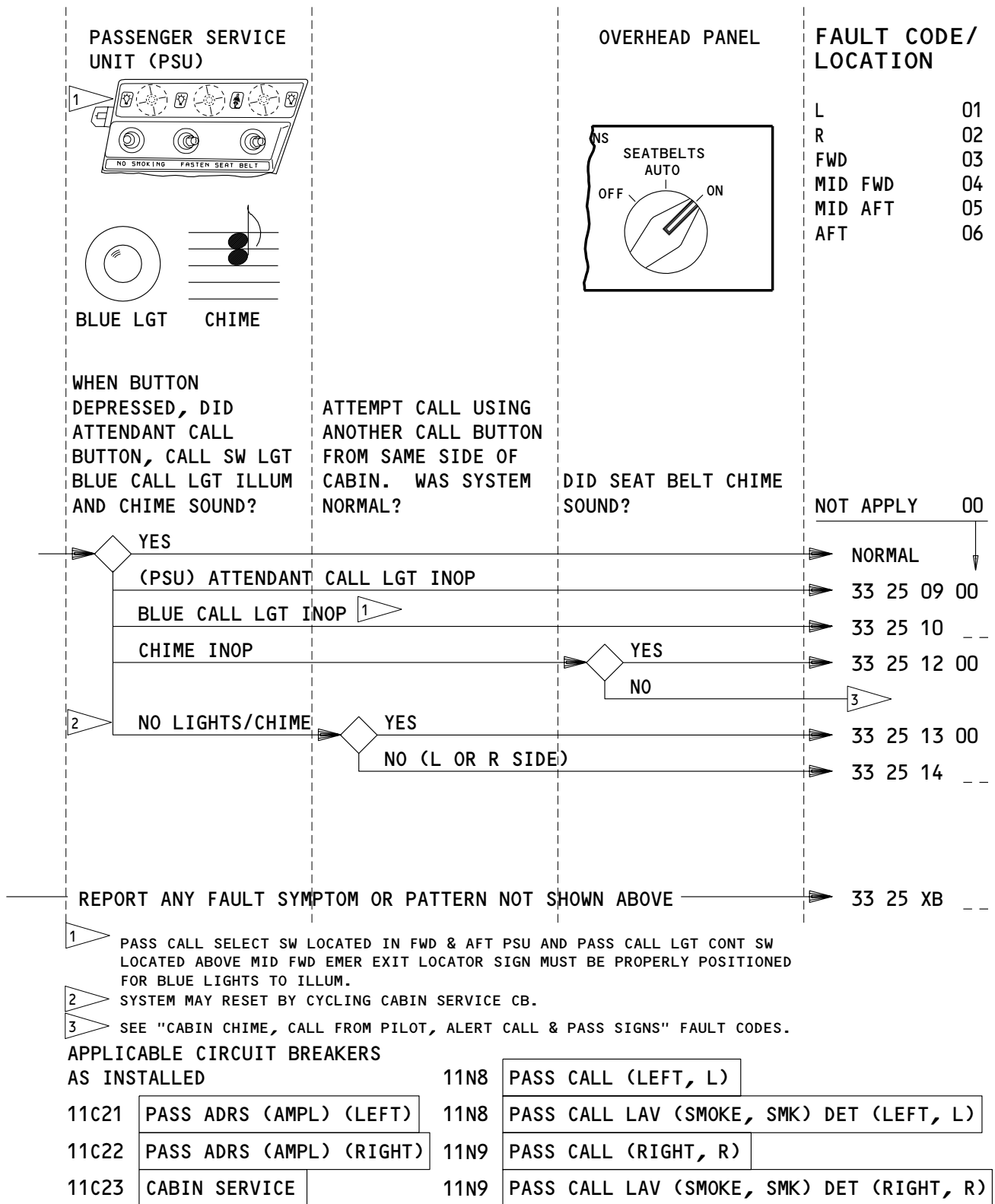
23-FAULT CODE DIAGRAM

872268

BOEING

757

FAULT ISOLATION/MAINT MANUAL



¹ PASS CALL SELECT SW LOCATED IN FWD & AFT PSU AND PASS CALL LGT CONT SW LOCATED ABOVE MID FWD EMER EXIT LOCATOR SIGN MUST BE PROPERLY POSITIONED FOR BLUE LIGHTS TO ILLUM.

² SYSTEM MAY RESET BY CYCLING CABIN SERVICE CB.

³ SEE "CABIN CHIME, CALL FROM PILOT, ALERT CALL & PASS SIGNS" FAULT CODES.

APPLICABLE CIRCUIT BREAKERS

AS INSTALLED	11N8	PASS CALL (LEFT, L)
11C21 PASS ADRS (AMPL) (LEFT)	11N8	PASS CALL LAV (SMOKE, SMK) DET (LEFT, L)
11C22 PASS ADRS (AMPL) (RIGHT)	11N9	PASS CALL (RIGHT, R)
11C23 CABIN SERVICE	11N9	PASS CALL LAV (SMOKE, SMK) DET (RIGHT, R)

ATTENDANT CALL FROM SEATS - FAULT CODES

EFFECTIVITY

ALL

23-FAULT CODE DIAGRAM

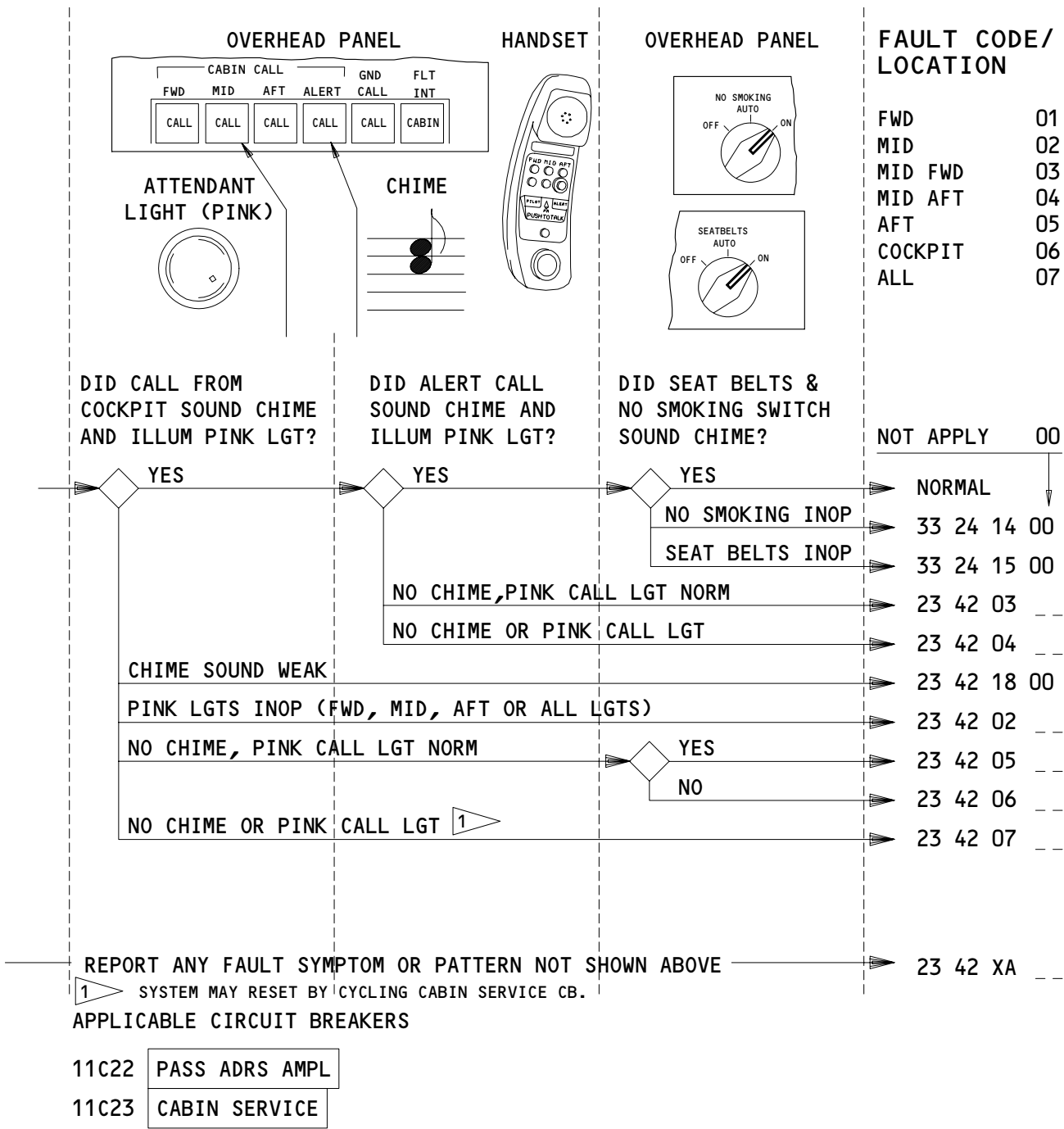
08

Page 9
Jan 20/99

BOEING

757

FAULT ISOLATION/MAINT MANUAL

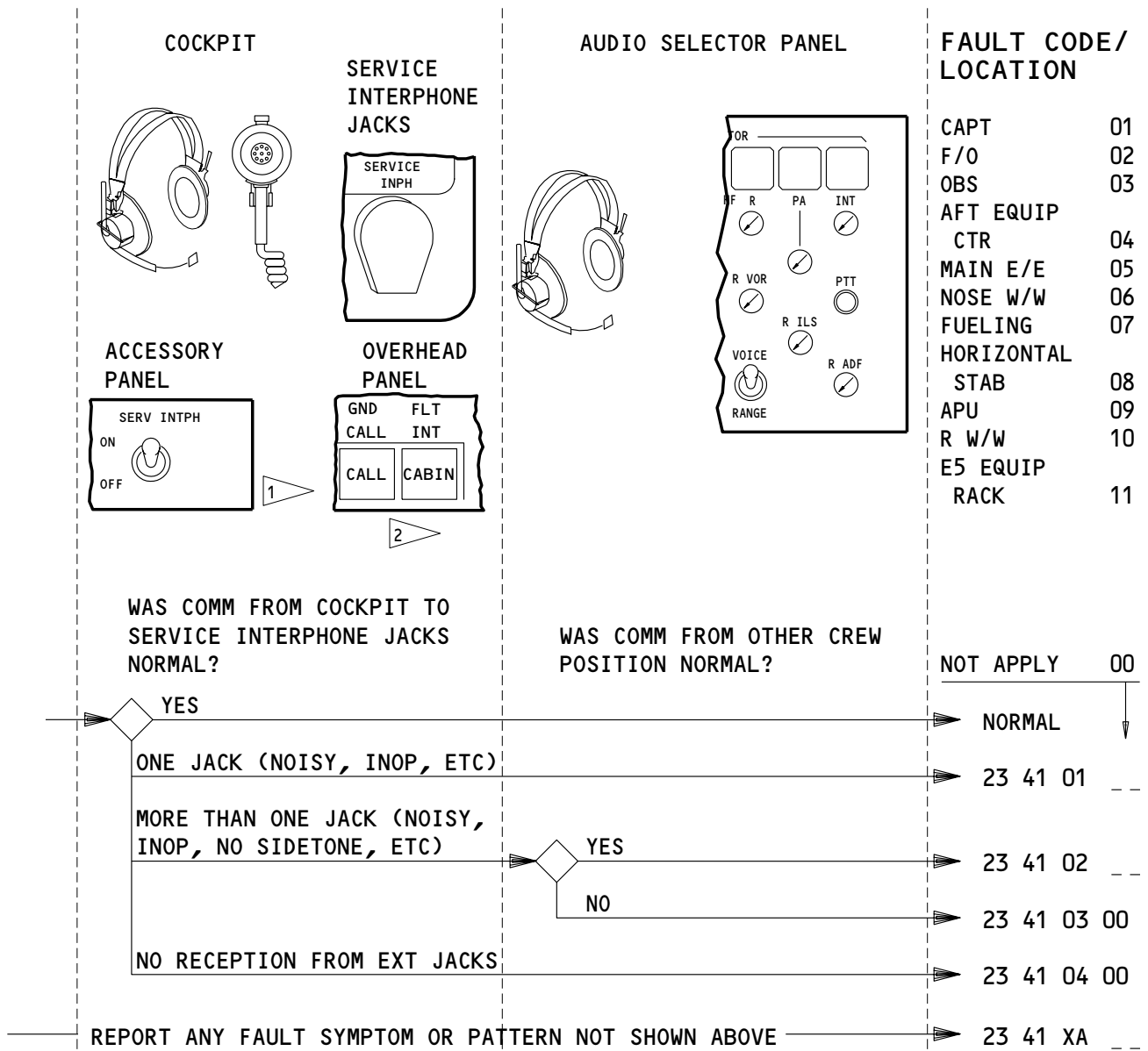


CABIN CHIME, CALL FROM PILOT, ALERT CALL & PASS SIGNS - FAULT CODES

EFFECTIVITY

ALL

23-FAULT CODE DIAGRAM



1 THE SERVICE INPH SWITCH MUST BE ON TO HEAR THE SERVICE INPH JACKS.

2 FLT INT SWITCH MUST BE ON TO CONNECT FLT INPH TO CABIN AND SERVICE INPH SYSTEMS.

APPLICABLE CIRCUIT BREAKERS AS INSTALLED

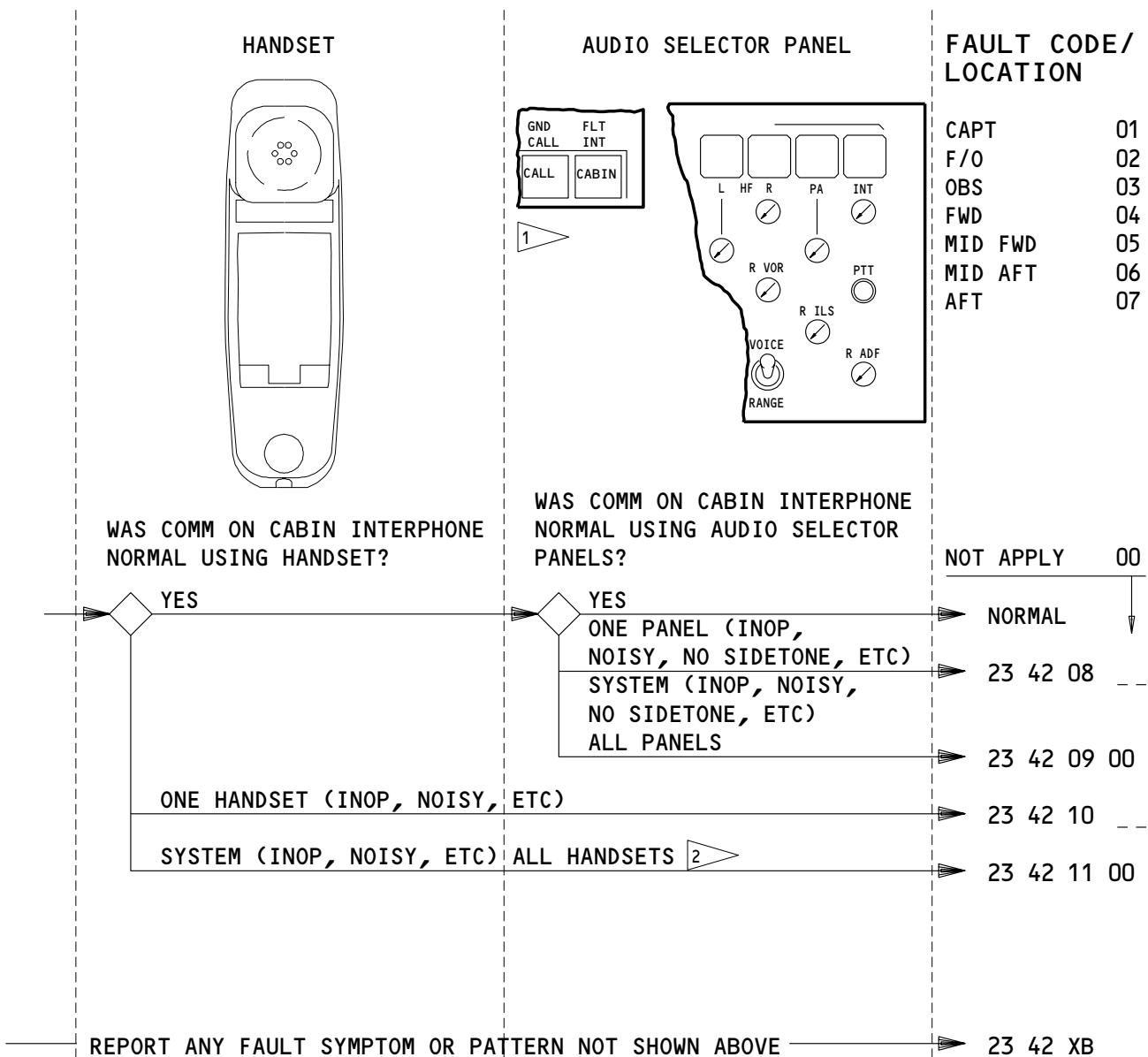
11C21	PASS ADRS (AMPL) (LEFT)	11C26	F/O OBS
11C22	PASS ADRS (AMPL) (RIGHT)	11G29	CAPT FLT AMPL
11C23	CABIN SERVICE	11G30	F/O OBS
11C25	CAPT FLT AMPL		

SERVICE INTERPHONE - FAULT CODES

EFFECTIVITY

ALL

23-FAULT CODE DIAGRAM



1 FLT INT SWITCH MUST BE ON TO CONNECT FLT INPH TO CABIN AND SERVICE INPH SYSTEMS.

2 SYSTEM MAY RESET BY CYCLING CABIN SERVICE CB.

APPLICABLE CIRCUIT BREAKERS

11C23	CABIN SERVICE
11C25	CAPT FLT AMPL
11C26	F/O OBS
11G29	CAPT FLT AMPL
11G30	F/O OBS

CABIN INPH - FAULT CODES

EFFECTIVITY

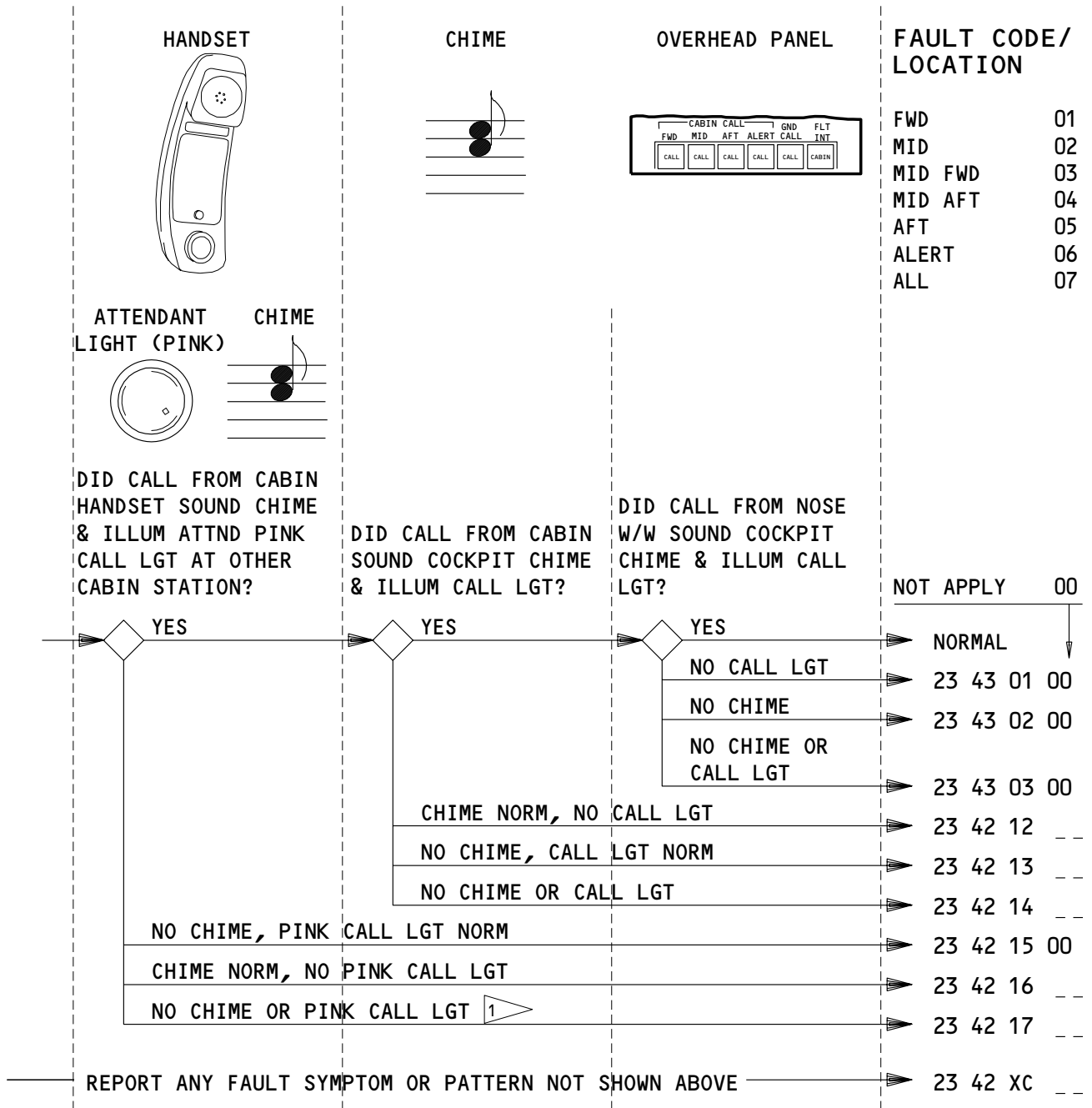
ALL

23-FAULT CODE DIAGRAM

BOEING

757

FAULT ISOLATION/MAINT MANUAL



¹ SYSTEM MAY RESET BY CYCLING CABIN SERVICE CB.

APPLICABLE CIRCUIT BREAKERS

11B16 AURAL WARN SPKR LEFT	11H31 GND CALL
11B18 WARN ELEX B	11H35 AURAL WARN SPKR RIGHT
11C23 CABIN SERVICE	11J33 WARN ELEX A

**CABIN AND COCKPIT CHIME/CALL LIGHTS FROM ATTENDANT
& NOSE WHEEL WELL – FAULT CODES**

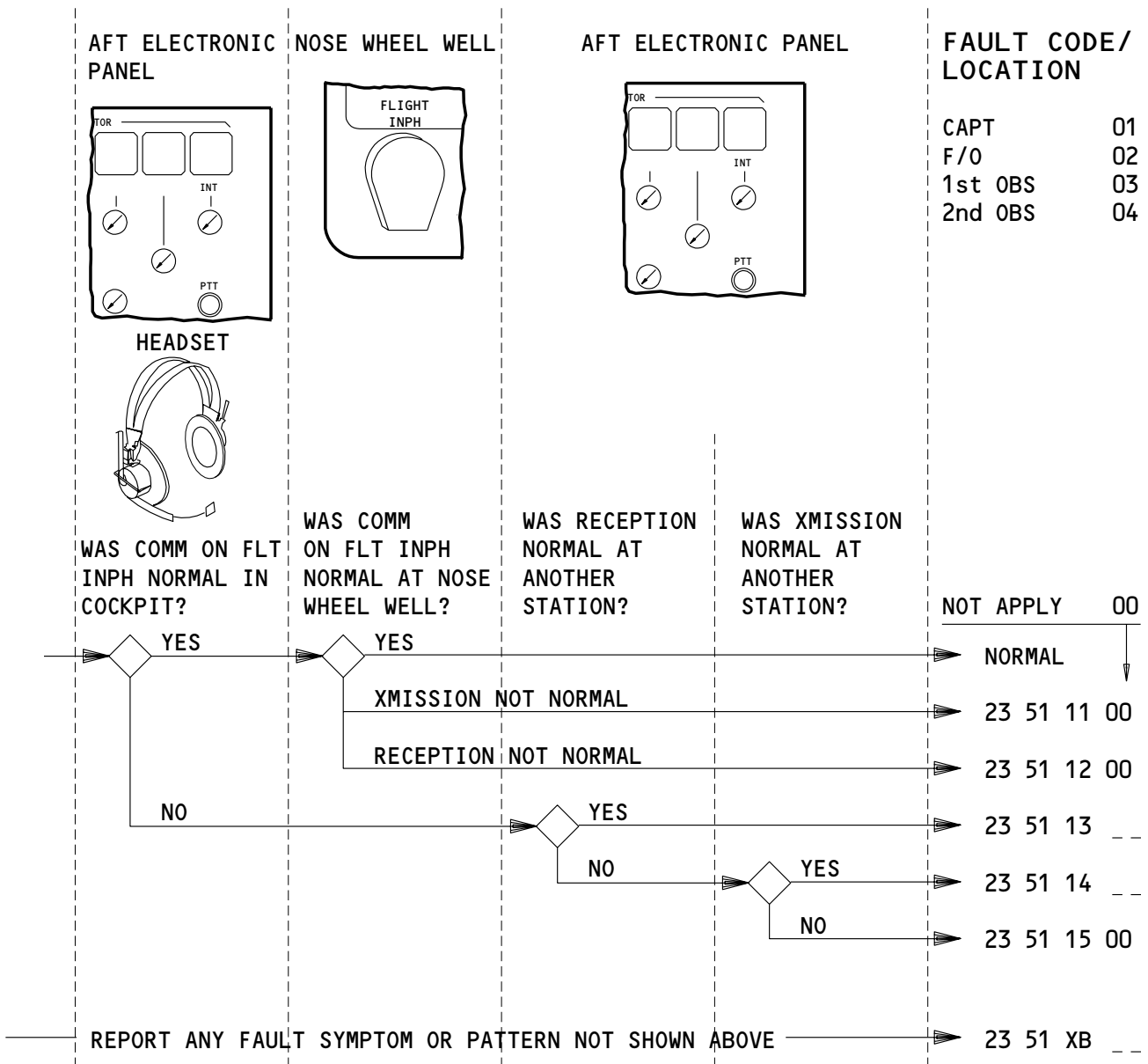
EFFECTIVITY

ALL

23-FAULT CODE DIAGRAM

BOEING

757 FAULT ISOLATION/MAINT MANUAL



APPLICABLE CIRCUIT BREAKERS AS INSTALLED

- 11C25 CAPT (-S/O) FLT AMPL (DUAL PWR)
- 11C26 F/O (OBS, OBSR) (DUAL PWR)
- 11G29 CAPT (-S/O) FLT AMPL (DUAL PWR)
- 11G30 F/O (OBS, OBSR) (DUAL PWR)

FLIGHT INTERPHONE - FAULT CODES

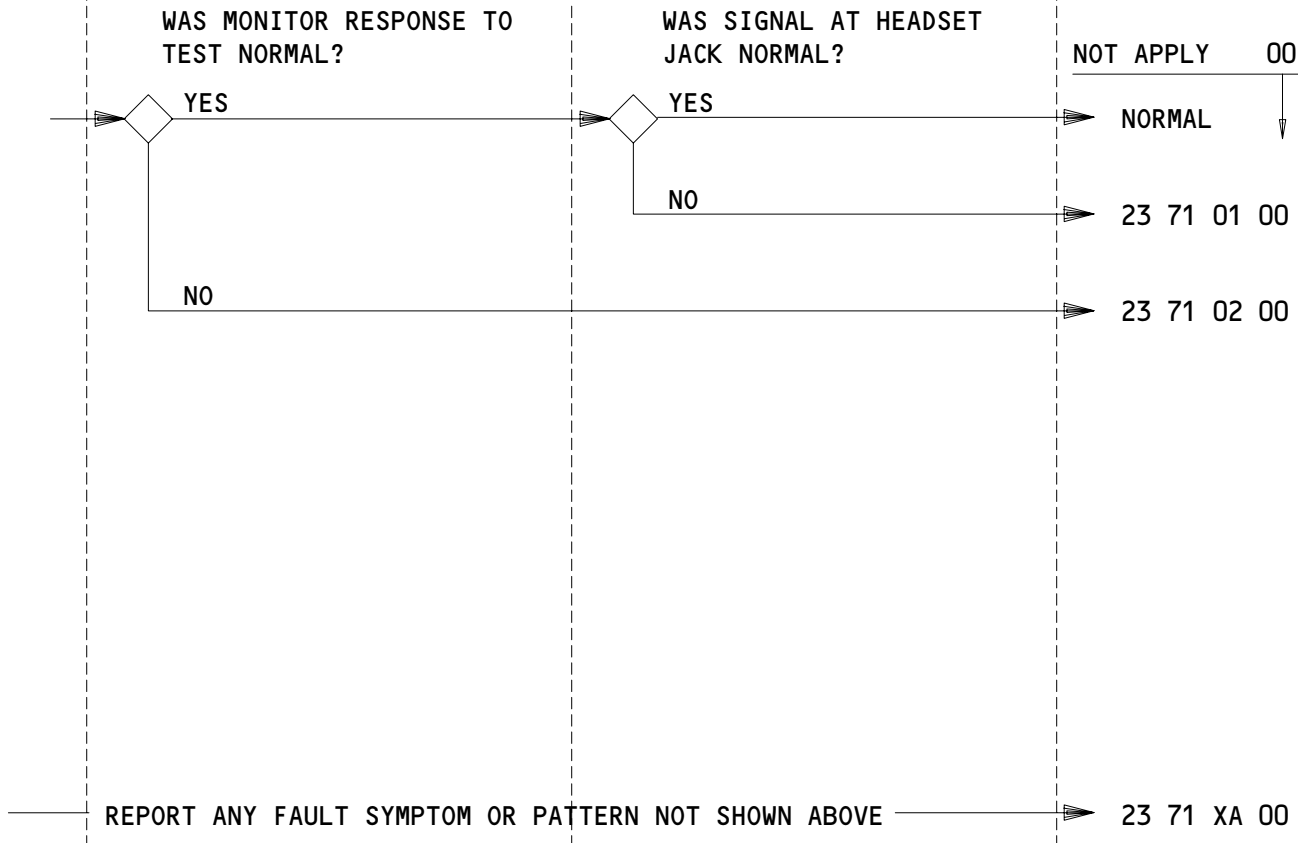
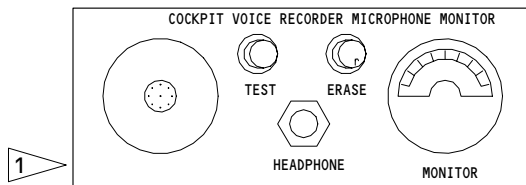
EFFECTIVITY

ALL

23-FAULT CODE DIAGRAM

OVERHEAD PANEL

FAULT CODE/
LOCATION



1 AS INSTALLED

APPLICABLE CIRCUIT BREAKERS

11H33 VOICE RECORDER

VOICE RECORDER – FAULT CODES

EFFECTIVITY

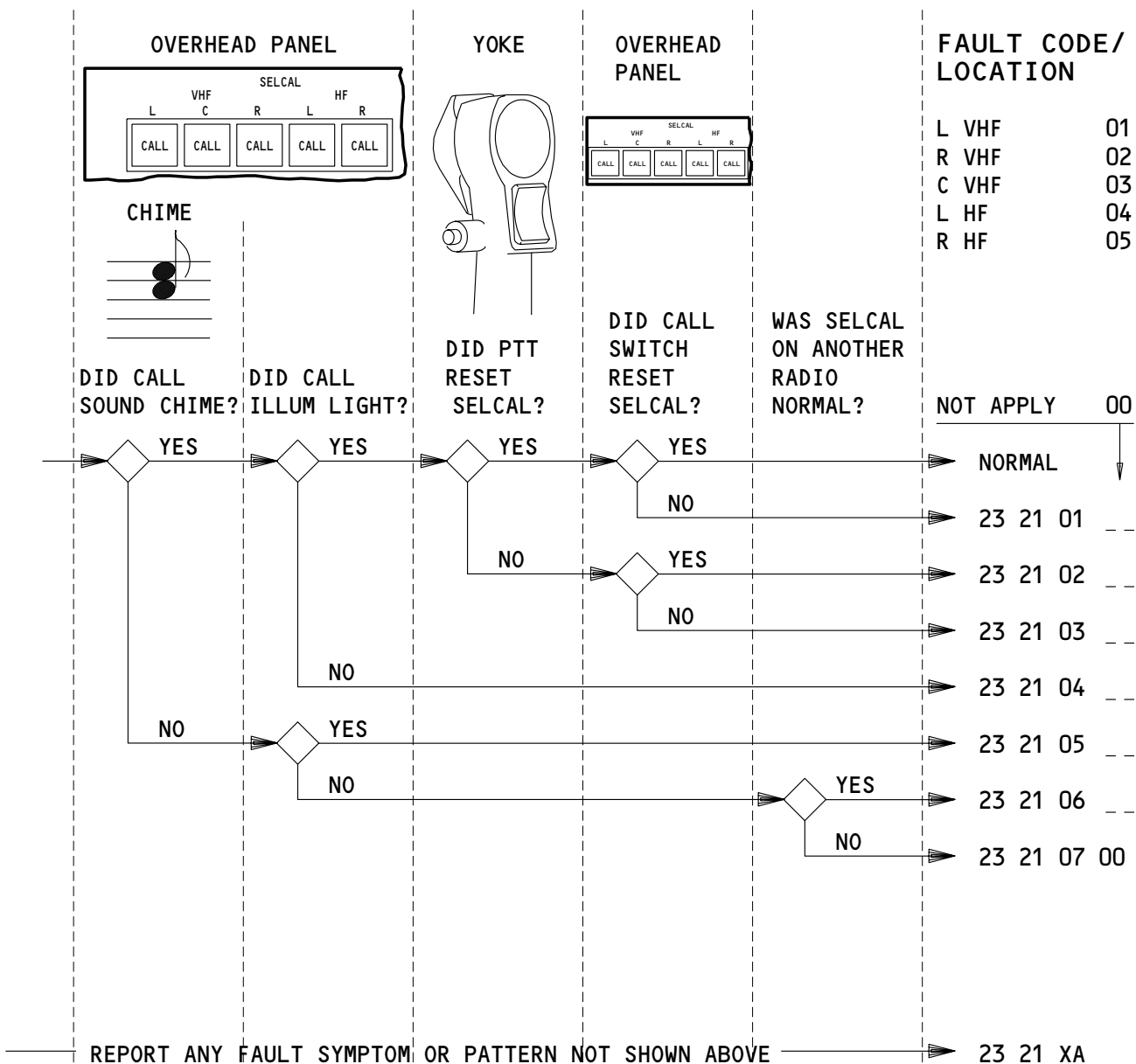
ALL

23-FAULT CODE DIAGRAM

BOEING

757

FAULT ISOLATION/MAINT MANUAL



APPLICABLE CIRCUIT BREAKERS AS INSTALLED

11C3	VHF COMM (LEFT, L)	11G8	HF COMM (LEFT, L)
11G3	SELCAL	11G31	VHF COMM (RIGHT, R)
11G4	VHF COMM (CENTER, C)	11G34	HF COMM (RIGHT, R)

SELCAL - FAULT CODES

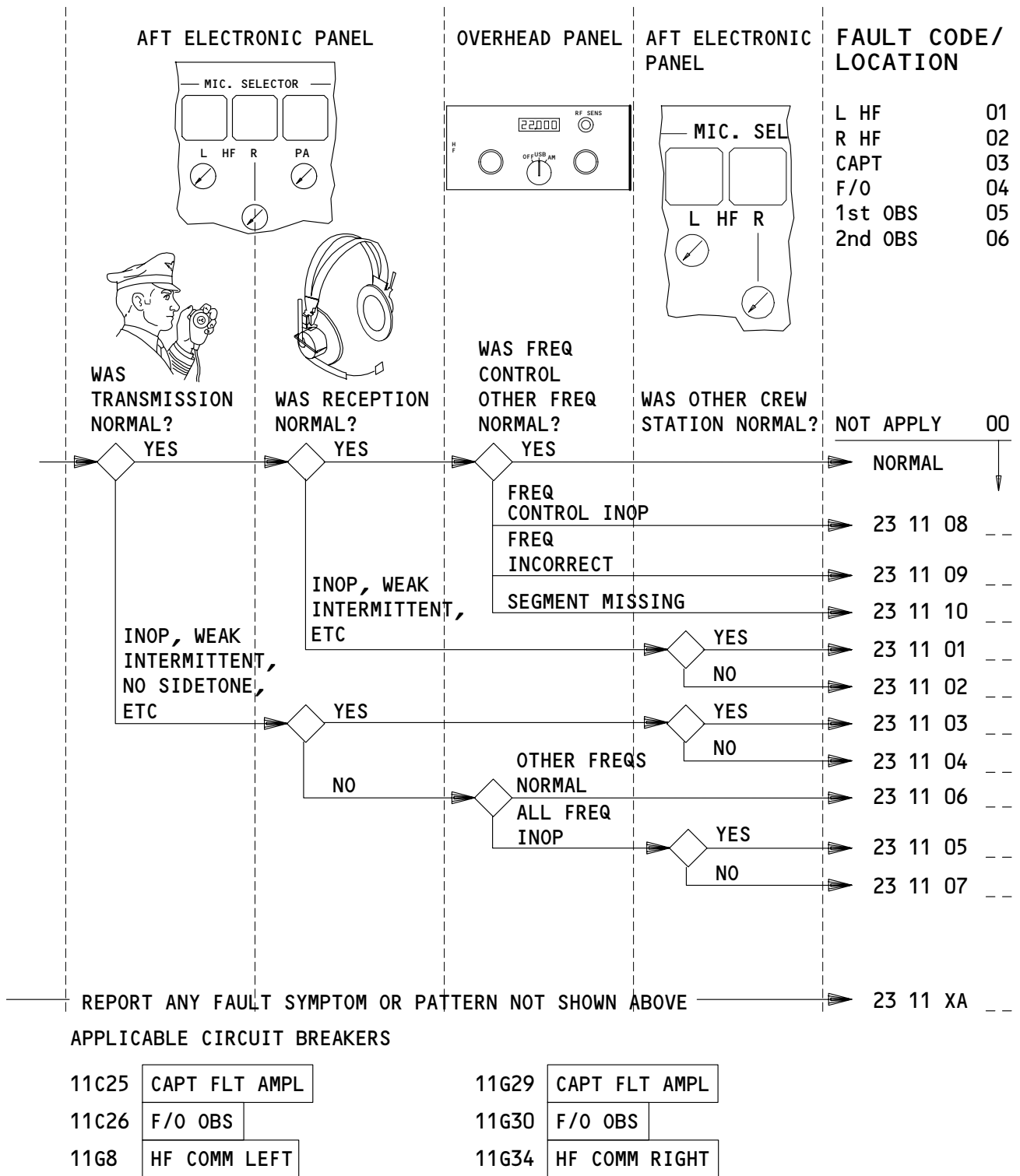
EFFECTIVITY

ALL

23-FAULT CODE DIAGRAM

06

Page 16
Dec 20/96



HF COMM - FAULT CODES

EFFECTIVITY

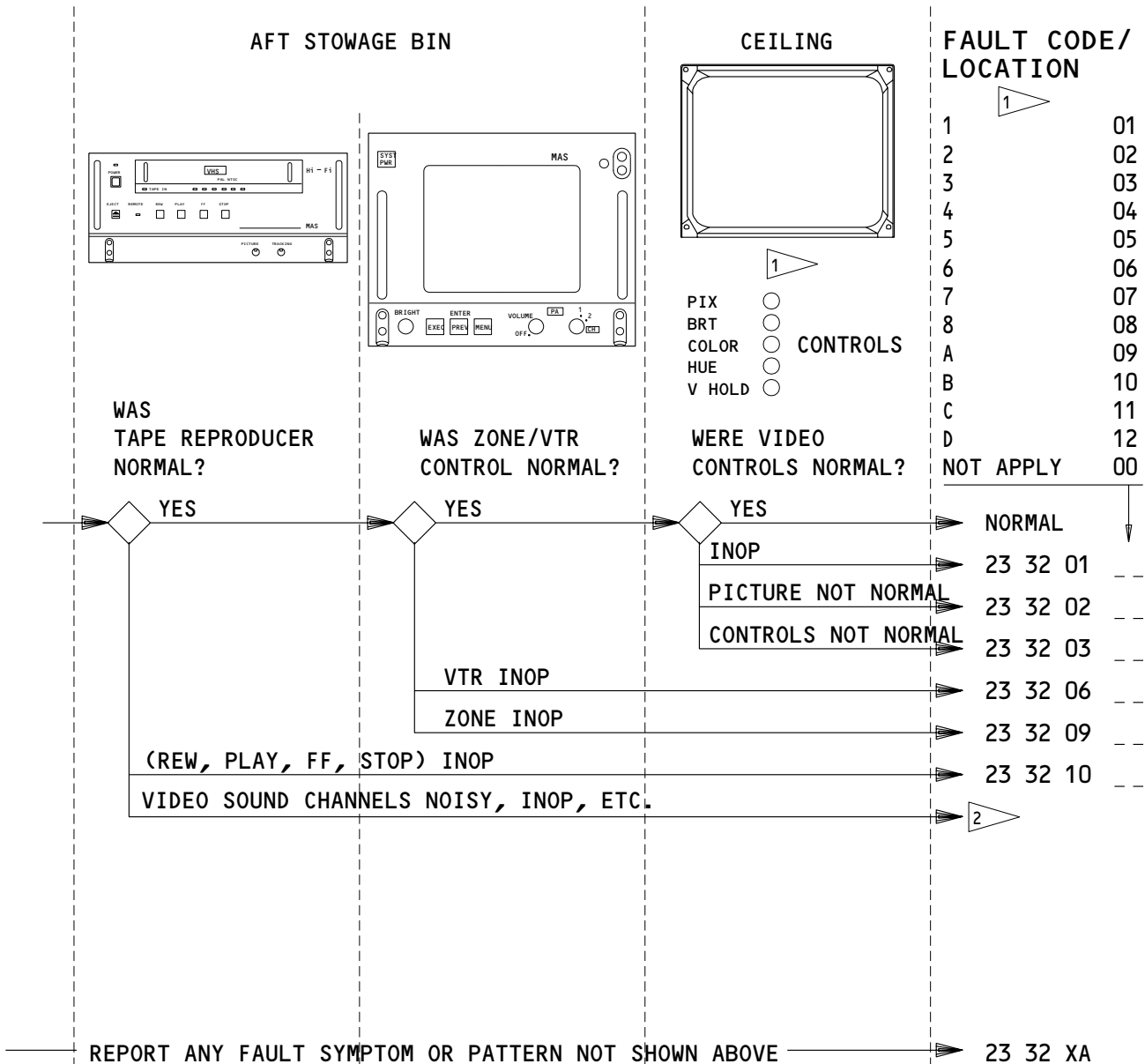
ALL

23-FAULT CODE DIAGRAM

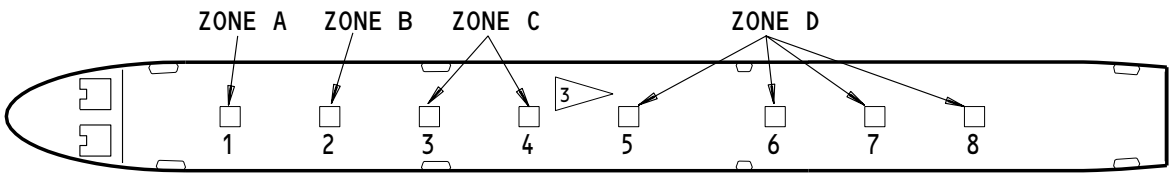
BOEING

757

FAULT ISOLATION/MAINT MANUAL



- 1 VIDEO MONITOR - LOCATIONS
- 2 SEE "PASSENGER ENTERTAINMENT" FAULT CODES.
- 3 ZONE LOCATIONS - AS INSTALLED



11H30 VIDEO SYSTEM DC

VIDEO SYSTEM - FAULT CODES

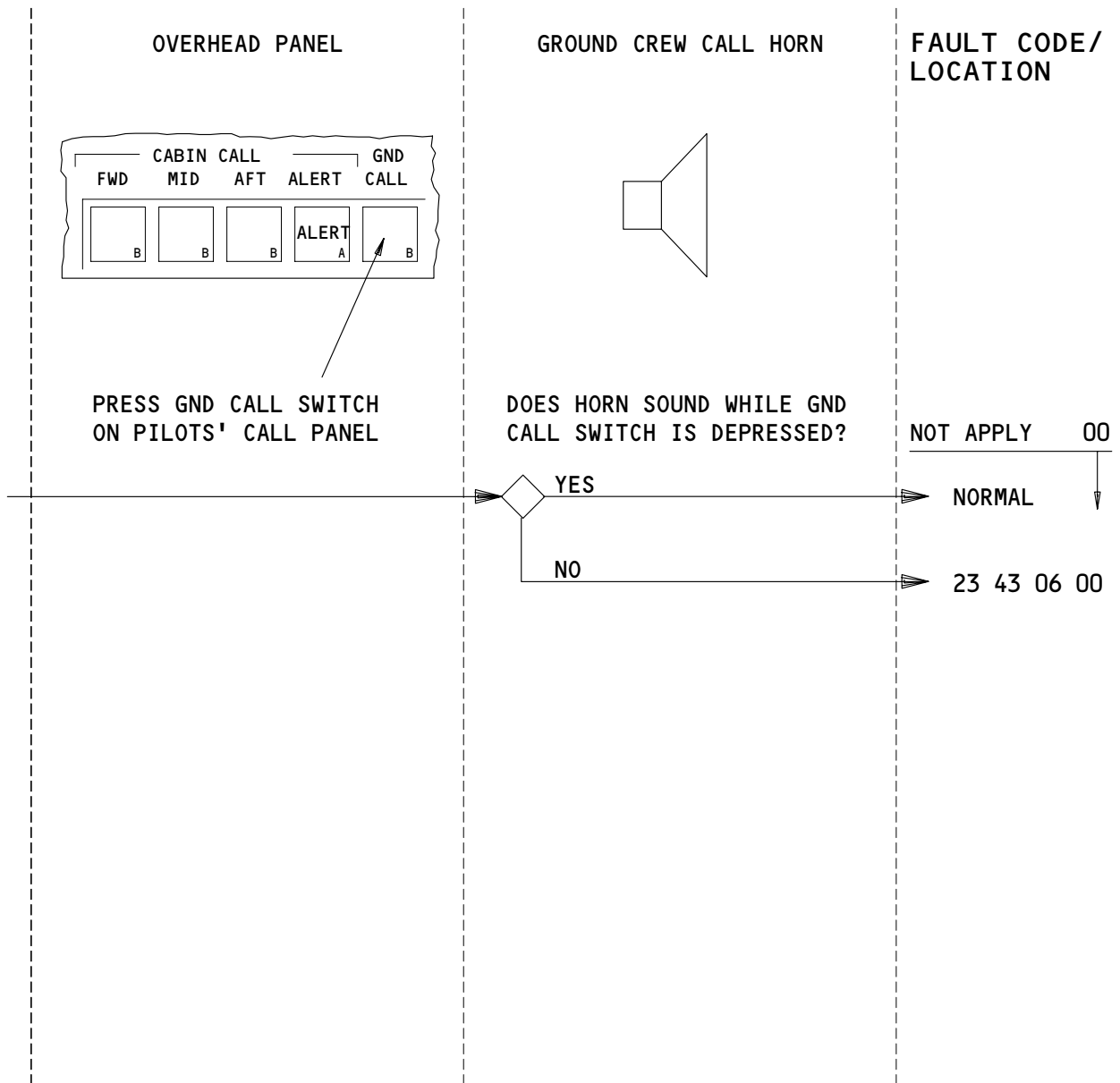
EFFECTIVITY

ALL

23-FAULT CODE DIAGRAM

A47904

BOEING
757
FAULT ISOLATION/MAINT MANUAL



— REPORT ANY FAULT SYMPTOM OR PATTERN NOT SHOWN ABOVE —————> 23 43 XB 00

APPLICABLE CIRCUIT BREAKERS

11H31 GND CALL

GROUND CREW CALL SYSTEM - FAULT CODES (GROUND)

EFFECTIVITY

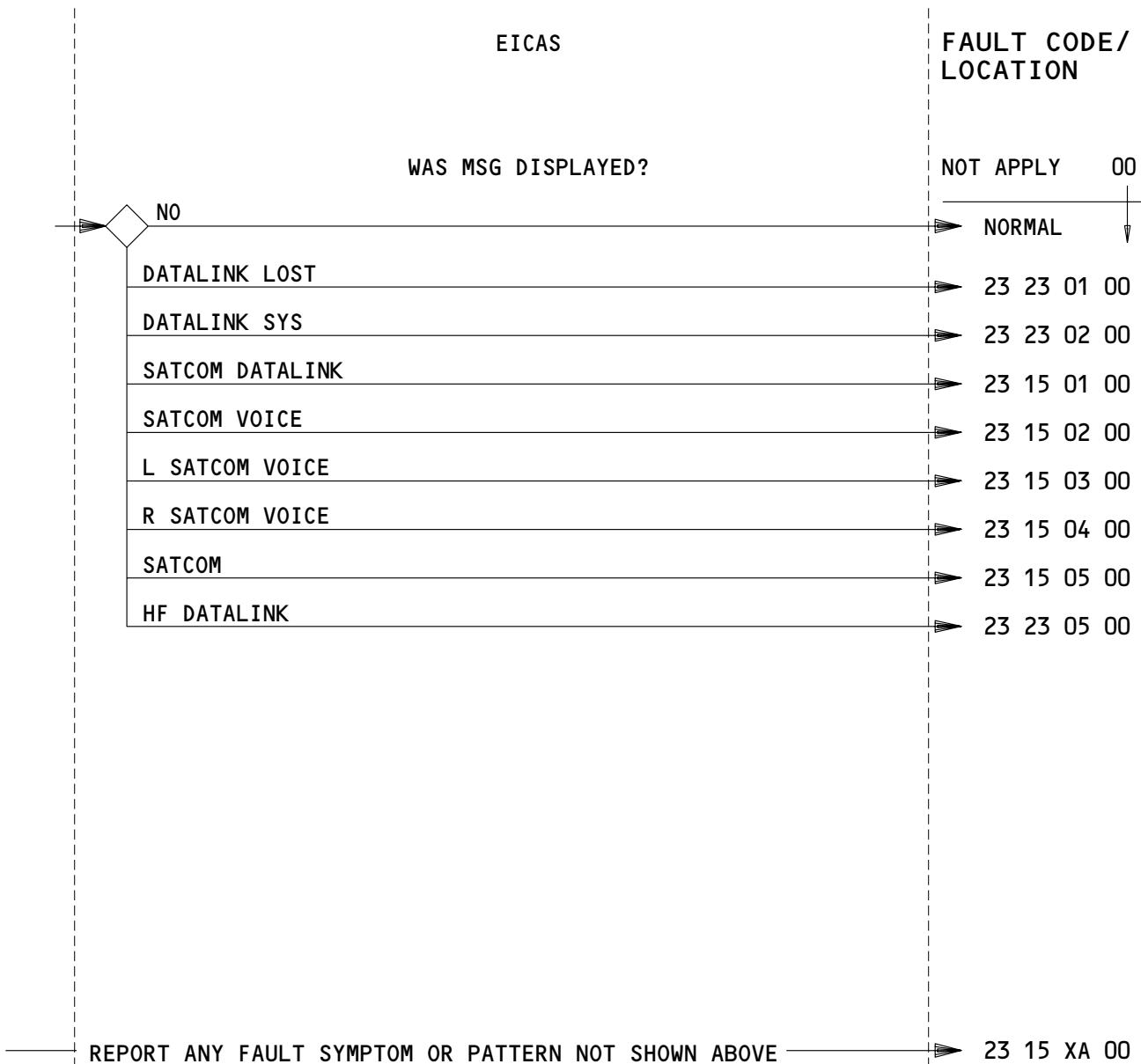
ALL

23-FAULT CODE DIAGRAM

05

Page 19
Dec 20/87

289205



EICAS MESSAGE - FAULT CODES

EFFECTIVITY

ALL

23-FAULT CODE DIAGRAM

23

Page 20
Jan 28/00



BOEING
757
FAULT ISOLATION/MAINT MANUAL

FAULT CODE	LOG BOOK REPORT	FAULT ISOLATION REFERENCE
23 11 XA --	Report HF comm symptoms or patterns along with fault code.	SSM 23-11-01
23 12 XA --	Report VHF comm symptoms or patterns along with fault code.	SSM 23-12-01, SSM 23-12-02
23 15 XA 00	Report EICAS message symptoms or patterns along with fault code.	SSM 23-15-01
23 21 XA --	Report SELCAL symptoms or patterns along with fault code.	SSM 23-21-01
23 31 XA --	Report passenger address system symptoms or patterns along with fault codes.	WDM 23-31-01
23 31 XB --	Report cabin handset and speaker symptoms or patterns along with fault code.	SSM 23-31-01
23 31 XC 00	Report boarding music and prerecorded announcements symptoms or patterns along with fault code.	WDM 23-31-01, WDM 23-34-01
23 32 XA 00	Report video system symptoms or patterns along with fault code.	WDM 23-32-01
23 34 XA --	Report passenger entertainment symptoms or patterns along with fault code.	WDM 23-34-01
23 41 XA --	Report service interphone symptoms or patterns along with fault code.	WDM 23-41-01
23 42 XA --	Report cabin chime, call from captain, alert call and pass signs, symptoms or patterns along with fault code.	WDM 23-42-01
23 42 XB --	Report cabin interphone symptoms or patterns along with fault code.	WDM 23-42-01

EFFECTIVITY

ALL

23-FAULT CODE INDEX

02

Page 1
Sep 20/08



BOEING
757
FAULT ISOLATION/MAINT MANUAL

FAULT CODE	LOG BOOK REPORT	FAULT ISOLATION REFERENCE
23 42 XC --	Report cabin cockpit chime/call lights from attendant and nose wheel well symptoms or patterns along with fault code.	WDM 23-42-01
23 51 XA --	Report Push-To-Talk (PTT) symptoms or patterns along with fault codes.	WDM 23-51-01
23 51 XB --	Report Flight Interphone symptoms or patterns along with fault code.	WDM 23-51-01
23 51 XC --	Report ASP, cockpit mic, headset, speaker symptoms or patterns along with fault code.	WDM 23-51-01
23 71 XA 00	Report voice recorder symptoms or patterns along with fault code.	WDM 23-71-01
23 11 01 --	Reception on (L,R) HF (describe problem: inop, weak, intermittent, etc.) at (03=Capt, 04=F/O, 05=1st Obs, 06=2nd Obs) station. Other crew stations normal.	Replace the audio selector panel, M70 (M71, M98, M10216) at the flight crew position where the problem occurs (AMM 23-51-01/401).
23 11 02 --	Reception on (01=L, 02=R) HF (describe problem: inop, weak, intermittent, etc.) at all stations.	Replace the L(R) HF comm transceiver, M152 (M153) (AMM 23-11-03/401).
23 11 03 --	Transmission on (L,R) HF (describe problem: inop, weak, intermittent, no sidetone, etc.) at (03=Capt, 04=F/O, 05=1st Obs, 06=2nd Obs) station. Other crew stations normal.	Replace the audio selector panel, M70 (M71, M98, M10216) at the flight crew position where the problem occurs (AMM 23-51-01/401). If the problem continues, do a check of, or replace the boom and the hand microphone jacks at the positions where the problem occurs (WDM 23-51-11, WDM 23-51-21, WDM 23-51-41, WDM 23-51-51).

EFFECTIVITY

ALL

23-FAULT CODE INDEX



BOEING
757
FAULT ISOLATION/MAINT MANUAL

FAULT CODE	LOG BOOK REPORT	FAULT ISOLATION REFERENCE
23 11 04 --	Transmission on (01=L,02=R) HF (describe problem: inop, weak, intermittent, no sidetone, etc.) at all stations.	Replace the L (R) HF comm transceiver, M152 (M153) (AMM 23-11-03/401).
23 11 05 --	Transmission and reception on (L,R) HF (describe problem: inop, weak, intermittent, etc.) at (03=Capt,04=F/O,05=1st Obs, 06=2nd Obs) station. Other crew stations are normal.	Replace the audio selector panel, M70 (M71,M98,M10216) at the flight crew position where the problem occurs (AMM 23-51-01/401).
23 11 06 --	Transmission and reception on (01=L,02=R) HF at _____ MHz (describe problem: inop, weak, intermittent, etc.).	FIM 23-11-00/101, Fig. 103, Block 1
23 11 07 --	Transmission and reception on (01=L, 02=R) HF (describe problem: inop, weak, intermittent, etc.).	FIM 23-11-00/101, Fig. 103, Block 1
23 11 08 --	(01=L,02=R) HF freq control inop on (L,R) HF (describe).	Replace the L(R) HF control panel, M82 (M83) (AMM 23-11-02/401).
23 11 09 --	(01=L,02=R) HF freq incorrect on _____MHz.	Replace the L(R) HF control panel, M82 (M83) (AMM 23-11-02/401). If the problem continues, refer to FIM 23-11-00/101, Fig. 103, Block 1.
23 11 10 --	(01=L,02=R) HF frequency indicator has missing segment.	Replace the L (R) HF control panel, M82 (M83) (AMM 23-11-02/401).
23 12 01 --	(01=L,02=R,03=C) VHF transfer lgt inop for (L,R) selected frequency.	Replace the L (R,C) VHF control panel, M78 (M79,M80) (AMM 23-12-02/401).
23 12 02 --	(01=L,02=R,03=C) VHF freq control (inop, stuck, knob missing) for (L,R) frequency.	Replace the L (R,C) VHF control panel, M78 (M79,M80) (AMM 23-12-02/401).

EFFECTIVITY

ALL

23-FAULT CODE INDEX

18

Page 3
Sep 20/08



BOEING
757
FAULT ISOLATION/MAINT MANUAL

FAULT CODE	LOG BOOK REPORT	FAULT ISOLATION REFERENCE
23 12 03 --	Reception on (L,R,C,All) VHF (describe problem: inop, weak, intermittent, etc.) at (04=Capt, 05=F/O,06=1st Obs,07=2nd Obs) station. Other crew stations are normal.	Replace the audio selector panel, M70 (M71,M98,M10216) at the flight crew position where the problem occurs (AMM 23-51-01/401).
23 12 04 --	(01=L,02=R,03=C) VHF comm reception (describe problem: inop, weak, intermittent, etc.) at all crew stations.	Replace the L (R C) VHF comm transceiver, M188 (M189,M190) (AMM 23-12-01/401).
23 12 05 --	(L,R,C) VHF xmission (inop, weak, intermittent, no sidetone, etc.) at (04=Capt,05=F/O,06=1st Obs,07=2nd Obs) station. Other crew stations normal.	Replace the audio selector panel, M70 (M71,M98,M10216) at the flight crew position where the problem occurs (AMM 23-51-01/401).
23 12 06 --	(01=L,02=R,03=C) VHF xmission (inop, weak, intermittent, no sidetone, etc.) at all crew stations.	Replace the L(R,C) VHF comm transceiver, M188 (M189,M190) (AMM 23-12-01/401).
23 12 07 --	(01=L,02=R,03=C) VHF xmission and reception (inop, weak, intermittent, etc.) on (specific freq) when using (L,R) side of VHF comm panel.	Replace the L(R,C) VHF control panel, M78 (M79) (AMM 23-12-02/401).
23 12 08 --	(01=L,02=R,03=C) VHF xmission and reception (inop, weak, intermittent, etc.) on (specify freq).	FIM 23-12-00/101, Fig. 103, Block 1
23 12 09 --	Transmission and reception on (L,R,C) VHF (inop, weak, intermittent, etc.) at (04=Capt, 05=F/O,06=1st Obs,07=2nd Obs) station.	Replace the audio selector panel, M70 (M71,M98,M10216) at the flight crew position where the problem occurs (AMM 23-51-01/401).
23 12 10 --	(01=L,02=R,03=C) VHF xmission and reception (inop, weak, intermittent, etc.) at all crew stations (specify freq).	FIM 23-12-00/101, Fig. 103, Block 1
23 12 11 --	(01=L,02=R,03=C) VHF freq indication incorrect (describe).	Replace the L(R,C) VHF control panel, M78 (M79,M80) (AMM 23-12-02/401).

EFFECTIVITY

ALL

23-FAULT CODE INDEX



BOEING
757
FAULT ISOLATION/MAINT MANUAL

FAULT CODE	LOG BOOK REPORT	FAULT ISOLATION REFERENCE
23 12 12 --	(01=L,02=R,03=C) VHF will not transfer to (L,R) side.	Replace the L(R,C) VHF control panel, M78 (M79,M80) (AMM 23-12-02/401).
23 15 05 00	EICAS message SATCOM displayed.	FIM 23-12-00/101, Fig. 103, Block 1
23 21 01 --	(01=L VHF,02=R VHF,03=C VHF,04=L HF,05=R HF) Call switch fails to reset SELCAL. PTT resets SELCAL.	Replace the pilots' call panel, M51 (AMM 23-42-02/401).
23 21 02 --	(01=L VHF,02=R VHF,03=C VHF,04=L HF,05=R HF) SELCAL is not reset by PTT. Call switch resets SELCAL.	Replace the pilots' call panel, M51 (AMM 23-42-02/401).
23 21 03 --	(01=L VHF,02=R VHF,03=C VHF,04=L HF,05=R HF) Call switch and PTT fail to reset SELCAL.	Replace the SELCAL decoder, M180 (AMM 23-21-01/401).
23 21 04 --	Calls on (01=L VHF,02=R VHF,03=C VHF,04=L HF,05=R HF) fail to turn on SELCAL lgt.	Replace the SELCAL switchlight (WDM 23-21-11). If the problem continues, replace the SELCAL decoder, M180 (AMM 23-21-01/401).
23 21 05 --	Calls on (01=L VHF,02=R VHF,03=C VHF,04=L HF,05=R HF) fail to sound chime. Call lgt on.	Replace the SELCAL decoder, M180 (WDM 23-21-01/401). If the problem continues, replace the bell chime card, M1000 (AMM 31-51-04/401).
23 21 06 --	Calls on (01=L VHF,02=R VHF,03=C VHF,04=L HF,05=R HF) fail to turn on SELCAL lgt and sound chime. SELCAL on another radio normal.	(01=L VHF,02=R VHF,03=C VHF) FIM 23-12-00/101, Fig. 103, Block 1. If the problem continues, replace the SELCAL decoder, M180 (AMM 23-21-01/401). (04=L HF,05=R HF) FIM 23-11-00/101, Fig. 103, Block 1. If the problem continues, replace the SELCAL decoder, M180 (AMM 23-21-01/401).
23 21 07 00	Calls on any radio fail to turn on SELCAL lgt and sound chime.	Replace the SELCAL decoder, M180 (AMM 23-21-01/401).

EFFECTIVITY

ALL

23-FAULT CODE INDEX

24

Page 5
Sep 20/08



BOEING
757
FAULT ISOLATION/MAINT MANUAL

FAULT CODE	LOG BOOK REPORT	FAULT ISOLATION REFERENCE
23 23 01 00	EICAS message DATALINK LOST displayed.	Total loss of datalink capability due to active ACARS being in NO COMM condition. The NO COMM condition is a normal condition if the airplane is not out of range of an ACARS ground station, or if the ACARS ground network is not operational. If ACARS operates correctly on other airplanes at the same location, do this fault isolation procedure: FIM 23-22-00/101, Fig. 103, Block 1.
23 23 02 00	EICAS message DATALINK SYS displayed.	Total loss of datalink capability due to ACARS MU failure (FIM 23-22-00/101).
23 23 05 00	EICAS message HF DATALINK displayed.	Replace the ACARS Management Unit (AMM 23-22-01/401). If the fault continues, replace the HF Transciever (AMM 23-11-03/401).
23 31 01 00	All lav, pass, and PSU speakers are describe problem: noisy, inop (etc.) when PA is used.	Do the passenger address amplifier BITE procedure (FIM 23-31-00/101, Fig. 103, Block 1).
23 31 05 00	The aft atnd speakers are, describe problem: noisy, inop (etc.), when PA is used.	Replace the PA amplifier, M177 (AMM 23-31-01/401). If the problem continues, replace the aft galley speaker, M10346 (AMM 23-31-04/401).
23 31 06 --	PA is, describe problem: noisy, weak, inop, too loud (etc.), when using (01=Capt,02=F/O, 03=1st Obs,04=2nd Obs) audio selector panel.	Replace the audio selector panel, M70 (M71,M98,M10216) at the flight crew position where the problem occurs (AMM 23-51-01/401).
23 31 07 00	PA is, describe problem: noisy, weak, inop, too loud (etc.), when using handsets. PA is normal when using audio select panel.	Do the passenger address amplifier BITE procedure (FIM 23-31-00/101, Fig. 103, Block 1).

EFFECTIVITY

ALL

23-FAULT CODE INDEX



757
FAULT ISOLATION/MAINT MANUAL

FAULT CODE	LOG BOOK REPORT	FAULT ISOLATION REFERENCE
23 31 08 00	PA is, describe problem: noisy, weak, inop, too loud (etc.), when using attend handsets or audio selector panels.	Do the passenger address amplifier BITE procedure (FIM 23-31-00, Fig. 103, Block 1).
23 31 09 --	(01=Fwd Attnd,02=Mid Attnd,03=Aft Attnd,04=Fwd Galley,05=Aft Galley,06=Lav,07=PSU,08=Pass) Speaker, describe problem: noisy, inop (etc.).	Do the passenger address amplifier BITE procedure (FIM 23-31-00/101, Fig. 103, Block 1).
23 31 10 --	(01=Fwd Attnd, 02=Mid Attnd, 03=Aft Attnd) handset (describe problem: unable to talk, unable to hear, unable to key).	Install a handset from a different location. If the problem goes away, replace the bad handset. If the problem continues, replace the audio accessory unit, M108 (AMM 23-42-01/401).
23 31 11 00	Boarding music volume too low with engines on.	Replace the PA amplifier, M177 (AMM 23-31-01/401).
23 31 12 00	Boarding music too low at max volume.	Replace the boarding music tape reproducer, M10748 (AMM 23-31-06/201). If the problem continues, replace the PA amplifier, M177 (AMM 23-31-01/401). <u>NOTE:</u> Low boarding music volume may be caused by a low recording level when the tape was produced. Equipment failure may not be the cause of the problem.
23 31 14 00	Boarding music is (describe problem: noisy, inop, etc.). PA is normal.	Replace the tape cassette in the boarding music tape reproducer, M10748. If the problem continues, replace the tape reproducer, M10748 (AMM 23-31-06/201).
23 31 15 00	Boarding music and PA are (describe problem: noisy, inop, etc.).	Do the passenger address amplifier BITE procedure (FIM 23-31-00/101, Fig. 103, Block 1).

EFFECTIVITY

ALL

23-FAULT CODE INDEX



BOEING
757
FAULT ISOLATION/MAINT MANUAL

FAULT CODE	LOG BOOK REPORT	FAULT ISOLATION REFERENCE
23 31 16 --	PA has no sidetone when using (01=Capt, 02=F/O, 03=1st Obs, 04=2nd Obs) audio selector panel.	Replace the audio selector panel, M70 (M71, M98, M10216) at the flight crew position where the problem occurs (AMM 23-51-01/401).
23 31 17 00	PA has no sidetone when using any audio selector panel.	Replace the PA amplifier, M177 (AMM 23-31-01/401).
23 31 22 --	PA has background noise (whistle) when using (05=Fwd, 06=Mid L, 07=Mid R, 08=Aft L) handset.	Replace the audio accessory unit, M108 (AMM 23-42-01/401). If the problem continues, replace the muting relay (WDM 23-31-42).
23 31 23 --	PA has cockpit feedback during PA announcement using (05=Fwd, 06=Mid L, 07=Mid R, 08=Aft L) handset.	Replace the handset, B61 with a new model that corrects this problem (P/N 285N0412-1 or newer model).
23 31 26 00	Boarding music plays too (fast, slow).	Replace the tape reproducer, M10748 (AMM 23-31-06/201).
23 31 27 00	Boarding music channel select not normal.	Replace the tape reproducer, M10748 (AMM 23-31-06/201). If the problem continues, replace the boarding music remote control switch, S10179 (WDM 23-31-17) on the forward attendant panel, P21.
23 31 28 00	Boarding music channel ____ is (describe problem: noisy, inop, etc.).	Replace the tape reproducer, M10748 (AMM 23-34-03/201). If the problem continues, replace the boarding music remote control switch, S10179 (WDM 23-34-16) on the forward attendant panel, P21.
23 31 30 00	All boarding music and pass entmt channels are (describe problem: noisy, inop, etc.).	Replace the tape reproducer, M10748 (AMM 23-34-03/201).
23 32 01 --	(01=1, 02=2, 03=3, 04=4, 05=5, 06=6, 07=7, 08=8) VIDEO MONITOR inop.	Replace the video monitor 1 (AMM 23-32-01/401) or the video monitor 2, 3, 4, 5, 6, 7 or 8 (AMM 23-32-02/401) as necessary.

EFFECTIVITY

ALL

23-FAULT CODE INDEX



BOEING
757
FAULT ISOLATION/MAINT MANUAL

FAULT CODE	LOG BOOK REPORT	FAULT ISOLATION REFERENCE
23 32 02 --	(01=1, 02=2, 03=3, 04=4, 05=5, 06=6, 07=7, 08=8) VIDEO MONITOR picture not normal (describe).	Adjust the tuning controls on the side of the video monitor (remove the shroud for access). If the problem continues, replace the video monitor 1 (AMM 23-32-01/401) or the video monitor 2, 3, 4, 5, 6, 7 or 8 (AMM 23-32-02/401) as necessary.
23 32 03 --	(01=1, 02=2, 03=3, 04=4, 05=5, 06=6, 07=7, 08=8) VIDEO MONITOR (PIX, BRT, COLOR, HUE, V HOLD) control not normal (describe).	Replace the video monitor 1 (AMM 23-32-01/401) or the video monitor 2, 3, 4, 5, 6, 7 or 8 (AMM 23-32-02/401) as necessary.
23 32 04 00	Video sound tracks are (describe problem: noisy, too low, etc.) at all seats. They are normal on PA.	Replace the main multiplexer, M10733 (AMM 23-34-01/401).
23 32 05 00	Video sound tracks are (describe problem: noisy, too low, etc.) at all seats and on PA.	Replace the video tape. If the problem continues, replace the video tape reproducer (AMM 23-32-04/401). If the problem continues, replace the system control unit (AMM 23-32-03/401).
23 32 06 --	(01=1, 02=2) VTR is inop.	Replace the video tape reproducer (AMM 23-32-04/401). If the problem continues, replace the system control unit (AMM 23-32-03/401).
23 32 07 00	Entertainment tape plays too (fast, slow).	Replace the video tape. If the problem continues, replace the video tape reproducer (AMM 23-32-04/401).
23 32 08 00	Video sound track not normal on PA (describe).	FIM 23-32-00/101, Fig. 103, Block 1

EFFECTIVITY

ALL

23-FAULT CODE INDEX


BOEING
 757
 FAULT ISOLATION/MAINT MANUAL

FAULT CODE	LOG BOOK REPORT	FAULT ISOLATION REFERENCE
23 32 09 --	Zone (09=A, 10=B, 11=C, 12=ALL) VIDEO MONITOR(s) not normal (describe).	(09=A, 10=B) Replace the video monitor 1 (AMM 23-32-01/401) or the video monitor 2 (AMM 23-32-02/401). If the problem continues, replace the system control unit (AMM 23-32-03/401). (11=C) Replace the forward interface box, M10684. If the problem continues, replace the system control unit (AMM 23-32-03/401).
23 32 10 --	(REW, PLAY, FF, STOP) Control on (01=1, 02=2) VTR is inop.	Replace the video tape reproducer (AMM 23-32-04/401).
23 34 01 00	Pass entmt volume control (describe problem: unable to adjust volume, too sensitive, etc.) at seat ____.	Do the passenger entertainment system BITE procedure (FIM 23-34-00/101, Fig. 103, Block 1).
23 34 02 00	Pass entmt channel select (describe problem: unable to change channels, digit dspy, etc.) at seat ____.	Do the passenger entertainment system BITE procedure (FIM 23-34-00/101, Fig. 103, Block 1).
23 34 03 00	Pass entmt channel sel (describe problem: unable to change channels, etc.) at row ____.	Do the passenger entertainment system BITE procedure (FIM 23-34-00/101, Fig. 103, Block 1).
23 34 04 00	Pass entmt (describe problem: noisy, inop, etc.) at seat ____.	Do the passenger entertainment system BITE procedure (FIM 23-34-00/101, Fig. 103, Block 1).
23 34 05 00	Pass entmt (describe problem: noisy, inop, etc.) at row ____.	Do the passenger entertainment system BITE procedure (FIM 23-34-00/101, Fig. 103, Block 1).
23 34 06 00	Pass entmt (describe problem: noisy, inop, etc.) aft of row ____.	Do the passenger entertainment system BITE procedure (FIM 23-34-00/101, Fig. 103, Block 1).

EFFECTIVITY

ALL

23-FAULT CODE INDEX



BOEING
757
FAULT ISOLATION/MAINT MANUAL

FAULT CODE	LOG BOOK REPORT	FAULT ISOLATION REFERENCE
23 34 07 --	(01=L, 02=R) side of cabin pass entmt (describe problem: noisy, inop, etc.).	Do the passenger entertainment system BITE procedure (FIM 23-34-00/101, Fig. 103, Block 1).
23 34 08 00	Passenger entmt channel _____ (describe problem: noisy, inop, etc.).	Do the passenger entertainment system BITE procedure (FIM 23-34-00/101, Fig. 103, Block 1). If the problem continues, replace the entertainment tape reproducer, M130 (AMM 23-34-03/401).
23 34 09 00	All pass entmt channels (describe problem: noisy, inop, etc.) at all seats. Boarding music normal on PA.	Do the passenger entertainment system BITE procedure (FIM 23-34-00/101, Fig. 103, Block 1).
23 34 21 00	Passenger entertainment system test circuit not normal (describe).	Do the passenger entertainment system BITE procedure (FIM 23-34-00/101, Fig. 103, Block 1).
23 41 01 --	(04=Aft Equip Ctr, 05=Main E/E, 06=Nose W/W, 07=Fueling, 08=Horiz Stab, 09=APU, 10=R W/W, 11=E5 Equip Rack) service jack (describe problem: noisy, inop, etc.).	Replace the jack where the problem occurs (WDM 23-41-12).
23 41 02 --	Comm on service inph (describe noisy, inop, no sidetone, etc.) from (01=Capt, 02=F/O, 03=1st Obs) audio selector panel. Normal from other crew pos.	Replace the audio selector panel, M70 (M71, M98) at the flight crew position where the problem occurs (AMM 23-51-01/401).
23 41 03 00	Comm from service inph jacks (describe problem: noisy, inop, no sidetone, etc.) using any audio selector panel.	Make sure that no service interphone jack case is loose or shorted to ground (WDM 23-41-12). If the problem continues, replace the audio accessory unit, M108 (AMM 23-42-01/401).
23 41 04 00	Unable to receive transmission from service inph external jacks. Service Inph switch is ON.	Replace the audio accessory unit, M108 (AMM 23-42-01/401).

EFFECTIVITY

ALL

23-FAULT CODE INDEX

27

Page 11
Sep 20/08


BOEING
 757
 FAULT ISOLATION/MAINT MANUAL

FAULT CODE	LOG BOOK REPORT	FAULT ISOLATION REFERENCE
23 42 02 --	(01=Fwd, 03=Mid Fwd, 04=Mid Aft, 05=Aft, 07=ALL) Attendant's pink call lights inop. Chime does sound.	(01=Fwd, 03=Mid Fwd, 04=Mid Aft, 05=Aft) Replace the attendant's pink call light (FIM 33-25-00/101, Fig. 103, Block 1). (07=ALL) Replace the audio accessory unit, M108 (AMM 23-42-01/401).
23 42 03 --	Alert call from (01=Fwd, 03=Mid Fwd, 04=Mid Aft, 05=Aft, 06=Cockpit, 07=ALL) station(s) fails to sound chime. Attendant's pink call lgts come on.	Replace the passenger address amplifier, M177 (AMM 23-31-01/401). If the problem continues, replace the audio accessory unit, M108 (AMM 23-42-01/401).
23 42 04 --	Alert call from (01=Fwd, 03=Mid Fwd, 04=Mid Aft, 05=Aft, 06=Cockpit, 07=ALL) station(s) fails to sound chime and illum attendant's pink call lgts.	(01=Fwd, 03=Mid Fwd, 04=Mid Aft 05=Aft) Replace the handset, B61 that you used to place the call (WDM 23-42-11). If the problem continues, replace the audio accessory unit, M108 (AMM 23-42-01/401). (06=Cockpit) Replace the pilots' call panel, M51 (AMM 23-42-02/401). If the problem continues, replace the audio accessory unit, M108 (AMM 23-42-01/401). (07=ALL) Replace the audio accessory unit, M108 (AMM 23-42-01/401).
23 42 05 --	(01=Fwd, 02=Mid, 05=Aft) Attendant call from cockpit overhead cabin call button fails to sound chime. Attendant's pink call lgts are normal. Chime sounds when fasten seat belt switch is turned on.	Replace the audio accessory unit, M108 (AMM 23-42-01/401).
23 42 06 --	(01=Fwd, 02=Mid, 05=Aft) Attendant call from cockpit overhead cabin call button fails to sound chime. Attendant's pink call lgts are normal. Fasten seat belt switch also fails to sound chime.	Replace the passenger address amplifier, M177 (AMM 23-31-01/401).

EFFECTIVITY

ALL

23-FAULT CODE INDEX



BOEING
757
FAULT ISOLATION/MAINT MANUAL

FAULT CODE	LOG BOOK REPORT	FAULT ISOLATION REFERENCE
23 42 07 --	(01=Fwd, 02=Mid, 05=Aft) Attendant call from cockpit overhead cabin call button fails to sound chime and illuminate attendant's pink call lights.	FIM 23-42-00/101, Fig. 103, Block 1
23 42 08 --	Cabin inph (describe problem: noisy, inop, no sidetone, etc.) when using (01=Capt, 02=F/O, 03=1st Obs) audio selector panel. Cabin inph normal using handsets.	Replace the audio selector panel, M70 (M71, M98) at the flight crew position where the problem occurs (AMM 23-51-01/401). If the problem continues, replace the audio accessory unit, M108 (AMM 23-42-01/401).
23 42 09 00	Cabin inph (describe problem: noisy, inop, no sidetone, etc.) when using audio selector panels. Cabin inph normal when using handsets.	Replace the audio accessory unit, M108 (AMM 23-42-01/401).
23 42 10 --	Cabin inph (describe problem: noisy, inop, etc.) when using (04=Fwd, 05=Mid Fwd, 06=Mid Aft, 07=Aft) handset.	Replace the handset, B61 at the position where the problem occurs (WDM 23-42-11). If the problem continues, replace the audio accessory unit, M108 (AMM 23-42-01/401).
23 42 11 00	Cabin inph (describe problem: noisy, inop, etc.) when using any handset.	Replace the audio accessory unit, M108 (AMM 23-42-01/401).
23 42 12 --	Call from corresponding attendants station(s) fail(s) to come on (01=Fwd, 02=Mid, 05=Aft, 06=Alert, 07=ALL) CABIN CALL light. Cockpit chime normal.	(01=Fwd, 02=Mid, 05=Aft, 06=Alert) Replace the CABIN CALL switchlight (WDM 23-42-11). If the problem continues, replace the audio accessory unit, M108 (AMM 23-42-01/401). (07=ALL) Replace the audio accessory unit, M108 (AMM 23-42-01/401). If the problem continues, replace the pilots' call panel, M51 (AMM 23-42-02/401).

EFFECTIVITY

ALL

23-FAULT CODE INDEX

26

Page 13
Sep 20/08


BOEING
 757
 FAULT ISOLATION/MAINT MANUAL

FAULT CODE	LOG BOOK REPORT	FAULT ISOLATION REFERENCE
23 42 13 --	Call from (01=Fwd, 03=Mid Fwd, 04=Mid Aft, 05=Aft, 07=ALL) attendants station(s) fail(s) to sound cockpit chime. Corresponding CABIN CALL lgt(s) are normal.	Replace the audio accessory unit, M108 (AMM 23-42-01/401). If the problem continues, replace the bell chime module, M1000 (AMM 31-51-04/401).
23 42 14 --	Call from (01=Fwd, 03=Mid Fwd, 04=Mid Aft, 05=Aft, 07=ALL) attendants station(s) fail(s) to sound cockpit chime or illum corresponding CABIN CALL lgt(s).	(01=Fwd, 03=Mid Fwd, 04=Mid Aft, 05=Aft) Replace the handset, B61 at the position where the problem occurs (WDM 23-42-11). If the problem continues, replace the audio accessory unit, M108 (AMM 23-42-01/401). (07=ALL) Replace the audio accessory unit, M108 (AMM 23-42-01/401).
23 42 15 00	Cabin chime inop when calling from handsets. Call lgts do come on.	Replace the passenger address amplifier, M177 (AMM 23-31-01/401). If the problem continues, replace the audio accessory unit, M108 (AMM 23-42-01/401).
23 42 15 --	(01=Fwd, 03=Mid Fwd, 04=Mid Aft, 05=Aft, 07=ALL) cabin chime(s) inop when calling from handsets. Call lgts do come on.	(01=Fwd, 03=Mid Fwd, 04=Mid Aft, 05=Aft) FIM 23-31-00/101, Fig. 103, Block 1. (07=ALL) Replace the passenger address amplifier, M177 (AMM 23-31-01/401). If the problem continues, replace the audio accessory unit, M108 (AMM 23-42-01/401).
23 42 16 --	(01=Fwd, 02=Mid, 03=Mid Fwd, 04=Mid Aft, 05=Aft, 07=ALL) Attendants pink call lgt(s) inop when calling from handsets. Chime does sound.	(01=Fwd, 02=Mid, 03=Mid Fwd, 04=Mid Aft, 05=Aft) Replace the attendant's pink call light (FIM 33-25-00/101, Fig. 103, Block 1). If the problem continues, replace the audio accessory unit, M108 (AMM 23-42-01/401). (07=ALL) Replace the audio accessory unit, M108 (AMM 23-42-01/401).

EFFECTIVITY

ALL

23-FAULT CODE INDEX



BOEING
757
FAULT ISOLATION/MAINT MANUAL

FAULT CODE	LOG BOOK REPORT	FAULT ISOLATION REFERENCE
23 42 17 00	Cabin chime and call lgts inop when calling from handsets.	Replace the audio accessory unit, M108 (AMM 23-42-01/401).
23 42 17 --	(01=Fwd, 02=Mid, 03=Mid Fwd, 04=Mid Aft, 05=Aft, 07=ALL) Cabin chime(s) and pink call lgts inop when calling from handsets.	(01=Fwd, 02=Mid, 03=Mid Fwd, 04=Mid Aft, 05=Aft) FIM 23-42-00/101, Fig. 103, Block 1. (07=ALL) Replace the audio accessory unit, M108 (AMM 23-42-01/401).
23 42 18 00	Cabin chime sound is weak.	Replace the passenger address amplifier, M177 (AMM 23-31-01/401). If the problem continues, replace the accessory unit, M108 (AMM 23-42-01/401).
23 43 01 00	Call from nose W/W fails to come on GND CALL lgt. Cockpit chime normal.	Replace the GND CALL switchlight (WDM 23-43-11). If the problem continues, replace the pilots' call panel, M51 (AMM 23-42-02/401).
23 43 02 00	Call from nose W/W fails to sound cockpit chime. GND CALL lgt ON.	Replace the pilots' call panel, M51 (AMM 23-42-02/401). If the problem continues, replace the bell chime module, M1000 (AMM 31-51-04/401).
23 43 03 00	Call from nose W/W fails to come on GND CALL lgt and sound cockpit chime.	Replace the pilots' call panel, M51 (AMM 23-42-02/401). If the problem continues, replace the FLT DECK CALL switch on the P62 panel (WDM 23-43-11).
23 51 01 --	(01=Capt, 02=F/O) Speaker (describe problem: low, noisy, etc.).	Replace the interphone speaker, B1 (B2) (AMM 23-51-02/401). If the problem continues, replace the audio selector panel, M70 (M71) at the flight crew position where the problem occurs (AMM 23-51-01/401).

EFFECTIVITY

ALL

23-FAULT CODE INDEX

25

Page 15
Sep 20/08



BOEING
757
FAULT ISOLATION/MAINT MANUAL

FAULT CODE	LOG BOOK REPORT	FAULT ISOLATION REFERENCE
23 51 02 --	(01=Capt, 02=F/O, 03=1st Obs, 04=2nd Obs) Headset (describe problem: noisy, unable to hear, etc.).	Replace the headset (WDM 23-51-11, WDM 23-51-21, WDM 23-51-41). If the problem continues, examine and replace the bad headset jack.
23 51 03 --	(01=Capt, 02=F/O, 03=1st Obs, 04=2nd Obs) Hand mic unsatisfactory.	Replace the hand microphone (WDM 23-51-11, WDM 23-51-21, WDM 23-51-41, WDM 23-51-51). If the problem continues, examine and replace the bad hand microphone jack.
23 51 04 --	(01=Capt, 02=F/O, 03=1st Obs, 04=2nd Obs) Boom mic unsatisfactory.	Replace the boom microphone (WDM 23-51-11, WDM 23-51-21, WDM 23-51-41, WDM 23-51-51). If the problem continues, examine and replace the bad boom microphone jack.
23 51 05 --	(01=Capt, 02=F/O, 03=1st Obs, 04=2nd Obs) Oxygen mask mic unsatisfactory.	Replace the oxygen mask (WDM 23-51-11, WDM 23-51-21, WDM 23-51-41, WDM 23-51-51). If the problem continues, examine and replace the oxygen mask microphone connector.
23 51 06 --	Transmission is (describe problem: inop, intermittent, etc.) using (07=Capt, 08=F/O, 09=1st Obs, 10=2nd Obs) ASP push to talk sw.	Replace the audio selector panel, M70 (M71, M98, M10216) at the flight crew position when the problem occurs (AMM 23-51-01/401).
23 51 07 --	Transmission is (describe problem: inop, intermittent, etc.) using (07=Capt, 08=F/O) control wheel PTT sw in INT position.	Replace the control wheel PTT switch, S549 (S551) (AMM 23-51-03/401). If the problem continues, replace the audio selector panel, M70 (M71) at the flight crew position where the problem occurs (AMM 23-51-01/401).
23 51 08 --	Transmission is (describe problem: inop, intermittent, etc.) using (07=Capt, 08=F/O) control wheel PTT sw in MIC position. Corresponding ASP PTT is normal.	Replace the control wheel PTT switch, S550 (S552) (AMM 23-51-03/401).

EFFECTIVITY

ALL

23-FAULT CODE INDEX



BOEING
757
FAULT ISOLATION/MAINT MANUAL

FAULT CODE	LOG BOOK REPORT	FAULT ISOLATION REFERENCE
23 51 09 --	Transmission is (describe problem: inop, intermittent, etc.) using (07=Capt, 08=F/O) ASP or control wheel PTT sw in MIC position. Other crewmember PTT is normal.	Replace the audio selector panel, M70 (M71) at the flight crew position where the problem occurs (AMM 23-51-01/401).
23 51 10 --	All control wheel MIC and audio select push-to-talks are not normal for (01=L VHF, 02=R VHF, 03=C VHF, 04=L HF, 05=R HF, 06=INPH, 07=Capt, 08=F/O, 09=1st Obs, 10=2nd Obs).	(01=L VHF, 02=R VHF, 03=C VHF) Replace the VHF comm transceiver, M188 (M189, M190) (AMM 23-12-01/401). (04=L HF, 05=R HF) Replace the HF comm transceiver, M152 (M153)(AMM 23-11-03/401). (06=INPH) Replace the audio accessory unit, M108 (AMM 23-42-01/401). (07=Capt, 08=F/O, 09=1st Obs, 10=2nd Obs) Replace the audio selector panel, M70 (M71, M98, M10216) at the flight crew position where the problem occurs (AMM 23-51-01/401).
23 51 11 00	Transmission from nose W/W on flt inph (describe problem: noisy, inop, etc.).	Replace the FLIGHT INPH jack on the P62 panel (WDM 23-51-13).
23 51 12 00	Reception at nose W/W on flt inph (describe problem: noisy, inop, etc.).	Replace the FLIGHT INPH jack on the P62 panel (WDM 23-51-13).
23 51 13 --	Flight inph reception at (01=Capt, 02=F/O, 03=1st Obs, 04=2nd Obs) audio selector panel (describe problem: noisy, inop, etc.). Other stations normal.	Replace the audio selector panel, M70 (M71, M98, M10216) at the flight crew position where the problem occurs (AMM 23-51-01/401).
23 51 14 --	Flight inph transmission at (01=Capt, 02=F/O, 03=1st Obs, 04=2nd Obs) audio selector panel (describe problem: noisy, inop, etc.). Other stations normal.	Replace the audio selector panel, M70 (M71, M98, M10216) at the flight crew position where the problem occurs (AMM 23-51-01/401).
23 51 15 00	Flight inph abnormal at all crew stations.	Replace the audio accessory unit, M108 (AMM 23-42-01/401).

EFFECTIVITY

ALL

23-FAULT CODE INDEX

26

Page 17
Sep 20/08



BOEING
757
FAULT ISOLATION/MAINT MANUAL

FAULT CODE	LOG BOOK REPORT	FAULT ISOLATION REFERENCE
23 51 17 --	(01=Capt, 02=F/O, 03=1st Obs, 04=2nd Obs) Audio selector panel has bleed through (describe).	Replace the audio selector panel, M70 (M71, M98, M10216) at the flight crew position where the problem occurs (AMM 23-51-01/401). If the problem continues, do an inspection of the contrahelical cable and include the shield wire connections at burndy block GD1757-ST for (Capt, F/O), GD1758-ST (1st Obs, 2nd Obs). Do an inspection of the load resistors R10233, R10234. Repair or relace the components as necessary (WDM 23-51-11, WDM 23-51-14, WDM 23-51-21, WDM 23-51-41, WDM 23-51-51).
23 51 18 --	(01=Capt, 02=F/O, 03=1st Obs, 04=2nd Obs) Audio selector panel lighting faulty (volume control, etc.).	Replace the audio selector panel, M70 (M71, M98, M10216) at the flight crew position where the problem occurs (AMM 23-51-01/401).
23 51 19 --	(01=Capt, 02=F/O, 03=1st Obs, 04=2nd Obs) Audio selector panel volume control (inop, knobs broken, loose, etc.).	Replace the audio selector panel, M70 (M71, M98, M10216) at the flight crew position where the problem occurs (AMM 23-51-01/401).
23 51 20 --	Cockpit speaker will not mute with (01=Capt, 02=F/O) Audio selector panel in OXY position, using hand mic.	Replace the audio selector panel, M70 (M71) at the flight crew position where the problem occurs (AMM 23-51-01/401). If the problem continues, replace the interphone speaker, B1 (B2) (AMM 23-51-02/401).

EFFECTIVITY

ALL

23-FAULT CODE INDEX



BOEING
757
FAULT ISOLATION/MAINT MANUAL

FAULT CODE	LOG BOOK REPORT	FAULT ISOLATION REFERENCE
23 51 21 --	Unable to transmit, transmission weak, etc., using mic select sw position on (01=Capt, 02=F/O, 03=1st Obs, 04=2nd Obs) audio selector panel.	Replace the audio selector panel, M70 (M71, M98, M10216) at the flight crew position where problem occurs (AMM 23-51-01/401). If the problem continues, do a check of and replace the boom or the hand microphone jack at the position where the problem occurs (WDM 23-51-11, WDM 23-51-21, WDM 23-51-41).
23 51 22 --	Unable to receive, reception weak, intermittent, etc., using mic select sw position on (01=Capt, 02=F/O, 03=1st Obs, 04=2nd Obs) audio selector panel.	Replace the audio selector panel, M70 (M71, M98, M10216) at the flight crew position where the problem occurs (AMM 23-51-01/401).
23 51 26 --	Sidetone (missing, weak, intermittent, etc.) using (01=Capt, 02=F/O, 03=1st Obs, 04=2nd Obs) audio selector panel.	Replace the audio selector panel, M70 (M71, M98, M10216) at the flight crew position where the problem occurs (AMM 23-51-01/401).
23 51 27 --	(Identify sw) mic select sw (will not stay engaged, sticks, etc.) on (01=Capt, 02=F/O, 03=1st Obs, 04=2nd Obs) ASP.	Replace the audio selector panel, M70 (M71, M98, M10216) at the flight crew position where the problem occurs (AMM 23-51-01/401).
23 51 28 --	(07=Capt, 08=F/O) Control wheel PTT sw (will not stay engaged, sticks, etc.) in INT position.	Clean the rocker and the switch with a contact cleaner. If the problem continues, replace the control wheel PTT switch, S549 (S551) (AMM 23-51-03/401).
23 51 29 --	(07=Capt, 08=F/O) Control wheel PTT sw (sticks, etc.) in MIC position.	Clean the rocker and the switch with a contact cleaner. If the problem continues, replace the control wheel PTT switch, S550 (S552) (AMM 23-51-03/401).
23 51 30 00	Sidetone (missing, weak, intermittent, etc.) all audio selector panels.	Replace the audio accessory unit, M108 (AMM 23-42-01/401).

EFFECTIVITY

ALL

23-FAULT CODE INDEX

22

Page 19
Sep 20/08


BOEING
 757
 FAULT ISOLATION/MAINT MANUAL

FAULT CODE	LOG BOOK REPORT	FAULT ISOLATION REFERENCE
23 71 01 00	Voice recorder signal is (describe problem: noisy, missing, etc.) at monitor jack.	FIM 23-71-00/101, Fig. 103, Block 1
23 71 02 00	Voice recorder monitor response to test is, describe problem: low, high, etc.	FIM 23-71-00/101, Fig. 103, Block 1

EFFECTIVITY

ALL

23-FAULT CODE INDEX

23

Page 20
Sep 20/08



757

FAULT ISOLATION/MAINT MANUAL

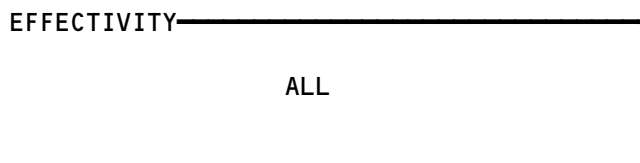
BITE Index

1. General

- A. Use this index to find the BITE procedure for the applicable LRU/System.
- B. The BITE procedure will provide the fault isolation instructions for the fault indications/LRU maintenance messages.

<u>LRU/System Name</u>	<u>Acronym</u>	<u>FIM Reference</u>
Air Data Computer	ADC	34-12
Air Data Inertial Reference Unit	ADIRU	34-26
Air Traffic Control Transponder	ATC	34-53
Airborne Vibration Monitor Signal Conditioner	AVM	77-31
Antiskid/Autobrake Control Unit		32-42
APU Fire Detection System		26-15
Automatic Direction Finder Receiver	ADF	34-57
APU Control Unit	ECU	49-11
Brake Temperature Monitor Unit		32-46
Bus Power Control Unit	BPCU	24-20
Cabin Pressure Controller		21-30
Digital Flight Data Acquisition Unit	DFDAU	31-31
Distance Measuring Equipment Interrogator	DME	34-55
Duct Leak (Wing and Body)		26-18
E/E Cooling Control Card (If cards installed)		21-58
ECS Bleed Configuration Card		36-10
Electronic Engine Control (RR Engines)	EEC	73-21
Electronic Engine Control Monitor Unit (PW Engines)	EECM	71-EPCS Message Index
Electronic Flight Instrument System	EFIS	34-22
Electronic Propulsion Control System (PW Engines)	EPCS	71-EPCS Message Index
Engine Fire/Overheat Detection System		26-11
Engine Indication and Crew Alerting System Computer	EICAS	31-41

Bite Index
Figure 1 (Sheet 1)



23-BITE INDEX

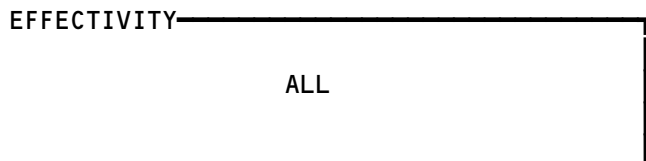
01

Page 1
Sep 28/99


BOEING
 757
 FAULT ISOLATION/MAINT MANUAL

<u>LRU/System Name</u>	<u>Acronym</u>	<u>FIM Reference</u>
Engine Turbine Cooling Overheat Detection System (RR Engines)		26-13
Enhanced Ground Proximity Warning Computer	EGPWC	34-46
Flap/Slat Accessory Module	FSAM	27-51
Flap/Slat Electronic Unit	FSEU	27-51
Flight Management Computer	FMC	34-61
Fuel Quantity Indicating System Processor	FQIS	28-41
Ground Proximity Warning Computer	GPWC	34-46
HF (High Frequency) Communication		23-11
Inertial Reference Unit	IRU	34-21
Instrument Comparator Unit	ICU	34-25
Instrument Landing System Receiver	ILS	34-31
Lower Cargo Compartment Smoke Detection System		26-16
Maintenance Control Display Panel	MCDP	22-00
PA (Passenger Address) Amplifier		23-31
Pack Standby Temperature Controller		21-51
Pack Temperature Controller		21-51
Passenger Entertainment System	PES	23-34
Power Supply Module (Control System Electronics Units)	PSM	27-09
Propulsion Discrete Interface Unit (PW Engines)	PDIU	73-21
Proximity Switch Electronics Unit	PSEU	32-09
Radio Altimeter Transmitter/Receiver	RA	34-33
Rudder Ratio Changer Module	RRCM	27-09
Spoiler Control Module	SCM	27-09
Stabilizer Position Module	SPM	27-48
Stabilizer Trim/Elevator Asymmetry Limit Module	SAM	27-09
Stall Warning Computer/Module (in Warning Electronic Unit)	SWC	27-32
Strut Overheat Detection System (RR Engines)		26-12

Bite Index
Figure 1 (Sheet 2)

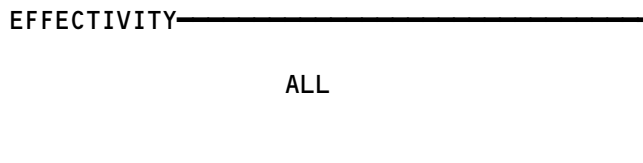


23-BITE INDEX


BOEING
 757
 FAULT ISOLATION/MAINT MANUAL

<u>LRU/System Name</u>	<u>Acronym</u>	<u>FIM Reference</u>
Thrust Management Computer/Autothrottle	TMC	22-00
Traffic Alert and Collision Avoidance Computer	TCAS	34-45
VHF (Very High Frequency) Communication		23-12
VOR/Marker Beacon Receiver	VOR/MKR	34-51
Warning Electronic Unit BITE Module (Stall Warning)	WEU	27-32
Weather Radar Transceiver	WXR	34-43
Wheel Well Fire Detection		26-17
Window Heat Control Unit	WHCU	30-41
Yaw Damper Module	YDM	22-21
Yaw Damper/Stabilizer Trim Module	YSM	27-09
Zone Temperature Controller		21-60

Bite Index
Figure 1 (Sheet 3)



23-BITE INDEX

01

Page 3
Sep 28/99

BOEING
757
FAULT ISOLATION/MAINT MANUAL

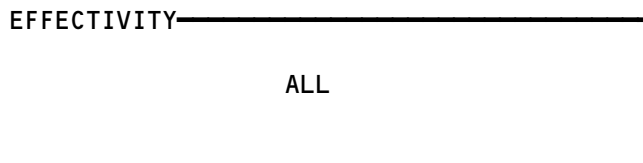
HF COMMUNICATIONS SYSTEM

COMPONENT	FIG. 102 SHT	QTY	ACCESS/AREA	AMM REFERENCE
ANTENNA - HF, M244	2	1	322CL, VERTICAL FIN	23-11-00
CIRCUIT BREAKER -	2		FLT COMPT, P11	
HF COMM LEFT, C3005		1	11G8	*
HF COMM RIGHT, C3006		1	11G34	*
COUPLER - L HF COMM ANTENNA, M241	2	1	322CL, VERTICAL FIN	23-11-01
COUPLER - R HF COMM ANTENNA, M242	2	1	322CL, VERTICAL FIN	23-11-01
PANEL - L HF COMM CONT, M82	2	1	FLT COMPT, P5	23-11-02
PANEL - R HF COMM CONT, M83 1	2	1	FLT COMPT, P5	23-11-02
TRANSCEIVER - L HF COMM, M152	1	1	119BL, MAIN EQUIP CTR, E4-3	23-11-03
TRANSCEIVER - R HF COMM, M153 1	1	1	119BL, MAIN EQUIP CTR, E3-2	23-11-03

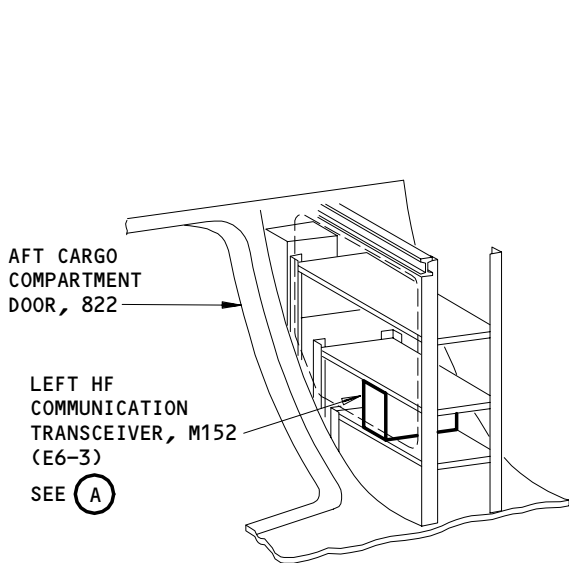
* SEE THE WDM EQUIPMENT LIST

1 GUI 001-099

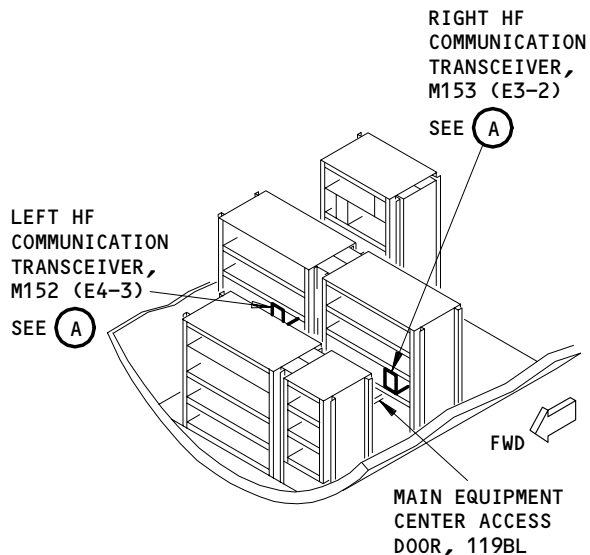
HF Communications System - Component Index
Figure 101



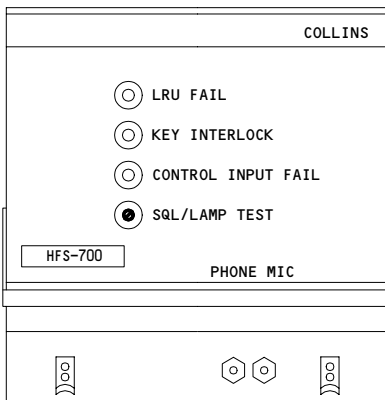
23-11-00



AFT EQUIPMENT CENTER 2



MAIN EQUIPMENT CENTER 1

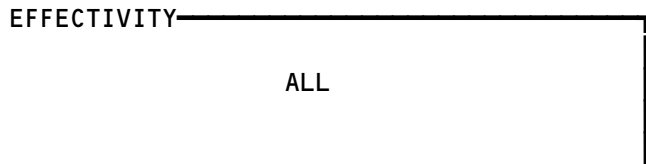


LEFT OR RIGHT COMMUNICATION TRANSCEIVER, M152 OR M153

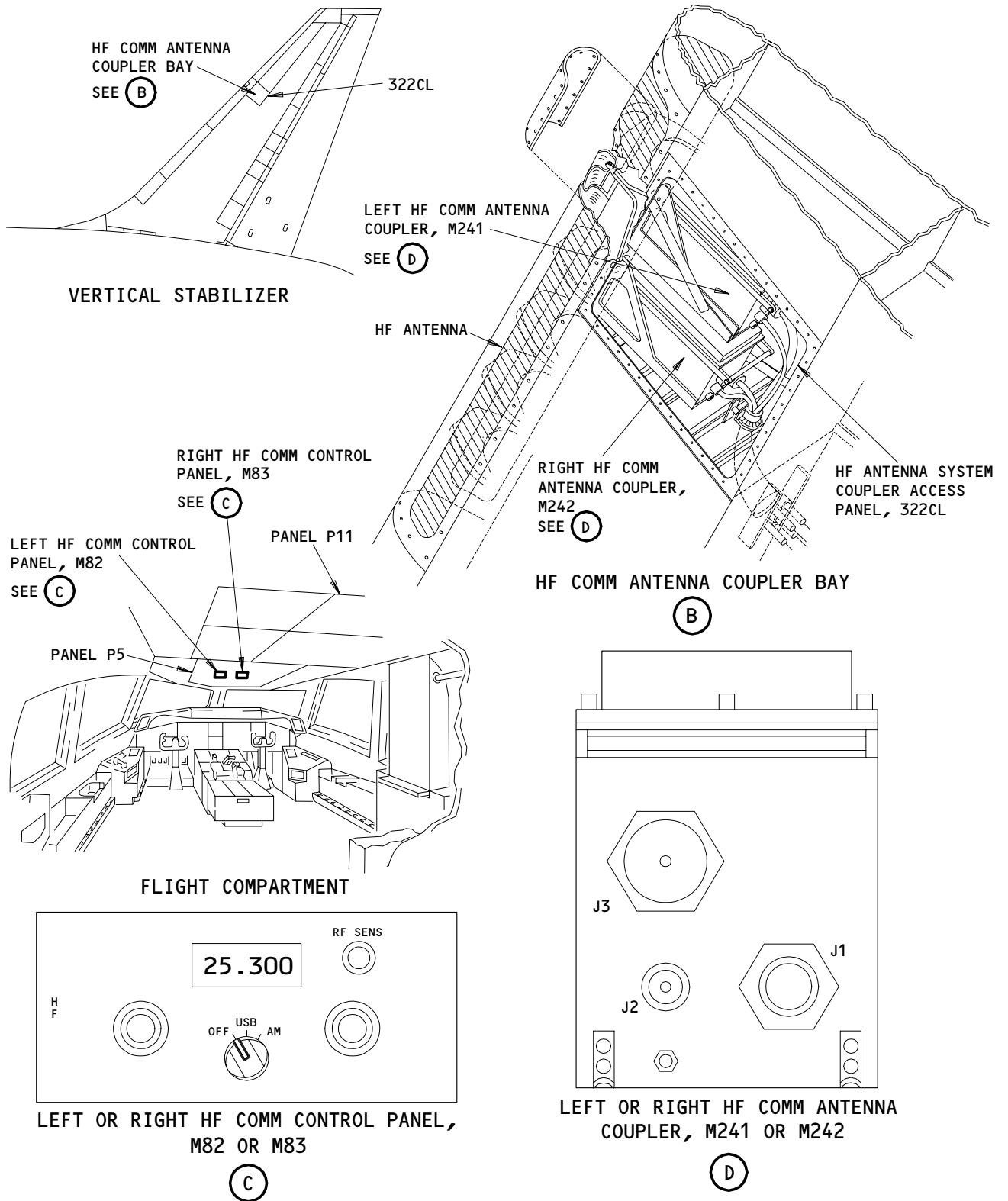
(A)

- 1 GUI 001-099
- 2 GUI 101-999

HF Communications System - Component Location
Figure 102 (Sheet 1)



23-11-00



HF Communications System - Component Location
Figure 102 (Sheet 2)

EFFECTIVITY

ALL

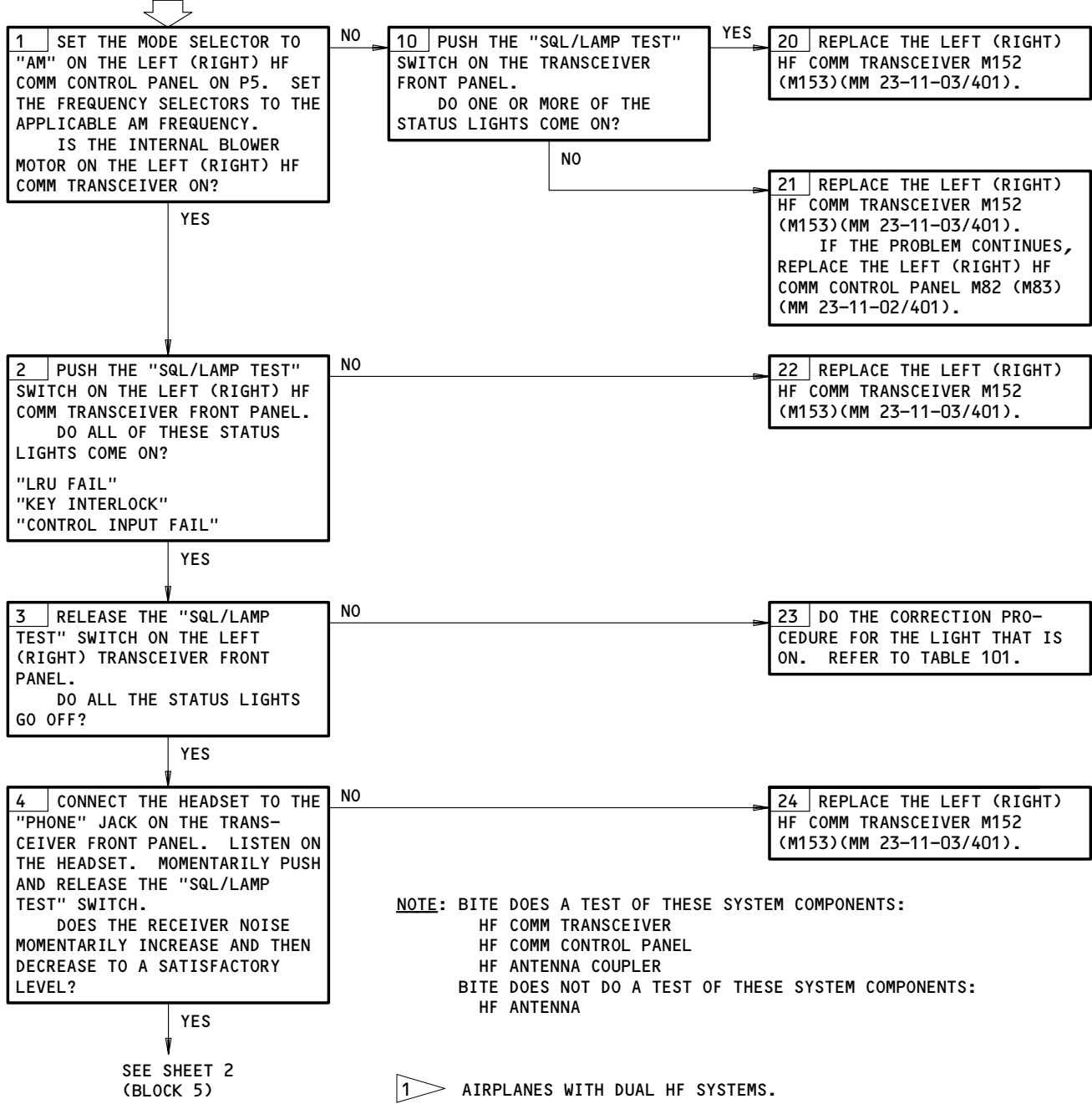
23-11-00

HIGH FREQUENCY COMMUNICATIONS SYSTEM BITE PROCEDURE

PREREQUISITES

MAKE SURE THESE CIRCUIT BREAKERS ARE CLOSED:
11G8; ¹ 11G34

MAKE SURE THE AIRPLANE IS IN THE CONFIGURATION THAT FOLLOWS:
ELECTRICAL POWER IS ON (MM 24-22-00/201)



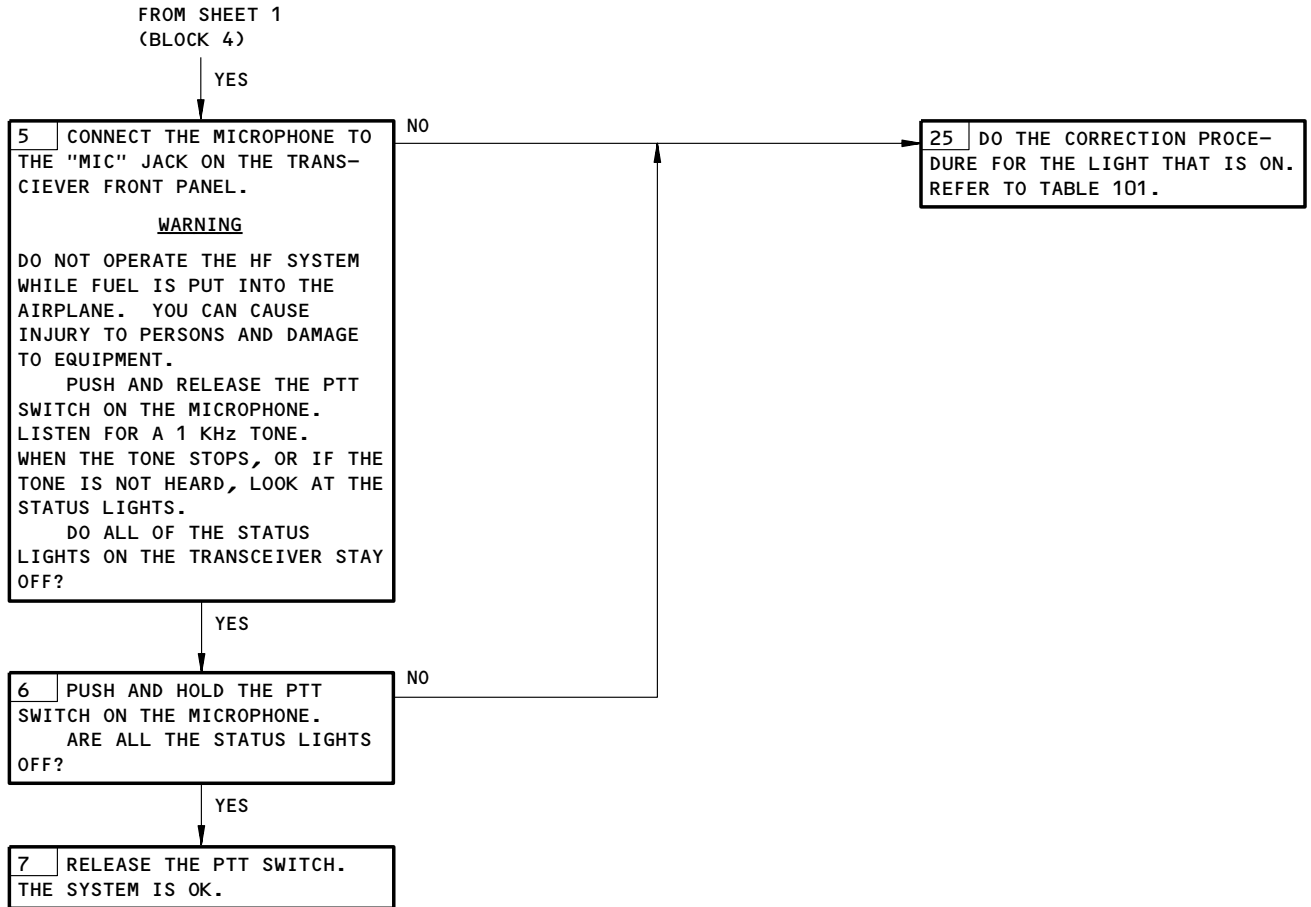
High Frequency Communications System BITE Procedure
Figure 103 (Sheet 1)

EFFECTIVITY

ALL

23-11-00

623636



STATUS LIGHT ON	CORRECTIVE ACTION
LRU FAIL	REPLACE THE LEFT (RIGHT) HF COMM TRANSCEIVER, M152 (M153) (AMM 23-11-03/401).
KEY INTERLOCK	1. REPLACE THE LEFT (RIGHT) HF COMM ANTENNA COUPLER, M241 (M242) (AMM 23-11-01/401). 2. IF THE PROBLEM CONTINUES, REPLACE THE LEFT (RIGHT) HF COMM TRANSCEIVER, M152 (M153)(AMM 23-11-03/401). 3. IF THE PROBLEM CONTINUES, DO THE TIME DOMAIN REFLECTOMETRY CHECK OF THE ANTENNA SYSTEM (AMM 20-10-32/201). REPAIR THE COAXIAL CABLE AS NECESSARY (WDM 23-11-11,-21).
CONTROL INPUT FAIL	1. REPLACE THE LEFT (RIGHT) HF COMM CONTROL PANEL, M82 (M83) (AMM 23-11-02/401). 2. IF THE PROBLEM CONTINUES, REPLACE THE LEFT (RIGHT) HF COMM TRANS- CEIVER, M152 (M153)(AMM 23-11-03/401).

TABLE 101

High Frequency Communications System BITE Procedure
Figure 103 (Sheet 2)

EFFECTIVITY

ALL

23-11-00


BOEING
 757
 FAULT ISOLATION/MAINT MANUAL

1. Fault Isolation - Tips

A. HF Communication System faults can be caused by Flight Interphone System faults. If HF failures continue after the replacement of HF equipment, then replace suspected Flight Interphone System equipment (FIM 23-51-00/101).

- (1) The equipment that follows are possible causes of HF audio input or keyline circuitry faults:
- (a) audio selector panel or audio control panel
 - (b) audio management unit, if installed (only on airplanes with audio control panels)
 - (c) headsets, boom microphone headsets
 - (d) hand microphones
 - (e) control wheel push-to-talk switch
 - (f) flight interphone jacks for headsets and microphones
 - (g) wiring between the Flight Interphone System and HF Communication System.

2. ARINC Data Bus Charts

A. General

CAUTION: DO NOT DIRECTLY TOUCH THE CONNECTORS. USE A BREAKOUT BOX OR YOU CAN CAUSE DAMAGE TO THE CONNECTORS.

- (1) The ARINC 429 data bus charts give data necessary to make an analysis of ARINC 429 transmitters, receivers, and data buses. For the test, use a breakout box at the available terminal or at the LRU connectors.

B. Equipment

- (1) Standard multi-meter
- (2) 429EBP Data Bus Analyzer (recommended)
 JcAIR Instrumentation
 400 Industrial Parkway
 Industrial Airport, KS 66031

 429-2 Data Bus Analyzer (alternative)
 Interface Technology
 150 E. Arrow Highway
 San Dimas, CA 91773
- (3) A34011-1 Breakout Box (recommended)
 A34011-112 Breakout Box (alternative)

HF PNL								
DIGITAL OUTPUT BUS CHART								
BUS NAME			CON	PINS	BUS FORMAT	BIT RATE	DATA	
SOURCE	TYPE	BUS					BUS	
HFPNL (L R)	A	1		09 10	429	L0	FREQ FUNC SELECT	

EFFECTIVITY

ALL

23-11-00

01

Page 106
May 28/03


BOEING
 757
 FAULT ISOLATION/MAINT MANUAL

HF PNL ID=B9								
OCTAL LABELS CHART								
SIGNAL	TYPE	LABEL	FORMAT	MIN UPDATE RATE	SDI	BINARY RANGE	POSITIVE SENSE	UNITS
HF FREQ SELECT	A	037	BCD	5		2.8-24	N/A	MHZ

EFFECTIVITY _____

ALL

23-11-00

01

Page 107
May 28/03

BOEING
757
FAULT ISOLATION/MAINT MANUAL

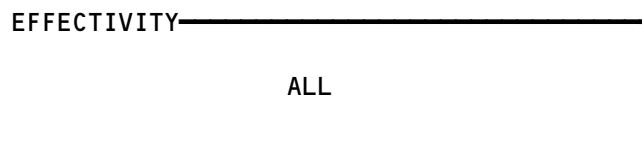
VHF COMMUNICATIONS SYSTEM

COMPONENT	FIG. 102 SHT	QTY	ACCESS/AREA	AMM REFERENCE
ANTENNA - C VHF COMM, M247 1	1	1	BOTTOM FUSELAGE, AFT	23-12-03
ANTENNA - L VHF COMM, M245	1	1	TOP FUSELAGE, FWD	23-12-03
ANTENNA - R VHF COMM, M246	1	1	BOTTOM FUSELAGE, FWD	23-12-03
CIRCUIT BREAKER -	2		FLT COMPT, P11	
VHF COMM CENTER, C546 1		1	11G4	*
VHF COMM LEFT, C544		1	11C3	*
VHF COMM RIGHT, C545		1	11G31	*
PANEL - (FIM 23-51-00/101)				
CAPT AUDIO SELECTOR, M70				
F/O AUDIO SELECTOR, M71				
OBS AUDIO SELECTOR, M98				
PANEL - C VHF CONTROL, M80 2	2	1	FLT COMPT, P8	23-12-02
PANEL - L VHF CONTROL, M78	2	1	FLT COMPT, P8	23-12-02
PANEL - R VHF CONTROL, M79	2	1	FLT COMPT, P8	23-12-02
RELAY - (FIM 31-01-36/101)				
AIR/GROUND, K10388				
RELAY - (FIM 31-01-37/101)				
AIR/GROUND, K200 1				
AIR/GROUND, K201				
TRANSCEIVER - C VHF COMM, M190 2	2	1	119BL, MAIN EQUIP CTR, E4-3	23-12-01
TRANSCEIVER - L VHF COMM, M188	2	1	119BL, MAIN EQUIP CTR, E4-3	23-12-01
TRANSCEIVER - R VHF COMM, M189	2	1	119BL, MAIN EQUIP CTR, E4-3	23-12-01
UNIT - (FIM 31-31-00/101)				
FLT DATA ACQUISITION, M138				

* SEE THE WDM EQUIPMENT LIST

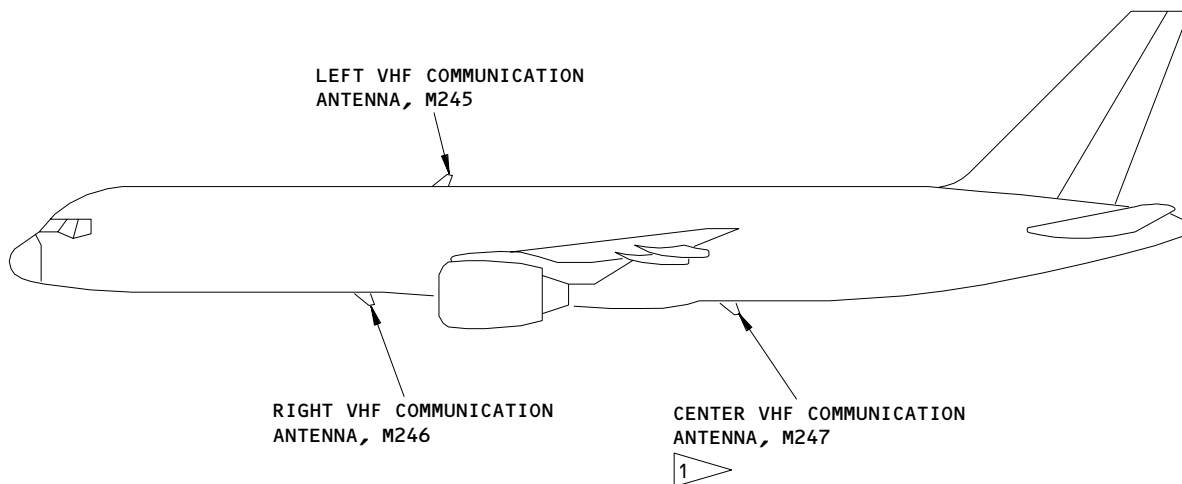
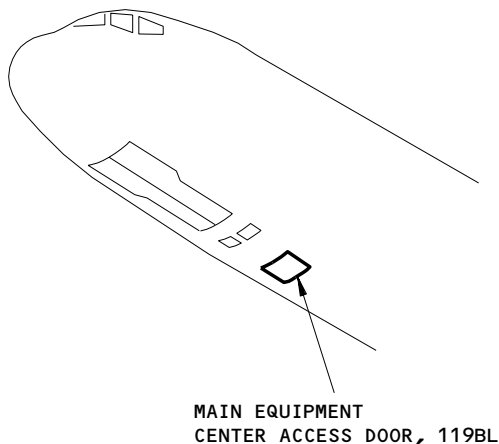
- 1 GUI 001-099
- 2 GUI 001-008,010-099

VHF Communications System - Component Location
Figure 101



23-12-00

BOEING
 757
 FAULT ISOLATION/MAINT MANUAL



1 AIRPLANES WITH A CENTER VHF COMMUNICATION ANTENNA INSTALLED

VHF Communication System - Component Location
 Figure 102 (Sheet 1)

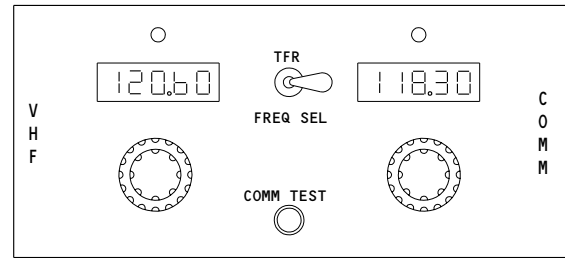
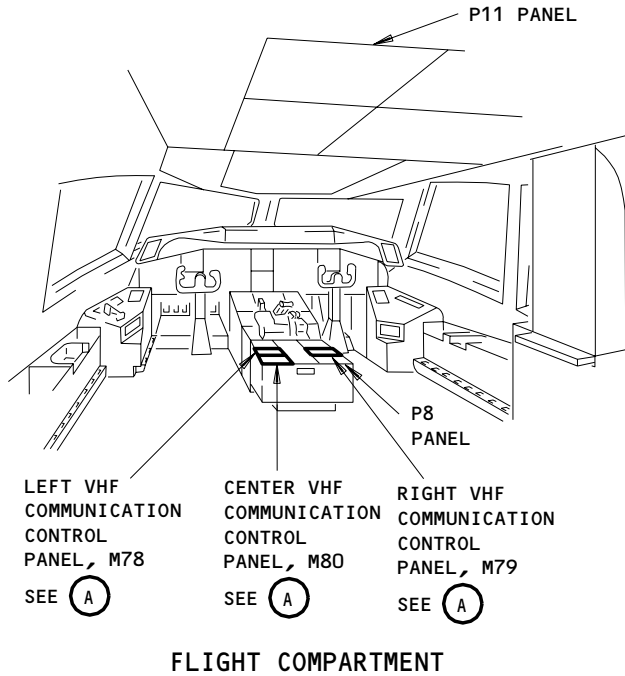
EFFECTIVITY	ALL
-------------	-----

23-12-00

BOEING

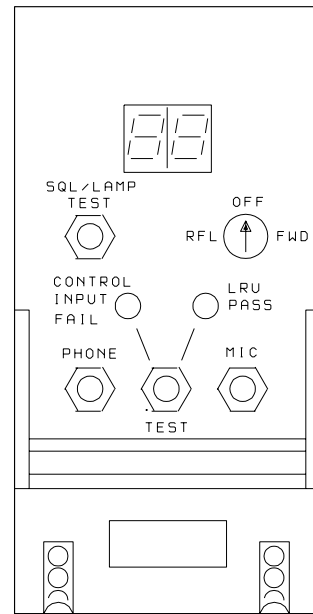
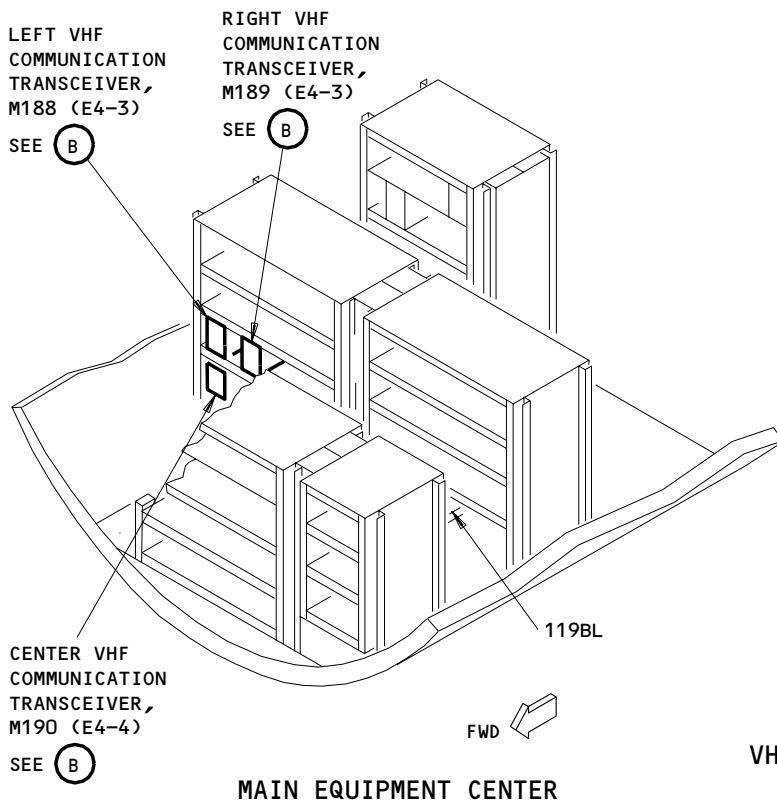
757

FAULT ISOLATION/MAINT MANUAL



LEFT, RIGHT, OR CENTER VHF COMMUNICATION CONTROL PANEL, M78, M79, OR M80

(A)



LEFT, RIGHT OR CENTER VHF COMMUNICATION TRANSCIVER, M188, M189, OR M190

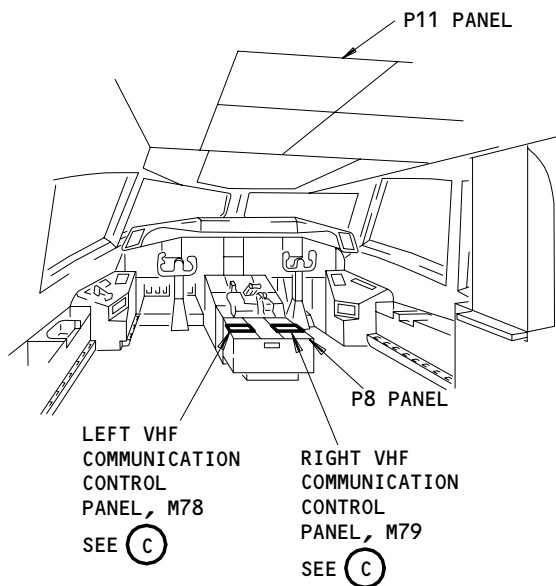
(B)

VHF Communications System - Component Location
Figure 102 (Sheet 2)

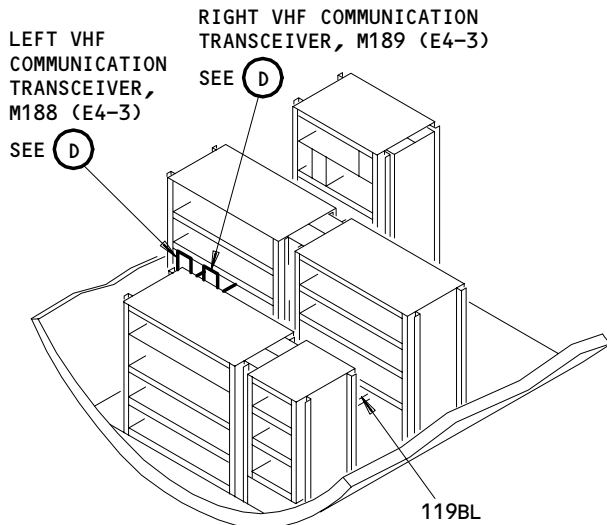
EFFECTIVITY
GUI 001-008, 010-099

23-12-00

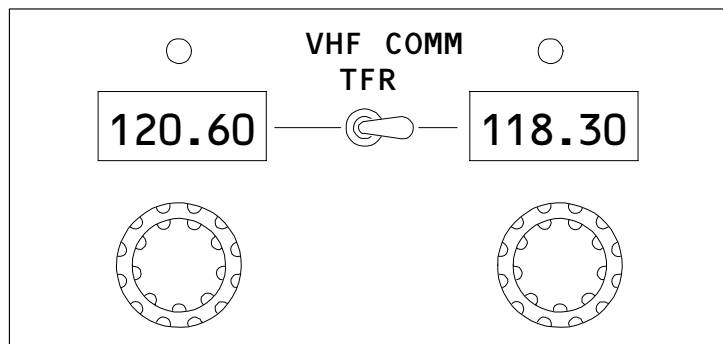
BOEING
757
FAULT ISOLATION/MAINT MANUAL



FLIGHT COMPARTMENT

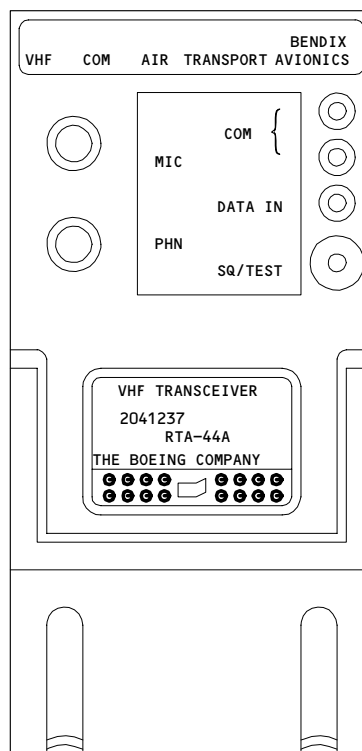


MAIN EQUIPMENT CENTER



LEFT OR RIGHT VHF COMMUNICATION CONTROL PANEL, M78 OR M79

(C)



LEFT OR RIGHT VHF COMMUNICATION TRANSCEIVER, M188 OR M189

(D)

VHF Communications System - Component Location
Figure 102 (Sheet 3)

EFFECTIVITY
GUI 009, 101-999

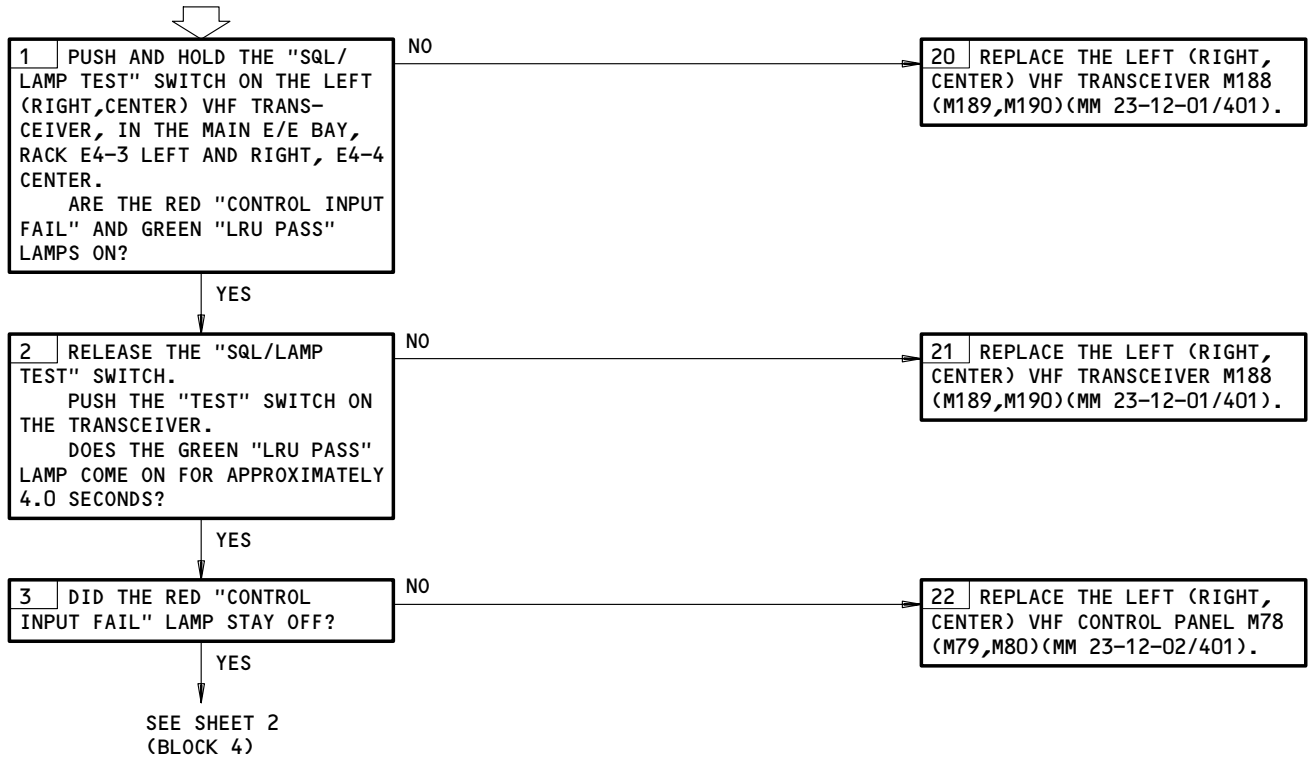
23-12-00

**VHF COMMUNICATIONS
TRANSCEIVER BITE
PROCEDURE**

PREREQUISITES

MAKE SURE THESE CIRCUIT BREAKERS ARE CLOSED:
11C3,11G31,11G4

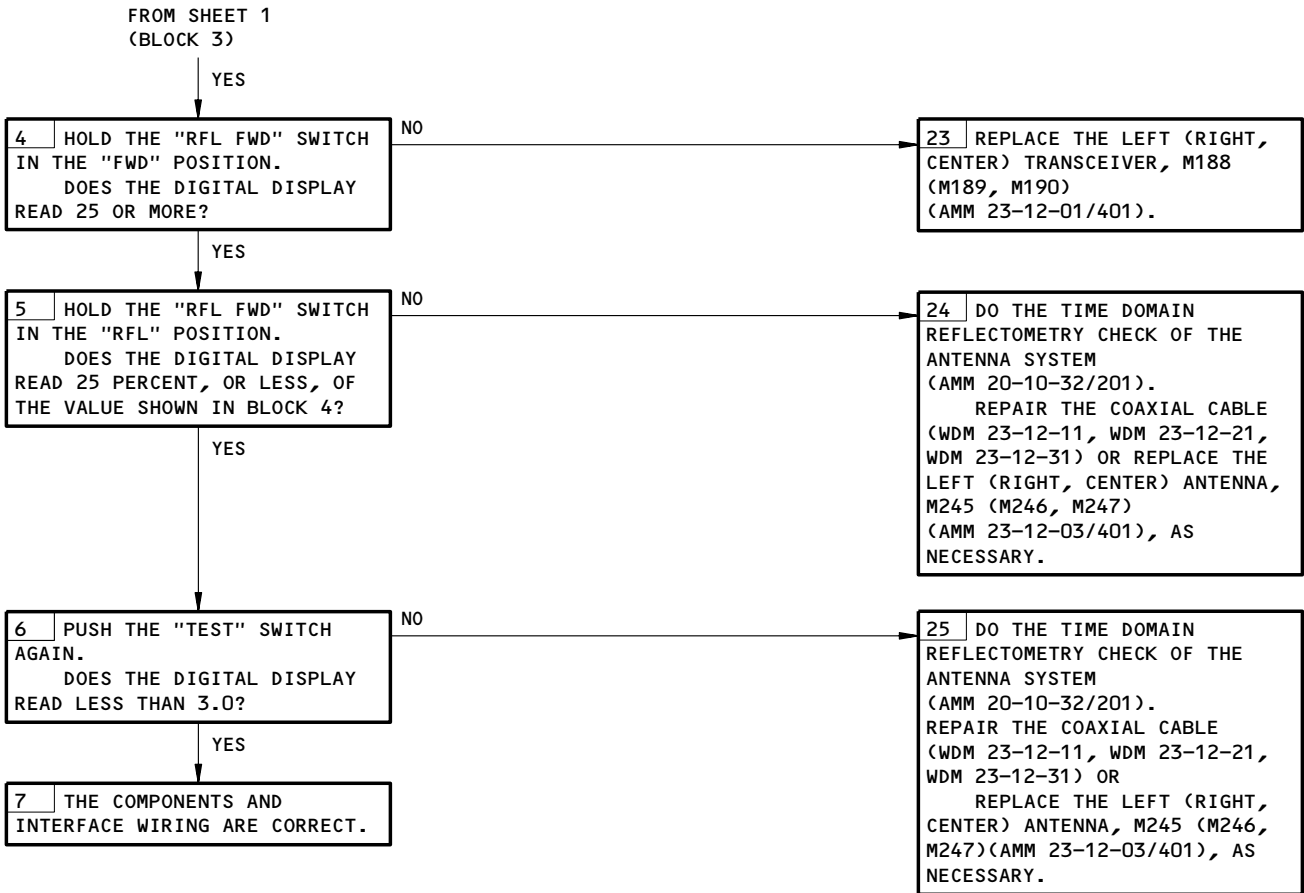
MAKE SURE THE AIRPLANE IS IN THE CONFIGURATION THAT
FOLLOWS:
ELECTRICAL POWER IS ON (MM 24-22-00/201)



VHF Communications Transceiver BITE Procedure
Figure 103 (Sheet 1)

EFFECTIVITY
GUI 001-008, 010-099

23-12-00



NOTE: BITE DOES A TEST OF THESE SYSTEM COMPONENTS:

- VHF COMM TRANSCEIVER
- VHF COMM CONTROL PANEL
- VHF COMM ANTENNA
- VHF COMM ANTENNA CABLE.

VHF Communications Transceiver BITE Procedure
Figure 103 (Sheet 2)

EFFECTIVITY
GUI 001-008, 010-099

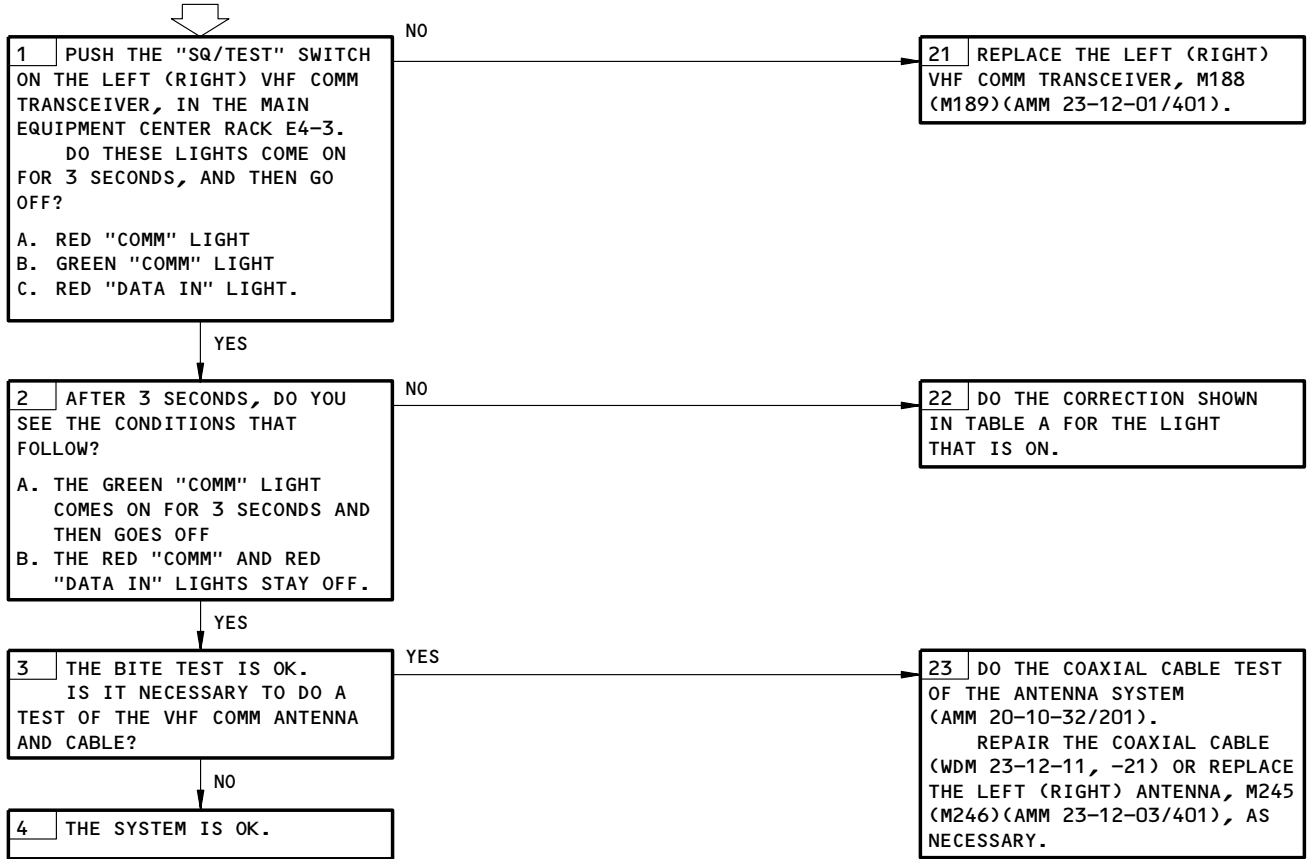
23-12-00

**VHF COMMUNICATIONS
TRANSCEIVER BITE
PROCEDURE**

PREREQUISITES

MAKE SURE THESE CIRCUIT BREAKERS ARE CLOSED:
11C3, 11G31

MAKE SURE THE AIRPLANE IS IN THIS CONFIGURATION:
ELECTRICAL POWER IS ON (MM 24-22-00/201)



NOTE: BITE DOES A TEST OF THESE SYSTEM COMPONENTS:

- VHF COMM TRANSCEIVER
- VHF COMM CONTROL PANEL

BITE DOES NOT DO A TEST OF THESE SYSTEM COMPONENTS:

- VHF COMM ANTENNA
- VHF COMM ANTENNA CABLE

STATUS LIGHT ON	CORRECTION PROCEDURE
RED COMM LIGHT	REPLACE THE LEFT (RIGHT) VHF COMM TRANSCEIVER M188 (M189) (AMM 23-12-01/401).
RED DATA IN LIGHT	REPLACE THE LEFT (RIGHT) VHF COMM CONTROL PANEL M78 (M79) (AMM 23-12-02/401). IF THE PROBLEM CONTINUES, REPLACE THE LEFT (RIGHT) VHF COMM TRANSCEIVER M188 (M189)(AMM 23-12-01/401).

TABLE A

VHF Communications Transceiver BITE Procedure
Figure 103 (Sheet 3)

EFFECTIVITY
GUI 009, 101-999

23-12-00


BOEING
 757
 FAULT ISOLATION/MAINT MANUAL

1. Fault Isolation - Tips

- A. VHF Communication System faults can be caused by Flight Interphone System faults. If VHF failures continue after the replacement of VHF equipment, then replace suspected Flight Interphone System equipment (FIM 23-51-00/101).
- (1) The equipment that follows are possible causes of VHF audio input or keyline circuitry faults:
- (a) audio selector panel or audio control panel
 - (b) audio management unit, if installed (only on airplanes with audio control panels)
 - (c) headsets, boom microphone headsets
 - (d) hand microphones
 - (e) control wheel push-to-talk switch
 - (f) flight interphone jacks for headsets and microphones
 - (g) wiring between the Flight Interphone System and VHF Communication System.

2. ARINC Data Bus Charts

A. General

CAUTION: DO NOT DIRECTLY TOUCH THE CONNECTORS. USE A BREAKOUT BOX OR YOU CAN CAUSE DAMAGE TO THE CONNECTORS.

- (1) The ARINC 429 data bus charts give data necessary to make an analysis of ARINC 429 transmitters, receivers, and data buses. For the test, use a breakout box at the available terminal or at the LRU connectors.

B. Equipment

- (1) Standard multi-meter
- (2) 429EBP Data Bus Analyzer (recommended)
 JcAIR Instrumentation
 400 Industrial Parkway
 Industrial Airport, KS 66031
- 429-2 Data Bus Analyzer (alternative)
 Interface Technology
 150 E. Arrow Highway
 San Dimas, CA 91773
- (3) A34011-1 Breakout Box (recommended)
 A34011-112 Breakout Box (alternative)

VHF PNL							
DIGITAL OUTPUT BUS CHART							
BUS NAME			CON	PINS	BUS FORMAT	BIT RATE	DATA BUS
SOURCE	TYPE	BUS					
VHFPNL (L C R)	A	1		17 18	429	LO	FREQ FUNC SELECT

EFFECTIVITY

ALL

23-12-00

01

Page 108
May 28/03


BOEING
 757
 FAULT ISOLATION/MAINT MANUAL

VHF PNL ID = B6								
OCTAL LABELS CHART								
SIGNAL	TYPE	LABEL	FORMAT	MIN UPDATE RATE	SDI	BINARY RANGE	POSITIVE SENSE	UNITS
FREQ/FUNCTION SEL	A	030	BCD	5		118-136.97	N/A	MHZ

EFFECTIVITY _____

ALL

23-12-00

01

Page 109
May 28/03

BOEING
757
FAULT ISOLATION/MAINT MANUAL

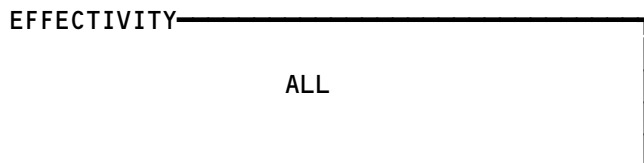
SELCAL SYSTEM

COMPONENT	FIG. 102 SHT	QTY	ACCESS/AREA	REFERENCE
CIRCUIT BREAKER - SELCAL, C539	--	1	FLT COMPT, P11 1163	
DECODER - SELCAL, M180 MODULE - (31-51-00/101)	--	1	119BL, MAIN EQUIP CTR, E4-3	23-21-01
AURAL WARNING BELL, M1000 PANEL - (23-42-00/101)				
PILOTS' CALL, M51 RECEPTACLE - SELCAL SHORTING, M974	--	1	119BL, MAIN EQUIP CTR, BACK OF E4-3	*
SWITCHES - (23-42-00/101)				
C VHF COMM, S2	--	1		
L HF COMM, S4	--	1		
L VHF COMM, S1	--	1		
R HF COMM, S5	--	1		
R VHF COMM, S3	--	1		
L HF COMM, S4				
L VHF COMM, S1				
R HF COMM, S5				
R VHF COMM, S2				
TRANSCEIVERS - (23-11-00/101)				
L HF COMM, M152				
R HF COMM, M153				
TRANSCEIVERS - (23-12-00/101)				
C VHF COMM, M190				
L VHF COMM, M188				
R VHF COMM, M189				

* SEE THE WDM EQUIPMENT LIST

- 1 > ALL EXCEPT GUI XA-MMX
2 > GUI XA-MMX

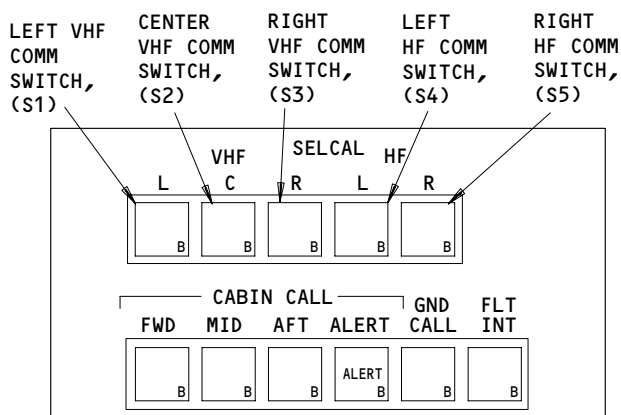
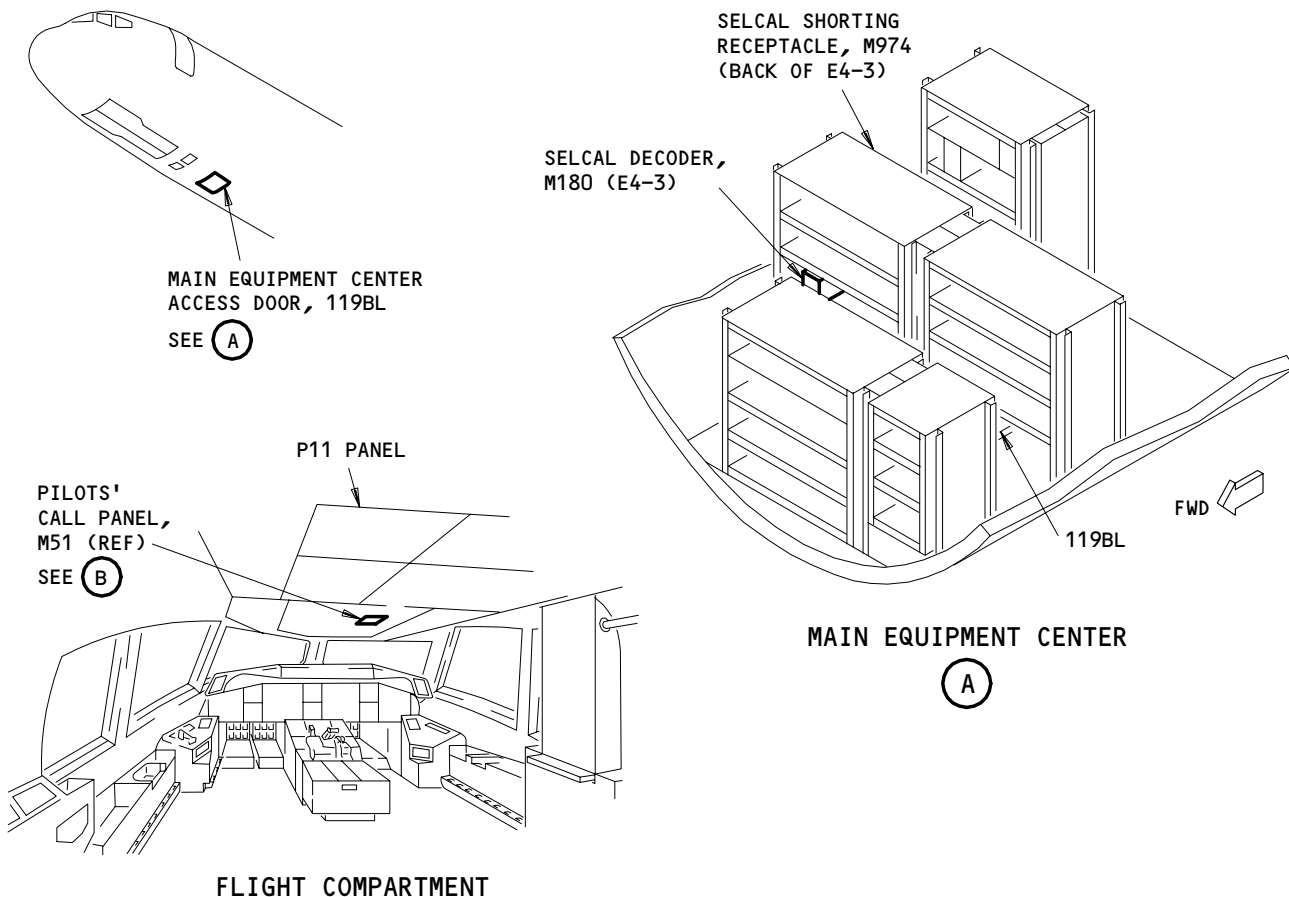
Selcal System - Component Index
Figure 101



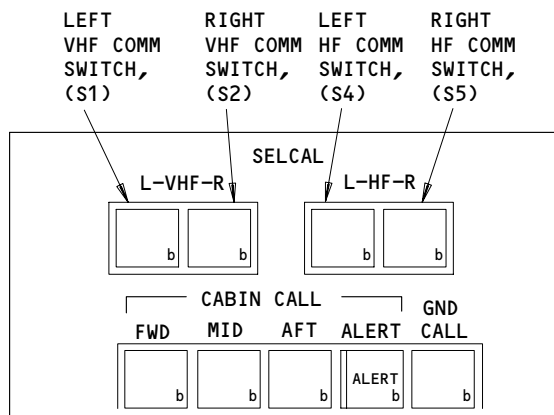
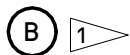
23-21-00

BOEING

757 FAULT ISOLATION/MAINT MANUAL



PILOTS' CALL PANEL, M51 (REF)



PILOTS' CALL PANEL, M51 (REF)



- 1 ALL EXCEPT GUI XA-MMX
- 2 GUI XA-MMX

Selcal System - Component Location
Figure 102

EFFECTIVITY	ALL
-------------	-----

23-21-00

BOEING
757
FAULT ISOLATION/MAINT MANUAL

PASSENGER ADDRESS SYSTEM

COMPONENT	FIG. 102 SHT	QTY	ACCESS/AREA	REFERENCE
AMPLIFIER - PASSENGER ADDRESS, M177	1	1	119BL, MAIN EQUIP CTR, E4-3	23-31-01
CIRCUIT BREAKER -	1		FLT COMPT, P11	
PASS ADRS AMPL, C548		1	11C22	*
TAPE REPRO DC, C4027		1	11H34	*
CIRCUIT BREAKER -	1		119BL, MAIN EQUIP CTR, P37	
TAPE RPDR AC, C4028		1	37E2	*
DIODE	--	*	119BL, MAIN EQUIP CTR, E4-3, TB141A	*
RELAYS -				
ANNOUNCEMENT CONTROL, K10637	1	1	119BL, MAIN EQUIP CTR, P36	*
MUTING, K10270	2,3	1	PASS. CABIN, ATTND CEILING PANEL	*
MUTING, K10498	2,3	1	PASS. CABIN, AFT L CEILING PANEL	*
MUTING, K10500	2,3	1	PASS. CABIN, FWD R CEILING PANEL	*
MUTING, K10503	2,3	1	PASS. CABIN, MID L CEILING PANEL	*
RELAYS - (31-01-34/101)				
FASTEN SEAT BELT, K10028				
NO SMOKING, K10029				
RELAY - (31-01-36/101)				
LEFT ENG START TO STOP, K10212				
RELAYS - (31-01-37/101)				
OXYGEN DEPLOY INDICATION, K10038				
RIGHT ENG START TO STOP, K10224				
REPRODUCER - BOARDING MUSIC TAPE, M10031	3	1	119B1, MAIN EQUIP CTR, E4-4	23-31-06
REPRODUCER - BOARDING MUSIC TAPE, M10748	2	1	PASS. CABIN, LEFT FWD LAV WALL	23-31-06
SPEAKERS -				
LAVATORY, LAV A, M10012	2,3	1	PASS. CABIN, LEFT FWD LAV	23-31-05
LAVATORY, LAV C, M10014	2,3	1	PASS. CABIN, LEFT MID LAV	23-31-05
LAVATORY, LAV D, M10015	2,3	1	PASS. CABIN, RIGHT MID LAV	23-31-05
LAVATORY, LAV F, M10013	3	1	PASS. CABIN, LEFT FWD MID LAV	23-31-05
LAVATORY, LAV S, M10654	2	1	PASS. CABIN, LEFT MID LAV	23-31-05
PA, B10110	2,3	1	PASS. CABIN, AFT L CEILING PANEL	23-31-08
PA, B10111	2,3	1	PASS. CABIN, FWD R CEILING PANEL	23-31-08
PA, B10112	2,3	1	PASS. CABIN, FWD L CEILING PANEL	23-31-08
PA, B10114	2,3	1	PASS. CABIN, MID R CEILING PANEL	23-31-08
PA, B10116	2,3	1	PASS. CABIN, MID L CEILING PANEL	23-31-08
PA, B10140	2,3	1	PASS. CABIN, AFT R CEILING PANEL	23-31-08
PSU, M10342	2,3	*	PASS. CABIN, PSU MODULES	23-31-02
PSU, M10343	2,3	2	PASS. CABIN, MID ATTND STA	23-31-02
SWITCH - (33-22-00/101)				
BOARDING MUSIC REMOTE CONTROL, S10179				
UNIT - (23-42-00/101)				
AUDIO ACCESSORY, M108				

* SEE THE WDM EQUIPMENT LIST

- GUI 001-014
- GUI 115

Passenger Address System - Component Index
Figure 101

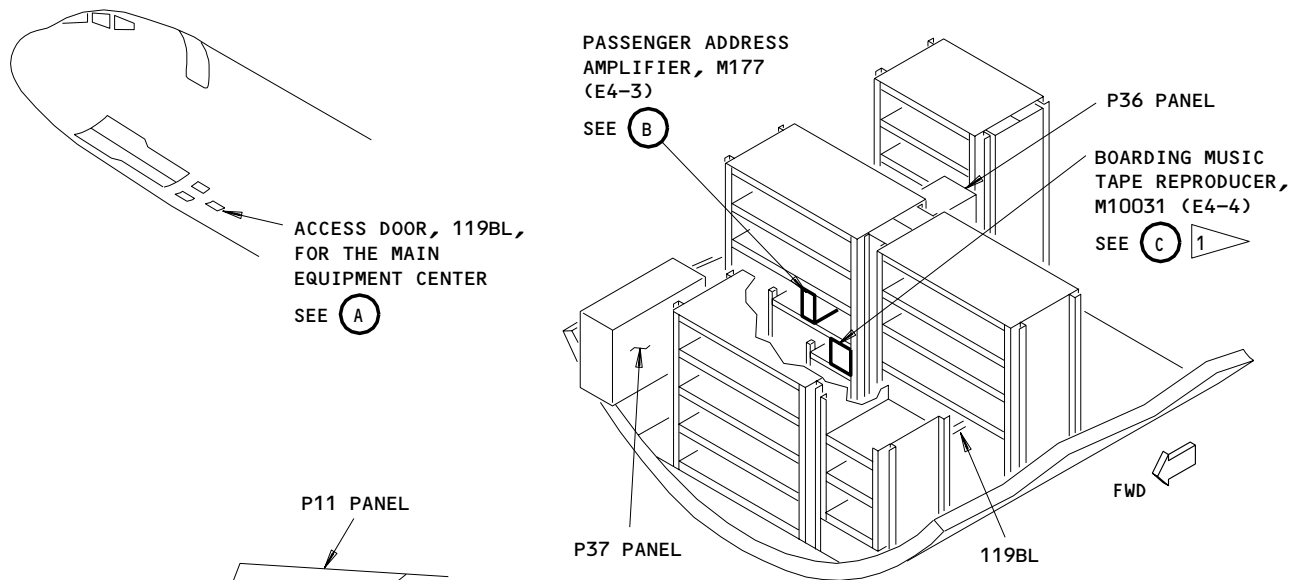
EFFECTIVITY

ALL

23-31-00

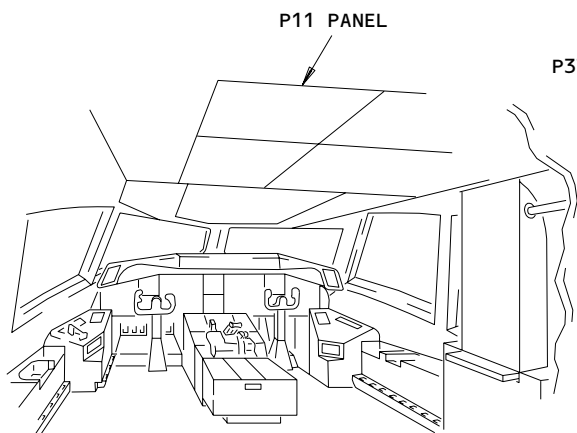
BOEING

757 FAULT ISOLATION/MAINT MANUAL

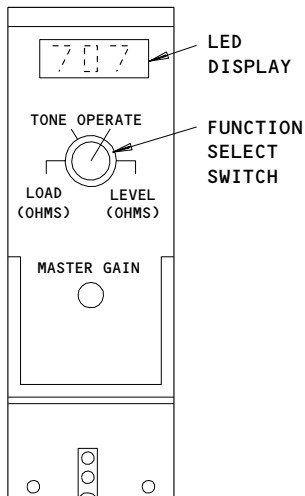


MAIN EQUIPMENT CENTER

(A)

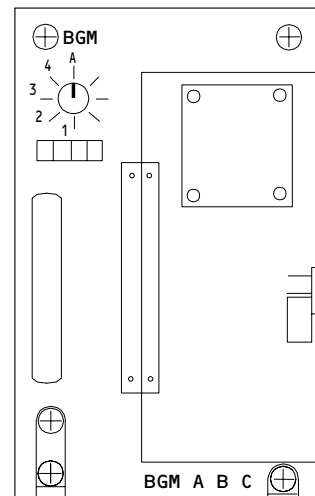


FLIGHT COMPARTMENT



PASSENGER ADDRESS AMPLIFIER, M177

(B)



BOARDING MUSIC TAPE REPRODUCER, M10031

(C) 1

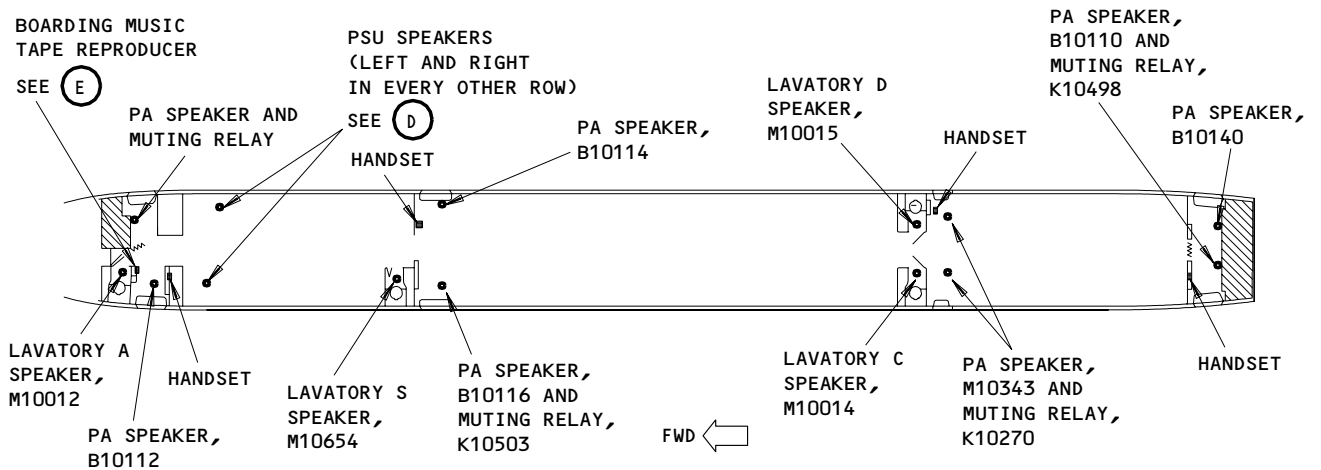
1 GUI 115

Passenger Address System - Component Location
Figure 102 (Sheet 1)

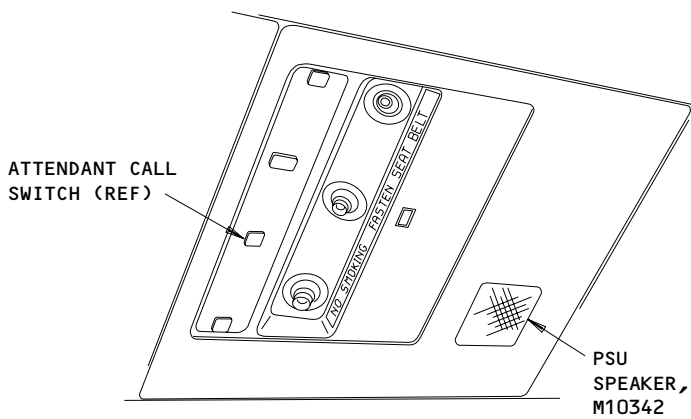
EFFECTIVITY

ALL

23-31-00

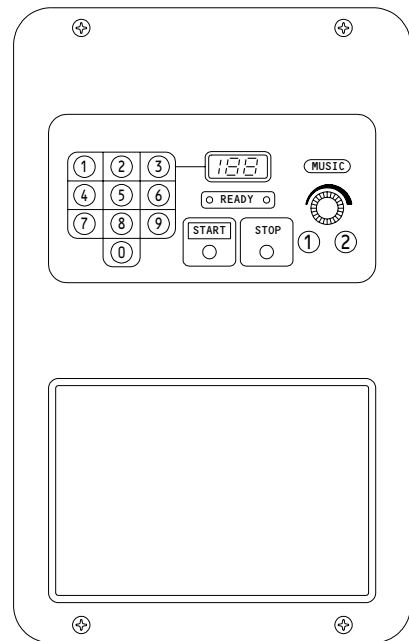


HANDSET AND SPEAKER LOCATIONS



**PASSENGER SERVICE UNIT (REF)
(EXAMPLE)**

(D)



BOARDING MUSIC TAPE REPRODUCER, M10748

(E)

**Passenger Address System - Component Location
Figure 102 (Sheet 2)**

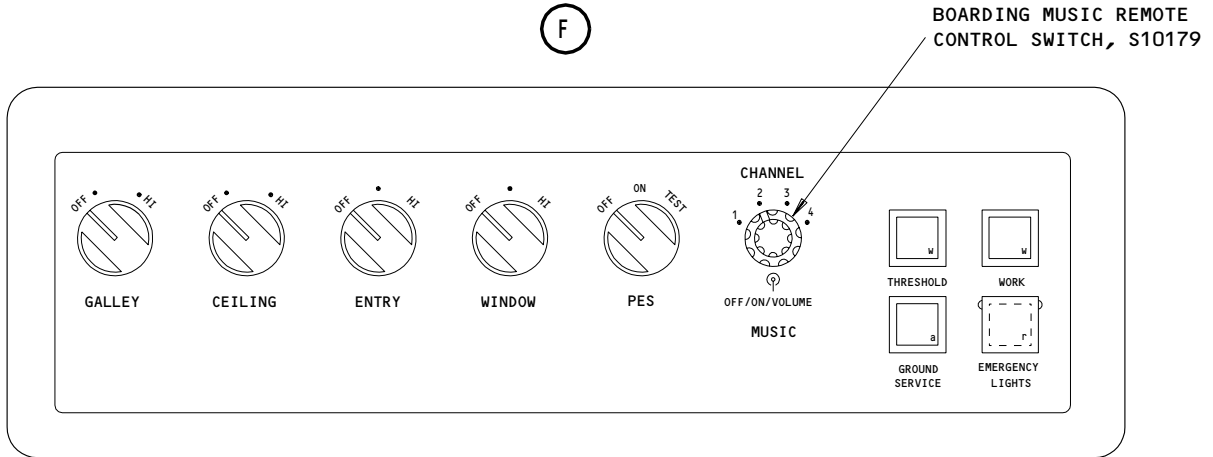
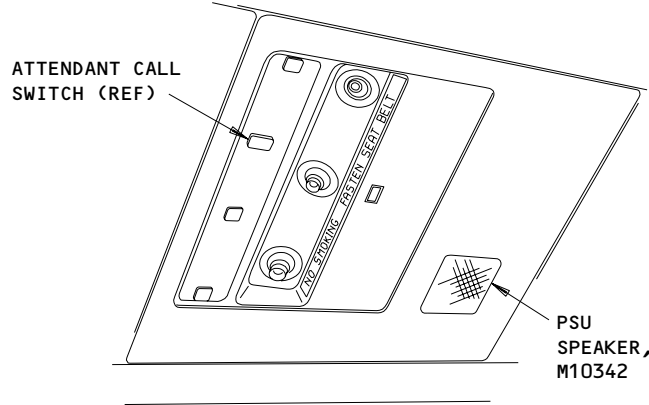
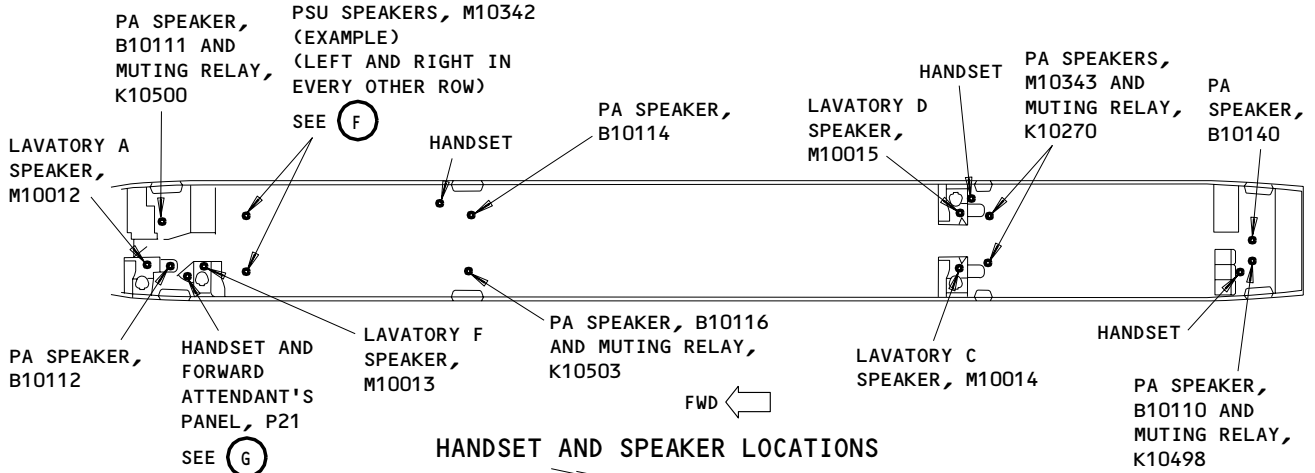
EFFECTIVITY
GUI 001-014

23-31-00

BOEING

757

FAULT ISOLATION/MAINT MANUAL



Passenger Address System - Component Location
 Figure 102 (Sheet 3)

EFFECTIVITY
 GUI 115

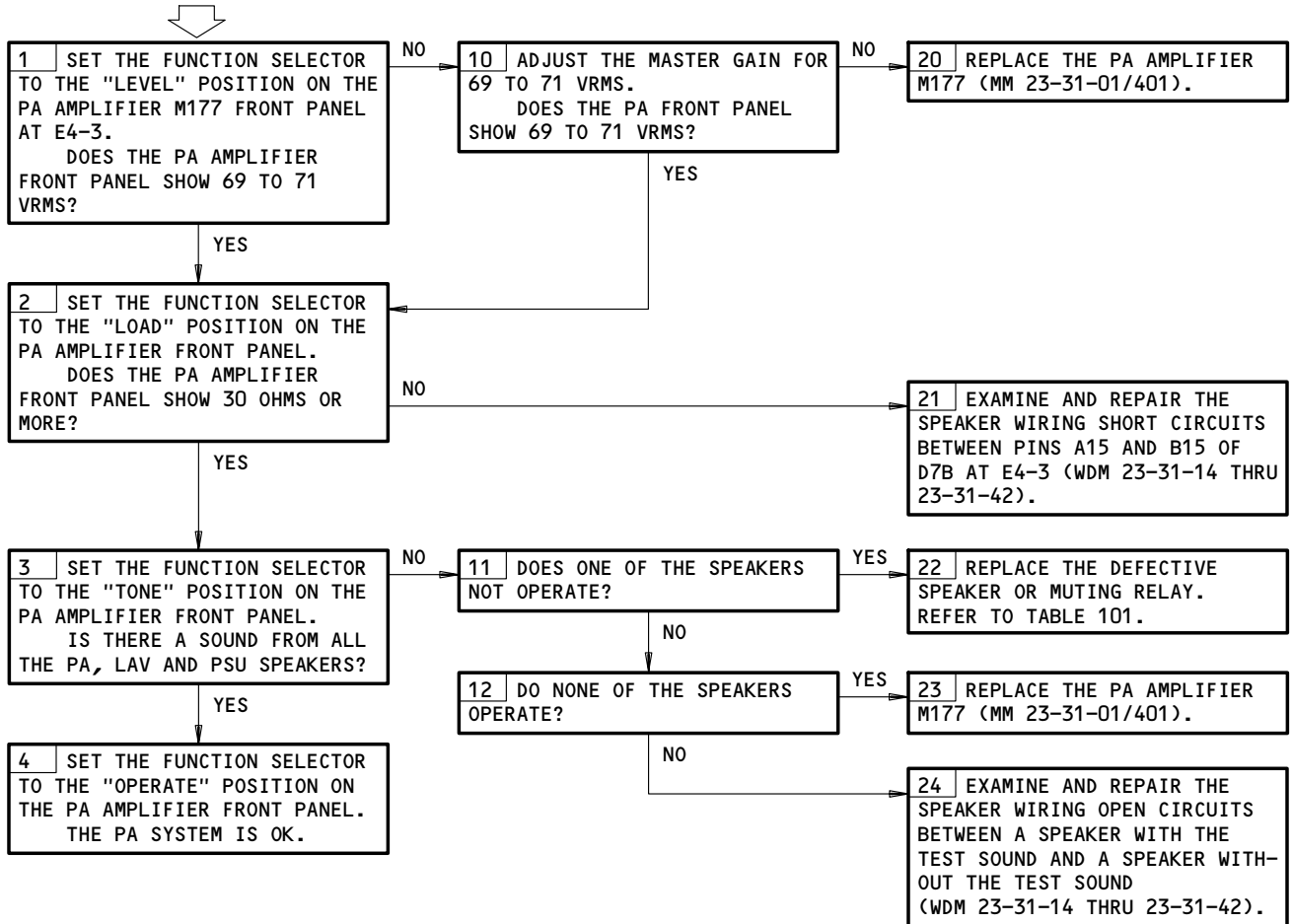
23-31-00

**PASSENGER ADDRESS
AMPLIFIER BITE
PROCEDURE**

PREREQUISITES

MAKE SURE THIS CIRCUIT BREAKER IS CLOSED:
11C22

MAKE SURE THE AIRPLANE IS IN THE CONFIGURATION THAT
FOLLOWS:
ELECTRICAL POWER IS ON (MM 24-22-00/201)



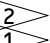
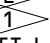
Passenger Address Amplifier BITE Procedure
Figure 103 (Sheet 1)

EFFECTIVITY

ALL

23-31-00


BOEING
 757
 FAULT ISOLATION/MAINT MANUAL

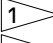
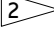
TABLE 101			
SPEAKER LOCATION	SPEAKER EQUIP NO.	MM REFERENCE	MUTING RELAY EQUIP NO. (WDM 23-31-42)
LAV A	M10012	23-31-05	---
LAV C	M10014	23-31-05	---
LAV D	M10015	23-31-05	---
LAV F 	M10013	23-31-05	---
LAV S 	M10654	23-31-05	---
PA - AFT L	B10110	23-31-08	K10498
PA - AFT R	B10140	23-31-08	K10498
PA - FWD R	B10111	23-31-08	K10500
PA - FWD L	B10112	23-31-08	K10500
PA - FWD MID L	B10116	23-31-08	K10503
PA - FWD MID R	B10114	23-31-08	K10503
PA - MID L	M10343	23-31-02	K10270
PA - MID R	M10343	23-31-02	K10270
PSU	M10342	23-31-02	---

NOTE: BITE DOES A TEST OF THESE SYSTEM COMPONENTS:

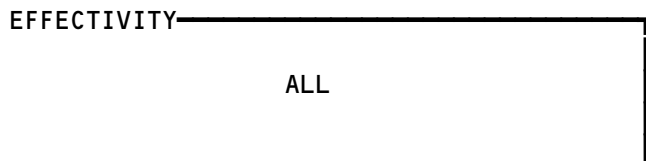
- PASSENGER ADDRESS AMPLIFIER
- SPEAKERS, RELAYS AND WIRING.

BITE DOES NOT DO A TEST OF THESE SYSTEM COMPONENTS:

- AUDIO ACCESSORY UNIT
- ENTERTAINMENT MUSIC TAPE REPRODUCER.

-  GUI 001-014
-  GUI 115

Passenger Address Amplifier BITE Procedure
Figure 103 (Sheet 2)



23-31-00



757
 FAULT ISOLATION/MAINT MANUAL

PASSENGER ENTERTAINMENT (VIDEO) SYSTEM

COMPONENT	FIG. 102 SHT	QTY	ACCESS/AREA	REFERENCE
AMPLIFIER - (23-31-00/101) PASSENGER ADDRESS, M177				
BOX - AFT INTERFACE, M10685	1	1	PASS. CABIN	*
BOX - FWD INTERFACE, M10684	1	1	PASS. CABIN	*
BOX - JUNCTION, M10668		1	PASS. CABIN, VIDEO CONTROL CTR	*
CIRCUIT BREAKERS -	1		119BL, MAIN EQUIP CTR, P37	
VIDEO SYSTEM (MAIN BUS) MONITOR AFT, C4441		1	37A7	*
VIDEO SYSTEM (MAIN BUS) MONITOR FWD, C4440		1	37A6	*
VIDEO SYSTEM (MAIN BUS) SYSTEM AC, C4442		1	37A8	*
VIDEO SYSTEM (UTIL BUS) MONITOR AFT, C4362		1	37C7	*
VIDEO SYSTEM (UTIL BUS) MONITOR FWD, C4361		1	37C6	*
VIDEO SYSTEM (UTIL BUS) SYSTEM AC, C4363		1	37C8	*
CIRCUIT BREAKER -	1		FLT COMPT, P11	
VIDEO SYSTEM DC, C4364		1	11H30	*
MONITORS -	1			
NO. 1, M10669		1	PASS. CABIN	23-32-01
NO. 2, M10670		1	PASS. CABIN	23-32-02
NO. 3, M10671		1	PASS. CABIN	23-32-02
NO. 4, M10672		1	PASS. CABIN	23-32-02
NO. 5, M10673		1	PASS. CABIN	23-32-02
NO. 6, M10674		1	PASS. CABIN	23-32-02
NO. 7, M10675		1	PASS. CABIN	23-32-02
RELAYS - (31-01-37/101)				
BUS SWITCHING, K10642				
SYS NO. 2 AIR/GND, K10239				
REPRODUCER - VIDEO TAPE	2	1	PASS. CABIN, VIDEO CONTROL CTR	23-32-04
UNIT - SYSTEM CONTROL	2	1	PASS. CABIN, VIDEO CONTROL CTR	23-32-03

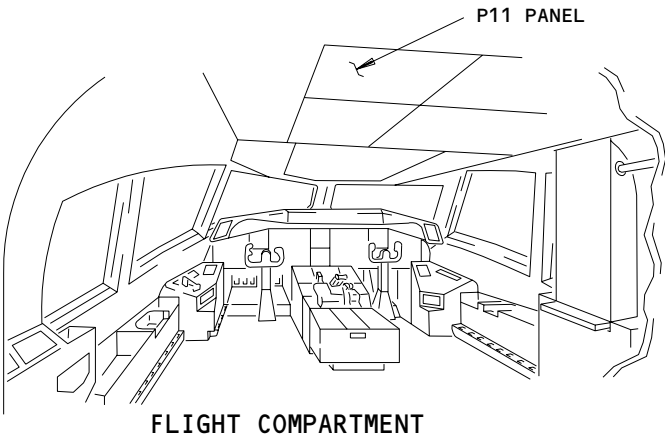
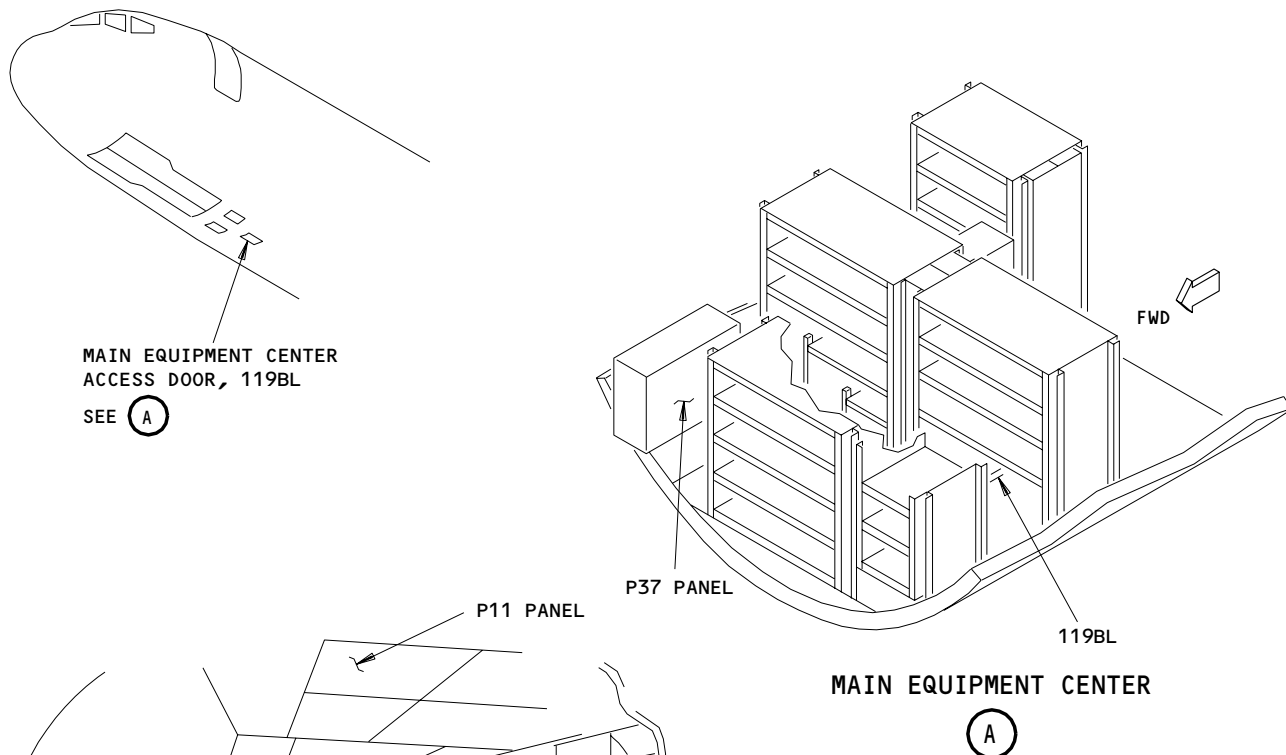
* SEE THE WDM EQUIPMENT LIST

Passenger Entertainment (Video) System - Component Index
 Figure 101

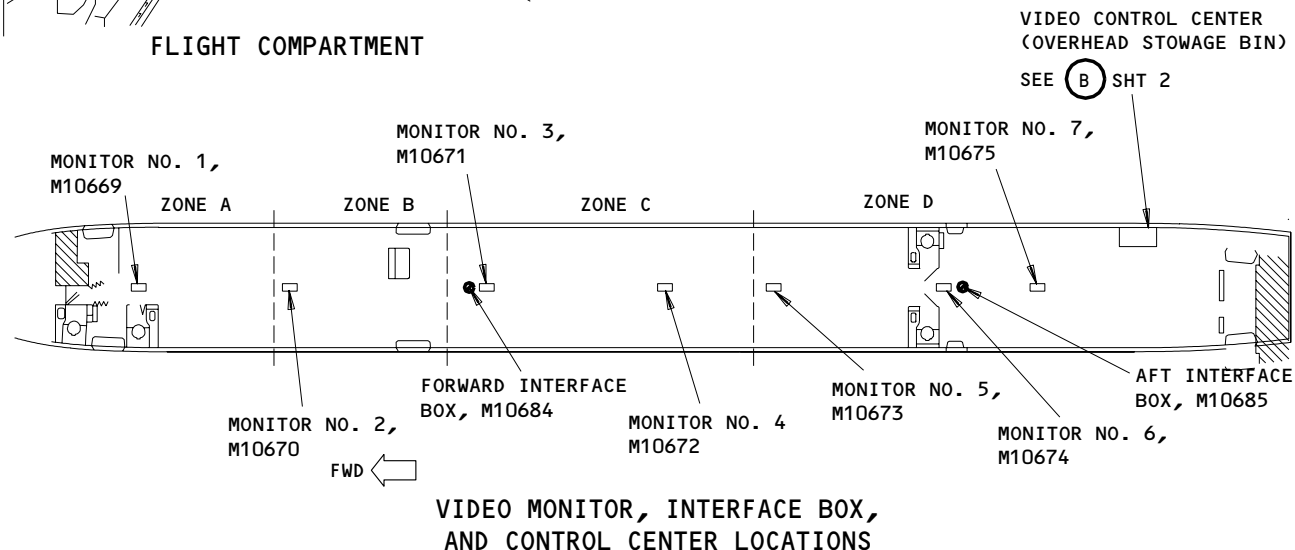
EFFECTIVITY
 GUI 115

23-32-00

BOEING
757
FAULT ISOLATION/MAINT MANUAL



FLIGHT COMPARTMENT



VIDEO MONITOR, INTERFACE BOX,
AND CONTROL CENTER LOCATIONS

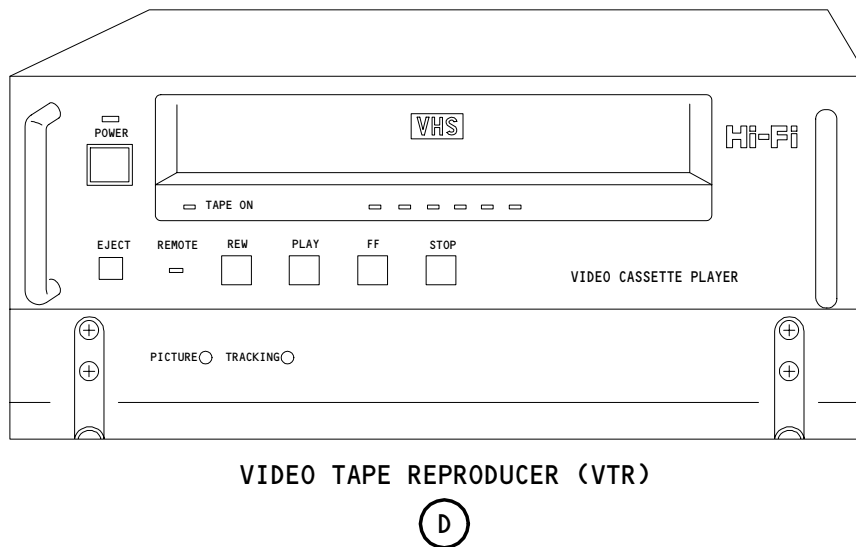
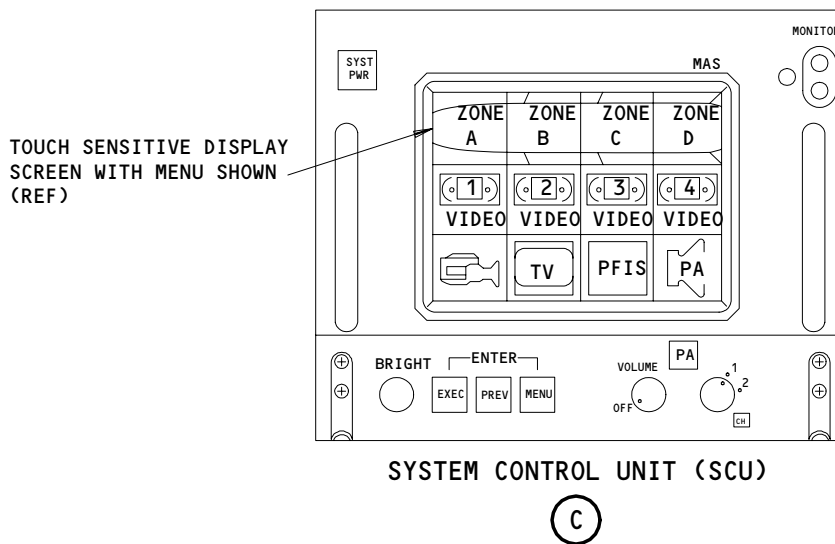
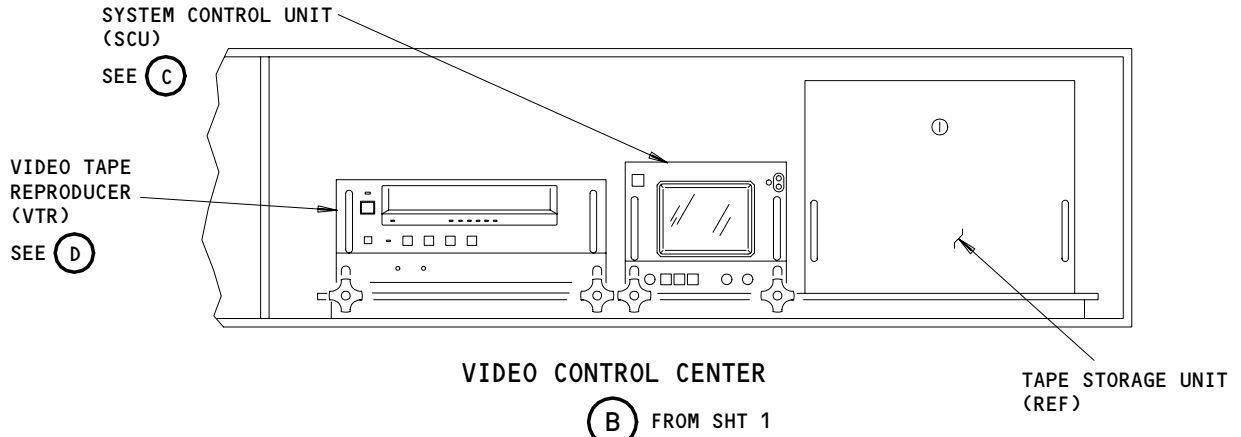
Passenger Entertainment (Video) System - Component Location
Figure 102 (Sheet 1)

EFFECTIVITY
GUI 115

23-32-00

A71755

BOEING
757
FAULT ISOLATION/MAINT MANUAL



Passenger Entertainment (Video) System - Component Location
Figure 102 (Sheet 2)

EFFECTIVITY
GUI 115

23-32-00

A46063

BOEING
757
FAULT ISOLATION/MAINT MANUAL

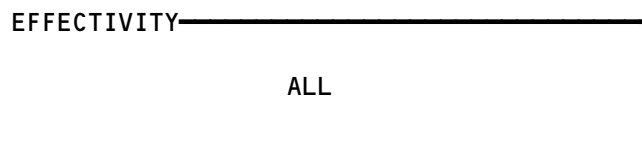
PASSENGER ENTERTAINMENT SYSTEM (PES)

COMPONENT	FIG. 102 SHT	QTY	ACCESS/AREA	REFERENCE
AMPLIFIER - (23-31-00/101) PASSENGER ADDRESS, M177, M10782				
BOX - SEAT ELECTRONICS	2,3	1	EACH PASS. SEAT GROUP	
CIRCUIT BREAKERS -	1		FLT COMPT, P11	
ENTMT DC, C4434		1	11H34	*
PASSENGER ADDRESS, C548		1	11C22	*
CIRCUIT BREAKERS -	1		119BL, MAIN EQUIP CTR, P37	
ENT TAPE RPDR, C4426 1		1	37B7	*
MULTIPLEXER, C4403		1	37B8	*
TAPE RPDR, C4028 2		1	37E2	*
CONTROL - (33-22-00/101) 2				
BOARDING MUSIC, S10179				
MULTIPLEXER - MAIN, M10733	1	1	119BL, MAIN EQUIP CTR, E4-4	23-34-01
PANEL - (33-22-00/101) FWD ATTENDANT, P21				
RELAYS - (31-01-36/101)				
AUDIO PRIORITY CONTROL, K10641				
MUX PWR, K10599				
TAPE REP PWR, K10600 2				
REPRODUCER - ENTERTAINMENT TAPE, M130	1	1	119BL, MAIN EQUIP CTR, E4-4	23-34-03
SWITCH - ENTERTAINMENT CONTROL, S10479	2,3	1	PASS. CABIN P21 PANEL	*
UNIT - PASSENGER CONTROL	2,3	1	EACH PASSENGER SEAT	23-34-05
UNIT - (23-42-00/101) 1				
AUDIO ACCESSORY, M108				

* SEE THE WDM EQUIPMENT LIST

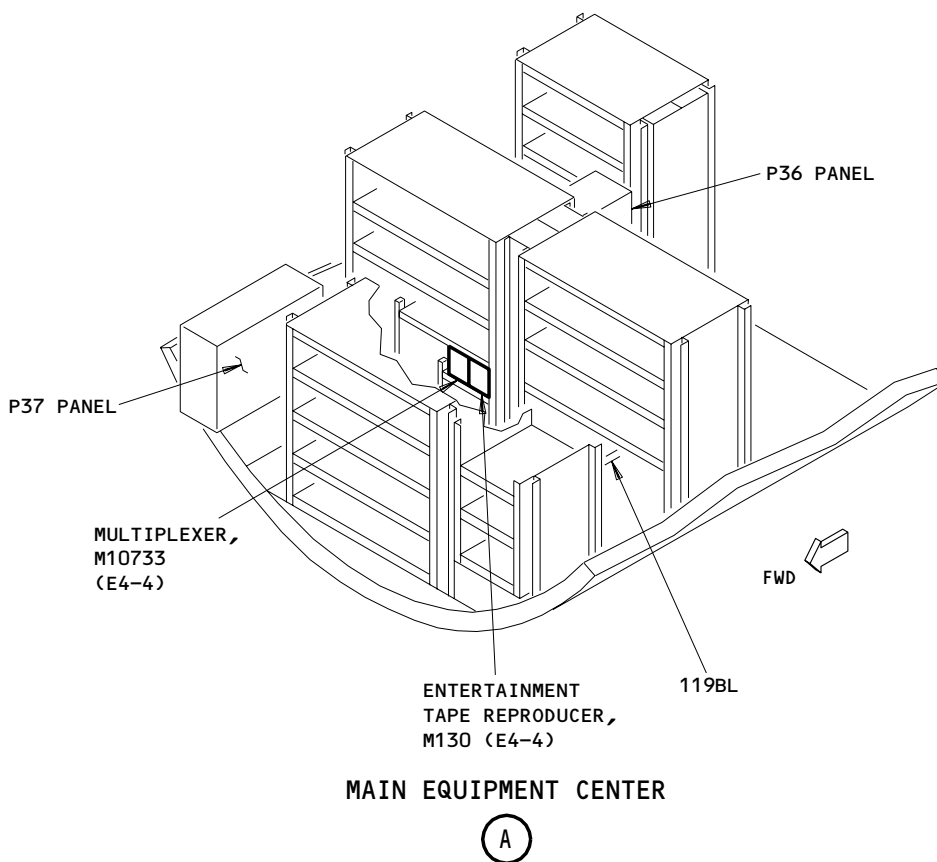
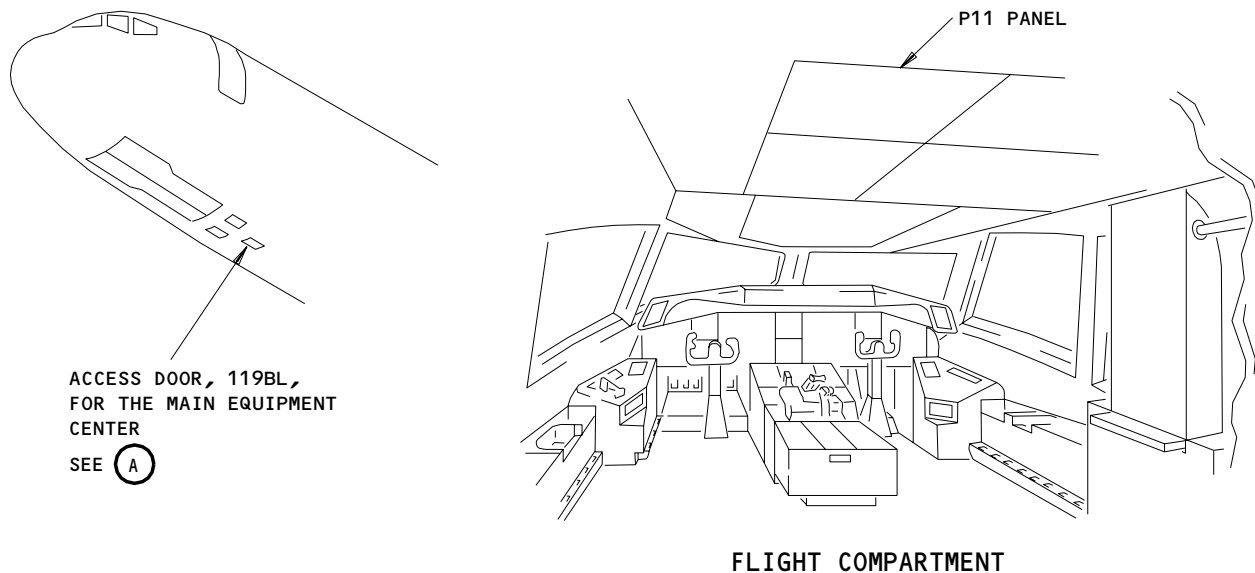
- 1 GUI 009-099
- 2 GUI 115

Passenger Entertainment System (PES) - Component Index
Figure 101



23-34-00

BOEING
757
FAULT ISOLATION/MAINT MANUAL

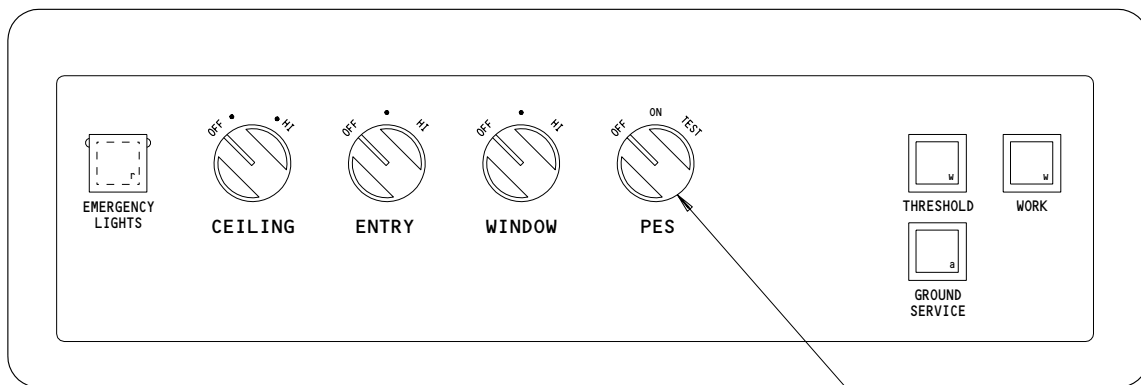
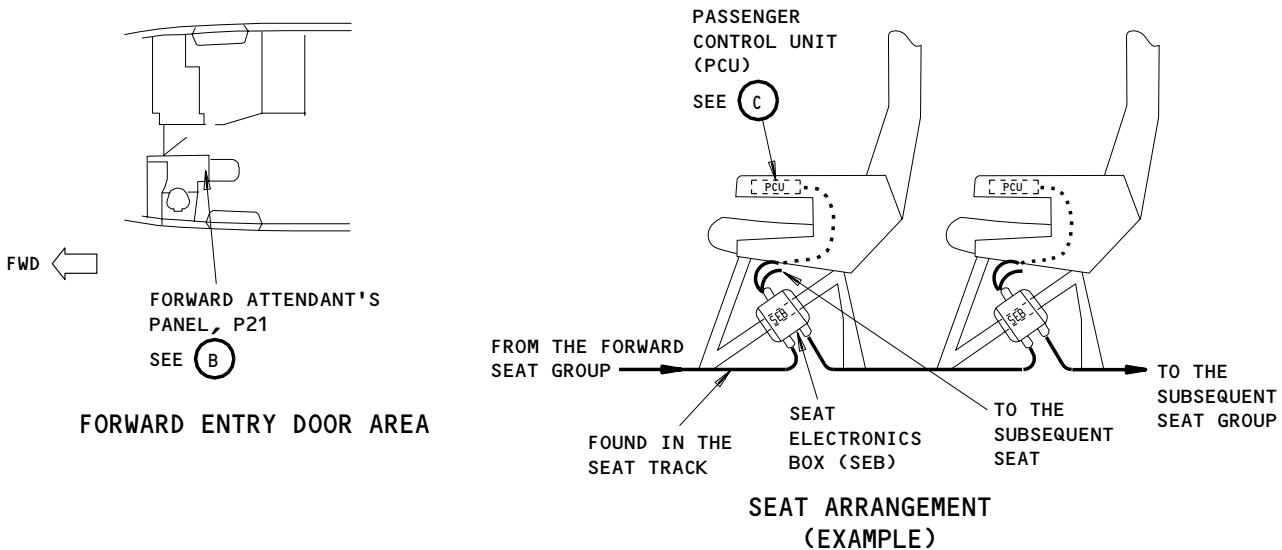


Passenger Entertainment System - Component Location
Figure 102 (Sheet 1)

EFFECTIVITY	ALL
-------------	-----

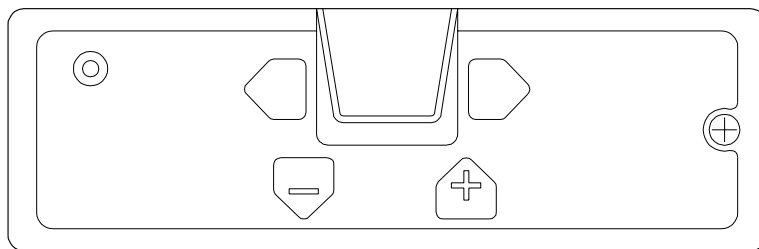
23-34-00

BOEING
757
FAULT ISOLATION/MAINT MANUAL



FORWARD ATTENDANT'S PANEL, P21

(B)



PASSENGER CONTROL UNIT (PCU)

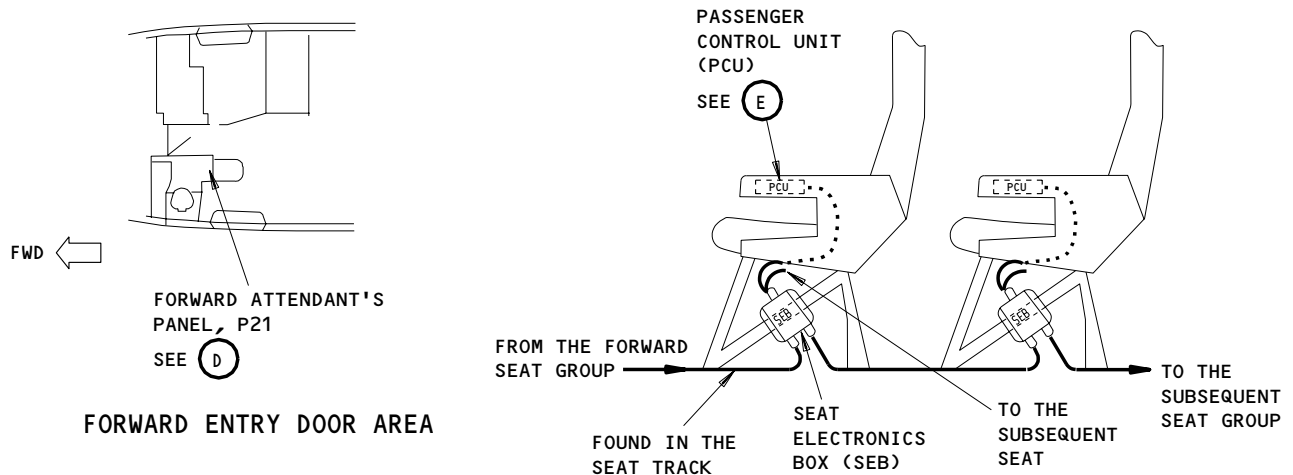
(C)

Passenger Entertainment System - Component Location
Figure 102 (Sheet 2)

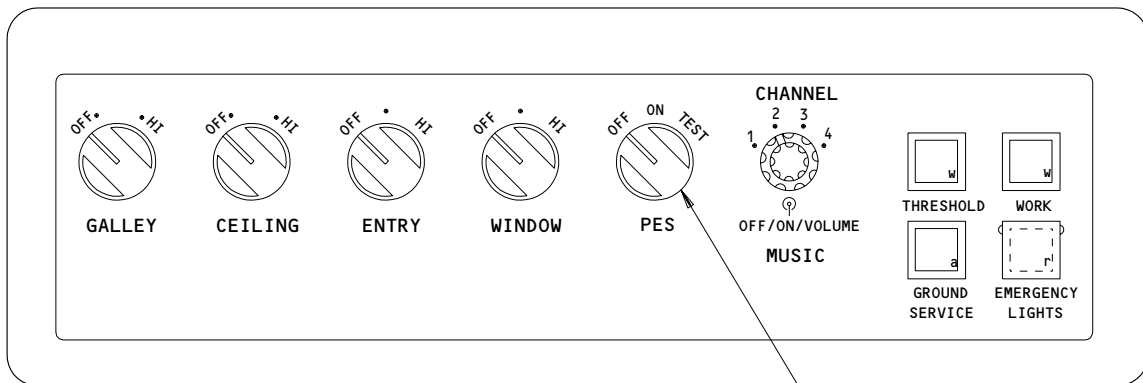
EFFECTIVITY
GUI 001-099

23-34-00

BOEING
757
FAULT ISOLATION/MAINT MANUAL



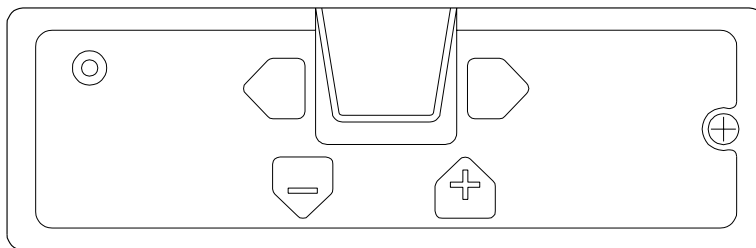
SEAT ARRANGEMENT (EXAMPLE)



ENTERTAINMENT CONTROL SWITCH, S10479

FORWARD ATTENDANT'S PANEL, P21

(D)



PASSENGER CONTROL UNIT (PCU)

(E)

Passenger Entertainment System - Component Location
Figure 102 (Sheet 3)

EFFECTIVITY
GUI 115

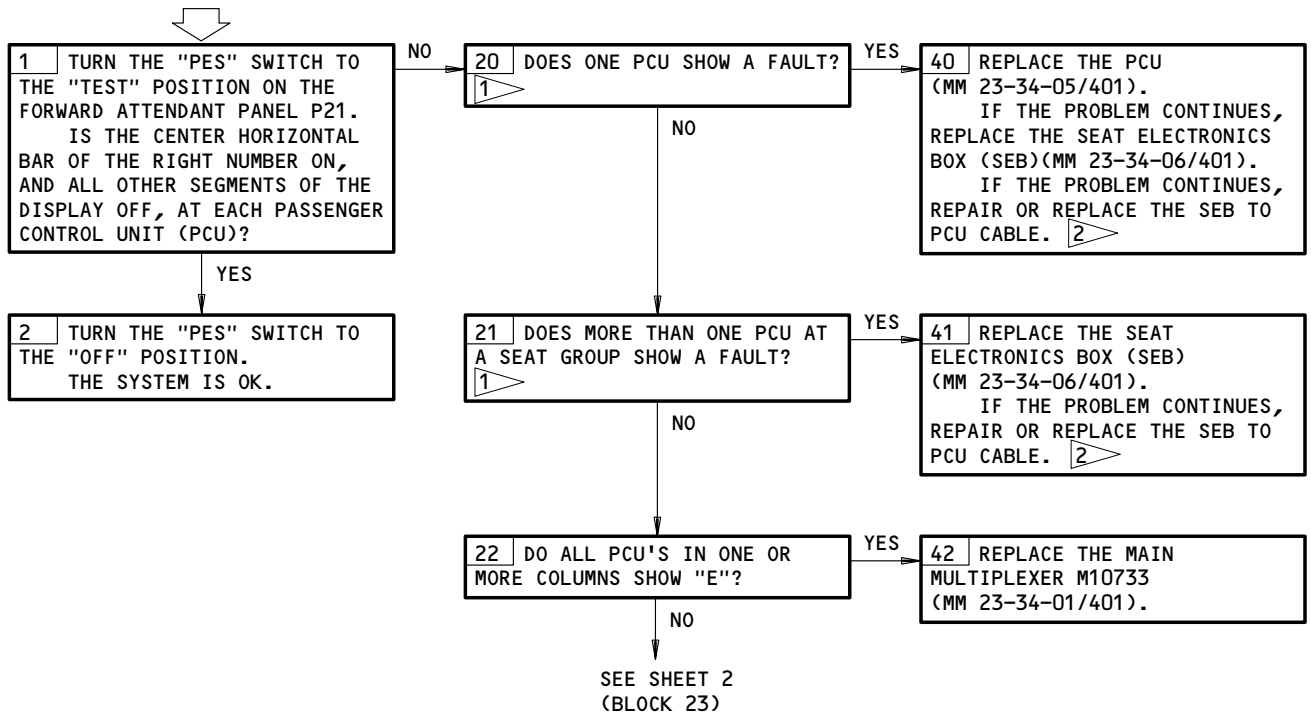
23-34-00

**PASSENGER ENTER-
TAINMENT SYSTEM (PES)
BITE PROCEDURE**

PREREQUISITES

MAKE SURE THESE CIRCUIT BREAKERS ARE CLOSED:
11C22,37B8

MAKE SURE THE AIRPLANE IS IN THE CONFIGURATION
THAT FOLLOWS:
ELECTRICAL POWER IS ON (MM 24-22-00/201)



- 1** A FAULT IS SHOWN BY A PCU WITH:
1. E SHOWN (AUDIO FAULT).
 2. DISPLAY OFF (POWER FAULT).
 3. ANYTHING OTHER THAN E OR CENTER HORIZONTAL BAR (PCU MICRO-PROCESSOR FAULT).

- 2** TURN THE PES SWITCH OFF WHEN THE SEAT ELECTRONICS BOX CABLES ARE DISCONNECTED OR CONNECTED.

NOTE: BITE DOES A TEST OF THESE SYSTEM COMPONENTS:
PES TEST PANEL
MAIN MULTIPLEXER
ZONE MULTIPLEXER
SEAT ELECTRONICS BOX
PASSENGER CONTROL UNIT
SEAT TO SEAT CABLES
BITE DOES A TEST OF THESE SYSTEM COMPONENTS:
AMPLIFIER
ENTERTAINMENT TAPE REPRODUCER

Passenger Entertainment System (PES) BITE Procedure
Figure 103 (Sheet 1)

EFFECTIVITY

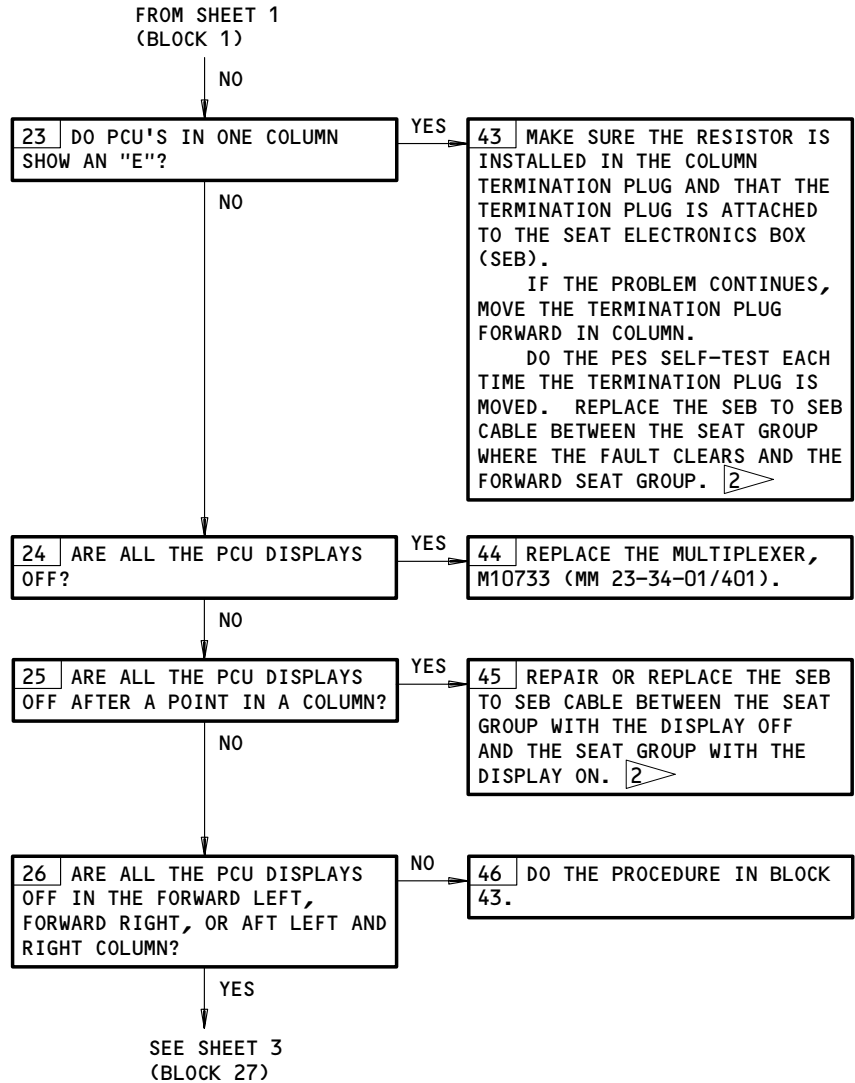
ALL

23-34-00

09

Page 105
Sep 20/92

BOEING
757
FAULT ISOLATION/MAINT MANUAL



Passenger Entertainment System (PES) BITE Procedure
Figure 103 (Sheet 2)

EFFECTIVITY

ALL

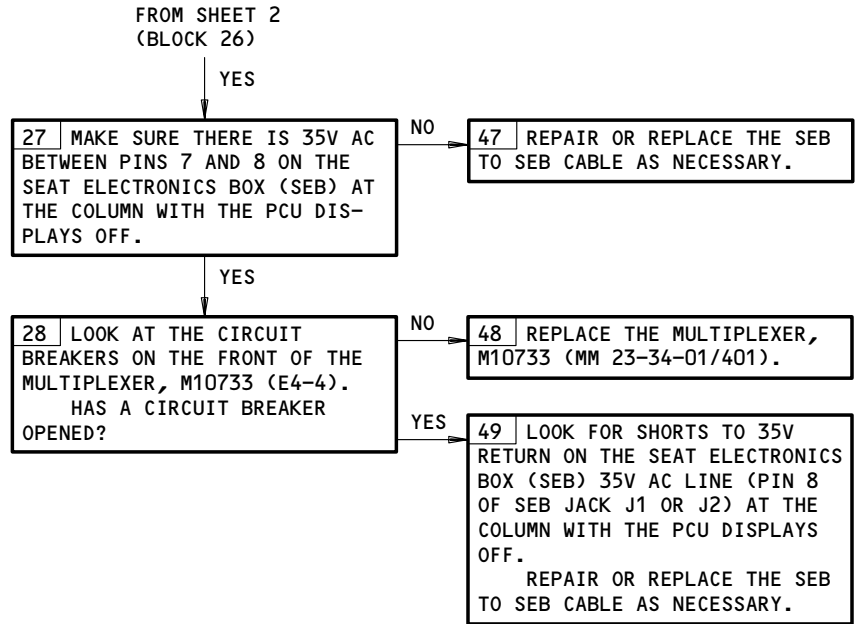
23-34-00

09

Page 106
Sep 20/92

654437


BOEING
 757
 FAULT ISOLATION/MAINT MANUAL



Passenger Entertainment System (PES) BITE Procedure
Figure 103 (Sheet 3)

EFFECTIVITY	ALL
-------------	-----

23-34-00

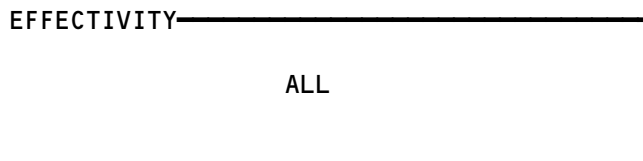
BOEING
757
FAULT ISOLATION/MAINT MANUAL

SERVICE INTERPHONE SYSTEM

COMPONENT	FIG. 102 SHT	QTY	ACCESS/AREA	REFERENCE
CIRCUIT BREAKER INTERPHONE CABIN SERVICE, C551	---	1	FLT COMPT, P11 11C23	*
JACK - SERVICE INTPH, D00413	---	1	315AL, 316AR, APU SHROUD	*
JACK - SERVICE INTPH, D00415	---	1	822, AFT CARGO DOOR, AFT EQUIP- MENT CENTER	*
JACK - SERVICE INTPH, D00417	---	1	R WING FUELING PANEL, P28	*
JACK - SERVICE INTPH, D00423	---	1	119BL, MAIN EQUIP CTR	*
JACK - SERVICE INTPH, D00425	---	1	NOSE LANDING GEAR, P62	*
JACK - SERVICE INTPH, D00427	---	1	R MAIN WHEEL WELL	*
JACK - SERVICE INTPH, D00429	---	1	FUSELAGE, HORIZONTAL STAB ACCESS PANEL	*
JACK - SERVICE INTPH, D00843	---	1	821, FWD CARGO DOOR, E5, EQUIP RACK	*
PANEL - (REF 31-31-00, FIG. 101) FLIGHT RECORDER CONTROL, M33	---	1	FLT COMPT, P61, FLT RCDR CONT PNL, M33	*
SWITCH - SERVICE INTPH, (S2)	---	1		*
UNIT - (REF 23-42-00, FIG. 101) AUDIO ACCESSORY, M108	---	1		*

* SEE THE WDM EQUIPMENT LIST

Service Interphone System - Component Index
Figure 101



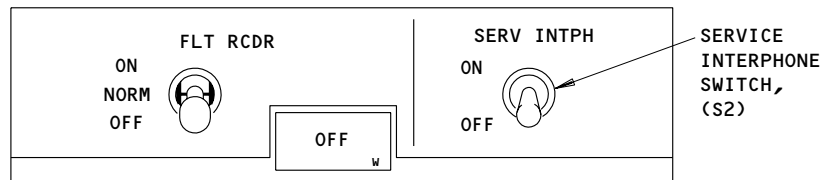
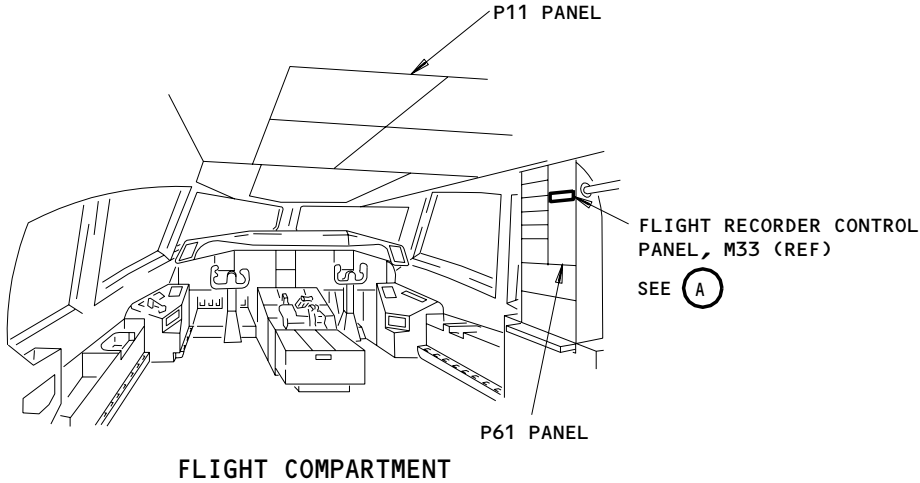
23-41-00

05

Page 101
Sep 20/90

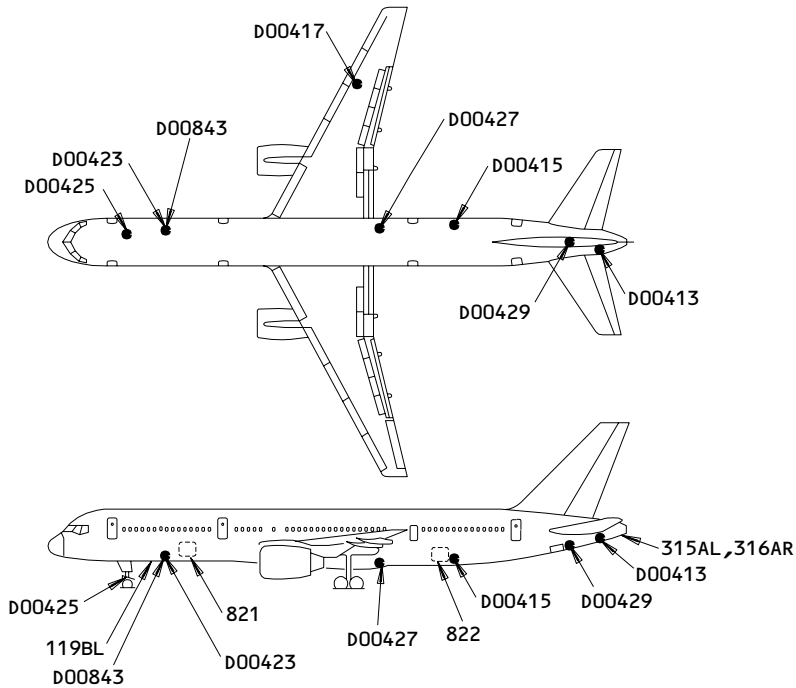
164611

BOEING
757
FAULT ISOLATION/MAINT MANUAL



FLIGHT RECORDER CONTROL PANEL, M33 (REF)

(A)



SERVICE INTERPHONE JACK LOCATIONS

Service Interphone System - Component Location
Figure 102

EFFECTIVITY	ALL
-------------	-----

23-41-00

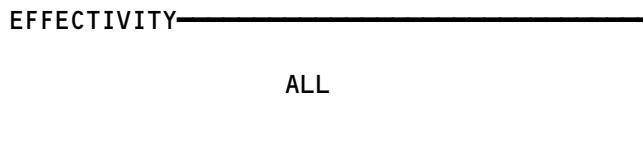
BOEING
757
FAULT ISOLATION/MAINT MANUAL

CABIN INTERPHONE SYSTEM

COMPONENT	FIG. 102 SHT	QTY	ACCESS/AREA	AMM REFERENCE
AMPLIFIER - (FIM 23-31-00/101) PASSENGER ADDRESS, M177				
CIRCUIT BREAKER - INTERPHONE CABIN SERVICE, C551	2	1	FLT COMPT, P11 11C23	*
HANDSET - ATTENDANT, B61	2	4	PASSENGER CABIN	*
LIGHT - (FIM 33-25-00/101) FWD ATTEND CALL, L324				
MODULE - (FIM 31-51-00/101) BELL CHIME AURAL WARNING, M1000				
MODULE - (FIM 33-25-00/101) EMER EXIT LOCATOR, M10253 THRU M10255 1				
EMER EXIT LOCATOR, M10253, M10680, M10255 2				
PANEL - PILOTS' CALL, M51	1	1	FLT COMPT, P5	23-42-02
UNIT - AUDIO ACCESSORY, M108 * SEE THE WDM EQUIPMENT LIST	1	1	119BL, MAIN EQUIP CTR, E4-3	23-42-01

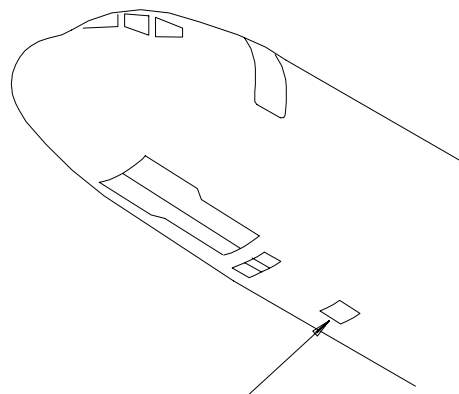
- 1 ALL EXCEPT GUI 115
- 2 GUI 115

Cabin Interphone System - Component Index
Figure 101

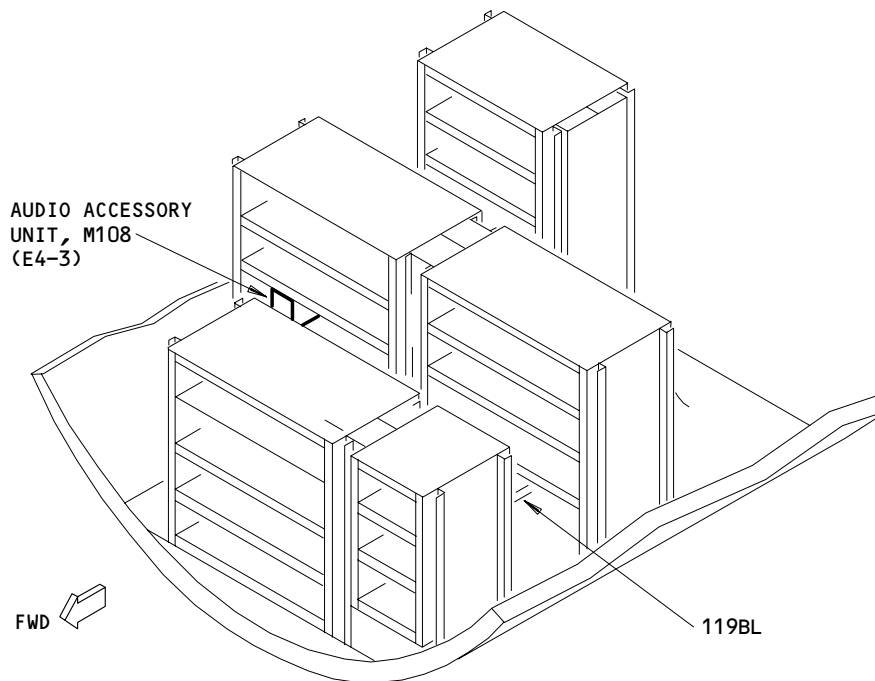


23-42-00

BOEING
 757
 FAULT ISOLATION/MAINT MANUAL



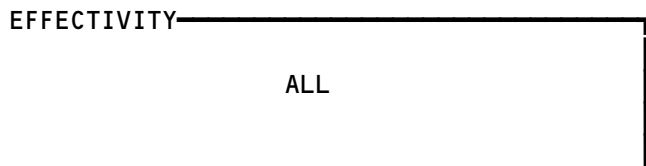
MAIN EQUIPMENT
 CENTER ACCESS
 DOOR, 119BL
 SEE (A)



MAIN EQUIPMENT CENTER

(A)

Cabin Interphone System - Component Location
 Figure 102 (Sheet 1)



23-42-00

01

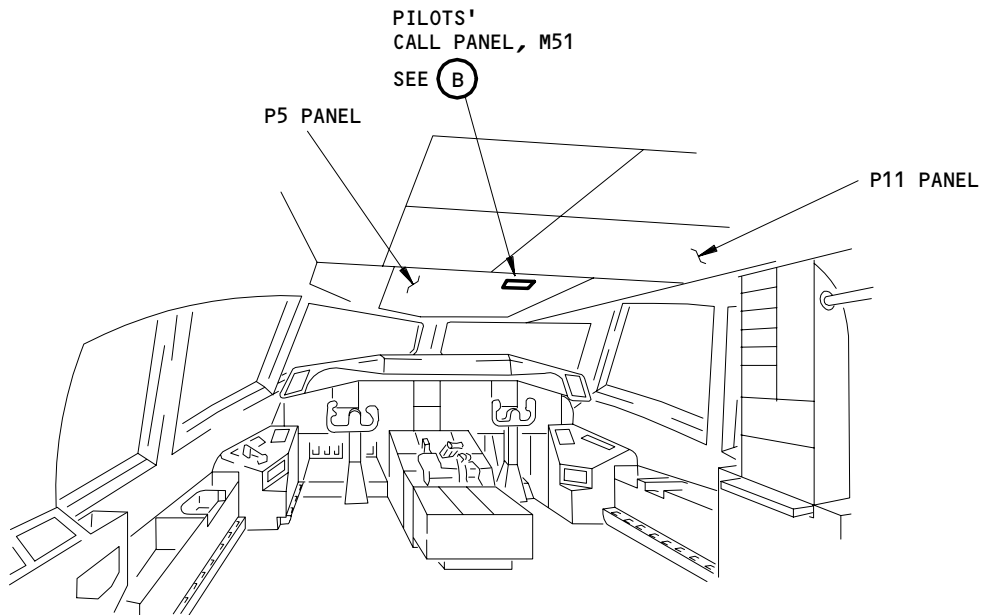
Page 102
 Mar 20/94

55734

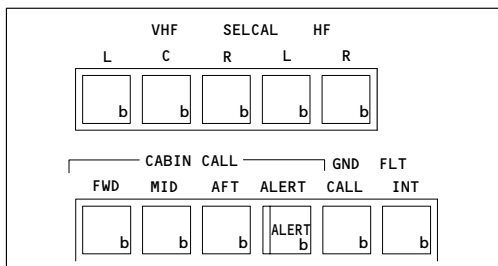
BOEING

757

FAULT ISOLATION/MAINT MANUAL

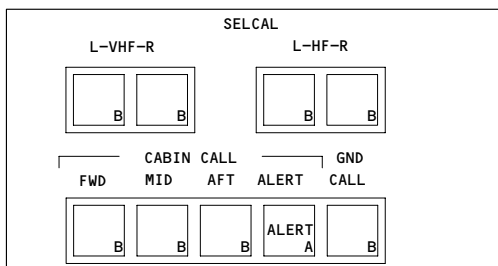


FLIGHT COMPARTMENT



PILOTS' CALL PANEL, M51

(B) 1



PILOTS' CALL PANEL, M51

(B) 2

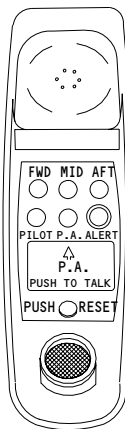
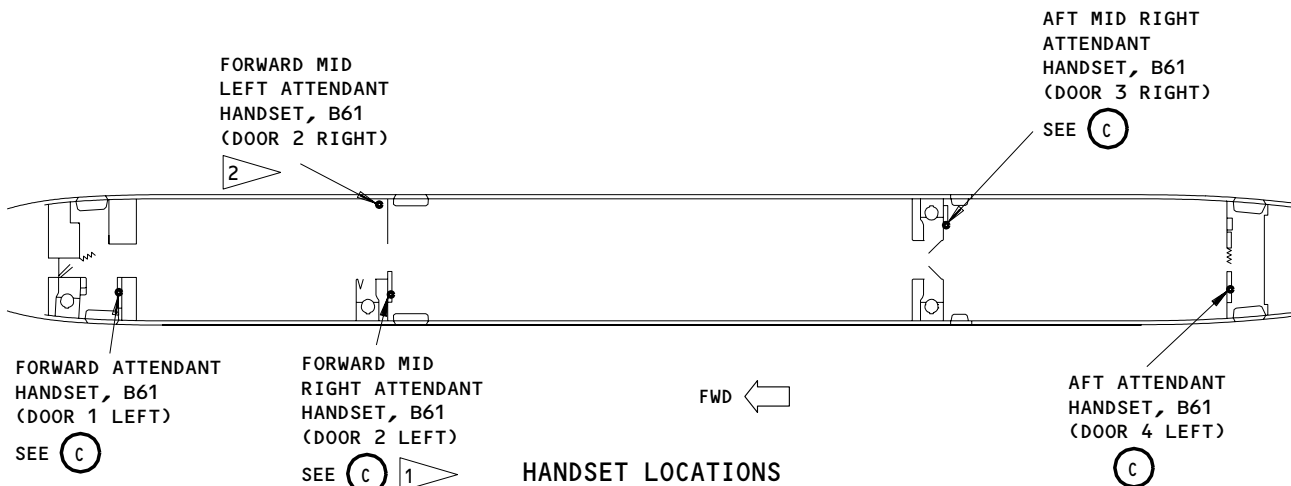
- 1 ALL EXCEPT GUI 115
- 2 GUI 115

Cabin Interphone System - Component Location
Figure 102 (Sheet 2)

EFFECTIVITY	ALL
-------------	-----

23-42-00

BOEING
757
FAULT ISOLATION/MAINT MANUAL

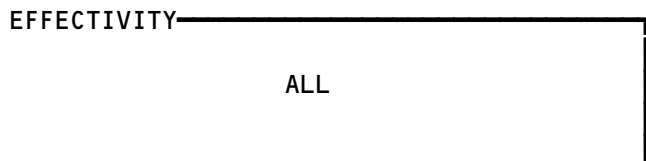


HANDSET, B61
(EXAMPLE)

(C)

- 1 ALL EXCEPT GUI 115
- 2 GUI 115

Cabin Interphone System - Component Location
Figure 102 (Sheet 3)



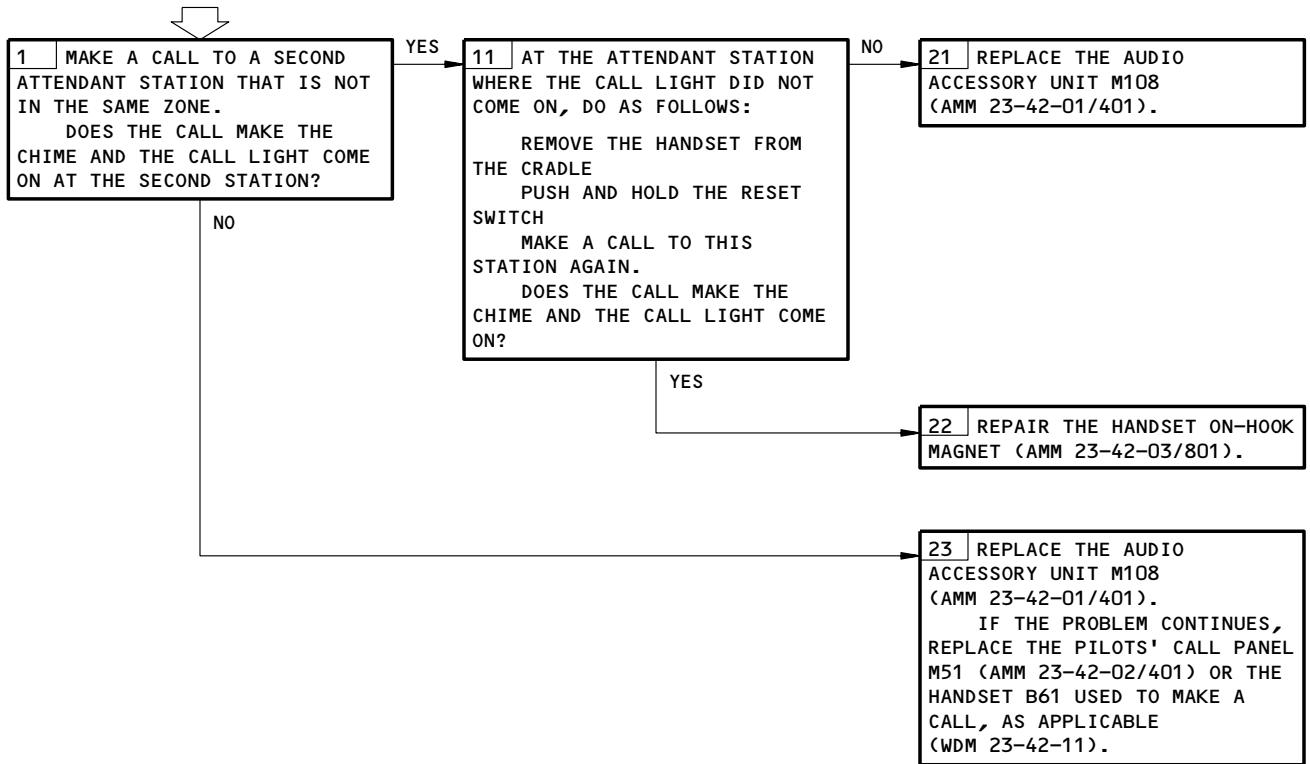
23-42-00

**CABIN CHIME AND
CALL LIGHT/ATTENDANT
CALL FROM PILOT OR
ATTENDANT PROBLEM**

PREREQUISITES

MAKE SURE THESE CIRCUIT BREAKERS ARE CLOSED:
11C22, 11C23

MAKE SURE THE AIRPLANE IS IN THIS CONFIGURATION:
ELECTRICAL POWER IS ON (AMM 24-22-00/201)



Cabin Chime and Call Light/Attendant Call from Pilot or Attendant Problem
Figure 103

EFFECTIVITY ————
ALL

23-42-00

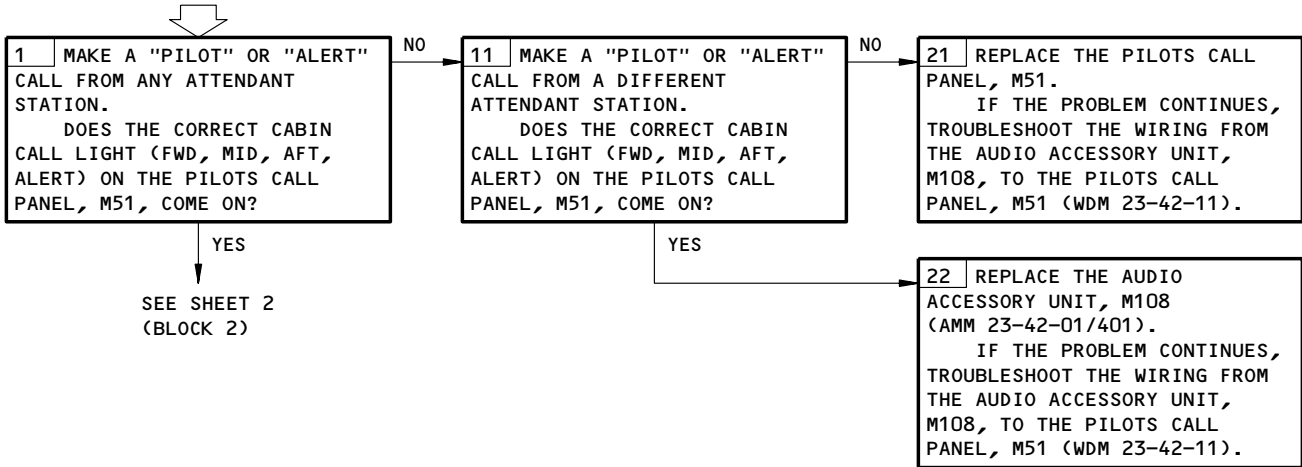
**PILOT CALL CHIME
AND CALL LIGHT
PROBLEM**

PREREQUISITES

MAKE SURE THESE SYSTEMS WILL OPERATE:
 EICAS (AMM 31-41-00/201)
 WARNING ELECTRONICS (AMM 31-51-00/201)

MAKE SURE THESE CIRCUIT BREAKERS ARE CLOSED:
 11B16, 11B18, 11C23, 11H35, 11J2, 11J3, 11J29,
 11J30, 11J31, 11J32, 11J33

MAKE SURE THE AIRPLANE IS IN THIS CONFIGURATION:
 ELECTRICAL POWER IS ON (AMM 24-22-00/201)

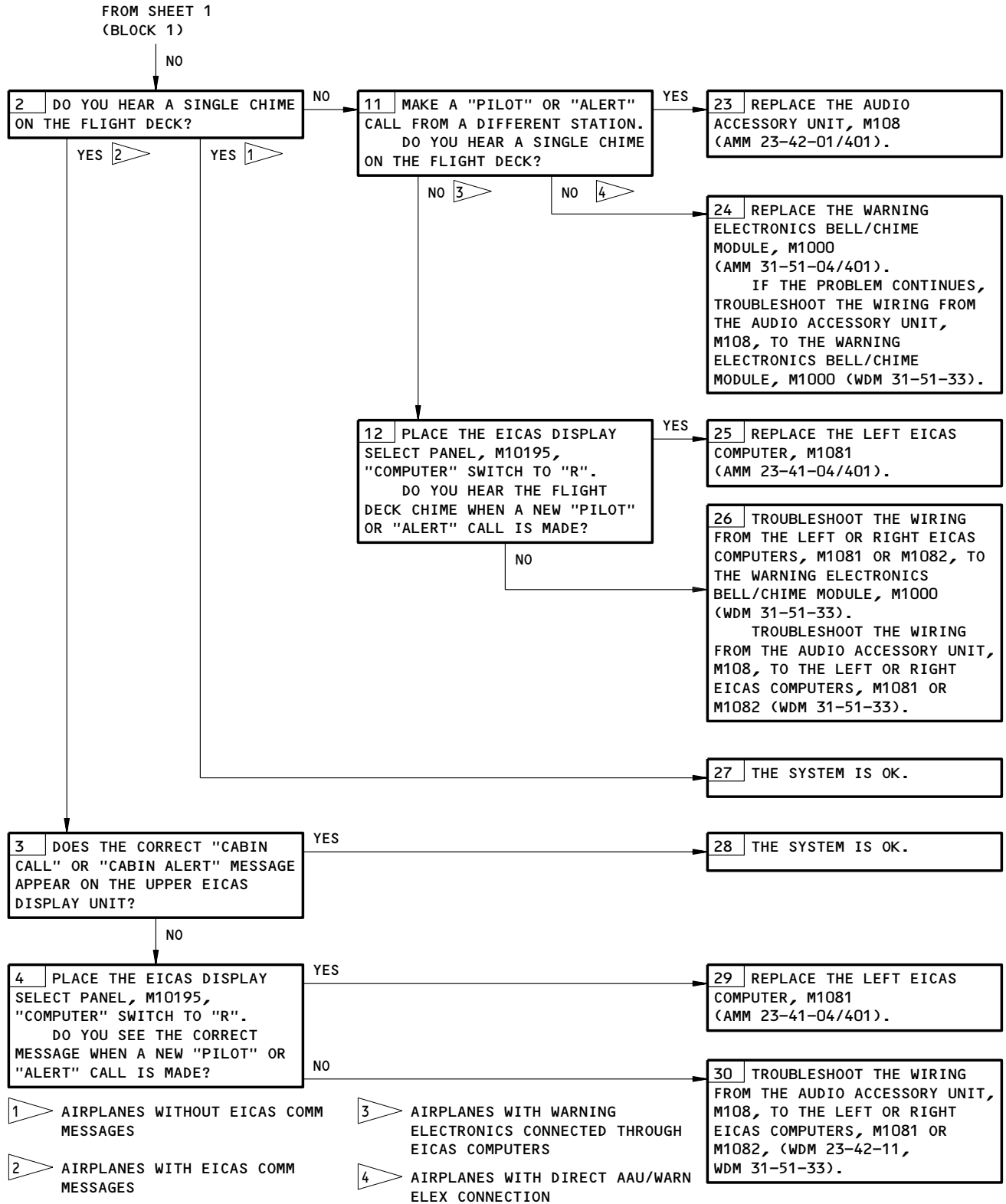


Pilot Call Chime and Light Problem
Figure 104 (Sheet 1)

EFFECTIVITY	ALL
-------------	-----

23-42-00

496003



Pilot Call Chime and Light Problem
Figure 104 (Sheet 2)

EFFECTIVITY	ALL
-------------	-----

23-42-00

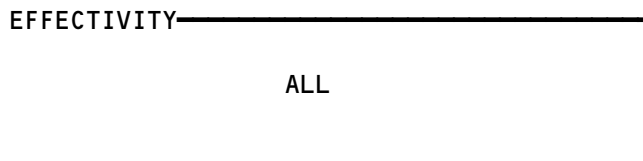
BOEING
757
FAULT ISOLATION/MAINT MANUAL

GROUND CREW CALL SYSTEM

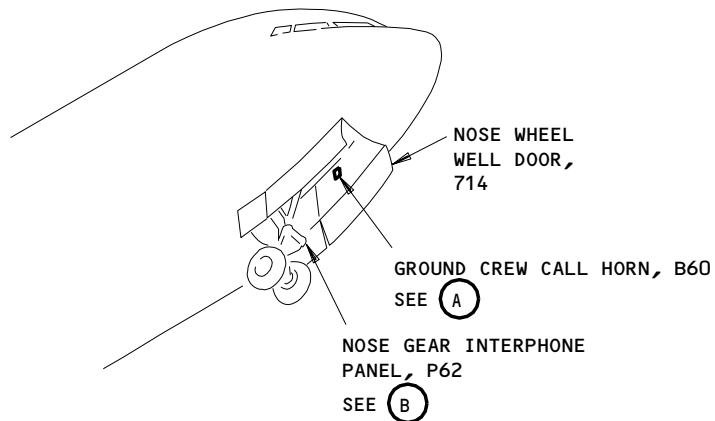
COMPONENT	FIG. 102 SHT	QTY	ACCESS/AREA	AMM REFERENCE
CIRCUIT BREAKER - GND CALL, C560	--	1	FLT COMPT, P11 11H31	*
HORN - GROUND CREW CALL, B60	--	1	714, NOSE WHEEL WELL	23-43-01
MODULE - (FIM 31-51-00/101)				
BELL CHIME AURAL WARNING, M1000				
PANEL - (FIM 23-42-00/101)				
PILOTS' CALL, M51				
RELAY - (FIM 21-58-00/101)				
HORN, K10080				
SWITCH - FLIGHT DECK CALL, S426	--	1	NOSE LANDING GEAR, NOSE GEAR INTPH PANEL, P62	*

* SEE THE WDM EQUIPMENT LIST

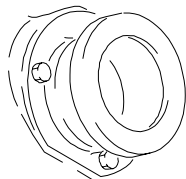
Ground Crew Call System - Component Index
Figure 101



23-43-00

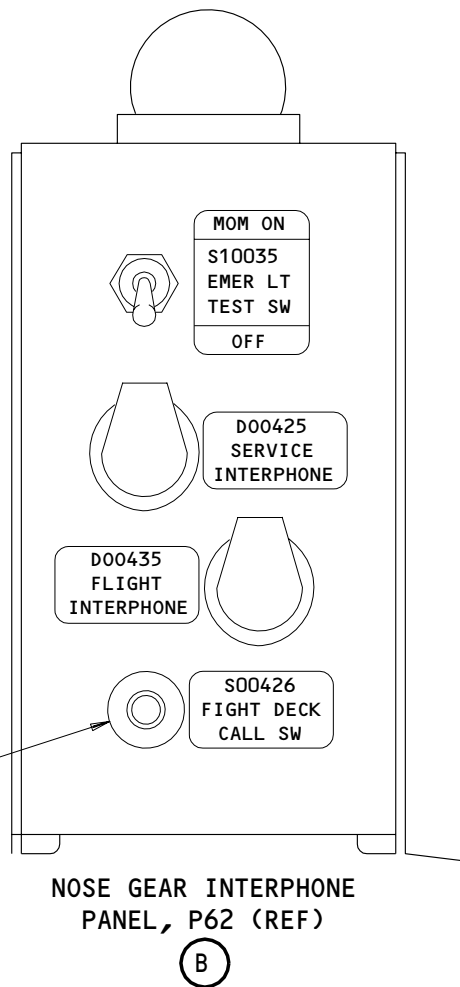


NOSE GEAR WHEEL WELL



GROUND CREW CALL HORN, B60

(A)



Ground Crew Call System - Component Location
Figure 102

EFFECTIVITY	ALL
-------------	-----

23-43-00

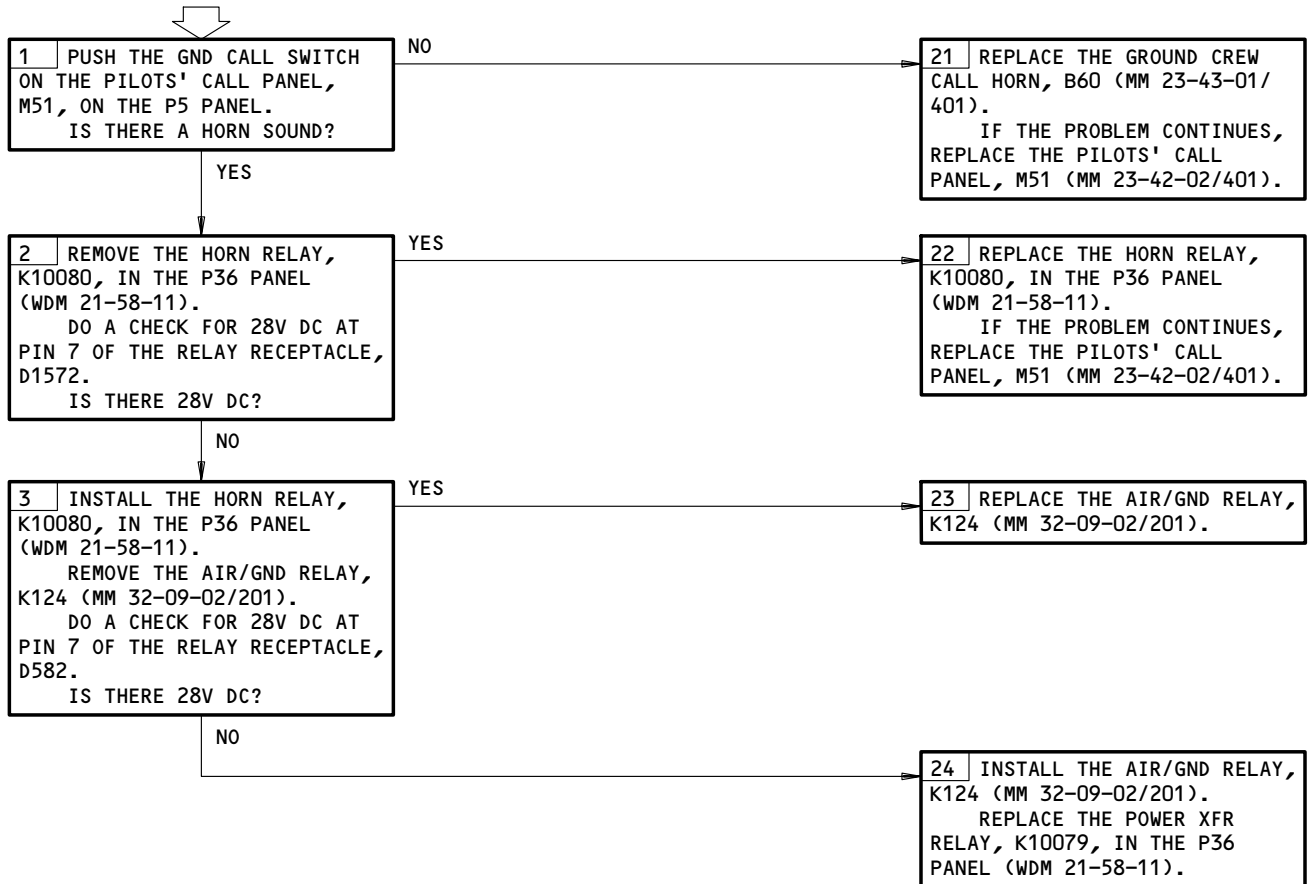
GROUND CREW CALL HORN FAILS TO SOUND. "EQPT CLG FLOW" OR "EQPT CLG SENSOR" EICAS STATUS MESSAGE(S) DISPLAYED. 1

PREREQUISITES

MAKE SURE THIS SYSTEM WILL OPERATE:
EICAS (MM 31-41-00/501)

MAKE SURE THESE CIRCUIT BREAKERS ARE CLOSED:
6D6, 11H31; 2 11N13; 3 11N17

MAKE SURE THE AIRPLANE IS IN THIS CONFIGURATION:
ELECTRICAL POWER IS ON (MM 24-22-00/201)



1 IF AN EQUIPMENT COOLING FAILURE IS REPAIRED BEFORE THIS PROCEDURE, AN EQUIPMENT COOLING FAILURE WILL HAVE TO BE MADE (MM 21-58-00/501) TO PERMIT THE GROUND CREW CALL HORN TO OPERATE.

2 ALL EXCEPT GUI XA-MMX

3 GUI XA-MMX

Ground Crew Call Horn Fails to Sound. EQPT CLG FLOW or EQPT CLG SENSOR EICAS Status Message(s) Displayed. 1

Figure 103

EFFECTIVITY

ALL

23-43-00

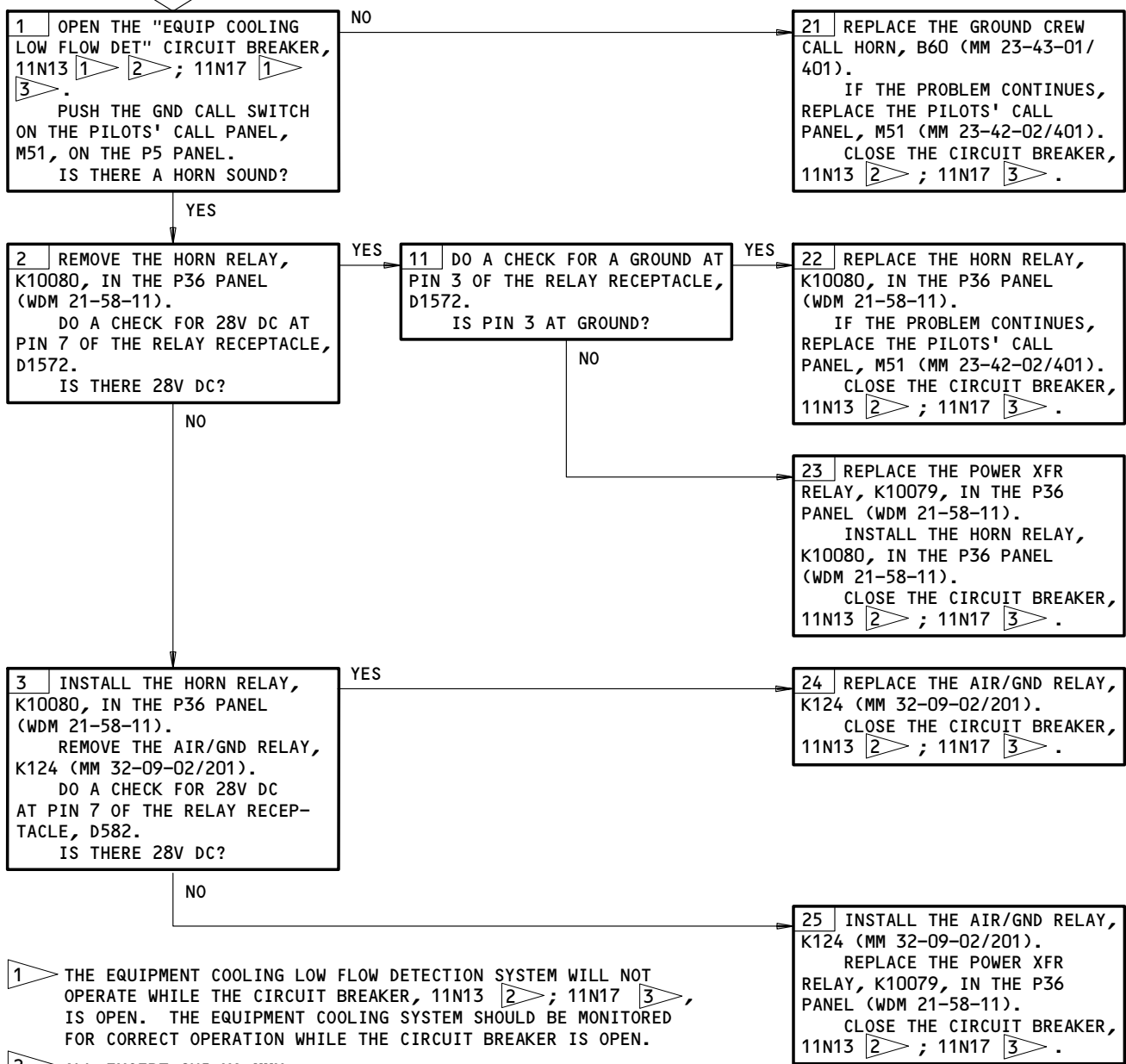
09

Page 103
Mar 20/97

A69854

GROUND CREW CALL
HORN FAILS TO SOUND.
IRS MODE SELECT
SWITCH (L, C, OR R)
ON. L AND R DC POWER
OFF

PREREQUISITES
MAKE SURE THESE CIRCUIT BREAKERS ARE CLOSED:
6D6, 11H31
MAKE SURE THE AIRPLANE IS IN THIS CONFIGURATION:
ELECTRICAL POWER IS ON (MM 24-22-00/201)



- 1 THE EQUIPMENT COOLING LOW FLOW DETECTION SYSTEM WILL NOT OPERATE WHILE THE CIRCUIT BREAKER, 11N13 2; 11N17 3, IS OPEN. THE EQUIPMENT COOLING SYSTEM SHOULD BE MONITORED FOR CORRECT OPERATION WHILE THE CIRCUIT BREAKER IS OPEN.
- 2 ALL EXCEPT GUI XA-MMX
- 3 GUI XA-MMX

Ground Crew Call Horn Fails to Sound. IRS Mode Select Switch (L, C, or R) On.
L and R DC Power Off
Figure 104

EFFECTIVITY
ALL

23-43-00

A69852

FLIGHT INTERPHONE SYSTEM - TROUBLE SHOOTING

EFFECTIVITY

ALL

23-51-00

01

Page 101
Dec 20/91

BOEING
757
FAULT ISOLATION/MAINT MANUAL

FLIGHT INTERPHONE SYSTEM

COMPONENT	FIG. 102 SHT	QTY	ACCESS/AREA	REFERENCE
AMPLIFIER - (REF 23-31-00, FIG. 101) PASSENGER ADDRESS, M177				
CIRCUIT BREAKERS -	1		FLT COMPT, P11	
INTERPHONE - CAPT FLT AMPL, C552,C554		2	11C25,11G29	*
INTERPHONE - F/O OBS FLT AMP, C553,C557		2	11C26,11G30	*
DIODE -	1		FLT COMPT,TB113, BEHIND P5	
R58		1	A10	*
R59		1	A7	*
R60		1	A9	*
R61		1	A8	*
INTERROGATOR - (REF 34-55-00, FIG. 101) LEFT DME, M123 RIGHT DME, M124				
JACK -	1		FLT COMPT	
CAPT BOOM MIC, D543		1	P13	*
CAPT HAND MIC, D539		1	P13	*
CAPT HEADSET, D541		1	P13	*
F/O BOOM MIC, D533		1	P14	*
F/O HAND MIC, D529		1	P14	*
F/O HEADSET, D531		1	P14	*
OBS BOOM MIC, D525		1	P17	*
OBS HAND MIC, D521		1	P17	*
OBS HEADSET, D523		1	P17	*
SEC OBS HEADSET, D551		1	P61	*
JACK - FLT INTPH, D435	2	1	NOSE LANDING GEAR, NOSE GEAR INTPH PNL, P62	*
PANEL - CAPT AUDIO SELECTOR, M70	1	1	FLT COMPT, P8	23-51-01
PANEL - F/O AUDIO SELECTOR, M71	1	1	FLT COMPT, P8	23-51-01
PANEL - OBS AUDIO SELECTOR, M98	1	1	FLT COMPT, P17	23-51-01
PANEL - (REF 34-51-00, FIG. 101) LEFT DME/VOR, M91 RIGHT DME/VOR, M92				
RECEIVER - (REF 34-31-00, FIG. 101) CENTER ILS, M157 LEFT ILS, M156 RIGHT ILS, M158				
RECEIVER - (REF 34-51-00, FIG. 101) LEFT VOR, M186 RIGHT VOR, M187				
RECEIVER - (REF 34-57-00, FIG. 101) LEFT ADF, M215 RIGHT ADF, M216				

* SEE THE WDM EQUIPMENT LIST

Flight Interphone System - Component Index
Figure 101 (Sheet 1)

EFFECTIVITY

ALL

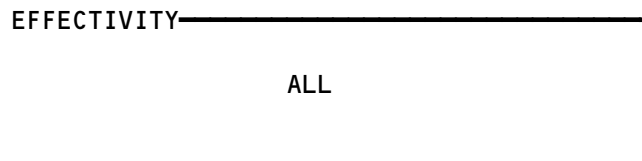
23-51-00


BOEING
 757
 FAULT ISOLATION/MAINT MANUAL

COMPONENT	FIG. 102 SHT	QTY	ACCESS/AREA	REFERENCE
RESISTOR - R10233	2	1	MAIN EQUIP CTR, E4-3, TB141	*
R10234		1		*
SPEAKER - CAPT COCKPIT, B1	1	1	FLT COMPT	23-51-02
SPEAKER - F/O COCKPIT, B2	1	1	FLT COMPT	23-51-02
SWITCH - CAPT PTT INTPH CONT, S549	1	1	FLT COMPT, CAPT CONTROL WHEEL	23-51-03
SWITCH - CAPT RT/PTT MIC CONT, S550	1	1	FLT COMPT, CAPT CONTROL WHEEL	23-51-03
UNIT - (REF 23-42-00, FIG. 101) AUDIO ACCESSORY, M108				
XCVR - (REF 23-11-00, FIG. 101) LEFT HF, M152				
RIGHT HF, M153				
XCVR - (REF 23-12-00, FIG. 101) CENTER VHF, M190				
LEFT VHF, M188				
RIGHT VHF, M189				

* SEE THE WDM EQUIPMENT LIST

Flight Interphone System - Component Index
Figure 101 (Sheet 2)

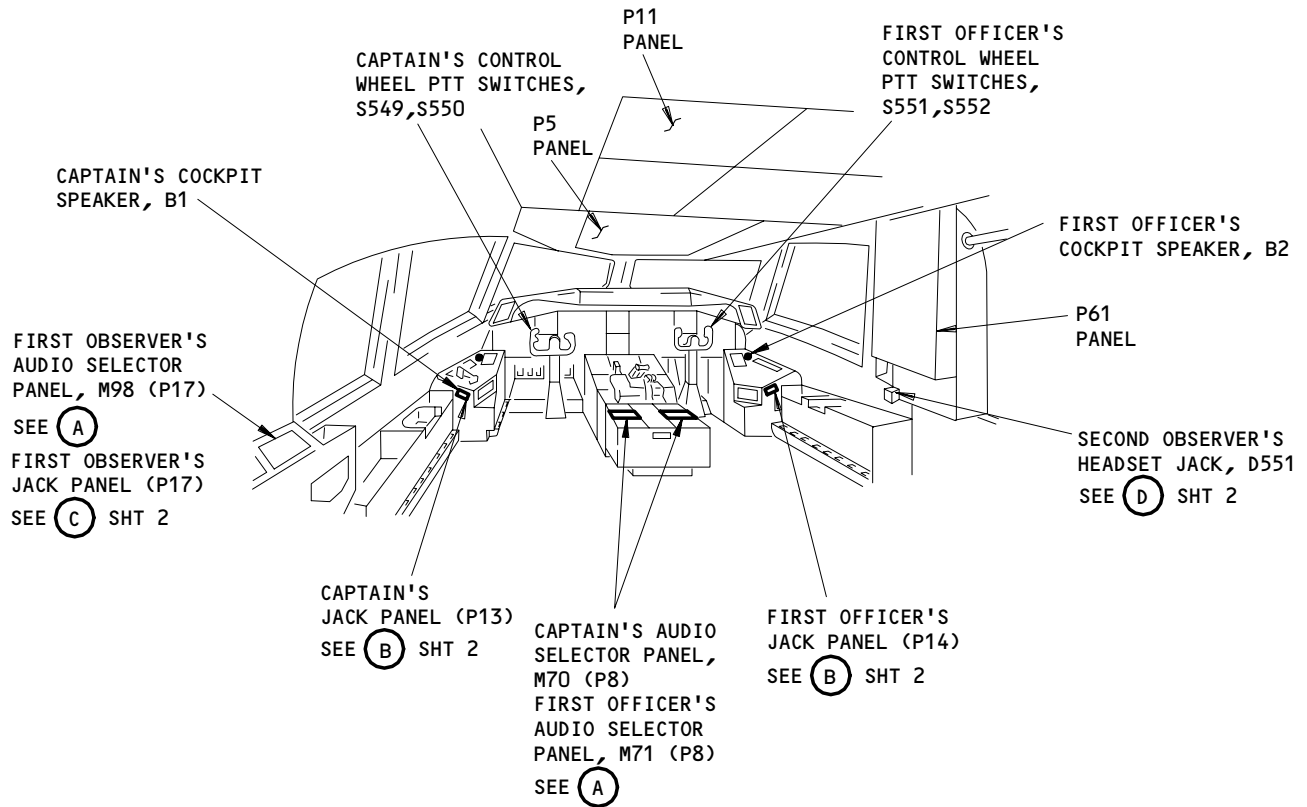


23-51-00

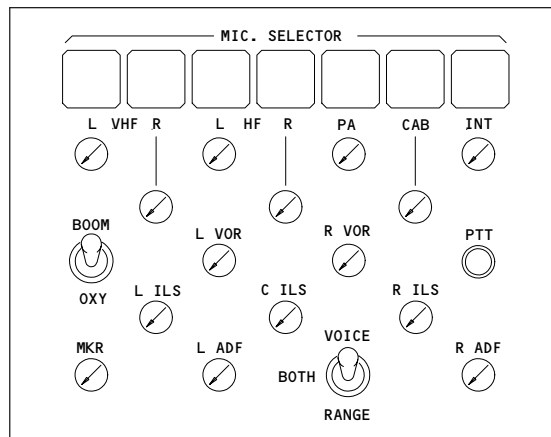
BOEING

757

FAULT ISOLATION/MAINT MANUAL



FLIGHT COMPARTMENT



AUDIO SELECTOR PANEL, M70, M71, M98

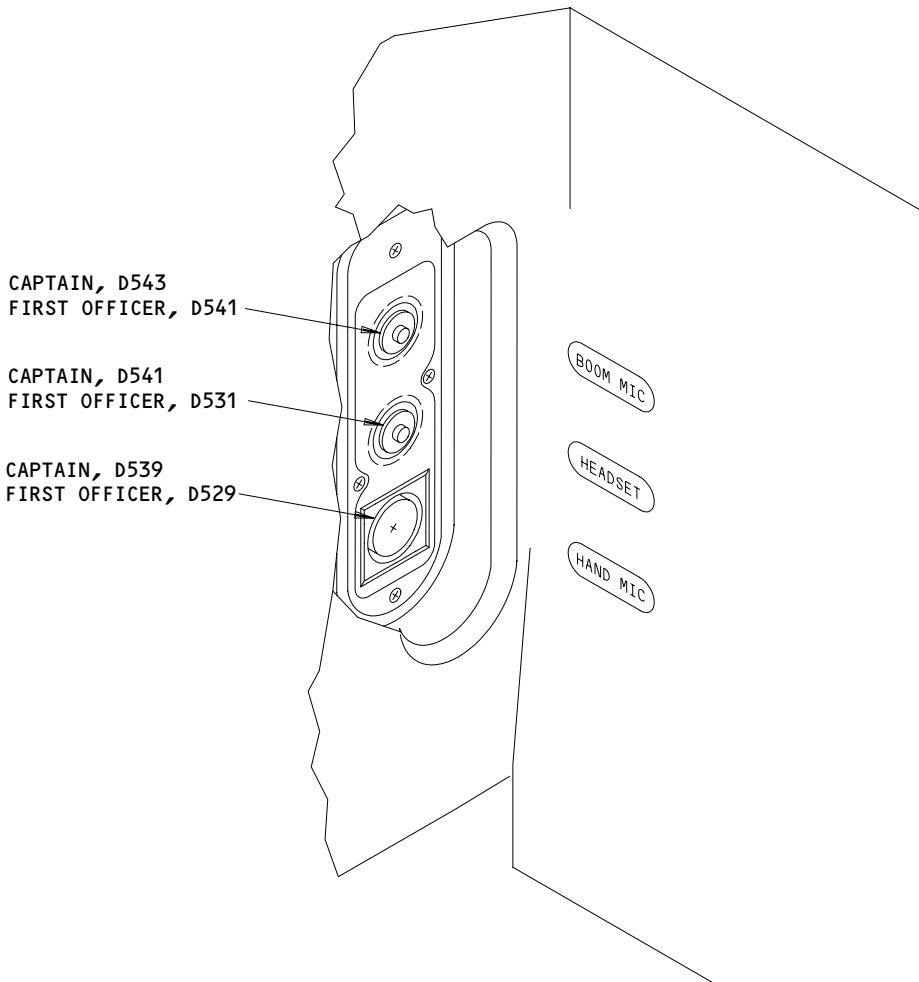
(A)

Flight Interphone System - Component Location
Figure 102 (Sheet 1)

EFFECTIVITY

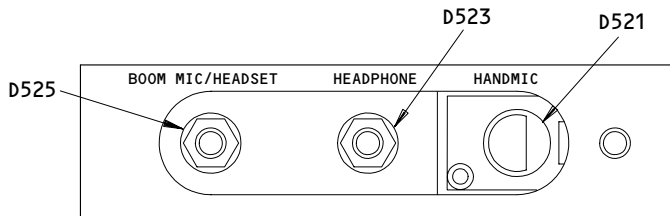
ALL

23-51-00



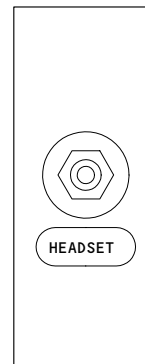
CAPTAIN'S AND FIRST OFFICER'S JACK PANEL
(EXAMPLE)

(B)



FIRST OBSERVER'S JACK PANEL
(EXAMPLE)

(C)



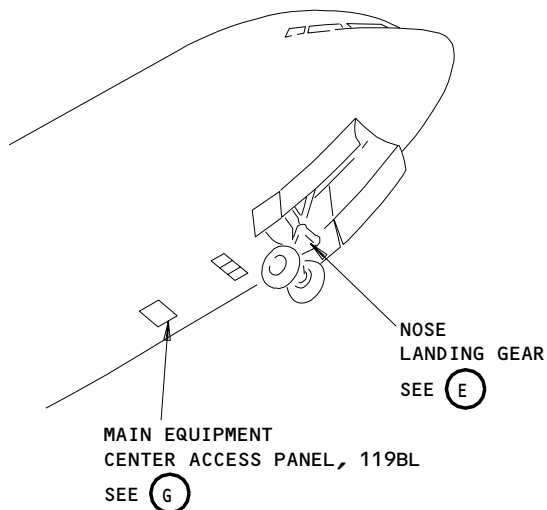
SECOND OBSERVER'S
HEADSET JACK, D551
(EXAMPLE)

(D)

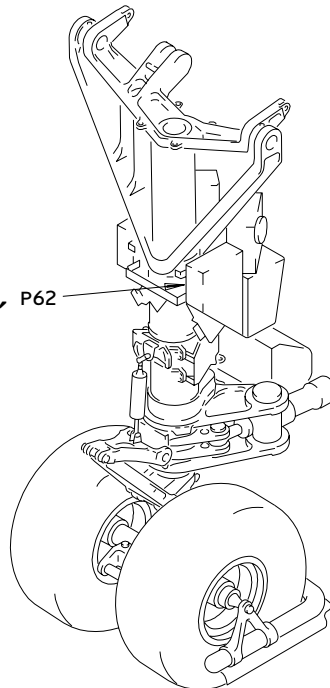
Flight Interphone System - Component Location (Details from Sht 1)
Figure 102 (Sheet 2)

EFFECTIVITY	
	ALL

23-51-00

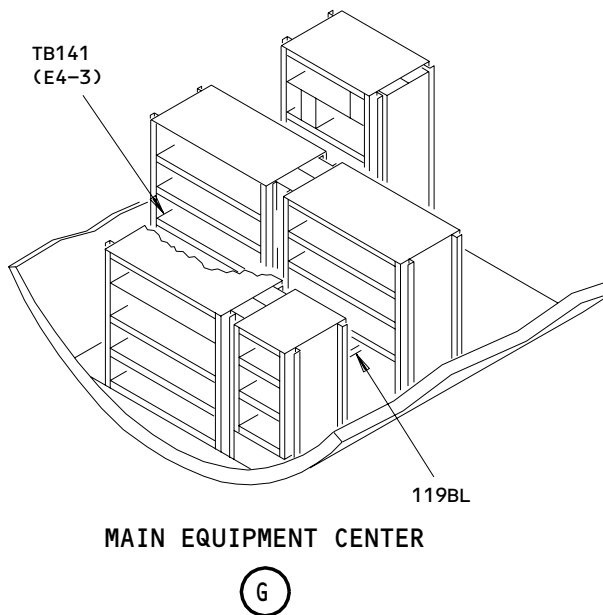
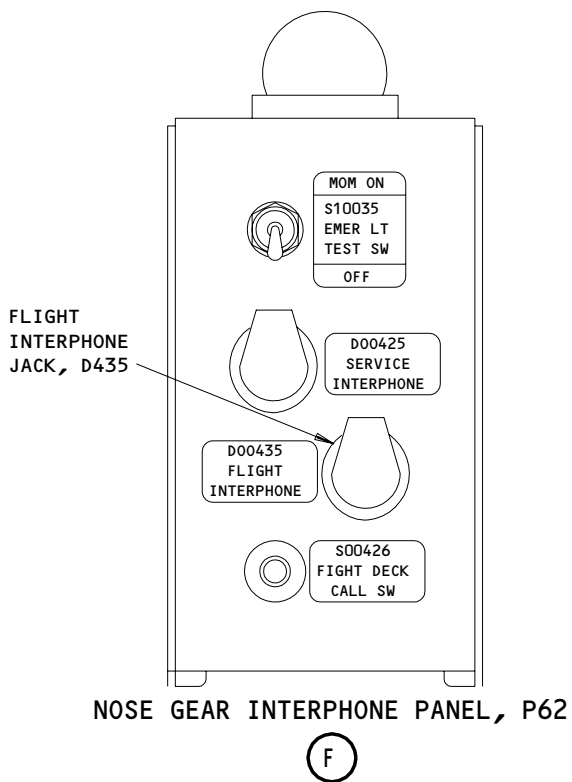


NOSE GEAR INTERPHONE PANEL, P62
SEE (F)



NOSE LANDING GEAR

(E)



Flight Interphone System - Component Location
Figure 102 (Sheet 3)

EFFECTIVITY

ALL

23-51-00

01

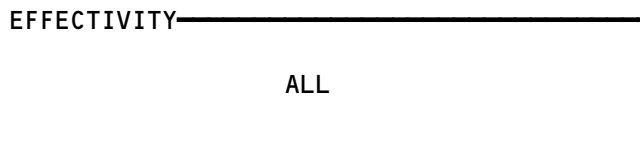
Page 106
Sep 20/93


BOEING
 757
 FAULT ISOLATION/MAINT MANUAL

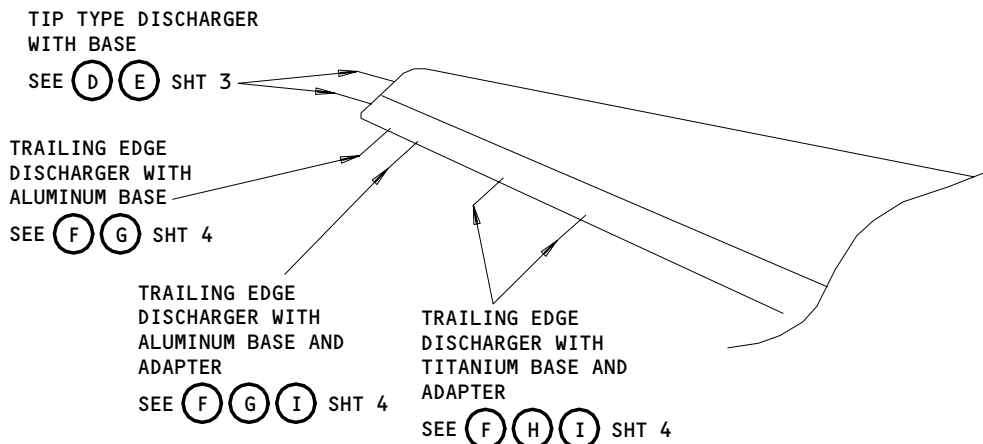
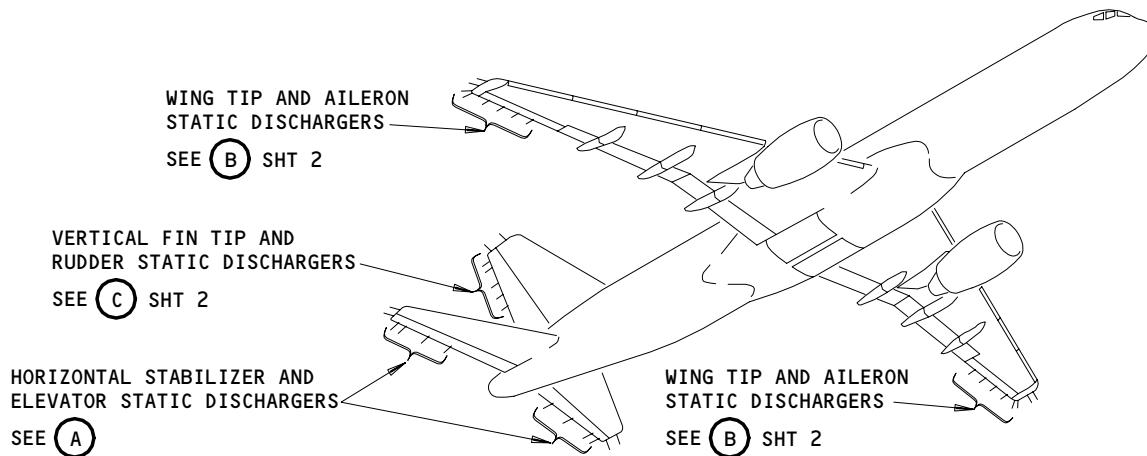
STATIC DISCHARGERS

COMPONENT	FIG. 102 SHT	QTY	ACCESS/AREA	AMM REFERENCE
ADAPTER - ALUMINUM STATIC DISCHARGER BASE, ASSY	1 2	2 1	ELEVATORS RUDDER	23-61-00 23-61-00
ADAPTER - TITANIUM STATIC DISCHARGER BASE, ASSY	1 2	4 2	ELEVATORS RUDDER	23-61-00 23-61-00
BASE - ALUMINUM STATIC DISCHARGER, TRAILING EDGE TYPE	1 2 2	4 3 2	ELEVATORS RUDDER WINGTIPS	23-61-01 23-61-01 23-61-01
BASE - FLAT SURFACE STATIC DISCHARGER, TIP TYPE	1	2	HORIZ STABILIZER TIPS	23-61-01
BASE - LARGE RADIUS SURFACE STATIC DISCHARGER, TIP TYPE	2 2	1 4	VERTICAL STABILIZER TIP WINGTIPS	23-61-01 23-61-01
BASE - SMALL RADIUS SURFACE STATIC DISCHARGER, TIP TYPE	2 1	1 2	VERTICAL STABILIZER TIP HORIZ STABILIZER TIPS	23-61-01 23-61-01
BASE - TITANIUM STATIC DISCHARGER, TRAILING EDGE TYPE	2 1 2	10 4 2	OUTBD AILERONS ELEVATORS RUDDER	23-61-01 23-61-01 23-61-01
DISCHARGER - TIP TYPE STATIC	1 2 2 2	4 1 1 4	HORIZ STABILIZER TIPS RUDDER VERTICAL STABILIZER TIP WINGTIPS	23-61-01 23-61-01 23-61-01 23-61-01
DISCHARGER - TRAILING EDGE TYPE STATIC	2 1 2 2	10 8 5 2	OUTBD AILERONS ELEVATORS RUDDER WINGTIPS	23-61-01 23-61-01 23-61-01 23-61-01

Static Dischargers - Component Index
Figure 101



23-61-00



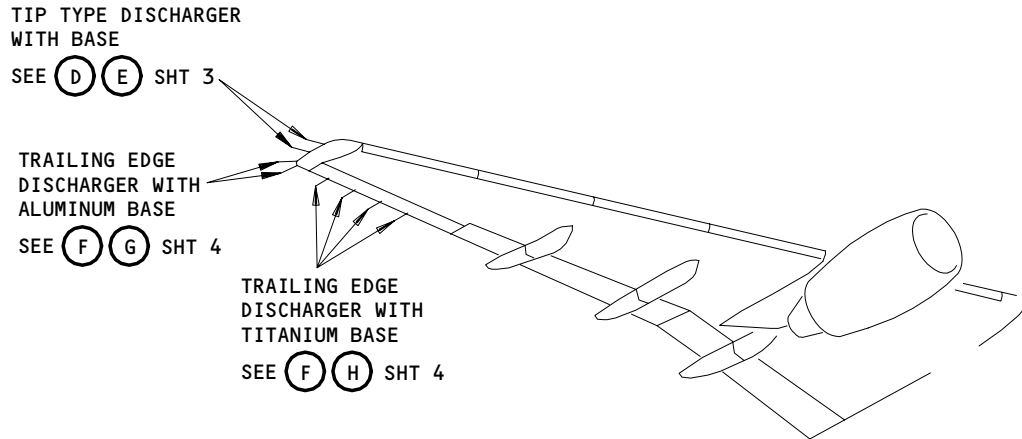
HORIZONTAL STABILIZER AND ELEVATOR STATIC DISCHARGERS (EXAMPLE)

(A)

Static Dischargers - Component Location
Figure 102 (Sheet 1)

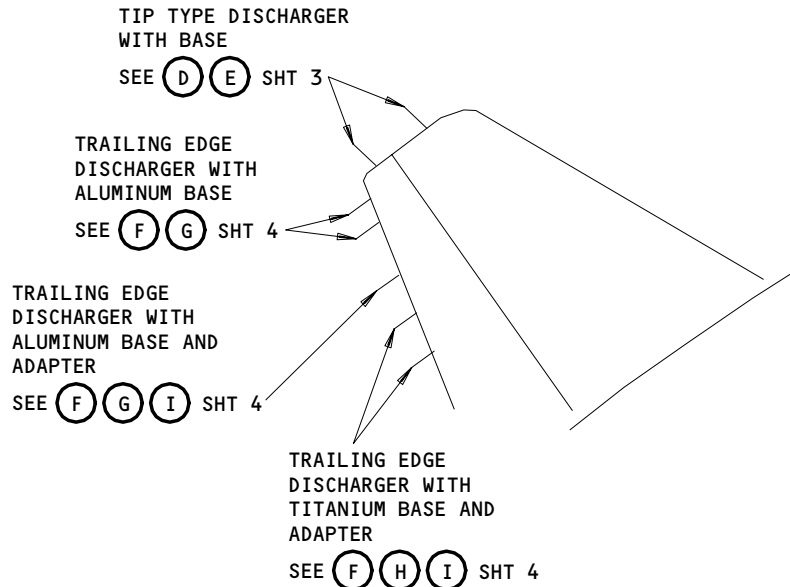
EFFECTIVITY	
	ALL

23-61-00



WING TIP AND AILERON STATIC DISCHARGERS (EXAMPLE)

(B)



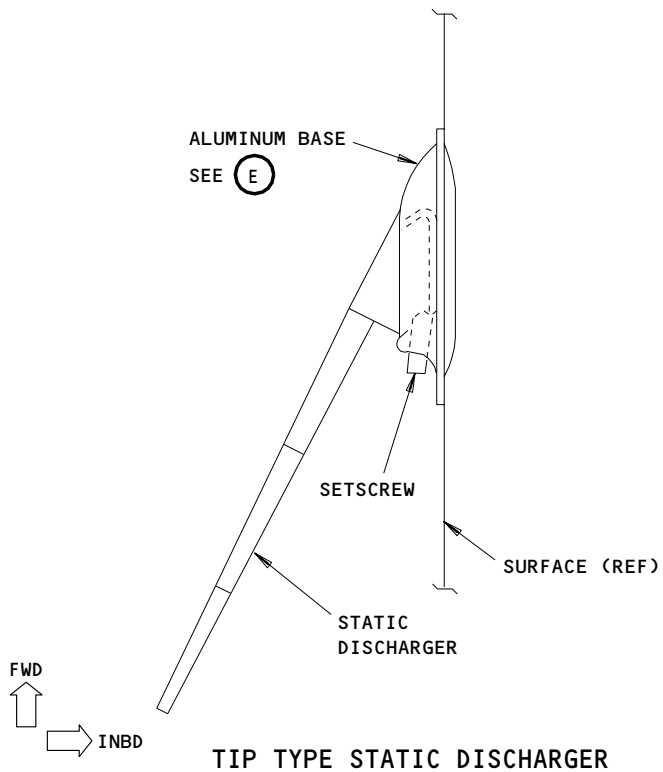
VERTICAL FIN TIP AND RUDDER STATIC DISCHARGERS

(C)

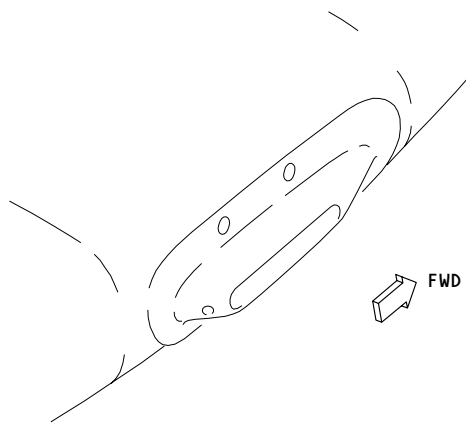
Static Dischargers - Component Location (Details from Sht 1)
Figure 102 (Sheet 2)

EFFECTIVITY	ALL
-------------	-----

23-61-00



(D) FROM SHT 1 AND 2



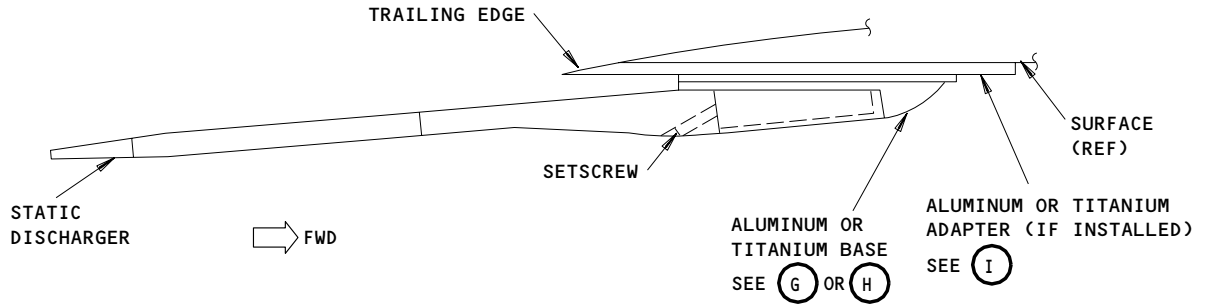
**TIP TYPE STATIC DISCHARGER BASE
 (ALUMINUM - FLAT OR CURVED SURFACE)**

(E)

**Static Dischargers - Component Location
 Figure 102 (Sheet 3)**

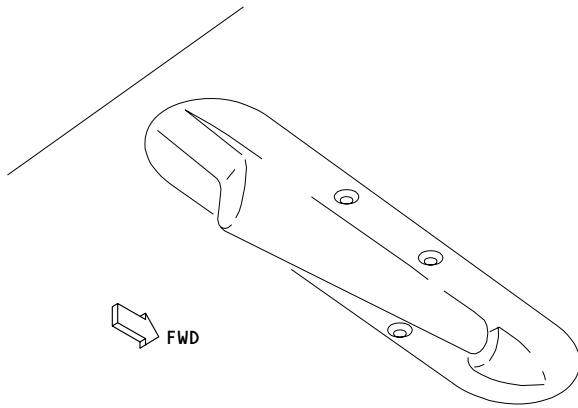
EFFECTIVITY	
ALL	

23-61-00



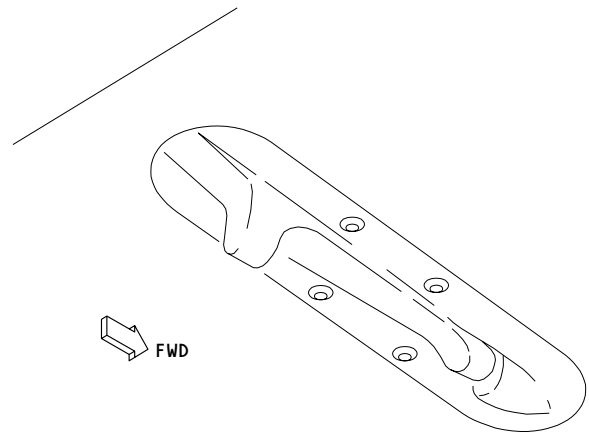
TRAILING EDGE TYPE STATIC DISCHARGER

(F) FROM SHT 1 AND 2



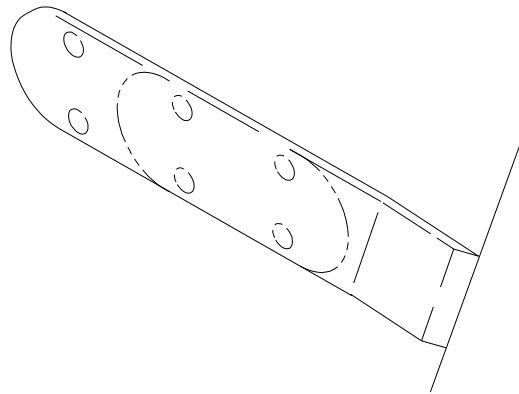
**TRAILING EDGE TYPE STATIC DISCHARGER BASE
(ALUMINUM)**

(G)



**TRAILING EDGE TYPE STATIC DISCHARGER BASE
(TITANIUM)**

(H)




**STATIC DISCHARGER BASE ADAPTER ASSEMBLY
(ALUMINUM OR TITANIUM)**

(I)

**Static Dischargers - Component Location
Figure 102 (Sheet 4)**

EFFECTIVITY	ALL
-------------	-----

23-61-00


BOEING
 757
 FAULT ISOLATION/MAINT MANUAL
VOICE RECORDER SYSTEM

COMPONENT	FIG. 102 SHT	QTY	ACCESS/AREA	REFERENCE
BEACON - UNDERWATER LOCATOR	--	1	AFT PASSENGER CABIN CEILING	23-71-03
CIRCUIT BREAKER	--	1	FLT COMPT, P11	*
VOICE RECORDER, C532	--	1	11H33	
PANEL - (REF 23-51-00, FIG. 101)				
CAPT AUDIO SELECTOR, M70				
F/O AUDIO SELECTOR, M71				
1ST OBS AUDIO SELECTOR, M98				
PANEL - VOICE RECORDER CONTROL, M50	--	1	FLT COMPT, P5	23-71-02
RECORDER - VOICE, M201	--	1	AFT PASS CABIN CEILING	23-71-01
RELAY - (REF 31-01-36, FIG. 101)				
AIR/GND, K135				
PARKING BRAKE, K419				

* SEE THE WDM EQUIPMENT LIST

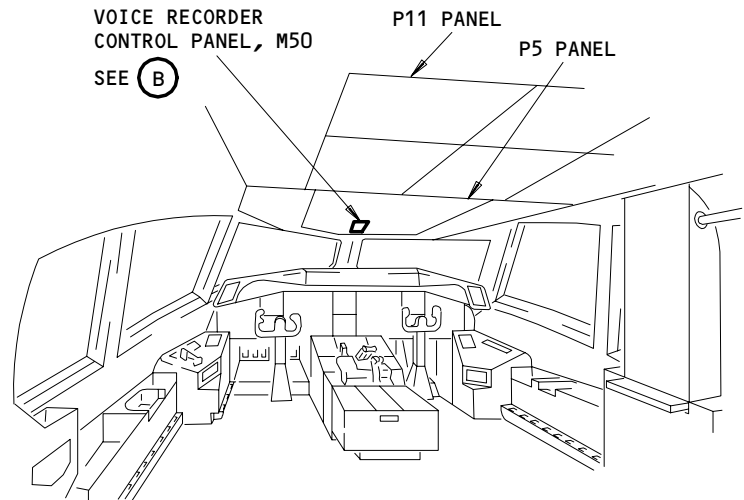
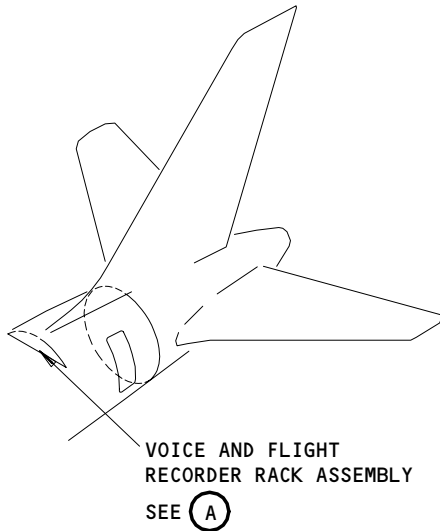
Voice Recorder System - Component Index
Figure 101

EFFECTIVITY
GUI 009,115

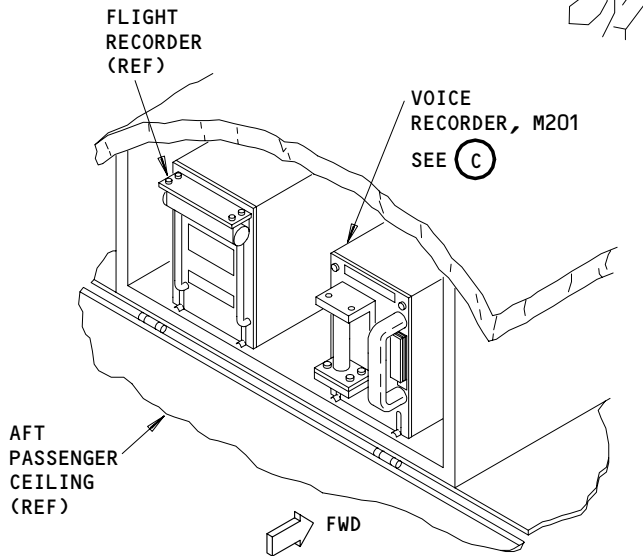
23-71-00

CONFIG 1
Page 101
Mar 20/93

02

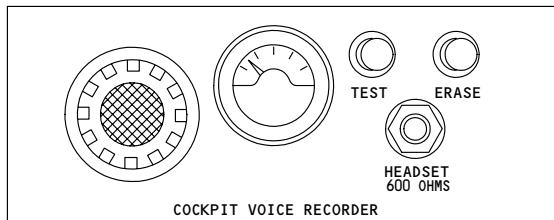


FLIGHT COMPARTMENT



VOICE AND FLIGHT RECORDER RACK ASSEMBLY

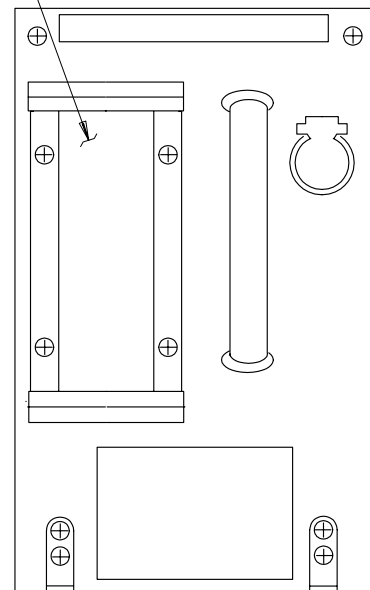
(A)



VOICE RECORDER CONTROL PANEL, M50

(B)

UNDERWATER LOCATOR BEACON



VOICE RECORDER, M201

(C)

Voice Recorder System - Component Location
Figure 102

EFFECTIVITY
GUI 009,115

23-71-00

CONFIG 1

Page 102

Mar 20/93

02

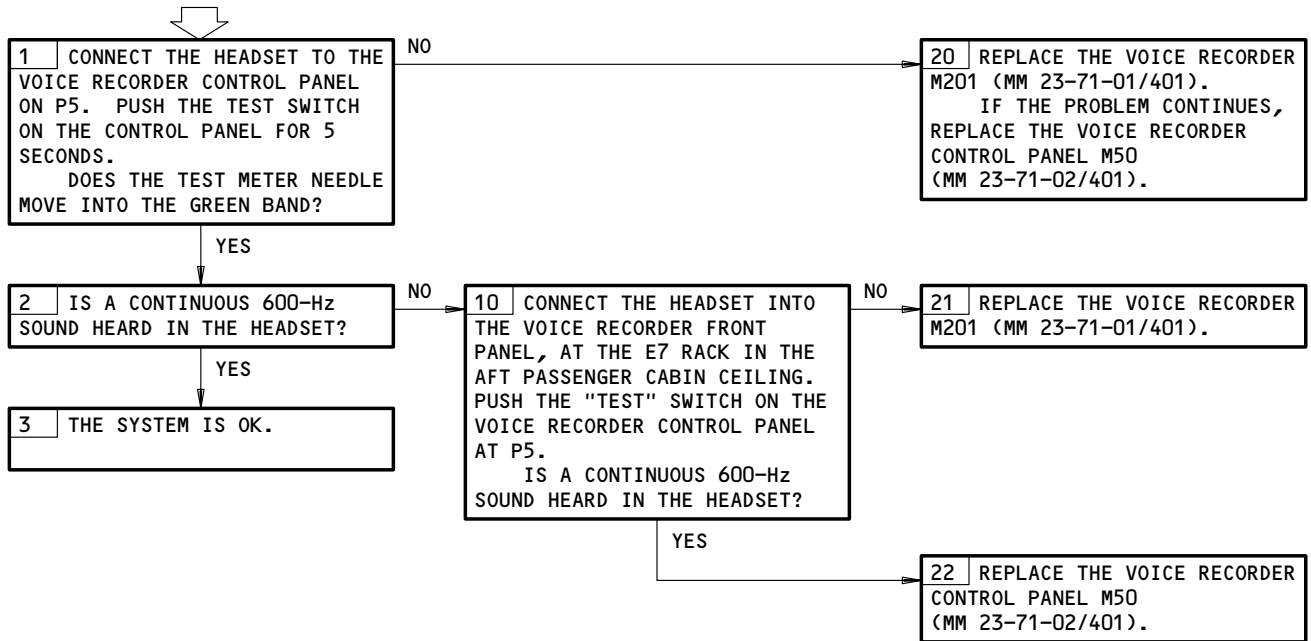
832818

PREREQUISITES

MAKE SURE THIS CIRCUIT BREAKER IS CLOSED:
11H33

MAKE SURE THE AIRPLANE IS IN THE CONFIGURATION THAT
FOLLOWS:
ELECTRICAL POWER IS ON (MM 24-22-00/201)

**VOICE RECORDER
BITE PROCEDURE**



NOTE: BITE DOES A TEST OF THESE SYSTEM COMPONENTS:
VOICE RECORDER
VOICE RECORDER CONTROL PANEL
BITE DOES NOT DO A TEST OF THESE SYSTEM COMPONENTS:
AUDIO SELECTOR PANEL
UNDERWATER LOCATOR BEACON

Voice Recorder BITE Procedure
Figure 103

EFFECTIVITY
GUI 009,115

23-71-00
CONFIG 1
Page 103
Mar 20/93

02

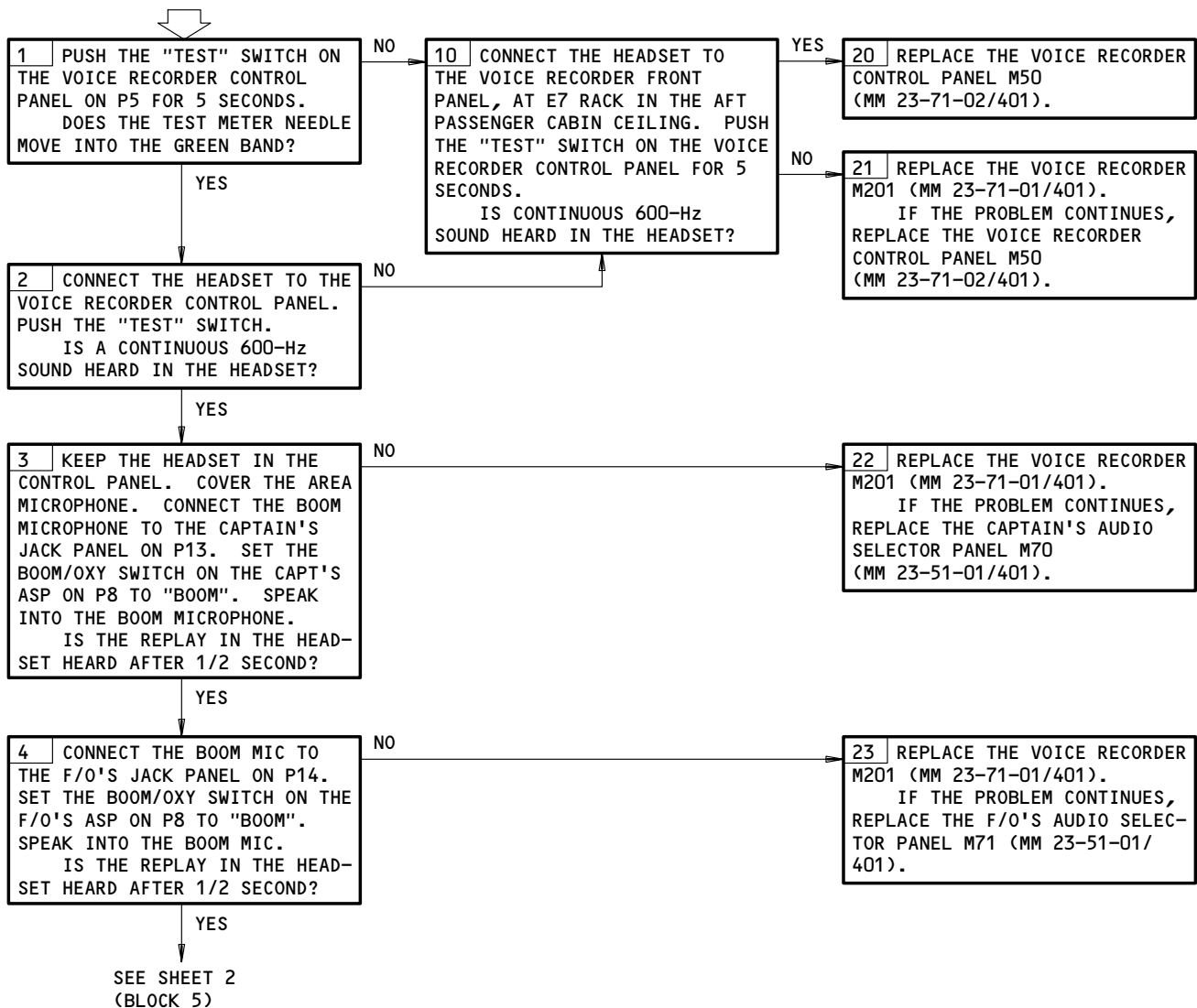
**VOICE RECORDER
SYSTEM FAULT
ISOLATION**

PREREQUISITES

MAKE SURE THESE SYSTEMS WILL OPERATE:
 FLIGHT INTERPHONE (MM 23-51-00/501)
 NORMAL PARKING (MM 10-11-01/201)

MAKE SURE THESE CIRCUIT BREAKERS ARE CLOSED:
 6F4,11C25,11C26,11C30,11G29,11G30,11H33,11S15

MAKE SURE THE AIRPLANE IS IN THE CONFIGURATION THAT FOLLOWS:
 ELECTRICAL POWER IS ON (MM 24-22-00/201)

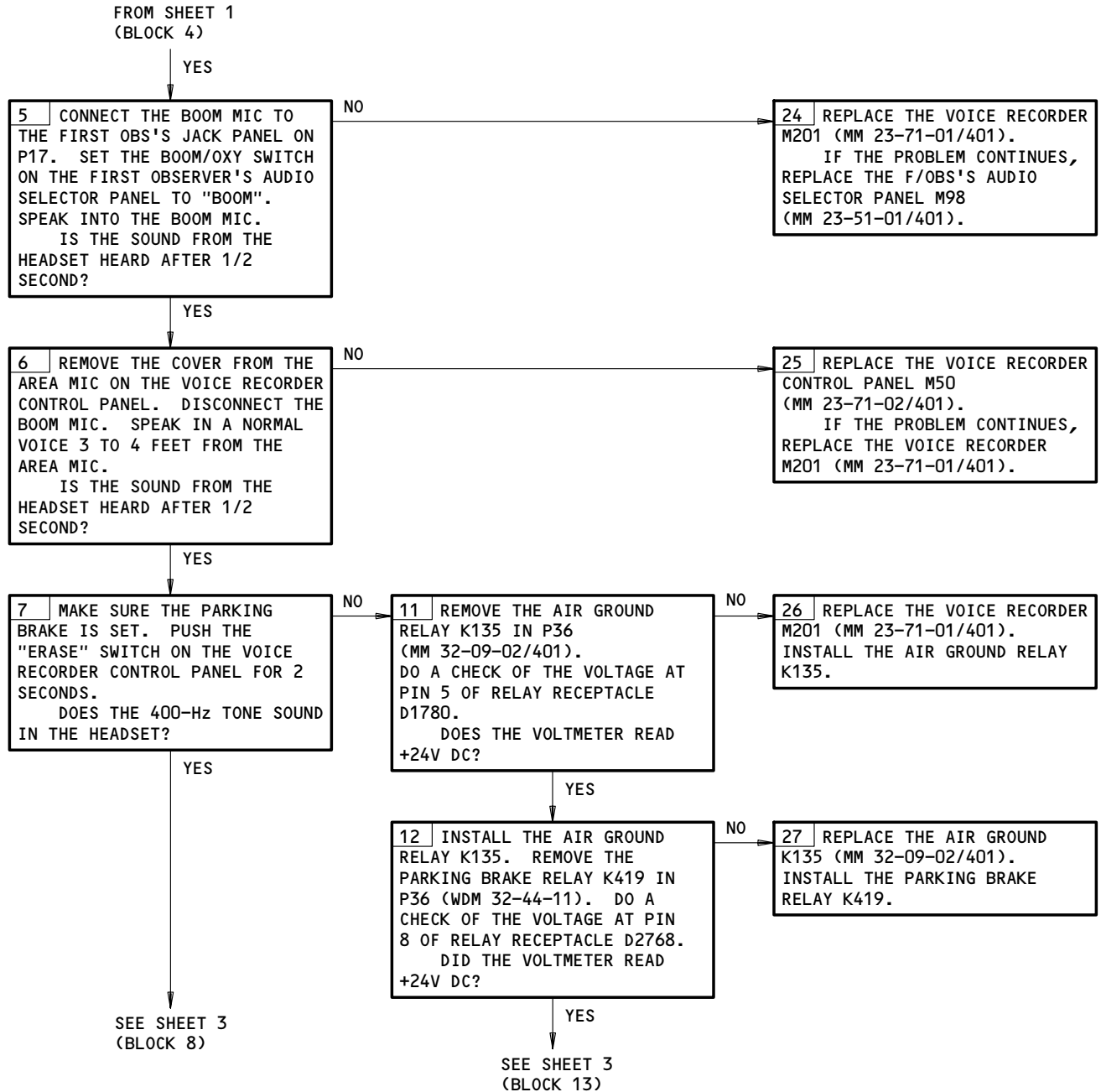


Voice Recorder System Fault Isolation
Figure 104 (Sheet 1)

EFFECTIVITY
GUI 009,115

23-71-00
 CONFIG 1
 Page 104
 Mar 20/93

02



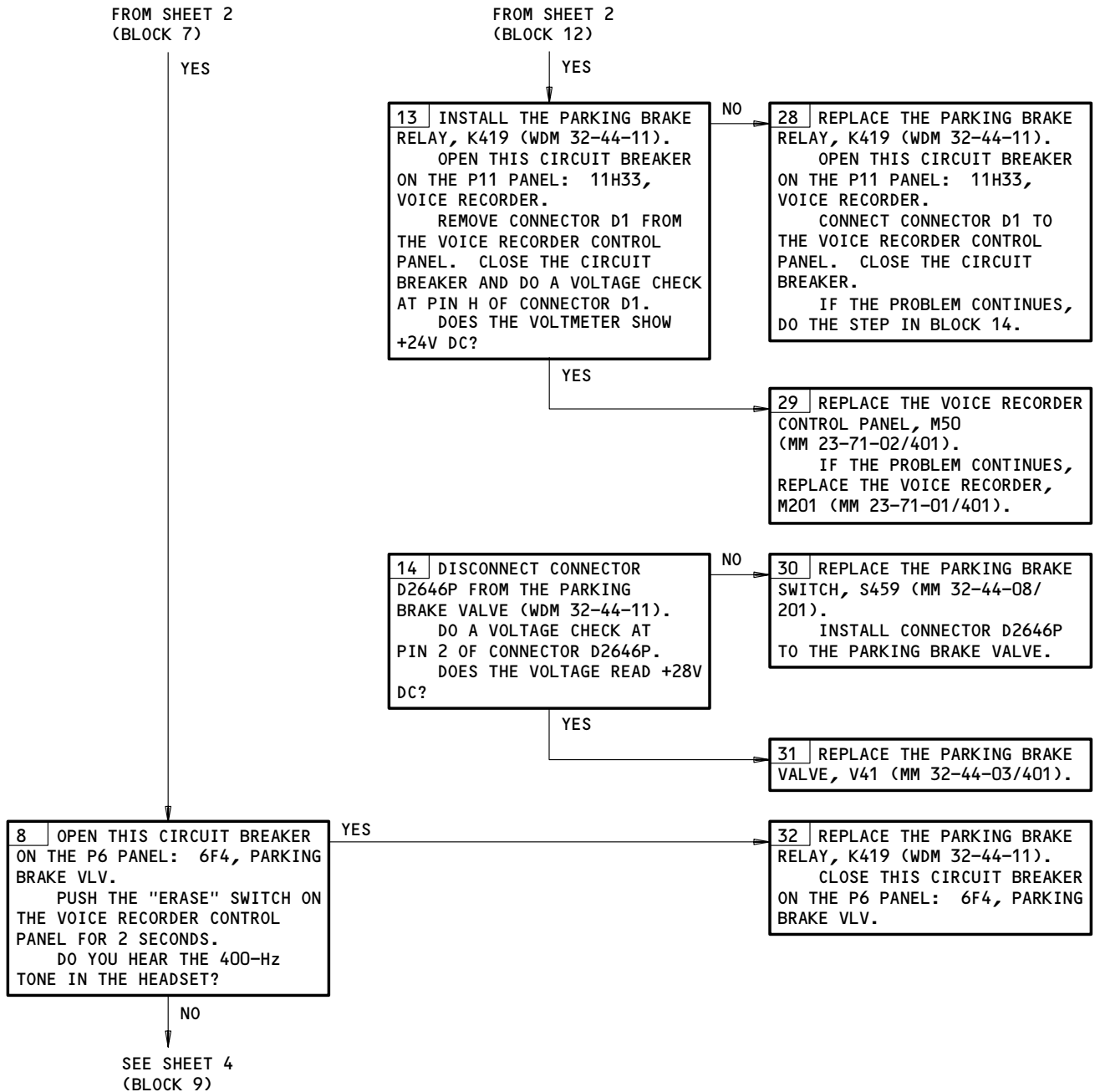
Voice Recorder System Fault Isolation
Figure 104 (Sheet 2)

EFFECTIVITY
GUI 009,115

23-71-00
 CONFIG 1
 Page 105
 Mar 20/93

02

BOEING
757
FAULT ISOLATION/MAINT MANUAL



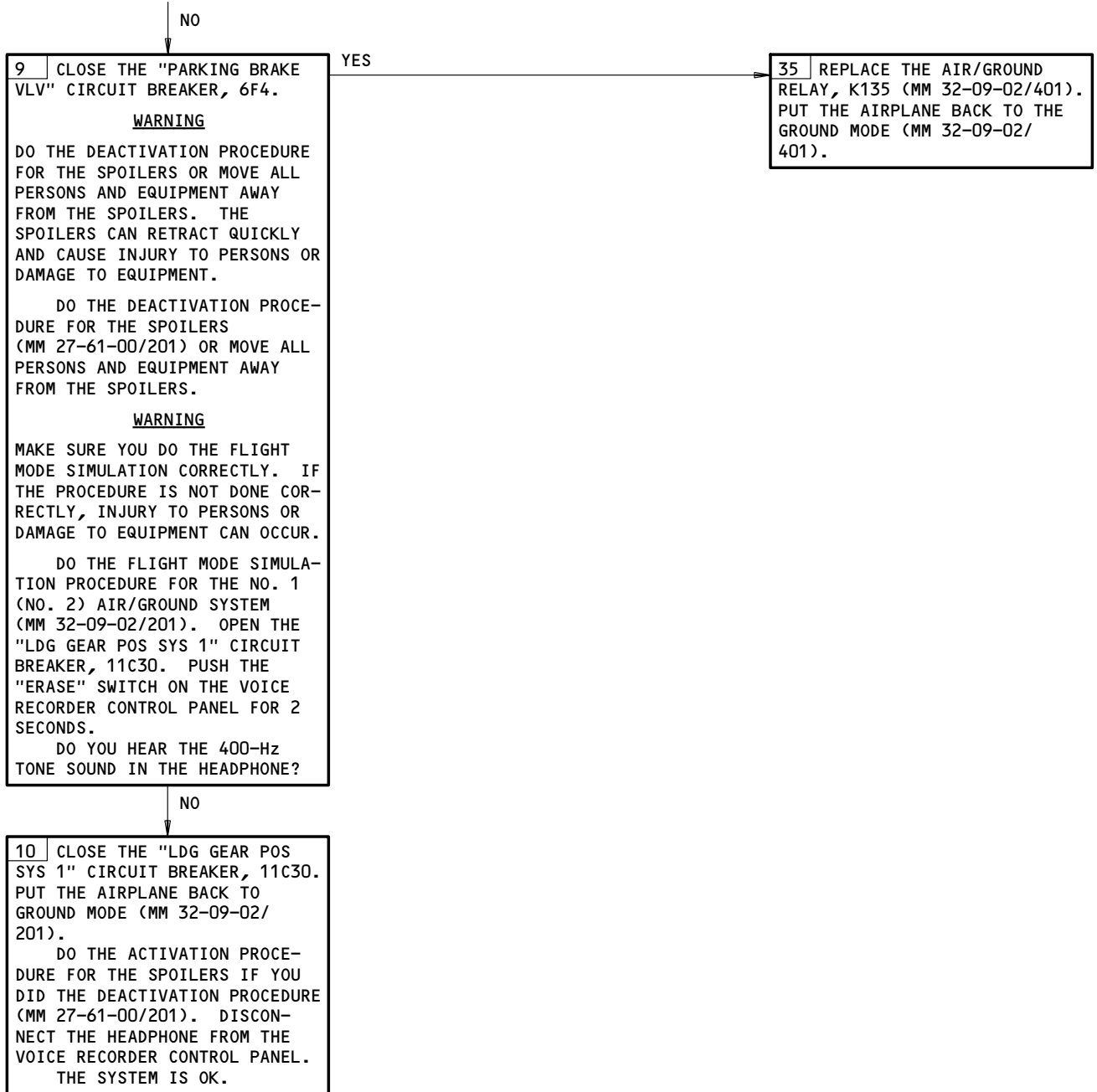
Voice Recorder System Fault Isolation
Figure 104 (Sheet 3)

EFFECTIVITY
GUI 009,115

23-71-00
CONFIG 1
Page 106
Mar 20/93

02

FROM SHEET 3
(BLOCK 8)




Voice Recorder System Fault Isolation
Figure 104 (Sheet 4)

EFFECTIVITY
GUI 009,115

23-71-00
 CONFIG 1
 Page 107
 Mar 20/93

02


BOEING
 757
 FAULT ISOLATION/MAINT MANUAL
VOICE RECORDER SYSTEM

COMPONENT	FIG. 102 SHT	QTY	ACCESS/AREA	REFERENCE
BEACON - UNDERWATER LOCATOR	--	1	AFT PASSENGER CABIN CEILING	23-71-03
CIRCUIT BREAKER	--	1	FLT COMPT, P11	*
VOICE RECORDER, C532			11H33	
PANEL - (REF 23-51-00, FIG. 101)				
CAPT AUDIO SELECTOR, M70				
F/O AUDIO SELECTOR, M71				
1ST OBS AUDIO SELECTOR, M98				
PANEL - VOICE RECORDER CONTROL, M50	--	1	FLT COMPT, P5	23-71-02
RECORDER - VOICE, M201	--	1	AFT PASS CABIN CEILING	23-71-01
RELAY - (REF 31-01-36, FIG. 101)				
AIR/GND, K135				
PARKING BRAKE, K419				

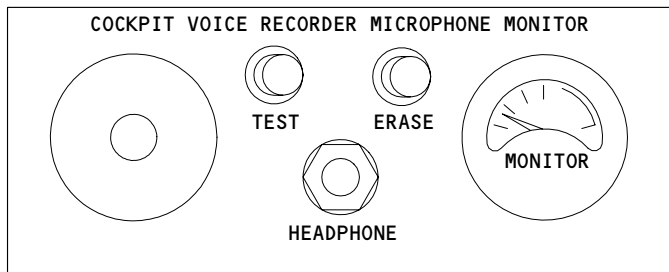
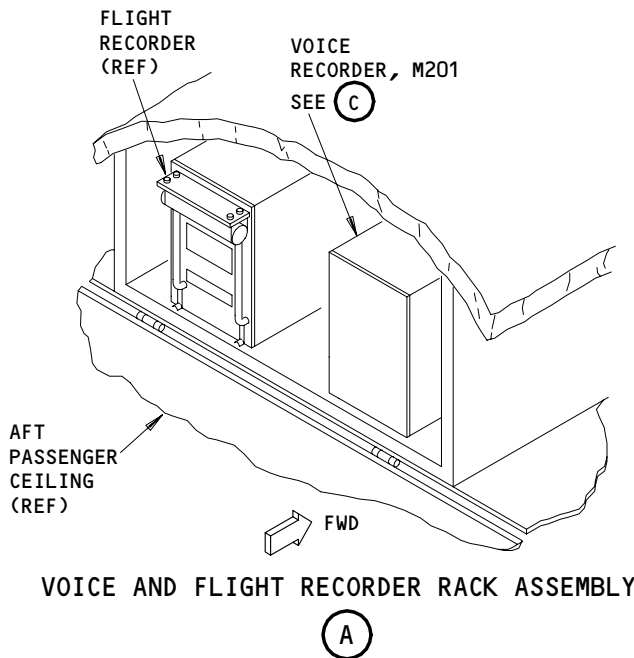
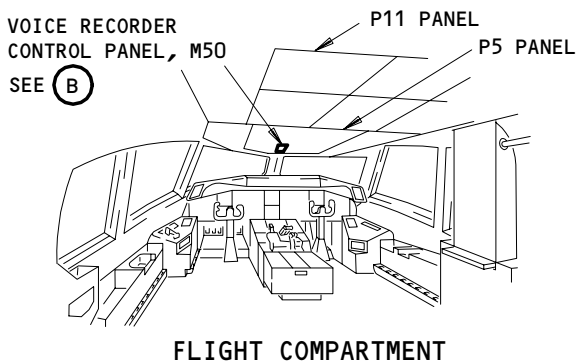
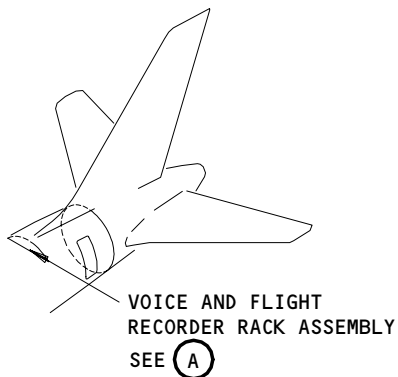
* SEE THE WDM EQUIPMENT LIST

Voice Recorder System - Component Index
Figure 101

EFFECTIVITY
GUI 001-008,010-013

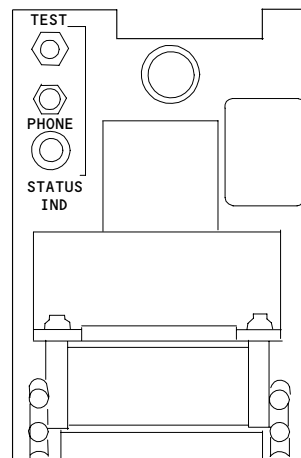
23-71-00
 CONFIG 2
 Page 101
 Mar 20/93

02



VOICE RECORDER CONTROL PANEL, M50

(B)



VOICE RECORDER, M201

(C)

Voice Recorder System - Component Location
Figure 102

EFFECTIVITY
GUI 001-008,010-013

B72720

23-71-00

CONFIG 2

Page 102

Mar 20/93

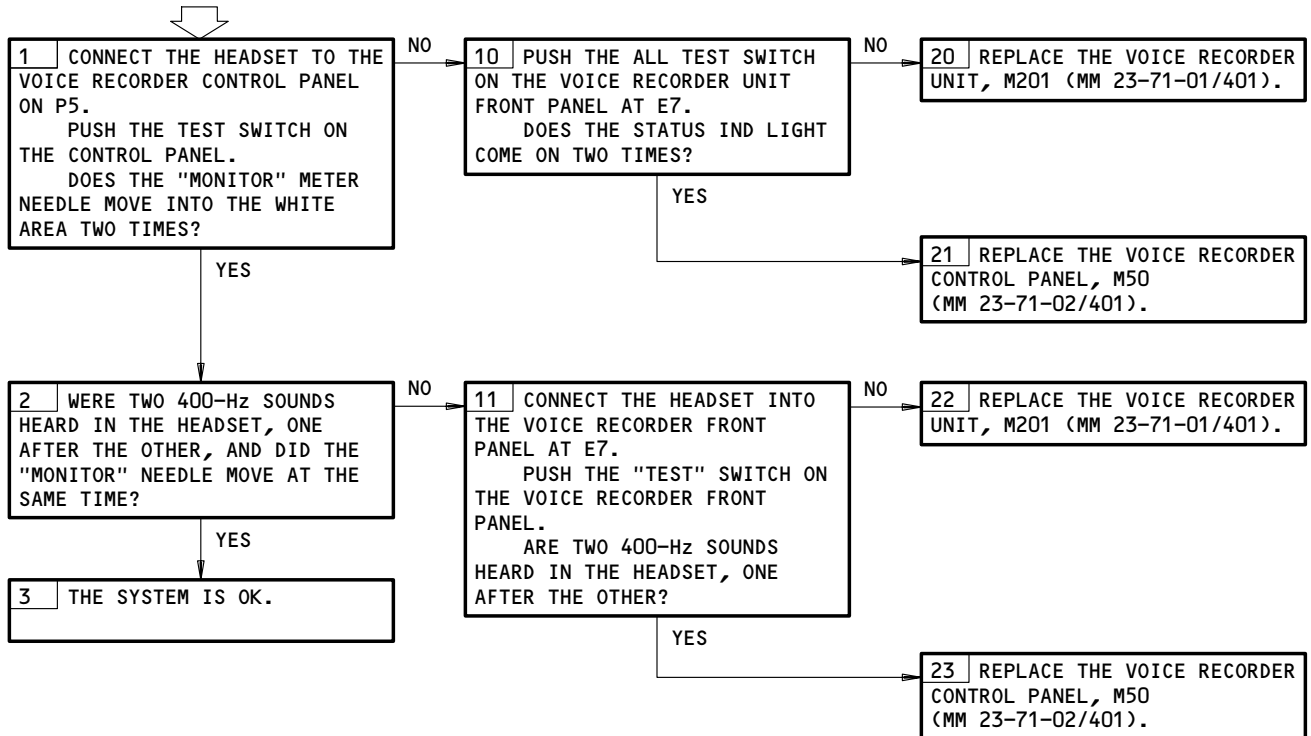
02

PREREQUISITES

MAKE SURE THIS CIRCUIT BREAKER IS CLOSED:
11H33

MAKE SURE THE AIRPLANE IS IN THIS CONFIGURATION:
ELECTRICAL POWER IS ON (MM 24-22-00/201)

**VOICE RECORDER
BITE PROCEDURE**



NOTE: BITE DOES A TEST OF THESE SYSTEM COMPONENTS:

- VOICE RECORDER
- VOICE RECORDER CONTROL PANEL.

BITE DOES NOT DO A TEST OF THESE SYSTEM COMPONENTS:

- AUDIO SELECTOR PANEL
- UNDERWATER LOCATOR BEACON.

Voice Recorder BITE Procedure
Figure 103

EFFECTIVITY
GUI 001-008,010-013

23-71-00

CONFIG 2

02

Page 103

Mar 20/93

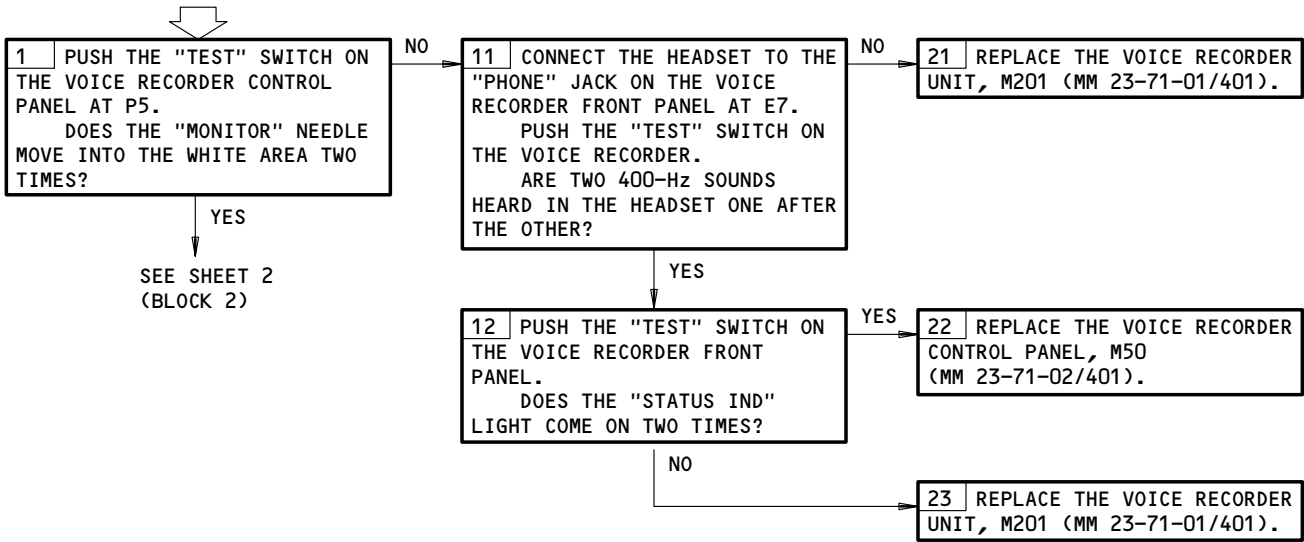
**VOICE RECORDER
SYSTEM FAULT
ISOLATION**

PREREQUISITES

MAKE SURE THESE SYSTEMS WILL OPERATE:
 FLIGHT INTERPHONE (MM 23-51-00/501)
 NORMAL PARKING (MM 10-11-01/201)

MAKE SURE THESE CIRCUIT BREAKERS ARE CLOSED:
 6F4,11C25,11C26,11C30,11G29,11G30,11H33,11S15,

MAKE SURE THE AIRPLANE IS IN THIS CONFIFURATION:
 ELECTRICAL POWER IS ON (MM 24-22-00/201)
 PARKING BRAKE IS ENGAGED



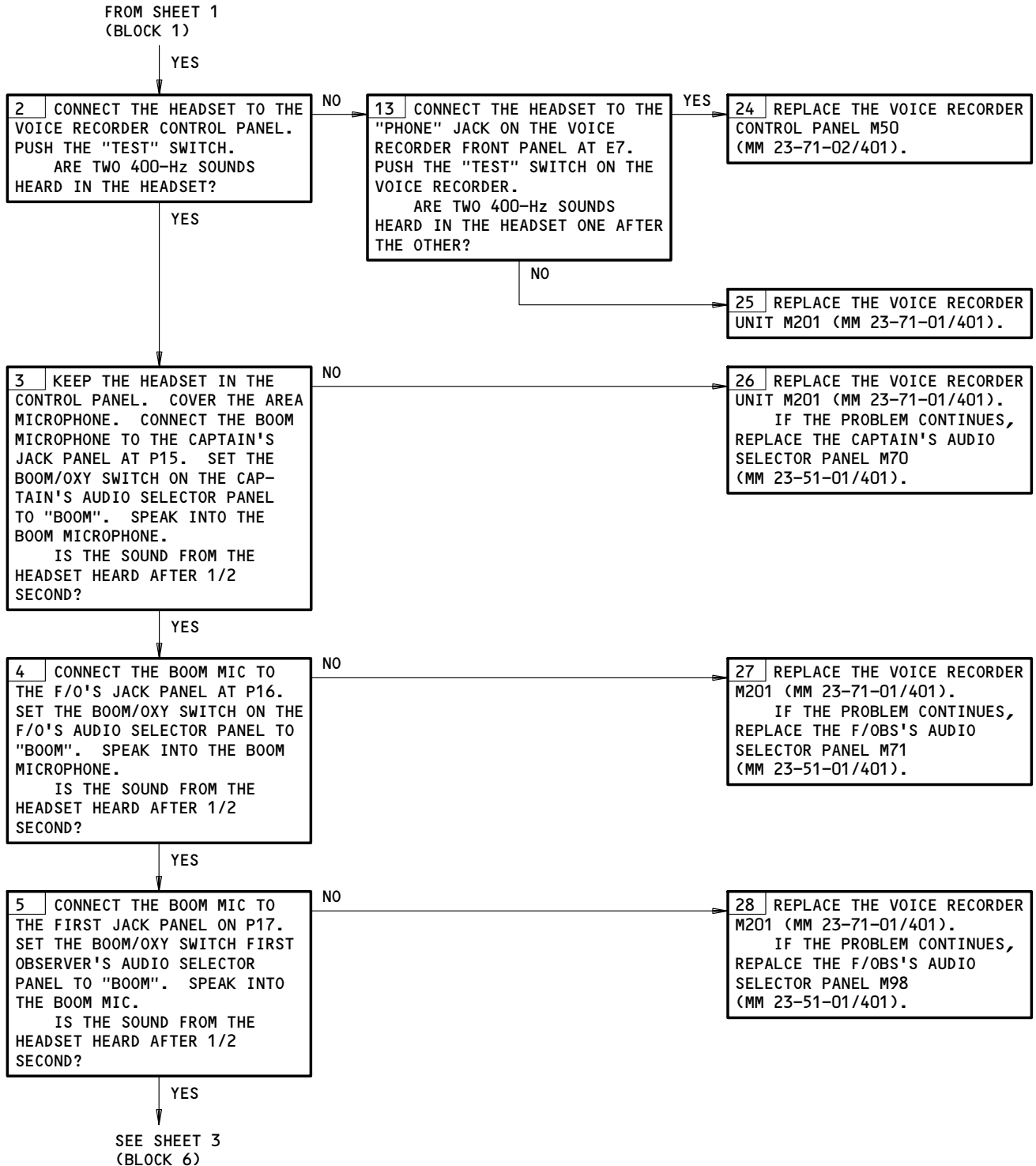
Voice Recorder System Fault Isolation
Figure 104 (Sheet 1)

EFFECTIVITY
 GUI 001-008,010-013

23-71-00
 CONFIG 2
 Page 104
 Mar 20/93

02

B63047



Voice Recorder System Fault Isolation
Figure 104 (Sheet 2)

EFFECTIVITY
GUI 001-008,010-013

23-71-00

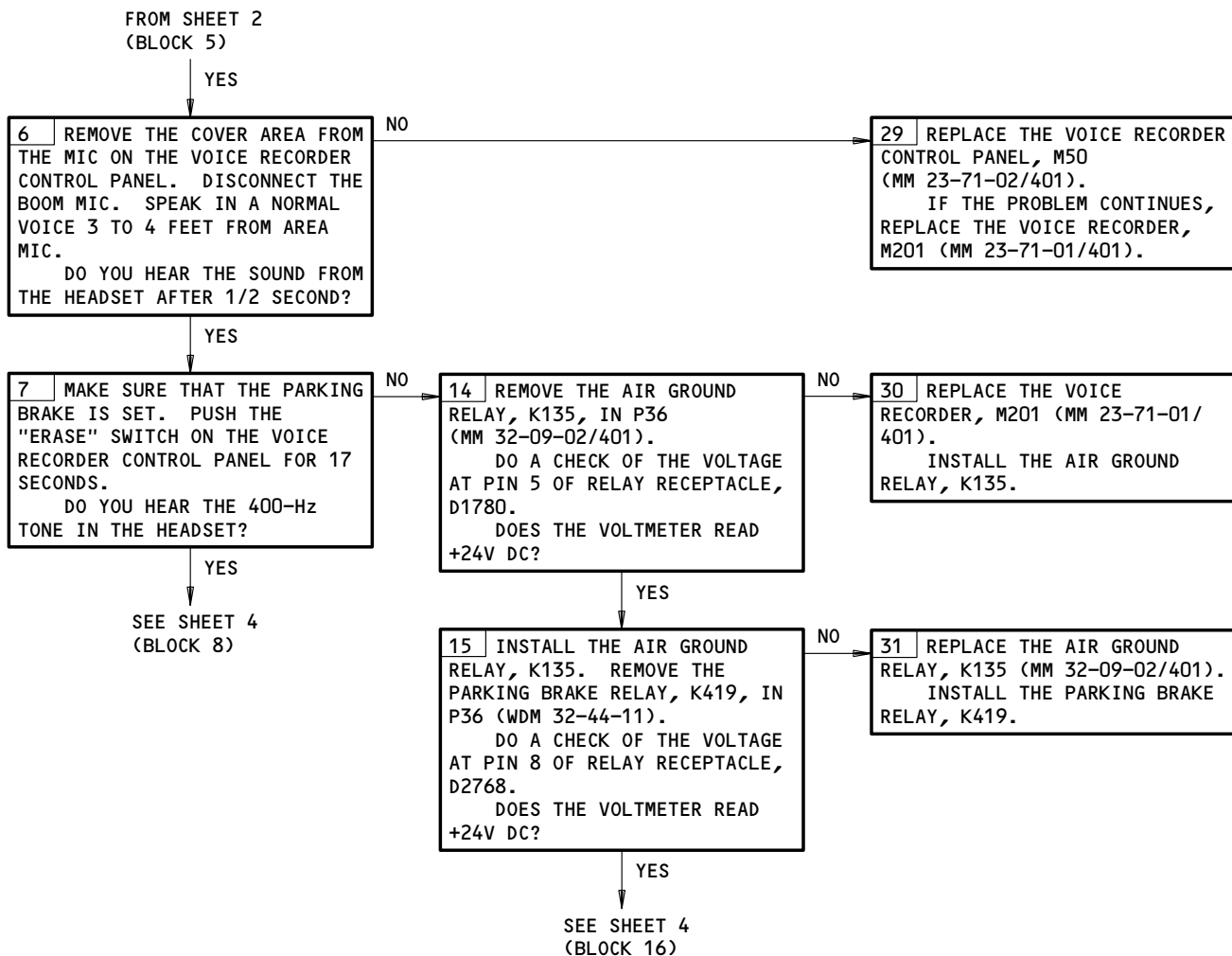
CONFIG 2

02

Page 105

Mar 20/93


BOEING
 757
 FAULT ISOLATION/MAINT MANUAL



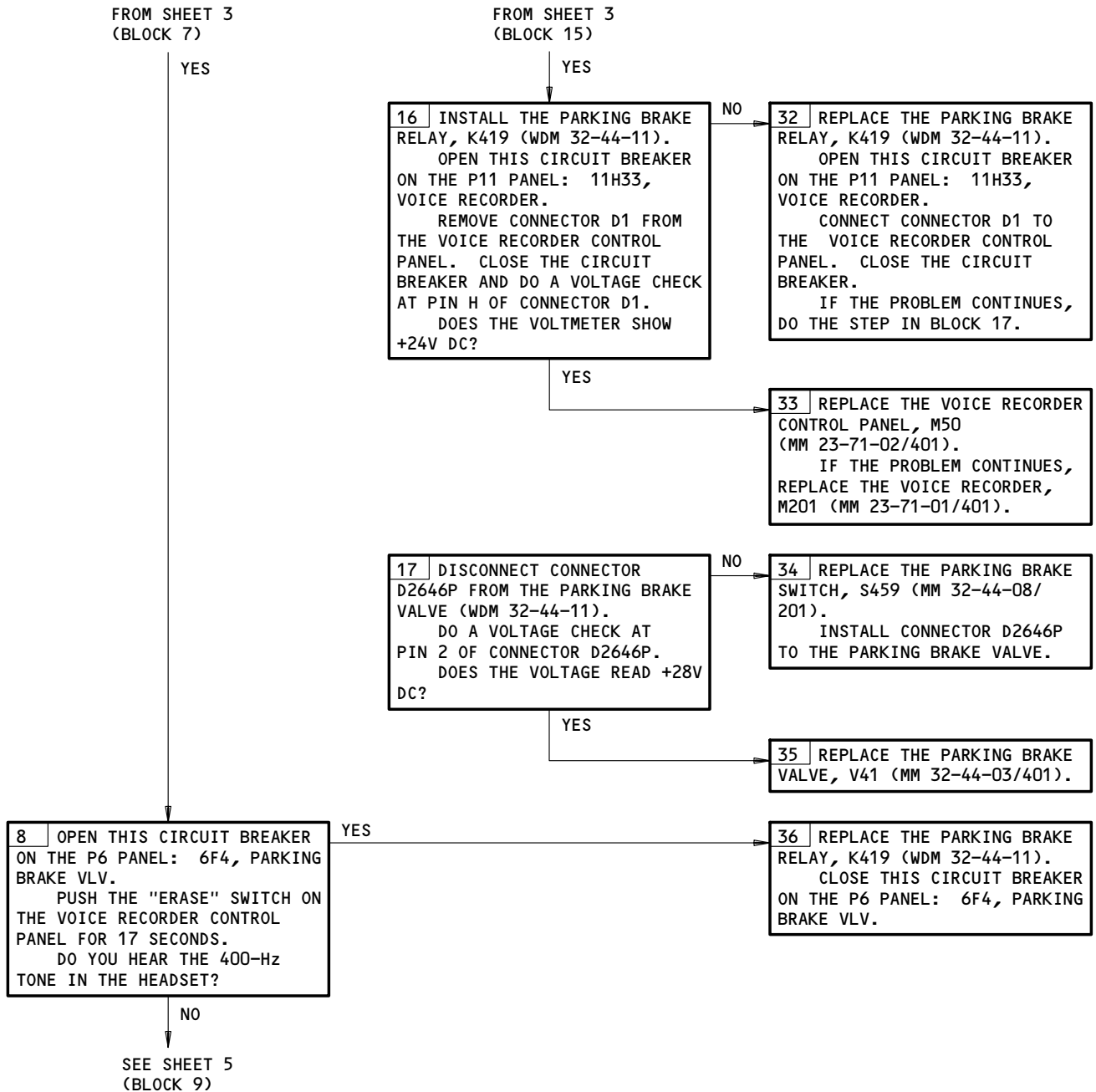
Voice Recorder System Fault Isolation
Figure 104 (Sheet 3)

EFFECTIVITY
GUI 001-008,010-013

23-71-00
 CONFIG 2
 Page 106
 Mar 20/93

02

BOEING
757
FAULT ISOLATION/MAINT MANUAL



Voice Recorder System Fault Isolation
Figure 104 (Sheet 4)

EFFECTIVITY
GUI 001-008,010-013

23-71-00
CONFIG 2
Page 107
Mar 20/93

02

FROM SHEET 4
(BLOCK 8)

NO

9 CLOSE THE "PARKING BRAKE VLV" CIRCUIT BREAKER, 6F4.

WARNING

DO THE DEACTIVATION PROCEDURE FOR THE SPOILERS OR MOVE ALL PERSONS AND EQUIPMENT AWAY FROM THE SPOILERS. THE SPOILERS CAN RETRACT QUICKLY AND CAUSE INJURY TO PERSONS OR DAMAGE TO EQUIPMENT.

DO THE DEACTIVATION PROCEDURE FOR THE SPOILERS (MM 27-61-00/201) OR MOVE ALL PERSONS AND EQUIPMENT AWAY FROM THE SPOILERS.

WARNING

MAKE SURE YOU DO THE FLIGHT MODE SIMULATION CORRECTLY. IF THE PROCEDURE IS NOT DONE CORRECTLY, INJURY TO PERSONS OR DAMAGE TO EQUIPMENT CAN OCCUR.

DO THE FLIGHT MODE SIMULATION PROCEDURE FOR THE NO. 1 (NO. 2) AIR/GROUND SYSTEM (MM 32-09-02/201). OPEN THE "LDG GEAR POS SYS 1" CIRCUIT BREAKER, 11C30. PUSH THE "ERASE" SWITCH ON THE VOICE RECORDER CONTROL PANEL FOR 2 SECONDS.

DO YOU HEAR THE 400-Hz TONE SOUND IN THE HEADPHONE?

YES

37 REPLACE THE AIR/GROUND RELAY, K135 (MM 32-09-02/401). PUT THE AIRPLANE BACK TO THE GROUND MODE (MM 32-09-02/401).

NO

10 CLOSE THE "LDG GEAR POS SYS 1" CIRCUIT BREAKER, 11C30. PUT THE AIRPLANE BACK TO GROUND MODE (MM 32-09-02/201).

DO THE ACTIVATION PROCEDURE FOR THE SPOILERS IF YOU DID THE DEACTIVATION PROCEDURE (MM 27-61-00/201). DISCONNECT THE HEADPHONE FROM THE VOICE RECORDER CONTROL PANEL.

THE SYSTEM IS OK.

Voice Recorder System Fault Isolation
Figure 104 (Sheet 5)

EFFECTIVITY
GUI 001-008,010-013

23-71-00
 CONFIG 2
 Page 108
 Mar 20/93

02