



BOEING
757
FAULT ISOLATION/MAINT MANUAL

GPA Group plc

PAGE	DATE	CODE	PAGE	DATE	CODE	PAGE	DATE	CODE
CHAPTER 26 TAB			26-FAULT CODE INDEX			26-14-00		
FIRE PROTECTION			CONT.			101 SEP 20/94 06		
EFFECTIVE PAGES			9 SEP 20/08 02			102 MAY 28/99 05		
SEE LAST PAGE OF LIST FOR			10 SEP 20/08 02			103 SEP 20/94 07		
NUMBER OF PAGES			11 SEP 20/08 12			104 BLANK		
26-CONTENTS			12 SEP 20/08 24			26-15-00		
1 JAN 28/00 GUI			13 SEP 20/08 20			101 JUN 20/95 06		
2 JAN 28/00 GUI			14 BLANK			102 JUN 20/95 01		
3 SEP 28/06 GUI			26-BITE INDEX			103 JUN 20/95 01		
4 MAY 28/06 GUI			1 SEP 28/99 01			104 JUN 20/95 02		
26-HOW TO USE THE FIM			2 SEP 28/99 01			105 JUN 20/95 01		
1 SEP 20/98 01			3 SEP 28/99 01			106 SEP 28/00 01		
2 SEP 20/98 01			4 SEP 20/98 01			107 JUN 20/95 01		
3 SEP 28/99 01			5 SEP 20/98 01			108 SEP 20/98 01		
4 SEP 20/98 01			6 SEP 20/98 01			109 JUN 20/95 01		
5 SEP 20/98 01			26-10-00			110 JUN 20/95 02		
6 SEP 20/98 01			101 SEP 20/90 01			111 MAR 20/93 01		
26-INDEX			102 JUN 20/93 01			112 BLANK		
1 SEP 20/94 05			26-11-00			26-16-00		
2 SEP 20/94 01			101 MAR 20/91 03			101 DEC 20/95 03		
26-EICAS MESSAGES			102 MAY 28/03 01			102 MAR 20/91 01		
1 DEC 20/90 01			103 MAR 20/95 01			103 MAY 20/98 01		
2 DEC 20/90 01			104 MAR 20/95 01			104 SEP 28/00 01		
3 JAN 28/05 01			105 MAR 20/97 08			105 SEP 28/00 01		
4 JAN 28/06 01			106 JAN 28/00 01			106 SEP 28/00 01		
26-FAULT CODE DIAGRAM			107 SEP 28/00 01			107 SEP 20/98 01		
1 JUN 20/96 01			108 SEP 28/00 01			108 SEP 20/98 01		
2 SEP 20/96 01			109 SEP 28/00 01			109 SEP 20/98 01		
3 SEP 20/96 01			110 SEP 28/00 01			110 SEP 20/98 01		
4 SEP 20/96 01			111 SEP 28/00 04			26-17-00		
5 JUN 20/96 02			112 SEP 28/00 01			101 JUN 20/94 01		
6 SEP 20/96 01			113 SEP 28/05 02			102 JUN 20/94 01		
7 SEP 20/96 01			114 SEP 28/05 02			103 JUN 20/94 01		
8 JUN 20/96 01			115 SEP 28/05 02			104 SEP 28/06 01		
9 JUN 20/96 01			116 SEP 28/05 02			105 SEP 28/06 01		
10 JUN 20/96 01			117 SEP 28/05 02			106 SEP 28/06 01		
11 SEP 20/96 01			118 SEP 28/05 01			26-18-00		
12 JUN 20/96 01			26-12-00			101 SEP 20/94 01		
13 SEP 20/96 15			101 MAY 28/99 01			102 JUN 20/94 01		
14 BLANK			102 SEP 20/90 01			103 JUN 20/94 01		
26-FAULT CODE INDEX			103 SEP 28/00 01			104 JUN 20/93 02		
1 SEP 20/08 01			104 SEP 28/00 03			105 SEP 28/06 01		
2 SEP 20/08 21			105 SEP 20/90 01			106 MAY 28/06 01		
3 SEP 20/08 02			106 JAN 28/00 01			107 MAY 28/06 01		
4 SEP 20/08 03			107 SEP 20/90 01			108 MAY 28/06 01		
5 SEP 20/08 01			108 BLANK			109 MAY 28/06 01		
6 SEP 20/08 01			26-13-00			110 MAY 28/06 01		
7 SEP 20/08 03			101 SEP 20/94 01			111 MAY 28/06 01		
8 SEP 20/08 02			102 SEP 20/94 01			112 MAY 28/06 01		
			103 SEP 20/94 01			26-21-00		
			104 SEP 28/00 01			101 DEC 20/95 01		
			105 SEP 28/00 01			102 MAR 20/91 01		
			106 JAN 28/00 01					
			107 SEP 20/94 01					
			108 BLANK					

R = REVISED, A = ADDED OR D = DELETED
F = FOLDOUT PAGE
32
MAY 20/09

D633N632

CHAPTER 26
EFFECTIVE PAGES
PAGE 1
CONTINUED


BOEING
 757
 FAULT ISOLATION/MAINT MANUAL

GPA Group plc

PAGE	DATE	CODE	PAGE	DATE	CODE	PAGE	DATE	CODE
26-22-00								
101	SEP 20/89	01						
102	SEP 20/89	01						
103	DEC 20/91	01						
104	BLANK							
26-23-00								
101	SEP 20/92	14						
102	SEP 20/92	23						
103	MAY 28/01	01						
104	SEP 20/97	02						
105	JAN 20/99	12						
106	JAN 20/99	12						
107	DEC 20/96	05						
108	JAN 20/99	10						

R = REVISED, A = ADDED OR D = DELETED
 F = FOLDOUT PAGE
 32
 MAY 20/09

D633N632

CHAPTER 26
 EFFECTIVE PAGES
 PAGE 2
 LAST PAGE



BOEING
757
FAULT ISOLATION/MAINT MANUAL

CHAPTER 26 – FIRE PROTECTION

TABLE OF CONTENTS

<u>Subject</u>	Chapter Section <u>Subject</u>	<u>Page</u>	<u>Effectivity</u>
HOW TO USE THE FIM	26-HOW TO USE THE FIM	1	ALL
INDEX	26-INDEX	1	ALL
EICAS MESSAGES	26-EICAS MESSAGES	1	ALL
FAULT CODE DIAGRAMS	26-FAULT CODE DIAGRAM	1	ALL
FAULT CODE INDEX	26-FAULT CODE INDEX	1	ALL
BITE INDEX	26-BITE INDEX	1	ALL
<u>FIRE PROTECTION – GENERAL</u>	26-00-00		
<u>DETECTION</u>	26-10-00		
Component Location		101	ALL
Component Index			
Component Location			
ENGINE FIRE DETECTION	26-11-00		
Component Location		101	ALL
Component Index			
Component Location			
Fault Isolation			
Engine Fire/Overheat Detection		106	
System BITE Procedure (Fig. 103)			
STRUT OVERHEAT DETECTION	26-12-00		
Component Location		101	ALL
Component Index			
Component Location			
Fault Isolation			
Engine Turbine Cooling		103	
Overheat Detection System			
BITE Procedure (Fig. 103)			
EICAS MESSAGE "L (R) STRUT OH DET 1 (2)" Displayed (Fig. 104)		105	

26-CONTENTS



BOEING
757
FAULT ISOLATION/MAINT MANUAL

CHAPTER 26 - FIRE PROTECTION

TABLE OF CONTENTS

<u>Subject</u>	Chapter Section <u>Subject</u>	<u>Page</u>	<u>Effectivity</u>
ENGINE TURBINE COOLING OVERHEAT DETECTION	26-13-00		
Component Location		101	ALL
Component Index			
Component Location			
Fault Isolation			
Engine Turbine Cooling		104	
Overheat Detection System			
BITE Procedure (Fig. 103)			
EICAS Msg. L (R) TURB OH DET 1 (2) Displayed (Fig. 104)		107	
LAVATORY SMOKE DETECTION	26-14-00		
Component Location		101	ALL
Component Index			
Component Location			
Fault Isolation			
Lavatory Smoke Detection and Fire Protection Problems (Fig. 103)		103	
APU FIRE DETECTION	26-15-00		
Component Location		101	ALL
Component Index			
Component Location			
Fault Isolation			
APU Fire Detection System BITE Procedure (Fig. 103)		105	
EICAS Msg. APU FIRE LP 1 (2) Displayed (Fig. 104)		111	

26-CONTENTS



757
FAULT ISOLATION/MAINT MANUAL

CHAPTER 26 – FIRE PROTECTION

TABLE OF CONTENTS

<u>Subject</u>	<u>Chapter Section Subject</u>	<u>Page</u>	<u>Effectivity</u>
CARGO COMPARTMENT SMOKE DETECTION	26-16-00		
Component Location		101	ALL
Component Index			
Component Location			
Fault Isolation			
EICAS Message AFT DET FAN Displayed (Fig. 104)		107	
EICAS Message FWD DET FAN Displayed (Fig. 105)		108	
EICAS Msg. "CARGO DET AIR" Displayed (Fig. 107)		110	
EICAS Msg. "FWD (AFT) CARGO DET 1 (2)" Displayed (Fig. 106)		109	
Lower Cargo Compartment		101	
Lower Cargo Compartment Smoke Detection System BITE Procedure (Fig. 103)		104	
WHEEL WELL FIRE DETECTION	26-17-00		
Component Location		101	ALL
Component Index			
Component Location			
Fault Isolation			
Wheel Well Fire Detection BITE Procedure (Fig. 103)		104	
WING AND BODY DUCT LEAK DETECTION SYSTEM	26-18-00		
Component Location		101	ALL
Component Index			
Component Location			
Fault Isolation			
Wing and Body Duct Leak Detection BITE Procedure (Fig. 103)		105	
<u>EXTINGUISHING</u>	26-20-00		
ENGINE FIRE EXTINGUISHING	26-21-00		
Component Location		101	ALL
Component Index			
Component Location			

26-CONTENTS



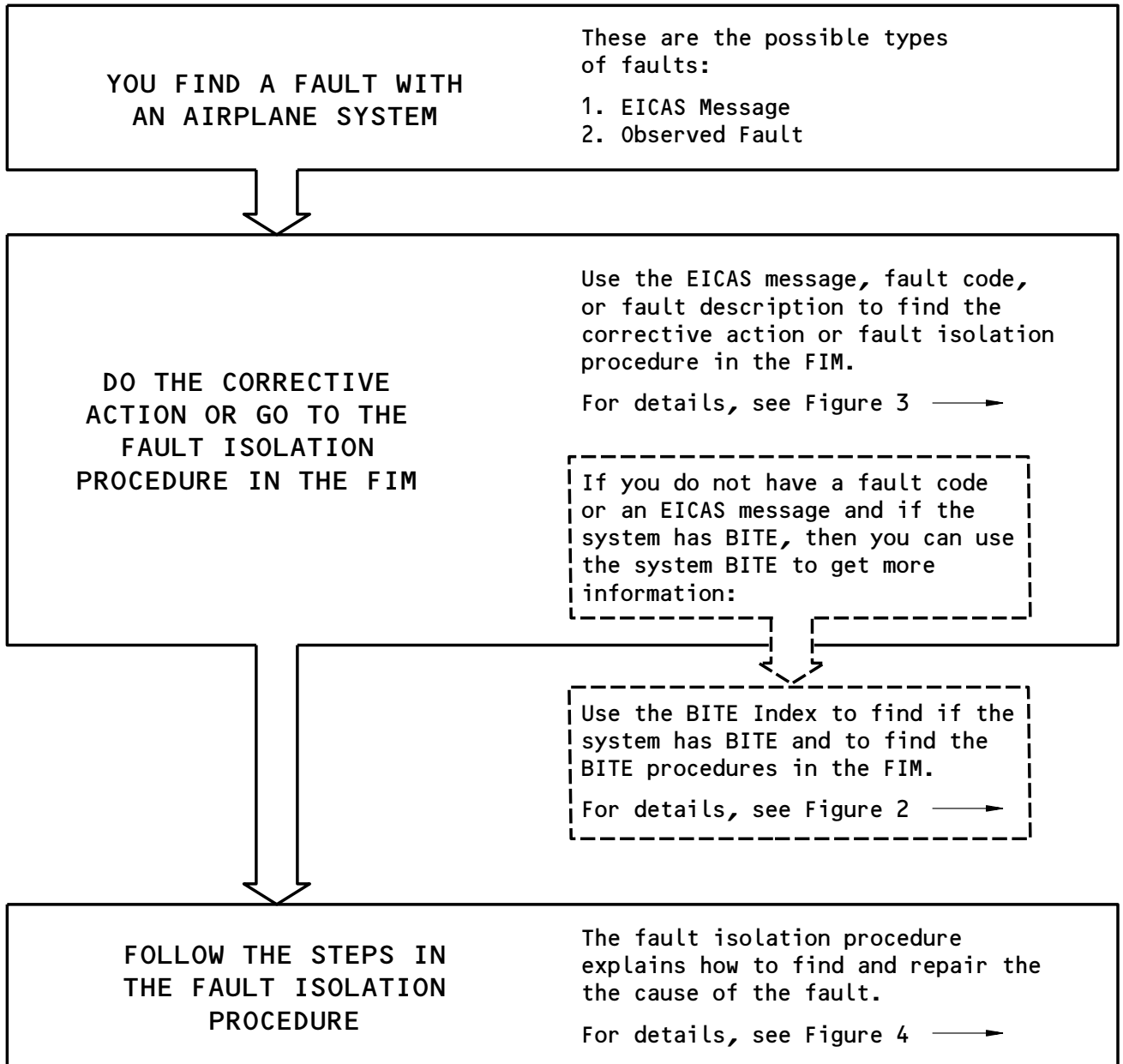
BOEING
757
FAULT ISOLATION/MAINT MANUAL

CHAPTER 26 – FIRE PROTECTION

TABLE OF CONTENTS

<u>Subject</u>	Chapter Section <u>Subject</u>	<u>Page</u>	<u>Effectivity</u>
APU FIRE EXTINGUISHING SYSTEM	26-22-00		
Component Location		101	ALL
Component Index			
Component Location			
CARGO COMPARTMENT FIRE	26-23-00		
EXTINGUISHING			
Component Location		101	ALL
Component Index			
Component Location			
Fault Isolation			
Aft Cargo Fire Indicated.		108	
EICAS Msg AFT CARGO FIRE			
Displayed. Fire Indication(s)			
Remained When Bottle 1			
Discharged. Bottle 2 Was			
Discharged. (Fig. 106)			
CARGO BTL 1 DISCH Lgt Illum.		104	
EICAS Msg CARGO BTL 1			
Displayed Disch Switch not			
Used. (Fig. 103)			
Fwd Cargo Fire Indicated.		107	
EICAS Msg FWD CARGO FIRE			
Displayed. Fire Indication(s)			
Remained When Bottle 1			
Discharged. Bottle 2 Was			
Discharged. (Fig. 105)			

26-CONTENTS



Basic Fault Isolation Process
Figure 1

EFFECTIVITY

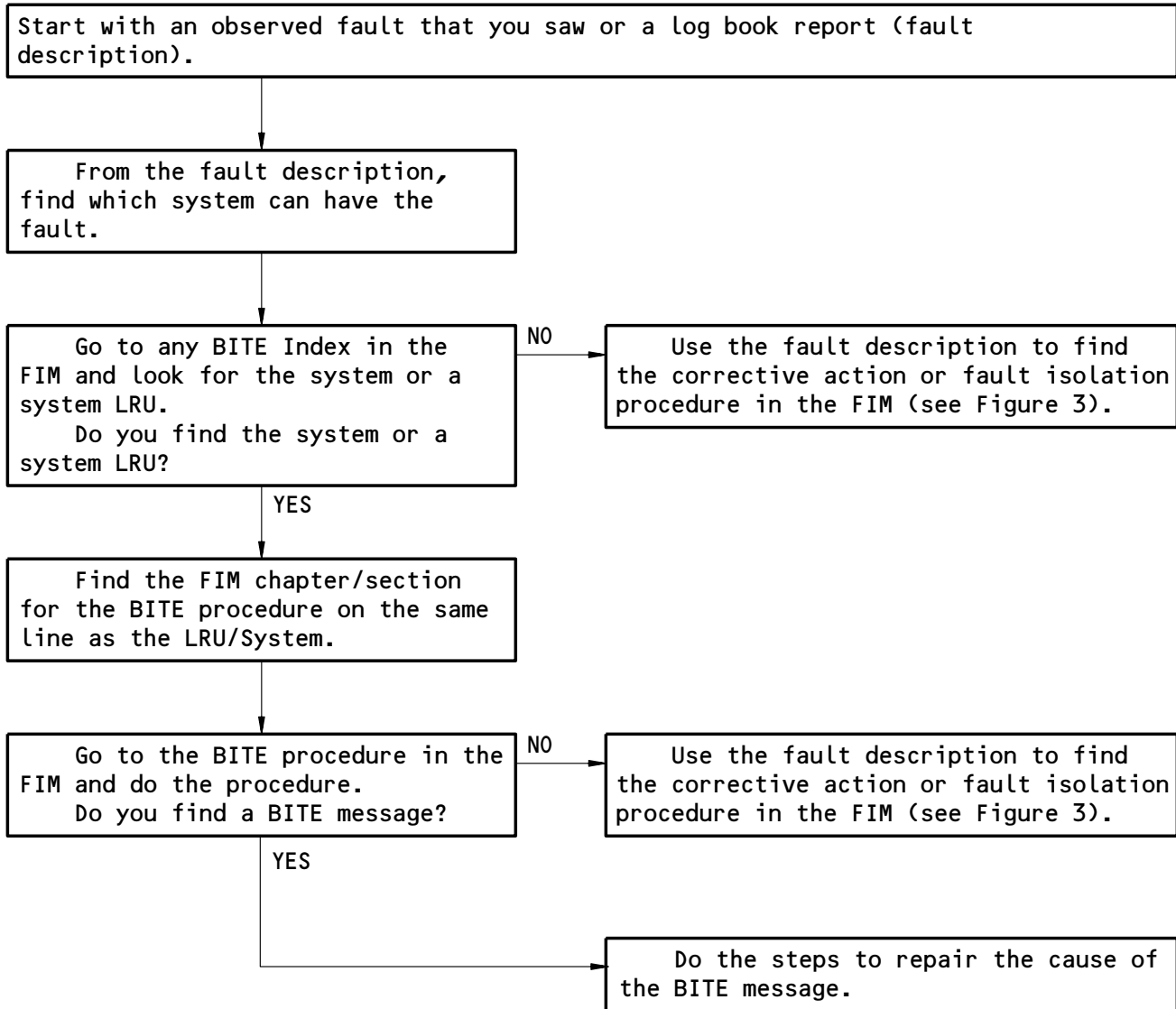
ALL

26-HOW TO USE THE FIM

01

Page 1
Sep 20/98

H54357



How to Get Fault Information from BITE
Figure 2

EFFECTIVITY

ALL

26-HOW TO USE THE FIM

01

Page 2
Sep 20/98

IF YOU HAVE:

THEN DO THIS TO FIND THE CORRECTIVE ACTION OR FAULT ISOLATION PROCEDURE IN THE FIM:

FAULT CODE

1. The first two digits of the fault code are the FIM chapter that you need. Go to the Fault Code Index in that chapter and find the fault code.
2. Find the Fault Isolation Reference for the fault code and do the corrective action. If there is a FIM reference, then go to that fault isolation procedure in the FIM and do the steps in the procedure (see Figure 4).

EICAS MESSAGE TEXT
(with no fault code)

1. If you know the chapter of the EICAS message, then go to the EICAS Messages section in that chapter and find the EICAS message.

If you do not know the chapter of the EICAS message, then do these steps:
 - A. Go to FIM EICAS MESSAGE LIST and find the EICAS message in the table.

NOTE: The list follows the INTRODUCTION to the FIM.
 - B. Find the chapter number on the same line as the EICAS message. Go to the EICAS Messages section in that chapter and find the EICAS message.
2. Do the corrective action in the "Procedure" column for the EICAS message. If there is a FIM reference, then go to that fault isolation procedure in the FIM and do the steps in the procedure (see Figure 4).

OBSERVED FAULT DESCRIPTION

1. Go to the Fault Code Diagram for the problem in the applicable chapter.
2. Do the fault analysis on the diagram and find the fault code.
3. The first two digits of the fault code are the FIM chapter that you need. Go to the Fault Code Index in that chapter and find the fault code.
4. Find the Fault Isolation Reference for the fault code and do the corrective action. If there is a FIM reference, then go to that fault isolation procedure in the FIM and do the steps in the procedure (see Figure 4).

How to Find the Corrective Action or Fault Isolation Procedure in the FIM

Figure 3

EFFECTIVITY

ALL

26-HOW TO USE THE FIM

ASSUMED CONDITIONS AT START OF TASK

- External electrical power is OFF
- Hydraulic power and pneumatic power are OFF
- Engines are shut down
- Circuit breakers for the system are closed
- No equipment in the system is deactivated

PREREQUISITES

- This box gives the steps to get the airplane from the normal shutdown condition to the configuration necessary to do the fault isolation procedure.
- The Prerequisites give procedure references, circuit breakers, and special tools and equipment requirements.

FAULT ISOLATION BLOCKS

- Start the fault isolation procedure at block 1 unless specified differently.
- Do the check to get an answer to the question in the box. Follow the arrow that applies to your answer. This will go to the next check.
- When you get to a box in the column at the right of the page, you have isolated that fault. Do the steps in that box to repair the cause of the fault.
- Make sure that fault is corrected to complete the procedure.

Do the Fault Isolation Procedure
Figure 4

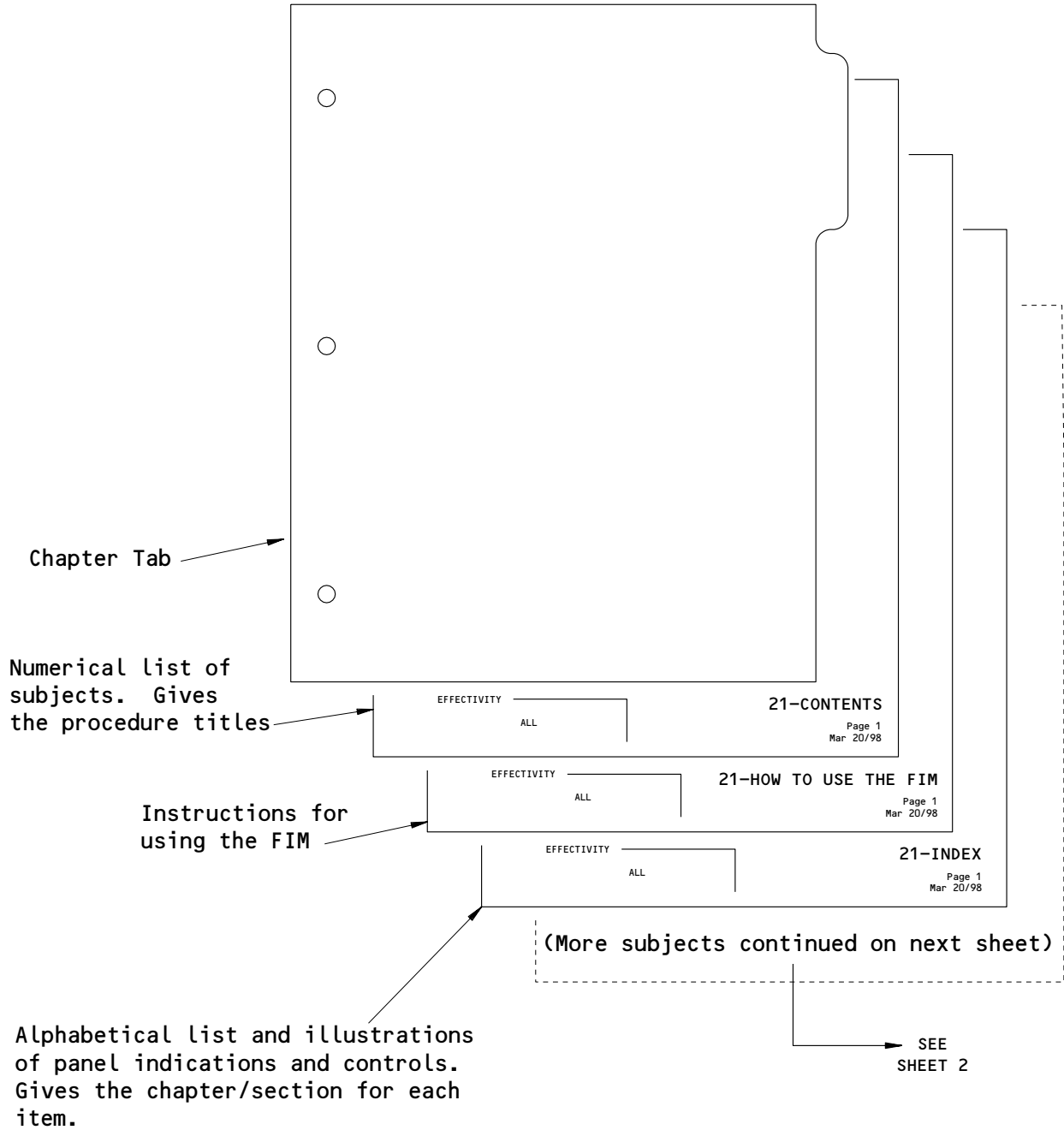
EFFECTIVITY

ALL

26-HOW TO USE THE FIM

01

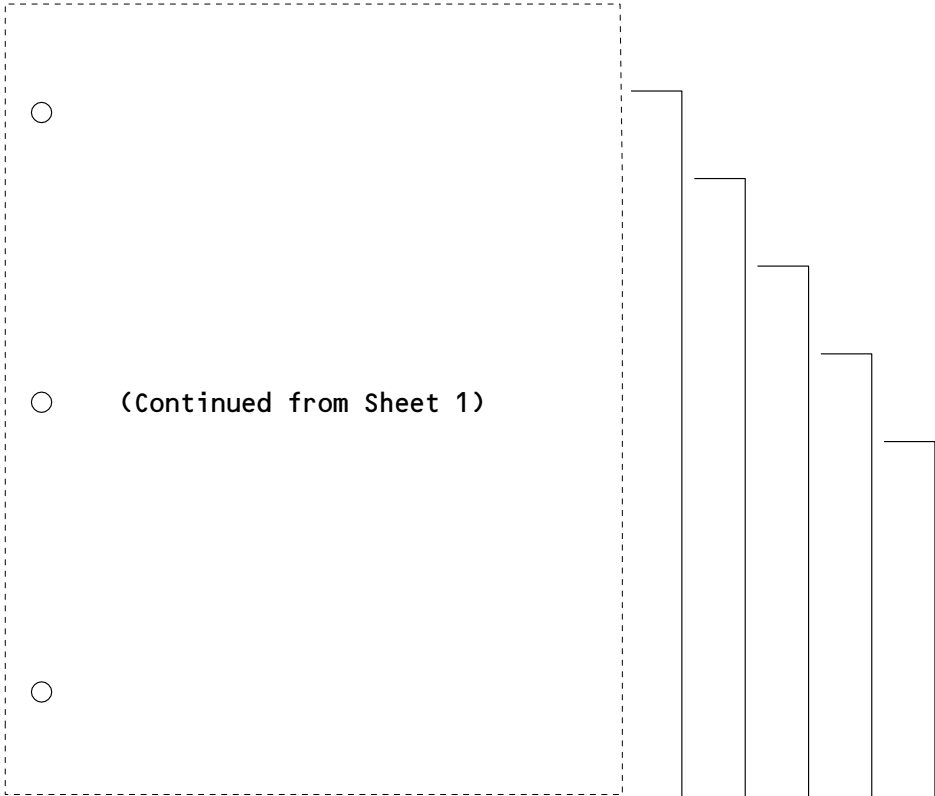
Page 4
Sep 20/98



Subjects in Each FIM Chapter
Figure 5 (Sheet 1)

EFFECTIVITY	ALL
-------------	-----

26-HOW TO USE THE FIM



Alphabetical list of the EICAS messages. Gives the procedure to repair the cause of the message or a reference to a fault isolation procedure.

Failure analysis diagrams for the airplane systems to find the correct fault code for the fault.

Numerical list of fault codes. Gives the procedure to repair the cause of the fault or a reference to a fault isolation procedure.

EFFECTIVITY	ALL	21-EICAS MESSAGES	Page 1 Mar 20/98
-------------	-----	-------------------	---------------------

EFFECTIVITY	ALL	21-FAULT CODE DIAGRAMS	Page 1 Mar 20/98
-------------	-----	------------------------	---------------------

EFFECTIVITY	ALL	21-FAULT CODE INDEX	Page 1 Mar 20/98
-------------	-----	---------------------	---------------------

EFFECTIVITY	ALL	21-BITE INDEX	Page 1 Mar 20/98
-------------	-----	---------------	---------------------

EFFECTIVITY	ALL	21-11-00	Page 101 Mar 20/98
-------------	-----	----------	-----------------------

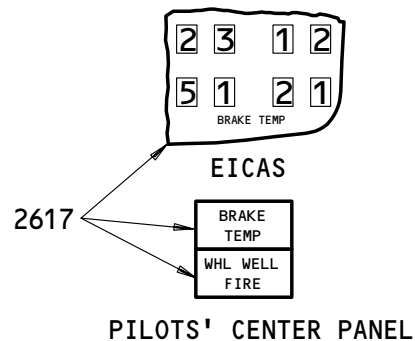
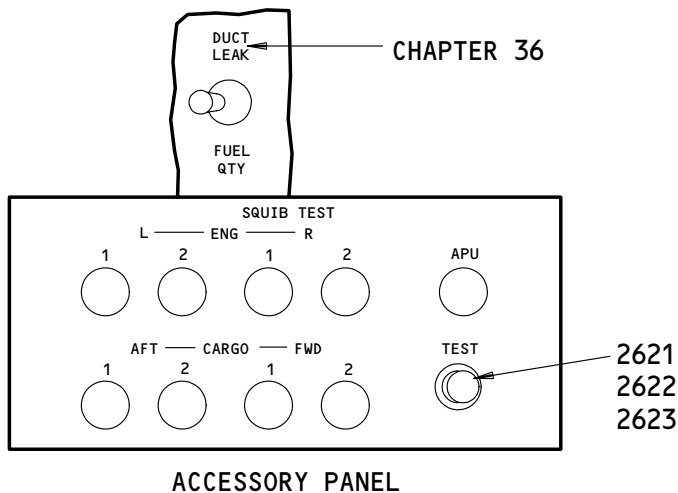
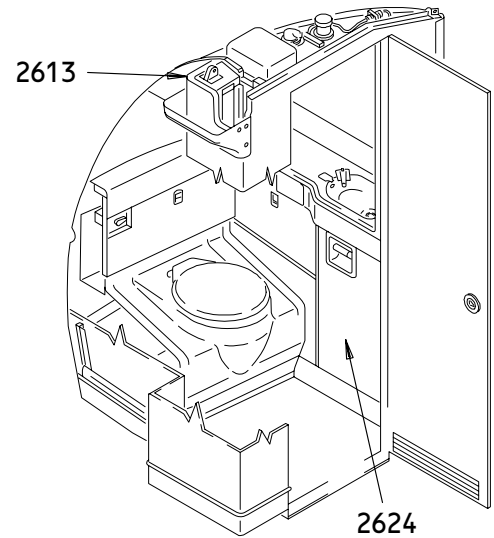
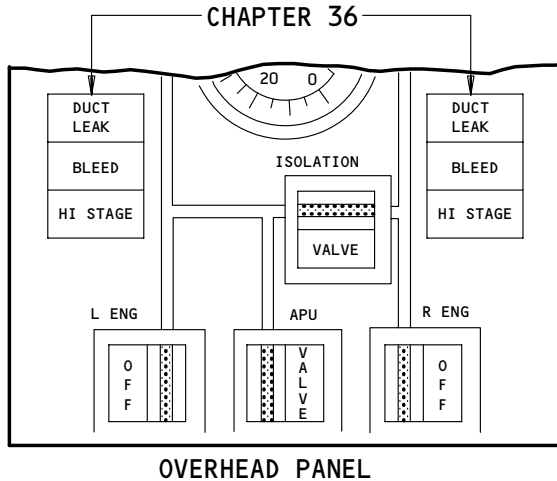
Alphabetical list of all the LRUs/systems that have BITE. Gives the chapter/section for the BITE procedure.

Component index, component location, and fault isolation procedures for the systems in the chapter.

Subjects in Each FIM Chapter
Figure 5 (Sheet 2)

EFFECTIVITY	ALL
-------------	-----

26-HOW TO USE THE FIM

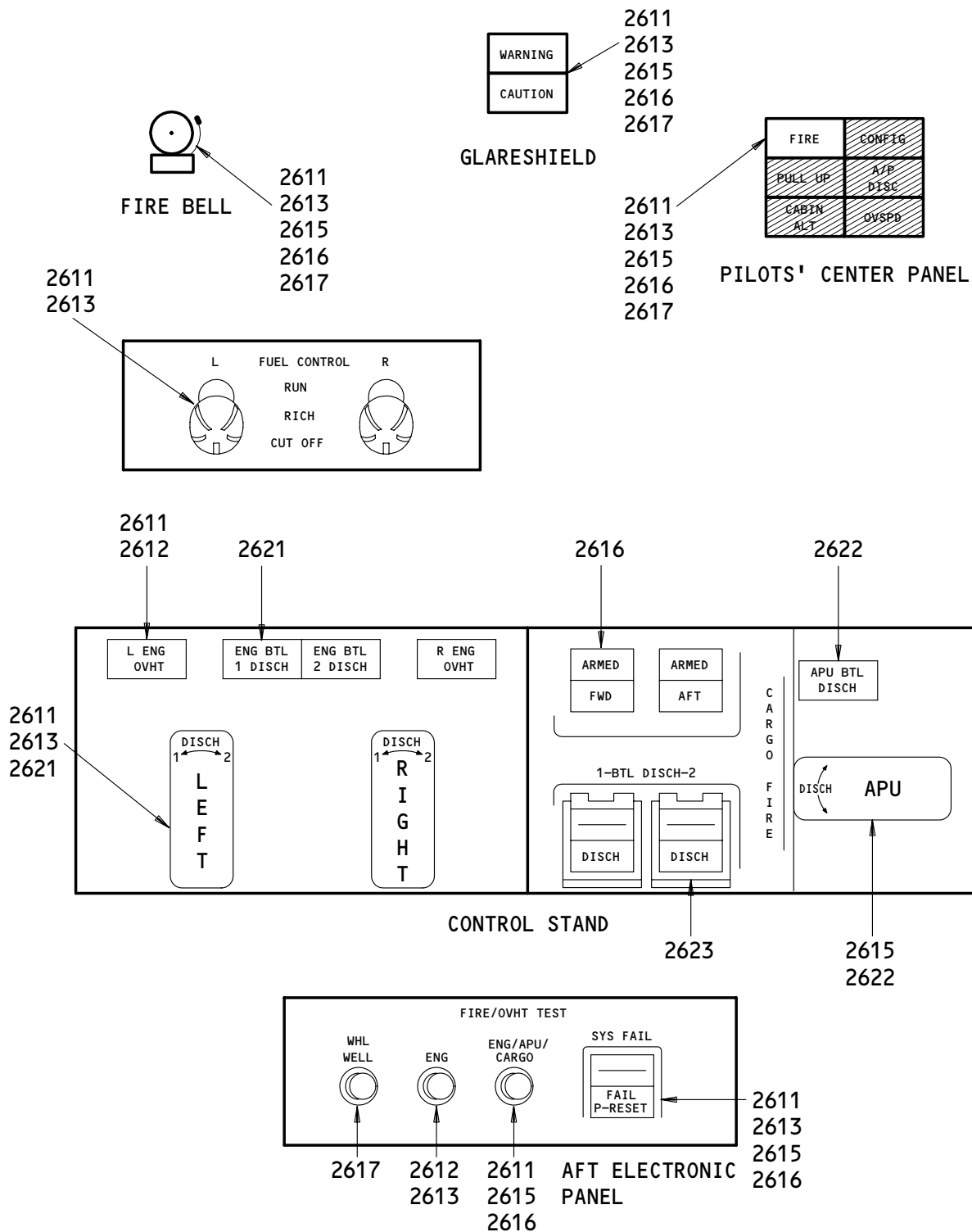


<u>TITLE</u>	<u>CHAP/SEC</u>
APU FIRE.....	2615
BRAKE TEMP.....	2617
BTL DISCH LGT ILLUM (ENG, APU, CARGO).....	2621,2622,2623
CARGO COMPT FIRE.....	2616
DUCT LEAK AND TEST.....	CHAPTER 36
ENGINE FIRE.....	2611
ENGINE OVERHEAT.....	2611
EQUIP COOL SMOKE.....	CHAPTER 21
FIRE/OVHT DETECTOR (ENG).....	2611
FIRE/OVHT DETECTOR (APU, CARGO).....	2615,2616
FIRE/OVHT TEST (ENG, APU, CARGO).....	2611,2615,2616
FIRE/OVHT TEST - ENG.....	2612,2613
LAVATORY SMOKE & FIRE PROTECTION.....	2613,2624
SQUIB TEST.....	2621,2622,2623
WHEEL WELL FIRE AND TEST.....	2617

FIRE PROTECTION - INDEX
Figure 1 (Sheet 1)

EFFECTIVITY	ALL
-------------	-----

26-INDEX



FIRE PROTECTION - INDEX
Figure 1 (Sheet 2)

EFFECTIVITY	ALL
-------------	-----

26-INDEX

FIRE PROTECTION – EICAS MESSAGE LIST

1. General

- A. This procedure shows the EICAS message locations and gives a list of procedures to find the solution for each message.
- (1) EICAS Message Locations (Fig. 1)
 - (a) Figure 1 shows the location of the EICAS display units and the area where the messages show on the display units.
 - (b) Each message level has a different location. The location and color of each message level is also shown.
 - (2) The EICAS MESSAGE LIST gives the message, level, and procedure for each message.
 - (a) The EICAS MESSAGE column lists the messages alphabetically. Messages which start with L, R, or C are put together and alphabetized at L.
 - (b) The LEVEL column gives all levels for each message as follows:
 - A – Warning messages
 - B – Caution messages
 - C – Advisory messages
 - S – Status messages
 - M – Maintenance messages
 - (c) The PROCEDURE column gives the steps that are necessary to remove the message and includes one or more of the procedures that follow:
 - 1) A Fault Isolation Manual procedure reference
 - 2) A Maintenance Manual procedure and reference
 - 3) Wiring checks and a Wiring Diagram Manual reference
 - 4) A reference to an EICAS message list in a different chapter.
 - 5) A reference to a FAULT CODE INDEX and specified fault codes
 - 6) A step to change the airplane configuration

EFFECTIVITY

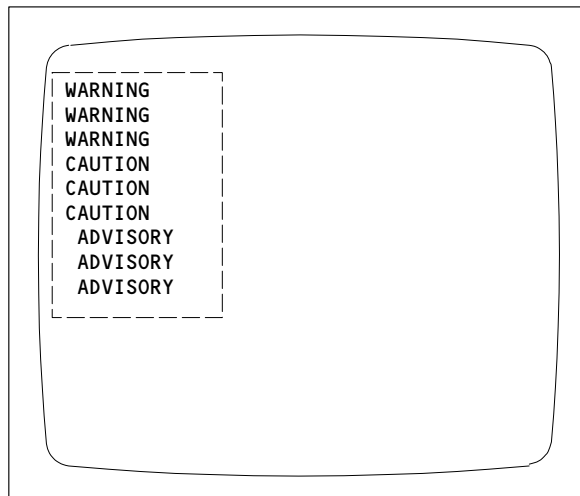
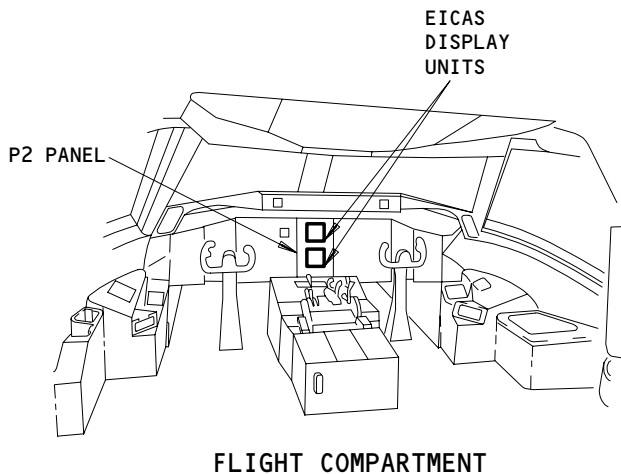
ALL

26-EICAS MESSAGES

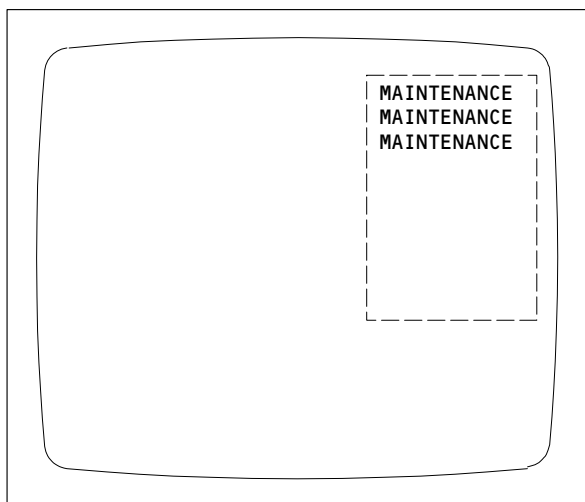
01

Page 1
Dec 20/90

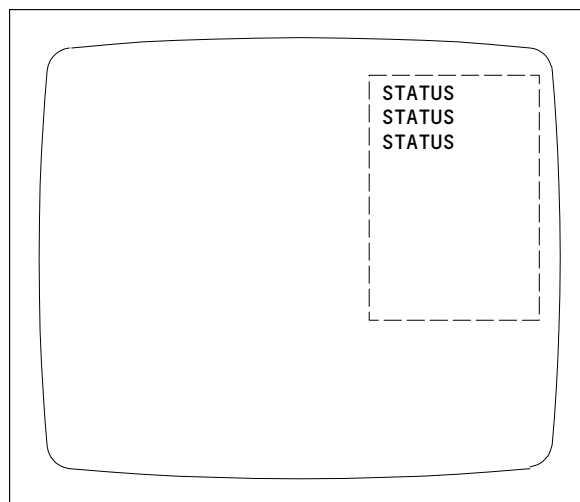
BOEING
757
FAULT ISOLATION/MAINT MANUAL



ENGINE PRIMARY PAGE OR COMPACTED PAGE
(TOP DISPLAY UNIT)



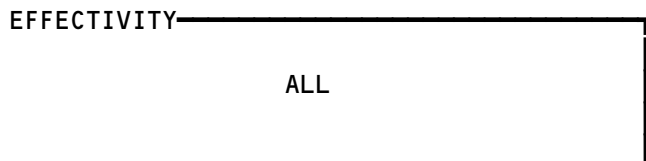
ECS/MSG PAGE
(BOTTOM DISPLAY UNIT)



STATUS PAGE
(BOTTOM DISPLAY UNIT)

LEVEL	COLOR
A-WARNING	RED
B-CAUTION	YELLOW
C-ADVISORY	YELLOW
S-STATUS	WHITE
M-MAINTENANCE	WHITE

EICAS Message Locations
Figure 1



26-EICAS MESSAGES



BOEING
757
FAULT ISOLATION/MAINT MANUAL

EICAS MESSAGE LIST		
EICAS MESSAGE	LEVEL	PROCEDURE
APU BTL	C	Replace the APU fire bottle (AMM 26-22-01/401).
AFT CARGO DET 1 (2)	S	Replace the applicable aft cargo fire detector (AMM 26-16-01/201).
AFT CARGO DET 1 (2)	M	FIM 26-16-00/101, Fig. 106
AFT CARGO FIRE	A	FIM 26-23-00/101, Fig. 106
AFT DET FAN	M	FIM 26-16-00/101, Fig. 104
APU FIRE	A	FIM 26-15-00/101, Fig. 103
APU FIRE LP 1 (2)	S,M	FIM 26-15-00/101, Fig. 104
CARGO BTL 1	C	FIM 26-23-00/101, FIG. 103
CARGO BTL 2	C	FIM 26-23-00/101, FIG. 104
CARGO BTL 1 and 2	C	Replace the cargo fire extinguishing bottles (AMM 26-23-02/401).
CARGO DET AIR	S	FIM 26-16-00/101, Fig. 107
DUCT LEAK BITE	M	FIM 26-18-00/101, Fig. 103
DUCT LEAK LP	S	FIM 26-18-00/101, Fig. 103
ENG BTL 1 (2)	C	Replace the engine fire extinguishing bottles (AMM 26-21-01/401).
FIRE/OVHT SYS	C	FIM 26-11-00/101, Fig. 103
FWD CARGO DET 1 (2)	S	Replace the applicable forward cargo fire detector (AMM 26-16-01/201).
FWD CARGO DET 1 (2)	M	FIM 26-16-00/101, Fig. 106
FWD CARGO FIRE	A	FIM 26-23-00/101, Figs. 105
FWD DET FAN	M	FIM 26-16-00/101, Fig. 105

EFFECTIVITY

ALL

26-EICAS MESSAGES

01

Page 3
Jan 28/05


BOEING
 757
 FAULT ISOLATION/MAINT MANUAL

EICAS MESSAGE LIST		
EICAS MESSAGE	LEVEL	PROCEDURE
L (R) BLD DUCT LEAK	B	FIM 26-18-00/101, Fig. 103
L (R) ENGINE FIRE	A	FIM 26-11-00/101, Fig. 103
L (R) ENG FIRE LP 1 (2)	S,M	FIM 26-11-00/101, Figs. 103
L (R) ENG OH LP 1 (2)	S,M	FIM 26-11-00/101, Figs. 103
L (R) ENG OVHT	B	FIM 26-11-00/101, Fig. 103
L (R) STRUT OH DET 1 (2)	S,M	FIM 26-12-00/101, Fig. 104
L (R) TURB OH DET 1 (2)	S,M	FIM 26-13-00/101, Fig. 104
WHEEL WELL FIRE	A	FIM 26-17-00/101, Fig. 103
L STRUT OH DET 1	S,M	FIM 26-12-00/101, Fig. 103
L STRUT OH DET 1	S,M	FIM 26-12-00/101, Fig. 103
R STRUT OH DET 1	S,M	FIM 26-12-00/101, Fig. 103
L STRUT OH DET 2	S,M	FIM 26-12-00/101, Fig. 103
R STRUT OH DET 2	S,M	FIM 26-12-00/101, Fig. 103

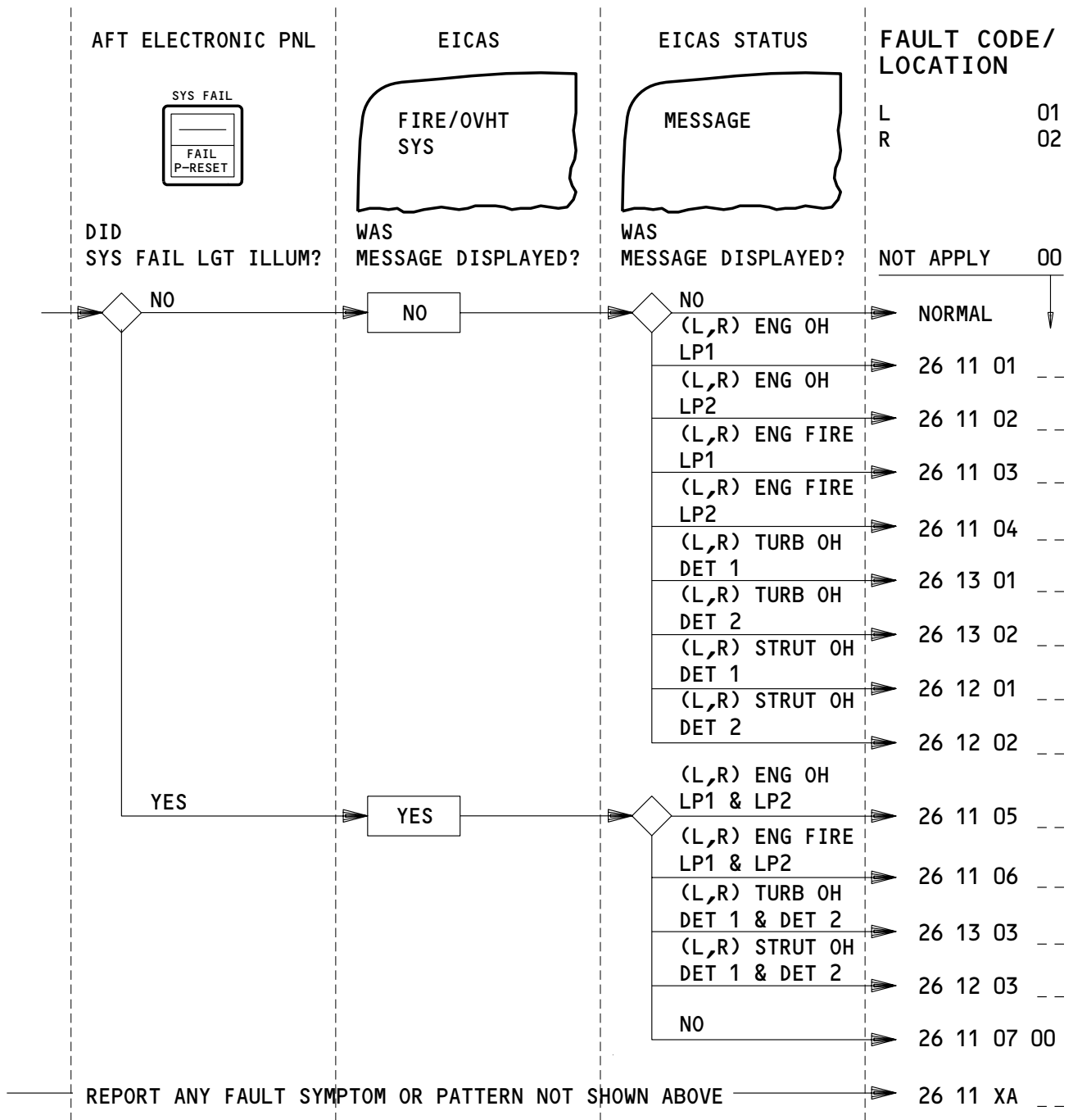
EFFECTIVITY

ALL

26-EICAS MESSAGES

01

Page 4
Jan 28/06



APPLICABLE CIRCUIT BREAKERS AS INSTALLED

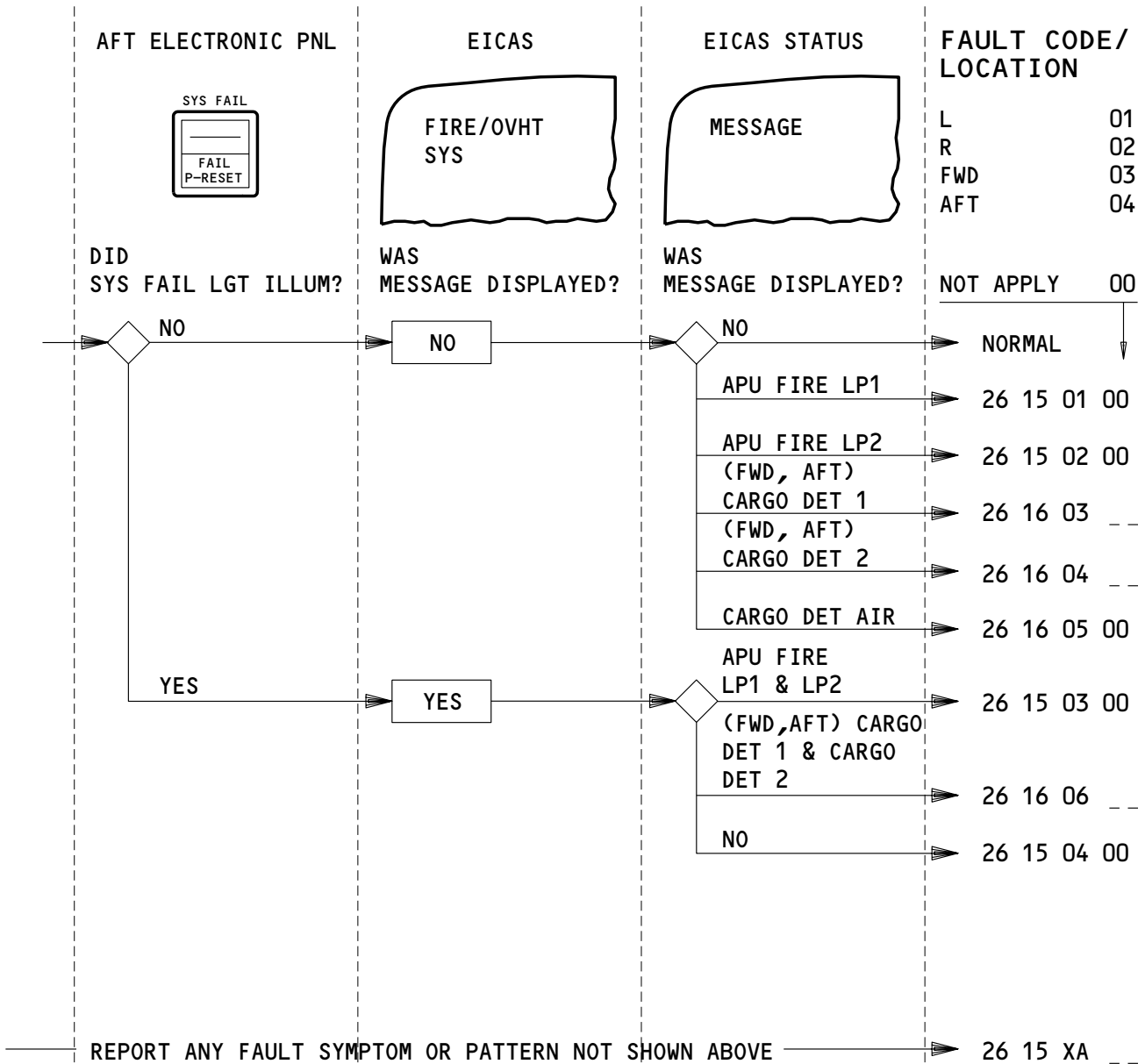
11B20	FIRE DETECTION L (ENGINE, ENG) 1
11B21	FIRE DETECTION L (ENGINE, ENG) 2
11B22	FIRE DETECTION R (ENGINE, ENG) 1

11B23	FIRE DETECTION R (ENGINE, ENG) 2
11J26	FIRE DET ALTN PWR ENG (LEFT, L)
11J27	FIRE DET ALTN PWR ENG (RIGHT, R)

FIRE/OVHT DETECTOR (ENG) - FAULT CODES

EFFECTIVITY	ALL
-------------	-----

26-FAULT CODE DIAGRAM



APPLICABLE CIRCUIT BREAKERS AS INSTALLED

11B24	FIRE DETECTION APU 1	11B27	FIRE DETECTION CARGO 2
11B24	FIRE DET APU LP1	11B27	CARGO SMOKE DET 2
11B25	FIRE DETECTION APU 2	11J24	FIRE DET ALTN PWR CARGO
11B25	FIRE DET APU LP2	11J25	FIRE DET ALTN PWR APU
11B26	FIRE DETECTION CARGO 1		
11B26	CARGO SMOKE DET 1		

FIRE/OVHT DETECTOR (APU & CARGO) - FAULT CODES

EFFECTIVITY

ALL

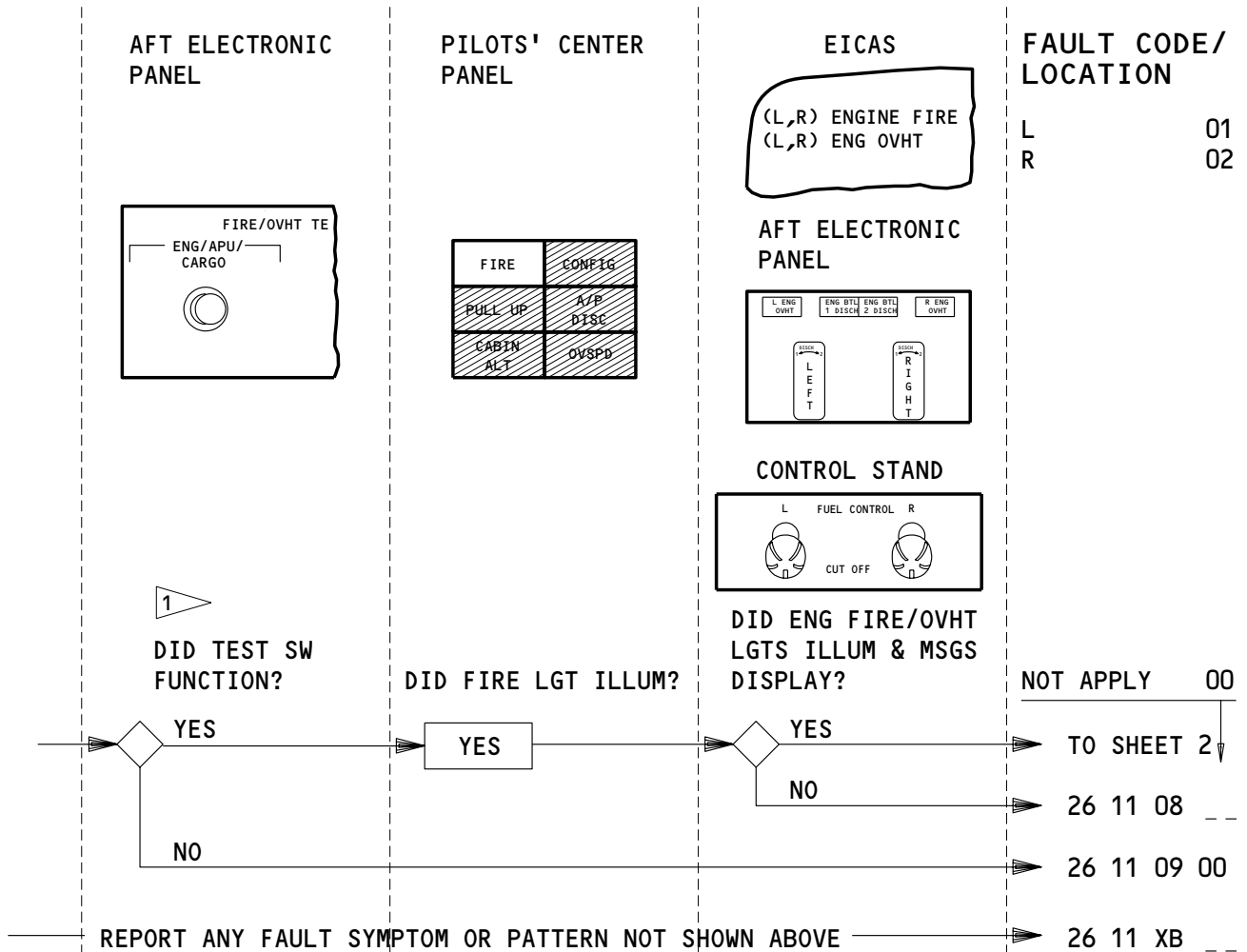
26-FAULT CODE DIAGRAM

01

Page 2
Sep 20/96

BOEING

757 FAULT ISOLATION/MAINT MANUAL



1 FIRE SWITCHES MUST BE IN TO TEST.

APPLICABLE CIRCUIT BREAKERS AS INSTALLED

11B16 AURAL WARN SPKR (L, LEFT)

11B19/20 FIRE (DETECTION, DET) L (ENGINE, ENG) 1

11B20/21 FIRE (DETECTION, DET) L (ENGINE, ENG) 2

11B21/22 FIRE (DETECTION, DET) R (ENGINE, ENG) 1

11B22/23 FIRE (DETECTION, DET) R (ENGINE, ENG) 2

11B23/24 FIRE (DETECTION, DET) APU 1

11B24/25 FIRE (DETECTION, DET) APU 2

11B25/26 FIRE (DETECTION, DET) CARGO 1

11B26 CARGO SMOKE DET 1

11B27 CARGO SMOKE DET 2

11B26/27 FIRE (DETECTION, DET) CARGO 2

11B33 APU REMOTE FIRE IND

11H35 AURAL WARN SPKR (R, RIGHT)

11J24 FIRE DET ALTN PWR CARGO

11J25 FIRE DET ALTN PWR APU

11J26 FIRE DET ALTN PWR ENG (L, LEFT)

11J27 FIRE DET ALTN PWR ENG (R, RIGHT)

11S35 FIRE DET CARGO FAN CONT

11S35 CARGO SMOKE BLOWER CONT

11S36 FIRE DET CARGO FAN PWR

11S36 CAR SMK BLO

FIRE/OVHT TEST – ENG, APU, CARGO (SHEET 1) – FAULT CODES

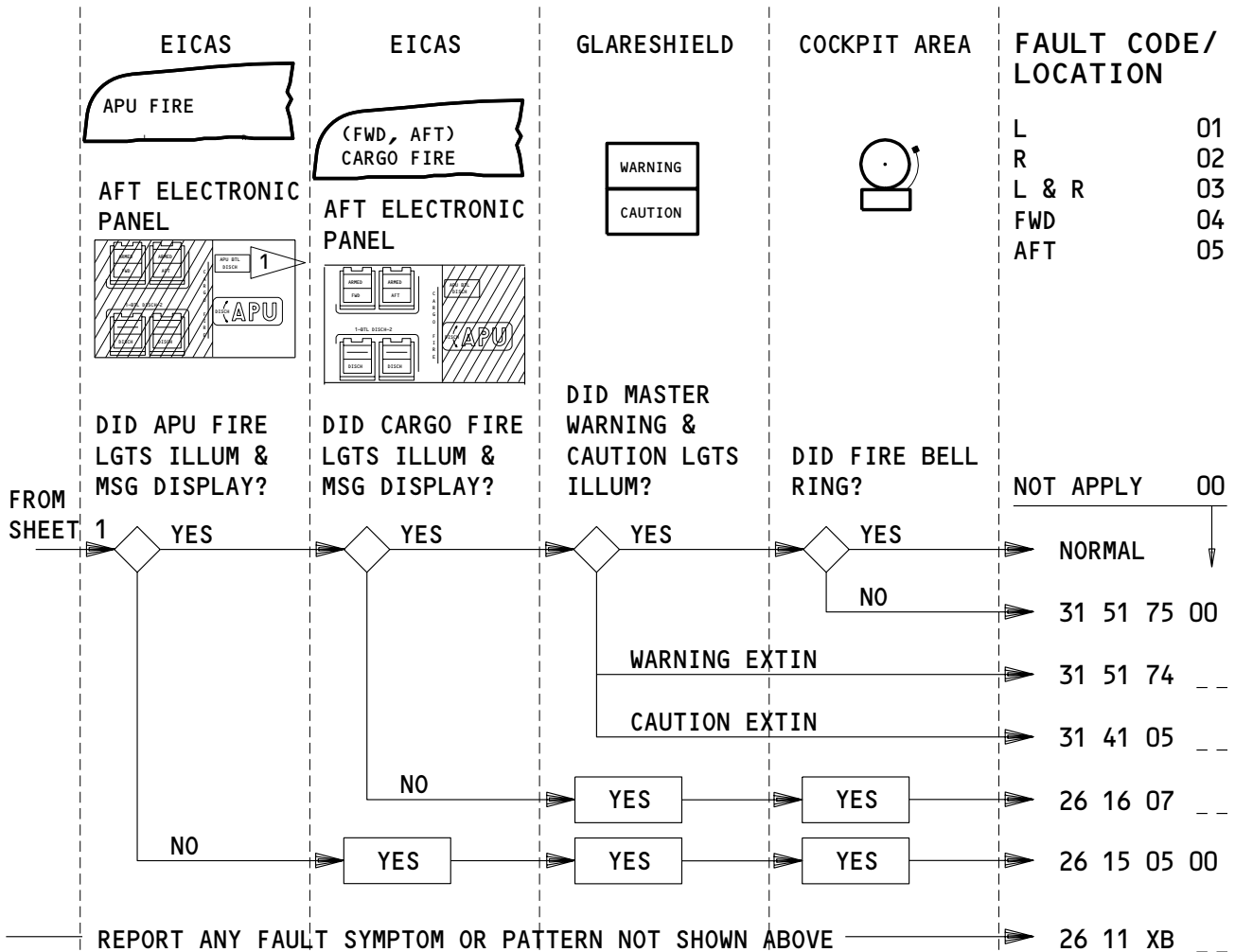
EFFECTIVITY

ALL

26-FAULT CODE DIAGRAM

01

Page 3
Sep 20/96



1 FIRE SWITCHES MUST BE IN TO TEST.

APPLICABLE CIRCUIT BREAKERS AS INSTALLED

11B16	AURAL WARN SPKR (L, LEFT)
11B19/20	FIRE (DETECTION, DET) L (ENGINE, ENG) 1
11B20/21	FIRE (DETECTION, DET) L (ENGINE, ENG) 2
11B21/22	FIRE (DETECTION, DET) R (ENGINE, ENG) 1
11B22/23	FIRE (DETECTION, DET) R (ENGINE, ENG) 2
11B23/24	FIRE (DETECTION, DET) APU 1
11B24/25	FIRE (DETECTION, DET) APU 2
11B25/26	FIRE (DETECTION, DET) CARGO 1
11B26	CARGO SMOKE DET 1
11B27	CARGO SMOKE DET 2

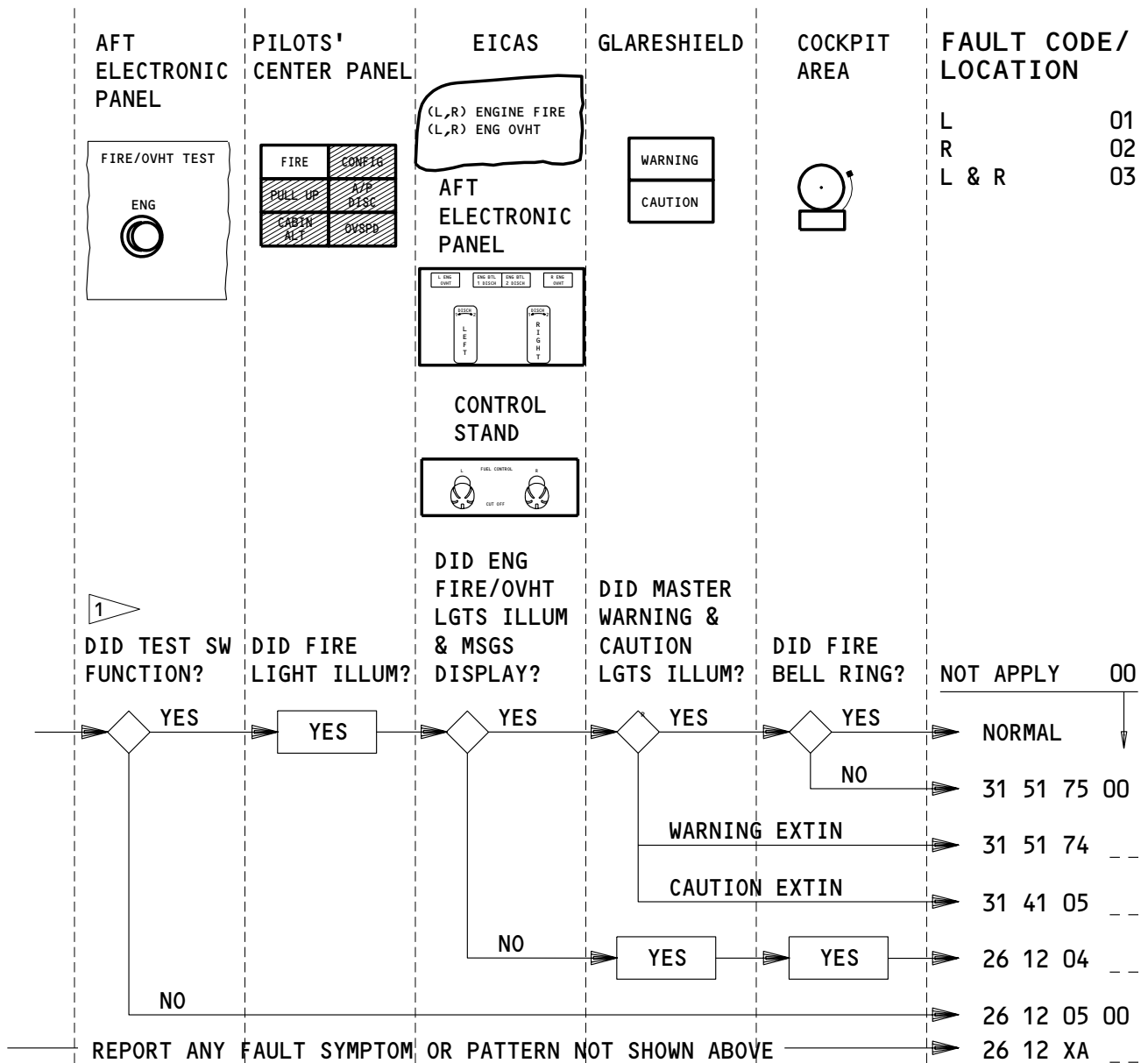
11B26/27	FIRE (DETECTION, DET) CARGO 2
11B33	APU REMOTE FIRE IND
11H35	AURAL WARN SPKR (R, RIGHT)
11J24	FIRE DET ALTN PWR CARGO
11J25	FIRE DET ALTN PWR APU
11J26	FIRE DET ALTN PWR ENG (L, LEFT)
11J27	FIRE DET ALTN PWR ENG (R, RIGHT)
11S35	FIRE DET CARGO FAN CONT
11S35	CARGO SMOKE BLOWER CONT
11S36	FIRE DET CARGO FAN PWR
11S36	CAR SMK BLO

FIRE/OVHT TEST – ENG, APU, CARGO (SHEET 2) – FAULT CODES

EFFECTIVITY

ALL

26-FAULT CODE DIAGRAM



1 FIRE SWITCHES MUST BE IN TO TEST.

APPLICABLE CIRCUIT BREAKERS AS INSTALLED

11B16	AURAL WARN SPKR (L, LEFT)	11H35	AURAL WARN SPKR (R, RIGHT)
11B19/20	FIRE (DETECTION, DET) L (ENGINE, ENG) 1	11J26	FIRE DET ALTN PWR ENG (L, LEFT)
11B20/21	FIRE (DETECTION, DET) L (ENGINE, ENG) 2	11J27	FIRE DET ALTN PWR ENG (R, RIGHT)
11B21/22	FIRE (DETECTION, DET) R (ENGINE, ENG) 1		
11B22/23	FIRE (DETECTION, DET) R (ENGINE, ENG) 2		

FIRE/OVHT TEST (ENG) – FAULT CODES

EFFECTIVITY

ALL

26-FAULT CODE DIAGRAM

02

Page 5
Jun 20/96

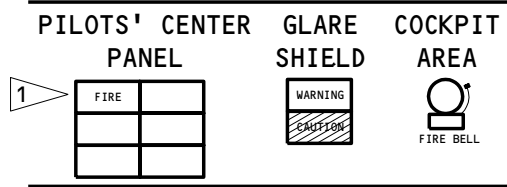
BOEING

757

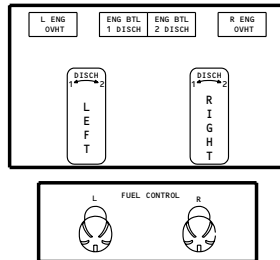
FAULT ISOLATION/MAINT MANUAL

EICAS

(L, R) ENGINE FIRE

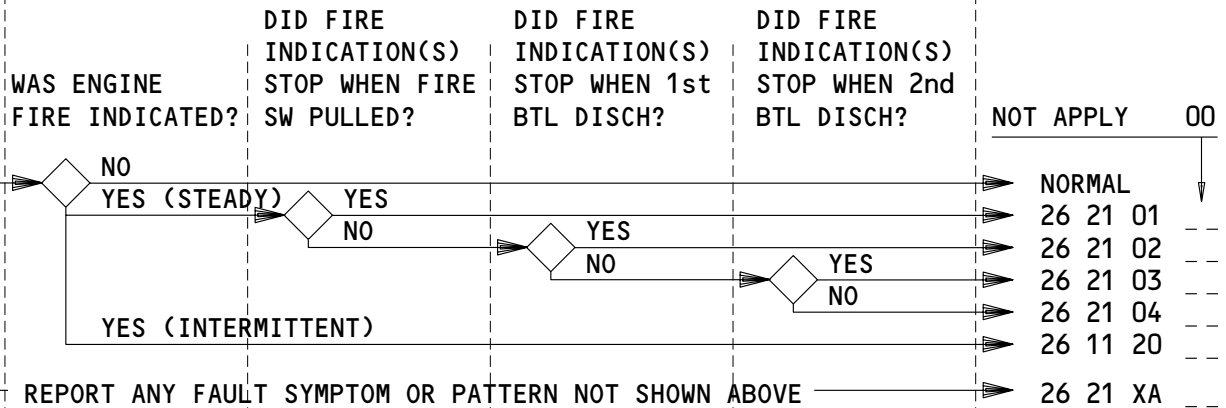


AFT ELECTRONIC PANEL



**FAULT CODE/
LOCATION**

L 01
R 02



1 FAULT IN FIRE DETECTION SYS MAY CAUSE FIRE LIGHT ON CENTER PANEL NOT TO ILLUM DURING FIRE DETECTION. AURAL WARNING, OTHER LIGHTS AND EICAS MSG WILL APPEAR. NOTE THIS INDICATION IN LOG BOOK.

APPLICABLE CIRCUIT BREAKERS AS INSTALLED

FIRE EXTINGUISHING

6H1	BTL 1 ENG L
6H2	BTL 2 ENG L
6H3	BTL 1 ENG R
6H4	BTL 2 ENG R

11B16	AURAL WARN SPKR (L, LEFT)
11B19/20	FIRE (DETECTION, DET) L (ENGINE, ENG) 1
11B20/21	FIRE (DETECTION, DET) L (ENGINE, ENG) 2
11B21/22	FIRE (DETECTION, DET) R (ENGINE, ENG) 1
11B22/23	FIRE (DETECTION, DET) R (ENGINE, ENG) 2
11H35	AURAL WARN SPKR (R, RIGHT)
11J26	FIRE DET ALTN PWR ENG (L, LEFT)
11J27	FIRE DET ALTN PWR ENG (R, RIGHT)

ENGINE FIRE - FAULT CODES

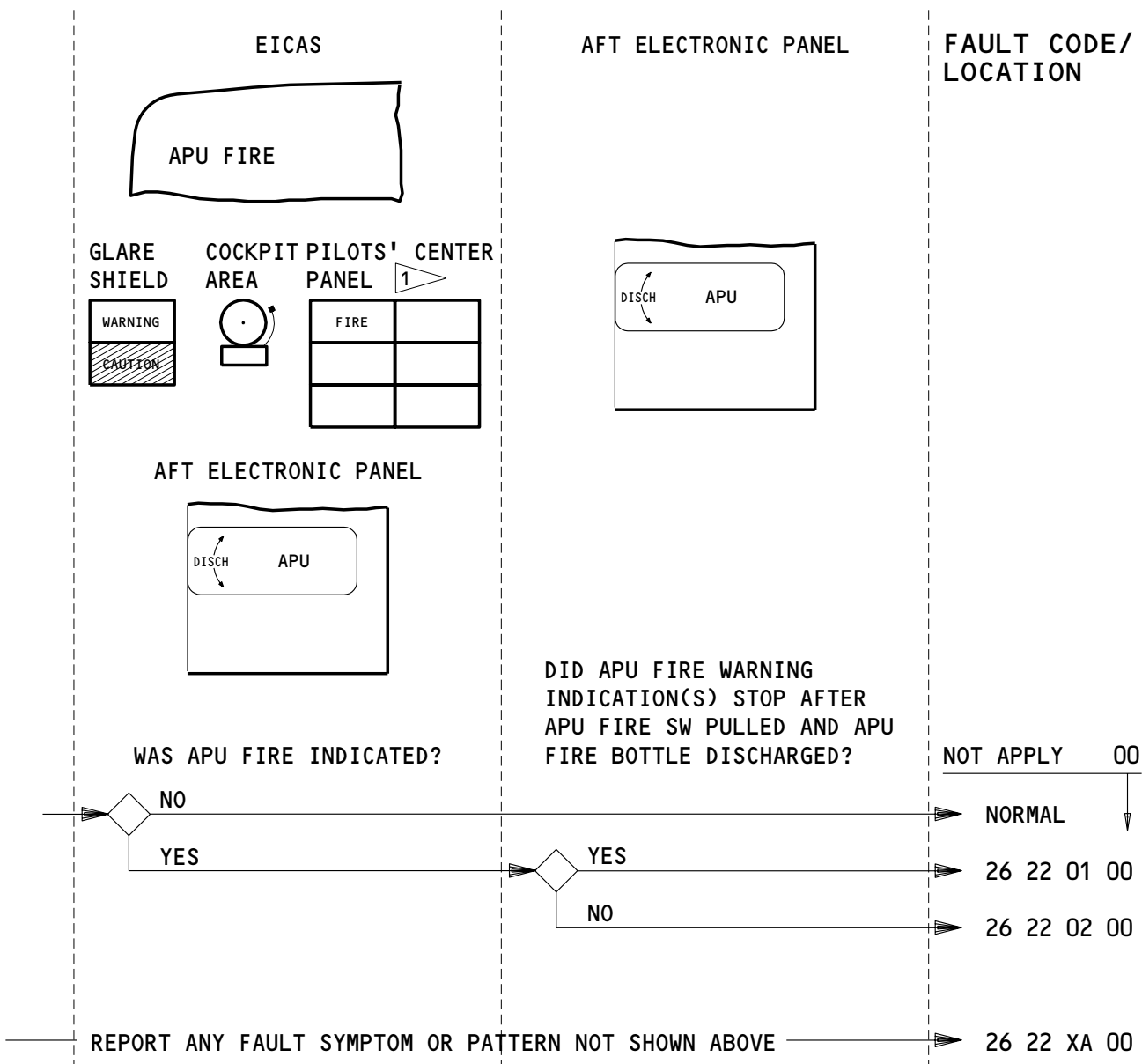
EFFECTIVITY

ALL

26-FAULT CODE DIAGRAM

01

Page 6
Sep 20/96



1 FAULT IN FIRE DETECTION SYS MAY CAUSE FIRE LIGHTS ON CENTER PANEL NOT TO ILLUM DURING FIRE DETECTION. AURAL WARNING, OTHER LIGHTS AND EICAS MSG WILL APPEAR. NOTE THIS INDICATION IN LOG BOOK.

APPLICABLE CIRCUIT BREAKERS AS INSTALLED

6G1/2	FIRE EXT APU	11B24/25	FIRE DETECTION APU 2
6G1	APU FIRE EXT	11B33	APU REMOTE FIRE IND
11B23/24	FIRE DETECTION APU 1		

APU FIRE – FAULT CODES

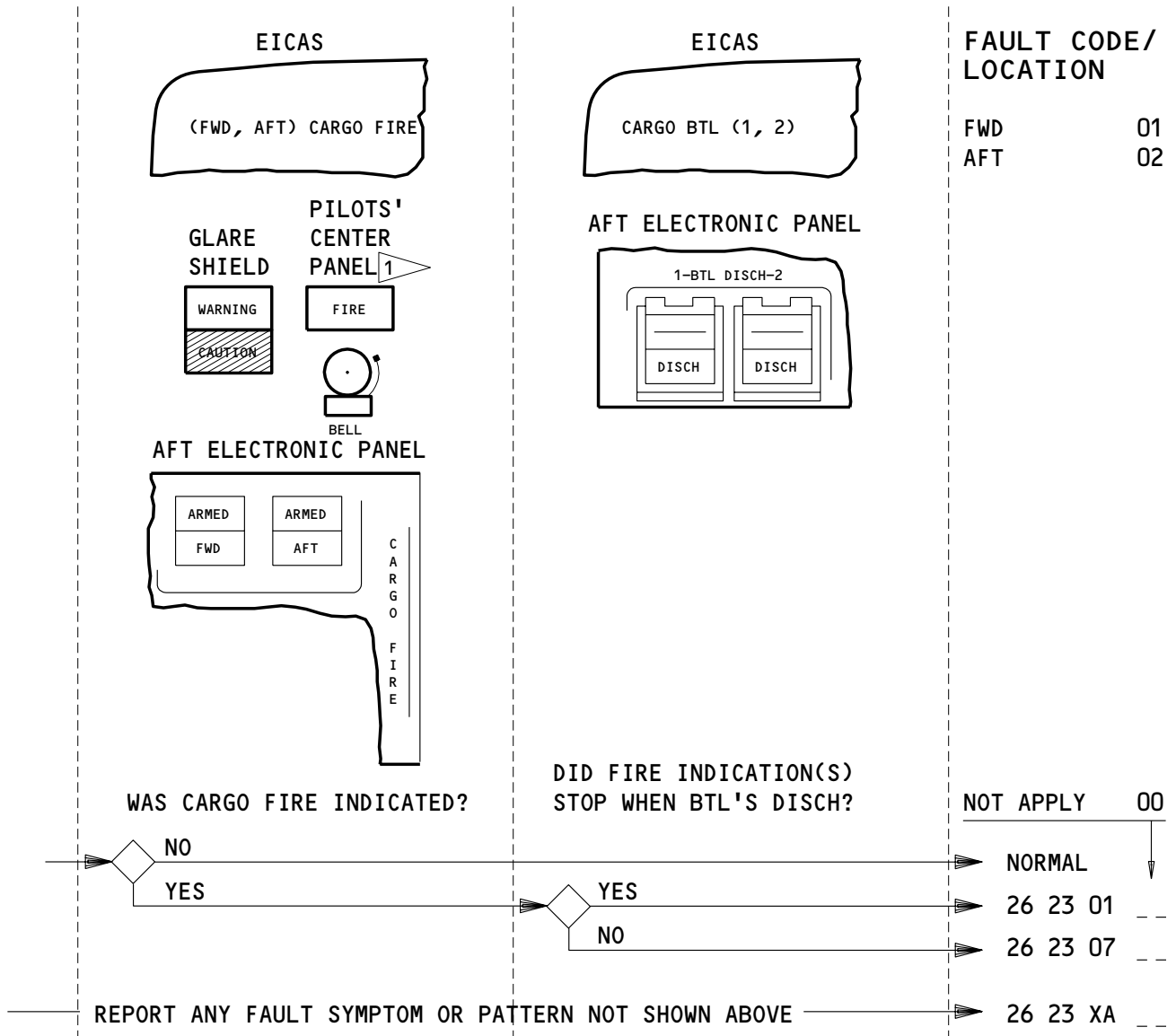
EFFECTIVITY

ALL

26-FAULT CODE DIAGRAM

BOEING

757 FAULT ISOLATION/MAINT MANUAL



1 FAULT IN FIRE DETECTION SYS MAY CAUSE FIRE LIGHT ON CENTER PANEL NOT TO ILLUM DURING FIRE DETECTION. AURAL WARNING, OTHER LIGHTS AND EICAS MSG WILL APPEAR. NOTE THIS INDICATION IN LOG BOOK.

APPLICABLE CIRCUIT BREAKERS AS INSTALLED	11B27	CARGO SMOKE DET 2	
6H5	BTL 1 CARGO FIRE (EXTINGUISHING, EXTIN)	11B27	FIRE DETECTION CARGO 2
6H6	BTL 2 CARGO FIRE (EXTINGUISHING, EXTIN)	11S35	FIRE DET CARGO FAN CONT
11B26	FIRE DETECTION CARGO 1	11S35	CARGO SMOKE BLOWER CONT
11B26	CARGO SMOKE DET 1	11S36	CAR SMK BLO
		11S36	FIRE DET CARGO FAN PWR

CARGO FIRE - FAULT CODES

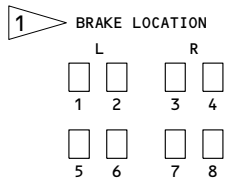
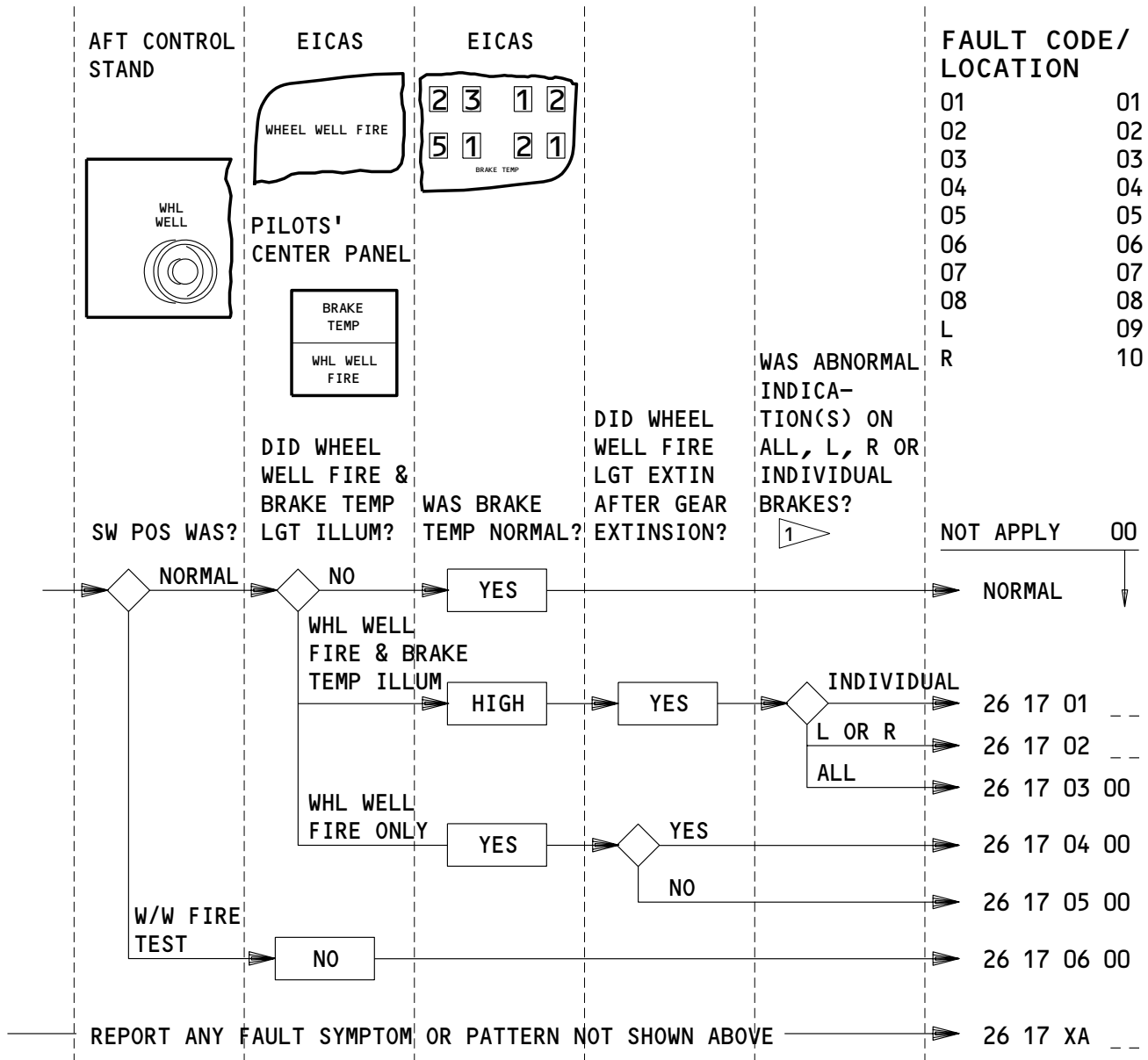
EFFECTIVITY

ALL

26-FAULT CODE DIAGRAM

01

Page 9
Jun 20/96



APPLICABLE CIRCUIT BREAKERS AS INSTALLED

- | | | | |
|-------|--------------------|-------|------------|
| 11B10 | W/W FIRE DETECTION | 11S16 | BRAKE TEMP |
| 11B10 | W/W FIRE DET | | |
| 11B35 | W/W FIRE TEST | | |

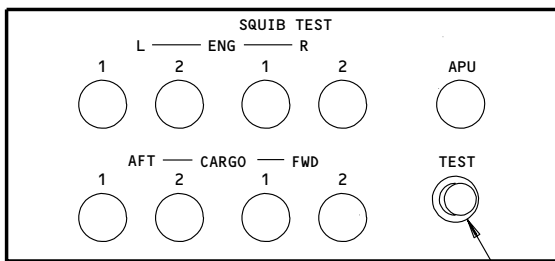
WHEEL WELL FIRE & TEST - FAULT CODES

EFFECTIVITY

ALL

26-FAULT CODE DIAGRAM

ACCESSORY PANEL

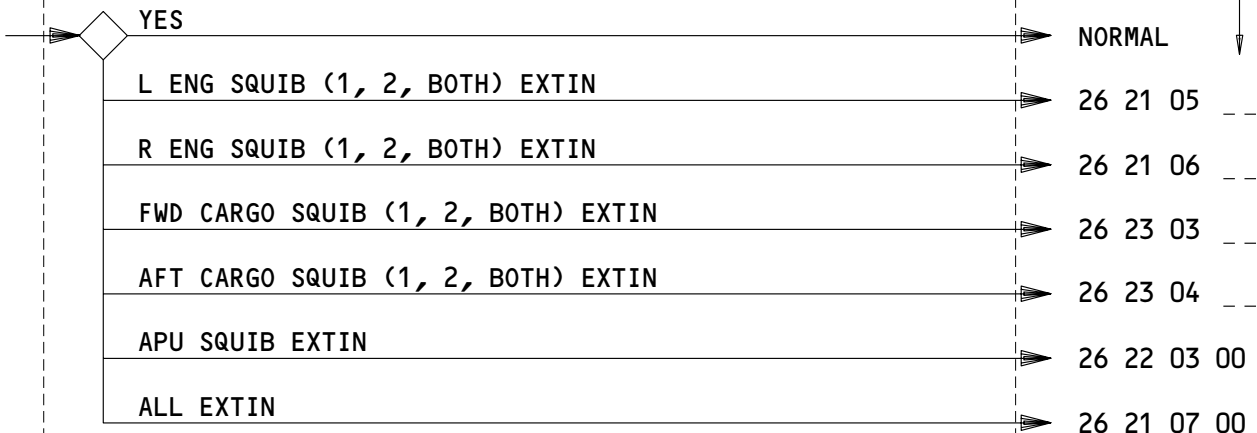


FAULT CODE/
LOCATION

1 01
2 02
BOTH 03

DID ALL LIGHTS ILLUM DURING TEST?

NOT APPLY 00



REPORT ANY FAULT SYMPTOM OR PATTERN NOT SHOWN ABOVE ▶ 26 21 XB --

APPLICABLE CIRCUIT BREAKERS AS INSTALLED

6G1	FIRE EXT APU	6H4	BTL 2 ENG R FIRE (EXTINGUISHING, EXTING)
6H1	BTL 1 ENG L FIRE (EXTINGUISHING, EXTING)	6H5	BTL 1 CARGO FIRE (EXTINGUISHING, EXTING)
6H2	BTL 2 ENG L FIRE (EXTINGUISHING, EXTING)	6H6	BTL 2 CARGO FIRE (EXTINGUISHING, EXTING)
6H3	BTL 1 ENG R FIRE (EXTINGUISHING, EXTING)		

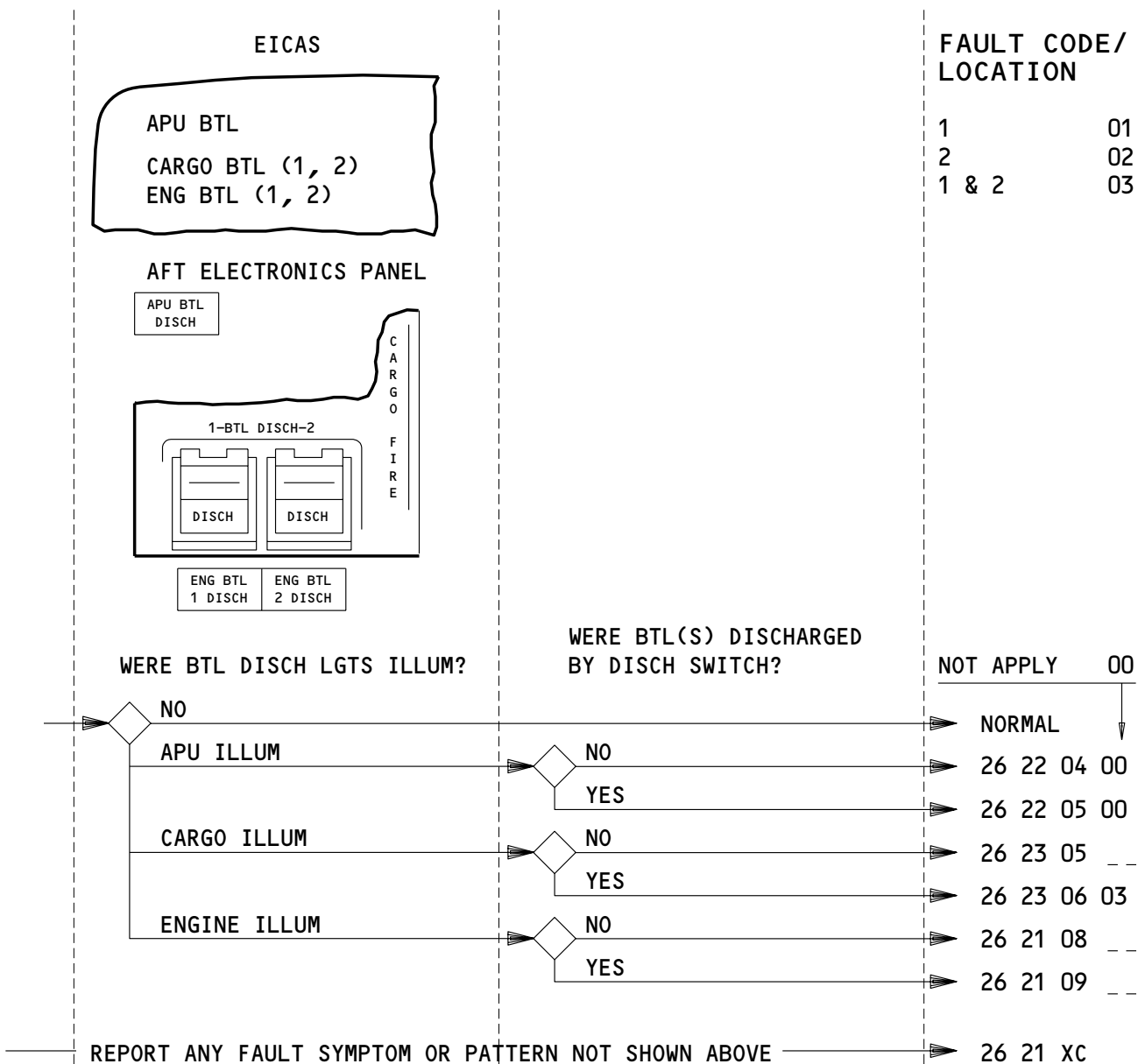
SQUIB TEST – FAULT CODES

EFFECTIVITY

ALL

26-FAULT CODE DIAGRAM

G03823



APPLICABLE CIRCUIT BREAKERS AS INSTALLED

6G1	APU FIRE EXT	6H3	BTL 1 ENG R FIRE EXTINGUISHING
6G2	FIRE EXT APU	6H4	BTL 2 ENG R FIRE EXTINGUISHING
6H1	BTL 1 ENG L FIRE EXTINGUISHING	6H5	BTL 1 CARGO FIRE EXTINGUISHING
6H2	BTL 2 ENG L FIRE EXTINGUISHING	6H6	BTL 2 CARGO FIRE EXTINGUISHING

BOTTLE DISCHARGE LIGHTS ILLUMINATED - FAULT CODES

EFFECTIVITY

ALL

26-FAULT CODE DIAGRAM

01

Page 12
Jun 20/96



757
FAULT ISOLATION/MAINT MANUAL

FAULT CODE	LOG BOOK REPORT	FAULT ISOLATION REFERENCE
26 11 XA --	(01=L, 02=R) An engine fire/overheat detector problem was encountered by the flight crew which is not covered in the fault code diagrams.	SSM 26-11-01 thru SSM 26-11-04, SSM 26-12-01, SSM 26-12-02, SSM 26-13-01, SSM 26-13-02
26 11 XB --	Report fire/ovht test - eng, APU, cargo symptoms or patterns along with fault code.	SSM 26-11-01 thru SSM 26-11-04, SSM 26-12-01, SSM 26-12-02, SSM 26-13-01, SSM 26-13-02, SSM 26-15-01, SSM 26-16-01, SSM 26-16-02
26 11 XC --	Report ENG OVERHEAT symptoms or patterns along with fault code.	SSM 26-11-03, SSM 26-11-04
26 12 XA --	(01=L, 02=R) An engine fire/overheat test problem was encountered by the flight crew which is not covered in the fault code diagrams.	SSM 26-12-01, SSM 26-12-02, SSM 26-13-01, SSM 26-13-02
26 15 XA --	Report FIRE/OVHT detector (APU & CARGO) symptoms or patterns along with fault code.	SSM 26-15-01, SSM 26-16-01, SSM 26-16-02
26 17 XA --	Report WHEEL WELL FIRE & TEST symptoms or patterns along with fault code.	SSM 26-17-01
26 18 XA --	(01=L, 02=R) A duct leak problem was encountered by the flight crew which is not covered in the fault code diagrams.	SSM 26-18-01, SSM 26-18-02

EFFECTIVITY

ALL

26-FAULT CODE INDEX

01

Page 1
Sep 20/08



BOEING
757
FAULT ISOLATION/MAINT MANUAL

FAULT CODE	LOG BOOK REPORT	FAULT ISOLATION REFERENCE
26 21 XA --	Report engine fire symptoms or patterns along with fault code.	SSM 26-21-01
26 21 XB --	(01=L, 02=R, 03=BOTH) A squib test problem was encountered by the flight crew which is not covered in the fault code diagrams.	SSM 26-21-01, SSM 26-22-01, SSM 26-23-01
26 21 XC --	Report bottle discharge lights illuminated symptoms or patterns along with fault code.	SSM 26-21-01, SSM 26-22-01, SSM 26-23-01
26 21 XD --	(01=1, 02=2, 03=BOTH) A squib test problem was encountered by the flight crew which is not covered in the fault code diagrams.	SSM 26-21-01, SSM 26-22-01, SSM 26-23-01
26 22 XA 00	Report APU FIRE symptoms or patterns along with fault code.	SSM 26-22-01
26 23 XA --	Report CARGO FIRE symptoms or patterns along with fault code.	SSM 26-23-01
26 24 XA --	(01=FWD LAV A, 02=MID LAV S, 03=MID LAV C, 04=MID LAV D) A lavatory smoke and fire protection system problem was encountered by the flight crew that was not covered in the fault code diagram.	FIM 26-14-00/101, Fig. 103
26 11 01 --	(01=L, 02=R) EICAS status msg ENG OH LP 1 displayed.	FIM 26-11-00/101, Fig. 103
26 11 02 --	(01=L, 02=R) EICAS status msg ENG OH LP 2 displayed.	FIM 26-11-00/101, Fig. 103
26 11 03 --	(01=L, 02=R) EICAS status msg ENG FIRE LP 1 displayed.	FIM 26-11-00/101, Fig. 103
26 11 04 --	(01=L, 02=R) EICAS status msg ENG FIRE LP 2 displayed.	FIM 26-11-00/101, Fig. 103

EFFECTIVITY

ALL

26-FAULT CODE INDEX



BOEING
757
FAULT ISOLATION/MAINT MANUAL

FAULT CODE	LOG BOOK REPORT	FAULT ISOLATION REFERENCE
26 11 05 --	Fire protection SYSTEM FAIL lgt on. EICAS msg FIRE/OVHT SYS displayed. EICAS status msg (O1=L, O2=R) ENG OH LP 1 and LP 2 displayed.	FIM 26-11-00/101, Fig. 103
26 11 06 --	Fire protection SYSTEM FAIL lgt on. EICAS msg FIRE/OVHT SYS displayed. EICAS status msg (O1=L, O2=R) ENG FIRE LP 1 and LP 2 displayed.	FIM 26-11-00/101, Fig. 103
26 11 07 00	Fire protection system FAIL lgt on. EICAS msg FIRE/OVHT SYS displayed. EICAS status msg not displayed.	FIM 26-11-00/101, Fig. 103
26 11 08 --	(O1=L, O2=R) FIRE, OVHT, FIRE & OVHT lgt(s) failed to come on during ENG/APU/CARGO FIRE/OVHT TEST. Appropriate EICAS msg (was, was not) displayed.	FIM 26-11-00/101, Fig. 103
26 11 09 00	ENG/APU/CARGO FIRE/OVHT TEST failed to function.	Replace the ENG-APU-CARGO test switch YQSS001 on the fire-ovht test panel M10445, or M10445 (AMM 26-11-02).
26 11 10 --	(O1=L, O2=R) EICAS msg ENG OVHT displayed with ENG OVHT lgt on. Light extin after thrust reduction.	FIM 26-11-00/101, Fig. 103A
26 11 11 --	(O1=L, O2=R) EICAS msg ENG OVHT displayed with ENG OVHT lgt on. Light remained on after thrust reduction. Engine was shut down.	Do a visual check of the detector and/or detector loop areas for indications of heat damage. Replace burn wires/harnesses. Repair any leaks. Replace the L(R) Fire-Ovht Logic Test Card, M10224 (M10274) (AMM 26-10-01).
26 11 12 00	EICAS status/maintenance msg L ENG FIRE LP 1 displayed.	FIM 26-11-00/101, Fig. 103

EFFECTIVITY

ALL

26-FAULT CODE INDEX

02

Page 3
Sep 20/08



BOEING
757
FAULT ISOLATION/MAINT MANUAL

FAULT CODE	LOG BOOK REPORT	FAULT ISOLATION REFERENCE
26 11 13 00	EICAS status/maintenance msg L ENG FIRE LP 2 displayed.	FIM 26-11-00/101, Fig. 103
26 11 14 00	EICAS status/maintenance msg L ENG OH LP 1 displayed.	FIM 26-11-00/101, Fig. 103
26 11 15 00	EICAS status/maintenance msg L ENG OH LP 2 displayed.	FIM 26-11-00/101, Fig. 103
26 11 16 00	EICAS status/maintenance msg R ENG FIRE LP 1 displayed.	FIM 26-11-00/101, Fig. 103
26 11 17 00	EICAS status/maintenance msg R ENG FIRE LP 2 displayed.	FIM 26-11-00/101, Fig. 103
26 11 18 00	EICAS status/maintenance msg R ENG OH LP 1 displayed.	FIM 26-11-00/101, Fig. 103
26 11 19 00	EICAS status/maintenance msg R ENG OH LP 2 displayed.	FIM 26-11-00/101, Fig. 103
26 11 20 --	(01=L, 02=R) Engine had intermittent ENGINE FIRE indication.	Take out and put back in the circuit cards in P54. Make a check of the detector connectors for contaminated or damaged pin, socket, insulation or pushed back pin. Make sure the connectors are tightened. Do a continuity check of the detector while the detector vibrates.
26 12 01 --	(01=L, 02=R) EICAS status msg STRUT OH DET 1 displayed.	FIM 26-12-00/101, Fig. 104
26 12 02 --	(01=L, 02=R) EICAS status msg STRUT OH DET 2 displayed.	FIM 26-12-00/101, Fig. 104
26 12 03 --	Fire protection SYSTEM FAIL lgt on. EICAS msg FIRE/OVHT SYS displayed. EICAS status msg (01=L, 02=R) STRUT OH DET 1 and DET 2 displayed.	FIM 26-12-00/101, Fig. 103

EFFECTIVITY

ALL

26-FAULT CODE INDEX

03

Page 4
Sep 20/08



757
FAULT ISOLATION/MAINT MANUAL

FAULT CODE	LOG BOOK REPORT	FAULT ISOLATION REFERENCE
26 12 04 --	(O1=L, O2=R) (FIRE, OVHT, FIRE & OVHT) Lights failed to come on during ENG FIRE/OVHT TEST. Appropriate EICAS msg (was, was not) displayed.	(FIRE, FIRE & OVHT) FIM 26-13-00/101, Fig. 103 (OVHT) FIM 26-12-00/101, Fig. 103
26 12 05 00	ENG FIRE/OVHT TEST failed to function.	Replace the fire-ovht test panel M10445 (AMM 26-11-02).
26 12 06 00	EICAS status/maintenance msg L STRUT OH DET 1 displayed.	FIM 26-12-00/101, Fig. 104
26 12 07 00	EICAS status/maintenance msg L STRUT OH DET 2 displayed.	FIM 26-12-00/101, Fig. 104
26 12 08 00	EICAS status/maintenance msg R STRUT OH DET 1 displayed.	FIM 26-12-00/101, Fig. 104
26 12 09 00	EICAS status/maintenance msg R STRUT OH DET 2 displayed.	FIM 26-12-00/101, Fig. 104
26 13 01 --	(O1=L, O2=R) EICAS status msg TURB OH DET 1 displayed.	FIM 26-13-00/101, Fig. 104
26 13 02 --	(O1=L, O2=R) EICAS status msg TURB OH DET 2 displayed.	FIM 26-13-00/101, Fig. 104
26 13 03 --	Fire protection SYSTEM FAIL lgt on. EICAS msg FIRE/OVHT SYS displayed. EICAS status msg (O1=L, O2=R) TURB OH DET 1 and DET 2 displayed.	FIM 26-13-00/101, Fig. 103
26 13 04 00	EICAS status/maintenance msg L TURB OH DET 1 displayed.	FIM 26-13-00/101, Fig. 104
26 13 05 00	EICAS status/maintenance msg L TURB OH DET 2 displayed.	FIM 26-13-00/101, Fig. 104
26 13 06 00	EICAS status/maintenance msg R TURB OH DET 1 displayed.	FIM 26-13-00/101, Fig. 104
26 13 07 00	EICAS status/maintenance msg R TURB OH DET 2 displayed.	FIM 26-13-00/101, Fig. 104

EFFECTIVITY

ALL

26-FAULT CODE INDEX

01

Page 5
Sep 20/08



BOEING
757
FAULT ISOLATION/MAINT MANUAL

FAULT CODE	LOG BOOK REPORT	FAULT ISOLATION REFERENCE
26 15 01 00	EICAS status/maintenance msg APU FIRE LP 1 displayed.	FIM 26-15-00/101, Fig. 104
26 15 02 00	EICAS status/maintenance msg APU FIRE LP 2 displayed.	FIM 26-15-00/101, Fig. 104
26 15 03 00	Fire protection SYSTEM FAIL lgt on. EICAS msg FIRE/OVHT SYS displayed. EICAS status msg APU FIRE LP 1 and LP 2 displayed.	FIM 26-15-00/101, Fig. 103
26 15 04 00	Fire protection SYSTEM FAIL lgt on. EICAS msg FIRE/OVHT SYS displayed. EICAS status msg not displayed.	FIM 26-15-00/101, Fig. 103
26 15 05 00	APU fire warning lgt(s) failed to come on during ENG/APU/CARGO FIRE/OVHT TEST. EICAS msg APU FIRE (was, was not) displayed.	FIM 26-15-00/101, Fig. 103
26 15 06 00	EICAS status/maintenance msg APU FIRE LP 1 displayed.	FIM 26-15-00/101, Fig. 104
26 15 07 00	EICAS status/maintenance msg APU FIRE LP 2 displayed.	FIM 26-15-00/101, Fig. 104
26 16 01 00	EICAS status/maintenance msg FWD DET FAN displayed.	FIM 26-16-00/101, Fig. 105
26 16 02 00	EICAS status/maintenance msg AFT DET FAN displayed.	FIM 26-16-00/101, Fig. 104
26 16 03 --	(03=FWD, 04=AFT) EICAS status msg CARGO DET 1 displayed.	FIM 26-16-00/101, Fig. 106
26 16 04 --	(03=FWD, 04=AFT) EICAS status msg CARGO DET 2 displayed.	FIM 26-16-00/101, Fig. 106
26 16 05 00	EICAS status msg CARGO DET AIR displayed.	FIM 26-16-00/101, Fig. 107

EFFECTIVITY

ALL

26-FAULT CODE INDEX

01

Page 6
Sep 20/08



BOEING
757
FAULT ISOLATION/MAINT MANUAL

FAULT CODE	LOG BOOK REPORT	FAULT ISOLATION REFERENCE
26 16 06 --	Fire protection SYSTEM FAIL lgt on. EICAS msg FIRE/OVHT SYS displayed. EICAS status msg (03=FWD, 04=AFT) CARGO DET 1 and CARGO DET 2 displayed.	FIM 26-16-00/101, Fig. 103
26 16 07 --	(04=FWD, 05=AFT) Cargo fire lgt failed to come on during ENG/APU/CARGO FIRE/OVHT TEST. EICAS msg (FWD, AFT) CARGO FIRE (was, was not) displayed.	FIM 26-16-00/101, Fig. 103
26 16 08 00	EICAS status/maintenance msg AFT CARGO DET 1 displayed.	FIM 26-16-00/101, Fig. 106
26 16 09 00	EICAS status/maintenance msg AFT CARGO DET 2 displayed.	FIM 26-16-00/101, Fig. 106
26 16 10 00	EICAS status/maintenance msg FWD CARGO DET 1 displayed.	FIM 26-16-00/101, Fig. 106
26 16 11 00	EICAS status/maintenance msg FWD CARGO DET 2 displayed.	FIM 26-16-00/101, Fig. 106
26 17 04 00	WHEEL WELL FIRE lgt on. EICAS msg WHEEL WELL FIRE displayed. Light extin after gear extension.	FIM 26-17-00/101, Fig. 103
26 17 05 00	WHEEL WELL FIRE lgt on. EICAS msg WHEEL WELL FIRE displayed. Light did not extin after gear extension.	FIM 26-17-00/101, Fig. 103
26 17 06 00	WHEEL WELL FIRE lgt failed to come on during test.	FIM 26-17-00/101, Fig. 103
26 18 01 --	(01=L, 02=R) EICAS msg (L,R) BLD LEAK displayed. DUCT LEAK lgt on with eng supplying pneu sys. Light remained on after bleed air valve closed.	FIM 26-18-00/101, Fig. 103

EFFECTIVITY

ALL

26-FAULT CODE INDEX

03

Page 7
Sep 20/08



BOEING
757
FAULT ISOLATION/MAINT MANUAL

FAULT CODE	LOG BOOK REPORT	FAULT ISOLATION REFERENCE
26 18 02 --	(01=L, 02=R) EICAS msg (L,R) BLD LEAK displayed. DUCT LEAK lgt on with APU supplying pneu sys. Light remained on after APU bleed air valve closed.	FIM 26-18-00/101, Fig. 103
26 18 03 00	EICAS status/maintenance msg DUCT LEAK BITE displayed.	FIM 26-18-00/101, Fig. 103
26 18 04 00	EICAS status/maintenance msg DUCT LEAK LP displayed.	FIM 26-18-00/101, Fig. 103
26 18 06 --	(01=L, 02=R) DUCT LEAK light did not come on during test.	FIM 26-18-00/101, Fig. 103
26 18 07 00	(01=L, 02=R) L and R DUCT LEAK lights did not come on during test.	FIM 26-18-00/101, Fig. 103
26 21 01 --	(01=L, 02=R) ENGINE FIRE indicated. EICAS msg (L,R) ENGINE FIRE displayed. Fire indications stopped when fire switch pulled.	Push the fire switch handle back to the vertical initial position. Examine the engine for signs of a fire or overheat condition. Look for possible fuel oil or hydraulic fluid leaks and damaged pneumatic ducts. Repair as necessary.
26 21 02 --	(01=L, 02=R) ENGINE FIRE indicated. EICAS msg (L,R) ENGINE FIRE displayed. Fire indications stopped when fire switch pulled and first bottle discharged.	Push the fire switch handle back to the vertical initial position. Examine the engine for signs of a fire or overheat condition. Look for possible fuel oil or hydraulic fluid leaks and damaged pneumatic ducts. Repair as necessary. If the problem still exists, replace the engine fire extinguisher bottle No. 1 (AMM 26-21-01).

EFFECTIVITY

ALL

26-FAULT CODE INDEX

02

Page 8
Sep 20/08



BOEING
757
FAULT ISOLATION/MAINT MANUAL

FAULT CODE	LOG BOOK REPORT	FAULT ISOLATION REFERENCE
26 21 03 --	(01=L, 02=R) ENGINE FIRE indicated. EICAS msg (L,R) ENGINE FIRE displayed. Fire indications stopped when fire switch pulled and both bottle discharged.	Push the fire switch handle back to the vertical initial position. Examine the engine for signs of a fire or overheat condition. Look for possible fuel oil or hydraulic fluid leaks and damaged pneumatic ducts. Repair as necessary. If the problem still exists, replace the engine fire extinguisher bottle No. 1 and No. 2 (AMM 26-21-01).
26 21 04 --	(01=L, 02=R) ENGINE FIRE indicated. EICAS msg (L,R) ENGINE FIRE displayed. Fire indications continued when fire switch pulled and both bottles discharged.	Push the fire switch handle back to the vertical initial position. Examine the engine for signs of a fire or overheat condition. Look for possible fuel oil or hydraulic fluid leaks and damaged pneumatic ducts. Repair as necessary. If the problem still exists, replace the AFOLTS card for the engine fire detection (AMM 26-10-01).
26 21 05 --	(01=1, 02=2, 03=BOTH) Left ENG SQUIB TEST lgt(s) failed to come on during test.	(01=1, 02=2) Replace the engine fire extinguisher bottle squib cartridge where fault occurs (AMM 26-21-01). (03=BOTH) Replace the squib test control panel M10401 (AMM 26-21-04).
26 21 06 --	(01=1, 02=2, 03=BOTH) Right ENG SQUIB TEST lgt(s) failed to come on during test.	(01=1, 02=2) Replace the engine fire extinguisher bottle squib cartridge where fault occurs (AMM 26-21-01). (03=BOTH) Replace the squib test control panel M10401 (AMM 26-21-04).
26 21 07 00	ALL SQUIB TEST lgts failed to come on during test.	Replace the squib test panel (AMM 26-21-04).

EFFECTIVITY

ALL

26-FAULT CODE INDEX

02

Page 9
Sep 20/08


BOEING
 757
 FAULT ISOLATION/MAINT MANUAL

FAULT CODE	LOG BOOK REPORT	FAULT ISOLATION REFERENCE
26 21 08 --	(01=1, 02=2, 03=1 & 2) ENG BTL DISCH lgt on, EICAS msg (1, 2, 1 & 2) ENG BTL displayed. Discharge switch not used.	(01=1, 02=2) Replace the engine fire extinguisher bottle where fault occurs (faulty pressure switch) (AMM 26-21-01). (03=1&2) Replace the squib test control panel M10401 (AMM 26-21-04).
26 21 09 --	(01=1, 02=2, 03=1 & 2) ENG BTL DISCH lgt on, EICAS msg (1, 2, 1 & 2) ENG BTL displayed. Bottle was disch by switch.	(01=1, 02=2, 03=1&2) Replace the engine fire extinguisher bottle(s) that releases its contents (AMM 26-21-01). Make a check for fire damage on the engine and repair as necessary.
26 21 10 --	(01=L, 02=R) Engine had intermittent (L,R) ENG OVHT indication.	Do a visual check of the detector and/or detector loop areas for indications of heat damage. Replace any burn wires or harnesses. Repair any duct leaks. Take out and put back in the circuit cards in P54. Make a check of the detector connectors for contaminated or damaged pin, socket, insulation or pushed back pin. Make sure the connectors are tightened. Do a continuity check of the detector while the detector vibrates.
26 22 01 00	APU fire indicated. EICAS msg APU FIRE displayed. APU fire switch pulled and bottle discharged. APU fire indication(s) stopped.	Replace the APU fire extinguisher bottle (AMM 26-22-01).
26 22 02 00	APU fire indicated. EICAS msg APU FIRE displayed. APU fire switch pulled and bottle discharged. APU fire indication(s) remained.	Replace the AFOLTS card for APU fire detection (AMM 26-10-01).
26 22 03 00	APU SQUIB TEST lgt failed to come on during test.	Replace the APU fire extinguisher bottle squib cartridge (AMM 26-22-01).

EFFECTIVITY

ALL

26-FAULT CODE INDEX

02

Page 10
Sep 20/08


BOEING
 757
 FAULT ISOLATION/MAINT MANUAL

FAULT CODE	LOG BOOK REPORT	FAULT ISOLATION REFERENCE
26 22 04 00	APU BTL DISCH lgt on, EICAS msg APU BTL displayed. Discharge switch not used.	Replace the APU fire extinguisher bottle (faulty pressure switch)(AMM 26-22-01).
26 22 05 00	APU BTL DISCH lgt on, EICAS msg APU BTL displayed. Bottle was disch by switch.	Replace the APU fire extinguisher bottle (AMM 26-22-01).
26 23 01 --	(01=FWD, 02=AFT) Cargo fire indicated. EICAS msg (FWD, AFT) CARGO FIRE displayed. Fire indication(s) stopped when bottles 1 and 2 discharged.	(01=FWD) Replace the fire extinguishing bottles No. 1 M10466 and No. 2 M10467 (AMM 26-23-02). Reset the discharge line pressure switch S633 in the forward cargo compartment. (02=AFT) Replace the fire extinguishing bottles No. 1 M10466 and No. 2 M10467 (AMM 26-23-02).
26 23 03 --	(01=1, 02=2, 03=BOTH) Forward CARGO SQUIB TEST lgt(s) failed to come on during test.	(01=1, 02=2) Replace the cargo fire extinguisher bottle squib cartridge where fault occurs (AMM 26-23-01). (03=BOTH) Replace the squib test control panel M10401 (AMM 26-21-04).
26 23 04 --	(01=1, 02=2, 03=BOTH) Aft CARGO SQUIB TEST lgt(s) failed to come on during test.	(01=1, 02=2) Replace the cargo fire extinguisher bottle squib cartridge where fault occurs (AMM 26-23-01). (03=BOTH) Replace the squib test control panel M10401 (AMM 26-21-04).

EFFECTIVITY

ALL

26-FAULT CODE INDEX

12

Page 11
Sep 20/08



BOEING
757
FAULT ISOLATION/MAINT MANUAL

FAULT CODE	LOG BOOK REPORT	FAULT ISOLATION REFERENCE
26 23 05 --	(01=1, 02=2, 03=1&2) CARGO BTL DISCH lgt on, EICAS msg (1, 2, 1 & 2) CARGO BTL displayed. Discharge switch not used.	(01=1) FIM 26-23-00/101, Fig. 103 (02=2) FIM 26-23-00/101, Fig. 104 (03=1&2) Replace the fire extinguishing bottles No. 1 M10466 and No. 2 M10467 (AMM 26-23-02). Do a check of the red reset button on the discharge line pressure switch S633 in the forward cargo compartment and reset if extended.
26 23 06 03	EICAS msg 1 & 2 CARGO BTL displayed and 1 & 2 CARGO BTL DISCH lgts on. Bottles were disch by switch.	Replace the fire extinguisher bottle(s) that released its contents (AMM 26-23-02). Do a check of the red reset button on the discharge line pressure switch S633 in the forward cargo compartment and reset if extended.
26 23 07 --	(01=FWD, 02=AFT) Cargo fire indicated. EICAS msg (FWD, AFT) CARGO FIRE displayed. Fire indication(s) remained when bottles disch.	(01=FWD) FIM 26-23-00/101, Fig. 105 (02=AFT) FIM 26-23-00/101, Fig. 106
26 24 01 --	(01=FWD LAV A, 02=FWD LAV F, 03=MID LAV S, 04=MID LAV C, 05=MID LAV D) Lavatory smoke alarm sounded, no smoke, fire extinguisher did not discharge.	FIM 26-14-00/101, Fig. 103
26 24 02 --	(01=FWD LAV A, 02=FWD LAV F, 03=MID LAV S, 04=MID LAV C, 05=MID LAV D) Lavatory smoke detector will not test when self-test switch activated.	FIM 26-14-00/101, Fig. 103

EFFECTIVITY

ALL

26-FAULT CODE INDEX



BOEING
757
FAULT ISOLATION/MAINT MANUAL

FAULT CODE	LOG BOOK REPORT	FAULT ISOLATION REFERENCE
26 24 03 --	(01=FWD LAV A, 02=FWD LAV F, 03=MID LAV S, 04=MID LAV D) Lavatory smoke alarm activated by smoke, automatic fire extinguisher did not discharge and Temp Ind still gray.	FIM 26-14-00/101, Fig. 103
26 24 04 --	(01=FWD LAV A, 02=FWD LAV F, 03=MID LAV S, 04=MID LAV C, 05=MID LAV D) Lavatory smoke alarm activated by smoke, fire extinguisher discharged.	FIM 26-14-00/101, Fig. 103
26 24 05 --	(01=FWD LAV A, 02=FWD LAV F, 03=MID LAV S, 04=MID LAV C, 05=MID LAV D) At high smoke density, lav smoke alarm did not activate, automatic fire extinguisher did not discharge.	FIM 26-14-00/101, Fig. 103
26 24 06 --	(01=FWD LAV A, 02=FWD LAV F, 03=MID LAV S, 04=MID LAV C, 05=MID LAV D) At high smoke density, lav smoke alarm did not activate, automatic fire extinguisher discharged.	FIM 26-14-00/101, Fig. 103
26 24 07 --	(01=FWD LAV A, 02=MID LAV F, 03=MID LAV S, 04=MID LAV C, 05=MID LAV D) Waste compt temp indicator turned black.	Repair any fire damage as necessary. Replace the temperature indicator (AMM 26-24-01). Replace the automatic fire extinguisher if the fusible tips are melted (AMM 26-24-01).

EFFECTIVITY

ALL

26-FAULT CODE INDEX

20

Page 13
Sep 20/08

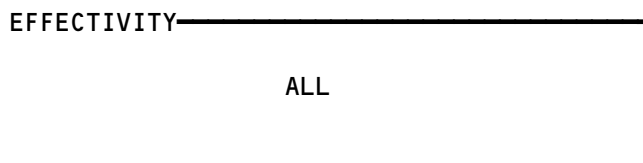
BITE Index

1. General

- A. Use this index to find the BITE procedure for the applicable LRU/System.
- B. The BITE procedure will provide the fault isolation instructions for the fault indications/LRU maintenance messages.

<u>LRU/System Name</u>	<u>Acronym</u>	<u>FIM Reference</u>
Air Data Computer	ADC	34-12
Air Data Inertial Reference Unit	ADIRU	34-26
Air Traffic Control Transponder	ATC	34-53
Airborne Vibration Monitor Signal Conditioner	AVM	77-31
Antiskid/Autobrake Control Unit		32-42
APU Fire Detection System		26-15
Automatic Direction Finder Receiver	ADF	34-57
APU Control Unit	ECU	49-11
Brake Temperature Monitor Unit		32-46
Bus Power Control Unit	BPCU	24-20
Cabin Pressure Controller		21-30
Digital Flight Data Acquisition Unit	DFDAU	31-31
Distance Measuring Equipment Interrogator	DME	34-55
Duct Leak (Wing and Body)		26-18
E/E Cooling Control Card (If cards installed)		21-58
ECS Bleed Configuration Card		36-10
Electronic Engine Control (RR Engines)	EEC	73-21
Electronic Engine Control Monitor Unit (PW Engines)	EECM	71-EPCS Message Index
Electronic Flight Instrument System	EFIS	34-22
Electronic Propulsion Control System (PW Engines)	EPCS	71-EPCS Message Index
Engine Fire/Overheat Detection System		26-11
Engine Indication and Crew Alerting System Computer	EICAS	31-41

Bite Index
Figure 1 (Sheet 1)

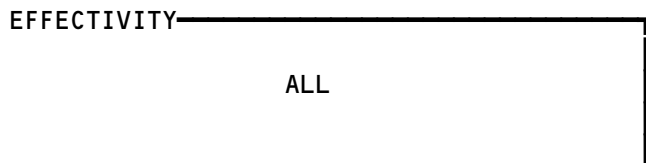


26-BITE INDEX


757
FAULT ISOLATION/MAINT MANUAL

<u>LRU/System Name</u>	<u>Acronym</u>	<u>FIM Reference</u>
Engine Turbine Cooling Overheat Detection System (RR Engines)		26-13
Enhanced Ground Proximity Warning Computer	EGPWC	34-46
Flap/Slat Accessory Module	FSAM	27-51
Flap/Slat Electronic Unit	FSEU	27-51
Flight Management Computer	FMC	34-61
Fuel Quantity Indicating System Processor	FQIS	28-41
Ground Proximity Warning Computer	GPWC	34-46
HF (High Frequency) Communication		23-11
Inertial Reference Unit	IRU	34-21
Instrument Comparator Unit	ICU	34-25
Instrument Landing System Receiver	ILS	34-31
Lower Cargo Compartment Smoke Detection System		26-16
Maintenance Control Display Panel	MCDP	22-00
PA (Passenger Address) Amplifier		23-31
Pack Standby Temperature Controller		21-51
Pack Temperature Controller		21-51
Passenger Entertainment System	PES	23-34
Power Supply Module (Control System Electronics Units)	PSM	27-09
Propulsion Discrete Interface Unit (PW Engines)	PDIU	73-21
Proximity Switch Electronics Unit	PSEU	32-09
Radio Altimeter Transmitter/Receiver	RA	34-33
Rudder Ratio Changer Module	RRCM	27-09
Spoiler Control Module	SCM	27-09
Stabilizer Position Module	SPM	27-48
Stabilizer Trim/Elevator Asymmetry Limit Module	SAM	27-09
Stall Warning Computer/Module (in Warning Electronic Unit)	SWC	27-32
Strut Overheat Detection System (RR Engines)		26-12

Bite Index
Figure 1 (Sheet 2)

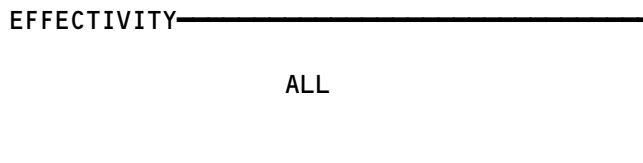


26-BITE INDEX


BOEING
 757
 FAULT ISOLATION/MAINT MANUAL

<u>LRU/System Name</u>	<u>Acronym</u>	<u>FIM Reference</u>
Thrust Management Computer/Autothrottle	TMC	22-00
Traffic Alert and Collision Avoidance Computer	TCAS	34-45
VHF (Very High Frequency) Communication		23-12
VOR/Marker Beacon Receiver	VOR/MKR	34-51
Warning Electronic Unit BITE Module (Stall Warning)	WEU	27-32
Weather Radar Transceiver	WXR	34-43
Wheel Well Fire Detection		26-17
Window Heat Control Unit	WHCU	30-41
Yaw Damper Module	YDM	22-21
Yaw Damper/Stabilizer Trim Module	YSM	27-09
Zone Temperature Controller		21-60

Bite Index
Figure 1 (Sheet 3)



26-BITE INDEX

01

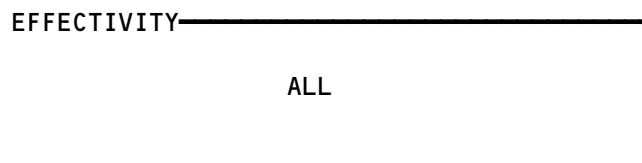
Page 3
Sep 28/99

BOEING
757
FAULT ISOLATION/MAINT MANUAL

DETECTION

COMPONENT	FIG. 102 SHT	QTY	ACCESS/AREA	REFERENCE
CARD 1 - FIRE/OVHT LOGIC/TEST, M10224		1	119BL, MAIN EQUIP CTR, P54	26-10-01
CARD 2 - FIRE/OVHT LOGIC/TEST, M10274		1	119BL, MAIN EQUIP CTR, P54	26-10-01
CARD 3 - FIRE/OVHT LOGIC/TEST, M10400		1	119BL, MAIN EQUIP CTR, P54	26-10-01
CARD 4 - FIRE/OVHT LOGIC/TEST, M10425		1	119BL, MAIN EQUIP CTR, P54	26-10-01
CARD 5 - FIRE/OVHT LOGIC/TEST, M10426		1	119BL, MAIN EQUIP CTR, P54	26-10-01
CARD 6 - FIRE/OVHT LOGIC/TEST, M10427		1	119BL, MAIN EQUIP CTR, P54	26-10-01
CARD - LOOP 1 APU FIRE DET, M685		1	119BL, MAIN EQUIP CTR, P54	26-10-01
CARD - LOOP 2 APU FIRE DET, M686		1	119BL, MAIN EQUIP CTR, P54	26-10-01
CARD - LOOP 1 LEFT ENG FIRE DET, M681		1	119BL, MAIN EQUIP CTR, P54	26-10-01
CARD - LOOP 2 LEFT ENG FIRE DET, M682		1	119BL, MAIN EQUIP CTR, P54	26-10-01
CARD - LOOP 1 RIGHT ENG FIRE DET, M683		1	119BL, MAIN EQUIP CTR, P54	26-10-01
CARD - LOOP 2 RIGHT ENG FIRE DET, M684		1	119BL, MAIN EQUIP CTR, P54	26-10-01
CARD - DUCT LEAK & WHEEL WELL FIRE, M691		1	119BL, MAIN EQUIP CTR, P50	26-10-01
CARD - LOOP 1 LEFT NACELLE OVHT DET, M10229		1	119BL, MAIN EQUIP CTR, P54	26-10-01
CARD - LOOP 2 LEFT NACELLE OVHT DET, M10276		1	119BL, MAIN EQUIP CTR, P54	26-10-01
CARD - LOOP 1 RIGHT NACELLE OVHT DET, M10230		1	119BL, MAIN EQUIP CTR, P54	26-10-01
CARD - LOOP 2 RIGHT NACELLE OVHT DET, M10275		1	119BL, MAIN EQUIP CTR, P54	26-10-01
CARD - DUCT LEAK & WHEEL WELL PWR SUPPLY, M10428		1	119BL, MAIN EQUIP CTR, P50	26-10-01

Detection - Component Index
Figure 101



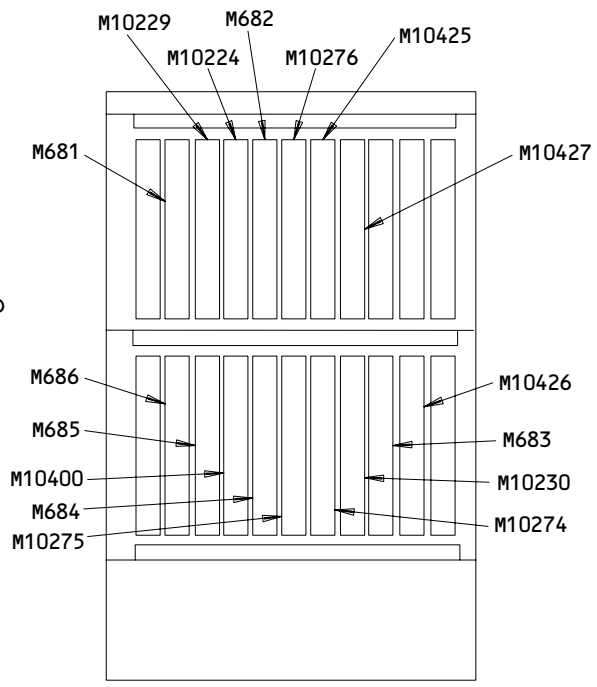
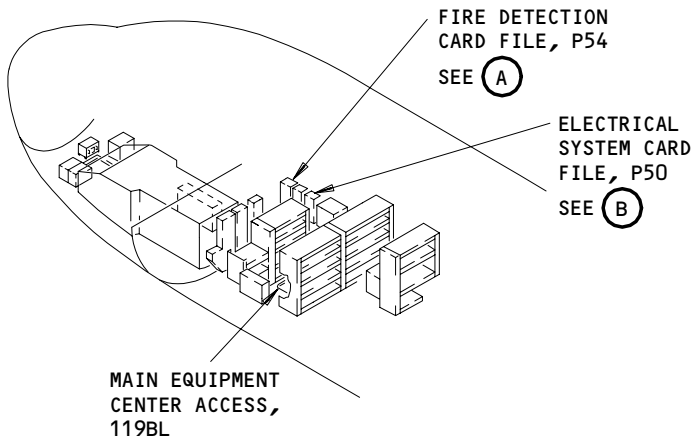
26-10-00

01

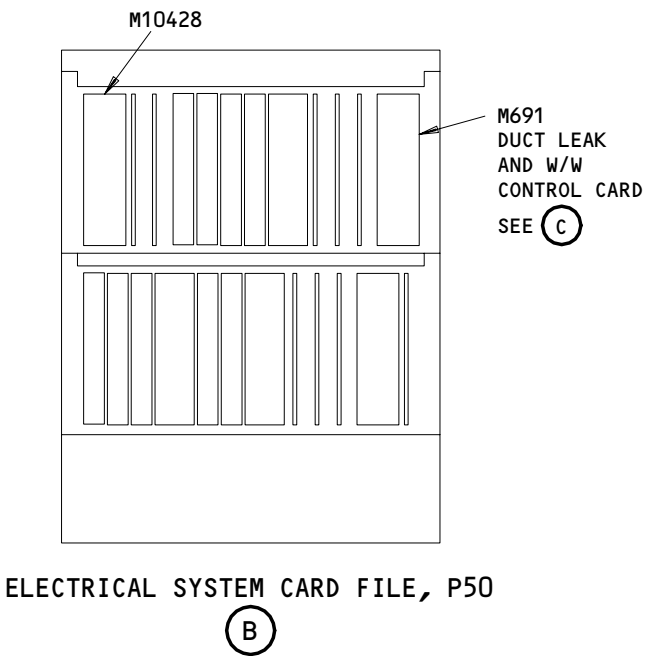
Page 101
Sep 20/90

71140

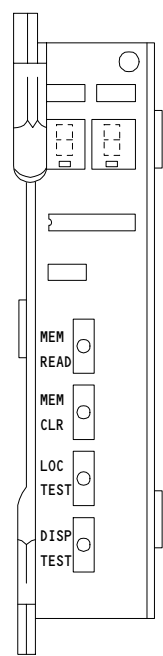
BOEING
757
FAULT ISOLATION/MAINT MANUAL



FIRE DETECTION CARD FILE, P54
(A)



ELECTRICAL SYSTEM CARD FILE, P50
(B)



DUCT LEAK AND W/W
FIRE CONTROL CARD, M691
(C)

Detection - Component Location
Figure 102

EFFECTIVITY	ALL
-------------	-----

26-10-00

70148

BOEING
757
FAULT ISOLATION/MAINT MANUAL

ENGINE FIRE DETECTION SYSTEM

COMPONENT	FIG. 102 SHT	QTY	ACCESS/AREA	REFERENCE
CARD 1 - FIRE/OVHT LOGIC/TEST, M10224	1	1	119BL MAIN EQUIP CTR, P54	26-10-01
CARD 2 - FIRE/OVHT LOGIC/TEST, M10274	1	1	119BL MAIN EQUIP CTR, P54	26-10-01
CARD - LOOP 1 L ENG FIRE DET, M681	1	1	119BL MAIN EQUIP CTR, P54	26-10-01
CARD - LOOP 2 L ENG FIRE DET, M682	1	1	119BL MAIN EQUIP CTR, P54	26-10-01
CARD - LOOP 1 R ENG FIRE DET, M683	1	1	119BL MAIN EQUIP CTR, P54	26-10-01
CARD - LOOP 2 R ENG FIRE DET, M684	1	1	119BL MAIN EQUIP CTR, P54	26-10-01
CARD - LOOP 1 L NACELLE OVHT DET, M10229	1	1	119BL MAIN EQUIP CTR, P54	26-10-01
CARD - LOOP 2 L NACELLE OVHT DET, M10276	1	1	119BL MAIN EQUIP CTR, P54	26-10-01
CARD - LOOP 1 R NACELLE OVHT DET, M10230	1	1	119BL MAIN EQUIP CTR, P54	26-10-01
CARD - LOOP 2 R NACELLE OVHT DET, M10275	1	1	119BL MAIN EQUIP CTR, P54	26-10-01
CIRCUIT BREAKERS -	1		FLT COMPT, P11	
FIRE DET ALIN PWR ENG L, C763		1	11J26	*
FIRE DET ALTN PWR ENG R, C764		1	11J27	*
FIRE DETECTION L ENG 1, C774		1	11B20	*
FIRE DETECTION L ENG 2, C783		1	11B21	*
FIRE DETECTION R ENG 1, C775		1	11B22	*
FIRE DETECTION R ENG 2, C784		1	11B23	*
COMPUTER - (REF 31-41-00, FIG. 101)				
EICAS L, M10181				
EICAS R, M10182				
DIODE - BUS ISOLATION, R193,R194,R197,R198	1	4	FLT COMPT, BEHIND P5	*
ELEMENT - ENGINE FIRE DETECTOR, TS5148,TS5146,TS5144,TS5142, TS5147,TS5145,TS5143,TS5141	3	8	413AL,423AL,414AR,424AR, 415AL,425AL,417AL,427AL, EACH ENGINE	26-11-01
ELEMENT - ENGINE OVHT DETECTOR, TS5064,TS5065,TS5073,TS5074	2	4	415AL,425AL,416AR,426AR, EACH ENGINE	26-11-01
LIGHT - L ENG OVHT, YQNLO01	1	1	FLT COMPT, P8, FIRE CONT PANEL, M10443	*
LIGHT - R ENG OVHT, YQNLO03	1	1	FLT COMPT, P8, FIRE CONT PANEL, M10443	*
LIGHT - L ENG VALVE, YQSL002	1	1	FLT COMPT, P8, FUEL CONT, M73	*
LIGHT - R ENG VALVE, YQSL004	1	1	FLT COMPT, P8, FUEL CONT, M73	*
PANEL - FIRE/OVHT TEST, M10445	1	1	FLT COMPT, P8	26-11-02
PANEL - (REF 26-21-00, FIG. 101) ENG FIRE CONTROL, M10443	1	1		

* SEE THE WDM EQUIPMENT LIST

Engine Fire Detection System - Component Index
Figure 101 (Sheet 1)

EFFECTIVITY

ALL

26-11-00

03

Page 101
Mar 20/91

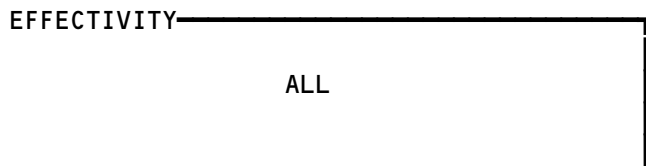
55515


BOEING
 757
 FAULT ISOLATION/MAINT MANUAL

COMPONENT	FIG. 102 SHT	QTY	ACCESS/AREA	AMM REFERENCE
PANEL - (AMM 28-22-00, FIG. 101) FUEL CONTROL, M73				
SWITCH - TEST, ENG/APU/CARGO, YQQS001	1	1	FLT COMPT, P8, FIRE TEST, M10445	*
SWITCH - FAIL LIGHT RESET, YQQS003	1	1	FLT COMPT, P8, FIRE TEST, M10445	*
SWITCH - (AMM 26-21-00, FIG. 101) L ENGINE FIRE, S37 R ENGINE FIRE, S38				

* SEE THE WDM EQUIPMENT LIST

Engine Fire Detection System - Component Index
 Figure 101 (Sheet 2)

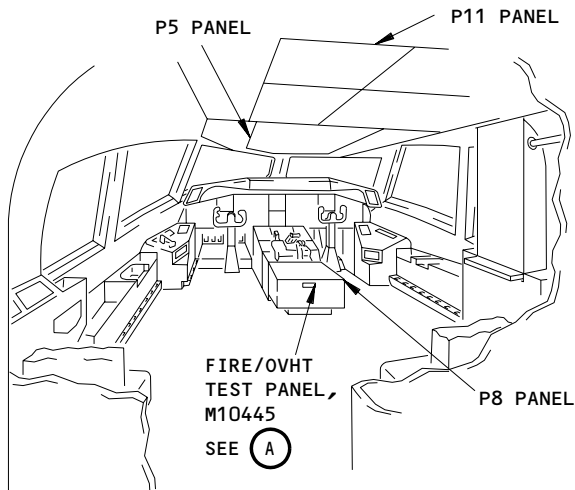


26-11-00

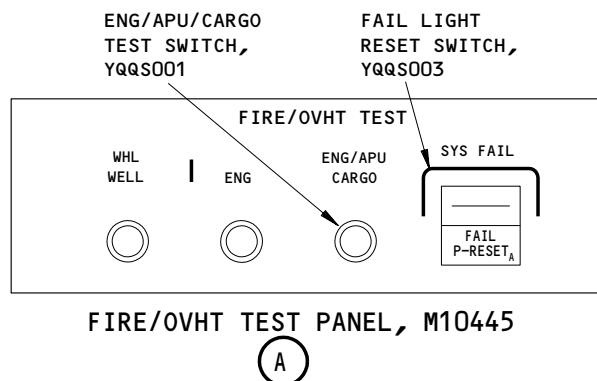
01

Page 102
May 28/03

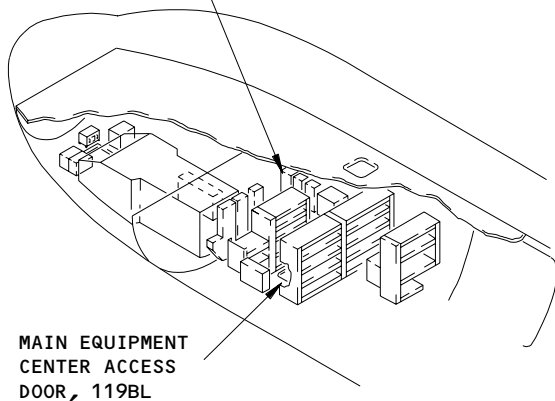
166820



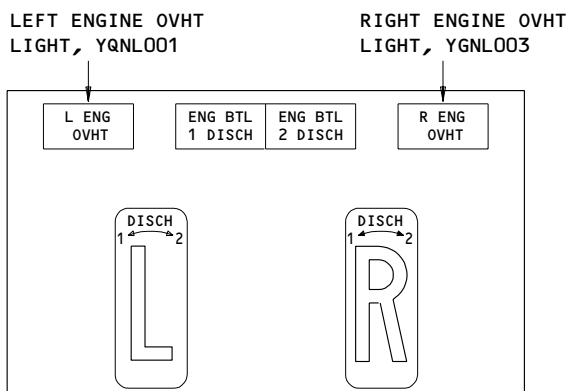
FLIGHT COMPARTMENT



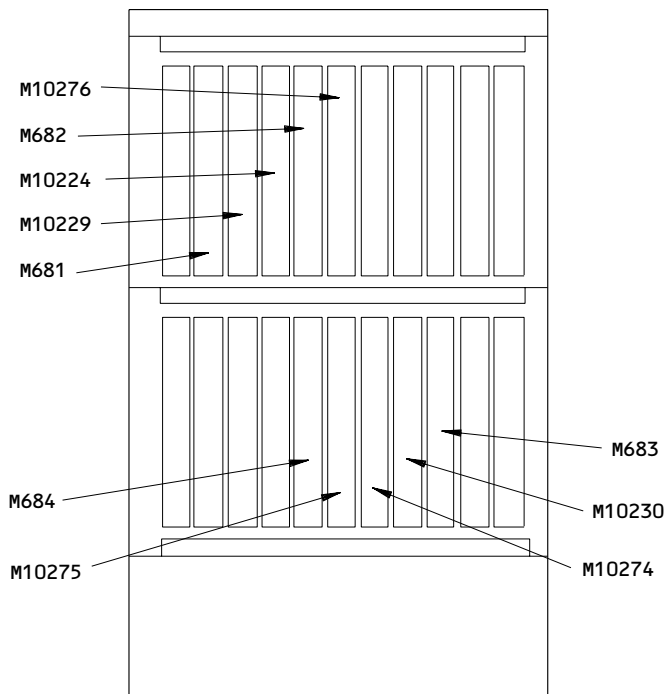
FIRE DETECTION CARD FILE, P54
SEE (B)



MAIN EQUIPMENT CENTER



ENGINE FIRE CONTROL PANEL, M10443 (REF)



FIRE DETECTION CARD FILE, P54

(B)

**Engine Fire Detection System - Component Location
Figure 102 (Sheet 1)**

EFFECTIVITY

ALL

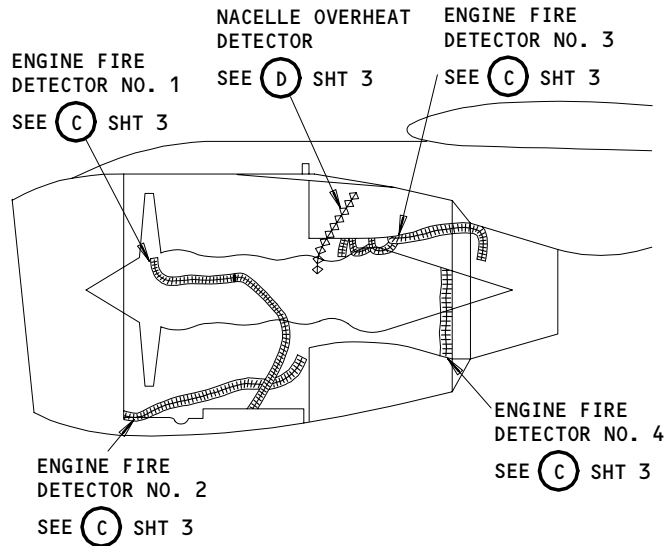
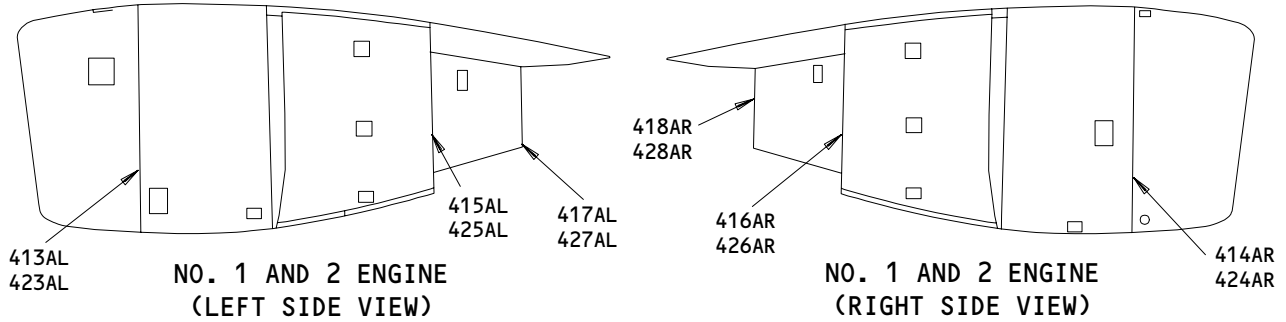
26-11-00

01

Page 103
Mar 20/95

832374

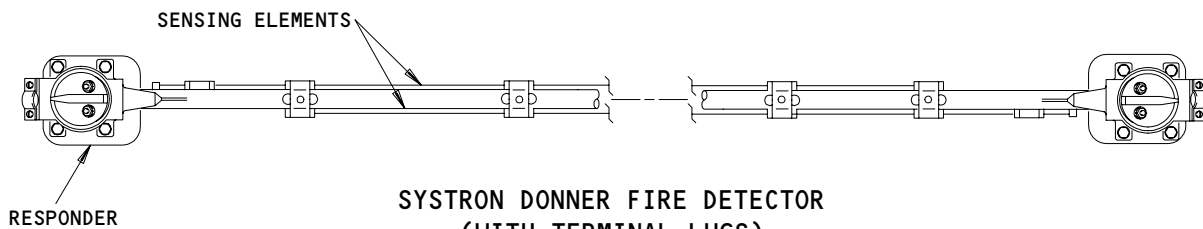

BOEING
 757
 FAULT ISOLATION/MAINT MANUAL



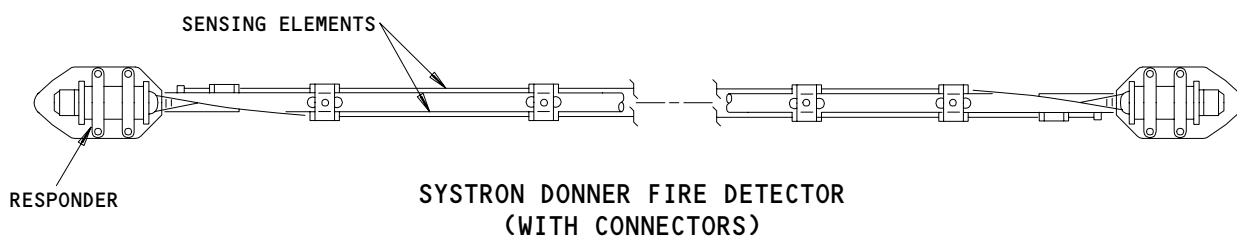
Engine Fire Detection System - Component Location
 Figure 102 (Sheet 2)

EFFECTIVITY	ALL
-------------	-----

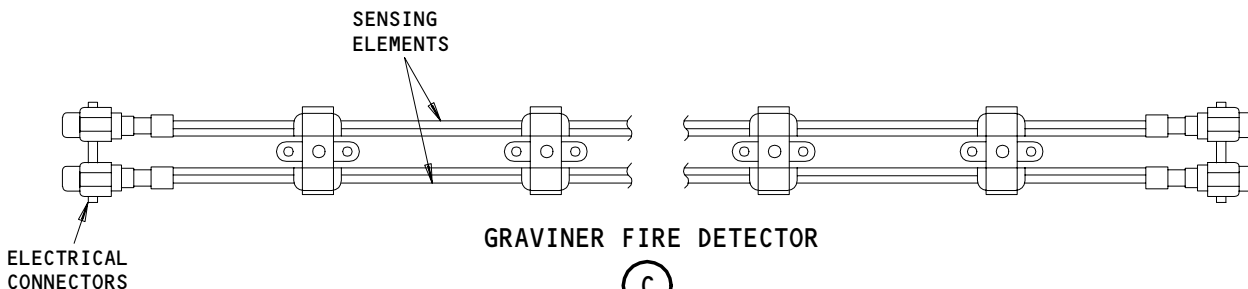
26-11-00



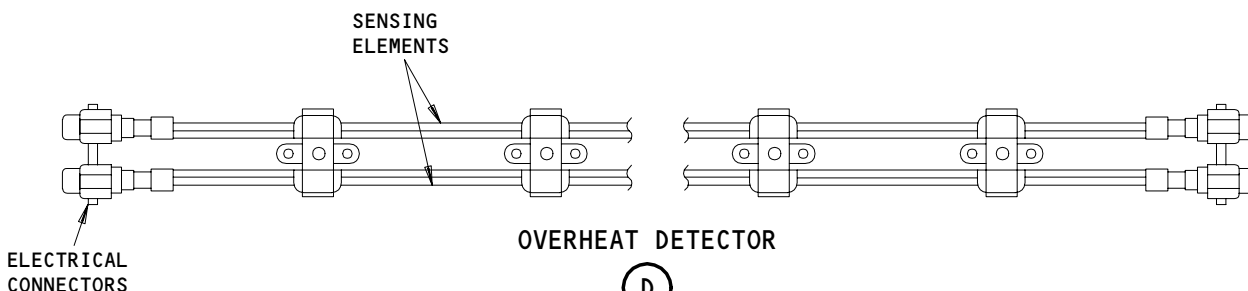
(C)



(C)



(C)



(D)

**Engine Fire Detection Component Location
 Figure 102 (Sheet 3)**

EFFECTIVITY	ALL
-------------	-----

26-11-00

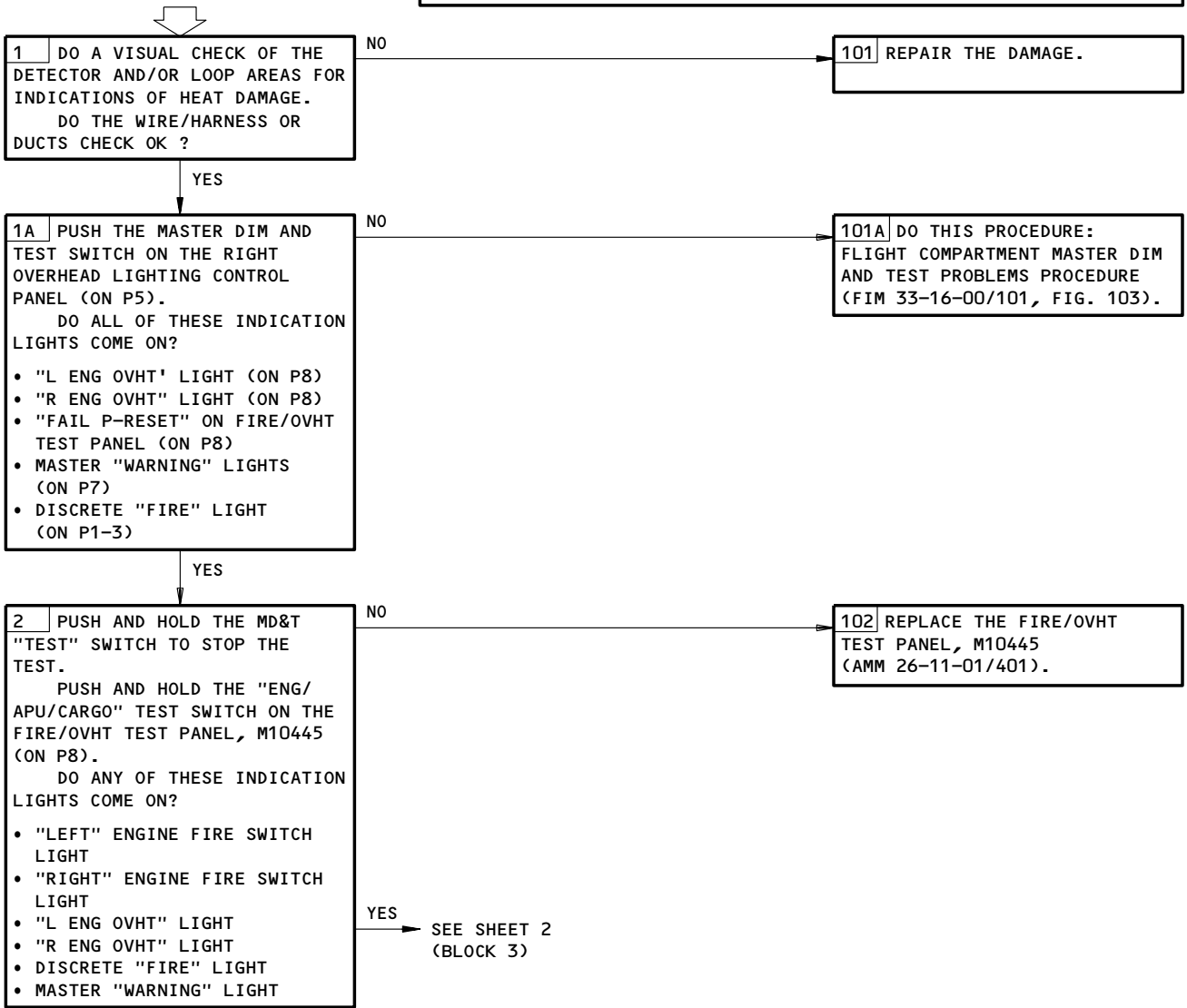
PREREQUISITES

MAKE SURE THESE SYSTEMS WILL OPERATE:
 EICAS (AMM 31-41-00/501)
 WARNING SYSTEM (AMM 31-51-00/501)
 MASTER DIM AND TEST SYSTEM (AMM 33-16-00/501)

MAKE SURE THESE CIRCUIT BREAKERS ARE CLOSED:
 11B20, 11B21, 11B22, 11B23, 11J26, 11J27

MAKE SURE THESE CIRCUIT BREAKERS ARE OPEN AND ATTACH DO-NOT-CLOSE TAGS:
 6H1, 6H2, 6H3, 6H4, 11B24, 11B25, 11B26, 11B27, 11B33, 11B34, 11J24, 11J25

**ENGINE FIRE/OVERHEAT
DETECTION SYSTEM
BITE PROCEDURE**



Engine Fire/Overheat Detection System BITE Procedure
Figure 103 (Sheet 1)

EFFECTIVITY

ALL

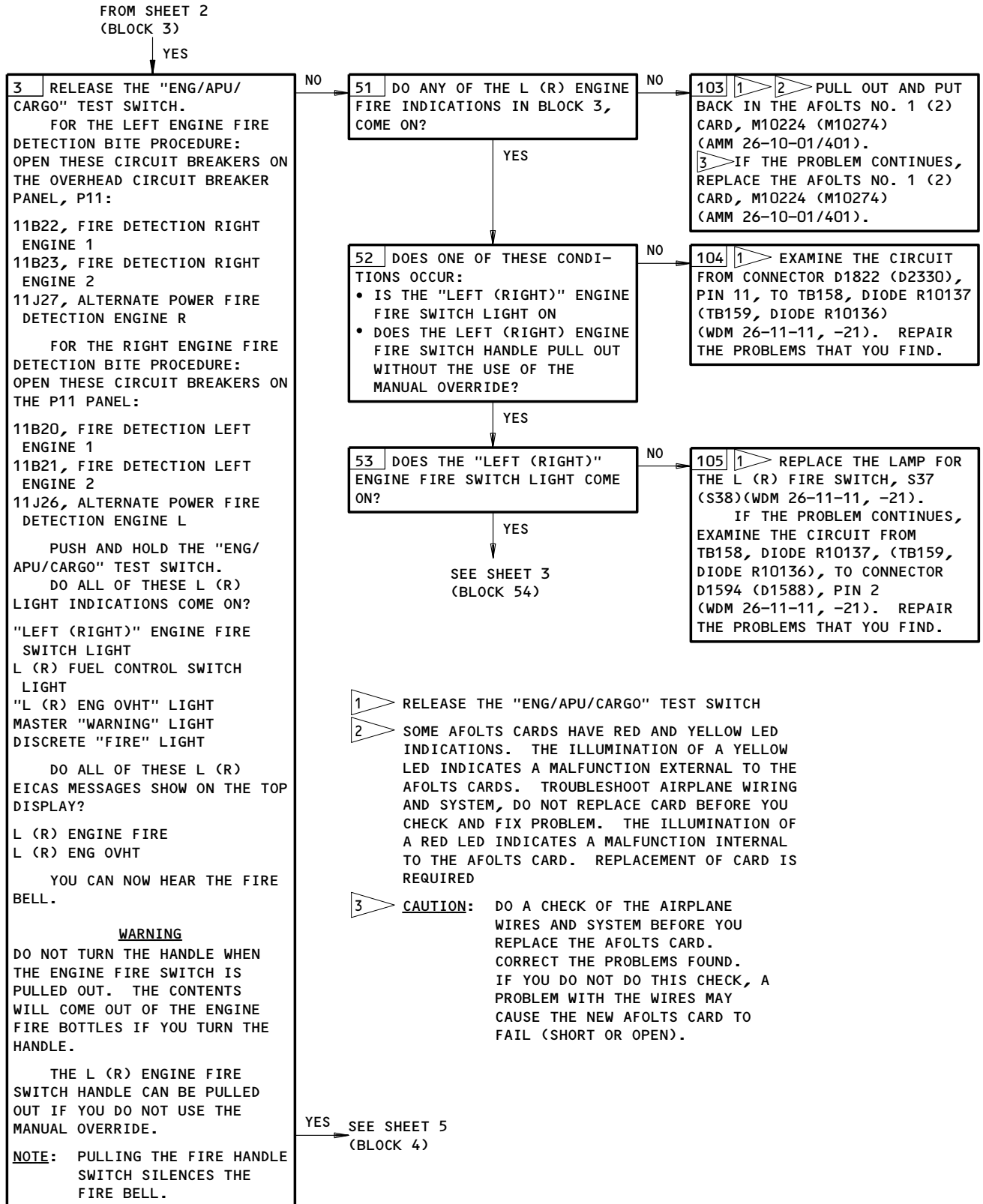
26-11-00

01

Page 106
Jan 28/00

305912

BOEING
757
FAULT ISOLATION/MAINT MANUAL



Engine Fire/Overheat Detection System BITE Procedure
Figure 103 (Sheet 2)

EFFECTIVITY

ALL

26-11-00

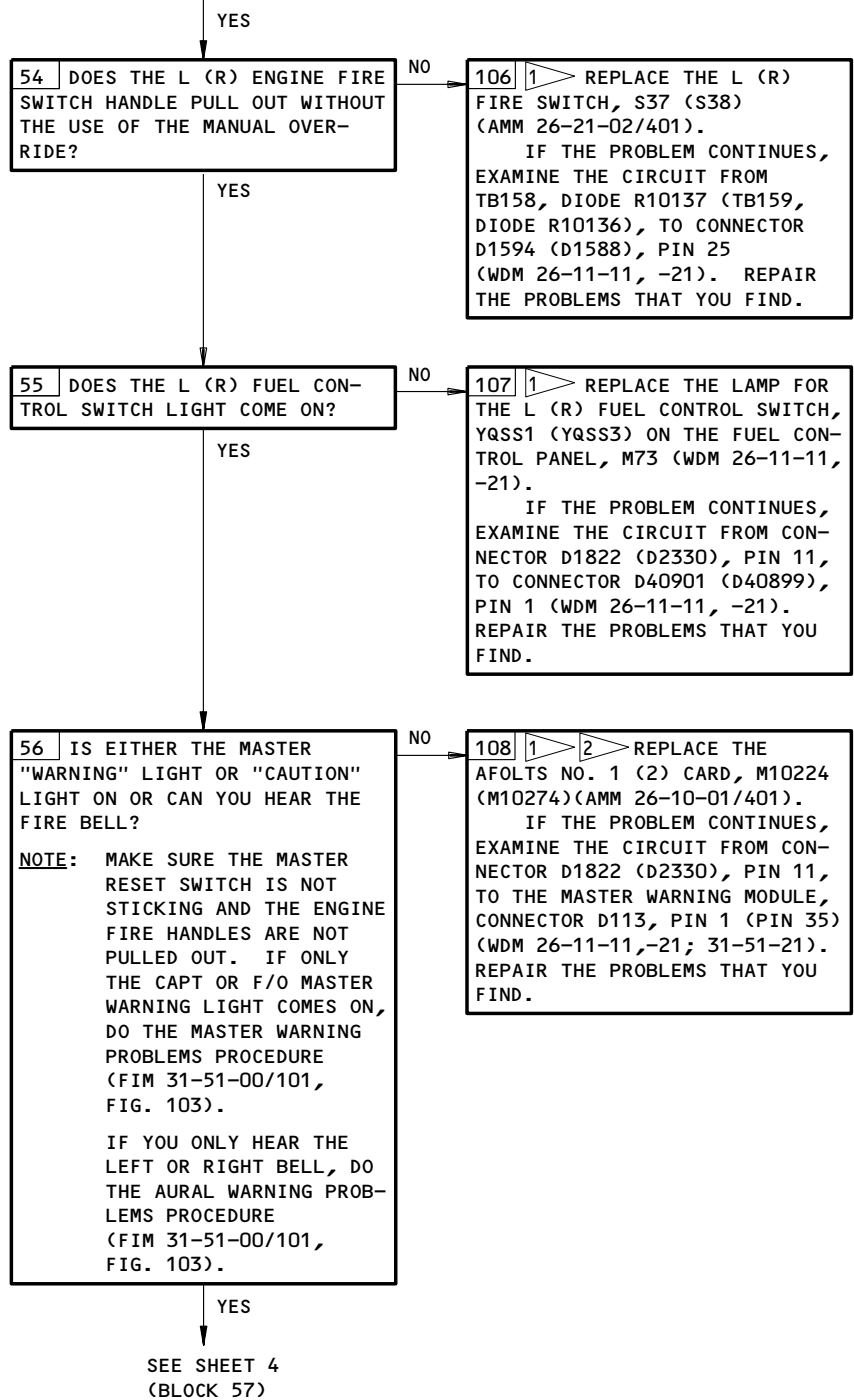
01

Page 107
Sep 28/00

305915

BOEING
757
FAULT ISOLATION/MAINT MANUAL

FROM SHEET 2
(BLOCK 53)



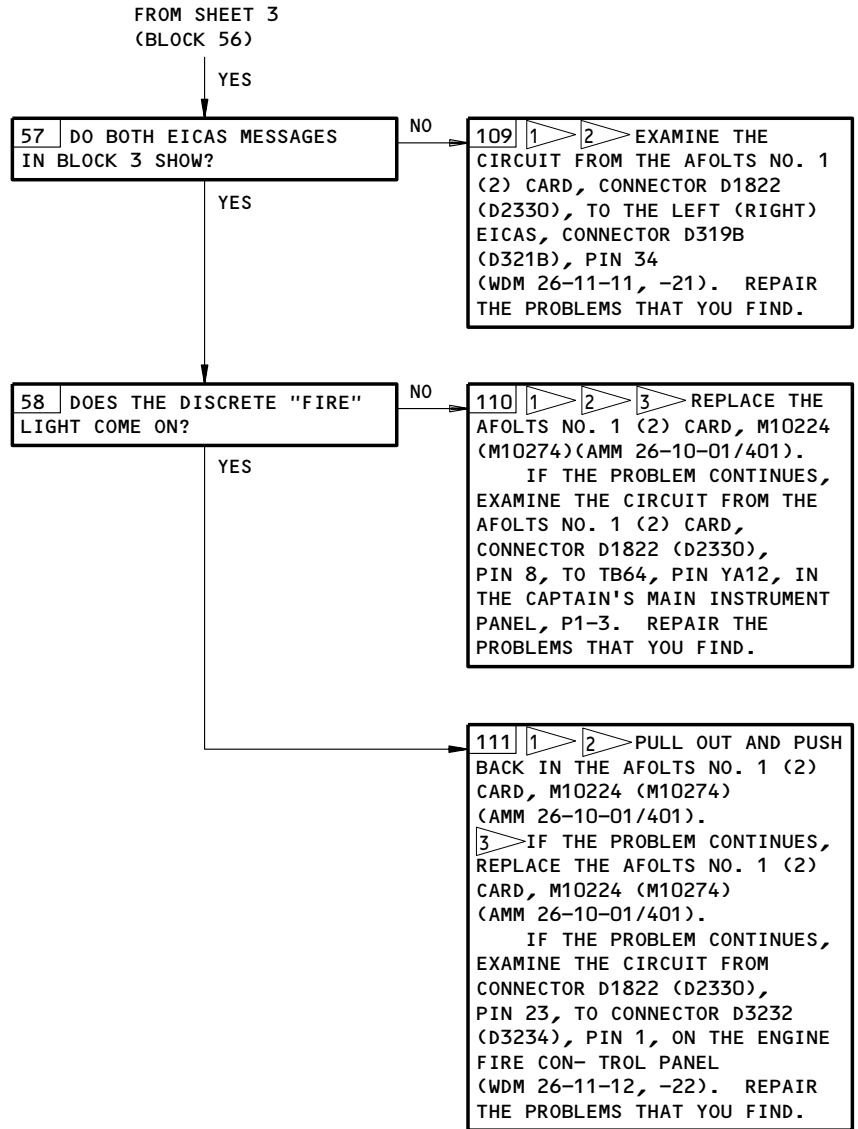
1 ▷ RELEASE THE "ENG/APU/CARGO" TEST SWITCH

Engine Fire/Overheat Detection System BITE Procedure
Figure 103 (Sheet 3)

EFFECTIVITY	ALL
-------------	-----

26-11-00

BOEING
757
FAULT ISOLATION/MAINT MANUAL



1 RELEASE THE "ENG/APU/CARGO" TEST SWITCH

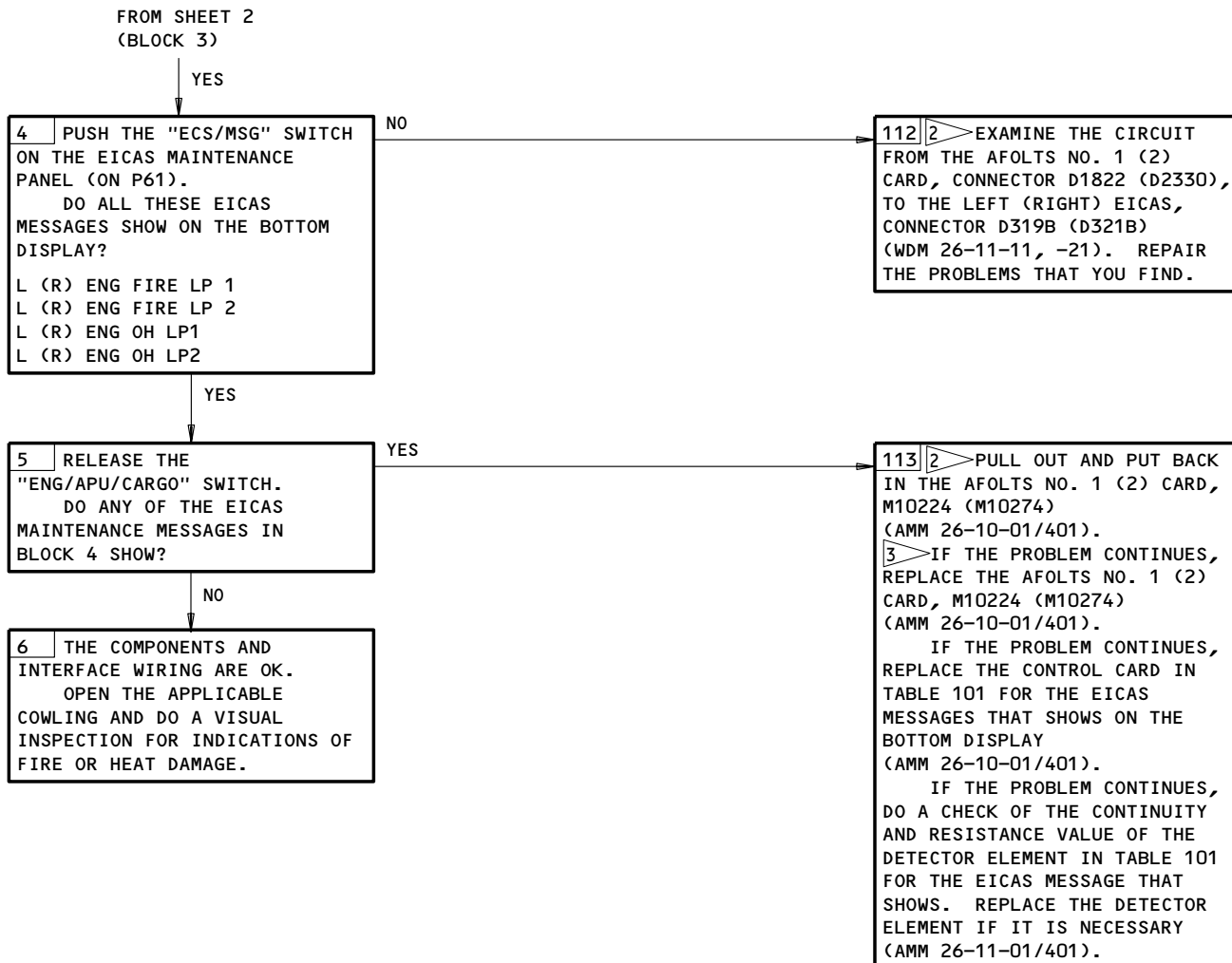
Engine Fire/Overheat Detection System BITE Procedure
Figure 103 (Sheet 4)

EFFECTIVITY	ALL
-------------	-----

26-11-00

01

Page 109
Sep 28/00

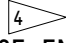
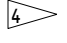
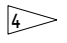
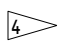
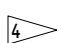
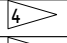
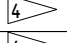
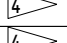
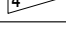


Engine Fire/Overheat Detection System BITE Procedure
Figure 103 (Sheet 5)


EFFECTIVITY	ALL
-------------	-----

26-11-00

BOEING
757
FAULT ISOLATION/MAINT MANUAL

EICAS MESSAGE	CONTROL CARD	DETECTOR NUMBER/ ELECTRICAL CON- NECTOR  (ROLLS ROYCE ENGINES)	DETECTOR NUMBER/ ELECTRICAL CON- NECTOR (PRATT AND WHITNEY ENGINES)	RESISTANCE IN OHMS PINS A-D OR LUG A-C
L ENG FIRE LP 1	M681	TS5037/D1406 TS5035/D1410 TS5033/D1414 TS5031/D1418 	TS5251A/D5034 TS5252A/D5038 TS5253A/D5042 TS5254A/D5046	5700-6300
L ENG FIRE LP 2	M682	TS5036/D1408 TS5034/D1412 TS5032/D1416 TS5030/D1420 	TS5251B/D5036 TS5252B/D5040 TS5253B/D5044 TS5254B/D5048	5700-6300
R ENG FIRE LP 1	M683	TS5037/D1406 TS5035/D1410 TS5033/D1414 TS5031/D1418 	TS5251A/D5034 TS5252A/D5038 TS5253A/D5042 TS5254A/D5046	5700-6300
R ENG FIRE LP 2	M684	TS5036/D1408 TS5034/D1412 TS5032/D1416 TS5030/D1420 	TS5251B/D5036 TS5252B/D5040 TS5253B/D5044 TS5254B/D5048	5700-6300
L ENG OH LP 1	M10229	TS5064/D2122 	TS5256A/D5082	1425-1575
L ENG OH LP 2	M10276	TS5065/D2402 	TS5256B/D5084	1425-1575
R ENG OH LP 1	M10230	TS5073/D2800 	TS5256A/D5082	1425-1575
R ENG OH LP 2	M10275	TS5074/D2804 	TS5256B/D5084	1425-1575

SYSTRON-DONNER
TABLE 101

 AIRPLANES WITH SYSTRON-DONNER FIRE DETECTORS WITH CONNECTORS;
THE CONNECTOR NUMBERS ARE NOT APPLICABLE TO DETECTORS WITH LUGS.

Engine Fire/Overheat Detection System BITE Procedure
Figure 103 (Sheet 6)

EFFECTIVITY

ALL

26-11-00

04

Page 111
Sep 28/00

E66956

BOEING
757
FAULT ISOLATION/MAINT MANUAL

EICAS MESSAGE	CONTROL CARD	DETECTOR NUMBER/ ELECTRICAL CONNECTORS	RESISTANCE IN OHMS CENTER PINS
L ENG FIRE LP 1	M681	TS5148/D1446,D1450 TS5146/D1454,D1458 TS5144/D1462,D1466 TS5142/D1470,D1474	14.7-22.1 15.4-23.1 18.8-28.2 14.2-21.4
L ENG FIRE LP 2	M682	TS5147/D1448,D1452 TS5145/D1456,D1460 TS5143/D1464,D1468 TS5141/D1472,D1476	14.7-22.1 15.4-23.1 18.8-28.2 14.2-21.4
R ENG FIRE LP 1	M683	TS5148/D1446,D1450 TS5146/D1454,D1458 TS5144/D1462,D1466 TS5142/D1470,D1474	14.7-22.1 15.4-23.1 18.8-28.2 14.2-21.4
R ENG FIRE LP 2	M684	TS5147/D1448,D1452 TS5145/D1456,D1460 TS5143/D1464,D1468 TS5141/D1472,D1476	14.7-22.1 15.4-23.1 18.8-28.2 14.2-21.4
L ENG OH LP 1	M10229	TS5064/D2122	1425-1575
L ENG OH LP 2	M10276	TS5065/D2402	1425-1575
R ENG OH LP 1	M10230	TS5073/D2800	1425-1575
R ENG OH LP 2	M10275	TS5074/D2804	1425-1575

**GRAVINER
TABLE 101**

DISCARD THE CRUSH WASHER IF THE DETECTOR/AIRPLANE WIRING CONNECTION IS OPENED FOR THE TEST.

DETECTOR NUMBER	LOOP NUMBER	ENGINE ZONE	ENGINE LOCATION
TS5141	2	LOWER AFT	LOWER SECTOR TURBINE CASE
TS5142	1		
TS5143	2	UPPER AFT	UPPER COMBUSTION TURBINE CASE
TS5144	1		
TS5145	2	UPPER FWD	LEFT SIDE L.P. COMPRESSOR CASE
TS5146	1		
TS5147	2	LOWER FWD	RIGHT SIDE L.P. COMPRESSOR CASE
TS5148	1		

**LEFT/RIGHT ENGINE FIRE DETECTOR LOCATION
TABLE 102**

Engine Fire/Overheat Detection System BITE Procedure
Figure 103 (Sheet 7)

EFFECTIVITY	ALL
-------------	-----

26-11-00

01

Page 112
Sep 28/00

**ENGINE OR STRUT
 OVERHEAT DETECTED.
 "ENG OVHT" LIGHT ON.
 L(R) "ENG OVHT" EICAS
 MSG DISPLAYED. STRUT
 OR THRUST REVERSER OR
 FAN COWL PANEL
 PRESSURE RELIEF DOORS
 ARE OPEN.**



PREREQUISITES

MAKE SURE THESE SYSTEMS WILL OPERATE:
 EICAS (AMM 31-41-00/501)
 WARNING SYSTEM (AMM 31-51-00/501)
 MASTER DIM AND TEST SYSTEM (AMM 33-16-00/501)

MAKE SURE THESE CIRCUIT BREAKERS ARE CLOSED:
 11B20, 11B21, 11B22, 11B23, 11J26, 11J27

MAKE SURE THE AIRPLANE IS IN THIS CONFIGURATION:
 ELECTRICAL POWER IS ON (AMM 24-22-00/201)
 PNEUMATIC DUCT PRESSURE IS ZERO
 THRUST REVERSER DEACTIVATED (AMM 78-31-00/201)

DESCRIPTION:

HIGH TEMPERATURE, AIR PRESSURE SOURCE ON THE ENGINE OR IN THE STRUT CAUSED AN OVERHEAT TO BE DETECTED AND THE PRESSURE RELIEF DOORS TO OPEN TO RELIEVE INTERNAL PRESSURE.

POSSIBLE CAUSES:

- FORWARD STRUT PRESSURE DOORS OPEN:**
- ⊗ PRECOOLER BURST (FORWARD SIDE)
 - ⊗ PRECOOLER INLET DUCT BURST OR DUCT CLAMPS
 - ⊗ HP2 OFFTAKE DUCT OR DUCT CLAMP
 - ⊗ HP6 OFFTAKE DUCT OR DUCT CLAMP
 - ⊗ INTERMEDIATE PRESSURE CHECK VALVE
 - ⊗ INLET THERMAL ANTI-ICE DUCT BURST OR DUCT CLAMPS
 - ⊗ STARTER DUCT BURST OR DUCT CLAMPS
- AFT STRUT PRESSURE RELIEF DOOR OPEN:**
- ⊗ PRSOV CLAMPS OR DUCT
 - ⊗ PRECOOLER BURST (AFT SIDE)
 - ⊗ STARTER DUCT BURST OR DUCT CLAMPS
- FAN COWL PANEL PRESSURE RELIEF DOOR OPEN:**
- ⊗ INLET THERMAL ANTI-ICE DUCT BURST OR CLAMPS
 - ⊗ STARTER DUCT BURST OR CLAMPS
- BOTTOM THRUST REVERSER, ZONE 3 PRESSURE RELIEF DOOR OPEN:**
- ⊗ HP2 OFFTAKE DUCT OR DUCT CLAMP
 - ⊗ HP6 OFFTAKE DUCT OR DUCT CLAMP
 - ⊗ HPSOV OR DUCT CLAMPS
 - ⊗ LP COMPRESSOR CASE PROBLEM
 - ⊗ COMBUSTION SECTION PROBLEM
 - ⊗ LP TURBINE CASE OR EXHAUST CASE PROBLEM
 - ⊗ COOLING AIR TUBES; LACK OF COOLING AIR
 - ⊗ IGNITER PLUGS, CASE AREA AROUND THE IGNITERS
 - ⊗ BORESCOPE PLUGS, CASE AREA AROUND PLUGS

**Engine or Strut Overheat Detected. "ENG OVHT" Light On. L(R) "ENG OVHT"
 Eicas Msg Displayed. Strut or Thrust Reverser or Fan Cowl Panel Pressure
 Relief Doors Are Open.
 Figure 103A (Sheet 1)**

EFFECTIVITY

ALL

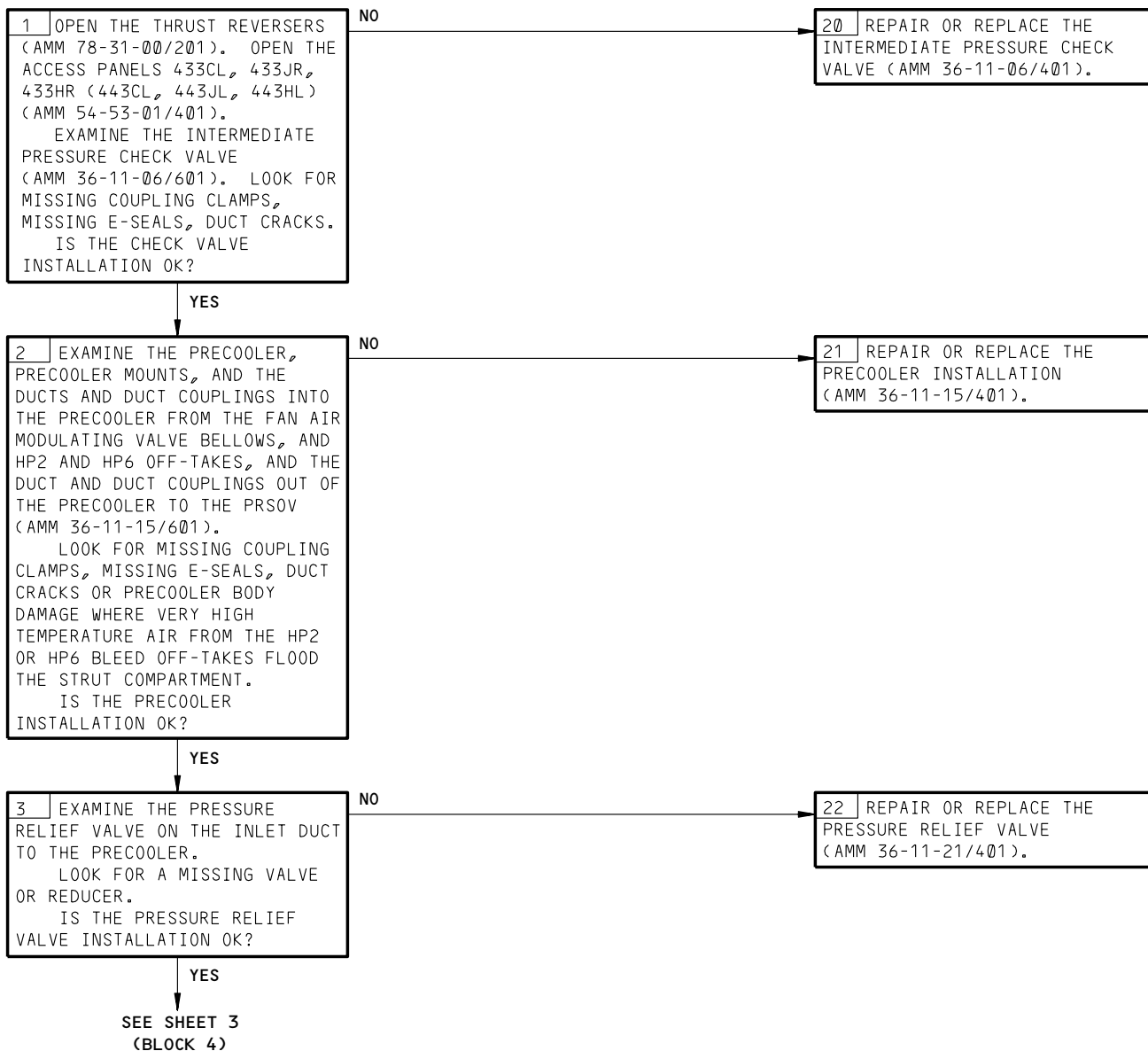
26-11-00

02

Page 113
 Sep 28/05

J73438

FAULT ISOLATION:



**Engine or Strut Overheat Detected. "ENG OVHT" Light On. L(R) "ENG OVHT"
 Eicas Msg Displayed. Strut or Thrust Reverser or Fan Cowl Panel Pressure
 Relief Doors Are Open.
 Figure 103A (Sheet 2)**

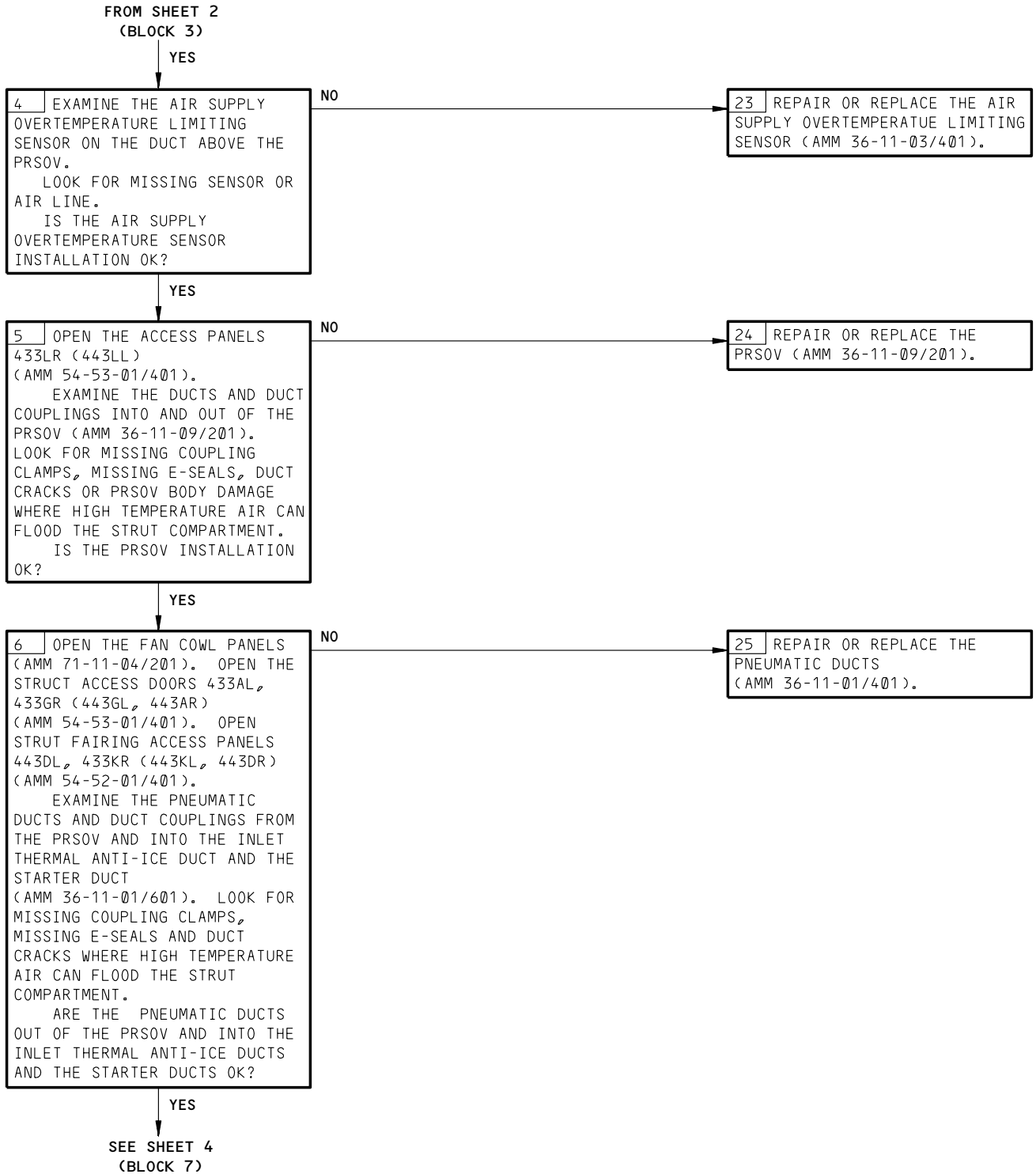
EFFECTIVITY

ALL

26-11-00

02

Page 114
Sep 28/05



Engine or Strut Overheat Detected. "ENG OVHT" Light On. L(R) "ENG OVHT"
Eicas Msg Displayed. Strut or Thrust Reverser or Fan Cowl Panel Pressure
Relief Doors Are Open.
Figure 103A (Sheet 3)

EFFECTIVITY

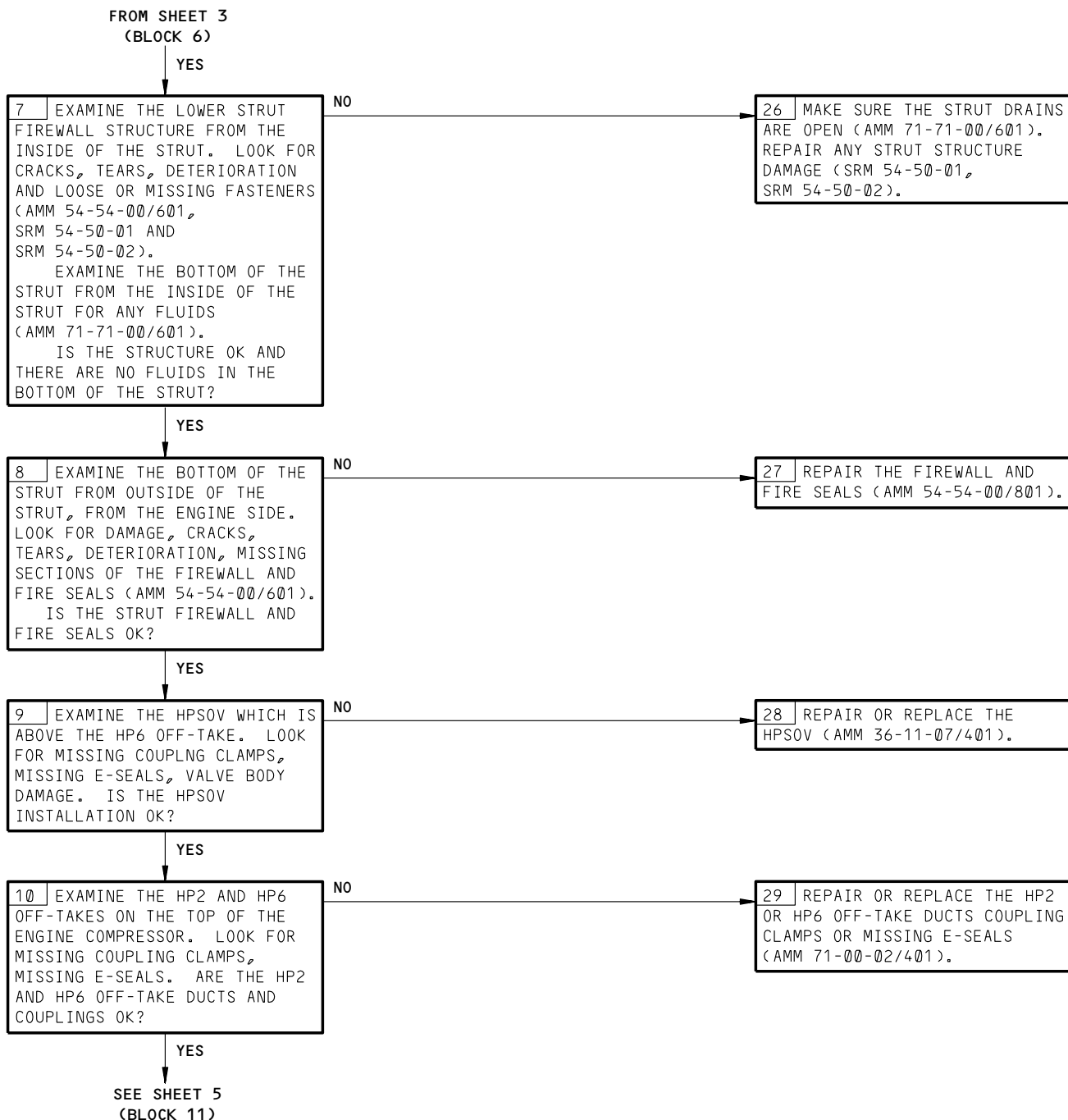
ALL

26-11-00

02

Page 115
Sep 28/05

BOEING
757
FAULT ISOLATION/MAINT MANUAL



Engine or Strut Overheat Detected. "ENG OVHT" Light On. L(R) "ENG OVHT"
Eicas Msg Displayed. Strut or Thrust Reverser or Fan Cowl Panel Pressure
Relief Doors Are Open.
Figure 103A (Sheet 4)

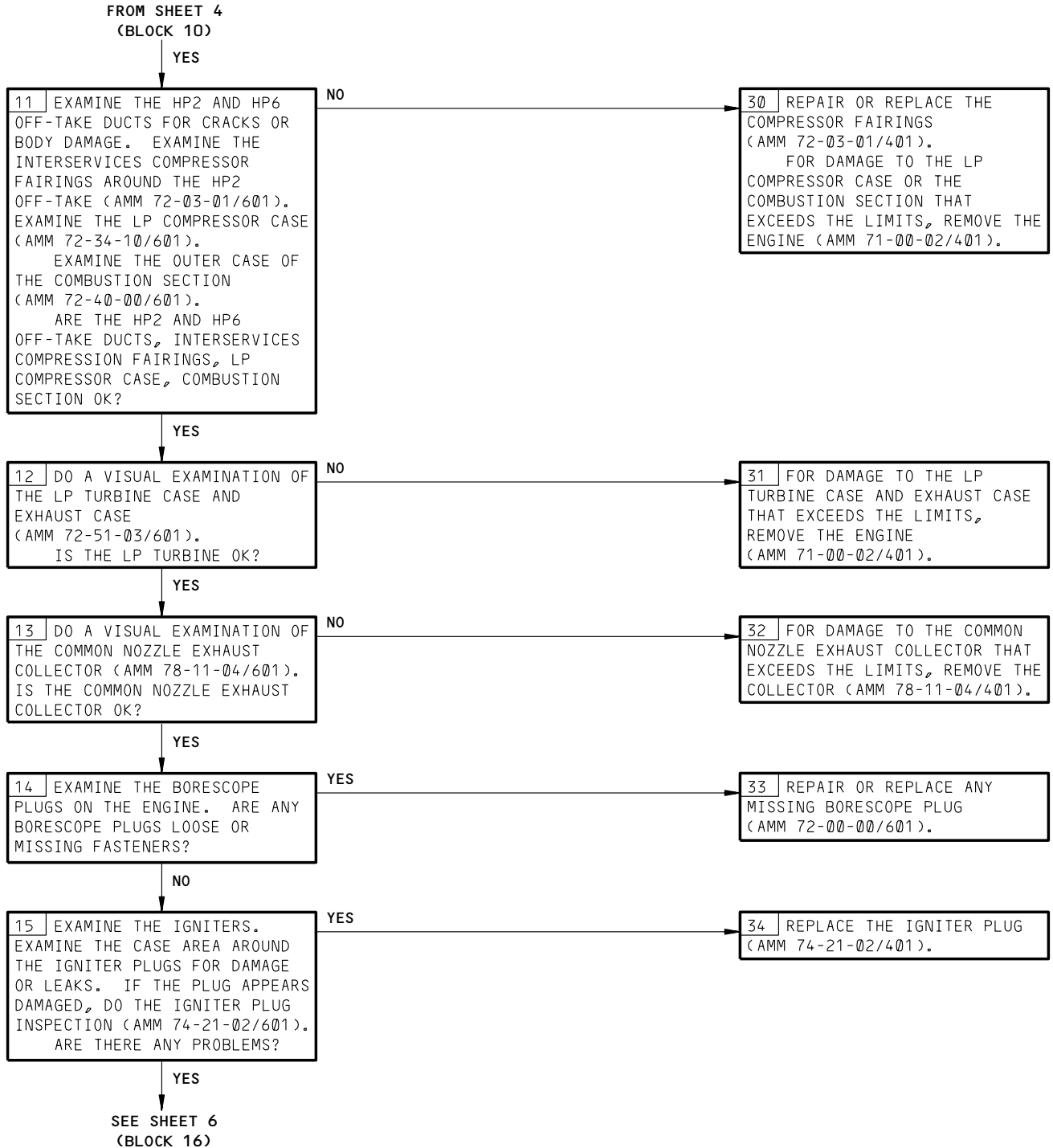
EFFECTIVITY

ALL

26-11-00

02

Page 116
Sep 28/05



**Engine or Strut Overheat Detected. "ENG OVHT" Light On. L(R) "ENG OVHT"
 Eicas Msg Displayed. Strut or Thrust Reverser or Fan Cowl Panel Pressure
 Relief Doors Are Open.
 Figure 103A (Sheet 5)**

EFFECTIVITY

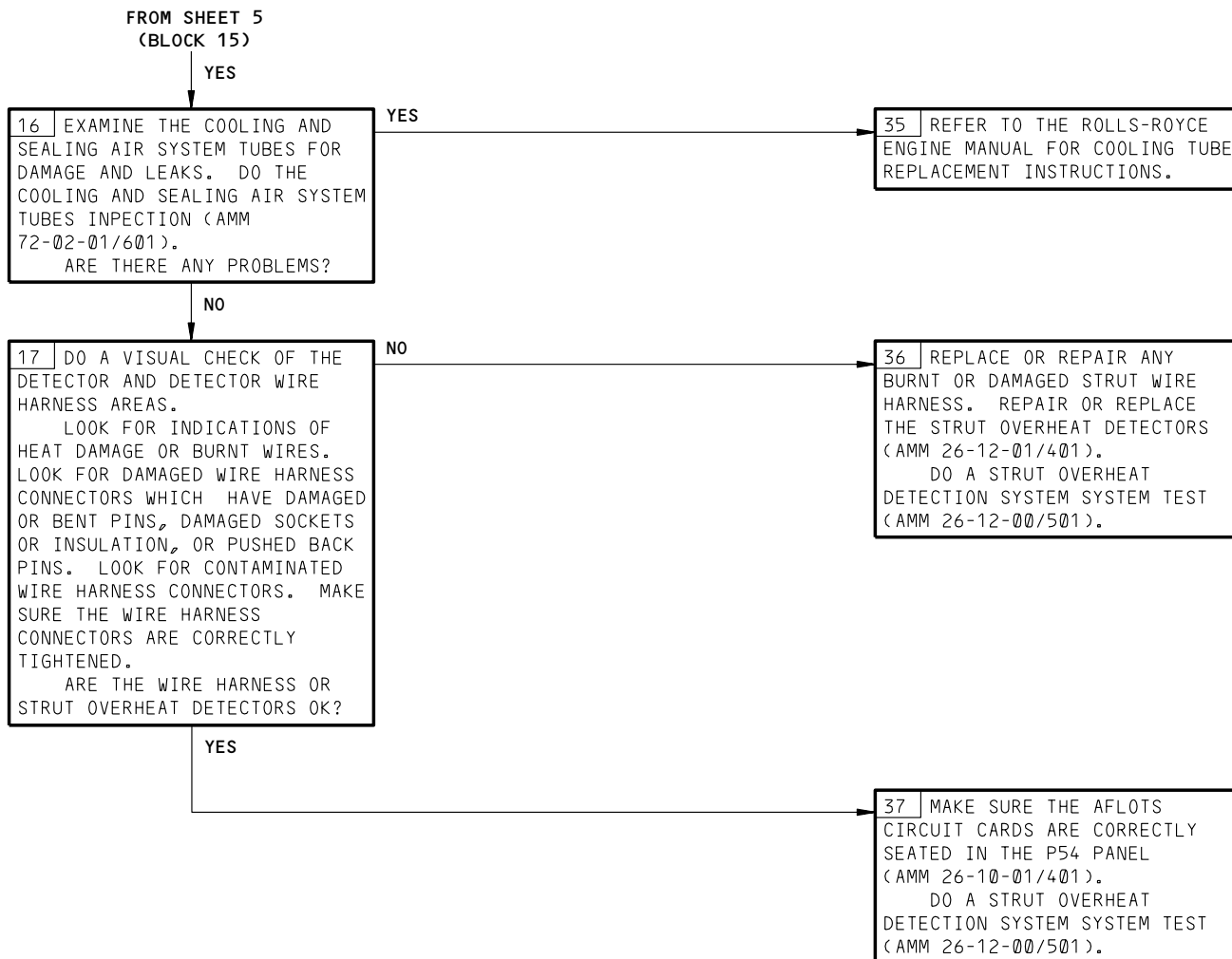
ALL

26-11-00

02

Page 117
Sep 28/05

BOEING
757
FAULT ISOLATION/MAINT MANUAL



Engine or Strut Overheat Detected. "ENG OVHT" Light On. L(R) "ENG OVHT"
Eicas Msg Displayed. Strut or Thrust Reverser or Fan Cowl Panel Pressure
Relief Doors Are Open.
Figure 103A (Sheet 6)

EFFECTIVITY

ALL

26-11-00

01

Page 118
Sep 28/05

 **BOEING**
757
FAULT ISOLATION/MAINT MANUAL

STRUT OVERHEAT DETECTION SYSTEM

COMPONENT	FIG. 102 SHT	QTY	ACCESS/AREA	AMM REFERENCE
CARD 4 - (FIM 26-10-00/101) FIRE/OVHT LOGIC/TEST, M10425				
CARD 5 - (FIM 26-10-00/101) FIRE/OVHT LOGIC/TEST, M10426				
CIRCUIT BREAKERS	--		FLT COMPT, P11	
FIRE DET ALTN PWR ENGINE LEFT, C763		1	11J26	*
FIRE DET ALTN PWR ENGINE RIGHT, C764		1	11J27	*
FIRE DETECTION L ENGINE 1, C774		1	11B20	*
FIRE DETECTION L ENGINE 2, C783		1	11B21	*
FIRE DETECTION R ENGINE 1, C775		1	11B22	*
FIRE DETECTION R ENGINE 2, C784		1	11B23	*
COMPUTER - (FIM 31-41-00/101) EICAS L, M10181 EICAS R, M10182				
LIGHT - L ENG OVHT, YQNLO01	--	1	FLT COMPT, P8, ENG FIRE CONT PNL, M10443	*
LIGHT - R ENG OVHT, YQNLO03	--	1	FLT COMPT, P8, ENG FIRE CONT PNL, M10443	*
PANEL - (FIM 26-21-00/101) ENGINE FIRE CONTROL, M10443				
PANEL - (FIM 26-11-00/101) FIRE/OVHT TEST, M10445				
SWITCH - ENG TEST YQQS002	--	1	FLT COMPT, P8, FIRE/OVHT TEST PNL, M10445	*
SWITCH - LEFT STRUT OVHT/SW	--	6	430, LEFT ENG STRUT	26-12-01
NO. 1, LOOP 1, S10194			432AL	
NO. 2, LOOP 1, S10195			432AL	
NO. 3, LOOP 1, S10196			432AL	
NO. 2, LOOP 2, S10197			432AL	
NO. 1, LOOP 2, S10198			433LR	
NO. 3, LOOP 2, S10199			433LR	
SWITCH - RIGHT STRUT OVHT SW	--	6	440, RIGHT ENG STRUT	26-12-01
NO. 2, LOOP 1, S10200			442AL	
NO. 1, LOOP 1, S10201			442AL	
NO. 3, LOOP 1, S10202			442AL	
NO. 2, LOOP 2, S10203			442AL	
NO. 1, LOOP 2, S10204			443AL	
NO. 3, LOOP 2, S10205			443AL	

* SEE THE WDM EQUIPMENT LIST

Strut Overheat Detection System - Component Index
Figure 101

EFFECTIVITY

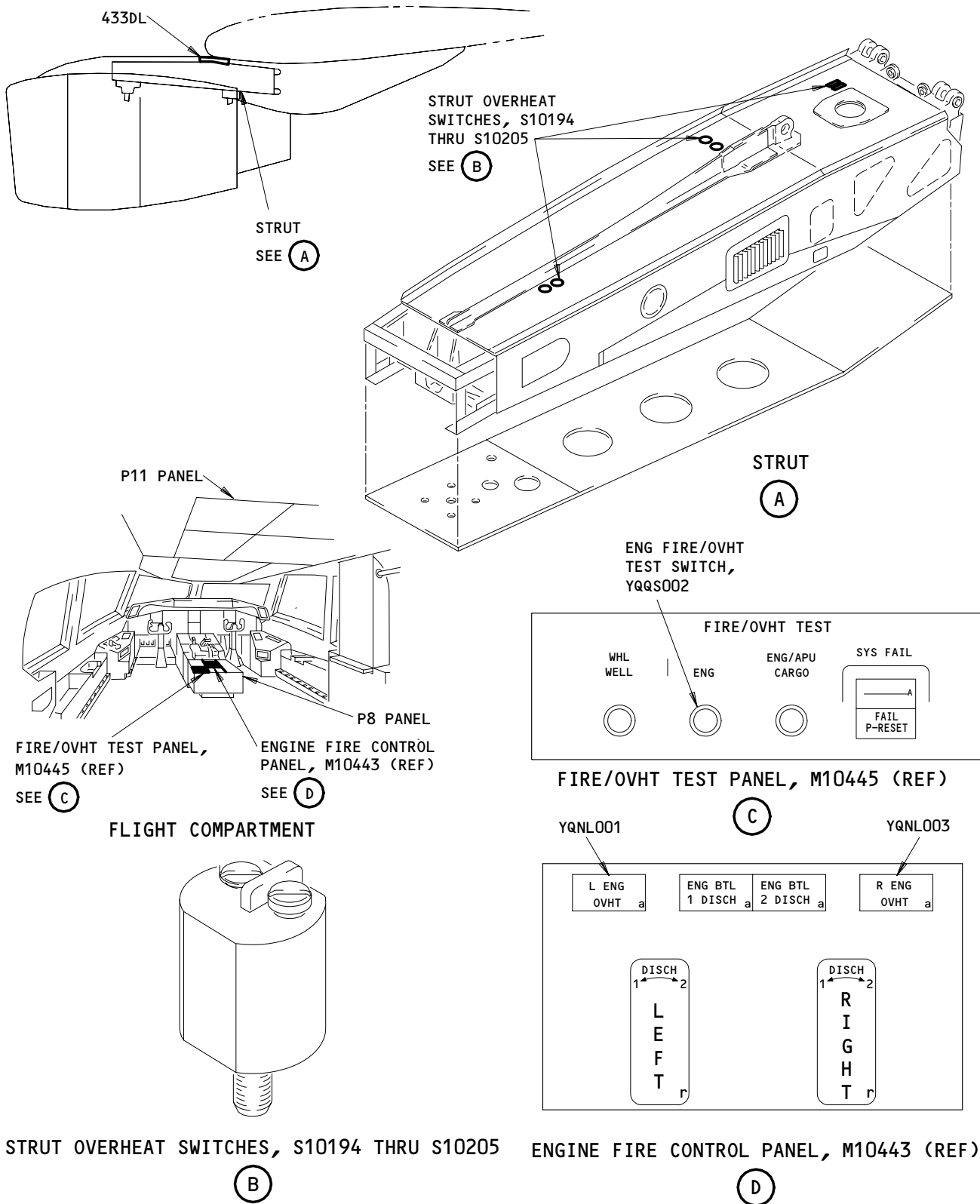
ALL

26-12-00

01

Page 101
May 28/99

217946



Strut Overheat Detection System - Component Location
Figure 102

EFFECTIVITY

ALL

26-12-00

01

Page 102
Sep 20/90

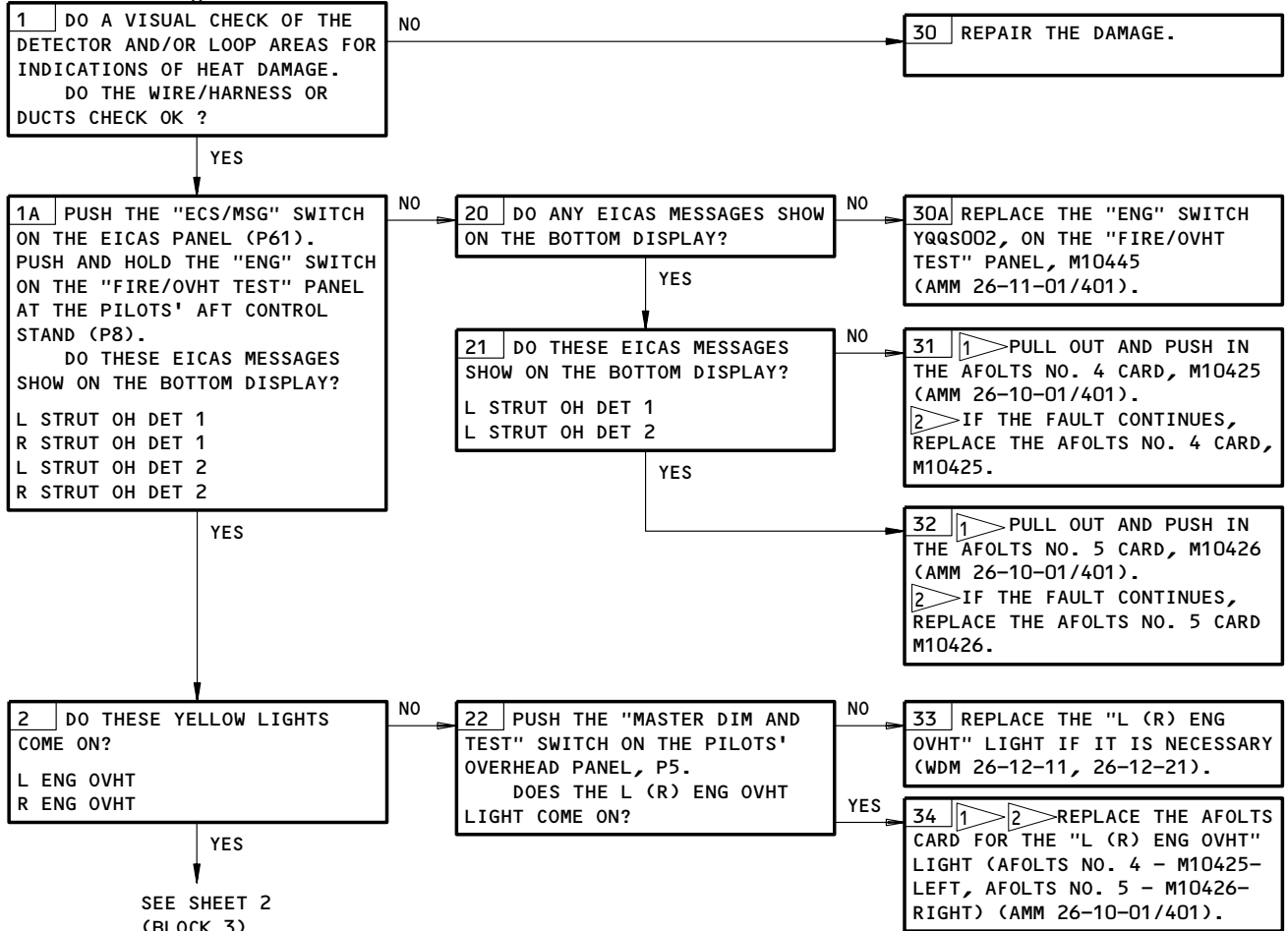
**STRUT OVERHEAT
DETECTION SYSTEM
BITE PROCEDURE**

PREREQUISITES

MAKE SURE THESE SYSTEMS WILL OPERATE:
 EICAS (AMM 31-41-00/501)
 WARNING SYSTEM (AMM 31-51-00/501)
 MASTER DIM AND TEST SYSTEM (AMM 33-16-00/501)

MAKE SURE THESE CIRCUIT BREAKERS ARE CLOSED:
 11B20, 11B21, 11B22, 11B23, 11J26, 11J27

MAKE SURE THE AIRPLANE IS IN THIS CONFIGURATION:
 ELECTRICAL POWER IS ON (AMM 24-22-00/201)



1 SOME AFOLTS CARDS HAVE RED AND YELLOW LED INDICATIONS. THE ILLUMINATION OF A YELLOW LED INDICATES A MALFUNCTION EXTERNAL TO THE AFOLTS CARDS. TROUBLESHOOT AIRPLANE WIRING AND SYSTEM, DO NOT REPLACE CARD BEFORE YOU CHECK AND FIX PROBLEM. THE ILLUMINATION OF A RED LED INDICATES A MALFUNCTION INTERNAL TO THE AFOLTS CARD. REPLACEMENT OF CARD IS REQUIRED

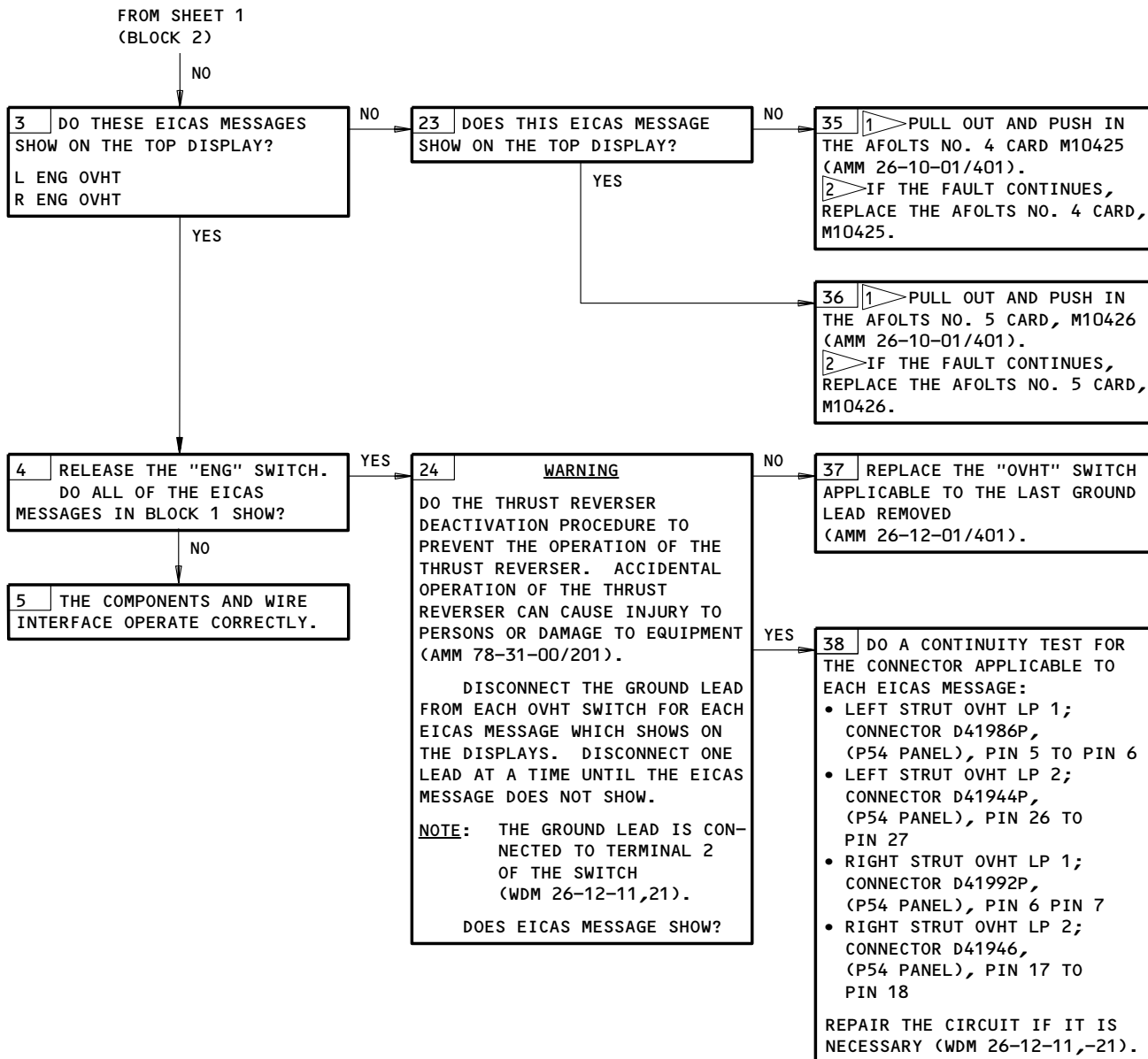
2 CAUTION: DO A CHECK OF THE AIRPLANE WIRES AND SYSTEM BEFORE YOU REPLACE THE AFOLTS CARD. CORRECT THE PROBLEMS FOUND. IF YOU DO NOT DO THIS CHECK, A PROBLEM WITH THE WIRES MAY CAUSE THE NEW AFOLTS CARD TO FAIL (SHORT OR OPEN).

Strut Overheat Detection System BITE Procedure
Figure 103 (Sheet 1)

EFFECTIVITY	ALL
-------------	-----

26-12-00

BOEING
757
FAULT ISOLATION/MAINT MANUAL



Strut Overheat Detection System BITE Procedure
Figure 103 (Sheet 2)

EFFECTIVITY	ALL
-------------	-----

26-12-00

EICAS MESSAGE "L (R)
STRUT OH DET 1 (2)"
DISPLAYED

PREREQUISITES
 ELECTRICAL POWER (MM 24-22-00/201)
 EICAS (MM 31-41-00/501)
 CB'S: 11B20,11B21,11B22,11B23



EICAS Message "L (R) STRUT OH DET 1 (2)" Displayed
Figure 104

EFFECTIVITY	ALL
-------------	-----

26-12-00

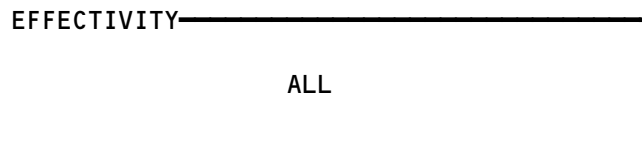
BOEING
757
FAULT ISOLATION/MAINT MANUAL

ENGINE TURBINE COOLING OVERHEAT DETECTION SYSTEM

COMPONENT	FIG. 102 SHT	QTY	ACCESS/AREA	AMM REFERENCE
CARD 4 - FIRE/OVHT LOGIC TEST, M10425	2	1	119BL, MAIN EQUIP CTR, P54	26-10-01
CARD 5 - FIRE/OVHT LOGIC TEST, M10426	2	1	119BL, MAIN EQUIP CTR, P54	26-10-01
CIRCUIT BREAKER -			FLT COMPT, P11	
FIRE DET ALTN PWR ENGINE LEFT, C763		1	11J26	*
FIRE DET ALTN PWR ENGINE RIGHT, C764		1	11J27	*
FIRE DETECTION L ENGINE 1, C774		1	11B20	*
FIRE DETECTION L ENGINE 2, C783		1	11B21	*
FIRE DETECTION R ENGINE 1, C775		1	11B22	*
FIRE DETECTION R ENGINE 2, C784		1	11B23	*
PANEL (FIM 26-12-00/101)				
FIRE TEST, M10445				
SWITCH - ENG TEST, YQGS002	1	1	FLT COMPT, P8, FIRE TEST, M10445	*
SWITCH - FAIL LIGHT RESET, YQGS003	1	1	FLT COMPT, P8, FIRE TEST, M10445	*
SWITCH - TURBINE OVERHEAT DETECTION, S10139	2	2	EACH ENGINE	26-13-01
SWITCH - TURBINE OVERHEAT DETECTION, S10140	2	2	EACH ENGINE	26-13-01

* SEE THE WDM EQUIPMENT LIST

Engine Turbine Cooling Overheat Detection System - Component Index
Figure 101

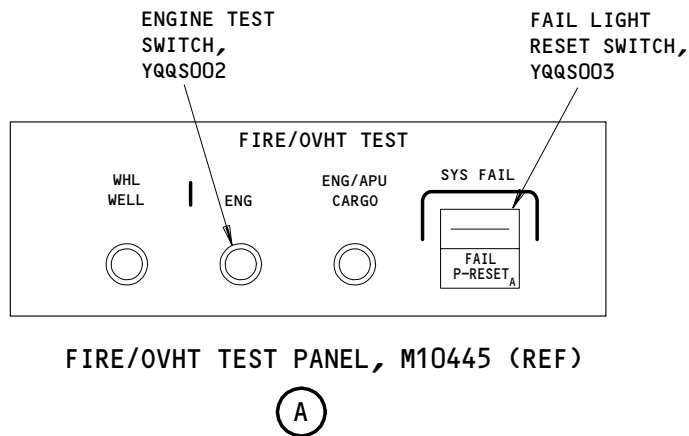
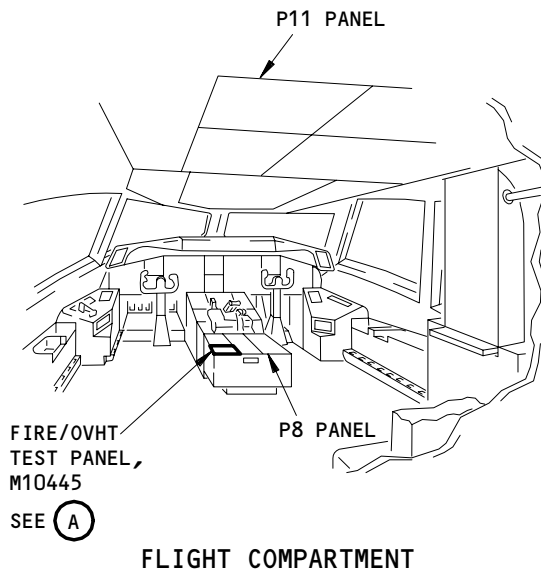


26-13-00

01

Page 101
Sep 20/94

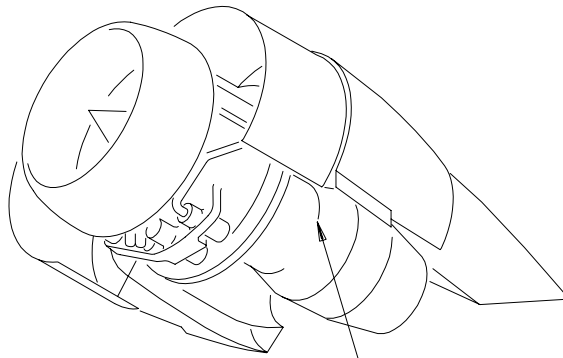
BOEING
757
FAULT ISOLATION/MAINT MANUAL



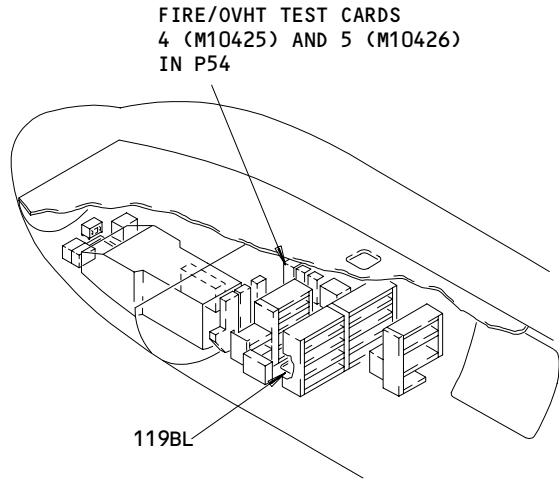
Engine Turbine Cooling Overheat Detection System - Component Location
Figure 102 (Sheet 1)

EFFECTIVITY	ALL
-------------	-----

26-13-00

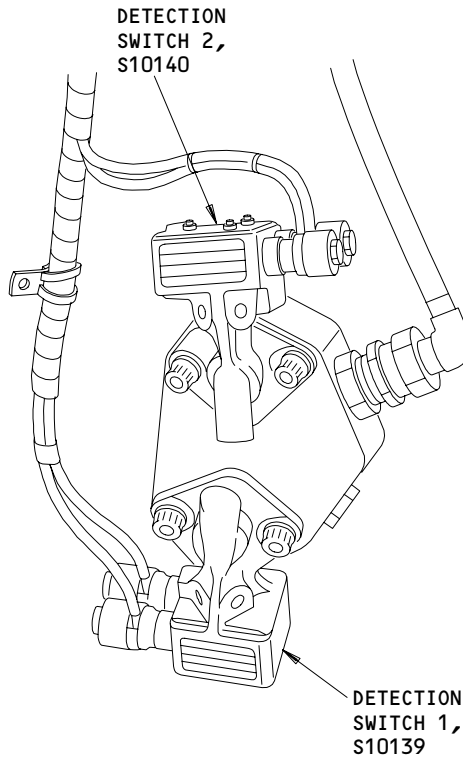


TURBINE OVERHEAT
DETECTION SWITCHES
SEE (B)



FIRE/OVHT TEST CARDS
4 (M10425) AND 5 (M10426)
IN P54

119BL



DETECTION
SWITCH 2,
S10140

DETECTION
SWITCH 1,
S10139

TURBINE OVERHEAT DETECTION SWITCHES

(B)

Component Location
Figure 102 (Sheet 2)

EFFECTIVITY	
	ALL

26-13-00

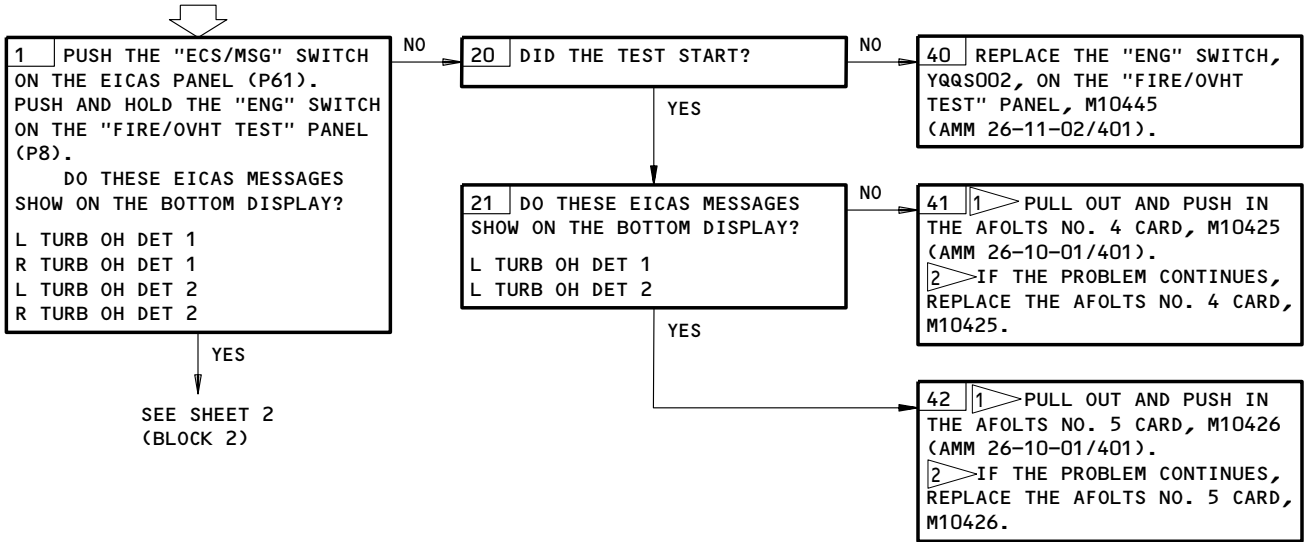
01

Page 103
Sep 20/94

56326

**ENGINE TURBINE
COOLING OVERHEAT
DETECTION SYSTEM
BITE PROCEDURE**

PREREQUISITES
 MAKE SURE THESE SYSTEMS WILL OPERATE:
 EICAS (AMM 31-41-00/501)
 WARNING SYSTEM (AMM 31-51-00/501)
 MASTER DIM AND TEST (AMM 33-16-00/501)
 MAKE SURE THESE CIRCUIT BREAKERS ARE CLOSED:
 11B20, 11B21, 11B22, 11B23, 11J26, 11J27
 MAKE SURE THE AIRPLANE IS IN THIS CONFIGURATION:
 ELECTRICAL POWER IS ON (AMM 24-22-00/201)



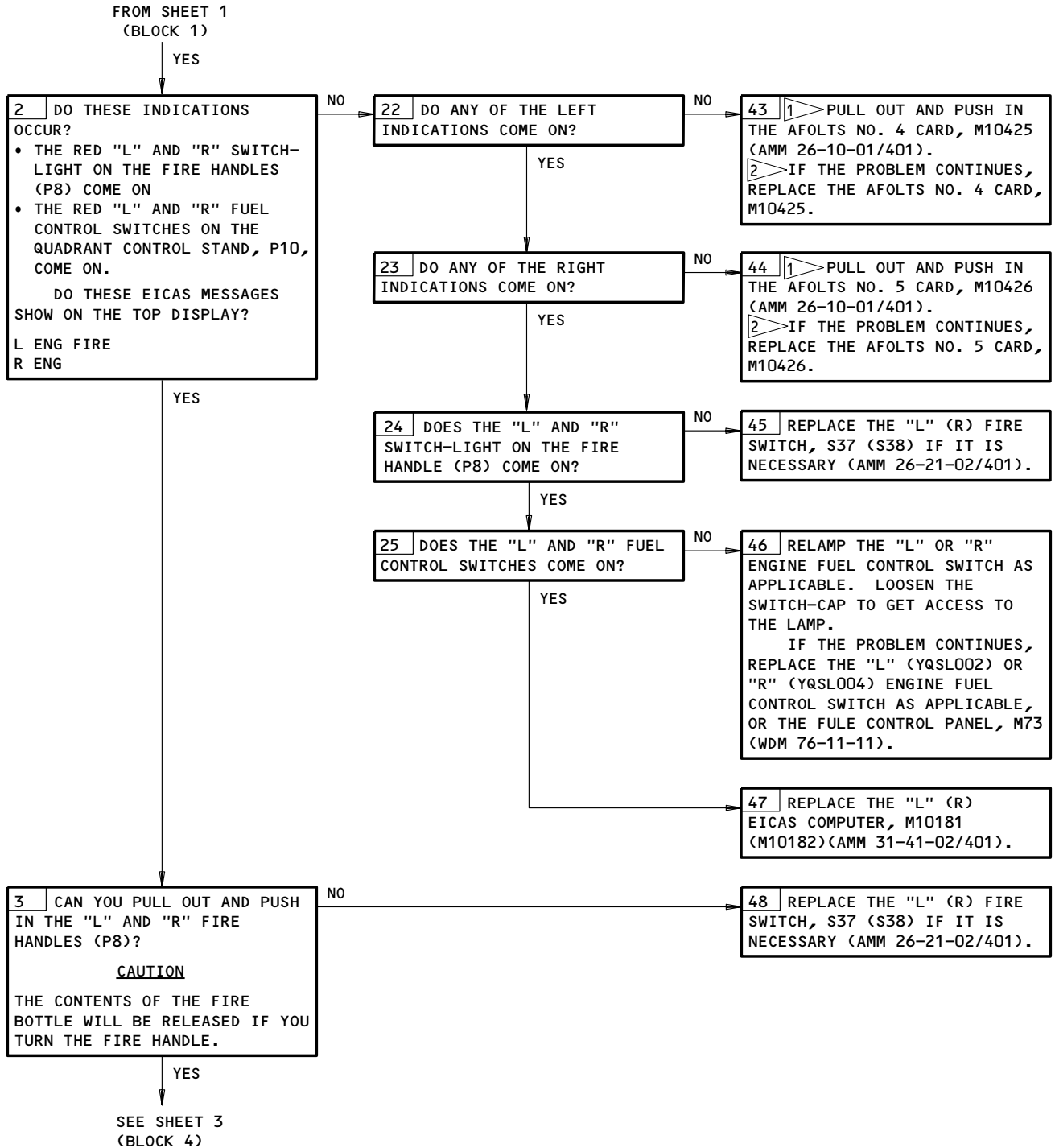
1 SOME AFOLTS CARDS HAVE RED AND YELLOW LED INDICATIONS. THE ILLUMINATION OF A YELLOW LED INDICATES A MALFUNCTION EXTERNAL TO THE AFOLTS CARDS. TROUBLESHOOT AIRPLANE WIRING AND SYSTEM, DO NOT REPLACE CARD BEFORE YOU CHECK AND FIX PROBLEM. THE ILLUMINATION OF A RED LED INDICATES A MALFUNCTION INTERNAL TO THE AFOLTS CARD. REPLACEMENT OF CARD IS REQUIRED.

2 CAUTION: DO A CHECK OF THE AIRPLANE WIRES AND SYSTEM BEFORE YOU REPLACE THE AFOLTS CARD. CORRECT THE PROBLEMS FOUND. IF YOU DO NOT DO THIS CHECK, A PROBLEM WITH THE WIRES MAY CAUSE THE NEW AFOLTS CARD TO FAIL (SHORT OR OPEN).

Engine Turbine Cooling Overheat Detection System BITE Procedure
Figure 103 (Sheet 1)

EFFECTIVITY	ALL
-------------	-----

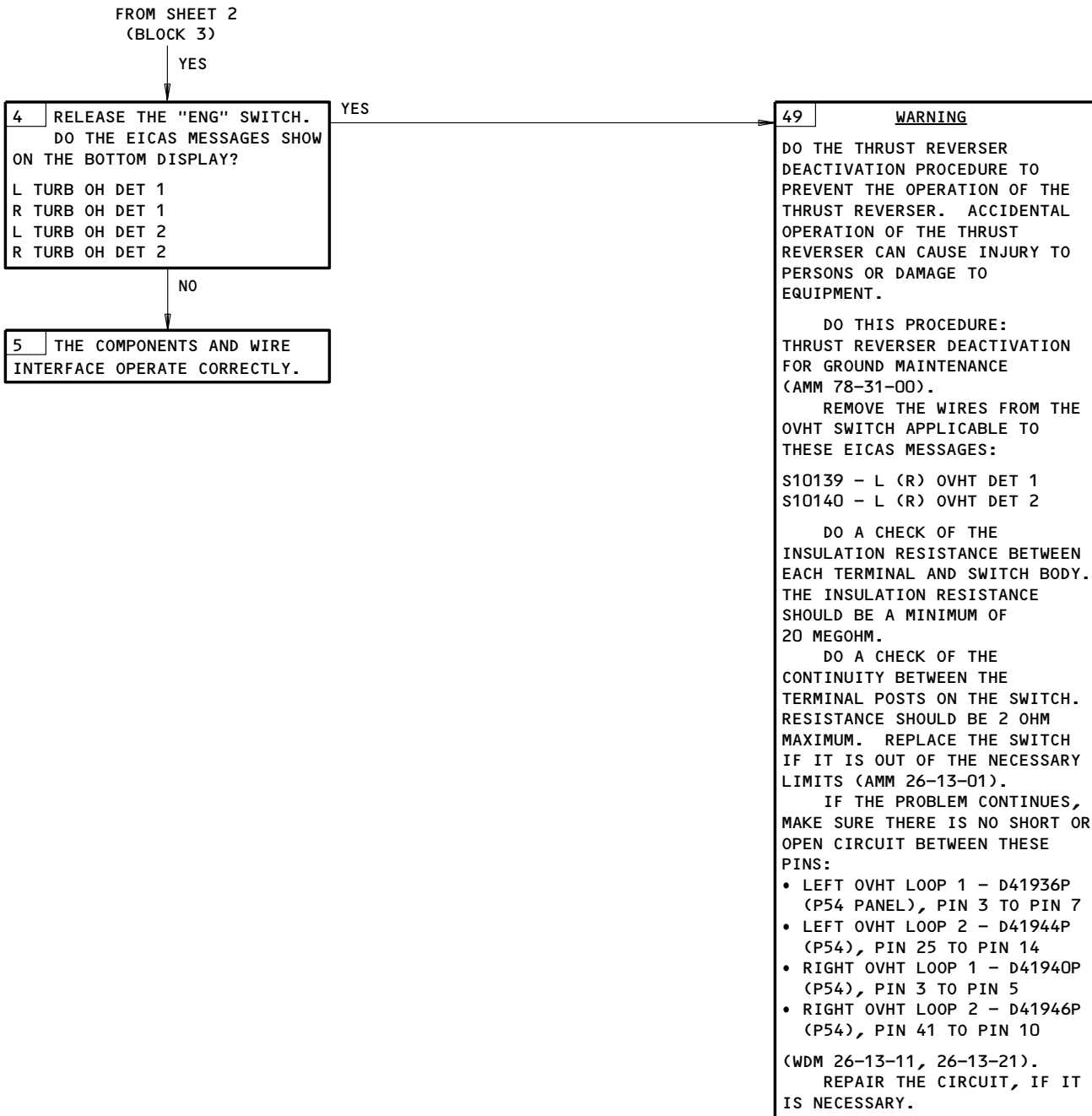
26-13-00



Engine Turbine Cooling Overheat Detection System BITE Procedure
Figure 103 (Sheet 2)

EFFECTIVITY	ALL
-------------	-----

26-13-00



Engine Turbine Cooling Overheat Detection System BITE Procedure
Figure 103 (Sheet 3)

EFFECTIVITY	ALL
-------------	-----

26-13-00

EICAS MSG. "L (R)
TURB OH DET 1 (2)"
DISPLAYED

PREREQUISITES
 ELECTRICAL POWER (MM 24-22-00/201)
 EICAS (MM 31-41-00/501)
 CB'S: 11B20,11B21,11B22,11B23



EICAS Msg. L (R) TURB OH DET 1 (2) Displayed
Figure 104

EFFECTIVITY	ALL
-------------	-----

26-13-00

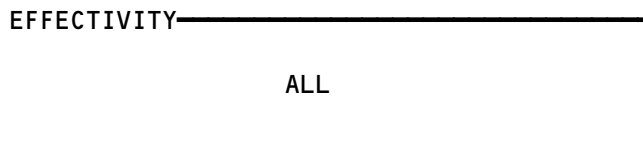

BOEING
 757
 FAULT ISOLATION/MAINT MANUAL

LAVATORY SMOKE DETECTION

COMPONENT	FIG. 102 SHT	QTY	ACCESS/AREA	AMM REFERENCE
CIRCUIT BREAKER -	--		FLT COMPT, P11	
PASS CALL LAV SMOKE DET LEFT, C4376		1	11N8	*
PASS CALL LAV SMOKE DET RIGHT, C4375		1	11N9	*
LAVATORY SMOKE DETECTOR, M4	--	1	EACH LAVATORY	*

* SEE THE WDM EQUIPMENT LIST

Lavatory Smoke Detection - Component Index
Figure 101



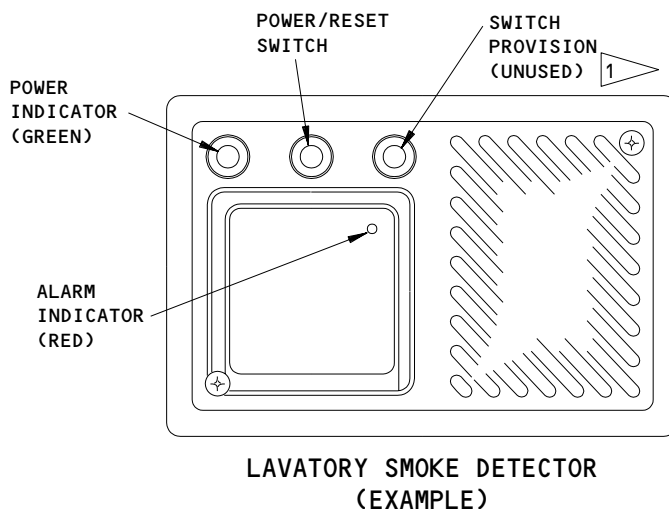
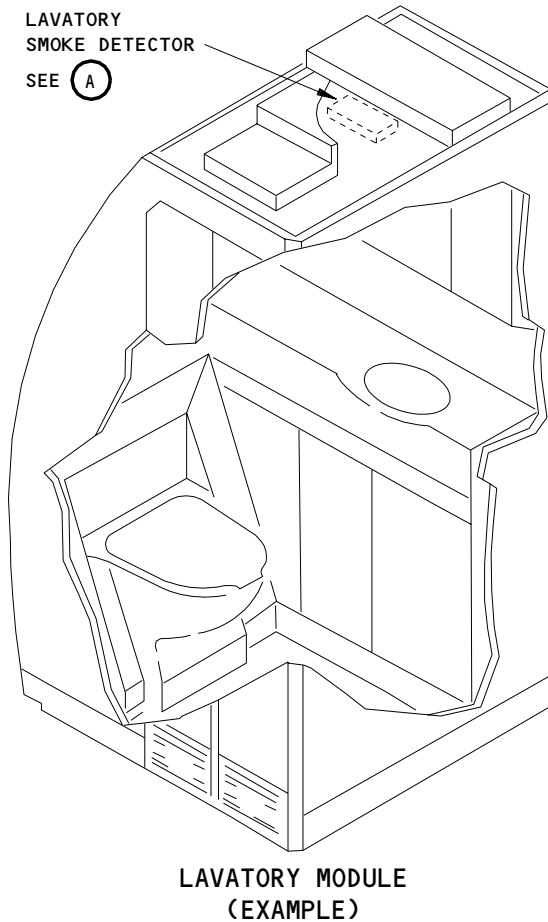
26-14-00

06

Page 101
Sep 20/94

E48161

BOEING
757
FAULT ISOLATION/MAINT MANUAL



1 NOT ON ALL SMOKE DETECTORS

(A)

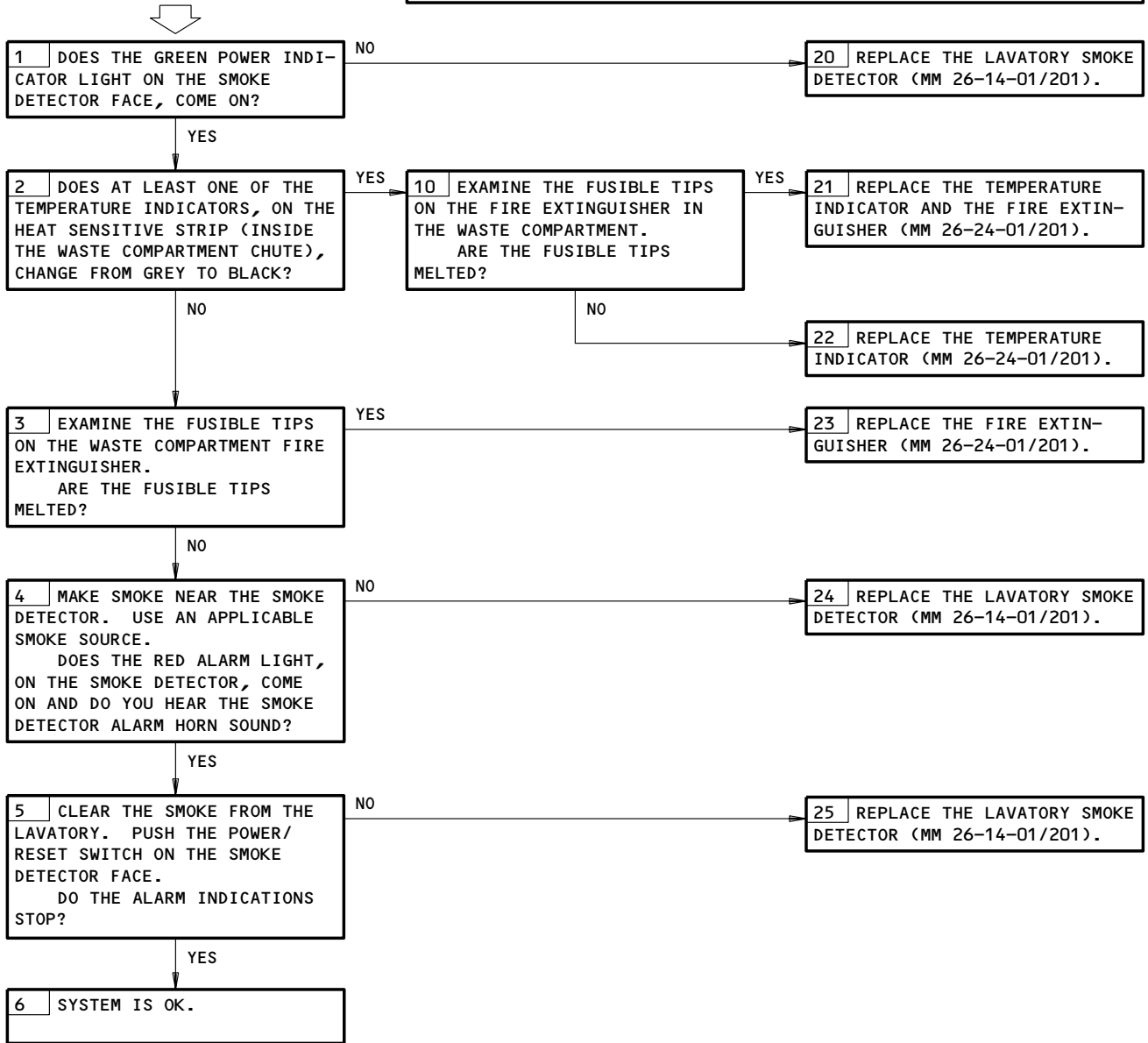
Lavatory Smoke Detection - Component Location
Figure 102

EFFECTIVITY	ALL
-------------	-----

26-14-00

**LAVATORY SMOKE
DETECTION AND FIRE
PROTECTION PROBLEMS**

PREREQUISITES
MAKE SURE THESE CIRCUIT BREAKERS ARE CLOSED:
11N8,11N9
MAKE SURE THE AIRPLANE IS IN THE CONFIGURATION THAT
FOLLOWS:
ELECTRICAL POWER IS ON (MM 24-22-00/201)



Lavatory Smoke Detection and Fire Protection Problems
Figure 103

EFFECTIVITY	ALL
-------------	-----

26-14-00

 **BOEING**
757
FAULT ISOLATION/MAINT MANUAL

APU FIRE DETECTION SYSTEM

COMPONENT	FIG. 102 SHT	QTY	ACCESS/AREA	AMM REFERENCE
CARD 3 - FIRE/OVHT LOGIC/TEST, M10400	2	1	119BL, MAIN EQUIP CTR, P54	26-10-01
CARD - LOOP 1 APU FIRE DET, M685	2	1	119BL, MAIN EQUIP CTR, P54	26-10-01
CARD - LOOP 2 APU FIRE DET, M686	2	1	119BL, MAIN EQUIP CTR, P54	26-10-01
CARD - L ENG SPEED, M10298	2	1	119BL, MAIN EQUIP CTR, P50	*
CARD - R ENG SPEED, M10311	2	1	119BL, MAIN EQUIP CTR, P50	*
CIRCUIT BREAKER -	1		FLT COMPT, P11	
APU REMOTE FIRE IND, C796		1	11B33	*
FIRE DET ALTN PWR APU, C765		1	11J25	*
FIRE DETECTION APU 1, C776		1	11B24	*
FIRE DETECTION APU 2, C785		1	11B25	*
COMPUTER - (FIM 31-41-00/101)				
EICAS L, M10181				
EICAS R, M10182				
DETECTOR - APU FIRE, TS5066,TS5067,TS5062, TS5063	2	2	315AL,316AR, APU COMPT	26-15-02
DIODE - BUS ISOLATION, R201,R202	1	2	FLT COMPT, BEHIND P5	*
DIODE - ISOLATION 1, R10088		1	FLT COMPT, BEHIND P36	
HORN - APU FIRE WARNING, B122		1	NOSE LANDING GEAR, P62	*
LIGHT - APU FIRE, L401		1	NOSE LANDING GEAR, P62	*
MODULE - DISCRETE WARNING DISPLAY, M779	1	1	FLT COMPT, P1-3	*
PANEL - (FIM 26-11-00/101)				
FIRE/OVHT TEST, M10445				
PANEL - (FIM 26-22-00/101)				
APU/CARGO FIRE CONT, M10444				
PANEL - (FIM 49-61-00/101)				
APU START, M10324 OR APU CONTROL, M1				
RELAY - (FIM 31-01-33/101)				
APU HORN INTERRUPTER, K420				
EXTERNAL SHUTDOWN, K421				
RELAY - (FIM 31-01-36/101)				
AIR GND, K145				
APU FIRE, K10334				
APU GND, K10373				
APU REMOTE WARNING, K10374				
TEST, K10325				
RELAY - (FIM 31-01-37/101)				
AIR GND SYS 2, K219				
SWITCH - APU BOTTLE DISCH, S485	1	1	NOSE LANDING GEAR, P62	*
SWITCH - APU FIRE, S39	1	1	FLT COMPT, P8, APU/CARGO FIRE CONTROL PANEL, M10444	*
SWITCH - APU FIRE SHUTDOWN, S484	1	1	NOSE LANDING GEAR, P62	*
SWITCH - ENG/APU/CARGO, YQSS001	1	1	FLT COMPT, P8, FIRE/OVHT TEST PANEL, M10445	*
SWITCH - FAIL LIGHT RESET, YQSS002	1	1	FLT COMPT, P8, FIRE/OVHT TEST PANEL, M10445	*

* SEE THE WDM EQUIPMENT LIST

APU Fire Detection System - Component Index
Figure 101

EFFECTIVITY

ALL

26-15-00

06

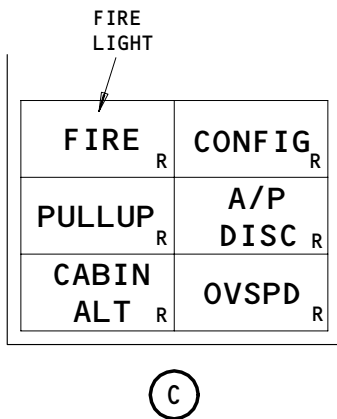
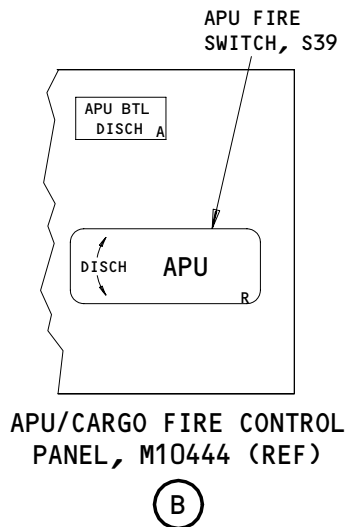
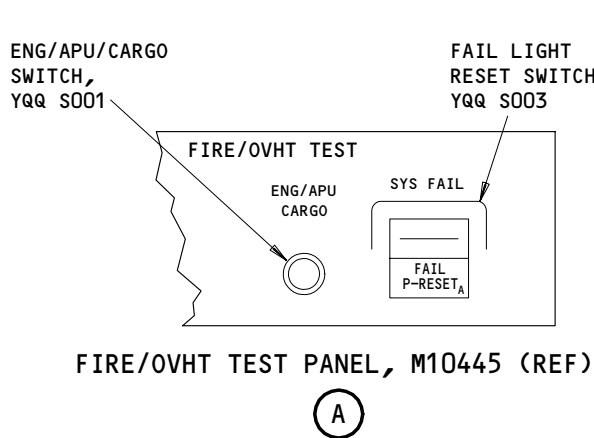
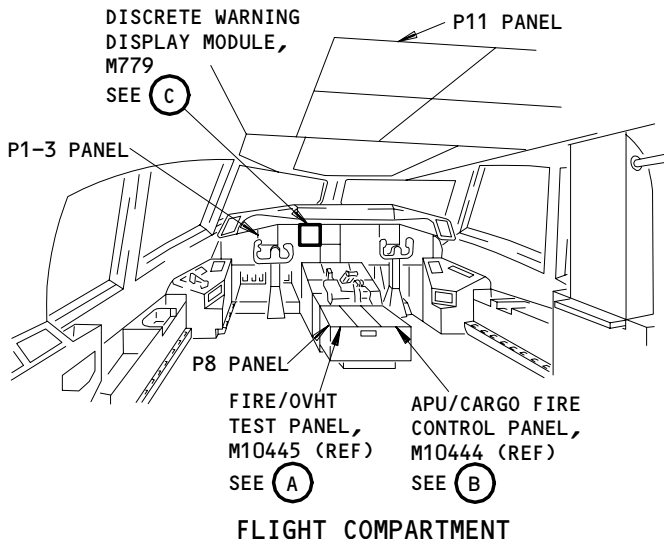
Page 101
Jun 20/95

305867

BOEING

757

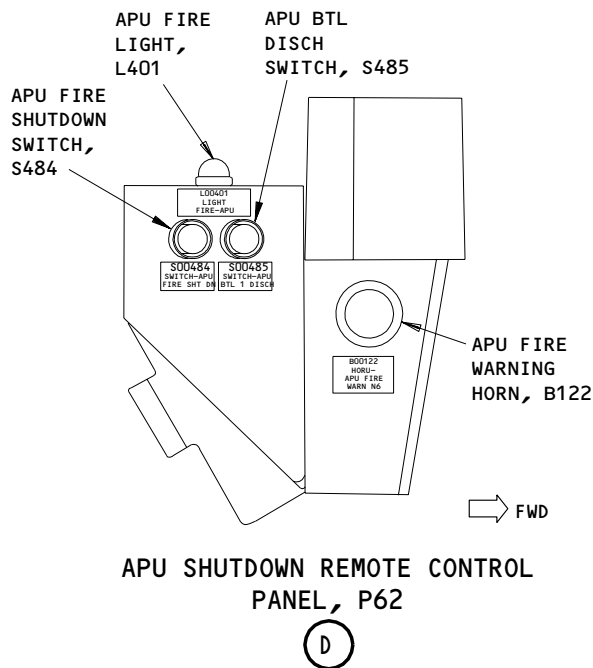
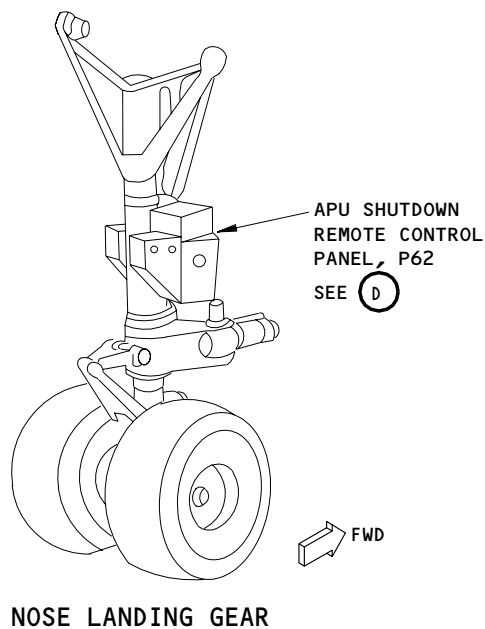
FAULT ISOLATION/MAINT MANUAL



APU Fire Detection System - Component Location
Figure 102 (Sheet 1)

EFFECTIVITY	ALL
-------------	-----

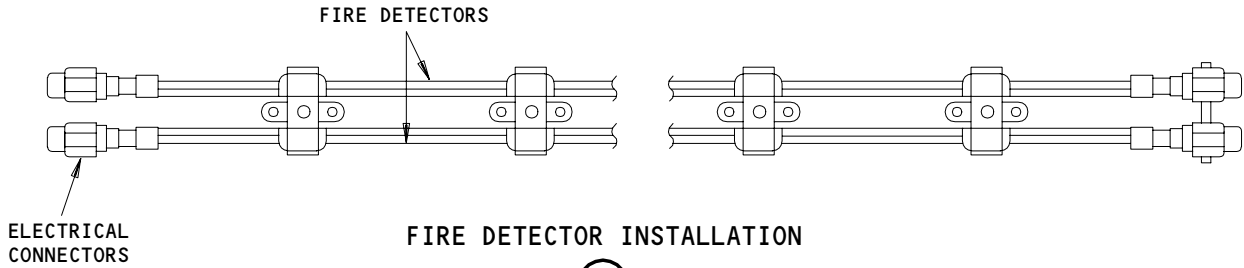
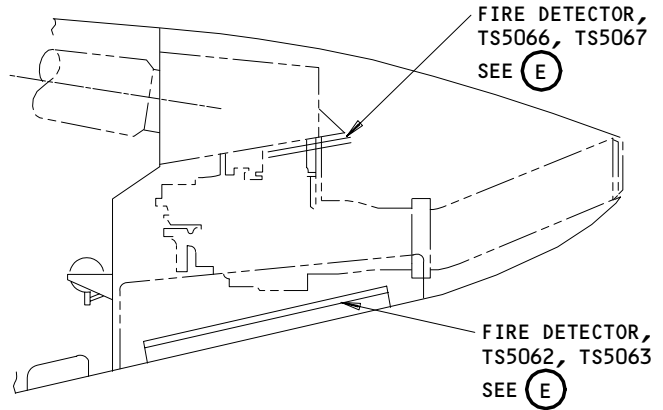
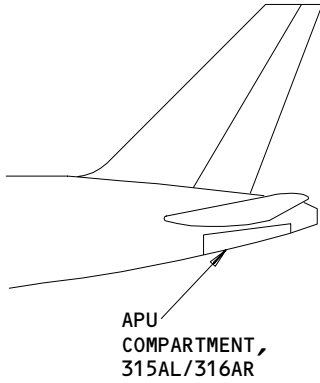
26-15-00



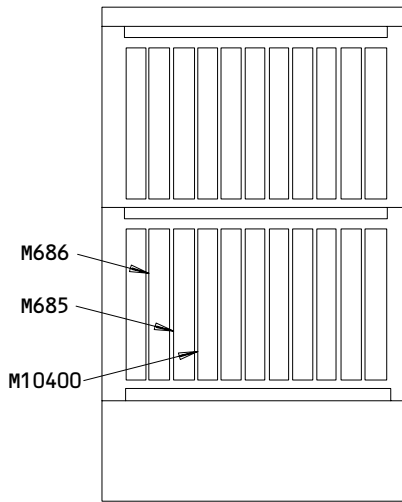
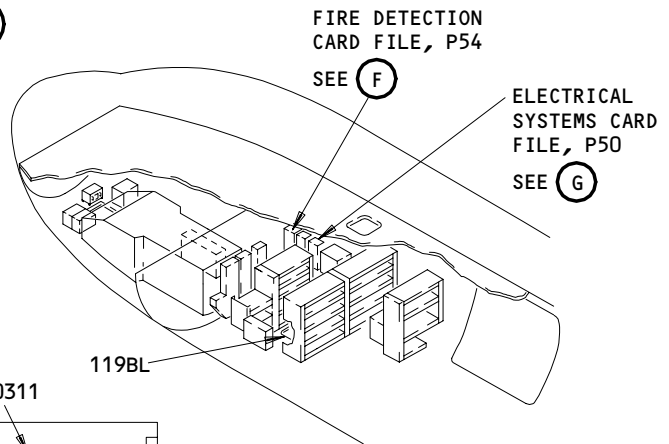
APU Fire Detection System - Component Location
Figure 102 (Sheet 2)

EFFECTIVITY	ALL
-------------	-----

26-15-00

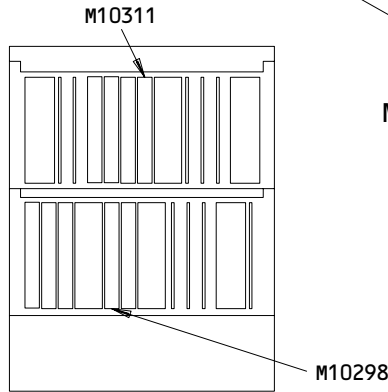


(E)



FIRE DETECTION CARD FILE, P54

(F)



ELECTRICAL SYSTEMS CARD FILE, P50

(G)

APU Fire Detection System - Component Location
Figure 102 (Sheet 3)

EFFECTIVITY	
	ALL

26-15-00

**APU FIRE DETECTION
SYSTEM BITE
PROCEDURE**

PREREQUISITES

MAKE SURE THESE SYSTEMS WILL OPERATE:

- EICAS (AMM 31-41-00/501)
- WARNING SYSTEM (AMM 33-16-00/501)
- MASTER DIM AND TEST (AMM 33-16-00/501)

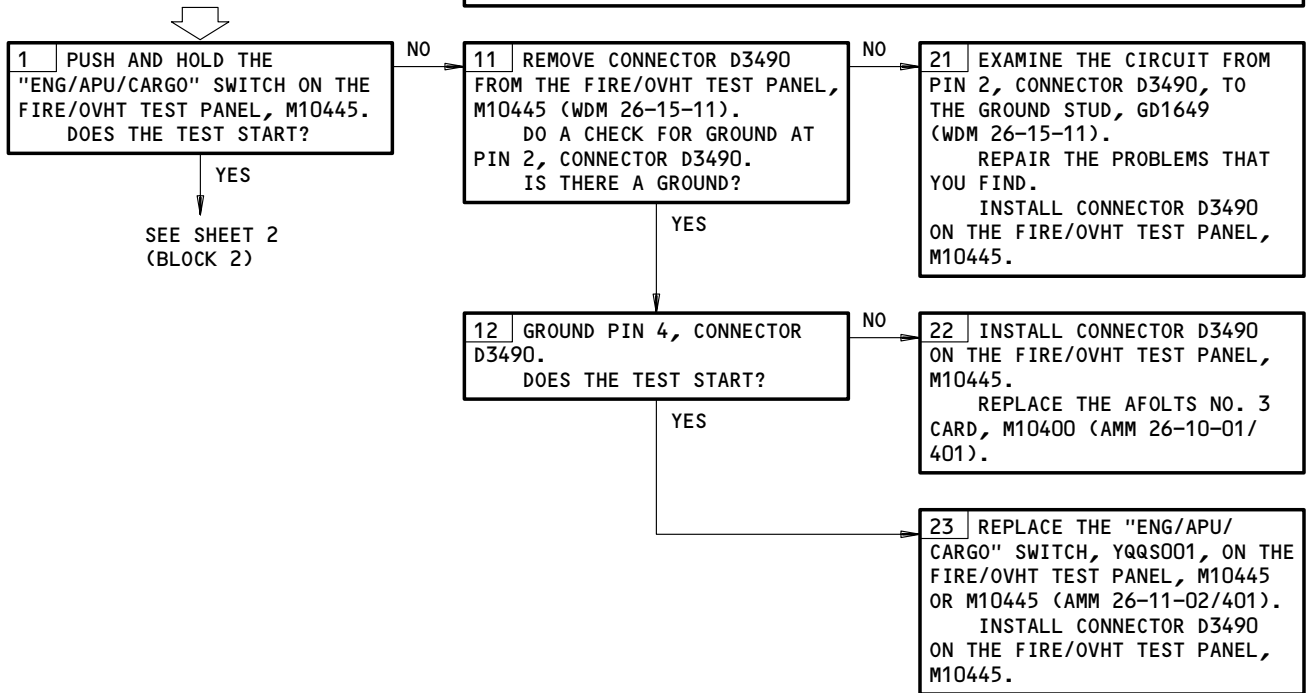
MAKE SURE THESE CIRCUIT BREAKERS ARE CLOSED:

- 11B24, 11B25, 11B33, 11J25

MAKE SURE THIS CIRCUIT BREAKER IS OPEN AND ATTACH
DO-NOT-CLOSE TAG:

- 6G1

MAKE SURE THE AIRPLANE IS IN THIS CONFIGURATION:
ELECTRICAL POWER IS ON (AMM 24-22-00/201)



APU Fire Detection System BITE Procedure
Figure 103 (Sheet 1)

EFFECTIVITY

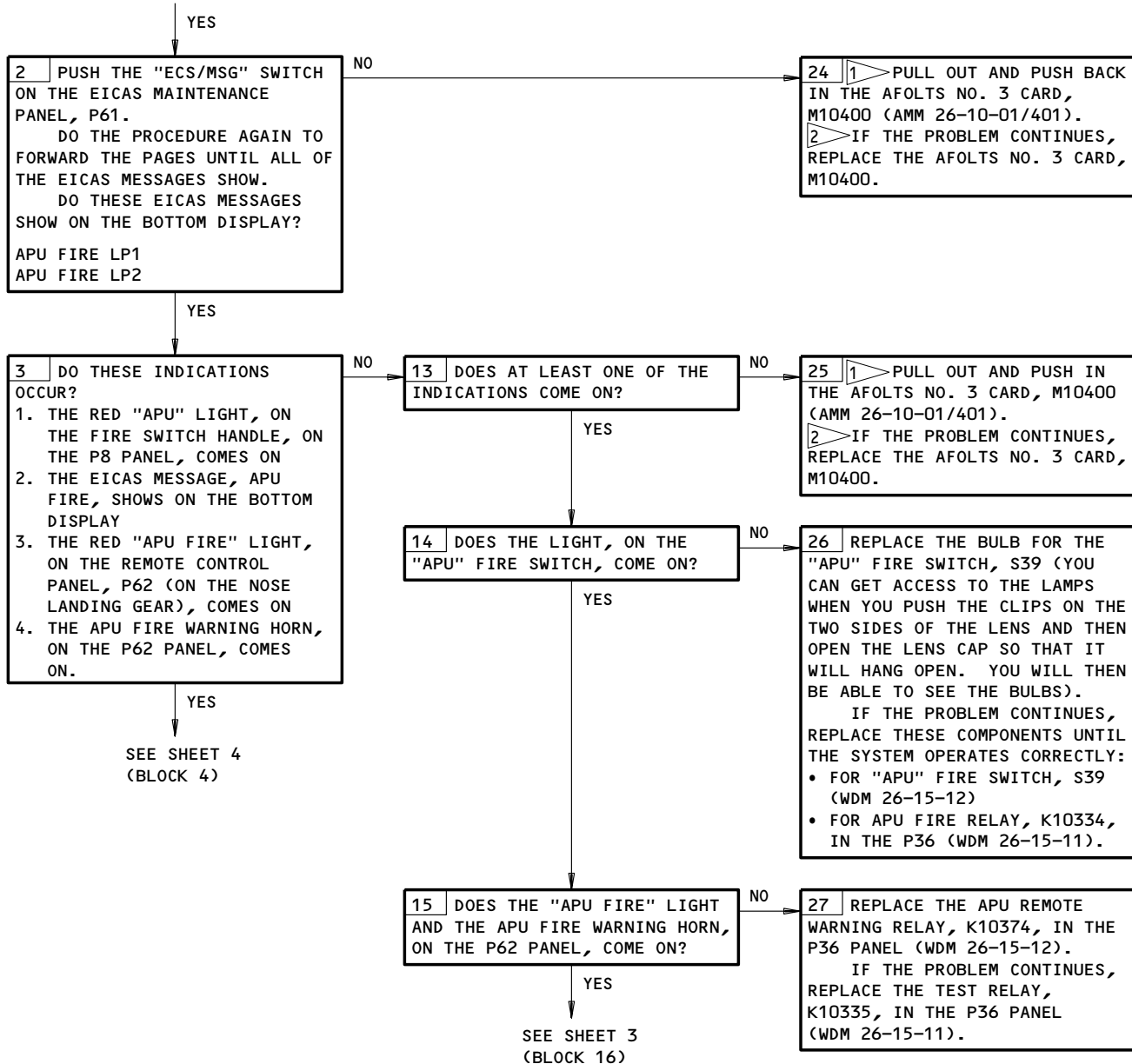
ALL

26-15-00

01

Page 105
Jun 20/95

FROM SHEET 1
(BLOCK 1)



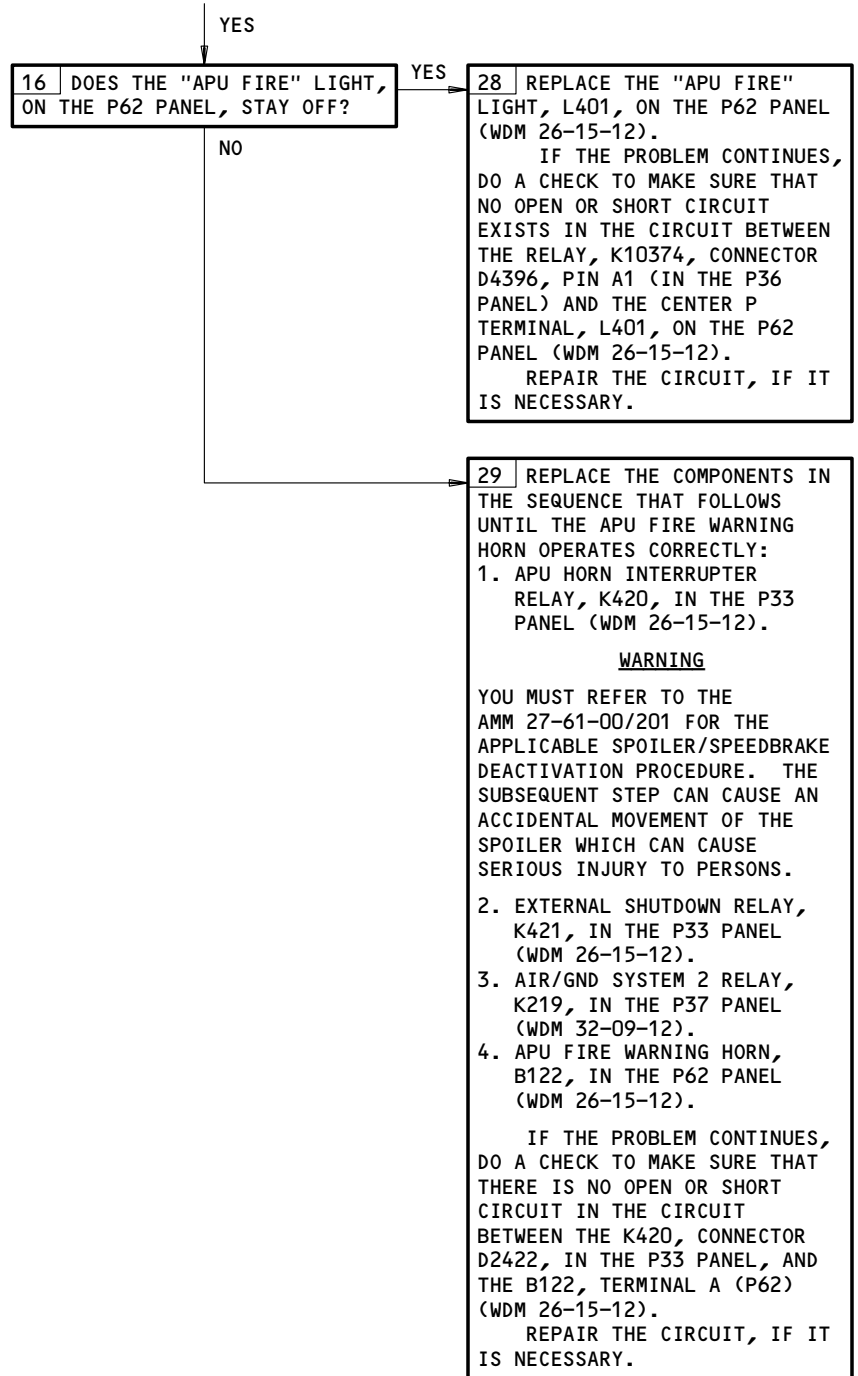
APU Fire Detection System BITE Procedure
Figure 103 (Sheet 2)

EFFECTIVITY ————
ALL

26-15-00

BOEING
757
FAULT ISOLATION/MAINT MANUAL

FROM SHEET 2
(BLOCK 15)

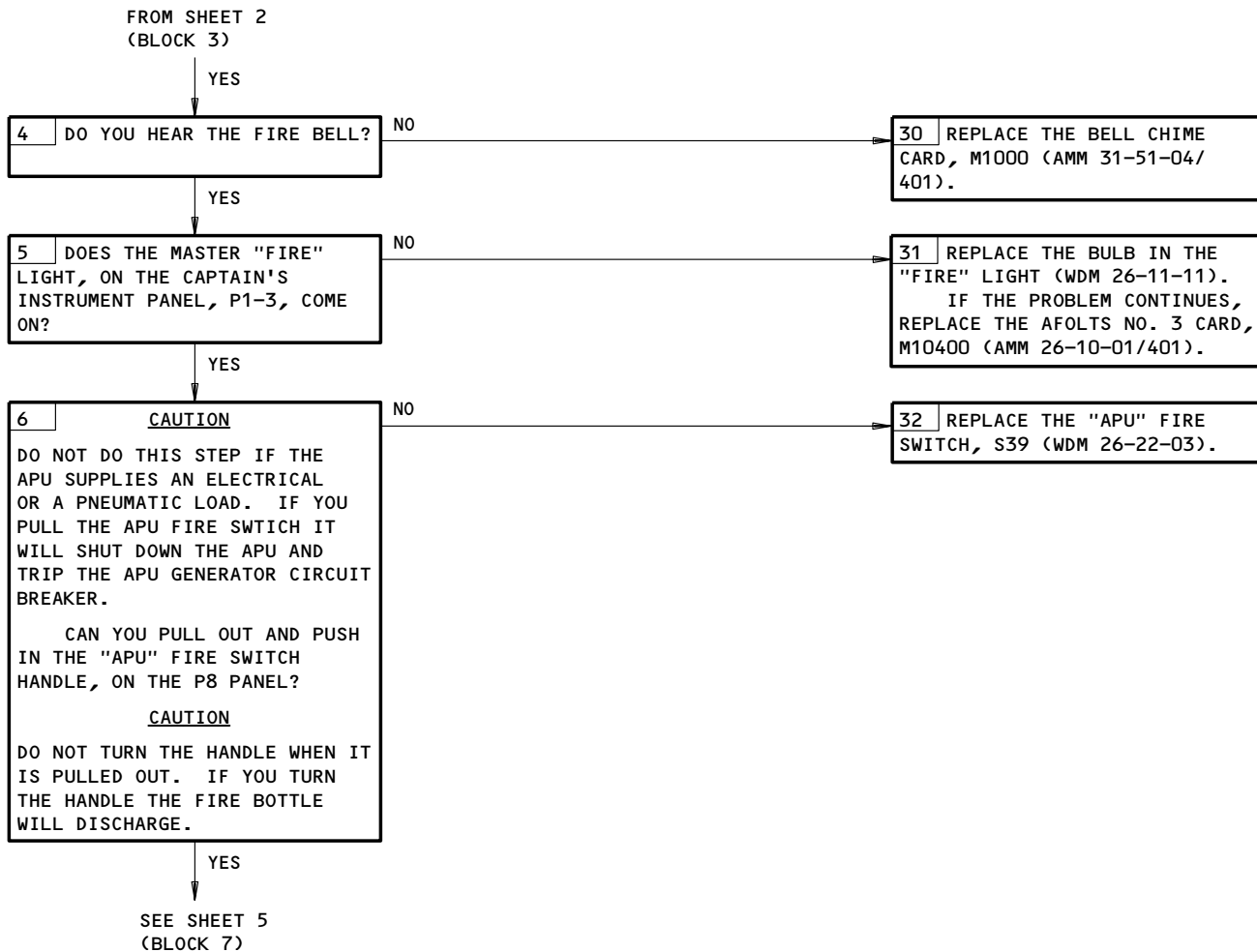


APU Fire Detection System BITE Procedure
Figure 103 (Sheet 3)

EFFECTIVITY	ALL
-------------	-----

26-15-00

F09328

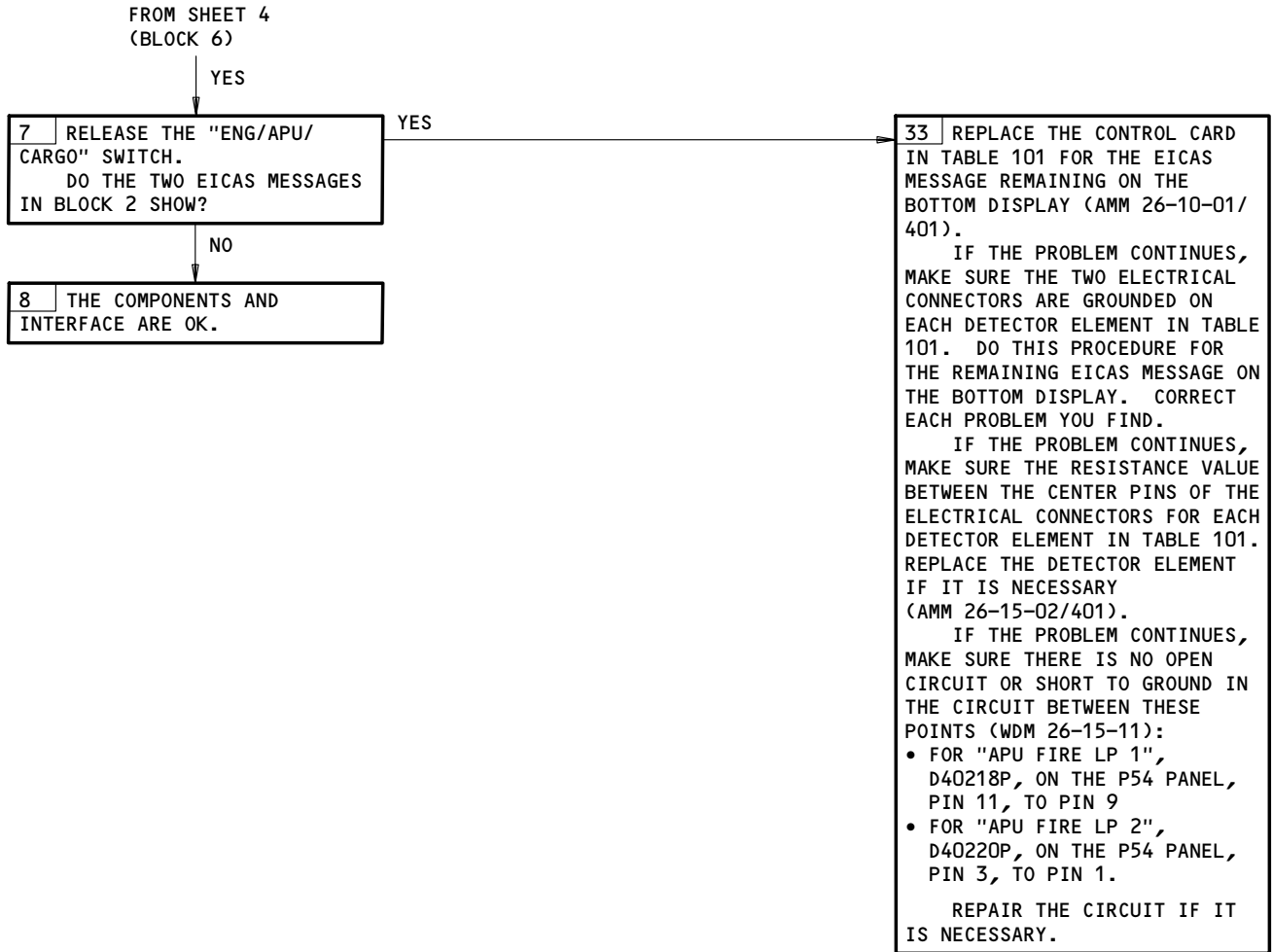


APU Fire Detection System BITE Procedure
Figure 103 (Sheet 4)

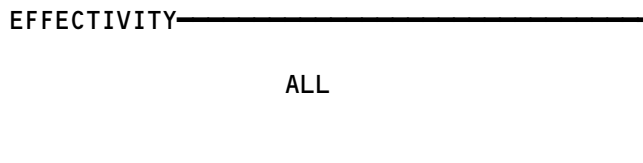
EFFECTIVITY

ALL

26-15-00



APU Fire Detection System BITE Procedure
Figure 103 (Sheet 5)



26-15-00


BOEING
 757
 FAULT ISOLATION/MAINT MANUAL

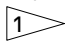
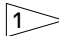
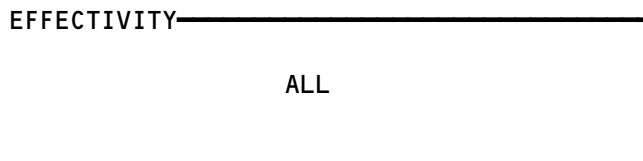
EICAS MESSAGE	CONTROL CARD	DETECTOR NUMBER/ ELECTRICAL CONNECTOR	CTR CONDUCTOR RESISTANCE IN OHMS END TO END 
APU FIRE LP 1	M685	TS5066/D1908,D1910 TS5067/D1900,D1902	9.5-15
APU FIRE LP 2	M686	TS5062/D1912,D1914 TS5063/D1904,D1906	9.5-15

TABLE 101

 DISCARD THE COPPER CRUSH WASHER IF YOU OPEN THE DETECTOR/AIRPLANE WIRING CONNECTION.

APU Fire Detection System BITE Procedure
 Figure 103 (Sheet 6)



26-15-00

EICAS MSG. "APU
FIRE LP 1 (2)"
DISPLAYED

PREREQUISITES

MAKE SURE THIS SYSTEM WILL OPERATE:
EICAS (MM 31-41-00/501)

MAKE SURE THESE CIRCUIT BREAKERS ARE CLOSED:
11B24,11B25,11J25

MAKE SURE THE AIRPLANE IS IN THE CONFIGURATION THAT
FOLLOWS:
ELECTRICAL POWER IS ON (MM 24-22-00/201)



EICAS Msg. APU FIRE LP 1 (2) Displayed
Figure 104

EFFECTIVITY	ALL
-------------	-----

26-15-00

BOEING
757
FAULT ISOLATION/MAINT MANUAL

LOWER CARGO COMPARTMENT SMOKE DETECTION SYSTEM

COMPONENT	FIG. 102 SHT	QTY	ACCESS/AREA	AMM REFERENCE
BLOWER 1 - FWD SMOKE DETECTOR, M10462	2	1	821, FORWARD CARGO COMPT	26-16-02
BLOWER 2 - FWD SMOKE DETECTOR, M10463	2	1	821, FORWARD CARGO COMPT	26-16-02
BLOWER 3 - AFT SMOKE DETECTOR, M10464	2	1	822, AFT CARGO COMPT	26-16-02
BLOWER 4 - AFT SMOKE DETECTOR, M10465	2	1	822, AFT CARGO COMPT	26-16-02
CARD 6 - FIRE/OVHT TEST/LOGIC, M10427	1	1	119BL, MAIN EQUIP CTR, P54	26-10-01
CIRCUIT BREAKER -	1		FLT COMPT, P11	*
CARGO SMOKE DET 1 OR FIRE DETECTION		1	11B26	*
CARGO 1, C772				
CARGO SMOKE DET 2 OR FIRE DETECTION		1	11B27	*
CARGO 2, C788				
CARGO SMOKE BLO, C794		1	11S36	*
CARGO SMOKE BLOWER CONT OR FIRE DET CARGO		1	11S35	*
FAN CONT, C795				
FIRE DET ALTN PWR CARGO, C766		1	11J24	*
CIRCUIT BREAKER -	1		119BL, MAIN EQUIP CTR, P70	
SMOKE DET BLOWER 1, C60		1	70B10	
SMOKE DET BLOWER 2, C61		1	70B11	26-16-01
SMOKE DET BLOWER 3, C62		1	70B12	26-16-01
SMOKE DET BLOWER 4, C63		1	70B13	*
COMPUTER - (FIM 31-41-00/101)				*
EICAS L, M10181				*
EICAS R, M10182				*
DETECTOR - AFT CARGO SMOKE 1, M10460	2	1	822, AFT CARGO COMPT	26-16-01
DETECTOR - AFT CARGO SMOKE 2, M10461	2	1	822, AFT CARGO COMPT	26-16-01
DETECTOR - FWD CARGO SMOKE 1, M10458	2	1	821, FWD CARGO COMPT	26-16-01
DETECTOR - FWD CARGO SMOKE 2, M10459	2	1	821, FWD CARGO COMPT	26-16-01
DIODE - BUS ISOLATION, R203,R204	1	2	FLT COMPT, BEHIND P5	
PANEL - (FIM 26-11-00/101)				
FIRE/OVHT TEST, M10445				
DISCRETE WARNING DISPLAY, M779				
PANEL - (FIM 26-22-00/101)				
APU/CARGO FIRE CONT, M10444				
RELAY - (FIM 31-01-36/101)				
BLOWER 1 DELAY, K10378				
BLOWER 3 DELAY, K10379				
SWITCH - ENG/APU/CARGO, YQQS001	1	1	FLT COMPT,P8,FIRE TEST PNL, M10445	*
SWITCH - FAIL LIGHT RESET, YQQS003	1		FLT COMPT,P8,FIRE TEST PNL, M10445	*
SWITCH/LIGHT - (FIM 26-23-00/101)		1		
FWD CARGO FIRE, S1				
AFT CARGO FIRE, S2				
SWITCH - AFT PLENUM PRESSURE, S10332	1	1	821, FWD CARGO COMPT	26-16-03
SWITCH - FWD PLENUM PRESSURE, S10333	2	1	822, AFT CARGO COMPT	26-16-03

* SEE THE WDM EQUIPMENT LIST

Lower Cargo Compartment Smoke Detection System - Component Index
Figure 101

EFFECTIVITY

ALL

26-16-00

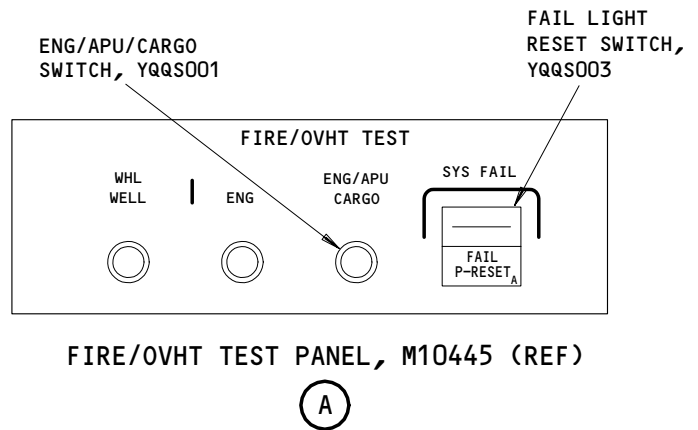
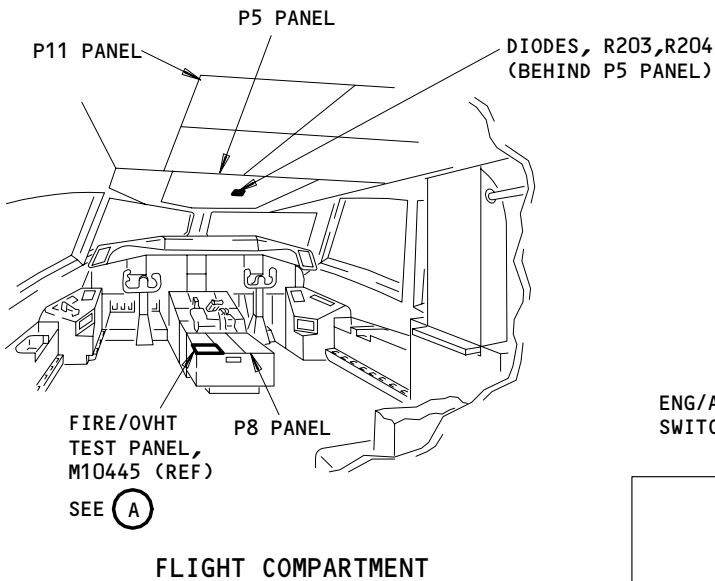
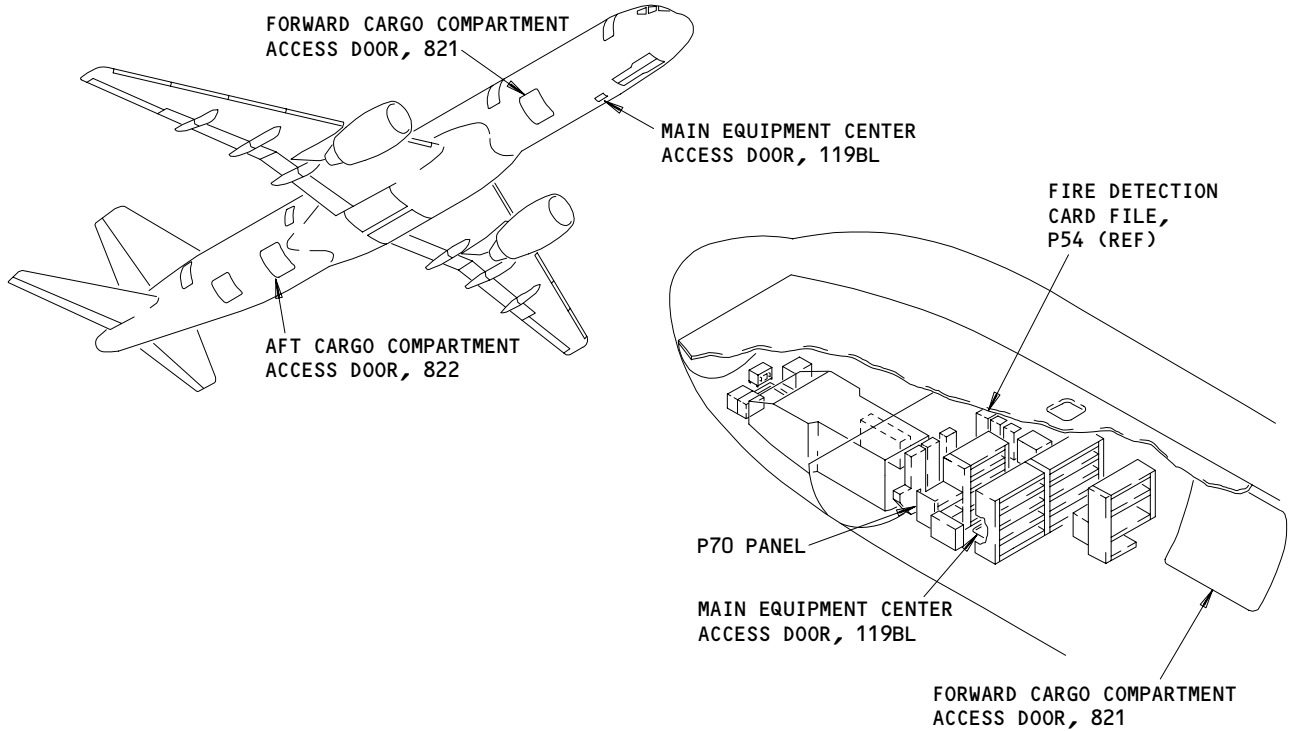
03

Page 101
Dec 20/95

BOEING

757

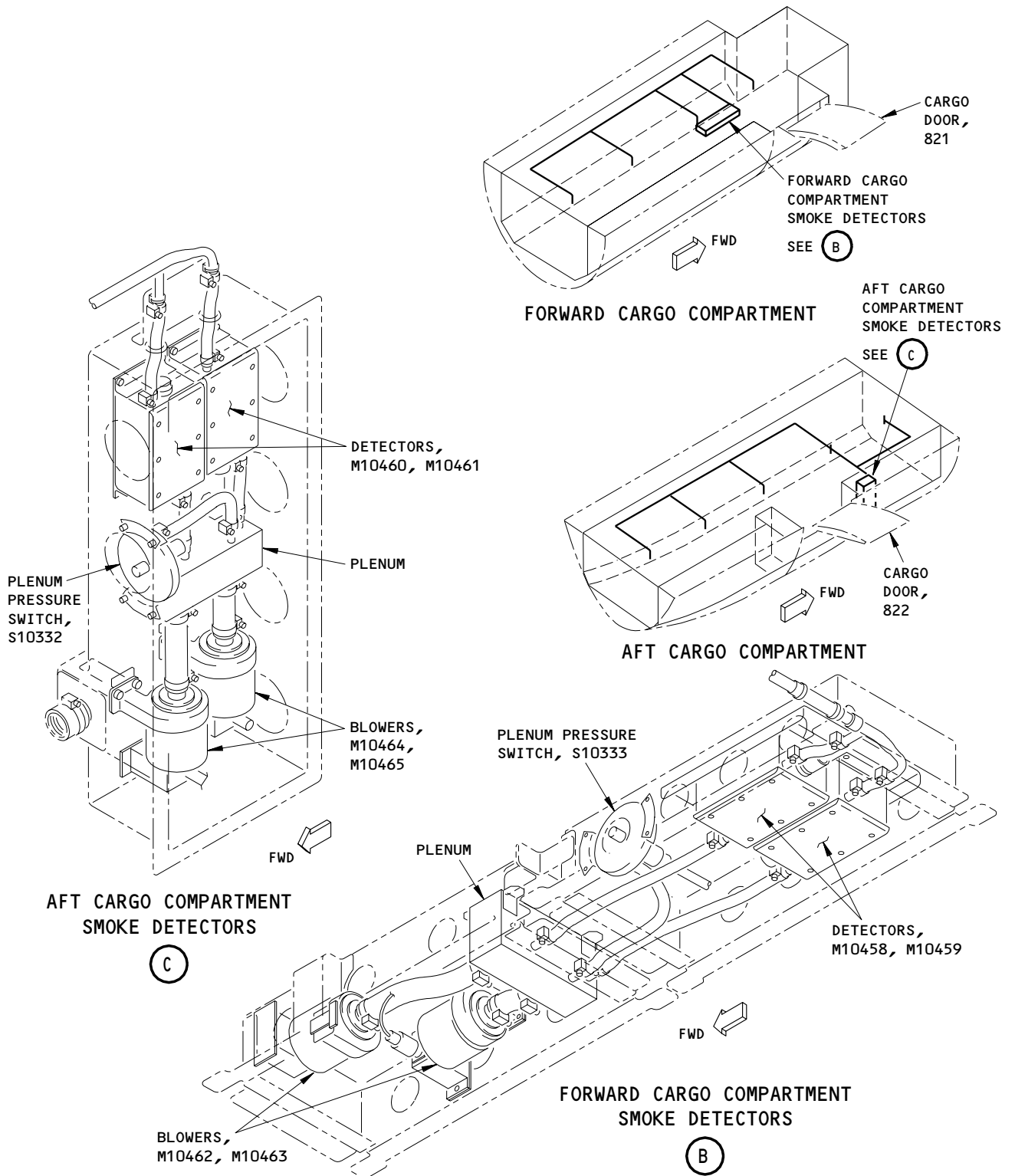
FAULT ISOLATION/MAINT MANUAL



Lower Cargo Compartment Smoke Detection System - Component Location
Figure 102 (Sheet 1)

EFFECTIVITY	
	ALL

26-16-00



Lower Cargo Compartment Smoke Detection System - Component Location
Figure 102 (Sheet 2)

EFFECTIVITY	
	ALL

26-16-00

**LOWER CARGO
COMPARTMENT SMOKE
DETECTION SYSTEM
BITE PROCEDURE**

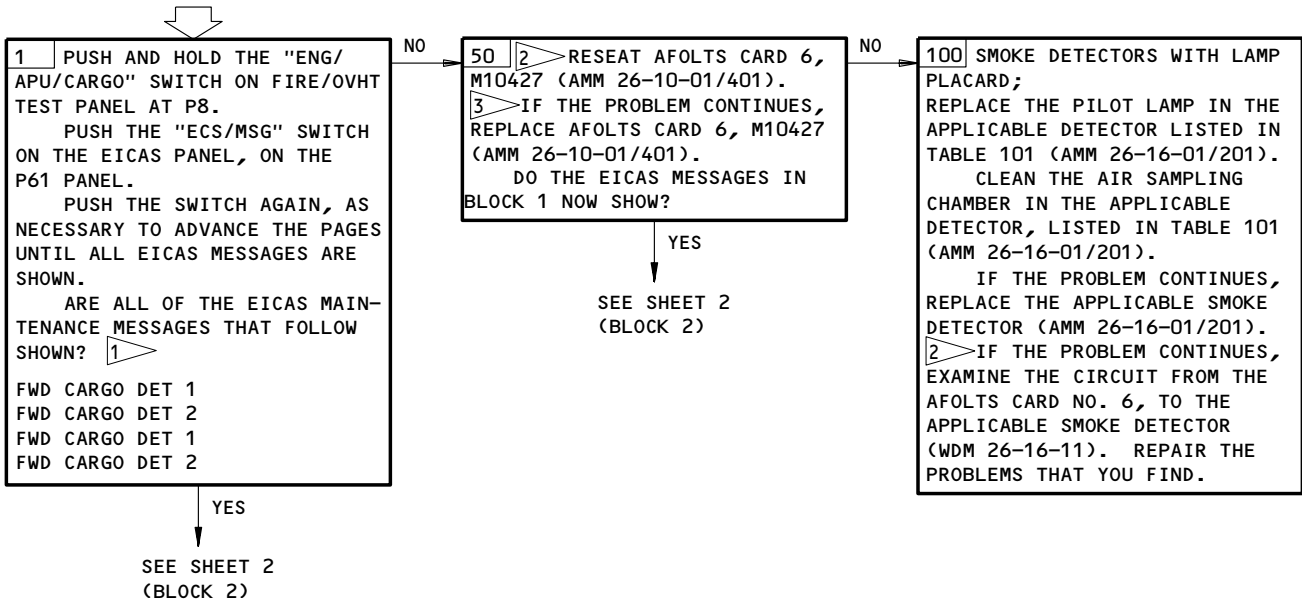
PREREQUISITES

MAKE SURE THESE SYSTEMS WILL OPERATE:
 EICAS (AMM 31-41-00/501)
 WARNING SYSTEM (AMM 31-51-00/501)
 MASTER DIM AND TEST (AMM 33-16-00/501)

MAKE SURE THESE CIRCUIT BREAKERS ARE CLOSED:
 11B26, 11B27, 11J24

MAKE SURE THESE CIRCUIT BREAKERS ARE OPEN AND ATTACH DO-NOT-CLOSE TAGS:
 11B20, 11B21, 11B22, 11B23, 11B24, 11B25, 11J25, 11J26, 11J27

MAKE SURE THE AIRPLANE IS IN THIS CONFIGURATION:
 ELECTRICAL POWER IS ON (AMM 24-22-00/201)



1 THE ORDER THAT THE EICAS MAINTENANCE MESSAGES ARE SHOWN IS NOT IMPORTANT

2 SOME AFOLTS CARDS HAVE RED AND YELLOW LED INDICATIONS. THE ILLUMINATION OF A YELLOW LED INDICATES A MALFUNCTION EXTERNAL TO THE AFOLTS CARDS. TROUBLESHOOT AIRPLANE WIRING AND SYSTEM, DO NOT REPLACE CARD BEFORE YOU CHECK AND FIX PROBLEM. THE ILLUMINATION OF A RED LED INDICATES A MALFUNCTION INTERNAL TO THE AFOLTS CARD. REPLACEMENT OF CARD IS REQUIRED.

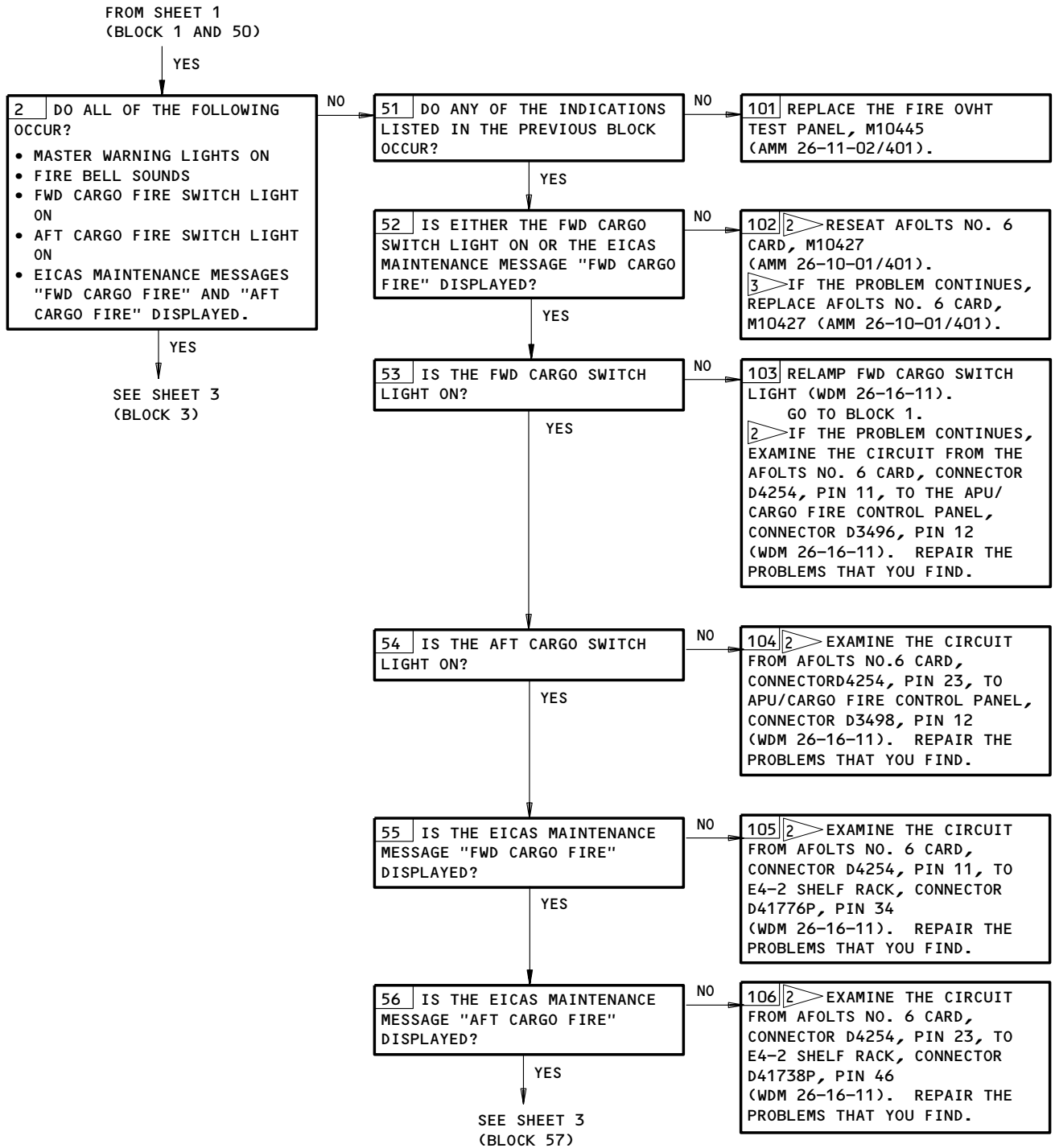
3 **CAUTION:** DO A CHECK OF THE AIRPLANE WIRES AND SYSTEM BEFORE YOU REPLACE THE AFOLTS CARD. CORRECT THE PROBLEMS FOUND. IF YOU DO NOT DO THIS CHECK, A PROBLEM WITH THE WIRES MAY CAUSE THE NEW AFOLTS CARD TO FAIL (SHORT OR OPEN).

Lower Cargo Compartment Smoke Detection System BITE Procedure
Figure 103 (Sheet 1)

EFFECTIVITY	ALL
-------------	-----

26-16-00

BOEING
757
FAULT ISOLATION/MAINT MANUAL



Lower Cargo Compartment Smoke Detection System BITE Procedure
Figure 103 (Sheet 2)

EFFECTIVITY

ALL

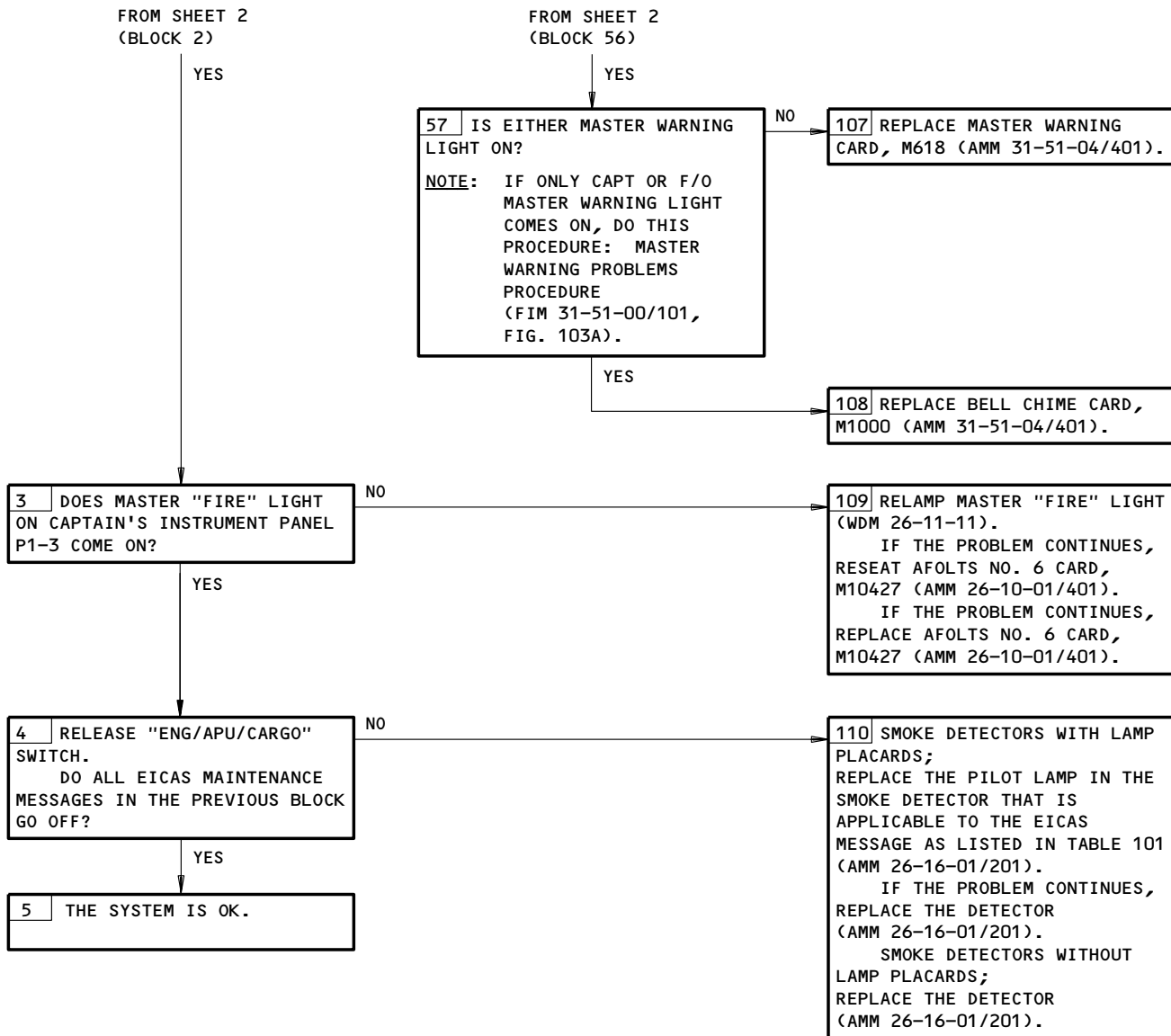
26-16-00

01

Page 105
Sep 28/00

108618

BOEING
757
FAULT ISOLATION/MAINT MANUAL



EICAS MESSAGE	DETECTOR
FWD CARGO DET 1	M10458
FWD CARGO DET 2	M10459
AFT CARGO DET 1	M10460
AFT CARGO DET 2	M10461

TABLE 101

Lower Cargo Compartment Smoke Detection System BITE Procedure
Figure 103 (Sheet 3)

EFFECTIVITY

ALL

26-16-00

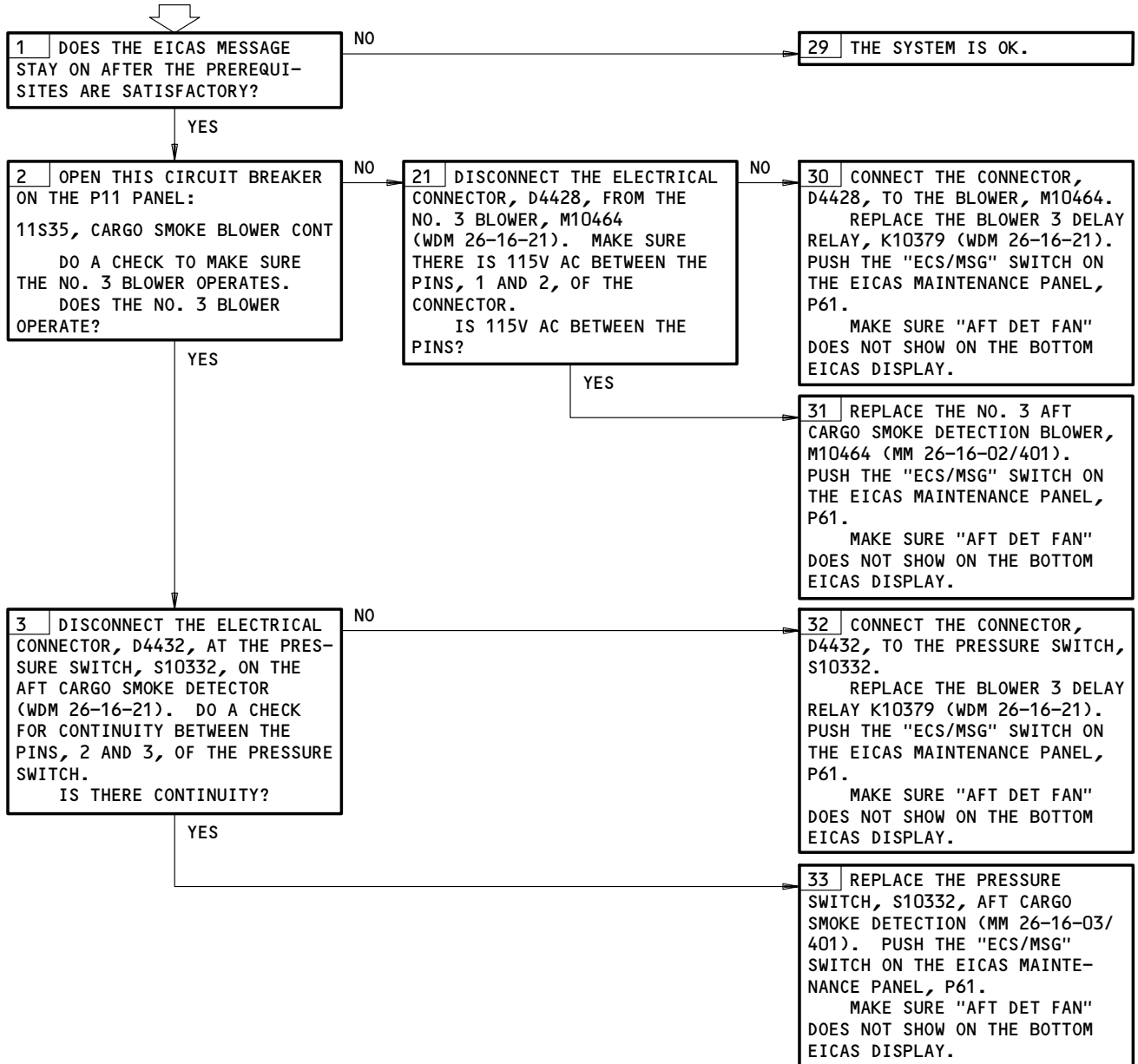
PREREQUISITES

MAKE SURE THIS SYSTEM WILL OPERATE:
EICAS (MM 31-41-00/501)

MAKE SURE THESE CIRCUIT BREAKERS ARE CLOSED:
11S35, 11S36, 70B12, 70B13

MAKE SURE THE AIRPLANE IS IN THE CONFIGURATION THAT FOLLOWS:
ELECTRICAL POWER IS ON (MM 24-22-00/201)

EICAS MESSAGE "AFT DET FAN" DISPLAYED



EICAS Message AFT DET FAN Displayed
Figure 104

EFFECTIVITY

ALL

26-16-00

01

Page 107
Sep 20/98

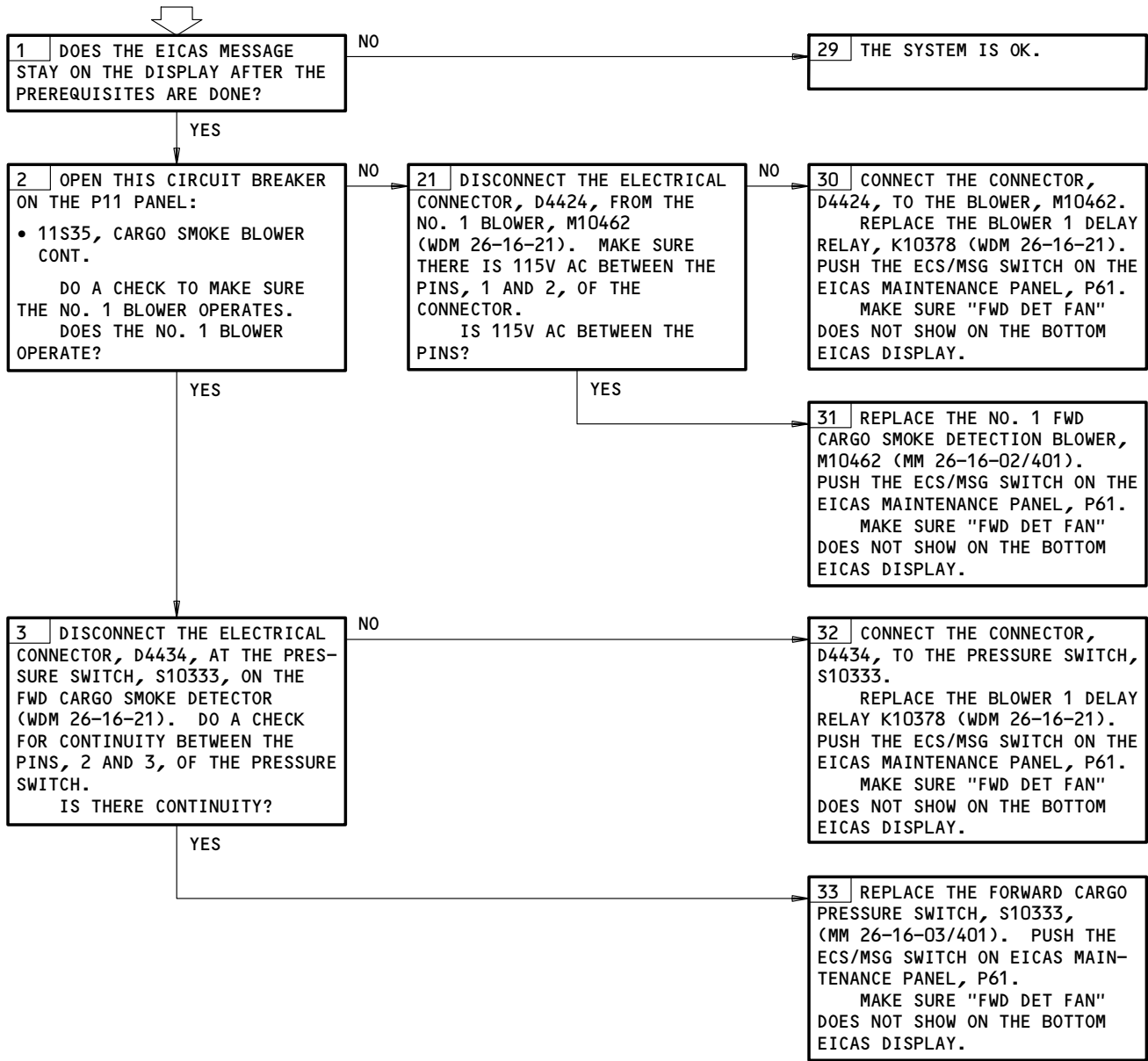
PREREQUISITES

MAKE SURE THIS SYSTEM WILL OPERATE:
EICAS (MM 31-41-00/501)

MAKE SURE THESE CIRCUIT BREAKERS ARE CLOSED:
11S35,11S36,70B10,70B11

MAKE SURE THE AIRPLANE IS IN THE CONFIGURATION THAT FOLLOWS:
ELECTRICAL POWER IS ON (MM 24-22-00/201)

EICAS MESSAGE "FWD DET FAN" DISPLAYED



EICAS Message FWD DET FAN Displayed
Figure 105

EFFECTIVITY	ALL
-------------	-----

26-16-00

70348

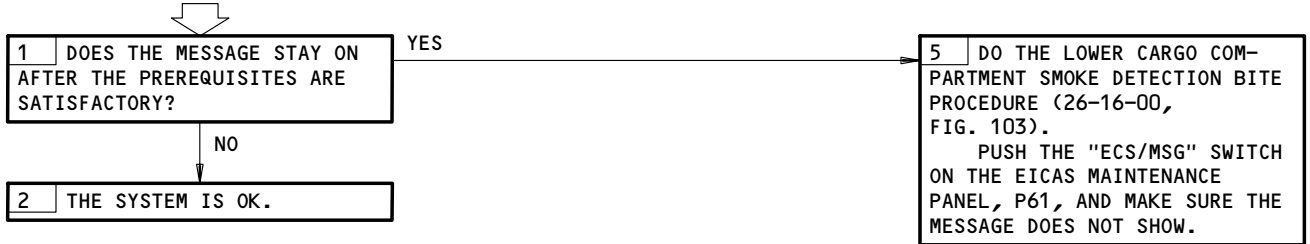
EICAS MSG. "FWD (AFT) CARGO DET 1 (2)" DISPLAYED

PREREQUISITES

MAKE SURE THIS SYSTEM WILL OPERATE:
EICAS (MM 31-41-00/501)

MAKE SURE THESE CIRCUIT BREAKERS ARE CLOSED:
11B26,11B27,11S35,11S36

MAKE SURE THE AIRPLANE IS IN THE CONFIGURATION THAT FOLLOWS:
ELECTRICAL POWER IS ON (MM 24-22-00/201)



EICAS Msg. "FWD (AFT) CARGO DET 1 (2)" Displayed
Figure 106

EFFECTIVITY	ALL
-------------	-----

26-16-00

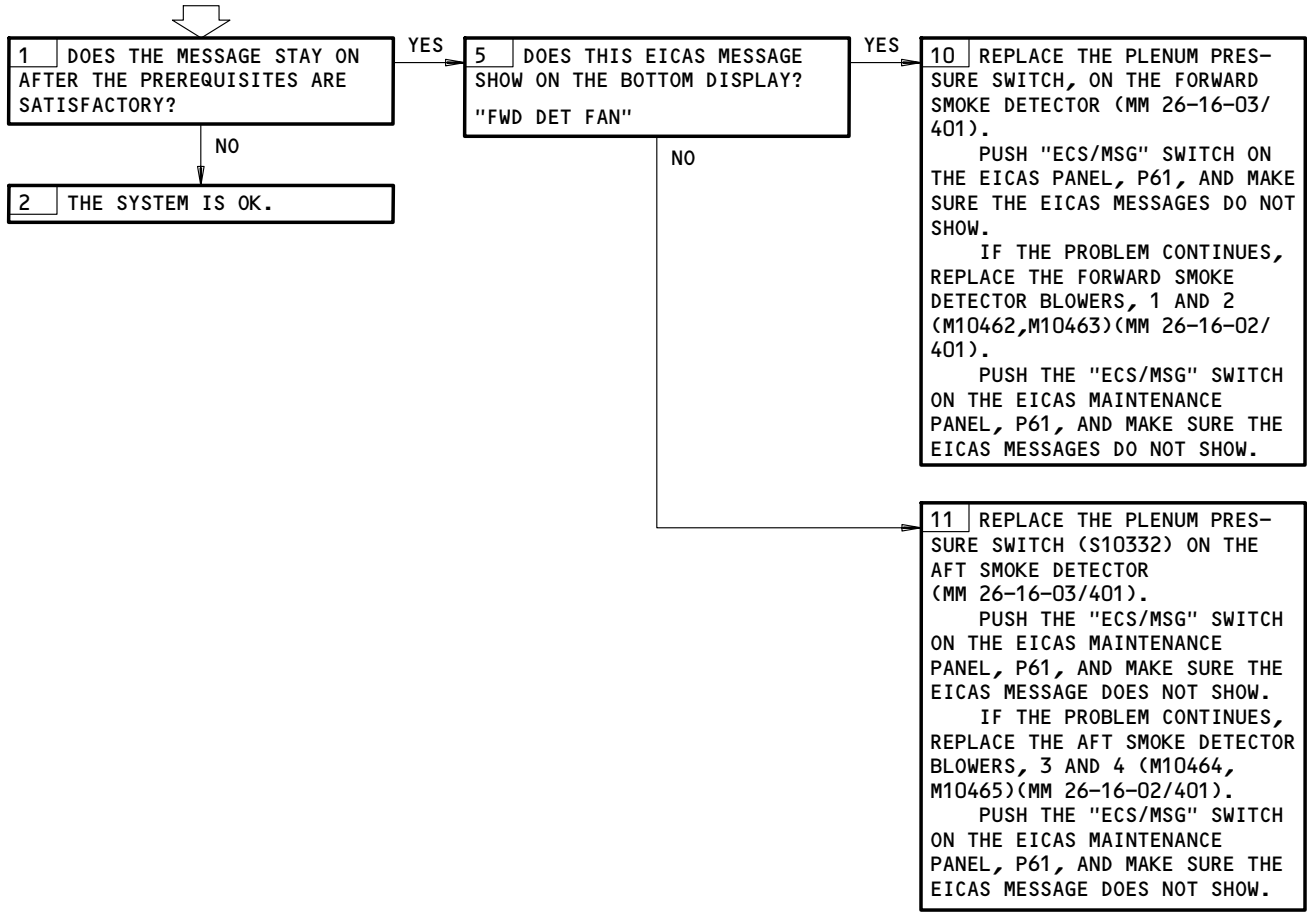
**EICAS MSG. "CARGO
DET AIR" DISPLAYED**

PREREQUISITES

MAKE SURE THIS SYSTEM WILL OPERATE:
EICAS (MM 31-41-00/501)

MAKE SURE THESE CIRCUIT BREAKERS ARE CLOSED:
11S35,11S36,70B10,70B11,70B12,70B13

MAKE SURE THE AIRPLANE IS IN THE CONFIGURATION THAT
FOLLOWS:
ELECTRICAL POWER IS ON (MM 24-22-00/201)



EICAS Msg. "CARGO DET AIR" Displayed
Figure 107

EFFECTIVITY	ALL
-------------	-----

26-16-00

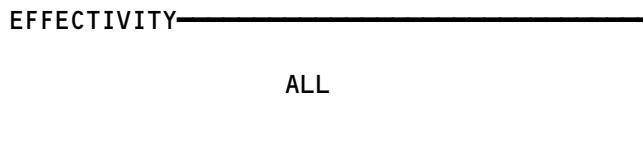
BOEING
757
FAULT ISOLATION/MAINT MANUAL

WHEEL WELL FIRE DETECTION

COMPONENT	FIG. 102 SHT	QTY	ACCESS/AREA	AMM REFERENCE
CARD - DUCT LEAK AND WHEEL WELL OVHT CONTROL, M691	2	1	119BL, MAIN EQUIP CTR, P50	26-10-01
CARD - DUCT LEAK AND WHEEL WELL POWER SUPPLY, M10428	2	1	119BL, MAIN EQUIP CTR, P50	26-10-01
CIRCUIT BREAKER - W/W FIRE TEST, C4290	1	1	FLT COMPT, P11 11B35	*
W/W FIRE DET, C770		1	11B10	*
COMPUTER - (FIM 31-41-00/101) EICAS L, M10181 EICAS R, M10182				
DETECTOR - WHEEL WELL OVERHEAT, TS202,TS203, TS204,TS205	2	4	MAIN WHEEL WELLS	26-17-01
LIGHT - WHEEL WELL FIRE, L445	1	1	FLT COMPT, P3-1, WARNING DISPLAY	*
MODULE - DISCRETE WARNING DISPLAY, M779	2	1	FLT COMPT, P1-3, MODULE M779	*
PANEL - (FIM 26-11-00/101) FIRE/OVHT TEST, M10445				
SWITCH - WHEEL WELL FIRE TEST, YQXS003 OR YQXS004	2	1	FLT COMPT, P8, FIRE/OVHT TEST PANEL, M10445	*

* SEE THE WDM EQUIPMENT LIST

Wheel Well Fire Detection - Component Index
Figure 101



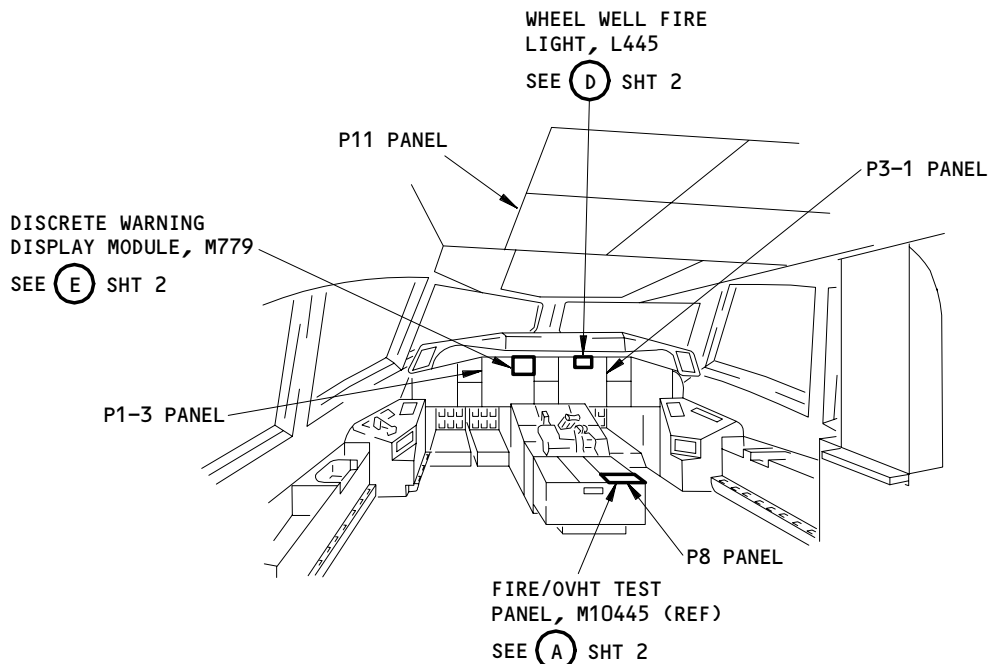
26-17-00

01

Page 101
Jun 20/94

E30110


BOEING
 757
 FAULT ISOLATION/MAINT MANUAL

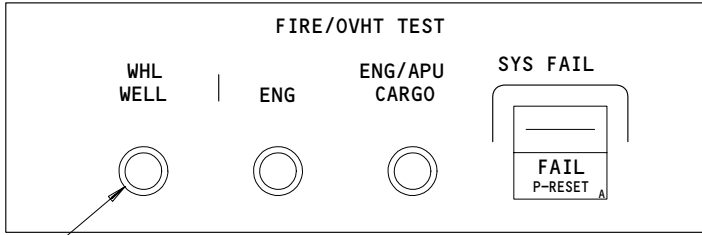


FLIGHT COMPARTMENT

Wheel Well Fire Detection - Component Location
Figure 102 (Sheet 1)

EFFECTIVITY	
	ALL

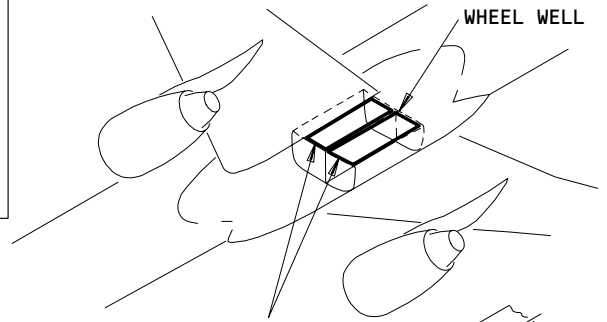
26-17-00



WHEEL WELL TEST SWITCH, YQQS004

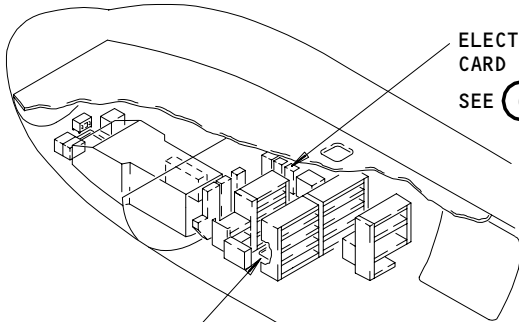
FIRE/OVHT TEST PANEL, M10445 (REF)

(A) FROM SHT 1



WHEEL WELL OVERHEAT DETECTOR, TS204, TS205, TS202, TS203

SEE (B)



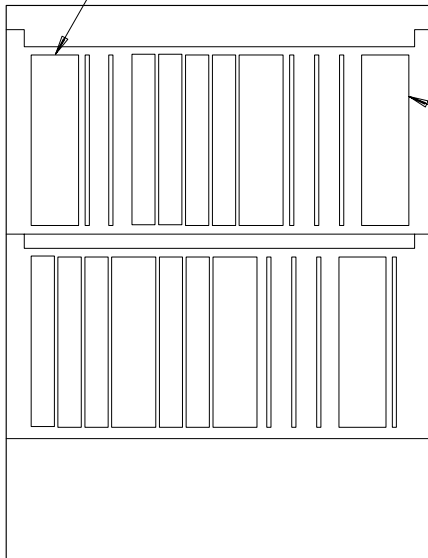
ELECTRICAL SYSTEM CARD FILE, P50
SEE (C)

MAIN EQUIPMENT CENTER ACCESS DOOR, 119BL

EXAMPLE OF A WHEEL WELL OVERHEAT DETECTOR, TS204, TS205, TS202, TS203

(B)

DUCT LEAK AND WHEEL WELL FIRE POWER SUPPLY CARD, M10428 (REF)

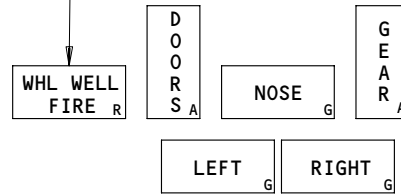


DUCT LEAK AND WHEEL WELL FIRE CONTROL CARD, M691 (REF)

ELECTRICAL SYSTEM CARD FILE, P50

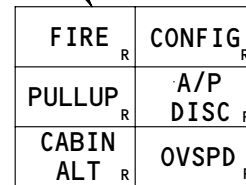
(C)

WHEEL WELL FIRE LIGHT, L445



(D) FROM SHT 1

FIRE LIGHT



DISCRETE WARNING DISPLAY MODULE, M779

(E) FROM SHT 1

Wheel Well Fire Detection - Component Location
Figure 102 (Sheet 2)

EFFECTIVITY

ALL

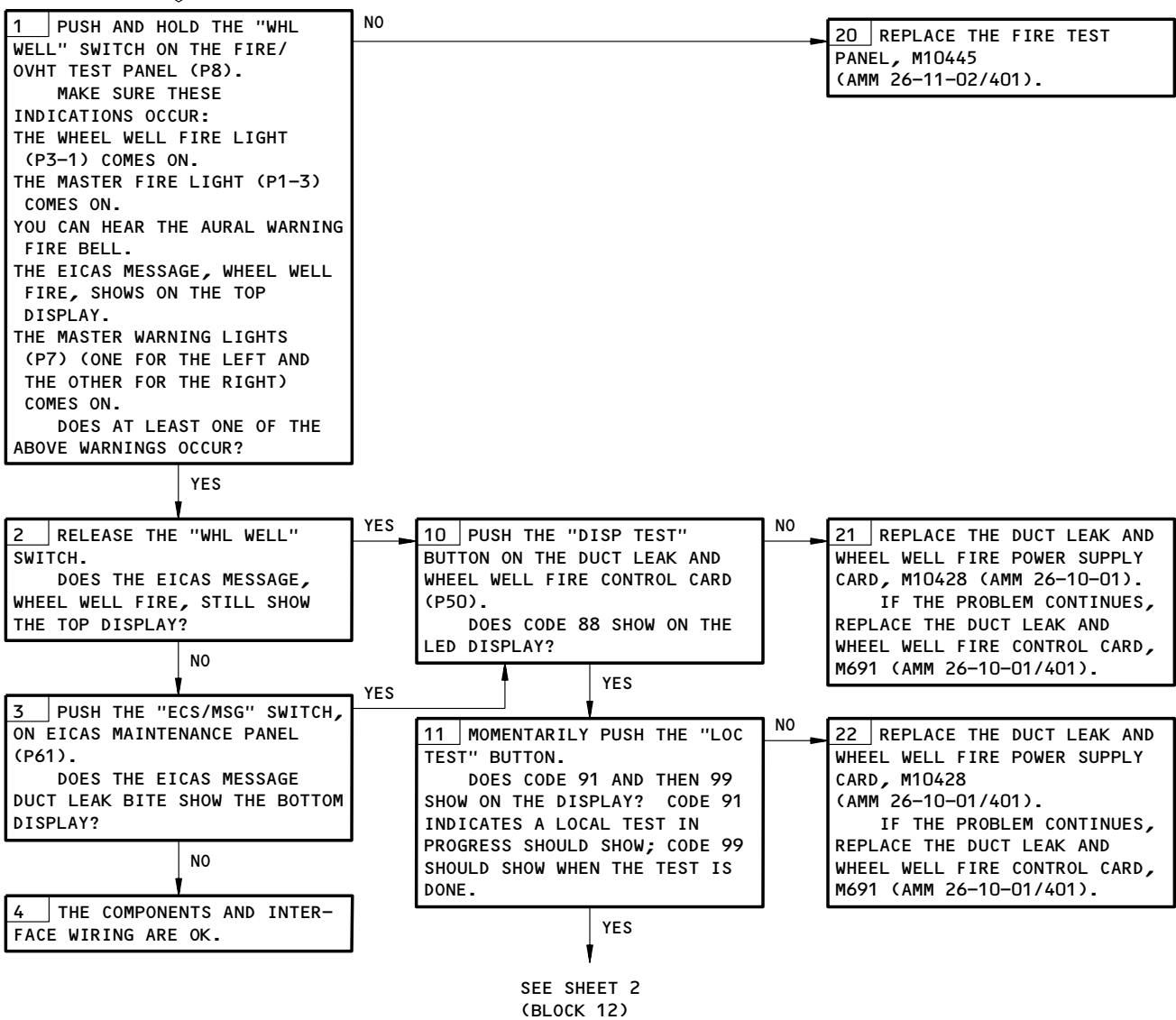
26-17-00

01

Page 103
Jun 20/94

PREREQUISITES
 EICAS (AMM 31-41-00/501)
 WARNING SYSTEM (AMM 31-51-00/501)
 MASTER DIM AND TEST (AMM 33-16-00/501)
 MAKE SURE THESE CIRCUIT BREAKERS ARE CLOSED:
 11B10,11B35
 MAKE SURE THE AIRPLANE IS IN THE CONFIGURATION THAT FOLLOWS:
 ELECTRICAL POWER IS ON (AMM 24-22-00/201)
 EQUIPMENT:
 BK PRECISION 875B LCR METER OR TEGAM INC.
 252/SP2596 LCR METER OR EQUIVALENT

**WHEEL WELL FIRE
DETECTION BITE
PROCEDURE**



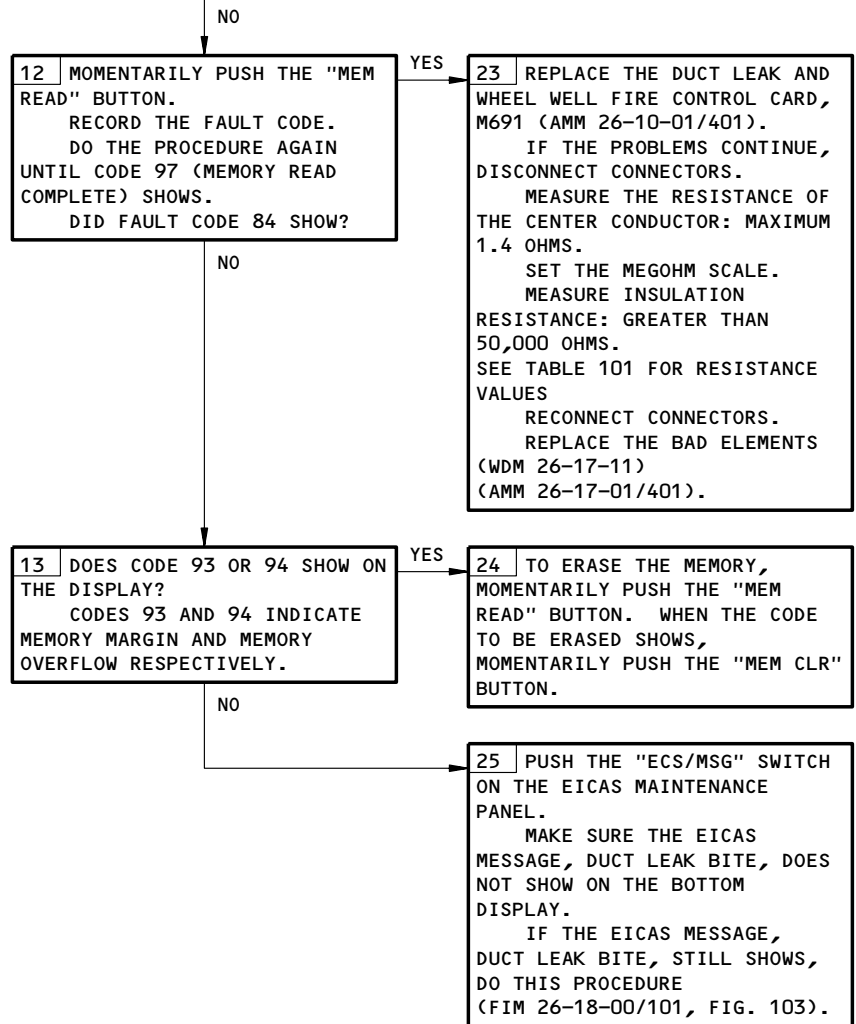
Wheel Well Fire Detection BITE Procedure
Figure 103 (Sheet 1)

EFFECTIVITY	ALL
-------------	-----

26-17-00

BOEING
757
FAULT ISOLATION/MAINT MANUAL

FROM SHEET 1
(BLOCK 12)



Wheel Well Fire Detection BITE Procedure
Figure 103 (Sheet 2)

EFFECTIVITY

ALL

26-17-00

01

Page 105
Sep 28/06

78827

WHEEL WELL FIRE DETECTION – FAULT ISOLATION

1. Overheat Detector Element Resistance Values

TABLE 101 – OVERHEAT DETECTOR ELEMENT RESISTANCE VALUES			
EQUIPMENT NUMBER	VENDOR PART NUMBER	MINIMUM RESISTANCE CORE-TO-CASE GROUND (Megohms)	MAXIMUM RESISTANCE CORE-TO-CORE (Milliohms)
TS202	35578-2-400	1.282	591
TS203	35614-4-400	0.877	843
TS204	35578-2-400	1.282	591
TS205	35614-4-400	0.887	843

EFFECTIVITY

ALL

26-17-00

01

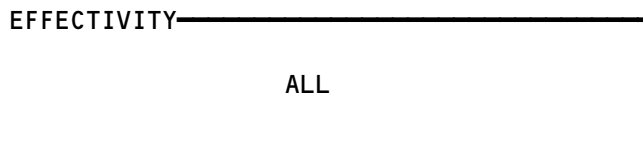
Page 106
Sep 28/06


BOEING
 757
 FAULT ISOLATION/MAINT MANUAL

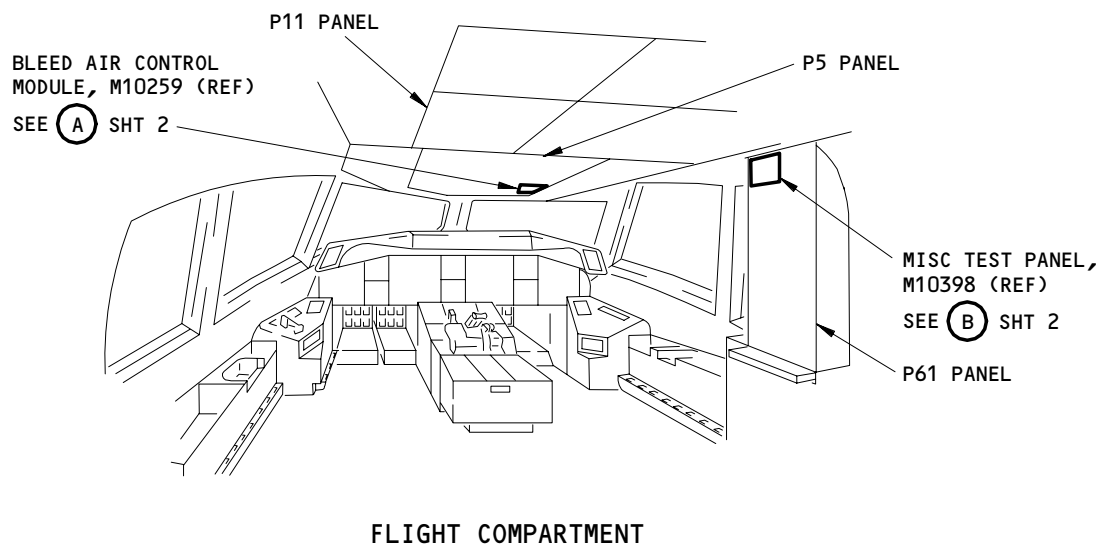
COMPONENT	FIG. 102 SHT	QTY	ACCESS/AREA	AMM REFERENCE
CARD - DUCT LEAK AND WHEEL WELL FIRE CONTROL, M691	3	1	119BL, MAIN EQUIP CTR, P50	26-10-01
CARD - DUCT LEAK AND WHEEL WELL FIRE PWR SUPPLY, M10428	3	1	119BL, MAIN EQUIP CTR, P50	26-10-01
CIRCUIT BREAKER - DUCT LEAK CONT, C4261	1	1	FLT COMPT, P11 11Q26	*
DUCT LEAK DET LEFT, C4207		1	11Q17	*
DUCT LEAK DET RIGHT, C4208		1	11Q25	*
COMPUTER - (FIM 31-41-00/101) EICAS L, M10181 EICAS R, M10182				
DETECTOR - DUCT LEAK, TS5157,TS5158,TS5260, TS5159,TS5160,TS5161,TS5162,TS5259	2	8	L WING LOOP, ZONE 1	26-18-01
DETECTOR - DUCT LEAK, TS5167,TS5168,TS5163, TS5164,TS5166,TS5165	2	6	L PACK BAY, ZONE 2	26-18-01
DETECTOR - DUCT LEAK, TS5169,TS5170	2	2	MAIN WHEEL WELL, ZONE 3	26-18-01
DETECTOR - DUCT LEAK, TS5171,TS5172,TS5173, TS5174,TS5179,TS5180,TS5175,TS5176,TS5177, TS5178	2	10	BODY LOOP, ZONE 4, SEC 46	26-18-01
DETECTOR - DUCT LEAK, TS5181,TS5182,TS5183, TS5184	2	4	BODY LOOP, ZONE 5, SEC 48	26-18-01
DETECTOR - DUCT LEAK, TS5185,TS5186,TS5187, TS5188,TS5189,TS5190	2	6	R WING LOOP, ZONE 6	26-18-01
DETECTOR - DUCT LEAK, TS5191,TS5192	2	2	R PACK BAY, ZONE 7	26-18-01
LIGHT - L WING BODY OVHT, YNNL001	2	1	FLT COMPT, P5, BLEED AIR CONT, M10259	*
LIGHT - R WING BODY OVHT, YNNL002	2	1	FLT COMPT, P5, BLEED AIR CONT, M10259	*
PANEL - (FIM 30-32-00/101) MISC TEST, M10398				
PANEL - (FIM 36-10-00/101) BLEED AIR CONT, M10259				
SWITCH - DUCT LEAK/FUEL QTY, YPHS006	2	1	FLT COMPT, P61, MISC TEST PNL, M10398	*

* SEE THE WDM EQUIPMENT LIST

Duct Leak Detection - Component Index
Figure 101



26-18-00



Duct Leak Detection - Component Location
Figure 102 (Sheet 1)

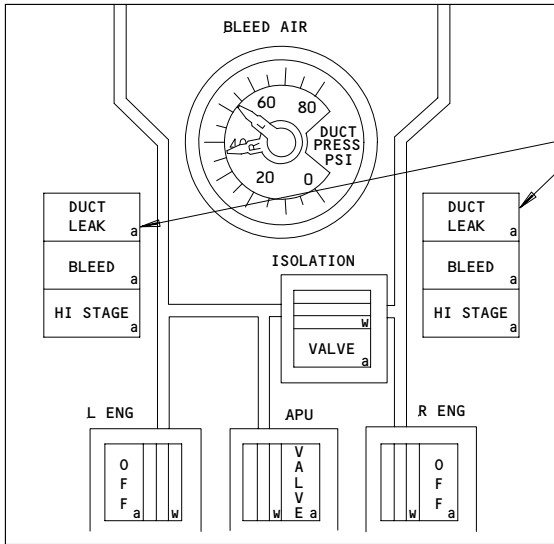
EFFECTIVITY	
	ALL

26-18-00

BOEING

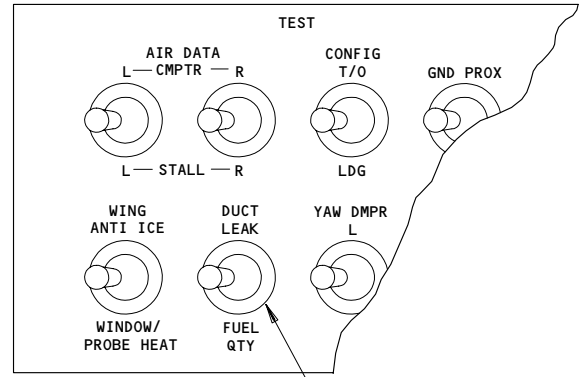
757

FAULT ISOLATION/MAINT MANUAL



BLEED AIR CONTROL MODULE, M10259 (REF)

(A) FROM SHT 1



MISCELLANEOUS TEST PANEL, M10398 (REF)

(B) FROM SHT 1

DUCT LEAK DETECTOR,
TS5157, TS5158, TS5159, TS5160,
TS5161, TS5162, TS5259, TS5260,
TS5185, TS5186, TS5187, TS5188,
TS5189, TS5190

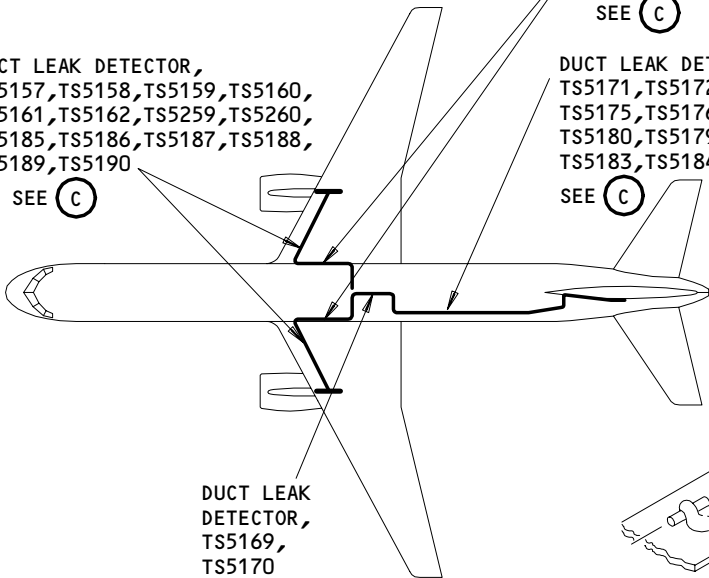
SEE (C)

DUCT LEAK DETECTOR,
TS5167, TS5168, TS5163, TS5164,
TS5166, TS5165, TS5191, TS5192

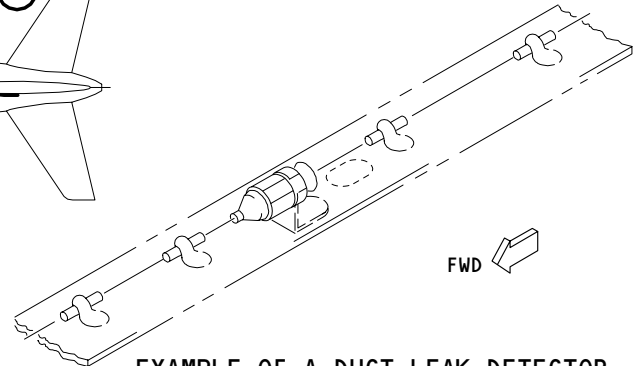
SEE (C)

DUCT LEAK DETECTOR,
TS5171, TS5172, TS5173, TS5174,
TS5175, TS5176, TS5177, TS5178,
TS5180, TS5179, TS5181, TS5182,
TS5183, TS5184

SEE (C)



DUCT LEAK
DETECTOR,
TS5169,
TS5170
SEE (C)



EXAMPLE OF A DUCT LEAK DETECTOR,
TS5169, TS5170, TS5157, TS5158, TS5159,
TS5160, TS5161, TS5162, TS5259, TS5260,
TS5185, TS5186, TS5187, TS5188, TS5189,
TS5190, TS5171, TS5172, TS5173, TS5174,
TS5175, TS5176, TS5177, TS5178, TS5180,
TS5179, TS5167, TS5168, TS5163, TS5164,
TS5166, TS5165, TS5191, TS5192, TS5181,
TS5182, TS5183, TS5184

(C)

Duct Leak Detection - Component Location
Figure 102 (Sheet 2)

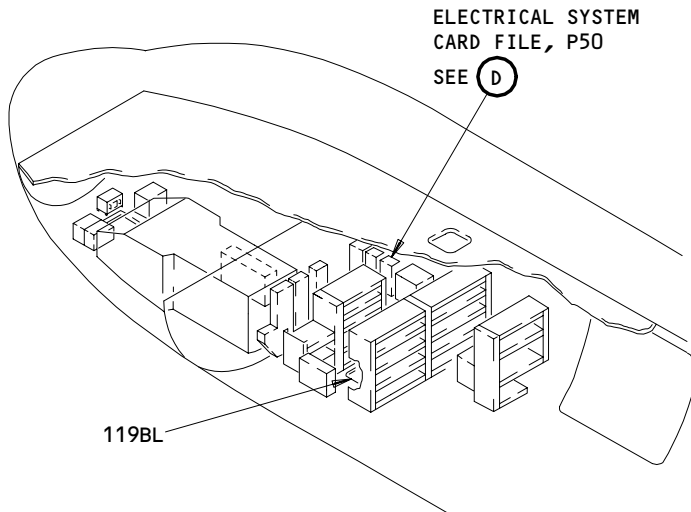
EFFECTIVITY	ALL
-------------	-----

26-18-00

01

Page 103
Jun 20/94

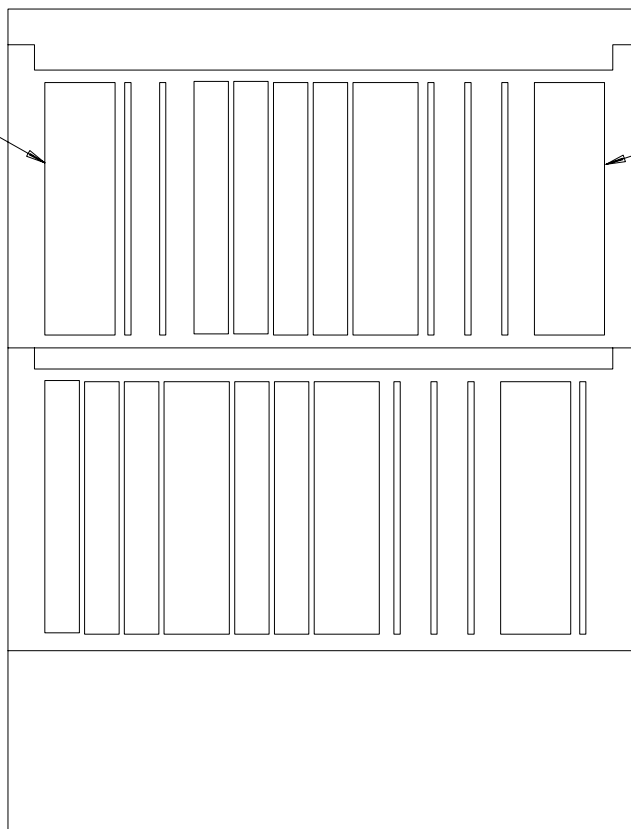
BOEING
757
FAULT ISOLATION/MAINT MANUAL



MAIN EQUIPMENT CENTER

DUCT LEAK AND WHEEL WELL
FIRE POWER SUPPLY CARD,
M10428 (REF)

DUCT LEAK AND
WHEEL WELL
FIRE CONTROL CARD,
M691 (REF)



ELECTRICAL SYSTEM CARD FILE, P50

(D)

Duct Leak Detection - Component Location
Figure 102 (Sheet 3)

EFFECTIVITY

ALL

26-18-00

02

Page 104
Jun 20/93

55593

**WING AND BODY DUCT
LEAK DETECTION
BITE PROCEDURE**

PREREQUISITES

MAKE SURE THESE SYSTEMS WILL OPERATE:
 EICAS (AMM 31-41-00/201)
 EICAS (AMM 31-41-00/501)
 MASTER DIM AND TEST (AMM 33-16-00/501)
 MAKE SURE THESE CIRCUIT BREAKERS ARE CLOSED:
 11Q17, 11Q25, 11Q26
 MAKE SURE THE AIRPLANE IS IN THIS CONFIGURATION:
 ELECTRICAL POWER IS ON (AMM 24-22-00/201)
 EQUIPMENT:
 BK PRECISION 875B LCR METER OR TEGAM INC.
 252/SP2596 LCR METER OR EQUIVALENT

1 PUSH THE "ECS/MSG" BUTTON ON THE EICAS MAINTENANCE PANEL, ON THE P61 PANEL, AFTER POWER UP OF THE DUCT LEAK DETECTION SYSTEM.
 DOES THE EICAS MESSAGE, DUCT LEAK BITE, SHOW ON THE BOTTOM DISPLAY?

YES

10 WAIT MORE THAN 30 SECONDS AND THEN TRY TO ERASE THE DUCT LEAK BITE, FROM THE BOTTOM DISPLAY.
 DOES THE EICAS MESSAGE, DUCT LEAK BITE, SHOW ON THE BOTTOM DISPLAY?

NO

20 DO THE PROCEDURE IN BLOCK 11.

NO

YES

2 DO THE ENGINE SHUTDOWN INPUT REMOVAL PROCEDURE (AMM 31-41-00/201).
 NOTE: MASTER CAUTION, OWL AURAL, AND A NUMBER OF ENGINE MESSAGES ARE INHIBITED WHEN ENGINES DO NOT OPERATE.
 AT THE MISCELLANEOUS TEST PANEL, M10398, ON THE P61 PANEL, PUSH AND HOLD THE "DUCT LEAK" TEST SWITCH IN THE "DUCT LEAK" POSITION. MAKE SURE THESE INDICATIONS OCCUR:
 NOTE: THE MASTER CAUTION LIGHT AND THE AURAL CAUTION BELL ARE NOT ON WHEN BOTH OF THE FUEL CONTROL SWITCHES ARE IN THE "CUTOFF" POSITION.

1. BOTH OF THE YELLOW DUCT LEAK LIGHTS ON THE PNEUMATIC CONTROL PANEL, P5, COME ON.
2. THE EICAS MESSAGES SHOW ON THE TOP DISPLAY:
 L BLD DUCT LEAK
 R BLD DUCT LEAK
3. THE MASTER CAUTION LIGHTS ON P7 COME ON.
4. THE AURAL CAUTION BELL COMES ON.

DOES A MINIMUM OF ONE OF THE CAUTION INDICATIONS OCCUR?

NO

21 DO A CHECK OF THE AIRPLANE WIRING TO THE DUCT LEAK TEST SWITCH, M10398, ON THE P61 PANEL (WDM 26-18-11).

YES

SEE SHEET 2
(BLOCK 3)

Wing and Body Duct Leak Detection BITE Procedure
Figure 103 (Sheet 1)

EFFECTIVITY

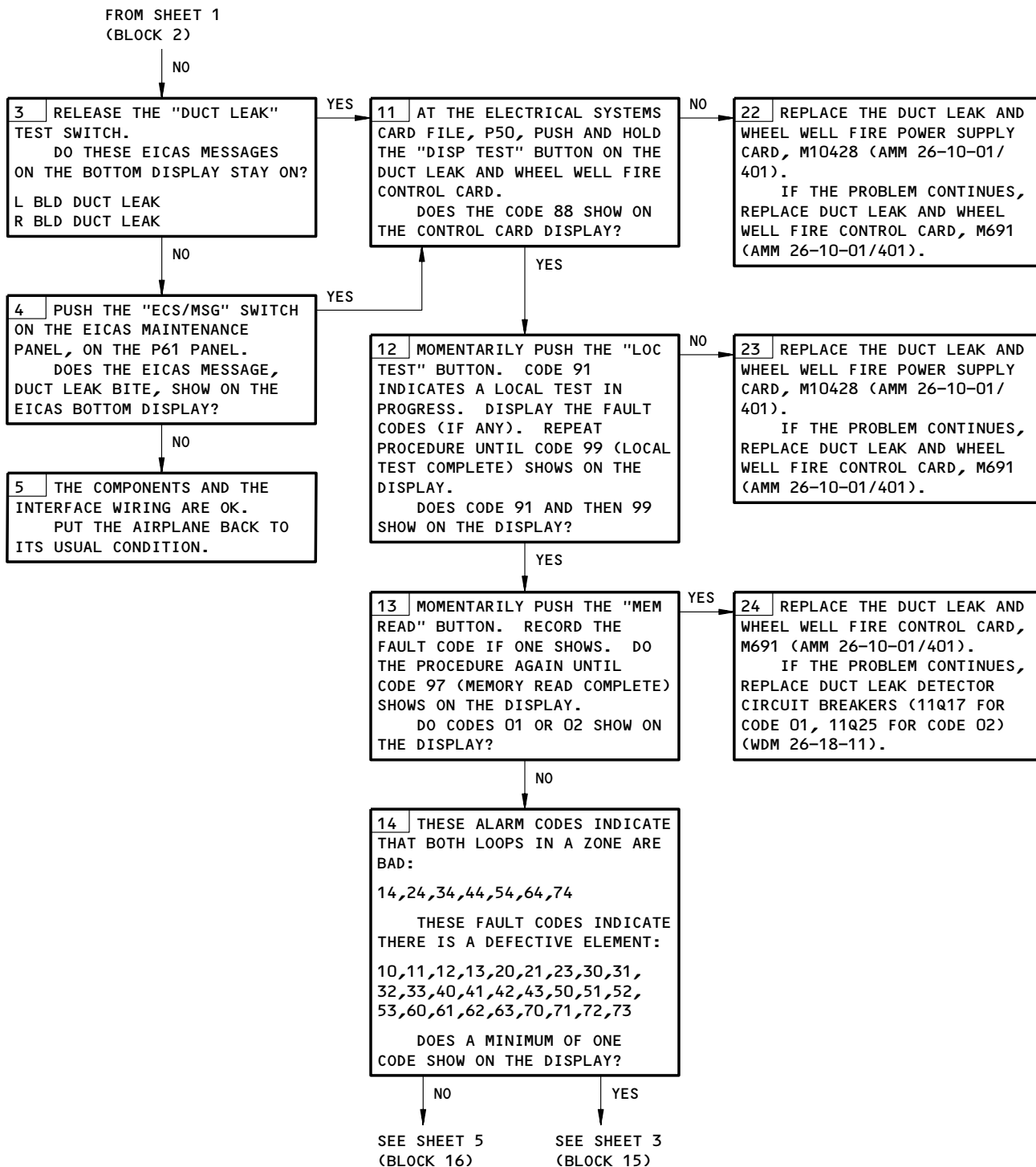
ALL

26-18-00

01

Page 105
Sep 28/06

56871



Wing And Body Duct Leak Detection BITE Procedure
Figure 103 (Sheet 2)

EFFECTIVITY

ALL

26-18-00

01

Page 106
May 28/06

56896



757
 FAULT ISOLATION/MAINT MANUAL

FROM SHEET 2
 (BLOCK 14)

YES

15 DO THESE STEPS TO ERASE THE CODES FROM MEMORY:

1. PUSH AND RELEASE THE "LOC TEST" BUTTON. (THIS EXECUTES A LOCAL TEST).
2. MAKE SURE CODE "99" (LOCAL TEST COMPLETE) SHOWS ON THE BOTTOM DISPLAY AFTER THE LOCAL TEST IS COMPLETED.
3. WITHIN 10 SECONDS, PUSH AND RELEASE THE "MEM READ" BUTTON.
4. MAKE SURE "97" (MEMORY READ COMPLETE) SHOWS ON THE DISPLAY.
5. WITHIN 10 SECONDS, PUSH AND HOLD THE "LOC TEST" BUTTON AND THEN PUSH AND HOLD THE "MEM READ" BUTTON.
6. RELEASE THE "LOC TEST" BUTTON AND THEN RELEASE "MEM READ" BUTTON.
7. MAKE SURE CODE "96" (DO YOU WANT MEMORY CLEARED) SHOWS ON THE DISPLAY.
8. WITHIN 5 SECONDS, PUSH AND RELEASE THE "MEM CLR" BUTTON.
9. THE CODE FOR THE LAST ALARM RECORDED SHOWS ON THE DISPLAY.
10. PUSH AND RELEASE THE "MEM CLR" BUTTON.
11. MAKE SURE THE ALARM HISTORY CODE IS ERASED AND THE DISPLAY IS BLANK.
12. PUSH AND RELEASE THE "MEM READ" AND THEN THE "MEM CLR" BUTTON.
13. REPEAT THE ABOVE STEP, AS NECESSARY, UNTIL CODE 97 SHOWS ON THE DISPLAY.
14. PUSH AND RELEASE THE "MEM READ" BUTTON AGAIN TO REMOVE CODE 97.
15. MAKE SURE CODE 97 DOES NOT SHOW.

ARE THE CODES ERASED?

DO THESE STEPS TO VERIFY ALARM HISTORY IS CLEARED:

1. PUSH AND HOLD THE "DISP TEST" BUTTON THEN PUSH AND HOLD THE "MEM READ" BUTTON.
2. REPELSE THE "DISP TEST" BUTTON THEN RELEASE THE "MEM READ" BUTTON.
3. MAKE SURE CODE 97 IS DISPLAYED.
4. PUSH AND RELEASE "MEM READ" AGAIN TO BLANK THE DISPLAY.
5. MAKE SURE DISPLAY IS BLANK.

(CONTINUE)

NO

25 DO A CHECK OF THE DETECTOR ELEMENTS FOR CONTINUITY OF THE CENTER CONDUCTOR, AND TO MAKE SURE THERE ARE NO SHORT CIRCUITS BETWEEN THE CENTER CONDUCTOR AND CASE (WDM 26-18-11, -21).
 SEE TABLE 101 FOR RESISTANCE VALUES.
 DO A CHECK OF THE BONDING BETWEEN THE ELEMENT CONNECTOR AND THE PRIMARY STRUCTURE TO MAKE SURE IT IS NOT MORE THAN 0.004 OHMS. REPLACE THE DEFECTIVE ELEMENTS (AMM 26-18-01/401).

CODE	ZONE	ALARM/	
		FAULT	LOOP
10	L WING	SHORT	A
11	L WING	SHORT	B
12	L WING	OPEN	A
13	L WING	OPEN	B
14	L WING LEADING EDGE	ALARM	A&B
20	L A/C PACK BAY	SHORT	A
21	L A/C PACK BAY	SHORT	B
22	L A/C PACK BAY	OPEN	A
23	L A/C PACK BAY	OPEN	B
24	L A/C PACK BAY	ALARM	A&B
30	WHEEL WELL ECS	SHORT	A
31	WHEEL WELL ECS	SHORT	B
32	WHEEL WELL ECS	OPEN	A
33	WHEEL WELL ECS	OPEN	B
34	WHEEL WELL ECS	ALARM	A&B
40	AFT CARGO SECT 46	SHORT	A
41	AFT CARGO SECT 46	SHORT	B
42	AFT CARGO SECT 46	OPEN	A
43	AFT CARGO SECT 46	OPEN	B
44	AFT CARGO SECT 46	ALARM	A&B
50	AFT BULKHD SECT 48	SHORT	A
51	AFT BULKHD SECT 48	SHORT	B
52	AFT BULKHD SECT 48	OPEN	A
53	AFT BULKHD SECT 48	OPEN	B
54	AFT BULKHD SECT 48	ALARM	A&B
60	R WING	SHORT	A
61	R WING	SHORT	B
62	R WING	OPEN	A
63	R WING	OPEN	B
64	R WING LEADING EDGE	ALARM	A&B
70	R A/C PACK BAY	SHORT	A
71	R A/C PACK BAY	SHORT	B
72	R A/C PACK BAY	OPEN	A
73	R A/C PACK BAY	OPEN	B
74	R A/C PACK BAY	ALARM	A&B
84	WHEEL WELL	ALARM	A&B

Wing And Body Duct Leak Detection BITE Procedure
 Figure 103 (Sheet 3)

EFFECTIVITY

ALL

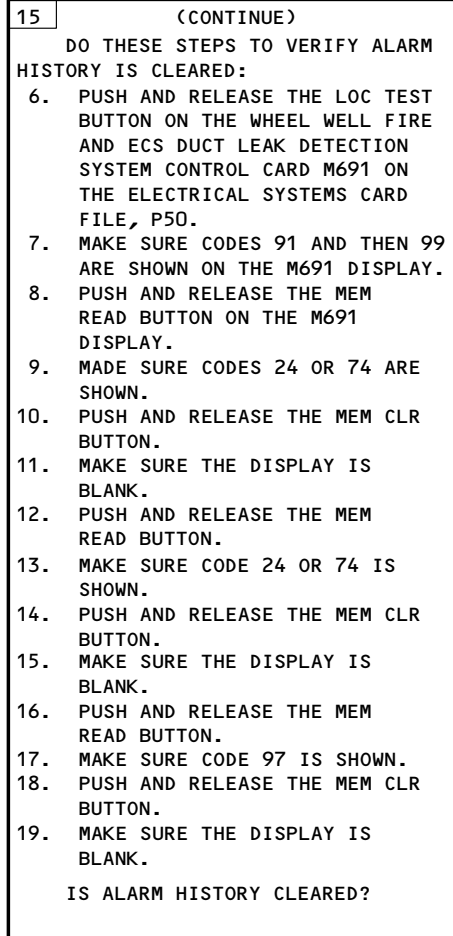
26-18-00

01

Page 107
 May 28/06

78983

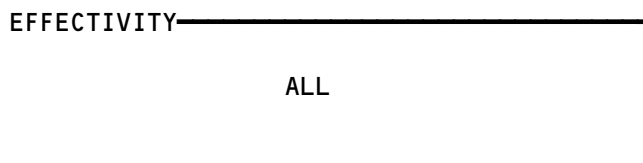
 **BOEING**
757
FAULT ISOLATION/MAINT MANUAL



YES

SEE SHEET 5
(BLOCK 16)

Wing and Body Duct Leak Detection BITE Procedure
Figure 103 (Sheet 4)

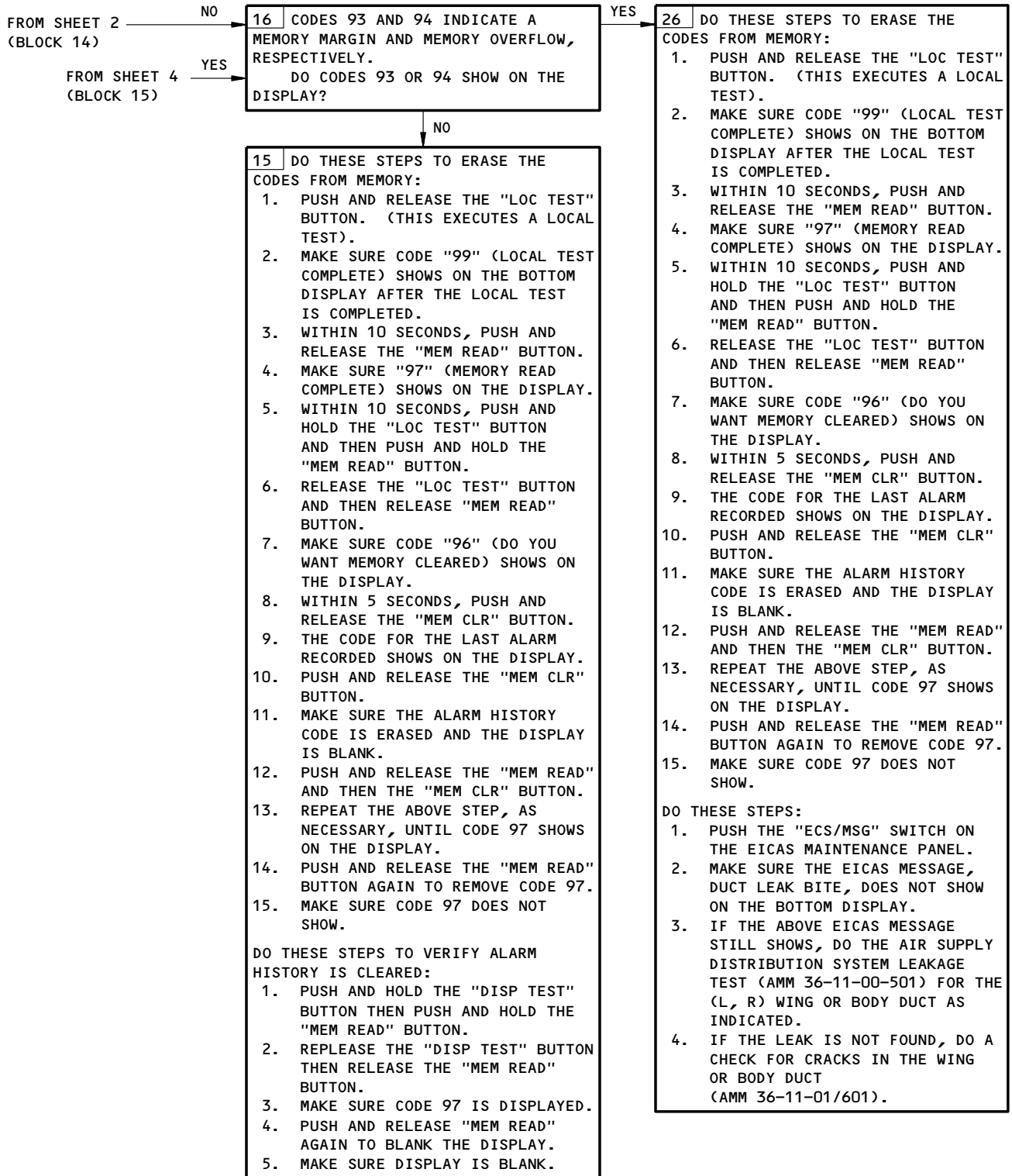


26-18-00

01

Page 108
May 28/06

BOEING
757
FAULT ISOLATION/MAINT MANUAL



Wing And Body Duct Leak Detection BITE Procedure
Figure 103 (Sheet 5)

EFFECTIVITY

ALL

26-18-00

01

Page 109
May 28/06

683060

 **BOEING**
757
FAULT ISOLATION/MAINT MANUAL

WING AND BODY DUCT LEAK DETECTION

1. Overheat Detector Element Resistance Values

TABLE 101 - OVERHEAT DETECTOR ELEMENT RESISTANCE VALUES			
EQUIPMENT NUMBER	VENDOR PART NUMBER	MINIMUM RESISTANCE CORE-TO-CASE GROUND (Megohms)	MAXIMUM RESISTANCE CORE-TO-CORE (Milliohms)
TS5157	35542-2-255	2.381	339
TS5158	35542-2-255	2.381	339
TS5159	35618-2-255	0.847	871
TS5160	35618-2-255	0.847	871
TS5161	35619-2-255 35604-2-255 35624-2-255 35591-2-255	0.840 0.962 0.806 1.099	878 773 913 682
TS5162	35619-2-255 35604-2-255 35624-2-255 35591-2-255	0.840 0.962 0.806 1.099	878 773 913 682
TS5259	35528-2-310	0.714	241
TS5260	35528-2-310	0.714	241
TS5167	35641-2-255	0.709	1032
TS5168	35641-2-255	0.709	1032
TS5163	35652-2-255	0.658	1109
TS5164	35652-2-255	0.658	1109
TS5165	35593-2-255	1.075	696
TS5166	35593-2-255	1.075	696

EFFECTIVITY

ALL

26-18-00

01

Page 110
May 28/06



BOEING
757
FAULT ISOLATION/MAINT MANUAL

TABLE 101 - OVERHEAT DETECTOR ELEMENT RESISTANCE VALUES

EQUIPMENT NUMBER	VENDOR PART NUMBER	MINIMUM RESISTANCE CORE-TO-CASE GROUND (Megohms)	MAXIMUM RESISTANCE CORE-TO-CORE (Milliohms)
TS5169	35660-2-255	0.625	1165
TS5170	35660-2-255	0.625	1165
TS5171	35619-2-255 35624-2-255	0.840 0.806	878 913
TS5172	35619-2-255 35624-2-255	0.840 0.806	878 913
TS5173	35619-2-255	0.840	878
TS5174	35619-2-255	0.840	878
TS5175	35619-2-255	0.840	878
TS5176	35619-2-255	0.840	878
TS5177	35619-2-255	0.840	878
TS5178	35619-2-255	0.840	878
TS5179	35619-2-255	0.840	878
TS5180	35619-2-255	0.840	878
TS5308	35624-2-255	0.806	913
TS5309	35624-2-255	0.806	913
TS5181	35624-2-255	0.806	913
TS5182	35624-2-255	0.806	913
TS5183	35587-2-255	1.149	654

EFFECTIVITY

ALL

26-18-00

01

Page 111
May 28/06


BOEING
 757
 FAULT ISOLATION/MAINT MANUAL

TABLE 101 - OVERHEAT DETECTOR ELEMENT RESISTANCE VALUES

EQUIPMENT NUMBER	VENDOR PART NUMBER	MINIMUM RESISTANCE CORE-TO-CASE GROUND (Megohms)	MAXIMUM RESISTANCE CORE-TO-CORE (Milliohms)
TS5184	35587-2-255	1.149	654
TS5185	35542-2-255	2.381	339
TS5186	35542-2-255	2.381	339
TS5187	35618-2-255	0.847	871
TS5188	35618-2-255	0.847	871
TS5189	35619-2-255 35604-2-255 35624-2-255 35591-2-255	0.840 0.962 0.806 1.099	878 773 913 682
TS5190	35619-2-255 35593-2-255 35604-2-255 35624-2-255 35591-2-255	0.840 1.075 0.962 0.806 1.099	878 696 773 913 682
TS5261	35528-2-310	0.714	241
TS5262	35528-2-310	0.714	241
TS5191	35600-2-255	1.000	745
TS5192	35600-2-255	1.000	745

EFFECTIVITY

ALL

26-18-00

01

Page 112
May 28/06



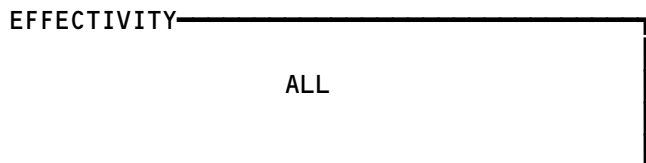
757
 FAULT ISOLATION/MAINT MANUAL

ENGINE FIRE EXTINGUISHING SYSTEM

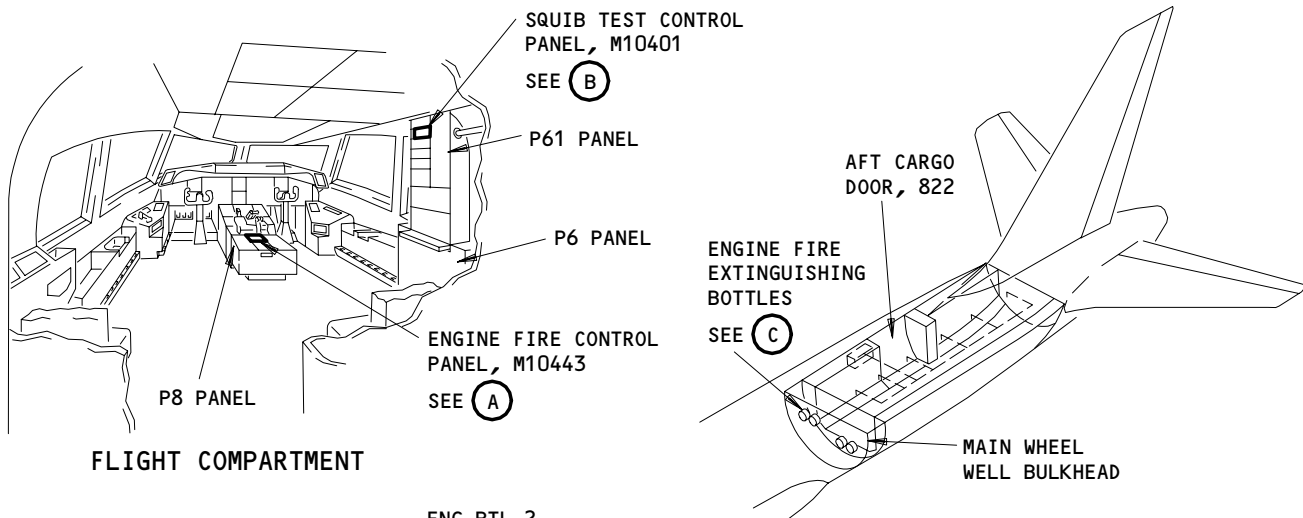
COMPONENT	FIG. 102 SHT	QTY	ACCESS/AREA	AMM REFERENCE
BOTTLE - DISCH/CARTRIDGE ENG FIRE EXTINGUISH- ING, B17,B18	--	2	821, FWD CARGO COMPT	26-21-01
CIRCUIT BREAKER -			FLT COMPT, P6	
FIRE EXTINGUISHING ENG L BTL 1, C778		1	6H1	*
FIRE EXTINGUISHING ENG L BTL 2, C786		1	6H2	*
FIRE EXTINGUISHING ENG R BTL 1, C779		1	6H3	*
FIRE EXTINGUISHING ENG R BTL 2, C787		1	6H4	*
COMPUTER - (FIM 31-41-00/101)				
EICAS L, M10181				
EICAS R, M10182				
LIGHT - ENG BTL 1 DISCH, YQNL2	--	1	FLT COMPT, ENGINE FIRE CONTROL PANEL, M10443	*
LIGHT - ENG BTL 2 DISCH, YQNL4	--	1	FLT COMPT, ENGINE FIRE CONTROL PANEL, M10443	*
LIGHT - L ENG 1, YQML1	--	1	FLT COMPT, SQUIB TEST CONTROL PANEL, M10401	*
LIGHT - L ENG 2, YQML2	--	1	FLT COMPT, SQUIB TEST CONTROL PANEL, M10401	*
LIGHT - R ENG 1, YQML3	--	1	FLT COMPT, SQUIB TEST CONTROL PANEL, M10401	*
LIGHT - R ENG 2, YQML4	--	1	FLT COMPT, SQUIB TEST CONTROL PANEL, M10401	*
PANEL - (FIM 26-11-00/101)				
ENGINE FIRE CONTROL, M10443	--			
PANEL - SQUIB TEST CONTROL, M10401	--	1	FLT COMPT, P61	26-21-04
SWITCH - LEFT ENGINE FIRE, YQNS37	--	1	FLT COMPT, ENGINE FIRE CONTROL PANEL, M10443	26-21-02
SWITCH - RIGHT ENGINE FIRE, YQNS38	--	1	FLT COMPT, ENGINE FIRE CONTROL PANEL, M10443	26-21-02
SWITCH - TEST 1, YQMS1	--	1	FLT COMPT, SQUIB TEST CONTROL M10401	*

* SEE WM EQUIPMENT LIST

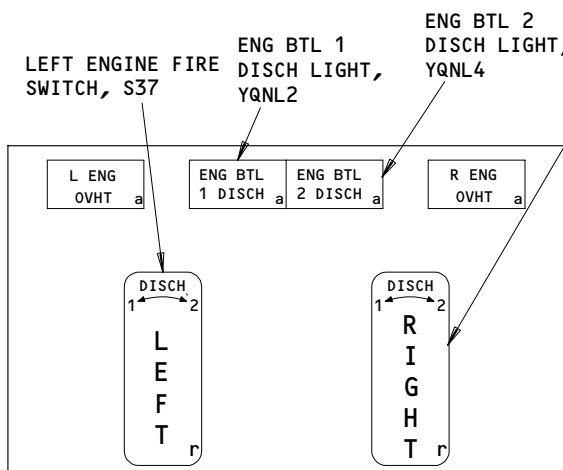
Engine Fire Extinguishing System - Component Index
 Figure 101



26-21-00

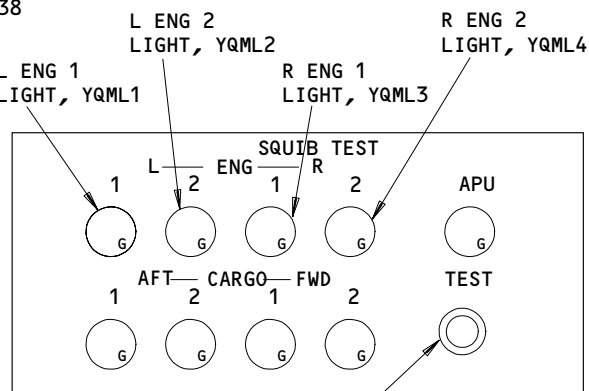


FLIGHT COMPARTMENT



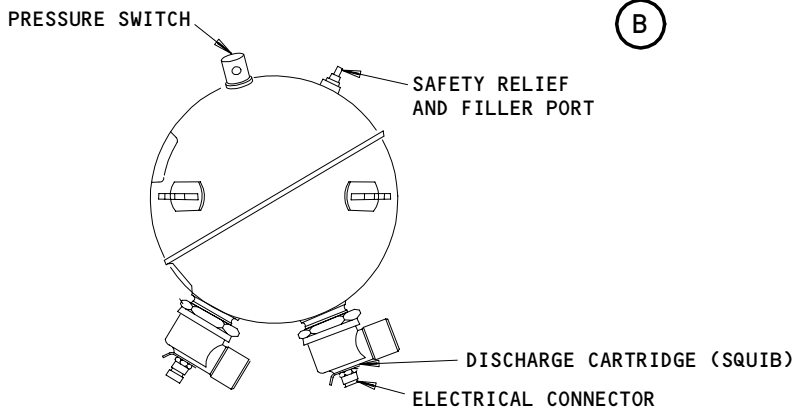
ENGINE FIRE CONTROL PANEL, M10443

(A)



TEST SWITCH, S1
SQUIB TEST CONTROL PANEL, M10401

(B)



ENGINE FIRE EXTINGUISHER BOTTLE, B17 OR B18

(C)

Engine Fire Extinguishing System - Component Location
Figure 102

EFFECTIVITY

ALL

26-21-00

BOEING
757
FAULT ISOLATION/MAINT MANUAL

APU FIRE EXTINGUISHING SYSTEM

COMPONENT	FIG. 102 SHT	QTY	ACCESS/AREA	REFERENCE
BOTTLE DISCH/CARTRIDGE - APU FIRE EXT	2	1	313AL, B25	26-22-01
CIRCUIT BREAKER	1		FLT COMPT, P6	
FIRE EXT APU, C780		1	6G1	*
FIRE EXTINGUISHING ENG L BTL 1, C778		1	6H1	
CIRCUIT BREAKER			FLT COMPT, P11	
FIRE DETECTION APU 1, C776		1	11B24	
FIRE DETECTION APU 2, C785		1	11B25	*
COMPUTER - (REF 31-41-00, FIG. 101)				*
EICAS L, M10181				
EICAS R, M10182				
LIGHT - APU, YQML5	2	1	FLT COMPT, M10401	*
LIGHT - APU BTL DISCH, YQPL1	1	1	FLT COMPT, M10444	*
PANEL - APU CARGO FIRE CONTROL, M10444	1	1	FLT COMPT, P8	*
PANEL - (REF 26-21-00, FIG. 101)				
SQUIB TEST CONTROL, M10401				
RELAY - (REF 31-01-36, FIG. 101)				
AIR/GND, K145				
APU BOTTLE DISC, K10336				
APU FIRE, K10334				
APU GND RELAY, K10373				
APU SQUIB TEST, K3				
RELAY - (REF 31-01-33, FIG. 101)				
EXTERNAL SHUTDOWN, K421				
SPEED CARD - (REF 77-12-00, FIG. 101)				
LEFT ENG, M10298				
RIGHT ENG, M10311				
SWITCH - APU BOTTLE DISCH, S485	2	1	NOSE LANDING GEAR, P62	*
SWITCH - APU FIRE, S39	1	1	FLT COMPT, M10444	26-22-03
SWITCH - SQUIB TEST, YQMS1	2	1	FLT COMPT, M10401	*

* SEE WM EQUIPMENT LIST

Component Index
Figure 101

EFFECTIVITY

ALL

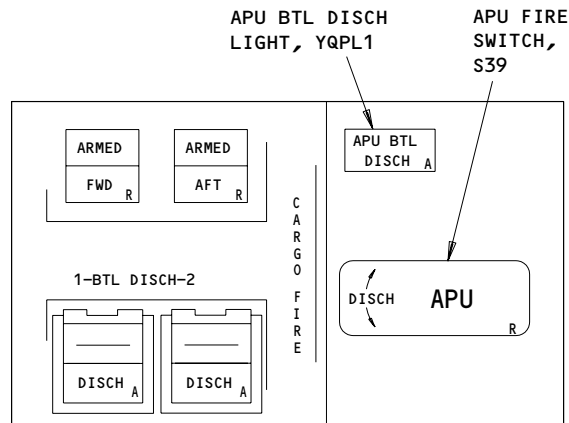
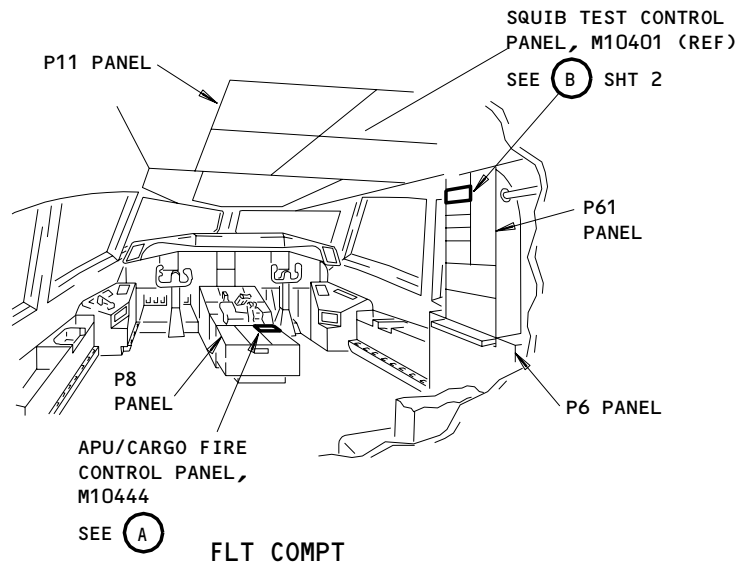
26-22-00

01

Page 101
Sep 20/89

682199

BOEING
757
FAULT ISOLATION/MAINT MANUAL



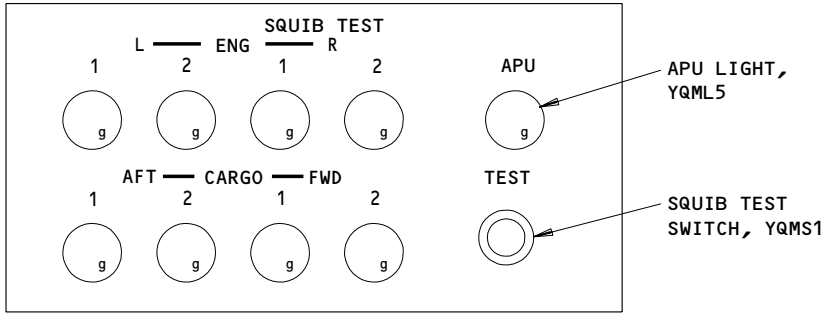
APU/CARGO FIRE CONTROL PANEL, M10444

(A)

Component Location
Figure 102 (Sheet 1)

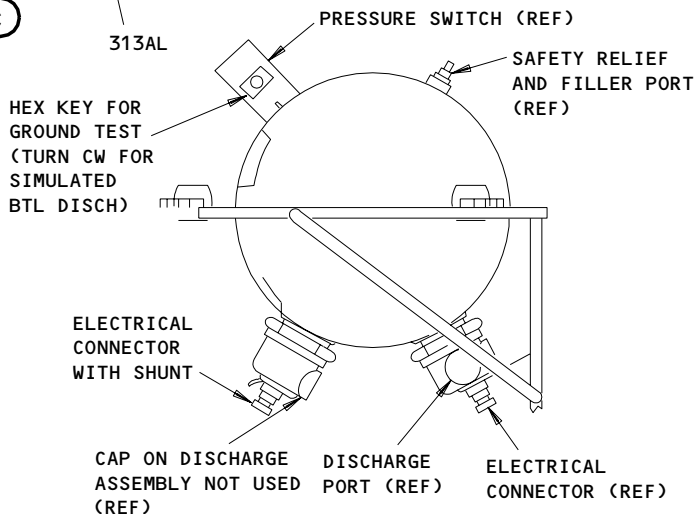
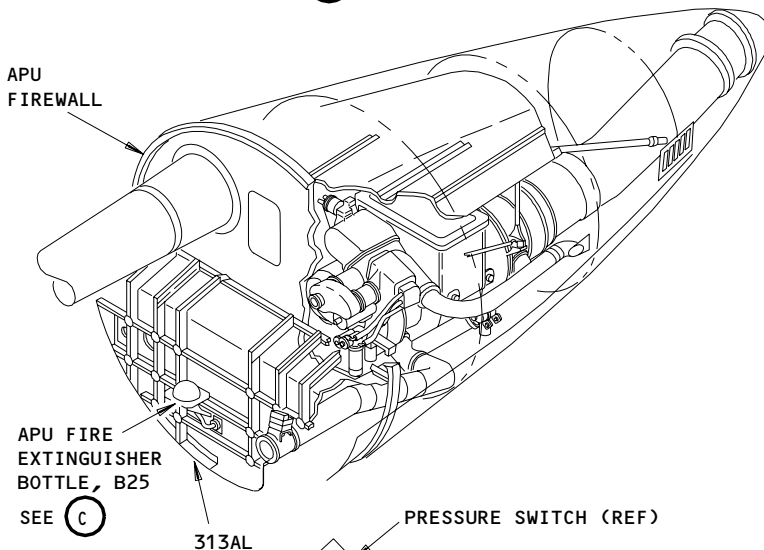
EFFECTIVITY	ALL
-------------	-----

26-22-00

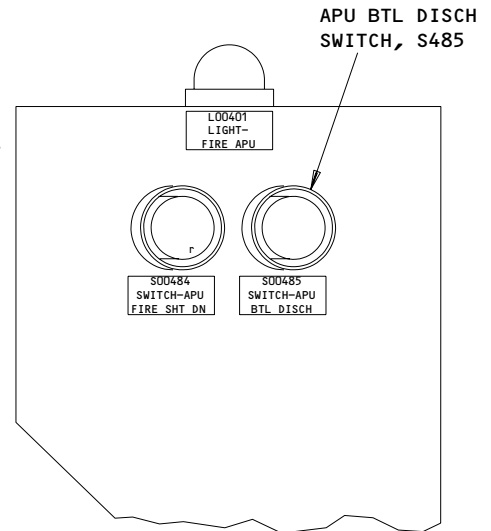
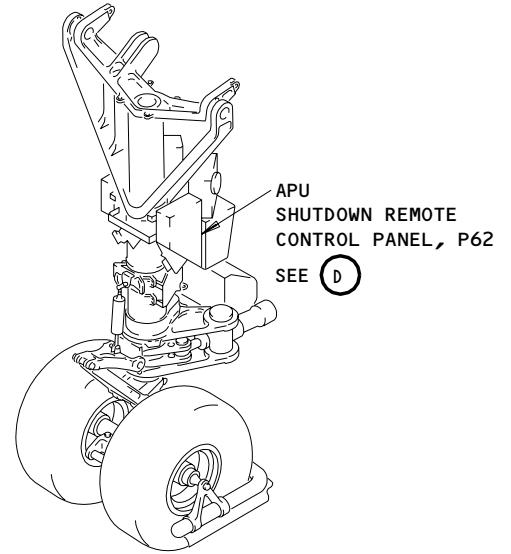


SQUIB TEST CONTROL PANEL, M10401 (REF)

(A) FROM SHT 1



(C)



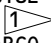
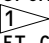
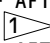
(D)

Component Location
Figure 102 (Sheet 2)

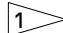
EFFECTIVITY	ALL
-------------	-----

26-22-00

CARGO COMPARTMENT FIRE EXTINGUISHING SYSTEM

COMPONENT	FIG. 102 SHT	QTY	ACCESS/AREA	REFERENCE
BOTTLE - CARGO FIRE EXTINGUISHING, M10466, M10467	--	2	822, AFT CARGO COMPT	26-23-02
CIRCUIT BREAKERS			FLT COMPT, P6	
FIRE EXTINGUISHING CARGO BTL 1, C781		1	6H5	*
FIRE EXTINGUISHING CARGO BTL 2, C773		1	6H6	*
FIRE EXTINGUISHING ENG L BTL 1, C778		1	6H1	*
COMPUTERS - (31-41-00/101)				
EICAS L, M10181				
EICAS R, M10182				
FILTER/DRYER 	--	2	FWD AND AFT CARGO COMPT CEILING	
LIGHT - AFT CARGO 1, YQML8	--	1	FLT COMPT, P61, SQUIB TEST PANEL, M10401	*
LIGHT - AFT CARGO 2, YQML9	--	1	FLT COMPT, P61, SQUIB TEST PANEL, M10401	*
LIGHT - FWD CARGO 1, YQML6	--	1	FLT COMPT, P61, SQUIB TEST PANEL, M10401	*
LIGHT - FWD CARGO 2, YQML7	--	1	FLT COMPT, P61, SQUIB TEST PANEL, M10401	*
PANEL - (26-21-00/101)				
SQUIB TEST CONTROL, M10401				*
PANEL - APU/CARGO FIRE CONTROL, M10444	--	1	FLT COMPT, P8	
REGULATOR 	--	1	AFT CARGO COMPT CEILING	
SWITCH - AFT CARGO DISCHARGE LINE PRESSURE, S10565 	--	1	821, FWD CARGO COMPT, DISCHARGE LINE	*
SWITCH - AFT CARGO FIRE, YQPS2	--	1	FLT COMPT, P8, APU/CARGO FIRE CONTROL PANEL, M10444	26-23-01
SWITCH - BTL 1 DISCH, YQPS3	--	1	FLT COMPT, P8, APU/CARGO FIRE CONTROL PANEL, M10444	*
SWITCH - BTL 2 DISCH, YQPS4	--	1	FLT COMPT, P8, APU/CARGO FIRE CONTROL PANEL, M10444	*
SWITCH - FWD CARGO DISCHARGE LINE PRESSURE, S633	--	1	821, FWD CARGO COMPT, DISCHARGE LINE	*
SWITCH - FWD CARGO FIRE, YQPS1	--	1	FLT COMPT, P8, APU/CARGO FIRE CONTROL PANEL, M10444	26-23-01
SWITCH - TEST, YQMS1	--	1	FLT COMPT, P61, SQUIB TEST PANEL, M10401	*

* SEE THE WDM EQUIPMENT LIST

 GUI 115

 Cargo Compartment Fire Extinguishing System - Component Index
 Figure 101

EFFECTIVITY

ALL

26-23-00

14

 Page 101
 Sep 20/92

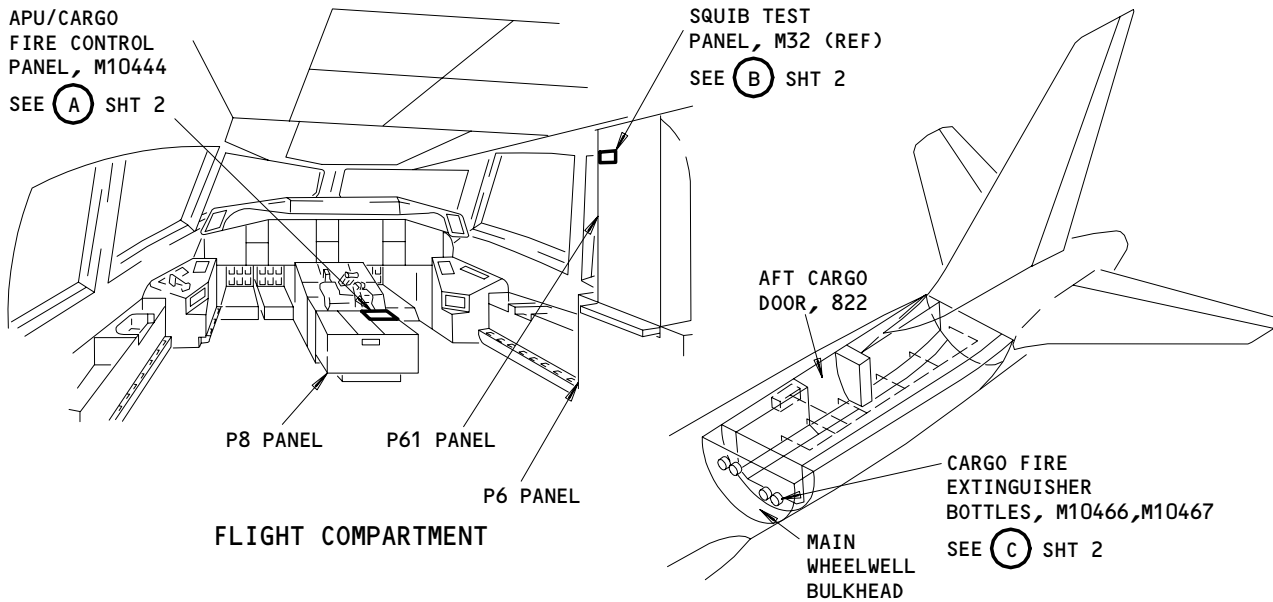
BOEING

757

FAULT ISOLATION/MAINT MANUAL

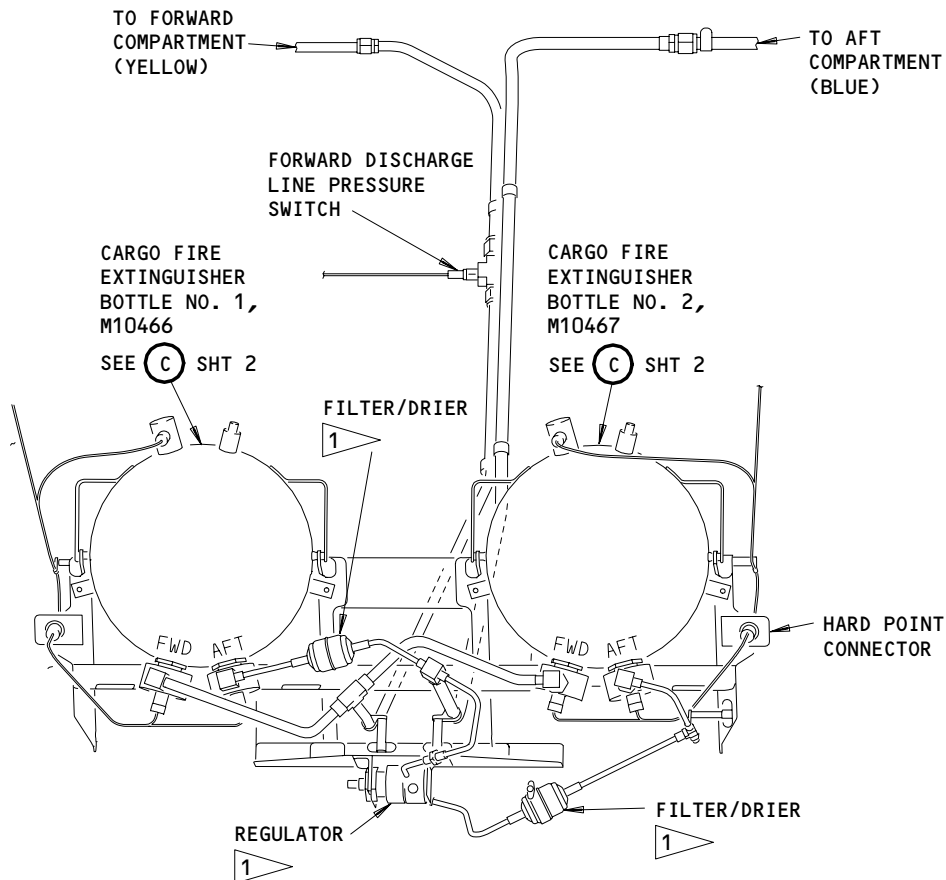
APU/CARGO
FIRE CONTROL
PANEL, M10444
SEE (A) SHT 2

SQUIB TEST
PANEL, M32 (REF)
SEE (B) SHT 2



FLIGHT COMPARTMENT

CARGO FIRE
EXTINGUISHER
BOTTLES, M10466, M10467
SEE (C) SHT 2



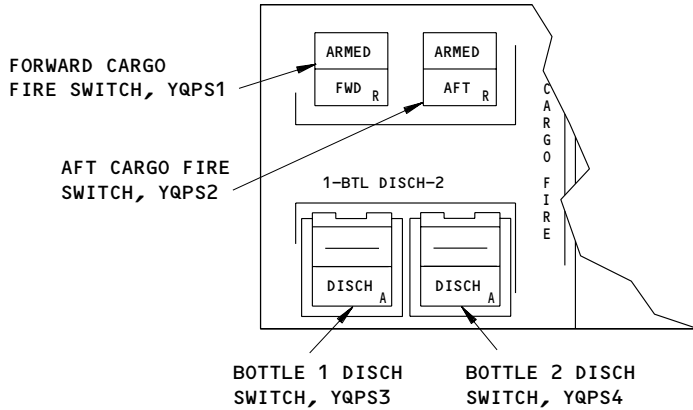
CARGO COMPARTMENT FIRE EXTINGUISHER BOTTLES

1 GUI 115

Component Location
Figure 102 (Sheet 1)

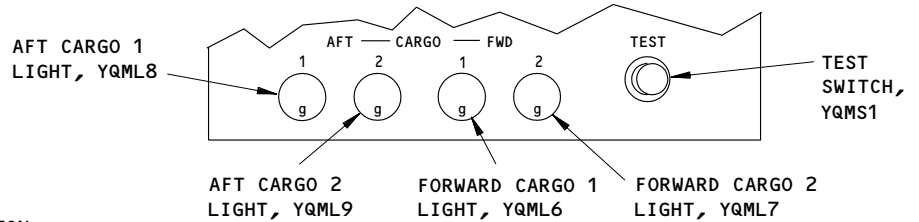
EFFECTIVITY	
	ALL

26-23-00



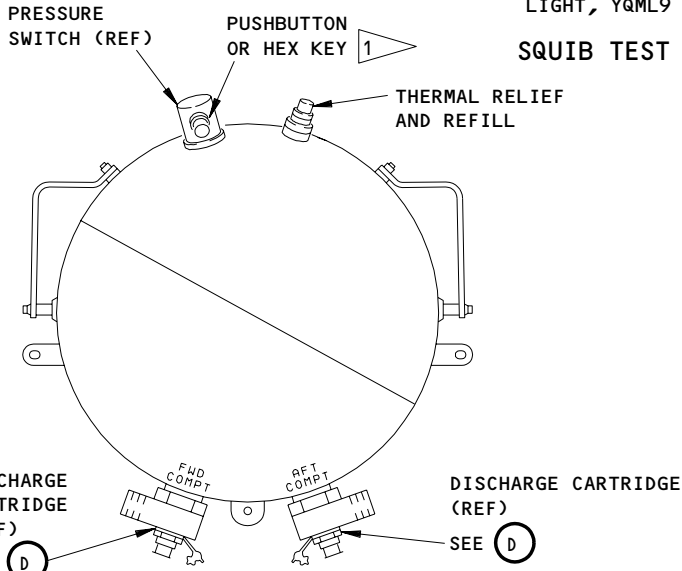
APU/CARGO FIRE CONTROL PANEL, M10444

(A) FROM SHT 1



SQUIB TEST CONTROL PANEL, M10401 (REF)

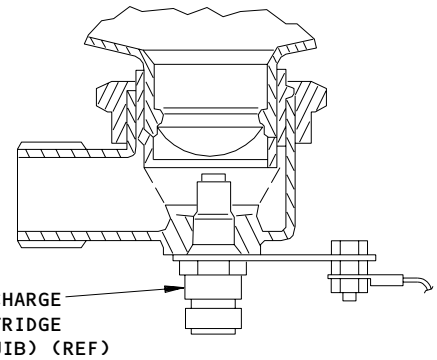
(B) FROM SHT 1



CARGO COMPARTMENT FIRE EXTINGUISHING BOTTLE, M10466, M10467

(C) FROM SHT 1

1 IF INSTALLED



DISCHARGE CARTRIDGE (REF)

(D)

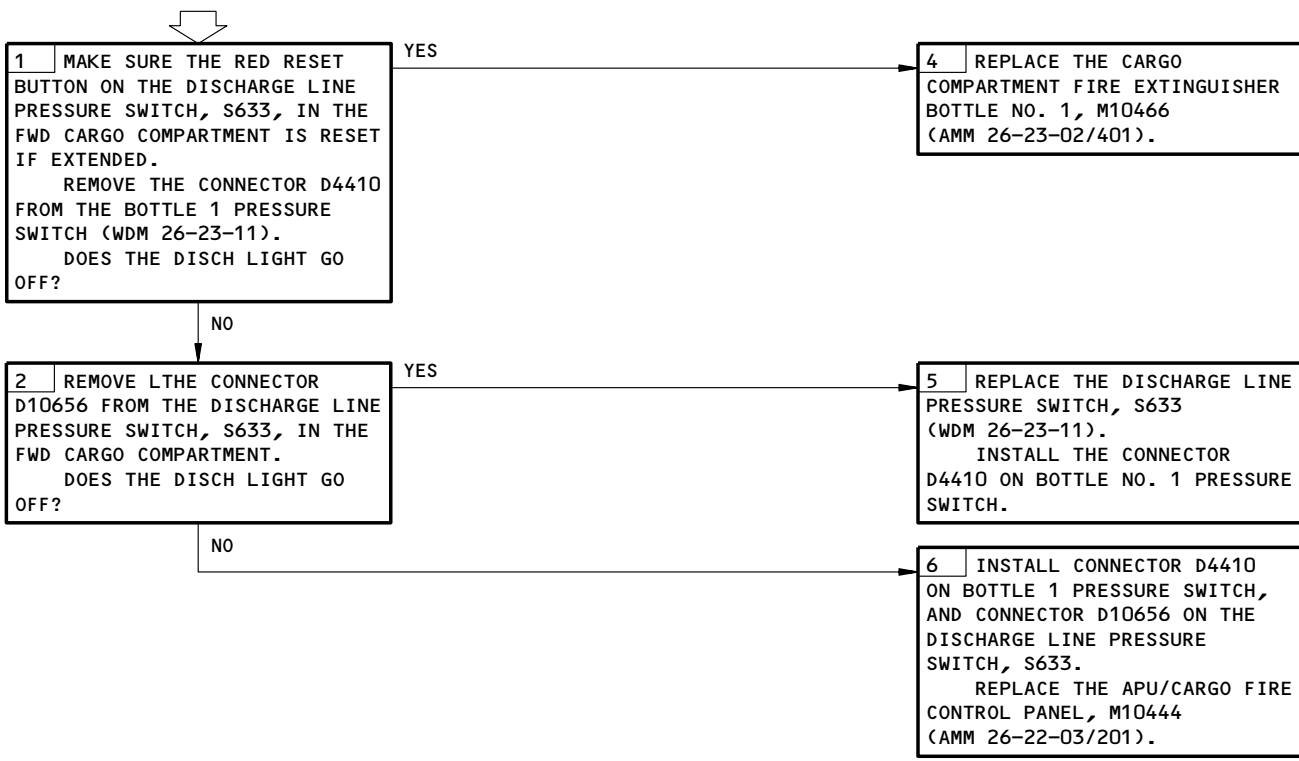
Cargo Compartment Fire Extinguishing System – Component Location
Figure 102 (Sheet 2)

EFFECTIVITY	
	ALL

26-23-00

"CARGO BTL 1 DISCH"
 LGT ILLUM. EICAS
 MSG "CARGO BTL 1"
 DISPLAYED. DISCH
 SWITCH NOT USED.

PREREQUISITES NONE



CARGO BTL 1 DISCH Lgt Illum. EICAS Msg CARGO BTL 1 Displayed
 Disch Switch Not Used.
 Figure 103

EFFECTIVITY	ALL
-------------	-----

26-23-00

264207

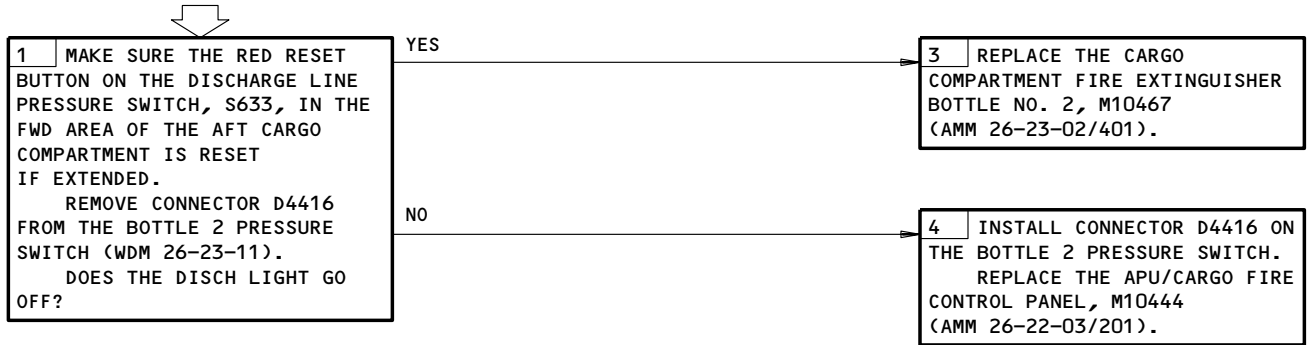
"CARGO BTL 2 DISCH"
LGT ILLUM. EICAS
MSG "CARGO BTL 2"
DISPLAYED. DISCH
SWITCH NOT USED.

PREREQUISITES

MAKE SURE THIS SYSTEM WILL OPERATE:
EICAS (AMM 31-41-00/201)

MAKE SURE THESE CIRCUIT BREAKERS ARE CLOSED:
6H5, 6H6

MAKE SURE THE AIRPLANE IS IN THIS CONFIGURATION:
ELECTRICAL POWER IS ON (AMM 24-22-00/201)



CARGO BTL 2 DISCH Lgt Illum. EICAS Msg CARGO BTL 2 Displayed.
Disch Switch Not Used.
Figure 104 (Sheet 1)

EFFECTIVITY
ALL EXCEPT GUI 115

26-23-00

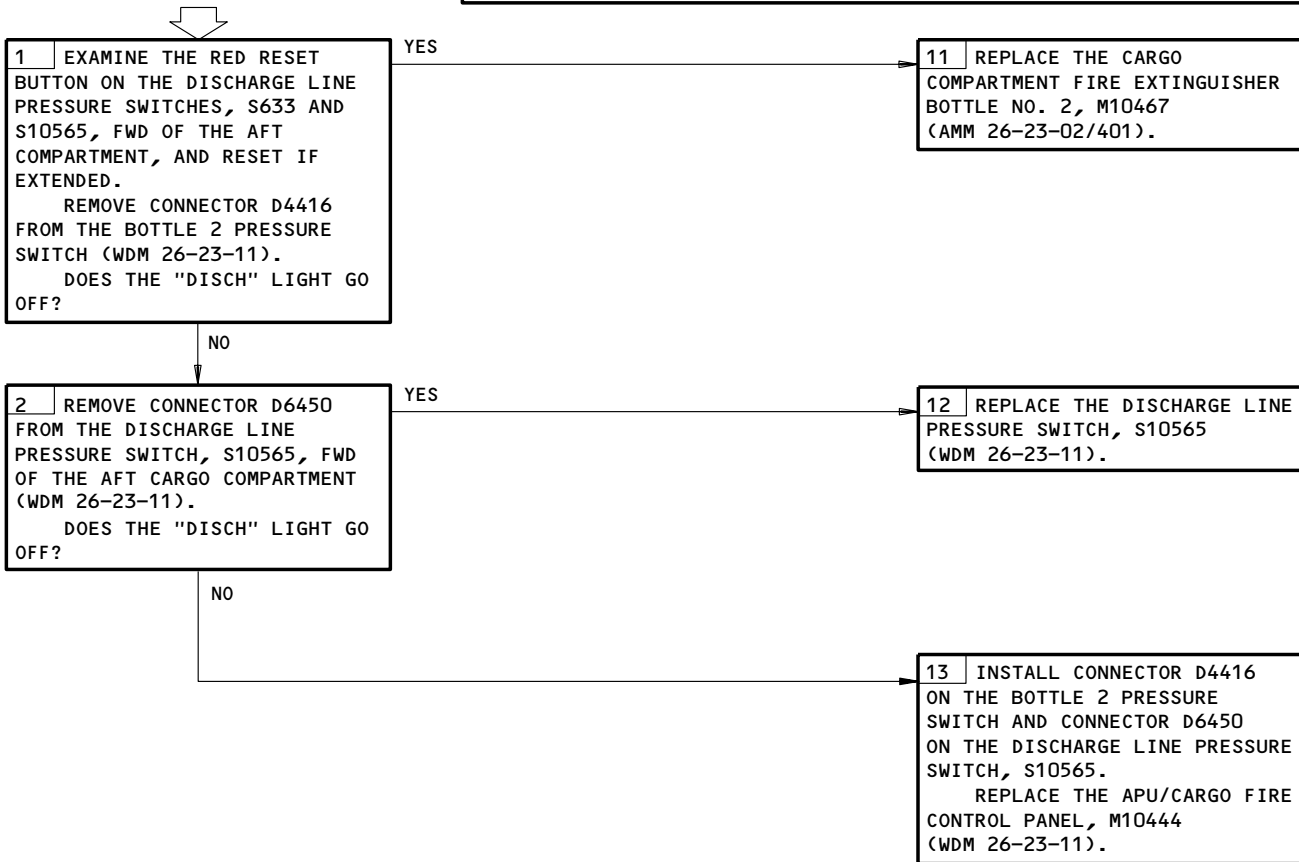
"CARGO BTL DISCH"
 LGT ILLUM. EICAS
 MSG "CARGO BTL 2"
 DISPLAYED. "DISCH"
 SWITCH NOT USED.

PREREQUISITES

MAKE SURE THIS SYSTEM WILL OPERATE:
 EICAS (AMM 31-41-00/201)

MAKE SURE THESE CIRCUIT BREAKERS ARE CLOSED:
 6H5, 6H6

MAKE SURE THE AIRPLANE IS IN THIS CONFIGURATION:
 ELECTRICAL POWER IS ON (AMM 24-22-00/201)



CARGO BTL DISCH Lgt Illum. EICAS Msg CARGO BTL 2 Displayed.
 DISCH Switch Not Used.
 Figure 104 (Sheet 2)

EFFECTIVITY
GUI 115

26-23-00

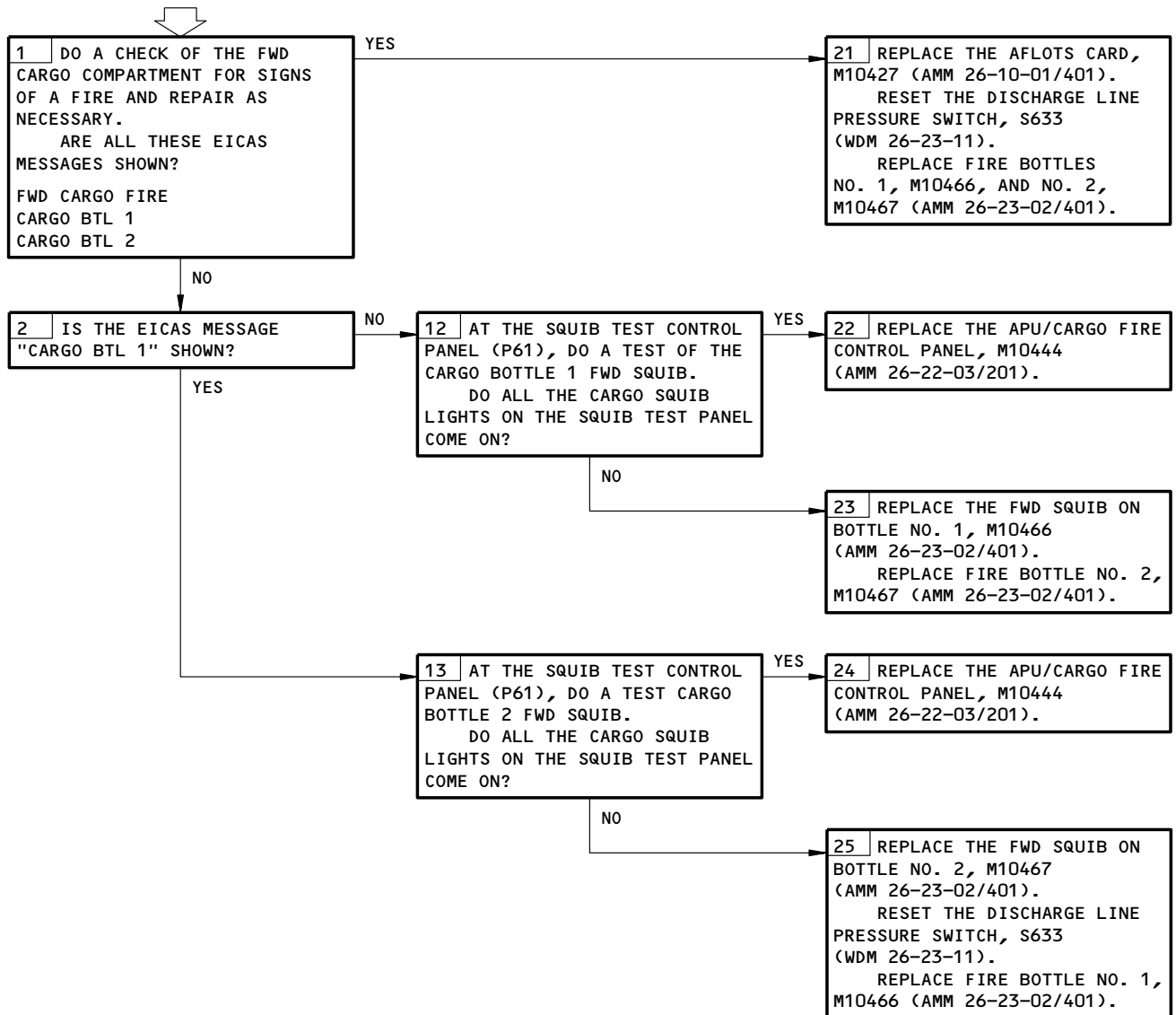
FWD CARGO FIRE INDICATED. EICAS MSG "FWD CARGO FIRE" DISPLAYED. FIRE INDICATION(S) REMAINED WHEN BOTTLE 1 DISCHARGED. BOTTLE 2 WAS DISCHARGED.

PREREQUISITES

MAKE SURE THIS SYSTEM WILL OPERATE:
EICAS (AMM 31-41-00/501)

MAKE SURE THESE CIRCUIT BREAKERS ARE CLOSED:
6H5,6H6

MAKE SURE THE AIRPLANE IS IN THIS CONFIGURATION:
ELECTRICAL POWER IS ON (AMM 24-22-00/201)



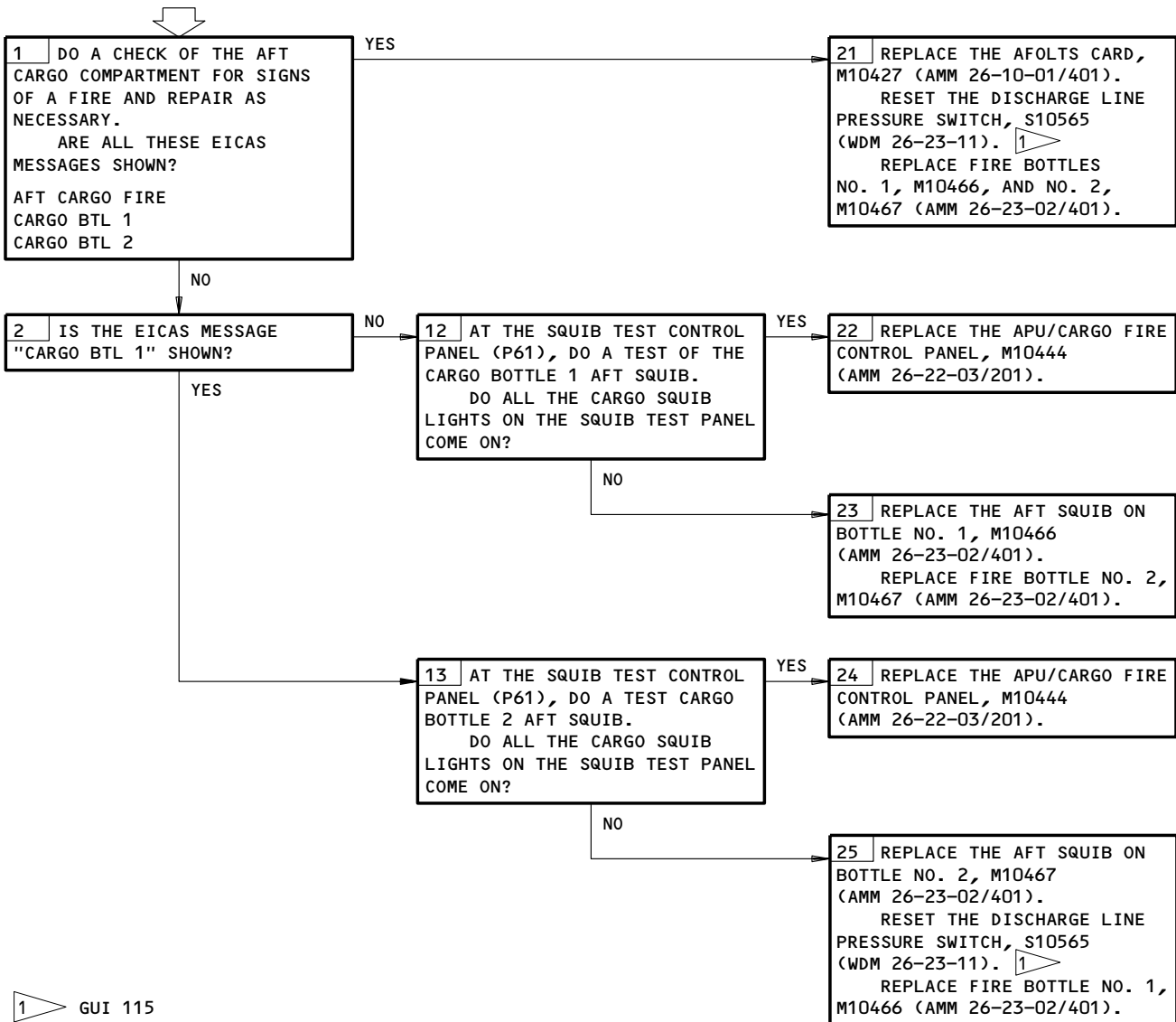
Fwd Cargo Fire Indicated. EICAS Msg FWD CARGO FIRE Displayed.
Fire Indication(s) Remained When Bottle 1 Discharged. Bottle 2 Was Discharged.
Figure 105

EFFECTIVITY	ALL
-------------	-----

26-23-00

AFT CARGO FIRE INDICATED. EICAS MSG "AFT CARGO FIRE" DISPLAYED. FIRE INDICATION(S) REMAINED WHEN BOTTLE 1 DISCHARGED. BOTTLE 2 WAS DISCHARGED.

PREREQUISITES
 MAKE SURE THIS SYSTEM WILL OPERATE:
 EICAS (AMM 31-41-00/501)
 MAKE SURE THESE CIRCUIT BREAKERS ARE CLOSED:
 6H5, 6H6
 MAKE SURE THE AIRPLANE IS IN THIS CONFIGURATION:
 ELECTRICAL POWER IS ON (AMM 24-22-00/201)



1 GUI 115

Aft Cargo Fire Indicated. EICAS Msg AFT CARGO FIRE Displayed.
 Fire Indication(s) Remained When Bottle 1 Discharged. Bottle 2 Was Discharged.
 Figure 106

EFFECTIVITY	ALL
-------------	-----

26-23-00