

GPA Group plc

PAGE	DATE	CODE	PAGE	DATE	CODE	PAGE	DATE	CODE
CHAPTER 72 TAB								
ENGINE								
EFFECTIVE PAGES SEE LAST PAGE OF LIST FOR NUMBER OF PAGES								
72-CONTENTS								
1	JUN 20/97	RGUI						
2	BLANK							
72-03-00								
101	MAR 20/93	R02						
102	MAR 20/93	R01						
72-30-00								
101	MAR 20/93	R03						
102	MAR 20/93	R01						
72-50-00								
101	MAR 20/93	R03						
102	MAR 20/93	R01						

R = REVISED, A = ADDED OR D = DELETED
F = FOLDOUT PAGE
32
JAN 20/09

D633N632

CHAPTER 72
EFFECTIVE PAGES
R PAGE 1
LAST PAGE

CHAPTER 72 - ENGINE

TABLE OF CONTENTS

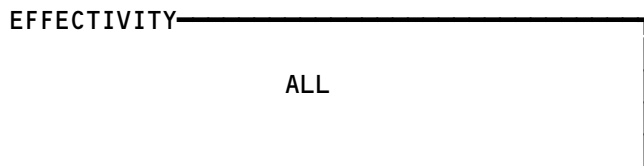
<u>Subject</u>	Chapter Section <u>Subject</u>	<u>Page</u>	<u>Effectivity</u>
<u>ENGINE</u>	72-00-00		
COMPRESSOR FAIRINGS	72-03-00		
Component Location		101	ALL
Component Index			
Component Location			
<u>COMPRESSOR SECTION</u>	72-30-00		
Component Location		101	ALL
Component Index			
Component Location			
<u>TURBINE SECTION</u>	72-50-00		
Component Location		101	ALL
Component Index			
Component Location			

72-CONTENTS

COMPRESSOR FAIRINGS

COMPONENT	FIG. 102 SHT	QTY	ACCESS/AREA	REFERENCE
FAIRINGS - COMPRESSOR	---	12	415AL,425AL,416AR,426AR THRUST REVERSER	72-03-01

Compressor Fairings - Component Index
Figure 101



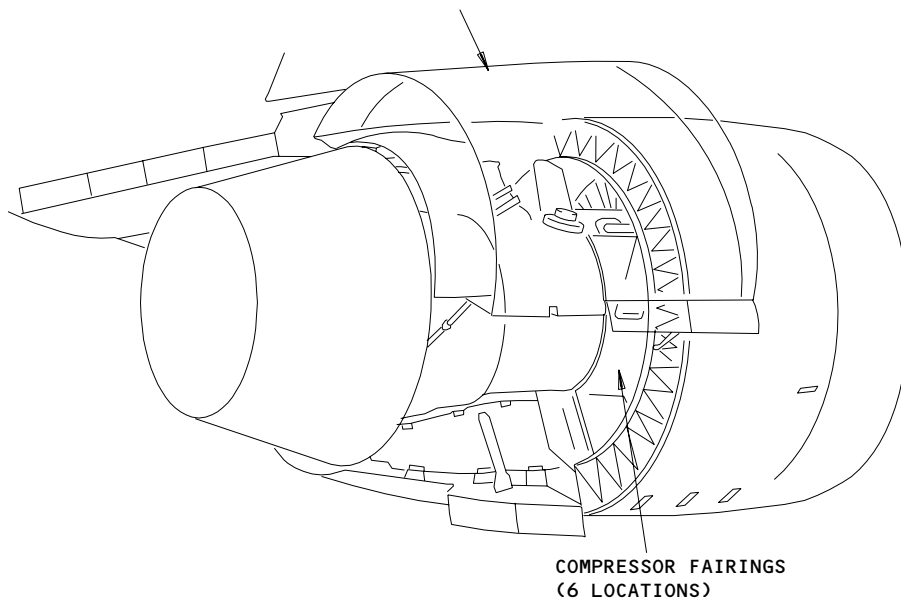
72-03-00

R02

Page 101
Mar 20/93

196627

THRUST REVERSER,
 415AL (LEFT ENGINE OUTBOARD),
 416AR (LEFT ENGINE INBOARD),
 425AL (RIGHT ENGINE INBOARD),
 426AR (RIGHT ENGINE OUTBOARD)



Compressor Fairings - Component Location
 Figure 102

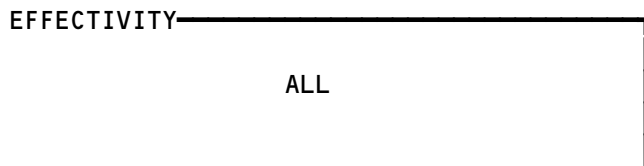
EFFECTIVITY	ALL
-------------	-----

72-03-00

COMPRESSOR SECTION

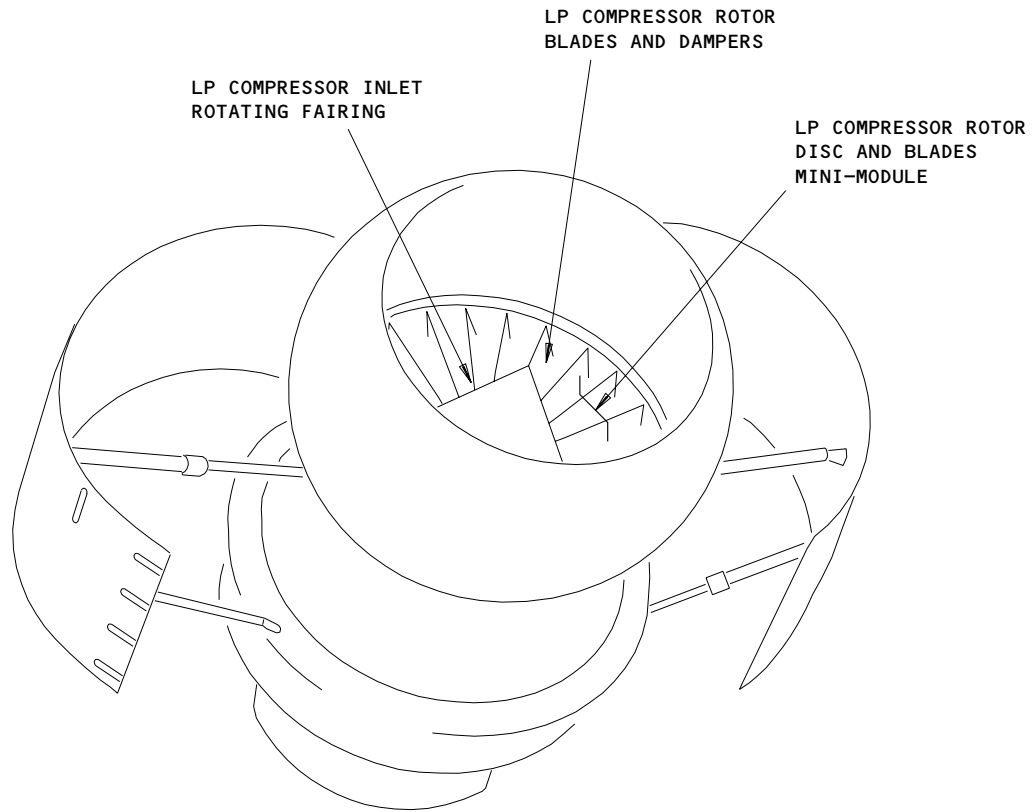
COMPONENT	FIG. 102 SHT	QTY	ACCESS/AREA	REFERENCE
FAIRING - LP COMPRESSOR INLET ROTATING	---	2	COMPRESSOR SECTION	72-35-01
ROTOR BLADES AND DAMPERS - LP COMPRESSOR	---	44	COMPRESSOR SECTION	72-31-11
ROTOR DISC AND BLADES MINI-MODULE - LP COMPRESSOR	---	2	COMPRESSOR SECTION	72-31-10

Compressor Section - Component Index
Figure 101


72-30-00

R03

 Page 101
 Mar 20/93



Compressor Section - Component Location
 Figure 102

EFFECTIVITY	ALL
-------------	-----

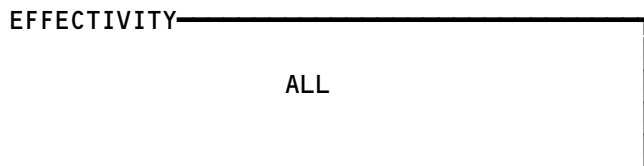
72-30-00

B83336

TURBINE SECTION

COMPONENT	FIG. 102 SHT	QTY	ACCESS/AREA	REFERENCE
PLUG - EXHAUST	---	2	TURBINE EXHAUST	72-51-01
NOZZLE - GAS GENERATOR EXHAUST	---	2	TURBINE EXHAUST	72-51-02

Turbine Section - Component Index
 Figure 101

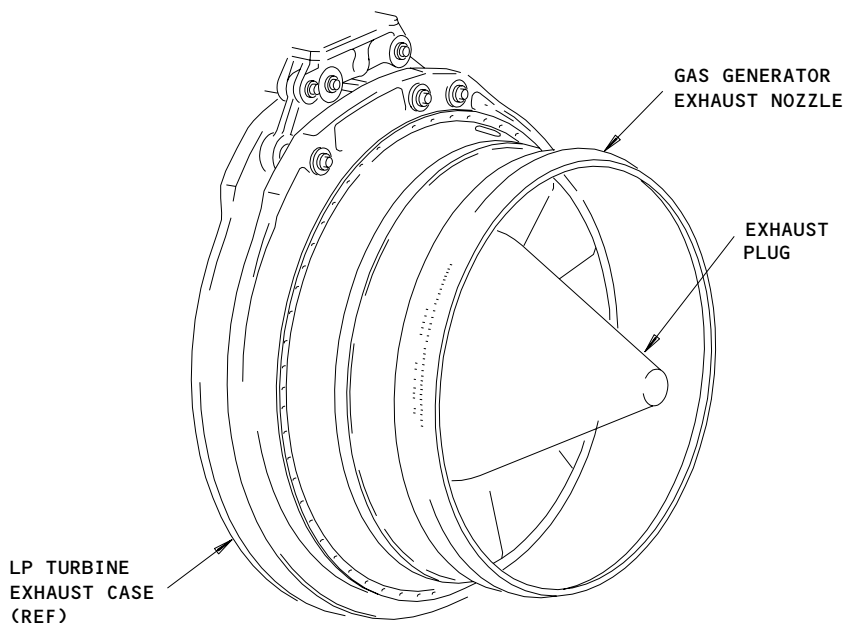
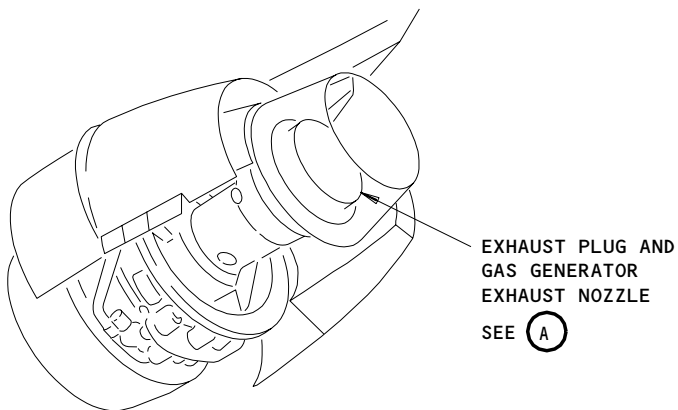


196629

72-50-00

R03

Page 101
 Mar 20/93

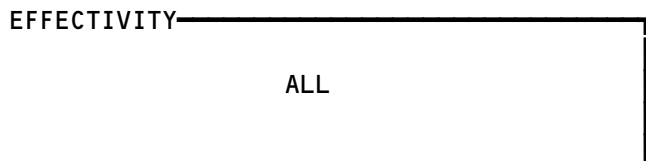


EXHAUST PLUG AND GAS GENERATOR
EXHAUST NOZZLE

(A)

NOTE: COMMON NOZZLE EXHAUST
COLLECTOR REMOVED.

Turbine Section - Component Location
Figure 102



72-50-00

R01

Page 102
Mar 20/93