

CHAPTER

35

OXYGEN



CHAPTER 35
OXYGEN

CH-SC-SU	Schem	Page	Sheet	Date	CH-SC-SU	Schem	Page	Sheet	Date
35-EFFECTIVE PAGES									
		1		Oct 09/2008					
		2		BLANK					
35-CONTENTS									
		1		Dec 18/2007					
		2		BLANK					
35-ALPHABETICAL INDEX									
		1		Dec 18/2007					
		2		BLANK					
35-11-01									
		101		Jan 21/2005					
		102		Jan 21/2005					
35-21-01									
		101	1	Jan 21/2005					
			2	Jan 21/2005					
		102	1	Jan 21/2005					
			2	Jan 21/2005					
35-31-01									
		101		Jan 21/2005					
		102		Jan 21/2005					

A = Added, R = Revised, D = Deleted, O = Overflow

35-EFFECTIVE PAGES



CHAPTER 35
OXYGEN

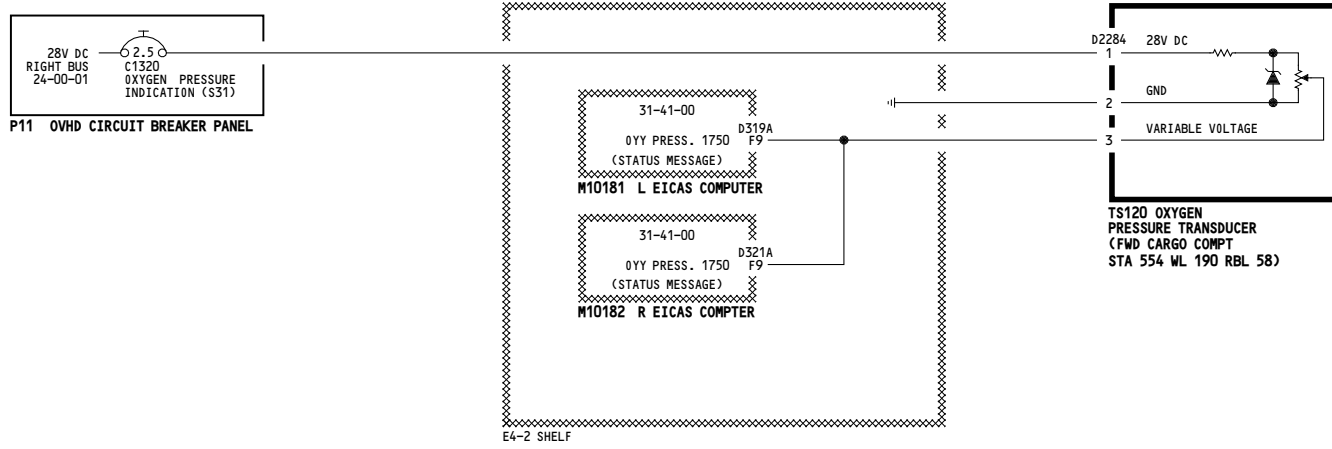
Title	CH-SC-SU	Schem	Page	Sheet	Date	Effectivity
<u>CREW OXYGEN SYSTEM</u>						
FLIGHT CREW OXYGEN	35-11-01		101		Jan 21/2005	001-099
			102		Jan 21/2005	115-199
<u>PASSENGER OXYGEN SYSTEM</u>						
PASSENGER OXYGEN SYSTEM	35-21-01		101	1	Jan 21/2005	001-004 006 009-099 115-199
				2	Jan 21/2005	001-004 006 009-099 115-199
			102	1	Jan 21/2005	005 007-008
				2	Jan 21/2005	005 007-008
<u>PORTABLE OXYGEN EQUIPMENT</u>						
PORTABLE OXYGEN SYSTEM	35-31-01		101		Jan 21/2005	001-099
			102		Jan 21/2005	115-199

CHAPTER 35
OXYGEN

CH-SC-SU	Title
35-11-01	FLIGHT CREW OXYGEN
35-21-01	PASSENGER OXYGEN SYSTEM
35-31-01	PORTABLE OXYGEN SYSTEM

CH-SC-SU	Title
----------	-------

35-ALPHABETICAL INDEX



001-099	<p>FLIGHT CREW OXYGEN</p> <p>D280N032S</p>
---------	---

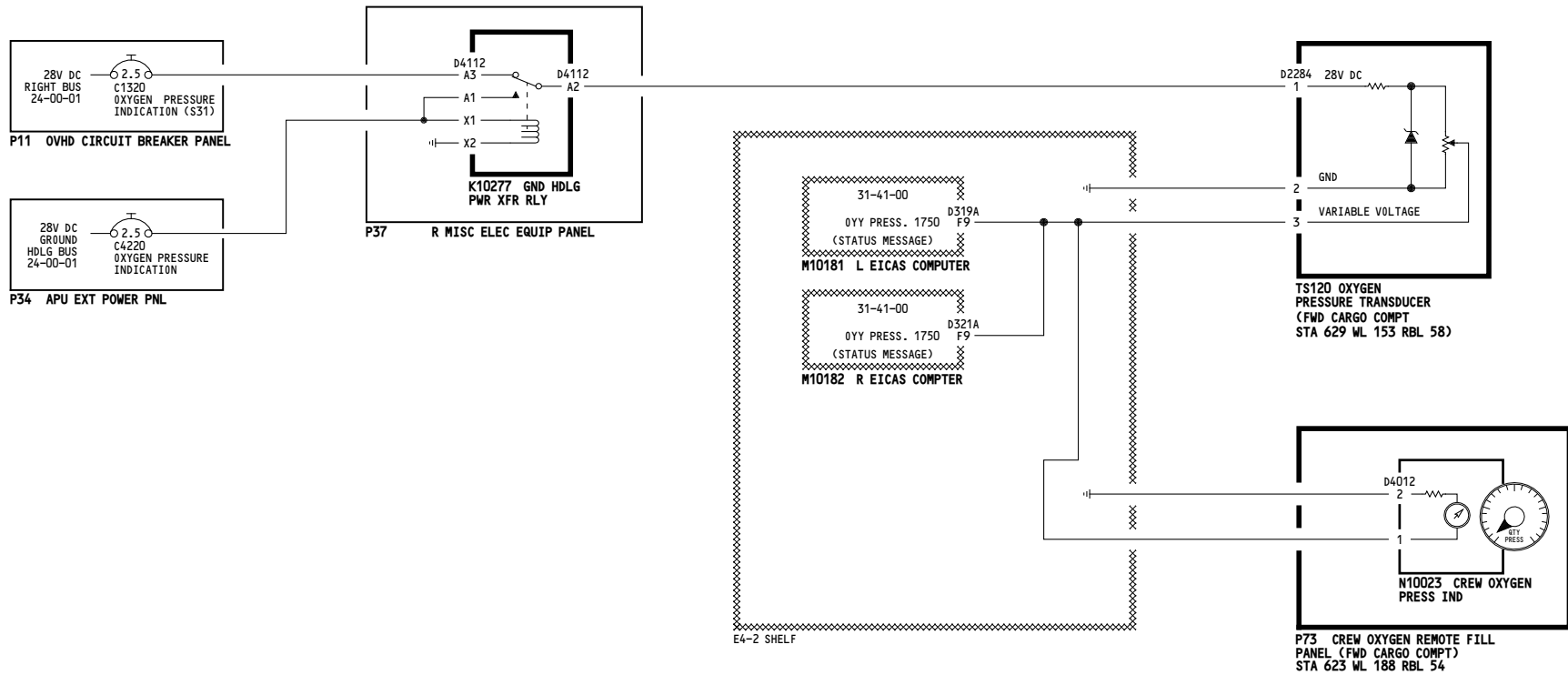
35-11-01

Page 101

Jan 21/2005

5036

WIRING DIAGRAMS
35-11-13



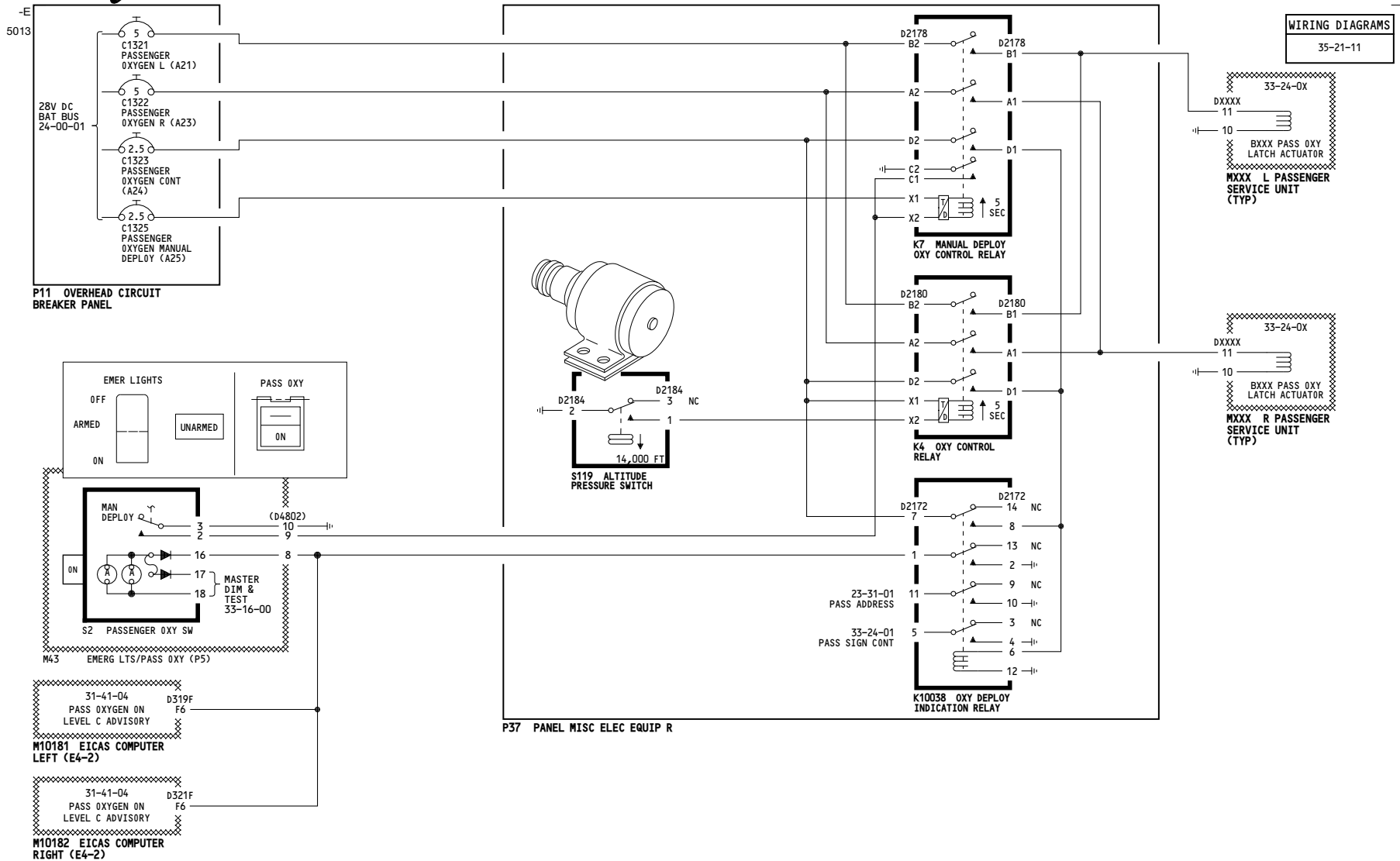
115-199	<p align="center">FLIGHT CREW OXYGEN</p> <p align="center">D280N032S</p>
---------	---

35-11-01

Page 102

Jan 21/2005

THIS PAGE INTENTIONALLY LEFT BLANK



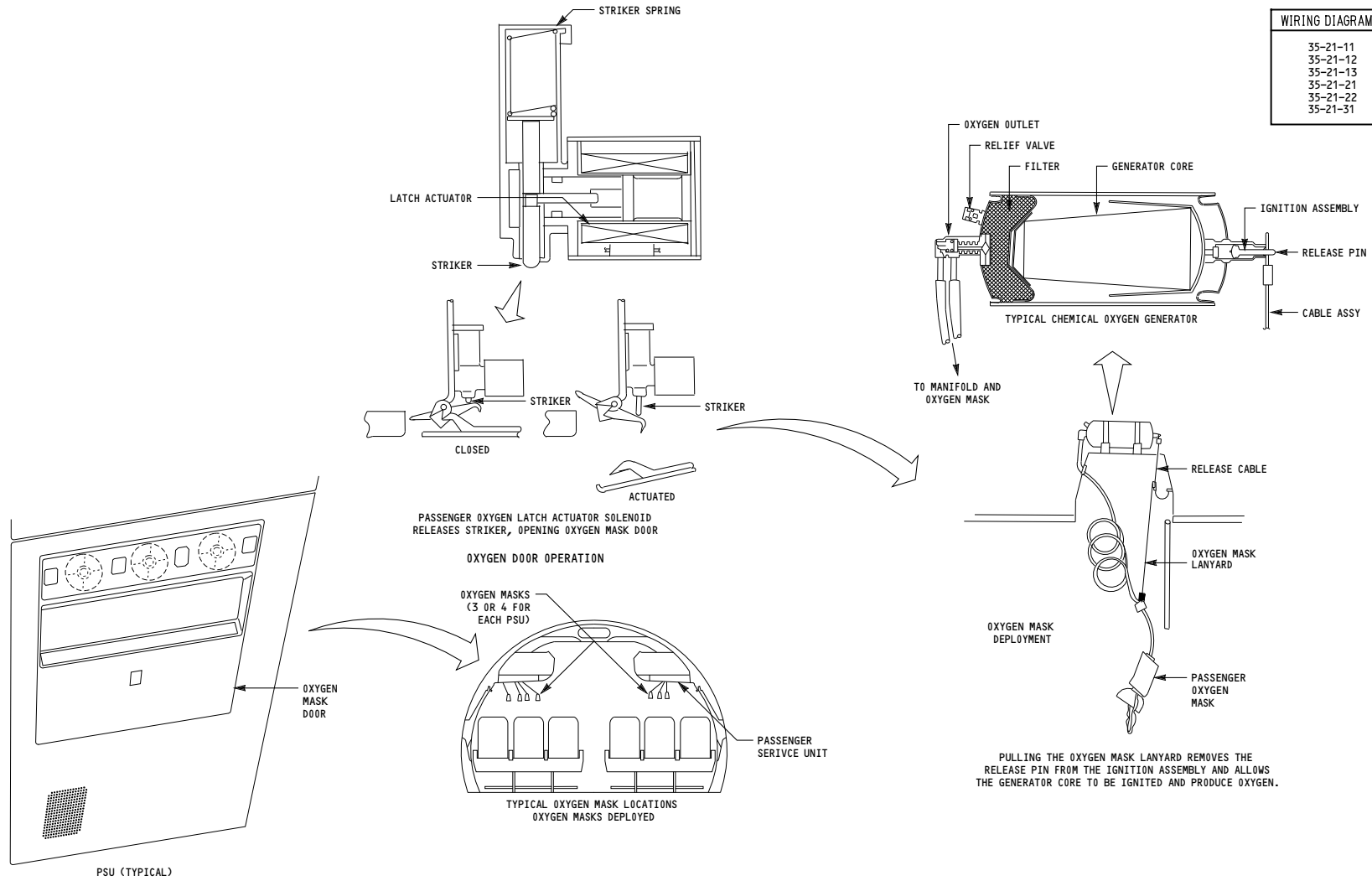
001-004, 006, 009-099, 115-199

PASSENGER OXYGEN SYSTEM

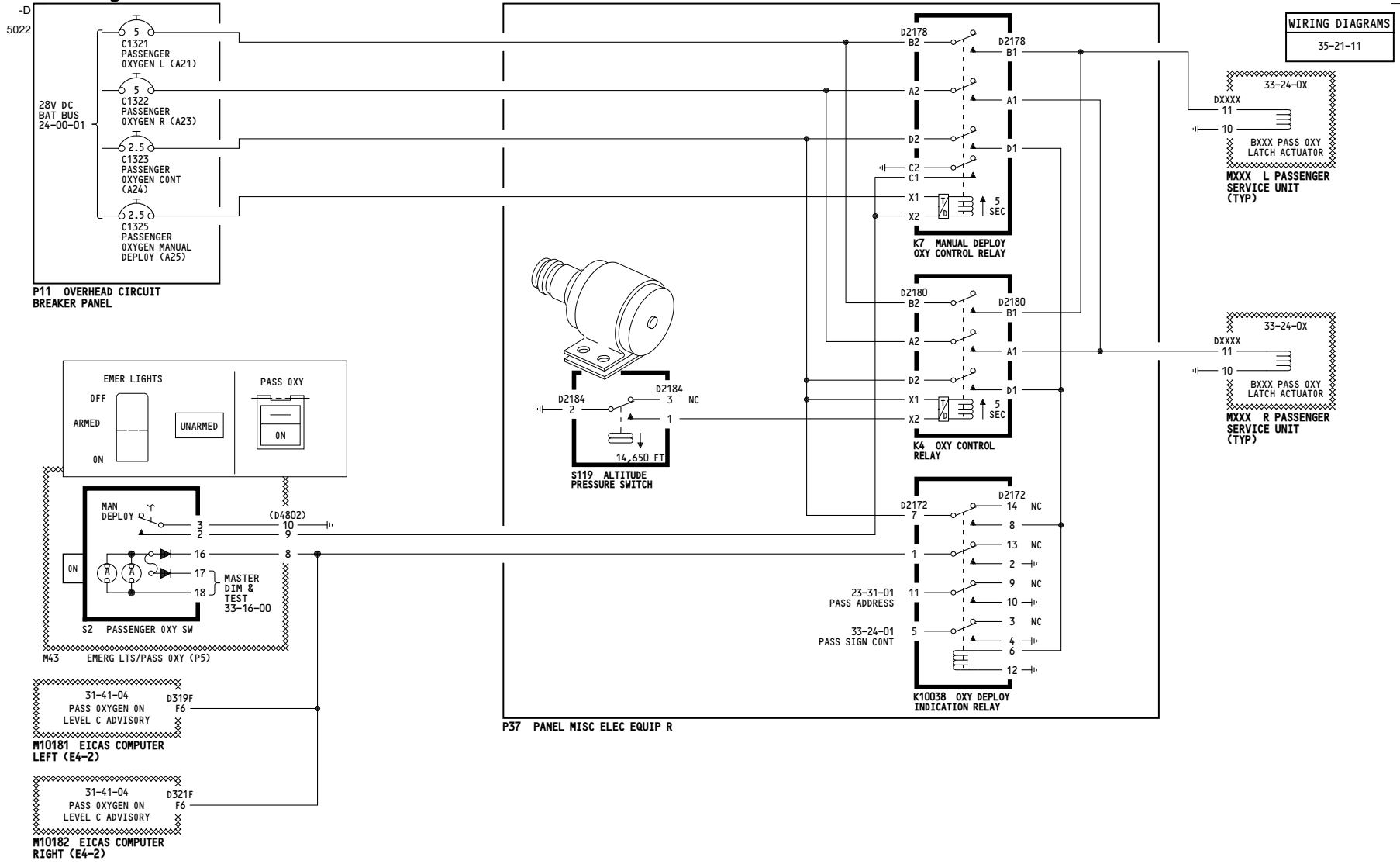
D280N032S

35-21-01

WIRING DIAGRAMS	
35-21-11	
35-21-12	
35-21-13	
35-21-21	
35-21-22	
35-21-31	



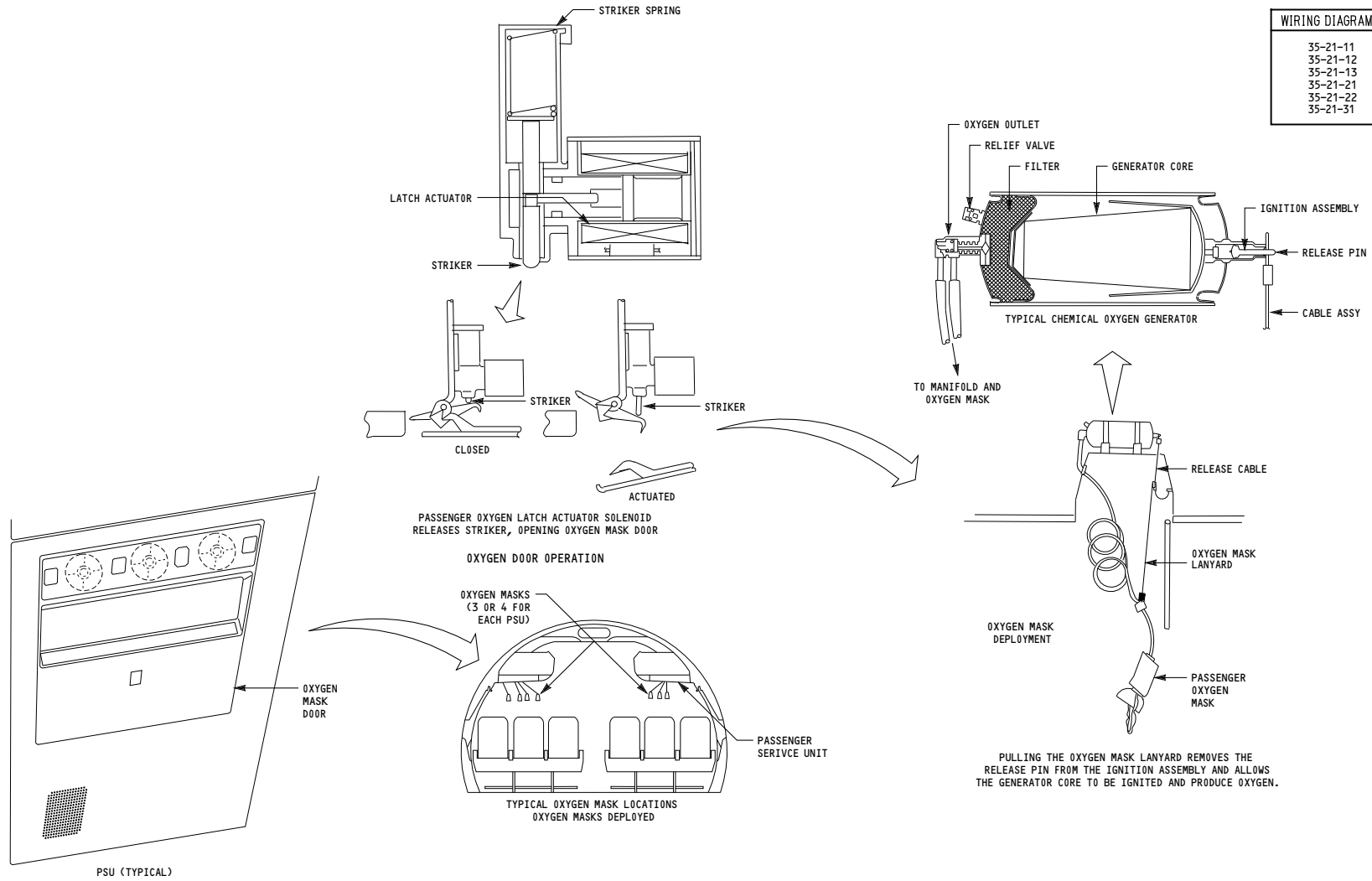
001-004, 006, 009-099, 115-199	PASSENGER OXYGEN SYSTEM
	D280N032S



005, 007-008	PASSENGER OXYGEN SYSTEM
D280N032S	

35-21-01

WIRING DIAGRAMS	
35-21-11	
35-21-12	
35-21-13	
35-21-21	
35-21-22	
35-21-31	

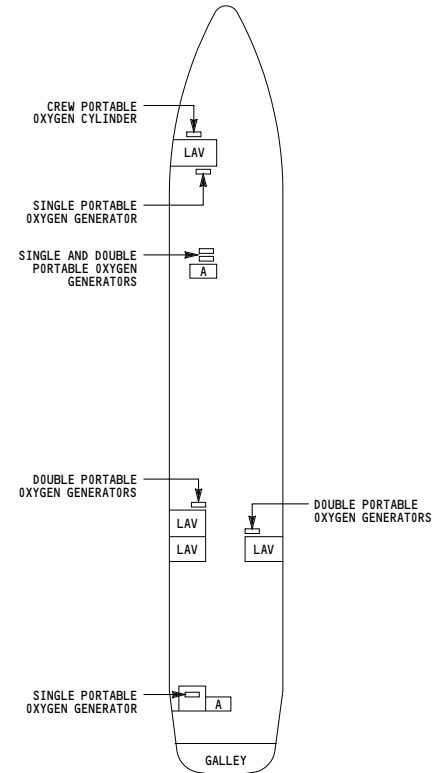
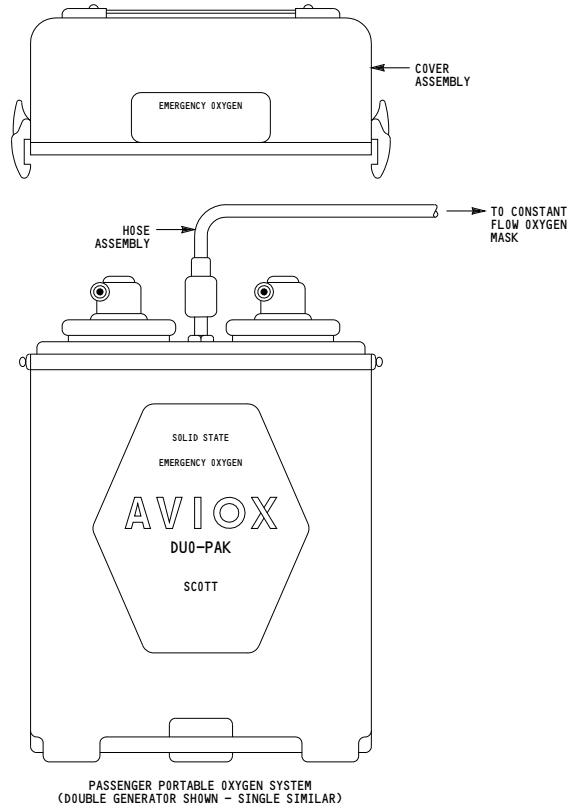
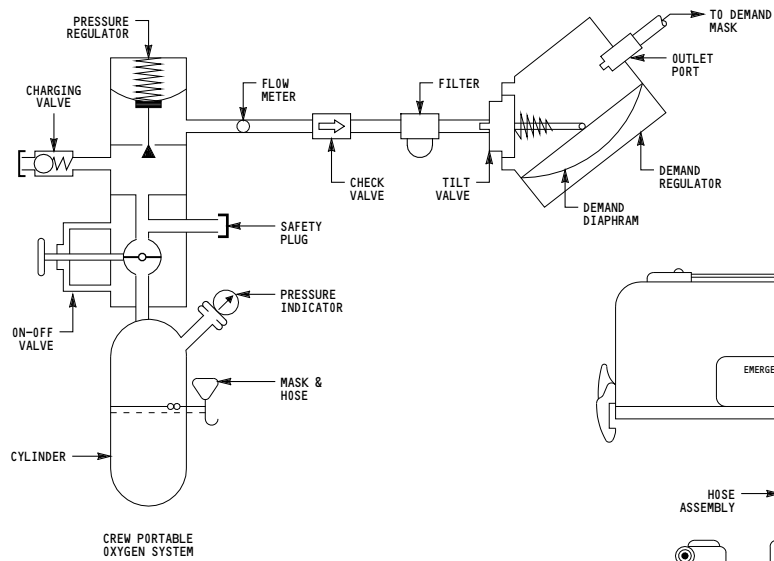


005, 007-008	<p align="center">PASSENGER OXYGEN SYSTEM</p> <p align="center">D280N032S</p>
--------------	--

35-21-01

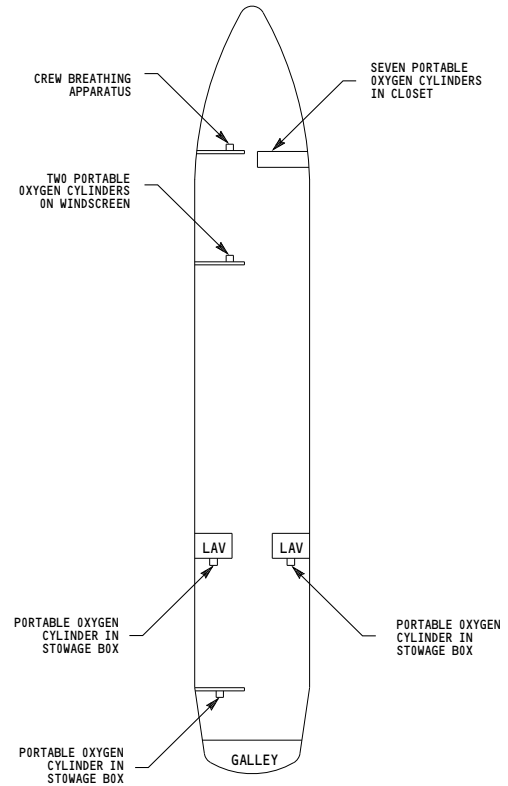
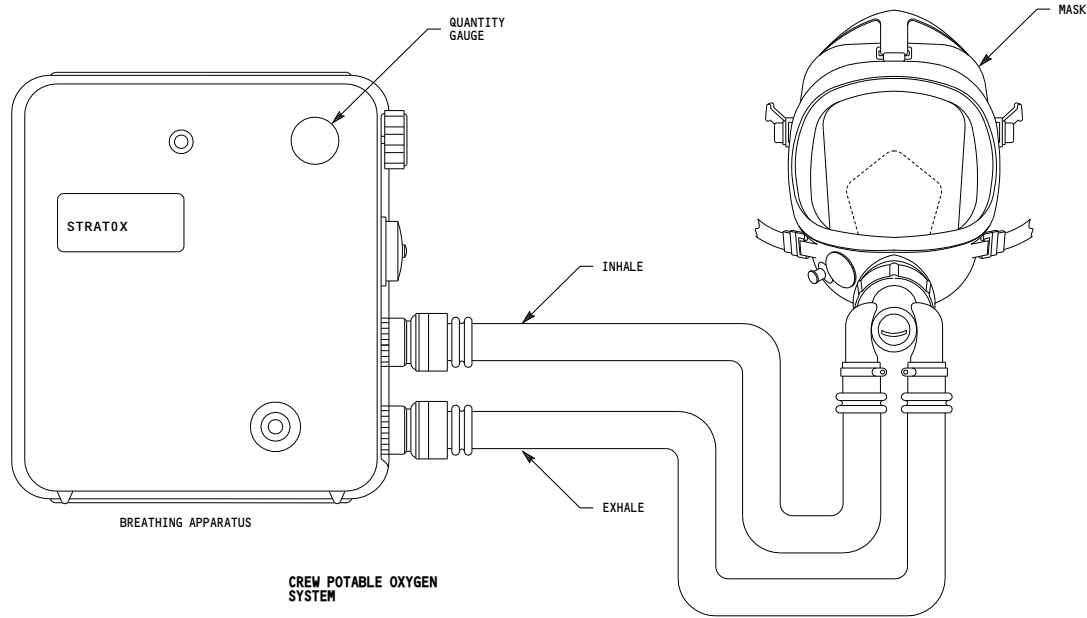
Page 102
Sheet 2
Jan 21/2005

5011



001-099	<p align="center">PORTABLE OXYGEN SYSTEM</p> <p align="center">D280N032S</p>
---------	---

5012



INFORMATION TO BE PROVIDED WHEN AVAILABLE

PASSENGER PORTABLE OXYGEN SYSTEM

115-199	<p align="center">PORTABLE OXYGEN SYSTEM</p> <p align="center">D280N032S</p>
---------	---