

CHAPTER

35

OXYGEN



CHAPTER 35
OXYGEN

CH-SC-SU	Schem	Page	Sheet	Date	CH-SC-SU	Schem	Page	Sheet	Date
35-EFFECTIVE PAGES									
		1		May 06/2009					
		2		BLANK					
35-CONTENTS									
R		1		May 06/2009					
		2		BLANK					
35-ALPHABETICAL INDEX									
		1		Dec 18/2007					
		2		BLANK					
35-11-01									
R		101		May 06/2009					
D		102		May 06/2009					
35-21-01									
R		101	1	May 06/2009					
R			2	May 06/2009					
		102	1	Jan 21/2005					
			2	Jan 21/2005					
35-31-01									
R		101		May 06/2009					
D		102		May 06/2009					

A = Added, R = Revised, D = Deleted, O = Overflow

35-EFFECTIVE PAGES



CHAPTER 35
OXYGEN

Title	CH-SC-SU	Schem	Page	Sheet	Date	Effectivity
<u>CREW OXYGEN SYSTEM</u>						
I FLIGHT CREW OXYGEN	35-11-01		101		May 06/2009	ALL
<u>PASSENGER OXYGEN SYSTEM</u>						
I PASSENGER OXYGEN SYSTEM	35-21-01		101	1	May 06/2009	001-004 006 009-099
I				2	May 06/2009	001-004 006 009-099
			102	1	Jan 21/2005	005 007-008
				2	Jan 21/2005	005 007-008
<u>PORTABLE OXYGEN EQUIPMENT</u>						
I PORTABLE OXYGEN SYSTEM	35-31-01		101		May 06/2009	ALL



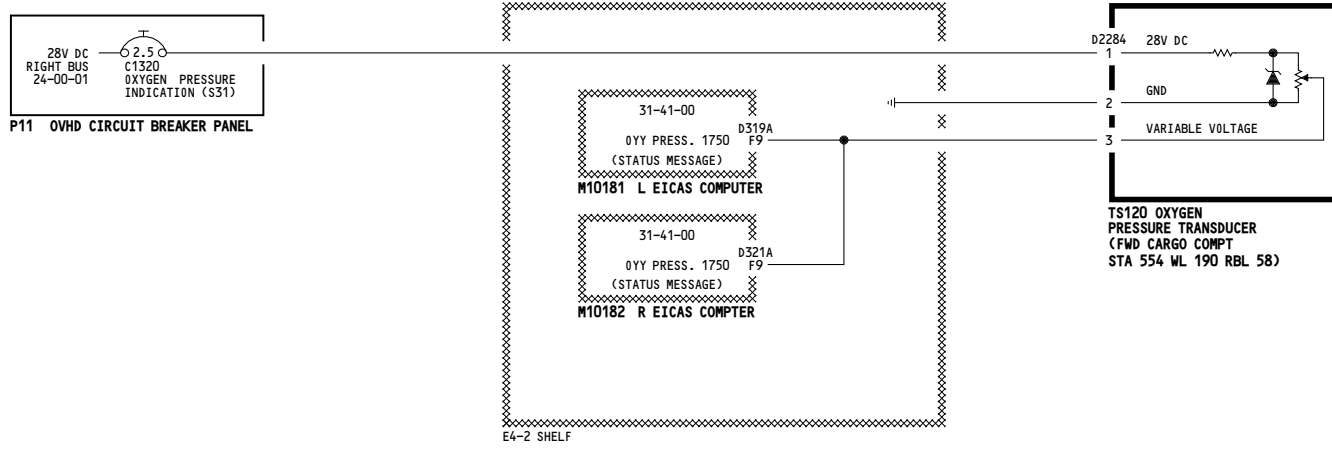
CHAPTER 35
OXYGEN

CH-SC-SU	Title
35-11-01	FLIGHT CREW OXYGEN
35-21-01	PASSENGER OXYGEN SYSTEM
35-31-01	PORTABLE OXYGEN SYSTEM

CH-SC-SU	Title
----------	-------

35-ALPHABETICAL INDEX

D280N032S

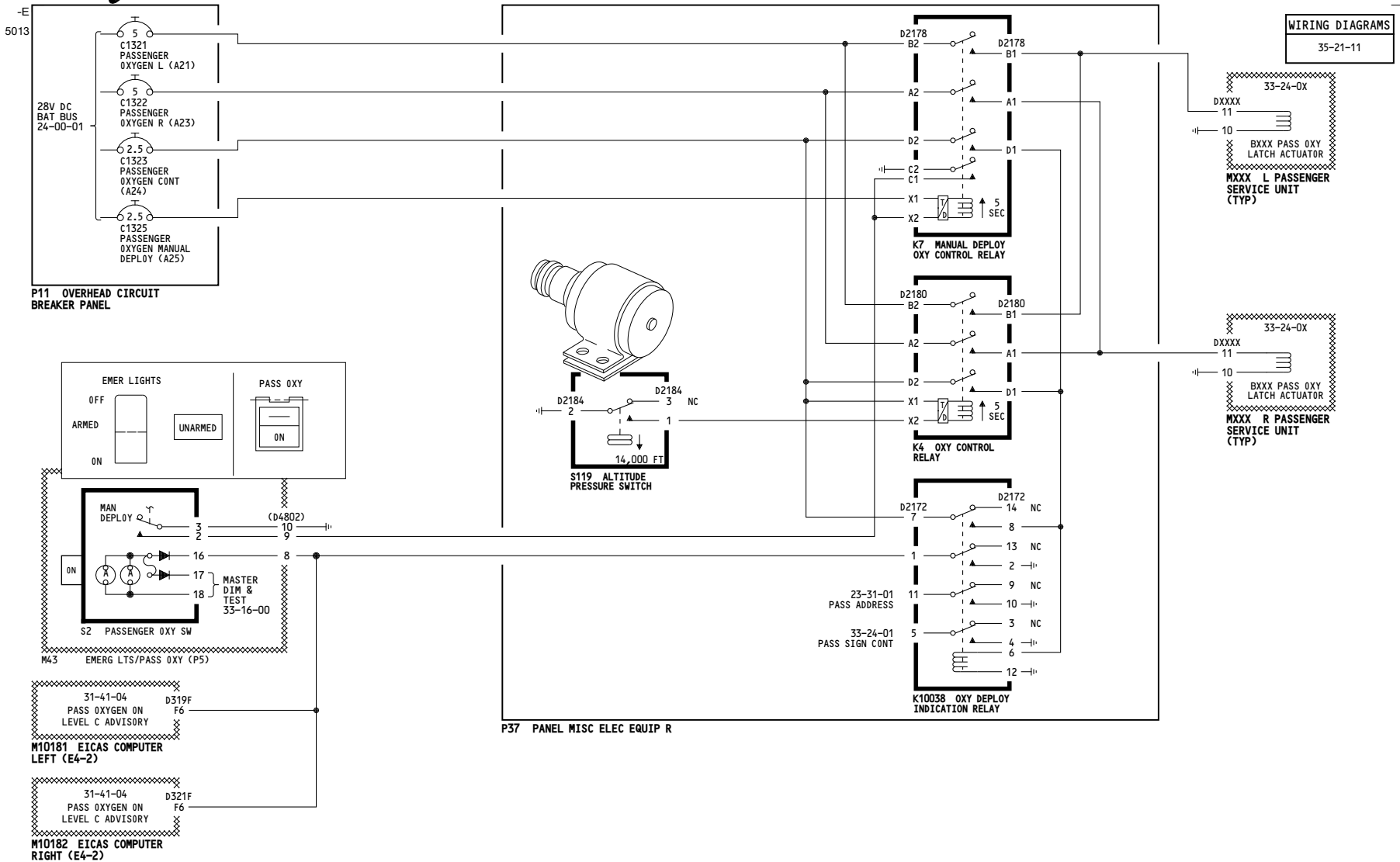


ALL	<p>FLIGHT CREW OXYGEN</p> <p>D280N032S</p>
-----	---

35-11-01

Page 101

May 06/2009



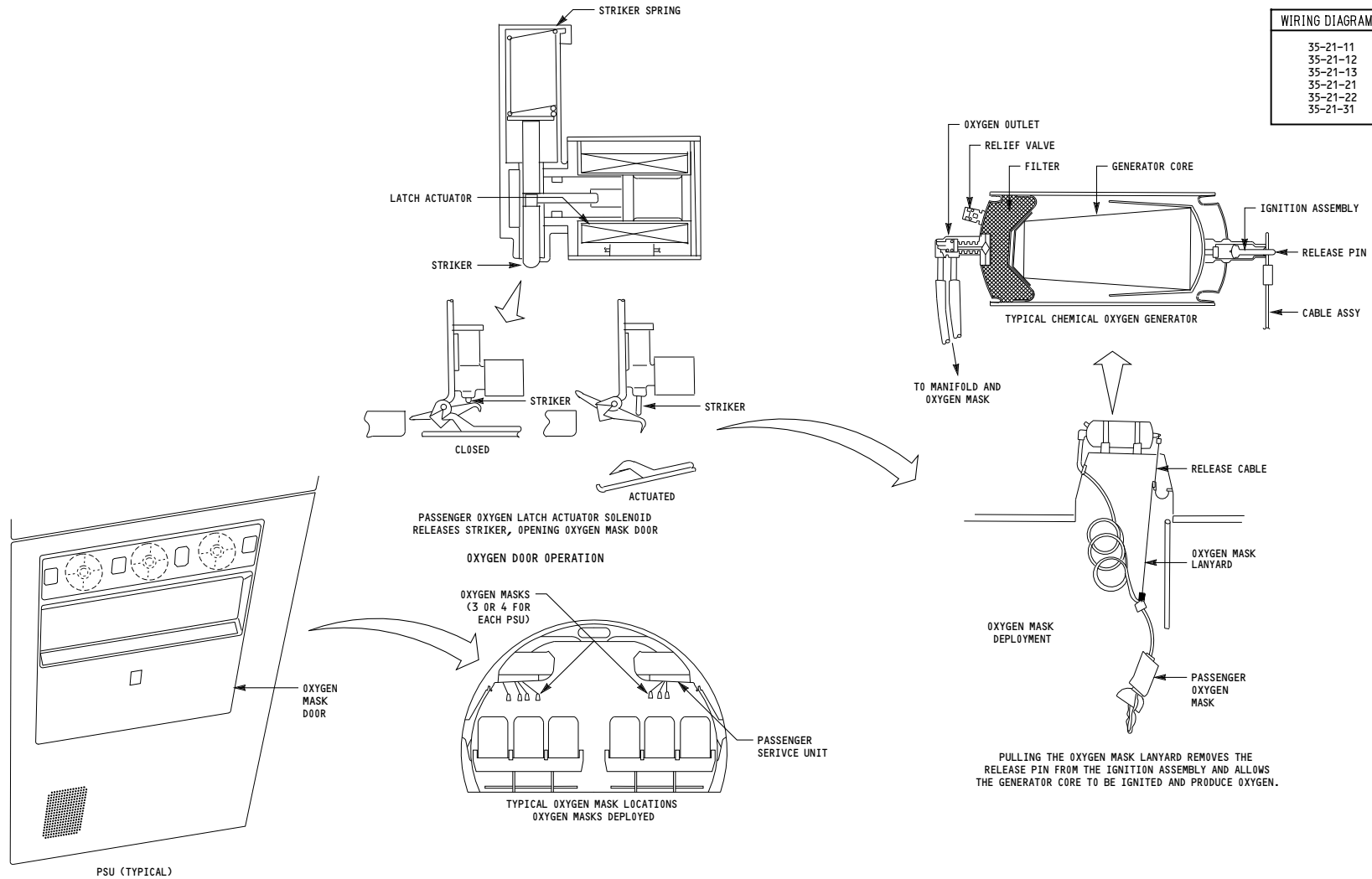
001-004, 006, 009-099

PASSENGER OXYGEN SYSTEM

D280N032S

35-21-01

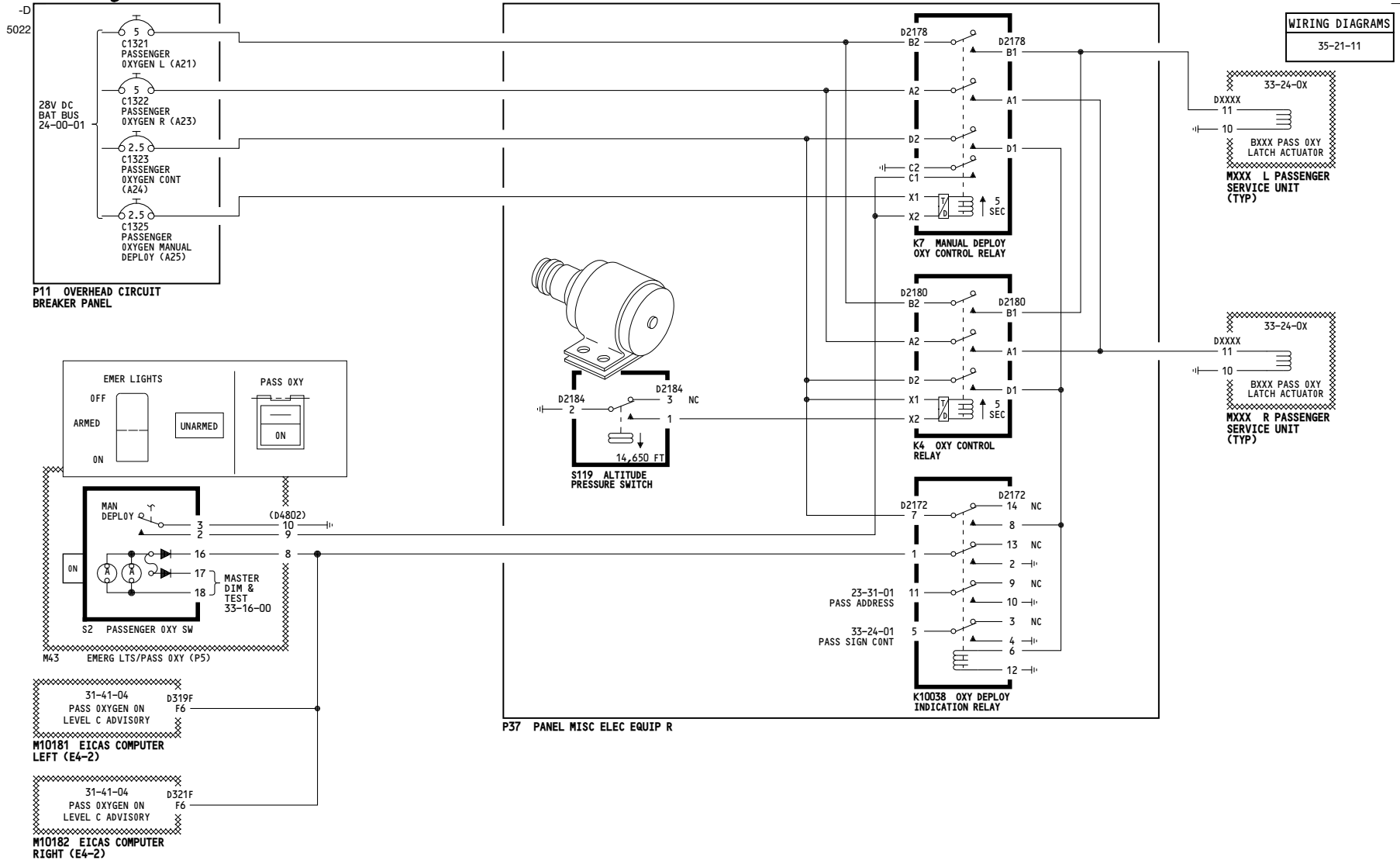
WIRING DIAGRAMS	
35-21-11	
35-21-12	
35-21-13	
35-21-21	
35-21-22	
35-21-31	



001-004, 006, 009-099	PASSENGER OXYGEN SYSTEM
	D280N032S

35-21-01

Page 101
Sheet 2
May 06/2009



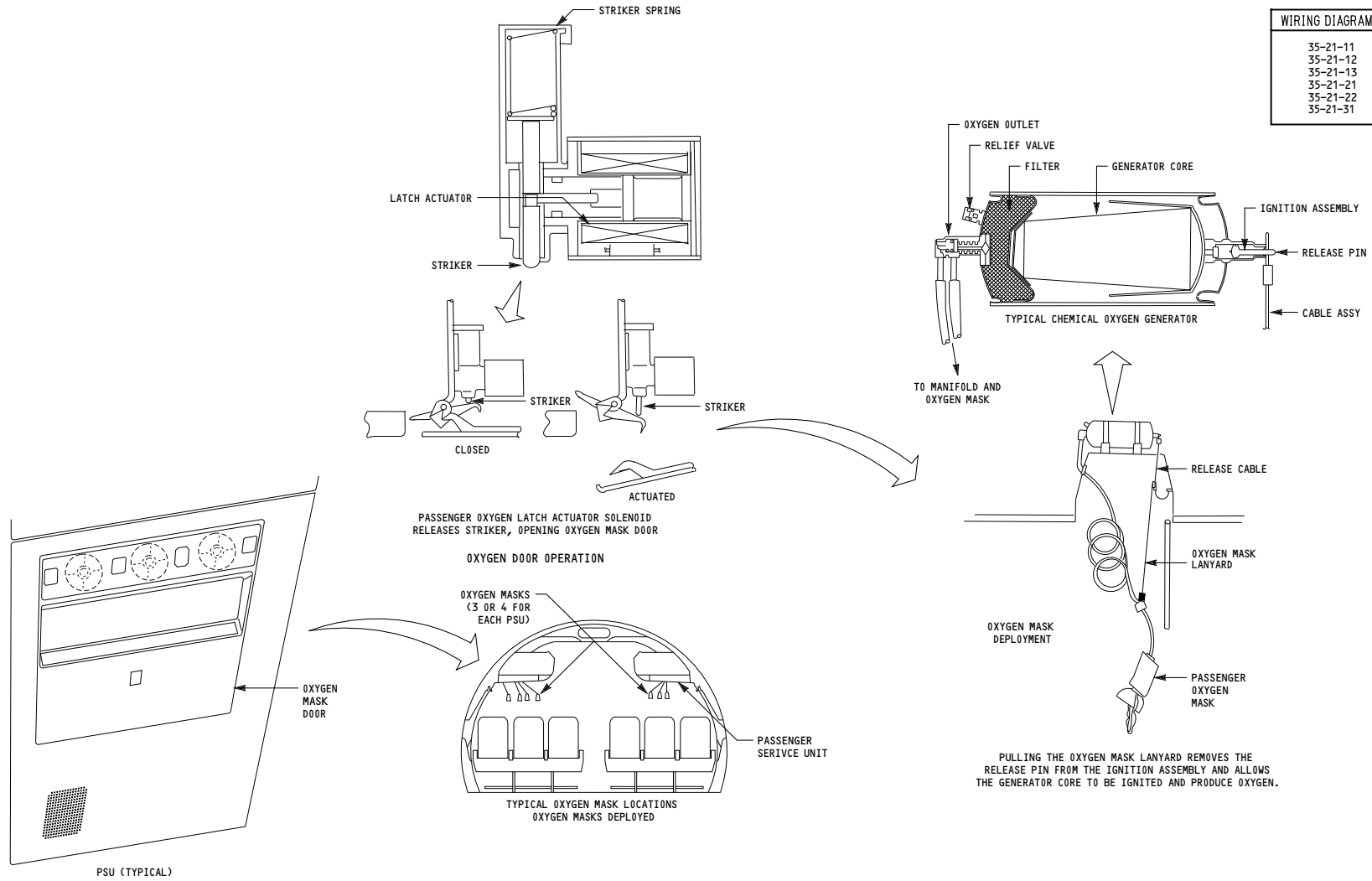
WIRING DIAGRAMS
35-21-11

005, 007-008	PASSENGER OXYGEN SYSTEM
D280N032S	

35-21-01

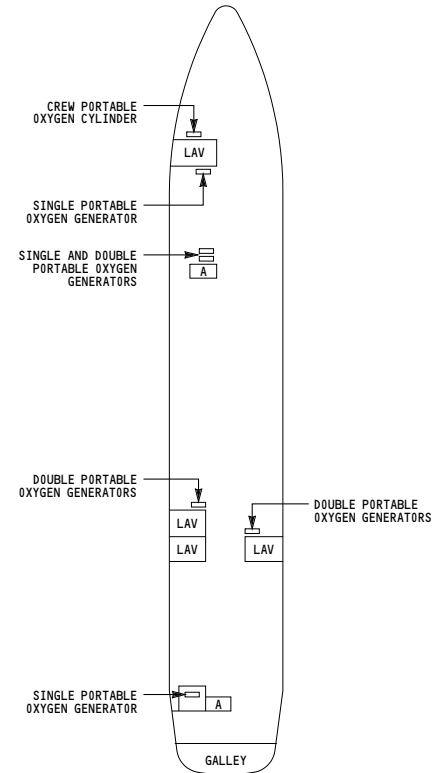
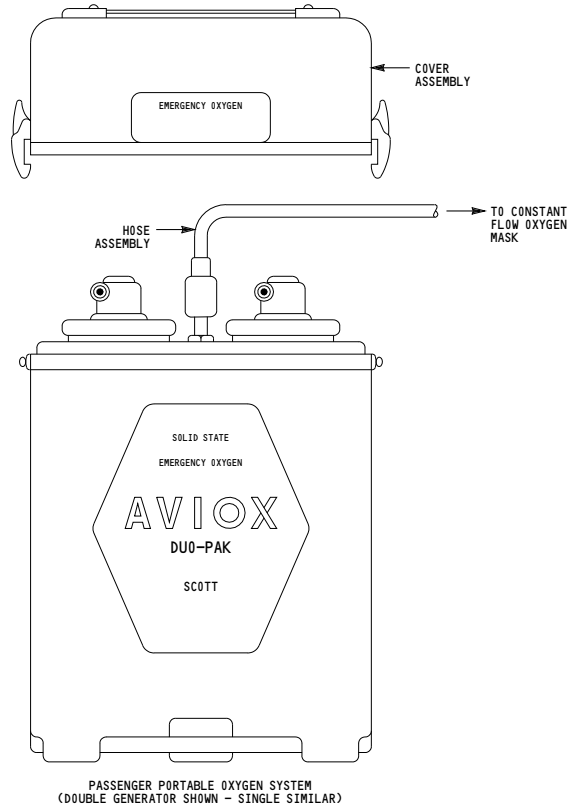
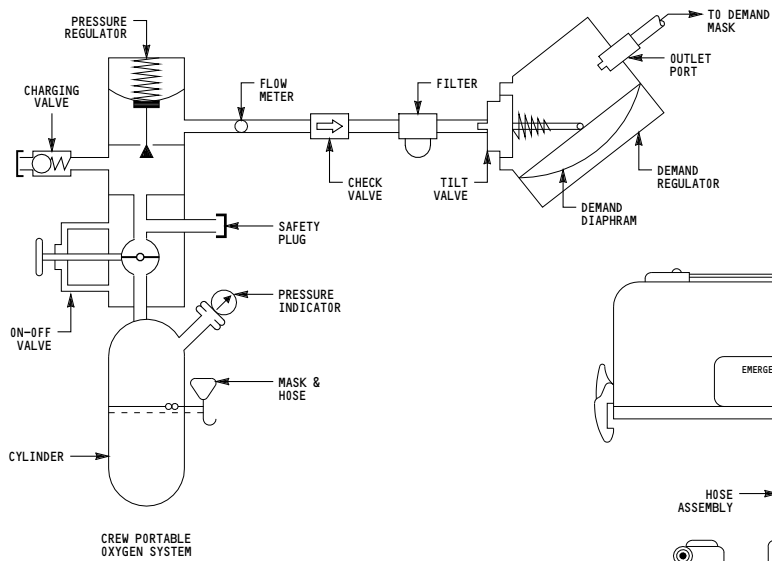
Page 102
Sheet 1
Jan 21/2005

WIRING DIAGRAMS	
35-21-11	
35-21-12	
35-21-13	
35-21-21	
35-21-22	
35-21-31	



005, 007-008	<p align="center">PASSENGER OXYGEN SYSTEM</p> <p align="center">D280N032S</p>
--------------	--

5011



ALL	<p>PORTABLE OXYGEN SYSTEM</p> <p>D280N032S</p>
-----	---