

CHAPTER

52

DOORS



CHAPTER 52
DOORS

CH-SC-SU	Schem	Page	Sheet	Date	CH-SC-SU	Schem	Page	Sheet	Date
52-EFFECTIVE PAGES									
		1		May 06/2009					
		2		BLANK					
52-CONTENTS									
R		1		May 06/2009					
		2		BLANK					
52-ALPHABETICAL INDEX									
		1		Dec 18/2007					
		2		BLANK					
52-00-00									
R		101		May 06/2009					
D		102		May 06/2009					
52-34-01									
R		101		May 06/2009					
D		102		May 06/2009					
52-34-02									
R		101		May 06/2009					
D		102		May 06/2009					
52-51-01									
R		101		May 06/2009					
52-71-01									
R		101		May 06/2009					
D		102		May 06/2009					

A = Added, R = Revised, D = Deleted, O = Overflow

52-EFFECTIVE PAGES

CHAPTER 52
DOORS

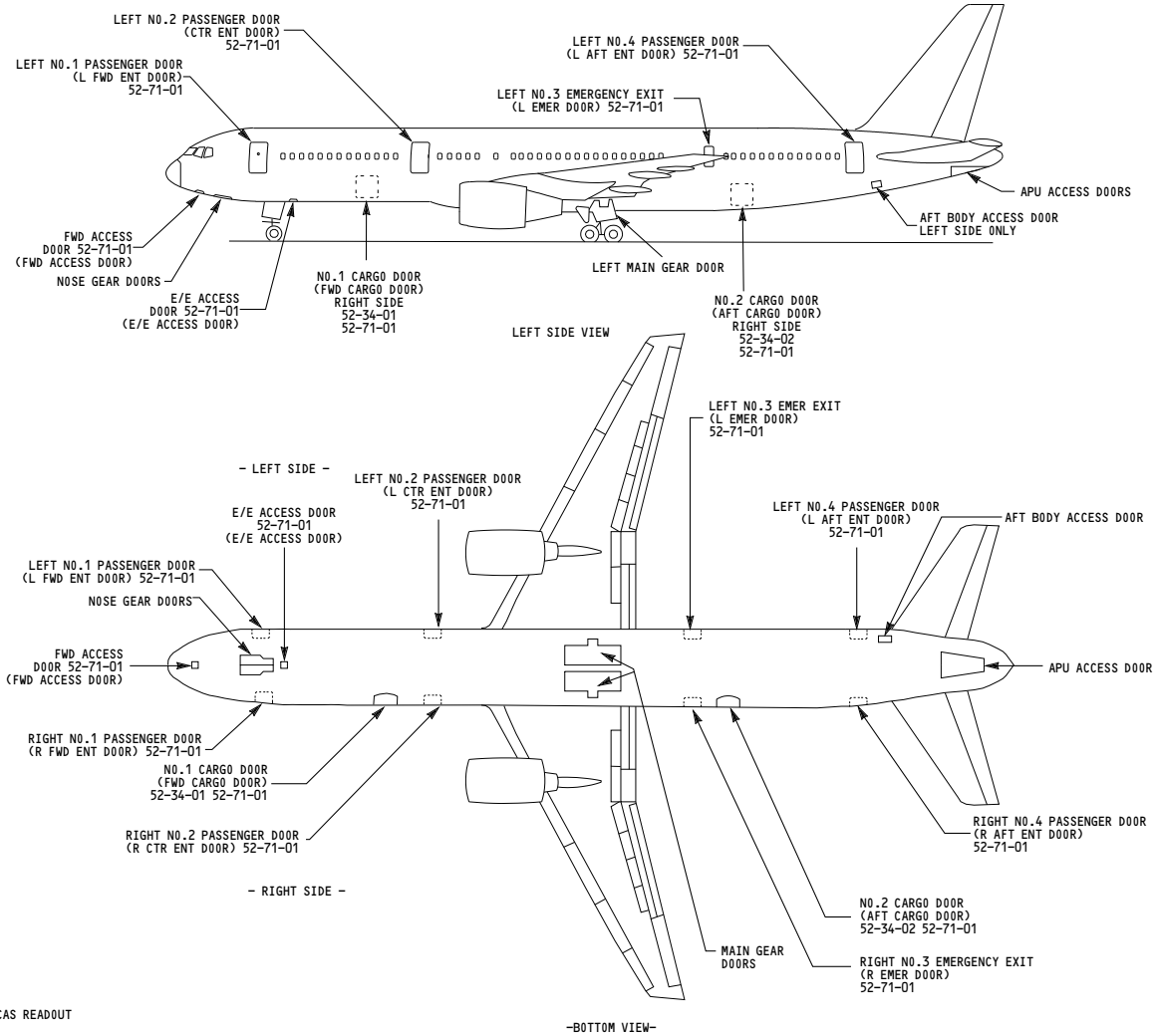
	Title	CH-SC-SU	Schem	Page	Sheet	Date	Effectivity
	<u>DOORS</u>						
I	DOOR LOCATIONS	52-00-00		101		May 06/2009	ALL
	<u>NO. 1 AND 2 CARGO DOOR</u>						
I	CARGO DOOR CONTROL 1	52-34-01		101		May 06/2009	ALL
I	CARGO DOOR CONTROL 2	52-34-02		101		May 06/2009	ALL
	<u>FLIGHT COMPARTMENT DOOR</u>						
I	FLIGHT DECK DOOR LOCK	52-51-01		101		May 06/2009	ALL
	<u>DOOR WARNING SYSTEM</u>						
I	DOOR WARNING INDICATION	52-71-01		101		May 06/2009	ALL

CHAPTER 52
DOORS

CH-SC-SU	Title
52-34-01	CARGO DOOR CONTROL 1
52-34-02	CARGO DOOR CONTROL 2
52-00-00	DOOR LOCATIONS
52-71-01	DOOR WARNING INDICATION
52-51-01	FLIGHT DECK DOOR LOCK

CH-SC-SU	Title
----------	-------

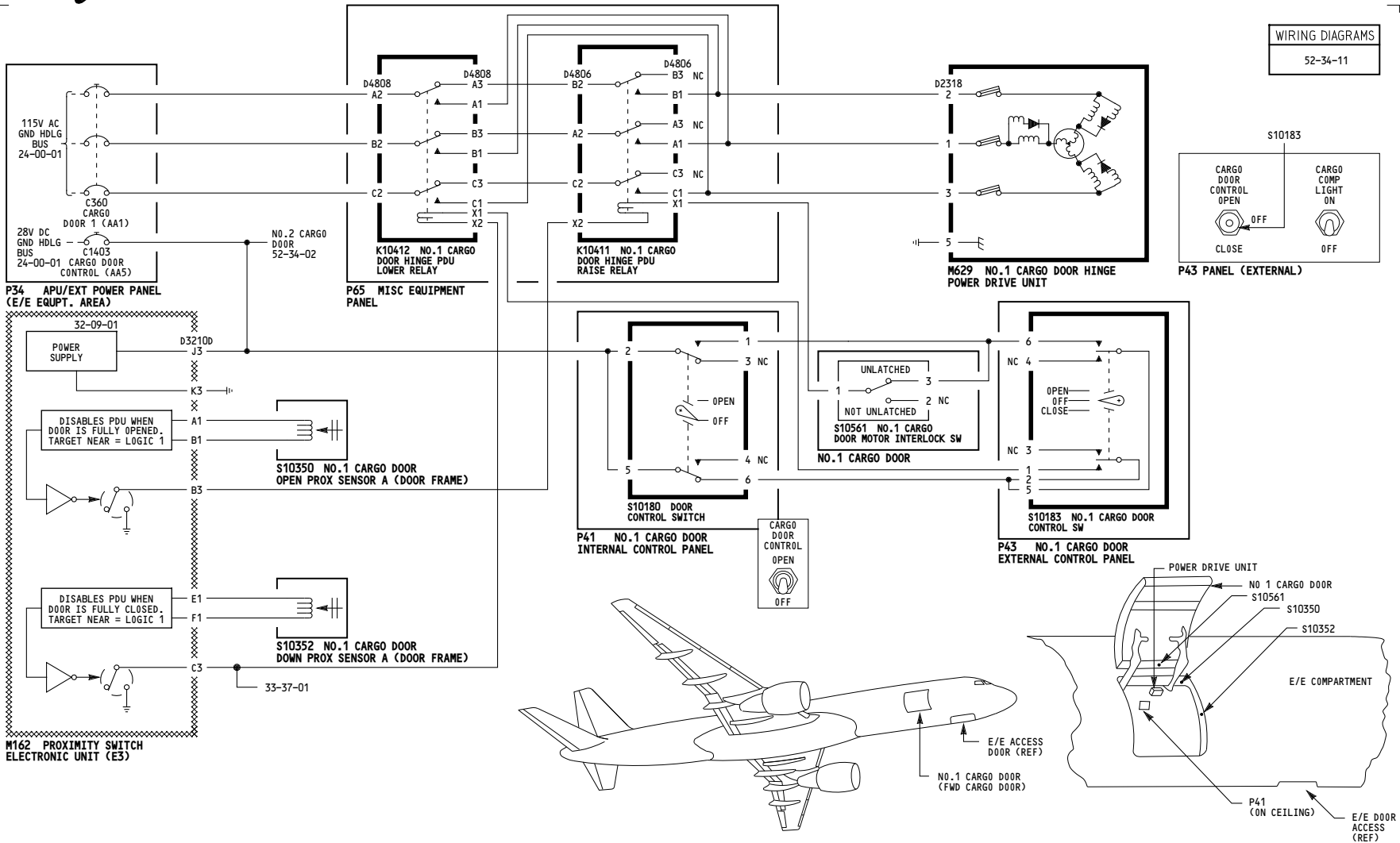
52-ALPHABETICAL INDEX



NOTES: NOMENCLATURE IN PHARENTHESIS REFLECTS EICAS READOUT

ALL	<p align="center">DOOR LOCATIONS</p> <p align="center">D280N032S</p>
-----	---

5017



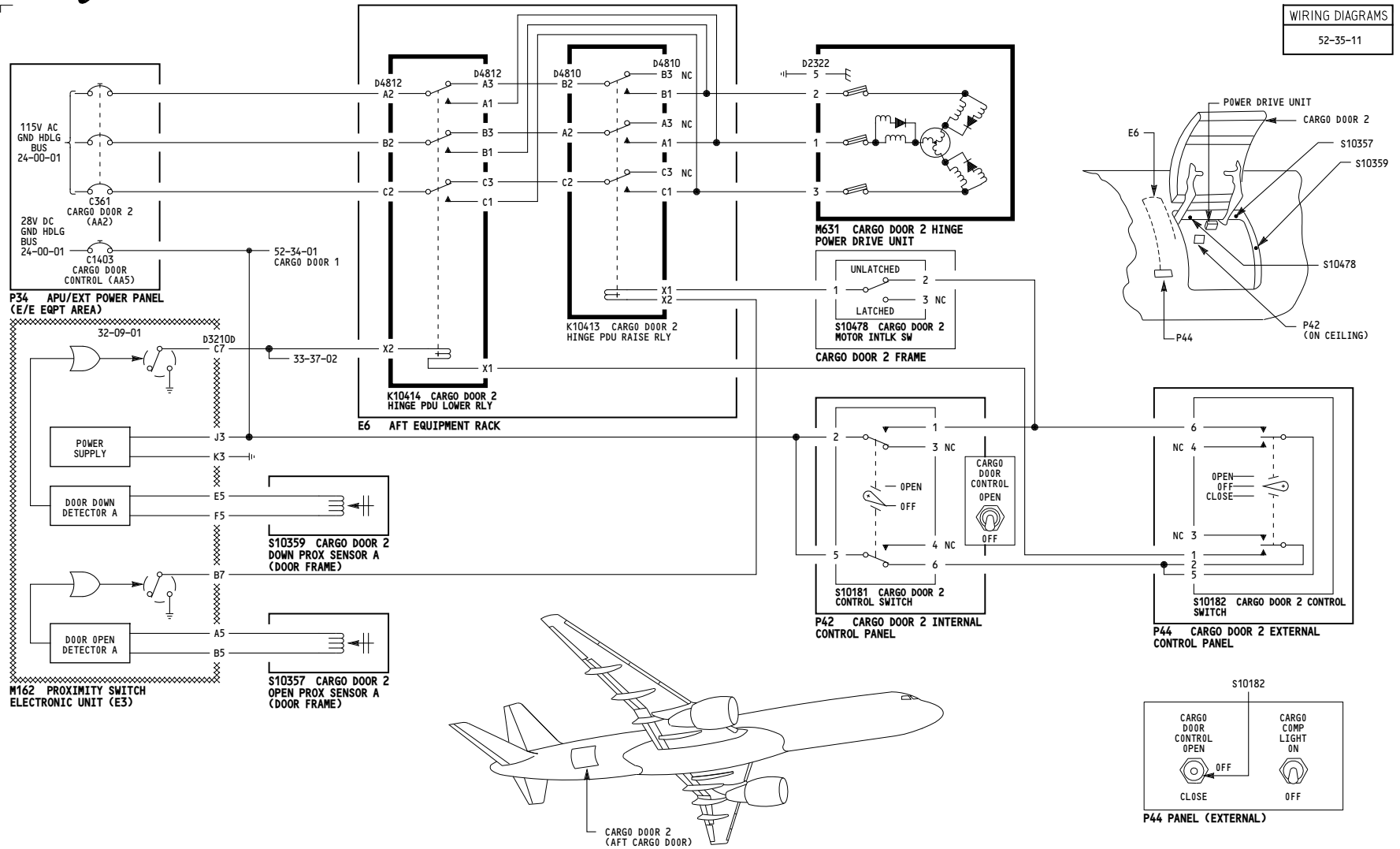
ALL	CARGO DOOR CONTROL 1
	D280N032S

52-34-01

Page 101

May 06/2009

-A-
5017

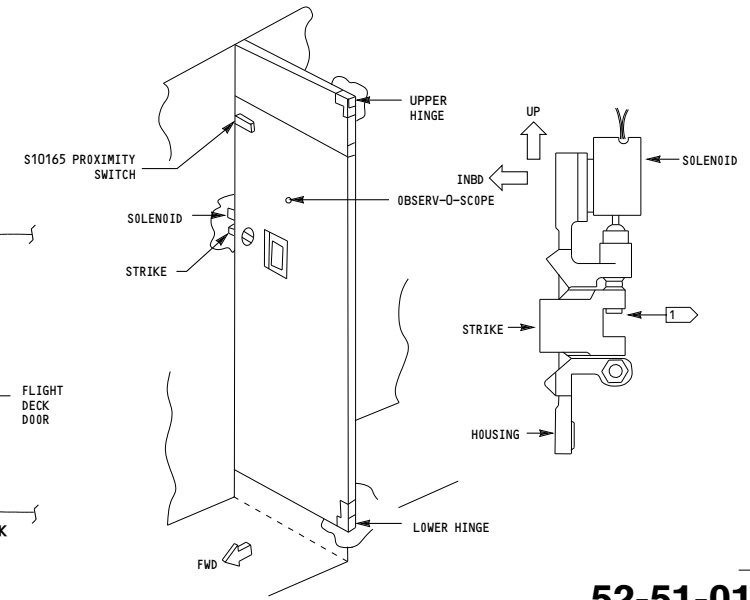
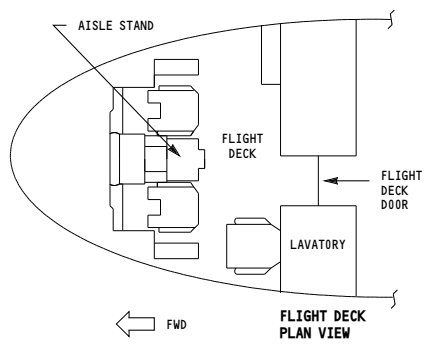
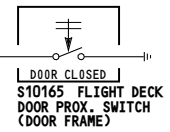
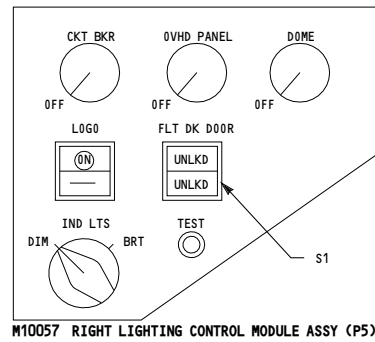
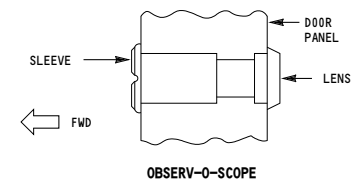
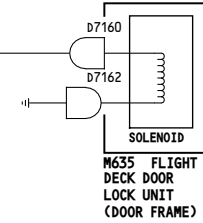
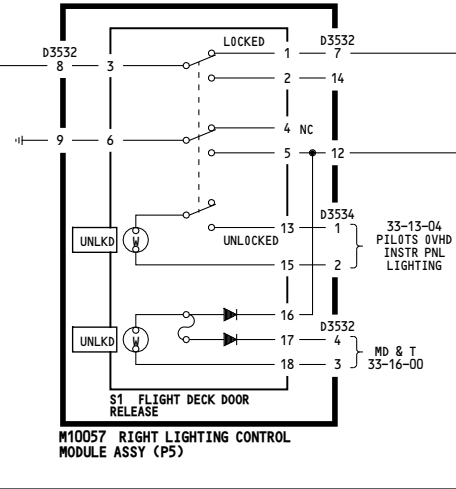
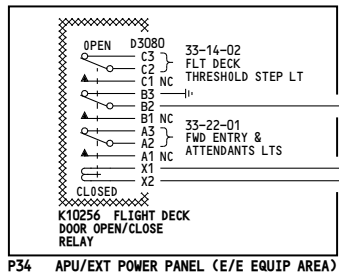
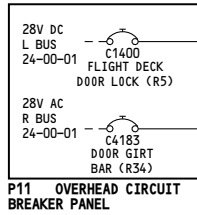


ALL	CARGO DOOR CONTROL 2
	D280N032S

52-34-02

5014

WIRING DIAGRAMS
33-22-11
52-51-11



1 SOLENOID SHOWN IN ENERGIZED POSITION

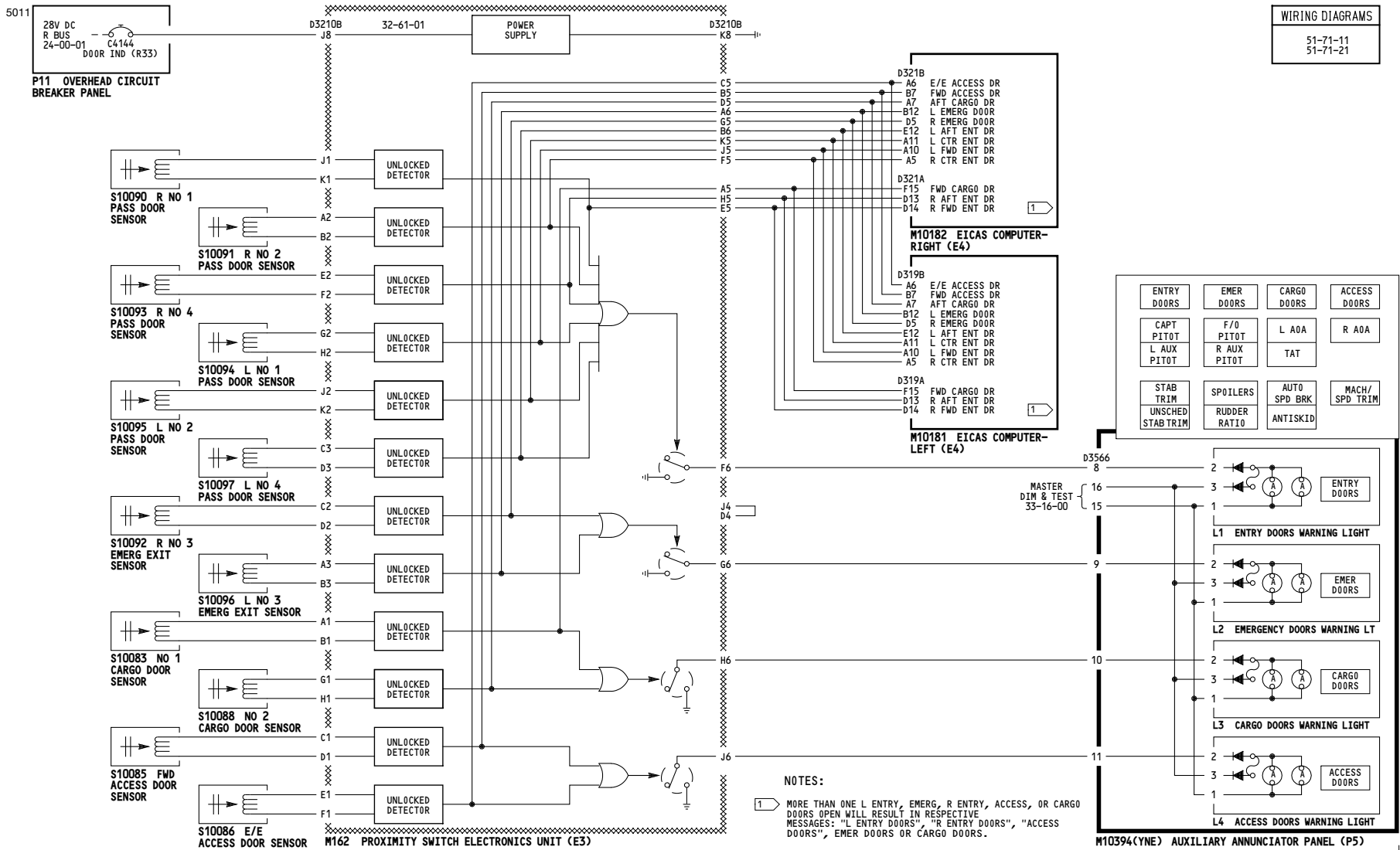
ALL	<p>FLIGHT DECK DOOR LOCK</p> <p>D280N032S</p>
-----	--

52-51-01

Page 101

May 06/2009

WIRING DIAGRAMS
51-71-11
51-71-21



ALL

DOOR WARNING INDICATION

D280N032S

52-71-01