

CHAPTER

74

IGNITION



CHAPTER 74
IGNITION

CH-SC-SU	Schem	Page	Sheet	Date	CH-SC-SU	Schem	Page	Sheet	Date
74-EFFECTIVE PAGES									
		1		May 06/2009					
		2		BLANK					
74-CONTENTS									
R		1		May 06/2009					
		2		BLANK					
74-ALPHABETICAL INDEX									
		1		Dec 18/2007					
		2		BLANK					
74-31-01									
R		101		May 06/2009					
D		102		May 06/2009					
74-31-02									
R		101		May 06/2009					
D		102		May 06/2009					

A = Added, R = Revised, D = Deleted, O = Overflow

74-EFFECTIVE PAGES

CHAPTER 74
IGNITION

Title	CH-SC-SU	Schem	Page	Sheet	Date	Effectivity
<u>ENGINE IGNITION CONTROL</u>						
I LEFT ENGINE IGNITION	74-31-01		101		May 06/2009	ALL
I RIGHT ENGINE IGNITION	74-31-02		101		May 06/2009	ALL

CHAPTER 74
IGNITION

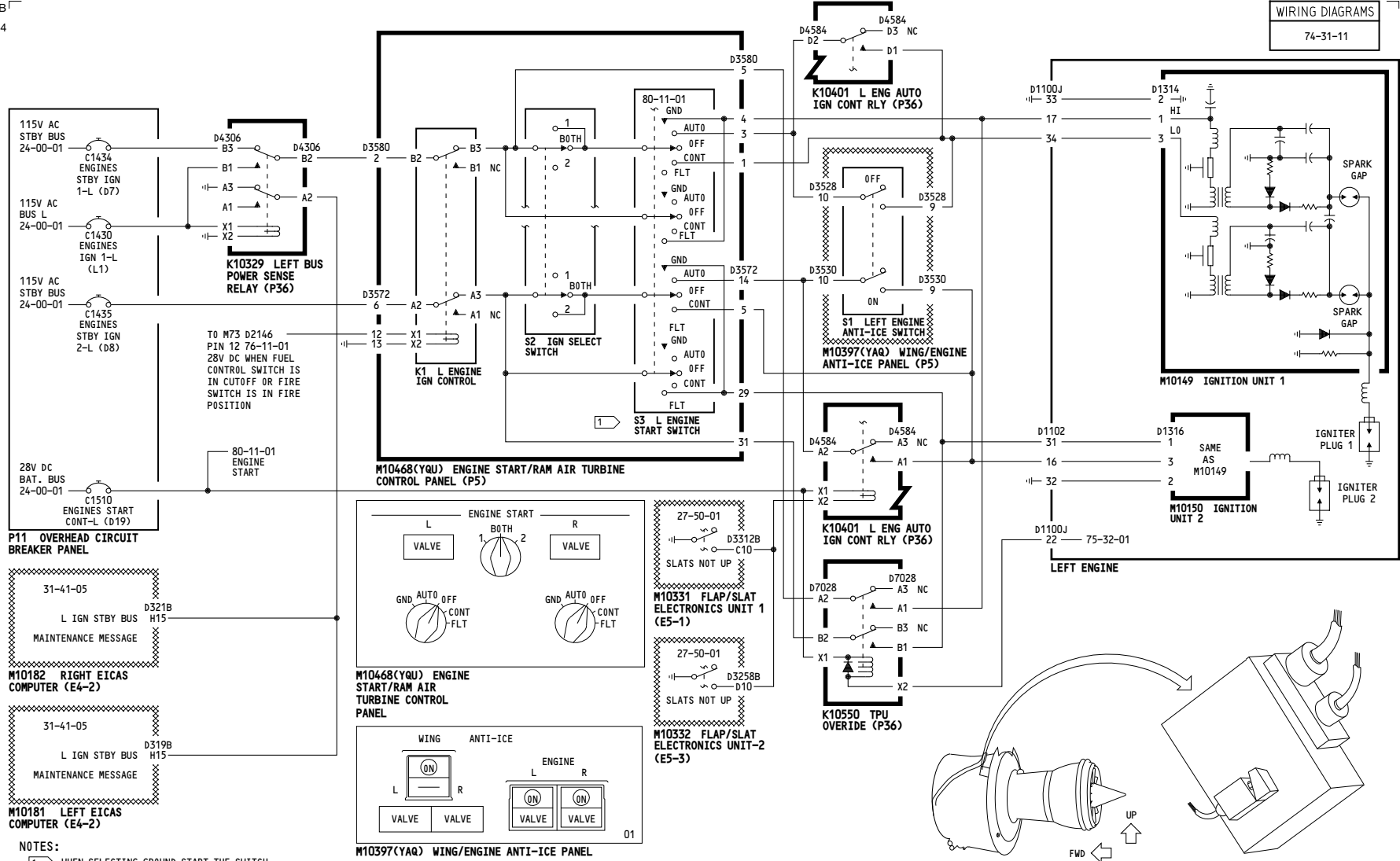
CH-SC-SU	Title
74-31-01	LEFT ENGINE IGNITION
74-31-02	RIGHT ENGINE IGNITION

CH-SC-SU	Title
----------	-------

74-ALPHABETICAL INDEX

-B
5014

WIRING DIAGRAMS
74-31-11



ALL

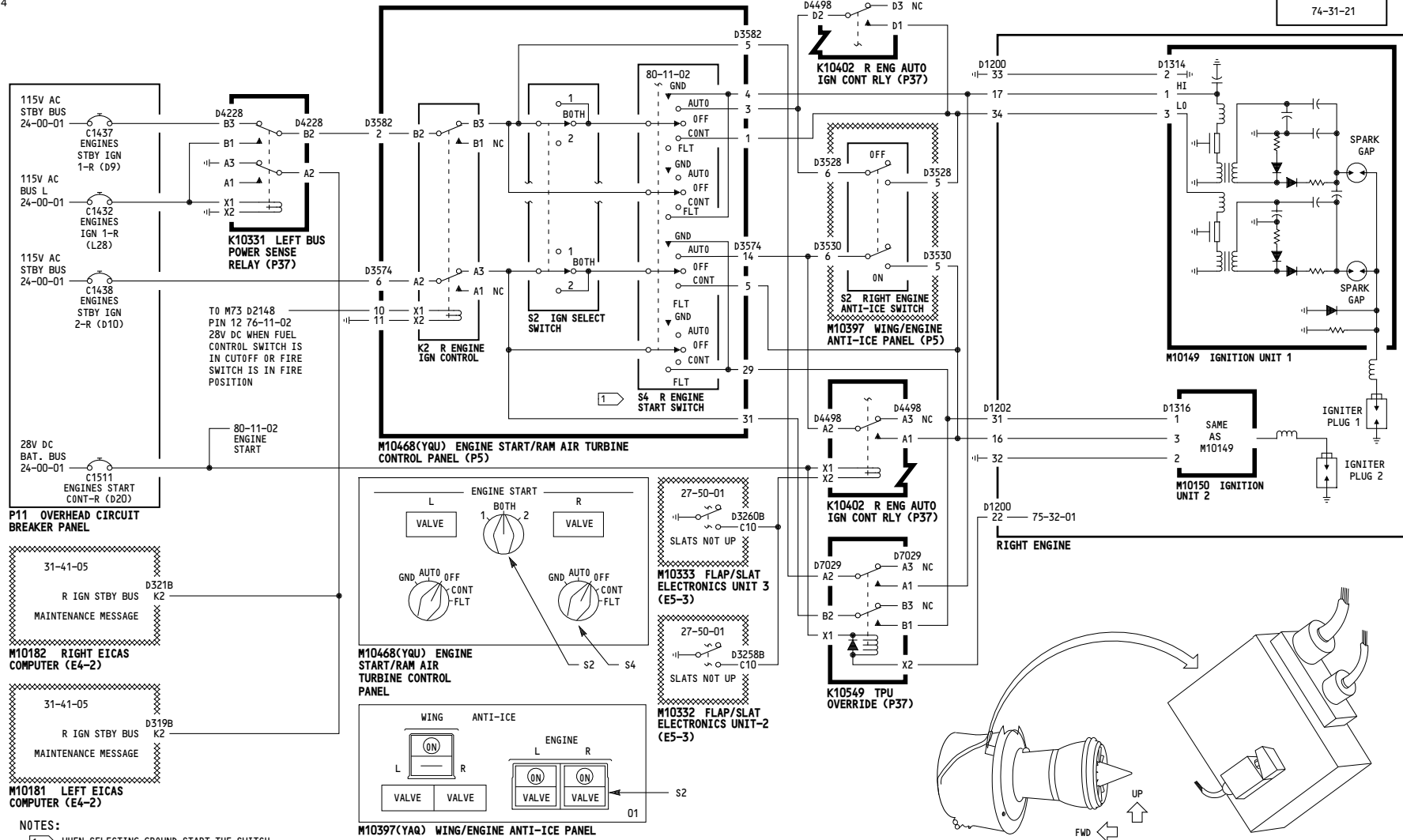
LEFT ENGINE IGNITION

D280N032S

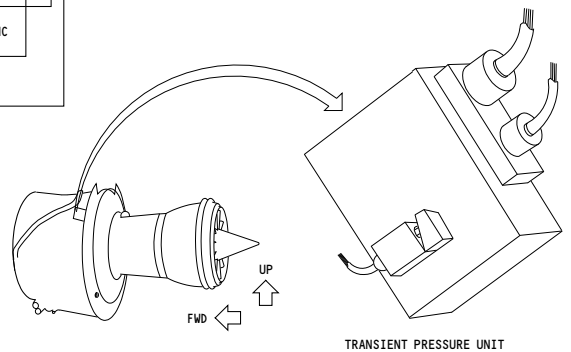
74-31-01

-B
5014

WIRING DIAGRAMS
74-31-21



ALL	RIGHT ENGINE IGNITION
	D280N032S



74-31-02