

**CHAPTER**

**78**

**EXHAUST**



CHAPTER 78  
EXHAUST

CH-SC-SU	Schem	Page	Sheet	Date	CH-SC-SU	Schem	Page	Sheet	Date
78-EFFECTIVE PAGES					78-36-01				
		1		Oct 09/2008			101		Jan 21/2005
		2		BLANK			101.1		Jan 21/2005
78-CONTENTS							102		Dec 18/2007
		1		Dec 18/2007			102.1		Jan 21/2005
		2		BLANK			102.2		Jan 21/2005
78-ALPHABETICAL INDEX									
		1		Dec 18/2007					
		2		BLANK					
78-34-01									
		101		Jan 21/2005					
		101.1		Jan 21/2005					
		102		Jan 21/2005					
		102.1		Jan 21/2005					
78-34-02									
		101		Jan 21/2005					
		101.1		Jan 21/2005					
		102		Jan 21/2005					
		102.1		Jan 21/2005					
78-34-51									
		101.1		Jan 21/2005					
		102		Jan 21/2005					
78-34-61									
		101.1		Jan 21/2005					
		102		Jan 21/2005					

A = Added, R = Revised, D = Deleted, O = Overflow

**78-EFFECTIVE PAGES**

Page 1  
Oct 09/2008

D280N032S



CHAPTER 78  
EXHAUST

Title	CH-SC-SU	Schem	Page	Sheet	Date	Effectivity
<b><u>THRUST REVERSER CONTROL SYSTEM</u></b>						
LEFT ENGINE THRUST REVERSER CONTROL	78-34-01		101		Jan 21/2005	001-002 115-199
			101.1		Jan 21/2005	001-002 115
			102		Jan 21/2005	003-099
			102.1		Jan 21/2005	003-011
RIGHT ENGINE THRUST REVERSER CONTROL	78-34-02		101		Jan 21/2005	001-002 115-199
			101.1		Jan 21/2005	001-002 115
			102		Jan 21/2005	003-099
			102.1		Jan 21/2005	003-011
LEFT ENGINE THRUST REVERSER SYNC-LOCK	78-34-51		101.1		Jan 21/2005	001-002 115
			102		Jan 21/2005	003-099
RIGHT ENGINE THRUST REVERSER SYNC-LOCK	78-34-61		101.1		Jan 21/2005	001-002 115
			102		Jan 21/2005	003-099
<b><u>THRUST REVERSER POSITION INDICATING SYSTEM</u></b>						
THRUST REVERSER INDICATION	78-36-01		101		Jan 21/2005	001-002 115-199
			101.1		Jan 21/2005	001-002 115
			102		Dec 18/2007	003-099
			102.1		Jan 21/2005	003-009
			102.2		Jan 21/2005	010-011

CHAPTER 78  
EXHAUST

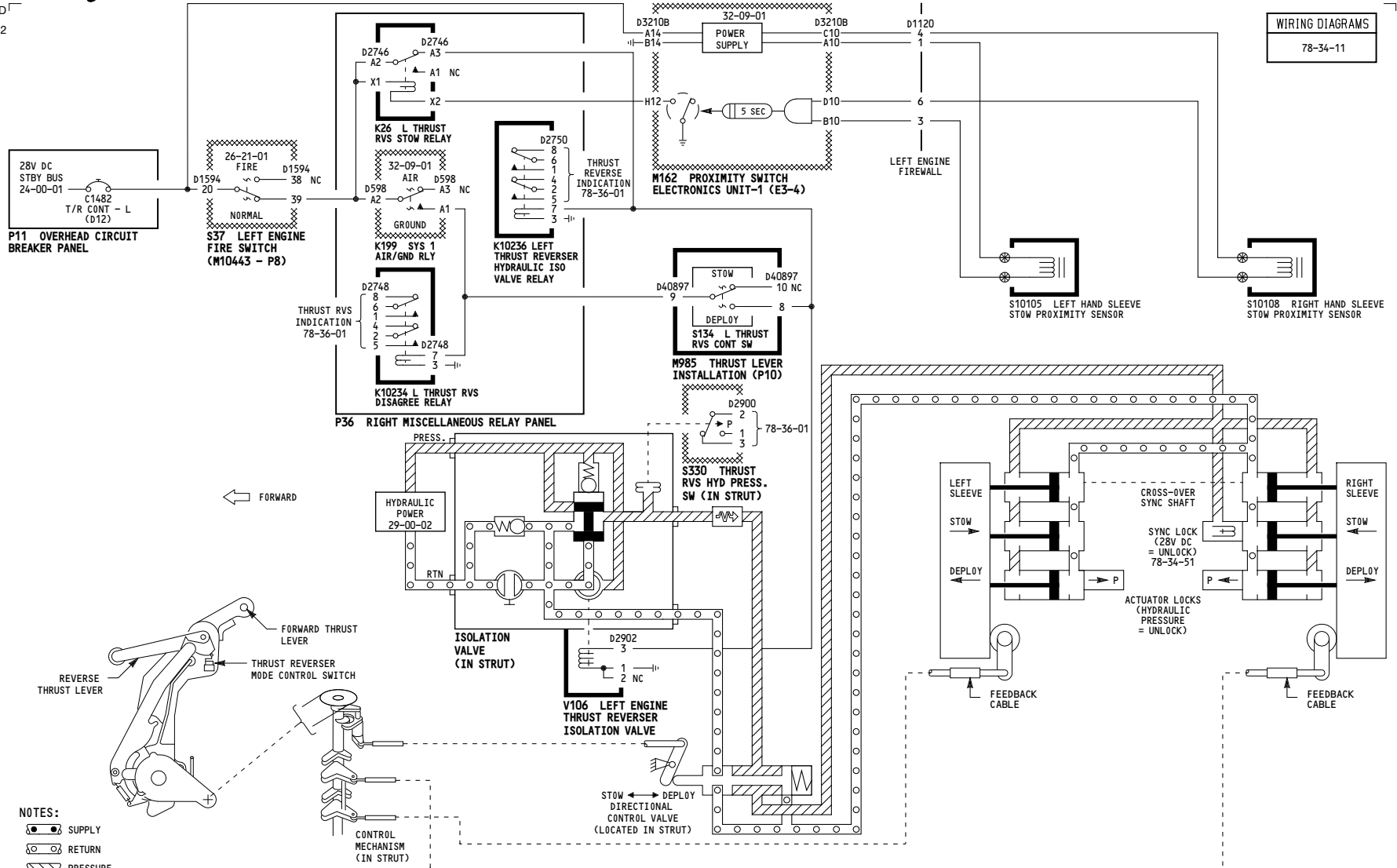
CH-SC-SU	Title
78-34-01	LEFT ENGINE THRUST REVERSER CONTROL
78-34-51	LEFT ENGINE THRUST REVERSER SYNC-LOCK
78-34-02	RIGHT ENGINE THRUST REVERSER CONTROL
78-34-61	RIGHT ENGINE THRUST REVERSER SYNC-LOCK
78-36-01	THRUST REVERSER INDICATION

CH-SC-SU	Title
----------	-------

**78-ALPHABETICAL INDEX**

5012

WIRING DIAGRAMS  
78-34-11



001-002, 115-199

**LEFT ENGINE THRUST REVERSER CONTROL**  
  
D280N032S

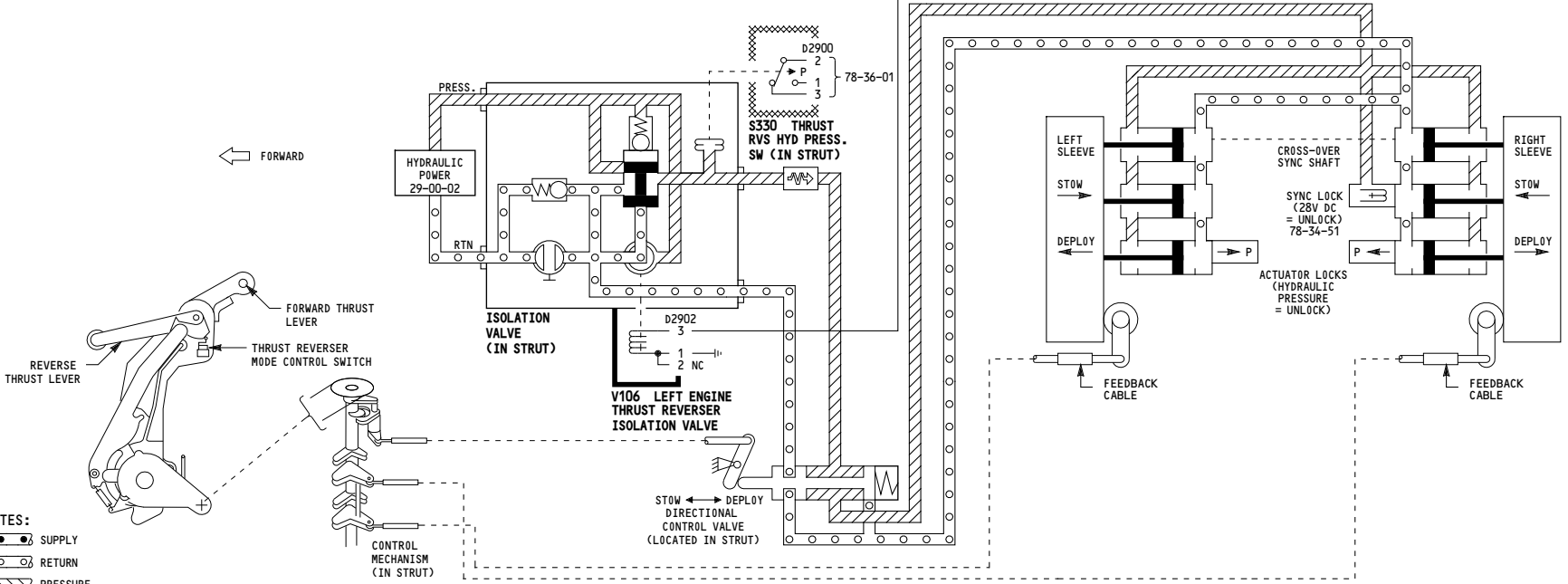
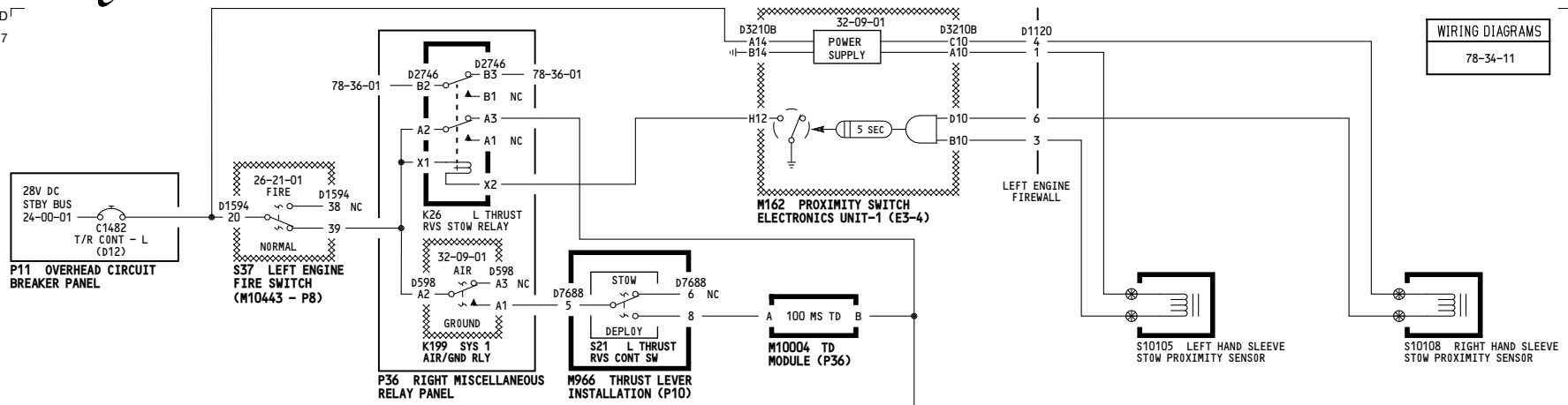
**78-34-01**

Page 101

Jan 21/2005

-D  
5017

WIRING DIAGRAMS  
78-34-11



- NOTES:**
- SUPPLY
  - RETURN
  - PRESSURE

001-002, 115	<b>LEFT ENGINE THRUST REVERSER CONTROL</b>	Incorporates 78-0032 R03 78-0039 R01
D280N032S		

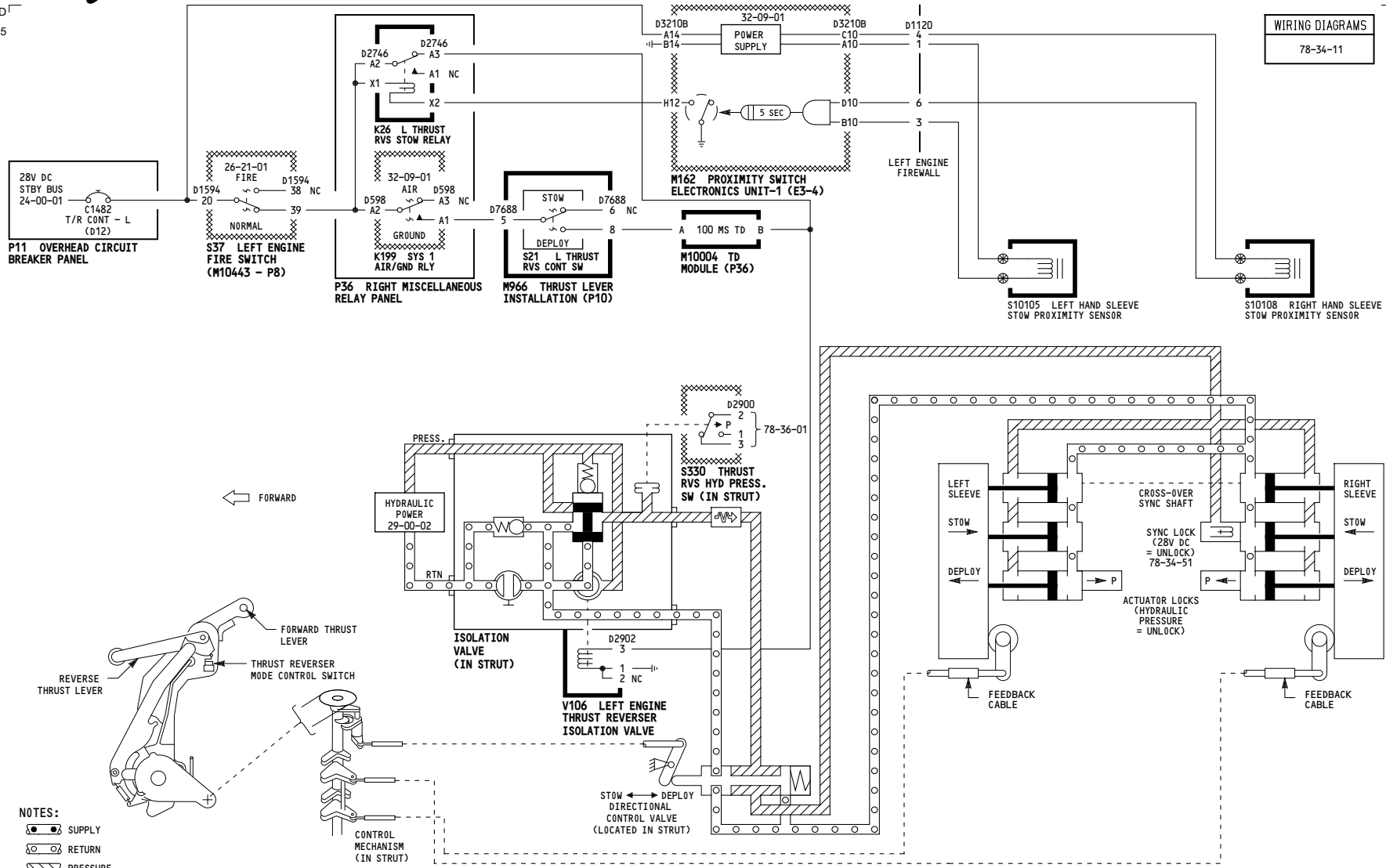
**78-34-01**

Page 101.1

Jan 21/2005

5015

WIRING DIAGRAMS  
78-34-11



- NOTES:**
- SUPPLY
  - RETURN
  - PRESSURE

003-099	<b>LEFT ENGINE THRUST REVERSER CONTROL</b>
D280N032S	

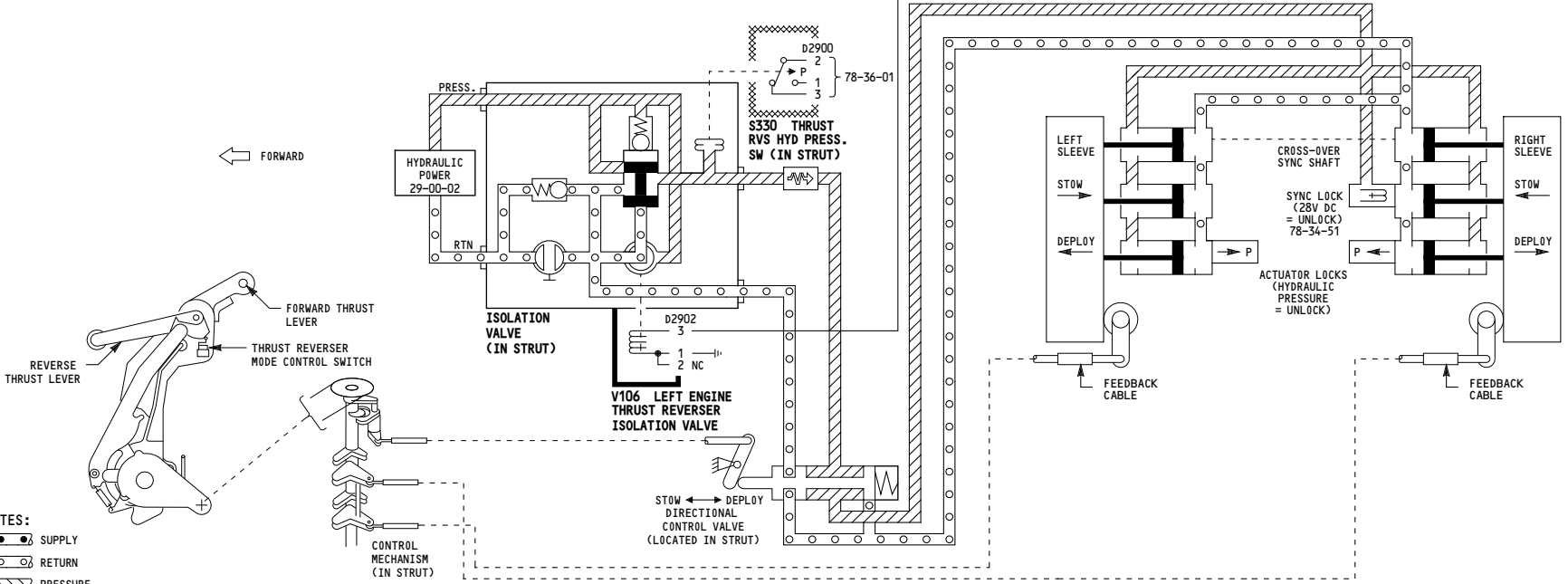
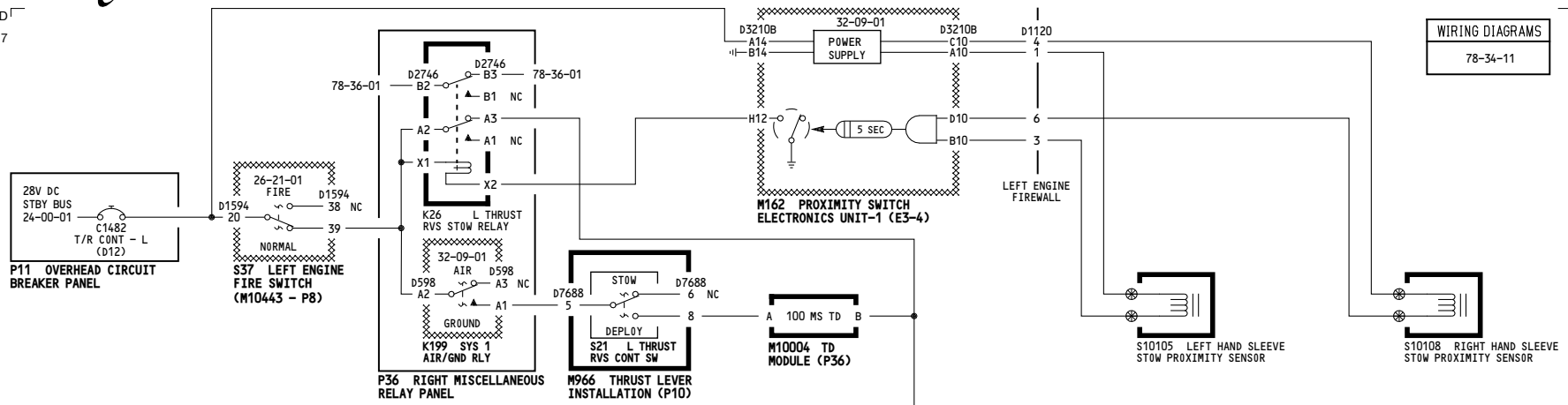
**78-34-01**

Page 102

Jan 21/2005

-D  
5017

WIRING DIAGRAMS  
78-34-11



- NOTES:**
- SUPPLY
  - RETURN
  - PRESSURE

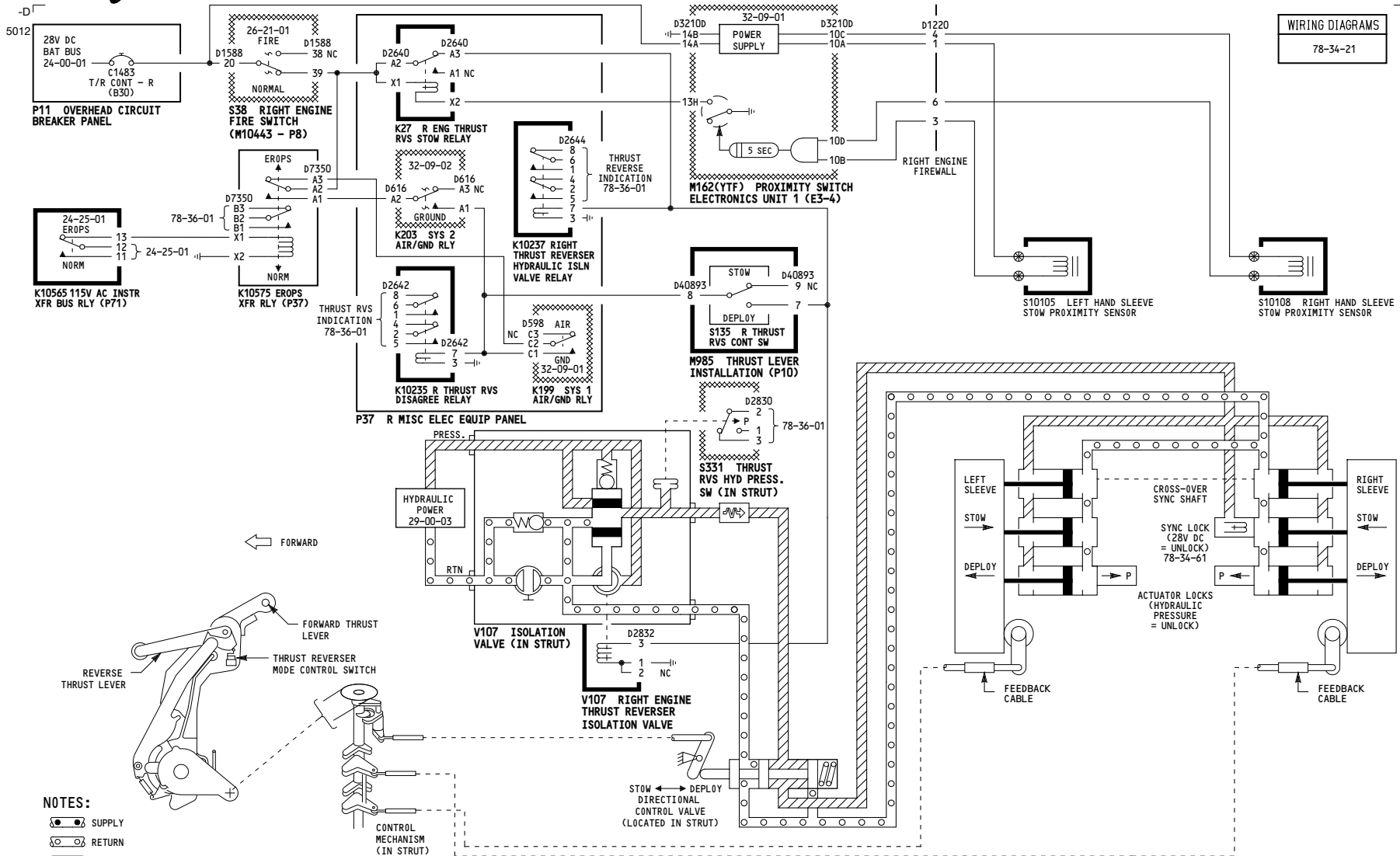
003-011	<b>LEFT ENGINE THRUST REVERSER CONTROL</b>	Incorporates 78-0039 R01
D280N032S		

**78-34-01**

Page 102.1

Jan 21/2005





**NOTES:**  
 ● SUPPLY  
 ○ RETURN  
 ▨ PRESSURE

001-002, 115-199	<b>RIGHT ENGINE THRUST REVERSER CONTROL</b>  D280N032S
------------------	--

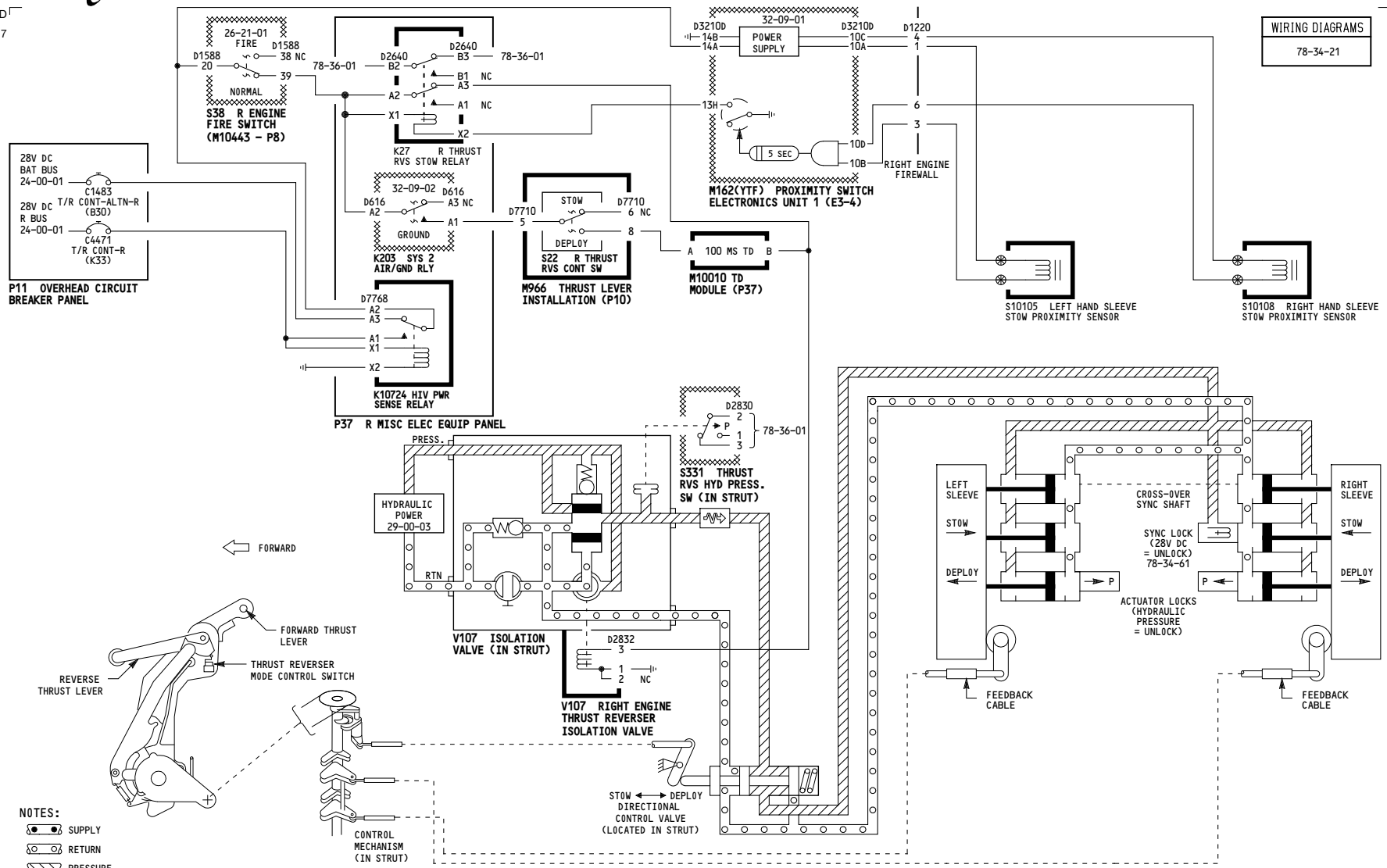
**78-34-02**

Page 101

Jan 21/2005

5017

WIRING DIAGRAMS  
78-34-21



- NOTES:**
- SUPPLY
  - RETURN
  - PRESSURE

001-002, 115	<b>RIGHT ENGINE THRUST REVERSER CONTROL</b>	Incorporates 78-0032 R03 78-0039 R01
D280N032S		

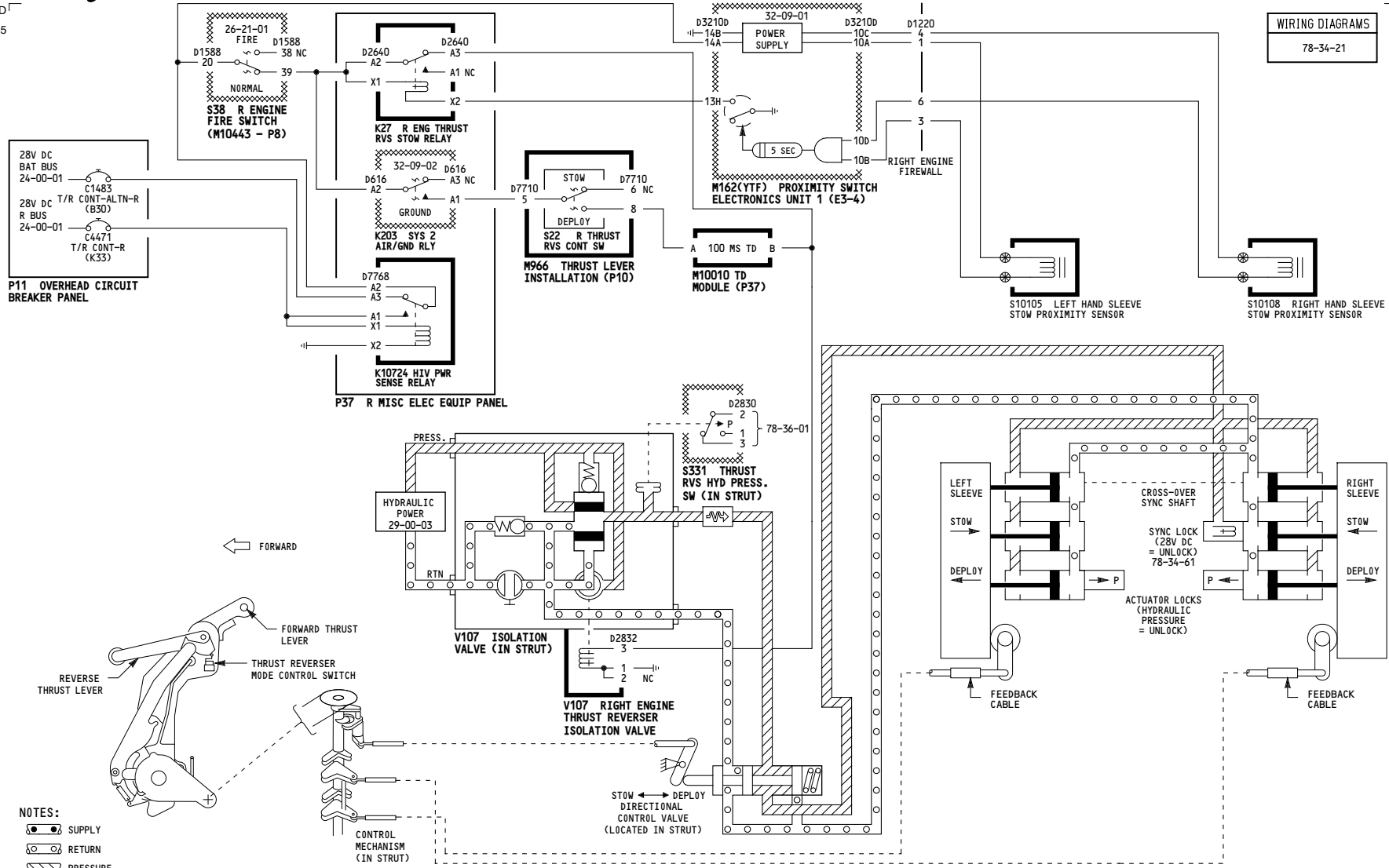
**78-34-02**

Page 101.1

Jan 21/2005

5015

WIRING DIAGRAMS  
78-34-21



003-099	<b>RIGHT ENGINE THRUST REVERSER CONTROL</b>
D280N032S	

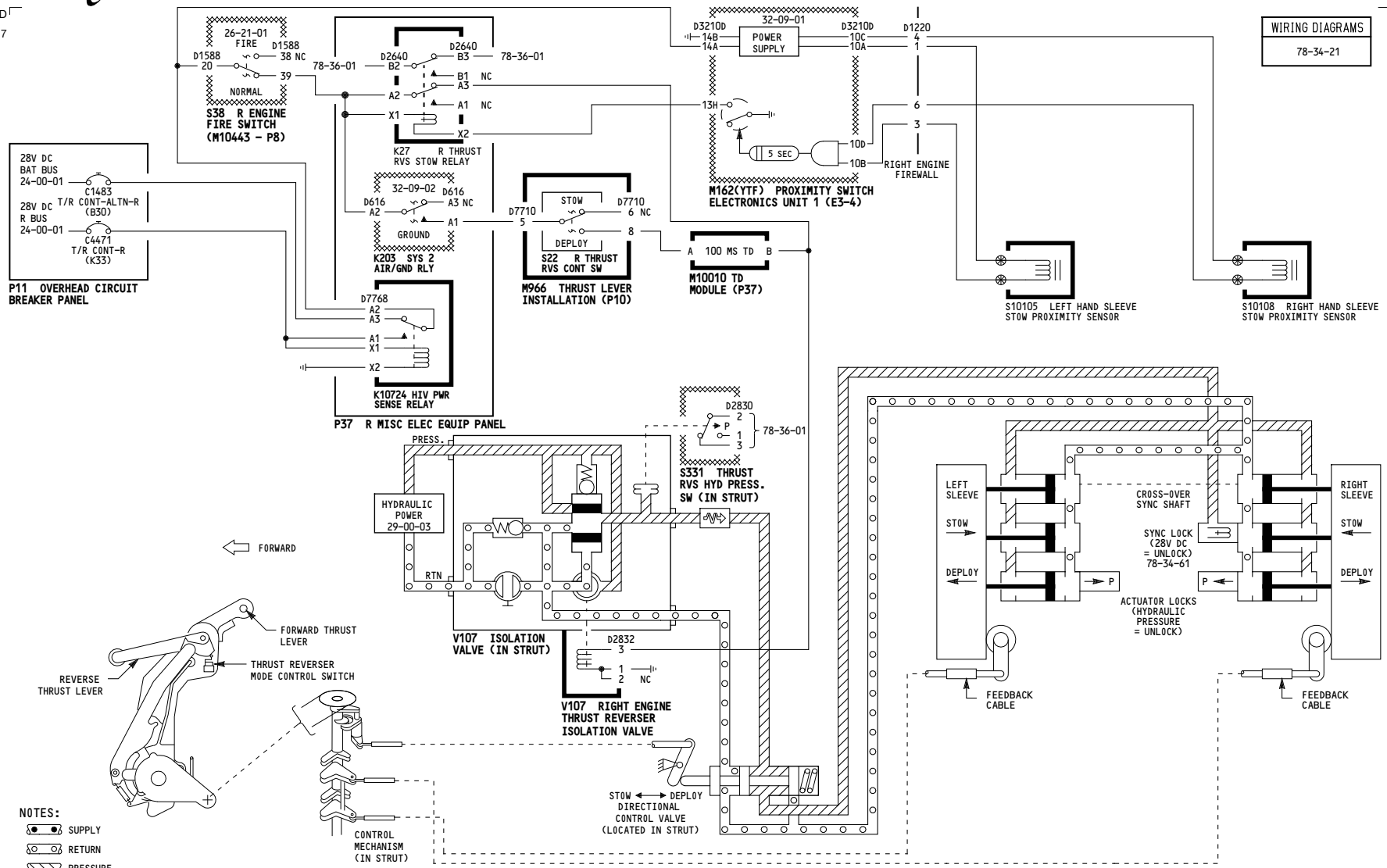
**78-34-02**

Page 102

Jan 21/2005

5017

WIRING DIAGRAMS  
78-34-21



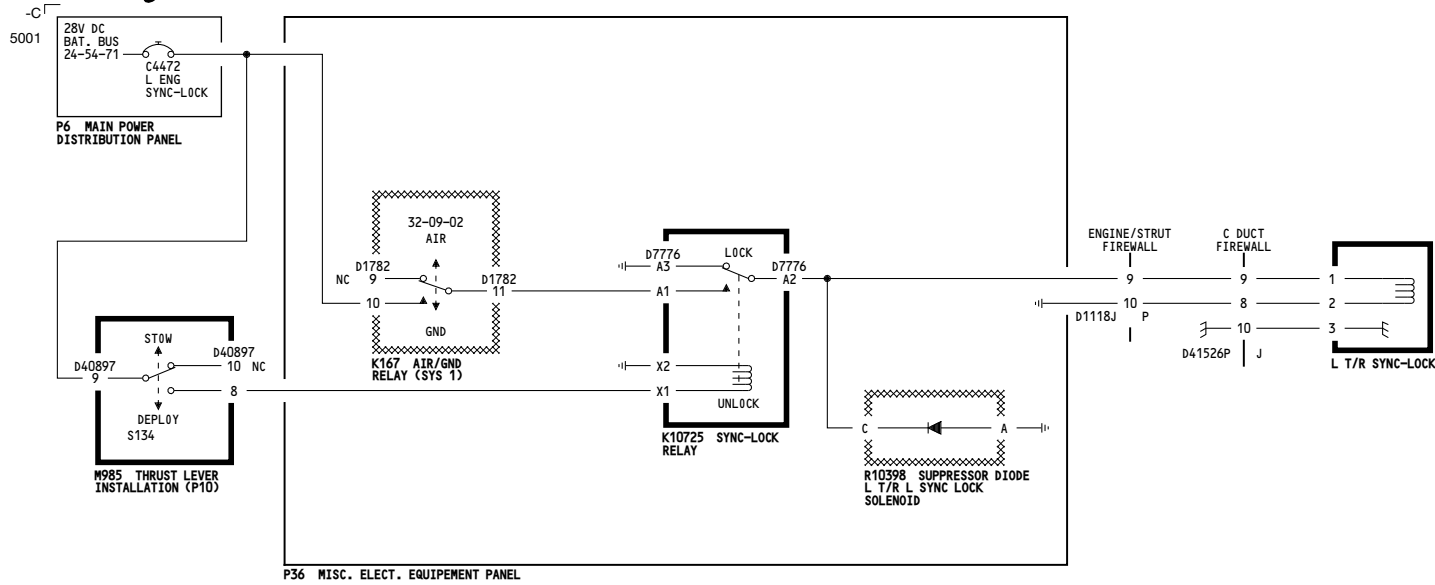
- NOTES:**
- SUPPLY
  - RETURN
  - PRESSURE

003-011	<b>RIGHT ENGINE THRUST REVERSER CONTROL</b>	Incorporates 78-0039 R01
D280N032S		

**78-34-02**

Page 102.1

Jan 21/2005



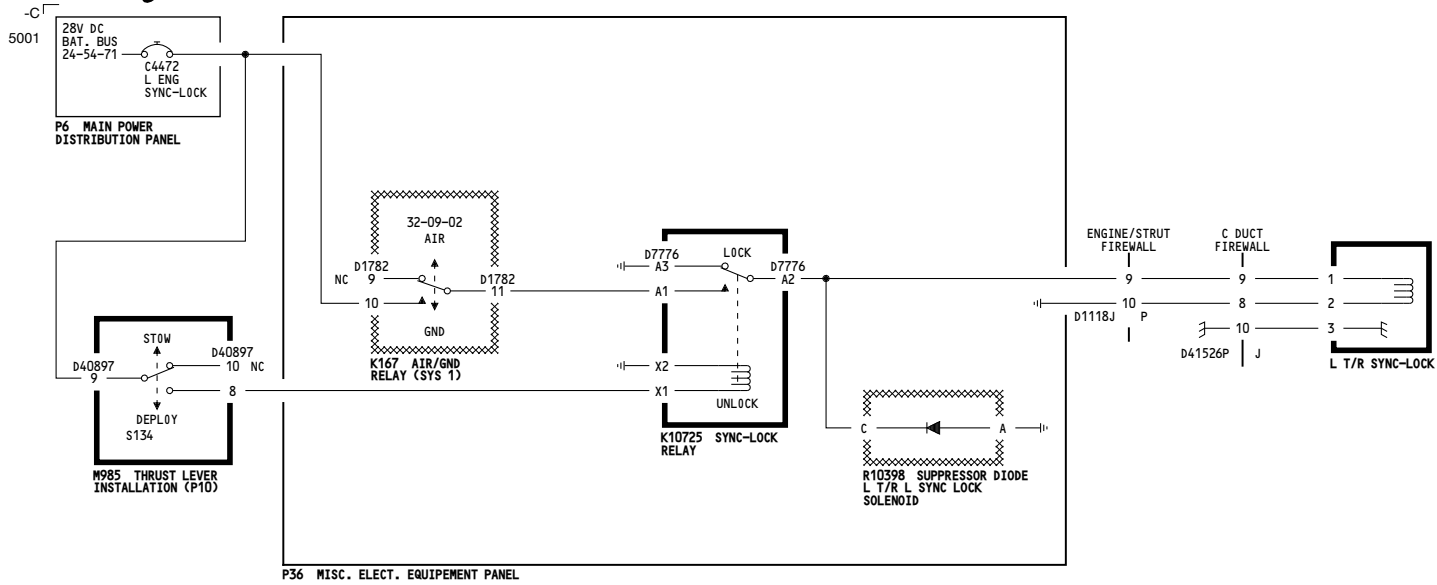
001-002, 115	<p><b>LEFT ENGINE THRUST REVERSER SYNC-LOCK</b></p> <p>D280N032S</p>
--------------	--

Incorporates  
 78-0032 R03

**78-34-51**

Page 101.1

Jan 21/2005

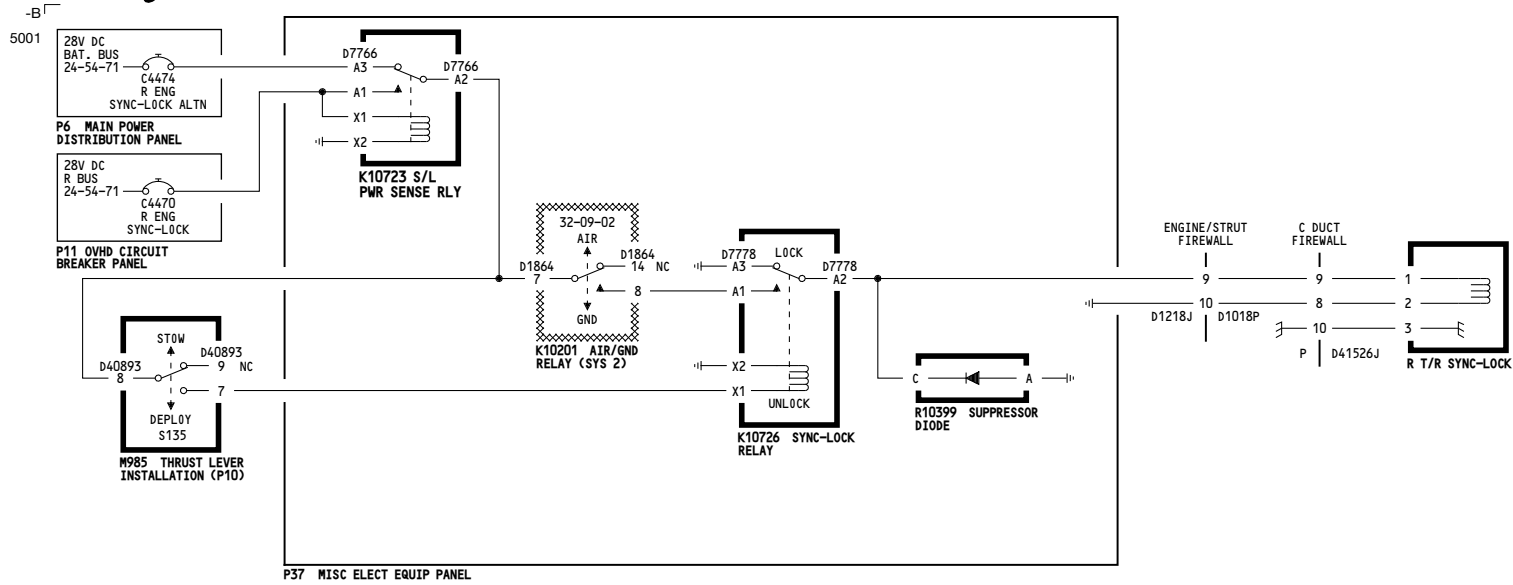


003-099	<p><b>LEFT ENGINE THRUST REVERSER SYNC-LOCK</b></p> <p>D280N032S</p>
---------	--

**78-34-51**

Page 102

Jan 21/2005



001-002, 115

**RIGHT ENGINE THRUST  
REVERSER SYNC-LOCK**

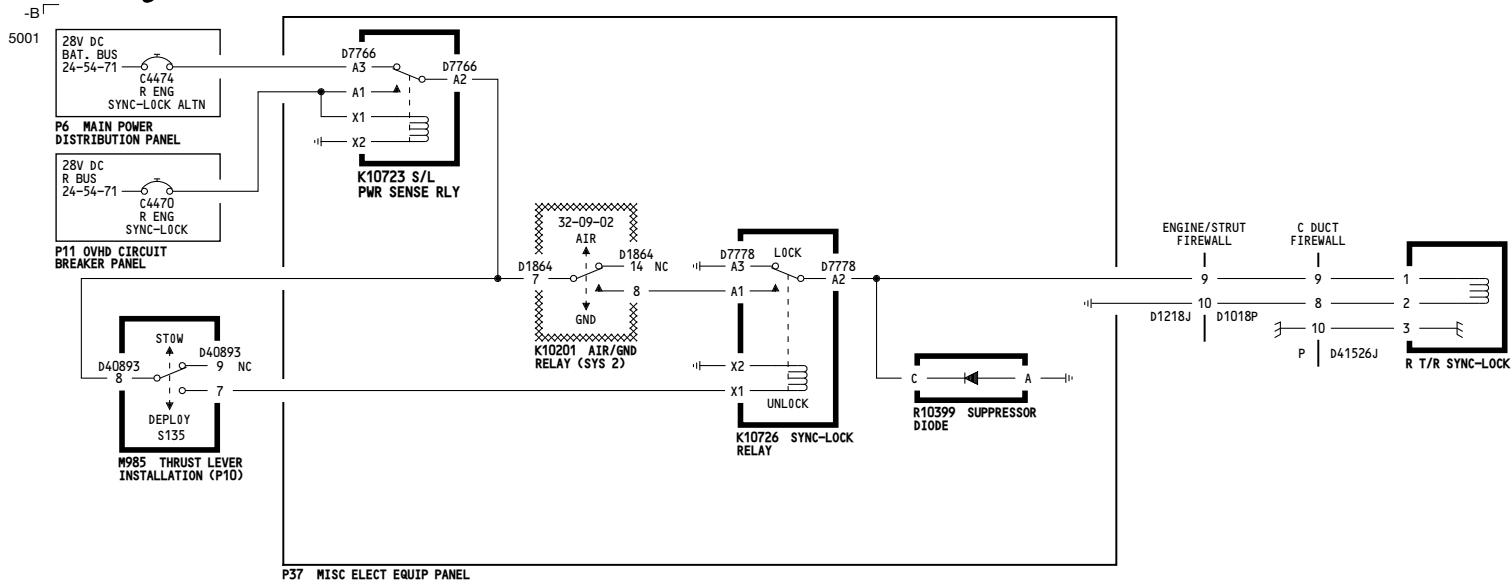
Incorporates  
78-0032 R03

D280N032S

**78-34-61**

Page 101.1

Jan 21/2005



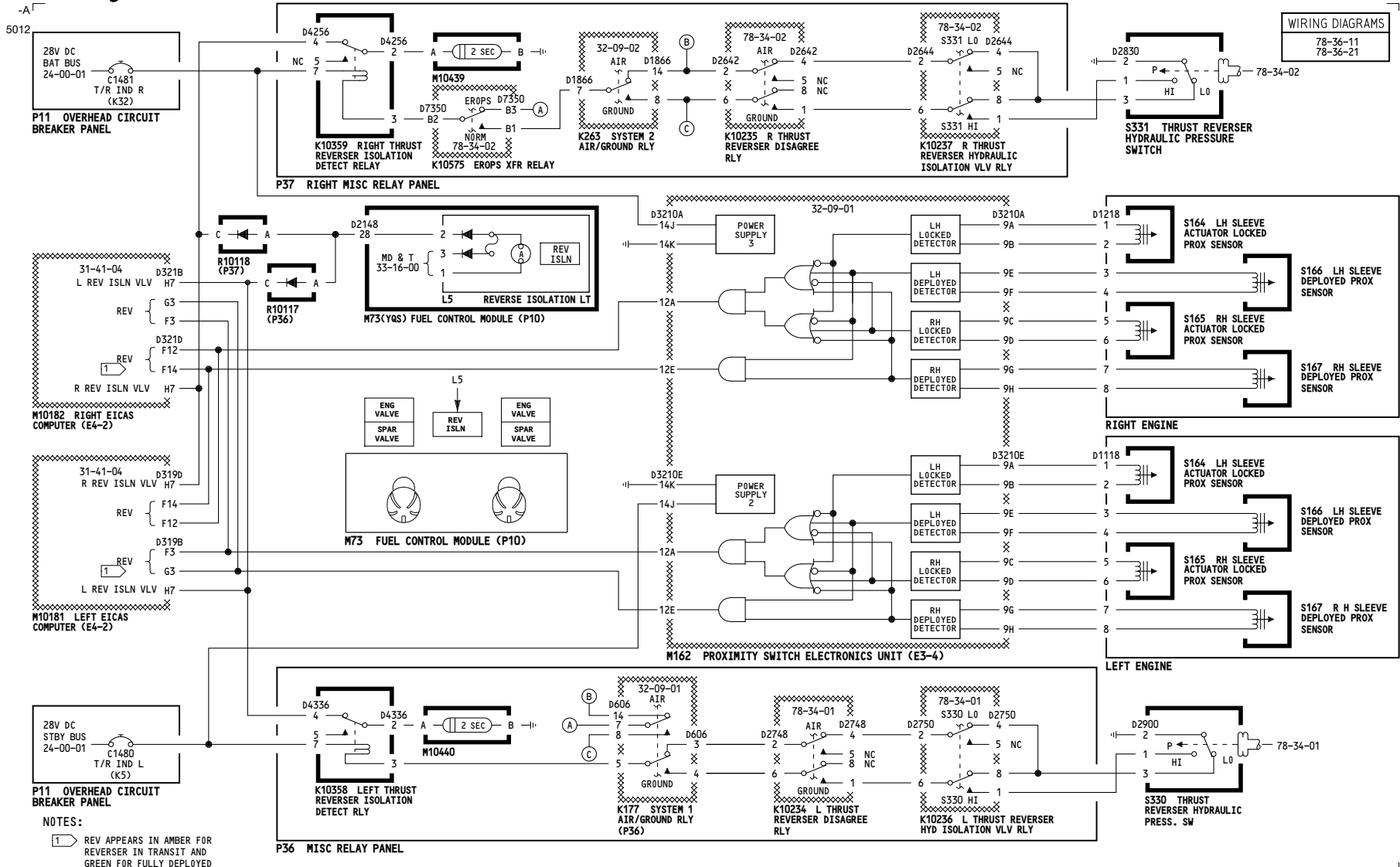
003-099	<p align="center"><b>RIGHT ENGINE THRUST REVERSER SYNC-LOCK</b></p> <p align="center">D280N032S</p>
---------	---

**78-34-61**

Page 102

Jan 21/2005



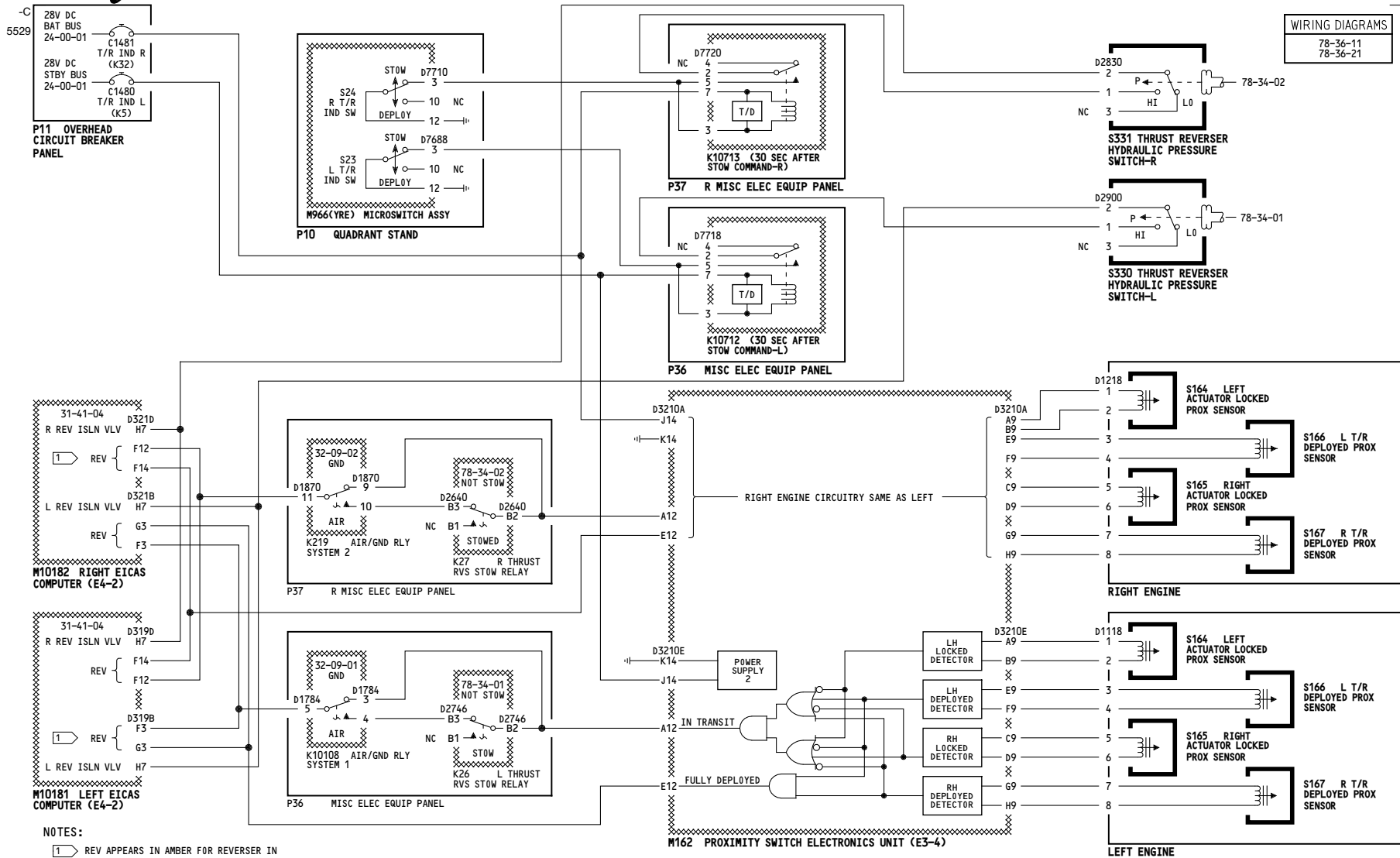


001-002, 115-199

**THRUST REVERSER INDICATION**

D280N032S

**78-36-01**



001-002, 115

**THRUST REVERSER INDICATION**

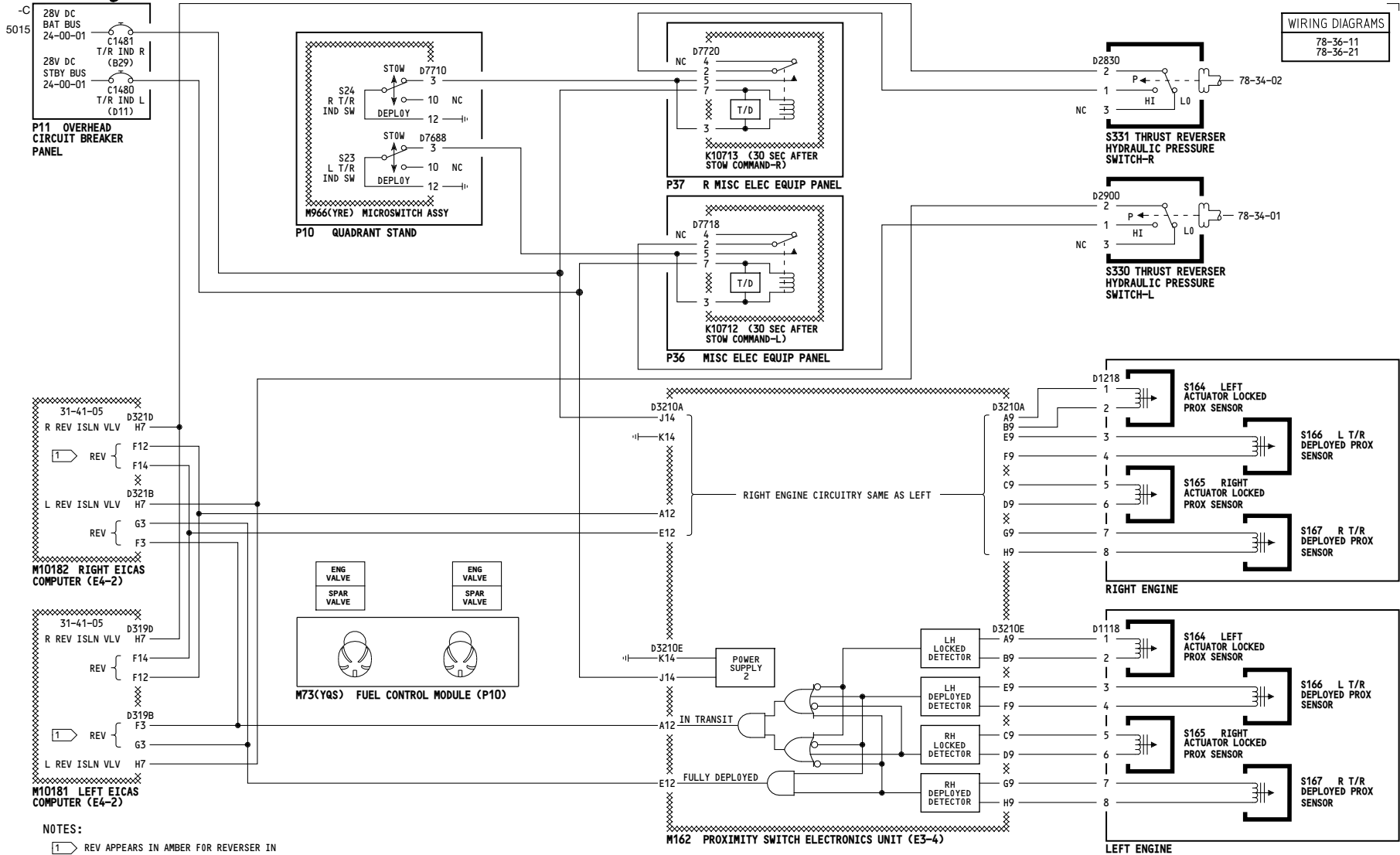
Incorporates  
78-0039 R01

D280N032S

**78-36-01**

Page 101.1

Jan 21/2005



003-099

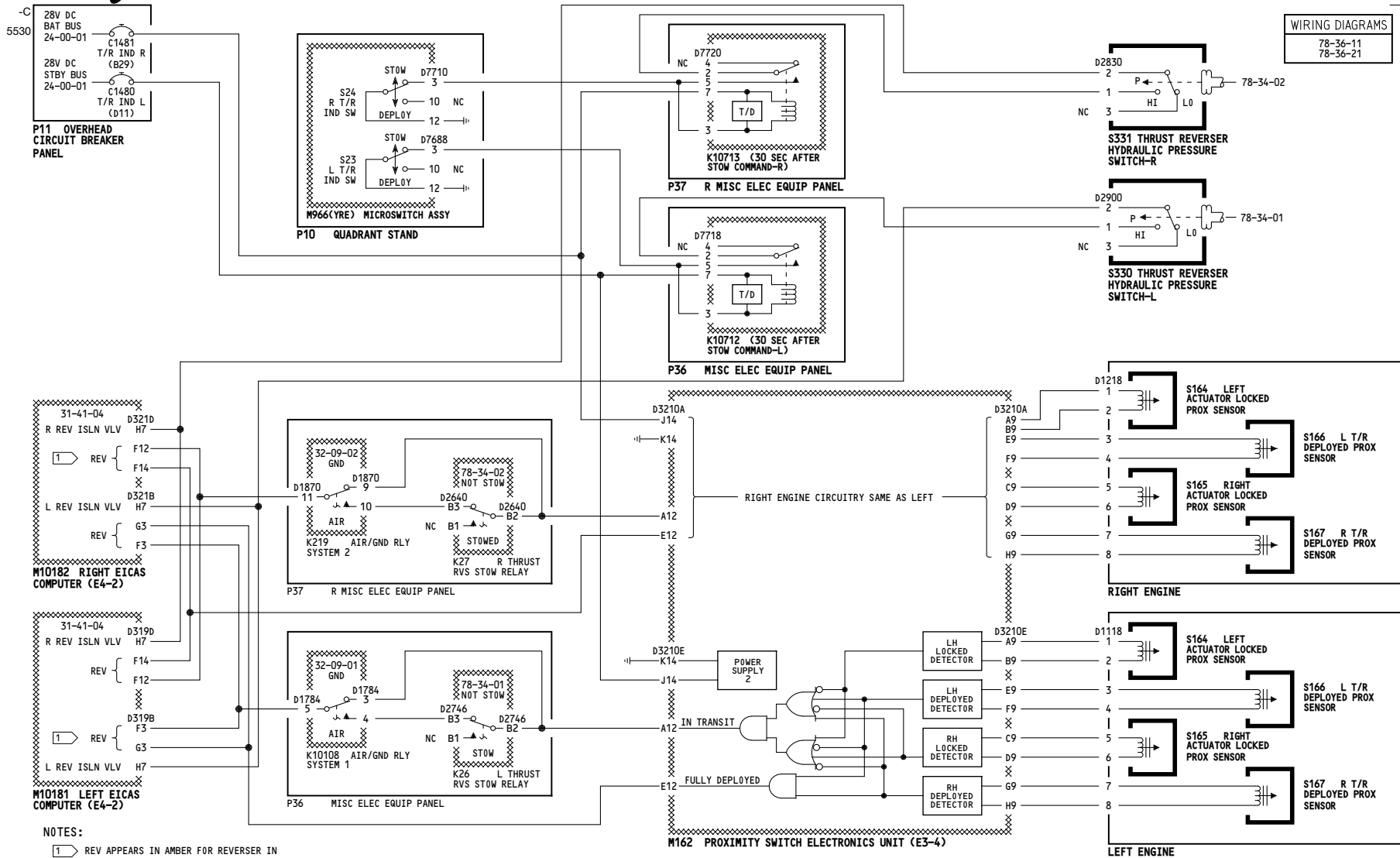
**THRUST REVERSER INDICATION**

D280N032S

**78-36-01**

Page 102

Dec 18/2007



003-009

**THRUST REVERSER INDICATION**

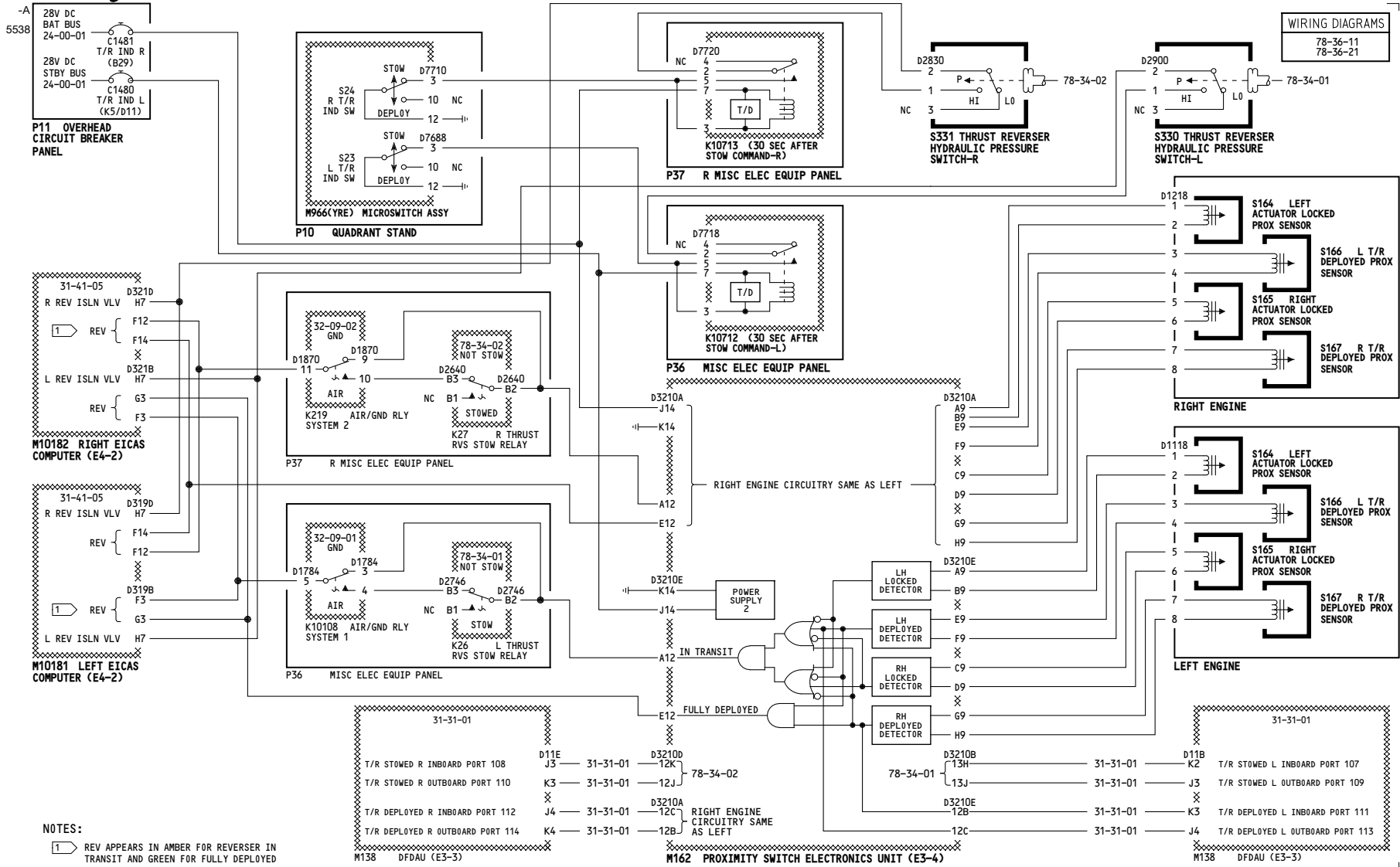
Incorporates  
78-0039 R01

D280N032S

**78-36-01**

Page 102.1

Jan 21/2005



**NOTES:**  
1 REV APPEARS IN AMBER FOR REVERSER IN TRANSIT AND GREEN FOR FULLY DEPLOYED

010-011	<b>THRUST REVERSER INDICATION</b>
D280N032S	

Incorporates  
31-0094  
78-0039 R01

**78-36-01**