

**CHAPTER**

**79**

**OIL**



CHAPTER 79  
OIL

CH-SC-SU	Schem	Page	Sheet	Date	CH-SC-SU	Schem	Page	Sheet	Date
79-EFFECTIVE PAGES									
		1		Oct 09/2008					
		2		BLANK					
79-CONTENTS									
		1		Dec 18/2007					
		2		BLANK					
79-ALPHABETICAL INDEX									
		1		Dec 18/2007					
		2		BLANK					
79-00-00									
		101		Jan 21/2005					
79-21-00									
		101		Jan 21/2005					
79-31-01									
		101		Jan 21/2005					
		102		Jan 21/2005					
79-32-01									
		101		Jan 21/2005					
79-33-01									
		101		Jan 21/2005					
		102		Jan 21/2005					
79-34-01									
		101		Jan 21/2005					
79-35-01									
		101		Jan 21/2005					

A = Added, R = Revised, D = Deleted, O = Overflow

**79-EFFECTIVE PAGES**



CHAPTER 79  
OIL

Title	CH-SC-SU	Schem	Page	Sheet	Date	Effectivity
<b><u>OIL</u></b>						
ENGINE OIL SYSTEM	79-00-00		101		Jan 21/2005	ALL
<b><u>ENGINE OIL DISTRIBUTION SYSTEM</u></b>						
ENGINE OIL DISTRIBUTION SYSTEM	79-21-00		101		Jan 21/2005	ALL
<b><u>OIL QUANTITY INDICATING SYSTEM</u></b>						
ENGINE OIL QUANTITY INDICATION	79-31-01		101		Jan 21/2005	001-099
			102		Jan 21/2005	115-199
<b><u>OIL PRESSURE INDICATING SYSTEM</u></b>						
ENGINE OIL PRESSURE INDICATION	79-32-01		101		Jan 21/2005	ALL
<b><u>LOW OIL PRESSURE WARNING SYSTEM</u></b>						
ENGINE OIL LOW PRESSURE WARNING	79-33-01		101		Jan 21/2005	001-099
			102		Jan 21/2005	115-199
<b><u>OIL TEMPERATURE INDICATING SYSTEM</u></b>						
ENGINE OIL TEMPERATURE INDICATION	79-34-01		101		Jan 21/2005	ALL
<b><u>OIL FILTER BYPASS WARNING SYSTEM</u></b>						
ENGINE OIL FILTER BYPASS WARNING	79-35-01		101		Jan 21/2005	ALL

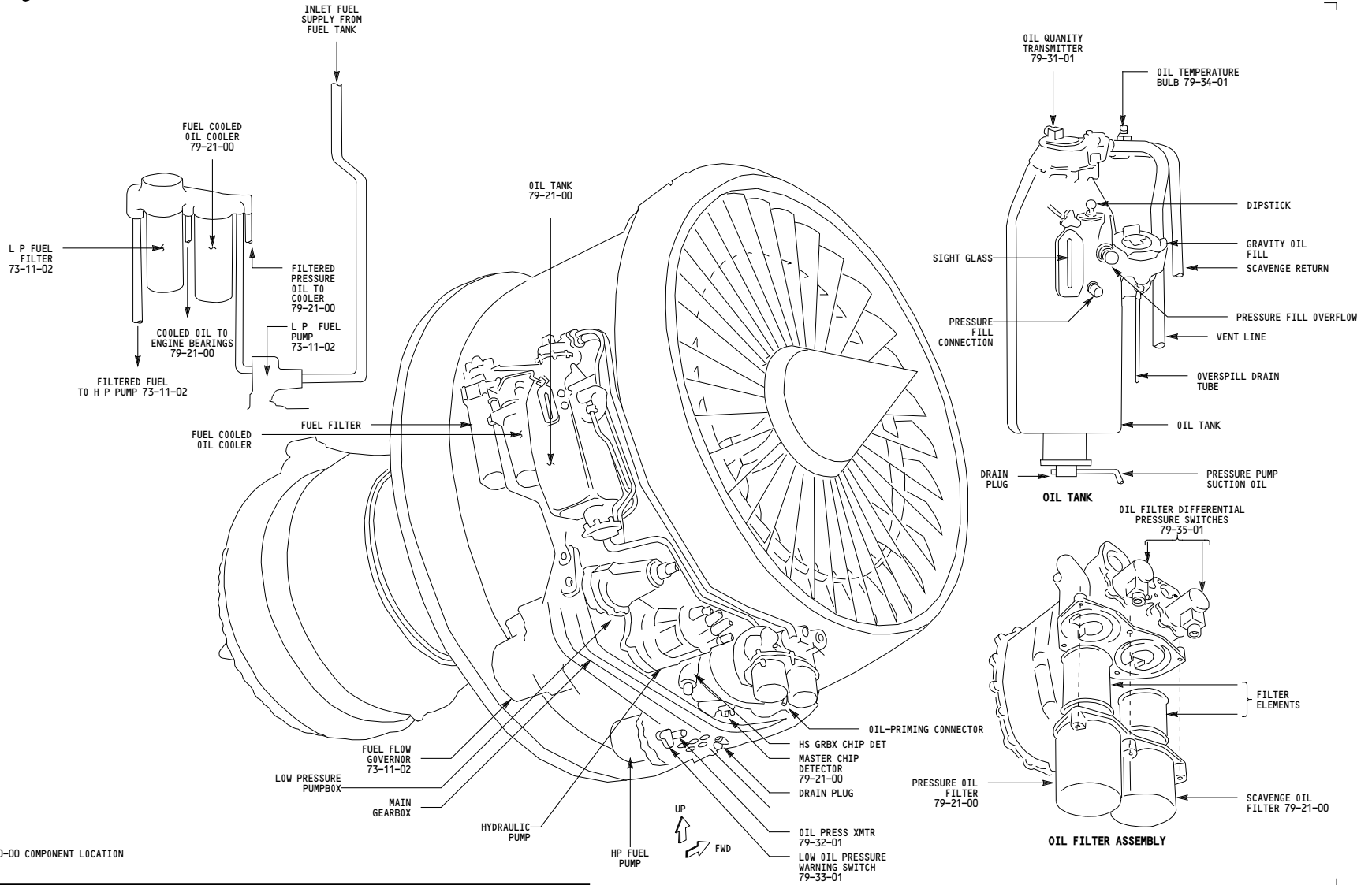
**CHAPTER 79  
OIL**

<b>CH-SC-SU</b>	<b>Title</b>
79-21-00	ENGINE OIL DISTRIBUTION SYSTEM
79-35-01	ENGINE OIL FILTER BYPASS WARNING
79-33-01	ENGINE OIL LOW PRESSURE WARNING
79-32-01	ENGINE OIL PRESSURE INDICATION
79-31-01	ENGINE OIL QUANTITY INDICATION
79-00-00	ENGINE OIL SYSTEM
79-34-01	ENGINE OIL TEMPERATURE INDICATION

<b>CH-SC-SU</b>	<b>Title</b>
-----------------	--------------

**79-ALPHABETICAL INDEX**

5000



NOTE:  
SEE 71-00-00 COMPONENT LOCATION

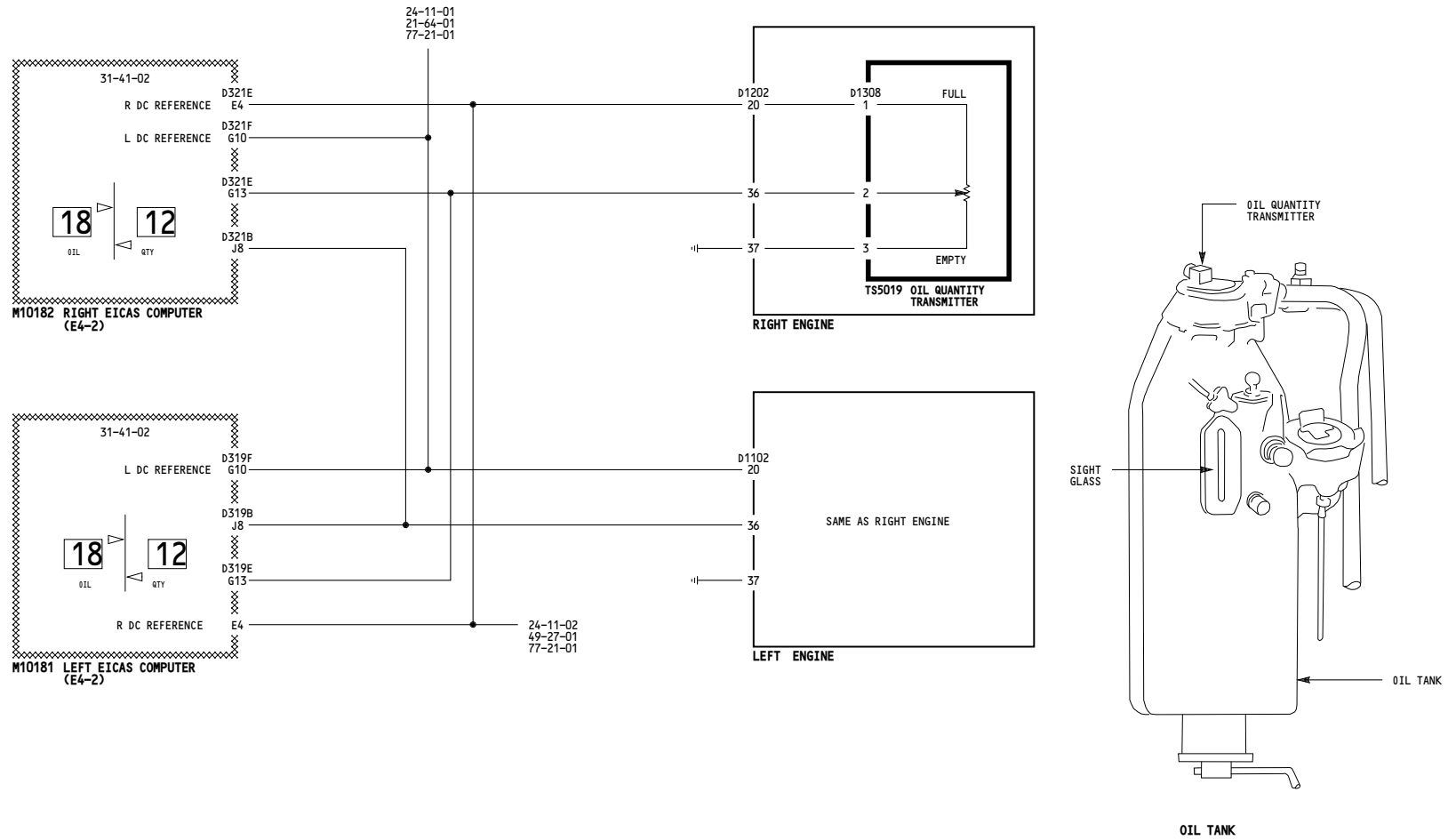
ALL	<p align="center"><b>ENGINE OIL SYSTEM</b></p> <p align="center">D280N032S</p>
-----	--

**79-00-00**

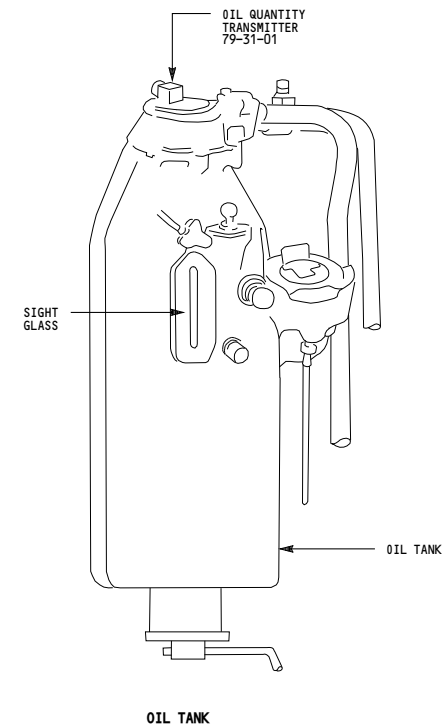
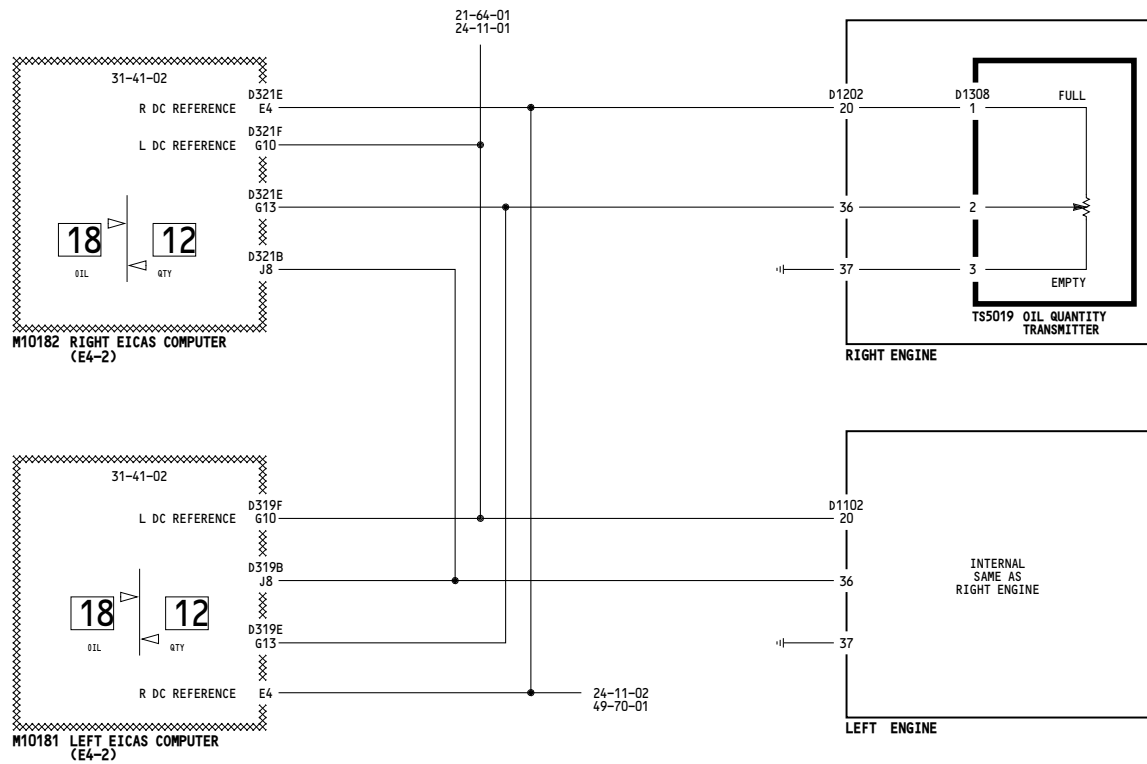
Page 101

Jan 21/2005





001-099	<p align="center"><b>ENGINE OIL QUANTITY INDICATION</b></p> <p align="center">D280N032S</p>
---------	---



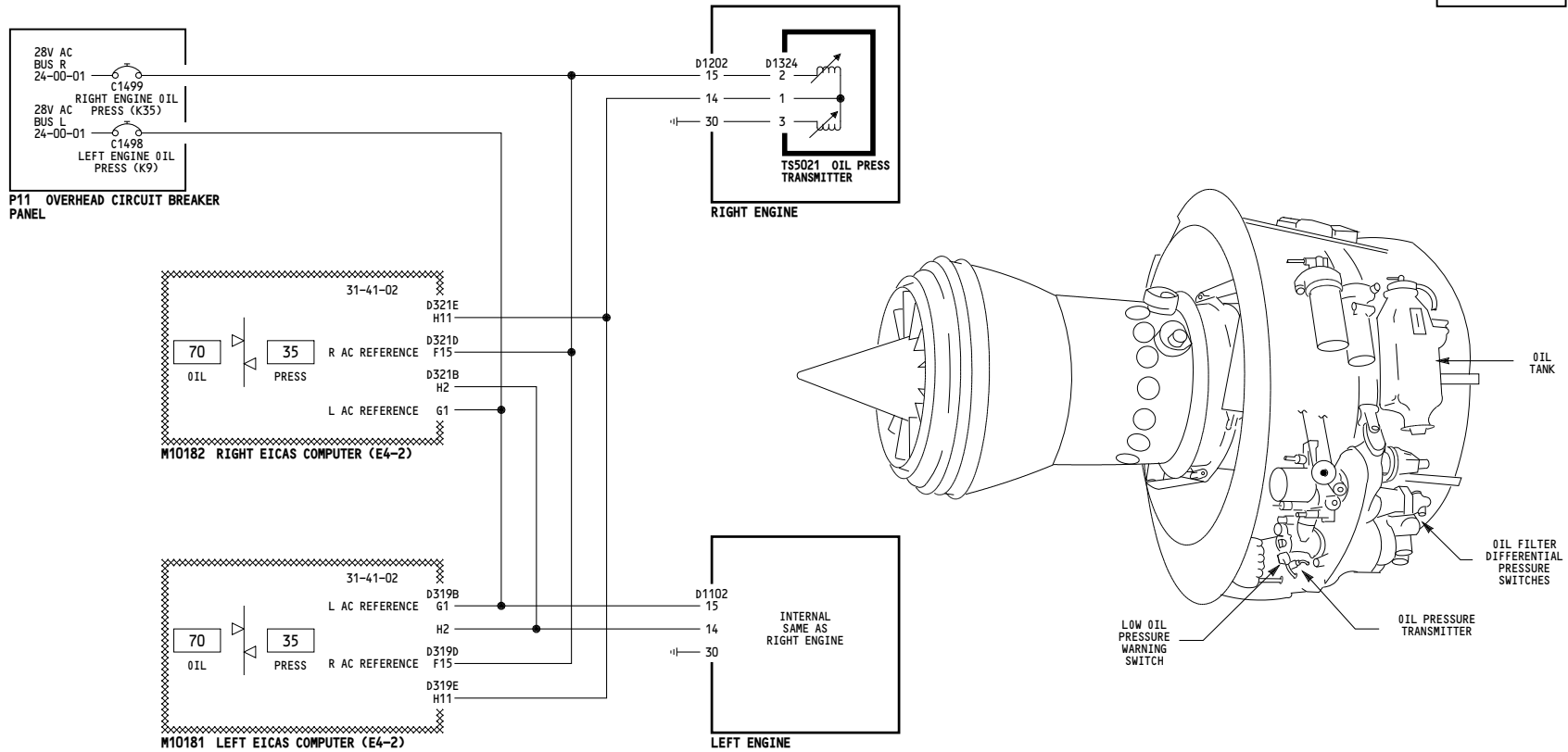
115-199	<p align="center"><b>ENGINE OIL QUANTITY INDICATION</b></p> <p align="center">D280N032S</p>
---------	---

**79-31-01**

Page 102

Jan 21/2005

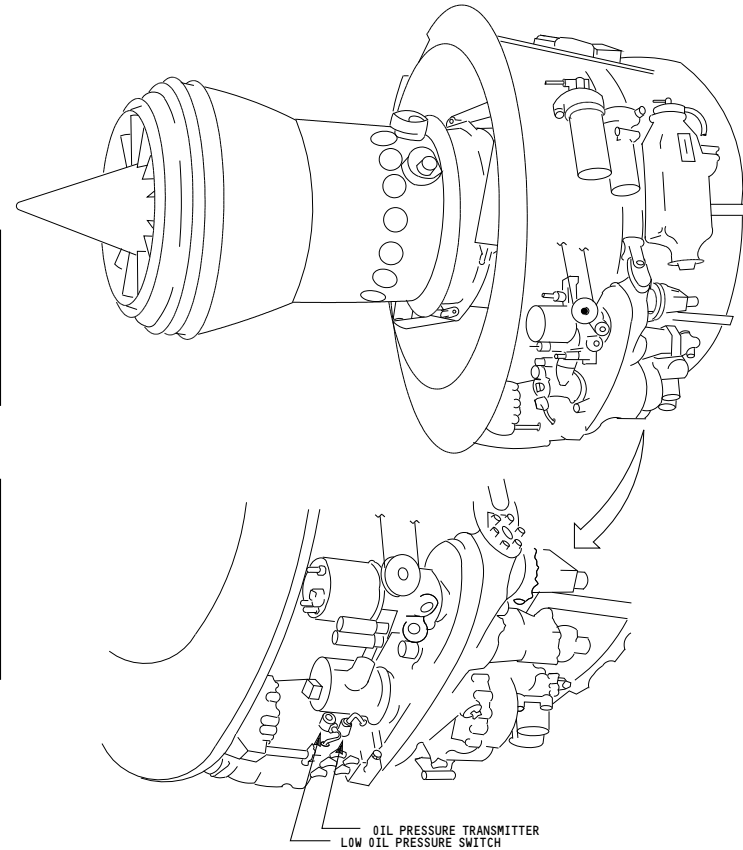
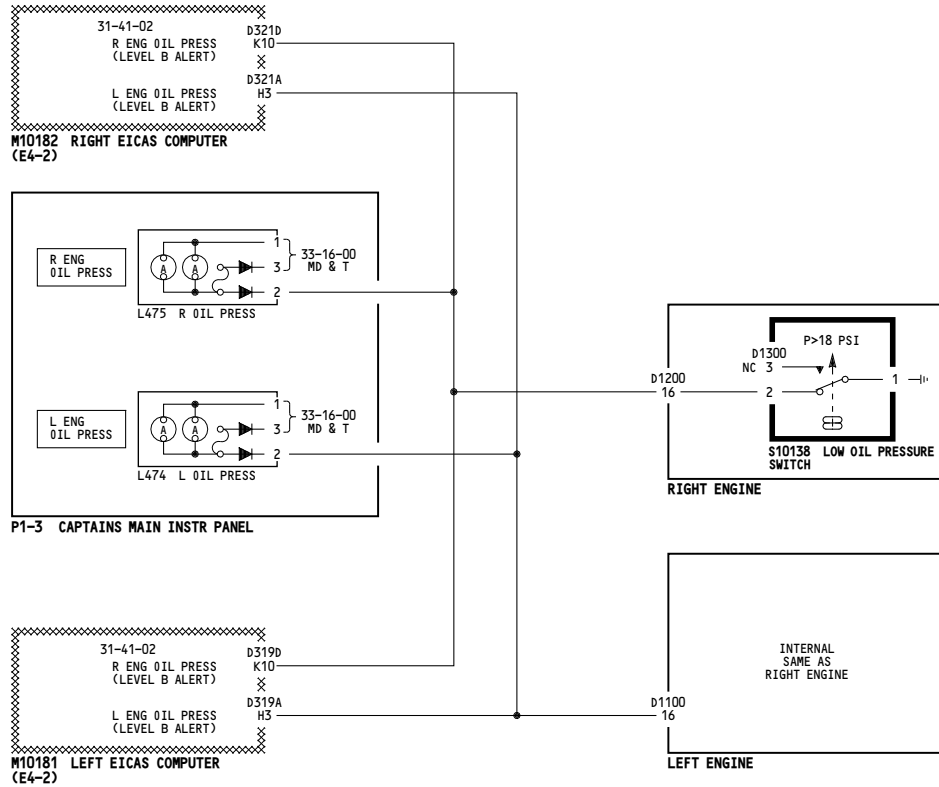




ALL	<p><b>ENGINE OIL PRESSURE INDICATION</b></p> <p>D280N032S</p>
-----	---

-A  
5012

WIRING DIAGRAMS  
79-33-11



001-099	<p align="center"><b>ENGINE OIL LOW PRESSURE WARNING</b></p> <p align="center">D280N032S</p>
---------	--

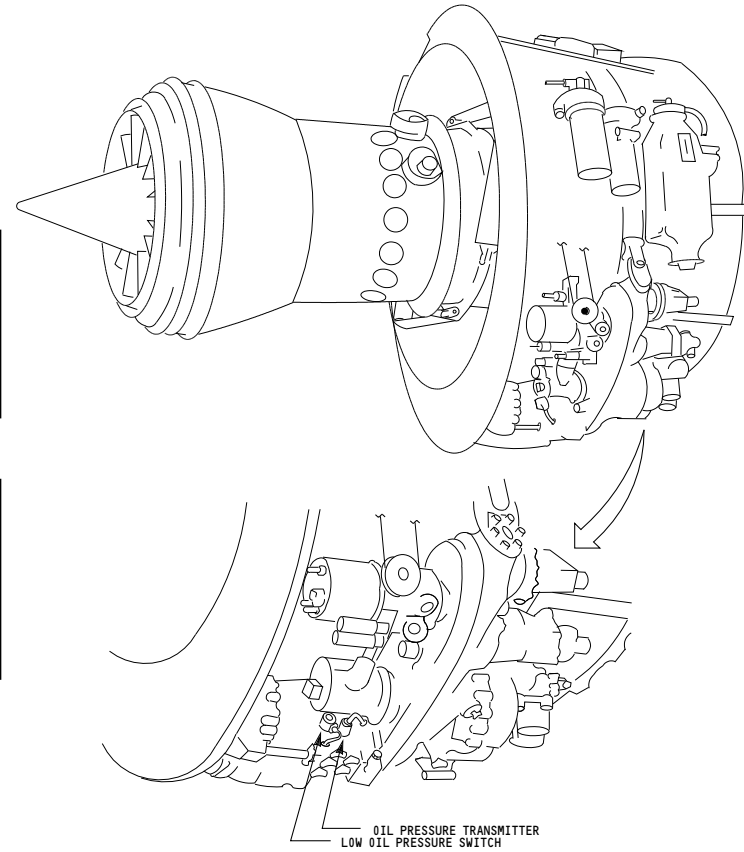
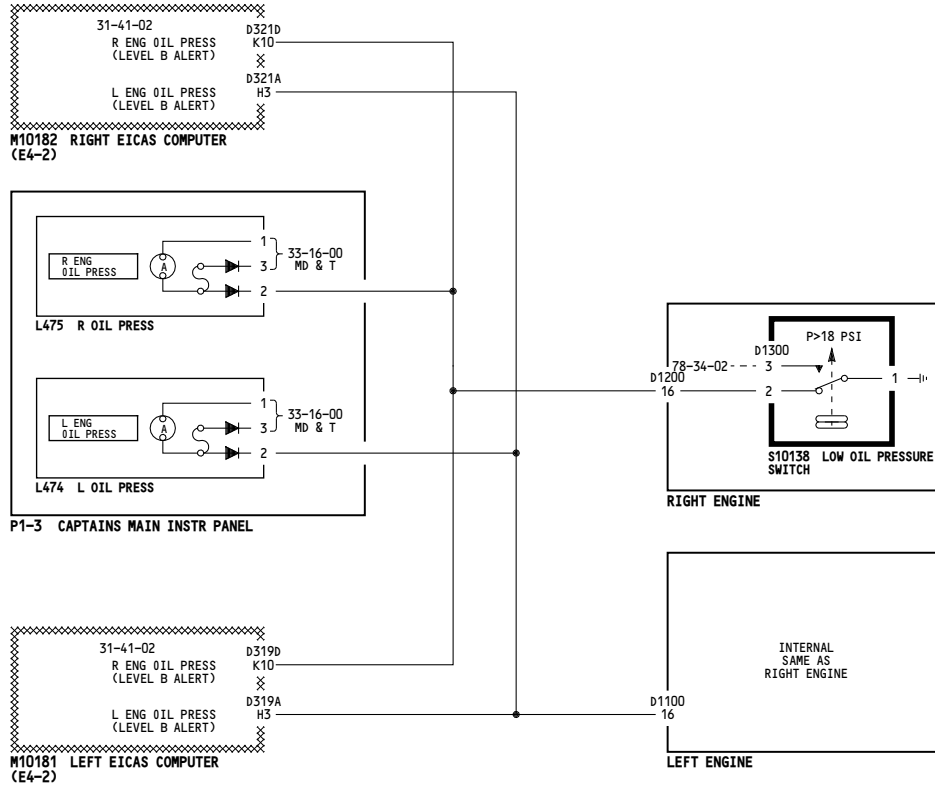
**79-33-01**

Page 101

Jan 21/2005

5000

WIRING DIAGRAMS  
79-33-11



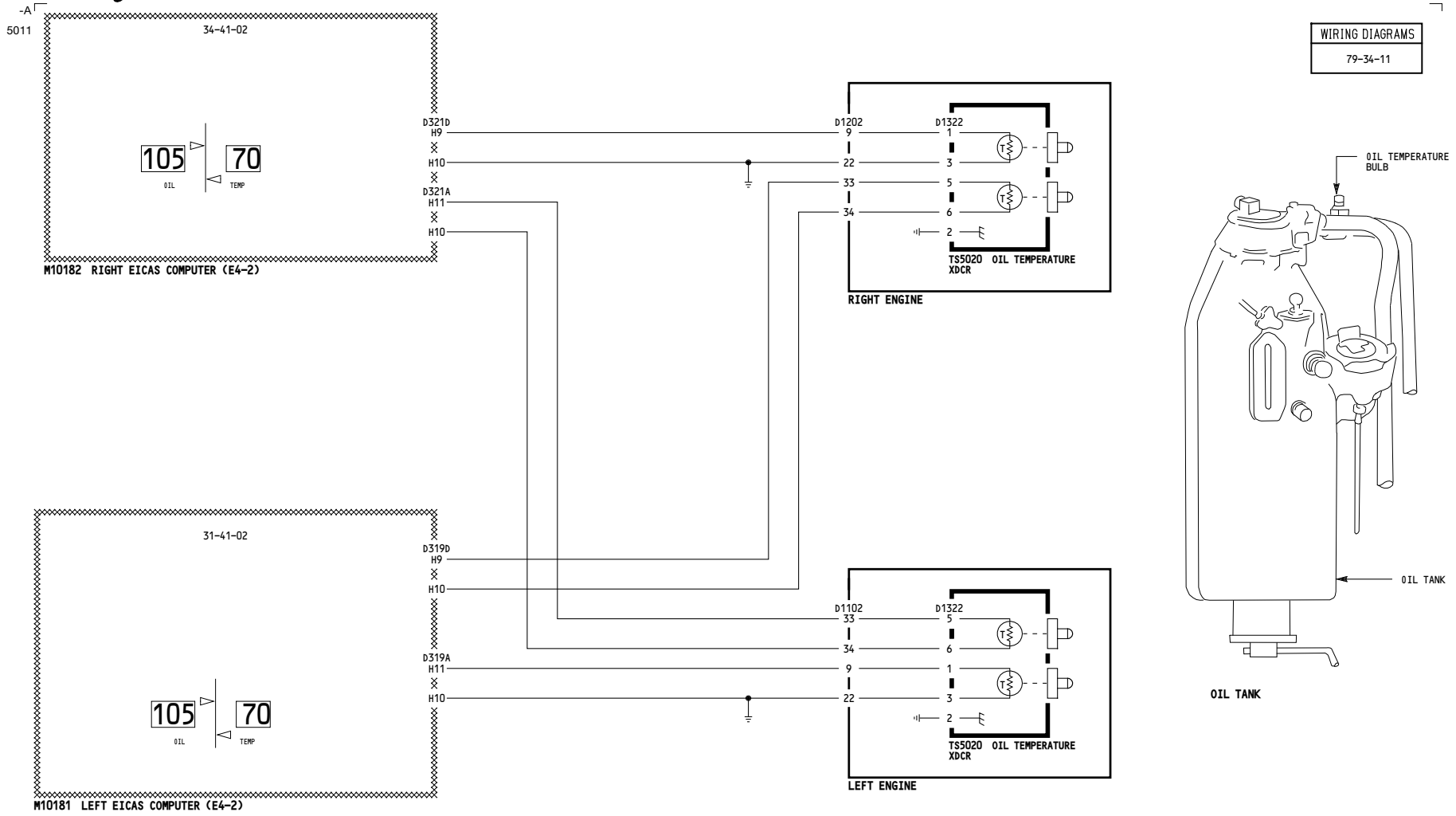
115-199	<p align="center"><b>ENGINE OIL LOW PRESSURE WARNING</b></p> <p align="center">D280N032S</p>
---------	--

**79-33-01**

Page 102

Jan 21/2005

WIRING DIAGRAMS  
79-34-11

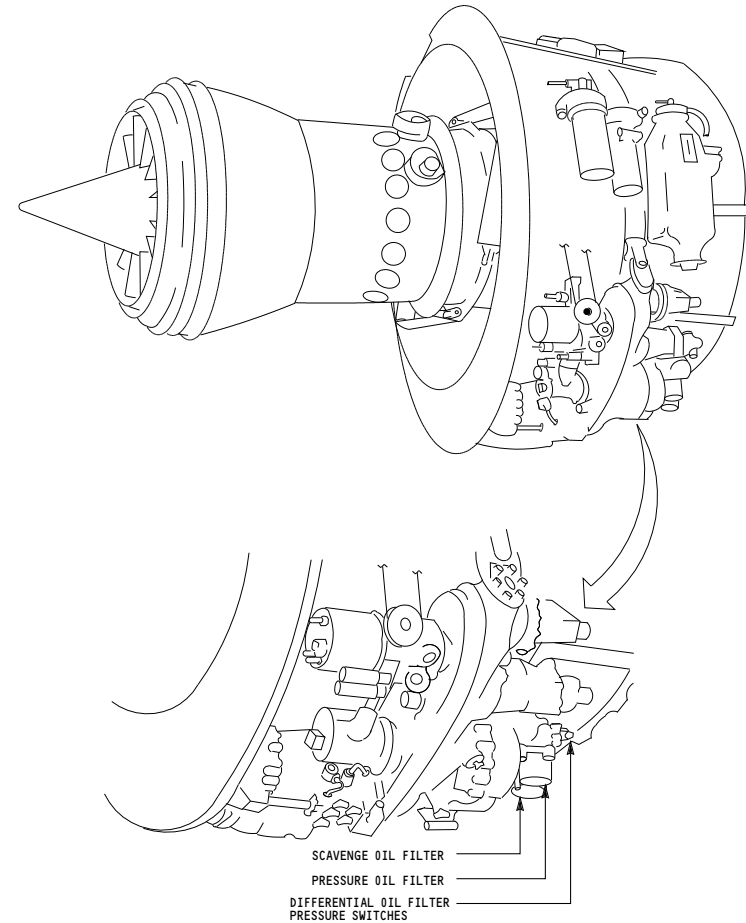
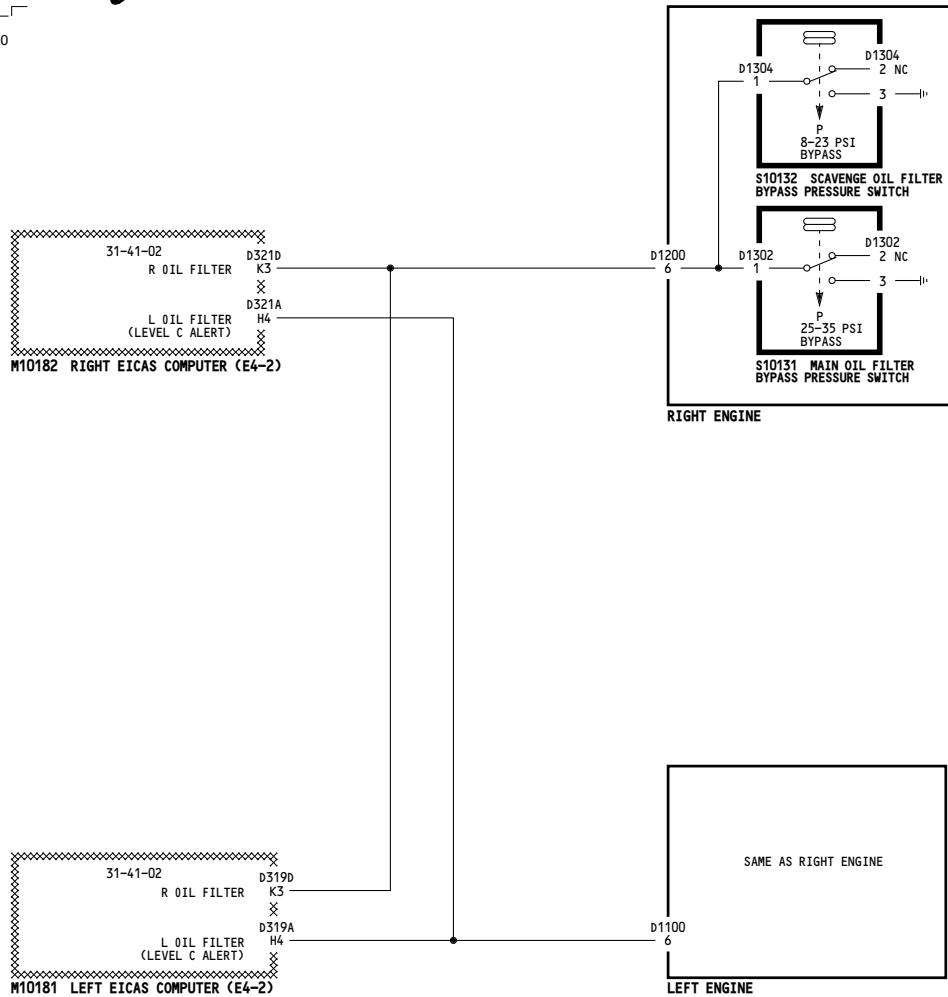


ALL	<p><b>ENGINE OIL TEMPERATURE INDICATION</b></p> <p>D280N032S</p>
-----	--

**79-34-01**

Page 101

Jan 21/2005



ALL	<b>ENGINE OIL FILTER BYPASS WARNING</b>
	D280N032S