

CHAPTER
80
STARTING



CHAPTER 80
STARTING

CH-SC-SU	Schem	Page	Sheet	Date	CH-SC-SU	Schem	Page	Sheet	Date
80-EFFECTIVE PAGES									
		1		Oct 09/2008					
		2		BLANK					
80-CONTENTS									
		1		Dec 18/2007					
		2		BLANK					
80-ALPHABETICAL INDEX									
		1		Dec 18/2007					
		2		BLANK					
80-00-00									
		101		Jan 21/2005					
80-11-01									
		101		Jan 21/2005					
		102		Jan 21/2005					
80-11-02									
		101		Jan 21/2005					
		102		Jan 21/2005					

A = Added, R = Revised, D = Deleted, O = Overflow

80-EFFECTIVE PAGES



CHAPTER 80
STARTING

Title	CH-SC-SU	Schem	Page	Sheet	Date	Effectivity
<u>STARTING</u>						
ENGINE STARTING SYSTEM	80-00-00		101		Jan 21/2005	ALL
<u>ENGINE STARTING SYSTEM</u>						
LEFT ENGINE START	80-11-01		101		Jan 21/2005	001-099
			102		Jan 21/2005	115-199
RIGHT ENGINE START	80-11-02		101		Jan 21/2005	001-099
			102		Jan 21/2005	115-199

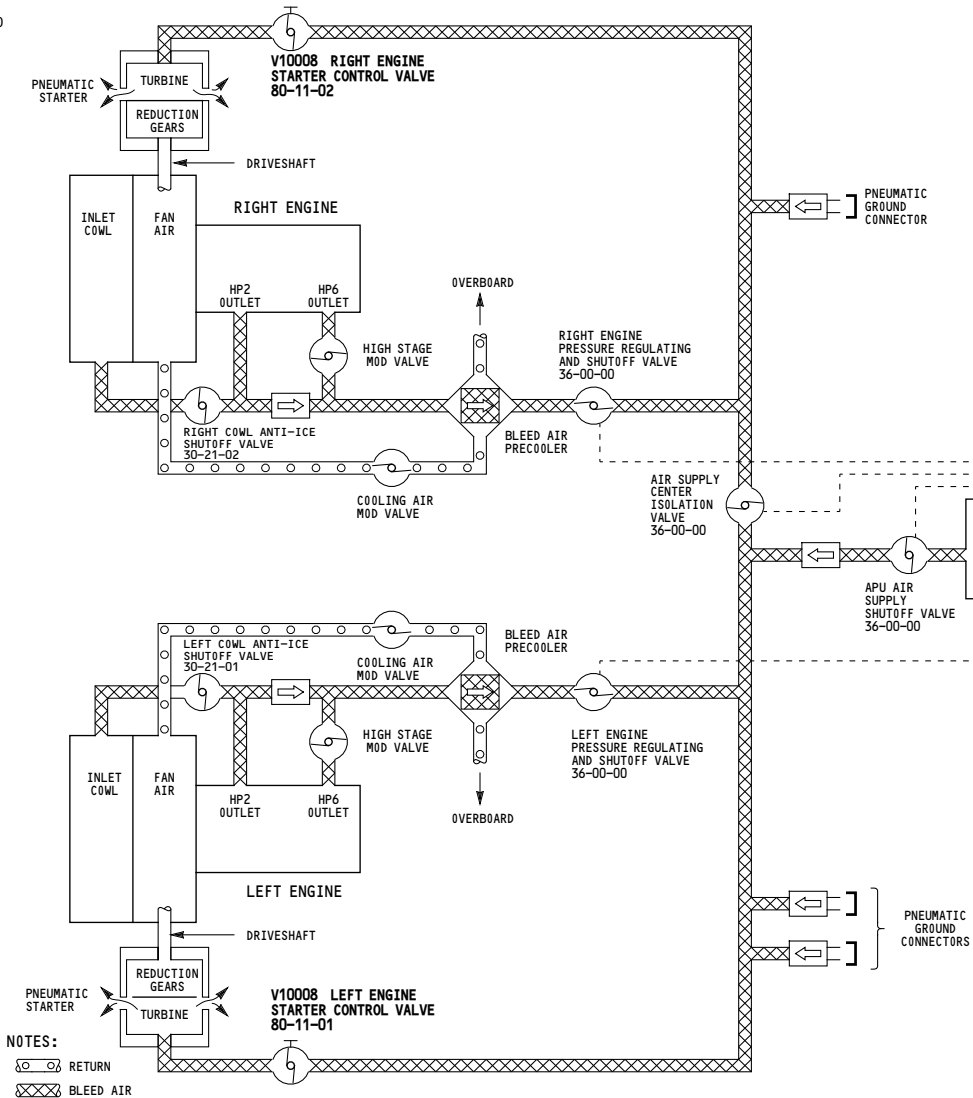
CHAPTER 80
STARTING

CH-SC-SU	Title
80-00-00	ENGINE STARTING SYSTEM
80-11-01	LEFT ENGINE START
80-11-02	RIGHT ENGINE START

CH-SC-SU	Title
----------	-------

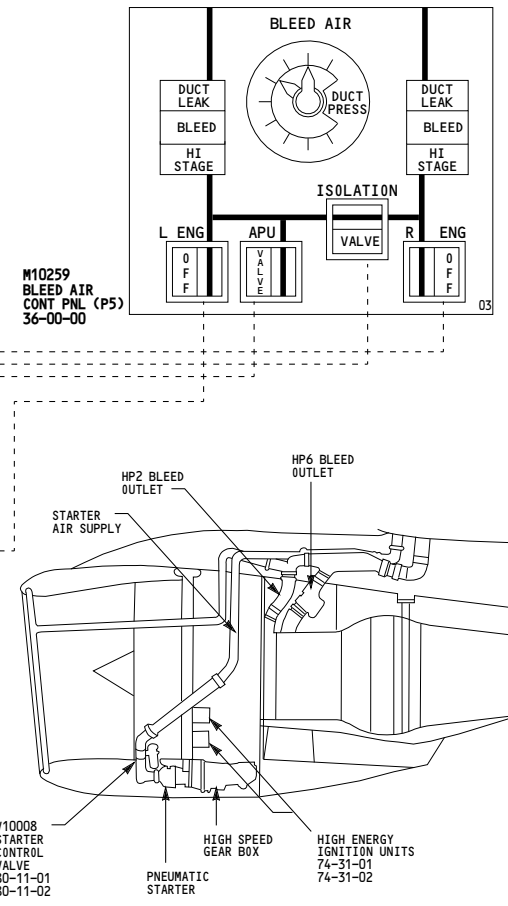
80-ALPHABETICAL INDEX

5000



NOTES:
 ○ ○ RETURN
 ⊠ ⊠ BLEED AIR

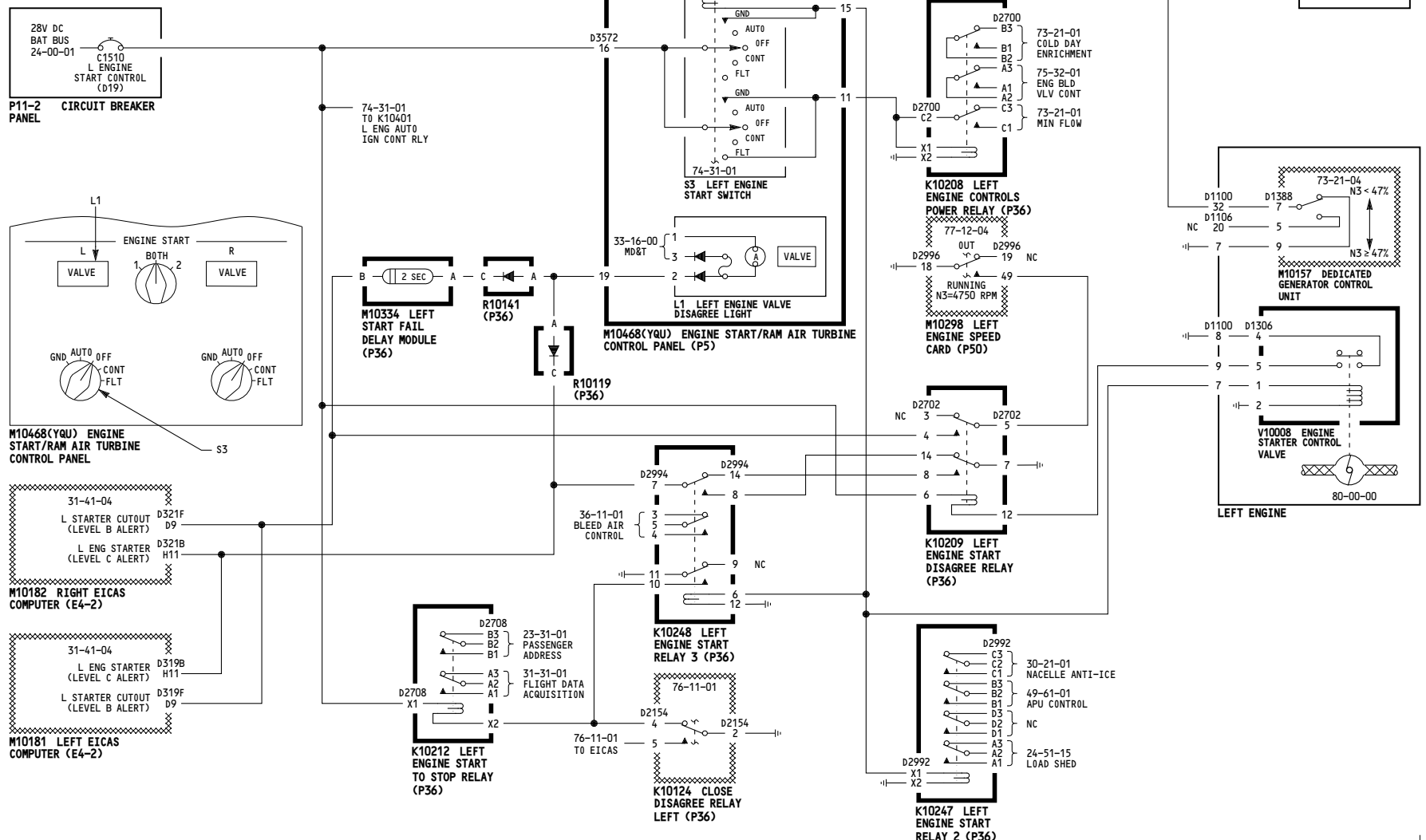
ALL	<p align="center">ENGINE STARTING SYSTEM</p> <p align="center">D280N032S</p>
-----	---



80-00-00

-C
5028

WIRING DIAGRAMS
80-11-11



001-099	<p align="center">LEFT ENGINE START</p> <p align="center">D280N032S</p>
---------	--

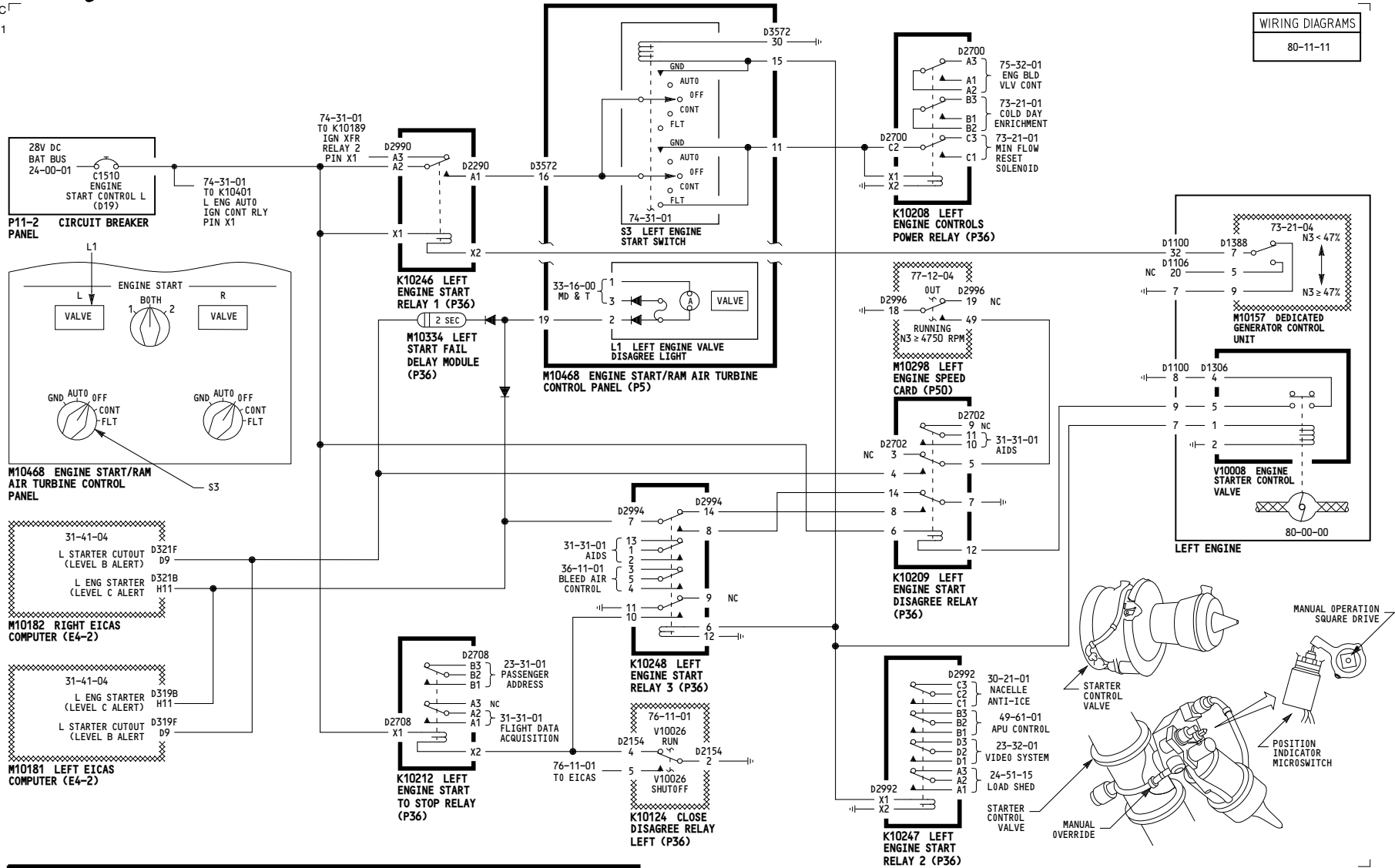
80-11-01

Page 101

Jan 21/2005

5021

WIRING DIAGRAMS
80-11-11



115-199	<p align="center">LEFT ENGINE START</p> <p align="center">D280N032S</p>
---------	--

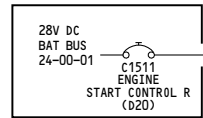
80-11-01

Page 102

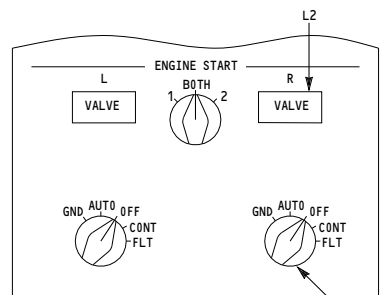
Jan 21/2005

-B
5028

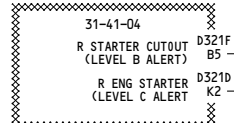
WIRING DIAGRAMS
80-11-21



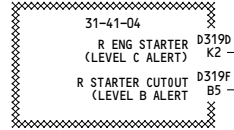
P11-2 CIRCUIT BREAKER PANEL



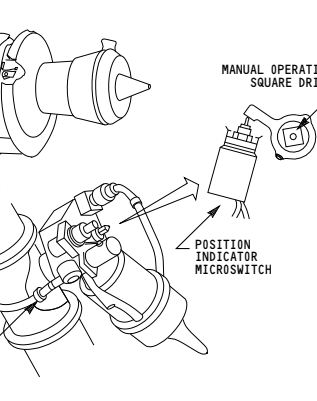
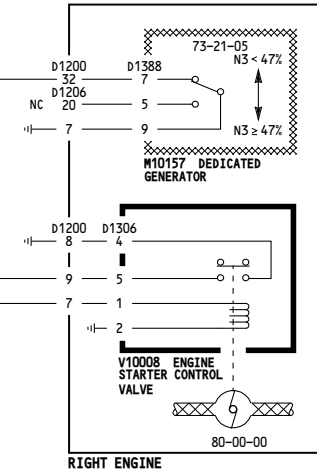
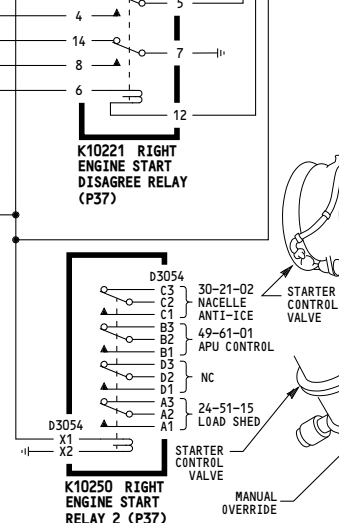
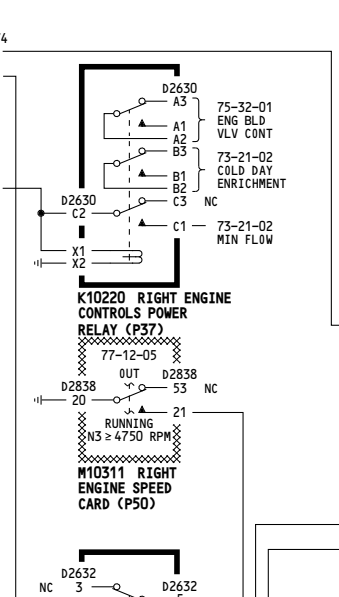
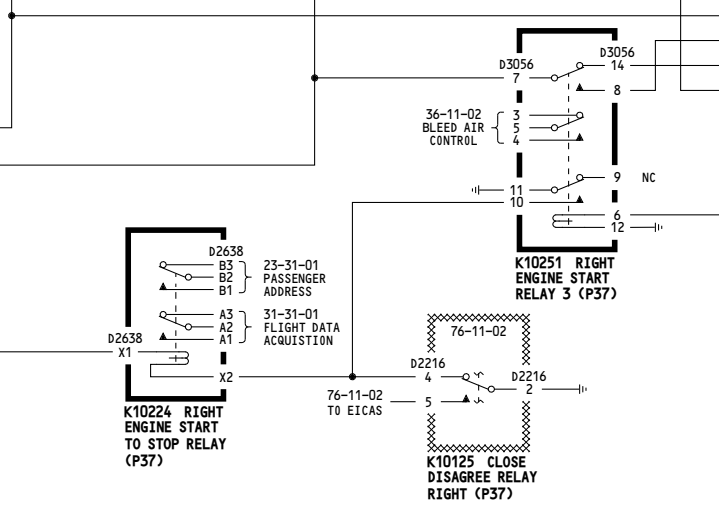
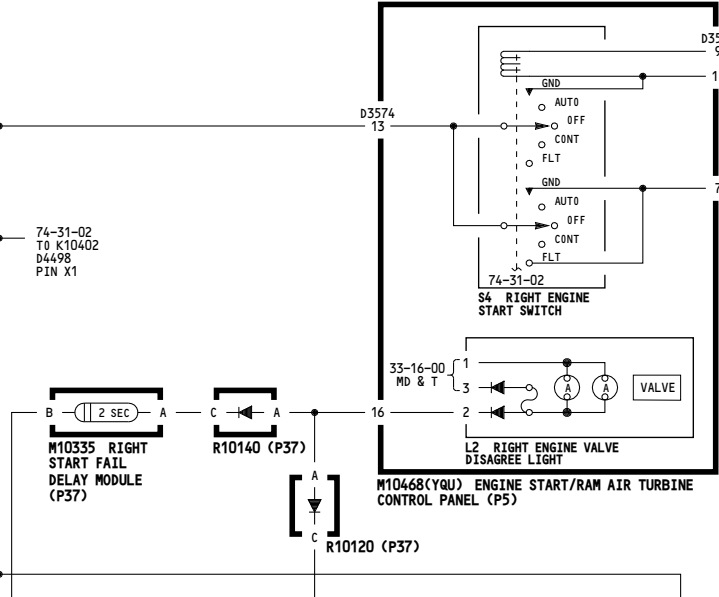
M10468(YQU) ENGINE START/RAM AIR TURBINE CONTROL PANEL



M10182 RIGHT EICAS COMPUTER (E4-2)



M10181 LEFT EICAS COMPUTER (E4-2)



001-099	<p align="center">RIGHT ENGINE START</p> <p align="center">D280N032S</p>
---------	---

80-11-02

Page 101

Jan 21/2005

