

CHAPTER

09

TOWING AND TAXIING



767

ILLUSTRATED TOOL AND EQUIPMENT MANUAL

CHAPTER 09 TOWING AND TAXIING

Subject/Page	Date	Subject/Page	Date	Subject/Page	Date
EFFECTIVE PAGES					
1	Apr 10/2008				
2	BLANK				
09-CONTENTS					
O 1	Apr 10/2008				
2	BLANK				
09-00-01					
1	Oct 10/2006				
2	BLANK				
09-00-02					
O 1	Apr 10/2008				
2	Apr 10/2006				

A = Added, R = Revised, O = Overflow, D = Deleted

09-EFFECTIVE PAGES

Page 1
Apr 10/2008

D634T501



767
ILLUSTRATED TOOL AND EQUIPMENT MANUAL

TABLE OF CONTENTS

<u>Subject</u>	<u>Title</u>	<u>Part No.</u>
09-	TOWING AND TAXIING	
09-00-01	DATA SHEET - 767 TOWBAR	A09002
09-00-02	LOCK PIN - NOSE GEAR TOWING LEVER	A09003-1, -2

09-CONTENTS



767

ILLUSTRATED TOOL AND EQUIPMENT MANUAL

PART NUMBER: A09002

NAME: DATA SHEET - 767 TOWBAR

AIRPLANE MAINTENANCE: YES

COMPONENT MAINTENANCE: NO

USAGE & DESCRIPTION: The A09002 data sheet provides design load data and tow fitting dimensions required for 767 airplane towbar design.



767

ILLUSTRATED TOOL AND EQUIPMENT MANUAL

PART NUMBER: A09003-1, -2

NAME: LOCK PIN - NOSE GEAR TOWING LEVER

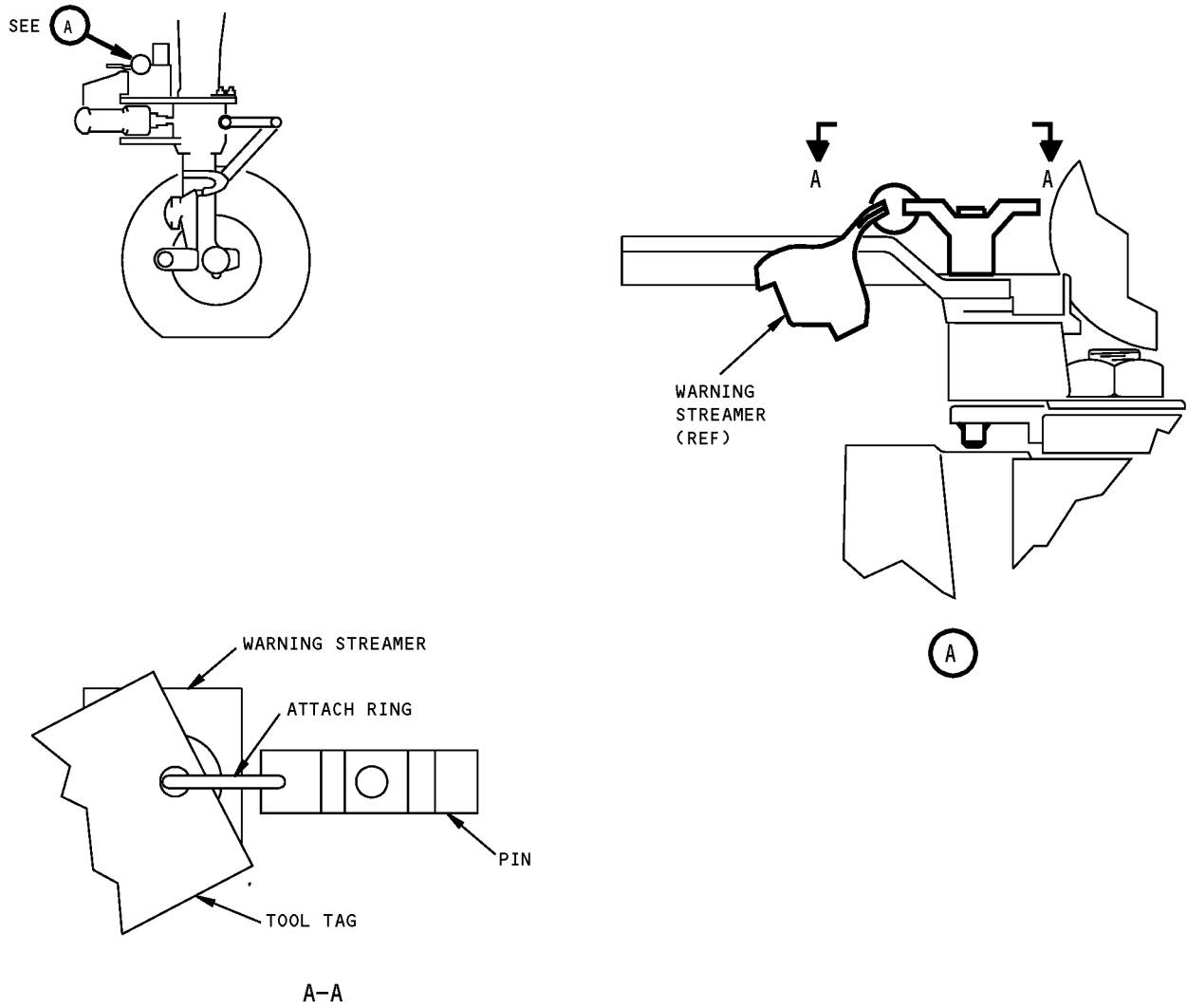
AIRPLANE MAINTENANCE: YES

COMPONENT MAINTENANCE: NO

USAGE & DESCRIPTION: The A09003-1 or -2 lock pin is used on all 767 airplanes. A09003 is used to lock the nose landing gear towing lever during towing procedures. A09003-1 or -2 is a basic quick-release pin with an attached warning streamer. Refer to AMM 09-11-00, 10-11-01, 22-00-02, 22-10-00, 22-13-01, 22-13-02, 22-13-05, 27-21-00, 27-21-02, 27-21-05, 27-21-07, 27-21-10, 27-21-13, 27-21-18, 27-21-19, 27-23-00, 27-28-00, 27-28-01, 32-09-08, 32-21-11, 32-34-05, 32-45-02, 32-51-00, 32-51-01, 32-51-05 and 32-51-10 for further usage instructions.

DIMENSIONS: 1 x 1 x 5 inches (25 x 25 x 127 mm)

NOTE: A09003-2 replaces A09003-1 for future procurement.



**Nose Gear Towing Lever Lock Pin
Figure 1**