

CHAPTER

33

LIGHTING



767

ILLUSTRATED TOOL AND EQUIPMENT MANUAL

CHAPTER 33

LIGHTING

Subject/Page	Date	Subject/Page	Date	Subject/Page	Date
EFFECTIVE PAGES					
1	Apr 10/2008				
2	BLANK				
33-CONTENTS					
1	Apr 10/2006				
2	BLANK				
33-00-01					
1	Apr 10/2006				
2	BLANK				
33-00-02					
1	Apr 10/2006				
2	Apr 10/2006				
3	Apr 10/2006				
4	Apr 10/2006				
5	Apr 10/2006				
6	Apr 10/2006				
7	Apr 10/2006				
8	Apr 10/2006				
9	Apr 10/2006				
10	Apr 10/2006				
11	Apr 10/2006				
12	Apr 10/2006				
13	Apr 10/2006				
14	Apr 10/2006				
15	Apr 10/2006				
16	Apr 10/2006				
17	Apr 10/2006				
18	Apr 10/2006				
19	Apr 10/2006				
20	Apr 10/2006				
21	Apr 10/2006				
22	Apr 10/2006				
23	Apr 10/2006				
24	BLANK				
33-10-01					
1	Apr 10/2006				
2	Apr 10/2006				

A = Added, R = Revised, O = Overflow, D = Deleted

33-EFFECTIVE PAGES



767

ILLUSTRATED TOOL AND EQUIPMENT MANUAL

TABLE OF CONTENTS

<u>Subject</u>	<u>Title</u>	<u>Part No.</u>
33-	LIGHTING	
33-00-01	TEST BOX - AUTOBRIGHT SENSOR	A33004-32
33-00-02	BREAKOUT BOX - MULTIPURPOSE	A33003-359
33-10-01	TEST BOX - MASTER DIM AND TEST PRINTED CIRCUIT (PC) CARD	A33001-1

33-CONTENTS

ILLUSTRATED TOOL AND EQUIPMENT MANUAL

PART NUMBER: A33004-32

NAME: TEST BOX - AUTOBRIGHT SENSOR

AIRPLANE MAINTENANCE: NO

COMPONENT MAINTENANCE: YES

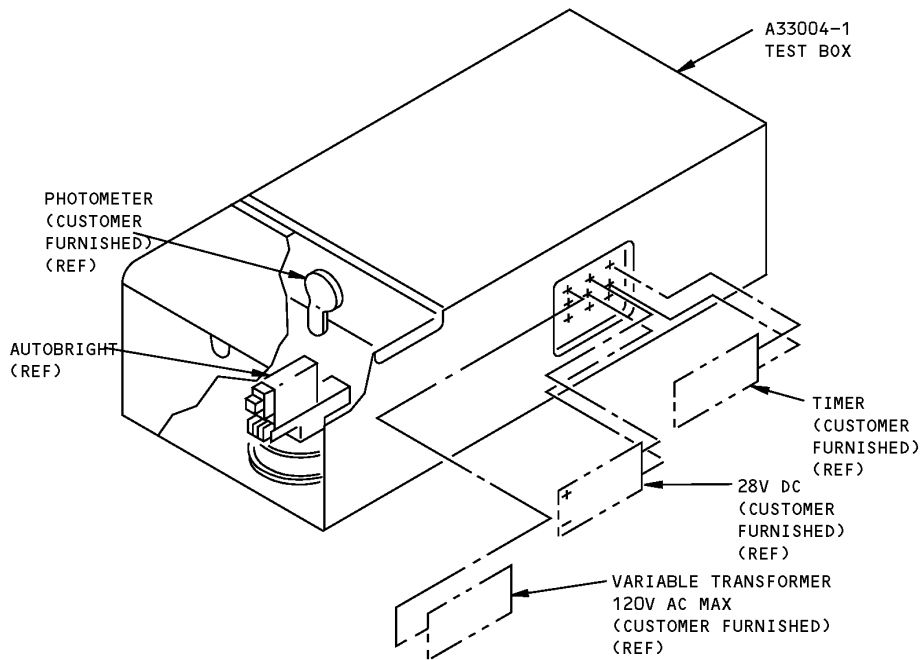
USAGE & DESCRIPTION: The A33004 drawing has been transferred to BAE Systems and will no longer be revised by Boeing. The A33004 inclusion in the 767 ITEM is for information and historical purposes only.

The A33004-32 test box is used during component maintenance on all 767 airplanes. A33004 is used with a customer-furnished photometer on 285T0112-4, -5 and -6 autobright sensor units. Refer to CMM 33-16-51 for complete usage instructions.

WEIGHT: 30 lbs (14 kg)

DIMENSIONS: 11 x 16 x 36 inches (279 x 406 x 914 mm)

NOTE: A33004-32 supersedes A33004-1 and A33002.



**Autobright Sensor Test Box
Figure 1**



767

ILLUSTRATED TOOL AND EQUIPMENT MANUAL

PART NUMBER: A33003-359

NAME: BREAKOUT BOX - MULTIPURPOSE

AIRPLANE MAINTENANCE: NO

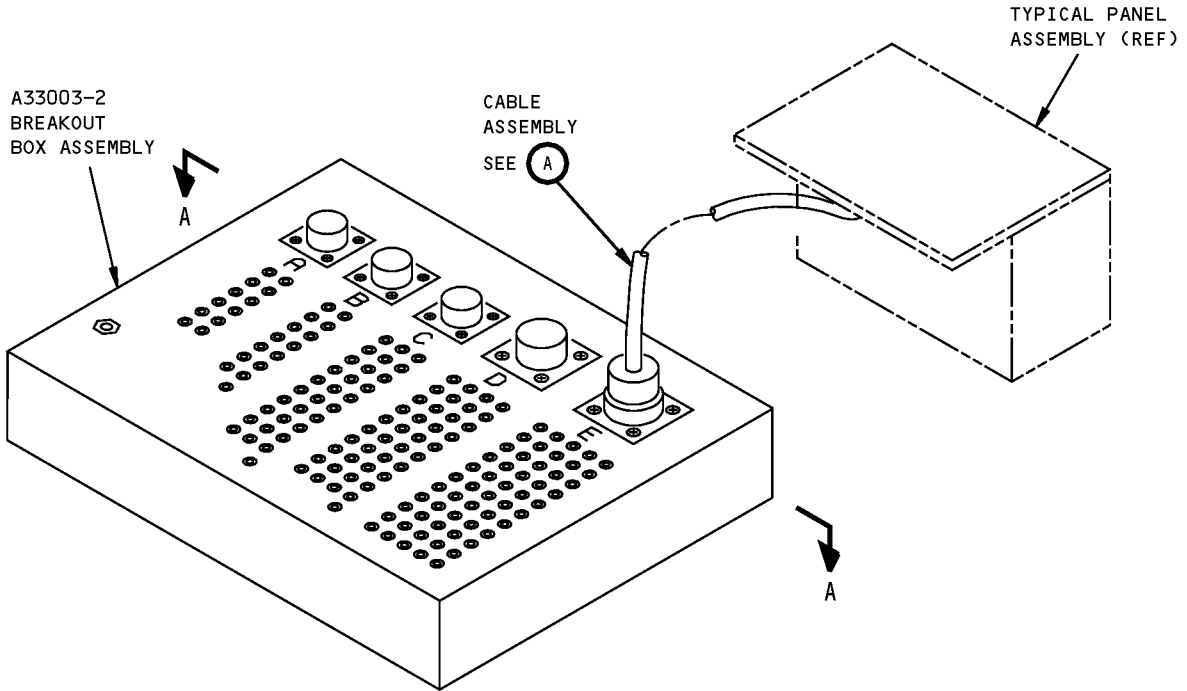
COMPONENT MAINTENANCE: YES

USAGE & DESCRIPTION: The A33003-359 breakout box is used on all 767 airplanes. The A33003 is used for component testing of panel assemblies to access (breakout) contacts of MIL-C-5015 and MIL-C-26500 type circular connectors. Refer to the appropriate wire diagram manuals and schematics, CMM's and fault isolation manuals for complete usage information. All A33003 cable assemblies are not applicable to all 767 airplanes. A33003-163,-164,-258,-387 are used only on 767-400 airplanes. A33003-288 and -405 are used for airline customers who have selected the 233N7519-301/302 option, data transfer unit receptacle M01736 panel assembly. A33003-406 is used on the 233N7519-301 data transfer unit receptacle, installed on VS321-VS330 airplanes. A33003-400 and -401 are used on 767-300 only. A33003-378 and -379 are used on 767-300F (VW851-VW999) only. The information included on A33003 is not for use as a purchasing aid but for quick familiarity only. For complete information, refer to the current A33003 drawing. A33003-359 consists of and A33003-2 breakout box and A33003-6 thru -43,-47 thru -50,-52 thru -57,-360,-59 thru -62,-64 thru -66,-159,-160,-163,-164, -167,-174,-193,-202,-219 thru -224,-237,-238,-254,-255,-257 thru -259,-288 thru -291,-317 thru -321,-350,-351,-376,-378, -379,-387 thru -389,-400,-401,-405 and -406 cable assemblies. All A33003-359 breakout box equipment is contained in a storage box.

WEIGHT: 100 lbs (45 kg)

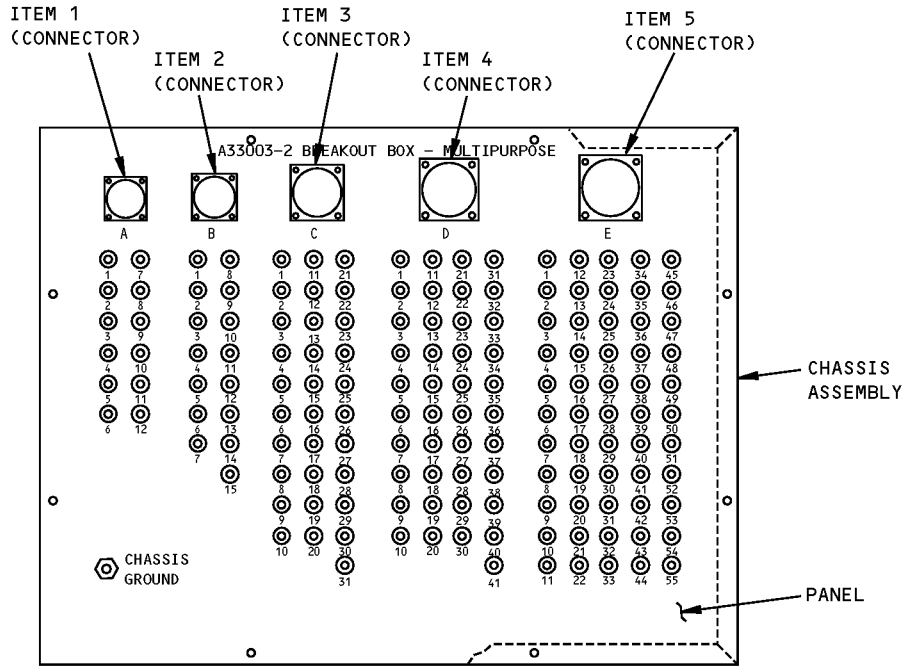
DIMENSIONS: 24 x 24 x 44 inches (610 x 610 x 1118 mm)

NOTE: A33003-359 supersedes A33003-1.

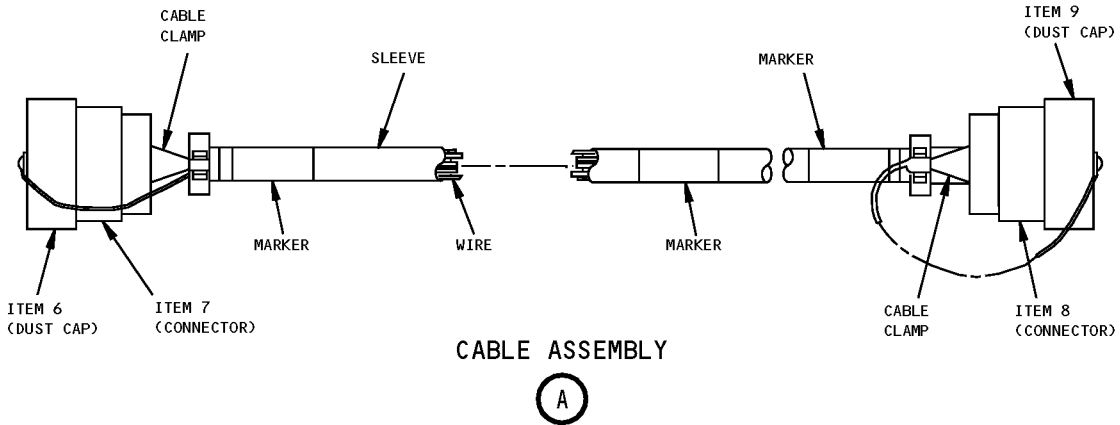


Multipurpose Breakout Box
Figure 1 (Sheet 1 of 2)

ILLUSTRATED TOOL AND EQUIPMENT MANUAL



**BREAKOUT BOX ASSEMBLY
A-A**



CABLE ASSEMBLY

A

**Multipurpose Breakout Box
Figure 1 (Sheet 2 of 2)**



767

ILLUSTRATED TOOL AND EQUIPMENT MANUAL

A33003-2 BREAKOUT BOX ASSEMBLY - REPAIRABLE/REPLACEABLE PARTS			
ITEM NO.	PART NO.	NOMENCLATURE	VENDOR CODE
1	M83723/72R1212N	CONNECTOR	
2	M83723/72R1415N	CONNECTOR	
3	M83723/72R1831N	CONNECTOR	
4	M83723/72R2041N	CONNECTOR	
5	M83723/72R2255N	CONNECTOR	

A33003-6 CABLE ASSEMBLY - REPAIRABLE/REPLACEABLE PARTS			
ITEM NO.	PART NO.	NOMENCLATURE	VENDOR CODE
1	M83723/59-212AC	DUST CAP	
2	M83723/75R1212N	CONNECTOR	
3	M83723/87R123N	CONNECTOR	
4	M83723/59-212AC	DUST CAP	

A33003-7 CABLE ASSEMBLY - REPAIRABLE/REPLACEABLE PARTS			
ITEM NO.	PART NO.	NOMENCLATURE	VENDOR CODE
1	M83723/59-212AC	DUST CAP	
2	M83723/75R1212N	CONNECTOR	
3	M83723/87R1237N	CONNECTOR	
4	M83723/59-112AC	DUST CAP	

A33003-8 CABLE ASSEMBLY - REPAIRABLE/REPLACEABLE PARTS			
ITEM NO.	PART NO.	NOMENCLATURE	VENDOR CODE
1	M83723/59-212AC	DUST CAP	
2	M83723/75R1212N	CONNECTOR	
3	M83723/83R123N	CONNECTOR	
4	M83723/60-112AC	DUST CAP	

A33003-9 CABLE ASSEMBLY - REPAIRABLE/REPLACEABLE PARTS			
ITEM NO.	PART NO.	NOMENCLATURE	VENDOR CODE
1	M83723/59-212AC	DUST CAP	
2	M83723/75R1212N	CONNECTOR	
3	M83723/75R1212N	CONNECTOR	
4	M83723/59-212AC	DUST CAP	



767

ILLUSTRATED TOOL AND EQUIPMENT MANUAL

A33003-10 CABLE ASSEMBLY - REPAIRABLE/REPLACEABLE PARTS			
ITEM NO.	PART NO.	NOMENCLATURE	VENDOR CODE
1	M83723/59-212AC	DUST CAP	
2	M83723/75R1212N	CONNECTOR	
3	M83723/75R12127	CONNECTOR	
4	M83723/59-212AC	DUST CAP	

A33003-11 CABLE ASSEMBLY - REPAIRABLE/REPLACEABLE PARTS			
ITEM NO.	PART NO.	NOMENCLATURE	VENDOR CODE
1	M83723/59-212AC	DUST CAP	
2	M83723/75R1212N	CONNECTOR	
3	M83723/75R12128	CONNECTOR	
4	M83723/59-212AC	DUST CAP	

A33003-12 CABLE ASSEMBLY - REPAIRABLE/REPLACEABLE PARTS			
ITEM NO.	PART NO.	NOMENCLATURE	VENDOR CODE
1	M83723/59-214AC	DUST CAP	
2	M83723/75R1415N	CONNECTOR	
3	M83723/75R12129	CONNECTOR	
4	M83723/59-212AC	DUST CAP	

A33003-13 CABLE ASSEMBLY - REPAIRABLE/REPLACEABLE PARTS			
ITEM NO.	PART NO.	NOMENCLATURE	VENDOR CODE
1	M83723/59-212AC	DUST CAP	
2	M83723/75R1212N	CONNECTOR	
3	M83723/71R1212N	CONNECTOR	
4	M83723/60-212AC	DUST CAP	

A33003-14 CABLE ASSEMBLY - REPAIRABLE/REPLACEABLE PARTS			
ITEM NO.	PART NO.	NOMENCLATURE	VENDOR CODE
1	M83723/59-212AC	DUST CAP	
2	M83723/75R1212N	CONNECTOR	
3	M83723/71R12129	CONNECTOR	
4	M83723/60-212AC	DUST CAP	



767

ILLUSTRATED TOOL AND EQUIPMENT MANUAL

A33003-15 CABLE ASSEMBLY - REPAIRABLE/REPLACEABLE PARTS			
ITEM NO.	PART NO.	NOMENCLATURE	VENDOR CODE
1	M83723/59-212AC	DUST CAP	
2	M83723/75R1212N	CONNECTOR	
3	M83723/72R1212N	CONNECTOR	
4	M83723/60-112AC	DUST CAP	

A33003-16 CABLE ASSEMBLY - REPAIRABLE/REPLACEABLE PARTS			
ITEM NO.	PART NO.	NOMENCLATURE	VENDOR CODE
1	M83723/59-212AC	DUST CAP	
2	M83723/75R1212N	CONNECTOR	
3	M83723/82R1213N	CONNECTOR	
4	M83723/60-112AC	DUST CAP	

A33003-17 CABLE ASSEMBLY - REPAIRABLE/REPLACEABLE PARTS			
ITEM NO.	PART NO.	NOMENCLATURE	VENDOR CODE
1	M83723/59-212AC	DUST CAP	
2	M83723/75R1212N	CONNECTOR	
3	M83723/82R12137	CONNECTOR	
4	M83723/60-112AC	DUST CAP	

A33003-18 CABLE ASSEMBLY - REPAIRABLE/REPLACEABLE PARTS			
ITEM NO.	PART NO.	NOMENCLATURE	VENDOR CODE
1	M83723/59-220AC	DUST CAP	
2	M83723/75R2041N	CONNECTOR	
3	M83723/75R1415N	CONNECTOR	
4	M83723/59-214AC	DUST CAP	

A33003-19 CABLE ASSEMBLY - REPAIRABLE/REPLACEABLE PARTS			
ITEM NO.	PART NO.	NOMENCLATURE	VENDOR CODE
1	M83723/59-214AC	DUST CAP	
2	M83723/75R1415N	CONNECTOR	
3	M83723/75R14156	CONNECTOR	
4	M83723/59-214AC	DUST CAP	



767

ILLUSTRATED TOOL AND EQUIPMENT MANUAL

A33003-20 CABLE ASSEMBLY - REPAIRABLE/REPLACEABLE PARTS			
ITEM NO.	PART NO.	NOMENCLATURE	VENDOR CODE
1	M83723/59-218AC	DUST CAP	
2	M83723/75R1831N	CONNECTOR	
3	M83723/75R14157	CONNECTOR	
4	M83723/59-214AC	DUST CAP	

A33003-21 CABLE ASSEMBLY - REPAIRABLE/REPLACEABLE PARTS			
ITEM NO.	PART NO.	NOMENCLATURE	VENDOR CODE
1	M83723/59-214AC	DUST CAP	
2	M83723/75R1415N	CONNECTOR	
3	M83723/75R14158	CONNECTOR	
4	M83723/59-214AC	DUST CAP	

A33003-22 CABLE ASSEMBLY - REPAIRABLE/REPLACEABLE PARTS			
ITEM NO.	PART NO.	NOMENCLATURE	VENDOR CODE
1	M83723/59-222AC	DUST CAP	
2	M83723/75R2255N	CONNECTOR	
3	M83723/75R14159	CONNECTOR	
4	M83723/59-214AC	DUST CAP	

A33003-23 CABLE ASSEMBLY - REPAIRABLE/REPLACEABLE PARTS			
ITEM NO.	PART NO.	NOMENCLATURE	VENDOR CODE
1	M83723/59-214AC	DUST CAP	
2	M83723/75R1415N	CONNECTOR	
3	M83723/71R1415N	CONNECTOR	
4	M83723/60-214AC	DUST CAP	

A33003-24 CABLE ASSEMBLY - REPAIRABLE/REPLACEABLE PARTS			
ITEM NO.	PART NO.	NOMENCLATURE	VENDOR CODE
1	M83723/59-214AC	DUST CAP	
2	M83723/75R1415N	CONNECTOR	
3	M83723/86R1415N	CONNECTOR	
4	M83723/59-114AC	DUST CAP	



767

ILLUSTRATED TOOL AND EQUIPMENT MANUAL

A33003-25 CABLE ASSEMBLY - REPAIRABLE/REPLACEABLE PARTS			
ITEM NO.	PART NO.	NOMENCLATURE	VENDOR CODE
1	M83723/59-214AC	DUST CAP	
2	M83723/75R1415N	CONNECTOR	
3	M83723/75R1610N	CONNECTOR	
4	M83723/59-216AC	DUST CAP	

A33003-26 CABLE ASSEMBLY - REPAIRABLE/REPLACEABLE PARTS			
ITEM NO.	PART NO.	NOMENCLATURE	VENDOR CODE
1	M83723/59-220AC	DUST CAP	
2	M83723/75R2041N	CONNECTOR	
3	M83723/75R1624N	CONNECTOR	
4	M83723/59-216AC	DUST CAP	

A33003-27 CABLE ASSEMBLY - REPAIRABLE/REPLACEABLE PARTS			
ITEM NO.	PART NO.	NOMENCLATURE	VENDOR CODE
1	M83723/59-218AC	DUST CAP	
2	M83723/75R1831N	CONNECTOR	
3	M83723/75R16246	CONNECTOR	
4	M83723/59-216AC	DUST CAP	

A33003-28 CABLE ASSEMBLY - REPAIRABLE/REPLACEABLE PARTS			
ITEM NO.	PART NO.	NOMENCLATURE	VENDOR CODE
1	M83723/59-222AC	DUST CAP	
2	M83723/75R2255N	CONNECTOR	
3	M83723/75R16247	CONNECTOR	
4	M83723/59-216AC	DUST CAP	

A33003-29 CABLE ASSEMBLY - REPAIRABLE/REPLACEABLE PARTS			
ITEM NO.	PART NO.	NOMENCLATURE	VENDOR CODE
1	M83723/59-218AC	DUST CAP	
2	M83723/75R1831N	CONNECTOR	
3	M83723/75R16249	CONNECTOR	
4	M83723/59-216AC	DUST CAP	



767

ILLUSTRATED TOOL AND EQUIPMENT MANUAL

A33003-30 CABLE ASSEMBLY - REPAIRABLE/REPLACEABLE PARTS			
ITEM NO.	PART NO.	NOMENCLATURE	VENDOR CODE
1	M83723/59-218AC	DUST CAP	
2	M83723/75R1831N	CONNECTOR	
3	M83723/71R1624N	CONNECTOR	
4	M83723/60-216AC	DUST CAP	

A33003-31 CABLE ASSEMBLY - REPAIRABLE/REPLACEABLE PARTS			
ITEM NO.	PART NO.	NOMENCLATURE	VENDOR CODE
1	M83723/59-218AC	DUST CAP	
2	M83723/75R1831N	CONNECTOR	
3	M83723/75R16248	CONNECTOR	
4	M83723/60-216AC	DUST CAP	

A33003-32 CABLE ASSEMBLY - REPAIRABLE/REPLACEABLE PARTS			
ITEM NO.	PART NO.	NOMENCLATURE	VENDOR CODE
1	M83723/59-214AC	DUST CAP	
2	M83723/75R1415N	CONNECTOR	
3	M83723/75R1814N	CONNECTOR	
4	M83723/60-218AC	DUST CAP	

A33003-33 CABLE ASSEMBLY - REPAIRABLE/REPLACEABLE PARTS			
ITEM NO.	PART NO.	NOMENCLATURE	VENDOR CODE
1	M83723/59-214AC	DUST CAP	
2	M83723/75R1415N	CONNECTOR	
3	M83723/87R18146	CONNECTOR	
4	M83723/60-118AC	DUST CAP	

A33003-34 CABLE ASSEMBLY - REPAIRABLE/REPLACEABLE PARTS			
ITEM NO.	PART NO.	NOMENCLATURE	VENDOR CODE
1	M83723/59-214AC	DUST CAP	
2	M83723/75R1415N	CONNECTOR	
3	M83723/82R1814N	CONNECTOR	
4	M83723/60-118AC	DUST CAP	



767

ILLUSTRATED TOOL AND EQUIPMENT MANUAL

A33003-35 CABLE ASSEMBLY - REPAIRABLE/REPLACEABLE PARTS			
ITEM NO.	PART NO.	NOMENCLATURE	VENDOR CODE
1	M83723/59-218AC	DUST CAP	
2	M83723/75R1831N	CONNECTOR	
3	M83723/75R1831N	CONNECTOR	
4	M83723/59-218AC	DUST CAP	

A33003-36 CABLE ASSEMBLY - REPAIRABLE/REPLACEABLE PARTS			
ITEM NO.	PART NO.	NOMENCLATURE	VENDOR CODE
1	M83723/59-218AC	DUST CAP	
2	M83723/75R1831N	CONNECTOR	
3	M83723/75R18316	CONNECTOR	
4	M83723/59-218AC	DUST CAP	

A33003-37 CABLE ASSEMBLY - REPAIRABLE/REPLACEABLE PARTS			
ITEM NO.	PART NO.	NOMENCLATURE	VENDOR CODE
1	M83723/59-220AC	DUST CAP	
2	M83723/75R2041N	CONNECTOR	
3	M83723/75R18317	CONNECTOR	
4	M83723/59-218AC	DUST CAP	

A33003-38 CABLE ASSEMBLY - REPAIRABLE/REPLACEABLE PARTS			
ITEM NO.	PART NO.	NOMENCLATURE	VENDOR CODE
1	M83723/59-218AC	DUST CAP	
2	M83723/75R1831N	CONNECTOR	
3	M83723/75R18318	CONNECTOR	
4	M83723/59-218AC	DUST CAP	

A33003-39 CABLE ASSEMBLY - REPAIRABLE/REPLACEABLE PARTS			
ITEM NO.	PART NO.	NOMENCLATURE	VENDOR CODE
1	M83723/59-218AC	DUST CAP	
2	M83723/75R1831N	CONNECTOR	
3	M83723/75R18319	CONNECTOR	
4	M83723/59-218AC	DUST CAP	



767

ILLUSTRATED TOOL AND EQUIPMENT MANUAL

A33003-40 CABLE ASSEMBLY - REPAIRABLE/REPLACEABLE PARTS			
ITEM NO.	PART NO.	NOMENCLATURE	VENDOR CODE
1	M83723/59-220AC	DUST CAP	
2	M83723/75R2041N	CONNECTOR	
3	M83723/75R183110	CONNECTOR	
4	M83723/59-218AC	DUST CAP	

A33003-41 CABLE ASSEMBLY - REPAIRABLE/REPLACEABLE PARTS			
ITEM NO.	PART NO.	NOMENCLATURE	VENDOR CODE
1	M83723/59-214AC	DUST CAP	
2	M83723/75R1415N	CONNECTOR	
3	M83723/82R18146	CONNECTOR	
4	M83723/60-118AC	DUST CAP	

A33003-42 CABLE ASSEMBLY - REPAIRABLE/REPLACEABLE PARTS			
ITEM NO.	PART NO.	NOMENCLATURE	VENDOR CODE
1	M83723/59-214AC	DUST CAP	
2	M83723/75R1415N	CONNECTOR	
3	M83723/87R1814N	CONNECTOR	
4	M83723/59-118AC	DUST CAP	

A33003-43 CABLE ASSEMBLY - REPAIRABLE/REPLACEABLE PARTS			
ITEM NO.	PART NO.	NOMENCLATURE	VENDOR CODE
1	M83723/59-218AC	DUST CAP	
2	M83723/75R1831N	CONNECTOR	
3	M83723/75R20256	CONNECTOR	
4	M83723/59-220AC	DUST CAP	

A33003-47 CABLE ASSEMBLY - REPAIRABLE/REPLACEABLE PARTS			
ITEM NO.	PART NO.	NOMENCLATURE	VENDOR CODE
1	M83723/59-220AC	DUST CAP	
2	M83723/75R2041N	CONNECTOR	
3	M83723/75R2041N	CONNECTOR	
4	M83723/59-220AC	DUST CAP	



767

ILLUSTRATED TOOL AND EQUIPMENT MANUAL

A33003-48 CABLE ASSEMBLY - REPAIRABLE/REPLACEABLE PARTS			
ITEM NO.	PART NO.	NOMENCLATURE	VENDOR CODE
1	M83723/59-222AC	DUST CAP	
2	M83723/75R2255N	CONNECTOR	
3	M83723/75R20416	CONNECTOR	
4	M83723/59-220AC	DUST CAP	

A33003-49 CABLE ASSEMBLY - REPAIRABLE/REPLACEABLE PARTS			
ITEM NO.	PART NO.	NOMENCLATURE	VENDOR CODE
1	M83723/59-220AC	DUST CAP	
2	M83723/75R2041N	CONNECTOR	
3	M83723/75R20417	CONNECTOR	
4	M83723/59-220AC	DUST CAP	

A33003-50 CABLE ASSEMBLY - REPAIRABLE/REPLACEABLE PARTS			
ITEM NO.	PART NO.	NOMENCLATURE	VENDOR CODE
1	M83723/59-222AC	DUST CAP	
2	M83723/75R2255N	CONNECTOR	
3	M83723/75R20418	CONNECTOR	
4	M83723/59-220AC	DUST CAP	

A33003-52 CABLE ASSEMBLY - REPAIRABLE/REPLACEABLE PARTS			
ITEM NO.	PART NO.	NOMENCLATURE	VENDOR CODE
1	M83723/59-218AC	DUST CAP	
2	M83723/75R1831N	CONNECTOR	
3	M83723/75R2025N	CONNECTOR	
4	M83723/59-220AC	DUST CAP	

A33003-53 CABLE ASSEMBLY - REPAIRABLE/REPLACEABLE PARTS			
ITEM NO.	PART NO.	NOMENCLATURE	VENDOR CODE
1	M83723/59-218AC	DUST CAP	
2	M83723/75R1831N	CONNECTOR	
3	M83723/86R2219N	CONNECTOR	
4	M83723/59-122AC	DUST CAP	



767

ILLUSTRATED TOOL AND EQUIPMENT MANUAL

A33003-54 CABLE ASSEMBLY - REPAIRABLE/REPLACEABLE PARTS			
ITEM NO.	PART NO.	NOMENCLATURE	VENDOR CODE
1	M83723/59-218AC	DUST CAP	
2	M83723/75R1831N	CONNECTOR	
3	M83723/86R22196	CONNECTOR	
4	M83723/59-122AC	DUST CAP	

A33003-55 CABLE ASSEMBLY - REPAIRABLE/REPLACEABLE PARTS			
ITEM NO.	PART NO.	NOMENCLATURE	VENDOR CODE
1	M83723/59-220AC	DUST CAP	
2	M83723/75R2041N	CONNECTOR	
3	M83723/82R2219N	CONNECTOR	
4	M83723/60-122AC	DUST CAP	

A33003-56 CABLE ASSEMBLY - REPAIRABLE/REPLACEABLE PARTS			
ITEM NO.	PART NO.	NOMENCLATURE	VENDOR CODE
1	M83723/59-218AC	DUST CAP	
2	M83723/75R1831N	CONNECTOR	
3	M83723/82R2219N	CONNECTOR	
4	M83723/60-122AC	DUST CAP	

A33003-57 CABLE ASSEMBLY - REPAIRABLE/REPLACEABLE PARTS			
ITEM NO.	PART NO.	NOMENCLATURE	VENDOR CODE
1	M83723/59-218AC	DUST CAP	
2	M83723/75R1831N	CONNECTOR	
3	M83723/82R22196	CONNECTOR	
4	M83723/60-122AC	DUST CAP	

A33003-360 CABLE ASSEMBLY - REPAIRABLE/REPLACEABLE PARTS			
ITEM NO.	PART NO.	NOMENCLATURE	VENDOR CODE
1	M83723/59-222AC	DUST CAP	
2	M83723/75R2255N	CONNECTOR	
3	M83723/75R2255N	CONNECTOR	
4	M83723/59-222AC	DUST CAP	



767

ILLUSTRATED TOOL AND EQUIPMENT MANUAL

A33003-59 CABLE ASSEMBLY - REPAIRABLE/REPLACEABLE PARTS			
ITEM NO.	PART NO.	NOMENCLATURE	VENDOR CODE
1	M83723/59-222AC	DUST CAP	
2	M83723/75R2255N	CONNECTOR	
3	M83723/75R22556	CONNECTOR	
4	M83723/59-222AC	DUST CAP	

A33003-60 CABLE ASSEMBLY - REPAIRABLE/REPLACEABLE PARTS			
ITEM NO.	PART NO.	NOMENCLATURE	VENDOR CODE
1	M83723/59-222AC	DUST CAP	
2	M83723/75R2255N	CONNECTOR	
3	M83723/75R22557	CONNECTOR	
4	M83723/59-222AC	DUST CAP	

A33003-61 CABLE ASSEMBLY - REPAIRABLE/REPLACEABLE PARTS			
ITEM NO.	PART NO.	NOMENCLATURE	VENDOR CODE
1	M83723/59-222AC	DUST CAP	
2	M83723/75R2255N	CONNECTOR	
3	M83723/75R22558	CONNECTOR	
4	M83723/59-222AC	DUST CAP	

A33003-62 CABLE ASSEMBLY - REPAIRABLE/REPLACEABLE PARTS			
ITEM NO.	PART NO.	NOMENCLATURE	VENDOR CODE
1	M83723/59-222AC	DUST CAP	
2	M83723/75R2255N	CONNECTOR	
3	M83723/75R22559	CONNECTOR	
4	M83723/59-222AC	DUST CAP	

A33003-64 CABLE ASSEMBLY - REPAIRABLE/REPLACEABLE PARTS			
ITEM NO.	PART NO.	NOMENCLATURE	VENDOR CODE
1	M83723/59-214AC	DUST CAP	
2	M83723/75R1415N	CONNECTOR	
3	M83723/82R22127	CONNECTOR	
4	M83723/60-122AC	DUST CAP	



767

ILLUSTRATED TOOL AND EQUIPMENT MANUAL

A33003-65 CABLE ASSEMBLY - REPAIRABLE/REPLACEABLE PARTS			
ITEM NO.	PART NO.	NOMENCLATURE	VENDOR CODE
1	M83723/59-222AC	DUST CAP	
2	M83723/75R2255N	CONNECTOR	
3	M83723/71R2461N	CONNECTOR	
4	M83723/60-224AC	DUST CAP	

A33003-66 CABLE ASSEMBLY - REPAIRABLE/REPLACEABLE PARTS			
ITEM NO.	PART NO.	NOMENCLATURE	VENDOR CODE
1	M83723/59-218AC	DUST CAP	
2	M83723/75R1831N	CONNECTOR	
3	M83723/71R16246	CONNECTOR	
4	M83723/60-216AC	DUST CAP	

A33003-159 CABLE ASSEMBLY - REPAIRABLE/REPLACEABLE PARTS			
ITEM NO.	PART NO.	NOMENCLATURE	VENDOR CODE
1	M83723/59-212AC	DUST CAP	
2	M83723/75R1212N	CONNECTOR	
3	M83723/82R1239	CONNECTOR	
4	M83723/60-112AC	DUST CAP	

A33003-160 CABLE ASSEMBLY - REPAIRABLE/REPLACEABLE PARTS			
ITEM NO.	PART NO.	NOMENCLATURE	VENDOR CODE
1	M83723/59-212AC	DUST CAP	
2	M83723/75R1212N	CONNECTOR	
3	M83723/75R105N	CONNECTOR	
4	M83723/59-210AC	DUST CAP	

A33003-163 CABLE ASSEMBLY - REPAIRABLE/REPLACEABLE PARTS			
ITEM NO.	PART NO.	NOMENCLATURE	VENDOR CODE
1	M83723/59-214AC	DUST CAP	
2	M83723/75R1415N	CONNECTOR	
3	M83723/75R141510	CONNECTOR	
4	M83723/59-214AC	DUST CAP	



767

ILLUSTRATED TOOL AND EQUIPMENT MANUAL

A33003-164 CABLE ASSEMBLY - REPAIRABLE/REPLACEABLE PARTS			
ITEM NO.	PART NO.	NOMENCLATURE	VENDOR CODE
1	M83723/59-218AC	DUST CAP	
2	M83723/75R1831N	CONNECTOR	
3	M83723/75R162410	CONNECTOR	
4	M83723/59-216AC	DUST CAP	

A33003-167 CABLE ASSEMBLY - REPAIRABLE/REPLACEABLE PARTS			
ITEM NO.	PART NO.	NOMENCLATURE	VENDOR CODE
1	M83723/59-214AC	DUST CAP	
2	M83723/75R1415N	CONNECTOR	
3	M83723/75R12126	CONNECTOR	
4	M83723/59-212AC	DUST CAP	

A33003-174 CABLE ASSEMBLY - REPAIRABLE/REPLACEABLE PARTS			
ITEM NO.	PART NO.	NOMENCLATURE	VENDOR CODE
1	M83723/59-212AC	DUST CAP	
2	M83723/75R1212N	CONNECTOR	
3	M83723/83R147N	CONNECTOR	
4	M83723/60-114AC	DUST CAP	

A33003-193 CABLE ASSEMBLY - REPAIRABLE/REPLACEABLE PARTS			
ITEM NO.	PART NO.	NOMENCLATURE	VENDOR CODE
1	M83723/59-220AC	DUST CAP	
2	M83723/75R2041N	CONNECTOR	
3	M83723/71R16247	CONNECTOR	
4	M83723/60-216AC	DUST CAP	

A33003-202 CABLE ASSEMBLY - REPAIRABLE/REPLACEABLE PARTS			
ITEM NO.	PART NO.	NOMENCLATURE	VENDOR CODE
1	M83723/59-220AC	DUST CAP	
2	M83723/75R2041N	CONNECTOR	
3	M83723/72R2255N	CONNECTOR	
4	M83723/60-222AC	DUST CAP	



767

ILLUSTRATED TOOL AND EQUIPMENT MANUAL

A33003-219 CABLE ASSEMBLY - REPAIRABLE/REPLACEABLE PARTS			
ITEM NO.	PART NO.	NOMENCLATURE	VENDOR CODE
1	M83723/59-218AC	DUST CAP	
2	M83723/75R1831N	CONNECTOR	
3	M83723/71R1831N	CONNECTOR	
4	M83723/60-218AC	DUST CAP	

A33003-220 CABLE ASSEMBLY - REPAIRABLE/REPLACEABLE PARTS			
ITEM NO.	PART NO.	NOMENCLATURE	VENDOR CODE
1	M83723/59-220AC	DUST CAP	
2	M83723/75R2041N	CONNECTOR	
3	M83723/71R18317	CONNECTOR	
4	M83723/60-218AC	DUST CAP	

A33003-221 CABLE ASSEMBLY - REPAIRABLE/REPLACEABLE PARTS			
ITEM NO.	PART NO.	NOMENCLATURE	VENDOR CODE
1	M83723/59-218AC	DUST CAP	
2	M83723/75R1831N	CONNECTOR	
3	M83723/82R24306	CONNECTOR	
4	M83723/60-124AC	DUST CAP	

A33003-222 CABLE ASSEMBLY - REPAIRABLE/REPLACEABLE PARTS			
ITEM NO.	PART NO.	NOMENCLATURE	VENDOR CODE
1	M83723/59-218AC	DUST CAP	
2	M83723/75R1831N	CONNECTOR	
3	M83723/82R2430N	CONNECTOR	
4	M83723/60-124AC	DUST CAP	

A33003-223 CABLE ASSEMBLY - REPAIRABLE/REPLACEABLE PARTS			
ITEM NO.	PART NO.	NOMENCLATURE	VENDOR CODE
1	M83723/59-218AC	DUST CAP	
2	M83723/75R1831N	CONNECTOR	
3	M83723/87R24306	CONNECTOR	
4	M83723/59-124AC	DUST CAP	



767

ILLUSTRATED TOOL AND EQUIPMENT MANUAL

A33003-224 CABLE ASSEMBLY - REPAIRABLE/REPLACEABLE PARTS			
ITEM NO.	PART NO.	NOMENCLATURE	VENDOR CODE
1	M83723/59-218AC	DUST CAP	
2	M83723/75R1831N	CONNECTOR	
3	M83723/87R2430N	CONNECTOR	
4	M83723/59-124AC	DUST CAP	

A33003-237 CABLE ASSEMBLY - REPAIRABLE/REPLACEABLE PARTS			
ITEM NO.	PART NO.	NOMENCLATURE	VENDOR CODE
1	M83723/59-220AC	DUST CAP	
2	M83723/75R2041N	CONNECTOR	
3	M83723/86R2430N	CONNECTOR	
4	M83723/59-124AC	DUST CAP	

A33003-238 CABLE ASSEMBLY - REPAIRABLE/REPLACEABLE PARTS			
ITEM NO.	PART NO.	NOMENCLATURE	VENDOR CODE
1	M83723/59-220AC	DUST CAP	
2	M83723/75R2041N	CONNECTOR	
3	M83723/86R24306	CONNECTOR	
4	M83723/59-124AC	DUST CAP	

A33003-254 CABLE ASSEMBLY - REPAIRABLE/REPLACEABLE PARTS			
ITEM NO.	PART NO.	NOMENCLATURE	VENDOR CODE
1	M83723/59-212AC	DUST CAP	
2	M83723/75R2041N	CONNECTOR	
3	M83723/86R24306	CONNECTOR	
4	M83723/59-124AC	DUST CAP	

A33003-255 CABLE ASSEMBLY - REPAIRABLE/REPLACEABLE PARTS			
ITEM NO.	PART NO.	NOMENCLATURE	VENDOR CODE
1	M83723/59-214AC	DUST CAP	
2	M83723/75R1415N	CONNECTOR	
3	M83723/76R105N	CONNECTOR	
4	M83723/59-210AC	DUST CAP	



767

ILLUSTRATED TOOL AND EQUIPMENT MANUAL

A33003-257 CABLE ASSEMBLY - REPAIRABLE/REPLACEABLE PARTS			
ITEM NO.	PART NO.	NOMENCLATURE	VENDOR CODE
1	M83723/59-212AC	DUST CAP	
2	M83723/75R1212N	CONNECTOR	
3	M83723/82R147	CONNECTOR	
4	M83723/60-114AC	DUST CAP	

A33003-258 CABLE ASSEMBLY - REPAIRABLE/REPLACEABLE PARTS			
ITEM NO.	PART NO.	NOMENCLATURE	VENDOR CODE
1	M83723/59-212AC	DUST CAP	
2	M83723/75R1212N	CONNECTOR	
3	M83723/82R1476	CONNECTOR	
4	M83723/60-114AC	DUST CAP	

A33003-259 CABLE ASSEMBLY - REPAIRABLE/REPLACEABLE PARTS			
ITEM NO.	PART NO.	NOMENCLATURE	VENDOR CODE
1	M83723/59-222AC	DUST CAP	
2	M83723/75R2255N	CONNECTOR	
3	M83723/87R147	CONNECTOR	
4	M83723/59-114AC	DUST CAP	

A33003-288 CABLE ASSEMBLY - REPAIRABLE/REPLACEABLE PARTS			
ITEM NO.	PART NO.	NOMENCLATURE	VENDOR CODE
1	M83723/59-222AC	DUST CAP	
2	M83723/75R2255N	CONNECTOR	
3	MS27473E18A53P	CONNECTOR	
4	MS27510A18C	DUST CAP	

A33003-289 CABLE ASSEMBLY - REPAIRABLE/REPLACEABLE PARTS			
ITEM NO.	PART NO.	NOMENCLATURE	VENDOR CODE
1	M83723/59-214AC	DUST CAP	
2	M83723/75R1415N	CONNECTOR	
3	M83723/82R22126	CONNECTOR	
4	M83723/60-122AC	DUST CAP	



767

ILLUSTRATED TOOL AND EQUIPMENT MANUAL

A33003-290 CABLE ASSEMBLY - REPAIRABLE/REPLACEABLE PARTS			
ITEM NO.	PART NO.	NOMENCLATURE	VENDOR CODE
1	M83723/59-218AC	DUST CAP	
2	M83723/75R1831N	CONNECTOR	
3	M83723/82R22197	CONNECTOR	
4	M83723/60-122AC	DUST CAP	

A33003-291 CABLE ASSEMBLY - REPAIRABLE/REPLACEABLE PARTS			
ITEM NO.	PART NO.	NOMENCLATURE	VENDOR CODE
1	M83723/58-220AC	DUST CAP	
2	M83723/75R2041N	CONNECTOR	
3	M83723/82R22198	CONNECTOR	
4	M83723/60-122AC	DUST CAP	

A33003-317 CABLE ASSEMBLY - REPAIRABLE/REPLACEABLE PARTS			
ITEM NO.	PART NO.	NOMENCLATURE	VENDOR CODE
1	M83723/59-212AC	DUST CAP	
2	M83723/75R1212N	CONNECTOR	
3	M83723/83R21056	CONNECTOR	
4	M83723/60-110AC	DUST CAP	

A33003-318 CABLE ASSEMBLY - REPAIRABLE/REPLACEABLE PARTS			
ITEM NO.	PART NO.	NOMENCLATURE	VENDOR CODE
1	M83723/59-218AC	DUST CAP	
2	M83723/75R1831N	CONNECTOR	
3	M83723/83R24307	CONNECTOR	
4	M83723/60-124AC	DUST CAP	

A33003-319 CABLE ASSEMBLY - REPAIRABLE/REPLACEABLE PARTS			
ITEM NO.	PART NO.	NOMENCLATURE	VENDOR CODE
1	M83723/59-218AC	DUST CAP	
2	M83723/75R1831N	CONNECTOR	
3	M83723/83R24308	CONNECTOR	
4	M83723/60-124AC	DUST CAP	



767

ILLUSTRATED TOOL AND EQUIPMENT MANUAL

A33003-320 CABLE ASSEMBLY - REPAIRABLE/REPLACEABLE PARTS			
ITEM NO.	PART NO.	NOMENCLATURE	VENDOR CODE
1	M83723/59-218AC	DUST CAP	
2	M83723/75R1831N	CONNECTOR	
3	M83723/87R2219N	CONNECTOR	
4	M83723/59-122AC	DUST CAP	

A33003-321 CABLE ASSEMBLY - REPAIRABLE/REPLACEABLE PARTS			
ITEM NO.	PART NO.	NOMENCLATURE	VENDOR CODE
1	M83723/59-218AC	DUST CAP	
2	M83723/75R1831N	CONNECTOR	
3	M83723/87R22196	CONNECTOR	
4	M83723/59-122AC	DUST CAP	

A33003-350 CABLE ASSEMBLY - REPAIRABLE/REPLACEABLE PARTS			
ITEM NO.	PART NO.	NOMENCLATURE	VENDOR CODE
1	M83723/59-218AC	DUST CAP	
2	M83723/75R1831N	CONNECTOR	
3	M83723/75R12129	CONNECTOR	
4	M83723/59-212AC	DUST CAP	

A33003-351 CABLE ASSEMBLY - REPAIRABLE/REPLACEABLE PARTS			
ITEM NO.	PART NO.	NOMENCLATURE	VENDOR CODE
1	M83723/59-220AC	DUST CAP	
2	M83723/75R2041N	CONNECTOR	
3	M83723/75R1212N	CONNECTOR	
4	M83723/59-212AC	DUST CAP	

A33003-376 CABLE ASSEMBLY - REPAIRABLE/REPLACEABLE PARTS			
ITEM NO.	PART NO.	NOMENCLATURE	VENDOR CODE
1	M83723/59-212AC	DUST CAP	
2	M83723/75R1212N	CONNECTOR	
3	M83723/71R105N	CONNECTOR	
4	M83723/59-210AC	DUST CAP	



767

ILLUSTRATED TOOL AND EQUIPMENT MANUAL

A33003-378 CABLE ASSEMBLY - REPAIRABLE/REPLACEABLE PARTS			
ITEM NO.	PART NO.	NOMENCLATURE	VENDOR CODE
1	M83723/59-214AC	DUST CAP	
2	M83723/75R1415N	CONNECTOR	
3	M83723/71R1415N	CONNECTOR	
4	M83723/60-210AC	DUST CAP	

A33003-379 CABLE ASSEMBLY - REPAIRABLE/REPLACEABLE PARTS			
ITEM NO.	PART NO.	NOMENCLATURE	VENDOR CODE
1	M83723/59-222AC	DUST CAP	
2	M83723/75R2255N	CONNECTOR	
3	M83723/71R1415N	CONNECTOR	
4	M83723/60-222AC	DUST CAP	

A33003-387 CABLE ASSEMBLY - REPAIRABLE/REPLACEABLE PARTS			
ITEM NO.	PART NO.	NOMENCLATURE	VENDOR CODE
1	M83723/59-214AC	DUST CAP	
2	M83723/75R1415N	CONNECTOR	
3	M83723/75R1056	CONNECTOR	
4	M83723/59-210AC	DUST CAP	

A33003-388 CABLE ASSEMBLY - REPAIRABLE/REPLACEABLE PARTS			
ITEM NO.	PART NO.	NOMENCLATURE	VENDOR CODE
1	M83723/59-222AC	DUST CAP	
2	M83723/75R2255N	CONNECTOR	
3	M83723/82R22558	CONNECTOR	
4	M83723/60-122AC	DUST CAP	

A33003-389 CABLE ASSEMBLY - REPAIRABLE/REPLACEABLE PARTS			
ITEM NO.	PART NO.	NOMENCLATURE	VENDOR CODE
1	M83723/59-222AC	DUST CAP	
2	M83723/75R2255N	CONNECTOR	
3	M83723/82R22556	CONNECTOR	
4	M83723/60-122AC	DUST CAP	



767

ILLUSTRATED TOOL AND EQUIPMENT MANUAL

A33003-400 CABLE ASSEMBLY - REPAIRABLE/REPLACEABLE PARTS			
ITEM NO.	PART NO.	NOMENCLATURE	VENDOR CODE
1	M83723/59-212AC	DUST CAP	
2	M83723/75R1212N	CONNECTOR	
3	M83723/75R14126	CONNECTOR	
4	M83723/59-214AC	DUST CAP	

A33003-401 CABLE ASSEMBLY - REPAIRABLE/REPLACEABLE PARTS			
ITEM NO.	PART NO.	NOMENCLATURE	VENDOR CODE
1	M83723/59-214AC	DUST CAP	
2	M83723/75R1415N	CONNECTOR	
3	M83723/75R14128	CONNECTOR	
4	M83723/59-214AC	DUST CAP	

A33003-405 CABLE ASSEMBLY - REPAIRABLE/REPLACEABLE PARTS			
ITEM NO.	PART NO.	NOMENCLATURE	VENDOR CODE
1	M83723/59-222AC	DUST CAP	
2	M83723/75R2255N	CONNECTOR	
3	MS2743T18B53S	CONNECTOR	
4	MS27510B18C	DUST CAP	

A33003-406 CABLE ASSEMBLY - REPAIRABLE/REPLACEABLE PARTS			
ITEM NO.	PART NO.	NOMENCLATURE	VENDOR CODE
1	M83723/59-220AR	DUST CAP	
2	M83723/75A2041N	CONNECTOR	
3	MS2743T18B53PA	CONNECTOR	
4	MS27510B18C	DUST CAP	

ILLUSTRATED TOOL AND EQUIPMENT MANUAL

PART NUMBER: A33001-1

NAME: TEST BOX - MASTER DIM AND TEST PRINTED CIRCUIT (PC) CARD

AIRPLANE MAINTENANCE: NO

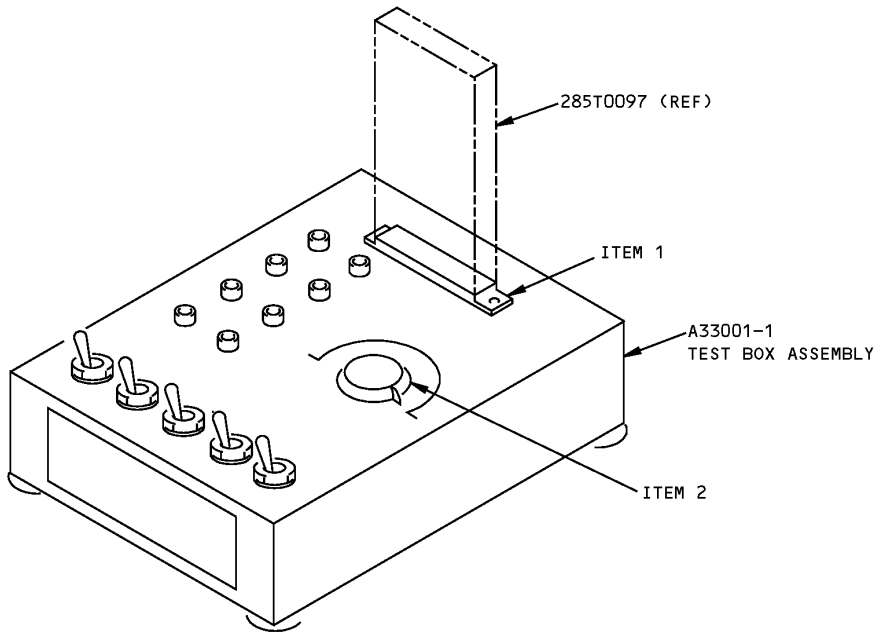
COMPONENT MAINTENANCE: YES

USAGE & DESCRIPTION: The A33001 drawing has been transferred to BAE Systems and will no longer be revised by Boeing. The A33001 inclusion in the 767 ITEM is for information and historical purposes only.

The A33003-1 test box is used during component maintenance on all 767 airplanes. A33003 is used to functionally test and troubleshoot the flight deck indicator's Master Dim and Test Type I, Dimmer Control Printed Circuit Assembly 285T0097. Refer to CMM 33-16-04 for complete usage instructions.

WEIGHT: 2 lbs (0.9 kg)

DIMENSIONS: 2 x 6 x 8 inches (51 x 152 x 203 mm)



**Master Dim And Test PC Card Test Box
Figure 1**

REPAIRABLE/REPLACEABLE PARTS			
ITEM NO.	PART NO.	NOMENCLATURE	VENDOR CODE
1	300055-003	CONNECTOR	V03877



767

ILLUSTRATED TOOL AND EQUIPMENT MANUAL

REPAIRABLE/REPLACEABLE PARTS			
ITEM NO.	PART NO.	NOMENCLATURE	VENDOR CODE
2	0312	RHEOSTAT	V44655