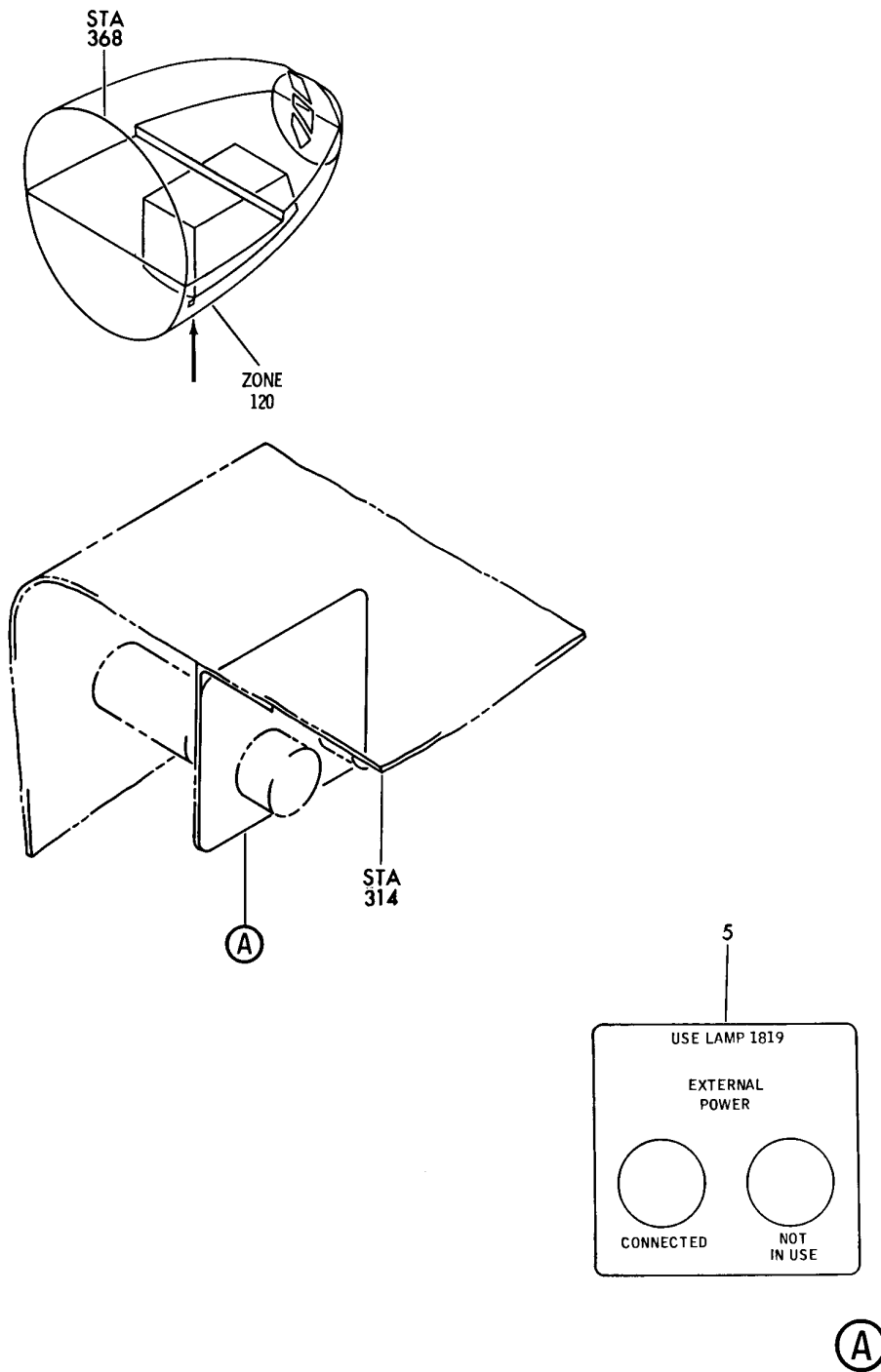


## EXTERIOR PLACARDS AND MARKINGS

**BOEING**  
767  
PARTS CATALOG (MAINTENANCE)



V 11200101 REV 175

BRACKET ASSY-SPRT (PLACARDS AND MARKINGS ONLY)  
FIGURE 1

**11-20-01-01**

HXL  
DEC 22/06

11-20-01-01  
PAGE 0



767

PARTS CATALOG (MAINTENANCE)

FIG ITEM	PART NUMBER	1 2 3 4 5 6 7 NOMENCLATURE	EFFECT FROM TO	UNITS PER ASSY
1		BRACKET ASSY-SPRT (PLACARDS AND MARKINGS ONLY)		
-	1 284T0390-3	BRACKET ASSY-SPRT (PLACARDS AND MARKINGS ONLY) FOR NHA/OTHER SYS DET SEE: 24-41-02-01		R F
	5 BAC27TEX1681	.MARKER-ALUMINUM FOIL		1

ILLUSTRATION ITEMS NOT ON PARTS LIST ARE NOT APPLICABLE

- ITEM NOT ILLUSTRATED

HXL

11-20-01-01

BOEING PROPRIETARY - Copyright © - Unpublished Work - See title page for details.

11-20-01  
FIG. 01  
PAGE 1  
DEC 22/06