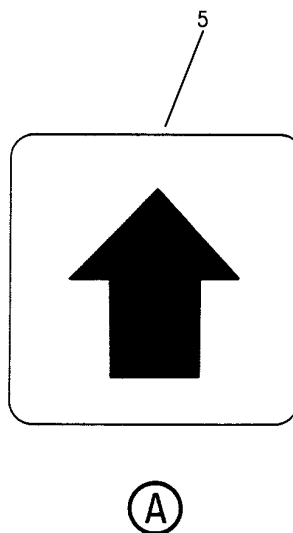
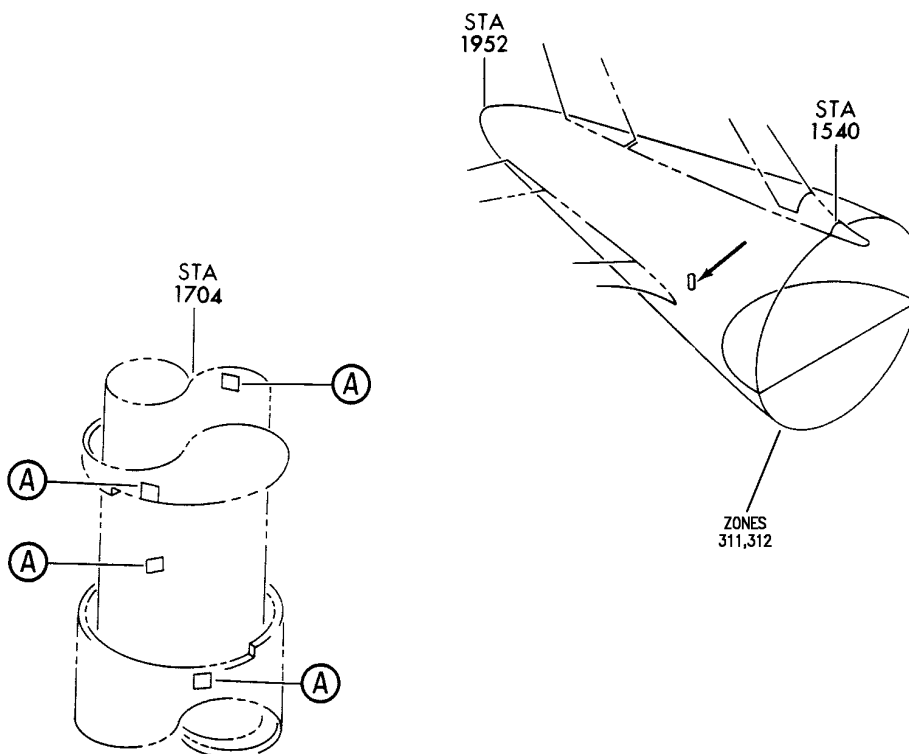


## STABILIZERS

**BOEING**  
767  
PARTS CATALOG (MAINTENANCE)



V 11260101 REV 311

ACTUATOR INSTL-STAB. TRIM BALL SCREW (PLACARDS AND MARKINGS ONLY)  
FIGURE 1

**11-26-01-01**

HXL  
DEC 22/06

11-26-01-01  
PAGE 0



767

PARTS CATALOG (MAINTENANCE)

FIG ITEM	PART NUMBER	1 2 3 4 5 6 7	NOMENCLATURE	EFFECT FROM TO	UNITS PER ASSY
1			ACTUATOR INSTL-STAB. TRIM BALL SCREW (PLACARDS AND MARKINGS ONLY)		
- 1	251T4300-1		ACTUATOR INSTL-STAB. TRIM BALL SCREW (PLACARDS AND MARKINGS ONLY)		RF
5	BAC27TCT0009		FOR NHA/OTHER SYS DET SEE: 27-41-52-01 .MARKER-ALUMINUM FOIL		4

ILLUSTRATION ITEMS NOT ON PARTS LIST ARE NOT APPLICABLE

- ITEM NOT ILLUSTRATED

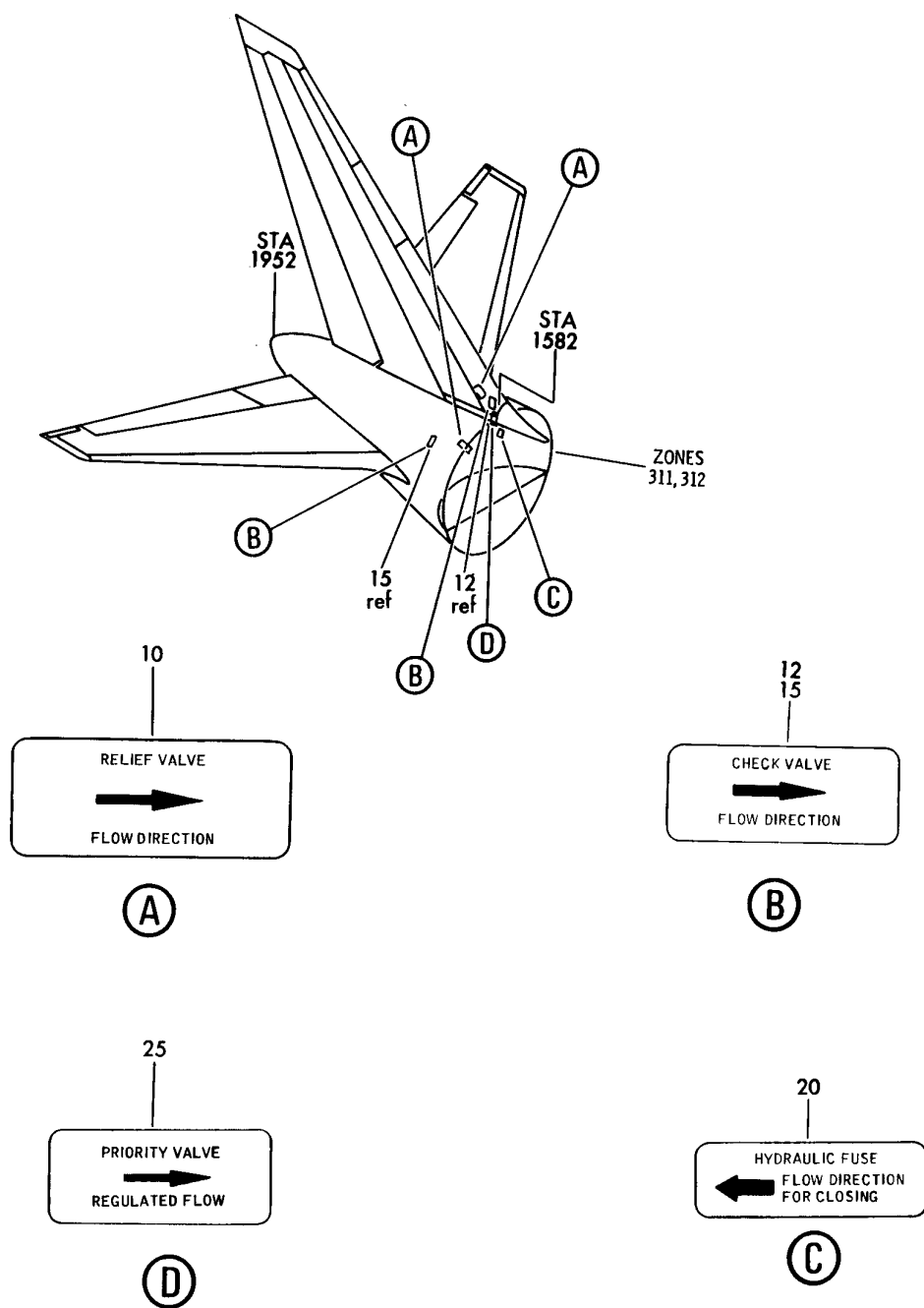
HXL

11-26-01-01

BOEING PROPRIETARY - Copyright © - Unpublished Work - See title page for details.

11-26-01  
FIG. 01  
PAGE 1  
DEC 22/06

**BOEING**  
767  
PARTS CATALOG (MAINTENANCE)



V 11260105 REV 178

HYDRAULIC INSTL-SECT. 48 BODY AFT (PLACARDS AND MARKINGS ONLY)  
FIGURE 5

**11-26-01-05**

HXL  
DEC 22/06

11-26-01-05  
PAGE 0



767

PARTS CATALOG (MAINTENANCE)

FIG ITEM	PART NUMBER	1 2 3 4 5 6 7	NOMENCLATURE	EFFECT FROM TO	UNITS PER ASSY
5			HYDRAULIC INSTL-SECT. 48 BODY AFT (PLACARDS AND MARKINGS ONLY)		
- 1	272T4800-3		HYDRAULIC INSTL-BODY (PLACARDS AND MARKINGS ONLY) POSITION DATA: SECT. 48 AFT VARIABLE DRAWING REF: 272T4800-5070 272T4800-5082 272T4800-5087 FOR NHA/OTHER SYS DET SEE: 29-00-00-02		RF
12	BAC27THY0123		.MARKER-ALUMINUM FOIL		1
15	BAC27THY0123		.MARKER-ALUMINUM FOIL-		1
20	BAC27THY0136		.MARKER-ALUMINUM FOIL-		1
25	BAC27THY0156		.MARKER-ALUMINUM FOIL-		1

ILLUSTRATION ITEMS NOT ON PARTS LIST ARE NOT APPLICABLE

- ITEM NOT ILLUSTRATED

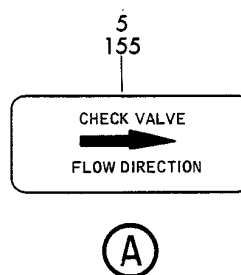
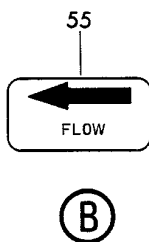
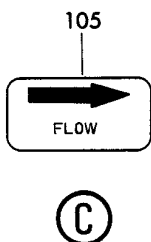
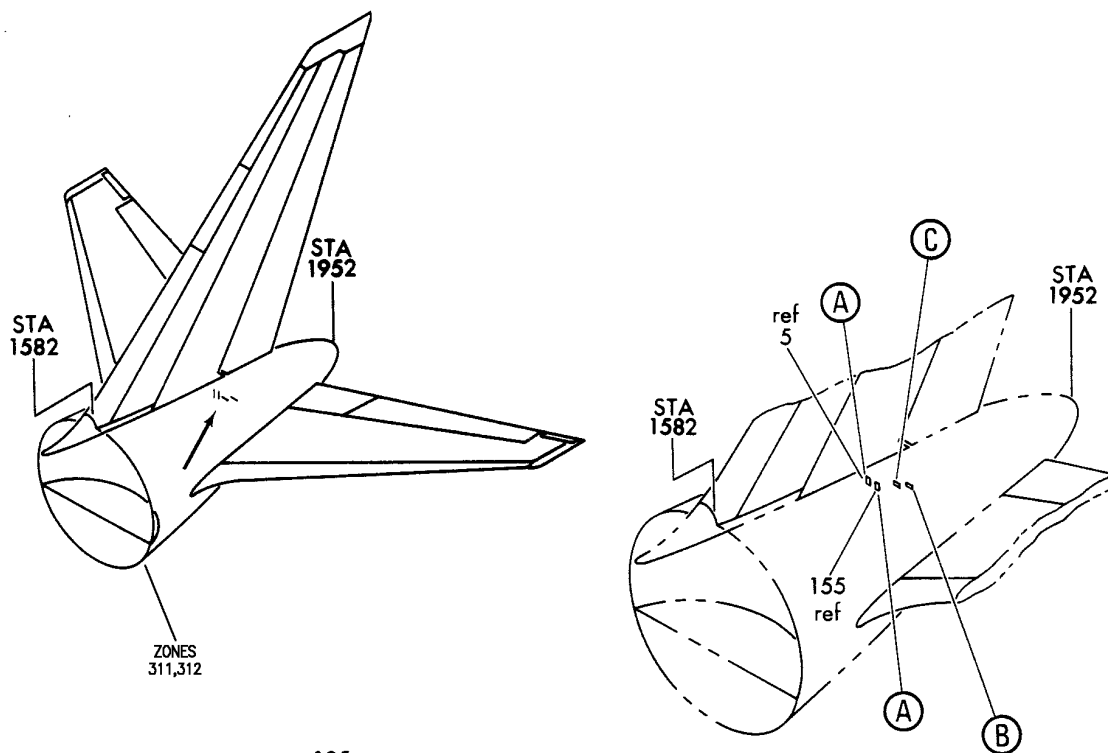
HXL

11-26-01-05

BOEING PROPRIETARY - Copyright © - Unpublished Work - See title page for details.

11-26-01  
FIG. 05  
PAGE 1  
DEC 22/07

**BOEING**  
767  
PARTS CATALOG (MAINTENANCE)



V 11260201 REV 311

MODULE INSTL-(PLACARDS AND MARKINGS ONLY)  
FIGURE 1

**11-26-02-01**

HXL  
DEC 22/06

11-26-02-01  
PAGE 0



767

PARTS CATALOG (MAINTENANCE)

FIG ITEM	PART NUMBER	1 2 3 4 5 6 7	NOMENCLATURE	EFFECT FROM TO	UNITS PER ASSY
1			MODULE INSTL-(PLACARDS AND MARKINGS ONLY)		
- 1	271T4802-1		MODULE INSTL-COMPENSATOR (PLACARDS AND MARKINGS ONLY) FOR NHA/OTHER SYS DET SEE: 29-11-80-01		RF
5	BAC27THY0123		.MARKER		1
- 50	271T4805-1		MODULE INSTL-CASE DRAIN FILTER (PLACARDS AND MARKINGS ONLY) FOR NHA/OTHER SYS DET SEE: 29-11-80-01		RF
55	BAC27THY0188		.MARKER		1
- 100	271T4804-1		MODULE INSTL-PRESSURE FILTER (PLACARDS AND MARKINGS ONLY) FOR NHA/OTHER SYS DET SEE: 29-11-80-01		RF
105	BAC27THY0187		.MARKER		1
- 150	271T4803-5		MODULE INSTL-SHUTOFF VALVE (PLACARDS AND MARKINGS ONLY) POSITION DATA: LH FOR NHA/OTHER SYS DET SEE: 29-11-80-01		RF
155	BAC27THY0123		.MARKER		1

ILLUSTRATION ITEMS NOT ON PARTS LIST ARE NOT APPLICABLE

- ITEM NOT ILLUSTRATED

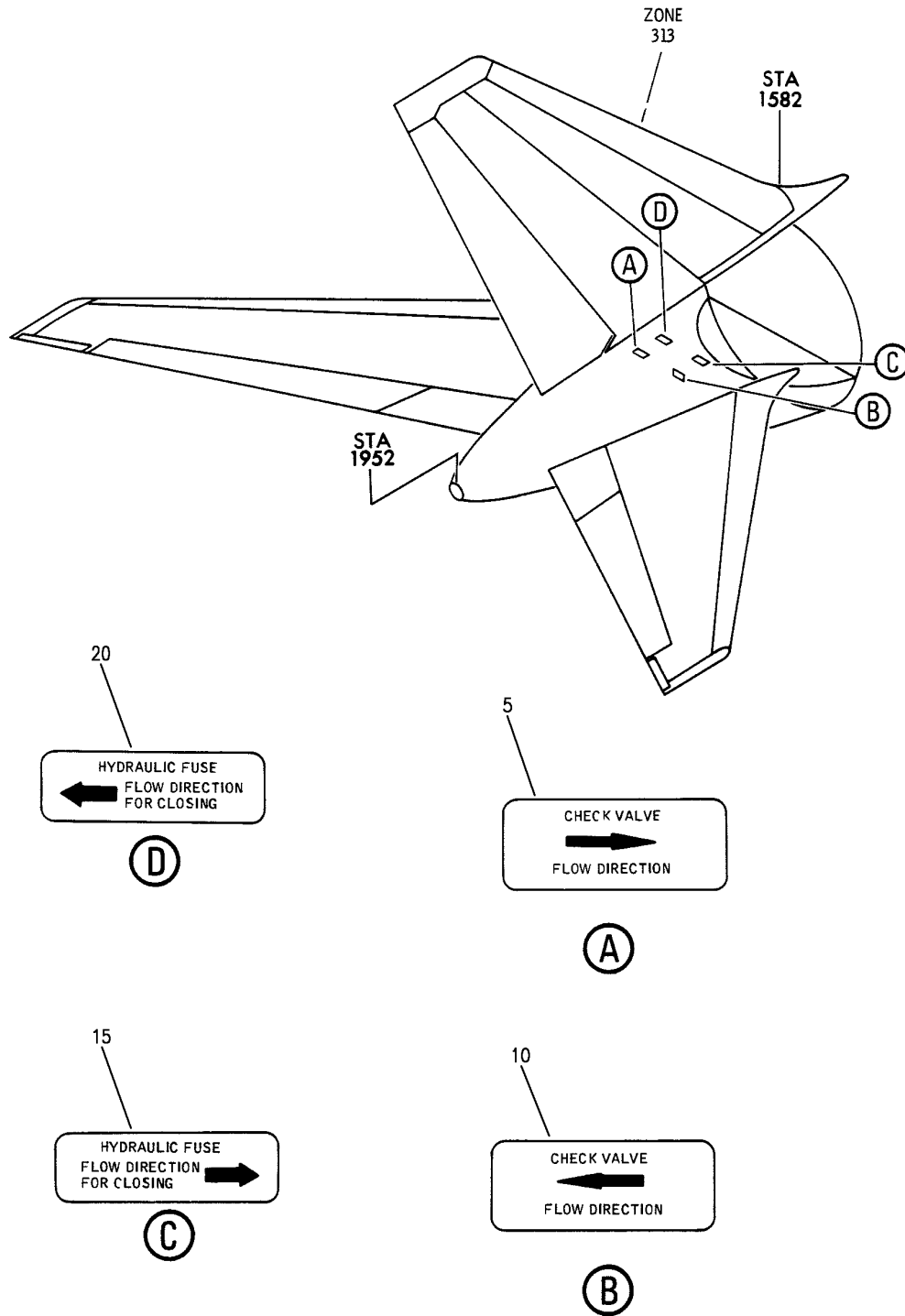
HXL

11-26-02-01

BOEING PROPRIETARY - Copyright © - Unpublished Work - See title page for details.

11-26-02  
FIG. 01  
PAGE 1  
DEC 22/06

**BOEING**  
767  
PARTS CATALOG (MAINTENANCE)



V 11260401 REV 311

HYDRAULIC INSTL-SECT. 82 HORIZ STAB. (PLACARDS AND MARKINGS ONLY)  
FIGURE 1

**11-26-04-01**

HXL  
DEC 22/06

11-26-04-01  
PAGE 0





767

PARTS CATALOG (MAINTENANCE)

FIG ITEM	PART NUMBER	1 2 3 4 5 6 7	NOMENCLATURE	EFFECT FROM TO	UNITS PER ASSY
1			HYDRAULIC INSTL-SECT. 82 HORIZ STAB. (PLACARDS AND MARKINGS ONLY)		
- 1	272T8200-3		HYDRAULIC INSTL-HORIZ STAB. (PLACARDS AND MARKINGS ONLY) POSITION DATA: SECT. 82 VARIABLE DRAWING REF: 272T8200-5018 272T8200-5019 FOR NHA/OTHER SYS DET SEE: 29-00-00-02		RF
5	BAC27THY0123		.MARKER-ALUMINUM FOIL-		1
10	BAC27THY0124		.MARKER-ALUMINUM FOIL-		1
15	BAC27THY0135		.MARKER-ALUMINUM FOIL-		1
20	BAC27THY0136		.MARKER-ALUMINUM FOIL-		1

ILLUSTRATION ITEMS NOT ON PARTS LIST ARE NOT APPLICABLE

- ITEM NOT ILLUSTRATED

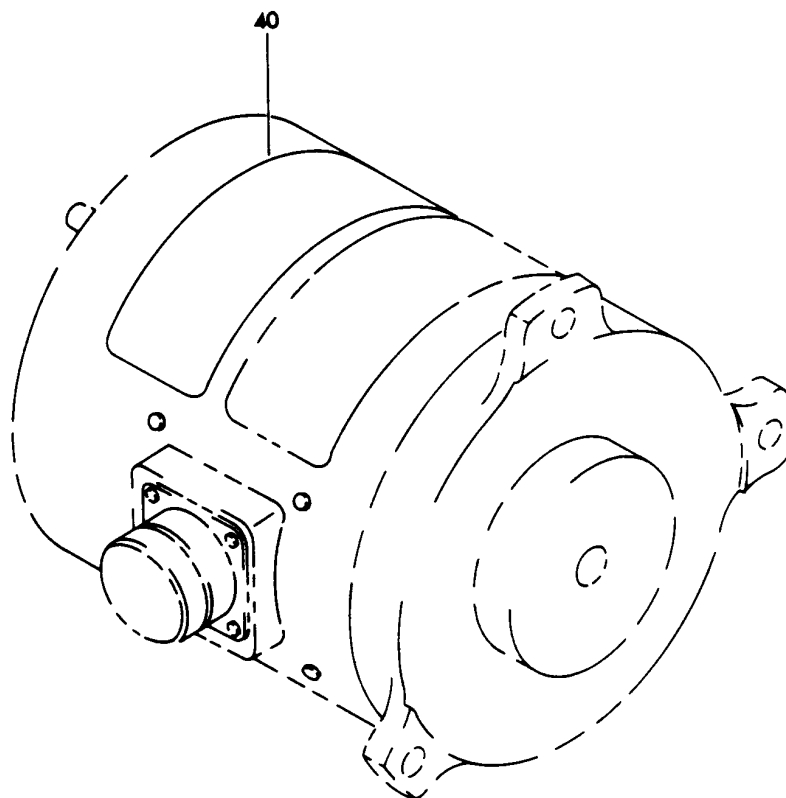
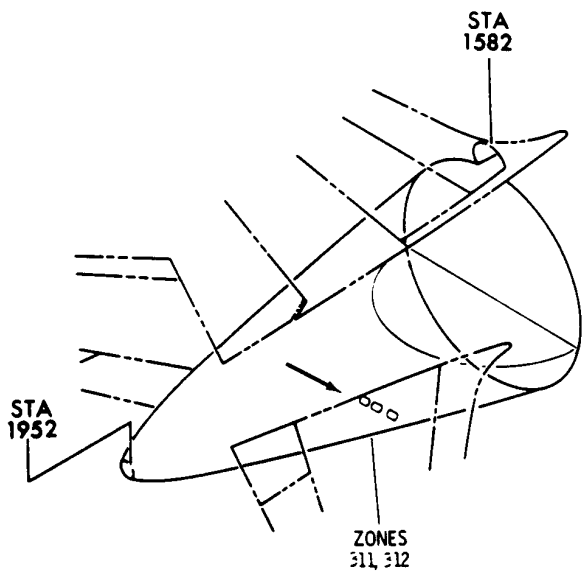
HXL

11-26-04-01

BOEING PROPRIETARY - Copyright © - Unpublished Work - See title page for details.

11-26-04  
FIG. 01  
PAGE 1  
DEC 22/07

**BOEING**  
767  
PARTS CATALOG (MAINTENANCE)



V 11260405 REV 311

MODULE ASSY-STAB TRIM LIMIT SWITCH AND POSITION XMTR (PLACARDS AND MARKINGS ONLY)

FIGURE 5

**11-26-04-05**

HXL  
DEC 22/06

11-26-04-05  
PAGE 0



767

PARTS CATALOG (MAINTENANCE)

FIG ITEM	PART NUMBER	1 2 3 4 5 6 7	NOMENCLATURE	EFFECT FROM TO	UNITS PER ASSY
5			MODULE ASSY-STAB TRIM LIMIT SWITCH AND POSITION XMTR (PLACARDS AND MARKINGS ONLY)		
- 1	80000000-12		MODULE ASSY-STAB TRIM LIMIT SWITCH AND POSITION XMTR (PLACARDS AND MARKINGS ONLY) SUPPLIER CODE: V1K426 SPECIFICATION NUMBER: S251T440-10 ELECTRICAL EQUIP NUMBER: M00519 M00520 M00521 COMPONENT MAINT MANUAL REF: 27-41-01 QUALIFIED I/W DATA: 9000428-13 IS AN ATA CODE 5 - QUALIFIED INTERCHANGEABILITY REPLACEMENT FOR 80000000-12. 80000000-12 CAN REPLACE THE 9000428-13. 9000428-13 CAN REPLACE THE 80000000-12 ONLY WHEN USED IN THE OUTBOARD POSITIONS. THE 9000428-13 DOES NOT HAVE THE GREENBAND SWITCH REQUIRED FOR THE CENTER POSITION. FOR NHA/OTHER SYS DET SEE: 27-48-01-01		RF
- 1	80000000-15		MODULE ASSY-STAB TRIM LIMIT SWITCH AND POSITION XMTR (PLACARDS AND MARKINGS ONLY) SUPPLIER CODE: V1K426 FUNCTIONAL DESCRIPTION: CONVERTS THE MECHANICAL POSITION OF THE HORIZONTAL STABILIZER TO ELECTRIC SIGNALS SPECIFICATION NUMBER: S251T440-13		RF

ILLUSTRATION ITEMS NOT ON PARTS LIST ARE NOT APPLICABLE

- ITEM NOT ILLUSTRATED

HXL

11-26-04-05

11-26-04  
FIG. 05  
PAGE 1  
DEC 22/08



767

PARTS CATALOG (MAINTENANCE)

FIG ITEM	PART NUMBER	1 2 3 4 5 6 7 NOMENCLATURE	EFFECT FROM TO	UNITS PER ASSY
5		<p>ELECTRICAL EQUIP NUMBER:  M00519  M00520  M00521  COMPONENT MAINT MANUAL REF:  27-41-01  QUALIFIED I/W DATA:  9000428-13 IS AN ATA  CODE 5 - QUALIFIED  INTERCHANGEABILITY  REPLACEMENT FOR  80000000-15. 80000000-15  CAN REPLACE 9000428-13.  9000428-13 CAN REPLACE  80000000-15 ONLY IN THE  OUTBOARD POSITIONS.  9000428-13 DOES NOT HAVE  THE GREENBAND SWITCH, A  REQUIREMENT FOR THE  CENTER LIMIT SWITCH.  9000428-19 IS AN ATA  CODE 5 - QUALIFIED  INTERCHANGEABILITY  REPLACEMENT FOR  80000000-15. 80000000-15  CAN REPLACE 9000428-19.  9000428-19 CAN REPLACE  80000000-15 ONLY IN THE  CENTER POSITION. THE  9000428-19 DOES NOT HAVE  THE LIMIT SWITCHES  REQUIRED FOR THE  OUTBOARD POSITIONS.  9000428-3 IS AN ATA CODE  5 - QUALIFIED  INTERCHANGEABILITY  REPLACEMENT FOR  80000000-15. 80000000-15  CAN REPLACE 9000428-3.  9000428-3 CAN REPLACE  80000000-15 ONLY IN THE  OUTBOARD POSITIONS.  9000428-3 DOES NOT HAVE  THE GREENBAND SWITCH, A  REQUIREMENT FOR THE  CENTER LIMIT SWITCH.  9000428-4 IS AN ATA CODE  5 - QUALIFIED  INTERCHANGEABILITY</p> <p>ILLUSTRATION ITEMS NOT ON PARTS LIST ARE NOT APPLICABLE</p>		

- ITEM NOT ILLUSTRATED

11-26-04-05

11-26-04  
FIG. 05  
PAGE 2  
DEC 22/08

HXL



767

PARTS CATALOG (MAINTENANCE)

FIG ITEM	PART NUMBER	1 2 3 4 5 6 7 NOMENCLATURE	EFFECT FROM TO	UNITS PER ASSY
5 1	398-000-0006	<p>REPLACEMENT FOR 80000000-15. 80000000-15 CAN REPLACE 9000428-4. 9000428-4 CAN REPLACE 80000000-15 ONLY IN THE CENTER POSITION. THE 9000428-4 DOES NOT HAVE THE LIMIT SWITCHES REQUIRED FOR THE OUTBOARD POSITIONS. 9000428-9 IS AN ATA CODE 5 - QUALIFIED INTERCHANGEABILITY REPLACEMENT FOR 80000000-15. 80000000-15 CAN REPLACE 9000428-9. 9000428-9 CAN REPLACE 80000000-15 ONLY IN THE CENTER POSITION. THE 9000428-9 DOES NOT HAVE THE LIMIT SWITCHES REQUIRED FOR THE OUTBOARD POSITIONS. FOR NHA/OTHER SYS DET SEE: 27-48-01-01 . LABEL-WARRANTY SUPPLIER CODE: V1K426 USED ON: 80000000-05 80000000-08 80000000-10 80000000-11 80000000-12 80000000-13 80000000-14 80000000-15</p>		1

ILLUSTRATION ITEMS NOT ON PARTS LIST ARE NOT APPLICABLE

- ITEM NOT ILLUSTRATED

HXL

11-26-04-05

BOEING PROPRIETARY - Copyright © - Unpublished Work - See title page for details.

11-26-04  
FIG. 05  
PAGE 3  
DEC 22/08



767  
PARTS CATALOG (MAINTENANCE)

FIG ITEM	PART NUMBER	1 2 3 4 5 6 7	NOMENCLATURE	EFFECT FROM TO	UNITS PER ASSY
5 40	80014004-01		. LABEL- SUPPLIER CODE: V1K426 PLACARD CONTENT: NO STEP USED ON: 80000000-05 80000000-08 80000000-10 80000000-11 80000000-12 80000000-13 80000000-14 80000000-15		1

ILLUSTRATION ITEMS NOT ON PARTS LIST ARE NOT APPLICABLE

- ITEM NOT ILLUSTRATED

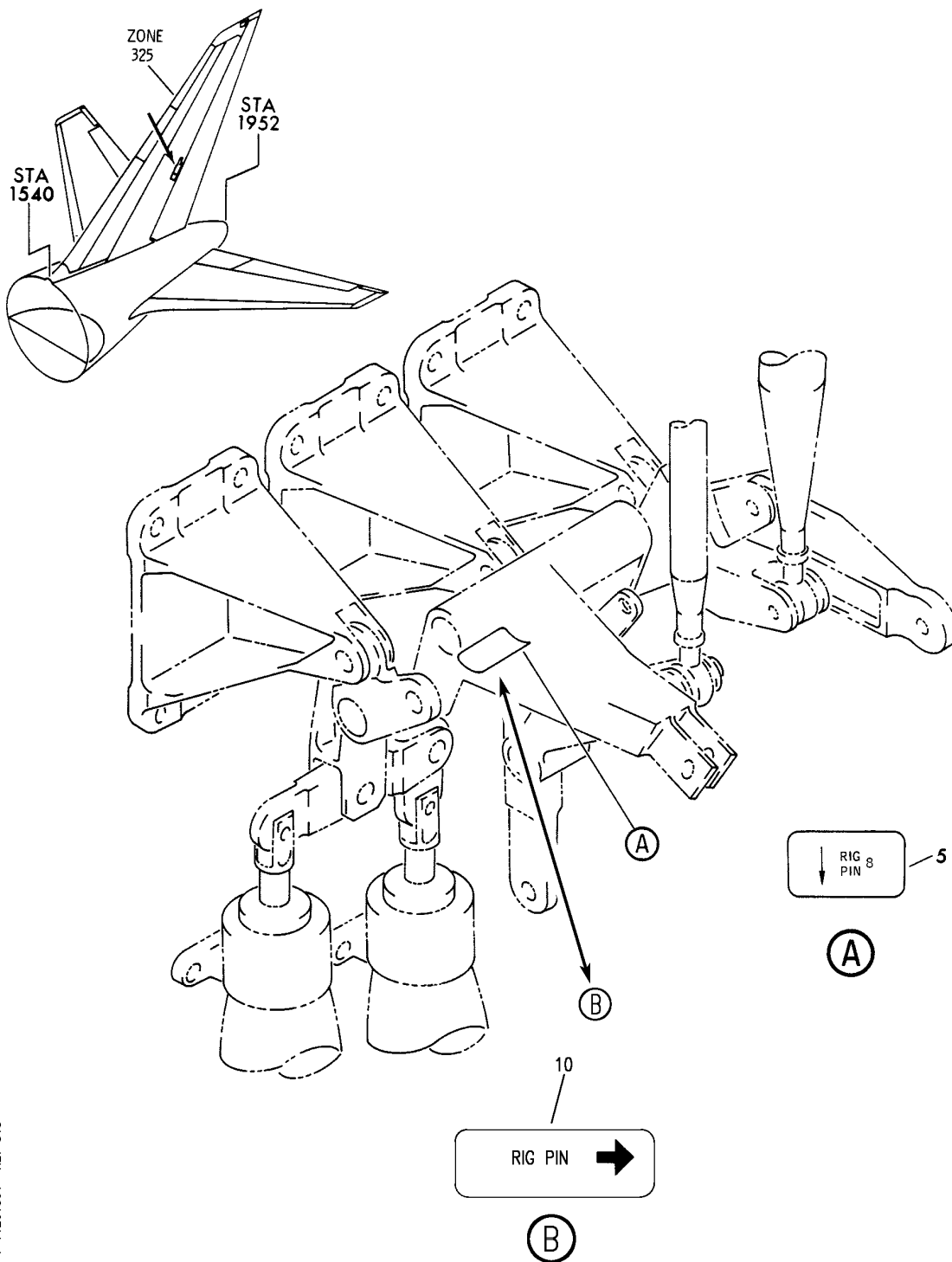
HXL

11-26-04-05

BOEING PROPRIETARY - Copyright © - Unpublished Work - See title page for details.

11-26-04  
FIG. 05  
PAGE 4  
DEC 22/08

**BOEING**  
767  
PARTS CATALOG (MAINTENANCE)



V 11261001 REV 315

DAMPER INSTL-RUD CONT YAW (PLACARDS AND MARKINGS ONLY)  
FIGURE 1

**11-26-10-01**

HXL  
APR 22/07

11-26-10-01  
PAGE 0



767

PARTS CATALOG (MAINTENANCE)

FIG ITEM	PART NUMBER	1 2 3 4 5 6 7	NOMENCLATURE	EFFECT FROM TO	UNITS PER ASSY
1			DAMPER INSTL-RUD CONT YAW (PLACARDS AND MARKINGS ONLY)		
- 1	251T3700-1		DAMPER INSTL-RUD CONT YAW (PLACARDS AND MARKINGS ONLY)		RF
			VARIABLE DRAWING REF: 251T3700-5009		
			FOR NHA/OTHER SYS DET SEE: 27-21-57-01		
5	BAC27TCT0296		.MARKER-ALUMINUM FOIL		1

ILLUSTRATION ITEMS NOT ON PARTS LIST ARE NOT APPLICABLE

- ITEM NOT ILLUSTRATED

HXL

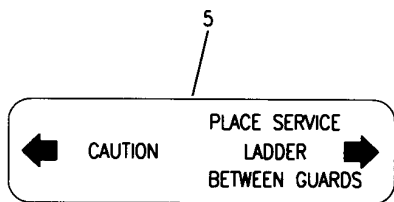
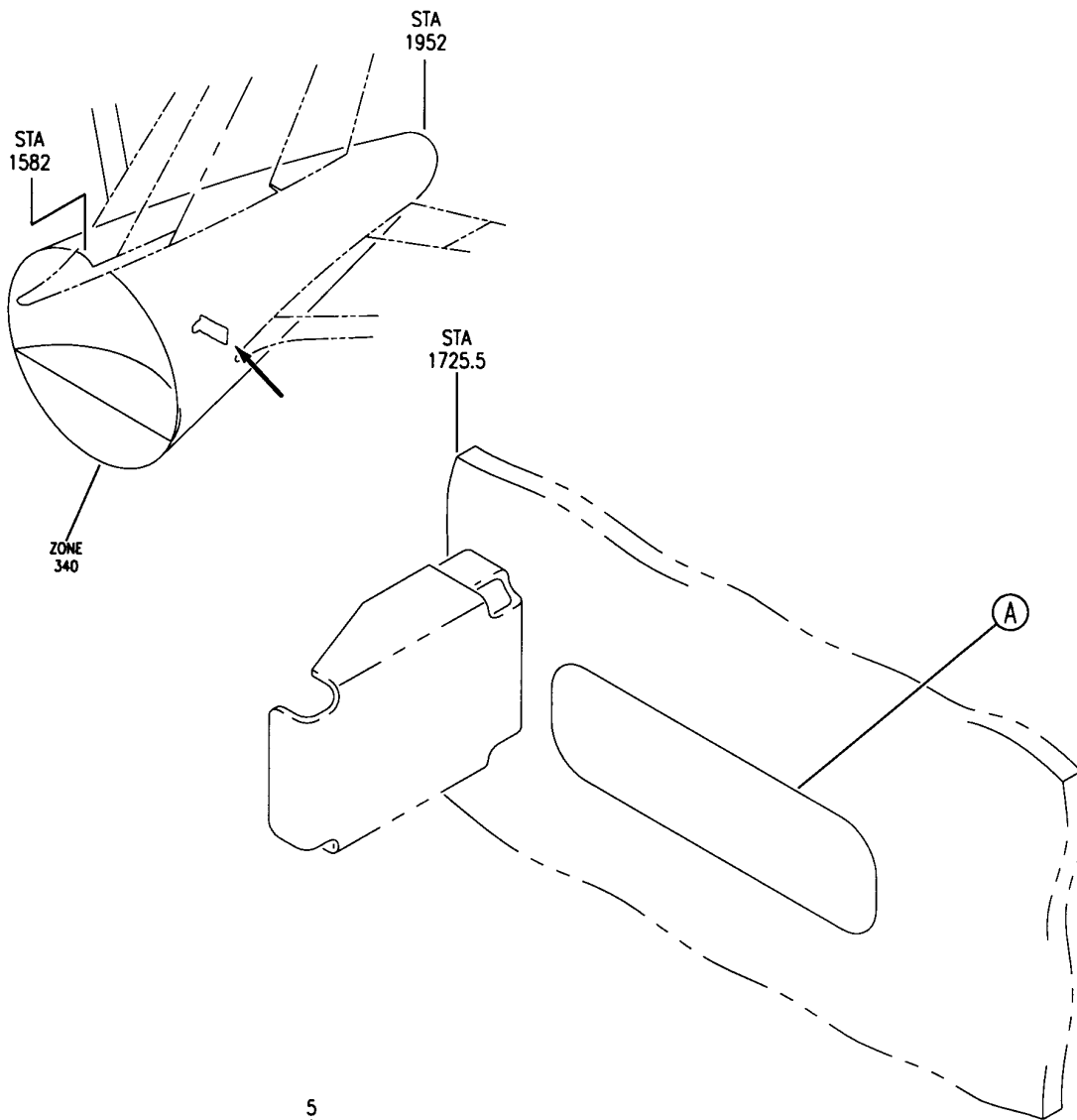
11-26-10-01

BOEING PROPRIETARY - Copyright © - Unpublished Work - See title page for details.

11-26-10  
FIG. 01  
PAGE 1  
DEC 22/07



**BOEING**  
767  
PARTS CATALOG (MAINTENANCE)



V 11261002 REV 197

PROVISIONS INSTL-HORIZ STAB.  
FIGURE 2

**11-26-10-02**

HXL  
DEC 22/06

11-26-10-02  
PAGE 0



767

PARTS CATALOG (MAINTENANCE)

FIG ITEM	PART NUMBER	1 2 3 4 5 6 7	NOMENCLATURE	EFFECT FROM TO	UNITS PER ASSY
2			PROVISIONS INSTL-HORIZ STAB.		
- 1	251T2011-58		PROVISIONS INSTL-HORIZ STAB.		RF
	5 BAC27TCT0321		FOR NHA SEE: 55-10-52-01 .MARKER-ALUMINUM FOIL		1

ILLUSTRATION ITEMS NOT ON PARTS LIST ARE NOT APPLICABLE

- ITEM NOT ILLUSTRATED

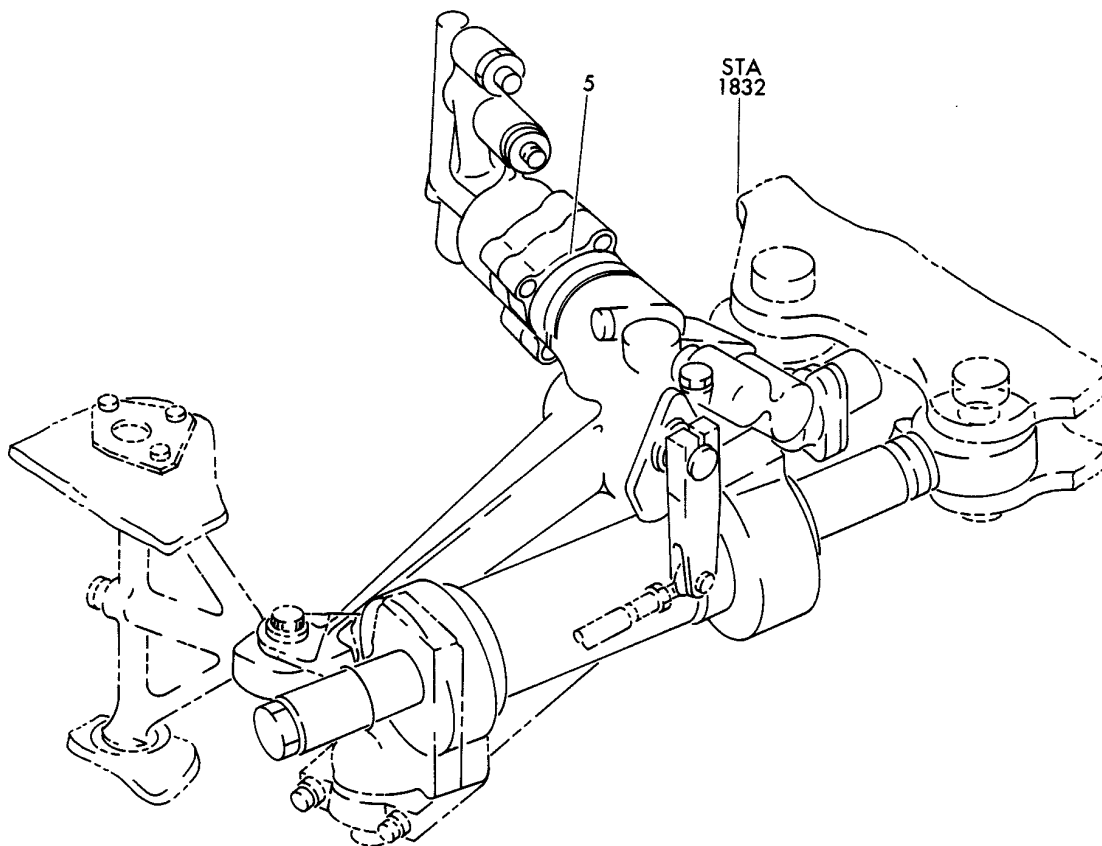
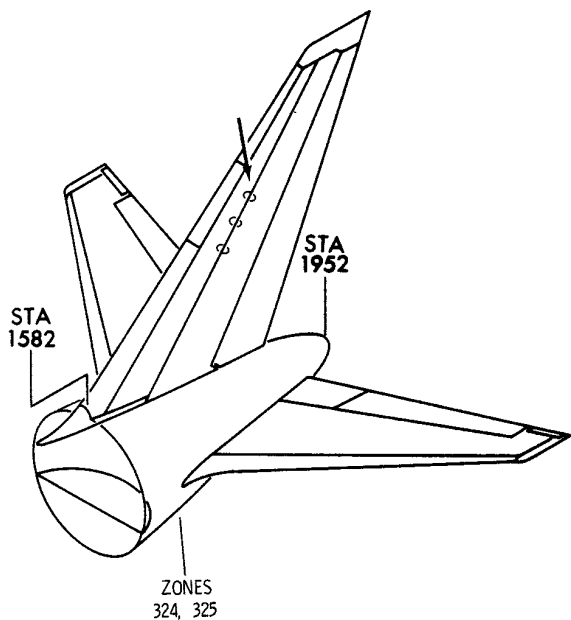
HXL

11-26-10-02

BOEING PROPRIETARY - Copyright © - Unpublished Work - See title page for details.

11-26-10  
FIG. 02  
PAGE 1  
DEC 22/06

**BOEING**  
767  
PARTS CATALOG (MAINTENANCE)



V 11261501 REV 311

ACTUATOR ASSY- RUD (PLACARDS AND MARKINGS ONLY)  
FIGURE 1

**11-26-15-01**

HXL  
DEC 22/06

11-26-15-01  
PAGE 0



767

PARTS CATALOG (MAINTENANCE)

FIG ITEM	PART NUMBER	1 2 3 4 5 6 7	NOMENCLATURE	EFFECT FROM TO	UNITS PER ASSY
1			ACTUATOR ASSY- RUD (PLACARDS AND MARKINGS ONLY)		
1	282900-1009		ACTUATOR ASSY-RUD (PLACARDS AND MARKINGS ONLY) SUPPLIER CODE: V92003 SPECIFICATION NUMBER: S252T701-4 COMPONENT MAINT MANUAL REF: 27-20-06 FOR NHA/OTHER SYS DET SEE: 27-21-02-01		RF
1	282900-1013		ACTUATOR ASSY-RUD (PLACARDS AND MARKINGS ONLY) SUPPLIER CODE: V92003 FUNCTIONAL DESCRIPTION: TRANSLATES MECHANICAL INPUT SIGNALS INTO HYDRAULICALLY POWERED RUDDER MOTION SPECIFICATION NUMBER: S252T701-6 COMPONENT MAINT MANUAL REF: 27-20-06 FOR NHA/OTHER SYS DET SEE: 27-21-02-01		RF
5	282967-1		.PLATE-INFORMATION SUPPLIER CODE: V92003		1

ILLUSTRATION ITEMS NOT ON PARTS LIST ARE NOT APPLICABLE

- ITEM NOT ILLUSTRATED

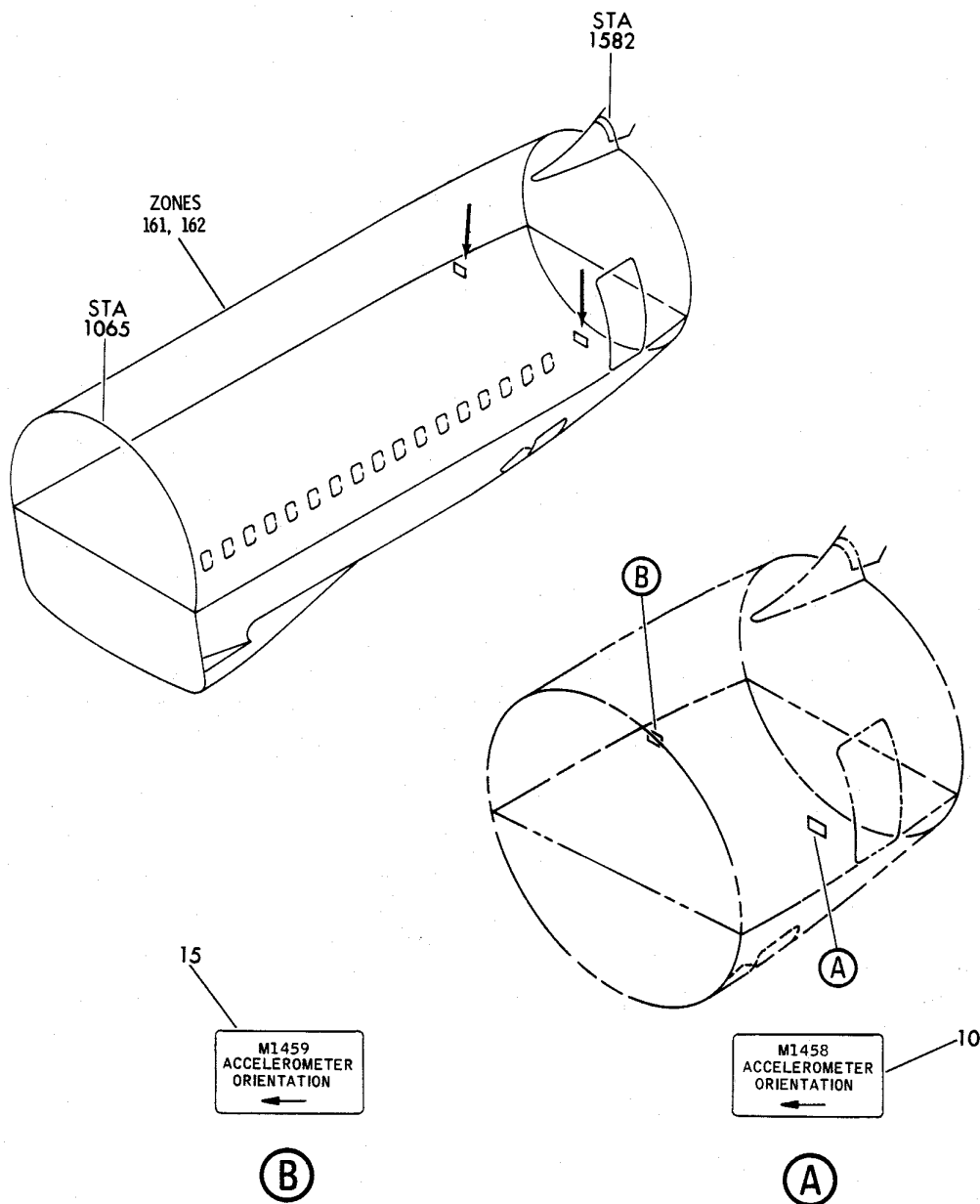
HXL

11-26-15-01

BOEING PROPRIETARY - Copyright © - Unpublished Work - See title page for details.

11-26-15  
FIG. 01  
PAGE 1  
DEC 22/06

**BOEING**  
767  
PARTS CATALOG (MAINTENANCE)



V 11282001 SHT 1 REV 082

ACCELEROMETER INSTL-YAW DAMPER (PLACARDS AND MARKINGS ONLY)  
FIGURE 1

**11-26-20-01**

HXL  
DEC 22/06

11-26-20-01  
PAGE 0



767

PARTS CATALOG (MAINTENANCE)

FIG ITEM	PART NUMBER	1 2 3 4 5 6 7	NOMENCLATURE	EFFECT FROM TO	UNITS PER ASSY
1			ACCELEROMETER INSTL-YAW DAMPER (PLACARDS AND MARKINGS ONLY)		
- 1	284T4202-1		ACCELEROMETER INSTL-YAW DAMPER (PLACARDS AND MARKINGS ONLY) POSITION DATA: LH FOR NHA/OTHER SYS DET SEE: 24-00-58-01B		RF
- 5	284T4202-2		ACCELEROMETER INSTL-YAW DAMPER (PLACARDS AND MARKINGS ONLY) POSITION DATA: RH FOR NHA/OTHER SYS DET SEE: 24-00-58-01B		RF
10	BAC27TEX3996		.DECAL- POSITION DATA: LH SIDE PLACARD CONTENT: M1458 ACCELEROMETER ORIENTATION		1
15	BAC27TEX3997		.DECAL- POSITION DATA: RH SIDE PLACARD CONTENT: M1459 ACCELEROMETER ORIENTATION		1

ILLUSTRATION ITEMS NOT ON PARTS LIST ARE NOT APPLICABLE

- ITEM NOT ILLUSTRATED

HXL

11-26-20-01

BOEING PROPRIETARY - Copyright © - Unpublished Work - See title page for details.

11-26-20  
FIG. 01  
PAGE 1  
DEC 22/06