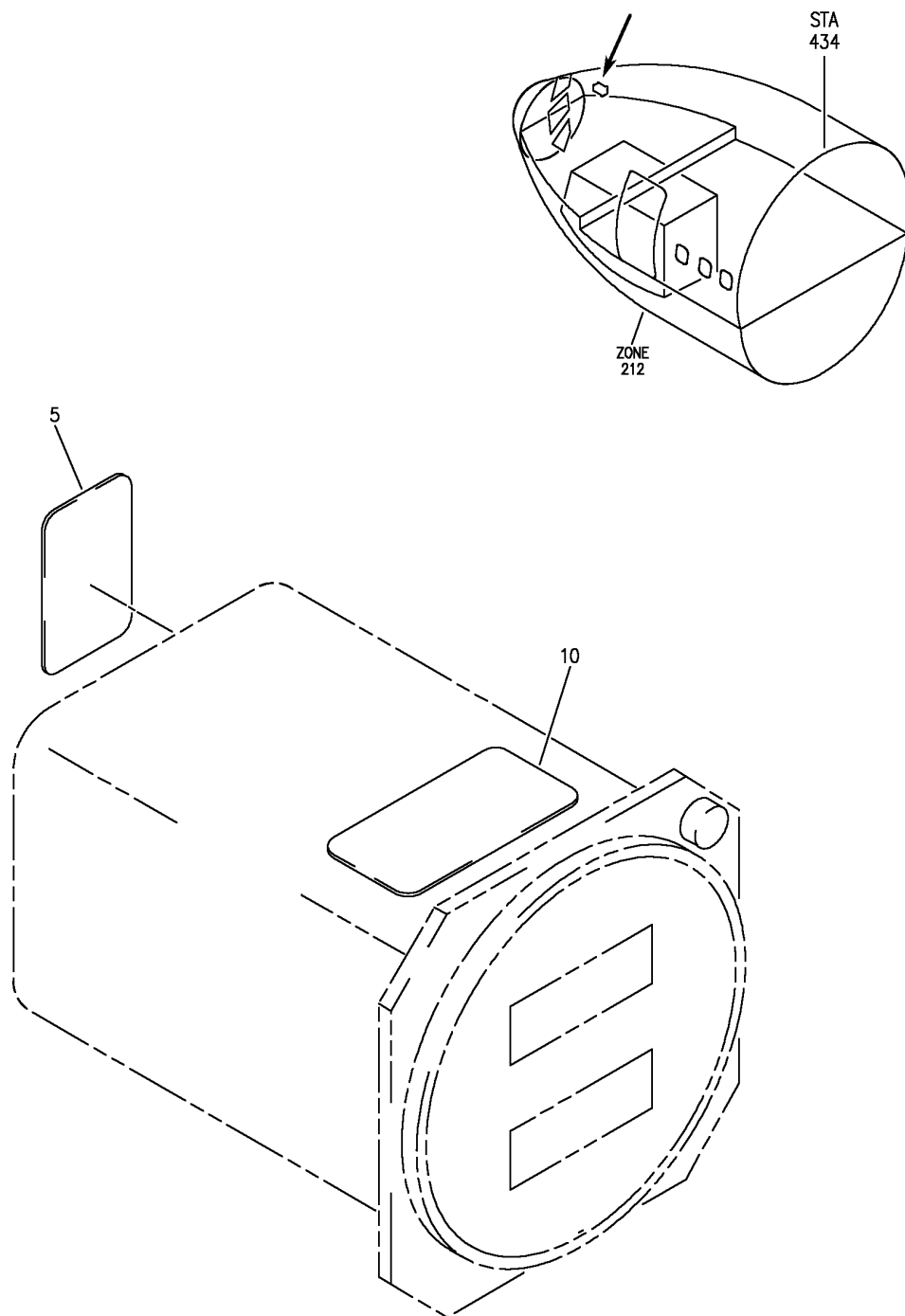


FLIGHT COMPARTMENT-PILOTS STATION

HXL
DEC 22/06

11-31-00
SECTION TITLE
PAGE 1

BOEING
767
PARTS CATALOG (MAINTENANCE)



V 11310105D REV 327

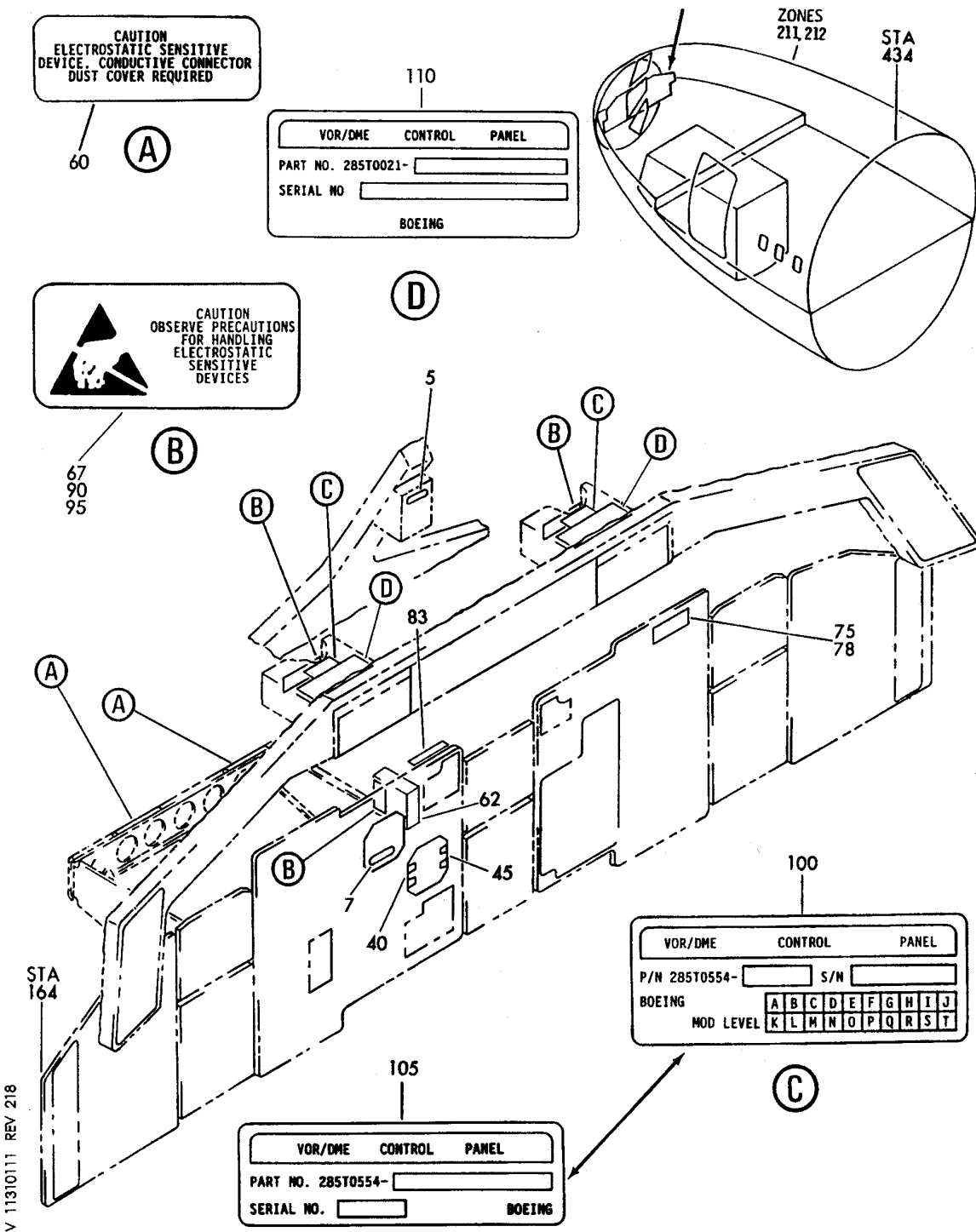
CLOCK ASSY-ELECT. GREENWICH MEAN TIME (PLACARDS AND MARKINGS ONLY)
FIGURE 5D

HXL
APR 22/08

11-31-01-05D

11-31-01-05D
PAGE 0

BOEING
767
PARTS CATALOG (MAINTENANCE)



PANEL INSTL-PILOTS MAIN (PLACARDS AND MARKINGS ONLY)
FIGURE 11

11-31-01-11

HXL
DEC 22/06

11-31-01-11
PAGE 0

 **BOEING**
767
PARTS CATALOG (MAINTENANCE)

FIG ITEM	PART NUMBER	1 2 3 4 5 6 7	NOMENCLATURE	EFFECT FROM TO	UNITS PER ASSY
11			PANEL INSTL-PILOTS MAIN (PLACARDS AND MARKINGS ONLY)		
- 1	233T2100-1		PANEL INSTL-PILOTS MAIN (PLACARDS AND MARKINGS ONLY) VARIABLE DRAWING REF: 233T2100-5048 FOR NHA/OTHER SYS DET SEE: 25-10-00-03		RF
	5 BAC27ECC267		.DECAL- PLACARD CONTENT: RADIO RECEIVERS ON		1
	7 BAC27TFDE0013		.DECAL- PLACARD CONTENT: INOP		1
- 35	233T2111-25		.PLACARD INSTL-STBY ENG IND LIMITS		1
40	800EED18		..PLACARD- SUPPLIER CODE: VK5294 PLACARD CONTENT: L		1
45	801EED18		..PLACARD- SUPPLIER CODE: VK5294 PLACARD CONTENT: R		1
- 55	233T2222-58		.PANEL ASSY-2 CREW CONT STATIC SENSITIVE PART P1-3		RF
60	BAC27TFDE0439		..DECAL		2
62	285T0112-4		..SENSOR ASSY- STATIC SENSITIVE PART SUPPLIER CODE: V89954 COMPONENT MAINT MANUAL REF: 33-16-51 OPTIONAL PART: 285T0112-6 V89954		RF

ILLUSTRATION ITEMS NOT ON PARTS LIST ARE NOT APPLICABLE

- ITEM NOT ILLUSTRATED

HXL

11-31-01-11

BOEING PROPRIETARY - Copyright © - Unpublished Work - See title page for details.

11-31-01
FIG. 11
PAGE 1
DEC 22/07



767

PARTS CATALOG (MAINTENANCE)

FIG ITEM	PART NUMBER	1 2 3 4 5 6 7	NOMENCLATURE	EFFECT FROM TO	UNITS PER ASSY
11 62	285T0112-6		.. SENSOR ASSY- STATIC SENSITIVE PART SUPPLIER CODE: V89954 COMPONENT MAINT MANUAL REF: 33-16-51 OPTIONAL PART: 285T0112-4 V89954		RF
67	BAC27TEX1		...DECAL		1
75	233T2110-1		.PLACARD- PLACARD CONTENT: REGISTRATION SELCAL		1
83	38709XX		.PLACARD- SUPPLIER CODE: V1009B PLACARD CONTENT: ASTRID VIKING POST AIRLINE MOD: MTO-110434 VSAS		1
- 85	285T0554-5		.PANEL ASSY-VHF OMNIDIRECTIONAL RANGE CONTROL (STATIC SENSITIVE PART) SUPPLIER CODE: V89954 MISCELLANEOUS DATA: ASSY -5 WITH -5002 INSTALLED IS MOD A. ALL ASSY -5 BUILT AFTER JUNE 6, 1989 WILL HAVE -5002 INSTALLED. COMPLETELY OBSCURE MOD LEVEL LETTER - A - ON NAMEPLATE WITH CONTRASTING PERMANENT INK ASSY -5 WITH -5003 INSTALLED IS MOD B. ALL ASSY -5 BUILT AFTER AUG 30, 1989 WILL HAVE -5003 INSTALLED. COMPLETELY OBSCURE MOD LEVEL LETTER - B - ON NAMEPLATE WITH CONTRASTING PERMANENT INK. MOD B REPLACES MOD A. DO NOT OBSCURE MOD LEVEL A ON THE NAMEPLATE ASSY -5 WITH -5005 INSTALLED IS MOD C. ALL		RF

ILLUSTRATION ITEMS NOT ON PARTS LIST ARE NOT APPLICABLE

- ITEM NOT ILLUSTRATED

HXL

11-31-01-11

BOEING PROPRIETARY - Copyright © - Unpublished Work - See title page for details.

11-31-01
FIG. 11
PAGE 2
DEC 22/07



767

PARTS CATALOG (MAINTENANCE)

FIG ITEM	PART NUMBER	1 2 3 4 5 6 7 NOMENCLATURE	EFFECT FROM TO	UNITS PER ASSY
11 85		<p>ASSY -5 BUILT AFTER JAN 22, 1990 WILL HAVE -5005 INSTALLED. COMPLETELY OBSCURE MOD LEVEL LETTER - C - ON NAMEPLATE WITH CONTRASTING PERMANENT INK. INCORPORATE MOD B AND OBSCURE MOD LEVEL B ON THE NAMEPLATE WITH CONTRASTING PERMANENT INK. DO NOT OBSCURE MOD LEVEL A -5 MOD D IS -5 WITH 285T0562-11 OR 285T0562-12 INSTALLED AND AN INSPECTION/REPLACEMENT OF 4.99K RESISTORS R105, R109, R110 THAT COULD HAVE BEEN INSTALLED AS 49.9K. ALL ASSY -5 BUILT AFTER 7-25-90 WILL HAVE 285T0562-11 OR 285T0562-12 INSTALLED. COMPLETELY OBSCURE MOD LEVEL LETTER - D - ON NAMEPLATE WITH CONTRASTING PERMANENT INK. INCORPORATE MOD B AND C AND OBSCURE MOD LEVELS B AND C ON THE NAMEPLATE WITH CONTRASTING PERMANENT INK. DO NOT OBSCURE MOD LEVEL A ASSY -5 WITH -5008 INSTALLED IS MOD E. ALL ASSY -5 FOR MODEL 767 BUILT AFTER 10-30-90 WILL HAVE -5008 INSTALLED. ALL ASSY -5 FOR MODEL 757 BUILT AFTER 11-2-90 WILL HAVE -5008 INSTALLED. COMPLETELY OBSCURE MOD LEVEL LETTER E ON NAMEPLATE WITH CONTRASTING PERMANENT INK. INCORPORATE MOD C AND D AND OBSCURE MOD</p>		

ILLUSTRATION ITEMS NOT ON PARTS LIST ARE NOT APPLICABLE

- ITEM NOT ILLUSTRATED

HXL

11-31-01-11

11-31-01
 FIG. 11
 PAGE 3
 DEC 22/06



767

PARTS CATALOG (MAINTENANCE)

FIG ITEM	PART NUMBER	1 2 3 4 5 6 7 NOMENCLATURE	EFFECT FROM TO	UNITS PER ASSY
11 85		LEVEL C AND D ON THE NAMEPLATE WITH CONTRASTING PERMANENT INK. DO NOT OBSCURE MOD LEVEL A OR B COMPONENT MAINT MANUAL REF: 34-51-61		
- 85	285T0021-16	.PANEL ASSY-VHF OMNIDIRECTIONAL RANGE CONTROL (STATIC SENSITIVE PART) SUPPLIER CODE: V89954 MISCELLANEOUS DATA: 285T0021-16 MOD - A - IS REWORKED FROM 285T0021-16 WITH COMPONENT KIT 285T1138-18. COMPLETELY OBSCURE MOD LEVEL LETTER - A - ON NAMEPLATE WITH PERMANENT CONTRASTING INK PER BAC5307. NO PRODUCTION EQUIVALENT EXISTS. REF MLCCR 91-128 COMPONENT MAINT MANUAL REF: 34-51-51		RF

ILLUSTRATION ITEMS NOT ON PARTS LIST ARE NOT APPLICABLE

- ITEM NOT ILLUSTRATED

HXL

11-31-01-11

BOEING PROPRIETARY - Copyright © - Unpublished Work - See title page for details.

11-31-01
 FIG. 11
 PAGE 4
 DEC 22/06



767

PARTS CATALOG (MAINTENANCE)

FIG ITEM	PART NUMBER	1 2 3 4 5 6 7 NOMENCLATURE	EFFECT FROM TO	UNITS PER ASSY
11 - 85	285T0554-3	.PANEL ASSY-VHF OMNIDIRECTIONAL RANGE CONTROL (STATIC SENSITIVE PART) SUPPLIER CODE: V89954 MISCELLANEOUS DATA: ASSY -3 MOD A IS REWORKED FROM ASSY -3 IN ACCORDANCE WITH 285T1138-1 COMPONENT KIT. NO -3 MOD A PROD EQUIV EXISTS ASSY -3 MOD C IS REWORKED FROM ASSY -3 IN ACCORDANCE WITH 285T1138-7 COMPONENT KIT. NO -3 MOD C PROD EQUIV EXISTS ASSY -3 MOD B IS REWORKED FROM ASSY -3 IN ACCORDANCE WITH 285T1138-4 COMPONENT KIT. NO -3 MOD B PROD EQUIV EXISTS -3 MOD D IS -3 REWORKED PER COMPONENT KIT DWG 285T1138-10. REF -MLCCR89-068. NO -3 MOD D PROD EQUIV EXISTS ASSY -3 MODE IS ASSY -3 REWORKED PER COMPONENT KIT DWGT 285T1138-14. REF - MLCCR90-100. NO -3 MODE PRODUCTION EQUIV EXISTS COMPONENT MAINT MANUAL REF: 34-51-61		RF

ILLUSTRATION ITEMS NOT ON PARTS LIST ARE NOT APPLICABLE

- ITEM NOT ILLUSTRATED

HXL

11-31-01-11

BOEING PROPRIETARY - Copyright © - Unpublished Work - See title page for details.

11-31-01
 FIG. 11
 PAGE 5
 AUG 22/09

BOEING
767
PARTS CATALOG (MAINTENANCE)

FIG ITEM	PART NUMBER	1 2 3 4 5 6 7	NOMENCLATURE	EFFECT FROM TO	UNITS PER ASSY
11 - 85	285T0021-19		.PANEL ASSY-VHF OMNIDIRECTIONAL RANGE CONTROL (STATIC SENSITIVE PART) SUPPLIER CODE: V89954 MISCELLANEOUS DATA: 285T0021-19 MOD -A- IS REWORKED FROM 285T0021-19 IN ACCORDANCE WITH COMPONENT SERVICE BULLETIN 285T0021-34-03. REF 285T1138-2 MLCCR87-017 285T0021-19 MOD -B- IS REWORKED FROM 285T0021-19 OR -19 MOD - A - WITH COMPONENT KIT 285T1138-5 285T0021-19 MOD - C - IS REWORKED FROM 285T0021-19, -19 MOD - A - OR -19 MOD - B- WITH COMPONENT KIT 285T1138-15 285T0021-19 MOD -D- IS REWORKED FROM 285T0021-19, -19 MOD - A-, -19 MOD -B- OR -19 MOD -C- WITH COMPONENT KIT 285T1138-18. COMPLETELY OBSCURE MOD LEVEL LETTER -D- ON NAMEPLATE WITH PERMANENT CONTRASTING INK PER BAC5307. NO PRODUCTION EQUIVALENT EXISTS. REF MLCCR 91-128 COMPONENT MAINT MANUAL REF: 34-51-51		RF
	90 BAC27TEX1		..DECAL-VINYL PLACARD CONTENT: CAL USED ON: 285T0554-3 285T0554-5		2

ILLUSTRATION ITEMS NOT ON PARTS LIST ARE NOT APPLICABLE

- ITEM NOT ILLUSTRATED

HXL

11-31-01-11

BOEING PROPRIETARY - Copyright © - Unpublished Work - See title page for details.

11-31-01
FIG. 11
PAGE 6
AUG 22/09



767

PARTS CATALOG (MAINTENANCE)

FIG ITEM	PART NUMBER	1 2 3 4 5 6 7	NOMENCLATURE	EFFECT FROM TO	UNITS PER ASSY
R R R R R R	11 95	BAC27TEX1	..DECAL-VINYL PLACARD CONTENT: CAL USED ON: 285T0021-16 285T0021-19		1
	100	BAC27TEX4042	..MARKER-ALUMINUM FOIL SUPPLIER CODE: V89954 PLACARD CONTENT: VOR/DME CONTROL PANEL MISCELLANEOUS DATA: USED WITH 285T0554-5002 USED WITH 285T0554-5003 USED WITH 285T0554-5008		1
	105	BAC27TEX3466	..MARKER-ALUMINUM FOIL SUPPLIER CODE: V89954 PLACARD CONTENT: VOR/DME CONTROL PANEL MISCELLANEOUS DATA: USED WITH 285T0554-5001 USED WITH 285T0554-5004 USED ON: 285T0554-3		1
R R R R R R	110	BAC27TEX0935	..MARKER-ALUMINUM FOIL SUPPLIER CODE: V89954 USED ON: 285T0021-16 285T0021-19		1

ILLUSTRATION ITEMS NOT ON PARTS LIST ARE NOT APPLICABLE

- ITEM NOT ILLUSTRATED

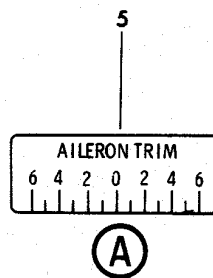
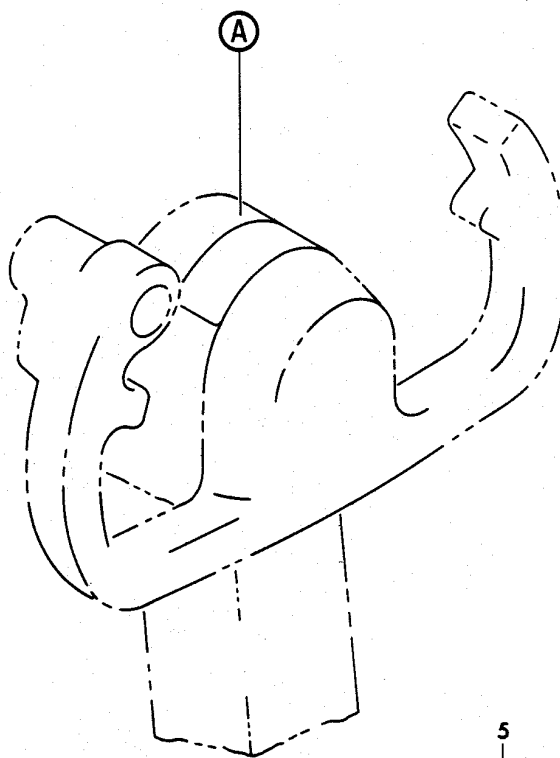
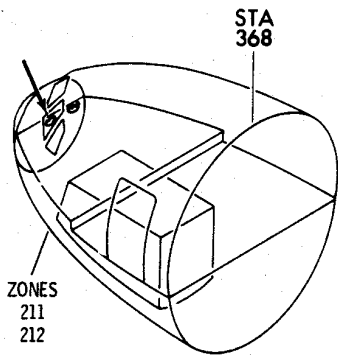
HXL

11-31-01-11

BOEING PROPRIETARY - Copyright © - Unpublished Work - See title page for details.

11-31-01
FIG. 11
PAGE 7
AUG 22/09

BOEING
767
PARTS CATALOG (MAINTENANCE)



V 11310201 SHT 1 REV 078

CONTROL AND CABLE INSTL-LATERAL BODY (PLACARDS AND MARKINGS ONLY)
FIGURE 1

11-31-02-01

HXL
DEC 22/06

11-31-02-01
PAGE 0



767

PARTS CATALOG (MAINTENANCE)

FIG ITEM	PART NUMBER	1 2 3 4 5 6 7	NOMENCLATURE	EFFECT FROM TO	UNITS PER ASSY
1			CONTROL AND CABLE INSTL- LATERAL BODY (PLACARDS AND MARKINGS ONLY)		
- 1	251T1000-408		CONTROL INSTL-LATERAL BODY (PLACARDS AND MARKINGS ONLY) VARIABLE DRAWING REF: 251T1000-5032 FOR NHA/OTHER SYS DET SEE: 27-00-01-01C		RF
5	BAC27TCT0027		.DECAL		2

ILLUSTRATION ITEMS NOT ON PARTS LIST ARE NOT APPLICABLE

- ITEM NOT ILLUSTRATED

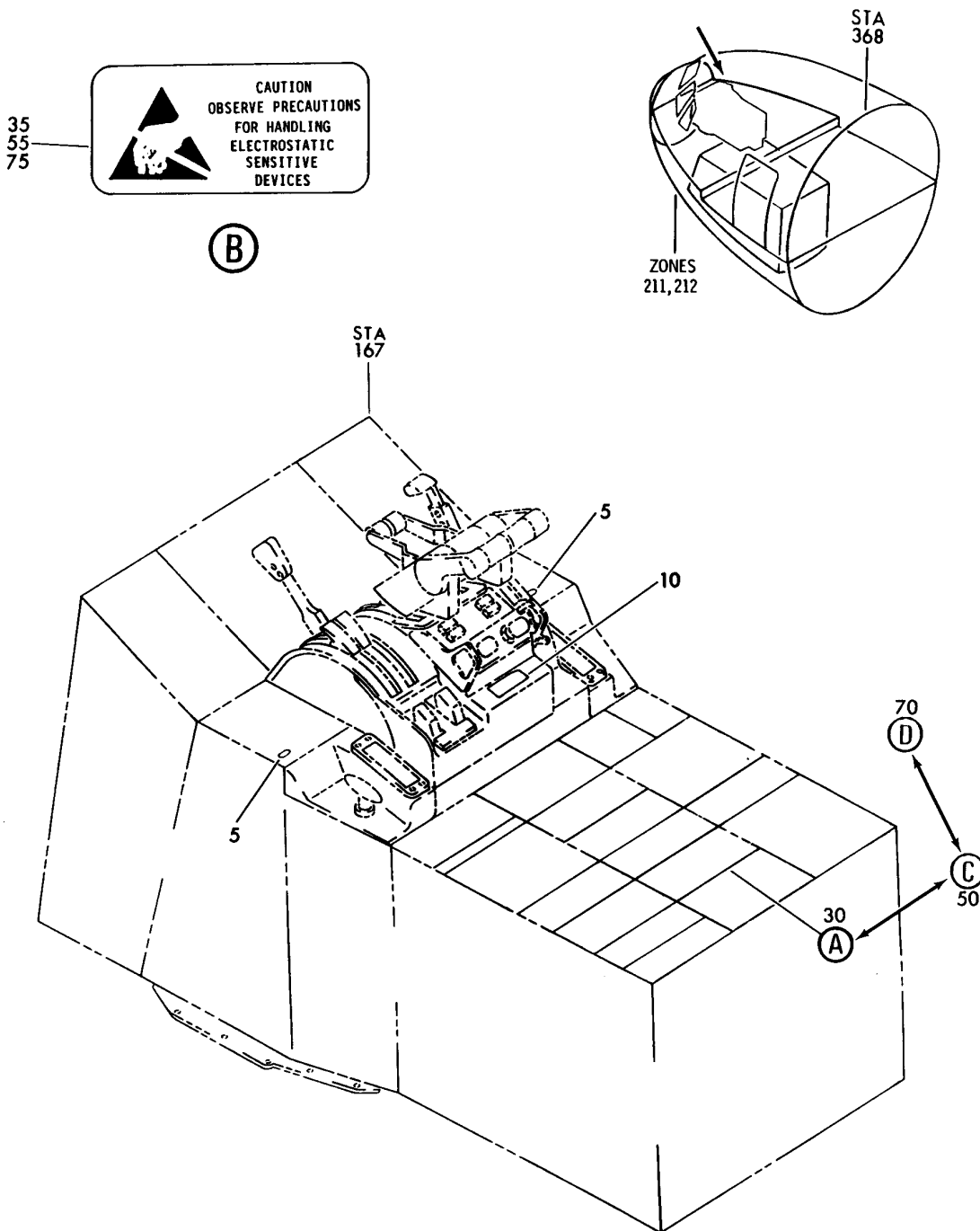
HXL

11-31-02-01

BOEING PROPRIETARY - Copyright © - Unpublished Work - See title page for details.

11-31-02
FIG. 01
PAGE 1
DEC 22/07

BOEING
767
PARTS CATALOG (MAINTENANCE)



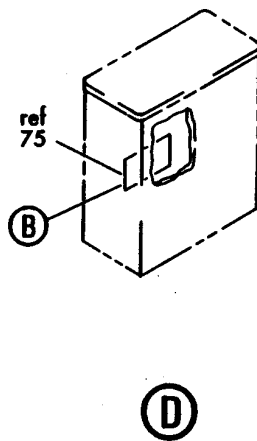
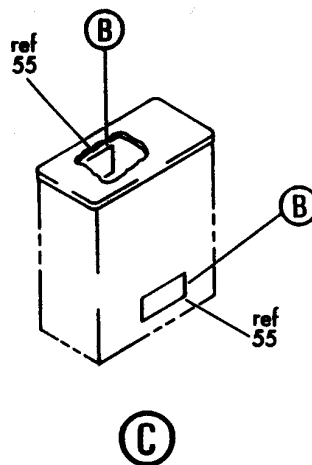
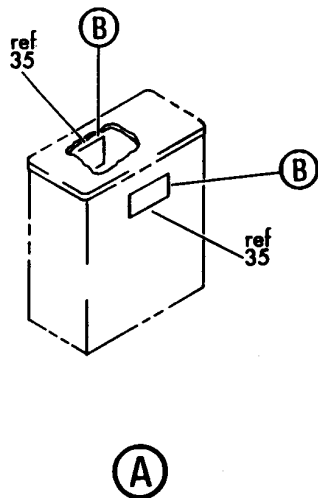
PANEL INSTL-ELECTRONICS (PLACARDS AND MARKINGS ONLY)
FIGURE 11 (SHEET 1)

11-31-02-11

HXL
DEC 22/06

11-31-02-11
PAGE 0

BOEING
767
PARTS CATALOG (MAINTENANCE)



V 11310211 SHT 2 REV 161

PANEL INSTL-ELECTRONICS (PLACARDS AND MARKINGS ONLY)
FIGURE 11 (SHEET 2)

11-31-02-11

HXL
DEC 22/06

11-31-02-11
PAGE 0A



767

PARTS CATALOG (MAINTENANCE)

FIG ITEM	PART NUMBER	1 2 3 4 5 6 7	NOMENCLATURE	EFFECT FROM TO	UNITS PER ASSY
11			PANEL INSTL-ELECTRONICS (PLACARDS AND MARKINGS ONLY)		
- 1	233T6100-1		PANEL INSTL-ELECTRONICS (PLACARDS AND MARKINGS ONLY) VARIABLE DRAWING REF: 233T6100-5048 FOR NHA/OTHER SYS DET SEE: 25-10-00-06		RF
	5 BAC27TFDE0013		.DECAL- PLACARD CONTENT: INOP		2
	10 BAC27ECC1513		.MARKER- PLACARD CONTENT: DO NOT USE VHF-C FOR ATC COMM WITH ACARS OPERATIONAL POST SERVICE BULLETIN: 23-0072		1
	15 OSL9011515		.PLACARD- SUPPLIER CODE: V1009B PLACARD CONTENT: CRUISE AND TRIM POST AIRLINE MOD: MTO-110432 VSAS		1
	30 285T0553-4		.PANEL ASSY-INSTR LDG SYS CONT STATIC SENSITIVE PART SUPPLIER CODE: V89954 ELECTRICAL EQUIP NUMBER: M00087 COMPONENT MAINT MANUAL REF: 34-31-61		RF

R
R
R
R
R
R
R

ILLUSTRATION ITEMS NOT ON PARTS LIST ARE NOT APPLICABLE

- ITEM NOT ILLUSTRATED

HXL

11-31-02-11

11-31-02
FIG. 11
PAGE 1
AUG 22/09



767

PARTS CATALOG (MAINTENANCE)

FIG ITEM	PART NUMBER	1 2 3 4 5 6 7	NOMENCLATURE	EFFECT FROM TO	UNITS PER ASSY
11 30	285T0553-1		.PANEL ASSY-INSTR LDG SYS CONT STATIC SENSITIVE PART SUPPLIER CODE: V89954 MISCELLANEOUS DATA: -1 MOD A IS -1 REWORKED PER COMPONENT KIT DWG 285T1152-1. REF - MLCCR88-027. NO -1 MOD A PROD EQUIV EXISTS -1 MOD B IS -1 REWORKED PER COMPONENT KIT DWG 285T1152-1. REF - MLCCR89-068. NO -1 PROD EQUIV EXISTS ELECTRICAL EQUIP NUMBER: M00087 COMPONENT MAINT MANUAL REF: 34-31-61		RF
30	285T0553-2		.PANEL ASSY-INSTR LDG SYS CONT STATIC SENSITIVE PART SUPPLIER CODE: V89954 MISCELLANEOUS DATA: -2 MOD A IS -2 REWORKED PER COMPONENT KIT DWG 285T1152-1. REF - MLCCR88-027. NO -2 MOD A PROD EQUIV EXISTS -2 MOD B IS -2 REWORKED PER COMPONENT KIT DWG 285T1152-2. REF - MLCCR89-068. NO -2 MOD B PROD EQUIV EXISTS ASSY -2 WITH -5004 INSTALLED SHALL BE LABELED MOD C (ALSO MOD A AND MOD B). ALL ASSYS BUILT AFTER 5/17/93 SHALL HAVE SHALL HAVE -5004 INSTALLED. ELECTRICAL EQUIP NUMBER: M00087 COMPONENT MAINT MANUAL REF: 34-31-61		RF
30	285T0553-4		.PANEL ASSY-INSTR LDG SYS CONT (STATIC SENSITIVE PART)		RF

ILLUSTRATION ITEMS NOT ON PARTS LIST ARE NOT APPLICABLE

- ITEM NOT ILLUSTRATED

11-31-02-11

11-31-02
FIG. 11
PAGE 2
DEC 22/06

HXL



767

PARTS CATALOG (MAINTENANCE)

FIG ITEM	PART NUMBER	1 2 3 4 5 6 7	NOMENCLATURE	EFFECT FROM TO	UNITS PER ASSY
11			<p>SUPPLIER CODE: V89954</p> <p>MISCELLANEOUS DATA: -4 MOD A IS -4 WITH -5002 INSTALLED. ASSY -4 BUILT AFTER JUNE 1, 1989 WILL BE MOD A COMPLETELY OBSCURE MOD LEVEL LETTER A ON THE NAMEPLATE WITH CONTRASTING PERMANENT INK PER BAC5307 IF -5002 IS INSTALLED -4 MOD B IS -4 WITH 285T0552-8 OR 285T0552-9 INSTALLED AND A INSPECTION/REPLACEMENT OF THE 4.99K RESISTORS R105, R109, R110, R205, R209, R210, R305, R309, R310 THAT COULD HAVE BEEN INSTALLED AS 49.9K. ASSY -4 BUILT AFTER 07/23/90 WILL HAVE 285T0552-8 OR 285T0552-9 INSTALLED COMPLETELY OBSCURE MOD LEVEL LETTER -B- ON THE NAMEPLATE WITH CONTRASTING PERMANENT INK PER BAC307 IF 285T0552-8 OR 285T0552-9 IS INSTALLED ASSY -4 WITH -5006 INSTALLED SHALL BE LABELED MOD C (ALSO MOD A AND MOD B). ALL ASSYS BUILT AFTER 5/17/93 SHALL HAVE -5006 INSTALLED. ASSY -4 WITH -5007 INSTALLED IS MOD D, AND ALSO INCLUDES PREVIOUSLY RELEASED MODS A, B AND C. ALL ASSYS BUILT AFTER 06/03/94 WILL HAVE -5007 INSTALLED AND SHALL BE MARKED BY OBLITERATING MOD LEVEL LETTERS A, B, C AND D ON THE NAMEPLATE DECAL.</p> <p>ELECTRICAL EQUIP NUMBER:</p>		

ILLUSTRATION ITEMS NOT ON PARTS LIST ARE NOT APPLICABLE

- ITEM NOT ILLUSTRATED

HXL

11-31-02-11

BOEING PROPRIETARY - Copyright © - Unpublished Work - See title page for details.

11-31-02
FIG. 11
PAGE 3
DEC 22/06



767

PARTS CATALOG (MAINTENANCE)

FIG ITEM	PART NUMBER	1 2 3 4 5 6 7	NOMENCLATURE	EFFECT FROM TO	UNITS PER ASSY
11					
30			M00087 COMPONENT MAINT MANUAL REF: 34-31-61		
35	BAC27TEX1		..DECAL		2
50	285T0524-1		.PANEL ASSY-ILS CONTROL PANEL SUPPLIER CODE: V89954 MISCELLANEOUS DATA: 285T0524-1 MOD -A- IS REWORKED FROM 285T0524-1 WITH COMPONENT KIT 285T1152-6. COMPLETELY OBSCURE MOD LEVEL LETTER -A- ON THE NAMEPLATE WITH PERMANENT CONTRASTING INK PER BAC5307. NO PRODUCTION EQUIVALENT EXISTS. REF MLCCR 91-127. ELECTRICAL EQUIP NUMBER: M00087 COMPONENT MAINT MANUAL REF: 34-31-52		RF
50	285T0524-6		.PANEL ASSY-ILS CONTROL PANEL SUPPLIER CODE: V89954 MISCELLANEOUS DATA: 285T0524-6 MOD -A- IS REWORKED FROM 285T0524-6 WITH COMPONENT KIT 285T1152-6. COMPLETELY OBSCURE MOD LEVEL LETTER -A- ON THE NAMEPLATE WITH PERMANENT CONTRASTING INK PER BAC5307. NO PRODUCTION EQUIVALENT EXISTS. REF MLCCR 91-127. ELECTRICAL EQUIP NUMBER: M00087 COMPONENT MAINT MANUAL REF: 34-31-52		RF
55	BAC27TEX1		..DECAL		2

ILLUSTRATION ITEMS NOT ON PARTS LIST ARE NOT APPLICABLE

- ITEM NOT ILLUSTRATED

HXL

11-31-02-11

BOEING PROPRIETARY - Copyright © - Unpublished Work - See title page for details.

11-31-02
FIG. 11
PAGE 4
DEC 22/06



767

PARTS CATALOG (MAINTENANCE)

FIG ITEM	PART NUMBER	1 2 3 4 5 6 7	NOMENCLATURE	EFFECT FROM TO	UNITS PER ASSY
11 70	285T0020-8		.PANEL ASSY-ILS CONTROL PANEL SUPPLIER CODE: V89954 MISCELLANEOUS DATA: 285T0020-8 MOD - A - IS REWORKED FROM 285T0020-8 WITH COMPONENT KIT 285T1152-5. COMPLETELY OBSCURE MOD LEVEL LETTER - A - ON THE NAMEPLATE WITH PERMANENT CONTRASTING INK PER BAC5307. NO PRODUCTION EQUIVALENT EXISTS. REF MLCCR 91-127 ELECTRICAL EQUIP NUMBER: M00087 COMPONENT MAINT MANUAL REF: 34-31-51		RF
75	BAC27TEX1		..DECAL		1

ILLUSTRATION ITEMS NOT ON PARTS LIST ARE NOT APPLICABLE

- ITEM NOT ILLUSTRATED

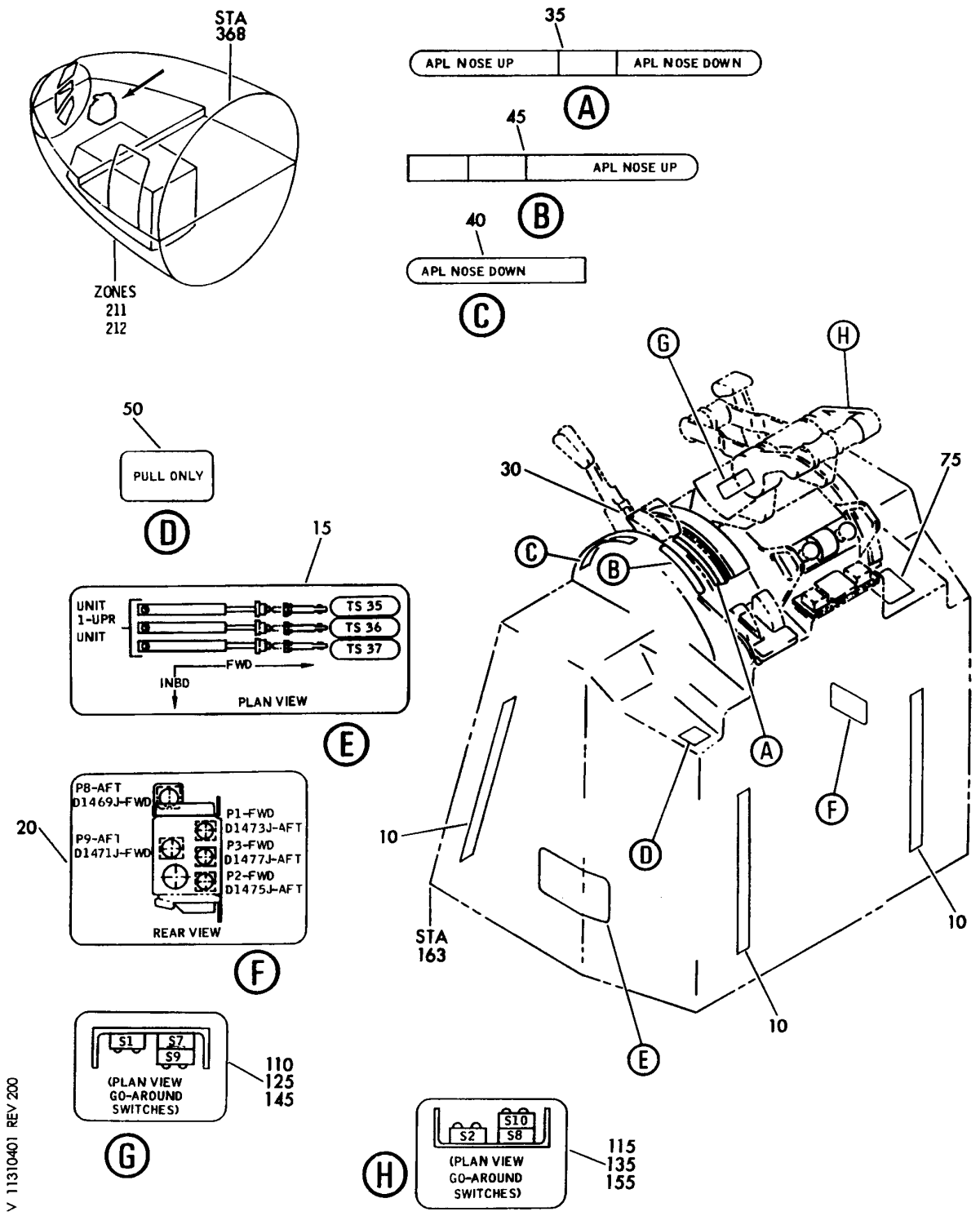
HXL

11-31-02-11

BOEING PROPRIETARY - Copyright © - Unpublished Work - See title page for details.

11-31-02
FIG. 11
PAGE 5
DEC 22/06

BOEING
767
PARTS CATALOG (MAINTENANCE)



V 11310401 REV 200

STAND ASSY-CONT (PLACARDS AND MARKINGS ONLY)
FIGURE 1

11-31-04-01



767

PARTS CATALOG (MAINTENANCE)

FIG ITEM	PART NUMBER	1 2 3 4 5 6 7	NOMENCLATURE	EFFECT FROM TO	UNITS PER ASSY
1			STAND ASSY-CONT (PLACARDS AND MARKINGS ONLY)		
- 3	253T5100-238		STAND ASSY-CONT (PLACARDS AND MARKINGS ONLY) FOR NHA/OTHER SYS DET SEE: 25-13-58-01		RF
10	BAC27TCT0153		.DECAL		3
15	BAC27TCT0154		.DECAL		1
20	BAC27TCT0155		.DECAL		1
- 25	253T5599-11		.LIGHTPLATE AND DECAL INSTL CONT STAND		RF
30	BACM10L00-1BJV		..MARKER-ALUMINUM FOIL		1
50	BAC27TCT0343		..DECAL-		1
- 70	253T5523-5		.SEAL INSTL-LEVERS CONT STAND		RF
75	BAC27TCT0158		..DECAL		1
- 100	253T5800-26		.LEVER INSTL-CONT STAND THRUST		RF
- 105	253T5800-27		..LEVER ASSY- ELECTRICAL EQUIP NUMBER: M00985 COMPONENT MAINT MANUAL REF: 76-11-19		RF
- 105	253T5800-33		..LEVER ASSY- ELECTRICAL EQUIP NUMBER: M00985 COMPONENT MAINT MANUAL REF: 76-11-19		RF
- 105	253T5800-35		..LEVER ASSY- ELECTRICAL EQUIP NUMBER: M00985 COMPONENT MAINT MANUAL REF: 76-11-19		RF
110	BAC27TCT0156		...DECAL- USED ON: 253T5800-17 253T5800-21 253T5800-23 253T5800-25 253T5800-27 253T5800-29 253T5800-31 253T5800-33 015T0630-20		1

ILLUSTRATION ITEMS NOT ON PARTS LIST ARE NOT APPLICABLE

- ITEM NOT ILLUSTRATED

HXL

11-31-04-01

BOEING PROPRIETARY - Copyright © - Unpublished Work - See title page for details.

11-31-04
FIG. 01
PAGE 1
AUG 22/08



767

PARTS CATALOG (MAINTENANCE)

FIG ITEM	PART NUMBER	1 2 3 4 5 6 7	NOMENCLATURE	EFFECT FROM TO	UNITS PER ASSY
1					
115	BAC27TCT0157		...DECAL- USED ON: 253T5800-17 253T5800-21 253T5800-23 253T5800-25 253T5800-27 253T5800-29 253T5800-31 253T5800-33 015T0630-21		1
- 140	253T5852-1		...LEVER ASSY- POSITION DATA: LH USED ON: 253T5800-35		RF
145	BAC27TCT0156	DECAL		1
- 150	253T5852-2		...LEVER ASSY- POSITION DATA: RH USED ON: 253T5800-35		RF
155	BAC27TCT0157	DECAL		1

ILLUSTRATION ITEMS NOT ON PARTS LIST ARE NOT APPLICABLE

- ITEM NOT ILLUSTRATED

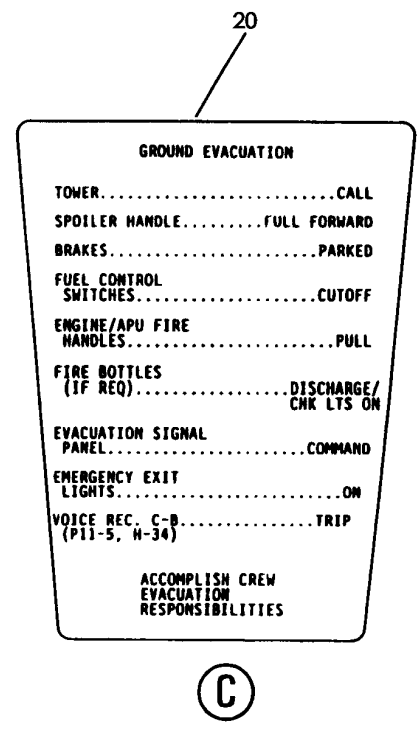
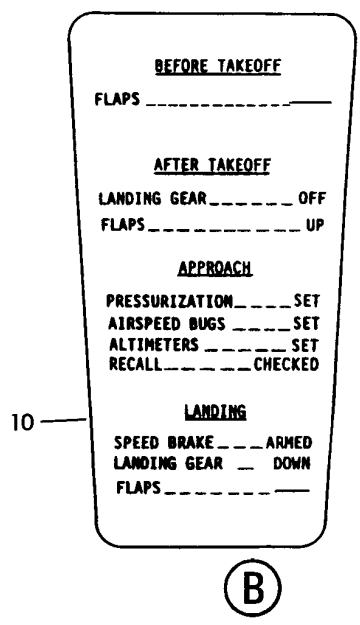
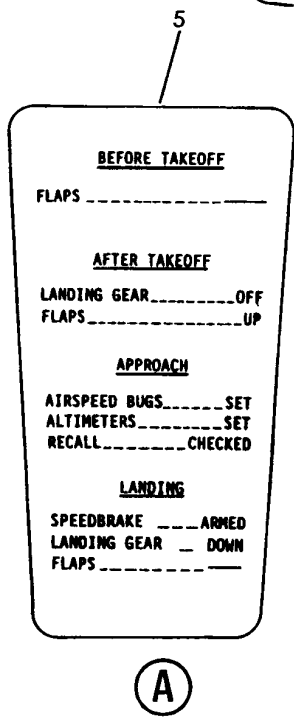
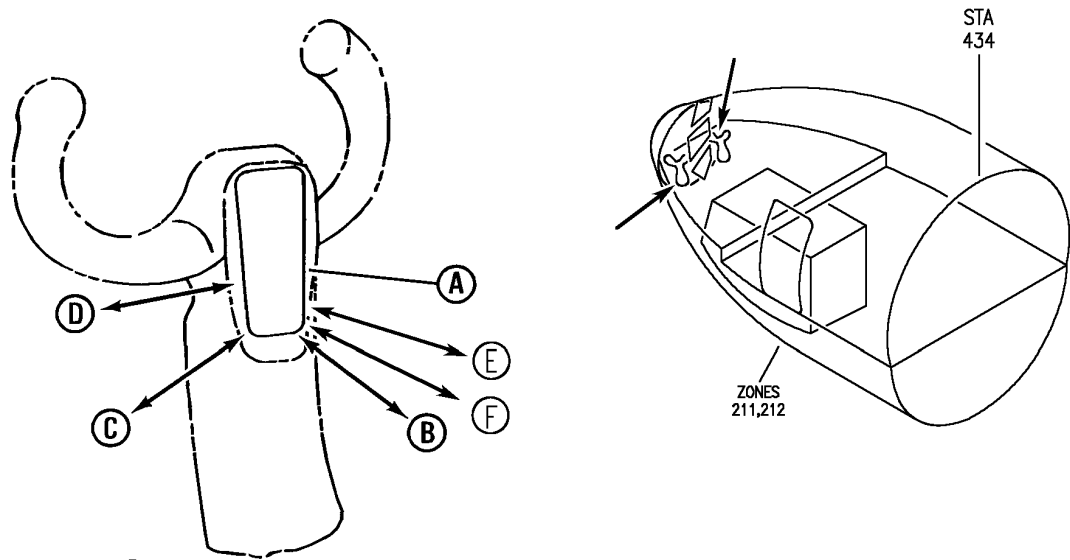
HXL

11-31-04-01

BOEING PROPRIETARY - Copyright © - Unpublished Work - See title page for details.

11-31-04
FIG. 01
PAGE 2
DEC 22/07

BOEING
767
PARTS CATALOG (MAINTENANCE)



V 11310502 SHT 1 REV 337

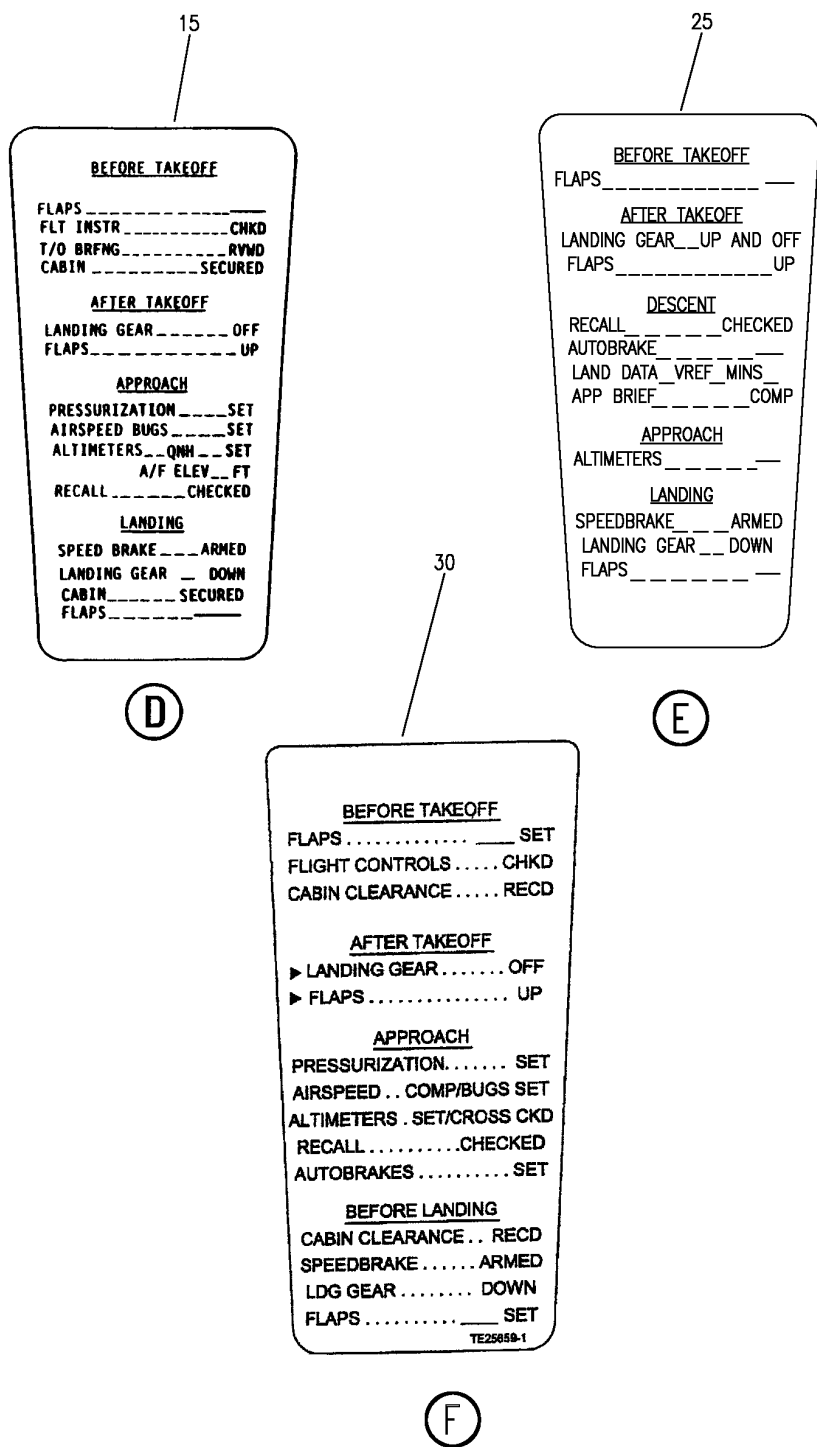
PLATE ASSY-APPROACH CONTROL COLUMN WHEEL (PLACARDS AND MARKINGS ONLY)
FIGURE 2 (SHEET 1)

HXL
APR 22/09

11-31-05-02

11-31-05-02
PAGE 0

BOEING
767
PARTS CATALOG (MAINTENANCE)



V 11310502 SH- 2 REV 318

PLATE ASSY-APPROACH CONTROL COLUMN WHEEL (PLACARDS AND MARKINGS ONLY)
FIGURE 2 (SHEET 2)

11-31-05-02

HXL
AUG 22/07

11-31-05-02
PAGE 0A



767

PARTS CATALOG (MAINTENANCE)

FIG ITEM	PART NUMBER	1 2 3 4 5 6 7	NOMENCLATURE	EFFECT FROM TO	UNITS PER ASSY
2			PLATE ASSY-APPROACH CONTROL COLUMN WHEEL (PLACARDS AND MARKINGS ONLY)		
- 1	232T4243-6		PLATE ASSY-APPROACH CONTROL COLUMN WHEEL (PLACARDS AND MARKINGS ONLY) COMPONENT MAINT MANUAL REF: 27-09-11 FOR NHA/OTHER SYS DET SEE: 27-31-10-05		RF
- 1	232T4243-15		PLATE ASSY-APPROACH CONTROL COLUMN WHEEL (PLACARDS AND MARKINGS ONLY) COMPONENT MAINT MANUAL REF: 27-09-11 FOR NHA/OTHER SYS DET SEE: 27-31-10-05		RF
10	BAC27TFDE0207		.DECAL- USED ON: 232T4243-15 232T4243-6		1

ILLUSTRATION ITEMS NOT ON PARTS LIST ARE NOT APPLICABLE

- ITEM NOT ILLUSTRATED

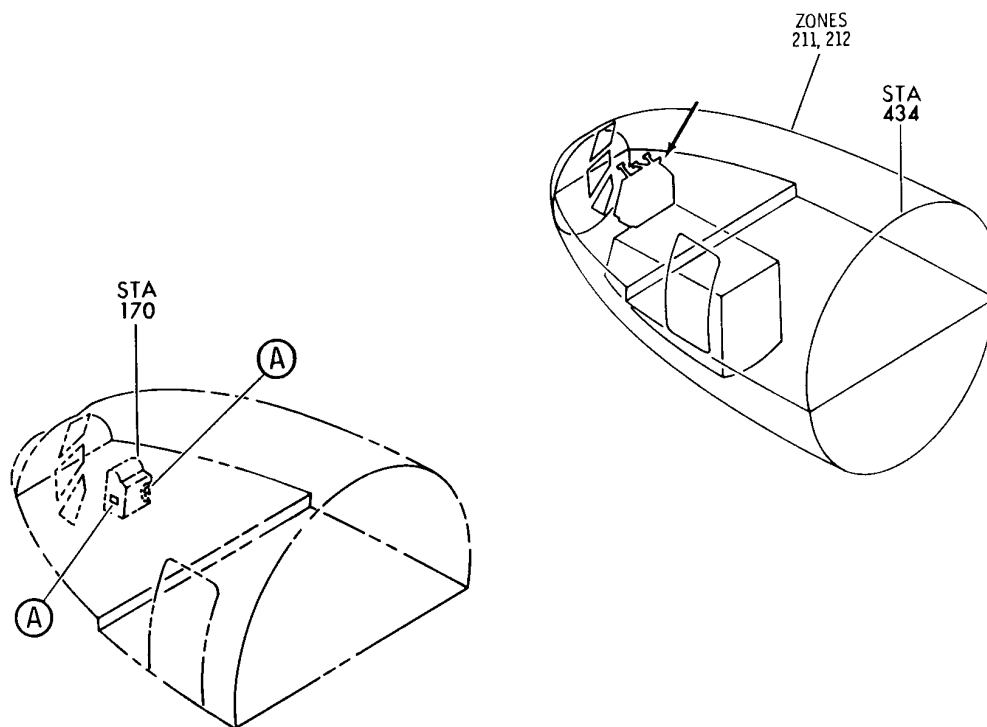
HXL

11-31-05-02


BOEING PROPRIETARY - Copyright © - Unpublished Work - See title page for details.

11-31-05
FIG. 02
PAGE 1
APR 22/09

BOEING
767
PARTS CATALOG (MAINTENANCE)



5



NOTE:

WIRING, CONNECTORS, BONDS AND ELECTRICAL COMPONENTS IN THIS AREA ARE PROTECTED AGAINST EFFECTS OF LIGHTNING. SEE WIRING DIAGRAM MANUAL CHAPTERS 20 AND 73 FOR SPECIAL PRECAUTIONS REQUIRED FOR SERVICING WIRING AND ELECTRICAL COMPONENTS.

(A)

V 11310503 REV 168

DECAL INSTL-SECT. 41 UPR LIGHTNING STRIKE (CONTROL COLUMN PLACARDS AND MARKINGS ONLY)
FIGURE 3

HXL
DEC 22/06

11-31-05-03

11-31-05-03
PAGE 0



767

PARTS CATALOG (MAINTENANCE)

FIG ITEM	PART NUMBER	1 2 3 4 5 6 7	NOMENCLATURE	EFFECT FROM TO	UNITS PER ASSY
3			DECAL INSTL-SECT. 41 UPR LIGHTNING STRIKE (CONTROL COLUMN PLACARDS AND MARKINGS ONLY)		
- 1	287T0072-1		DECAL INSTL-LIGHTNING STRIKE (CONTROL COLUMN PLACARDS AND MARKINGS ONLY) POSITION DATA: SECT. 41 UPR FOR NHA/OTHER SYS DET SEE: 24-00-57-02		RF
5	BAC27NEL1122		.MARKER-INSTRUCTIONS		2

ILLUSTRATION ITEMS NOT ON PARTS LIST ARE NOT APPLICABLE

- ITEM NOT ILLUSTRATED

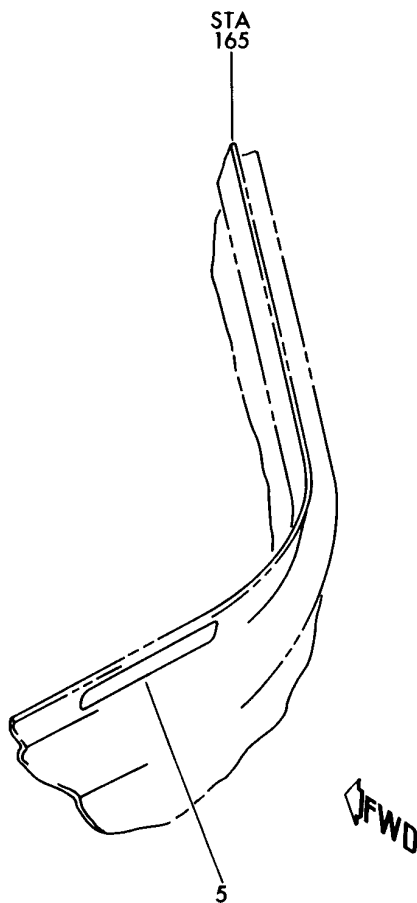
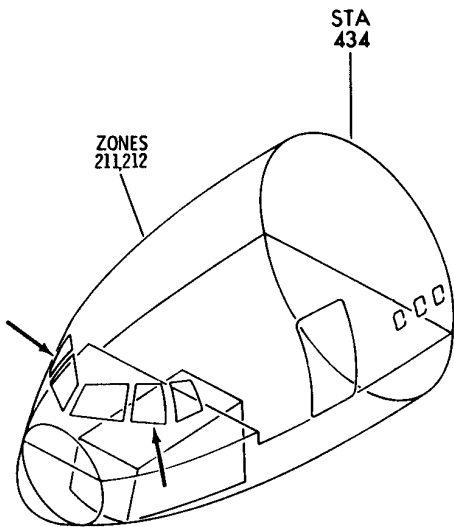
HXL

11-31-05-03

BOEING PROPRIETARY - Copyright © - Unpublished Work - See title page for details.

11-31-05
FIG. 03
PAGE 1
DEC 22/06

BOEING
767
PARTS CATALOG (MAINTENANCE)



V 11310702 REV 169

MARKER INSTL-NO. 2 WINDOW
FIGURE 2

HXL
DEC 22/06

11-31-07-02

11-31-07-02
PAGE 0



767

PARTS CATALOG (MAINTENANCE)

FIG ITEM	PART NUMBER	1 2 3 4 5 6 7	NOMENCLATURE	EFFECT FROM TO	UNITS PER ASSY
2					
- 1	232T4128-1		MARKER INSTL-NO. 2 WINDOW		RF
			MARKER INSTL-NO. 2 WINDOW		
			FOR NHA SEE:		
			25-10-00-11		
5	BAC27TFDE0160		.DECAL-		2
			PLACARD CONTENT:		
			WINDOW NOT CLOSED		

ILLUSTRATION ITEMS NOT ON PARTS LIST ARE NOT APPLICABLE

- ITEM NOT ILLUSTRATED

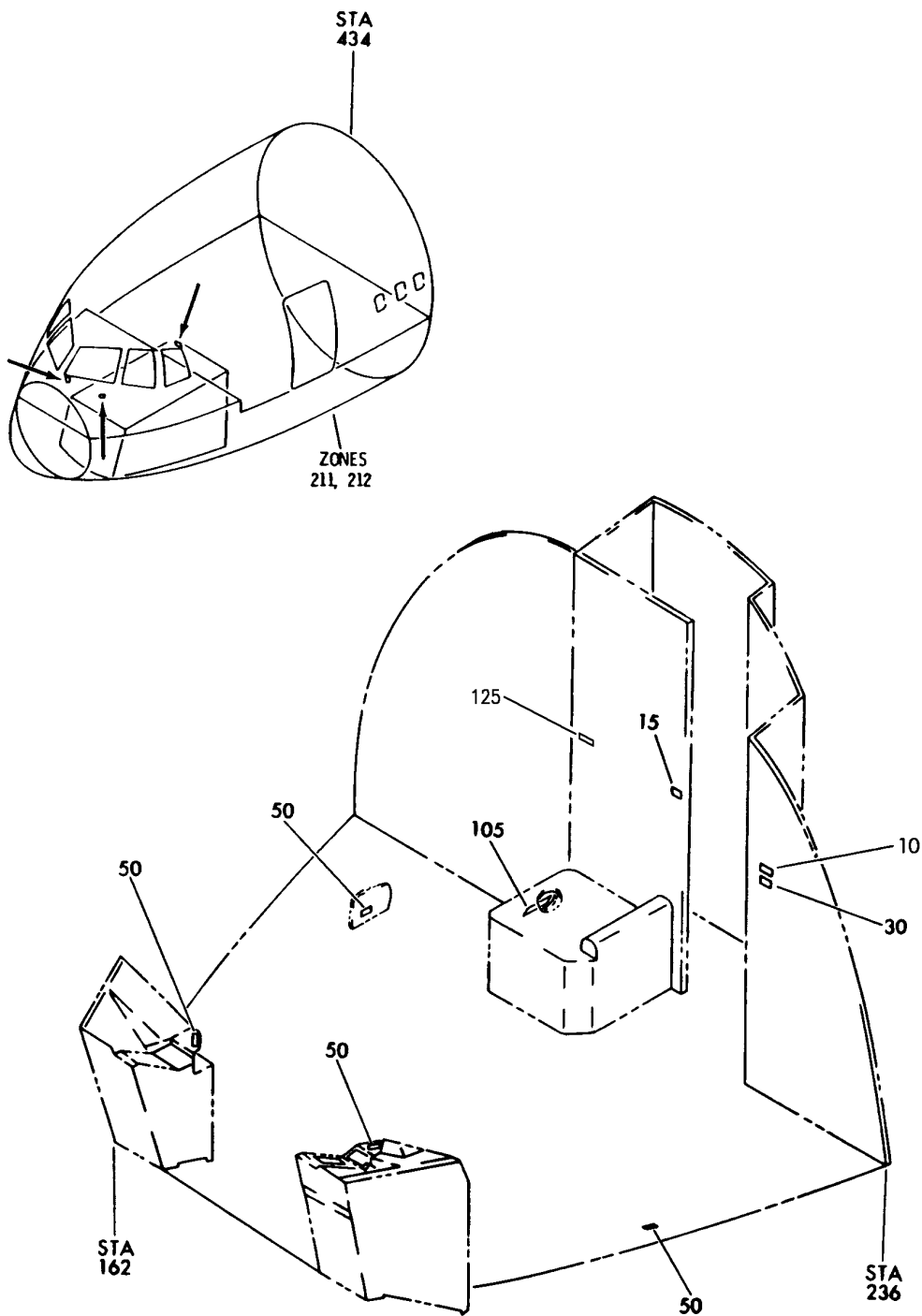
HXL

11-31-07-02

BOEING PROPRIETARY - Copyright © - Unpublished Work - See title page for details.

11-31-07
FIG. 02
PAGE 1
DEC 22/06

BOEING
767
PARTS CATALOG (MAINTENANCE)



V 11311503 REV 253

LIFE VEST INSTL AND BOX ASSY-(PLACARDS AND MARKINGS ONLY)
FIGURE 3

11-31-15-03

HXL
DEC 22/06

11-31-15-03
PAGE 0



767

PARTS CATALOG (MAINTENANCE)

FIG ITEM	PART NUMBER	1 2 3 4 5 6 7	NOMENCLATURE	EFFECT FROM TO	UNITS PER ASSY
3			LIFE VEST INSTL AND BOX ASSY-(PLACARDS AND MARKINGS ONLY)		
- 2	232T4101-39		LIFE VEST INSTL-(PLACARDS AND MARKINGS ONLY) FOR NHA/OTHER SYS DET SEE: 25-10-00-11		RF
10	BAC27ECC1619		.DECAL- PLACARD CONTENT: LIFE VESTS INSIDE		1

ILLUSTRATION ITEMS NOT ON PARTS LIST ARE NOT APPLICABLE

- ITEM NOT ILLUSTRATED

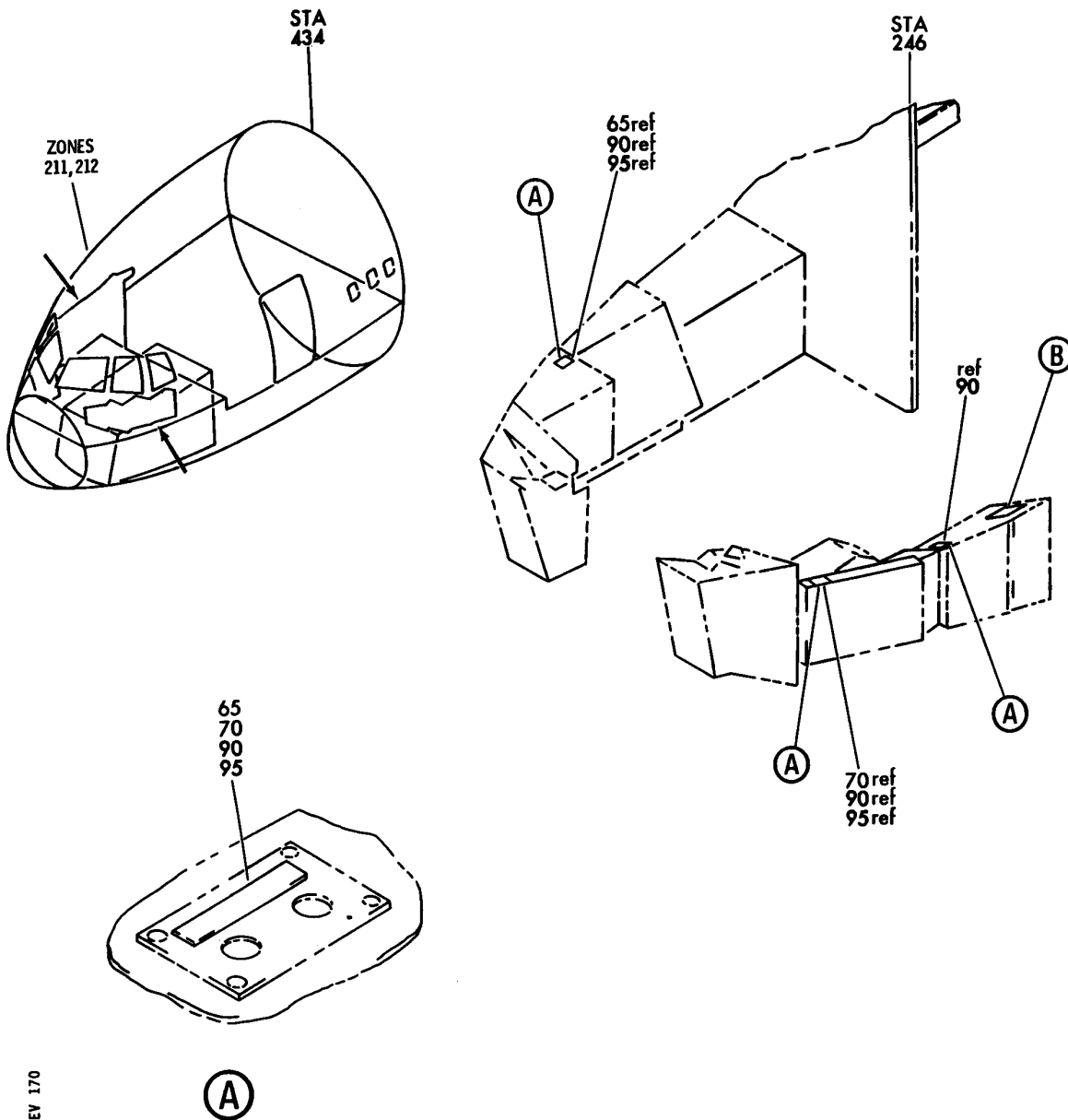
HXL

11-31-15-03

BOEING PROPRIETARY - Copyright © - Unpublished Work - See title page for details.

11-31-15
FIG. 03
PAGE 1
DEC 22/07

BOEING
767
PARTS CATALOG (MAINTENANCE)



V 11311702 SHT 1 REV 170

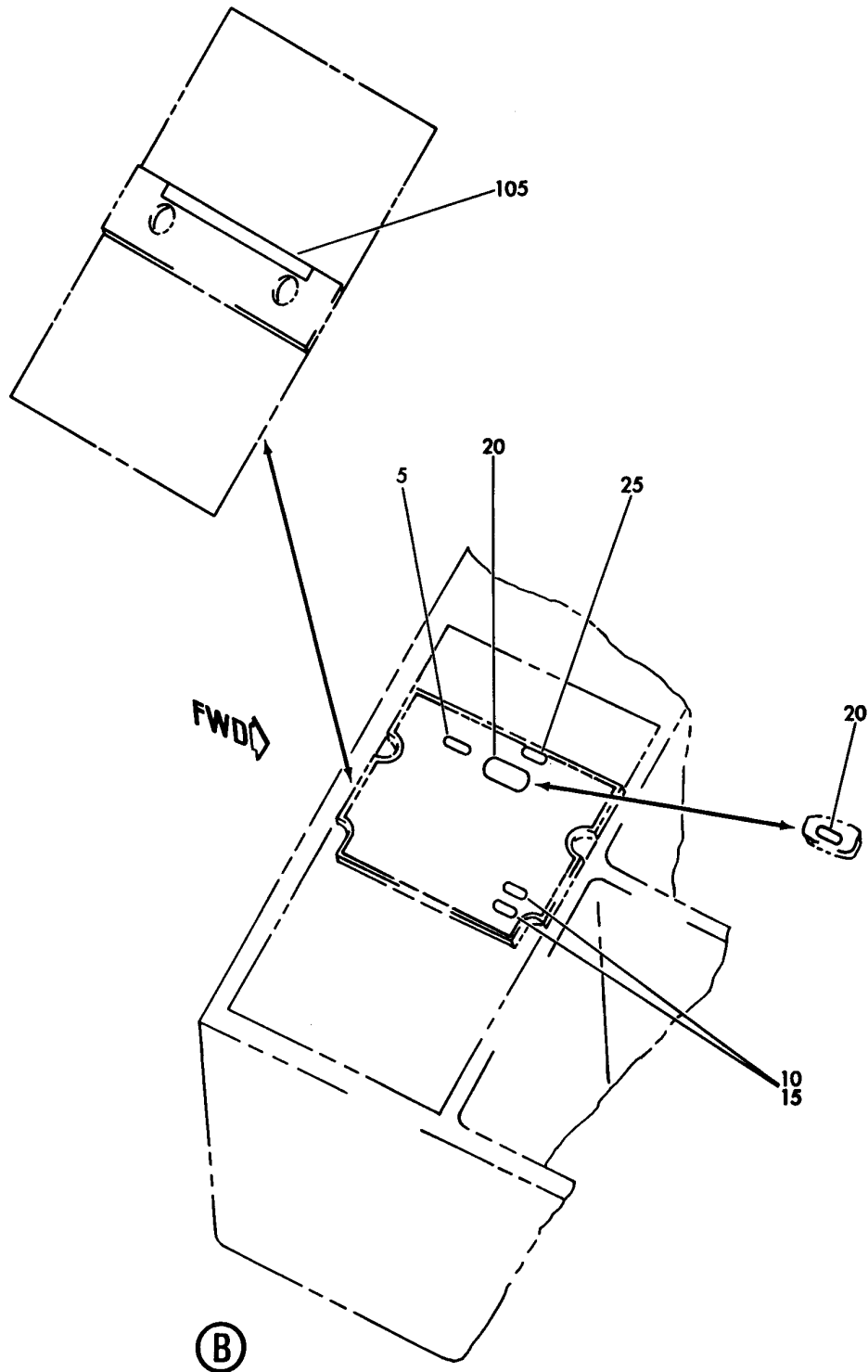
PANEL INSTL-AUX (PLACARDS AND MARKINGS ONLY)
FIGURE 2 (SHEET 1)

11-31-17-02

HXL
DEC 22/06

11-31-17-02
PAGE 0

BOEING
767
PARTS CATALOG (MAINTENANCE)



V 11311702 SHT 2 REV 170

PANEL INSTL-AUX (PLACARDS AND MARKINGS ONLY)
FIGURE 2 (SHEET 2)

11-31-17-02

HXL
DEC 22/06

11-31-17-02
PAGE 0A



767

PARTS CATALOG (MAINTENANCE)

FIG ITEM	PART NUMBER	1 2 3 4 5 6 7	NOMENCLATURE	EFFECT FROM TO	UNITS PER ASSY
2			PANEL INSTL-AUX (PLACARDS AND MARKINGS ONLY)		
- 1	233T7100-1		PANEL INSTL-AUX (PLACARDS AND MARKINGS ONLY) VARIABLE DRAWING REF: 233T7100-5048 FOR NHA/OTHER SYS DET SEE: 25-10-00-07		RF
- 100	233T7208-6		.PANEL ASSY-SECOND OBSV INTPH JACK SUPPLIER CODE: V89954 ELECTRICAL EQUIP NUMBER: M00892		RF
- 100	233T7208-11		.PANEL ASSY-SECOND OBSV INTPH JACK SUPPLIER CODE: V89954 ELECTRICAL EQUIP NUMBER: M00892		RF
105	BAC27TFDE0146		..DECAL- SUPPLIER CODE: V89954 PLACARD CONTENT: F/OBS HEADPHONE F/O		1

ILLUSTRATION ITEMS NOT ON PARTS LIST ARE NOT APPLICABLE

- ITEM NOT ILLUSTRATED

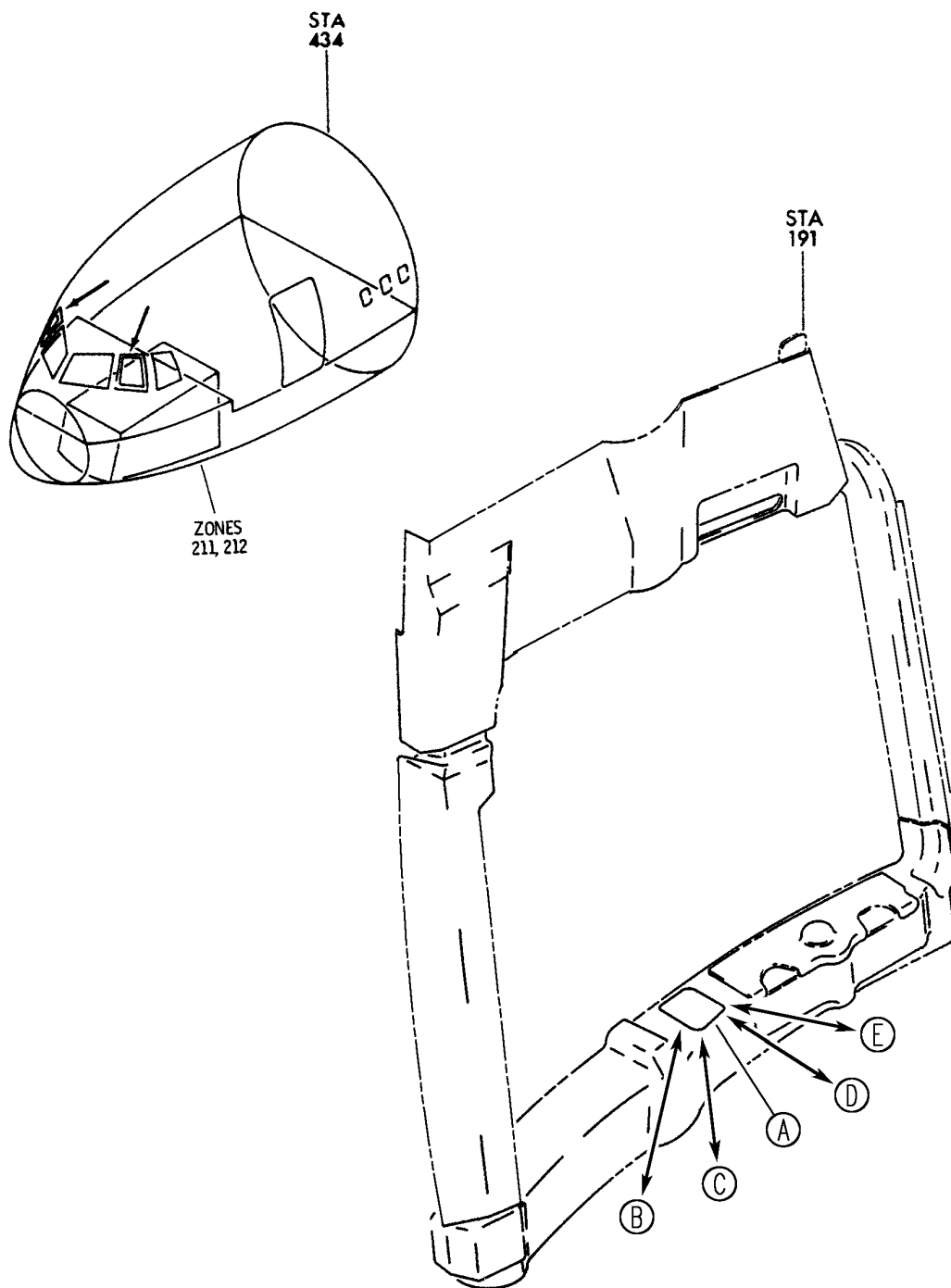
HXL

11-31-17-02

BOEING PROPRIETARY - Copyright © - Unpublished Work - See title page for details.

11-31-17
FIG. 02
PAGE 1
DEC 22/07

BOEING
767
PARTS CATALOG (MAINTENANCE)



V 11312501 SHT 1 REV 325

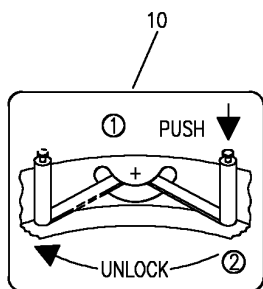
PADDING AND DECAL INSTL NO. 2 SLIDING WINDOW (PLACARDS AND MARKINGS ONLY)
FIGURE 1 (SHEET 1)

HXL
APR 22/08

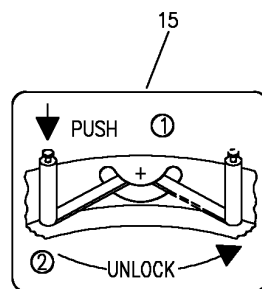
11-31-25-01

11-31-25-01
PAGE 0

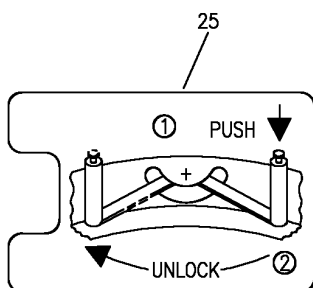

BOEING
 767
PARTS CATALOG (MAINTENANCE)



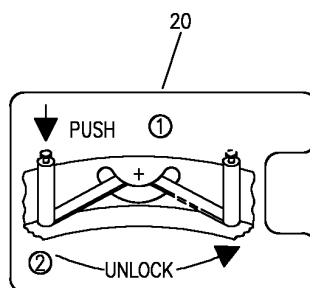
(A)



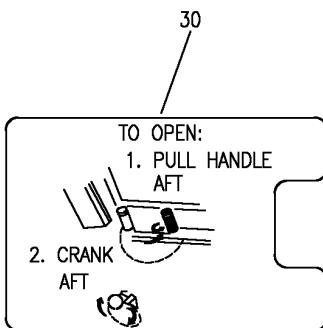
(B)



(D)



(C)



(E)

V 11312501 SH1 2 REV 325

PADDING AND DECAL INSTL NO. 2 SLIDING WINDOW (PLACARDS AND MARKINGS ONLY)
 FIGURE 1 (SHEET 2)

11-31-25-01

HXL
APR 22/08

11-31-25-01
PAGE 0A



767

PARTS CATALOG (MAINTENANCE)

FIG ITEM	PART NUMBER	1 2 3 4 5 6 7	NOMENCLATURE	EFFECT FROM TO	UNITS PER ASSY
1			PADDING AND DECAL INSTL NO. 2 SLIDING WINDOW (PLACARDS AND MARKINGS ONLY)		
- 1	232T1421-1		PADDING INSTL-NO. 2 SLIDING WINDOW (PLACARDS AND MARKINGS ONLY) POSITION DATA: LH VARIABLE DRAWING REF: 232T1421-5009 FOR NHA/OTHER SYS DET SEE: 25-14-53-01		RF
- 5	232T1421-2		PADDING INSTL-NO. 2 SLIDING WINDOW (PLACARDS AND MARKINGS ONLY) POSITION DATA: RH VARIABLE DRAWING REF: 232T1421-5010 FOR NHA/OTHER SYS DET SEE: 25-14-53-01		RF
10	BAC27TFDE0113		.DECAL- POSITION DATA: LH SIDE		1
15	BAC27TFDE0114		.DECAL- POSITION DATA: RH SIDE		1

ILLUSTRATION ITEMS NOT ON PARTS LIST ARE NOT APPLICABLE

- ITEM NOT ILLUSTRATED

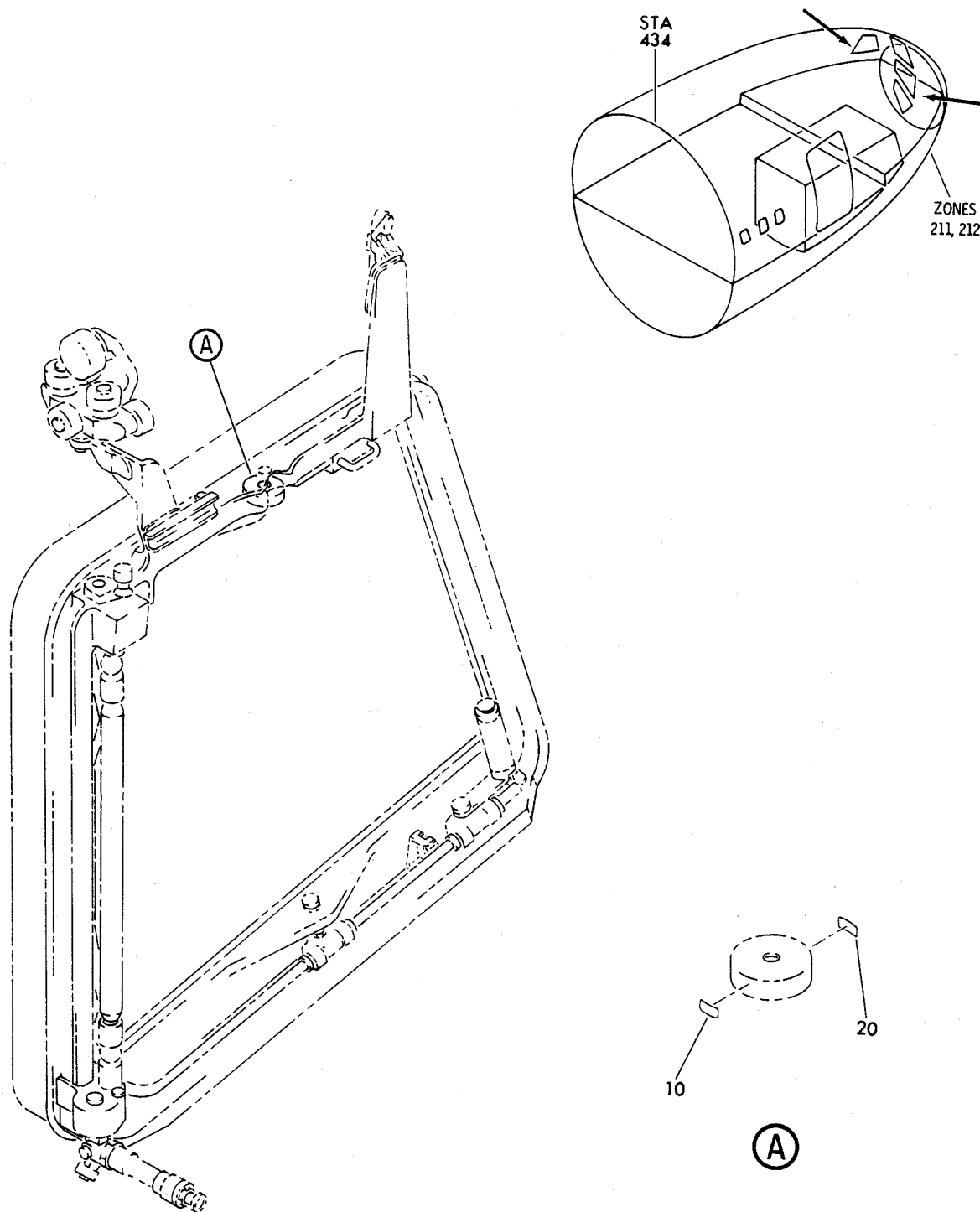
HXL

11-31-25-01

BOEING PROPRIETARY - Copyright © - Unpublished Work - See title page for details.

11-31-25
FIG. 01
PAGE 1
APR 22/08

BOEING
767
PARTS CATALOG (MAINTENANCE)



V 11312701 SHT 1 REV 032

INDICATOR ASSY-POSITION
FIGURE 1

11-31-27-01

HXL
DEC 22/06

11-31-27-01
PAGE 0



767

PARTS CATALOG (MAINTENANCE)

FIG ITEM	PART NUMBER	1 2 3 4 5 6 7	NOMENCLATURE	EFFECT FROM TO	UNITS PER ASSY
1					
- 1	141T4909-1		INDICATOR ASSY-POSITION INDICATOR ASSY-POSITION FOR NHA SEE: 56-11-02-16		RF
10	BAC27TBY0007		.DECAL- PLACARD CONTENT: OPEN		1
20	BAC27TBY0008		.DECAL- PLACARD CONTENT: CLOSED		1

ILLUSTRATION ITEMS NOT ON PARTS LIST ARE NOT APPLICABLE

- ITEM NOT ILLUSTRATED

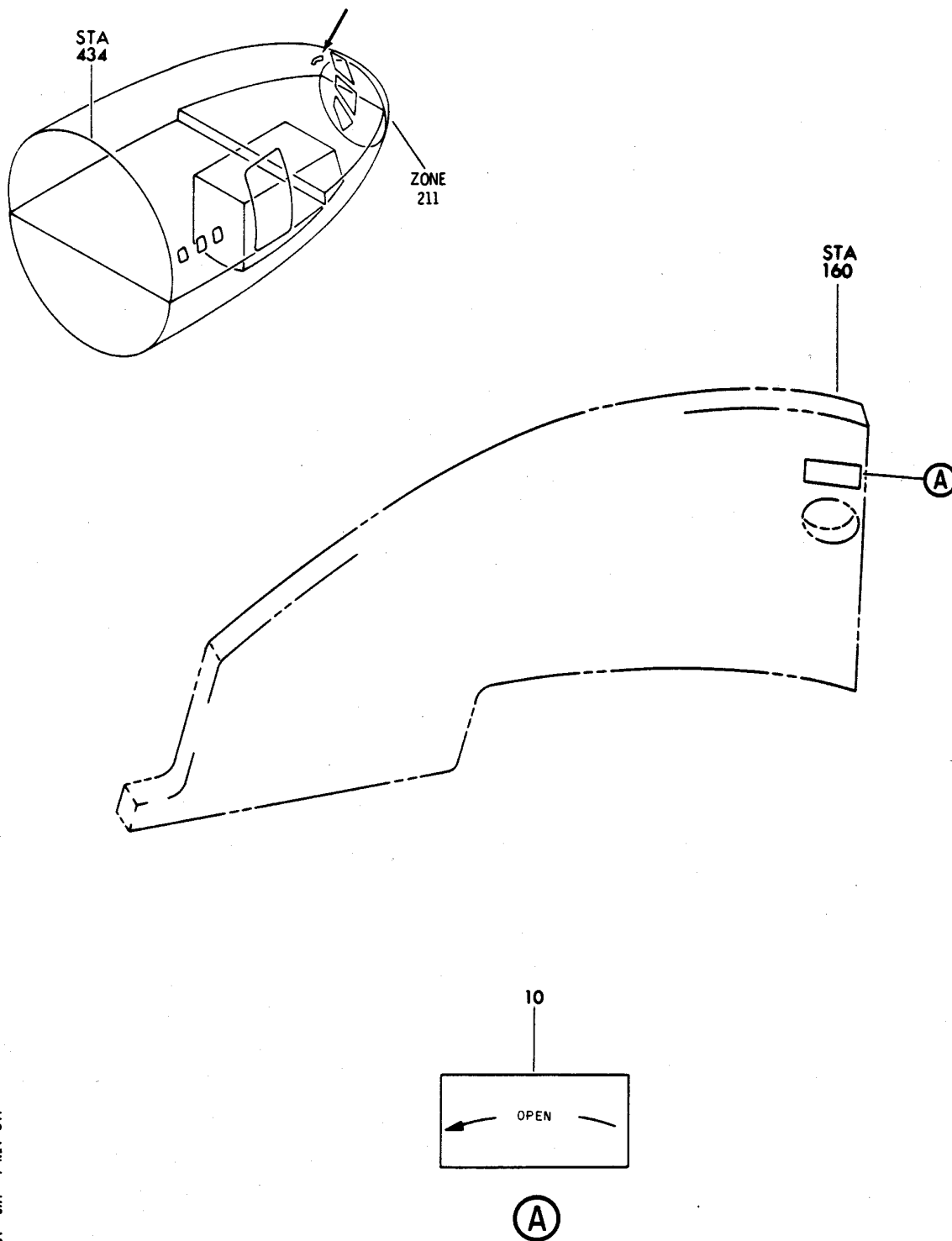
HXL

11-31-27-01

BOEING PROPRIETARY - Copyright © - Unpublished Work - See title page for details.

11-31-27
FIG. 01
PAGE 1
DEC 22/06

BOEING
767
PARTS CATALOG (MAINTENANCE)



V 1113001 SHT 1 REV 017

LINING ASSY-SILL NO. 2 WINDOW LWR (PLACARDS AND MARKINGS ONLY)
FIGURE 1

11-31-30-01

HXL
DEC 22/06

11-31-30-01
PAGE 0



767

PARTS CATALOG (MAINTENANCE)

FIG ITEM	PART NUMBER	1 2 3 4 5 6 7	NOMENCLATURE	EFFECT FROM TO	UNITS PER ASSY
1			LINING ASSY-SILL NO. 2 WINDOW LWR (PLACARDS AND MARKINGS ONLY)		
- 1	232T1402-55		LINING ASSY-SILL NO. 2 WINDOW (PLACARDS AND MARKINGS ONLY) POSITION DATA: LWR LH FOR NHA/OTHER SYS DET SEE: 56-11-51-01		RF
- 5	232T1402-56		LINING ASSY-SILL NO. 2 WINDOW (PLACARDS AND MARKINGS ONLY) POSITION DATA: LWR RH FOR NHA/OTHER SYS DET SEE: 56-11-51-01		RF
10	BAC27TFDE0115		.DECAL- POSITION DATA: LH SIDE		1
- 15	BAC27TFDE0116		.DECAL- POSITION DATA: RH SIDE		1

ILLUSTRATION ITEMS NOT ON PARTS LIST ARE NOT APPLICABLE

- ITEM NOT ILLUSTRATED

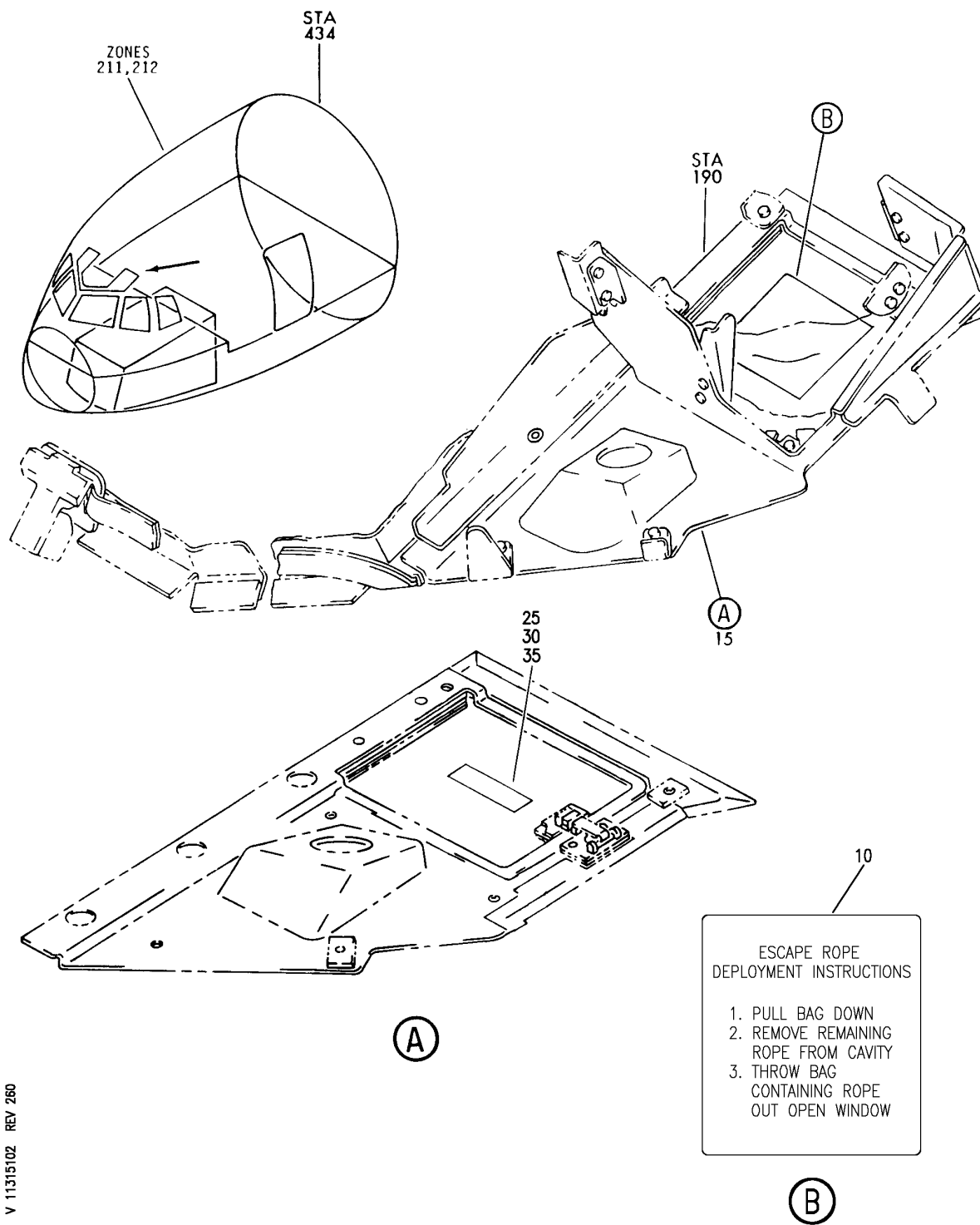
HXL

11-31-30-01

BOEING PROPRIETARY - Copyright © - Unpublished Work - See title page for details.

11-31-30
FIG. 01
PAGE 1
DEC 22/07

BOEING
767
PARTS CATALOG (MAINTENANCE)



V 11315102 REV 260

ROPE INSTL-EMER ESCAPE (PLACARDS AND MARKINGS ONLY)
FIGURE 2

11-31-51-02

HXL
DEC 22/06

11-31-51-02
PAGE 0



767

PARTS CATALOG (MAINTENANCE)

FIG ITEM	PART NUMBER	1 2 3 4 5 6 7	NOMENCLATURE	EFFECT FROM TO	UNITS PER ASSY
2			ROPE INSTL-EMER ESCAPE (PLACARDS AND MARKINGS ONLY)		
- 1	232T4106-21		ROPE INSTL-EMER ESCAPE (PLACARDS AND MARKINGS ONLY) POSITION DATA: LH FOR NHA/OTHER SYS DET SEE: 25-10-00-11	155162	RF
- 1	232T4106-19		ROPE INSTL-EMER ESCAPE (PLACARDS AND MARKINGS ONLY) POSITION DATA: LH FOR NHA/OTHER SYS DET SEE: 25-10-00-11	163999	RF
- 5	232T4106-20		ROPE INSTL-EMER ESCAPE (PLACARDS AND MARKINGS ONLY) POSITION DATA: RH FOR NHA/OTHER SYS DET SEE: 25-10-00-11	155162	RF
- 5	232T4106-18		ROPE INSTL-EMER ESCAPE (PLACARDS AND MARKINGS ONLY) POSITION DATA: RH FOR NHA/OTHER SYS DET SEE: 25-10-00-11	163999	RF
10	BAC27TFDE0506		.PLACARD- POST SERVICE BULLETIN: 25-0149 POST ALERT SB: 25A0265		1
15	232T4122-25		.PANEL ASSY- POSITION DATA: LH SIDE		RF
15	232T4122-23		.PANEL ASSY- POSITION DATA: LH SIDE		RF
- 20	232T4122-26		.PANEL ASSY- POSITION DATA: RH SIDE		RF
- 20	232T4122-24		.PANEL ASSY- POSITION DATA: RH SIDE		RF

ILLUSTRATION ITEMS NOT ON PARTS LIST ARE NOT APPLICABLE

- ITEM NOT ILLUSTRATED

11-31-51-02

11-31-51
FIG. 02
PAGE 1
DEC 22/07

HXL



767
PARTS CATALOG (MAINTENANCE)

FIG ITEM	PART NUMBER	1 2 3 4 5 6 7	NOMENCLATURE	EFFECT FROM TO	UNITS PER ASSY
2 25	BAC27TFDE0117		. . DECAL- PLACARD CONTENT: EMERGENCY ESCAPE		1

ILLUSTRATION ITEMS NOT ON PARTS LIST ARE NOT APPLICABLE

- ITEM NOT ILLUSTRATED

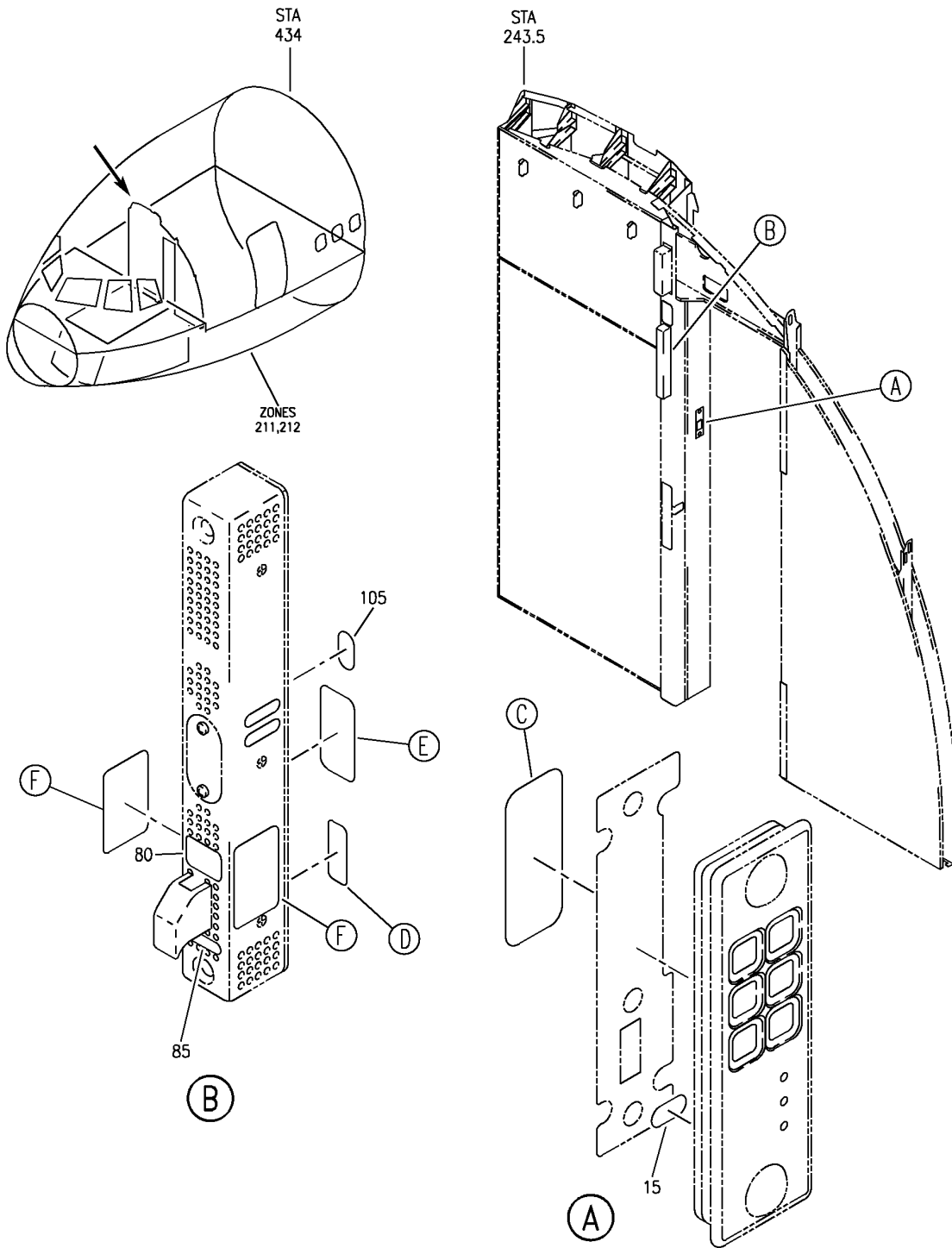
HXL

11-31-51-02

BOEING PROPRIETARY - Copyright © - Unpublished Work - See title page for details.

11-31-51
FIG. 02
PAGE 2
DEC 22/07

BOEING
767
PARTS CATALOG (MAINTENANCE)



V 11315105 SHT 1 REV 287

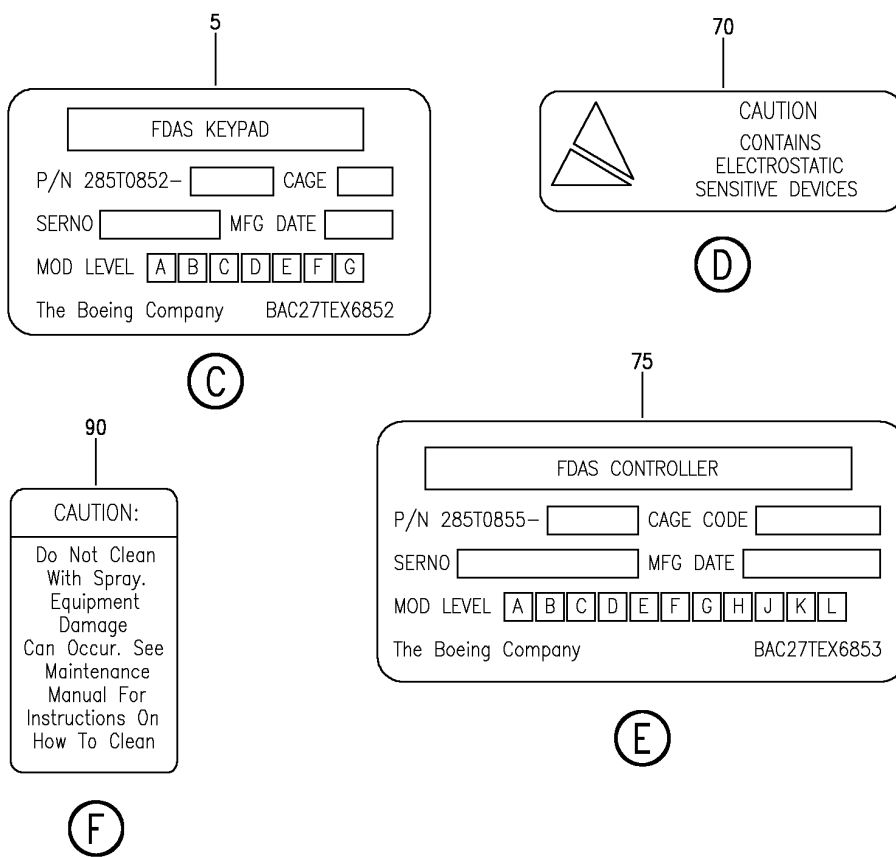
MODULE ASSY-FLIGHT DECK ACCESS SYSTEM (PLACARDS AND MARKINGS ONLY)
FIGURE 5 (SHEET 1)

HXL
DEC 22/06

11-31-51-05

11-31-51-05
PAGE 0


BOEING
 767
PARTS CATALOG (MAINTENANCE)



V 11315105 SH1 2 REV 257

MODULE ASSY-FLIGHT DECK ACCESS SYSTEM (PLACARDS AND MARKINGS ONLY)
FIGURE 5 (SHEET 2)

HXL
DEC 22/06

11-31-51-05

11-31-51-05
PAGE 0A



767

PARTS CATALOG (MAINTENANCE)

FIG ITEM	PART NUMBER	1 2 3 4 5 6 7 NOMENCLATURE	EFFECT FROM TO	UNITS PER ASSY
5 - 1	285T0852-1	<p>MODULE ASSY-FLIGHT DECK ACCESS SYSTEM (PLACARDS AND MARKINGS ONLY)</p> <p>MODULE ASSY-FLIGHT DECK ACCESS SYSTEM KEYPAD SUPPLIER CODE: V89954</p> <p>MISCELLANEOUS DATA: MOD A REPLACES KEYPAD BEZEL 285T0854-1 OR 285T0862-1 WITH KEYPAD BEZEL 285T0854-4. MOD AB REPLACES PWA 285T0853-1 WITH PWA 285T0853-2 WITH ADDED BUSSING CIRCUITRY AND REDUCED COPPER WEIGHT TO IMPROVE PLATING PROCESS AND ELIMINATE A POTENTIAL SHORTING CONDITION. ASSEMBLY 285T0852-1 WITH 285T0852-5001 INSTALLED IS THE NO MOD CONFIGURATION. ASSEMBLY 285T0852-1 WITH 285T0852-5002 INSTALLED IS THE MOD A CONFIGURATION. ASSEMBLY 285T0852-1 WITH 285T0852-5003 INSTALLED IS THE MOD AB CONFIGURATION. MARK MOD LEVEL BY OBSCURING APPLICABLE MOD LEVEL LETTER(S) ON THE NAMEPLATE DECAL PER PART MARKING SPECIFICATION. MARK ASSEMBLY 285T0852-1, WHICH HAS 285T0852-5002 INSTALLED, BY OBSCURING MOD LEVEL LETTER(S) A. MARK ASSEMBLY 285T0852-1, WHICH HAS 285T0852-5003 INSTALLED, BY OBSCURING MOD LEVEL LETTER(S) A & B.</p> <p>ILLUSTRATION ITEMS NOT ON PARTS LIST ARE NOT APPLICABLE</p>		RF

- ITEM NOT ILLUSTRATED

11-31-51-05

11-31-51
FIG. 05
PAGE 1
DEC 22/06

HXL

BOEING
767
PARTS CATALOG (MAINTENANCE)

FIG ITEM	PART NUMBER	1 2 3 4 5 6 7	NOMENCLATURE	EFFECT FROM TO	UNITS PER ASSY
5			ELECTRICAL EQUIP NUMBER: M12904 COMPONENT MAINT MANUAL REF: 52-51-03 POST SERVICE BULLETIN: 25-0325 FOR NHA/OTHER SYS DET SEE: 52-51-03-01		
5	BAC27TEX6852		.MARKER-ALUMINUM FOIL SUPPLIER CODE: V89954		1
15	BAC27TEX1486		.DECAL- PLACARD CONTENT: STATIC SENSITIVE		1
- 65	285T0855-5		MODULE ASSY-FLIGHT DECK ACCESS SYSTEM CONTROLLER CHIME SUPPLIER CODE: V89954 FUNCTIONAL DESCRIPTION: THE FDAS CONTROLLER MODULE CONTROLS ACCESS TO THE COCKPIT VIA A SOLINOID-ACTUATED DOOR LOCK. ELECTRICAL EQUIP NUMBER: M12903 COMPONENT MAINT MANUAL REF: 52-51-04 POST SERVICE BULLETIN: 25-0325 FOR NHA/OTHER SYS DET SEE: 52-51-03-01		RF
70	BAC27DEX5936		.DECAL- SUPPLIER CODE: V89954		1
75	BAC27TEX6853		.MARKER-ALUMINUM FOIL SUPPLIER CODE: V89954		1
80	BAC27TEX6886		.MARKER-ALUMINUM FOIL SUPPLIER CODE: V89954 PLACARD CONTENT: FLIGHT DECK ACCESS SYSTEM OFF		1
ILLUSTRATION ITEMS NOT ON PARTS LIST ARE NOT APPLICABLE					

- ITEM NOT ILLUSTRATED

HXL

11-31-51-05

BOEING PROPRIETARY - Copyright © - Unpublished Work - See title page for details.

11-31-51
FIG. 05
PAGE 2
APR 22/09



767

PARTS CATALOG (MAINTENANCE)

FIG ITEM	PART NUMBER	1 2 3 4 5 6 7	NOMENCLATURE	EFFECT FROM TO	UNITS PER ASSY
5	85 BAC27TEX6887		.MARKER-ALUMINUM FOIL SUPPLIER CODE: V89954 PLACARD CONTENT: NORM		1
	90 BAC27TEX6888		.MARKER-ALUMINUM FOIL SUPPLIER CODE: V89954		2
	105 BAC27TEX1486		.DECAL-VINYL PLACARD CONTENT: STATIC SENSITIVE		1
ILLUSTRATION ITEMS NOT ON PARTS LIST ARE NOT APPLICABLE					

- ITEM NOT ILLUSTRATED

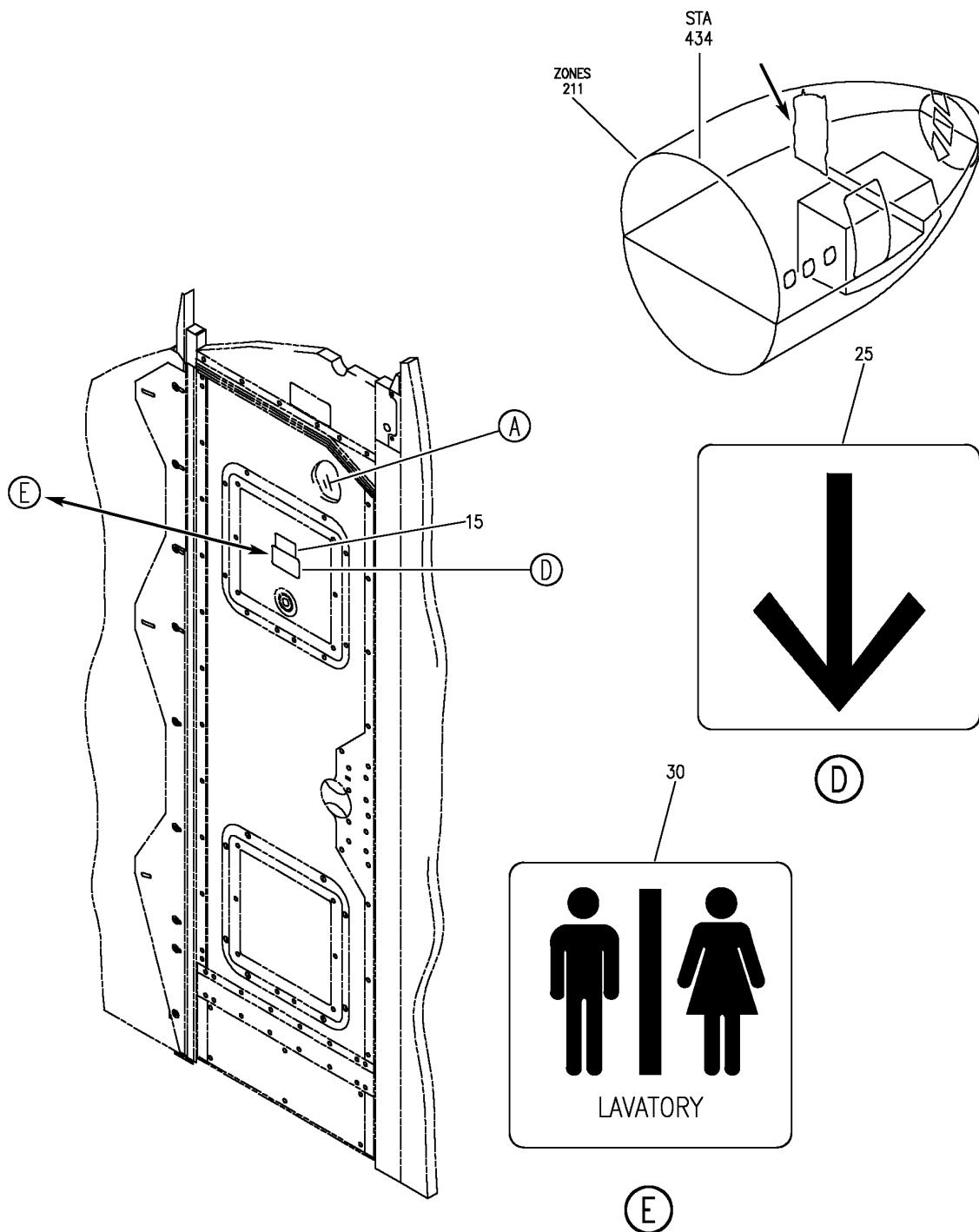
HXL

11-31-51-05

BOEING PROPRIETARY - Copyright © - Unpublished Work - See title page for details.

11-31-51
FIG. 05
PAGE 3
APR 22/09

BOEING
767
PARTS CATALOG (MAINTENANCE)



V 11315107 SH1 1 REV 270

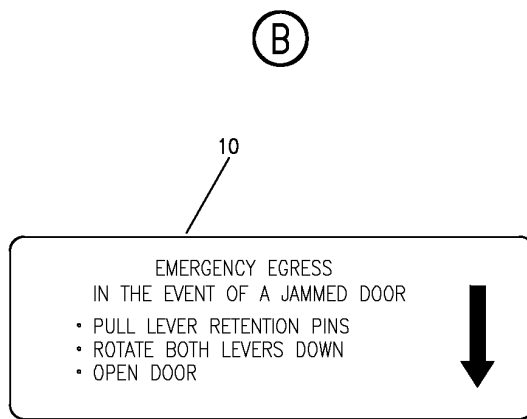
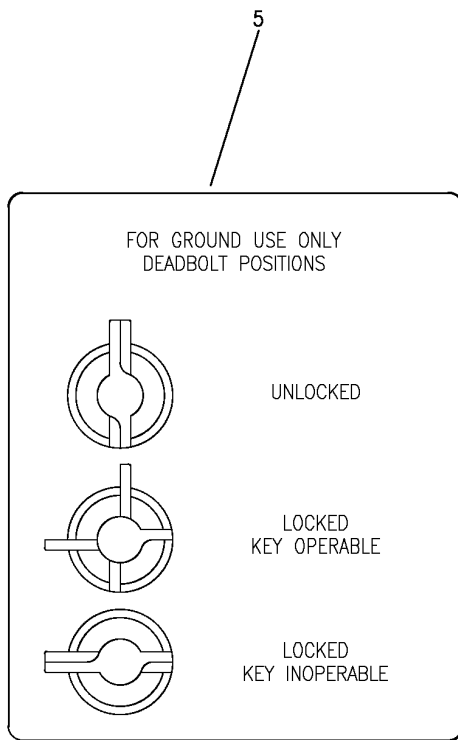
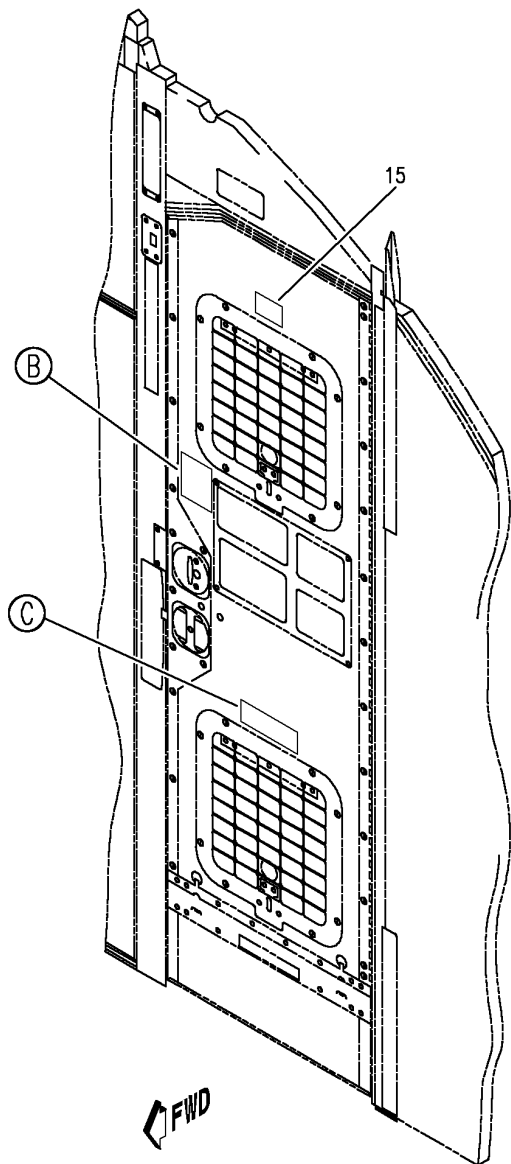
FLIGHT DECK DOOR CONFIGURATION
FIGURE 7 (SHEET 1)

11-31-51-07

HXL
DEC 22/06

11-31-51-07
PAGE 0

BOEING
767
PARTS CATALOG (MAINTENANCE)



V 11315107 SH1 2 REV 263

A

C

FLIGHT DECK DOOR CONFIGURATION
FIGURE 7 (SHEET 2)

11-31-51-07

HXL
DEC 22/06

11-31-51-07
PAGE 0A



767

PARTS CATALOG (MAINTENANCE)

FIG ITEM	PART NUMBER	1 2 3 4 5 6 7	NOMENCLATURE	EFFECT FROM TO	UNITS PER ASSY
7			FLIGHT DECK DOOR CONFIGURATION		
- 1	846T1001-1		PLACARD INSTL-FLIGHT DECK DOOR CONFIGURATION POST SERVICE BULLETIN: 25-0325 FOR NHA SEE: 25-10-00-12		1
	5 BAC27TFDE632		.DECAL		1
	10 BAC27TFDE637		.DECAL		1
	15 BAC29PPS40474		.PLACARD- PLACARD CONTENT: CAUTION STEP		2
- 20	BAC29PPS53469		.PLACARD- PLACARD CONTENT: CLOSE DOOR IMMEDIATELY WHEN NOT IN USE		1
- 900	880T2518-67		KIT INSTL- POST SERVICE BULLETIN: 25-0325R3 25-0325R4 FOR NHA SEE: 25-10-00-12		RF
- 905	BAC29PPS45231		.MARKER- PLACARD CONTENT: CLOSE AND LATCH DOOR IMMEDIATELY WHEN NOT IN USE POST SERVICE BULLETIN: 25-0325R3 25-0325R4		12

ILLUSTRATION ITEMS NOT ON PARTS LIST ARE NOT APPLICABLE

- ITEM NOT ILLUSTRATED

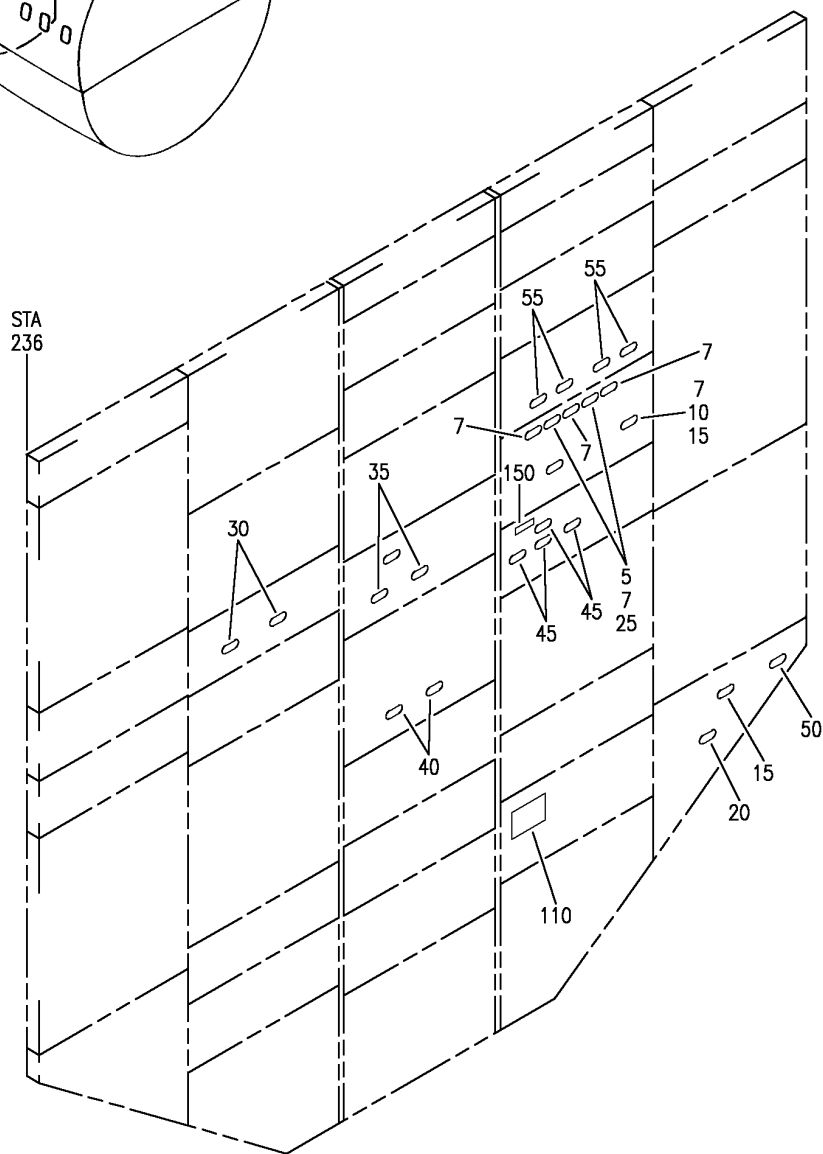
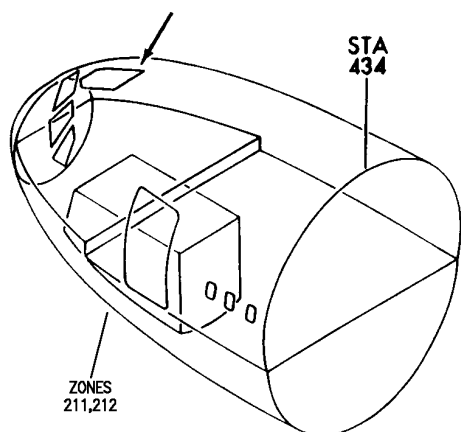
HXL

11-31-51-07

BOEING PROPRIETARY - Copyright © - Unpublished Work - See title page for details.

11-31-51
FIG. 07
PAGE 1
DEC 22/06

BOEING
767
PARTS CATALOG (MAINTENANCE)



V 11315302 REV 317

PANEL INSTL-OVERHEAD (PLACARDS AND MARKINGS ONLY)
FIGURE 2

11-31-53-02

HXL
AUG 22/07

11-31-53-02
PAGE 0



767

PARTS CATALOG (MAINTENANCE)

FIG ITEM	PART NUMBER	1 2 3 4 5 6 7	NOMENCLATURE	EFFECT FROM TO	UNITS PER ASSY
2			PANEL INSTL-OVERHEAD (PLACARDS AND MARKINGS ONLY)		
- 1	233T3100-1		PANEL INSTL-OVERHEAD (PLACARDS AND MARKINGS ONLY) FOR NHA/OTHER SYS DET SEE: 25-10-00-03		RF
20	BAC27TFDE0013		.DECAL- PLACARD CONTENT: INOP		1
40	BAC27TFDE0013		.DECAL- PLACARD CONTENT: INOP POST ALERT SB: 28A0050R1		2
- 100	233T3100-364		.PANEL ASSY-EQPT COOLING ELECTRICAL EQUIP NUMBER: M00017 OPTIONAL PART: 233T3238-302 V89954		RF
- 100	233T3238-302		.PANEL ASSY-EQPT COOLING SUPPLIER CODE: V89954 MISCELLANEOUS DATA: THE 233T3238-302 PANEL ASSY IS I/W THE 233T3238-16 OR -21 OR -22 PANEL ASSY T/W THE S233T100-1062 LIGHTPLATE AND BP248-127 KNOB. ELECTRICAL EQUIP NUMBER: M00017 OPTIONAL PART: 233T3100-364		RF
- 105	233T3238-8		..PANEL ASSY- SUPPLIER CODE: V89954 ELECTRICAL EQUIP NUMBER: M00017 COMPONENT MAINT MANUAL REF: 21-58-59		RF

ILLUSTRATION ITEMS NOT ON PARTS LIST ARE NOT APPLICABLE

- ITEM NOT ILLUSTRATED

HXL

11-31-53-02

BOEING PROPRIETARY - Copyright © - Unpublished Work - See title page for details.

11-31-53
FIG. 02
PAGE 1
DEC 22/07



767

PARTS CATALOG (MAINTENANCE)

FIG ITEM	PART NUMBER	1 2 3 4 5 6 7	NOMENCLATURE	EFFECT FROM TO	UNITS PER ASSY
2 - 105	233T3238-15		..PANEL ASSY- SUPPLIER CODE: V89954 ELECTRICAL EQUIP NUMBER: M00017 COMPONENT MAINT MANUAL REF: 21-58-59		RF
- 105	233T3238-16		..PANEL ASSY- SUPPLIER CODE: V89954 MISCELLANEOUS DATA: THE 233T3238-302 PANEL ASSY IS I/W THE 233T3238-16 OR -21 OR -22 PANEL ASSY T/W THE S233T100-1062 LIGHTPLATE AND BP248-127 KNOB. ELECTRICAL EQUIP NUMBER: M00017 COMPONENT MAINT MANUAL REF: 21-58-59		RF
- 105	233T3238-21		..PANEL ASSY- SUPPLIER CODE: V89954 MISCELLANEOUS DATA: THE 233T3238-302 PANEL ASSY IS I/W THE 233T3238-16 OR -21 OR -22 PANEL ASSY T/W THE S233T100-1062 LIGHTPLATE AND BP248-127 KNOB. ELECTRICAL EQUIP NUMBER: M00017 COMPONENT MAINT MANUAL REF: 21-58-59		RF

ILLUSTRATION ITEMS NOT ON PARTS LIST ARE NOT APPLICABLE

- ITEM NOT ILLUSTRATED

HXL

11-31-53-02

BOEING PROPRIETARY - Copyright © - Unpublished Work - See title page for details.

11-31-53
FIG. 02
PAGE 2
DEC 22/07



767

PARTS CATALOG (MAINTENANCE)

FIG ITEM	PART NUMBER	1 2 3 4 5 6 7 NOMENCLATURE	EFFECT FROM TO	UNITS PER ASSY
2 - 105	233T3238-22	..PANEL ASSY- SUPPLIER CODE: V89954 MISCELLANEOUS DATA: THE 233T3238-302 PANEL ASSY IS I/W THE 233T3238-16 OR -21 OR -22 PANEL ASSY T/W THE S233T100-1062 LIGHTPLATE AND BP248-127 KNOB. ELECTRICAL EQUIP NUMBER: M00017 COMPONENT MAINT MANUAL REF: 21-58-59		RF
110	BAC27TFDE0128	...DECAL- SUPPLIER CODE: V89954 PLACARD CONTENT: PRESS DIFF LIMIT: T/O & LDG. 125 PSI		1

ILLUSTRATION ITEMS NOT ON PARTS LIST ARE NOT APPLICABLE

- ITEM NOT ILLUSTRATED

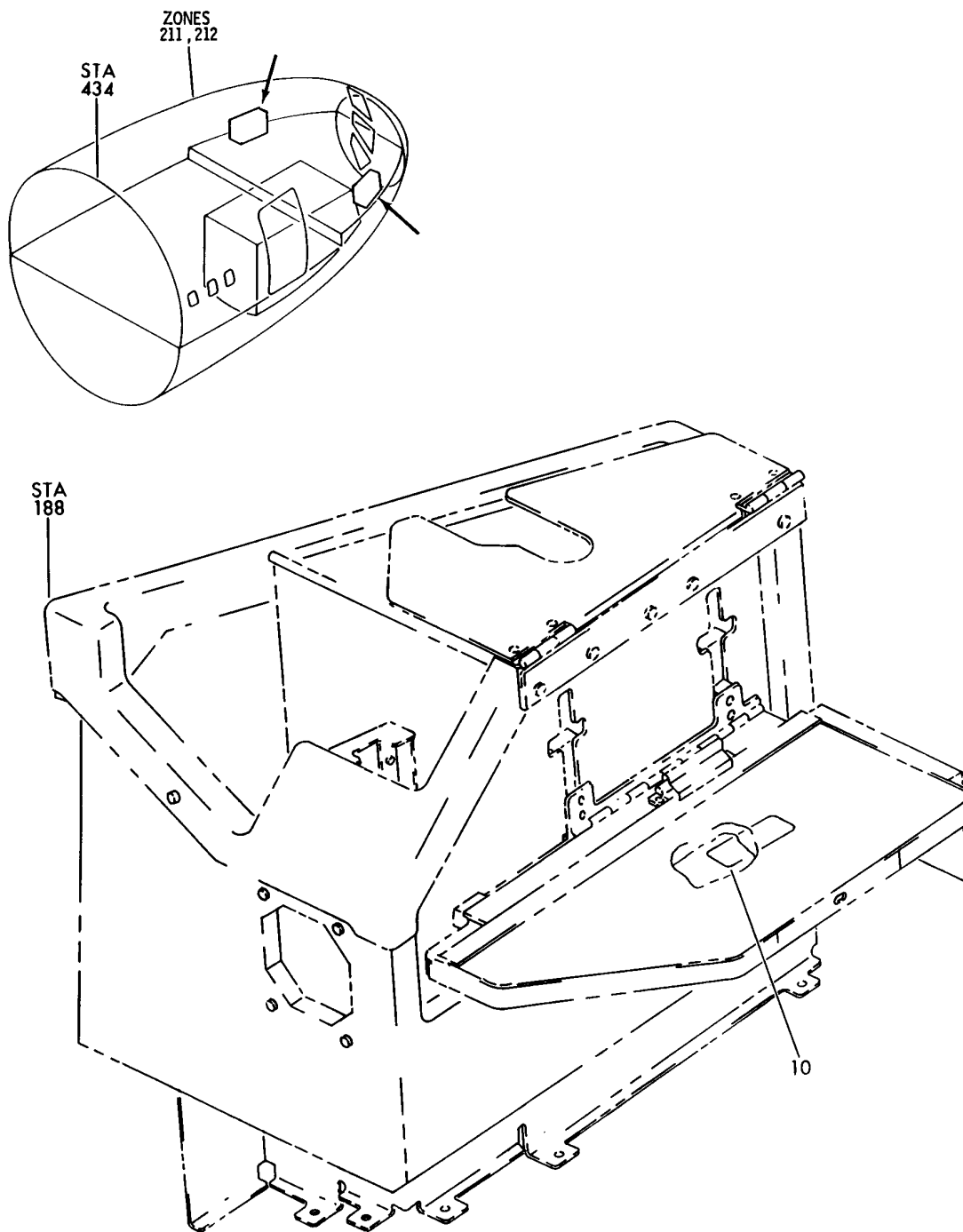
HXL

11-31-53-02

BOEING PROPRIETARY - Copyright © - Unpublished Work - See title page for details.

11-31-53
 FIG. 02
 PAGE 3
 DEC 22/07

BOEING
767
PARTS CATALOG (MAINTENANCE)



V 11315501 REV 149

TABLE ASSY-CAPT AND FIRST OFFICER CONSOLE (PLACARDS AND MARKINGS ONLY)

FIGURE 1

11-31-55-01

HXL
DEC 22/06

11-31-55-01
PAGE 0



767

PARTS CATALOG (MAINTENANCE)

FIG ITEM	PART NUMBER	1 2 3 4 5 6 7	NOMENCLATURE	EFFECT FROM TO	UNITS PER ASSY
1			TABLE ASSY-CAPT AND FIRST OFFICER CONSOLE (PLACARDS AND MARKINGS ONLY)		
- 1	232T1446-65		TABLE ASSY-CAPT AND FIRST OFFICER CONSOLE (PLACARDS AND MARKINGS ONLY) OPTIONAL PART: 232T1446-79 FOR NHA/OTHER SYS DET SEE: 25-13-77-05		RF
- 1	232T1446-79		TABLE ASSY-CAPT AND FIRST OFFICER CONSOLE (PLACARDS AND MARKINGS ONLY) OPTIONAL PART: 232T1446-65 FOR NHA/OTHER SYS DET SEE: 25-13-77-05		RF
- 1	232T1446-83		TABLE ASSY-CAPT AND FIRST OFFICER CONSOLE (PLACARDS AND MARKINGS ONLY) FOR NHA/OTHER SYS DET SEE: 25-13-77-05		RF
- 5	232T1446-66		TABLE ASSY-CAPT AND FIRST OFFICER CONSOLE (PLACARDS AND MARKINGS ONLY) OPTIONAL PART: 232T1446-80 FOR NHA/OTHER SYS DET SEE: 25-13-78-05		RF
- 5	232T1446-80		TABLE ASSY-CAPT AND FIRST OFFICER CONSOLE (PLACARDS AND MARKINGS ONLY) OPTIONAL PART: 232T1446-66 FOR NHA/OTHER SYS DET SEE: 25-13-78-05		RF
- 5	232T1446-84		TABLE ASSY-CAPT AND FIRST OFFICER CONSOLE (PLACARDS AND MARKINGS ONLY) FOR NHA/OTHER SYS DET SEE: 25-13-78-05		RF
10	BAC27TFDE0440		.DECAL- PLACARD CONTENT: TO OPEN PULL OUT AND UP		1

ILLUSTRATION ITEMS NOT ON PARTS LIST ARE NOT APPLICABLE

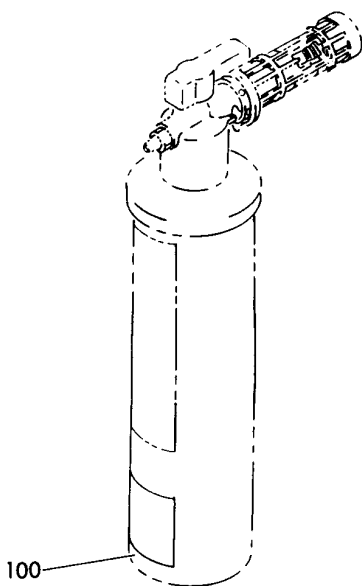
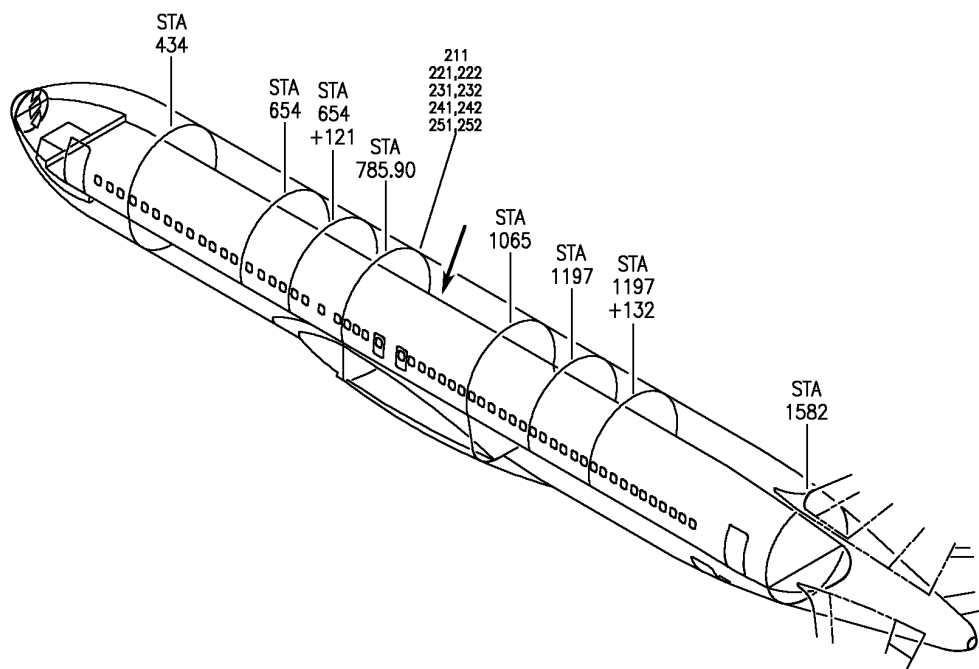
- ITEM NOT ILLUSTRATED

11-31-55-01

11-31-55
FIG. 01
PAGE 1
DEC 22/07

HXL

BOEING
767
PARTS CATALOG (MAINTENANCE)



V 11316001 REV 297

EXTINGUISHER ASSY-(PLACARDS AND MARKINGS ONLY)
 FIGURE 1

11-31-60-01

HXL
 DEC 22/06

11-31-60-01
 PAGE 0



767

PARTS CATALOG (MAINTENANCE)

FIG ITEM	PART NUMBER	1 2 3 4 5 6 7	NOMENCLATURE	EFFECT FROM TO	UNITS PER ASSY
1			EXTINGUISHER ASSY-(PLACARDS AND MARKINGS ONLY)		
- 20	892480		EXTINGUISHER ASSY-(PLACARDS AND MARKINGS ONLY) SUPPLIER CODE: V61423 FUNCTIONAL DESCRIPTION: PROVIDES PRESSURIZED EXTINGUISHING AGENT TO BE DISCHARGED IN CASE OF FIRE COMPONENT MAINT MANUAL REF: 26-20-20 FOR NHA/OTHER SYS DET SEE: 26-26-51-23		RF
100	263079		.NAMEPLATE-CAUTION SUPPLIER CODE: V61423		1

ILLUSTRATION ITEMS NOT ON PARTS LIST ARE NOT APPLICABLE

- ITEM NOT ILLUSTRATED

HXL

11-31-60-01

BOEING PROPRIETARY - Copyright © - Unpublished Work - See title page for details.

11-31-60
FIG. 01
PAGE 1
DEC 22/07