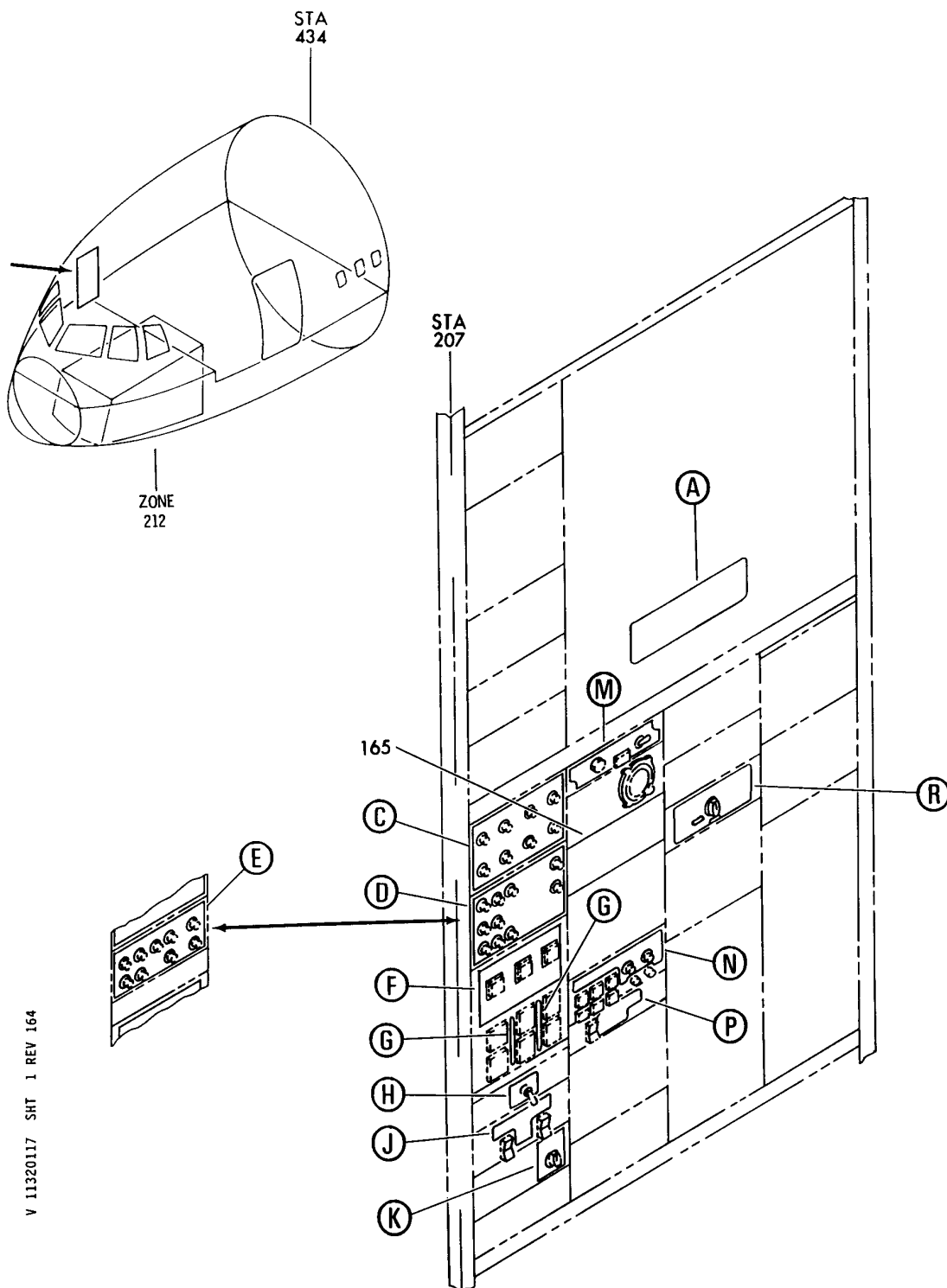


FLIGHT COMPARTMENT-FLIGHT ENGINEERS STATION

HXL
DEC 22/06

11-32-00
SECTION TITLE
PAGE 1

BOEING
767
PARTS CATALOG (MAINTENANCE)



V 11320117 SHT 1 REV 164

PANEL INSTL-R SIDE (PLACARDS AND MARKINGS ONLY)
FIGURE 17 (SHEET 1)

11-32-01-17

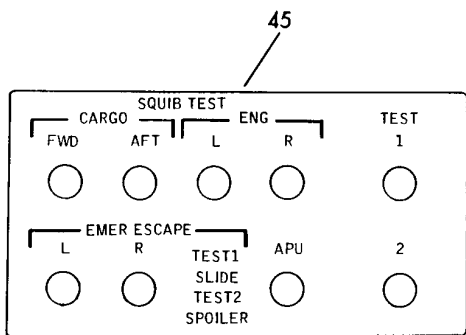
HXL
DEC 22/06

11-32-01-17
PAGE 0

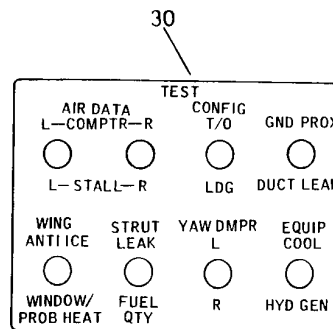
BOEING
767
PARTS CATALOG (MAINTENANCE)

SEAT BACK OF FIRST OBSERVER'S SEAT
MUST BE UPRIGHT WHEN MOVED AFT
DO NOT ROTATE SEAT
WHILE IN AFT POSITION

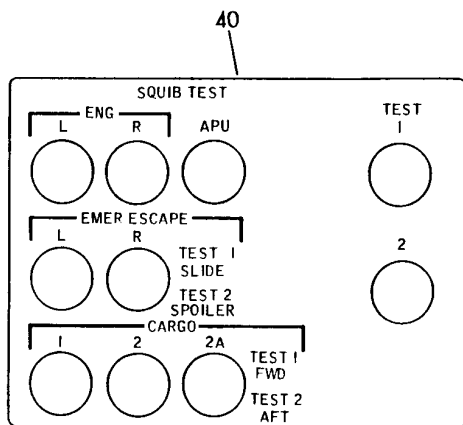
5 (A)



(E)



(C)



(D)

V 11320117 SHT 2 REV 164

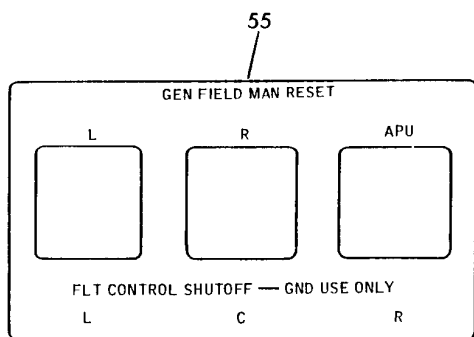
PANEL INSTL-R SIDE (PLACARDS AND MARKINGS ONLY)
FIGURE 17 (SHEET 2)

11-32-01-17

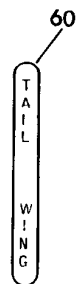
HXL
DEC 22/06

11-32-01-17
PAGE 0A

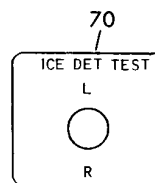
BOEING
767
PARTS CATALOG (MAINTENANCE)



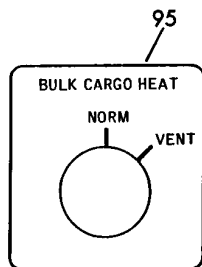
(F)



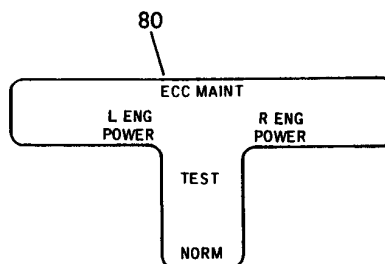
(G)



(H)



(K)



(J)

V 11320117 SHT 3 REV 160

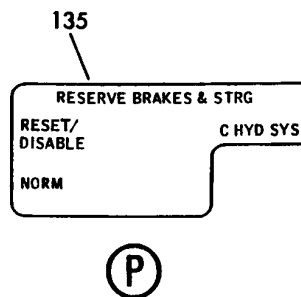
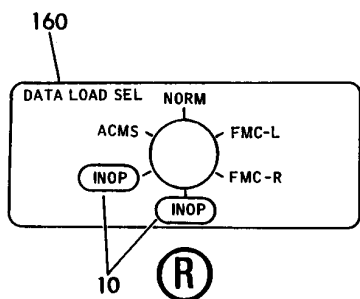
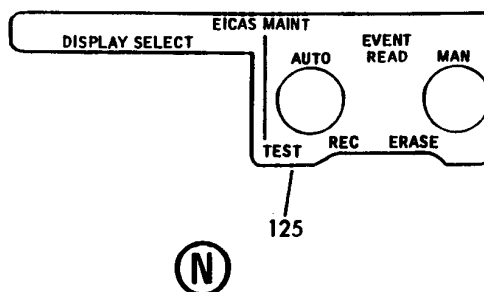
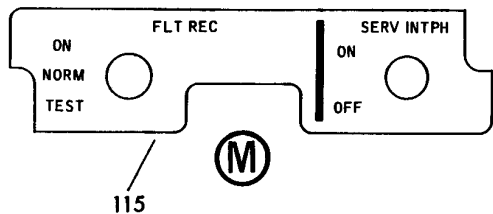
PANEL INSTL-R SIDE (PLACARDS AND MARKINGS ONLY)
FIGURE 17 (SHEET 3)

11-32-01-17

HXL
DEC 22/06

11-32-01-17
PAGE 0B

BOEING
767
PARTS CATALOG (MAINTENANCE)



V 11320117 SHT 4 REV 160

PANEL INSTL-R SIDE (PLACARDS AND MARKINGS ONLY)
FIGURE 17 (SHEET 4)

11-32-01-17

HXL
DEC 22/06

11-32-01-17
PAGE 0C



767

PARTS CATALOG (MAINTENANCE)

FIG ITEM	PART NUMBER	1 2 3 4 5 6 7	NOMENCLATURE	EFFECT FROM TO	UNITS PER ASSY
17			PANEL INSTL-R SIDE (PLACARDS AND MARKINGS ONLY)		
- 1	233T4100-1		PANEL INSTL- (PLACARDS AND MARKINGS ONLY) POSITION DATA: R SIDE VARIABLE DRAWING REF: 233T4100-5048 FOR NHA/OTHER SYS DET SEE: 25-10-00-03		RF
5	BAC27TFDE0282		.DECAL		1
10	BAC27TFDE0013		.DECAL- PLACARD CONTENT: INOP		2
- 25	233T4239-26		.PANEL ASSY-MISC TEST SUPPLIER CODE: V89954 ELECTRICAL EQUIP NUMBER: M10398 COMPONENT MAINT MANUAL REF: 33-16-53		RF
30	BAC27TFDE0235		..DECAL- SUPPLIER CODE: V89954		1
- 35	233T4246-4		.PANEL ASSY-SQUIB TEST SUPPLIER CODE: V89954 ELECTRICAL EQUIP NUMBER: M00032 COMPONENT MAINT MANUAL REF: 26-21-53		RF
45	BAC27TFDE0184		..DECAL		1

ILLUSTRATION ITEMS NOT ON PARTS LIST ARE NOT APPLICABLE

- ITEM NOT ILLUSTRATED

HXL

11-32-01-17

BOEING PROPRIETARY - Copyright © - Unpublished Work - See title page for details.

11-32-01
FIG. 17
PAGE 1
DEC 22/07



767

PARTS CATALOG (MAINTENANCE)

FIG ITEM	PART NUMBER	1 2 3 4 5 6 7	NOMENCLATURE	EFFECT FROM TO	UNITS PER ASSY
17 - 50	233T4240-12		.PANEL ASSY-MISC SYS CONT SUPPLIER CODE: V89954 ELECTRICAL EQUIP NUMBER: M01087 COMPONENT MAINT MANUAL REF: 29-09-51 QUALIFIED I/W DATA: 233T4240-1 I/W 233T4240-12 EXCEPT LABLE BANANA JACKS INOP IF -1 IS BEING USED TO REPLACE -12. 233T4240-6 I/W 233T4240-12 EXCEPT LABLE BANANA JACKS INOP IF -6 IS BEING USED TO REPLACE -12. 233T4240-7 -10 -12 ARE ALL INTERCHANGEABLE EXCEPT SUBJECT TO CUSTOMER PREFERENCE		RF
55	BAC27TFDE0110		..DECAL- SUPPLIER CODE: V89954		1
60	BAC27TFDE0112		..DECAL- SUPPLIER CODE: V89954		2
- 65	233T4257-1		.PANEL ASSY- ICE DETECTION TEST SUPPLIER CODE: V89954 ELECTRICAL EQUIP NUMBER: M01753		RF
70	BAC27TFDE0394		..DECAL- SUPPLIER CODE: V89954		1
- 75	233T4253-10		.PANEL ASSY-ELECTRONIC CONT MAINT SEL SUPPLIER CODE: V89954 ELECTRICAL EQUIP NUMBER: M01390 COMPONENT MAINT MANUAL REF: 73-21-87		RF
80	BAC27TFDE0375		..DECAL- SUPPLIER CODE: V89954		1

ILLUSTRATION ITEMS NOT ON PARTS LIST ARE NOT APPLICABLE

- ITEM NOT ILLUSTRATED

HXL

11-32-01-17

BOEING PROPRIETARY - Copyright © - Unpublished Work - See title page for details.

11-32-01
FIG. 17
PAGE 2
DEC 22/07



767

PARTS CATALOG (MAINTENANCE)

FIG ITEM	PART NUMBER	1 2 3 4 5 6 7	NOMENCLATURE	EFFECT FROM TO	UNITS PER ASSY
17					
- 85	233T4100-101		.PANEL ASSY-BULK CARGO HEAT OPTIONAL PART: 233T4228-300 V89954		RF
- 85	233T4228-300		.PANEL ASSY-BULK CARGO HEAT SUPPLIER CODE: V89954 MISCELLANEOUS DATA: (233T4228-300 PANEL ASSY IS I/W 233T4228-9 PANEL ASSY T/W BP248-127 KNOB) COMPONENT MAINT MANUAL REF: 21-44-51 OPTIONAL PART: 233T4100-101		RF
- 90	233T4228-9		..PANEL ASSY-BULK CARGO HEAT SUPPLIER CODE: V89954 MISCELLANEOUS DATA: (233T4228-300 PANEL ASSY IS I/W 233T4228-9 PANEL ASSY T/W BP248-127 KNOB) ELECTRICAL EQUIP NUMBER: M00912 COMPONENT MAINT MANUAL REF: 21-44-51		RF
95	BAC27TFDE0109		...DECAL- SUPPLIER CODE: V89954		1
- 110	233N7508-14		.PANEL ASSY-FLIGHT RECORDER AND SVCE INTPH SUPPLIER CODE: V89954 ELECTRICAL EQUIP NUMBER: M00033 COMPONENT MAINT MANUAL REF: 31-31-52		RF
- 110	233N7508-9		.PANEL ASSY-FLIGHT RECORDER AND SVCE INTPH SUPPLIER CODE: V89954 ELECTRICAL EQUIP NUMBER: M00033 COMPONENT MAINT MANUAL REF: 31-31-52		RF

ILLUSTRATION ITEMS NOT ON PARTS LIST ARE NOT APPLICABLE

- ITEM NOT ILLUSTRATED

11-32-01-17

11-32-01
FIG. 17
PAGE 3
DEC 22/07

HXL



767

PARTS CATALOG (MAINTENANCE)

FIG ITEM	PART NUMBER	1 2 3 4 5 6 7	NOMENCLATURE	EFFECT FROM TO	UNITS PER ASSY
17 - 110	233N7508-7		.PANEL ASSY-FLIGHT RECORDER AND SVCE INTPH SUPPLIER CODE: V89954 ELECTRICAL EQUIP NUMBER: M00033 COMPONENT MAINT MANUAL REF: 31-31-52		RF
115	BAC27NFDE0061		..DECAL- SUPPLIER CODE: V89954		1
- 120	233N7509-6		.PANEL ASSY-ENG INDICATION AND CREW ALERTING SYS MAINT SUPPLIER CODE: V89954 ELECTRICAL EQUIP NUMBER: M10372 COMPONENT MAINT MANUAL REF: 31-41-54		RF
125	BAC27NFDE0050		..DECAL- SUPPLIER CODE: V89954		1
- 130	233T4248-10		.PANEL ASSY-RESERVE BRAKE AND STEERING SUPPLIER CODE: V89954 ELECTRICAL EQUIP NUMBER: M01216 COMPONENT MAINT MANUAL REF: 29-11-54		RF
- 130	233T4248-14		.PANEL ASSY-RESERVE BRAKE AND STEERING SUPPLIER CODE: V89954 ELECTRICAL EQUIP NUMBER: M01216 COMPONENT MAINT MANUAL REF: 29-11-54		RF
- 130	233T4248-15		.PANEL ASSY-RESERVE BRAKE AND STEERING SUPPLIER CODE: V89954 ELECTRICAL EQUIP NUMBER: M01216 COMPONENT MAINT MANUAL REF: 29-11-54		RF

ILLUSTRATION ITEMS NOT ON PARTS LIST ARE NOT APPLICABLE

- ITEM NOT ILLUSTRATED

11-32-01-17

11-32-01
FIG. 17
PAGE 4
DEC 22/07

HXL



767

PARTS CATALOG (MAINTENANCE)

FIG ITEM	PART NUMBER	1 2 3 4 5 6 7	NOMENCLATURE	EFFECT FROM TO	UNITS PER ASSY
17					
135	BAC27TFDE0188	..	DECAL- SUPPLIER CODE: V89954		1
- 150	233T4100-151	. .	PANEL ASSY-AIRBORNE DATA LOADER SELECTOR OPTIONAL PART: 233T4256-300 V89954		RF
- 150	233T4256-300	. .	PANEL ASSY-AIRBORNE DATA LOADER SELECTOR SUPPLIER CODE: V89954 MISCELLANEOUS DATA: (233T4256-300 PANEL ASSY IS I/W 233T4256-1 PANEL ASSY T/W BP248-127 KNOB) OPTIONAL PART: 233T4100-151		RF
- 155	233T4256-1	..	PANEL ASSY- SUPPLIER CODE: V89954 MISCELLANEOUS DATA: (233T4256-300 PANEL ASSY IS I/W 233T4256-1 PANEL ASSY T/W BP248-127 KNOB)		RF
160	BAC27TDFE0381	...	DECAL		1

ILLUSTRATION ITEMS NOT ON PARTS LIST ARE NOT APPLICABLE

- ITEM NOT ILLUSTRATED

HXL

11-32-01-17

11-32-01
FIG. 17
PAGE 5
DEC 22/07

 **BOEING**
767
PARTS CATALOG (MAINTENANCE)

NON-ILLUSTRATED FIGURE

THE ITEMS REFLECTED IN THIS FIGURE ARE INTENTIONALLY
NON-ILLUSTRATED. THEY ARE REFERENCED TO EITHER A
NEXT HIGHER OR NEXT LOWER ASSEMBLY/INSTALLATION FIGURE.

V 11320142 REV 270

PRESSURE INSTL-SENSOR (PLACARDS AND MARKINGS ONLY)
FIGURE 42

11-32-01-42

HXL
DEC 22/06

11-32-01-42
PAGE 0



767

PARTS CATALOG (MAINTENANCE)

FIG ITEM	PART NUMBER	1 2 3 4 5 6 7	NOMENCLATURE	EFFECT FROM TO	UNITS PER ASSY
42			PRESSURE INSTL-SENSOR (PLACARDS AND MARKINGS ONLY)		
- 5	880T2518-100		KIT INSTL-SUPPLEMENTAL (PLACARDS AND MARKINGS ONLY) POST SERVICE BULLETIN: 25-0325R4 FOR NHA/OTHER SYS DET SEE: 25-10-00-12		RF
- 10	BAC27DCC3039		.PLACARD INSTL		1
- 15	BAC27TFDE0282		.DECAL- PLACARD CONTENT: SEAT BACK OF FIRST OBSERVER'S SEAT MUST BE UPRIGHT WHEN MOVED AFT DO NOT ROTATE SEAT WHILE IN AFT POSITION		1
- 20	BAC27TFDE0209		.DECAL- PLACARD CONTENT: SEAT BACK OF FIRST OBSERVER'S SEAT MUST BE UPRIGHT WHEN MOVED AFT		1

ILLUSTRATION ITEMS NOT ON PARTS LIST ARE NOT APPLICABLE

- ITEM NOT ILLUSTRATED

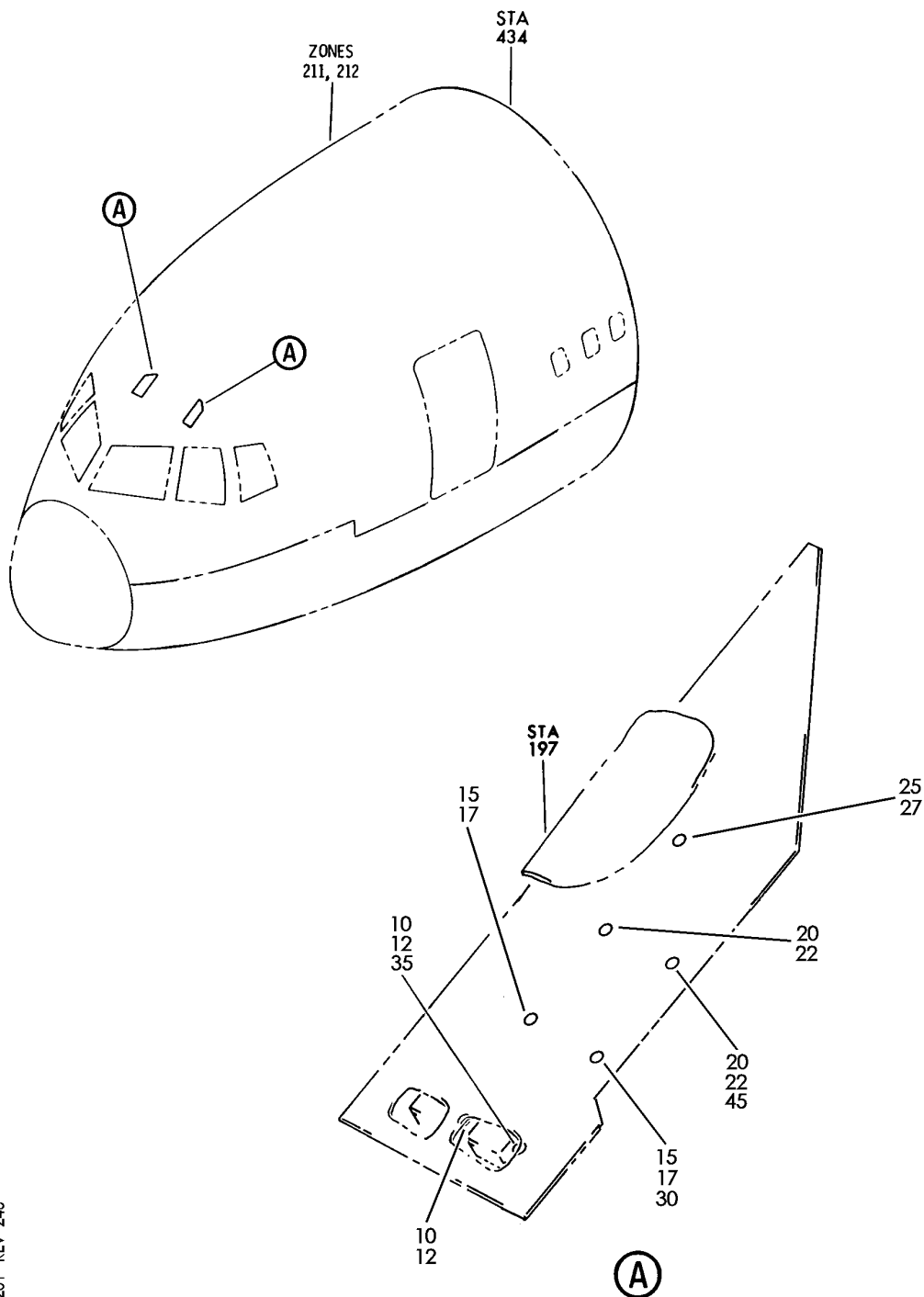
HXL

11-32-01-42

BOEING PROPRIETARY - Copyright © - Unpublished Work - See title page for details.

11-32-01
FIG. 42
PAGE 1
DEC 22/06

BOEING
767
PARTS CATALOG (MAINTENANCE)



V 11320201 REV 246

PROVISION INSTL-SECT. 41 UPR WIRE (PLACARDS AND MARKINGS ONLY)
FIGURE 1

11-32-02-01

HXL
DEC 22/06

11-32-02-01
PAGE 0



767

PARTS CATALOG (MAINTENANCE)

FIG ITEM	PART NUMBER	1 2 3 4 5 6 7	NOMENCLATURE	EFFECT FROM TO	UNITS PER ASSY
1			PROVISION INSTL-SECT. 41 UPR WIRE (PLACARDS AND MARKINGS ONLY)		
- 1	287T4101-44		PROVISION INSTL-WIRE PASS. COMPT FWD CLOSET ADDITION (PLACARDS AND MARKINGS ONLY) POSITION DATA: SECT 41 UPR FOR NHA/OTHER SYS DET SEE: 24-00-57-02		RF
10	BAC27EEL2101		.DECAL- PLACARD CONTENT: 1		4
15	BAC27EEL2110		.DECAL- PLACARD CONTENT: 10		4
20	BAC27EEL2120		.DECAL- PLACARD CONTENT: 20		4
25	BAC27EEL2130		.DECAL- PLACARD CONTENT: 30		2

ILLUSTRATION ITEMS NOT ON PARTS LIST ARE NOT APPLICABLE

- ITEM NOT ILLUSTRATED

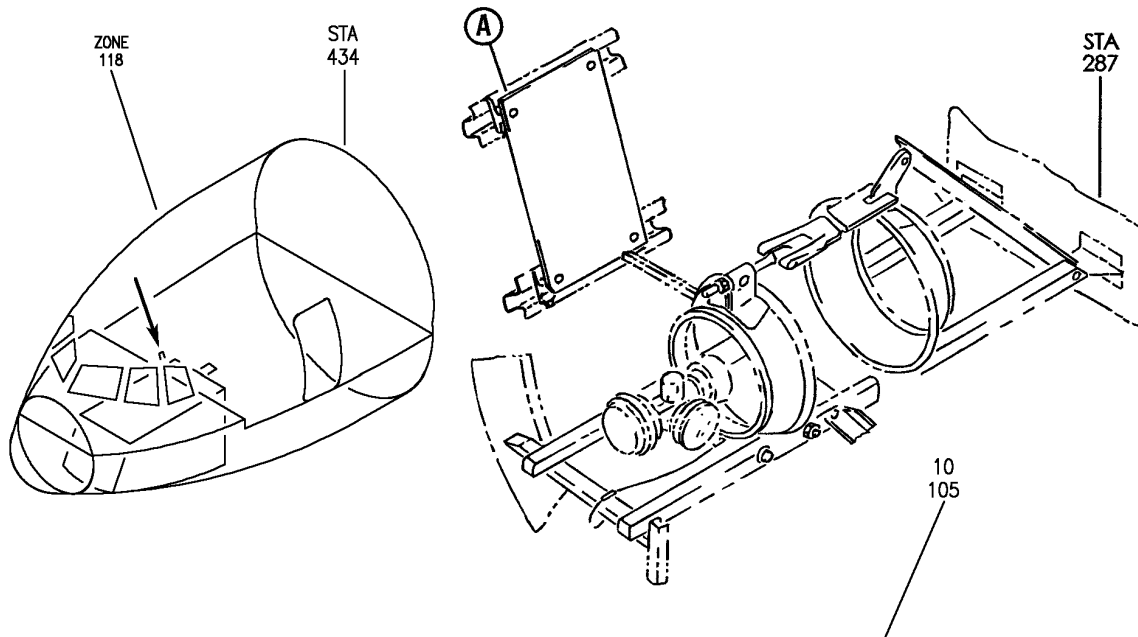
HXL

11-32-02-01

BOEING PROPRIETARY - Copyright © - Unpublished Work - See title page for details.

11-32-02
FIG. 01
PAGE 1
DEC 22/07

BOEING
767
PARTS CATALOG (MAINTENANCE)



OXYGEN CYLINDER REPLACEMENT PROCEDURE

WARNING: AIRPLANE OXYGEN FITTINGS AND CAPS MUST BE SCRUPULOUSLY CLEAN AND FREE OF OIL AND GREASE. AIRPLANE MUST BE ELECTROSTATICALLY GROUNDED. USE PROPER EQUIPMENT AND MATERIALS. SEE MAINTENANCE MANUAL CHAPTER 35.

1. CLOSE CYLINDER SHUT-OFF VALVES HAND TIGHT.
2. DISCONNECT THE OVERBOARD DISCHARGE CONNECTION.
3. LOOSEN SLIGHTLY THE LARGE NUT AT THE VALVE ON THE COUPLING ASSEMBLY TO BLEED SYSTEM PRESSURE.
4. DISCONNECT COUPLING ASSEMBLY (LARGE NUT) FROM THE CYLINDER, LOOSEN TUBE CONNECTIONS WHERE NECESSARY TO ENABLE ROTATION OF REGULATOR ASSEMBLY TO CLEAR CYLINDER.
5. CAP ALL PLUMBING OPEN ENDS WITH CLEAN CAPS. WHERE CYLINDER PRESSURE CAP IS PROVIDED ON OUTLET PORT, INSTALL AND TORQUE TO 350-400 IN. -LBS.
6. RELEASE CLAMPS AND REMOVE CYLINDER.
7. ENSURE HYDROSTATIC TEST DATE ON REPLACEMENT CYLINDER HAS NOT EXPIRED AND CYLINDER IS IN GOOD CONDITION.
8. REMOVE PROTECTIVE CAPS. WHERE PRESSURE CAP HAS BEEN FITTED, REMOVE AND STOW ON VALVE BODY UTILIZING SNAP FASTENER. PLACE CHARGED CYLINDER IN RACK AND ALIGN CONNECTIONS WITH RESPECTIVE ENDS OF TUBING.
WARNING: CONNECTIONS SHALL BE SCRUPULOUSLY CLEAN AND FREE OF ALL TRACES OF OIL, DIRT, ETC.
9. CONNECT AND TIGHTEN ALL FITTINGS AND CLAMPS.
WARNING: NO OIL, LUBRICANT OR GASKETS SHALL BE USED IN MAKING THESE CONNECTIONS.
10. SLOWLY OPEN ALL CYLINDER SHUT-OFF VALVES INDIVIDUALLY TO FULL OPEN POSITION OR EXCESSIVE TEMPERATURE MAY RESULT.
11. CHECK FOR LEAKS USING APPROVED LEAK TEST SOLUTION. WIPE OFF TEST SOLUTION WITH CLEAN CLOTH IMMEDIATELY AFTER TESTING.

Ⓐ

PLACARD ASSY-CREW OXY CYL SPRT (PLACARDS AND MARKINGS ONLY)
FIGURE 2

11-32-04-02

HXL
APR 22/09

11-32-04-02
PAGE 0



767

PARTS CATALOG (MAINTENANCE)

FIG ITEM	PART NUMBER	1 2 3 4 5 6 7	NOMENCLATURE	EFFECT FROM TO	UNITS PER ASSY
2			PLACARD ASSY-CREW OXY CYL SPRT (PLACARDS AND MARKINGS ONLY)		
- 1	417T4604-6		PLACARD ASSY-CREW OXY CYL SPRT (PLACARDS AND MARKINGS ONLY)		RF
10	BAC27EPPS2125		FOR NHA/OTHER SYS DET SEE: 35-11-54-01 .DECAL		1

ILLUSTRATION ITEMS NOT ON PARTS LIST ARE NOT APPLICABLE

- ITEM NOT ILLUSTRATED

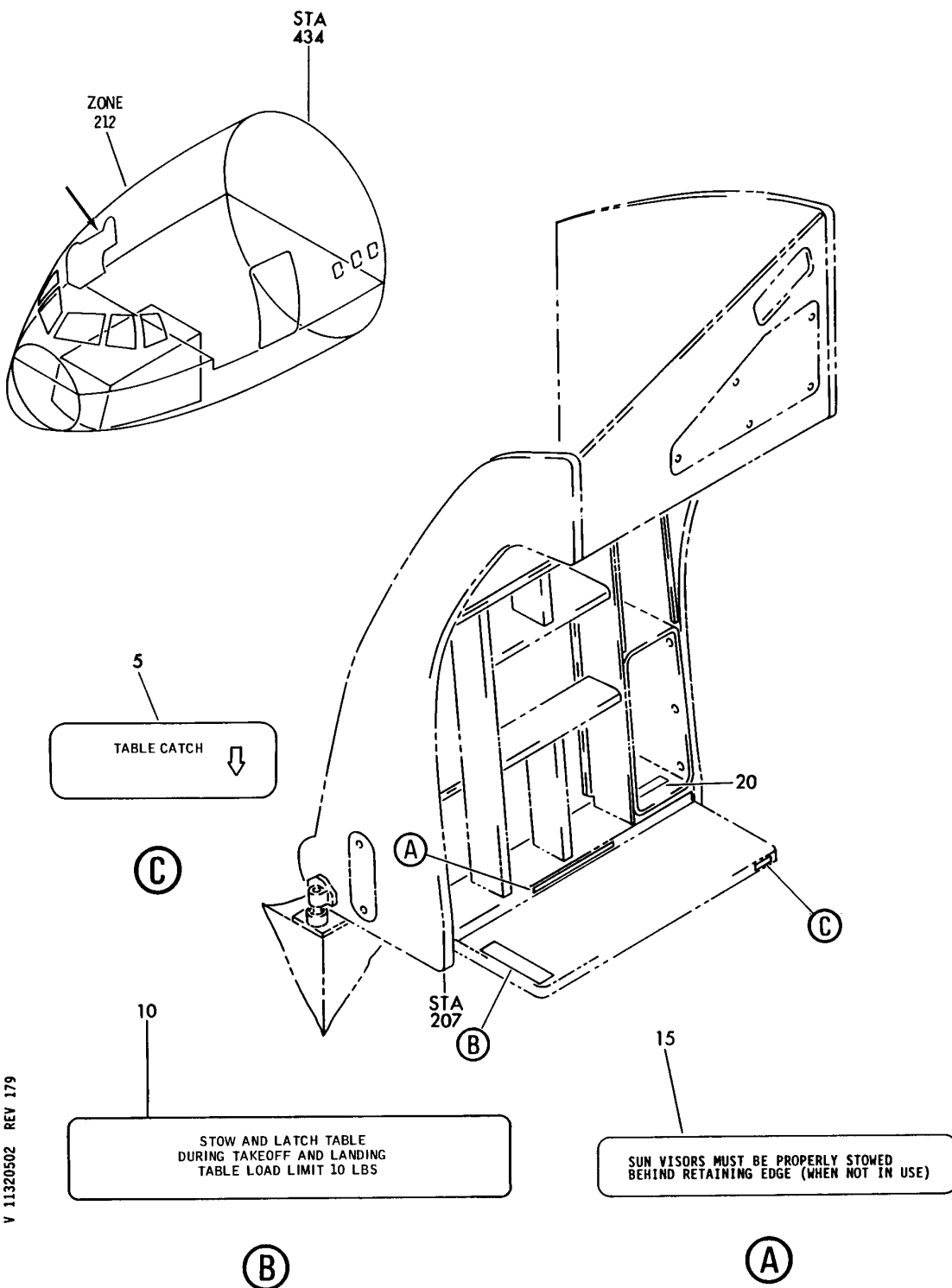
HXL

11-32-04-02

BOEING PROPRIETARY - Copyright © - Unpublished Work - See title page for details.

11-32-04
FIG. 02
PAGE 1
DEC 22/06

BOEING
767
PARTS CATALOG (MAINTENANCE)



V 11320502 REV 179

CONSOLE INSTL-RH SIDE (PLACARDS AND MARKINGS ONLY)
FIGURE 2

11-32-05-02

HXL
DEC 22/06

11-32-05-02
PAGE 0



767

PARTS CATALOG (MAINTENANCE)

FIG ITEM	PART NUMBER	1 2 3 4 5 6 7	NOMENCLATURE	EFFECT FROM TO	UNITS PER ASSY
2			CONSOLE INSTL-RH SIDE (PLACARDS AND MARKINGS ONLY)		
- 1	233T4501-1		CONSOLE INSTL-(PLACARDS AND MARKINGS ONLY) POSITION DATA: RH SIDE VARIABLE DRAWING REF: 233T4501-5025 FOR NHA/OTHER SYS DET SEE: 25-10-00-03		RF
5	BAC27TFDE0012		.DECAL		1
10	BAC27TFDE0227		.DECAL		1
ILLUSTRATION ITEMS NOT ON PARTS LIST ARE NOT APPLICABLE					

- ITEM NOT ILLUSTRATED

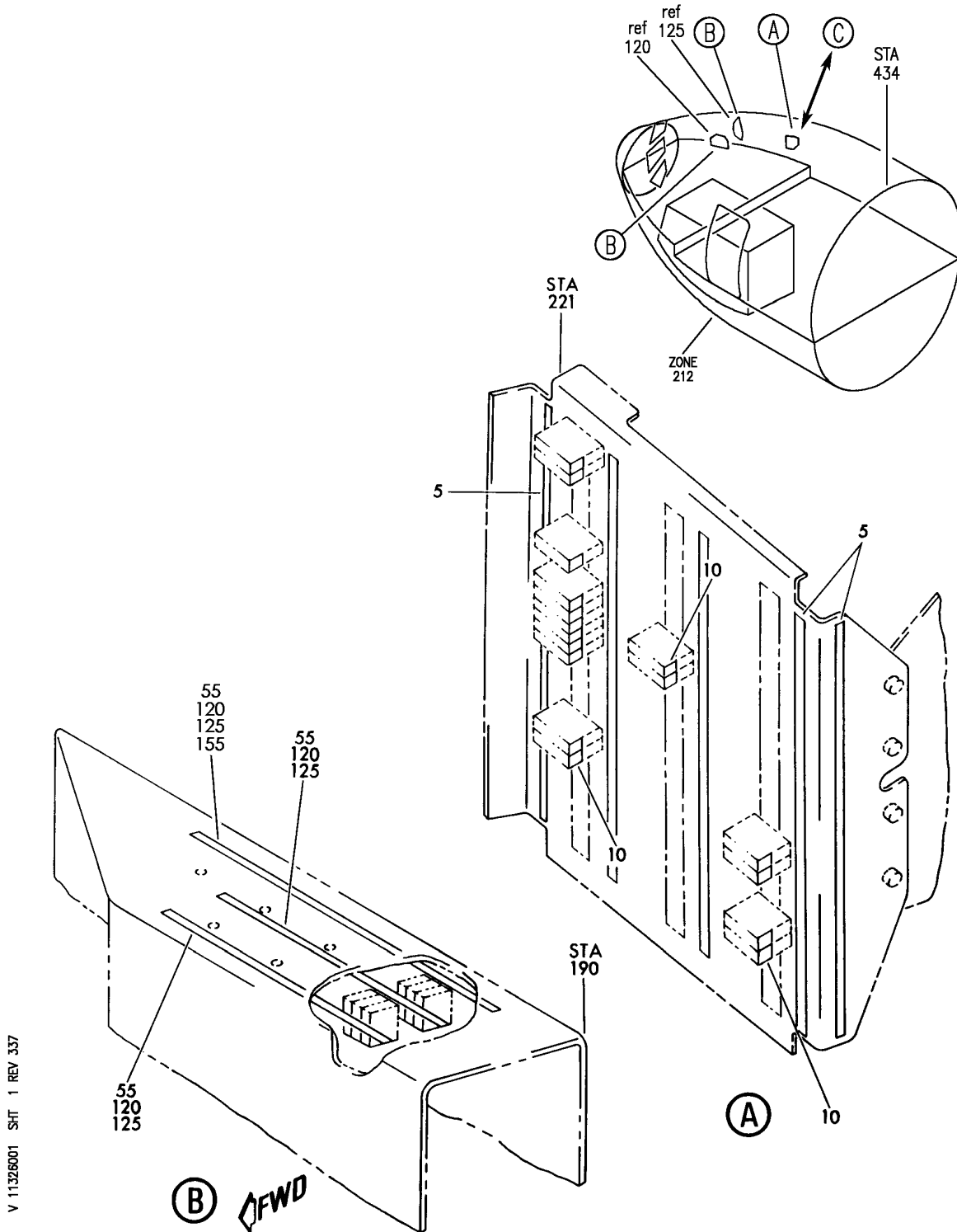
HXL

11-32-05-02

BOEING PROPRIETARY - Copyright © - Unpublished Work - See title page for details.

11-32-05
FIG. 02
PAGE 1
DEC 22/07

BOEING
767
PARTS CATALOG (MAINTENANCE)



V 11326001 SHT 1 REV 337

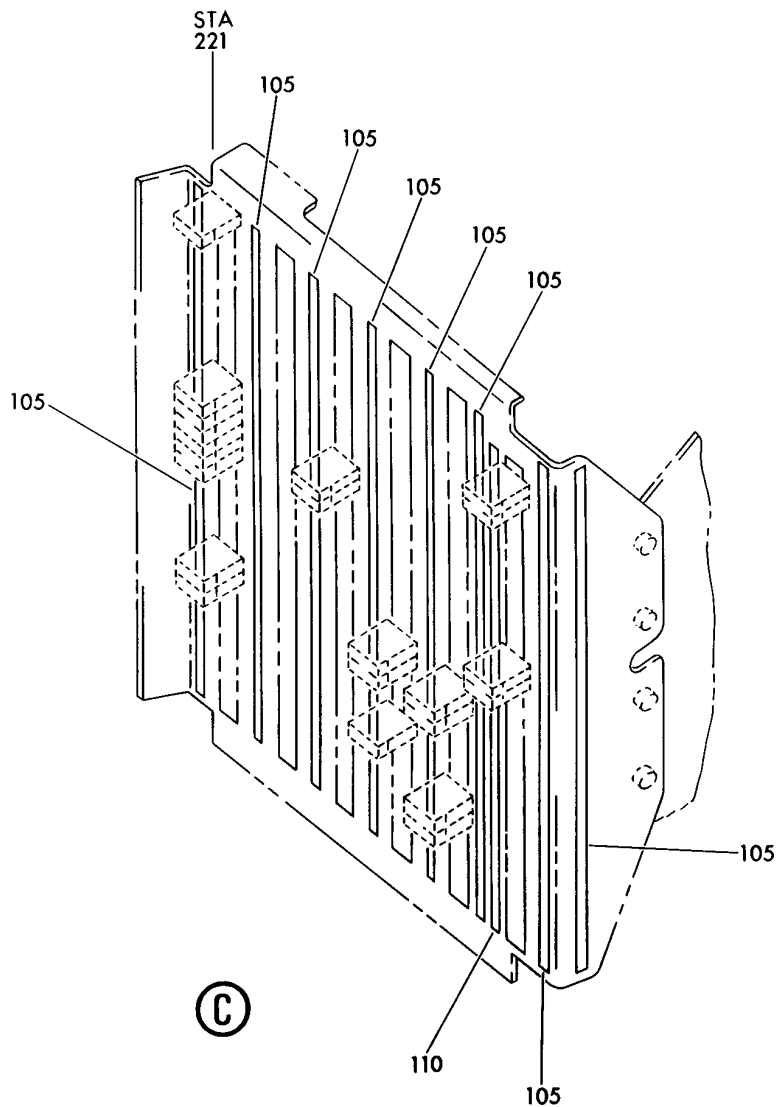
PROVISION INSTL-SECT. 41 DIODES UPR WIRE (PLACARDS AND MARKINGS ONLY)
FIGURE 1 (SHEET 1)

11-32-60-01

HXL
APR 22/09

11-32-60-01
PAGE 0

BOEING
767
PARTS CATALOG (MAINTENANCE)



V 11326001 SHT 2 REV 160

PROVISION INSTL-SECT. 41 DIODES UPR WIRE (PLACARDS AND MARKINGS ONLY)
FIGURE 1 (SHEET 2)

HXL
DEC 22/06

11-32-60-01

11-32-60-01
PAGE 0A



767

PARTS CATALOG (MAINTENANCE)

FIG ITEM	PART NUMBER	1 2 3 4 5 6 7	NOMENCLATURE	EFFECT FROM TO	UNITS PER ASSY
1			PROVISION INSTL-SECT. 41 DIODES UPR WIRE (PLACARDS AND MARKINGS ONLY)		
- 1	287T4163-1		PROVISION INSTL-DIODES WIRE (PLACARDS AND MARKINGS ONLY) POSITION DATA: SECT. 41 UPR FOR NHA/OTHER SYS DET SEE: 24-00-57-02		RF
5	BAC27EEL7112		.DECAL- PLACARD CONTENT: 1 THRU 43		5
10	BAC27EEL20845		.DECAL- PLACARD CONTENT: 1 THRU 40		3
- 50	287T4163-3		PROVISION INSTL-DIODES WIRE (PLACARDS AND MARKINGS ONLY) POSITION DATA: SECT. 41 UPR FOR NHA/OTHER SYS DET SEE: 24-00-57-02		RF
55	BAC27EEL7112		.DECAL- PLACARD CONTENT: 1 THRU 43		2

ILLUSTRATION ITEMS NOT ON PARTS LIST ARE NOT APPLICABLE

- ITEM NOT ILLUSTRATED

HXL

11-32-60-01

BOEING PROPRIETARY - Copyright © - Unpublished Work - See title page for details.

11-32-60
FIG. 01
PAGE 1
DEC 22/07