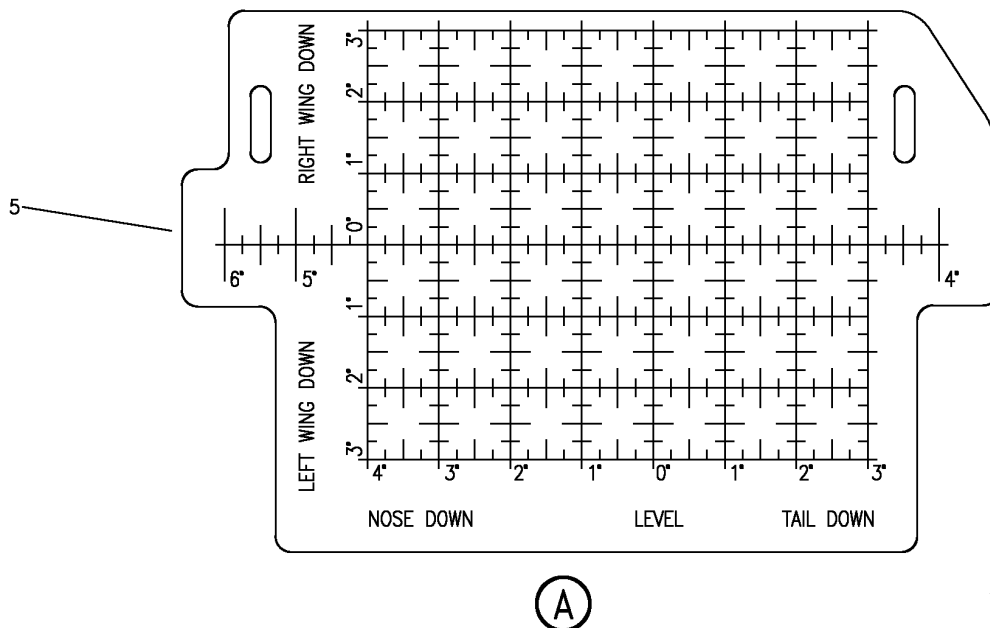
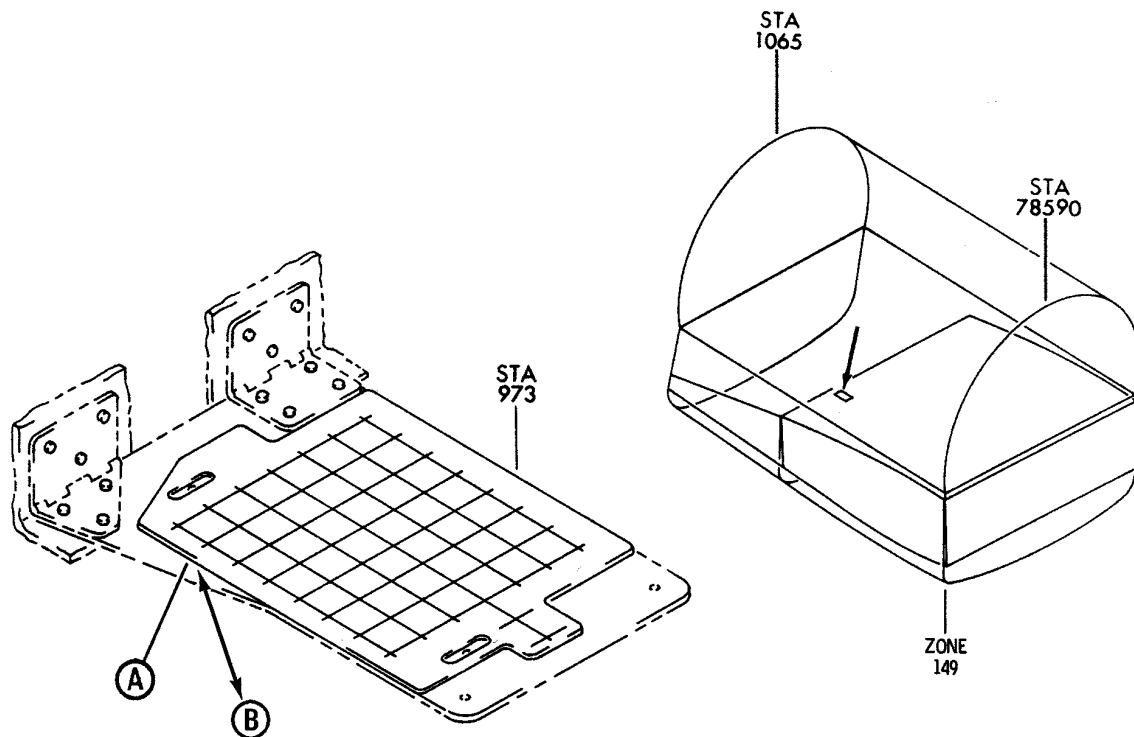


FLIGHT COMPARTMENT-OBSERVERS STATION

HXL
DEC 22/06

11-33-00
SECTION TITLE
PAGE 1

BOEING
767
PARTS CATALOG (MAINTENANCE)



V 11332001 SHT 1 REV 274

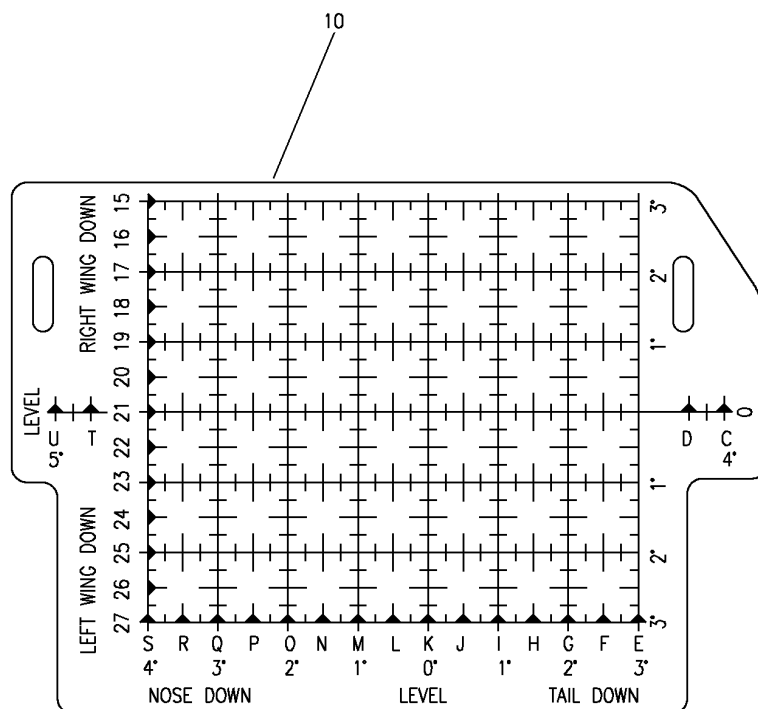
SCALE ASSY-KEEL BEAM (PLACARDS AND MARKINGS ONLY)
FIGURE 1 (SHEET 1)

11-33-20-01

HXL
DEC 22/06

11-33-20-01
PAGE 0

BOEING
767
PARTS CATALOG (MAINTENANCE)



(B)

V 11332001 SHT 2 REV 274

SCALE ASSY-KEEL BEAM (PLACARDS AND MARKINGS ONLY)
FIGURE 1 (SHEET 2)

11-33-20-01

HXL
DEC 22/06

11-33-20-01
PAGE 0A



767

PARTS CATALOG (MAINTENANCE)

FIG ITEM	PART NUMBER	1 2 3 4 5 6 7	NOMENCLATURE	EFFECT FROM TO	UNITS PER ASSY
1			SCALE ASSY-KEEL BEAM (PLACARDS AND MARKINGS ONLY)		
- 1	145T8681-2		SCALE ASSY-KEEL BEAM (PLACARDS AND MARKINGS ONLY)		RF
5	BAC27TBY0009		FOR NHA/OTHER SYS DET SEE: 53-52-01-04 .MARKER-ALUMINUM FOIL		1

ILLUSTRATION ITEMS NOT ON PARTS LIST ARE NOT APPLICABLE

- ITEM NOT ILLUSTRATED

HXL

11-33-20-01

BOEING PROPRIETARY - Copyright © - Unpublished Work - See title page for details.

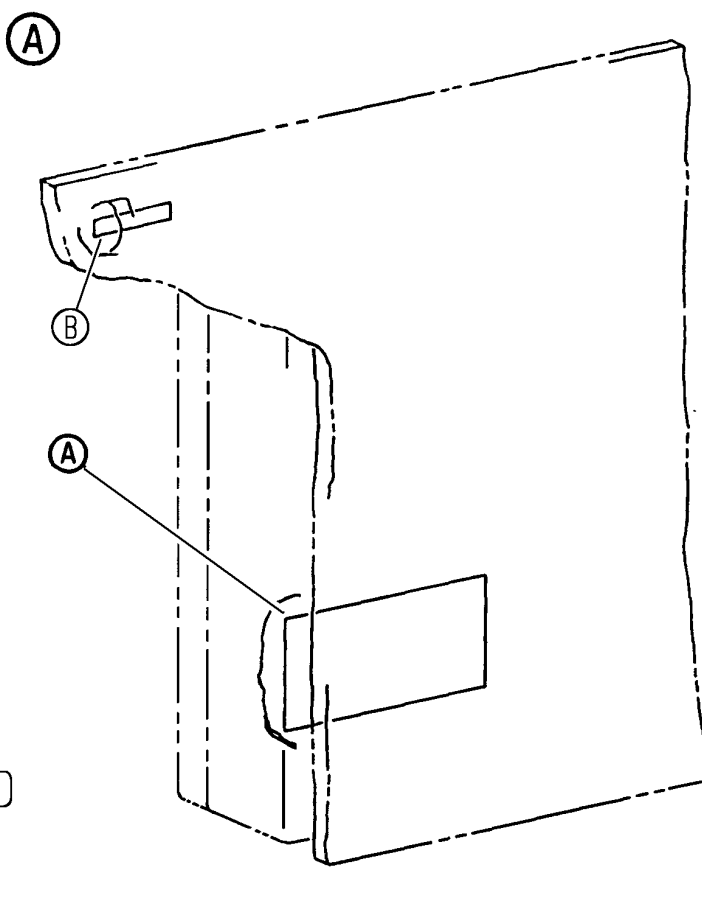
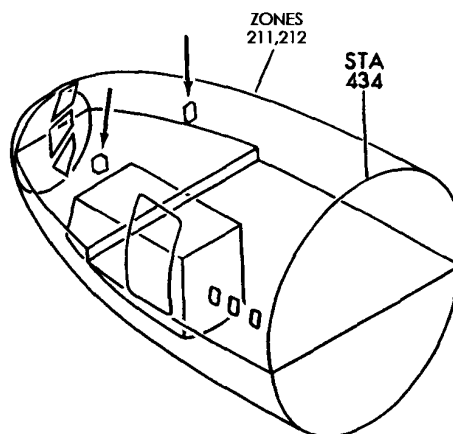
11-33-20
FIG. 01
PAGE 1
DEC 22/06

BOEING
767
PARTS CATALOG (MAINTENANCE)

5

CAUTION

AFTER RELAMPING LIGHTED PUSH BUTTON SWITCHES, THE CAP ASSEMBLY MUST BE PRESSED BACK INTO THE BASE WITH A SINGLE ACTION TO PREVENT SWITCH ACTUATION. WHEN INADVERTENT SYSTEM ACTUATION CAN CAUSE AN UNDESIRABLE EVENT, (GENERATOR DRIVE DISCONNECT FOR EXAMPLE), THE ASSOCIATED SYSTEM CIRCUIT BREAKER (S) SHOULD BE OPENED TO REMOVE POWER FROM THE SWITCH PRIOR TO RELAMPING.



FLASHLIGHTS

V 11335101 REV 291

BOX ASSY-(PLACARDS AND MARKINGS ONLY)

FIGURE 1

11-33-51-01

HXL
DEC 22/06

11-33-51-01
PAGE 0



767

PARTS CATALOG (MAINTENANCE)

FIG ITEM	PART NUMBER	1 2 3 4 5 6 7	NOMENCLATURE	EFFECT FROM TO	UNITS PER ASSY
1			BOX ASSY-(PLACARDS AND MARKINGS ONLY)		
- 2	232T4207-18		BOX ASSY-(PLACARDS AND MARKINGS ONLY)		RF
5	BAC27TFDE0170		FOR NHA/OTHER SYS DET SEE: 25-13-65-01 .DECAL-		1

ILLUSTRATION ITEMS NOT ON PARTS LIST ARE NOT APPLICABLE

- ITEM NOT ILLUSTRATED

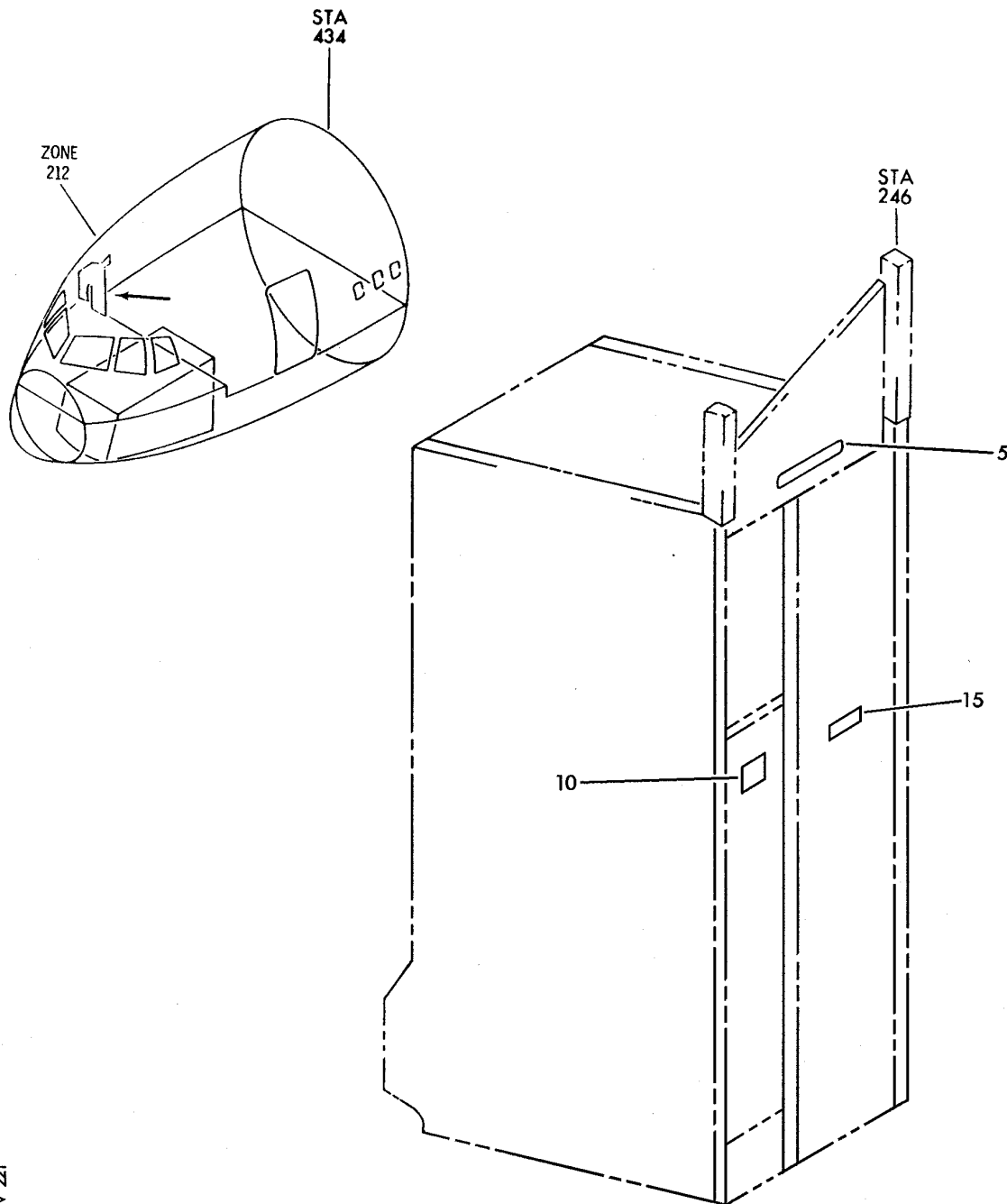
HXL

11-33-51-01

BOEING PROPRIETARY - Copyright © - Unpublished Work - See title page for details.

11-33-51
FIG. 01
PAGE 1
DEC 22/07

BOEING
767
PARTS CATALOG (MAINTENANCE)



V 11335201 REV 221

CLOSET INSTL-2 CREW/3 CREW ALTERNATE (PLACARDS AND MARKINGS ONLY)

FIGURE 1

11-33-52-01

HXL
DEC 22/06

11-33-52-01
PAGE 0



767

PARTS CATALOG (MAINTENANCE)

FIG ITEM	PART NUMBER	1 2 3 4 5 6 7	NOMENCLATURE	EFFECT FROM TO	UNITS PER ASSY
1			CLOSET INSTL-2 CREW/3 CREW ALTERNATE (PLACARDS AND MARKINGS ONLY)		
- 1	232T1457-2		CLOSET INSTL-2 CREW/3 CREW ALTERNATE (PLACARDS AND MARKINGS ONLY)		RF
5	BAC27TFDE0163		FOR NHA/OTHER SYS DET SEE: 25-14-53-01 .DECAL- PLACARD CONTENT: ROD LOAD LIMIT 45 BLS		1

ILLUSTRATION ITEMS NOT ON PARTS LIST ARE NOT APPLICABLE

- ITEM NOT ILLUSTRATED

HXL

11-33-52-01

BOEING PROPRIETARY - Copyright © - Unpublished Work - See title page for details.

11-33-52
FIG. 01
PAGE 1
DEC 22/06