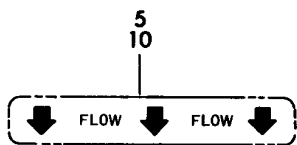
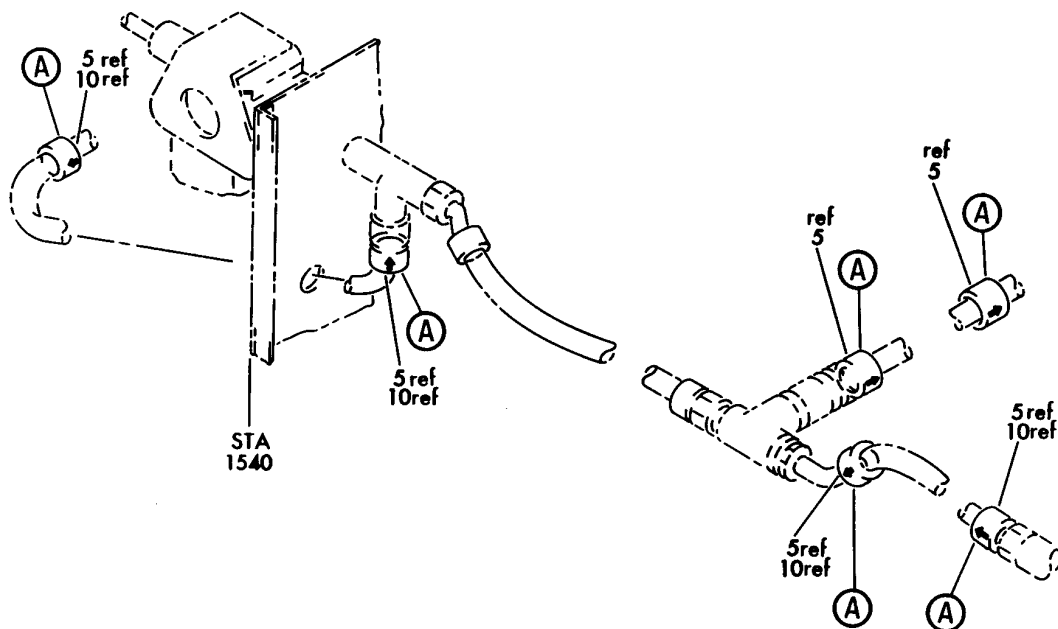
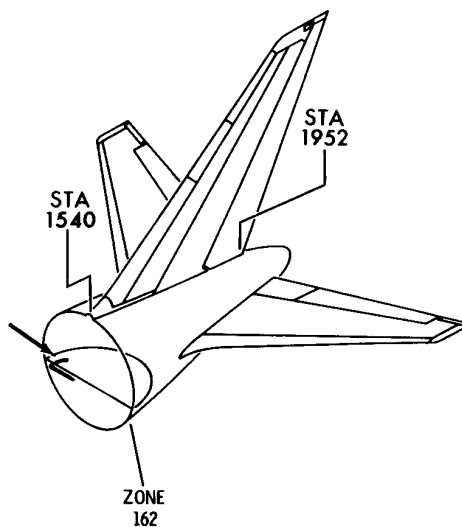


## MAIN COMPARTMENT

HXL  
DEC 22/06

11-35-00  
SECTION TITLE  
PAGE 1

**BOEING**  
767  
PARTS CATALOG (MAINTENANCE)



(A)

V 11350101 REV 123

PRESSURIZATION INSTL-POTABLE WATER SYS (PLACARDS AND MARKINGS ONLY)  
FIGURE 1

**11-35-01-01**

HXL  
DEC 22/06

11-35-01-01  
PAGE 0



767

PARTS CATALOG (MAINTENANCE)

FIG ITEM	PART NUMBER	1 2 3 4 5 6 7	NOMENCLATURE	EFFECT FROM TO	UNITS PER ASSY
1			PRESSURIZATION INSTL- POTABLE WATER SYS (PLACARDS AND MARKINGS ONLY)		
- 1	417T2037-371		PRESSURIZATION INSTL- POTABLE WATER SYS (PLACARDS AND MARKINGS ONLY) FOR NHA/OTHER SYS DET SEE: 25-20-00-17E		RF
10	BAC27TPPS1218		.MARKER-ALUMINUM FOIL		4

ILLUSTRATION ITEMS NOT ON PARTS LIST ARE NOT APPLICABLE

- ITEM NOT ILLUSTRATED

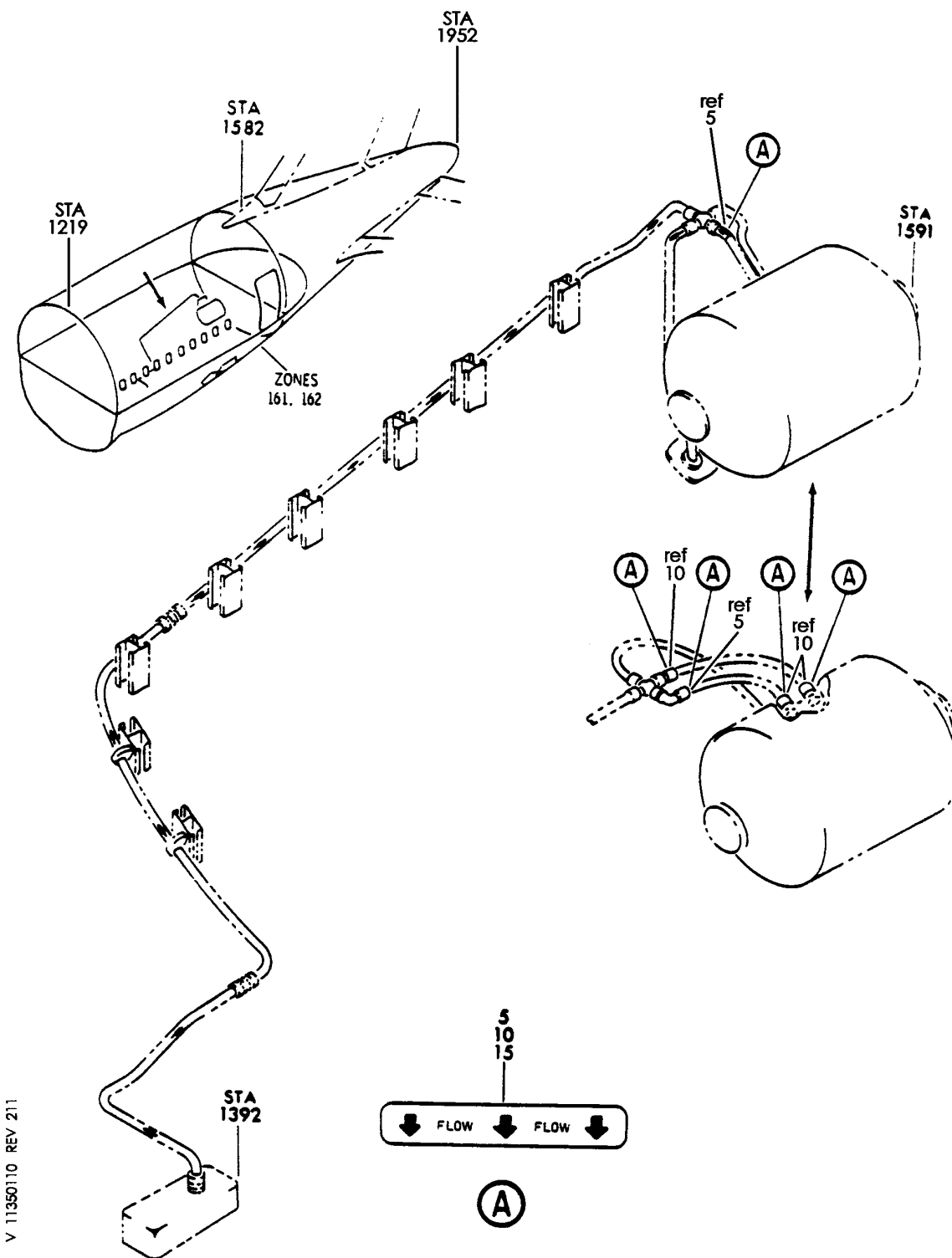
HXL

11-35-01-01

BOEING PROPRIETARY - Copyright © - Unpublished Work - See title page for details.

11-35-01  
FIG. 01  
PAGE 1  
DEC 22/07

**BOEING**  
767  
PARTS CATALOG (MAINTENANCE)



V 11350110 REV 211

VALVE INSTL-POTABLE WATER SYS FILL-OVERFLOW (PLACARDS AND MARKINGS ONLY)  
FIGURE 10

**11-35-01-10**

HXL  
DEC 22/06

11-35-01-10  
PAGE 0



767

PARTS CATALOG (MAINTENANCE)

FIG ITEM	PART NUMBER	1 2 3 4 5 6 7	NOMENCLATURE	EFFECT FROM TO	UNITS PER ASSY
10			VALVE INSTL-POTABLE WATER SYS FILL-OVERFLOW (PLACARDS AND MARKINGS ONLY)		
- 3	417T2021-53		PLUMBING INSTL-POTABLE WATER SYS FILL-OVERFLOW (PLACARDS AND MARKINGS ONLY) FOR NHA/OTHER SYS DET SEE: 25-20-00-17E		RF
10	BAC27TPPS1218		.MARKER-ALUMINUM FOIL		1
15	BAC27TPPS1218		.MARKER-ALUMINUM FOIL		2

ILLUSTRATION ITEMS NOT ON PARTS LIST ARE NOT APPLICABLE

- ITEM NOT ILLUSTRATED

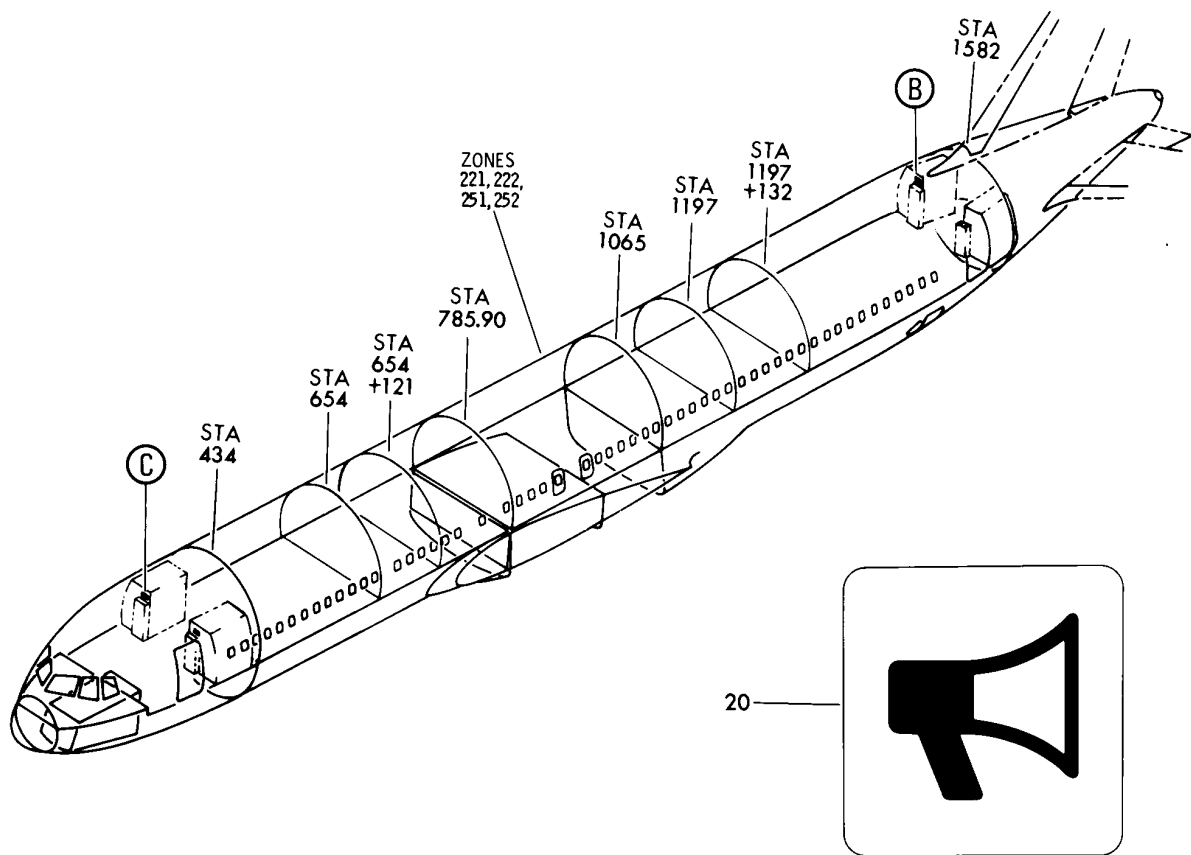
HXL

11-35-01-10

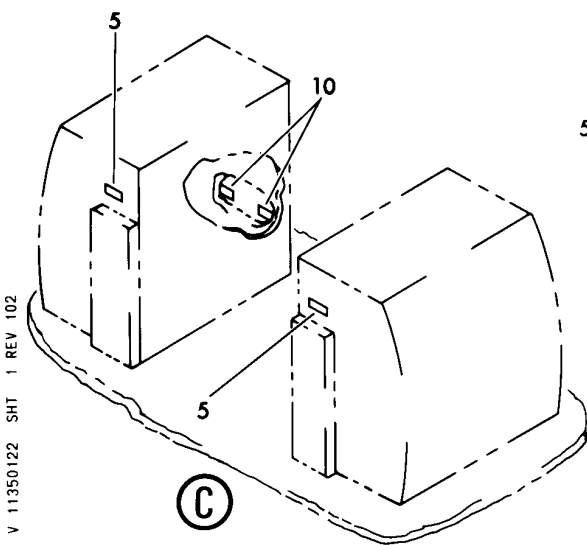
BOEING PROPRIETARY - Copyright © - Unpublished Work - See title page for details.

11-35-01  
FIG. 10  
PAGE 1  
DEC 22/07

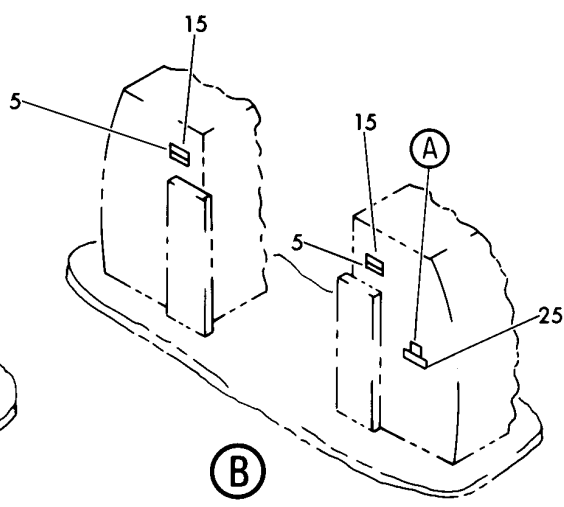
**BOEING**  
767  
PARTS CATALOG (MAINTENANCE)



(A)



(C)



(B)

V 11350122 SHT 1 REV 102

PLACARD INSTL-SAS CAB. INTR (GALLEYS ONLY)  
FIGURE 22

**11-35-01-22**

 **BOEING**  
767  
**PARTS CATALOG (MAINTENANCE)**

FIG ITEM	PART NUMBER	1 2 3 4 5 6 7	NOMENCLATURE	EFFECT FROM TO	UNITS PER ASSY
22			PLACARD INSTL-SAS CAB. INTR (GALLEYS ONLY)	155162	
- 1	414T5053-9		PLACARD INSTL-SAS CAB. INTR (GALLEYS ONLY)	155162	RF
			FOR NHA/OTHER SYS DET SEE: 25-20-00-14A		
	5 BAC29PPS3526		.PLACARD- PLACARD CONTENT: LIFE VEST LOCATED IN HEADREST	155162	4
	10 BAC29PPS4301		.PLACARD- PLACARD CONTENT: LIFE VEST UNDER YOUR SEAT FASTEN SEAT BELT WHILE SEATED	155162	2
	15 BAC29PPS5542		.PLACARD- PLACARD CONTENT: FASTEN CURTAIN OPEN WHEN SEAT IS OCCUPIED	155162	2
	20 BAC29UPPS0134		.PLACARD-SYMBOL	155162	1
	25 BAC29PPS3084		.PLACARD- PLACARD CONTENT: EMERGENCY EQUIPMENT ONLY	155162	1

ILLUSTRATION ITEMS NOT ON PARTS LIST ARE NOT APPLICABLE

- ITEM NOT ILLUSTRATED

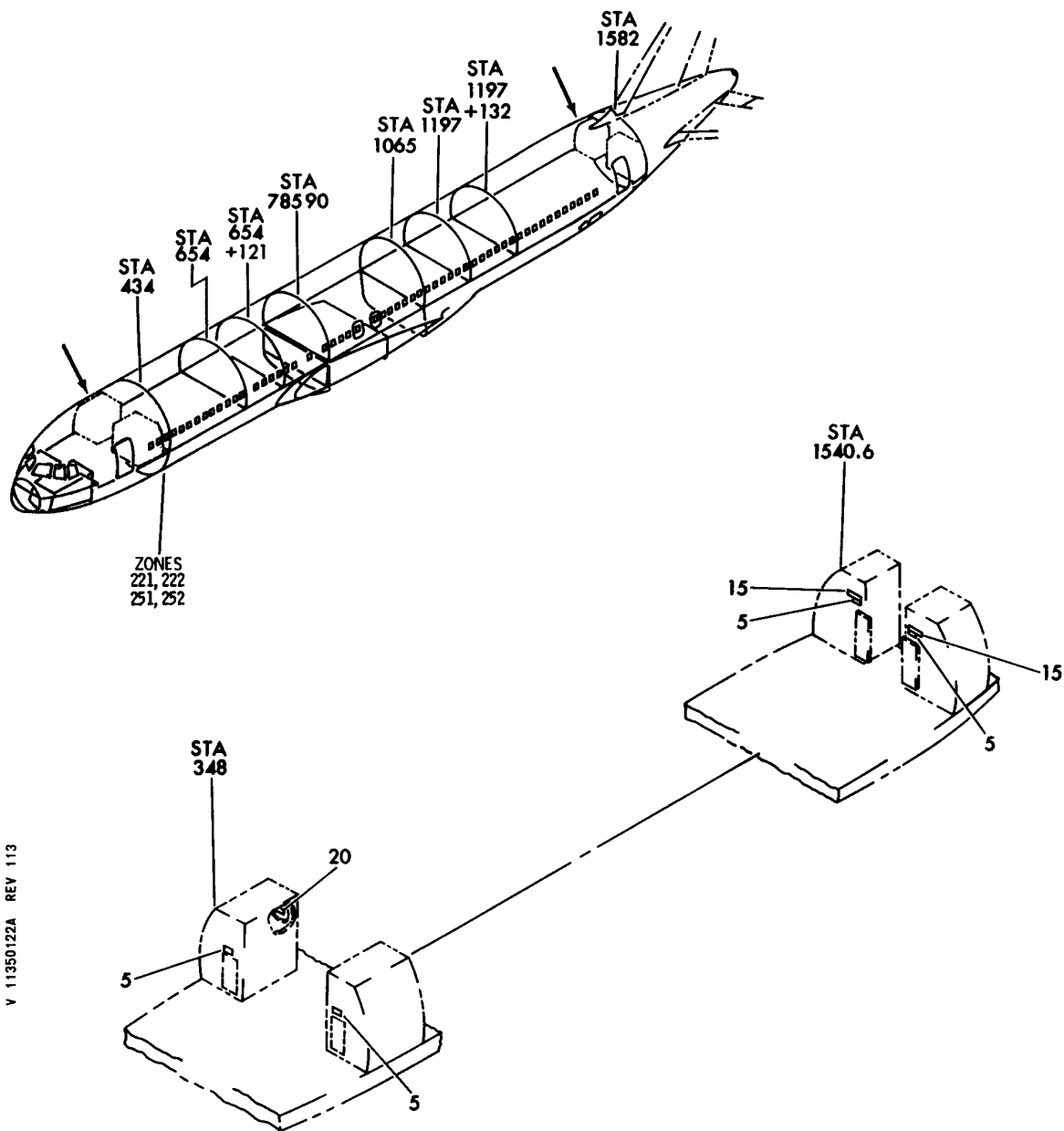
HXL

11-35-01-22

BOEING PROPRIETARY - Copyright © - Unpublished Work - See title page for details.

11-35-01  
FIG. 22  
PAGE 1  
DEC 22/06

**BOEING**  
767  
PARTS CATALOG (MAINTENANCE)



V 11350122A REV 113

PLACARD INSTL-SAS CAB. INTR (GALLEYS ONLY)  
FIGURE 22A

**11-35-01-22A**

HXL  
DEC 22/06

11-35-01-22A  
PAGE 0





767

PARTS CATALOG (MAINTENANCE)

FIG ITEM	PART NUMBER	1 2 3 4 5 6 7	NOMENCLATURE	EFFECT FROM TO	UNITS PER ASSY
22A			PLACARD INSTL-SAS CAB. INTR (GALLEYS ONLY)	163999	
- 1	414T5053-4		PLACARD INSTL-SAS CAB. INTR (GALLEYS ONLY) FOR NHA/OTHER SYS DET SEE: 25-20-00-14A	163999	RF
	5 BAC29PPS3526		.PLACARD- PLACARD CONTENT: LIFE VEST LOCATED IN HEADREST	163999	4
	15 BAC29PPS5542		.PLACARD- PLACARD CONTENT: FASTEN CURTAIN OPEN WHEN SEAT IS OCCUPIED	163999	2
	20 BAC29PPS11408		.PLACARD- PLACARD CONTENT: DO NOT USE COAT HOOKS DURING TAXI, TAKEOFF AND LANDING	163999	1

ILLUSTRATION ITEMS NOT ON PARTS LIST ARE NOT APPLICABLE

- ITEM NOT ILLUSTRATED

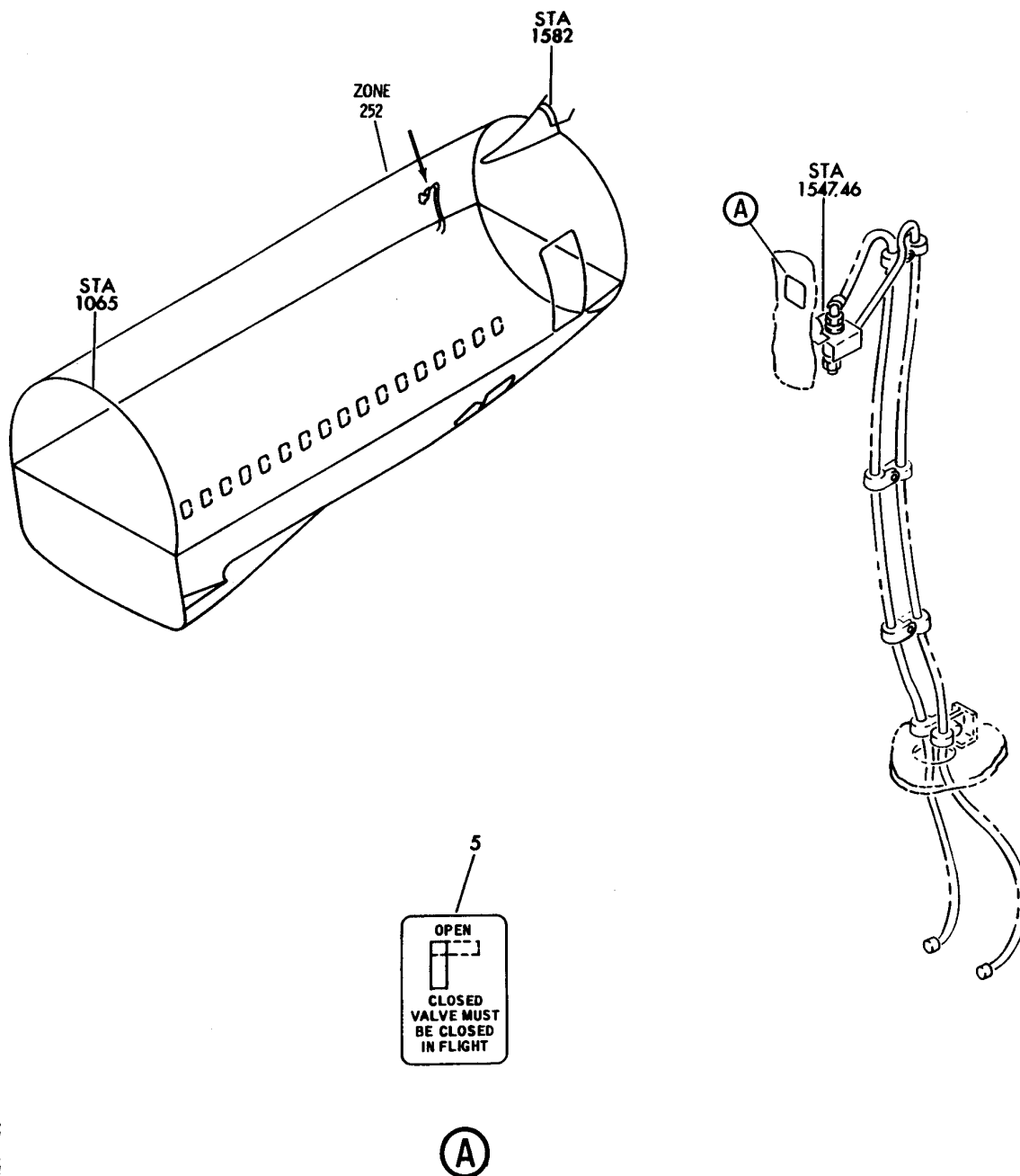
HXL

11-35-01-22A

BOEING PROPRIETARY - Copyright © - Unpublished Work - See title page for details.

11-35-01  
FIG. 22A  
PAGE 1  
DEC 22/07

**BOEING**  
767  
PARTS CATALOG (MAINTENANCE)



V 11350201 REV 133

VALVE INSTL DEPRESSURIZATION (PLACARDS AND MARKINGS ONLY)  
FIGURE 1

**11-35-02-01**

HXL  
DEC 22/06

11-35-02-01  
PAGE 0



767

PARTS CATALOG (MAINTENANCE)

FIG ITEM	PART NUMBER	1 2 3 4 5 6 7	NOMENCLATURE	EFFECT FROM TO	UNITS PER ASSY
1			VALVE INSTL DEPRESSURIZATION (PLACARDS AND MARKINGS ONLY)	163999	
- 1	417T2126-11		VALVE INSTL- DEPRESSURIZATION (PLACARDS AND MARKINGS ONLY) FOR NHA/OTHER SYS DET SEE: 38-15-09-03	163999	RF
5	BAC27TPPS0267		.MARKER-ALUMINUM FOIL	163999	1

ILLUSTRATION ITEMS NOT ON PARTS LIST ARE NOT APPLICABLE

- ITEM NOT ILLUSTRATED

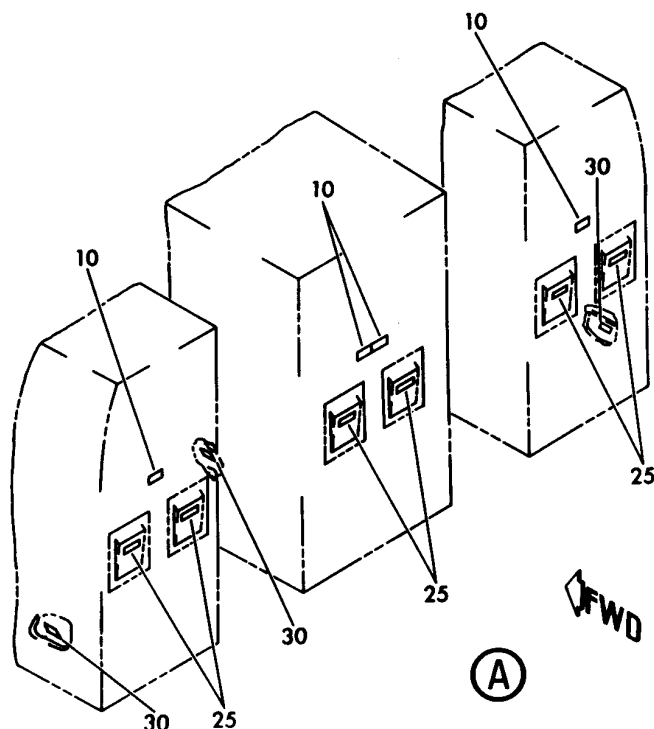
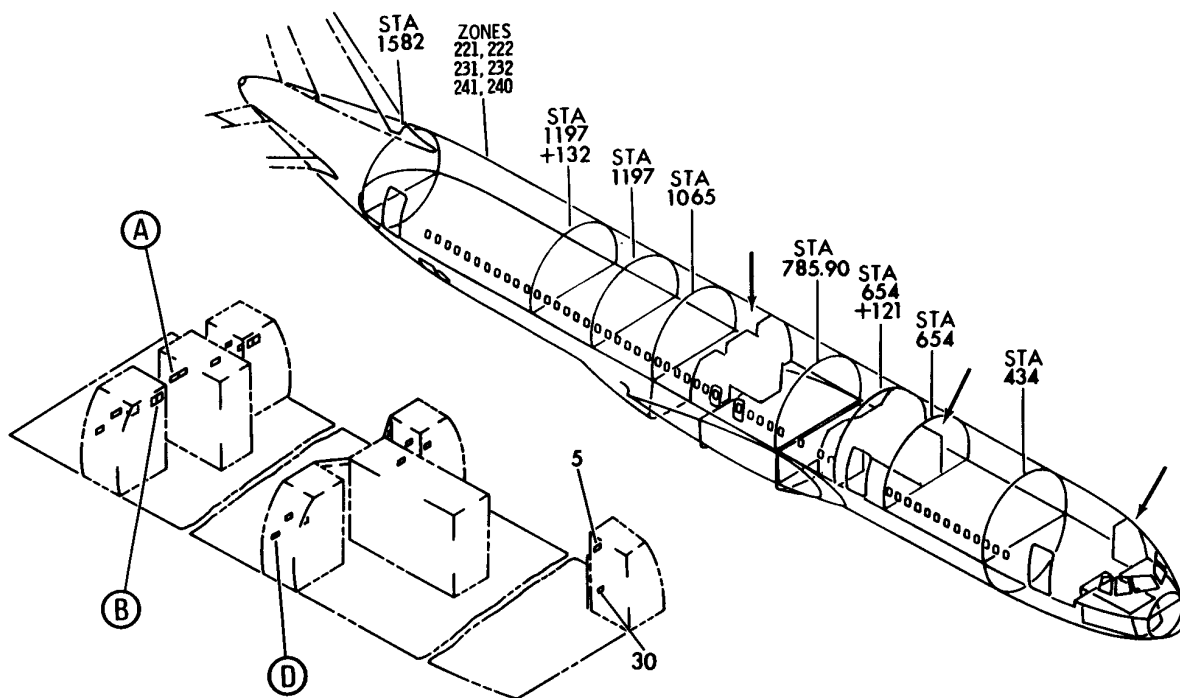
HXL

11-35-02-01

BOEING PROPRIETARY - Copyright © - Unpublished Work - See title page for details.

11-35-02  
FIG. 01  
PAGE 1  
APR 22/09

**BOEING**  
767  
PARTS CATALOG (MAINTENANCE)



V 11350203 SHT 1 REV 128

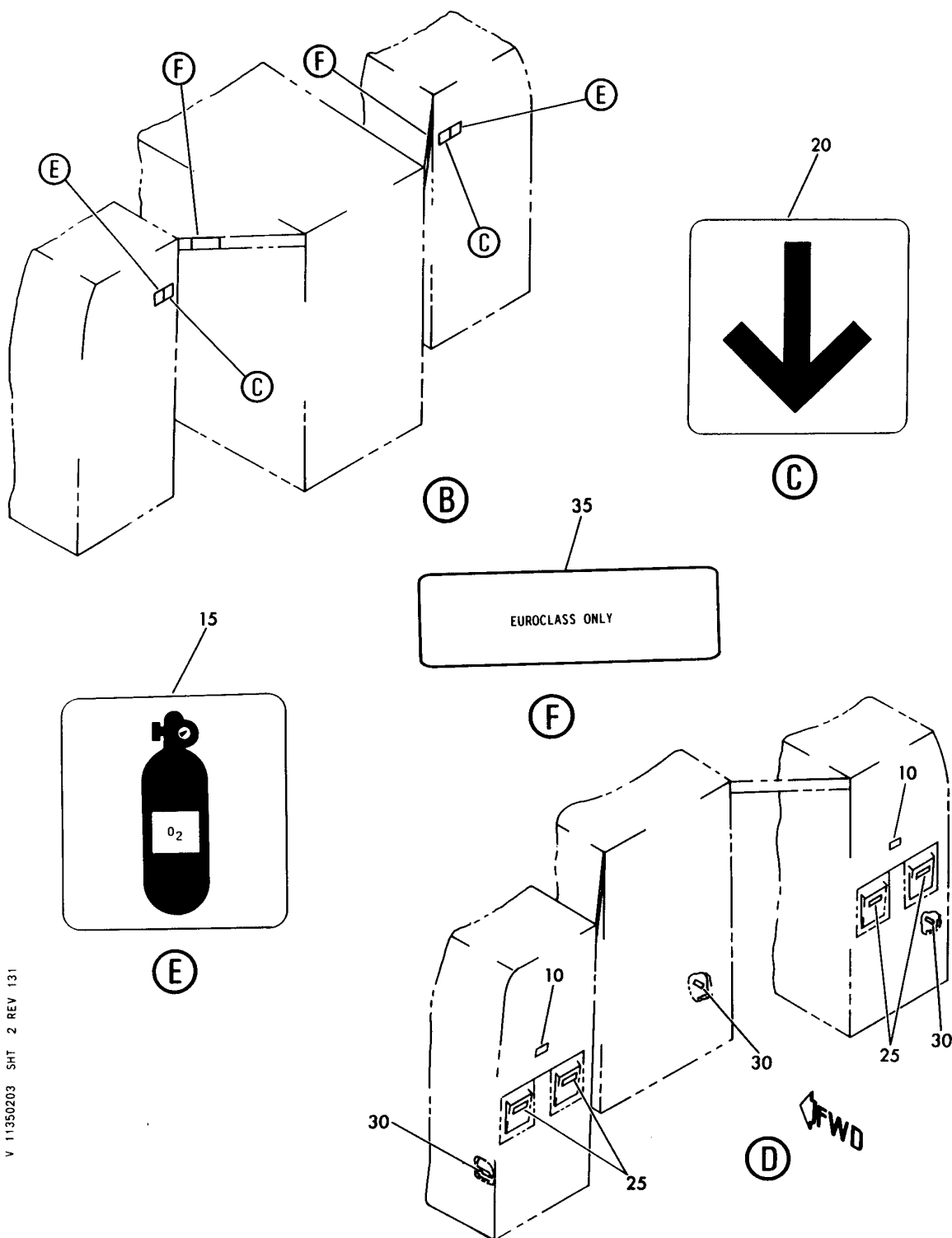
PLACARD INSTL-SAS CAB INTR (LAVATORIES ONLY)  
FIGURE 3 (SHEET 1)

**11-35-02-03**

HXL  
DEC 22/06

11-35-02-03  
PAGE 0

**BOEING**  
767  
PARTS CATALOG (MAINTENANCE)



V 11350203 SHT 2 REV 131

PLACARD INSTL-SAS CAB INTR (LAVATORIES ONLY)  
FIGURE 3 (SHEET 2)

**11-35-02-03**

HXL  
DEC 22/06

11-35-02-03  
PAGE 0A



767

PARTS CATALOG (MAINTENANCE)

FIG ITEM	PART NUMBER	1 2 3 4 5 6 7	NOMENCLATURE	EFFECT FROM TO	UNITS PER ASSY
3			PLACARD INSTL-SAS CAB INTR (LAVATORIES ONLY)		
- 1	414T5053-4		PLACARD INSTL-SAS CAB. INTR (LAVATORIES ONLY) FOR NHA/OTHER SYS DET SEE: 25-20-00-14A	163999	RF
- 1	414T5053-9		PLACARD INSTL-SAS CAB. INTR (LAVATORIES ONLY) FOR NHA/OTHER SYS DET SEE: 25-20-00-14A	155162	RF
	5 BAC29PPS3526		.PLACARD- PLACARD CONTENT: LIFE VEST LOCATED IN HEADREST		1
	10 BAC29PPS11408		.PLACARD- PLACARD CONTENT: DO NOT USE COAT HOOKS DURING TAXI TAKEOFF AND LANDING		6
	15 BAC29UPPS0137		.PLACARD-SYMBOL		2
	20 BAC29UPPS0175		.PLACARD-SYMBOL		2
	25 BAC29PPS4301		.PLACARD- PLACARD CONTENT: LIFE VEST UNDER YOUR SEAT FASTEN SEAT BELT WHILE SEATED		10
	30 482777		.PLACARD- SUPPLIER CODE: V1009B PLACARD CONTENT: WATER SYSTEM SHUT-OFF VALVE POST AIRLINE MOD: MTO-380227A VSAS		7
	35 DA300180-9		.PLACARD- SUPPLIER CODE: V1009B PLACARD CONTENT: EURO CLASS ONLY POST AIRLINE MOD: MT0110443 VSAS		2

ILLUSTRATION ITEMS NOT ON PARTS LIST ARE NOT APPLICABLE

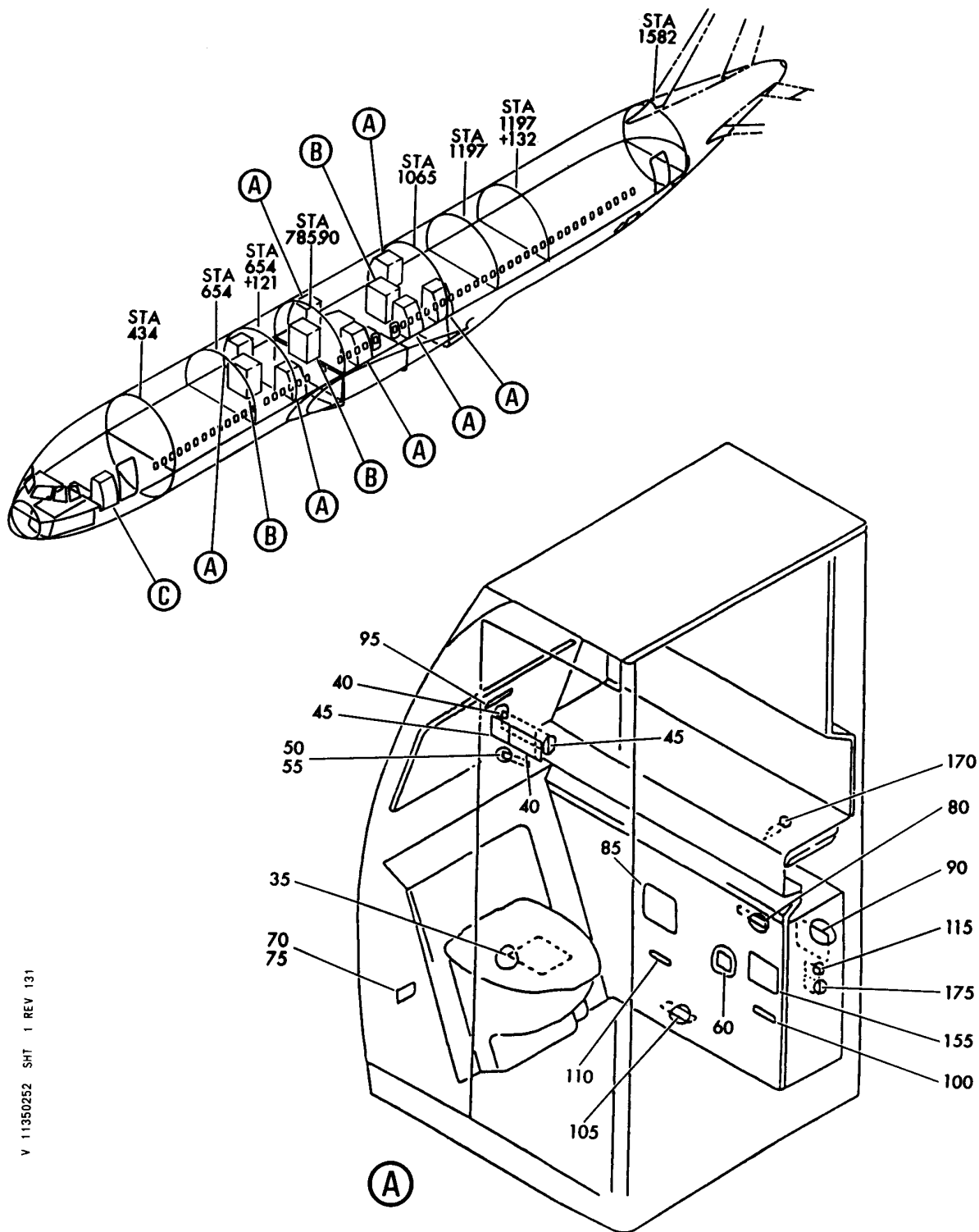
- ITEM NOT ILLUSTRATED

11-35-02-03

11-35-02  
FIG. 03  
PAGE 1  
DEC 22/07

HXL

**BOEING**  
767  
PARTS CATALOG (MAINTENANCE)



V 11350252 SHT 1 REV 131

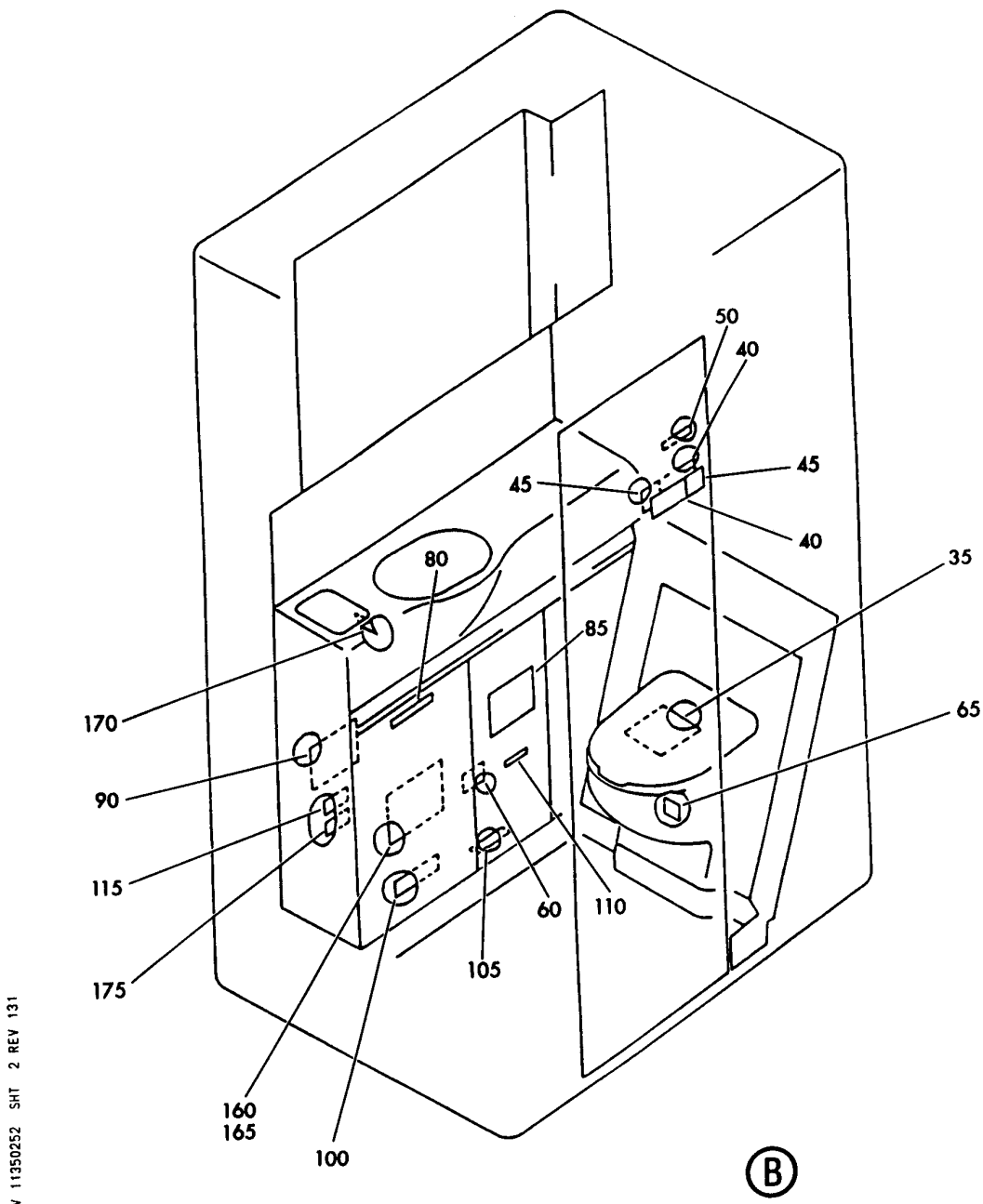
PLACARD INSTL-LAV  
FIGURE 52 (SHEET 1)

**11-35-02-52**

HXL  
DEC 22/06

11-35-02-52  
PAGE 0

**BOEING**  
767  
PARTS CATALOG (MAINTENANCE)



PLACARD INSTL-LAV  
FIGURE 52 (SHEET 2)

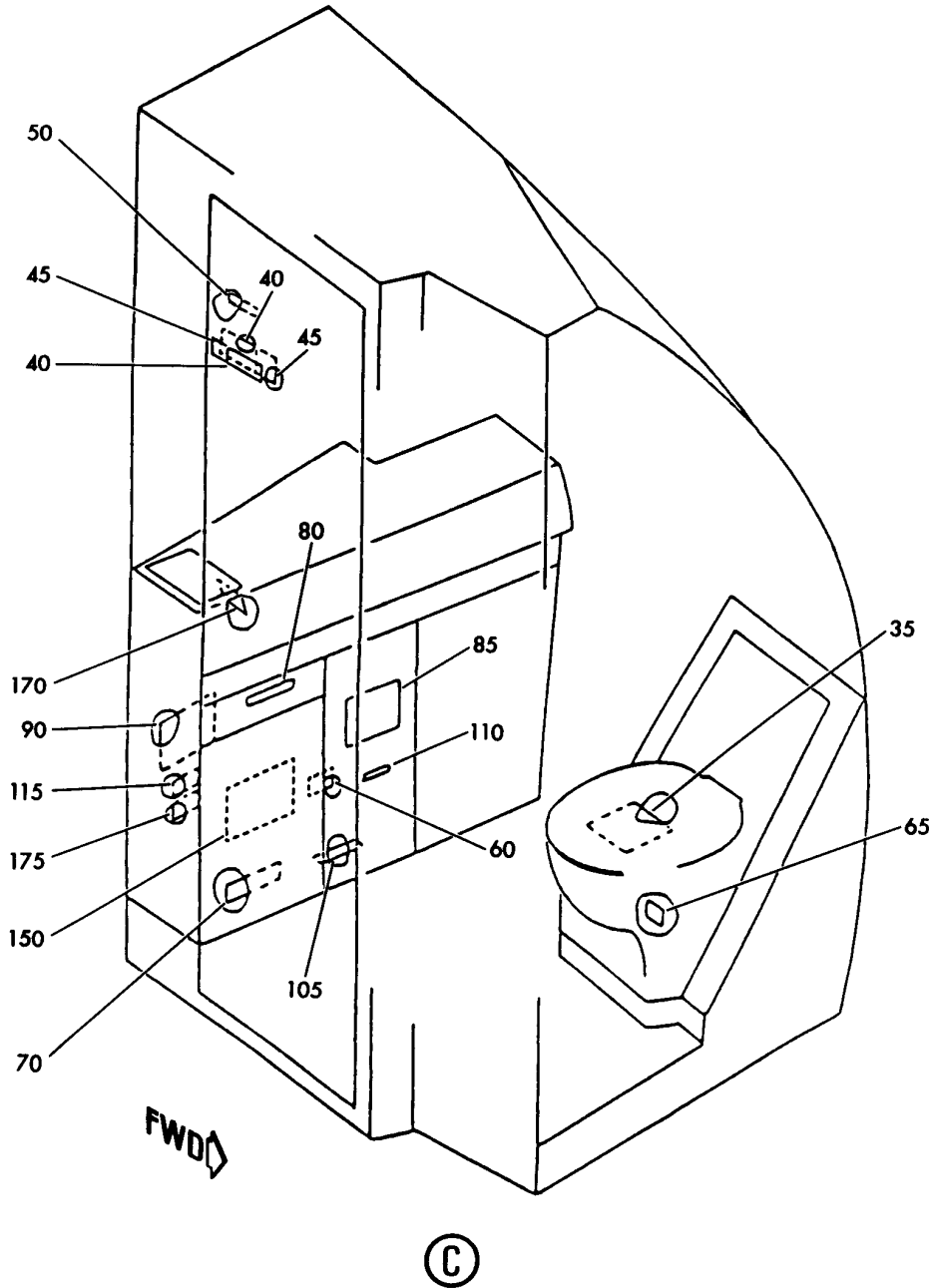
**11-35-02-52**

HXL  
DEC 22/06

11-35-02-52  
PAGE 0A



**BOEING**  
767  
PARTS CATALOG (MAINTENANCE)



V 11350252 SHT 3 REV 131

PLACARD INSTL-LAV  
FIGURE 52 (SHEET 3)

**11-35-02-52**

HXL  
DEC 22/06

11-35-02-52  
PAGE 0B



767

PARTS CATALOG (MAINTENANCE)

FIG ITEM	PART NUMBER	1 2 3 4 5 6 7	NOMENCLATURE	EFFECT FROM TO	UNITS PER ASSY
52					
- 1	BS060PS355		PLACARD INSTL-LAV PLACARD INSTL-LAV F1 SUPPLIER CODE: VS5065 FOR NHA SEE: 25-41-01-32B		RF
- 5	BS060PS356		PLACARD INSTL-LAV MS15 SUPPLIER CODE: VS5065 FOR NHA SEE: 25-41-03-46B		RF
- 7	BS060PS357		PLACARD INSTL-LAV MS16 SUPPLIER CODE: VS5065 FOR NHA SEE: 25-41-03-46B		RF
- 10	BS060PS358		PLACARD INSTL-LAV MS17 SUPPLIER CODE: VS5065 FOR NHA SEE: 25-41-03-46B		RF
- 13	BS060PS359		PLACARD INSTL-LAV MS18 SUPPLIER CODE: VS5065 FOR NHA SEE: 25-41-03-46B		RF
- 25	BS060PS360		PLACARD INSTL-LAV MS31 AND MS32 SUPPLIER CODE: VS5065 FOR NHA SEE: 25-41-03-52		RF
35	BS060P052-5		.PLACARD- SUPPLIER CODE: VS5065 PLACARD CONTENT: FLUSHING TOILET		1
40	BS060P002-37		.PLACARD- SUPPLIER CODE: VS5065 PLACARD CONTENT: NO SMOKING IN LAVATORY		2
45	BS060P002-35		.PLACARD- SUPPLIER CODE: VS5065 PLACARD CONTENT: NO SMOKING LAVATORY		2

ILLUSTRATION ITEMS NOT ON PARTS LIST ARE NOT APPLICABLE

- ITEM NOT ILLUSTRATED

11-35-02-52

11-35-02  
FIG. 52  
PAGE 1  
DEC 22/07

HXL

 **BOEING**  
767  
**PARTS CATALOG (MAINTENANCE)**

FIG ITEM	PART NUMBER	1 2 3 4 5 6 7	NOMENCLATURE	EFFECT FROM TO	UNITS PER ASSY
52					
50	BS060P003-57		.PLACARD- LAV F1, MS16 AND MS18 LAV F1, MS27 AND MS29 SUPPLIER CODE: VS5065 PLACARD CONTENT: PLEASE LOCK DOOR		1
55	BS060P003-59		.PLACARD-LAV MS15, MS17 M31 AND M32 SUPPLIER CODE: VS5065 PLACARD CONTENT: PLEASE LOCK DOOR		1
60	BS060P004-3		.PLACARD- SUPPLIER CODE: VS5065 PLACARD CONTENT: WATER SHUT OFF VALVE CLOSE AND OPEN		1
65	BS060P006-3		.PLACARD-LAV F1 SUPPLIER CODE: VS5065 PLACARD CONTENT: TOILET RINSE SHUT OFF VALVE OPEN-CLOSE		1
70	BS060P006-13		.PLACARD-LAV MS15, MS17 M31 AND M32 SUPPLIER CODE: VS5065 PLACARD CONTENT: TOILET RINSE SHUT OFF VALVE OPEN-CLOSE		1
75	BS060P006-15		.PLACARD- LAV MS16 AND MS18 LAV MS27 AND MS29 SUPPLIER CODE: VS5065 PLACARD CONTENT: TOILET RINSE SHUT OFF VALVE OPEN-CLOSE		1
80	BS060P007-3		.PLACARD- SUPPLIER CODE: VS5065 PLACARD CONTENT: THIS PANEL ASSY MUST BE INSTALLED FOR DISPATCH		1
ILLUSTRATION ITEMS NOT ON PARTS LIST ARE NOT APPLICABLE					

- ITEM NOT ILLUSTRATED

HXL

# 11-35-02-52

BOEING PROPRIETARY - Copyright © - Unpublished Work - See title page for details.

11-35-02  
FIG. 52  
PAGE 2  
DEC 22/07

 **BOEING**  
767  
**PARTS CATALOG (MAINTENANCE)**

FIG ITEM	PART NUMBER	1 2 3 4 5 6 7	NOMENCLATURE	EFFECT FROM TO	UNITS PER ASSY
52					
85	BS060P008-3		.PLACARD-INSTRUCTION SUPPLIER CODE: VS5065 PLACARD CONTENT: WATER HEATER RESET		1
90	BS060P010-3		.PLACARD- SUPPLIER CODE: VS5065 PLACARD CONTENT: CHECK TEMP INDICATOR		1
95	BS060P015-9		.PLACARD- LAV MS15, MS16, MS17 AND MS18 MS27, MS28, MS29, AND M33 SUPPLIER CODE: VS5065 PLACARD CONTENT: DIAPER CHANGE BOARD		1
100	BS060P026-3		.PLACARD- SUPPLIER CODE: VS5065 PLACARD CONTENT: SINK WATER SUPPLY AND TOILET RINSE WATER SUPPLY		1
105	BS060P027-3		.PLACARD- SUPPLIER CODE: VS5065 PLACARD CONTENT: TOILET RINSE WATER SUPPLY SHUT OFF VALVE INSIDE		1
110	BS060P028-3		.PLACARD- SUPPLIER CODE: VS5065 PLACARD CONTENT: SINK WATER SUPPLY SHUT OFF VALVE INSIDE		1
115	BS060P050-3		.PLACARD-NAME PLATE SUPPLIER CODE: VS5065		1
120	BAC29PPS4279		.PLACARD-LAV MS15, MS16, MS17, MS18, M31 AND M32 PLACARD CONTENT: OPEN DOOR SLOWLY		1
ILLUSTRATION ITEMS NOT ON PARTS LIST ARE NOT APPLICABLE					

- ITEM NOT ILLUSTRATED

HXL

# 11-35-02-52

BOEING PROPRIETARY - Copyright © - Unpublished Work - See title page for details.

11-35-02  
FIG. 52  
PAGE 3  
DEC 22/07



767

PARTS CATALOG (MAINTENANCE)

FIG ITEM	PART NUMBER	1 2 3 4 5 6 7	NOMENCLATURE	EFFECT FROM TO	UNITS PER ASSY
52					
135	BS060P071-3		.PLACARD-LAV M31 SUPPLIER CODE: VS5065 PLACARD CONTENT: LOAD LIMIT 10 LB/4.5 KG		6
145	BS060P071-3		.PLACARD-LAV M32 SUPPLIER CODE: VS5065 PLACARD CONTENT: LOAD LIMIT 10 LB/4.5 KG		4
150	BS061SW61-5		.PLACARD-SCHEMATIC WIRING LAV F1 SUPPLIER CODE: VS5065		1
155	BS063SW81-5		.PLACARD-SCHEMATIC WIRING LAV MS15, MS16, MS17 AND MS18 LAV MS27, MS28, MS29 AND MS30 SUPPLIER CODE: VS5065		1
160	BS066SW81-5		.PLACARD-SCHEMATIC WIRING LAV M31 AND M32 SUPPLIER CODE: VS5065		1
165	BS066SW82-3		.PLACARD-SCHEMATIC WIRING LAV M31 AND M32 SUPPLIER CODE: VS5065		1
170	4A170-77		.PLACARD-TEMP INDICATING TABS SUPPLIER CODE: V82682		1
175	JPPN037A01		.PLACARD- SUPPLIER CODE: VS5065 PLACARD CONTENT: MODIFICATION RECORD		1

ILLUSTRATION ITEMS NOT ON PARTS LIST ARE NOT APPLICABLE

- ITEM NOT ILLUSTRATED

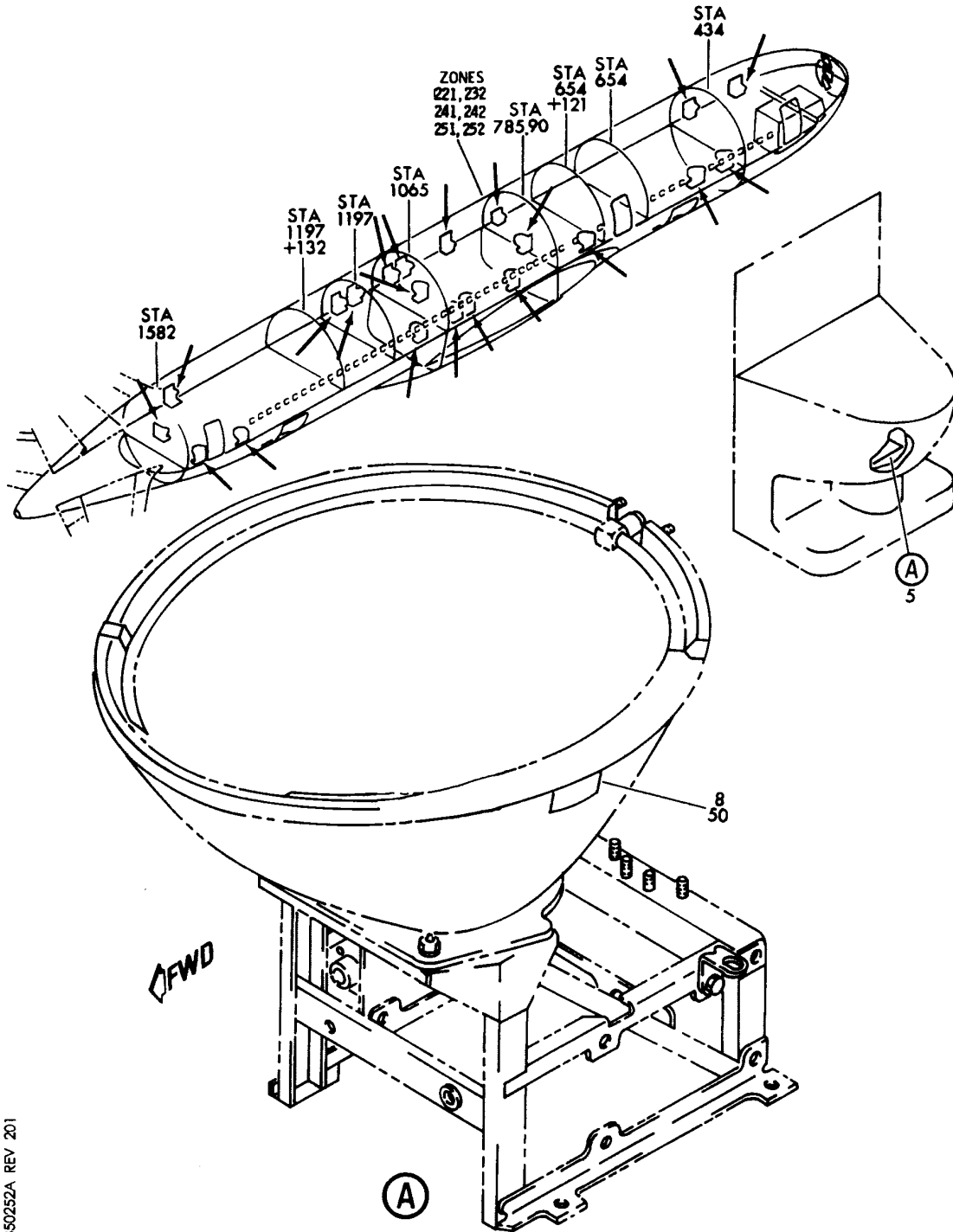
HXL

11-35-02-52

BOEING PROPRIETARY - Copyright © - Unpublished Work - See title page for details.

11-35-02  
FIG. 52  
PAGE 4  
DEC 22/07

**BOEING**  
767  
PARTS CATALOG (MAINTENANCE)



V 11350252A REV 201

TOILET ASSY (PLACARDS AND MARKINGS ONLY)  
FIGURE 52A

**11-35-02-52A**

HXL  
DEC 22/06

11-35-02-52A  
PAGE 0



767

PARTS CATALOG (MAINTENANCE)

FIG ITEM	PART NUMBER	1 2 3 4 5 6 7	NOMENCLATURE	EFFECT FROM TO	UNITS PER ASSY
52A					
- 1	15800-012-1		TOILET ASSY (PLACARDS AND MARKINGS ONLY)		RF
50	15800-208		TOILET ASSY- LAV F1, MS4, A4 AND AC5 LAV F1 AND A4 (PLACARDS AND MARKINGS ONLY) SUPPLIER CODE: V29780 SPECIFICATION NUMBER: S417T104-35 COMPONENT MAINT MANUAL REF: 38-33-12 .LABEL- (PULL TO CLOSE VALVE) SUPPLIER CODE: V29780		1

ILLUSTRATION ITEMS NOT ON PARTS LIST ARE NOT APPLICABLE

- ITEM NOT ILLUSTRATED

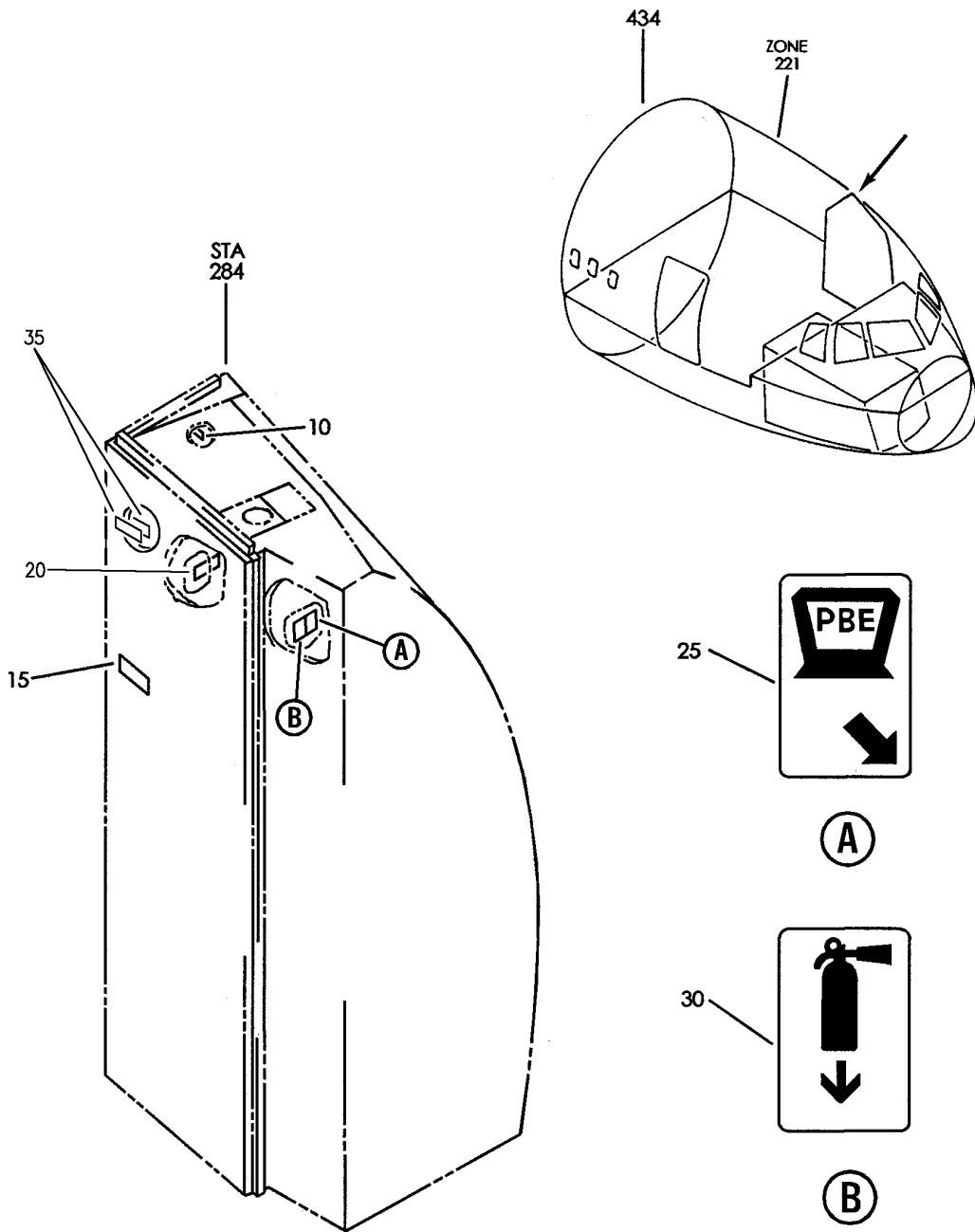
HXL

11-35-02-52A

BOEING PROPRIETARY - Copyright © - Unpublished Work - See title page for details.

11-35-02  
FIG. 52A  
PAGE 1  
DEC 22/07

**BOEING**  
767  
PARTS CATALOG (MAINTENANCE)



V 11350288 REV 279

LAVATORY INSTL-SIDEWALL LAV F1 FWD LH (PLACARDS AND MARKINGS ONLY)  
FIGURE 88

**11-35-02-88**

HXL  
DEC 22/06

11-35-02-88  
PAGE 0





767

PARTS CATALOG (MAINTENANCE)

FIG ITEM	PART NUMBER	1 2 3 4 5 6 7	NOMENCLATURE	EFFECT FROM TO	UNITS PER ASSY
88			LAVATORY INSTL-SIDEWALL LAV F1 FWD LH (PLACARDS AND MARKINGS ONLY)		
- 4	417T1201-72		LAVATORY INSTL-SIDEWALL LAV F1 (PLACARDS AND MARKINGS ONLY) (FOR NHA AND OTHER POSITION DATA: FWD LH FOR NHA/OTHER SYS DET SEE: 25-20-00-17D	163999	RF
- 4	417T1201-73		LAVATORY INSTL-SIDEWALL LAV F1 (PLACARDS AND MARKINGS ONLY) (FOR NHA AND OTHER POSITION DATA: FWD LH FOR NHA/OTHER SYS DET SEE: 25-20-00-17D	155162	RF
10	BAC27TPPS0301		.PLACARD- PLACARD CONTENT: LOAD LIMIT 10 LB/4 KG		1
15	484978B		.PLACARD- SUPPLIER CODE: V1009B PLACARD CONTENT: CREW ONLY POST AIRLINE MOD: MTO-110436 VSAS		1
35	BAC29PPS53977		.PLACARD- PLACARD CONTENT: ENGAGE UPPER RESTRAINT TO SECURE DOOR OPEN POST SERVICE BULLETIN: 25-0325R10	163999	2

ILLUSTRATION ITEMS NOT ON PARTS LIST ARE NOT APPLICABLE

- ITEM NOT ILLUSTRATED

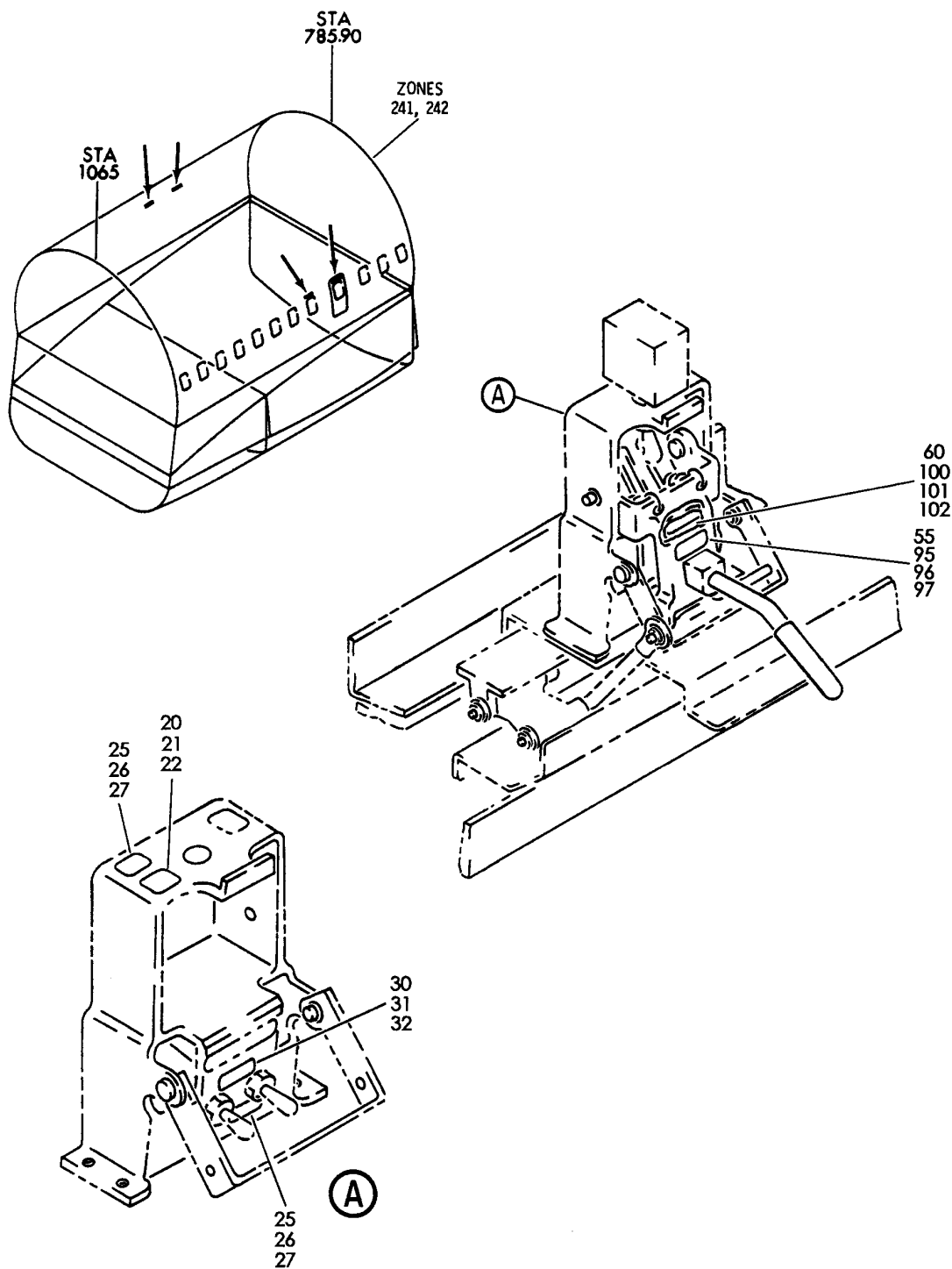
HXL

11-35-02-88

BOEING PROPRIETARY - Copyright © - Unpublished Work - See title page for details.

11-35-02  
FIG. 88  
PAGE 1  
DEC 22/07

**BOEING**  
767  
PARTS CATALOG (MAINTENANCE)



V 11350302 REV 216

PANEL ASSY-OFF WING ESCAPE SLIDE DOOR AUTO ACTR (PLACARDS AND MARKINGS ONLY)  
FIGURE 2

**11-35-03-02**

HXL  
DEC 22/06

11-35-03-02  
PAGE 0



767

PARTS CATALOG (MAINTENANCE)

FIG ITEM	PART NUMBER	1 2 3 4 5 6 7	NOMENCLATURE	EFFECT FROM TO	UNITS PER ASSY
2			PANEL ASSY-OFF WING ESCAPE SLIDE DOOR AUTO ACTR (PLACARDS AND MARKINGS ONLY)		
- 1	284T0501-41		PANEL ASSY-OFF WING ESCAPE SLIDE DOOR AUTO ACTR (PLACARDS AND MARKINGS ONLY) POSITION DATA: FWD LH STA 868 FOR NHA/OTHER SYS DET SEE: 25-65-15-04		RF
- 5	284T0501-42		PANEL ASSY-OFF WING ESCAPE SLIDE DOOR AUTO ACTR (PLACARDS AND MARKINGS ONLY) POSITION DATA: FWD RH STA 868 FOR NHA/OTHER SYS DET SEE: 25-65-15-04		RF
- 10	284T0501-39		PANEL ASSY-OFF WING ESCAPE SLIDE DOOR AUTO ACTR (PLACARDS AND MARKINGS ONLY) POSITION DATA: AFT LH STA 912 FOR NHA/OTHER SYS DET SEE: 25-65-15-04		RF
- 15	284T0501-40		PANEL ASSY-OFF WING ESCAPE SLIDE DOOR AUTO ACTR (PLACARDS AND MARKINGS ONLY) POSITION DATA: AFT RH STA 912 FOR NHA/OTHER SYS DET SEE: 25-65-15-04		RF
20	BAC27TEX2852		.DECAL- PLACARD CONTENT: SAFE		1
25	BAC27TEX2853		.DECAL- PLACARD CONTENT: ARM		2
30	BAC27TEX2854		.DECAL- PLACARD CONTENT: FIRE		1
ILLUSTRATION ITEMS NOT ON PARTS LIST ARE NOT APPLICABLE					

- ITEM NOT ILLUSTRATED

11-35-03-02

11-35-03  
FIG. 02  
PAGE 1  
DEC 22/07

HXL



767

PARTS CATALOG (MAINTENANCE)

FIG ITEM	PART NUMBER	1 2 3 4 5 6 7	NOMENCLATURE	EFFECT FROM TO	UNITS PER ASSY
2					
- 80	284T0501-35		.PANEL ASSY- POSITION DATA: LH SIDE PRE SERVICE BULLETIN: 25-0212		RF
- 80	284T0501-45		.PANEL ASSY- POSITION DATA: LH SIDE POST SERVICE BULLETIN: 25-0212		RF
- 85	284T0501-36		.PANEL ASSY- POSITION DATA: RH SIDE PRE SERVICE BULLETIN: 25-0212		RF
- 85	284T0501-46		.PANEL ASSY- POSITION DATA: RH SIDE POST SERVICE BULLETIN: 25-0212		RF
- 90	284T0865-8		..HANDLE AND ACTUATOR ASSY-		RF
95	BAC27TEX2830		...DECAL- PLACARD CONTENT: SAFE		1
100	BAC27TEX2991		...DECAL- PLACARD CONTENT: ARMED PULL HANDLE DOWN DOWN FOR MAINTENANCE		1

ILLUSTRATION ITEMS NOT ON PARTS LIST ARE NOT APPLICABLE

- ITEM NOT ILLUSTRATED

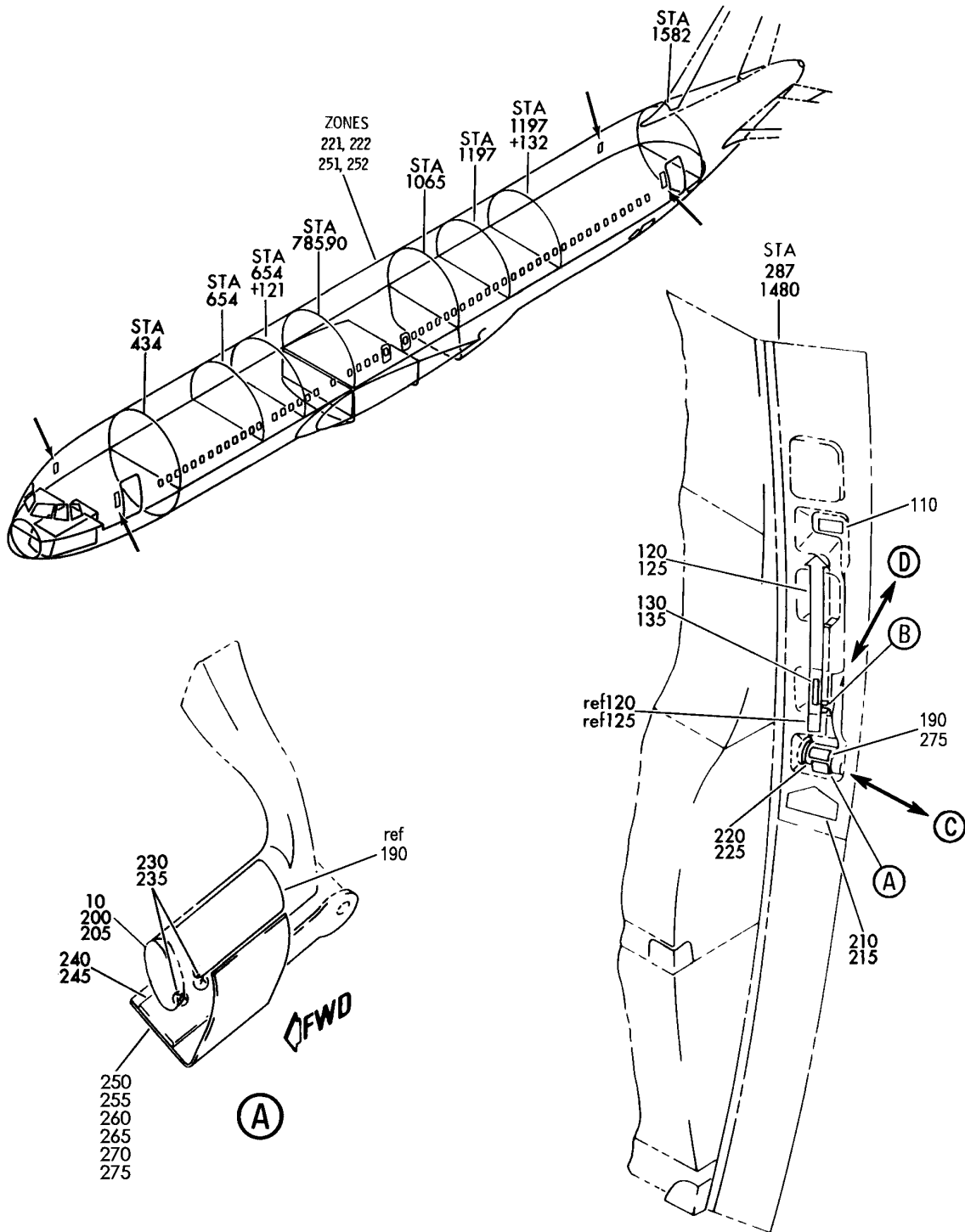
HXL

11-35-03-02

BOEING PROPRIETARY - Copyright © - Unpublished Work - See title page for details.

11-35-03  
FIG. 02  
PAGE 2  
DEC 22/07

**BOEING**  
767  
PARTS CATALOG (MAINTENANCE)



V 11350313 SH1 1 REV 331

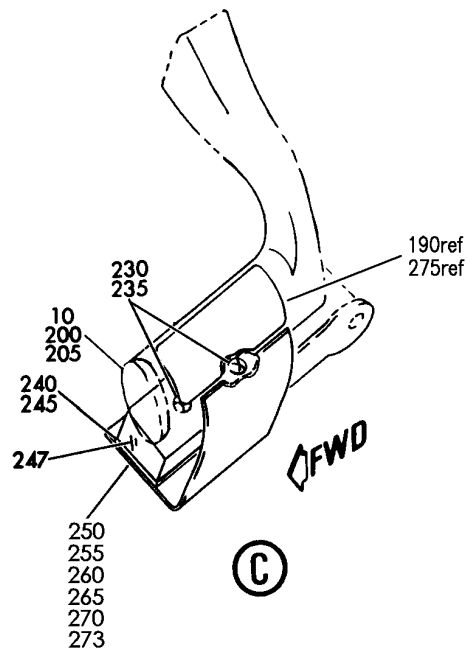
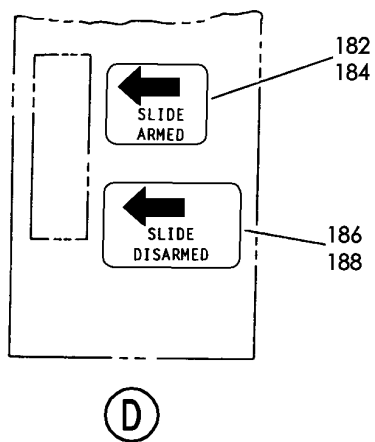
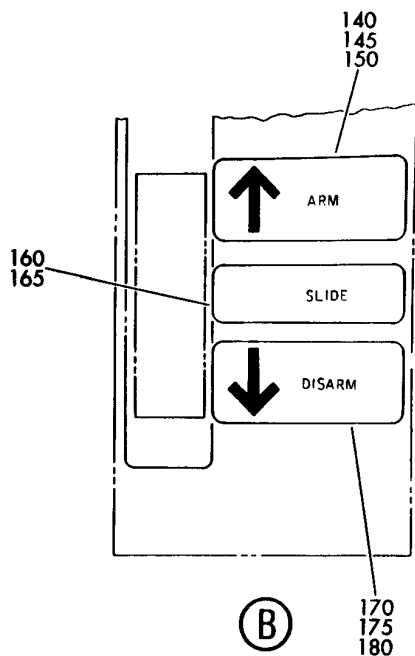
PLACARD INSTL-ENTRY AND SVCE DOORS  
FIGURE 13 (SHEET 1)

**11-35-03-13**

HXL  
AUG 22/08

11-35-03-13  
PAGE 0

**BOEING**  
767  
PARTS CATALOG (MAINTENANCE)



V 11350313 SHT 2 REV 331

PLACARD INSTL-ENTRY AND SVCE DOORS  
FIGURE 13 (SHEET 2)

**11-35-03-13**

HXL  
AUG 22/08

11-35-03-13  
PAGE 0A

**BOEING**  
767  
**PARTS CATALOG (MAINTENANCE)**

FIG ITEM	PART NUMBER	1 2 3 4 5 6 7	NOMENCLATURE	EFFECT FROM TO	UNITS PER ASSY
13			PLACARD INSTL-ENTRY AND SVCE DOORS		
- 100	414T5006-15		PLACARD INSTL-DOOR POSITION DATA: FWD VARIABLE DRAWING REF: 414T5006-5021 FOR NHA SEE: 11-35-03-15		RF
- 105	414T5006-16		PLACARD INSTL-DOOR POSITION DATA: AFT VARIABLE DRAWING REF: 414T5006-5022 FOR NHA SEE: 11-35-03-15		RF
110	BAC29PPS3009		.PLACARD- PLACARD CONTENT: OPEN		1
120	BAC29PPS4063		.PLACARD		1
130	BAC29PPS4064		.PLACARD		1
140	BAC29PPS3011		.PLACARD- PLACARD CONTENT: ARM		1
160	BAC29PPS3012		.PLACARD- PLACARD CONTENT: SLIDE		1
170	BAC29PPS3013		.PLACARD- PLACARD CONTENT: DISARM		1
190	BAC29PPS3014		.DECAL- PLACARD CONTENT: PULL		1
200	BAC29PPS4566		.PLACARD- PLACARD CONTENT: WARNING STAND CLEAR HANDLE MAY MOVE SUDDENLY WHEN DOOR OPERATES		1
210	BAC29PPS3010		.PLACARD- PLACARD CONTENT: EXIT PULL HANDLE TO OPEN		1
220	414T5002-34		.TUBING-SHRINK		1
230	BACS12ER08K10		.SCREW- POST SERVICE BULLETIN: 52-0075		2
240	411T2083-11		.PLATE- POST SERVICE BULLETIN: 52-0075		1
ILLUSTRATION ITEMS NOT ON PARTS LIST ARE NOT APPLICABLE					

- ITEM NOT ILLUSTRATED

HXL

# 11-35-03-13

BOEING PROPRIETARY - Copyright © - Unpublished Work - See title page for details.

11-35-03  
FIG. 13  
PAGE 1  
DEC 22/07



767

PARTS CATALOG (MAINTENANCE)

FIG ITEM	PART NUMBER	1 2 3 4 5 6 7	NOMENCLATURE	EFFECT FROM TO	UNITS PER ASSY
13 250	411T2117-11		. FLAG ASSY-ARMING POST SERVICE BULLETIN: 52-0075		1
255	411T2117-28		. FLAG ASSY-ARMING POST SERVICE BULLETIN: 52-0075		1

ILLUSTRATION ITEMS NOT ON PARTS LIST ARE NOT APPLICABLE

- ITEM NOT ILLUSTRATED

HXL

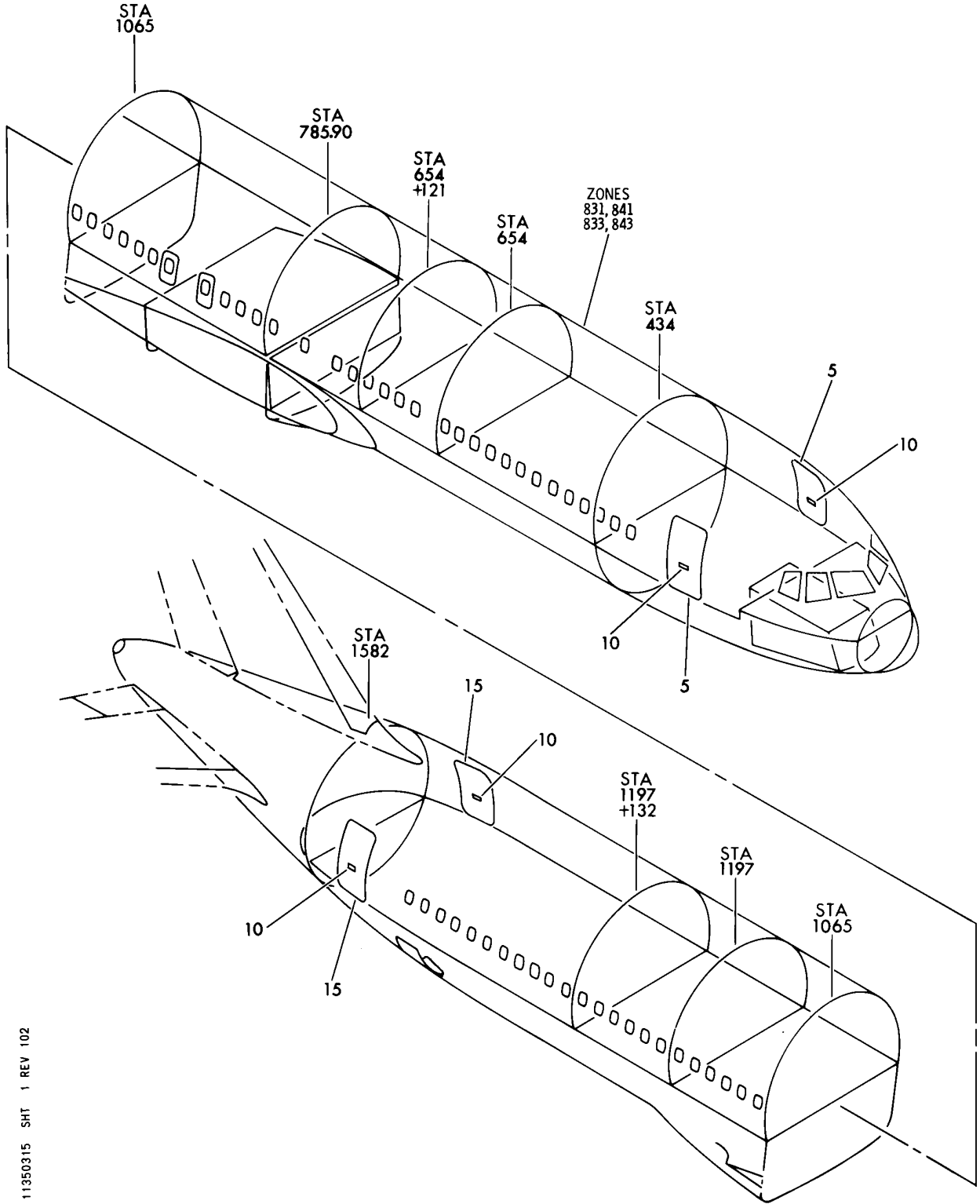
11-35-03-13

BOEING PROPRIETARY - Copyright © - Unpublished Work - See title page for details.

11-35-03  
FIG. 13  
PAGE 2  
DEC 22/07



**BOEING**  
767  
PARTS CATALOG (MAINTENANCE)



V 11350315 SHT 1 REV 102

PLACARD INSTL-SAS CAB. INTR (FWD/AFT ENTRY DOORS AND SVCE DOORS ONLY)  
FIGURE 15

**11-35-03-15**

HXL  
DEC 22/06

11-35-03-15  
PAGE 0



767

PARTS CATALOG (MAINTENANCE)

FIG ITEM	PART NUMBER	1 2 3 4 5 6 7	NOMENCLATURE	EFFECT FROM TO	UNITS PER ASSY
15			PLACARD INSTL-SAS CAB. INTR (FWD/AFT ENTRY DOORS AND SVCE DOORS ONLY)		
- 1	414T5053-4		PLACARD INSTL-SAS CAB. INTR (FWD/AFT ENTRY DOORS AND SVCE DOORS ONLY) FOR NHA/OTHER SYS DET SEE: 25-20-00-14A	163999	RF
- 1	414T5053-9		PLACARD INSTL-SAS CAB. INTR (FWD/AFT ENTRY DOORS AND SVCE DOORS ONLY) FOR NHA/OTHER SYS DET SEE: 25-20-00-14A	155162	RF
5	414T5006-15		.PLACARD INSTL-ENTRY AND SVCE DOOR POSITION DATA: FWD VARIABLE DRAWING REF: 414T5006-5021 FOR DETAILS SEE: 11-35-03-13		2
10	BAC29PPS3060		.PLACARD- PLACARD CONTENT: SLIDE/RAFT		4
15	414T5006-16		.PLACARD INSTL-ENTRY AND SVCE DOOR POSITION DATA: AFT VARIABLE DRAWING REF: 414T5006-5022 FOR DETAILS SEE: 11-35-03-13		2

ILLUSTRATION ITEMS NOT ON PARTS LIST ARE NOT APPLICABLE

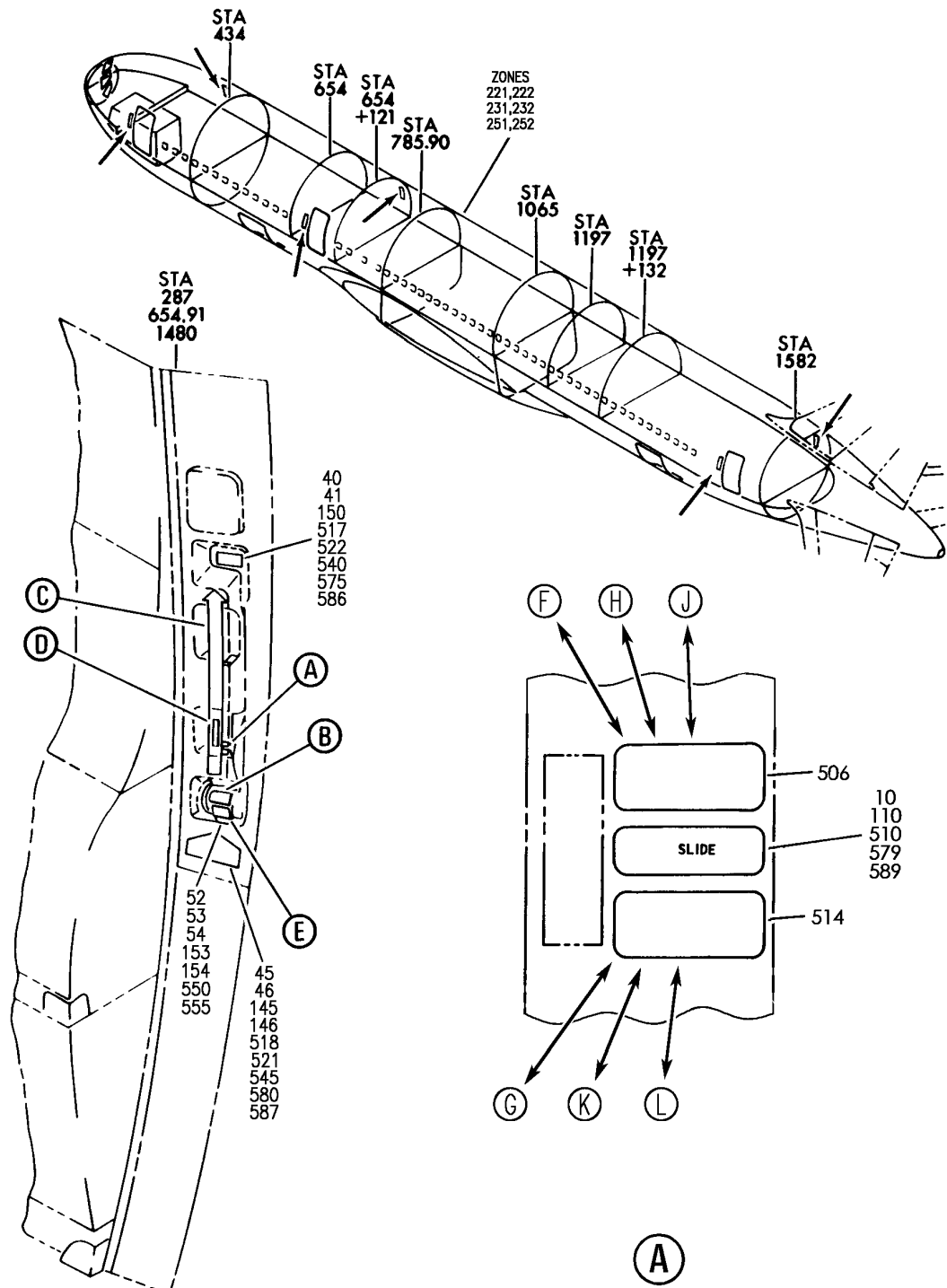
- ITEM NOT ILLUSTRATED

HXL

11-35-03-15

11-35-03  
FIG. 15  
PAGE 1  
DEC 22/07

**BOEING**  
767  
PARTS CATALOG (MAINTENANCE)



V 11350319 SHT 1 REV 329

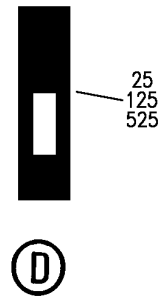
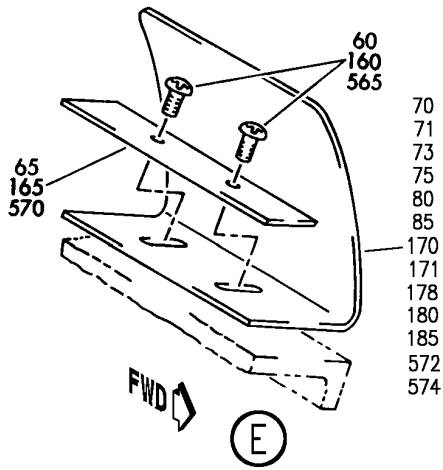
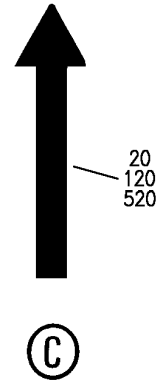
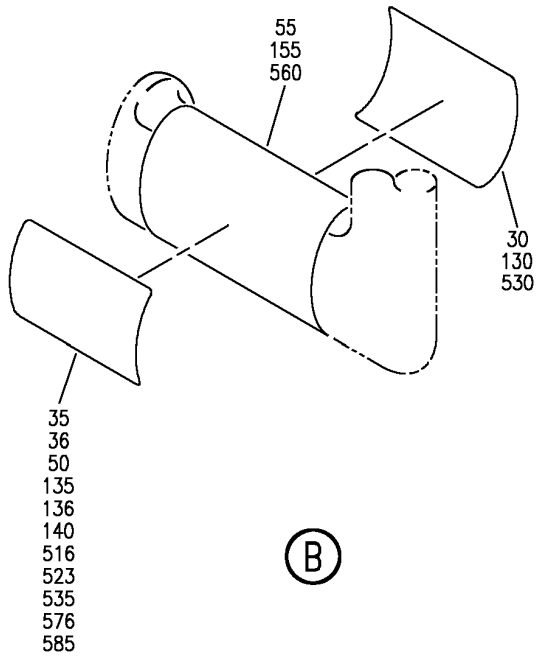
PLACARD INSTL-FWD, CTR AND AFT ENTRY DOORS  
FIGURE 19 (SHEET 1)

**11-35-03-19**

HXL  
AUG 22/08

11-35-03-19  
PAGE 0

**BOEING**  
767  
PARTS CATALOG (MAINTENANCE)



V 11350319 SH1 2 REV 329

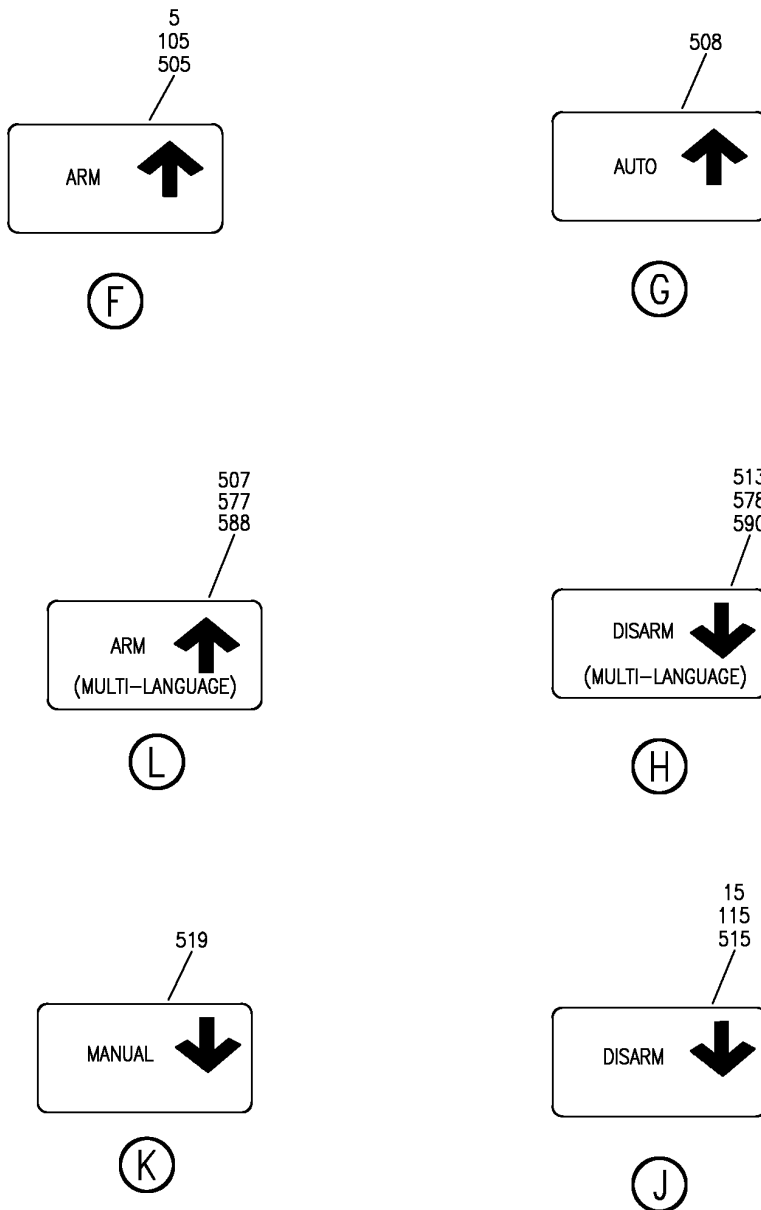
PLACARD INSTL-FWD, CTR AND AFT ENTRY DOORS  
FIGURE 19 (SHEET 2)

**11-35-03-19**

HXL  
AUG 22/08

11-35-03-19  
PAGE 0A

**BOEING**  
767  
PARTS CATALOG (MAINTENANCE)



V 11350319 SH-T 3 REV 329

PLACARD INSTL-FWD, CTR AND AFT ENTRY DOORS  
FIGURE 19 (SHEET 3)

**11-35-03-19**

HXL  
AUG 22/08

11-35-03-19  
PAGE 0B



767

PARTS CATALOG (MAINTENANCE)

FIG ITEM	PART NUMBER	1 2 3 4 5 6 7 NOMENCLATURE	EFFECT FROM TO	UNITS PER ASSY
19		PLACARD INSTL-FWD, CTR AND AFT ENTRY DOORS		
53	BAC29PPS23426	.PLACARD- PLACARD CONTENT: EMERGENCY ONLY POST SERVICE BULLETIN: 52-0066		1
154	BAC29PPS23426	.PLACARD- PLACARD CONTENT: EMERGENCY ONLY		1

ILLUSTRATION ITEMS NOT ON PARTS LIST ARE NOT APPLICABLE

- ITEM NOT ILLUSTRATED

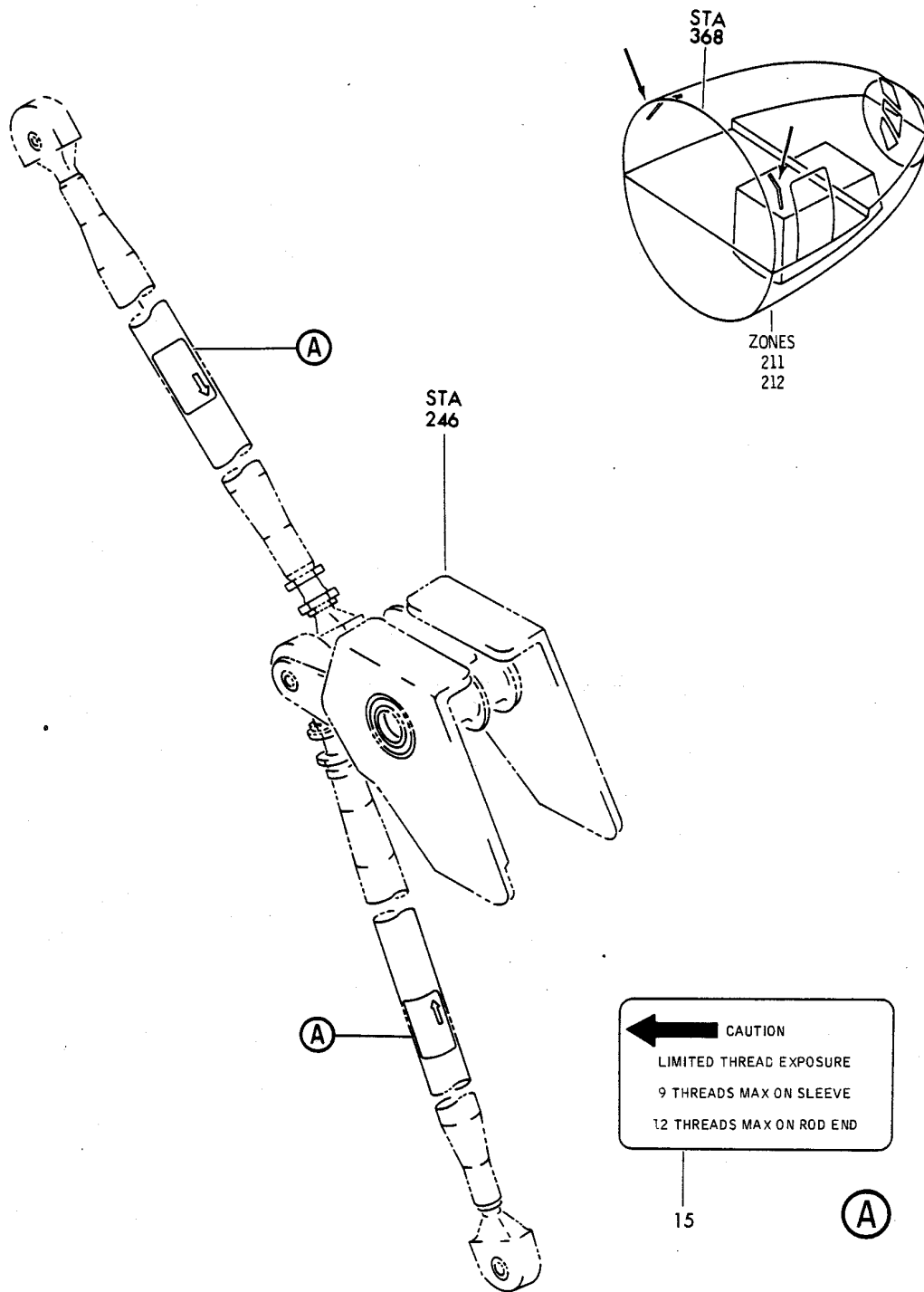
HXL

11-35-03-19

BOEING PROPRIETARY - Copyright © - Unpublished Work - See title page for details.

11-35-03  
FIG. 19  
PAGE 1  
DEC 22/07

**BOEING**  
767  
PARTS CATALOG (MAINTENANCE)



V 11350401 SHT 1 REV 043

ROD ASSY-PUSH (PLACARDS AND MARKINGS ONLY)  
FIGURE 1

**11-35-04-01**

HXL  
DEC 22/06

11-35-04-01  
PAGE 0



767

PARTS CATALOG (MAINTENANCE)

FIG ITEM	PART NUMBER	1 2 3 4 5 6 7	NOMENCLATURE	EFFECT FROM TO	UNITS PER ASSY
1			ROD ASSY-PUSH (PLACARDS AND MARKINGS ONLY)		
- 1	141T6170-16		ROD ASSY-PUSH (PLACARDS AND MARKINGS ONLY) POSITION DATA: LH FOR NHA/OTHER SYS DET SEE: 52-11-13-01 52-11-32-01		RF
- 5	141T6170-17		ROD ASSY-PUSH (PLACARDS AND MARKINGS ONLY) POSITION DATA: RH FOR NHA/OTHER SYS DET SEE: 52-11-13-01 52-11-32-01		RF
- 10	141T6170-3		ROD ASSY-PUSH (PLACARDS AND MARKINGS ONLY) FOR NHA/OTHER SYS DET SEE: 52-11-13-01 52-11-32-01		RF
15	BAC27TBY0020		.MARKER-ALUMINUM FOIL		1

ILLUSTRATION ITEMS NOT ON PARTS LIST ARE NOT APPLICABLE

- ITEM NOT ILLUSTRATED

HXL

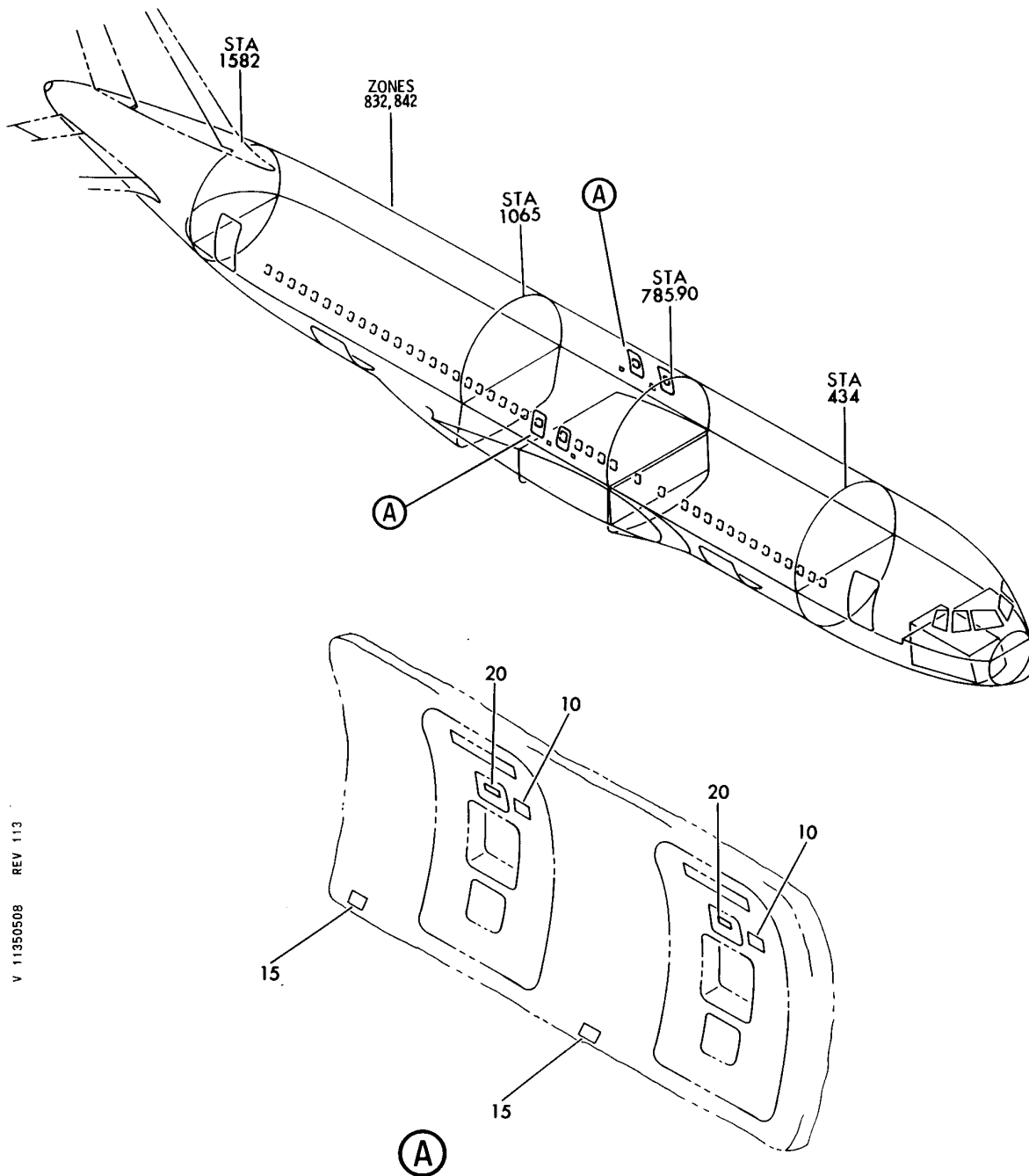
11-35-04-01

BOEING PROPRIETARY - Copyright © - Unpublished Work - See title page for details.

11-35-04  
FIG. 01  
PAGE 1  
APR 22/09



**BOEING**  
767  
PARTS CATALOG (MAINTENANCE)



V 11350508 REV 113

PLACARD INSTL-SAS CAB. INTR (OVERWING EMER EXIT DOORS/ESCAPE SLIDE ONLY)  
FIGURE 8

**11-35-05-08**

HXL  
DEC 22/06

11-35-05-08  
PAGE 0



767

PARTS CATALOG (MAINTENANCE)

FIG ITEM	PART NUMBER	1 2 3 4 5 6 7	NOMENCLATURE	EFFECT FROM TO	UNITS PER ASSY
8			PLACARD INSTL-SAS CAB. INTR (OVERWING EMER EXIT DOORS/ESCAPE SLIDE ONLY)		
- 1	414T5053-4		PLACARD INSTL-SAS CAB. INTR (OVERWING EMER EXIT DOORS/ESCAPE SLIDE ONLY) FOR NHA/OTHER SYS DET SEE: 25-20-00-14A	163999	RF
- 1	414T5053-9		PLACARD INSTL-SAS CAB. INTR (OVERWING EMER EXIT DOORS/ESCAPE SLIDE ONLY) FOR NHA/OTHER SYS DET SEE: 25-20-00-14A	155162	RF
10	BAC29PPS3068		.PLACARD- PLACARD CONTENT: ESCAPE SLIDE		4
15	BAC29PPS4865		.PLACARD- PLACARD CONTENT: STOW FOOTRESTS DURING TAKEOFF AND LANDING		4
20	BAC29PPS2571		.PLACARD- PLACARD CONTENT: EMERGENCY USE ONLY REMOVE COVER	163999	4

ILLUSTRATION ITEMS NOT ON PARTS LIST ARE NOT APPLICABLE

- ITEM NOT ILLUSTRATED

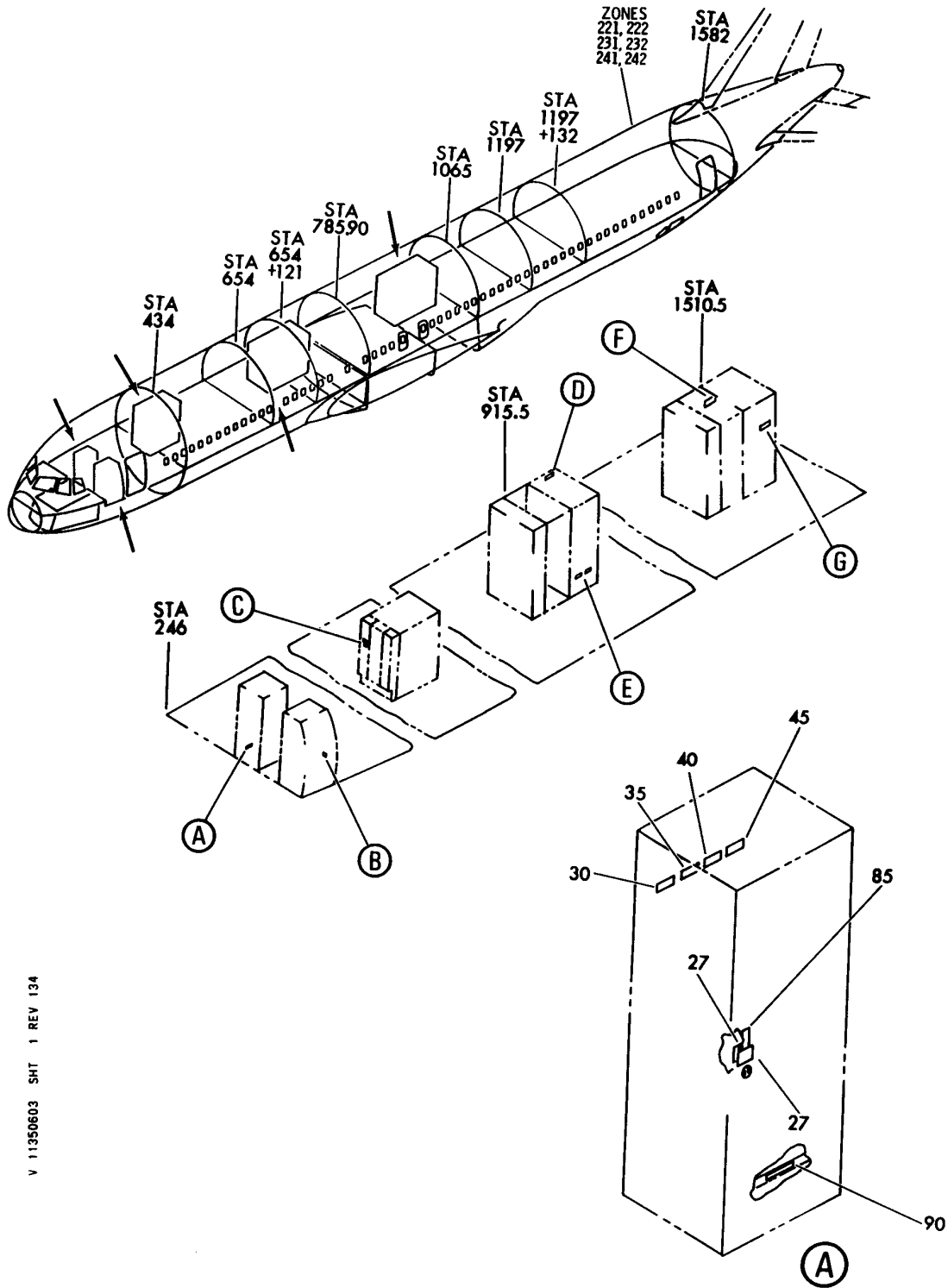
HXL

11-35-05-08

BOEING PROPRIETARY - Copyright © - Unpublished Work - See title page for details.

11-35-05  
FIG. 08  
PAGE 1  
DEC 22/07

**BOEING**  
767  
PARTS CATALOG (MAINTENANCE)



V 11350603 SHT 1 REV 134

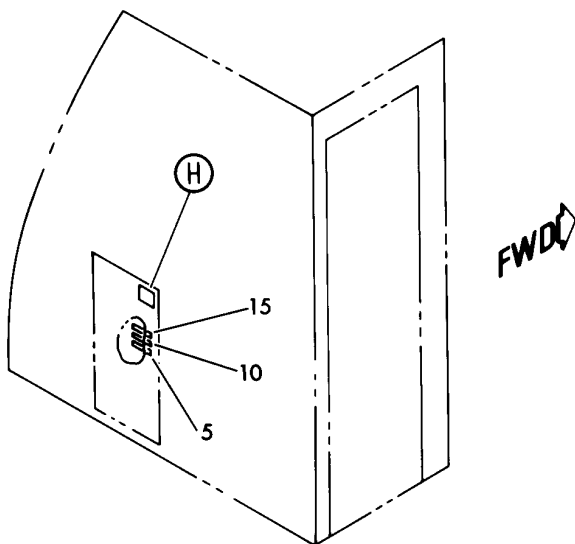
PLACARD INSTL-SAS CAB. INTR (GENERAL STOWAGE CLOSETS/CABINETS ONLY)  
FIGURE 3 (SHEET 1)

**11-35-06-03**

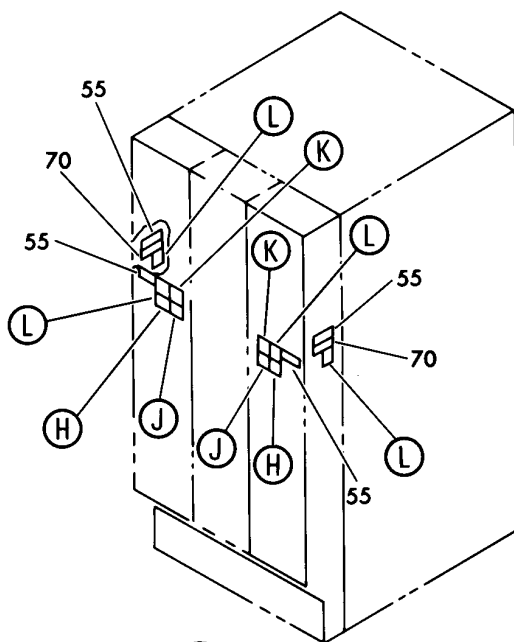
HXL  
DEC 22/06

11-35-06-03  
PAGE 0

**BOEING**  
767  
PARTS CATALOG (MAINTENANCE)



(B)



(C)

V 11350603 SHT 2 REV 102

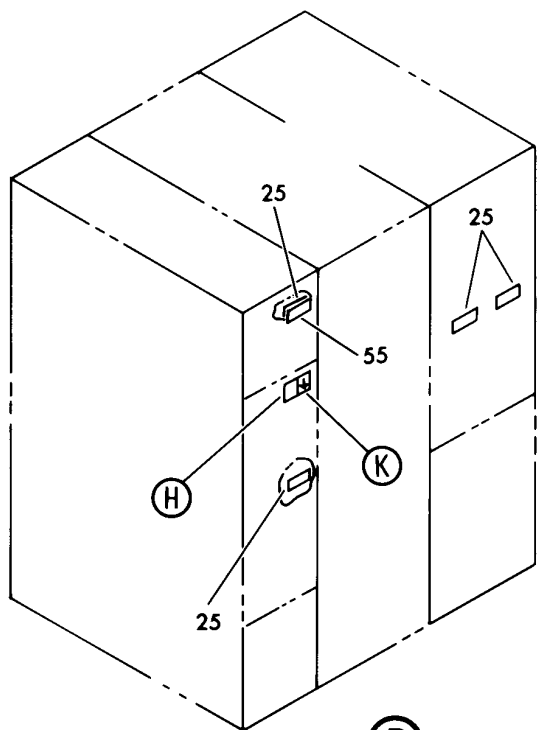
PLACARD INSTL-SAS CAB. INTR (GENERAL STOWAGE CLOSETS/CABINETS ONLY)  
FIGURE 3 (SHEET 2)

**11-35-06-03**

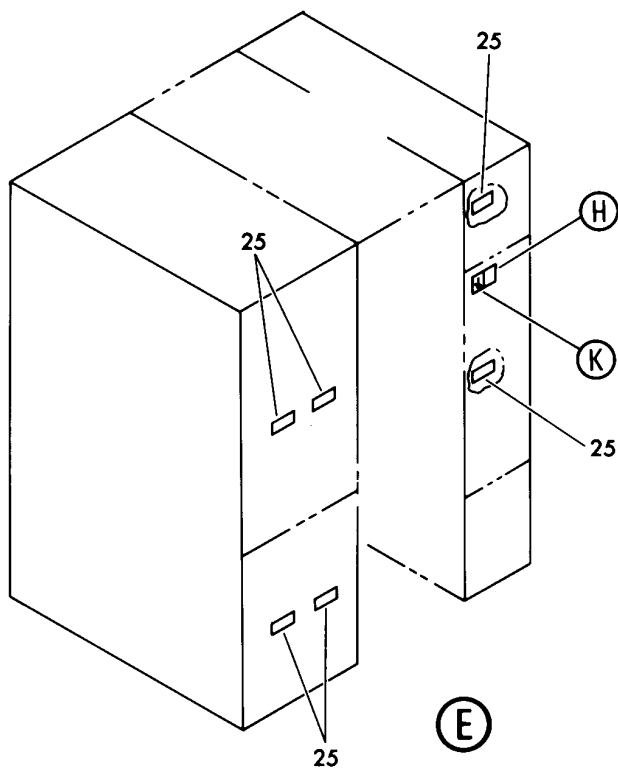
HXL  
DEC 22/06

11-35-06-03  
PAGE 0A

**BOEING**  
767  
PARTS CATALOG (MAINTENANCE)



(D)



(E)

V 11350603 SHT 3 REV 102

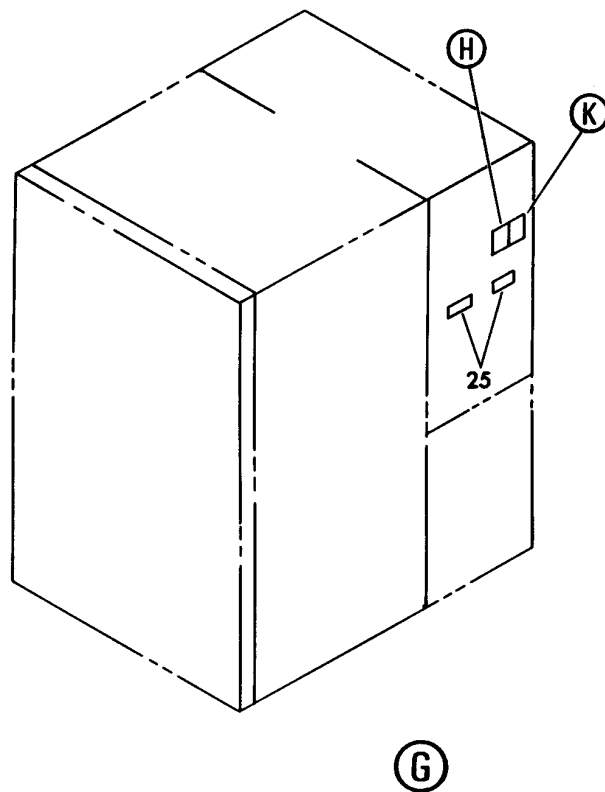
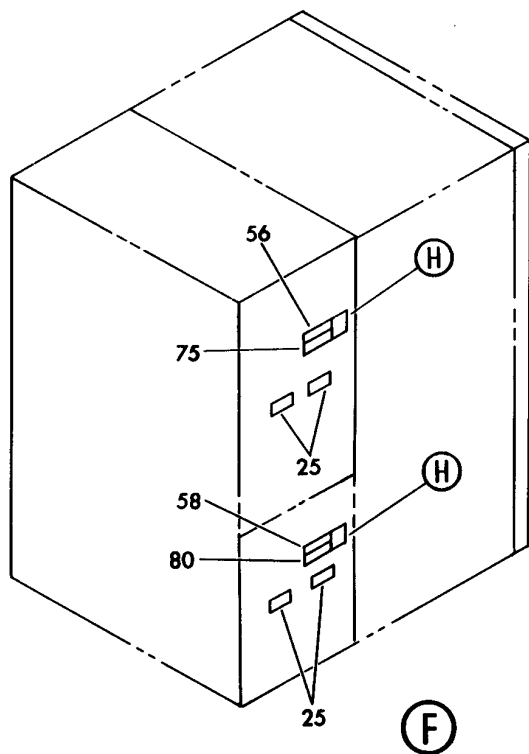
PLACARD INSTL-SAS CAB. INTR (GENERAL STOWAGE CLOSETS/CABINETS ONLY)  
FIGURE 3 (SHEET 3)

**11-35-06-03**

HXL  
DEC 22/06

11-35-06-03  
PAGE 0B

**BOEING**  
767  
PARTS CATALOG (MAINTENANCE)



V 11350603 SHT 4 REV 126

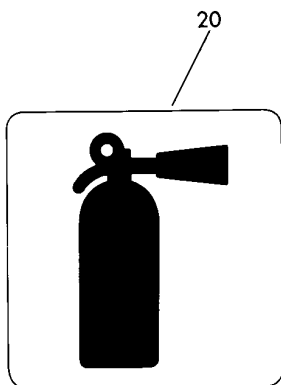
PLACARD INSTL-SAS CAB. INTR (GENERAL STOWAGE CLOSETS/CABINETS ONLY)  
FIGURE 3 (SHEET 4)

**11-35-06-03**

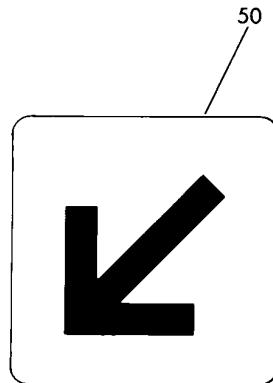
HXL  
DEC 22/06

11-35-06-03  
PAGE 0C

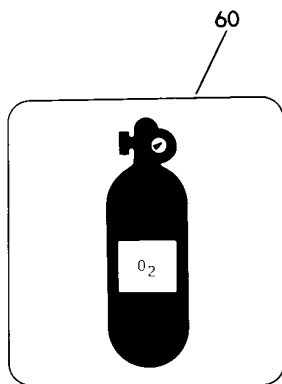
**BOEING**  
767  
PARTS CATALOG (MAINTENANCE)



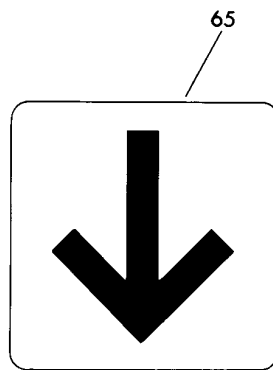
(H)



(J)



(L)



(K)

V 11350603 SHT 5 REV 102

PLACARD INSTL-SAS CAB. INTR (GENERAL STOWAGE CLOSETS/CABINETS ONLY)  
FIGURE 3 (SHEET 5)

**11-35-06-03**

HXL  
DEC 22/06

11-35-06-03  
PAGE 0D

 **BOEING**  
767  
**PARTS CATALOG (MAINTENANCE)**

FIG ITEM	PART NUMBER	1 2 3 4 5 6 7	NOMENCLATURE	EFFECT FROM TO	UNITS PER ASSY
3			PLACARD INSTL-SAS CAB. INTR (GENERAL STOWAGE CLOSETS/CABINETS ONLY)	155162	
- 1	414T5053-7		PLACARD INSTL-SAS CAB. INTR (GENERAL STOWAGE CLOSETS/CABINETS ONLY) FOR NHA/OTHER SYS DET SEE: 25-20-00-14A	155162	RF
- 1	414T5053-9		PLACARD INSTL-SAS CAB. INTR (GENERAL STOWAGE CLOSETS/CABINETS ONLY) FOR NHA/OTHER SYS DET SEE: 25-20-00-14A	155162	RF
5	BAC29PPS3055		.PLACARD- PLACARD CONTENT: LATCH CLOSED DURING TAXI, TAKEOFF AND LANDING	155162	1
10	BAC29PPS0619		.PLACARD- PLACARD CONTENT: SOFT ARTICLES ONLY	155162	1
15	BAC29PPS4580		.PLACARD- PLACARD CONTENT: SHELF LOAD LIMIT 10 LB/ 4.5 KG	155162	1
20	BAC29UPPS0136		.PLACARD-SYMBOL	155162	7
25	BAC29PPS3058		.PLACARD- PLACARD CONTENT: LATCH CLOSED	155162	16
50	BAC29UPPS0176		.PLACARD-SYMBOL	155162	2
55	BAC29PPS11000		.PLACARD- PLACARD CONTENT: SMOKE HOOD	155162	5
56	BAC29PPS11000		.PLACARD- PLACARD CONTENT: SMOKE HOOD PRE AIRLINE MOD: MTO-252461A VSAS	155162	1
58	BAC29PPS11000		.PLACARD- PLACARD CONTENT: SMOKE HOOD POST AIRLINE MOD: MTO-252461A VSAS	155162	1
60	BAC29UPPS0137		.PLACARD-SYMBOL	155162	4
65	BAC29UPPS0175		.PLACARD-SYMBOL	155162	5

ILLUSTRATION ITEMS NOT ON PARTS LIST ARE NOT APPLICABLE

- ITEM NOT ILLUSTRATED

HXL

# 11-35-06-03

BOEING PROPRIETARY - Copyright © - Unpublished Work - See title page for details.

11-35-06  
FIG. 03  
PAGE 1  
DEC 22/06





767

PARTS CATALOG (MAINTENANCE)

FIG ITEM	PART NUMBER	1 2 3 4 5 6 7	NOMENCLATURE	EFFECT FROM TO	UNITS PER ASSY
3					
70	BAC29PPS3084		.PLACARD- PLACARD CONTENT: EMERGENCY EQUIPMENT ONLY	155162	2
75	BAC29PPS3084		.PLACARD- PLACARD CONTENT: EMERGENCY EQUIPMENT ONLY	155162	1
80	BAC29PPS3084		PRE AIRLINE MOD: MTO-252461A VSAS .PLACARD- PLACARD CONTENT: EMERGENCY EQUIPMENT ONLY	155162	1
85	BAC29PPS0689		POST AIRLINE MOD: MTO-252461A VSAS .PLACARD	155162	1
90	BAC29PPS15945		.PLACARD- PLACARD CONTENT: EMERGENCY EQUIPMENT ONLY BELOW SHELF	155162	1

ILLUSTRATION ITEMS NOT ON PARTS LIST ARE NOT APPLICABLE

- ITEM NOT ILLUSTRATED

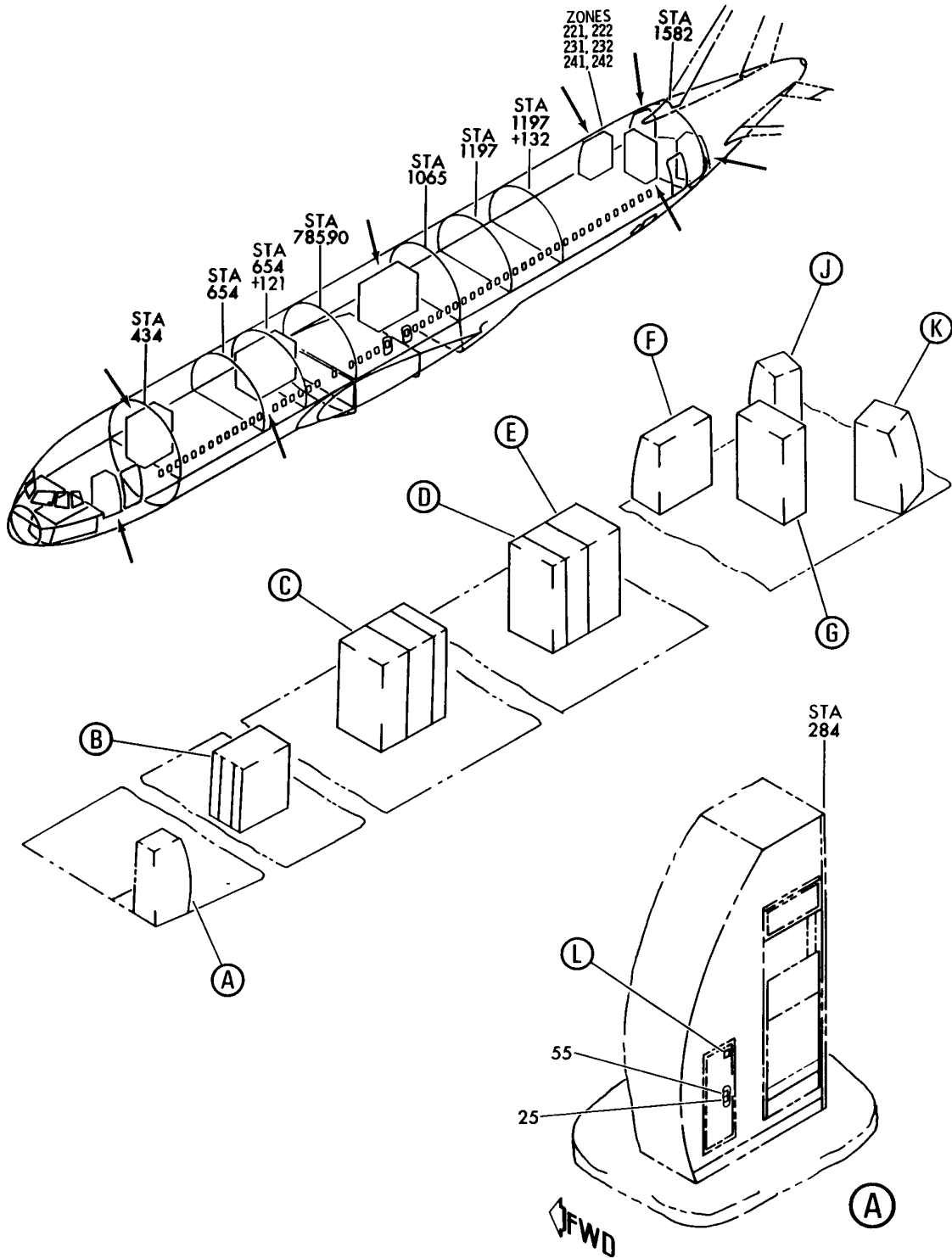
HXL

11-35-06-03

BOEING PROPRIETARY - Copyright © - Unpublished Work - See title page for details.

11-35-06  
FIG. 03  
PAGE 2  
DEC 22/06

**BOEING**  
767  
PARTS CATALOG (MAINTENANCE)



V 11350603A SHT 1 REV 113

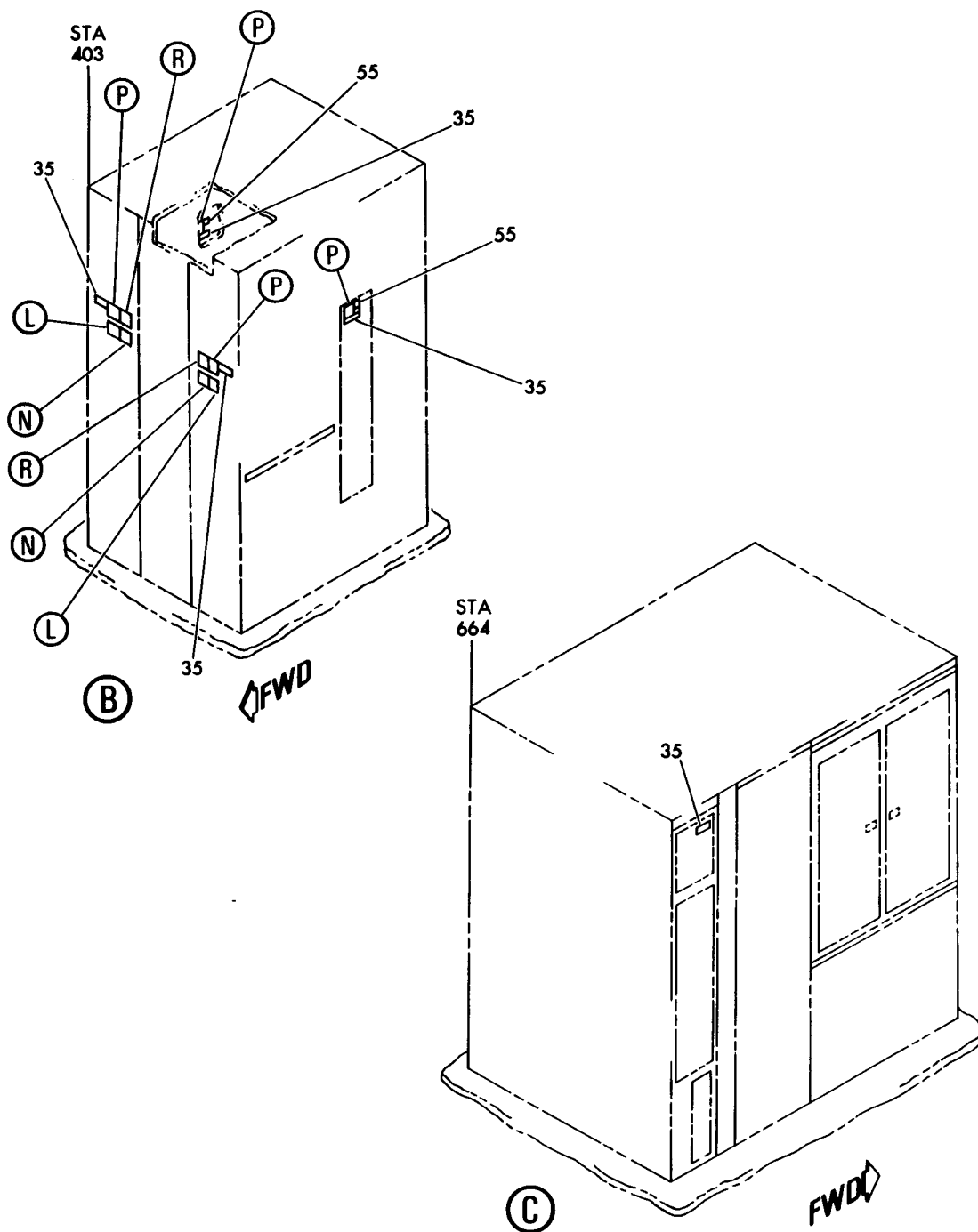
PLACARD INSTL-SAS CAB. INTR (GENERAL STORAGE CLOSETS/CABINETS ONLY)  
FIGURE 3A (SHEET 1)

**11-35-06-03A**

HXL  
DEC 22/06

11-35-06-03A  
PAGE 0

**BOEING**  
767  
PARTS CATALOG (MAINTENANCE)



V 11350603A SMT 2 REV 113

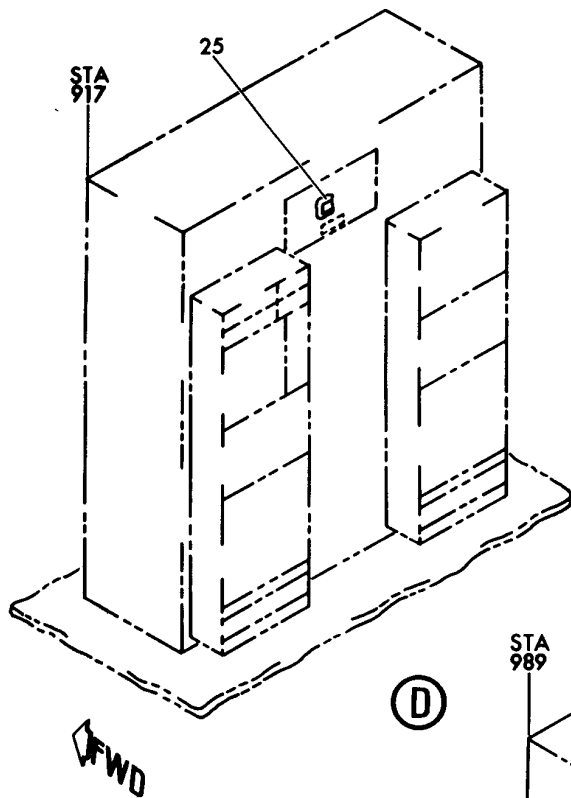
PLACARD INSTL-SAS CAB. INTR (GENERAL STOWAGE CLOSETS/CABINETS ONLY)  
FIGURE 3A (SHEET 2)

**11-35-06-03A**

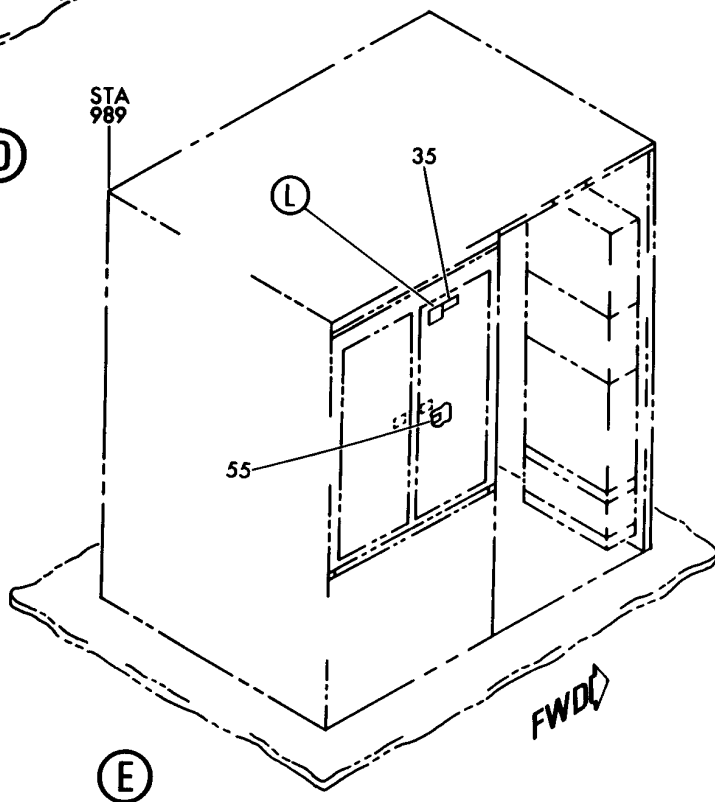
HXL  
DEC 22/06

11-35-06-03A  
PAGE 0A

**BOEING**  
767  
PARTS CATALOG (MAINTENANCE)



(D)



(E)

V 11350603A SHT 3 REV 113

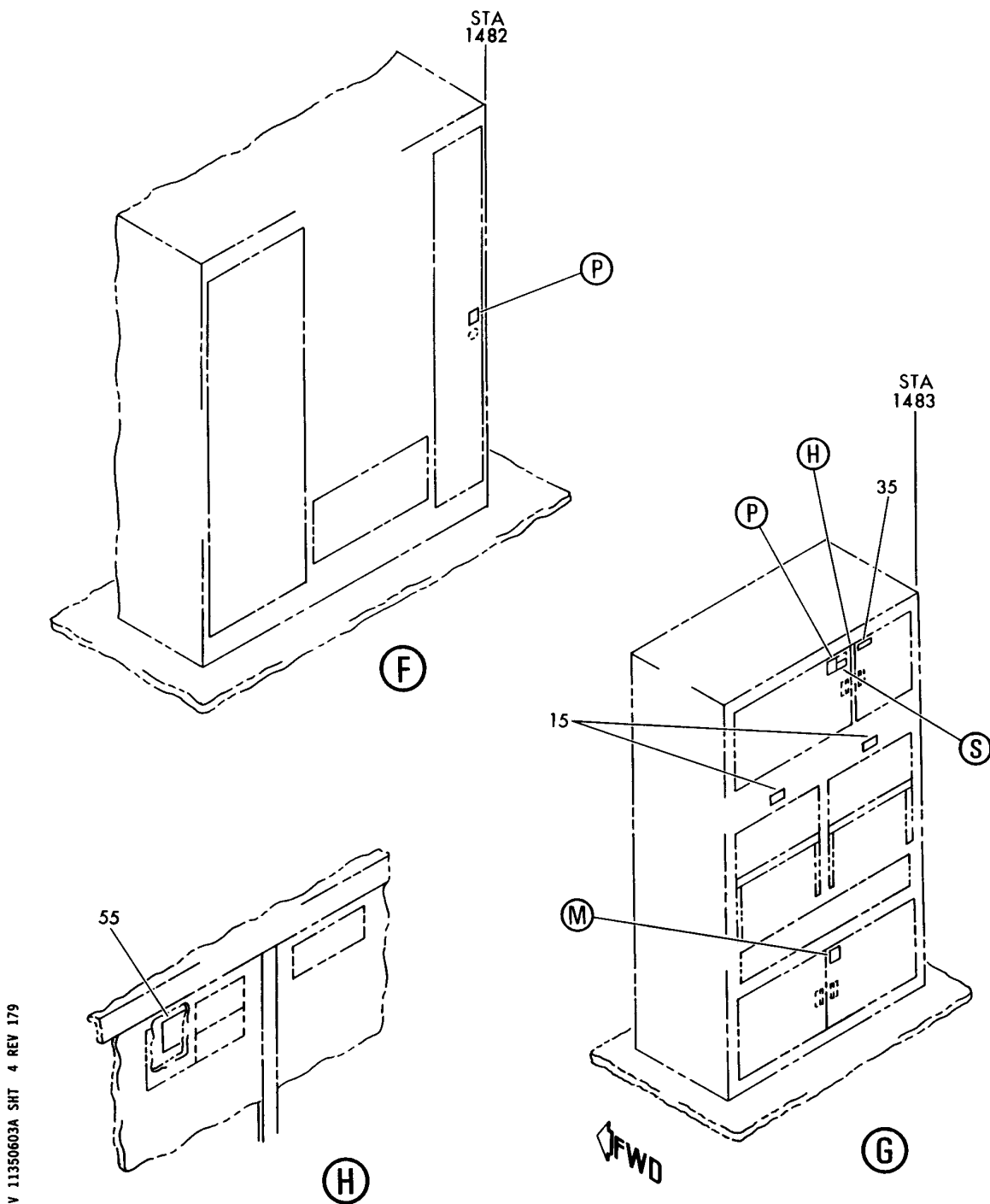
PLACARD INSTL-SAS CAB. INTR (GENERAL STOWAGE CLOSETS/CABINETS ONLY)  
FIGURE 3A (SHEET 3)

**11-35-06-03A**

HXL  
DEC 22/06

11-35-06-03A  
PAGE 0B

**BOEING**  
767  
PARTS CATALOG (MAINTENANCE)



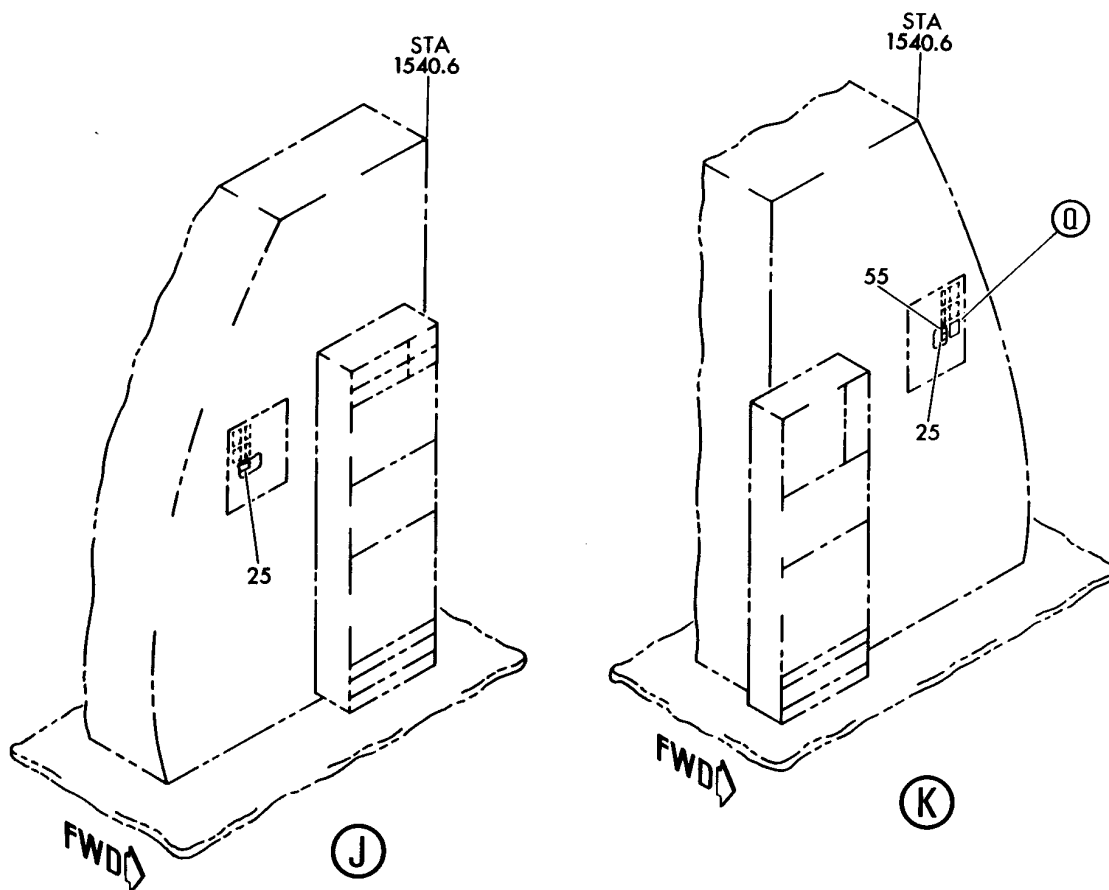
PLACARD INSTL-SAS CAB. INTR (GENERAL STOWAGE CLOSETS/CABINETS ONLY)  
FIGURE 3A (SHEET 4)

**11-35-06-03A**

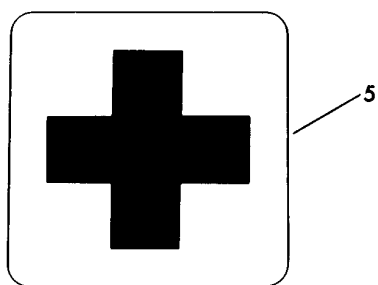
HXL  
DEC 22/06

11-35-06-03A  
PAGE 0C

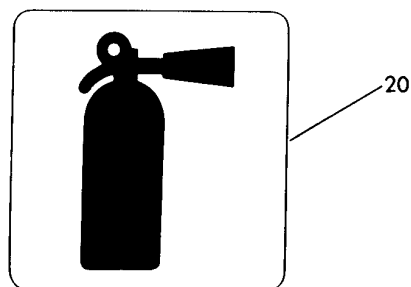
**BOEING**  
767  
PARTS CATALOG (MAINTENANCE)



V 11350603A SHT 5 REV 113



(M)



(L)

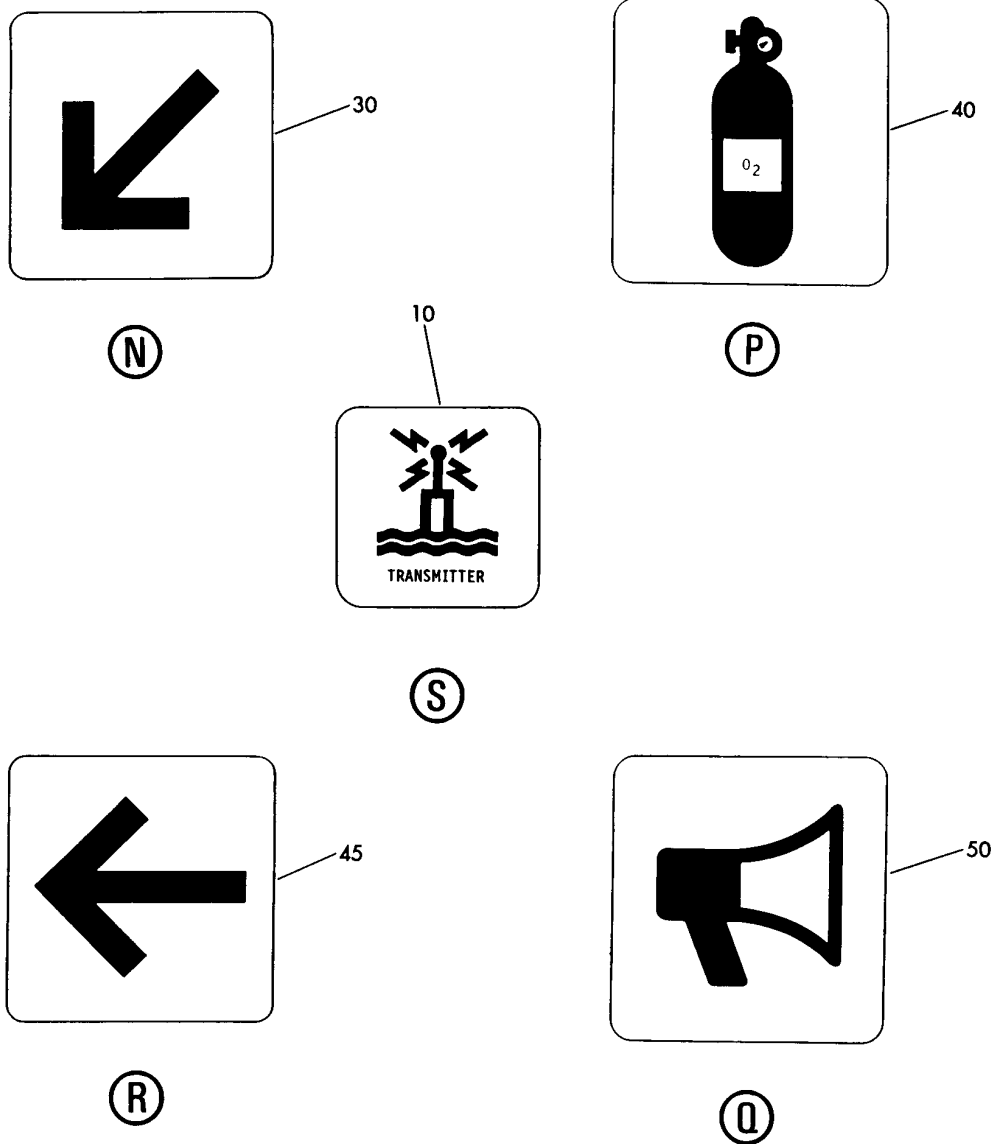
PLACARD INSTL-SAS CAB. INTR (GENERAL STOWAGE CLOSETS/CABINETS ONLY)  
FIGURE 3A (SHEET 5)

HXL  
DEC 22/06

**11-35-06-03A**

11-35-06-03A  
PAGE 0D

**BOEING**  
767  
PARTS CATALOG (MAINTENANCE)



V 11350603A SHT 6 REV 179

PLACARD INSTL-SAS CAB. INTR (GENERAL STOWAGE CLOSETS/CABINETS ONLY)  
FIGURE 3A (SHEET 6)

HXL  
DEC 22/06

**11-35-06-03A**

11-35-06-03A  
PAGE 0E



767

PARTS CATALOG (MAINTENANCE)

FIG ITEM	PART NUMBER	1 2 3 4 5 6 7	NOMENCLATURE	EFFECT FROM TO	UNITS PER ASSY
3A			PLACARD INSTL-SAS CAB. INTR (GENERAL STOWAGE CLOSETS/CABINETS ONLY)	163999	
- 1	414T5053-4		PLACARD INSTL-SAS CAB. INTR (GENERAL STOWAGE CLOSETS/CABINETS ONLY) FOR NHA SEE: 25-20-00-14A	163999	RF
5	BAC29PPS0135		.PLACARD-SYMBOL	163999	1
10	BAC29PPS8585		.PLACARD	163999	1
15	BAC29PPS1434		.PLACARD- PLACARD CONTENT: TABLE MUST BE STOWED AND LATCHED DURING TAKEOFF AND LANDING	163999	2
20	BAC29UPPS0136		.PLACARD-SYMBOL	163999	4
25	BAC29PPS3058		.PLACARD- PLACARD CONTENT: LATCH CLOSED	163999	4
30	BAC29UPPS0176		.PLACARD-SYMBOL	163999	2
35	BAC29PPS11000		.PLACARD- PLACARD CONTENT: SMOKE HOOD	163999	7
40	BAC29UPPS0137		.PLACARD-SYMBOL	163999	6
45	BAC29UPPS0175		.PLACARD-SYMBOL	163999	2
50	BAC29UPPS0134		.PLACARD-SYMBOL	163999	1
55	BAC29PPS3084		.PLACARD- PLACARD CONTENT: EMERGENCY EQUIPMENT ONLY	163999	6

ILLUSTRATION ITEMS NOT ON PARTS LIST ARE NOT APPLICABLE

- ITEM NOT ILLUSTRATED

HXL

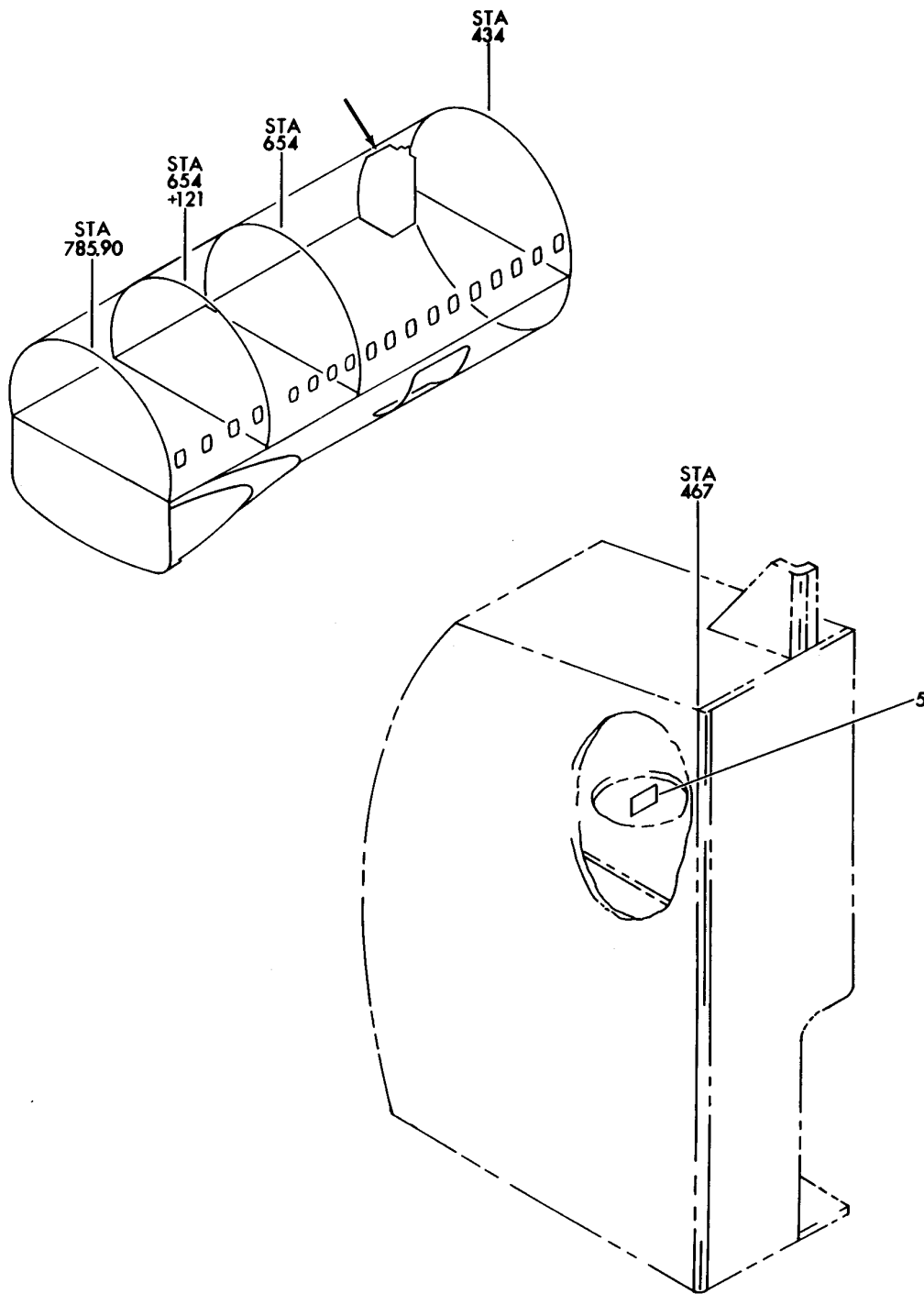
11-35-06-03A

BOEING PROPRIETARY - Copyright © - Unpublished Work - See title page for details.

11-35-06  
FIG. 03A  
PAGE 1  
DEC 22/07



**BOEING**  
767  
PARTS CATALOG (MAINTENANCE)



V 11350622 REV 111

STATION ASSY-PURSER (PLACARDS AND MARKINGS ONLY)  
FIGURE 22

**11-35-06-22**

HXL  
DEC 22/06

11-35-06-22  
PAGE 0



767

PARTS CATALOG (MAINTENANCE)

FIG ITEM	PART NUMBER	1 2 3 4 5 6 7	NOMENCLATURE	EFFECT FROM TO	UNITS PER ASSY
22			STATION ASSY-PURSER (PLACARDS AND MARKINGS ONLY)		
- 1	413T2330-15SP		STATION ASSY-PURSER (PLACARDS AND MARKINGS ONLY) FOR NHA/OTHER SYS DET SEE: 25-24-03-14 25-24-03-73		RF
5	BAC29UPPS0289		.PLACARD- PLACARD CONTENT: DO NOT OCCUPY DURING TAKEOFF AND LANDING		1

ILLUSTRATION ITEMS NOT ON PARTS LIST ARE NOT APPLICABLE

- ITEM NOT ILLUSTRATED

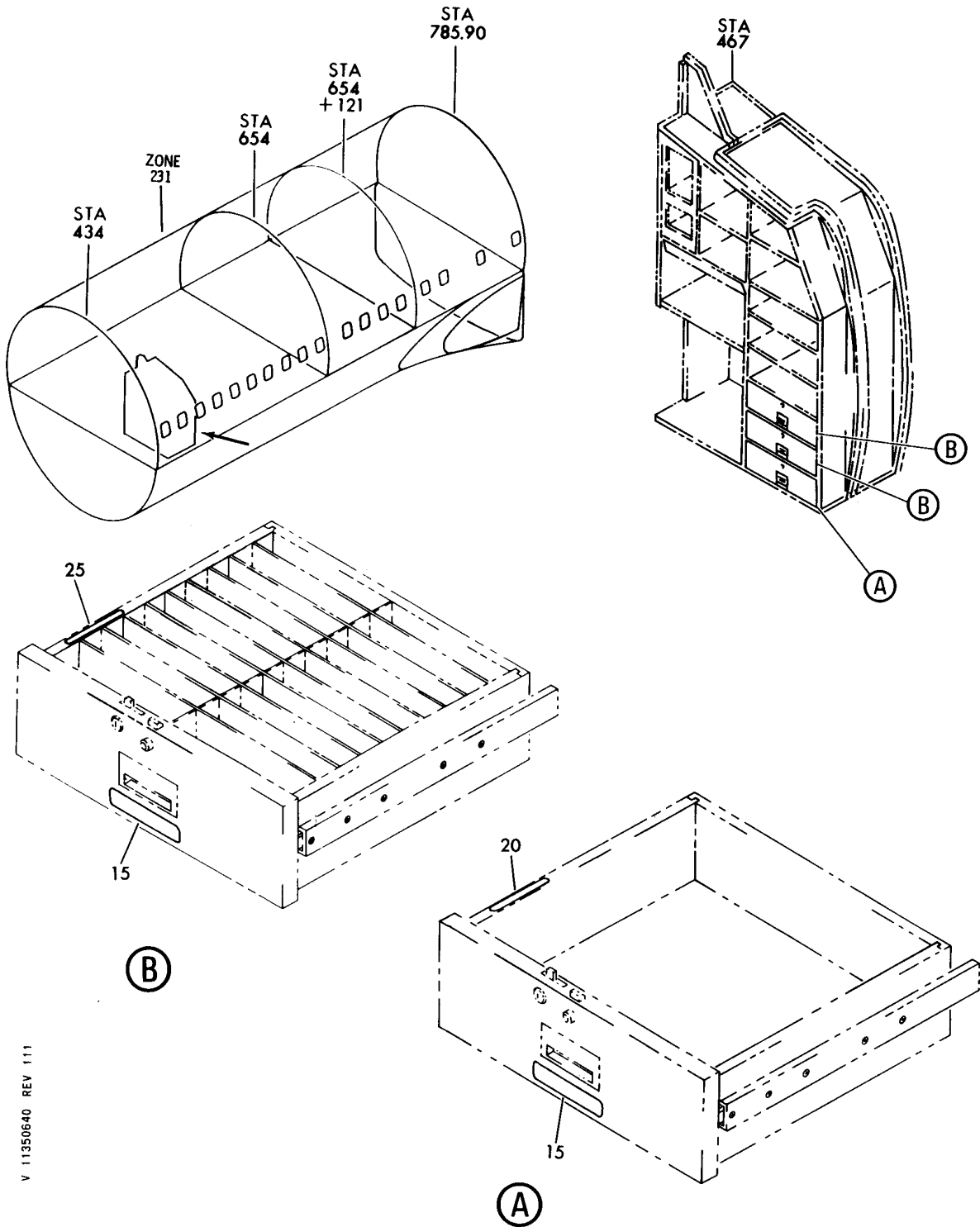
HXL

11-35-06-22

BOEING PROPRIETARY - Copyright © - Unpublished Work - See title page for details.

11-35-06  
FIG. 22  
PAGE 1  
DEC 22/07

**BOEING**  
767  
PARTS CATALOG (MAINTENANCE)



V 11350640 REV 111

DRAWER ASSY-PURSER STATION (PLACARDS AND MARKINGS ONLY)  
FIGURE 40

**11-35-06-40**

HXL  
DEC 22/06

11-35-06-40  
PAGE 0



**PARTS CATALOG (MAINTENANCE)**

FIG ITEM	PART NUMBER	1 2 3 4 5 6 7	NOMENCLATURE	EFFECT FROM TO	UNITS PER ASSY
40			DRAWER ASSY-PURSER STATION (PLACARDS AND MARKINGS ONLY)		
- 1	413T2328-10SP		DRAWER ASSY-PURSER STATION (PLACARDS AND MARKINGS ONLY) FOR NHA/OTHER SYS DET SEE: 25-28-22-01		RF
- 5	413T2328-12SP		DRAWER ASSY-PURSER STATION (PLACARDS AND MARKINGS ONLY) FOR NHA/OTHER SYS DET SEE: 25-28-22-01		RF
- 10	413T2328-11SP		DRAWER ASSY-PURSER STATION (PLACARDS AND MARKINGS ONLY) FOR NHA/OTHER SYS DET SEE: 25-28-22-01		RF
15	BAC29PPS2959		.PLACARD- PLACARD CONTENT: LATCH CLOSED DURING TAXI, TAKEOFF AND LANDING		1
20	BAC29PPS10465		.PLACARD- PLACARD CONTENT: LOAD LIMIT-40LB/18KG USED ON: 413T2328-1SP 413T2328-10SP		1
25	BAC29PPS10463		.PLACARD- PLACARD CONTENT: CASSETTE STOWAGE ONLY USED ON: 413T2328-2SP 413T2328-3SP 413T2328-5SP 413T2328-6SP 413T2328-11SP 413T2328-12SP		1

ILLUSTRATION ITEMS NOT ON PARTS LIST ARE NOT APPLICABLE

- ITEM NOT ILLUSTRATED

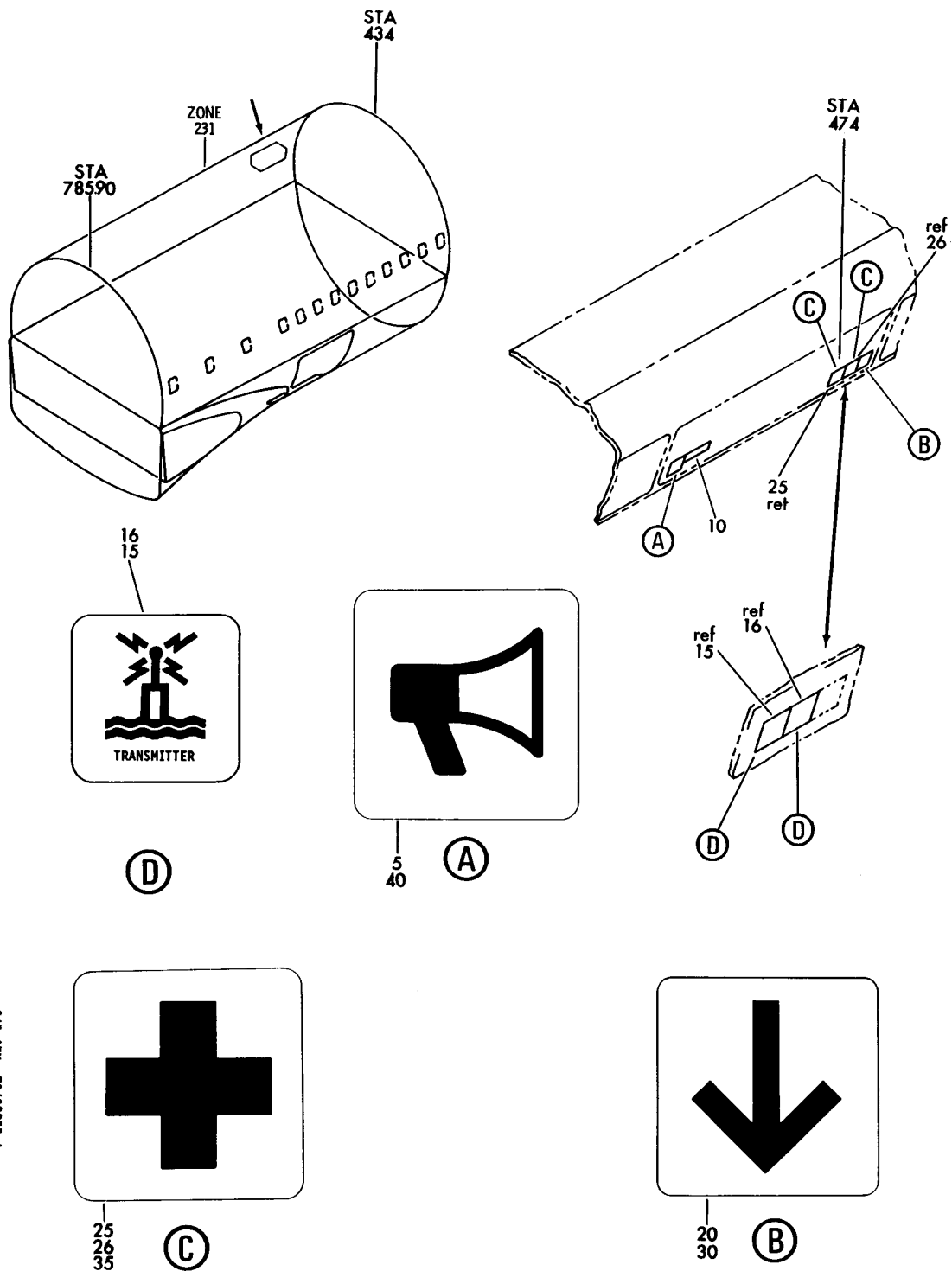
HXL

**11-35-06-40**

BOEING PROPRIETARY - Copyright © - Unpublished Work - See title page for details.

11-35-06  
FIG. 40  
PAGE 1  
DEC 22/07

**BOEING**  
767  
PARTS CATALOG (MAINTENANCE)



V 11350702 REV 179

PLACARD INSTL-SAS CAB. INTR (OVERHEAD STORAGE ONLY)  
FIGURE 2

**11-35-07-02**

HXL  
DEC 22/06

11-35-07-02  
PAGE 0



767

PARTS CATALOG (MAINTENANCE)

FIG ITEM	PART NUMBER	1 2 3 4 5 6 7	NOMENCLATURE	EFFECT FROM TO	UNITS PER ASSY
2			PLACARD INSTL-SAS CAB. INTR (OVERHEAD STORAGE ONLY)		
- 1	414T5053-4		PLACARD INSTL-SAS CAB. INTR (OVERHEAD STORAGE ONLY) FOR NHA/OTHER SYS DET SEE: 25-20-00-14A	163999	RF
- 1	414T5053-9		PLACARD INSTL-SAS CAB. INTR (OVERHEAD STORAGE ONLY) FOR NHA/OTHER SYS DET SEE: 25-20-00-14A	155162	RF
5	BAC29UPPS0134		.PLACARD		1
10	BAC29PPS3084		.PLACARD- PLACARD CONTENT: EMERGENCY EQUIPMENT ONLY		1
15	BAC29PPS8585		.PLACARD	155162	1
16	BAC29PPS8585		.PLACARD	163999	1
20	BAC29UPPS0175		.PLACARD		1
25	BAC29UPPS0135		.PLACARD-SYMBOL	155162	1
26	BAC29UPPS0135		.PLACARD-SYMBOL	163999	1
30	BAC29UPPS0175		.PLACARD	155162	1
35	BAC29UPPS0135		.PLACARD	155162	1
40	BAC29UPPS0134		.PLACARD	155162	1

ILLUSTRATION ITEMS NOT ON PARTS LIST ARE NOT APPLICABLE

- ITEM NOT ILLUSTRATED

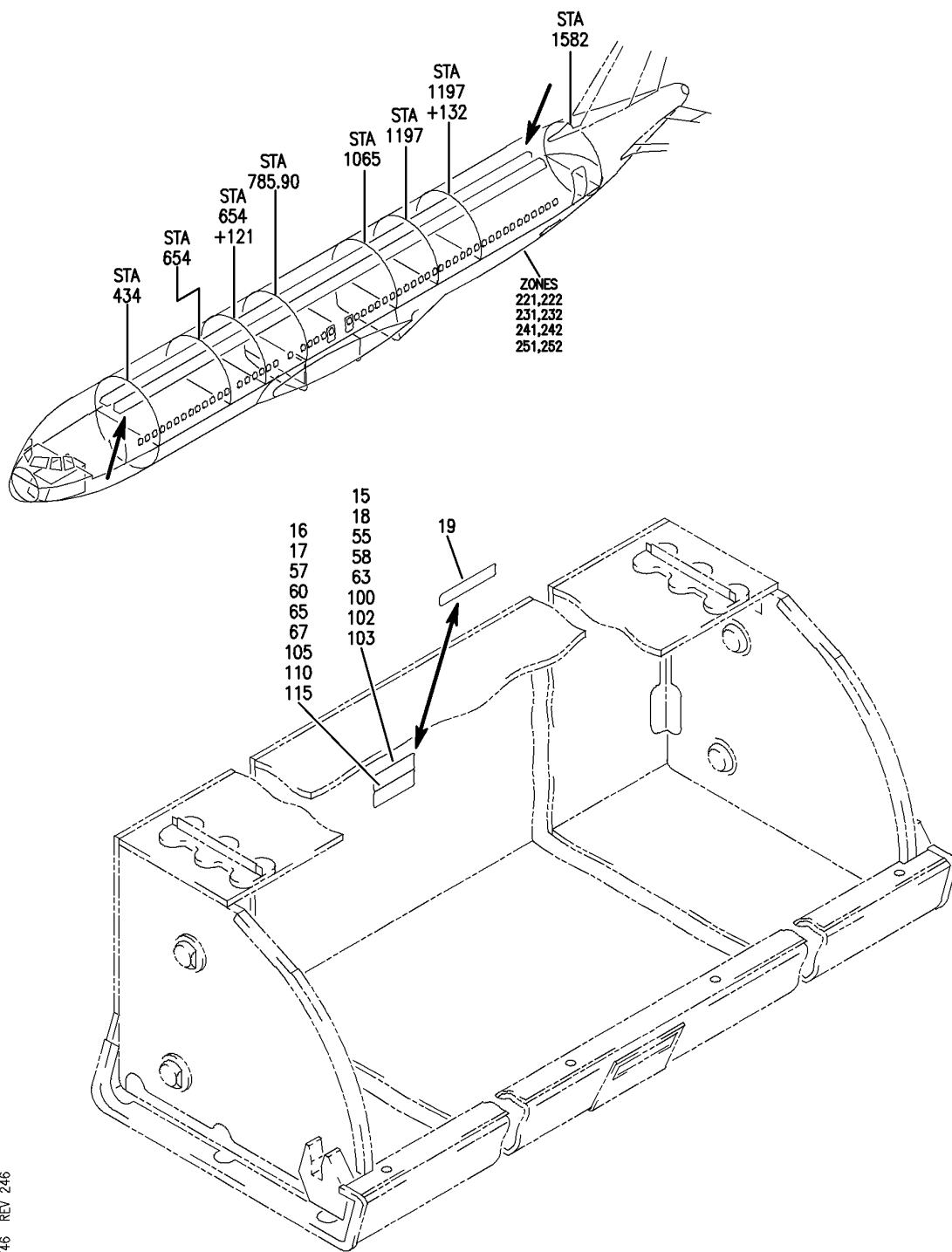
HXL

11-35-07-02

BOEING PROPRIETARY - Copyright © - Unpublished Work - See title page for details.

11-35-07  
FIG. 02  
PAGE 1  
DEC 22/07


**BOEING**  
 767  
**PARTS CATALOG (MAINTENANCE)**



V 11350746 REV 246

BIN ASSY- OUTBD OVERHEAD STOWAGE (PLACARDS AND MARKINGS ONLY)  
 FIGURE 46

# 11-35-07-46

HXL  
DEC 22/06

11-35-07-46  
PAGE 0



767

PARTS CATALOG (MAINTENANCE)

FIG ITEM	PART NUMBER	1 2 3 4 5 6 7	NOMENCLATURE	EFFECT FROM TO	UNITS PER ASSY
46			BIN ASSY- OUTBD OVERHEAD STOWAGE (PLACARDS AND MARKINGS ONLY)		
- 1	413T1047-104SP		BIN ASSY-44 IN. OVERHEAD STOWAGE (PLACARDS AND MARKINGS ONLY) POSITION DATA: CTR COMPONENT MAINT MANUAL REF: 25-28-42 FOR NHA/OTHER SYS DET SEE: 25-28-01-33A 25-28-59-20A	155162	RF
- 3	413T1047-104A		BIN ASSY-44 IN. OVERHEAD STOWAGE (PLACARDS AND MARKINGS ONLY) POSITION DATA: CTR COMPONENT MAINT MANUAL REF: 25-28-42 FOR NHA/OTHER SYS DET SEE: 25-28-59-46 25-28-59-46A 25-28-59-46B	155162	RF
- 5	413T1047-47SP		BIN ASSY-44 IN. OVERHEAD STOWAGE (PLACARDS AND MARKINGS ONLY) POSITION DATA: CTR COMPONENT MAINT MANUAL REF: 25-28-42 FOR NHA/OTHER SYS DET SEE: 25-28-59-46B 25-28-59-46C	163999	RF
- 5	413T1047-27SP		BIN ASSY-44 IN. OVERHEAD STOWAGE (PLACARDS AND MARKINGS ONLY) POSITION DATA: CTR COMPONENT MAINT MANUAL REF: 25-28-42 FOR NHA/OTHER SYS DET SEE: 25-28-59-46B 25-28-59-46C	163999	RF

ILLUSTRATION ITEMS NOT ON PARTS LIST ARE NOT APPLICABLE

- ITEM NOT ILLUSTRATED

11-35-07-46

11-35-07  
FIG. 46  
PAGE 1  
DEC 22/07

HXL





767

PARTS CATALOG (MAINTENANCE)

FIG ITEM	PART NUMBER	1 2 3 4 5 6 7	NOMENCLATURE	EFFECT FROM TO	UNITS PER ASSY
46 - 5	413T1047-104SP		BIN ASSY-44 IN. OVERHEAD STOWAGE (PLACARDS AND MARKINGS ONLY) POSITION DATA: CTR COMPONENT MAINT MANUAL REF: 25-28-42 FOR NHA/OTHER SYS DET SEE: 25-28-59-46B 25-28-59-46C	163999	RF
- 7	413T1047-48SP		BIN ASSY-44 IN. OVHD STOWAGE (PLACARDS AND MARKINGS ONLY) POSITION DATA: CTR COMPONENT MAINT MANUAL REF: 25-28-42 FOR NHA/OTHER SYS DET SEE: 25-28-59-46B 25-28-59-46C	163999	RF
- 10	413T1047-28SP		BIN ASSY-44 IN. OVERHEAD STOWAGE (PLACARDS AND MARKINGS ONLY) POSITION DATA: CTR COMPONENT MAINT MANUAL REF: 25-28-42 FOR NHA/OTHER SYS DET SEE: 25-28-59-46B 25-28-59-46C	163999	RF
- 10	413T1047-104SP		BIN ASSY-44 IN. OVERHEAD STOWAGE (PLACARDS AND MARKINGS ONLY) POSITION DATA: CTR COMPONENT MAINT MANUAL REF: 25-28-42 FOR NHA/OTHER SYS DET SEE: 25-28-59-46B 25-28-59-46C	163999	RF
15	BAC29PPS2173		.PLACARD- PLACARD CONTENT: LATCH BIN CLOSED USED ON: 413T1047-47SP 413T1047-48A 413T1047-48SP 413T1047-104SP	163999	1

ILLUSTRATION ITEMS NOT ON PARTS LIST ARE NOT APPLICABLE

- ITEM NOT ILLUSTRATED

11-35-07-46

11-35-07  
FIG. 46  
PAGE 2  
DEC 22/07

HXL



767

PARTS CATALOG (MAINTENANCE)

FIG ITEM	PART NUMBER	1 2 3 4 5 6 7	NOMENCLATURE	EFFECT FROM TO	UNITS PER ASSY
46					
16	BAC29PPS2173		.PLACARD- PLACARD CONTENT: LATCH BIN CLOSED	155162	1
17	BAC29PPS2175		.DECAL- PLACARD CONTENT: LOAD LIMIT 80 LB/36 KG USED ON: 413T1047-47SP 413T1047-48A 413T1047-48SP 413T1047-104SP	163999	1
18	BAC29PPS2175		.DECAL- PLACARD CONTENT: LOAD LIMIT 80 LB/36 KG	155162	1
19	BAC29PPS0251		.DECAL- PLACARD CONTENT: BIN MUST BE LATCHED CLOSED LOAD LIMIT 80 LB/36 KG USED ON: 413T1047-27SP 413T1047-28SP	163999	1
- 25	413T1047-123SP		BIN ASSY-37 IN. OVERHEAD STOWAGE (PLACARDS AND MARKINGS ONLY) POSITION DATA: CTR COMPONENT MAINT MANUAL REF: 25-28-42 FOR NHA/OTHER SYS DET SEE: 25-28-01-33A 25-28-59-19	155162	RF
- 40	413T1047-142SP		BIN ASSY-37 IN. OVERHEAD STOWAGE (PLACARDS AND MARKINGS ONLY) POSITION DATA: CTR COMPONENT MAINT MANUAL REF: 25-28-42 FOR NHA SEE: 25-28-59-19	155162	RF
57	BAC29PPS2173		.PLACARD- PLACARD CONTENT: LATCH BIN CLOSED USED ON: 413T1047-142SP	155162	1

ILLUSTRATION ITEMS NOT ON PARTS LIST ARE NOT APPLICABLE

- ITEM NOT ILLUSTRATED

11-35-07-46

11-35-07  
FIG. 46  
PAGE 3  
DEC 22/07

HXL



767

PARTS CATALOG (MAINTENANCE)

FIG ITEM	PART NUMBER	1 2 3 4 5 6 7	NOMENCLATURE	EFFECT FROM TO	UNITS PER ASSY
46 58	BAC29PPS5309		.DECAL- PLACARD CONTENT: LOAD LIMIT 66 LB/30 KG USED ON: 413T1047-123SP	155162	1
63	BAC29PPS2177		.DECAL- PLACARD CONTENT: LOAD LIMIT 58 LB/26 KG USED ON: 413T1047-142SP	155162	1
67	BAC29PPS2173		.PLACARD- PLACARD CONTENT: LATCH BIN CLOSED USED ON: 413T1047-123SP	155162	1
- 70	413T1047-105SP		BIN ASSY-22 IN. OVERHEAD STOWAGE (PLACARDS AND MARKINGS ONLY) POSITION DATA: CTR COMPONENT MAINT MANUAL REF: 25-28-42 FOR NHA/OTHER SYS DET SEE: 25-28-01-33A 25-28-59-46A	155162	RF
- 85	413T1047-133SP		BIN ASSY-22 IN. OVERHEAD STOWAGE (PLACARDS AND MARKINGS ONLY) POSITION DATA: CTR COMPONENT MAINT MANUAL REF: 25-28-42 FOR NHA/OTHER SYS DET SEE: 25-28-59-19	155162	RF
102	BAC29PPS5612		.DECAL- PLACARD CONTENT: LATCH BIN CLOSED USED ON: 413T1047-133SP	155162	1
103	BAC29PPS2179		.DECAL- PLACARD CONTENT: LOAD LIMIT 40 LB/18 KG USED ON: 413T1047-105SP	155162	1
115	BAC29PPS2173		.PLACARD- PLACARD CONTENT: LATCH BIN CLOSED	155162	1

ILLUSTRATION ITEMS NOT ON PARTS LIST ARE NOT APPLICABLE

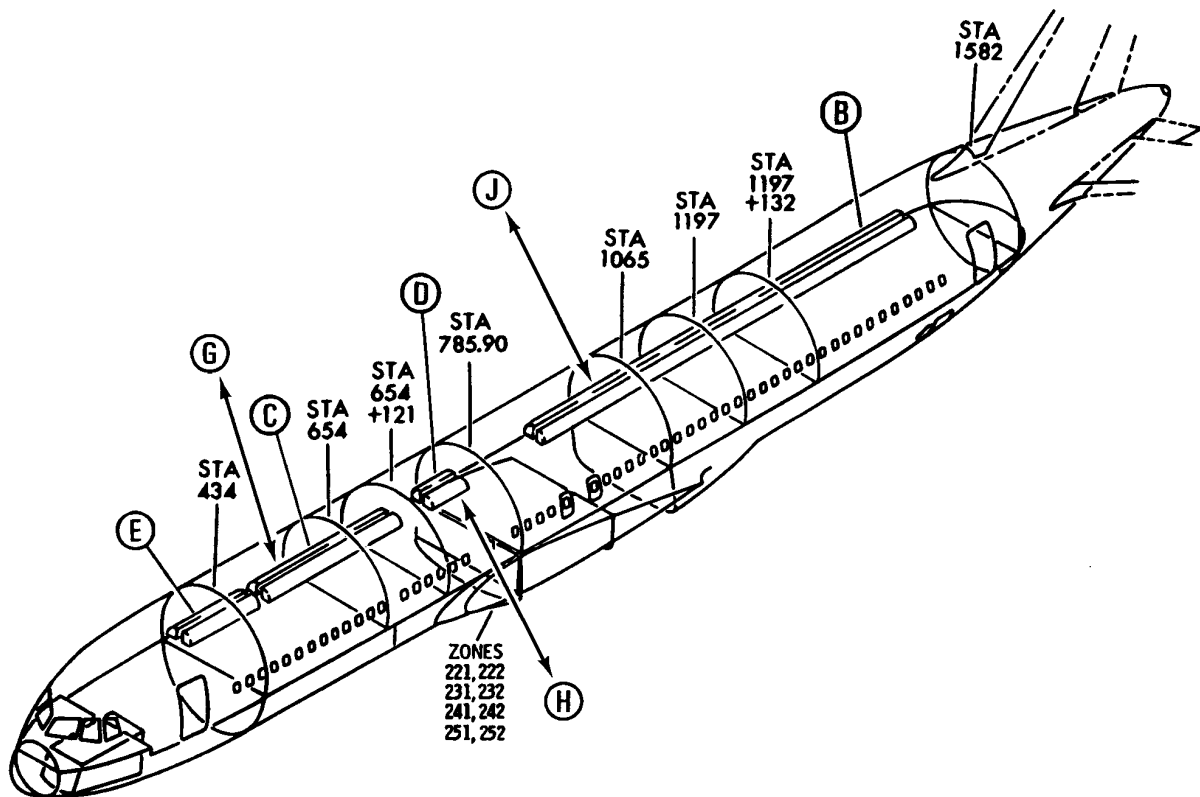
- ITEM NOT ILLUSTRATED

HXL

11-35-07-46

11-35-07  
FIG. 46  
PAGE 4  
DEC 22/06

**BOEING**  
767  
PARTS CATALOG (MAINTENANCE)



V 11350753 SHT 1 REV 210

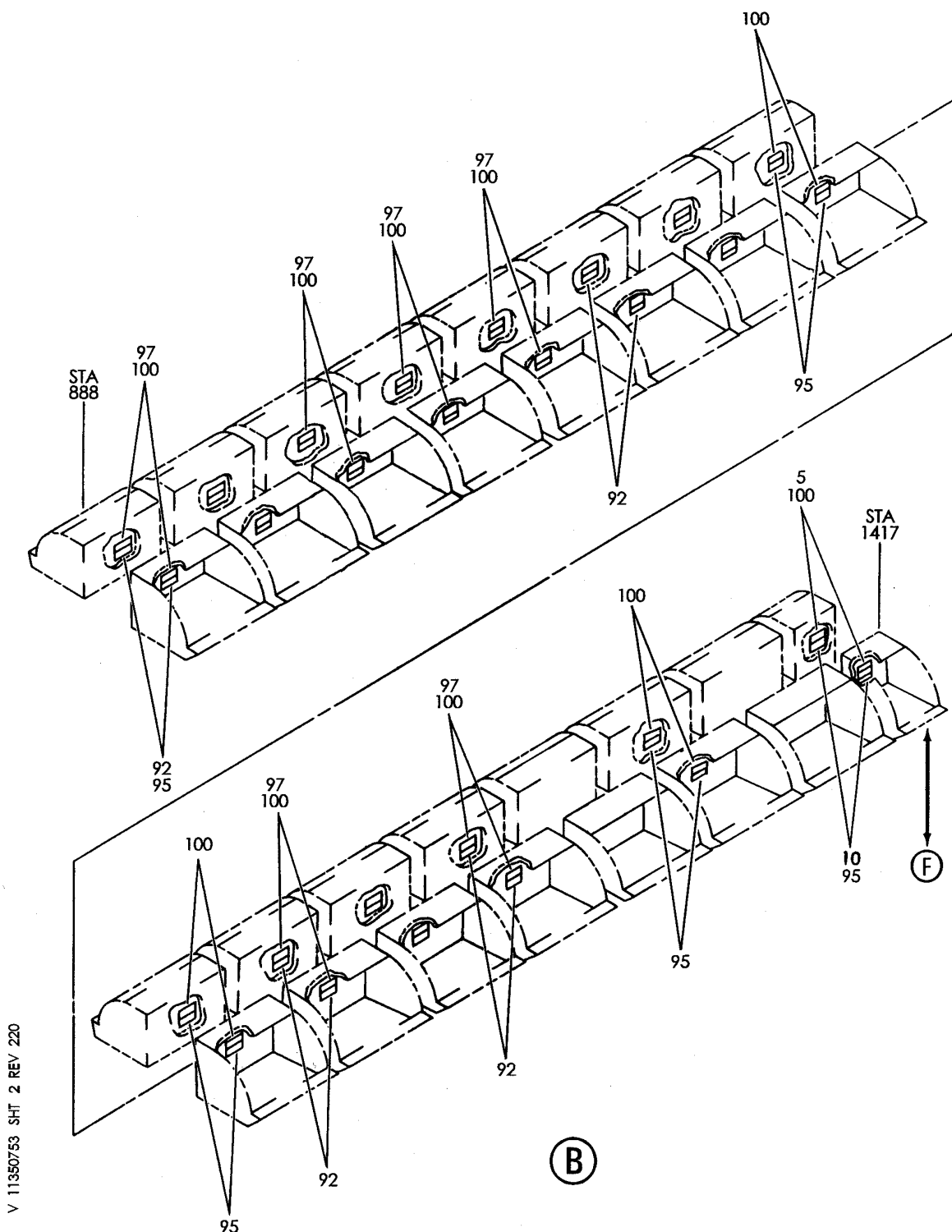
BIN ASSY-CTR OVHD STOWAGE (PLACARDS AND MARKINGS ONLY)  
FIGURE 53 (SHEET 1)

HXL  
DEC 22/06

**11-35-07-53**

11-35-07-53  
PAGE 0

**BOEING**  
767  
PARTS CATALOG (MAINTENANCE)



V 11350753 SHT 2 REV 220

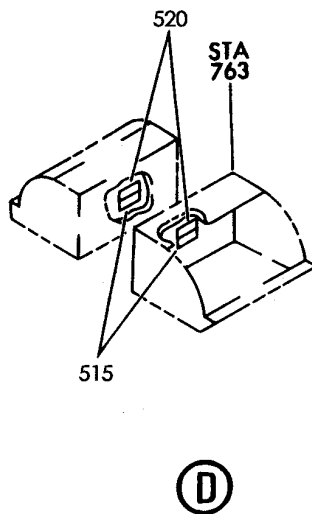
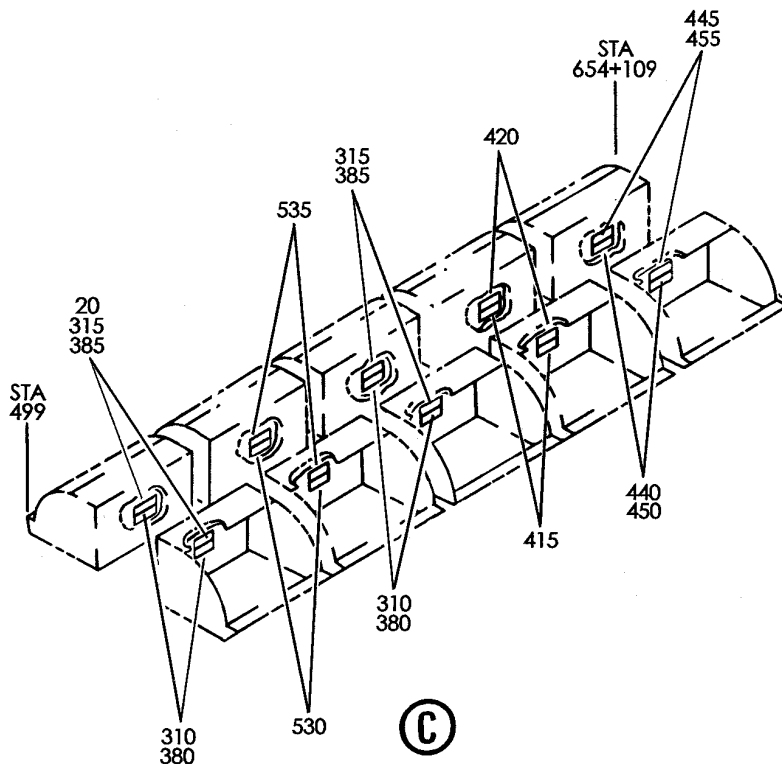
BIN ASSY-CTR OVHD STOWAGE (PLACARDS AND MARKINGS ONLY)  
FIGURE 53 (SHEET 2)

**11-35-07-53**

HXL  
DEC 22/06

11-35-07-53  
PAGE 0A

**BOEING**  
767  
PARTS CATALOG (MAINTENANCE)



V 11350753 SH1 3 REV 220

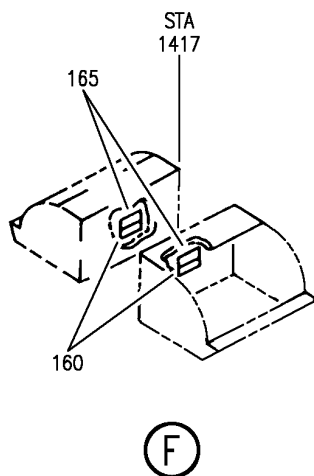
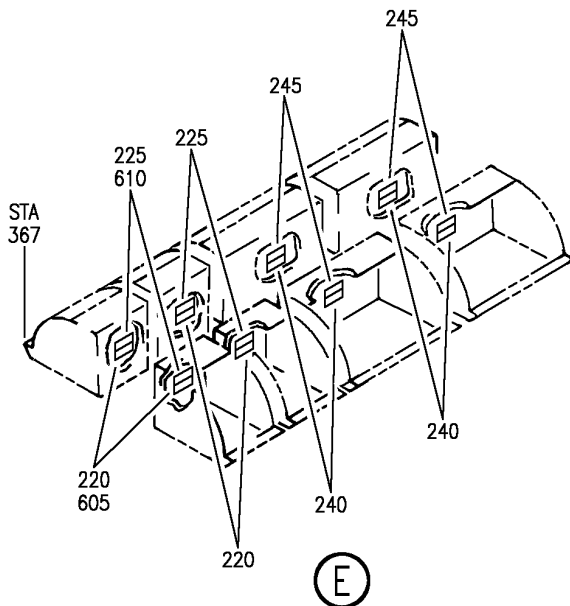
BIN ASSY-CTR OVHD STOWAGE (PLACARDS AND MARKINGS ONLY)  
FIGURE 53 (SHEET 3)

**11-35-07-53**

HXL  
DEC 22/06

11-35-07-53  
PAGE 0B

**BOEING**  
**767**  
**PARTS CATALOG (MAINTENANCE)**



V 11350753 SHIT 4 REV 284

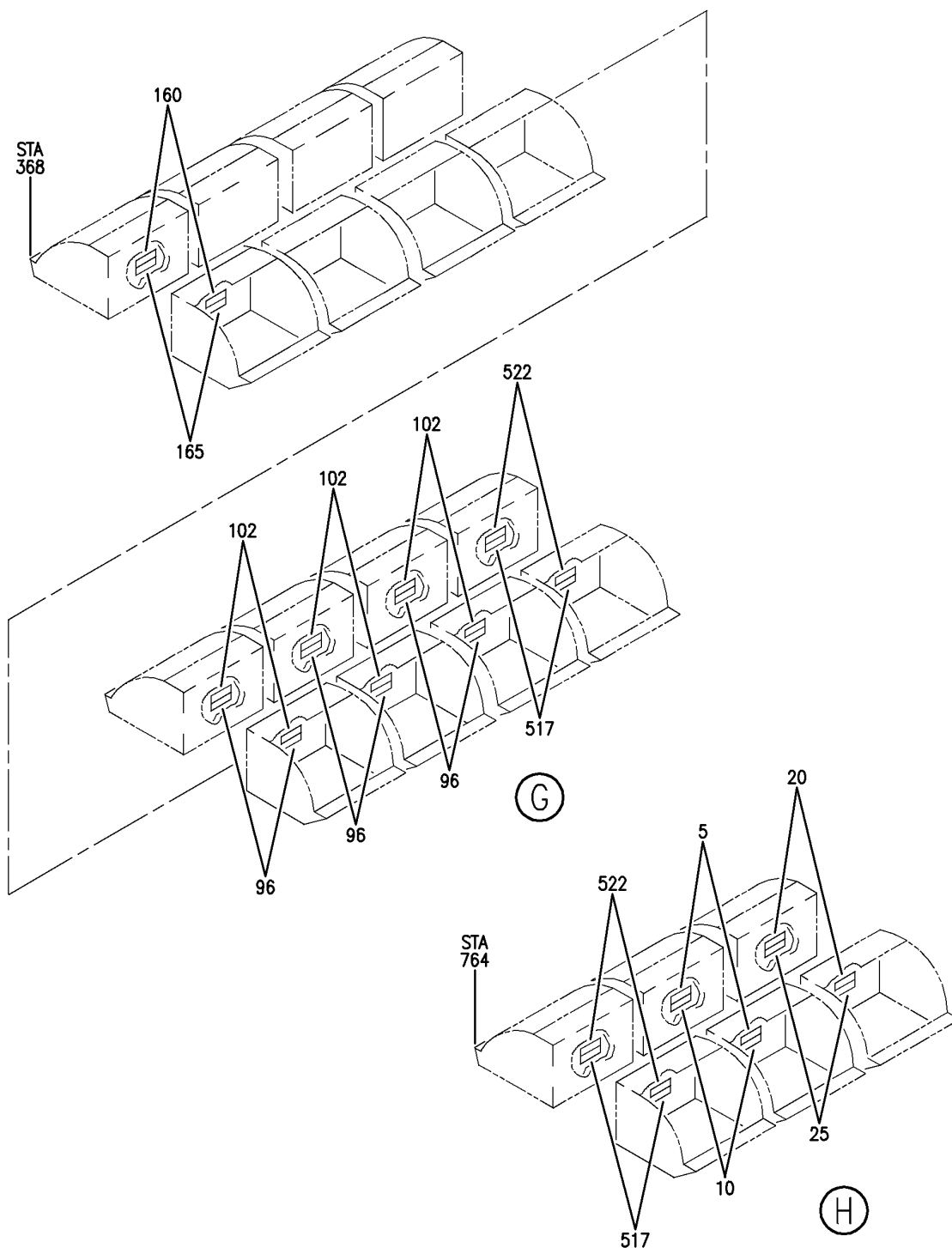
BIN ASSY-CTR OVHD STOWAGE (PLACARDS AND MARKINGS ONLY)  
 FIGURE 53 (SHEET 4)

**11-35-07-53**

HXL  
 DEC 22/06

11-35-07-53  
 PAGE 0C

**BOEING**  
767  
PARTS CATALOG (MAINTENANCE)



V 11350753 SHT 5 REV 220

BIN ASSY-CTR OVHD STOWAGE (PLACARDS AND MARKINGS ONLY)  
FIGURE 53 (SHEET 5)

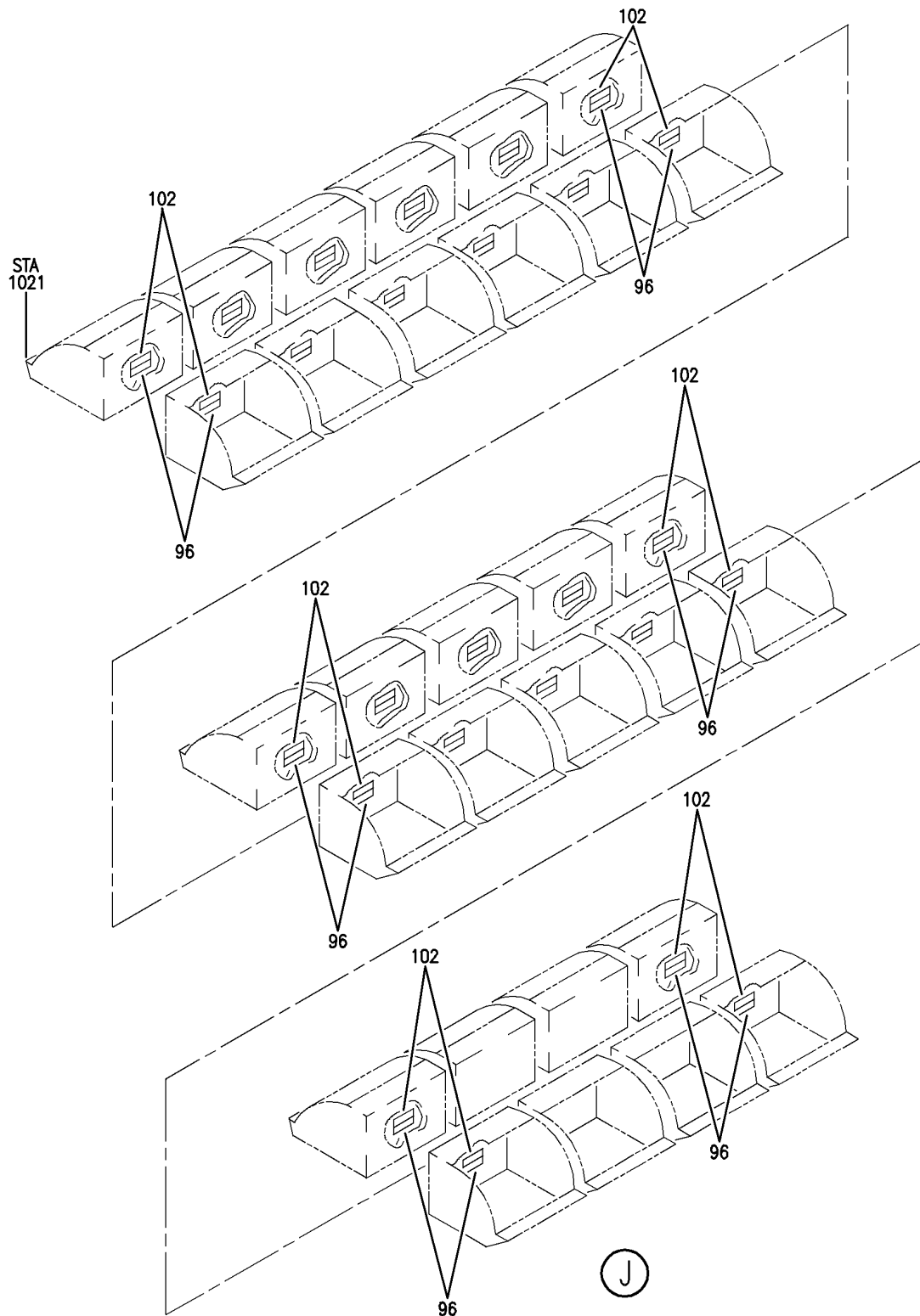
**11-35-07-53**

HXL  
DEC 22/06

11-35-07-53  
PAGE 0D



**BOEING**  
767  
PARTS CATALOG (MAINTENANCE)



V 11350753 SHT 6 REV 220

BIN ASSY-CTR OVHD STOWAGE (PLACARDS AND MARKINGS ONLY)  
FIGURE 53 (SHEET 6)

**11-35-07-53**

HXL  
DEC 22/06

11-35-07-53  
PAGE 0E



767

PARTS CATALOG (MAINTENANCE)

FIG ITEM	PART NUMBER	1 2 3 4 5 6 7	NOMENCLATURE	EFFECT FROM TO	UNITS PER ASSY
53			BIN ASSY-CTR OVHD STOWAGE (PLACARDS AND MARKINGS ONLY)	155162	
- 87	413T1047-104A		BIN ASSY-44 IN. OVHD STOWAGE (PLACARDS AND AND MARKINGS ONLY) POSITION DATA: CTR COMPONENT MAINT MANUAL REF: 25-28-42 FOR NHA/OTHER SYS DET SEE: 25-28-59-03	155162	RF
92	BAC29PPS2173		.PLACARD- PLACARD CONTENT: LATCH BIN CLOSED	155162	1
97	BAC29PPS2175		.DECAL- PLACARD CONTENT: LOAD LIMIT 80 LB/36 KG	155162	1

ILLUSTRATION ITEMS NOT ON PARTS LIST ARE NOT APPLICABLE

- ITEM NOT ILLUSTRATED

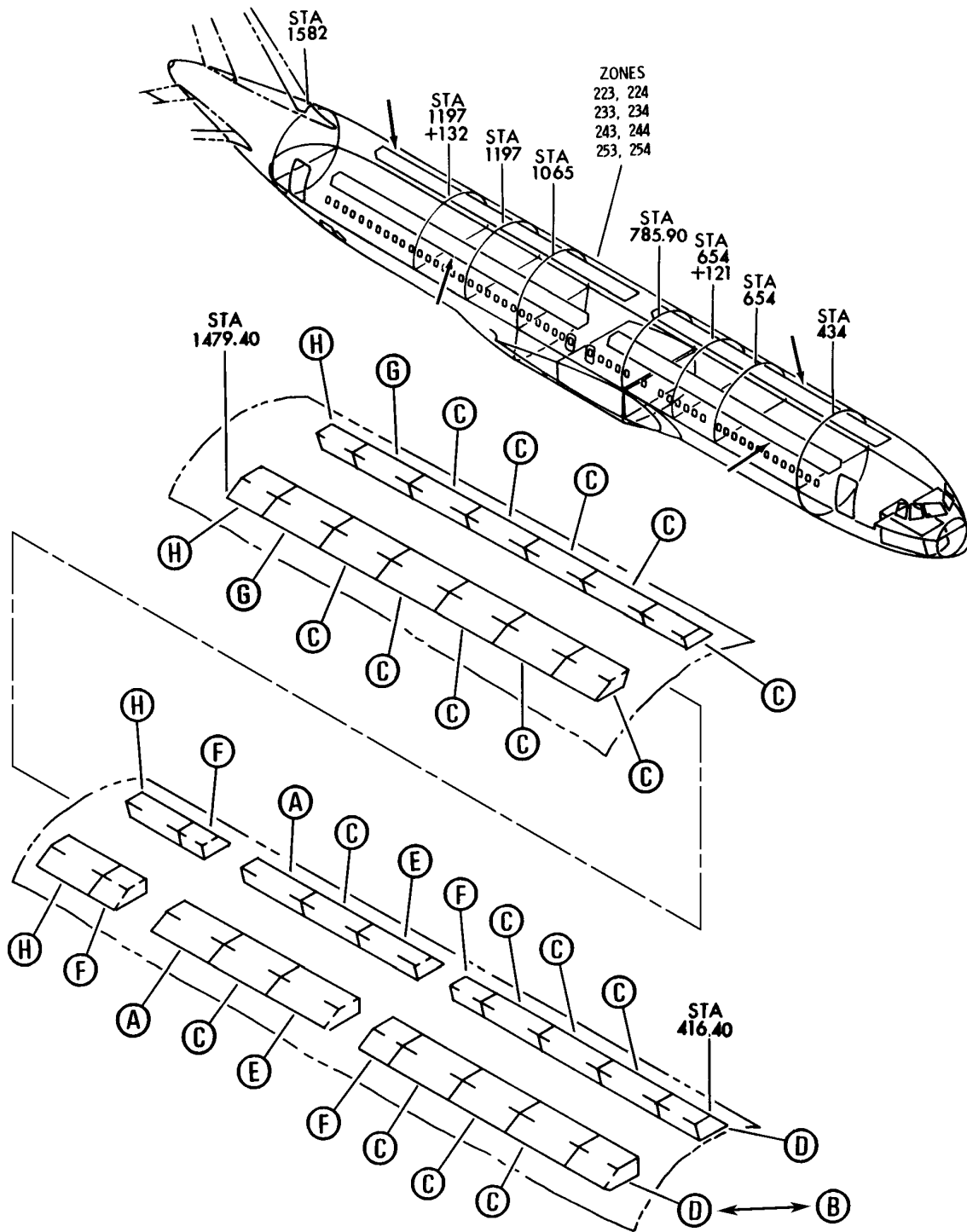
HXL

11-35-07-53

BOEING PROPRIETARY - Copyright © - Unpublished Work - See title page for details.

11-35-07  
FIG. 53  
PAGE 1  
DEC 22/06

**BOEING**  
767  
PARTS CATALOG (MAINTENANCE)



V 11350754 SHT 1 REV 332

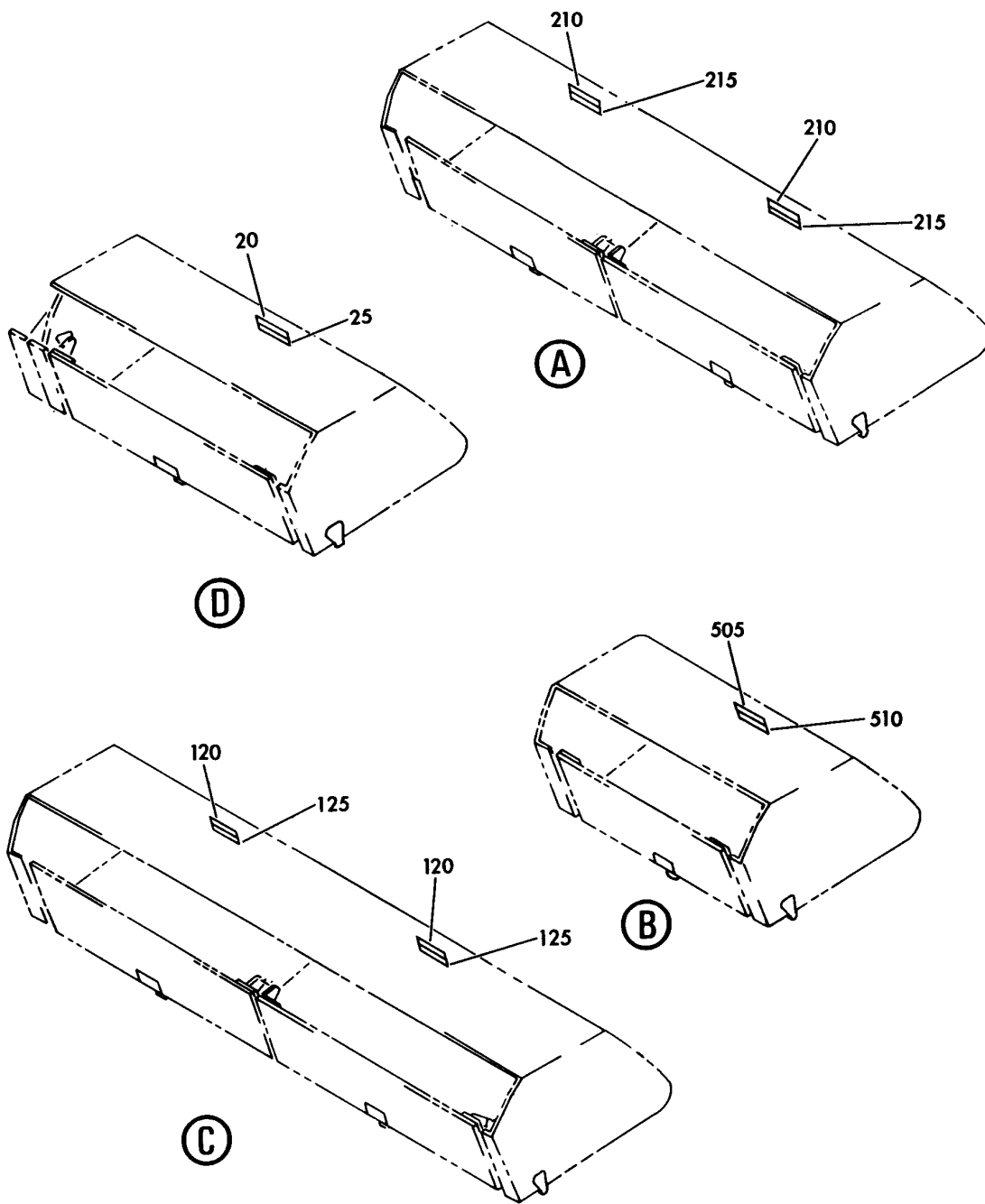
BIN ASSY-OUTBD OVERHEAD STOWAGE (PLACARDS AND MARKINGS ONLY)  
FIGURE 54 (SHEET 1)

# 11-35-07-54

HXL  
DEC 22/08

11-35-07-54  
PAGE 0

**BOEING**  
767  
PARTS CATALOG (MAINTENANCE)



V 11350754 SHT 2 REV 128

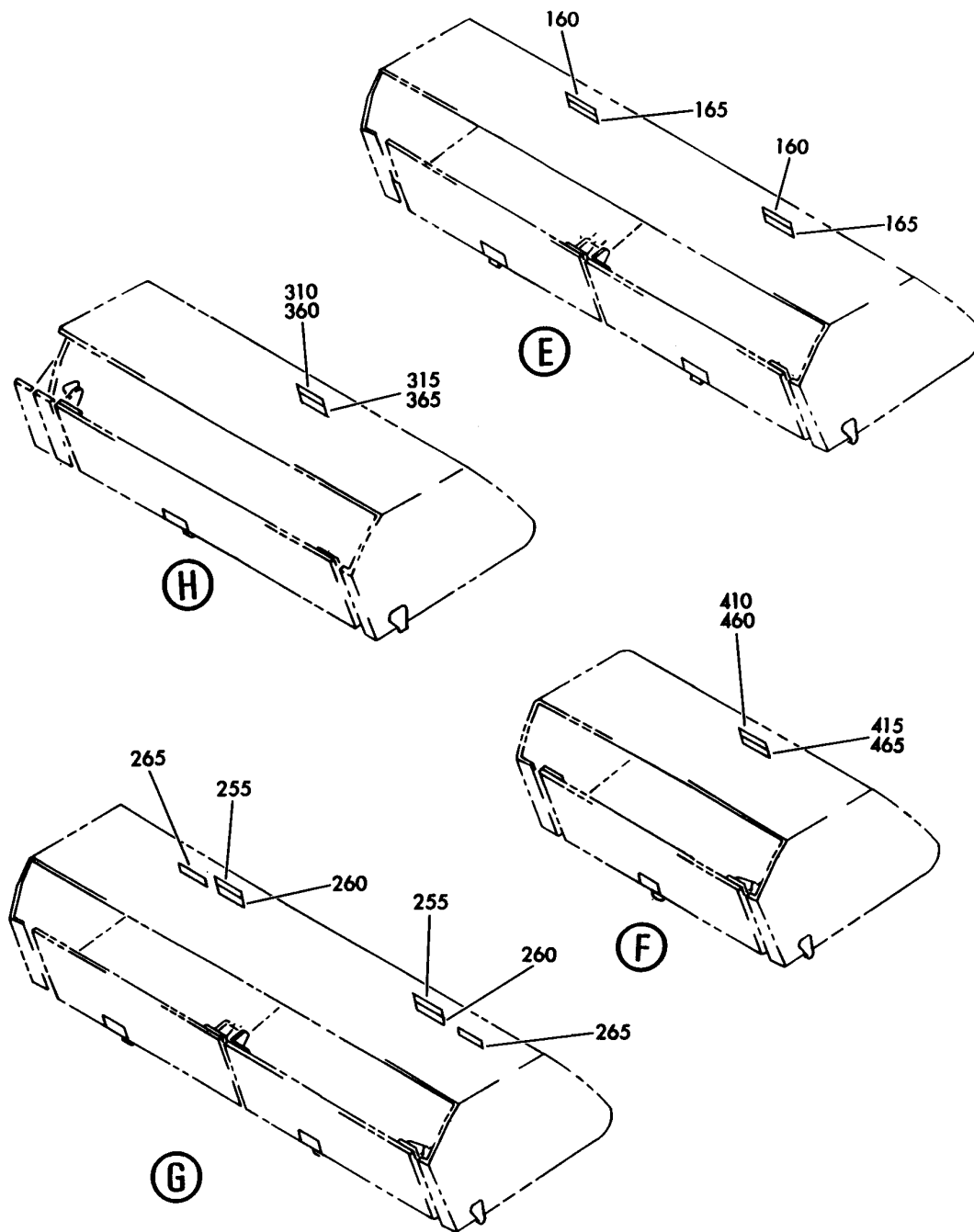
BIN ASSY-OUTBD OVERHEAD STORAGE (PLACARDS AND MARKINGS ONLY)  
FIGURE 54 (SHEET 2)

**11-35-07-54**

HXL  
DEC 22/06

11-35-07-54  
PAGE 0A

**BOEING**  
767  
PARTS CATALOG (MAINTENANCE)



V 11350754 SHT 3 REV 128

BIN ASSY-OUTBD OVERHEAD STORAGE (PLACARDS AND MARKINGS ONLY)  
FIGURE 54 (SHEET 3)

**11-35-07-54**

HXL  
DEC 22/06

11-35-07-54  
PAGE 0B



767

PARTS CATALOG (MAINTENANCE)

FIG ITEM	PART NUMBER	1 2 3 4 5 6 7	NOMENCLATURE	EFFECT FROM TO	UNITS PER ASSY
54			BIN ASSY-OUTBD OVERHEAD STOWAGE (PLACARDS AND MARKINGS ONLY)		RF
- 5	413T1153-723SP		BIN ASSY-39 IN. OVERHEAD STOWAGE (PLACARDS AND MARKINGS ONLY) POSITION DATA: OUTBD LH FOR NHA/OTHER SYS DET SEE: 25-28-03-73		RF
- 10	413T1153-726SP		BIN ASSY-39 IN. OVERHEAD STOWAGE (PLACARDS AND MARKINGS ONLY) POSITION DATA: OUTBD RH FOR NHA/OTHER SYS DET SEE: 25-28-03-73	155162	RF
20	BAC29PPS2172		.DECAL- PLACARD CONTENT: LATCH DOOR CLOSED		1
20	BAC29PPS2172		.DECAL- PLACARD CONTENT: LATCH DOOR CLOSED	155162	1
25	BAC29PPS3083		.DECAL- PLACARD CONTENT: LOAD LIMIT 75 LB/35 KG		1
25	BAC29PPS3083		.DECAL- PLACARD CONTENT: LOAD LIMIT 75 LB/35 KG	155162	1
- 50	413T1153-433SP		BIN ASSY-88 IN. OVERHEAD STOWAGE (PLACARDS AND MARKINGS ONLY) POSITION DATA: OUTBD LH FOR NHA/OTHER SYS DET SEE: 25-28-03-73		RF
- 55	413T1153-434SP		BIN ASSY-88 IN. OVERHEAD STOWAGE (PLACARDS AND MARKINGS ONLY) POSITION DATA: OUTBD RH FOR NHA/OTHER SYS DET SEE: 25-28-03-73		RF

ILLUSTRATION ITEMS NOT ON PARTS LIST ARE NOT APPLICABLE

- ITEM NOT ILLUSTRATED

HXL

11-35-07-54

11-35-07  
FIG. 54  
PAGE 1  
DEC 22/08

 **BOEING**  
767  
**PARTS CATALOG (MAINTENANCE)**

FIG ITEM	PART NUMBER	1 2 3 4 5 6 7	NOMENCLATURE	EFFECT FROM TO	UNITS PER ASSY
54					
- 60	413T1153-437SP		BIN ASSY-88 IN. OVERHEAD STOWAGE (PLACARDS AND MARKINGS ONLY) POSITION DATA: OUTBD LH FOR NHA/OTHER SYS DET SEE: 25-28-03-73		RF
- 65	413T1153-438SP		BIN ASSY-88 IN. OVERHEAD STOWAGE (PLACARDS AND MARKINGS ONLY) POSITION DATA: OUTBD RH FOR NHA/OTHER SYS DET SEE: 25-28-03-73		RF
- 70	413T1153-439SP		BIN ASSY-88 IN. OVERHEAD STOWAGE (PLACARDS AND MARKINGS ONLY) POSITION DATA: OUTBD LH FOR NHA/OTHER SYS DET SEE: 25-28-03-73	155162	RF
- 70	413T1153-441SP		BIN ASSY-88 IN. OVERHEAD STOWAGE (PLACARDS AND MARKINGS ONLY) POSITION DATA: OUTBD LH FOR NHA/OTHER SYS DET SEE: 25-28-03-73	163999	RF
- 75	413T1153-440SP		BIN ASSY-88 IN. OVERHEAD STOWAGE (PLACARDS AND MARKINGS ONLY) POSITION DATA: OUTBD RH FOR NHA/OTHER SYS DET SEE: 25-28-03-73		RF
- 80	413T1153-441SP		BIN ASSY-88 IN. OVERHEAD STOWAGE (PLACARDS AND MARKINGS ONLY) POSITION DATA: OUTBD LH FOR NHA/OTHER SYS DET SEE: 25-28-03-73		RF
- 85	413T1153-442SP		BIN ASSY-88 IN. OVERHEAD STOWAGE (PLACARDS AND MARKINGS ONLY) POSITION DATA: OUTBD RH FOR NHA/OTHER SYS DET SEE: 25-28-03-73		RF
ILLUSTRATION ITEMS NOT ON PARTS LIST ARE NOT APPLICABLE					

- ITEM NOT ILLUSTRATED

HXL

11-35-07-54

BOEING PROPRIETARY - Copyright © - Unpublished Work - See title page for details.

11-35-07  
FIG. 54  
PAGE 2  
DEC 22/08



767

PARTS CATALOG (MAINTENANCE)

FIG ITEM	PART NUMBER	1 2 3 4 5 6 7	NOMENCLATURE	EFFECT FROM TO	UNITS PER ASSY
54 - 90	413T1153-627SP		BIN ASSY-88 IN. OVERHEAD STOWAGE (PLACARDS AND MARKINGS ONLY) POSITION DATA: OUTBD LH FOR NHA/OTHER SYS DET SEE: 25-28-03-73		RF
- 95	413T1153-628SP		BIN ASSY-88 IN. OVERHEAD STOWAGE (PLACARDS AND MARKINGS ONLY) POSITION DATA: OUTBD RH FOR NHA/OTHER SYS DET SEE: 25-28-03-73		RF
- 100	413T1153-741SP		BIN ASSY-88 IN. OVERHEAD STOWAGE (PLACARDS AND MARKINGS ONLY) POSITION DATA: OUTBD LH FOR NHA/OTHER SYS DET SEE: 25-28-03-73		RF
- 105	413T1153-710SP		BIN ASSY-88 IN. OVERHEAD STOWAGE (PLACARDS AND MARKINGS ONLY) POSITION DATA: OUTBD RH FOR NHA/OTHER SYS DET SEE: 25-28-03-73	155162	RF
- 105	413T1153-868SP		BIN ASSY-88 IN. OVERHEAD STOWAGE (PLACARDS AND MARKINGS ONLY) POSITION DATA: OUTBD RH FOR NHA/OTHER SYS DET SEE: 25-28-03-73	163999	RF
120	BAC29PPS2172		.DECAL- PLACARD CONTENT: LATCH DOOR CLOSED		2
125	BAC29PPS2174		.DECAL- PLACARD CONTENT: LOAD LIMIT 87 LB/39 KG		2
- 150	413T1153-729SP		BIN ASSY-77 IN. OVERHEAD STOWAGE (PLACARDS AND MARKINGS ONLY) POSITION DATA: OUTBD LH FOR NHA/OTHER SYS DET SEE: 25-28-03-73		RF

ILLUSTRATION ITEMS NOT ON PARTS LIST ARE NOT APPLICABLE

- ITEM NOT ILLUSTRATED

11-35-07-54

11-35-07  
FIG. 54  
PAGE 3  
DEC 22/08

HXL





767

PARTS CATALOG (MAINTENANCE)

FIG ITEM	PART NUMBER	1 2 3 4 5 6 7	NOMENCLATURE	EFFECT FROM TO	UNITS PER ASSY
54 - 155	413T1153-730SP		BIN ASSY-77 IN. OVERHEAD STOWAGE (PLACARDS AND MARKINGS ONLY) POSITION DATA: OUTBD RH FOR NHA/OTHER SYS DET SEE: 25-28-03-73		RF
160	BAC29PPS2172		.DECAL- PLACARD CONTENT: LATCH DOOR CLOSED		2
165	BAC29PPS3083		.DECAL- PLACARD CONTENT: LOAD LIMIT 75 LB/34 KG		2
- 200	413T1153-731SP		BIN ASSY-81 IN. OVERHEAD STOWAGE (PLACARDS AND MARKINGS ONLY) POSITION DATA: OUTBD LH FOR NHA/OTHER SYS DET SEE: 25-28-03-73		RF
- 205	413T1153-732SP		BIN ASSY-81 IN. OVERHEAD STOWAGE (PLACARDS AND MARKINGS ONLY) POSITION DATA: OUTBD RH FOR NHA/OTHER SYS DET SEE: 25-28-03-73		RF
210	BAC29PPS2172		.DECAL- PLACARD CONTENT: LATCH DOOR CLOSED		2
215	BAC29PPS2175		.DECAL- PLACARD CONTENT: LOAD LIMIT 80 LB/36 KG		2
- 250	413T1153-735SP		BIN ASSY-65 IN. OVERHEAD STOWAGE (PLACARDS AND MARKINGS ONLY) POSITION DATA: OUTBD LH FOR NHA/OTHER SYS DET SEE: 25-28-03-73	155162	RF
- 250	413T1153-867SP		BIN ASSY-65 IN. OVERHEAD STOWAGE (PLACARDS AND MARKINGS ONLY) POSITION DATA: OUTBD LH FOR NHA/OTHER SYS DET SEE: 25-28-03-73	163999	RF

ILLUSTRATION ITEMS NOT ON PARTS LIST ARE NOT APPLICABLE

- ITEM NOT ILLUSTRATED

11-35-07-54

11-35-07  
FIG. 54  
PAGE 4  
DEC 22/08

HXL



767

PARTS CATALOG (MAINTENANCE)

FIG ITEM	PART NUMBER	1 2 3 4 5 6 7	NOMENCLATURE	EFFECT FROM TO	UNITS PER ASSY
54					
255	BAC29PPS2172		.DECAL- PLACARD CONTENT: LATCH DOOR CLOSED USED ON: 413T1153-735SP	155162	2
255	BAC29PPS2172		.DECAL- PLACARD CONTENT: LATCH DOOR CLOSED	163999	2
260	BAC29PPS2176		.DECAL- PLACARD CONTENT: LOAD LIMIT 64 LB/29 KG	155162	2
260	BAC29PPS2176		.DECAL- PLACARD CONTENT: LOAD LIMIT 64 LB/29 KG	163999	2
265	BAC27TPPS0248		.PLACARD- PLACARD CONTENT: DOOR MUST BE LATCHED CLOSED LOAD LIMIT 64 LB/29 KG USED ON: 413T1153-710SP	155162	2
- 300	413T1153-443SP		BIN ASSY-44 IN. OVERHEAD STOWAGE (PLACARDS AND MARKINGS ONLY) POSITION DATA: OUTBD LH FOR NHA/OTHER SYS DET SEE: 25-28-03-73		RF
- 305	413T1153-444SP		BIN ASSY-44 IN. OVERHEAD STOWAGE (PLACARDS AND MARKINGS ONLY) POSITION DATA: OUTBD RH FOR NHA/OTHER SYS DET SEE: 25-28-03-73		RF
310	BAC29PPS2172		.DECAL- PLACARD CONTENT: LATCH DOOR CLOSED		1
315	BAC29PPS2174		.DECAL- PLACARD CONTENT: LOAD LIMIT 87 LB/39 KG		1
- 350	413T1153-775SP		BIN ASSY-42 IN. OVERHEAD STOWAGE (PLACARDS AND MARKINGS ONLY) POSITION DATA: OUTBD LH FOR NHA/OTHER SYS DET SEE: 25-28-03-73	155162	RF

ILLUSTRATION ITEMS NOT ON PARTS LIST ARE NOT APPLICABLE

- ITEM NOT ILLUSTRATED

11-35-07-54

11-35-07  
FIG. 54  
PAGE 5  
DEC 22/08

HXL



767

PARTS CATALOG (MAINTENANCE)

FIG ITEM	PART NUMBER	1 2 3 4 5 6 7	NOMENCLATURE	EFFECT FROM TO	UNITS PER ASSY
54					
- 350	413T1153-863SP		BIN ASSY-42 IN. OVERHEAD STOWAGE (PLACARDS AND MARKINGS ONLY) POSITION DATA: OUTBD LH FOR NHA/OTHER SYS DET SEE: 25-28-03-73	163999	RF
- 355	413T1153-738SP		BIN ASSY-42 IN. OVERHEAD STOWAGE (PLACARDS AND MARKINGS ONLY) POSITION DATA: OUTBD RH FOR NHA/OTHER SYS DET SEE: 25-28-03-73	155162	RF
- 355	413T1153-864SP		BIN ASSY-42 IN. OVERHEAD STOWAGE (PLACARDS AND MARKINGS ONLY) POSITION DATA: OUTBD RH FOR NHA/OTHER SYS DET SEE: 25-28-03-73	163999	RF
360	BAC29PPS2172		.DECAL- PLACARD CONTENT: LATCH DOOR CLOSED		1
365	BAC29PPS2175		.DECAL- PLACARD CONTENT: LOAD LIMIT 80 LB/36 KG		1
- 400	413T1153-727SP		BIN ASSY-34 IN. OVERHEAD STOWAGE (PLACARDS AND MARKINGS ONLY) POSITION DATA: OUTBD LH FOR NHA/OTHER SYS DET SEE: 25-28-03-73		RF
- 405	413T1153-728SP		BIN ASSY-34 IN. OVERHEAD STOWAGE (PLACARDS AND MARKINGS ONLY) POSITION DATA: OUTBD RH FOR NHA/OTHER SYS DET SEE: 25-28-03-73		RF
410	BAC29PPS2172		.DECAL- PLACARD CONTENT: LATCH DOOR CLOSED		1
415	BAC29PPS2176		.DECAL- PLACARD CONTENT: LOAD LIMIT 64 LB/29 KG		1

ILLUSTRATION ITEMS NOT ON PARTS LIST ARE NOT APPLICABLE

- ITEM NOT ILLUSTRATED

11-35-07-54

11-35-07  
FIG. 54  
PAGE 6  
DEC 22/08

HXL

BOEING PROPRIETARY - Copyright © - Unpublished Work - See title page for details.



767

PARTS CATALOG (MAINTENANCE)

FIG ITEM	PART NUMBER	1 2 3 4 5 6 7	NOMENCLATURE	EFFECT FROM TO	UNITS PER ASSY
54					
- 450	413T1153-733SP		BIN ASSY-28 IN. OVERHEAD STOWAGE (PLACARDS AND MARKINGS ONLY) POSITION DATA: OUTBD LH FOR NHA/OTHER SYS DET SEE: 25-28-03-73		RF
- 455	413T1153-734SP		BIN ASSY-28 IN. OVERHEAD STOWAGE (PLACARDS AND MARKINGS ONLY) POSITION DATA: OUTBD RH FOR NHA/OTHER SYS DET SEE: 25-28-03-73		RF
460	BAC29PPS2172		.DECAL- PLACARD CONTENT: LATCH DOOR CLOSED		1
465	BAC29PPS2177		.DECAL- PLACARD CONTENT: LOAD LIMIT 58 LB/26 KG		1
- 500	413T1153-860SP		BIN ASSY-22 IN. OVERHEAD STOWAGE (PLACARDS AND MARKINGS ONLY) POSITION DATA: OUTBD RH FOR NHA/OTHER SYS DET SEE: 25-28-03-73	163999	RF
505	BAC29PPS2172		.DECAL- PLACARD CONTENT: LATCH DOOR CLOSED	163999	1
510	BAC29PPS2178		.DECAL- PLACARD CONTENT: LOAD LIMIT 43 LB/19 KG	163999	1

ILLUSTRATION ITEMS NOT ON PARTS LIST ARE NOT APPLICABLE

- ITEM NOT ILLUSTRATED

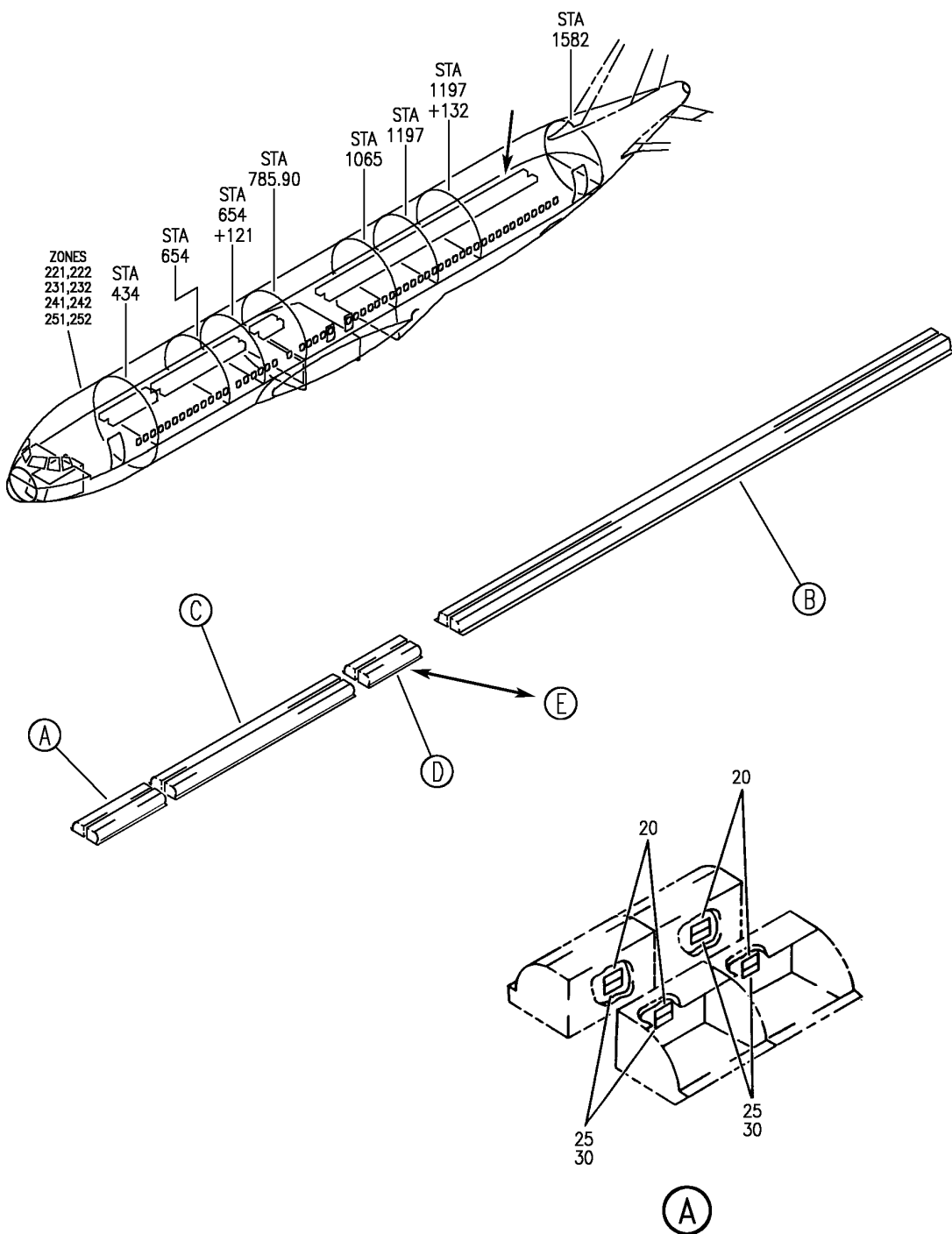
11-35-07-54

11-35-07  
FIG. 54  
PAGE 7  
DEC 22/08

HXL

BOEING PROPRIETARY - Copyright © - Unpublished Work - See title page for details.

**BOEING**  
767  
PARTS CATALOG (MAINTENANCE)



V 11350771 SHT 1 REV 309

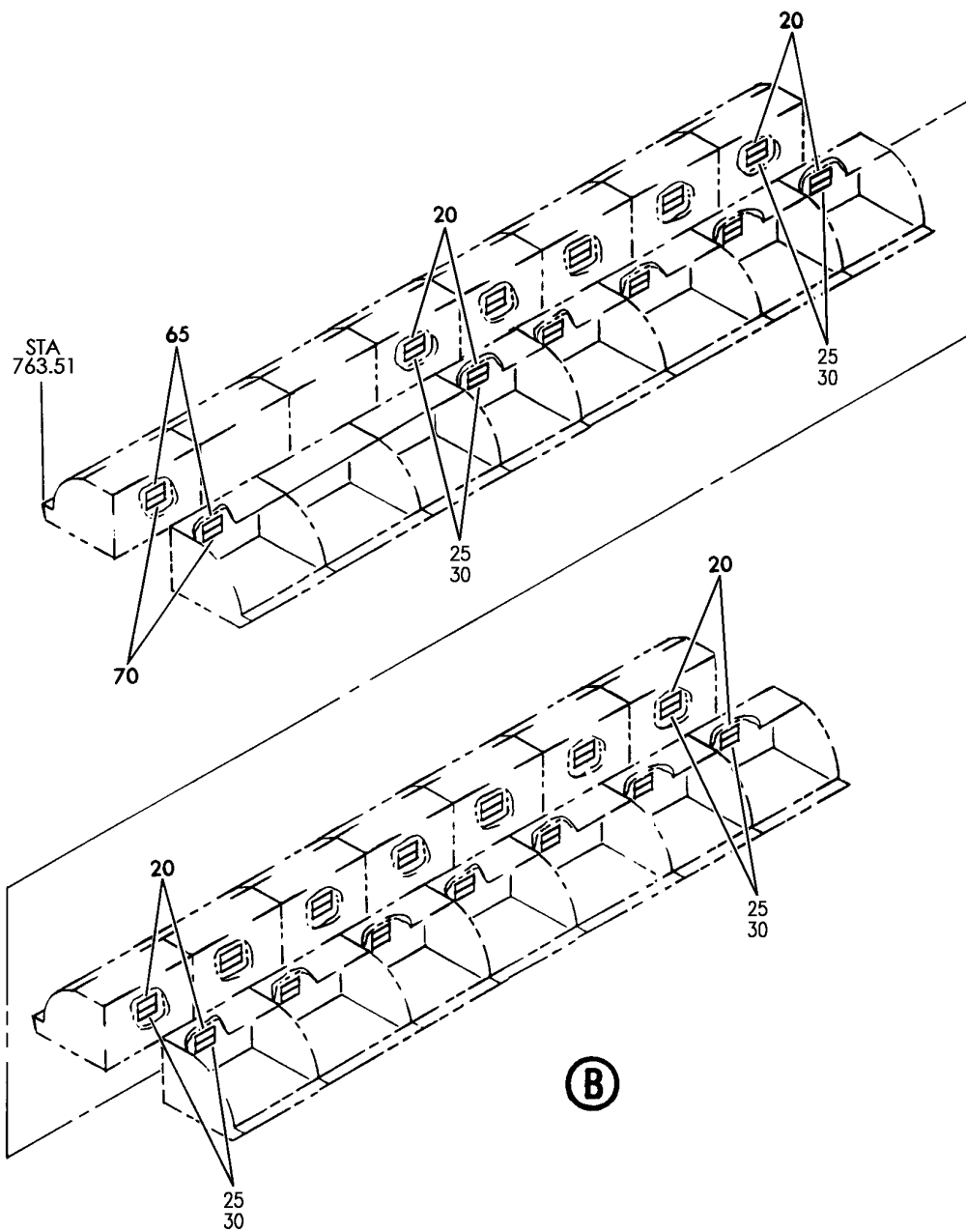
BIN ASSY- CTR OVHD STORAGE (PLACARDS AND MARKINGS ONLY)  
FIGURE 71 (SHEET 1)

**11-35-07-71**

HXL  
DEC 22/06

11-35-07-71  
PAGE 0

**BOEING**  
767  
PARTS CATALOG (MAINTENANCE)



V 11350771 SHT 2 REV 309

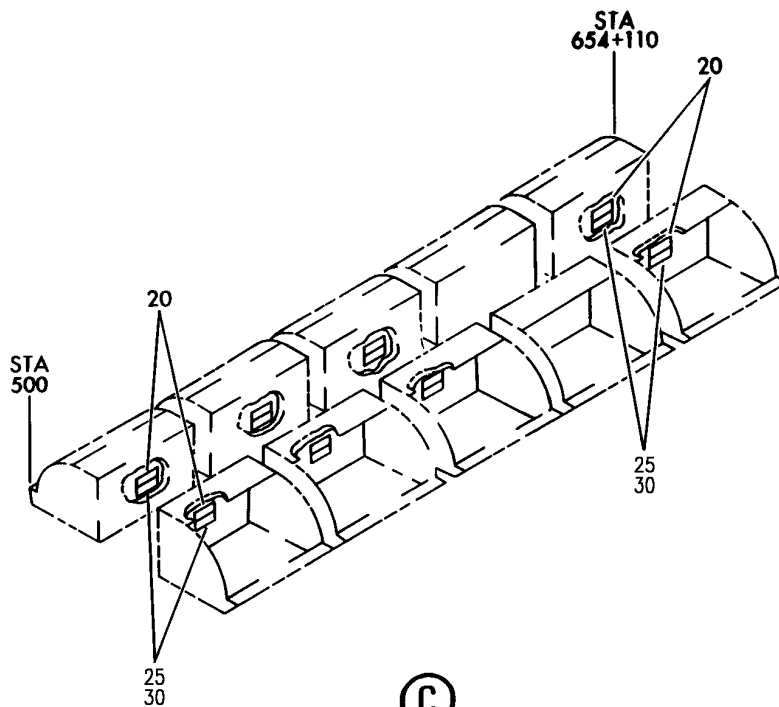
BIN ASSY- CTR OVHD STORAGE (PLACARDS AND MARKINGS ONLY)  
FIGURE 71 (SHEET 2)

HXL  
DEC 22/06

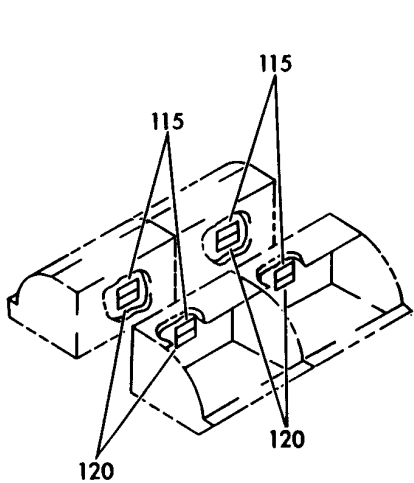
**11-35-07-71**

11-35-07-71  
PAGE 0A

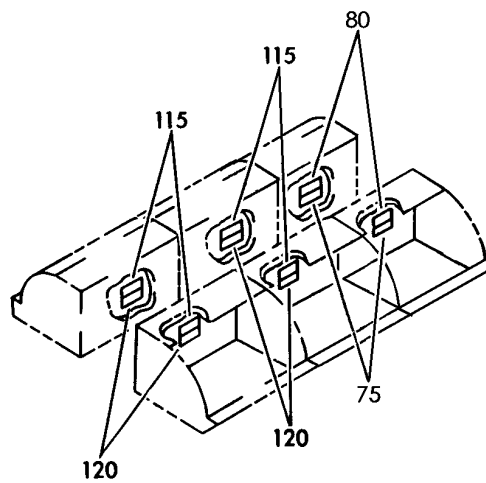
**BOEING**  
767  
PARTS CATALOG (MAINTENANCE)



(C)



(D)



(E)

V 11350771 SHT 3 REV 308

BIN ASSY- CTR OVHD STORAGE (PLACARDS AND MARKINGS ONLY)  
FIGURE 71 (SHEET 3)

**11-35-07-71**

HXL  
DEC 22/06

11-35-07-71  
PAGE 0B



767

PARTS CATALOG (MAINTENANCE)

FIG ITEM	PART NUMBER	1 2 3 4 5 6 7	NOMENCLATURE	EFFECT FROM TO	UNITS PER ASSY
71			BIN ASSY- CTR OVHD STOWAGE (PLACARDS AND MARKINGS ONLY)	163999	
- 1	413T1047-47SP		BIN ASSY-44 IN. OVHD STOWAGE (PLACARDS AND MARKINGS ONLY) POSITION DATA: CTR COMPONENT MAINT MANUAL REF: 25-28-42 FOR NHA/OTHER SYS DET SEE: 25-28-01-33C 25-28-59-73	163999	RF
- 1	413T1047-27SP		BIN ASSY-44 IN. OVHD STOWAGE (PLACARDS AND MARKINGS ONLY) POSITION DATA: CTR COMPONENT MAINT MANUAL REF: 25-28-42 FOR NHA/OTHER SYS DET SEE: 25-28-01-33C 25-28-59-73	163999	RF
- 1	413T1047-104SP		BIN ASSY-44 IN. OVHD STOWAGE (PLACARDS AND MARKINGS ONLY) POSITION DATA: CTR COMPONENT MAINT MANUAL REF: 25-28-42 FOR NHA/OTHER SYS DET SEE: 25-28-01-33C 25-28-59-73	163999	RF
- 3	413T1047-81SP		BIN ASSY-44 IN. OVHD STOWAGE (PLACARDS AND MARKINGS ONLY) POSITION DATA: CTR COMPONENT MAINT MANUAL REF: 25-28-42 FOR NHA/OTHER SYS DET SEE: 25-28-59-59T	163999	RF

ILLUSTRATION ITEMS NOT ON PARTS LIST ARE NOT APPLICABLE

- ITEM NOT ILLUSTRATED

HXL

11-35-07-71

BOEING PROPRIETARY - Copyright © - Unpublished Work - See title page for details.

11-35-07  
FIG. 71  
PAGE 1  
DEC 22/07





767

PARTS CATALOG (MAINTENANCE)

FIG ITEM	PART NUMBER	1 2 3 4 5 6 7	NOMENCLATURE	EFFECT FROM TO	UNITS PER ASSY
71					
- 5	413T1047-28SP		BIN ASSY-44 IN. OVHD STOWAGE (PLACARDS AND) MARKINGS ONLY) POSITION DATA: CTR COMPONENT MAINT MANUAL REF: 25-28-42 FOR NHA/OTHER SYS DET SEE: 25-28-01-33C 25-28-59-73	163999	RF
- 5	413T1047-104SP		BIN ASSY-44 IN. OVERHEAD STOWAGE (PLACARDS AND) MARKINGS ONLY) POSITION DATA: CTR COMPONENT MAINT MANUAL REF: 25-28-42 FOR NHA/OTHER SYS DET SEE: 25-28-01-33C 25-28-59-73	163999	RF
- 5	413T1047-48SP		BIN ASSY-44 IN. OVHD STOWAGE (PLACARDS AND) MARKINGS ONLY) POSITION DATA: CTR COMPONENT MAINT MANUAL REF: 25-28-42 FOR NHA/OTHER SYS DET SEE: 25-28-01-33C 25-28-59-73	163999	RF
- 7	413T1047-82SP		BIN ASSY-44 IN. OVHD STOWAGE (PLACARDS AND) MARKINGS ONLY) POSITION DATA: CTR COMPONENT MAINT MANUAL REF: 25-28-42 FOR NHA/OTHER SYS DET SEE: 25-28-59-59T	163999	RF
20	BAC29PPS2173		.PLACARD- PLACARD CONTENT: LATCH BIN CLOSED	163999	1
25	BAC29PPS2175		.DECAL- PLACARD CONTENT: LOAD LIMIT 80 LB/36 KG	163999	1

ILLUSTRATION ITEMS NOT ON PARTS LIST ARE NOT APPLICABLE

- ITEM NOT ILLUSTRATED

11-35-07-71

11-35-07  
FIG. 71  
PAGE 2  
DEC 22/07

HXL



767

PARTS CATALOG (MAINTENANCE)

FIG ITEM	PART NUMBER	1 2 3 4 5 6 7	NOMENCLATURE	EFFECT FROM TO	UNITS PER ASSY
71					
30	BAC27TPPS0251		.PLACARD- PLACARD CONTENT: BIN MUST BE LATCHED CLOSED LOAD LIMIT 80 LB/36 KG USED ON: 413T1047-27SP 413T1047-28SP	163999	1
- 50	413T1047-57SP		BIN ASSY-37 IN. OVHD STOWAGE (PLACARDS AND MARKINGS ONLY) POSITION DATA: CTR COMPONENT MAINT MANUAL REF: 25-28-42 FOR NHA/OTHER SYS DET SEE: 25-28-59-46C	163999	RF
- 55	413T1047-58SP		BIN ASSY-37 IN. OVHD STOWAGE (PLACARDS AND MARKINGS ONLY) POSITION DATA: CTR COMPONENT MAINT MANUAL REF: 25-28-42 FOR NHA/OTHER SYS DET SEE: 25-28-59-46C	163999	RF
65	BAC29PPS2173		.PLACARD- PLACARD CONTENT: LATCH BIN CLOSED	163999	1
80	BAC29PPS5309		.DECAL- PLACARD CONTENT: LOAD LIMIT 66 LB/30 KG	163999	1
- 100	413T1047-49SP		BIN ASSY-22 IN. OVHD STOWAGE (PLACARDS AND MARKINGS ONLY) POSITION DATA: CTR COMPONENT MAINT MANUAL REF: 25-28-42 FOR NHA/OTHER SYS DET SEE: 25-28-01-33C 25-28-01-33D	163999	RF

ILLUSTRATION ITEMS NOT ON PARTS LIST ARE NOT APPLICABLE

- ITEM NOT ILLUSTRATED

HXL

11-35-07-71

BOEING PROPRIETARY - Copyright © - Unpublished Work - See title page for details.

11-35-07  
FIG. 71  
PAGE 3  
DEC 22/07



767

PARTS CATALOG (MAINTENANCE)

FIG ITEM	PART NUMBER	1 2 3 4 5 6 7	NOMENCLATURE	EFFECT FROM TO	UNITS PER ASSY
71 - 105	413T1047-50SP		BIN ASSY-22 IN. OVHD STOWAGE (PLACARDS AND MARKINGS ONLY POSITION DATA: CTR COMPONENT MAINT MANUAL REF: 25-28-42 FOR NHA/OTHER SYS DET SEE: 25-28-01-33C 25-28-01-33D	163999	RF
115	BAC29PPS2173		.PLACARD- PLACARD CONTENT: LATCH BIN CLOSED	163999	1
120	BAC29PPS2179		.DECAL- PLACARD CONTENT: LOAD LIMIT 40 LB/18 KG	163999	1

ILLUSTRATION ITEMS NOT ON PARTS LIST ARE NOT APPLICABLE

- ITEM NOT ILLUSTRATED

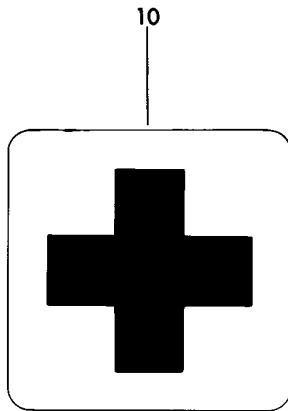
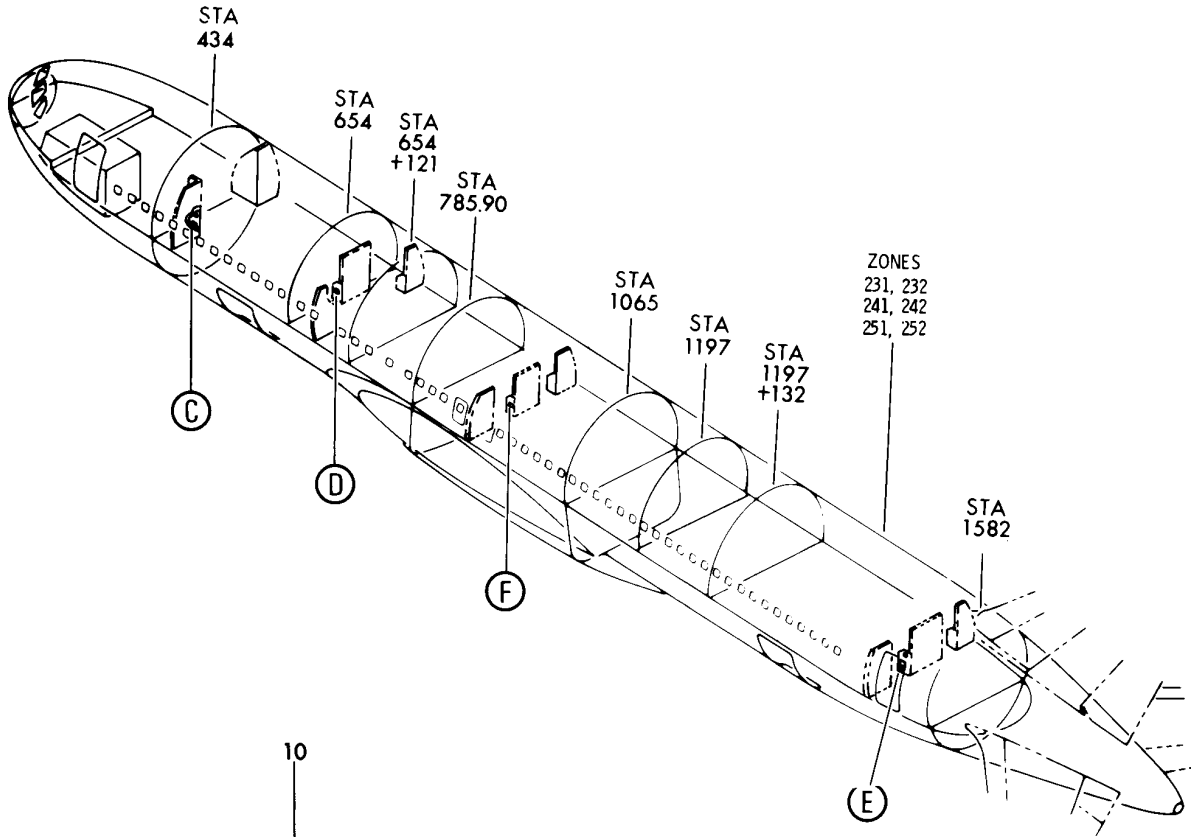
HXL

11-35-07-71

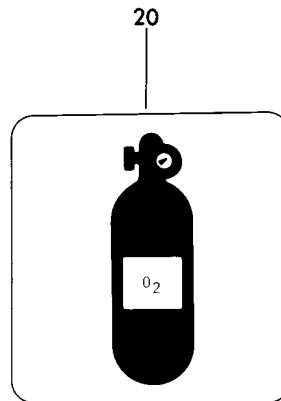
BOEING PROPRIETARY - Copyright © - Unpublished Work - See title page for details.

11-35-07  
FIG. 71  
PAGE 4  
DEC 22/07

**BOEING**  
767  
PARTS CATALOG (MAINTENANCE)



(A)



(B)

V 11350805 SHT 1 REV 102

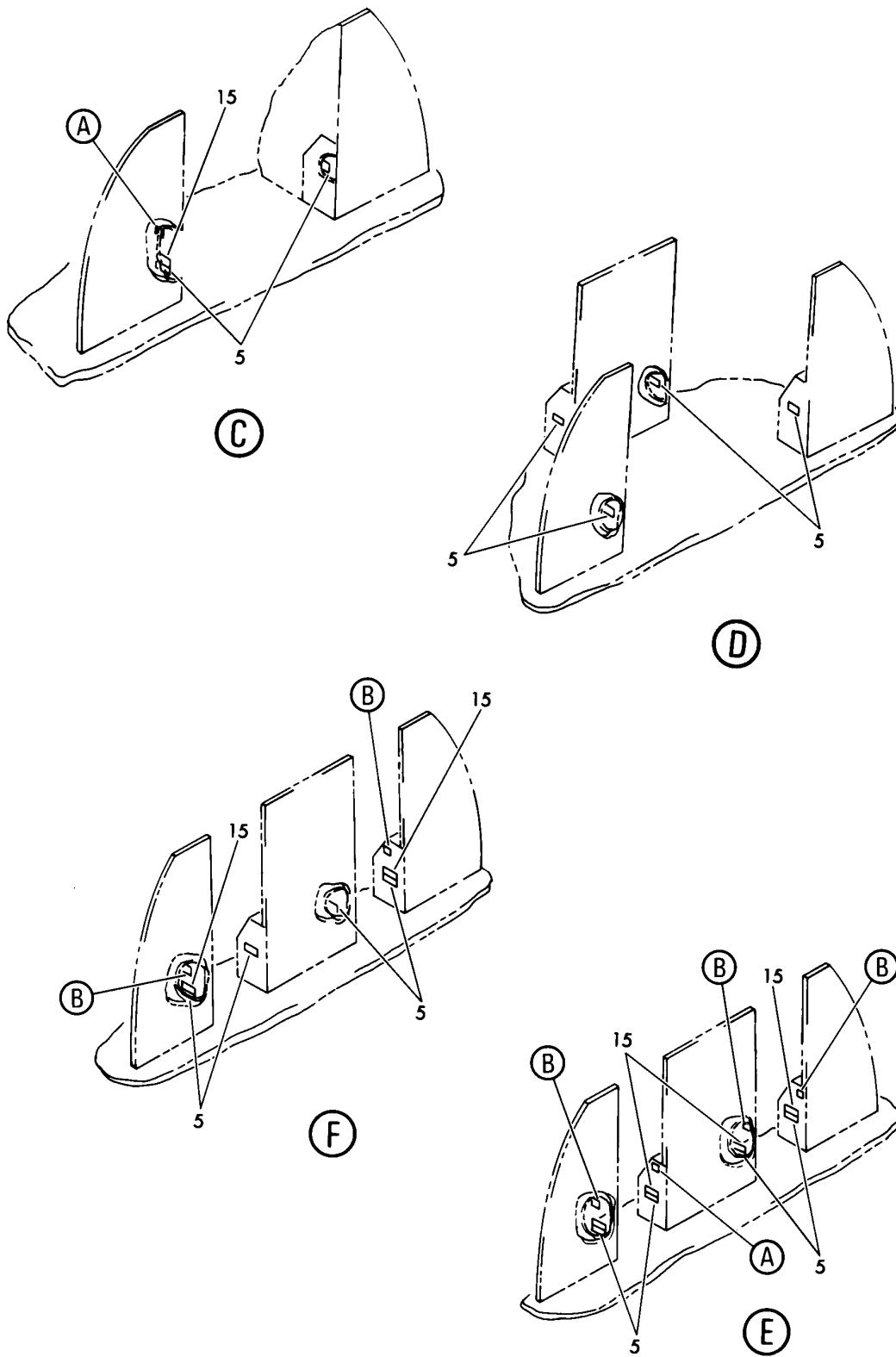
PLACARD INSTL-SAS CAB. INTR (FLOOR MOUNTED STOWAGE ONLY)  
FIGURE 5 (SHEET 1)

**11-35-08-05**

HXL  
DEC 22/06

11-35-08-05  
PAGE 0

**BOEING**  
767  
PARTS CATALOG (MAINTENANCE)



V 11350805 SHT 2 REV 102

PLACARD INSTL-SAS CAB. INTR (FLOOR MOUNTED STOWAGE ONLY)  
FIGURE 5 (SHEET 2)

**11-35-08-05**

HXL  
DEC 22/06

11-35-08-05  
PAGE 0A



767

PARTS CATALOG (MAINTENANCE)

FIG ITEM	PART NUMBER	1 2 3 4 5 6 7	NOMENCLATURE	EFFECT FROM TO	UNITS PER ASSY
5			PLACARD INSTL-SAS CAB. INTR (FLOOR MOUNTED STOWAGE ONLY)	155162	
- 1	414T5053-9		PLACARD INSTL-SAS CAB. INTR (FLOOR MOUNTED STOWAGE ONLY)	155162	RF
			FOR NHA/OTHER SYS DET SEE: 25-20-00-14A		
5	BAC29PPS3058		.PLACARD- PLACARD CONTENT: LATCH CLOSED	155162	14
10	BAC29UPPS0135		.PLACARD-SYMBOL	155162	2
15	BAC29PPS3084		.PLACARD- PLACARD CONTENT: EMERGENCY EQUIPMENT ONLY	155162	7
20	BAC29UPPS0137		.PLACARD-SYMBOL	155162	4
25	BAC29PPS11000		.PLACARD- PLACARD CONTENT: SMOKE HOOD	155162	1

ILLUSTRATION ITEMS NOT ON PARTS LIST ARE NOT APPLICABLE

- ITEM NOT ILLUSTRATED

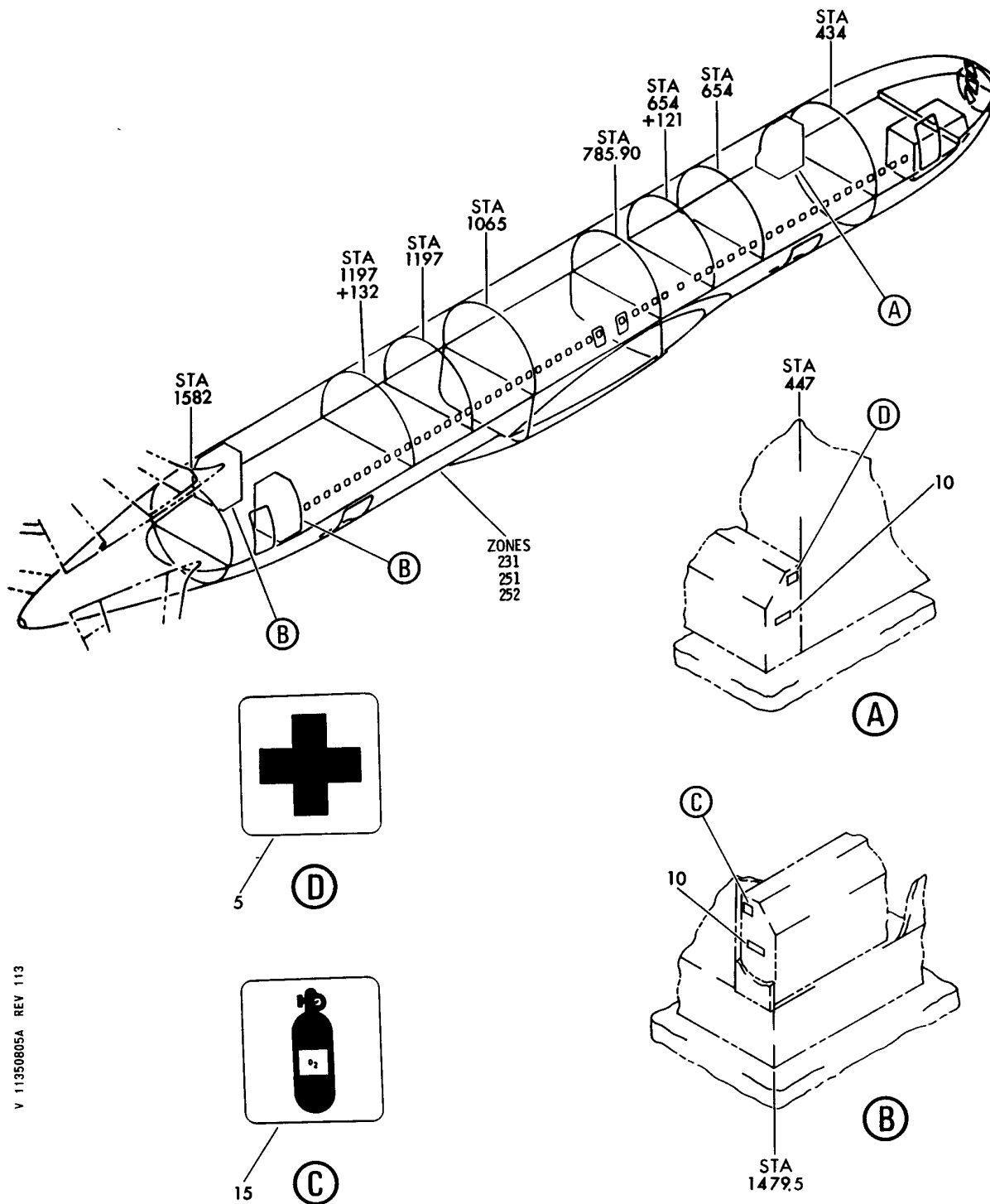
HXL

11-35-08-05

BOEING PROPRIETARY - Copyright © - Unpublished Work - See title page for details.

11-35-08  
FIG. 05  
PAGE 1  
DEC 22/06

**BOEING**  
767  
PARTS CATALOG (MAINTENANCE)



V 11350805A REV 113

PLACARD INSTL-SAS CAB. INTR (FLOOR MOUNTED STOWAGE ONLY)  
FIGURE 5A

**11-35-08-05A**

HXL  
DEC 22/06

11-35-08-05A  
PAGE 0



767

PARTS CATALOG (MAINTENANCE)

FIG ITEM	PART NUMBER	1 2 3 4 5 6 7	NOMENCLATURE	EFFECT FROM TO	UNITS PER ASSY
5A			PLACARD INSTL-SAS CAB. INTR (FLOOR MOUNTED STOWAGE ONLY)	163999	
- 1	414T5053-4		PLACARD INSTL-SAS CAB. INTR (FLOOR MOUNTED STOWAGE ONLY) FOR NHA/OTHER SYS DET SEE: 25-20-00-14A	163999	RF
5	BAC29UPPS0135		.PLACARD-SYMBOL	163999	1
10	BAC29PPS3084		.PLACARD- PLACARD CONTENT: EMERGENCY EQUIPMENT ONLY	163999	3
15	BAC29UPPS0137		.PLACARD-SYMBOL	163999	2

ILLUSTRATION ITEMS NOT ON PARTS LIST ARE NOT APPLICABLE

- ITEM NOT ILLUSTRATED

HXL

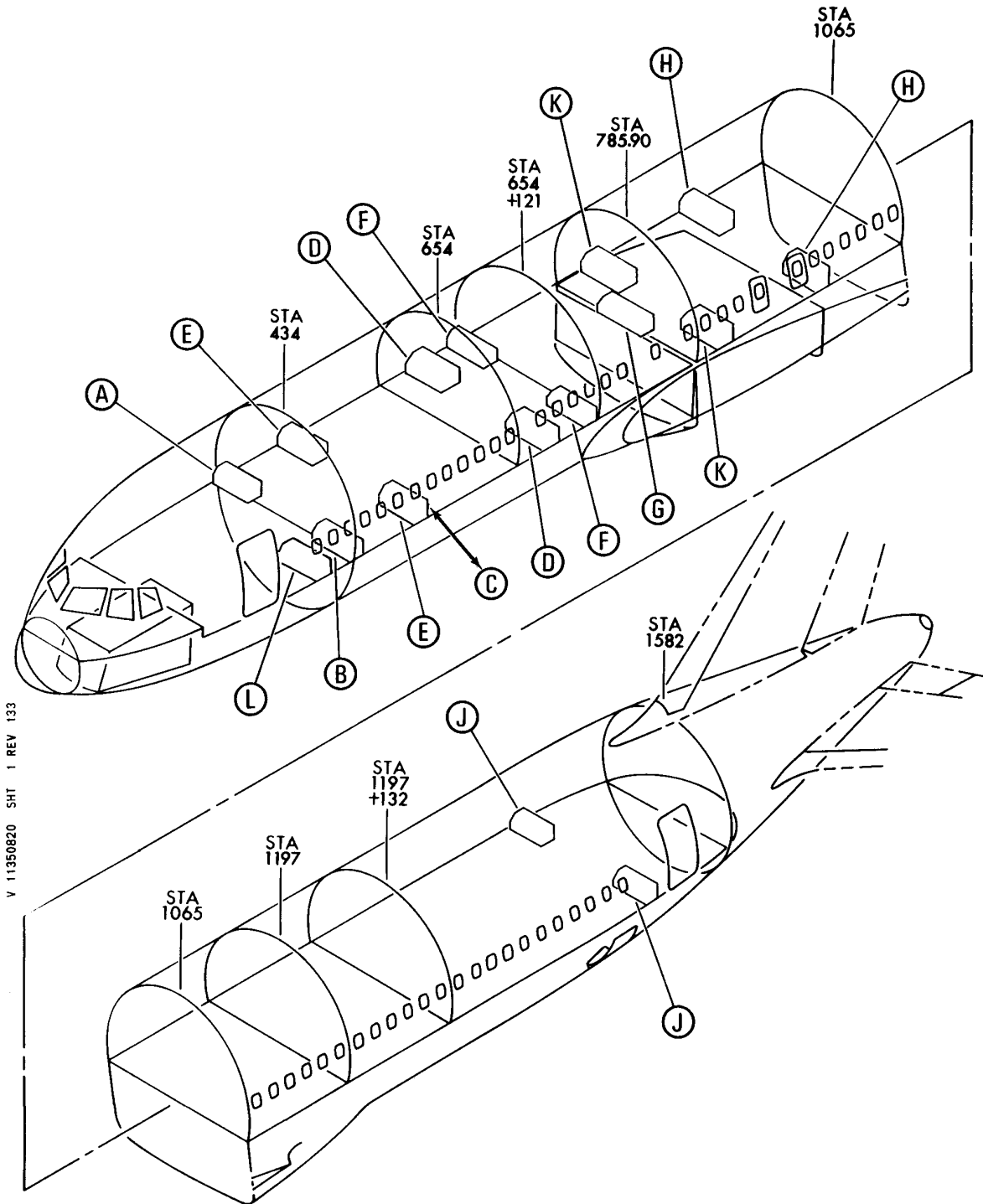
11-35-08-05A

BOEING PROPRIETARY - Copyright © - Unpublished Work - See title page for details.

11-35-08  
FIG. 05A  
PAGE 1  
DEC 22/07



**BOEING**  
767  
PARTS CATALOG (MAINTENANCE)



V 11350820 SHT 1 REV 133

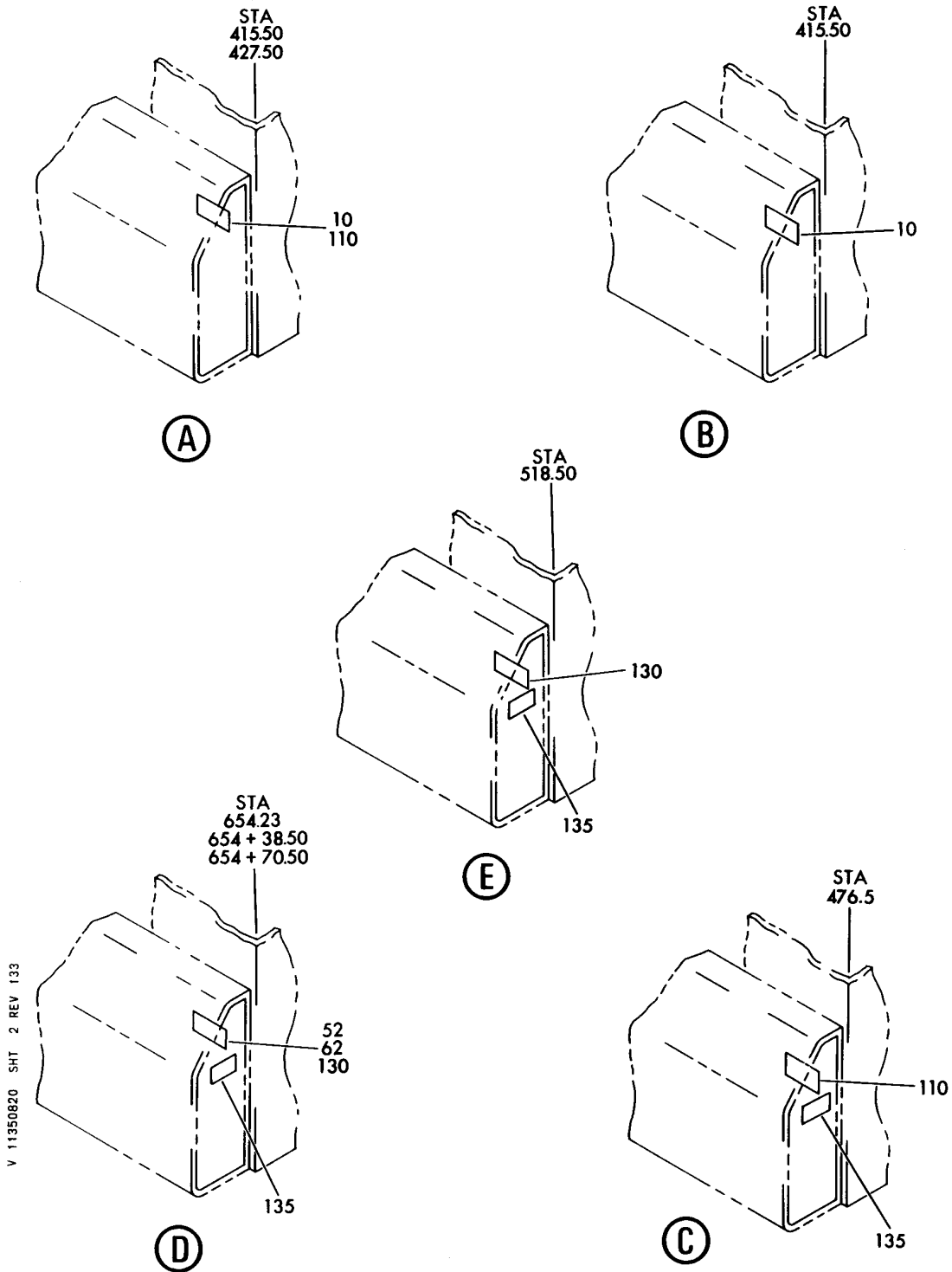
STOWAGE ASSY- FLOOR MOUNTED (PLACARDS AND MARKINGS ONLY)  
FIGURE 20 (SHEET 1)

**11-35-08-20**

HXL  
DEC 22/06

11-35-08-20  
PAGE 0

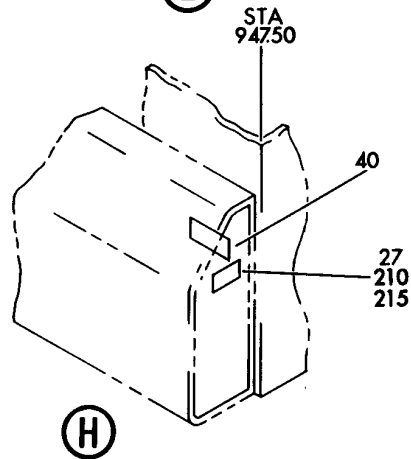
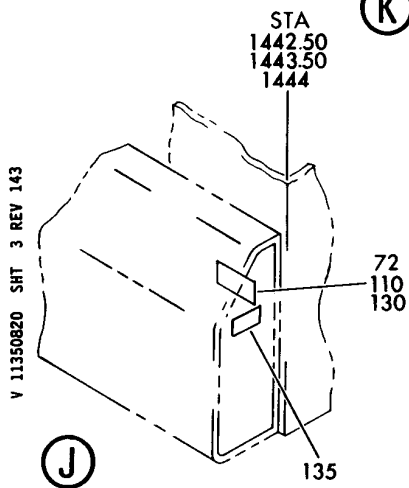
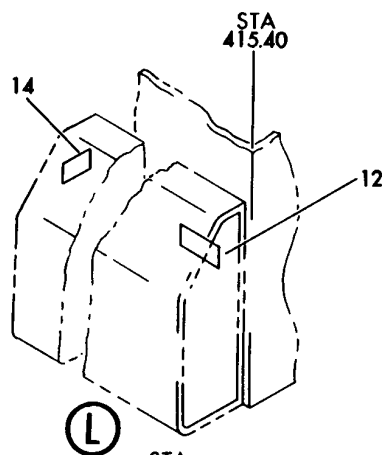
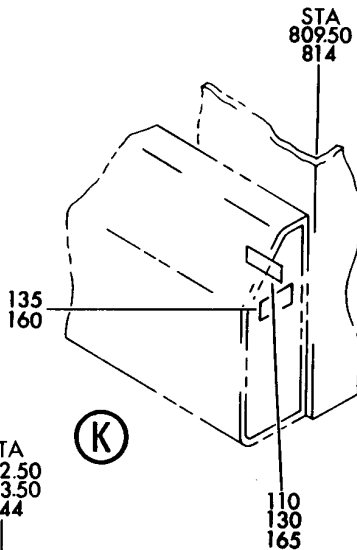
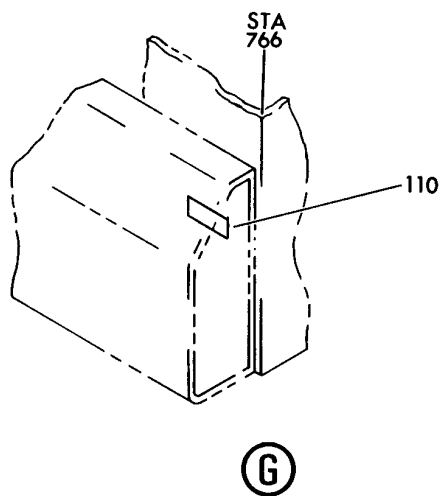
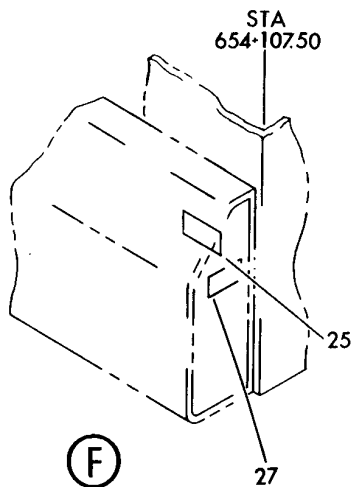
**BOEING**  
767  
PARTS CATALOG (MAINTENANCE)



STOWAGE ASSY- FLOOR MOUNTED (PLACARDS AND MARKINGS ONLY)  
FIGURE 20 (SHEET 2)

**11-35-08-20**

**BOEING**  
767  
PARTS CATALOG (MAINTENANCE)



STOWAGE ASSY- FLOOR MOUNTED (PLACARDS AND MARKINGS ONLY)  
FIGURE 20 (SHEET 3)

**11-35-08-20**



767

PARTS CATALOG (MAINTENANCE)

FIG ITEM	PART NUMBER	1 2 3 4 5 6 7	NOMENCLATURE	EFFECT FROM TO	UNITS PER ASSY
20			STOWAGE ASSY- FLOOR MOUNTED (PLACARDS AND MARKINGS ONLY)		
- 7	413T2248-130SP		STOWAGE ASSY-FLOOR MOUNTED (PLACARDS AND MARKINGS ONLY) POSITION DATA: STA 415.40 LH FOR NHA/OTHER SYS DET SEE: 25-24-03-14A 25-24-03-73		RF
12	BAC29PPS2582		.PLACARD- PLACARD CONTENT: LOAD LIMIT 20 LB/9 KG		1
14	BAC29PPS3058		.PLACARD- PLACARD CONTENT: LATCH CLOSED		1
- 17	413T2123-7SP		STOWAGE ASSY-FLOOR MOUNTED (PLACARDS AND MARKINGS ONLY) POSITION DATA: STA 654+107.50 AND 947.5 LH FOR NHA/OTHER SYS DET SEE: 25-24-03-73	155162	RF
- 22	413T2123-8SP		STOWAGE ASSY-FLOOR MOUNTED (PLACARDS AND MARKINGS ONLY) POSITION DATA: STA 654+107.50 AND 947.5 RH FOR NHA/OTHER SYS DET SEE: 25-24-03-73	155162	RF
- 23	413T2123-8SP		STOWAGE ASSY-FLOOR MOUNTED (PLACARDS AND MARKINGS ONLY) POSITION DATA: STA 654+88.5 RH FOR NHA/OTHER SYS DET SEE: 25-24-03-14A	163999	RF
27	BAC29PPS3058		.PLACARD- PLACARD CONTENT: LATCH CLOSED	155162	1
27	BAC29PPS3058		.PLACARD- PLACARD CONTENT: LATCH CLOSED	163999	1

ILLUSTRATION ITEMS NOT ON PARTS LIST ARE NOT APPLICABLE

- ITEM NOT ILLUSTRATED

11-35-08-20

11-35-08  
FIG. 20  
PAGE 1  
DEC 22/07

HXL



767

PARTS CATALOG (MAINTENANCE)

FIG ITEM	PART NUMBER	1 2 3 4 5 6 7	NOMENCLATURE	EFFECT FROM TO	UNITS PER ASSY
20 - 205	413T2123-8SP		STOWAGE ASSY-FLOOR MOUNTED (PLACARDS AND MARKINGS ONLY)	163999	RF
215	BAC29PPS3058		POSITION DATA: STA 947.50 RH FOR NHA/OTHER SYS DET SEE: 25-24-03-14A .PLACARD- PLACARD CONTENT: LATCH CLOSED	163999	1

ILLUSTRATION ITEMS NOT ON PARTS LIST ARE NOT APPLICABLE

- ITEM NOT ILLUSTRATED

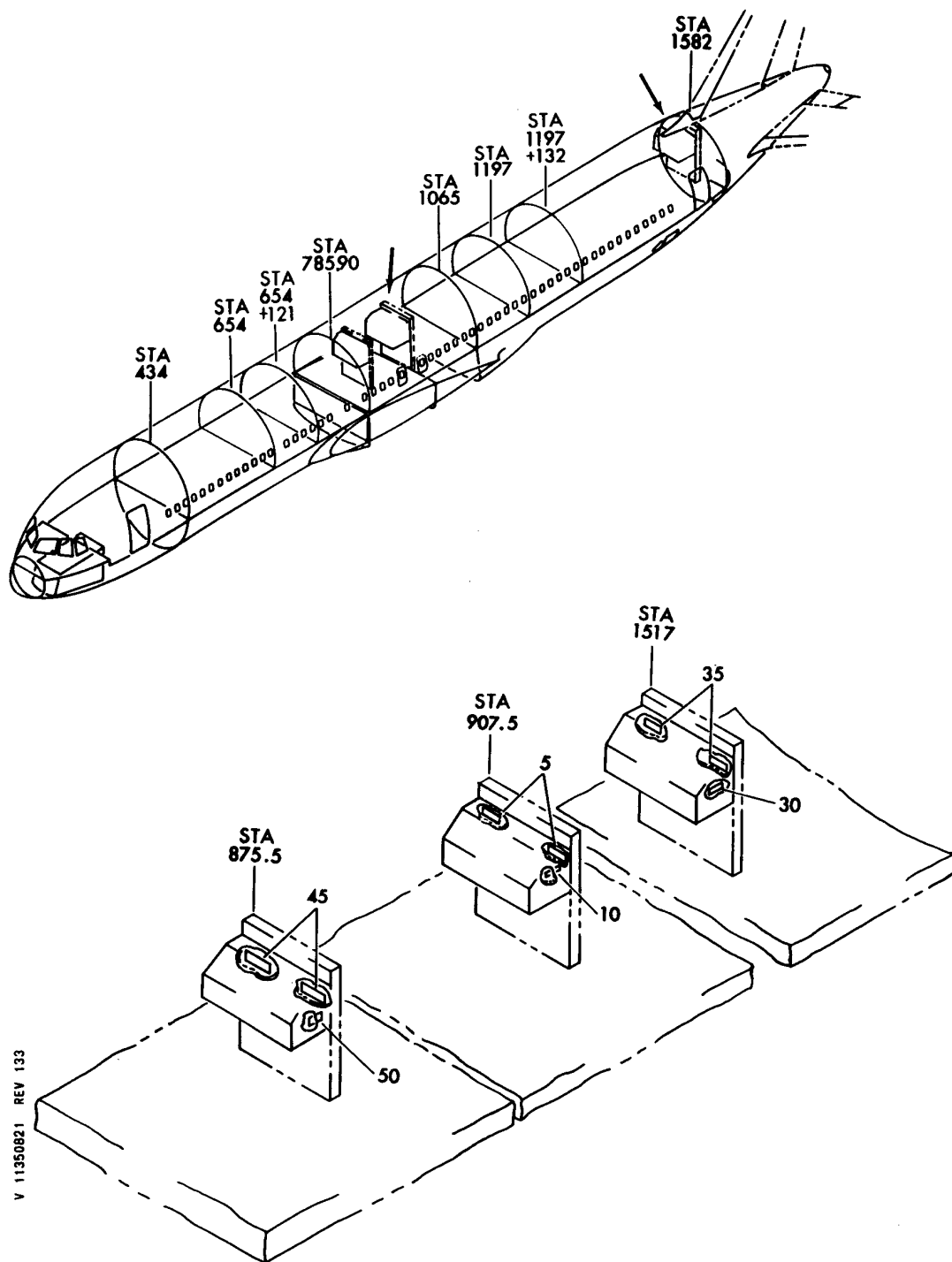
HXL

11-35-08-20

BOEING PROPRIETARY - Copyright © - Unpublished Work - See title page for details.

11-35-08  
FIG. 20  
PAGE 2  
DEC 22/07

**BOEING**  
767  
PARTS CATALOG (MAINTENANCE)



STOWAGE ASSY AFT CABIN (PLACARDS AND MARKINGS ONLY)  
FIGURE 21

**11-35-08-21**

HXL  
DEC 22/06

11-35-08-21  
PAGE 0



767

PARTS CATALOG (MAINTENANCE)

FIG ITEM	PART NUMBER	1 2 3 4 5 6 7	NOMENCLATURE	EFFECT FROM TO	UNITS PER ASSY
21			STOWAGE ASSY AFT CABIN (PLACARDS AND MARKINGS ONLY)	163999	
- 3	413T2244-25SP		STOWAGE ASSY-CABIN (PLACARDS AND MARKINGS ONLY) POSITION DATA: AFT STA 919.0 FOR NHA/OTHER SYS DET SEE: 25-24-03-14	163999	RF
5	BAC29PPS4580		.PLACARD- PLACARD CONTENT: LOAD LIMIT 10 LB/ 4.5 KG	163999	2
10	BAC29PPS5277		.PLACARD- PLACARD CONTENT: LOAD LIMIT 10 LB/ 4.5 KG	163999	1

ILLUSTRATION ITEMS NOT ON PARTS LIST ARE NOT APPLICABLE

- ITEM NOT ILLUSTRATED

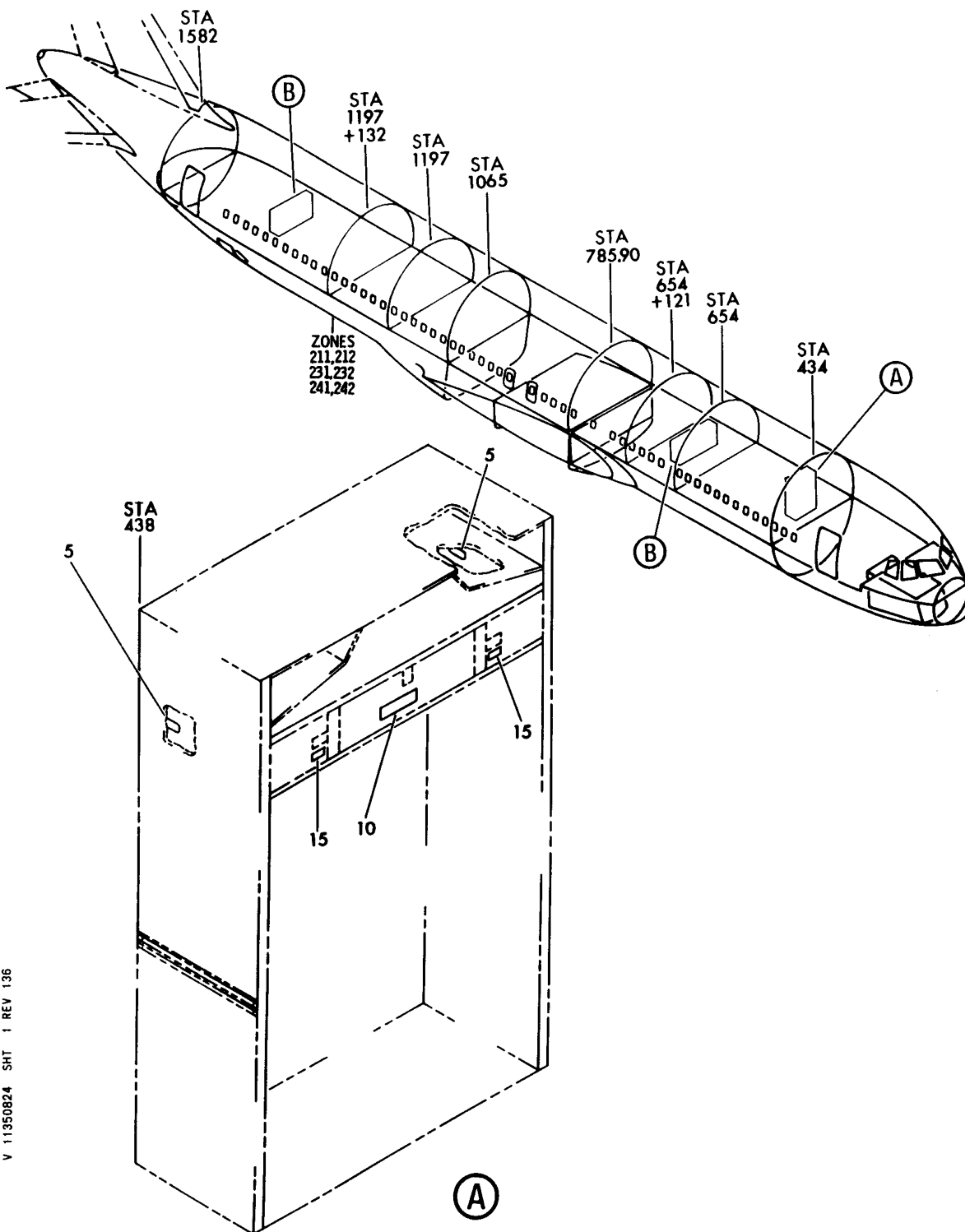
HXL

11-35-08-21

BOEING PROPRIETARY - Copyright © - Unpublished Work - See title page for details.

11-35-08  
FIG. 21  
PAGE 1  
AUG 22/08

**BOEING**  
767  
PARTS CATALOG (MAINTENANCE)



V 11350824 SHT 1 REV 136

STOWAGE ASSY-CTR (PLACARDS AND MARKINGS ONLY)  
FIGURE 24 (SHEET 1)

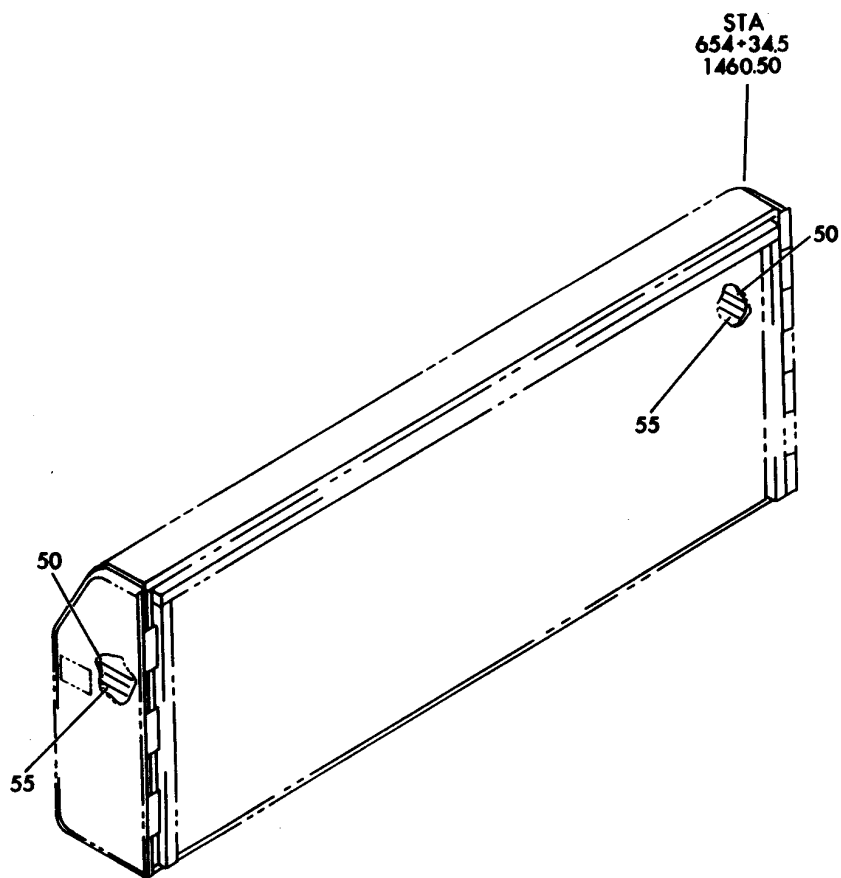
**11-35-08-24**

HXL  
DEC 22/06

11-35-08-24  
PAGE 0



**BOEING**  
767  
PARTS CATALOG (MAINTENANCE)



V 11350824 SHT 2 REV 136

STOWAGE ASSY-CTR (PLACARDS AND MARKINGS ONLY)  
FIGURE 24 (SHEET 2)

**11-35-08-24**

HXL  
DEC 22/06

11-35-08-24  
PAGE 0A



767

PARTS CATALOG (MAINTENANCE)

FIG ITEM	PART NUMBER	1 2 3 4 5 6 7	NOMENCLATURE	EFFECT FROM TO	UNITS PER ASSY
24			STOWAGE ASSY-CTR (PLACARDS AND MARKINGS ONLY)	155162	
- 1	413T3220-8SP		STOWAGE ASSY-(PLACARDS AND MARKINGS ONLY) POSITION DATA: CTR STA 438	155162	RF
5	BAC29PPS2947		.PLACARD- PLACARD CONTENT: SHELF LOAD LIMIT 15LB / 7KG	155162	2
10	BAC29PPS0950		.PLACARD- PLACARD CONTENT: NO STOWAGE	155162	1
15	BAC29PPS15260		.PLACARD- PLACARD CONTENT: LATCH CLOSED	155162	2

ILLUSTRATION ITEMS NOT ON PARTS LIST ARE NOT APPLICABLE

- ITEM NOT ILLUSTRATED

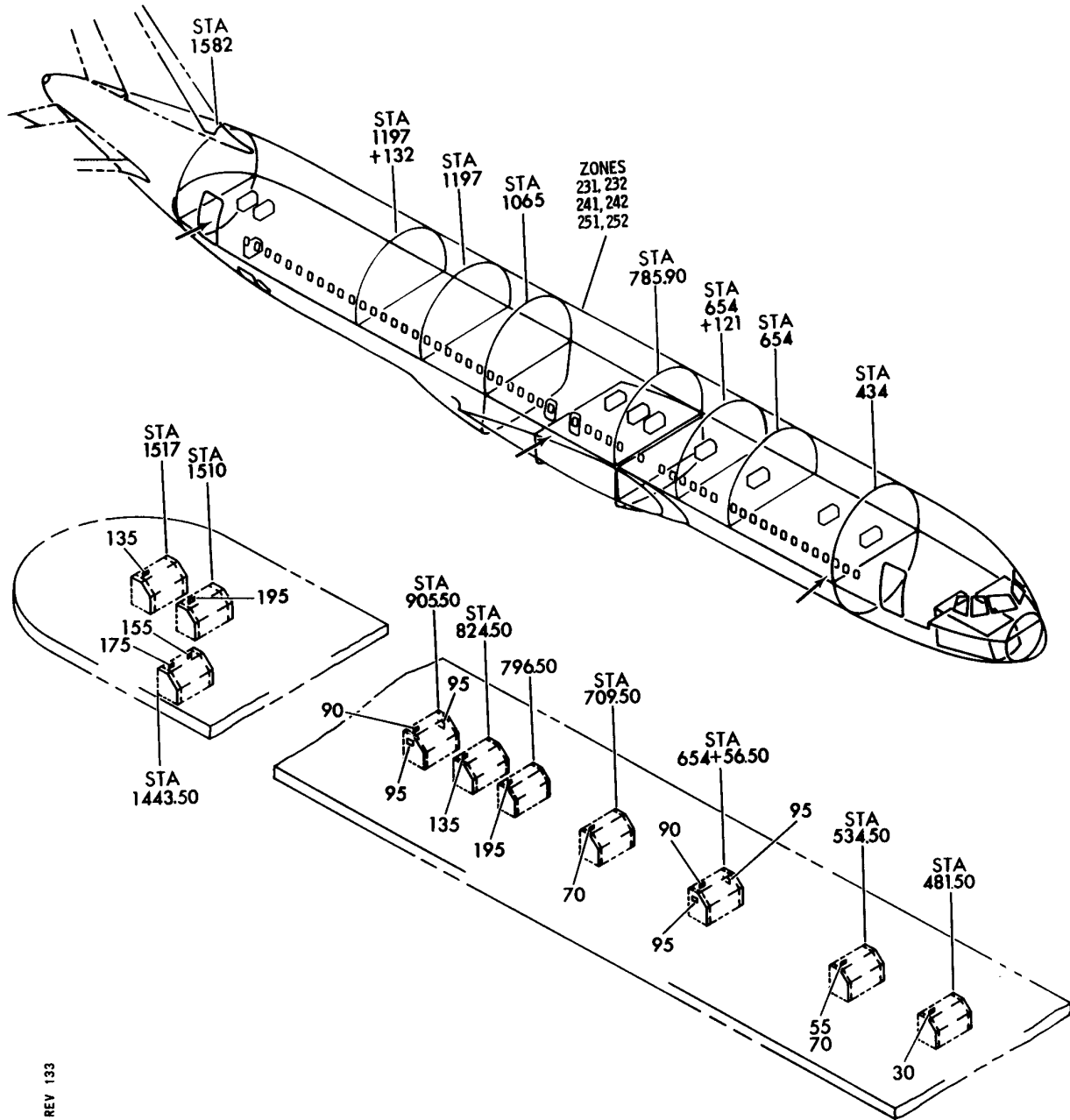
HXL

11-35-08-24

BOEING PROPRIETARY - Copyright © - Unpublished Work - See title page for details.

11-35-08  
FIG. 24  
PAGE 1  
DEC 22/06

**BOEING**  
767  
PARTS CATALOG (MAINTENANCE)



V 11350825 REV 133

DRAWER ASSY- FLOOR MOUNTED (PLACARDS/ MARKINGS ONLY)  
FIGURE 25

**11-35-08-25**

HXL  
DEC 22/06

11-35-08-25  
PAGE 0



767

PARTS CATALOG (MAINTENANCE)

FIG ITEM	PART NUMBER	1 2 3 4 5 6 7	NOMENCLATURE	EFFECT FROM TO	UNITS PER ASSY
25			DRAWER ASSY- FLOOR MOUNTED (PLACARDS/ MARKINGS ONLY)	155162	
- 80	413T2125-15SP		DRAWER ASSY-FLOOR MOUNTED (PLACARDS AND MARKINGS ONLY) POSITION DATA: LH STA 654+56.50 AND 907.50 FOR NHA/OTHER SYS DET SEE: 25-24-03-74D	155162	RF
- 85	413T2125-16SP		DRAWER ASSY-FLOOR MOUNTED (PLACARDS AND MARKINGS ONLY) POSITION DATA: CTR STA 654+56.50 AND 907.50 FOR NHA/OTHER SYS DET SEE: 25-24-03-74D	155162	RF
90	BAC29PPS2582		.PLACARD- PLACARD CONTENT: 20 LB	155162	1
95	BAC29PPS3058		.PLACARD- PLACARD CONTENT: LATCH CLOSED	155162	1

ILLUSTRATION ITEMS NOT ON PARTS LIST ARE NOT APPLICABLE

- ITEM NOT ILLUSTRATED

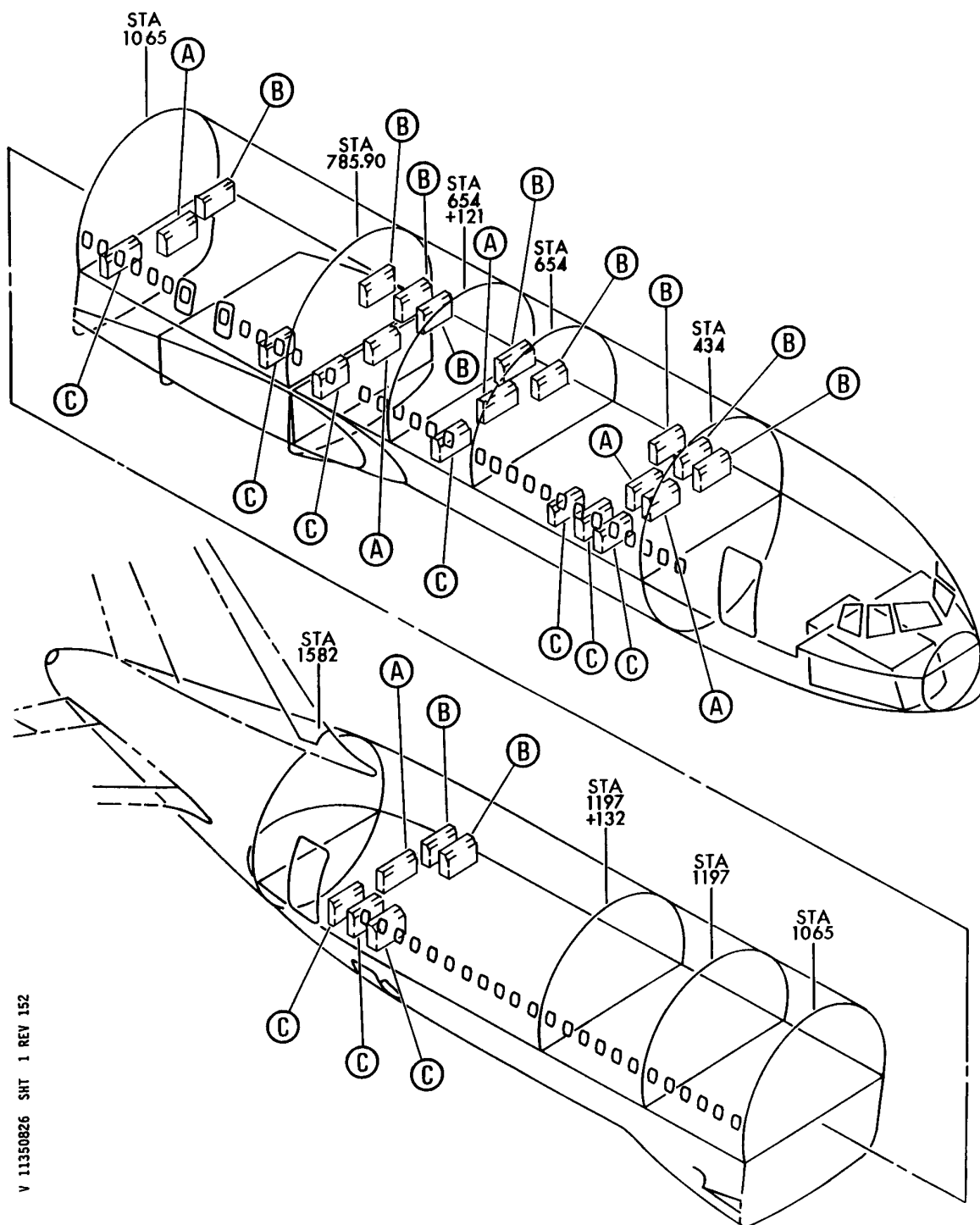
HXL

11-35-08-25

BOEING PROPRIETARY - Copyright © - Unpublished Work - See title page for details.

11-35-08  
FIG. 25  
PAGE 1  
AUG 22/08

**BOEING**  
767  
PARTS CATALOG (MAINTENANCE)



V 11350826 SHT 1 REV 152

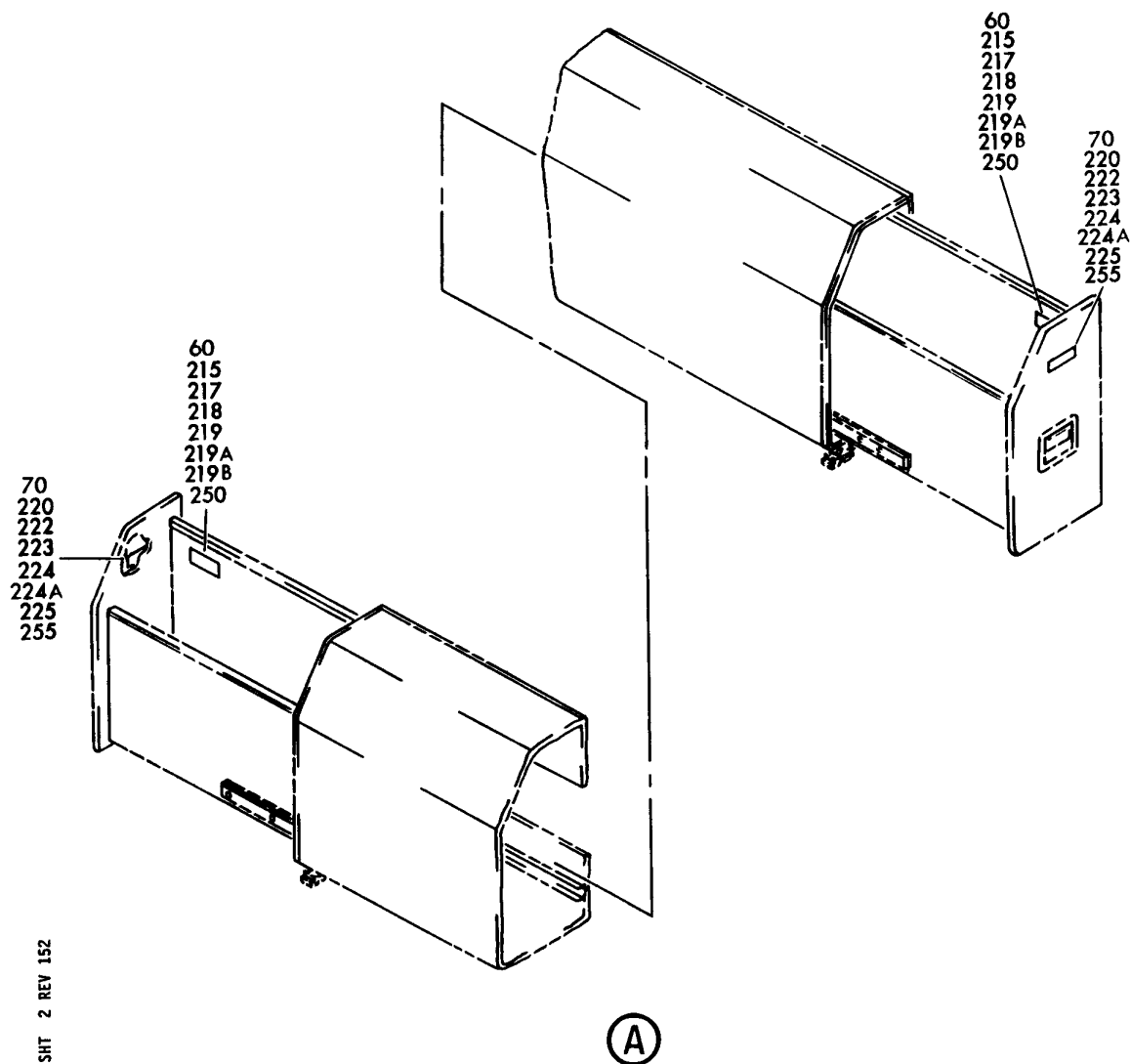
DRAWER ASSY-FLOOR MOUNTED STOWAGE (PLACARDS AND MARKINGS ONLY)  
FIGURE 26 (SHEET 1)

**11-35-08-26**

HXL  
DEC 22/06

11-35-08-26  
PAGE 0

**BOEING**  
767  
PARTS CATALOG (MAINTENANCE)



V 11350826 SH1 2 REV 152

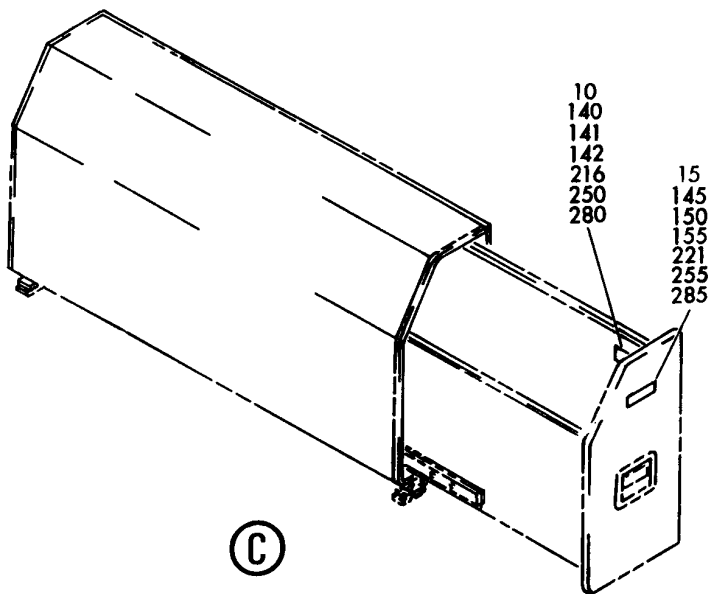
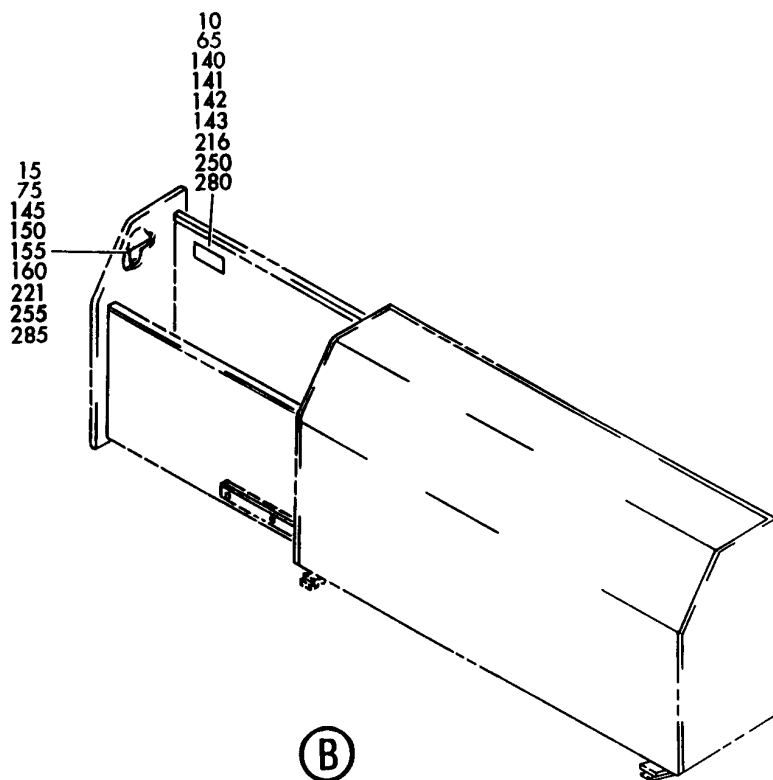
DRAWER ASSY-FLOOR MOUNTED STOWAGE (PLACARDS AND MARKINGS ONLY)  
FIGURE 26 (SHEET 2)

**11-35-08-26**

HXL  
DEC 22/06

11-35-08-26  
PAGE 0A

**BOEING**  
767  
PARTS CATALOG (MAINTENANCE)



V 11350826 SHT 3 REV 152

DRAWER ASSY-FLOOR MOUNTED STORAGE (PLACARDS AND MARKINGS ONLY)  
FIGURE 26 (SHEET 3)

**11-35-08-26**

HXL  
DEC 22/06

11-35-08-26  
PAGE 0B



767

PARTS CATALOG (MAINTENANCE)

FIG ITEM	PART NUMBER	1 2 3 4 5 6 7	NOMENCLATURE	EFFECT FROM TO	UNITS PER ASSY
26			DRAWER ASSY-FLOOR MOUNTED STOWAGE (PLACARDS AND MARKINGS ONLY)		
- 2	413T2125-17SP		DRAWER ASSY-FLOOR MOUNTED STOWAGE (PLACARDS AND MARKINGS ONLY) POSITION DATA: STA 1480.50 LH FOR NHA/OTHER SYS DET SEE: 25-24-03-68A		RF
- 6	413T2125-18SP		DRAWER ASSY-FLOOR MOUNTED STOWAGE (PLACARDS AND MARKINGS ONLY) POSITION DATA: STA 1480.50 RH FOR NHA/OTHER SYS DET SEE: 25-24-03-68A		RF
10	BAC29PPS2725		.PLACARD- PLACARD CONTENT: LOAD LIMIT 30LB/13KG		1
15	BAC29PPS3058		.PLACARD- PLACARD CONTENT: LATCH CLOSED		1
- 50	413T2125-25SP		DRAWER ASSY-FLOOR MOUNTED STOWAGE (PLACARDS AND MARKINGS ONLY) POSITION DATA: LH CTR FOR NHA/OTHER SYS DET SEE: 25-24-03-64A	155162	RF
- 55	413T2125-26SP		DRAWER ASSY-FLOOR MOUNTED STOWAGE (PLACARDS AND MARKINGS ONLY) POSITION DATA: RH CTR FOR NHA/OTHER SYS DET SEE: 25-24-03-64A	155162	RF
60	BAC29PPS2725		.PLACARD- PLACARD CONTENT: LOAD LIMIT 30LB/13KG	155162	1
70	BAC29PPS3058		.PLACARD- PLACARD CONTENT: LATCH CLOSED	155162	1

ILLUSTRATION ITEMS NOT ON PARTS LIST ARE NOT APPLICABLE

- ITEM NOT ILLUSTRATED

11-35-08-26

11-35-08  
FIG. 26  
PAGE 1  
DEC 22/07

HXL



 **BOEING**  
767  
**PARTS CATALOG (MAINTENANCE)**

FIG ITEM	PART NUMBER	1 2 3 4 5 6 7	NOMENCLATURE	EFFECT FROM TO	UNITS PER ASSY
26 - 122	413T2125-13SP		DRAWER ASSY-FLOOR MOUNTED (PLACARDS AND MARKINGS ONLY) POSITION DATA: STA 654+106.50 LH FOR NHA/OTHER SYS DET SEE: 25-24-03-14A	163999	RF
143	BAC29PPS2725		.PLACARD- PLACARD CONTENT: LOAD LIMIT 30LB/13KG	163999	1
160	BAC29PPS3058		.PLACARD- PLACARD CONTENT: LATCH CLOSED	163999	1
- 202	413T2125-15SP		DRAWER ASSY-FLOOR MOUNTED (PLACARDS AND MARKINGS ONLY) POSITION DATA: STA 654+56.5 CTR LH FOR NHA/OTHER SYS DET SEE: 25-24-03-86	163999	RF
- 203	413T2125-16SP		DRAWER ASSY-FLOOR MOUNTED (PLACARDS AND MARKINGS ONLY) POSITION DATA: STA 654+56.5 CTR RH FOR NHA/OTHER SYS DET SEE: 25-24-03-86	163999	RF
- 208	413T2125-15SP		DRAWER ASSY-FLOOR MOUNTED (PLACARDS AND MARKINGS ONLY) POSITION DATA: STA 916.50 CTR LH FOR NHA/OTHER SYS DET SEE: 25-24-03-74C	163999	RF
- 213	413T2125-16SP		DRAWER ASSY-FLOOR MOUNTED (PLACARDS AND MARKINGS ONLY) POSITION DATA: STA 916.50 CTR RH FOR NHA/OTHER SYS DET SEE: 25-24-03-86	163999	RF
R R R R R R R - 214	413T2125-16SP		DRAWER ASSY-FLOOR MOUNTED (PLACARDS AND MARKINGS ONLY) POSITION DATA: STA 654+70.5 CTR RH FOR NHA/OTHER SYS DET SEE: 25-24-03-74C	163999	RF

ILLUSTRATION ITEMS NOT ON PARTS LIST ARE NOT APPLICABLE

- ITEM NOT ILLUSTRATED

HXL

# 11-35-08-26

BOEING PROPRIETARY - Copyright © - Unpublished Work - See title page for details.

11-35-08  
FIG. 26  
PAGE 2  
AUG 22/09



767

PARTS CATALOG (MAINTENANCE)

FIG ITEM	PART NUMBER	1 2 3 4 5 6 7	NOMENCLATURE	EFFECT FROM TO	UNITS PER ASSY
26 219	BAC29PPS2582	.	PLACARD- PLACARD CONTENT: LOAD LIMIT 20 LB/9 KG	163999	1
224	BAC29PPS3058	.	PLACARD- PLACARD CONTENT: LATCH CLOSED	163999	1

ILLUSTRATION ITEMS NOT ON PARTS LIST ARE NOT APPLICABLE

- ITEM NOT ILLUSTRATED

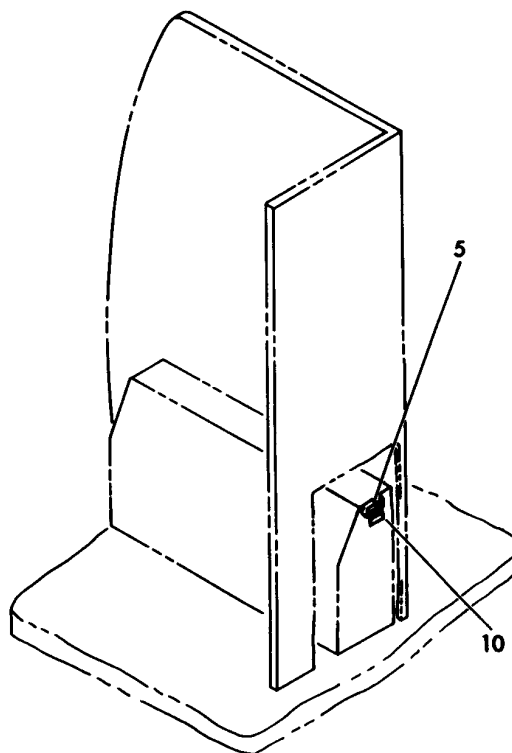
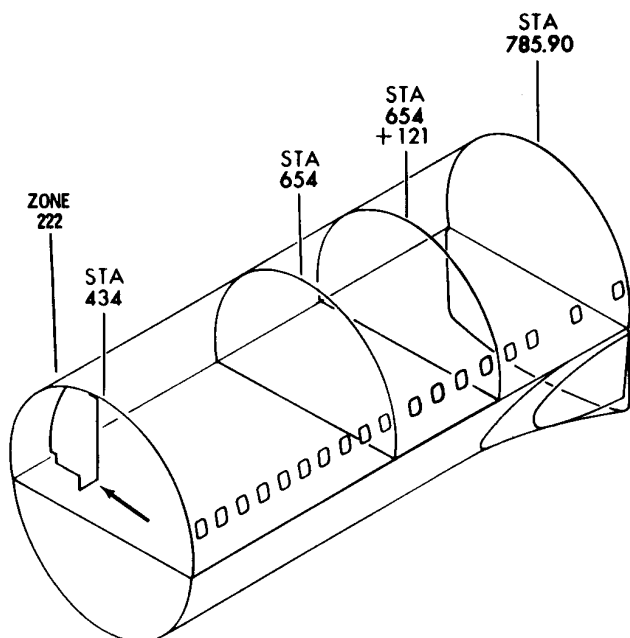
HXL

11-35-08-26

BOEING PROPRIETARY - Copyright © - Unpublished Work - See title page for details.

11-35-08  
FIG. 26  
PAGE 3  
AUG 22/09

**BOEING**  
767  
PARTS CATALOG (MAINTENANCE)



V 11350840 REV 133

PARTITION ASSY-STOWAGE (PLACARDS AND MARKINGS ONLY)  
FIGURE 40

**11-35-08-40**

HXL  
DEC 22/06

11-35-08-40  
PAGE 0



767

PARTS CATALOG (MAINTENANCE)

FIG ITEM	PART NUMBER	1 2 3 4 5 6 7	NOMENCLATURE	EFFECT FROM TO	UNITS PER ASSY
40			PARTITION ASSY-STOWAGE (PLACARDS AND MARKINGS ONLY)	155162	
- 1	413T2331-16SP		PARTITION ASSY-STOWAGE (PLACARDS AND MARKINGS ONLY)	155162	RF
5	BAC29PPS4500		FOR NHA/OTHER SYS DET SEE: 25-24-03-73 .PLACARD- PLACARD CONTENT: LOAD LIMIT	155162	1

ILLUSTRATION ITEMS NOT ON PARTS LIST ARE NOT APPLICABLE

- ITEM NOT ILLUSTRATED

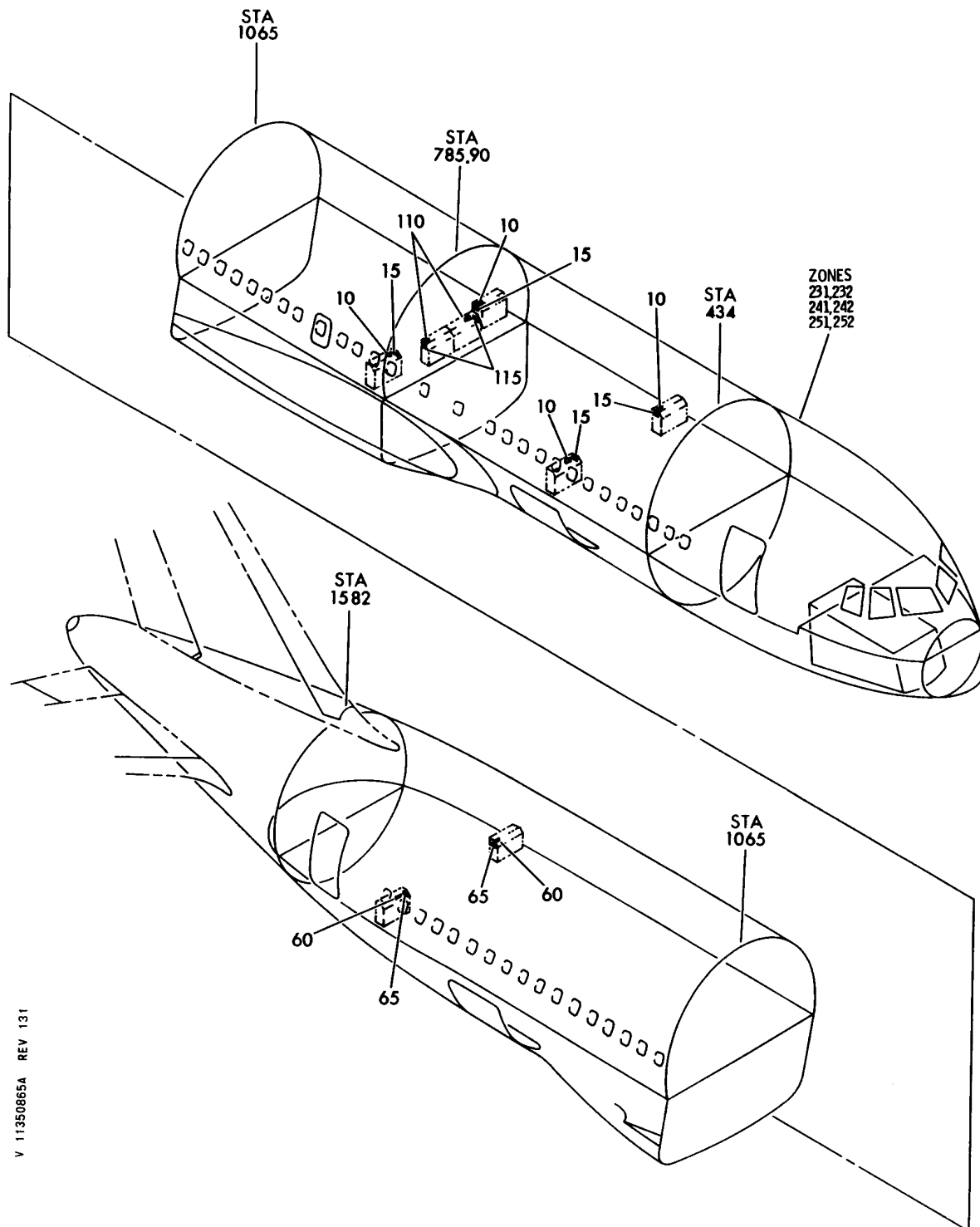
HXL

11-35-08-40

BOEING PROPRIETARY - Copyright © - Unpublished Work - See title page for details.

11-35-08  
FIG. 40  
PAGE 1  
DEC 22/06

**BOEING**  
767  
PARTS CATALOG (MAINTENANCE)



V 11350865A REV 131

DRAWER ASSY-FLOOR MOUNTED STORAGE (PLACARDS AND MARKINGS ONLY)  
FIGURE 65A

HXL  
DEC 22/06

**11-35-08-65A**

11-35-08-65A  
PAGE 0



767

PARTS CATALOG (MAINTENANCE)

FIG ITEM	PART NUMBER	1 2 3 4 5 6 7	NOMENCLATURE	EFFECT FROM TO	UNITS PER ASSY
65A			DRAWER ASSY-FLOOR MOUNTED STOWAGE (PLACARDS AND MARKINGS ONLY)	163999	
- 6	413T2125-14SP		DRAWER ASSY-FLOOR MOUNTED STOWAGE (PLACARDS AND MARKINGS ONLY) POSITION DATA: STA 654+88.5 947.5 RH FOR NHA/OTHER SYS DET SEE: 25-24-03-48B	163999	RF
10	BAC29PPS2582		.PLACARD- PLACARD CONTENT: LOAD LIMIT 20 LB /9 KG	163999	1
15	BAC29PPS3058		.PLACARD- PLACARD CONTENT: LATCH CLOSED	163999	1
- 150	413T2125-13SP		DRAWER ASSY-FLOOR MOUNTED STOWAGE (PLACARDS AND MARKINGS ONLY) POSITION DATA: STA 947.5 LH FOR NHA/OTHER SYS DET SEE: 25-24-03-48B	163999	RF
- 155	413T2125-14SP		DRAWER ASSY-FLOOR MOUNTED STOWAGE (PLACARDS AND MARKINGS ONLY) POSITION DATA: STA 947.5 RH FOR NHA/OTHER SYS DET SEE: 25-24-03-48B	163999	RF
160	BAC29PPS2725		.PLACARD- PLACARD CONTENT: LOAD LIMIT 30 LB/13 KG	163999	1
165	BAC29PPS3058		.PLACARD- PLACARD CONTENT: LATCH CLOSED	163999	1

ILLUSTRATION ITEMS NOT ON PARTS LIST ARE NOT APPLICABLE

- ITEM NOT ILLUSTRATED

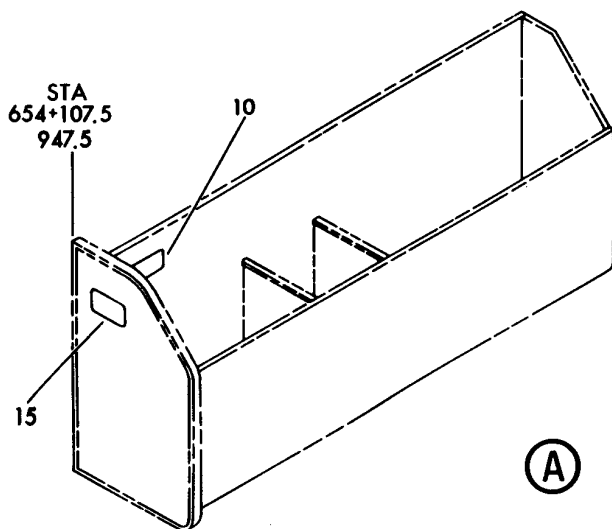
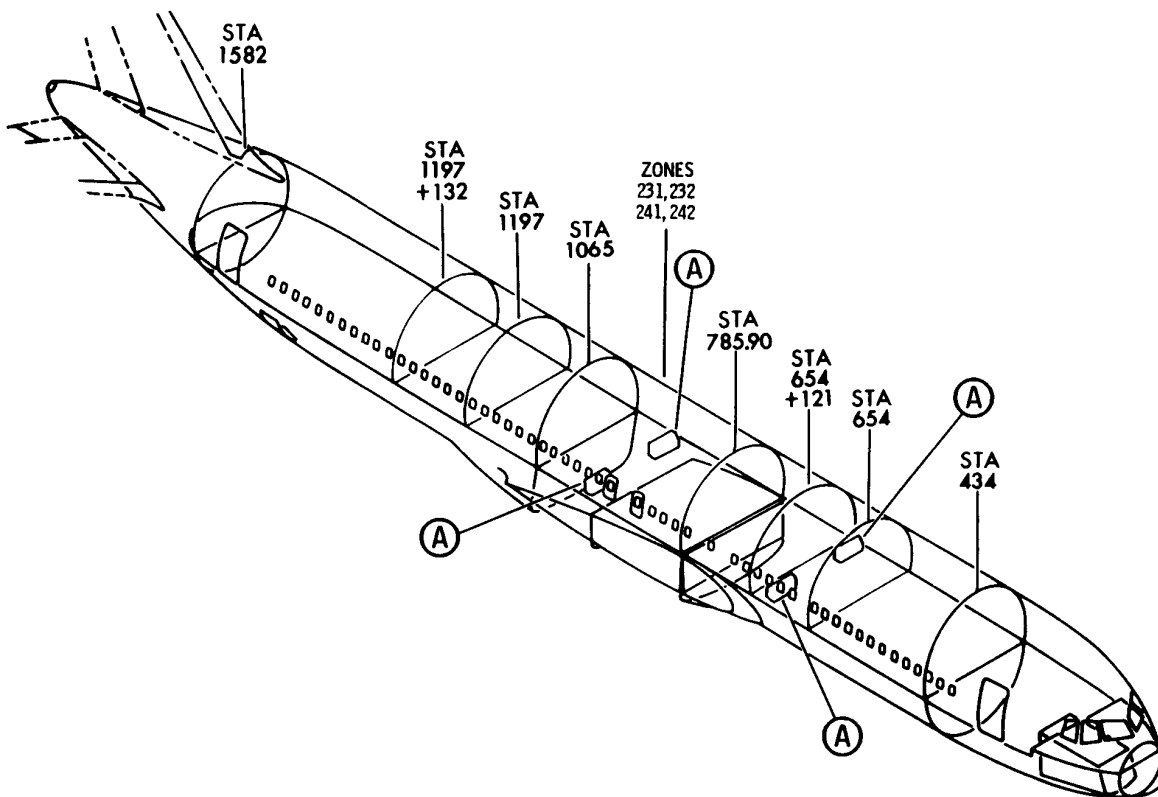
HXL

11-35-08-65A

BOEING PROPRIETARY - Copyright © - Unpublished Work - See title page for details.

11-35-08  
FIG. 65A  
PAGE 1  
DEC 22/07

**BOEING**  
767  
PARTS CATALOG (MAINTENANCE)



V 11350865B REV 133

DRAWER ASSY-FLOOR MOUNTED STOWAGE (PLACARDS AND MARKINGS ONLY)  
FIGURE 65B

**11-35-08-65B**

HXL  
DEC 22/06

11-35-08-65B  
PAGE 0



767

PARTS CATALOG (MAINTENANCE)

FIG ITEM	PART NUMBER	1 2 3 4 5 6 7	NOMENCLATURE	EFFECT FROM TO	UNITS PER ASSY
65B			DRAWER ASSY-FLOOR MOUNTED STOWAGE (PLACARDS AND MARKINGS ONLY)	155162	
- 1	413T2125-13SP		DRAWER ASSY-FLOOR MOUNTED STOWAGE (PLACARDS AND MARKINGS ONLY) POSITION DATA: STA 654+107.5 AND 947.5 LH FOR NHA/OTHER SYS DET SEE: 25-24-03-48B	155162	RF
- 5	413T2125-14SP		DRAWER ASSY-FLOOR MOUNTED STOWAGE (PLACARDS AND MARKINGS ONLY) POSITION DATA: STA 654+107.5 AND 947.5 RH FOR NHA/OTHER SYS DET SEE: 25-24-03-48B	155162	RF
10	BAC29PPS2582		.PLACARD- PLACARD CONTENT: LOAD LIMIT 20 LB/9 KG	155162	1
15	BAC29PPS3058		.PLACARD- PLACARD CONTENT: LATCH CLOSED	155162	1

ILLUSTRATION ITEMS NOT ON PARTS LIST ARE NOT APPLICABLE

- ITEM NOT ILLUSTRATED

HXL

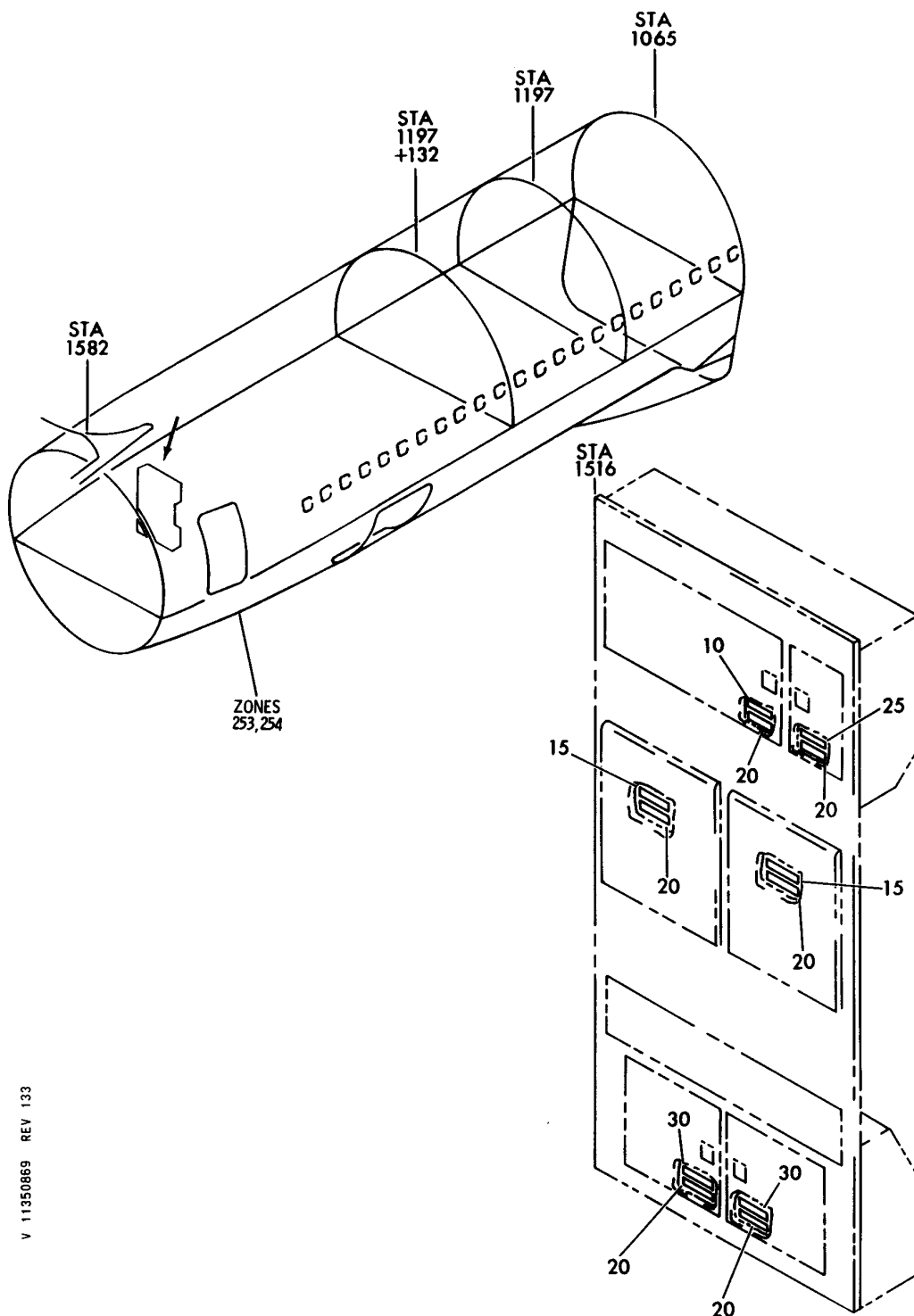
11-35-08-65B

BOEING PROPRIETARY - Copyright © - Unpublished Work - See title page for details.

11-35-08  
FIG. 65B  
PAGE 1  
DEC 22/06



**BOEING**  
767  
PARTS CATALOG (MAINTENANCE)



V 11350869 REV 133

PARTITION ASSY-(PLACARDS AND MARKINGS ONLY)  
FIGURE 69

**11-35-08-69**

HXL  
DEC 22/06

11-35-08-69  
PAGE 0



767

PARTS CATALOG (MAINTENANCE)

FIG ITEM	PART NUMBER	1 2 3 4 5 6 7	NOMENCLATURE	EFFECT FROM TO	UNITS PER ASSY
69			PARTITION ASSY-(PLACARDS AND MARKINGS ONLY)	163999	
- 1	413T2339-1SP		PARTITION ASSY-(PLACARDS AND MARKINGS ONLY) POSITION DATA: STA 1485.0 FOR NHA/OTHER SYS DET SEE: 25-24-03-14	163999	RF
10	BAC29PPS12457		.DECAL- PLACARD CONTENT: LOAD LIMIT 25 LB/11 KG	163999	1
15	BAC29PPS14087		.PLACARD- PLACARD CONTENT: TABLE TOP LOAD LIMIT 65 LB/29.5 KG	163999	2
20	BAC29PPS3058		.PLACARD- PLACARD CONTENT: LATCH CLOSED	163999	6
25	BAC29PPS5277		.PLACARD- PLACARD CONTENT: LOAD LIMIT 10 LB/4.5 KG	163999	1
30	BAC29PPS2582		.PLACARD- PLACARD CONTENT: LOAD LIMIT 20 LB / 9 KG	163999	2

ILLUSTRATION ITEMS NOT ON PARTS LIST ARE NOT APPLICABLE

- ITEM NOT ILLUSTRATED

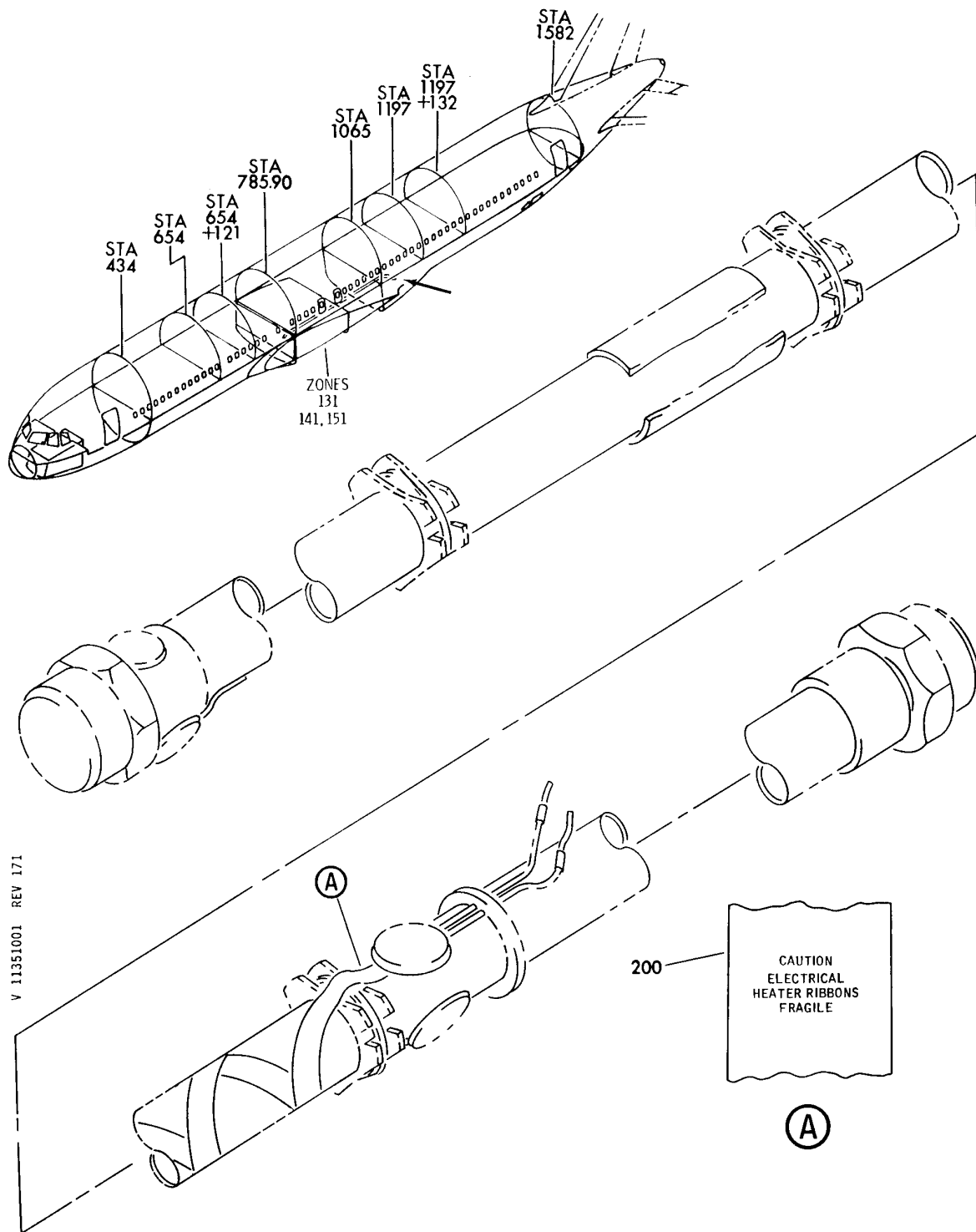
HXL

11-35-08-69

BOEING PROPRIETARY - Copyright © - Unpublished Work - See title page for details.

11-35-08  
FIG. 69  
PAGE 1  
DEC 22/07

**BOEING**  
767  
PARTS CATALOG (MAINTENANCE)



HEATER INSTL AND HOSE ASSY-POTABLE WATER SYS (PLACARDS AND MARKINGS ONLY)

FIGURE 1

**11-35-10-01**

HXL  
DEC 22/06

11-35-10-01  
PAGE 0



767

PARTS CATALOG (MAINTENANCE)

FIG ITEM	PART NUMBER	1 2 3 4 5 6 7	NOMENCLATURE	EFFECT FROM TO	UNITS PER ASSY
1			HEATER INSTL AND HOSE ASSY-POTABLE WATER SYS (PLACARDS AND MARKINGS ONLY)		
- 5	417T2091-4		HEATER INSTL-POTABLE WATER SYS FILL FTG (PLACARDS AND MARKINGS ONLY) POSITION DATA: STA 1390 FOR NHA/OTHER SYS DET SEE: 25-20-00-17E		RF
- 134	417T2103-81		HOSE ASSY-HEATED (PLACARDS AND MARKINGS ONLY) FOR NHA/OTHER SYS DET SEE: 38-11-55-09A		RF
- 136	417T2103-82		HOSE ASSY-HEATED (PLACARDS AND MARKINGS ONLY) FOR NHA/OTHER SYS DET SEE: 38-11-55-09A		RF
200	417T2079-1		.TAPE-CAUTION ELECTRICAL HEATER RIBBONS		AR

ILLUSTRATION ITEMS NOT ON PARTS LIST ARE NOT APPLICABLE

- ITEM NOT ILLUSTRATED

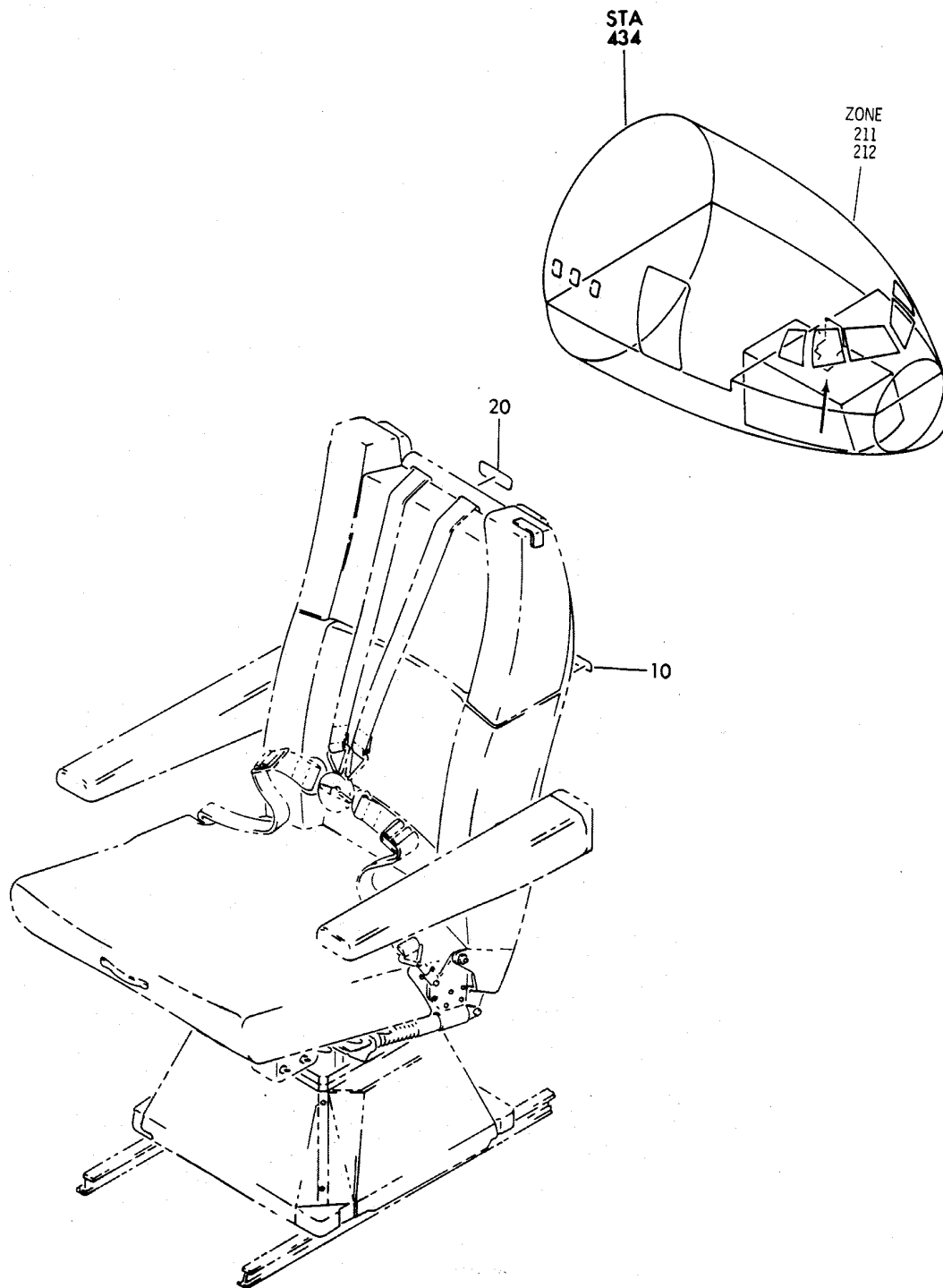
HXL

11-35-10-01

BOEING PROPRIETARY - Copyright © - Unpublished Work - See title page for details.

11-35-10  
FIG. 01  
PAGE 1  
DEC 22/07

**BOEING**  
767  
PARTS CATALOG (MAINTENANCE)



V 11351005 SHT 1 REV 096

COVER ASSY-BACK  
FIGURE 5

**11-35-10-05**

HXL  
DEC 22/06

11-35-10-05  
PAGE 0



767

PARTS CATALOG (MAINTENANCE)

FIG ITEM	PART NUMBER	1 2 3 4 5 6 7	NOMENCLATURE	EFFECT FROM TO	UNITS PER ASSY
5					
- 1	827647-421		COVER ASSY-BACK COVER ASSY-BACK SUPPLIER CODE: V92824 FOR NHA SEE: 25-11-02-05		RF
10	823633-7		.PLACARD- SUPPLIER CODE: V92824 PLACARD CONTENT: LIFE VEST		1
20	823633-17		.PLACARD- SUPPLIER CODE: V92824 PLACARD CONTENT: SEAT BACK MUST BE UPRIGHT USED ON: 827647-415 827647-419 827647-421 827647-423		1
20	823633-19		.PLACARD- SUPPLIER CODE: V92824 PLACARD CONTENT: SEAT MUST FACE FORWARD USED ON: 827647-419 827647-421		1

ILLUSTRATION ITEMS NOT ON PARTS LIST ARE NOT APPLICABLE

- ITEM NOT ILLUSTRATED

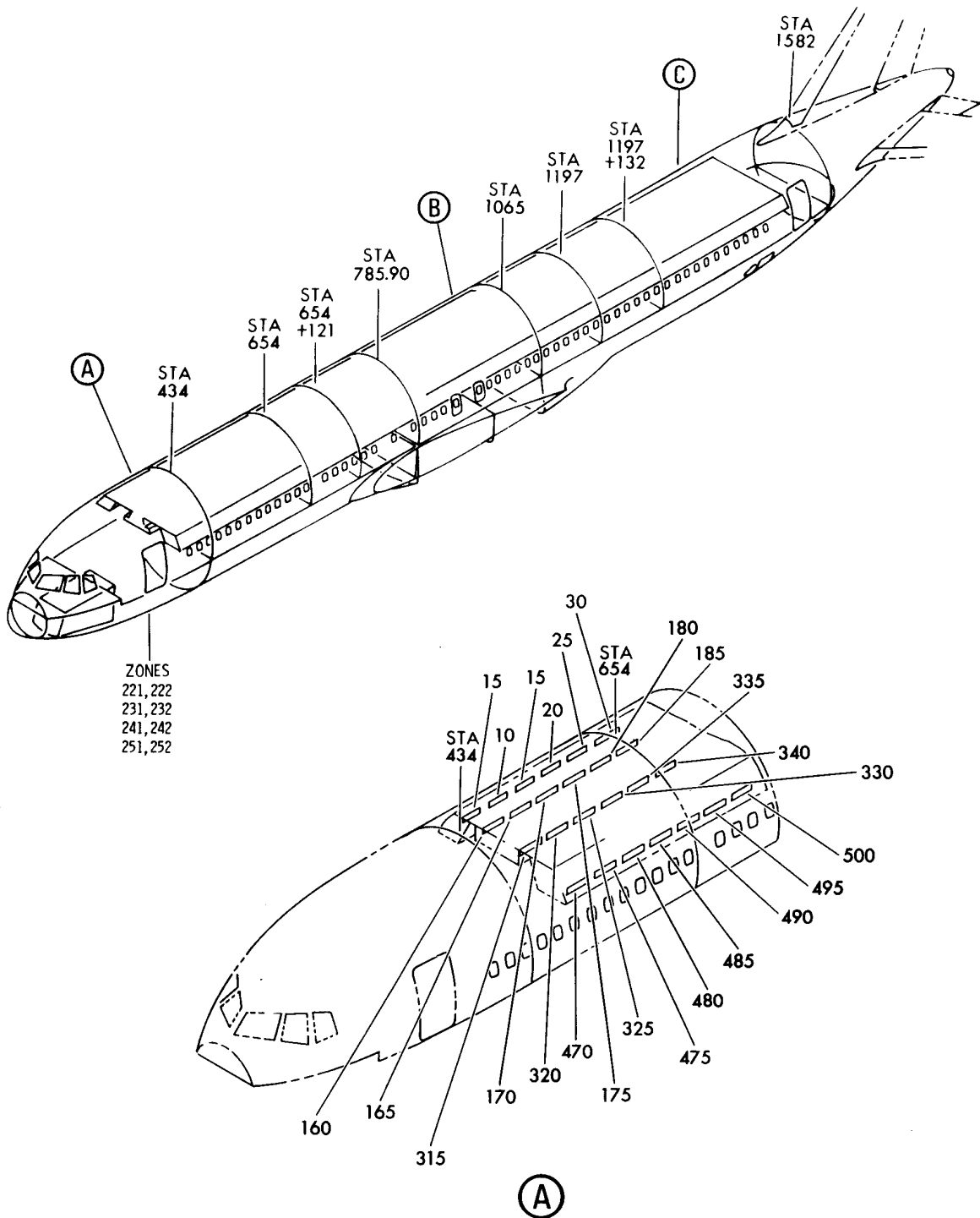
HXL

11-35-10-05

BOEING PROPRIETARY - Copyright © - Unpublished Work - See title page for details.

11-35-10  
FIG. 05  
PAGE 1  
APR 22/09

**BOEING**  
767  
PARTS CATALOG (MAINTENANCE)



V 11351008A SHT 1 REV 113

PLACARD INSTL-SAS SEAT ROW MARKERS  
FIGURE 8A (SHEET 1)

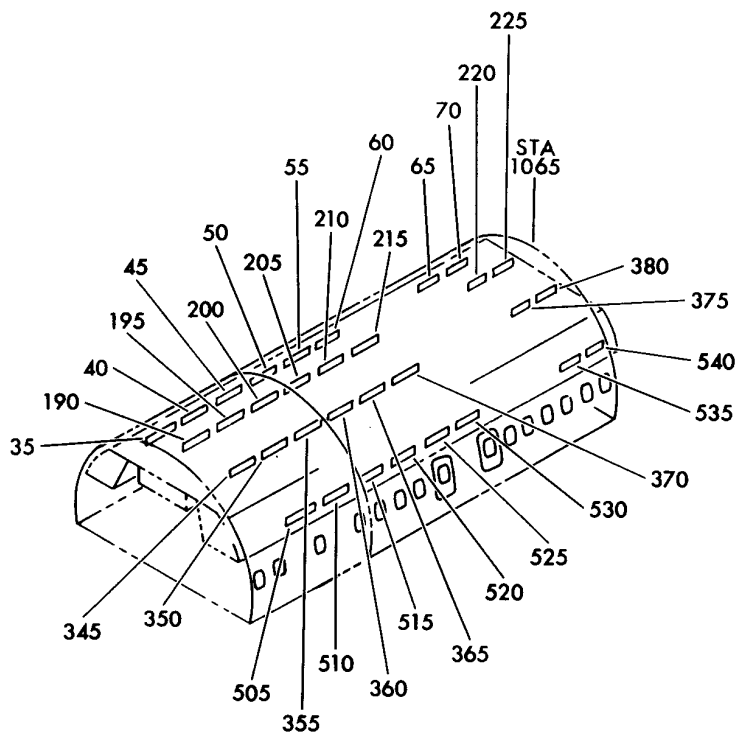
**11-35-10-08A**

HXL  
DEC 22/06

11-35-10-08A  
PAGE 0

**BOEING**  
767  
PARTS CATALOG (MAINTENANCE)

V 11351008A SHT 2 REV 113



(B)

PLACARD INSTL-SAS SEAT ROW MARKERS  
FIGURE 8A (SHEET 2)

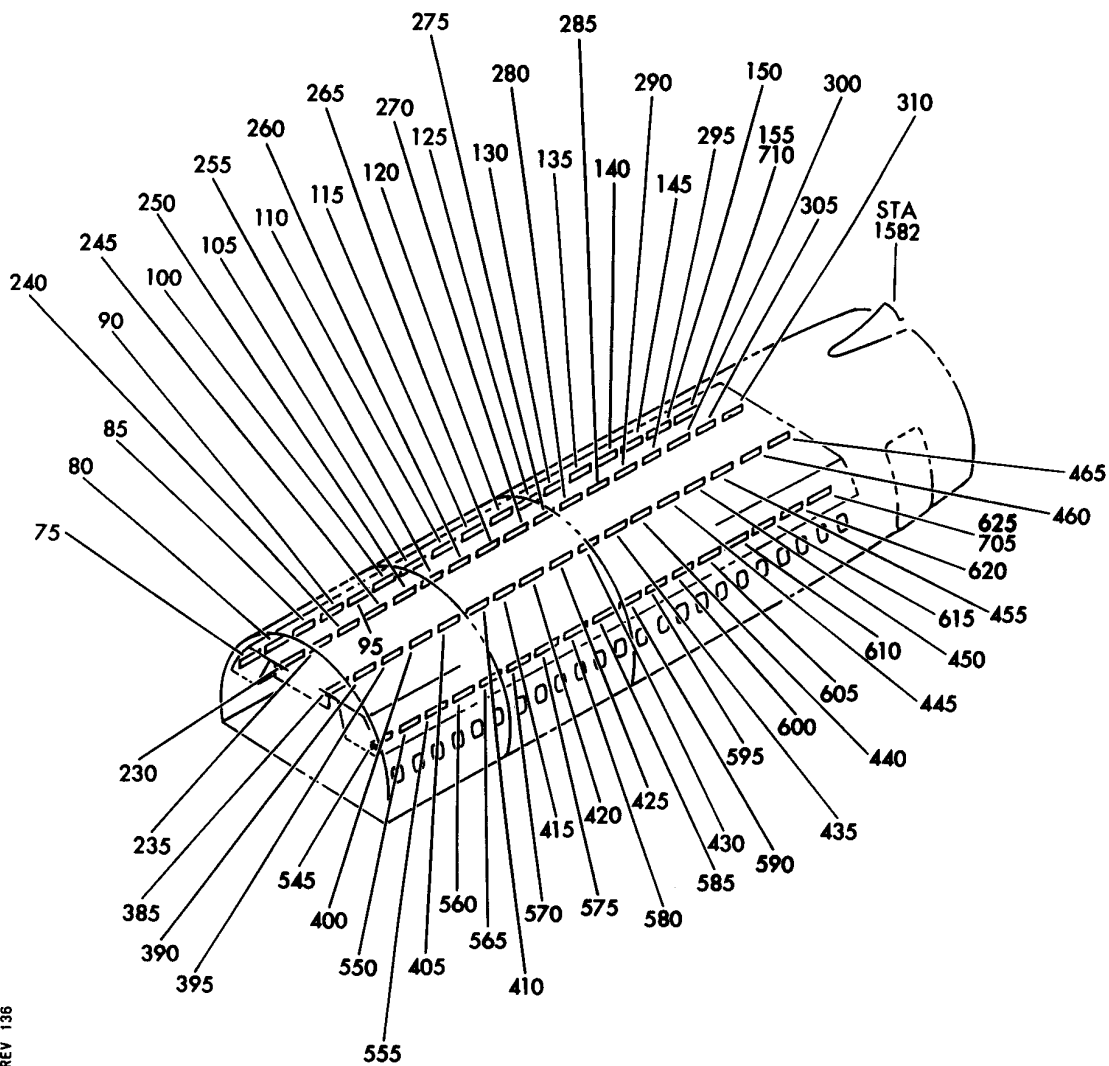
**11-35-10-08A**

HXL  
DEC 22/06

11-35-10-08A  
PAGE 0A



**BOEING**  
767  
PARTS CATALOG (MAINTENANCE)



©

V 11351008A SHT 3 REV 136

PLACARD INSTL-SAS SEAT ROW MARKERS  
FIGURE 8A (SHEET 3)

**11-35-10-08A**

HXL  
DEC 22/06

11-35-10-08A  
PAGE 0B

 **BOEING**  
767  
**PARTS CATALOG (MAINTENANCE)**

FIG ITEM	PART NUMBER	1 2 3 4 5 6 7	NOMENCLATURE	EFFECT FROM TO	UNITS PER ASSY
8A			PLACARD INSTL-SAS SEAT ROW MARKERS	163999	
- 1	414T5053-5		PLACARD INSTL-SAS SEAT ROW MARKERS PRE AIRLINE MOD: MTO-110444 VSAS FOR NHA/OTHER SYS DET SEE: 25-20-00-14A	163999	RF
	5 BAC29PPS11484		.PLACARD- PLACARD CONTENT: 2 G AISLE H WINDOW	163999	1
	10 BAC29PPS11485		.PLACARD- PLACARD CONTENT: 3 G AISLE H WINDOW	163999	1
	15 BAC29PPS11486		.PLACARD- PLACARD CONTENT: 4 G AISLE H WINDOW	163999	1
	20 BAC29PPS11487		.PLACARD- PLACARD CONTENT: 5 G AISLE H WINDOW	163999	1
	25 BAC29PPS11488		.PLACARD- PLACARD CONTENT: 6 G AISLE H WINDOW	163999	1
	30 BAC29PPS11489		.PLACARD- PLACARD CONTENT: 7 G AISLE H WINDOW	163999	1
	35 BAC29PPS11491		.PLACARD- PLACARD CONTENT: 11 G AISLE H WINDOW	163999	1
	40 BAC29PPS11492		.PLACARD- PLACARD CONTENT: 12 G AISLE H WINDOW	163999	1
	45 BAC29PPS11493		.PLACARD- PLACARD CONTENT: 14 G AISLE H WINDOW	163999	1
	50 BAC29PPS11494		.PLACARD- PLACARD CONTENT: 15 G AISLE H WINDOW	163999	1
	55 BAC29PPS11495		.PLACARD- PLACARD CONTENT: 16 G AISLE H WINDOW	163999	1
	60 BAC29PPS11496		.PLACARD- PLACARD CONTENT: 17 G AISLE H WINDOW	163999	1
	65 BAC29PPS11500		.PLACARD- PLACARD CONTENT: 21 G AISLE H WINDOW	163999	1
ILLUSTRATION ITEMS NOT ON PARTS LIST ARE NOT APPLICABLE					

- ITEM NOT ILLUSTRATED

HXL

# 11-35-10-08A

BOEING PROPRIETARY - Copyright © - Unpublished Work - See title page for details.

11-35-10  
FIG. 08A  
PAGE 1  
DEC 22/07

 **BOEING**  
767  
**PARTS CATALOG (MAINTENANCE)**

FIG ITEM	PART NUMBER	1 2 3 4 5 6 7	NOMENCLATURE	EFFECT FROM TO	UNITS PER ASSY
8A					
70	BAC29PPS11501	.PLACARD-	PLACARD CONTENT: 22 G AISLE H WINDOW	163999	1
75	BAC29PPS11502	.PLACARD-	PLACARD CONTENT: 23 G AISLE H WINDOW	163999	1
80	BAC29PPS11503	.PLACARD-	PLACARD CONTENT: 24 G AISLE H WINDOW	163999	1
85	BAC29PPS11504	.PLACARD-	PLACARD CONTENT: 25 G AISLE H WINDOW	163999	1
90	BAC29PPS11505	.PLACARD-	PLACARD CONTENT: 26 G AISLE H WINDOW	163999	1
95	BAC29PPS11506	.PLACARD-	PLACARD CONTENT: 27 G AISLE H WINDOW	163999	1
100	BAC29PPS11507	.PLACARD-	PLACARD CONTENT: 28 G AISLE H WINDOW	163999	1
105	BAC29PPS11508	.PLACARD-	PLACARD CONTENT: 29 G AISLE H WINDOW	163999	1
110	BAC29PPS11509	.PLACARD-	PLACARD CONTENT: 30 G AISLE H WINDOW	163999	1
115	BAC29PPS11510	.PLACARD-	PLACARD CONTENT: 31 G AISLE H WINDOW	163999	1
120	BAC29PPS11511	.PLACARD-	PLACARD CONTENT: 32 G AISLE H WINDOW	163999	1
125	BAC29PPS11512	.PLACARD-	PLACARD CONTENT: 33 G AISLE H WINDOW	163999	1
130	BAC29PPS11513	.PLACARD-	PLACARD CONTENT: 34 G AISLE H WINDOW	163999	1
135	BAC29PPS11514	.PLACARD-	PLACARD CONTENT: 35 G AISLE H WINDOW	163999	1
140	BAC29PPS14417	.PLACARD-	PLACARD CONTENT: 36 G AISLE H WINDOW	163999	1
145	BAC29PPS14418	.PLACARD-	PLACARD CONTENT: 37 G AISLE H WINDOW	163999	1
ILLUSTRATION ITEMS NOT ON PARTS LIST ARE NOT APPLICABLE					

- ITEM NOT ILLUSTRATED

HXL

# 11-35-10-08A

BOEING PROPRIETARY - Copyright © - Unpublished Work - See title page for details.

11-35-10  
FIG. 08A  
PAGE 2  
DEC 22/07

 **BOEING**  
767  
**PARTS CATALOG (MAINTENANCE)**

FIG ITEM	PART NUMBER	1 2 3 4 5 6 7	NOMENCLATURE	EFFECT FROM TO	UNITS PER ASSY
8A					
150	BAC29PPS14419	.PLACARD-	PLACARD CONTENT: 38 G AISLE H WINDOW	163999	1
155	BAC29PPS14420	.PLACARD-	PLACARD CONTENT: 39 G AISLE H WINDOW	163999	1
160	BAC29PPS11433	.PLACARD-	PLACARD CONTENT: 1 D AISLE	163999	1
165	BAC29PPS11434	.PLACARD-	PLACARD CONTENT: 2 D AISLE	163999	1
170	BAC29PPS11435	.PLACARD-	PLACARD CONTENT: 3 D AISLE	163999	1
175	BAC29PPS11424	.PLACARD-	PLACARD CONTENT: 4 E AISLE	163999	1
180	BAC29PPS11437	.PLACARD-	PLACARD CONTENT: 5 D AISLE	163999	1
185	BAC29PPS11438	.PLACARD-	PLACARD CONTENT: 6 D AISLE	163999	1
190	BAC29PPS11440	.PLACARD-	PLACARD CONTENT: 11 D AISLE	163999	1
195	BAC29PPS11441	.PLACARD-	PLACARD CONTENT: 12 D AISLE	163999	1
200	BAC29PPS11442	.PLACARD-	PLACARD CONTENT: 14 D AISLE	163999	1
205	BAC29PPS11443	.PLACARD-	PLACARD CONTENT: 15 D AISLE	163999	1
210	BAC29PPS11432	.PLACARD-	PLACARD CONTENT: 16 E AISLE	163999	1
215	BAC29PPS14427	.PLACARD-	PLACARD CONTENT: 17 D AISLE	163999	1
220	BAC29PPS11468	.PLACARD-	PLACARD CONTENT: 21 D AISLE E CENTER	163999	1
225	BAC29PPS11450	.PLACARD-	PLACARD CONTENT: 22 E CENTER F AISLE	163999	1

ILLUSTRATION ITEMS NOT ON PARTS LIST ARE NOT APPLICABLE

— ITEM NOT ILLUSTRATED

HXL

# 11-35-10-08A

BOEING PROPRIETARY - Copyright © - Unpublished Work - See title page for details.

11-35-10  
FIG. 08A  
PAGE 3  
DEC 22/07

 **BOEING**  
767  
**PARTS CATALOG (MAINTENANCE)**

FIG ITEM	PART NUMBER	1 2 3 4 5 6 7	NOMENCLATURE	EFFECT FROM TO	UNITS PER ASSY
8A					
230	BAC29PPS11470	.PLACARD-	PLACARD CONTENT: 23 E AISLE F CENTER	163999	1
235	BAC29PPS11471	.PLACARD-	PLACARD CONTENT: 24 D AISLE E CENTER	163999	1
240	BAC29PPS11472	.PLACARD-	PLACARD CONTENT: 25 D AISLE E CENTER	163999	1
245	BAC29PPS11473	.PLACARD-	PLACARD CONTENT: 26 D AISLE E CENTER	163999	1
250	BAC29PPS11474	.PLACARD-	PLACARD CONTENT: 27 D AISLE E CENTER	163999	1
255	BAC29PPS11475	.PLACARD-	PLACARD CONTENT: 28 D AISLE E CENTER	163999	1
260	BAC29PPS11476	.PLACARD-	PLACARD CONTENT: 29 D AISLE E CENTER	163999	1
265	BAC29PPS11477	.PLACARD-	PLACARD CONTENT: 30 D AISLE E CENTER	163999	1
270	BAC29PPS11478	.PLACARD-	PLACARD CONTENT: 31 D AISLE E CENTER	163999	1
275	BAC29PPS11479	.PLACARD-	PLACARD CONTENT: 32 D AISLE E CENTER	163999	1
280	BAC29PPS11461	.PLACARD-	PLACARD CONTENT: 33 E CENTER F AISLE	163999	1
285	BAC29PPS11481	.PLACARD-	PLACARD CONTENT: 34 D AISLE E CENTER	163999	1
290	BAC29PPS11482	.PLACARD-	PLACARD CONTENT: 35 D AISLE E CENTER	163999	1
295	BAC29PPS14429	.PLACARD-	PLACARD CONTENT: 36 D AISLE E CENTER	163999	1
300	BAC29PPS14409	.PLACARD-	PLACARD CONTENT: 37 D AISLE	163999	1
305	BAC29PPS14410	.PLACARD-	PLACARD CONTENT: 38 D AISLE	163999	1

ILLUSTRATION ITEMS NOT ON PARTS LIST ARE NOT APPLICABLE

— ITEM NOT ILLUSTRATED

HXL

# 11-35-10-08A

BOEING PROPRIETARY - Copyright © - Unpublished Work - See title page for details.

11-35-10  
FIG. 08A  
PAGE 4  
DEC 22/07

 **BOEING**  
767  
**PARTS CATALOG (MAINTENANCE)**

FIG ITEM	PART NUMBER	1 2 3 4 5 6 7	NOMENCLATURE	EFFECT FROM TO	UNITS PER ASSY
8A					
310	BAC29PPS14411	.	PLACARD- PLACARD CONTENT: 39 D AISLE	163999	1
315	BAC29PPS11421	.	PLACARD- PLACARD CONTENT: 1 E AISLE	163999	1
320	BAC29PPS11422	.	PLACARD- PLACARD CONTENT: 2 E AISLE	163999	1
325	BAC29PPS11423	.	PLACARD- PLACARD CONTENT: 3 E AISLE	163999	1
330	BAC29PPS11436	.	PLACARD- PLACARD CONTENT: 4 E AISLE	163999	1
335	BAC29PPS11425	.	PLACARD- PLACARD CONTENT: 5 E AISLE	163999	1
340	BAC29PPS11426	.	PLACARD- PLACARD CONTENT: 6 E AISLE	163999	1
345	BAC29PPS11428	.	PLACARD- PLACARD CONTENT: 11 E AISLE	163999	1
350	BAC29PPS11429	.	PLACARD- PLACARD CONTENT: 12 E AISLE	163999	1
355	BAC29PPS11430	.	PLACARD- PLACARD CONTENT: 14 E AISLE	163999	1
360	BAC29PPS11431	.	PLACARD- PLACARD CONTENT: 15 E AISLE	163999	1
365	BAC29PPS11444	.	PLACARD- PLACARD CONTENT: 16 D AISLE	163999	1
370	BAC29PPS14428	.	PLACARD- PLACARD CONTENT: 17 E AISLE	163999	1
375	BAC29PPS11449	.	PLACARD- PLACARD CONTENT: 21 E CENTER F AISLE	163999	1
380	BAC29PPS11469	.	PLACARD- PLACARD CONTENT: 22 D AISLE E CENTER	163999	1
385	BAC29PPS11451	.	PLACARD- PLACARD CONTENT: 23 E CENTER F AISLE	163999	1

ILLUSTRATION ITEMS NOT ON PARTS LIST ARE NOT APPLICABLE

— ITEM NOT ILLUSTRATED

HXL

# 11-35-10-08A

BOEING PROPRIETARY - Copyright © - Unpublished Work - See title page for details.

11-35-10  
FIG. 08A  
PAGE 5  
DEC 22/07



767

PARTS CATALOG (MAINTENANCE)

FIG ITEM	PART NUMBER	1 2 3 4 5 6 7	NOMENCLATURE	EFFECT FROM TO	UNITS PER ASSY
8A					
390	BAC29PPS11452	.PLACARD-	PLACARD CONTENT: 24 E CENTER F AISLE	163999	1
395	BAC29PPS11453	.PLACARD-	PLACARD CONTENT: 25 E CENTER F AISLE	163999	1
400	BAC29PPS11454	.PLACARD-	PLACARD CONTENT: 26 E CENTER F AISLE	163999	1
405	BAC29PPS11455	.PLACARD-	PLACARD CONTENT: 27 E CENTER F AISLE	163999	1
410	BAC29PPS11456	.PLACARD-	PLACARD CONTENT: 28 E CENTER F AISLE	163999	1
415	BAC29PPS11457	.PLACARD-	PLACARD CONTENT: 29 E CENTER F AISLE	163999	1
420	BAC29PPS11458	.PLACARD-	PLACARD CONTENT: 30 E CENTER F AISLE	163999	1
425	BAC29PPS11459	.PLACARD-	PLACARD CONTENT: 31 E CENTER F AISLE	163999	1
430	BAC29PPS11460	.PLACARD-	PLACARD CONTENT: 32 E CENTER F AISLE	163999	1
435	BAC29PPS11480	.PLACARD-	PLACARD CONTENT: 33 D AISLE E CENTER	163999	1
440	BAC29PPS11462	.PLACARD-	PLACARD CONTENT: 34 E CENTER F AISLE	163999	1
445	BAC29PPS11463	.PLACARD-	PLACARD CONTENT: 35 E CENTER F AISLE	163999	1
450	BAC29PPS14430	.PLACARD-	PLACARD CONTENT: 36 E CENTER F AISLE	163999	1
455	BAC29PPS14413	.PLACARD-	PLACARD CONTENT: 37 E AISLE	163999	1
460	BAC29PPS14414	.PLACARD-	PLACARD CONTENT: 38 E AISLE	163999	1
465	BAC29PPS14415	.PLACARD-	PLACARD CONTENT: 39 E AISLE	163999	1

ILLUSTRATION ITEMS NOT ON PARTS LIST ARE NOT APPLICABLE

- ITEM NOT ILLUSTRATED

HXL

11-35-10-08A

11-35-10  
FIG. 08A  
PAGE 6  
DEC 22/07

 **BOEING**  
767  
**PARTS CATALOG (MAINTENANCE)**

FIG ITEM	PART NUMBER	1 2 3 4 5 6 7	NOMENCLATURE	EFFECT FROM TO	UNITS PER ASSY
8A					
470	BAC29PPS2780	.PLACARD-	PLACARD CONTENT: 1 A WINDOW B AISLE	163999	1
475	BAC29PPS2781	.PLACARD-	PLACARD CONTENT: 2 A WINDOW B AISLE	163999	1
480	BAC29PPS2782	.PLACARD-	PLACARD CONTENT: 3 A WINDOW B AISLE	163999	1
485	BAC29PPS13793	.PLACARD-	PLACARD CONTENT: 4 A WINDOW B AISLE	163999	1
490	BAC29PPS13792	.PLACARD-	PLACARD CONTENT: 5 A WINDOW B AISLE	163999	1
495	BAC29PPS2783	.PLACARD-	PLACARD CONTENT: 6 A WINDOW B AISLE	163999	1
500	BAC29PPS2784	.PLACARD-	PLACARD CONTENT: 7 A WINDOW B AISLE	163999	1
505	BAC29PPS2788	.PLACARD-	PLACARD CONTENT: 11 A WINDOW B AISLE	163999	1
510	BAC29PPS2789	.PLACARD-	PLACARD CONTENT: 12 A WINDOW B AISLE	163999	1
515	BAC29PPS2790	.PLACARD-	PLACARD CONTENT: 14 A WINDOW B AISLE	163999	1
520	BAC29PPS2791	.PLACARD-	PLACARD CONTENT: 15 A WINDOW B AISLE	163999	1
525	BAC29PPS2792	.PLACARD-	PLACARD CONTENT: 16 A WINDOW B AISLE	163999	1
530	BAC29PPS2793	.PLACARD-	PLACARD CONTENT: 17 A WINDOW B AISLE	163999	1
535	BAC29PPS2797	.PLACARD-	PLACARD CONTENT: 21 A WINDOW B AISLE	163999	1
540	BAC29PPS2798	.PLACARD-	PLACARD CONTENT: 22 A WINDOW B AISLE	163999	1
545	BAC29PPS2799	.PLACARD-	PLACARD CONTENT: 23 A WINDOW B AISLE	163999	1

ILLUSTRATION ITEMS NOT ON PARTS LIST ARE NOT APPLICABLE

— ITEM NOT ILLUSTRATED

HXL

# 11-35-10-08A

11-35-10  
FIG. 08A  
PAGE 7  
DEC 22/07



 **BOEING**  
767  
**PARTS CATALOG (MAINTENANCE)**

FIG ITEM	PART NUMBER	1 2 3 4 5 6 7	NOMENCLATURE	EFFECT FROM TO	UNITS PER ASSY
8A					
550	BAC29PPS2800	.PLACARD-	PLACARD CONTENT: 24 A WINDOW B AISLE	163999	1
555	BAC29PPS2801	.PLACARD-	PLACARD CONTENT: 25 A WINDOW B AISLE	163999	1
560	BAC29PPS2802	.PLACARD-	PLACARD CONTENT: 26 A WINDOW B AISLE	163999	1
565	BAC29PPS2803	.PLACARD-	PLACARD CONTENT: 27 A WINDOW B AISLE	163999	1
570	BAC29PPS2804	.PLACARD-	PLACARD CONTENT: 28 A WINDOW B AISLE	163999	1
575	BAC29PPS2805	.PLACARD-	PLACARD CONTENT: 29 A WINDOW B AISLE	163999	1
580	BAC29PPS2806	.PLACARD-	PLACARD CONTENT: 30 A WINDOW B AISLE	163999	1
585	BAC29PPS2807	.PLACARD-	PLACARD CONTENT: 31 A WINDOW B AISLE	163999	1
590	BAC29PPS2808	.PLACARD-	PLACARD CONTENT: 32 A WINDOW B AISLE	163999	1
595	BAC29PPS2809	.PLACARD-	PLACARD CONTENT: 33 A WINDOW B AISLE	163999	1
600	BAC29PPS2810	.PLACARD-	PLACARD CONTENT: 34 A WINDOW B AISLE	163999	1
605	BAC29PPS11420	.PLACARD-	PLACARD CONTENT: 35 A WINDOW B AISLE	163999	1
610	BAC29PPS14422	.PLACARD-	PLACARD CONTENT: 36 A WINDOW B AISLE	163999	1
615	BAC29PPS14423	.PLACARD-	PLACARD CONTENT: 37 A WINDOW B AISLE	163999	1
620	BAC29PPS14424	.PLACARD-	PLACARD CONTENT: 38 A WINDOW B AISLE	163999	1
625	BAC29PPS14425	.PLACARD-	PLACARD CONTENT: 39 A WINDOW B AISLE	163999	1
ILLUSTRATION ITEMS NOT ON PARTS LIST ARE NOT APPLICABLE					

- ITEM NOT ILLUSTRATED

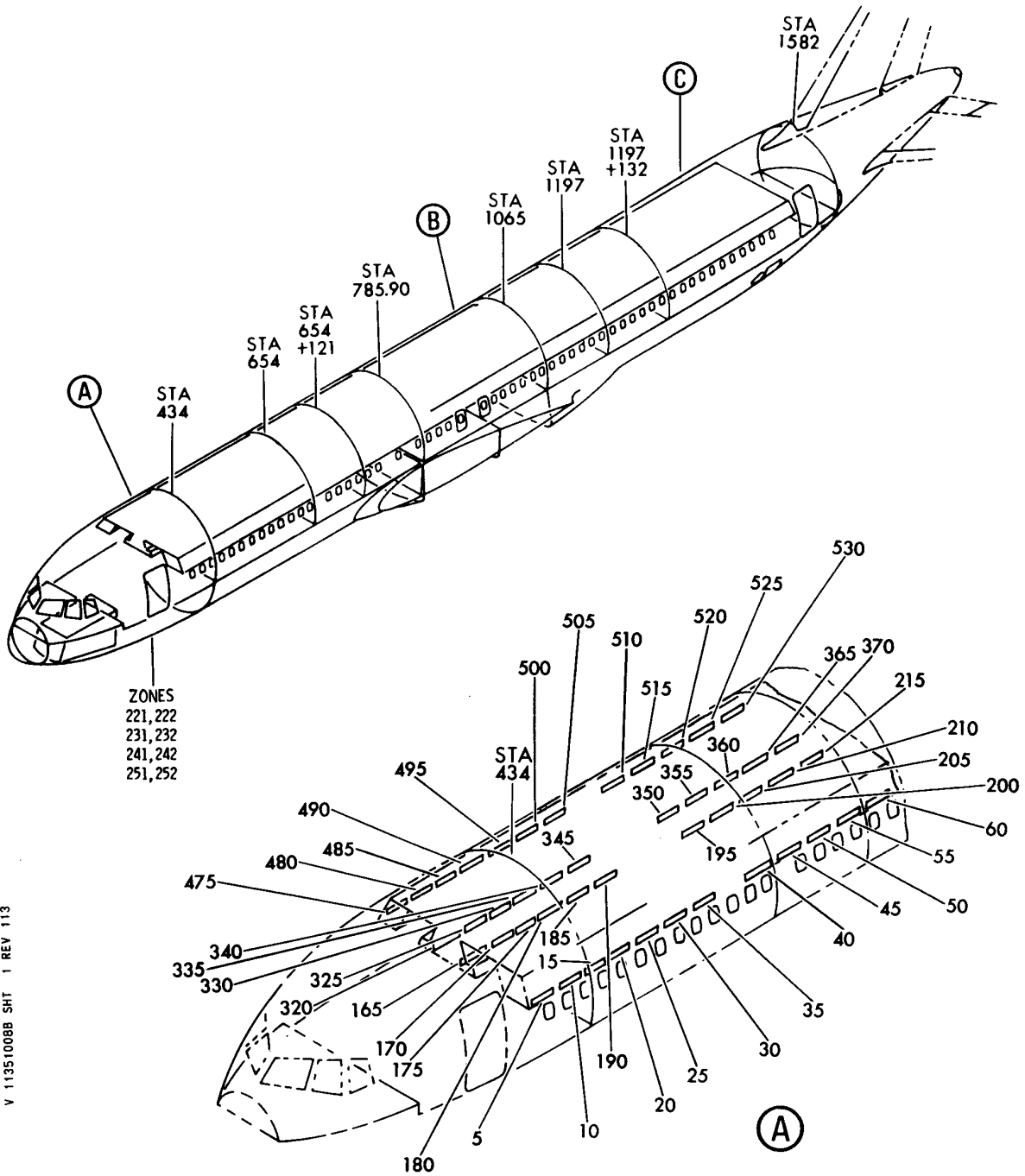
HXL

# 11-35-10-08A

BOEING PROPRIETARY - Copyright © - Unpublished Work - See title page for details.

11-35-10  
FIG. 08A  
PAGE 8  
DEC 22/07

**BOEING**  
767  
PARTS CATALOG (MAINTENANCE)



V 11351008B SHT 1 REV 113

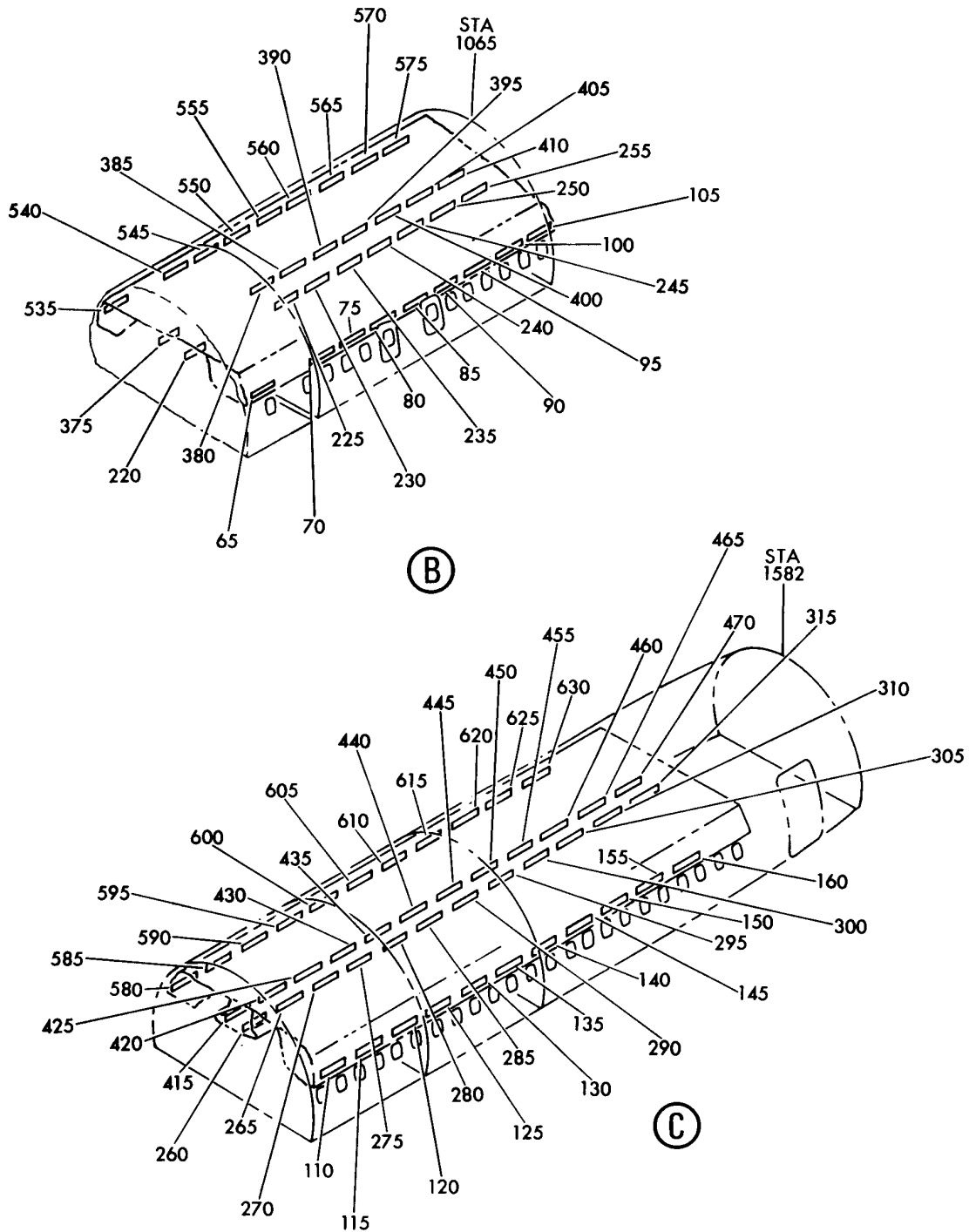
PLACARD INSTL-SAS SEAT ROW MARKERS  
FIGURE 8B (SHEET 1)

**11-35-10-08B**

HXL  
DEC 22/06

11-35-10-08B  
PAGE 0

**BOEING**  
767  
PARTS CATALOG (MAINTENANCE)



V 11351008B SHT 2 REV 113

PLACARD INSTL-SAS SEAT ROW MARKERS  
FIGURE 8B (SHEET 2)

**11-35-10-08B**

HXL  
DEC 22/06

11-35-10-08B  
PAGE 0A

 **BOEING**  
767  
**PARTS CATALOG (MAINTENANCE)**

FIG ITEM	PART NUMBER	1 2 3 4 5 6 7	NOMENCLATURE	EFFECT FROM TO	UNITS PER ASSY
8B			PLACARD INSTL-SAS SEAT ROW MARKERS		
- 1	38719		PLACARD INSTL-SAS SEAT ROW MARKERS SUPPLIER CODE: V1009B POST AIRLINE MOD: MTO-110444 VSAS		1
5	38719-01AB		.PLACARD- SUPPLIER CODE: V1009B PLACARD CONTENT: 1 A WINDOW B AISLE		1
10	38719-02AB		.PLACARD- SUPPLIER CODE: V1009B PLACARD CONTENT: 2 A WINDOW B AISLE		1
15	38719-03AB		.PLACARD- SUPPLIER CODE: V1009B PLACARD CONTENT: 3 A WINDOW B AISLE		1
20	38719-04AB		.PLACARD- SUPPLIER CODE: V1009B PLACARD CONTENT: 4 A WINDOW B AISLE		1
25	38719-05AB		.PLACARD- SUPPLIER CODE: V1009B PLACARD CONTENT: 5 A WINDOW B AISLE		1
30	38719-06AB		.PLACARD- SUPPLIER CODE: V1009B PLACARD CONTENT: 6 A WINDOW B AISLE		1
35	38719-07AB		.PLACARD- SUPPLIER CODE: V1009B PLACARD CONTENT: 7 A WINDOW B AISLE		1
40	38719-11AB		.PLACARD- SUPPLIER CODE: V1009B PLACARD CONTENT: 11 A WINDOW B AISLE		1
ILLUSTRATION ITEMS NOT ON PARTS LIST ARE NOT APPLICABLE					

- ITEM NOT ILLUSTRATED

HXL

# 11-35-10-08B

BOEING PROPRIETARY - Copyright © - Unpublished Work - See title page for details.

11-35-10  
FIG. 08B  
PAGE 1  
DEC 22/07

 **BOEING**  
767  
**PARTS CATALOG (MAINTENANCE)**

FIG ITEM	PART NUMBER	1 2 3 4 5 6 7	NOMENCLATURE	EFFECT FROM TO	UNITS PER ASSY
8B					
45	38719-12AB		.PLACARD- SUPPLIER CODE: V1009B PLACARD CONTENT: 12 A WINDOW B AISLE		1
50	38719-14AB		.PLACARD- SUPPLIER CODE: V1009B PLACARD CONTENT: 14 A WINDOW B AISLE		1
55	38719-15AB		.PLACARD- SUPPLIER CODE: V1009B PLACARD CONTENT: 15 A WINDOW B AISLE		1
60	38719-16AB		.PLACARD- SUPPLIER CODE: V1009B PLACARD CONTENT: 16 A WINDOW B AISLE		1
65	38719-17AB		.PLACARD- SUPPLIER CODE: V1009B PLACARD CONTENT: 17 A WINDOW B AISLE		1
70	38719-21AB		.PLACARD- SUPPLIER CODE: V1009B PLACARD CONTENT: 21 A WINDOW B AISLE		1
75	38719-22AB		.PLACARD- SUPPLIER CODE: V1009B PLACARD CONTENT: 22 A WINDOW B AISLE		1
80	38719-23AB		.PLACARD- SUPPLIER CODE: V1009B PLACARD CONTENT: 23 A WINDOW B AISLE		1
85	38719-24AB		.PLACARD- SUPPLIER CODE: V1009B PLACARD CONTENT: 24 A WINDOW B AISLE		1
ILLUSTRATION ITEMS NOT ON PARTS LIST ARE NOT APPLICABLE					

- ITEM NOT ILLUSTRATED

HXL

# 11-35-10-08B

BOEING PROPRIETARY - Copyright © - Unpublished Work - See title page for details.

11-35-10  
FIG. 08B  
PAGE 2  
DEC 22/07

 **BOEING**  
767  
**PARTS CATALOG (MAINTENANCE)**

FIG ITEM	PART NUMBER	1 2 3 4 5 6 7	NOMENCLATURE	EFFECT FROM TO	UNITS PER ASSY
8B					
90	38719-25AB		.PLACARD- SUPPLIER CODE: V1009B PLACARD CONTENT: 25 A WINDOW B AISLE		1
95	38719-26AB		.PLACARD- SUPPLIER CODE: V1009B PLACARD CONTENT: 26 A WINDOW B AISLE		1
100	38719-27AB		.PLACARD- SUPPLIER CODE: V1009B PLACARD CONTENT: 27 A WINDOW B AISLE		1
105	38719-28AB		.PLACARD- SUPPLIER CODE: V1009B PLACARD CONTENT: 28 A WINDOW B AISLE		1
110	38719-29AB		.PLACARD- SUPPLIER CODE: V1009B PLACARD CONTENT: 29 A WINDOW B AISLE		1
115	38719-30AB		.PLACARD- SUPPLIER CODE: V1009B PLACARD CONTENT: 30 A WINDOW B AISLE		1
120	38719-31AB		.PLACARD- SUPPLIER CODE: V1009B PLACARD CONTENT: 31 A WINDOW B AISLE		1
125	38719-32AB		.PLACARD- SUPPLIER CODE: V1009B PLACARD CONTENT: 32 A WINDOW B AISLE		1
130	38719-33AB		.PLACARD- SUPPLIER CODE: V1009B PLACARD CONTENT: 33 A WINDOW B AISLE		1
ILLUSTRATION ITEMS NOT ON PARTS LIST ARE NOT APPLICABLE					

- ITEM NOT ILLUSTRATED

HXL

# 11-35-10-08B

BOEING PROPRIETARY - Copyright © - Unpublished Work - See title page for details.

11-35-10  
FIG. 08B  
PAGE 3  
DEC 22/07



767

PARTS CATALOG (MAINTENANCE)

FIG ITEM	PART NUMBER	1 2 3 4 5 6 7	NOMENCLATURE	EFFECT FROM TO	UNITS PER ASSY
8B 135	38719-34AB		.PLACARD- SUPPLIER CODE: V1009B PLACARD CONTENT: 34 A WINDOW B AISLE		1
140	38719-35AB		.PLACARD- SUPPLIER CODE: V1009B PLACARD CONTENT: 35 A WINDOW B AISLE		1
145	38719-36AB		.PLACARD- SUPPLIER CODE: V1009B PLACARD CONTENT: 36 A WINDOW B AISLE		1
150	38719-37AB		.PLACARD- SUPPLIER CODE: V1009B PLACARD CONTENT: 37 A WINDOW B AISLE		1
155	38719-38AB		.PLACARD- SUPPLIER CODE: V1009B PLACARD CONTENT: 38 A WINDOW B AISLE		1
160	38719-39AB		.PLACARD- SUPPLIER CODE: V1009B PLACARD CONTENT: 39 A WINDOW B AISLE		1
165	38719-01D		.PLACARD- SUPPLIER CODE: V1009B PLACARD CONTENT: 1 D AISLE		1
170	38719-02D		.PLACARD- SUPPLIER CODE: V1009B PLACARD CONTENT: 2 D AISLE		1
175	38719-03D		.PLACARD- SUPPLIER CODE: V1009B PLACARD CONTENT: 3 D AISLE		1

ILLUSTRATION ITEMS NOT ON PARTS LIST ARE NOT APPLICABLE

- ITEM NOT ILLUSTRATED

HXL

11-35-10-08B

BOEING PROPRIETARY - Copyright © - Unpublished Work - See title page for details.

11-35-10  
FIG. 08B  
PAGE 4  
DEC 22/07

 **BOEING**  
767  
**PARTS CATALOG (MAINTENANCE)**

FIG ITEM	PART NUMBER	1 2 3 4 5 6 7	NOMENCLATURE	EFFECT FROM TO	UNITS PER ASSY
8B 180	38719-04D		.PLACARD- SUPPLIER CODE: V1009B PLACARD CONTENT: 4 D AISLE		1
185	38719-05D		.PLACARD- SUPPLIER CODE: V1009B PLACARD CONTENT: 5 D AISLE		1
190	38719-06D		.PLACARD- SUPPLIER CODE: V1009B PLACARD CONTENT: 6 D AISLE		1
195	38719-11D		.PLACARD- SUPPLIER CODE: V1009B PLACARD CONTENT: 11 D AISLE		1
200	38719-12D		.PLACARD- SUPPLIER CODE: V1009B PLACARD CONTENT: 12 D AISLE		1
205	38719-14D		.PLACARD- SUPPLIER CODE: V1009B PLACARD CONTENT: 14 D AISLE		1
210	38719-15D		.PLACARD- SUPPLIER CODE: V1009B PLACARD CONTENT: 15 D AISLE		1
215	38719-16D		.PLACARD- SUPPLIER CODE: V1009B PLACARD CONTENT: 16 D AISLE		1
220	38719-17D		.PLACARD- SUPPLIER CODE: V1009B PLACARD CONTENT: 17 D AISLE		1

ILLUSTRATION ITEMS NOT ON PARTS LIST ARE NOT APPLICABLE

- ITEM NOT ILLUSTRATED

HXL

11-35-10-08B

BOEING PROPRIETARY - Copyright © - Unpublished Work - See title page for details.

11-35-10  
FIG. 08B  
PAGE 5  
DEC 22/07



 **BOEING**  
767  
**PARTS CATALOG (MAINTENANCE)**

FIG ITEM	PART NUMBER	1 2 3 4 5 6 7	NOMENCLATURE	EFFECT FROM TO	UNITS PER ASSY
8B 225	38719-21DE		.PLACARD- SUPPLIER CODE: V1009B PLACARD CONTENT: 21 D AISLE E CENTER		1
230	38719-22DE		.PLACARD- SUPPLIER CODE: V1009B PLACARD CONTENT: 22 D AISLE E CENTER		1
235	38719-23DE		.PLACARD- SUPPLIER CODE: V1009B PLACARD CONTENT: 23 D AISLE E CENTER		1
240	38719-24DE		.PLACARD- SUPPLIER CODE: V1009B PLACARD CONTENT: 24 D AISLE E CENTER		1
245	38719-25DE		.PLACARD- SUPPLIER CODE: V1009B PLACARD CONTENT: 25 D AISLE E CENTER		1
250	38719-26DE		.PLACARD- SUPPLIER CODE: V1009B PLACARD CONTENT: 26 D AISLE E CENTER		1
255	38719-27DE		.PLACARD- SUPPLIER CODE: V1009B PLACARD CONTENT: 27 D AISLE E CENTER		1
260	38719-28DE		.PLACARD- SUPPLIER CODE: V1009B PLACARD CONTENT: 28 D AISLE E CENTER		1
265	38719-29DE		.PLACARD- SUPPLIER CODE: V1009B PLACARD CONTENT: 29 D AISLE E CENTER		1

ILLUSTRATION ITEMS NOT ON PARTS LIST ARE NOT APPLICABLE

- ITEM NOT ILLUSTRATED

HXL

11-35-10-08B

BOEING PROPRIETARY - Copyright © - Unpublished Work - See title page for details.

11-35-10  
FIG. 08B  
PAGE 6  
DEC 22/07

 **BOEING**  
767  
**PARTS CATALOG (MAINTENANCE)**

FIG ITEM	PART NUMBER	1 2 3 4 5 6 7	NOMENCLATURE	EFFECT FROM TO	UNITS PER ASSY
8B 270	38719-30DE		.PLACARD- SUPPLIER CODE: V1009B PLACARD CONTENT: 30 D AISLE E CENTER		1
275	38719-31DE		.PLACARD- SUPPLIER CODE: V1009B PLACARD CONTENT: 31 D AISLE E CENTER		1
280	38719-32DE		.PLACARD- SUPPLIER CODE: V1009B PLACARD CONTENT: 32 D AISLE E CENTER		1
285	38719-33DE		.PLACARD- SUPPLIER CODE: V1009B PLACARD CONTENT: 33 D AISLE E CENTER		1
290	38719-34DE		.PLACARD- SUPPLIER CODE: V1009B PLACARD CONTENT: 34 D AISLE E CENTER		1
295	38719-35DE		.PLACARD- SUPPLIER CODE: V1009B PLACARD CONTENT: 35 D AISLE E CENTER		1
300	38719-36DE		.PLACARD- SUPPLIER CODE: V1009B PLACARD CONTENT: 36 D AISLE E CENTER		1
305	38719-37DE		.PLACARD- SUPPLIER CODE: V1009B PLACARD CONTENT: 37 D AISLE E CENTER		1
310	38719-38DE		.PLACARD- SUPPLIER CODE: V1009B PLACARD CONTENT: 38 D AISLE E CENTER		1

ILLUSTRATION ITEMS NOT ON PARTS LIST ARE NOT APPLICABLE

- ITEM NOT ILLUSTRATED

HXL

11-35-10-08B

BOEING PROPRIETARY - Copyright © - Unpublished Work - See title page for details.

11-35-10  
FIG. 08B  
PAGE 7  
DEC 22/07



767

PARTS CATALOG (MAINTENANCE)

FIG ITEM	PART NUMBER	1 2 3 4 5 6 7	NOMENCLATURE	EFFECT FROM TO	UNITS PER ASSY
8B 315	38719-39DE		.PLACARD- SUPPLIER CODE: V1009B PLACARD CONTENT: 39 D AISLE E CENTER		1
320	38719-01E		.PLACARD- SUPPLIER CODE: V1009B PLACARD CONTENT: 1 E AISLE		1
325	38719-02E		.PLACARD- SUPPLIER CODE: V1009B PLACARD CONTENT: 2 E AISLE		1
330	38719-03E		.PLACARD- SUPPLIER CODE: V1009B PLACARD CONTENT: 3 E AISLE		1
335	38719-04E		.PLACARD- SUPPLIER CODE: V1009B PLACARD CONTENT: 4 E AISLE		1
340	38719-05E		.PLACARD- SUPPLIER CODE: V1009B PLACARD CONTENT: 5 E AISLE		1
345	38719-06E		.PLACARD- SUPPLIER CODE: V1009B PLACARD CONTENT: 6 E AISLE		1
350	38719-11E		.PLACARD- SUPPLIER CODE: V1009B PLACARD CONTENT: 11 E AISLE		1
355	38719-12E		.PLACARD- SUPPLIER CODE: V1009B PLACARD CONTENT: 12 E AISLE		1

ILLUSTRATION ITEMS NOT ON PARTS LIST ARE NOT APPLICABLE

- ITEM NOT ILLUSTRATED

HXL

11-35-10-08B

BOEING PROPRIETARY - Copyright © - Unpublished Work - See title page for details.

11-35-10  
FIG. 08B  
PAGE 8  
DEC 22/07

 **BOEING**  
767  
**PARTS CATALOG (MAINTENANCE)**

FIG ITEM	PART NUMBER	1 2 3 4 5 6 7	NOMENCLATURE	EFFECT FROM TO	UNITS PER ASSY
8B 360	38719-14E		.PLACARD- SUPPLIER CODE: V1009B PLACARD CONTENT: 14 E AISLE		1
365	38719-15E		.PLACARD- SUPPLIER CODE: V1009B PLACARD CONTENT: 15 E AISLE		1
370	38719-16E		.PLACARD- SUPPLIER CODE: V1009B PLACARD CONTENT: 16 E AISLE		1
375	38719-17E		.PLACARD- SUPPLIER CODE: V1009B PLACARD CONTENT: 17 E AISLE		1
380	38719-21EF		.PLACARD- SUPPLIER CODE: V1009B PLACARD CONTENT: 21 E CENTER F AISLE		1
385	38719-22EF		.PLACARD- SUPPLIER CODE: V1009B PLACARD CONTENT: 22 E CENTER F AISLE		1
390	38719-23EF		.PLACARD- SUPPLIER CODE: V1009B PLACARD CONTENT: 23 E CENTER F AISLE		1
395	38719-24EF		.PLACARD- SUPPLIER CODE: V1009B PLACARD CONTENT: 24 E CENTER F AISLE		1
400	38719-25EF		.PLACARD- SUPPLIER CODE: V1009B PLACARD CONTENT: 25 E CENTER F AISLE		1

ILLUSTRATION ITEMS NOT ON PARTS LIST ARE NOT APPLICABLE

- ITEM NOT ILLUSTRATED

HXL

11-35-10-08B

BOEING PROPRIETARY - Copyright © - Unpublished Work - See title page for details.

11-35-10  
FIG. 08B  
PAGE 9  
DEC 22/07

 **BOEING**  
767  
**PARTS CATALOG (MAINTENANCE)**

FIG ITEM	PART NUMBER	1 2 3 4 5 6 7	NOMENCLATURE	EFFECT FROM TO	UNITS PER ASSY
8B 405	38719-26EF		.PLACARD- SUPPLIER CODE: V1009B PLACARD CONTENT: 26 E CENTER F AISLE		1
410	38719-27EF		.PLACARD- SUPPLIER CODE: V1009B PLACARD CONTENT: 27 E CENTER F AISLE		1
415	38719-28EF		.PLACARD- SUPPLIER CODE: V1009B PLACARD CONTENT: 28 E CENTER F AISLE		1
420	38719-29EF		.PLACARD- SUPPLIER CODE: V1009B PLACARD CONTENT: 29 E CENTER F AISLE		1
425	38719-30EF		.PLACARD- SUPPLIER CODE: V1009B PLACARD CONTENT: 30 E CENTER F AISLE		1
430	38719-31EF		.PLACARD- SUPPLIER CODE: V1009B PLACARD CONTENT: 31 E CENTER F AISLE		1
435	38719-32EF		.PLACARD- SUPPLIER CODE: V1009B PLACARD CONTENT: 32 E CENTER F AISLE		1
440	38719-33EF		.PLACARD- SUPPLIER CODE: V1009B PLACARD CONTENT: 33 E CENTER F AISLE		1
445	38719-34EF		.PLACARD- SUPPLIER CODE: V1009B PLACARD CONTENT: 34 E CENTER F AISLE		1

ILLUSTRATION ITEMS NOT ON PARTS LIST ARE NOT APPLICABLE

- ITEM NOT ILLUSTRATED

HXL

11-35-10-08B

11-35-10  
FIG. 08B  
PAGE 10  
DEC 22/07



767

PARTS CATALOG (MAINTENANCE)

FIG ITEM	PART NUMBER	1 2 3 4 5 6 7	NOMENCLATURE	EFFECT FROM TO	UNITS PER ASSY
8B 450	38719-35EF		.PLACARD- SUPPLIER CODE: V1009B PLACARD CONTENT: 35 E CENTER F AISLE		1
455	38719-36EF		.PLACARD- SUPPLIER CODE: V1009B PLACARD CONTENT: 36 E CENTER F AISLE		1
460	38719-37EF		.PLACARD- SUPPLIER CODE: V1009B PLACARD CONTENT: 37 E CENTER F AISLE		1
465	38719-38EF		.PLACARD- SUPPLIER CODE: V1009B PLACARD CONTENT: 38 E CENTER F AISLE		1
470	38719-39EF		.PLACARD- SUPPLIER CODE: V1009B PLACARD CONTENT: 39 E CENTER F AISLE		1
475	38719-01GH		.PLACARD- SUPPLIER CODE: V1009B PLACARD CONTENT: 1 G AISLE H WINDOW		1
480	38719-02GH		.PLACARD- SUPPLIER CODE: V1009B PLACARD CONTENT: 2 G AISLE H WINDOW		1
485	38719-03GH		.PLACARD- SUPPLIER CODE: V1009B PLACARD CONTENT: 3 G AISLE H WINDOW		1
490	38719-04GH		.PLACARD- SUPPLIER CODE: V1009B PLACARD CONTENT: 4 G AISLE H WINDOW		1

ILLUSTRATION ITEMS NOT ON PARTS LIST ARE NOT APPLICABLE

- ITEM NOT ILLUSTRATED

HXL

11-35-10-08B

11-35-10  
FIG. 08B  
PAGE 11  
DEC 22/07

 **BOEING**  
767  
**PARTS CATALOG (MAINTENANCE)**

FIG ITEM	PART NUMBER	1 2 3 4 5 6 7	NOMENCLATURE	EFFECT FROM TO	UNITS PER ASSY
8B 495	38719-05GH		.PLACARD- SUPPLIER CODE: V1009B PLACARD CONTENT: 5 G AISLE H WINDOW		1
500	38719-06GH		.PLACARD- SUPPLIER CODE: V1009B PLACARD CONTENT: 6 G AISLE H WINDOW		1
505	38719-07GH		.PLACARD- SUPPLIER CODE: V1009B PLACARD CONTENT: 7 G AISLE H WINDOW		1
510	38719-11GH		.PLACARD- SUPPLIER CODE: V1009B PLACARD CONTENT: 11 G AISLE H WINDOW		1
515	38719-12GH		.PLACARD- SUPPLIER CODE: V1009B PLACARD CONTENT: 12 G AISLE H WINDOW		1
520	38719-14GH		.PLACARD- SUPPLIER CODE: V1009B PLACARD CONTENT: 14 G AISLE H WINDOW		1
525	38719-15GH		.PLACARD- SUPPLIER CODE: V1009B PLACARD CONTENT: 15 G AISLE H WINDOW		1
530	38719-16GH		.PLACARD- SUPPLIER CODE: V1009B PLACARD CONTENT: 16 G AISLE H WINDOW		1
535	38719-17GH		.PLACARD- SUPPLIER CODE: V1009B PLACARD CONTENT: 17 G AISLE H WINDOW		1

ILLUSTRATION ITEMS NOT ON PARTS LIST ARE NOT APPLICABLE

- ITEM NOT ILLUSTRATED

HXL

11-35-10-08B

BOEING PROPRIETARY - Copyright © - Unpublished Work - See title page for details.

11-35-10  
FIG. 08B  
PAGE 12  
DEC 22/07

 **BOEING**  
767  
**PARTS CATALOG (MAINTENANCE)**

FIG ITEM	PART NUMBER	1 2 3 4 5 6 7	NOMENCLATURE	EFFECT FROM TO	UNITS PER ASSY
8B 540	38719-21GH		.PLACARD- SUPPLIER CODE: V1009B PLACARD CONTENT: 21 G AISLE H WINDOW		1
545	38719-22GH		.PLACARD- SUPPLIER CODE: V1009B PLACARD CONTENT: 22 G AISLE H WINDOW		1
550	38719-23GH		.PLACARD- SUPPLIER CODE: V1009B PLACARD CONTENT: 23 G AISLE H WINDOW		1
555	38719-24GH		.PLACARD- SUPPLIER CODE: V1009B PLACARD CONTENT: 24 G AISLE H WINDOW		1
560	38719-25GH		.PLACARD- SUPPLIER CODE: V1009B PLACARD CONTENT: 25 G AISLE H WINDOW		1
565	38719-26GH		.PLACARD- SUPPLIER CODE: V1009B PLACARD CONTENT: 26 G AISLE H WINDOW		1
570	38719-27GH		.PLACARD- SUPPLIER CODE: V1009B PLACARD CONTENT: 27 G AISLE H WINDOW		1
575	38719-28GH		.PLACARD- SUPPLIER CODE: V1009B PLACARD CONTENT: 28 G AISLE H WINDOW		1
580	38719-29GH		.PLACARD- SUPPLIER CODE: V1009B PLACARD CONTENT: 29 G AISLE H WINDOW		1

ILLUSTRATION ITEMS NOT ON PARTS LIST ARE NOT APPLICABLE

- ITEM NOT ILLUSTRATED

HXL

11-35-10-08B

11-35-10  
FIG. 08B  
PAGE 13  
DEC 22/07





767

PARTS CATALOG (MAINTENANCE)

FIG ITEM	PART NUMBER	1 2 3 4 5 6 7	NOMENCLATURE	EFFECT FROM TO	UNITS PER ASSY
8B 585	38719-30GH		.PLACARD- SUPPLIER CODE: V1009B PLACARD CONTENT: 30 G AISLE H WINDOW		1
590	38719-31GH		.PLACARD- SUPPLIER CODE: V1009B PLACARD CONTENT: 31 G AISLE H WINDOW		1
595	38719-32GH		.PLACARD- SUPPLIER CODE: V1009B PLACARD CONTENT: 32 G AISLE H WINDOW		1
600	38719-33GH		.PLACARD- SUPPLIER CODE: V1009B PLACARD CONTENT: 33 G AISLE H WINDOW		1
605	38719-34GH		.PLACARD- SUPPLIER CODE: V1009B PLACARD CONTENT: 34 G AISLE H WINDOW		1
610	38719-35GH		.PLACARD- SUPPLIER CODE: V1009B PLACARD CONTENT: 35 G AISLE H WINDOW		1
615	38719-36GH		.PLACARD- SUPPLIER CODE: V1009B PLACARD CONTENT: 36 G AISLE H WINDOW		1
620	38719-37GH		.PLACARD- SUPPLIER CODE: V1009B PLACARD CONTENT: 37 G AISLE H WINDOW		1
625	38719-38GH		.PLACARD- SUPPLIER CODE: V1009B PLACARD CONTENT: 38 G AISLE H WINDOW		1

ILLUSTRATION ITEMS NOT ON PARTS LIST ARE NOT APPLICABLE

- ITEM NOT ILLUSTRATED

HXL

11-35-10-08B

11-35-10  
FIG. 08B  
PAGE 14  
DEC 22/07



767  
PARTS CATALOG (MAINTENANCE)

FIG ITEM	PART NUMBER	1 2 3 4 5 6 7	NOMENCLATURE	EFFECT FROM TO	UNITS PER ASSY
8B 630	38719-39GH		. PLACARD- SUPPLIER CODE: V1009B PLACARD CONTENT: 39 G AISLE H WINDOW		1

ILLUSTRATION ITEMS NOT ON PARTS LIST ARE NOT APPLICABLE

- ITEM NOT ILLUSTRATED

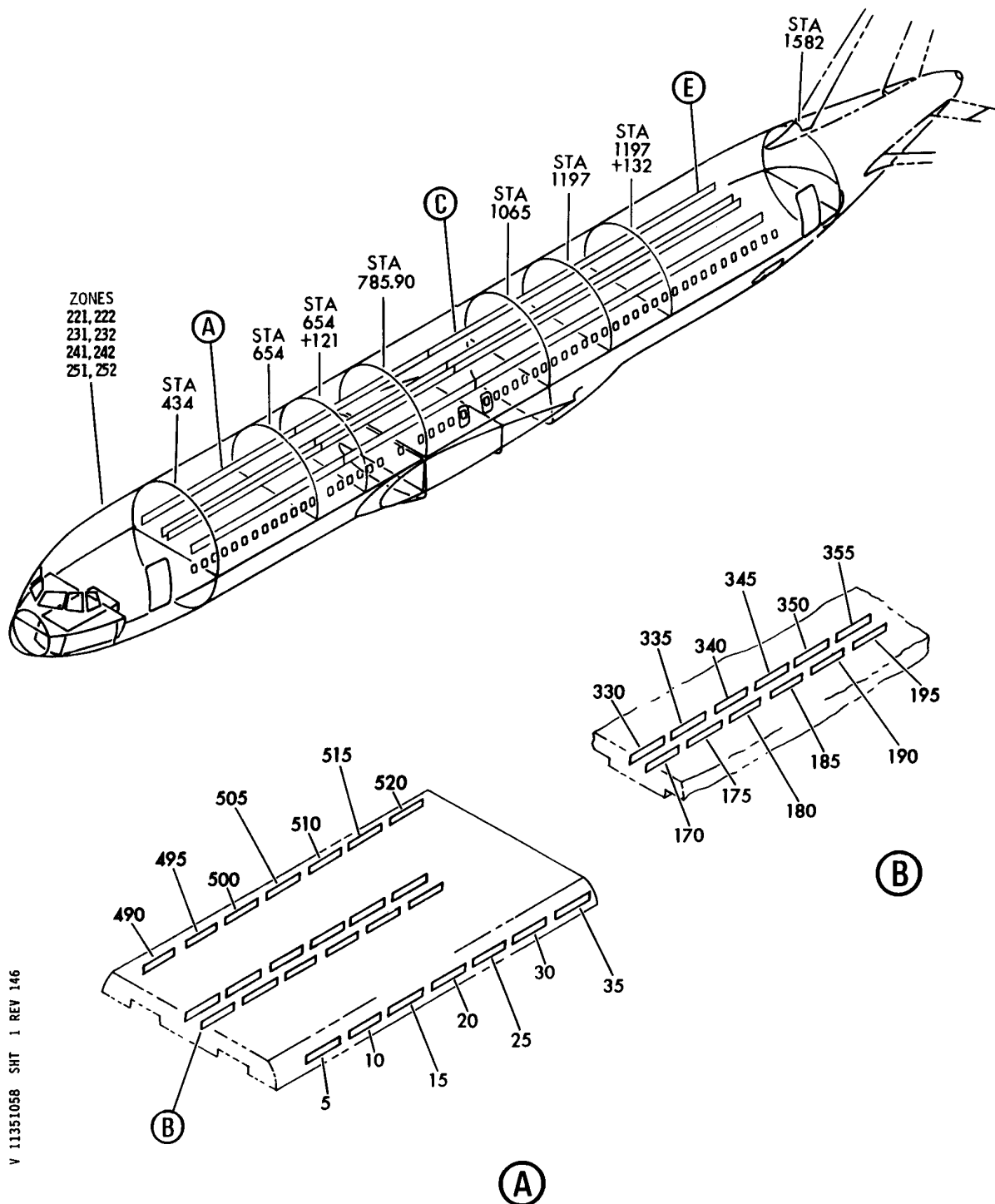
HXL

11-35-10-08B

BOEING PROPRIETARY - Copyright © - Unpublished Work - See title page for details.

11-35-10  
FIG. 08B  
PAGE 15  
DEC 22/07

**BOEING**  
767  
PARTS CATALOG (MAINTENANCE)



V 11351058 SHT 1 REV 146

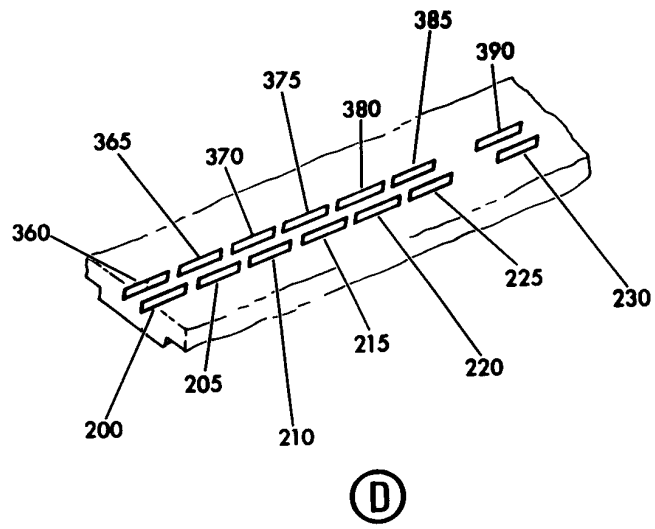
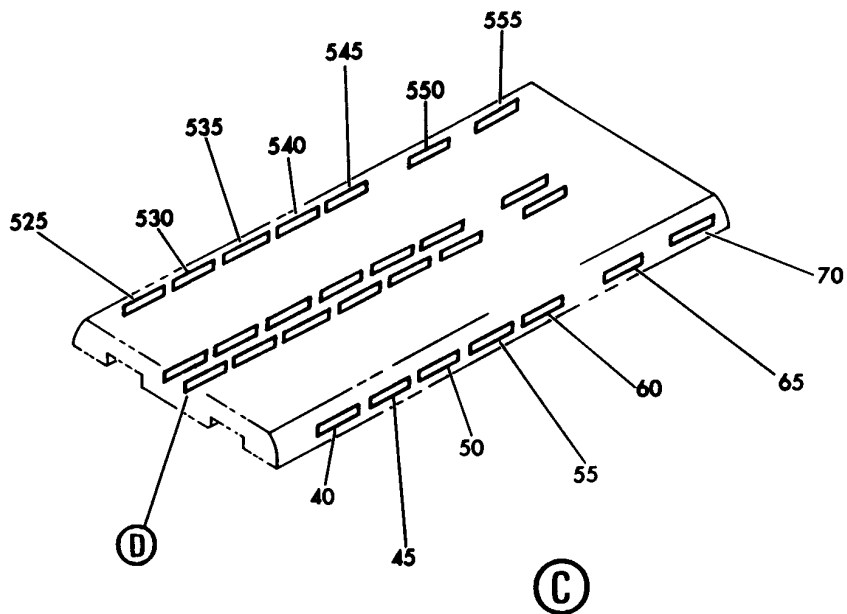
PLACARD INSTL-SAS SEAT ROW MARKERS  
FIGURE 58 (SHEET 1)

**11-35-10-58**

HXL  
DEC 22/06

11-35-10-58  
PAGE 0

**BOEING**  
767  
PARTS CATALOG (MAINTENANCE)



V 11351058 SHT 2 REV 134

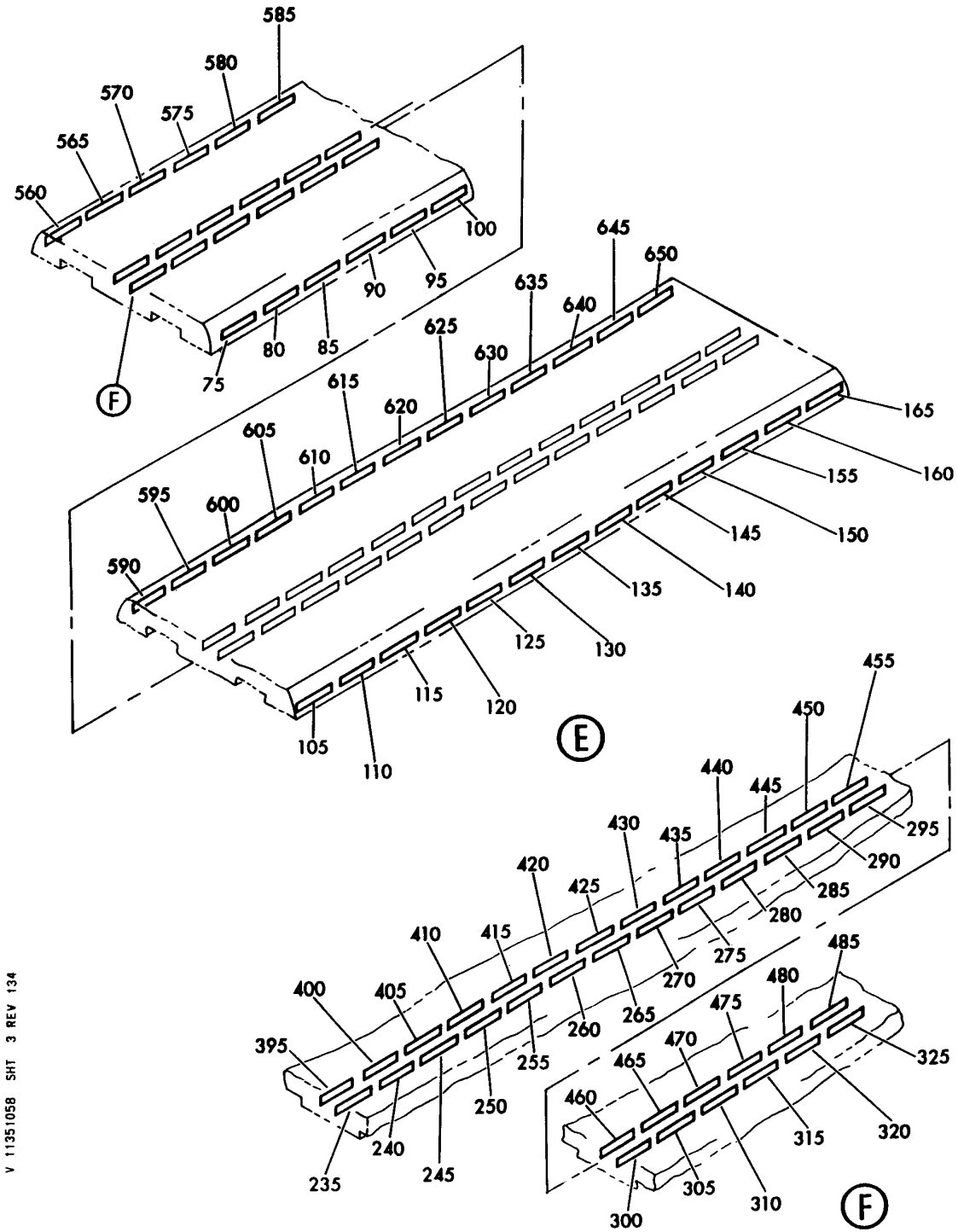
PLACARD INSTL-SAS SEAT ROW MARKERS  
FIGURE 58 (SHEET 2)

**11-35-10-58**

HXL  
DEC 22/06

11-35-10-58  
PAGE 0A


**BOEING**  
 767  
**PARTS CATALOG (MAINTENANCE)**



V 11351058 SHT 3 REV 134

PLACARD INSTL-SAS SEAT ROW MARKERS  
 FIGURE 58 (SHEET 3)

**11-35-10-58**

HXL  
DEC 22/06

11-35-10-58  
 PAGE 0B

 **BOEING**  
767  
**PARTS CATALOG (MAINTENANCE)**

FIG ITEM	PART NUMBER	1 2 3 4 5 6 7	NOMENCLATURE	EFFECT FROM TO	UNITS PER ASSY
58			PLACARD INSTL-SAS SEAT ROW MARKERS	155162	
- 1	414T5053-8		PLACARD INSTL-SAS SEAT ROW MARKERS	155162	RF
			FOR NHA SEE: 25-20-00-14A		
	5 BAC29PPS2780		.PLACARD- PLACARD CONTENT: 1 A WINDOW B AISLE	155162	1
	10 BAC29PPS2781		.PLACARD- PLACARD CONTENT: 2 A WINDOW B AISLE	155162	1
	15 BAC29PPS2782		.PLACARD- PLACARD CONTENT: 3 A WINDOW B AISLE	155162	1
	20 BAC29PPS6368		.PLACARD- PLACARD CONTENT: 4 A WINDOW B AISLE	155162	1
	25 BAC29PPS6369		.PLACARD- PLACARD CONTENT: 5 A WINDOW B AISLE	155162	1
	30 BAC29PPS2783		.PLACARD- PLACARD CONTENT: 6 A WINDOW B AISLE	155162	1
	35 BAC29PPS2784		.PLACARD- PLACARD CONTENT: 7 A WINDOW B AISLE	155162	1
	40 BAC29PPS2788		.PLACARD- PLACARD CONTENT: 11 A WINDOW B AISLE	155162	1
	45 BAC29PPS2789		.PLACARD- PLACARD CONTENT: 12 A WINDOW B AISLE	155162	1
	50 BAC29PPS2790		.PLACARD- PLACARD CONTENT: 14 A WINDOW B AISLE	155162	1
	55 BAC29PPS2791		.PLACARD- PLACARD CONTENT: 15 A WINDOW B AISLE	155162	1
	60 BAC29PPS2792		.PLACARD- PLACARD CONTENT: 16 A WINDOW B AISLE	155162	1
	65 BAC29PPS2793		.PLACARD- PLACARD CONTENT: 17 A WINDOW B AISLE	155162	1
	70 BAC29PPS2794		.PLACARD- PLACARD CONTENT: 18 A WINDOW B AISLE	155162	1
ILLUSTRATION ITEMS NOT ON PARTS LIST ARE NOT APPLICABLE					

- ITEM NOT ILLUSTRATED

HXL

# 11-35-10-58

BOEING PROPRIETARY - Copyright © - Unpublished Work - See title page for details.

11-35-10  
FIG. 58  
PAGE 1  
AUG 22/08

 **BOEING**  
767  
**PARTS CATALOG (MAINTENANCE)**

FIG ITEM	PART NUMBER	1 2 3 4 5 6 7	NOMENCLATURE	EFFECT FROM TO	UNITS PER ASSY
58					
75	BAC29PPS2797	.PLACARD-	PLACARD CONTENT: 21 A WINDOW B AISLE	155162	1
80	BAC29PPS2798	.PLACARD-	PLACARD CONTENT: 22 A WINDOW B AISLE	155162	1
85	BAC29PPS2799	.PLACARD-	PLACARD CONTENT: 23 A WINDOW B AISLE	155162	1
90	BAC29PPS2800	.PLACARD-	PLACARD CONTENT: 24 A WINDOW B AISLE	155162	1
95	BAC29PPS2801	.PLACARD-	PLACARD CONTENT: 25 A WINDOW B AISLE	155162	1
100	BAC29PPS2802	.PLACARD-	PLACARD CONTENT: 26 A WINDOW B AISLE	155162	1
105	BAC29PPS2803	.PLACARD-	PLACARD CONTENT: 27 A WINDOW B AISLE	155162	1
110	BAC29PPS2804	.PLACARD-	PLACARD CONTENT: 28 A WINDOW B AISLE	155162	1
115	BAC29PPS2805	.PLACARD-	PLACARD CONTENT: 29 A WINDOW B AISLE	155162	1
120	BAC29PPS2806	.PLACARD-	PLACARD CONTENT: 30 A WINDOW B AISLE	155162	1
125	BAC29PPS2807	.PLACARD-	PLACARD CONTENT: 31 A WINDOW B AISLE	155162	1
130	BAC29PPS2808	.PLACARD-	PLACARD CONTENT: 32 A WINDOW B AISLE	155162	1
135	BAC29PPS2809	.PLACARD-	PLACARD CONTENT: 33 A WINDOW B AISLE	155162	1
140	BAC29PPS2810	.PLACARD-	PLACARD CONTENT: 34 A WINDOW B AISLE	155162	1
145	BAC29PPS11420	.PLACARD-	PLACARD CONTENT: 35 A WINDOW B AISLE	155162	1
150	BAC29PPS14422	.PLACARD-	PLACARD CONTENT: 36 A WINDOW B AISLE	155162	1

ILLUSTRATION ITEMS NOT ON PARTS LIST ARE NOT APPLICABLE

— ITEM NOT ILLUSTRATED

HXL

# 11-35-10-58

11-35-10  
FIG. 58  
PAGE 2  
AUG 22/08

 **BOEING**  
767  
**PARTS CATALOG (MAINTENANCE)**

FIG ITEM	PART NUMBER	1 2 3 4 5 6 7	NOMENCLATURE	EFFECT FROM TO	UNITS PER ASSY
58					
155	BAC29PPS14423	.	PLACARD- PLACARD CONTENT: 37 A WINDOW B AISLE	155162	1
160	BAC29PPS14424	.	PLACARD- PLACARD CONTENT: 38 A WINDOW B AISLE	155162	1
165	BAC29PPS14425	.	PLACARD- PLACARD CONTENT: 39 A WINDOW B AISLE	155162	1
170	BAC29PPS11421	.	PLACARD- PLACARD CONTENT: 1 E AISLE	155162	1
175	BAC29PPS11422	.	PLACARD- PLACARD CONTENT: 2 E AISLE	155162	1
180	BAC29PPS11423	.	PLACARD- PLACARD CONTENT: 3 E AISLE	155162	1
185	BAC29PPS11424	.	PLACARD- PLACARD CONTENT: 4 E AISLE	155162	1
190	BAC29PPS11425	.	PLACARD- PLACARD CONTENT: 5 E AISLE	155162	1
195	BAC29PPS11426	.	PLACARD- PLACARD CONTENT: 6 E AISLE	155162	1
200	BAC29PPS15886	.	PLACARD- PLACARD CONTENT: 11 E CENTER F AISLE	155162	1
205	BAC29PPS15887	.	PLACARD- PLACARD CONTENT: 12 E CENTER F AISLE	155162	1
210	BAC29PPS15888	.	PLACARD- PLACARD CONTENT: 14 E CENTER F AISLE	155162	1
215	BAC29PPS15889	.	PLACARD- PLACARD CONTENT: 15 E CENTER F AISLE	155162	1
220	BAC29PPS15890	.	PLACARD- PLACARD CONTENT: 16 E CENTER F AISLE	155162	1
225	BAC29PPS11445	.	PLACARD- PLACARD CONTENT: 17 E CENTER F AISLE	155162	1
230	BAC29PPS11446	.	PLACARD- PLACARD CONTENT: 18 E CENTER F AISLE	155162	1

ILLUSTRATION ITEMS NOT ON PARTS LIST ARE NOT APPLICABLE

— ITEM NOT ILLUSTRATED

HXL

# 11-35-10-58

11-35-10  
FIG. 58  
PAGE 3  
AUG 22/08



 **BOEING**  
767  
**PARTS CATALOG (MAINTENANCE)**

FIG ITEM	PART NUMBER	1 2 3 4 5 6 7	NOMENCLATURE	EFFECT FROM TO	UNITS PER ASSY
58					
235	BAC29PPS11449	.	PLACARD- PLACARD CONTENT: 21 E CENTER F AISLE	155162	1
240	BAC29PPS11469	.	PLACARD- PLACARD CONTENT: 22 D AISLE E CENTER	155162	1
245	BAC29PPS11451	.	PLACARD- PLACARD CONTENT: 23 E CENTER F AISLE	155162	1
250	BAC29PPS11452	.	PLACARD- PLACARD CONTENT: 24 E CENTER F AISLE	155162	1
255	BAC29PPS11453	.	PLACARD- PLACARD CONTENT: 25 E CENTER F AISLE	155162	1
260	BAC29PPS11454	.	PLACARD- PLACARD CONTENT: 26 E CENTER F AISLE	155162	1
265	BAC29PPS11455	.	PLACARD- PLACARD CONTENT: 27 E CENTER F AISLE	155162	1
270	BAC29PPS11456	.	PLACARD- PLACARD CONTENT: 28 E CENTER F AISLE	155162	1
275	BAC29PPS11457	.	PLACARD- PLACARD CONTENT: 29 E CENTER F AISLE	155162	1
280	BAC29PPS11458	.	PLACARD- PLACARD CONTENT: 30 E CENTER F AISLE	155162	1
285	BAC29PPS11459	.	PLACARD- PLACARD CONTENT: 31 E CENTER F AISLE	155162	1
290	BAC29PPS11460	.	PLACARD- PLACARD CONTENT: 32 E CENTER F AISLE	155162	1
295	BAC29PPS11461	.	PLACARD- PLACARD CONTENT: 33 E CENTER F AISLE	155162	1
300	BAC29PPS11462	.	PLACARD- PLACARD CONTENT: 34 E CENTER F AISLE	155162	1
305	BAC29PPS11463	.	PLACARD- PLACARD CONTENT: 35 E CENTER F AISLE	155162	1
310	BAC29PPS14430	.	PLACARD- PLACARD CONTENT: 36 E CENTER F AISLE	155162	1
ILLUSTRATION ITEMS NOT ON PARTS LIST ARE NOT APPLICABLE					

- ITEM NOT ILLUSTRATED

HXL

# 11-35-10-58

11-35-10  
FIG. 58  
PAGE 4  
AUG 22/08



767

PARTS CATALOG (MAINTENANCE)

FIG ITEM	PART NUMBER	1 2 3 4 5 6 7	NOMENCLATURE	EFFECT FROM TO	UNITS PER ASSY
58					
315	BAC29PPS15946	.	PLACARD- PLACARD CONTENT: 37 E CENTER F AISLE	155162	1
320	BAC29PPS15947	.	PLACARD- PLACARD CONTENT: 38 E CENTER F AISLE	155162	1
325	BAC29PPS15948	.	PLACARD- PLACARD CONTENT: 39 E CENTER F AISLE	155162	1
330	BAC29PPS11433	.	PLACARD- PLACARD CONTENT: 1 D AISLE	155162	1
335	BAC29PPS11434	.	PLACARD- PLACARD CONTENT: 2 D AISLE	155162	1
340	BAC29PPS11435	.	PLACARD- PLACARD CONTENT: 3 D AISLE	155162	1
345	BAC29PPS11436	.	PLACARD- PLACARD CONTENT: 4 D AISLE	155162	1
350	BAC29PPS11437	.	PLACARD- PLACARD CONTENT: 5 D AISLE	155162	1
355	BAC29PPS11438	.	PLACARD- PLACARD CONTENT: 6 D AISLE	155162	1
360	BAC29PPS15891	.	PLACARD- PLACARD CONTENT: 11 D AISLE E CENTER	155162	1
365	BAC29PPS15892	.	PLACARD- PLACARD CONTENT: 12 D AISLE E CENTER	155162	1
370	BAC29PPS15893	.	PLACARD- PLACARD CONTENT: 14 D AISLE E CENTER	155162	1
375	BAC29PPS15894	.	PLACARD- PLACARD CONTENT: 15 D AISLE E CENTER	155162	1
380	BAC29PPS15895	.	PLACARD- PLACARD CONTENT: 16 D AISLE E CENTER	155162	1
385	BAC29PPS11464	.	PLACARD- PLACARD CONTENT: 17 D AISLE E CENTER	155162	1
390	BAC29PPS11465	.	PLACARD- PLACARD CONTENT: 18 D AISLE E CENTER	155162	1

ILLUSTRATION ITEMS NOT ON PARTS LIST ARE NOT APPLICABLE

- ITEM NOT ILLUSTRATED

11-35-10-58

11-35-10  
FIG. 58  
PAGE 5  
AUG 22/08

HXL

 **BOEING**  
767  
**PARTS CATALOG (MAINTENANCE)**

FIG ITEM	PART NUMBER	1 2 3 4 5 6 7	NOMENCLATURE	EFFECT FROM TO	UNITS PER ASSY
58					
395	BAC29PPS11468	.PLACARD-	PLACARD CONTENT: 21 D AISLE E CENTER	155162	1
400	BAC29PPS11450	.PLACARD-	PLACARD CONTENT: 22 E CENTER F AISLE	155162	1
405	BAC29PPS11470	.PLACARD-	23 D AISLE E CENTER	155162	1
410	BAC29PPS11471	.PLACARD-	PLACARD CONTENT: 24 D AISLE E CENTER	155162	1
415	BAC29PPS11472	.PLACARD-	PLACARD CONTENT: 25 D AISLE E CENTER	155162	1
420	BAC29PPS11473	.PLACARD-	PLACARD CONTENT: 26 D AISLE E CENTER	155162	1
425	BAC29PPS11474	.PLACARD-	PLACARD CONTENT: 27 D AISLE E CENTER	155162	1
430	BAC29PPS11475	.PLACARD-	PLACARD CONTENT: 28 D AISLE E CENTER	155162	1
435	BAC29PPS11476	.PLACARD-	PLACARD CONTENT: 29 D AISLE E CENTER	155162	1
440	BAC29PPS11477	.PLACARD-	PLACARD CONTENT: 30 D AISLE E CENTER	155162	1
445	BAC29PPS11478	.PLACARD-	PLACARD CONTENT: 31 D AISLE E CENTER	155162	1
450	BAC29PPS11479	.PLACARD-	PLACARD CONTENT: 32 D AISLE E CENTER	155162	1
455	BAC29PPS11480	.PLACARD-	PLACARD CONTENT: 33 D AISLE E CENTER	155162	1
460	BAC29PPS11481	.PLACARD-	PLACARD CONTENT: 34 D AISLE E CENTER	155162	1
465	BAC29PPS11482	.PLACARD-	PLACARD CONTENT: 35 D AISLE E CENTER	155162	1
470	BAC29PPS14429	.PLACARD-	PLACARD CONTENT: 36 D AISLE E CENTER	155162	1

ILLUSTRATION ITEMS NOT ON PARTS LIST ARE NOT APPLICABLE

— ITEM NOT ILLUSTRATED

HXL

# 11-35-10-58

11-35-10  
FIG. 58  
PAGE 6  
AUG 22/08

 **BOEING**  
767  
**PARTS CATALOG (MAINTENANCE)**

FIG ITEM	PART NUMBER	1 2 3 4 5 6 7	NOMENCLATURE	EFFECT FROM TO	UNITS PER ASSY
58					
475	BAC29PPS15942		.PLACARD- PLACARD CONTENT: 37 D AISLE E CENTER	155162	1
480	BAC29PPS15943		.PLACARD- PLACARD CONTENT: 38 D AISLE E CENTER	155162	1
485	BAC29PPS15944		.PLACARD- PLACARD CONTENT: 39 D AISLE E CENTER	155162	1
490	BAC29PPS11483		.PLACARD- PLACARD CONTENT: 1 G AISLE H WINDOW	155162	1
495	BAC29PPS11484		.PLACARD- PLACARD CONTENT: 2 G AISLE H WINDOW	155162	1
500	BAC29PPS11485		.PLACARD- PLACARD CONTENT: 3 G AISLE H WINDOW	155162	1
505	BAC29PPS11486		.PLACARD- PLACARD CONTENT: 4 G AISLE H WINDOW	155162	1
510	BAC29PPS11487		.PLACARD- PLACARD CONTENT: 5 G AISLE H WINDOW	155162	1
515	BAC29PPS11488		.PLACARD- PLACARD CONTENT: 6 G AISLE H WINDOW	155162	1
520	BAC29PPS11489		.PLACARD- PLACARD CONTENT: 7 G AISLE H WINDOW	155162	1
525	BAC29PPS11491		.PLACARD- PLACARD CONTENT: 11 G AISLE H WINDOW	155162	1
530	BAC29PPS11492		.PLACARD- PLACARD CONTENT: 12 G AISLE H WINDOW	155162	1
535	BAC29PPS11493		.PLACARD- PLACARD CONTENT: 14 G AISLE H WINDOW	155162	1
540	BAC29PPS11494		.PLACARD- PLACARD CONTENT: 15 G AISLE H WINDOW	155162	1
545	BAC29PPS11495		.PLACARD- PLACARD CONTENT: 16 G AISLE H WINDOW	155162	1
550	BAC29PPS11496		.PLACARD- PLACARD CONTENT: 17 G AISLE H WINDOW	155162	1
ILLUSTRATION ITEMS NOT ON PARTS LIST ARE NOT APPLICABLE					

- ITEM NOT ILLUSTRATED

HXL

# 11-35-10-58

11-35-10  
FIG. 58  
PAGE 7  
AUG 22/08



767

PARTS CATALOG (MAINTENANCE)

FIG ITEM	PART NUMBER	1 2 3 4 5 6 7	NOMENCLATURE	EFFECT FROM TO	UNITS PER ASSY
58					
555	BAC29PPS11497	.	PLACARD- PLACARD CONTENT: 18 G AISLE H WINDOW	155162	1
560	BAC29PPS11500	.	PLACARD- PLACARD CONTENT: 21 G AISLE H WINDOW	155162	1
565	BAC29PPS11501	.	PLACARD- PLACARD CONTENT: 22 G AISLE H WINDOW	155162	1
570	BAC29PPS11502	.	PLACARD- PLACARD CONTENT: 23 G AISLE H WINDOW	155162	1
575	BAC29PPS11503	.	PLACARD- PLACARD CONTENT: 24 G AISLE H WINDOW	155162	1
580	BAC29PPS11504	.	PLACARD- PLACARD CONTENT: 25 G AISLE H WINDOW	155162	1
585	BAC29PPS11505	.	PLACARD- PLACARD CONTENT: 26 G AISLE H WINDOW	155162	1
590	BAC29PPS11506	.	PLACARD- PLACARD CONTENT: 27 G AISLE H WINDOW	155162	1
595	BAC29PPS11507	.	PLACARD- PLACARD CONTENT: 28 G AISLE H WINDOW	155162	1
600	BAC29PPS11508	.	PLACARD- PLACARD CONTENT: 29 G AISLE H WINDOW	155162	1
605	BAC29PPS11509	.	PLACARD- PLACARD CONTENT: 30 G ATSLE H WINDOW	155162	1
610	BAC29PPS11510	.	PLACARD- PLACARD CONTENT: 31 G AISLE H WINDOW	155162	1
615	BAC29PPS11511	.	PLACARD- PLACARD CONTENT: 32 G AISLE H WINDOW	155162	1
620	BAC29PPS11512	.	PLACARD- PLACARD CONTENT: 33 G AISLE H WINDOW	155162	1
625	BAC29PPS11513	.	PLACARD- PLACARD CONTENT: 34 G AISLE H WINDOW	155162	1
630	BAC29PPS11514	.	PLACARD- PLACARD CONTENT: 35 G AISLE H WINDOW	155162	1

ILLUSTRATION ITEMS NOT ON PARTS LIST ARE NOT APPLICABLE

- ITEM NOT ILLUSTRATED

11-35-10-58

11-35-10  
FIG. 58  
PAGE 8  
AUG 22/08

HXL



767

PARTS CATALOG (MAINTENANCE)

FIG ITEM	PART NUMBER	1 2 3 4 5 6 7	NOMENCLATURE	EFFECT FROM TO	UNITS PER ASSY
58					
635	BAC29PPS14417		.PLACARD- PLACARD CONTENT: 36 G AISLE H WINDOW	155162	1
640	BAC29PPS14418		.PLACARD- PLACARD CONTENT: 37 G AISLE H WINDOW	155162	1
645	BAC29PPS14419		.PLACARD- PLACARD CONTENT: 38 G AISLE H WINDOW	155162	1
650	BAC29PPS14420		.PLACARD- PLACARD CONTENT: 39 G AISLE H WINDOW	155162	1

ILLUSTRATION ITEMS NOT ON PARTS LIST ARE NOT APPLICABLE

- ITEM NOT ILLUSTRATED

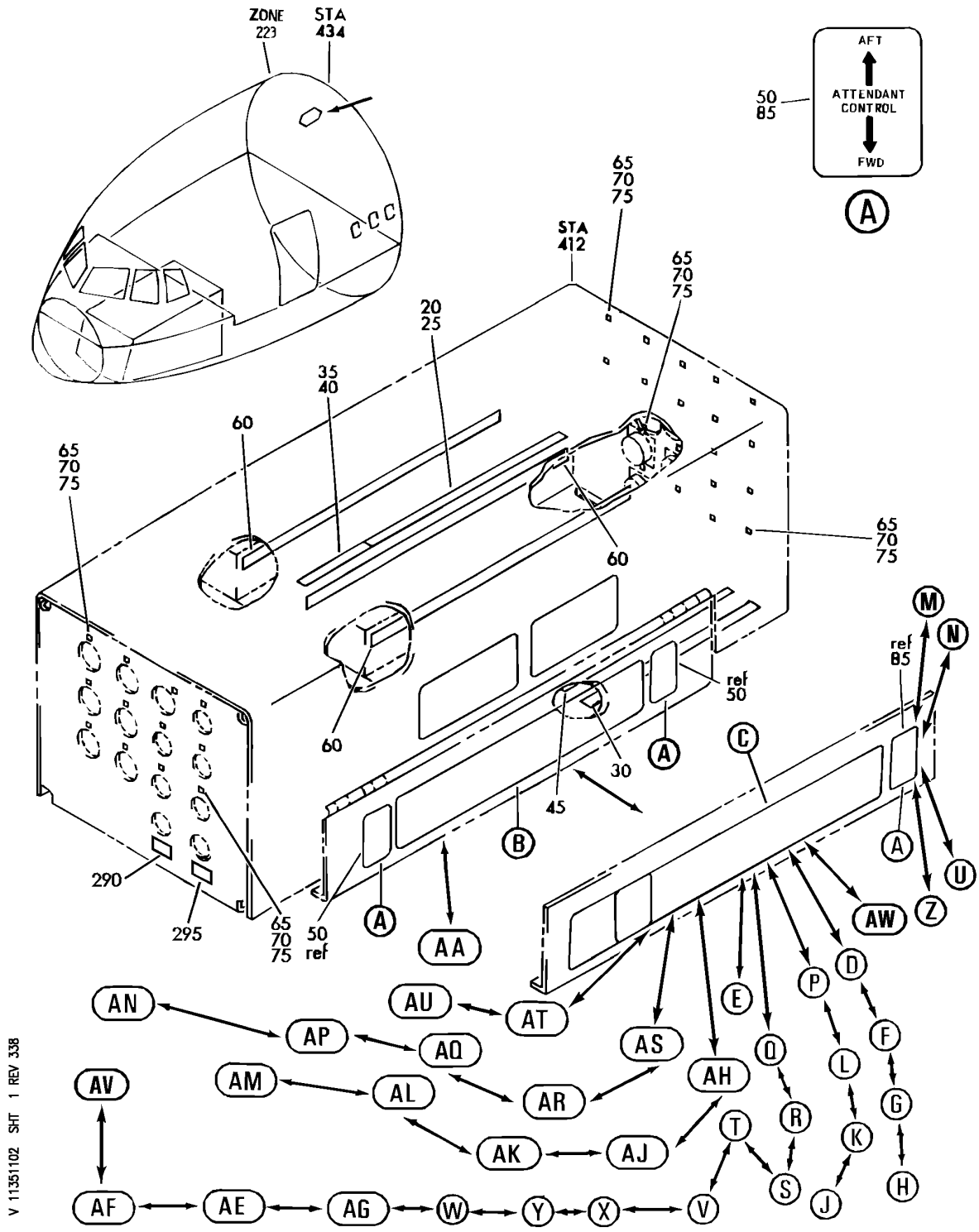
HXL

11-35-10-58

BOEING PROPRIETARY - Copyright © - Unpublished Work - See title page for details.

11-35-10  
FIG. 58  
PAGE 9  
AUG 22/08

**BOEING**  
767  
PARTS CATALOG (MAINTENANCE)



V 11351102 SHT 1 REV 338

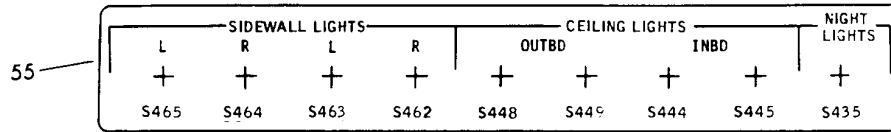
PANEL ASSY-FWD LIGHTING DISTR (P19) (PLACARDS AND MARKINGS ONLY)  
FIGURE 2 (SHEET 1)

**11-35-11-02**

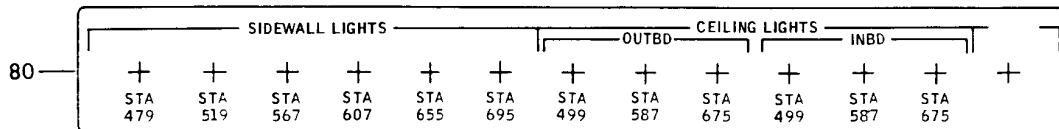
HXL  
APR 22/09

11-35-11-02  
PAGE 0

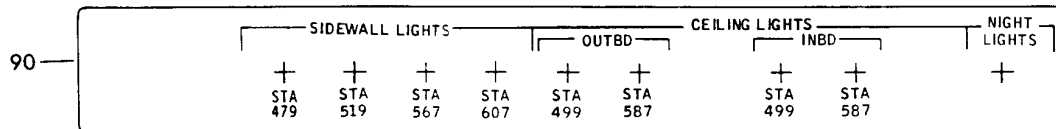

**BOEING**  
 767  
**PARTS CATALOG (MAINTENANCE)**



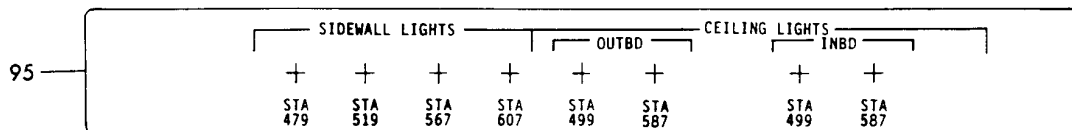
(B)



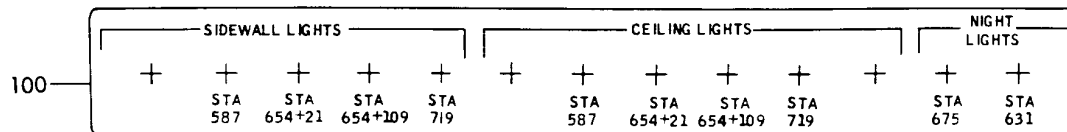
(C)



(D)



(E)



(F)

V 11351102 SHT 2 REV 189

PANEL ASSY-FWD LIGHTING DISTR (P19) (PLACARDS AND MARKINGS ONLY)  
 FIGURE 2 (SHEET 2)

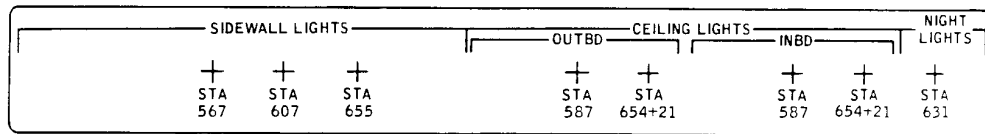
**11-35-11-02**

HXL  
DEC 22/06

11-35-11-02  
PAGE 0A

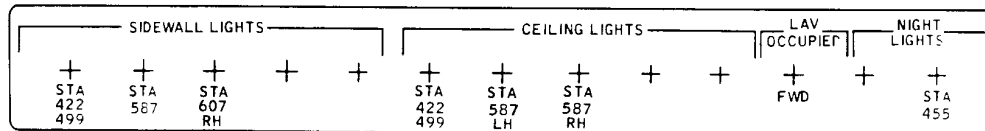



  
**767**
  
**PARTS CATALOG (MAINTENANCE)**



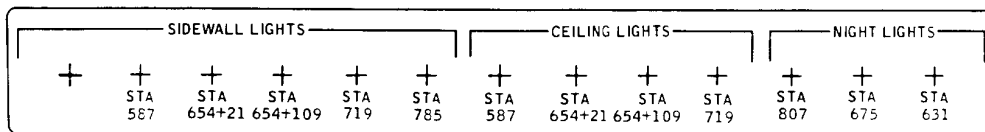
105

ⓐ



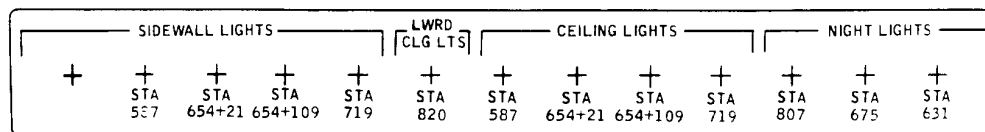
110

ⓑ



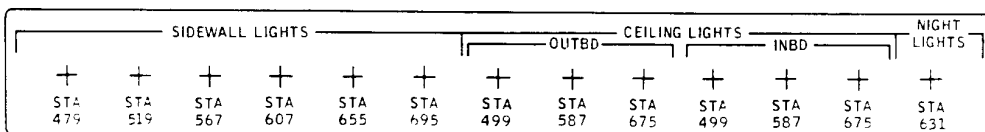
115

ⓒ



120

ⓓ



125

ⓔ

V 11351102 SHT 3 REV 189

PANEL ASSY-FWD LIGHTING DISTR (P19) (PLACARDS AND MARKINGS ONLY)  
 FIGURE 2 (SHEET 3)

# 11-35-11-02

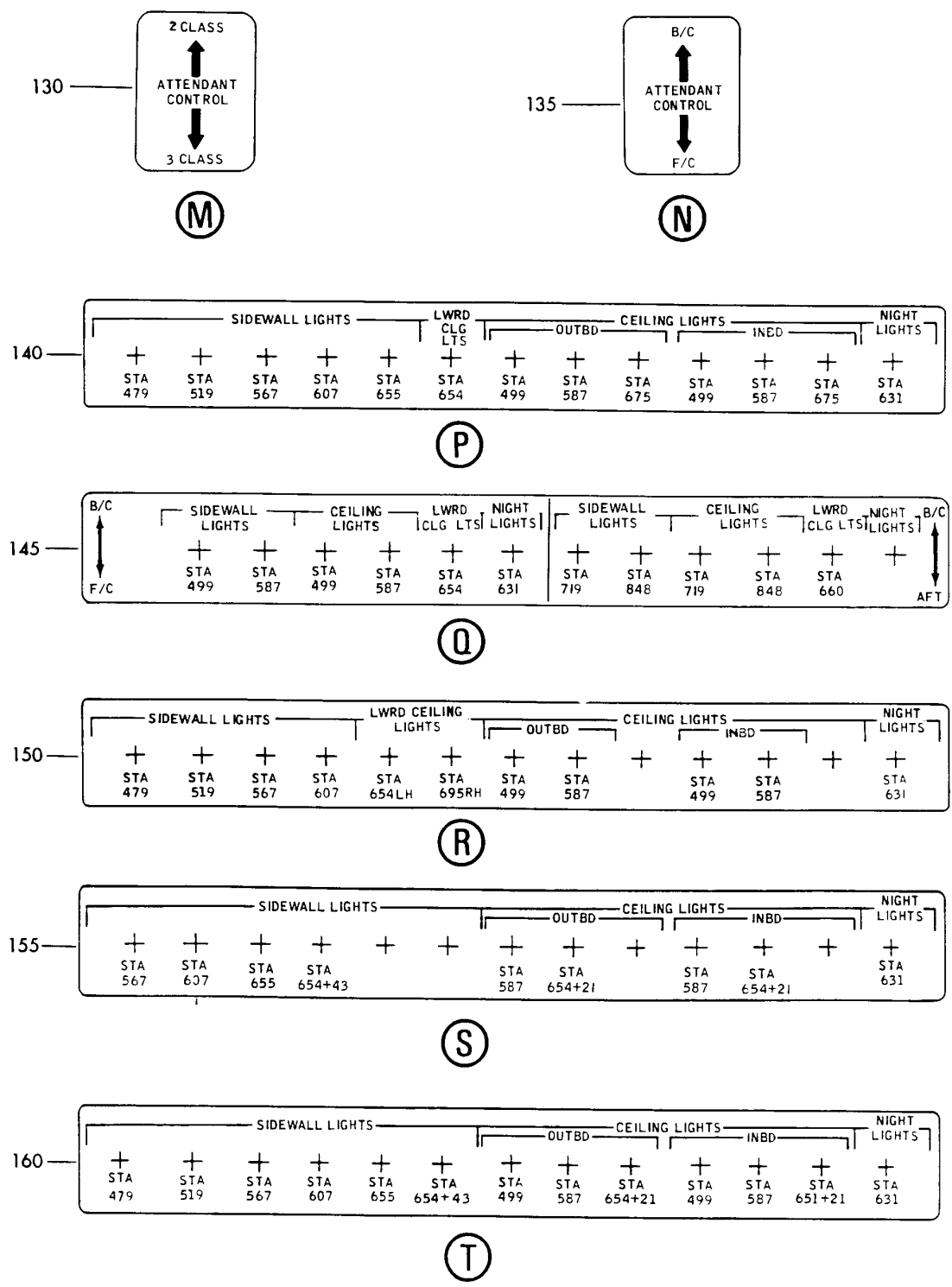
HXL  
DEC 22/06

11-35-11-02  
PAGE 0B

# BOEING

## 767

### PARTS CATALOG (MAINTENANCE)



V 11351102 SHT 4 REV 189

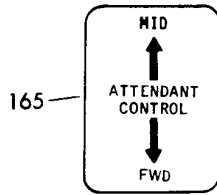
PANEL ASSY-FWD LIGHTING DISTR (P19) (PLACARDS AND MARKINGS ONLY)  
FIGURE 2 (SHEET 4)

# 11-35-11-02

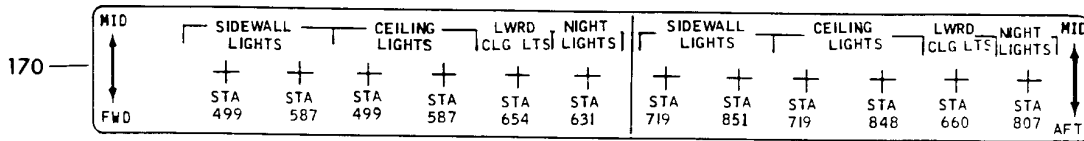
HXL  
DEC 22/06

11-35-11-02  
PAGE 0C

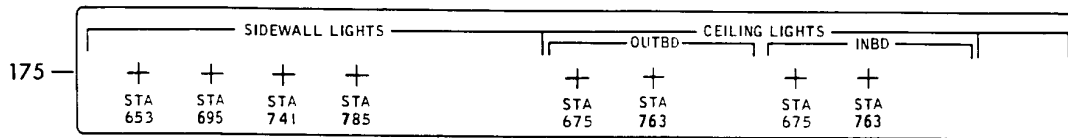
**BOEING**  
767  
PARTS CATALOG (MAINTENANCE)



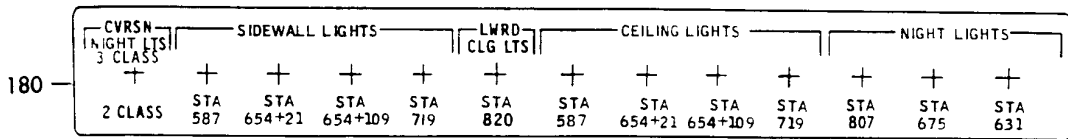
U



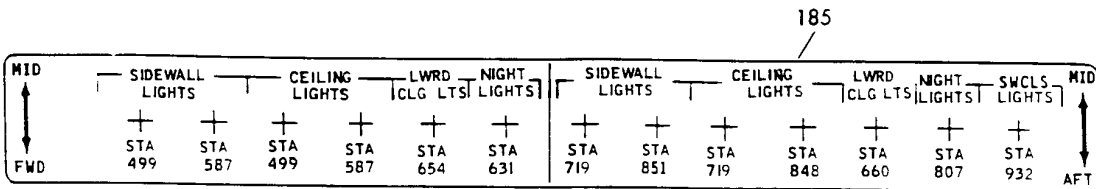
V



W



X



Y

V 11351102 SHT 5 REV 189

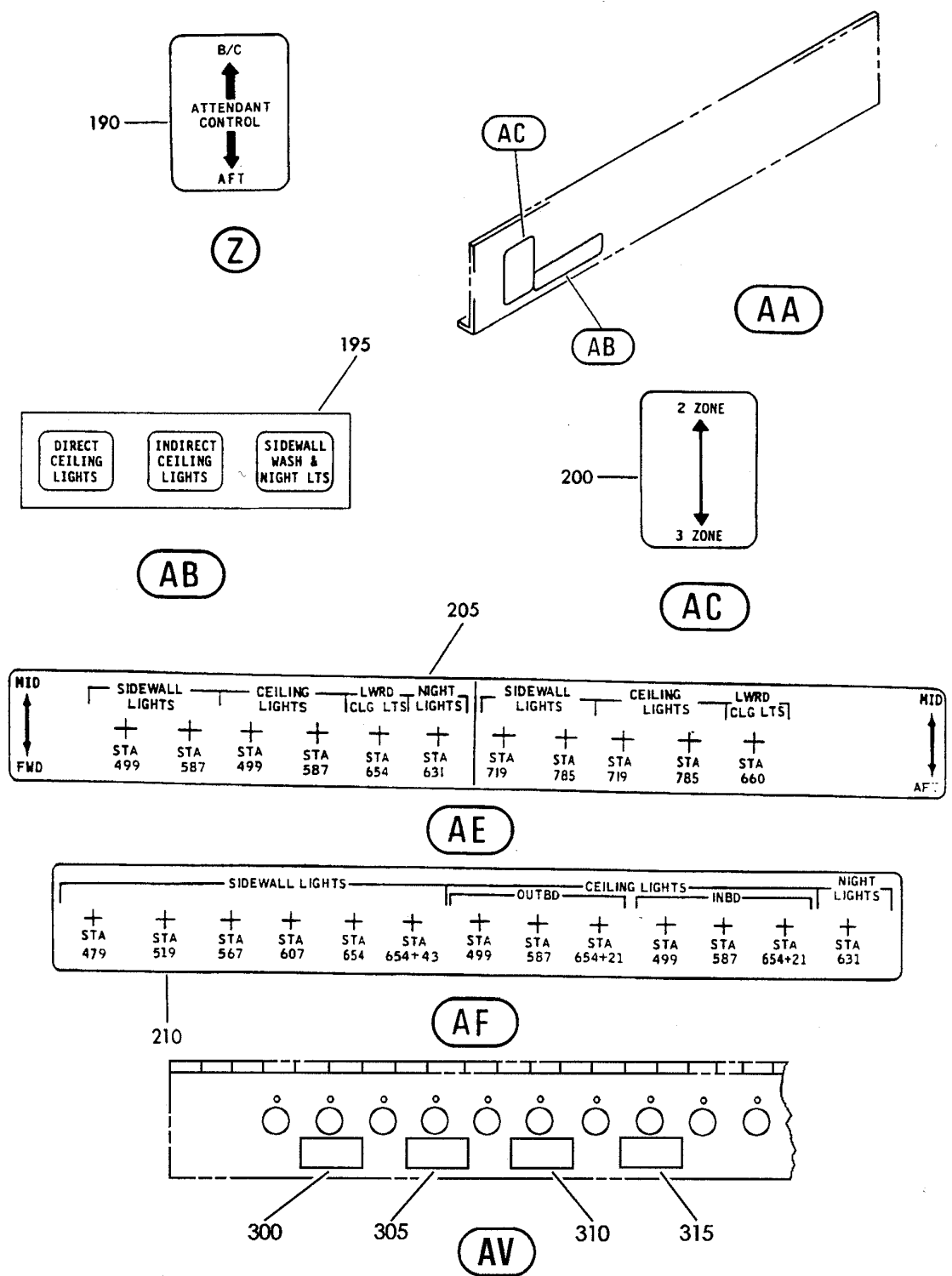
PANEL ASSY-FWD LIGHTING DISTR (P19) (PLACARDS AND MARKINGS ONLY)  
FIGURE 2 (SHEET 5)

**11-35-11-02**

HXL  
DEC 22/06

11-35-11-02  
PAGE 0D

**BOEING**  
767  
PARTS CATALOG (MAINTENANCE)



V 11351102 SHT 6 REV 338

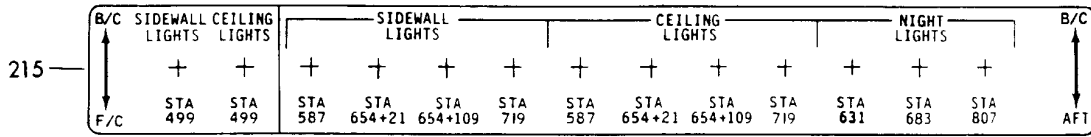
PANEL ASSY-FWD LIGHTING DISTR (P19) (PLACARDS AND MARKINGS ONLY)  
FIGURE 2 (SHEET 6)

**11-35-11-02**

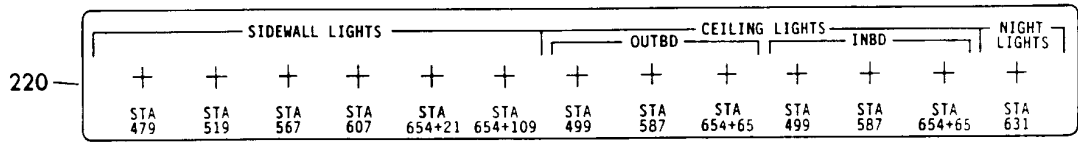
HXL  
APR 22/09

11-35-11-02  
PAGE 0E

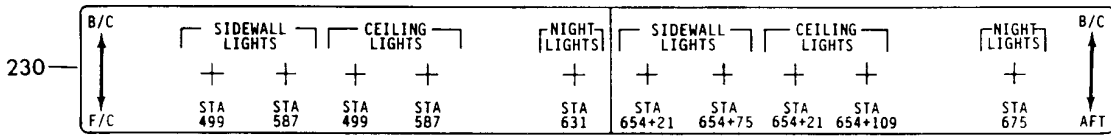
**BOEING**  
767  
PARTS CATALOG (MAINTENANCE)



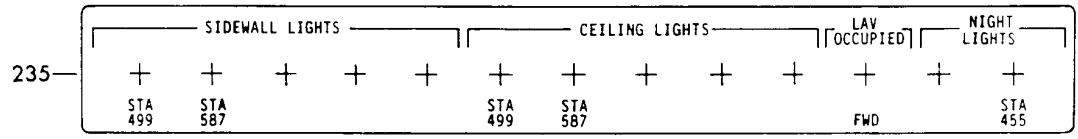
AG



AH

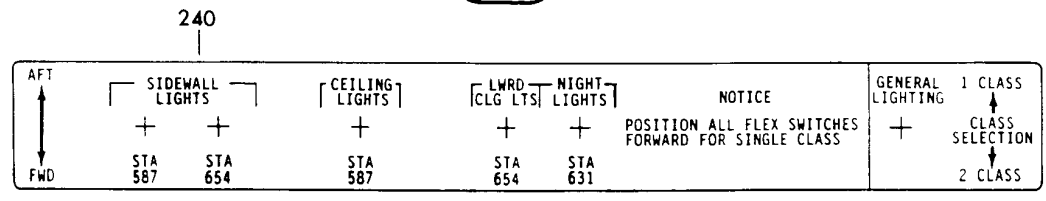


AJ



AK

V 11351102 SHT 7 REV 189



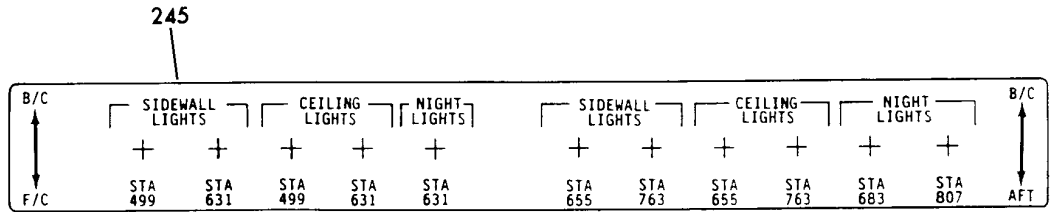
AL

PANEL ASSY-FWD LIGHTING DISTR (P19) (PLACARDS AND MARKINGS ONLY)  
FIGURE 2 (SHEET 7)

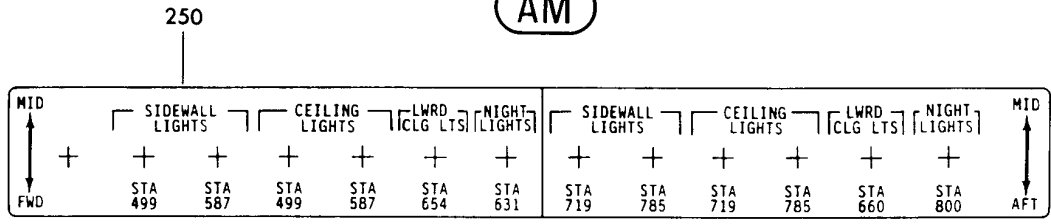
# BOEING

## 767

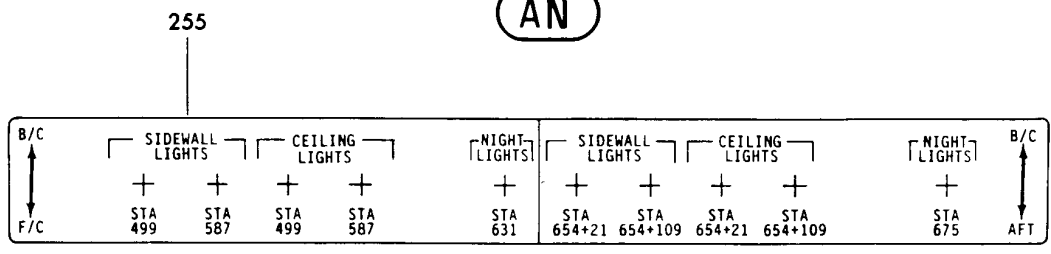
### PARTS CATALOG (MAINTENANCE)



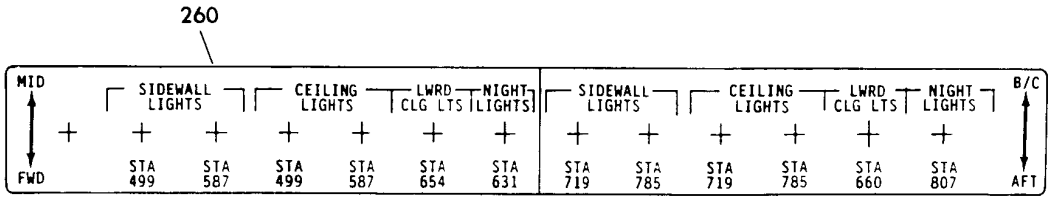
AM



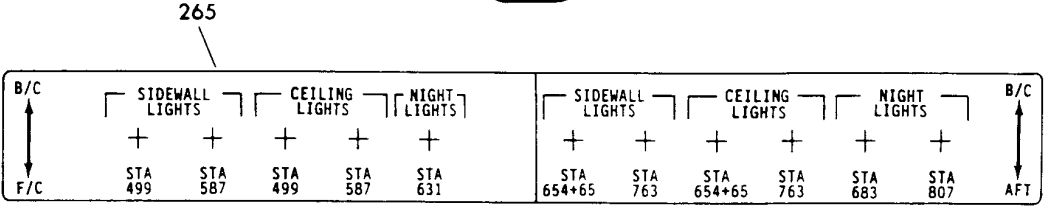
AN



AP



AQ



AR

V 11351102 SHT 8 REV 189

PANEL ASSY-FWD LIGHTING DISTR (P19) (PLACARDS AND MARKINGS ONLY)  
FIGURE 2 (SHEET 8)

# 11-35-11-02

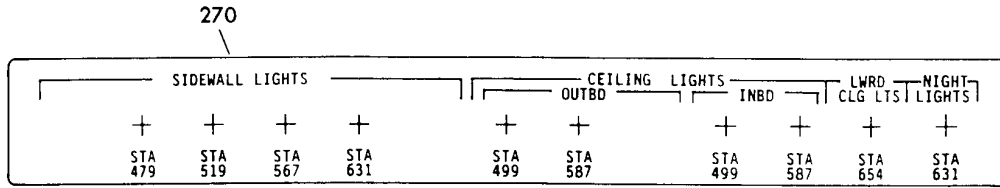
HXL  
DEC 22/06

11-35-11-02  
PAGE 06

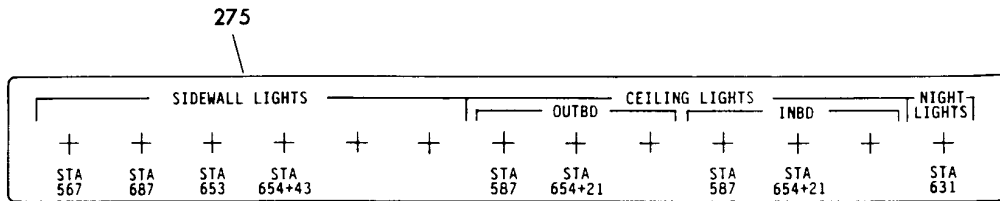
# BOEING

## 767

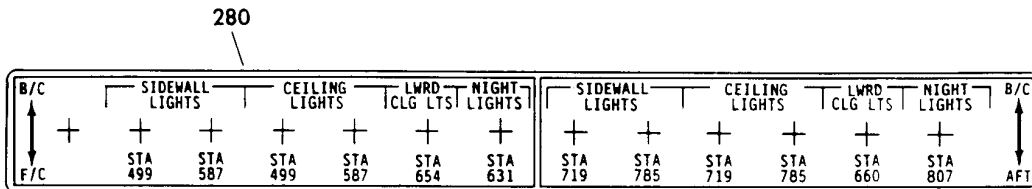
### PARTS CATALOG (MAINTENANCE)



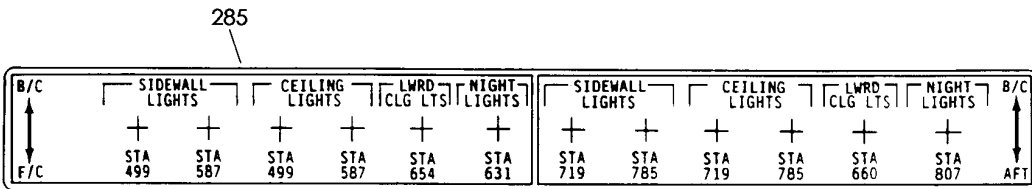
AS



AT



AU



AW

V 11351102 SHT 9 REV 231

PANEL ASSY-FWD LIGHTING DISTR (P19) (PLACARDS AND MARKINGS ONLY)  
FIGURE 2 (SHEET 9)

# 11-35-11-02

HXL  
DEC 22/06

11-35-11-02  
PAGE 0H



767

PARTS CATALOG (MAINTENANCE)

FIG ITEM	PART NUMBER	1 2 3 4 5 6 7	NOMENCLATURE	EFFECT FROM TO	UNITS PER ASSY
2			PANEL ASSY-FWD LIGHTING DISTR (P19) (PLACARDS AND MARKINGS ONLY)		
- 3	285T0019-73		PANEL ASSY-LIGHTING DISTR (P19) (PLACARDS AND MARKINGS ONLY) POSITION DATA: FWD VARIABLE DRAWING REF: 285T0019-5063 FOR NHA/OTHER SYS DET SEE: 25-71-33-01	155162	RF
- 5	285T0019-88		PANEL ASSY-LIGHTING DISTR (P19) (PLACARDS AND MARKINGS ONLY) POSITION DATA: FWD VARIABLE DRAWING REF: 285T0019-5077 FOR NHA/OTHER SYS DET SEE: 25-71-33-01	163999	RF
20	BAC27TEX0424		.DECAL-DANGER HIGH VOLTAGE 350 VAC		1
25	BAC27TEX0384		.DECAL-1 THRU 30 OPTIONAL PART: BAC27TEX4697		1
25	BAC27TEX4697		.DECAL-1 THRU 30 OPTIONAL PART: BAC27TEX0384		1
40	BAC27TEX2797		.DECAL-31 THRU 49		1
60	BAC27TEX1316		.DECAL-1 THRU 97		3
65	BAC27TEX0114		.DECAL-1 THRU 30 OPTIONAL PART: BAC27TEX3219 BAC27TEX4582		2
70	BAC27TEX3219		.DECALSET-(INCLUDES DECALS IDENTIFIED ON THE ILLUSTRATION) OPTIONAL PART: BAC27TEX0114		2
75	BAC27TEX4582		.DECALSET-(INCLUDES DECALS IDENTIFIED ON THE ILLUSTRATION) OPTIONAL PART: BAC27TEX0114		2

ILLUSTRATION ITEMS NOT ON PARTS LIST ARE NOT APPLICABLE

- ITEM NOT ILLUSTRATED

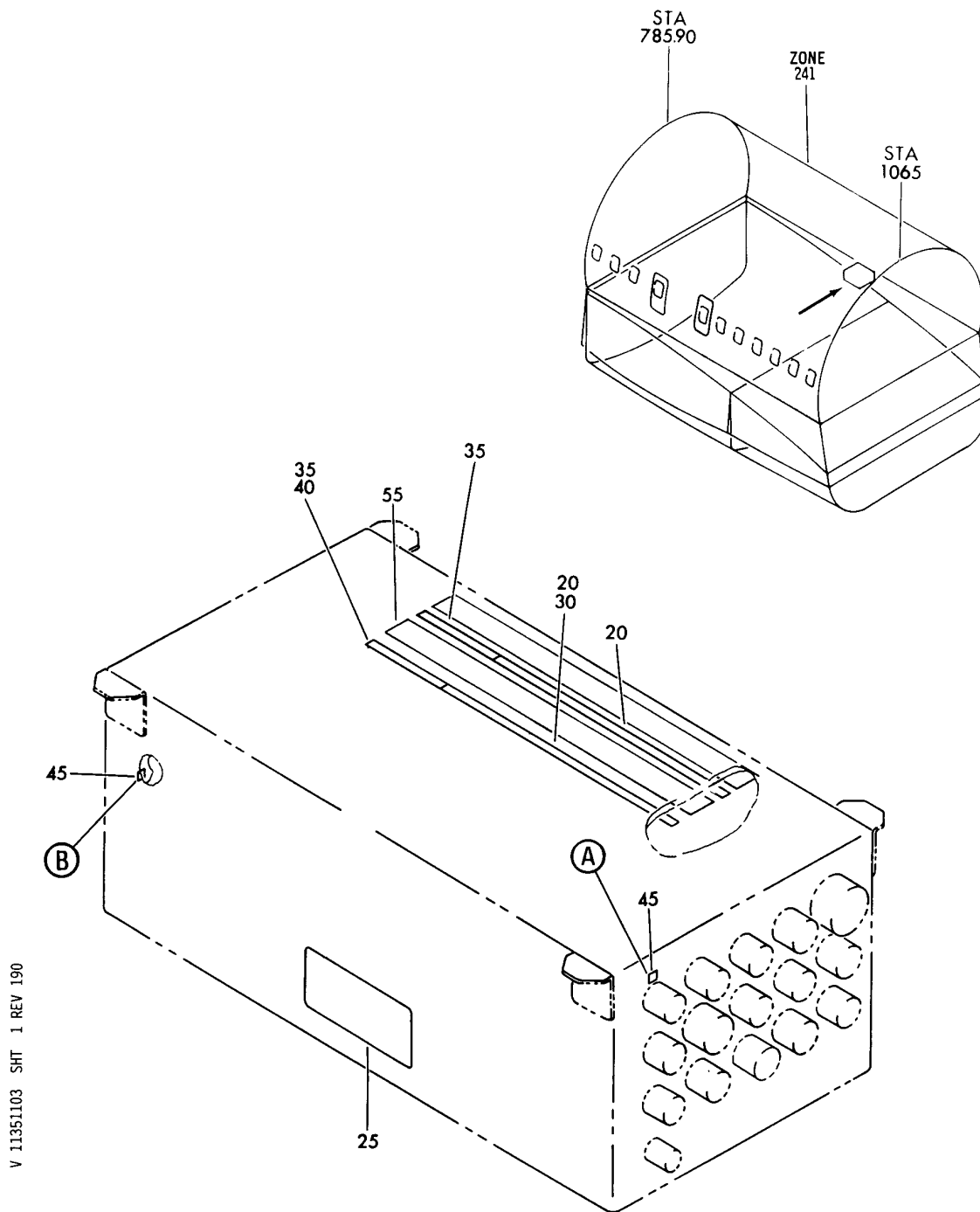
11-35-11-02

11-35-11  
FIG. 02  
PAGE 1  
DEC 22/07

HXL



**BOEING**  
767  
PARTS CATALOG (MAINTENANCE)



V 11351103 SHT 1 REV 190

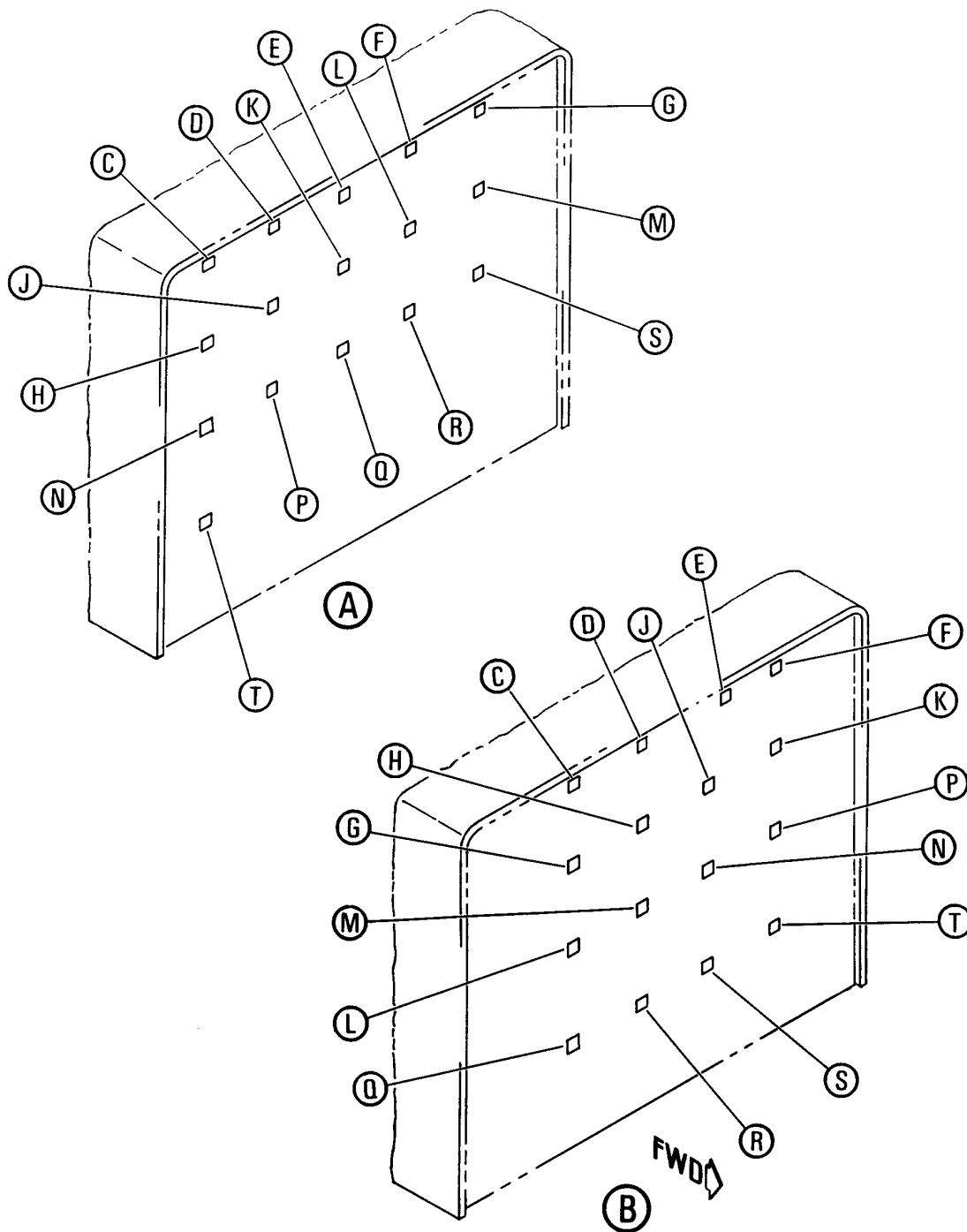
PANEL ASSY-LIGHTING DISTR P25 (PLACARDS AND MARKINGS ONLY) AFT  
FIGURE 3 (SHEET 1)

**11-35-11-03**

HXL  
DEC 22/06

11-35-11-03  
PAGE 0

**BOEING**  
767  
PARTS CATALOG (MAINTENANCE)



V 11351103 SHT 2 REV 190

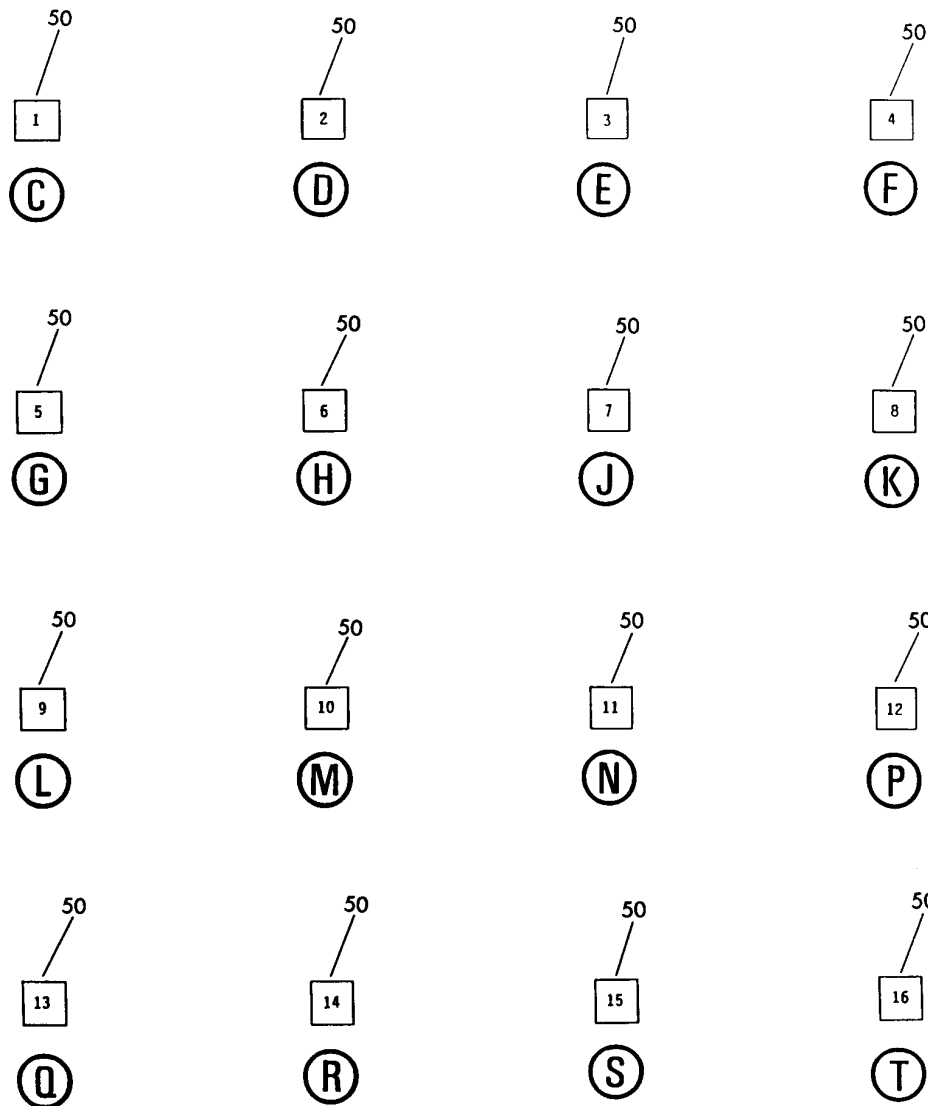
PANEL ASSY-LIGHTING DISTR P25 (PLACARDS AND MARKINGS ONLY) AFT  
FIGURE 3 (SHEET 2)

**11-35-11-03**

HXL  
DEC 22/06

11-35-11-03  
PAGE 0A

**BOEING**  
767  
PARTS CATALOG (MAINTENANCE)



V 11351103 SHT 3 REV 190

PANEL ASSY-LIGHTING DISTR P25 (PLACARDS AND MARKINGS ONLY) AFT  
FIGURE 3 (SHEET 3)

**11-35-11-03**

HXL  
DEC 22/06

11-35-11-03  
PAGE 0B



767

PARTS CATALOG (MAINTENANCE)

FIG ITEM	PART NUMBER	1 2 3 4 5 6 7	NOMENCLATURE	EFFECT FROM TO	UNITS PER ASSY
3			PANEL ASSY-LIGHTING DISTR P25 (PLACARDS AND MARKINGS ONLY) AFT		
- 3	285T0009-38		PANEL ASSY-LIGHTING DISTR P25 (PLACARDS AND MARKINGS ONLY) POSITION DATA: AFT FOR NHA/OTHER SYS DET SEE: 33-21-51-01	155162	RF
- 3	285T0009-49		PANEL ASSY-LIGHTING DISTR P25 (PLACARDS AND MARKINGS ONLY) POSITION DATA: AFT FOR NHA/OTHER SYS DET SEE: 33-21-51-01	163999	RF
25	BAC27TEX0424		.DECAL-DANGER HIGH VOLTAGE 350 VAC		1
30	BAC27TEX0384		.DECAL-1 THRU 30 OPTIONAL PART: BAC27TEX4697		1
30	BAC27TEX4697		.DECAL-1 THRU 30 OPTIONAL PART: BAC27TEX0384		1
40	BAC27TEX0423		.DECAL-31 THRU 40		1
45	BAC27TEX0114		.DECAL-1 THRU 30 OPTIONAL PART: BAC27TEX3219 BAC27TEX4582		2
50	BAC27TEX3219		.DECALSET-(INCLUDES DECALS IDENTIFIED ON THE ILLUSTRATION) OPTIONAL PART: BAC27TEX0114 BAC27TEX4582		2
50	BAC27TEX4582		.DECALSET-(INCLUDES DECALS IDENTIFIED ON THE ILLUSTRATION) OPTIONAL PART: BAC27TEX0114 BAC27TEX3219		2
55	BAC27TEX1316		.DECAL-1 THRU 97		2

ILLUSTRATION ITEMS NOT ON PARTS LIST ARE NOT APPLICABLE

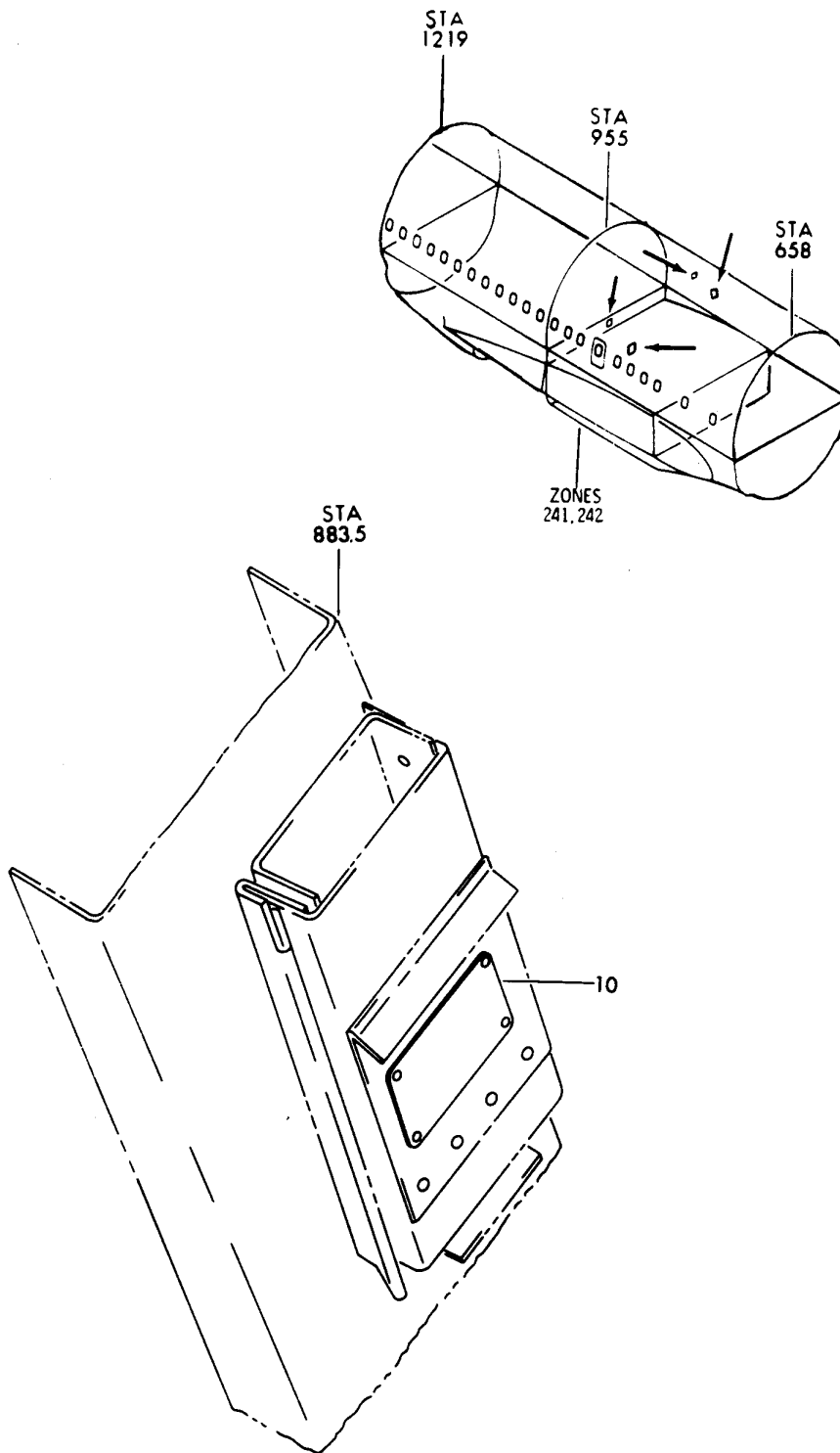
- ITEM NOT ILLUSTRATED

11-35-11-03

11-35-11  
FIG. 03  
PAGE 1  
DEC 22/07

HXL

**BOEING**  
767  
PARTS CATALOG (MAINTENANCE)



V 11351201 SHT 1 REV 059

COVER ASSY-OFF WING ESCAPE SYS MANUAL DEPLOYMENT (PLACARDS AND MARKINGS ONLY)

FIGURE 1

**11-35-12-01**

HXL  
DEC 22/06

11-35-12-01  
PAGE 0



767

PARTS CATALOG (MAINTENANCE)

FIG ITEM	PART NUMBER	1 2 3 4 5 6 7	NOMENCLATURE	EFFECT FROM TO	UNITS PER ASSY
1			COVER ASSY-OFF WING ESCAPE SYS MANUAL DEPLOYMENT (PLACARDS AND MARKINGS ONLY)		
- 1	416T2103-9		COVER ASSY-OFF WING ESCAPE SYS MANUAL DEPLOYMENT (PLACARDS AND MARKINGS ONLY) POSITION DATA: LH FOR NHA/OTHER SYS DET SEE: 25-65-54-01		RF
- 5	416T2103-10		COVER ASSY-OFF WING ESCAPE SYS MANUAL DEPLOYMENT (PLACARDS AND MARKINGS ONLY) POSITION DATA: RH FOR NHA/OTHER SYS DET SEE: 25-65-54-01		RF
10	BAC27TPPS1345		.PLACARD- PLACARD CONTENT: UNSNAP COVER PULL HANDLE DOWN TO INFLATE ESCAPE SLIDE		1
- 15	BACR15BB3AD		ATTACHING PARTS .RIVET-		4
- 20	AN960PD3		SIZE DETERMINED ON INSTL. .WASHER -----*-----		4

ILLUSTRATION ITEMS NOT ON PARTS LIST ARE NOT APPLICABLE

- ITEM NOT ILLUSTRATED

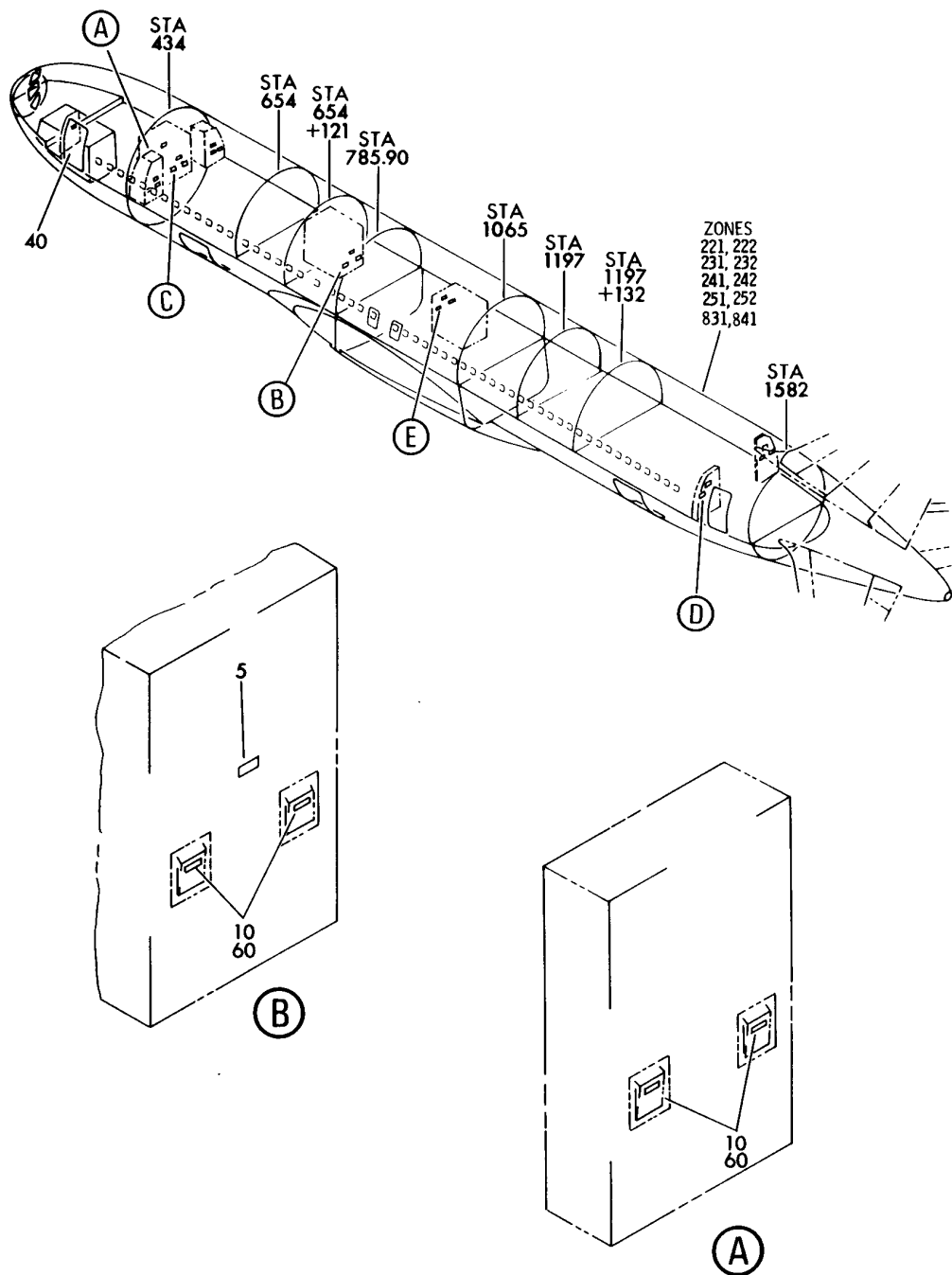
HXL

11-35-12-01

BOEING PROPRIETARY - Copyright © - Unpublished Work - See title page for details.

11-35-12  
FIG. 01  
PAGE 1  
DEC 22/06

**BOEING**  
767  
PARTS CATALOG (MAINTENANCE)



V 11351203 SHT 1 REV 113

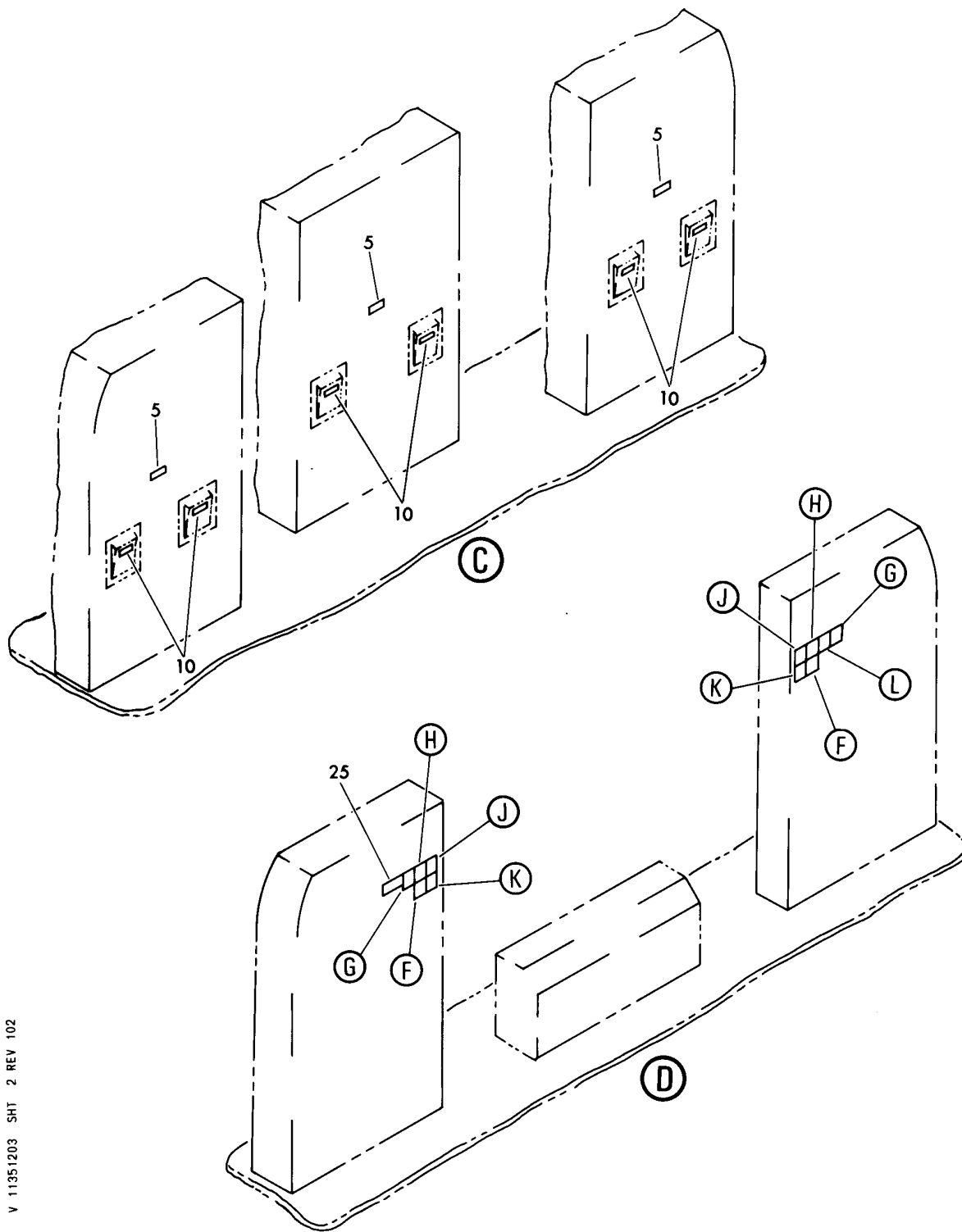
PLACARD INSTL-SAS CAB. INTR (COMPARTMENT DIVIDERS ONLY)  
FIGURE 3 (SHEET 1)

**11-35-12-03**

HXL  
DEC 22/06

11-35-12-03  
PAGE 0

**BOEING**  
767  
PARTS CATALOG (MAINTENANCE)



V 11351203 SHT 2 REV 102

PLACARD INSTL-SAS CAB. INTR (COMPARTMENT DIVIDERS ONLY)  
FIGURE 3 (SHEET 2)

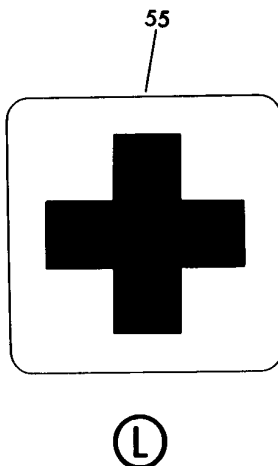
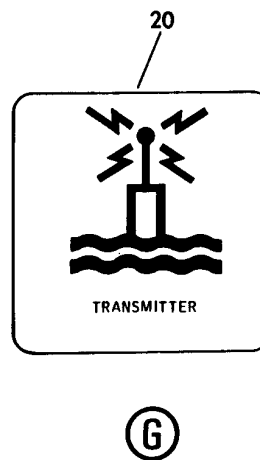
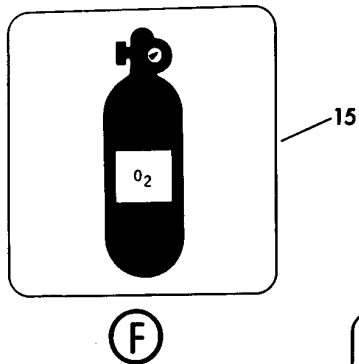
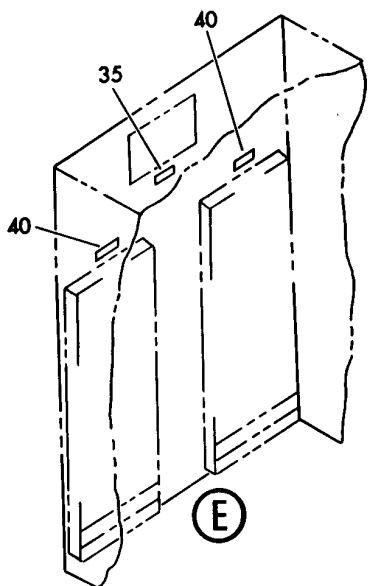
**11-35-12-03**

HXL  
DEC 22/06

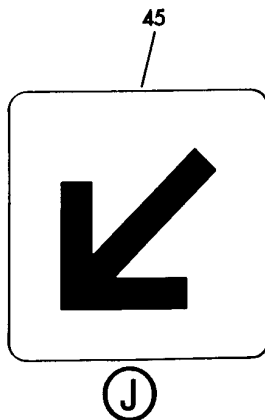
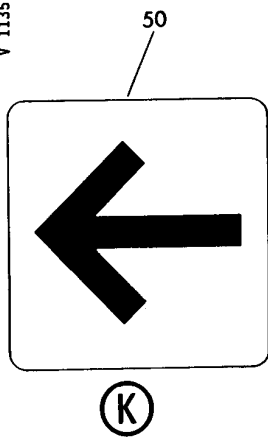
11-35-12-03  
PAGE 0A



**BOEING**  
767  
PARTS CATALOG (MAINTENANCE)



V 11351203 SHT 3 REV 179



PLACARD INSTL-SAS CAB. INTR (COMPARTMENT DIVIDERS ONLY)  
FIGURE 3 (SHEET 3)

**11-35-12-03**

 **BOEING**  
767  
**PARTS CATALOG (MAINTENANCE)**

FIG ITEM	PART NUMBER	1 2 3 4 5 6 7	NOMENCLATURE	EFFECT FROM TO	UNITS PER ASSY	
R R R              R R R R R R R	3		PLACARD INSTL-SAS CAB. INTR (COMPARTMENT DIVIDERS ONLY)	155162		
	- 1	414T5053-9	PLACARD INSTL-SAS CAB. INTR (COMPARTMENT DIVIDERS ONLY) FOR NHA/OTHER SYS DET SEE: 25-20-00-14A	155162	RF	
		5	BAC29PPS11408	.PLACARD- PLACARD CONTENT: DO NOT USE COAT HOOKS DURING TAXI,TAKEOFF AND LANDING	155162	4
		10	BAC29PPS4301	.PLACARD- PLACARD CONTENT: LIFE VEST UNDER YOUR SEAT FASTEN SEAT BELT WHILE SEATED PRE AIRLINE MOD: MTO-110447 VSAS	155162	10
		15	BAC29UPPS0137	.PLACARD	155162	2
		20	BAC29PPS8585	.PLACARD	155162	2
		25	BAC29PPS11000	.PLACARD- PLACARD CONTENT: SMOKE HOOD	155162	1
		30	BAC29UPPS0136	.PLACARD	155162	2
		35	BAC29PPS3058	.PLACARD- PLACARD CONTENT: LATCH CLOSED	155162	1
		40	BAC29PPS3526	.PLACARD- PLACARD CONTENT: LIFE VEST LOCATED IN HEADREST	155162	3
		45	BAC29UPPS0176	.PLACARD-	155162	2
		50	BAC29UPPS0175	.PLACARD	155162	2
		55	BAC29UPPS0135	.PLACARD	155162	1
		60	D145234-2	.PLACARD- SUPPLIER CODE: VK6162 PLACARD CONTENT: LIFE VEST BELOW CENTER ARMREST FASTEN SEATBELT POST AIRLINE MOD: MTO-110447 VSAS	155162	12
	ILLUSTRATION ITEMS NOT ON PARTS LIST ARE NOT APPLICABLE					

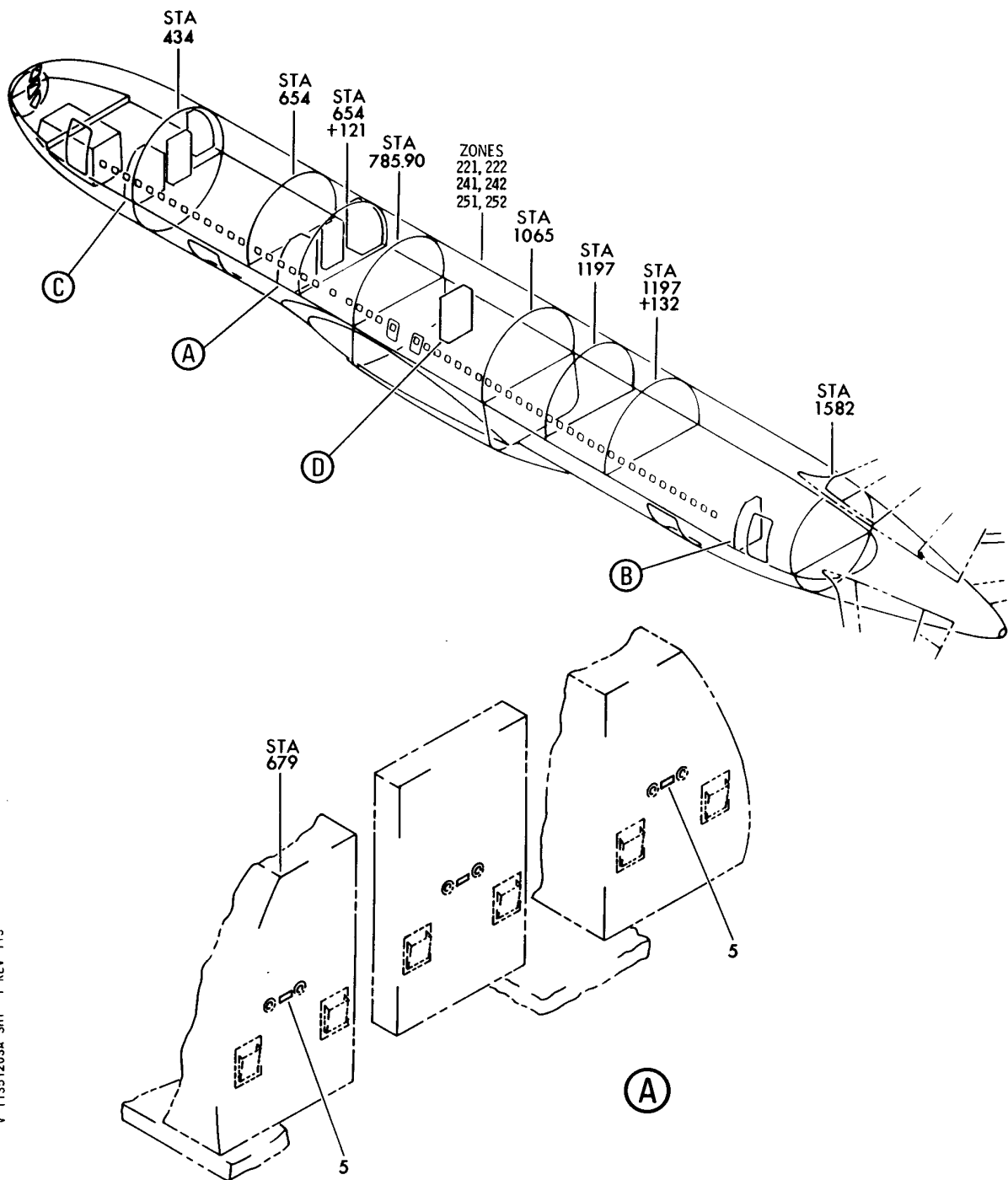
- ITEM NOT ILLUSTRATED

# 11-35-12-03

11-35-12  
FIG. 03  
PAGE 1  
AUG 22/09

HXL

**BOEING**  
767  
PARTS CATALOG (MAINTENANCE)



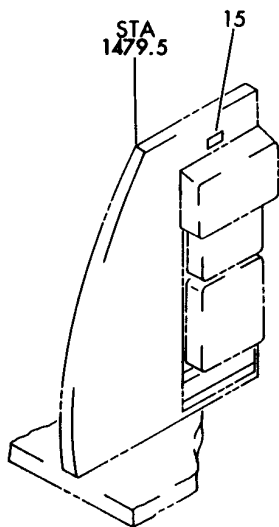
V 11351203A SHT 1 REV 113

PLACARD INSTL-SAS CAB. INTR (COMPARTMENT DIVIDERS ONLY)  
FIGURE 3A (SHEET 1)

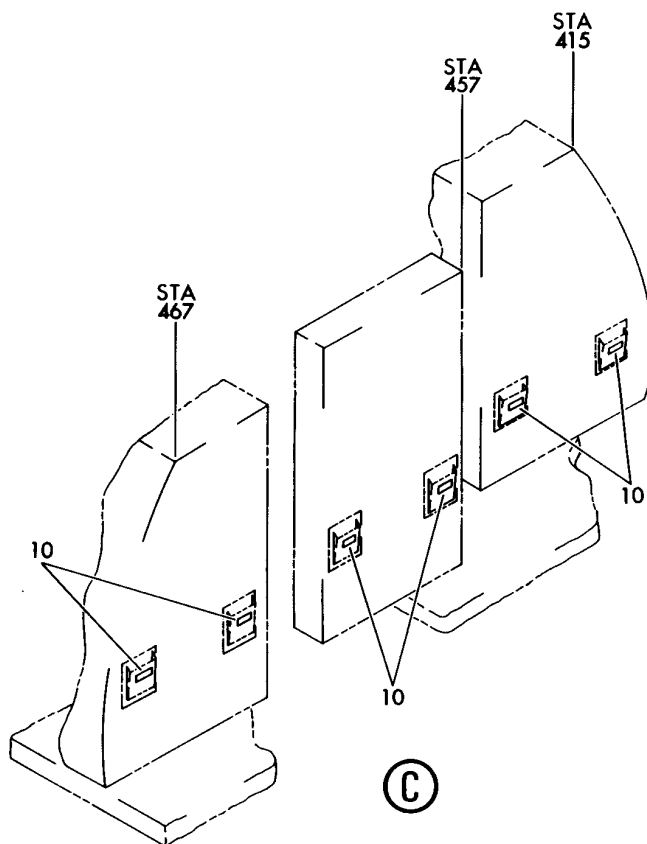
**11-35-12-03A**

HXL  
DEC 22/06

11-35-12-03A  
PAGE 0

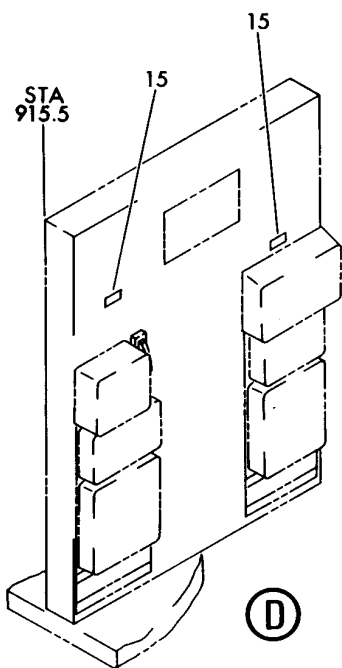


(B)



(C)

V 11351203A SHT 2 REV 113



(D)

PLACARD INSTL-SAS CAB. INTR (COMPARTMENT DIVIDERS ONLY)  
FIGURE 3A (SHEET 2)



767

PARTS CATALOG (MAINTENANCE)

FIG ITEM	PART NUMBER	1 2 3 4 5 6 7	NOMENCLATURE	EFFECT FROM TO	UNITS PER ASSY
3A			PLACARD INSTL-SAS CAB. INTR (COMPARTMENT DIVIDERS ONLY)	163999	
- 1	414T5053-4		PLACARD INSTL-SAS CAB. INTR (COMPARTMENT DIVIDERS ONLY) FOR NHA/OTHER SYS DET SEE: 25-20-00-14A	163999	RF
	5 BAC29PPS11408		.PLACARD- PLACARD CONTENT: DO NOT USE COAT HOOKS DURING TAXI, TAKEOFF AND LANDING	163999	3
	10 BAC29PPS4301		.PLACARD- PLACARD CONTENT: LIFE VEST UNDER YOUR SEAT FASTEN SEAT BELT WHILE SEATED	163999	6
	15 BAC29PPS3526		.PLACARD- PLACARD CONTENT: LIFE VEST LOCATED IN HEADREST	163999	3

ILLUSTRATION ITEMS NOT ON PARTS LIST ARE NOT APPLICABLE

- ITEM NOT ILLUSTRATED

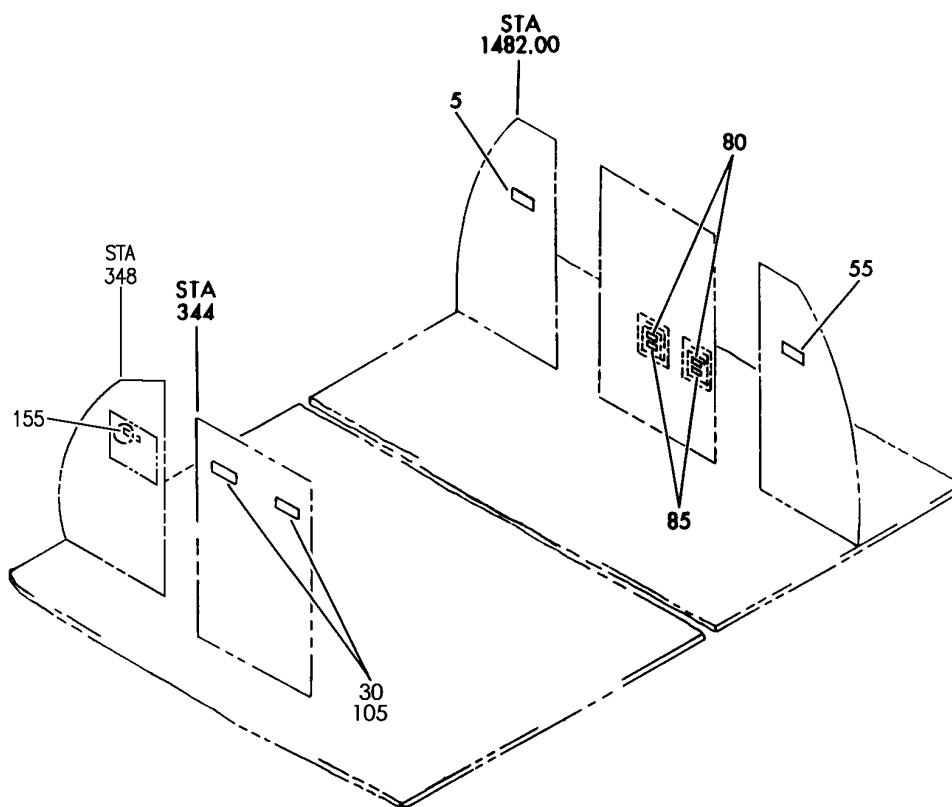
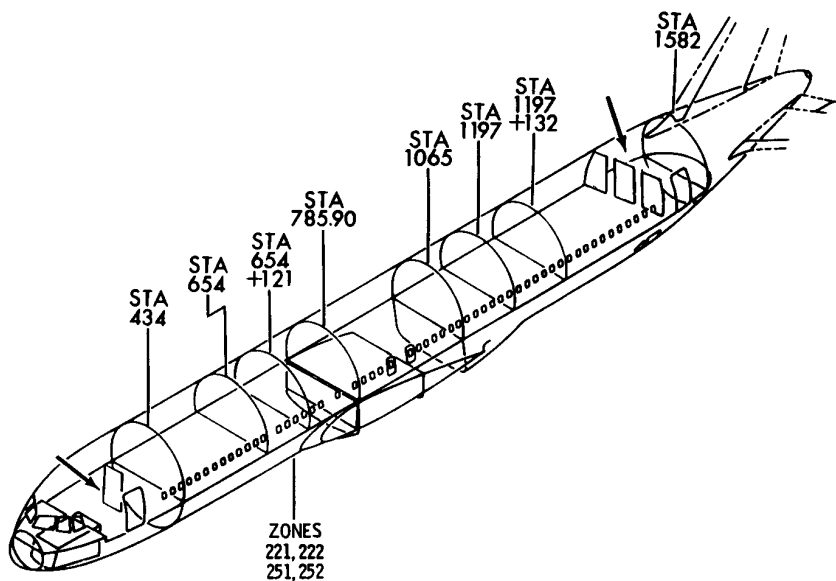
HXL

11-35-12-03A

BOEING PROPRIETARY - Copyright © - Unpublished Work - See title page for details.

11-35-12  
FIG. 03A  
PAGE 1  
DEC 22/07

**BOEING**  
767  
PARTS CATALOG (MAINTENANCE)



V 11351222 REV 315

PARTITION ASSY-(PLACARDS AND MARKINGS ONLY)  
FIGURE 22

**11-35-12-22**

HXL  
APR 22/07

11-35-12-22  
PAGE 0



767

PARTS CATALOG (MAINTENANCE)

FIG ITEM	PART NUMBER	1 2 3 4 5 6 7	NOMENCLATURE	EFFECT FROM TO	UNITS PER ASSY
22			PARTITION ASSY-(PLACARDS AND MARKINGS ONLY)	163999	
- 1	413T3234-25SP		PARTITION ASSY-(PLACARDS AND MARKINGS ONLY) FOR NHA/OTHER SYS DET SEE: 25-24-04-88	163999	RF
5	BAC29PPS11408		.PLACARD- PLACARD CONTENT: DO NOT USE COAT HOOKS DURING TAXI, TAKEOFF AND LANDING	163999	1

ILLUSTRATION ITEMS NOT ON PARTS LIST ARE NOT APPLICABLE

- ITEM NOT ILLUSTRATED

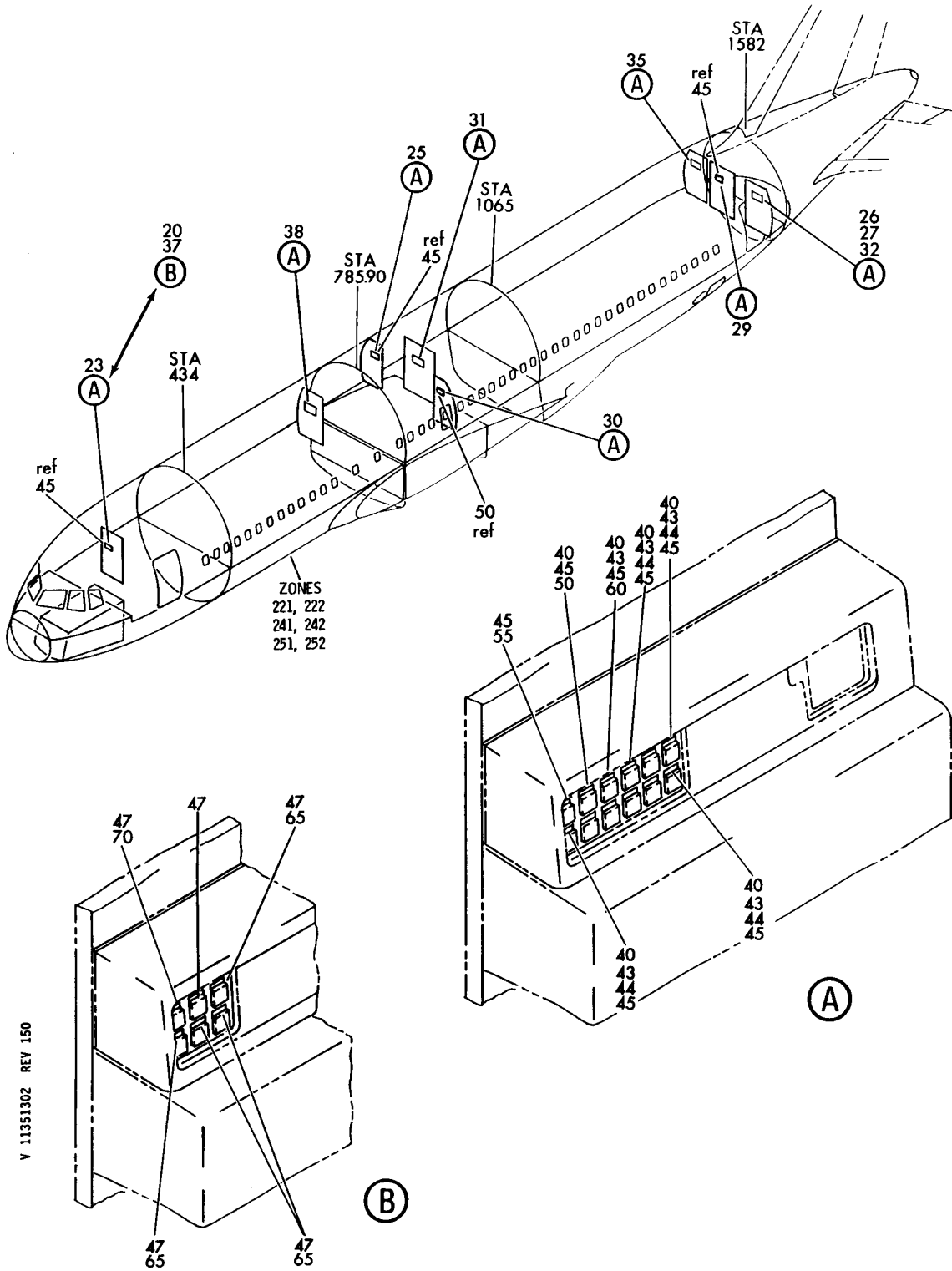
HXL

11-35-12-22

BOEING PROPRIETARY - Copyright © - Unpublished Work - See title page for details.

11-35-12  
FIG. 22  
PAGE 1  
DEC 22/07

**BOEING**  
767  
PARTS CATALOG (MAINTENANCE)



PANEL ASSY-ABBREVIATED ATTENDANT (PLACARDS AND MARKINGS ONLY)  
FIGURE 2

**11-35-13-02**





767

PARTS CATALOG (MAINTENANCE)

FIG ITEM	PART NUMBER	1 2 3 4 5 6 7	NOMENCLATURE	EFFECT FROM TO	UNITS PER ASSY
2			PANEL ASSY-ABBREVIATED ATTENDANT (PLACARDS AND MARKINGS ONLY)		
- 7	285T0659-11		PANEL ASSY-ABBREVIATED ATTENDANT P58 (PLACARDS AND MARKINGS ONLY) SUPPLIER CODE: V89954 COMPONENT MAINT MANUAL REF: 25-63-11 FOR NHA/OTHER SYS DET SEE: 25-63-01-09		RF
- 17	285T0659-12		PANEL ASSY-ABBREVIATED ATTENDANT P59 (PLACARDS AND MARKINGS ONLY) SUPPLIER CODE: V89954 COMPONENT MAINT MANUAL REF: 25-63-11 FOR NHA/OTHER SYS DET SEE: 25-63-01-09		RF
31	417T6508-18		.WIRING ASSY-FACEPLATE SUPPLIER CODE: V89954		RF
32	417T6508-19		.WIRING ASSY-FACEPLATE SUPPLIER CODE: V89954		RF
43	417T6012-3		..DECAL- PLACARD CONTENT: SLIP-IN		10
50	417T6012-9		..DECAL- PLACARD CONTENT: SLIP-IN ATTND-R USED ON: 417T6508-18 417T6508-23 285T0691-5		1
50	417T6012-47		..DECAL- PLACARD CONTENT: SLIP-INATTND-L2		1
55	417T6012-7		..DECAL- PLACARD CONTENT: SLIP-IN ATTND-L		1
55	417T6012-45		..DECAL- PLACARD CONTENT: SLIP-IN ATTND-L1		1

ILLUSTRATION ITEMS NOT ON PARTS LIST ARE NOT APPLICABLE

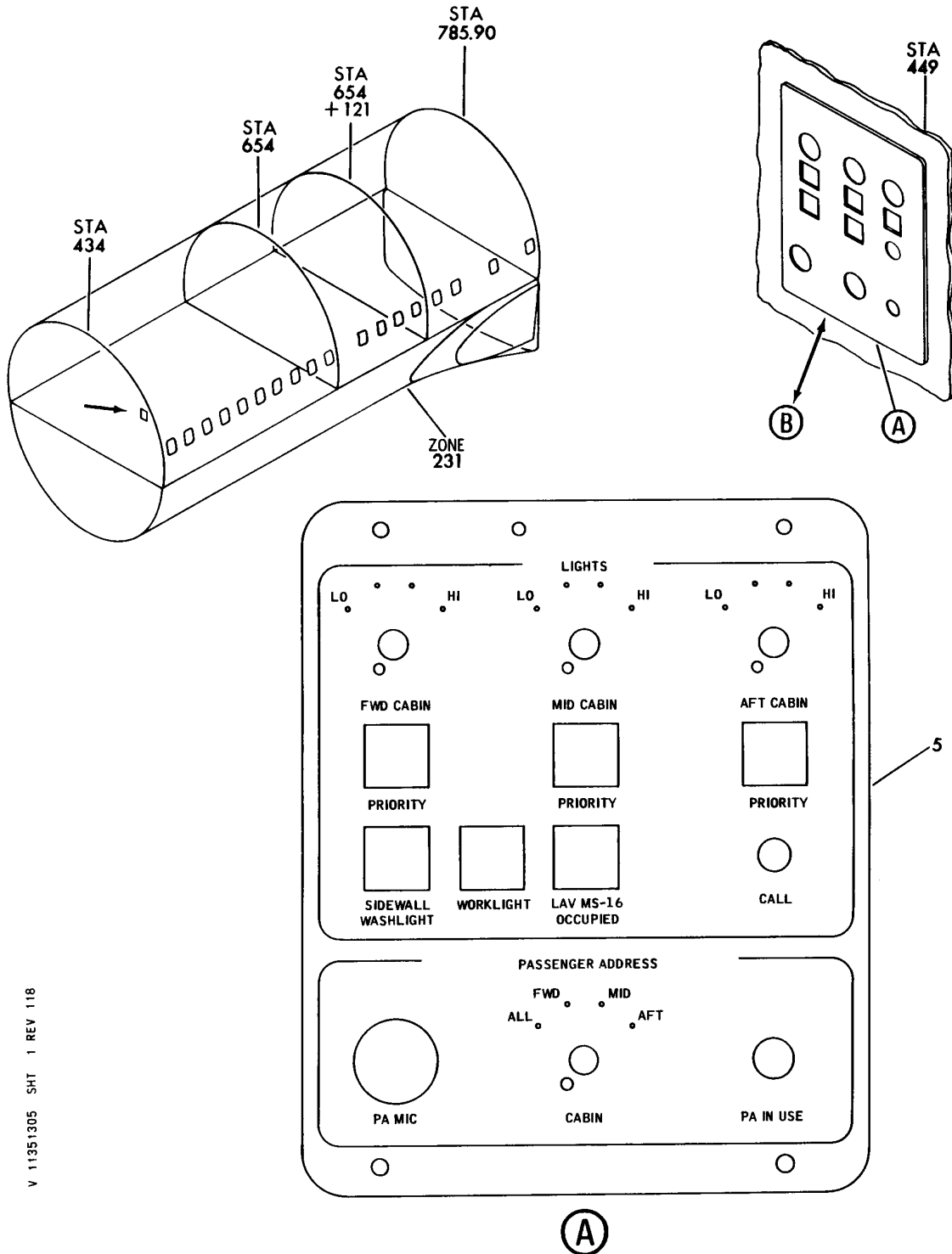
- ITEM NOT ILLUSTRATED

11-35-13-02

11-35-13  
FIG. 02  
PAGE 1  
DEC 22/07

HXL

**BOEING**  
767  
PARTS CATALOG (MAINTENANCE)



V 11351305 SHT 1 REV 118

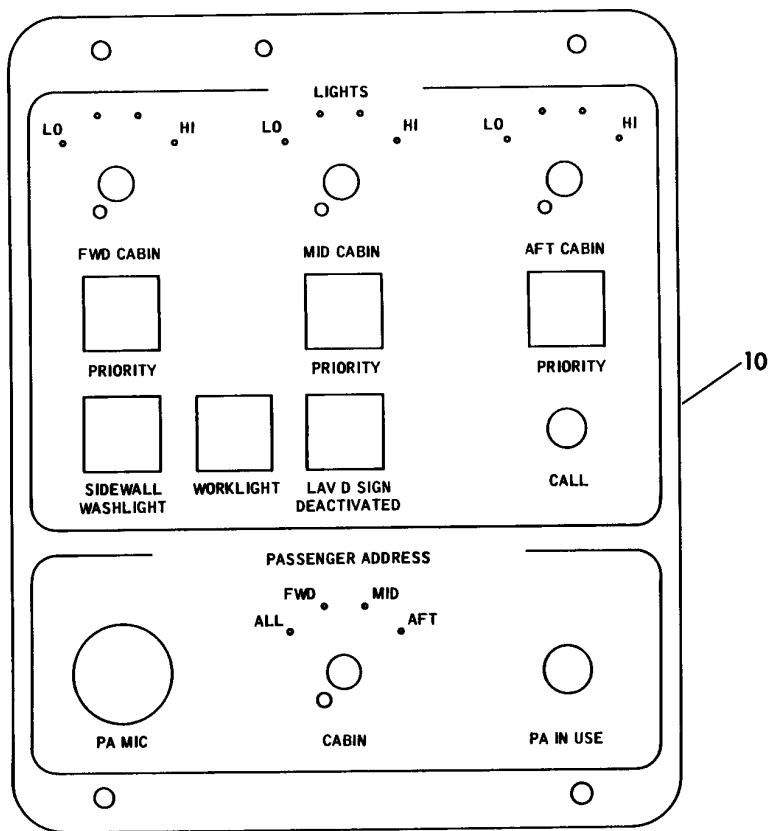
PANEL ASSY-PASS. ADDRESS AND LIGHTING (PLACARDS AND MARKINGS ONLY)  
FIGURE 5 (SHEET 1)

**11-35-13-05**

HXL  
DEC 22/06

11-35-13-05  
PAGE 0

**BOEING**  
767  
PARTS CATALOG (MAINTENANCE)



(B)

V 11351305 SHT 2 REV 118

PANEL ASSY-PASS. ADDRESS AND LIGHTING (PLACARDS AND MARKINGS ONLY)  
FIGURE 5 (SHEET 2)

**11-35-13-05**

HXL  
DEC 22/06

11-35-13-05  
PAGE 0A



767

PARTS CATALOG (MAINTENANCE)

FIG ITEM	PART NUMBER	1 2 3 4 5 6 7	NOMENCLATURE	EFFECT FROM TO	UNITS PER ASSY
5			PANEL ASSY-PASS. ADDRESS AND LIGHTING (PLACARDS AND MARKINGS ONLY)		
- 1	285T1156-1		PANEL ASSY-PASS. ADDRESS AND LIGHTING (PLACARDS AND MARKINGS ONLY) SUPPLIER CODE: V89954 FOR NHA SEE: 23-31-56-01		RF
- 1	285T1156-2		PANEL ASSY-PASS. ADDRESS AND LIGHTING (PLACARDS AND MARKINGS ONLY) SUPPLIER CODE: V89954 FOR NHA SEE: 23-31-56-01		RF
- 1	285T1156-5		PANEL ASSY-PASS. ADDRESS AND LIGHTING (PLACARDS AND MARKINGS ONLY) SUPPLIER CODE: V89954 FOR NHA SEE: 23-31-56-01		RF
5	285T1157-1		.FACEPLATE ASSY- SUPPLIER CODE: V89954 USED ON: 285T1156-1		1
10	285T1157-3		.FACEPLATE ASSY- SUPPLIER CODE: V89954 OPTIONAL PART: 285T1157-5 V89954 USED ON: 285T1156-2		1
10	285T1157-5		.FACEPLATE ASSY- SUPPLIER CODE: V89954 OPTIONAL PART: 285T1157-3 V89954 USED ON: 285T1156-2 285T1156-5		1

ILLUSTRATION ITEMS NOT ON PARTS LIST ARE NOT APPLICABLE

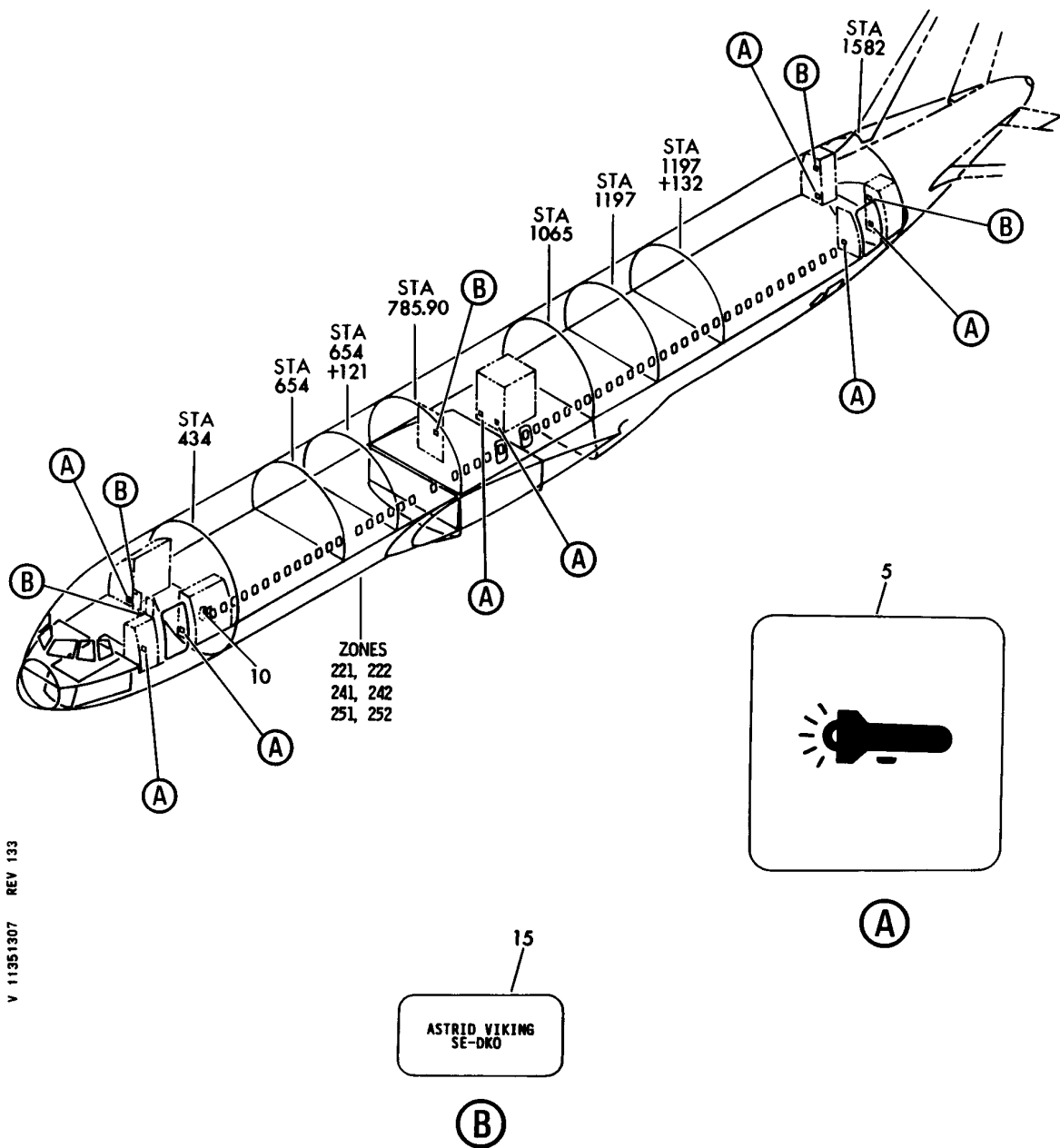
- ITEM NOT ILLUSTRATED

HXL

11-35-13-05

11-35-13  
FIG. 05  
PAGE 1  
DEC 22/07

**BOEING**  
767  
PARTS CATALOG (MAINTENANCE)



V 11351307 REV 133

PLACARD INSTL-SAS CAB. INTR (ATTENDANTS STATIONS ONLY)  
FIGURE 7

**11-35-13-07**

HXL  
DEC 22/06

11-35-13-07  
PAGE 0



767

PARTS CATALOG (MAINTENANCE)

FIG ITEM	PART NUMBER	1 2 3 4 5 6 7	NOMENCLATURE	EFFECT FROM TO	UNITS PER ASSY
7			PLACARD INSTL-SAS CAB. INTR (ATTENDANTS STATIONS ONLY)		
- 1	414T5053-4		PLACARD INSTL-SAS CAB. INTR (ATTENDANTS STATIONS ONLY) FOR NHA/OTHER SYS DET SEE: 25-20-00-14A	163999	RF
- 1	414T5053-9		PLACARD INSTL-SAS CAB. INTR (ATTENDANTS STATIONS ONLY) FOR NHA/OTHER SYS DET SEE: 25-20-00-14A	155162	RF
5	BAC29PPS1319		.PLACARD-SYMBOL		8
10	BAC29UPPS0289		.PLACARD- PLACARD CONTENT: DO NOT OCCUPY DURING TAKEOFF AND LANDING	163999	1
15	38709XX		.PLACARD- SUPPLIER CODE: V1009B PLACARD CONTENT: ASTRID VIKING POST AIRLINE MOD: MTO-110434 VSAS		AR

ILLUSTRATION ITEMS NOT ON PARTS LIST ARE NOT APPLICABLE

- ITEM NOT ILLUSTRATED

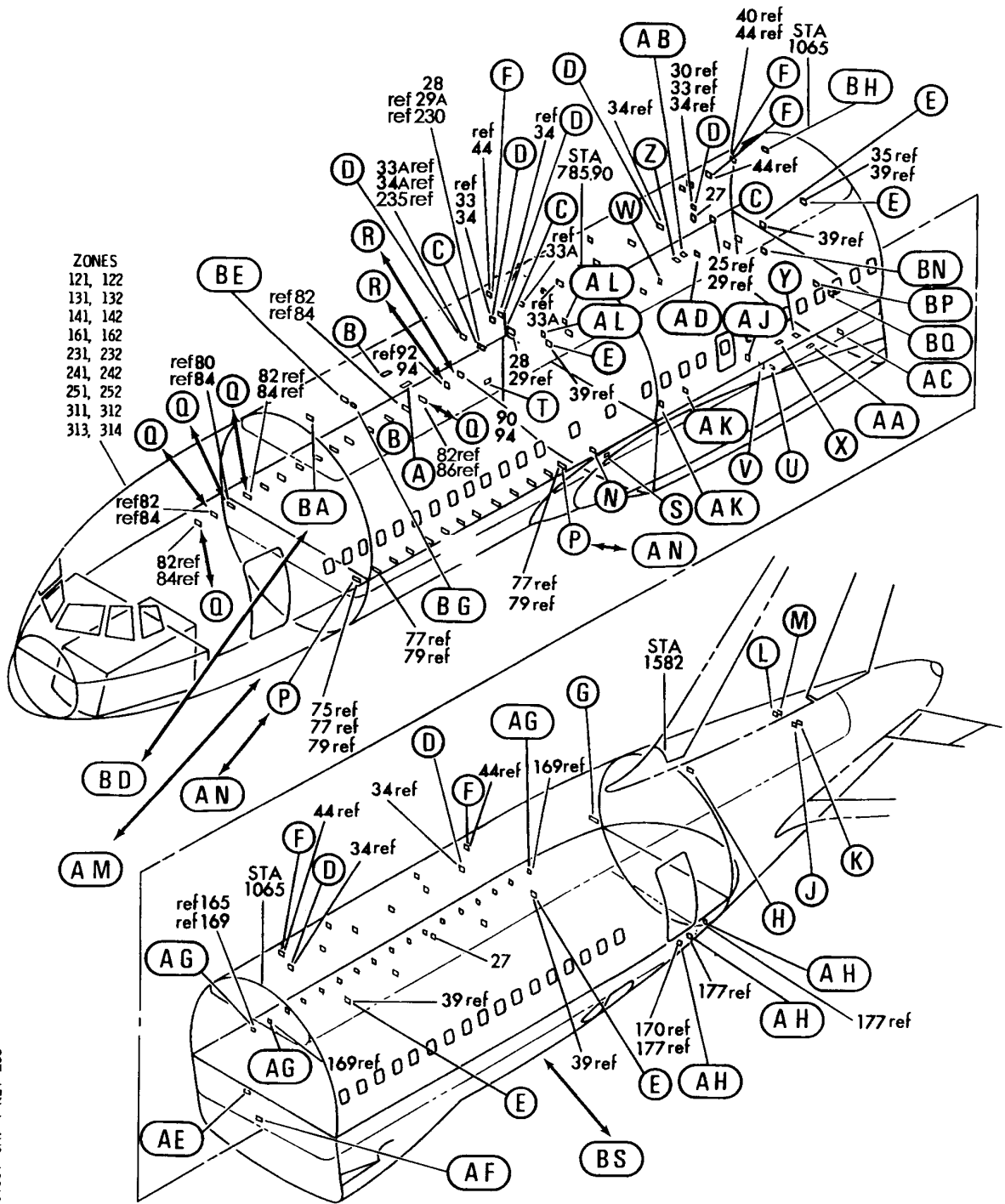
HXL

11-35-13-07

BOEING PROPRIETARY - Copyright © - Unpublished Work - See title page for details.

11-35-13  
FIG. 07  
PAGE 1  
DEC 22/07

**BOEING**  
767  
PARTS CATALOG (MAINTENANCE)



- ZONES  
121, 122  
131, 132  
141, 142  
161, 162  
231, 232  
241, 242  
251, 252  
311, 312  
313, 314

V 11351501 SHT 1 REV 203

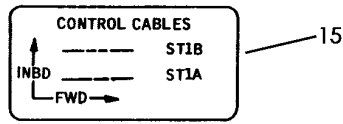
MARKER INSTL-SECT. 43 45 46 AND 48 CONT CABLE IDENT  
FIGURE 1 (SHEET 1)

**11-35-15-01**

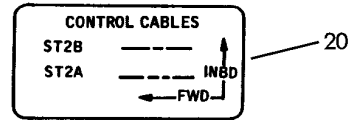
HXL  
DEC 22/06

11-35-15-01  
PAGE 0

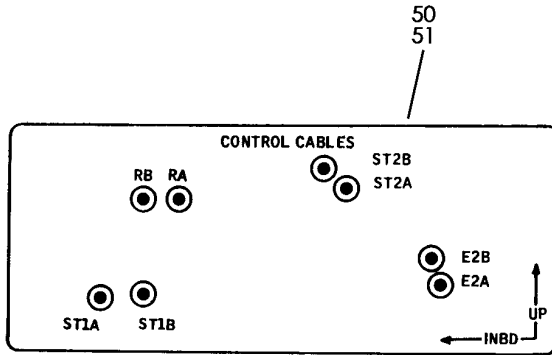
**BOEING**  
767  
PARTS CATALOG (MAINTENANCE)



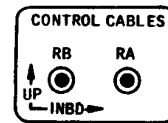
(A)



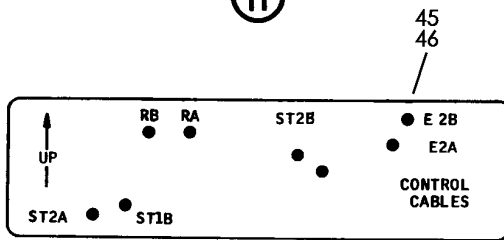
(B)



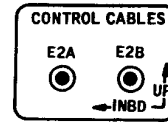
(H)



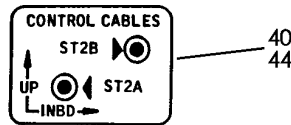
(C)



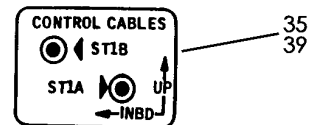
(G)



(D)



(F)



(E)

24  
24A  
24B  
25  
29  
29A  
36  
230  
260  
265  
520  
525

30  
32  
32A  
32B  
33  
34  
34A  
37  
200  
235  
250  
255  
510  
515

V 11351501 SHT 2 REV 23P

MARKER INSTL-SECT. 43 45 46 AND 48 CONT CABLE IDENT  
FIGURE 1 (SHEET 2)

**11-35-15-01**

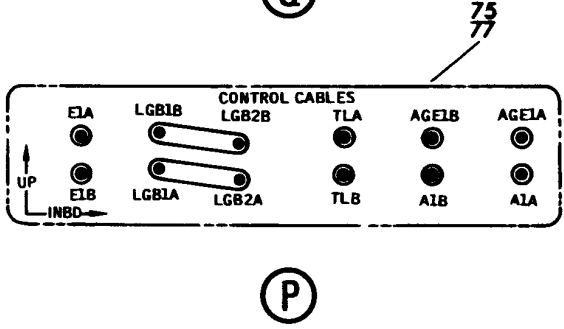
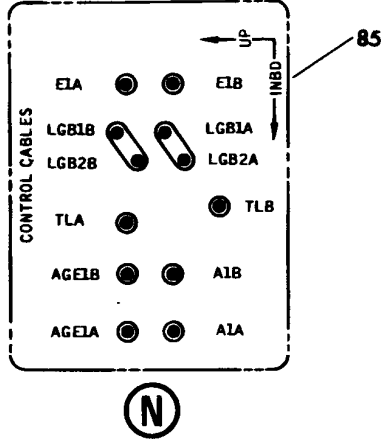
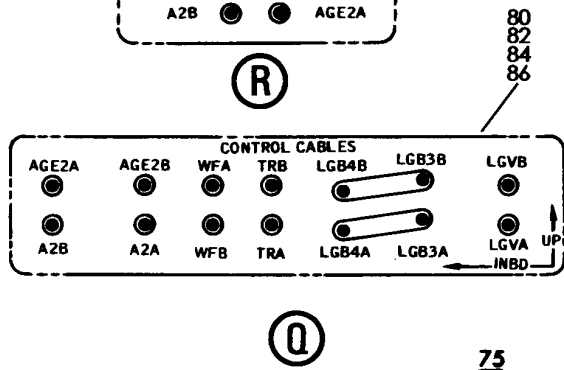
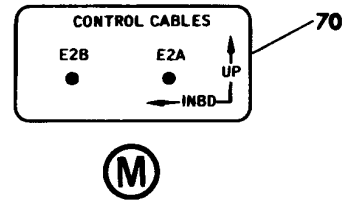
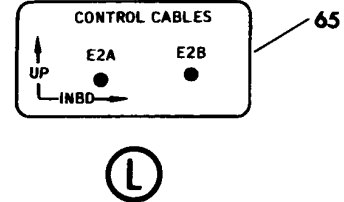
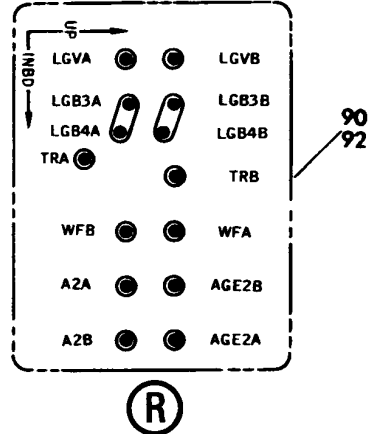
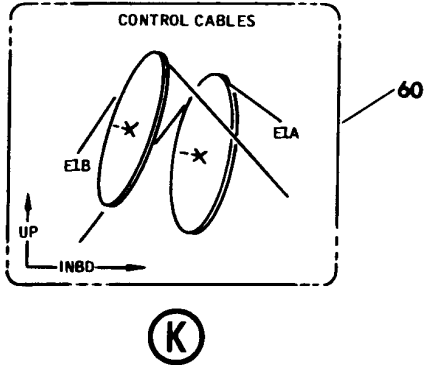
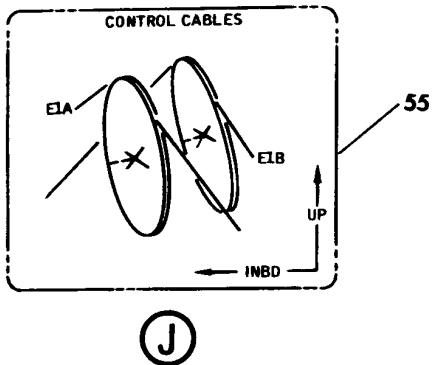
HXL  
DEC 22/06

11-35-15-01  
PAGE 0A

BOEING PROPRIETARY - Copyright © - Unpublished Work - See title page for details.



**BOEING**  
767  
PARTS CATALOG (MAINTENANCE)

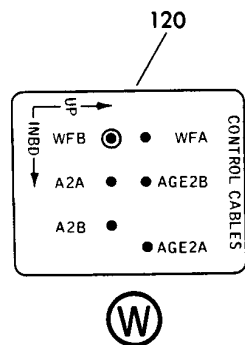
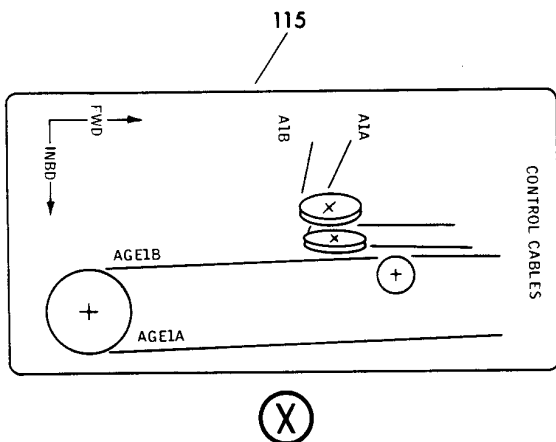
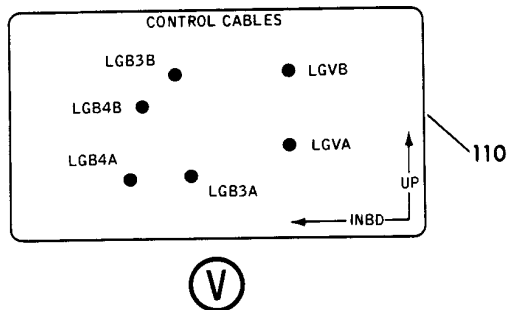
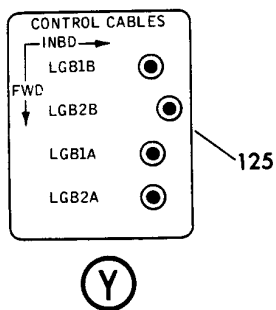
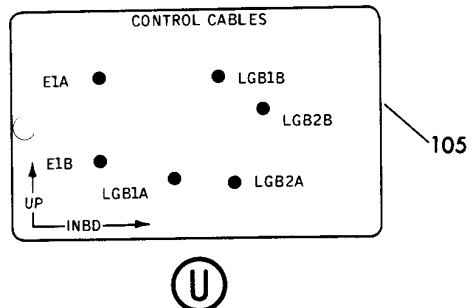
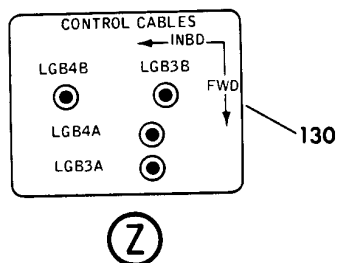
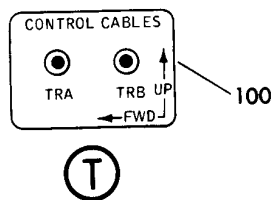
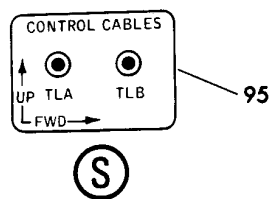


V 11351501 SHT 3 REV 196

MARKER INSTL-SECT. 43 45 46 AND 48 CONT CABLE IDENT  
FIGURE 1 (SHEET 3)

**11-35-15-01**

**BOEING**  
767  
PARTS CATALOG (MAINTENANCE)



V 11351501 SHT 4 REV 017

MARKER INSTL-SECT. 43 45 46 AND 48 CONT CABLE IDENT  
FIGURE 1 (SHEET 4)

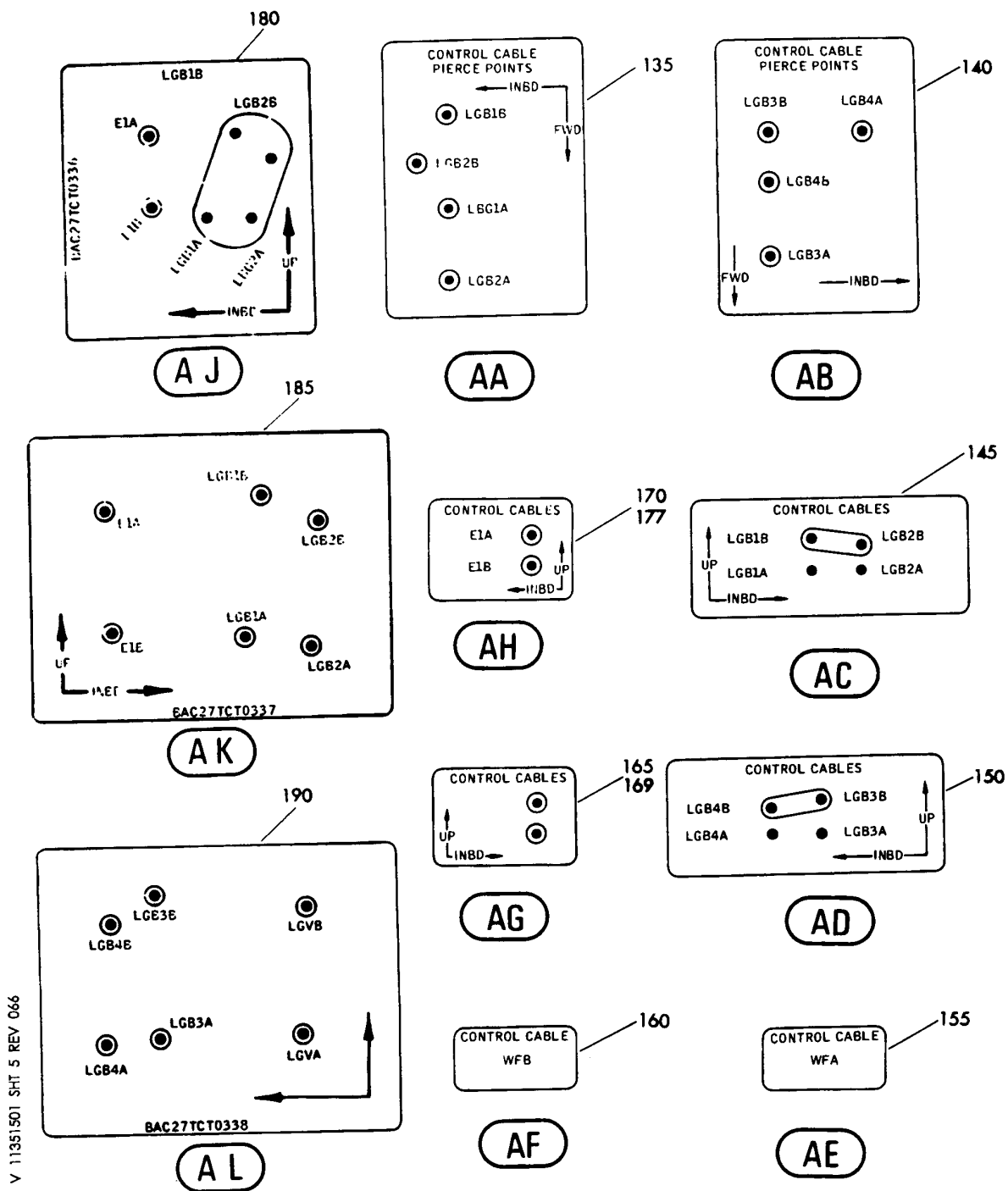
**11-35-15-01**

HXL  
DEC 22/06

11-35-15-01  
PAGE 0C

BOEING PROPRIETARY - Copyright © - Unpublished Work - See title page for details.

**BOEING**  
767  
PARTS CATALOG (MAINTENANCE)



V 11351501 SHT 5 REV 066

MARKER INSTL-SECT. 43 45 46 AND 48 CONT CABLE IDENT  
FIGURE 1 (SHEET 5)

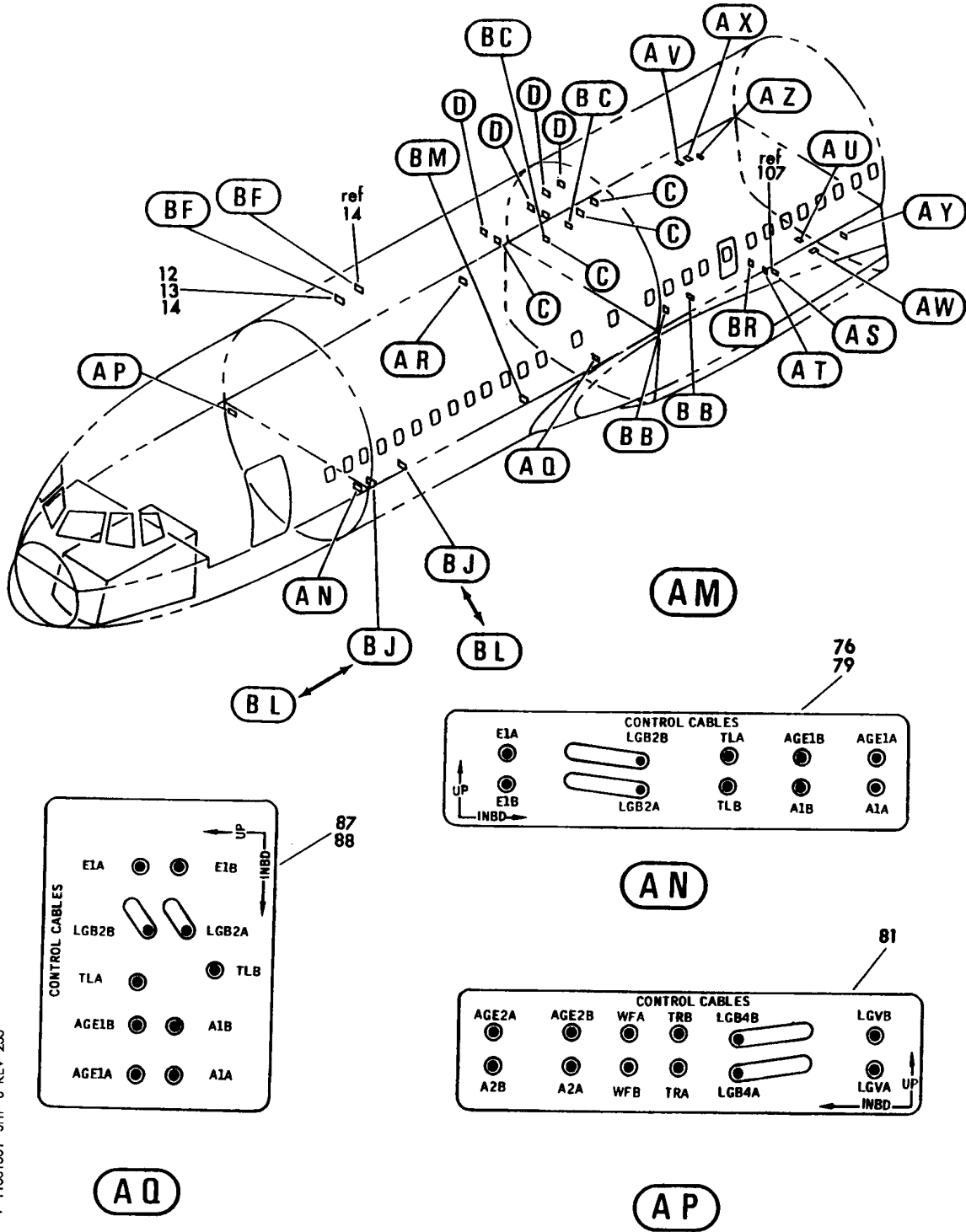
**11-35-15-01**

HXL  
DEC 22/06

11-35-15-01  
PAGE 0D

BOEING PROPRIETARY - Copyright © - Unpublished Work - See title page for details.

**BOEING**  
767  
PARTS CATALOG (MAINTENANCE)



V 11351501 SHT 6 REV 233

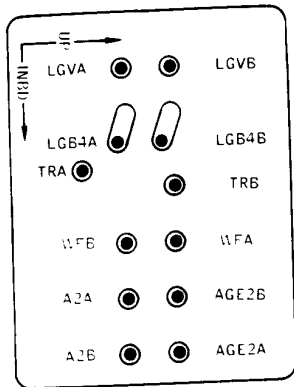
MARKER INSTL-SECT. 43 45 46 AND 48 CONT CABLE IDENT  
FIGURE 1 (SHEET 6)

**11-35-15-01**

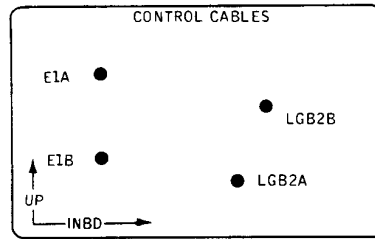
HXL  
DEC 22/06

11-35-15-01  
PAGE 0E

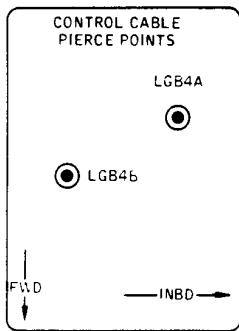
**BOEING**  
767  
PARTS CATALOG (MAINTENANCE)



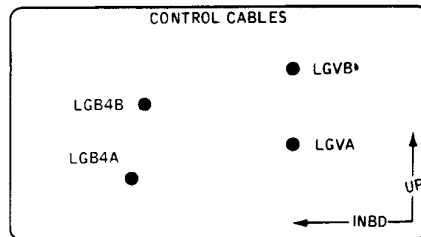
**AR**



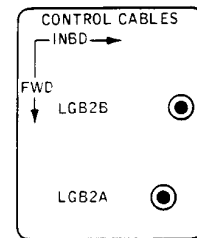
**AS**



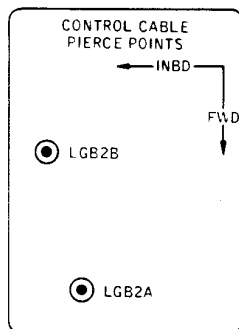
**AX**



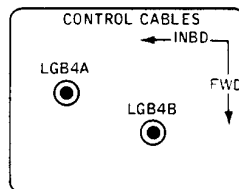
**AT**



**AU**



**AW**



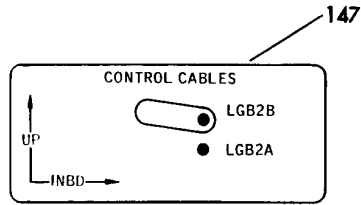
**AV**

V 11351501 SHT 7 REV 089

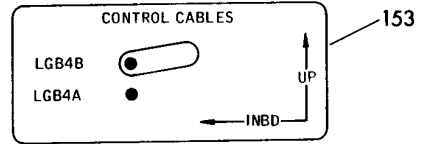
MARKER INSTL-SECT. 43 45 46 AND 48 CONT CABLE IDENT  
FIGURE 1 (SHEET 7)

**11-35-15-01**

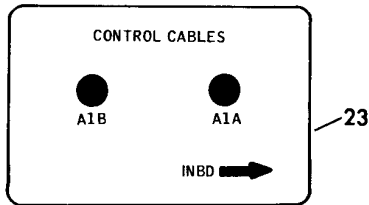
**BOEING**  
767  
PARTS CATALOG (MAINTENANCE)



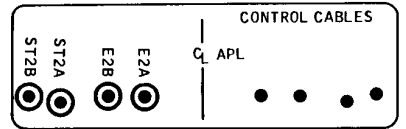
**AY**



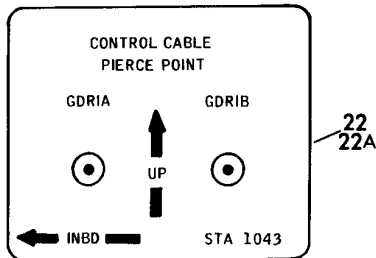
**AZ**



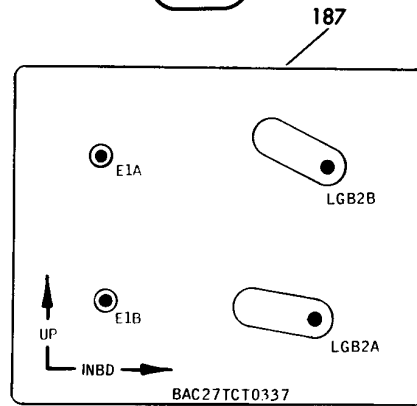
**BQ**



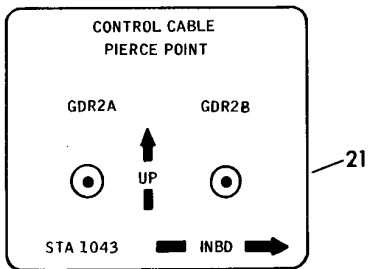
**BA**



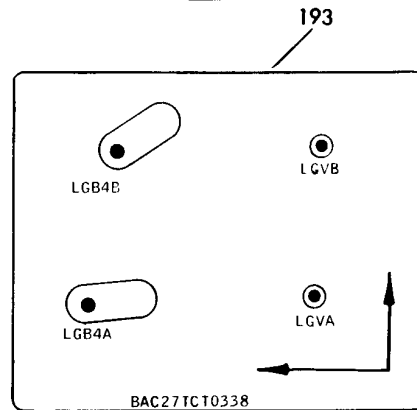
**BP**



**BB**



**BN**



**BC**

V 11351501 SHT 8 REV 157

MARKER INSTL-SECT. 43 45 46 AND 48 CONT CABLE IDENT  
FIGURE 1 (SHEET 8)

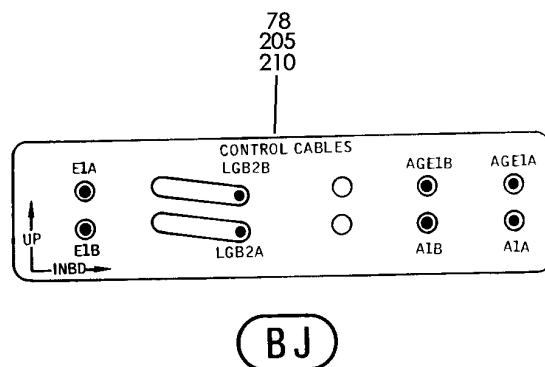
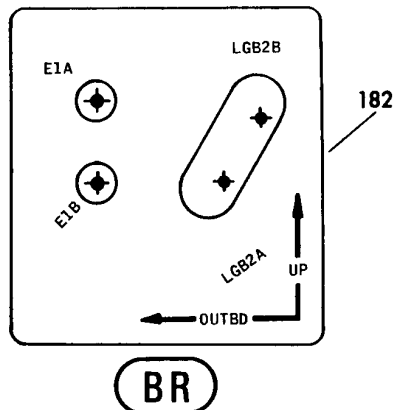
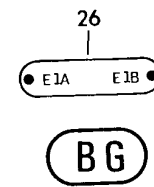
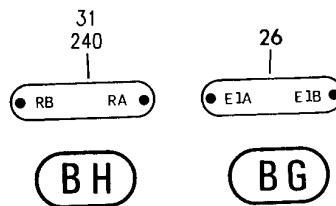
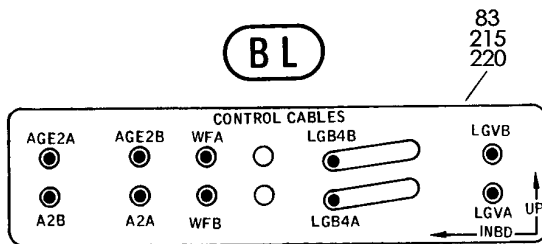
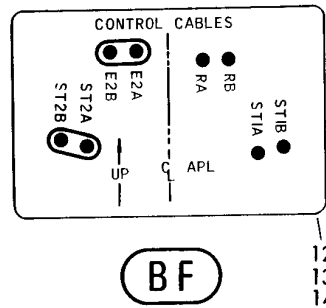
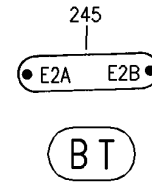
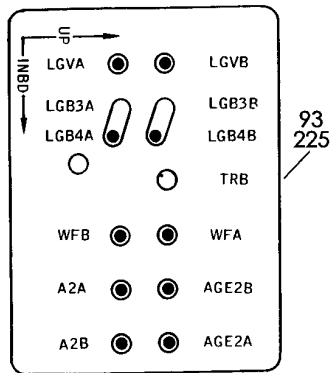
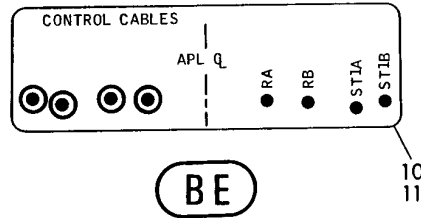
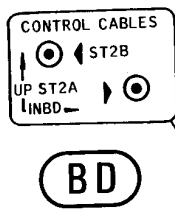
**11-35-15-01**

HXL  
DEC 22/06

11-35-15-01  
PAGE 0G

BOEING PROPRIETARY - Copyright © - Unpublished Work - See title page for details.

**BOEING**  
767  
PARTS CATALOG (MAINTENANCE)



V 11351501 SHT 9 REV 238

MARKER INSTL-SECT. 43 45 46 AND 48 CONT CABLE IDENT  
FIGURE 1 (SHEET 9)

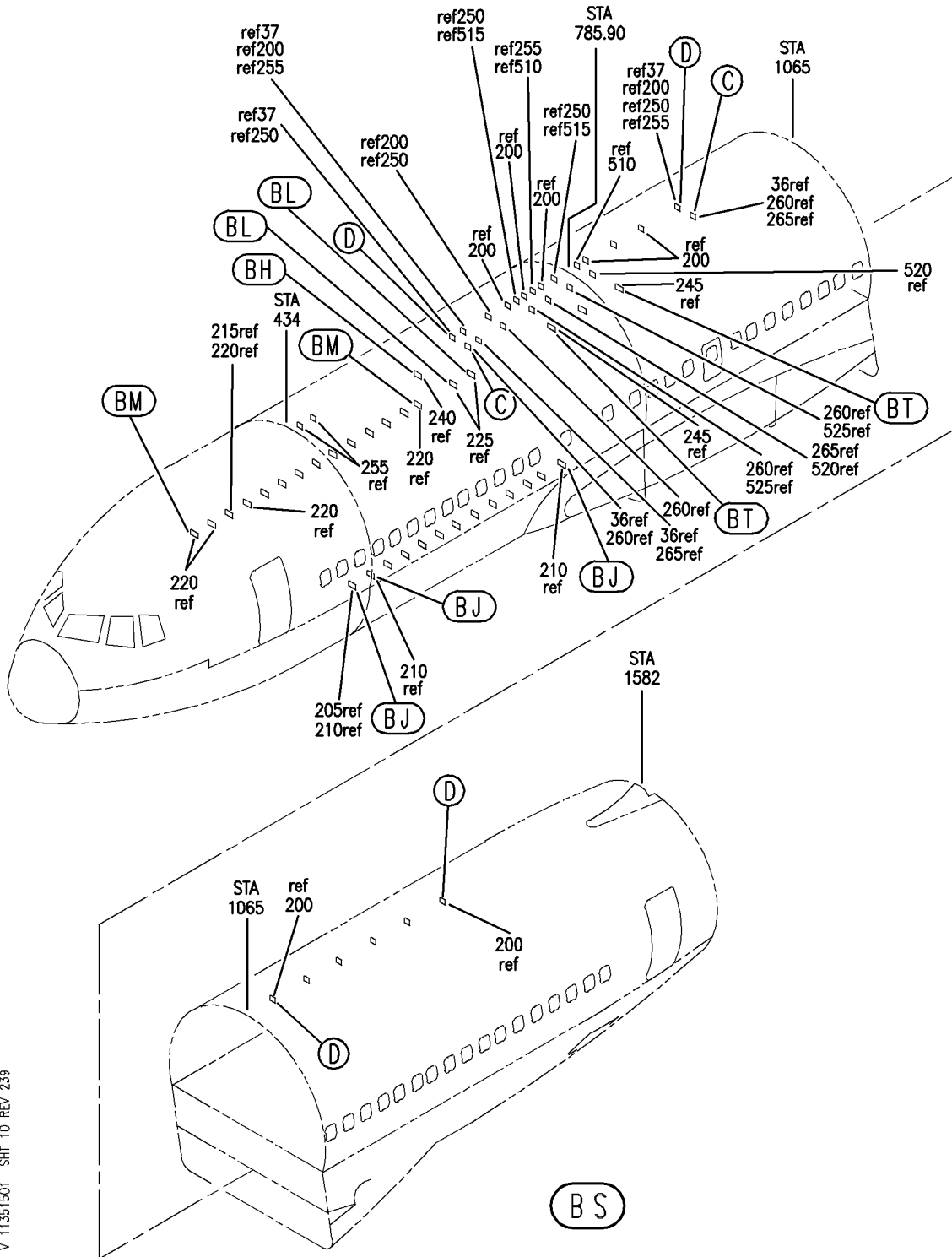
**11-35-15-01**

HXL  
DEC 22/06

11-35-15-01  
PAGE 0H

BOEING PROPRIETARY - Copyright © - Unpublished Work - See title page for details.

**BOEING**  
767  
**PARTS CATALOG (MAINTENANCE)**



V 11351501 SHT 10 REV 239

MARKER INSTL-SECT. 43 45 46 AND 48 CONT CABLE IDENT  
FIGURE 1 (SHEET 10)

**11-35-15-01**

HXL  
DEC 22/06

11-35-15-01  
PAGE 01





767

PARTS CATALOG (MAINTENANCE)

FIG ITEM	PART NUMBER	1 2 3 4 5 6 7	NOMENCLATURE	EFFECT FROM TO	UNITS PER ASSY
1			MARKER INSTL-SECT. 43 45 46 AND 48 CONT CABLE IDENT		
- 1	251T0767-207		MARKER INSTL-CONT CABLE IDENT POSITION DATA: SECT. 43 ,45 ,46 AND 48 VARIABLE DRAWING REF: 251T0767-5217 FOR NHA/ADDITIONAL DET SEE: 27-00-01-02C		RF
11	BAC27TCT0420		.MARKER- POSITION DATA: STA 456, 500		2
21	BAC27TCT0414		.MARKER-ALUMINUM FOIL POSITION DATA: STA 1043		1
22	BAC27TCT0415		.MARKER-ALUMINUM FOIL		1
23	BAC27TCT0416		.MARKER-ALUMINUM FOIL POSITION DATA: STA 955.10		1
25	BAC27TCT0135		.DECAL- POSITION DATA: STA 933		1
26	BAC27TCT0135		.DECAL- POSITION DATA: STA 636, 729, 774		3
30	BAC27TCT0134		.DECAL- POSITION DATA: STA 933		1
33A	BAC27TCT0134		.DECAL- POSITION DATA: STA 636, 729, 774		3
46	BAC27TCT0419		.DECAL- POSITION DATA: STA 1480		1
51	BAC27TCT0418		.MARKER-ALUMINUM FOIL POSITION DATA: STA 1620		1
55	BAC27TCT0129		.MARKER-ALUMINUM FOIL POSITION DATA: STA 1725.50		1
60	BAC27TCT0128		.MARKER-ALUMINUM FOIL POSITION DATA: STA 1725.50		1
65	BAC27TCT0141		.MARKER-ALUMINUM FOIL POSITION DATA: STA 1725.50		1

ILLUSTRATION ITEMS NOT ON PARTS LIST ARE NOT APPLICABLE

- ITEM NOT ILLUSTRATED

11-35-15-01

11-35-15  
FIG. 01  
PAGE 1  
DEC 22/07

HXL

 **BOEING**  
767  
**PARTS CATALOG (MAINTENANCE)**

FIG ITEM	PART NUMBER	1 2 3 4 5 6 7	NOMENCLATURE	EFFECT FROM TO	UNITS PER ASSY
1	70 BAC27TCT0140		.MARKER-ALUMINUM FOIL POSITION DATA: STA 1725.50		1
	78 BAC27TCT0371		.DECAL- POSITION DATA: STA 434, 632		2
	83 BAC27TCT0373		.DECAL- POSITION DATA: STA 434, 654		2
	88 BAC27TCT0372		.DECAL- POSITION DATA: STA 720.00		1
	93 BAC27TCT0374		.DECAL- POSITION DATA: STA 720		1
	95 BAC27TCT0100		.DECAL- POSITION DATA: STA 746		1
	100 BAC27TCT0117		.DECAL- POSITION DATA: STA 746		1
	107 BAC27TCT0350		.DECAL- POSITION DATA: STA 933		1
	112 BAC27TCT0352		.DECAL- POSITION DATA: STA 933		1
	115 BAC27TCT0119		.DECAL- POSITION DATA: STA 965.90		1
	120 BAC27TCT0124		.DECAL- POSITION DATA: STA 956		1
	127 BAC27TCT0357		.MARKER-ALUMINUM FOIL POSITION DATA: STA 988		1
	133 BAC27TCT0356		.MARKER-ALUMINUM FOIL POSITION DATA: STA 988		1
	137 BAC27TCT0351		.MARKER-ALUMINUM FOIL POSITION DATA: STA 999		1
	143 BAC27TCT0353		.MARKER-ALUMINUM FOIL POSITION DATA: STA 999		1
	147 BAC27TCT0355		.MARKER-ALUMINUM FOIL POSITION DATA: STA 1031		1

ILLUSTRATION ITEMS NOT ON PARTS LIST ARE NOT APPLICABLE

— ITEM NOT ILLUSTRATED

HXL

# 11-35-15-01

BOEING PROPRIETARY - Copyright © - Unpublished Work - See title page for details.

11-35-15  
FIG. 01  
PAGE 2  
DEC 22/07



767

PARTS CATALOG (MAINTENANCE)

FIG ITEM	PART NUMBER	1 2 3 4 5 6 7	NOMENCLATURE	EFFECT FROM TO	UNITS PER ASSY
1					
153	BAC27TCT0354		.MARKER-ALUMINUM FOIL POSITION DATA: STA 1021		1
155	BAC27TCT0126		.DECAL- POSITION DATA: STA 1072		1
160	BAC27TCT0127		.DECAL- POSITION DATA: STA 1072		1
165	BAC27TCT0121		.DECAL- POSITION DATA: STA 1131		1
170	BAC27TCT0122		.DECAL- POSITION DATA: STA 1502		1
188	BAC27TCT0411		.MARKER-ALUMINUM FOIL		2
189	BAC27TCT0412		.MARKER-ALUMINUM FOIL		2
ILLUSTRATION ITEMS NOT ON PARTS LIST ARE NOT APPLICABLE					

- ITEM NOT ILLUSTRATED

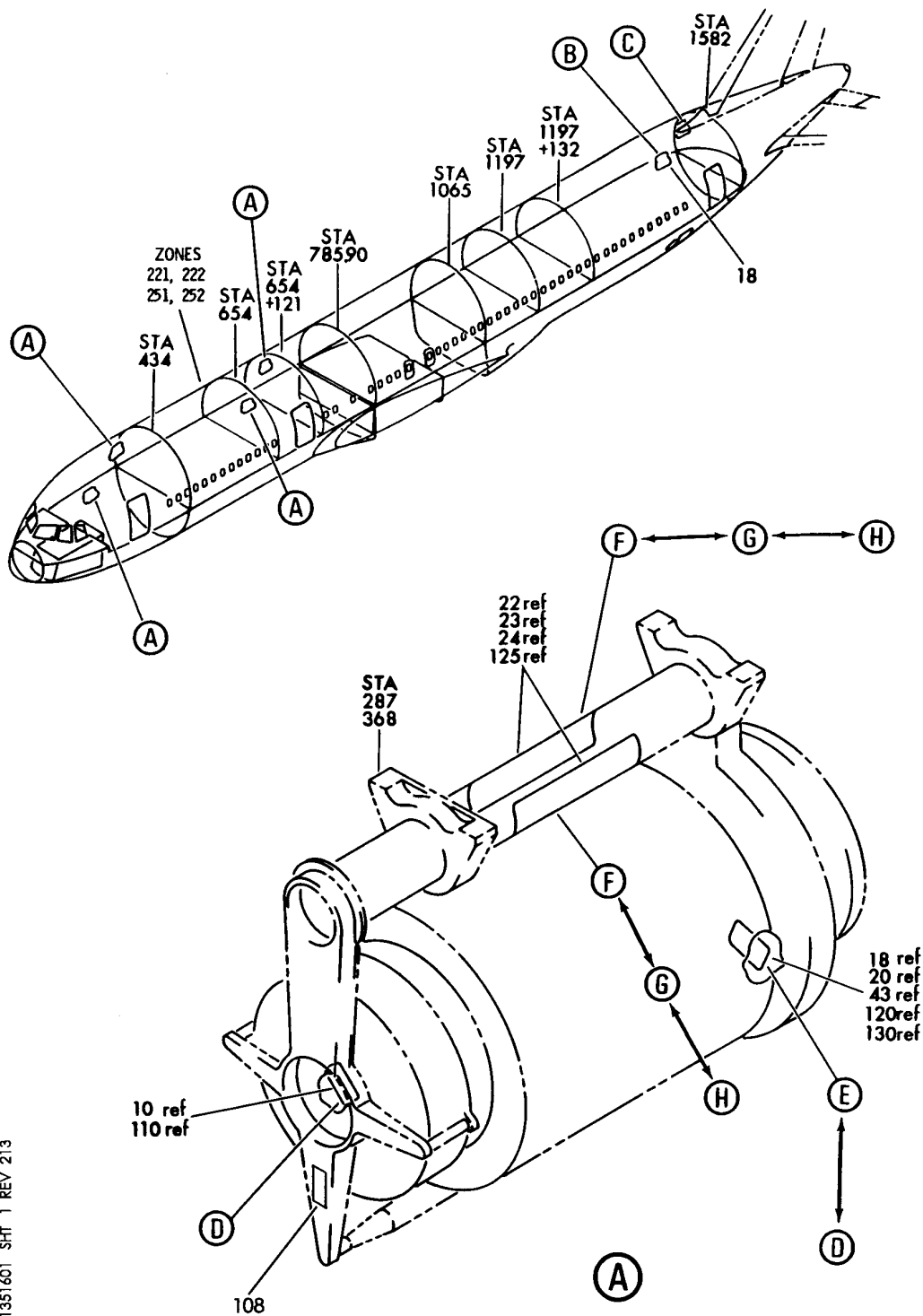
HXL

11-35-15-01

BOEING PROPRIETARY - Copyright © - Unpublished Work - See title page for details.

11-35-15  
FIG. 01  
PAGE 3  
DEC 22/07

**BOEING**  
767  
PARTS CATALOG (MAINTENANCE)



V 11351601 SHT 1 REV 213

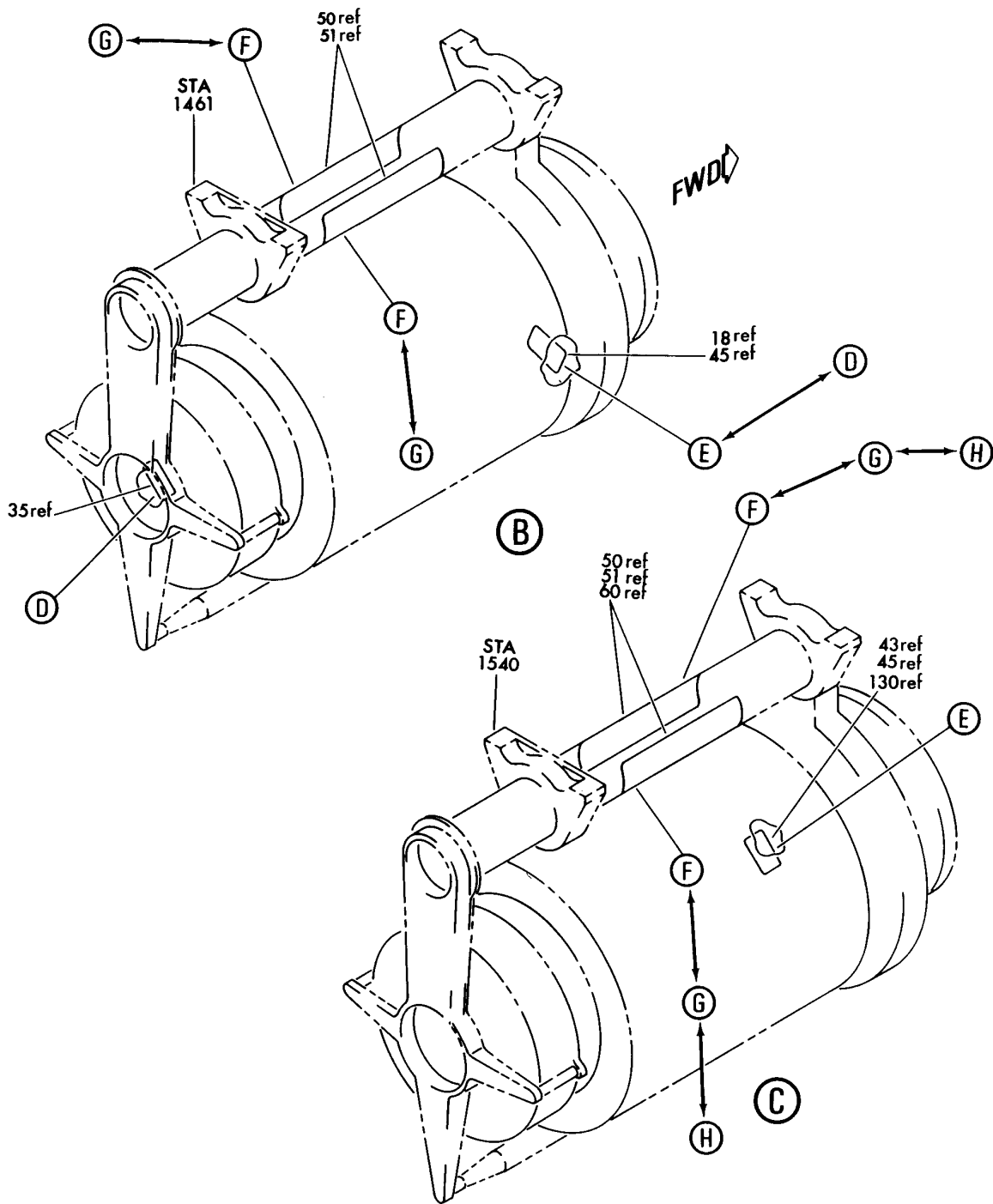
COUNTERBALANCE AND PULLEY INSTL-SECT. 41, SECT. 43 AND SECT. 46 DOORS (PLACARDS AND MARKINGS ONLY)  
FIGURE 1 (SHEET 1)

HXL  
DEC 22/06

**11-35-16-01**

11-35-16-01  
PAGE 0


**BOEING**  
 767  
**PARTS CATALOG (MAINTENANCE)**



V 11351601 SHT 2 REV 111

COUNTERBALANCE AND PULLEY INSTL-SECT. 41, SECT. 43 AND SECT. 46 DOORS (PLACARDS AND MARKINGS ONLY)  
 FIGURE 1 (SHEET 2)

HXL  
 DEC 22/06

# 11-35-16-01

11-35-16-01  
 PAGE 0A

**BOEING**  
767  
**PARTS CATALOG (MAINTENANCE)**

CAUTION  
WHEN DOOR IS SHUT  
MANUAL CLOCKWISE  
HANDLE ROTATION  
CAN DAMAGE LOAD  
LIMITER CARTRIDGE

(D) 10  
18  
35  
43  
130

WARNING -  
WITH PAWL  
ENGAGED  
DOOR WILL  
NOT OPERATE

(E) 20  
45  
120

WARNING: CONTAINS  
HEAVILY WOUND SPRINGS  
- HANDLE WITH CARE -

(F) 22  
50

WARNING: CONTAINS  
HEAVILY WOUND SPRINGS  
UNWIND SPRINGS BEFORE  
DISASSEMBLY.

SEE MAINTENANCE MANUAL SECTION 52-11-16  
FOR REMOVAL/INSTALLATION

SEE COMPONENT MAINTENANCE MANUAL  
SECTION 52-11-61 OR DWG. 258T1100 FOR  
PROCEDURE TO UNWIND SPRINGS.

(G) 23  
51

WARNING: CONTAINS  
HEAVILY WOUND SPRINGS  
UNWIND SPRINGS BEFORE  
DISASSEMBLY.

SEE MAINTENANCE MANUAL SECTION 52-11-16  
FOR REMOVAL/INSTALLATION

SEE COMPONENT MAINTENANCE MANUAL  
SECTION 52-11-62 OR DWG. 258T1190 FOR  
PROCEDURE TO UNWIND SPRINGS.

(H) 24  
60  
125

V 11351601 SHT 3 REV 224

COUNTERBALANCE AND PULLEY INSTL-SECT. 41, SECT. 43 AND SECT. 46 DOORS (PLACARDS AND MARKINGS ONLY)  
FIGURE 1 (SHEET 3)

HXL  
DEC 22/06

**11-35-16-01**

11-35-16-01  
PAGE 08



767

PARTS CATALOG (MAINTENANCE)

FIG ITEM	PART NUMBER	1 2 3 4 5 6 7	NOMENCLATURE	EFFECT FROM TO	UNITS PER ASSY
1			COUNTERBALANCE AND PULLEY INSTL-SECT. 41, SECT. 43 AND SECT. 46 DOORS (PLACARDS AND MARKINGS ONLY)		
- 1	258T3000-5		COUNTERBALANCE AND PULLEY- INSTL-ENTRY DOOR (PLACARDS AND MARKINGS ONLY) POSITION DATA: SECT. 41 LH VARIABLE DRAWING REF: 258T3000-5035 FOR NHA/OTHER SYS DET SEE: 53-10-00-08		RF
- 5	258T3000-6		COUNTERBALANCE AND PULLEY- INSTL-SVCE DOOR (PLACARDS AND MARKINGS ONLY) POSITION DATA: SECT. 41 RH VARIABLE DRAWING REF: 258T3000-5039 FOR NHA/OTHER SYS DET SEE: 53-10-00-08		RF
10	BAC27TCT0257		.MARKER		1

ILLUSTRATION ITEMS NOT ON PARTS LIST ARE NOT APPLICABLE

- ITEM NOT ILLUSTRATED

HXL

11-35-16-01

BOEING PROPRIETARY - Copyright © - Unpublished Work - See title page for details.

11-35-16  
FIG. 01  
PAGE 1  
DEC 22/07



767

PARTS CATALOG (MAINTENANCE)

FIG ITEM	PART NUMBER	1 2 3 4 5 6 7	NOMENCLATURE	EFFECT FROM TO	UNITS PER ASSY
1 - 15	258T1190-4		.COUNTERBALANCE ASSY-VAR MISCELLANEOUS DATA: IF THE SERIAL NUMBER OF THE INNER TORSION SPRING IS 3-001 THROUGH 3-1199, USE THIS COUNTERBALANCE ASSEMBLY ONLY WHEN YOU DO ALTERNATIVE 1 THAT IS INSTALL COUNTERBALANCE 285T1190-4 WITH AN INNER TORSION SPRING THAT HAS SERIAL NO. 3-001 THROUGH 3-1199. IF YOU INSTALL A NEW INNER TORSION SPRING, INSTALL SPRING S258T160-3 THAT HAS A SERIAL NO. 3-001 THROUGH 3-1199. IF THE SERIAL NUMBER OF THE INNER TORSION SPRING IS AFTER 3-1199, DO ALTERNATIVE 2 INSTALL COUNTERBALANCE 285T1190-4 WITH AN INNER TORSION SPRING THAT HAS SERIAL NO. AFTER 3-1199. IF YOU INSTALL NEW INNER TORSION SPRING, INSTALL SPRING S258T160-7. OR INSTALL SPRING S258T160-3 THAT HAS SERIAL NO. AFTER 3-1199, PER SB 52A0053. COMPONENT MAINT MANUAL REF: 52-11-62 REFERENCE SERVICE BULLETIN: 52A0053R2 FOR OTHER SYS DETAILS SEE: 52-11-16-04		RF
- 15	258T1100-12		.COUNTERBALANCE ASSY- COMPONENT MAINT MANUAL REF: 52-11-63 FOR OTHER SYS DETAILS SEE: 52-11-16-03		RF

ILLUSTRATION ITEMS NOT ON PARTS LIST ARE NOT APPLICABLE

- ITEM NOT ILLUSTRATED

HXL

11-35-16-01

BOEING PROPRIETARY - Copyright © - Unpublished Work - See title page for details.

11-35-16  
FIG. 01  
PAGE 2  
DEC 22/07





767

PARTS CATALOG (MAINTENANCE)

FIG ITEM	PART NUMBER	1 2 3 4 5 6 7	NOMENCLATURE	EFFECT FROM TO	UNITS PER ASSY
1					
- 15	258T1190-5		.COUNTERBALANCE ASSY-VAR COMPONENT MAINT MANUAL REF: 52-11-62 OPTIONAL PART: 258T1190-4 FOR OTHER SYS DETAILS SEE: 52-11-16-04		RF
- 15	258T1190-8		.COUNTERBALANCE ASSY- MISCELLANEOUS DATA: USE THIS COUNTERBALANCE ASSEMBLY ONLY WHEN YOU DO ALTERNATIVE 2 THAT IS INSTALL COUNTER BALANCE 285T1190-8 WITH AN INNER TORSION SPRING THAT HAS SERIAL NO. AFTER 3-1199. IF YOU INSTALL NEW INNER TORSION SPRING, INSTALL SPRING S258T160-7. OR INSTALL SPRING S258T160 -3 THAT HAS SERIAL NO. AFTER 3-1199, PER SB 52A0053. COMPONENT MAINT MANUAL REF: 52-11-62 POST ALERT SB: 52A0053R2 FOR OTHER SYS DETAILS SEE: 52-11-16-01		RF
- 15	258T1190-8		.COUNTERBALANCE ASSY- COMPONENT MAINT MANUAL REF: 52-11-62 FOR OTHER SYS DETAILS SEE: 52-11-16-01		RF
18	BAC27TCT0257		..MARKER- USED ON: 258T1190-7 258T1190-8		1
20	BAC27TCT0308		..MARKER-ALUMINUM FOIL		1
23	BAC27TCT0326		..MARKER-ALUMINUM FOIL USED ON: 258T1100-7 258T1100-8 258T1100-9 258T1100-10 258T1100-11 258T1100-12		2

ILLUSTRATION ITEMS NOT ON PARTS LIST ARE NOT APPLICABLE

- ITEM NOT ILLUSTRATED

11-35-16-01

11-35-16  
FIG. 01  
PAGE 3  
DEC 22/07

HXL



767

PARTS CATALOG (MAINTENANCE)

FIG ITEM	PART NUMBER	1 2 3 4 5 6 7	NOMENCLATURE	EFFECT FROM TO	UNITS PER ASSY
1	24 BAC27TCT0331		. . MARKER-ALUMINUM FOIL WARNING USED ON: 258T1190-3 258T1190-4 258T1190-5 258T1190-7 258T1190-8		2
- 25	258T4000-5		COUNTERBALANCE AND PULLEY- INSTL-ENTRY DOOR (PLACARDS AND MARKINGS ONLY) POSITION DATA: SECT. 46 LH VARIABLE DRAWING REF: 258T4000-5036 FOR NHA/OTHER SYS DET SEE: 53-60-00-08		RF
- 30	258T4000-6		COUNTERBALANCE AND PULLEY- INSTL-ENTRY DOOR (PLACARDS AND MARKINGS ONLY) POSITION DATA: SECT. 46 RH VARIABLE DRAWING REF: 258T4000-5037 FOR NHA/OTHER SYS DET SEE: 53-60-00-08		RF
35	BAC27TCT0257		. MARKER		1

ILLUSTRATION ITEMS NOT ON PARTS LIST ARE NOT APPLICABLE

- ITEM NOT ILLUSTRATED

HXL

11-35-16-01

BOEING PROPRIETARY - Copyright © - Unpublished Work - See title page for details.

11-35-16  
FIG. 01  
PAGE 4  
APR 22/08



767

PARTS CATALOG (MAINTENANCE)

FIG ITEM	PART NUMBER	1 2 3 4 5 6 7	NOMENCLATURE	EFFECT FROM TO	UNITS PER ASSY
1 - 40	258T1190-4		.COUNTERBALANCE ASSY- MISCELLANEOUS DATA: IF THE SERIAL NUMBER OF THE INNER TORSION SPRING IS 3-001 THROUGH 3-1199, USE THIS COUNTERBALANCE ASSEMBLY ONLY WHEN YOU DO ALTERNATIVE 1 THAT IS INSTALL COUNTERBALANCE 285T1190-4 WITH AN INNER TORSION SPRING THAT HAS SERIAL NO. 3-001 THROUGH 3-1199. IF YOU INSTALL A NEW INNER TORSION SPRING, INSTALL SPRING S258T160-3 THAT HAS A SERIAL NO. 3-001 THROUGH 3-1199. IF THE SERIAL NUMBER OF THE INNER TORSION SPRING IS AFTER 3-1199, DO ALTERNATIVE 2 INSTALL COUNTERBALANCE 285T1190-4 WITH AN INNER TORSION SPRING THAT HAS SERIAL NO. AFTER 3-1199. IF YOU INSTALL NEW INNER TORSION SPRING, INSTALL SPRING S258T160-7. OR INSTALL SPRING S258T160-3 THAT HAS SERIAL NO. AFTER 3-1199, PER SB 52A0053. COMPONENT MAINT MANUAL REF: 52-11-62 REFERENCE SERVICE BULLETIN: 52A0053 FOR OTHER SYS DETAILS SEE: 52-11-16-04		RF
- 40	258T1100-12		.COUNTERBALANCE ASSY- COMPONENT MAINT MANUAL REF: 52-11-63 FOR OTHER SYS DETAILS SEE: 52-11-16-03		RF

ILLUSTRATION ITEMS NOT ON PARTS LIST ARE NOT APPLICABLE

- ITEM NOT ILLUSTRATED

HXL

11-35-16-01

BOEING PROPRIETARY - Copyright © - Unpublished Work - See title page for details.

11-35-16  
FIG. 01  
PAGE 5  
DEC 22/07



767

PARTS CATALOG (MAINTENANCE)

FIG ITEM	PART NUMBER	1 2 3 4 5 6 7	NOMENCLATURE	EFFECT FROM TO	UNITS PER ASSY
1					
- 40	258T1190-5		.COUNTERBALANCE ASSY- COMPONENT MAINT MANUAL REF: 52-11-62 OPTIONAL PART: 258T1190-4 FOR OTHER SYS DETAILS SEE: 52-11-16-04		RF
- 40	258T1190-8		.COUNTERBALANCE ASSY- MISCELLANEOUS DATA: USE THIS COUNTERBALANCE ASSEMBLY ONLY WHEN YOU DO ALTERNATIVE 2 THAT IS INSTALL COUNTER BALANCE 285T1190-8 WITH AN INNER TORSION SPRING THAT HAS SERIAL NO. AFTER 3-1199. IF YOU INSTALL NEW INNER TORSION SPRING, INSTALL SPRING S258T160-7. OR INSTALL SPRING S258T160 -3 THAT HAS SERIAL NO. AFTER 3-1199, PER SB 52A0053. COMPONENT MAINT MANUAL REF: 52-11-62 POST ALERT SB: 52A0053R2 FOR OTHER SYS DETAILS SEE: 52-11-16-01		RF
- 40	258T1190-8		.COUNTERBALANCE ASSY- COMPONENT MAINT MANUAL REF: 52-11-62 FOR OTHER SYS DETAILS SEE: 52-11-16-02		RF
43	BAC27TCT0257		..MARKER- USED ON: 258T1190-7 258T1190-8		1
45	BAC27TCT0308		..MARKER-ALUMINUM FOIL		1
51	BAC27TCT0326		..MARKER-ALUMINUM FOIL USED ON: 258T1100-7 258T1100-8 258T1100-9 258T1100-10 258T1100-11 258T1100-12		2

ILLUSTRATION ITEMS NOT ON PARTS LIST ARE NOT APPLICABLE

- ITEM NOT ILLUSTRATED

11-35-16-01

11-35-16  
FIG. 01  
PAGE 6  
DEC 22/07

HXL



767  
PARTS CATALOG (MAINTENANCE)

FIG ITEM	PART NUMBER	1 2 3 4 5 6 7	NOMENCLATURE	EFFECT FROM TO	UNITS PER ASSY
1 60	BAC27TCT0331		..MARKER-ALUMINUM FOIL WARNING USED ON: 258T1190-3 258T1190-4 258T1190-5 258T1190-7 258T1190-8		2

ILLUSTRATION ITEMS NOT ON PARTS LIST ARE NOT APPLICABLE

- ITEM NOT ILLUSTRATED

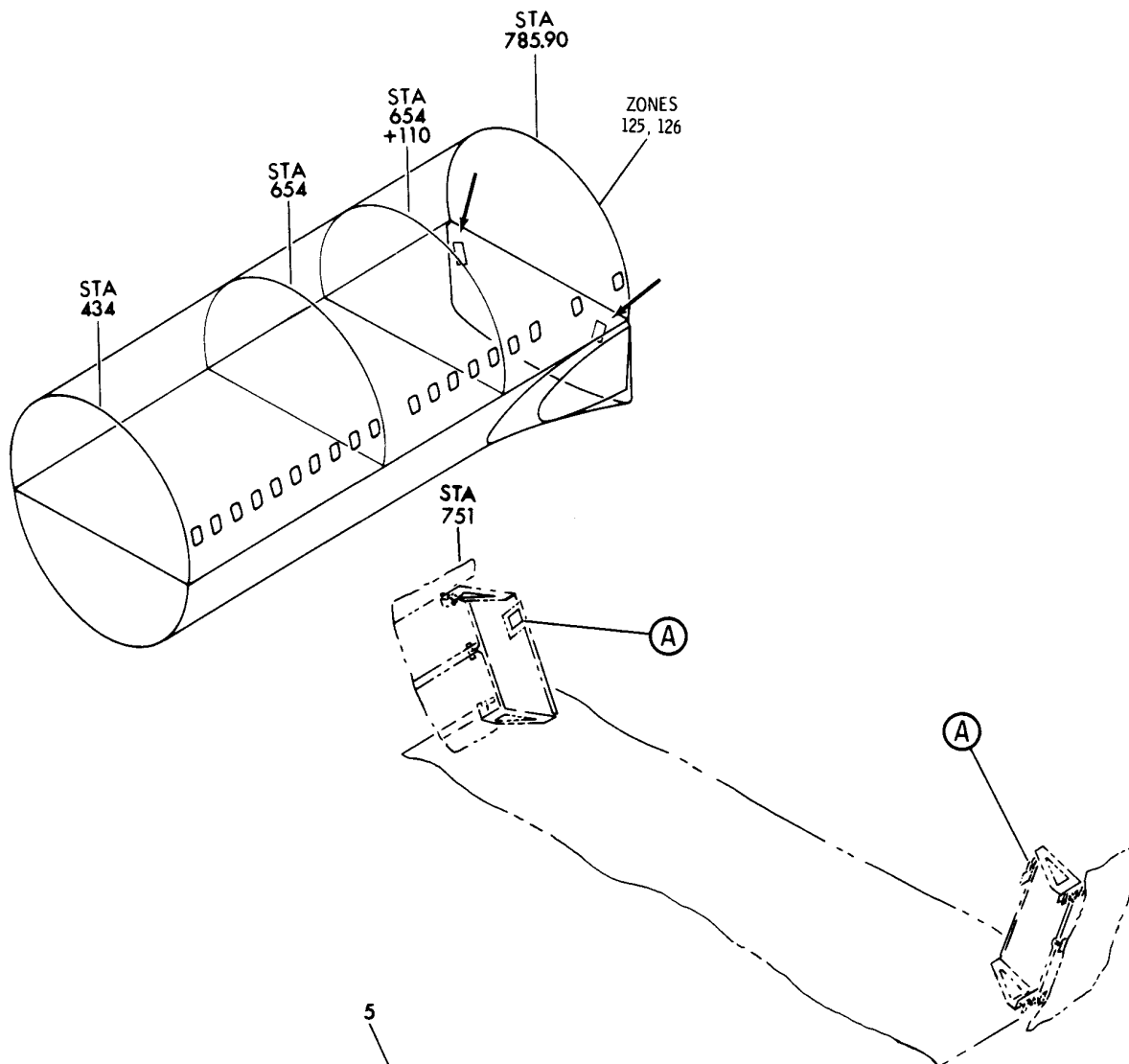
HXL

11-35-16-01


BOEING PROPRIETARY - Copyright © - Unpublished Work - See title page for details.

11-35-16  
FIG. 01  
PAGE 7  
DEC 22/06

**BOEING**  
767  
PARTS CATALOG (MAINTENANCE)



5



NOTE:  
WIRING, CONNECTORS, BONDS AND ELECTRICAL COMPONENTS IN THIS AREA ARE PROTECTED AGAINST EFFECTS OF LIGHTNING. SEE WIRING DIAGRAM MANUAL CHAPTERS 20 AND 73 FOR SPECIAL PRECAUTIONS REQUIRED FOR SERVICING WIRING AND ELECTRICAL COMPONENTS.

(A)

V 11351701 SHT 1 REV 089

DECAL INSTL-SECT. 43 LWR LIGHTNING STRIKE  
FIGURE 1

**11-35-17-01**

HXL  
DEC 22/06

11-35-17-01  
PAGE 0



767

PARTS CATALOG (MAINTENANCE)

FIG ITEM	PART NUMBER	1 2 3 4 5 6 7	NOMENCLATURE	EFFECT FROM TO	UNITS PER ASSY
1			DECAL INSTL-SECT. 43 LWR LIGHTNING STRIKE		
- 1	287T0072-3		DECAL INSTL-LIGHTNING STRIKE POSITION DATA: SECT. 43 LWR FOR NHA SEE: 24-00-57-02		RF
5	BAC27NEL1122		.MARKER-ALUMINUM FOIL		2

ILLUSTRATION ITEMS NOT ON PARTS LIST ARE NOT APPLICABLE

- ITEM NOT ILLUSTRATED

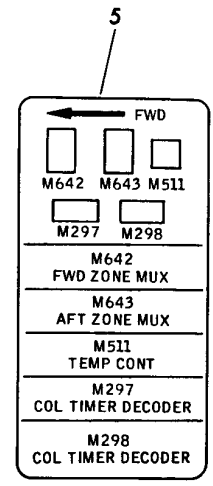
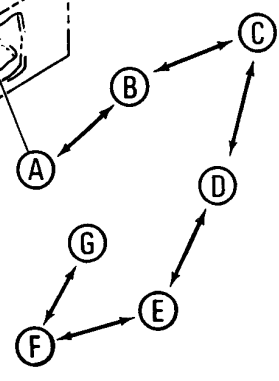
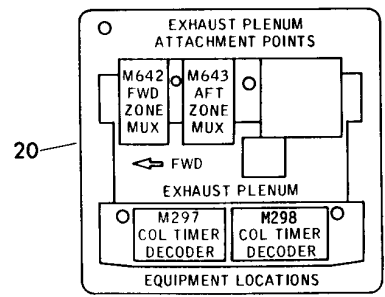
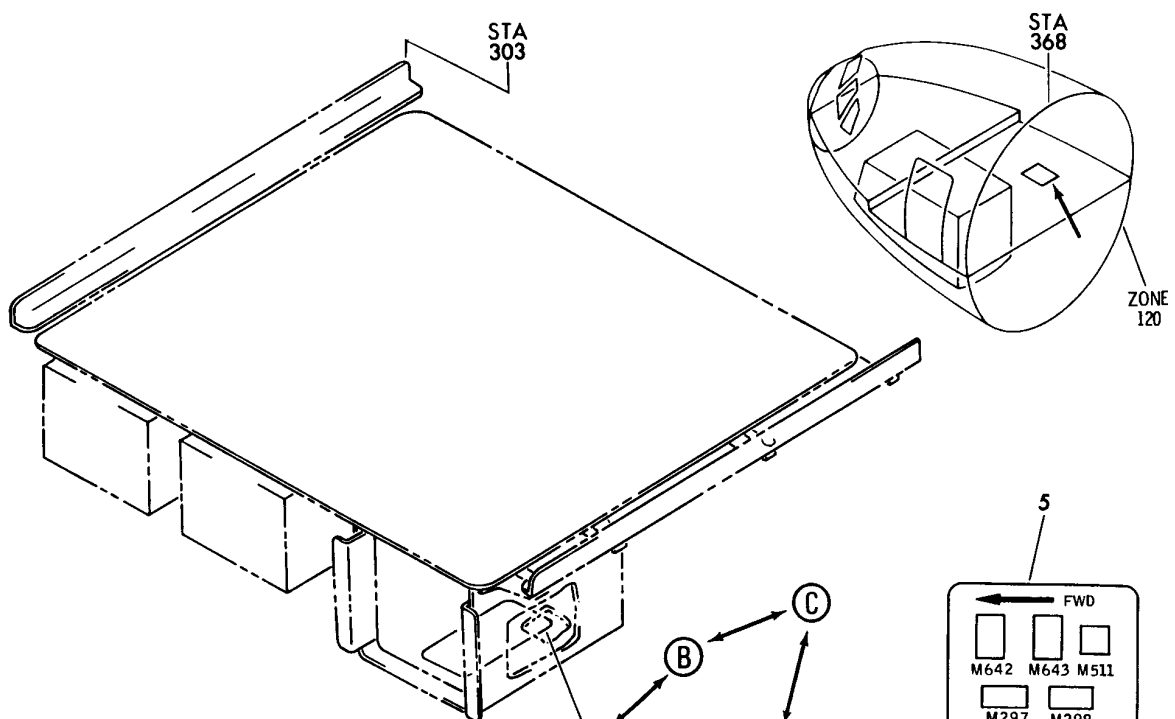
HXL

11-35-17-01

BOEING PROPRIETARY - Copyright © - Unpublished Work - See title page for details.

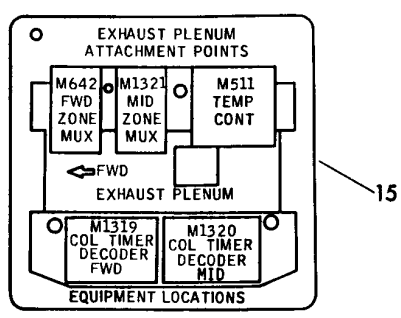
11-35-17  
FIG. 01  
PAGE 1  
DEC 22/06

**BOEING**  
767  
PARTS CATALOG (MAINTENANCE)

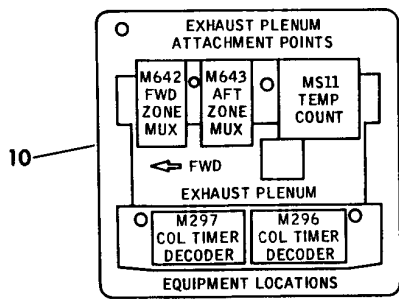


(D)

V 11351702 SH1 1 REV 167



(C)



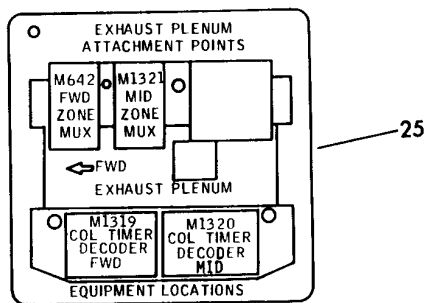
(B)

EQUIPMENT INSTL-MAIN EQPT CTR MISC (PLACARDS AND MARKINGS ONLY)  
FIGURE 2 (SHEET 1)

**11-35-17-02**

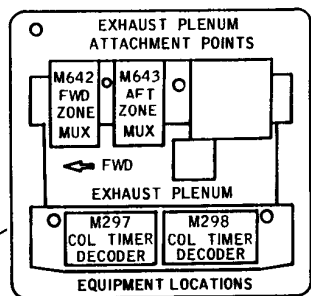


**BOEING**  
767  
PARTS CATALOG (MAINTENANCE)



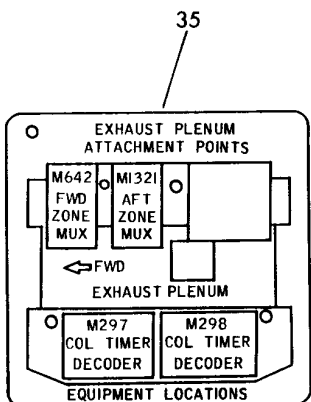
(E)

(H)



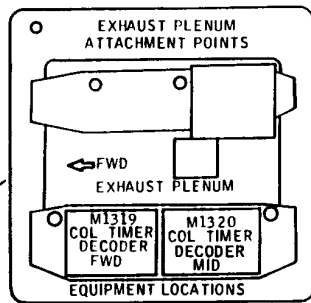
30

(F)



35

(G)



40

(H)

V 11351702 SHT 2 REV 167

EQUIPMENT INSTL-MAIN EQPT CTR MISC (PLACARDS AND MARKINGS ONLY)  
FIGURE 2 (SHEET 2)

**11-35-17-02**



767

PARTS CATALOG (MAINTENANCE)

FIG ITEM	PART NUMBER	1 2 3 4 5 6 7	NOMENCLATURE	EFFECT FROM TO	UNITS PER ASSY
2			EQUIPMENT INSTL-MAIN EQPT CTR MISC (PLACARDS AND MARKINGS ONLY)		
- 1	284T0686-3		EQUIPMENT INSTL-MAIN EQPT CTR MISC (PLACARDS AND MARKINGS ONLY)		RF
			VARIABLE DRAWING REF: 284T0686-5014 FOR NHA/OTHER SYS DET SEE: 24-00-58-02		
25	BAC27TEX3767		.DECAL-		1

ILLUSTRATION ITEMS NOT ON PARTS LIST ARE NOT APPLICABLE

- ITEM NOT ILLUSTRATED

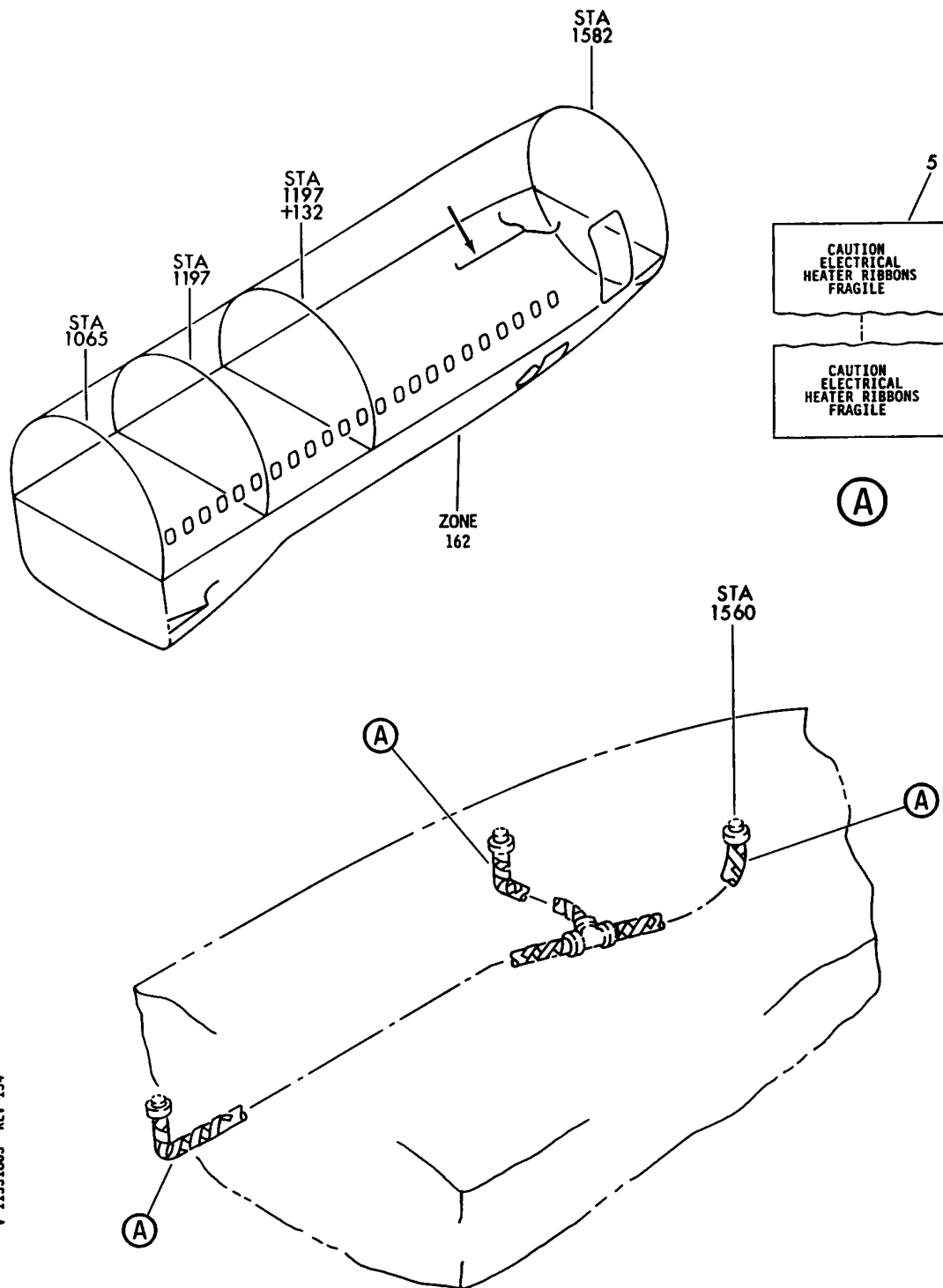
HXL

11-35-17-02

BOEING PROPRIETARY - Copyright © - Unpublished Work - See title page for details.

11-35-17  
FIG. 02  
PAGE 1  
DEC 22/07

**BOEING**  
767  
PARTS CATALOG (MAINTENANCE)



HEATER INSTL-SECT. 46 POTABLE WATER SYS (PLACARDS AND MARKINGS ONLY)  
FIGURE 5

**11-35-18-05**

HXL  
DEC 22/06

11-35-18-05  
PAGE 0



767

PARTS CATALOG (MAINTENANCE)

FIG ITEM	PART NUMBER	1 2 3 4 5 6 7	NOMENCLATURE	EFFECT FROM TO	UNITS PER ASSY
5			HEATER INSTL-SECT. 46 POTABLE WATER SYS (PLACARDS AND MARKINGS ONLY)		
- 1	417T2036-14		HEATER INSTL-POTABLE WATER SYS (PLACARDS AND MARKINGS ONLY) POSITION DATA: SECT. 46 FOR NHA/OTHER SYS DET SEE: 25-20-00-17E		RF
5	417T2079-1		.TAPE- PLACARD CONTENT: CAUTION ELECTRICAL HEATER RIBBONS		AR

ILLUSTRATION ITEMS NOT ON PARTS LIST ARE NOT APPLICABLE

- ITEM NOT ILLUSTRATED

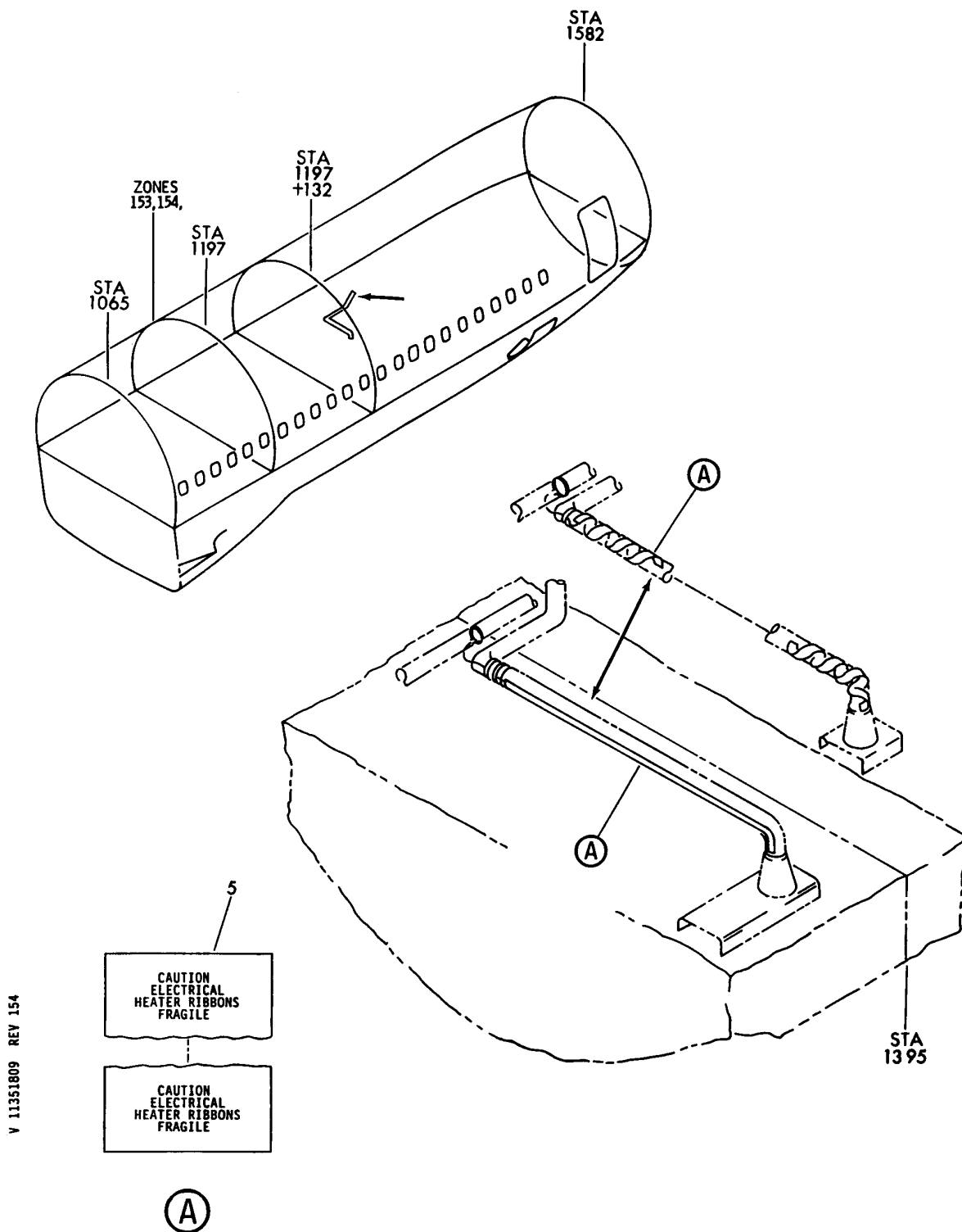
HXL

11-35-18-05

BOEING PROPRIETARY - Copyright © - Unpublished Work - See title page for details.

11-35-18  
FIG. 05  
PAGE 1  
AUG 22/08

**BOEING**  
767  
PARTS CATALOG (MAINTENANCE)



V 11351809 REV 154

HEATER INSTL-SECT. 46 POTABLE WATER SYS (PLACARDS AND MARKINGS ONLY)  
FIGURE 9

**11-35-18-09**

HXL  
DEC 22/06

11-35-18-09  
PAGE 0



767

PARTS CATALOG (MAINTENANCE)

FIG ITEM	PART NUMBER	1 2 3 4 5 6 7	NOMENCLATURE	EFFECT FROM TO	UNITS PER ASSY
9			HEATER INSTL-SECT. 46 POTABLE WATER SYS (PLACARDS AND MARKINGS ONLY)		
- 1	417T2036-15		HEATER INSTL-POTABLE WATER SYS (PLACARDS AND MARKINGS ONLY) POSITION DATA: SECT. 46 FOR NHA/OTHER SYS DET SEE: 25-20-00-17E		RF
5	417T2079-1		.TAPE- PLACARD CONTENT: CAUTION ELECTRICAL HEATER RIBBONS		AR

ILLUSTRATION ITEMS NOT ON PARTS LIST ARE NOT APPLICABLE

- ITEM NOT ILLUSTRATED

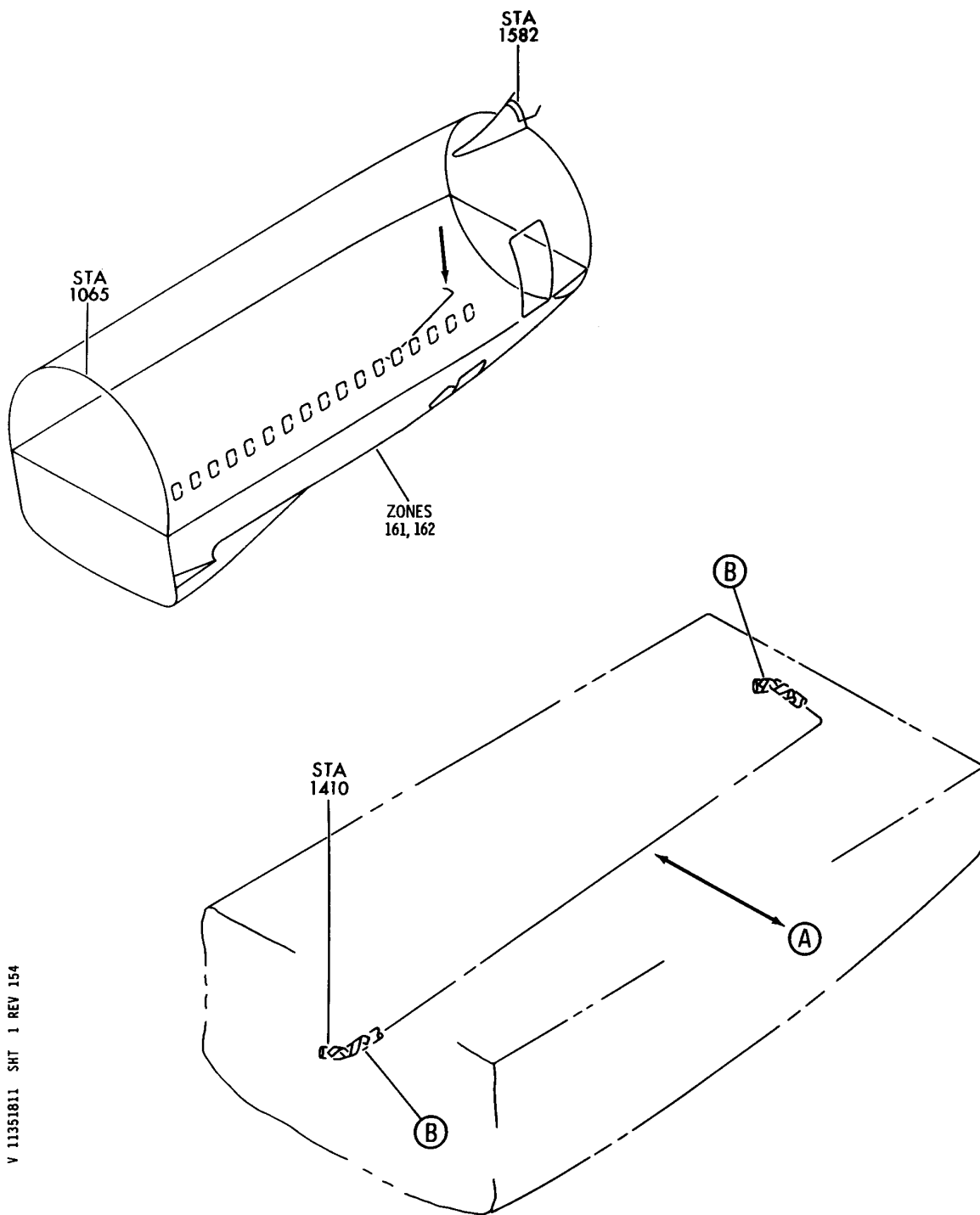
HXL

11-35-18-09

BOEING PROPRIETARY - Copyright © - Unpublished Work - See title page for details.

11-35-18  
FIG. 09  
PAGE 1  
DEC 22/07

**BOEING**  
767  
PARTS CATALOG (MAINTENANCE)



V 11351811 SHT 1 REV 154

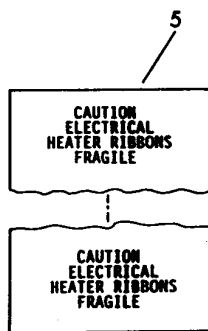
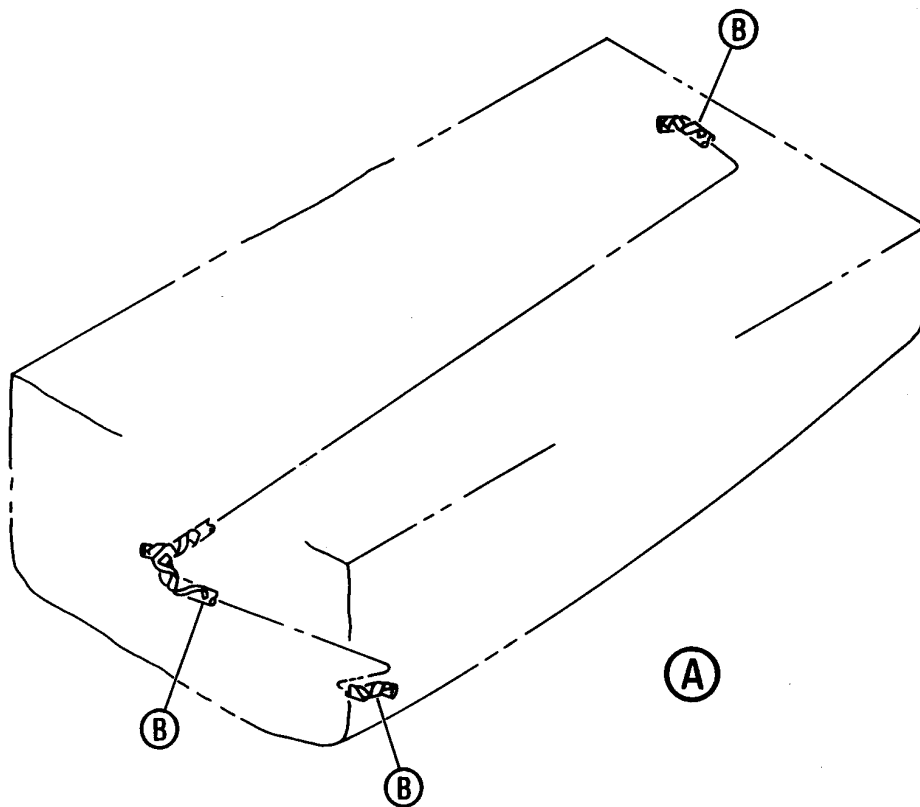
HEATER INSTL-SECT. 46 POTABLE WATER SYS (PLACARDS AND MARKINGS ONLY)  
FIGURE 11 (SHEET 1)

**11-35-18-11**

HXL  
DEC 22/06

11-35-18-11  
PAGE 0

**BOEING**  
767  
PARTS CATALOG (MAINTENANCE)



(B)

V 11351811 SHT 2 REV 154

HEATER INSTL-SECT. 46 POTABLE WATER SYS (PLACARDS AND MARKINGS ONLY)  
FIGURE 11 (SHEET 2)

**11-35-18-11**

HXL  
DEC 22/06

11-35-18-11  
PAGE 0A





767

PARTS CATALOG (MAINTENANCE)

FIG ITEM	PART NUMBER	1 2 3 4 5 6 7	NOMENCLATURE	EFFECT FROM TO	UNITS PER ASSY
11			HEATER INSTL-SECT. 46 POTABLE WATER SYS (PLACARDS AND MARKINGS ONLY)		
- 1	417T2036-9		HEATER INSTL-POTABLE WATER SYS (PLACARDS AND MARKINGS ONLY) POSITION DATA: SECT. 46 FOR NHA/OTHER SYS DET SEE: 25-20-00-17E		RF
5	417T2079-1		.TAPE- PLACARD CONTENT: CAUTION ELECTRICAL HEATER RIBBONS		AR

ILLUSTRATION ITEMS NOT ON PARTS LIST ARE NOT APPLICABLE

- ITEM NOT ILLUSTRATED

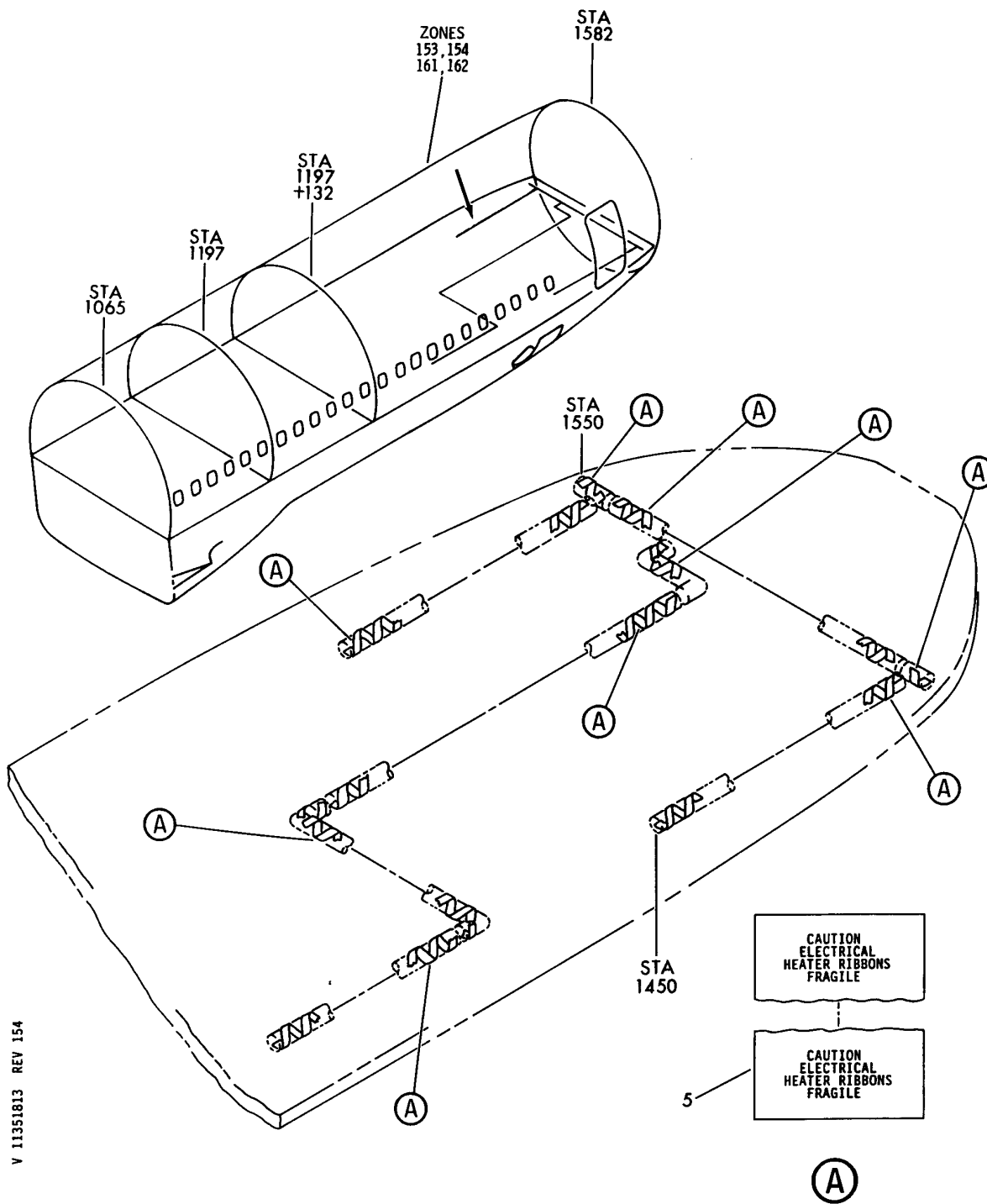
HXL

11-35-18-11

BOEING PROPRIETARY - Copyright © - Unpublished Work - See title page for details.

11-35-18  
FIG. 11  
PAGE 1  
DEC 22/07

**BOEING**  
767  
PARTS CATALOG (MAINTENANCE)



HEATER INSTL-SECT. 46 POTABLE WATER SYS (PLACARDS AND MARKINGS ONLY)  
FIGURE 13

**11-35-18-13**

HXL  
DEC 22/06

11-35-18-13  
PAGE 0



767

PARTS CATALOG (MAINTENANCE)

FIG ITEM	PART NUMBER	1 2 3 4 5 6 7	NOMENCLATURE	EFFECT FROM TO	UNITS PER ASSY
13			HEATER INSTL-SECT. 46 POTABLE WATER SYS (PLACARDS AND MARKINGS ONLY)		
- 1	417T2036-25		HEATER INSTL-POTABLE WATER SYS (PLACARDS AND MARKINGS ONLY) POSITION DATA: SECT. 46 FOR NHA/OTHER SYS DET SEE: 25-20-00-17E		RF
5	417T2079-1		.TAPE- PLACARD CONTENT: CAUTION ELECTRICAL HEATER RIBBONS		AR

ILLUSTRATION ITEMS NOT ON PARTS LIST ARE NOT APPLICABLE

- ITEM NOT ILLUSTRATED

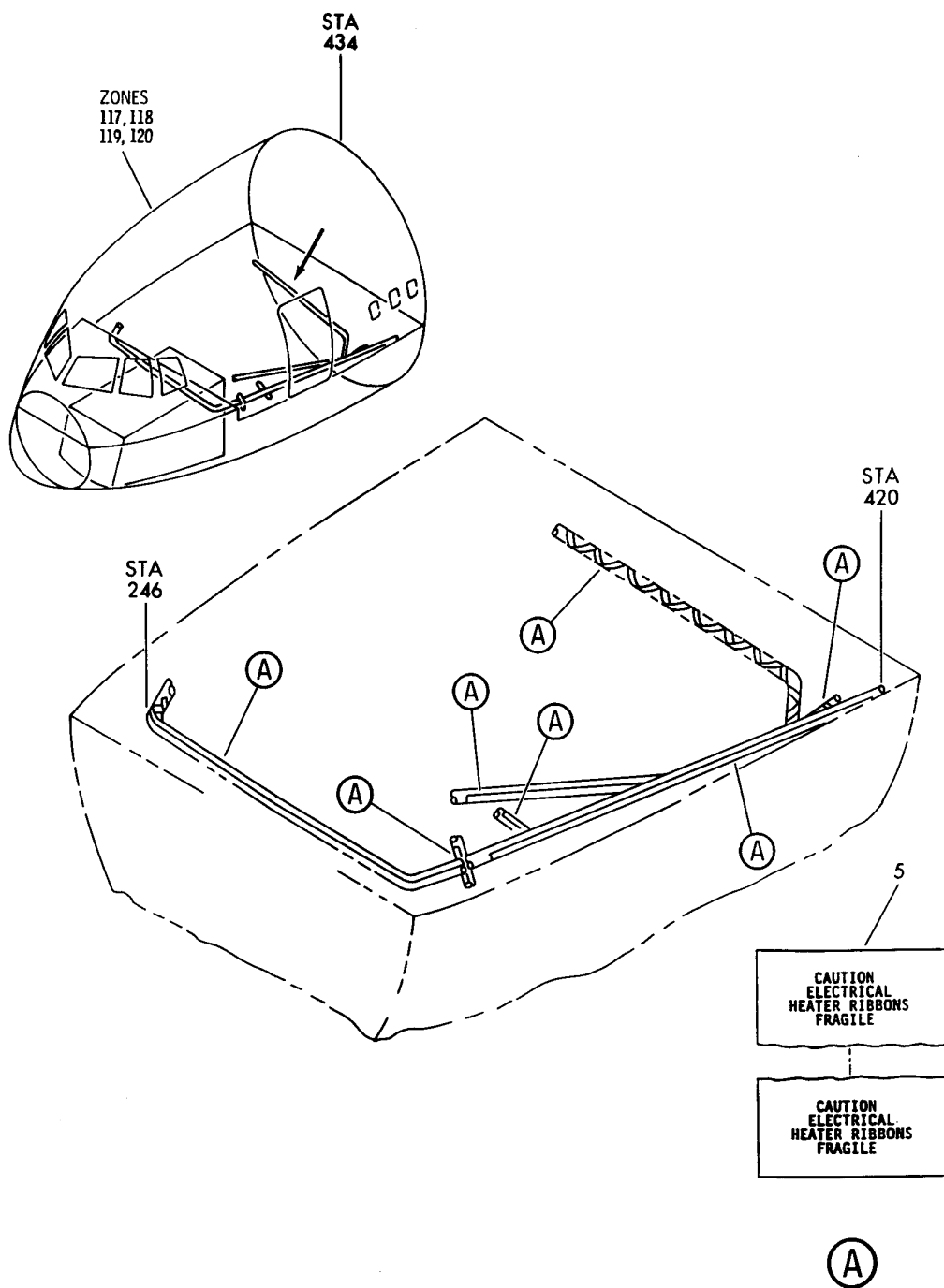
HXL

11-35-18-13

BOEING PROPRIETARY - Copyright © - Unpublished Work - See title page for details.

11-35-18  
FIG. 13  
PAGE 1  
AUG 22/08

**BOEING**  
767  
PARTS CATALOG (MAINTENANCE)



V 11351821G REV 158

HEATER INSTL-POTABLE WATER SYS (PLACARDS AND MARKINGS ONLY)  
FIGURE 21G

**11-35-18-21G**

HXL  
DEC 22/06

11-35-18-21G  
PAGE 0



767

PARTS CATALOG (MAINTENANCE)

FIG ITEM	PART NUMBER	1 2 3 4 5 6 7	NOMENCLATURE	EFFECT FROM TO	UNITS PER ASSY
21G					
- 1	417T2033-25		HEATER INSTL-POTABLE WATER SYS (PLACARDS AND MARKINGS ONLY)		RF
5	417T2079-1		HEATER INSTL-POTABLE WATER SYS (PLACARDS AND MARKINGS ONLY) POSITION DATA: SECT. 41 FOR NHA/OTHER SYS DET SEE: 25-20-00-17E .TAPE- PLACARD CONTENT: CAUTION ELECTRICAL HEATER RIBBONS		AR

ILLUSTRATION ITEMS NOT ON PARTS LIST ARE NOT APPLICABLE

- ITEM NOT ILLUSTRATED

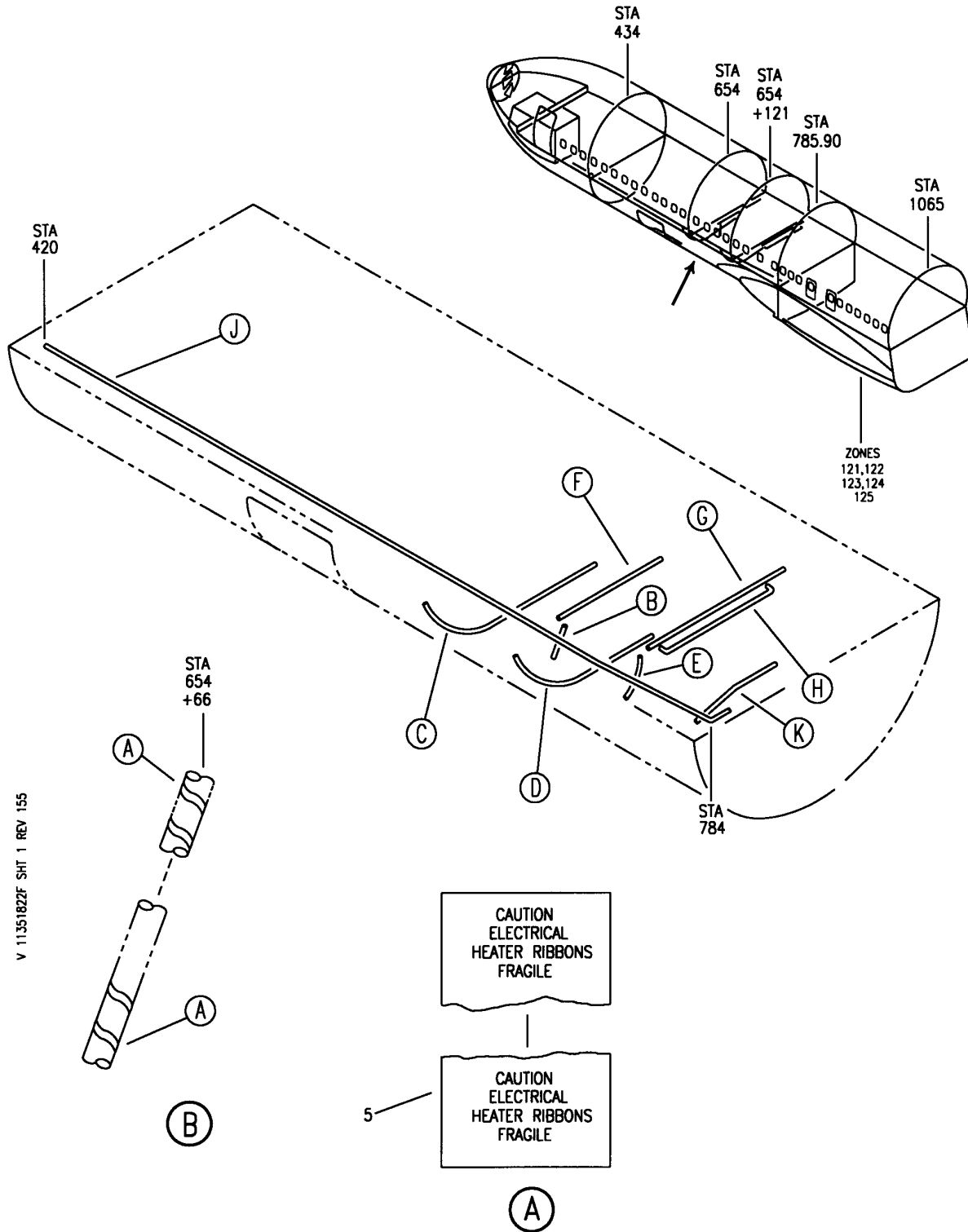
HXL

11-35-18-21G

BOEING PROPRIETARY - Copyright © - Unpublished Work - See title page for details.

11-35-18  
FIG. 21G  
PAGE 1  
AUG 22/08

**BOEING**  
767  
PARTS CATALOG (MAINTENANCE)



V 11351822F SHT 1 REV 155

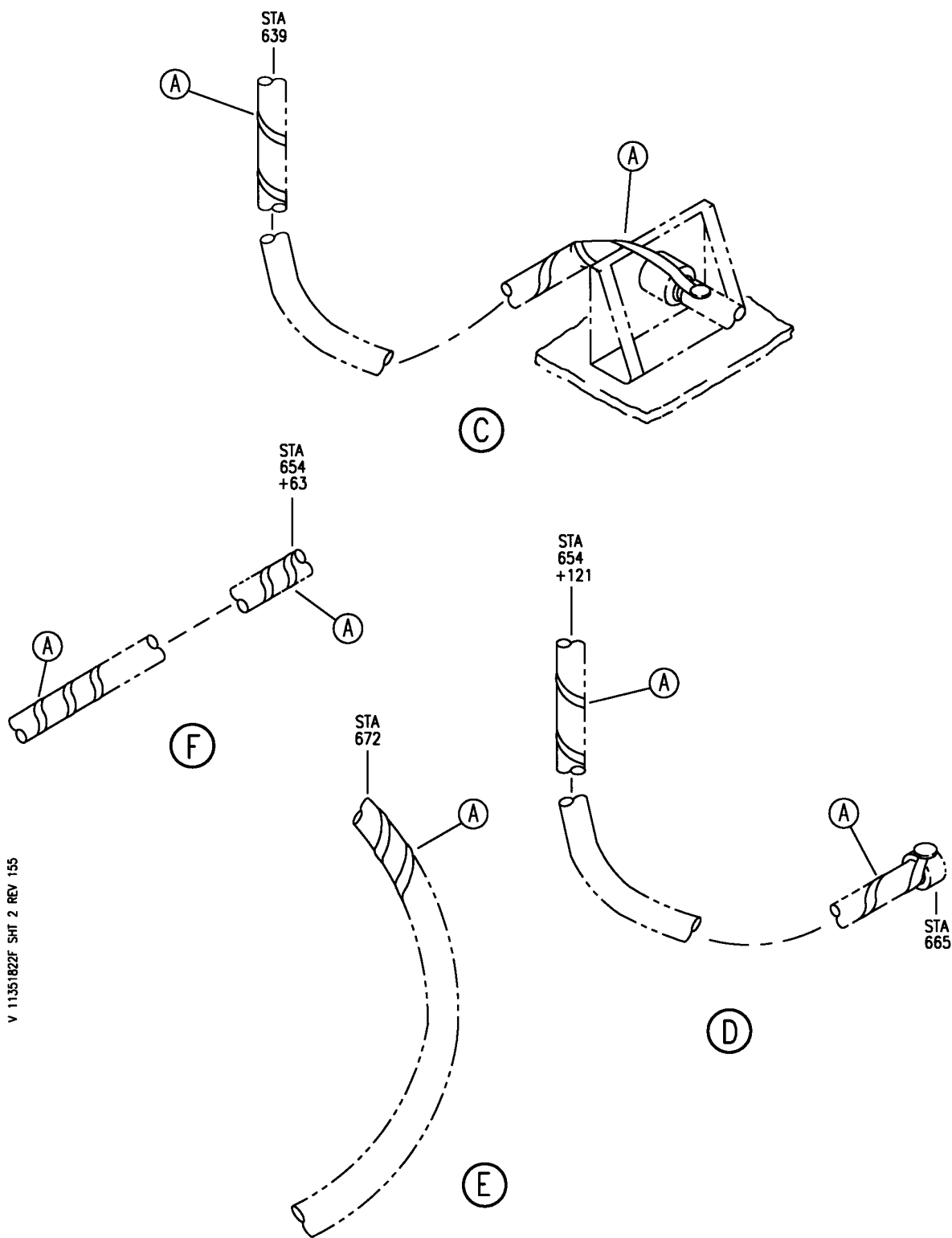
HEATER INSTL-POTABLE WATER SYS (PLACARDS AND MARKINGS ONLY)  
FIGURE 22F (SHEET 1)

**11-35-18-22F**

HXL  
DEC 22/06

11-35-18-22F  
PAGE 0

**BOEING**  
767  
PARTS CATALOG (MAINTENANCE)



V 11351822F SMT 2 REV 155

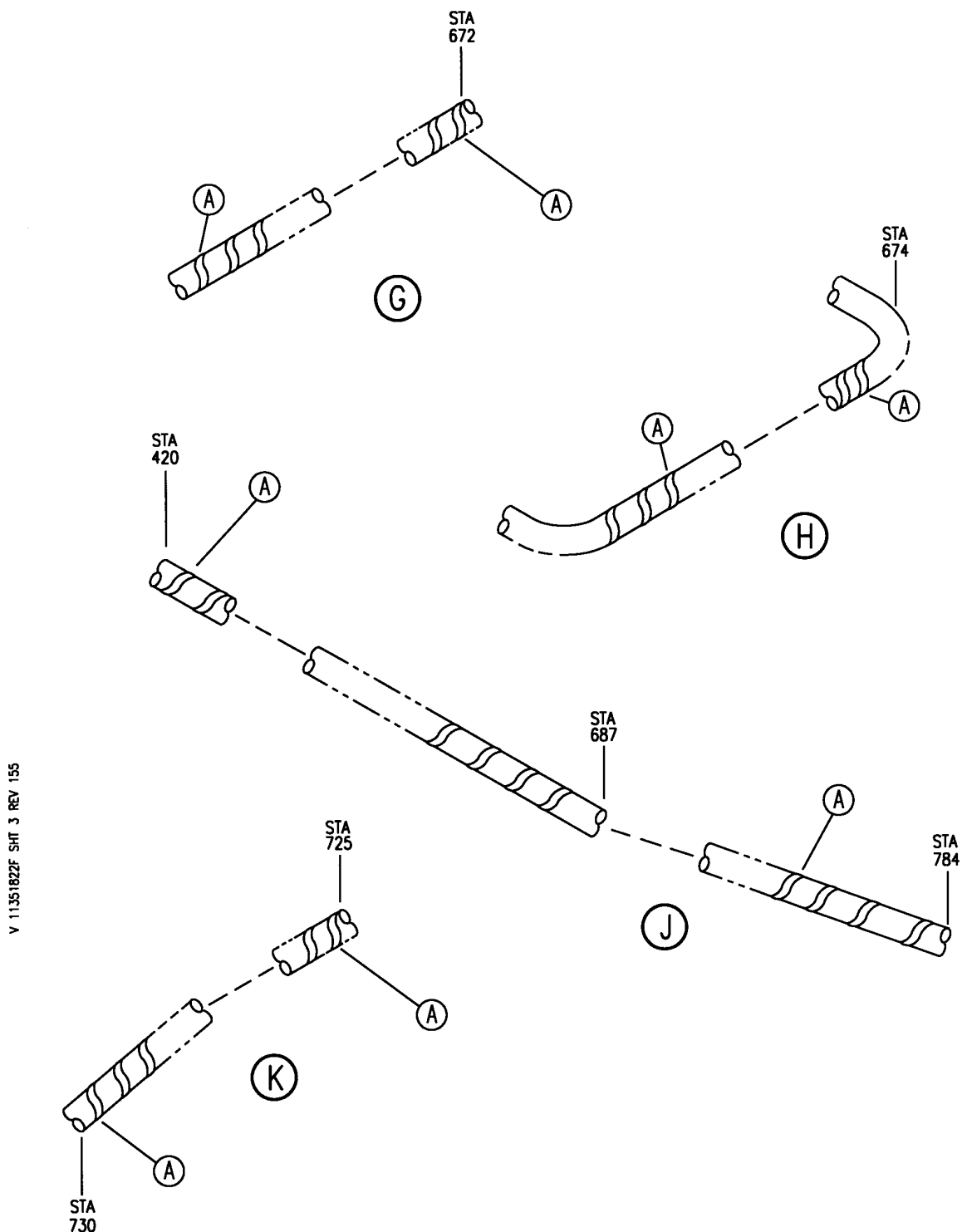
HEATER INSTL-POTABLE WATER SYS (PLACARDS AND MARKINGS ONLY)  
FIGURE 22F (SHEET 2)

**11-35-18-22F**

HXL  
DEC 22/06

11-35-18-22F  
PAGE 0A

**BOEING**  
767  
PARTS CATALOG (MAINTENANCE)



HEATER INSTL-POTABLE WATER SYS (PLACARDS AND MARKINGS ONLY)  
FIGURE 22F (SHEET 3)

HXL  
DEC 22/06

**11-35-18-22F**

11-35-18-22F  
PAGE 0B





767

PARTS CATALOG (MAINTENANCE)

FIG ITEM	PART NUMBER	1 2 3 4 5 6 7	NOMENCLATURE	EFFECT FROM TO	UNITS PER ASSY
22 F			HEATER INSTL-POTABLE WATER SYS (PLACARDS AND MARKINGS ONLY)		
- 1	417T2034-20		HEATER INSTL-POTABLE WATER SYS (PLACARDS AND MARKINGS ONLY)		RF
5	417T2079-1		POSITION DATA: SECT. 43 FOR NHA/OTHER SYS DET SEE: 25-20-00-17E .TAPE- PLACARD CONTENT: CAUTION ELECTRICAL HEATER RIBBONS		AR

ILLUSTRATION ITEMS NOT ON PARTS LIST ARE NOT APPLICABLE

- ITEM NOT ILLUSTRATED

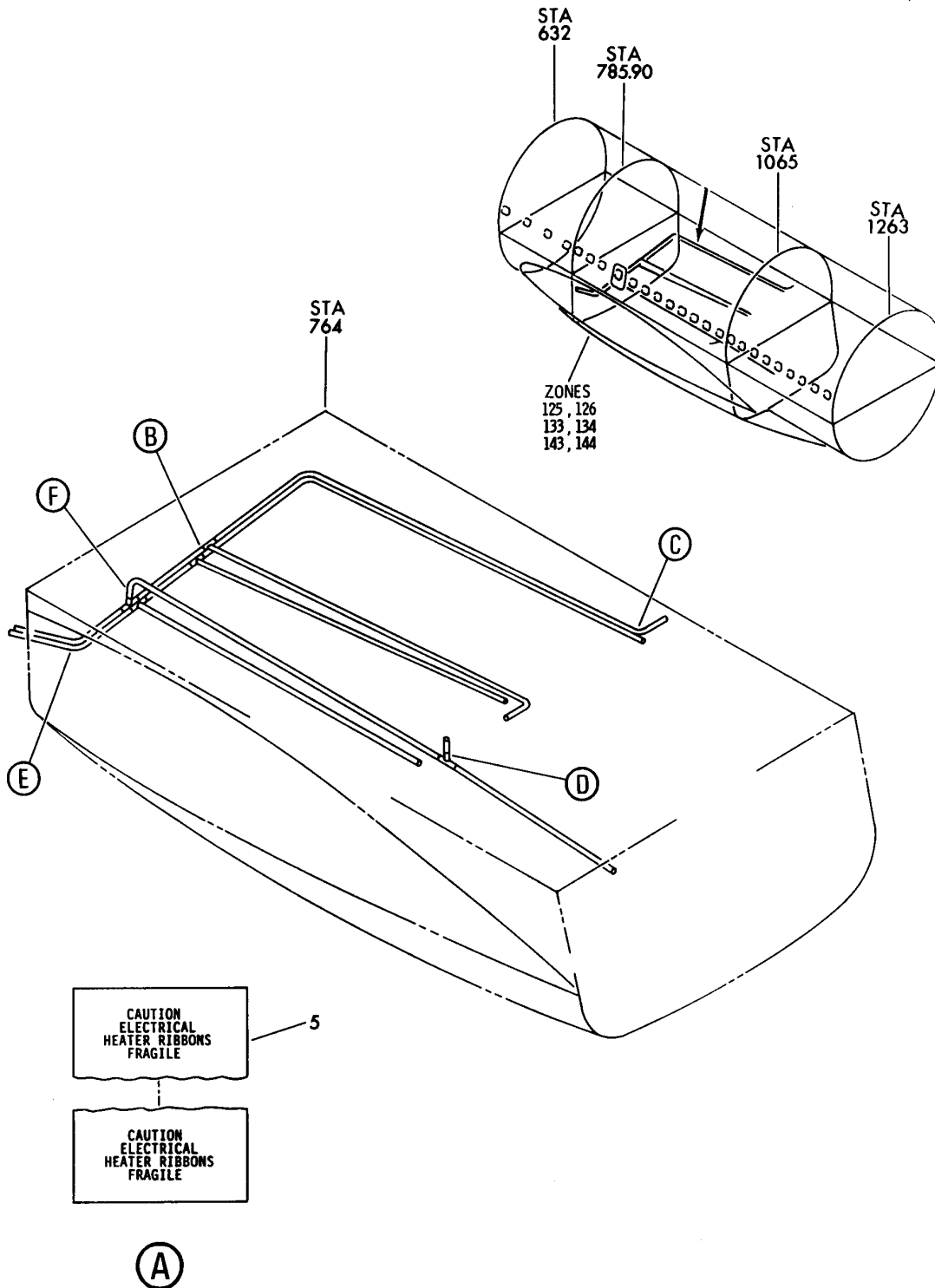
HXL

11-35-18-22F

BOEING PROPRIETARY - Copyright © - Unpublished Work - See title page for details.

11-35-18  
FIG. 22F  
PAGE 1  
AUG 22/08

**BOEING**  
767  
PARTS CATALOG (MAINTENANCE)



V 11351823T SMT 1 REV 158

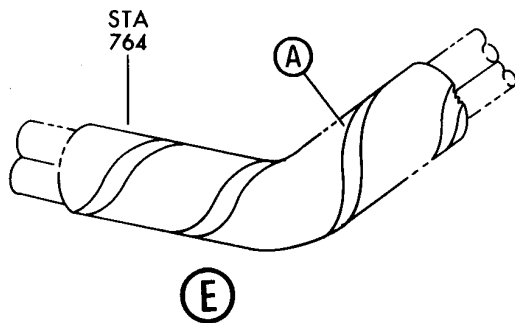
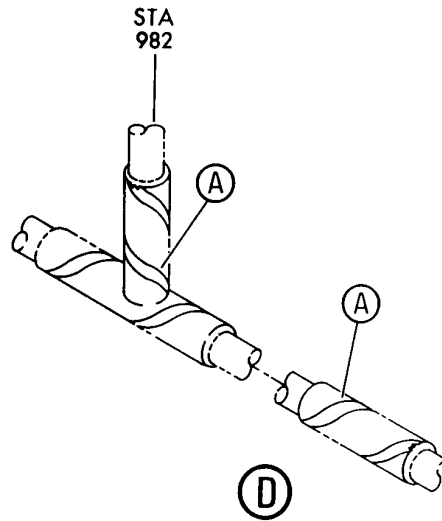
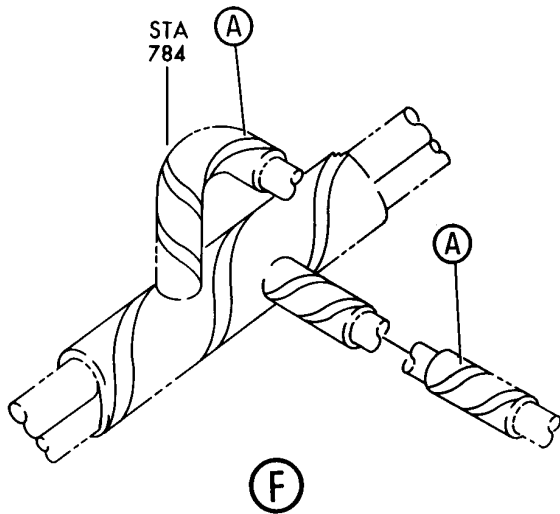
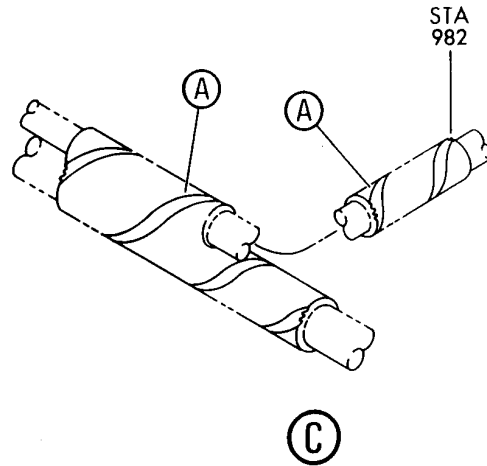
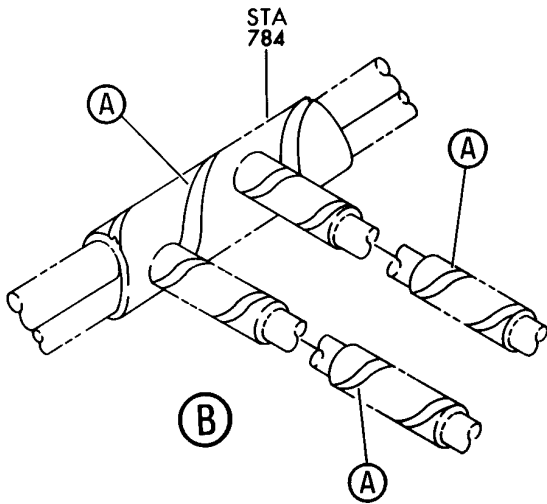
HEATER INSTL-POTABLE WATER SYS (PLACARDS AND MARKINGS ONLY)  
FIGURE 23T (SHEET 1)

HXL  
DEC 22/06

**11-35-18-23T**

11-35-18-23T  
PAGE 0

**BOEING**  
767  
PARTS CATALOG (MAINTENANCE)



V 11351823T SHT 2 REV 158

HEATER INSTL-POTABLE WATER SYS (PLACARDS AND MARKINGS ONLY)  
FIGURE 23T (SHEET 2)

**11-35-18-23T**

HXL  
DEC 22/06

11-35-18-23T  
PAGE 0A



767

PARTS CATALOG (MAINTENANCE)

FIG ITEM	PART NUMBER	1 2 3 4 5 6 7	NOMENCLATURE	EFFECT FROM TO	UNITS PER ASSY
23T					
- 1	417T2105-31		HEATER INSTL-POTABLE WATER SYS (PLACARDS AND MARKINGS ONLY)		RF
5	417T2079-1		HEATER INSTL-POTABLE WATER SYS (PLACARDS AND MARKINGS ONLY) POSITION DATA: SECT. 45 FOR NHA/OTHER SYS DET SEE: 25-20-00-17A .TAPE- PLACARD CONTENT: CAUTION ELECTRICAL HEATER RIBBONS		AR

ILLUSTRATION ITEMS NOT ON PARTS LIST ARE NOT APPLICABLE

- ITEM NOT ILLUSTRATED

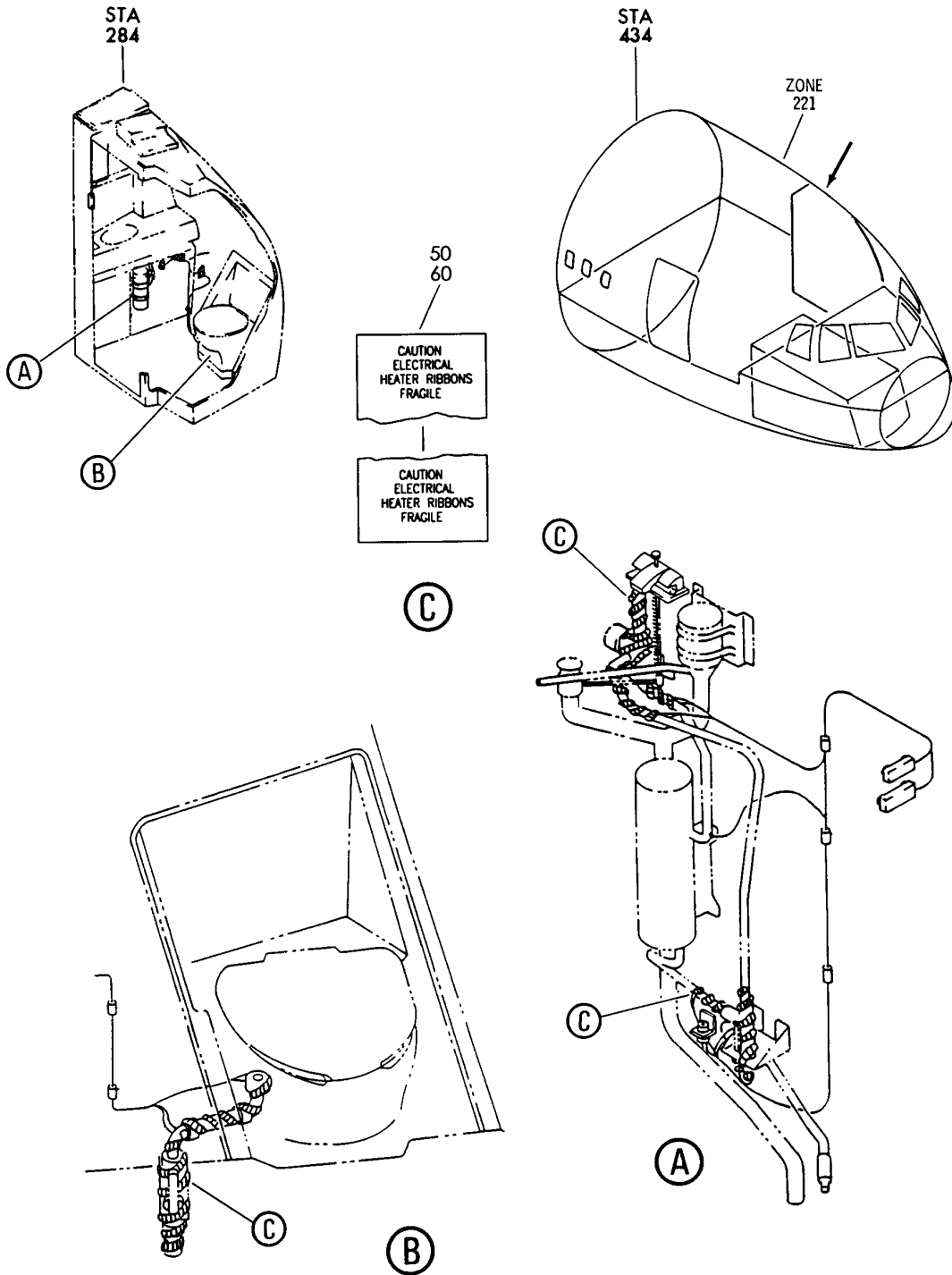
HXL

11-35-18-23T

BOEING PROPRIETARY - Copyright © - Unpublished Work - See title page for details.

11-35-18  
FIG. 23T  
PAGE 1  
DEC 22/07

**BOEING**  
767  
PARTS CATALOG (MAINTENANCE)



V 11351850 REV 254

TAPE INSTL-HEATER, LAV F1 (PLACARDS AND MARKINGS ONLY)  
FIGURE 50

**11-35-18-50**

HXL  
DEC 22/06

11-35-18-50  
PAGE 0



767

PARTS CATALOG (MAINTENANCE)

FIG ITEM	PART NUMBER	1 2 3 4 5 6 7	NOMENCLATURE	EFFECT FROM TO	UNITS PER ASSY
50			TAPE INSTL-HEATER, LAV F1 (PLACARDS AND MARKINGS ONLY)		
- 1	BS061730-21		TAPE INSTL-HEATER, LAV F1 (PLACARDS AND MARKINGS ONLY) SUPPLIER CODE: VS5065 FOR NHA/OTHER SYS DET SEE: 25-41-01-32B	163999	RF
- 1	BS061730-11		TAPE INSTL-HEATER, LAV F1 (PLACARDS AND MARKINGS ONLY) SUPPLIER CODE: VS5065 FOR NHA/OTHER SYS DET SEE: 25-41-01-32B	155162	RF
50	417T2079-1		.TAPE- PLACARD CONTENT: CAUTION ELECTRICAL HEATER RIBBONS		9

ILLUSTRATION ITEMS NOT ON PARTS LIST ARE NOT APPLICABLE

- ITEM NOT ILLUSTRATED

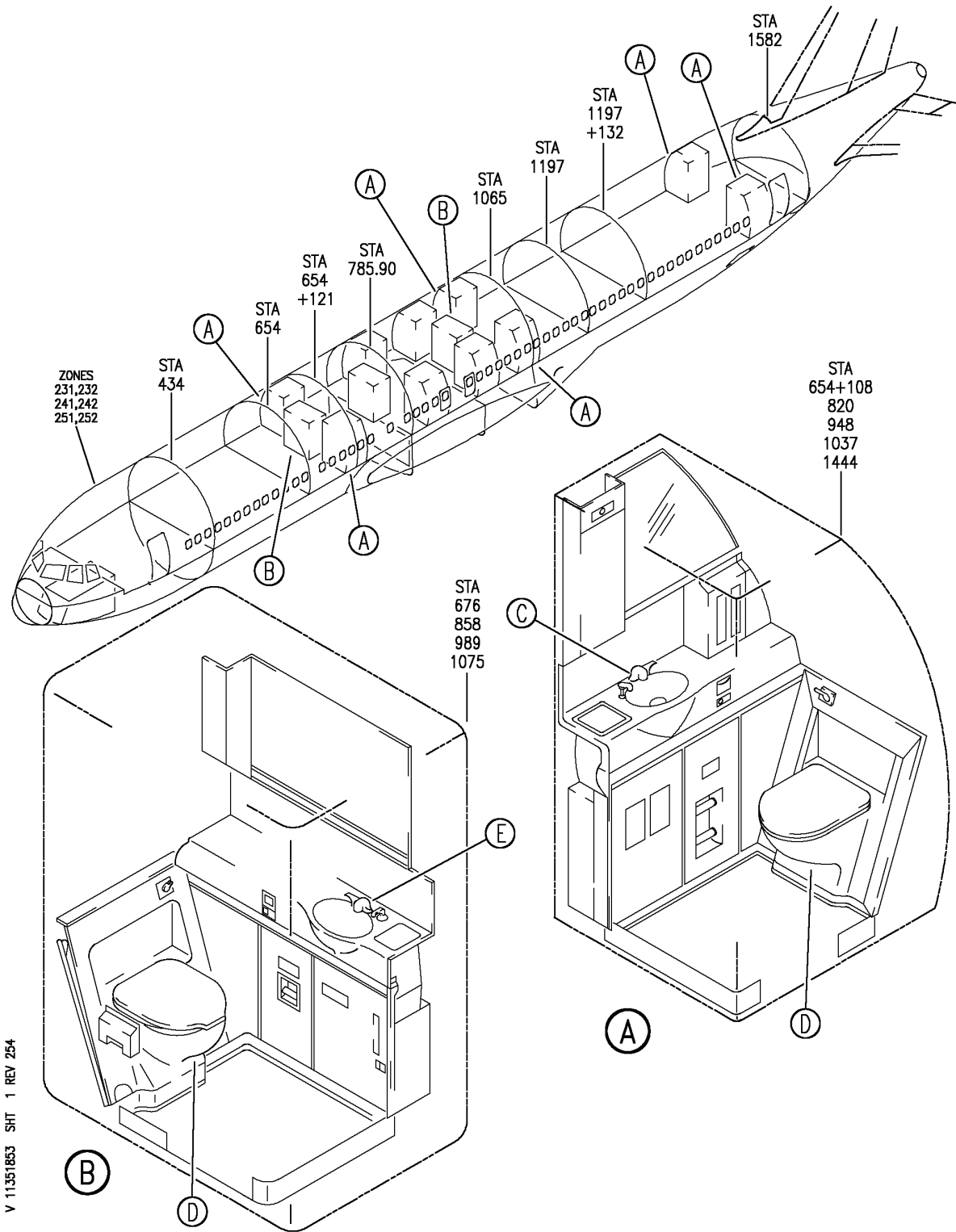
HXL

11-35-18-50

BOEING PROPRIETARY - Copyright © - Unpublished Work - See title page for details.

11-35-18  
FIG. 50  
PAGE 1  
DEC 22/07

**BOEING**  
767  
PARTS CATALOG (MAINTENANCE)



V 11351853 SHT 1 REV 254

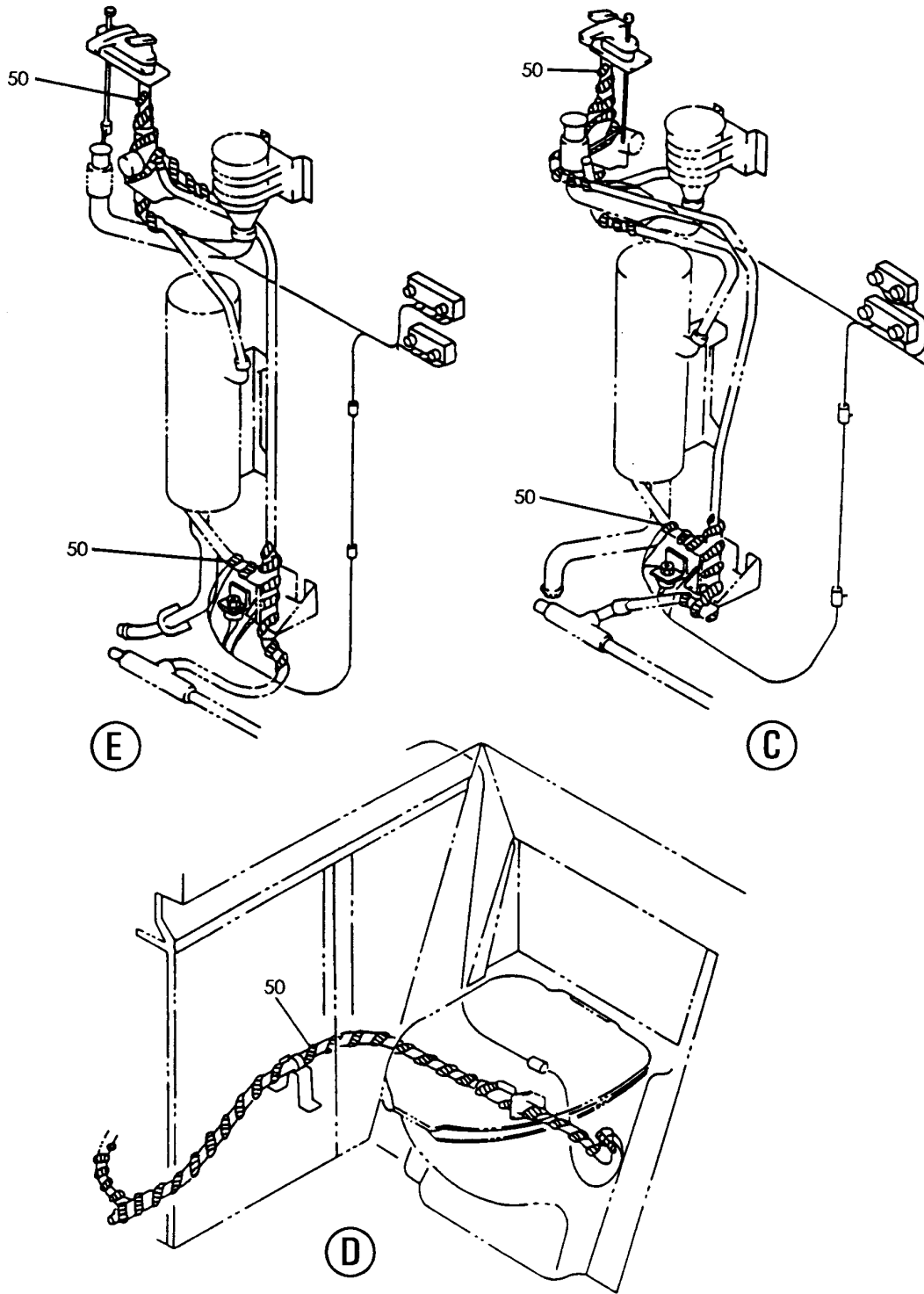
TAPE INSTL-HEAT, LAV (PLACARDS AND MARKINGS ONLY)  
FIGURE 53 (SHEET 1)

**11-35-18-53**

HXL  
DEC 22/06

11-35-18-53  
PAGE 0

**BOEING**  
767  
PARTS CATALOG (MAINTENANCE)



V 11351853 SHT 2 REV 197

TAPE INSTL-HEAT, LAV (PLACARDS AND MARKINGS ONLY)  
FIGURE 53 (SHEET 2)

**11-35-18-53**

HXL  
DEC 22/06

11-35-18-53  
PAGE 0A





767

PARTS CATALOG (MAINTENANCE)

FIG ITEM	PART NUMBER	1 2 3 4 5 6 7	NOMENCLATURE	EFFECT FROM TO	UNITS PER ASSY
53			TAPE INSTL-HEAT, LAV (PLACARDS AND MARKINGS ONLY)		
- 1	BS063730-21		TAPE INSTL-HEAT, LAV MS15, MS16, MS17 AND MS18 MS27, MS28, MS29 AND MS30 A4 (PLACARDS AND MARKINGS ONLY) SUPPLIER CODE: VS5065 FOR NHA/OTHER SYS DET SEE: 25-41-03-46B		RF
- 5	BS066730-1		TAPE INSTL-HEAT, LAV M31 (PLACARDS AND MARKINGS ONLY) SUPPLIER CODE: VS5065 FOR NHA/OTHER SYS DET SEE: 25-41-03-52		RF
- 10	BS066730-11		TAPE INSTL-HEAT, LAV M32 M33 (PLACARDS AND MARKINGS ONLY) SUPPLIER CODE: VS5065 FOR NHA/OTHER SYS DET SEE: 25-41-03-52		RF
50	417T2079-1		.TAPE- PLACARD CONTENT: CAUTION		12

ILLUSTRATION ITEMS NOT ON PARTS LIST ARE NOT APPLICABLE

- ITEM NOT ILLUSTRATED

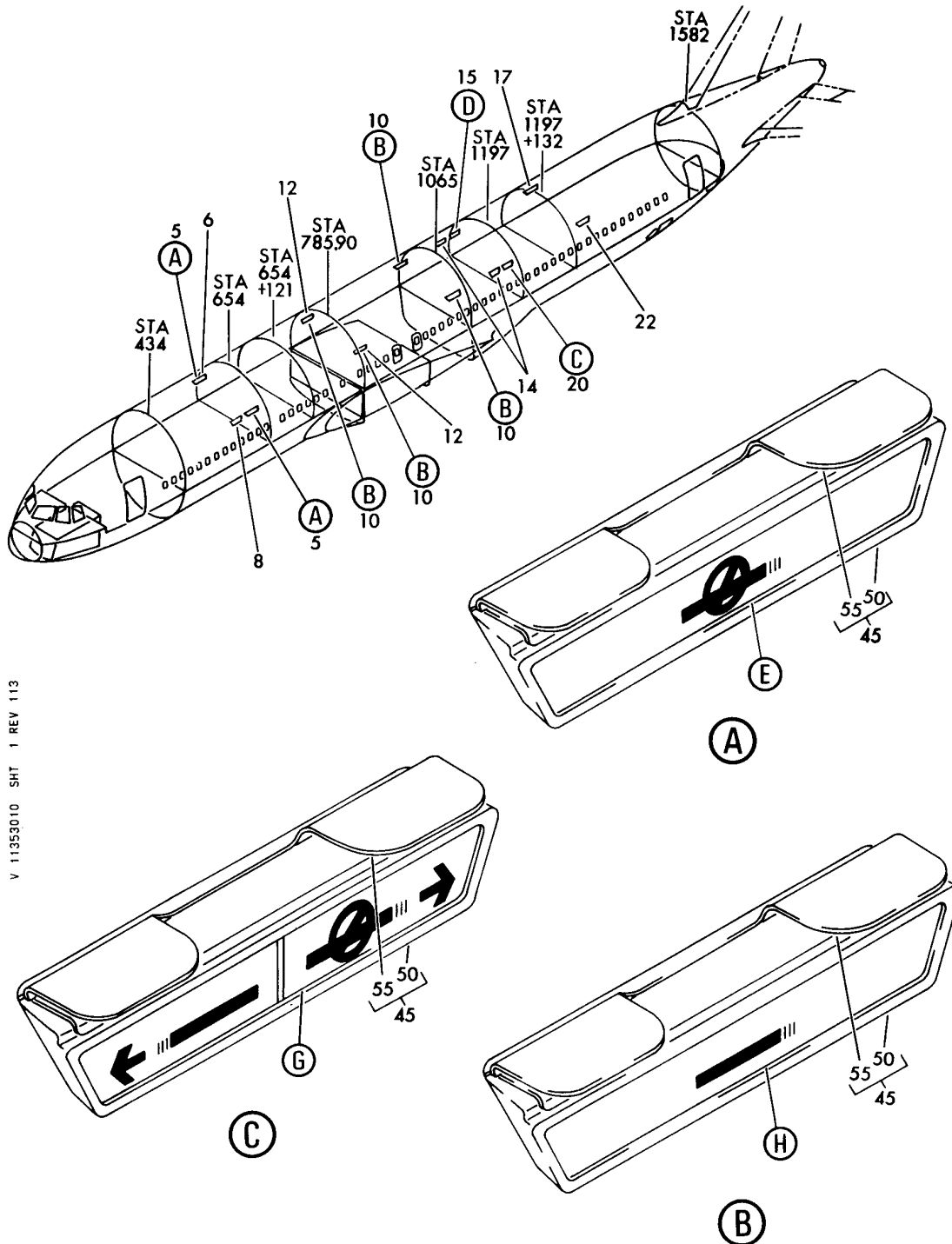
HXL

11-35-18-53

BOEING PROPRIETARY - Copyright © - Unpublished Work - See title page for details.

11-35-18  
FIG. 53  
PAGE 1  
DEC 22/07

**BOEING**  
767  
PARTS CATALOG (MAINTENANCE)



V 11353010 SHT 1 REV 113

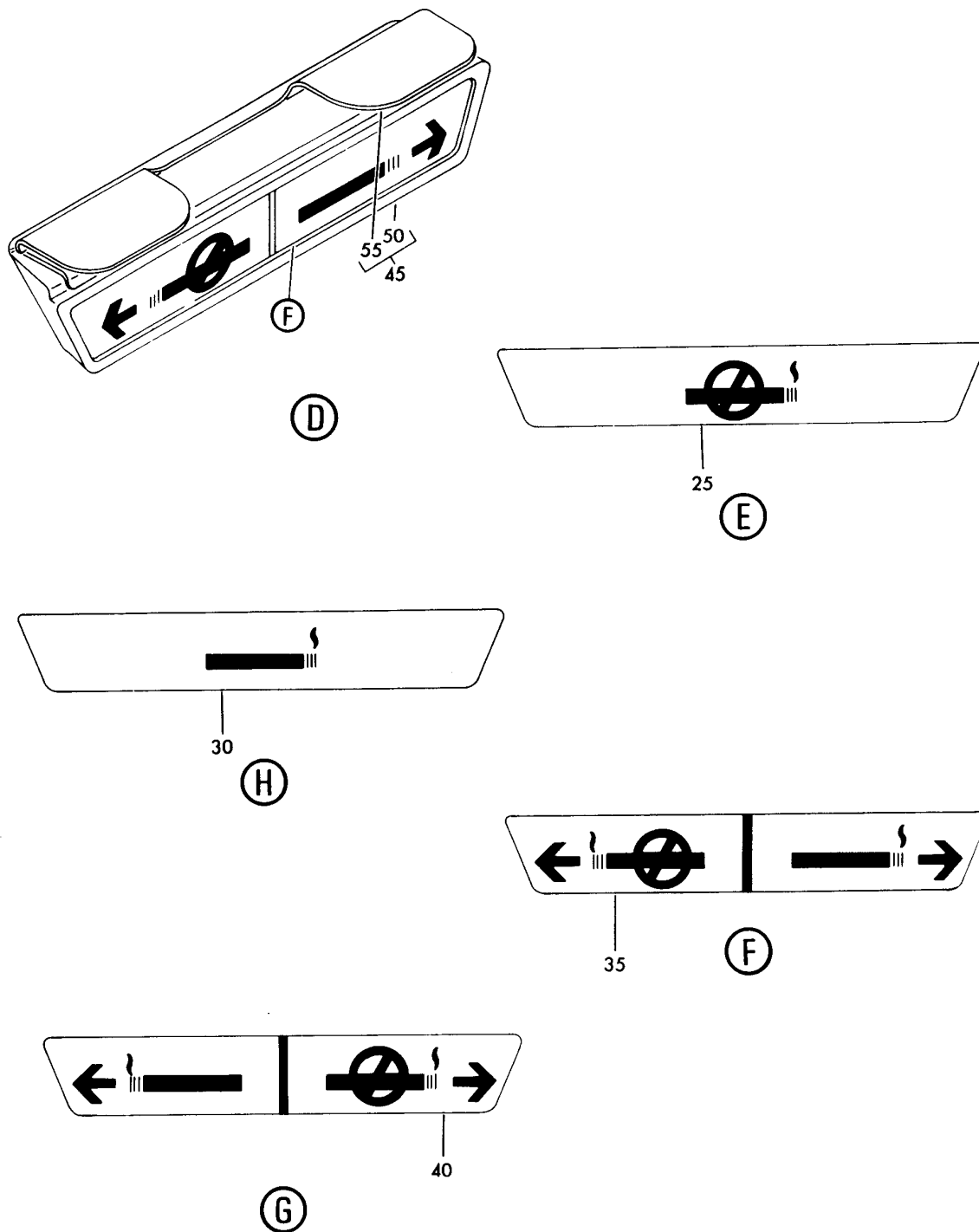
PLACARD INSTL-SAS SMOKING-NO SMOKING  
FIGURE 10 (SHEET 1)

**11-35-30-10**

HXL  
DEC 22/06

11-35-30-10  
PAGE 0

**BOEING**  
767  
PARTS CATALOG (MAINTENANCE)



V 11353010 SHT 2 REV 113

PLACARD INSTL-SAS SMOKING-NO SMOKING  
FIGURE 10 (SHEET 2)

**11-35-30-10**

HXL  
DEC 22/06

11-35-30-10  
PAGE 0A



767

PARTS CATALOG (MAINTENANCE)

FIG ITEM	PART NUMBER	1 2 3 4 5 6 7	NOMENCLATURE	EFFECT FROM TO	UNITS PER ASSY
10			PLACARD INSTL-SAS SMOKING-NO SMOKING		
- 1	414T5053-3		PLACARD INSTL-SAS SMOKING-NO SMOKING FOR NHA SEE: 25-20-00-14A	155162	RF
- 1	414T5053-6		PLACARD INSTL-SAS SMOKING-NO SMOKING FOR NHA/OTHER SYS DET SEE: 25-20-00-14A	163999	RF
5	414T5015-14		.SIGN ASSY	155162	2
6	414T5015-14		.SIGN ASSY	163999	1
8	414T5015-14		.SIGN ASSY	163999	1
10	414T5015-15		.SIGN ASSY	155162	4
12	414T5015-15		.SIGN ASSY	163999	2
14	414T5015-15		.SIGN ASSY	163999	2
15	414T5015-18		.SIGN ASSY	155162	1
17	414T5015-18		.SIGN ASSY	163999	1
20	414T5015-17		.SIGN ASSY	155162	1
22	414T5015-17		.SIGN ASSY	163999	1
25	BAC29PPS3186		..PLACARD-SYMBOL USED ON: 414T5015-14		1
30	BAC29PPS3187		..PLACARD-SYMBOL USED ON: 414T5015-15		1
35	BAC29PPS3188		..PLACARD-SYMBOL USED ON: 414T5015-18		1
40	BAC29PPS3189		..PLACARD-SYMBOL USED ON: 414T5015-17		1
45	414T5014-2		..HOLDER ASSY		1
50	414T5016-4		...CLIP ASSY-SPR		1
55	414T5014-3		...HOLDER		AR

ILLUSTRATION ITEMS NOT ON PARTS LIST ARE NOT APPLICABLE

- ITEM NOT ILLUSTRATED

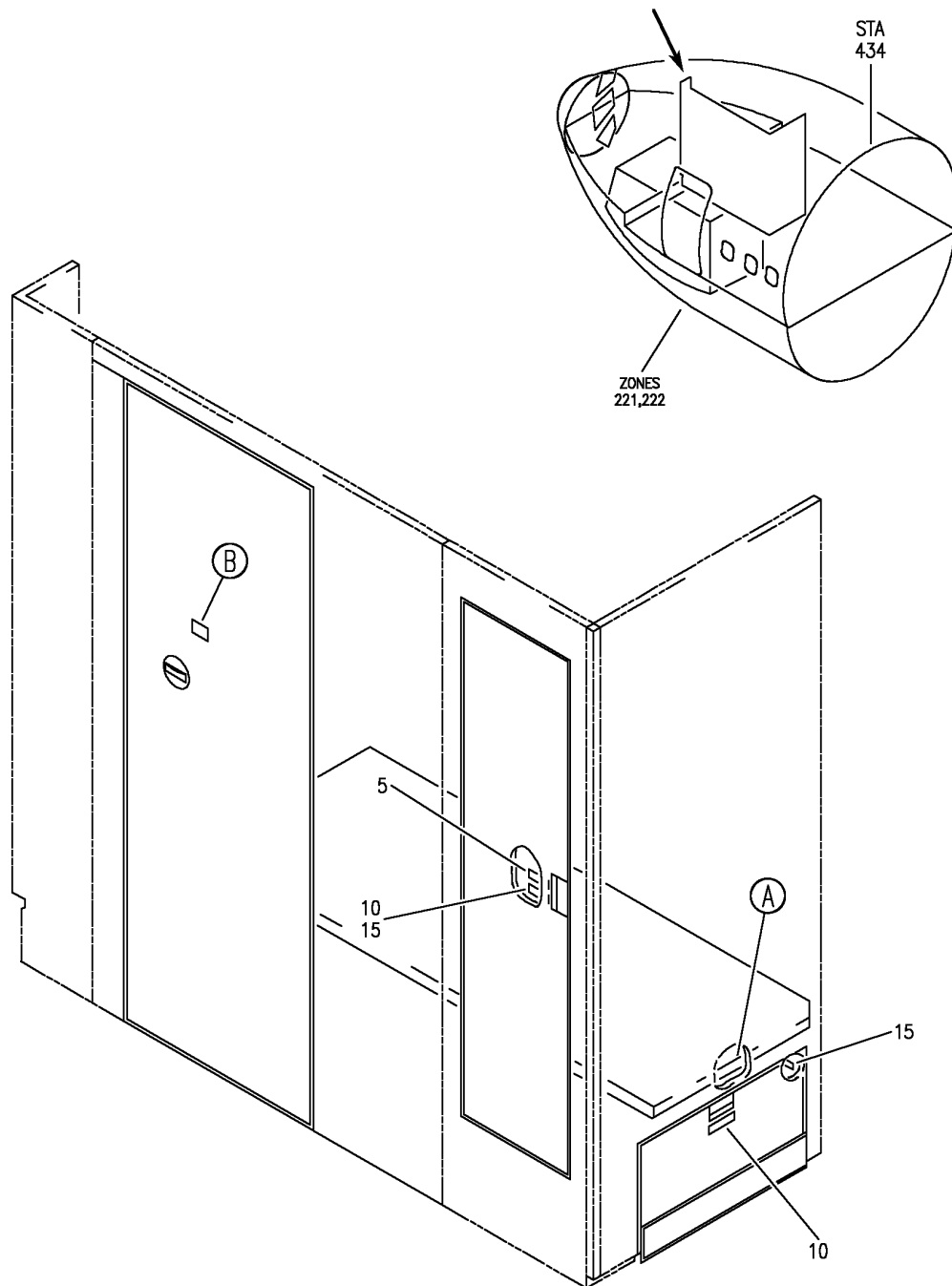
11-35-30-10

11-35-30  
FIG. 10  
PAGE 1  
AUG 22/08

HXL

BOEING PROPRIETARY - Copyright © - Unpublished Work - See title page for details.

**BOEING**  
767  
PARTS CATALOG (MAINTENANCE)



V 11355031 SH1 1 REV 279

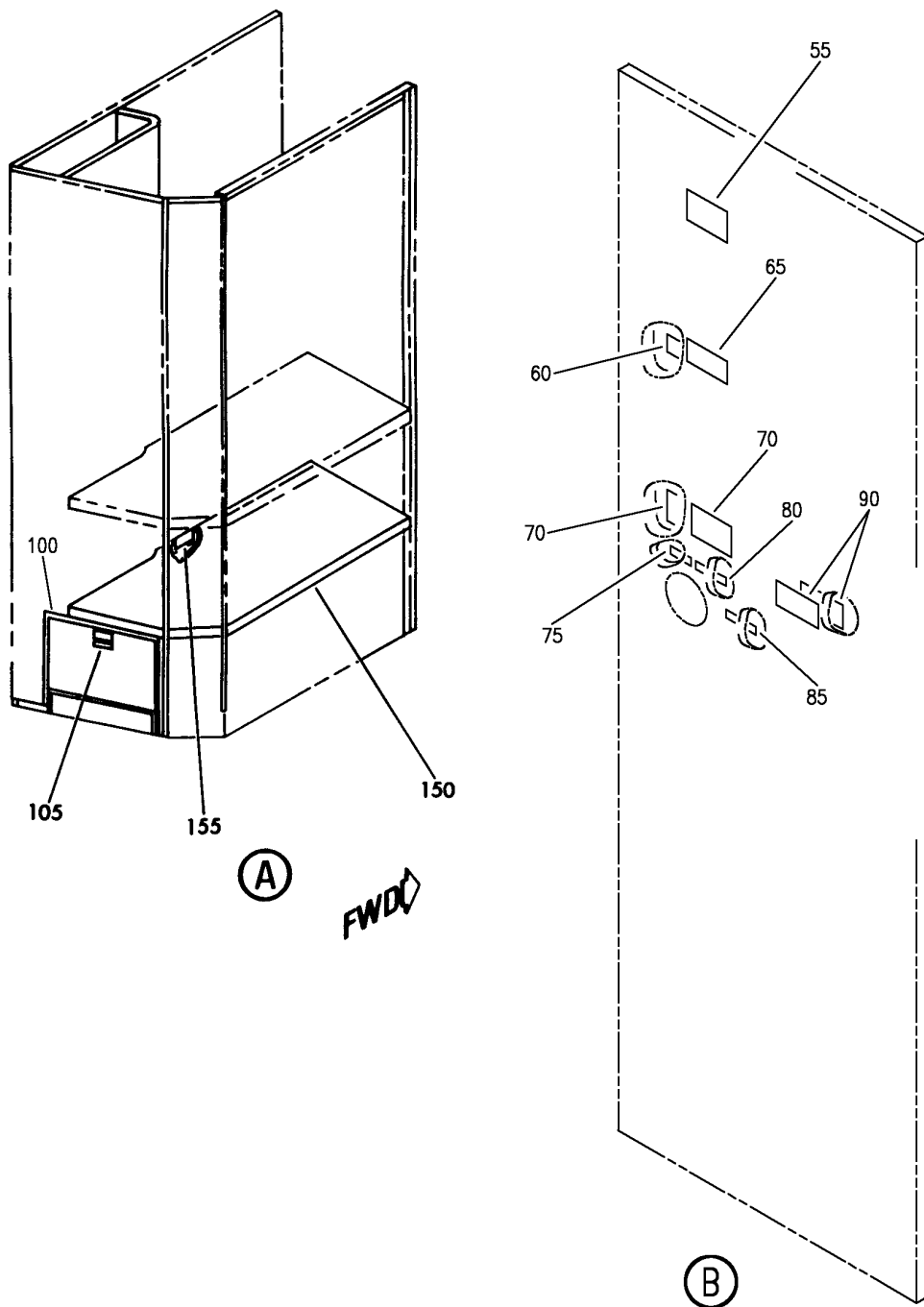
STOWAGE DOOR, DRAWER AND BUNKS ASSY (PLACARDS AND MARKINGS ONLY)  
FIGURE 31 (SHEET 1)

**11-35-50-31**

HXL  
DEC 22/06

11-35-50-31  
PAGE 0

**BOEING**  
767  
PARTS CATALOG (MAINTENANCE)



V 11355031 SH1 2 REV 279

STOWAGE DOOR, DRAWER AND BUNKS ASSY (PLACARDS AND MARKINGS ONLY)  
FIGURE 31 (SHEET 2)

**11-35-50-31**

HXL  
DEC 22/06

11-35-50-31  
PAGE 0A



767

PARTS CATALOG (MAINTENANCE)

FIG ITEM	PART NUMBER	1 2 3 4 5 6 7	NOMENCLATURE	EFFECT FROM TO	UNITS PER ASSY
31			STOWAGE DOOR, DRAWER AND BUNKS ASSY (PLACARDS AND MARKINGS ONLY)	163999	RF
1	413T3255-6SP		STOWAGE ASSY-(PLACARDS AND MARKINGS ONLY) FOR NHA/OTHER SYS DET SEE: 25-24-10-03	163999	RF
5	BAC29PPS3083		.DECAL- PLACARD CONTENT: LOAD LIMIT 75 LB/34 KG	163999	1
15	BAC29PPS3058		.PLACARD- PLACARD CONTENT: LATCH CLOSED	163999	2
- 50	413T3275-1SP		DOOR ASSY-(PLACARDS AND MARKINGS ONLY) FOR NHA/OTHER SYS DET SEE: 25-24-10-03	163999	RF
55	BAC29PPS14246		.PLACARD- PLACARD CONTENT: LATCH HINGED PANEL TO DOOR EXCEPT WHEN DOOR IS CLOSED AT CREW REST	163999	1
60	BAC29PPS14594		.PLACARD- PLACARD CONTENT: DO NOT OCCUPY CREW REST DURING TAKEOFF AND LANDING	163999	1
65	BAC29PPS0617		.PLACARD- PLACARD CONTENT: FOR CREW USE ONLY	163999	1
70	BAC29PPS14249		.PLACARD- PLACARD CONTENT: DOOR MUST BE CLOSED AT CREW REST DURING TAKEOFF AND LANDING	163999	2
75	BAC29PPS15902		.PLACARD	163999	1
80	BAC29PPS15900		.PLACARD- POST SERVICE BULLETIN: 25-0325R10	163999	1
85	BAC29PPS15901		.PLACARD	163999	1
90	BAC29PPS53978		.MARKER- PLACARD CONTENT: LAVATORY DOOR MUST BE SECURED OPEN WHEN CREW REST DOOR IS SECURED OPEN POST SERVICE BULLETIN: 25-0325R10	163999	2

ILLUSTRATION ITEMS NOT ON PARTS LIST ARE NOT APPLICABLE

- ITEM NOT ILLUSTRATED

11-35-50-31

11-35-50  
FIG. 31  
PAGE 1  
DEC 22/07

HXL



767

PARTS CATALOG (MAINTENANCE)

FIG ITEM	PART NUMBER	1 2 3 4 5 6 7	NOMENCLATURE	EFFECT FROM TO	UNITS PER ASSY
31 100	413T3265-1		DRAWER ASSY-(PLACARDS AND MARKINGS ONLY) FOR NHA/OTHER SYS DET SEE: 25-24-10-03	163999	RF
105	BAC29PPS6430		.PLACARD- PLACARD CONTENT: LOAD LIMIT 35 LB/15 KG	163999	1
150	413T3255-7SP		BUNKS ASSY-(PLACARDS AND MARKINGS ONLY) FOR NHA/OTHER SYS DET SEE: 25-24-10-03	163999	RF
155	BAC29PPS10461		.PLACARD- PLACARD CONTENT: FLOOR LOAD LIMIT 60 LBS/27 KG	163999	1

ILLUSTRATION ITEMS NOT ON PARTS LIST ARE NOT APPLICABLE

- ITEM NOT ILLUSTRATED

HXL

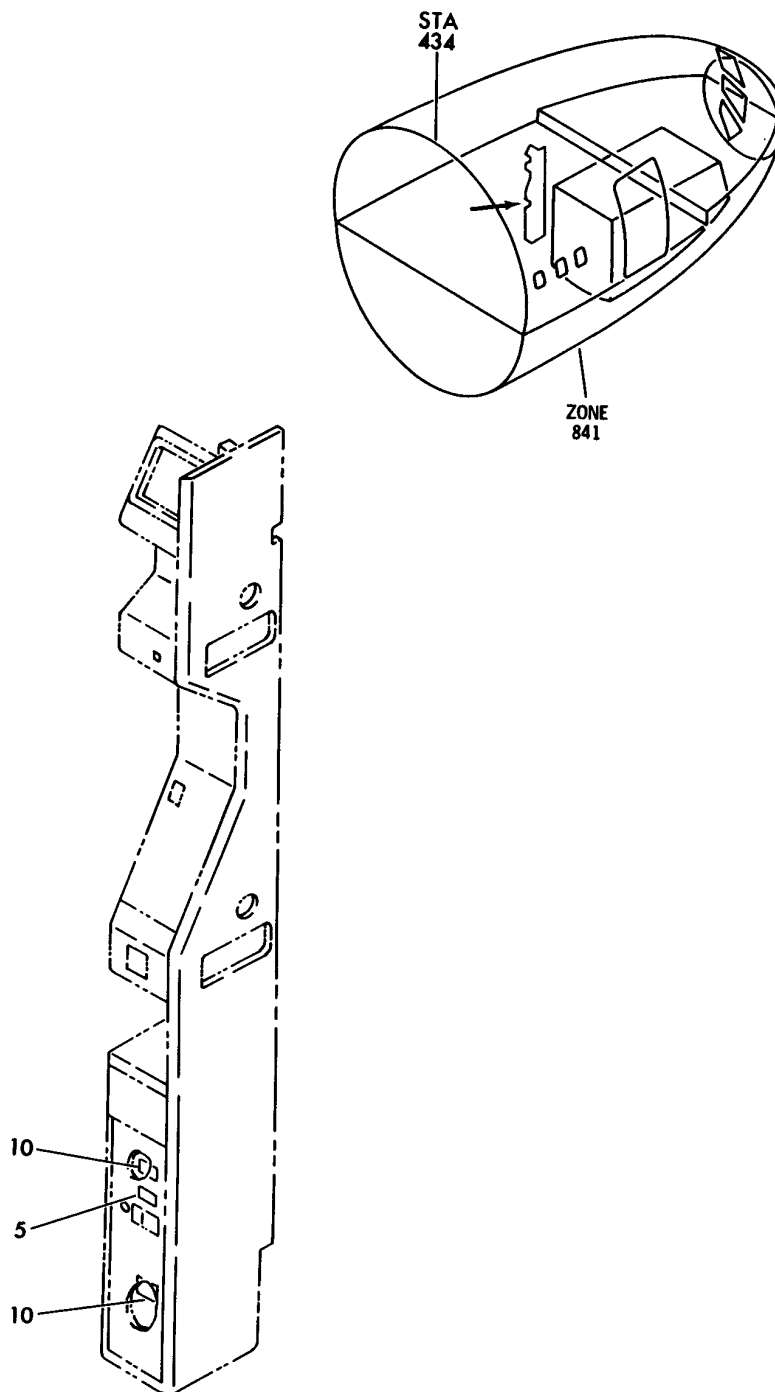
11-35-50-31

BOEING PROPRIETARY - Copyright © - Unpublished Work - See title page for details.

11-35-50  
FIG. 31  
PAGE 2  
DEC 22/07



**BOEING**  
767  
PARTS CATALOG (MAINTENANCE)



V 11355032 REV 131

MODULE ASSY-FLIGHT CREW REST AMENITIES (PLACARDS AND MARKINGS ONLY)  
FIGURE 32

**11-35-50-32**

HXL  
DEC 22/06

11-35-50-32  
PAGE 0



767

PARTS CATALOG (MAINTENANCE)

FIG ITEM	PART NUMBER	1 2 3 4 5 6 7	NOMENCLATURE	EFFECT FROM TO	UNITS PER ASSY
32			MODULE ASSY-FLIGHT CREW REST AMENITIES (PLACARDS AND MARKINGS ONLY)	163999	
- 1	413T3285-1SP		MODULE ASSY-FLIGHT CREW REST AMENITIES (PLACARDS AND MARKERS ONLY) FOR NHA/OTHER SYS DET SEE: 25-24-10-51	163999	RF
5	BAC29PPS3058		.PLACARD- PLACARD CONTENT: LATCH CLOSED	163999	1
10	BAC29PPS5277		.PLACARD- PLACARD CONTENT: LOAD LIMIT 10 LB/4.5 KG	163999	2

ILLUSTRATION ITEMS NOT ON PARTS LIST ARE NOT APPLICABLE

- ITEM NOT ILLUSTRATED

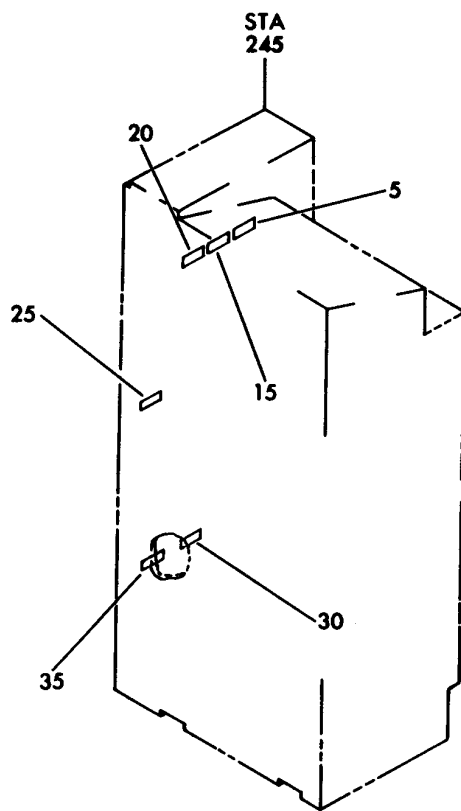
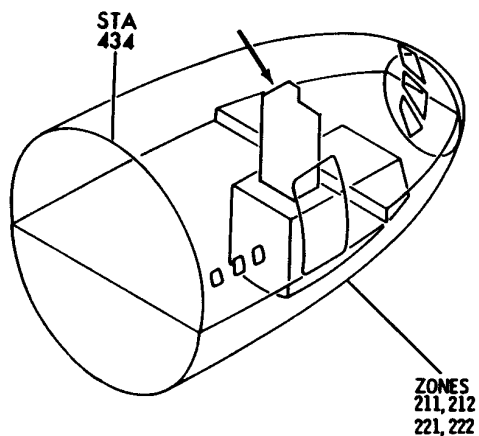
HXL

11-35-50-32

BOEING PROPRIETARY - Copyright © - Unpublished Work - See title page for details.

11-35-50  
FIG. 32  
PAGE 1  
DEC 22/07

**BOEING**  
767  
PARTS CATALOG (MAINTENANCE)



V 11355038 REV 127

CLOSET ASSY-STA 245 (PLACARDS AND MARKINGS ONLY)  
FIGURE 38

**11-35-50-38**

HXL  
DEC 22/06

11-35-50-38  
PAGE 0



767

PARTS CATALOG (MAINTENANCE)

FIG ITEM	PART NUMBER	1 2 3 4 5 6 7	NOMENCLATURE	EFFECT FROM TO	UNITS PER ASSY
38			CLOSET ASSY-STA 245 (PLACARDS AND MARKINGS ONLY)	155162	
- 1	413T3245-14SP		CLOSET ASSY-(PLACARDS AND MARKINGS ONLY) POSITION DATA: STA 245 FOR NHA/OTHER SYS DET SEE: 25-24-51-52	155162	RF
5	BAC29PPS15275		.PLACARD- PLACARD CONTENT: SHELF LOAD LIMIT 50 LB/23KG	155162	1
15	BAC29PPS15335		.PLACARD- PLACARD CONTENT: SHORT ROD LOAD LIMIT 35 LB/16 KG	155162	1
20	BAC29PPS15336		.PLACARD- PLACARD CONTENT: LONG ROD LOAD LIMIT 85 LB/39 KG	155162	1
25	BAC29PPS15260		.PLACARD- PLACARD CONTENT: LATCH CLOSED	155162	1
30	BAC29PPS15325		.PLACARD- PLACARD CONTENT: NO STOWAGE ON SHELF	155162	1
35	BAC29PPS15477		.PLACARD- PLACARD CONTENT: FLOOR LOAD LIMIT 105 LBS/48 KG	155162	1

ILLUSTRATION ITEMS NOT ON PARTS LIST ARE NOT APPLICABLE

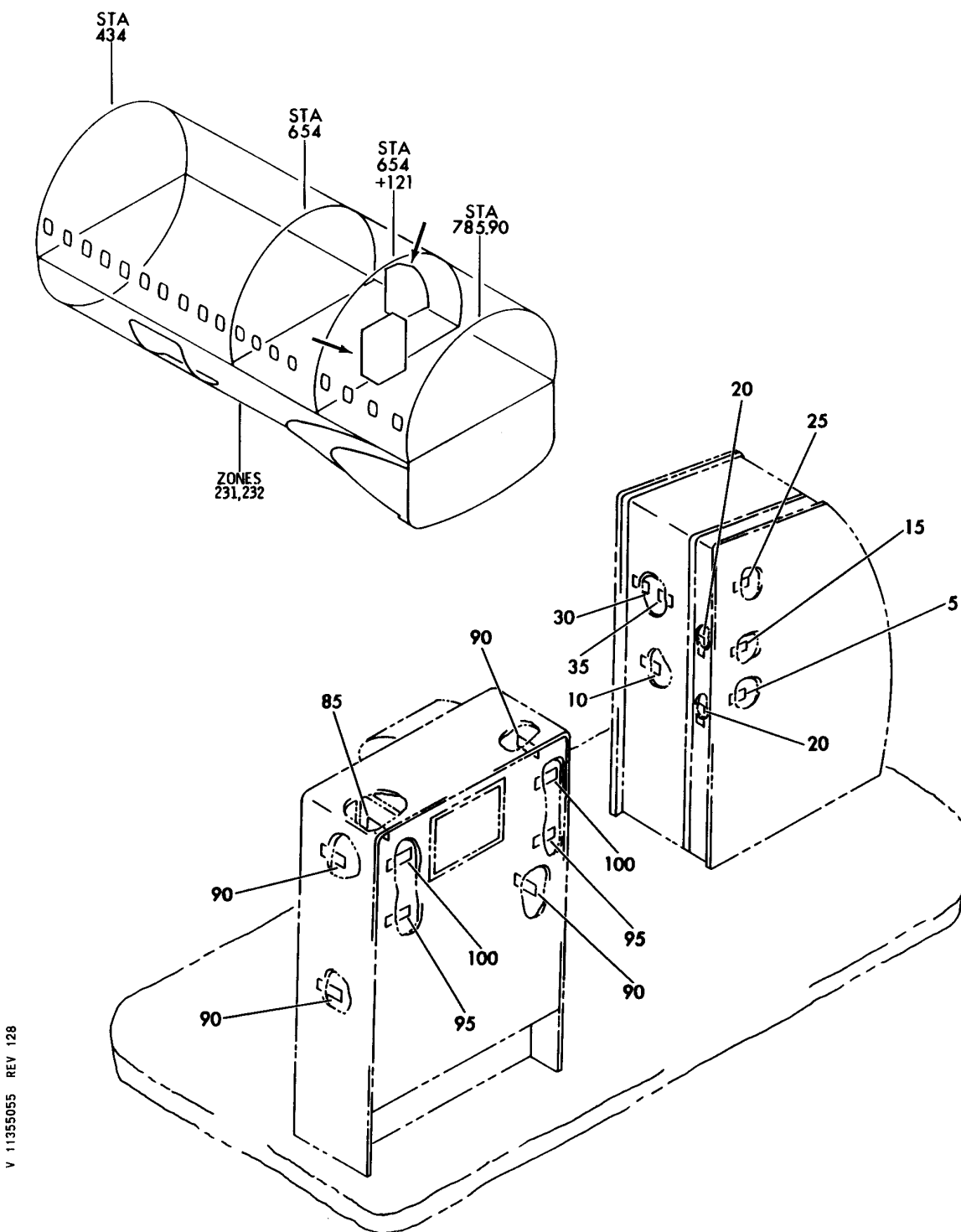
- ITEM NOT ILLUSTRATED

HXL

11-35-50-38

11-35-50  
FIG. 38  
PAGE 1  
DEC 22/06

**BOEING**  
767  
PARTS CATALOG (MAINTENANCE)



CLOSET ASSY (PLACARDS AND MARKINGS ONLY)  
FIGURE 55

**11-35-50-55**

HXL  
DEC 22/06

11-35-50-55  
PAGE 0

 **BOEING**  
767  
**PARTS CATALOG (MAINTENANCE)**

FIG ITEM	PART NUMBER	1 2 3 4 5 6 7	NOMENCLATURE	EFFECT FROM TO	UNITS PER ASSY
55			CLOSET ASSY (PLACARDS AND MARKINGS ONLY)		
- 1	413T3072-1SP		CLOSET ASSY-(PLACARDS AND MARKINGS ONLY) FOR NHA/OTHER SYS DET SEE: 25-24-01-90	163999	RF
5	BAC29PPS2079		.PLACARD- PLACARD CONTENT: LOAD LIMIT 10 LB/5 KG	163999	1
10	BAC29PPS5198		.PLACARD- PLACARD CONTENT: LOAD LIMIT 30 LB/14 KG	163999	1
15	BAC29PPS10100		.PLACARD- PLACARD CONTENT: SHELF LOAD LIMIT 9 LB/4KG	163999	1
20	BAC29PPS15260		.PLACARD- PLACARD CONTENT: LATCH CLOSED	163999	2
25	BAC29PPS15263		.PLACARD- PLACARD CONTENT: SHELF LOAD LIMIT 5 LB/2 KG	163999	1
30	BAC29PPS2947		.PLACARD- PLACARD CONTENT: SHELF LOAD LIMIT 15 LB/7 KG	163999	1
35	BAC29PPS6507		.PLACARD- PLACARD CONTENT: ROD LOAD LIMIT 60 LB/27 KG	163999	1
- 80	413T3385-13SP		CLOSET ASSY-(PLACARDS AND MARKINGS ONLY) FOR NHA/OTHER SYS DET SEE: 25-24-01-90		RF
85	BAC29PPS14174		.PLACARD- PLACARD CONTENT: NO STOWAGE		1
90	BAC29PPS3058		.PLACARD- PLACARD CONTENT: LATCH CLOSED		4
95	BAC29PPS3744		.PLACARD- PLACARD CONTENT: ROD LOAD LIMIT 33 LB/15 KG		2
100	BAC29PPS6500		.PLACARD- PLACARD CONTENT: LOAD LIMIT 8 LB/3.6 KG		2

ILLUSTRATION ITEMS NOT ON PARTS LIST ARE NOT APPLICABLE

- ITEM NOT ILLUSTRATED

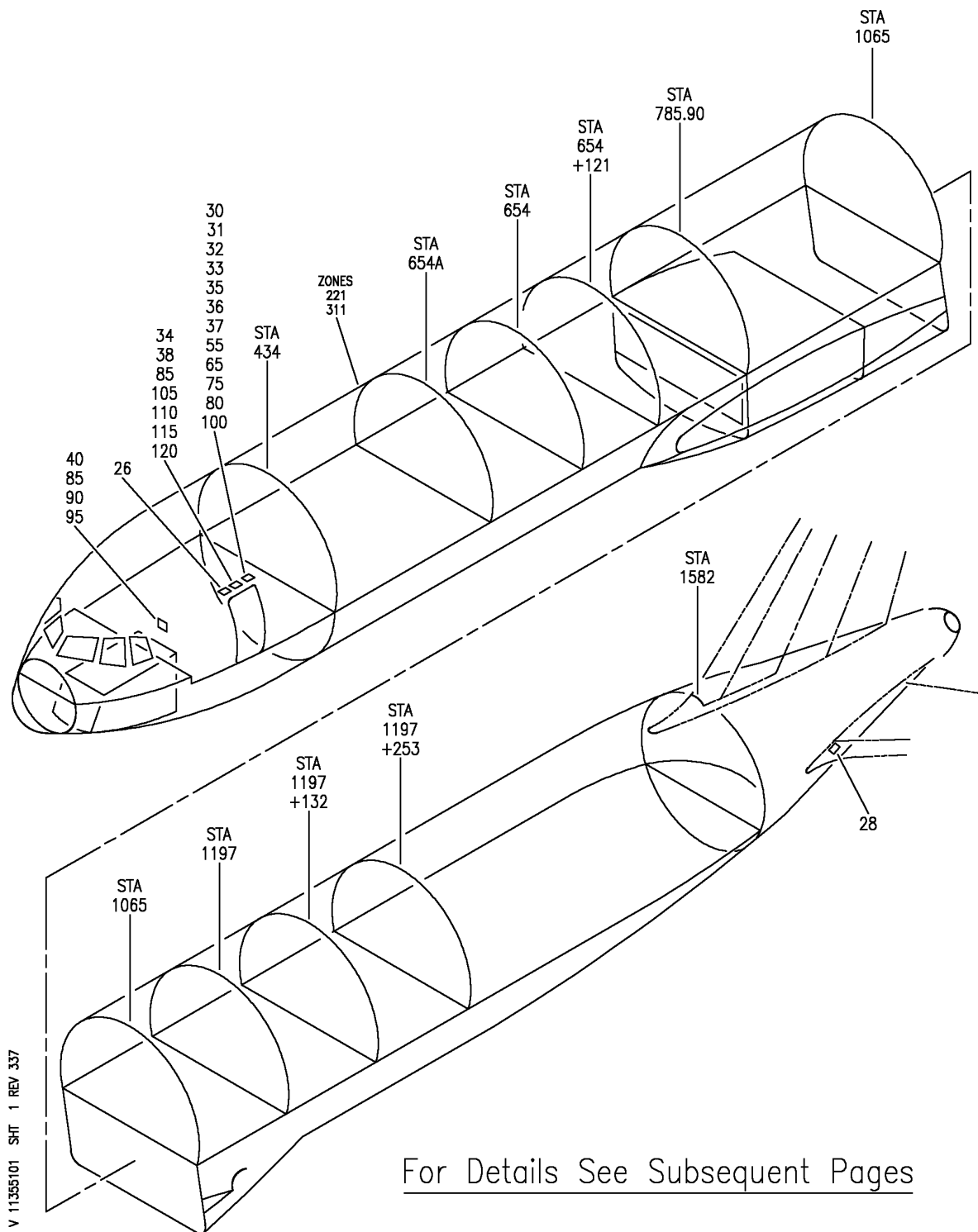
HXL

# 11-35-50-55

BOEING PROPRIETARY - Copyright © - Unpublished Work - See title page for details.

11-35-50  
FIG. 55  
PAGE 1  
DEC 22/07

**BOEING**  
767  
PARTS CATALOG (MAINTENANCE)



For Details See Subsequent Pages

NAMEPLATE INSTL  
FIGURE 1 (SHEET 1)

**11-35-51-01**

HXL  
APR 22/09

11-35-51-01  
PAGE 0


**BOEING**  
 767  
**PARTS CATALOG (MAINTENANCE)**

26

THE BOEING COMPANY	
COMMERCIAL AIRPLANE DIVISION	
RENTON, WASHINGTON, U.S.A.	
MANUFACTURERS MODEL NO.	MANUFACTURERS SERIAL NO.
██████████	██████████
TYPE CERT. NO.	PRODUCTION CERT. NO.
██████████	██████████

28

○ THE BOEING COMPANY ○ COMMERCIAL AIRPLANE GROUP	
RENTON, WASHINGTON, U.S.A.	
MANUFACTURERS MODEL NO.	MANUFACTURERS SERIAL NO.
767-33A	25536
TYPE CERT. NO.	PRODUCTION CERT. NO.
AIMM	700
○ ○	

30

THIS AIRFRAME IS OWNED BY TWIN CRANE LEASING CO., LTD., LEASED TO JAPAN AIRLINES CO., LTD. AND SUBJECT TO A MORTGAGE IN FAVOR OF FIRST SECURITY BANK, NATIONAL ASSOCIATION, AS MORTGAGEE.

40

THIS AIRCRAFT IS OWNED BY ALCYONE FSC CORPORATION, AND LEASED TO GECAS TECHNICAL SERVICES LIMITED, AND SUB-LEASED TO ALITALIA - LINEE AEREE ITALIANE S.p.A AND MAY NOT BE OR REMAIN IN THE POSSESSION OF, OR BE OPERATED BY, ANY OTHER PERSON WITHOUT THE PRIOR WRITTEN CONSENT OF ALCYONE FSC CORPORATION.

31  
32

THIS AIRCRAFT IS OWNED BY ALCYONE FSC CORPORATION, AND LEASED TO CANADIAN AIRLINES INTERNATIONAL LTD. AND MAY NOT BE OR REMAIN IN THE POSSESSION OF, OR BE OPERATED BY, ANY OTHER PERSON WITHOUT PRIOR WRITTEN CONSENT OF ALCYONE FSC CORPORATION.

V 11355101 SH1 2 REV 334

NAMEPLATE INSTL  
FIGURE 1 (SHEET 2)

# 11-35-51-01

HXL  
DEC 22/08

11-35-51-01  
PAGE 0A



 **BOEING**  
767  
**PARTS CATALOG (MAINTENANCE)**

37

THIS AIRCRAFT IS OWNED BY INTERNATIONAL LEASE FINANCE CORPORATION  
MANUFACTURER'S SERIAL NO. 30048

OWNERS ADDRESS

INTERNATIONAL LEASE FINANCE CORPORATION  
1999 AVENUE OF THE STARS, 39TH FLOOR  
LOS ANGELES, CALIFORNIA 90067. UNITED STATES OF AMERICA

33

LEASED FROM FIRST SECURITY BANK, NATIONAL  
ASSOCIATION, NOT IN ITS INDIVIDUAL CAPACITY  
BUT SOLELY AS OWNER TRUSTEE, OWNER AND  
LESSOR AND MORTGAGED TO WILMINGTON  
TRUST COMPANY, NOT IN ITS INDIVIDUAL  
CAPACITY BUT SOLELY AS MORTGAGEE

V 11355101 SH1 3 REV 334

NAMEPLATE INSTL  
FIGURE 1 (SHEET 3)

**11-35-51-01**

HXL  
DEC 22/08

11-35-51-01  
PAGE 0B

 **BOEING**  
767  
**PARTS CATALOG (MAINTENANCE)**

55

THIS AIRCRAFT IS OWNED BY INTERNATIONAL LEASE FINANCE CORPORATION  
MANUFACTURER'S SERIAL NO. 29386

OWNER'S ADDRESS

INTERNATIONAL LEASE FINANCE CORPORATION  
1999 AVENUE OF THE STARS, 39TH FLOOR  
LOS ANGELES, CALIFORNIA 90067  
UNITED STATES OF AMERICA  
FAX: (310) 788-1990

65

THIS AIRCRAFT IS OWNED BY INTERNATIONAL LEASE FINANCE CORPORATION  
MANUFACTURER'S SERIAL NO. 29387

OWNER'S ADDRESS

INTERNATIONAL LEASE FINANCE CORPORATION  
1999 AVENUE OF THE STARS, 39TH FLOOR  
LOS ANGELES, CALIFORNIA 90067  
UNITED STATES OF AMERICA

85

THIS AIRCRAFT IS OWNED BY SKY AEROPLANE, LTD.  
AND A MORTGAGE HAS BEEN GRANTED TO ILFC  
MANUFACTURER'S SERIAL NO. 29390

MORTGAGEE'S ADDRESS:

ILFC  
1999 AVENUE OF THE STARS, 39TH FLOOR  
LOS ANGELES, CALIFORNIA 90067  
UNITED STATES OF AMERICA

V 11355101 SH1 4 REV 334

NAMEPLATE INSTL  
FIGURE 1 (SHEET 4)

**11-35-51-01**

HXL  
DEC 22/08

11-35-51-01  
PAGE 0C



767

PARTS CATALOG (MAINTENANCE)

FIG ITEM	PART NUMBER	1 2 3 4 5 6 7	NOMENCLATURE	EFFECT FROM TO	UNITS PER ASSY
1					
- 1	414T5004-1		NAMEPLATE INSTL NAMEPLATE INSTL- FOR NHA SEE: 25-20-00-14A		RF
26	414T5103-1		.NAMEPLATE ATTACHING PARTS		1
- 27	MS20604B3W2		.RIVET -----*-----		4
ILLUSTRATION ITEMS NOT ON PARTS LIST ARE NOT APPLICABLE					

- ITEM NOT ILLUSTRATED

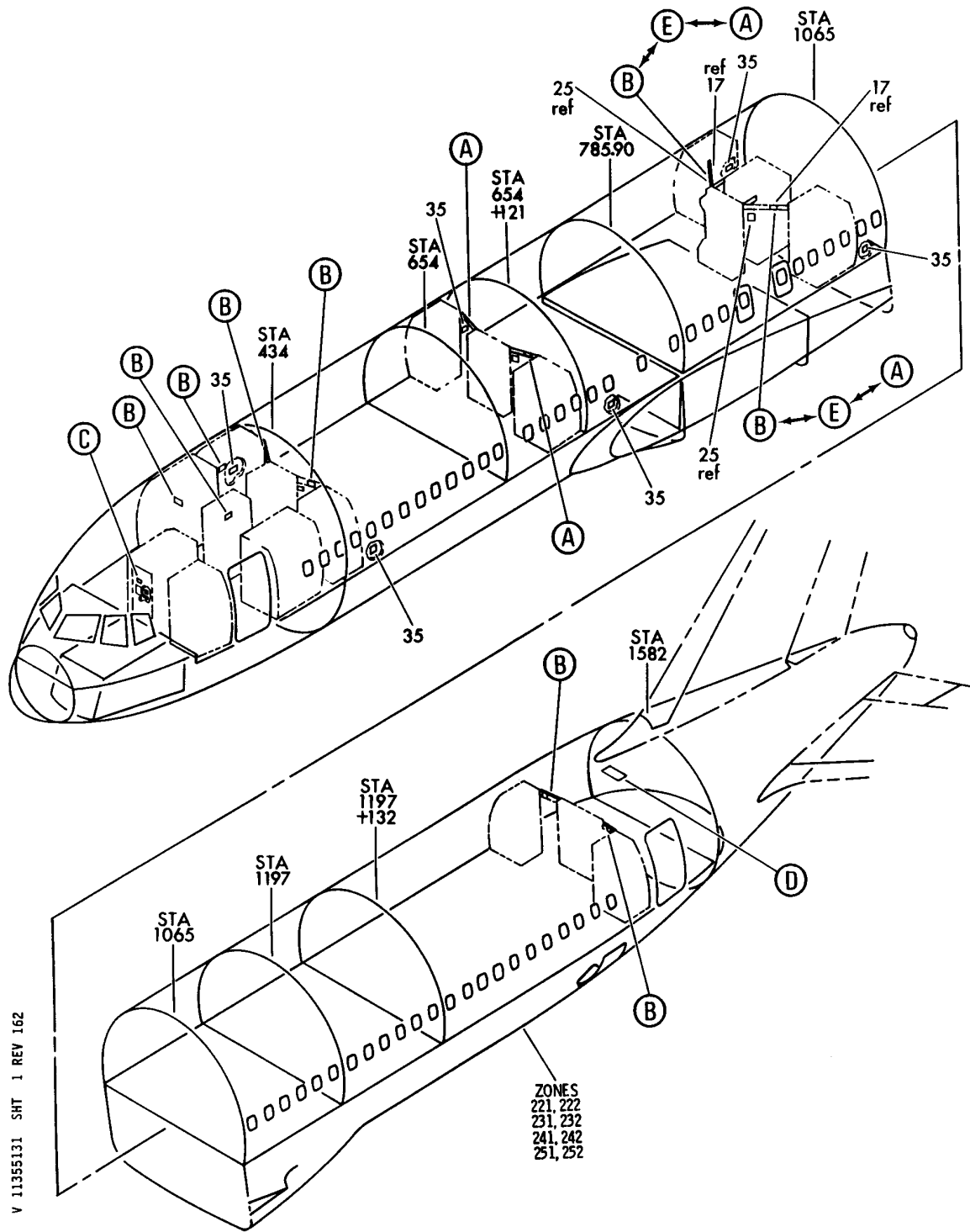
HXL

11-35-51-01

BOEING PROPRIETARY - Copyright © - Unpublished Work - See title page for details.

11-35-51  
FIG. 01  
PAGE 1  
DEC 22/06

**BOEING**  
767  
PARTS CATALOG (MAINTENANCE)



V 11355131 SHT 1 REV 162

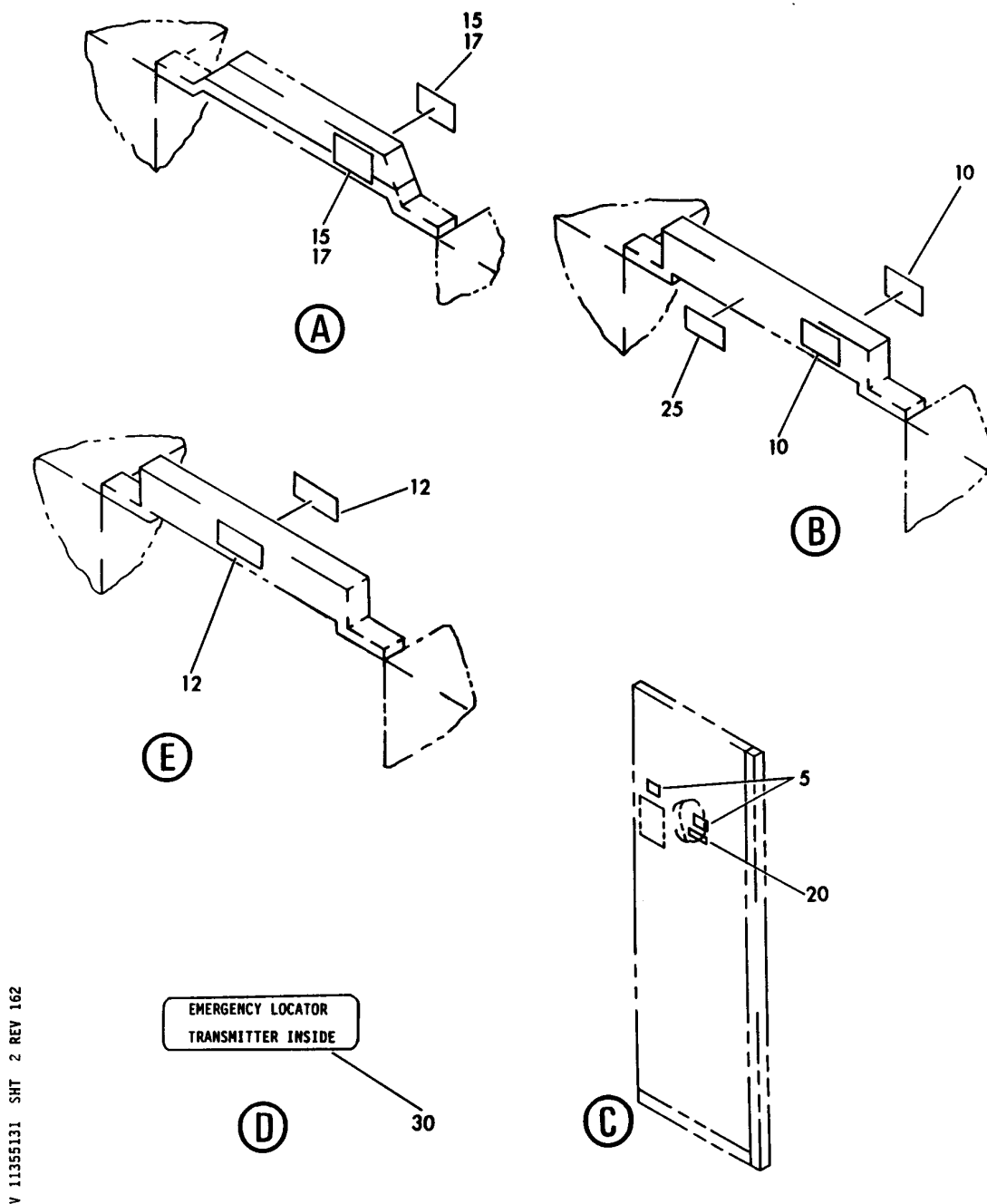
PLACARD INSTL-SAS CAB. INTR (MAIN COMPARTMENT ONLY)  
FIGURE 31 (SHEET 1)

**11-35-51-31**

HXL  
DEC 22/06

11-35-51-31  
PAGE 0

**BOEING**  
767  
PARTS CATALOG (MAINTENANCE)



PLACARD INSTL-SAS CAB. INTR (MAIN COMPARTMENT ONLY)  
FIGURE 31 (SHEET 2)

**11-35-51-31**



767

PARTS CATALOG (MAINTENANCE)

FIG ITEM	PART NUMBER	1 2 3 4 5 6 7	NOMENCLATURE	EFFECT FROM TO	UNITS PER ASSY
31			PLACARD INSTL-SAS CAB. INTR (MAIN COMPARTMENT ONLY)	155162	
- 1	414T5053-9		PLACARD INSTL-SAS CAB. INTR (MAIN COMPARTMENT ONLY)	155162	RF
			FOR NHA/OTHER SYS DET SEE: 25-20-00-14A		
	5 BAC29PPS3069		.PLACARD- PLACARD CONTENT: CAUTION STEP	155162	2
	10 BAC29PPS3056		.DECAL- PLACARD CONTENT: FASTEN CURTAIN OPEN DURING TAXI, TAKEOFF AND LANDING	155162	20
	15 BAC29PPS3057		.DECAL- PLACARD CONTENT: FASTEN CURTAIN OPEN DURING TAXI, TAKEOFF AND LANDING	155162	6
	17 BAC29PPS3057		.DECAL- PLACARD CONTENT: FASTEN CURTAIN OPEN DURING TAXI, TAKEOFF AND LANDING	155162	4
	20 484978B		.PLACARD- SUPPLIER CODE: V1009B PLACARD CONTENT: CREW ONLY POST AIRLINE MOD: MTO-110436 VSAS	155162	1
	25 DA300180-9		.PLACARD- SUPPLIER CODE: V1009B PLACARD CONTENT: EURO CLASS ONLY POST AIRLINE MOD: MTO110443 VSAS	155162	2

ILLUSTRATION ITEMS NOT ON PARTS LIST ARE NOT APPLICABLE

- ITEM NOT ILLUSTRATED

HXL

11-35-51-31

BOEING PROPRIETARY - Copyright © - Unpublished Work - See title page for details.

11-35-51  
FIG. 31  
PAGE 1  
DEC 22/06



767

PARTS CATALOG (MAINTENANCE)

FIG ITEM	PART NUMBER	1 2 3 4 5 6 7	NOMENCLATURE	EFFECT FROM TO	UNITS PER ASSY
31 30	483980		.PLACARD- SUPPLIER CODE: V1009B PLACARD CONTENT: ELT. LOCATION POST AIRLINE MOD: MT0110489 VSAS	155162	1
35	OSL9011775		.PLACARD- SUPPLIER CODE: V1009B PLACARD CONTENT: NO HAND BAGGAGE POST AIRLINE MOD: MT0-110639 VSAS	155162	6

ILLUSTRATION ITEMS NOT ON PARTS LIST ARE NOT APPLICABLE

- ITEM NOT ILLUSTRATED

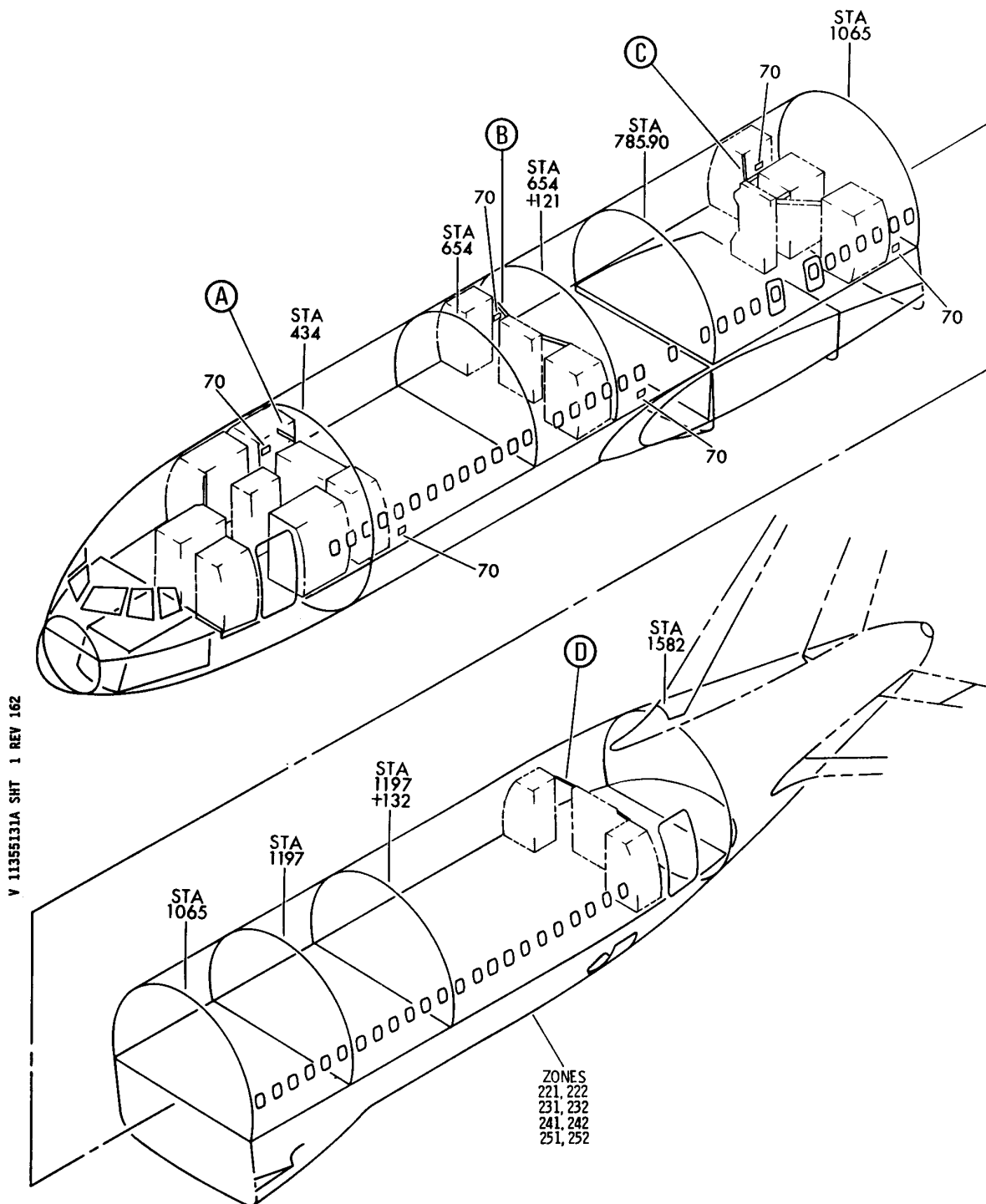
HXL

11-35-51-31

BOEING PROPRIETARY - Copyright © - Unpublished Work - See title page for details.

11-35-51  
FIG. 31  
PAGE 2  
AUG 22/08

**BOEING**  
767  
PARTS CATALOG (MAINTENANCE)



PLACARD INSTL-SAS CAB. INTR (MAIN COMPARTMENT ONLY)  
FIGURE 31A (SHEET 1)

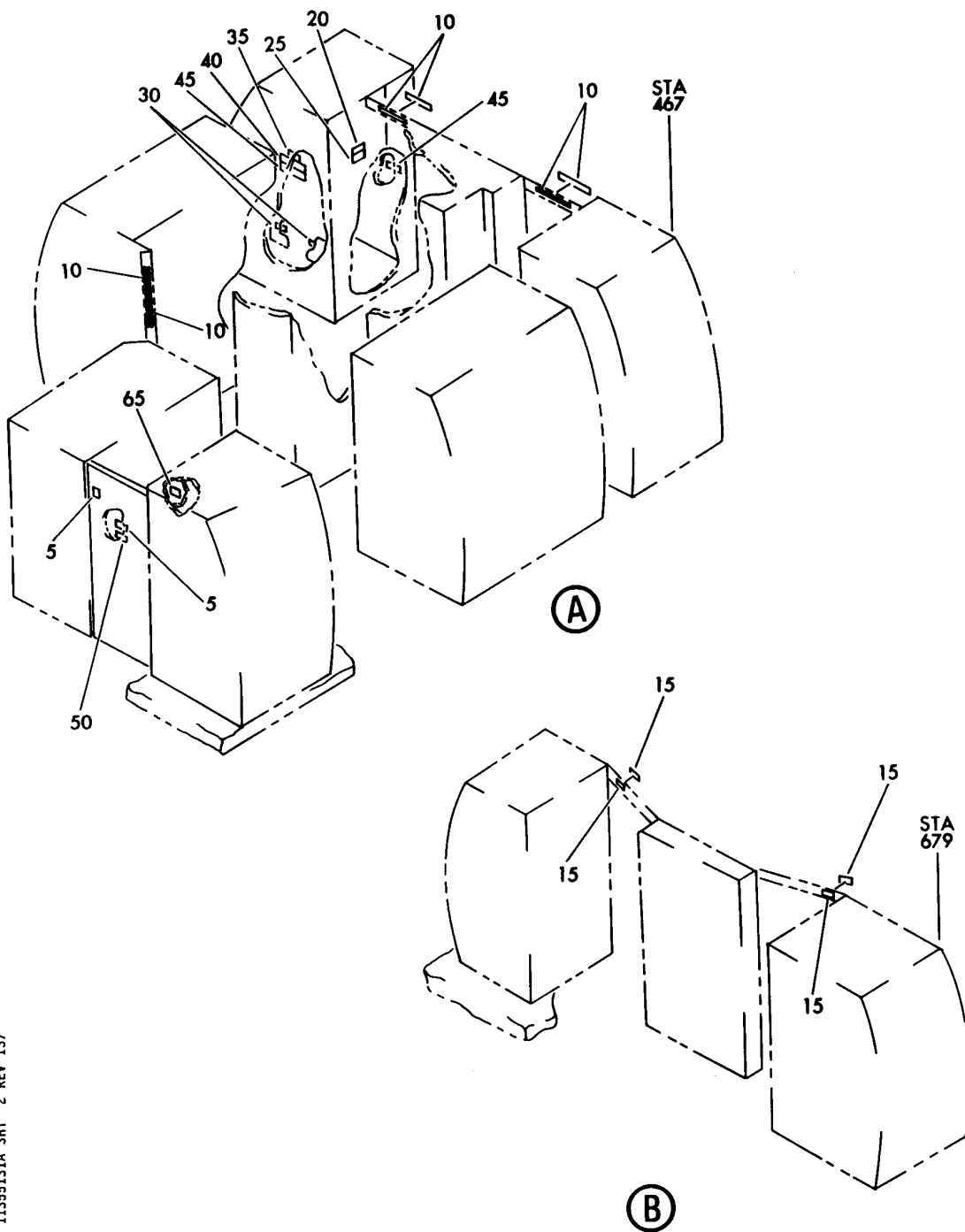
**11-35-51-31A**

HXL  
DEC 22/06

11-35-51-31A  
PAGE 0



**BOEING**  
767  
PARTS CATALOG (MAINTENANCE)



V 11355131A SHT 2 REV 137

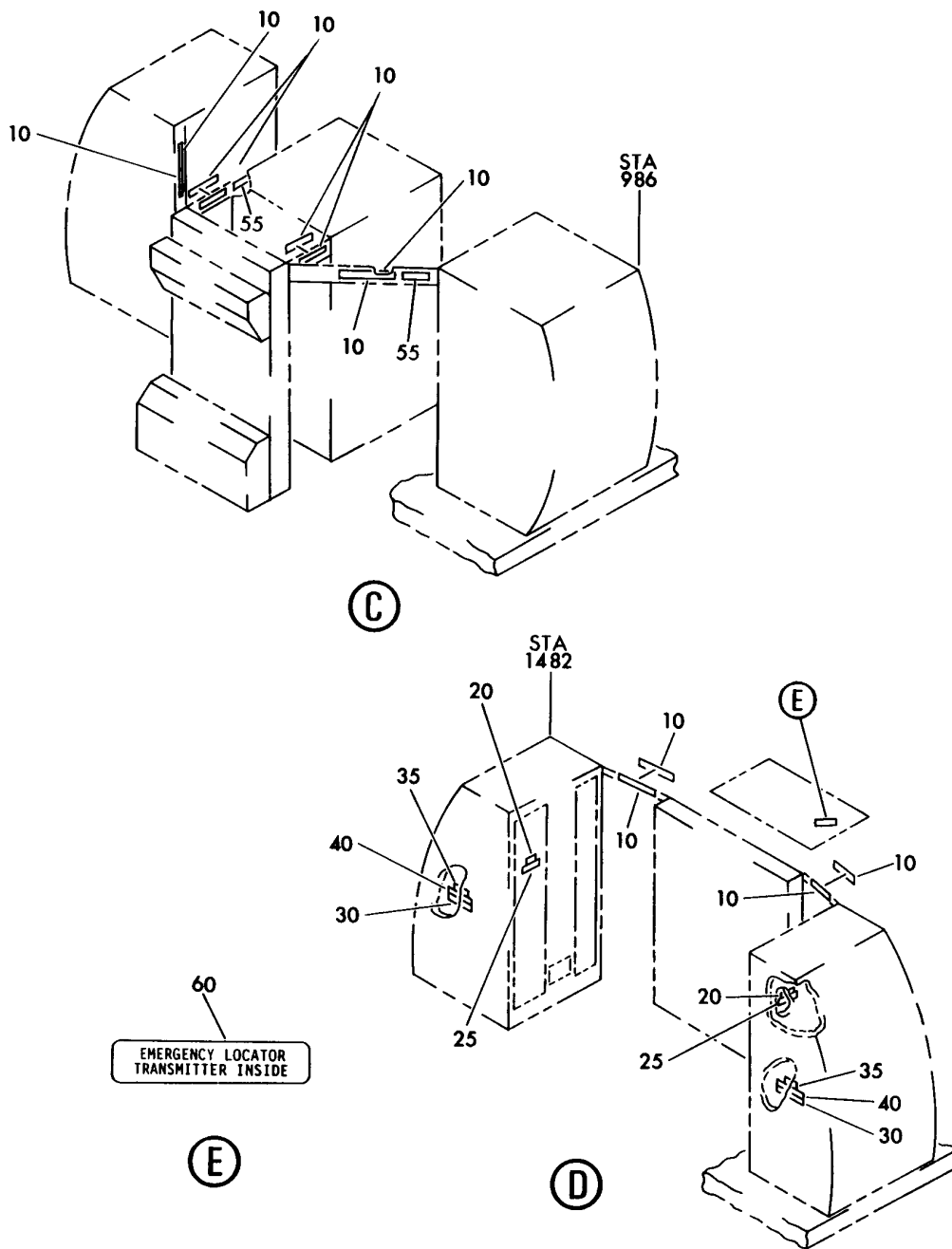
PLACARD INSTL-SAS CAB. INTR (MAIN COMPARTMENT ONLY)  
FIGURE 31A (SHEET 2)

**11-35-51-31A**

HXL  
DEC 22/06

11-35-51-31A  
PAGE 0A

**BOEING**  
767  
PARTS CATALOG (MAINTENANCE)



V 11355131A SHT 3 REV 131

PLACARD INSTL-SAS CAB. INTR (MAIN COMPARTMENT ONLY)  
FIGURE 31A (SHEET 3)

**11-35-51-31A**

HXL  
DEC 22/06

11-35-51-31A  
PAGE 0B

BOEING PROPRIETARY - Copyright © - Unpublished Work - See title page for details.

 **BOEING**  
767  
**PARTS CATALOG (MAINTENANCE)**

FIG ITEM	PART NUMBER	1 2 3 4 5 6 7	NOMENCLATURE	EFFECT FROM TO	UNITS PER ASSY
31A			PLACARD INSTL-SAS CAB. INTR (MAIN COMPARTMENT ONLY)	163999	
1	414T5053-4		PLACARD INSTL-SAS CAB. INTR (MAIN COMPARTMENT ONLY) FOR NHA/OTHER SYS DET SEE: 25-20-00-14A	163999	RF
5	BAC29PPS3069		.PLACARD- PLACARD CONTENT: CAUTION STEP	163999	2
10	BAC29PPS3056		.DECAL- PLACARD CONTENT: FASTEN CURTAIN OPEN DURING TAXI, TAKEOFF AND LANDING	163999	18
15	BAC29PPS3057		.DECAL- PLACARD CONTENT: FASTEN CURTAIN OPEN DURING TAXI, TAKEOFF AND LANDING	163999	4
20	BAC29PPS0617		.PLACARD- PLACARD CONTENT: FOR CREW USE ONLY	163999	3
25	BAC29PPS14398		.PLACARD- PLACARD CONTENT: DOOR MUST BE LATCHED OPEN	163999	3
30	BAC29PPS4301		.PLACARD- PLACARD CONTENT: LIFE VEST UNDER YOUR SEAT FASTEN YOUR SEAT BELT WHILE SEATED	163999	4
35	BAC29PPS6446		.PLACARD- PLACARD CONTENT: NO SMOKING IN CREW REST	163999	3
40	BAC29PPS13800		.PLACARD- PLACARD CONTENT: STOW LUGGAGE UNDER SEAT DURING TAXI, TAKEOFF AND LANDING	163999	3
45	BAC29PPS11408		.PLACARD- PLACARD CONTENT: DO NOT USE COAT HOOKS DURING TAXI, TAKEOFF AND LANDING	163999	2

ILLUSTRATION ITEMS NOT ON PARTS LIST ARE NOT APPLICABLE

— ITEM NOT ILLUSTRATED

HXL

# 11-35-51-31A

BOEING PROPRIETARY - Copyright © - Unpublished Work - See title page for details.

11-35-51  
FIG. 31A  
PAGE 1  
DEC 22/07



767

PARTS CATALOG (MAINTENANCE)

FIG ITEM	PART NUMBER	1 2 3 4 5 6 7	NOMENCLATURE	EFFECT FROM TO	UNITS PER ASSY
31A 50	484978B		.PLACARD- SUPPLIER CODE: V1009B PLACARD CONTENT: CREW ONLY POST AIRLINE MOD: MTO-110436 VSAS	163999	1
55	DA300180-9		.PLACARD- SUPPLIER CODE: V1009B PLACARD CONTENT: EURO CLASS ONLY POST AIRLINE MOD: MTO110443 VSAS	163999	2
60	483980		.PLACARD- SUPPLIER CODE: V1009B PLACARD CONTENT: ELT. LOCATION POST AIRLINE MOD: MTO110489 VSAS	163999	1
65	485337		.PLACARD- SUPPLIER CODE: V1009B PLACARD CONTENT: WHEN OPENING UNLOCK KEY LATCH. PULL THE HANDLE TO UNLOCK HANDLE LATCH. POST AIRLINE MOD: MTO-110558 VSAS	163999	1
70	OSL9011775		.PLACARD- SUPPLIER CODE: V1009B PLACARD CONTENT: NO HAND BAGGAGE POST AIRLINE MOD: MTO-110639 VSAS	163999	6

ILLUSTRATION ITEMS NOT ON PARTS LIST ARE NOT APPLICABLE

- ITEM NOT ILLUSTRATED

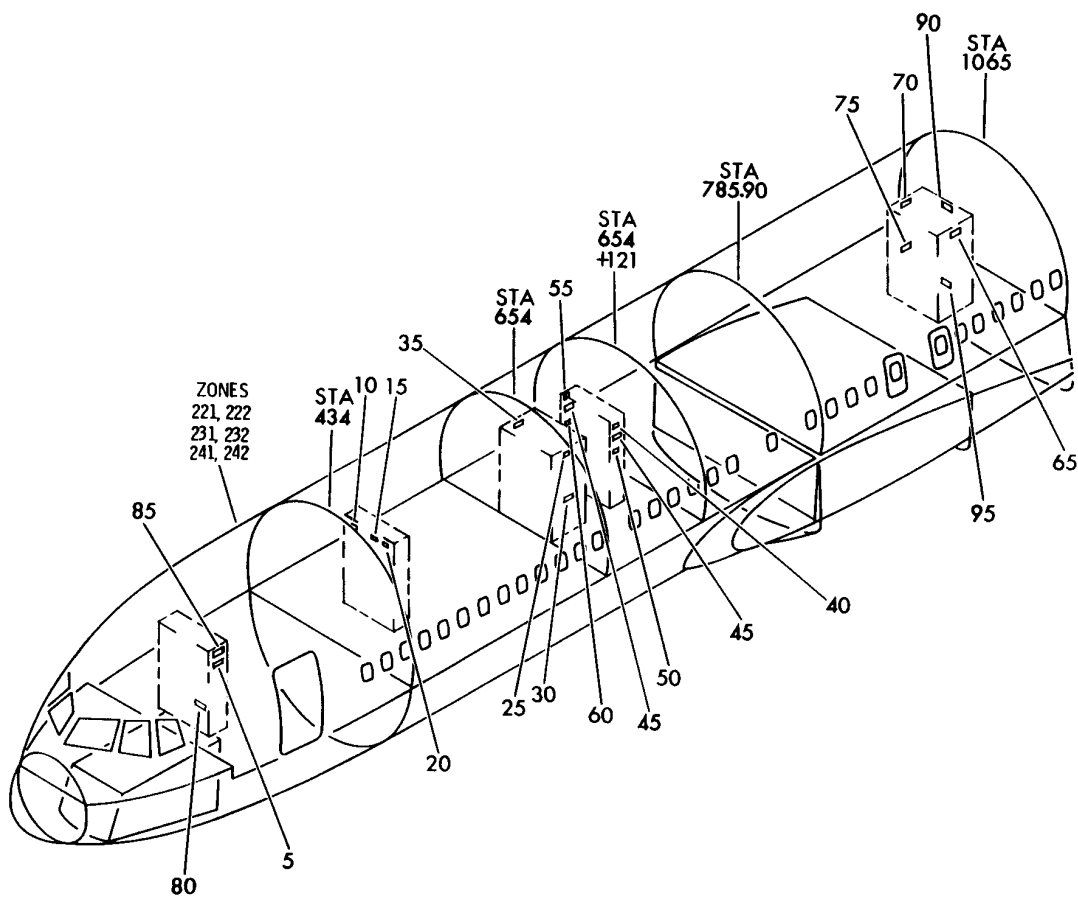
HXL

11-35-51-31A

BOEING PROPRIETARY - Copyright © - Unpublished Work - See title page for details.

11-35-51  
FIG. 31A  
PAGE 2  
AUG 22/08

**BOEING**  
767  
PARTS CATALOG (MAINTENANCE)



V 11355161 REV 131

PLACARD INSTL-STOWAGE AND COATROOM IDENTIFICATION  
FIGURE 61

**11-35-51-61**

HXL  
DEC 22/06

11-35-51-61  
PAGE 0



767

PARTS CATALOG (MAINTENANCE)

FIG ITEM	PART NUMBER	1 2 3 4 5 6 7	NOMENCLATURE	EFFECT FROM TO	UNITS PER ASSY
61					
- 1	SAS110445PLAC		PLACARD INSTL-STOWAGE AND COATROOM IDENTIFICATION PLACARD INSTL-STOWAGE AND COATROOM IDENTIFICATION SUPPLIER CODE: V1009B POST AIRLINE MOD: MTO-110445 VSAS		1
5	485277A		.PLACARD- SUPPLIER CODE: V1009B PLACARD CONTENT: COATROOM 1		1
10	485276B		.PLACARD- SUPPLIER CODE: V1009B PLACARD CONTENT: S2		1
15	485276C		.PLACARD- SUPPLIER CODE: V1009B PLACARD CONTENT: S3		1
20	485276A		.PLACARD- SUPPLIER CODE: V1009B PLACARD CONTENT: S1		1
25	485276D		.PLACARD- SUPPLIER CODE: V1009B PLACARD CONTENT: S5		1
30	485276F		.PLACARD- SUPPLIER CODE: V1009B PLACARD CONTENT: S7		1
35	485276E		.PLACARD- SUPPLIER CODE: V1009B PLACARD CONTENT: S6		1
40	485276J		.PLACARD- SUPPLIER CODE: V1009B PLACARD CONTENT: C21		1
ILLUSTRATION ITEMS NOT ON PARTS LIST ARE NOT APPLICABLE					

- ITEM NOT ILLUSTRATED

11-35-51-61

11-35-51  
FIG. 61  
PAGE 1  
APR 22/09

HXL



767

PARTS CATALOG (MAINTENANCE)

FIG ITEM	PART NUMBER	1 2 3 4 5 6 7	NOMENCLATURE	EFFECT FROM TO	UNITS PER ASSY
61					
45	485277B		.PLACARD- SUPPLIER CODE: V1009B PLACARD CONTENT: COATROOM 2		2
50	485276L		.PLACARD- SUPPLIER CODE: V1009B PLACARD CONTENT: C23		1
55	485276K		.PLACARD- SUPPLIER CODE: V1009B PLACARD CONTENT: C22		1
60	485276M		.PLACARD- SUPPLIER CODE: V1009B PLACARD CONTENT: C24		1
65	485276H		.PLACARD- SUPPLIER CODE: V1009B PLACARD CONTENT: S9		1
70	485276G		.PLACARD- SUPPLIER CODE: V1009B PLACARD CONTENT: S8		1
75	485276I		.PLACARD- SUPPLIER CODE: V1009B PLACARD CONTENT: S10		1

ILLUSTRATION ITEMS NOT ON PARTS LIST ARE NOT APPLICABLE

- ITEM NOT ILLUSTRATED

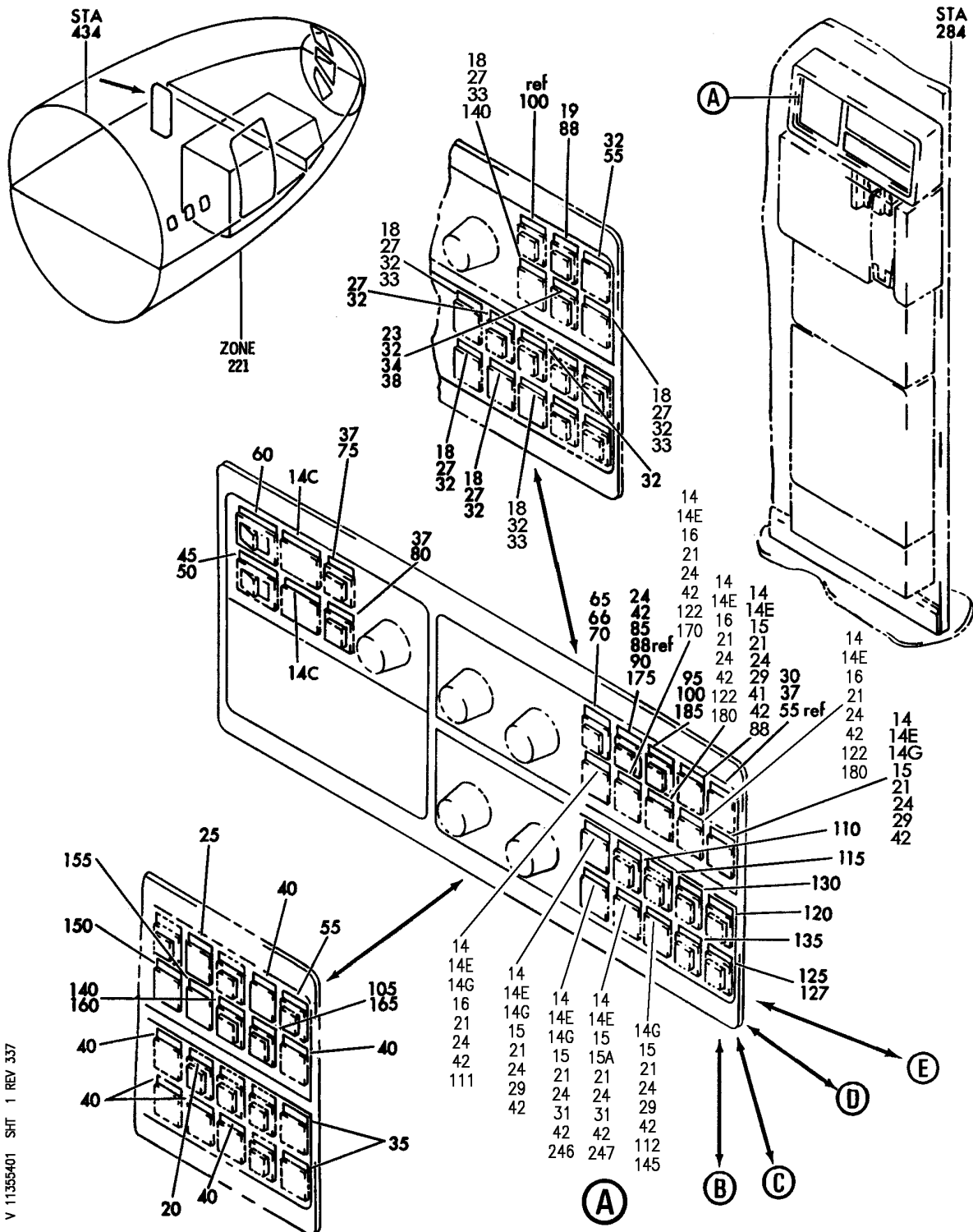
HXL

11-35-51-61

BOEING PROPRIETARY - Copyright © - Unpublished Work - See title page for details.

11-35-51  
FIG. 61  
PAGE 2  
DEC 22/07

**BOEING**  
767  
PARTS CATALOG (MAINTENANCE)



PANEL ASSY-ATTENDANT FWD (PLACARDS AND MARKINGS ONLY)  
FIGURE 1 (SHEET 1)

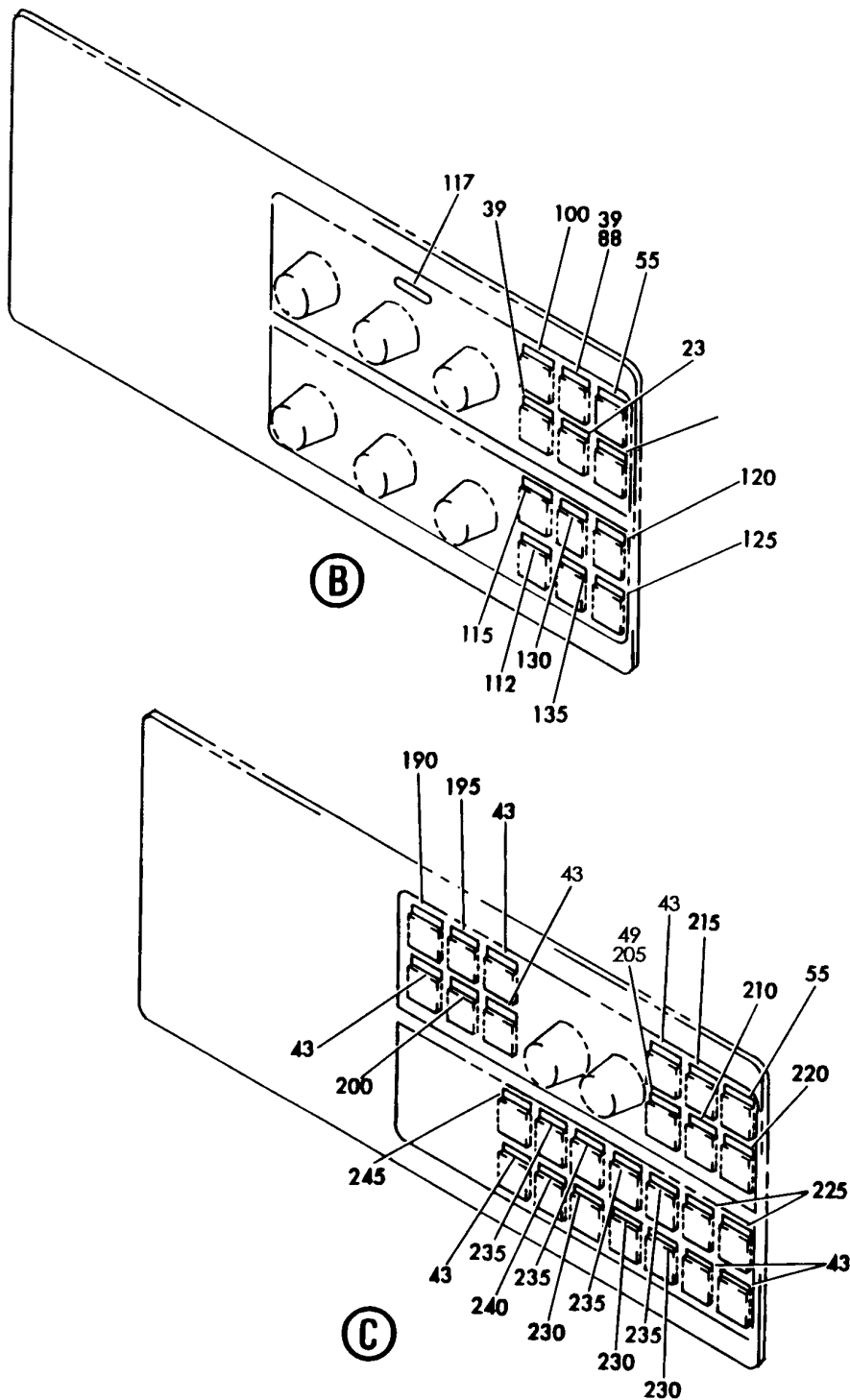
# 11-35-54-01

HXL  
APR 22/09

11-35-54-01  
PAGE 0



**BOEING**  
767  
PARTS CATALOG (MAINTENANCE)



V 11355401 SHT 2 REV 198

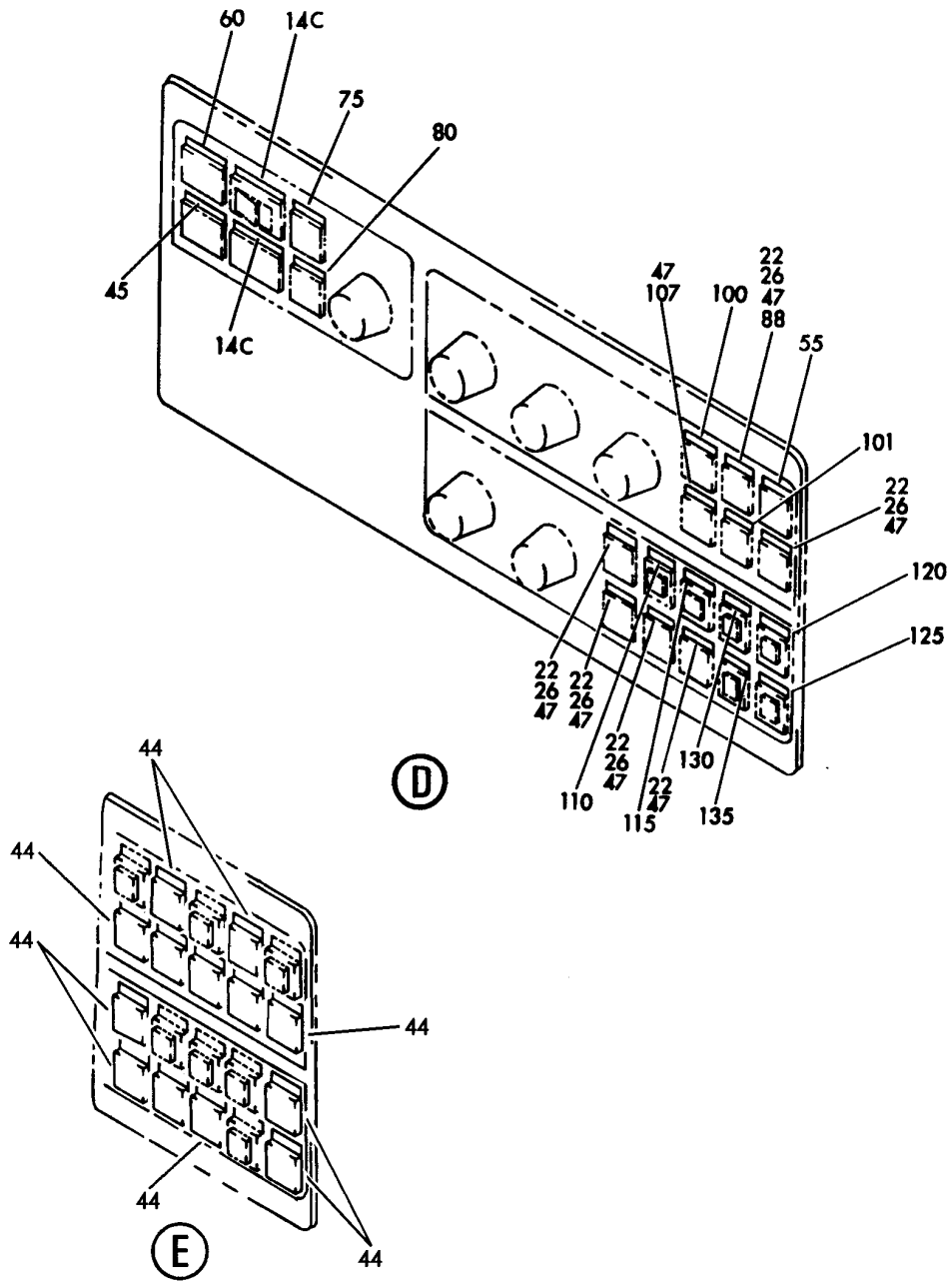
PANEL ASSY-ATTENDANT FWD (PLACARDS AND MARKINGS ONLY)  
FIGURE 1 (SHEET 2)

**11-35-54-01**

HXL  
DEC 22/06

11-35-54-01  
PAGE 0A

**BOEING**  
767  
PARTS CATALOG (MAINTENANCE)



V 11355401 SHT 3 REV 200

PANEL ASSY-ATTENDANT FWD (PLACARDS AND MARKINGS ONLY)  
FIGURE 1 (SHEET 3)

**11-35-54-01**

HXL  
DEC 22/06

11-35-54-01  
PAGE 0B



767

PARTS CATALOG (MAINTENANCE)

FIG ITEM	PART NUMBER	1 2 3 4 5 6 7	NOMENCLATURE	EFFECT FROM TO	UNITS PER ASSY
1			PANEL ASSY-ATTENDANT FWD (PLACARDS AND MARKINGS ONLY)		
- 3	285T0628-10		PANEL ASSY-ATTENDANT (PLACARDS AND MARKINGS ONLY) SUPPLIER CODE: V89954 POSITION DATA: FWD COMPONENT MAINT MANUAL REF: 25-29-56 FOR NHA/OTHER SYS DET SEE: 25-63-01-09		RF
- 9	285T0630-14		.WIRING ASSY-FACEPLATE SUPPLIER CODE: V89954		RF
14C	417T6012-2		..DECAL-NO LEGEND		2
15	417T6012-3		..DECAL-NO LEGEND		6
17	417T6012-3		..DECAL-NO LEGEND		1
45	417T6012-4		..DECAL- PLACARD CONTENT: EMERG LIGHTS		1
55	417T6012-5		..DECAL- PLACARD CONTENT: EMERG LTG		1
60	417T6012-6		..DECAL- PLACARD CONTENT: GROUND SERV BUS		1
66	285T0620-21		..DECAL- PLACARD CONTENT: FWD PRIORITY		1
75	417T6012-11		..DECAL- PLACARD CONTENT: ENTRY-L		1
80	417T6012-13		..DECAL- PLACARD CONTENT: ENTRY-R		1
110	417T6012-23		..DECAL- PLACARD CONTENT: PASS ENT SYST PWR		1
111	285T0620-23		..DECAL- PLACARD CONTENT: MID PRIORITY		1
115	417T6012-25		..DECAL- PLACARD CONTENT: PASS SERV SYST PWR		1

ILLUSTRATION ITEMS NOT ON PARTS LIST ARE NOT APPLICABLE

- ITEM NOT ILLUSTRATED

11-35-54-01

11-35-54  
FIG. 01  
PAGE 1  
DEC 22/07

HXL



767

PARTS CATALOG (MAINTENANCE)

FIG ITEM	PART NUMBER	1 2 3 4 5 6 7	NOMENCLATURE	EFFECT FROM TO	UNITS PER ASSY
1					
120	417T6012-27	..	DECAL- PLACARD CONTENT: MAIN DOOR UP		1
125	417T6012-29	..	DECAL-MAIN DOOR DOWN		1
130	417T6012-31	..	DECAL- PLACARD CONTENT: FWD MSTR CALL RESET		1
135	417T6012-33	..	DECAL- PLACARD CONTENT: AFT MSTR CALL RESET		1
170	417T6012-9	..	DECAL- PLACARD CONTENT: ATTND-R		1
175	417T6012-45	..	DECAL- PLACARD CONTENT: ATTND-L1		1
180	417T6012-21	..	DECAL- PLACARD CONTENT: LEFT ENTRY CEILING		1
185	417T6012-47	..	DECAL- PLACARD CONTENT: ATTND-L2		1

ILLUSTRATION ITEMS NOT ON PARTS LIST ARE NOT APPLICABLE

- ITEM NOT ILLUSTRATED

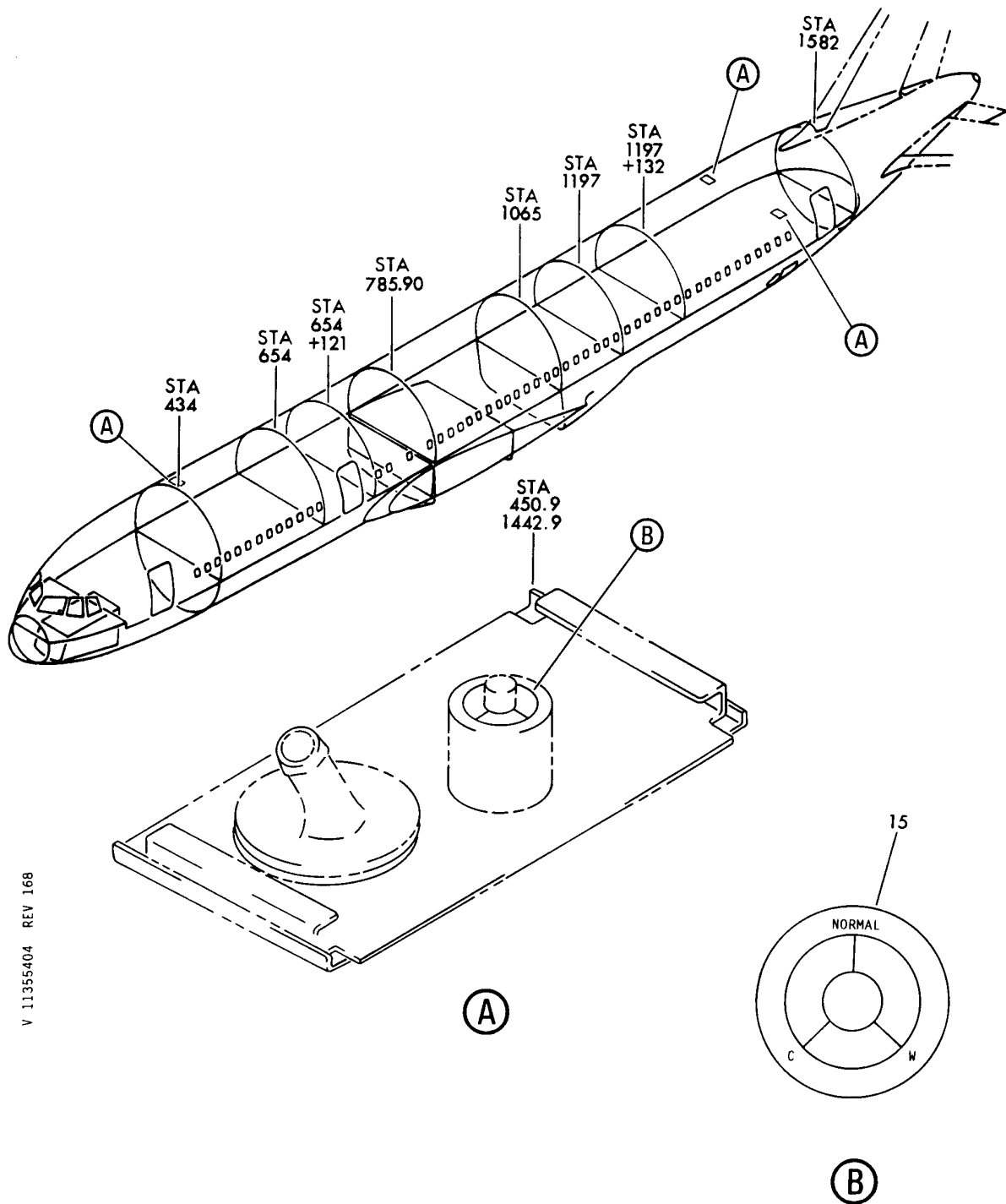
HXL

11-35-54-01

BOEING PROPRIETARY - Copyright © - Unpublished Work - See title page for details.

11-35-54  
FIG. 01  
PAGE 2  
DEC 22/07

**BOEING**  
767  
PARTS CATALOG (MAINTENANCE)



V 11355404 REV 168

PANEL ASSY-TEMP SENSOR CREW REST (PLACARDS AND MARKINGS ONLY)  
FIGURE 4

**11-35-54-04**

HXL  
DEC 22/06

11-35-54-04  
PAGE 0



767

PARTS CATALOG (MAINTENANCE)

FIG ITEM	PART NUMBER	1 2 3 4 5 6 7	NOMENCLATURE	EFFECT FROM TO	UNITS PER ASSY
4			PANEL ASSY-TEMP SENSOR CREW REST (PLACARDS AND MARKINGS ONLY)	163999	
- 1	215T1103-15SP		PANEL ASSY-TEMP SENSOR CREW REST (PLACARDS AND MARKINGS ONLY) POSITION DATA: FWD RH FOR NHA/OTHER SYS DET SEE: 25-23-01-48B	163999	RF
- 5	215T1103-19SP		PANEL ASSY-TEMP SENSOR CREW REST (PLACARDS AND MARKINGS ONLY) POSITION DATA: AFT LH FOR NHA/OTHER SYS DET SEE: 25-23-01-48B	163999	RF
- 10	215T1103-20SP		PANEL ASSY-TEMP SENSOR CREW REST (PLACARDS AND MARKINGS ONLY) POSITION DATA: AFT RH FOR NHA/OTHER SYS DET SEE: 25-23-01-48B	163999	RF
15	BAC27TEC0300		.DECAL	163999	1

ILLUSTRATION ITEMS NOT ON PARTS LIST ARE NOT APPLICABLE

- ITEM NOT ILLUSTRATED

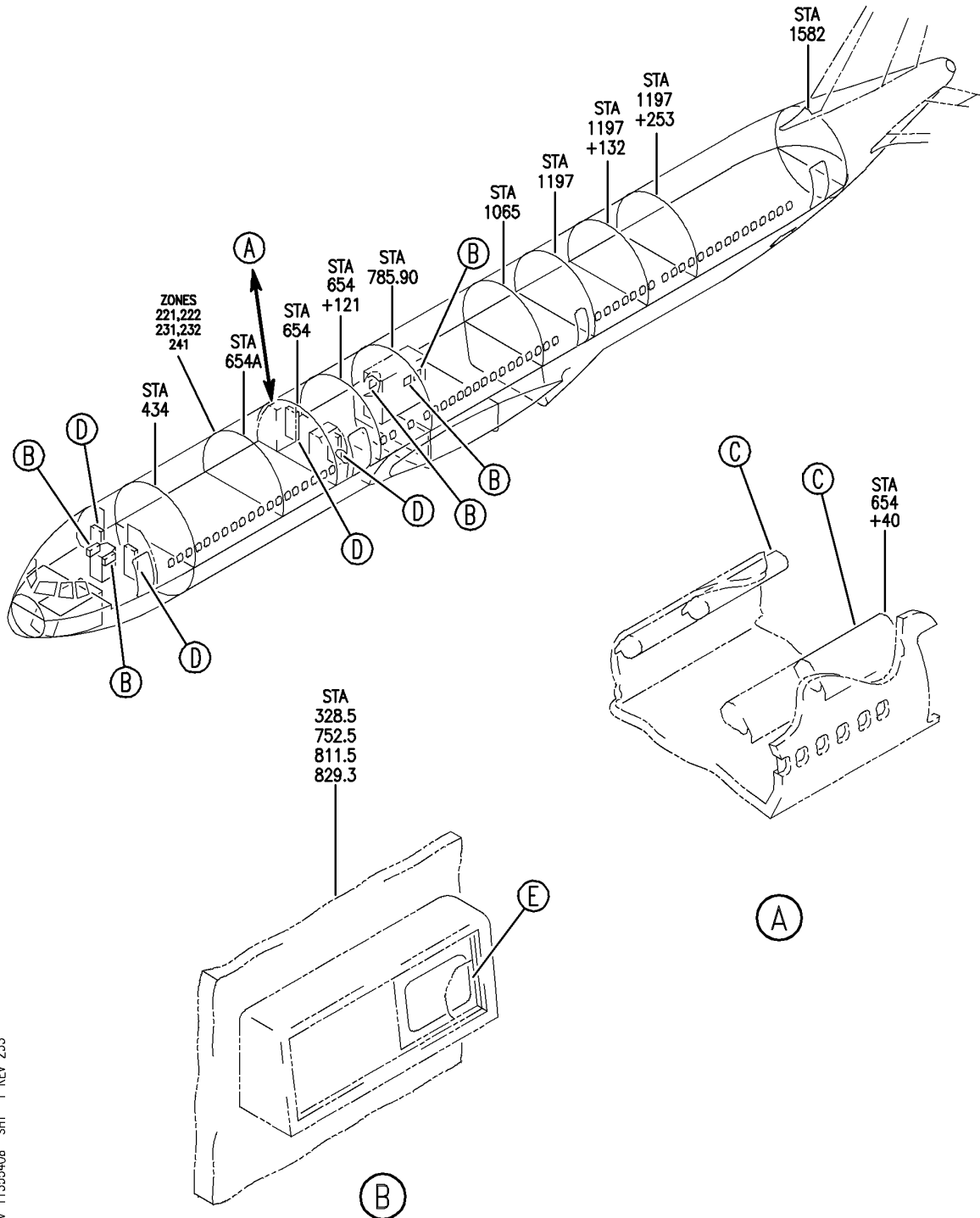
HXL

11-35-54-04

BOEING PROPRIETARY - Copyright © - Unpublished Work - See title page for details.

11-35-54  
FIG. 04  
PAGE 1  
DEC 22/07

**BOEING**  
767  
PARTS CATALOG (MAINTENANCE)



V 11355408 SH1 1 REV 233

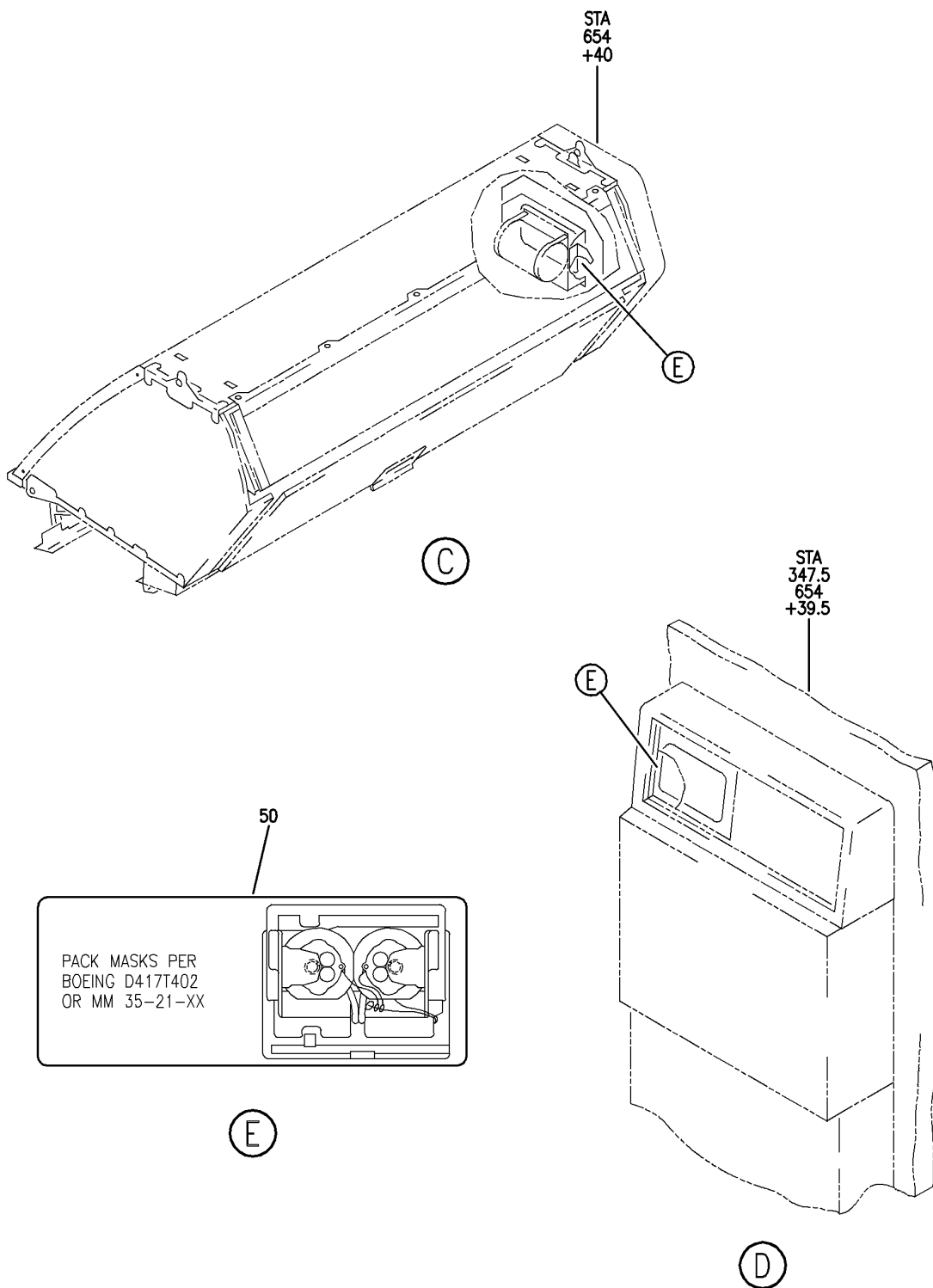
DOOR ASSY-FA3 OXY  
FIGURE 8 (SHEET 1)

**11-35-54-08**

HXL  
APR 22/08

11-35-54-08  
PAGE 0

**BOEING**  
767  
PARTS CATALOG (MAINTENANCE)



V 11355408 SH1 2 REV 233

DOOR ASSY-FA3 OXY  
FIGURE 8 (SHEET 2)

**11-35-54-08**

HXL  
APR 22/08

11-35-54-08  
PAGE 0A





767

PARTS CATALOG (MAINTENANCE)

FIG ITEM	PART NUMBER	1 2 3 4 5 6 7	NOMENCLATURE	EFFECT FROM TO	UNITS PER ASSY
8					
- 1	417T4265-25		DOOR ASSY-FA3 OXY DOOR ASSY-FA3 OXY FOR NHA SEE: 35-21-01-30		R F
50	BAC27TPPS6394		.MARKER		1

ILLUSTRATION ITEMS NOT ON PARTS LIST ARE NOT APPLICABLE

- ITEM NOT ILLUSTRATED

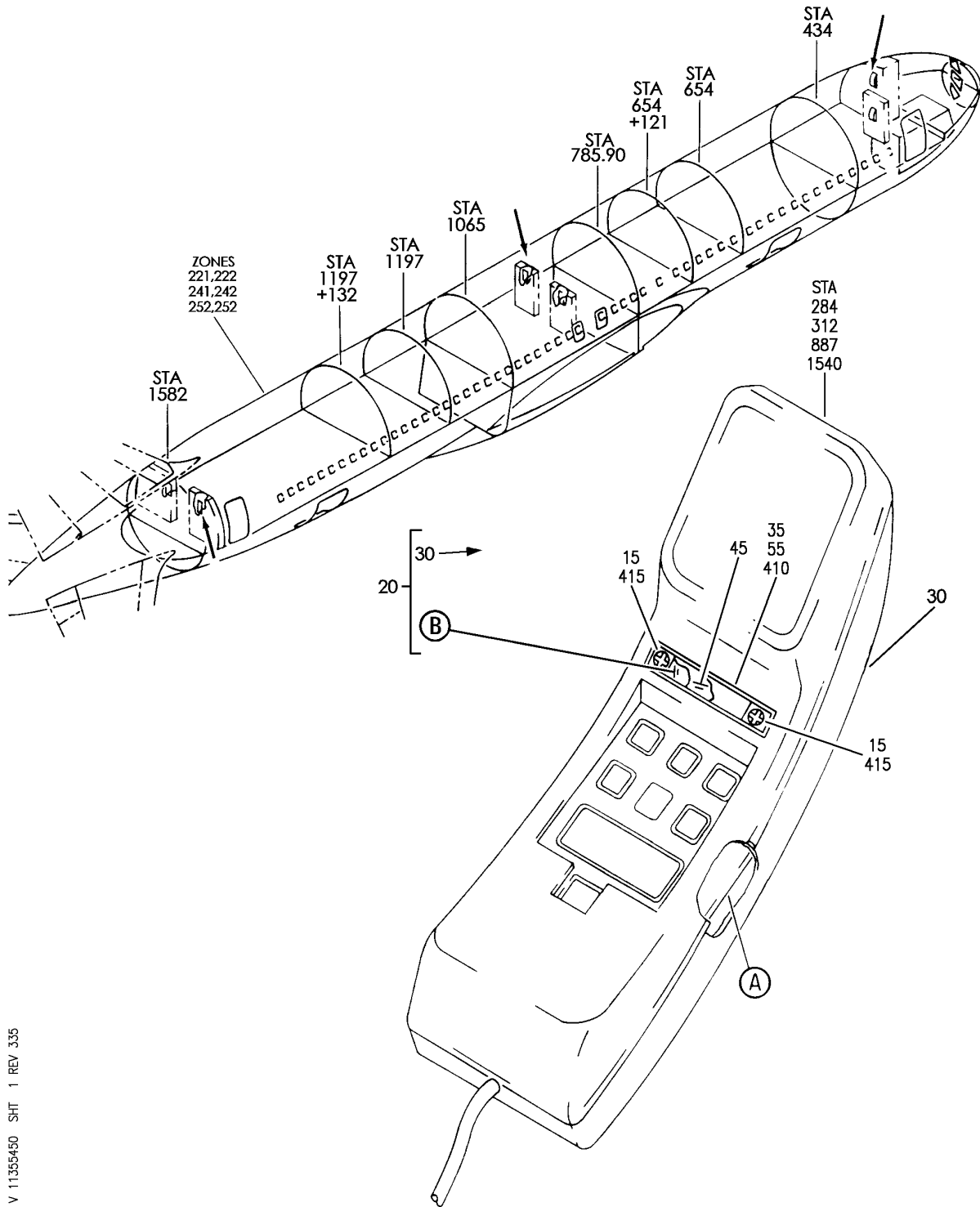
HXL

11-35-54-08

BOEING PROPRIETARY - Copyright © - Unpublished Work - See title page for details.

11-35-54  
FIG. 08  
PAGE 1  
APR 22/08

**BOEING**  
767  
PARTS CATALOG (MAINTENANCE)



V 11355450 SHT 1 REV 335

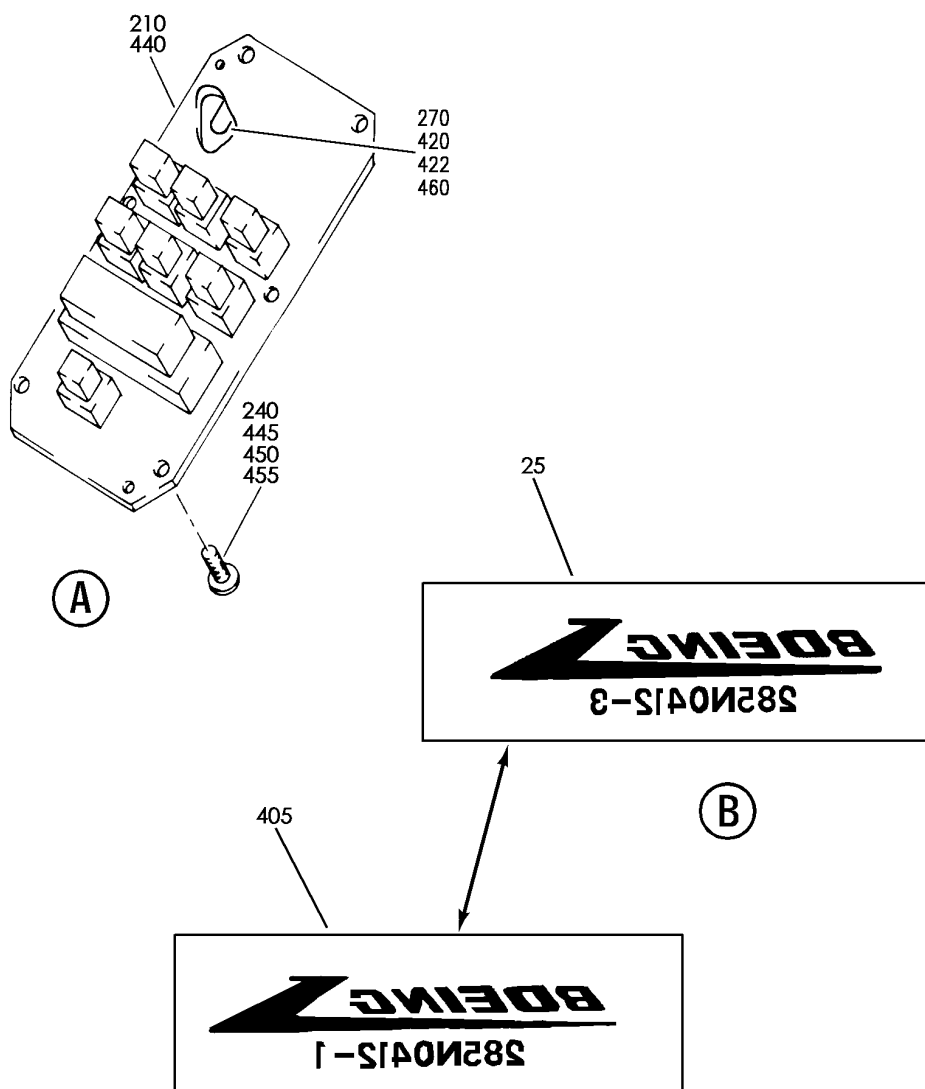
HANDSET ASSY-(STATIC SENSITIVE PART) (PLACARDS AND MARKINGS ONLY)  
FIGURE 50 (SHEET 1)

**11-35-54-50**

HXL  
DEC 22/08

11-35-54-50  
PAGE 0

**BOEING**  
767  
PARTS CATALOG (MAINTENANCE)



V 11355450 SH1 2 REV 335

HANDSET ASSY-(STATIC SENSITIVE PART) (PLACARDS AND MARKINGS ONLY)  
FIGURE 50 (SHEET 2)

**11-35-54-50**

HXL  
DEC 22/08

11-35-54-50  
PAGE 0A



767

PARTS CATALOG (MAINTENANCE)

FIG ITEM	PART NUMBER	1 2 3 4 5 6 7	NOMENCLATURE	EFFECT FROM TO	UNITS PER ASSY
50			HANDSET ASSY-(STATIC SENSITIVE PART) (PLACARDS AND MARKINGS ONLY)		
- 1	285N0412-3		HANDSET ASSY-(STATIC SENSITIVE PART) (PLACARDS AND MARKINGS ONLY) SUPPLIER CODE: V89954 ELECTRICAL EQUIP NUMBER: B00061 COMPONENT MAINT MANUAL REF: 23-42-64 QUALIFIED I/W DATA: CUSTOMER PREFERENCE; -3 (COLOR BAC8813, BEIGE) VS. -28 (COLOR BAC7240, BLUE-GREY) FOR NHA/OTHER SYS DET SEE: 23-31-56-01 23-42-51-02 23-42-52-30 23-42-52-38		RF
- 1	285T0038-9		INTERPHONE ASSY-(STATIC SENSITIVE PART) (PLACARDS AND MARKINGS ONLY) SUPPLIER CODE: V89954 ELECTRICAL EQUIP NUMBER: B00061 COMPONENT MAINT MANUAL REF: 23-42-51		RF
15	NAS1801-06-13		.SCREW- USED ON: 285N0412-3		2
20	285N0412-27		.SUB KIT ASSY- SUPPLIER CODE: V89954 OPTIONAL PART: GM247773 V22670		1
25	BAC27DEX5771		..LABEL- SUPPLIER CODE: V89954		1
30	087514-101		..RETAINER- SUPPLIER CODE: V25397		1

ILLUSTRATION ITEMS NOT ON PARTS LIST ARE NOT APPLICABLE

- ITEM NOT ILLUSTRATED

11-35-54-50

11-35-54  
FIG. 50  
PAGE 1  
DEC 22/08

HXL



767

PARTS CATALOG (MAINTENANCE)

FIG ITEM	PART NUMBER	1 2 3 4 5 6 7	NOMENCLATURE	EFFECT FROM TO	UNITS PER ASSY
50					
35	GM247773		. LABEL ASSY- SUPPLIER CODE: V22670 OPTIONAL PART: 285N0412-27 V89954 USED ON: 285N0412-3		1
45	285N0412-7		. LABEL- SUPPLIER CODE: V22670		1
210	285N0413-1		. PRINTED CIRCUIT ASSY- HANDSET (STATIC SENSITIVE PART) SUPPLIER CODE: V89954 OPTIONAL PART: 285T1181-3 V89954 285N0413-3 V89954		RF
210	285N0413-3		. PRINTED CIRCUIT ASSY- HANDSET (STATIC SENSITIVE PART) SUPPLIER CODE: V89954 OPTIONAL PART: 285N0413-1 V89954 285T1181-3 V89954		RF
210	285T1181-3		. PRINTED CIRCUIT ASSY- HANDSET (STATIC SENSITIVE PART) SUPPLIER CODE: V89954 OPTIONAL PART: 285N0413-1 V89954 285N0413-3 V89954		RF

ILLUSTRATION ITEMS NOT ON PARTS LIST ARE NOT APPLICABLE

- ITEM NOT ILLUSTRATED

HXL

11-35-54-50

BOEING PROPRIETARY - Copyright © - Unpublished Work - See title page for details.

11-35-54  
FIG. 50  
PAGE 2  
DEC 22/08



767

PARTS CATALOG (MAINTENANCE)

FIG ITEM	PART NUMBER	1 2 3 4 5 6 7	NOMENCLATURE	EFFECT FROM TO	UNITS PER ASSY
50			ATTACHING PARTS		
240	224-20300-382		.SCREW- SUPPLIER CODE: V1064B OPTIONAL PART: 224-20300-024 V1064B 3872 V0992B		RF
240	224-20300-024		.SCREW- SUPPLIER CODE: V1064B OPTIONAL PART: 3872 V0992B 224-20300-382 V1064B		RF
240	3872		.SCREW- SUPPLIER CODE: V0992B OPTIONAL PART: 224-20300-024 V1064B 224-20300-382 V1064B		RF
270	BAC27TEX1486		-----*----- . . DECAL- PLACARD CONTENT: STATIC SENSITIVE		1

ILLUSTRATION ITEMS NOT ON PARTS LIST ARE NOT APPLICABLE

- ITEM NOT ILLUSTRATED

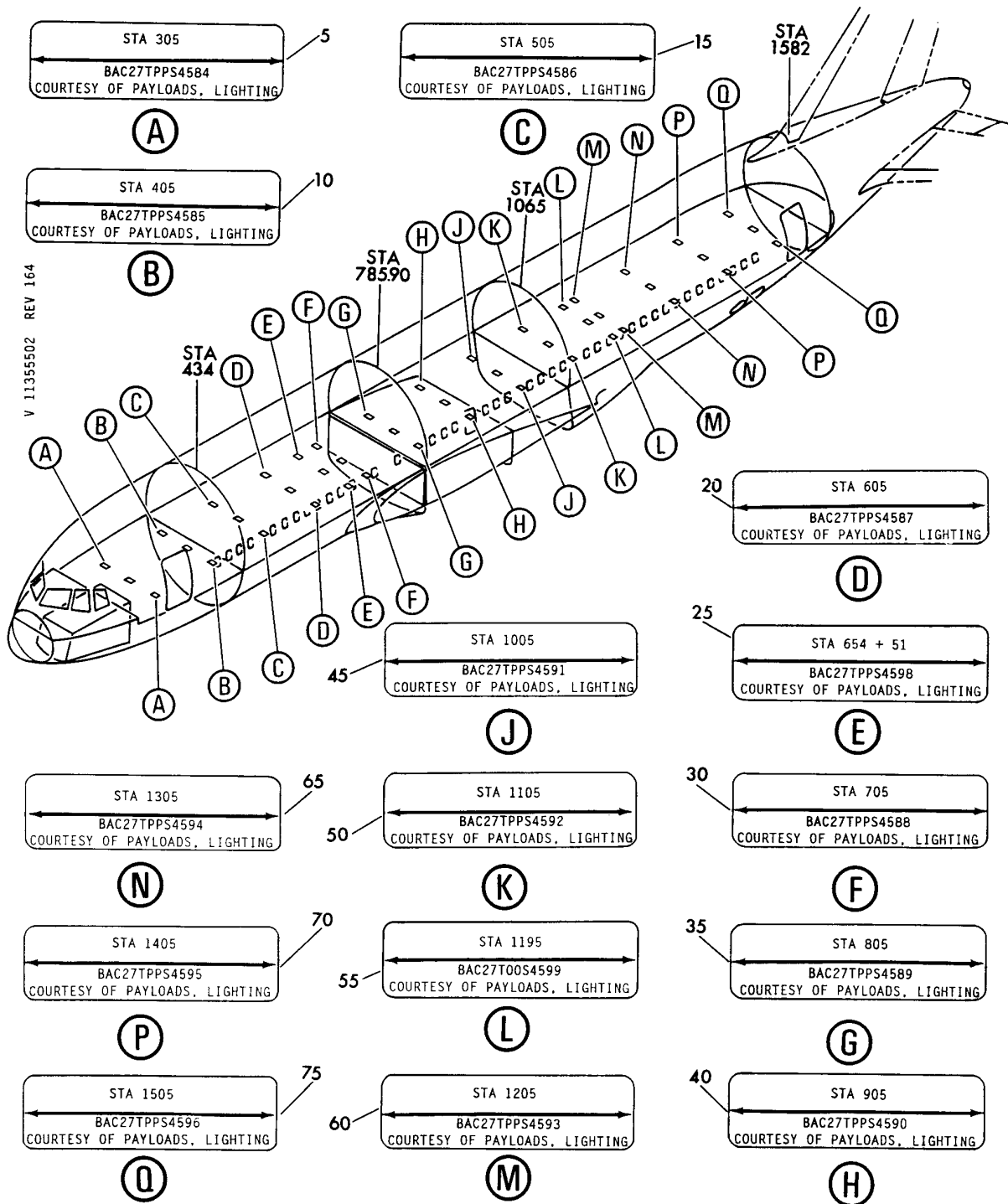
HXL

11-35-54-50

BOEING PROPRIETARY - Copyright © - Unpublished Work - See title page for details.

11-35-54  
FIG. 50  
PAGE 3  
DEC 22/08

**BOEING**  
767  
PARTS CATALOG (MAINTENANCE)



MARKER INSTL-FLOOR PROXIMITY LIGHTING FOIL  
FIGURE 2

**11-35-55-02**



767

PARTS CATALOG (MAINTENANCE)

FIG ITEM	PART NUMBER	1 2 3 4 5 6 7	NOMENCLATURE	EFFECT FROM TO	UNITS PER ASSY
2			MARKER INSTL-FLOOR PROXIMITY LIGHTING FOIL		
- 1	417T5197-2		MARKER INSTL-FLOOR PROXIMITY LIGHTING FOIL FOR NHA SEE: 25-20-00-17F		RF
5	BAC27TPPS4584		.MARKER-ALUMINUM FOIL		3
10	BAC27TPPS4585		.MARKER-ALUMINUM FOIL		3
15	BAC27TPPS4586		.MARKER-ALUMINUM FOIL		3
20	BAC27TPPS4587		.MARKER-ALUMINUM FOIL		3
25	BAC27TPPS4598		.MARKER-ALUMINUM FOIL		3
30	BAC27TPPS4588		.MARKER-ALUMINUM FOIL		3
35	BAC27TPPS4589		.MARKER-ALUMINUM FOIL		3
40	BAC27TPPS4590		.MARKER-ALUMINUM FOIL		3
45	BAC27TPPS4591		.MARKER-ALUMINUM FOIL		3
50	BAC27TPPS4592		.MARKER-ALUMINUM FOIL		3
55	BAC27TPPS4599		.MARKER-ALUMINUM FOIL		3
60	BAC27TPPS4593		.MARKER-ALUMINUM FOIL		3
65	BAC27TPPS4594		.MARKER-ALUMINUM FOIL		3
70	BAC27TPPS4595		.MARKER-ALUMINUM FOIL		3
75	BAC27TPPS4596		.MARKER-ALUMINUM FOIL		3

ILLUSTRATION ITEMS NOT ON PARTS LIST ARE NOT APPLICABLE

- ITEM NOT ILLUSTRATED

HXL

11-35-55-02

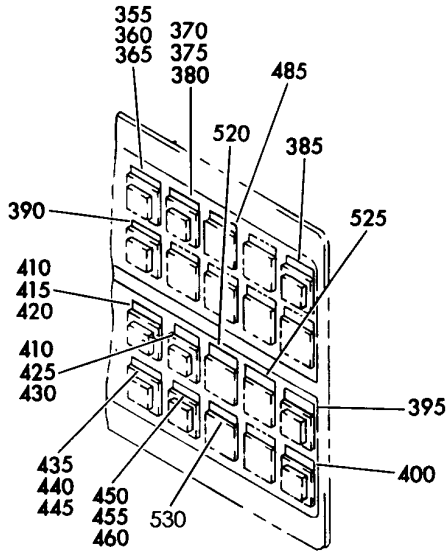
BOEING PROPRIETARY - Copyright © - Unpublished Work - See title page for details.

11-35-55  
FIG. 02  
PAGE 1  
DEC 22/06

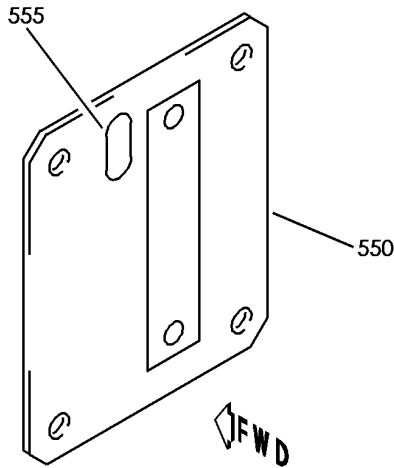




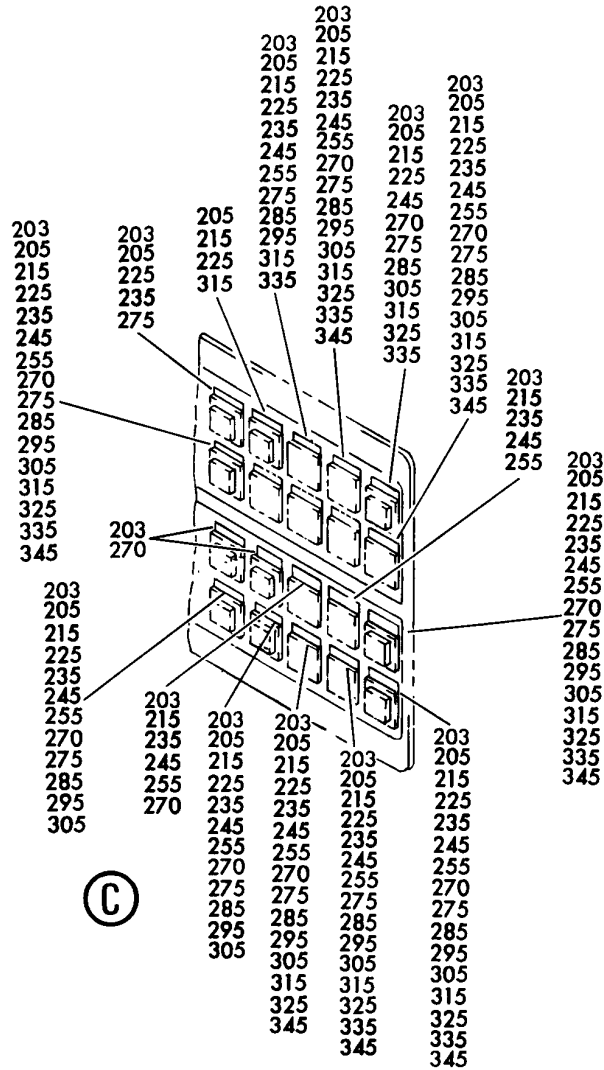
**BOEING**  
767  
**PARTS CATALOG (MAINTENANCE)**



**(B)**



**(D)**



**(C)**

V 11355601 SHT 2 REV 220

PANEL ASSY-ATTENDANT AFT (PLACARDS AND MARKINGS ONLY)  
FIGURE 1 (SHEET 2)

**11-35-56-01**



767

PARTS CATALOG (MAINTENANCE)

FIG ITEM	PART NUMBER	1 2 3 4 5 6 7	NOMENCLATURE	EFFECT FROM TO	UNITS PER ASSY
1			PANEL ASSY-ATTENDANT AFT (PLACARDS AND MARKINGS ONLY)		
- 11	285T0629-88		PANEL ASSY-ATTENDANT (PLACARDS AND MARKINGS ONLY) SUPPLIER CODE: V89954 POSITION DATA: AFT COMPONENT MAINT MANUAL REF: 25-29-57 PRE SERVICE BULLETIN: 38-0037 FOR NHA/OTHER SYS DET SEE: 25-63-01-09		RF
- 12	285T0629-264		PANEL ASSY-ATTENDANT (PLACARDS AND MARKINGS ONLY) SUPPLIER CODE: V89954 POSITION DATA: AFT COMPONENT MAINT MANUAL REF: 25-29-57 POST SERVICE BULLETIN: 38-0037 FOR NHA/OTHER SYS DET SEE: 25-63-01-09		RF
27	285T0630-41		.WIRING ASSY-FACEPLATE SUPPLIER CODE: V89954		RF
200	417T6012-2		..DECAL-NO LEGEND		3
350	417T6012-3		..DECAL-NO LEGEND		10
360	417T6012-37		..DECAL- PLACARD CONTENT: WORK LT LEFT		1
370	417T6012-9		..DECAL- PLACARD CONTENT: ATTND-R		1
420	417T6012-67		..DECAL- PLACARD CONTENT: LAV INOP AFT TANK		1
430	417T6012-69		..DECAL- PLACARD CONTENT: LAV INOP FWD TANK		1
440	285T0620-33		..DECAL- PLACARD CONTENT: SENSOR OFF AFT TANK		1

ILLUSTRATION ITEMS NOT ON PARTS LIST ARE NOT APPLICABLE

- ITEM NOT ILLUSTRATED

11-35-56-01

11-35-56  
FIG. 01  
PAGE 1  
DEC 22/07

HXL



767

PARTS CATALOG (MAINTENANCE)

FIG ITEM	PART NUMBER	1 2 3 4 5 6 7	NOMENCLATURE	EFFECT FROM TO	UNITS PER ASSY
1					
455	285T0620-35	..	DECAL- PLACARD CONTENT: SENSOR OFF FWD TANK		1
465	417T6012-4	..	DECAL- PLACARD CONTENT: EMERG LIGHTS		1
475	417T6012-11	..	DECAL- PLACARD CONTENT: ENTRY-L		1
480	417T6012-13	..	DECAL- PLACARD CONTENT: ENTRY-R		1
520	285T0620-27	..	DECAL- PLACARD CONTENT: SNSR FOUL FWD TANK		1
525	285T0620-25	..	DECAL- PLACARD CONTENT: SNSR FOUL AFT TANK		1

ILLUSTRATION ITEMS NOT ON PARTS LIST ARE NOT APPLICABLE

- ITEM NOT ILLUSTRATED

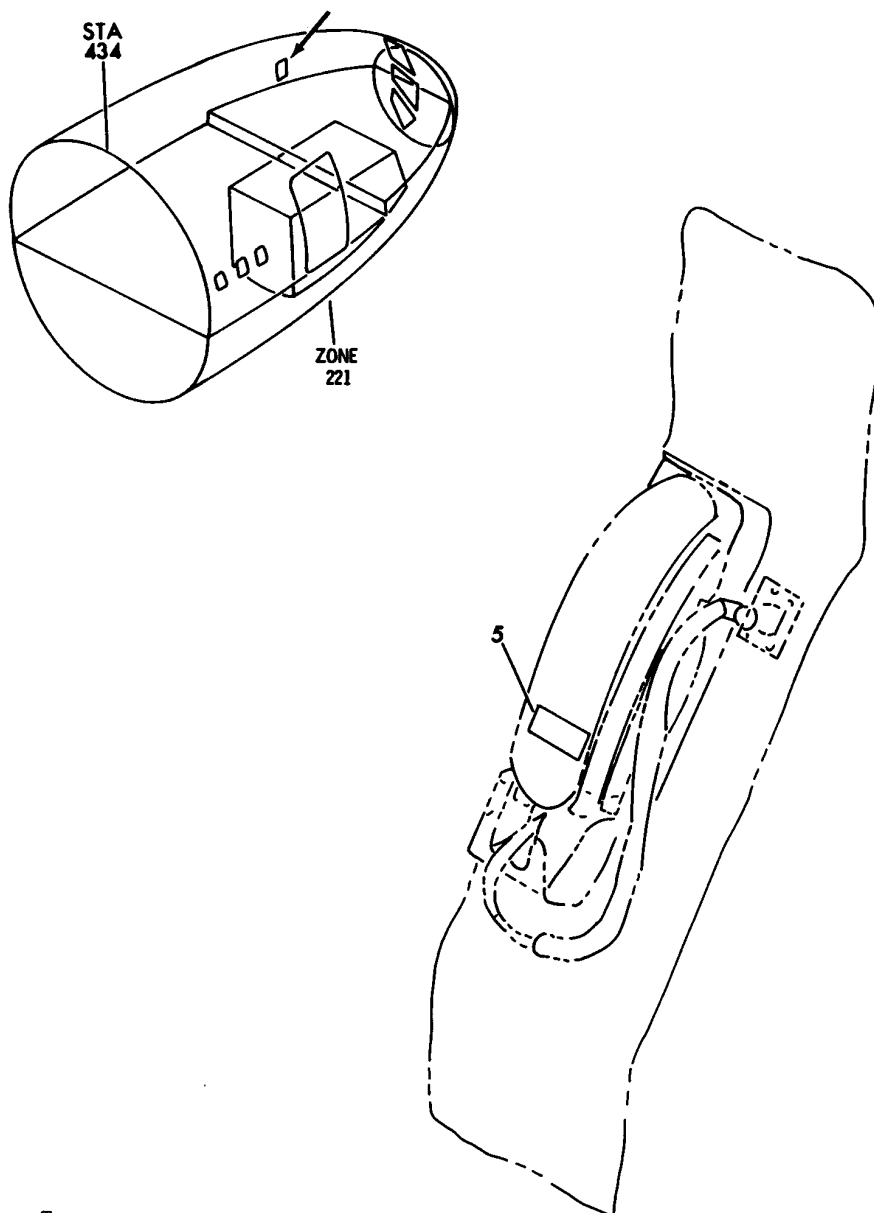
HXL

11-35-56-01

BOEING PROPRIETARY - Copyright © - Unpublished Work - See title page for details.

11-35-56  
FIG. 01  
PAGE 2  
DEC 22/07

**BOEING**  
767  
PARTS CATALOG (MAINTENANCE)



V 11355602 REV 123

EQUIPMENT INSTL-HANDSET CREW REST (PLACARDS AND MARKINGS ONLY)  
FIGURE 2

HXL  
DEC 22/06

**11-35-56-02**

11-35-56-02  
PAGE 0



767

PARTS CATALOG (MAINTENANCE)

FIG ITEM	PART NUMBER	1 2 3 4 5 6 7	NOMENCLATURE	EFFECT FROM TO	UNITS PER ASSY
2			EQUIPMENT INSTL-HANDSET CREW REST (PLACARDS AND MARKINGS ONLY)	163999	
- 1	284T4201-22		EQUIPMENT INSTL-HANDSET CREW REST (PLACARDS AND MARKINGS ONLY)	163999	RF
			VARIABLE DRAWING REF: 284T4201-5077 FOR NHA/OTHER SYS DET SEE: 25-24-10-51		
5	BAC27EEL25583		.DECAL- PLACARD CONTENT: KEYPAD INOP	163999	1

ILLUSTRATION ITEMS NOT ON PARTS LIST ARE NOT APPLICABLE

- ITEM NOT ILLUSTRATED

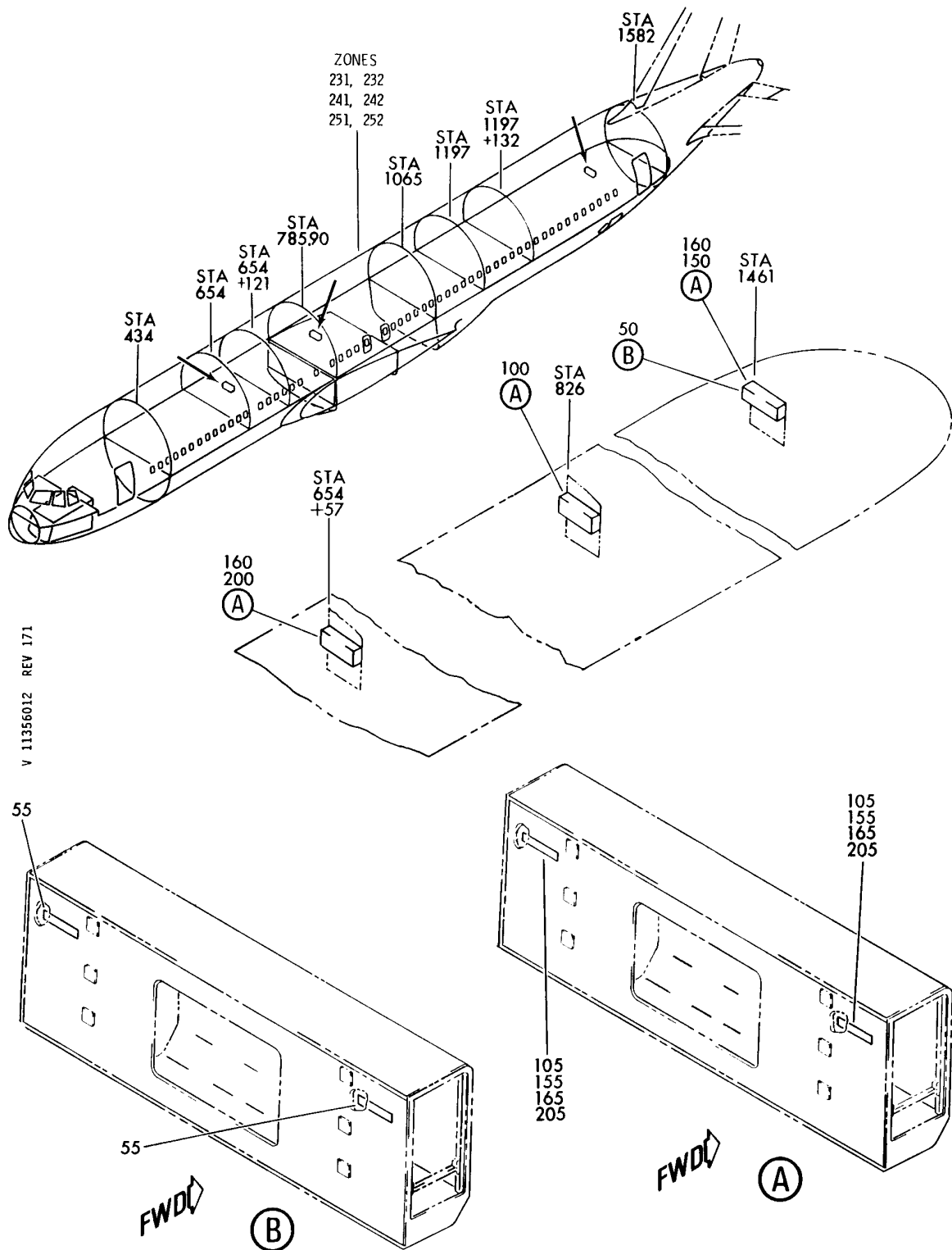
HXL

11-35-56-02

BOEING PROPRIETARY - Copyright © - Unpublished Work - See title page for details.

11-35-56  
FIG. 02  
PAGE 1  
DEC 22/07

**BOEING**  
767  
PARTS CATALOG (MAINTENANCE)



BUSTLE ASSY-MAGAZINE (PLACARDS AND MARKINGS ONLY)  
FIGURE 12

**11-35-60-12**



767

PARTS CATALOG (MAINTENANCE)

FIG ITEM	PART NUMBER	1 2 3 4 5 6 7	NOMENCLATURE	EFFECT FROM TO	UNITS PER ASSY
12			BUSTLE ASSY-MAGAZINE (PLACARDS AND MARKINGS ONLY)		
200	413T7400-21SP		BUSTLE ASSY-MAGAZINE (PLACARDS AND MARKINGS ONLY) FOR NHA/OTHER SYS DET SEE: 25-20-51-70	163999	RF
200	413T7400-27SP		BUSTLE ASSY-MAGAZINE (PLACARDS AND MARKINGS ONLY) FOR NHA/OTHER SYS DET SEE: 25-20-51-70	155162	RF
205	BAC27TPPS0218		.PLACARD- PLACARD CONTENT: SHELF LOAD LIMIT 12 LB/5 KG		2

ILLUSTRATION ITEMS NOT ON PARTS LIST ARE NOT APPLICABLE

- ITEM NOT ILLUSTRATED

HXL

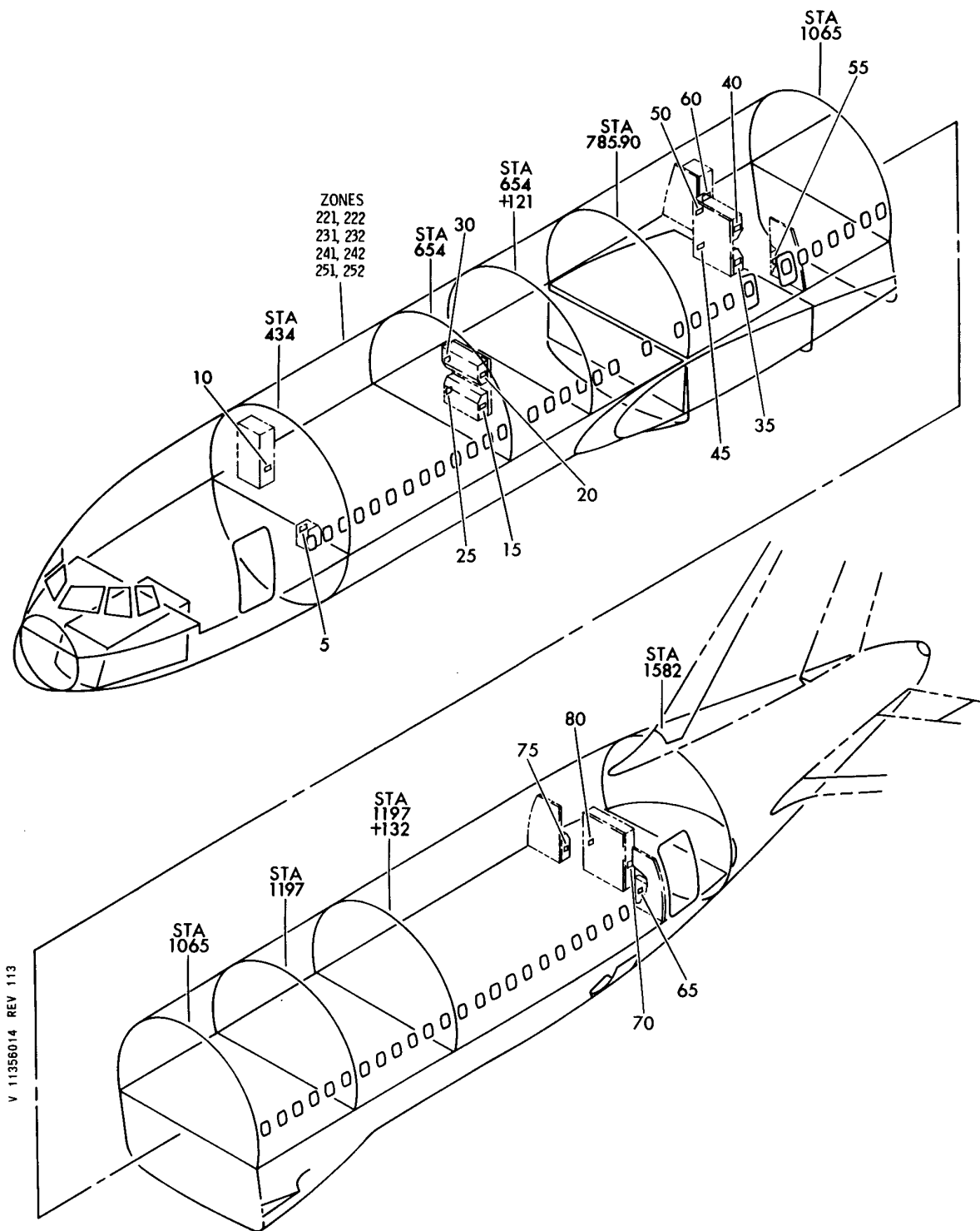
11-35-60-12

BOEING PROPRIETARY - Copyright © - Unpublished Work - See title page for details.

11-35-60  
FIG. 12  
PAGE 1  
DEC 22/07



**BOEING**  
767  
PARTS CATALOG (MAINTENANCE)



V 11356014 REV 113

BUSTLE AND DOGHOUSE-IDENTIFICATION  
FIGURE 14

**11-35-60-14**

HXL  
DEC 22/06

11-35-60-14  
PAGE 0

**BOEING**  
767  
**PARTS CATALOG (MAINTENANCE)**

FIG ITEM	PART NUMBER	1 2 3 4 5 6 7	NOMENCLATURE	EFFECT FROM TO	UNITS PER ASSY
14			BUSTLE AND DOGHOUSE- IDENTIFICATION		
- 1	25738		BUSTLE AND DOGHOUSE- IDENTIFICATION SUPPLIER CODE: V1009B POST AIRLINE MOD: MT0-110440 VSAS		1
5	485275A		.PLACARD- SUPPLIER CODE: V1009B PLACARD CONTENT: D1		1
10	485275B		.PLACARD- SUPPLIER CODE: V1009B PLACARD CONTENT: D2		1
15	485275C		.PLACARD- SUPPLIER CODE: V1009B PLACARD CONTENT: D3		1
20	485275M		.PLACARD- SUPPLIER CODE: V1009B PLACARD CONTENT: B1		1
25	485275D		.PLACARD- SUPPLIER CODE: V1009B PLACARD CONTENT: D4		1
30	485275N		.PLACARD- SUPPLIER CODE: V1009B PLACARD CONTENT: B2		1
35	485275G		.PLACARD- SUPPLIER CODE: V1009B PLACARD CONTENT: D7		1
40	485275O		.PLACARD- SUPPLIER CODE: V1009B PLACARD CONTENT: B3		1
ILLUSTRATION ITEMS NOT ON PARTS LIST ARE NOT APPLICABLE					

- ITEM NOT ILLUSTRATED

HXL

# 11-35-60-14

BOEING PROPRIETARY - Copyright © - Unpublished Work - See title page for details.

11-35-60  
FIG. 14  
PAGE 1  
DEC 22/07

 **BOEING**  
767  
**PARTS CATALOG (MAINTENANCE)**

FIG ITEM	PART NUMBER	1 2 3 4 5 6 7	NOMENCLATURE	EFFECT FROM TO	UNITS PER ASSY
14					
45	485275H		.PLACARD- SUPPLIER CODE: V1009B PLACARD CONTENT: D8		1
50	485275P		.PLACARD- SUPPLIER CODE: V1009B PLACARD CONTENT: B4		1
55	485275E		.PLACARD- SUPPLIER CODE: V1009B PLACARD CONTENT: D5		1
60	485275F		.PLACARD- SUPPLIER CODE: V1009B PLACARD CONTENT: D6		1
65	485275I		.PLACARD- SUPPLIER CODE: V1009B PLACARD CONTENT: D9		1
70	485275K		.PLACARD- SUPPLIER CODE: V1009B PLACARD CONTENT: D11		1
75	485275J		.PLACARD- SUPPLIER CODE: V1009B PLACARD CONTENT: D10		1
80	485275L		.PLACARD- SUPPLIER CODE: V1009B PLACARD CONTENT: D12		1
ILLUSTRATION ITEMS NOT ON PARTS LIST ARE NOT APPLICABLE					

- ITEM NOT ILLUSTRATED

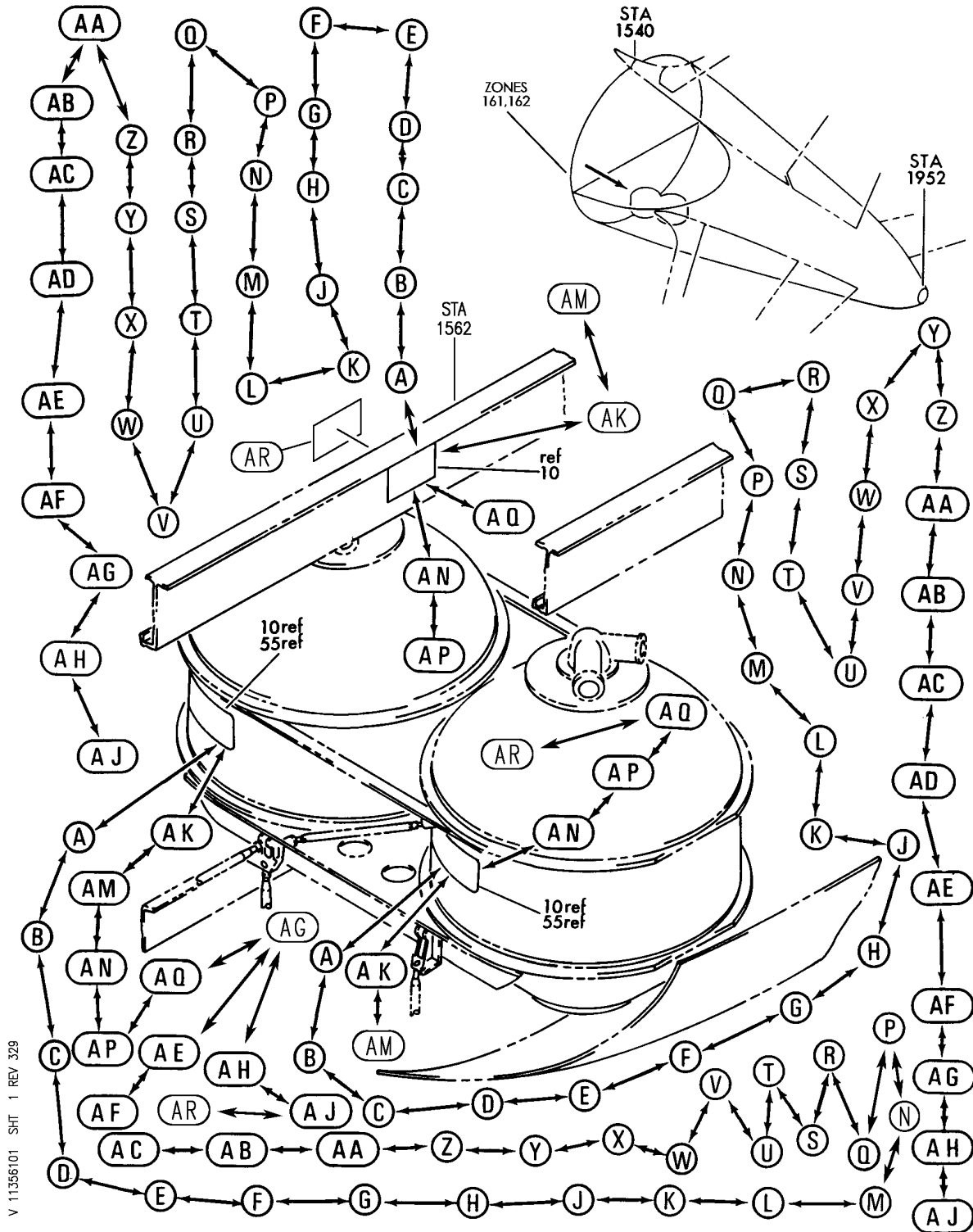
HXL

# 11-35-60-14

BOEING PROPRIETARY - Copyright © - Unpublished Work - See title page for details.

11-35-60  
FIG. 14  
PAGE 2  
DEC 22/07


**BOEING**  
 767  
**PARTS CATALOG (MAINTENANCE)**



V 113561-01 SHT 1 REV 329

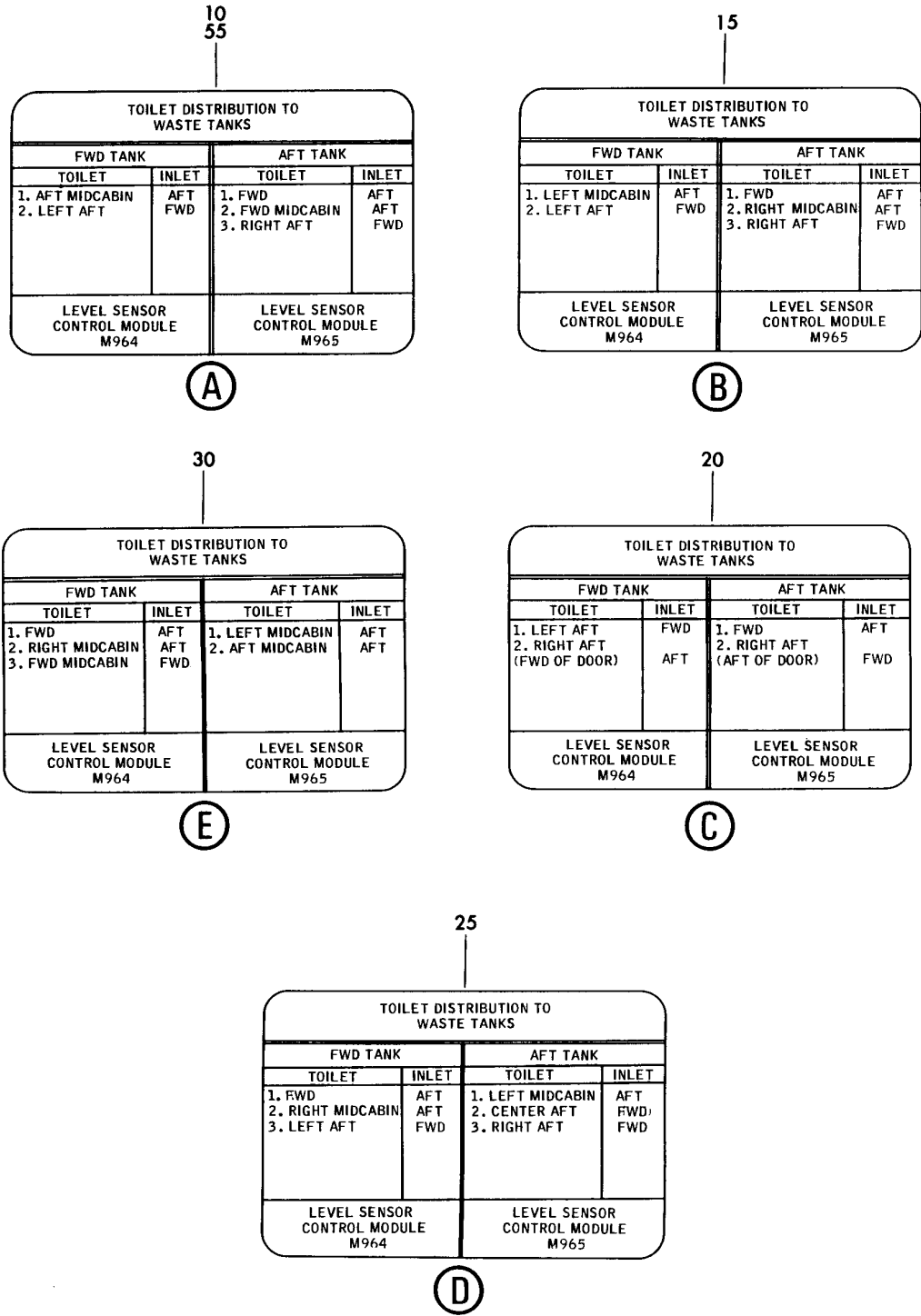
PLACARD INSTL-VAC WASTE SYS  
 FIGURE 1 (SHEET 1)

# 11-35-61-01

HXL  
AUG 22/08

11-35-61-01  
PAGE 0

**BOEING**  
767  
**PARTS CATALOG (MAINTENANCE)**



V 11356101 SHT 2 REV 110

PLACARD INSTL-VAC WASTE SYS  
FIGURE 1 (SHEET 2)

**11-35-61-01**

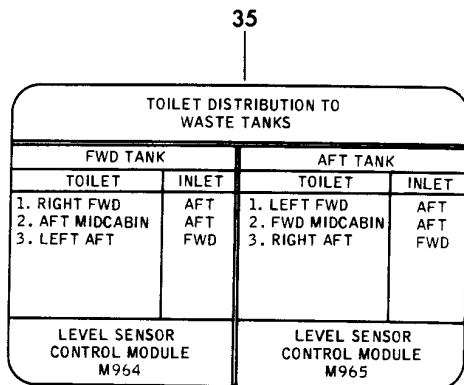
HXL  
DEC 22/06

11-35-61-01  
PAGE 0A

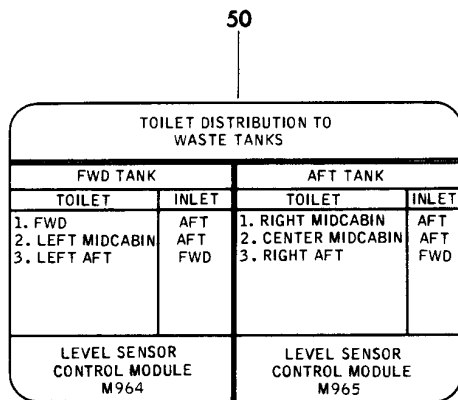
# BOEING

## 767

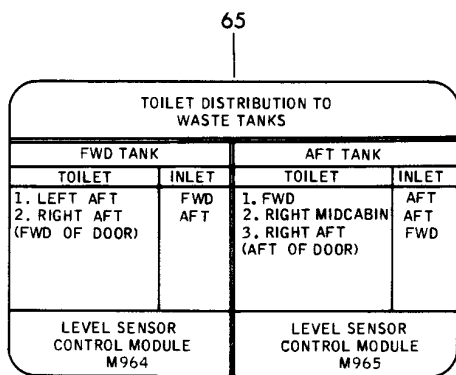
### PARTS CATALOG (MAINTENANCE)



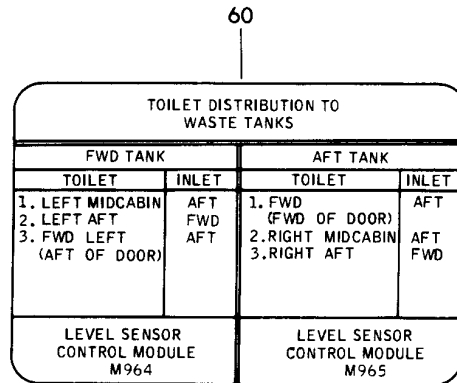
(F)



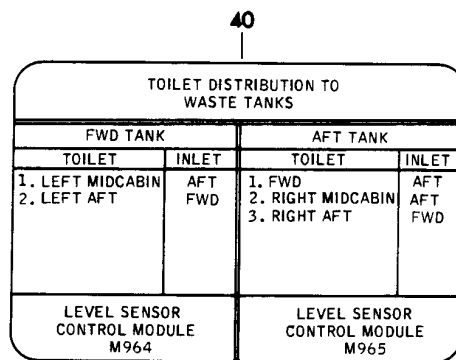
(J)



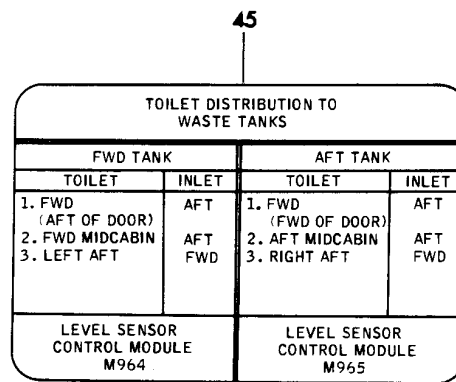
(L)



(K)



(G)



(H)

V 11356101 SHT 3 REV 034

PLACARD INSTL-VAC WASTE SYS  
FIGURE 1 (SHEET 3)

# 11-35-61-01

HXL  
DEC 22/06

11-35-61-01  
PAGE 0B

**BOEING**  
767  
PARTS CATALOG (MAINTENANCE)

90

TOILET DISTRIBUTION TO WASTE TANKS			
FWD TANK		AFT TANK	
TOILET	INLET	TOILET	INLET
1. FWD-LEFT SIDEWALL (CAPPED)	AFT	1. FWD-LEFT SIDEWALL	AFT
2. MIDCABIN-CENTERLINE	AFT	2. MIDCABIN-LEFT SIDEWALL	AFT
3. MIDCABIN-RIGHT SIDEWALL	AFT	3. AFT-RIGHT SIDEWALL	FWD
4. AFT-LEFT SIDEWALL	FWD		
LEVEL SENSOR CONTROL MODULE M964		LEVEL SENSOR CONTROL MODULE M965	

(M)

80

TOILET DISTRIBUTION TO WASTE TANKS			
FWD TANK		AFT TANK	
TOILET	INLET	TOILET	INLET
C	AFT	A	AFT
G	FWD	B	AFT
H	AFT	J	AFT
E (CAPPED)	AFT	D (CAPPED)	FWD
		F (CAPPED)	AFT
LEVEL SENSOR CONTROL MODULE M964		LEVEL SENSOR CONTROL MODULE M965	

(N)

85

TOILET DISTRIBUTION TO WASTE TANKS			
FWD TANK		AFT TANK	
TOILET	INLET	TOILET	INLET
1. FWD-RIGHT SIDEWALL (CAPPED)	AFT	1. FWD-LEFT SIDEWALL	AFT
2. MID-CABIN-RIGHT SIDEWALL	AFT	2. MID-CABIN-LEFT SIDEWALL	AFT
3. AFT-LEFT SIDEWALL	FWD	3. AFT-RIGHT SIDEWALL	FWD
4. AFT CNTRLN-LEFT	FWD	4. AFT CENTERLINE-RIGHT	FWD
LEVEL SENSOR CONTROL MODULE M964		LEVEL SENSOR CONTROL MODULE M965	

(P)

160

TOILET DISTRIBUTION TO WASTE TANKS			
AFT TANK		FWD TANK	
TOILET	INLET	TOILET	INLET
1. FORWARD LEFT (AFT OF DOOR)	AFT	1. FWD LEFT (FWD OF DOOR)	AFT
2. MIDCABIN LEFT SIDEWALL	AFT	2. MIDCABIN RIGHT SIDEWALL	AFT
3. AFT LEFT SIDEWALL	FWD	3. AFT RIGHT SIDEWALL	FWD
		4. AFT CENTERLINE	FWD
LEVEL SENSOR CONTROL MODULE M964		LEVEL SENSOR CONTROL MODULE M965	

(AG)

12

TOILET DISTRIBUTION TO WASTE TANKS			
FWD TANK		AFT TANK	
TOILET	INLET	TOILET	INLET
1. FWD-RIGHT	AFT	1. FWD	AFT
2. MIDCABIN-LEFT	AFT	2. FWD-LEFT	AFT
3. AFT-LEFT	FWD	3. MIDCABIN-RIGHT	AFT
		4. AFT-RIGHT	AFT
LEVEL SENSOR CONTROL MODULE M964		LEVEL SENSOR CONTROL MODULE M965	

(Q)

V 11356101 SHT 4 REV 142

PLACARD INSTL-VAC WASTE SYS  
FIGURE 1 (SHEET 4)

**11-35-61-01**

HXL  
DEC 22/06

11-35-61-01  
PAGE 0C

# BOEING

## 767

### PARTS CATALOG (MAINTENANCE)

155

TOILET DISTRIBUTION TO WASTE TANKS			
FWD TANK		AFT TANK	
TOILET	INLET	TOILET	INLET
1. FORWARD LEFT (AFT OF DOOR)	AFT	1. FWD LEFT (FWD OF DOOR)	AFT
2. MIDCABIN RIGHT	AFT	2. AFT-RIGHT SIDEWALL	FWD
3. AFT LEFT SIDEWALL	FWD	3. AFT CENTERLINE RIGHT	FWD
4. AFT CENTERLINE LEFT	FWD		
LEVEL SENSOR CONTROL MODULE M964		LEVEL SENSOR CONTROL MODULE M965	

145

TOILET DISTRIBUTION TO WASTE TANKS			
FWD TANK		AFT TANK	
TOILET	INLET	TOILET	INLET
1. FWD-LEFT SIDEWALL (AFT OF DOOR)	AFT	1. FWD-LEFT SIDEWALL (FWD OF DOOR)	AFT
2. MIDCABIN-CENTERLINE	AFT	2. MIDCABIN-LEFT SIDEWALL	AFT
3. MIDCABIN-RIGHT SIDEWALL	FWD	3. AFT-RIGHT SIDEWALL	FWD
4. AFT-LEFT SIDEWALL	FWD		
LEVEL SENSOR CONTROL MODULE M964		LEVEL SENSOR CONTROL MODULE M965	

(R)

(S)

150

TOILET DISTRIBUTION TO WASTE TANKS			
FWD TANK		AFT TANK	
TOILET	INLET	TOILET	INLET
1. FWD LEFT-AFT OF DOOR(CAPPED)	AFT	1. FWD LEFT-FWD OF DOOR	AFT
2. MIDCABIN CENTERLINE-FWD	AFT	2. MIDCABIN CENTERLINE-AFT(CAPPED)	AFT
3. MIDCABIN RIGHT SIDEWALL	AFT	3. MIDCABIN LEFT SIDEWALL	AFT
4. AFT LEFT SIDEWALL	FWD	4. AFT RIGHT SIDEWALL	FWD
LEVEL SENSOR CONTROL MODULE M964		LEVEL SENSOR CONTROL MODULE M965	

135

TOILET DISTRIBUTION TO WASTE TANKS			
FWD TANK		AFT TANK	
TOILET	INLET	TOILET	INLET
1. FWD-LEFT SIDEWALL	AFT	1. MID-CABIN RIGHT SIDEWALL	AFT
2. MID-CABIN LEFT SIDEWALL	AFT	2. AFT-RIGHT SIDEWALL	FWD
3. AFT-LEFT CENTERLINE	FWD	3. AFT-RIGHT CENTERLINE	FWD
LEVEL SENSOR CONTROL MODULE M964		LEVEL SENSOR CONTROL MODULE M965	

(W)

(T)

51

TOILET DISTRIBUTION TO WASTE TANKS			
FWD TANK		AFT TANK	
TOILET	INLET	TOILET	INLET
1. FWD-RIGHT	AFT	1. FWD	AFT
2. AFT-LEFT SIDEWALL	FWD	2. FWD-LEFT	AFT
3. AFT-LEFT CENTERLINE	FWD	3. AFT-RIGHT SIDEWALL	FWD
		4. AFT-RIGHT CENTERLINE	FWD
LEVEL SENSOR CONTROL MODULE M964		LEVEL SENSOR CONTROL MODULE M965	

140

TOILET DISTRIBUTION TO WASTE TANKS			
FWD TANK		AFT TANK	
TOILET	INLET	TOILET	INLET
1. FWD LEFT (AFT OF DOOR) (CAPPED)	AFT	1. FWD LEFT (FWD OF DOOR)	AFT
2. MIDCABIN RIGHT	AFT	2. MIDCABIN LEFT	AFT
3. AFT LEFT SIDEWALL	FWD	3. AFT RIGHT SIDEWALL	FWD
4. AFT CENTERLINE LEFT	FWD	4. AFT CENTERLINE RIGHT	FWD
LEVEL SENSOR CONTROL MODULE M964		LEVEL SENSOR CONTROL MODULE M965	

(V)

(U)

V 11356101 SHT 5 REV 151

PLACARD INSTL-VAC WASTE SYS  
FIGURE 1 (SHEET 5)

# 11-35-61-01

HXL  
DEC 22/06

11-35-61-01  
PAGE 0D



# BOEING

767  
PARTS CATALOG (MAINTENANCE)

115

TOILET DISTRIBUTION TO WASTE TANKS			
FWD TANK		AFT TANK	
TOILET	INLET	TOILET	INLET
1. MID-CABIN LEFT SIDEWALL	AFT	1. FWD-LEFT SIDEWALL	AFT
2. MID-CABIN CENTERLINE-AFT	AFT	2. MID-CABIN CENTERLINE-FWD	AFT
3. AFT-LEFT SIDEWALL	FWD	3. AFT-RIGHT SIDEWALL	FWD
LEVEL SENSOR CONTROL MODULE M964		LEVEL SENSOR CONTROL MODULE M965	

(X)

75

TOILET DISTRIBUTION TO WASTE TANKS			
FWD TANK		AFT TANK	
TOILET	INLET	TOILET	INLET
1. FWD-CENTERLINE	AFT	1. FWD-LEFT SIDEWALL (FWD OF DOOR)	AFT
2. FWD-RIGHT SIDEWALL	AFT	2. FWD-LEFT SIDEWALL (AFT OF DOOR)	AFT
3. MID-CABIN-RIGHT SIDEWALL	AFT	3. MIDCABIN LEFT SIDEWALL	AFT
4. AFT-LEFT SIDEWALL (CAPPED)	FWD	4. MID-CABIN-CENTERLINE	AFT
		5. AFT-RIGHT SIDEWALL (CAPPED)	FWD
LEVEL SENSOR CONTROL MODULE M964		LEVEL SENSOR CONTROL MODULE M965	

(Y)

70

TOILET DISTRIBUTION TO WASTE TANKS			
FWD TANK		AFT TANK	
TOILET	INLET	TOILET	INLET
1. AFT-LEFT SIDEWALL	FWD	1. AFT-RIGHT SIDEWALL	FWD
2. MIDCABIN-RIGHT SIDEWALL	AFT	2. FWD-LEFT	AFT
		3. MIDCABIN-LEFT SIDEWALL	AFT
LEVEL SENSOR CONTROL MODULE M964		LEVEL SENSOR CONTROL MODULE M965	

(AC)

125

TOILET DISTRIBUTION TO WASTE TANKS			
FWD TANK		AFT TANK	
TOILET	INLET	TOILET	INLET
1. FWD-LEFT SIDEWALL	AFT	1. MID-CABIN RIGHT SIDEWALL	AFT
2. MID-CABIN LEFT SIDEWALL	AFT	2. AFT-RIGHT SIDEWALL	FWD
3. AFT-LEFT SIDEWALL	FWD	3. AFT-CENTER	FWD
LEVEL SENSOR CONTROL MODULE M964		LEVEL SENSOR CONTROL MODULE M965	

(Z)

95

TOILET DISTRIBUTION TO WASTE TANKS			
FWD TANK		AFT TANK	
TOILET	INLET	TOILET	INLET
1. MID-CABIN CENTERLINE	AFT	1. FWD-LEFT SIDEWALL	AFT
2. MID-CABIN LEFT SIDEWALL	AFT	2. MID-CABIN-RIGHT SIDEWALL	AFT
3. AFT-LEFT SIDEWALL	FWD	3. AFT-RIGHT SIDEWALL	FWD
LEVEL SENSOR CONTROL MODULE M964		LEVEL SENSOR CONTROL MODULE M965	

(AB)

110

TOILET DISTRIBUTION TO WASTE TANKS			
FWD TANK		AFT TANK	
TOILET	INLET	TOILET	INLET
1. MID-CABIN-CENTERLINE	AFT	1. FWD-LEFT SIDEWALL	AFT
2. MID-CABIN-FWD-RIGHT	AFT	2. MID-CABIN-FWD-LEFT	AFT
3. MID-CABIN-AFT-RIGHT	AFT	3. MID-CABIN-AFT-LEFT	AFT
4. AFT-LEFT (CAPPED)	FWD	4. AFT-RIGHT (CAPPED)	FWD
LEVEL SENSOR CONTROL MODULE M964		LEVEL SENSOR CONTROL MODULE M965	

(AA)

V 11356101 SHT 6 REV 133

PLACARD INSTL-VAC WASTE SYS  
FIGURE 1 (SHEET 6)

# 11-35-61-01

HXL  
DEC 22/06

11-35-61-01  
PAGE 0E

**BOEING**  
767  
**PARTS CATALOG (MAINTENANCE)**

100

TOILET DISTRIBUTION TO WASTE TANKS			
AFT TANK		FWD TANK	
TOILET	INLET	TOILET	INLET
1. FORWARD LEFT (AFT OF DOOR)	AFT	1. FWD LEFT (FWD OF DOOR)	AFT
2. MIDCABIN RIGHT	AFT	2. MIDCABIN LEFT	AFT
3. AFT LEFT SIDEWALL	FWD	3. AFT RIGHT SIDEWALL	FWD
4. AFT CENTERLINE LEFT	FWD	4. AFT CENTERLINE RIGHT	FWD
LEVEL SENSOR CONTROL MODULE M964		LEVEL SENSOR CONTROL MODULE M965	

105

TOILET DISTRIBUTION TO WASTE TANKS			
FWD TANK		FWD TANK	
TOILET	INLET	TOILET	INLET
1. MID CABIN AFT (CAPPED)	AFT	1. FWD-LEFT SIDEWALL	AFT
2. AFT-CENTER-LINE LEFT	FWD	2. MID-CABIN-FORWARD (CAPPED)	AFT
3. AFT-LEFT SIDEWALL	FWD	3. AFT-CENTER-LINE RIGHT	FWD
		4. AFT-RIGHT SIDEWALL	FWD
LEVEL SENSOR CONTROL MODULE M964		LEVEL SENSOR CONTROL MODULE M965	

AD

52

TOILET DISTRIBUTION TO WASTE TANKS			
FWD TANK		AFT TANK	
TOILET	INLET	TOILET	INLET
1. FWD LEFT (AFT OF DOOR)	AFT	1. FWD (FWD OF DOOR)	AFT
2. AFT MIDCABIN	AFT	2. FWD MIDCABIN	AFT
3. LEFT SIDEWALL-AFT	FWD	3. RIGHT SIDEWALL-AFT	FWD
4. LEFT CENTERLINE-AFT	FWD	4. RIGHT CENTERLINE-AFT	FWD
LEVEL SENSOR CONTROL MODULE M964		LEVEL SENSOR CONTROL MODULE M965	

AE

53

TOILET DISTRIBUTION TO WASTE TANKS			
AFT TANK		FWD TANK	
TOILET	INLET	TOILET	INLET
1. AFT-CENTERLINE FWD	FWD	1. AFT-CENTERLINE AFT	FWD
2. FWD-CENTERLINE RIGHT SIDEWALL	AFT	2. FWD-LEFT	AFT
3. MID-CABIN RIGHT SIDEWALL	AFT	3. MID-CABIN LEFT SIDEWALL	AFT
4. MID-CABIN CENTERLINE	AFT		
LEVEL SENSOR CONTROL MODULE M964		LEVEL SENSOR CONTROL MODULE M965	

AH

175

TOILET DISTRIBUTION TO WASTE TANKS			
FWD TANK		AFT TANK	
TOILET	INLET	TOILET	INLET
1. FWD LEFT (AFT OF DOOR)	AFT	1. FWD LEFT (FWD OF DOOR)	AFT
2. FWD RIGHT SIDEWALL	AFT	2. FWD LEFT SIDEWALL	AFT
3. AFT LEFT CENTERLINE	FWD	3. AFT RIGHT CENTERLINE	FWD
4. AFT LEFT SIDEWALL	FWD	4. AFT RIGHT SIDEWALL	FWD
LEVEL SENSOR CONTROL MODULE M964		LEVEL SENSOR CONTROL MODULE M965	

AF

AJ

V 11356101 SHT 7 REV 157

PLACARD INSTL-VAC WASTE SYS  
FIGURE 1 (SHEET 7)

**11-35-61-01**

HXL  
DEC 22/06

11-35-61-01  
PAGE OF

**BOEING**  
767  
**PARTS CATALOG (MAINTENANCE)**

130

TOILET DISTRIBUTION TO WASTE TANKS			
FWD TANK		AFT TANK	
TOILET	INLET	TOILET	INLET
1. MIDCABIN RIGHT SIDEWALL	AFT	1. FWD-LEFT SIDEWALL	AFT
2. AFT CENTERLINE LEFT	FWD	2. MIDCABIN LEFT SIDEWALL	AFT
3. AFT-LEFT SIDEWALL	FWD	3. AFT CENTERLINE RIGHT	AFT
		4. AFT RIGHT SIDEWALL	FWD
LEVEL SENSOR CONTROL MODULE M964		LEVEL SENSOR CONTROL MODULE M965	

AK

195

TOILET DISTRIBUTION TO WASTE TANKS			
FWD TANK		AFT TANK	
TOILET	INLET	TOILET	INLET
1. MID FWD RIGHT SIDEWALL	AFT	1. FWD LEFT (FWD OF DOOR)	AFT
2. MID AFT RIGHT SIDEWALL	AFT	2. MID AFT LEFT SIDEWALL	AFT
3. AFT-LEFT CENTERLINE	FWD	3. AFT RIGHT CENTERLINE	FWD
LEVEL SENSOR CONTROL MODULE M964		LEVEL SENSOR CONTROL MODULE M965	

AM

V 11356101 SHT 8 REV 329

PLACARD INSTL-VAC WASTE SYS  
FIGURE 1 (SHEET 8)

**11-35-61-01**

HXL  
AUG 22/08

11-35-61-01  
PAGE 08

**BOEING**  
767  
PARTS CATALOG (MAINTENANCE)

170

TOILET DISTRIBUTION TO WASTE TANKS			
FWD TANK		AFT TANK	
TOILET	INLET	TOILET	INLET
1. FWD LEFT (FWD OF DOOR)	AFT	1. MID RIGHT SIDEWALL	AFT
2. MID LEFT SIDEWALL	AFT	2. AFT-RIGHT CENTERLINE	FWD
3. AFT LEFT CENTERLINE	FWD	3. AFT RIGHT SIDEWALL	FWD
4. AFT LEFT SIDEWALL	FWD		
LEVEL SENSOR CONTROL MODULE M964		LEVEL SENSOR CONTROL MODULE M965	

AN

200

TOILET DISTRIBUTION TO WASTE TANKS			
FWD TANK		AFT TANK	
TOILET	INLET	TOILET	INLET
1. MIDCABIN RIGHT SIDEWALL	AFT	1. FWD LEFT (FWD OF DOOR)	AFT
2. AFT LEFT CENTERLINE	FWD	2. MIDCABIN LEFT SIDEWALL	AFT
3. AFT LEFT SIDEWALL	FWD	3. AFT RIGHT CENTERLINE	FWD
		4. AFT RIGHT SIDEWALL	FWD
LEVEL SENSOR CONTROL MODULE M964		LEVEL SENSOR CONTROL MODULE M965	

AP

210

TOILET DISTRIBUTION TO WASTE TANKS			
FWD TANK		AFT TANK	
TOILET	INLET	TOILET	INLET
DOOR 1-FWD L.H. (1F-L LAV)	AFT	DOOR 1-AFT L.H. (1A-R LAV)	AFT
DOOR 2-FWD L.H. (2F-L LAV)	AFT	DOOR 2-FWD R.H. (2F-R LAV)	AFT
DOOR 4-LC (4F-LC LAV)	FWD	DOOR 4-R.C. (4F-RC LAV)	FWD
LEVEL SENSOR CONTROL MODULE M964		LEVEL SENSOR CONTROL MODULE M965	

AR

205

TOILET DISTRIBUTION TO WASTE TANKS			
FWD TANK		AFT TANK	
TOILET	INLET	TOILET	INLET
1. FWD LEFT (AFT OF DOOR)	AFT	1. FWD LEFT (FWD OF DOOR)	AFT
2. MIDCABIN RIGHT SIDEWALL	AFT	2. MIDCABIN LEFT SIDEWALL	AFT
3. AFT LEFT SIDEWALL	FWD	3. AFT RIGHT SIDEWALL	FWD
LEVEL SENSOR CONTROL MODULE M964		LEVEL SENSOR CONTROL MODULE M965	

AQ

V 11356101 SHT 9 REV 268

PLACARD INSTL-VAC WASTE SYS  
FIGURE 1 (SHEET 9)

**11-35-61-01**

HXL  
DEC 22/06

11-35-61-01  
PAGE 0H



767

PARTS CATALOG (MAINTENANCE)

FIG ITEM	PART NUMBER	1 2 3 4 5 6 7	NOMENCLATURE	EFFECT FROM TO	UNITS PER ASSY
1					
- 2	417T0030-18		PLACARD INSTL-VAC WASTE SYS PLACARD INSTL-VAC WASTE SYS FOR NHA SEE: 25-20-00-17C		RF
75	BAC27TPPS4583		.PLACARD-ALUMINUM FOIL		3

ILLUSTRATION ITEMS NOT ON PARTS LIST ARE NOT APPLICABLE

- ITEM NOT ILLUSTRATED

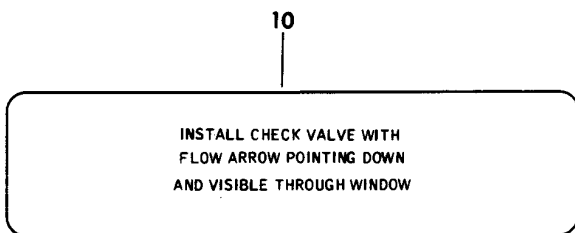
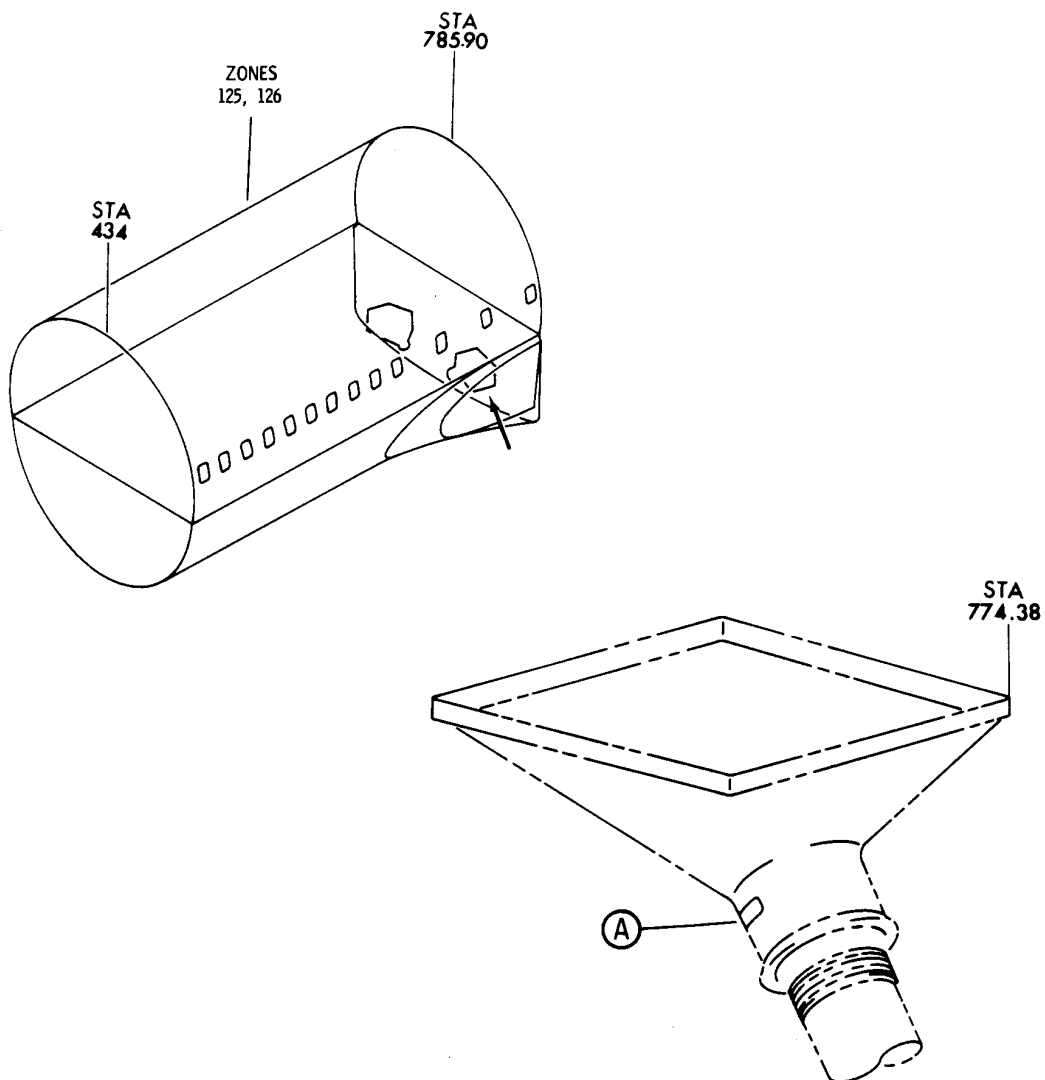
HXL

11-35-61-01

BOEING PROPRIETARY - Copyright © - Unpublished Work - See title page for details.

11-35-61  
FIG. 01  
PAGE 1  
DEC 22/07

**BOEING**  
767  
PARTS CATALOG (MAINTENANCE)



V 11356201 SHT 1 REV 072

PLENUM ASSY- (PLACARDS AND MARKINGS ONLY)

FIGURE 1

**11-35-62-01**

HXL  
DEC 22/06

11-35-62-01  
PAGE 0



767

PARTS CATALOG (MAINTENANCE)

FIG ITEM	PART NUMBER	1 2 3 4 5 6 7	NOMENCLATURE	EFFECT FROM TO	UNITS PER ASSY
1			PLENUM ASSY- (PLACARDS AND MARKINGS ONLY)		
- 1	214T5106-1		PLENUM ASSY- POSITION DATA: LH FOR ADDITIONAL DETAILS SEE: 21-25-01-02		RF
- 5	214T5106-2		PLENUM ASSY- POSITION DATA: RH FOR ADDITIONAL DETAILS SEE: 21-25-01-02		RF
10	BAC27TEC0204		.MARKER-MYLAR INSTALL CHECK VALVE WITH FLOW ARROW POINTING DOWN AND VISIBLE THROUGH WINDOW		1

ILLUSTRATION ITEMS NOT ON PARTS LIST ARE NOT APPLICABLE

- ITEM NOT ILLUSTRATED

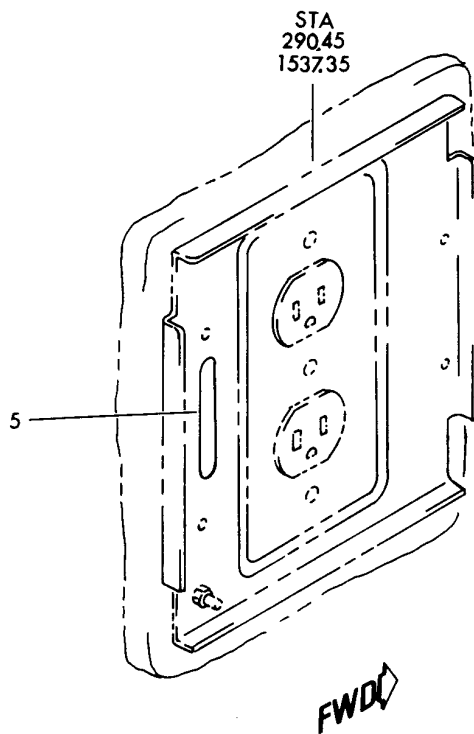
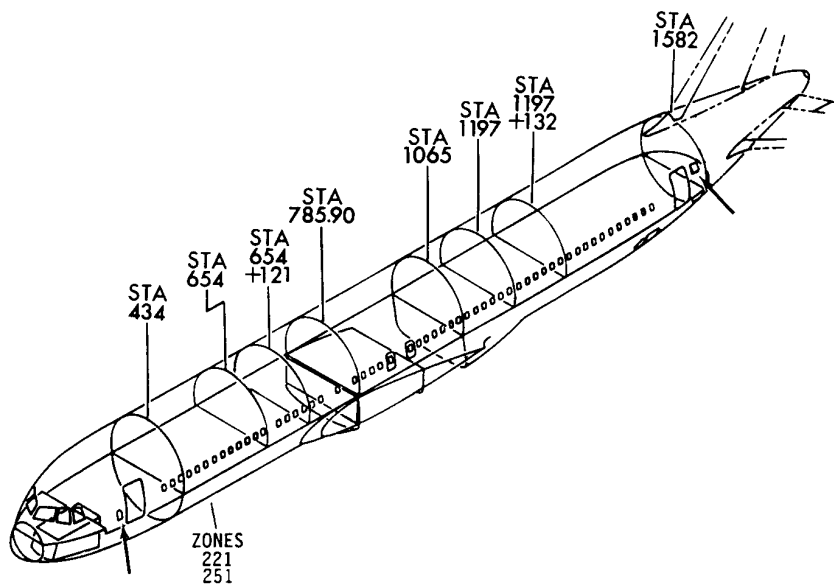
HXL

11-35-62-01

BOEING PROPRIETARY - Copyright © - Unpublished Work - See title page for details.

11-35-62  
FIG. 01  
PAGE 1  
DEC 22/07

**BOEING**  
767  
PARTS CATALOG (MAINTENANCE)



V 11356401 REV 165

RECEPTACLE ASSY-(PLACARDS AND MARKINGS ONLY)  
FIGURE 1

**11-35-64-01**

HXL  
DEC 22/06

11-35-64-01  
PAGE 0





767

PARTS CATALOG (MAINTENANCE)

FIG ITEM	PART NUMBER	1 2 3 4 5 6 7	NOMENCLATURE	EFFECT FROM TO	UNITS PER ASSY
1			RECEPTACLE ASSY-(PLACARDS AND MARKINGS ONLY)		
- 1	417T5009-6		RECEPTACLE ASSY-(PLACARDS AND MARKINGS ONLY) FOR NHA/OTHER SYS DET SEE: 25-29-52-01		RF
5	BAC27EPPS6347		.MARKER-ALUMINUM FOIL PLACARD CONTENT: 115V 400HZ		1

ILLUSTRATION ITEMS NOT ON PARTS LIST ARE NOT APPLICABLE

- ITEM NOT ILLUSTRATED

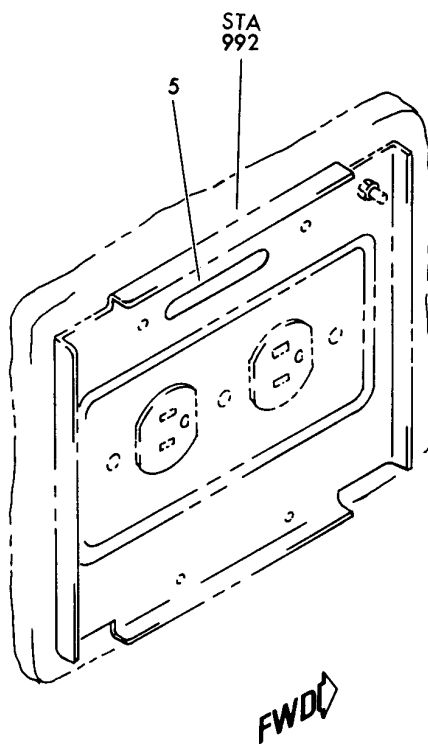
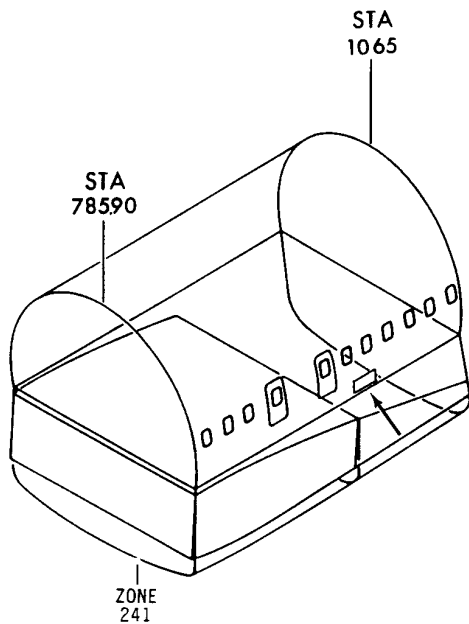
HXL

11-35-64-01

BOEING PROPRIETARY - Copyright © - Unpublished Work - See title page for details.

11-35-64  
FIG. 01  
PAGE 1  
DEC 22/06

**BOEING**  
767  
PARTS CATALOG (MAINTENANCE)



V 11356406 REV 165

RECEPTACLE ASSY-(PLACARDS AND MARKINGS ONLY)  
FIGURE 6

**11-35-64-06**

HXL  
DEC 22/06

11-35-64-06  
PAGE 0



767

PARTS CATALOG (MAINTENANCE)

FIG ITEM	PART NUMBER	1 2 3 4 5 6 7	NOMENCLATURE	EFFECT FROM TO	UNITS PER ASSY
6			RECEPTACLE ASSY-(PLACARDS AND MARKINGS ONLY)		
- 1	417T5009-6		RECEPTACLE ASSY-(PLACARDS AND MARKINGS ONLY) FOR NHA/OTHER SYS DET SEE: 25-29-52-06		RF
5	BAC27EPPS6347		.MARKER-ALUMINUM FOIL PLACARD CONTENT: 115V 400HZ		1

ILLUSTRATION ITEMS NOT ON PARTS LIST ARE NOT APPLICABLE

- ITEM NOT ILLUSTRATED

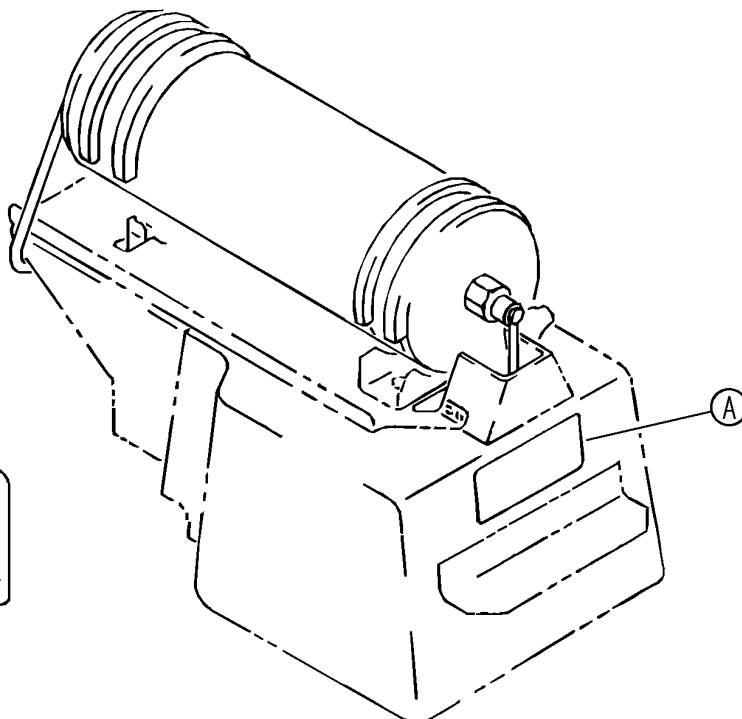
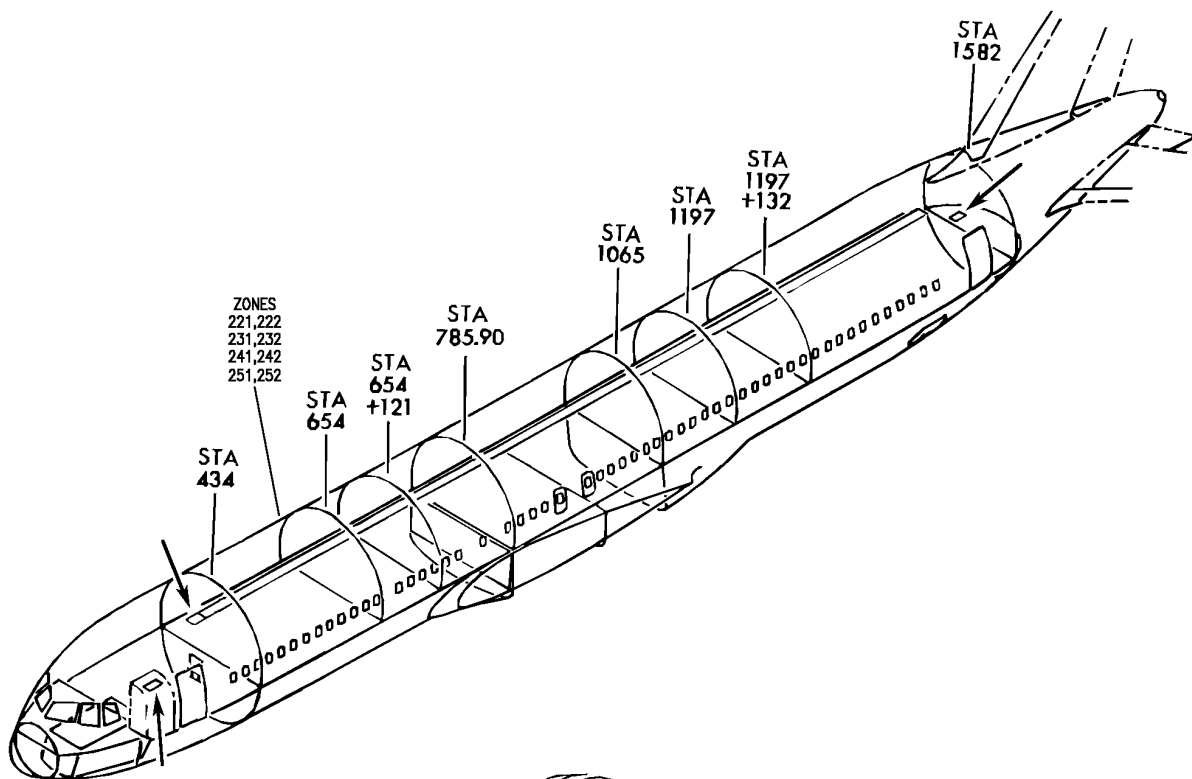
HXL

11-35-64-06

BOEING PROPRIETARY - Copyright © - Unpublished Work - See title page for details.

11-35-64  
FIG. 06  
PAGE 1  
DEC 22/07

**BOEING**  
767  
PARTS CATALOG (MAINTENANCE)



5  
6  
7

**WARNING**  
ROUTE RELEASE CABLE  
THROUGH BRACKET CENTER  
AS SHOWN. OTHER ROUTING  
PREVENTS FLOW OF OXYGEN  
(SEE MM 35-21)

(A)

V 11356801 REV 283

MODULE ASSY-OXY INBD (PLACARDS AND MARKINGS ONLY)  
FIGURE 1

**11-35-68-01**

HXL  
DEC 22/06

11-35-68-01  
PAGE 0



767

PARTS CATALOG (MAINTENANCE)

FIG ITEM	PART NUMBER	1 2 3 4 5 6 7	NOMENCLATURE	EFFECT FROM TO	UNITS PER ASSY
1			MODULE ASSY-OXY INBD (PLACARDS AND MARKINGS ONLY)		
- 1	417T4201-231		MODULE ASSY-OXY POSITION DATA: INBD COMPONENT MAINT MANUAL REF: 35-21-10 REWORKED BY ALERT SB: 35A0026 FOR NHA/OTHER SYS DET SEE: 25-23-01-48B	163999	RF
- 1	417T4201-236		MODULE ASSY-OXY POSITION DATA: INBD COMPONENT MAINT MANUAL REF: 35-21-10 REWORKED BY ALERT SB: 35A0026 FOR NHA/OTHER SYS DET SEE: 25-23-01-48B		RF
5	BAC27TPPS6318		.MARKER-ALUMINUM FOIL POST ALERT SB: 35A0026R1	155162	1
6	BAC27TPPS6318		.MARKER-ALUMINUM FOIL POST ALERT SB: 35A0026 35A0026R1	163999	1

ILLUSTRATION ITEMS NOT ON PARTS LIST ARE NOT APPLICABLE

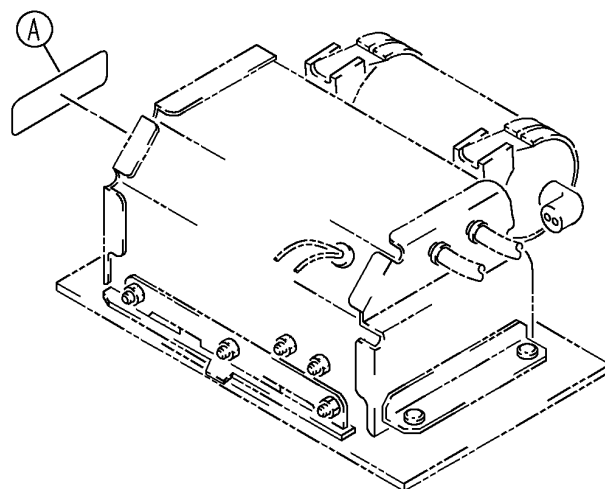
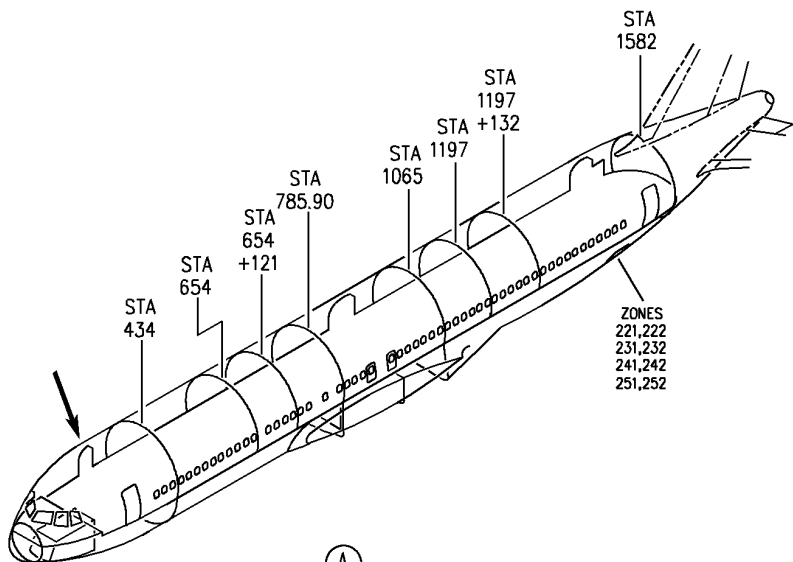
- ITEM NOT ILLUSTRATED

HXL

11-35-68-01

11-35-68  
FIG. 01  
PAGE 1  
DEC 22/07

**BOEING**  
767  
PARTS CATALOG (MAINTENANCE)



50

**WARNING**  
ROUTE RELEASE CABLE  
THROUGH BRACKET CENTER  
AS SHOWN. OTHER ROUTING  
PREVENTS FLOW OF OXYGEN.  
(SEE MM 35-21)

(A)

V 11356803 REV 283

MODULE ASSY-OXY (PLACARDS AND MARKINGS ONLY)  
FIGURE 3

**11-35-68-03**

HXL  
DEC 22/06

11-35-68-03  
PAGE 0



767

PARTS CATALOG (MAINTENANCE)

FIG ITEM	PART NUMBER	1 2 3 4 5 6 7	NOMENCLATURE	EFFECT FROM TO	UNITS PER ASSY
3			MODULE ASSY-OXY (PLACARDS AND MARKINGS ONLY)		
- 1	417T4202-103SP		MODULE ASSY-OXY LAV, 22 MINUTE (PLACARDS AND MARKINGS ONLY) COMPONENT MAINT MANUAL REF: 35-21-21 REWORKED BY ALERT SB: 35A0026R1 FOR NHA/OTHER SYS DET SEE: 35-21-01-30		RF
R R R R R R R R	- 3	417T4202-413A	MODULE ASSY-OXY LAV, 22 MINUTE (PLACARDS AND MARKINGS ONLY) MISCELLANEOUS DATA: PRESSURIZATION FAILURE COMPONENT MAINT MANUAL REF: 35-21-21 FOR NHA/OTHER SYS DET SEE: 35-21-01-30		RF
	50	BAC27TPPS6319	.MARKER- POST ALERT SB: 35A0026R1		1

ILLUSTRATION ITEMS NOT ON PARTS LIST ARE NOT APPLICABLE

- ITEM NOT ILLUSTRATED

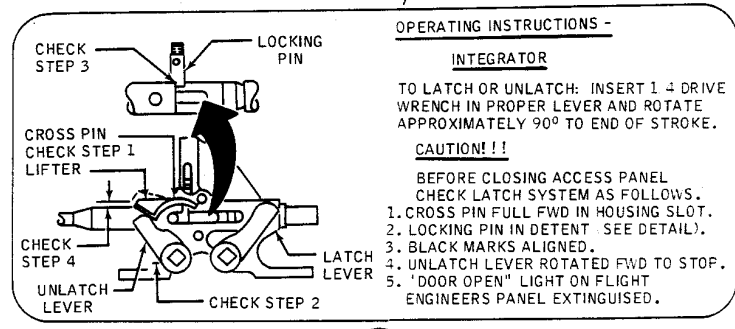
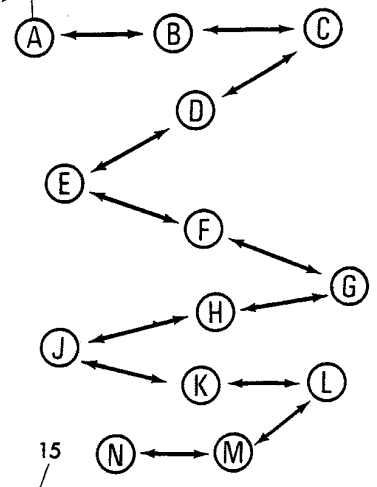
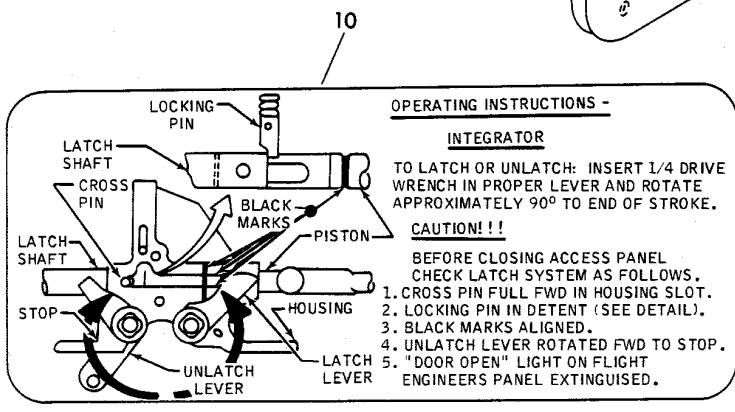
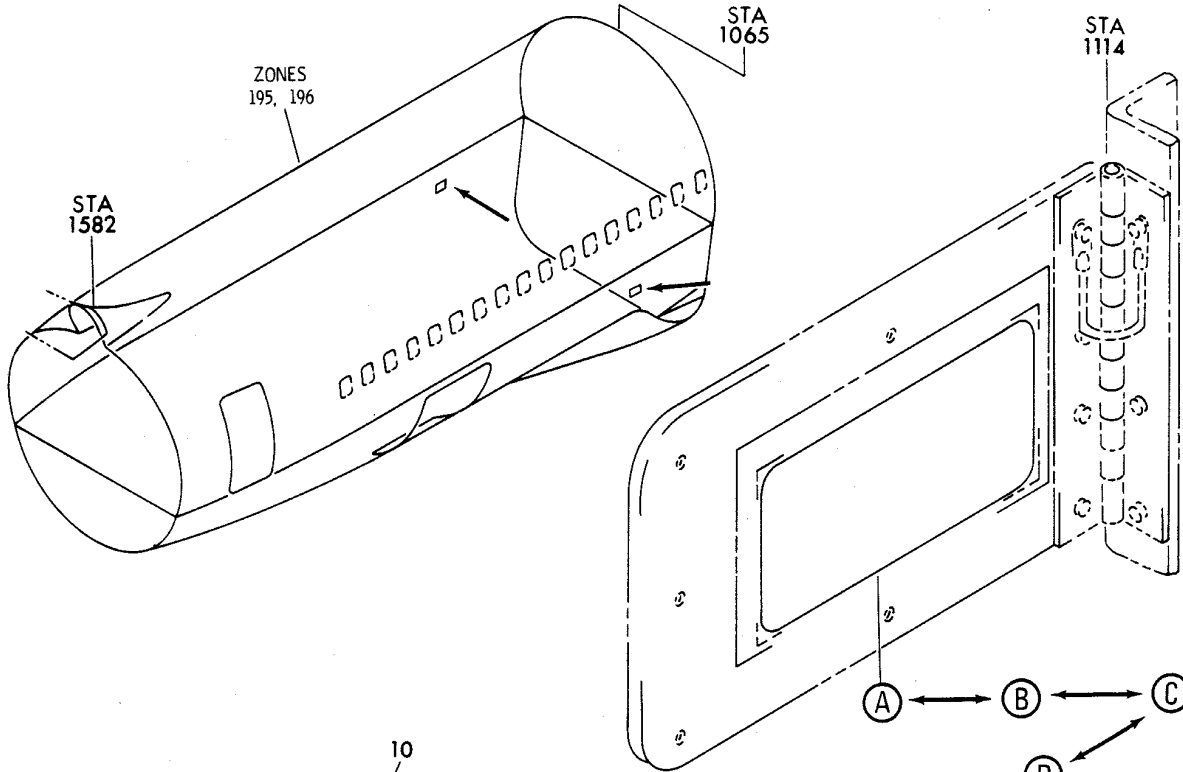
HXL

11-35-68-03

BOEING PROPRIETARY - Copyright © - Unpublished Work - See title page for details.

11-35-68  
FIG. 03  
PAGE 1  
AUG 22/09

**BOEING**  
767  
**PARTS CATALOG (MAINTENANCE)**



V 11357001 SHT 1 REV 096

DOOR ASSY-OFF WING ESCAPE SYS ACCESS (PLACARDS AND MARKINGS ONLY)  
FIGURE 1 (SHEET 1)

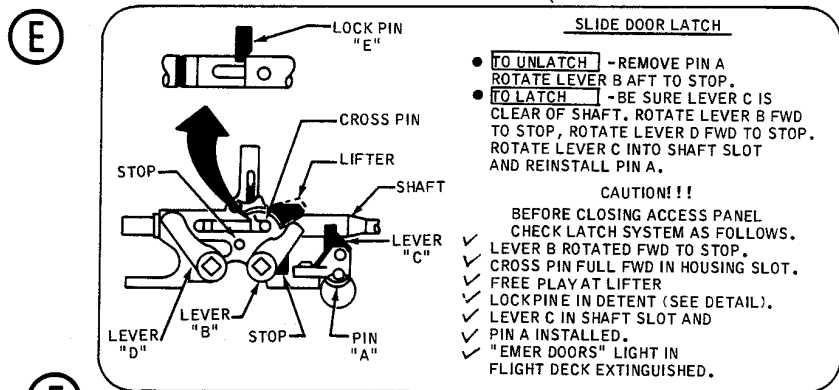
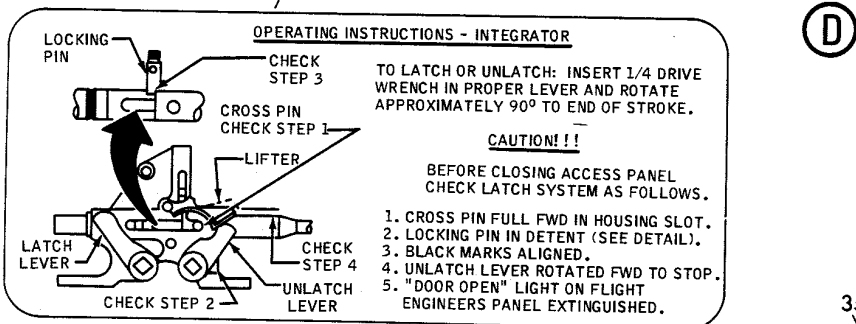
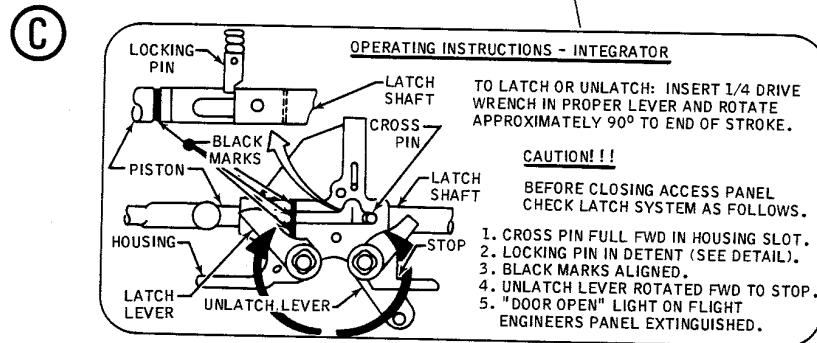
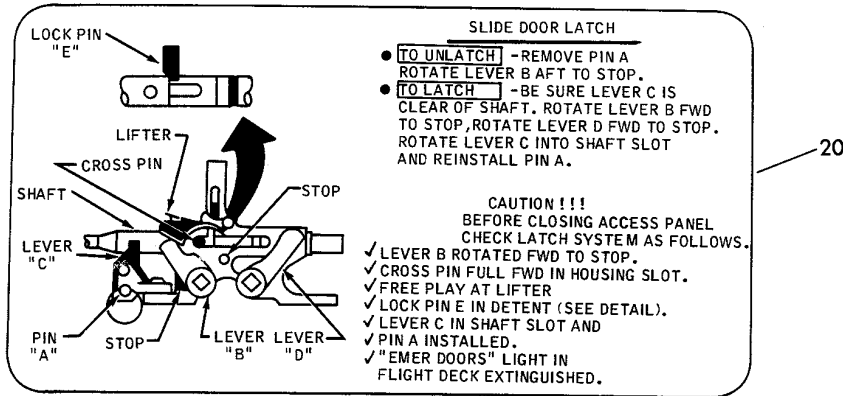
**11-35-70-01**

HXL  
DEC 22/06

11-35-70-01  
PAGE 0



**BOEING**  
767  
**PARTS CATALOG (MAINTENANCE)**



V 11357001 SHIT 2 REV 037

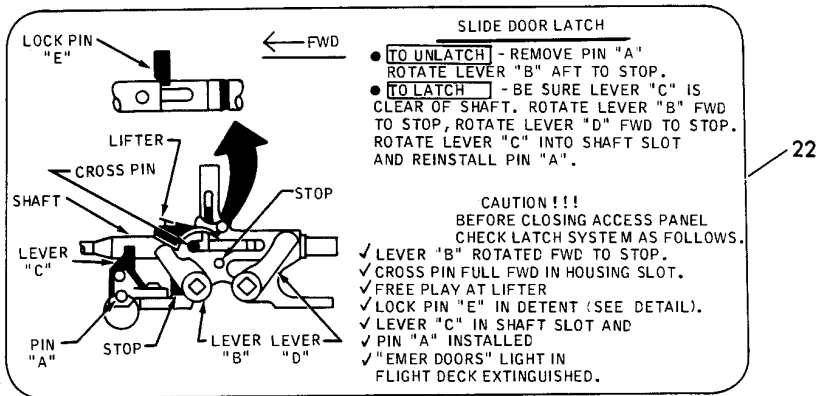
DOOR ASSY-OFF WING ESCAPE SYS ACCESS (PLACARDS AND MARKINGS ONLY)  
FIGURE 1 (SHEET 2)

**11-35-70-01**

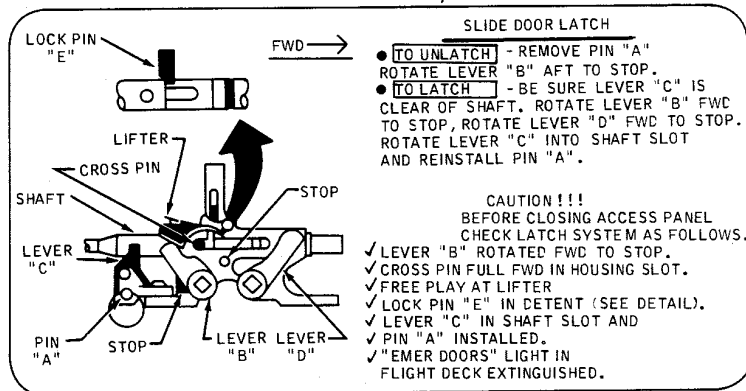
HXL  
DEC 22/06

11-35-70-01  
PAGE 0A

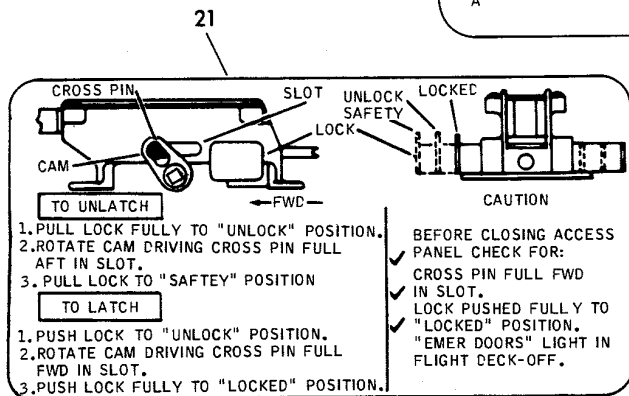
**BOEING**  
767  
**PARTS CATALOG (MAINTENANCE)**



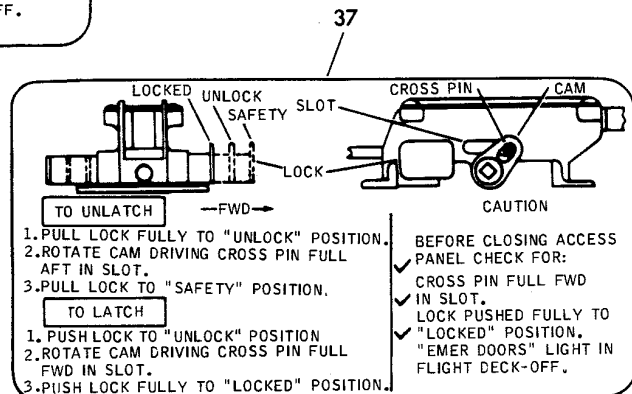
**G**



**H**



**J**



**K**

V 11357001 SHT 3 REV 054

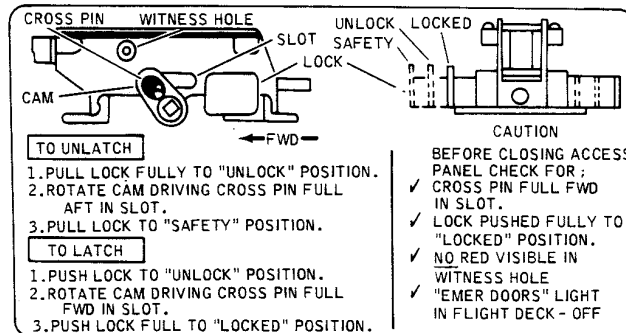
DOOR ASSY-OFF WING ESCAPE SYS ACCESS (PLACARDS AND MARKINGS ONLY)  
FIGURE 1 (SHEET 3)

**11-35-70-01**

HXL  
DEC 22/06

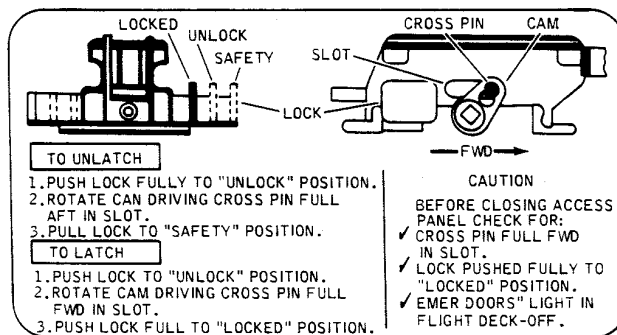
11-35-70-01  
PAGE 0B

**BOEING**  
767  
PARTS CATALOG (MAINTENANCE)



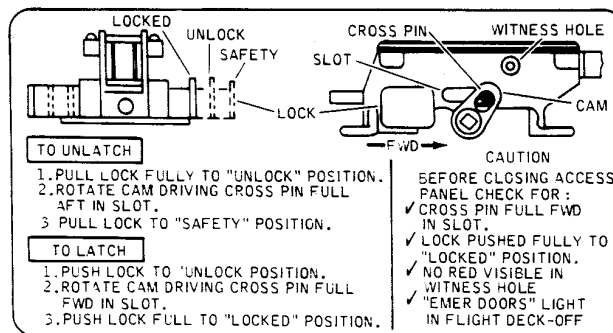
(L)

45



(M)

50



(N)

55

V 11357001 SH1 4 REV 096

DOOR ASSY-OFF WING ESCAPE SYS ACCESS (PLACARDS AND MARKINGS ONLY)  
FIGURE 1 (SHEET 4)

**11-35-70-01**

HXL  
DEC 22/06

11-35-70-01  
PAGE 0C



767

PARTS CATALOG (MAINTENANCE)

FIG ITEM	PART NUMBER	1 2 3 4 5 6 7	NOMENCLATURE	EFFECT FROM TO	UNITS PER ASSY
1			DOOR ASSY-OFF WING ESCAPE SYS ACCESS(PLACARDS AND MARKINGS ONLY)		
- 1	416T2012-29		DOOR ASSY-OFF WING ESCAPE SYS ACCESS (PLACARDS AND MARKINGS ONLY) POSITION DATA: LH ACCESS PANEL NUMBER: 195ML FOR NHA/OTHER SYS DET SEE: 25-65-13-01		RF
- 5	416T2012-30		DOOR ASSY-OFF WING ESCAPE SYS ACCESS (PLACARDS AND MARKINGS ONLY) POSITION DATA: RH ACCESS PANEL NUMBER: 196MR FOR NHA/OTHER SYS DET SEE: 25-65-13-01		RF
45	BAC27TPPS5221		.MARKER-ALUMINUM FOIL POSITION DATA: LH SIDE OPTIONAL PART: BAC27TPPS4761 USED ON: 416T2012-29		1
45	BAC27TPPS4761		.MARKER-ALUMINUM FOIL POSITION DATA: LH SIDE OPTIONAL PART: BAC27TPPS5221 USED ON: 416T2012-29		1
55	BAC27TPPS5222		.MARKER-ALUMINUM FOIL POSITION DATA: RH SIDE OPTIONAL PART: BAC27TPPS4760		1
55	BAC27TPPS4760		.MARKER-ALUMINUM FOIL POSITION DATA: RH SIDE OPTIONAL PART: BAC27TPPS5222		1

ILLUSTRATION ITEMS NOT ON PARTS LIST ARE NOT APPLICABLE

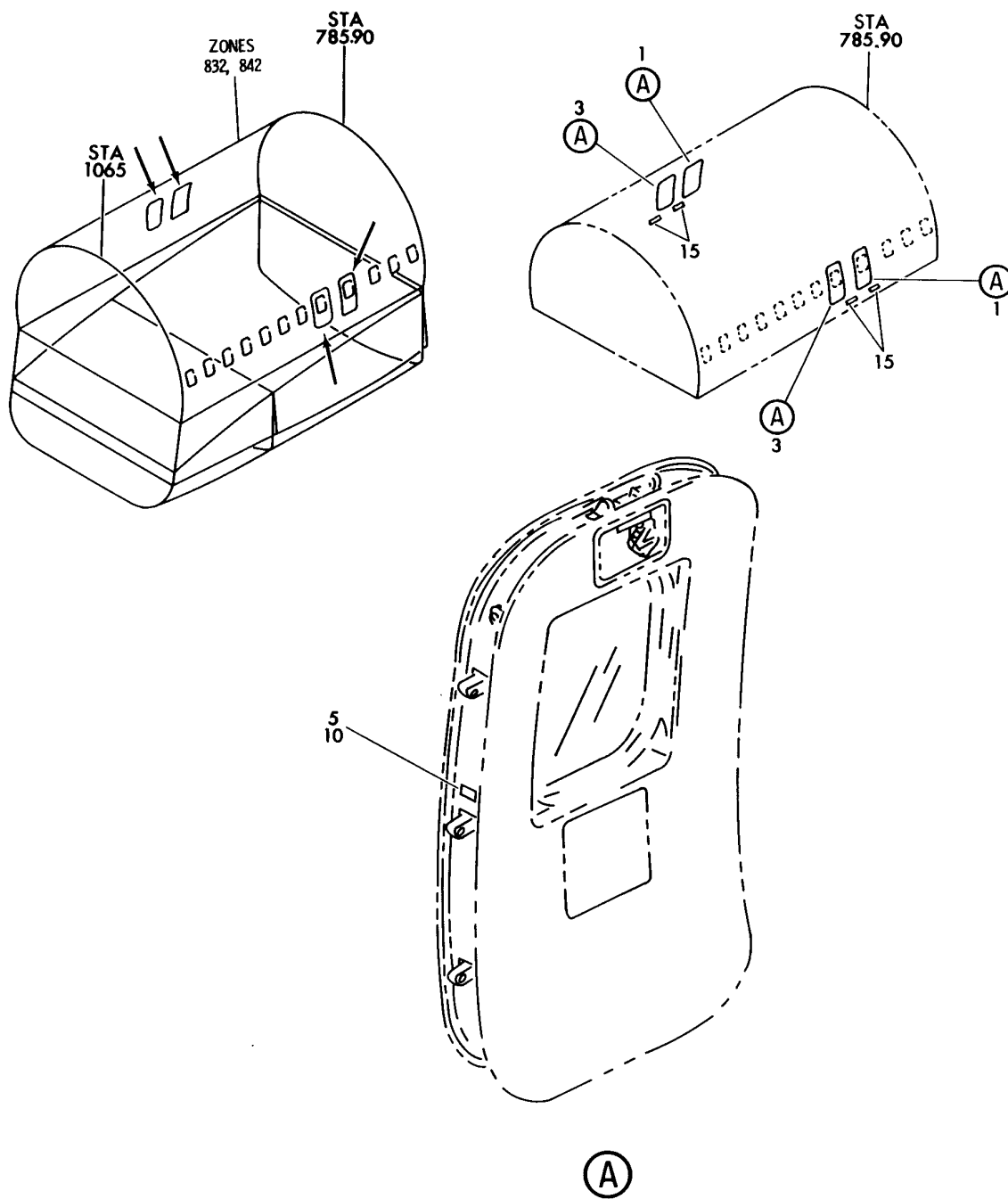
- ITEM NOT ILLUSTRATED

HXL

11-35-70-01

11-35-70  
FIG. 01  
PAGE 1  
DEC 22/06

**BOEING**  
767  
PARTS CATALOG (MAINTENANCE)



V 11357301 REV 113

HATCH ASSY-FWD AND AFT (PLACARDS AND MARKINGS ONLY)  
FIGURE 1

**11-35-73-01**

HXL  
DEC 22/06

11-35-73-01  
PAGE 0



767

PARTS CATALOG (MAINTENANCE)

FIG ITEM	PART NUMBER	1 2 3 4 5 6 7	NOMENCLATURE	EFFECT FROM TO	UNITS PER ASSY
1			HATCH ASSY-FWD AND AFT (PLACARDS AND MARKINGS ONLY)		
1	145T6016-112		HATCH ASSY-(PLACARDS AND MARKINGS ONLY) POSITION DATA: FWD VARIABLE DRAWING REF: 145T6016-7001 OPTIONAL PART: 145T6016-115 FOR NHA/OTHER SYS DET SEE: 52-21-01-01		RF
1	145T6016-115		HATCH ASSY-(PLACARDS AND MARKINGS ONLY) POSITION DATA: FWD VARIABLE DRAWING REF: 145T6016-7001 OPTIONAL PART: 145T6016-112 FOR NHA/OTHER SYS DET SEE: 52-21-01-01		RF
3	145T6016-116		HATCH ASSY-(PLACARDS AND MARKINGS ONLY) POSITION DATA: AFT VARIABLE DRAWING REF: 145T6016-7001 OPTIONAL PART: 145T6016-119 FOR NHA/OTHER SYS DET SEE: 52-21-01-01		RF
3	145T6016-119		HATCH ASSY-(PLACARDS AND MARKINGS ONLY) POSITION DATA: AFT VARIABLE DRAWING REF: 145T6016-7001 OPTIONAL PART: 145T6016-116 FOR NHA/OTHER SYS DET SEE: 52-21-01-01		RF
10	BACM10A11-48J		.MARKER		1

ILLUSTRATION ITEMS NOT ON PARTS LIST ARE NOT APPLICABLE

- ITEM NOT ILLUSTRATED

HXL

11-35-73-01

BOEING PROPRIETARY - Copyright © - Unpublished Work - See title page for details.

11-35-73  
FIG. 01  
PAGE 1  
APR 22/09



767  
PARTS CATALOG (MAINTENANCE)

FIG ITEM	PART NUMBER	1 2 3 4 5 6 7	NOMENCLATURE	EFFECT FROM TO	UNITS PER ASSY
1 15	SWR741257		.PLACARD- SUPPLIER CODE: V1009B POST AIRLINE MOD: MTO-110437 VSAS		4

ILLUSTRATION ITEMS NOT ON PARTS LIST ARE NOT APPLICABLE

- ITEM NOT ILLUSTRATED

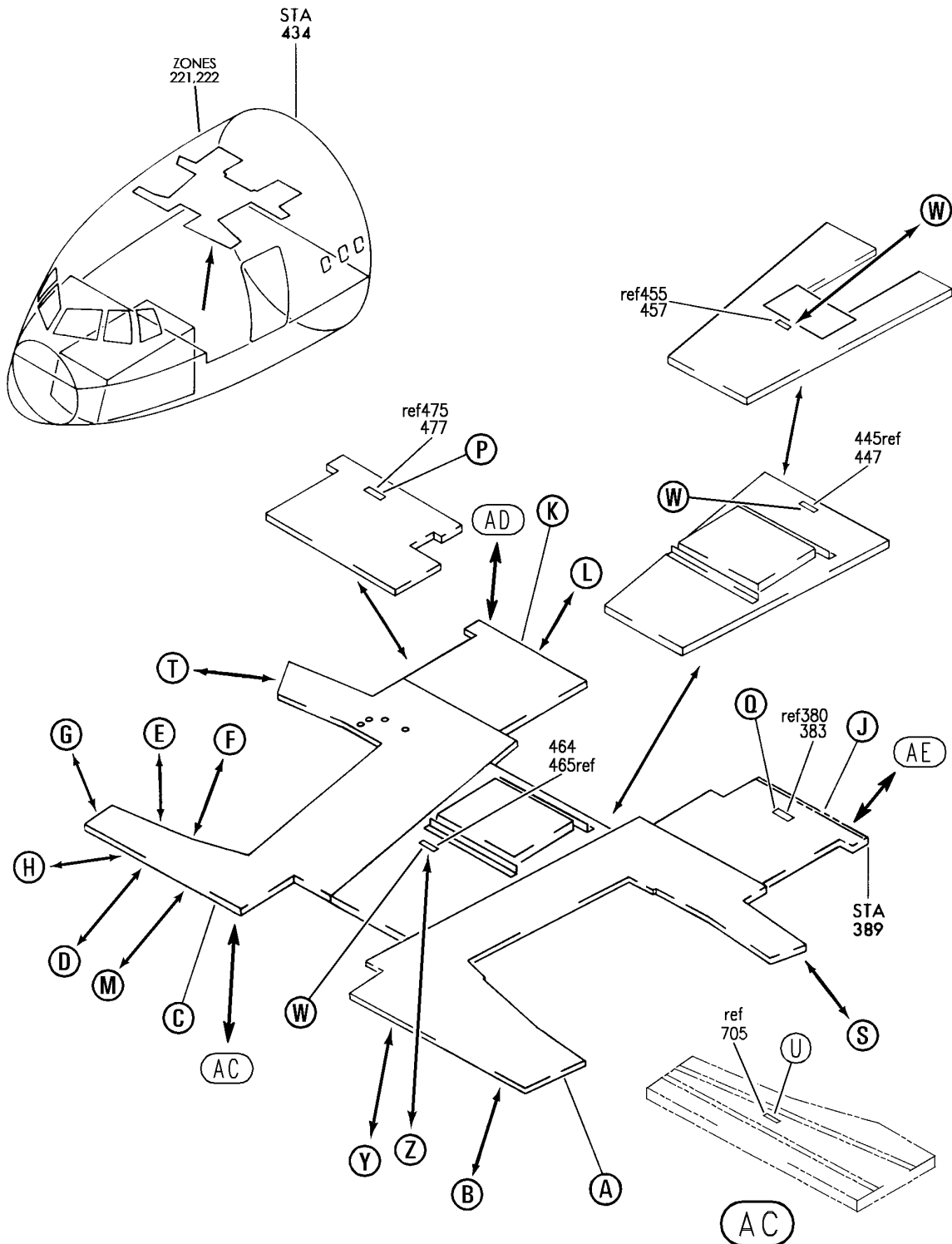
HXL

11-35-73-01

BOEING PROPRIETARY - Copyright © - Unpublished Work - See title page for details.

11-35-73  
FIG. 01  
PAGE 2  
APR 22/09

**BOEING**  
767  
PARTS CATALOG (MAINTENANCE)



V 11357501 SH1 1 REV 256

CEILING ASSY-LOWERED FWD (PLACARDS AND MARKINGS ONLY)  
FIGURE 1 (SHEET 1)

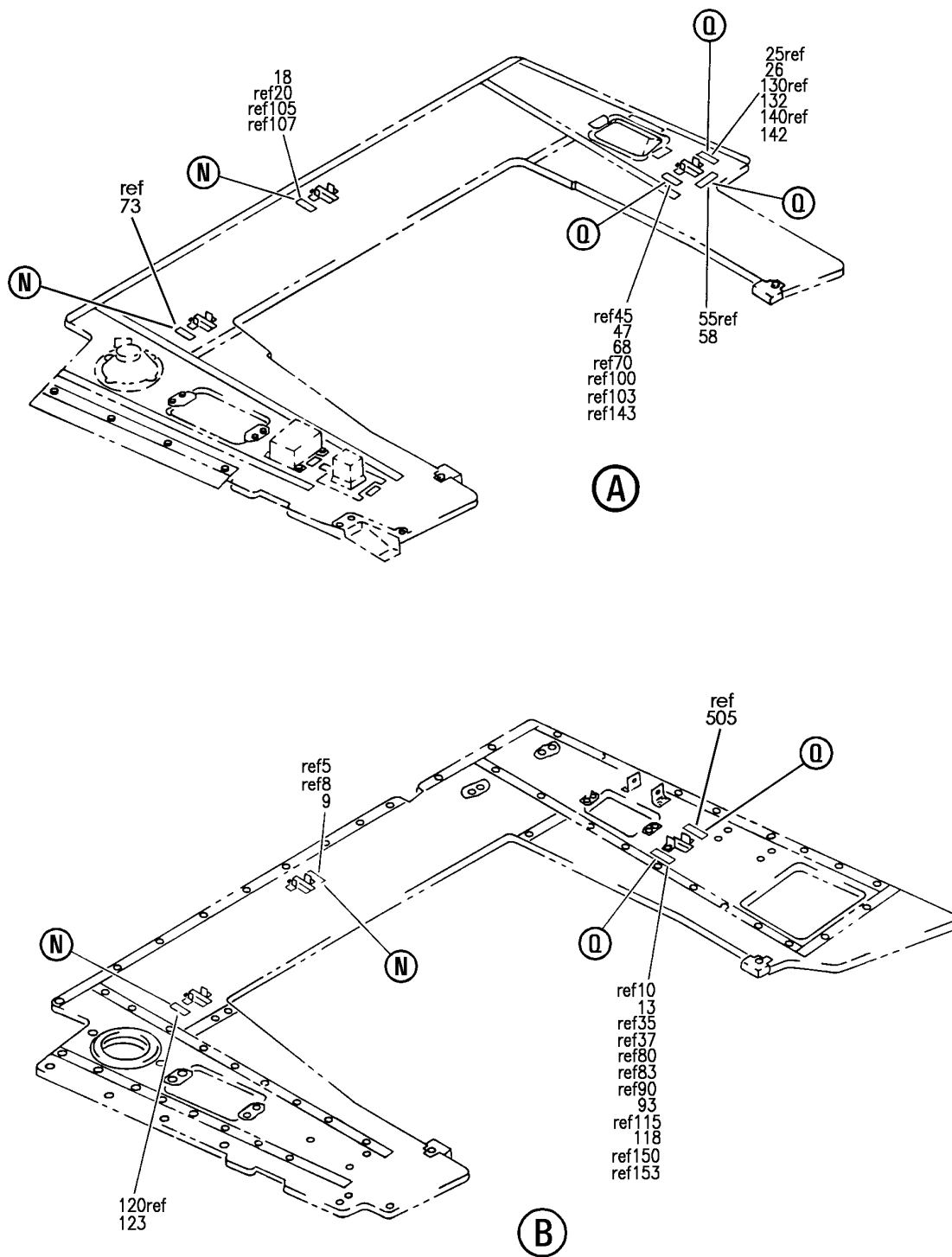
**11-35-75-01**

HXL  
DEC 22/06

11-35-75-01  
PAGE 0




**BOEING**  
 767  
**PARTS CATALOG (MAINTENANCE)**



V 11357501 SHT 2 REV 256

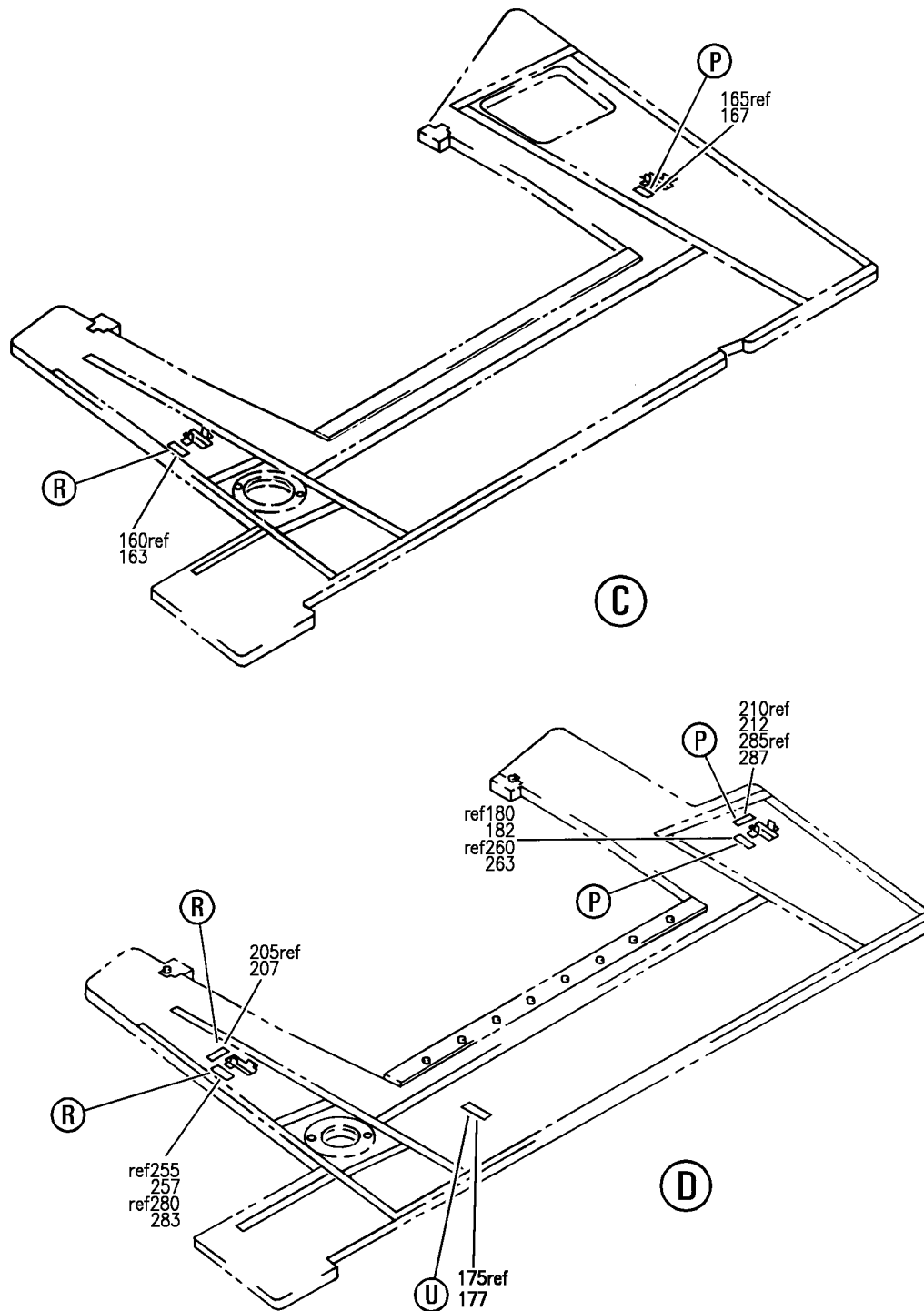
CEILING ASSY-LOWERED FWD (PLACARDS AND MARKINGS ONLY)  
 FIGURE 1 (SHEET 2)

**11-35-75-01**

HXL  
DEC 22/06

11-35-75-01  
 PAGE 0A

**BOEING**  
767  
PARTS CATALOG (MAINTENANCE)



V 11357501 SHT 3 REV 256

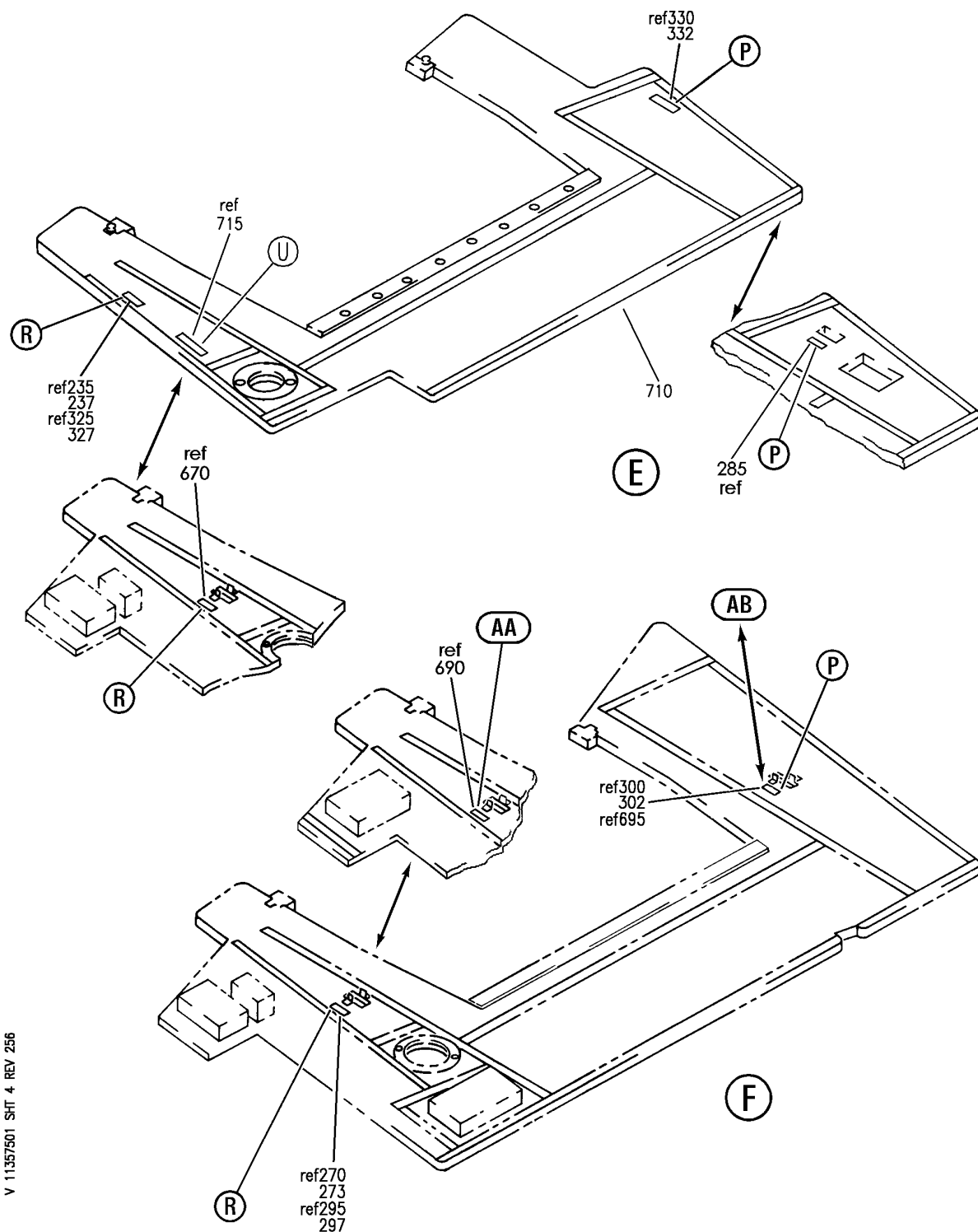
CEILING ASSY-LOWERED FWD (PLACARDS AND MARKINGS ONLY)  
FIGURE 1 (SHEET 3)

**11-35-75-01**

HXL  
DEC 22/06

11-35-75-01  
PAGE 0B

**BOEING**  
767  
PARTS CATALOG (MAINTENANCE)



V 11357501 SHT 4 REV 256

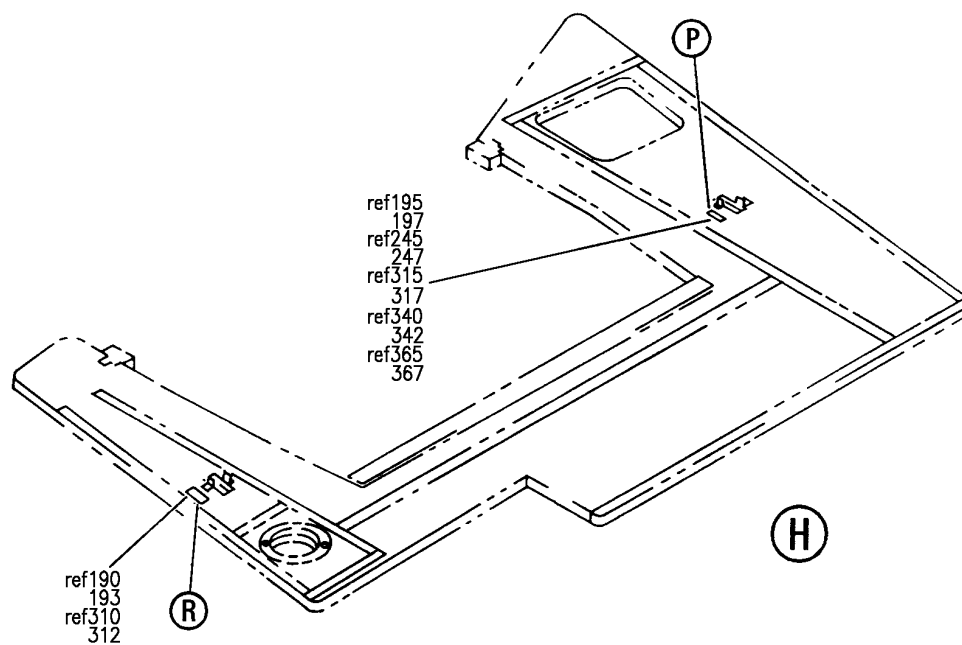
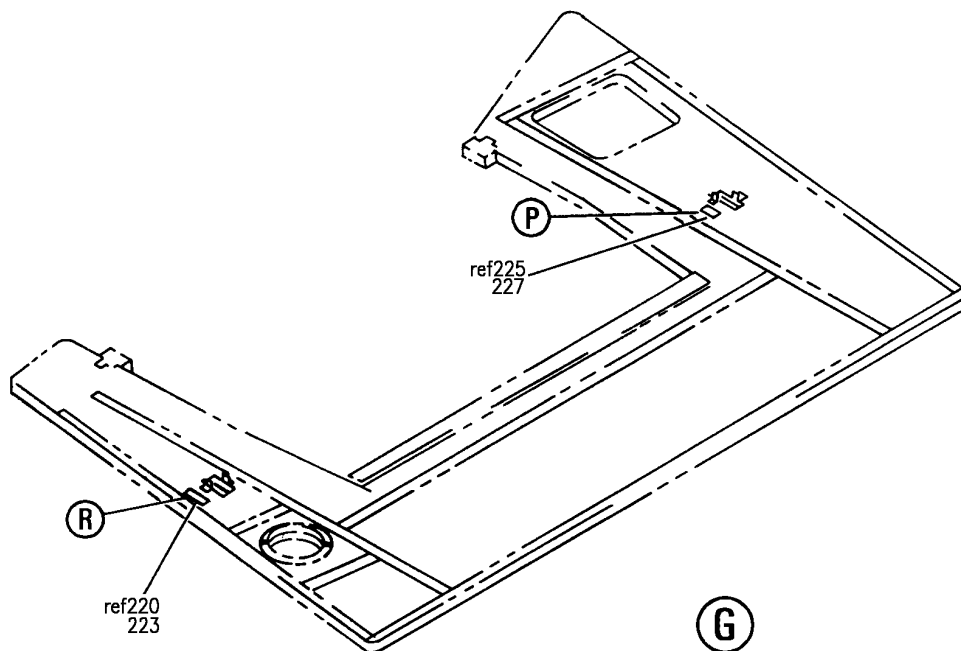
CEILING ASSY-LOWERED FWD (PLACARDS AND MARKINGS ONLY)  
FIGURE 1 (SHEET 4)

**11-35-75-01**

HXL  
DEC 22/06

11-35-75-01  
PAGE 0C

**BOEING**  
767  
PARTS CATALOG (MAINTENANCE)



V 11357501 SHT 5 REV 256

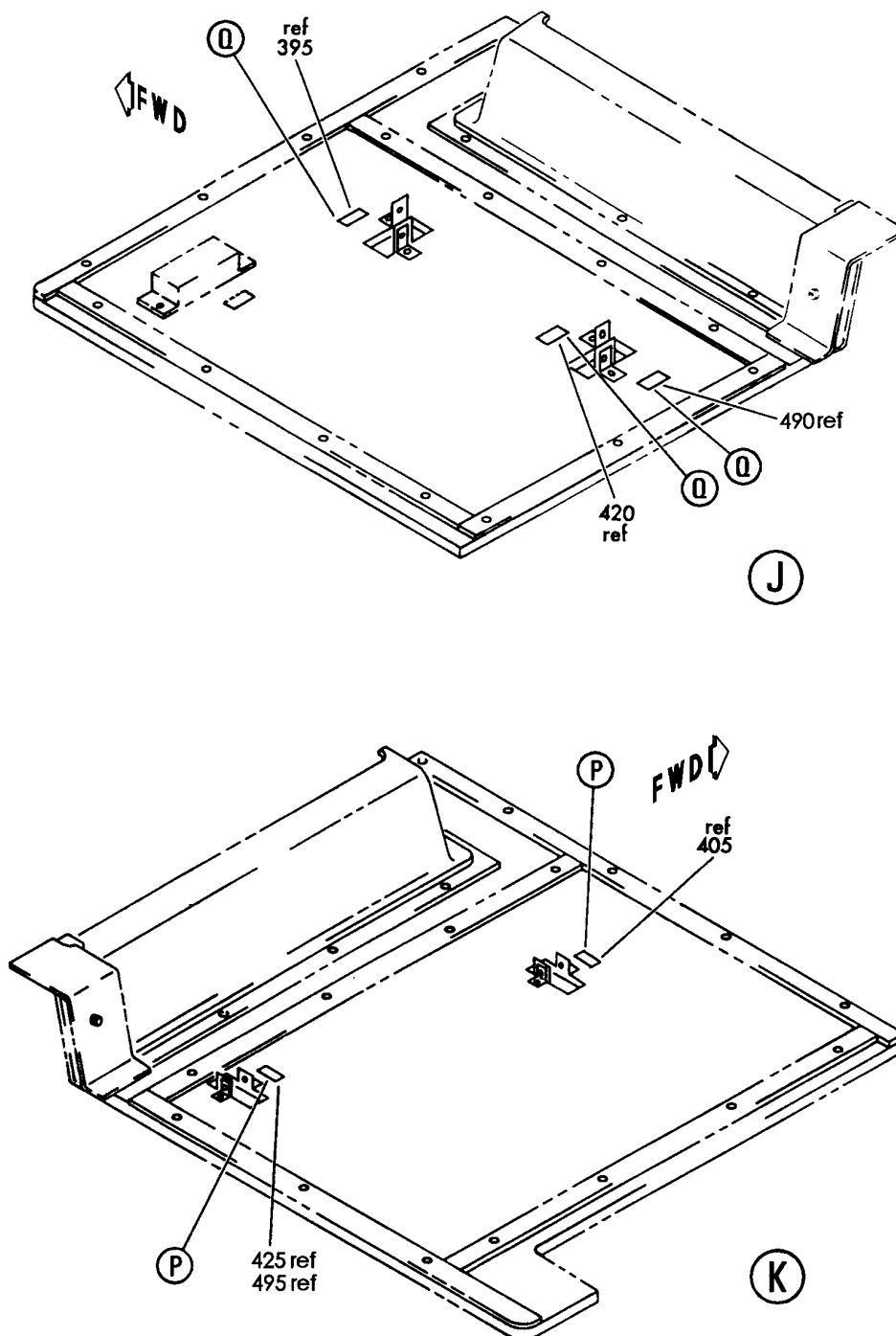
CEILING ASSY-LOWERED FWD (PLACARDS AND MARKINGS ONLY)  
FIGURE 1 (SHEET 5)

**11-35-75-01**

HXL  
DEC 22/06

11-35-75-01  
PAGE 0D

**BOEING**  
767  
PARTS CATALOG (MAINTENANCE)



V 11357501 SHT 6 REV 203

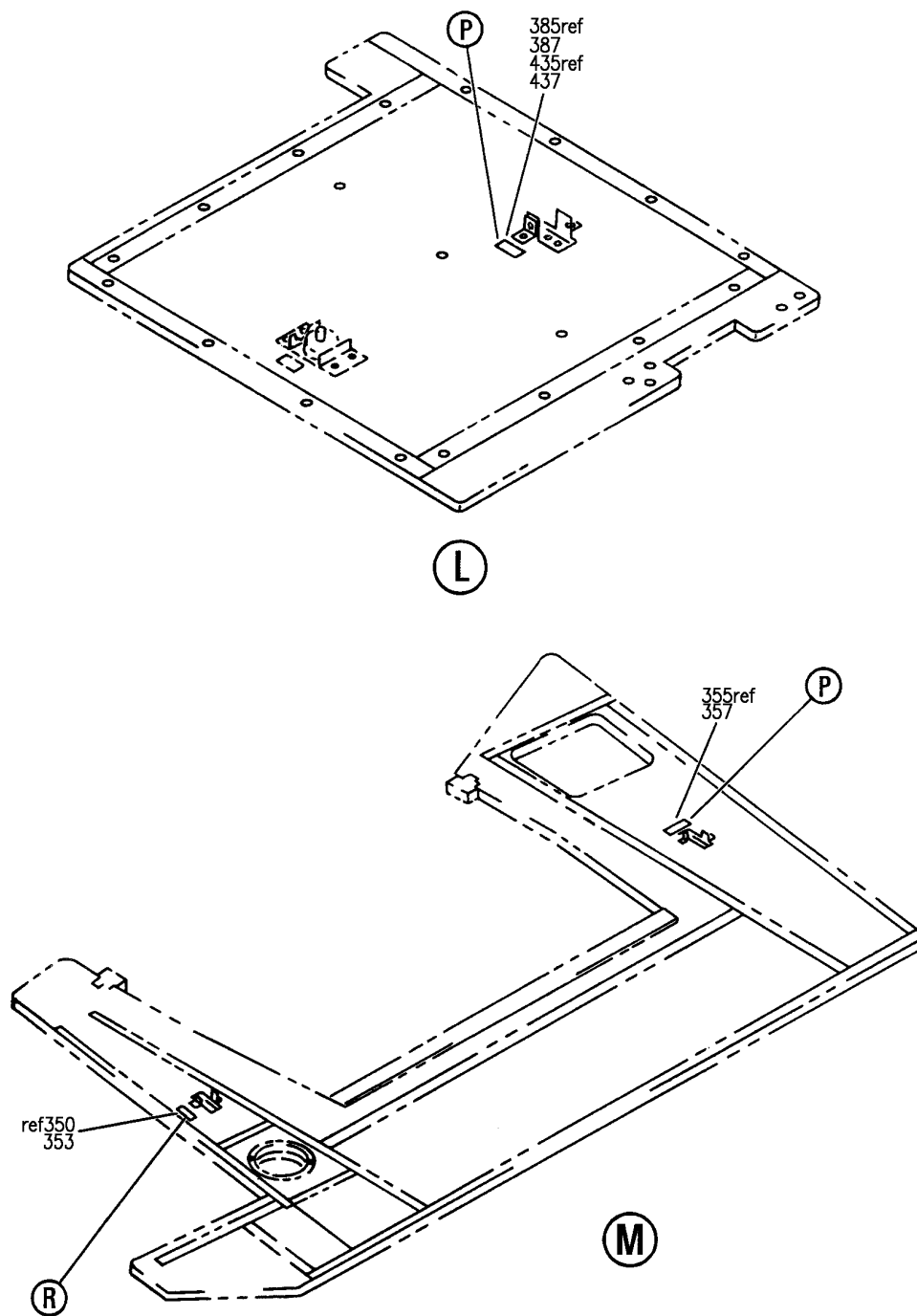
CEILING ASSY-LOWERED FWD (PLACARDS AND MARKINGS ONLY)  
FIGURE 1 (SHEET 6)

**11-35-75-01**

HXL  
DEC 22/06

11-35-75-01  
PAGE 0E

**BOEING**  
767  
PARTS CATALOG (MAINTENANCE)



V 11357501 SH7 7 REV 256

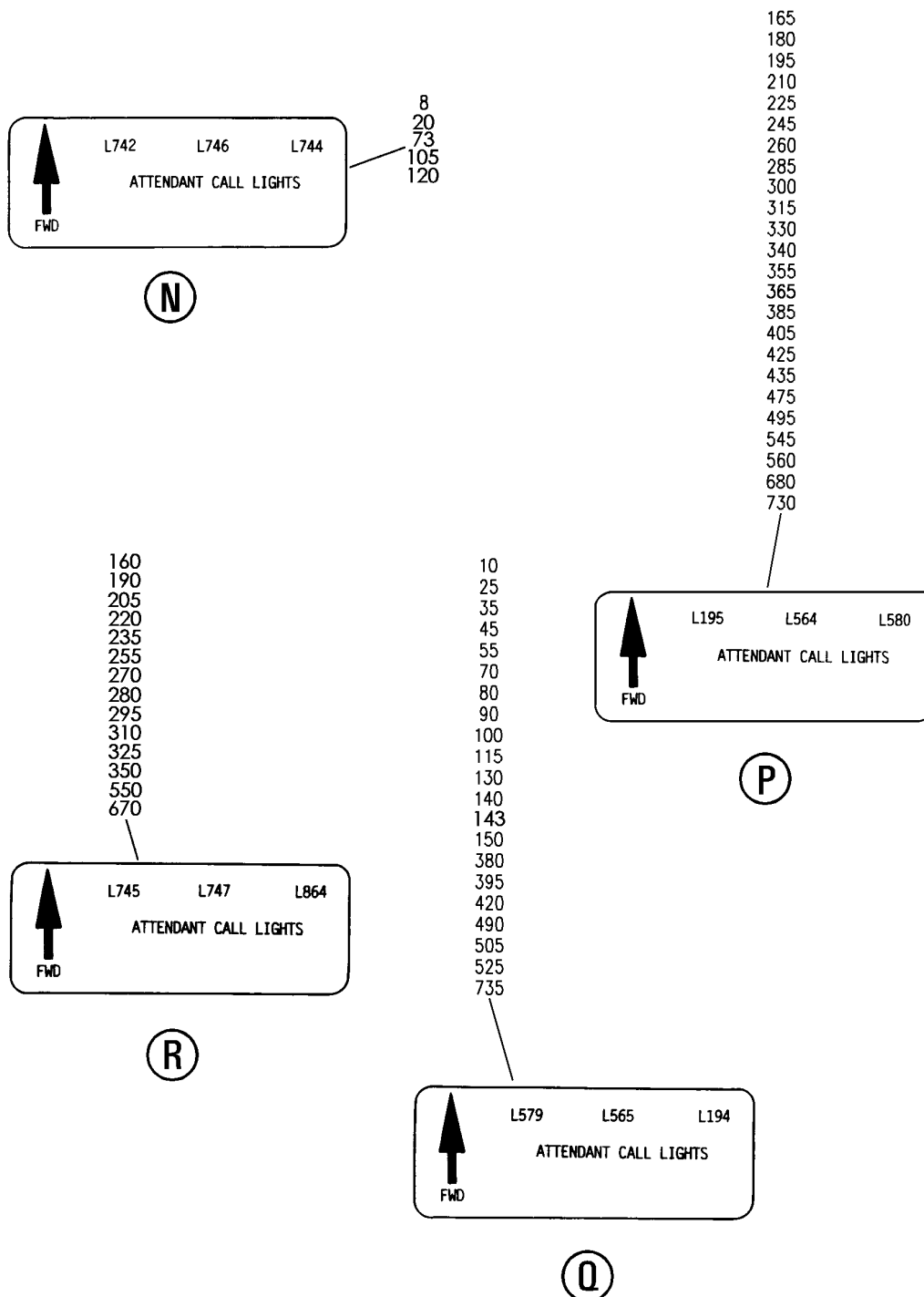
CEILING ASSY-LOWERED FWD (PLACARDS AND MARKINGS ONLY)  
FIGURE 1 (SHEET 7)

**11-35-75-01**

HXL  
DEC 22/06

11-35-75-01  
PAGE OF


**BOEING**  
 767  
**PARTS CATALOG (MAINTENANCE)**



V 11357501 SHT 8 REV 256

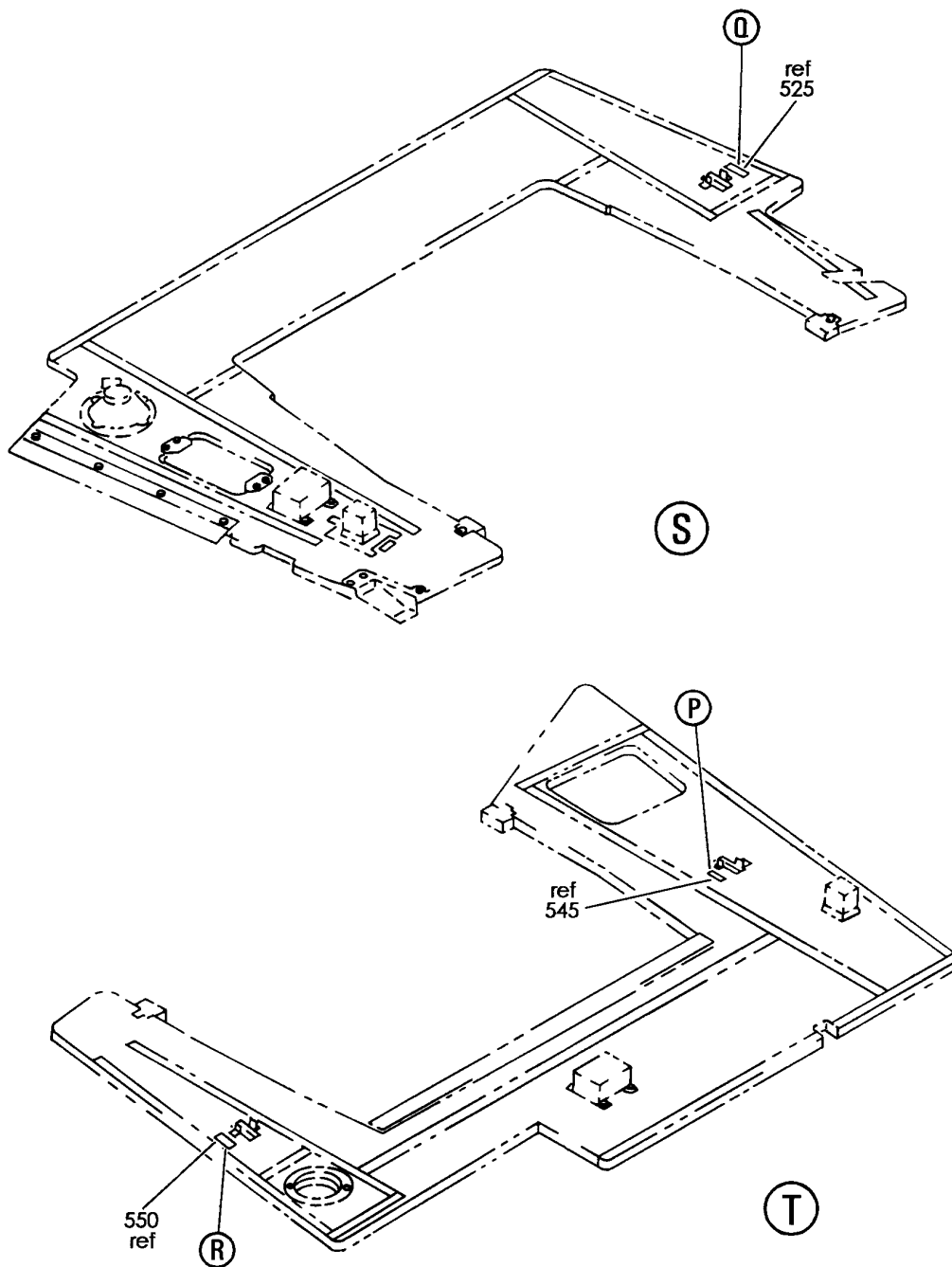
CEILING ASSY-LOWERED FWD (PLACARDS AND MARKINGS ONLY)  
FIGURE 1 (SHEET 8)

**11-35-75-01**

HXL  
DEC 22/06

11-35-75-01  
PAGE 0G

**BOEING**  
767  
PARTS CATALOG (MAINTENANCE)



V 11357501 SHT 9 REV 203

CEILING ASSY-LOWERED FWD (PLACARDS AND MARKINGS ONLY)  
FIGURE 1 (SHEET 9)

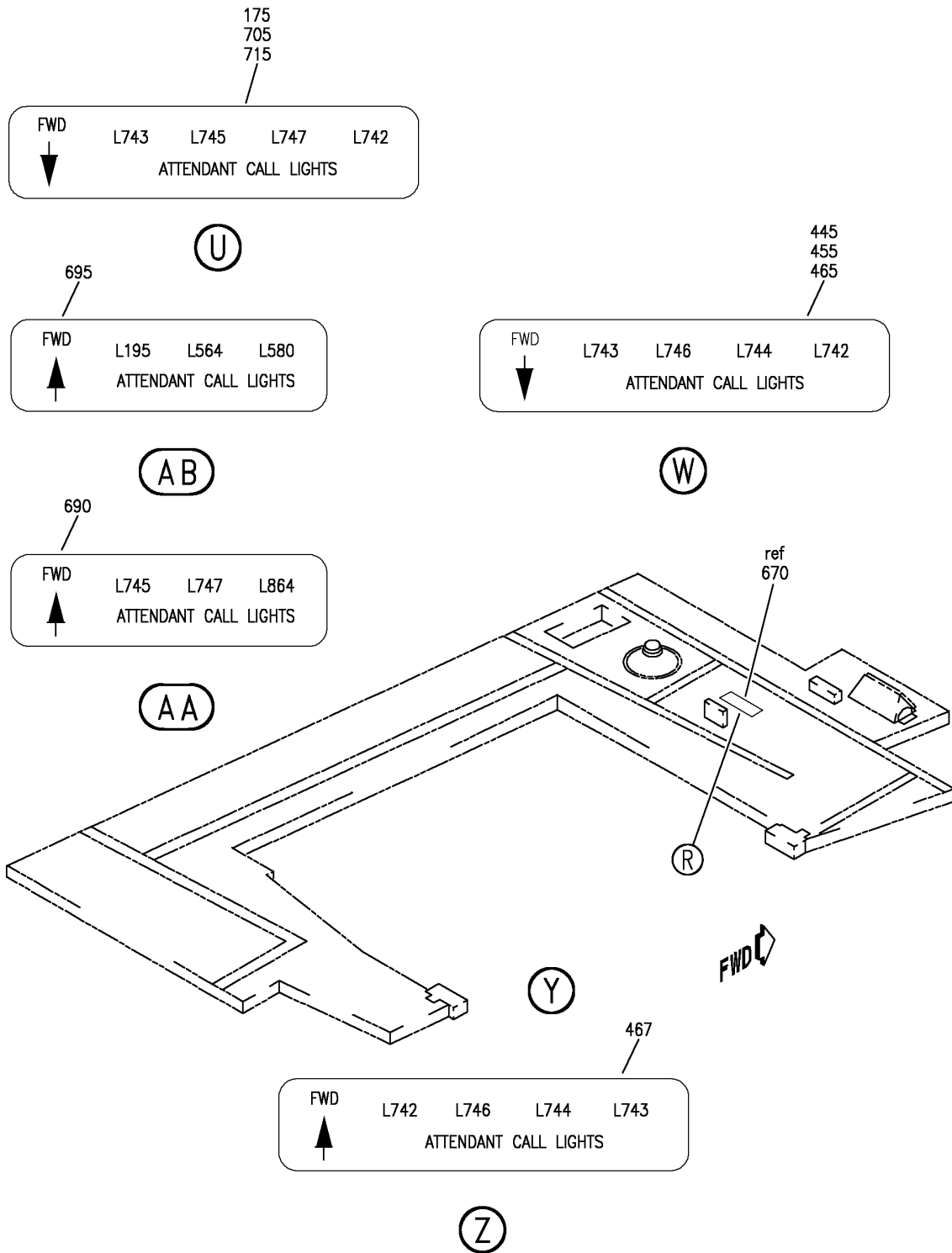
**11-35-75-01**

HXL  
DEC 22/06

11-35-75-01  
PAGE 0H




**BOEING**  
 767  
**PARTS CATALOG (MAINTENANCE)**



V 11357501 SH1 10 REV 256

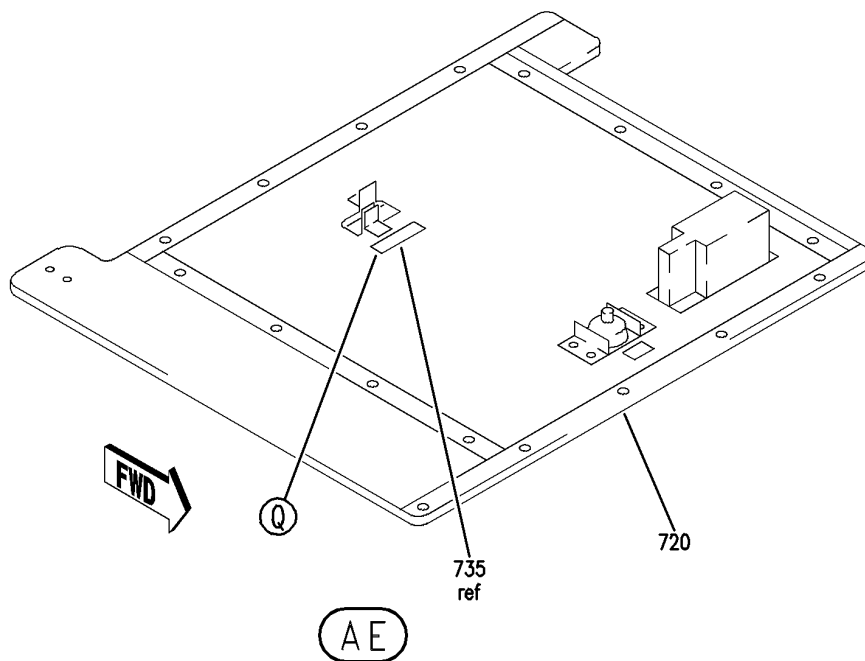
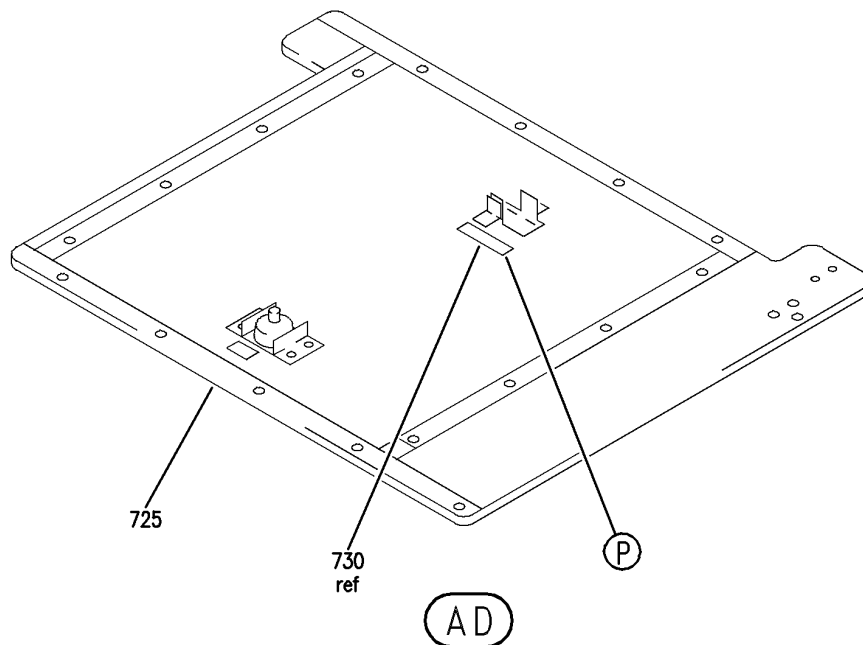
CEILING ASSY-LOWERED FWD (PLACARDS AND MARKINGS ONLY)  
 FIGURE 1 (SHEET 10)

**11-35-75-01**

HXL  
DEC 22/06

11-35-75-01  
 PAGE 01

**BOEING**  
767  
PARTS CATALOG (MAINTENANCE)



V 11357501 SHT 11 REV 244

CEILING ASSY-LOWERED FWD (PLACARDS AND MARKINGS ONLY)  
FIGURE 1 (SHEET 11)

**11-35-75-01**

HXL  
DEC 22/06

11-35-75-01  
PAGE 0J

 **BOEING**  
767  
**PARTS CATALOG (MAINTENANCE)**

FIG ITEM	PART NUMBER	1 2 3 4 5 6 7	NOMENCLATURE	EFFECT FROM TO	UNITS PER ASSY
1			CEILING ASSY-LOWERED FWD (PLACARDS AND MARKINGS ONLY)		
- 320	411T3126-713SP		CEILING ASSY-LOWERED (PLACARDS AND MARKINGS ONLY) POSITION DATA: FWD FOR NHA/OTHER SYS DET SEE: 25-22-02-16B	155162	RF
- 320	411T3226-4SP		CEILING ASSY-LOWERED (PLACARDS AND MARKINGS ONLY) POSITION DATA: FWD FOR NHA/OTHER SYS DET SEE: 25-22-02-15E	163999	RF
325	BAC27TPPS6338		.MARKER-ALUMINUM FOIL OPTIONAL PART: BAC27TPPS4412		RF
327	BAC27TPPS4412		.MARKER-ALUMINUM FOIL PLACARD CONTENT: L745 L747 L864 ATTENDANT CALL LIGHTS OPTIONAL PART: BAC27TPPS6338		RF

ILLUSTRATION ITEMS NOT ON PARTS LIST ARE NOT APPLICABLE

- ITEM NOT ILLUSTRATED

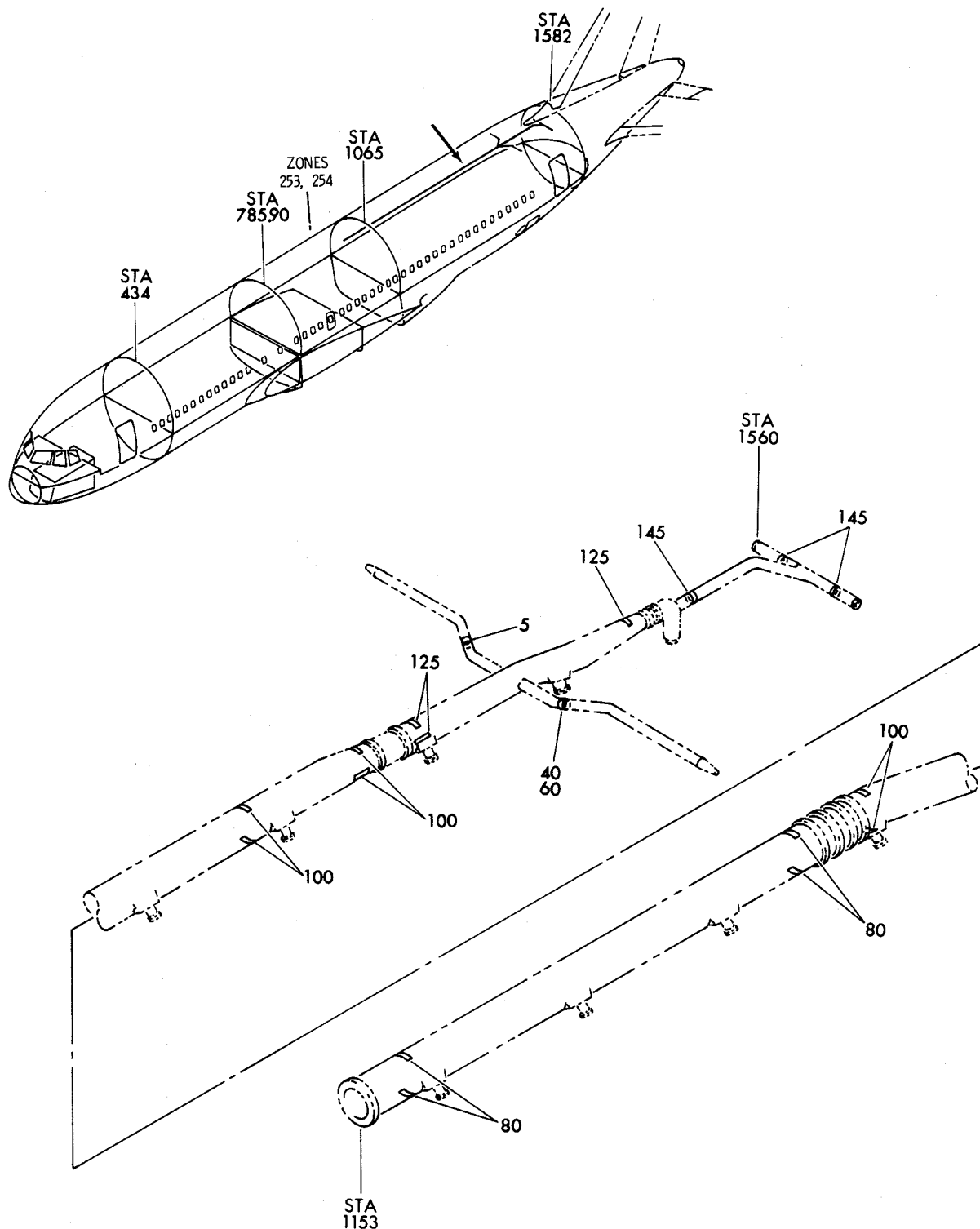
HXL

# 11-35-75-01

BOEING PROPRIETARY - Copyright © - Unpublished Work - See title page for details.

11-35-75  
FIG. 01  
PAGE 1  
DEC 22/07

**BOEING**  
767  
PARTS CATALOG (MAINTENANCE)



V 11358501 SHT 1 REV 039

DUCT ASSY-SECT. 46 AIR DISTR SYS  
FIGURE 1

**11-35-85-01**

HXL  
DEC 22/06

11-35-85-01  
PAGE 0



767

PARTS CATALOG (MAINTENANCE)

FIG ITEM	PART NUMBER	1 2 3 4 5 6 7	NOMENCLATURE	EFFECT FROM TO	UNITS PER ASSY
1			DUCT ASSY-SECT. 46 AIR DISTR SYS		
- 140	214T2130-32		DUCT ASSY-AIR DISTR SYS POSITION DATA: SECT. 46 FOR NHA SEE: 21-23-01-85		RF
- 140	214T2130-15		DUCT ASSY-AIR DISTR SYS POSITION DATA: SECT. 46 FOR NHA SEE: 21-23-01-85		RF
- 140	214T2130-1032		DUCT ASSY-AIR DISTR SYS POSITION DATA: SECT. 46 FOR NHA SEE: 21-23-01-85		RF
145	BAC27TEC0028		.MARKER-ALUMINUM FOIL PLACARD CONTENT: INSTALL CLAMP ADJUSTING SCREW AT BOTTOM CENTER LINE OF DUCT		3

R  
R  
R  
R  
R

ILLUSTRATION ITEMS NOT ON PARTS LIST ARE NOT APPLICABLE

- ITEM NOT ILLUSTRATED

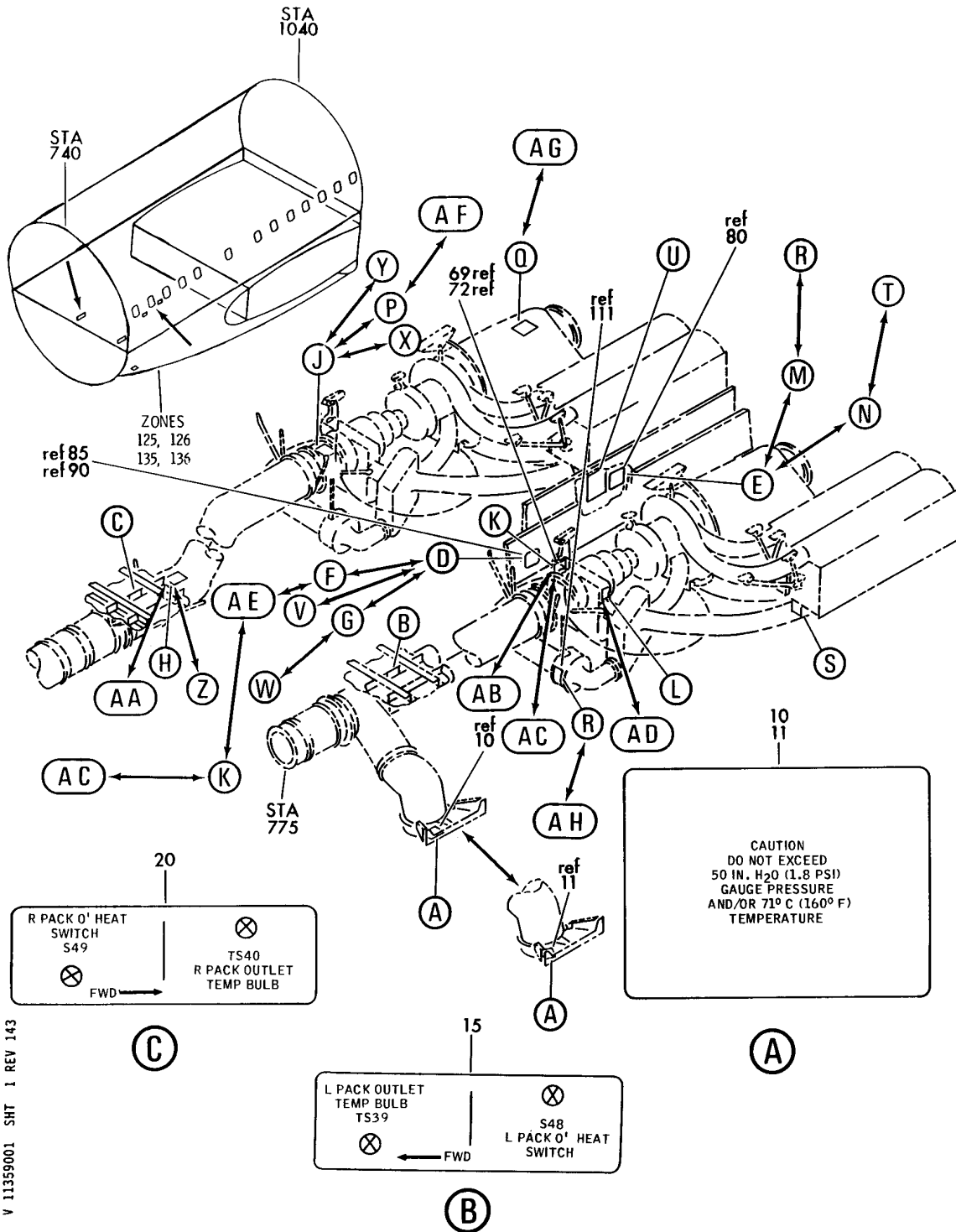
HXL

11-35-85-01

BOEING PROPRIETARY - Copyright © - Unpublished Work - See title page for details.

11-35-85  
FIG. 01  
PAGE 1  
AUG 22/09

**BOEING**  
767  
PARTS CATALOG (MAINTENANCE)

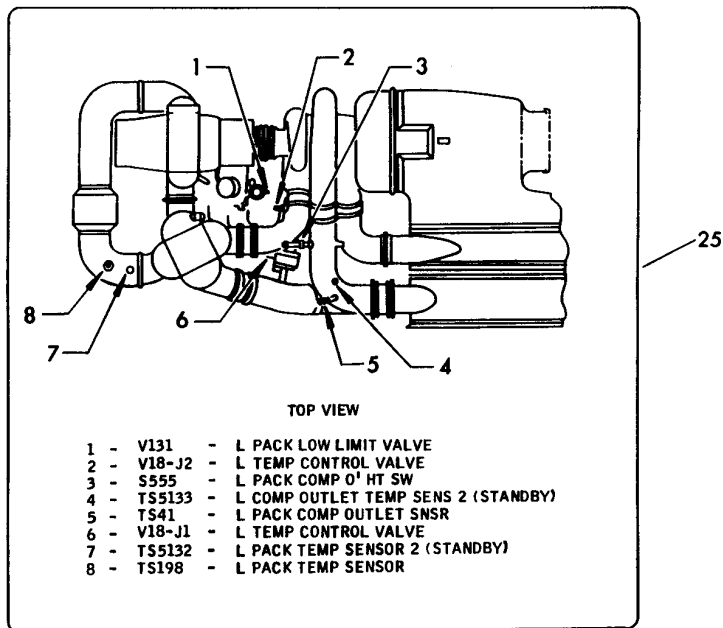


V 11359001 SHT 1 REV 143

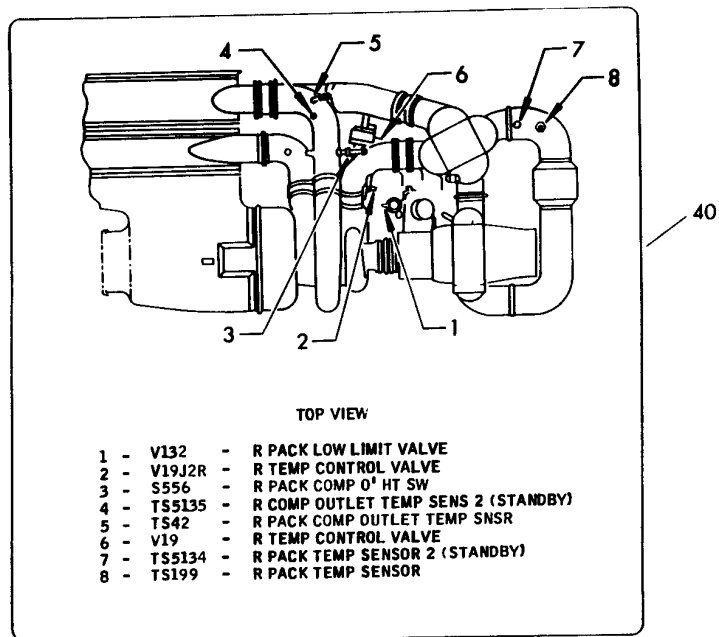
PACK INSTL-COOLING (PLACARDS AND MARKINGS ONLY)  
FIGURE 1 (SHEET 1)

**11-35-90-01**

**BOEING**  
767  
PARTS CATALOG (MAINTENANCE)



Ⓓ



Ⓔ

V 11359001 SHT 2 REV 134

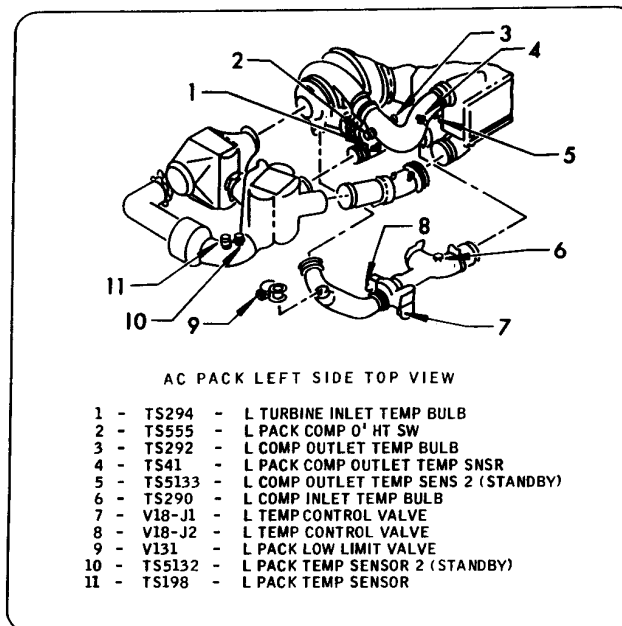
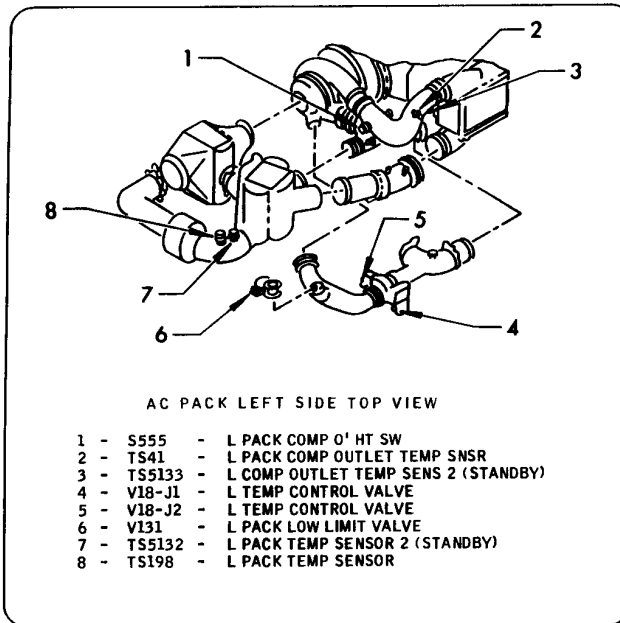
PACK INSTL-COOLING (PLACARDS AND MARKINGS ONLY)  
FIGURE 1 (SHEET 2)

**11-35-90-01**

HXL  
DEC 22/06

11-35-90-01  
PAGE 0A

**BOEING**  
767  
PARTS CATALOG (MAINTENANCE)



V 11359001 SHT 3 REV 134

PACK INSTL-COOLING (PLACARDS AND MARKINGS ONLY)  
FIGURE 1 (SHEET 3)

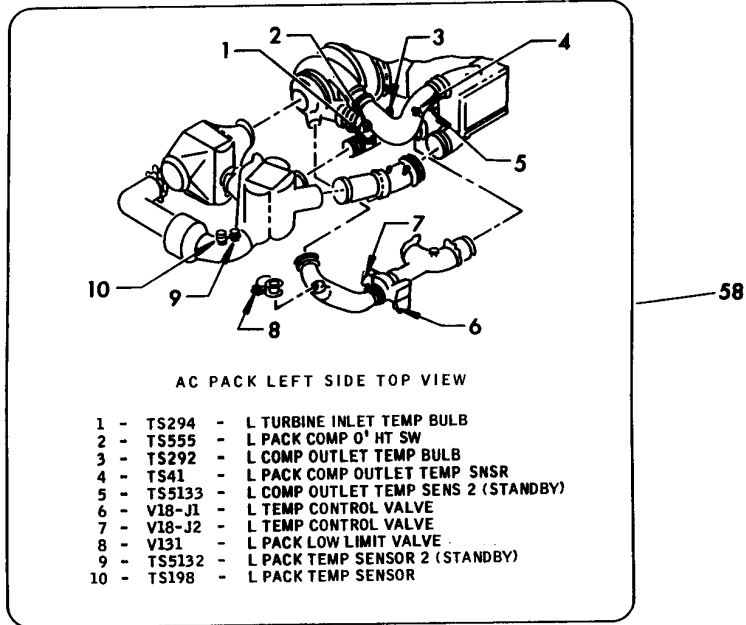
**11-35-90-01**

HXL  
DEC 22/06

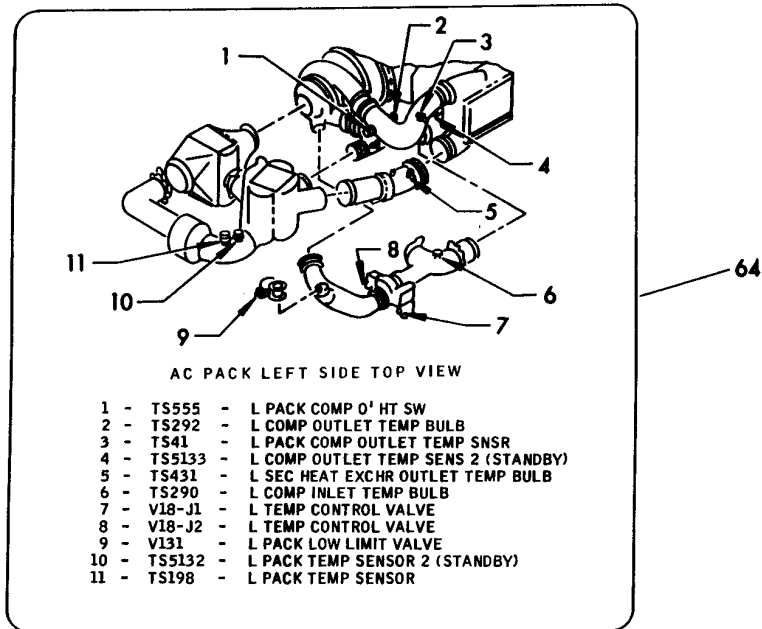
11-35-90-01  
PAGE 0B



**BOEING**  
767  
PARTS CATALOG (MAINTENANCE)



(H)



(J)

V 11359001 SHT 4 REV 134

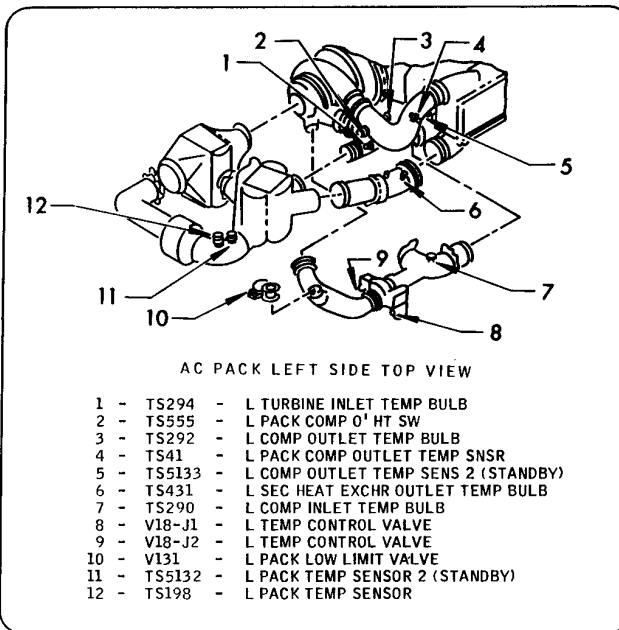
PACK INSTL-COOLING (PLACARDS AND MARKINGS ONLY)  
FIGURE 1 (SHEET 4)

**11-35-90-01**

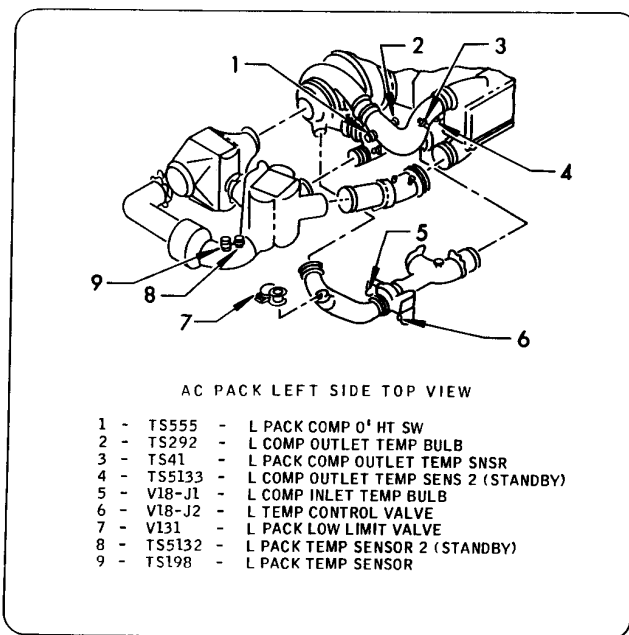
HXL  
DEC 22/06

11-35-90-01  
PAGE 0C

**BOEING**  
767  
PARTS CATALOG (MAINTENANCE)



(K)



(L)

V 11359001 SHT 5 REV 143

PACK INSTL-COOLING (PLACARDS AND MARKINGS ONLY)  
FIGURE 1 (SHEET 5)

**11-35-90-01**

HXL  
DEC 22/06

11-35-90-01  
PAGE 0D

**BOEING**  
767  
**PARTS CATALOG (MAINTENANCE)**

RIGHT SIDE	
1 -	NOT USED
2 -	TS5135 - R COMP OUTLET TEMP SENS 2 (STANDBY)
3 -	TS42 - R PACK COMP OUTLET TEMP SNSR
4 -	S556 - R PACK COMP O' HT SW
5 -	NOT USED
6 -	NOT USED
7 -	TS5134 - R PACK TEMP SENSOR 2 (STANDBY)
8 -	TS199 - R PACK TEMP SENSOR
9 -	V19-J1 - R TEMP CONTROL VALVE
10 -	V19-J2 - R TEMP CONTROL VALVE
11 -	V132 - R PACK LOW LIMIT VALVE
12 -	NOT USED

45

(M)

RIGHT SIDE	
1 -	TS293 - R COMP OUTLET TEMP BULB
2 -	TS5135 - R COMP OUTLET TEMP SENS 2 (STANDBY)
3 -	TS42 - R PACK COMP OUTLET TEMP SNSR
4 -	S556 - R PACK COMP O' HT SW
5 -	TS295 - R TURBINE INLET TEMP BULB
6 -	NOT USED
7 -	TS5134 - R PACK TEMP SENSOR 2 (STANDBY)
8 -	TS199 - R PACK TEMP SENSOR
9 -	V19-J1 - R TEMP CONTROL VALVE
10 -	V19-J2 - R TEMP CONTROL VALVE
11 -	V132 - R PACK LOW LIMIT VALVE
12 -	TS291 - R COMP INLET TEMP BULB

50

(N)

RIGHT SIDE	
1 -	TS293 - R COMP OUTLET TEMP BULB
2 -	TS5135 - R COMP OUTLET TEMP SENS 2 (STANDBY)
3 -	TS42 - R PACK COMP OUTLET TEMP SNSR
4 -	S556 - R PACK COMP O' HT SW
5 -	NOT USED
6 -	NOT USED
7 -	TS5134 - R PACK TEMP SENSOR 2 (STANDBY)
8 -	TS199 - R PACK TEMP SENSOR
9 -	V19-J1 - R TEMP CONTROL VALVE
10 -	V19-J2 - R TEMP CONTROL VALVE
11 -	V132 - R PACK LOW LIMIT VALVE
12 -	NOT USED

115

(S)

RIGHT SIDE	
1 -	TS293 - R COMP OUTLET TEMP BULB
2 -	TS5135 - R COMP OUTLET TEMP SENS 2 (STANDBY)
3 -	TS42 - R PACK COMP OUTLET TEMP SNSR
4 -	S556 - R PACK COMP O' HT SW
5 -	TS295 - R TURBINE INLET TEMP BULB
6 -	NOT USED
7 -	TS5134 - R PACK TEMP SENSOR 2 (STANDBY)
8 -	TS199 - R PACK TEMP SENSOR
9 -	V19-J1 - R TEMP CONTROL VALVE
10 -	V19-J2 - R TEMP CONTROL VALVE
11 -	V132 - R PACK LOW LIMIT VALVE
12 -	NOT USED

95

(P)

RIGHT SIDE	
1 -	TS293 - R COMP OUTLET TEMP BULB
2 -	TS5135 - R COMP OUTLET TEMP SENS 2 (STANDBY)
3 -	TS42 - R PACK COMP OUTLET TEMP SNSR
4 -	S556 - R PACK COMP O' HT SW
5 -	TS295 - R TURBINE INLET TEMP BULB
6 -	TS430 - R SEC HEAT EXCHR OUTLET TEMP BULB
7 -	TS5134 - R PACK TEMP SENSOR 2 (STANDBY)
8 -	TS199 - R PACK TEMP SENSOR
9 -	V19-J1 - R TEMP CONTROL VALVE
10 -	V19-J2 - R TEMP CONTROL VALVE
11 -	V132 - R PACK LOW LIMIT VALVE
12 -	TS291 - R COMP INLET TEMP BULB

80  
111

(R)

RIGHT SIDE	
1 -	TS293 - R COMP OUTLET TEMP BULB
2 -	TS5135 - R COMP OUTLET TEMP SENS 2 (STANDBY)
3 -	TS42 - R PACK COMP OUTLET TEMP SNSR
4 -	S556 - R PACK COMP O' HT SW
5 -	NOT USED
6 -	TS430 - R SEC HEAT EXCHR OUTLET TEMP BULB
7 -	TS5134 - R PACK TEMP SENSOR 2 (STANDBY)
8 -	TS199 - R PACK TEMP SENSOR
9 -	V19-J1 - R TEMP CONTROL VALVE
10 -	V19-J2 - R TEMP CONTROL VALVE
11 -	V132 - R PACK LOW LIMIT VALVE
12 -	TS291 - R COMP INLET TEMP BULB

104

(Q)

V 11359001 SHT 6 REV 143

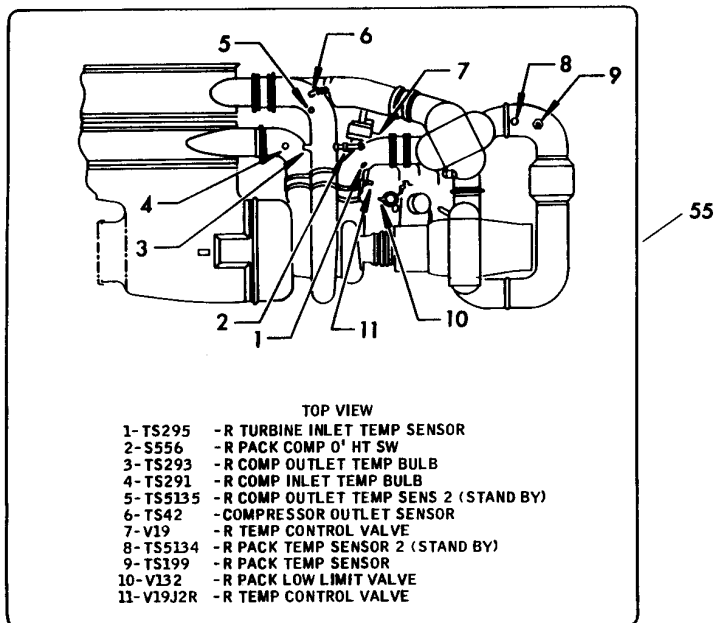
PACK INSTL-COOLING (PLACARDS AND MARKINGS ONLY)  
FIGURE 1 (SHEET 6)

**11-35-90-01**

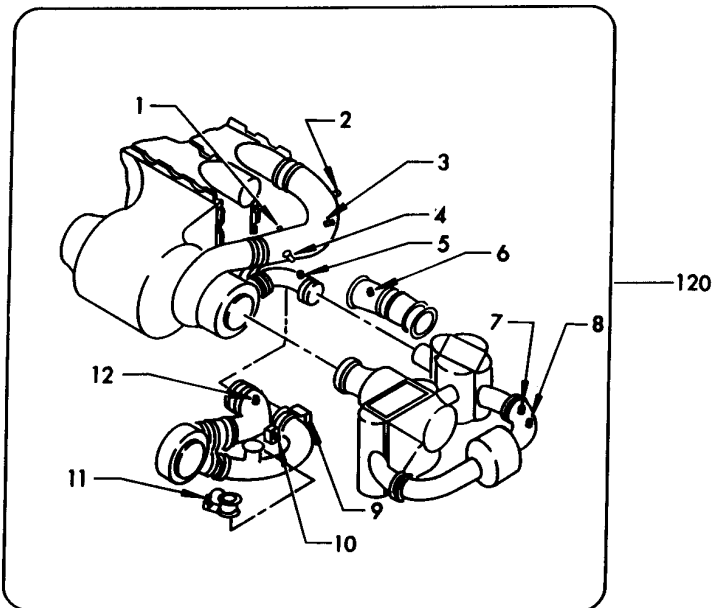
HXL  
DEC 22/06

11-35-90-01  
PAGE 0E

**BOEING**  
767  
PARTS CATALOG (MAINTENANCE)



Ⓣ



Ⓢ

V 11359001 SHT 7 REV 134

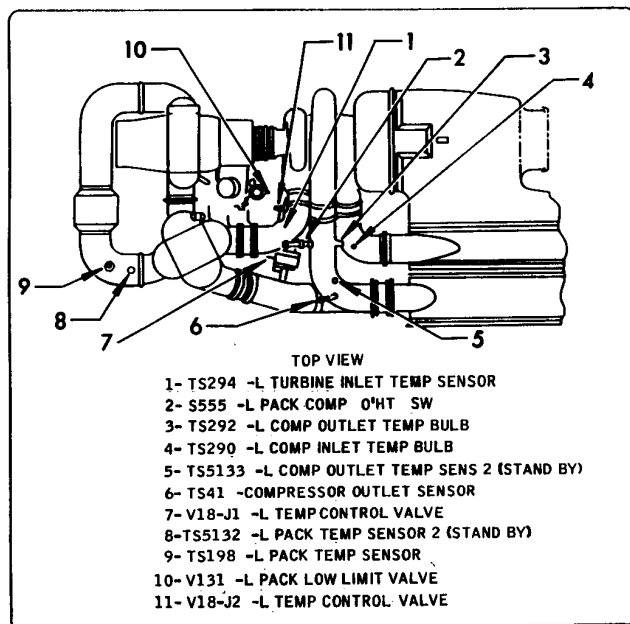
PACK INSTL-COOLING (PLACARDS AND MARKINGS ONLY)  
FIGURE 1 (SHEET 7)

**11-35-90-01**

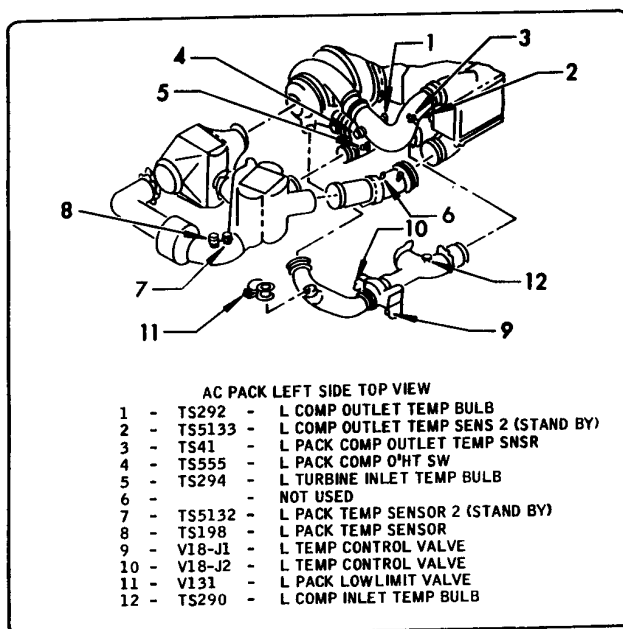
HXL  
DEC 22/06

11-35-90-01  
PAGE OF

**BOEING**  
767  
PARTS CATALOG (MAINTENANCE)



33



35



V 11359001 SHT 8 REV 134

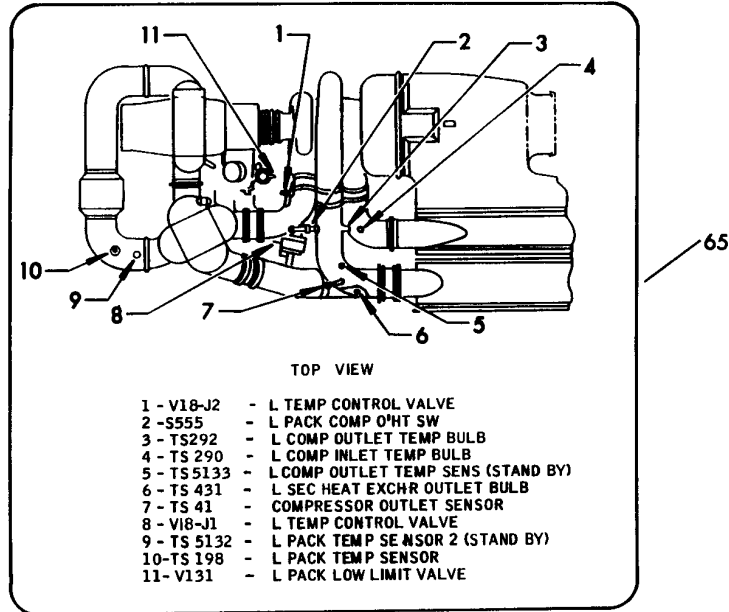
PACK INSTL-COOLING (PLACARDS AND MARKINGS ONLY)  
FIGURE 1 (SHEET 8)

# 11-35-90-01

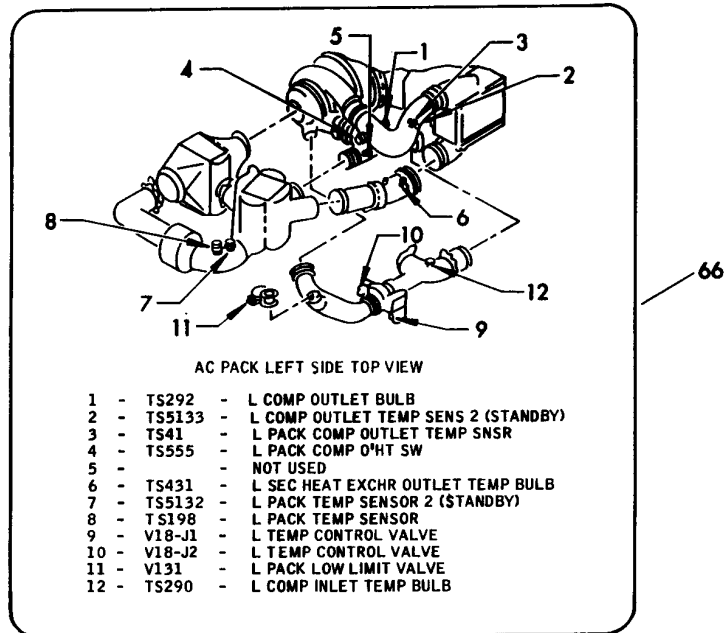
HXL  
DEC 22/06

11-35-90-01  
PAGE 0G

**BOEING**  
767  
PARTS CATALOG (MAINTENANCE)



(X)



(Y)

V 11359001 SHT 9 REV 134

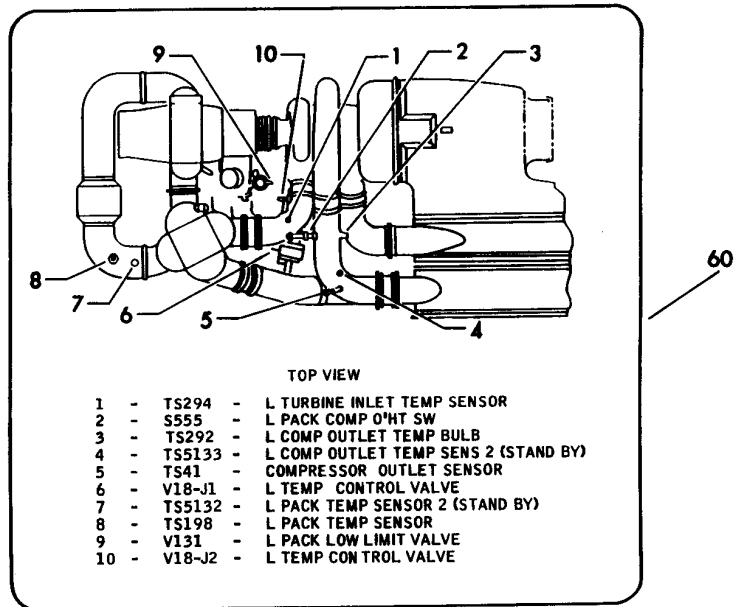
PACK INSTL-COOLING (PLACARDS AND MARKINGS ONLY)  
FIGURE 1 (SHEET 9)

**11-35-90-01**

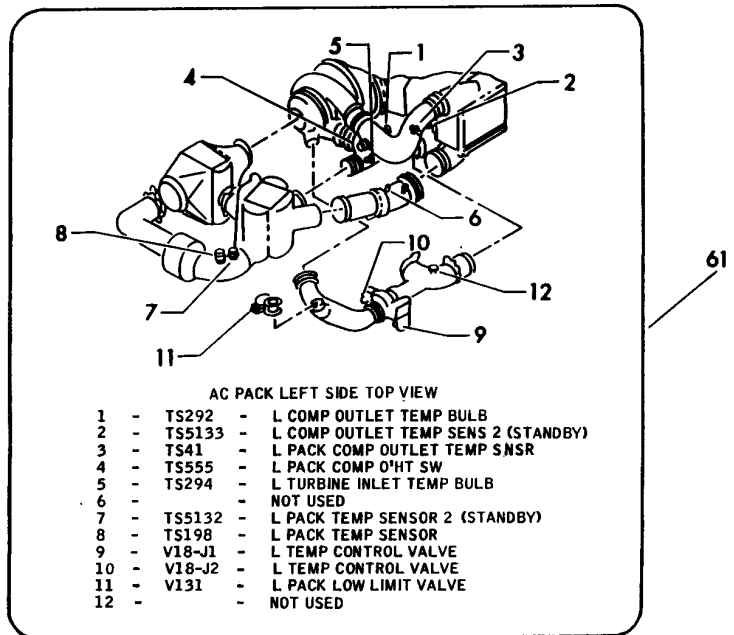
HXL  
DEC 22/06

11-35-90-01  
PAGE 0H

**BOEING**  
767  
PARTS CATALOG (MAINTENANCE)



Z



AA

V 11359001 SHT 10 REV 134

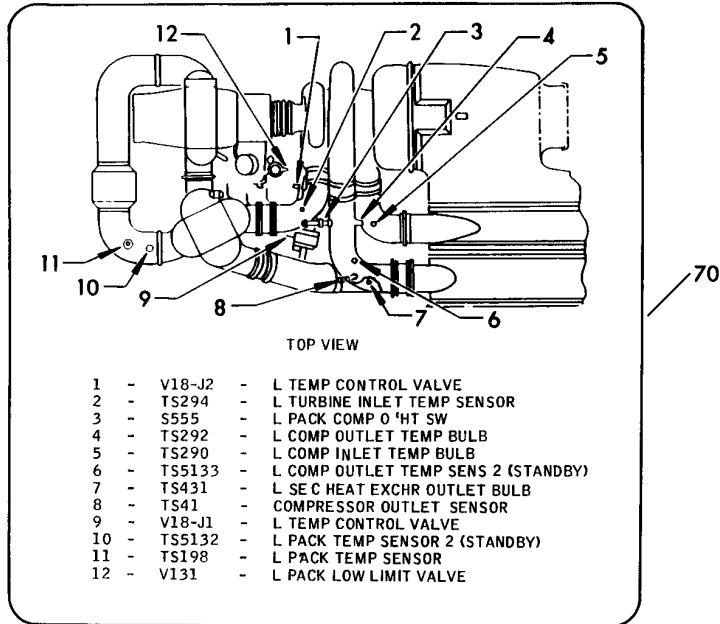
PACK INSTL-COOLING (PLACARDS AND MARKINGS ONLY)  
FIGURE 1 (SHEET 10)

**11-35-90-01**

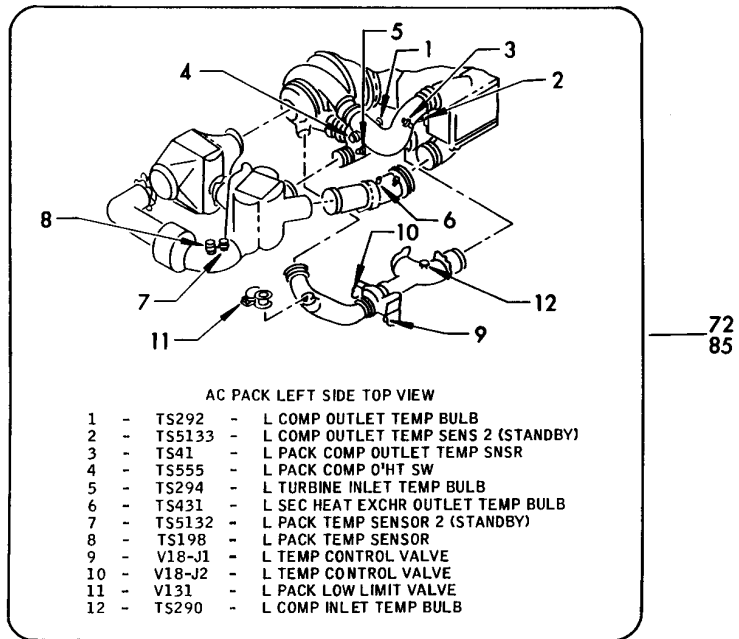
HXL  
DEC 22/06

11-35-90-01  
PAGE 01

**BOEING**  
767  
PARTS CATALOG (MAINTENANCE)



**AB**



**AC**

V 11359001 SHT 11 REV 143

PACK INSTL-COOLING (PLACARDS AND MARKINGS ONLY)  
FIGURE 1 (SHEET 11)

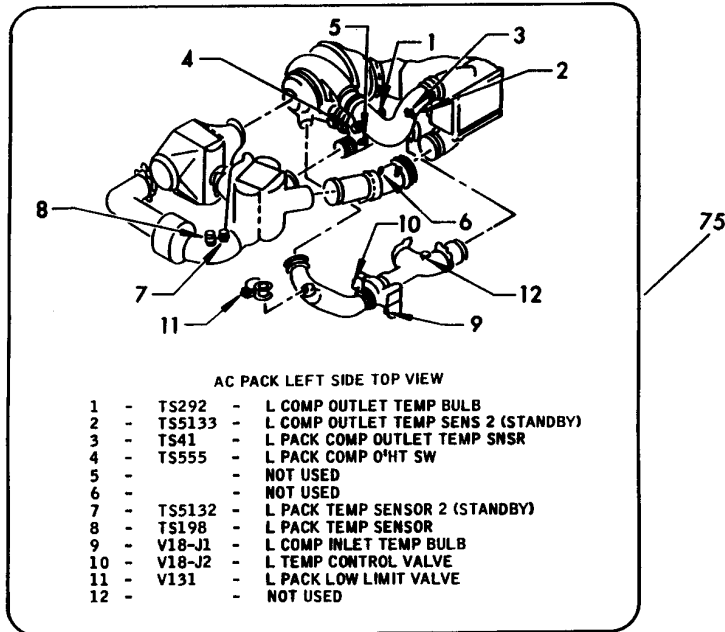
**11-35-90-01**

HXL  
DEC 22/06

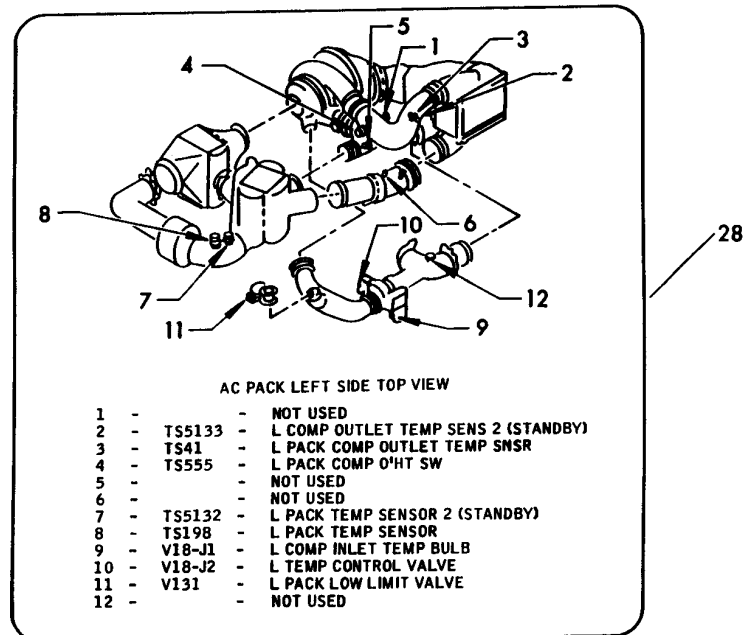
11-35-90-01  
PAGE 0J



**BOEING**  
767  
PARTS CATALOG (MAINTENANCE)



AD



AE

V 11359001 SHT 12 REV 134

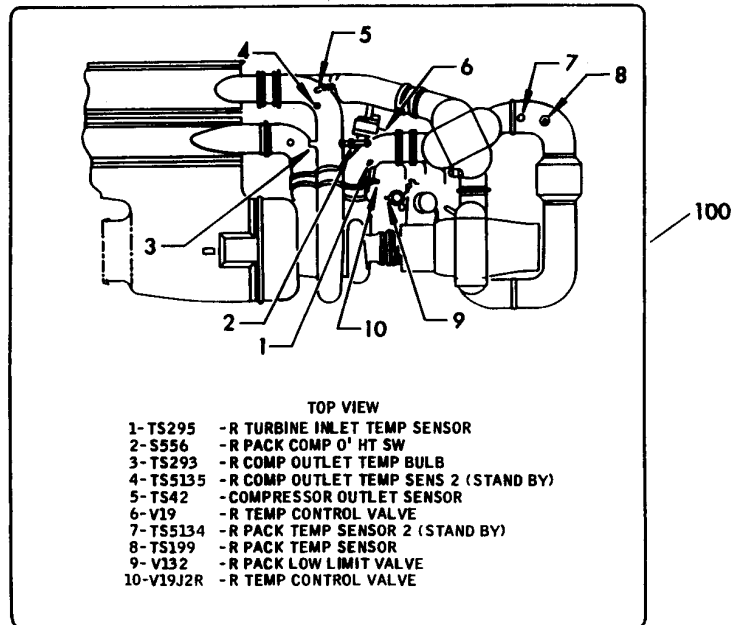
PACK INSTL-COOLING (PLACARDS AND MARKINGS ONLY)  
FIGURE 1 (SHEET 12)

**11-35-90-01**

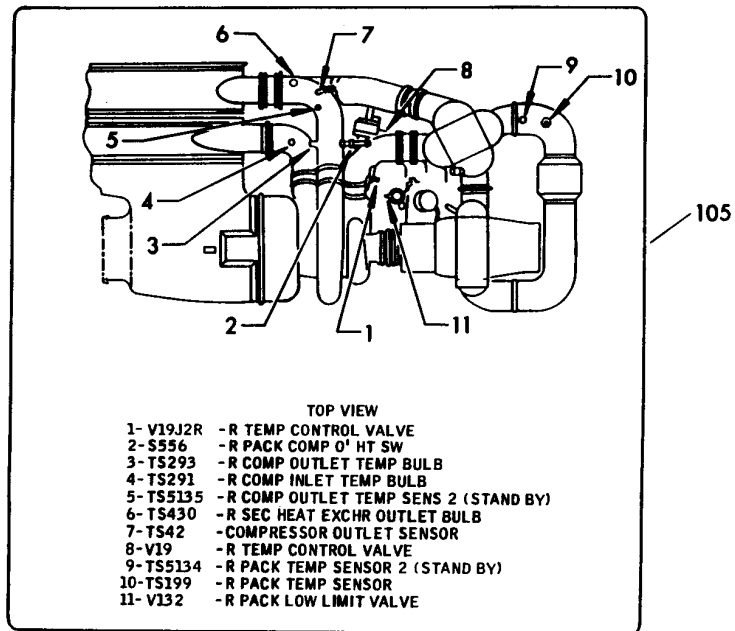
HXL  
DEC 22/06

11-35-90-01  
PAGE OK

**BOEING**  
767  
PARTS CATALOG (MAINTENANCE)



AF



AG

V 11359001 SHT 13 REV 134

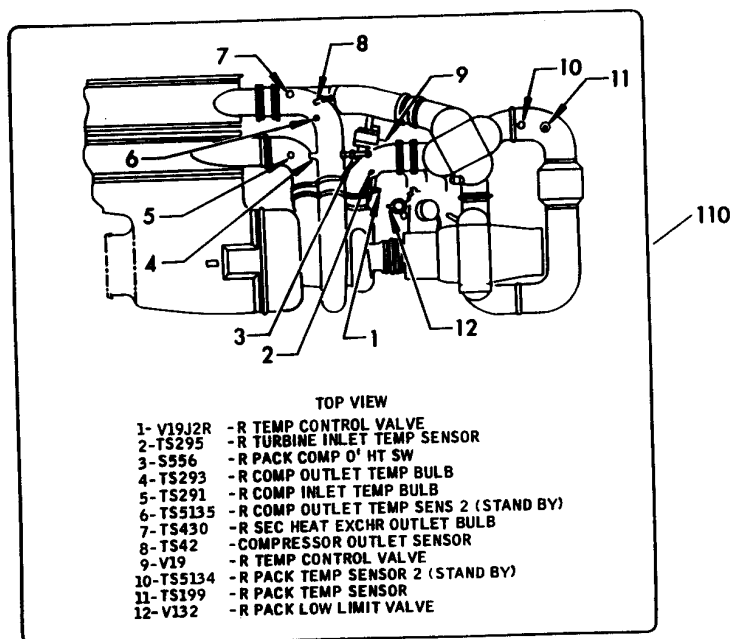
PACK INSTL-COOLING (PLACARDS AND MARKINGS ONLY)  
FIGURE 1 (SHEET 13)

**11-35-90-01**

HXL  
DEC 22/06

11-35-90-01  
PAGE 0L

**BOEING**  
767  
PARTS CATALOG (MAINTENANCE)



(AH)

V 11359001 SHT 14 REV 134

PACK INSTL-COOLING (PLACARDS AND MARKINGS ONLY)  
FIGURE 1 (SHEET 14)

**11-35-90-01**

HXL  
DEC 22/06

11-35-90-01  
PAGE 0M

 **BOEING**  
767  
**PARTS CATALOG (MAINTENANCE)**

FIG ITEM	PART NUMBER	1 2 3 4 5 6 7	NOMENCLATURE	EFFECT FROM TO	UNITS PER ASSY
1			PACK INSTL-COOLING (PLACARDS AND MARKINGS ONLY)		
- 2	213T1001-39		PACK INSTL-COOLING (PLACARDS AND MARKINGS ONLY) POSITION DATA: LH FOR NHA/OTHER SYS DET SEE: 21-00-00-06		RF
- 5	213T1001-40		PACK INSTL-COOLING (PLACARDS AND MARKINGS ONLY) POSITION DATA: RH FOR NHA/OTHER SYS DET SEE: 21-00-00-06		RF
10	BAC27TEC0096		.MARKER-ALUMINUM FOIL POSITION DATA: LH SIDE		1
15	BAC27TEC0168		.MARKER-ALUMINUM FOIL POSITION DATA: LH SIDE		1
20	BAC27TEC0169		.MARKER-ALUMINUM FOIL POSITION DATA: RH SIDE		1
69	BAC27TEC0181		.MARKER-ALUMINUM FOIL POSITION DATA: LH SIDE OPTIONAL PART: BAC27TEC0222		1
72	BAC27TEC0222		.MARKER-ALUMINUM FOIL IDENTIFICATION POSITION DATA: LH SIDE OPTIONAL PART: BAC27TEC0181		1
85	BAC27TEC0222		.MARKER-ALUMINUM FOIL POSITION DATA: LH SIDE OPTIONAL PART: BAC27TEC0181		1
90	BAC27TEC0181		.MARKER-ALUMINUM FOIL POSITION DATA: LH SIDE OPTIONAL PART: BAC27TEC0222		1

ILLUSTRATION ITEMS NOT ON PARTS LIST ARE NOT APPLICABLE

- ITEM NOT ILLUSTRATED

HXL

# 11-35-90-01

BOEING PROPRIETARY - Copyright © - Unpublished Work - See title page for details.

11-35-90  
FIG. 01  
PAGE 1  
DEC 22/06



767

PARTS CATALOG (MAINTENANCE)

FIG ITEM	PART NUMBER	1 2 3 4 5 6 7	NOMENCLATURE	EFFECT FROM TO	UNITS PER ASSY
1 110	BAC27TEC0154		.MARKER-ALUMINUM FOIL POSITION DATA: RH SIDE REWORK DRAWING REF: 213T9001-10 210T9001		1
111	BAC27TEC0182		.MARKER-ALUMINUM FOIL POSITION DATA: RH SIDE		1
120	BAC27TEC0186		.MARKER-ALUMINUM FOIL POSITION DATA: RH SIDE		1
ILLUSTRATION ITEMS NOT ON PARTS LIST ARE NOT APPLICABLE					

- ITEM NOT ILLUSTRATED

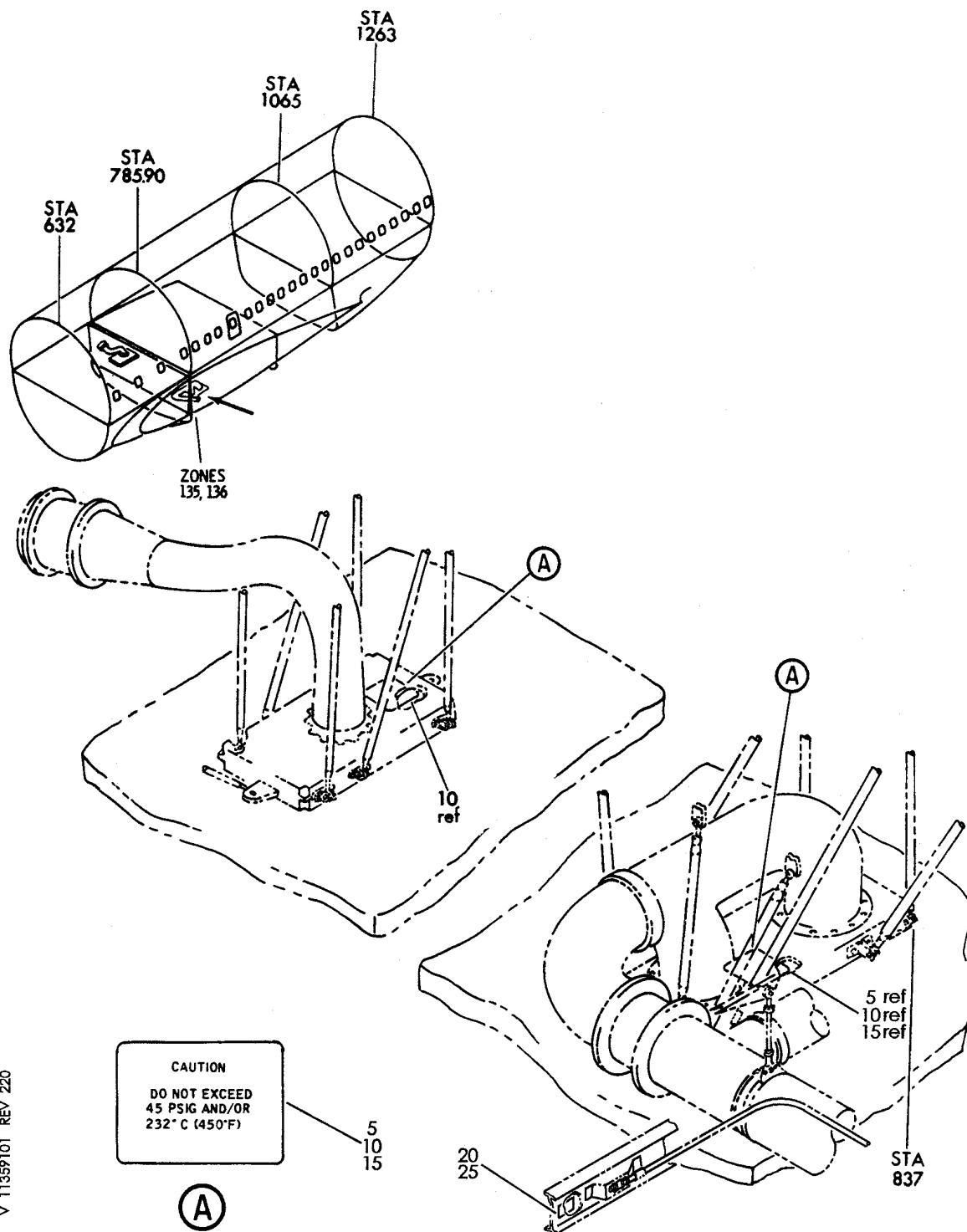
HXL

11-35-90-01

BOEING PROPRIETARY - Copyright © - Unpublished Work - See title page for details.

11-35-90  
FIG. 01  
PAGE 2  
DEC 22/06

**BOEING**  
767  
PARTS CATALOG (MAINTENANCE)



V 11359101 REV 220

DUCT INSTL-BODY CROSSOVER AIR SUPPLY SYS  
FIGURE 1

**11-35-91-01**

HXL  
DEC 22/06

11-35-91-01  
PAGE 0



767

PARTS CATALOG (MAINTENANCE)

FIG ITEM	PART NUMBER	1 2 3 4 5 6 7	NOMENCLATURE	EFFECT FROM TO	UNITS PER ASSY
1			DUCT INSTL-BODY CROSSOVER AIR SUPPLY SYS		
- 1	212T3002-22		DUCT INSTL-BODY CROSSOVER AIR SUPPLY SYS (PLACARDS AND MARKINGS ONLY) FOR NHA/OTHER SYS DET SEE: 21-00-00-06		RF
5	BAC27TEC0097		.MARKER-ALUMINUM FOIL		1

ILLUSTRATION ITEMS NOT ON PARTS LIST ARE NOT APPLICABLE

- ITEM NOT ILLUSTRATED

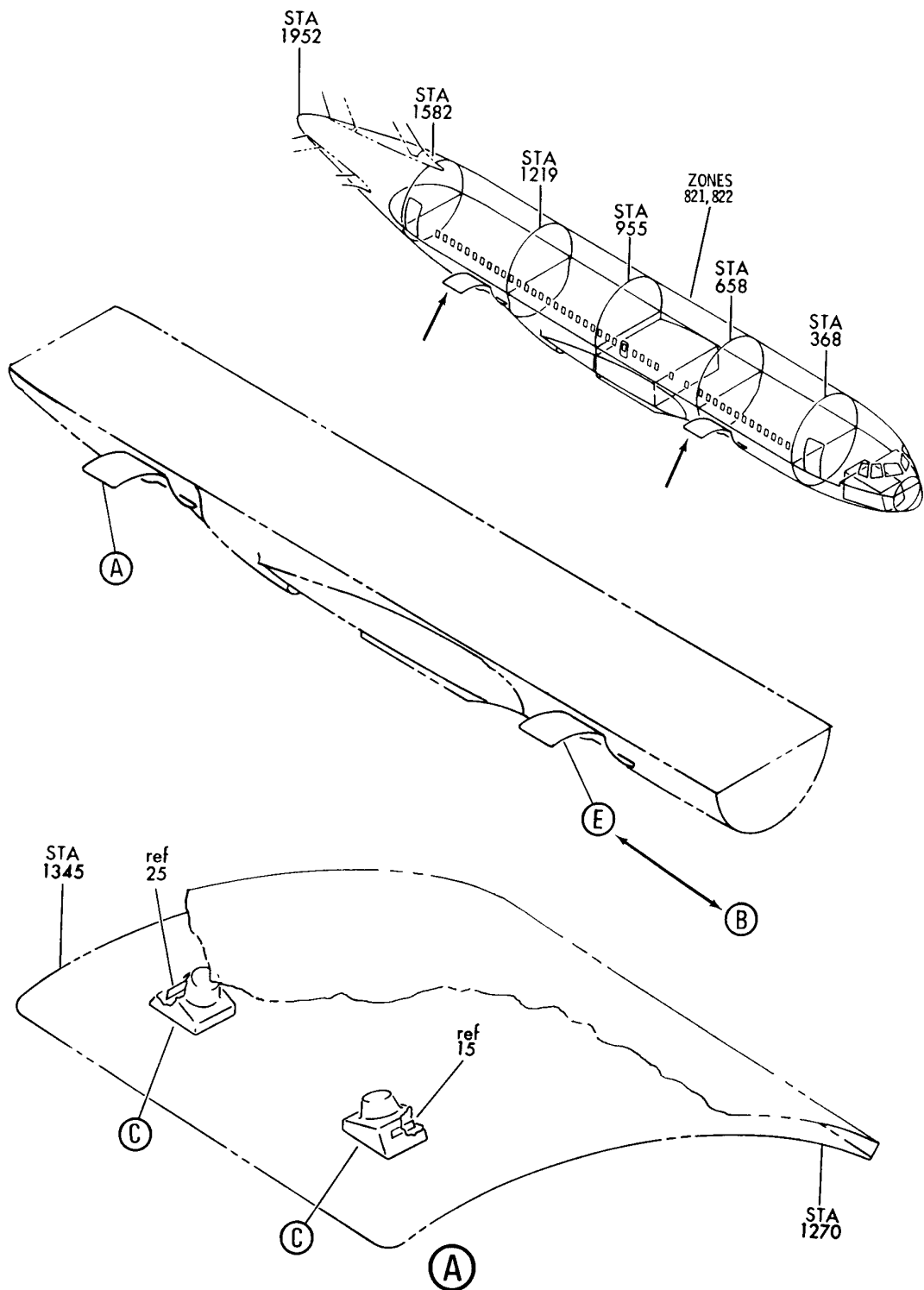
HXL

11-35-91-01

BOEING PROPRIETARY - Copyright © - Unpublished Work - See title page for details.

11-35-91  
FIG. 01  
PAGE 1  
DEC 22/07

**BOEING**  
767  
PARTS CATALOG (MAINTENANCE)



V 11359301 SHT 1 REV 191

LIGHT INSTL-FWD/AFT MAIN CARGO LOADING ILLUMINATION (PLACARDS AND MARKINGS ONLY)  
FIGURE 1 (SHEET 1)

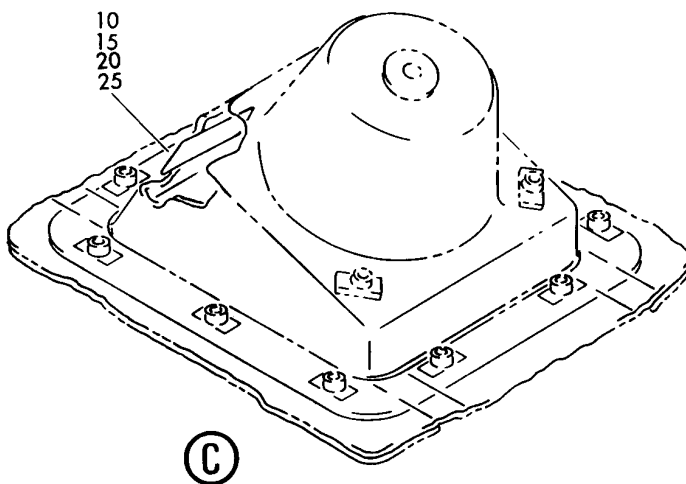
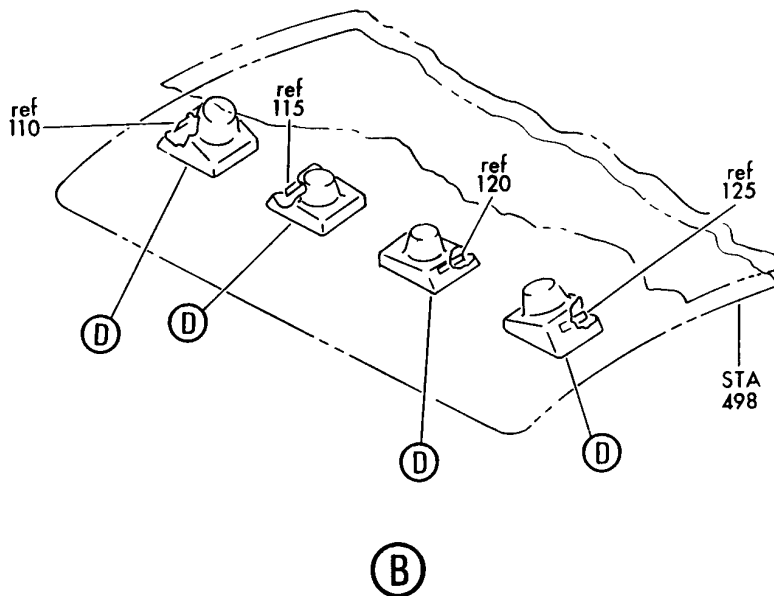
**11-35-93-01**

HXL  
DEC 22/06

11-35-93-01  
PAGE 0



**BOEING**  
767  
PARTS CATALOG (MAINTENANCE)



V 11359301 SHT 2 REV 191

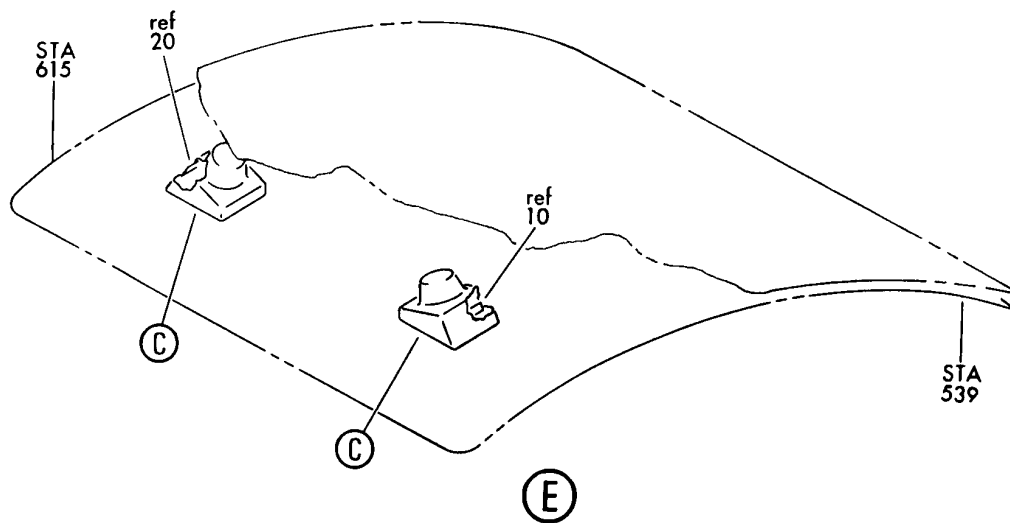
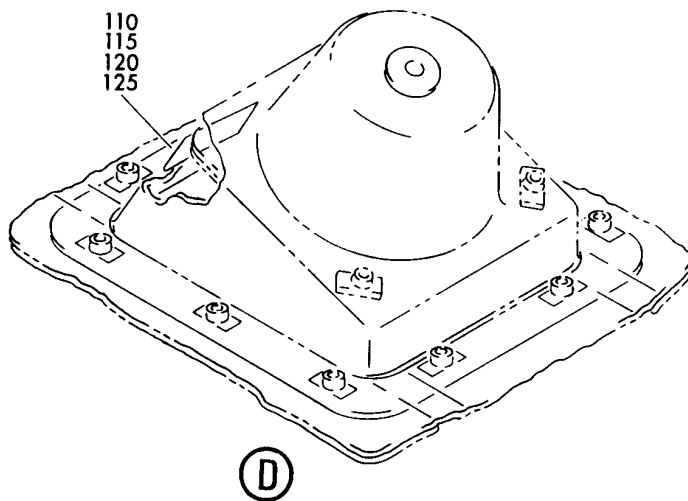
LIGHT INSTL-FWD/AFT MAIN CARGO LOADING ILLUMINATION (PLACARDS AND MARKINGS ONLY)  
FIGURE 1 (SHEET 2)

**11-35-93-01**

HXL  
DEC 22/06

11-35-93-01  
PAGE 0A

**BOEING**  
767  
PARTS CATALOG (MAINTENANCE)



V 11359301 SHT 3 REV 191

LIGHT INSTL-FWD/AFT MAIN CARGO LOADING ILLUMINATION (PLACARDS AND MARKINGS ONLY)  
FIGURE 1 (SHEET 3)

HXL  
DEC 22/06

**11-35-93-01**

11-35-93-01  
PAGE 0B

 **BOEING**  
767  
**PARTS CATALOG (MAINTENANCE)**

FIG ITEM	PART NUMBER	1 2 3 4 5 6 7	NOMENCLATURE	EFFECT FROM TO	UNITS PER ASSY
1			LIGHT INSTL-FWD/AFT MAIN CARGO LOADING ILLUMINATION (PLACARDS AND MARKINGS ONLY)		
- 5	284T1005-2		LIGHT INSTL-MAIN CARGO LOADING ILLUMINATION POSITION DATA: AFT VARIABLE DRAWING REF: 284T1005-5003 FOR NHA SEE: 24-00-58-01B		RF
15	BAC27TEX0427		.DECAL-CARGO LOADING LT L545 100W USE LAMP NO. 4627 POSITION DATA: AFT		1
25	BAC27TEX0428		.DECAL-CARGO LOADING LT L547 100W USE LAMP NO. 4627 POSITION DATA: AFT		1
- 100	284T1005-3		LIGHT INSTL-MAIN CARGO LOADING ILLUMINATION POSITION DATA: FWD FOR NHA SEE: 24-00-58-01B		RF
110	BAC27TEX3442		.DECAL- PLACARD CONTENT: L740 100W USE LAMP NO. 4627		1
115	BAC27TEX3444		.DECAL- PLACARD CONTENT: L173 100W USE LAMP NO. 4627		1
120	BAC27TEX3445		.DECAL- PLACARD CONTENT: L172 100W USE LAMP NO. 4627		1
125	BAC27TEX3443		.DECAL- PLACARD CONTENT: L739 100W USE LAMP NO. 4627		1

ILLUSTRATION ITEMS NOT ON PARTS LIST ARE NOT APPLICABLE

- ITEM NOT ILLUSTRATED

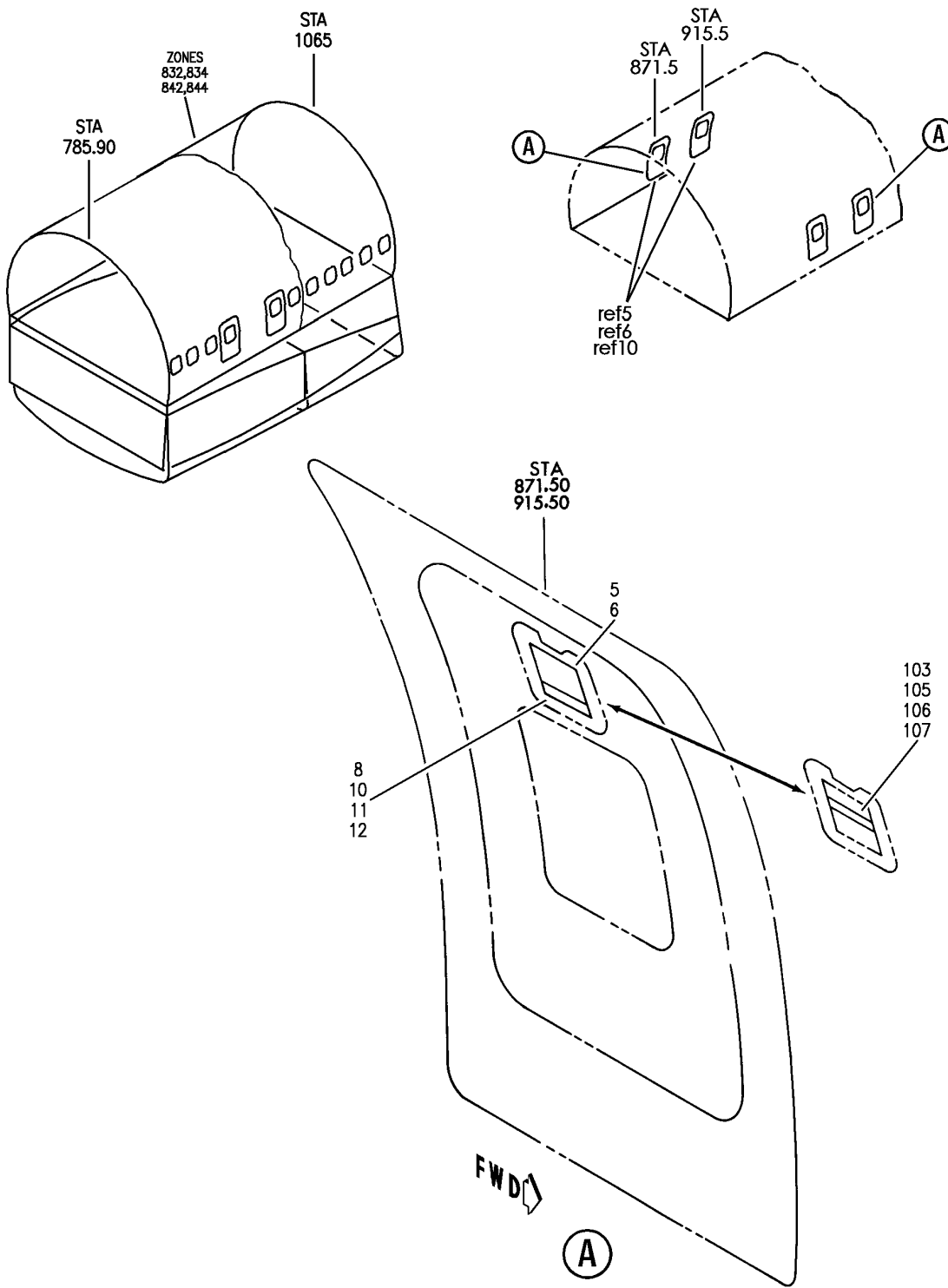
HXL

# 11-35-93-01

BOEING PROPRIETARY - Copyright © - Unpublished Work - See title page for details.

11-35-93  
FIG. 01  
PAGE 1  
DEC 22/07

**BOEING**  
767  
PARTS CATALOG (MAINTENANCE)



V 11359501 REV 328

COVER AND HANDLE ASSY-OVERWING ESCAPE HATCH (PLACARDS AND MARKINGS ONLY)  
FIGURE 1

**11-35-95-01**

HXL  
AUG 22/08

11-35-95-01  
PAGE 0



767

PARTS CATALOG (MAINTENANCE)

FIG ITEM	PART NUMBER	1 2 3 4 5 6 7	NOMENCLATURE	EFFECT FROM TO	UNITS PER ASSY
1			COVER AND HANDLE ASSY- OVERWING ESCAPE HATCH (PLACARDS AND MARKINGS ONLY)		
- 1	411T2076-9SP		COVER ASSY-HATCH HANDLE (PLACARDS AND MARKINGS ONLY) FOR NHA/OTHER SYS DET SEE: 52-21-02-23		RF
- 2	411T2076-19SP		COVER ASSY-HATCH HANDLE (PLACARDS AND MARKINGS ONLY) FOR NHA/OTHER SYS DET SEE: 52-21-02-23	155162	RF
5	BAC27TPPS0126		.PLACARD- PLACARD CONTENT: EMERGENCY USE ONLY REMOVE COVER		1
6	BAC29PPS2571		.PLACARD-(MULTI-LANGUAGE) PLACARD CONTENT: EMERGENCY USE ONLY REMOVE COVER	155162	1
10	758-14-1		.SIGN-PULL SUPPLIER CODE: V02006		1
11	758-14-1-11		.SIGN-PULL SUPPLIER CODE: V02006	155162	1
- 100	411T2002-1		HANDLE ASSY-OVERWING ESCAPE HATCH (PLACARDS AND MARKINGS ONLY) FOR NHA/OTHER SYS DET SEE: 52-21-02-23	163999	RF
- 100	411T2002-7		HANDLE ASSY-OVERWING ESCAPE HATCH (PLACARDS AND MARKINGS ONLY)	163999	RF
- 100	411T2002-18		HANDLE ASSY-OVERWING ESCAPE HATCH (PLACARDS AND MARKINGS ONLY) FOR NHA/OTHER SYS DET SEE: 52-21-02-23	155162	RF
105	758-14-1A		.SIGN-PULL SUPPLIER CODE: V02006	163999	1
106	758-14-1A2		.INSERT-PULL SUPPLIER CODE: V02006	163999	1

ILLUSTRATION ITEMS NOT ON PARTS LIST ARE NOT APPLICABLE

- ITEM NOT ILLUSTRATED

11-35-95-01

11-35-95  
FIG. 01  
PAGE 1  
AUG 22/08

HXL



767  
PARTS CATALOG (MAINTENANCE)

FIG ITEM	PART NUMBER	1 2 3 4 5 6 7	NOMENCLATURE	EFFECT FROM TO	UNITS PER ASSY
1 106	758-14-1A11		. INSERT-PULL SUPPLIER CODE: V02006 USED ON: 411T2002-18	155162	1

ILLUSTRATION ITEMS NOT ON PARTS LIST ARE NOT APPLICABLE

- ITEM NOT ILLUSTRATED

HXL

11-35-95-01

BOEING PROPRIETARY - Copyright © - Unpublished Work - See title page for details.

11-35-95  
FIG. 01  
PAGE 2  
DEC 22/07