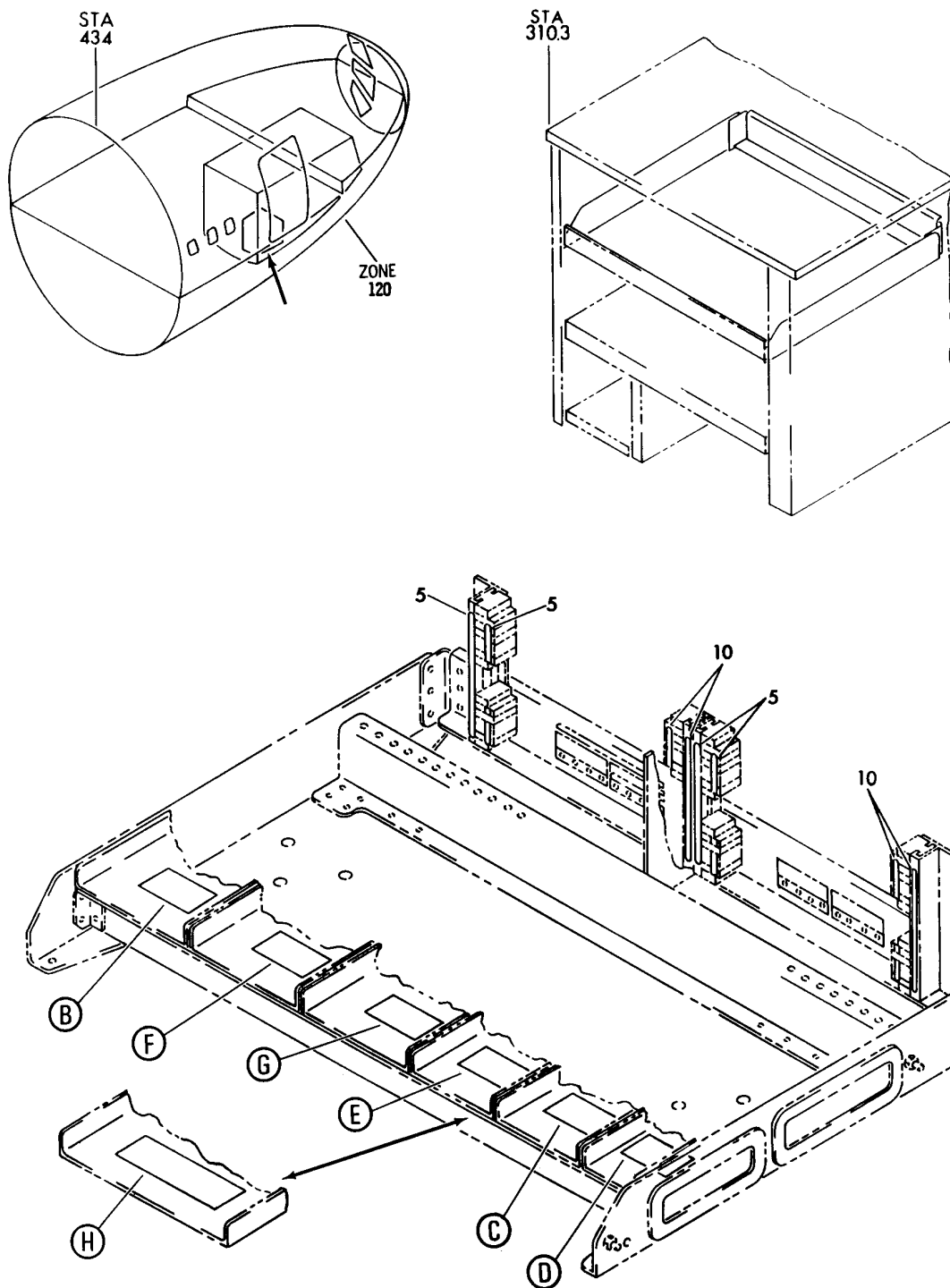


ELECTRICAL/ELECTRONIC COMPARTMENT

HXL
DEC 22/06

11-36-00
SECTION TITLE
PAGE 1

BOEING
767
PARTS CATALOG (MAINTENANCE)



V 11360302 SHT 1 REV 168

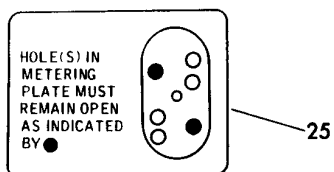
SHELF ASSY-MAIN EQPT CTR E3-1 (PLACARDS AND MARKINGS ONLY)
FIGURE 2 (SHEET 1)

11-36-03-02

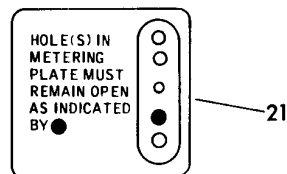
HXL
DEC 22/06

11-36-03-02
PAGE 0

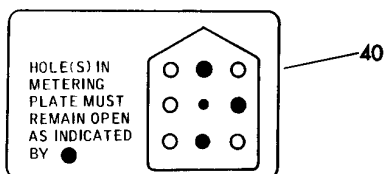

BOEING
 767
PARTS CATALOG (MAINTENANCE)



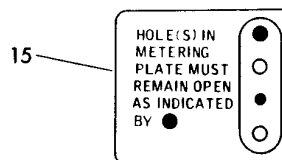
(B)



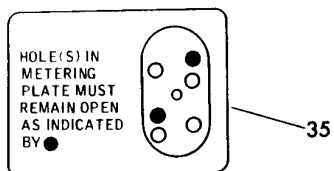
(C)



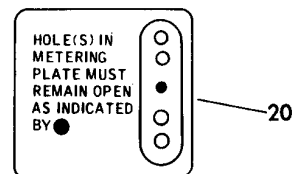
(H)



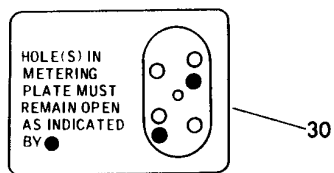
(D)



(G)



(E)



(F)

V 11360302 SHT 2 REV 168

SHELF ASSY-MAIN EQPT CTR E3-1 (PLACARDS AND MARKINGS ONLY)
 FIGURE 2 (SHEET 2)

11-36-03-02

HXL
DEC 22/06

11-36-03-02
 PAGE 0A



767

PARTS CATALOG (MAINTENANCE)

FIG ITEM	PART NUMBER	1 2 3 4 5 6 7	NOMENCLATURE	EFFECT FROM TO	UNITS PER ASSY
2			SHELF ASSY-MAIN EQPT CTR E3-1 (PLACARDS AND MARKINGS ONLY)		
- 1	284T0131-7		SHELF ASSY-MAIN EQPT CTR E3-1 (PLACARDS AND MARKINGS ONLY) FOR NHA/OTHER SYS DET SEE: 25-71-20-01		RF
5	BAC27TEX1267		.DECAL		4
10	BAC27TEX1268		.DECAL		4
20	BAC27TEX2033		.DECAL		1
25	BAC27TEX2034		.DECAL		1
30	BAC27TEX2034		.DECAL		1
35	BAC27TEX2034		.DECAL		1

ILLUSTRATION ITEMS NOT ON PARTS LIST ARE NOT APPLICABLE

- ITEM NOT ILLUSTRATED

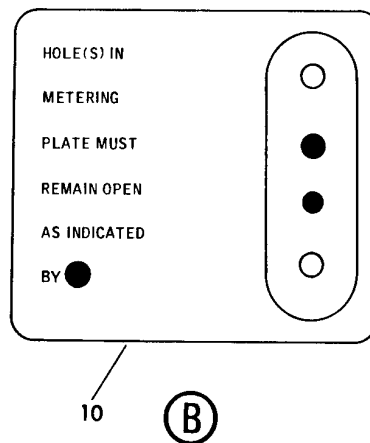
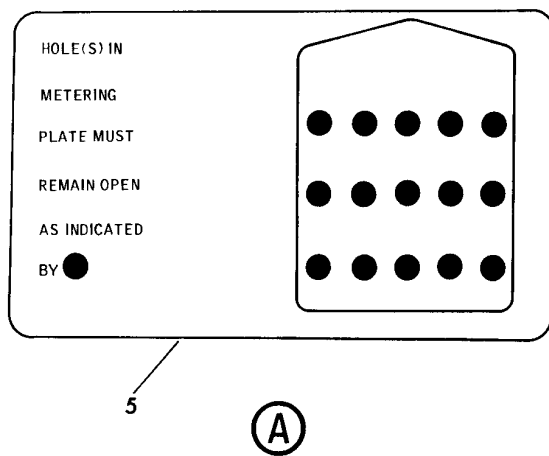
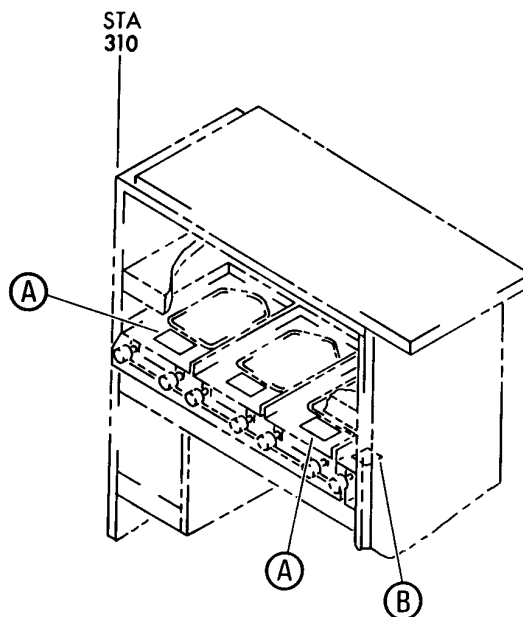
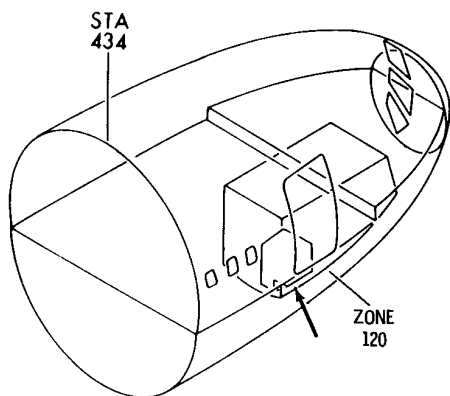
HXL

11-36-03-02

BOEING PROPRIETARY - Copyright © - Unpublished Work - See title page for details.

11-36-03
FIG. 02
PAGE 1
AUG 22/08

BOEING
767
PARTS CATALOG (MAINTENANCE)



V 11360304 REV 168

SHELF ASSY-ELECTRONIC EQPT CTR E3-2 (PLACARDS AND MARKINGS ONLY)
FIGURE 4

11-36-03-04

HXL
DEC 22/06

11-36-03-04
PAGE 0



767

PARTS CATALOG (MAINTENANCE)

FIG ITEM	PART NUMBER	1 2 3 4 5 6 7	NOMENCLATURE	EFFECT FROM TO	UNITS PER ASSY
4			SHELF ASSY-ELECTRONIC EQPT CTR E3-2 (PLACARDS AND MARKINGS ONLY)		
- 1	284T0132-6		SHELF ASSY-ELECTRONIC EQPT CTR E3-2 (PLACARDS AND MARKINGS ONLY) FOR NHA/OTHER SYS DET SEE: 25-71-20-01		RF
5	BAC27TEX2086		.DECAL		3
10	BAC27TEX2032		.DECAL		1

ILLUSTRATION ITEMS NOT ON PARTS LIST ARE NOT APPLICABLE

- ITEM NOT ILLUSTRATED

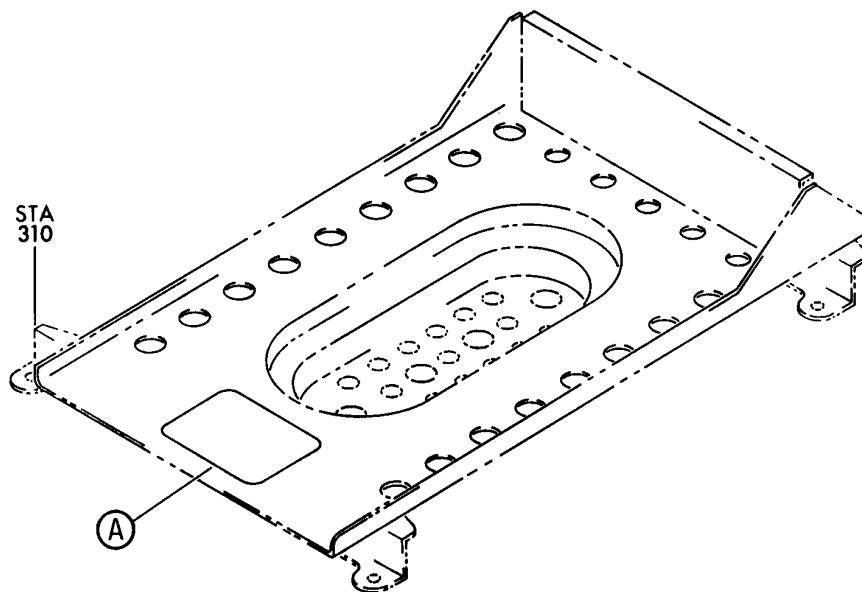
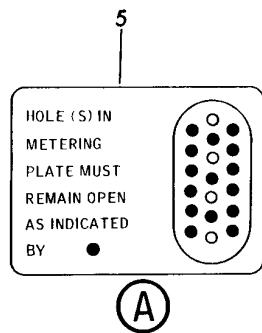
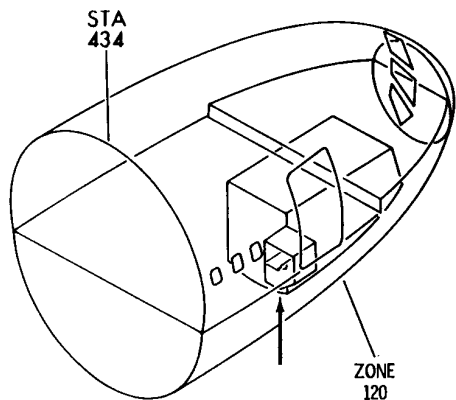
HXL

11-36-03-04

BOEING PROPRIETARY - Copyright © - Unpublished Work - See title page for details.

11-36-03
FIG. 04
PAGE 1
DEC 22/06

BOEING
767
PARTS CATALOG (MAINTENANCE)



V 11360305 REV 168

TRAY ASSY-E3 RACK BATTERY CHGR (PLACARDS AND MARKINGS ONLY)
FIGURE 5

11-36-03-05

HXL
DEC 22/06

11-36-03-05
PAGE 0



767

PARTS CATALOG (MAINTENANCE)

FIG ITEM	PART NUMBER	1 2 3 4 5 6 7	NOMENCLATURE	EFFECT FROM TO	UNITS PER ASSY
5			TRAY ASSY-E3 RACK BATTERY CHGR (PLACARDS AND MARKINGS ONLY)		
- 1	284T0214-4		TRAY ASSY-E3 RACK BATTERY CHGR (PLACARDS AND MARKINGS ONLY)		RF
5	BAC27TEX2217		FOR NHA/OTHER SYS DET SEE: 25-71-20-01 .DECAL		1

ILLUSTRATION ITEMS NOT ON PARTS LIST ARE NOT APPLICABLE

- ITEM NOT ILLUSTRATED

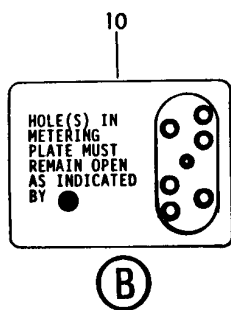
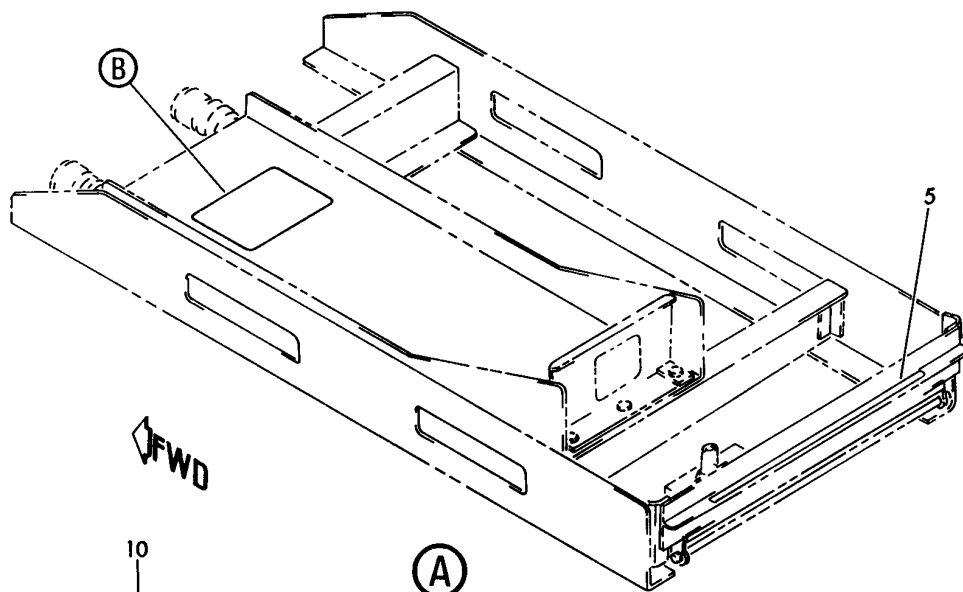
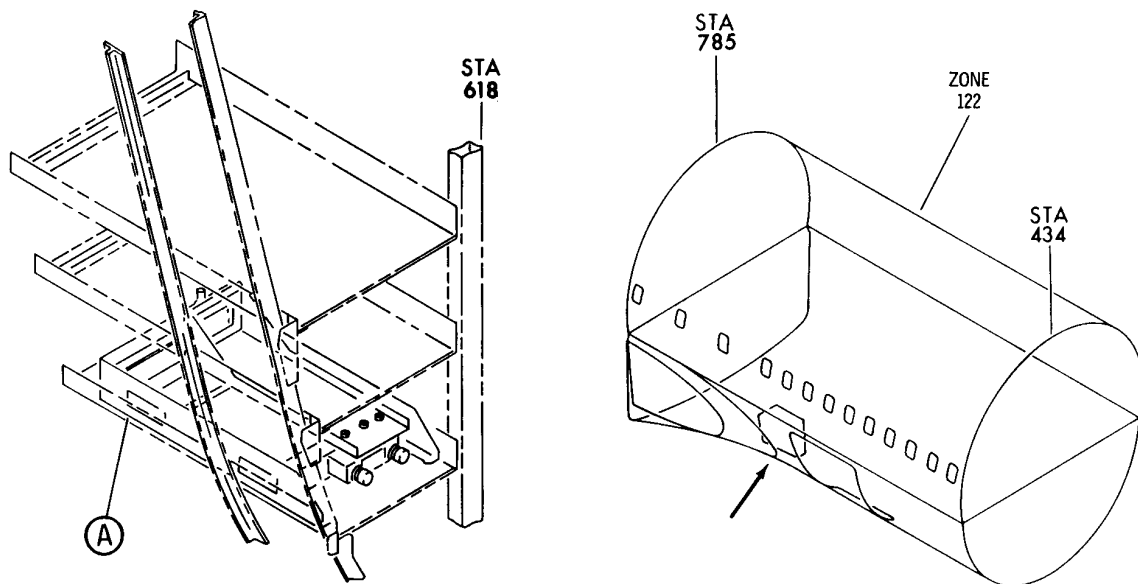
HXL

11-36-03-05

BOEING PROPRIETARY - Copyright © - Unpublished Work - See title page for details.

11-36-03
FIG. 05
PAGE 1
DEC 22/06

BOEING
767
PARTS CATALOG (MAINTENANCE)



SHELF ASSY-ELECTRONICS EQPT CTR E5-3 (PLACARDS AND MARKINGS ONLY)
FIGURE 1

11-36-04-01

HXL
DEC 22/06

11-36-04-01
PAGE 0

V 11360401 REV 168



767

PARTS CATALOG (MAINTENANCE)

FIG ITEM	PART NUMBER	1 2 3 4 5 6 7	NOMENCLATURE	EFFECT FROM TO	UNITS PER ASSY
1			SHELF ASSY-ELECTRONICS EQPT CTR E5-3 (PLACARDS AND MARKINGS ONLY)		
- 1	284T0153-18		SHELF ASSY-ELECTRONICS EQPT CTR E5-3 (PLACARDS AND MARKINGS ONLY) FOR NHA/OTHER SYS DET SEE: 53-11-72-02	155162 164999	RF
- 1	284T0153-17		SHELF ASSY-ELECTRONICS EQPT CTR E5-3 (PLACARDS AND MARKINGS ONLY) FOR NHA/OTHER SYS DET SEE: 53-11-72-02	163163	RF
5	BAC27TEX1316		.DECAL- PLACARD CONTENT: 1 THRU 97		1

ILLUSTRATION ITEMS NOT ON PARTS LIST ARE NOT APPLICABLE

- ITEM NOT ILLUSTRATED

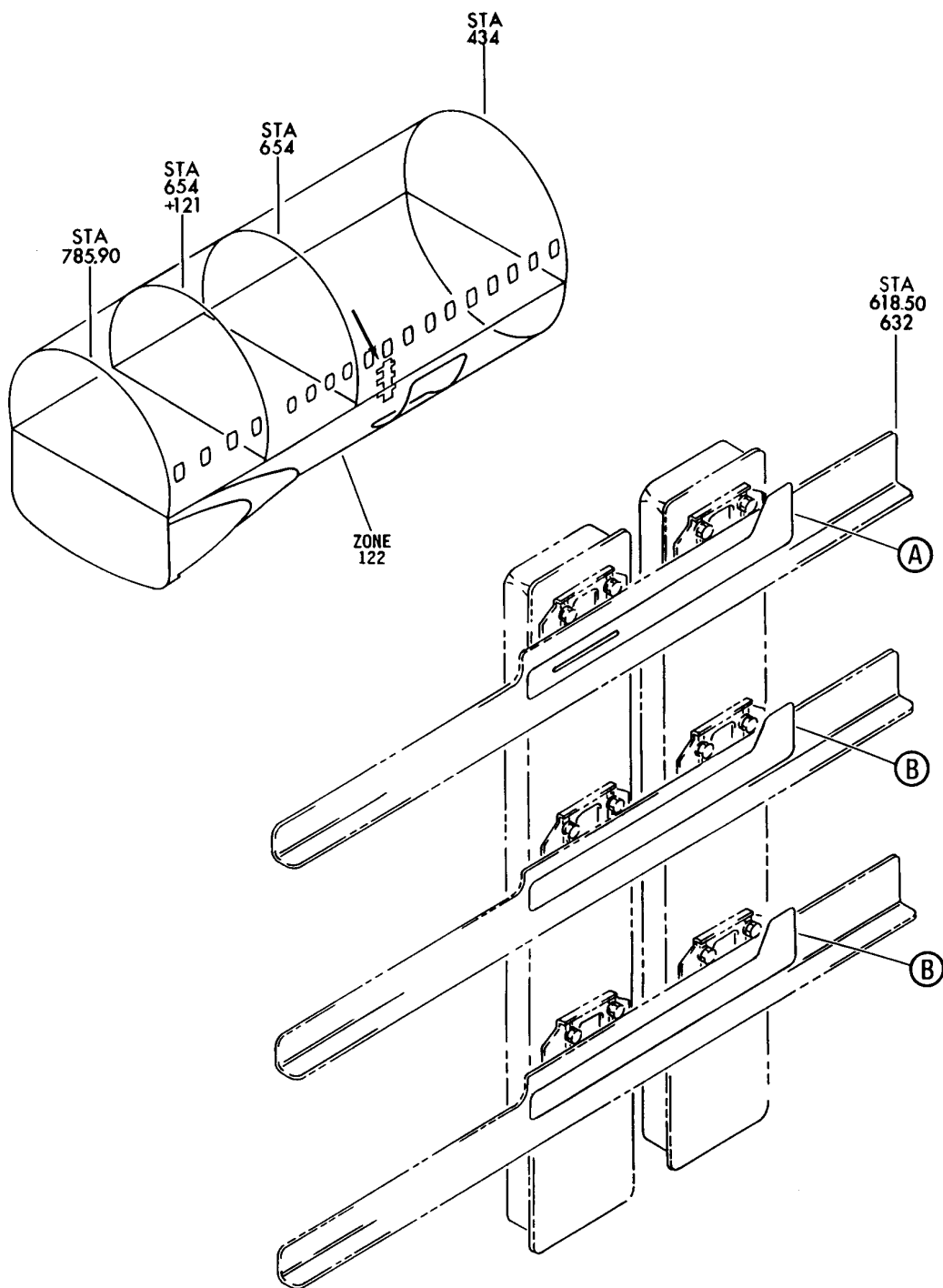
HXL

11-36-04-01

BOEING PROPRIETARY - Copyright © - Unpublished Work - See title page for details.

11-36-04
FIG. 01
PAGE 1
DEC 22/06

BOEING
767
PARTS CATALOG (MAINTENANCE)



V 11360403 SHT 1 REV 170

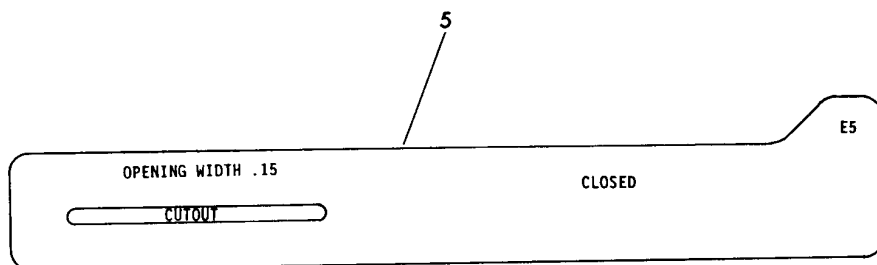
VALVE INSTL-E5 RACK (PLACARDS AND MARKINGS ONLY)
FIGURE 3 (SHEET 1)

11-36-04-03

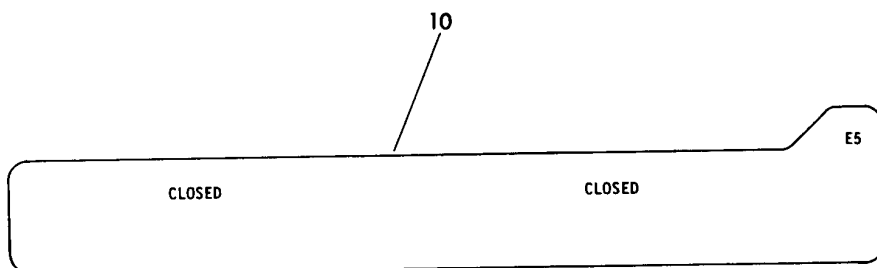
HXL
DEC 22/06

11-36-04-03
PAGE 0

BOEING
767
PARTS CATALOG (MAINTENANCE)



(A)



(B)

V 11360403 SHT 2 REV 170

VALVE INSTL-E5 RACK (PLACARDS AND MARKINGS ONLY)
FIGURE 3 (SHEET 2)

11-36-04-03

HXL
DEC 22/06

11-36-04-03
PAGE 0A



767

PARTS CATALOG (MAINTENANCE)

FIG ITEM	PART NUMBER	1 2 3 4 5 6 7	NOMENCLATURE	EFFECT FROM TO	UNITS PER ASSY
3			VALVE INSTL-E5 RACK (PLACARDS AND MARKINGS ONLY)		
- 1	284T0799-1		VALVE INSTL-E5 RACK (PLACARDS AND MARKINGS ONLY)		RF
5	BAC27TEX3577		VARIABLE DRAWING REF: 284T0799-5003		
10	BAC27TEX3578		FOR NHA SEE: 24-00-58-01N		
			.MARKER-ALUMINUM FOIL		1
			.MARKER-ALUMINUM FOIL		2

ILLUSTRATION ITEMS NOT ON PARTS LIST ARE NOT APPLICABLE

- ITEM NOT ILLUSTRATED

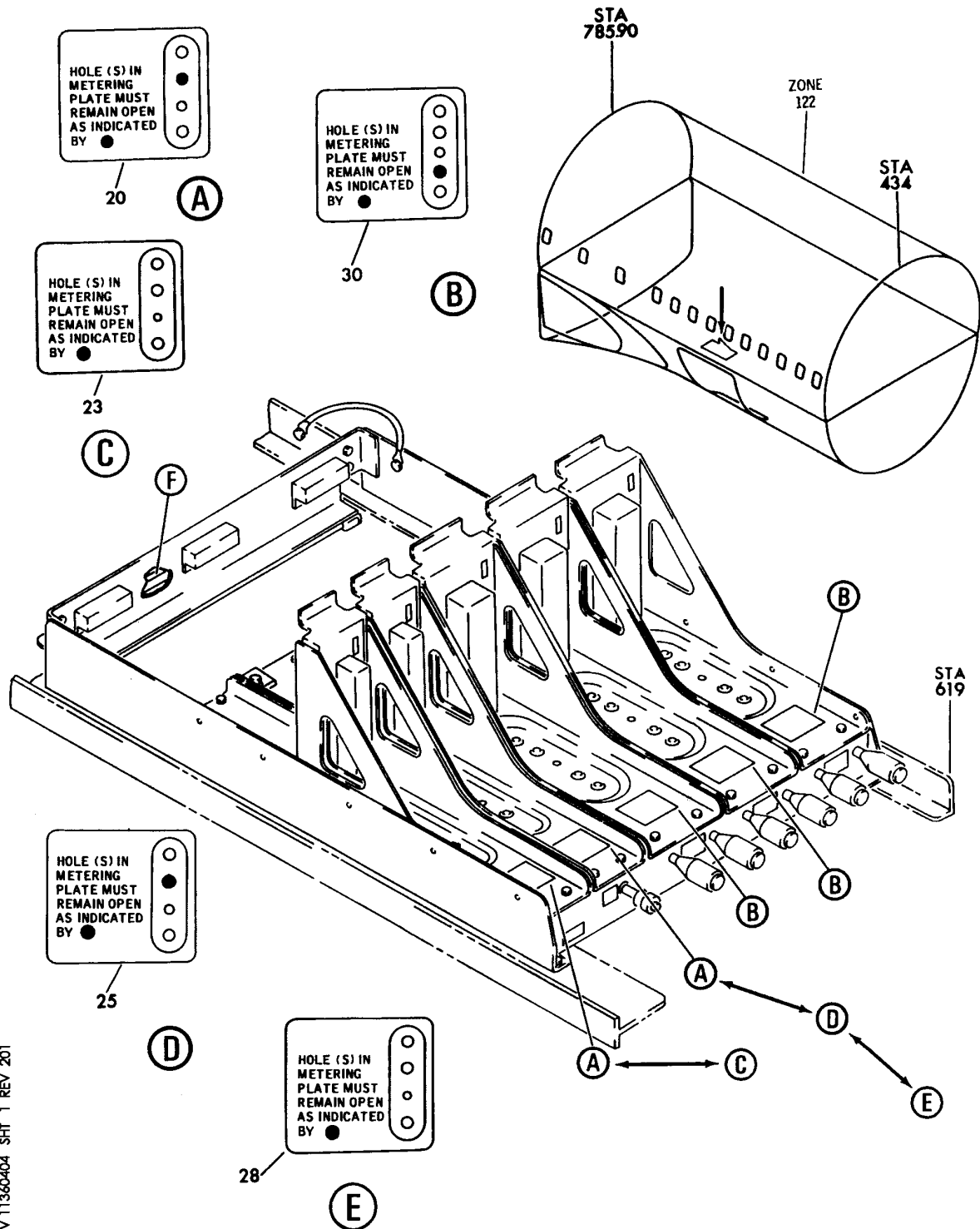
HXL

11-36-04-03

BOEING PROPRIETARY - Copyright © - Unpublished Work - See title page for details.

11-36-04
FIG. 03
PAGE 1
DEC 22/06

BOEING
767
PARTS CATALOG (MAINTENANCE)



V 1136404 SHT 1 REV 201

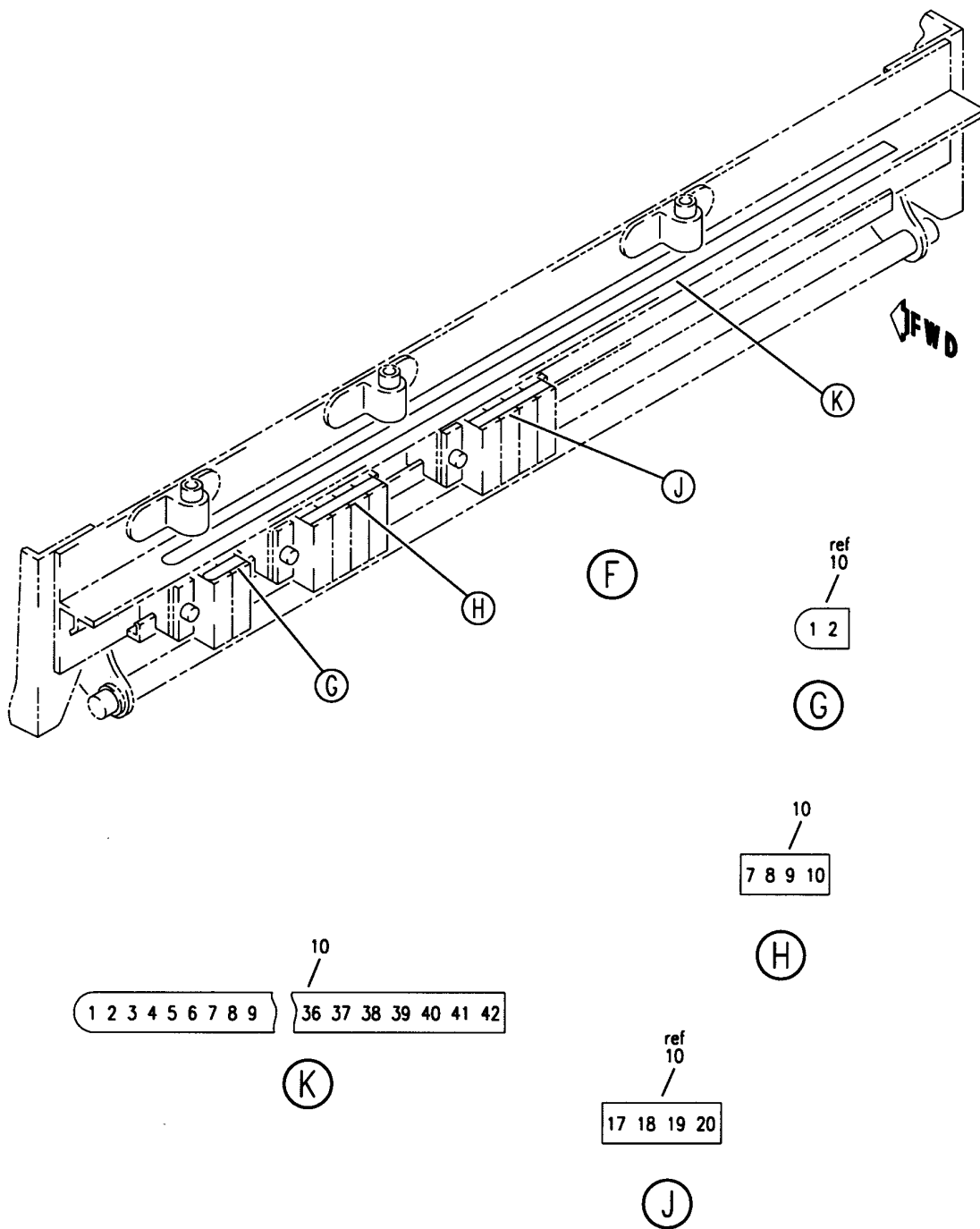
SHELF ASSY-ELECTRONIC EQPT CENTER E5-1 (PLACARDS AND MARKINGS ONLY)
FIGURE 4 (SHEET 1)

11-36-04-04

HXL
DEC 22/06

11-36-04-04
PAGE 0

BOEING
767
PARTS CATALOG (MAINTENANCE)



V 11360404 SHT 2 REV 201

SHELF ASSY-ELECTRONIC EQPT CENTER E5-1 (PLACARDS AND MARKINGS ONLY)
FIGURE 4 (SHEET 2)

11-36-04-04

HXL
DEC 22/06

11-36-04-04
PAGE 0A



767

PARTS CATALOG (MAINTENANCE)

FIG ITEM	PART NUMBER	1 2 3 4 5 6 7	NOMENCLATURE	EFFECT FROM TO	UNITS PER ASSY
4			SHELF ASSY-ELECTRONIC EQPT CENTER E5-1 (PLACARDS AND MARKINGS ONLY)		
- 1	284T0151-20		SHELF ASSY-ELECTRONIC EQPT CENTER E5-1 (PLACARDS AND MARKINGS ONLY) FOR NHA/OTHER SYS DET SEE: 53-11-72-02		RF
10	BAC27TEX1316		.DECAL- PLACARD CONTENT: 1 THRU 97		2
20	BAC27TEX2032		.DECAL		2
30	BAC27TEX2033		.DECAL		3
ILLUSTRATION ITEMS NOT ON PARTS LIST ARE NOT APPLICABLE					

- ITEM NOT ILLUSTRATED

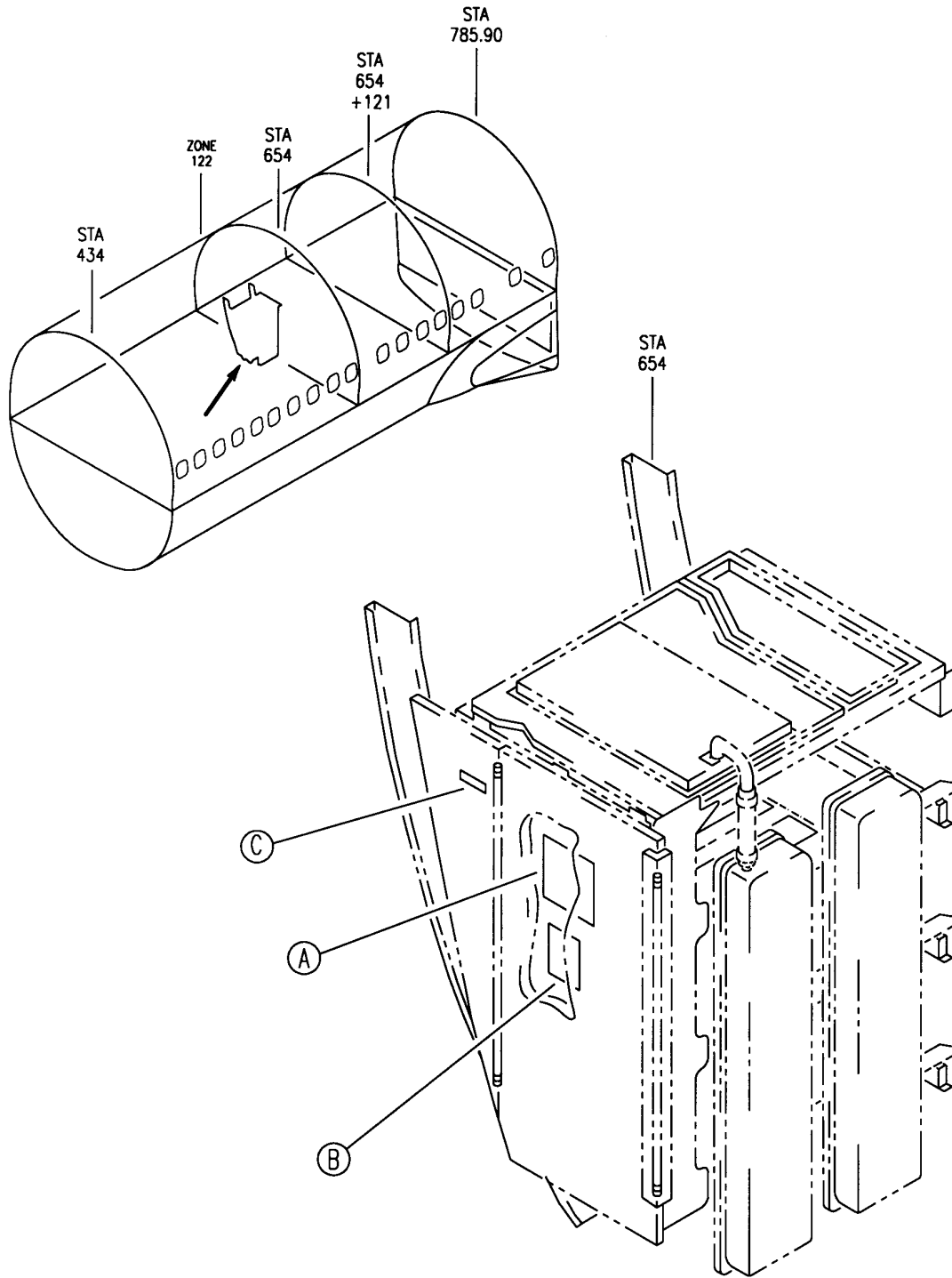
HXL

11-36-04-04

BOEING PROPRIETARY - Copyright © - Unpublished Work - See title page for details.

11-36-04
FIG. 04
PAGE 1
DEC 22/06

BOEING
767
PARTS CATALOG (MAINTENANCE)



V 11.360406 SHT 1 REV 187

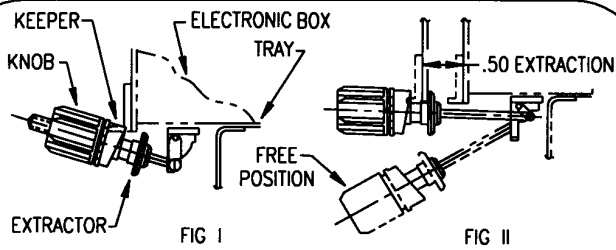
RACK INSTL-MID EQPT CTR E5 (PLACARDS AND MARKINGS ONLY)
FIGURE 6 (SHEET 1)

11-36-04-06

HXL
DEC 22/06

11-36-04-06
PAGE 0

BOEING
767
PARTS CATALOG (MAINTENANCE)



INSTRUCTIONS FOR INSTALLATION AND REMOVAL OF ELECTRONIC BOXES

1. TO INSTALL, PLACE BOX ON TRAY AND SLIDE INTO POSITION TO MATE REAR CONNECTOR. APPLY A HORIZONTAL FORCE BY HAND TO FULLY ENGAGE THE CONNECTOR.
2. PLACE KEEPER RING OF HOLD DOWNS OVER HOOKS ON BOX. ROTATE KEEPER SO THAT THE DEEP SLOT ALIGNS WITH HOOK. (SEE FIG 1)
3. TURN HOLD DOWN KNOBS CW UNTIL CLUTCH LIMIT IS REACHED. (REPEATED CLICKING IS FELT AS KNOB IS TURNED)
4. TO REMOVE BOX TURN KNOBS CCW WHILE APPLYING A SLIGHT DOWNWARD PRESSURE BY HAND TO THE BOX HANDLE. BACK THE BOX OUT OF THE CONNECTOR PRRX .50 INCH. (SEE FIG 1)
5. ROTATE KEEPER RING TO RELEASE HOLD DOWNS AND SLIDE BOX FROM THE TRAY.

10

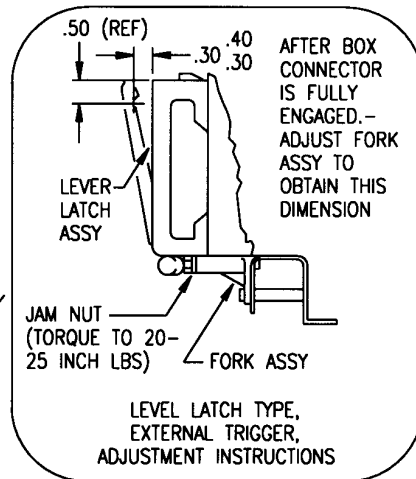
(A)

NOTE:
RELEASE THIS FASTENER
TO ALLOW DOOR TO FOLD

20

(C)

15



(B)

V 11360406 SHT 2 REV 187

RACK INSTL-MID EQPT CTR E5 (PLACARDS AND MARKINGS ONLY)
FIGURE 6 (SHEET 2)

11-36-04-06

HXL
DEC 22/06

11-36-04-06
PAGE 0A



767

PARTS CATALOG (MAINTENANCE)

FIG ITEM	PART NUMBER	1 2 3 4 5 6 7	NOMENCLATURE	EFFECT FROM TO	UNITS PER ASSY
6			RACK INSTL-MID EQPT CTR E5 (PLACARDS AND MARKINGS ONLY)	163999	
- 1	284T0921-5		RACK INSTL-EQPT CTR E5 (PLACARDS AND MARKINGS ONLY) POSITION DATA: MID VARIABLE DRAWING REF: 284T0921-5037 FOR NHA/OTHER SYS DET SEE: 24-00-58-01N	163999	RF
10	BAC27TEX3028		.DECAL	163999	1

ILLUSTRATION ITEMS NOT ON PARTS LIST ARE NOT APPLICABLE

- ITEM NOT ILLUSTRATED

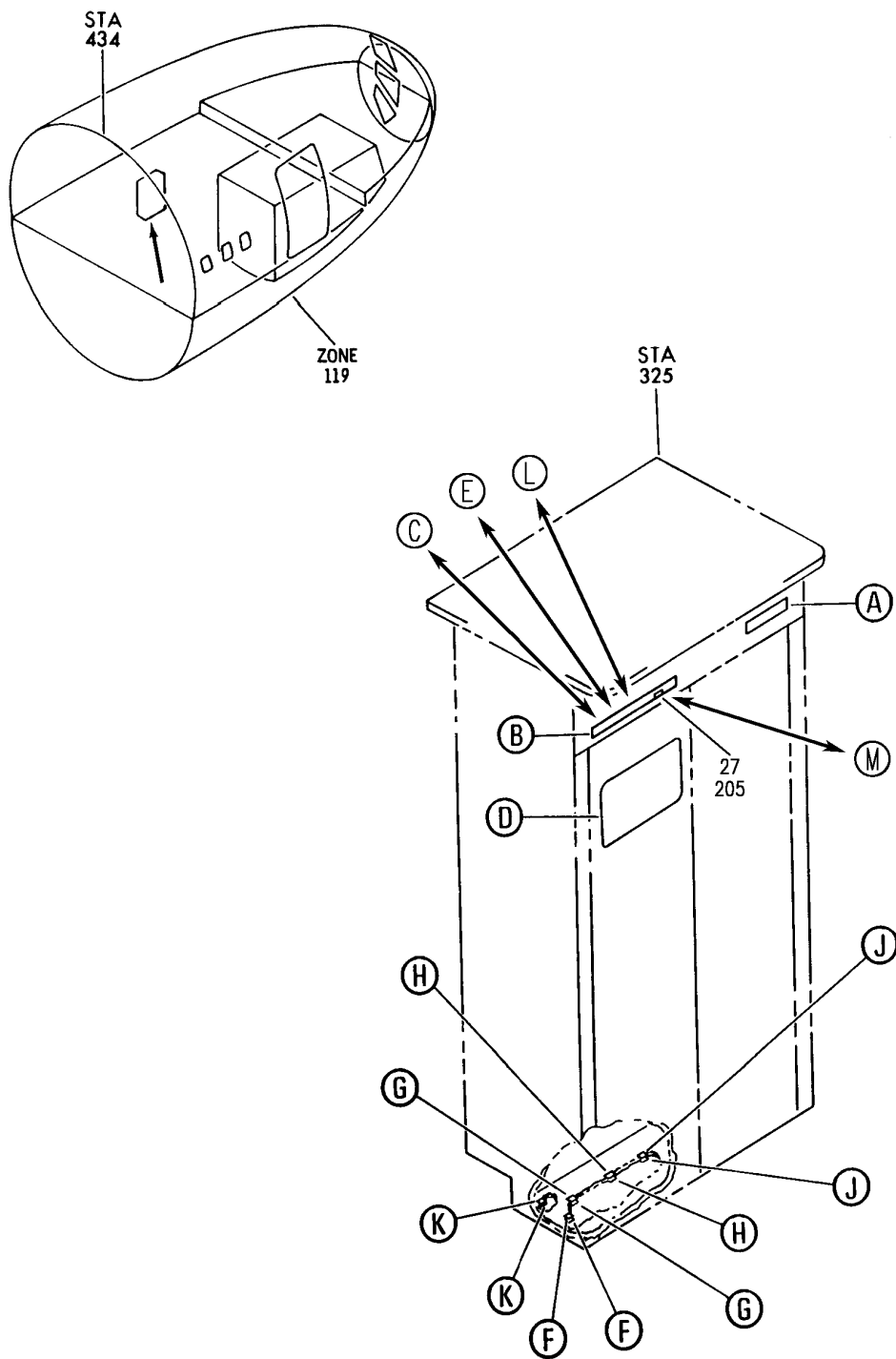
HXL

11-36-04-06

BOEING PROPRIETARY - Copyright © - Unpublished Work - See title page for details.

11-36-04
FIG. 06
PAGE 1
DEC 22/07

BOEING
767
PARTS CATALOG (MAINTENANCE)



V 11360502 SHT 1 REV 331

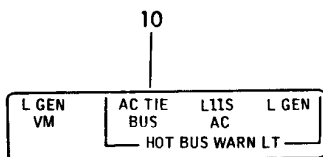
EQUIPMENT ASSY-P31 L GEN PWR PNL (PLACARDS AND MARKINGS ONLY)
FIGURE 2 (SHEET 1)

11-36-05-02

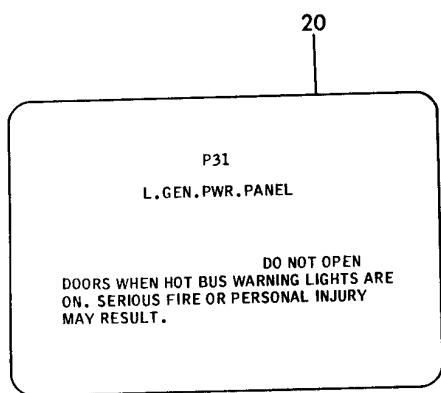
HXL
AUG 22/08

11-36-05-02
PAGE 0

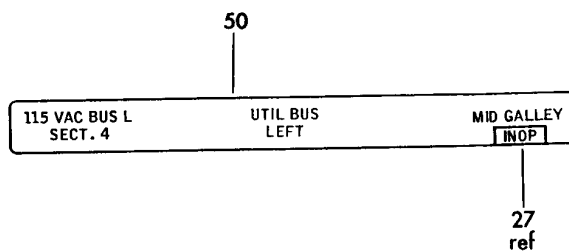
BOEING
767
PARTS CATALOG (MAINTENANCE)



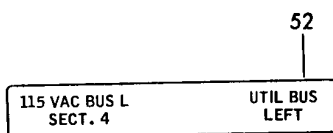
(A)



(D)



(B)



(C)

V 11360502 SHT 2 REV 262

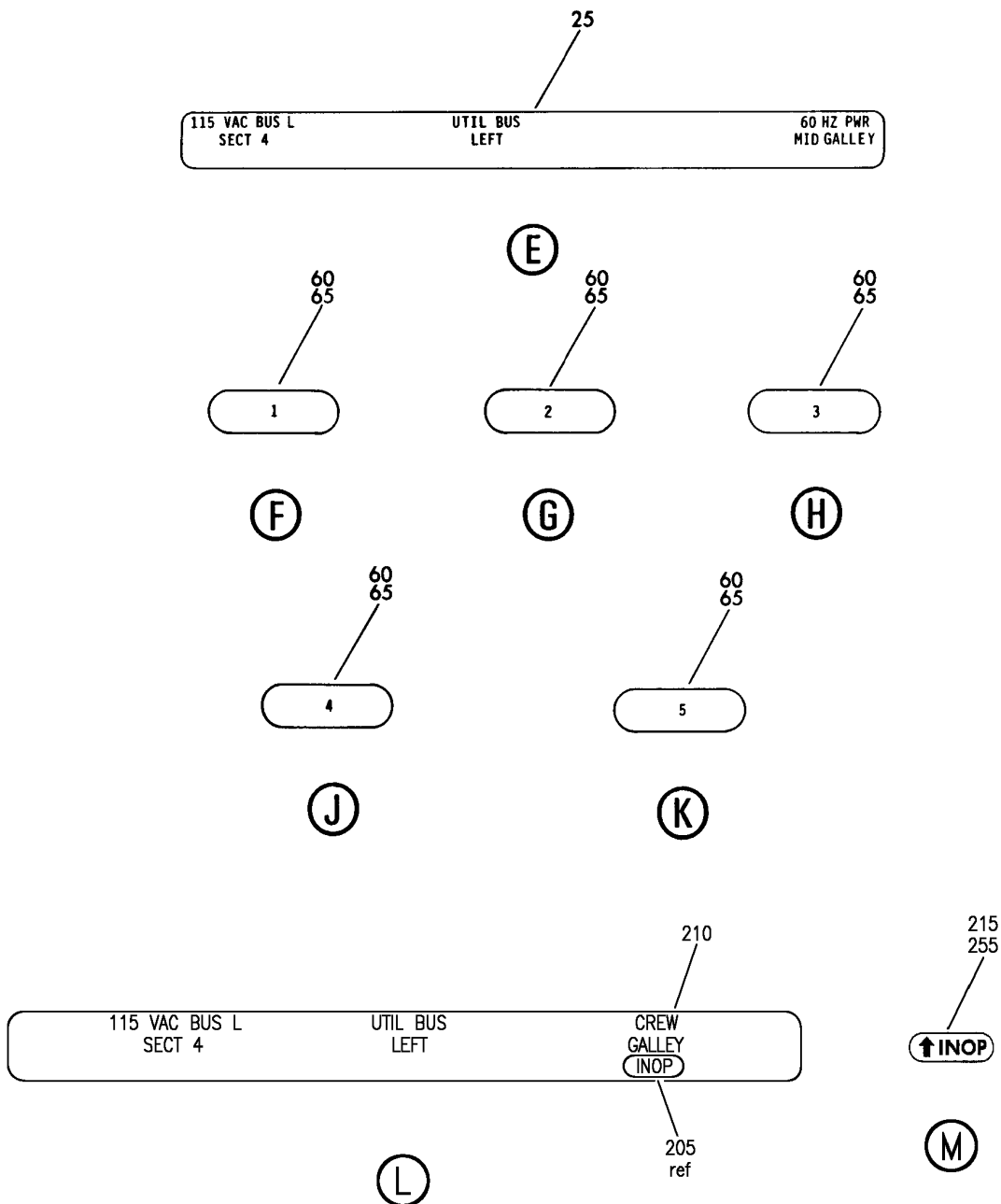
EQUIPMENT ASSY-P31 L GEN PWR PNL (PLACARDS AND MARKINGS ONLY)
FIGURE 2 (SHEET 2)

HXL
DEC 22/06

11-36-05-02

11-36-05-02
PAGE 0A


BOEING
 767
PARTS CATALOG (MAINTENANCE)



V 11360502 SHT 3 REV 334

EQUIPMENT ASSY-P31 L GEN PWR PNL (PLACARDS AND MARKINGS ONLY)
 FIGURE 2 (SHEET 3)

11-36-05-02

HXL
 DEC 22/08

11-36-05-02
 PAGE 0B



767

PARTS CATALOG (MAINTENANCE)

FIG ITEM	PART NUMBER	1 2 3 4 5 6 7	NOMENCLATURE	EFFECT FROM TO	UNITS PER ASSY
2			EQUIPMENT ASSY-P31 L GEN PWR PNL (PLACARDS AND MARKINGS ONLY)		
- 7	284T0171-51		EQUIPMENT ASSY-P31 GEN PWR PNL (PLACARDS AND MARKINGS ONLY) POSITION DATA: L FOR NHA/OTHER SYS DET SEE: 53-11-70-02		RF
10	BAC27TEX0038		.DECAL		1
20	BAC27TEX0061		.DECAL		1
52	BAC27TEX2050		.DECAL-		1
60	BAC27TEX0114		.DECAL-		2
			PLACARD CONTENT: 1 THRU 30 OPTIONAL PART: BAC27TEX4940		
65	BAC27TEX3219		.DECALSET-INCLUDES DECALS IDENTIFIED ON THE ILLUSTRATION OPTIONAL PART: BAC27TEX0114 BAC27TEX4940		2
70	BAC27TEX4940		.DECALSET-INCLUDES DECALS IDENTIFIED ON THE ILLUSTRATION OPTIONAL PART: BAC27TEX0114 BAC27TEX3219		2

ILLUSTRATION ITEMS NOT ON PARTS LIST ARE NOT APPLICABLE

- ITEM NOT ILLUSTRATED

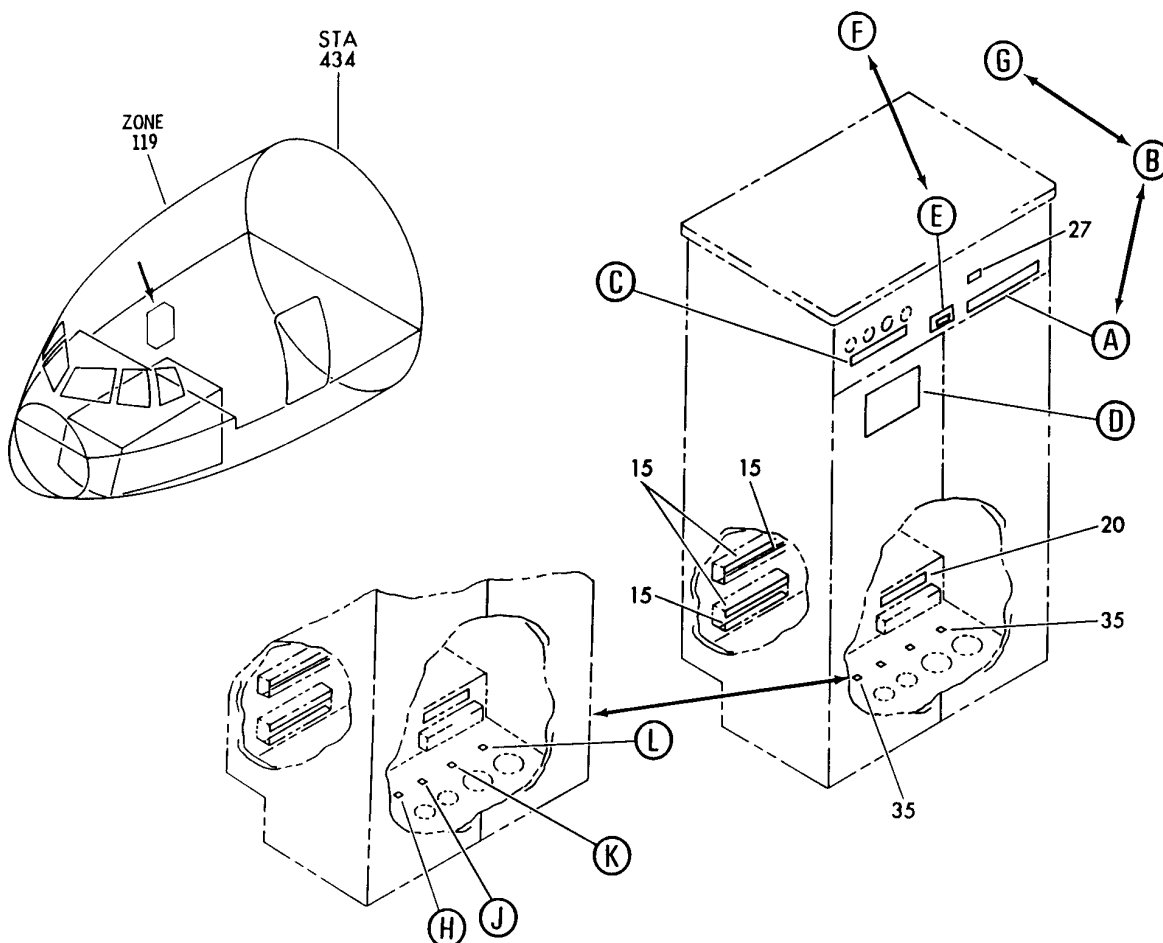
HXL

11-36-05-02

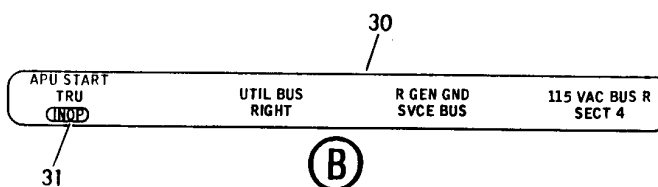
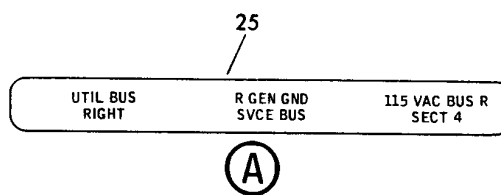
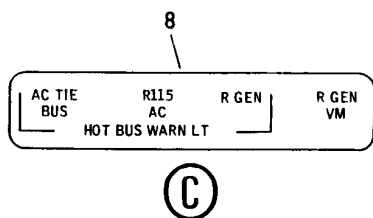
BOEING PROPRIETARY - Copyright © - Unpublished Work - See title page for details.

11-36-05
FIG. 02
PAGE 1
DEC 22/07

BOEING
767
PARTS CATALOG (MAINTENANCE)



V 11360601 SHT 1 REV 182



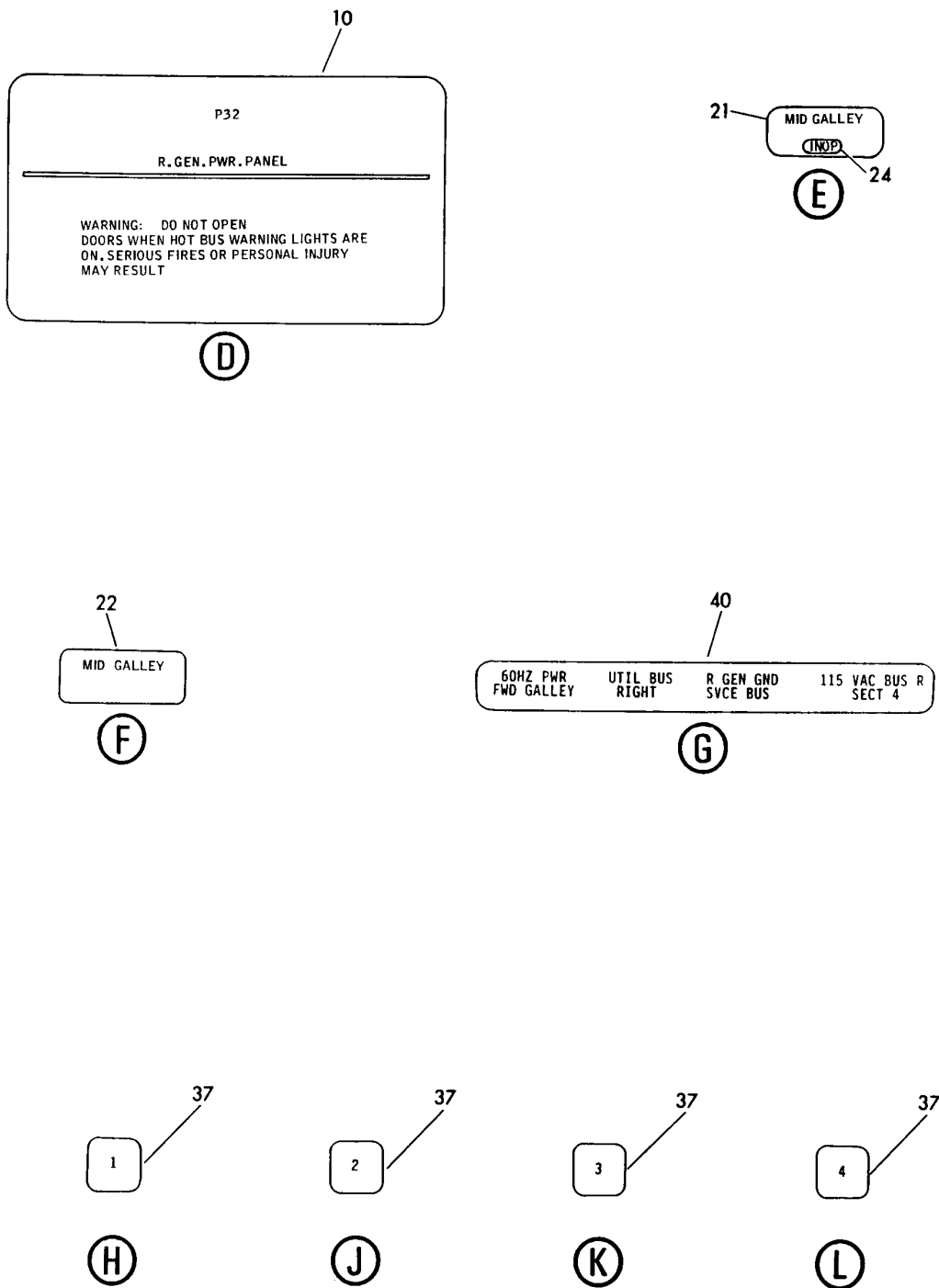
EQUIPMENT ASSY-GEN PWR R P32 PNL (PLACARDS AND MARKINGS ONLY)
FIGURE 1 (SHEET 1)

11-36-06-01

HXL
DEC 22/06

11-36-06-01
PAGE 0

BOEING
767
PARTS CATALOG (MAINTENANCE)



V 11360601 SHT 2 REV 182

EQUIPMENT ASSY-GEN PWR R P32 PNL (PLACARDS AND MARKINGS ONLY)
FIGURE 1 (SHEET 2)

11-36-06-01

HXL
DEC 22/06

11-36-06-01
PAGE 0A



767

PARTS CATALOG (MAINTENANCE)

FIG ITEM	PART NUMBER	1 2 3 4 5 6 7	NOMENCLATURE	EFFECT FROM TO	UNITS PER ASSY
1			EQUIPMENT ASSY-GEN PWR R P32 PNL (PLACARDS AND MARKINGS ONLY)		
- 3	284T0172-45		EQUIPMENT ASSY-GEN PWR P32 PNL (PLACARDS AND MARKINGS ONLY) POSITION DATA: R FOR NHA/OTHER SYS DET SEE: 53-11-70-02		RF
8	BAC27TEX0039		.DECAL		1
10	BAC27TEX0062		.DECAL		1
15	BAC27TEX0384		.DECAL- PLACARD CONTENT: 1 THRU 30 OPTIONAL PART: BAC27TEX4697		4
15	BAC27TEX4697		.DECAL- PLACARD CONTENT: 1 THRU 30 OPTIONAL PART: BAC27TEX0384		4
20	BAC27TEX0870		.DECAL- PLACARD CONTENT: TB5034 1 THRU 6		1
25	BAC27TEX1642		.DECAL-		1
35	BAC27TEX0114		.DECAL- PLACARD CONTENT: 1 THRU 30 OPTIONAL PART: BAC27TEX3219 BAC27TEX4940		2
37	BAC27TEX3219		.DECALSET-INCLUDES DECALS IDENTIFIED ON THE ILLUSTRATION OPTIONAL PART: BAC27TEX0114 BAC27TEX4940		2
37	BAC27TEX4940		.DECALSET-INCLUDES DECALS IDENTIFIED ON THE ILLUSTRATION OPTIONAL PART: BAC27TEX0114 BAC27TEX3219		2

ILLUSTRATION ITEMS NOT ON PARTS LIST ARE NOT APPLICABLE

- ITEM NOT ILLUSTRATED

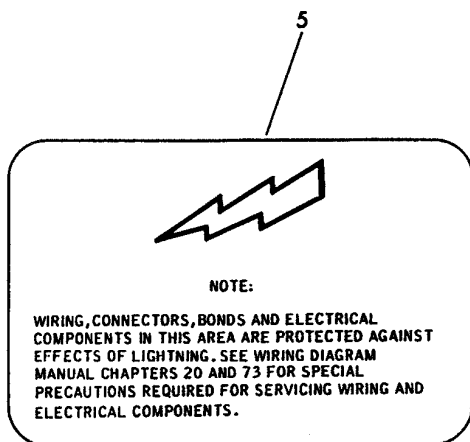
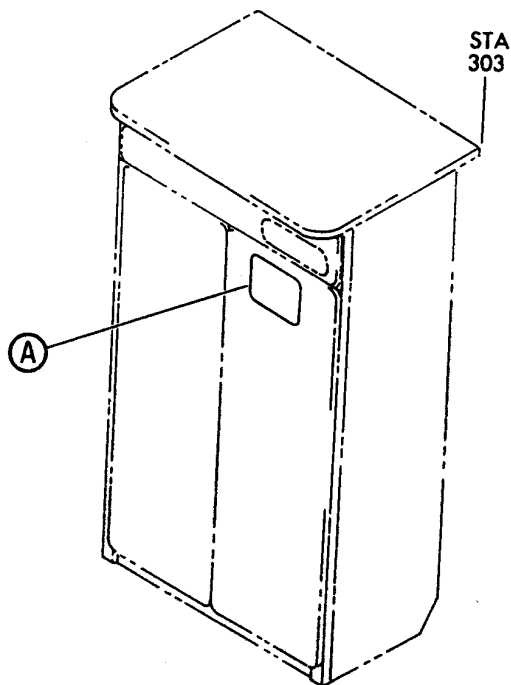
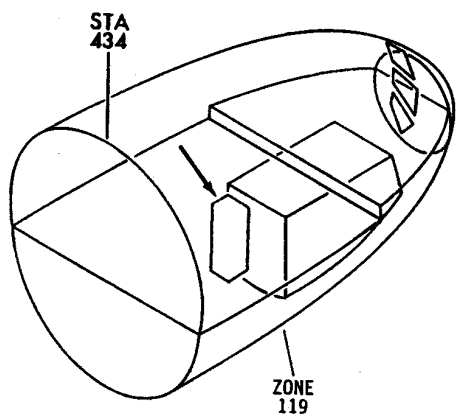
HXL

11-36-06-01

BOEING PROPRIETARY - Copyright © - Unpublished Work - See title page for details.

11-36-06
FIG. 01
PAGE 1
DEC 22/07

BOEING
767
PARTS CATALOG (MAINTENANCE)



(A)

V 11360703 REV 225

DECAL INSTL-SECT. 41 LWR LIGHTNING STRIKE (PLACARDS AND MARKINGS ONLY)

FIGURE 3

11-36-07-03

HXL
DEC 22/06

11-36-07-03
PAGE 0



767

PARTS CATALOG (MAINTENANCE)

FIG ITEM	PART NUMBER	1 2 3 4 5 6 7	NOMENCLATURE	EFFECT FROM TO	UNITS PER ASSY
3			DECAL INSTL-SECT. 41 LWR LIGHTNING STRIKE (PLACARDS AND MARKINGS ONLY)		
- 1	287T0072-2		DECAL INSTL-LIGHTNING STRIKE (FORWARD MISCELLANEOUS ELECTRICAL EQUIPMENT PANEL P-33 PLACARDS AND MARKINGS ONLY)		RF
5	BAC27NEL1122		POSITION DATA: SECT. 41 LWR FOR NHA/OTHER SYS DET SEE: 24-00-57-02 .MARKER-ALUMINUM FOIL		1

ILLUSTRATION ITEMS NOT ON PARTS LIST ARE NOT APPLICABLE

- ITEM NOT ILLUSTRATED

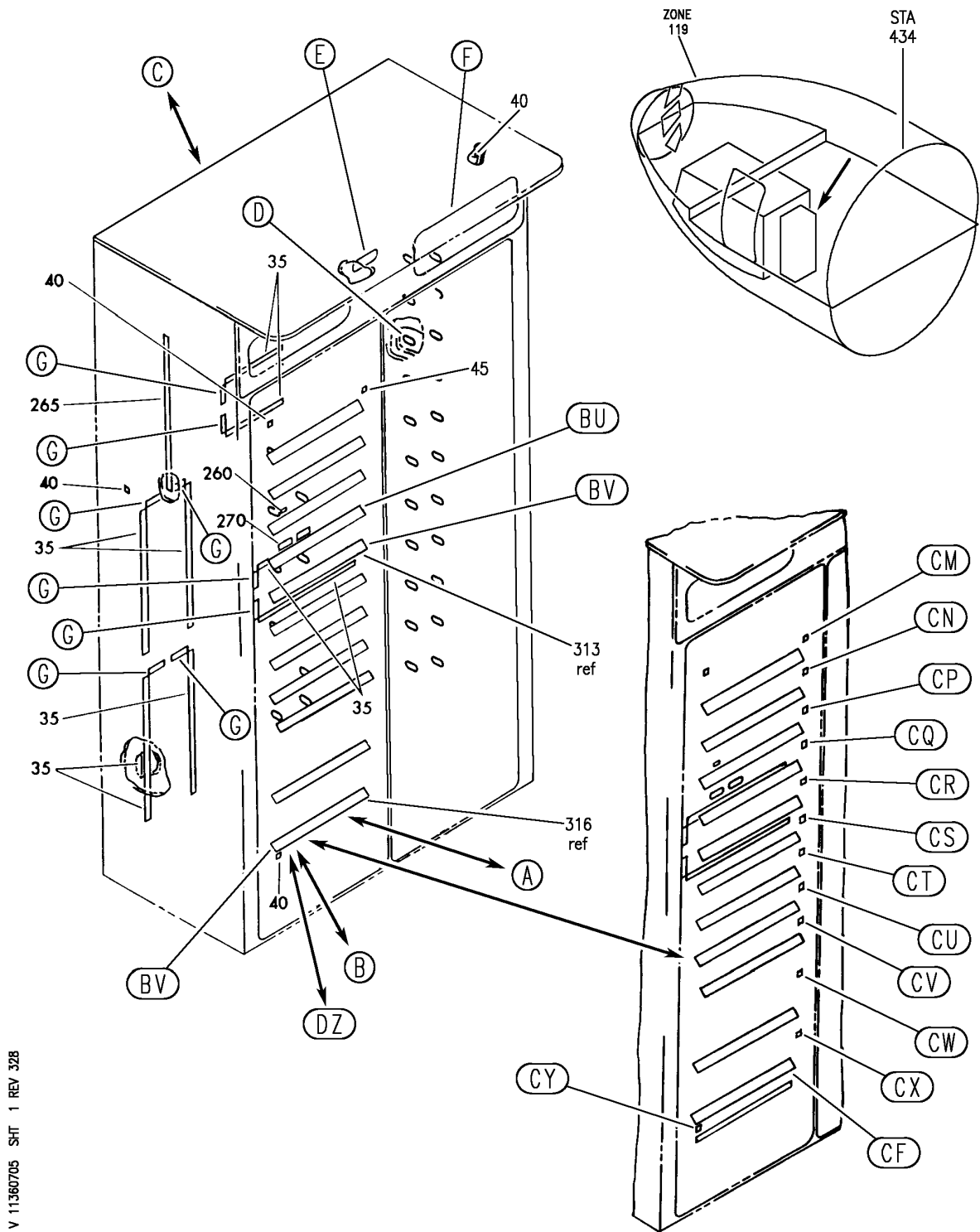
HXL

11-36-07-03

BOEING PROPRIETARY - Copyright © - Unpublished Work - See title page for details.

11-36-07
FIG. 03
PAGE 1
DEC 22/06

BOEING
767
PARTS CATALOG (MAINTENANCE)



V 11360705 SHT 1 REV 328

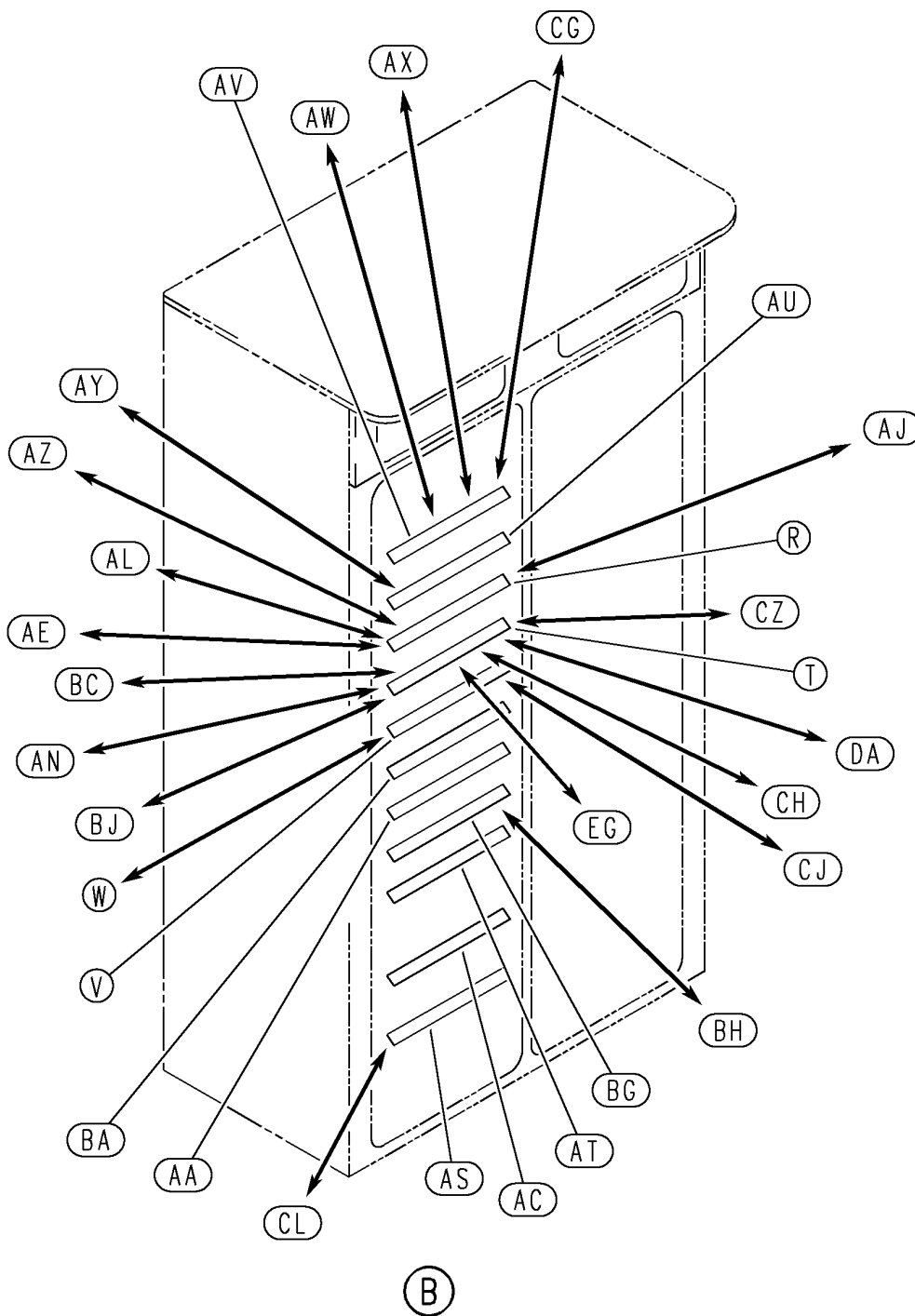
EQUIPMENT ASSY-P33 MISC ELEC PNL FWD (PLACARDS AND MARKINGS ONLY)
FIGURE 5 (SHEET 1)

11-36-07-05

HXL
AUG 22/08

11-36-07-05
PAGE 0

BOEING
767
PARTS CATALOG (MAINTENANCE)



V 11360705 SHT 3 REV 314

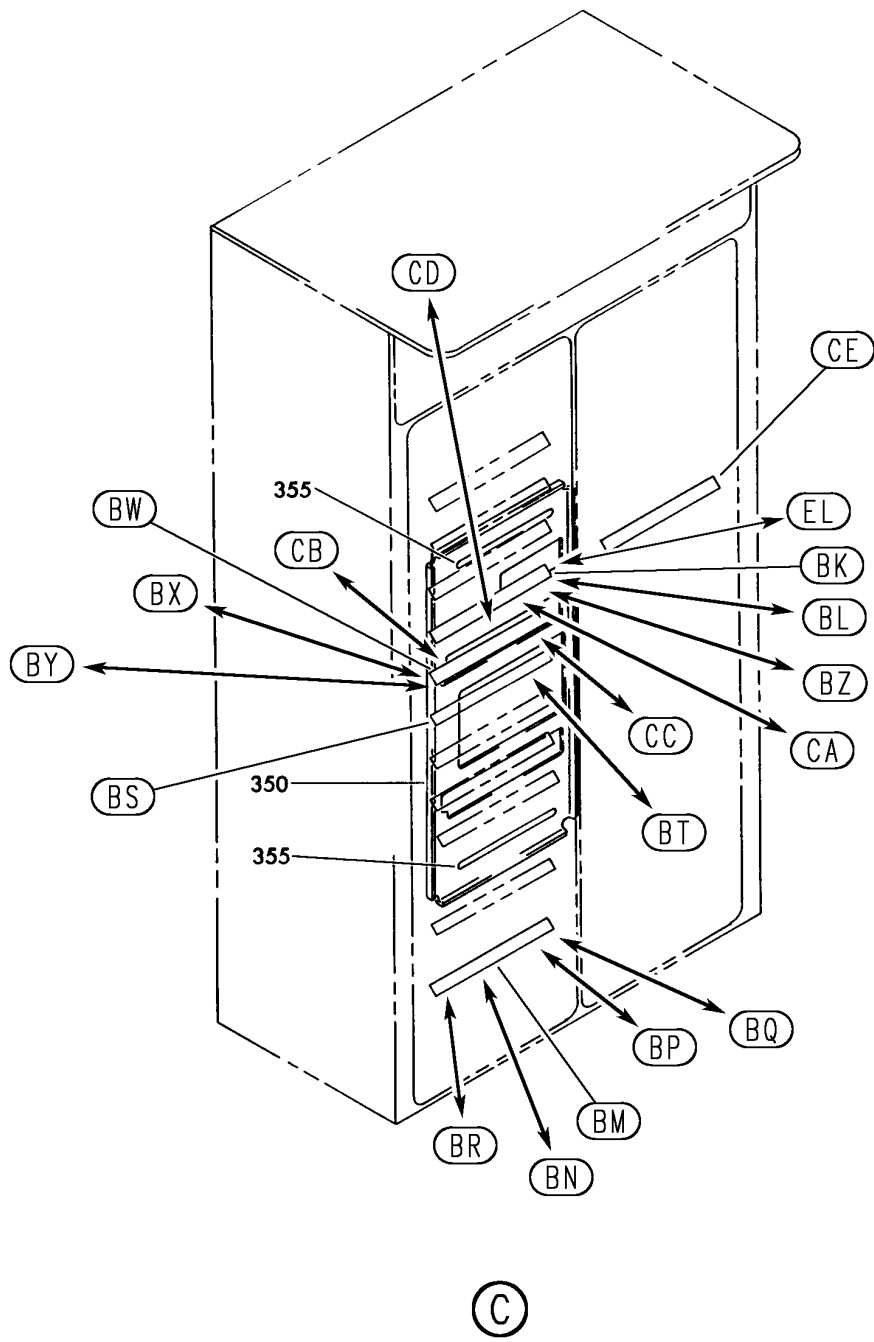
EQUIPMENT ASSY-P33 MISC ELEC PNL FWD (PLACARDS AND MARKINGS ONLY)
FIGURE 5 (SHEET 3)

11-36-07-05

HXL
APR 22/07

11-36-07-05
PAGE 0B

BOEING
767
PARTS CATALOG (MAINTENANCE)



V 11360705 SFT 4 REV 341

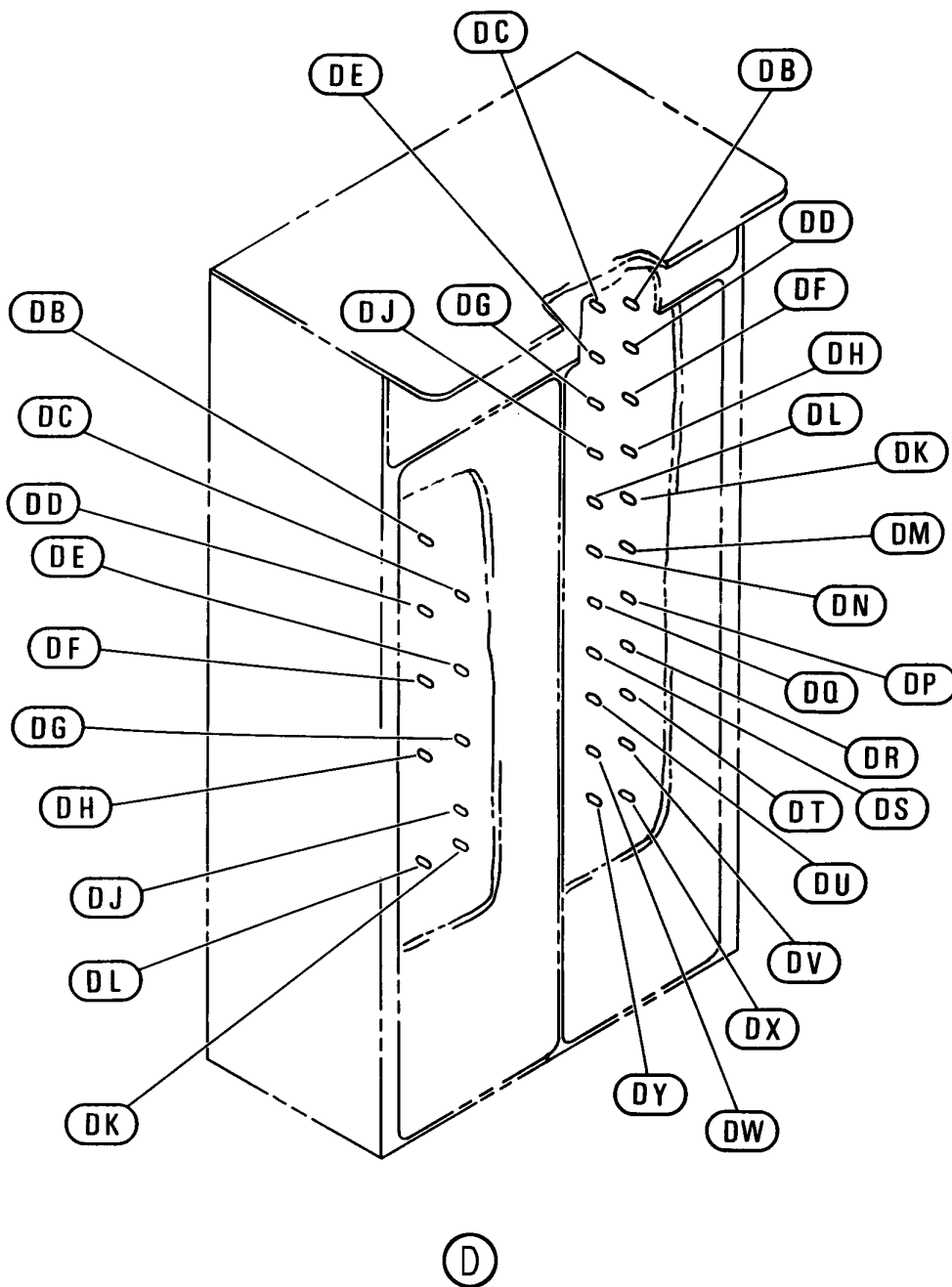
EQUIPMENT ASSY-P33 MISC ELEC PNL FWD (PLACARDS AND MARKINGS ONLY)
FIGURE 5 (SHEET 4)

11-36-07-05

HXL
AUG 22/09

11-36-07-05
PAGE 0C

BOEING
767
PARTS CATALOG (MAINTENANCE)



V 11360705 SHT 5 REV 311

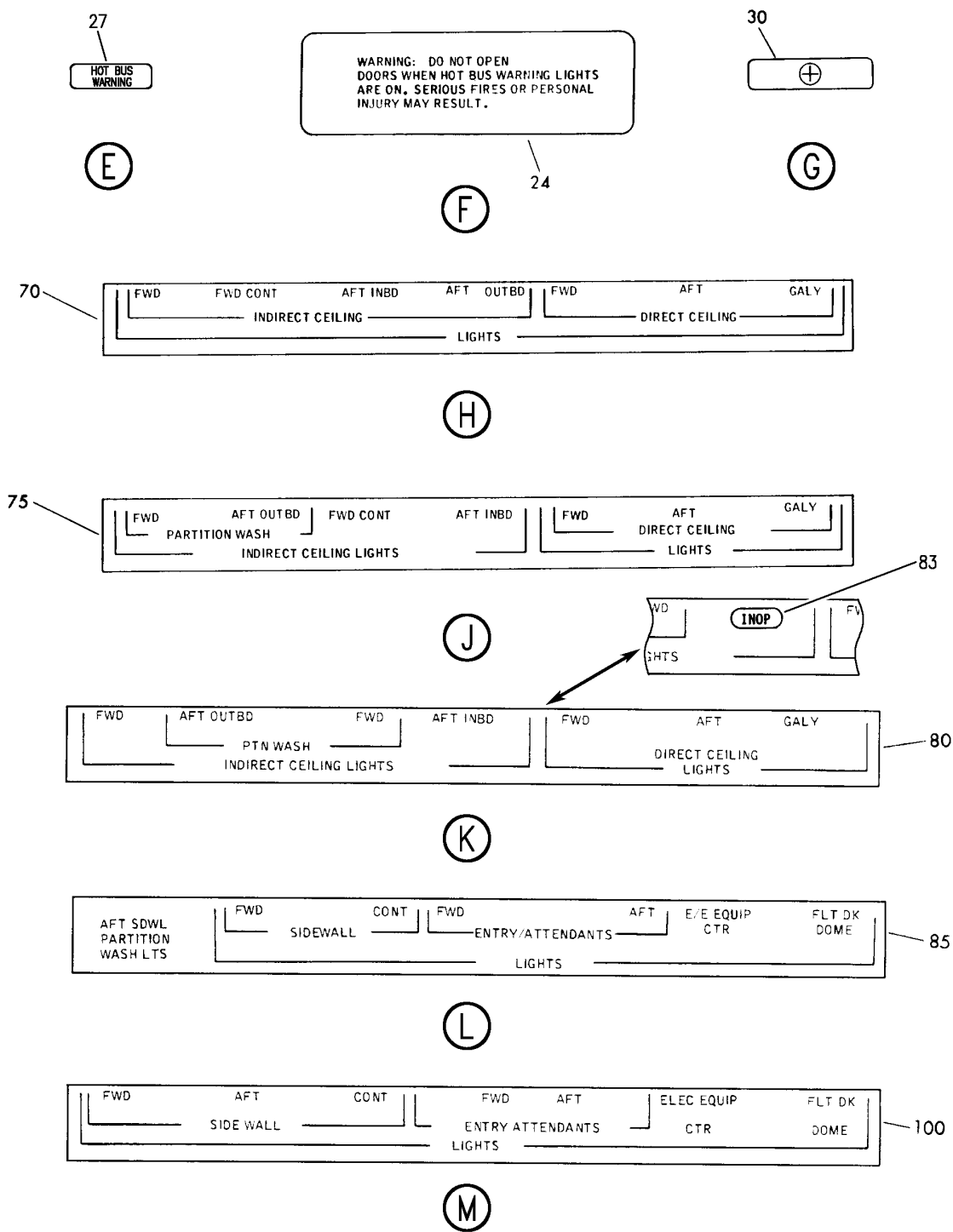
EQUIPMENT ASSY-P33 MISC ELEC PNL FWD (PLACARDS AND MARKINGS ONLY)
FIGURE 5 (SHEET 5)

HXL
DEC 22/06

11-36-07-05

11-36-07-05
PAGE 0D

BOEING
767
PARTS CATALOG (MAINTENANCE)



V 11360705 SHT 6 REV 318

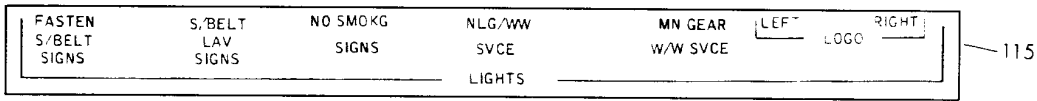
EQUIPMENT ASSY-P33 MISC ELEC PNL FWD (PLACARDS AND MARKINGS ONLY)
FIGURE 5 (SHEET 6)

11-36-07-05

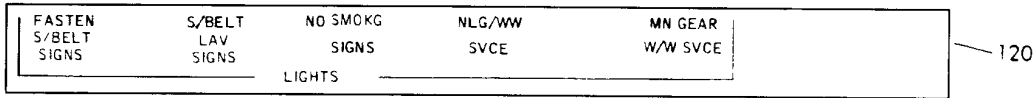
HXL
AUG 22/07

11-36-07-05
PAGE 0E

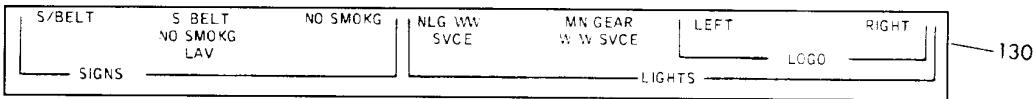

BOEING
 767
PARTS CATALOG (MAINTENANCE)



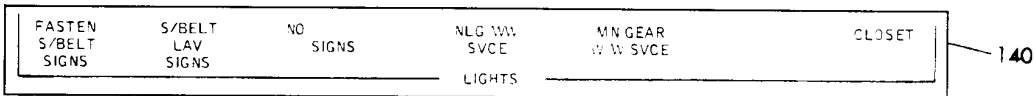
Ⓝ



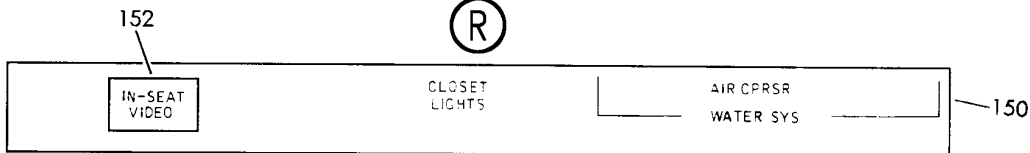
Ⓟ



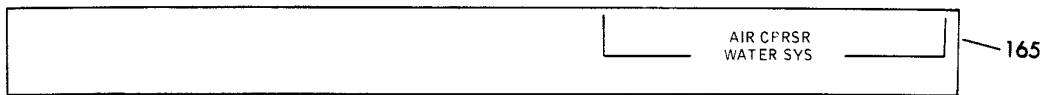
Ⓠ



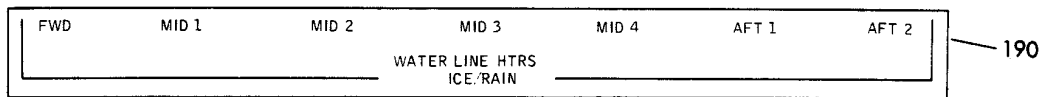
Ⓡ



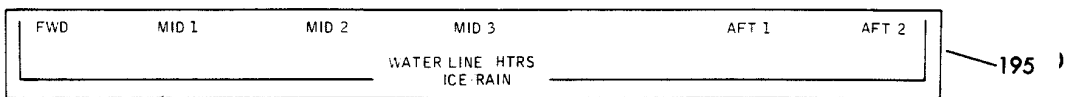
Ⓢ



Ⓣ



Ⓤ



Ⓥ

V 11360705 SHIT 7 REV 311

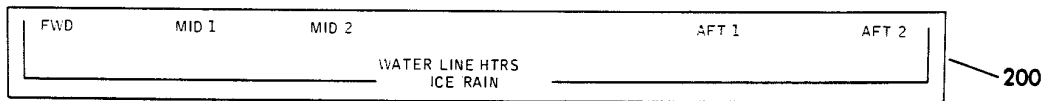
EQUIPMENT ASSY-P33 MISC ELEC PNL FWD (PLACARDS AND MARKINGS ONLY)
FIGURE 5 (SHEET 7)

11-36-07-05

HXL
DEC 22/06

11-36-07-05
PAGE OF

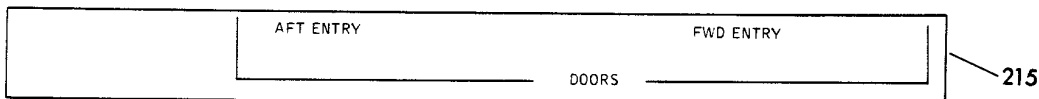
BOEING
767
PARTS CATALOG (MAINTENANCE)



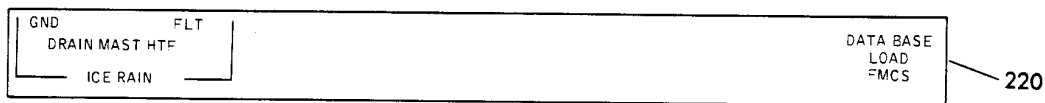
(W)



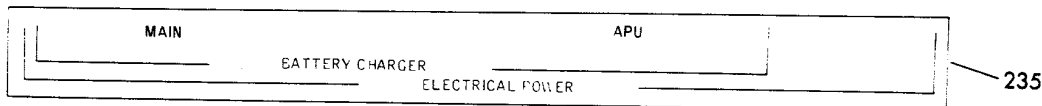
(X)



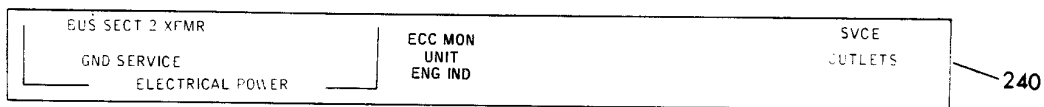
(Y)



(Z)



(AA)



(AB)

V 11360705 SHT 8 REV 311

EQUIPMENT ASSY-P33 MISC ELEC PNL FWD (PLACARDS AND MARKINGS ONLY)
FIGURE 5 (SHEET 8)

11-36-07-05

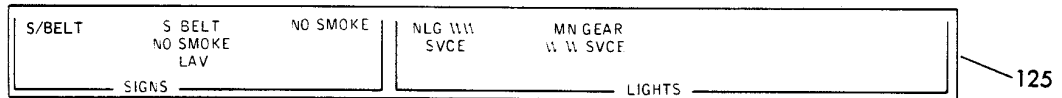
HXL
DEC 22/06

11-36-07-05
PAGE 06

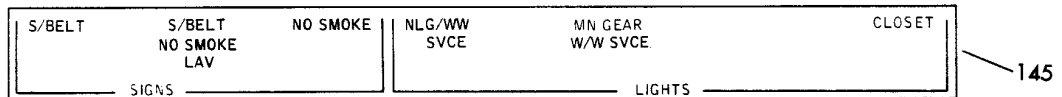
BOEING
767
PARTS CATALOG (MAINTENANCE)



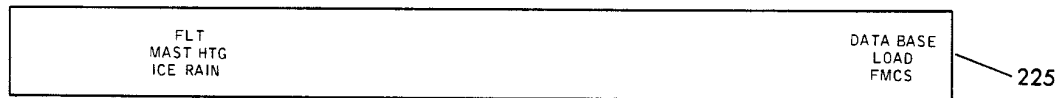
(AC)



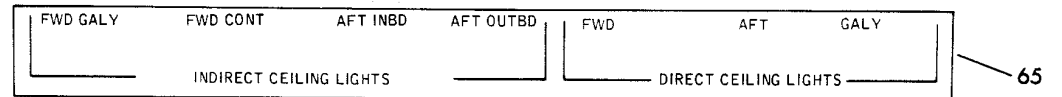
(AD)



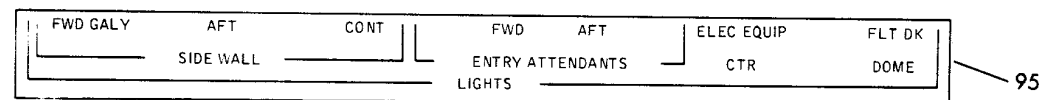
(AE)



(AF)



(AG)



(AH)

V 11360705 SHT 9 REV 311

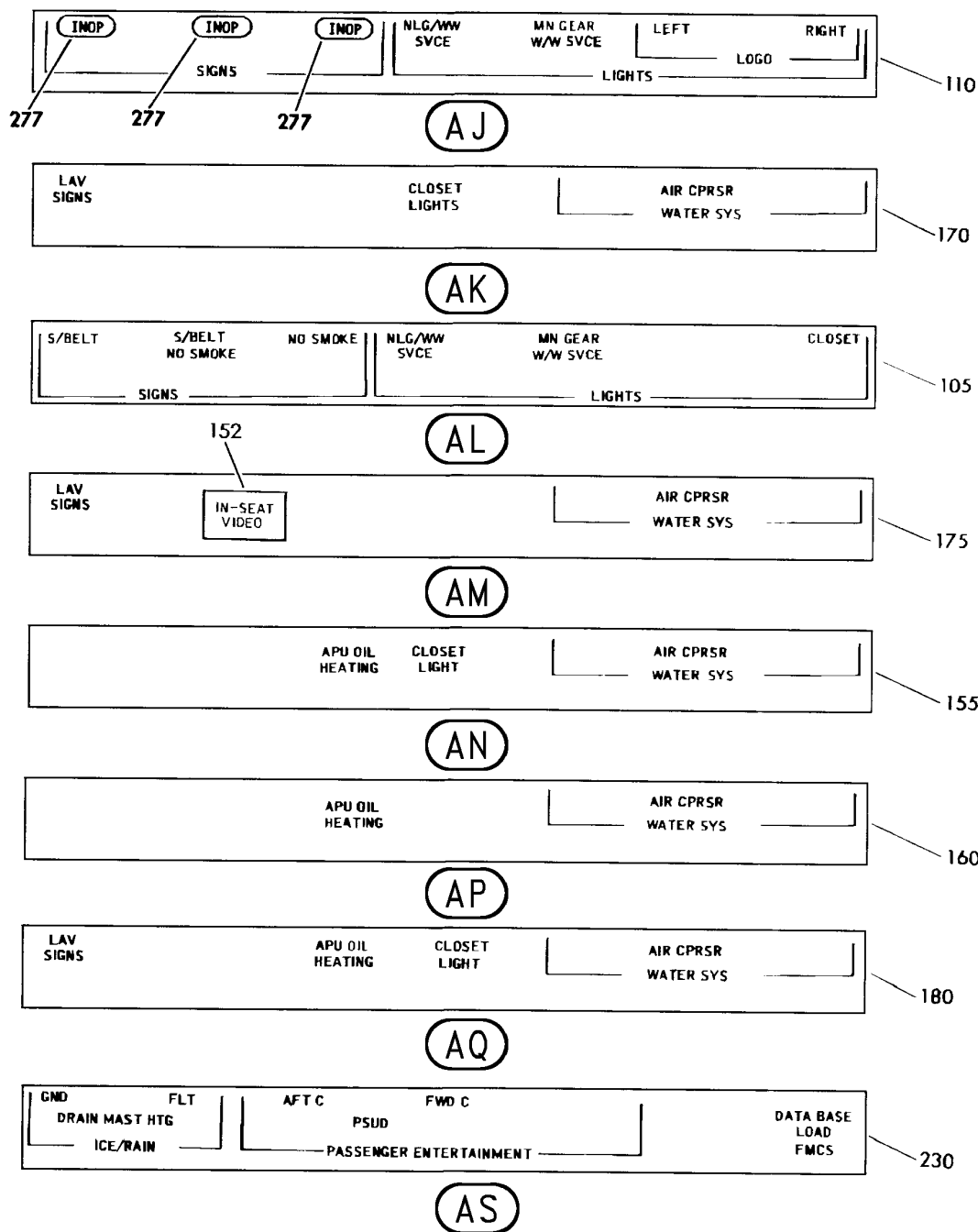
EQUIPMENT ASSY-P33 MISC ELEC PNL FWD (PLACARDS AND MARKINGS ONLY)
FIGURE 5 (SHEET 9)

11-36-07-05

HXL
DEC 22/06

11-36-07-05
PAGE 0H

BOEING
767
PARTS CATALOG (MAINTENANCE)



V 11360705 SHT 10 REV 338

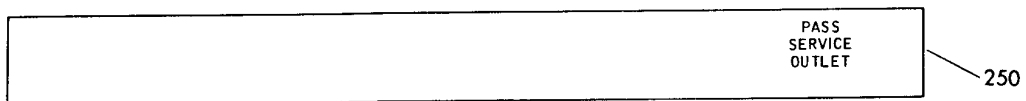
EQUIPMENT ASSY-P33 MISC ELEC PNL FWD (PLACARDS AND MARKINGS ONLY)
FIGURE 5 (SHEET 10)

11-36-07-05

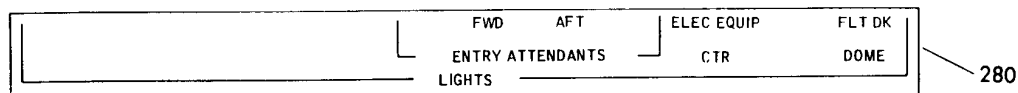
HXL
APR 22/09

11-36-07-05
PAGE 01

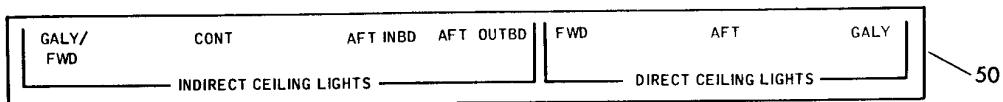
BOEING
767
PARTS CATALOG (MAINTENANCE)



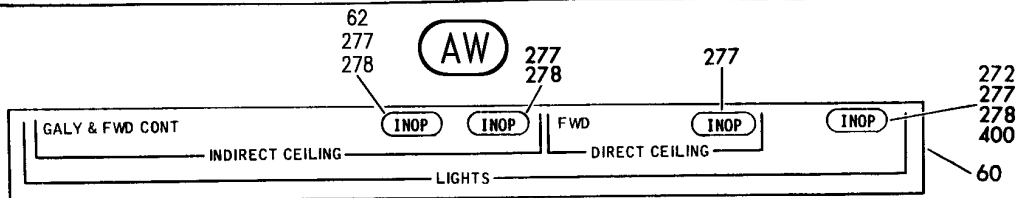
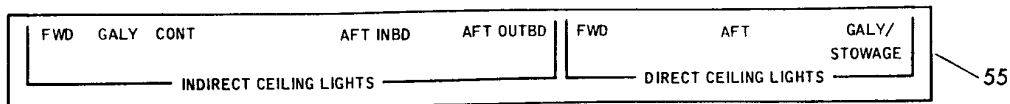
(AT)



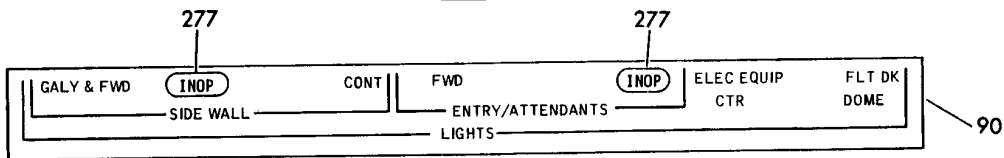
(AU)



(AV)



(AW)



(AX)

V 11360705 SH11 REV 318

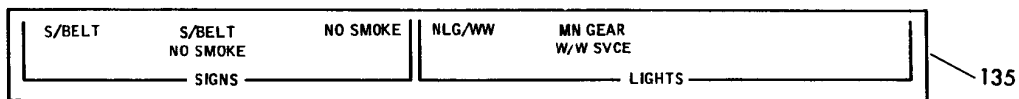
EQUIPMENT ASSY-P33 MISC ELEC PNL FWD (PLACARDS AND MARKINGS ONLY)
FIGURE 5 (SHEET 11)

11-36-07-05

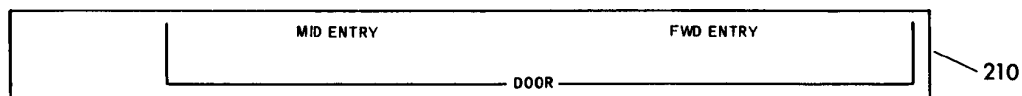
HXL
AUG 22/07

11-36-07-05
PAGE 0J

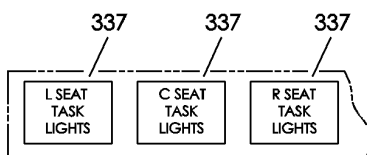
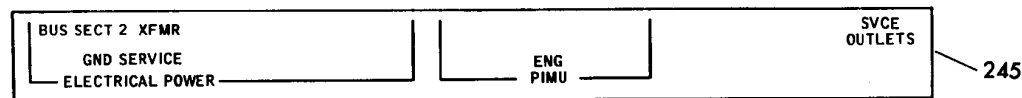

BOEING
 767
PARTS CATALOG (MAINTENANCE)



(AZ)



(BA)



(BB)



(BC)

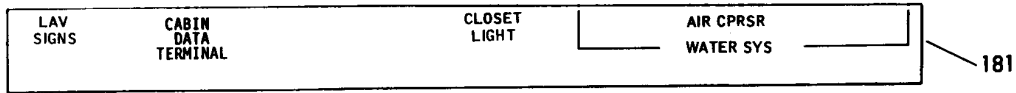
V 11360705 SH1 12 REV 311



(BD)

EQUIPMENT ASSY-P33 MISC ELEC PNL FWD (PLACARDS AND MARKINGS ONLY)
FIGURE 5 (SHEET 12)

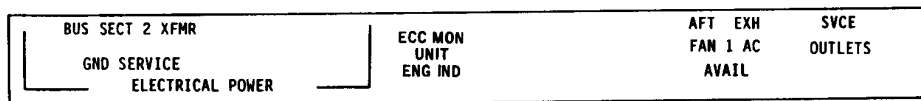

BOEING
 767
PARTS CATALOG (MAINTENANCE)



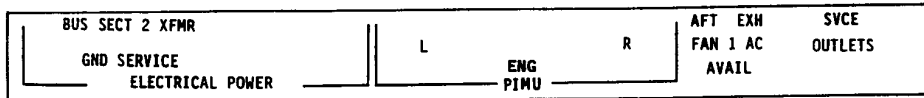
(BE)



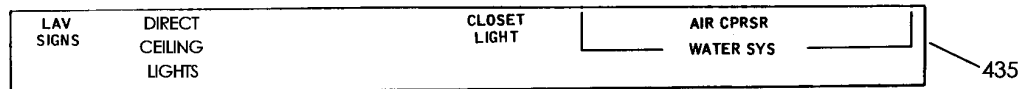
(BF)



(BG)



(BH)



(BJ)

V 11360705 SHT 13 REV 326

EQUIPMENT ASSY-P33 MISC ELEC PNL FWD (PLACARDS AND MARKINGS ONLY)
 FIGURE 5 (SHEET 13)

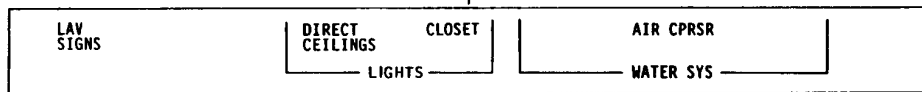
11-36-07-05

HXL
 APR 22/08

11-36-07-05
 PAGE 01

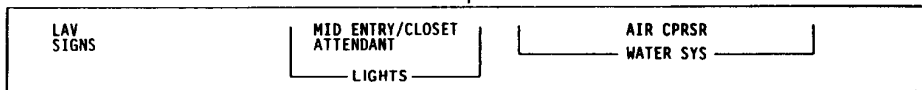
BOEING
767
PARTS CATALOG (MAINTENANCE)

183



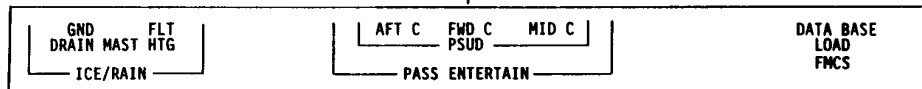
(BK)

184



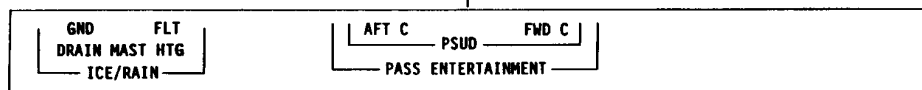
(BL)

223



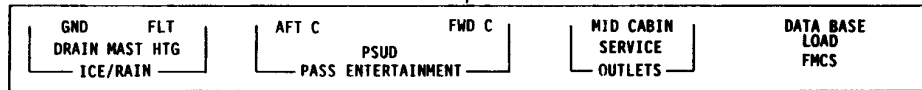
(BM)

224



(BN)

232



(BP)

V 11360705 SH1 14 REV 311

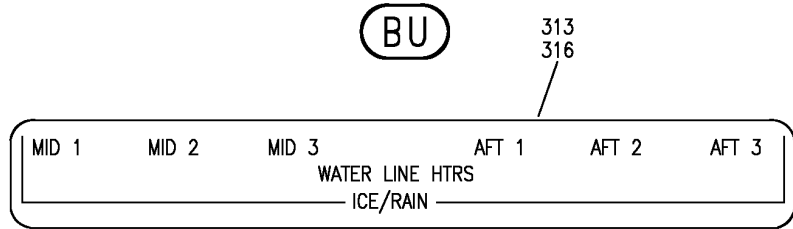
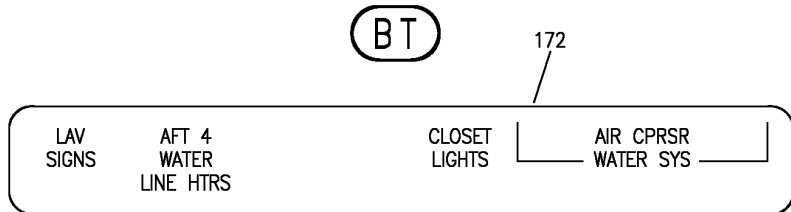
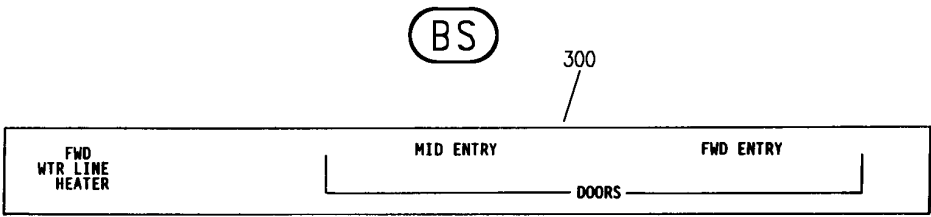
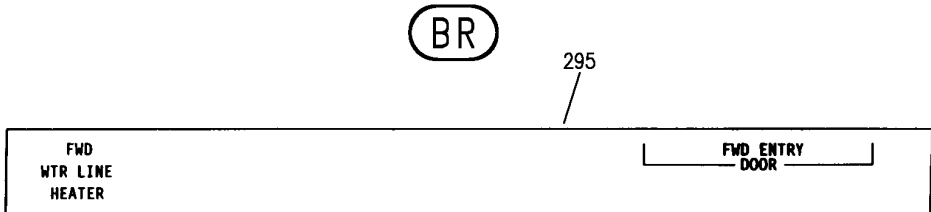
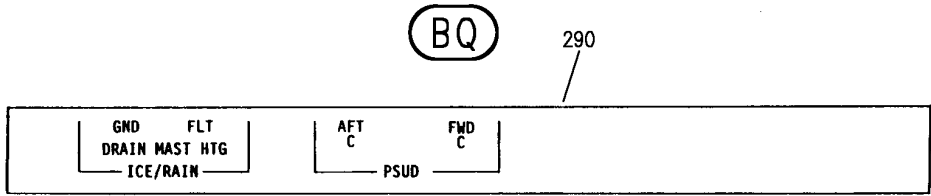
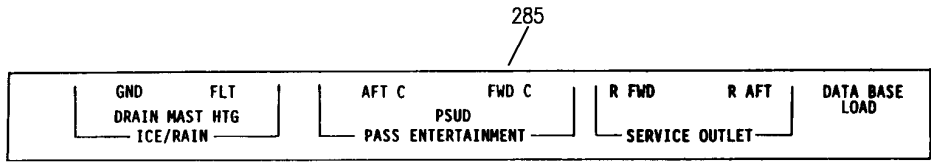
EQUIPMENT ASSY-P33 MISC ELEC PNL FWD (PLACARDS AND MARKINGS ONLY)
FIGURE 5 (SHEET 14)

11-36-07-05

HXL
DEC 22/06

11-36-07-05
PAGE 0M

BOEING
767
PARTS CATALOG (MAINTENANCE)



BV

V 11360705 SHT 15 REV 328

EQUIPMENT ASSY-P33 MISC ELEC PNL FWD (PLACARDS AND MARKINGS ONLY)
FIGURE 5 (SHEET 15)

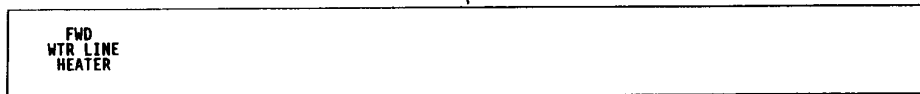
11-36-07-05

HXL
AUG 22/08

11-36-07-05
PAGE ON

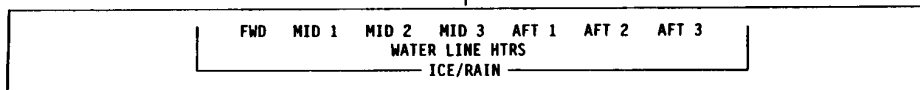
BOEING
767
PARTS CATALOG (MAINTENANCE)

305



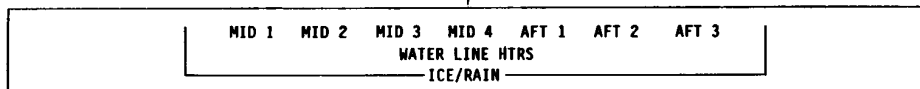
(BW)

310



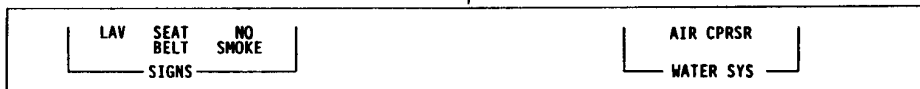
(BX)

315



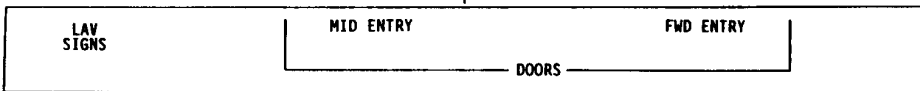
(BY)

320



(BZ)

325



(CA)

V 11360705 SH1 16 REV 311

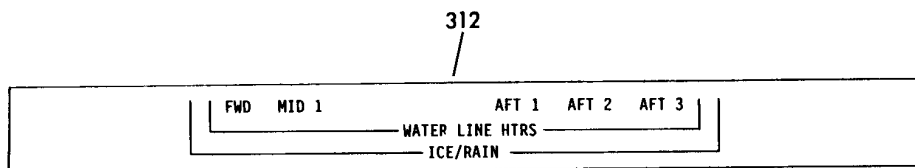
EQUIPMENT ASSY-P33 MISC ELEC PNL FWD (PLACARDS AND MARKINGS ONLY)
FIGURE 5 (SHEET 16)

11-36-07-05

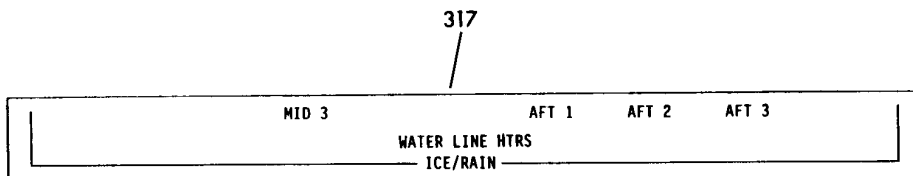
HXL
DEC 22/06

11-36-07-05
PAGE 00

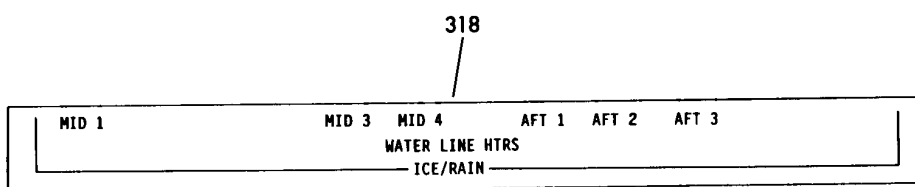
BOEING
767
PARTS CATALOG (MAINTENANCE)



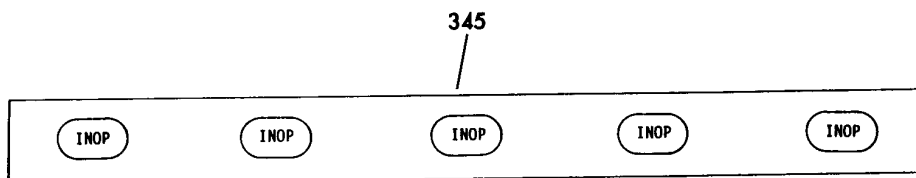
CB



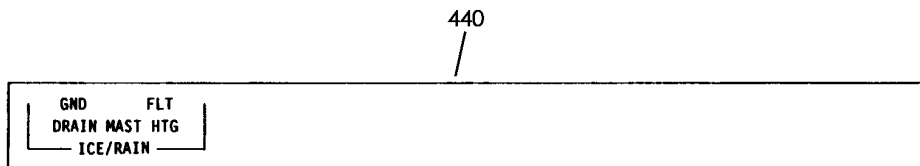
CC



CD



CE



CF

V 11360705 SH17 REV 311

EQUIPMENT ASSY-P33 MISC ELEC PNL FWD (PLACARDS AND MARKINGS ONLY)
FIGURE 5 (SHEET 17)

11-36-07-05

HXL
DEC 22/06

11-36-07-05
PAGE 0P


BOEING
 767
PARTS CATALOG (MAINTENANCE)



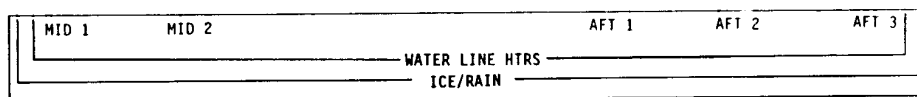
(CG)

360



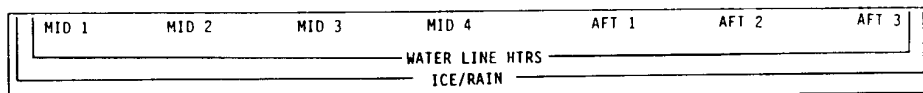
(CH)

365



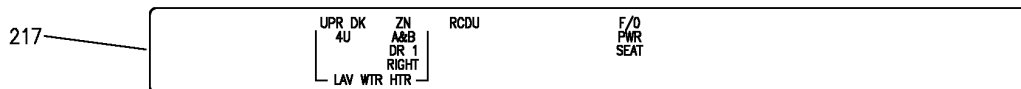
(CJ)

370



(CK)

372



(CL)

V 11360705 SHT 18 REV 311

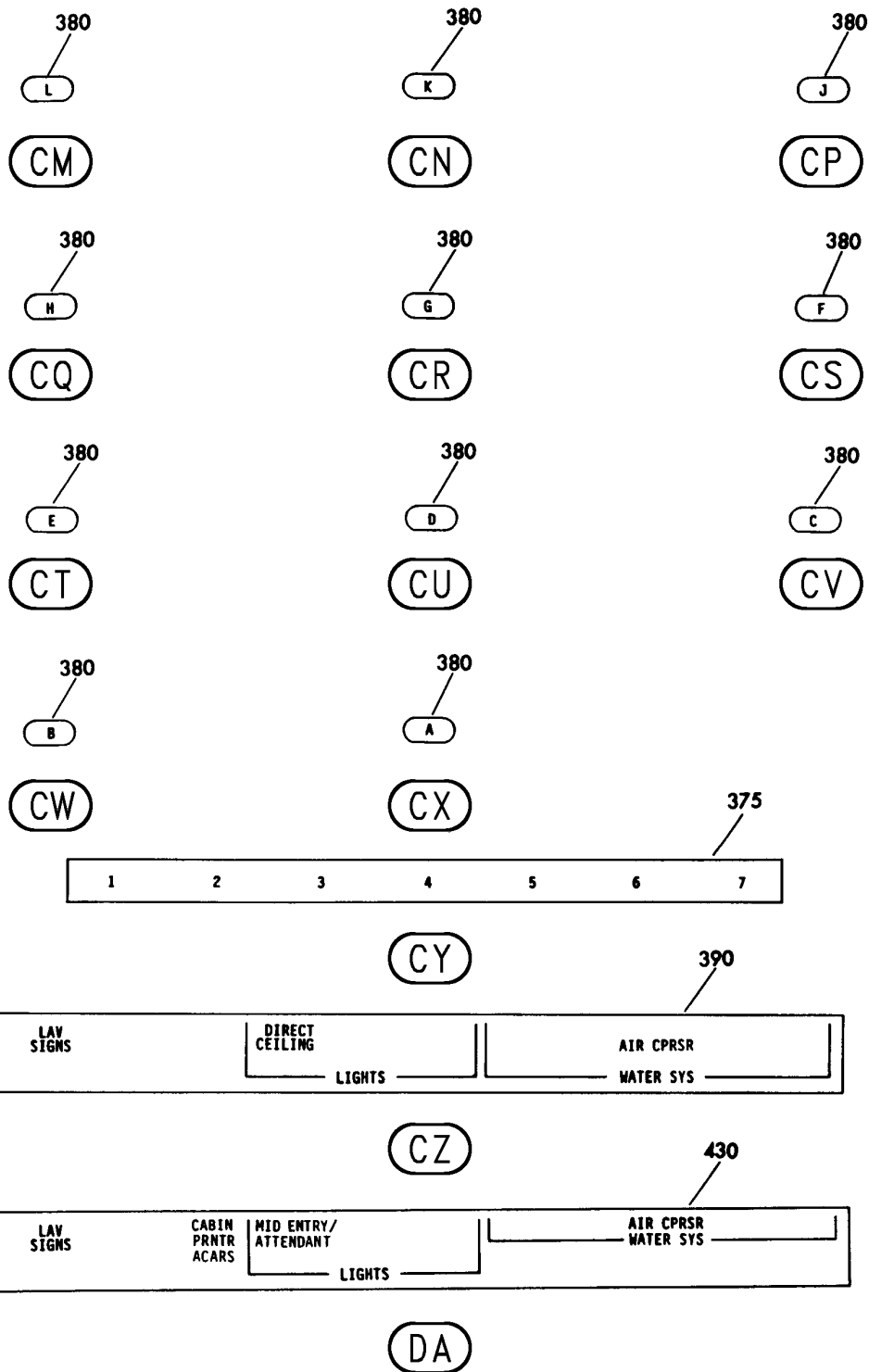
EQUIPMENT ASSY-P33 MISC ELEC PNL FWD (PLACARDS AND MARKINGS ONLY)
 FIGURE 5 (SHEET 18)

11-36-07-05

HXL
 DEC 22/06

11-36-07-05
 PAGE 00

BOEING
767
PARTS CATALOG (MAINTENANCE)



V 11360705 SHT 19 REV 338

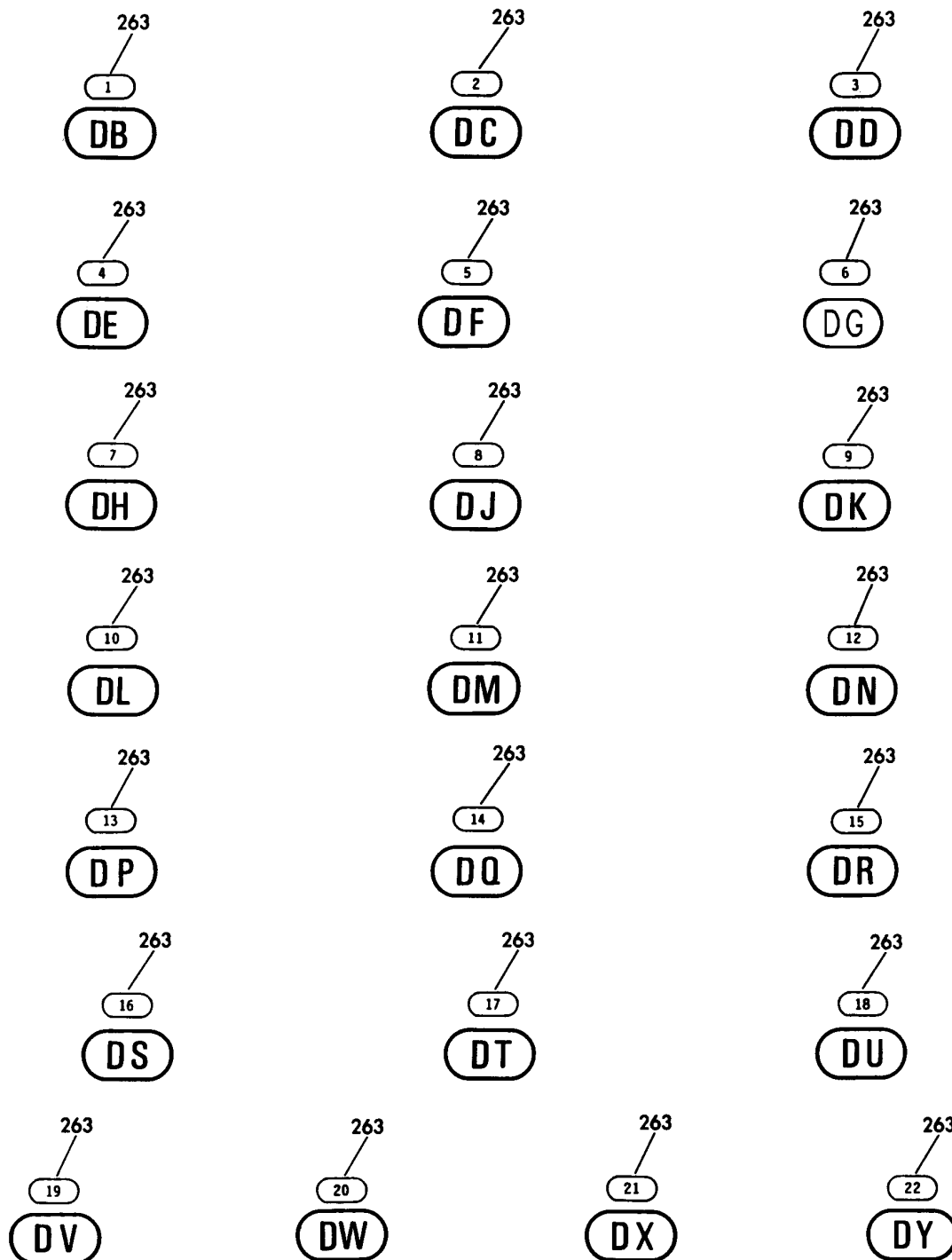
EQUIPMENT ASSY-P33 MISC ELEC PNL FWD (PLACARDS AND MARKINGS ONLY)
FIGURE 5 (SHEET 19)

11-36-07-05

HXL
APR 22/09

11-36-07-05
PAGE OR

BOEING
767
PARTS CATALOG (MAINTENANCE)



V 11360705 SHT 20 REV 311

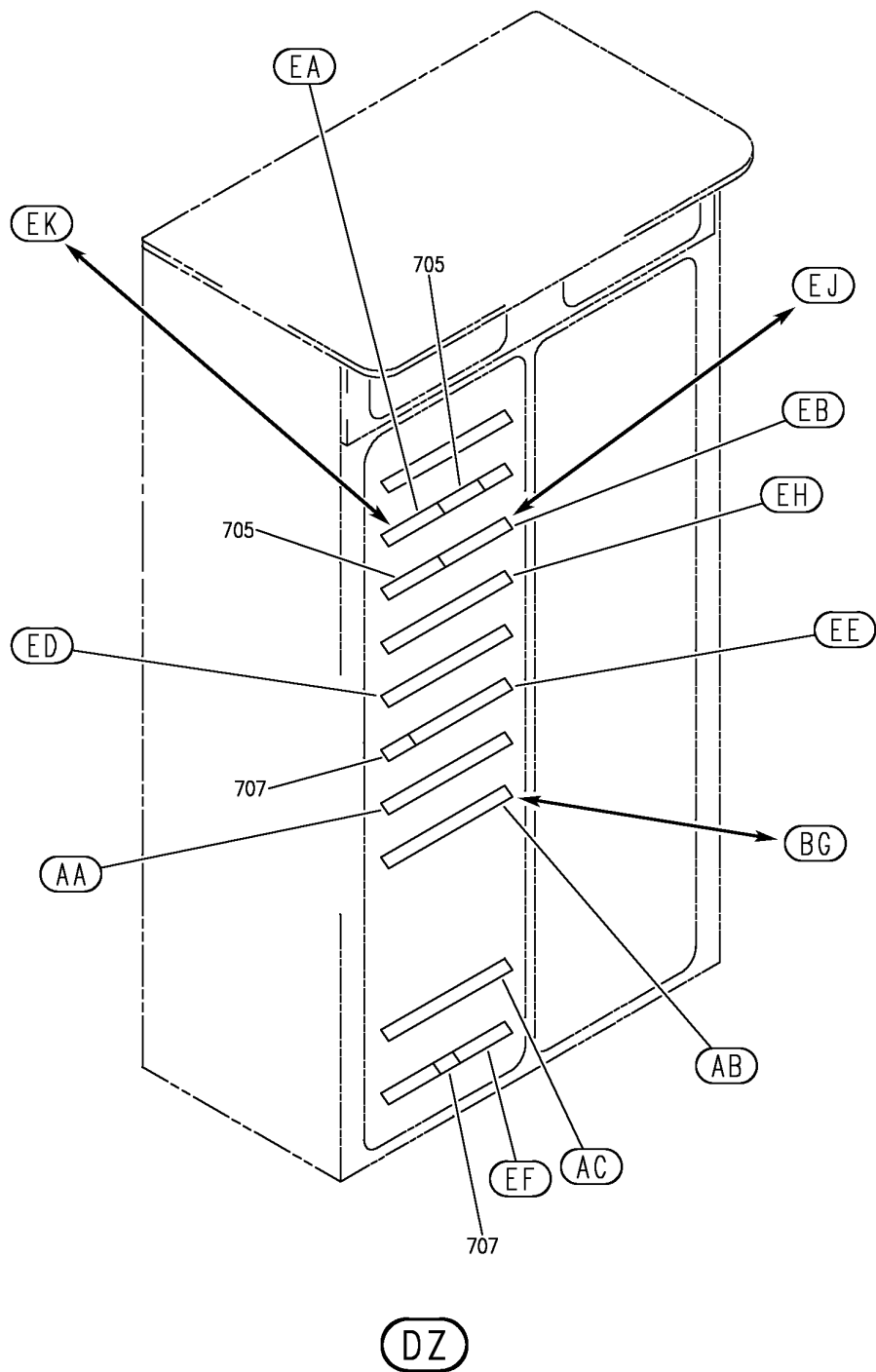
EQUIPMENT ASSY-P33 MISC ELEC PNL FWD (PLACARDS AND MARKINGS ONLY)
FIGURE 5 (SHEET 20)

HXL
DEC 22/06

11-36-07-05

11-36-07-05
PAGE 05

BOEING
767
PARTS CATALOG (MAINTENANCE)



V 11360705 SHT 21 REV 336

EQUIPMENT ASSY-P33 MISC ELEC PNL FWD (PLACARDS AND MARKINGS ONLY)
FIGURE 5 (SHEET 21)

11-36-07-05

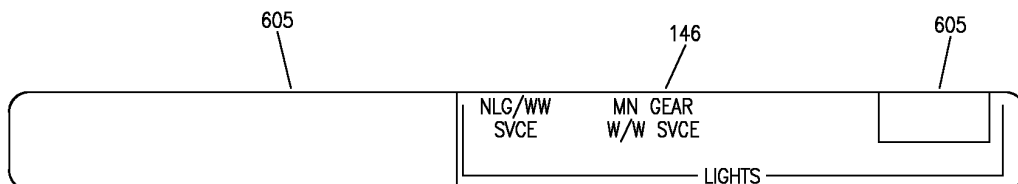
HXL
APR 22/09

11-36-07-05
PAGE 0T

BOEING
767
PARTS CATALOG (MAINTENANCE)



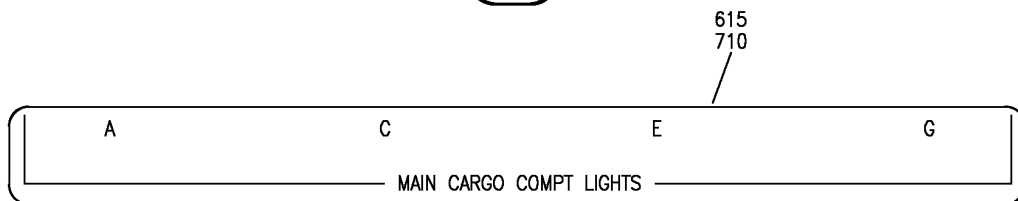
EA



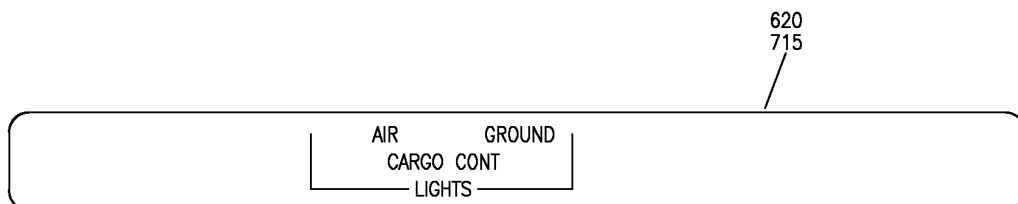
EB



EC



ED



EE

V 11360705 SH-22 REV 332

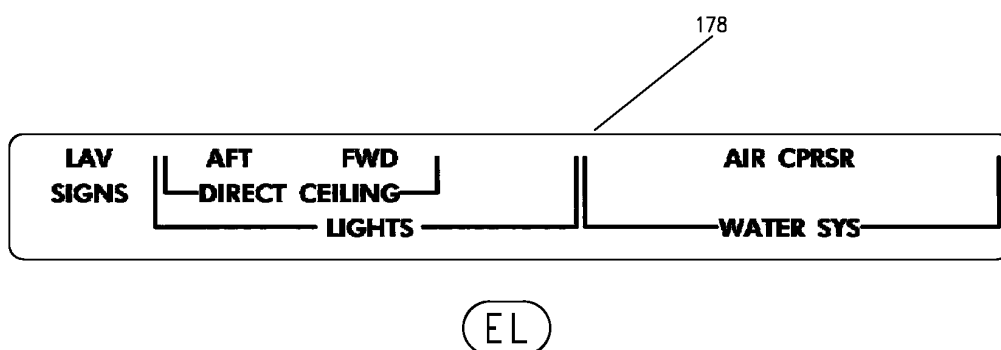
EQUIPMENT ASSY-P33 MISC ELEC PNL FWD (PLACARDS AND MARKINGS ONLY)
FIGURE 5 (SHEET 22)

11-36-07-05

HXL
DEC 22/08

11-36-07-05
PAGE 0U

BOEING
767
PARTS CATALOG (MAINTENANCE)



V 11360705 SHT 24 REV 341

EQUIPMENT ASSY-P33 MISC ELEC PNL FWD (PLACARDS AND MARKINGS ONLY)
FIGURE 5 (SHEET 24)

HXL
AUG 22/09

11-36-07-05

11-36-07-05
PAGE 0W

 **BOEING**
767
PARTS CATALOG (MAINTENANCE)

FIG ITEM	PART NUMBER	1 2 3 4 5 6 7	NOMENCLATURE	EFFECT FROM TO	UNITS PER ASSY
5			EQUIPMENT ASSY-P33 MISC ELEC PNL FWD (PLACARDS AND MARKINGS ONLY)		
- 9	284T0189-155		EQUIPMENT ASSY-P33 MISC ELEC PNL (PLACARDS AND MARKINGS ONLY) POSITION DATA: FWD FOR NHA/OTHER SYS DET SEE: 25-50-51-01	163999	RF
- 11	284T0189-183		EQUIPMENT ASSY-P33 MISC ELEC PNL (PLACARDS AND MARKINGS ONLY) POSITION DATA: FWD FOR NHA/OTHER SYS DET SEE: 25-50-51-01	155162	RF
24	BAC27TEX0104		.DECAL		1
27	BAC27TEX4340		.DECAL- PLACARD CONTENT: HOT BUS WARNING		1
30	BAC27TEX3806		.DECAL- PLACARD CONTENT: AB+CD		AR
35	BAC27TEX4697		.DECAL- PLACARD CONTENT: 1 THRU 30		16
40	BAC27TEX0114		.DECAL- PLACARD CONTENT: 1 THRU 30		4
45	BAC27TEX0105		.DECAL- PLACARD CONTENT: A THRU T		1
60	BAC27TEX3653		.DECAL-		1
90	BAC27TEX3654		.DECAL-		1
110	BAC27TEX3451		.DECAL-		1
160	BAC27TEX3597		.DECAL-		1
170	BAC27TEX3450		.DECAL-		1
230	BAC27TEX3600		.DECAL-		1
235	BAC27TEX1181		.DECAL		1
245	BAC27TEX3814		.DECAL-		1
255	BAC27TEX1937		.DECAL		1
265	BAC27TEX2438		.DECAL- PLACARD CONTENT: 1 THRU 12		1
295	BAC27TEX4178		.DECAL-		1
315	BAC27TEX4177		.DECAL-		1

ILLUSTRATION ITEMS NOT ON PARTS LIST ARE NOT APPLICABLE

- ITEM NOT ILLUSTRATED

HXL

11-36-07-05

BOEING PROPRIETARY - Copyright © - Unpublished Work - See title page for details.

11-36-07
FIG. 05
PAGE 1
DEC 22/07



767
PARTS CATALOG (MAINTENANCE)

FIG ITEM	PART NUMBER	1 2 3 4 5 6 7	NOMENCLATURE	EFFECT FROM TO	UNITS PER ASSY
5 340	BAC27TEX4675		.DECAL- POST SERVICE BULLETIN: 21-0082R2		1

R
R
R

ILLUSTRATION ITEMS NOT ON PARTS LIST ARE NOT APPLICABLE

- ITEM NOT ILLUSTRATED

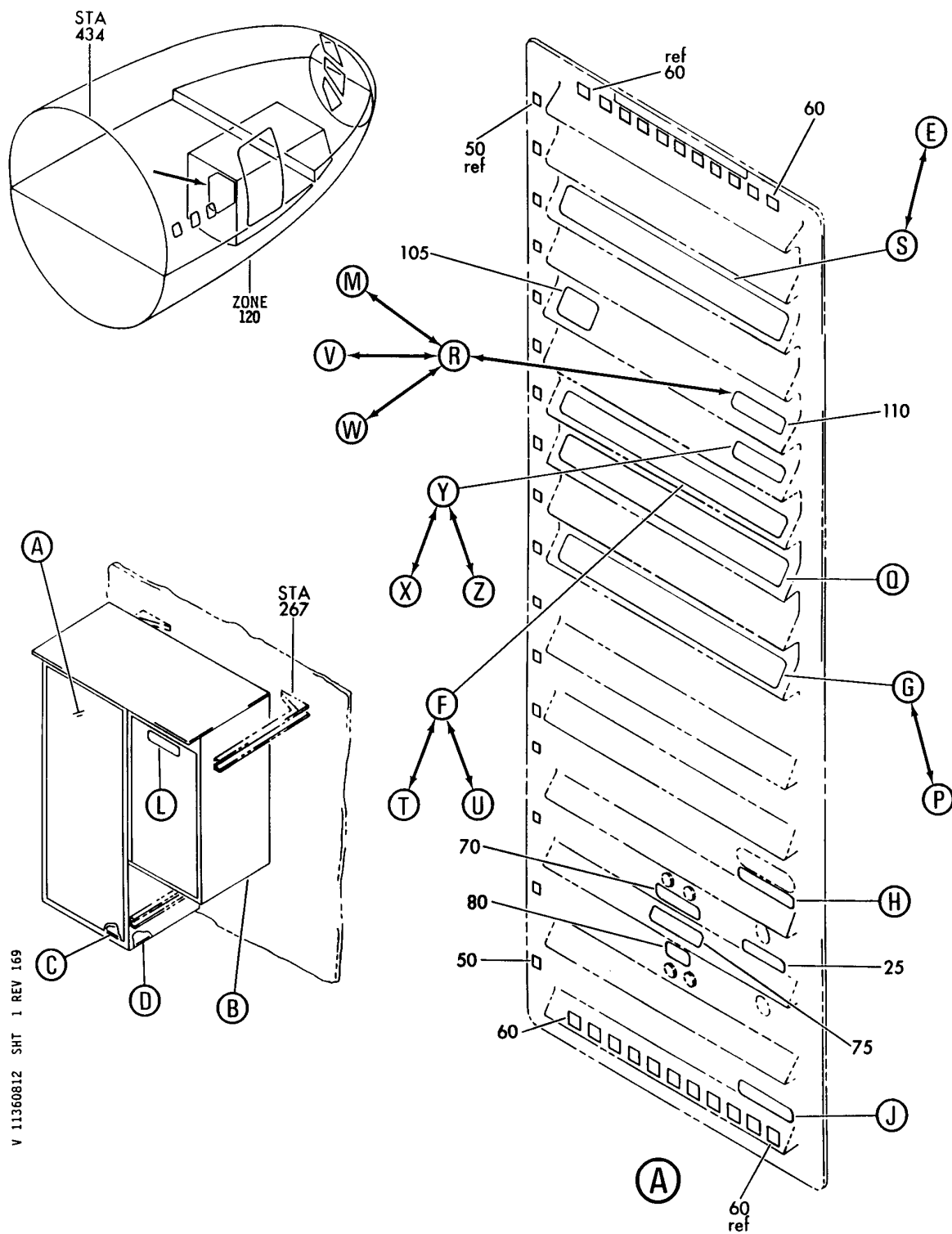
HXL

11-36-07-05

BOEING PROPRIETARY - Copyright © - Unpublished Work - See title page for details.

11-36-07
FIG. 05
PAGE 2
AUG 22/09

BOEING
767
PARTS CATALOG (MAINTENANCE)



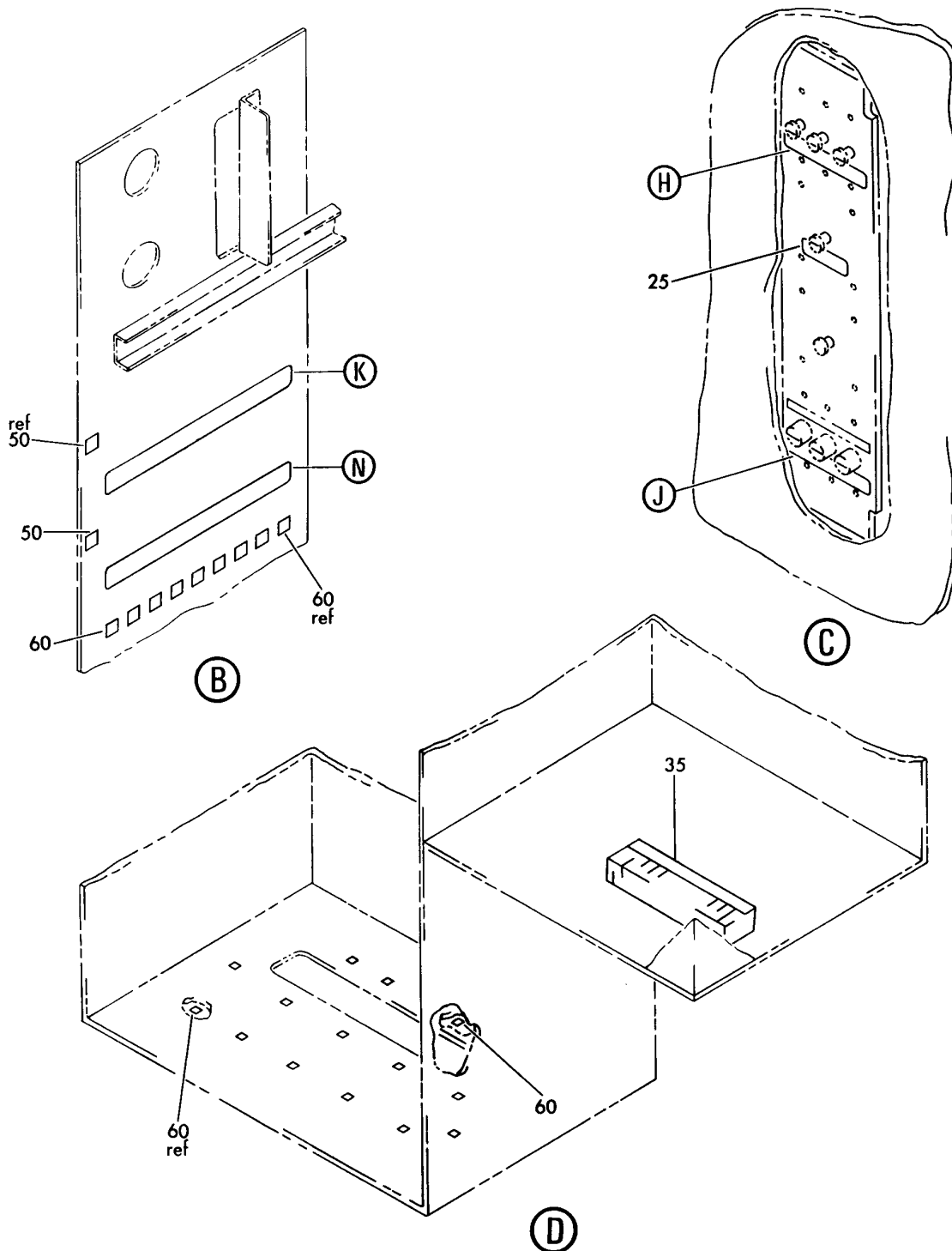
EQUIPMENT ASSY-P34 APU/EXT PWR PNL (PLACARDS AND MARKINGS ONLY)
FIGURE 12 (SHEET 1)

11-36-08-12

HXL
DEC 22/06

11-36-08-12
PAGE 0

BOEING
767
PARTS CATALOG (MAINTENANCE)



V 11360812 SHT 2 REV 169

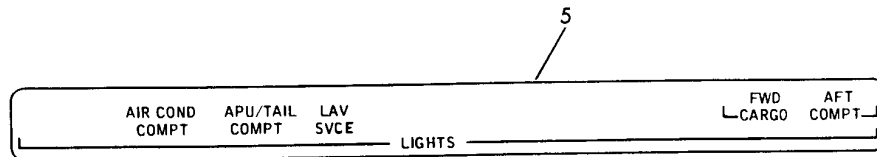
EQUIPMENT ASSY-P34 APU/EXT PWR PNL (PLACARDS AND MARKINGS ONLY)
FIGURE 12 (SHEET 2)

11-36-08-12

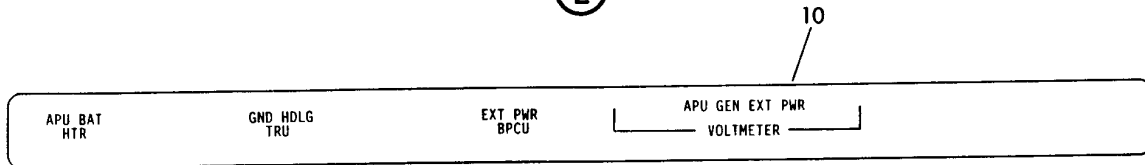
HXL
DEC 22/06

11-36-08-12
PAGE 0A

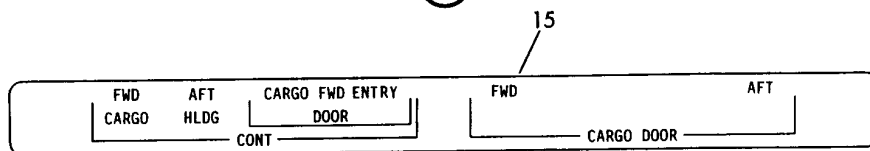
BOEING
767
PARTS CATALOG (MAINTENANCE)



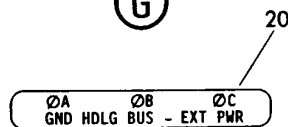
ⓔ



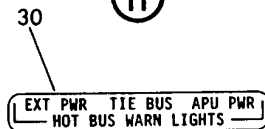
ⓕ



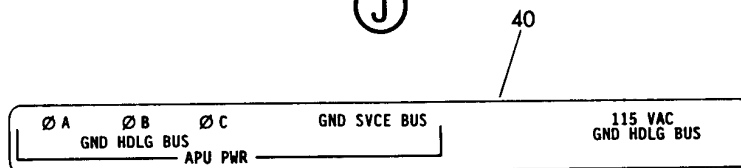
ⓖ



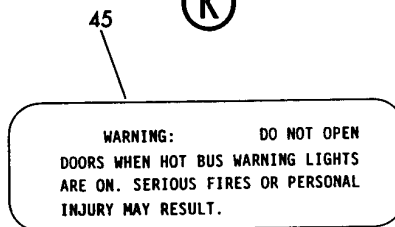
ⓓ



ⓙ



Ⓚ



Ⓛ

V 11360812 SHT 3 REV 169

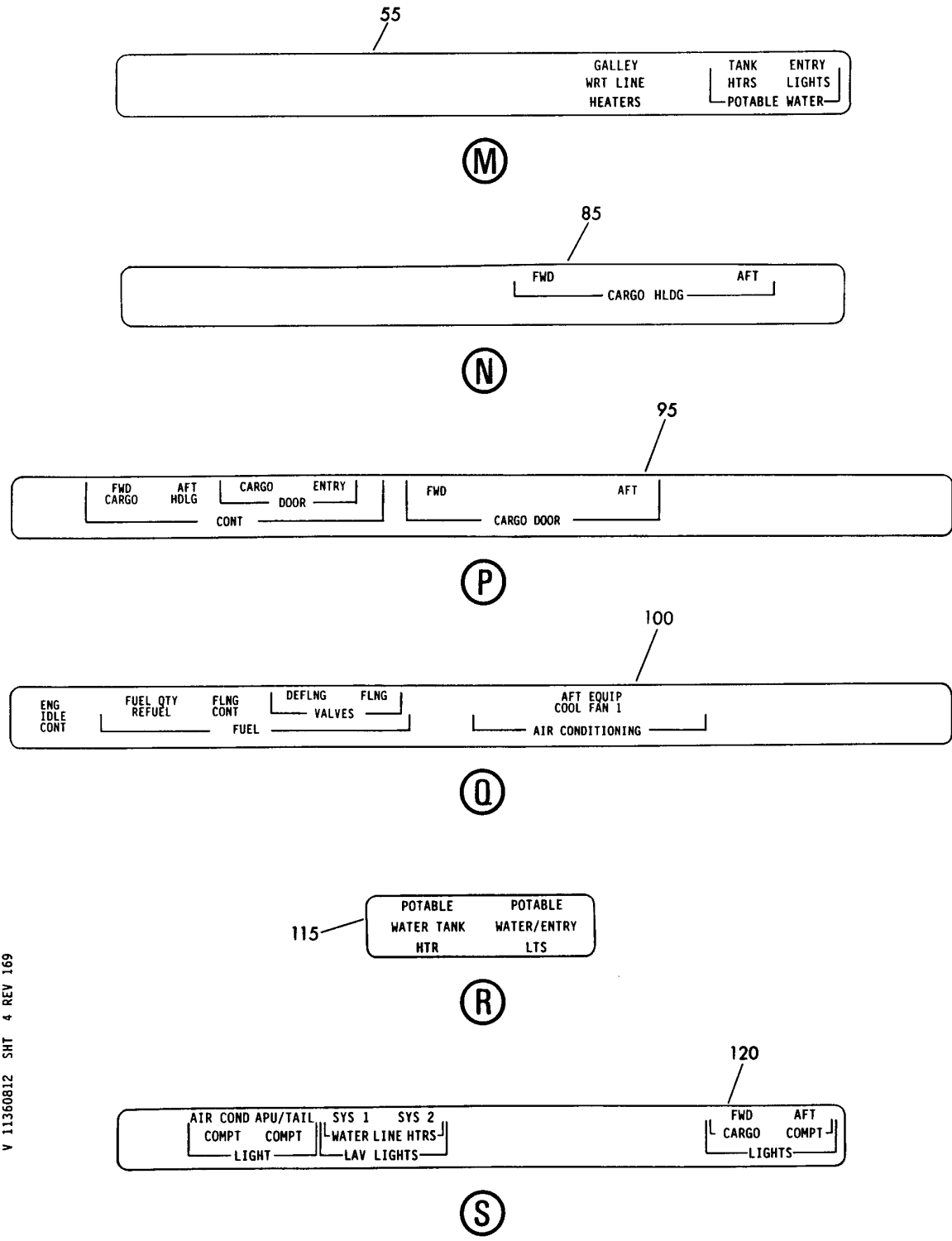
EQUIPMENT ASSY-P34 APU/EXT PWR PNL (PLACARDS AND MARKINGS ONLY)
FIGURE 12 (SHEET 3)

11-36-08-12

HXL
DEC 22/06

11-36-08-12
PAGE 08

BOEING
767
PARTS CATALOG (MAINTENANCE)



V 11360812 SHT 4 REV 169

EQUIPMENT ASSY-P34 APU/EXT PWR PNL (PLACARDS AND MARKINGS ONLY)
FIGURE 12 (SHEET 4)

11-36-08-12

HXL
DEC 22/06

11-36-08-12
PAGE 0C



767

PARTS CATALOG (MAINTENANCE)

FIG ITEM	PART NUMBER	1 2 3 4 5 6 7	NOMENCLATURE	EFFECT FROM TO	UNITS PER ASSY
12			EQUIPMENT ASSY-P34 APU/EXT PWR PNL (PLACARDS AND MARKINGS ONLY)		
- 1	284T0175-83		EQUIPMENT ASSY-P34 APU/EXT PWR PNL (PLACARDS AND MARKINGS ONLY) FOR NHA/OTHER SYS DET SEE: 53-11-70-02		RF
15	BAC27TEX2210		.DECAL		1
20	BAC27TEX0094		.DECAL		2
25	BAC27TEX0095		.DECAL- PLACARD CONTENT: GND SVCE BUS-EXT PWR		2
30	BAC27TEX0097		.DECAL		2
40	BAC27TEX1953		.DECAL		1
45	BAC27TEX0104		.DECAL		1
50	BAC27TEX0105		.DECAL- PLACARD CONTENT: A THRU T OPTIONAL PART: BAC27TEX4671		2
50	BAC27TEX4671		.DECALSET- PLACARD CONTENT: A THRU T OPTIONAL PART: BAC27TEX0105		2
60	BAC27TEX0114		.DECAL- PLACARD CONTENT: 1 THRU 30 OPTIONAL PART: BAC27TEX4582		4
60	BAC27TEX4582		.DECALSET- PLACARD CONTENT: 1 THRU 30 OPTIONAL PART: BAC27TEX0114		4
75	BAC27TEX3323		.DECAL- PLACARD CONTENT: EP INTLK FUSE USE ONLY LITTELFUSE 322001 (1AMP 250V) FAST BLOW OR EQUIVALENT		1
80	BAC27TEX2117		.DECAL- PLACARD CONTENT: SPARE FUSE 1 AMP		1
85	BAC27TEX2148		.DECAL		1
100	BAC27TEX3542		.DECAL		1
115	BAC27TEX4080		.DECAL		1
120	BAC27TEX4081		.DECAL		1

ILLUSTRATION ITEMS NOT ON PARTS LIST ARE NOT APPLICABLE

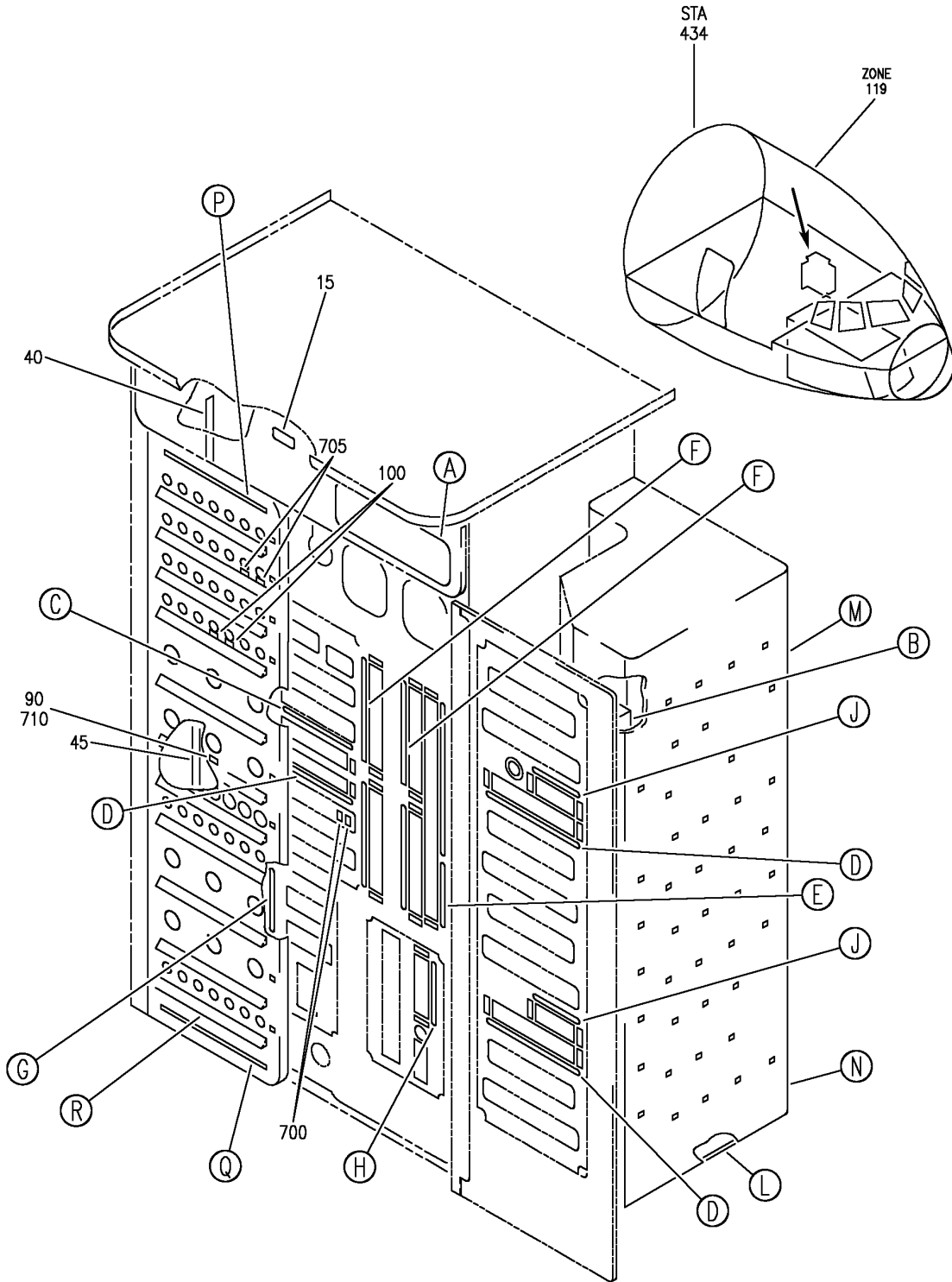
- ITEM NOT ILLUSTRATED

11-36-08-12

11-36-08
FIG. 12
PAGE 1
DEC 22/07

HXL

BOEING
767
PARTS CATALOG (MAINTENANCE)



V 11360914 SHT 1 REV 331

EQUIPMENT ASSY-P36 MISC ELEC PNL L (PLACARDS AND MARKINGS ONLY)
FIGURE 14 (SHEET 1)

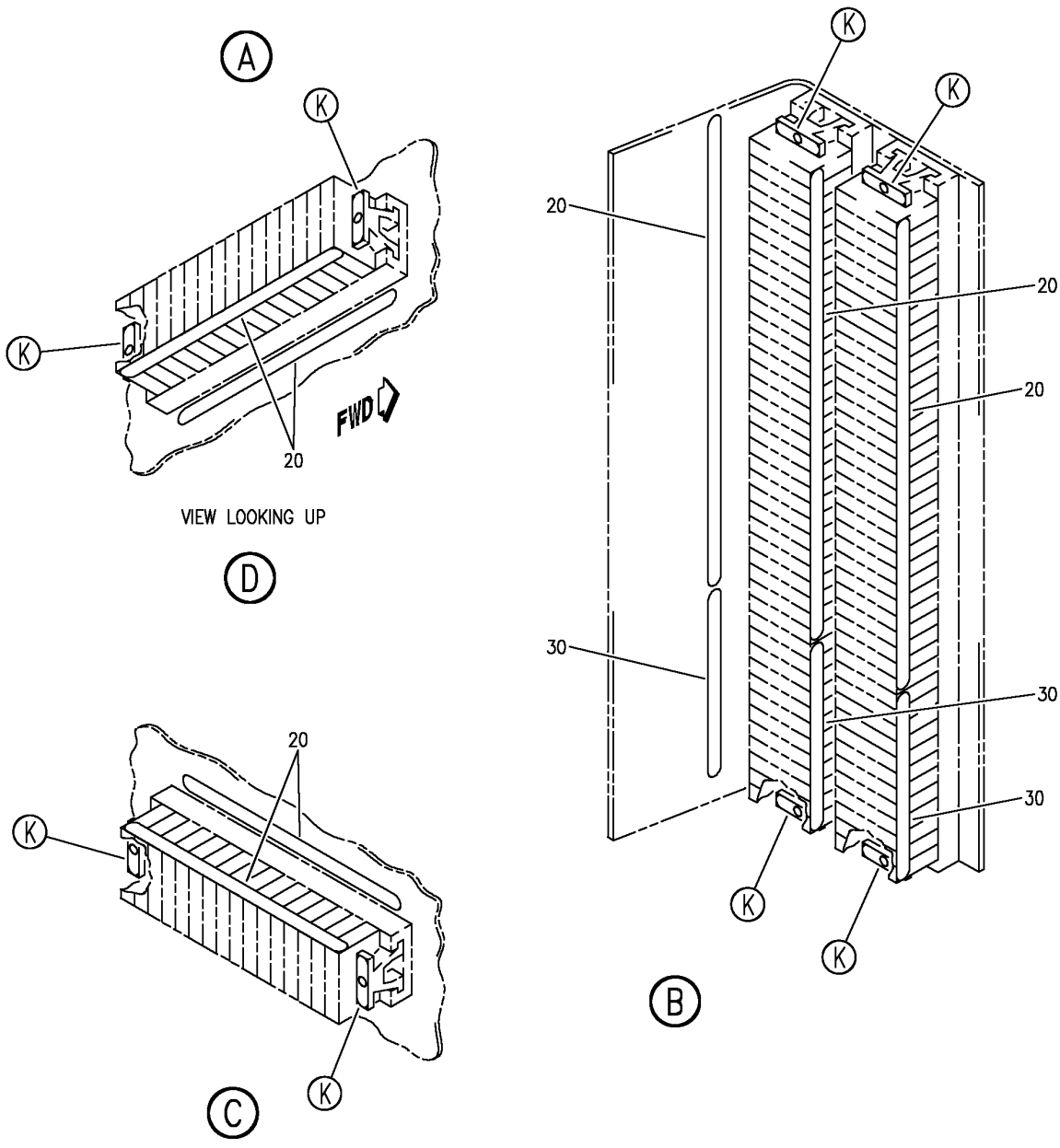
HXL
AUG 22/08

11-36-09-14

11-36-09-14
PAGE 0

BOEING
767
PARTS CATALOG (MAINTENANCE)

10
WARNING: DO NOT OPEN DOORS WHEN HOT BUS WARNING LIGHTS ARE ON. SERIOUS FIRES OR PERSONAL INJURY MAY RESULT.



V 11360914 SH1 2 REV 331

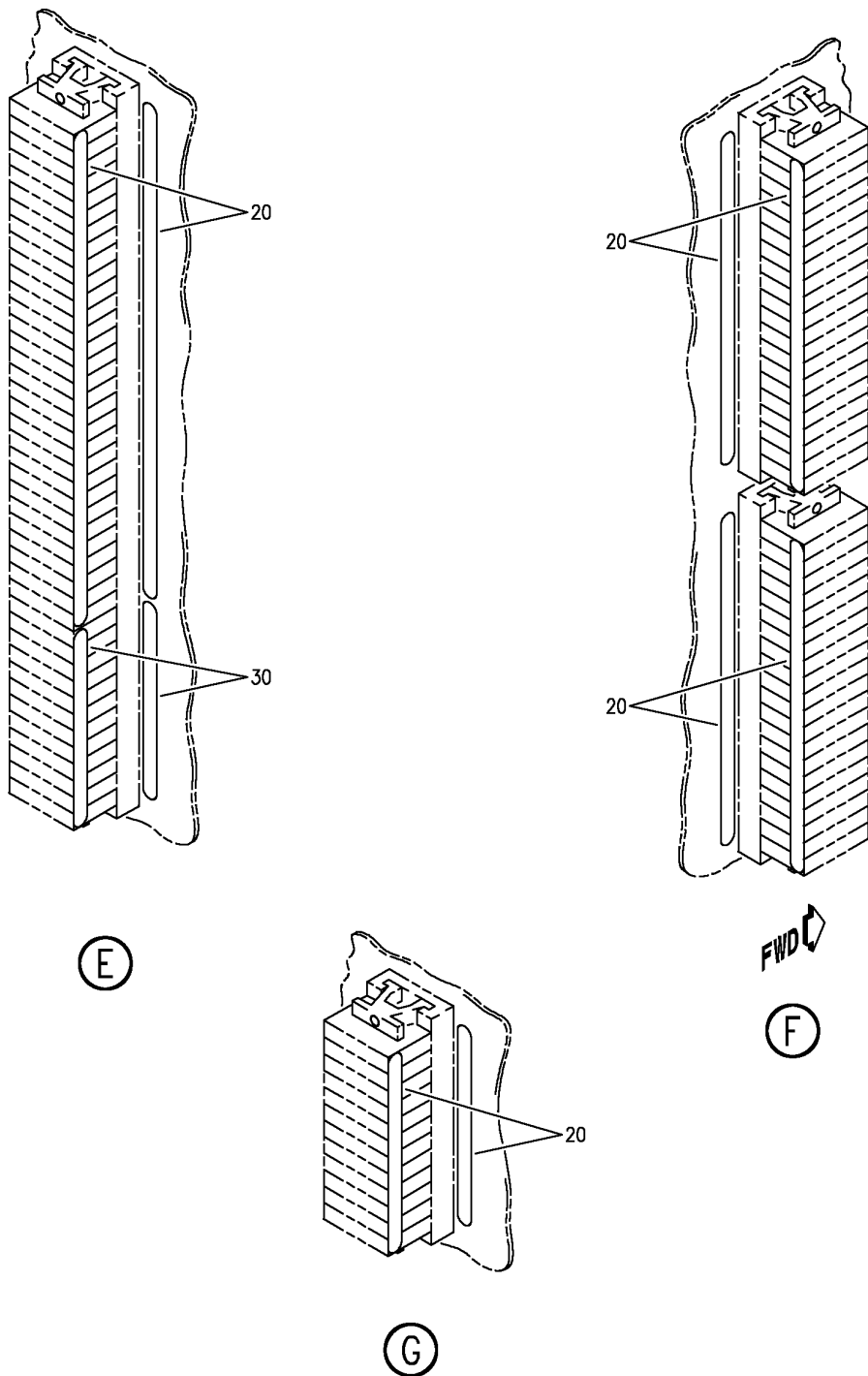
EQUIPMENT ASSY-P36 MISC ELEC PNL L (PLACARDS AND MARKINGS ONLY)
FIGURE 14 (SHEET 2)

11-36-09-14

HXL
AUG 22/08

11-36-09-14
PAGE 0A

BOEING
767
PARTS CATALOG (MAINTENANCE)



V 11360914 SH1 3 REV 331

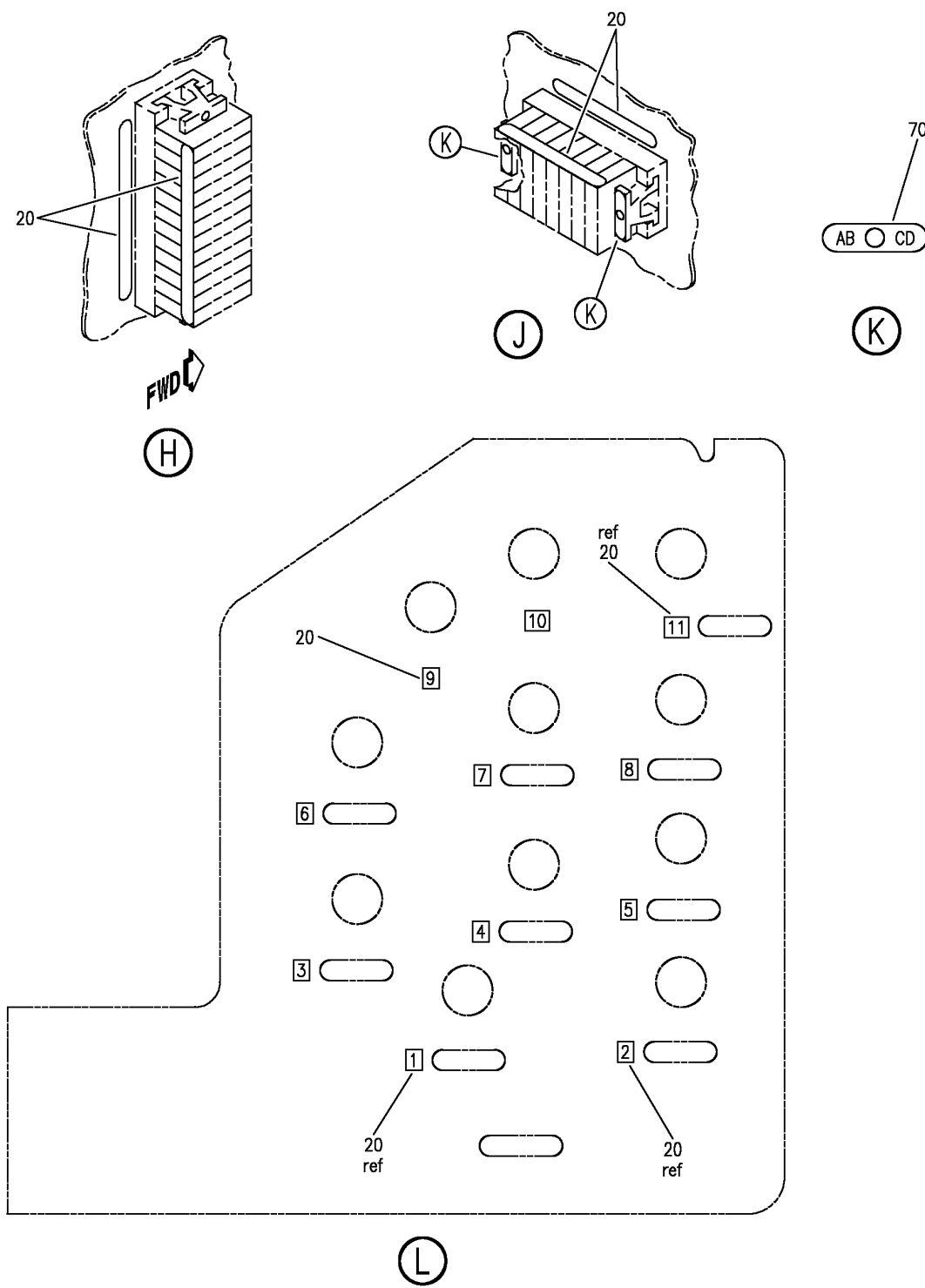
EQUIPMENT ASSY-P36 MISC ELEC PNL L (PLACARDS AND MARKINGS ONLY)
FIGURE 14 (SHEET 3)

11-36-09-14

HXL
AUG 22/08

11-36-09-14
PAGE 0B

BOEING
767
PARTS CATALOG (MAINTENANCE)



V 11360914 SH1 4 REV 331

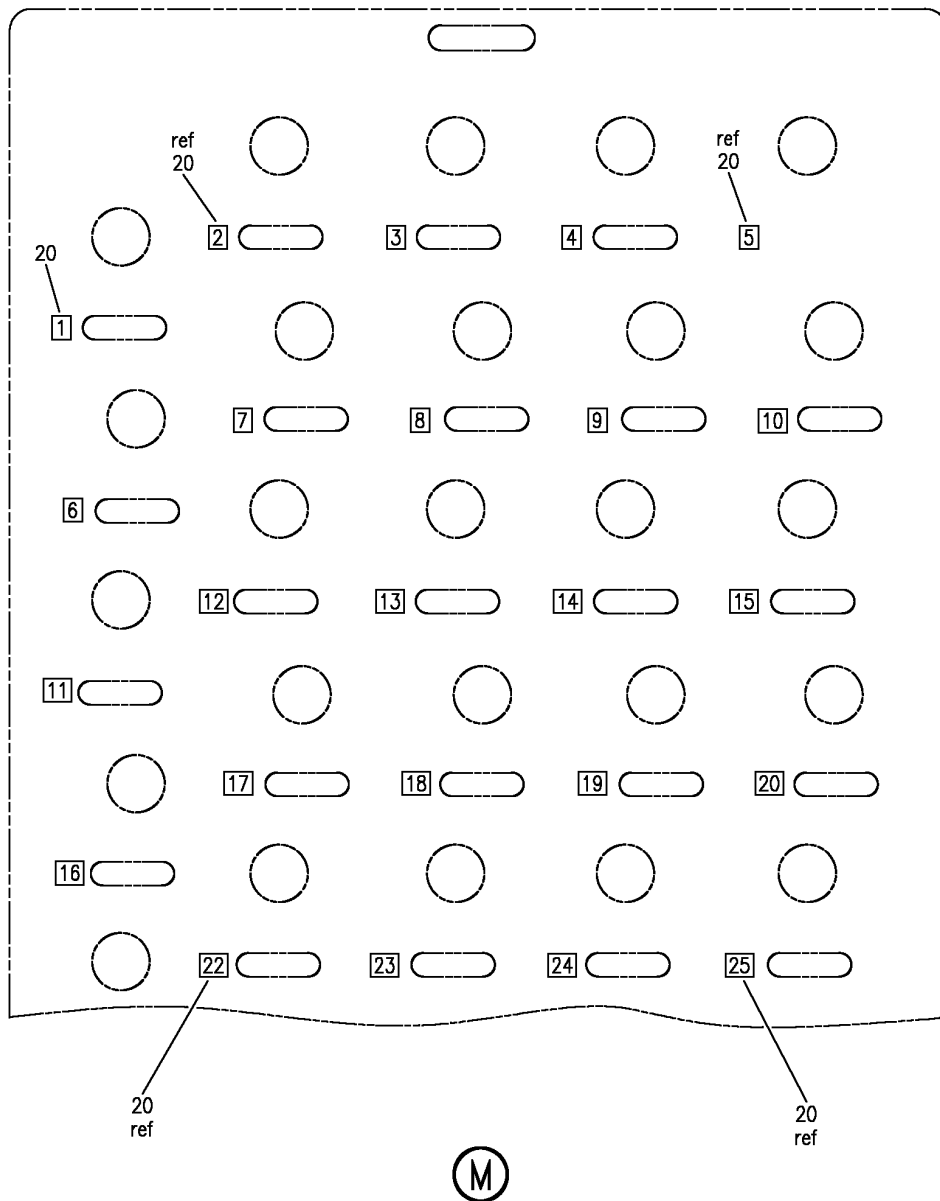
EQUIPMENT ASSY-P36 MISC ELEC PNL L (PLACARDS AND MARKINGS ONLY)
FIGURE 14 (SHEET 4)

11-36-09-14

HXL
AUG 22/08

11-36-09-14
PAGE 0C

BOEING
767
PARTS CATALOG (MAINTENANCE)



V 11360914 SH- 5 REV 331

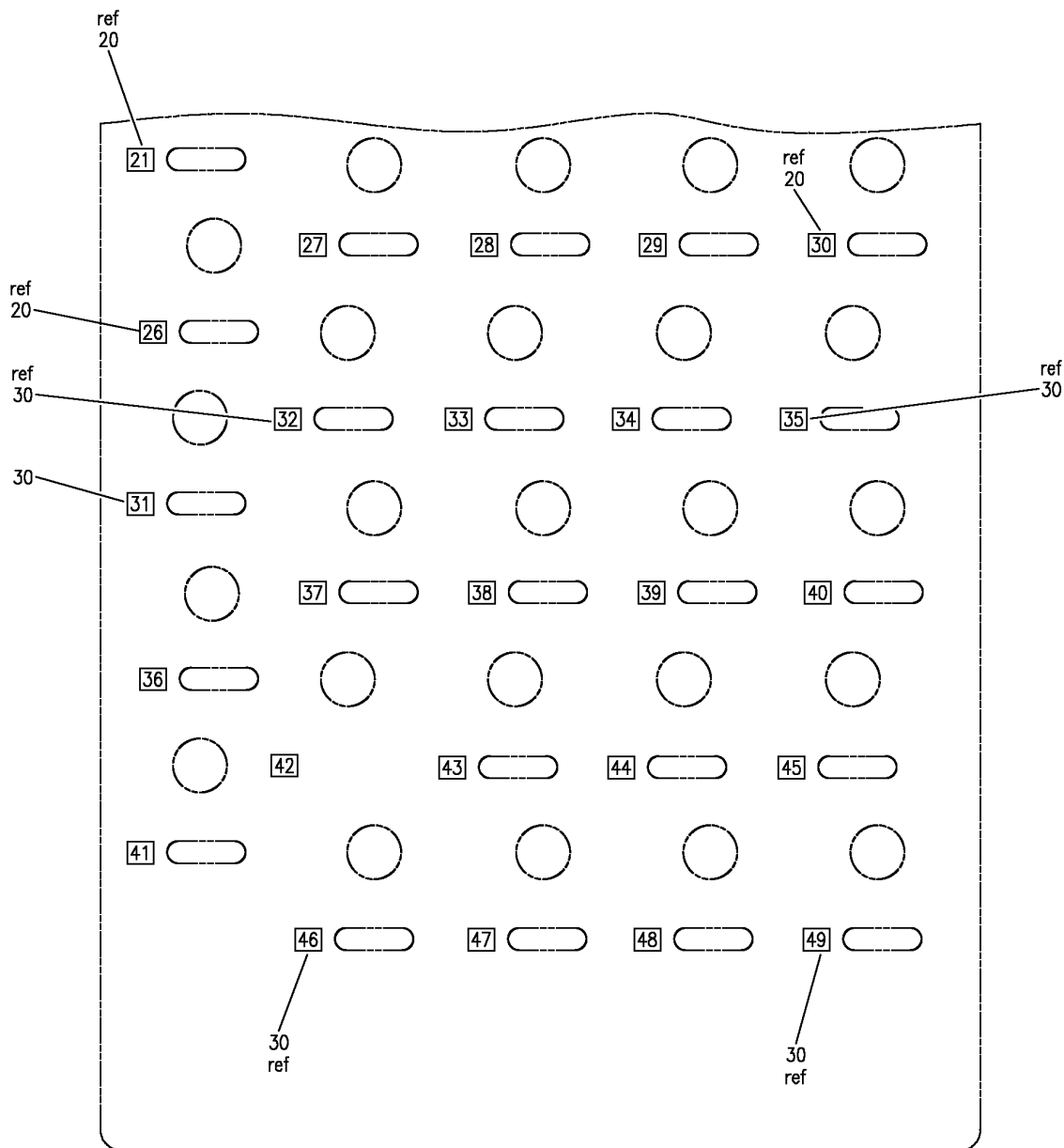
EQUIPMENT ASSY-P36 MISC ELEC PNL L (PLACARDS AND MARKINGS ONLY)
FIGURE 14 (SHEET 5)

11-36-09-14

HXL
AUG 22/08

11-36-09-14
PAGE 0D


BOEING
 767
PARTS CATALOG (MAINTENANCE)



V 11360914 SH1 6 REV 331



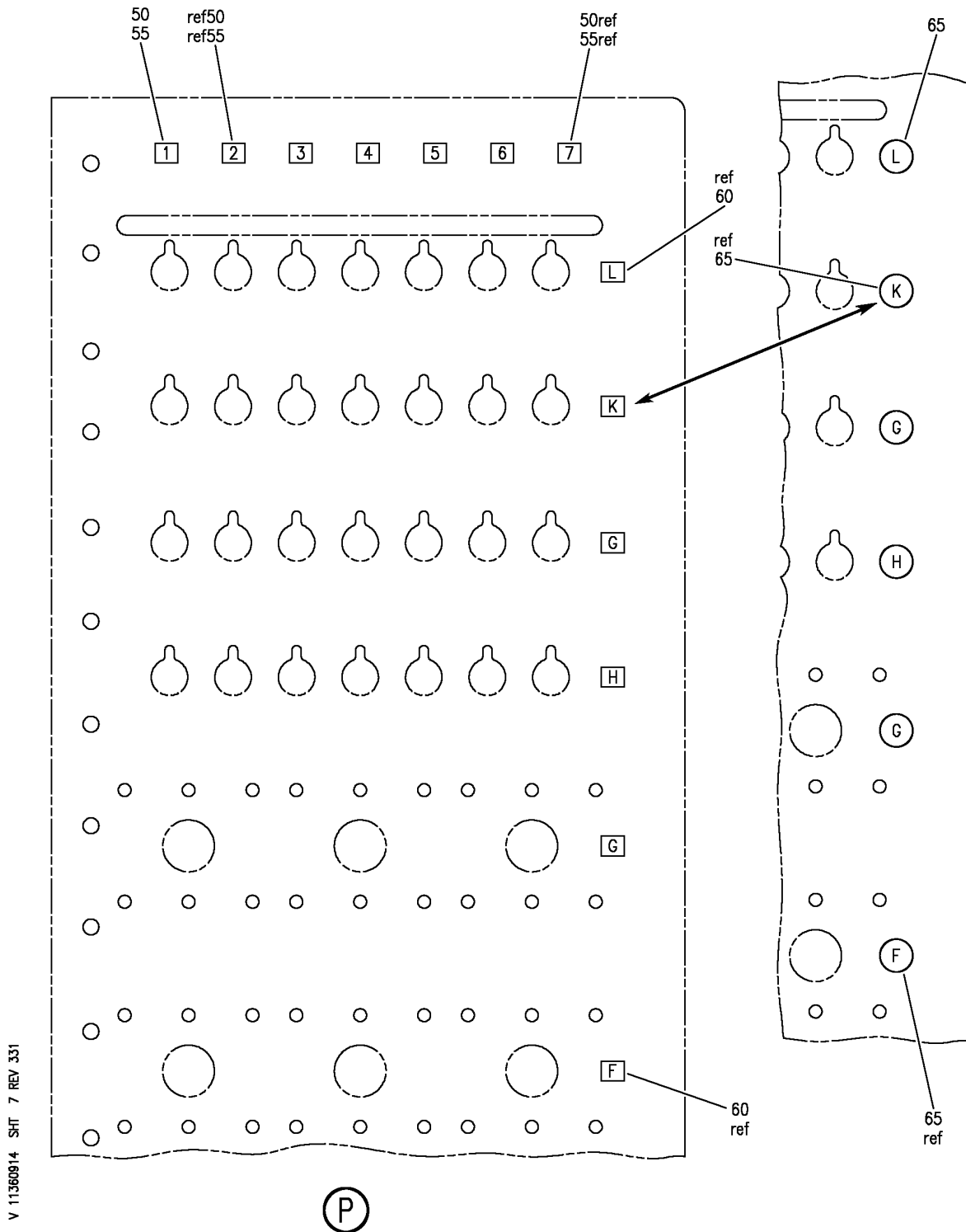
EQUIPMENT ASSY-P36 MISC ELEC PNL L (PLACARDS AND MARKINGS ONLY)
 FIGURE 14 (SHEET 6)

11-36-09-14

HXL
 AUG 22/08

11-36-09-14
 PAGE 0E

BOEING
767
PARTS CATALOG (MAINTENANCE)



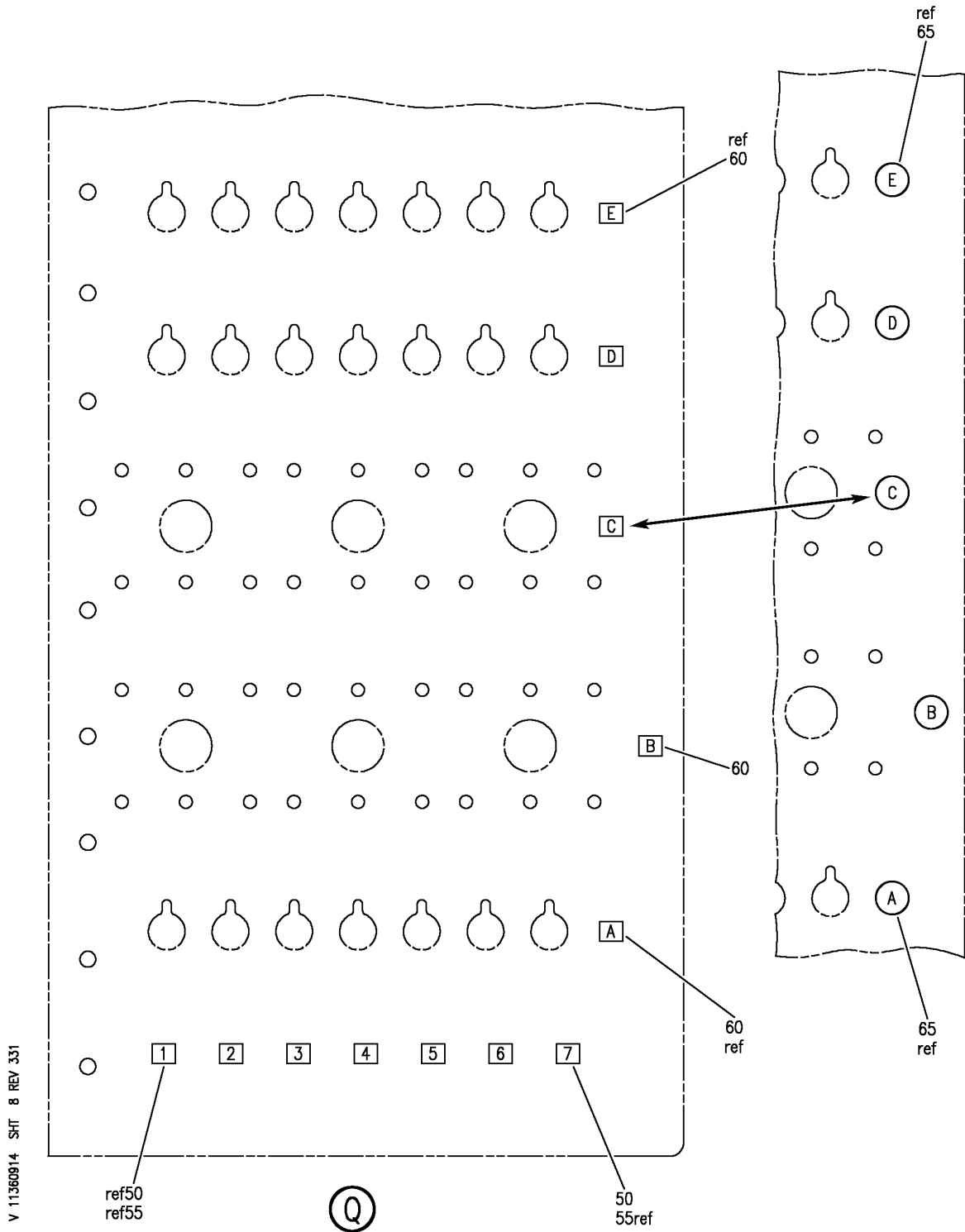
EQUIPMENT ASSY-P36 MISC ELEC PNL L (PLACARDS AND MARKINGS ONLY)
FIGURE 14 (SHEET 7)

HXL
AUG 22/08

11-36-09-14

11-36-09-14
PAGE OF

BOEING
767
PARTS CATALOG (MAINTENANCE)



V 11360914 SHT 8 REV 331

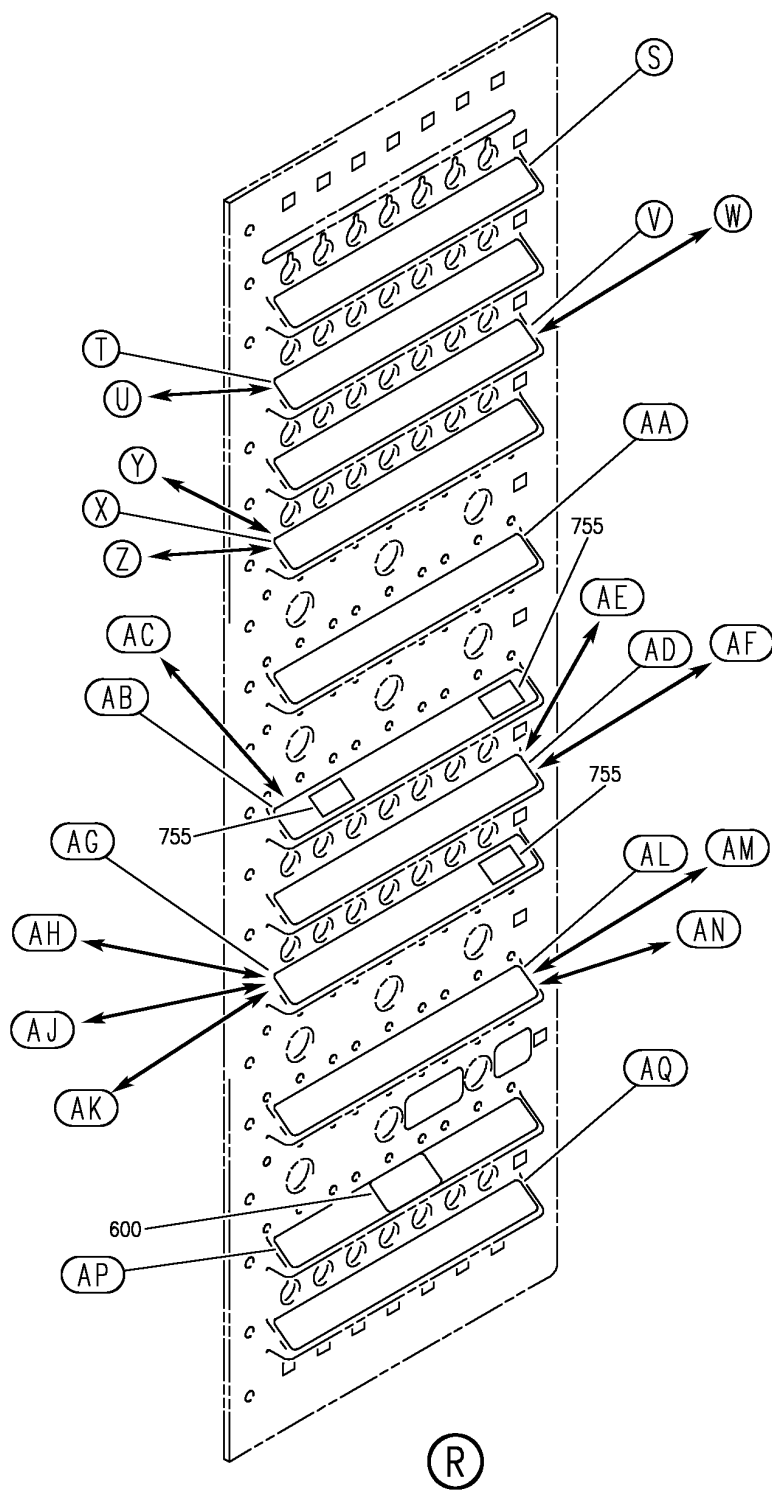
EQUIPMENT ASSY-P36 MISC ELEC PNL L (PLACARDS AND MARKINGS ONLY)
FIGURE 14 (SHEET 8)

11-36-09-14

HXL
AUG 22/08

11-36-09-14
PAGE 0G

BOEING
767
PARTS CATALOG (MAINTENANCE)



V 11360914 SH- 9 REV 332

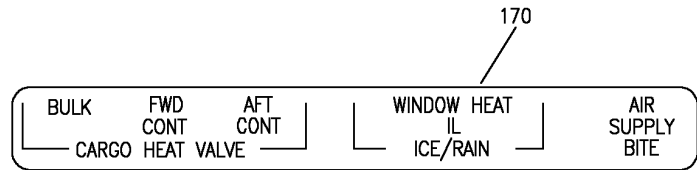
EQUIPMENT ASSY-P36 MISC ELEC PNL L (PLACARDS AND MARKINGS ONLY)
FIGURE 14 (SHEET 9)

11-36-09-14

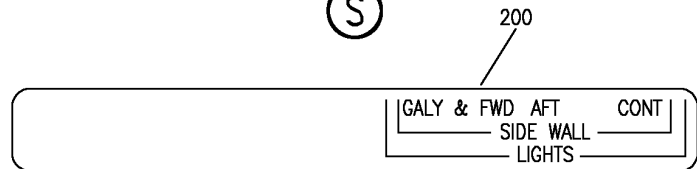
HXL
DEC 22/08

11-36-09-14
PAGE 0H

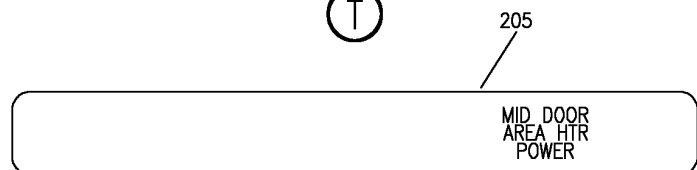
BOEING
767
PARTS CATALOG (MAINTENANCE)



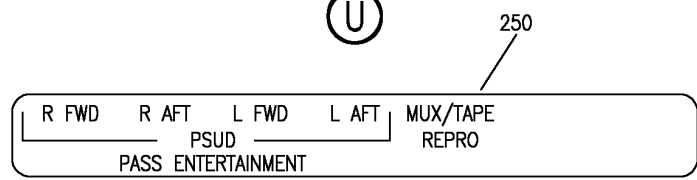
(S)



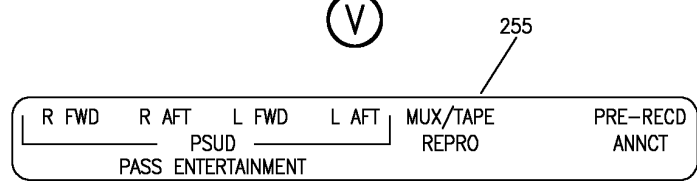
(T)



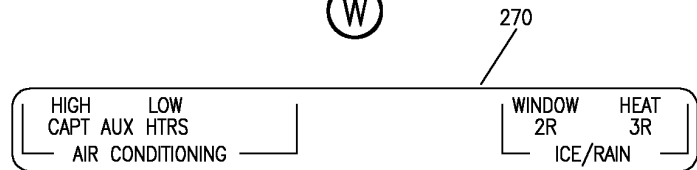
(U)



(V)



(W)



(X)

V 11360914 SH1 10 REV 331

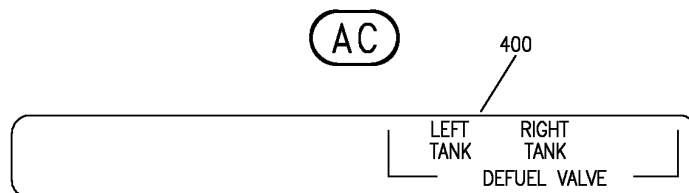
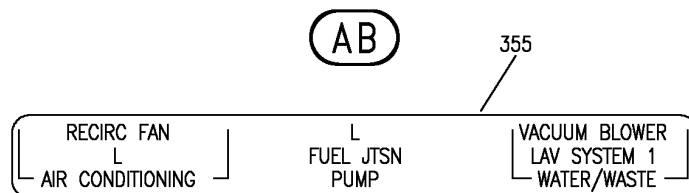
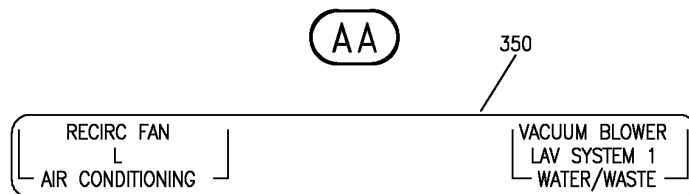
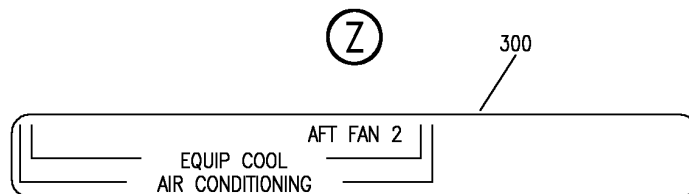
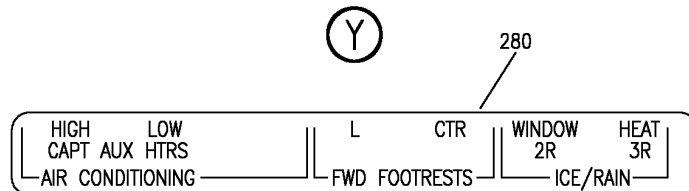
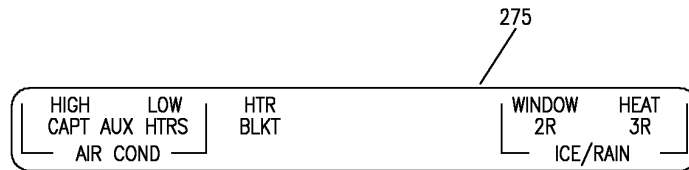
EQUIPMENT ASSY-P36 MISC ELEC PNL L (PLACARDS AND MARKINGS ONLY)
FIGURE 14 (SHEET 10)

11-36-09-14

HXL
AUG 22/08

11-36-09-14
PAGE 01


BOEING
 767
PARTS CATALOG (MAINTENANCE)



AD

V 11360914 SH11 REV 331

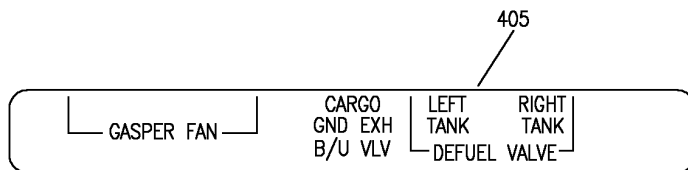
EQUIPMENT ASSY-P36 MISC ELEC PNL L (PLACARDS AND MARKINGS ONLY)
FIGURE 14 (SHEET 11)

11-36-09-14

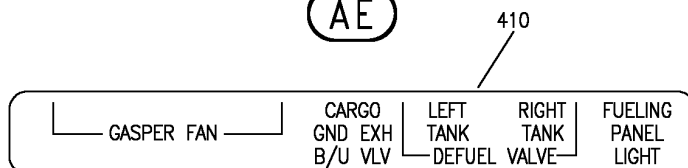
HXL
AUG 22/08

11-36-09-14
PAGE 0J

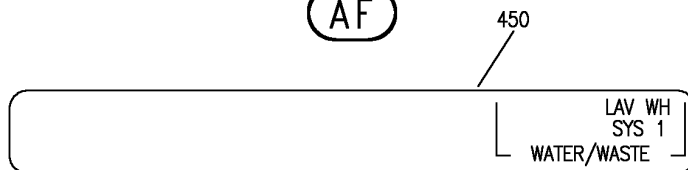
BOEING
767
PARTS CATALOG (MAINTENANCE)



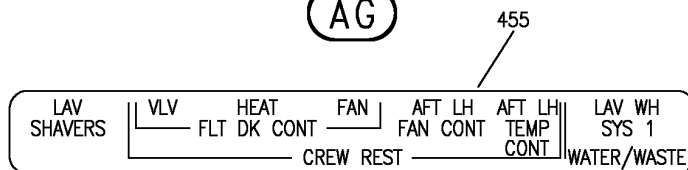
(AE)



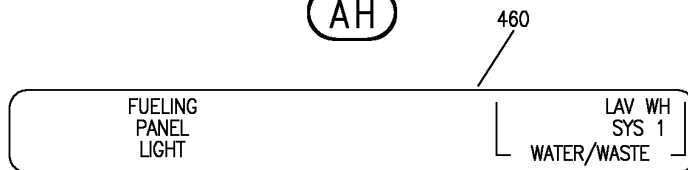
(AF)



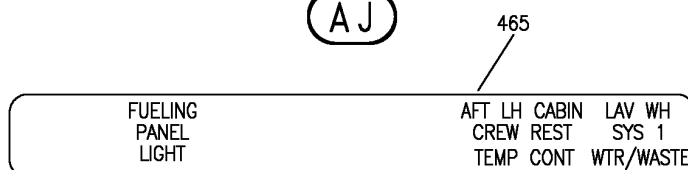
(AG)



(AH)



(AJ)



(AK)

V 11360914 SH1 12 REV 331

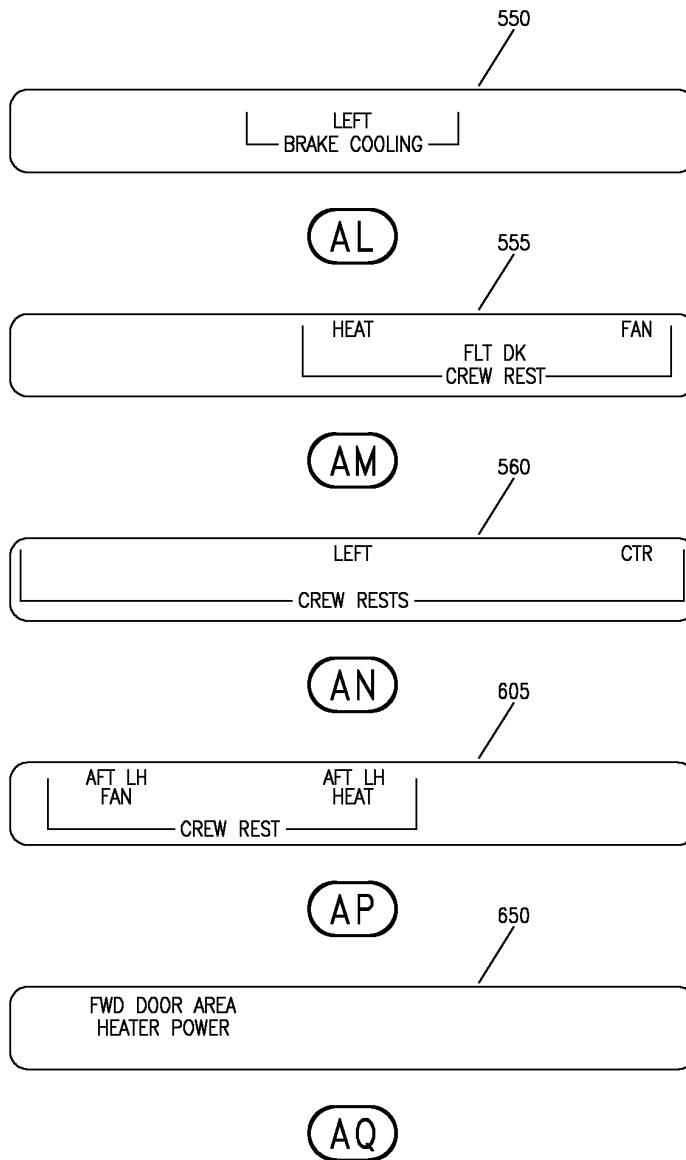
EQUIPMENT ASSY-P36 MISC ELEC PNL L (PLACARDS AND MARKINGS ONLY)
FIGURE 14 (SHEET 12)

11-36-09-14

HXL
AUG 22/08

11-36-09-14
PAGE OK

BOEING
767
PARTS CATALOG (MAINTENANCE)



V 11360914 SH1 13 REV 331

EQUIPMENT ASSY-P36 MISC ELEC PNL L (PLACARDS AND MARKINGS ONLY)
FIGURE 14 (SHEET 13)

11-36-09-14

HXL
AUG 22/08

11-36-09-14
PAGE 01



767

PARTS CATALOG (MAINTENANCE)

FIG ITEM	PART NUMBER	1 2 3 4 5 6 7	NOMENCLATURE	EFFECT FROM TO	UNITS PER ASSY
14			EQUIPMENT ASSY-P36 MISC ELEC PNL L (PLACARDS AND MARKINGS ONLY)	163999	
- 1	284T0187-205		EQUIPMENT ASSY-P36 MISC ELEC PNL (PLACARDS AND MARKINGS ONLY) POSITION DATA: L FOR NHA/OTHER SYS DET SEE: 53-11-70-03	163163	RF
- 1	284T0187-212		EQUIPMENT ASSY-P36 MISC ELEC PNL (PLACARDS AND MARKINGS ONLY) POSITION DATA: L FOR NHA/OTHER SYS DET SEE: 53-11-70-03	164999	RF
10	BAC27TEX0104		.DECAL	163999	1
15	BAC27TEX4340		.DECAL- PLACARD CONTENT: HOT BUS WARNING	163999	1
20	BAC27TEX4697		.DECAL- PLACARD CONTENT: 1 THRU 30	163999	31
30	BAC27TEX2797		.DECAL- PLACARD CONTENT: 31 THRU 60	163999	6
40	BAC27TEX2437		.DECAL- PLACARD CONTENT: 1 THRU 14	163999	1
45	BAC27TEX2438		.DECAL- PLACARD CONTENT: 1 THRU 12	163999	1
50	BAC27TEX0114		.DECAL- PLACARD CONTENT: 1 THRU 30	163999	2
60	BAC27TEX0105		.DECAL- PLACARD CONTENT: A THRU T OPTIONAL PART: BAC27TEX4671	163999	1
65	BAC27TEX4671		.DECALSET-(INCLUDES DECALS IDENTIFIED ON THE ILLUSTRATION) OPTIONAL PART: BAC27TEX0105	163999	1
70	BAC27TEX3806		.DECAL	163999	AR

ILLUSTRATION ITEMS NOT ON PARTS LIST ARE NOT APPLICABLE

- ITEM NOT ILLUSTRATED

11-36-09-14

11-36-09
FIG. 14
PAGE 1
AUG 22/08

HXL



767

PARTS CATALOG (MAINTENANCE)

FIG ITEM	PART NUMBER	1 2 3 4 5 6 7	NOMENCLATURE	EFFECT FROM TO	UNITS PER ASSY
14					
90	BAC27TEX4180		.DECALSET-INCLUDES DECALS IDENTIFIED ON THE ILLUSTRATION	163999	1
170	BAC27TEX3611		.DECAL	163999	1
255	BAC27TEX2274		.DECAL-	163999	1
275	BAC27TEX4389		.DECAL	163999	1
300	BAC27TEX3610		.DECAL	163999	1
355	BAC27TEX4440		.DECAL	163999	1
405	BAC27TEX4210		.DECAL	163999	1
455	BAC27TEX4662		.DECAL	163999	1
555	BAC27TEX4618		.DECAL	163999	1
605	BAC27TEX4619		.DECAL	163999	1
650	BAC27TEX3499		.DECAL	163999	1
700	BAC27TEX0689		.DECAL- PLACARD CONTENT: INOP PRE SERVICE BULLETIN: 28-0046 POST ALERT SB: 28A0036R3	163999	2
705	BAC27TEX0689		.DECAL- PLACARD CONTENT: INOP	163999	2

ILLUSTRATION ITEMS NOT ON PARTS LIST ARE NOT APPLICABLE

- ITEM NOT ILLUSTRATED

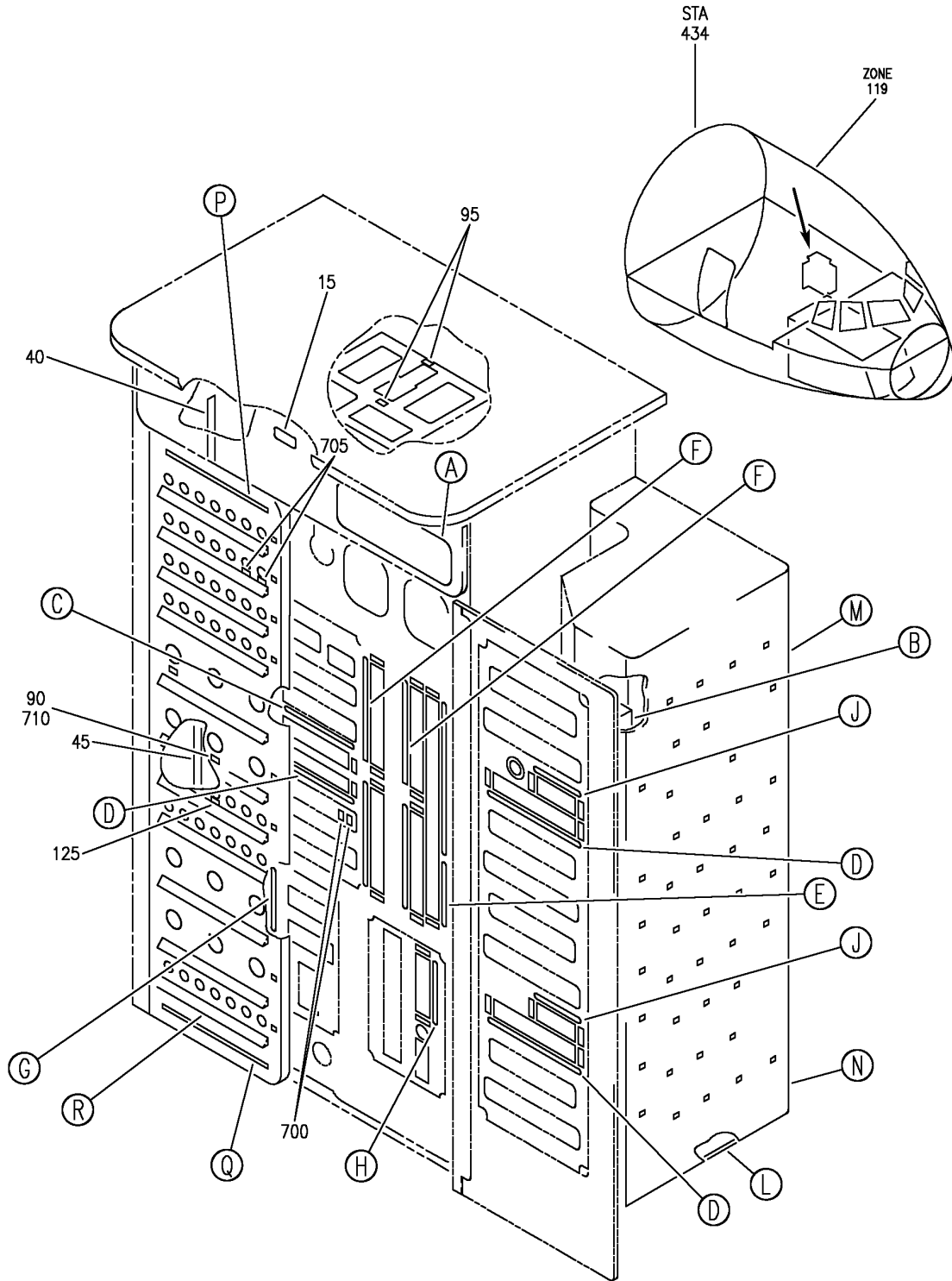
HXL

11-36-09-14

BOEING PROPRIETARY - Copyright © - Unpublished Work - See title page for details.

11-36-09
FIG. 14
PAGE 2
DEC 22/08

BOEING
767
PARTS CATALOG (MAINTENANCE)



V 11360914D SHT 1 REV 331

EQUIPMENT ASSY-P36 MISC ELEC PNL L (PLACARDS AND MARKINGS ONLY)
FIGURE 14D (SHEET 1)

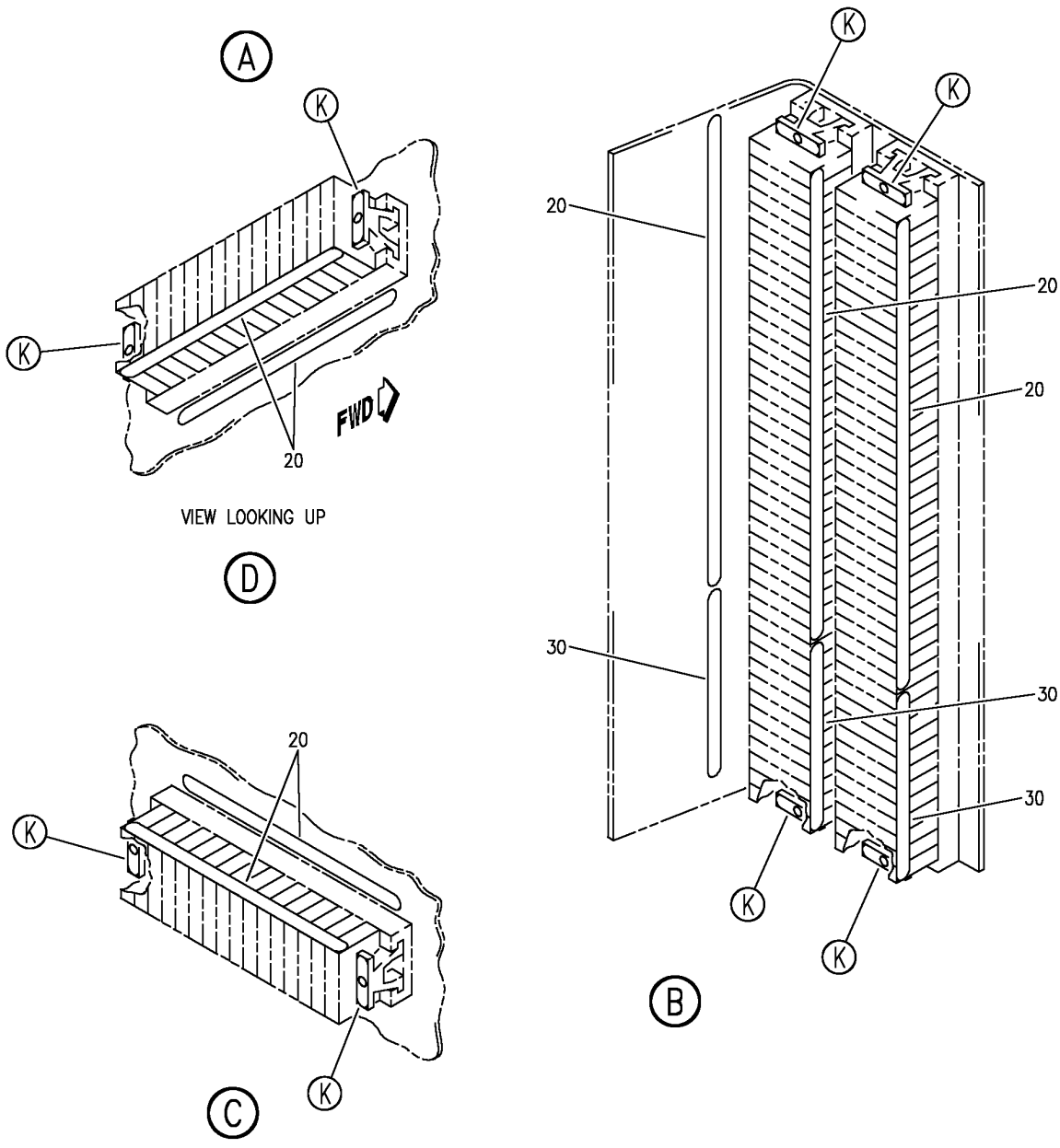
HXL
AUG 22/08

11-36-09-14D

11-36-09-14D
PAGE 0

BOEING
767
PARTS CATALOG (MAINTENANCE)

WARNING: DO NOT OPEN DOORS WHEN HOT BUS WARNING LIGHTS ARE ON. SERIOUS FIRES OR PERSONAL INJURY MAY RESULT.



V 11360914D SHT 2 REV 331

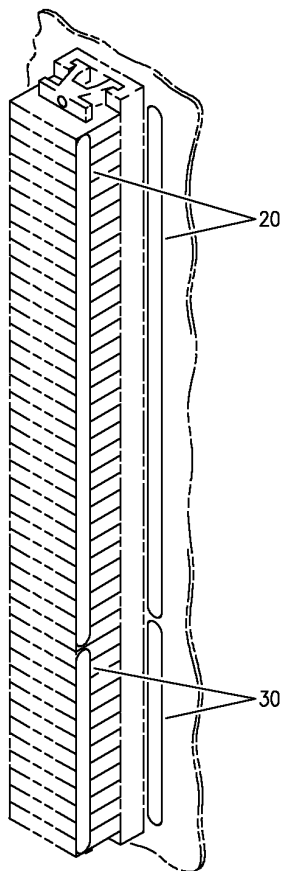
EQUIPMENT ASSY-P36 MISC ELEC PNL L (PLACARDS AND MARKINGS ONLY)
FIGURE 14D (SHEET 2)

11-36-09-14D

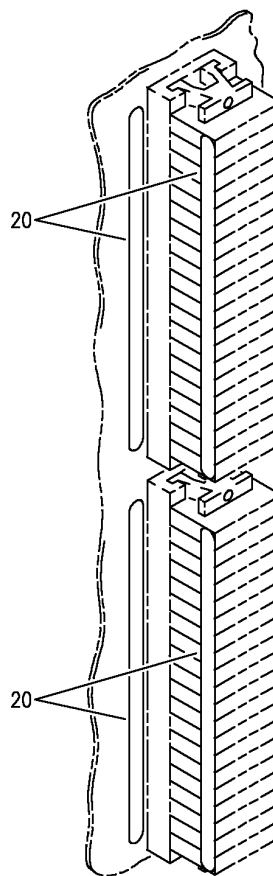
HXL
AUG 22/08

11-36-09-14D
PAGE 0A

BOEING
767
PARTS CATALOG (MAINTENANCE)

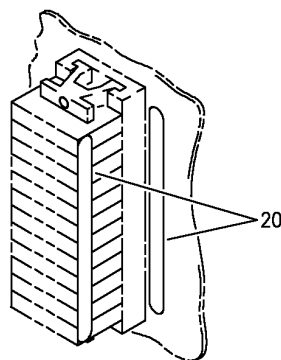


(E)



FWD

(F)



(G)

V 11360914D SHT 3 REV 331

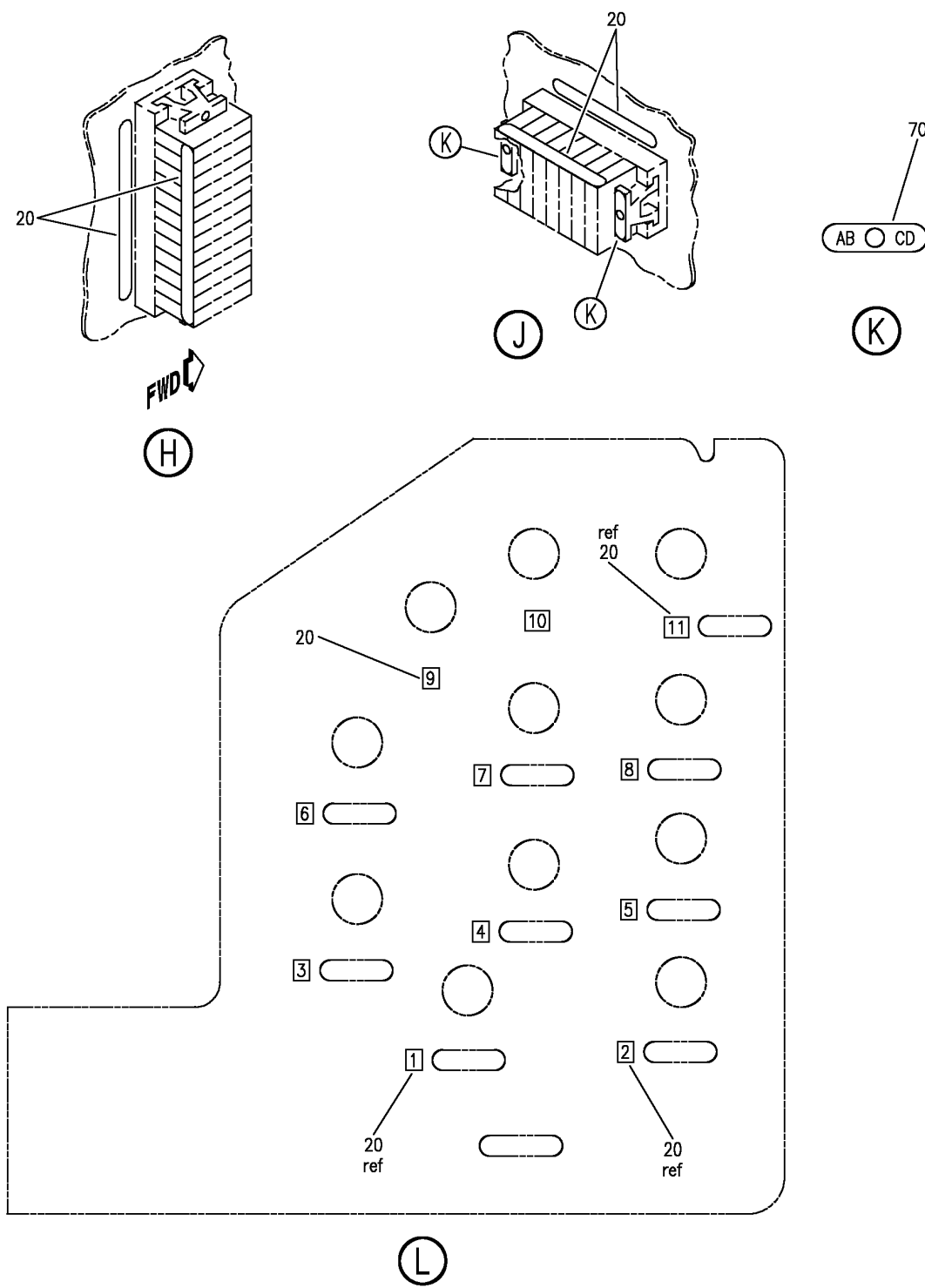
EQUIPMENT ASSY-P36 MISC ELEC PNL L (PLACARDS AND MARKINGS ONLY)
FIGURE 14D (SHEET 3)

11-36-09-14D

HXL
AUG 22/08

11-36-09-14D
PAGE 0B

BOEING
767
PARTS CATALOG (MAINTENANCE)



V 11360914D SHT 4 REV 331

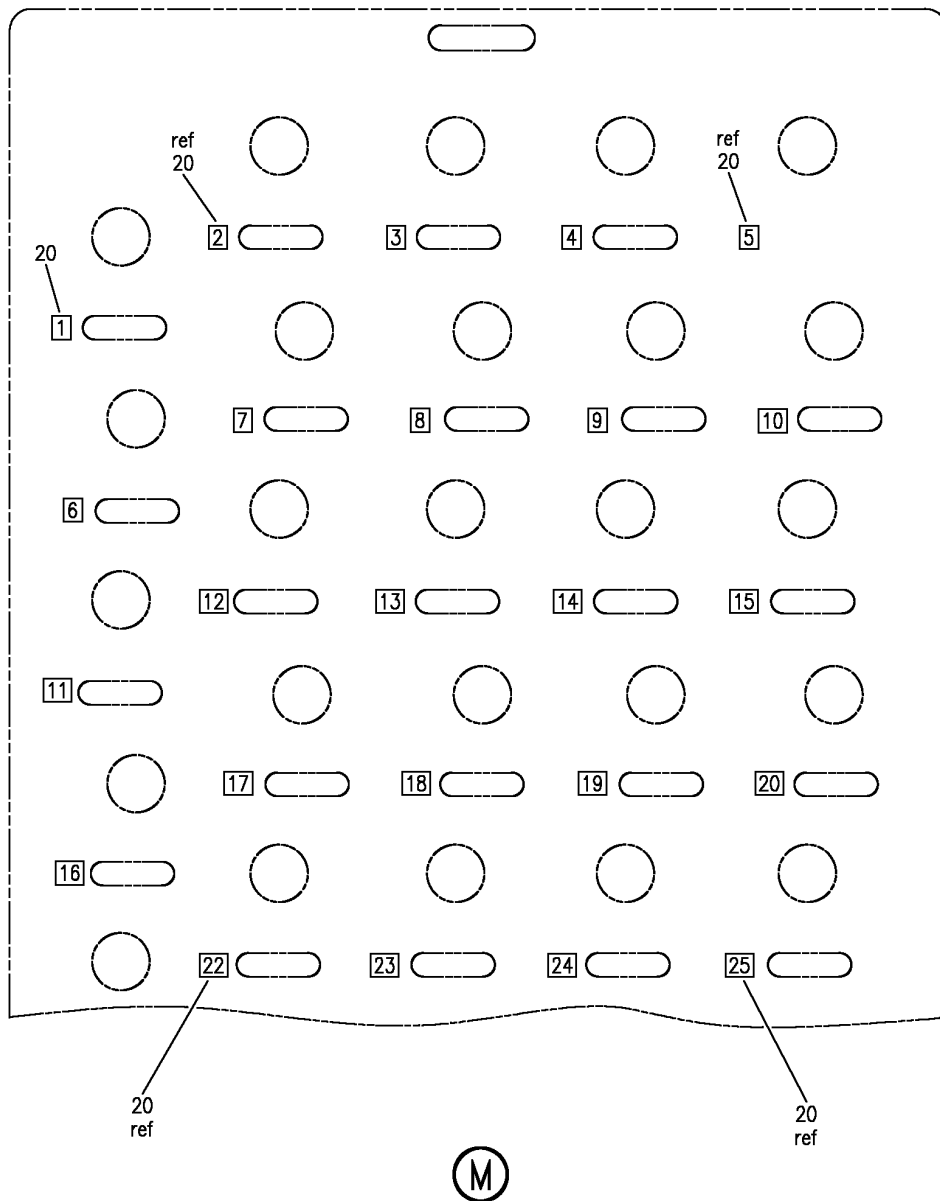
EQUIPMENT ASSY-P36 MISC ELEC PNL L (PLACARDS AND MARKINGS ONLY)
FIGURE 14D (SHEET 4)

11-36-09-14D

HXL
AUG 22/08

11-36-09-14D
PAGE 0C

BOEING
767
PARTS CATALOG (MAINTENANCE)



V 11360914D SHT 5 REV 331

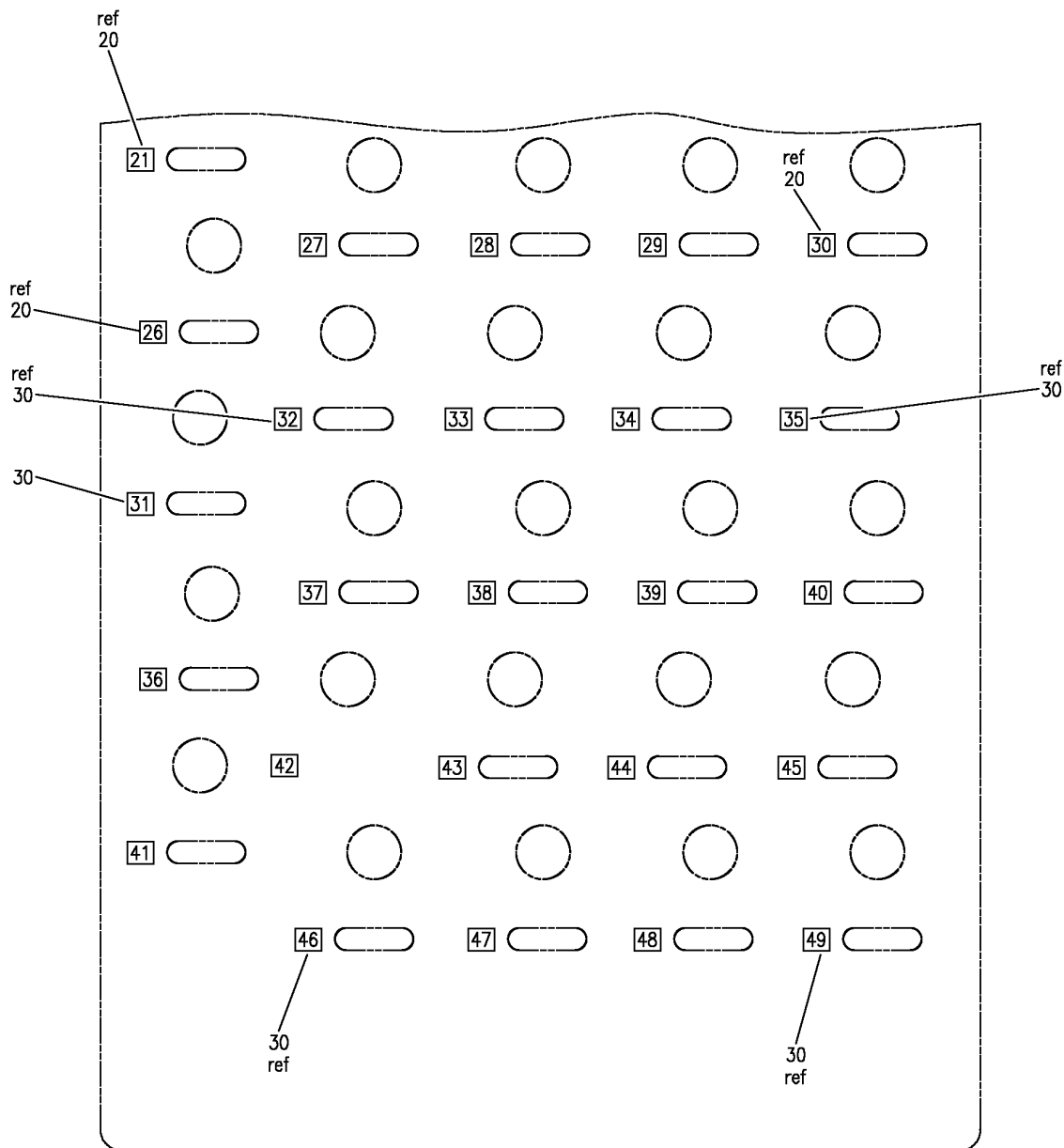
EQUIPMENT ASSY-P36 MISC ELEC PNL L (PLACARDS AND MARKINGS ONLY)
FIGURE 14D (SHEET 5)

11-36-09-14D

HXL
AUG 22/08

11-36-09-14D
PAGE 0D


BOEING
 767
PARTS CATALOG (MAINTENANCE)



Ⓝ

V 11360914D SHT 6 REV 331

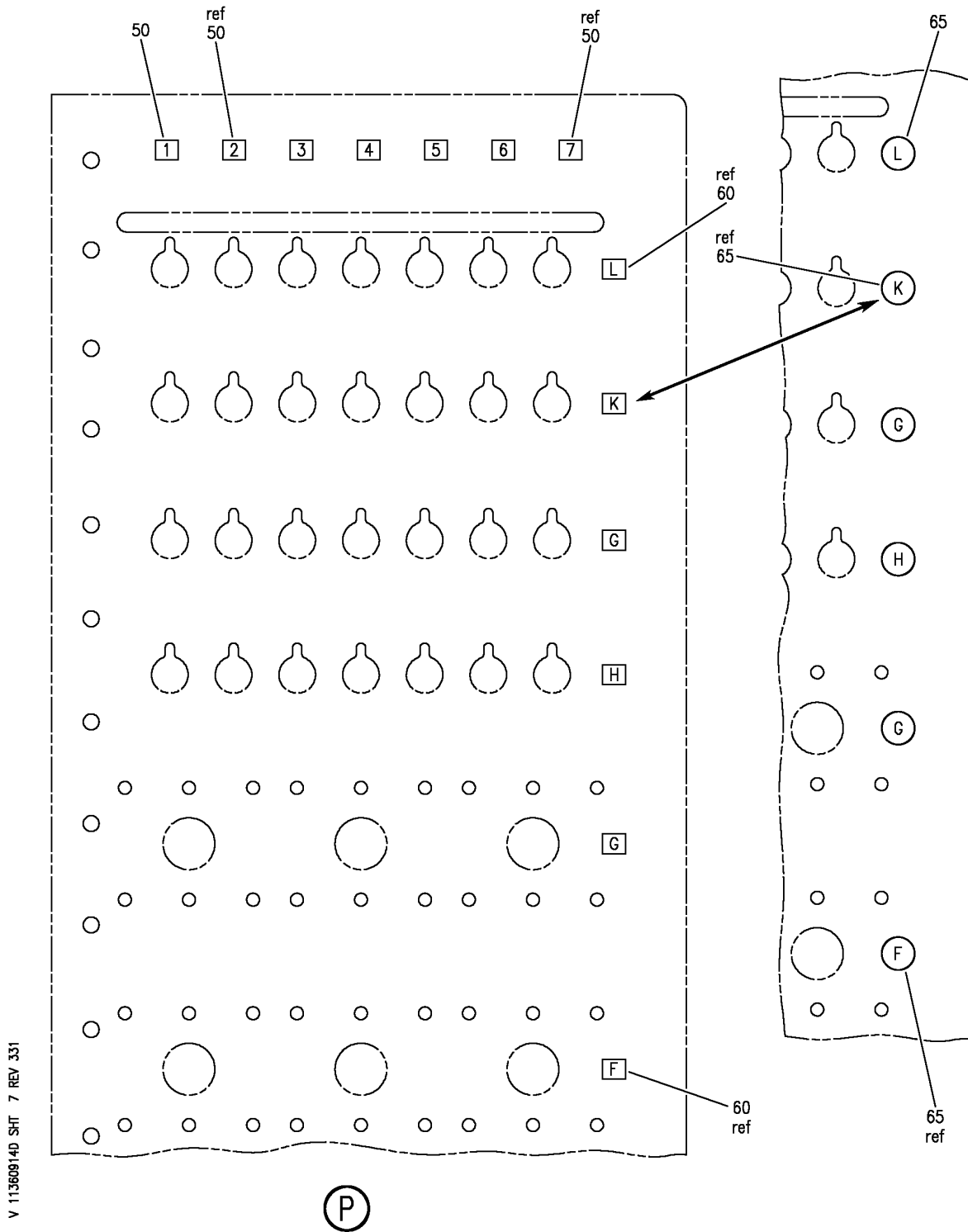
EQUIPMENT ASSY-P36 MISC ELEC PNL L (PLACARDS AND MARKINGS ONLY)
 FIGURE 14D (SHEET 6)

11-36-09-14D

HXL
 AUG 22/08

11-36-09-14D
 PAGE 0E


BOEING
 767
PARTS CATALOG (MAINTENANCE)



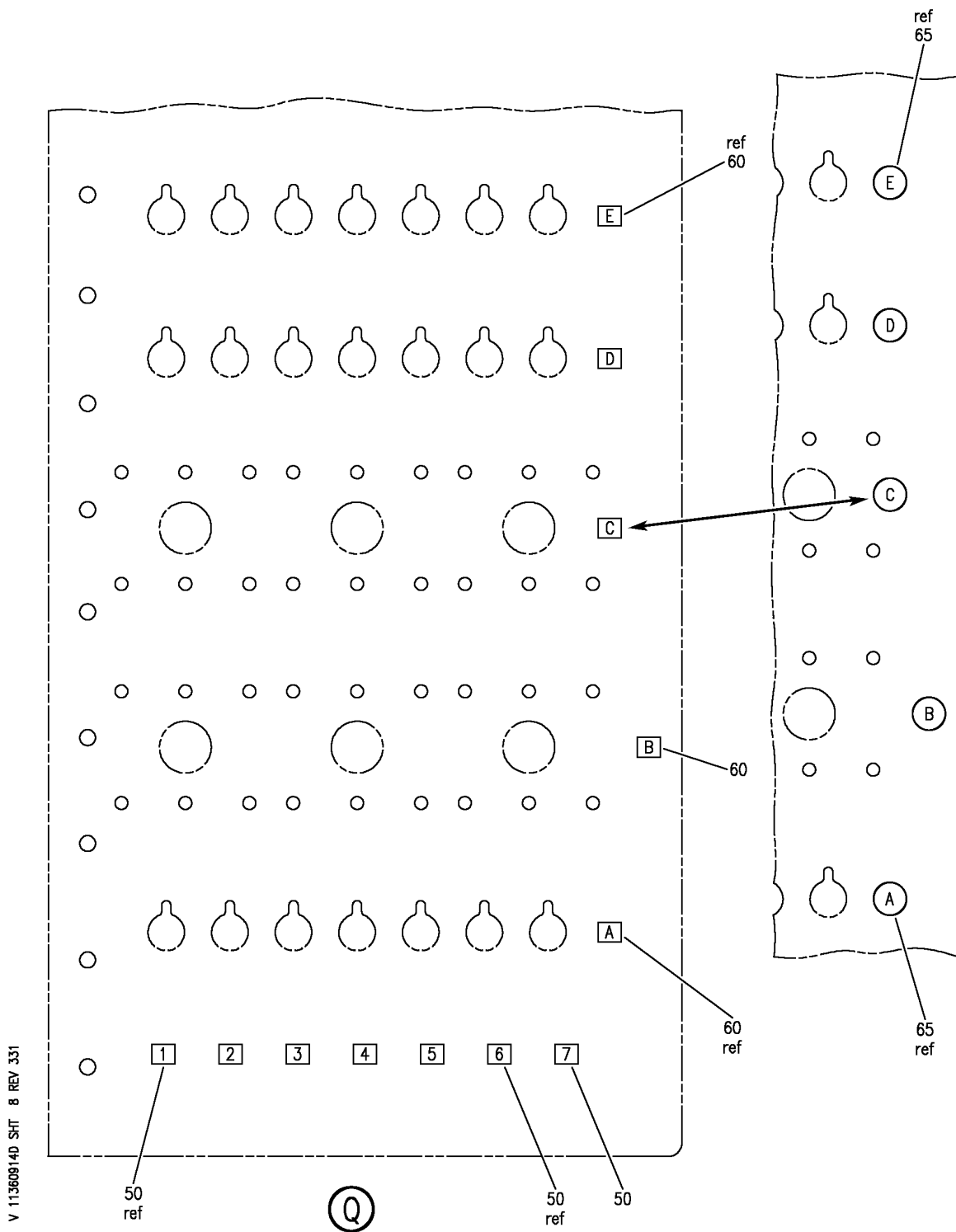
EQUIPMENT ASSY-P36 MISC ELEC PNL L (PLACARDS AND MARKINGS ONLY)
 FIGURE 14D (SHEET 7)

11-36-09-14D

HXL
 AUG 22/08

11-36-09-14D
 PAGE OF

BOEING
767
PARTS CATALOG (MAINTENANCE)



V 11360914D SHT 8 REV 331

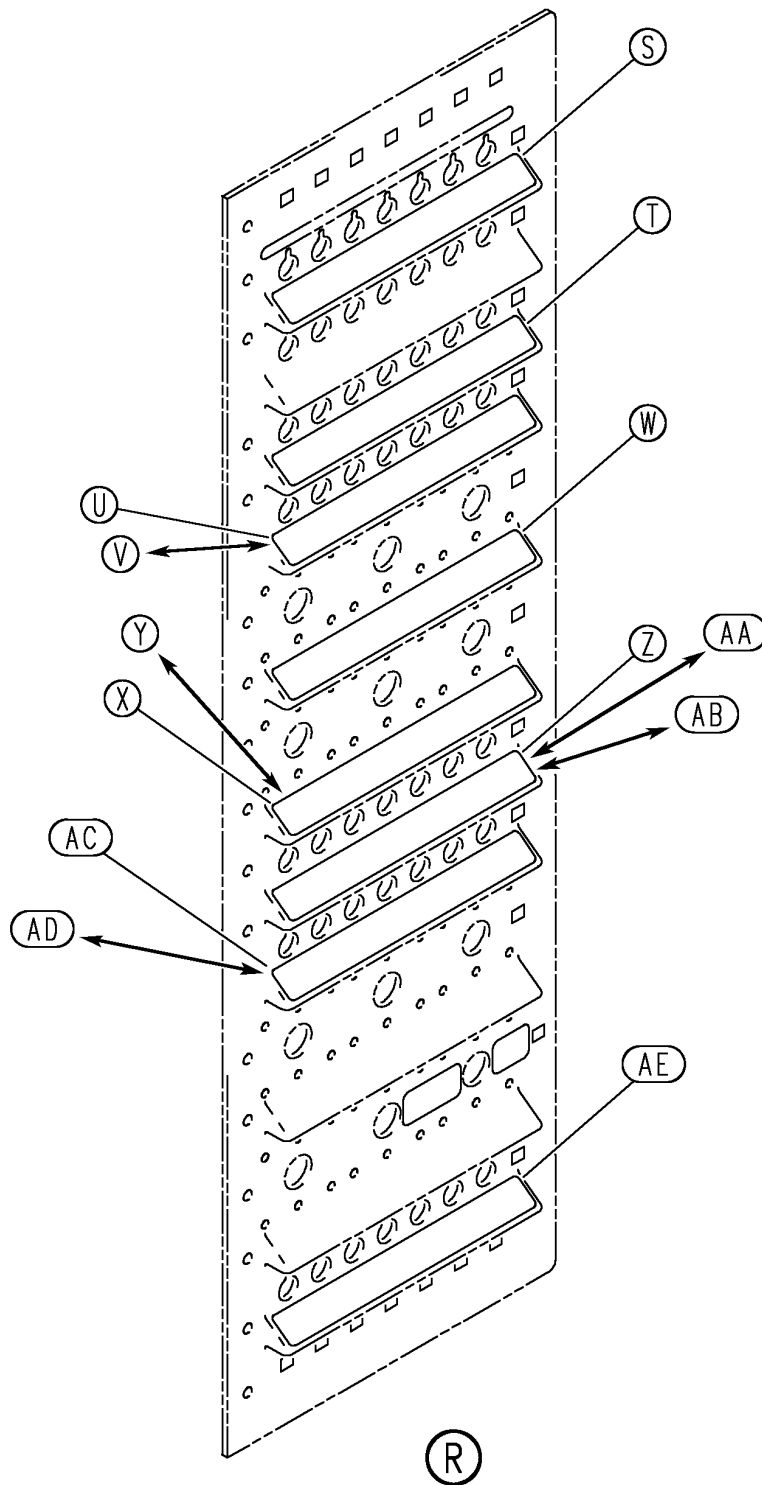
EQUIPMENT ASSY-P36 MISC ELEC PNL L (PLACARDS AND MARKINGS ONLY)
FIGURE 14D (SHEET 8)

11-36-09-14D

HXL
AUG 22/08

11-36-09-14D
PAGE 0G

BOEING
767
PARTS CATALOG (MAINTENANCE)



V 11360914D SHT 9 REV 331

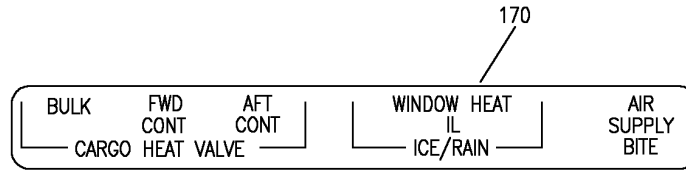
EQUIPMENT ASSY-P36 MISC ELEC PNL L (PLACARDS AND MARKINGS ONLY)
FIGURE 14D (SHEET 9)

11-36-09-14D

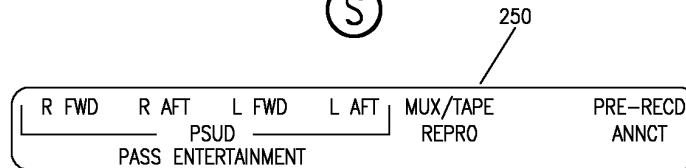
HXL
AUG 22/08

11-36-09-14D
PAGE 0H

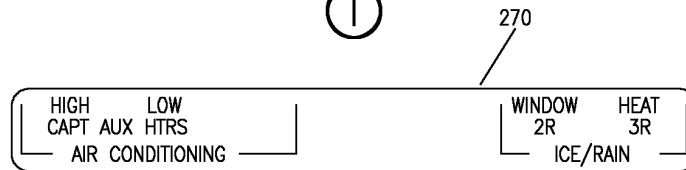
BOEING
767
PARTS CATALOG (MAINTENANCE)



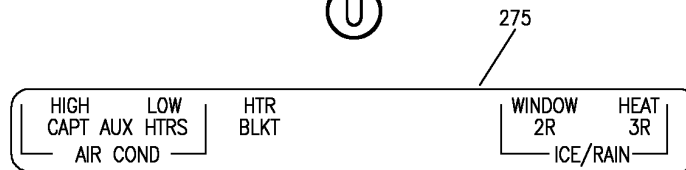
(S)



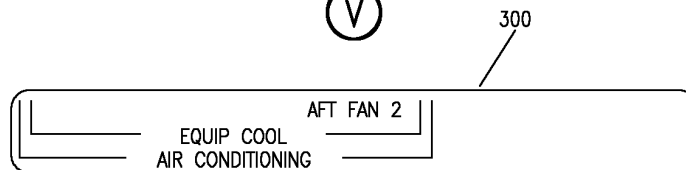
(T)



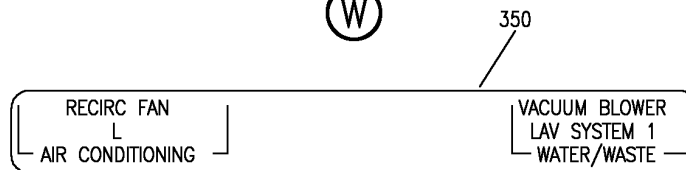
(U)



(V)



(W)



(X)

V 11360914D SHT 10 REV 331

EQUIPMENT ASSY-P36 MISC ELEC PNL L (PLACARDS AND MARKINGS ONLY)
FIGURE 14D (SHEET 10)

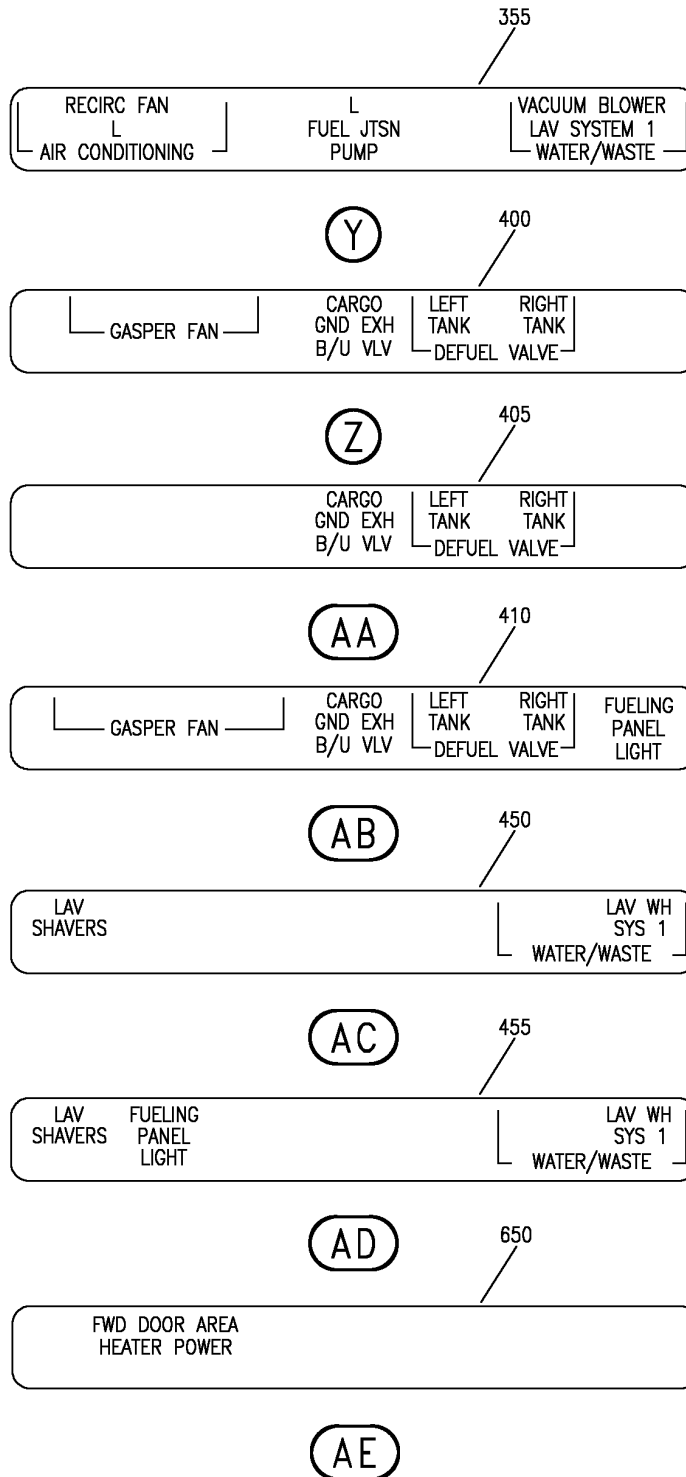
11-36-09-14D

HXL
AUG 22/08

11-36-09-14D
PAGE 01

BOEING PROPRIETARY - Copyright © - Unpublished Work - See title page for details.

BOEING
767
PARTS CATALOG (MAINTENANCE)



V 11360914D SHT 11 REV 331

EQUIPMENT ASSY-P36 MISC ELEC PNL L (PLACARDS AND MARKINGS ONLY)
FIGURE 14D (SHEET 11)

11-36-09-14D

HXL
AUG 22/08

11-36-09-14D
PAGE 0J

BOEING PROPRIETARY - Copyright © - Unpublished Work - See title page for details.

 **BOEING**
767
PARTS CATALOG (MAINTENANCE)

FIG ITEM	PART NUMBER	1 2 3 4 5 6 7	NOMENCLATURE	EFFECT FROM TO	UNITS PER ASSY
14D			EQUIPMENT ASSY-P36 MISC ELEC PNL L (PLACARDS AND MARKINGS ONLY)	155162	
- 1	284T0187-167		EQUIPMENT ASSY-P36 MISC ELEC PNL (PLACARDS AND MARKINGS ONLY) POSITION DATA: L VARIABLE DRAWING REF: 284T0187-7002 FOR NHA/OTHER SYS DET SEE: 53-11-70-03	155162	RF
10	BAC27TEX0104		.DECAL	155162	1
15	BAC27TEX4340		.DECAL- PLACARD CONTENT: HOT BUS WARNING	155162	1
20	BAC27TEX4697		.DECAL- PLACARD CONTENT: 1 THRU 30	155162	25
30	BAC27TEX2797		.DECAL- PLACARD CONTENT: 31 THRU 60	155162	5
40	BAC27TEX2437		.DECAL- PLACARD CONTENT: 1 THRU 14	155162	1
45	BAC27TEX2438		.DECAL- PLACARD CONTENT: 1 THRU 12	155162	1
50	BAC27TEX0114		.DECAL- PLACARD CONTENT: 1 THRU 30	155162	2
60	BAC27TEX0105		.DECAL- PLACARD CONTENT: A THRU T OPTIONAL PART: BAC27TEX4671	155162	1
65	BAC27TEX4671		.DECALSET-(INCLUDES DECALS IDENTIFIED ON THE ILLUSTRATION) OPTIONAL PART: BAC27TEX0105	155162	1
70	BAC27TEX3806		.DECAL	155162	AR
170	BAC27TEX3611		.DECAL	155162	1
250	BAC27TEX2274		.DECAL	155162	1
275	BAC27TEX4389		.DECAL	155162	1
300	BAC27TEX3610		.DECAL	155162	1
355	BAC27TEX4440		.DECAL	155162	1
400	BAC27TEX4210		.DECAL	155162	1
450	BAC27TEX4171		.DECAL	155162	1

ILLUSTRATION ITEMS NOT ON PARTS LIST ARE NOT APPLICABLE

- ITEM NOT ILLUSTRATED

HXL

11-36-09-14D

BOEING PROPRIETARY - Copyright © - Unpublished Work - See title page for details.

11-36-09
FIG. 14D
PAGE 1
AUG 22/08



767

PARTS CATALOG (MAINTENANCE)

FIG ITEM	PART NUMBER	1 2 3 4 5 6 7	NOMENCLATURE	EFFECT FROM TO	UNITS PER ASSY
14D					
650	BAC27TEX3499	.	DECAL	155162	1
700	BAC27TEX0689	.	DECAL-	155162	2
			PLACARD CONTENT: INOP		
			PRE SERVICE BULLETIN: 28-0046		
			POST ALERT SB: 28A0036R3		
705	BAC27TEX0689	.	DECAL-	155162	2
			PLACARD CONTENT: INOP		
710	BAC27TEX0689	.	DECAL-	155162	1
			PLACARD CONTENT: INOP		
			POST RAPID REVISION: RRB41033-19		

ILLUSTRATION ITEMS NOT ON PARTS LIST ARE NOT APPLICABLE

- ITEM NOT ILLUSTRATED

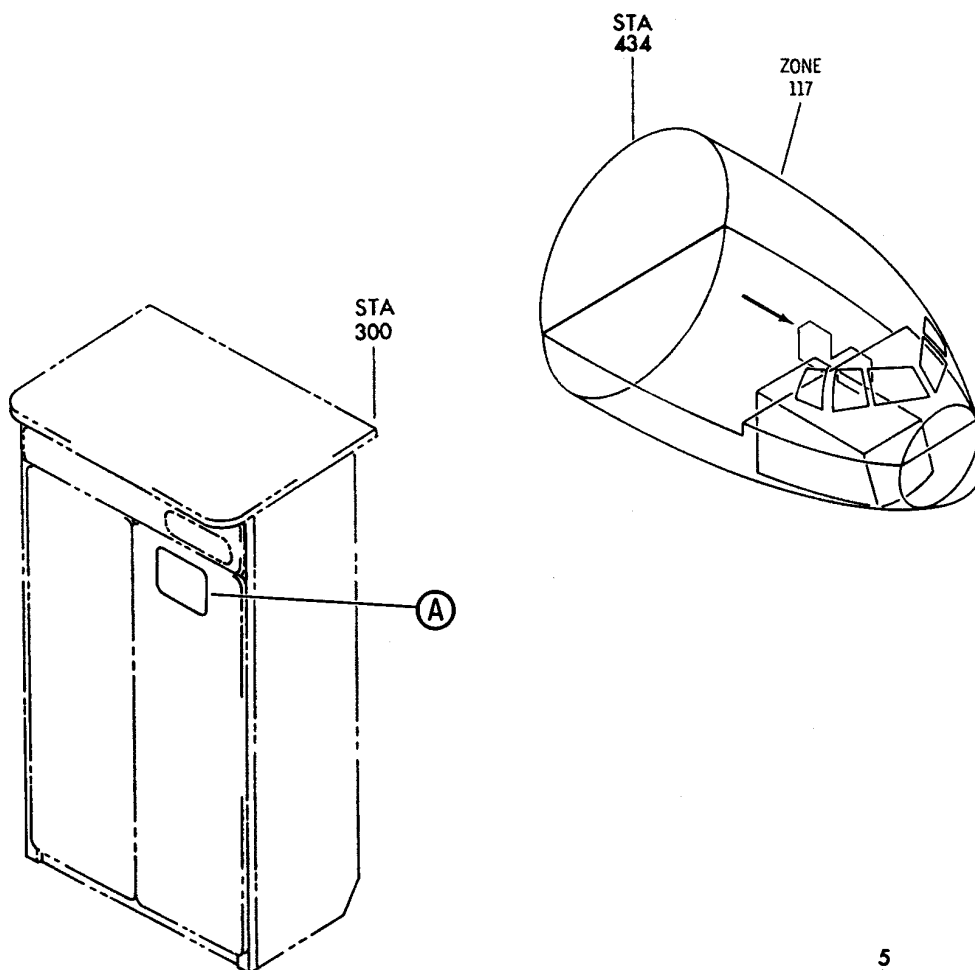
HXL

11-36-09-14D


BOEING PROPRIETARY - Copyright © - Unpublished Work - See title page for details.

11-36-09
FIG. 14D
PAGE 2
DEC 22/08

BOEING
767
PARTS CATALOG (MAINTENANCE)



5



NOTE:
WIRING, CONNECTORS, BONDS AND ELECTRICAL COMPONENTS IN THIS AREA ARE PROTECTED AGAINST EFFECTS OF LIGHTNING. SEE WIRING DIAGRAM MANUAL CHAPTERS 20 AND 73 FOR SPECIAL PRECAUTIONS REQUIRED FOR SERVICING WIRING AND ELECTRICAL COMPONENTS.

(A)

V 11360920 REV 225

DECAL INSTL-LIGHTNING STRIKE L MISC ELECTRICAL EQPT PNL P-36 (PLACARDS AND MARKINGS ONLY)
FIGURE 20

HXL
DEC 22/06

11-36-09-20

11-36-09-20
PAGE 0



767

PARTS CATALOG (MAINTENANCE)

FIG ITEM	PART NUMBER	1 2 3 4 5 6 7	NOMENCLATURE	EFFECT FROM TO	UNITS PER ASSY
20			DECAL INSTL-LIGHTNING STRIKE L MISC ELECTRICAL EQPT PNL P-36 (PLACARDS AND MARKINGS ONLY)		
- 1	287T0072-2		DECAL INSTL-LIGHTNING STRIKE L MISC ELECTRICAL EQPT PNL P-36 (PLACARDS AND MARKINGS ONLY) FOR NHA/OTHER SYS DET SEE: 24-00-57-02		RF
5	BAC27NEL1122		.MARKER		1

ILLUSTRATION ITEMS NOT ON PARTS LIST ARE NOT APPLICABLE

- ITEM NOT ILLUSTRATED

HXL

11-36-09-20

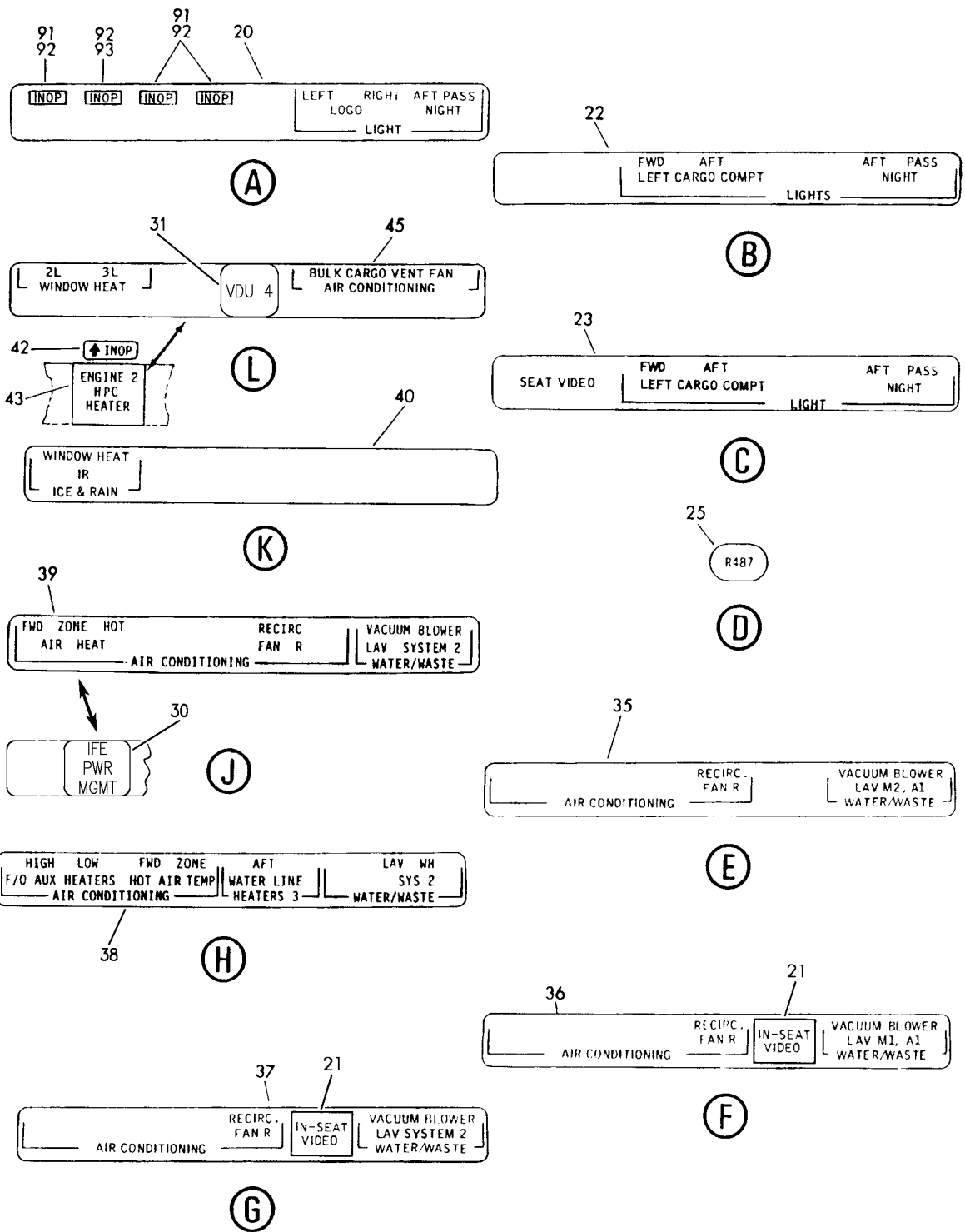
BOEING PROPRIETARY - Copyright © - Unpublished Work - See title page for details.

11-36-09
FIG. 20
PAGE 1
DEC 22/06

BOEING

767

PARTS CATALOG (MAINTENANCE)



V 11361002 SHT 2 REV 318

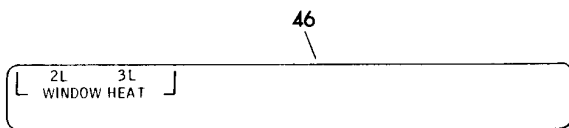
EQUIPMENT ASSY-P37 MISC ELEC PNL R (PLACARDS AND MARKINGS ONLY)
FIGURE 2 (SHEET 2)

11-36-10-02

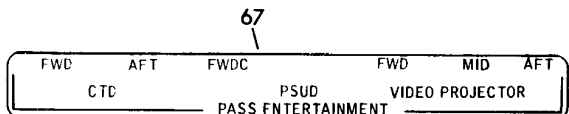
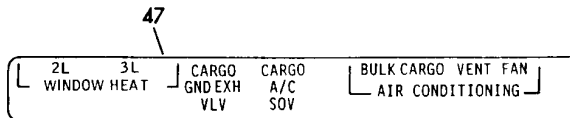
HXL
AUG 22/07

11-36-10-02
PAGE 0A

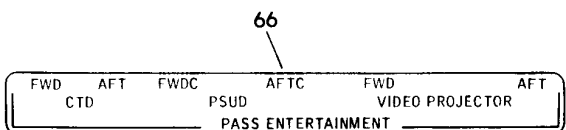
BOEING
767
PARTS CATALOG (MAINTENANCE)



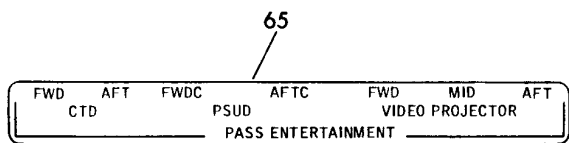
(M)



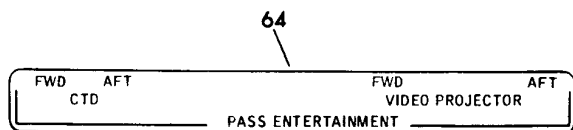
(U)



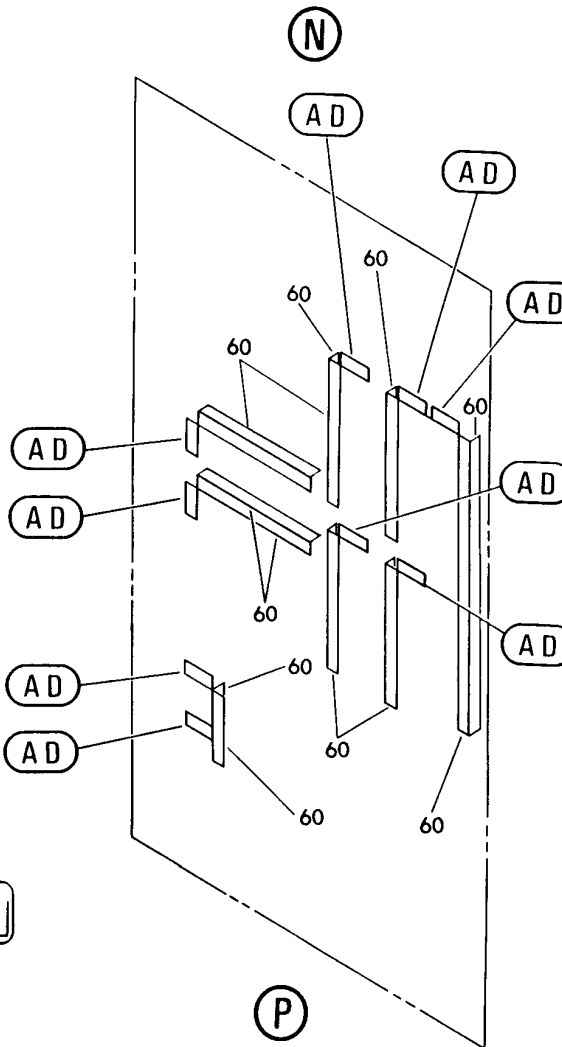
(T)



(S)



(R)



V 11361002 SH1 3 REV 338

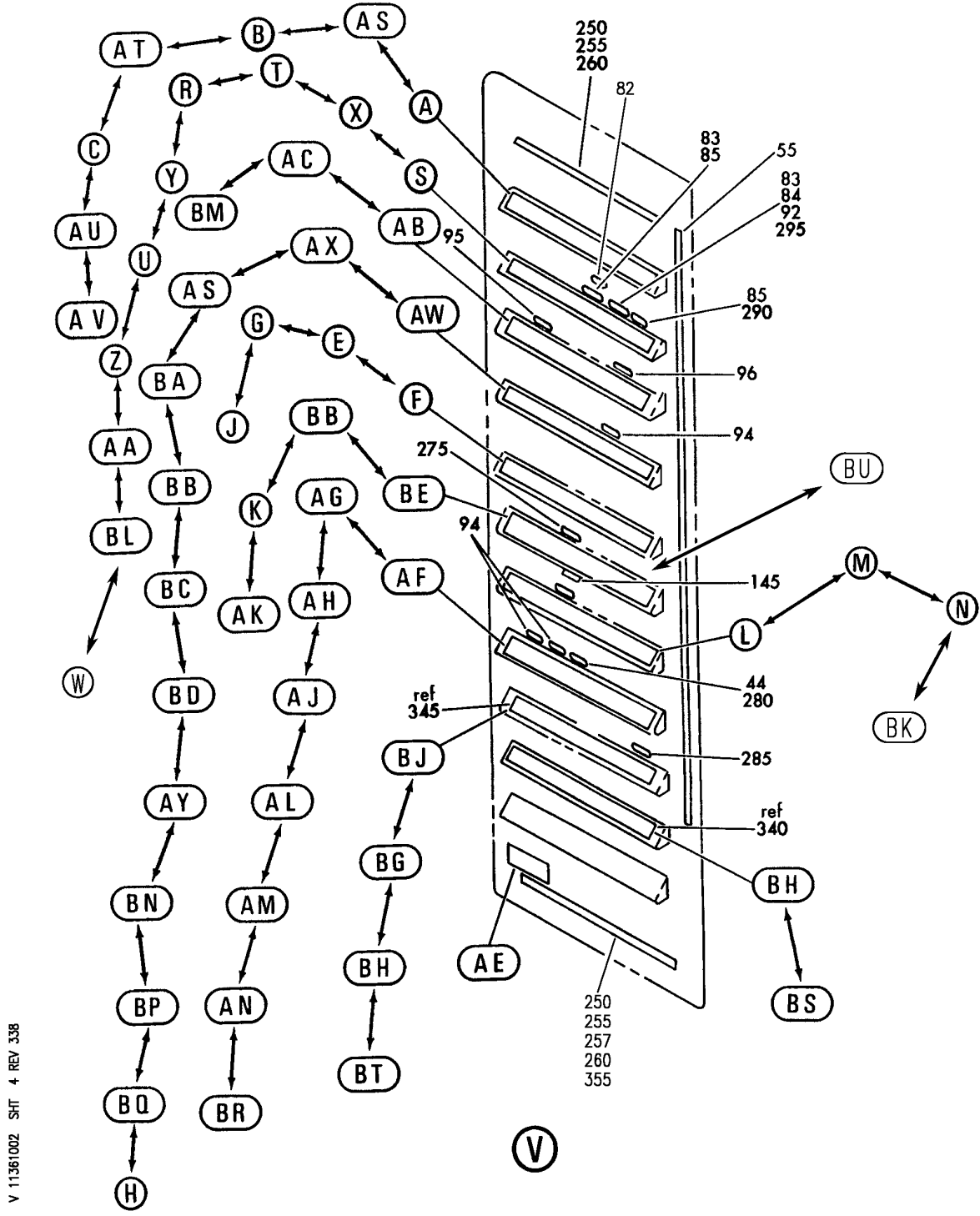
EQUIPMENT ASSY-P37 MISC ELEC PNL R (PLACARDS AND MARKINGS ONLY)
FIGURE 2 (SHEET 3)

11-36-10-02

HXL
APR 22/09

11-36-10-02
PAGE 08

BOEING
767
PARTS CATALOG (MAINTENANCE)



V 11361002 SHT 4 REV 338

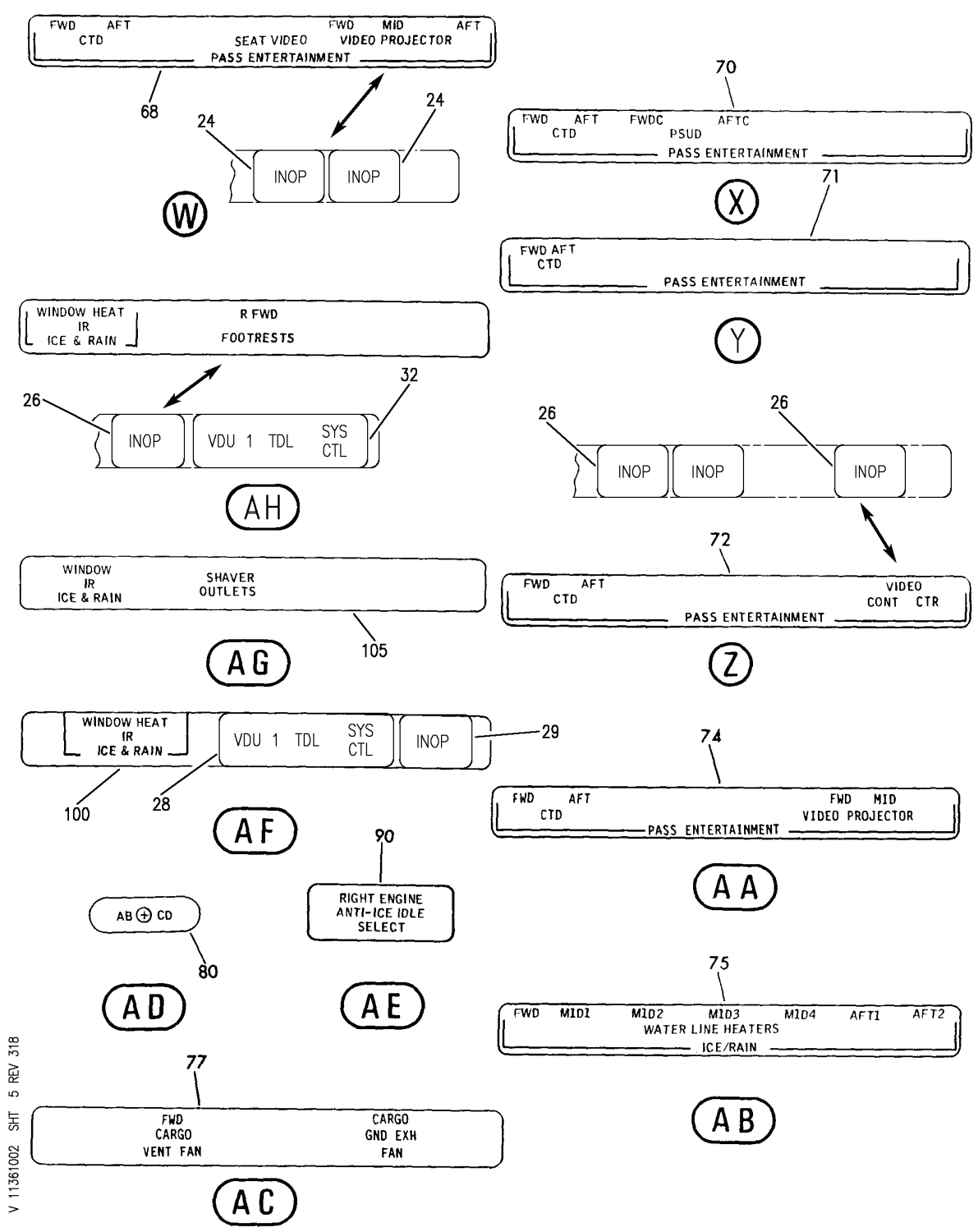
EQUIPMENT ASSY-P37 MISC ELEC PNL R (PLACARDS AND MARKINGS ONLY)
FIGURE 2 (SHEET 4)

11-36-10-02

HXL
APR 22/09

11-36-10-02
PAGE 0C

BOEING
767
PARTS CATALOG (MAINTENANCE)



V 11361002 SH1 5 REV 318

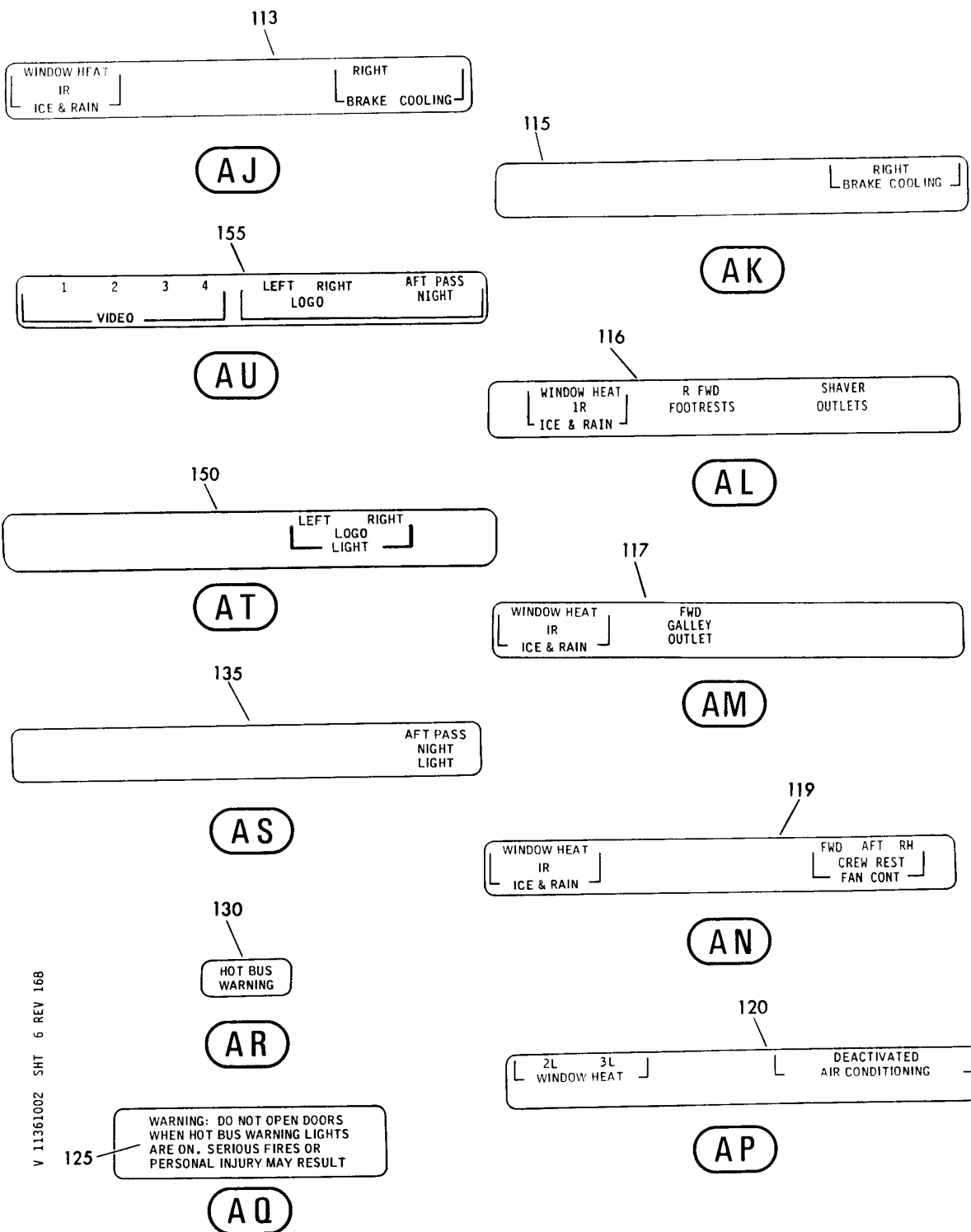
EQUIPMENT ASSY-P37 MISC ELEC PNL R (PLACARDS AND MARKINGS ONLY)
FIGURE 2 (SHEET 5)

11-36-10-02

HXL
AUG 22/07

11-36-10-02
PAGE 0D

BOEING
767
PARTS CATALOG (MAINTENANCE)



V 11361002 SHT 6 REV 168

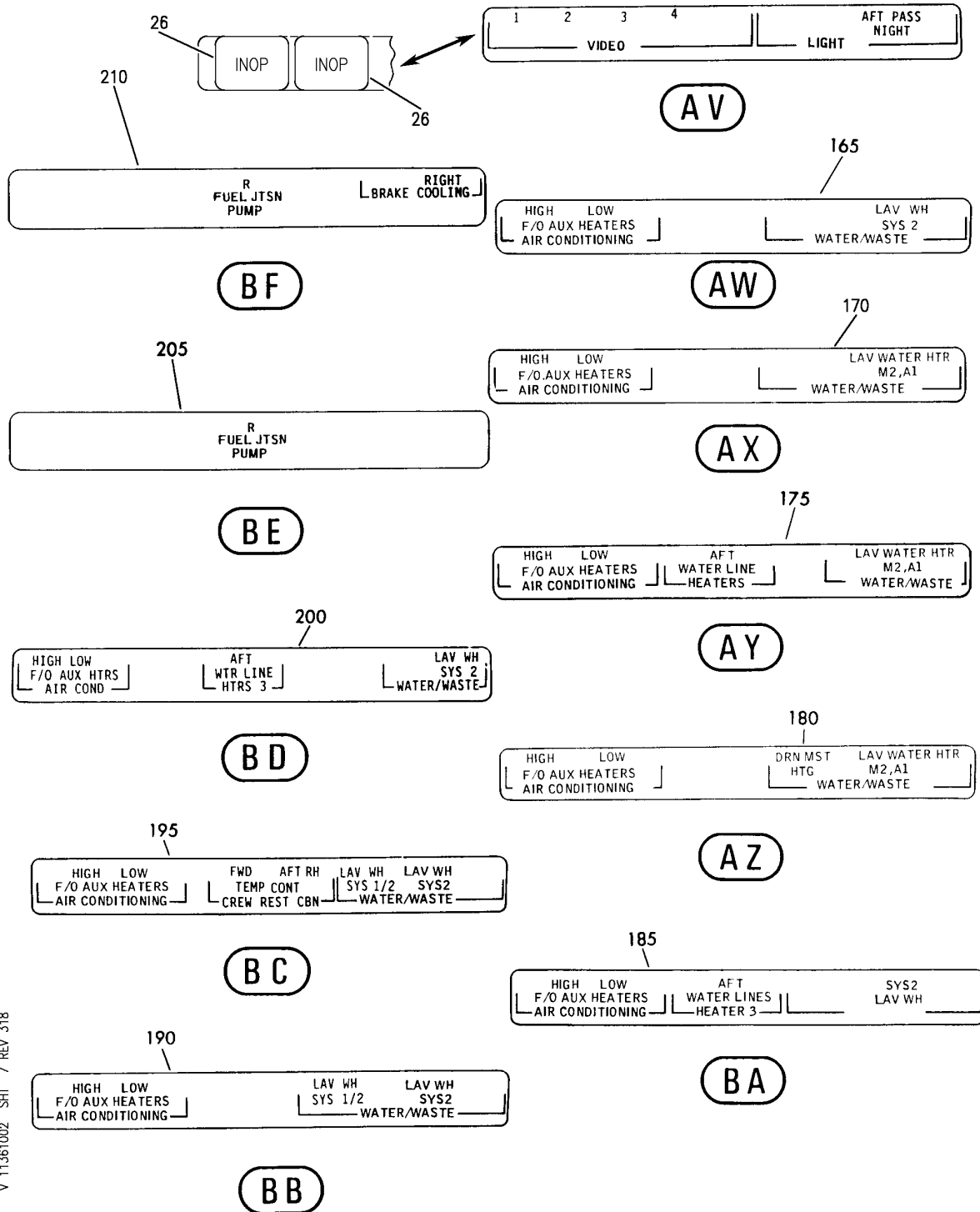
EQUIPMENT ASSY-P37 MISC ELEC PNL R (PLACARDS AND MARKINGS ONLY)
FIGURE 2 (SHEET 6)

11-36-10-02

HXL
DEC 22/06

11-36-10-02
PAGE 0E


BOEING
 767
PARTS CATALOG (MAINTENANCE)



V 11361002 SH7 7 REV 318

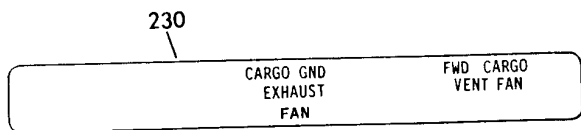
EQUIPMENT ASSY-P37 MISC ELEC PNL R (PLACARDS AND MARKINGS ONLY)
 FIGURE 2 (SHEET 7)

11-36-10-02

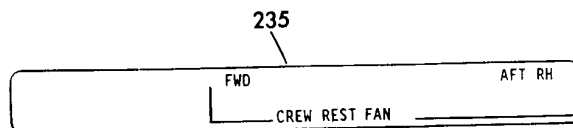
HXL
 AUG 22/07

11-36-10-02
 PAGE OF

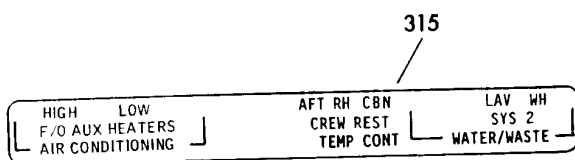
BOEING
767
PARTS CATALOG (MAINTENANCE)



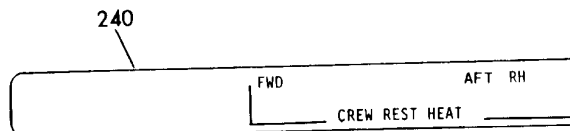
BG



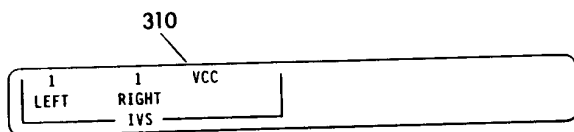
BH



BN



BJ

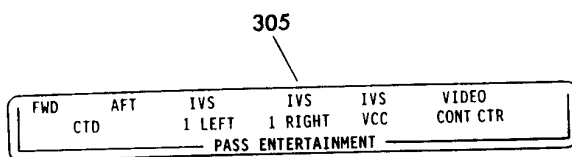


BM



BK

V 11361002 SHT 8 REV 168



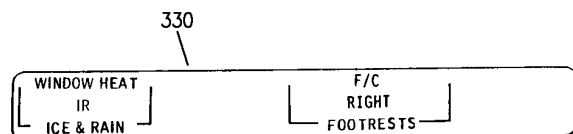
BL

EQUIPMENT ASSY-P37 MISC ELEC PNL R (PLACARDS AND MARKINGS ONLY)
FIGURE 2 (SHEET 8)

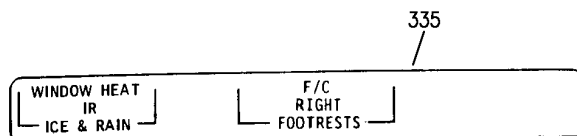
BOEING
767
PARTS CATALOG (MAINTENANCE)



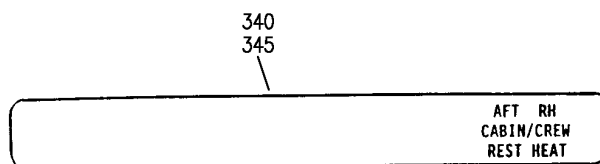
BP



BQ



BR



BS



BT

V 11361002 SH1 9 REV 326

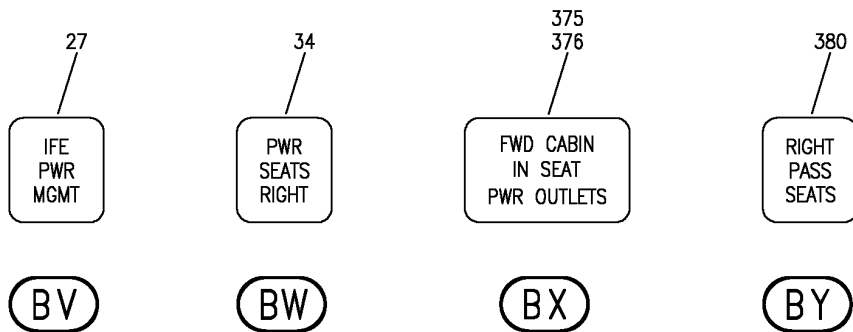
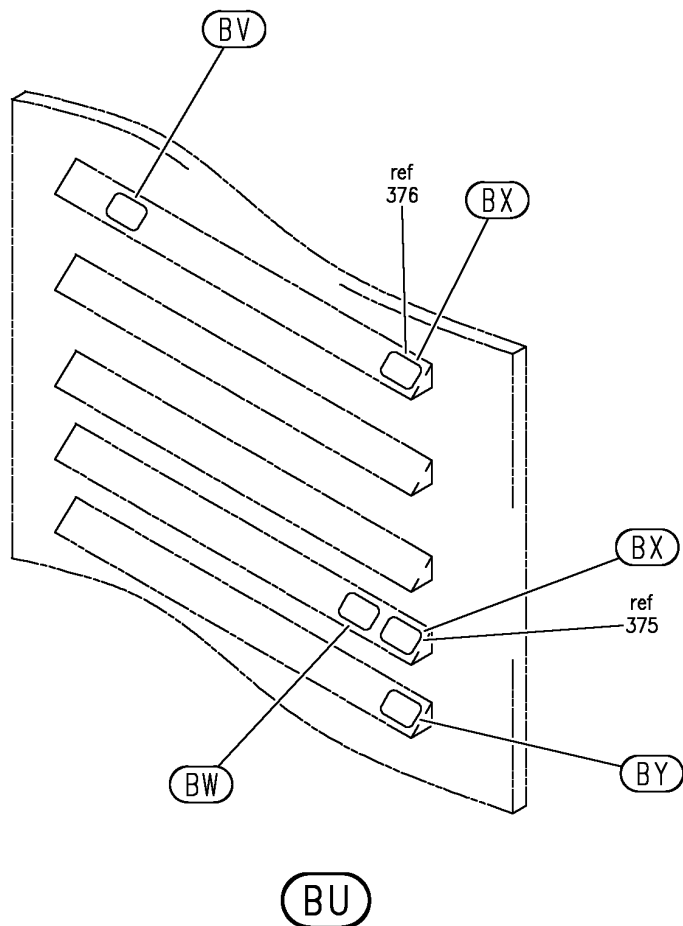
EQUIPMENT ASSY-P37 MISC ELEC PNL R (PLACARDS AND MARKINGS ONLY)
FIGURE 2 (SHEET 9)

11-36-10-02

HXL
APR 22/08

11-36-10-02
PAGE 0H

BOEING
767
PARTS CATALOG (MAINTENANCE)



V 11361002 SH1 10 REV 326

EQUIPMENT ASSY-P37 MISC ELEC PNL R (PLACARDS AND MARKINGS ONLY)
FIGURE 2 (SHEET 10)

11-36-10-02

HXL
APR 22/08

11-36-10-02
PAGE 01

 **BOEING**
767
PARTS CATALOG (MAINTENANCE)

FIG ITEM	PART NUMBER	1 2 3 4 5 6 7	NOMENCLATURE	EFFECT FROM TO	UNITS PER ASSY
2			EQUIPMENT ASSY-P37 MISC ELEC PNL R (PLACARDS AND MARKINGS ONLY)		
- 9	284T0188-157		EQUIPMENT ASSY-P37 MISC ELEC PNL (PLACARDS AND MARKINGS ONLY) POSITION DATA: R FOR NHA/OTHER SYS DET SEE: 53-11-70-05	155162	RF
- 10	284T0188-172		EQUIPMENT ASSY-P37 MISC ELEC PNL (PLACARDS AND MARKINGS ONLY) POSITION DATA: R FOR NHA/OTHER SYS DET SEE: 53-11-70-05	163163	RF
- 11	284T0188-194		EQUIPMENT ASSY-P37 MISC ELEC PNL (PLACARDS AND MARKINGS ONLY) POSITION DATA: R FOR NHA/OTHER SYS DET SEE: 53-11-70-05	164999	RF
20	BAC27TEX2121		.DECAL-		1
37	BAC27TEX3109		.DECAL-		1
47	BAC27TEX4222		.DECAL-		1
55	BAC27TEX0105		.DECAL- PLACARD CONTENT: A THRU T		1
60	BAC27TEX0384		.DECAL- PLACARD CONTENT: 1 THRU 30		25
67	BAC27TEX3672		.DECAL-		1
75	BAC27TEX1880		.DECAL-		1
77	BAC27TEX4223		.DECAL		1
80	BAC27TEX3806		.DECAL-		AR
84	BAC27TEX0689		.DECAL- PLACARD CONTENT: INOP	163163	1
95	BAC27TEX4184		.DECALSET-INCLUDES DECALS IDENTIFIED ON THE ILLUSTRATION		RF
97	BAC27TEX4184		.DECALSET-INCLUDES DECALS IDENTIFIED ON THE ILLUSTRATION	155162	RF
119	BAC27TEX4613		.DECAL		1
125	BAC27TEX0104		.DECAL		1

ILLUSTRATION ITEMS NOT ON PARTS LIST ARE NOT APPLICABLE

- ITEM NOT ILLUSTRATED

HXL

11-36-10-02

BOEING PROPRIETARY - Copyright © - Unpublished Work - See title page for details.

11-36-10
FIG. 02
PAGE 1
DEC 22/07

 **BOEING**
767
PARTS CATALOG (MAINTENANCE)

FIG ITEM	PART NUMBER	1 2 3 4 5 6 7	NOMENCLATURE	EFFECT FROM TO	UNITS PER ASSY
2					
130	BAC27TEX4340		.DECAL- PLACARD CONTENT: HOT BUS WARNING		1
145	BAC27TEX0689		.DECAL- PLACARD CONTENT: INOP POST RAPID REVISION: RRB41033-19	155162	1
165	BAC27TEX3108		.DECAL-	163999	1
190	BAC27TEX4176		.DECAL		1
195	BAC27TEX4616		.DECAL	163999	1
205	BAC27TEX4465		.DECAL- PLACARD CONTENT: R FUEL JTSN PUMP		1
235	BAC27TEX4614		.DECAL		1
240	BAC27TEX4615		.DECAL		1
250	BAC27TEX0114		.DECAL- OPTIONAL PART: BAC27TEX4582		4
255	BAC27TEX4582		.DECALSET- OPTIONAL PART: BAC27TEX0114 BAC27TEX2797		4
260	BAC27TEX2797		.DECAL- PLACARD CONTENT: 31 TRHU 60 OPTIONAL PART: BAC27TEX4582		4
265	BAC27TEX2434		.DECAL- PLACARD CONTENT: 1 THRU 14		1
270	BAC27TEX4697		.DECAL- PLACARD CONTENT: 1 THRU 30		AR
275	BAC27TEX4184		.DECALSET-INCLUDES DECALS IDENTIFIED ON THE ILLUSTRATION	163999	RF
330	BAC27TEX4146		.DECAL- SUPPLIER CODE: V89954	155162	1

ILLUSTRATION ITEMS NOT ON PARTS LIST ARE NOT APPLICABLE

- ITEM NOT ILLUSTRATED

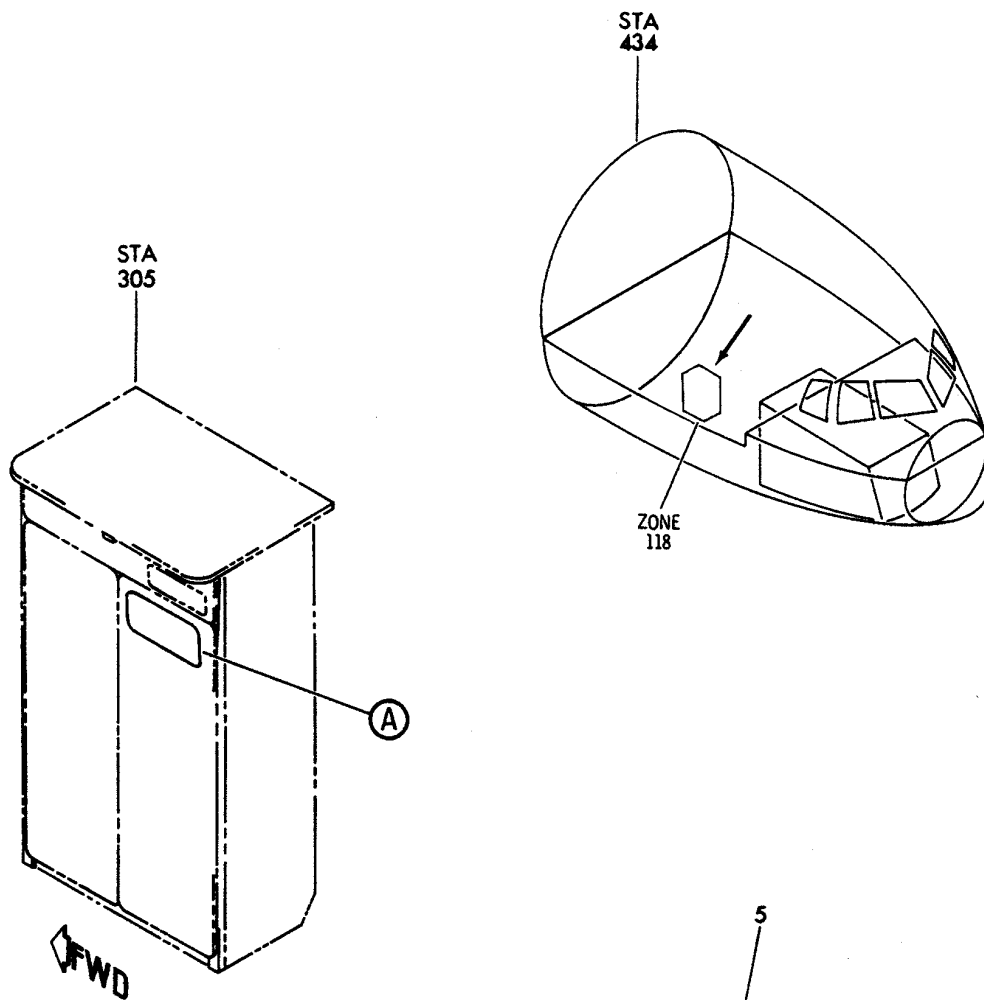
HXL

11-36-10-02

BOEING PROPRIETARY - Copyright © - Unpublished Work - See title page for details.

11-36-10
FIG. 02
PAGE 2
DEC 22/07

BOEING
767
PARTS CATALOG (MAINTENANCE)



NOTE:
WIRING, CONNECTORS, BONDS AND ELECTRICAL COMPONENTS IN THIS AREA ARE PROTECTED AGAINST EFFECTS OF LIGHTNING. SEE WIRING DIAGRAM MANUAL CHAPTERS 20 AND 73 FOR SPECIAL PRECAUTIONS REQUIRED FOR SERVICING WIRING AND ELECTRICAL COMPONENTS.

A

V 11361015 REV 225

DECAL INSTL-SECT. 41 LWR LIGHTNING STRIKE R ELECTRICAL EQPT PNL P-37 (PLACARDS AND MARKINGS ONLY)
FIGURE 15

HXL
DEC 22/06

11-36-10-15

11-36-10-15
PAGE 0



767

PARTS CATALOG (MAINTENANCE)

FIG ITEM	PART NUMBER	1 2 3 4 5 6 7	NOMENCLATURE	EFFECT FROM TO	UNITS PER ASSY
15			DECAL INSTL-SECT. 41 LWR LIGHTNING STRIKE R ELECTRICAL EQPT PNL P-37 (PLACARDS AND MARKINGS ONLY)		
- 1	287T0072-2		DECAL INSTL-LIGHTNING STRIKE R MISC ELECTRICAL EQPT PNL P-37 (PLACARDS AND MARKINGS ONLY) POSITION DATA: SECT. 41 LWR FOR NHA/OTHER SYS DET SEE: 24-00-57-02		RF
5	BAC27NEL1122		.MARKER		1

ILLUSTRATION ITEMS NOT ON PARTS LIST ARE NOT APPLICABLE

- ITEM NOT ILLUSTRATED

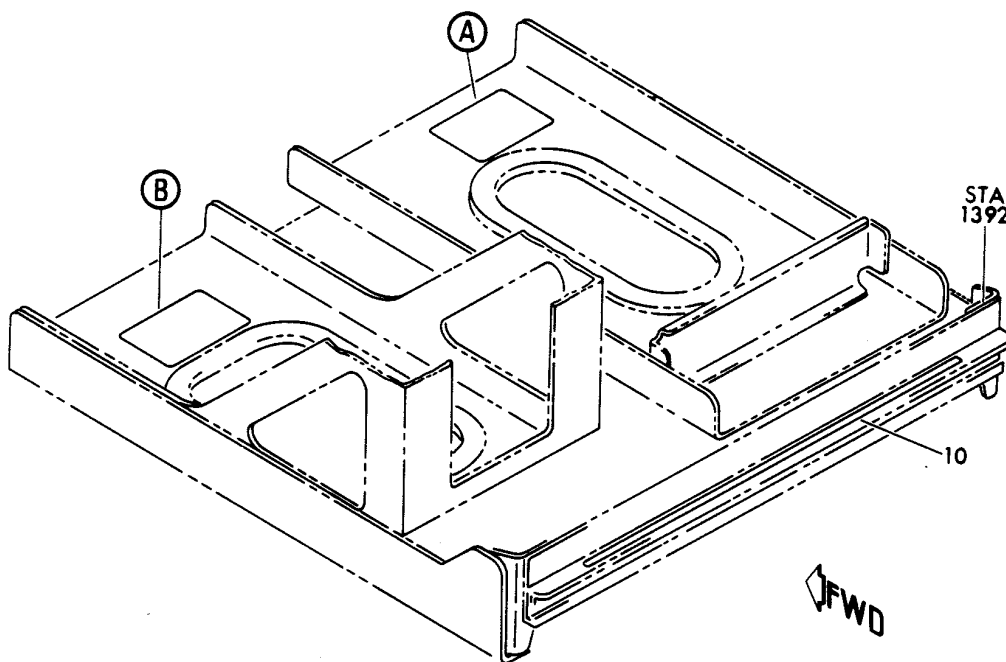
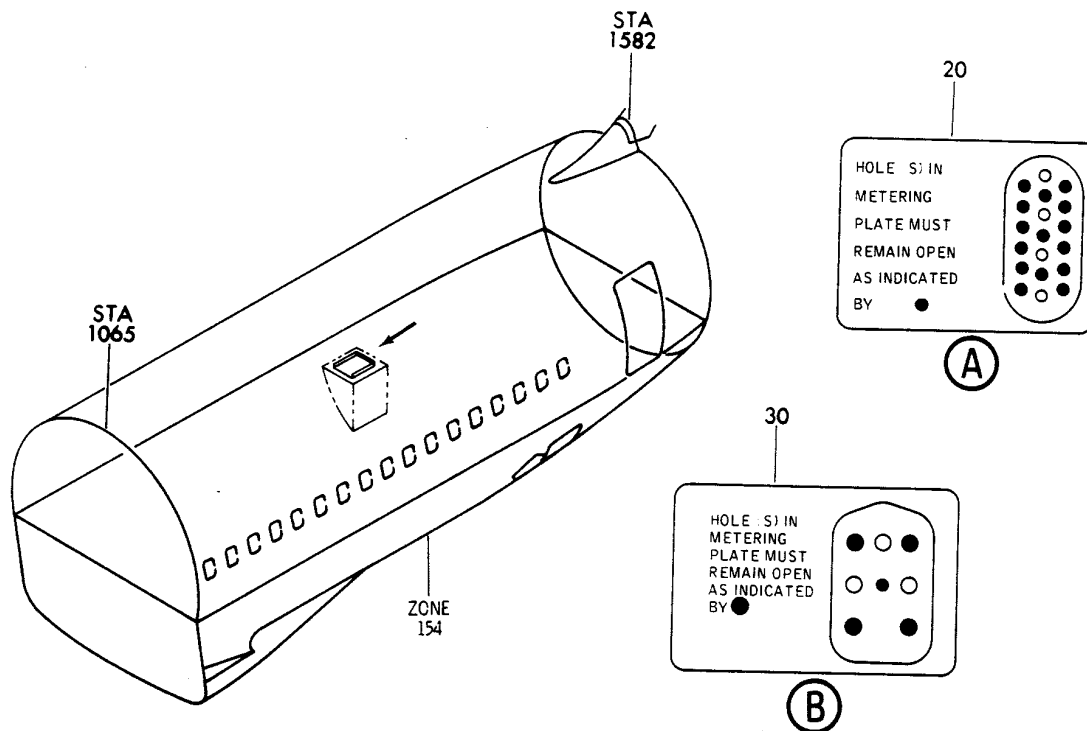
HXL

11-36-10-15

BOEING PROPRIETARY - Copyright © - Unpublished Work - See title page for details.

11-36-10
FIG. 15
PAGE 1
DEC 22/06

BOEING
767
PARTS CATALOG (MAINTENANCE)



V 11361301 SMT 1 REV 008

SHELF ASSY-AFT EQPT CTR E6-1 (PLACARDS AND MARKINGS ONLY)
FIGURE 1

11-36-13-01

HXL
DEC 22/06

11-36-13-01
PAGE 0



767

PARTS CATALOG (MAINTENANCE)

FIG ITEM	PART NUMBER	1 2 3 4 5 6 7	NOMENCLATURE	EFFECT FROM TO	UNITS PER ASSY
1			SHELF ASSY-AFT EQPT CTR E6-1 (PLACARDS AND MARKINGS ONLY)		
- 1	284T0161-20		SHELF ASSY-ELECTRONIC EQPT CTR E6-1 (PLACARDS AND MARKINGS ONLY) FOR NHA/OTHER SYS DET SEE: 53-61-57-01	163999	RF
- 1	284T0161-22		SHELF ASSY-ELECTRONIC EQPT CTR E6-1 (PLACARDS AND MARKINGS ONLY) FOR NHA/OTHER SYS DET SEE: 53-61-57-01	155162	RF
10	BAC27TEX1316		.DECAL- PLACARD CONTENT: 1 THRU 97		1
20	BAC27TEX2217		.DECAL		1
30	BAC27TEX2035		.DECAL		1

ILLUSTRATION ITEMS NOT ON PARTS LIST ARE NOT APPLICABLE

- ITEM NOT ILLUSTRATED

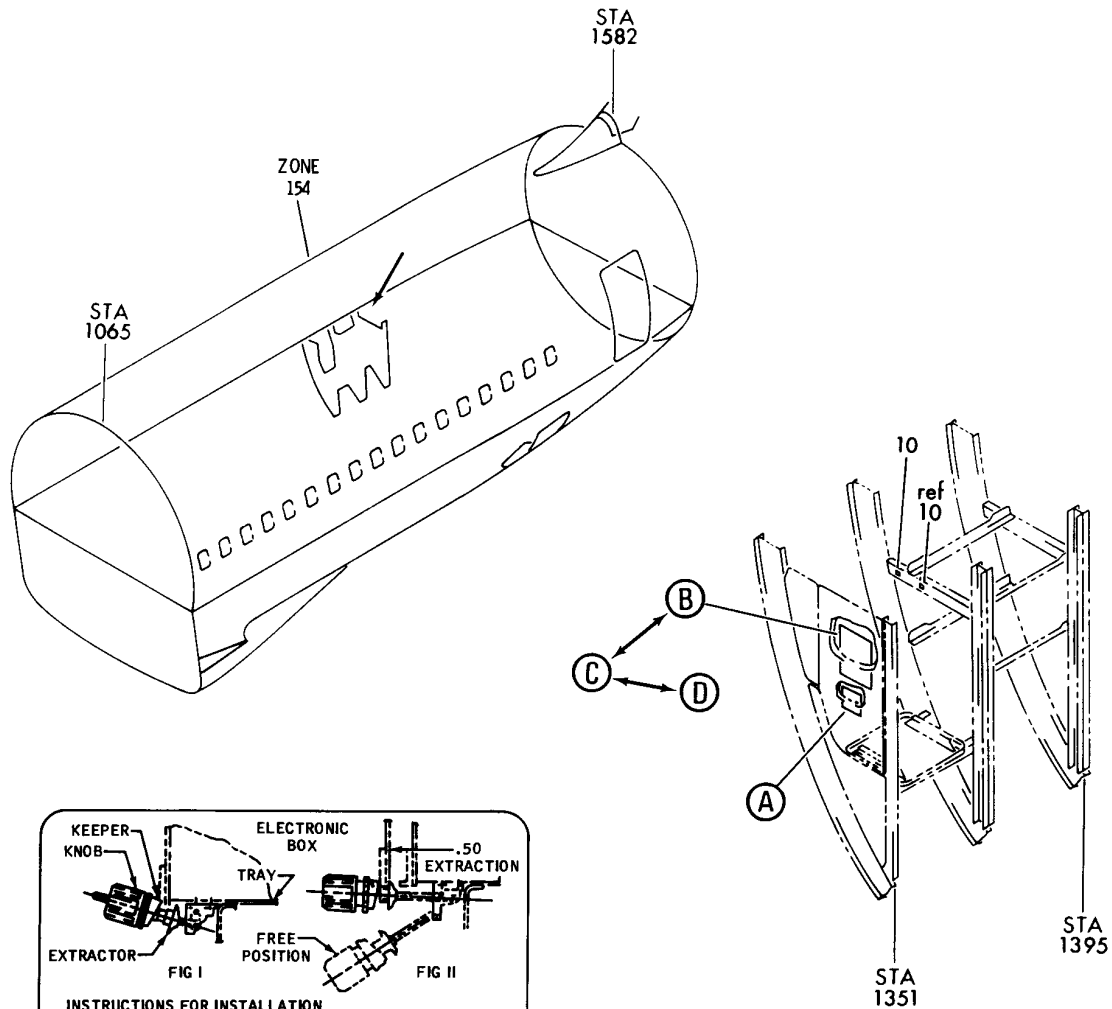
HXL

11-36-13-01

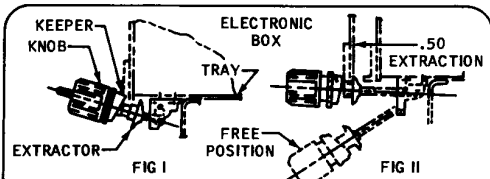
BOEING PROPRIETARY - Copyright © - Unpublished Work - See title page for details.

11-36-13
FIG. 01
PAGE 1
DEC 22/07

BOEING
767
PARTS CATALOG (MAINTENANCE)



V 11361302 SHT 1 REV 187



INSTRUCTIONS FOR INSTALLATION AND REMOVAL OF ELECTRONIC BOXES

1. TO INSTALL, PLACE BOX ON TRAY AND SLIDE INTO POSITION TO MATE REAR CONNECTOR. APPLY A HORIZONTAL FORCE BY HAND TO FULLY ENGAGE THE CONNECTOR.
2. PLACE KEEPER RING OF HOLD DOWNS OVER HOOKS ON BOX. ROTATE KEEPER SO THAT THE DEEP SLOT ALIGNS WITH HOOK. (SEE FIG I)
3. TURN HOLD DOWN KNOBS CW UNTIL CLUTCH LIMIT IS REACHED. (REPEATED CLICKING IS FELT AS KNOB IS TURNED)
4. TO REMOVE BOX TURN KNOBS CCW WHILE APPLYING A SLIGHT DOWNWARD PRESSURE BY HAND TO THE BOX HANDLE. BACK THE BOX OUT OF THE CONNECTOR APPROX. .50 INCH. (SEE FIG II)
5. ROTATE KEEPER RING TO RELEASE HOLD DOWNS AND SLIDE BOX FROM THE TRAY.

A

RACK INSTL-AFT EQPT CTR E6 (PLACARDS AND MARKINGS ONLY)
FIGURE 2 (SHEET 1)

11-36-13-02

HXL
DEC 22/06

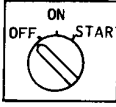
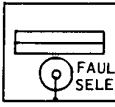

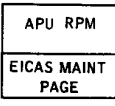
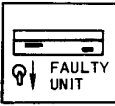
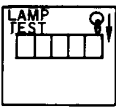
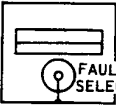
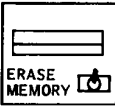
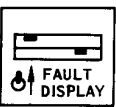

11-36-13-02
PAGE 0

BOEING

767

PARTS CATALOG (MAINTENANCE)

BUILT IN TEST (BITE) INSTRUCTIONS
APU CONTROL UNIT (ECU)

<p>1  INSURE APU START SWITCH IS IN "OFF" POSITION FLIGHT DECK</p>	<p>6  a) PLACE "FAULT SELECT" SWITCH TO PREVIOUS SHUTDOWN, 2 THRU 5. b) REPEAT STEP 5 EACH TIME E.C.U.</p>
<p>2  APU SPEED MUST BE BELOW 7% RPM FLIGHT DECK (OPTIONAL) </p>	<p>7  a) PLACE TOGGLE SW TO "FAULTY UNIT" POSITION b) RECORD ADDITIONAL "FAULTY UNITS" (IF DISPLAYED) E.C.U.</p>
<p>3  a) PLACE TOGGLE SWITCH TO "LAMP TEST" POSITION b) NOTE POSITION OF FAULTY LAMPS E.C.U.</p>	<p>8 REPAIR/REPLACE FAULTY UNITS AS INDICATED.</p>
<p>4  PLACE "FAULT SELECT" SWITCH TO POSITION 1 E.C.U.</p>	<p>9  BEHIND PROTECTIVE COVER PRESS "ERASE MEMORY" TOGGLE SWITCH UP TO CLEAR E.C.U. MEMORY & "APU" LIGHT OR MEMORY (ON FLIGHT DECK) E.C.U.</p>
<p>5  a) PLACE TOGGLE SWITCH TO "FAULT DISPLAY" POSITION b) RECORD "FAULT DISPLAYED" c) RECORD "FAULTY UNIT" (IF DISPLAYED)</p>	<p>10  a) PLACE TOGGLE SW TO "SYSTEM SELF TEST" POSITION b) "WAIT" LIGHT ILLUMINATES c) "TEST OK" LIGHT ILLUMINATES WHEN FAULTS CORRECTED E.C.U.</p>

SEE MAINTENANCE MANUAL FOR COMPLETE INSTRUCTIONS

15

(B)

V 11361302 SHT 2 REV 187


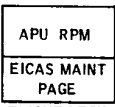
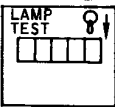
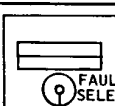
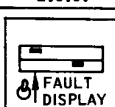
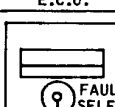
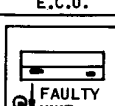
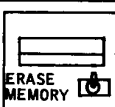

RACK INSTL-AFT EQPT CTR E6 (PLACARDS AND MARKINGS ONLY)
FIGURE 2 (SHEET 2)

11-36-13-02

HXL
DEC 22/06

11-36-13-02
PAGE 0A

BOEING
767
PARTS CATALOG (MAINTENANCE)

BUILT IN TEST (BITE) INSTRUCTIONS APU CONTROL UNIT (ECU)	
1	 <p style="text-align: center;">FLIGHT DECK</p> <p>INSURE APU START SWITCH IS IN "OFF" POSITION</p>
2	 <p style="text-align: center;">FLIGHT DECK</p> <p>APU SPEED MUST BE BELOW 7% RPM</p>
3	 <p style="text-align: center;">E.C.U.</p> <p>a) PLACE TOGGLE SWITCH TO "LAMP TEST" POSITION b) NOTE POSITION OFF FAULTY LAMPS</p>
4	 <p style="text-align: center;">E.C.U.</p> <p>PLACE "FAULT SELECT" SWITCH TO POSITION 1</p>
5	 <p style="text-align: center;">E.C.U.</p> <p>a) PLACE TOGGLE SWITCH TO "FAULT DISPLAY" POSITION b) RECORD "FAULT DISPLAYED" c) RECORD "FAULTY UNIT" (IF DISPLAYED)</p>
6	 <p style="text-align: center;">E.C.U.</p> <p>a) PLACE "FAULT SELECT" SWITCH TO PREVIOUS SHUTDOWN, 2 THRU 5 b) REPEAT STEP 5 EACH TIME</p>
7	 <p style="text-align: center;">E.C.U.</p> <p>a) PLACE TOGGLE SW TO "FAULTY UNIT" POSITION b) RECORD ADDITIONAL "FAULTY UNITS" (IF DISPLAYED)</p>
8	<p>REPAIR/REPLACE FAULTY UNITS AS INDICATED.</p>
9	 <p style="text-align: center;">E.C.U.</p> <p>BEHIND PROTECTIVE COVER PRESS "ERASE MEMORY" TOGGLE SWITCH UP TO CLEAR E.C.U. MEMORY</p>
10	 <p style="text-align: center;">E.C.U.</p> <p>a) PLACE TOGGLE SW TO "SYSTEM SELF TEST" POSITION b) "WAIT" LIGHT ILLUMINATES c) "TEST OK" LIGHT ILLUMINATES WHEN FAULTS CORRECTED</p>
SEE MAINTENANCE MANUAL FOR COMPLETE INSTRUCTIONS	

20

V 11361302 SHT 3 REV 187



RACK INSTL-AFT EQPT CTR E6 (PLACARDS AND MARKINGS ONLY)
FIGURE 2 (SHEET 3)

11-36-13-02

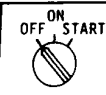
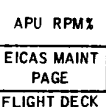
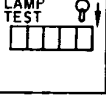
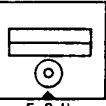
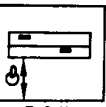
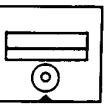
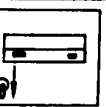
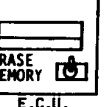

HXL
DEC 22/06

11-36-13-02
PAGE 0B

BOEING

767

PARTS CATALOG (MAINTENANCE)

BUILT IN TEST (BITE) INSTRUCTIONS APU CONTROL UNIT (ECU)		
STEP	S351T020-18 AND PRIOR	S351T020-19 AND ON
1  FLIGHT DECK	ENSURE APU START SWITCH IS IN "OFF" POSITION.	APU CAN BE OPERATING OR SHUTDOWN DURING BITE PROCEDURE.
2  FLIGHT DECK	APU SPEED MUST BE BELOW 7% RPM.	
3  E.C.U.	a) PLACE TOGGLE SWITCH TO "LAMP TEST" POSITION. b) NOTE POSITION OF FAULTY LAMPS (LAMPS THAT DO NOT ILLUMINATE).	a) PLACE TOGGLE SWITCH TO "LAMP TEST" POSITION. b) NOTE POSITION OF FAULTY LAMPS (LAMPS THAT DO NOT ILLUMINATE). NOTE: "LAMP TEST" UNAVAILABLE WITH APU RUNNING.
4  E.C.U.	PLACE "FAULT SELECT" SWITCH TO POSITION 1.	PLACE "RECORD SELECT" SWITCH TO "LAST RUN" POSITION.
5  E.C.U.	a) PLACE TOGGLE SWITCH TO "FAULT DISPLAY" POSITION. b) RECORD "FAULT DISPLAY". c) RECORD "FAULTY UNIT" (IF DISPLAYED).	a) PLACE TOGGLE SWITCH TO "FAULT REASON" POSITION. b) RECORD "REASON APU NOT OPERATING" LAMP THAT ILLUMINATES. c) PLACE TOGGLE SWITCH TO "FAULT LRU" POSITION. d) RECORD ALL "FAULTY LRU" LAMPS THAT ILLUMINATE.
6  E.C.U.	a) PLACE "FAULT SELECT" SWITCH TO PREVIOUS SHUTDOWN, 2 THRU 5. b) REPEAT STEP 5 EACH TIME.	a) PLACE "RECORD SELECT" SWITCH TO PREVIOUS SHUTDOWN, 2 THRU 4. b) REPEAT STEP 5 EACH TIME.
7  E.C.U.	a) PLACE TOGGLE SWITCH TO "FAULT UNIT" POSITION. b) RECORD "FAULTY UNITS" (IF DISPLAYED).	a) PLACE "RECORD SELECT" SWITCH TO "SUMMARY" POSITION. b) PLACE TOGGLE SWITCH TO "FAULT LRU" POSITION. c) RECORD "FAULTY LRU" LAMPS ILLUMINATED.
8	REPAIR/REPLACE FAULTY UNITS AS INDICATED.	REPAIR/REPLACE FAULTY UNITS AS INDICATED.
9  E.C.U.	TO CLEAR ECU MEMORY, PUSH "ERASE MEMORY" TOGGLE SWITCH UP, LOCATED BEHIND PROTECTIVE COVER.	TO CLEAR ECU MEMORY, PUSH "ERASE MEMORY" TOGGLE SWITCH UP, LOCATED BEHIND PROTECTIVE COVER. NOTE: "ERASE MEMORY" UNAVAILABLE WITH APU RUNNING.
10  E.C.U.	a) PLACE TOGGLE SWITCH TO "SELF TEST" POSITION. b) "WAIT" LIGHT ILLUMINATES. c) "TEST OK" LIGHT ILLUMINATES WHEN FAULTS CORRECTED.	a) PLACE TOGGLE SWITCH TO "SELF TEST" POSITION. b) "WAIT" LIGHT ILLUMINATES. c) "TEST OK" LIGHT ILLUMINATES WHEN FAULTS CORRECTED. NOTE: "SELF TEST" UNAVAILABLE WITH APU RUNNING.

V 11361302 SHT 4 REV 187

25



RACK INSTL-AFT EQPT CTR E6 (PLACARDS AND MARKINGS ONLY)
FIGURE 2 (SHEET 4)

11-36-13-02

HXL
DEC 22/06

11-36-13-02
PAGE 0C



767

PARTS CATALOG (MAINTENANCE)

FIG ITEM	PART NUMBER	1 2 3 4 5 6 7	NOMENCLATURE	EFFECT FROM TO	UNITS PER ASSY
2			RACK INSTL-AFT EQPT CTR E6 (PLACARDS AND MARKINGS ONLY)		
- 1	284T0160-18		RACK INSTL-EQPT CTR E6 (PLACARDS AND MARKINGS ONLY) POSITION DATA: AFT VARIABLE DRAWING REF: 284T0160-5061 FOR NHA/OTHER SYS DET SEE: 24-00-58-01D		RF
5	BAC27TEX3028		.DECAL		1
20	BAC27TAP0040		.DECAL- OPTIONAL PART: BAC27NEX2404		1
20	BAC27NEX2404		.DECAL- OPTIONAL PART: BAC27TAP0040		1

ILLUSTRATION ITEMS NOT ON PARTS LIST ARE NOT APPLICABLE

- ITEM NOT ILLUSTRATED

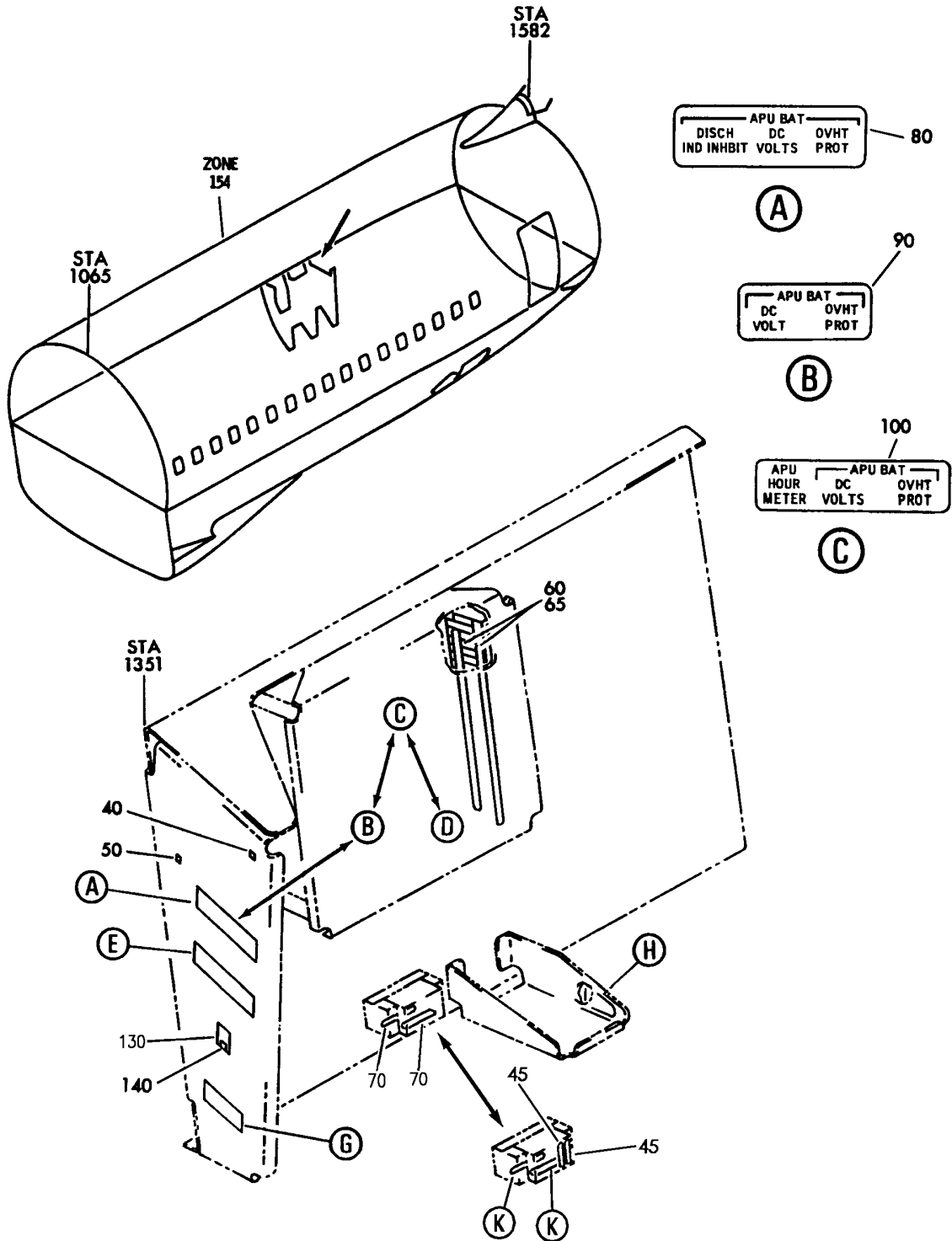
HXL

11-36-13-02

BOEING PROPRIETARY - Copyright © - Unpublished Work - See title page for details.

11-36-13
FIG. 02
PAGE 1
DEC 22/07


BOEING
 767
PARTS CATALOG (MAINTENANCE)



V 11361303 SHT 1 REV 331

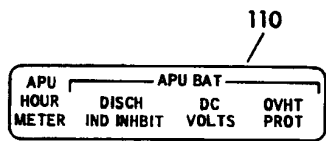
EQUIPMENT ASSY-E6 RACK AFT EQPT CTR P49 (PLACARDS AND MARKINGS ONLY)
 FIGURE 3 (SHEET 1)

HXL
 AUG 22/08

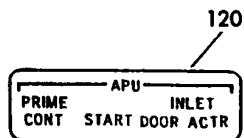
11-36-13-03

11-36-13-03
 PAGE 0

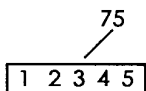
BOEING
767
PARTS CATALOG (MAINTENANCE)



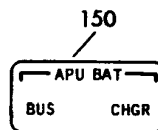
(D)



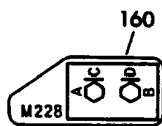
(E)



(K)



(G)



(H)

V 11361303 SHT 2 REV 331

EQUIPMENT ASSY-E6 RACK AFT EQPT CTR P49 (PLACARDS AND MARKINGS ONLY)
FIGURE 3 (SHEET 2)

HXL
AUG 22/08

11-36-13-03

11-36-13-03
PAGE 0A



767

PARTS CATALOG (MAINTENANCE)

FIG ITEM	PART NUMBER	1 2 3 4 5 6 7	NOMENCLATURE	EFFECT FROM TO	UNITS PER ASSY
3			EQUIPMENT ASSY-E6 RACK AFT EQPT CTR P49 (PLACARDS AND MARKINGS ONLY)		
- 1	284T1149-15		EQUIPMENT ASSY-E6 RACK AFT EQPT CTR P49 (PLACARDS AND MARKINGS ONLY) FOR NHA/OTHER SYS DET SEE: 25-71-40-05		RF
40	BAC27TEX0114		.DECAL- PLACARD CONTENT: 1 THRU 30		1
50	BAC27TEX0105		.DECAL- PLACARD CONTENT: A THRU E OPTIONAL PART: BAC27TEX4671		1
50	BAC27TEX4671		.DECALSET- PLACARD CONTENT: A THRU E OPTIONAL PART: BAC27TEX0105		1
60	BAC27TEX8		.DECAL- PLACARD CONTENT: 1 THRU 25 OPTIONAL PART: BAC27TEX1316		2
65	BAC27TEX1316		.DECAL- PLACARD CONTENT: 1 THRU 22 OPTIONAL PART: BAC27TEX8		2
70	BAC27EEL23083		.DECAL- PLACARD CONTENT: 1 THRU 4		2
120	BAC27TEX5056		.DECAL		1
150	BAC27TEX3255		.DECAL		1
160	BAC27TEX3256		.DECAL		1

ILLUSTRATION ITEMS NOT ON PARTS LIST ARE NOT APPLICABLE

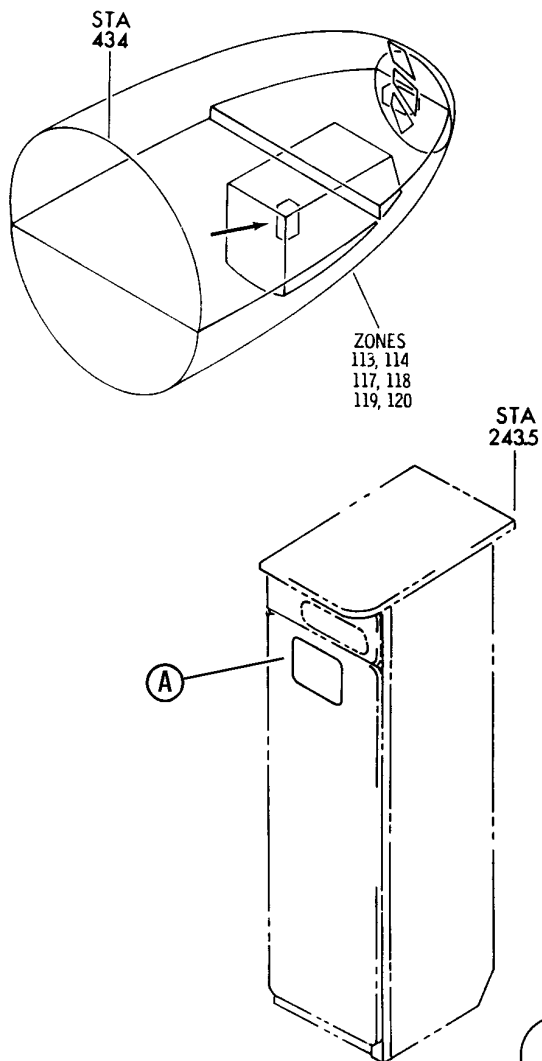
- ITEM NOT ILLUSTRATED

11-36-13-03


11-36-13
FIG. 03
PAGE 1
DEC 22/07

HXL

BOEING
767
PARTS CATALOG (MAINTENANCE)



5



NOTE:
WIRING, CONNECTORS, BONDS AND ELECTRICAL COMPONENTS IN THIS AREA ARE PROTECTED AGAINST EFFECTS OF LIGHTNING. SEE WIRING DIAGRAM MANUAL CHAPTERS 20 AND 73 FOR SPECIAL PRECAUTIONS REQUIRED FOR SERVICING WIRING AND ELECTRICAL COMPONENTS.

(A)

V 11361501 REV 225

DECAL INSTL-LIGHTNING STRIKE (ELECTRICAL SYSTEM CARD FILE P-50 PLACARDS AND MARKINGS ONLY)

FIGURE 1

11-36-15-01

HXL
DEC 22/06

11-36-15-01
PAGE 0



767

PARTS CATALOG (MAINTENANCE)

FIG ITEM	PART NUMBER	1 2 3 4 5 6 7	NOMENCLATURE	EFFECT FROM TO	UNITS PER ASSY
1			DECAL INSTL-LIGHTNING STRIKE (ELECTRICAL SYSTEM CARD FILE P-50 PLACARDS AND MARKINGS ONLY)		
- 1	287T0072-2		DECAL INSTL-LIGHTNING STRIKE (ELECTRICAL SYSTEM CARD FILE P-50 PLACARDS AND MARKINGS ONLY) FOR NHA/OTHER SYS DET SEE: 24-00-57-02		RF
5	BAC27NEL1122		.MARKER-ALUMINUM FOIL		1

ILLUSTRATION ITEMS NOT ON PARTS LIST ARE NOT APPLICABLE

- ITEM NOT ILLUSTRATED

HXL

11-36-15-01

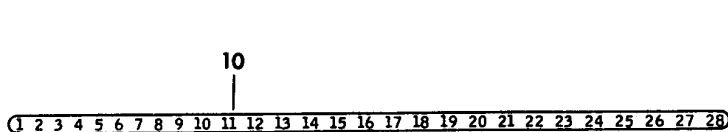
BOEING PROPRIETARY - Copyright © - Unpublished Work - See title page for details.

11-36-15
FIG. 01
PAGE 1
DEC 22/06

BOEING

767

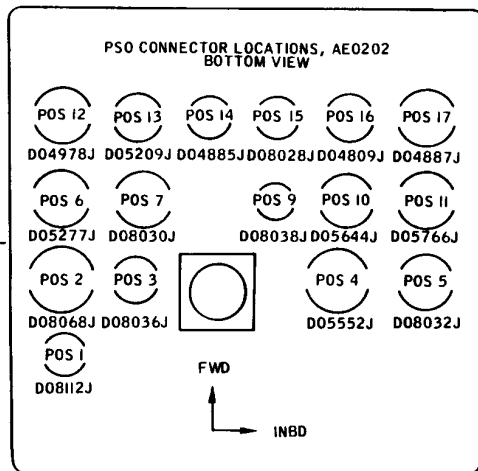
PARTS CATALOG (MAINTENANCE)



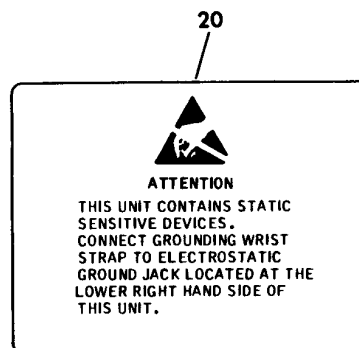
(D)



(E)



60



(F)

(H)

ELECTRICAL SYSTEM CARD FILE P50

M1057	M839	M586	M1092	M838	M590	M859	M861	M863	M10404
M1093	M990	M867	M01221	M840	M591	M860	M862	M864	M10403

M586	S344T002	FUEL LEVEL SENSOR CONTROL
M590	285T0096	L-ELEX ENGINE CONTROL DISCRETE
M591	285T0096	R-ELEX ENGINE CONTROL DISCRETE
M838	285T0099	L-FLAP/STAB POSITION MODULE
M839	285T0099	C-FLAP/STAB POSITION MODULE
M840	285T0099	R-FLAP/STAB POSITION MODULE
M859	285T0079	L-BLEED AIR CONTROL
M860	285T0079	R-BLEED AIR CONTROL
M861	285T0078	L-ECS FAN CONTROL
M862	285T0078	R-ECS FAN CONTROL
M863	285T0093	L-PACK FLOW CONTROL
M864	285T0093	R-PACK FLOW CONTROL
M867	285T0095	EQUIPMENT COOLING INDICATION
M990	285T0078	C-ECS FAN CONTROL
M1057	S271T002	AIR HYD PUMP OVERSPEED CONTROL
M1092	285T0458	R-N2 ENGINE SPEED
M1093	285T0458	L-N2 ENGINE SPEED
M10403	285T0094	L-PACK BACKUP TEMP CONTROL
M10404	285T0094	R-PACK BACKUP TEMP CONTROL
M01221	S334T002	LOW FUEL LEVEL SENSOR CONTROL

V 11361502 SHT 2 REV 127

28

(G)

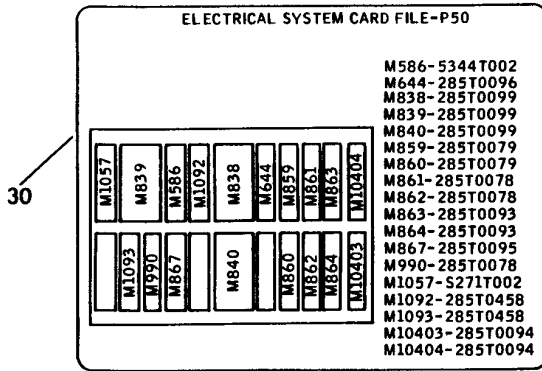
FILE ASSY-ELECTRICAL SYS CARD (P50) (PLACARDS AND MARKINGS ONLY)
FIGURE 2 (SHEET 2)

HXL
DEC 22/06

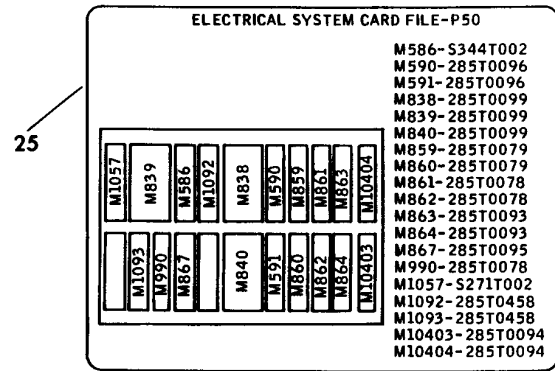
11-36-15-02

11-36-15-02
PAGE 0A

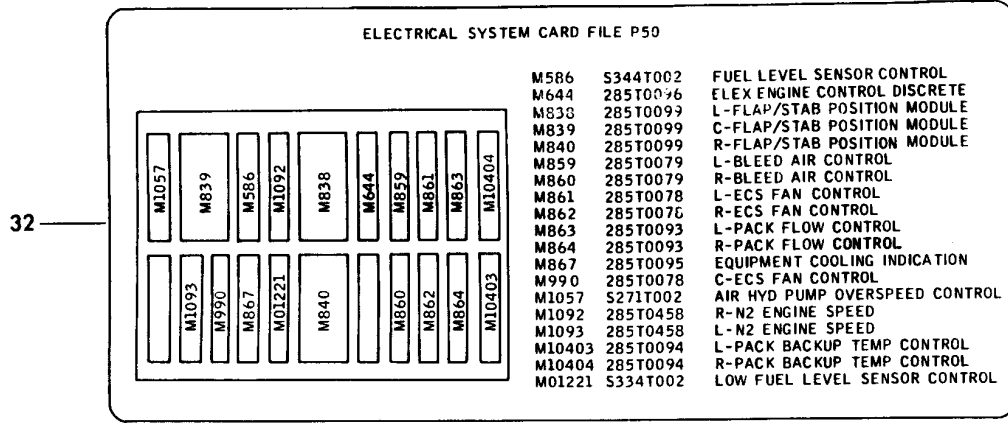
BOEING
767
PARTS CATALOG (MAINTENANCE)



J

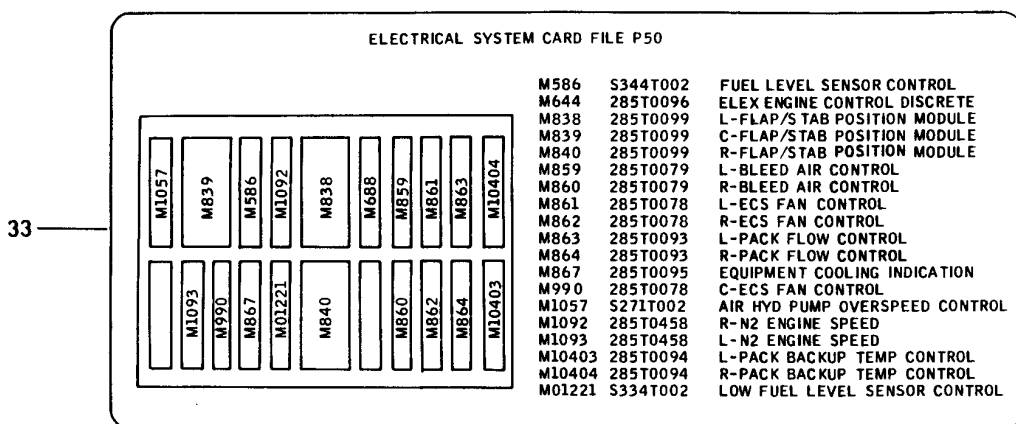


K



L

V 11361502 SHT 3 REV 127



M

FILE ASSY-ELECTRICAL SYS CARD (P50) (PLACARDS AND MARKINGS ONLY)
FIGURE 2 (SHEET 3)

11-36-15-02

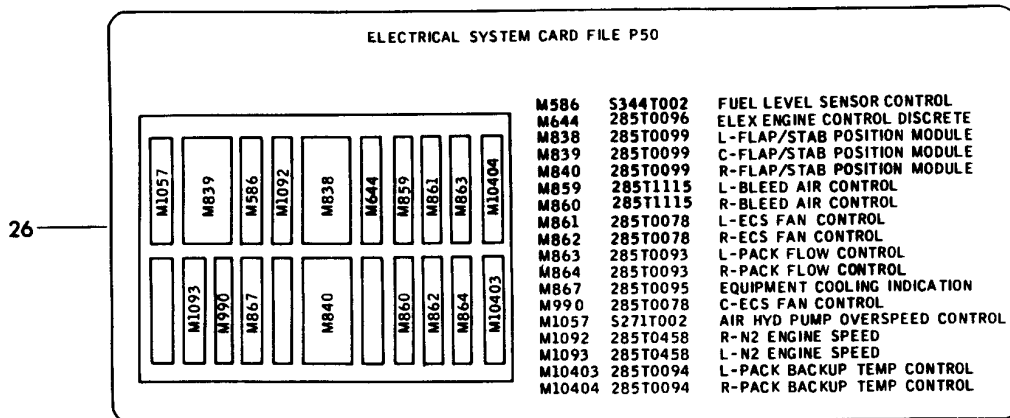
HXL
DEC 22/06

11-36-15-02
PAGE 0B

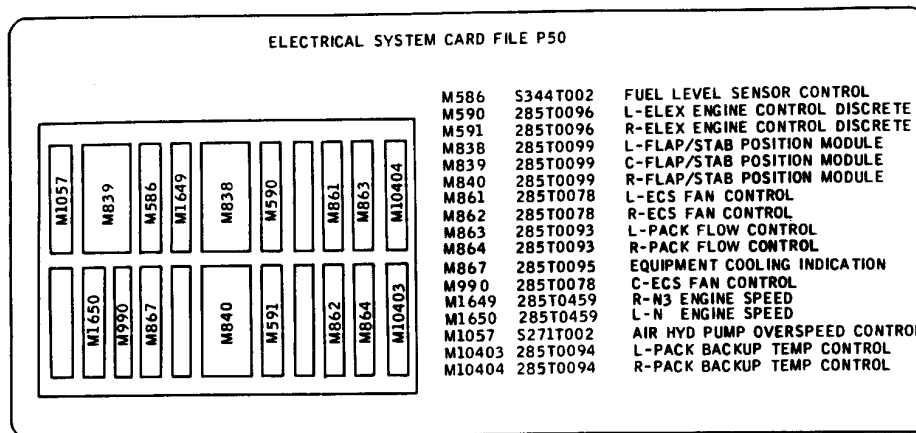
BOEING

767

PARTS CATALOG (MAINTENANCE)



(N)



(P)

V 11361502 SHT 4 REV 127

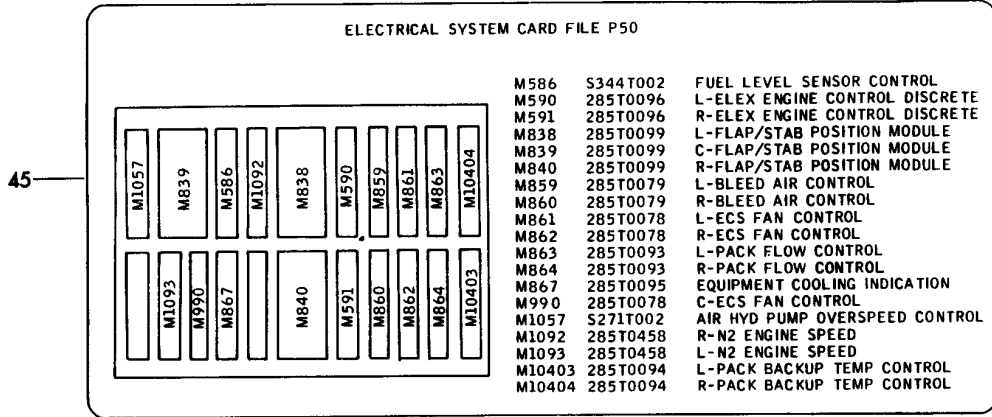
FILE ASSY-ELECTRICAL SYS CARD (P50) (PLACARDS AND MARKINGS ONLY)
FIGURE 2 (SHEET 4)

HXL
DEC 22/06

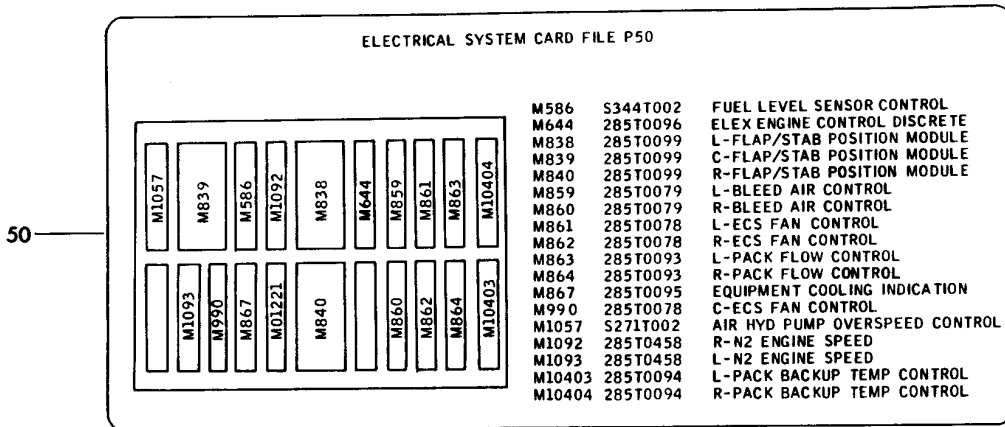
11-36-15-02

11-36-15-02
PAGE 0C

BOEING
767
PARTS CATALOG (MAINTENANCE)



Q



R

V 11361502 SHT 5 REV 127

FILE ASSY-ELECTRICAL SYS CARD (P50) (PLACARDS AND MARKINGS ONLY)
FIGURE 2 (SHEET 5)

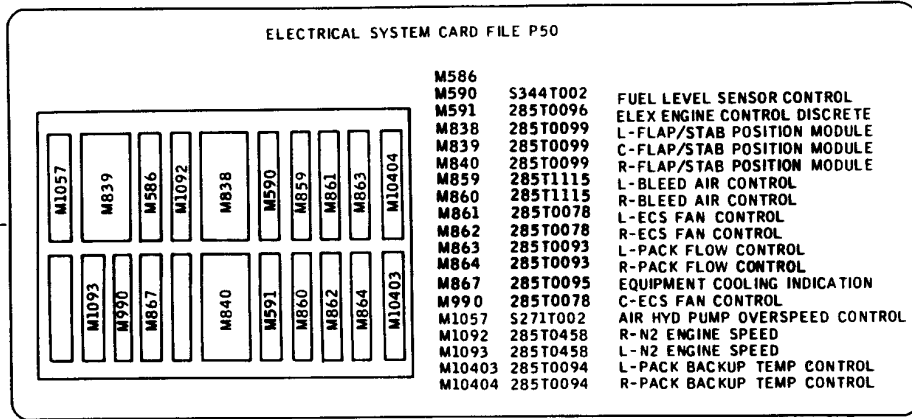
11-36-15-02

HXL
DEC 22/06

11-36-15-02
PAGE 0D

BOEING
767
PARTS CATALOG (MAINTENANCE)

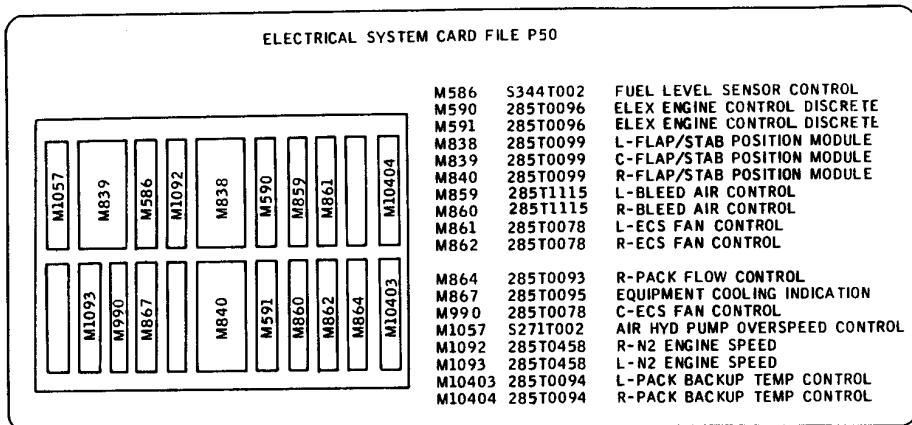
55



S

V 11361502 SHT 6 REV 127

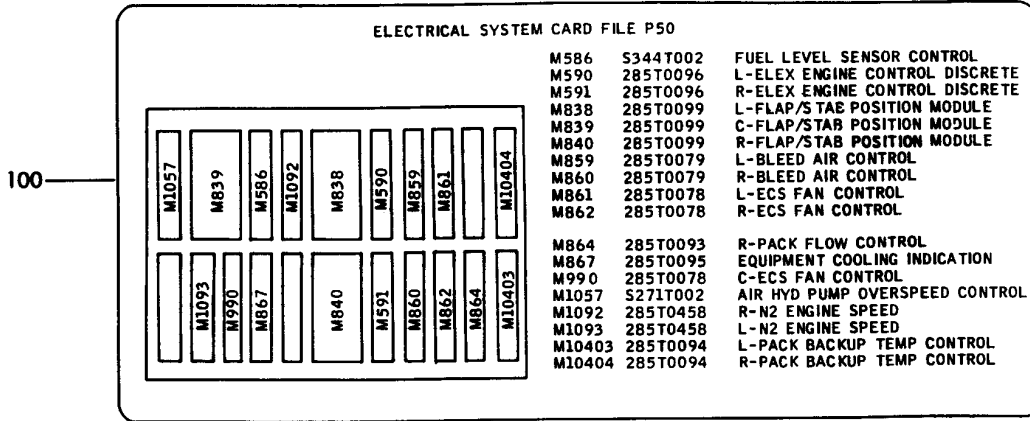
65



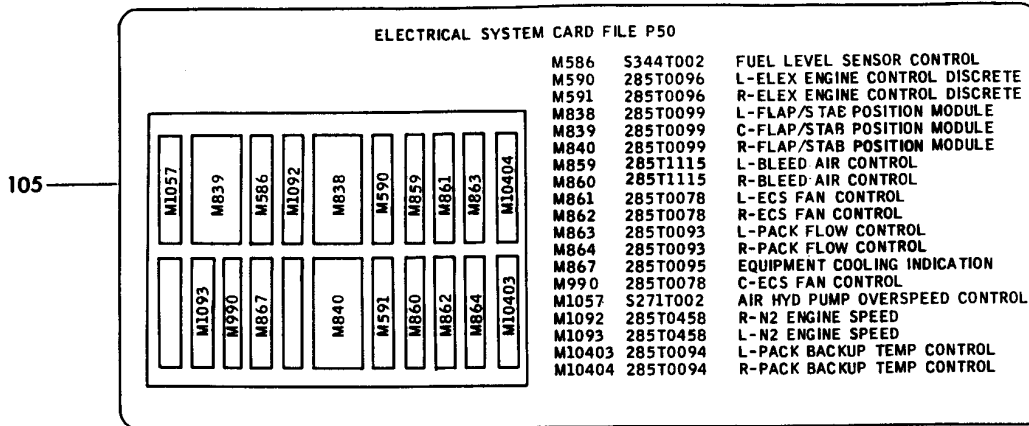
T

FILE ASSY-ELECTRICAL SYS CARD (P50) (PLACARDS AND MARKINGS ONLY)
FIGURE 2 (SHEET 6)

BOEING
767
PARTS CATALOG (MAINTENANCE)



(U)



(V)

V 11361502 SHT 7 REV 127

FILE ASSY-ELECTRICAL SYS CARD (P50) (PLACARDS AND MARKINGS ONLY)
FIGURE 2 (SHEET 7)

11-36-15-02

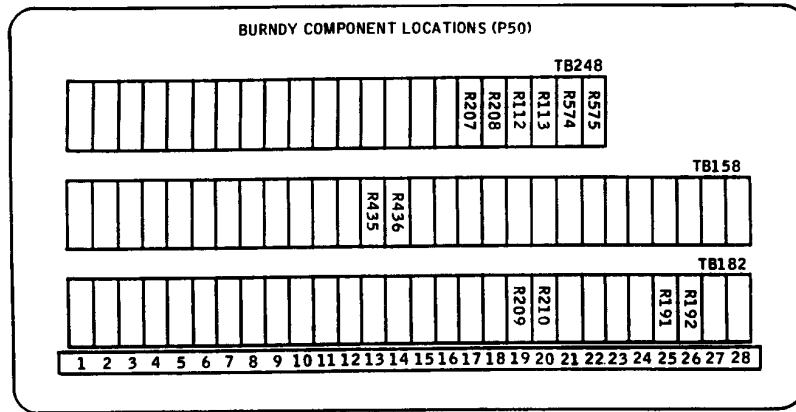
HXL
DEC 22/06

11-36-15-02
PAGE OF

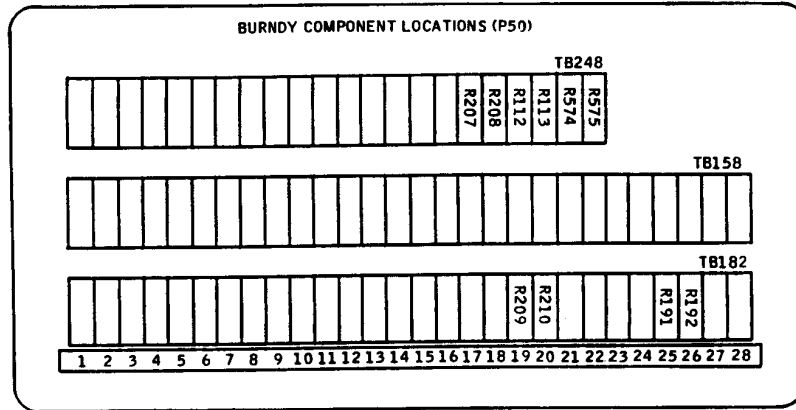
BOEING

767

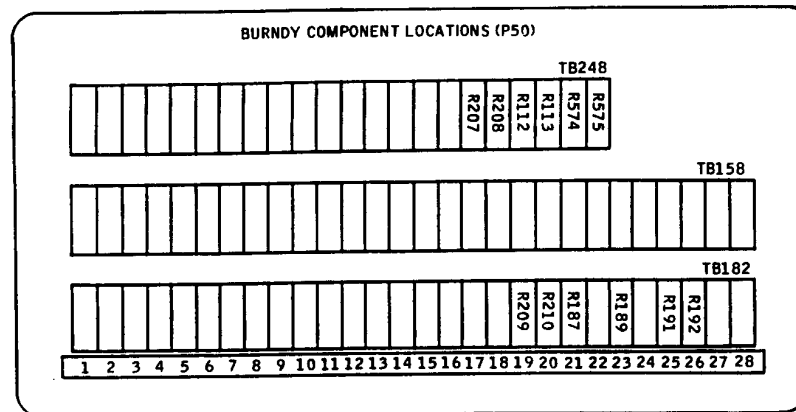
PARTS CATALOG (MAINTENANCE)



70



75



80



V 11361502 SHT 8 REV 127

FILE ASSY-ELECTRICAL SYS CARD (P50) (PLACARDS AND MARKINGS ONLY)
FIGURE 2 (SHEET 8)

11-36-15-02

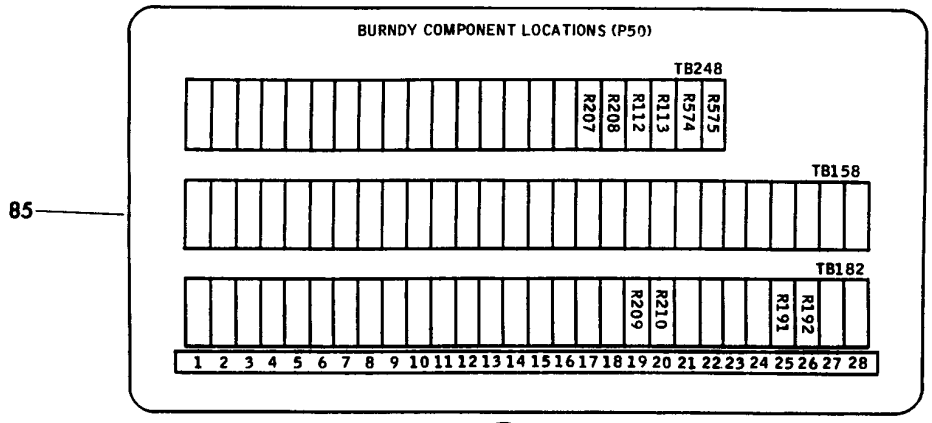
HXL
DEC 22/06

11-36-15-02
PAGE 0G

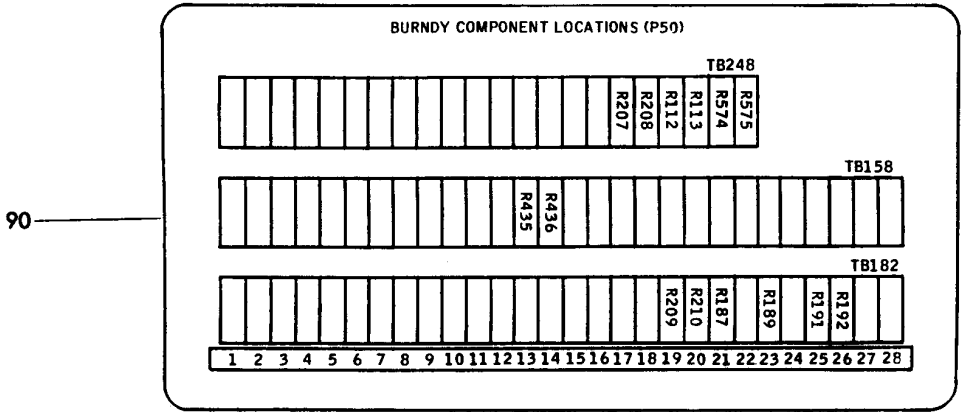
BOEING

767

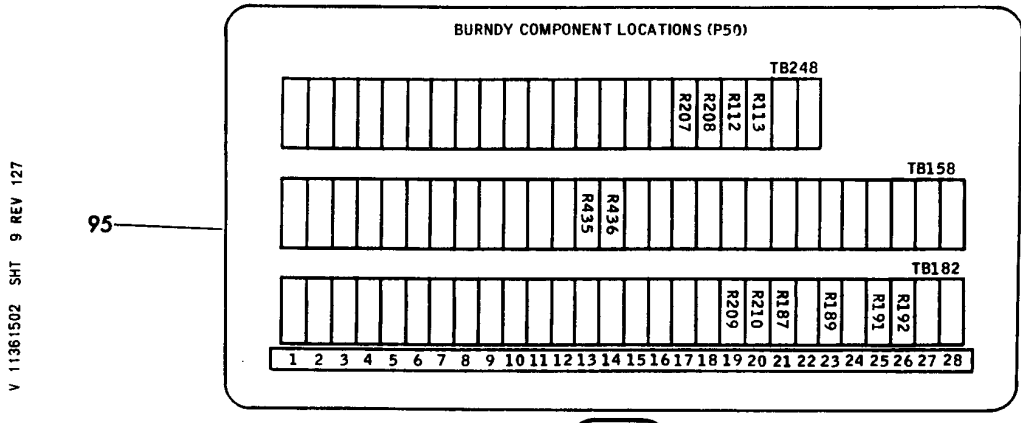
PARTS CATALOG (MAINTENANCE)



(Z)



(AA)



(AB)

V 11361502 SHT 9 REV 127

FILE ASSY-ELECTRICAL SYS CARD (P50) (PLACARDS AND MARKINGS ONLY)
FIGURE 2 (SHEET 9)

11-36-15-02

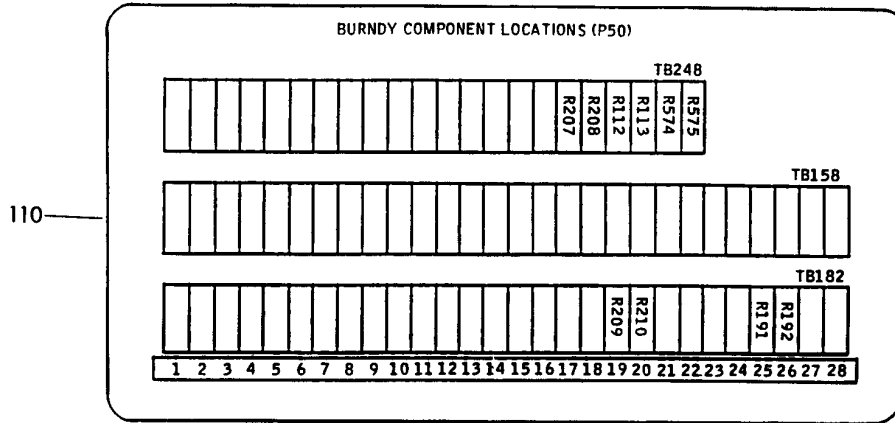
HXL
DEC 22/06

11-36-15-02
PAGE 0H

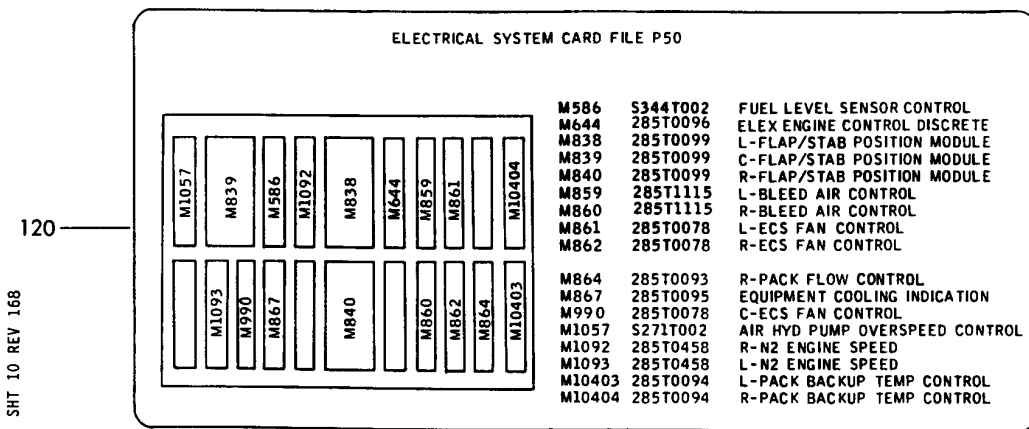
BOEING

767

PARTS CATALOG (MAINTENANCE)



AC



AD

V 11361502 SHT 10 REV 168

FILE ASSY-ELECTRICAL SYS CARD (P50) (PLACARDS AND MARKINGS ONLY)
FIGURE 2 (SHEET 10)

11-36-15-02

HXL
DEC 22/06

11-36-15-02
PAGE 01



767

PARTS CATALOG (MAINTENANCE)

FIG ITEM	PART NUMBER	1 2 3 4 5 6 7	NOMENCLATURE	EFFECT FROM TO	UNITS PER ASSY
2			FILE ASSY-ELECTRICAL SYS CARD (P50) (PLACARDS AND MARKINGS ONLY)		
- 2	285T0006-46		FILE ASSY-ELECTRICAL SYS CARD P50 (PLACARDS AND MARKINGS ONLY) FOR NHA/OTHER SYS DET SEE: 25-71-34-01	163999	RF
- 2	285T0006-60		FILE ASSY-ELECTRICAL SYS CARD P50 (PLACARDS AND MARKINGS ONLY) FOR NHA/OTHER SYS DET SEE: 25-71-34-01	155162	RF
10	BAC27TEX1316		.DECAL- PLACARD CONTENT: 1 THRU 28		1
13	BAC27TEX1		.DECAL		1
15	BAC27TEX1993		.DECAL- PLACARD CONTENT: ATTENTION ELECTROSTATIC GROUND JACK		1
20	BAC27TEX2017		.DECAL		1
35	BAC27TEX1302		.DECAL		1
40	BAC27TEX3370		.DECAL		1
60	BAC27TEX2951		.DECAL		1
65	BAC27TEX4322		.DECAL-	163999	1
90	BAC27TEX4561		.DECAL-		1
100	BAC27TEX4770		.DECAL- POST SERVICE BULLETIN: 23-0057		1

R
R
R

ILLUSTRATION ITEMS NOT ON PARTS LIST ARE NOT APPLICABLE

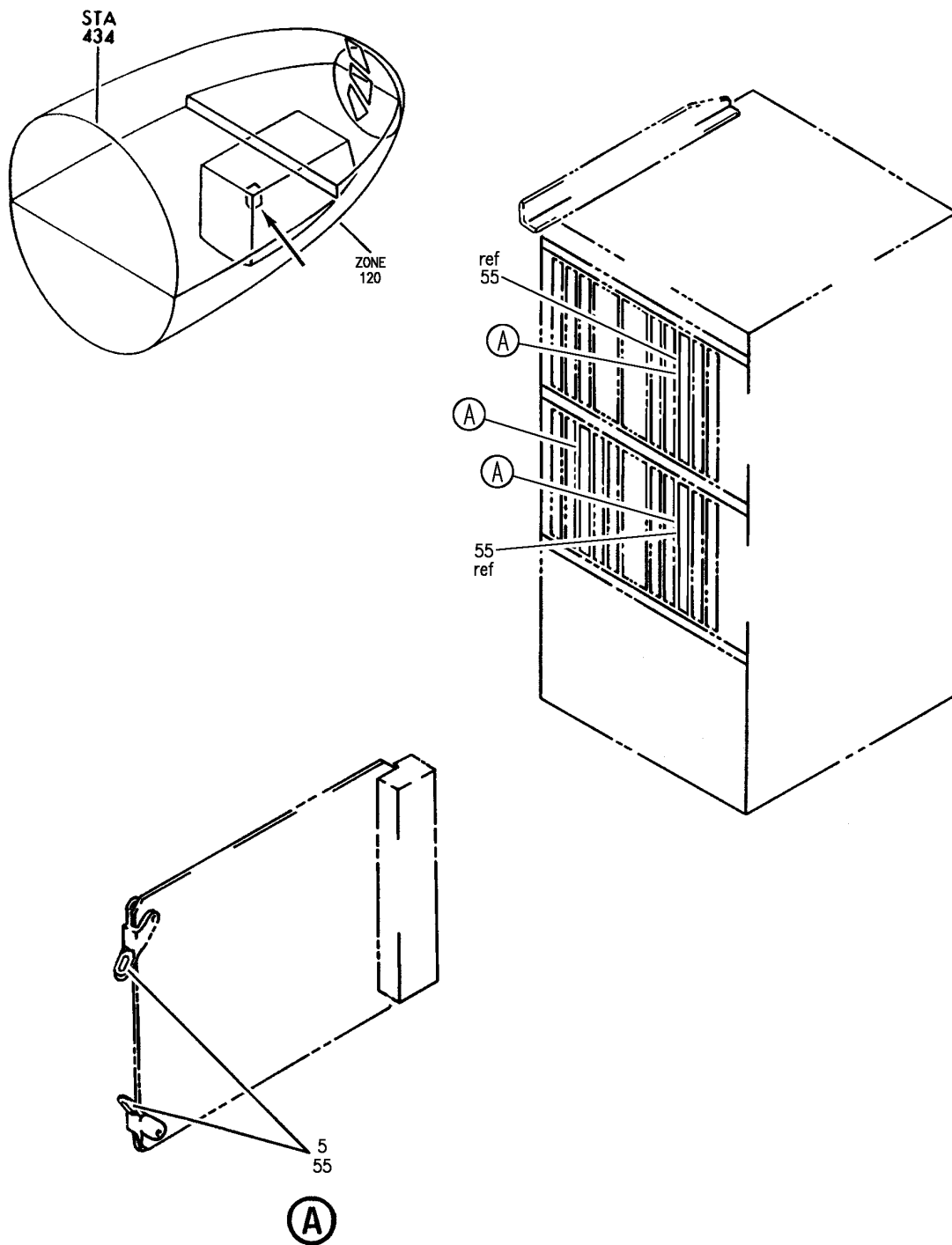
- ITEM NOT ILLUSTRATED

HXL

11-36-15-02

11-36-15
FIG. 02
PAGE 1
AUG 22/09

BOEING
767
PARTS CATALOG (MAINTENANCE)



V 11361503 REV 315

PRINTED CIRCUIT ASSY-ENVIRONMENTAL CONT SYS FAN CONT (PLACARDS AND MARKINGS ONLY)

FIGURE 3

11-36-15-03

HXL
APR 22/07

11-36-15-03
PAGE 0



767

PARTS CATALOG (MAINTENANCE)

FIG ITEM	PART NUMBER	1 2 3 4 5 6 7	NOMENCLATURE	EFFECT FROM TO	UNITS PER ASSY
3			PRINTED CIRCUIT ASSY- ENVIRONMENTAL CONT SYS FAN CONT (PLACARDS AND MARKINGS ONLY)		
- 1	285T0078-1		PRINTED CIRCUIT ASSY- ENVIRONMENTAL CONT SYS FAN CONT STATIC SENSITIVE PART (PLACARDS AND MARKINGS ONLY) SUPPLIER CODE: V89954 COMPONENT MAINT MANUAL REF: 21-58-53 FOR NHA/OTHER SYS DET SEE: 21-25-05-01 21-58-10-02		RF
- 1	285T0078-8		PRINTED CIRCUIT ASSY- ENVIRONMENTAL CONT SYS FAN CONT STATIC SENSITIVE PART (PLACARDS AND MARKINGS ONLY) SUPPLIER CODE: V89954 COMPONENT MAINT MANUAL REF: 21-58-53 FOR NHA/OTHER SYS DET SEE: 21-25-05-01 21-58-10-02		RF
- 1	285T0078-10		PRINTED CIRCUIT ASSY- ENVIRONMENTAL CONT SYS FAN CONT STATIC SENSITIVE PART (PLACARDS AND MARKINGS ONLY) SUPPLIER CODE: V89954 COMPONENT MAINT MANUAL REF: 21-58-53 FOR NHA/OTHER SYS DET SEE: 21-25-05-01 21-58-10-02		RF

ILLUSTRATION ITEMS NOT ON PARTS LIST ARE NOT APPLICABLE

- ITEM NOT ILLUSTRATED

HXL

11-36-15-03

BOEING PROPRIETARY - Copyright © - Unpublished Work - See title page for details.

11-36-15
FIG. 03
PAGE 1
DEC 22/06



767

PARTS CATALOG (MAINTENANCE)

FIG ITEM	PART NUMBER	1 2 3 4 5 6 7	NOMENCLATURE	EFFECT FROM TO	UNITS PER ASSY
3 - 1	285T0078-13		PRINTED CIRCUIT ASSY- ENVIRONMENTAL CONT SYS FAN CONT STATIC SENSITIVE PART (PLACARDS AND MARKINGS ONLY) SUPPLIER CODE: V89954 COMPONENT MAINT MANUAL REF: 21-58-53 FOR NHA/OTHER SYS DET SEE: 21-25-05-01 21-58-10-02		RF
- 1	285T0078-14		PRINTED CIRCUIT ASSY- ENVIRONMENTAL CONT SYS FAN CONT STATIC SENSITIVE PART (PLACARDS AND MARKINGS ONLY) SUPPLIER CODE: V89954 COMPONENT MAINT MANUAL REF: 21-58-53 FOR NHA/OTHER SYS DET SEE: 21-25-05-01 21-58-10-02		RF
- 1	285T0078-15		PRINTED CIRCUIT ASSY- ENVIRONMENTAL CONT SYS FAN CONT STATIC SENSITIVE PART (PLACARDS AND MARKINGS ONLY) SUPPLIER CODE: V89954 COMPONENT MAINT MANUAL REF: 21-58-53 FOR NHA/OTHER SYS DET SEE: 21-25-05-01 21-58-10-02		RF
- 1	285T0078-16		PRINTED CIRCUIT ASSY- ENVIRONMENTAL CONT SYS FAN CONT STATIC SENSITIVE PART (PLACARDS AND MARKINGS ONLY) SUPPLIER CODE: V89954 COMPONENT MAINT MANUAL REF: 21-58-53 FOR NHA/OTHER SYS DET SEE: 21-25-05-01 21-58-10-02		RF

ILLUSTRATION ITEMS NOT ON PARTS LIST ARE NOT APPLICABLE

- ITEM NOT ILLUSTRATED

11-36-15-03

11-36-15
FIG. 03
PAGE 2
DEC 22/06

HXL



767

PARTS CATALOG (MAINTENANCE)

FIG ITEM	PART NUMBER	1 2 3 4 5 6 7	NOMENCLATURE	EFFECT FROM TO	UNITS PER ASSY
3 5	BAC27TEX1486		.DECAL- PLACARD CONTENT: STATIC SENSITIVE		2

ILLUSTRATION ITEMS NOT ON PARTS LIST ARE NOT APPLICABLE

- ITEM NOT ILLUSTRATED

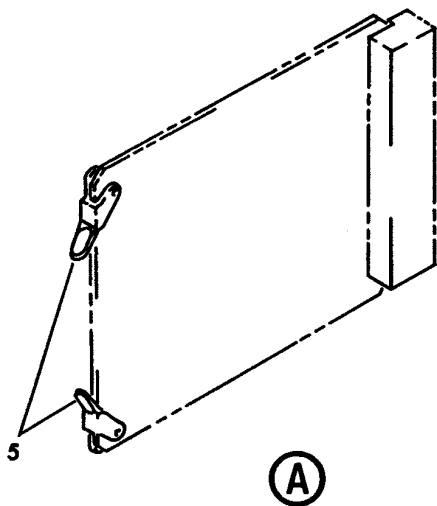
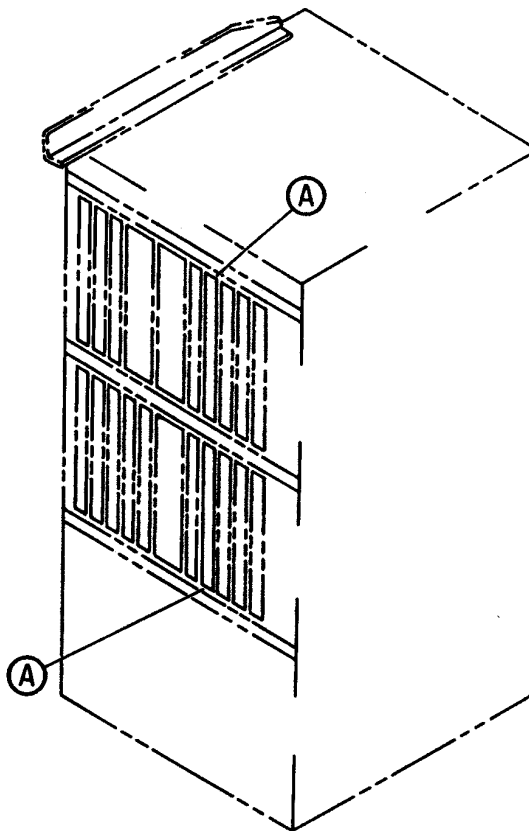
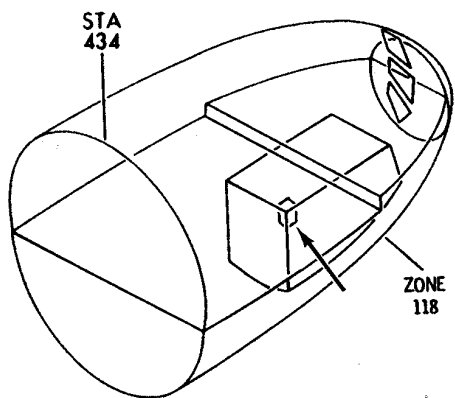
HXL

11-36-15-03

BOEING PROPRIETARY - Copyright © - Unpublished Work - See title page for details.

11-36-15
FIG. 03
PAGE 3
DEC 22/06

BOEING
767
PARTS CATALOG (MAINTENANCE)



V 11361504 REV 225

PRINTED CIRCUIT ASSY-BLEED AIR CONT (PLACARDS AND MARKINGS ONLY)

FIGURE 4

11-36-15-04

HXL
DEC 22/06

11-36-15-04
PAGE 0



767

PARTS CATALOG (MAINTENANCE)

FIG ITEM	PART NUMBER	1 2 3 4 5 6 7	NOMENCLATURE	EFFECT FROM TO	UNITS PER ASSY
4			PRINTED CIRCUIT ASSY-BLEED AIR CONT (PLACARDS AND MARKINGS ONLY)		
- 1	285T1115-15		PRINTED CIRCUIT ASSY-BLEED AIR CONT STATIC SENSITIVE PART (PLACARDS AND MARKINGS ONLY) SUPPLIER CODE: V89954 ELECTRICAL EQUIP NUMBER: M00859 M00860 COMPONENT MAINT MANUAL REF: 36-11-57 POST SERVICE BULLETIN: 36-0026 FOR NHA/OTHER SYS DET SEE: 36-11-12-01		RF
5	BAC27TEX1486		.DECAL- PLACARD CONTENT: STATIC SENSITIVE		2

R
R
R
R
R
R
R
R
R
R
R
R
R

ILLUSTRATION ITEMS NOT ON PARTS LIST ARE NOT APPLICABLE

- ITEM NOT ILLUSTRATED

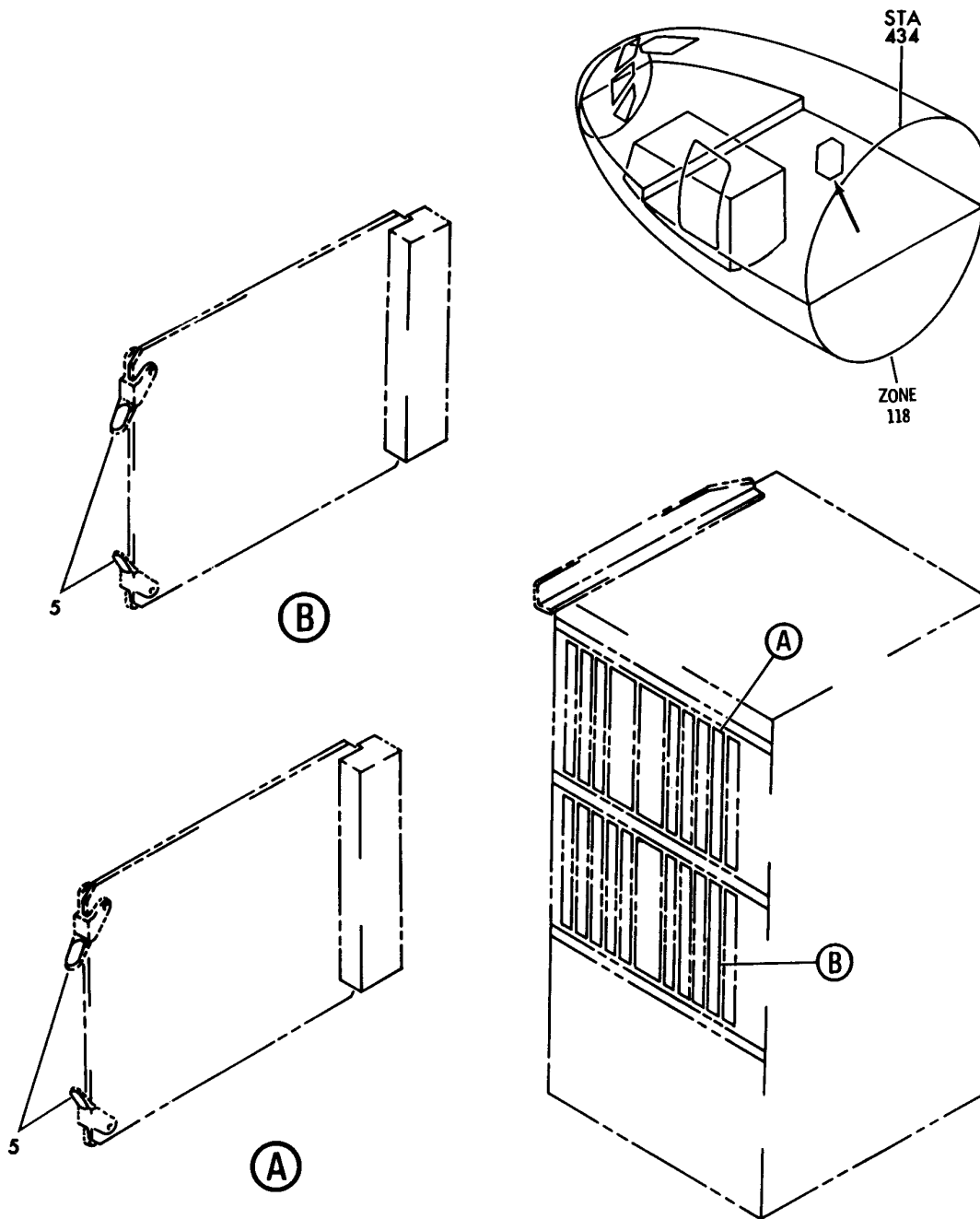
HXL

11-36-15-04

BOEING PROPRIETARY - Copyright © - Unpublished Work - See title page for details.

11-36-15
FIG. 04
PAGE 1
AUG 22/09

BOEING
767
PARTS CATALOG (MAINTENANCE)



V 11361505 REV 332

PRINTED CIRCUIT ASSY- PACK FLOW CONT (PLACARDS AND MARKINGS ONLY)
FIGURE 5

11-36-15-05

HXL
DEC 22/08

11-36-15-05
PAGE 0



767

PARTS CATALOG (MAINTENANCE)

FIG ITEM	PART NUMBER	1 2 3 4 5 6 7	NOMENCLATURE	EFFECT FROM TO	UNITS PER ASSY
5			PRINTED CIRCUIT ASSY- PACK FLOW CONT (PLACARDS AND MARKINGS ONLY)		
- 1	285T0093-11		PRINTED CIRCUIT ASSY-PACK FLOW CONT STATIC SENSITIVE PART (PLACARDS AND MARKINGS ONLY) SUPPLIER CODE: V89954 COMPONENT MAINT MANUAL REF: 21-51-52 FOR NHA/OTHER SYS DET SEE: 21-51-09-01		RF
- 1	285T0093-8		PRINTED CIRCUIT ASSY-PACK FLOW CONT STATIC SENSITIVE PART (PLACARDS AND MARKINGS ONLY) SUPPLIER CODE: V89954 COMPONENT MAINT MANUAL REF: 21-51-52 FOR NHA/OTHER SYS DET SEE: 21-51-09-01		RF
5	BAC27TEX1486		.DECAL- PLACARD CONTENT: STATIC SENSITIVE		2

ILLUSTRATION ITEMS NOT ON PARTS LIST ARE NOT APPLICABLE

- ITEM NOT ILLUSTRATED

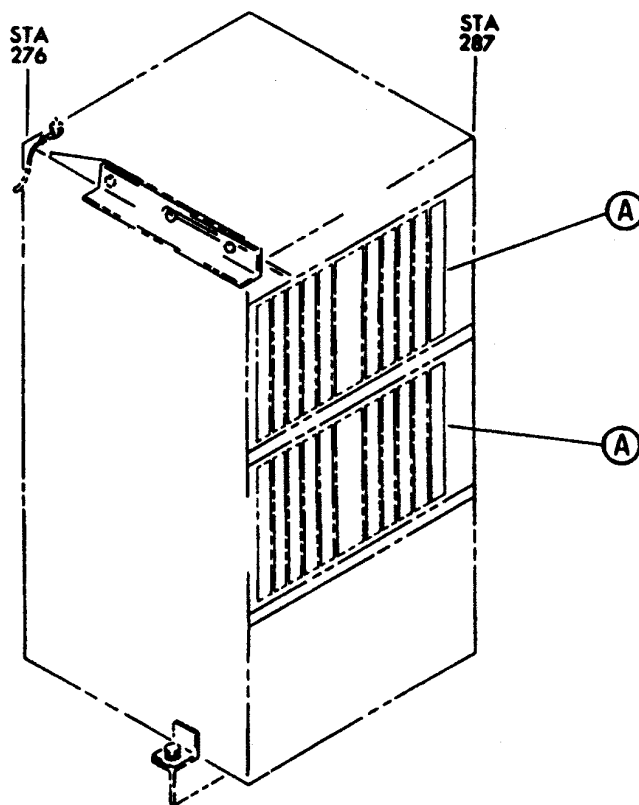
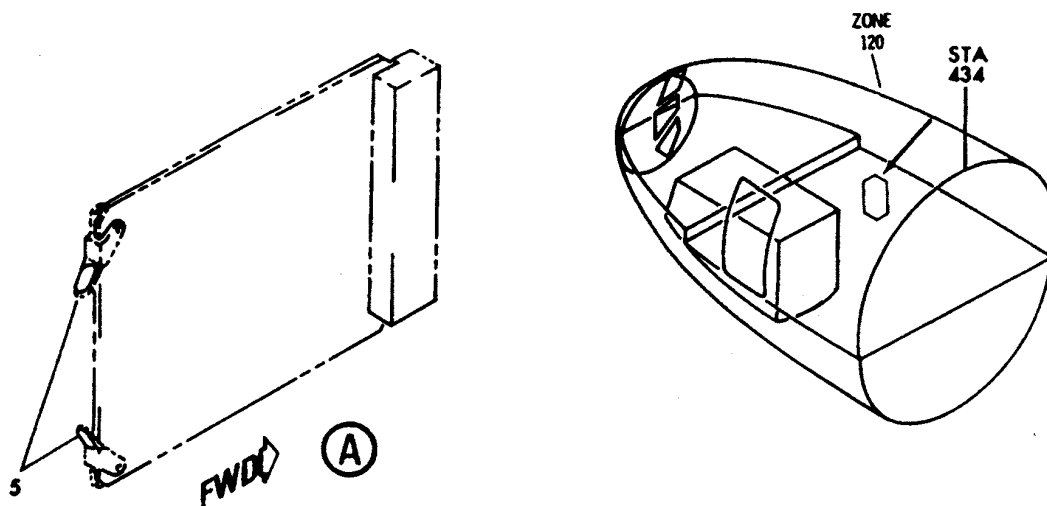
HXL

11-36-15-05

BOEING PROPRIETARY - Copyright © - Unpublished Work - See title page for details.

11-36-15
FIG. 05
PAGE 1
AUG 22/08

BOEING
767
PARTS CATALOG (MAINTENANCE)



V 11361506 REV 225

PRINTED CIRCUIT ASSY- PACK MANUAL TEMP CONT (PLACARDS AND MARKINGS ONLY)
FIGURE 6

HXL
DEC 22/06

11-36-15-06

11-36-15-06
PAGE 0



767

PARTS CATALOG (MAINTENANCE)

FIG ITEM	PART NUMBER	1 2 3 4 5 6 7	NOMENCLATURE	EFFECT FROM TO	UNITS PER ASSY
6			PRINTED CIRCUIT ASSY- PACK MANUAL TEMP CONT (PLACARDS AND MARKINGS ONLY)		
- 1	285T0094-6		PRINTED CIRCUIT ASSY-PACK MANUAL TEMP CONT (PLACARDS AND MARKINGS ONLY) SUPPLIER CODE: V89954 COMPONENT MAINT MANUAL REF: 21-51-53 FOR NHA/OTHER SYS DET SEE: 21-53-06-01		RF
5	BAC27TEX1486		.DECAL- PLACARD CONTENT: STATIC SENSITIVE		2

ILLUSTRATION ITEMS NOT ON PARTS LIST ARE NOT APPLICABLE

- ITEM NOT ILLUSTRATED

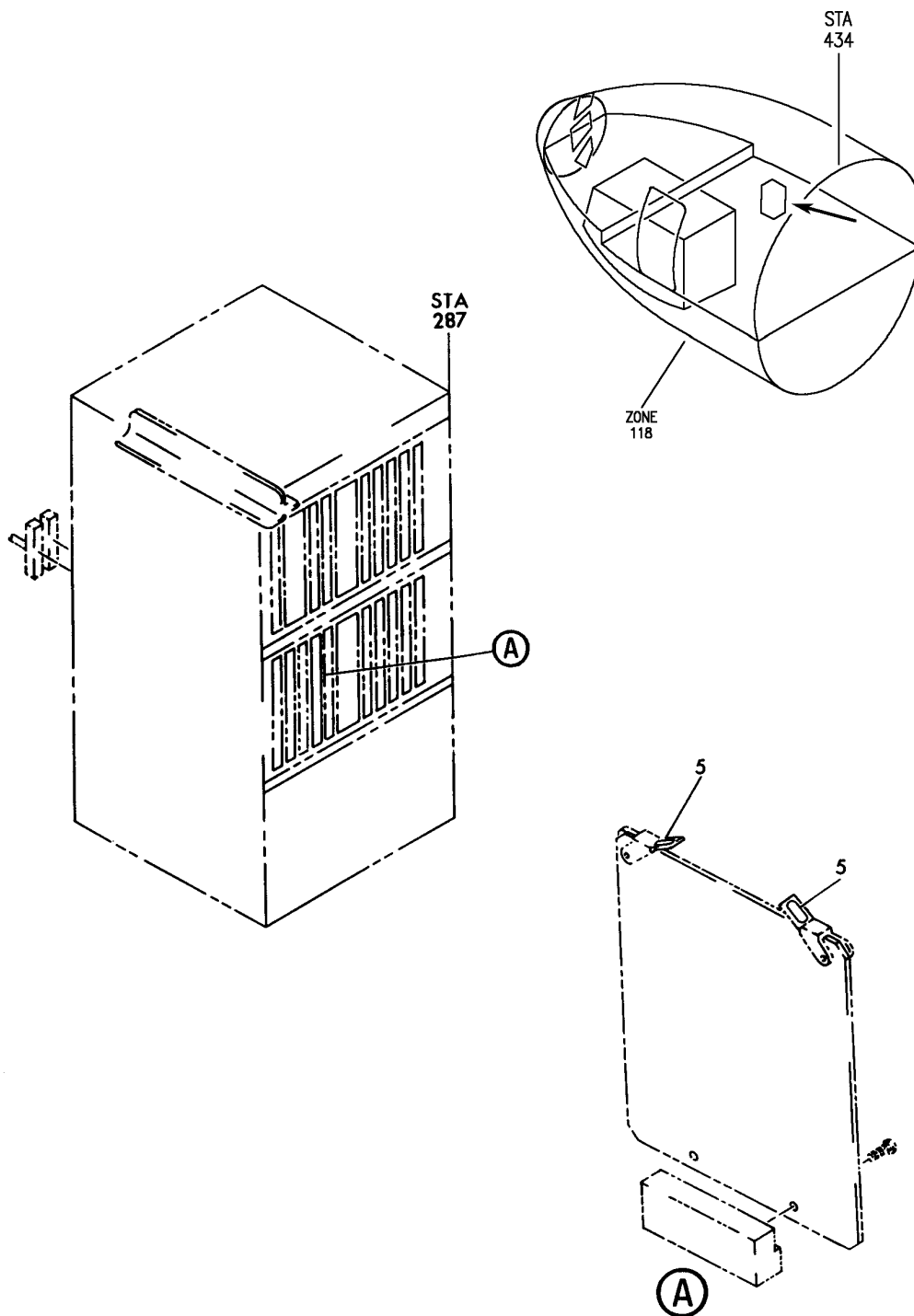
HXL

11-36-15-06

BOEING PROPRIETARY - Copyright © - Unpublished Work - See title page for details.

11-36-15
FIG. 06
PAGE 1
DEC 22/06

BOEING
767
PARTS CATALOG (MAINTENANCE)



V 11361507 REV 337

PRINTED CIRCUIT ASSY-EQPT COOLING INDICATION (PLACARDS AND MARKINGS ONLY)
FIGURE 7

11-36-15-07

HXL
APR 22/09

11-36-15-07
PAGE 0



767

PARTS CATALOG (MAINTENANCE)

FIG ITEM	PART NUMBER	1 2 3 4 5 6 7	NOMENCLATURE	EFFECT FROM TO	UNITS PER ASSY
7			PRINTED CIRCUIT ASSY-EQPT COOLING INDICATION (PLACARDS AND MARKINGS ONLY)		
- 1	285T0095-5		PRINTED CIRCUIT ASSY-EQPT COOLING INDICATION STATIC SENSITIVE PART (PLACARDS AND MARKINGS ONLY) SUPPLIER CODE: V89954 COMPONENT MAINT MANUAL REF: 21-61-52 FOR NHA/OTHER SYS DET SEE: 21-58-10-02		RF
- 1	285T0095-8		PRINTED CIRCUIT ASSY-EQPT COOLING INDICATION STATIC SENSITIVE PART (PLACARDS AND MARKINGS ONLY) SUPPLIER CODE: V89954 COMPONENT MAINT MANUAL REF: 21-61-52 FOR NHA/OTHER SYS DET SEE: 21-58-10-02		RF
5	BAC27TEX1486		.DECAL- PLACARD CONTENT: STATIC SENSITIVE		2

ILLUSTRATION ITEMS NOT ON PARTS LIST ARE NOT APPLICABLE

- ITEM NOT ILLUSTRATED

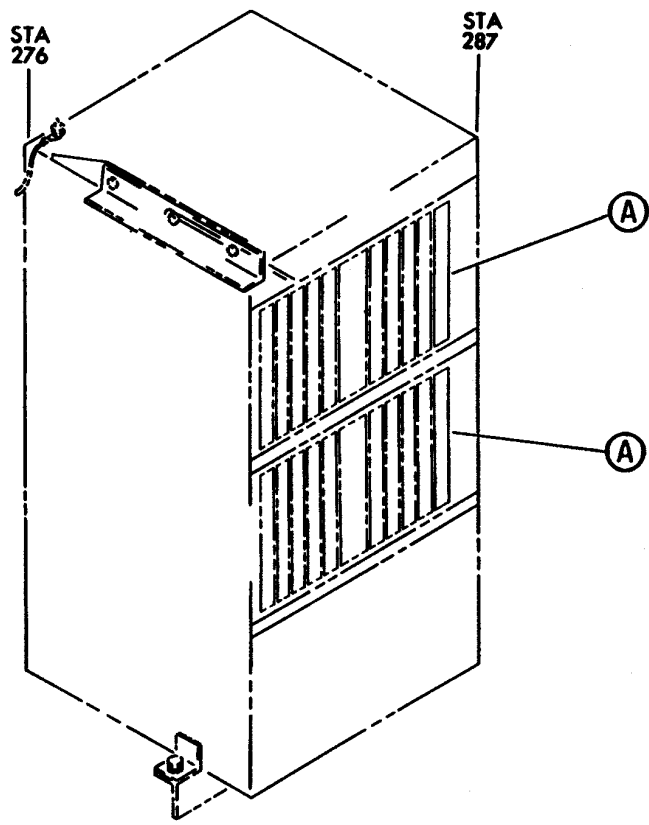
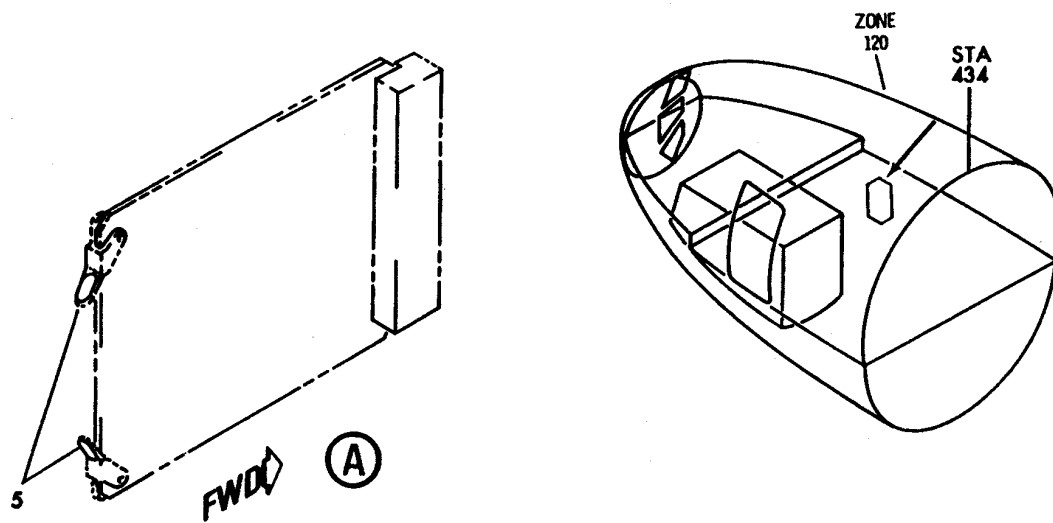
HXL

11-36-15-07

BOEING PROPRIETARY - Copyright © - Unpublished Work - See title page for details.

11-36-15
FIG. 07
PAGE 1
DEC 22/06

BOEING
767
PARTS CATALOG (MAINTENANCE)



V 11361508 REV 225

PRINTED CIRCUIT ASSY-ELECTRONIC ENG CONT DISCRETE (PLACARDS AND MARKINGS ONLY)
FIGURE 8

11-36-15-08

HXL
DEC 22/06

11-36-15-08
PAGE 0



767

PARTS CATALOG (MAINTENANCE)

FIG ITEM	PART NUMBER	1 2 3 4 5 6 7	NOMENCLATURE	EFFECT FROM TO	UNITS PER ASSY
8			PRINTED CIRCUIT ASSY- ELECTRONIC ENG CONT DISCRETE (PLACARDS AND MARKINGS ONLY)		
- 1	285T0096-13		PRINTED CIRCUIT ASSY- ELECTRONIC ENG CONT DISCRETE STATIC SENSITIVE PART (PLACARDS AND MARKINGS ONLY) SUPPLIER CODE: V89954 COMPONENT MAINT MANUAL REF: 73-21-51 FOR NHA/OTHER SYS DET SEE: 73-21-54-01		RF
- 1	285T0096-17		PRINTED CIRCUIT ASSY- ELECTRONIC ENG CONT DISCRETE STATIC SENSITIVE PART (PLACARDS AND MARKINGS ONLY) SUPPLIER CODE: V89954 COMPONENT MAINT MANUAL REF: 73-21-51 FOR NHA/OTHER SYS DET SEE: 73-21-54-01		RF
5	BAC27TEX1486		.DECAL- PLACARD CONTENT: STATIC SENSITIVE		2

ILLUSTRATION ITEMS NOT ON PARTS LIST ARE NOT APPLICABLE

- ITEM NOT ILLUSTRATED

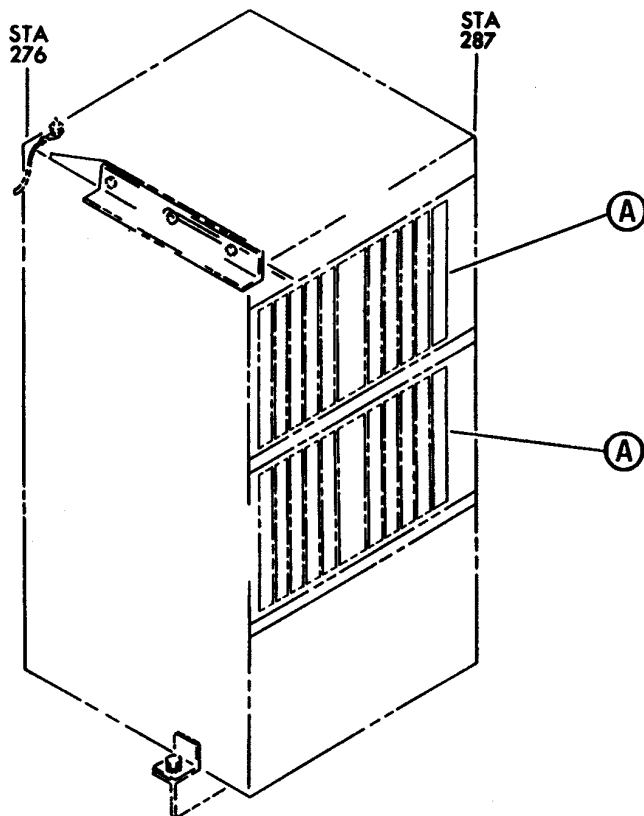
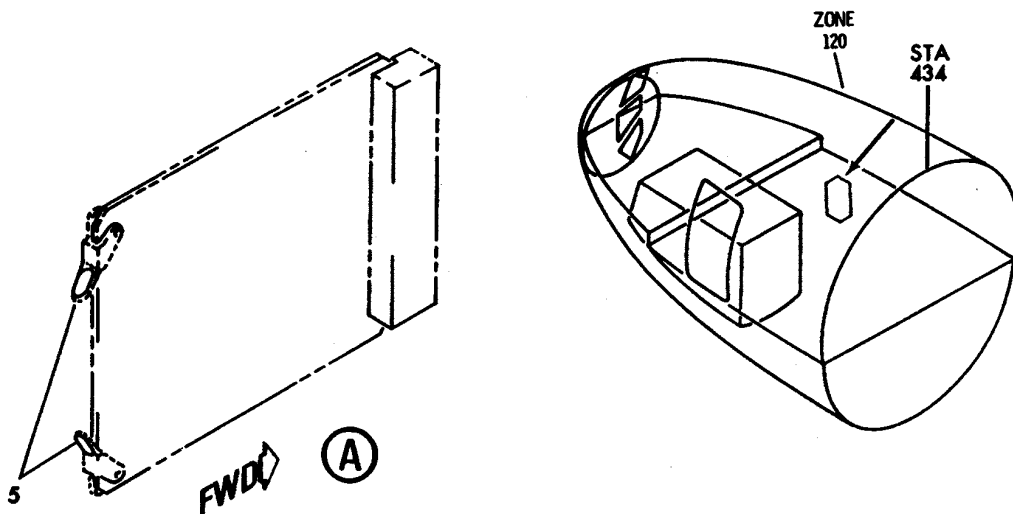
HXL

11-36-15-08

BOEING PROPRIETARY - Copyright © - Unpublished Work - See title page for details.

11-36-15
FIG. 08
PAGE 1
DEC 22/06

BOEING
767
PARTS CATALOG (MAINTENANCE)



V 11361509 REV 225

PRINTED CIRCUIT ASSY-N2 AND N3 ENG SPEED DISCRETE L AND R (PLACARDS AND MARKINGS ONLY)

FIGURE 9

11-36-15-09

HXL
DEC 22/06

11-36-15-09
PAGE 0



767

PARTS CATALOG (MAINTENANCE)

FIG ITEM	PART NUMBER	1 2 3 4 5 6 7	NOMENCLATURE	EFFECT FROM TO	UNITS PER ASSY
9			PRINTED CIRCUIT ASSY-N2 AND N3 ENG SPEED DISCRETE L AND R (PLACARDS AND MARKINGS ONLY)		
- 1	285T0458-22		PRINTED CIRCUIT ASSY-N2 ENG SPEED DISCRETE STATIC SENSITIVE PART (PLACARDS AND MARKINGS ONLY) SUPPLIER CODE: V89954 POSITION DATA: L AND R ELECTRICAL EQUIP NUMBER: M01092 M01093 COMPONENT MAINT MANUAL REF: 73-21-52 FOR NHA/OTHER SYS DET SEE: 73-21-54-01		RF
- 1	285T0458-202		PRINTED CIRCUIT ASSY-N2 ENG SPEED DISCRETE STATIC SENSITIVE PART (PLACARDS AND MARKINGS ONLY) SUPPLIER CODE: V89954 POSITION DATA: L AND R ELECTRICAL EQUIP NUMBER: M01092 M01093 COMPONENT MAINT MANUAL REF: 73-21-52 FOR NHA/OTHER SYS DET SEE: 73-21-54-01		RF

ILLUSTRATION ITEMS NOT ON PARTS LIST ARE NOT APPLICABLE

- ITEM NOT ILLUSTRATED

HXL

11-36-15-09

BOEING PROPRIETARY - Copyright © - Unpublished Work - See title page for details.

11-36-15
FIG. 09
PAGE 1
APR 22/09



767

PARTS CATALOG (MAINTENANCE)

FIG ITEM	PART NUMBER	1 2 3 4 5 6 7	NOMENCLATURE	EFFECT FROM TO	UNITS PER ASSY
9 -	1 285T0458-203		PRINTED CIRCUIT ASSY-N2 ENG SPEED DISCRETE STATIC SENSITIVE PART (PLACARDS AND MARKINGS ONLY) SUPPLIER CODE: V89954 POSITION DATA: L AND R FUNCTIONAL DESCRIPTION: PROVIDES DISCRETE OUTPUT SIGNALS WHICH CONTAIN N2 ENGINE SPEED INFORMATION TO OTHER SYSTEMS ON THE AIRPLANE. ELECTRICAL EQUIP NUMBER: M01092 M01093 COMPONENT MAINT MANUAL REF: 73-21-52 FOR NHA/OTHER SYS DET SEE: 73-21-54-01		RF
10	BAC27TEX1486		.DECAL- PLACARD CONTENT: STATIC SENSITIVE		2

ILLUSTRATION ITEMS NOT ON PARTS LIST ARE NOT APPLICABLE

- ITEM NOT ILLUSTRATED

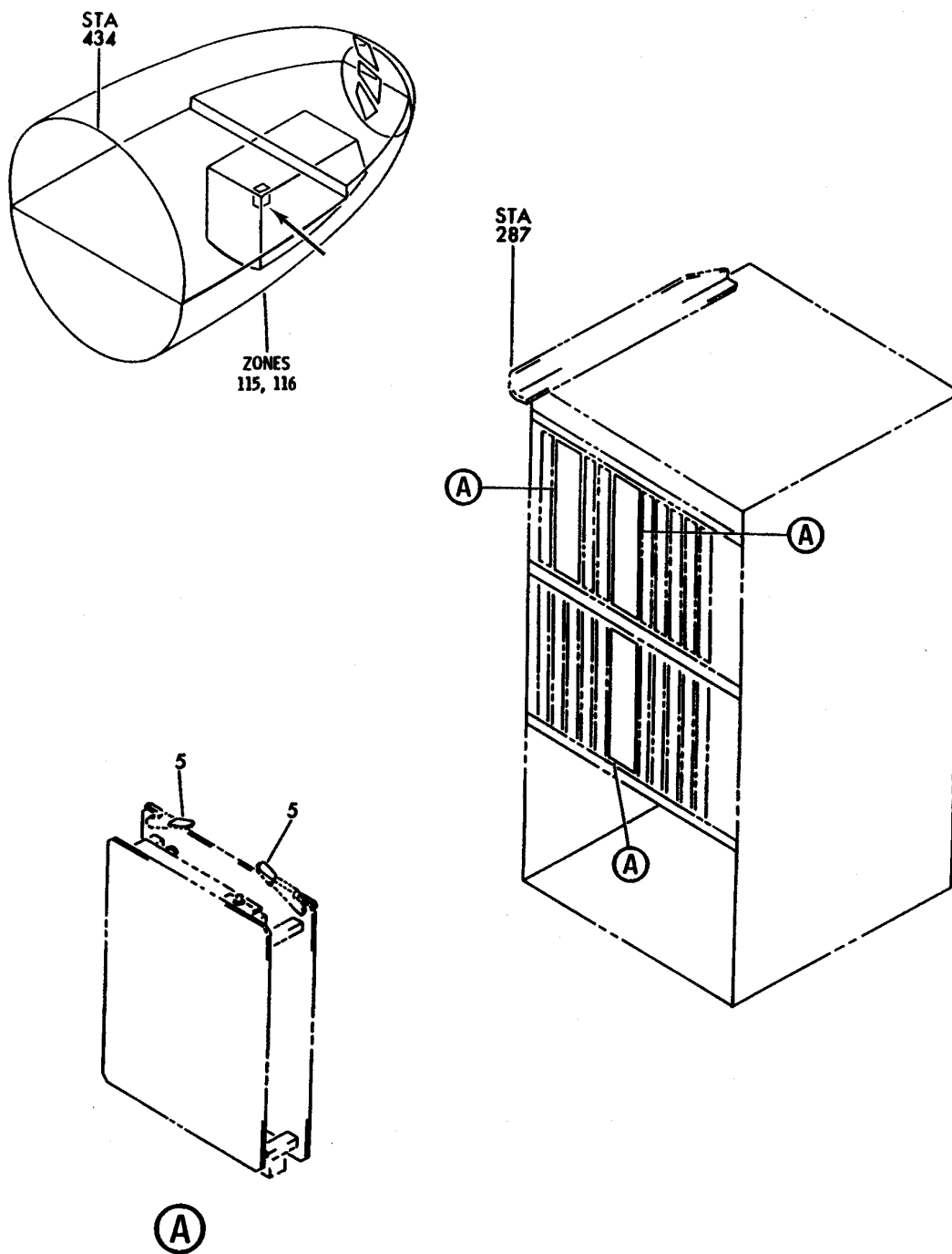
HXL

11-36-15-09

BOEING PROPRIETARY - Copyright © - Unpublished Work - See title page for details.

11-36-15
 FIG. 09
 PAGE 2
 APR 22/09

BOEING
767
PARTS CATALOG (MAINTENANCE)



V 11361510 REV 225

MODULE ASSY-FLAP STAB. POSITION (PLACARDS AND MARKINGS ONLY)
FIGURE 10

11-36-15-10

HXL
DEC 22/06

11-36-15-10
PAGE 0



767

PARTS CATALOG (MAINTENANCE)

FIG ITEM	PART NUMBER	1 2 3 4 5 6 7	NOMENCLATURE	EFFECT FROM TO	UNITS PER ASSY
10			MODULE ASSY-FLAP STAB. POSITION (PLACARDS AND MARKINGS ONLY)		
- 1	285T0099-17		MODULE ASSY-FLAP STAB. POSITION (STATIC SENSITIVE PART) (PLACARDS AND MARKINGS ONLY) SUPPLIER CODE: V89954 MISCELLANEOUS DATA: ASSY -17 WITH -5006 INSTALLED IS MOD A. ASSEMBLIES BUILT AFTER 12/12/91 WILL HAVE -5006 INSTALLED. REPART MARK MOD A AFTER PART NO. SUFFIX ASSY -17 WITH -5013 INSTALLED IS MOD B. ASSEMBLIES BUILT AFTER 8/5/93 WILL HAVE -5013 INSTALLED. OBLITERATE MOD A PART MARK AND REPART MARK TO MOD B PER BAC5868. COMPONENT MAINT MANUAL REF: 27-58-51 FOR NHA/OTHER SYS DET SEE: 27-58-53-01		RF
5	BAC27TEX1486		.DECAL- PLACARD CONTENT: STATIC SENSITIVE		2

ILLUSTRATION ITEMS NOT ON PARTS LIST ARE NOT APPLICABLE

- ITEM NOT ILLUSTRATED

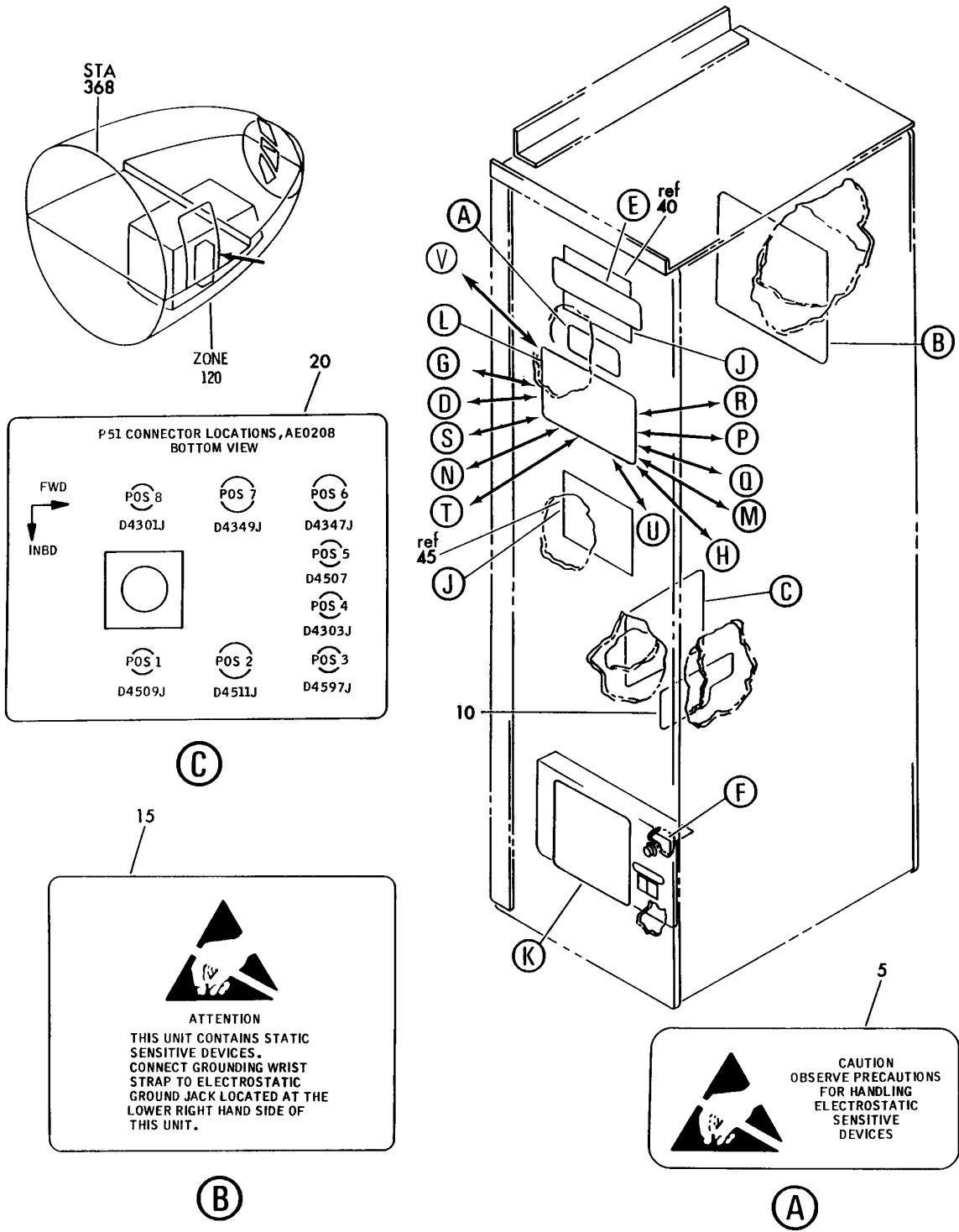
HXL

11-36-15-10

BOEING PROPRIETARY - Copyright © - Unpublished Work - See title page for details.

11-36-15
FIG. 10
PAGE 1
DEC 22/06

BOEING
767
PARTS CATALOG (MAINTENANCE)



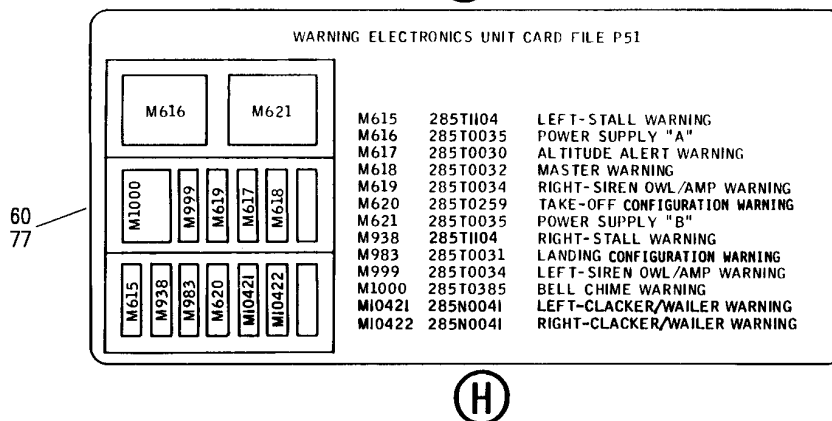
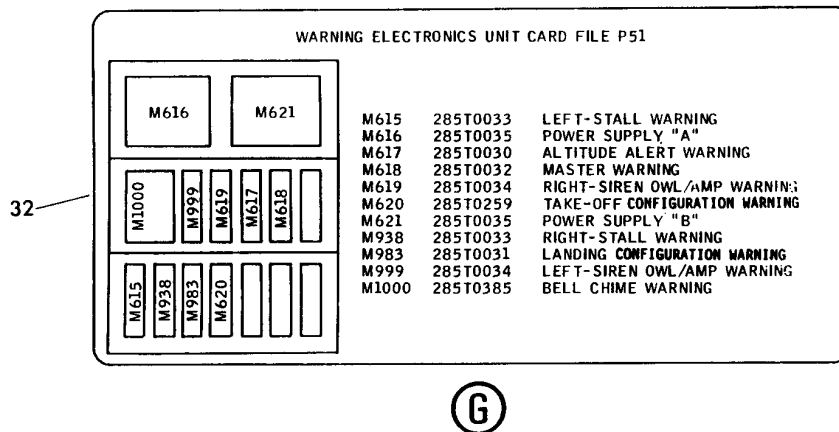
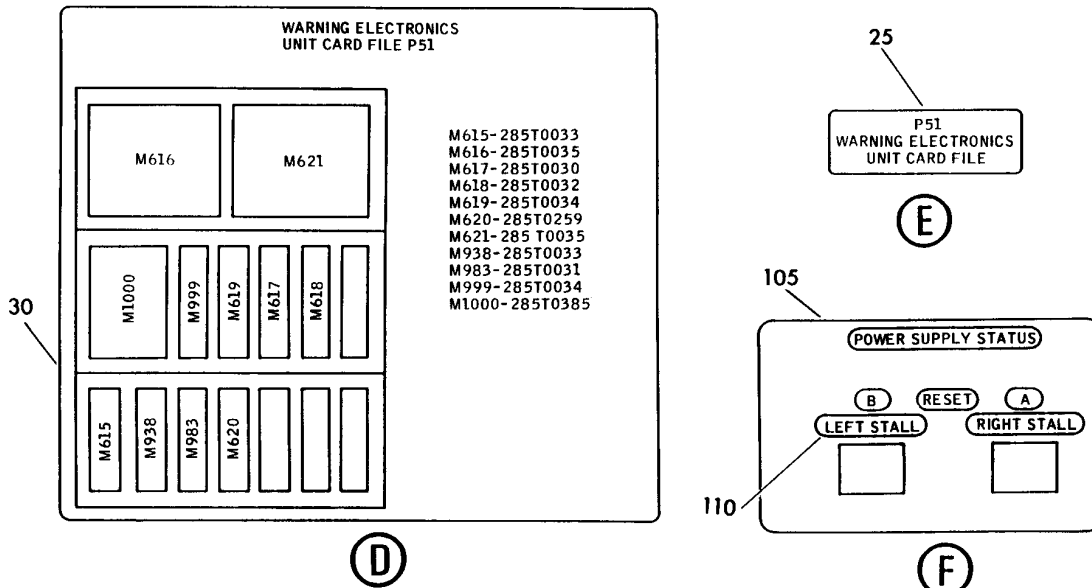
V 11361602 SH1 1 REV 256

CHASSIS ASSY-WARNING ELECT. UNIT (PLACARDS AND MARKINGS ONLY)
FIGURE 2 (SHEET 1)

BOEING

767

PARTS CATALOG (MAINTENANCE)



V 11361602 SHT 2 REV 256

CHASSIS ASSY-WARNING ELECT. UNIT (PLACARDS AND MARKINGS ONLY)
FIGURE 2 (SHEET 2)

11-36-16-02

HXL
DEC 22/06

11-36-16-02
PAGE 0A

BOEING

767

PARTS CATALOG (MAINTENANCE)

TO INSTALL PRINTED CIRCUIT ASSEMBLIES IN CARD FILES:

1. WITH TOP & BOTTOM CARD GUIDE TENSION LEVERS IN THE OPEN POSITION, SLIDE CARD ASSY INTO GUIDES UNTIL CONNECTOR IS MATED.
2. PRESS HARD ON BOTH EXTRACTORS TO BOTTOM OUT CONNECTOR
3. CLOSE TOP & BOTTOM CARD GUIDE TENSION LEVERS.

NOTE: PULLING ON EXTRACTORS AUTOMATICALLY OPENS TENSION LEVERS FOR REMOVAL.

(J)

40
45
70

WEU STATUS DISPLAY

POWER SUPPLY M616 AND STATUS:
YELLOW FAULT BALL INDICATES POSSIBLE FAULTY M616(L) OR M616(R). TO RESET FAULT BALL SWITCH L OR R POWER OFF MOMENTARILY THEN REAPPLY POWER. MOMENTARILY PRESS RESET BUTTON.
NOTE: A FAULTY POWER SUPPLY WILL NOT RESET.

STALL WARNING M615 & M938 STATUS
ONLY 1 TWO-DIGIT CODE WILL BE DISPLAYED FOR A EACH STALL WARNING COMPUTER (L:M615, R:M938) REGARDLESS OF THE NUMBER OF FAULTS/ANOMALIES PRESENT. THE PRIORITY OF DISPLAY IS:

SWC FAULTS	A0-C5
INTERFACE ANOMALIES	D0-D9
CONFIG ID	1,2,3,0-F

CONFIG ID:	SWC FAULTS:	
1X - NORMAL 767-300	A0 MULTIPLE FAULTS	B0 IN DISC #10
2X - NORMAL 767-300(ER WING)	A1 IN DISC #1	B1 IN DISC #11
3X - NORMAL 767-200	A2 IN DISC #2	B2 IN DISC #12
FX - INVALID CONFIGURATION	A3 IN DISC #3	B6 ARINC IN
(X=OPTION VALUES OTHROUGH F)	A4 IN DISC #4	CO A/D
INTERFACE ANOMALIES:	A5 IN DISC #5	C1 OUT DISC #1
D0 STICK SHAKER INOP	A6 IN DISC #6	C2 OUT DISC #2
D1 ADC INPUT INVALID	A7 IN DISC #7	C3 OUT DISC #3
D2 FLAPS POSN INVALID	A8 IN DISC #8	C4 OUT DISC #4
D3 SPEED BREAKS INVALID	A9 IN DISC #9	C5 OUT DISC #5
D4 MULTIPLE LE SLATS		
D5 NO LEADING EDGE SLATS		
D6 IRS INPUT INVALID		
D7 FMA INPUT INVALID		
D8 AIR/GND CONFLICT		
D9 OPPOSITE CHANNEL		

(K)

WARNING ELECTRONICS UNIT CARD FILE P51

M616	M621	<p>M615-285T0033, M616-285T0035, M617-285T0030, M618-285T0032, M619-285T0034, M620-285T0259, M621-285T0035, M938-285T0033, M983-285T0031, M999-285T0034, M1000-285T0385, M10423-285N0042,</p> <p>LEFT-STALL WARNING POWER SUPPLY "A" ALTITUDE ALERT WARNING MASTER WARNING RIGHT-SIREN OWL/LAMP WARNING TAKE-OFF CONFIGURATION WARNING POWER SUPPLY "B" RIGHT-STALL WARNING LANDING CONFIGURATION WARNING LEFT-SIREN OWL/LAMP WARNING BELL CHIME WARNING DECISION HEIGHT</p>
M1000	M619	
M615	M617	
M938	M618	
M983	M10423	
M620		

50

(L)

WARNING ELECTRONICS UNIT CARD FILE P51

M616	M621	<p>M615-285T1104 M616-285T0035 M617-285T0030 M618-285T0032 M619-285T0034 M620-285T0259 M621-285T0035 M938-285T1104 M983-285T0031 M999-285T0034 M1000-285T0385 M10423-285N0042</p> <p>LEFT-STALL WARNING POWER SUPPLY "A" ALTITUDE ALERT WARNING MASTER WARNING RIGHT-SIREN OWL/LAMP WARNING TAKE-OFF CONFIGURATION WARNING POWER SUPPLY "B" RIGHT-STALL WARNING LANDING CONFIGURATION WARNING LEFT-SIREN OWL/AMP WARNING BELL CHIME WARNING DECISION HEIGHT</p>
M1000	M619	
M615	M617	
M938	M618	
M983	M10423	
M620		

65

(M)

V 11361602 SHT 3 REV 128

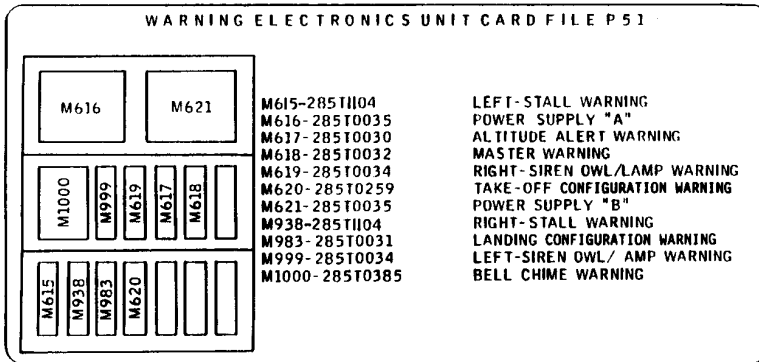
CHASSIS ASSY-WARNING ELECT. UNIT (PLACARDS AND MARKINGS ONLY)
FIGURE 2 (SHEET 3)

11-36-16-02

HXL
DEC 22/06

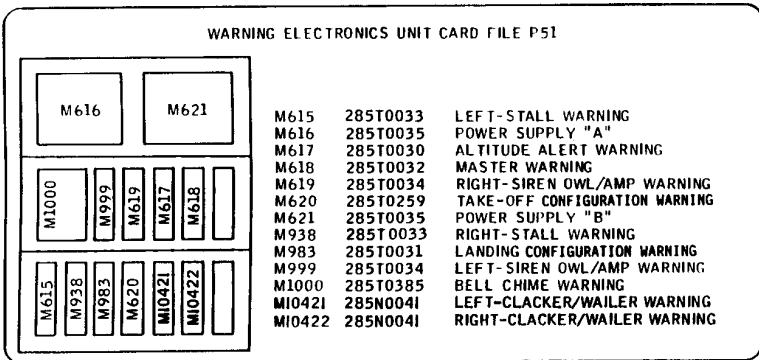
11-36-16-02
PAGE 0B

BOEING
767
PARTS CATALOG (MAINTENANCE)



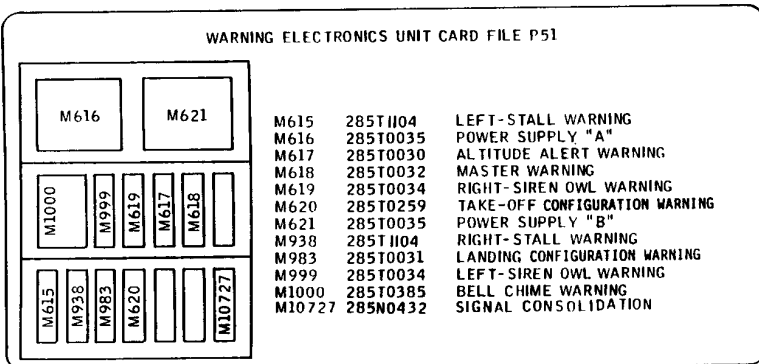
55
75

(N)



35

(P)



80

(Q)

V 11361602 SHT 4 REV 256

CHASSIS ASSY-WARNING ELECT. UNIT (PLACARDS AND MARKINGS ONLY)
FIGURE 2 (SHEET 4)

11-36-16-02

HXL
DEC 22/06

11-36-16-02
PAGE 0C

BOEING
767
PARTS CATALOG (MAINTENANCE)

WARNING ELECTRONICS UNIT CARD FILE P51

M616		M621		M615	285T1104	LEFT-STALL WARNING
M1000		M999		M616	285T0035	POWER SUPPLY "A"
M938		M983		M617	285T0030	ALTITUDE ALERT WARNING
M619		M617		M618	285T0032	MASTER WARNING
M618		M10423		M619	285T0034	RIGHT-SIREN/OWL WARNING
M10423		M10727		M620	285T0259	TAKE-OFF CONFIGURATION WARNING
M615		M938		M621	285T0035	POWER SUPPLY "B"
M983		M620		M938	285T1104	RIGHT-STALL WARNING
M620		M10421		M983	285T0031	LANDING CONFIGURATION WARNING
M10421		M10422		M999	285T0034	LEFT-SIREN/OWL WARNING
M10422		M10727		M1000	285T0385	BELL CHIME WARNING
M10727				M10421	285N0041	LEFT CLACKER/WAILER
				M10422	285N0041	RIGHT CLACKER/WAILER
				M10423	285N0042	DECISION HEIGHT WARNING
				M10727	285N0432	SIGNAL CONSOLIDATION

85

Ⓡ

WARNING ELECTRONICS UNIT CARD FILE P51

M616		M621		M615	285T1104	LEFT-STALL WARNING
M1000		M999		M616	285T0035	POWER SUPPLY "A"
M938		M983		M617	285T0030	ALTITUDE ALERT WARNING
M619		M617		M618	285T0032	MASTER WARNING
M618		M10423		M619	285T0034	RIGHT-SIREN/OWL WARNING
M10423		M10727		M620	285T0259	TAKE-OFF CONFIGURATION WARNING
M615		M938		M621	285T0035	POWER SUPPLY "B"
M983		M620		M938	285T1104	RIGHT-STALL WARNING
M620		M10421		M983	285T0031	LANDING CONFIGURATION WARNING
M10421		M10422		M999	285T0034	LEFT-SIREN/OWL WARNING
M10422		M10727		M1000	285T0385	BELL CHIME WARNING
M10727				M10423	285N0042	SIGNAL CONSOLIDATION
				M10727	285N0432	DECISION HEIGHT WARNING

90

Ⓢ

WARNING ELECTRONICS UNIT CARD FILE P51

M616		M621		M615	285T1104	LEFT-STALL WARNING
M1000		M999		M616	285T0035	POWER SUPPLY "A"
M938		M983		M617	285T0030	ALTITUDE ALERT WARNING
M619		M617		M618	285T0032	MASTER WARNING
M618		M10423		M619	285T0034	RIGHT-SIREN/OWL WARNING
M10423		M10727		M620	285T0259	TAKE-OFF CONFIGURATION WARNING
M615		M938		M621	285T0035	POWER SUPPLY "B"
M983		M620		M938	285T1104	RIGHT-STALL WARNING
M620		M10421		M983	285T0031	LANDING CONFIGURATION WARNING
M10421		M10422		M999	285T0034	LEFT-SIREN/OWL WARNING
M10422		M10727		M1000	285T0385	BELL CHIME WARNING
M10727				M10421	285N0041	RIGHT CLACKER/WAILER
				M10422	285N0041	LEFT CLACKER/WAILER
				M10423	285N0042	DECISION HEIGHT WARNING
				M10727	285N0432	SIGNAL CONSOLIDATION

95

Ⓣ

V 11361602 SHT 5 REV 128

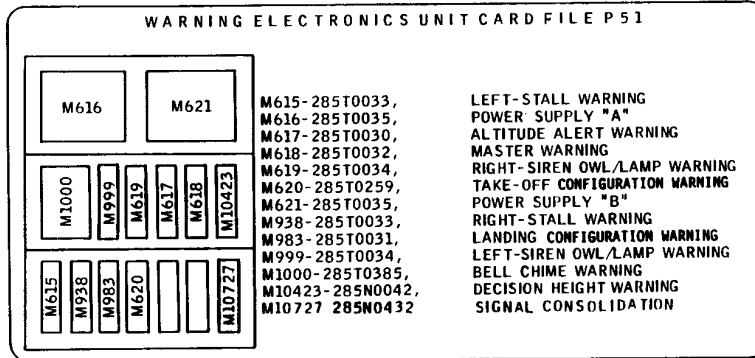
CHASSIS ASSY-WARNING ELECT. UNIT (PLACARDS AND MARKINGS ONLY)
FIGURE 2 (SHEET 5)

11-36-16-02

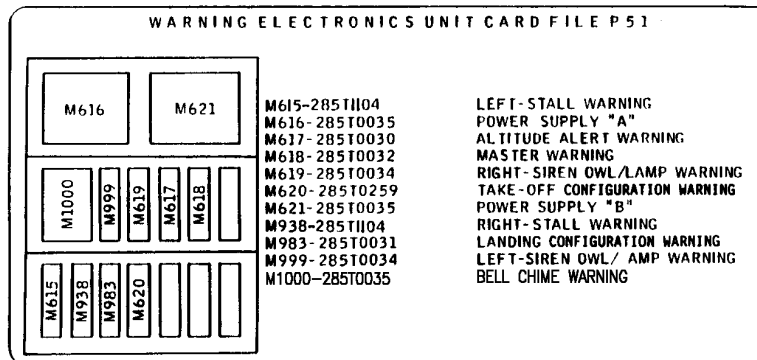
HXL
DEC 22/06

11-36-16-02
PAGE 0D

BOEING
767
PARTS CATALOG (MAINTENANCE)



100



115



V 11361602 SH 6 REV 256

CHASSIS ASSY-WARNING ELECT. UNIT (PLACARDS AND MARKINGS ONLY)
FIGURE 2 (SHEET 6)

11-36-16-02

HXL
DEC 22/06

11-36-16-02
PAGE 0E



767

PARTS CATALOG (MAINTENANCE)

FIG ITEM	PART NUMBER	1 2 3 4 5 6 7	NOMENCLATURE	EFFECT FROM TO	UNITS PER ASSY
2			CHASSIS ASSY-WARNING ELECT. UNIT (PLACARDS AND MARKINGS ONLY)		
- 1	285T0007-45		CHASSIS ASSY-WARNING ELECT. UNIT (PLACARDS AND MARKINGS ONLY) FOR NHA/OTHER SYS DET SEE: 25-71-35-01		RF
5	BAC27TEX1		.DECAL		1
10	BAC27TEX1993		.DECAL- PLACARD CONTENT: ATTENTION ELECTROSTATIC GROUND JACK		1
15	BAC27TEX2017		.DECAL- PLACARD CONTENT: ATTENTION		1
20	BAC27TEX2952		.DECAL		1
25	BAC27TEX1662		.MARKER- PLACARD CONTENT: ALUMINUM FOIL-P52 WARNING ELECTRONICS UNIT CARD FILE		1
40	BAC27TEX3370		.DECAL		1
70	BAC27TEX3890		.DECAL-		1
80	BAC27TEX4564		.DECAL-		1
105	285T0007-35		.DISPLAY ASSY-BITE		RF
110	BAC27TEX3790		..DECAL		1

ILLUSTRATION ITEMS NOT ON PARTS LIST ARE NOT APPLICABLE

- ITEM NOT ILLUSTRATED

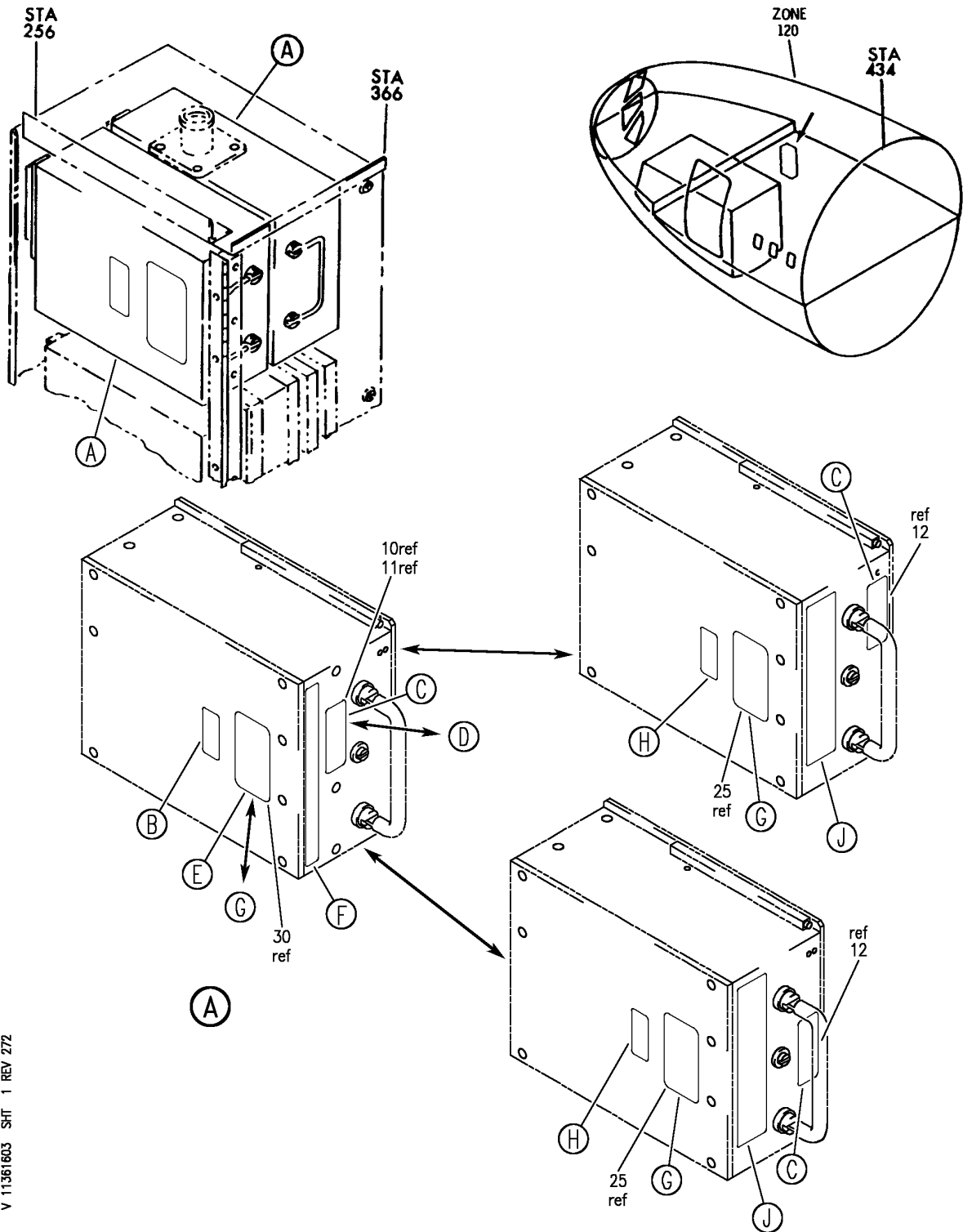
HXL

11-36-16-02

BOEING PROPRIETARY - Copyright © - Unpublished Work - See title page for details.

11-36-16
FIG. 02
PAGE 1
DEC 22/07


BOEING
 767
PARTS CATALOG (MAINTENANCE)



V 11361603 SHT 1 REV 272

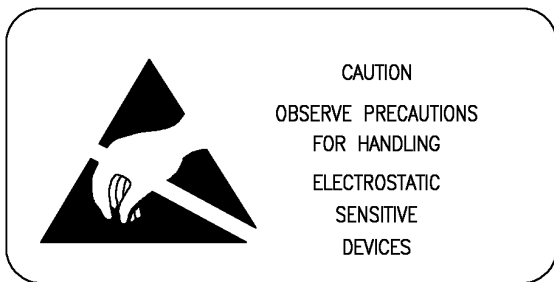
POWER SUPPLY ASSY-WARNING ELECTRONICS UNIT-P51 (PLACARDS AND MARKINGS ONLY)
 FIGURE 3 (SHEET 1)

HXL
DEC 22/06

11-36-16-03

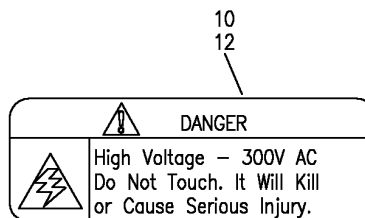
11-36-16-03
 PAGE 0

BOEING
767
PARTS CATALOG (MAINTENANCE)

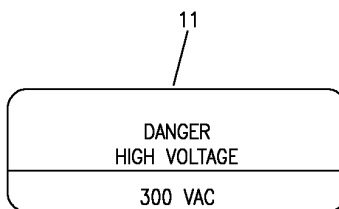


(B)

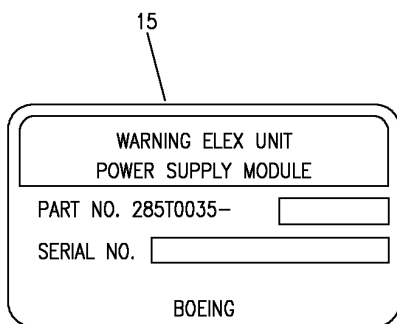
5



(C)



(D)



(E)

V 11361603 SH1 2 REV 272

POWER SUPPLY ASSY-WARNING ELECTRONICS UNIT-P51 (PLACARDS AND MARKINGS ONLY)
FIGURE 3 (SHEET 2)

HXL
DEC 22/06

11-36-16-03

11-36-16-03
PAGE 0A


BOEING
 767
PARTS CATALOG (MAINTENANCE)

20


WARNING – SEQUENTIAL INSTALLATION
 STEP 1 – TIGHTEN CENTER SCREW
 STEP 2 – TORQUE WEDGE CLAMP TO 5 IN – LBS, EACH SIDE OF UNIT
 REMOVAL – REVERSE INSTALLATION PROCEDURE

Ⓕ

25
30

WARNING ELEX. UNIT POWER SUPPLY MODULE											
PART NO. 285T0035-	<input type="text"/>										
SERIAL NO.	<input type="text"/>										
BOEING	MOD <table border="1"> <tr> <td>A</td><td>B</td><td>C</td><td>D</td><td>E</td> </tr> <tr> <td>F</td><td>G</td><td>H</td><td>J</td><td>K</td> </tr> </table> LEVEL	A	B	C	D	E	F	G	H	J	K
A	B	C	D	E							
F	G	H	J	K							

35

	CAUTION THIS UNIT IS NOT SUBJECT TO DAMAGE FROM ELECTROSTATIC DISCHARGE AS AN ASSEMBLY. HOWEVER, IT CONTAINS PARTS OR SUB – ASSEMBLIES THAT ARE SENSITIVE TO ELECTROSTATIC DISCHARGE. CONDUCTIVE CONNECTOR COVERS REQUIRED.
--	--

Ⓖ

Ⓕ

40

WARNING – SEQUENTIAL INSTALLATION
 STEP 1 – ENSURE CONNECTORS ARE ENGAGED
 STEP 2 – TIGHTEN CENTER SCREW
 STEP 3 – TORQUE WEDGE CLAMP TO 5 IN – LBS, EACH SIDE OF UNIT
 REMOVAL – REVERSE INSTALLATION PROCEDURE

Ⓖ

V 11361603 SH1 3 REV 265

POWER SUPPLY ASSY-WARNING ELECTRONICS UNIT-P51 (PLACARDS AND MARKINGS ONLY)
 FIGURE 3 (SHEET 3)

HXL
DEC 22/06

11-36-16-03

11-36-16-03
 PAGE 0B



767

PARTS CATALOG (MAINTENANCE)

FIG ITEM	PART NUMBER	1 2 3 4 5 6 7	NOMENCLATURE	EFFECT FROM TO	UNITS PER ASSY
3			POWER SUPPLY ASSY-WARNING ELECTRONICS UNIT-P51 (PLACARDS AND MARKINGS ONLY)		
- 1	285T0035-9		POWER SUPPLY ASSY-WARNING ELECTRONICS UNIT-P51 STATIC SENSITIVE PART (PLACARDS AND MARKINGS ONLY) SUPPLIER CODE: V89954 COMPONENT MAINT MANUAL REF: 31-51-20 VARIABLE DRAWING REF: 285T0035-5003 285T0035-5004 FOR NHA/OTHER SYS DET SEE: 31-51-04-05		RF
- 1	285T0035-10		POWER SUPPLY ASSY-WARNING ELECTRONICS UNIT-P51 STATIC SENSITIVE PART (PLACARDS AND MARKINGS ONLY) SUPPLIER CODE: V89954 COMPONENT MAINT MANUAL REF: 31-51-20 VARIABLE DRAWING REF: 285T0035-5005 285T0035-5006 OPTIONAL PART: 285T0035-11 V89954 FOR NHA/OTHER SYS DET SEE: 31-51-04-05		RF

ILLUSTRATION ITEMS NOT ON PARTS LIST ARE NOT APPLICABLE

- ITEM NOT ILLUSTRATED

HXL

11-36-16-03

BOEING PROPRIETARY - Copyright © - Unpublished Work - See title page for details.

11-36-16
FIG. 03
PAGE 1
DEC 22/06



767

PARTS CATALOG (MAINTENANCE)

FIG ITEM	PART NUMBER	1 2 3 4 5 6 7	NOMENCLATURE	EFFECT FROM TO	UNITS PER ASSY
3 - 1	285T0035-11		POWER SUPPLY ASSY-WARNING ELECTRONICS UNIT-P51 STATIC SENSITIVE PART (PLACARDS AND MARKINGS ONLY) SUPPLIER CODE: V89954 COMPONENT MAINT MANUAL REF: 31-51-20 VARIABLE DRAWING REF: 285T0035-5007 285T0035-5008 285T0035-5009 OPTIONAL PART: 285T0035-10 V89954 FOR NHA/OTHER SYS DET SEE: 31-51-04-05		RF
- 1	285T0035-201		POWER SUPPLY ASSY-WARNING ELECTRONICS UNIT-P51 STATIC SENSITIVE PART (PLACARDS AND MARKINGS ONLY) SUPPLIER CODE: V89954 COMPONENT MAINT MANUAL REF: 31-51-21 FOR NHA/OTHER SYS DET SEE: 31-51-04-05		RF

ILLUSTRATION ITEMS NOT ON PARTS LIST ARE NOT APPLICABLE

- ITEM NOT ILLUSTRATED

HXL

11-36-16-03

BOEING PROPRIETARY - Copyright © - Unpublished Work - See title page for details.

11-36-16
FIG. 03
PAGE 2
DEC 22/07



767

PARTS CATALOG (MAINTENANCE)

FIG ITEM	PART NUMBER	1 2 3 4 5 6 7 NOMENCLATURE	EFFECT FROM TO	UNITS PER ASSY
3 - 1	285T0035-202	<p>POWER SUPPLY ASSY-WARNING ELECTRONICS UNIT-P51 STATIC SENSITIVE PART (PLACARDS AND MARKINGS ONLY) SUPPLIER CODE: V89954 FUNCTIONAL DESCRIPTION: THE WARNING ELECTRONICS UNIT POWER SUPPLY UNIT (WEUPSU) IS ONE OF TWO POWER SUPPLY UNITS SUPPLYING REGULATED DC POWER TO THE WEU. EACH IS POWERED FROM INDEPENDENT, SINGLE PHASE 115V AC BUS. MISCELLANEOUS DATA: ENGINEERING REFERENCE. MOD A REPLACES CUT & JUMPER PWA WITH A CLEAN PWA. MOD LEVEL NO MOD. MOD LEVEL A. ASSY -202 WITH -5010 INSTALLED IS THE NO MOD CONFIGURATION. ASSY -202 WITH -5011 INSTALLED IS THE MOD A CONFIGURATION. SPARES INFO SERVICE BULLETIN 285T0035-31-07 CONTAINS MOD A INFORMATION PARTMARK BY OBSCURING MOD LEVEL LETTER(S) ON THE NAMEPLATE/DECAL WITH A CONTRASTING PERMANENT INK PER BAC5307 OR PART MARK PER D6-35610-1. MARK ASSY -202 MOD A WITH -5011 INSTALLED BY OBSCURING MOD LETTER A COMPONENT MAINT MANUAL REF: 31-51-21 FOR NHA/OTHER SYS DET SEE: 31-51-04-05</p>		RF

ILLUSTRATION ITEMS NOT ON PARTS LIST ARE NOT APPLICABLE

- ITEM NOT ILLUSTRATED

HXL

11-36-16-03

BOEING PROPRIETARY - Copyright © - Unpublished Work - See title page for details.

11-36-16
FIG. 03
PAGE 3
APR 22/09



767

PARTS CATALOG (MAINTENANCE)

FIG ITEM	PART NUMBER	1 2 3 4 5 6 7	NOMENCLATURE	EFFECT FROM TO	UNITS PER ASSY
3					
5	BAC27TEX1		.DECAL- USED ON: 285T0035-3 285T0035-9 285T0035-10 285T0035-11		1
10	BAC27TEX3199		.DECAL- SUPPLIER CODE: V89954 OPTIONAL PART: BAC27TEX1586		1
11	BAC27TEX1586		.DECAL- OPTIONAL PART: BAC27TEX3199 V89954		1
15	BAC27TEX1655		.MARKER-ALUMINUM FOIL SUPPLIER CODE: V89954 QUALIFIED OPTIONAL DATA: (OPT BAC27TEX4627 USED WITH ASSOCIATED ITEMS) USED ON: 285T0035-3 285T0035-9 285T0035-10		1
20	BAC27TEX1908		.DECAL-WARNING SUPPLIER CODE: V89954 USED ON: 285T0035-3 285T0035-9 285T0035-10 285T0035-11		1
25	BAC27TEX4627		.MARKER-ALUMINUM FOIL SUPPLIER CODE: V89954		1
35	BAC27DEX6075		.DECAL- USED ON: 285T0035-201 285T0035-202		1
40	BAC27TEX4492		.MARKER- SUPPLIER CODE: V89954 USED ON: 285T0035-11 285T0035-201 285T0035-202		1

ILLUSTRATION ITEMS NOT ON PARTS LIST ARE NOT APPLICABLE

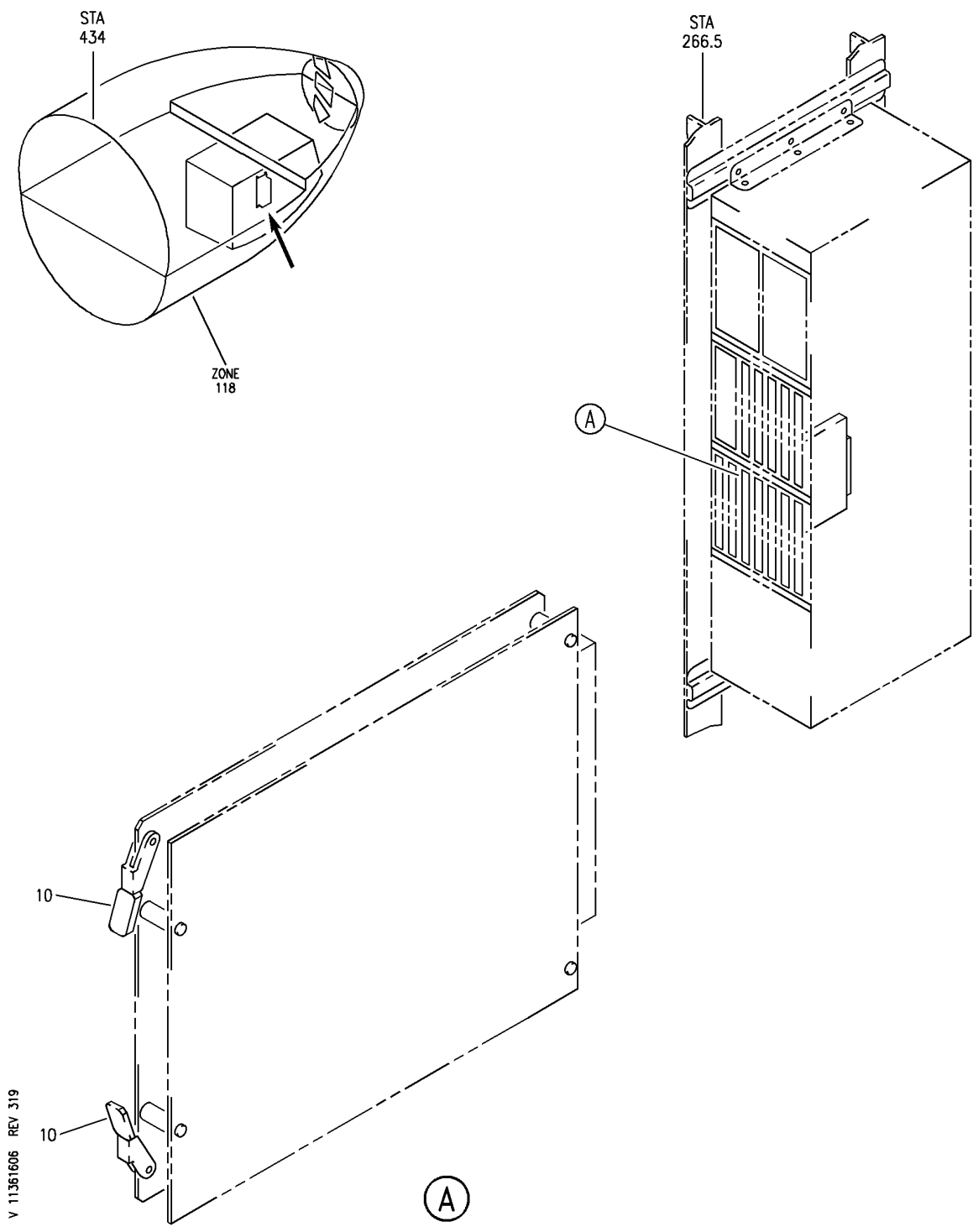
- ITEM NOT ILLUSTRATED

11-36-16-03

11-36-16
FIG. 03
PAGE 4
APR 22/09

HXL

BOEING
767
PARTS CATALOG (MAINTENANCE)



V 11361606 REV 319

PRINTED CIRCUIT ASSY-WARNING ELECTRONICS UNIT LANDING CONFIGURATION (PLACARDS AND MARKINGS ONLY)
FIGURE 6

HXL
AUG 22/07

11-36-16-06

11-36-16-06
PAGE 0



767

PARTS CATALOG (MAINTENANCE)

FIG ITEM	PART NUMBER	1 2 3 4 5 6 7	NOMENCLATURE	EFFECT FROM TO	UNITS PER ASSY
6			PRINTED CIRCUIT ASSY- WARNING ELECTRONICS UNIT LANDING CONFIGURATION (PLACARDS AND MARKINGS ONLY)		
- 1	285T0031-16		PRINTED CIRCUIT ASSY- WARNING ELECTRONICS UNIT LANDING CONFIGURATION (PLACARDS AND MARKINGS ONLY) SUPPLIER CODE: V89954 ELECTRICAL EQUIP NUMBER: M00983 COMPONENT MAINT MANUAL REF: 31-51-12 FOR NHA/OTHER SYS DET SEE: 31-51-04-05		RF
- 1	285T0031-17		PRINTED CIRCUIT ASSY- WARNING ELECTRONICS UNIT LANDING CONFIGURATION (PLACARDS AND MARKINGS ONLY) SUPPLIER CODE: V89954 ELECTRICAL EQUIP NUMBER: M00983 COMPONENT MAINT MANUAL REF: 31-51-12 FOR NHA/OTHER SYS DET SEE: 31-51-04-05		RF
10	BAC27TEX1486		.DECAL- PLACARD CONTENT: STATIC SENSITIVE		2
ILLUSTRATION ITEMS NOT ON PARTS LIST ARE NOT APPLICABLE					

- ITEM NOT ILLUSTRATED

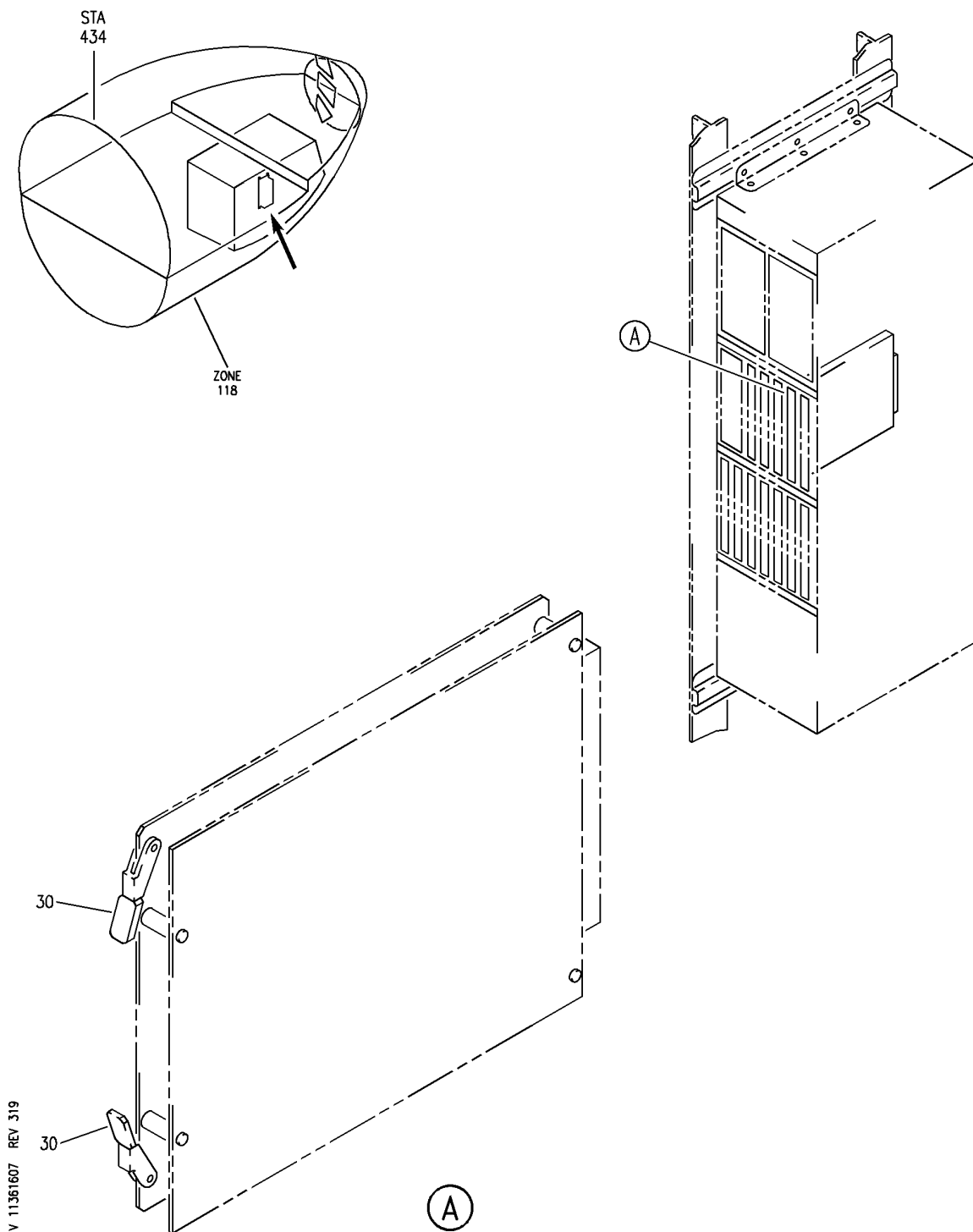
HXL

11-36-16-06

BOEING PROPRIETARY - Copyright © - Unpublished Work - See title page for details.

11-36-16
FIG. 06
PAGE 1
APR 22/09

BOEING
767
PARTS CATALOG (MAINTENANCE)



PRINTED CIRCUIT ASSY-WARNING ELECTRONICS UNIT MASTER WARNING (PLACARDS AND MARKINGS ONLY)

FIGURE 7

11-36-16-07

HXL
AUG 22/07

11-36-16-07
PAGE 0



767

PARTS CATALOG (MAINTENANCE)

FIG ITEM	PART NUMBER	1 2 3 4 5 6 7	NOMENCLATURE	EFFECT FROM TO	UNITS PER ASSY
7			PRINTED CIRCUIT ASSY- WARNING ELECTRONICS UNIT MASTER WARNING (PLACARDS AND MARKINGS ONLY)		
- 1	285T0032-19		PRINTED CIRCUIT ASSY- WARNING ELECTRONICS UNIT MASTER WARNING (PLACARDS AND MARKINGS ONLY) SUPPLIER CODE: V89954 ELECTRICAL EQUIP NUMBER: M00618 COMPONENT MAINT MANUAL REF: 31-51-13 QUALIFIED I/W DATA: 285T0032-15, -17, -19 ARE ALL I/W UNTIL ACTIVATION OF WINDSHEAR SYS AT WHICH TIME -19 MUST BE INSTALLED FOR NHA/OTHER SYS DET SEE: 31-51-04-05		RF
30	BAC27TEX1486		.DECAL- PLACARD CONTENT: STATIC SENSITIVE		2

ILLUSTRATION ITEMS NOT ON PARTS LIST ARE NOT APPLICABLE

- ITEM NOT ILLUSTRATED

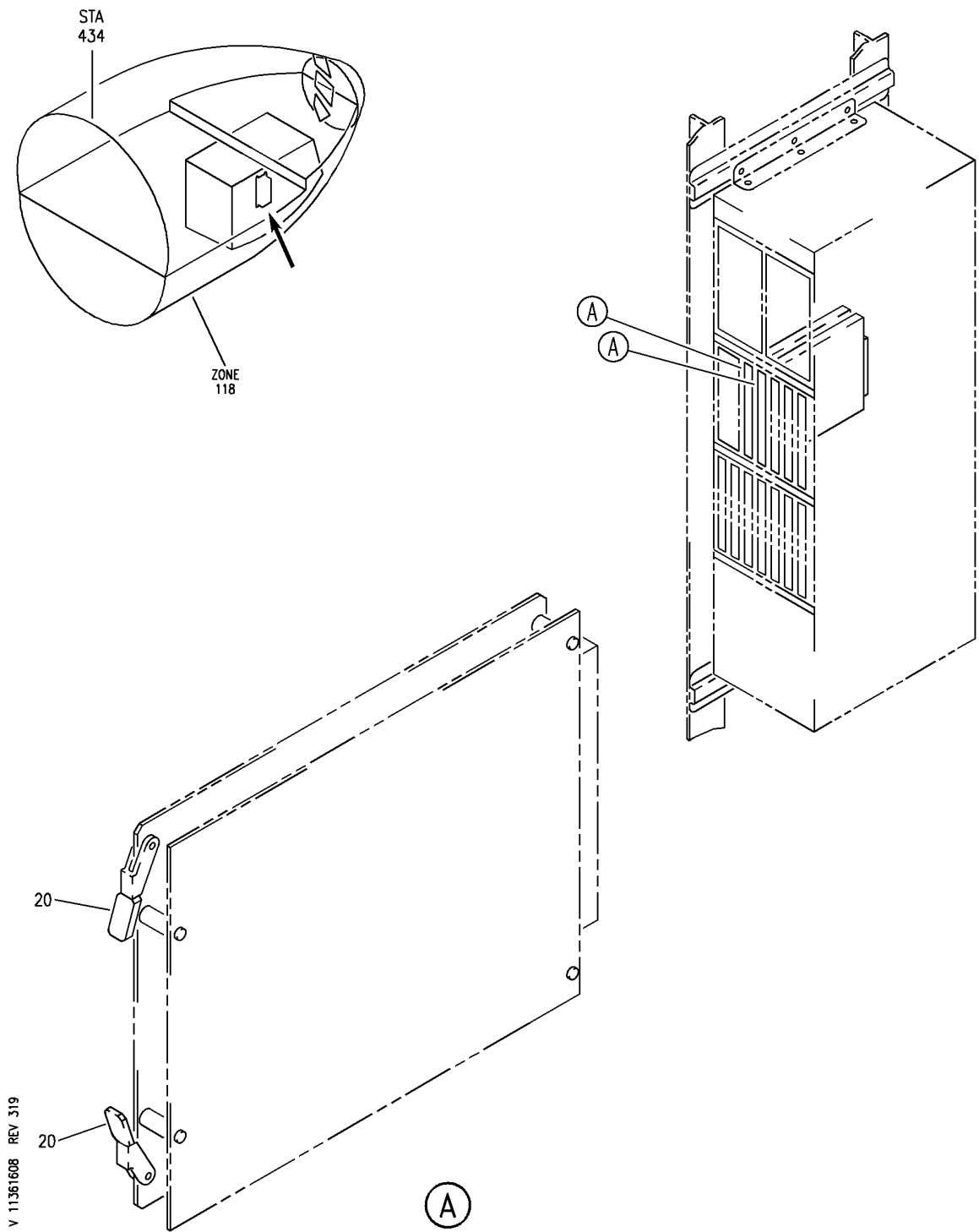
HXL

11-36-16-07

BOEING PROPRIETARY - Copyright © - Unpublished Work - See title page for details.

11-36-16
FIG. 07
PAGE 1
AUG 22/07

BOEING
767
PARTS CATALOG (MAINTENANCE)



PRINTED CIRCUIT ASSY-WARNING ELECTRONICS UNIT SIREN OWL AMPLIFIER (PLACARDS AND MARKINGS ONLY)
FIGURE 8

HXL
AUG 22/07

11-36-16-08

11-36-16-08
PAGE 0



767

PARTS CATALOG (MAINTENANCE)

FIG ITEM	PART NUMBER	1 2 3 4 5 6 7	NOMENCLATURE	EFFECT FROM TO	UNITS PER ASSY
8			PRINTED CIRCUIT ASSY- WARNING ELECTRONICS UNIT SIREN OWL AMPLIFIER (PLACARDS AND MARKINGS ONLY)		
- 1	285T0034-25		PRINTED CIRCUIT ASSY- WARNING ELECTRONICS UNIT SIREN OWL AMPLIFIER (PLACARDS AND MARKINGS ONLY) SUPPLIER CODE: V89954 ELECTRICAL EQUIP NUMBER: M00619 M00999 COMPONENT MAINT MANUAL REF: 31-51-15 QUALIFIED I/W DATA: 285T0034-21 I/W -25 UNTIL ACTIVATION OF TCAS AT WHICH TIME -25 MUST BE INSTALLED FOR NHA/OTHER SYS DET SEE: 31-51-04-05		RF
- 1	285T0034-28		PRINTED CIRCUIT ASSY- WARNING ELECTRONICS UNIT SIREN OWL AMPLIFIER (PLACARDS AND MARKINGS ONLY) SUPPLIER CODE: V89954 ELECTRICAL EQUIP NUMBER: M00619 M00999 COMPONENT MAINT MANUAL REF: 31-51-15 QUALIFIED I/W DATA: 285T0034-21 I/W -28 UNTIL ACTIVATION OF TCAS AT WHICH TIME -28 MUST BE INSTALLED. 285T0034-11 I/W -28 UNTIL ACTIVATION OF TCAS AT WHICH TIME -28 MUST BE INSTALLED. FOR NHA/OTHER SYS DET SEE: 31-51-04-05		RF

ILLUSTRATION ITEMS NOT ON PARTS LIST ARE NOT APPLICABLE

- ITEM NOT ILLUSTRATED

11-36-16-08

11-36-16
FIG. 08
PAGE 1
AUG 22/07

HXL



767

PARTS CATALOG (MAINTENANCE)

FIG ITEM	PART NUMBER	1 2 3 4 5 6 7	NOMENCLATURE	EFFECT FROM TO	UNITS PER ASSY
8 - 1	285T0034-32		PRINTED CIRCUIT ASSY- WARNING ELECTRONICS UNIT SIREN OWL AMPLIFIER (PLACARDS AND MARKINGS ONLY) SUPPLIER CODE: V89954 ELECTRICAL EQUIP NUMBER: M00619 M00999 COMPONENT MAINT MANUAL REF: 31-51-15 FOR NHA/OTHER SYS DET SEE: 31-51-04-05		RF
20	BAC27TEX1486		.DECAL- PLACARD CONTENT: STATIC SENSITIVE		2

ILLUSTRATION ITEMS NOT ON PARTS LIST ARE NOT APPLICABLE

- ITEM NOT ILLUSTRATED

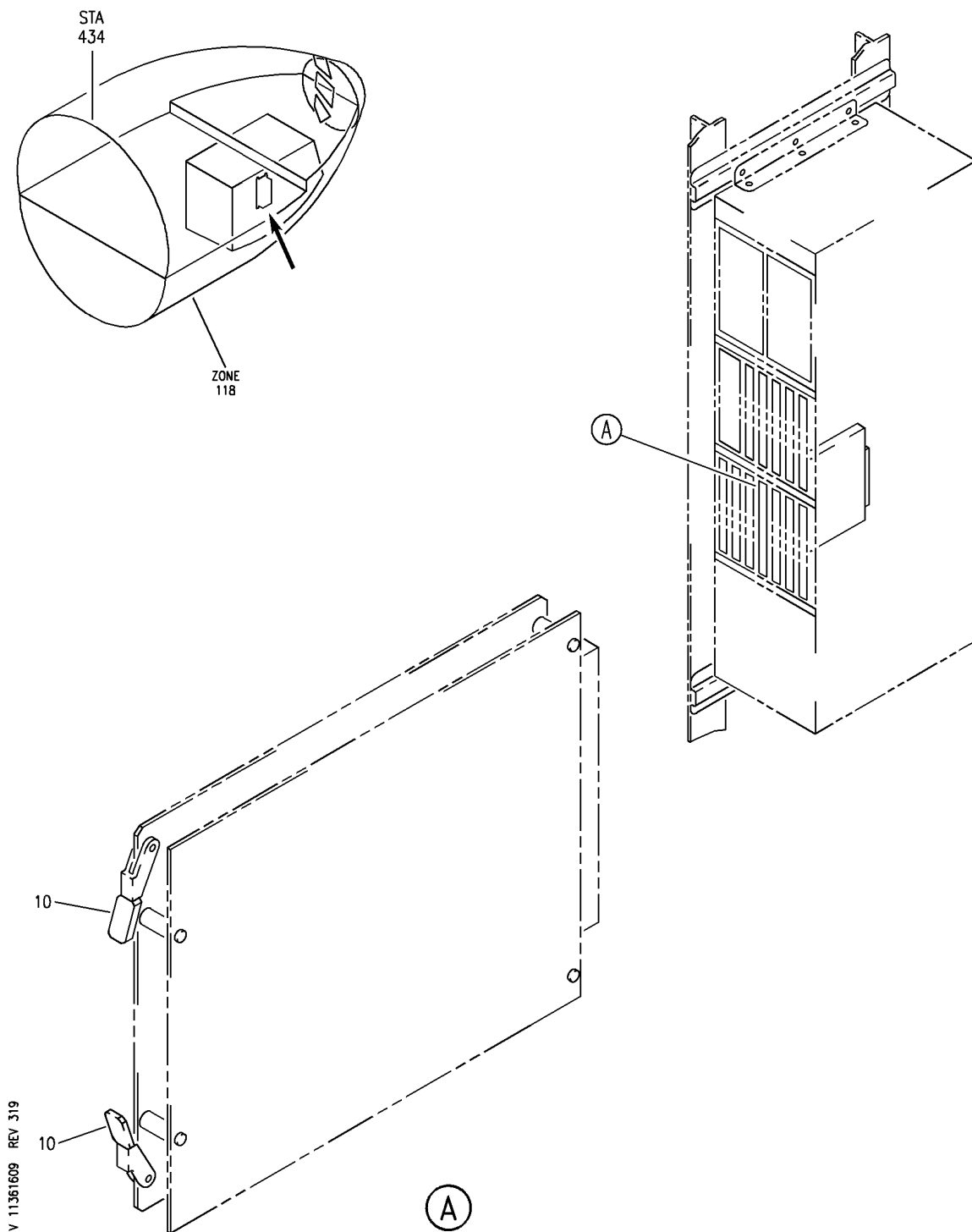
HXL

11-36-16-08

BOEING PROPRIETARY - Copyright © - Unpublished Work - See title page for details.

11-36-16
FIG. 08
PAGE 2
AUG 22/07

BOEING
767
PARTS CATALOG (MAINTENANCE)



PRINTED CIRCUIT ASSY-TAKEOFF CONFIGURATION WARNING ELECTRONICS UNIT (PLACARDS AND MARKINGS ONLY)
FIGURE 9

HXL
AUG 22/07

11-36-16-09

11-36-16-09
PAGE 0



767

PARTS CATALOG (MAINTENANCE)

FIG ITEM	PART NUMBER	1 2 3 4 5 6 7	NOMENCLATURE	EFFECT FROM TO	UNITS PER ASSY
9					
- 1	285T0259-9		PRINTED CIRCUIT ASSY- TAKEOFF CONFIGURATION WARNING ELECTRONICS UNIT (PLACARDS AND MARKINGS ONLY) SUPPLIER CODE: V89954 ELECTRICAL EQUIP NUMBER: M00620 COMPONENT MAINT MANUAL REF: 31-51-11 FOR NHA/OTHER SYS DET SEE: 31-51-04-05		RF
- 1	285T0259-12		PRINTED CIRCUIT ASSY- TAKEOFF CONFIGURATION WARNING ELECTRONICS UNIT (PLACARDS AND MARKINGS ONLY) SUPPLIER CODE: V89954 ELECTRICAL EQUIP NUMBER: M00620 COMPONENT MAINT MANUAL REF: 31-51-11 FOR NHA/OTHER SYS DET SEE: 31-51-04-05		RF
- 1	285T0259-13		PRINTED CIRCUIT ASSY- TAKEOFF CONFIGURATION WARNING ELECTRONICS UNIT (PLACARDS AND MARKINGS ONLY) SUPPLIER CODE: V89954 ELECTRICAL EQUIP NUMBER: M00620 COMPONENT MAINT MANUAL REF: 31-51-11 FOR NHA/OTHER SYS DET SEE: 31-51-04-05		RF

ILLUSTRATION ITEMS NOT ON PARTS LIST ARE NOT APPLICABLE

- ITEM NOT ILLUSTRATED

HXL

11-36-16-09

BOEING PROPRIETARY - Copyright © - Unpublished Work - See title page for details.

11-36-16
FIG. 09
PAGE 1
AUG 22/08



767

PARTS CATALOG (MAINTENANCE)

FIG ITEM	PART NUMBER	1 2 3 4 5 6 7	NOMENCLATURE	EFFECT FROM TO	UNITS PER ASSY
9 - 1	285T0259-14		PRINTED CIRCUIT ASSY- TAKEOFF CONFIGURATION WARNING ELECTRONICS UNIT (PLACARDS AND MARKINGS ONLY) SUPPLIER CODE: V89954 ELECTRICAL EQUIP NUMBER: M00620 COMPONENT MAINT MANUAL REF: 31-51-11 FOR NHA/OTHER SYS DET SEE: 31-51-04-05		RF
- 1	285T0259-16		PRINTED CIRCUIT ASSY- TAKEOFF CONFIGURATION WARNING ELECTRONICS UNIT (PLACARDS AND MARKINGS ONLY) SUPPLIER CODE: V89954 ELECTRICAL EQUIP NUMBER: M00620 COMPONENT MAINT MANUAL REF: 31-51-11 FOR NHA/OTHER SYS DET SEE: 31-51-04-05		RF
- 1	285T0259-17		PRINTED CIRCUIT ASSY- TAKEOFF CONFIGURATION WARNING ELECTRONICS UNIT (PLACARDS AND MARKINGS ONLY) SUPPLIER CODE: V89954 ELECTRICAL EQUIP NUMBER: M00620 COMPONENT MAINT MANUAL REF: 31-51-11 FOR NHA/OTHER SYS DET SEE: 31-51-04-05		RF

ILLUSTRATION ITEMS NOT ON PARTS LIST ARE NOT APPLICABLE

- ITEM NOT ILLUSTRATED

HXL

11-36-16-09

BOEING PROPRIETARY - Copyright © - Unpublished Work - See title page for details.

11-36-16
FIG. 09
PAGE 2
AUG 22/08



767

PARTS CATALOG (MAINTENANCE)

FIG ITEM	PART NUMBER	1 2 3 4 5 6 7	NOMENCLATURE	EFFECT FROM TO	UNITS PER ASSY
9 - 1	285T0259-19		PRINTED CIRCUIT ASSY- TAKEOFF CONFIGURATION WARNING ELECTRONICS UNIT (PLACARDS AND MARKINGS ONLY) SUPPLIER CODE: V89954 MISCELLANEOUS DATA: (285T0259-19, -20 AND -21 ARE ALL INTERCHANGEABLE) ELECTRICAL EQUIP NUMBER: M00620 COMPONENT MAINT MANUAL REF: 31-51-11 FOR NHA/OTHER SYS DET SEE: 31-51-04-05		RF
- 1	285T0259-20		PRINTED CIRCUIT ASSY- TAKEOFF CONFIGURATION WARNING ELECTRONICS UNIT (PLACARDS AND MARKINGS ONLY) SUPPLIER CODE: V89954 MISCELLANEOUS DATA: (285T0259-19, -20 AND -21 ARE ALL INTERCHANGEABLE) COMPONENT MAINT MANUAL REF: 31-51-11 FOR NHA/OTHER SYS DET SEE: 31-51-04-05		RF
- 1	285T0259-21		PRINTED CIRCUIT ASSY- TAKEOFF CONFIGURATION WARNING ELECTRONICS UNIT (PLACARDS AND MARKINGS ONLY) SUPPLIER CODE: V89954 MISCELLANEOUS DATA: (285T0259-19, -20 AND -21 ARE ALL INTERCHANGEABLE) COMPONENT MAINT MANUAL REF: 31-51-11 FOR NHA/OTHER SYS DET SEE: 31-51-04-05		RF

ILLUSTRATION ITEMS NOT ON PARTS LIST ARE NOT APPLICABLE

- ITEM NOT ILLUSTRATED

HXL

11-36-16-09

BOEING PROPRIETARY - Copyright © - Unpublished Work - See title page for details.

11-36-16
FIG. 09
PAGE 3
AUG 22/08

PARTS CATALOG (MAINTENANCE)

FIG ITEM	PART NUMBER	1 2 3 4 5 6 7 NOMENCLATURE	EFFECT FROM TO	UNITS PER ASSY
9 10	BAC27TEX1486	.DECAL- PLACARD CONTENT: STATIC SENSITIVE		2

ILLUSTRATION ITEMS NOT ON PARTS LIST ARE NOT APPLICABLE

- ITEM NOT ILLUSTRATED

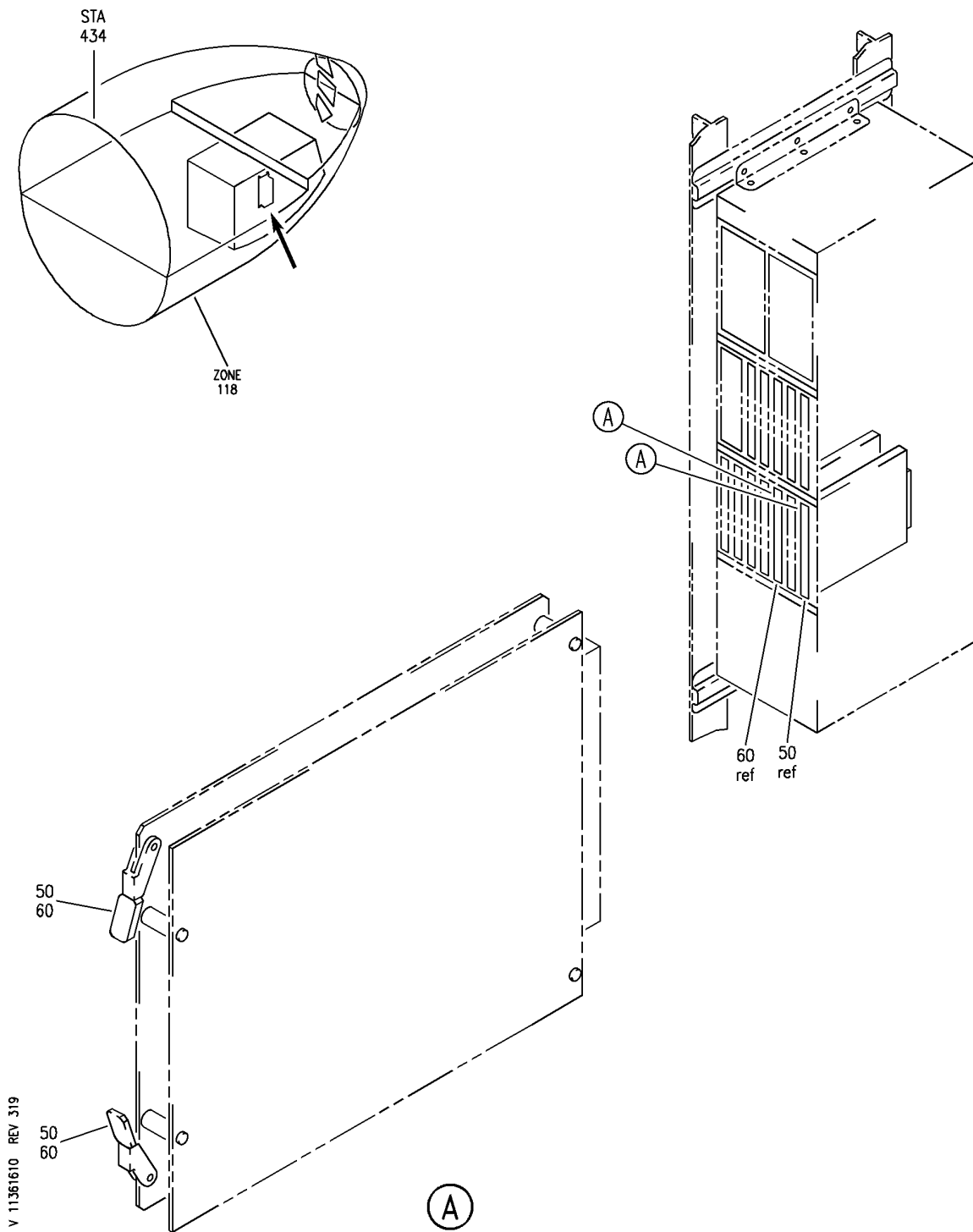
HXL

11-36-16-09

BOEING PROPRIETARY - Copyright © - Unpublished Work - See title page for details.

 11-36-16
 FIG. 09
 PAGE 4
 AUG 22/08

BOEING
767
PARTS CATALOG (MAINTENANCE)



PRINTED CIRCUIT ASSY-EICAS SIGN CONSOLIDATION (PLACARDS AND MARKINGS ONLY)
FIGURE 10

11-36-16-10

HXL
AUG 22/07

11-36-16-10
PAGE 0



767

PARTS CATALOG (MAINTENANCE)

FIG ITEM	PART NUMBER	1 2 3 4 5 6 7	NOMENCLATURE	EFFECT FROM TO	UNITS PER ASSY
10			PRINTED CIRCUIT ASSY-EICAS SIGN CONSOLIDATION (PLACARDS AND MARKINGS ONLY)		
- 1	285N0432-1		PRINTED WIRING ASSY-EICAS SIGN CONSOLIDATION (PLACARDS AND MARKINGS ONLY) SUPPLIER CODE: V89954 ELECTRICAL EQUIP NUMBER: M10727 COMPONENT MAINT MANUAL REF: 31-41-16 OPTIONAL PART: 285N0432-8 V89954 FOR NHA/OTHER SYS DET SEE: 31-41-53-05		RF
- 1	285N0432-8		PRINTED WIRING ASSY-EICAS SIGN CONSOLIDATION (PLACARDS AND MARKINGS ONLY) SUPPLIER CODE: V89954 ELECTRICAL EQUIP NUMBER: M10727 COMPONENT MAINT MANUAL REF: 31-41-16 OPTIONAL PART: 285N0432-1 V89954 FOR NHA/OTHER SYS DET SEE: 31-41-53-05		RF
- 1	285N0432-9		PRINTED CIRCUIT ASSY-EICAS SIGN CONSOLIDATION (PLACARDS AND MARKINGS ONLY) SUPPLIER CODE: V89954 ELECTRICAL EQUIP NUMBER: M10727 COMPONENT MAINT MANUAL REF: 31-41-16 FOR NHA/OTHER SYS DET SEE: 31-41-53-05		RF
50	BAC27TEX1486		.DECAL- PLACARD CONTENT: STATIC SENSITIVE		2
ILLUSTRATION ITEMS NOT ON PARTS LIST ARE NOT APPLICABLE					

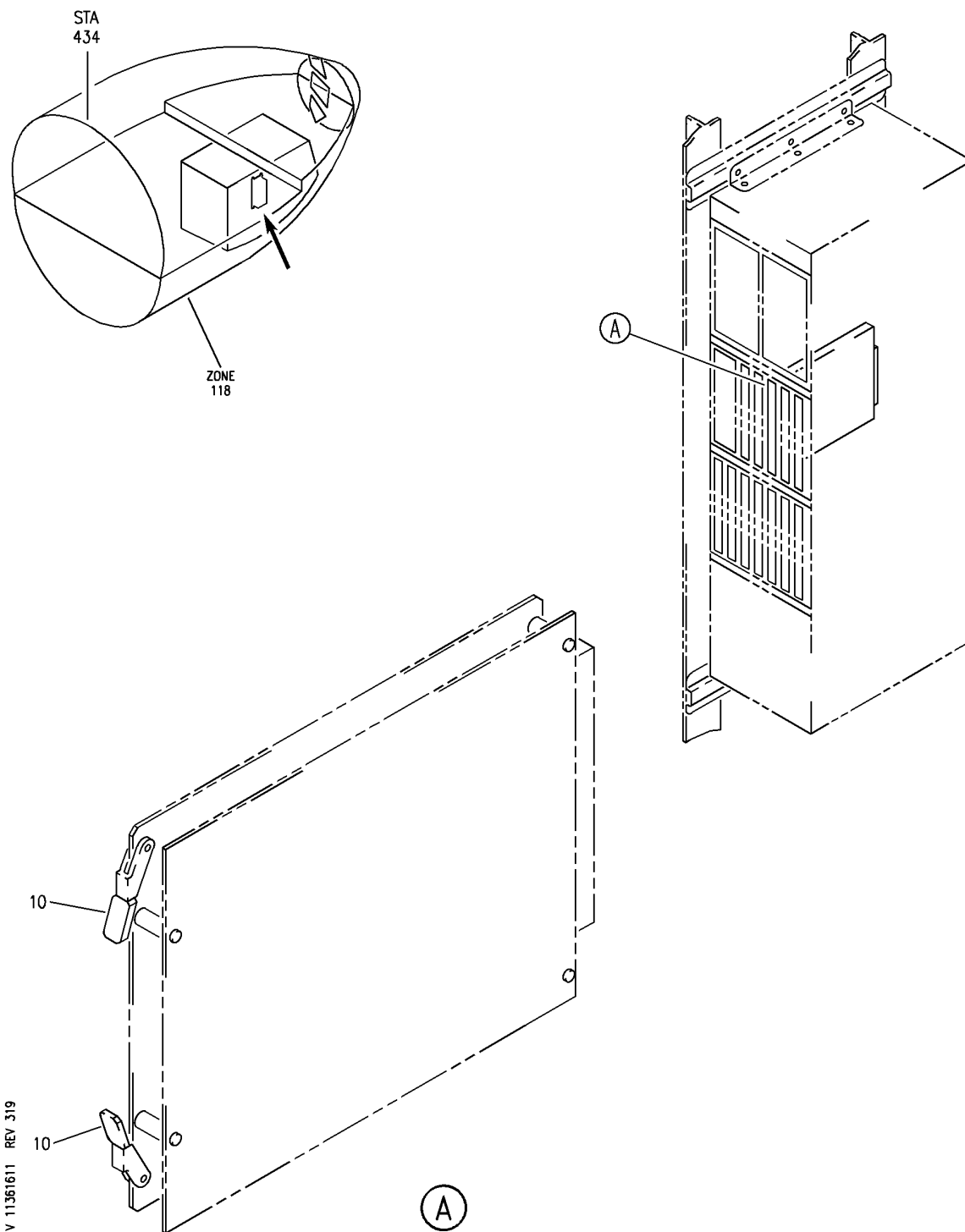
- ITEM NOT ILLUSTRATED

11-36-16-10

11-36-16
FIG. 10
PAGE 1
DEC 22/07

HXL

BOEING
767
PARTS CATALOG (MAINTENANCE)



PRINTED CIRCUIT ASSY-ALTITUDE ALERT WARNING ELECTRONICS UNIT (PLACARDS AND MARKINGS ONLY)
FIGURE 11

HXL
AUG 22/07

11-36-16-11

11-36-16-11
PAGE 0



767

PARTS CATALOG (MAINTENANCE)

FIG ITEM	PART NUMBER	1 2 3 4 5 6 7	NOMENCLATURE	EFFECT FROM TO	UNITS PER ASSY
11			PRINTED CIRCUIT ASSY- ALTITUDE ALERT WARNING ELECTRONICS UNIT (PLACARDS AND MARKINGS ONLY)		
- 1	285T0030-14		PRINTED CIRCUIT ASSY- ALTITUDE ALERT WARNING ELECTRONICS UNIT (PLACARDS AND MARKINGS ONLY) SUPPLIER CODE: V89954 ELECTRICAL EQUIP NUMBER: M00617 COMPONENT MAINT MANUAL REF: 34-16-51 FOR NHA/OTHER SYS DET SEE: 34-16-01-01		RF
10	BAC27TEX1486		.DECAL- PLACARD CONTENT: STATIC SENSITIVE		2
- 15	BAC27TEX2007		.DECAL		1

ILLUSTRATION ITEMS NOT ON PARTS LIST ARE NOT APPLICABLE

- ITEM NOT ILLUSTRATED

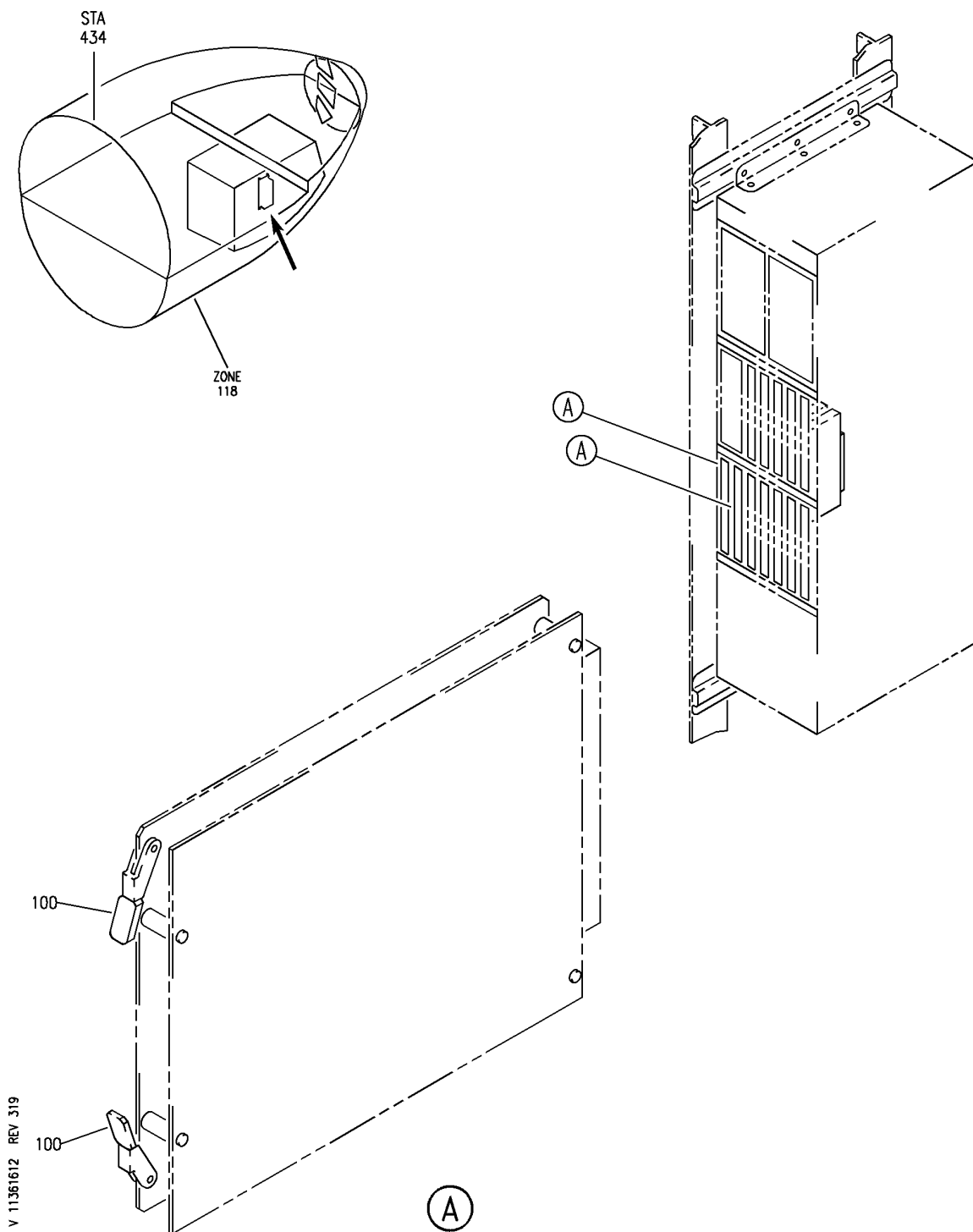
HXL

11-36-16-11

BOEING PROPRIETARY - Copyright © - Unpublished Work - See title page for details.

11-36-16
FIG. 11
PAGE 1
DEC 22/07

BOEING
767
PARTS CATALOG (MAINTENANCE)



V 11361612 REV 319

PRINTED CIRCUIT ASSY-WARNING ELECTRONICS UNIT-P51 (PLACARDS AND MARKINGS ONLY)
FIGURE 12

11-36-16-12

HXL
AUG 22/07

11-36-16-12
PAGE 0



767

PARTS CATALOG (MAINTENANCE)

FIG ITEM	PART NUMBER	1 2 3 4 5 6 7 NOMENCLATURE	EFFECT FROM TO	UNITS PER ASSY
12		PRINTED CIRCUIT ASSY- WARNING ELECTRONICS UNIT-P51 (PLACARDS AND MARKINGS ONLY)		

ILLUSTRATION ITEMS NOT ON PARTS LIST ARE NOT APPLICABLE

- ITEM NOT ILLUSTRATED

HXL

11-36-16-12

BOEING PROPRIETARY - Copyright © - Unpublished Work - See title page for details.

11-36-16
FIG. 12
PAGE 1
AUG 22/07



767

PARTS CATALOG (MAINTENANCE)

FIG ITEM	PART NUMBER	1 2 3 4 5 6 7	NOMENCLATURE	EFFECT FROM TO	UNITS PER ASSY
12 - 2	285T1104-17		PRINTED CIRCUIT ASSY- WARNING ELECTRONICS UNIT STALL WARNING (STATIC SENSITIVE PART) (PLACARDS AND MARKINGS ONLY) SUPPLIER CODE: V89954 MISCELLANEOUS DATA: ASSY -17 WITH -5001 AND -5003 INSTALLED IS -17 (NO MOD). ASSY -17 WITH -5002 AND -5003 INSTALLED IS MOD B. -17 ASSEMBLIES BUILT AFTER DEC 13, 1990 WILL HAVE -5002 INSTALLED. ASSY -17 WITH -5004 AND -5002 INSTALLED IS MOD BC. ALL -17 BUILT AFTER JAN 15, 1992 WILL HAVE -5004 AND -5002 INSTALLED. PART MARK MOD BC PER BAC 5307. ASSY -17 WITH -5004 AND -5001 INSTALLED IS MOD C. -5004 CAN BE USED TO REWORK ASSY -17 (NO MOD) TO A -17 MOD C. REPART MARK MOD C PER BAC 5307. ASSY -17 MOD C PER COMPONENT SERVICE BULLETIN 285T1104-27-04 ONLY. ASS -17 MOD B REPLACES -17 MOD A. ALL EXISTING -17 MOD A ASSEMBLIES WERE DISPOSITIONED AS SCRAP PER R/T 756116B. ELECTRICAL EQUIP NUMBER: M00615 M00938 COMPONENT MAINT MANUAL REF: 27-32-52 FOR NHA/OTHER SYS DET SEE: 27-32-01-01		RF
100	BAC27TEX1486		.DECAL- PLACARD CONTENT: STATIC SENSITIVE		2

ILLUSTRATION ITEMS NOT ON PARTS LIST ARE NOT APPLICABLE

- ITEM NOT ILLUSTRATED

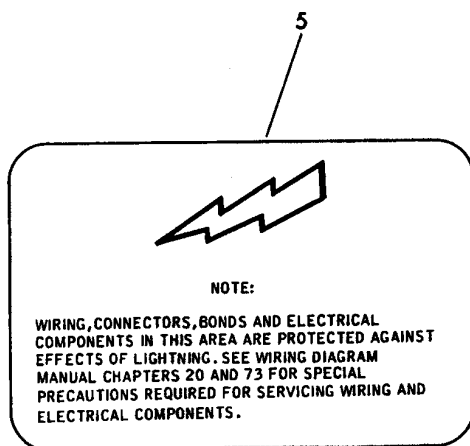
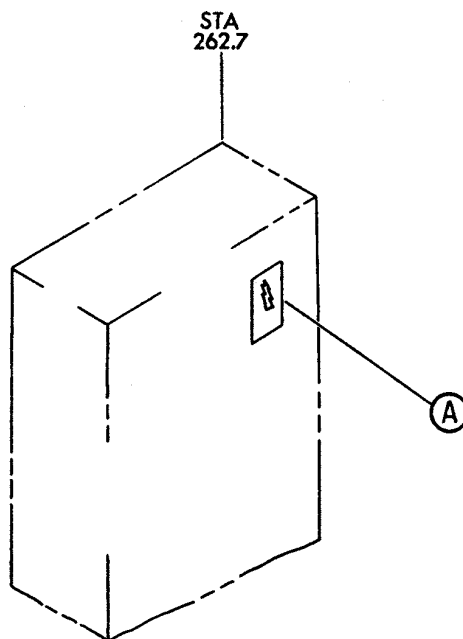
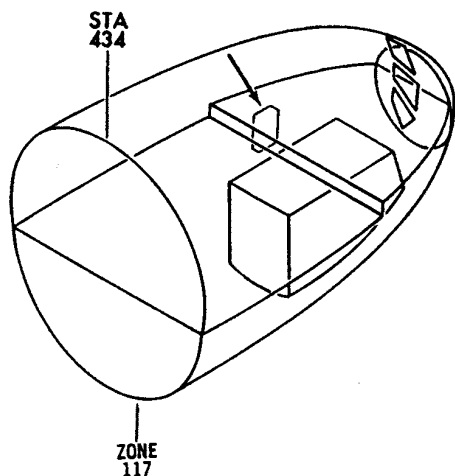
HXL

11-36-16-12

BOEING PROPRIETARY - Copyright © - Unpublished Work - See title page for details.

11-36-16
 FIG. 12
 PAGE 2
 APR 22/09

BOEING
767
PARTS CATALOG (MAINTENANCE)



(A)

V 11361702 REV 225

DECAL INSTL-SECT. 41 LWR LIGHTNING STRIKE (RACK E-8 PLACARDS AND MARKINGS ONLY)

FIGURE 2

11-36-17-02

HXL
DEC 22/06

11-36-17-02
PAGE 0



767

PARTS CATALOG (MAINTENANCE)

FIG ITEM	PART NUMBER	1 2 3 4 5 6 7	NOMENCLATURE	EFFECT FROM TO	UNITS PER ASSY
2			DECAL INSTL-SECT. 41 LWR LIGHTNING STRIKE (RACK E-8 PLACARDS AND MARKINGS ONLY)		
- 1	287T0072-2		DECAL INSTL-LIGHTNING STRIKE (RACK E-8 PLACARDS AND MARKINGS ONLY) POSITION DATA: SECT. 41 LWR FOR NHA/OTHER SYS DET SEE: 24-00-57-02		RF
5	BAC27NEL1122		.MARKER-ALUMINUM FOIL		1

ILLUSTRATION ITEMS NOT ON PARTS LIST ARE NOT APPLICABLE

- ITEM NOT ILLUSTRATED

HXL

11-36-17-02

BOEING PROPRIETARY - Copyright © - Unpublished Work - See title page for details.

11-36-17
FIG. 02
PAGE 1
DEC 22/06



767

PARTS CATALOG (MAINTENANCE)

FIG ITEM	PART NUMBER	1 2 3 4 5 6 7	NOMENCLATURE	EFFECT FROM TO	UNITS PER ASSY
2			CARD FILE AND BOX INSTL- R FWD EQPT CTR (P54) (PLACARDS AND MARKINGS ONLY)		
- 1	284T0049-6		CARD FILE AND BOX INSTL- EQPT CTR P54 (PLACARD AND MARKINGS ONLY) POSITION DATA: R FWD VARIABLE DRAWING REF: 284T0049-5130 FOR NHA/OTHER SYS DET SEE: 24-00-58-01E		RF
- 5	285N0028-10		.PRINTED CIRCUIT ASSY-FIRE/ OVERHEAT SUPPLIER CODE: V89954 COMPONENT MAINT MANUAL REF: 26-10-53 OPTIONAL PART: 285N0028-16 V89954 285N0028-17 V89954 285N0028-20 V89954 285N0028-21 V89954 FOR SPARES PROCURE: 285N0028-43 V89954		RF
- 5	285N0028-17		.PRINTED CIRCUIT ASSY-FIRE/ OVERHEAT SUPPLIER CODE: V89954 COMPONENT MAINT MANUAL REF: 26-10-53 OPTIONAL PART: 285N0028-10 V89954 285N0028-16 V89954 285N0028-20 V89954 285N0028-21 V89954 FOR SPARES PROCURE: 285N0028-42 V89954		RF

ILLUSTRATION ITEMS NOT ON PARTS LIST ARE NOT APPLICABLE

- ITEM NOT ILLUSTRATED

HXL

11-36-19-02

BOEING PROPRIETARY - Copyright © - Unpublished Work - See title page for details.

11-36-19
FIG. 02
PAGE 1
DEC 22/07



767

PARTS CATALOG (MAINTENANCE)

FIG ITEM	PART NUMBER	1 2 3 4 5 6 7	NOMENCLATURE	EFFECT FROM TO	UNITS PER ASSY
2 - 5	285N0028-21		.PRINTED CIRCUIT ASSY-FIRE/ OVERHEAT SUPPLIER CODE: V89954 COMPONENT MAINT MANUAL REF: 26-10-53 OPTIONAL PART: 285N0028-10 V89954 285N0028-16 V89954 285N0028-17 V89954 285N0028-20 V89954 FOR SPARES PROCURE: 285N0028-38 V89954		RF
- 5	285N0028-16		.PRINTED CIRCUIT ASSY-FIRE/ OVERHEAT SUPPLIER CODE: V89954 COMPONENT MAINT MANUAL REF: 26-10-53		RF
- 5	285N0028-20		.PRINTED CIRCUIT ASSY-FIRE/ OVERHEAT SUPPLIER CODE: V89954 COMPONENT MAINT MANUAL REF: 26-10-53 OPTIONAL PART: 285N0028-10 V89954 285N0028-16 V89954 285N0028-17 V89954 285N0028-21 V89954 FOR SPARES PROCURE: 285N0028-42 V89954		RF
- 5	285N0028-36		.PRINTED CIRCUIT ASSY-FIRE/ OVERHEAT SUPPLIER CODE: V89954 COMPONENT MAINT MANUAL REF: 26-10-53		RF

ILLUSTRATION ITEMS NOT ON PARTS LIST ARE NOT APPLICABLE

- ITEM NOT ILLUSTRATED

11-36-19-02

11-36-19
FIG. 02
PAGE 2
DEC 22/07

HXL



767

PARTS CATALOG (MAINTENANCE)

FIG ITEM	PART NUMBER	1 2 3 4 5 6 7	NOMENCLATURE	EFFECT FROM TO	UNITS PER ASSY
2					
- 5	285N0028-42		.PRINTED CIRCUIT ASSY-FIRE/ OVERHEAT SUPPLIER CODE: V89954 COMPONENT MAINT MANUAL REF: 26-10-53		RF
- 5	285N0028-43		.PRINTED CIRCUIT ASSY-FIRE/ OVERHEAT SUPPLIER CODE: V89954 COMPONENT MAINT MANUAL REF: 26-10-53		RF
- 5	285N0028-38		.PRINTED CIRCUIT ASSY-FIRE/ OVERHEAT SUPPLIER CODE: V89954 COMPONENT MAINT MANUAL REF: 26-10-53		RF
20	BAC27TEX2		..DECAL- PLACARD CONTENT: STATIC SENSITIVE		2

ILLUSTRATION ITEMS NOT ON PARTS LIST ARE NOT APPLICABLE

- ITEM NOT ILLUSTRATED

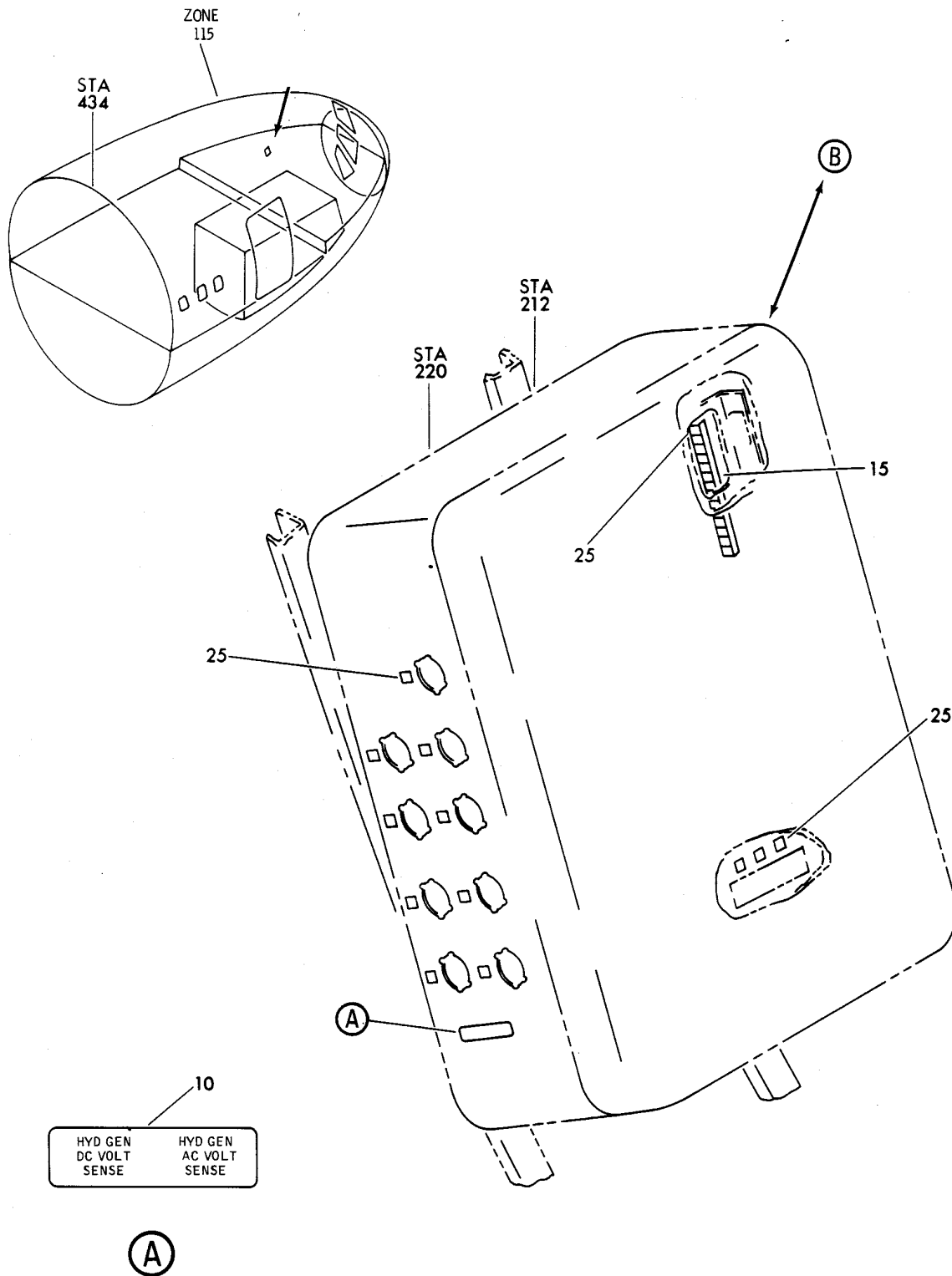
HXL

11-36-19-02

BOEING PROPRIETARY - Copyright © - Unpublished Work - See title page for details.

11-36-19
FIG. 02
PAGE 3
APR 22/09

BOEING
767
PARTS CATALOG (MAINTENANCE)



V 11362001 SHT 1 REV 081

HYD GEN DC VOLT SENSE	HYD GEN AC VOLT SENSE
-----------------------------	-----------------------------

(A)

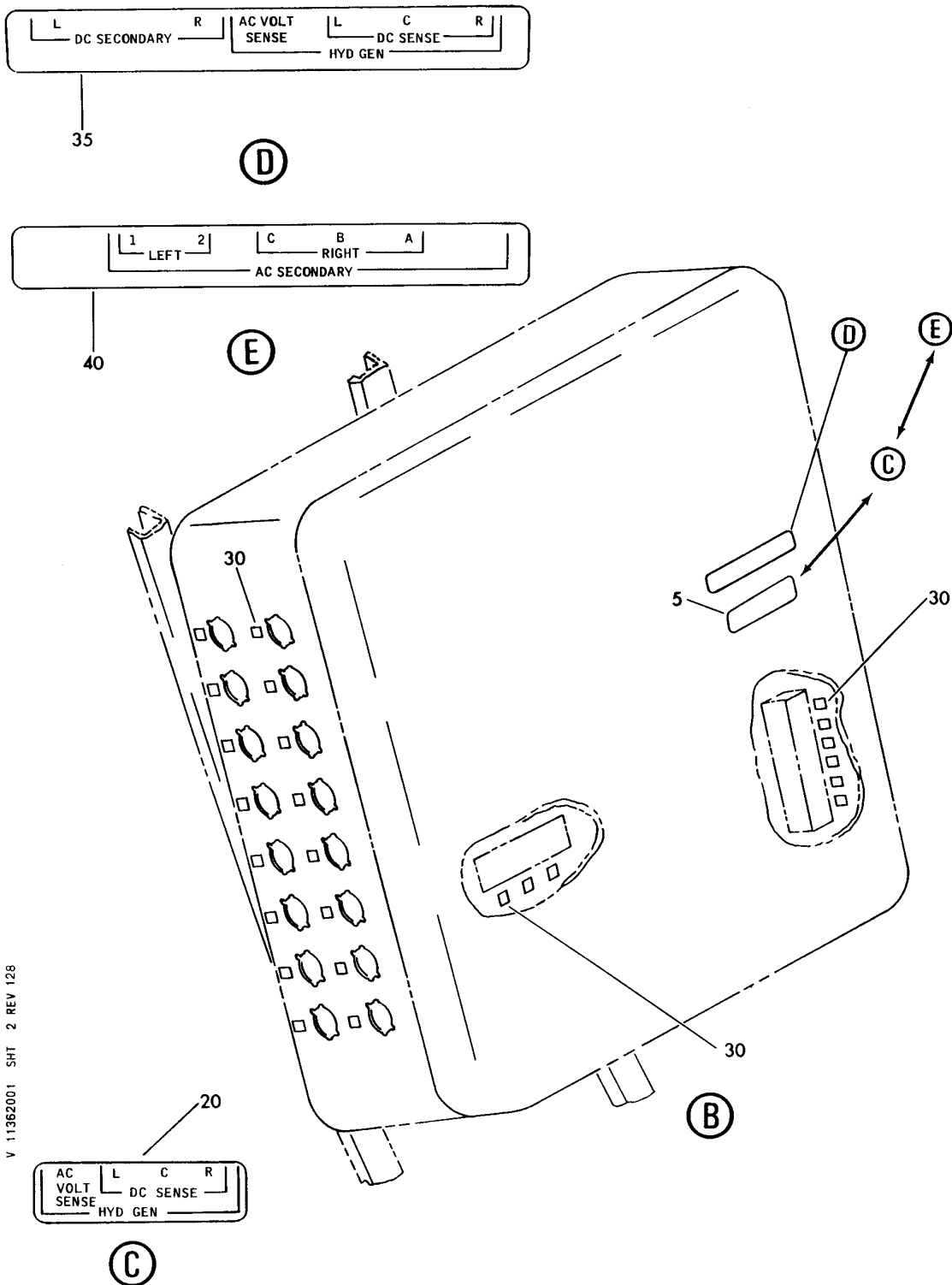
PANEL ASSY-HYD GEN POWER P65 (PLACARDS AND MARKINGS ONLY)
FIGURE 1 (SHEET 1)

11-36-20-01

HXL
DEC 22/06

11-36-20-01
PAGE 0


BOEING
 767
PARTS CATALOG (MAINTENANCE)



V 11362001 SHT 2 REV 128

PANEL ASSY-HYD GEN POWER P65 (PLACARDS AND MARKINGS ONLY)
 FIGURE 1 (SHEET 2)

11-36-20-01

HXL
DEC 22/06

11-36-20-01
 PAGE 0A



767

PARTS CATALOG (MAINTENANCE)

FIG ITEM	PART NUMBER	1 2 3 4 5 6 7	NOMENCLATURE	EFFECT FROM TO	UNITS PER ASSY
1			PANEL ASSY-HYD GEN POWER P65 (PLACARDS AND MARKINGS ONLY)		
- 1	284T1168-2		PANEL ASSY-HYD GEN POWER P65 (PLACARDS AND MARKINGS ONLY) FOR NHA/OTHER SYS DET SEE: 24-25-51-01		RF
10	BAC27TEX3560		.DECAL-		1
15	BAC27TEX0384		.DECAL- PLACARD CONTENT: 1 THRU 30		1
25	BAC27TEX0114		.DECAL-		3

ILLUSTRATION ITEMS NOT ON PARTS LIST ARE NOT APPLICABLE

- ITEM NOT ILLUSTRATED

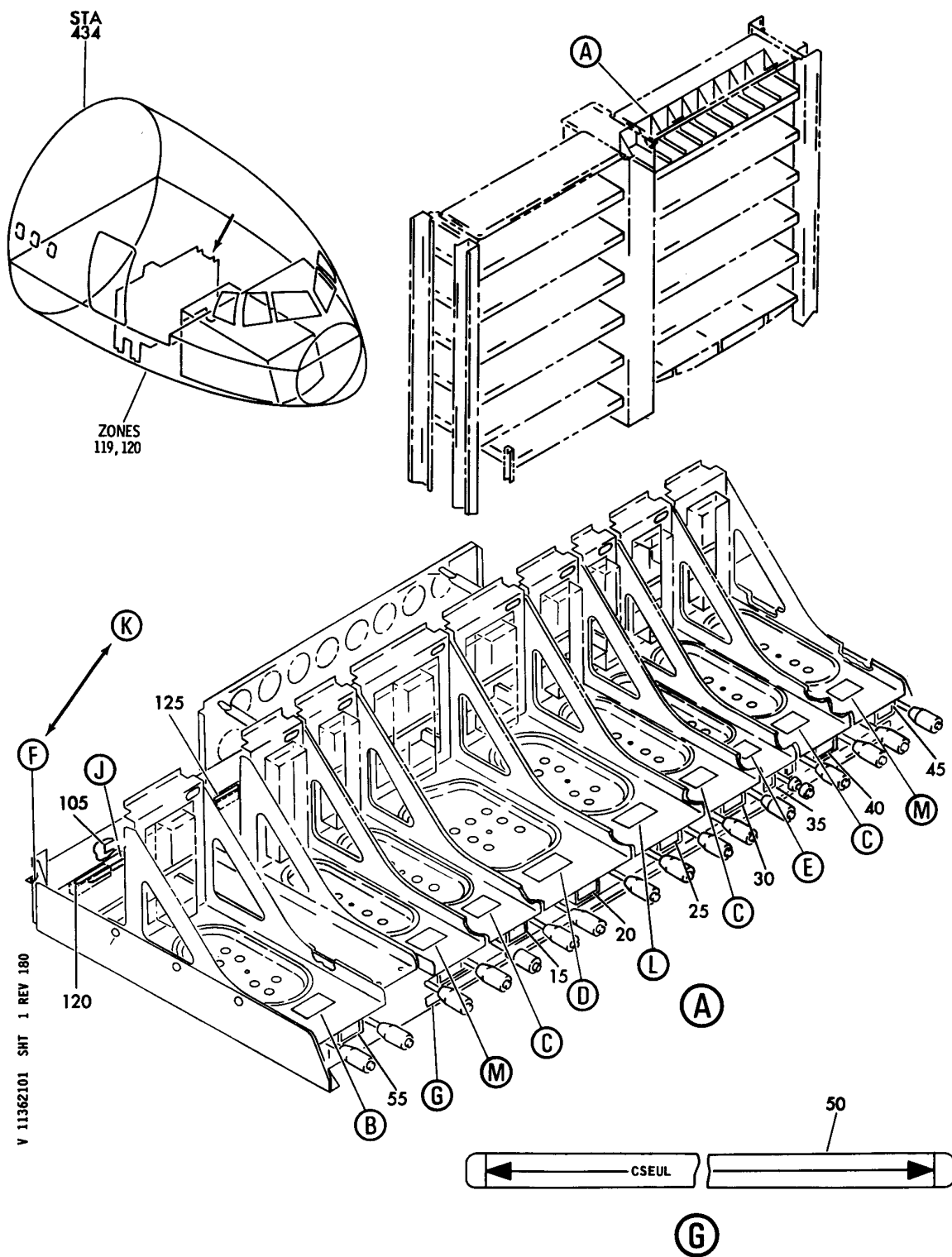
HXL

11-36-20-01

BOEING PROPRIETARY - Copyright © - Unpublished Work - See title page for details.

11-36-20
FIG. 01
PAGE 1
DEC 22/07

BOEING
767
PARTS CATALOG (MAINTENANCE)



SHELF ASSY-ELECTRONIC EQPT CTR E1-1 (PLACARDS AND MARKINGS ONLY)
FIGURE 1 (SHEET 1)

11-36-21-01

HXL
DEC 22/06

11-36-21-01
PAGE 0



767

PARTS CATALOG (MAINTENANCE)

FIG ITEM	PART NUMBER	1 2 3 4 5 6 7	NOMENCLATURE	EFFECT FROM TO	UNITS PER ASSY
1			SHELF ASSY-ELECTRONIC EQPT CTR E1-1 (PLACARDS AND MARKINGS ONLY)		
- 1	284T0111-20		SHELF ASSY-ELECTRONIC EQPT CTR E1-1 (PLACARDS AND MARKINGS ONLY) FOR NHA/OTHER SYS DET SEE: 53-11-64-01B		RF
5	BAC27TEX1313		.DECAL-		1
- 10	BAC27TEX1766		..DECAL- PLACARD CONTENT: M537 CSEU POWER SUPPLY MODULE 2 LEFT		1
15	BAC27TEX1767		..DECAL- PLACARD CONTENT: M532 SPOILER CONT MODULE 3 LEFT		1
20	BAC27TEX1768		..DECAL- PLACARD CONTENT: M522 YAW DAMP MODULE LEFT		1
25	BAC27TEX1769		..DECAL- PLACARD CONTENT: M524 STAB TRIM AILERON LOCKOUT MODULE LEFT		1
30	BAC27TEX1770		..DECAL- PLACARD CONTENT: M531 SPOILER CONT MODULE 2 LEFT		1
35	BAC27TEX1771		..DECAL- PLACARD CONTENT: RUD RATIO CHNG MDL L		1
40	BAC27TEX1772		..DECAL- PLACARD CONTENT: M530 SPOILER CONT MODULE 1 LEFT		1
45	BAC27TEX1773		..DECAL- PLACARD CONTENT: M536 CSEU POWER SUPPLY MODULE 1 LEFT		1
50	BAC27TEX1774		.DECAL		1
55	BAC27TEX1786		..DECAL- PLACARD CONTENT: M102 ANTISKID AUTO BRAKE CONT UNIT		1
60	BAC27TEX2032		.DECAL		1
65	BAC27TEX2033		.DECAL		3
70	BAC27TEX2033		.DECAL		2
75	BAC27TEX2034		.DECAL		1

ILLUSTRATION ITEMS NOT ON PARTS LIST ARE NOT APPLICABLE

- ITEM NOT ILLUSTRATED

11-36-21-01

11-36-21
FIG. 01
PAGE 1
DEC 22/07

HXL



767

PARTS CATALOG (MAINTENANCE)

FIG ITEM	PART NUMBER	1 2 3 4 5 6 7	NOMENCLATURE	EFFECT FROM TO	UNITS PER ASSY
1					
80	BAC27TEX2034	.	DECAL		1
85	BAC27TEX2035	.	DECAL		1
90	BAC27TEX3035	.	DECAL-		1
95	BAC27TEX3036	.	DECAL-		1
100	BAC27TEX3037	.	DECAL-		1
105	BAC27TEX3615	..	DECAL- PLACARD CONTENT: R24 LEFT OAL ACTUATOR GROUND RESISTOR		1
- 115	284T0116-2	.	MODULE ASSY-TERM.		RF
120	BAC27TEX1316	..	DECAL- PLACARD CONTENT: 1 THRU 97		1
125	BAC27TEX1317	..	DECAL- PLACARD CONTENT: 101 THRU 197		1
- 135	284T0384-17	.	SUPPORT ASSY-WIRE		RF
140	BAC27TEX1318	..	DECAL		2
145	BAC27TEX1734	...	DECAL		1

ILLUSTRATION ITEMS NOT ON PARTS LIST ARE NOT APPLICABLE

- ITEM NOT ILLUSTRATED

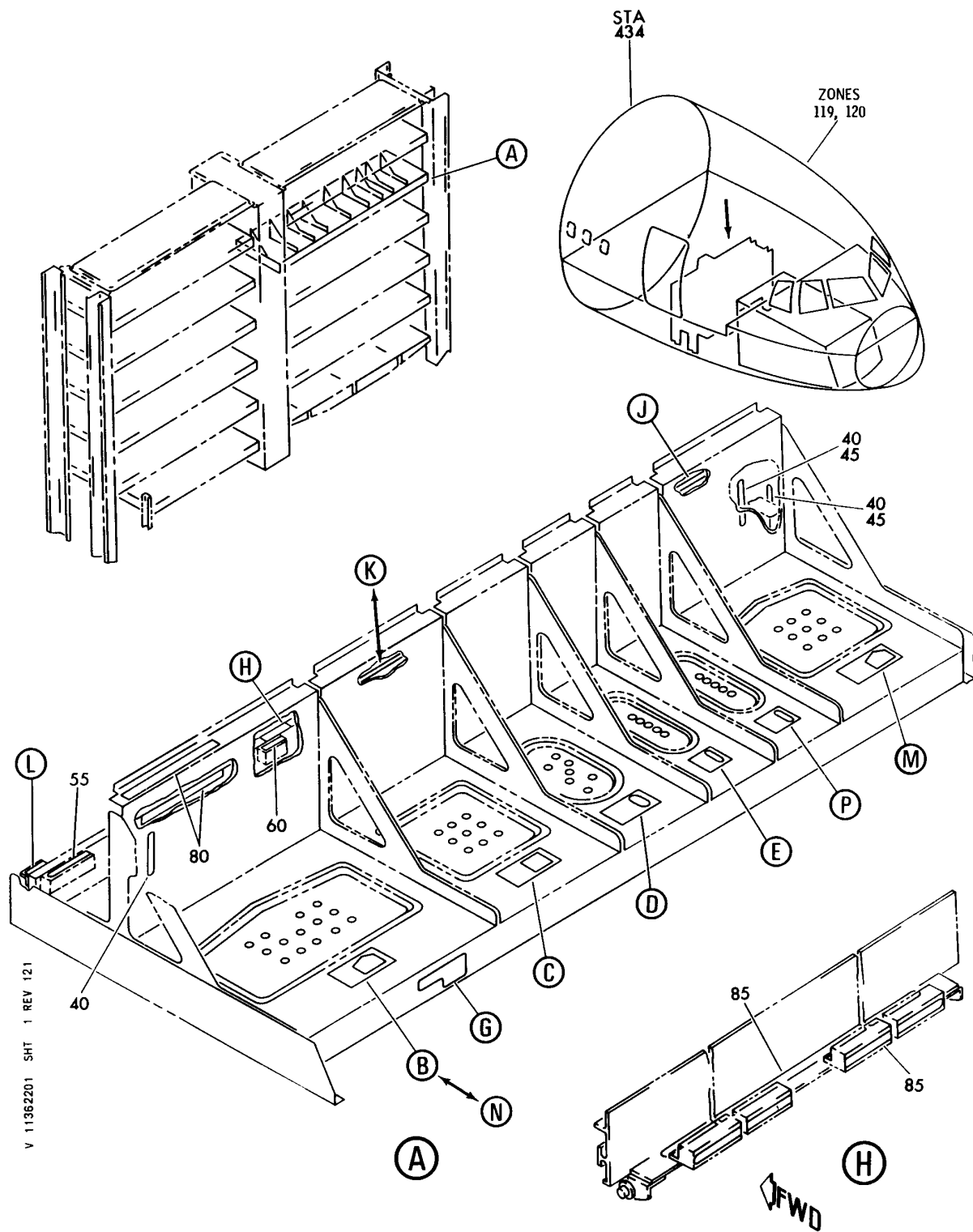
HXL

11-36-21-01

BOEING PROPRIETARY - Copyright © - Unpublished Work - See title page for details.

11-36-21
FIG. 01
PAGE 2
DEC 22/07

BOEING
767
PARTS CATALOG (MAINTENANCE)



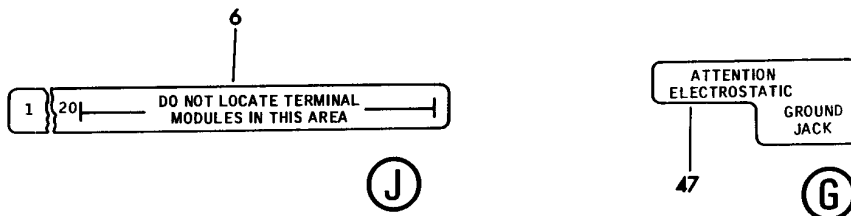
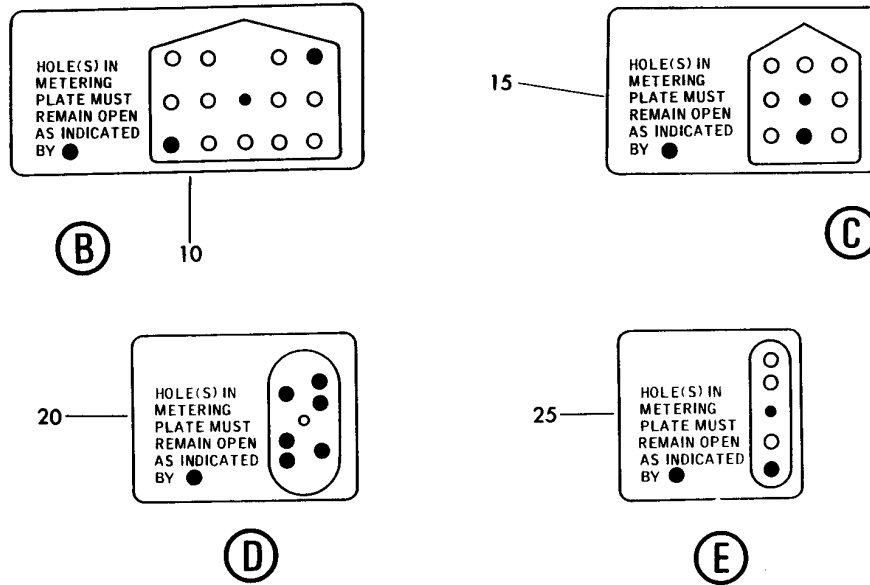
SHELF ASSY-ELECTRONIC EQPT CTR E1-2 (PLACARDS AND MARKINGS ONLY)
FIGURE 1 (SHEET 1)

11-36-22-01

HXL
DEC 22/06

11-36-22-01
PAGE 0


BOEING
 767
PARTS CATALOG (MAINTENANCE)



V 11362201 SHT 2 REV 121

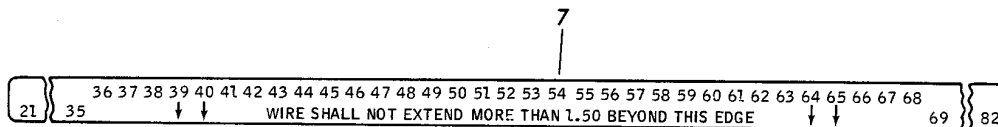
SHELF ASSY-ELECTRONIC EQPT CTR E1-2 (PLACARDS AND MARKINGS ONLY)
 FIGURE 1 (SHEET 2)

11-36-22-01

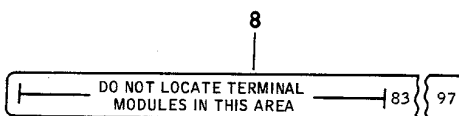
HXL
 DEC 22/06

11-36-22-01
 PAGE 0A

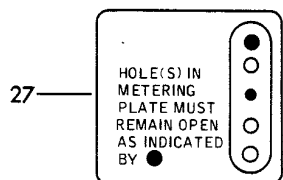
BOEING
767
PARTS CATALOG (MAINTENANCE)



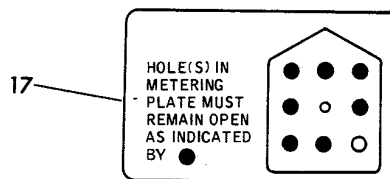
(K)



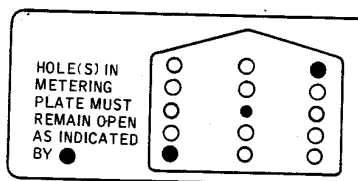
(L)



(P)



(M)



12

(N)

V 11362201 SHT 3 REV 042

SHELF ASSY-ELECTRONIC EQPT CTR E1-2 (PLACARDS AND MARKINGS ONLY)
FIGURE 1 (SHEET 3)

11-36-22-01

HXL
DEC 22/06

11-36-22-01
PAGE 0B



767

PARTS CATALOG (MAINTENANCE)

FIG ITEM	PART NUMBER	1 2 3 4 5 6 7	NOMENCLATURE	EFFECT FROM TO	UNITS PER ASSY
1			SHELF ASSY-ELECTRONIC EQPT CTR E1-2 (PLACARDS AND MARKINGS ONLY)		
- 3	284T0112-78		SHELF ASSY-ELECTRONIC EQPT CTR E1-2 (PLACARDS AND MARKINGS ONLY) FOR NHA/OTHER SYS DET SEE: 53-11-64-01B		RF
6	BAC27TEX3035		.DECAL-		1
7	BAC27TEX3036		.DECAL-		1
8	BAC27TEX3037		.DECAL-		1
10	BAC27TEX2038		.DECAL-		1
			OPTIONAL PART: BAC27TEX3277		
12	BAC27TEX3277		.DECAL-		1
			OPTIONAL PART: BAC27TEX2038		
15	BAC27TEX2036		.DECAL		1
17	BAC27TEX2036		.DECAL		1
20	BAC27TEX2034		.DECAL		1
25	BAC27TEX2033		.DECAL		1
27	BAC27TEX2033		.DECAL		1
40	BAC27TEX1267		.DECAL-		3
			PLACARD CONTENT: 1 THRU 17		
47	BAC27TEX1993		.DECAL-		1
			PLACARD CONTENT: ATTENTION ELECTROSTATIC GROUND JACK		
- 50	284T0116-2		.MODULE ASSY-TERM.		RF
55	BAC27TEX1316		..DECAL-		1
			PLACARD CONTENT: 1 THRU 97		
60	BAC27TEX1317		..DECAL-		1
			PLACARD CONTENT: 101 THRU 197		
- 75	284T0384-18		.SUPPORT ASSY-WIRE		RF
- 75	284T0384-37		.SUPPORT ASSY-WIRE		RF
80	BAC27TEX1319		..DECAL		2
85	BAC27TEX1318		..DECAL		2

ILLUSTRATION ITEMS NOT ON PARTS LIST ARE NOT APPLICABLE

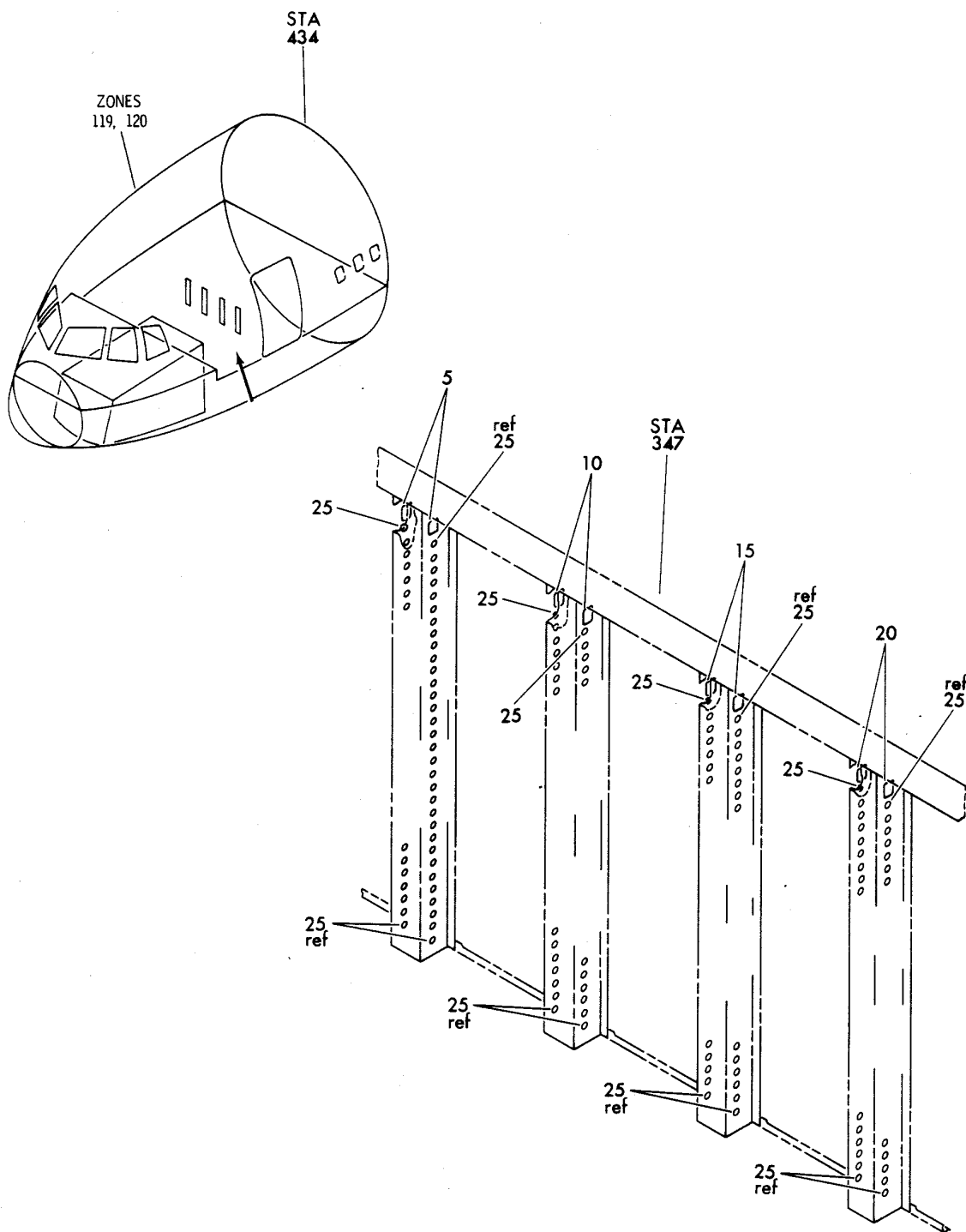
- ITEM NOT ILLUSTRATED

11-36-22-01

11-36-22
FIG. 01
PAGE 1
DEC 22/07

HXL

BOEING
767
PARTS CATALOG (MAINTENANCE)



V 11362202 SHT 1 REV 019

IDENTIFICATION INSTL-E1 AND E2 STANCHIONS POSITION ELEC CONN.
FIGURE 2

11-36-22-02

HXL
DEC 22/06

11-36-22-02
PAGE 0



767

PARTS CATALOG (MAINTENANCE)

FIG ITEM	PART NUMBER	1 2 3 4 5 6 7	NOMENCLATURE	EFFECT FROM TO	UNITS PER ASSY
2			IDENTIFICATION INSTL-E1 AND E2 STANCHIONS POSITION ELEC CONN.		
- 1	287T4117-1		IDENTIFICATION INSTL-E1 AND E2 STANCHIONS POSITION ELEC CONN.		RF
	5 BAC27TEX2985		.DECAL- PLACARD CONTENT: AEO 320		2
	10 BAC27TEX2984		.DECAL- PLACARD CONTENT: AEO 306		2
	15 BAC27TEX2983		.DECAL- PLACARD CONTENT: AEO 317		2
	20 BAC27TEX2986		.DECAL- PLACARD CONTENT: AEO 305		2
	25 BAC27TEX2987		.DECAL- PLACARD CONTENT: 1 THRU 64		4

ILLUSTRATION ITEMS NOT ON PARTS LIST ARE NOT APPLICABLE

- ITEM NOT ILLUSTRATED

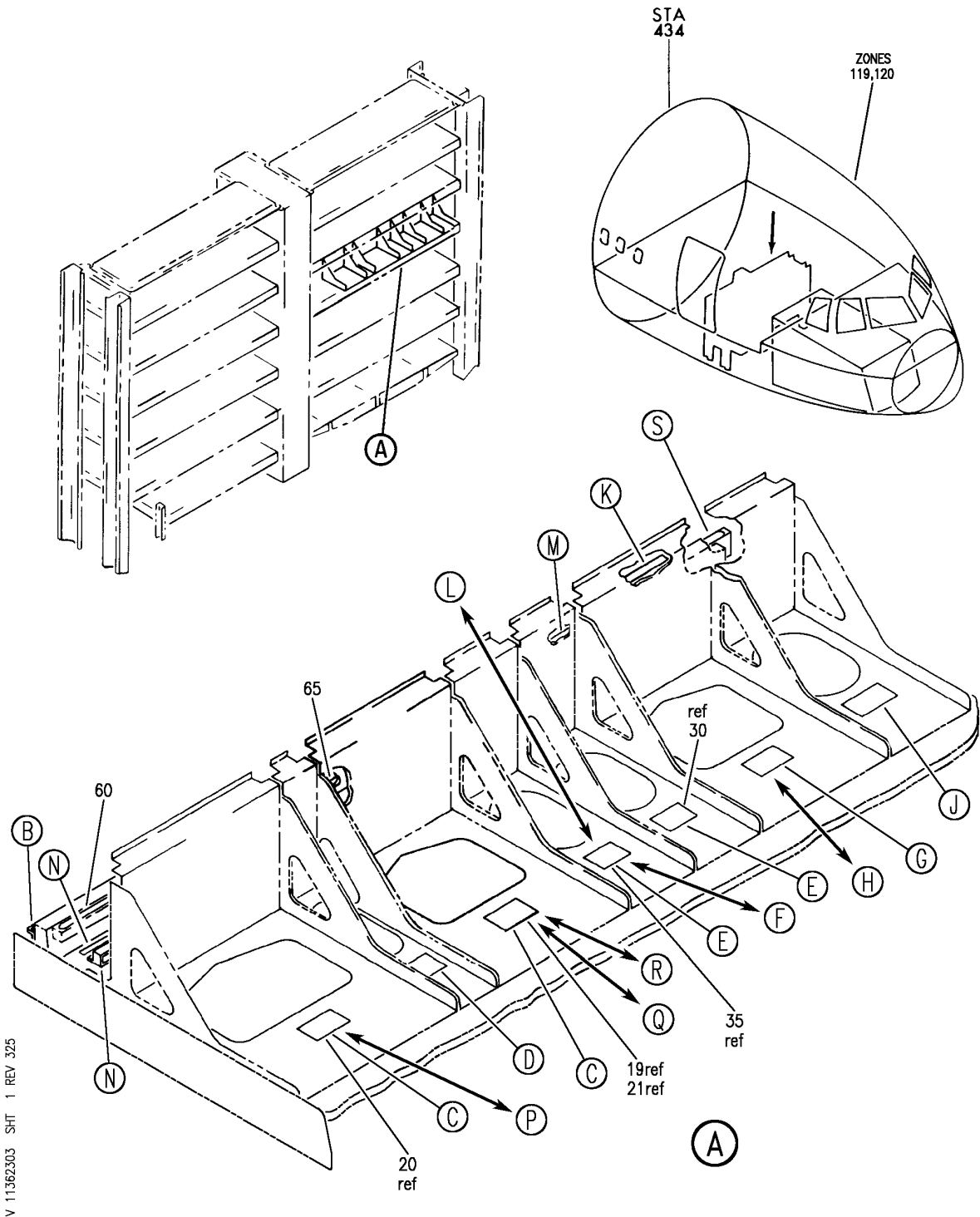
HXL

11-36-22-02

BOEING PROPRIETARY - Copyright © - Unpublished Work - See title page for details.

11-36-22
FIG. 02
PAGE 1
DEC 22/06

BOEING
767
PARTS CATALOG (MAINTENANCE)



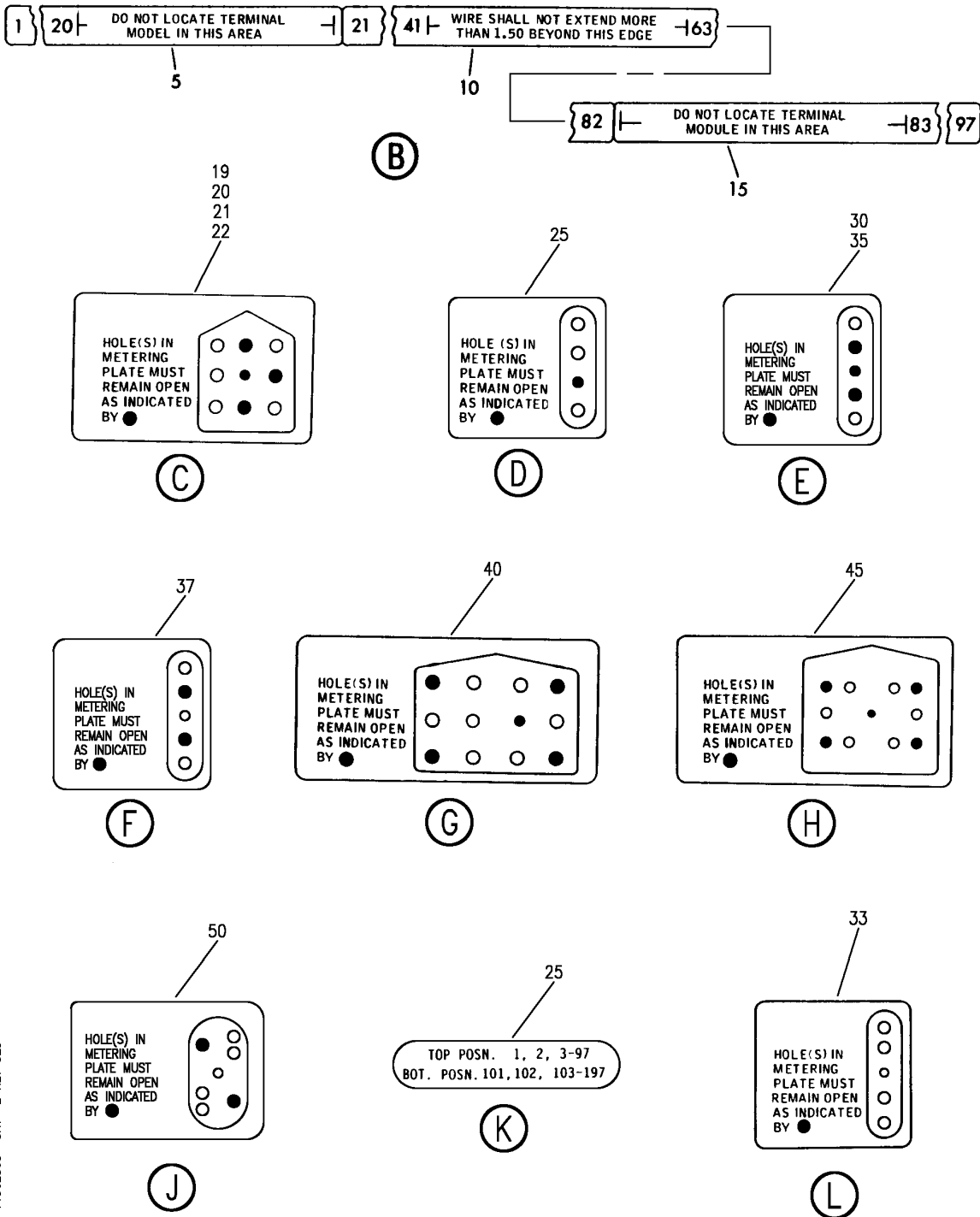
SHELF ASSY-ELECT. EQPT CTR E1-3 (PLACARDS AND MARKINGS ONLY)
FIGURE 3 (SHEET 1)

11-36-23-03

HXL
APR 22/08

11-36-23-03
PAGE 0

BOEING
767
PARTS CATALOG (MAINTENANCE)



V 11362303 SH1 2 REV 325

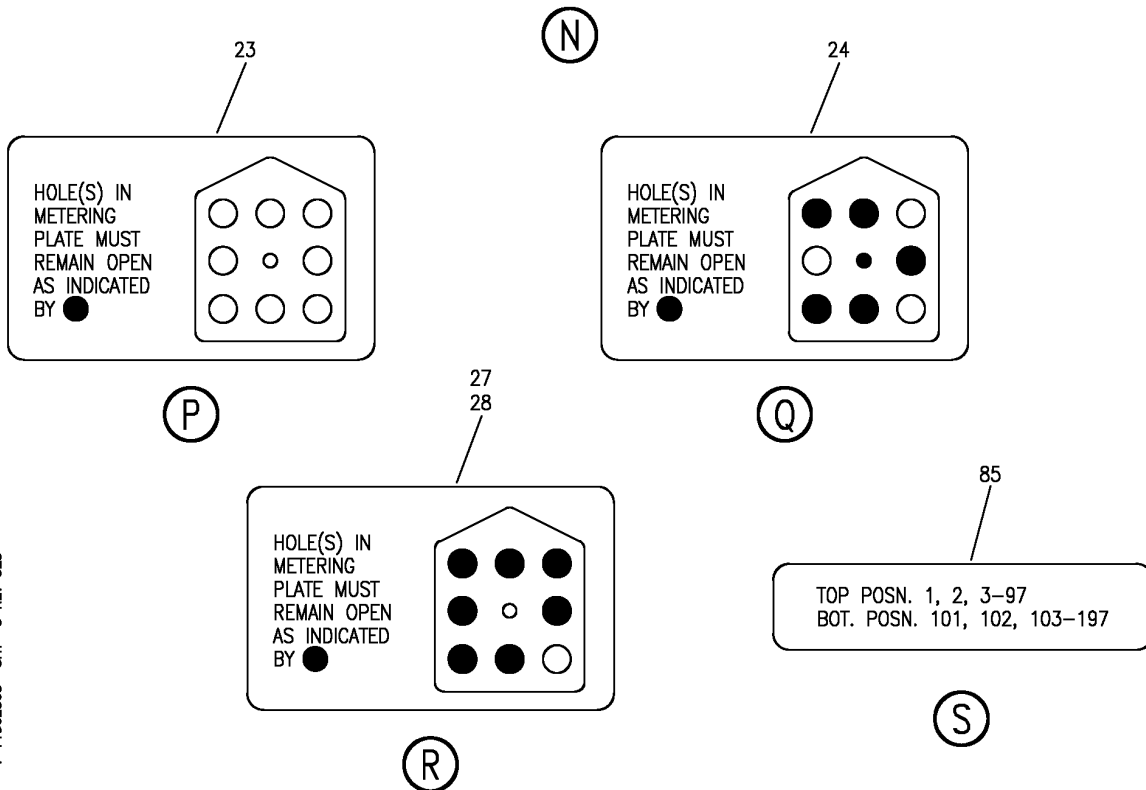
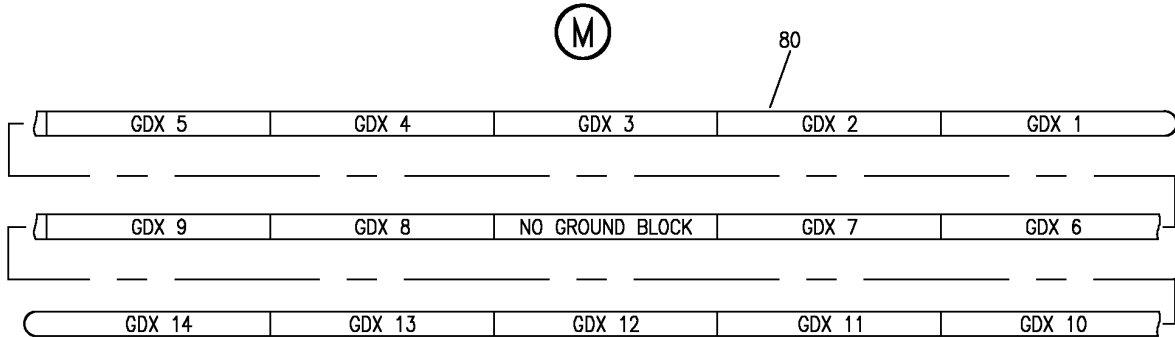
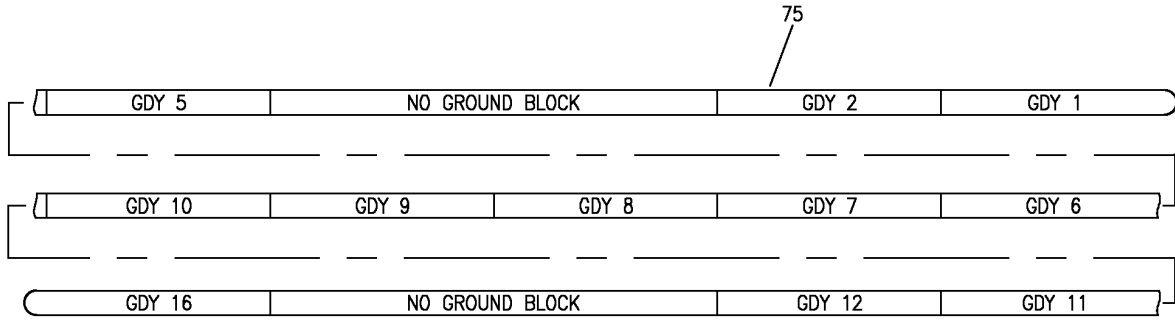
SHELF ASSY-ELECT. EQPT CTR E1-3 (PLACARDS AND MARKINGS ONLY)
FIGURE 3 (SHEET 2)

11-36-23-03

HXL
APR 22/08

11-36-23-03
PAGE 0A


BOEING
 767
PARTS CATALOG (MAINTENANCE)



V 11362303 SH-T 3 REV 325

SHELF ASSY-ELECT. EQPT CTR E1-3 (PLACARDS AND MARKINGS ONLY)
FIGURE 3 (SHEET 3)

11-36-23-03

HXL
APR 22/08

11-36-23-03
PAGE 0B



767

PARTS CATALOG (MAINTENANCE)

FIG ITEM	PART NUMBER	1 2 3 4 5 6 7	NOMENCLATURE	EFFECT FROM TO	UNITS PER ASSY
3			SHELF ASSY-ELECT. EQPT CTR E1-3 (PLACARDS AND MARKINGS ONLY)		
- 1	284T0113-45		SHELF ASSY-ELECT. EQPT CTR E1-3 (PLACARDS AND MARKINGS ONLY) FOR NHA/OTHER SYS DET SEE: 53-11-64-01B		RF
	5 BAC27TEX3035		.DECAL		1
	10 BAC27TEX3036		.DECAL		1
	15 BAC27TEX3037		.DECAL		1
	22 BAC27TEX2036		.DECAL-		2
	25 BAC27TEX2032		.DECAL		1
	35 BAC27TEX2033		.DECAL-		1
	40 BAC27TEX3274		.DECAL-		1
	50 BAC27TEX2034		.DECAL		1
- 55	284T0116-2		.MODULE ASSY-TERM.		RF
	60 BAC27TEX1316		..DECAL- PLACARD CONTENT: 1 THRU 97		1
	65 BAC27TEX1317		..DECAL- PLACARD CONTENT: 101 THRU 197		1
- 70	284T0384-54		.SUPPORT ASSY-WIRE		RF
	75 BAC27TEX1319		..DECAL		1
	80 BAC27TEX1318		..DECAL		2
	85 BAC27TEX2220		..DECAL-		1

ILLUSTRATION ITEMS NOT ON PARTS LIST ARE NOT APPLICABLE

- ITEM NOT ILLUSTRATED

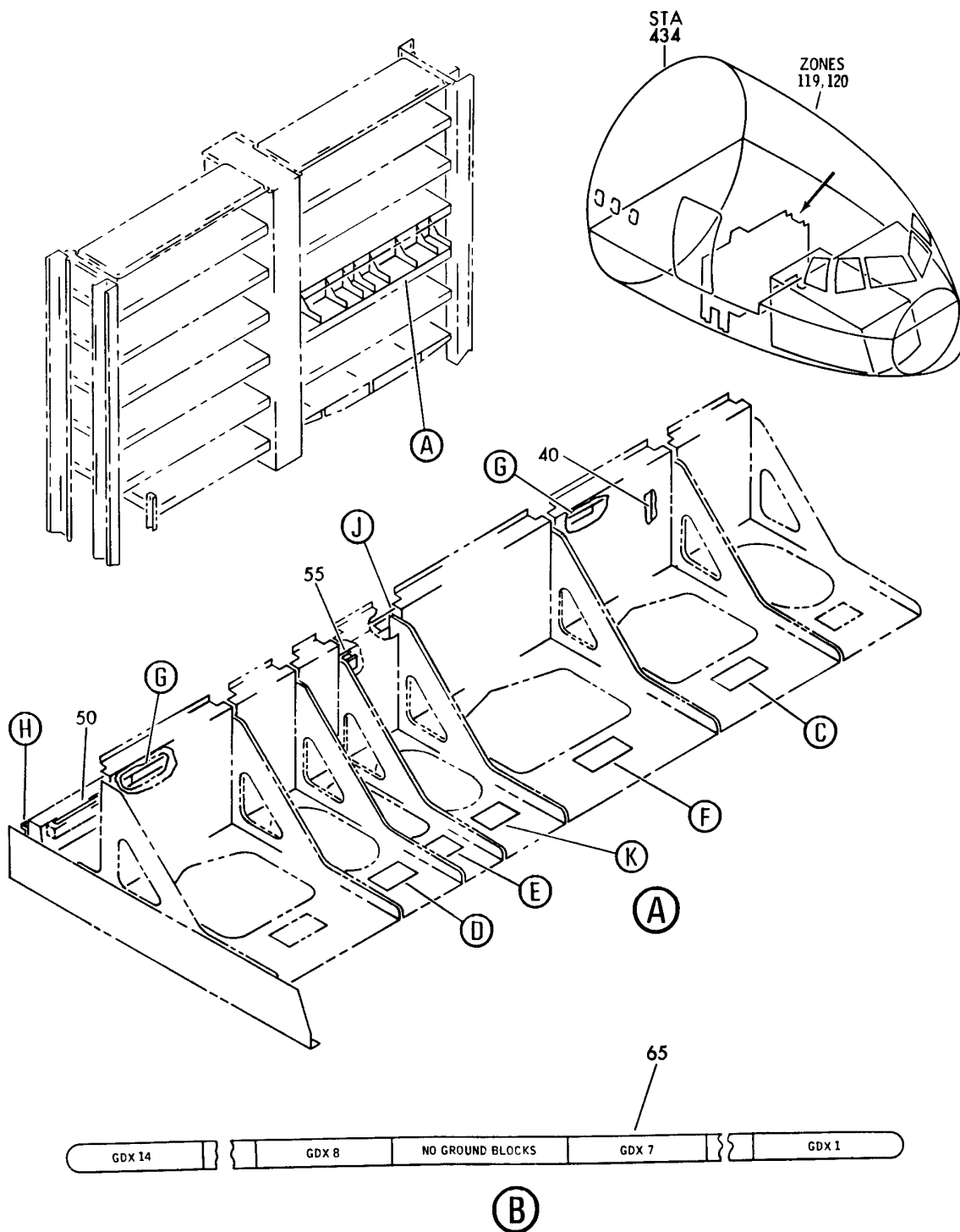
HXL

11-36-23-03

BOEING PROPRIETARY - Copyright © - Unpublished Work - See title page for details.

11-36-23
FIG. 03
PAGE 1
DEC 22/07

BOEING
767
PARTS CATALOG (MAINTENANCE)



V 11362409 SHT 1 REV 188

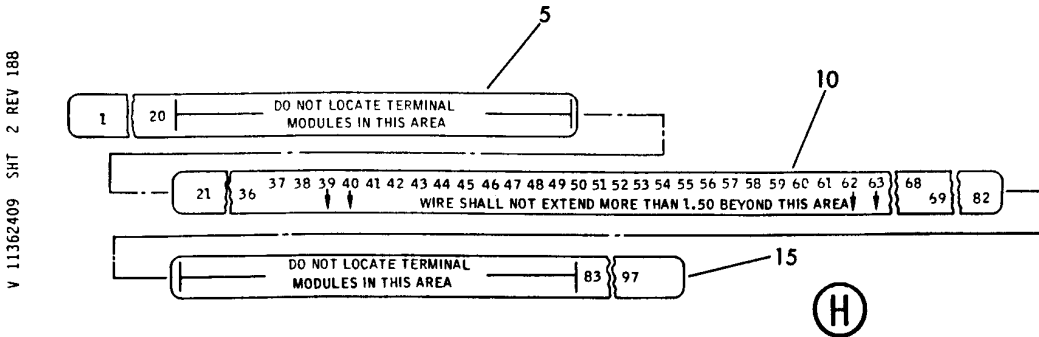
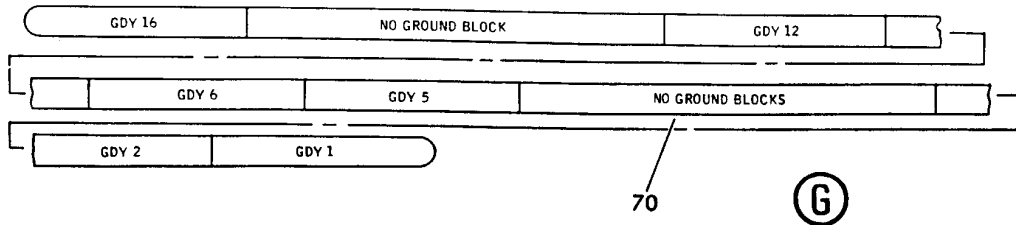
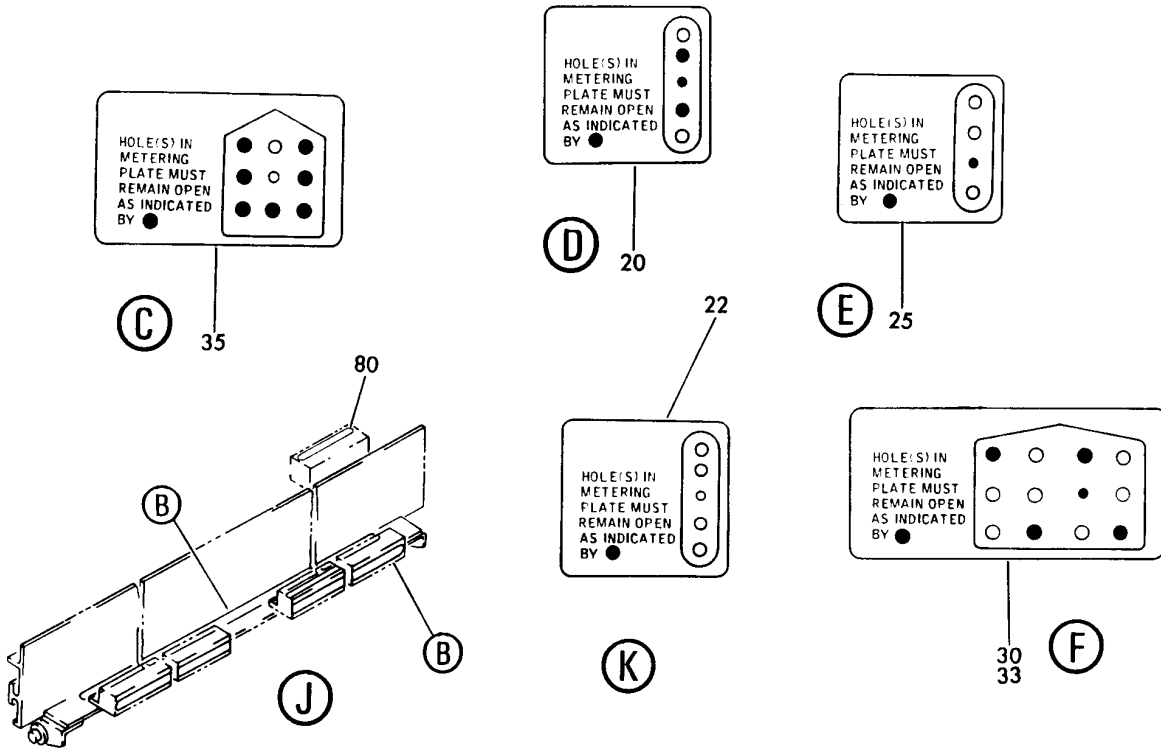
SHELF ASSY-ELECTRONIC EQPT CTR E1-4 (PLACARDS AND MARKINGS ONLY)
FIGURE 9 (SHEET 1)

11-36-24-09

HXL
DEC 22/06

11-36-24-09
PAGE 0

BOEING
767
PARTS CATALOG (MAINTENANCE)



V 11362409 SHT 2 REV 188

SHELF ASSY-ELECTRONIC EQPT CTR E1-4 (PLACARDS AND MARKINGS ONLY)
FIGURE 9 (SHEET 2)

11-36-24-09

HXL
DEC 22/06

11-36-24-09
PAGE 0A



767

PARTS CATALOG (MAINTENANCE)

FIG ITEM	PART NUMBER	1 2 3 4 5 6 7	NOMENCLATURE	EFFECT FROM TO	UNITS PER ASSY
9			SHELF ASSY-ELECTRONIC EQPT CTR E1-4 (PLACARDS AND MARKINGS ONLY)		
- 1	284T0114-49		SHELF ASSY-ELECTRONIC EQPT CTR E1-4 (PLACARDS AND MARKINGS ONLY) FOR NHA/OTHER SYS DET SEE: 53-11-64-01B		RF
5	BAC27TEX3035		.DECAL		1
10	BAC27TEX3036		.DECAL		1
15	BAC27TEX3037		.DECAL		1
20	BAC27TEX2033		.DECAL		1
22	BAC27TEX2033		.DECAL- POST SERVICE BULLETIN: 78-0062		1
25	BAC27TEX2032		.DECAL		1
30	BAC27TEX3274		.DECAL- OPTIONAL PART: BAC27TEX2037		1
33	BAC27TEX2037		.DECAL-		1
35	BAC27TEX2036		.DECAL		1
40	BAC27TEX1267		.DECAL- PLACARD CONTENT: 1 THRU 9		1
- 45	284T0116-2		.MODULE ASSY-TERM.		RF
50	BAC27TEX1316		..DECAL- PLACARD CONTENT: 1 THRU 97		1
55	BAC27TEX1317		..DECAL- PLACARD CONTENT: 101 THRU I97		1
- 60	284T0384-49		.SUPPORT ASSY-WIRE		RF
65	BAC27TEX1318		..DECAL		2
70	BAC27TEX1319		..DECAL		2
80	BAC27TEX2220		..DECAL		1

ILLUSTRATION ITEMS NOT ON PARTS LIST ARE NOT APPLICABLE

- ITEM NOT ILLUSTRATED

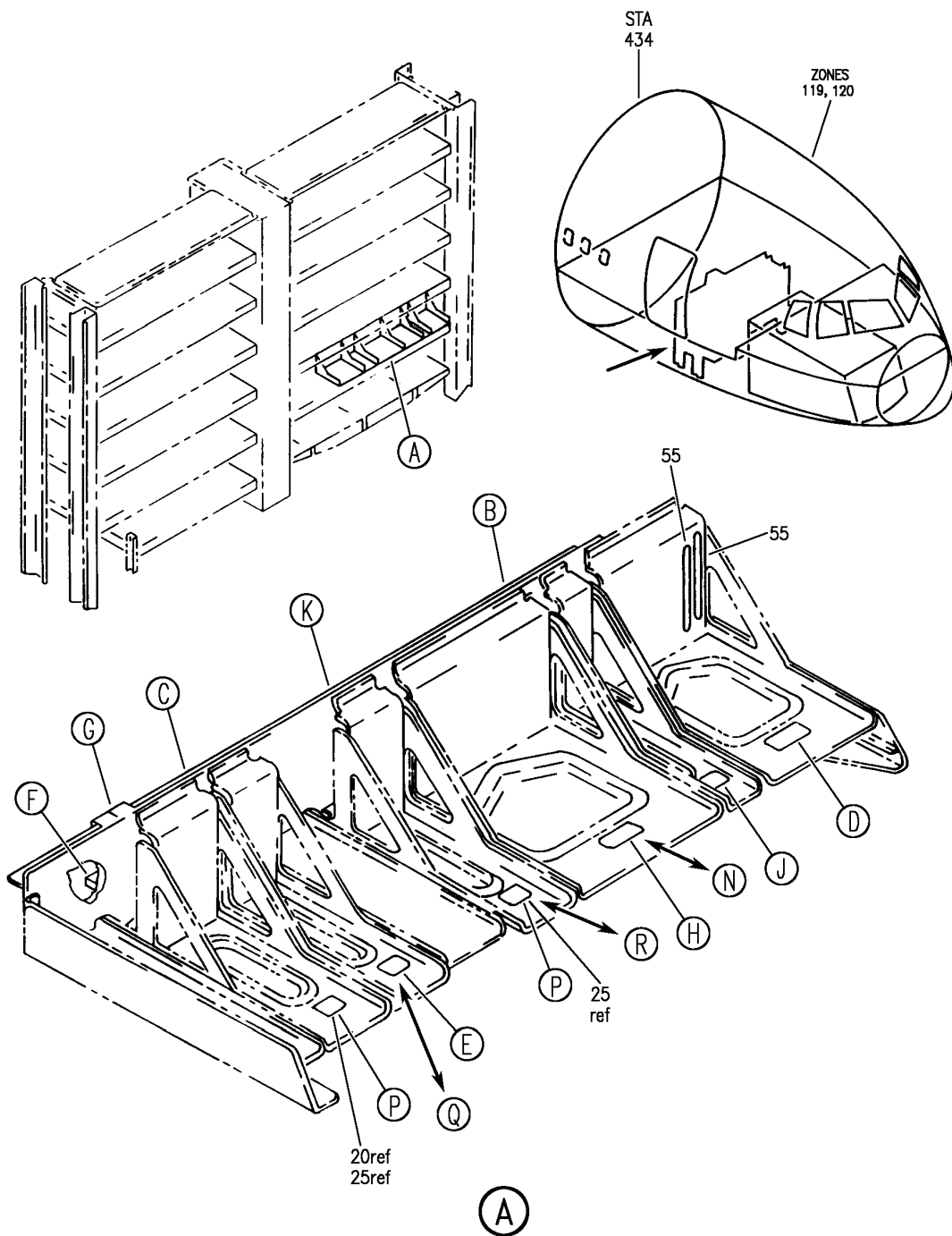
HXL

11-36-24-09

BOEING PROPRIETARY - Copyright © - Unpublished Work - See title page for details.

11-36-24
FIG. 09
PAGE 1
DEC 22/07

BOEING
767
PARTS CATALOG (MAINTENANCE)



V 11362506 SHT 1 REV 325

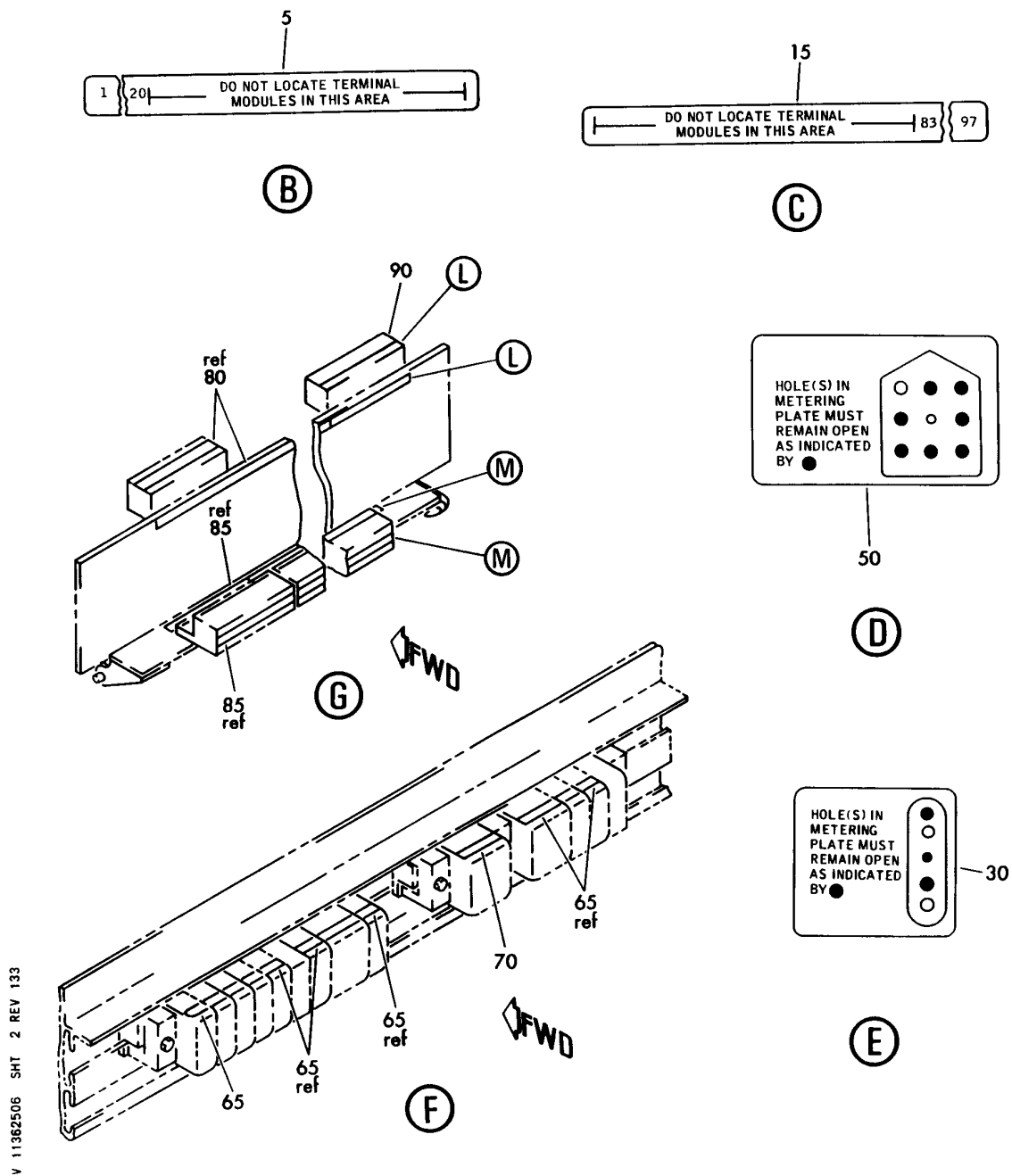
SHELF ASSY-ELECT. EQPT CTR E1-5 (PLACARDS AND MARKINGS ONLY)
FIGURE 6 (SHEET 1)

11-36-25-06

HXL
APR 22/08

11-36-25-06
PAGE 0

BOEING
767
PARTS CATALOG (MAINTENANCE)



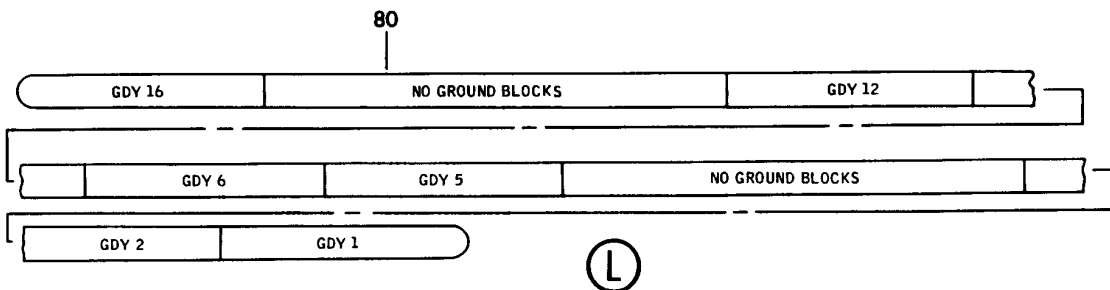
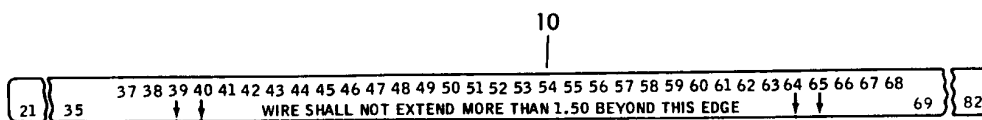
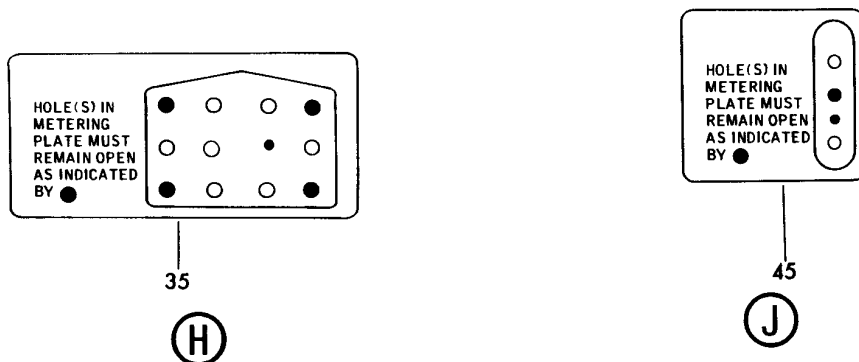
SHELF ASSY-ELECT. EQPT CTR E1-5 (PLACARDS AND MARKINGS ONLY)
FIGURE 6 (SHEET 2)

11-36-25-06

HXL
DEC 22/06

11-36-25-06
PAGE 0A

BOEING
767
PARTS CATALOG (MAINTENANCE)



V 11362506 SHT 3 REV 133

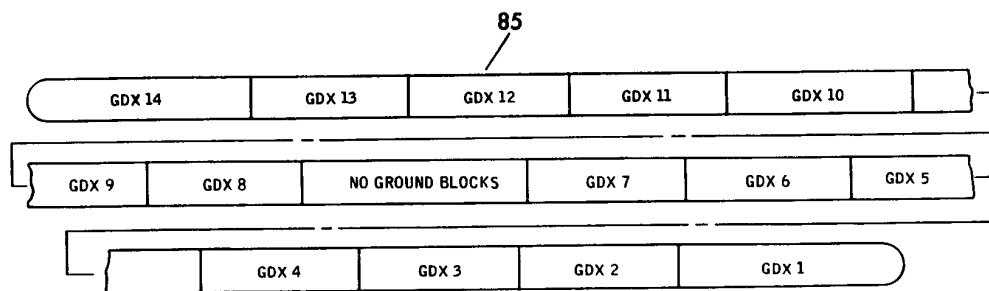
SHELF ASSY-ELECT. EQPT CTR E1-5 (PLACARDS AND MARKINGS ONLY)
FIGURE 6 (SHEET 3)

11-36-25-06

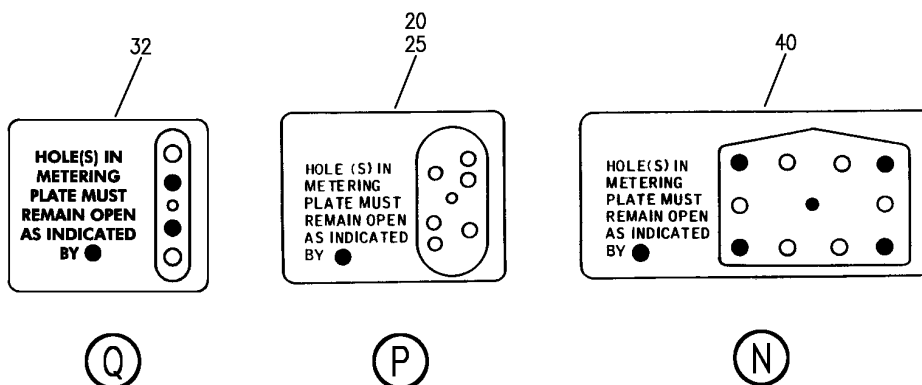
HXL
DEC 22/06

11-36-25-06
PAGE 0B

BOEING
767
PARTS CATALOG (MAINTENANCE)



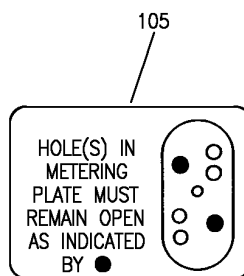
(M)



(Q)

(P)

(N)



(R)

V 11362506 SHT 4 REV 325

SHELF ASSY-ELECT. EQPT CTR E1-5 (PLACARDS AND MARKINGS ONLY)
FIGURE 6 (SHEET 4)

11-36-25-06

HXL
APR 22/08

11-36-25-06
PAGE 0C



767

PARTS CATALOG (MAINTENANCE)

FIG ITEM	PART NUMBER	1 2 3 4 5 6 7	NOMENCLATURE	EFFECT FROM TO	UNITS PER ASSY
6			SHELF ASSY-ELECT. EQPT CTR E1-5 (PLACARDS AND MARKINGS ONLY)		
- 1	284T0115-58		SHELF ASSY-ELECT. EQPT CTR E1-5 (PLACARDS AND MARKINGS ONLY) FOR NHA/OTHER SYS DET SEE: 53-11-64-01B		RF
	5 BAC27TEX3035		.DECAL		1
	10 BAC27TEX3036		.DECAL		1
	15 BAC27TEX3037		.DECAL		1
	25 BAC27TEX2034		.DECAL		2
	30 BAC27TEX2033		.DECAL-		1
	35 BAC27TEX3274		.DECAL-		1
	45 BAC27TEX2032		.DECAL		1
	50 BAC27TEX2036		.DECAL		1
	55 BAC27TEX1267		.DECAL- PLACARD CONTENT: 1 THRU 9		2
- 60	284T0116-2		.MODULE ASSY-TERM.		RF
	65 BAC27TEX1316		..DECAL- PLACARD CONTENT: 1 THRU 97		1
	70 BAC27TEX1317		..DECAL- PLACARD CONTENT: 101 THRU 197		1
- 75	284T0384-21		.SUPPORT ASSY-WIRE		RF
	80 BAC27TEX1319		..DECAL		2
	85 BAC27TEX1318		..DECAL		2
	90 BAC27TEX2220		..DECAL- PLACARD CONTENT: TOP POSN. 1, 2, 3-97 BOT. POSN. 101, 102, 103-197		1

ILLUSTRATION ITEMS NOT ON PARTS LIST ARE NOT APPLICABLE

- ITEM NOT ILLUSTRATED

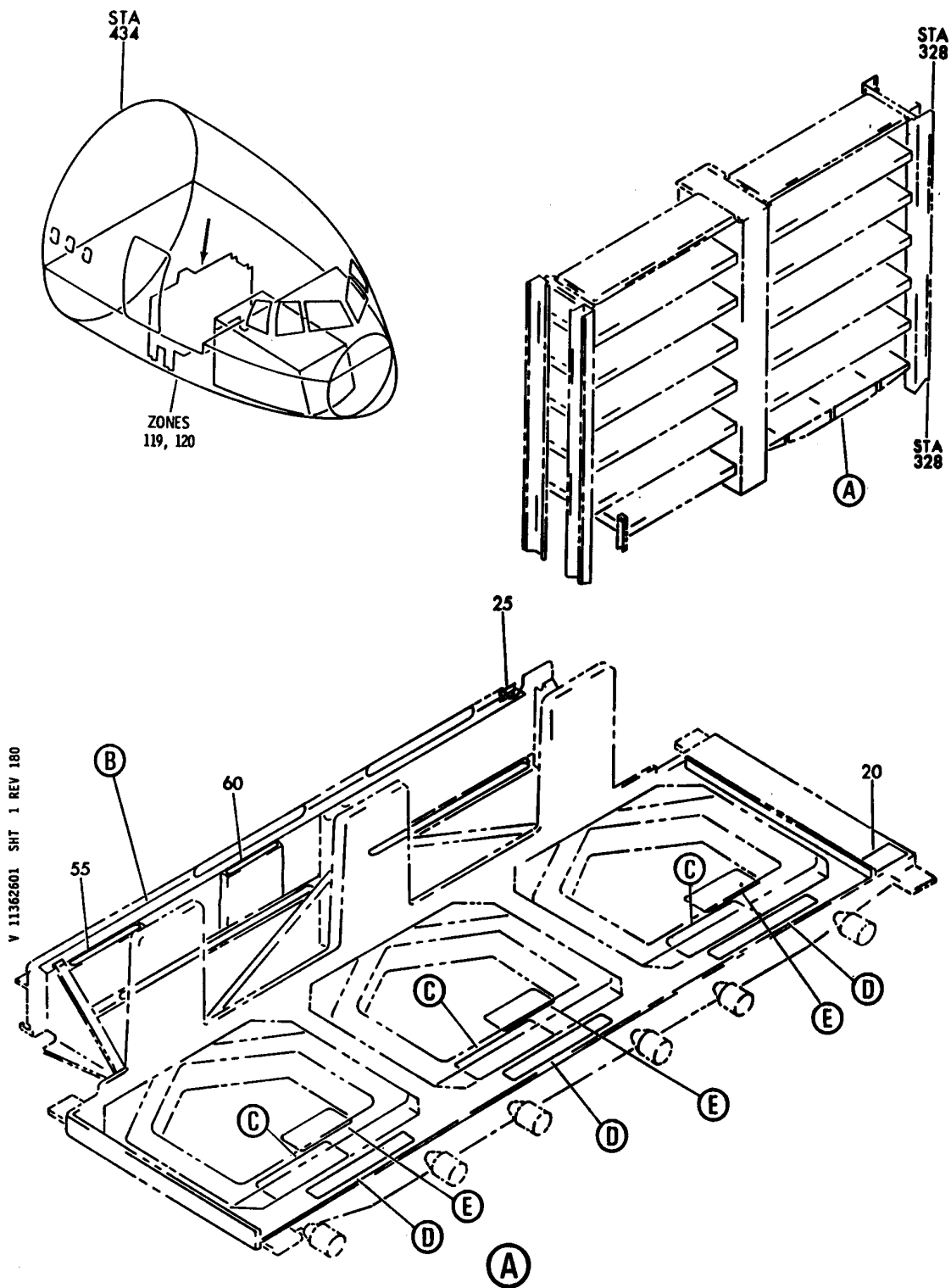
HXL

11-36-25-06

BOEING PROPRIETARY - Copyright © - Unpublished Work - See title page for details.

11-36-25
FIG. 06
PAGE 1
DEC 22/07

BOEING
767
PARTS CATALOG (MAINTENANCE)



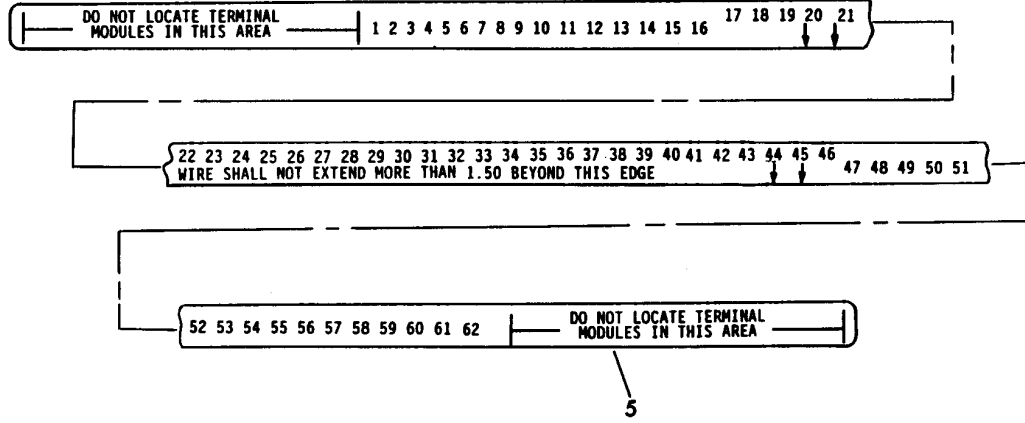
SHELF ASSY-INERTIAL REF UNIT MOUNT (E1-6) (PLACARDS AND MARKINGS ONLY)
FIGURE 1 (SHEET 1)

HXL
DEC 22/06

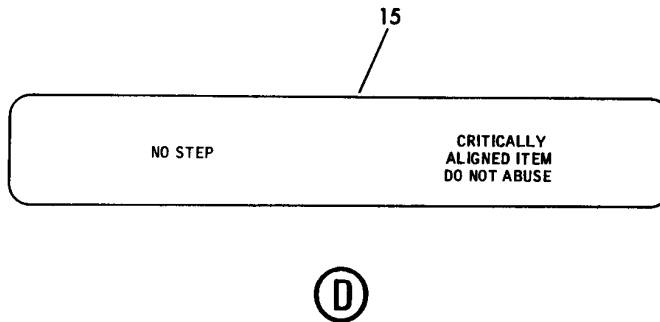
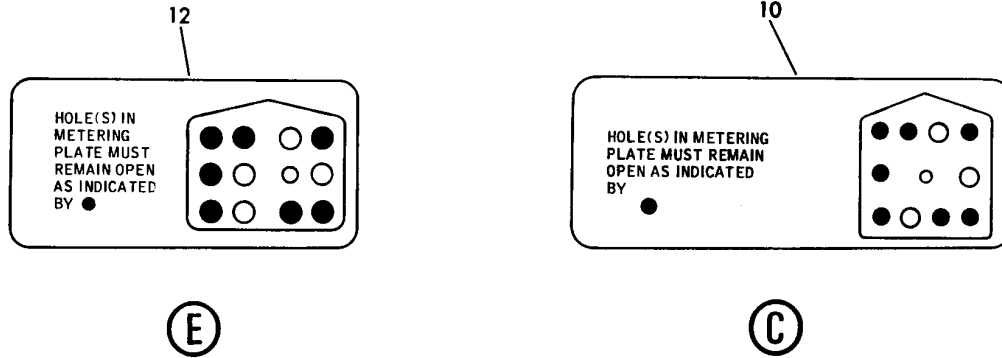
11-36-26-01

11-36-26-01
PAGE 0


BOEING
 767
PARTS CATALOG (MAINTENANCE)



(B)



V 11362601 SHT 2 REV 180

SHELF ASSY-INERTIAL REF UNIT MOUNT (E1-6) (PLACARDS AND MARKINGS ONLY)
 FIGURE 1 (SHEET 2)

11-36-26-01

HXL
DEC 22/06

11-36-26-01
 PAGE 0A



767

PARTS CATALOG (MAINTENANCE)

FIG ITEM	PART NUMBER	1 2 3 4 5 6 7	NOMENCLATURE	EFFECT FROM TO	UNITS PER ASSY
1			SHELF ASSY-INERTIAL REF UNIT MOUNT (E1-6) (PLACARDS AND MARKINGS ONLY)		
- 1	284T0338-8		SHELF ASSY-INERTIAL REF UNIT MOUNT E1-6 (PLACARDS AND MARKINGS ONLY) FOR NHA/OTHER SYS DET SEE: 25-71-16-06		RF
5	BAC27TEX3122		.DECAL-		1
10	BAC27TEX2129		.DECAL- OPTIONAL PART: BAC27TEX3619		3
12	BAC27TEX3619		.DECAL		3
15	BAC27TEX0954		.DECAL		3
20	BAC27TFDE0108		.DECAL- PLACARD CONTENT: LOCATE CLINOMETER FOR INSTALLING AIR DATA SENSORS BETWEEN BLACK LINES		1
25	BAC27TEX1598		.DECAL- PLACARD CONTENT: TOP POSN. 1, 2, 3-62 BOTTOM POSITION 101, 102, 103-162		1
- 50	284T0116-3		.MODULE ASSY-TERM.		RF
55	BAC27TEX1316		..DECAL- PLACARD CONTENT: 1 THRU 97		1
60	BAC27TEX1317		..DECAL- PLACARD CONTENT: 101 THRU 197		1

ILLUSTRATION ITEMS NOT ON PARTS LIST ARE NOT APPLICABLE

- ITEM NOT ILLUSTRATED

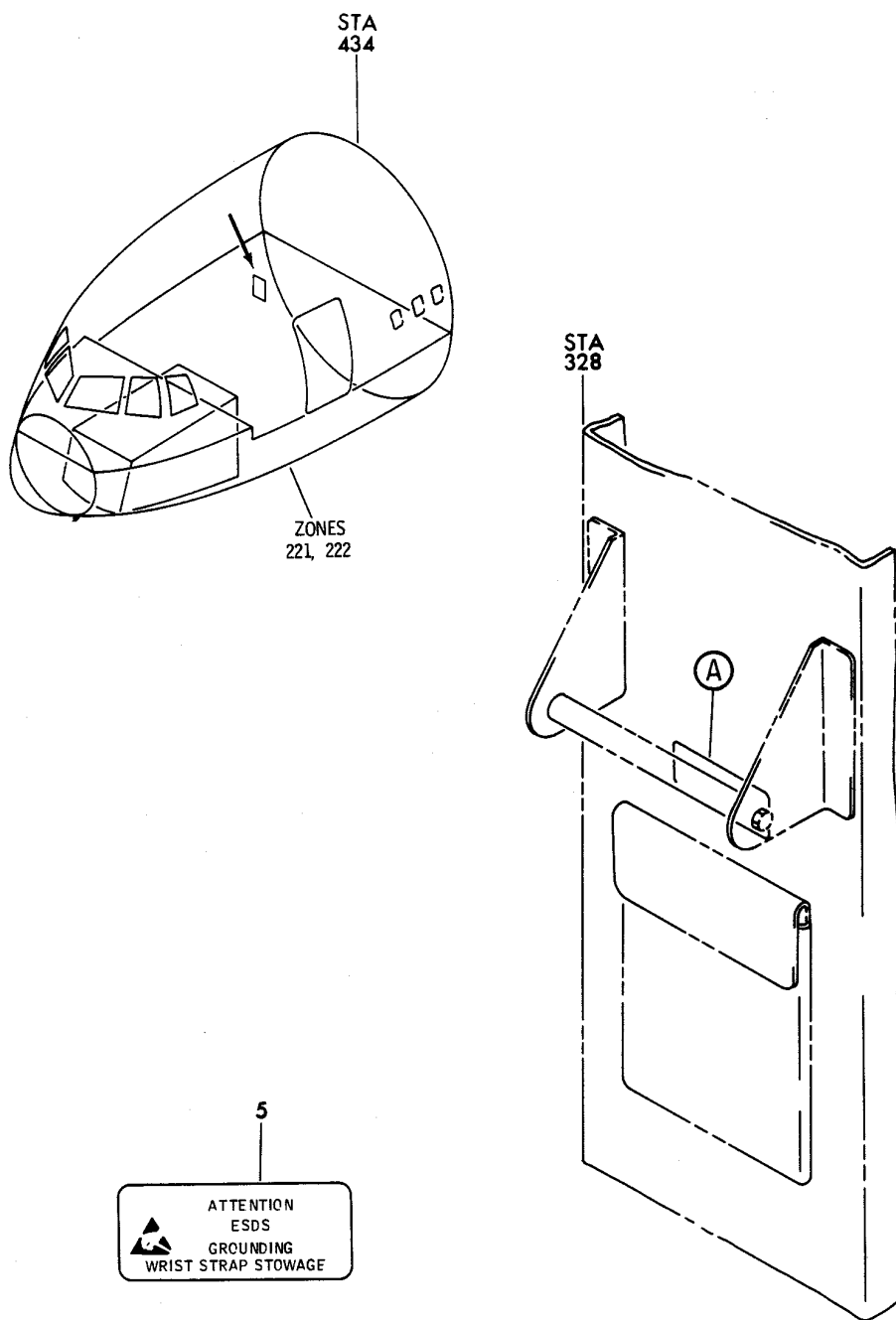
HXL

11-36-26-01

BOEING PROPRIETARY - Copyright © - Unpublished Work - See title page for details.

11-36-26
FIG. 01
PAGE 1
DEC 22/07

BOEING
767
PARTS CATALOG (MAINTENANCE)



V 11362701 SHT 1 REV 047

BAG INSTL-GROUNDING WRIST STRAP, STOWAGE (PLACARDS AND MARKINGS ONLY)
FIGURE 1

HXL
DEC 22/06

11-36-27-01

11-36-27-01
PAGE 0



767

PARTS CATALOG (MAINTENANCE)

FIG ITEM	PART NUMBER	1 2 3 4 5 6 7	NOMENCLATURE	EFFECT FROM TO	UNITS PER ASSY
1			BAG INSTL-GROUNDING WRIST STRAP, STOWAGE (PLACARDS AND MARKINGS ONLY)		
- 1	284T1185-1		BAG INSTL-GND WRIST STRAP, STOWAGE (PLACARDS AND MARKINGS ONLY)		RF
	5 BAC27NEX1735		FOR NHA/OTHER SYS DET SEE: 24-00-58-01 .DECAL		1

ILLUSTRATION ITEMS NOT ON PARTS LIST ARE NOT APPLICABLE

- ITEM NOT ILLUSTRATED

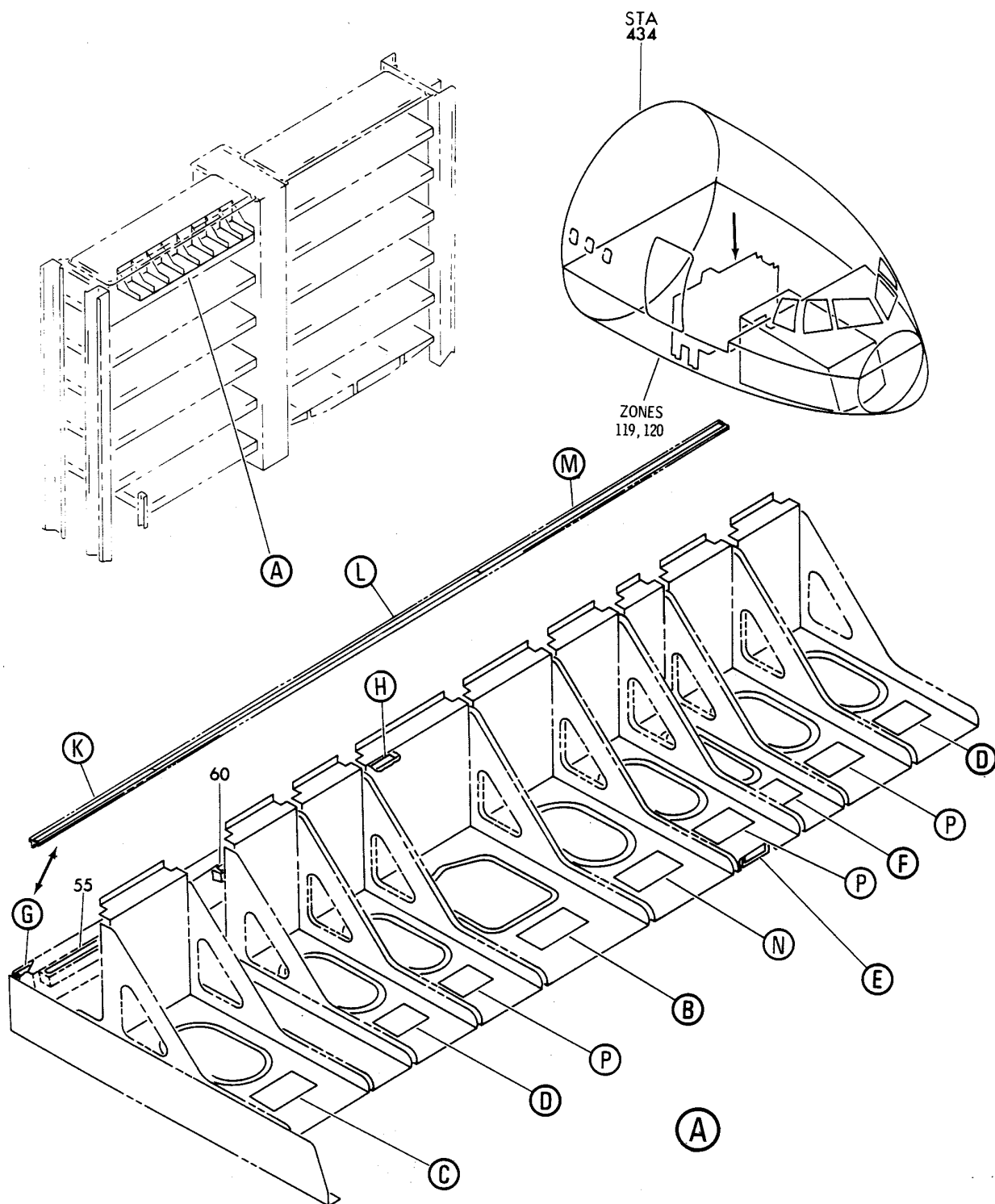
HXL

11-36-27-01

BOEING PROPRIETARY - Copyright © - Unpublished Work - See title page for details.

11-36-27
FIG. 01
PAGE 1
DEC 22/06

BOEING
767
PARTS CATALOG (MAINTENANCE)



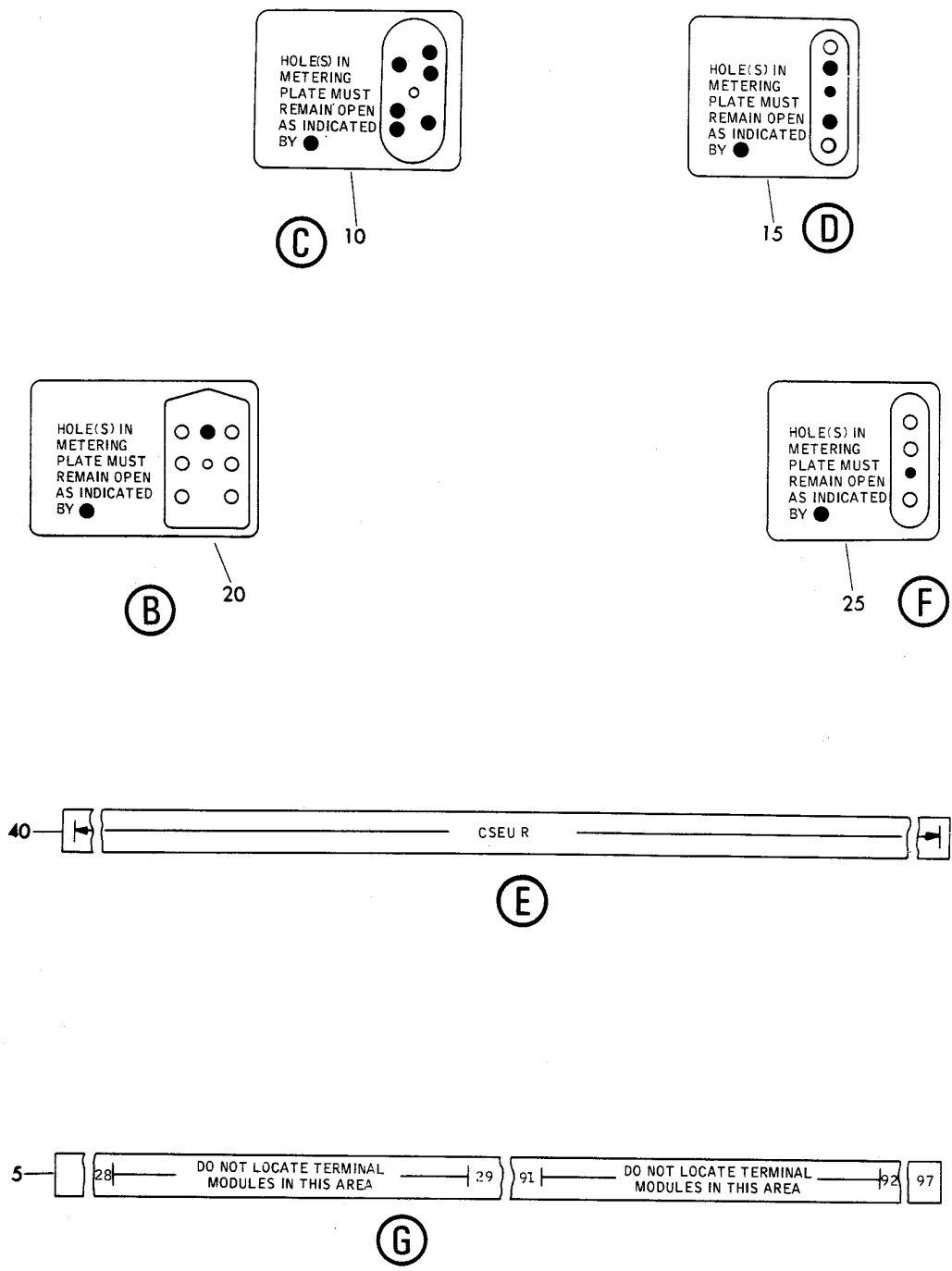
SHELF ASSY-ELECTRONIC EQPT CTR E2-1 (PLACARDS AND MARKINGS ONLY)
FIGURE 1 (SHEET 1)

11-36-31-01

HXL
DEC 22/06

11-36-31-01
PAGE 0

BOEING
767
PARTS CATALOG (MAINTENANCE)



V 11363101 SHT 2 REV 043

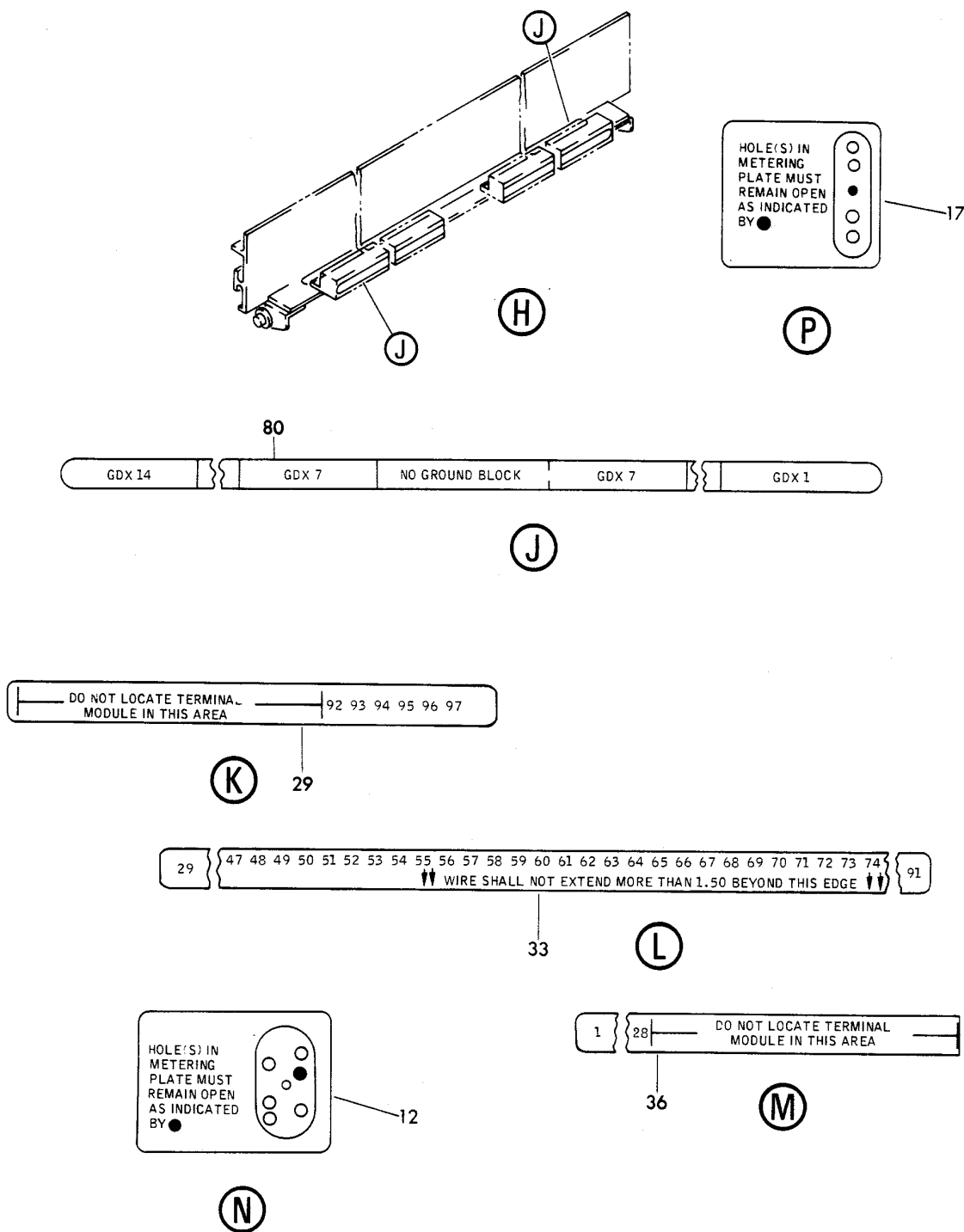
SHELF ASSY-ELECTRONIC EQPT CTR E2-1 (PLACARDS AND MARKINGS ONLY)
FIGURE 1 (SHEET 2)

11-36-31-01

HXL
DEC 22/06

11-36-31-01
PAGE 0A

BOEING
767
PARTS CATALOG (MAINTENANCE)



V 11363101 SHT 3 REV 043

SHELF ASSY-ELECTRONIC EQPT CTR E2-1 (PLACARDS AND MARKINGS ONLY)
FIGURE 1 (SHEET 3)

11-36-31-01

HXL
DEC 22/06

11-36-31-01
PAGE 0B

BOEING
767
PARTS CATALOG (MAINTENANCE)

FIG ITEM	PART NUMBER	1 2 3 4 5 6 7	NOMENCLATURE	EFFECT FROM TO	UNITS PER ASSY
1			SHELF ASSY-ELECTRONIC EQPT CTR E2-1 (PLACARDS AND MARKINGS ONLY)		
- 1	284T0121-18		SHELF ASSY-ELECTRONIC EQPT CTR E2-1 (PLACARDS AND MARKINGS ONLY) FOR NHA/OTHER SYS DET SEE: 53-11-64-01B		RF
10	BAC27TEX2034		.DECAL		1
12	BAC27TEX2034		.DECAL		1
15	BAC27TEX2033		.DECAL		2
17	BAC27TEX2033		.DECAL		3
20	BAC27TEX2035		.DECAL		1
25	BAC27TEX2032		.DECAL		1
29	BAC27TEX3040		.DECAL		1
33	BAC27TEX3039		.DECAL		1
36	BAC27TEX3038		.DECAL		1
40	BAC27TEX1785		.DECAL		1
- 50	284T0116-1		.MODULE ASSY-TERM.		RF
55	BAC27TEX1316		..DECAL- PLACARD CONTENT: 1 THRU 97		1
60	BAC27TEX1317		..DECAL- PLACARD CONTENT: 101 THRU 197		1
- 75	284T0384-22		.SUPPORT ASSY-WIRE		RF
80	BAC27TEX1318		..DECAL		2

ILLUSTRATION ITEMS NOT ON PARTS LIST ARE NOT APPLICABLE

- ITEM NOT ILLUSTRATED

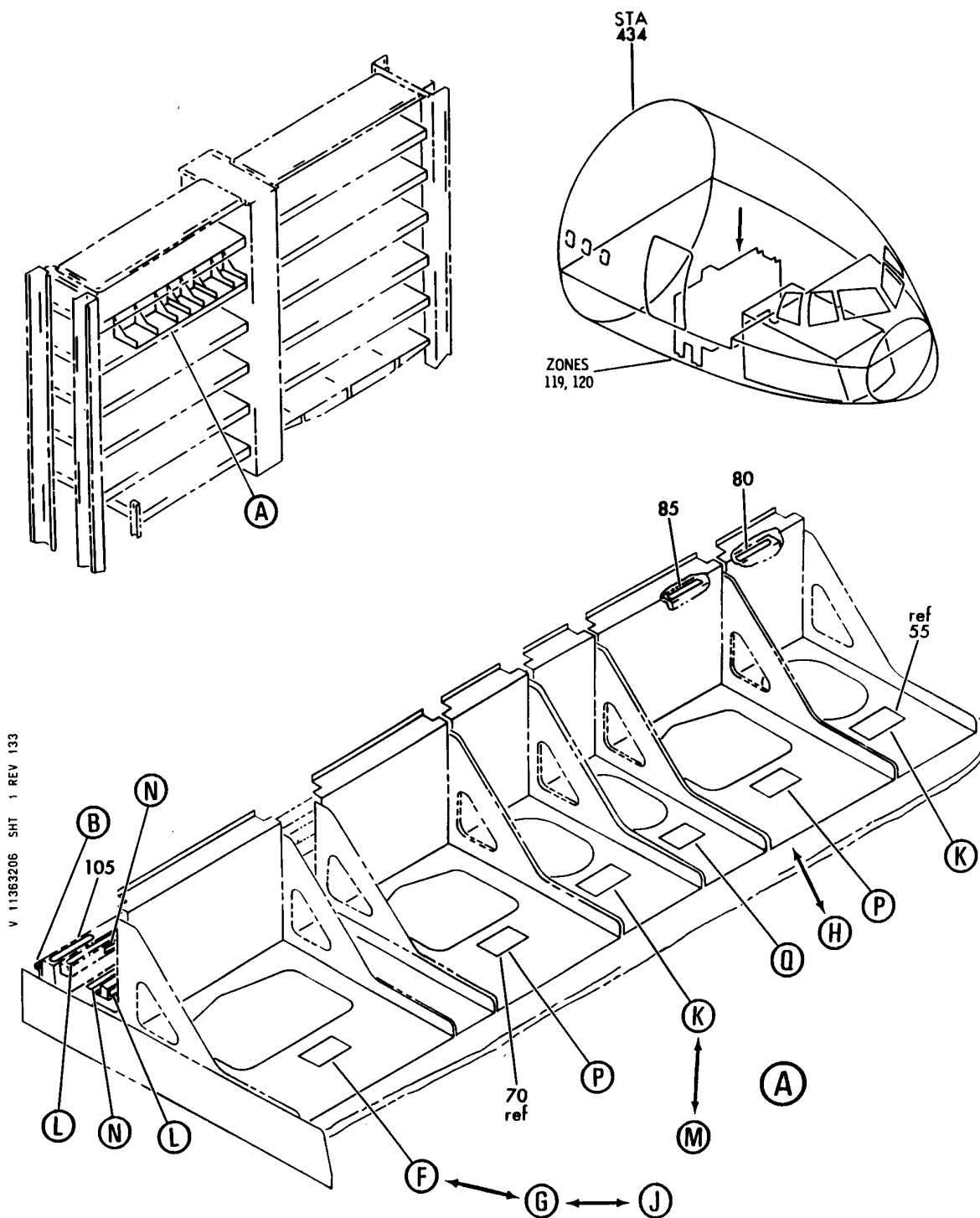
HXL

11-36-31-01

BOEING PROPRIETARY - Copyright © - Unpublished Work - See title page for details.

11-36-31
FIG. 01
PAGE 1
DEC 22/07

BOEING
767
PARTS CATALOG (MAINTENANCE)



V 11363206 SHT 1 REV 133

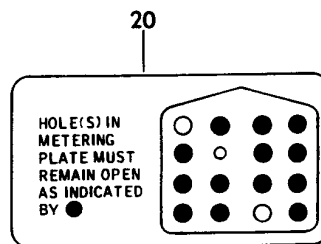
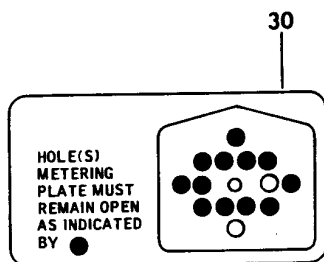
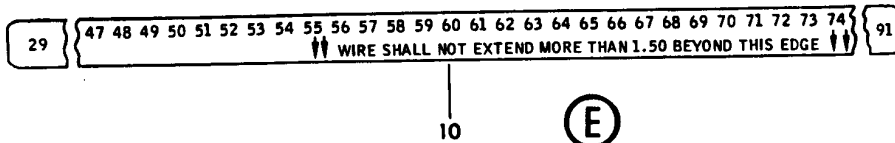
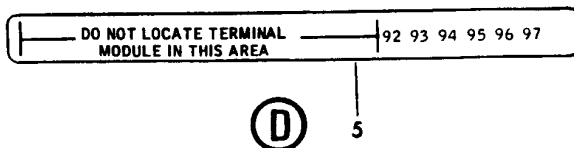
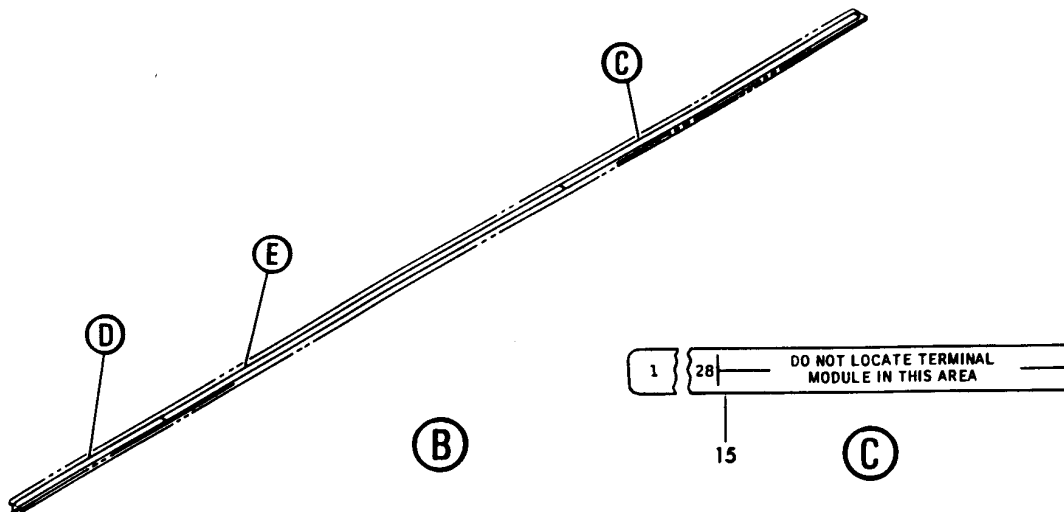
SHELF ASSY-ELECTRONIC EQPT CTR E2-2 (PLACARDS AND MARKINGS ONLY)
FIGURE 6 (SHEET 1)

11-36-32-06

HXL
DEC 22/06

11-36-32-06
PAGE 0

BOEING
767
PARTS CATALOG (MAINTENANCE)



V 11363206 SHT 2 REV 133

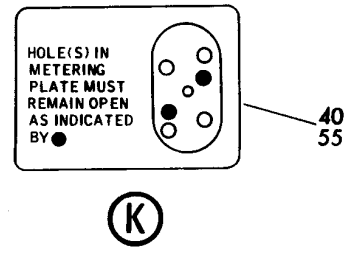
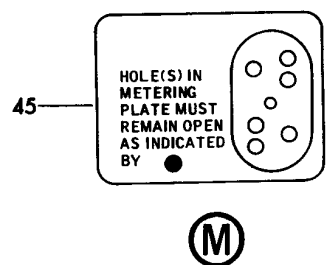
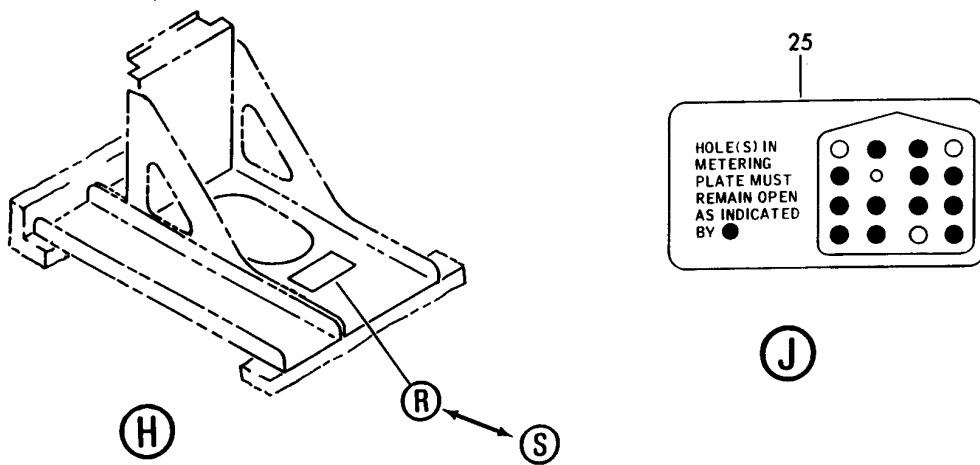
SHELF ASSY-ELECTRONIC EQPT CTR E2-2 (PLACARDS AND MARKINGS ONLY)
FIGURE 6 (SHEET 2)

11-36-32-06

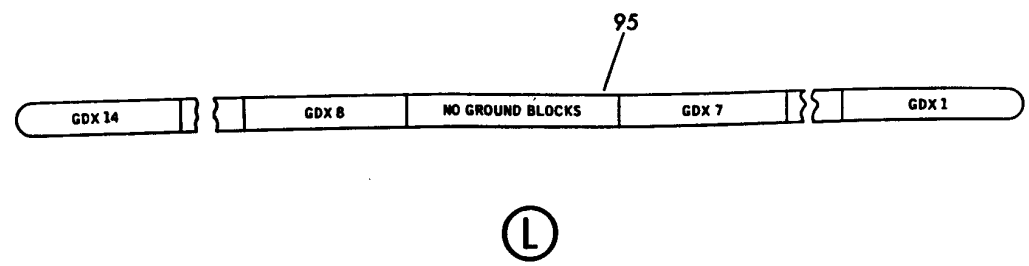
HXL
DEC 22/06

11-36-32-06
PAGE 0A

BOEING
767
PARTS CATALOG (MAINTENANCE)



V 11363206 SHT 3 REV 133



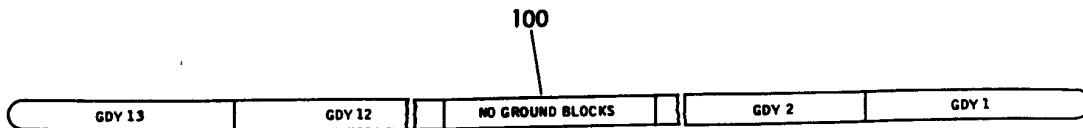
SHELF ASSY-ELECTRONIC EQPT CTR E2-2 (PLACARDS AND MARKINGS ONLY)
FIGURE 6 (SHEET 3)

11-36-32-06

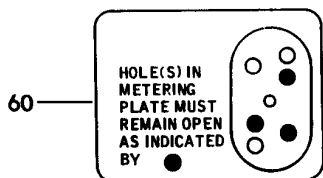
HXL
DEC 22/06

11-36-32-06
PAGE 0B

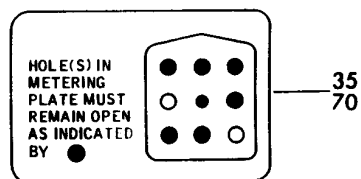
BOEING
767
PARTS CATALOG (MAINTENANCE)



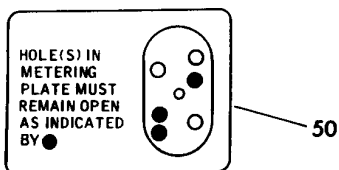
Ⓝ



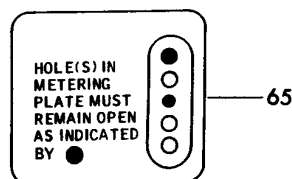
Ⓢ



Ⓟ



Ⓡ



Ⓚ

V 11363206 SHT 4 REV 133

SHELF ASSY-ELECTRONIC EQPT CTR E2-2 (PLACARDS AND MARKINGS ONLY)
FIGURE 6 (SHEET 4)

11-36-32-06

HXL
DEC 22/06

11-36-32-06
PAGE 0C



767

PARTS CATALOG (MAINTENANCE)

FIG ITEM	PART NUMBER	1 2 3 4 5 6 7	NOMENCLATURE	EFFECT FROM TO	UNITS PER ASSY
6			SHELF ASSY-ELECTRONIC EQPT CTR E2-2 (PLACARDS AND MARKINGS ONLY)		
- 1	284T0122-35		SHELF ASSY-ELECTRONIC EQPT CTR E2-2 (PLACARDS AND MARKINGS ONLY) FOR NHA/OTHER SYS DET SEE: 53-11-64-01B		RF
	5 BAC27TEX3040		.DECAL		1
	10 BAC27TEX3039		.DECAL		1
	15 BAC27TEX3038		.DECAL		1
	25 BAC27TEX3273		.DECAL-		1
	40 BAC27TEX2034		.DECAL		2
	60 BAC27TEX2034		.DECAL		1
	65 BAC27TEX2033		.DECAL		1
	70 BAC27TEX2036		.DECAL		1
- 75	284T0116-1		.MODULE ASSY-TERM.		RF
	80 BAC27TEX1316		..DECAL- PLACARD CONTENT: 1 THRU 97		1
	85 BAC27TEX1317		..DECAL- PLACARD CONTENT: 101 THRU 197		1
- 90	284T0384-42		.SUPPORT ASSY-WIRE		RF
	95 BAC27TEX1318		..DECAL		2
	100 BAC27TEX1708		..DECAL		2
	105 BAC27TEX2220		..DECAL- PLACARD CONTENT: TOP POSN. 1, 2, 3-97 BOT. POSN. 101, 102, 103-197		1

ILLUSTRATION ITEMS NOT ON PARTS LIST ARE NOT APPLICABLE

- ITEM NOT ILLUSTRATED

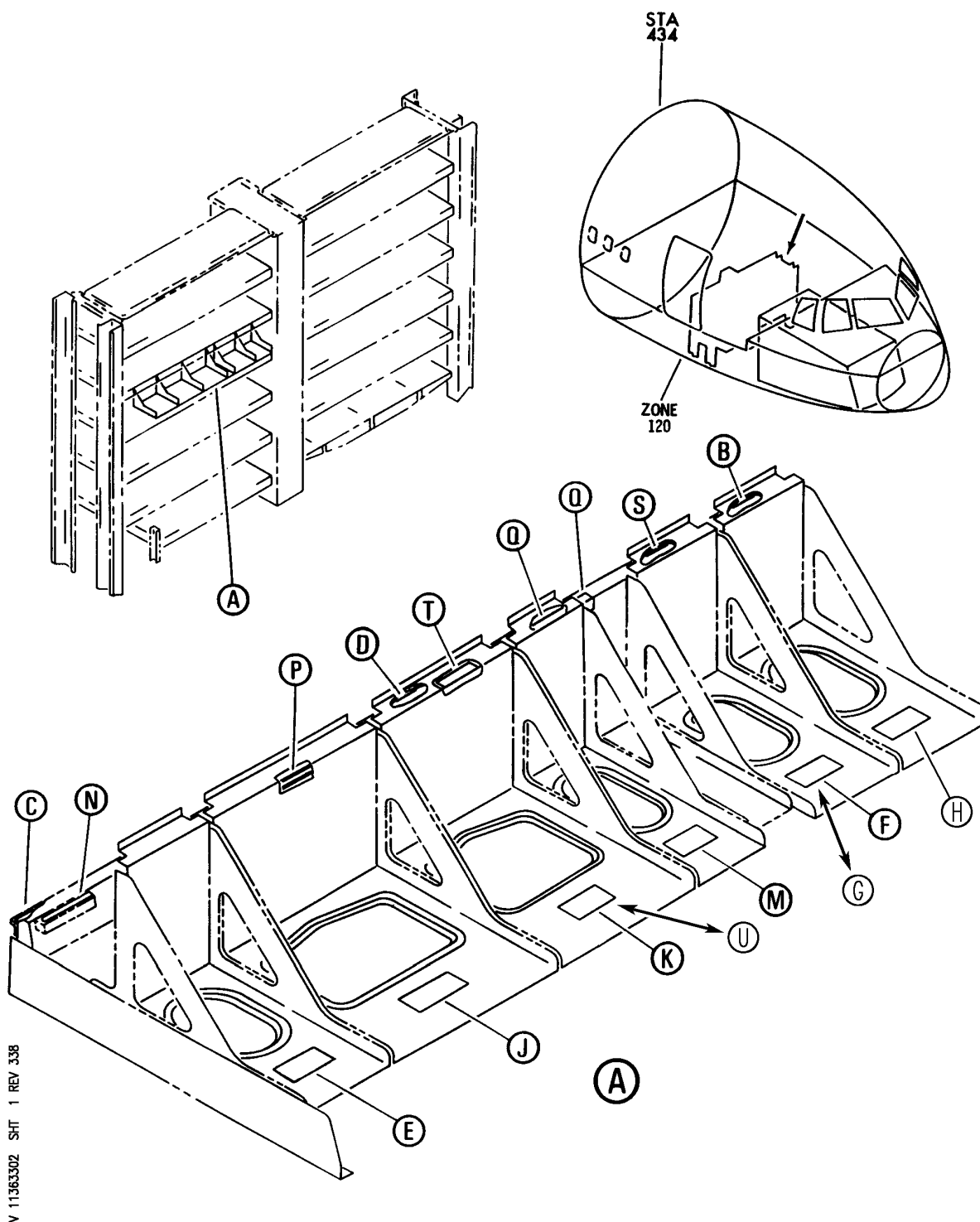
HXL

11-36-32-06

BOEING PROPRIETARY - Copyright © - Unpublished Work - See title page for details.

11-36-32
FIG. 06
PAGE 1
DEC 22/07

BOEING
767
PARTS CATALOG (MAINTENANCE)



V 11363302 SHT 1 REV 338

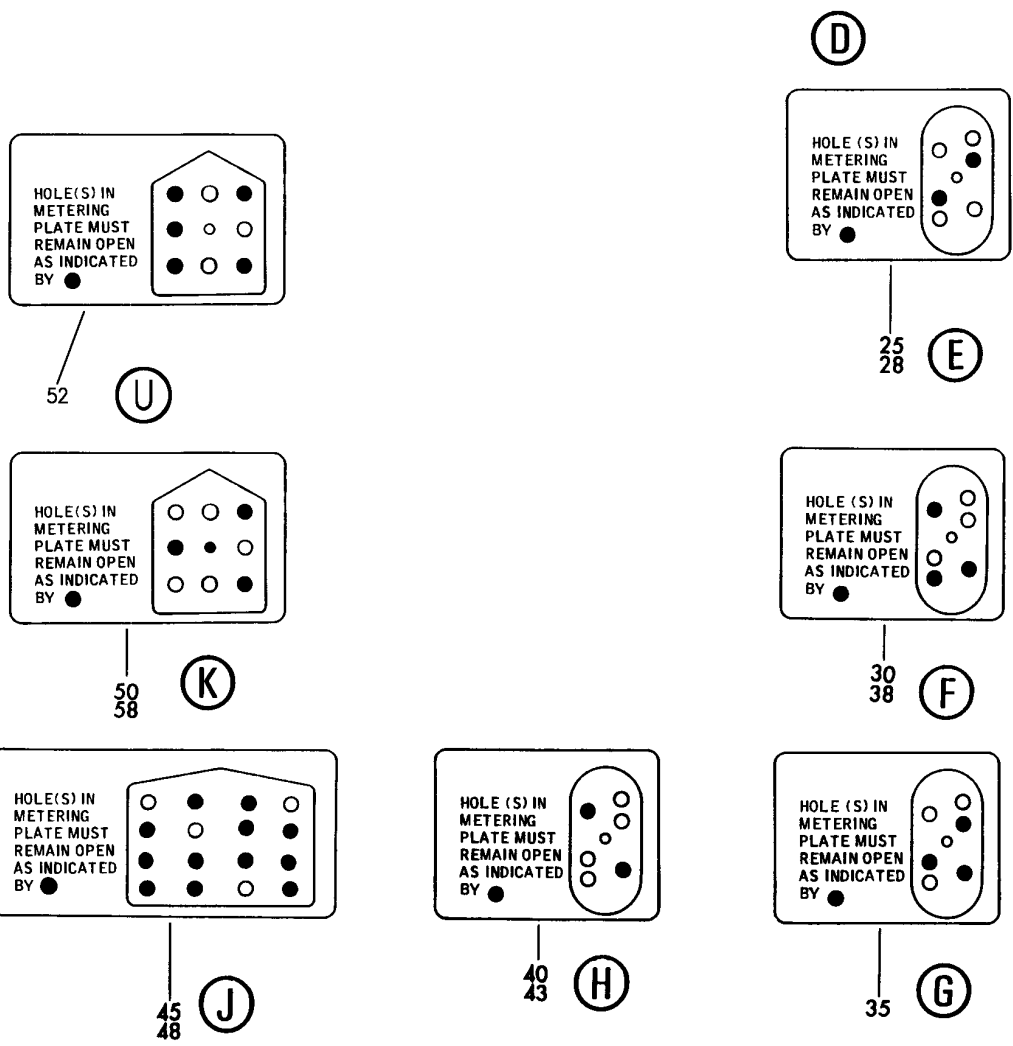
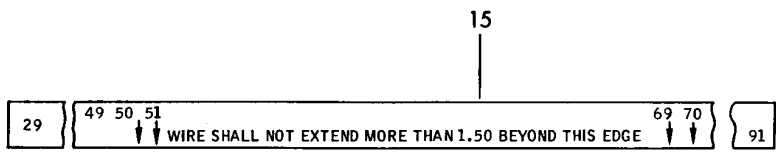
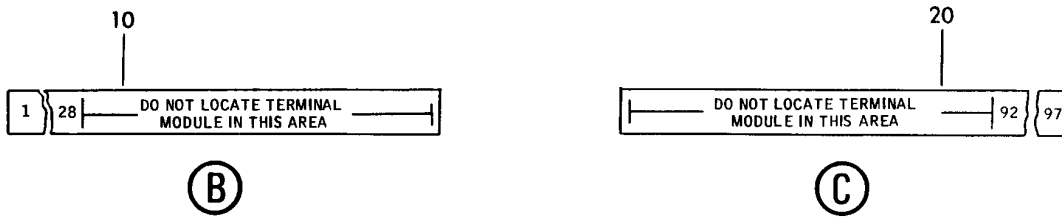
SHELF ASSY-ELECTRONIC EQPT CTR E2-3 (PLACARDS AND MARKINGS ONLY)
FIGURE 2 (SHEET 1)

11-36-33-02

HXL
APR 22/09

11-36-33-02
PAGE 0


BOEING
 767
PARTS CATALOG (MAINTENANCE)



V 11363302 SHIT 2 REV 307

SHELF ASSY-ELECTRONIC EQPT CTR E2-3 (PLACARDS AND MARKINGS ONLY)
 FIGURE 2 (SHEET 2)

11-36-33-02

HXL
 DEC 22/06

11-36-33-02
 PAGE 0A



767

PARTS CATALOG (MAINTENANCE)

FIG ITEM	PART NUMBER	1 2 3 4 5 6 7	NOMENCLATURE	EFFECT FROM TO	UNITS PER ASSY
2			SHELF ASSY-ELECTRONIC EQPT CTR E2-3 (PLACARDS AND MARKINGS ONLY)		
- 2	284T0123-70		SHELF ASSY-ELECTRONIC EQPT CTR E2-3 (PLACARDS AND MARKINGS ONLY) FOR NHA/OTHER SYS DET SEE: 53-11-64-01B	163163	RF
- 3	284T0123-98		SHELF ASSY-ELECTRONIC EQPT CTR E2-3 (PLACARDS AND MARKINGS ONLY) FOR NHA/OTHER SYS DET SEE: 53-11-64-01B	155162 164999	RF
10	BAC27TEX3038		.DECAL		1
15	BAC27TEX3039		.DECAL		1
20	BAC27TEX3040		.DECAL		1
25	BAC27TEX2034		.DECAL		1
35	BAC27TEX2034		.DECAL		1
40	BAC27TEX2034		.DECAL		1
45	BAC27TEX3273		.DECAL		1
50	BAC27TEX2036		.DECAL-		1
60	BAC27TEX2033		.DECAL		1
- 90	284T0116-1		.MODULE ASSY-TERM.		RF
95	BAC27TEX1316		..DECAL- PLACARD CONTENT: 1 THRU 97		1
100	BAC27TEX1317		..DECAL- PLACARD CONTENT: 101 THRU 197		1
- 105	284T0384-43		.SUPPORT ASSY-WIRE		RF
110	BAC27TEX1708		..DECAL		2
115	BAC27TEX1318		..DECAL		2
120	BAC27TEX2220		..DECAL		1

ILLUSTRATION ITEMS NOT ON PARTS LIST ARE NOT APPLICABLE

- ITEM NOT ILLUSTRATED

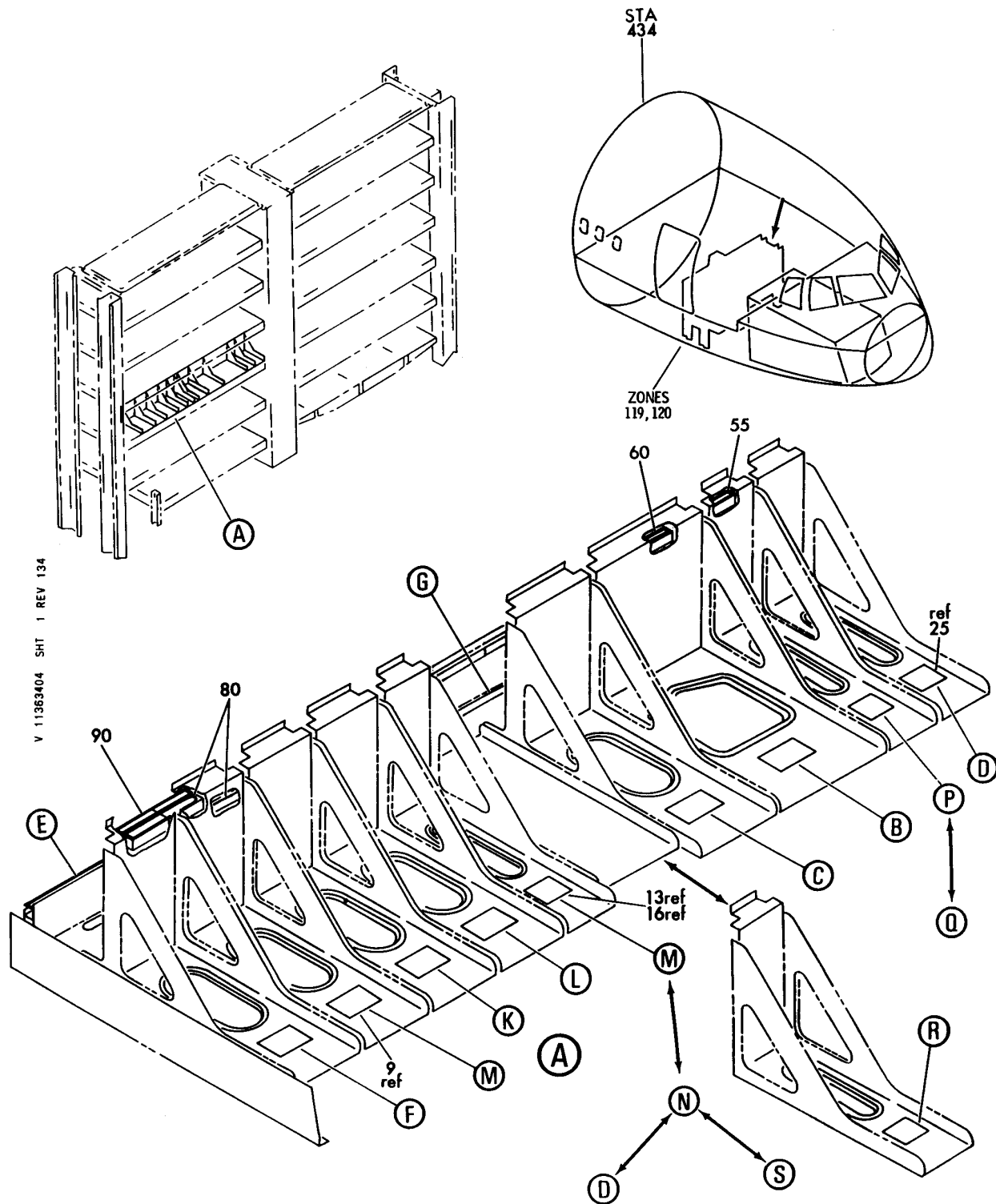
HXL

11-36-33-02

BOEING PROPRIETARY - Copyright © - Unpublished Work - See title page for details.

11-36-33
FIG. 02
PAGE 1
DEC 22/07

BOEING
767
PARTS CATALOG (MAINTENANCE)



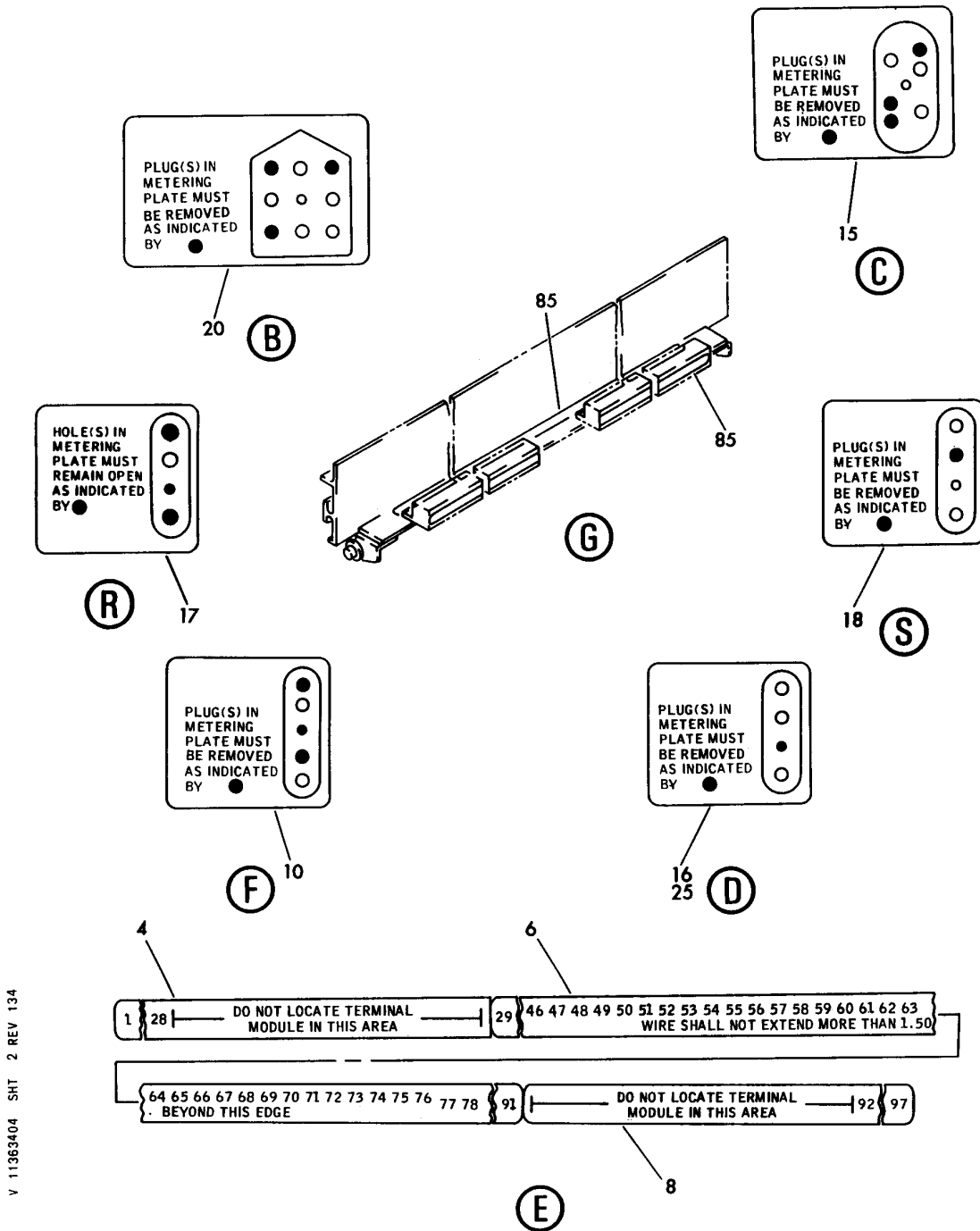
SHELF ASSY-ELECTRONIC EQPT CTR E2-4 (PLACARDS AND MARKINGS ONLY)
FIGURE 4 (SHEET 1)

11-36-34-04

HXL
DEC 22/06

11-36-34-04
PAGE 0

BOEING
767
PARTS CATALOG (MAINTENANCE)



V 11363404 SHT 2 REV 134

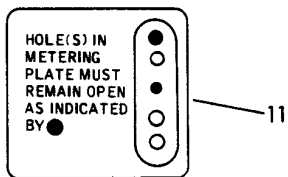
SHELF ASSY-ELECTRONIC EQPT CTR E2-4 (PLACARDS AND MARKINGS ONLY)
FIGURE 4 (SHEET 2)

11-36-34-04

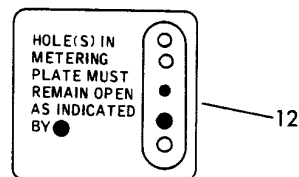
HXL
DEC 22/06

11-36-34-04
PAGE 0A

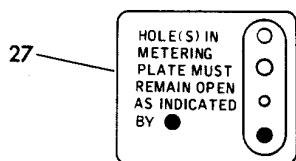

BOEING
 767
PARTS CATALOG (MAINTENANCE)



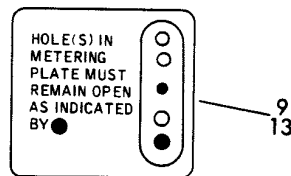
Ⓚ



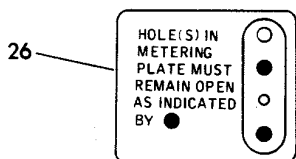
Ⓛ



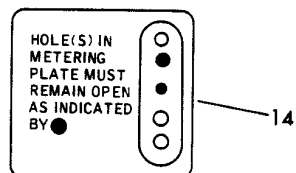
Ⓚ



Ⓜ



Ⓟ



Ⓝ

V 11363404 SHT 3 REV 043

SHELF ASSY-ELECTRONIC EQPT CTR E2-4 (PLACARDS AND MARKINGS ONLY)
 FIGURE 4 (SHEET 3)

11-36-34-04

HXL
 DEC 22/06

11-36-34-04
 PAGE 0B



767

PARTS CATALOG (MAINTENANCE)

FIG ITEM	PART NUMBER	1 2 3 4 5 6 7	NOMENCLATURE	EFFECT FROM TO	UNITS PER ASSY
4			SHELF ASSY-ELECTRONIC EQPT CTR E2-4 (PLACARDS AND MARKINGS ONLY)		
- 1	284T0124-68		SHELF ASSY-ELECTRONIC EQPT CTR E2-4 (PLACARDS AND MARKINGS ONLY)	155162	RF
- 1	284T0124-84		FOR NHA/OTHER SYS DET SEE: 53-11-64-01B SHELF ASSY-ELECTRONIC EQPT CTR E2-4 (PLACARDS AND MARKINGS ONLY)	163999	RF
4	BAC27TEX3038		.DECAL-		1
6	BAC27TEX3039		.DECAL-		1
8	BAC27TEX3040		.DECAL-		1
9	BAC27TEX2033		.DECAL		1
10	BAC27TEX2033		.DECAL		1
11	BAC27TEX2033		.DECAL		1
12	BAC27TEX2033		.DECAL		1
15	BAC27TEX2034		.DECAL		1
17	BAC27TEX2032		.DECAL		1
18	BAC27TEX2033		.DECAL-		1
20	BAC27TEX2036		.DECAL		1
25	BAC27TEX2032		.DECAL		1
26	BAC27TEX2032		.DECAL		1
- 50	284T0116-1		.MODULE ASSY-TERM.		RF
55	BAC27TEX1316		..DECAL- PLACARD CONTENT: 1 THRU 97		1
60	BAC27TEX1317		..DECAL- PLACARD CONTENT: 101 THRU 197		1
- 75	284T0384-53		.SUPPORT ASSY-WIRE	163999	RF
80	BAC27TEX1708		..DECAL		2
85	BAC27TEX1318		..DECAL		2
90	BAC27TEX2220		..DECAL- PLACARD CONTENT: TOP POSN. 1, 2, 3-97 BOT. POSN. 101, 102, 103-197		1

ILLUSTRATION ITEMS NOT ON PARTS LIST ARE NOT APPLICABLE

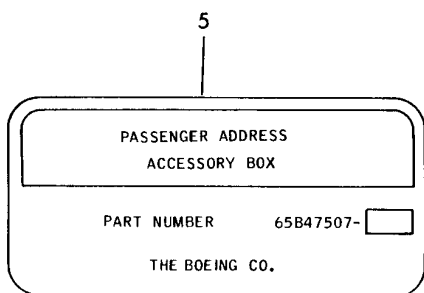
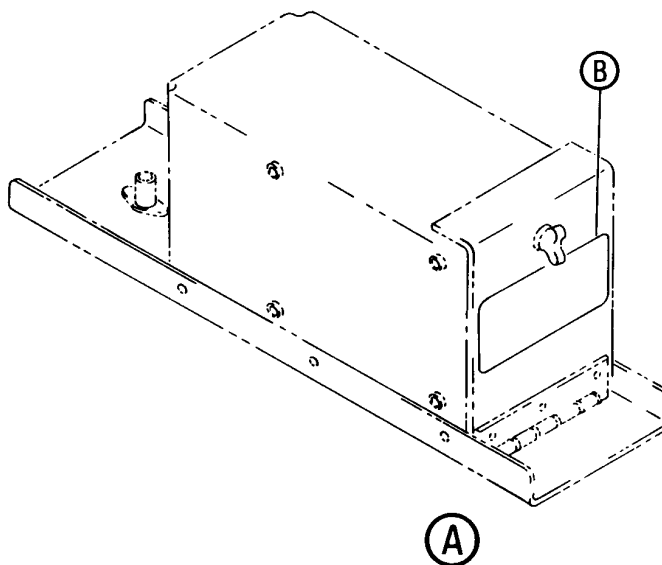
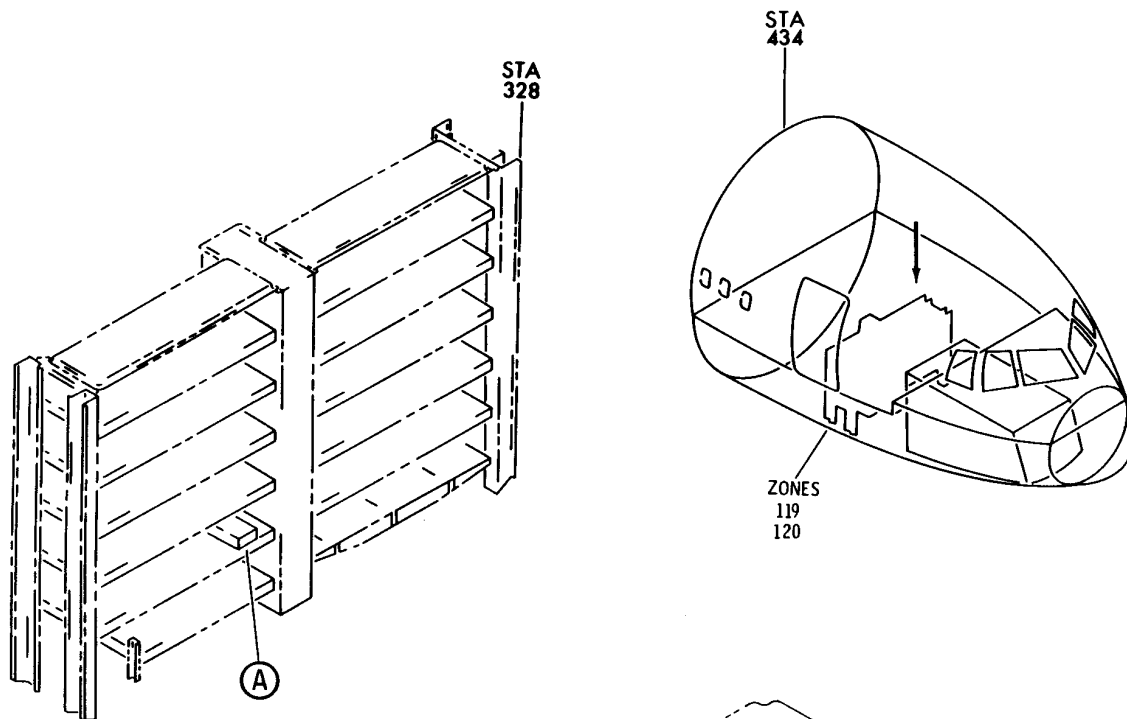
- ITEM NOT ILLUSTRATED

HXL

11-36-34-04

11-36-34
FIG. 04
PAGE 1
DEC 22/07

BOEING
767
PARTS CATALOG (MAINTENANCE)



(B)

V 11363515 REV 107

BOX ASSY-ELECTRONIC EQPT CTR E2-5 (PLACARDS AND MARKINGS ONLY)
FIGURE 15

11-36-35-15

HXL
DEC 22/06

11-36-35-15
PAGE 0



767

PARTS CATALOG (MAINTENANCE)

FIG ITEM	PART NUMBER	1 2 3 4 5 6 7	NOMENCLATURE	EFFECT FROM TO	UNITS PER ASSY
15			BOX ASSY-ELECTRONIC EQPT CTR E2-5 (PLACARDS AND MARKINGS ONLY)		
- 1	65B47507-5		BOX ASSY-ELECTRONIC EQPT CTR E2-5 (PLACARDS AND MARKINGS ONLY)		RF
	5 BAC27EEX265		FOR NHA/OTHER SYS DET SEE: 25-71-15-18 .MARKER-ALUMINUM FOIL		1

ILLUSTRATION ITEMS NOT ON PARTS LIST ARE NOT APPLICABLE

- ITEM NOT ILLUSTRATED

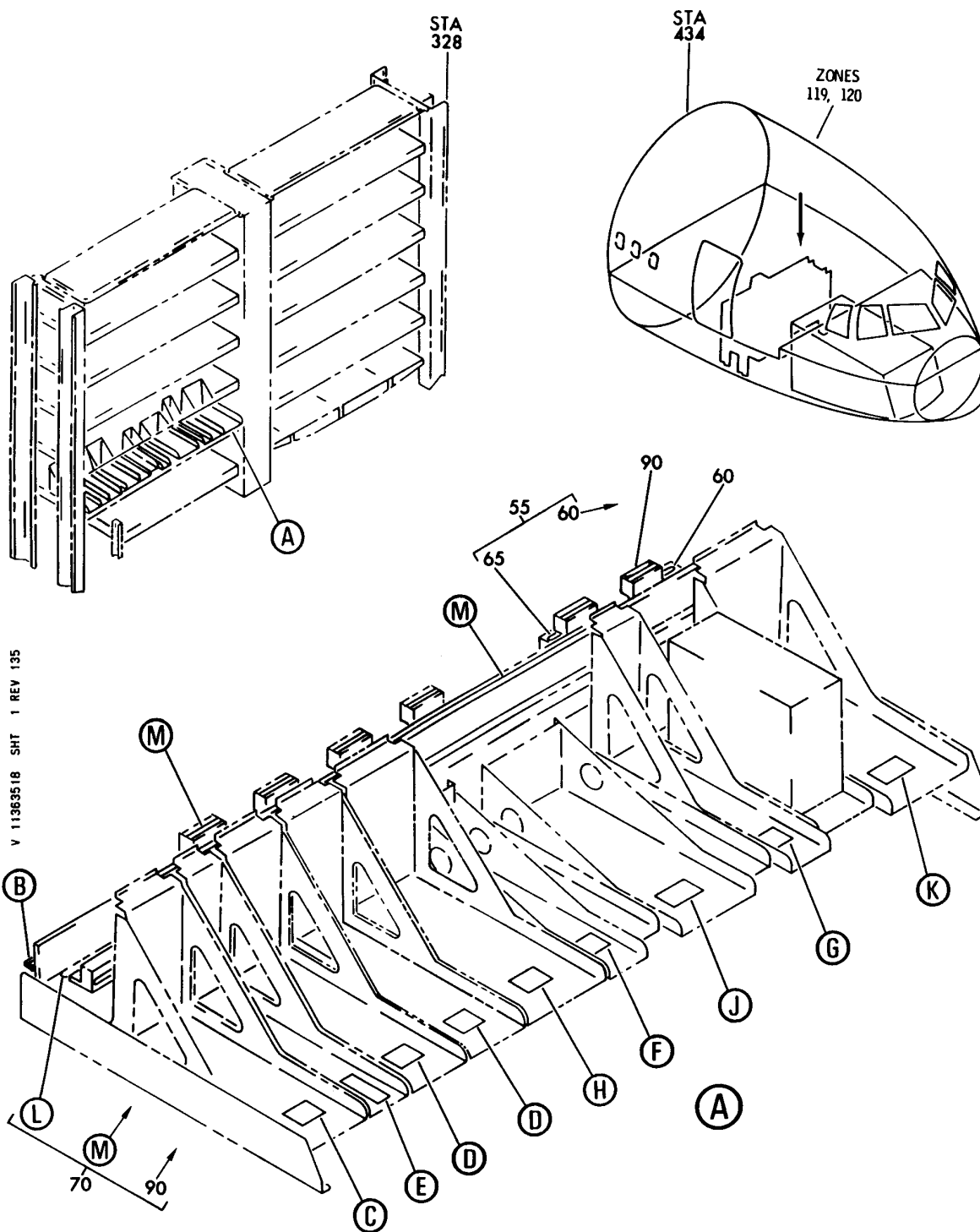
HXL

11-36-35-15

BOEING PROPRIETARY - Copyright © - Unpublished Work - See title page for details.

11-36-35
FIG. 15
PAGE 1
DEC 22/07

BOEING
767
PARTS CATALOG (MAINTENANCE)



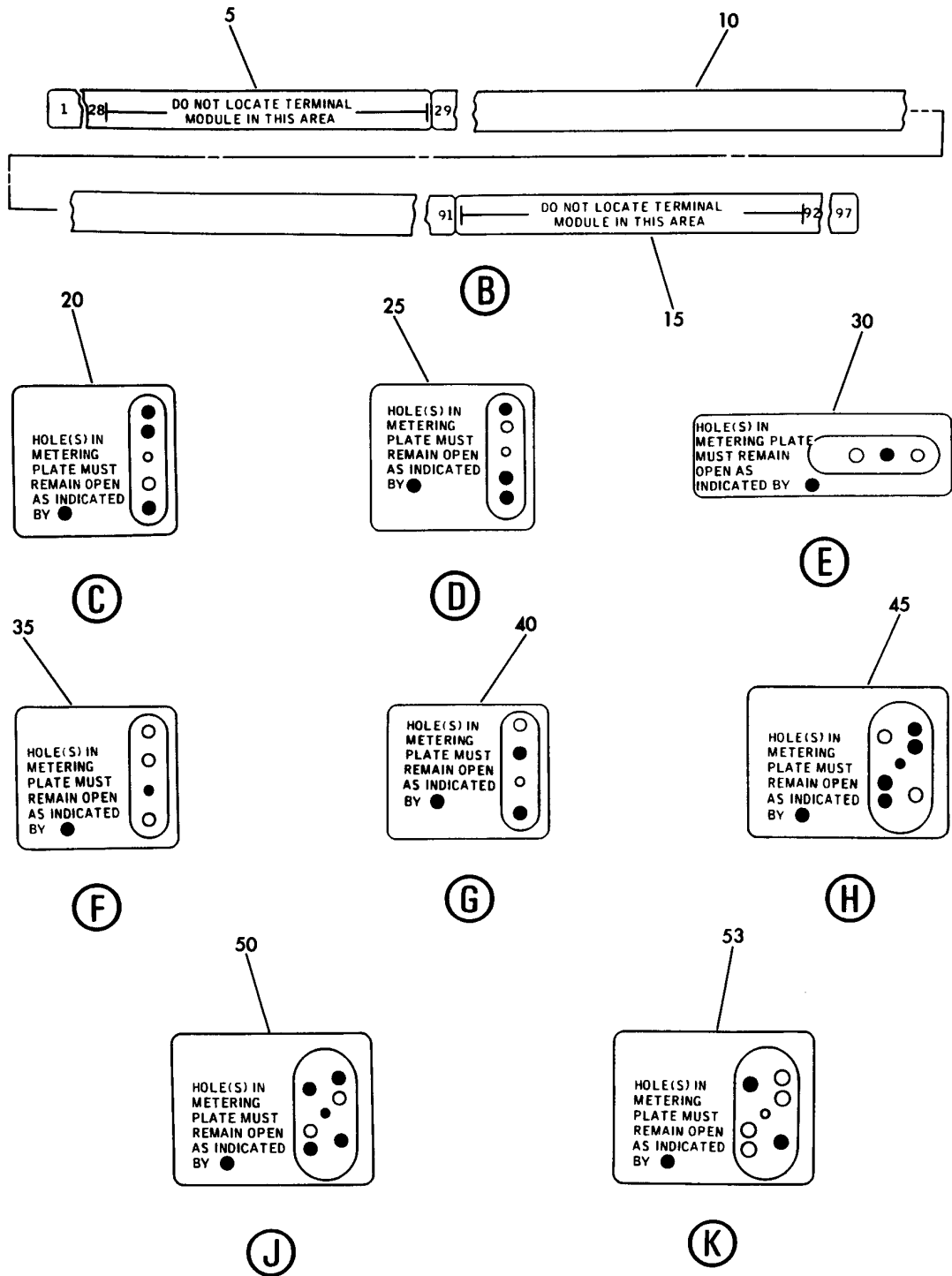
SHELF ASSY-ELECTRONIC EQPT CTR E2-5 (PLACARDS AND MARKINGS ONLY)
FIGURE 18 (SHEET 1)

11-36-35-18

HXL
DEC 22/06

11-36-35-18
PAGE 0

BOEING
767
PARTS CATALOG (MAINTENANCE)



V 11363518 SHT 2 REV 135

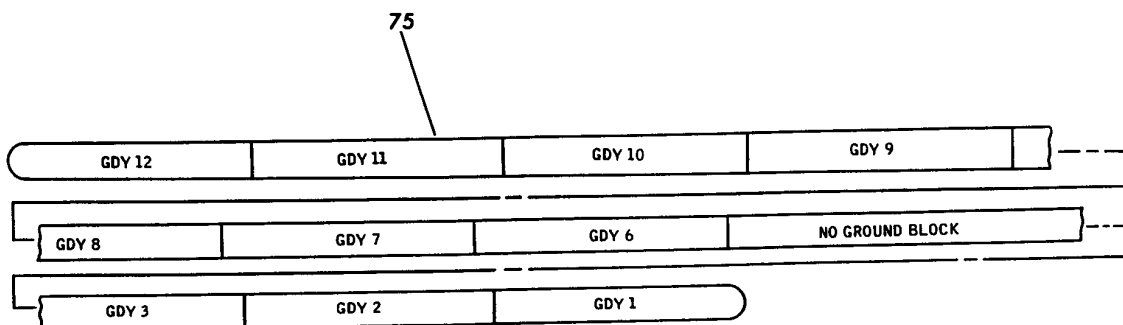
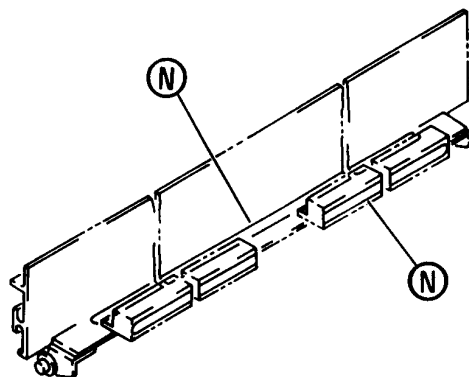
SHELF ASSY-ELECTRONIC EQPT CTR E2-5 (PLACARDS AND MARKINGS ONLY)
FIGURE 18 (SHEET 2)

11-36-35-18

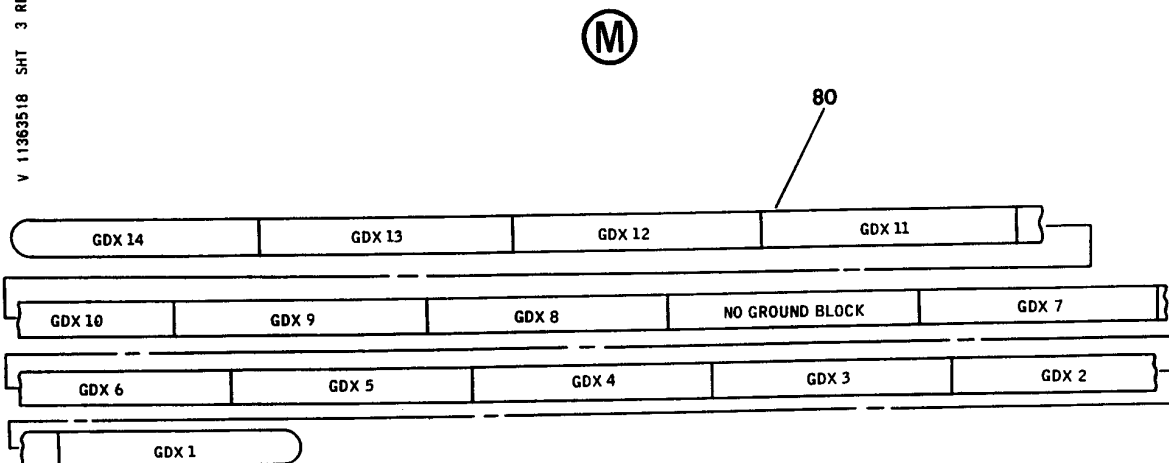
HXL
DEC 22/06

11-36-35-18
PAGE 0A

BOEING
767
PARTS CATALOG (MAINTENANCE)



V 11363518 SHT 3 REV 135



SHELF ASSY-ELECTRONIC EQPT CTR E2-5 (PLACARDS AND MARKINGS ONLY)
FIGURE 18 (SHEET 3)

11-36-35-18

HXL
DEC 22/06

11-36-35-18
PAGE 0B



767

PARTS CATALOG (MAINTENANCE)

FIG ITEM	PART NUMBER	1 2 3 4 5 6 7	NOMENCLATURE	EFFECT FROM TO	UNITS PER ASSY
18			SHELF ASSY-ELECTRONIC EQPT CTR E2-5 (PLACARDS AND MARKINGS ONLY)		
- 1	284T0125-113		SHELF ASSY-ELECTRONIC EQPT CTR E2-5 (PLACARDS AND MARKINGS ONLY) FOR NHA/OTHER SYS DET SEE: 53-11-64-01B	155162	RF
- 1	284T0125-116		SHELF ASSY-ELECTRONIC EQPT CTR E2-5 (PLACARDS AND MARKINGS ONLY) FOR NHA/OTHER SYS DET SEE: 53-11-64-01B	163999	RF
5	BAC27TEX3038		.DECAL		1
10	BAC27TEX3039		.DECAL		1
15	BAC27TEX3040		.DECAL		1
20	BAC27TEX2033		.DECAL		1
25	BAC27TEX2033		.DECAL		2
30	BAC27TEX2147		.DECAL		1
35	BAC27TEX2032		.DECAL		1
40	BAC27TEX2032		.DECAL		1
45	BAC27TEX2034		.DECAL		1
50	BAC27TEX2034		.DECAL		1
53	BAC27TEX2034		.DECAL		1
55	284T0116-1		.MODULE ASSY-TERM.		RF
60	BAC27TEX1316		..DECAL- PLACARD CONTENT: 1 THRU 97		1
65	BAC27TEX1317		..DECAL- PLACARD CONTENT: 101 THRU 197		1
70	284T0384-27		.SUPPORT ASSY-WIRE	155162	RF
75	BAC27TEX1708		..DECAL		2
80	BAC27TEX1318		..DECAL		2
90	BAC27TEX2220		..DECAL- PLACARD CONTENT: TOP POSN. 1, 2, 3-97 BOT. POSN. 101, 102, 103-197		1

ILLUSTRATION ITEMS NOT ON PARTS LIST ARE NOT APPLICABLE

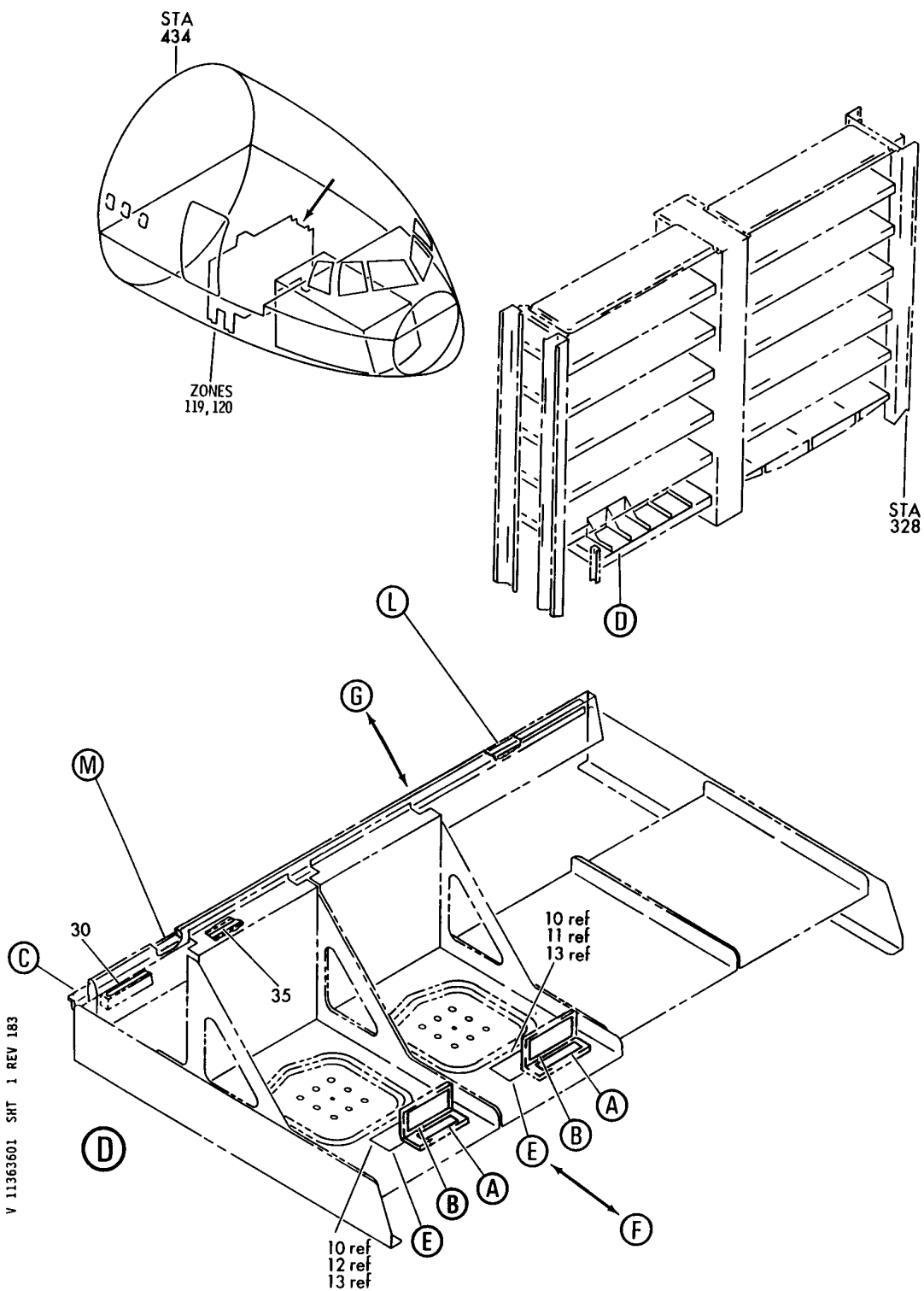
- ITEM NOT ILLUSTRATED

HXL

11-36-35-18

11-36-35
FIG. 18
PAGE 1
DEC 22/07

BOEING
767
PARTS CATALOG (MAINTENANCE)



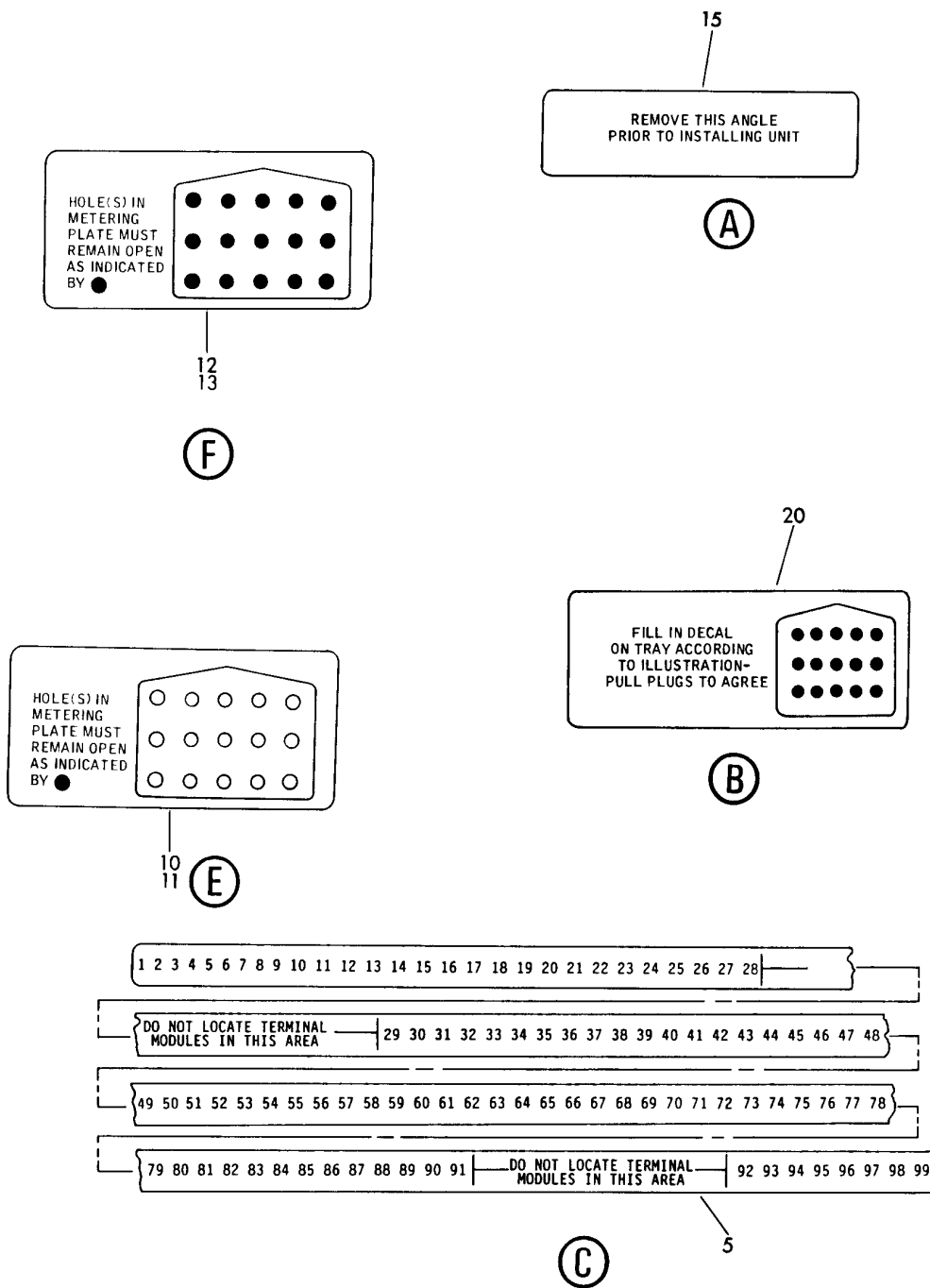
SHELF ASSY-ELECTRONIC EQPT CTR E2-6 (PLACARDS AND MARKINGS ONLY)
FIGURE 1 (SHEET 1)

11-36-36-01

HXL
DEC 22/06

11-36-36-01
PAGE 0

BOEING
767
PARTS CATALOG (MAINTENANCE)



V 11363601 SHT 2 REV 183

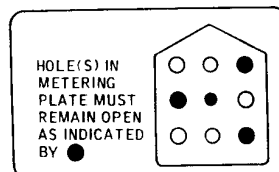
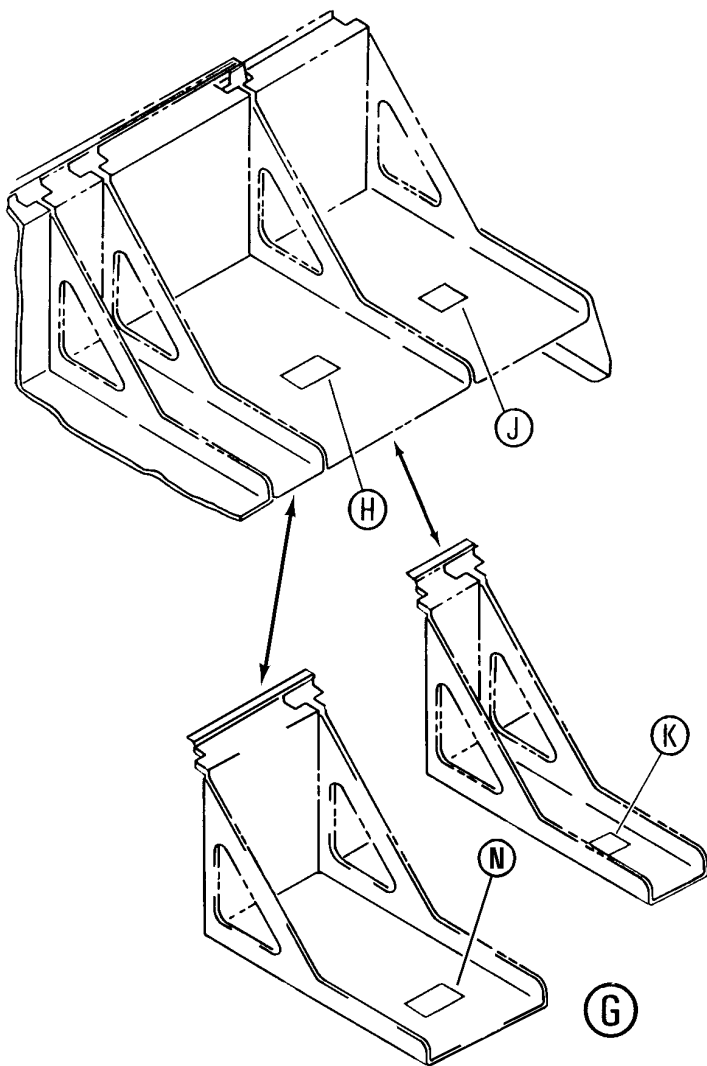
SHELF ASSY-ELECTRONIC EQPT CTR E2-6 (PLACARDS AND MARKINGS ONLY)
FIGURE 1 (SHEET 2)

11-36-36-01

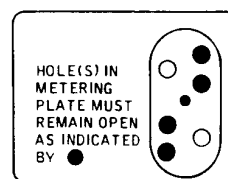
HXL
DEC 22/06

11-36-36-01
PAGE 0A

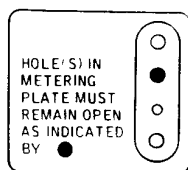
BOEING
767
PARTS CATALOG (MAINTENANCE)



9



14



14A



V 11363601 SHT 3 REV 226

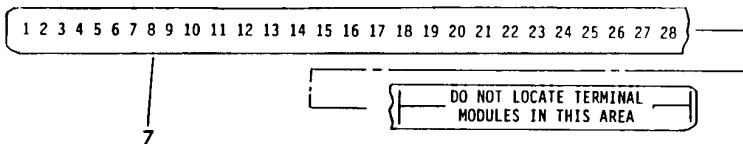
SHELF ASSY-ELECTRONIC EQPT CTR E2-6 (PLACARDS AND MARKINGS ONLY)
FIGURE 1 (SHEET 3)

11-36-36-01

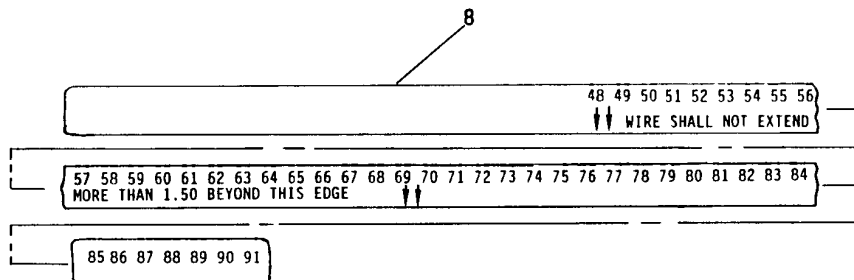
HXL
DEC 22/06

11-36-36-01
PAGE 0B

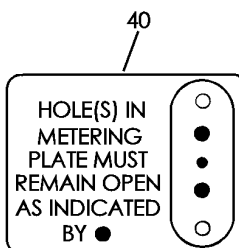
BOEING
767
PARTS CATALOG (MAINTENANCE)



(L)



(M)



(N)

V 11363601 SHT 4 REV 226

SHELF ASSY-ELECTRONIC EQPT CTR E2-6 (PLACARDS AND MARKINGS ONLY)
FIGURE 1 (SHEET 4)

11-36-36-01

HXL
DEC 22/06

11-36-36-01
PAGE 0C



767

PARTS CATALOG (MAINTENANCE)

FIG ITEM	PART NUMBER	1 2 3 4 5 6 7	NOMENCLATURE	EFFECT FROM TO	UNITS PER ASSY
1			SHELF ASSY-ELECTRONIC EQPT CTR E2-6 (PLACARDS AND MARKINGS ONLY)		
- 1	284T0126-16		SHELF ASSY-ELECTRONIC EQPT CTR E2-6 (PLACARDS AND MARKINGS ONLY) FOR NHA/OTHER SYS DET SEE: 53-11-64-01B		RF
	5 BAC27TEX1314		.DECAL-		1
	7 BAC27TEX3038		.DECAL-		1
	8 BAC27TEX3039		.DECAL-		1
	13 BAC27TEX2086		.DECAL		2
- 25	284T0116-4		.MODULE ASSY-TERM.		RF
	30 BAC27TEX1316		..DECAL- PLACARD CONTENT: 1 THRU 97		1
	35 BAC27TEX1317		..DECAL- PLACARD CONTENT: 101 THRU 197		1

ILLUSTRATION ITEMS NOT ON PARTS LIST ARE NOT APPLICABLE

- ITEM NOT ILLUSTRATED

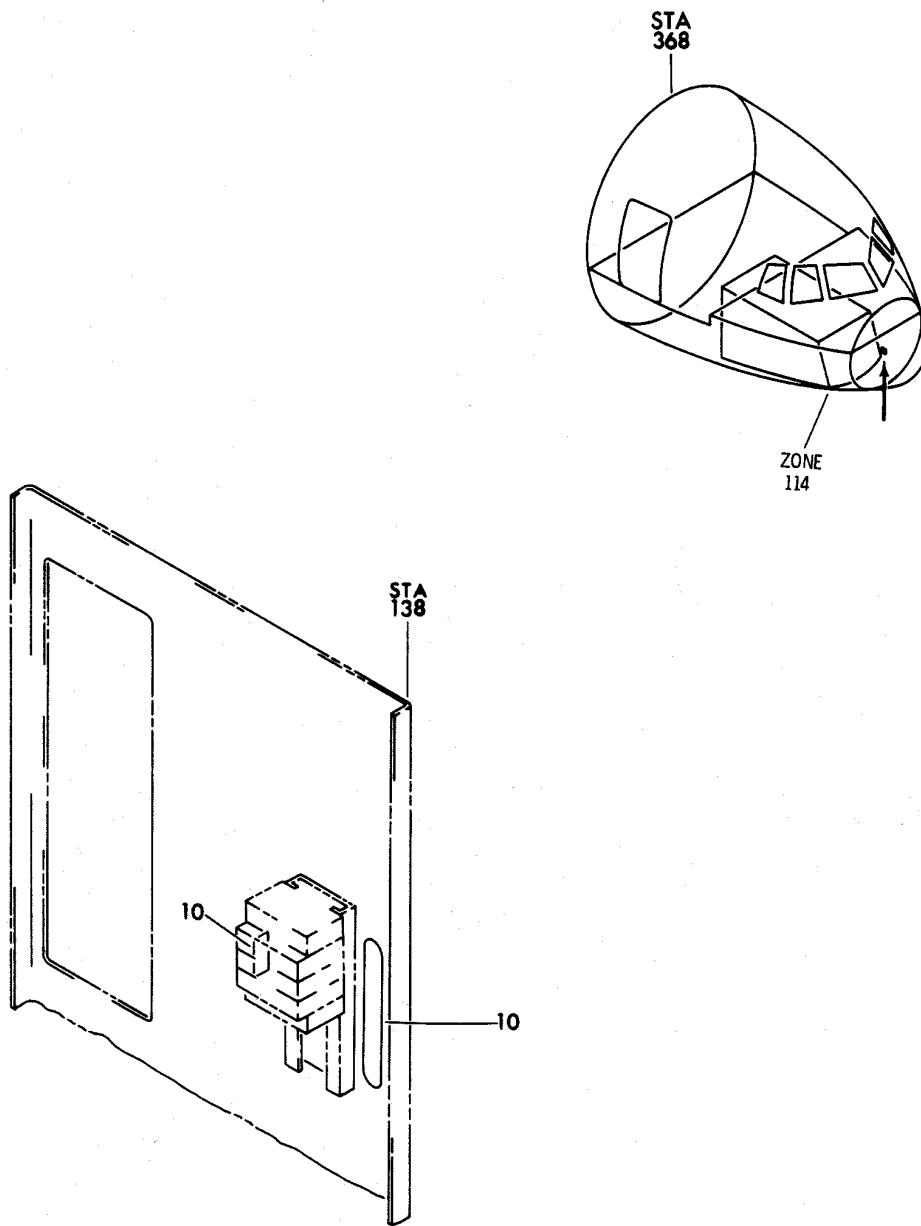
HXL

11-36-36-01

BOEING PROPRIETARY - Copyright © - Unpublished Work - See title page for details.

11-36-36
FIG. 01
PAGE 1
DEC 22/07

BOEING
767
PARTS CATALOG (MAINTENANCE)



V 11384101 SHT 1 REV 028

RADAR INSTL-L WEATHER (PLACARDS AND MARKINGS ONLY)
FIGURE 1

11-36-41-01

HXL
DEC 22/06

11-36-41-01
PAGE 0



767

PARTS CATALOG (MAINTENANCE)

FIG ITEM	PART NUMBER	1 2 3 4 5 6 7	NOMENCLATURE	EFFECT FROM TO	UNITS PER ASSY
1			RADAR INSTL-L WEATHER (PLACARDS AND MARKINGS ONLY)		
- 1	284T0019-10		RADAR INSTL-WEATHER (PLACARDS AND MARKINGS ONLY) POSITION DATA: L VARIABLE DRAWING REF: 284T0019-5054 FOR NHA/OTHER SYS DET SEE: 24-00-58-01Q		RF
10	BAC27TEX0857		.DECAL- PLACARD CONTENT: 1 THRU 7		2

ILLUSTRATION ITEMS NOT ON PARTS LIST ARE NOT APPLICABLE

- ITEM NOT ILLUSTRATED

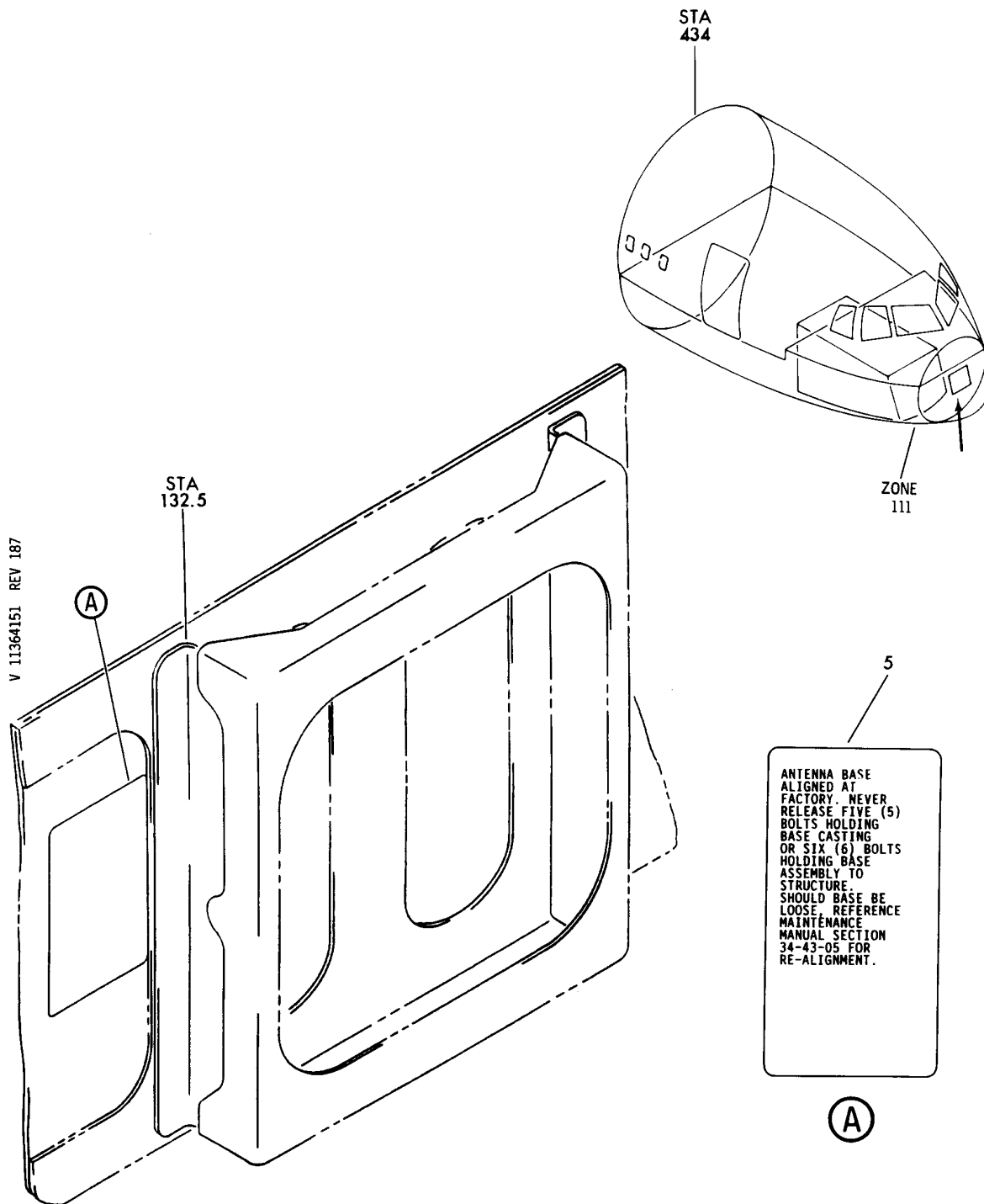
HXL

11-36-41-01

BOEING PROPRIETARY - Copyright © - Unpublished Work - See title page for details.

11-36-41
FIG. 01
PAGE 1
DEC 22/06

BOEING
767
PARTS CATALOG (MAINTENANCE)



SUPPORT INSTL-WEATHER RDR ANT. (PLACARDS AND MARKINGS ONLY)
FIGURE 51

11-36-41-51

HXL
DEC 22/06

11-36-41-51
PAGE 0



767

PARTS CATALOG (MAINTENANCE)

FIG ITEM	PART NUMBER	1 2 3 4 5 6 7	NOMENCLATURE	EFFECT FROM TO	UNITS PER ASSY
51			SUPPORT INSTL-WEATHER RDR ANT. (PLACARDS AND MARKINGS ONLY)		
- 1	284T0220-3		SUPPORT INSTL-WEATHER RDR ANT. (PLACARDS AND MARKINGS ONLY) VARIABLE DRAWING REF: 284T0220-5002 FOR NHA/OTHER SYS DET SEE: 24-00-58-02		RF
5	BAC27TEX2323		.MARKER-ALUMINUM FOIL		1

ILLUSTRATION ITEMS NOT ON PARTS LIST ARE NOT APPLICABLE

- ITEM NOT ILLUSTRATED

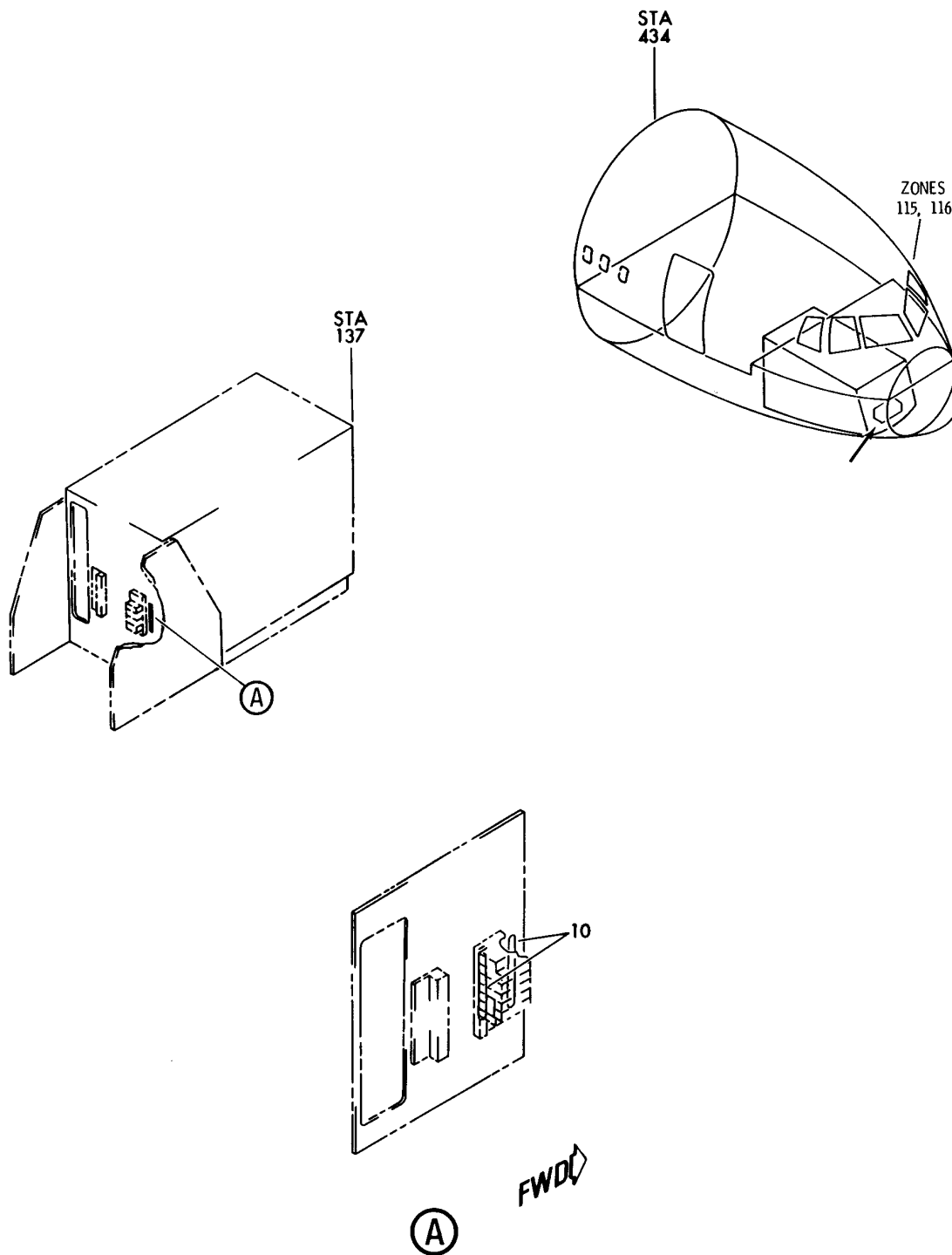
HXL

11-36-41-51

BOEING PROPRIETARY - Copyright © - Unpublished Work - See title page for details.

11-36-41
FIG. 51
PAGE 1
DEC 22/06

BOEING
767
PARTS CATALOG (MAINTENANCE)



V 11364201 REV 164

RADAR INSTL-R WEATHER (PLACARDS AND MARKINGS ONLY)
FIGURE 1

11-36-42-01

HXL
DEC 22/06

11-36-42-01
PAGE 0



767

PARTS CATALOG (MAINTENANCE)

FIG ITEM	PART NUMBER	1 2 3 4 5 6 7	NOMENCLATURE	EFFECT FROM TO	UNITS PER ASSY
1			RADAR INSTL-R WEATHER (PLACARDS AND MARKINGS ONLY)		
- 1	284T0020-5		RADAR INSTL-WEATHER (PLACARDS AND MARKINGS ONLY) POSITION DATA: R VARIABLE DRAWING REF: 284T0020-5017 284T0020-5041 FOR NHA/OTHER SYS DET SEE: 24-00-58-01Q		RF
10	BAC27TEX0857		.DECAL- PLACARD CONTENT: 1 THRU 7		2

ILLUSTRATION ITEMS NOT ON PARTS LIST ARE NOT APPLICABLE

- ITEM NOT ILLUSTRATED

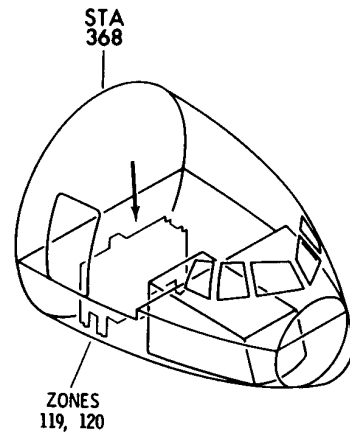
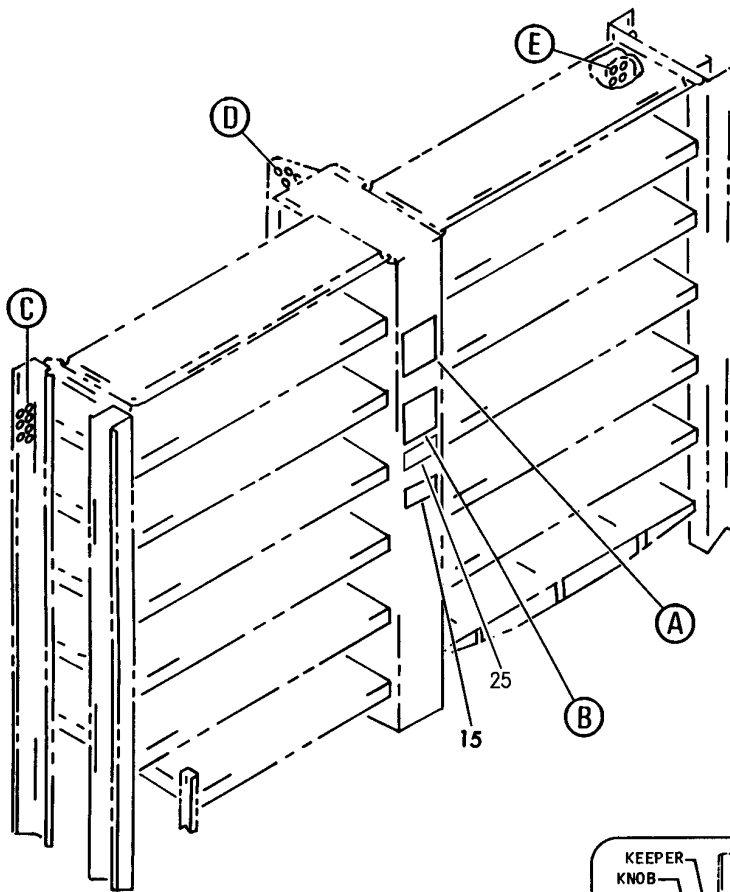
HXL

11-36-42-01

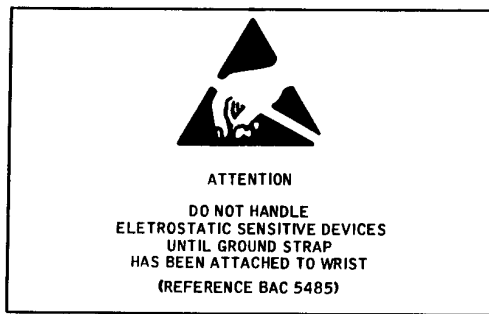
BOEING PROPRIETARY - Copyright © - Unpublished Work - See title page for details.

11-36-42
FIG. 01
PAGE 1
DEC 22/06

BOEING
767
PARTS CATALOG (MAINTENANCE)



V 11364301 SH1 1 REV 25B



20

(B)

INSTRUCTIONS FOR INSTALLATION AND REMOVAL OF ELECTRONIC BOXES

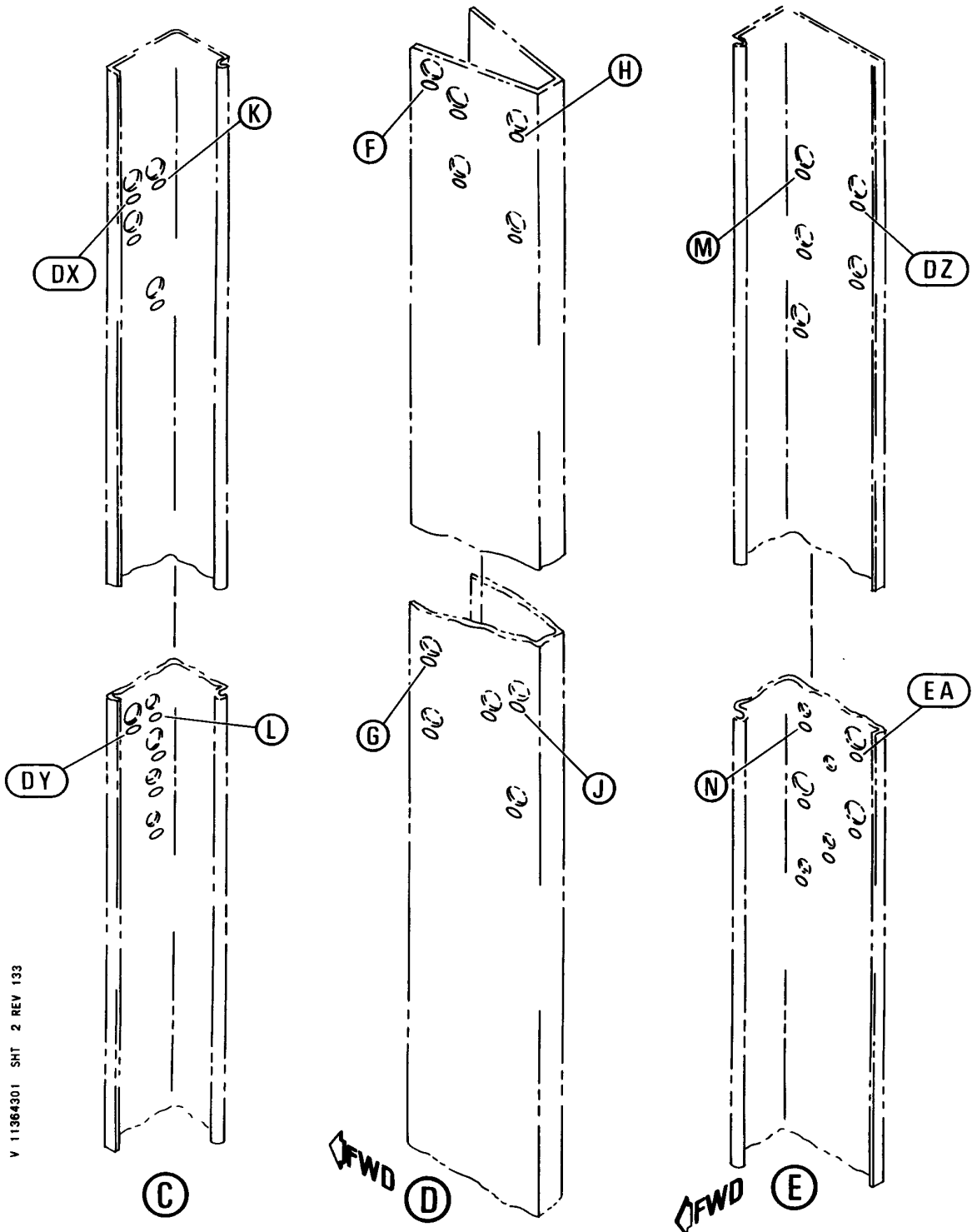
1. TO INSTALL, PLACE BOX ON TRAY AND SLIDE INTO POSITION TO MATE REAR CONNECTOR. APPLY A HORIZONTAL FORCE BY HAND TO FULLY ENGAGE THE CONNECTOR.
2. PLACE KEEPER RING OF HOLD DOWNS OVER HOOKS ON BOX. ROTATE-KEEPER SO THAT THE DEEP SLOT ALIGNS WITH HOOK. (SEE FIG I)
3. TURN HOLD DOWN KNOBS CW UNTIL CLUTCH LIMIT IS REACHED. (REPEATED CLICKING IS FELT AS KNOB IS TURNED)
4. TO REMOVE BOX TURN KNOBS CCW WHILE APPLYING A SLIGHT DOWNWARD PRESSURE BY HAND TO THE BOX HANDLE. BACK THE BOX OUT OF THE CONNECTOR APPROX. .50 INCH. (SEE FIG II)
5. ROTATE KEEPER RING TO RELEASE HOLD DOWNS AND SLIDE BOX FROM THE TRAY.

10

(A)

SHELF AND DECAL INSTL-E1/E2 RACK ELECT. EQPT CTR (PLACARDS AND MARKINGS ONLY)
FIGURE 1 (SHEET 1)

BOEING
767
PARTS CATALOG (MAINTENANCE)



V 11364301 SHT 2 REV 133

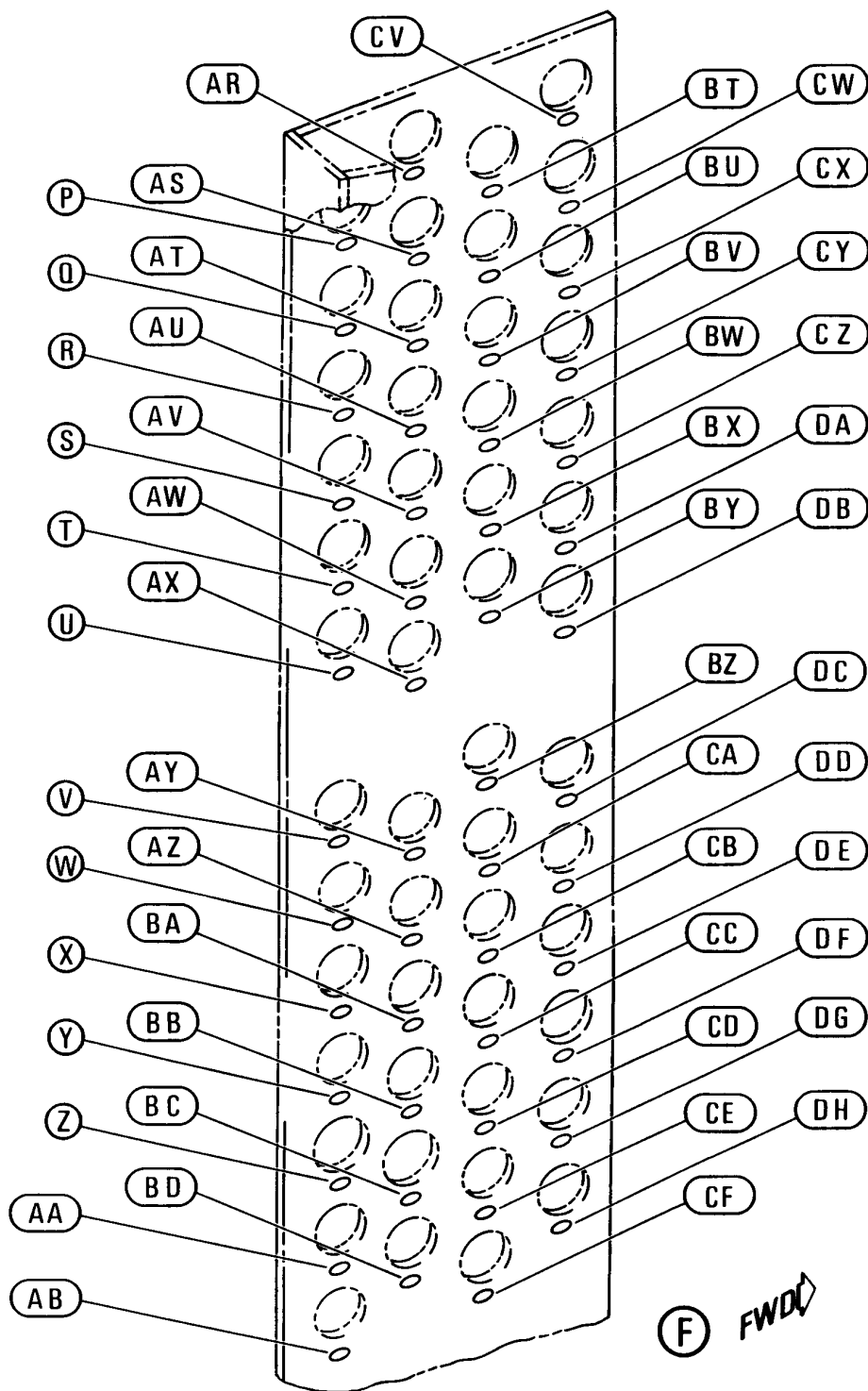
SHELF AND DECAL INSTL-E1/E2 RACK ELECT. EQPT CTR (PLACARDS AND MARKINGS ONLY)
FIGURE 1 (SHEET 2)

HXL
DEC 22/06

11-36-43-01

11-36-43-01
PAGE 0A

BOEING
767
PARTS CATALOG (MAINTENANCE)



V 11364301 SHT 3 REV 133

SHELF AND DECAL INSTL-E1/E2 RACK ELECT. EQPT CTR (PLACARDS AND MARKINGS ONLY)
FIGURE 1 (SHEET 3)

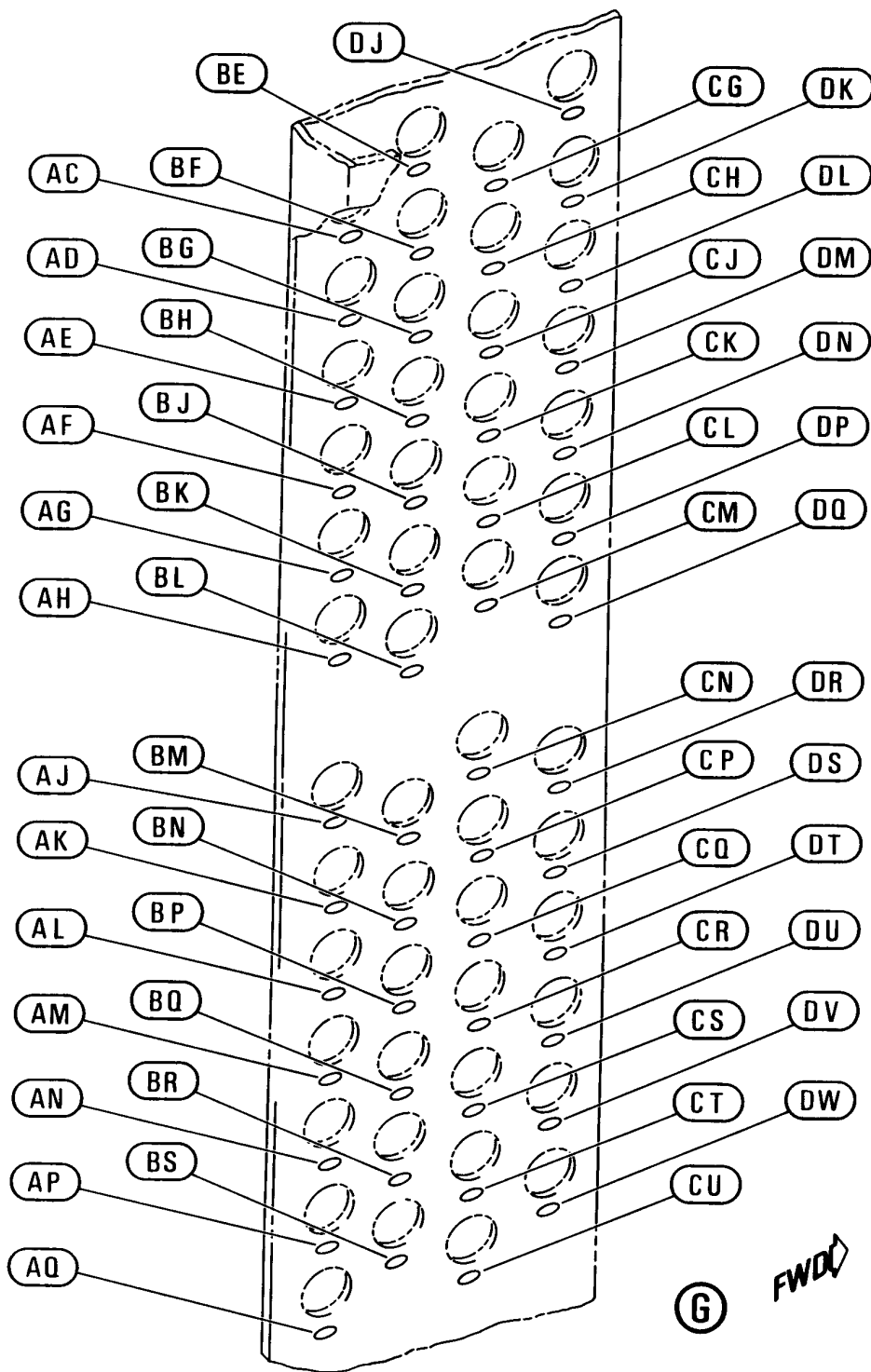
11-36-43-01

HXL
DEC 22/06

11-36-43-01
PAGE 0B


BOEING
 767
PARTS CATALOG (MAINTENANCE)

V 11364301 SHT 4 REV 133



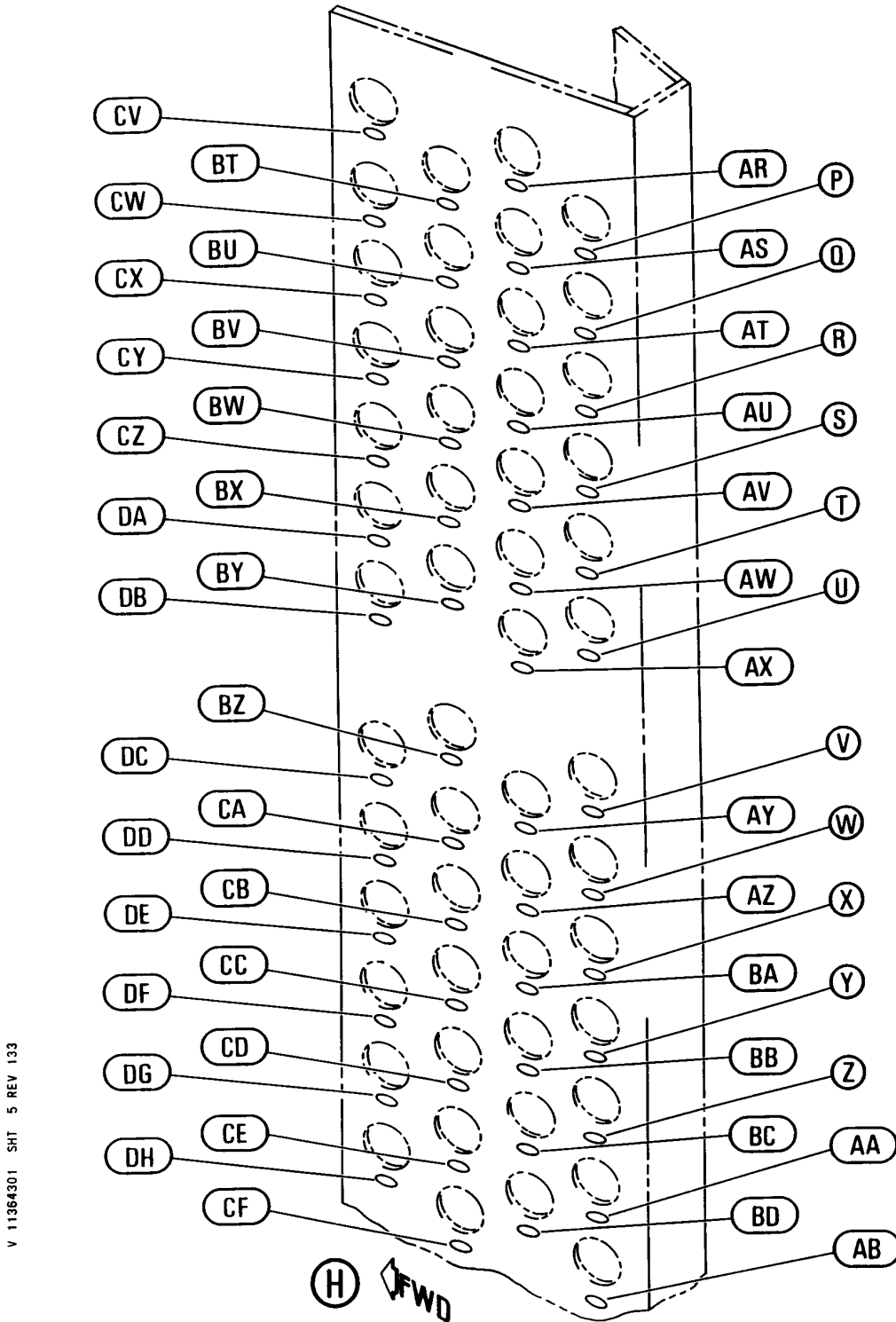
SHELF AND DECAL INSTL-E1/E2 RACK ELECT. EQPT CTR (PLACARDS AND MARKINGS ONLY)
 FIGURE 1 (SHEET 4)

HXL
DEC 22/06

11-36-43-01

11-36-43-01
 PAGE 0C

BOEING
767
PARTS CATALOG (MAINTENANCE)



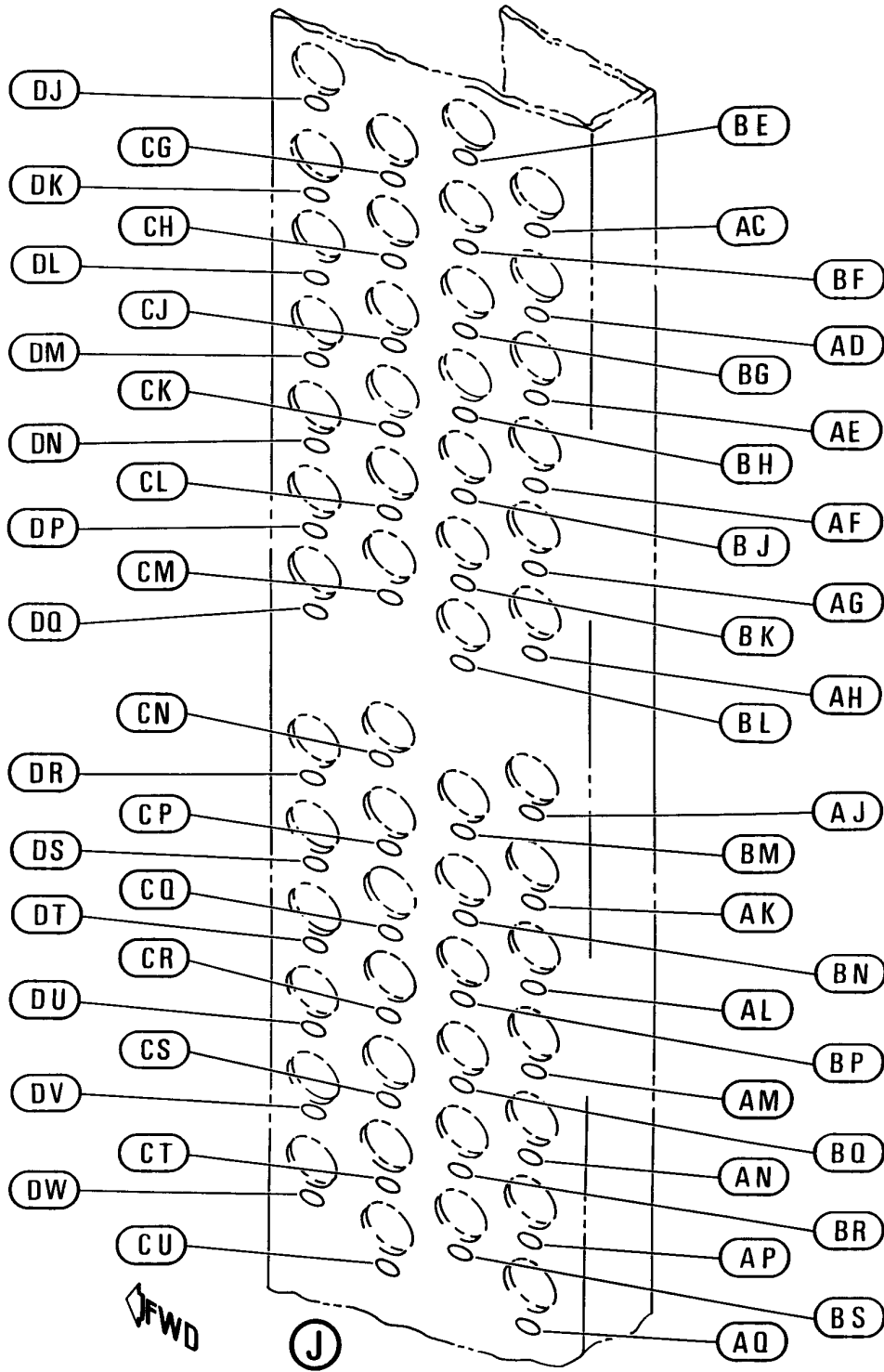
SHELF AND DECAL INSTL-E1/E2 RACK ELECT. EQPT CTR (PLACARDS AND MARKINGS ONLY)
FIGURE 1 (SHEET 5)

HXL
DEC 22/06

11-36-43-01

11-36-43-01
PAGE 0D

BOEING
767
PARTS CATALOG (MAINTENANCE)



V 11364301 SHT 6 REV 133

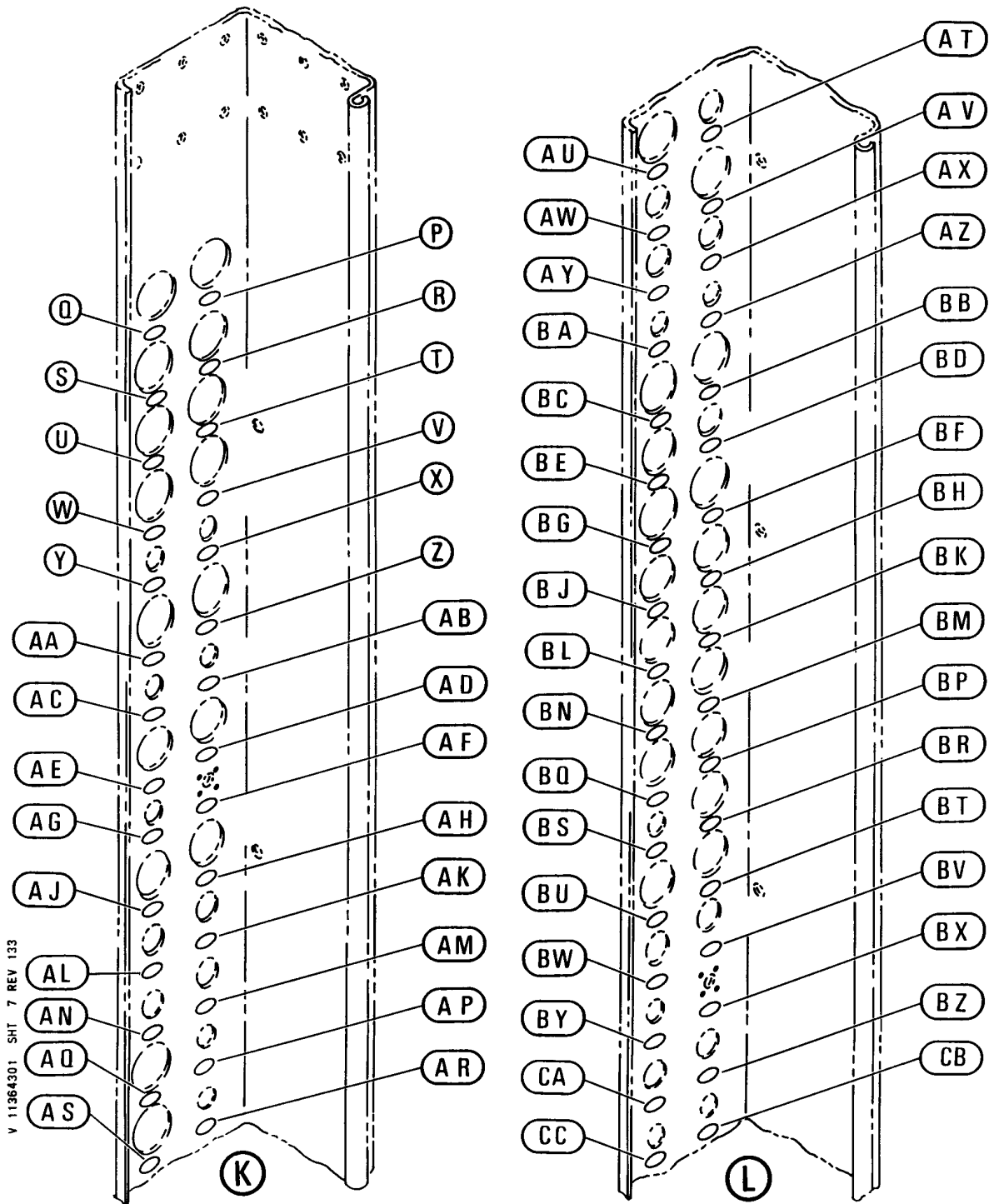
SHELF AND DECAL INSTL-E1/E2 RACK ELECT. EQPT CTR (PLACARDS AND MARKINGS ONLY)
FIGURE 1 (SHEET 6)

HXL
DEC 22/06

11-36-43-01

11-36-43-01
PAGE 0E

BOEING
767
PARTS CATALOG (MAINTENANCE)



V 11364301 SHT 7 REV 133

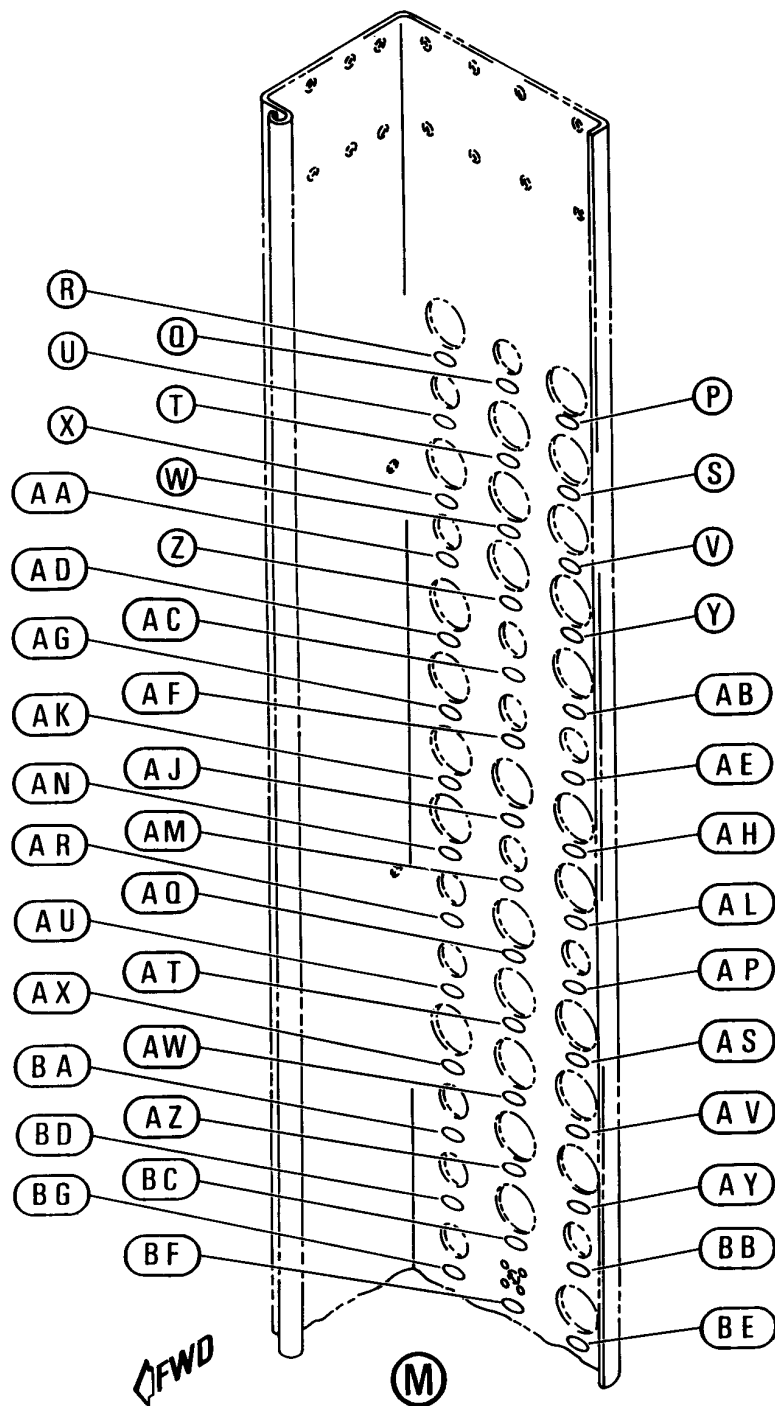
SHELF AND DECAL INSTL-E1/E2 RACK ELECT. EQPT CTR (PLACARDS AND MARKINGS ONLY)
FIGURE 1 (SHEET 7)

HXL
DEC 22/06

11-36-43-01

11-36-43-01
PAGE OF

BOEING
767
PARTS CATALOG (MAINTENANCE)



V 11364301 SHT 8 REV 133

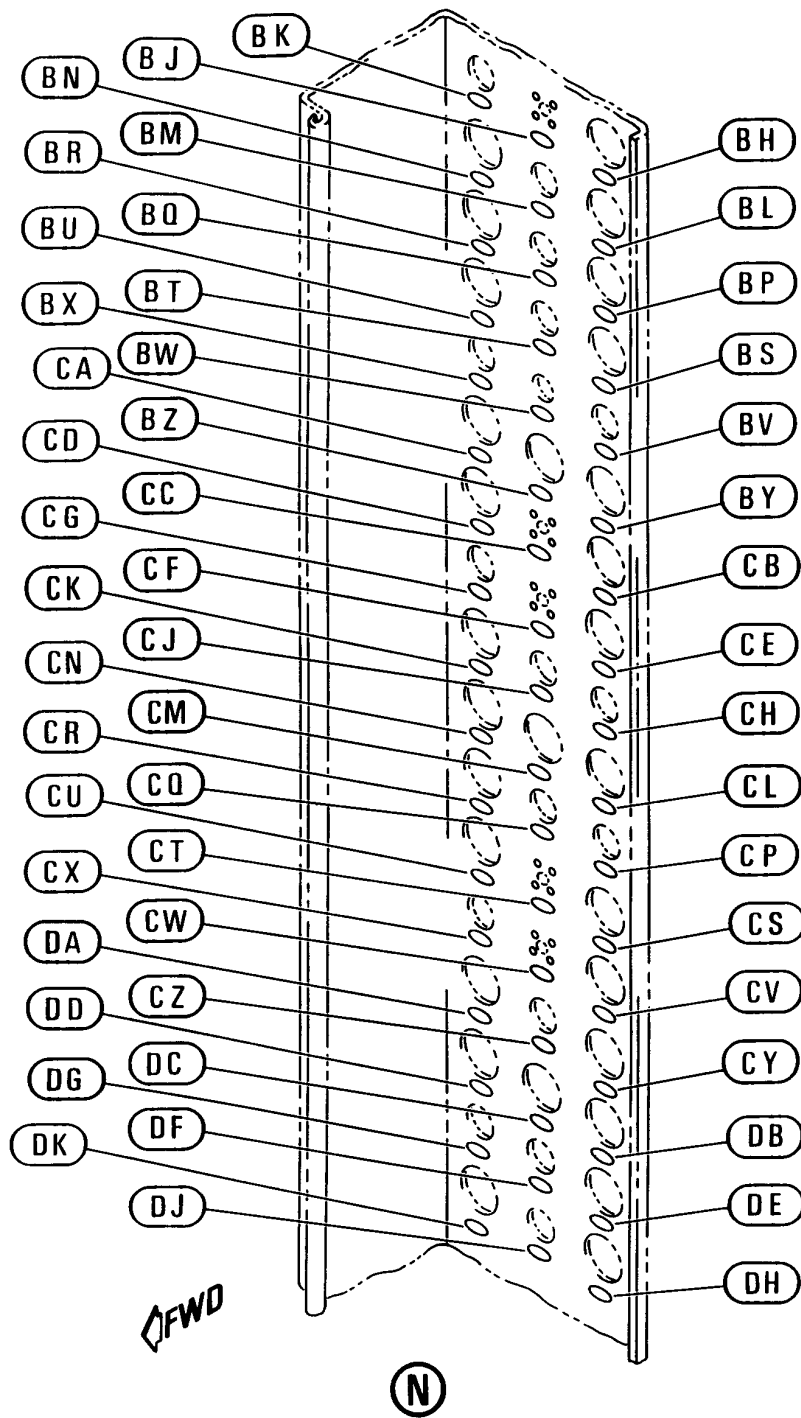
SHELF AND DECAL INSTL-E1/E2 RACK ELECT. EQPT CTR (PLACARDS AND MARKINGS ONLY)
FIGURE 1 (SHEET 8)

11-36-43-01

HXL
DEC 22/06

11-36-43-01
PAGE 06


BOEING
 767
PARTS CATALOG (MAINTENANCE)



V 11364301 SHT 9 REV 133

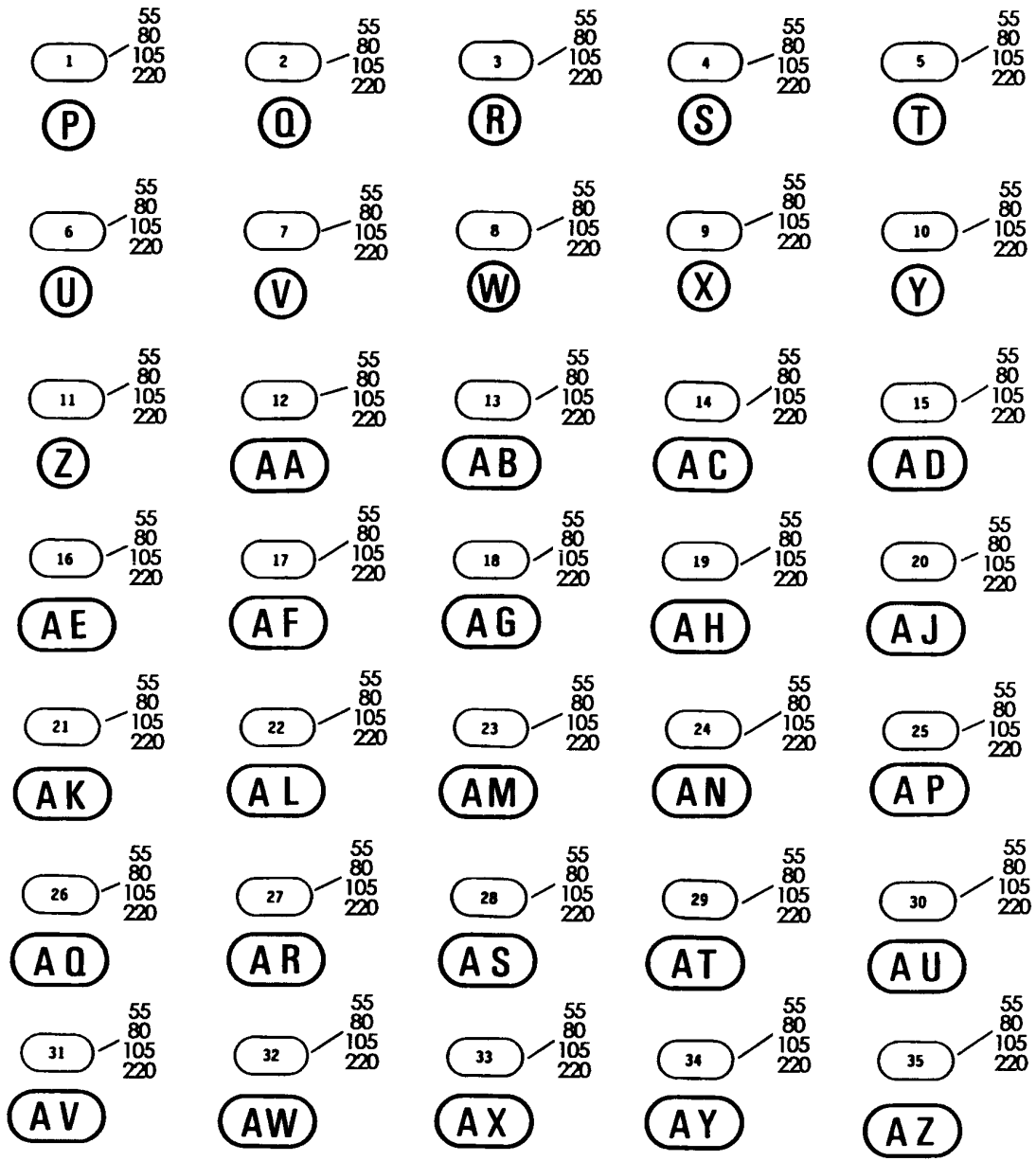
SHELF AND DECAL INSTL-E1/E2 RACK ELECT. EQPT CTR (PLACARDS AND MARKINGS ONLY)
 FIGURE 1 (SHEET 9)

HXL
 DEC 22/06

11-36-43-01

11-36-43-01
 PAGE 0H


BOEING
 767
PARTS CATALOG (MAINTENANCE)



V 113&4301 SHT 10 REV 196

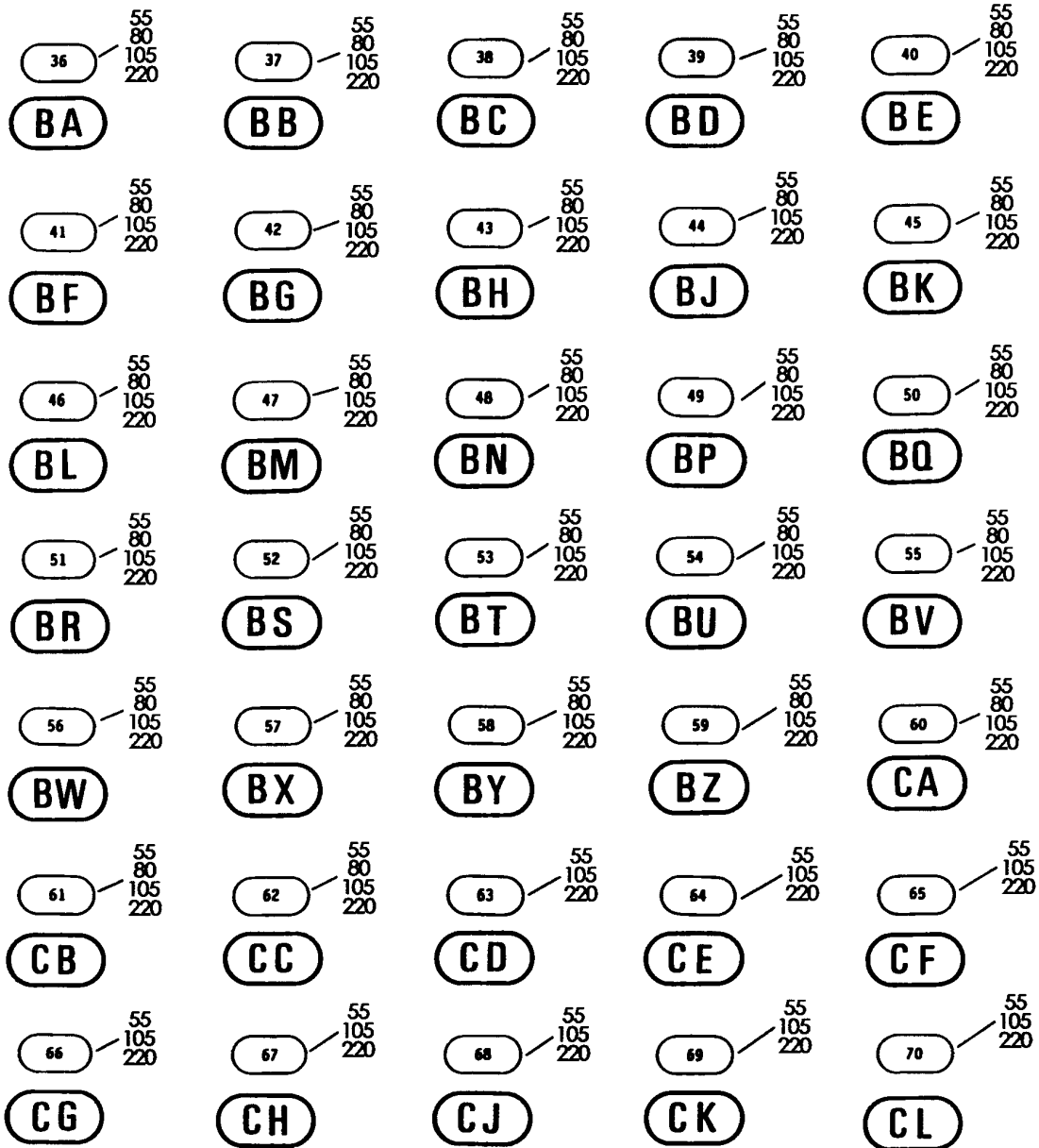
SHELF AND DECAL INSTL-E1/E2 RACK ELECT. EQPT CTR (PLACARDS AND MARKINGS ONLY)
 FIGURE 1 (SHEET 10)

11-36-43-01

HXL
 DEC 22/06

11-36-43-01
 PAGE 01


BOEING
 767
PARTS CATALOG (MAINTENANCE)

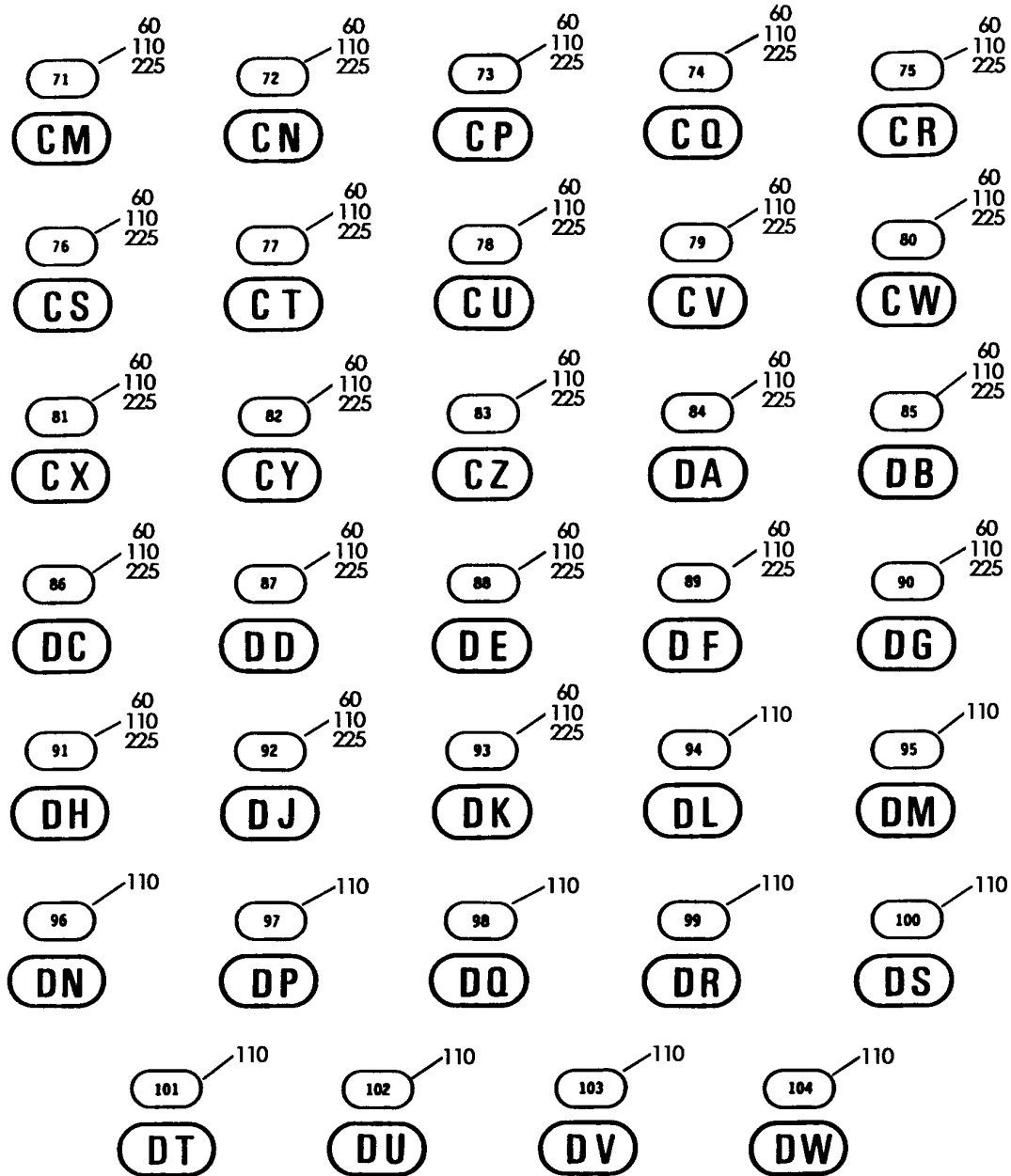


V 11364301 SHT 11 REV 196

SHELF AND DECAL INSTL-E1/E2 RACK ELECT. EQPT CTR (PLACARDS AND MARKINGS ONLY)
 FIGURE 1 (SHEET 11)

11-36-43-01


BOEING
 767
PARTS CATALOG (MAINTENANCE)



V 11364301 SHT 12 REV 196

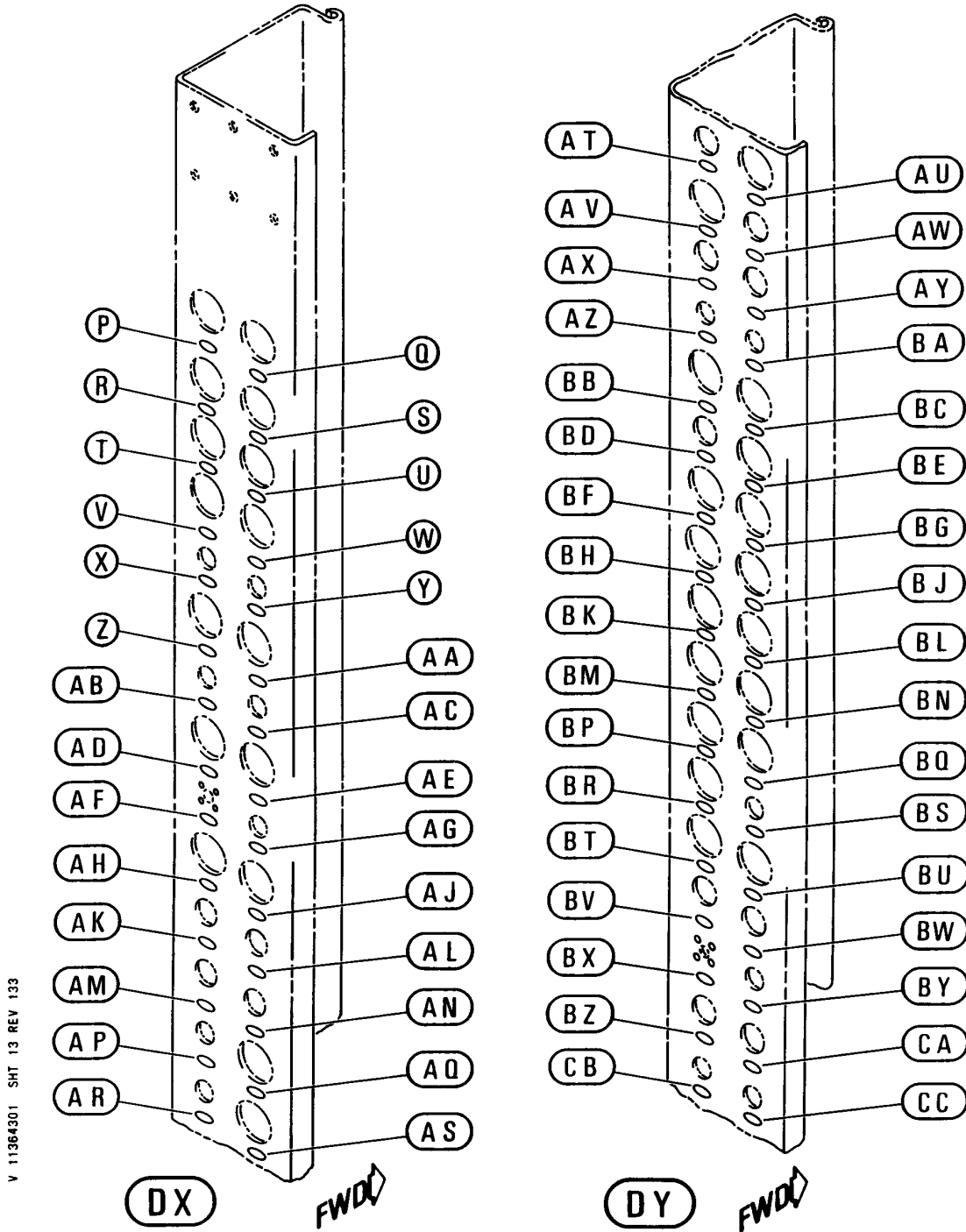
SHELF AND DECAL INSTL-E1/E2 RACK ELECT. EQPT CTR (PLACARDS AND MARKINGS ONLY)
 FIGURE 1 (SHEET 12)

11-36-43-01

HXL
 DEC 22/06

11-36-43-01
 PAGE OK

BOEING
767
PARTS CATALOG (MAINTENANCE)



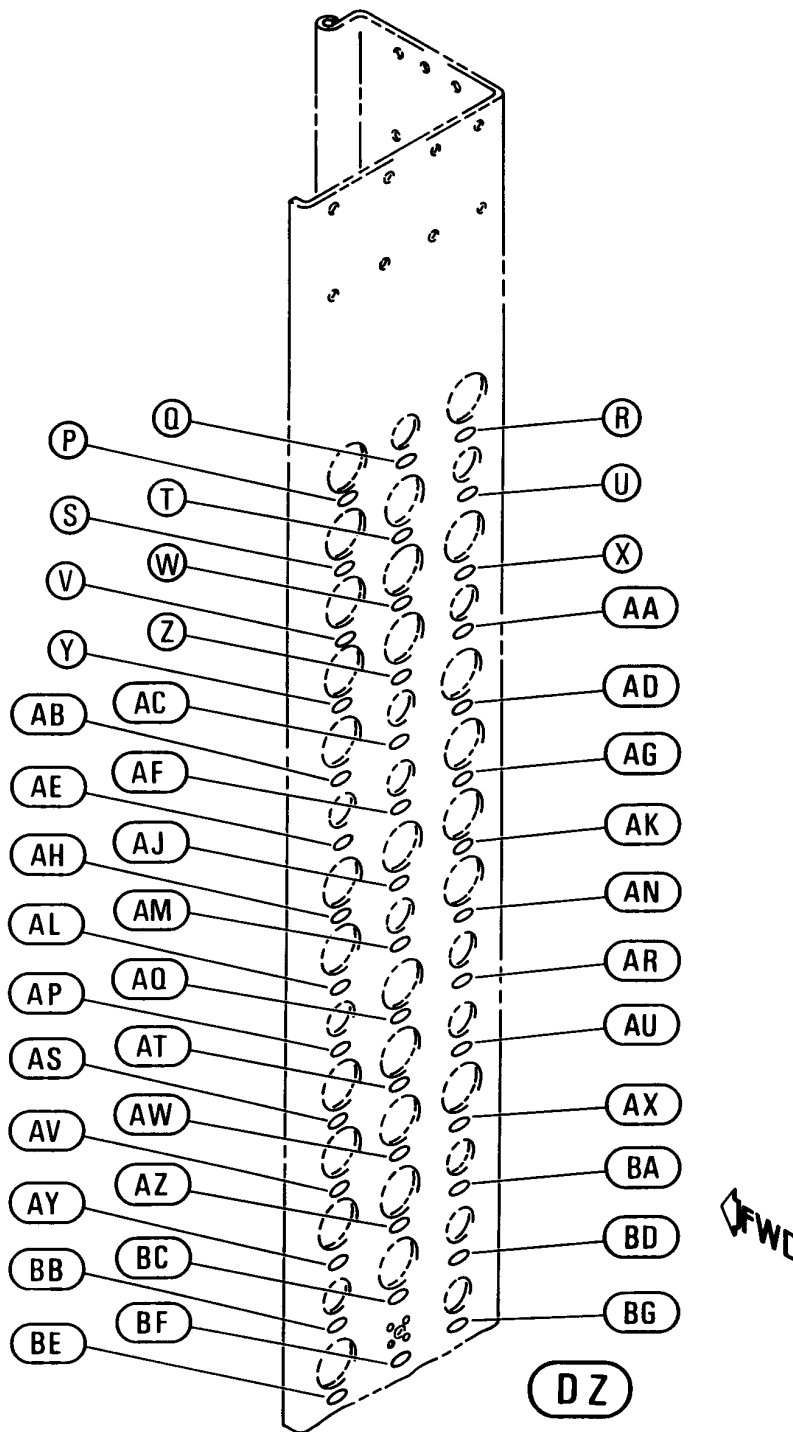
SHELF AND DECAL INSTL-E1/E2 RACK ELECT. EQPT CTR (PLACARDS AND MARKINGS ONLY)
FIGURE 1 (SHEET 13)

HXL
DEC 22/06

11-36-43-01

11-36-43-01
PAGE 01

BOEING
767
PARTS CATALOG (MAINTENANCE)



V 11364301 SHT 14 REV 133

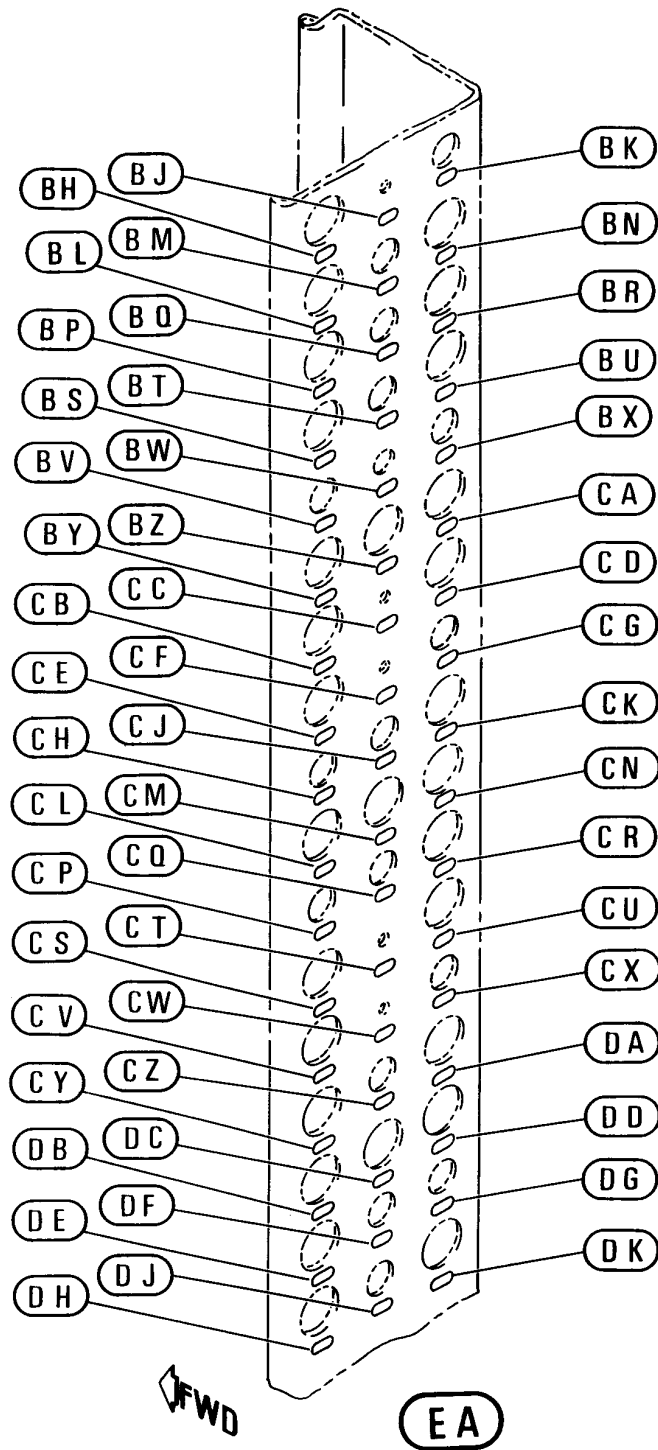
SHELF AND DECAL INSTL-E1/E2 RACK ELECT. EQPT CTR (PLACARDS AND MARKINGS ONLY)
FIGURE 1 (SHEET 14)

11-36-43-01

HXL
DEC 22/06

11-36-43-01
PAGE 0M


BOEING
 767
PARTS CATALOG (MAINTENANCE)



V 11364301 SHT 15 REV 133

SHELF AND DECAL INSTL-E1/E2 RACK ELECT. EQPT CTR (PLACARDS AND MARKINGS ONLY)
 FIGURE 1 (SHEET 15)

HXL
DEC 22/06

11-36-43-01

11-36-43-01
 PAGE ON



767

PARTS CATALOG (MAINTENANCE)

FIG ITEM	PART NUMBER	1 2 3 4 5 6 7	NOMENCLATURE	EFFECT FROM TO	UNITS PER ASSY
1			SHELF AND DECAL INSTL-E1/E2 RACK ELECT. EQPT CTR (PLACARDS AND MARKINGS ONLY)		
- 3	284T0600-618		SHELF INSTL-E1/E2 RACK ELECT. EQPT CTR (PLACARDS AND MARKINGS ONLY) VARIABLE DRAWING REF: 284T0600-5210 FOR NHA/OTHER SYS DET SEE: 24-00-58-01H	155162	RF
- 4	284T0600-630		SHELF INSTL-E1/E2 RACK ELECT. EQPT CTR (PLACARDS AND MARKINGS ONLY) VARIABLE DRAWING REF: 284T0600-5237 284T0600-5252 FOR NHA/OTHER SYS DET SEE: 24-00-58-01H	163999	RF
10	BAC27TEX3028		.DECAL		1
15	BAC27TEX3260		.DECAL- PLACARD CONTENT: CAUTION PULL CIRCUIT BREAKER PRIOR TO REMOVING AND/OR INSTALLING ELECTRICAL ELECTRONIC BOXES		1
20	BAC27EEL18629		.DECAL- PLACARD CONTENT: ATTENTION		1
- 50	284T1150-1		.DECAL INSTL-STANCHIONS AND DISCONNECT PANEL		RF
55	BAC27TEX3219		..DECALSET-INCLUDES DECALS IDENTIFIED ON THE ILLUSTRATION		2
60	BAC27TEX3298		..DECALSET-INCLUDES DECALS IDENTIFIED ON THE ILLUSTRATION		2
- 75	284T1150-2		.DECAL INSTL-STANCHIONS AND DISCONNECT PANEL		RF
80	BAC27TEX3219		..DECALSET-INCLUDES DECALS IDENTIFIED ON THE ILLUSTRATION		2
- 100	284T1150-3		.DECAL INSTL-STANCHIONS AND DISCONNECT PANEL		RF
105	BAC27TEX3219		..DECALSET-INCLUDES DECALS IDENTIFIED ON THE ILLUSTRATION		2

ILLUSTRATION ITEMS NOT ON PARTS LIST ARE NOT APPLICABLE

- ITEM NOT ILLUSTRATED

11-36-43-01

11-36-43
FIG. 01
PAGE 1
DEC 22/07

HXL



767
PARTS CATALOG (MAINTENANCE)

FIG ITEM	PART NUMBER	1 2 3 4 5 6 7	NOMENCLATURE	EFFECT FROM TO	UNITS PER ASSY
1 110	BAC27TEX3298		..DECALSET-INCLUDES DECALS IDENTIFIED ON THE ILLUSTRATION		2

ILLUSTRATION ITEMS NOT ON PARTS LIST ARE NOT APPLICABLE

- ITEM NOT ILLUSTRATED

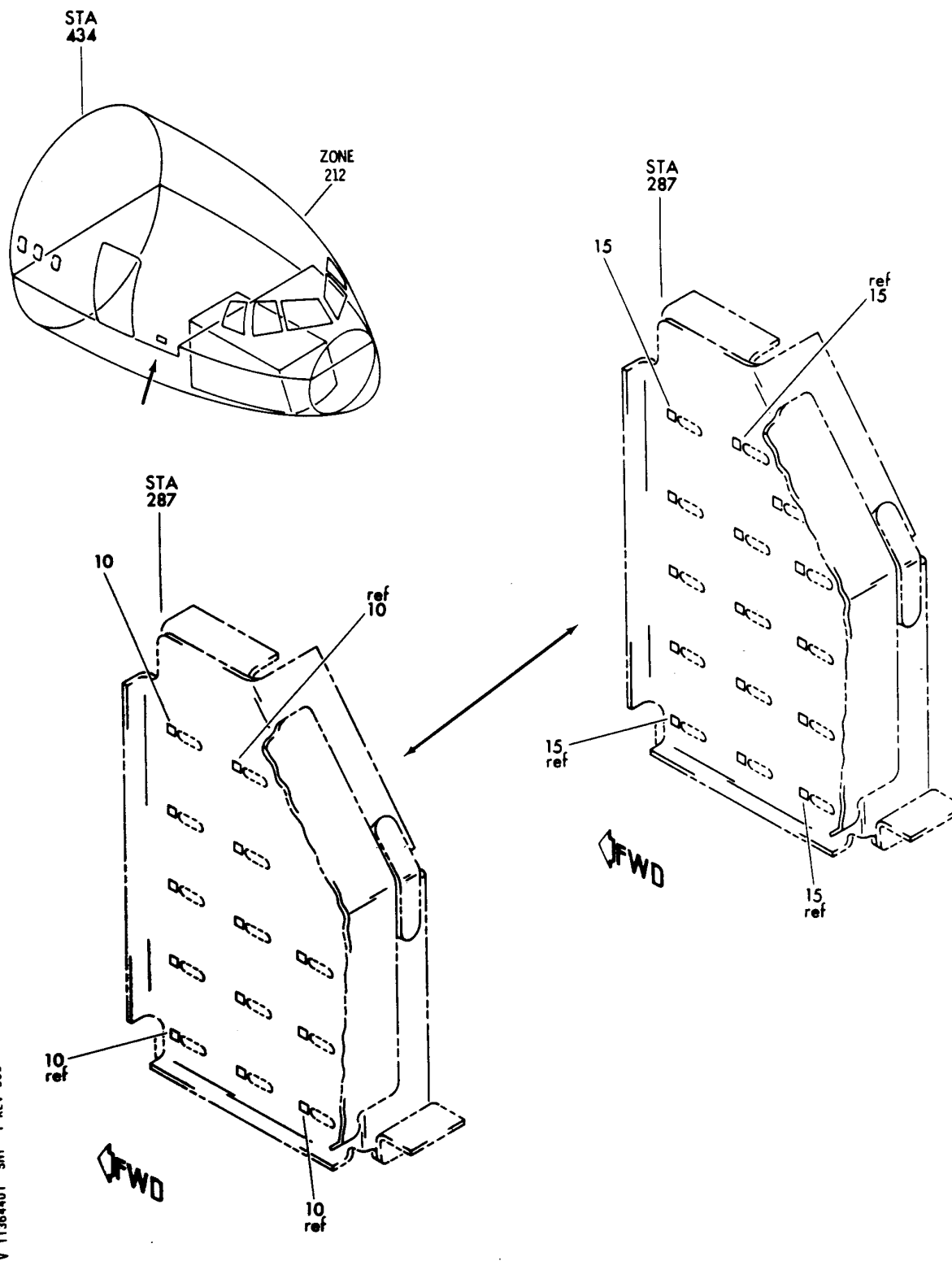
HXL

11-36-43-01

BOEING PROPRIETARY - Copyright © - Unpublished Work - See title page for details.

11-36-43
FIG. 01
PAGE 2
DEC 22/07

BOEING
767
PARTS CATALOG (MAINTENANCE)



PANEL INSTL-E3 DISC. (PLACARDS AND MARKINGS ONLY)
FIGURE 1

11-36-44-01

HXL
DEC 22/06

11-36-44-01
PAGE 0



767

PARTS CATALOG (MAINTENANCE)

FIG ITEM	PART NUMBER	1 2 3 4 5 6 7	NOMENCLATURE	EFFECT FROM TO	UNITS PER ASSY
1			PANEL INSTL-E3 DISC. (PLACARDS AND MARKINGS ONLY)		
- 1	284T1073-1		PANEL INSTL-E3 DISC. (PLACARDS AND MARKINGS ONLY)		RF
10	BAC27TEX0114		FOR NHA/OTHER SYS DET SEE: 24-00-58-01 .DECAL- PLACARD CONTENT: 1 THRU 13		1

ILLUSTRATION ITEMS NOT ON PARTS LIST ARE NOT APPLICABLE

- ITEM NOT ILLUSTRATED

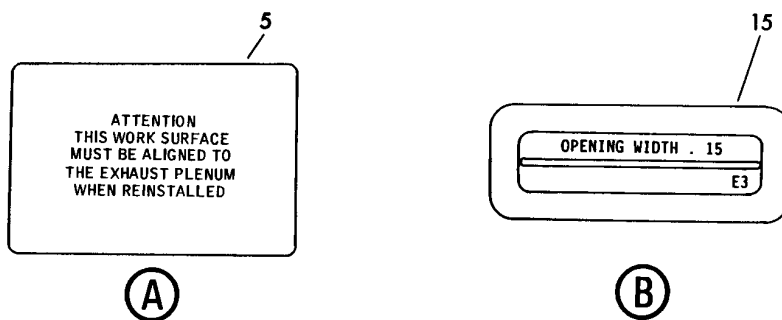
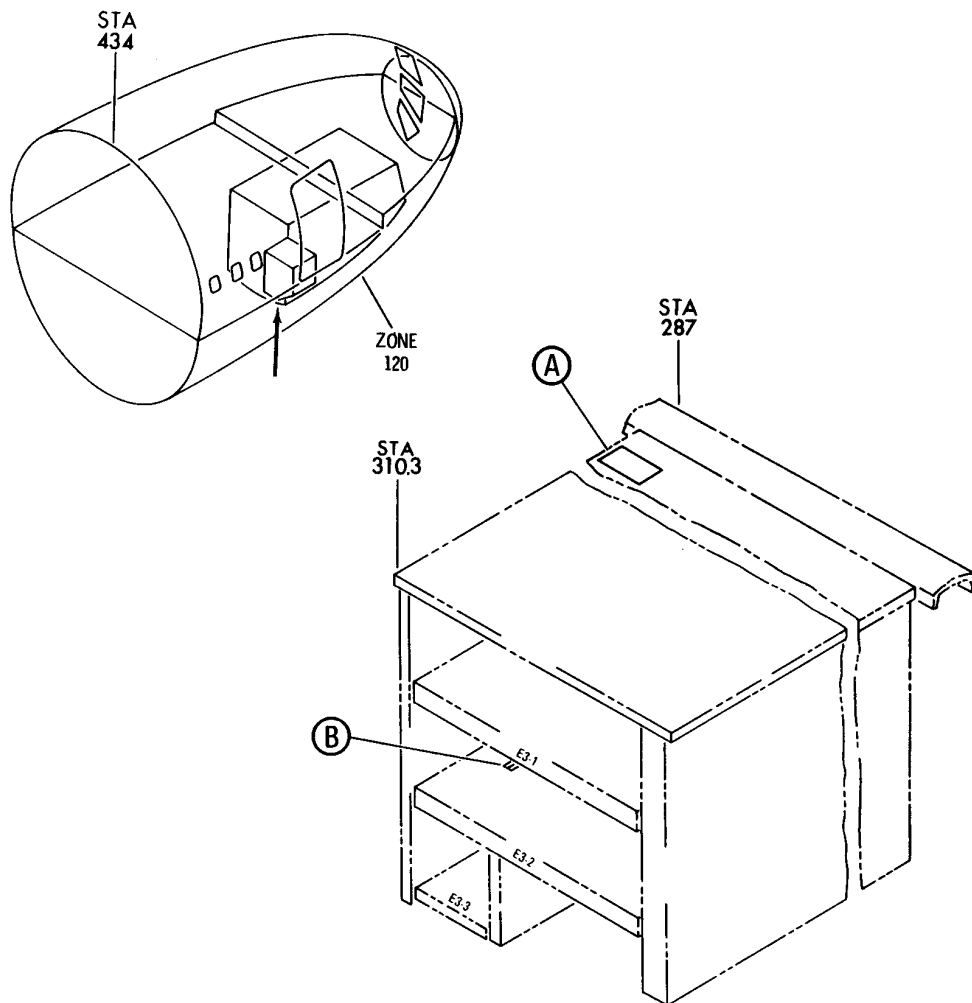
HXL

11-36-44-01

BOEING PROPRIETARY - Copyright © - Unpublished Work - See title page for details.

11-36-44
FIG. 01
PAGE 1
DEC 22/06

BOEING
767
PARTS CATALOG (MAINTENANCE)



V 11364501 REV 159

RACK INSTL-MAIN EQPT CTR E3 (PLACARDS AND MARKINGS ONLY)
FIGURE 1

11-36-45-01

HXL
DEC 22/06

11-36-45-01
PAGE 0



767

PARTS CATALOG (MAINTENANCE)

FIG ITEM	PART NUMBER	1 2 3 4 5 6 7	NOMENCLATURE	EFFECT FROM TO	UNITS PER ASSY
1			RACK INSTL-MAIN EQPT CTR E3 (PLACARDS AND MARKINGS ONLY)		
- 1	284T0135-2		RACK INSTL-MAIN EQPT CTR E3 (PLACARDS AND MARKINGS ONLY)		RF
			VARIABLE DRAWING REF: 284T0135-5009 FOR NHA/OTHER SYS DET SEE: 53-10-52-10		
	5 BAC27TEX3272		.DECAL- PLACARD CONTENT: ATTENTION THIS WORK SURFACE MUST BE ALIGNED TO THE EXHAUST PLENUM WHEN REINSTALLED		1
- 7	284T0137-3		.COVER ASSY		RF
- 10	284T0137-4		..FRAME ASSY		RF
15	BAC27TEX3576		...NAMEPLATE		1

ILLUSTRATION ITEMS NOT ON PARTS LIST ARE NOT APPLICABLE

- ITEM NOT ILLUSTRATED

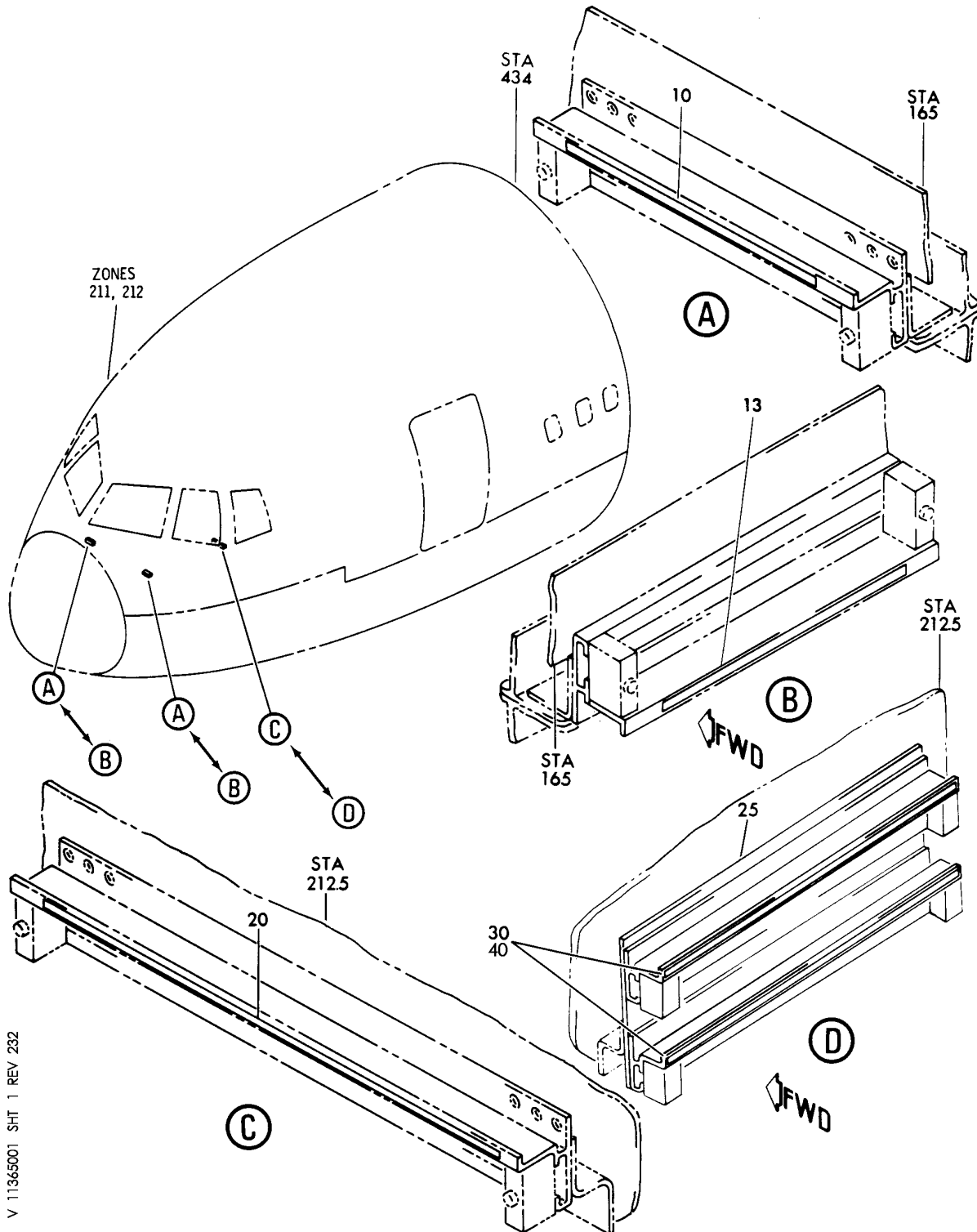
HXL

11-36-45-01

BOEING PROPRIETARY - Copyright © - Unpublished Work - See title page for details.

11-36-45
FIG. 01
PAGE 1
DEC 22/07

BOEING
767
PARTS CATALOG (MAINTENANCE)



V 11365001 SHT 1 REV 232

TERMINAL BOARD INSTL-SECT. 41 LWR (PLACARDS AND MARKINGS ONLY)
FIGURE 1

HXL
DEC 22/06

11-36-50-01

11-36-50-01
PAGE 0



767

PARTS CATALOG (MAINTENANCE)

FIG ITEM	PART NUMBER	1 2 3 4 5 6 7	NOMENCLATURE	EFFECT FROM TO	UNITS PER ASSY
1			TERMINAL BOARD INSTL-SECT. 41 LWR (PLACARDS AND MARKINGS ONLY)		
- 3	287T4102-12		BOARD INSTL- (PLACARDS AND MARKINGS ONLY) POSITION DATA: SECT. 41 LWR FOR NHA/OTHER SYS DET SEE: 24-00-57-02		RF
13	287T4102-11		.DECAL- PLACARD CONTENT: 1 THRU 27		2
- 15	287T4109-5		BOARD INSTL- (PLACARDS AND MARKINGS ONLY) POSITION DATA: SECT. 41 LWR		RF
25	287T4145-9		.BOARD ASSY-		RF
30	BAC27EEL7112		..DECAL- PLACARD CONTENT: 1 THRU 43		2

ILLUSTRATION ITEMS NOT ON PARTS LIST ARE NOT APPLICABLE

- ITEM NOT ILLUSTRATED

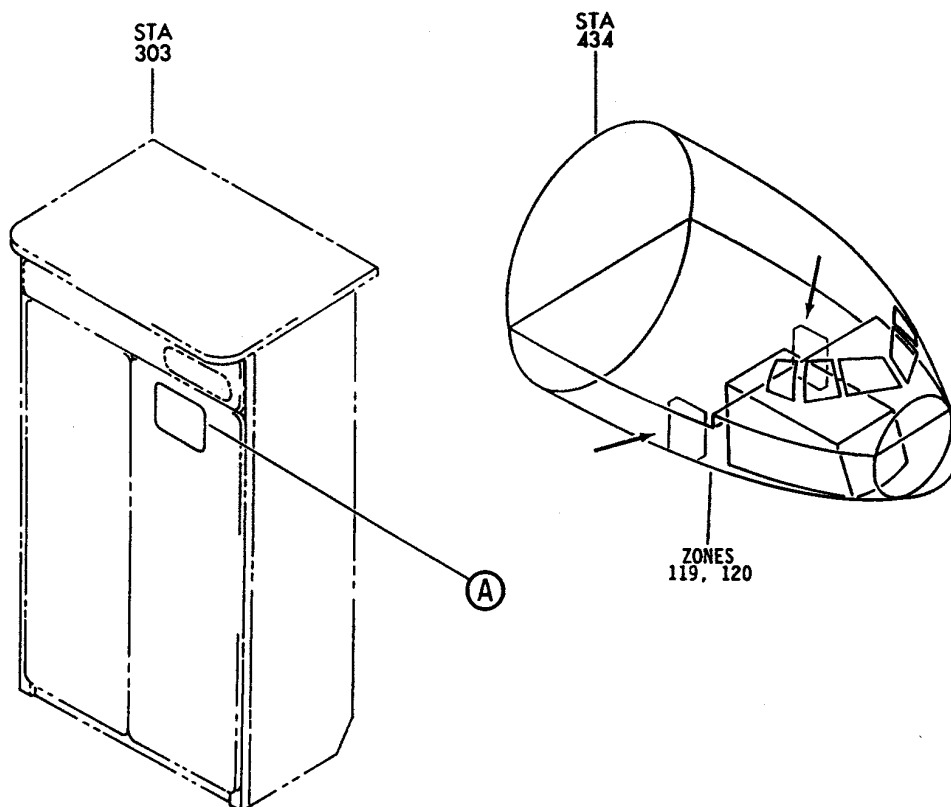
HXL

11-36-50-01


BOEING PROPRIETARY - Copyright © - Unpublished Work - See title page for details.

11-36-50
FIG. 01
PAGE 1
DEC 22/06

BOEING
767
PARTS CATALOG (MAINTENANCE)



5



NOTE:
WIRING, CONNECTORS, BONDS AND ELECTRICAL COMPONENTS IN THIS AREA ARE PROTECTED AGAINST EFFECTS OF LIGHTNING. SEE WIRING DIAGRAM MANUAL CHAPTERS 20 AND 73 FOR SPECIAL PRECAUTIONS REQUIRED FOR SERVICING WIRING AND ELECTRICAL COMPONENTS.

(A)

V 11365002 REV 225

DECAL INSTL-SECT. 41 LWR LIGHTNING STRIKE (ELECTRICAL/ELECTRONICS PLACARDS AND MARKINGS ONLY)
FIGURE 2

HXL
DEC 22/06

11-36-50-02

11-36-50-02
PAGE 0



767

PARTS CATALOG (MAINTENANCE)

FIG ITEM	PART NUMBER	1 2 3 4 5 6 7	NOMENCLATURE	EFFECT FROM TO	UNITS PER ASSY
2			DECAL INSTL-SECT. 41 LWR LIGHTNING STRIKE (ELECTRICAL/ELECTRONICS PLACARDS AND MARKINGS ONLY)		
- 1	287T0072-2		DECAL INSTL-LIGHTNING STRIKE (ELECTRICAL/ELECTRONICS PLACARDS AND MARKINGS ONLY)		RF
5	BAC27NEL1122		POSITION DATA: SECT. 41 LWR FOR NHA/OTHER SYS DET SEE: 24-00-57-02 .MARKER		2

ILLUSTRATION ITEMS NOT ON PARTS LIST ARE NOT APPLICABLE

- ITEM NOT ILLUSTRATED

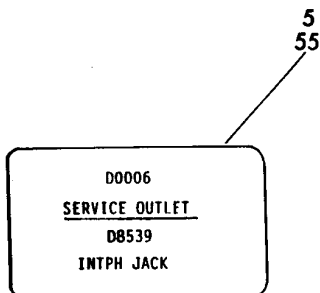
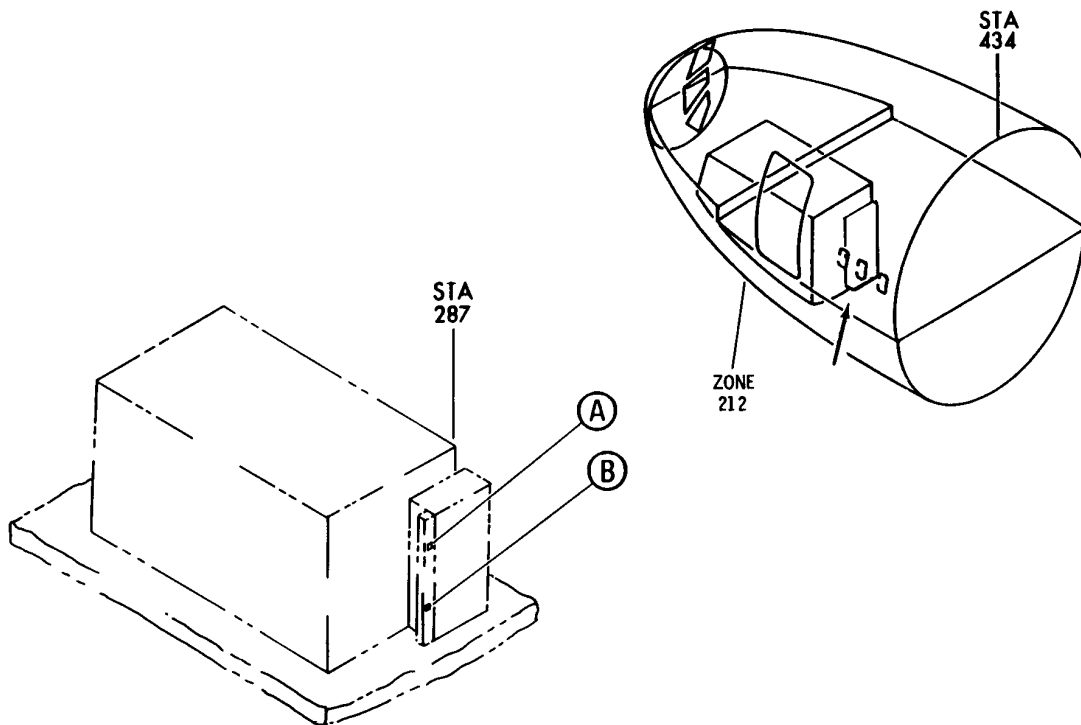
HXL

11-36-50-02

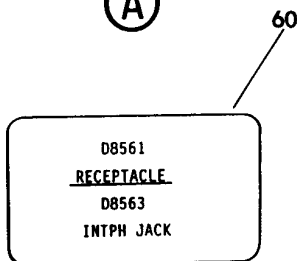
BOEING PROPRIETARY - Copyright © - Unpublished Work - See title page for details.

11-36-50
FIG. 02
PAGE 1
DEC 22/06

BOEING
767
PARTS CATALOG (MAINTENANCE)



(A)



(B)

V 11365005 REV 141

OUTLET INSTL-SECT. 41 INTPH AND SVCE (PLACARDS AND MARKINGS ONLY)
FIGURE 5

11-36-50-05

HXL
DEC 22/06

11-36-50-05
PAGE 0



767

PARTS CATALOG (MAINTENANCE)

FIG ITEM	PART NUMBER	1 2 3 4 5 6 7	NOMENCLATURE	EFFECT FROM TO	UNITS PER ASSY
5			OUTLET INSTL-SECT. 41 INTPH AND SVCE (PLACARDS AND MARKINGS ONLY)		
- 1	284T0721-1		OUTLET INSTL-INTPH AND SVCE (PLACARDS AND MARKINGS ONLY)		RF
			POSITION DATA: SECT. 41 FOR NHA/OTHER SYS DET SEE: 24-00-58-02		
5	BAC27TEX0956		.DECAL- PLACARD CONTENT: D0006 SERVICE OUTLET D8539 INTPH JACK		RF

ILLUSTRATION ITEMS NOT ON PARTS LIST ARE NOT APPLICABLE

- ITEM NOT ILLUSTRATED

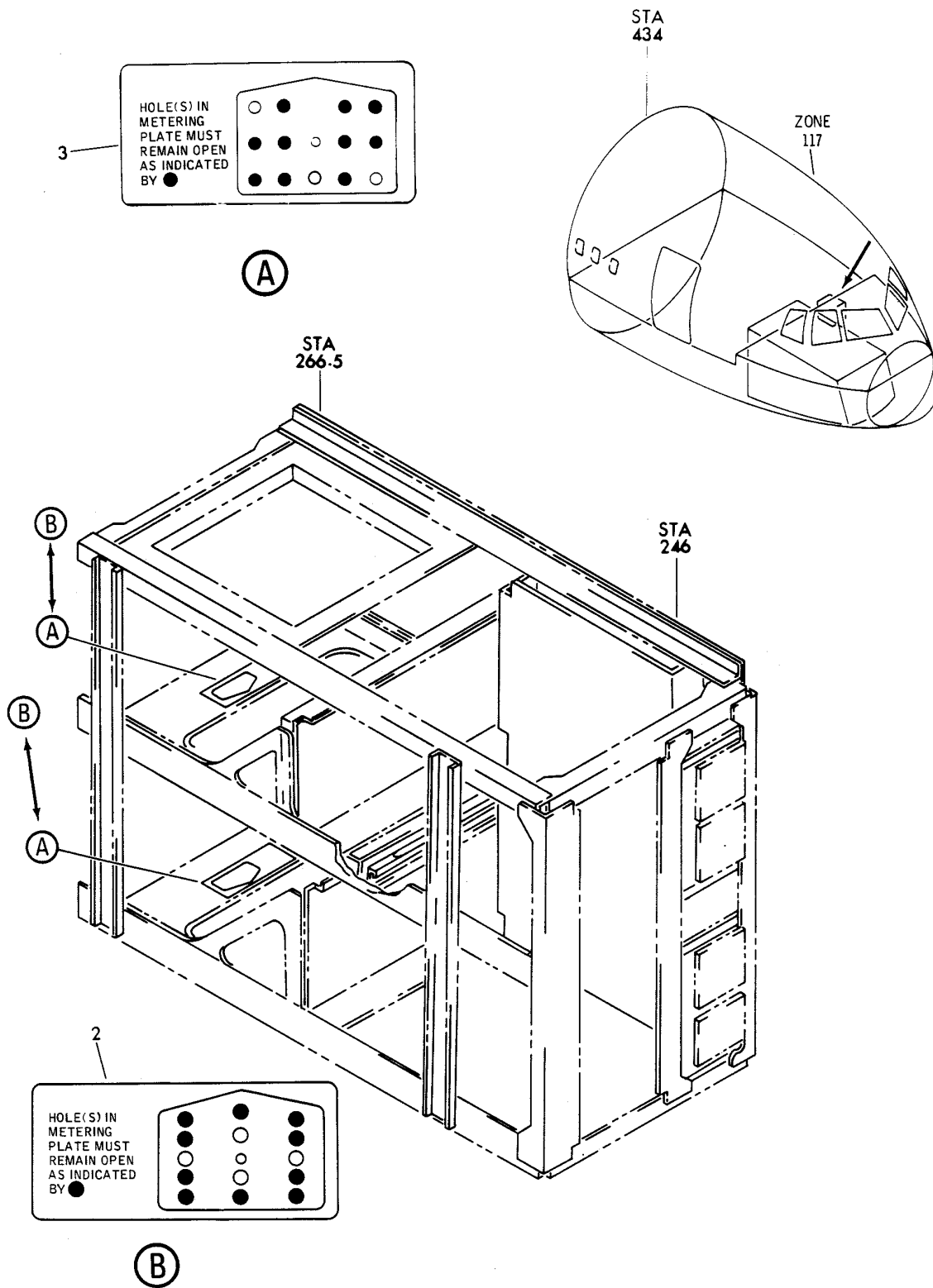
HXL

11-36-50-05

BOEING PROPRIETARY - Copyright © - Unpublished Work - See title page for details.

11-36-50
FIG. 05
PAGE 1
DEC 22/06

BOEING
767
PARTS CATALOG (MAINTENANCE)



V 11385201 SHT 1 REV 096

RACK ASSY-E8 MAIN (PLACARDS AND MARKINGS ONLY)
FIGURE 1

11-36-52-01

HXL
DEC 22/06

11-36-52-01
PAGE 0



767

PARTS CATALOG (MAINTENANCE)

FIG ITEM	PART NUMBER	1 2 3 4 5 6 7	NOMENCLATURE	EFFECT FROM TO	UNITS PER ASSY
1			RACK ASSY-E8 MAIN (PLACARDS AND MARKINGS ONLY)		
- 1	284T1067-7		RACK ASSY-E8 MAIN (PLACARDS AND MARKINGS ONLY) FOR NHA/OTHER SYS DET SEE: 21-58-57-01	163999	RF
- 1	284T1067-15		RACK ASSY-E8 MAIN (PLACARDS AND MARKINGS ONLY) FOR NHA/OTHER SYS DET SEE: 21-58-57-01	155162	RF
2	BAC27TEX3277		.DECAL- OPTIONAL PART: BAC27TEX2038		2
3	BAC27TEX2038		.DECAL- OPTIONAL PART: BAC27TEX3277		2

ILLUSTRATION ITEMS NOT ON PARTS LIST ARE NOT APPLICABLE

- ITEM NOT ILLUSTRATED

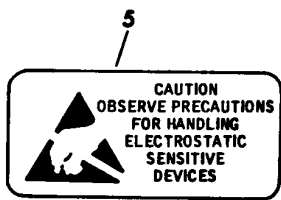
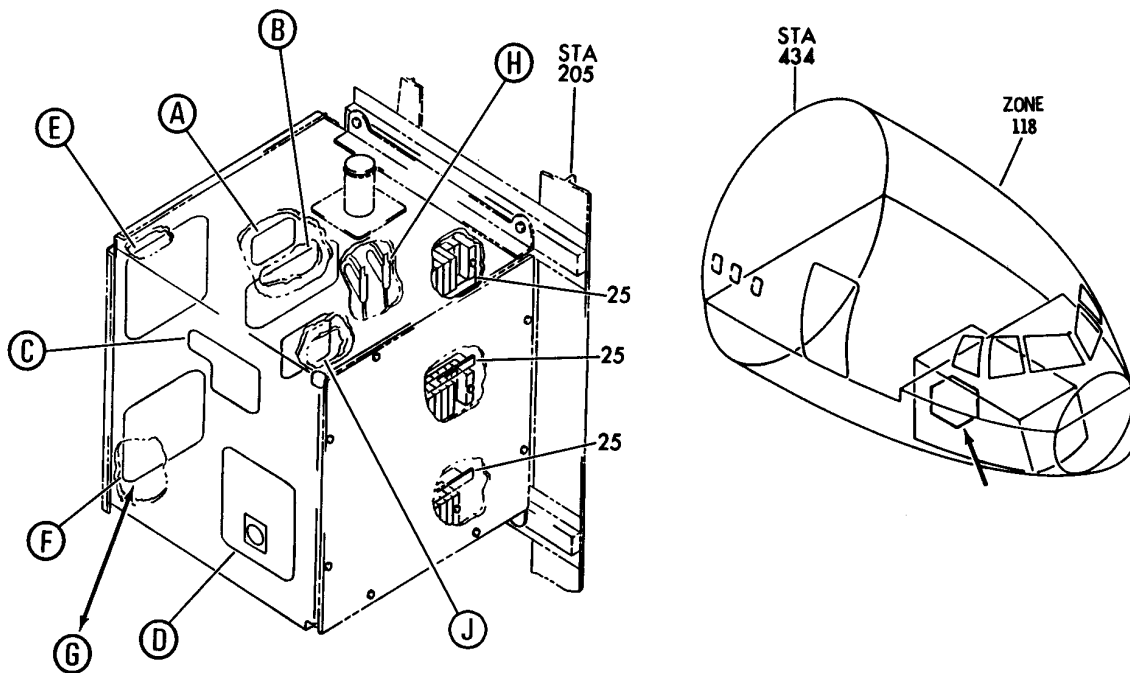
HXL

11-36-52-01

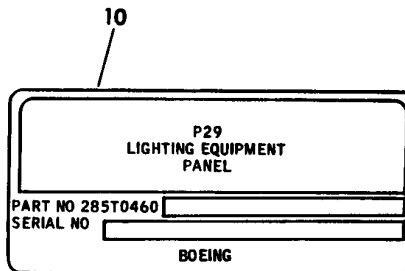
BOEING PROPRIETARY - Copyright © - Unpublished Work - See title page for details.

11-36-52
FIG. 01
PAGE 1
DEC 22/07

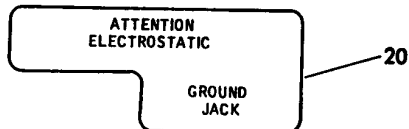
BOEING
767
PARTS CATALOG (MAINTENANCE)



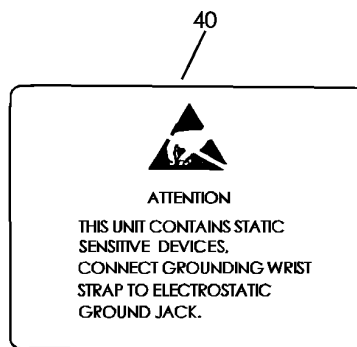
A



B



C



J

V 11365301 SHT 1 REV 232

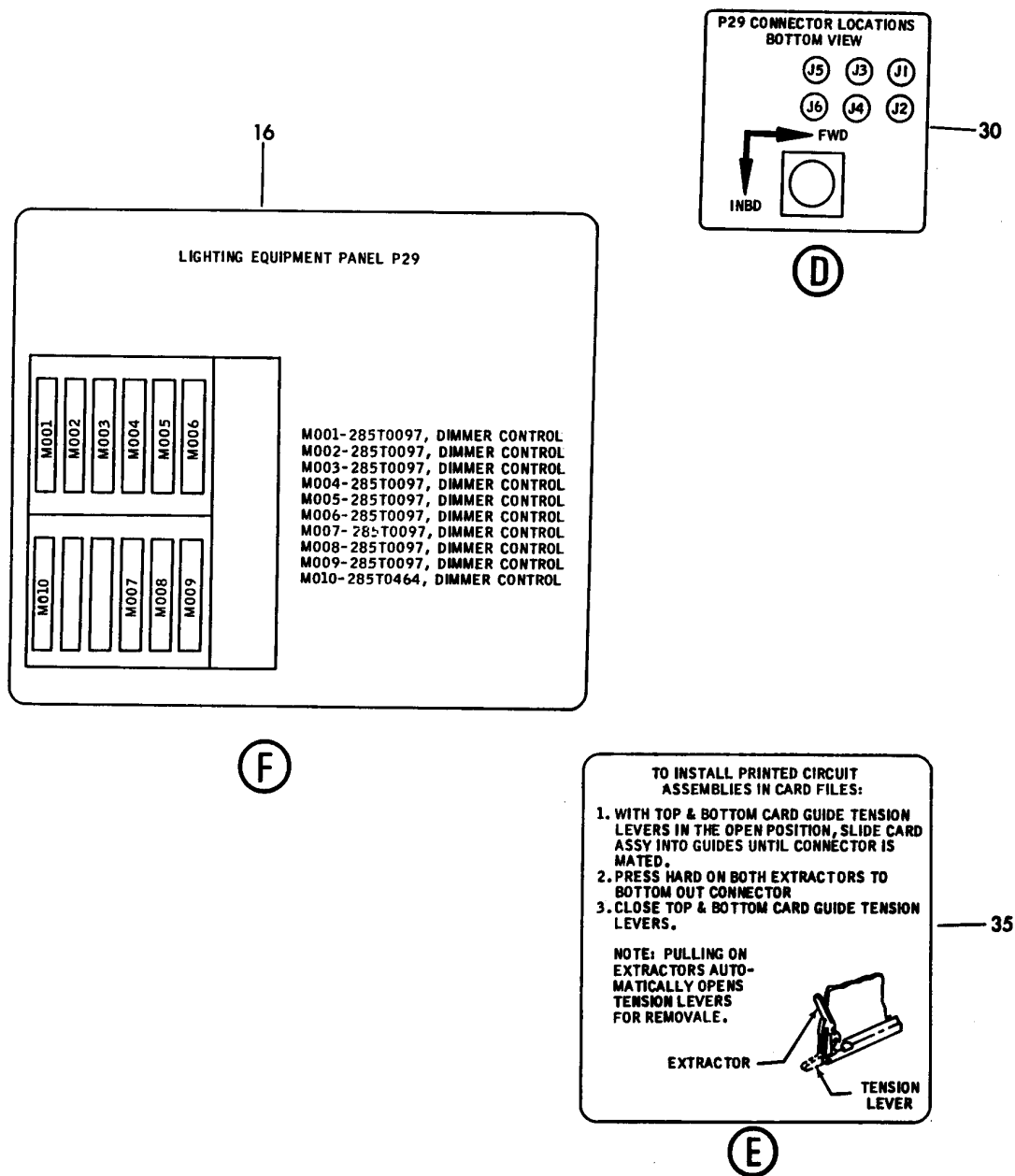
PANEL ASSY-LIGHTING EQPT (P29) (PLACARDS AND MARKINGS ONLY)
FIGURE 1 (SHEET 1)

11-36-53-01

HXL
DEC 22/06

11-36-53-01
PAGE 0

BOEING
767
PARTS CATALOG (MAINTENANCE)



V 11365301 SHT 2 REV 180

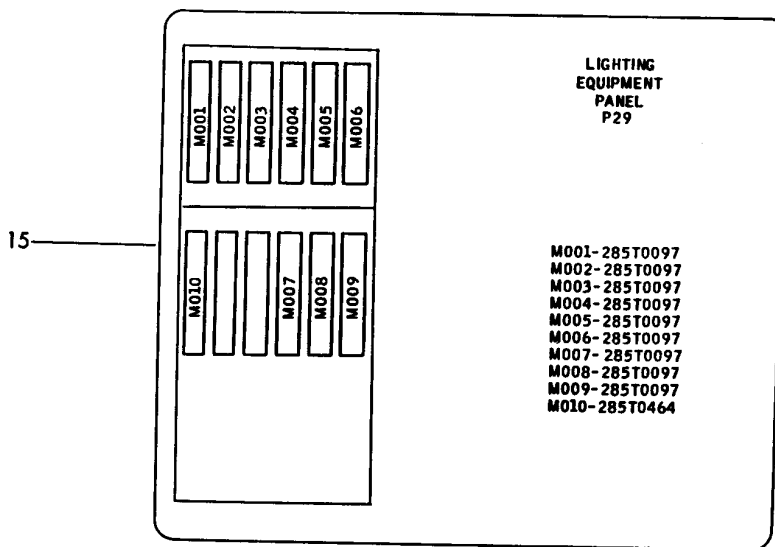
PANEL ASSY-LIGHTING EQPT (P29) (PLACARDS AND MARKINGS ONLY)
FIGURE 1 (SHEET 2)

11-36-53-01

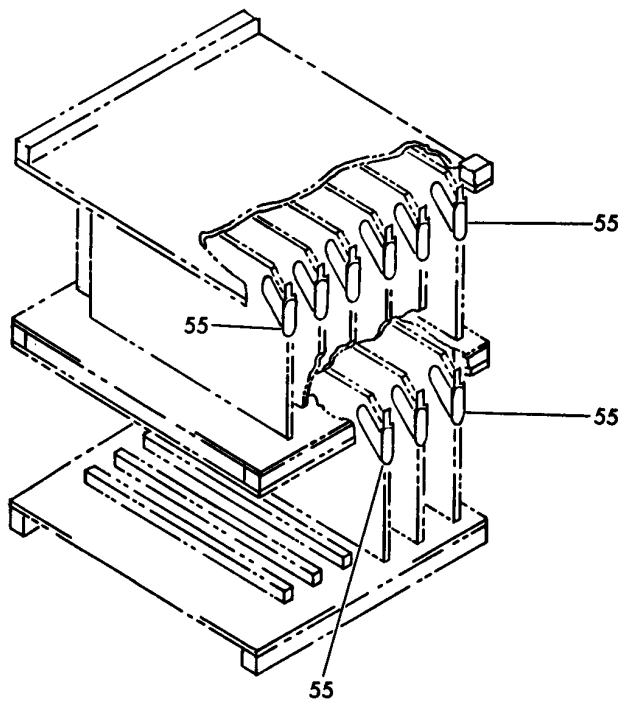
HXL
DEC 22/06

11-36-53-01
PAGE 0A

BOEING
767
PARTS CATALOG (MAINTENANCE)



(G)



(H)

V 11365301 SHT 3 REV 180

PANEL ASSY-LIGHTING EQPT (P29) (PLACARDS AND MARKINGS ONLY)
FIGURE 1 (SHEET 3)

11-36-53-01

HXL
DEC 22/06

11-36-53-01
PAGE 0B



767

PARTS CATALOG (MAINTENANCE)

FIG ITEM	PART NUMBER	1 2 3 4 5 6 7	NOMENCLATURE	EFFECT FROM TO	UNITS PER ASSY
1			PANEL ASSY-LIGHTING EQPT (P29) (PLACARDS AND MARKINGS ONLY)		
- 1	285T0460-13		PANEL ASSY-LIGHTING EQPT P29 (PLACARDS AND MARKINGS ONLY) SUPPLIER CODE: V89954 FOR NHA/OTHER SYS DET SEE: 25-71-42-01		RF
5	BAC27TEX1		.DECAL		1
10	BAC27TEX2428		.MARKER-ALUMINUM FOIL		1
16	BAC27TEX3552		.DECAL- SUPPLIER CODE: V89954		1
20	BAC27TEX1993		.DECAL- PLACARD CONTENT: ATTENTION ELECTROSTATIC GROUND JACK		1
25	BAC27TEX8		.DECAL- PLACARD CONTENT: 1 THRU 25		3
30	BAC27TEX2949		.DECAL- SUPPLIER CODE: V89954		1
35	BAC27TEX3370		.DECAL-		1
50	285T0097-6		.PRINTED CIRCUIT ASSY-DIM AND TEST TYPE I MASTER DIMMER CONT STATIC SENSITIVE PART SUPPLIER CODE: V89954 ELECTRICAL EQUIP NUMBER: YB3M001 YB3M002 YB3M003 YB3M004 YB3M005 YB3M006 YB3M007 YB3M008 YB3M009 COMPONENT MAINT MANUAL REF: 33-16-04 OPTIONAL PART: 285T0097-9 V89954		RF

ILLUSTRATION ITEMS NOT ON PARTS LIST ARE NOT APPLICABLE

- ITEM NOT ILLUSTRATED

HXL

11-36-53-01

BOEING PROPRIETARY - Copyright © - Unpublished Work - See title page for details.

11-36-53
FIG. 01
PAGE 1
APR 22/09



767

PARTS CATALOG (MAINTENANCE)

FIG ITEM	PART NUMBER	1 2 3 4 5 6 7	NOMENCLATURE	EFFECT FROM TO	UNITS PER ASSY
1 50	285T0097-9		.PRINTED CIRCUIT ASSY-DIM AND TEST TYPE I MASTER DIMMER CONT STATIC SENSITIVE PART SUPPLIER CODE: V89954 ELECTRICAL EQUIP NUMBER: YB3M001 YB3M002 YB3M003 YB3M004 YB3M005 YB3M006 YB3M007 YB3M008 YB3M009 COMPONENT MAINT MANUAL REF: 33-16-04 OPTIONAL PART: 285T0097-6 V89954		RF
55	BAC27TEX1486		..DECAL- PLACARD CONTENT: STATIC SENSITIVE		1

ILLUSTRATION ITEMS NOT ON PARTS LIST ARE NOT APPLICABLE

- ITEM NOT ILLUSTRATED

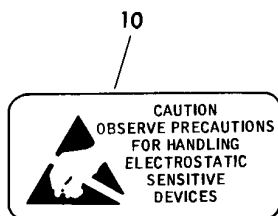
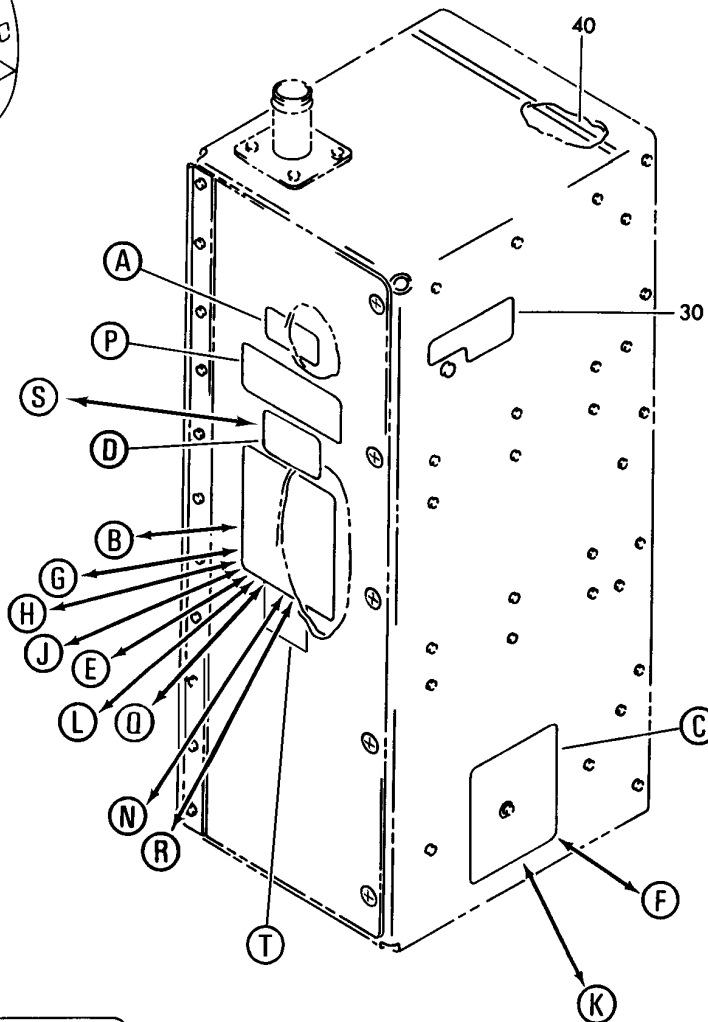
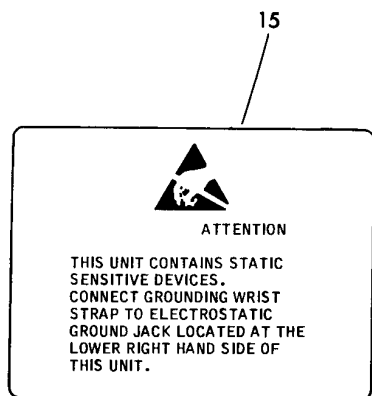
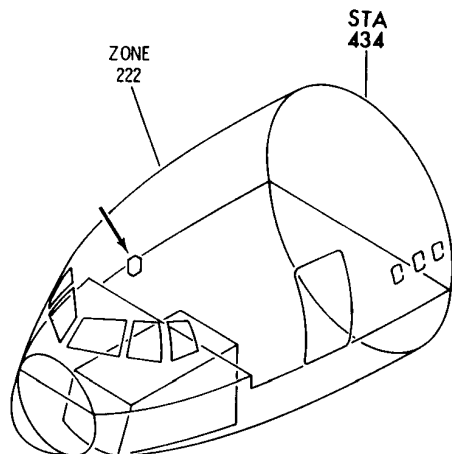
HXL

11-36-53-01

BOEING PROPRIETARY - Copyright © - Unpublished Work - See title page for details.

11-36-53
FIG. 01
PAGE 2
DEC 22/07

BOEING
767
PARTS CATALOG (MAINTENANCE)



V 11365401 SHT 1 REV 338

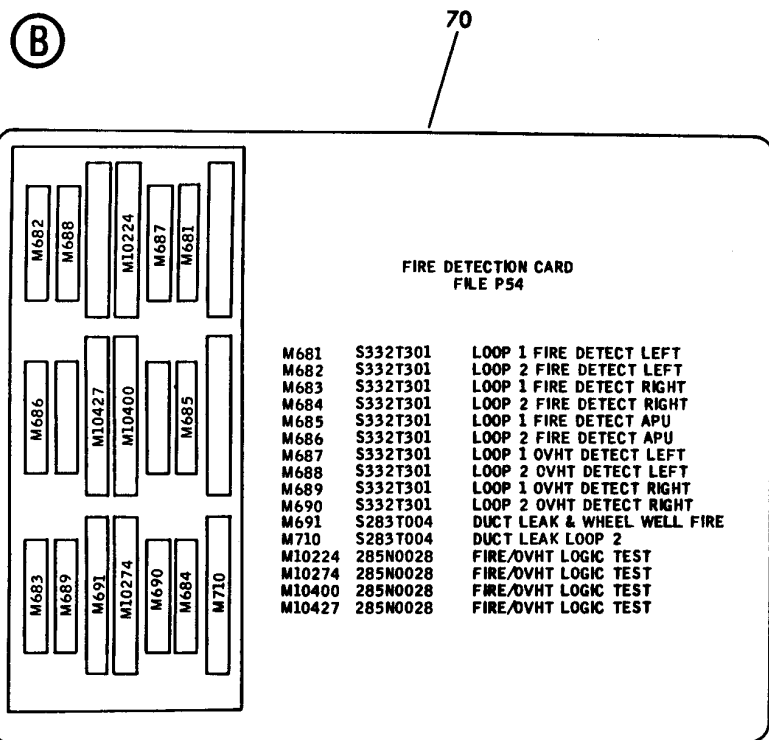
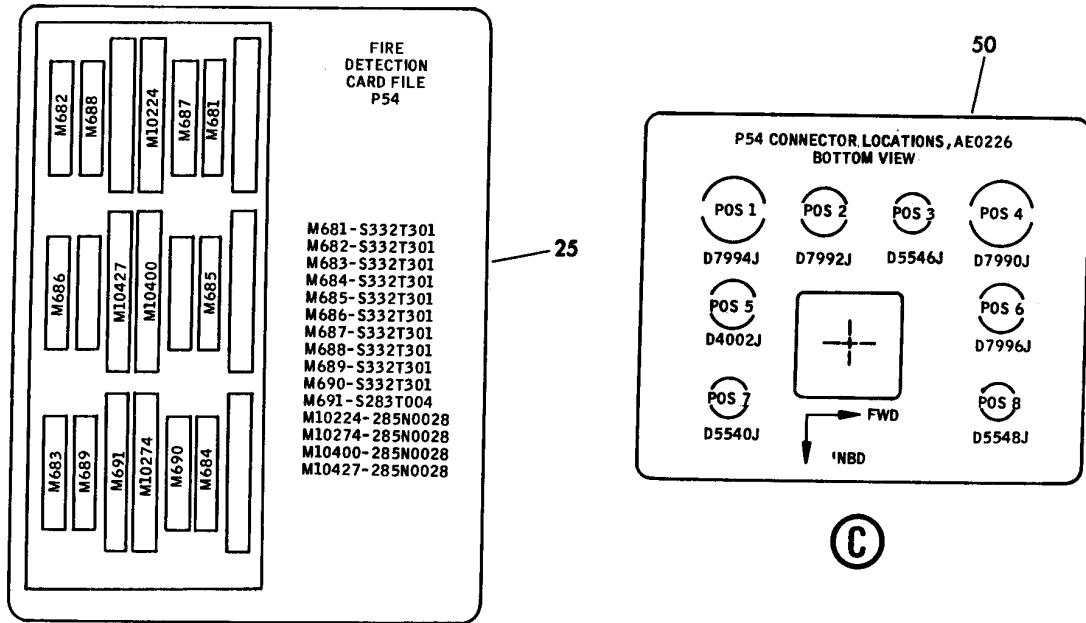
HOUSING ASSY-FIRE DETECTION CARD FILE (P54) (PLACARDS AND MARKINGS ONLY)
FIGURE 1 (SHEET 1)

11-36-54-01

HXL
APR 22/09

11-36-54-01
PAGE 0

BOEING
767
PARTS CATALOG (MAINTENANCE)



V 11365401 SHT 2 REV 180

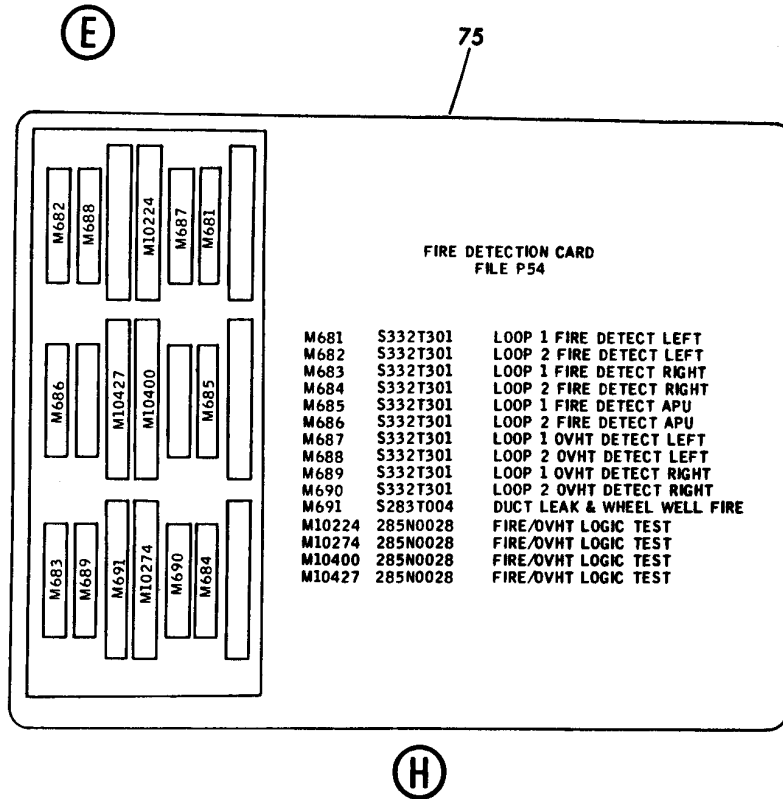
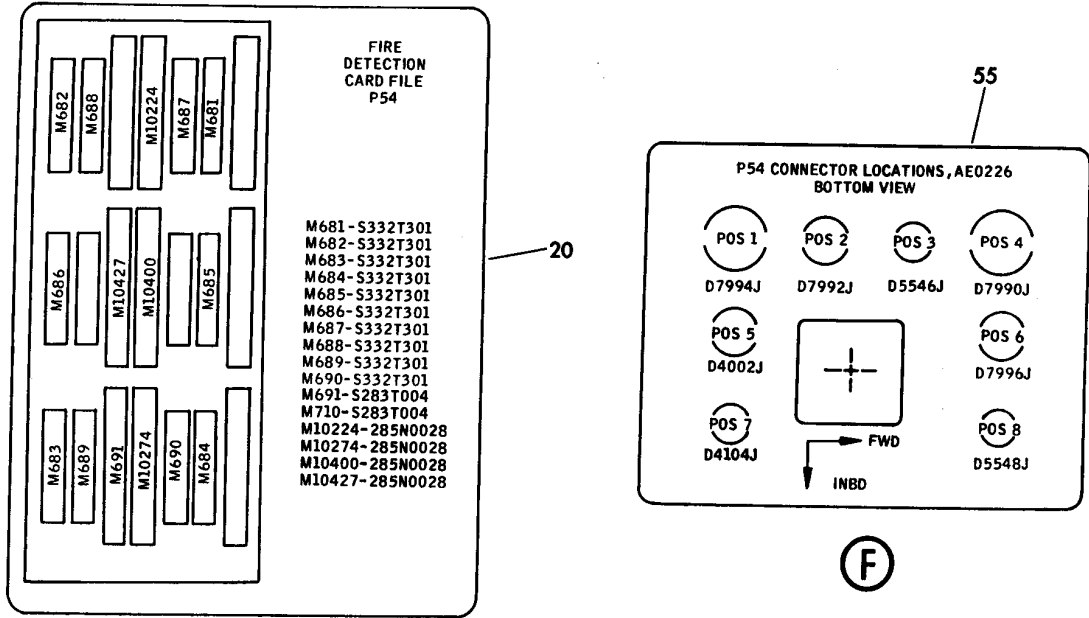
HOUSING ASSY-FIRE DETECTION CARD FILE (P54) (PLACARDS AND MARKINGS ONLY)
FIGURE 1 (SHEET 2)

11-36-54-01

HXL
DEC 22/06

11-36-54-01
PAGE 0A

BOEING
767
PARTS CATALOG (MAINTENANCE)



V 11365401 SHT 3 REV 180

HOUSING ASSY-FIRE DETECTION CARD FILE (P54) (PLACARDS AND MARKINGS ONLY)
FIGURE 1 (SHEET 3)

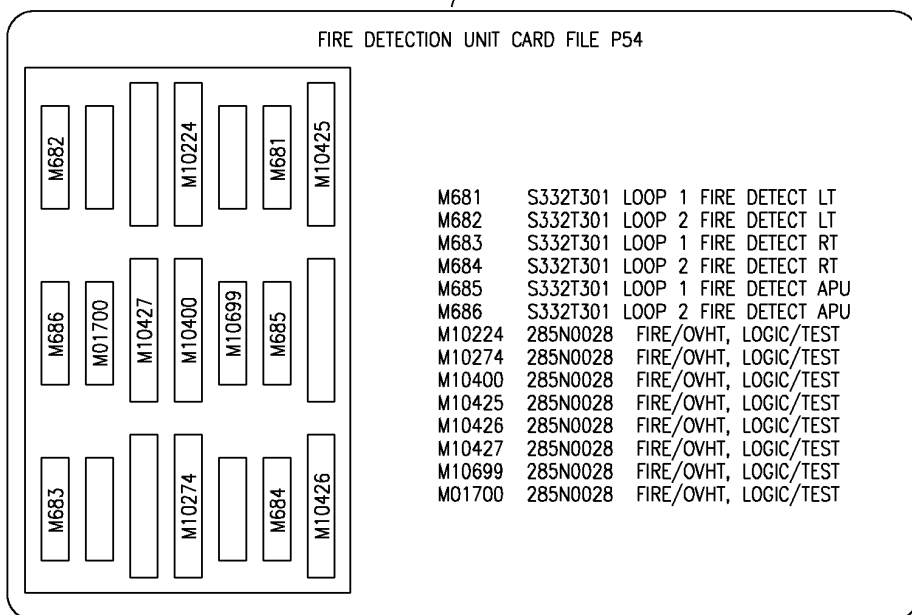
11-36-54-01

HXL
DEC 22/06

11-36-54-01
PAGE 0B

BOEING
767
PARTS CATALOG (MAINTENANCE)

80



J

V 11365401 SHT 4 REV 311

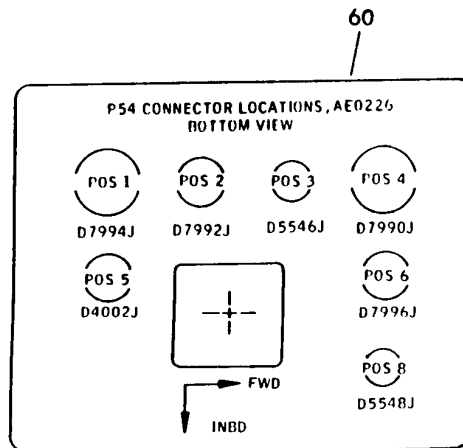
HOUSING ASSY-FIRE DETECTION CARD FILE (P54) (PLACARDS AND MARKINGS ONLY)
FIGURE 1 (SHEET 4)

HXL
DEC 22/06

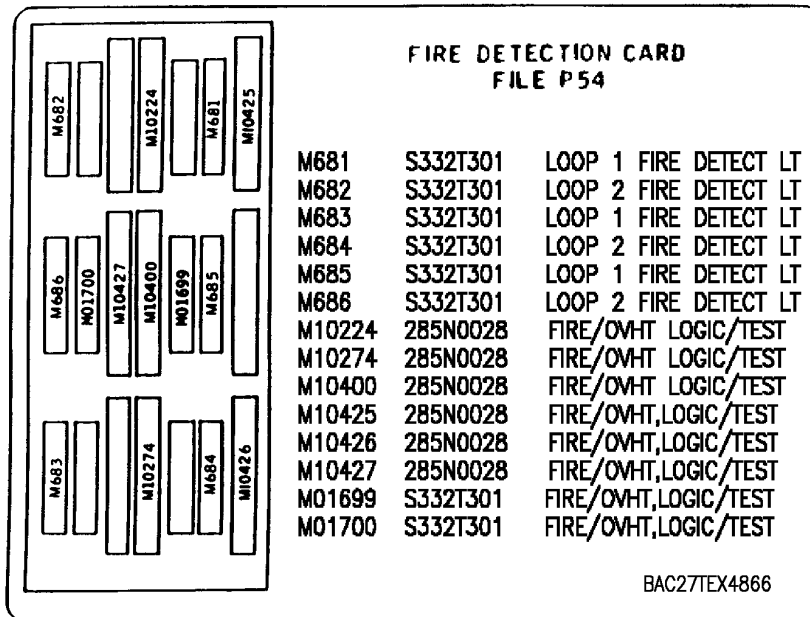
11-36-54-01

11-36-54-01
PAGE 0C

BOEING
767
PARTS CATALOG (MAINTENANCE)



(K)



65

(L)

V 11365401 SH1 5 REV 318

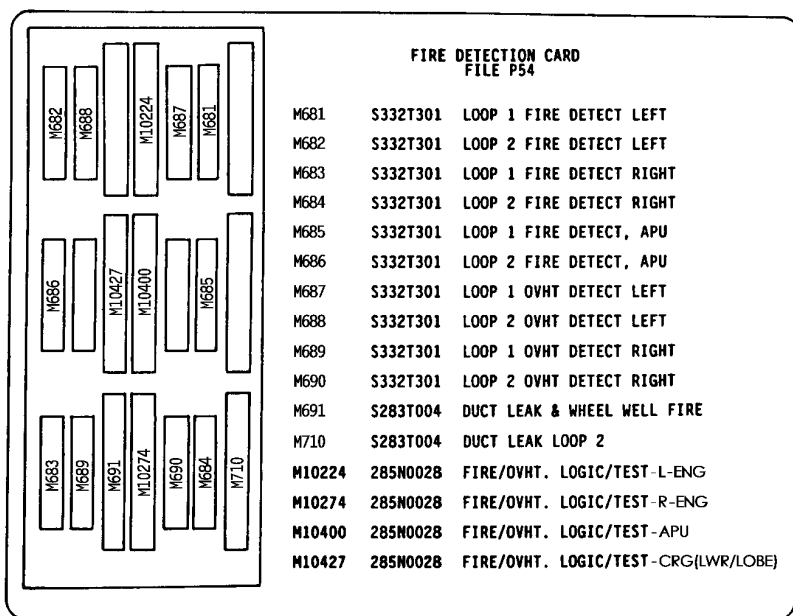
HOUSING ASSY-FIRE DETECTION CARD FILE (P54) (PLACARDS AND MARKINGS ONLY)
FIGURE 1 (SHEET 5)

11-36-54-01

HXL
AUG 22/07

11-36-54-01
PAGE 00

BOEING
767
PARTS CATALOG (MAINTENANCE)



V 11365401 SHT 6 REV 338

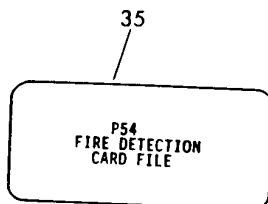
HOUSING ASSY-FIRE DETECTION CARD FILE (P54) (PLACARDS AND MARKINGS ONLY)
FIGURE 1 (SHEET 6)

11-36-54-01

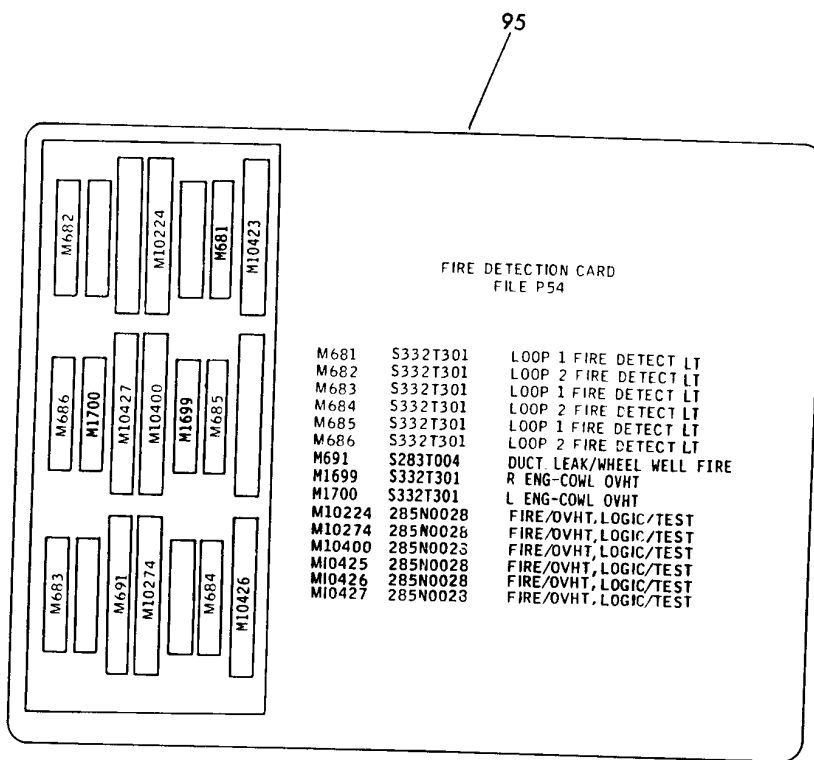
HXL
APR 22/09

11-36-54-01
PAGE 0E

BOEING
767
PARTS CATALOG (MAINTENANCE)



(P)



(Q)

V 11365401 SHT 7 REV 191

HOUSING ASSY-FIRE DETECTION CARD FILE (P54) (PLACARDS AND MARKINGS ONLY)
FIGURE 1 (SHEET 7)

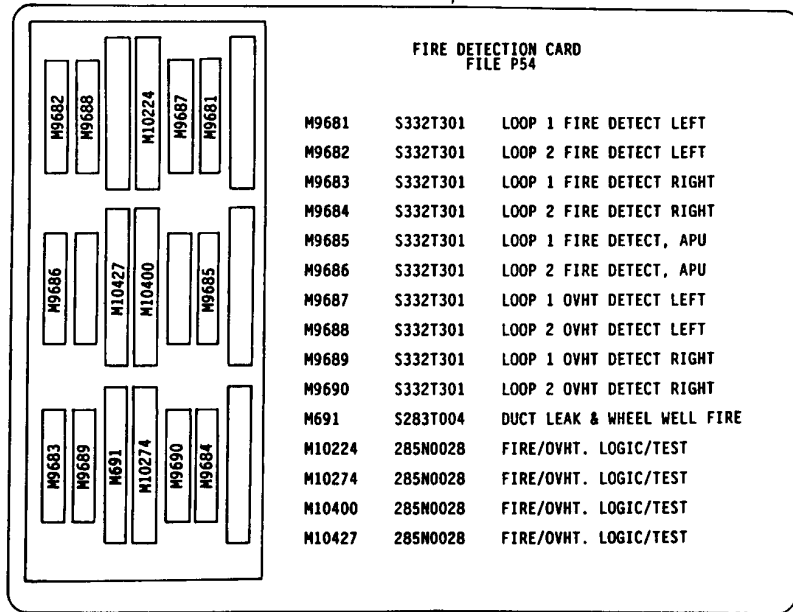
HXL
DEC 22/06

11-36-54-01

11-36-54-01
PAGE OF

BOEING
767
PARTS CATALOG (MAINTENANCE)

76



Ⓡ


100

WARNING

IVS FILTER ENCLOSURE MUST BE UNLATCHED AND ROTATED OUT BEFORE ACCESSING P54 CARD FILES

Ⓣ

45


ATTENTION

THIS UNIT CONTAINS STATIC SENSITIVE DEVICES. CONNECT GROUNDING WRIST STRAP TO ELECTROSTATIC GROUND JACK.

Ⓢ

V 11365401 SHT 8 REV 232

HOUSING ASSY-FIRE DETECTION CARD FILE (P54) (PLACARDS AND MARKINGS ONLY)
FIGURE 1 (SHEET 8)

HXL
DEC 22/06

11-36-54-01

11-36-54-01
PAGE 0G



767

PARTS CATALOG (MAINTENANCE)

FIG ITEM	PART NUMBER	1 2 3 4 5 6 7	NOMENCLATURE	EFFECT FROM TO	UNITS PER ASSY
1			HOUSING ASSY-FIRE DETECTION CARD FILE (P54) (PLACARDS AND MARKINGS ONLY)		
- 1	285T0509-9		HOUSING ASSY-FIRE DETECTION CARD FILE P54 (PLACARDS AND MARKINGS ONLY) QUALIFIED I/W DATA: 285T0509-1 I/W 285T0509-9 EXCEPT FOR ETOPS WHERE 285T0509-9 MUST BE INSTALLED FOR NHA/OTHER SYS DET SEE: 25-71-36-02		RF
10	BAC27TEX1		.DECAL		1
30	BAC27TEX1993		.DECAL- PLACARD CONTENT: ATTENTION ELECTROSTATIC GROUND JACK		1
35	BAC27TEX1048		.MARKER-ALUMINUM FOIL PLACARD CONTENT: P54 FIRE DETECTION CARD FILE		1
40	BAC27TEX1316		.DECAL- PLACARD CONTENT: 1 THRU 97		1
45	BAC27TEX5559		.DECAL		1
50	BAC27TEX2953		.DECAL-		1
75	BAC27TEX3557		.DECAL-		1

ILLUSTRATION ITEMS NOT ON PARTS LIST ARE NOT APPLICABLE

- ITEM NOT ILLUSTRATED

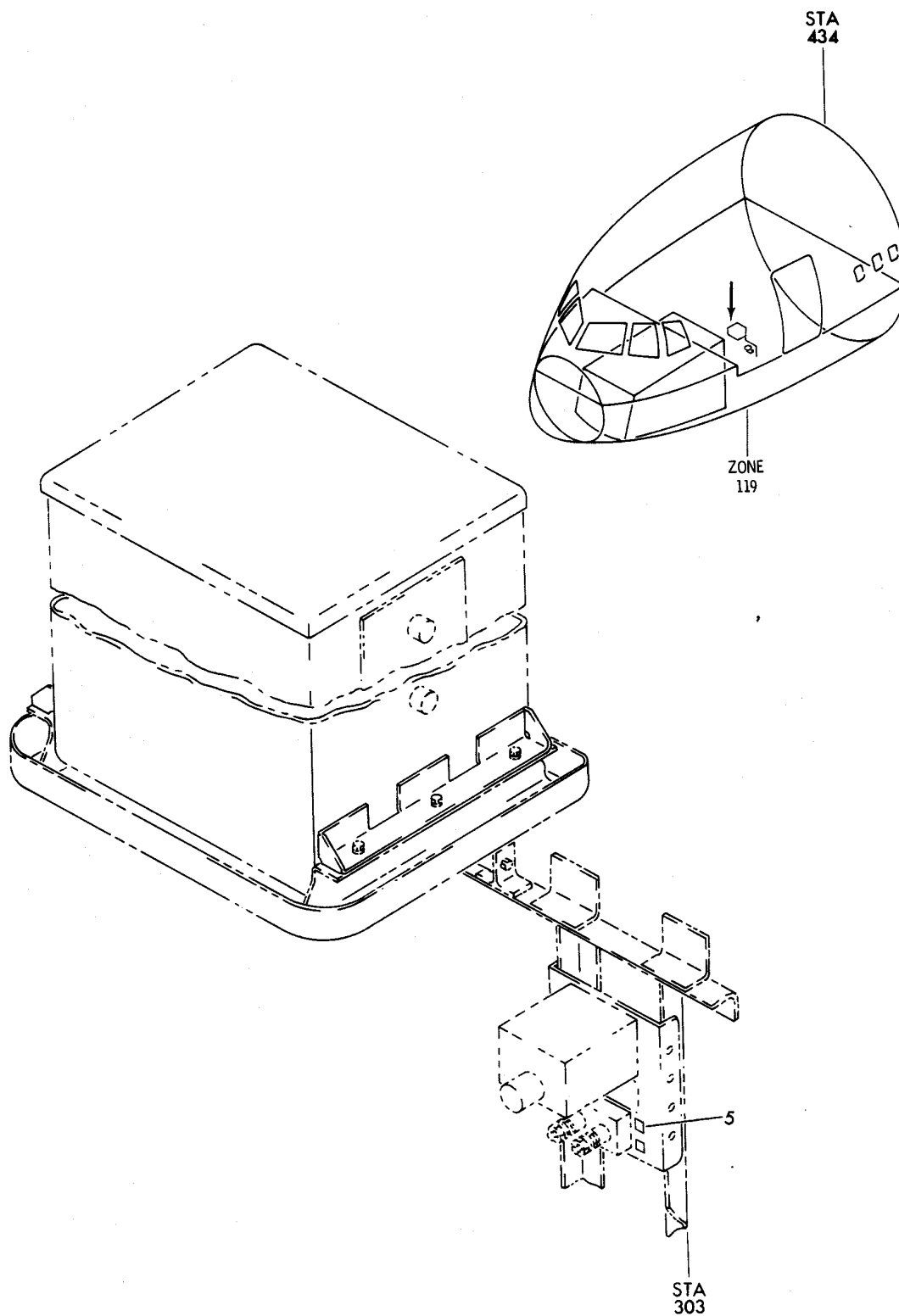
HXL

11-36-54-01

BOEING PROPRIETARY - Copyright © - Unpublished Work - See title page for details.

11-36-54
FIG. 01
PAGE 1
DEC 22/06

BOEING
767
PARTS CATALOG (MAINTENANCE)



V 1136501 SHT 1 REV 023

BATTERY INSTL-SECT. 41 MAIN EQPT CTR LWR (PLACARDS AND MARKINGS ONLY)

FIGURE 1

11-36-55-01

HXL
DEC 22/06

11-36-55-01
PAGE 0

 **BOEING**
767
PARTS CATALOG (MAINTENANCE)

FIG ITEM	PART NUMBER	1 2 3 4 5 6 7	NOMENCLATURE	EFFECT FROM TO	UNITS PER ASSY
1			BATTERY INSTL-SECT. 41 MAIN EQPT CTR LWR (PLACARDS AND MARKINGS ONLY)		
- 1	284T0713-2		BATTERY INSTL-MAIN EQPT CTR (PLACARDS AND MARKINGS ONLY) POSITION DATA: SECT. 41 LWR VARIABLE DRAWING REF: 284T0713-5003 FOR NHA/OTHER SYS DET SEE: 24-00-58-02		RF
5	BAC27TEX0105		.DECAL- PLACARD CONTENT: A THRU T		AR

ILLUSTRATION ITEMS NOT ON PARTS LIST ARE NOT APPLICABLE

- ITEM NOT ILLUSTRATED

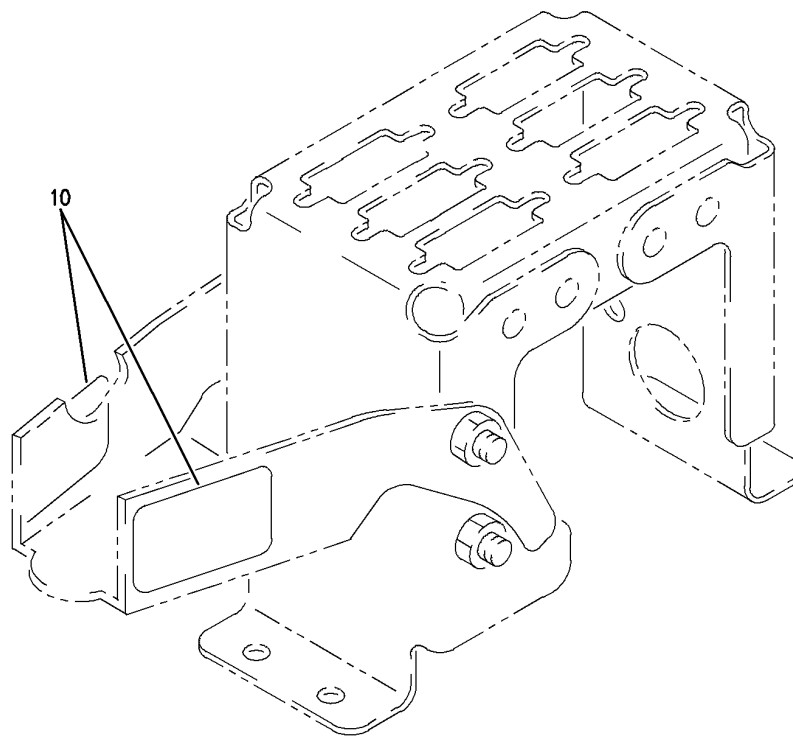
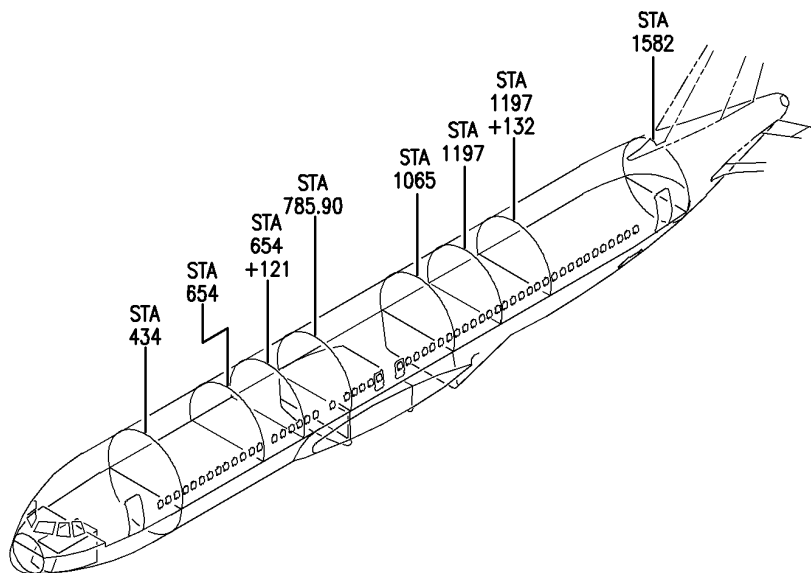
HXL

11-36-55-01

BOEING PROPRIETARY - Copyright © - Unpublished Work - See title page for details.

11-36-55
FIG. 01
PAGE 1
DEC 22/06

BOEING
767
PARTS CATALOG (MAINTENANCE)



V 11366201 REV 231

PANEL ASSY-(PLACARDS AND MARKINGS ONLY)
FIGURE 1

11-36-62-01

HXL
DEC 22/06

11-36-62-01
PAGE 0



767

PARTS CATALOG (MAINTENANCE)

FIG ITEM	PART NUMBER	1 2 3 4 5 6 7	NOMENCLATURE	EFFECT FROM TO	UNITS PER ASSY
1			PANEL ASSY- (PLACARDS AND MARKINGS ONLY)		
- 1	284T0498-5		PANEL ASSY-MANUAL ACTR (PLACARDS AND MARKINGS ONLY) SUPPLIER CODE: V89954 COMPONENT MAINT MANUAL REF: 25-65-52 FOR NHA SEE: 25-65-15-04		RF
10	BAC27TEX3177		.DECAL- SUPPLIER CODE: V89954 PLACARD CONTENT: CAUTION: BOTH TOGGLE SWITCHES MUST BE IN THE UP POSITION BEFORE ARMING SYSTEM		2

ILLUSTRATION ITEMS NOT ON PARTS LIST ARE NOT APPLICABLE

- ITEM NOT ILLUSTRATED

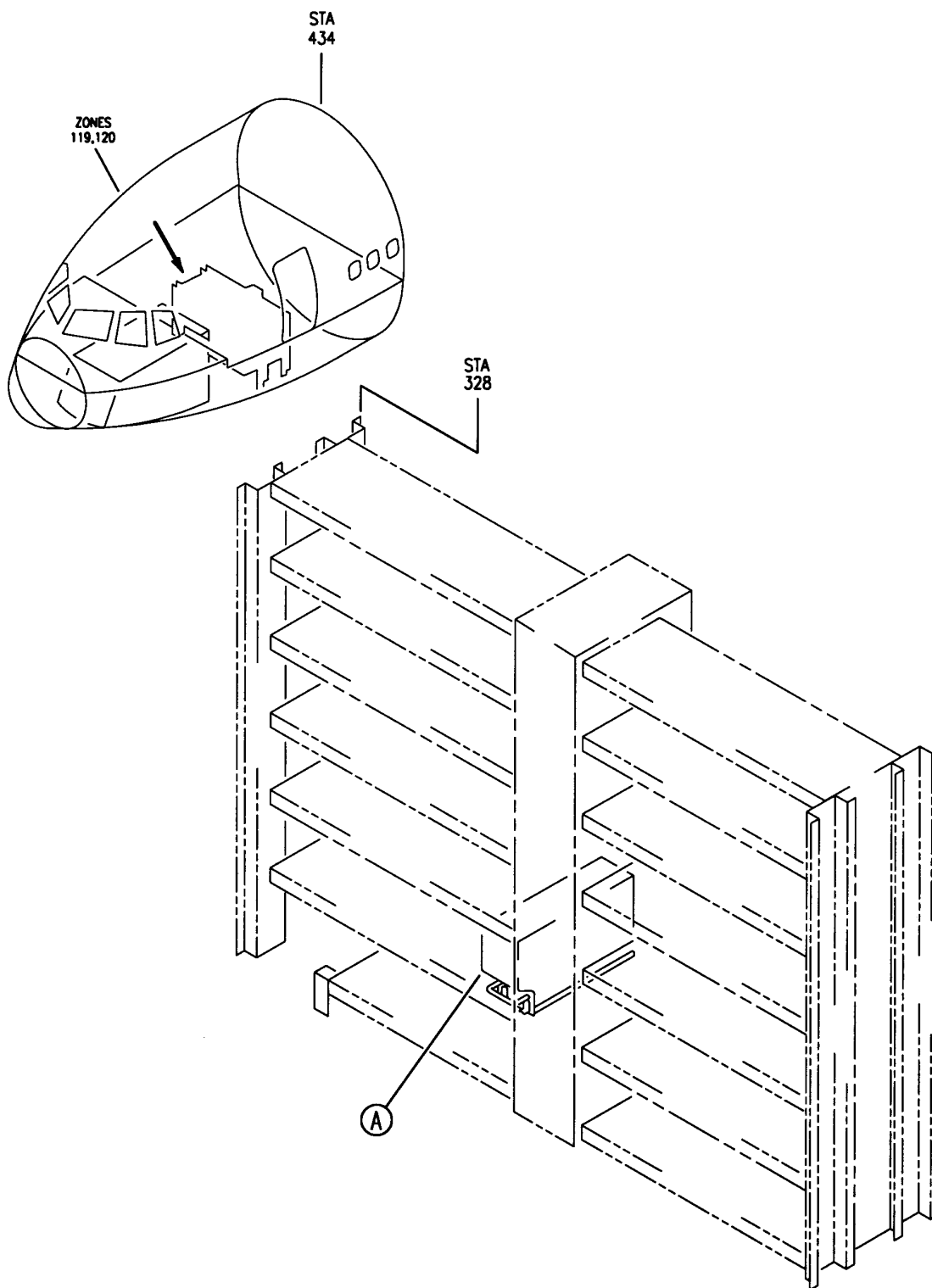
HXL

11-36-62-01

BOEING PROPRIETARY - Copyright © - Unpublished Work - See title page for details.

11-36-62
FIG. 01
PAGE 1
DEC 22/06

BOEING
767
PARTS CATALOG (MAINTENANCE)



V 11369101 SH1 1 REV 190

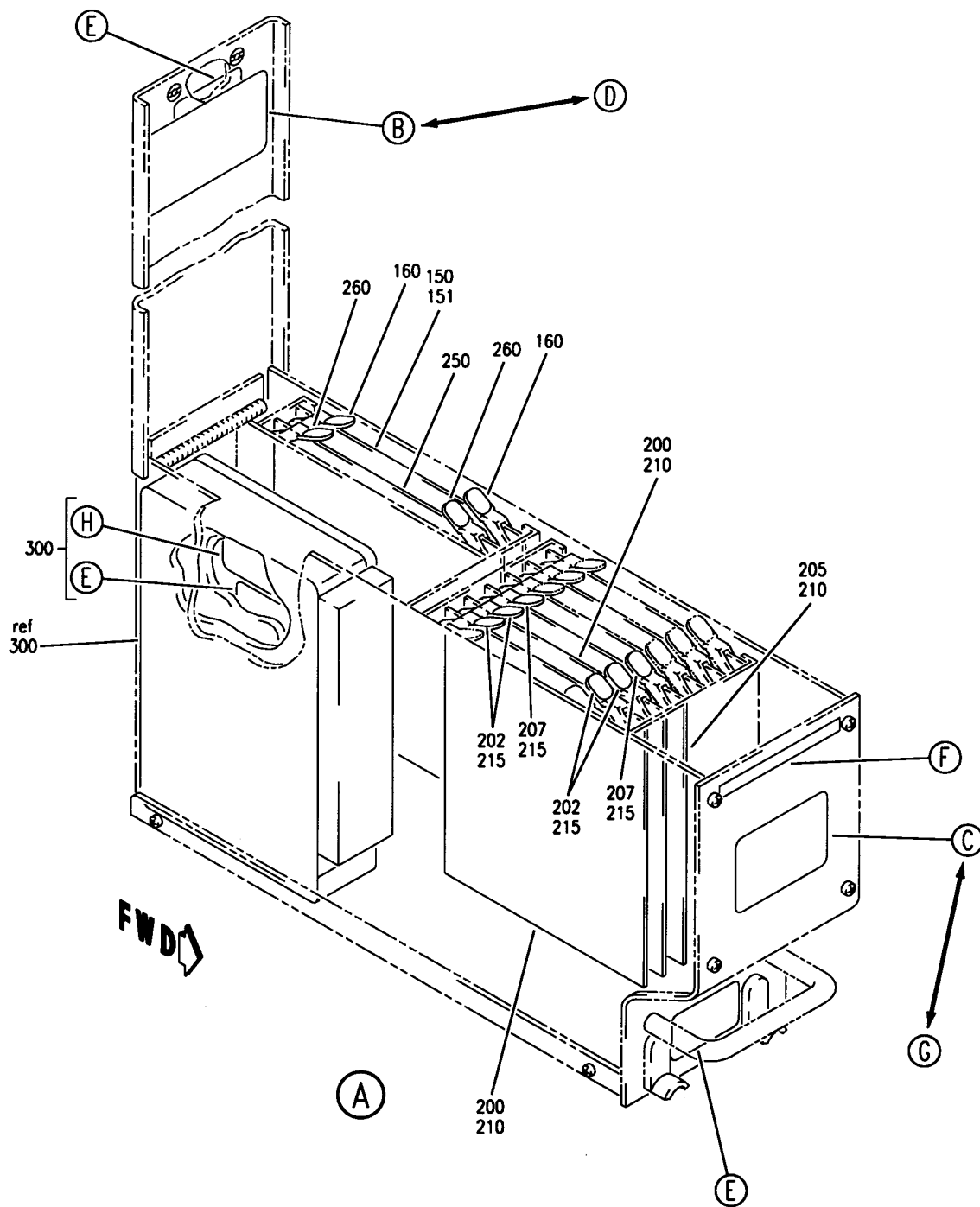
UNIT ASSY-AUDIO ACCESS. (PLACARDS AND MARKINGS ONLY)
FIGURE 1 (SHEET 1)

11-36-91-01

HXL
DEC 22/06

11-36-91-01
PAGE 0

BOEING
767
PARTS CATALOG (MAINTENANCE)



V 11369101 SHT 2 REV 190

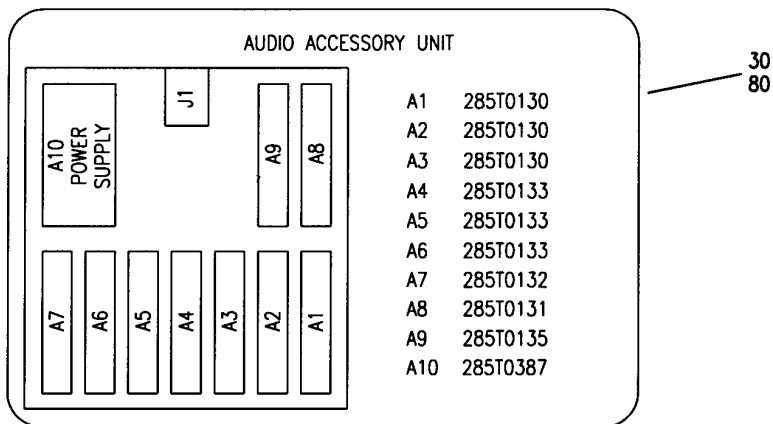
UNIT ASSY-AUDIO ACCESS. (PLACARDS AND MARKINGS ONLY)
FIGURE 1 (SHEET 2)

11-36-91-01

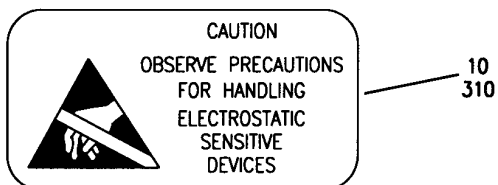
HXL
DEC 22/06

11-36-91-01
PAGE 0A

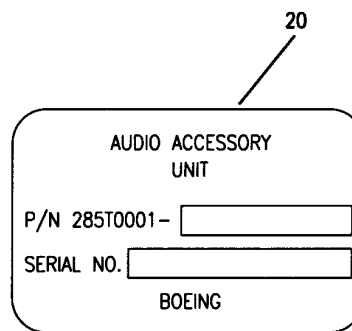
BOEING
767
PARTS CATALOG (MAINTENANCE)



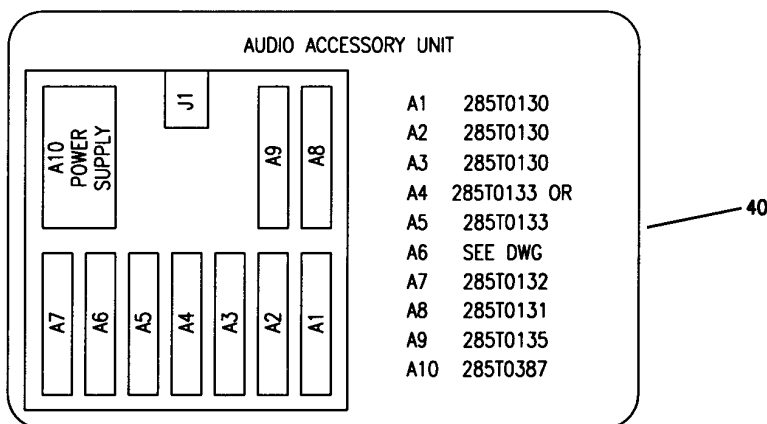
B



E



C



D

V 11369101 SHT 3 REV 190

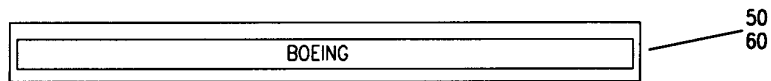
UNIT ASSY-AUDIO ACCESS. (PLACARDS AND MARKINGS ONLY)
FIGURE 1 (SHEET 3)

11-36-91-01

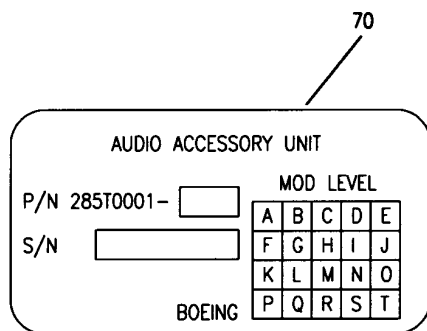
HXL
DEC 22/06

11-36-91-01
PAGE 0B

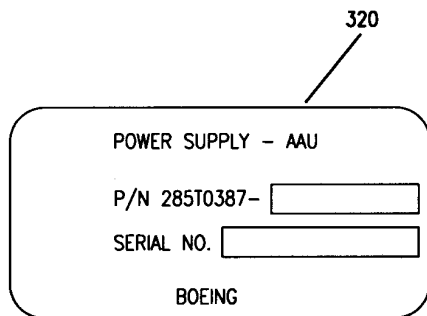
BOEING
767
PARTS CATALOG (MAINTENANCE)



(F)



(G)



(H)

V 11369101 SH1 4 REV 190

UNIT ASSY-AUDIO ACCESS. (PLACARDS AND MARKINGS ONLY)
FIGURE 1 (SHEET 4)

11-36-91-01

HXL
DEC 22/06

11-36-91-01
PAGE 0C



767

PARTS CATALOG (MAINTENANCE)

FIG ITEM	PART NUMBER	1 2 3 4 5 6 7 NOMENCLATURE	EFFECT FROM TO	UNITS PER ASSY
1 - 1	285T0001-69	UNIT ASSY-AUDIO ACCESS. (PLACARDS AND MARKINGS ONLY) UNIT ASSY-AUDIO ACCESS. (STATIC SENSITIVE PART) (PLACARDS AND MARKINGS ONLY) SUPPLIER CODE: V89954 MISCELLANEOUS DATA: ASSY -69 WITH -5018 INSTALLED IS MOD A. ALL -69 ASSEMBLIES BUILT AFTER 3/10/88 WILL HAVE -5018 INSTALLED AND SHALL BE MARKED WITH MOD LEVEL LETTER A ON THE NAMEPLATE DECAL. ASSY -69 WITH -5022 INSTALLED IS MOD B, AND ALSO MOD A. ALL -69 ASSEMBLIES BUILT AFTER 5/17/89 WILL HAVE -5022 INSTALLED AND SHALL BE MARKED WITH MOD LEVEL LETTERS A AND B ON THE NAMEPLATE DECAL ASSY -69 WITH -5033 INSTALLED IS MOD C, AND ALSO MODS A AND B. ALL -69 ASSEMBLIES BUILT AFTER 1/21/91 WILL HAVE -5033 INSTALLED AND SHALL BE MARKED WITH MOD LEVEL LETTERS A, B AND C ON THE NAMEPLATE DECAL. ASSY -69 WITH -5055 INSTALLED IS MOD D, AND ALSO MODS A, B, AND C. ALL -69 SHIPPED AFTER 11/02/95 WILL HAVE -505 INSTALLED AND SHALL BE MARKED WITH MOD LEVELS A, B, C, AND D ON THE NAMEPLATE DECAL. ELECTRICAL EQUIP NUMBER: M00108 COMPONENT MAINT MANUAL REF: 23-42-61 QUALIFIED I/W DATA: ILLUSTRATION ITEMS NOT ON PARTS LIST ARE NOT APPLICABLE		RF

- ITEM NOT ILLUSTRATED

HXL

11-36-91-01

BOEING PROPRIETARY - Copyright © - Unpublished Work - See title page for details.

11-36-91
 FIG. 01
 PAGE 1
 DEC 22/07



767

PARTS CATALOG (MAINTENANCE)

FIG ITEM	PART NUMBER	1 2 3 4 5 6 7	NOMENCLATURE	EFFECT FROM TO	UNITS PER ASSY
1			285T0001-55 I/W -46 OR -69 OR -201 ON 767-200 ACFT HOWEVER -46 OR -69 OR -201 REQUIRED ON 767-300 ACFT PER CUSTOMER PREFERENCE 285T0001-69 I/W -70 EXCEPT SUBJECT TO CUSTOMER PREFERENCE 285T0001-75 MAY REPLACE -69 FOR BAB ONLY FOR NHA/OTHER SYS DET SEE: 23-42-01-02		
- 5	285T0001-201		MODULE ASSY-AUDIO ACCESS. UNIT (STATIC SENSITIVE PART) SUPPLIER CODE: V89954 MISCELLANEOUS DATA: MOD LEVEL NO MOD. ASSY -201 WITH -5057 INSTALLED IS THE NO MOD CONFIGURATION. COMPONENT MAINT MANUAL REF: 23-42-68		RF
- 5	285T0001-205		MODULE ASSY-AUDIO ACCESS. UNIT (STATIC SENSITIVE PART) SUPPLIER CODE: V89954 MISCELLANEOUS DATA: ASSY 285T0001-205 WITH 285T0001-5061 INSTALLED IS THE NO MOD CONFIGURATION. ASSY 285T0001-205 WITH 285T0001-5067 INSTALLED IS THE MOD A CONFIGURATION. ELECTRICAL EQUIP NUMBER: M00108 COMPONENT MAINT MANUAL REF: 23-42-68		RF

ILLUSTRATION ITEMS NOT ON PARTS LIST ARE NOT APPLICABLE

- ITEM NOT ILLUSTRATED

HXL

11-36-91-01

BOEING PROPRIETARY - Copyright © - Unpublished Work - See title page for details.

11-36-91
FIG. 01
PAGE 2
APR 22/09



767

PARTS CATALOG (MAINTENANCE)

FIG ITEM	PART NUMBER	1 2 3 4 5 6 7	NOMENCLATURE	EFFECT FROM TO	UNITS PER ASSY
1					
- 5	285T0001-210		MODULE ASSY-AUDIO ACCESS. UNIT (STATIC SENSITIVE PART) SUPPLIER CODE: V89954 MISCELLANEOUS DATA: ASSEMBLY 285T0001-210 WITH 285T0001-5071 INSTALLED IS THE NO MOD CONFIGURATION. ELECTRICAL EQUIP NUMBER: M00108 COMPONENT MAINT MANUAL REF: 23-42-68		RF
10	BAC27TEX1		.DECAL		1
20	BAC27TEX1728		.MARKER-ALUMINUM FOIL		RF
60	BAC27TEX3649		.DECAL- SUPPLIER CODE: V89954		1
70	BAC27TEX4018		.MARKER-ALUMINUM FOIL SUPPLIER CODE: V89954		RF
80	BAC27TEX4046		.DECAL- OPTIONAL PART: BAC27TEX4098		RF
80	BAC27TEX4098		.DECAL- OPTIONAL PART: BAC27TEX4046		RF
85	BAC27DEX6075		.DECAL		2
90	BAC27TEX5930		.MARKER-ALUMINUM FOIL SUPPLIER CODE: V89954		2
150	285T0131-48		.PRINTED CIRCUIT ASSY-MAIN LOGIC I/O STATIC SENSITIVE PART (A8) SUPPLIER CODE: V89954 COMPONENT MAINT MANUAL REF: 23-42-54 QUALIFIED OPTIONAL DATA: (OPT 285T0131-33 WITH WITH ASSOCIATED ITEMS) OPTIONAL PART: 285T0131-41 V89954		RF

ILLUSTRATION ITEMS NOT ON PARTS LIST ARE NOT APPLICABLE

- ITEM NOT ILLUSTRATED

HXL

11-36-91-01

BOEING PROPRIETARY - Copyright © - Unpublished Work - See title page for details.

11-36-91
FIG. 01
PAGE 3
APR 22/09



767

PARTS CATALOG (MAINTENANCE)

FIG ITEM	PART NUMBER	1 2 3 4 5 6 7	NOMENCLATURE	EFFECT FROM TO	UNITS PER ASSY
1 150	285T0131-41		.PRINTED CIRCUIT ASSY-MAIN LOGIC I/O STATIC SENSITIVE PART (A8) SUPPLIER CODE: V89954 COMPONENT MAINT MANUAL REF: 23-42-54 QUALIFIED I/W DATA: ALLOWS COCKPIT CHIME TO SOUND AND LIGHT TO ILLUMINATE WHEN CALL IS RECEIVED AND PILOTS HANDSET IS IN AN OFF-HOOK CONDITION QUALIFIED OPTIONAL DATA: (OPT 285T0131-33 USED WITH ASSOCIATED ITEMS) OPTIONAL PART: 285T0131-48 V89954		RF
150	285T0131-33		.PRINTED CIRCUIT ASSY-MAIN LOGIC I/O STATIC SENSITIVE PART (A8) SUPPLIER CODE: V89954 COMPONENT MAINT MANUAL REF: 23-42-54 QUALIFIED OPTIONAL DATA: (OPT 285T0131-41, -48 USED WITH ASSOCIATED ITEMS)		RF
160	BAC27TEX1486		..DECAL- PLACARD CONTENT: STATIC SENSITIVE		2
- 170	BAC27TEX2007		..DECAL		1

ILLUSTRATION ITEMS NOT ON PARTS LIST ARE NOT APPLICABLE

- ITEM NOT ILLUSTRATED

HXL

11-36-91-01

BOEING PROPRIETARY - Copyright © - Unpublished Work - See title page for details.

11-36-91
FIG. 01
PAGE 4
APR 22/09



767

PARTS CATALOG (MAINTENANCE)

FIG ITEM	PART NUMBER	1 2 3 4 5 6 7	NOMENCLATURE	EFFECT FROM TO	UNITS PER ASSY
1 210	285T1133-10		.PRINTED CIRCUIT ASSY- TRIPLE HANDSET INTERFACE STATIC SENSITIVE PART (A4, A5, A6) SUPPLIER CODE: V89954 COMPONENT MAINT MANUAL REF: 23-42-57 QUALIFIED I/W DATA: 285T1133-10 I/W -8 EXCEPT SUBJECT TO CUSTOMER PREFERENCE OPTIONAL PART: 285T1133-6 V89954		RF
210	285T1133-6		.PRINTED CIRCUIT ASSY- TRIPLE HANDSET INTERFACE STATIC SENSITIVE PART (A4, A5, A6) SUPPLIER CODE: V89954 COMPONENT MAINT MANUAL REF: 23-42-57 OPTIONAL PART: 285T1133-10 V89954		RF
210	285T0133-17		.PRINTED CIRCUIT ASSY- TRIPLE HANDSET INTERFACE STATIC SENSITIVE PART (A4, A5, A6) SUPPLIER CODE: V89954 COMPONENT MAINT MANUAL REF: 23-42-56 QUALIFIED I/W DATA: FOR JLA 285T0133-14 I/W -17 OR -23 AT REF DES A5 A6 285T0133-14 N/I REF DES A4 QUALIFIED OPTIONAL DATA: (OPT 285T0133-23 USED WITH ASSOCIATED ITEMS)		RF

ILLUSTRATION ITEMS NOT ON PARTS LIST ARE NOT APPLICABLE

- ITEM NOT ILLUSTRATED

HXL

11-36-91-01

BOEING PROPRIETARY - Copyright © - Unpublished Work - See title page for details.

11-36-91
FIG. 01
PAGE 5
APR 22/09



767

PARTS CATALOG (MAINTENANCE)

FIG ITEM	PART NUMBER	1 2 3 4 5 6 7	NOMENCLATURE	EFFECT FROM TO	UNITS PER ASSY
1 210	285T0133-23		.PRINTED CIRCUIT ASSY- TRIPLE HANDSET INTERFACE STATIC SENSITIVE PART (A4, A5, A6) SUPPLIER CODE: V89954 COMPONENT MAINT MANUAL REF: 23-42-56 QUALIFIED I/W DATA: 285T0133-14 OR -17 I/W -23 FOR JLA ONLY QUALIFIED OPTIONAL DATA: (OPT 285T0133-14, -17 USED WITH ASSOCIATED ITEMS)		RF
215	BAC27TEX1486		..DECAL- PLACARD CONTENT: STATIC SENSITIVE		2
250	285T0135-12		.PRINTED CIRCUIT ASSY-CALL INTERFACE STATIC SENSITIVE PART (A9) SUPPLIER CODE: V89954 COMPONENT MAINT MANUAL REF: 23-42-58 QUALIFIED OPTIONAL DATA: (OPT 285T0135-18, -19, -22, -23 USED WITH ASSOCIATED ITEMS)		RF
250	285T0135-14		.PRINTED CIRCUIT ASSY-CALL INTERFACE STATIC SENSITIVE PART (A9) SUPPLIER CODE: V89954 COMPONENT MAINT MANUAL REF: 23-42-58 QUALIFIED OPTIONAL DATA: (OPT 285T0135-18, -19 -22, -23 USED WITH ASSOCIATED ITEMS) OPTIONAL PART: 285T0135-12 V89954		RF

ILLUSTRATION ITEMS NOT ON PARTS LIST ARE NOT APPLICABLE

- ITEM NOT ILLUSTRATED

HXL

11-36-91-01

BOEING PROPRIETARY - Copyright © - Unpublished Work - See title page for details.

11-36-91
FIG. 01
PAGE 6
APR 22/09



767

PARTS CATALOG (MAINTENANCE)

FIG ITEM	PART NUMBER	1 2 3 4 5 6 7	NOMENCLATURE	EFFECT FROM TO	UNITS PER ASSY
1 250	285T0135-18		.PRINTED CIRCUIT ASSY-CALL INTERFACE STATIC SENSITIVE PART (A9) SUPPLIER CODE: V89954 COMPONENT MAINT MANUAL REF: 23-42-58 QUALIFIED OPTIONAL DATA: (OPT 285T0135-12, -14, -19, -22, -23 USED WITH ASSOCIATED ITEMS) OPTIONAL PART: 285T0135-19 V89954		RF
250	285T0135-19		.PRINTED CIRCUIT ASSY-CALL INTERFACE STATIC SENSITIVE PART (A9) SUPPLIER CODE: V89954 COMPONENT MAINT MANUAL REF: 23-42-58 QUALIFIED OPTIONAL DATA: (OPT 285T0135-12, -14, -18, -22, -23 USED WITH ASSOCIATED ITEMS) OPTIONAL PART: 285T0135-18 V89954		RF
250	285T0135-22		.PRINTED CIRCUIT ASSY-CALL INTERFACE STATIC SENSITIVE PART (A9) SUPPLIER CODE: V89954 COMPONENT MAINT MANUAL REF: 23-42-58 QUALIFIED OPTIONAL DATA: (OPT 285T0135-12, -14, -18, -19, -23 USED WITH ASSOCIATED ITEMS) OPTIONAL PART: 285T0135-23 V89954		RF

ILLUSTRATION ITEMS NOT ON PARTS LIST ARE NOT APPLICABLE

- ITEM NOT ILLUSTRATED

HXL

11-36-91-01

BOEING PROPRIETARY - Copyright © - Unpublished Work - See title page for details.

11-36-91
FIG. 01
PAGE 7
APR 22/09



767

PARTS CATALOG (MAINTENANCE)

FIG ITEM	PART NUMBER	1 2 3 4 5 6 7	NOMENCLATURE	EFFECT FROM TO	UNITS PER ASSY
1 250	285T0135-23		.PRINTED CIRCUIT ASSY-CALL INTERFACE STATIC SENSITIVE PART (A9) SUPPLIER CODE: V89954 COMPONENT MAINT MANUAL REF: 23-42-58 QUALIFIED OPTIONAL DATA: (OPT 285T0135-12, -14, -18, -19, -22 USED WITH ASSOCIATED ITEMS) OPTIONAL PART: 285T0135-22 V89954		RF
260	BAC27TEX1486		..DECAL- PLACARD CONTENT: STATIC SENSITIVE		2
300	285T0387-5		.SUPPLY ASSY-PWR STATIC SENSITIVE PART (A10) SUPPLIER CODE: V89954 COMPONENT MAINT MANUAL REF: 23-42-60 QUALIFIED OPTIONAL DATA: (OPT 285T0137-8 USED WITH ASSOCIATED ITEMS) OPTIONAL PART: 285T0387-6 V89954		RF
300	285T0387-6		.SUPPLY ASSY-PWR STATIC SENSITIVE PART (A10) SUPPLIER CODE: V89954 COMPONENT MAINT MANUAL REF: 23-42-60 QUALIFIED OPTIONAL DATA: (OPT 285T0137-8 USED WITH ASSOCIATED ITEMS) OPTIONAL PART: 285T0387-5 V89954		RF

ILLUSTRATION ITEMS NOT ON PARTS LIST ARE NOT APPLICABLE

- ITEM NOT ILLUSTRATED

HXL

11-36-91-01

BOEING PROPRIETARY - Copyright © - Unpublished Work - See title page for details.

11-36-91
FIG. 01
PAGE 8
APR 22/09



767

PARTS CATALOG (MAINTENANCE)

FIG ITEM	PART NUMBER	1 2 3 4 5 6 7	NOMENCLATURE	EFFECT FROM TO	UNITS PER ASSY
1 300	285T0387-8		.SUPPLY ASSY-PWR STATIC SENSITIVE PART (A10) SUPPLIER CODE: V89954 COMPONENT MAINT MANUAL REF: 23-42-60 QUALIFIED OPTIONAL DATA: (OPT 285T0387-5, -6 USED WITH ASSOCIATED ITEMS)		RF
310	BAC27TEX1		..DECAL		1
320	BAC27TEX1804		..MARKER-ALUMINUM FOIL SUPPLIER CODE: V89954		RF
325	285T0731-3		.PRINTED CIRCUIT ASSY-INTPH A1 (STATIC SENSITIVE PART) SUPPLIER CODE: V89954 MISCELLANEOUS DATA: USED ON 285T0001-5057 COMPONENT MAINT MANUAL REF: 23-42-68		RF
325	285T0731-5		.UNIT ASSY-MOTHER BOARD AUDIO ACCESS. POWER (STATC SENSITIVE PART) SUPPLIER CODE: V89954 COMPONENT MAINT MANUAL REF: 23-42-68 QUALIFIED OPTIONAL DATA: 285T0731-5 IS A SUBSTITUTE FOR 285T0731-6 WHEN USED WITH 285T0001-5061 285T0731-5 IS A SUBSTITUTE FOR 285T0731-6 WHEN USED WITH 285T0001-5067 285T0731-5 IS A SUBSTITUTE FOR 285T0731-6 WHEN USED WITH 285T0001-5071		RF

ILLUSTRATION ITEMS NOT ON PARTS LIST ARE NOT APPLICABLE

- ITEM NOT ILLUSTRATED

HXL

11-36-91-01

BOEING PROPRIETARY - Copyright © - Unpublished Work - See title page for details.

11-36-91
FIG. 01
PAGE 9
APR 22/09



767

PARTS CATALOG (MAINTENANCE)

FIG ITEM	PART NUMBER	1 2 3 4 5 6 7	NOMENCLATURE	EFFECT FROM TO	UNITS PER ASSY
1 325	285T0731-6		.UNIT ASSY-MOTHER BOARD AUDIO ACCESS. POWER (STATC SENSITIVE PART) SUPPLIER CODE: V89954 COMPONENT MAINT MANUAL REF: 23-42-68 QUALIFIED OPTIONAL DATA: 285T0731-6 HAS SUBSTITUTE 285T0731-5 WHEN USED WITH 285T0001-5061 285T0731-6 HAS SUBSTITUTE 285T0731-5 WHEN USED WITH 285T0001-5067 285T0731-6 HAS SUBSTITUTE 285T0731-5 WHEN USED WITH 285T0001-5071		RF
330	285T0730-2		.PRINTED CIRCUIT ASSY- INTPH A2 (STATIC SENSITIVE PART) SUPPLIER CODE: V89954 MISCELLANEOUS DATA: USED ON 285T0001-5057 USED ON 285T0001-5061 USED ON 285T0001-5067 COMPONENT MAINT MANUAL REF: 23-42-68		RF
330	285T0730-4		.PRINTED CIRCUIT ASSY- INTPH A2 (STATIC SENSITIVE PART) SUPPLIER CODE: V89954 MISCELLANEOUS DATA: USED ON 285T0001-5071 COMPONENT MAINT MANUAL REF: 23-42-68		RF

ILLUSTRATION ITEMS NOT ON PARTS LIST ARE NOT APPLICABLE

- ITEM NOT ILLUSTRATED

HXL

11-36-91-01

BOEING PROPRIETARY - Copyright © - Unpublished Work - See title page for details.

11-36-91
FIG. 01
PAGE 10
APR 22/09



767

PARTS CATALOG (MAINTENANCE)

FIG ITEM	PART NUMBER	1 2 3 4 5 6 7	NOMENCLATURE	EFFECT FROM TO	UNITS PER ASSY
1 335	285T0743-2		.PRINTED CIRCUIT ASSY- INTPH A3 (STATIC SENSITIVE PART) SUPPLIER CODE: V89954 MISCELLANEOUS DATA: USED ON 285T0001-5057 USED ON 285T0001-5061 COMPONENT MAINT MANUAL REF: 23-42-68		RF
335	285T0743-2		.PRINTED CIRCUIT ASSY- INTPH A3 (STATIC SENSITIVE PART) SUPPLIER CODE: V89954 MISCELLANEOUS DATA: USED ON 285T0001-5067 USED ON 285T0001-5071 COMPONENT MAINT MANUAL REF: 23-42-68		RF
340	BAC27TEX1486		..DECAL-VINYL POSITION DATA: STATIC SENSITIVE USED ON: 285T0730-2 285T0743-2		1

ILLUSTRATION ITEMS NOT ON PARTS LIST ARE NOT APPLICABLE

- ITEM NOT ILLUSTRATED

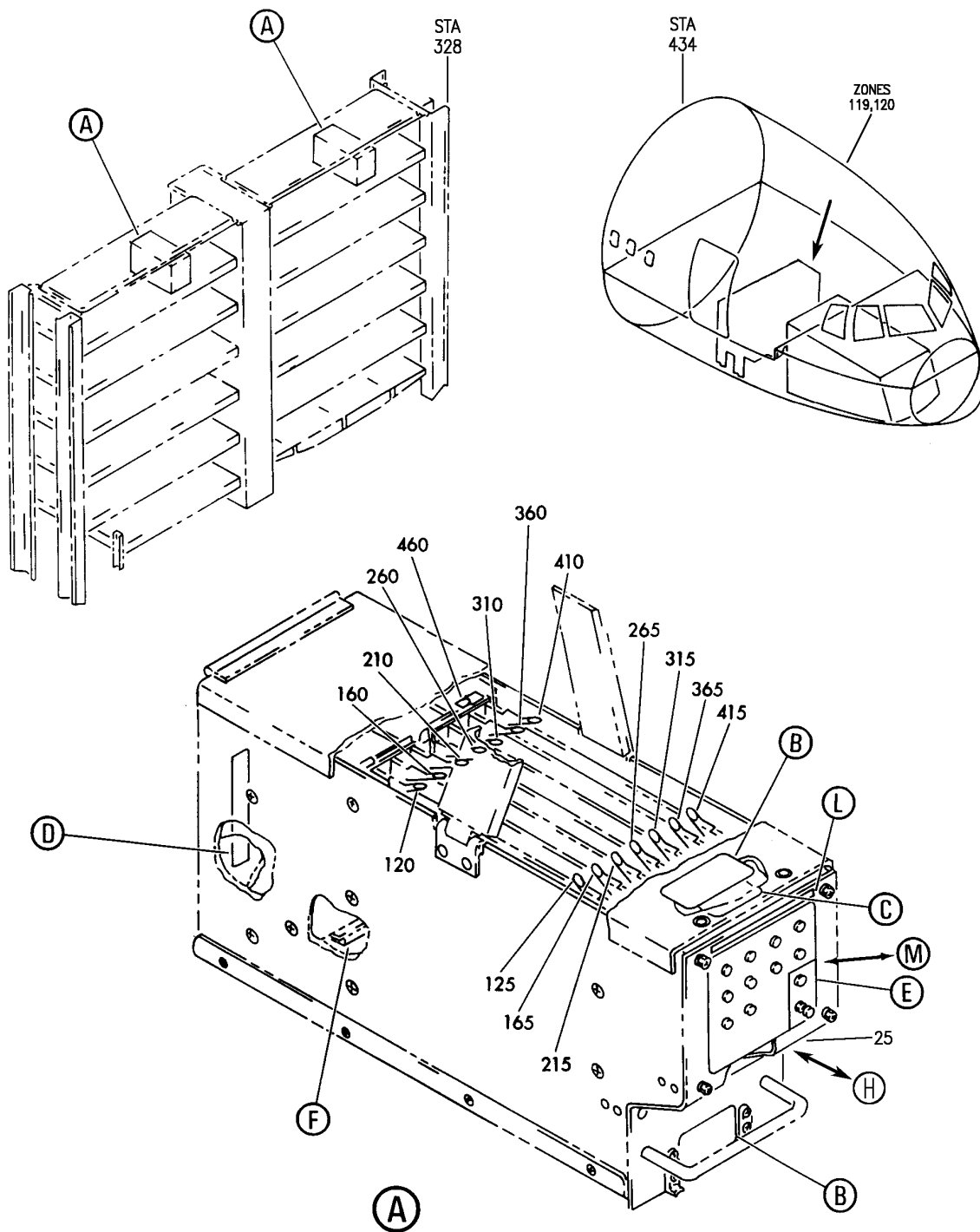
HXL

11-36-91-01

BOEING PROPRIETARY - Copyright © - Unpublished Work - See title page for details.

11-36-91
FIG. 01
PAGE 11
APR 22/09

BOEING
767
PARTS CATALOG (MAINTENANCE)



V 11369105 SHT 1 REV 273

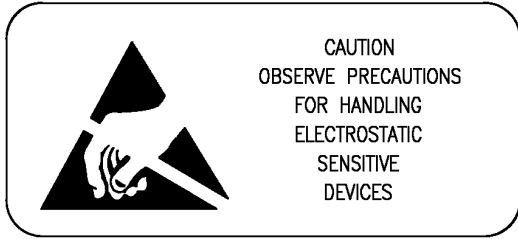
MODULE ASSY-STAB. AND TRIM AIL. LOCKOUT L AND R (PLACARDS AND MARKINGS ONLY)
FIGURE 5 (SHEET 1)

11-36-91-05

HXL
DEC 22/06

11-36-91-05
PAGE 0

BOEING
767
PARTS CATALOG (MAINTENANCE)



5

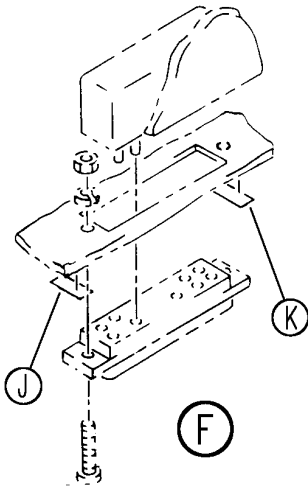
(B)

A1	285T0362
A2	285T0363
A3	285T0364
A4	285T0365
A5	285T0366
A6	285T0367
A7	285T0368

FRONT

10

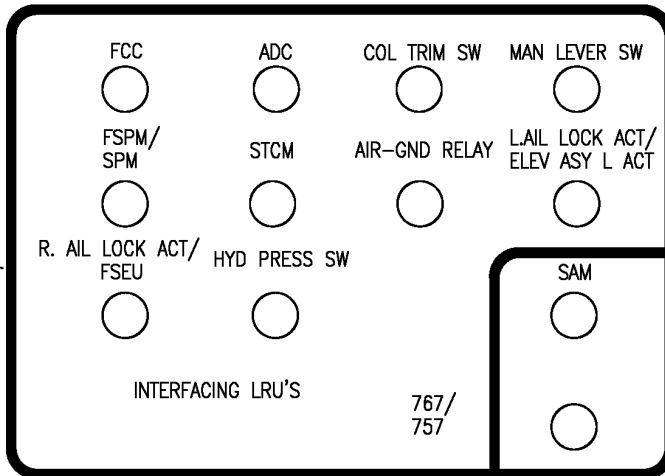
(C)



(F)

CAUTION
Electrostatic Sensitive Device.
Conductive Connector Dust Cover Required.

(D)



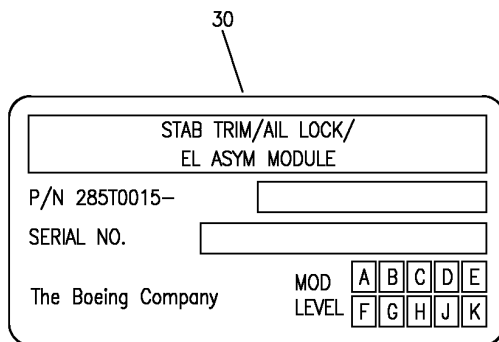
20

(E)

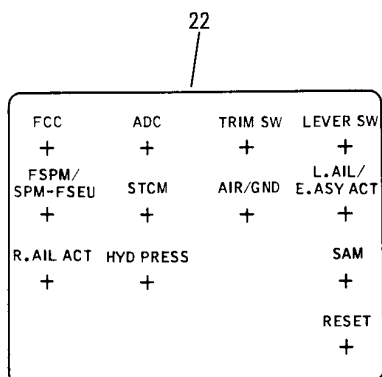
V 11369105 SH1 2 REV 273

MODULE ASSY-STAB. AND TRIM AIL. LOCKOUT L AND R (PLACARDS AND MARKINGS ONLY)
FIGURE 5 (SHEET 2)

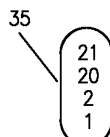
BOEING
767
PARTS CATALOG (MAINTENANCE)



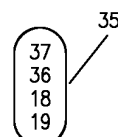
(H)



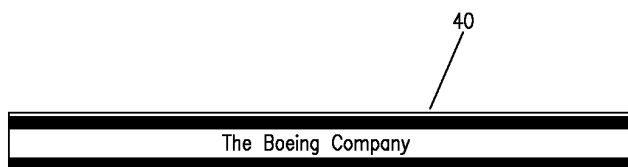
(M)



(J)



(K)



(L)

V 11369105 SH1 3 REV 273

MODULE ASSY-STAB. AND TRIM AIL. LOCKOUT L AND R (PLACARDS AND MARKINGS ONLY)
FIGURE 5 (SHEET 3)

HXL
DEC 22/06

11-36-91-05

11-36-91-05
PAGE 0B



PARTS CATALOG (MAINTENANCE)

FIG ITEM	PART NUMBER	1 2 3 4 5 6 7 NOMENCLATURE	EFFECT FROM TO	UNITS PER ASSY
5 - 1	285T0015-116	<p>MODULE ASSY-STAB. AND TRIM AIL. LOCKOUT L AND R (PLACARDS AND MARKINGS ONLY)</p> <p>MODULE ASSY-STAB. TRIM AND AIL. LOCKOUT (PLACARDS AND MARKINGS ONLY)</p> <p>SUPPLIER CODE: V89954</p> <p>POSITION DATA: L AND R</p> <p>MISCELLANEOUS DATA: ASSY -116 WITH -5007 OR -5009, AND -5013 INSTALLED IS THE NO MOD CONFIGURATION. ASSY -116 WITH -5008 OR -5010, AND -5013 INSTALLED IS MOD A AND SHALL BE MARKED WITH MOD LEVEL LETTER A ON THE NAMEPLATE DECAL. ALL ASSEMBLIES BUILT AFTER 9-14-89 WILL HAVE -5010 INSTALLED. ASSY -116 WITH -5018 AND -5014 INSTALLED IS MOD B AND ALSO MOD A, AND SHALL BE MARKED WITH MOD LEVEL LETTERS A AND B ON THE NAMEPLATE DECAL. ALL ASSEMBLIES BUILT AFTER 6-11-90 (757) AND 6-6-90 (767) WILL HAVE -5014 INSTALLED. ASS -116 WITH -5015 AND -5014 INSTALLED IS MOD C AND ALSO MODS A AND B, AND SHALL BE MARKED WITH MOD LEVEL LETTERS A, B AND C ON THE NAMEPLATE DECAL. ALL ASSEMBLIES BUILT AFTER 3-13-91 (757) AND 3-18-91 (767) WILL HAVE -5014 INSTALLED. ASSY -116 WITH -5015 AND -5017 INSTALLED IS MOD D AND ALSO MODS A, B AND C, AND SHALL BE MARKED WITH MOD LEVEL LETTERS</p> <p>ILLUSTRATION ITEMS NOT ON PARTS LIST ARE NOT APPLICABLE</p>		RF

- ITEM NOT ILLUSTRATED

11-36-91-05

11-36-91
FIG. 05
PAGE 1
DEC 22/06

HXL



767

PARTS CATALOG (MAINTENANCE)

FIG ITEM	PART NUMBER	1 2 3 4 5 6 7 NOMENCLATURE	EFFECT FROM TO	UNITS PER ASSY
5 1		<p>A, B, C AND D ON THE NAMEPLATE DECAL. ALL ASSEMBLIES BUILT AFTER 2-26-92 (757) AND 2-26-92 (767) WILL HAVE -5017 INSTALLED. ASSY -116 WITH -5019 AND -5017 INSTALLED IS MOD E AND ALSO MODS A, B, C, D, AND SHALL BE MARKED WITH MOD LEVEL LETTERS A, B, C, D, AND E, ON THE NAMEPLATE DECAL. ALL ASSEMBLIES BUILT AFTER 4-28-95 (757 AND 767) SHALL HAVE -5019 INSTALLED.</p> <p>ELECTRICAL EQUIP NUMBER: M00524 M00525</p> <p>COMPONENT MAINT MANUAL REF: 27-41-51</p> <p>QUALIFIED I/W DATA: 285T0015-113 -114 -116 AND -117 ARE ALL INTERCHANGEABLE ON 767-200 HOWEVER THE -116 OR -117 ARE REQUIRED ON 767-300</p> <p>OPTIONAL PART: 285T0015-117 V89954</p>		

ILLUSTRATION ITEMS NOT ON PARTS LIST ARE NOT APPLICABLE

- ITEM NOT ILLUSTRATED

HXL

11-36-91-05

BOEING PROPRIETARY - Copyright © - Unpublished Work - See title page for details.

11-36-91
FIG. 05
PAGE 2
DEC 22/06



767

PARTS CATALOG (MAINTENANCE)

FIG ITEM	PART NUMBER	1 2 3 4 5 6 7	NOMENCLATURE	EFFECT FROM TO	UNITS PER ASSY
5 - 1	285T0015-117		MODULE ASSY-STAB. TRIM AND AIL. LOCKOUT (PLACARDS AND MARKINGS ONLY) SUPPLIER CODE: V89954 POSITION DATA: L AND R MISCELLANEOUS DATA: NO MOD A OR MOD B EXISTS FOR THIS ASSEMBLY MOD C IS OBTAINED BY REWORK PER COMPONENT KIT SERVICE BULLETIN 285T0015-27-05 ONLY MOD D IS OBTAINED BY REWORK PER COMPONENT KIT SERVICE BULLETIN 285T0015-27-06 ONLY MOD E IS OBTAINED BY REWORK PER COMPONENT KIT SERVICE BULLETIN 285T0015-27-07 ONLY ELECTRICAL EQUIP NUMBER: M00524 M00525 COMPONENT MAINT MANUAL REF: 27-41-51 QUALIFIED I/W DATA: 285T0015-113 I/W -116 OR -117 ON 767-200 HOWEVER THE -116 OR -117 ARE REQUIRED ON 767-300 OPTIONAL PART: 285T0015-116 V89954		RF
5	BAC27TEX1		.DECAL		2
10	BAC27TEX2109		.DECAL- SUPPLIER CODE: V89954		1
15	BAC27TEX3270		.DECAL		1
20	BAC27TEX3441		.MARKER-ALUMINUM FOIL SUPPLIER CODE: V89954 QUALIFIED OPTIONAL DATA: (OPT BAC27TEX3243 USED WITH ASSOCIATED ITEMS)		1

ILLUSTRATION ITEMS NOT ON PARTS LIST ARE NOT APPLICABLE

- ITEM NOT ILLUSTRATED

11-36-91-05

11-36-91
FIG. 05
PAGE 3
DEC 22/06

HXL



767

PARTS CATALOG (MAINTENANCE)

FIG ITEM	PART NUMBER	1 2 3 4 5 6 7	NOMENCLATURE	EFFECT FROM TO	UNITS PER ASSY
5					
22	BAC27TEX3243		.MARKER-ALUMINUM FOIL SUPPLIER CODE: V89954 QUALIFIED OPTIONAL DATA: (OPT BAC27TEX3441 USED WITH ASSOCIATED ITEMS)		1
25	BAC27TEX2118		.MARKER-ALUMINUM FOIL SUPPLIER CODE: V89954 QUALIFIED OPTIONAL DATA: (OPT BAC27TEX4486 USED WITH ASSOCIATED ITEMS)		1
30	BAC27TEX4486		.MARKER-ALUMINUM FOIL SUPPLIER CODE: V89954 QUALIFIED OPTIONAL DATA: (OPT BAC27TEX2118 USED WITH ASSOCIATED ITEMS)		1
35	BAC27TEX3365		.DECAL- SUPPLIER CODE: V89954		1
40	BAC27TEX3649		.DECAL- SUPPLIER CODE: V89954		1
- 100	285T0362-43		.PRINTED CIRCUIT ASSY-ARMED MICROCOMPUTER (A1) STATIC SENSITIVE PART SUPPLIER CODE: V89954 COMPONENT MAINT MANUAL REF: 27-41-52 QUALIFIED OPTIONAL DATA: (OPT 285T0362-63,-64 -67, -68 USED WITH ASSOCIATED ITEMS) OPTIONAL PART: 285T0362-49 V89954 285T0362-63 V89954		RF
ILLUSTRATION ITEMS NOT ON PARTS LIST ARE NOT APPLICABLE					

- ITEM NOT ILLUSTRATED

HXL

11-36-91-05

BOEING PROPRIETARY - Copyright © - Unpublished Work - See title page for details.

11-36-91
FIG. 05
PAGE 4
DEC 22/06



767

PARTS CATALOG (MAINTENANCE)

FIG ITEM	PART NUMBER	1 2 3 4 5 6 7 NOMENCLATURE	EFFECT FROM TO	UNITS PER ASSY
5 - 100	285T0362-49	.PRINTED CIRCUIT ASSY-ARMED MICROCOMPUTER (A1) STATIC SENSITIVE PART SUPPLIER CODE: V89954 COMPONENT MAINT MANUAL REF: 27-41-52 QUALIFIED OPTIONAL DATA: (OPT 285T0362-63, -64, -67, -68 USED WITH ASSOCIATED ITEMS OPTIONAL PART: 285T0362-43 V89954 285T0362-63 V89954		RF
- 100	285T0362-63	.PRINTED CIRCUIT ASSY-ARMED MICROCOMPUTER (A1) STATIC SENSITIVE PART SUPPLIER CODE: V89954 COMPONENT MAINT MANUAL REF: 27-41-52 QUALIFIED OPTIONAL DATA: (OPT 285T0362-64, -67, -68 USED WITH ASSOCIATED ITEMS) OPTIONAL PART: 285T0362-49 V89954 285T0362-43 V89954 285T0362-64 V89954		RF

ILLUSTRATION ITEMS NOT ON PARTS LIST ARE NOT APPLICABLE

- ITEM NOT ILLUSTRATED

HXL

11-36-91-05

BOEING PROPRIETARY - Copyright © - Unpublished Work - See title page for details.

11-36-91
 FIG. 05
 PAGE 5
 DEC 22/06



767

PARTS CATALOG (MAINTENANCE)

FIG ITEM	PART NUMBER	1 2 3 4 5 6 7	NOMENCLATURE	EFFECT FROM TO	UNITS PER ASSY
5 - 100	285T0362-64		.PRINTED CIRCUIT ASSY-ARMED MICROCOMPUTER (A1) STATIC SENSITIVE PART SUPPLIER CODE: V89954 COMPONENT MAINT MANUAL REF: 27-41-52 QUALIFIED I/W DATA: 285T0362-64 T/W 285T0362-47 OR -58 I/W 285T0362-67 T/W 285T0362-60 OR -61 QUALIFIED OPTIONAL DATA: (OPT 285T0362-43, -49, -67, -68 USED WITH ASSOCIATED ITEMS) OPTIONAL PART: 285T0362-63 V89954		RF
- 100	285T0362-67		.PRINTED CIRCUIT ASSY-ARMED MICROCOMPUTER (A1) STATIC SENSITIVE PART SUPPLIER CODE: V89954 COMPONENT MAINT MANUAL REF: 27-41-52 QUALIFIED I/W DATA: 285T0362-64 T/W 285T0362-47 OR -58 I/W 285T0362-67 T/W 285T0362-60 OR -61 QUALIFIED OPTIONAL DATA: (OPT 285T0362-43, -49, -63, -64 USED WITH ASSOCIATED ITEMS) OPTIONAL PART: 285T0362-68 V89954		RF

ILLUSTRATION ITEMS NOT ON PARTS LIST ARE NOT APPLICABLE

- ITEM NOT ILLUSTRATED

HXL

11-36-91-05

BOEING PROPRIETARY - Copyright © - Unpublished Work - See title page for details.

11-36-91
FIG. 05
PAGE 6
DEC 22/06



767

PARTS CATALOG (MAINTENANCE)

FIG ITEM	PART NUMBER	1 2 3 4 5 6 7	NOMENCLATURE	EFFECT FROM TO	UNITS PER ASSY
5					
- 100	285T0362-68		.PRINTED CIRCUIT ASSY-ARMED MICROCOMPUTER (A1) STATIC SENSITIVE PART SUPPLIER CODE: V89954 COMPONENT MAINT MANUAL REF: 27-41-52 QUALIFIED OPTIONAL DATA: (OPT 285T0362-43, -49, -63, -64 USED WITH ASSOCIATED ITEMS) OPTIONAL PART: 285T0362-67 V89954		RF
- 105	BAC27TEX2007		..DECAL		1
- 110	285T0362-65		..PRINTED CIRCUIT ASSY-ARMED MICROCOMPUTER (A1) STATIC SENSITIVE PART SUPPLIER CODE: V89954 COMPONENT MAINT MANUAL REF: 27-41-52 USED ON: 285T0362-64 285T0362-67		RF
120	BAC27TEX1486		...DECAL- PLACARD CONTENT: STATIC SENSITIVE		1
125	BAC27TEX1957		...DECAL- SUPPLIER CODE: V89954 PLACARD CONTENT: STAB TRIM		1
- 150	285T0363-40		.PRINTED CIRCUIT ASSY-ARMED MULTIPLEX (A2) STATIC SENSITIVE PART SUPPLIER CODE: V89954 COMPONENT MAINT MANUAL REF: 27-41-53 OPTIONAL PART: 285T0363-42 V89954 285T0363-43 V89954		RF

ILLUSTRATION ITEMS NOT ON PARTS LIST ARE NOT APPLICABLE

- ITEM NOT ILLUSTRATED

11-36-91-05

11-36-91
FIG. 05
PAGE 7
DEC 22/06

HXL



767

PARTS CATALOG (MAINTENANCE)

FIG ITEM	PART NUMBER	1 2 3 4 5 6 7	NOMENCLATURE	EFFECT FROM TO	UNITS PER ASSY
5					
- 150	285T0363-42		.PRINTED CIRCUIT ASSY-ARMED MULTIPLEX (A2) STATIC SENSITIVE PART SUPPLIER CODE: V89954 COMPONENT MAINT MANUAL REF: 27-41-53 QUALIFIED OPTIONAL DATA: (OPT 285T0363-43 USED WITH ASSOCIATED ITEMS) OPTIONAL PART: 285T0363-40 V89954		RF
- 150	285T0363-43		.PRINTED CIRCUIT ASSY-ARMED MULTIPLEX (A2) STATIC SENSITIVE PART SUPPLIER CODE: V89954 COMPONENT MAINT MANUAL REF: 27-41-53 QUALIFIED OPTIONAL DATA: (OPT 285T0363-42 USED WITH ASSOCIATED ITEMS) OPTIONAL PART: 285T0363-40 V89954		RF
160	BAC27TEX1486		..DECAL- PLACARD CONTENT: STATIC SENSITIVE		1
165	BAC27TEX1957		..DECAL- SUPPLIER CODE: V89954 PLACARD CONTENT: STAB TRIM		1

ILLUSTRATION ITEMS NOT ON PARTS LIST ARE NOT APPLICABLE

- ITEM NOT ILLUSTRATED

HXL

11-36-91-05

BOEING PROPRIETARY - Copyright © - Unpublished Work - See title page for details.

11-36-91
FIG. 05
PAGE 8
DEC 22/06



767

PARTS CATALOG (MAINTENANCE)

FIG ITEM	PART NUMBER	1 2 3 4 5 6 7	NOMENCLATURE	EFFECT FROM TO	UNITS PER ASSY
5 - 200	285T0364-23		.PRINTED CIRCUIT ASSY- MANUAL TRIM (A3) STATIC SENSITIVE PART SUPPLIER CODE: V89954 COMPONENT MAINT MANUAL REF: 27-41-54 QUALIFIED OPTIONAL DATA: (OPT 285T0364-24,-29, -37,-38,-39,-40 USED WITH ASSOCIATED ITEMS) OPTIONAL PART: 285T0364-24 V89954 285T0364-29 V89954 285T0364-37 V89954		RF
- 200	285T0364-24		.PRINTED CIRCUIT ASSY- MANUAL TRIM (A3) STATIC SENSITIVE PART SUPPLIER CODE: V89954 COMPONENT MAINT MANUAL REF: 27-41-54 QUALIFIED OPTIONAL DATA: (OPT 285T0364-23,-29, -37,-38,-39,-40 USED WITH ASSOCIATED ITEMS) OPTIONAL PART: 285T0364-23 V89954 285T0364-29 V89954 285T0364-37 V89954		RF

ILLUSTRATION ITEMS NOT ON PARTS LIST ARE NOT APPLICABLE

- ITEM NOT ILLUSTRATED

HXL

11-36-91-05

BOEING PROPRIETARY - Copyright © - Unpublished Work - See title page for details.

11-36-91
FIG. 05
PAGE 9
DEC 22/06



767

PARTS CATALOG (MAINTENANCE)

FIG ITEM	PART NUMBER	1 2 3 4 5 6 7	NOMENCLATURE	EFFECT FROM TO	UNITS PER ASSY
5 - 200	285T0364-29		.PRINTED CIRCUIT ASSY- MANUAL TRIM (A3) STATIC SENSITIVE PART SUPPLIER CODE: V89954 COMPONENT MAINT MANUAL REF: 27-41-54 QUALIFIED OPTIONAL DATA: (OPT 285T0364-23,-24, -37,-38,-39,-40 USED WITH ASSOCIATED ITEMS) OPTIONAL PART: 285T0364-23 V89954 285T0364-24 V89954 285T0364-37 V89954		RF
- 200	285T0364-37		.PRINTED CIRCUIT ASSY- MANUAL TRIM (A3) STATIC SENSITIVE PART SUPPLIER CODE: V89954 COMPONENT MAINT MANUAL REF: 27-41-54 QUALIFIED OPTIONAL DATA: (OPT 285T0364-23,-24, -29,-38,-39,-40,-41 USED WITH ASSOCIATED ITEMS) OPTIONAL PART: 285T0364-23 V89954 285T0364-24 V89954 285T0364-29 V89954		RF

ILLUSTRATION ITEMS NOT ON PARTS LIST ARE NOT APPLICABLE

- ITEM NOT ILLUSTRATED

HXL

11-36-91-05

BOEING PROPRIETARY - Copyright © - Unpublished Work - See title page for details.

11-36-91
FIG. 05
PAGE 10
DEC 22/06



767

PARTS CATALOG (MAINTENANCE)

FIG ITEM	PART NUMBER	1 2 3 4 5 6 7	NOMENCLATURE	EFFECT FROM TO	UNITS PER ASSY
5 - 200	285T0364-38		.PRINTED CIRCUIT ASSY- MANUAL TRIM (A3) STATIC SENSITIVE PART SUPPLIER CODE: V89954 COMPONENT MAINT MANUAL REF: 27-41-54 QUALIFIED OPTIONAL DATA: (OPT 285T0364-23,-24, -29,-37,-39,-40,-41 USED WITH ASSOCIATED ITEMS) OPTIONAL PART: 285T0364-39 V89954 285T0364-40 V89954 285T0364-41 V89954		RF
- 200	285T0364-39		.PRINTED CIRCUIT ASSY- MANUAL TRIM (A3) STATIC SENSITIVE PART SUPPLIER CODE: V89954 COMPONENT MAINT MANUAL REF: 27-41-54 QUALIFIED OPTIONAL DATA: (OPT 285T0364-23,-24, -29,-37,-38,-40,-41 USED WITH ASSOCIATED ITEMS) OPTIONAL PART: 285T0364-38 V89954 285T0364-40 V89954 285T0364-41 V89954		RF

ILLUSTRATION ITEMS NOT ON PARTS LIST ARE NOT APPLICABLE

- ITEM NOT ILLUSTRATED

HXL

11-36-91-05

BOEING PROPRIETARY - Copyright © - Unpublished Work - See title page for details.

11-36-91
FIG. 05
PAGE 11
DEC 22/06



767

PARTS CATALOG (MAINTENANCE)

FIG ITEM	PART NUMBER	1 2 3 4 5 6 7	NOMENCLATURE	EFFECT FROM TO	UNITS PER ASSY
5 - 200	285T0364-40		.PRINTED CIRCUIT ASSY- MANUAL TRIM (A3) STATIC SENSITIVE PART SUPPLIER CODE: V89954 COMPONENT MAINT MANUAL REF: 27-41-54 QUALIFIED OPTIONAL DATA: (OPT 285T0364-23,-24, -29,-37,-38,-39,-41 USED WITH ASSOCIATED ITEMS) OPTIONAL PART: 285T0364-38 V89954 285T0364-39 V89954 285T0364-41 V89954		RF
- 200	285T0364-41		.PRINTED CIRCUIT ASSY- MANUAL TRIM (A3) STATIC SENSITIVE PART SUPPLIER CODE: V89954 COMPONENT MAINT MANUAL REF: 27-41-54 QUALIFIED OPTIONAL DATA: (OPT 285T0364-23,-24, -29,-37,-38,-39,-40 USED WITH ASSOCIATED ITEMS) OPTIONAL PART: 285T0364-38 V89954 285T0364-39 V89954 285T0364-40 V89954		RF
210	BAC27TEX1486		..DECAL- PLACARD CONTENT: STATIC SENSITIVE		1
215	BAC27TEX1957		..DECAL- SUPPLIER CODE: V89954 PLACARD CONTENT: STAB TRIM		1

ILLUSTRATION ITEMS NOT ON PARTS LIST ARE NOT APPLICABLE

- ITEM NOT ILLUSTRATED

HXL

11-36-91-05

BOEING PROPRIETARY - Copyright © - Unpublished Work - See title page for details.

11-36-91
FIG. 05
PAGE 12
DEC 22/06



767

PARTS CATALOG (MAINTENANCE)

FIG ITEM	PART NUMBER	1 2 3 4 5 6 7	NOMENCLATURE	EFFECT FROM TO	UNITS PER ASSY
5 - 250	285T0365-37		.PRINTED CIRCUIT ASSY- LOCKOUT (A4) STATIC SENSITIVE PART SUPPLIER CODE: V89954 COMPONENT MAINT MANUAL REF: 27-41-55 QUALIFIED OPTIONAL DATA: (OPT 285T0364-38,-39, -40 USED WITH ASSOCIATED ITEMS) OPTIONAL PART: 285T0364-38 V89954 285T0364-39 V89954 285T0364-40 V89954		RF
- 250	285T0365-38		.PRINTED CIRCUIT ASSY- LOCKOUT (A4) STATIC SENSITIVE PART SUPPLIER CODE: V89954 COMPONENT MAINT MANUAL REF: 27-41-55 QUALIFIED OPTIONAL DATA: (OPT 285T0364-37,-39, -40 USED WITH ASSOCIATED ITEMS) OPTIONAL PART: 285T0364-37 V89954 285T0364-39 V89954 285T0364-40 V89954		RF

ILLUSTRATION ITEMS NOT ON PARTS LIST ARE NOT APPLICABLE

- ITEM NOT ILLUSTRATED

HXL

11-36-91-05

BOEING PROPRIETARY - Copyright © - Unpublished Work - See title page for details.

11-36-91
FIG. 05
PAGE 13
DEC 22/06



767

PARTS CATALOG (MAINTENANCE)

FIG ITEM	PART NUMBER	1 2 3 4 5 6 7	NOMENCLATURE	EFFECT FROM TO	UNITS PER ASSY
5					
- 250	285T0365-39		.PRINTED CIRCUIT ASSY- LOCKOUT (A4) STATIC SENSITIVE PART SUPPLIER CODE: V89954 COMPONENT MAINT MANUAL REF: 27-41-55 QUALIFIED OPTIONAL DATA: (OPT 285T0364-37,-38, -40 USED WITH ASSOCIATED ITEMS) OPTIONAL PART: 285T0364-38 V89954 285T0364-37 V89954 285T0364-40 V89954		RF
- 250	285T0365-40		.PRINTED CIRCUIT ASSY- LOCKOUT (A4) STATIC SENSITIVE PART SUPPLIER CODE: V89954 COMPONENT MAINT MANUAL REF: 27-41-55 QUALIFIED OPTIONAL DATA: (OPT 285T0364-37,-38, -39 USED WITH ASSOCIATED ITEMS) OPTIONAL PART: 285T0364-38 V89954 285T0364-37 V89954 285T0364-39 V89954		RF
260	BAC27TEX1486		..DECAL- PLACARD CONTENT: STATIC SENSITIVE		1
265	BAC27TEX1957		..DECAL- SUPPLIER CODE: V89954 PLACARD CONTENT: STAB TRIM		1
ILLUSTRATION ITEMS NOT ON PARTS LIST ARE NOT APPLICABLE					

- ITEM NOT ILLUSTRATED

11-36-91-05

11-36-91
FIG. 05
PAGE 14
DEC 22/06

HXL



767

PARTS CATALOG (MAINTENANCE)

FIG ITEM	PART NUMBER	1 2 3 4 5 6 7	NOMENCLATURE	EFFECT FROM TO	UNITS PER ASSY
5 - 300	285T0366-38		.PRINTED CIRCUIT ASSY- CONTINUE MULTIPLEX (A5) STATIC SENSITIVE PART SUPPLIER CODE: V89954 COMPONENT MAINT MANUAL REF: 27-41-56 QUALIFIED OPTIONAL DATA: (OPT 285T0366-42,-44 USED WITH ASSOCIATED ITEMS) OPTIONAL PART: 285T0366-42 V89954 285T0366-44 V89954		RF
- 300	285T0366-44		.PRINTED CIRCUIT ASSY- CONTINUE MULTIPLEX (A5) STATIC SENSITIVE PART SUPPLIER CODE: V89954 COMPONENT MAINT MANUAL REF: 27-41-56 QUALIFIED OPTIONAL DATA: (OPT 285T0366-38,-42 USED WITH ASSOCIATED ITEMS) OPTIONAL PART: 285T0366-38 V89954 285T0366-42 V89954		RF
- 300	285T0366-42		.PRINTED CIRCUIT ASSY- CONTINUE MULTIPLEX (A5) STATIC SENSITIVE PART SUPPLIER CODE: V89954 COMPONENT MAINT MANUAL REF: 27-41-56 QUALIFIED OPTIONAL DATA: USED WITH ASSOCIATED ITEMS) OPTIONAL PART: 285T0366-44 V89954 285T0366-38 V89954		RF

ILLUSTRATION ITEMS NOT ON PARTS LIST ARE NOT APPLICABLE

- ITEM NOT ILLUSTRATED

HXL

11-36-91-05

BOEING PROPRIETARY - Copyright © - Unpublished Work - See title page for details.

11-36-91
FIG. 05
PAGE 15
APR 22/09



767

PARTS CATALOG (MAINTENANCE)

FIG ITEM	PART NUMBER	1 2 3 4 5 6 7	NOMENCLATURE	EFFECT FROM TO	UNITS PER ASSY
5					
310	BAC27TEX1486	..	DECAL- PLACARD CONTENT: STATIC SENSITIVE		1
315	BAC27TEX1957	..	DECAL- SUPPLIER CODE: V89954 PLACARD CONTENT: STAB TRIM		1
- 350	285T0367-17	.PRINTED	CIRCUIT ASSY- CONTINUE MULTIPLEX (A6) STATIC SENSITIVE PART SUPPLIER CODE: V89954 COMPONENT MAINT MANUAL REF: 27-41-57 QUALIFIED OPTIONAL DATA: (OPT 285T0366-19,-34,-38 USED WITH ASSOCIATED ITEMS) OPTIONAL PART: 285T0367-19 V89954 285T0367-34 V89954 285T0367-38 V89954		RF
- 350	285T0367-19	.PRINTED	CIRCUIT ASSY- CONTINUE MULTIPLEX (A6) STATIC SENSITIVE PART SUPPLIER CODE: V89954 COMPONENT MAINT MANUAL REF: 27-41-57 QUALIFIED OPTIONAL DATA: (OPT 285T0366-17,-34,-38 USED WITH ASSOCIATED ITEMS) OPTIONAL PART: 285T0367-17 V89954 285T0367-34 V89954 285T0367-38 V89954		RF

ILLUSTRATION ITEMS NOT ON PARTS LIST ARE NOT APPLICABLE

- ITEM NOT ILLUSTRATED

11-36-91-05

11-36-91
FIG. 05
PAGE 16
DEC 22/06

HXL



767

PARTS CATALOG (MAINTENANCE)

FIG ITEM	PART NUMBER	1 2 3 4 5 6 7	NOMENCLATURE	EFFECT FROM TO	UNITS PER ASSY
5 - 350	285T0367-34		.PRINTED CIRCUIT ASSY- CONTINUE MULTIPLEX (A6) STATIC SENSITIVE PART SUPPLIER CODE: V89954 COMPONENT MAINT MANUAL REF: 27-41-57 QUALIFIED OPTIONAL DATA: (OPT 285T0366-17,-19,-38 USED WITH ASSOCIATED ITEMS) OPTIONAL PART: 285T0367-17 V89954 285T0367-19 V89954 285T0367-38 V89954		RF
- 350	285T0367-38		.PRINTED CIRCUIT ASSY- CONTINUE MULTIPLEX (A6) STATIC SENSITIVE PART SUPPLIER CODE: V89954 COMPONENT MAINT MANUAL REF: 27-41-57 QUALIFIED OPTIONAL DATA: (OPT 285T0366-17,-19,-34 USED WITH ASSOCIATED ITEMS) OPTIONAL PART: 285T0367-17 V89954 285T0367-19 V89954 285T0367-34 V89954		RF

ILLUSTRATION ITEMS NOT ON PARTS LIST ARE NOT APPLICABLE

- ITEM NOT ILLUSTRATED

HXL

11-36-91-05

BOEING PROPRIETARY - Copyright © - Unpublished Work - See title page for details.

11-36-91
FIG. 05
PAGE 17
DEC 22/06



767

PARTS CATALOG (MAINTENANCE)

FIG ITEM	PART NUMBER	1 2 3 4 5 6 7	NOMENCLATURE	EFFECT FROM TO	UNITS PER ASSY
5 - 400	285T0368-47		.PRINTED CIRCUIT ASSY- CONTINUE MULTICOMPUTER (A7) STATIC SENSITIVE PART SUPPLIER CODE: V89954 COMPONENT MAINT MANUAL REF: 27-41-58 QUALIFIED I/W DATA: 285T0362-64 T/W 285T0368-47 OR -58 I/W 285T0362-67 T/W 285T0368-60 OR -61 QUALIFIED OPTIONAL DATA: (OPT 285T0368-60, -61 USED WITH ASSOCIATED ITEMS) OPTIONAL PART: 285T0368-58 V89954		RF
- 400	285T0368-58		.PRINTED CIRCUIT ASSY- CONTINUE MICROCOMPUTER (A7) STATIC SENSITIVE PART SUPPLIER CODE: V89954 COMPONENT MAINT MANUAL REF: 27-41-58 QUALIFIED I/W DATA: 285T0362-64 T/W 285T0368-47 OR -58 I/W 285T0362-67 T/W 285T0368-60 OR -61 QUALIFIED OPTIONAL DATA: (OPT 285T0368-60, -61 USED WITH ASSOCIATED ITEMS) OPTIONAL PART: 285T0368-47 V89954		RF

ILLUSTRATION ITEMS NOT ON PARTS LIST ARE NOT APPLICABLE

- ITEM NOT ILLUSTRATED

HXL

11-36-91-05

BOEING PROPRIETARY - Copyright © - Unpublished Work - See title page for details.

11-36-91
FIG. 05
PAGE 18
DEC 22/06



767

PARTS CATALOG (MAINTENANCE)

FIG ITEM	PART NUMBER	1 2 3 4 5 6 7	NOMENCLATURE	EFFECT FROM TO	UNITS PER ASSY
5 - 400	285T0368-60		.PRINTED CIRCUIT ASSY- CONTINUE MICROCOMPUTER (A7) STATIC SENSITIVE PART SUPPLIER CODE: V89954 COMPONENT MAINT MANUAL REF: 27-41-58 QUALIFIED I/W DATA: 285T0362-64 T/W 285T0368-47 OR -58 I/W 285T0362-67 T/W 285T0368-60 OR -61 QUALIFIED OPTIONAL DATA: (OPT 285T0368-47, -58 USED WITH ASSOCIATED ITEMS) OPTIONAL PART: 285T0368-61 V89954		RF
- 400	285T0368-61		.PRINTED CIRCUIT ASSY- CONTINUE MICROCOMPUTER (A7) STATIC SENSITIVE PART SUPPLIER CODE: V89954 COMPONENT MAINT MANUAL REF: 27-41-58 QUALIFIED I/W DATA: 285T0362-64 T/W 285T0368-47 OR -58 I/W 285T0362-67 T/W 285T0368-60 OR -61 QUALIFIED OPTIONAL DATA: (OPT 285T0368-58, -61 USED WITH ASSOCIATED ITEMS) OPTIONAL PART: 285T0368-60 V89954		RF
410	BAC27TEX1486		..DECAL- PLACARD CONTENT: STATIC SENSITIVE		1
415	BAC27TEX1957		..DECAL- SUPPLIER CODE: V89954 PLACARD CONTENT: STAB TRIM		1

ILLUSTRATION ITEMS NOT ON PARTS LIST ARE NOT APPLICABLE

- ITEM NOT ILLUSTRATED

11-36-91-05

11-36-91
FIG. 05
PAGE 19
DEC 22/06

HXL



767

PARTS CATALOG (MAINTENANCE)

FIG ITEM	PART NUMBER	1 2 3 4 5 6 7	NOMENCLATURE	EFFECT FROM TO	UNITS PER ASSY
5 - 450	285T0455-5		.PRINTED CIRCUIT ASSY- RELAY CARD (A8) SUPPLIER CODE: V89954 COMPONENT MAINT MANUAL REF: 27-41-59 QUALIFIED OPTIONAL DATA: (OPT 285T0455-7,-11 USED WITH ASSOCIATED ITEMS) OPTIONAL PART: 285T0455-7 V89954 285T0455-11 V89954		RF
- 450	285T0455-7		.PRINTED CIRCUIT ASSY- RELAY CARD (A8) SUPPLIER CODE: V89954 COMPONENT MAINT MANUAL REF: 27-41-59 QUALIFIED OPTIONAL DATA: (OPT 285T0455-5,-11 USED WITH ASSOCIATED ITEMS) OPTIONAL PART: 285T0455-5 V89954 285T0455-11 V89954		RF
- 450	285T0455-11		.PRINTED CIRCUIT ASSY- RELAY CARD (A8) SUPPLIER CODE: V89954 COMPONENT MAINT MANUAL REF: 27-41-59 QUALIFIED OPTIONAL DATA: (OPT 285T0455-5,-11 USED WITH ASSOCIATED ITEMS) OPTIONAL PART: 285T0455-5 V89954 285T0455-9 V89954		RF
460	BAC27TEX1957		..DECAL- SUPPLIER CODE: V89954 PLACARD CONTENT: STAB TRIM		1

ILLUSTRATION ITEMS NOT ON PARTS LIST ARE NOT APPLICABLE

- ITEM NOT ILLUSTRATED

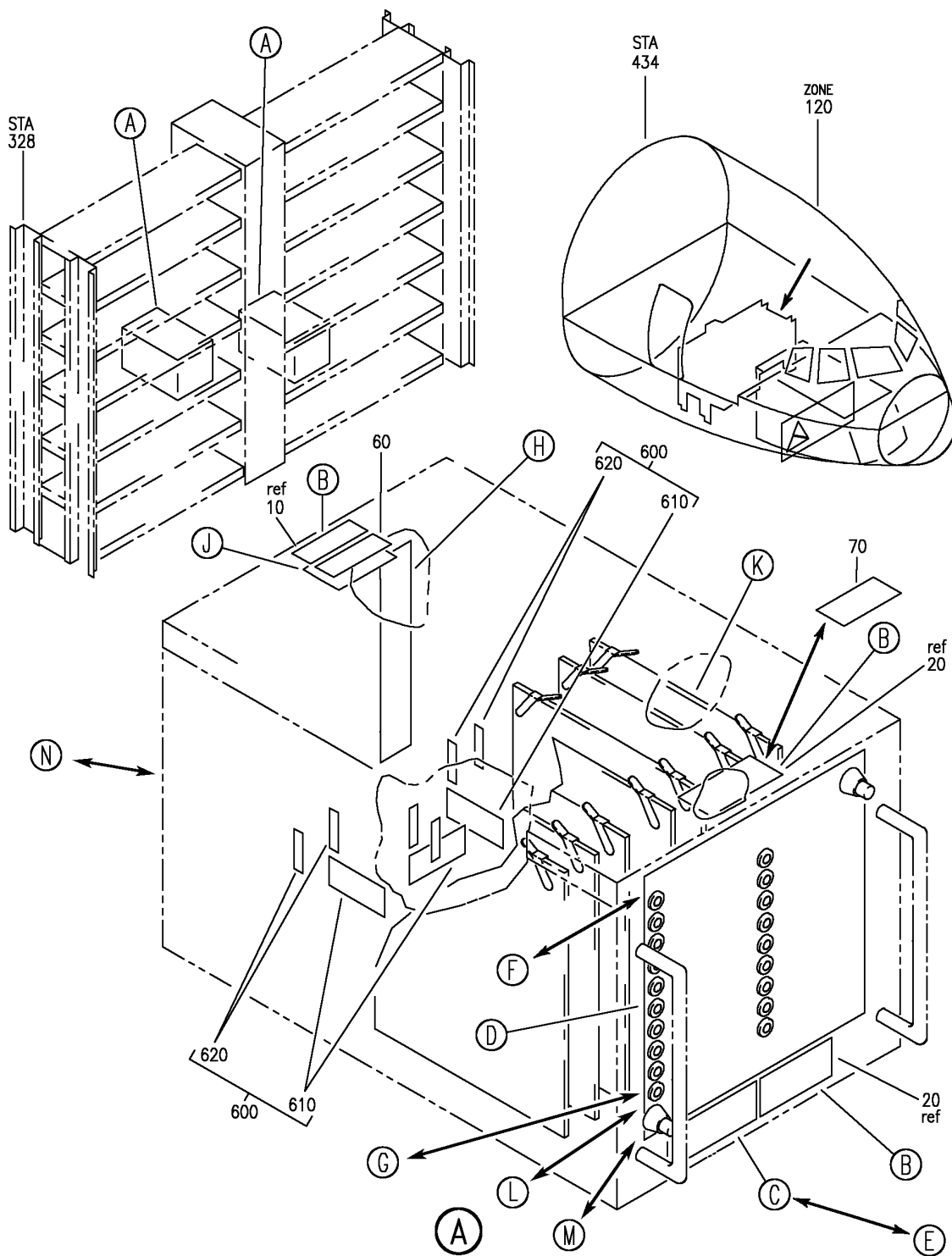
HXL

11-36-91-05

BOEING PROPRIETARY - Copyright © - Unpublished Work - See title page for details.

11-36-91
FIG. 05
PAGE 20
DEC 22/06

BOEING
767
PARTS CATALOG (MAINTENANCE)



V 11369108 SHT 1 REV 343

UNIT ASSY-FLAP/SLAT ELECTRONICS (PLACARDS AND MARKINGS ONLY)
FIGURE 8 (SHEET 1)


11-36-91-08

HXL
AUG 22/09

11-36-91-08
PAGE 0

BOEING
767
PARTS CATALOG (MAINTENANCE)

CAUTION



OBSERVE PRECAUTIONS
FOR HANDLING
ELECTROSTATIC
SENSITIVE
DEVICES

10
20
30
40

FLAP SLAT
ELECTRONIC UNIT

PART NO. 285T0049

SERIAL NO.

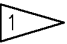
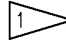
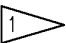
BOEING

(B)

(C)

PRESS PRESS/TEST ALL LIGHTS SHALL ILLUMINATE
NOTE: CHECK SECTION POWER IF LIGHTS ARE OUT
PRESS BIT/VERIFY—GREEN LIGHT IS TEST GOOD
NOTE: LRU ITEM NUMBERS PER WIRING DIAGRAM MANUAL

PRESS/
TEST

<input type="radio"/> M838 FSPM— LEFT (SECT 2)	<input type="radio"/> M839 FSPM— CENTER (SECT 1)	<input type="radio"/> M840 FSPM— RIGHT (SECT 3)
<input type="radio"/> M604 FLAP LEVER POSITION XMTR 1 (SECT 2)	<input type="radio"/> M603 FLAP LEVER POSITION XMTR 2 (SECT 1)	
<input type="radio"/> M473 FLAP POSITION XMTR 1—LEFT (SECT 1)	<input type="radio"/> M492 FLAP POSITION XMTR 5—RIGHT (SECT 1)	
<input type="radio"/> M548 OUTBD SLAT PDU RVDT MISRIG (SECT 3) 		
<input type="radio"/> S846 HYD PRESSURE SWITCH (SECT 1)	<input type="radio"/> M603 FLAP LEVER RVDT MISRIG (SECT 1) 	140
<input type="radio"/> M476 FLAP POSITION XMTR 4—LEFT (SECT 1)	<input type="radio"/> M489 FLAP POSITION XMTR 8—RIGHT (SECT 1)	
<input type="radio"/> M100 AIR DATA COMPUTER—LEFT (SECT 1)	<input type="radio"/> M101 AIR DATA COMPUTER—RIGHT (SECT 1)	
<input type="radio"/> M483 INBD SLAT PDU POSITION XMTR 1 (SECT 1)	<input type="radio"/> M549 INBD SLAT PDU POSITION XMTR 2 (SECT 3)	
<input type="radio"/> M544 OTBD SLAT PDU POSITION XMTR (SECT 1)	<input type="radio"/> M548 OTBD SLAT PDU POSITION XMTR 2 (SECT 3)	
<input type="radio"/> M545 FLAP SLAT ELECTRONIC UNIT (SECT 2)	<input type="radio"/> TEST COMPLETE (SECT 2)	
<input type="radio"/> BIT/ VERIFY	 FAULT VALID ONLY WHEN DEVICE IS POSITIONED TO "UP"	<input type="radio"/> TESTING (SECT 2)

(D)

V 11369108 SH1 2 REV 261

UNIT ASSY-FLAP/SLAT ELECTRONICS (PLACARDS AND MARKINGS ONLY)
FIGURE 8 (SHEET 2)

11-36-91-08

HXL
DEC 22/06

11-36-91-08
PAGE 0A

BOEING
767
PARTS CATALOG (MAINTENANCE)

FLAP/SLAT ELECTRONIC UNIT			
PART NO. 285T0049-		A	B
SERIAL NO. _____		D	E
		C	F
BOEING			

(E)

50

FSEU - BITE INSTRUCTIONS
<ul style="list-style-type: none"> ● PRIOR TO TEST FLAP LEVER MUST AGREE WITH FLAP AND SLAT POSITIONS ● PRESS BIT/VERIFY ● AMBER LIGHT INDICATES FAILED LRU NOTE: LRU ITEM NUMBERS PER WIRING DIAGRAM MANUAL ● GREEN LIGHT INDICATES SUCCESSFUL TEST

(F)

80

PRESS PRESS/TEST ALL LIGHTS SHALL ILLUMINATE
NOTE: CHECK SECTION POWER IF LIGHTS ARE OUT
PRESS BIT/VERIFY-GREEN LIGHT IS TEST GOOD
NOTE: LRU ITEM NUMBERS PER WIRING DIAGRAM MANUAL

PRESS/
TEST

M838 FSPM-
LEFT (SECT 2)

M839 FSPM-
CENTER (SECT 1)

M840 FSPM-
RIGHT (SECT 3)

M604 FLAP LEVER
POSITION XMTR 1 (SECT 2)

M603 FLAP LEVER
POSITION XMTR 2 (SECT 1)

M473 FLAP POSITION
XMTR 1-LEFT (SECT 1)

M492 FLAP POSITION
XMTR 5-RIGHT (SECT 1)

M476 FLAP POSITIN
XMTR 4-LEFT (SECT 1)

M489 FLAP POSITION
XMTR 8-RIGHT (SECT 1)

M100 AIR DATA
COMPUTER-LEFT (SECT 1)

M101 AIR DATA
COMPUTER-RIGHT (SECT 1)

M483 INBD SLAT PDU
POSITION XMTR 1 (SECT 1)

M549 INBD SLAT PDU
POSITION XMTR 2 (SECT 3)

M544 OTBD SLAT PDU
POSITION XMTR 1 (SECT 1)

M548 OTBD SLAT PDU
POSITION XMTR 2 (SECT 3)

M545 FLAP SLAT
ELECTRONIC UNIT (SECT 2)

TEST COMPLETE
(SECT 2)

BIT/
VERIFY

TESTING
(SECT 2)

120

(G)

V 11369108 SHT 3 REV 261

UNIT ASSY-FLAP/SLAT ELECTRONICS (PLACARDS AND MARKINGS ONLY)
FIGURE 8 (SHEET 3)

11-36-91-08

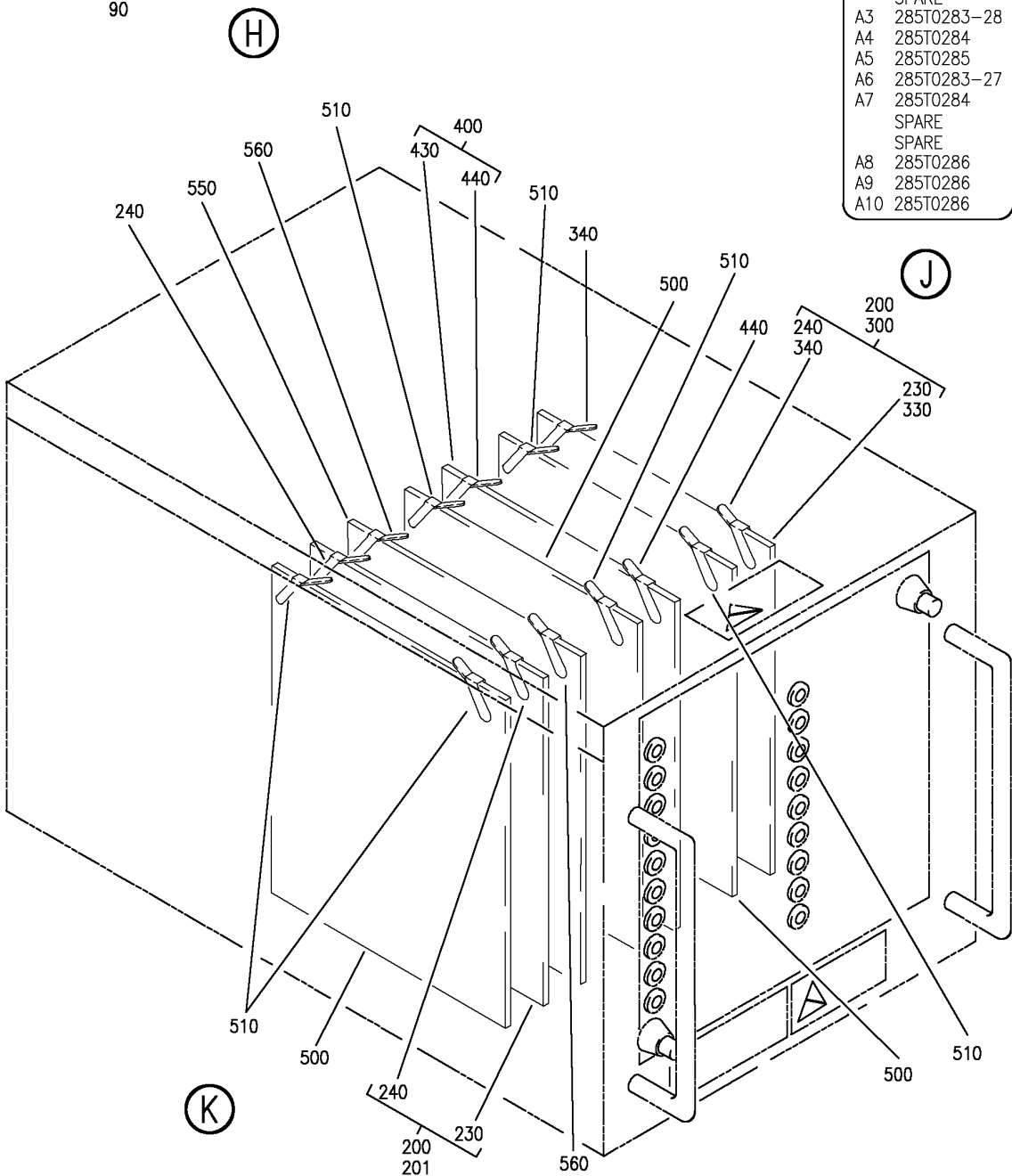
HXL
DEC 22/06

11-36-91-08
PAGE 0B

BOEING
767
PARTS CATALOG (MAINTENANCE)

CAUTION
ELECTROSTATIC SENSITIVE
DEVICE CONDUCTION CONNECTOR
DUST COVER REQUIRED.

100	FLAP/SLAT ELECTRONIC UNIT SPARE
A1	285T0283-26
A2	285T0284 SPARE
A3	285T0283-28
A4	285T0284
A5	285T0285
A6	285T0283-27
A7	285T0284 SPARE SPARE
A8	285T0286
A9	285T0286
A10	285T0286



V 11369108 SH1 4 REV 261

UNIT ASSY-FLAP/SLAT ELECTRONICS (PLACARDS AND MARKINGS ONLY)
FIGURE 8 (SHEET 4)

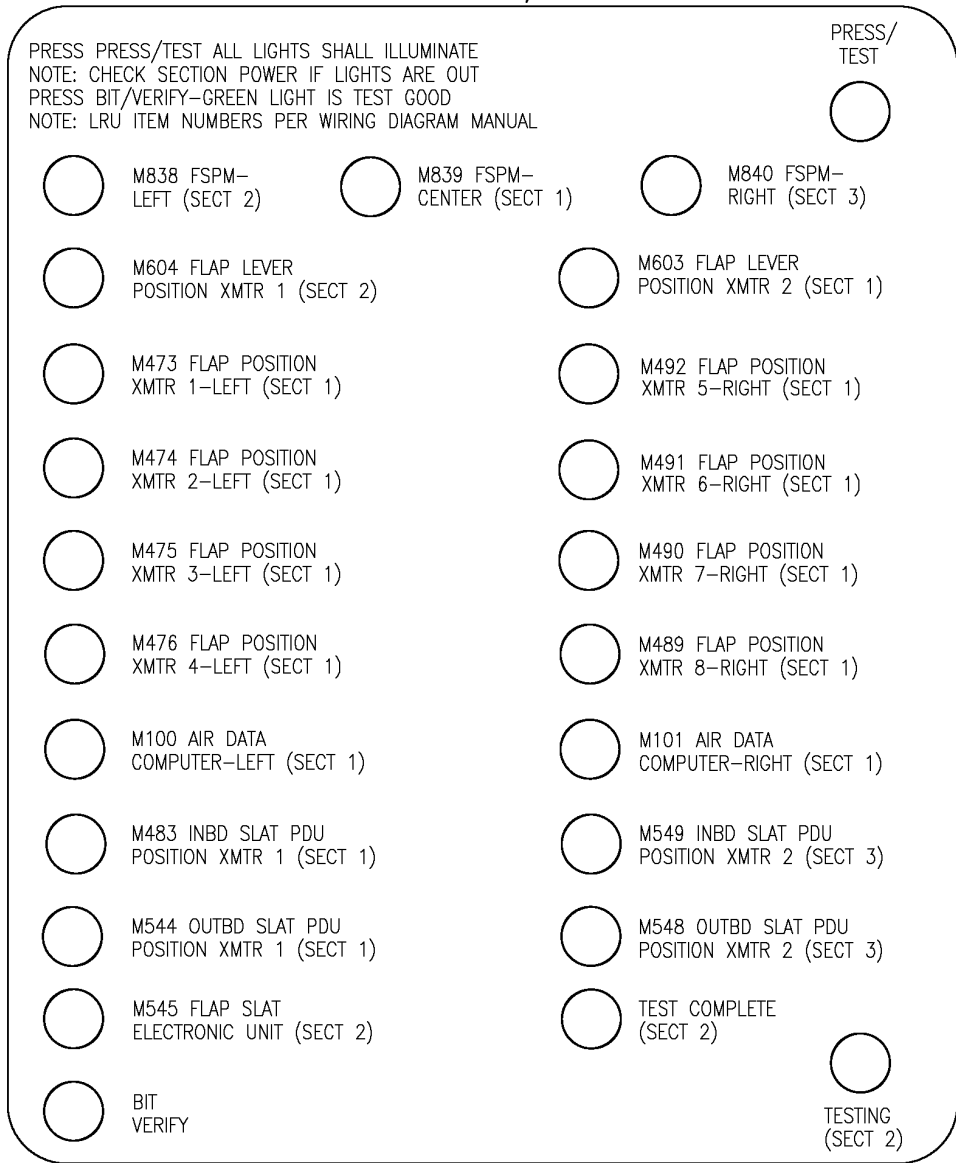
11-36-91-08

HXL
DEC 22/06

11-36-91-08
PAGE 0C

BOEING
767
PARTS CATALOG (MAINTENANCE)

110



V 11369108 SHIT 5 REV 261

(L)

UNIT ASSY-FLAP/SLAT ELECTRONICS (PLACARDS AND MARKINGS ONLY)
 FIGURE 8 (SHEET 5)

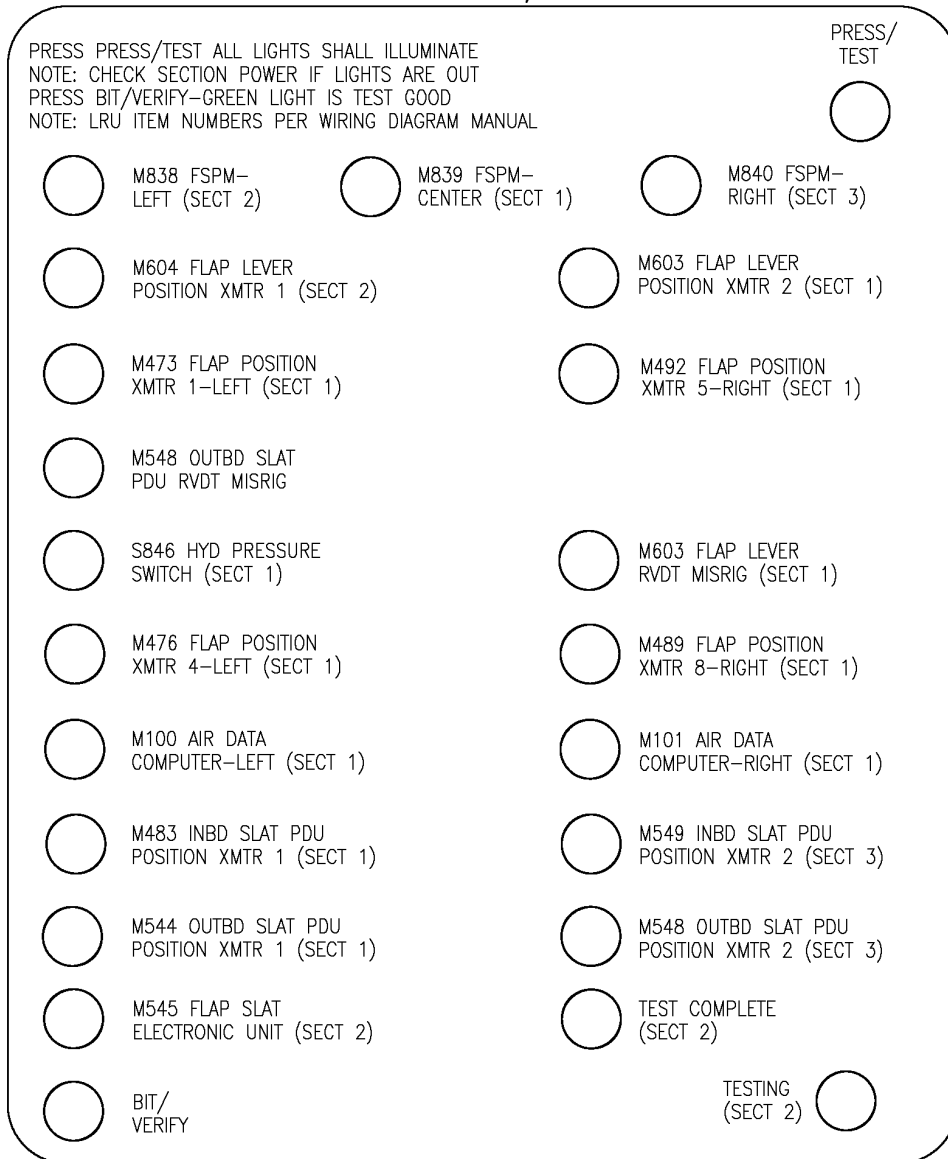
11-36-91-08

HXL
DEC 22/06

11-36-91-08
PAGE 0D

BOEING
767
PARTS CATALOG (MAINTENANCE)

130



V 11369108 SHIT 6 REV 261



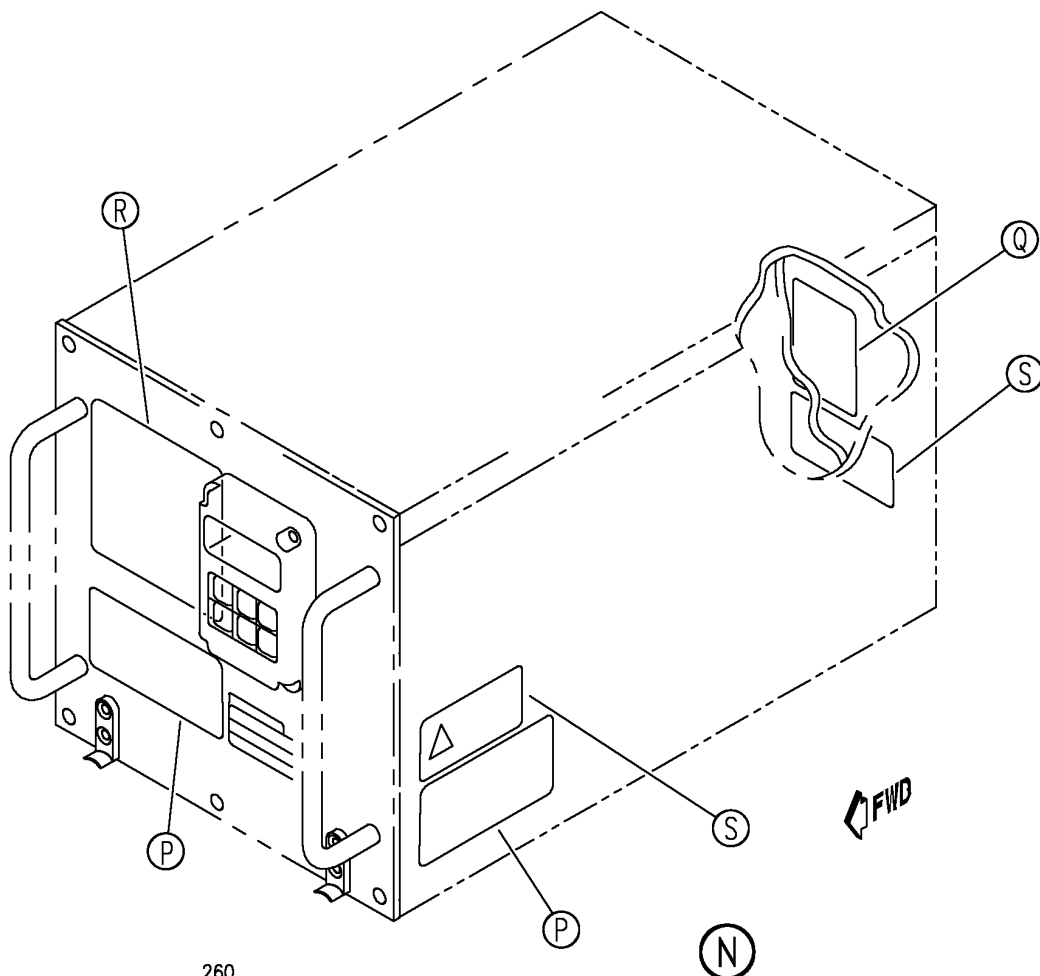
UNIT ASSY-FLAP/SLAT ELECTRONICS (PLACARDS AND MARKINGS ONLY)
FIGURE 8 (SHEET 6)

11-36-91-08

HXL
DEC 22/06

11-36-91-08
PAGE 0E

BOEING
767
PARTS CATALOG (MAINTENANCE)



260

WARNING

This Unit Contains 260 Volts D.C.
Do Not Open It Unless You Are
At An Approved Repair Center.
High Voltage Can Kill or
Cause Serious Injury

255

FLAP/ SLAT ELECTRONIC UNIT

P/N 285T0049-

SER NO.

MOD LEVEL CAGE CODE 81205

MFG DATE

THE BOEING COMPANY

V 11369108 SH 7 REV 343



UNIT ASSY-FLAP/SLAT ELECTRONICS (PLACARDS AND MARKINGS ONLY)
FIGURE 8 (SHEET 7)

HXL
AUG 22/09

11-36-91-08

11-36-91-08
PAGE OF

 **BOEING**
767
PARTS CATALOG (MAINTENANCE)


265

BITE INSTRUCTIONS:
Push ON/OFF to start or end Bite display.
Push YES or NO to replay to questions (?).
Push ↓ to move down in list.
Push ↑ to move up in list.
Push MENU to return to previous menu.

BITE MAIN MENU:
EXISTING FAULTS—Shows existing faults.
FAULT HISTORY—Shows past faults by flight leg.
GROUND TESTS—Shows list of ground tests.
OTHER FUNCTIONS—Shows other functions.



270

 **CAUTION**

THIS UNIT IS NOT SUBJECT TO DAMAGE FROM ELECTROSTATIC DISCHARGE AS AN ASSEMBLY. HOWEVER, IT CONTAINS PARTS OR SUB-ASSEMBLIES THAT ARE SENSITIVE TO ELECTROSTATIC DISCHARGE. CONDUCTIVE CONNECTOR COVERS REQUIRED.



V 11369108 SH1 8 REV 343

UNIT ASSY-FLAP/SLAT ELECTRONICS (PLACARDS AND MARKINGS ONLY)
FIGURE 8 (SHEET 8)

11-36-91-08

HXL
AUG 22/09

11-36-91-08
PAGE 08



767

PARTS CATALOG (MAINTENANCE)

FIG ITEM	PART NUMBER	1 2 3 4 5 6 7	NOMENCLATURE	EFFECT FROM TO	UNITS PER ASSY
8			UNIT ASSY-FLAP/SLAT ELECTRONICS (PLACARDS AND MARKINGS ONLY)		
- 1	285T0049-53		UNIT ASSY-FLAP/SLAT ELECTRONICS STATIC SENSITIVE PART (PLACARDS AND MARKINGS ONLY) SUPPLIER CODE: V89954 ELECTRICAL EQUIP NUMBER: M00545 COMPONENT MAINT MANUAL REF: 27-51-61 QUALIFIED I/W DATA: 285T0049-53 AND 285T0049-63 ARE FULLY INTERCHANGEABLE ON ALL 767-200/-300 AIRPLANES PRIOR TO PRODUCTION LINE NUMBER 799 ONLY. AFTER LINE NUMBER 799, 285T0049-63 MUST BE USED. POST SERVICE BULLETIN: 27-0108		RF
20	BAC27TEX1		.DECAL		2
40	BAC27TEX3348		.MARKER-ALUMINUM FOIL		1
70	BAC27TEX2405		.DECAL- PLACARD CONTENT: REFER TO MAINTENANCE MANUAL PRIOR TO REMOVAL OF POWER SUPPLIES		1
200	285T0283-87		.PRINTED WIRING ASSY- CENTRAL PROCESSING UNIT (STATIC SENSITIVE PART) SUPPLIER CODE: V89954 COMPONENT MAINT MANUAL REF: 27-51-62 OPTIONAL PART: 285T0283-90 V89954 USED ON: 285T0049-46 285T0049-50		RF

ILLUSTRATION ITEMS NOT ON PARTS LIST ARE NOT APPLICABLE

- ITEM NOT ILLUSTRATED

HXL

11-36-91-08

BOEING PROPRIETARY - Copyright © - Unpublished Work - See title page for details.

11-36-91
FIG. 08
PAGE 1
APR 22/09



767

PARTS CATALOG (MAINTENANCE)

FIG ITEM	PART NUMBER	1 2 3 4 5 6 7	NOMENCLATURE	EFFECT FROM TO	UNITS PER ASSY
8 200	285T0283-90		.PRINTED WIRING ASSY- CENTRAL PROCESSING UNIT (STATIC SENSITIVE PART) SUPPLIER CODE: V89954 COMPONENT MAINT MANUAL REF: 27-51-62 OPTIONAL PART: 285T0283-87 V89954 USED ON: 285T0049-46 285T0049-50		RF
230	285T0283-65		..PRINTED CIRCUIT ASSY- STATIC SENSITIVE PART SUPPLIER CODE: V89954 OPTIONAL PART: 285T0283-59 V89954 285T0283-61 V89954 USED ON: 285T0283-68 285T0283-72 285T0283-78 285T0283-79 285T0283-87 285T0283-93		RF
230	285T0283-61		..PRINTED CIRCUIT ASSY- (STATIC SENSITIVE PART) SUPPLIER CODE: V89954 OPTIONAL PART: 285T0283-59 V89954 285T0283-65 V89954 USED ON: 285T0283-87		RF
240	BAC27TEX1486		...DECAL- PLACARD CONTENT: STATIC SENSITIVE		2

ILLUSTRATION ITEMS NOT ON PARTS LIST ARE NOT APPLICABLE

- ITEM NOT ILLUSTRATED

HXL

11-36-91-08

BOEING PROPRIETARY - Copyright © - Unpublished Work - See title page for details.

11-36-91
FIG. 08
PAGE 2
APR 22/09



767

PARTS CATALOG (MAINTENANCE)

FIG ITEM	PART NUMBER	1 2 3 4 5 6 7	NOMENCLATURE	EFFECT FROM TO	UNITS PER ASSY
8 300	285T0283-85		.PRINTED WIRING ASSY- CENTRAL PROCESSING UNIT (STATIC SENSITIVE PART) SUPPLIER CODE: V89954 COMPONENT MAINT MANUAL REF: 27-51-62 OPTIONAL PART: 285T0283-88 V89954 USED ON: 285T0049-46 285T0049-50		RF
300	285T0283-88		.PRINTED WIRING ASSY- CENTRAL PROCESSING UNIT (STATIC SENSITIVE PART) SUPPLIER CODE: V89954 COMPONENT MAINT MANUAL REF: 27-51-62 OPTIONAL PART: 285T0283-85 V89954 USED ON: 285T0049-46 285T0049-50		RF
- 320 330	BAC27TEX2007 285T0283-65		..DECAL- ..PRINTED CIRCUIT ASSY- STATIC SENSITIVE PART SUPPLIER CODE: V89954 OPTIONAL PART: 285T0283-59 V89954 285T0283-61 V89954 USED ON: 285T0283-66 285T0283-69 285T0283-76 285T0283-85 285T0283-91		1 RF

ILLUSTRATION ITEMS NOT ON PARTS LIST ARE NOT APPLICABLE

- ITEM NOT ILLUSTRATED

HXL

11-36-91-08

BOEING PROPRIETARY - Copyright © - Unpublished Work - See title page for details.

11-36-91
FIG. 08
PAGE 3
APR 22/09



767

PARTS CATALOG (MAINTENANCE)

FIG ITEM	PART NUMBER	1 2 3 4 5 6 7	NOMENCLATURE	EFFECT FROM TO	UNITS PER ASSY
8 330	285T0283-61		..PRINTED CIRCUIT ASSY- (STATIC SENSITIVE PART) SUPPLIER CODE: V89954 OPTIONAL PART: 285T0283-59 V89954 285T0283-65 V89954		RF
340	BAC27TEX1486		...DECAL- PLACARD CONTENT: STATIC SENSITIVE		2
400	285T0283-86		.PRINTED WIRING ASSY- CENTRAL PROCESSING UNIT (STATIC SENSITIVE PART) SUPPLIER CODE: V89954 COMPONENT MAINT MANUAL REF: 27-51-62 OPTIONAL PART: 285T0283-89 V89954 USED ON: 285T0049-50 285T0049-46		RF
400	285T0283-89		.PRINTED WIRING ASSY- CENTRAL PROCESSING UNIT (STATIC SENSITIVE PART) SUPPLIER CODE: V89954 COMPONENT MAINT MANUAL REF: 27-51-62 OPTIONAL PART: 285T0283-86 V89954 USED ON: 285T0049-46 285T0049-50		RF
- 420	BAC27TEX2007		..DECAL- OPTIONAL PART: WHB673-1DOX0D5 V6M134		1

ILLUSTRATION ITEMS NOT ON PARTS LIST ARE NOT APPLICABLE

- ITEM NOT ILLUSTRATED

HXL

11-36-91-08

BOEING PROPRIETARY - Copyright © - Unpublished Work - See title page for details.

11-36-91
FIG. 08
PAGE 4
APR 22/09



767

PARTS CATALOG (MAINTENANCE)

FIG ITEM	PART NUMBER	1 2 3 4 5 6 7	NOMENCLATURE	EFFECT FROM TO	UNITS PER ASSY
8 430	285T0283-65		..PRINTED CIRCUIT ASSY- STATIC SENSITIVE PART SUPPLIER CODE: V89954 OPTIONAL PART: 285T0283-59 V89954 285T0283-61 V89954 USED ON: 285T0283-67 285T0283-70 285T0283-77 285T0283-86 285T0283-92		RF
440	BAC27TEX1486		...DECAL- PLACARD CONTENT: STATIC SENSITIVE		2
500	285T0284-21		.PRINTED WIRING ASSY- DISCRETE INPUT/OUTPUT (STATIC SENSITIVE PART) SUPPLIER CODE: V89954 COMPONENT MAINT MANUAL REF: 27-51-63 OPTIONAL PART: 285T0284-23 V89954 285T0284-24 V89954		RF
500	285T0284-23		.PRINTED WIRING ASSY- DISCRETE INPUT/OUTPUT (STATIC SENSITIVE PART) SUPPLIER CODE: V89954 COMPONENT MAINT MANUAL REF: 27-51-63 OPTIONAL PART: 285T0284-21 V89954 285T0284-24 V89954		RF

ILLUSTRATION ITEMS NOT ON PARTS LIST ARE NOT APPLICABLE

- ITEM NOT ILLUSTRATED

HXL

11-36-91-08

BOEING PROPRIETARY - Copyright © - Unpublished Work - See title page for details.

11-36-91
FIG. 08
PAGE 5
APR 22/09

 **BOEING**
767
PARTS CATALOG (MAINTENANCE)

FIG ITEM	PART NUMBER	1 2 3 4 5 6 7	NOMENCLATURE	EFFECT FROM TO	UNITS PER ASSY
8 500	285T0284-24		.PRINTED WIRING ASSY- DISCRETE INPUT/OUTPUT (STATIC SENSITIVE PART) SUPPLIER CODE: V89954 COMPONENT MAINT MANUAL REF: 27-51-63 OPTIONAL PART: 285T0284-23 V89954 285T0284-21 V89954		RF
510	BAC27TEX1486		..DECAL- PLACARD CONTENT: STATIC SENSITIVE		2
560	BAC27TEX1486		..DECAL- PLACARD CONTENT: STATIC SENSITIVE		2
600	285T0286-5		.POWER SUPPLY ASSY- (STATIC SENSITIVE PART) SUPPLIER CODE: V89954 COMPONENT MAINT MANUAL REF: 27-51-65 QUALIFIED OPTIONAL DATA: (OPT 285T0286-6 USED WITH ASSOCIATED ITEMS) OPTIONAL PART: 285T0286-6 V89954 USED ON: 285T0049-22 285T0049-23 285T0049-32 285T0049-39 285T0049-46 285T0049-50 285T0049-53		RF
ILLUSTRATION ITEMS NOT ON PARTS LIST ARE NOT APPLICABLE					

- ITEM NOT ILLUSTRATED

HXL

11-36-91-08

BOEING PROPRIETARY - Copyright © - Unpublished Work - See title page for details.

11-36-91
FIG. 08
PAGE 6
APR 22/09



767

PARTS CATALOG (MAINTENANCE)

FIG ITEM	PART NUMBER	1 2 3 4 5 6 7	NOMENCLATURE	EFFECT FROM TO	UNITS PER ASSY
8 600	285T0286-6		.POWER SUPPLY ASSY- (STATIC SENSITIVE PART) SUPPLIER CODE: V89954 COMPONENT MAINT MANUAL REF: 27-51-65 QUALIFIED OPTIONAL DATA: (OPT 285T0286-5 USED WITH ASSOCIATED ITEMS) OPTIONAL PART: 285T0286-5 V89954 USED ON: 285T0049-22 285T0049-23 285T0049-32 285T0049-39 285T0049-43 285T0049-46 285T0049-50 285T0049-53		RF
610	BAC27TEX1		..DECAL		1
620	BAC27TEX1486		..DECAL- PLACARD CONTENT: STATIC SENSITIVE		2

ILLUSTRATION ITEMS NOT ON PARTS LIST ARE NOT APPLICABLE

- ITEM NOT ILLUSTRATED

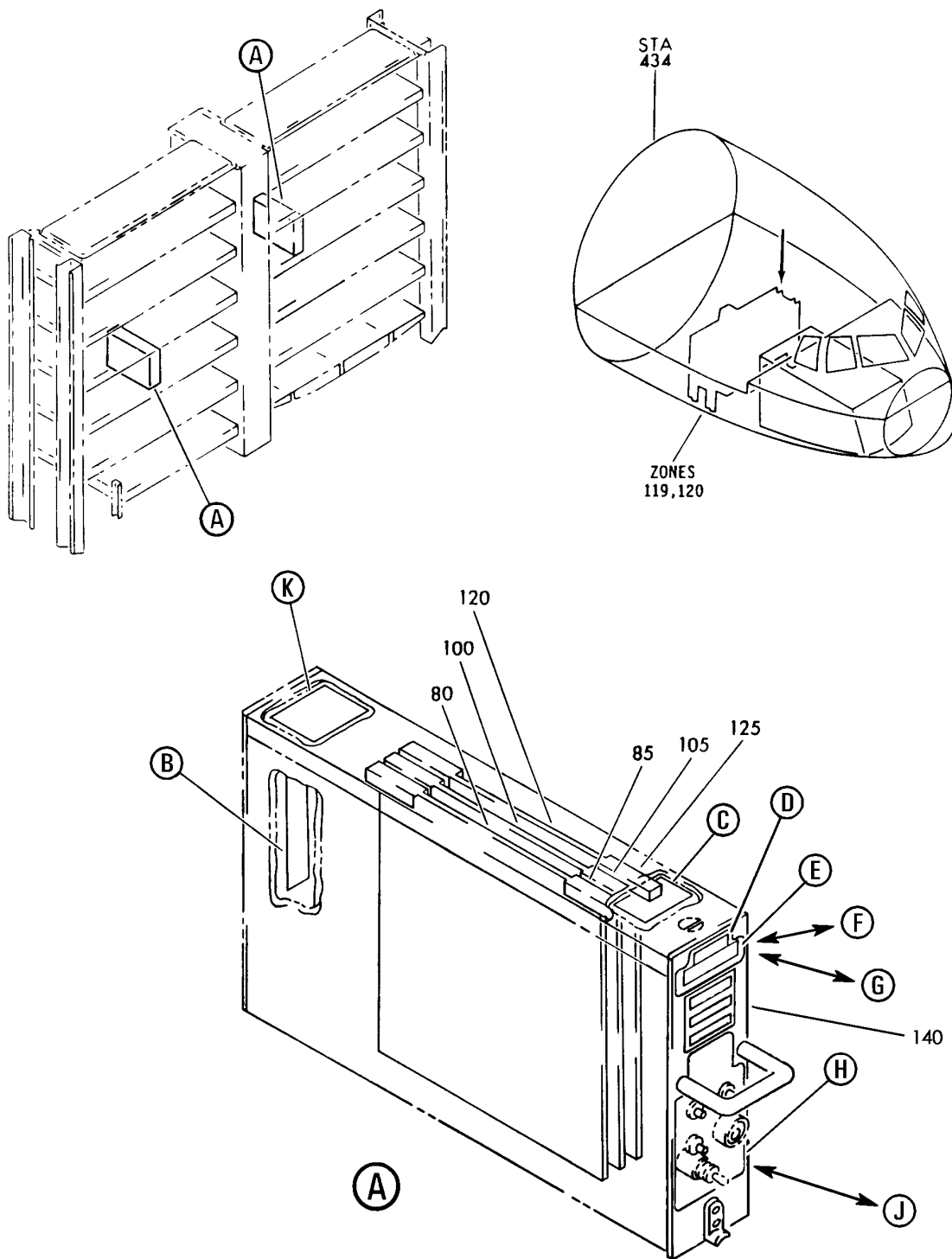
HXL

11-36-91-08

BOEING PROPRIETARY - Copyright © - Unpublished Work - See title page for details.

11-36-91
FIG. 08
PAGE 7
APR 22/09

BOEING
767
PARTS CATALOG (MAINTENANCE)



V 11-36-91-09 SHT 1 REV 230

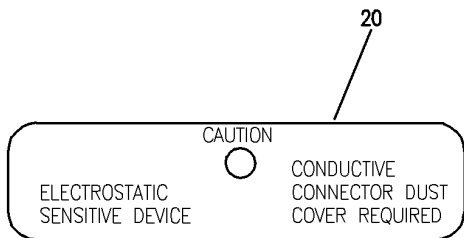
MODULE ASSY-PROPULSION INTERFACE MON UNIT (PLACARDS AND MARKINGS ONLY)
FIGURE 9 (SHEET 1)

HXL
DEC 22/06

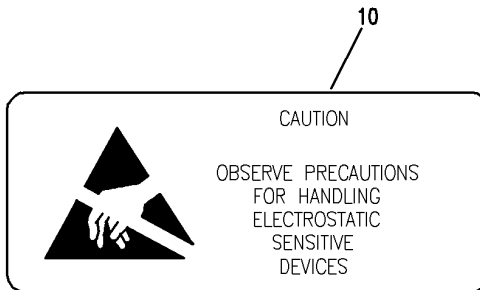
11-36-91-09

11-36-91-09
PAGE 0

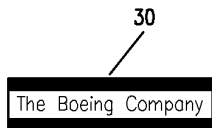
BOEING
767
PARTS CATALOG (MAINTENANCE)



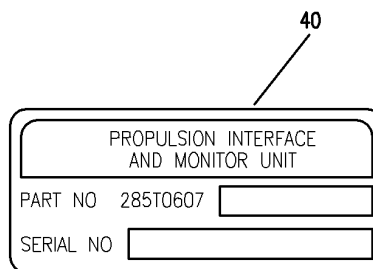
(B)



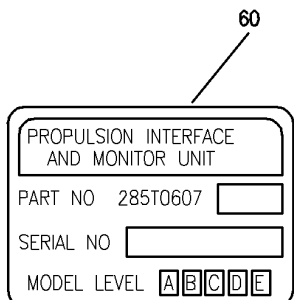
(C)



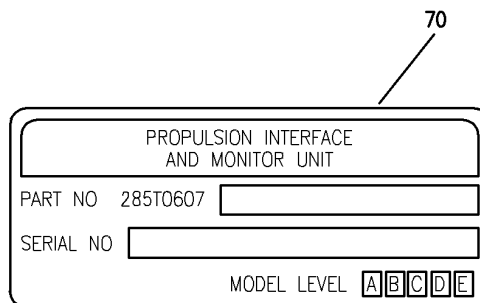
(D)



(E)



(F)



(G)

V 11368108 SH1 2 REV 230

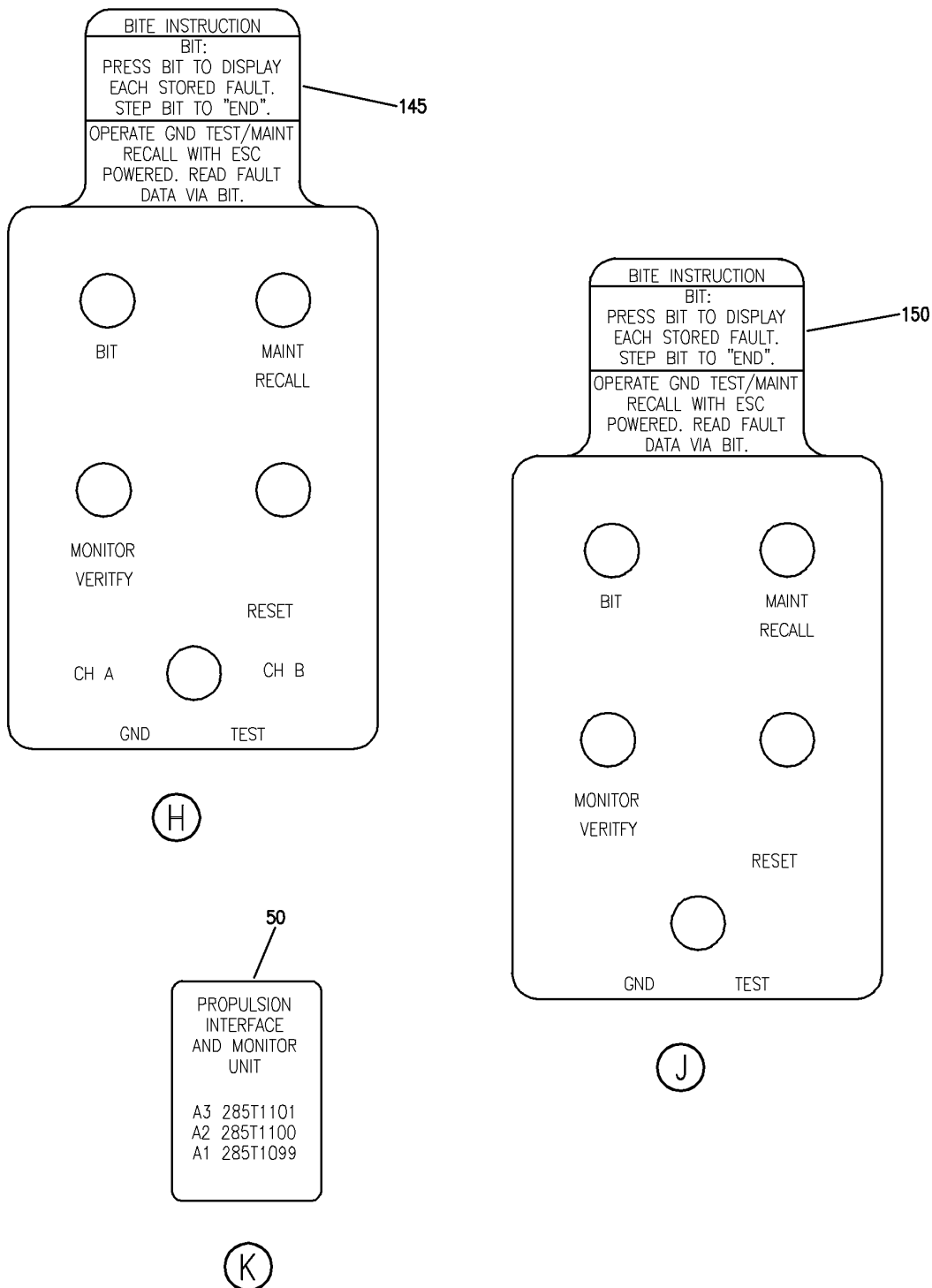
MODULE ASSY-PROPULSION INTERFACE MON UNIT (PLACARDS AND MARKINGS ONLY)
FIGURE 9 (SHEET 2)

11-36-91-09

HXL
DEC 22/06

11-36-91-09
PAGE 0A


BOEING
 767
PARTS CATALOG (MAINTENANCE)



V 11368108 SHT 3 REV 230

MODULE ASSY-PROPULSION INTERFACE MON UNIT (PLACARDS AND MARKINGS ONLY)
 FIGURE 9 (SHEET 3)

11-36-91-09

HXL
DEC 22/06

11-36-91-09
PAGE 0B



767

PARTS CATALOG (MAINTENANCE)

FIG ITEM	PART NUMBER	1 2 3 4 5 6 7	NOMENCLATURE	EFFECT FROM TO	UNITS PER ASSY
9			MODULE ASSY-PROPULSION INTERFACE MON UNIT (PLACARDS AND MARKINGS ONLY)		RF
- 1	285T0607-9		MODULE ASSY-PROPULSION (PLACARDS AND MARKINGS ONLY) INTERFACE MON UNIT STATIC SENSITIVE PART SUPPLIER CODE: V89954 ELECTRICAL EQUIP NUMBER: M01413 M01414 COMPONENT MAINT MANUAL REF: 77-35-20 FOR NHA/OTHER SYS DET SEE: 77-35-00-02		RF
- 1	285T0607-15		MODULE ASSY-PROPULSION (PLACARDS AND MARKINGS ONLY) INTERFACE MON UNIT STATIC SENSITIVE PART SUPPLIER CODE: V89954 ELECTRICAL EQUIP NUMBER: M01413 M01414 COMPONENT MAINT MANUAL REF: 77-35-20 FOR NHA/OTHER SYS DET SEE: 77-35-00-02		RF
10	BAC27TEX1		.DECAL		1
20	BAC27TEX3321		.DECAL- SUPPLIER CODE: V89954		1
30	BAC27TEX3647		.DECAL- SUPPLIER CODE: V89954		1
40	BAC27TEX3805		.MARKER-ALUMINUM FOIL SUPPLIER CODE: V89954 QUALIFIED OPTIONAL DATA: (OPT BAC27TEX4874 OR BAC27TEX4949 USED WITH ASSOCIATED ITEMS) OPTIONAL PART: BAC27TEX4949 V89954		1
ILLUSTRATION ITEMS NOT ON PARTS LIST ARE NOT APPLICABLE					

- ITEM NOT ILLUSTRATED

11-36-91-09

11-36-91
FIG. 09
PAGE 1
DEC 22/06

HXL



767

PARTS CATALOG (MAINTENANCE)

FIG ITEM	PART NUMBER	1 2 3 4 5 6 7	NOMENCLATURE	EFFECT FROM TO	UNITS PER ASSY
9	50 BAC27TEX3808		.DECAL- SUPPLIER CODE: V89954 PLACARD CONTENT: PROPULSION INTERFACE AND MONITOR UNIT		1
	60 BAC27TEX4874		.MARKER-ALUMINUM FOIL SUPPLIER CODE: V89954 QUALIFIED OPTIONAL DATA: (OPT BAC27TEX3805 OR BAC27TEX4949 USED WITH ASSOCIATED ITEMS) OPTIONAL PART: BAC27TEX4949 V89954		1
	70 BAC27TEX4949		.MARKER-ALUMINUM FOIL SUPPLIER CODE: V89954 QUALIFIED OPTIONAL DATA: (OPT BAC27TEX3805 OR BAC27TEX4874 USED WITH ASSOCIATED ITEMS) OPTIONAL PART: BAC27TEX4874 V89954 BAC27TEX3805 V89954		1
	80 285T1099-11		.PRINTED CIRCUIT ASSY- PROCESSOR BOARD A1 STATIC SENSITIVE PART SUPPLIER CODE: V89954 COMPONENT MAINT MANUAL REF: 77-35-21 USED ON: 285T0607-15		1
	85 BAC27TEX2		..DECAL- PLACARD CONTENT: STATIC SENSITIVE PART		1
-	90 BAC27TEX2007		..DECAL		1

ILLUSTRATION ITEMS NOT ON PARTS LIST ARE NOT APPLICABLE

- ITEM NOT ILLUSTRATED

HXL

11-36-91-09

BOEING PROPRIETARY - Copyright © - Unpublished Work - See title page for details.

11-36-91
FIG. 09
PAGE 2
DEC 22/06



767

PARTS CATALOG (MAINTENANCE)

FIG ITEM	PART NUMBER	1 2 3 4 5 6 7	NOMENCLATURE	EFFECT FROM TO	UNITS PER ASSY
9 100	285T1100-10		.PRINTED CIRCUIT ASSY-INPUT OUTPUT BOARD A2 STATIC SENSITIVE PART SUPPLIER CODE: V89954 COMPONENT MAINT MANUAL REF: 77-35-22 QUALIFIED OPTIONAL DATA: (OPT 285T1100-16 USED WITH ASSOCIATED ITEMS) USED ON: 285T0607-15 285T0607-17 285T0607-13		1
100	285T1100-16		.PRINTED CIRCUIT ASSY-INPUT OUTPUT BOARD A2 STATIC SENSITIVE PART SUPPLIER CODE: V89954 COMPONENT MAINT MANUAL REF: 77-35-22 QUALIFIED OPTIONAL DATA: (OPT 285T1100-10 USED WITH ASSOCIATED ITEMS) USED ON: 285T0607-17 285T0607-13 USED ON: 285T0607-15		1
105	BAC27TEX2		..DECAL- PLACARD CONTENT: STATIC SENSITIVE PART		1
120	285T1101-12		.PRINTED CIRCUIT ASSY-POWER SUPPLY-DISPLAY A3 STATIC SENSITIVE PART SUPPLIER CODE: V89954 COMPONENT MAINT MANUAL REF: 77-35-23 USED ON: 285T0607-15		1
125	BAC27TEX2		..DECAL- PLACARD CONTENT: STATIC SENSITIVE PART		1
- 130	BAC27TEX2007		..DECAL- OPTIONAL PART: WHB673-1DOX0D5 V6M134		1

ILLUSTRATION ITEMS NOT ON PARTS LIST ARE NOT APPLICABLE

- ITEM NOT ILLUSTRATED

11-36-91-09

11-36-91
FIG. 09
PAGE 3
DEC 22/06

HXL



767

PARTS CATALOG (MAINTENANCE)

FIG ITEM	PART NUMBER	1 2 3 4 5 6 7	NOMENCLATURE	EFFECT FROM TO	UNITS PER ASSY
9					
- 130	WHB673-1D0X0D5		.. LABEL- SUPPLIER CODE: V6M134 OPTIONAL PART: BAC27TEX2007		1
- 135	285T0607-14		. WIRE BUNDLE ASSY- SUPPLIER CODE: V89954 MISCELLANEOUS DATA: USED WITH -5001, -5002, -5003, -5004		RF
140	285T0207-8		.. PANEL ASSY-FRONT PIMU SUPPLIER CODE: V89954		RF
145	BAC27TEX4496		... MARKER-ALUMINUM FOIL SUPPLIER CODE: V89954		1

ILLUSTRATION ITEMS NOT ON PARTS LIST ARE NOT APPLICABLE

- ITEM NOT ILLUSTRATED

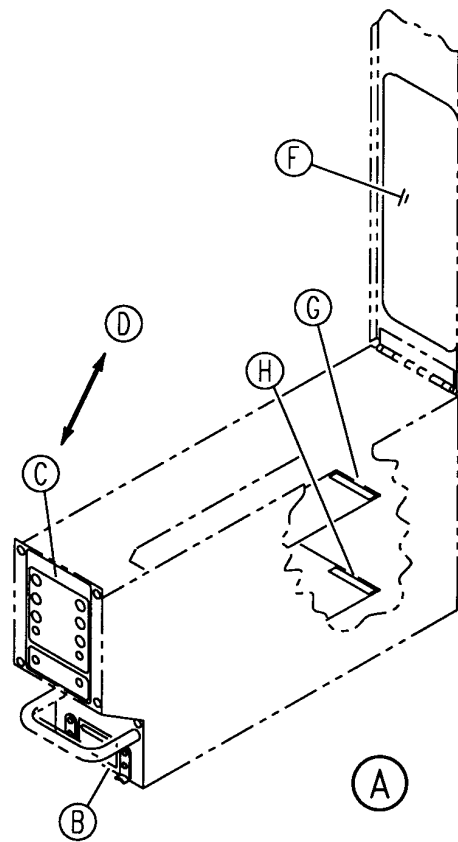
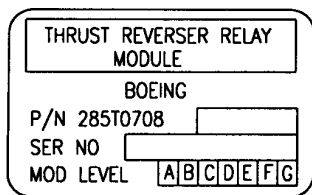
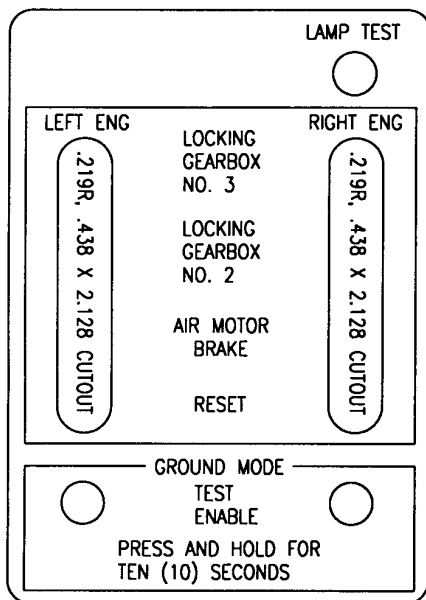
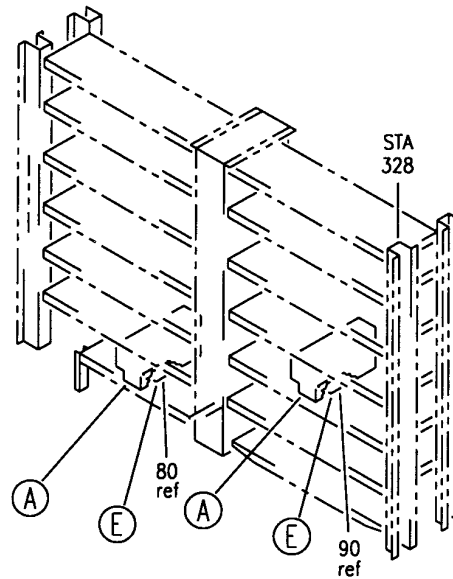
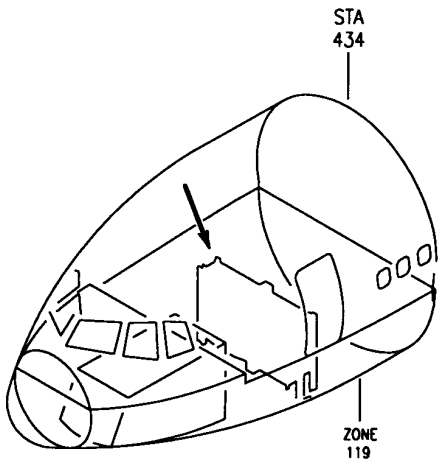
HXL

11-36-91-09

BOEING PROPRIETARY - Copyright © - Unpublished Work - See title page for details.

11-36-91
FIG. 09
PAGE 4
DEC 22/06

BOEING
767
PARTS CATALOG (MAINTENANCE)



V 11369110 SHT 1 REV 194

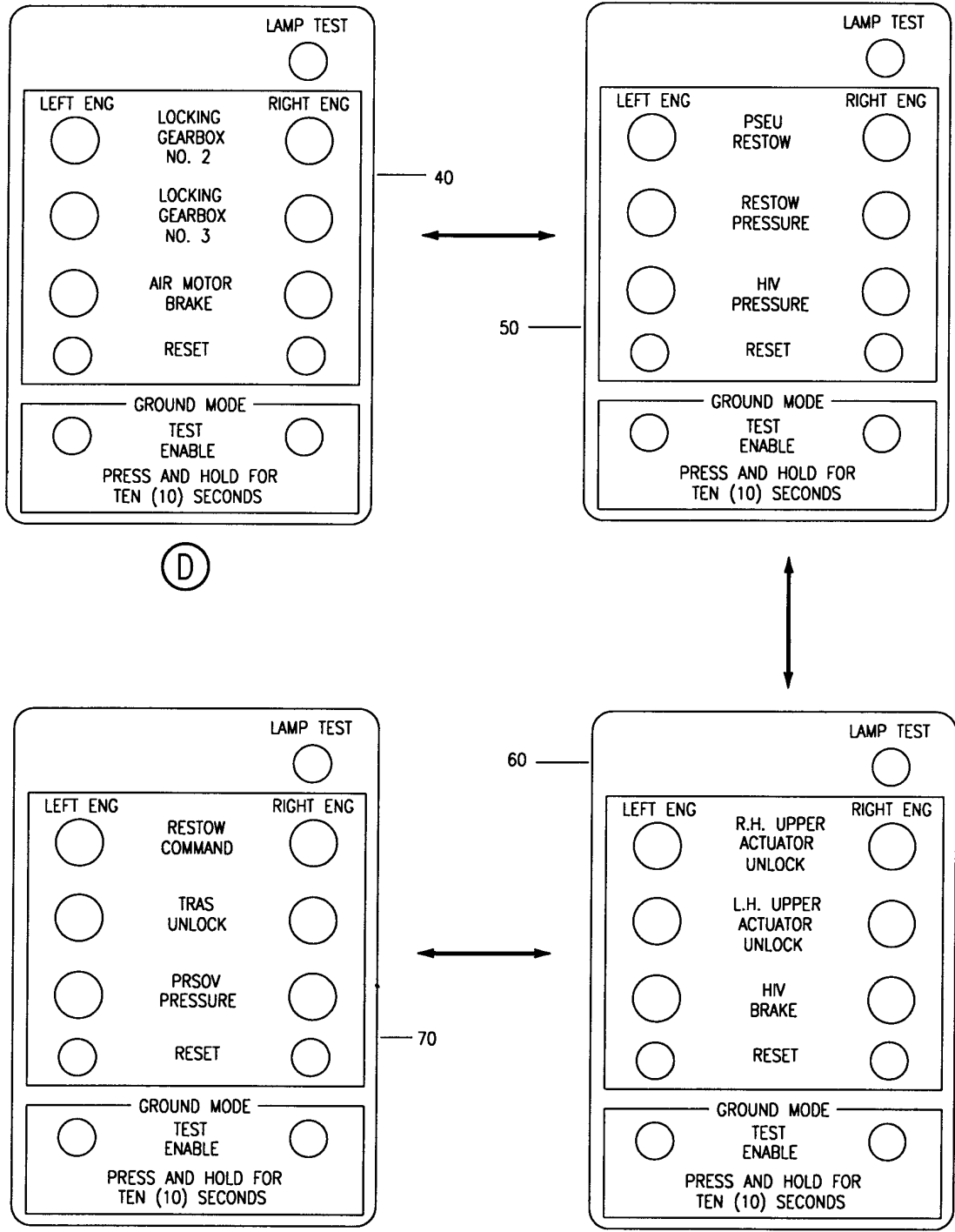
MODULE ASSY-THRUST REVERSER RELAY (PLACARDS AND MARKINGS ONLY)
FIGURE 10 (SHEET 1)

11-36-91-10

HXL
DEC 22/06

11-36-91-10
PAGE 0

BOEING
767
PARTS CATALOG (MAINTENANCE)



(D)

V 11369110 SHT 2 REV 194

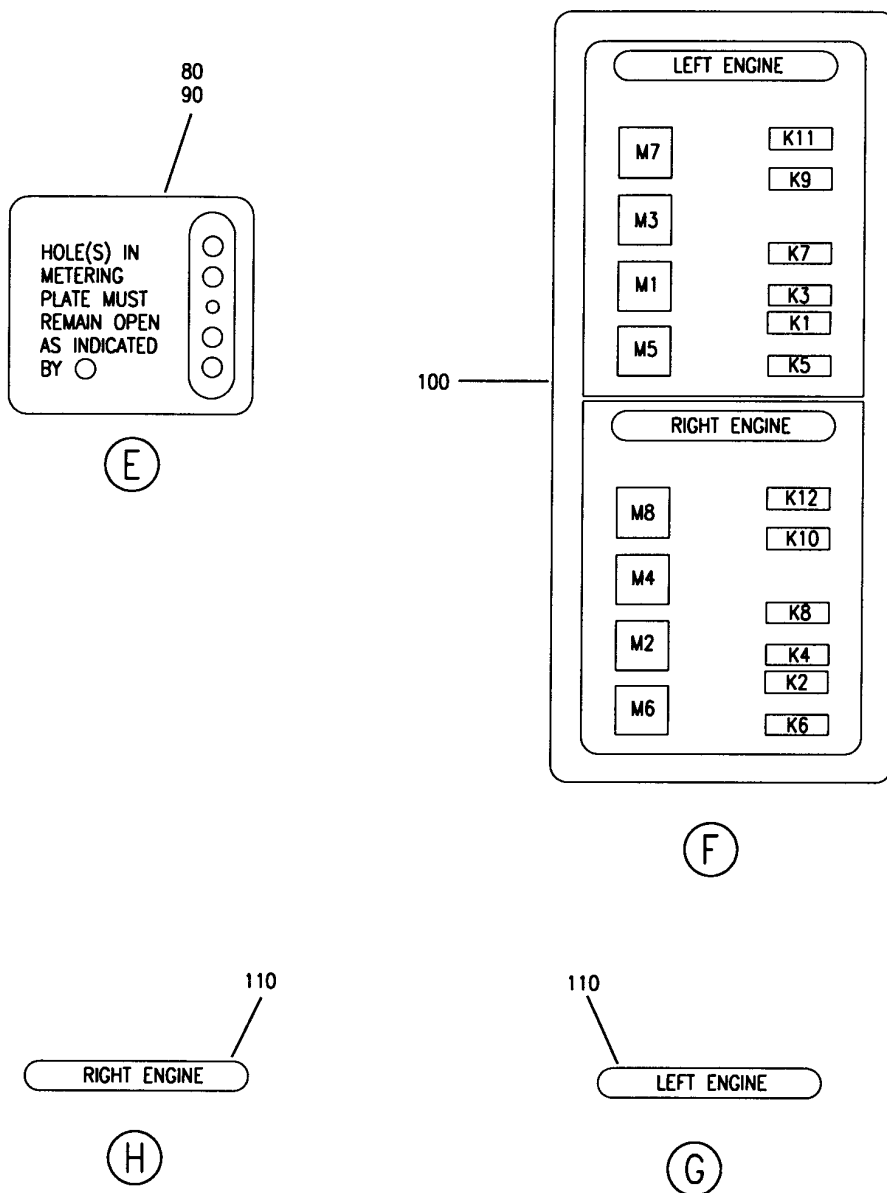
MODULE ASSY-THRUST REVERSER RELAY (PLACARDS AND MARKINGS ONLY)
FIGURE 10 (SHEET 2)

11-36-91-10

HXL
DEC 22/06

11-36-91-10
PAGE 0A

BOEING
767
PARTS CATALOG (MAINTENANCE)



V 11369110 SHT 3 REV 194

MODULE ASSY-THRUST REVERSER RELAY (PLACARDS AND MARKINGS ONLY)
FIGURE 10 (SHEET 3)

11-36-91-10

HXL
DEC 22/06

11-36-91-10
PAGE 0B



767

PARTS CATALOG (MAINTENANCE)

FIG ITEM	PART NUMBER	1 2 3 4 5 6 7	NOMENCLATURE	EFFECT FROM TO	UNITS PER ASSY
10			MODULE ASSY-THRUST REVERSER RELAY (PLACARDS AND MARKINGS ONLY)		
- 5	285T0708-3		MODULE ASSY-THRUST REVERSER RELAY (PLACARDS AND MARKINGS ONLY) SUPPLIER CODE: V89954 ELECTRICAL EQUIP NUMBER: M01987 COMPONENT MAINT MANUAL REF: 78-30-11 POST SERVICE BULLETIN: 78-0062R5 FOR NHA/OTHER SYS DET SEE: 78-36-11-02		RF
50	BAC27TEX4956		.MARKER-ALUMINUM FOIL SUPPLIER CODE: V89954		1

ILLUSTRATION ITEMS NOT ON PARTS LIST ARE NOT APPLICABLE

- ITEM NOT ILLUSTRATED

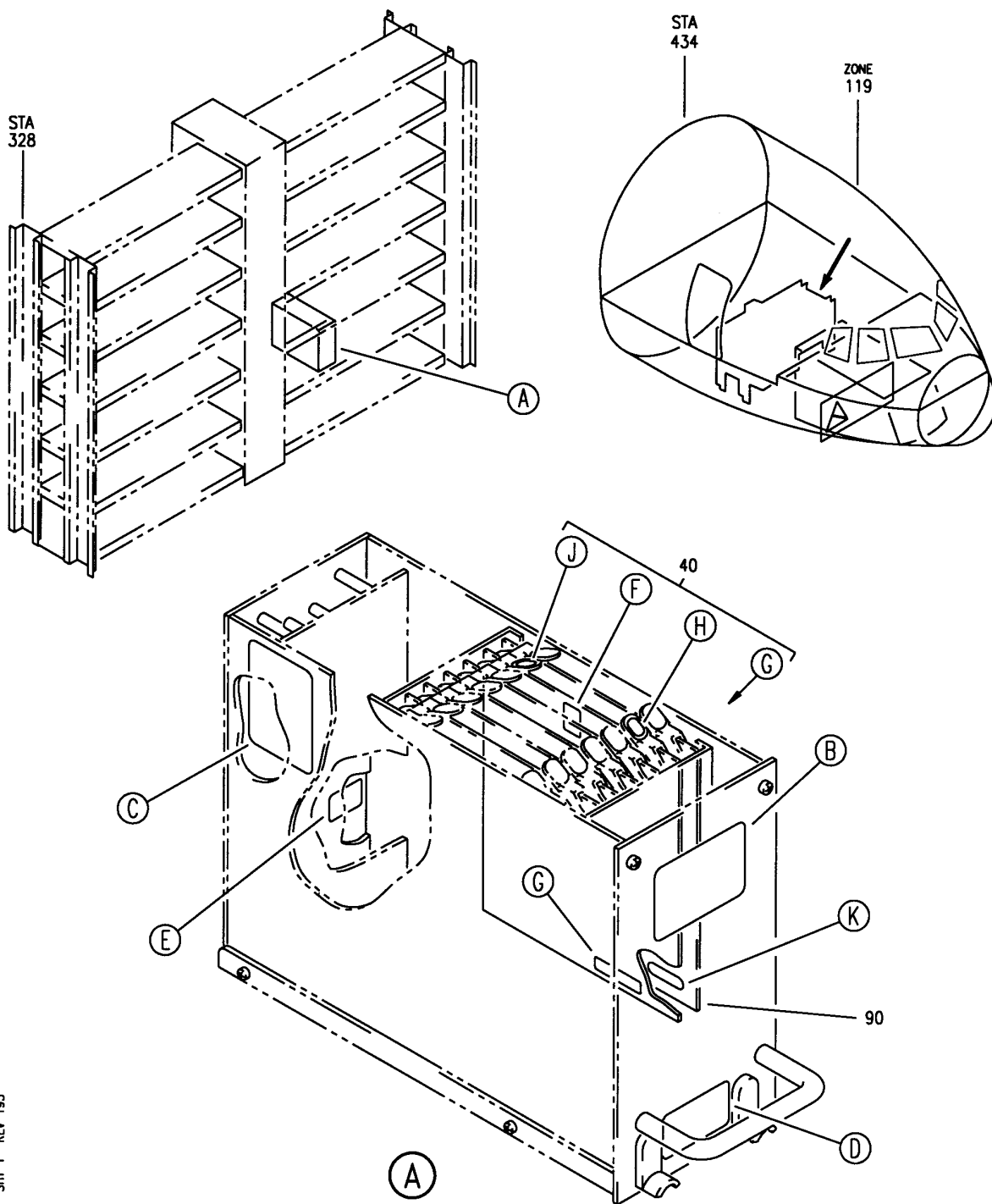
HXL

11-36-91-10

BOEING PROPRIETARY - Copyright © - Unpublished Work - See title page for details.

11-36-91
FIG. 10
PAGE 1
DEC 22/07

BOEING
767
PARTS CATALOG (MAINTENANCE)



V 11369112 SHT 1 REV 193

MODULE ASSY-PACK FLOW CARGO AIR CONDITIONING CONTROLLER (PLACARDS AND MARKINGS ONLY)
FIGURE 12 (SHEET 1)

HXL
DEC 22/06

11-36-91-12

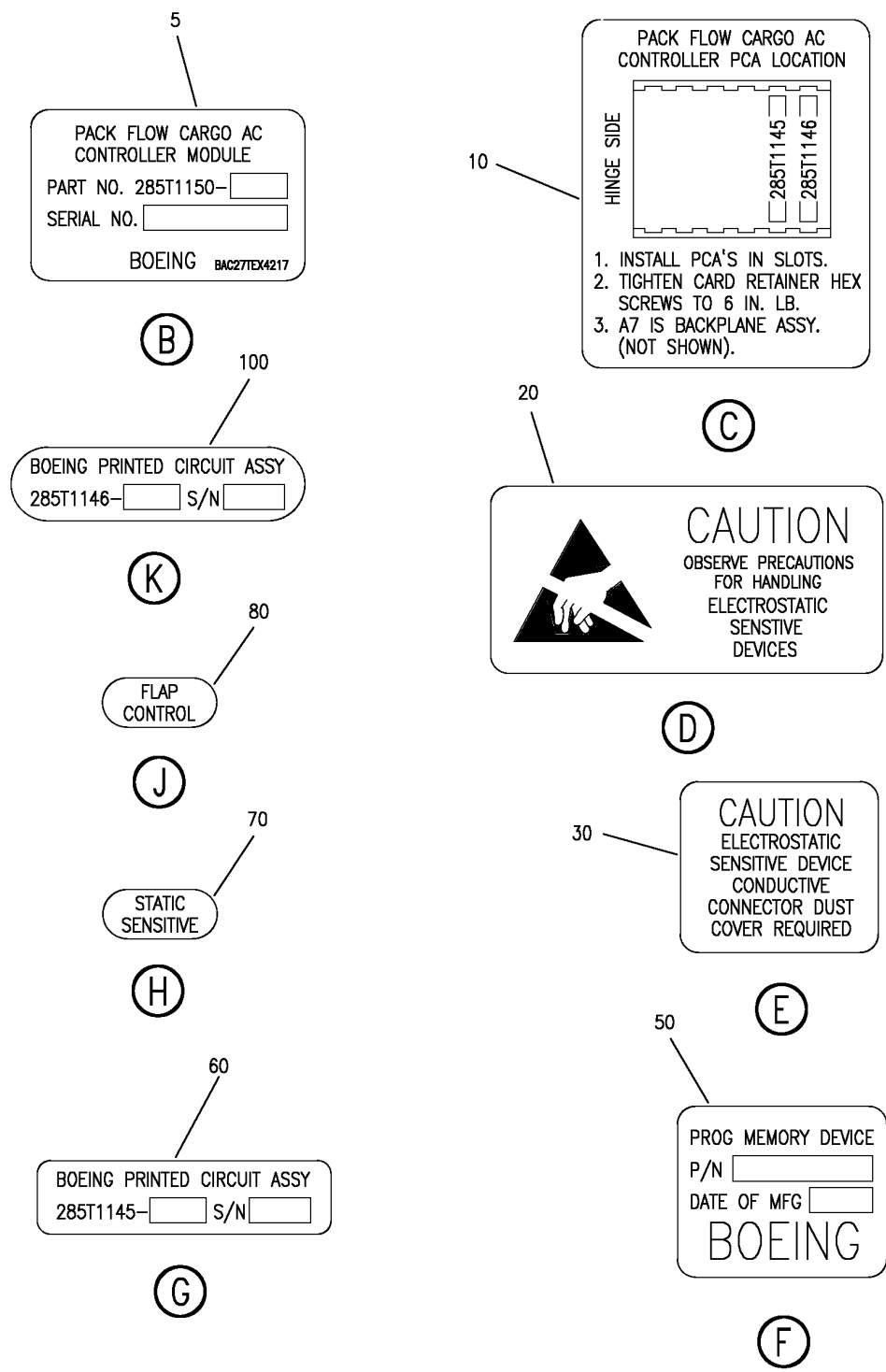
11-36-91-12
PAGE 0



767

PARTS CATALOG (MAINTENANCE)

V 11369112 SHT 2 REV 259



MODULE ASSY-PACK FLOW CARGO AIR CONDITIONING CONTROLLER (PLACARDS AND MARKINGS ONLY)
 FIGURE 12 (SHEET 2)



767

PARTS CATALOG (MAINTENANCE)

FIG ITEM	PART NUMBER	1 2 3 4 5 6 7	NOMENCLATURE	EFFECT FROM TO	UNITS PER ASSY
12			MODULE ASSY-PACK FLOW CARGO AIR CONDITIONING CONTROLLER (PLACARDS AND MARKINGS ONLY)		
- 1	285T1150-3		MODULE ASSY-CARGO AIR CONDITIONING CONTROLLER PACK FLOW STATIC SENSITIVE PART (PLACARDS AND MARKINGS ONLY) SUPPLIER CODE: V89954 ELECTRICAL EQUIP NUMBER: M01610 COMPONENT MAINT MANUAL REF: 21-51-54 QUALIFIED I/W DATA: FOR FWD CARGO APPLICATIONS PART NUMBER 285T1150-3 REPLACES FULLY I/W 285T1150-2 WHICH IS NOT PREFERRED DUE TO FAULTY ANNUNCIATION AND LOWER LIFE EXPECTANCY POST SERVICE BULLETIN: 21-0138 FOR NHA/OTHER SYS DET SEE: 21-28-51-01		RF
	5 BAC27TEX4217		.MARKER-ALUMINUM FOIL SUPPLIER CODE: V89954		RF
	10 BAC27TEX4219		.DECAL- SUPPLIER CODE: V89954		1
	20 BAC27TEX1		.DECAL		1
	30 BAC27TEX3263		.DECAL		1
	40 285T1145-1		.PRINTED CIRCUIT ASSY-PACK FLOW LOGIC CONTROLLER STATIC SENSITIVE PART (A5) SUPPLIER CODE: V89954 COMPONENT MAINT MANUAL REF: 21-51-55		1
ILLUSTRATION ITEMS NOT ON PARTS LIST ARE NOT APPLICABLE					

- ITEM NOT ILLUSTRATED

11-36-91-12

11-36-91
FIG. 12
PAGE 1
DEC 22/06

HXL



767

PARTS CATALOG (MAINTENANCE)

FIG ITEM	PART NUMBER	1 2 3 4 5 6 7	NOMENCLATURE	EFFECT FROM TO	UNITS PER ASSY
12 40	285T1145-6		.PRINTED CIRCUIT ASSY-PACK FLOW LOGIC CONTROLLER STATIC SENSITIVE PART A5 SUPPLIER CODE: V89954 COMPONENT MAINT MANUAL REF: 21-51-55		1
50	BAC27TEX2007		..DECAL		1
60	BAC27EEX1187		..DECAL- SUPPLIER CODE: V89954 OPTIONAL PART: DAT128-652 V6M134		1
60	DAT128-652		..DECAL- SUPPLIER CODE: V6M134 OPTIONAL PART: BAC27EEX1187 V89954		1
70	BAC27TEX1486		..DECAL		1
80	BAC27TEX4102		..MARKER-ALUMINUM FOIL SUPPLIER CODE: V89954		1
90	285T1146-1		.PRINTED CIRCUIT ASSY-PACK FLOW INTERFACE STATIC SENSITIVE PART (A6) SUPPLIER CODE: V89954 COMPONENT MAINT MANUAL REF: 21-51-56		RF
100	BAC27EEX1188		..DECAL- SUPPLIER CODE: V89954 OPTIONAL PART: DAT128-652 V6M134		1
100	DAT128-652		..DECAL- SUPPLIER CODE: V6M134 OPTIONAL PART: BAC27EEX1188 V89954		1

ILLUSTRATION ITEMS NOT ON PARTS LIST ARE NOT APPLICABLE

- ITEM NOT ILLUSTRATED

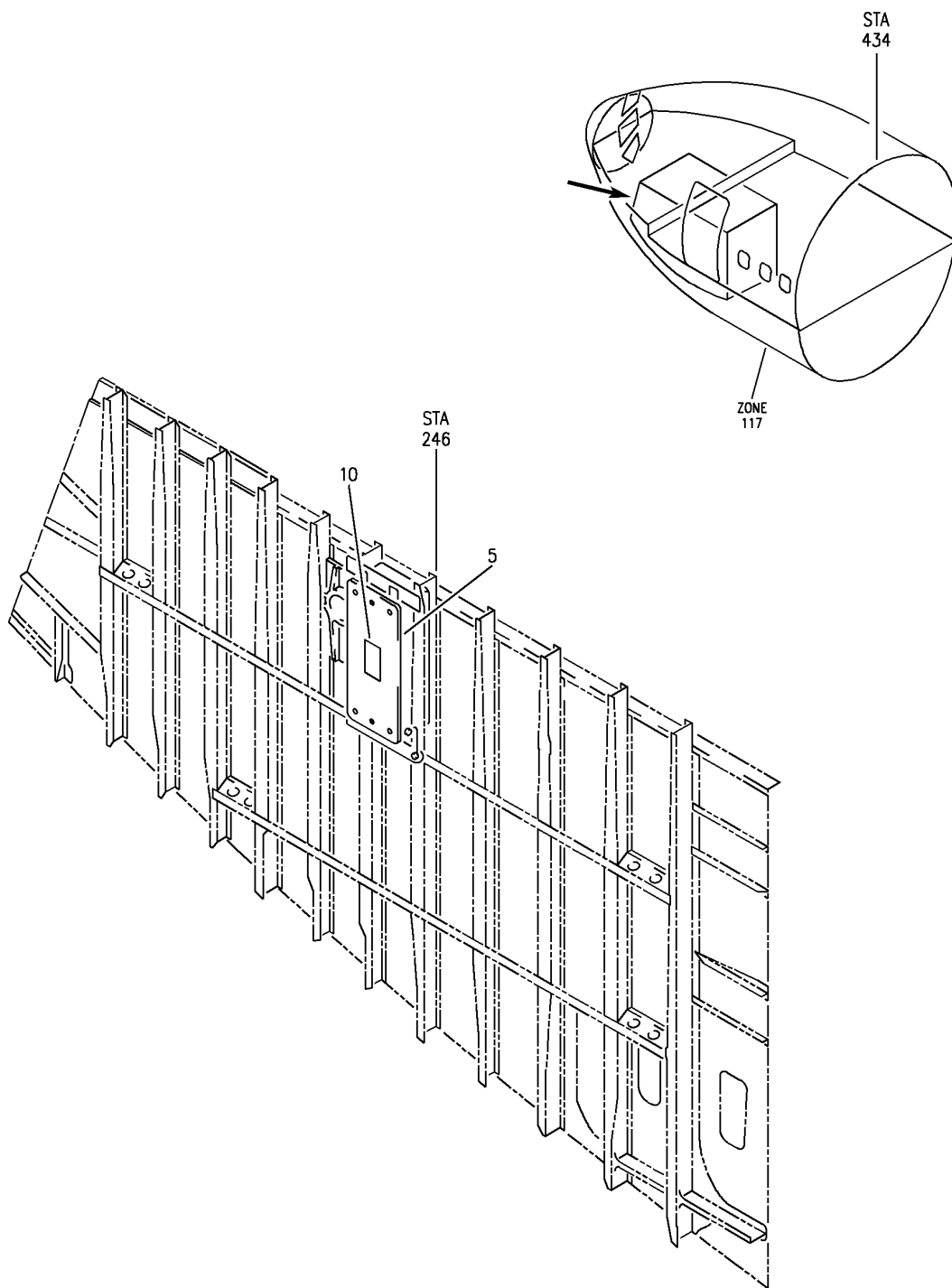
HXL

11-36-91-12

BOEING PROPRIETARY - Copyright © - Unpublished Work - See title page for details.

11-36-91
FIG. 12
PAGE 2
DEC 22/06

BOEING
767
PARTS CATALOG (MAINTENANCE)



V 11369241D REV 317

PANEL INSTL-P140 (PLACARDS AND MARKINGS ONLY)
FIGURE 41D

HXL
APR 22/08

11-36-92-41D

11-36-92-41D
PAGE 0



767

PARTS CATALOG (MAINTENANCE)

FIG ITEM	PART NUMBER	1 2 3 4 5 6 7	NOMENCLATURE	EFFECT FROM TO	UNITS PER ASSY
41D			PANEL INSTL-P140 (PLACARDS AND MARKINGS ONLY)		
- 3	015T1778-1		TOP KIT- SUPPLIER CODE: V81205 POST ALERT SB: 28A0085		1
5	284T3139-38		.PANEL ASSY- POST ALERT SB: 28A0085		RF
10	BAC27TEX7270		..DECAL- PLACARD CONTENT: P140 LEFT ELECTRICAL FUEL AUXILIARY PANEL		1

ILLUSTRATION ITEMS NOT ON PARTS LIST ARE NOT APPLICABLE

- ITEM NOT ILLUSTRATED

HXL

11-36-92-41D

BOEING PROPRIETARY - Copyright © - Unpublished Work - See title page for details.

11-36-92
FIG. 41D
PAGE 1
APR 22/08