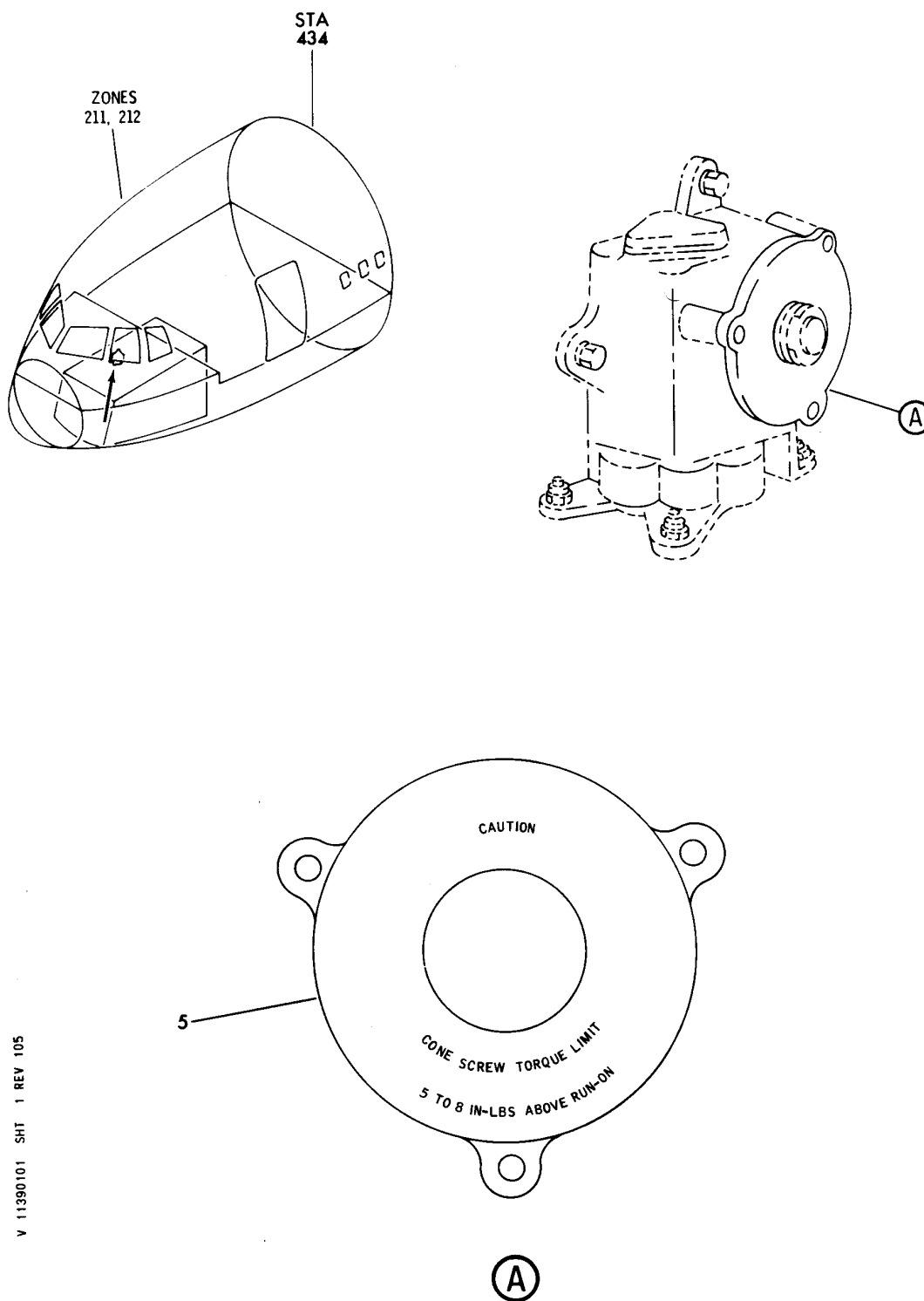


## **GEAR BOX**

HXL  
DEC 22/06

11-39-00  
SECTION TITLE  
PAGE 1

**BOEING**  
767  
PARTS CATALOG (MAINTENANCE)



V 11390101 SH1 1 REV 105

GEAR BOX ASSY-(PLACARDS AND MARKINGS ONLY)  
FIGURE 1

**11-39-01-01**

HXL  
DEC 22/06

11-39-01-01  
PAGE 0



767

PARTS CATALOG (MAINTENANCE)

FIG ITEM	PART NUMBER	1 2 3 4 5 6 7	NOMENCLATURE	EFFECT FROM TO	UNITS PER ASSY
1			GEAR BOX ASSY-(PLACARDS AND MARKINGS ONLY)		
1	253T7114-3		GEARBOX ASSY-(PLACARDS AND MARKINGS ONLY)		RF
			QUALIFIED I/W DATA: (-1) 253T7114-3 I/W 253T7114-1 EXCEPT FOR FADEC ENGINE POWERED 767 A/C WITH AN EXPANDER CONE TYPE AUTOTHROTTLE AY (253T7101-4,-8) WHERE ONLY 253T7114-3 SHOULD BE USED.		
5	BAC27TCT0442		FOR NHA SEE: 22-32-01-02 .MARKER		1

ILLUSTRATION ITEMS NOT ON PARTS LIST ARE NOT APPLICABLE

- ITEM NOT ILLUSTRATED

HXL

11-39-01-01

BOEING PROPRIETARY - Copyright © - Unpublished Work - See title page for details.

11-39-01  
FIG. 01  
PAGE 1  
DEC 22/07