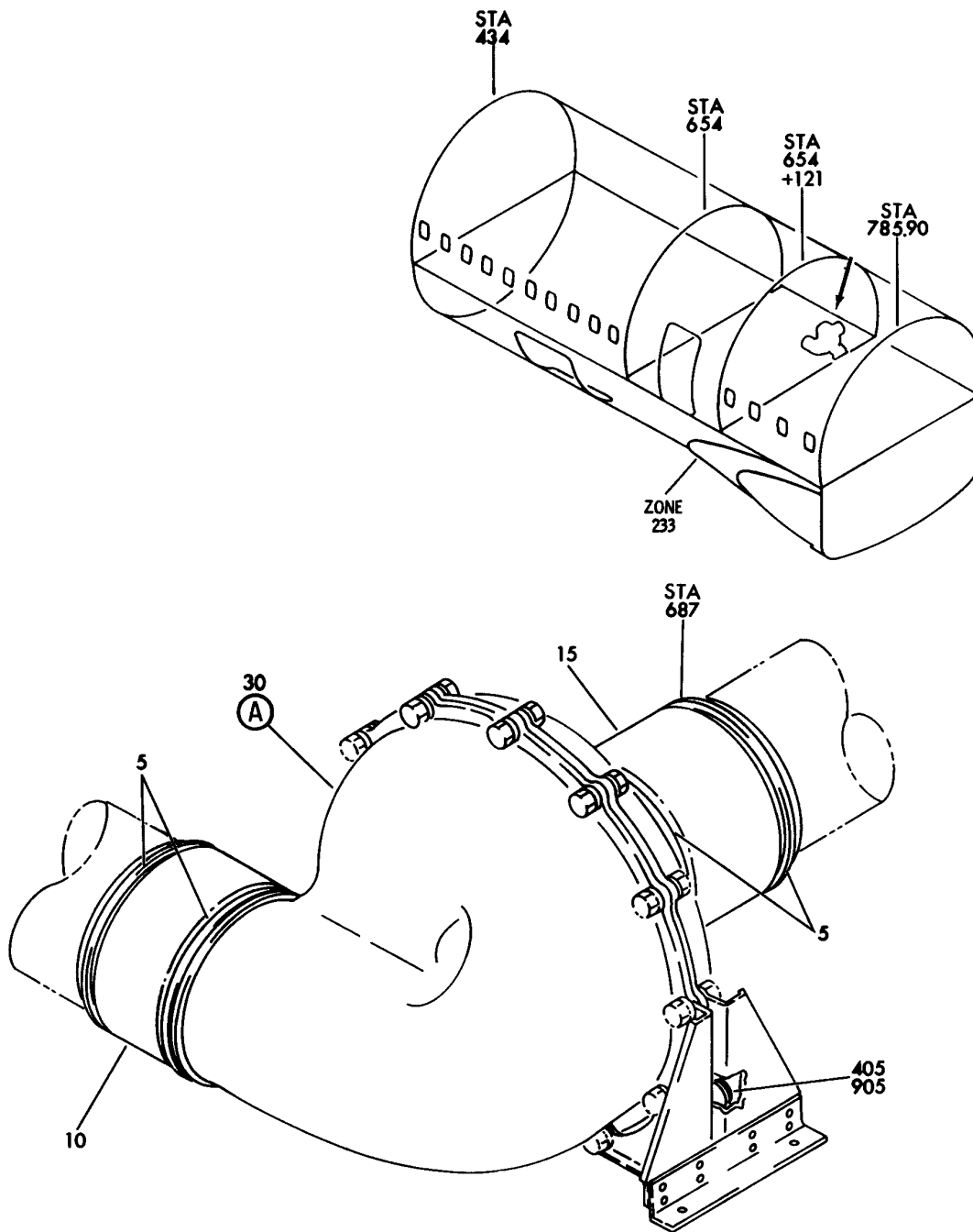


INDIVIDUAL (GASPER) AIR DISTRIBUTION

HXL
DEC 22/06

21-24-00
SECTION TITLE
PAGE 1

BOEING
767
PARTS CATALOG (MAINTENANCE)



V 21240104A SHT 1 REV 130

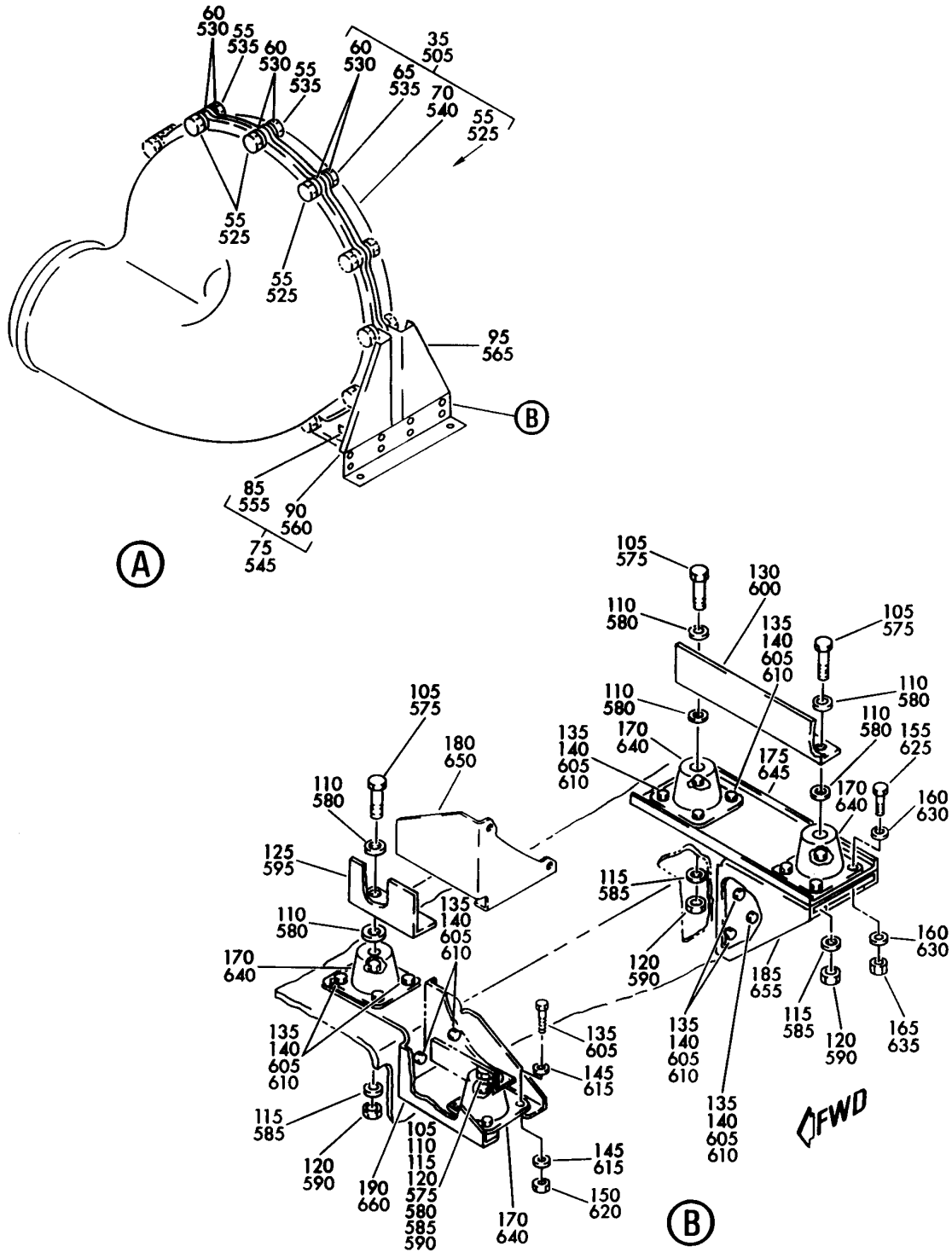
FAN INSTL
FIGURE 4A (SHEET 1)

21-24-01-04A

HXL
DEC 22/06

21-24-01-04A
PAGE 0

BOEING
767
PARTS CATALOG (MAINTENANCE)



V 21240104A SHT 2 REV 130

FAN INSTL
FIGURE 4A (SHEET 2)

21-24-01-04A

HXL
DEC 22/06

21-24-01-04A
PAGE 0A

BOEING
767
PARTS CATALOG (MAINTENANCE)

FIG ITEM	PART NUMBER	1 2 3 4 5 6 7	NOMENCLATURE	EFFECT FROM TO	UNITS PER ASSY
4 A			FAN INSTL		
- 1	214T4053-28		FAN INSTL- FOR NHA SEE: 21-24-02-23		RF
5	NAS1922-0825-1		.CLAMP		4
10	AS1505-32A0052		.HOSE-FLEX		1
15	AS1506-32D32		.HOSE		1
30	214T4053-9		.FAN ASSY		1
35	214T4053-5		..FAN ASSY		1
			ATTACHING PARTS		
- 40	NAS6604-14		..BOLT		5
- 45	AN960D416L		..WASHER		10
- 50	BRH10A4		..NUT		5
			SUPPLIER CODE: V52828		
			SPECIFICATION NUMBER: BACN10JC4		
			OPTIONAL PART: T6S428J V11815 96-048 V80539 VN303A048 V92215 RMLH9075-4W V72962 NS202101-048 V80539 H10-4BAC V15653		
			-----*-----		
55	NAS6604-12		...BOLT		3
60	AN960D416L		...WASHER		6

ILLUSTRATION ITEMS NOT ON PARTS LIST ARE NOT APPLICABLE

- ITEM NOT ILLUSTRATED

HXL

21-24-01-04A

BOEING PROPRIETARY - Copyright © - Unpublished Work - See title page for details.

21-24-01
FIG. 04A
PAGE 1
DEC 22/07



767

PARTS CATALOG (MAINTENANCE)

FIG ITEM	PART NUMBER	1 2 3 4 5 6 7	NOMENCLATURE	EFFECT FROM TO	UNITS PER ASSY
4 A 65	BRH10A4		. . . NUT SUPPLIER CODE: V52828 SPECIFICATION NUMBER: BACN10JC4 OPTIONAL PART: T6S428J V11815 96-048 V80539 VN303A048 V92215 RMLH9075-4W V72962 NS202101-048 V80539 H10-4BAC V15653		3
70	605457-7		. . . FAN-CENTRIFUGAL AIR CONDITIONING SYS SUPPLIER CODE: V70210 SPECIFICATION NUMBER: 60B00027-5 ELECTRICAL EQUIP NUMBER: B00128 COMPONENT MAINT MANUAL REF: 21-24-02 OPTIONAL PART: 605457-3 V70210		1
70	605457-3		. . . FAN-CENTRIFUGAL AIR CONDITIONING SYS SUPPLIER CODE: V70210 SPECIFICATION NUMBER: 60B00027-5 ELECTRICAL EQUIP NUMBER: B00128 COMPONENT MAINT MANUAL REF: 21-20-10 OPTIONAL PART: 605457-7 V70210		1

ILLUSTRATION ITEMS NOT ON PARTS LIST ARE NOT APPLICABLE

- ITEM NOT ILLUSTRATED

HXL

21-24-01-04A

BOEING PROPRIETARY - Copyright © - Unpublished Work - See title page for details.

21-24-01
 FIG. 04A
 PAGE 2
 AUG 22/08

 **BOEING**
767
PARTS CATALOG (MAINTENANCE)

FIG ITEM	PART NUMBER	1 2 3 4 5 6 7	NOMENCLATURE	EFFECT FROM TO	UNITS PER ASSY
R R	4A 70	605457-8	... FAN-CENTRIFUGAL AIR CONDITIONING SYS SUPPLIER CODE: V70210 SPECIFICATION NUMBER: 60B00027-5 ELECTRICAL EQUIP NUMBER: B00128 COMPONENT MAINT MANUAL REF: 21-20-10		1
	75	214T4053-4	.. BRACKET ASSY ATTACHING PARTS		1
	- 80	BACR15FT5AD	.. RIVET- SIZE DETERMINED ON INSTL. -----*-----		5
	85	BAC27TEC0143	... MARKER- PLACARD CONTENT: FAN-GASPER B-128		1
	90	214T4425-6	... BRACKET		1
	95	214T4425-5	.. BRACKET ATTACHING PARTS		1
	- 100	BACR15FT5AD	.. RIVET- SIZE DETERMINED ON INSTL. -----*-----		8
	105	NAS6604-18	.. BOLT		4
	110	AN960PD616L	.. WASHER		8
	115	BACW10P50AL	.. WASHER		4
	120	BRH10A6	.. NUT SUPPLIER CODE: V52828 SPECIFICATION NUMBER: BACN10JC6 OPTIONAL PART: 96-064 V80539 RMLH9075-6 V72962 H10-6BAC V15653		4
	125	214T4423-10	.. BRACKET		1
	130	214T4423-12	.. BRACKET		1
	135	NAS6603-2	.. BOLT		17
	140	AN960D10L	.. WASHER		13
	145	AN960D10L	.. WASHER		8
	150	MS21042L3	.. NUT		4
	155	NAS603-3	.. SCREW		4
	160	AN960D10L	.. WASHER		8
	165	MS21042L3	.. NUT		4

ILLUSTRATION ITEMS NOT ON PARTS LIST ARE NOT APPLICABLE

- ITEM NOT ILLUSTRATED

HXL

21-24-01-04A

BOEING PROPRIETARY - Copyright © - Unpublished Work - See title page for details.

21-24-01
FIG. 04A
PAGE 3
AUG 22/09



767

PARTS CATALOG (MAINTENANCE)

FIG ITEM	PART NUMBER	1 2 3 4 5 6 7	NOMENCLATURE	EFFECT FROM TO	UNITS PER ASSY
4 A					
170	206PHL30		..MOUNT-SHOCK SUPPLIER CODE: V76005 SPECIFICATION NUMBER: BACS14C206-30D		4
175	214T4424-3		..BRACKET		1
180	214T4424-4		..BRACKET		1
185	214T4425-3		..BRACKET		1
190	214T4425-4		..BRACKET		1
- 400	286T0794-300		WIRE BUNDLE ASSY		RF
405	BACC45FT14A7S		.CONNECTOR- ELECTRICAL EQUIP NUMBER: D01386 WIRING DIAGRAM REF: 212411		1

ILLUSTRATION ITEMS NOT ON PARTS LIST ARE NOT APPLICABLE

- ITEM NOT ILLUSTRATED

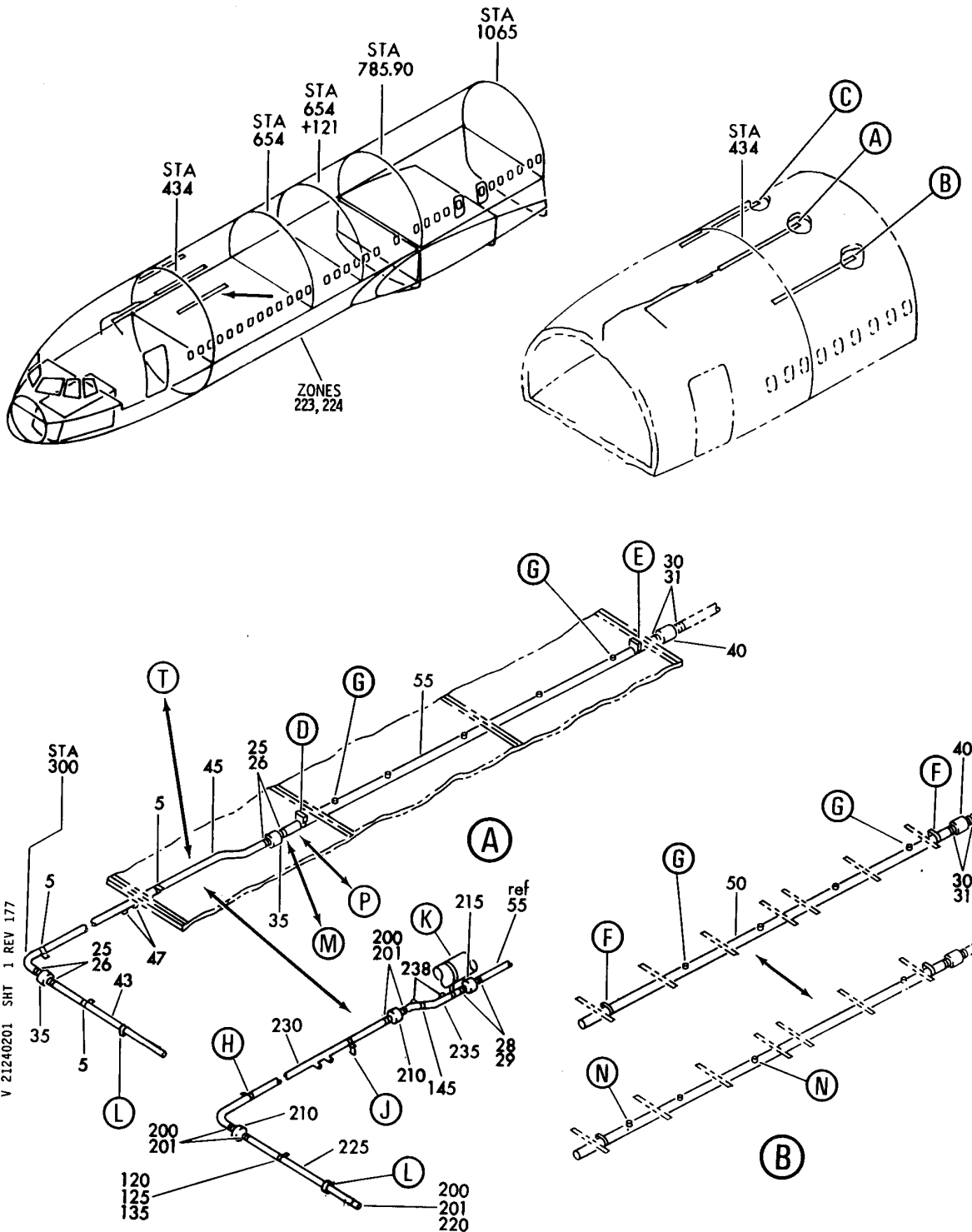
HXL

21-24-01-04A

BOEING PROPRIETARY - Copyright © - Unpublished Work - See title page for details.

21-24-01
FIG. 04A
PAGE 4
AUG 22/08

BOEING
767
PARTS CATALOG (MAINTENANCE)



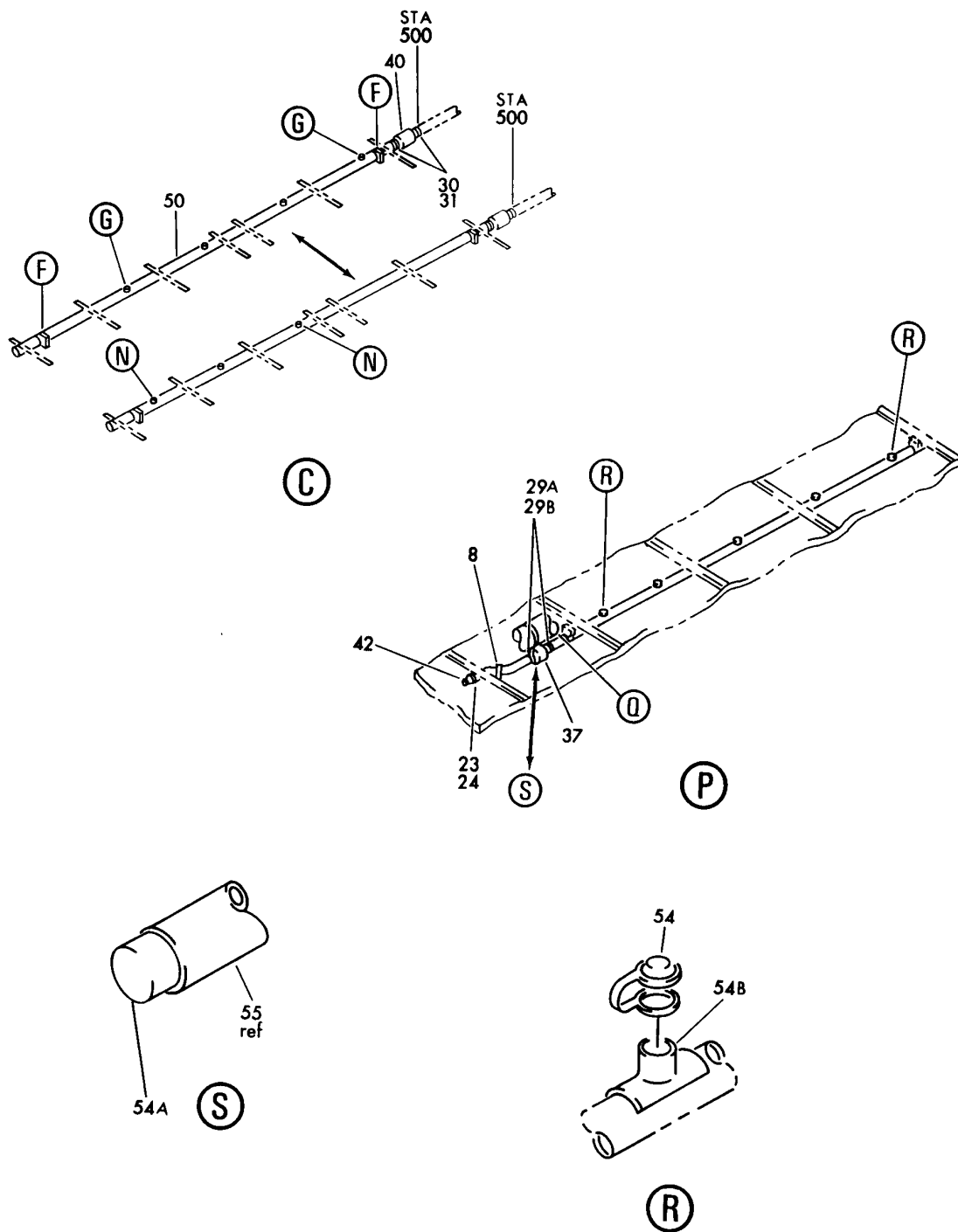
DUCT INSTL-SECT. 41 GASPER AIR SYS
FIGURE 1 (SHEET 1)

21-24-02-01

HXL
DEC 22/06

21-24-02-01
PAGE 0

BOEING
767
PARTS CATALOG (MAINTENANCE)



V 21240201 SHT 2 REV 177

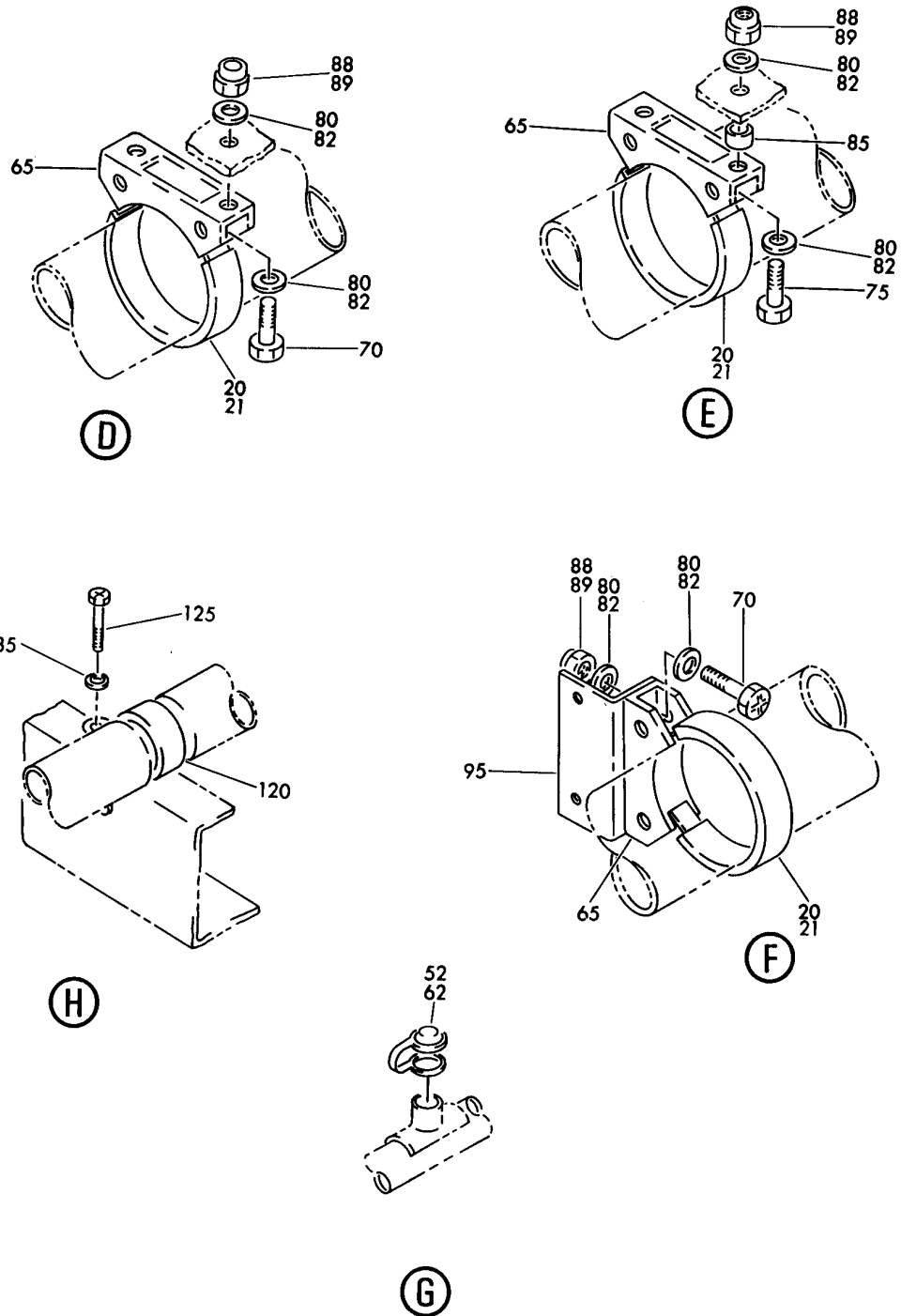
DUCT INSTL-SECT. 41 GASPER AIR SYS
FIGURE 1 (SHEET 2)

21-24-02-01

HXL
DEC 22/06

21-24-02-01
PAGE 0A

BOEING
767
PARTS CATALOG (MAINTENANCE)



V 21240201 SHT 3 REV 177

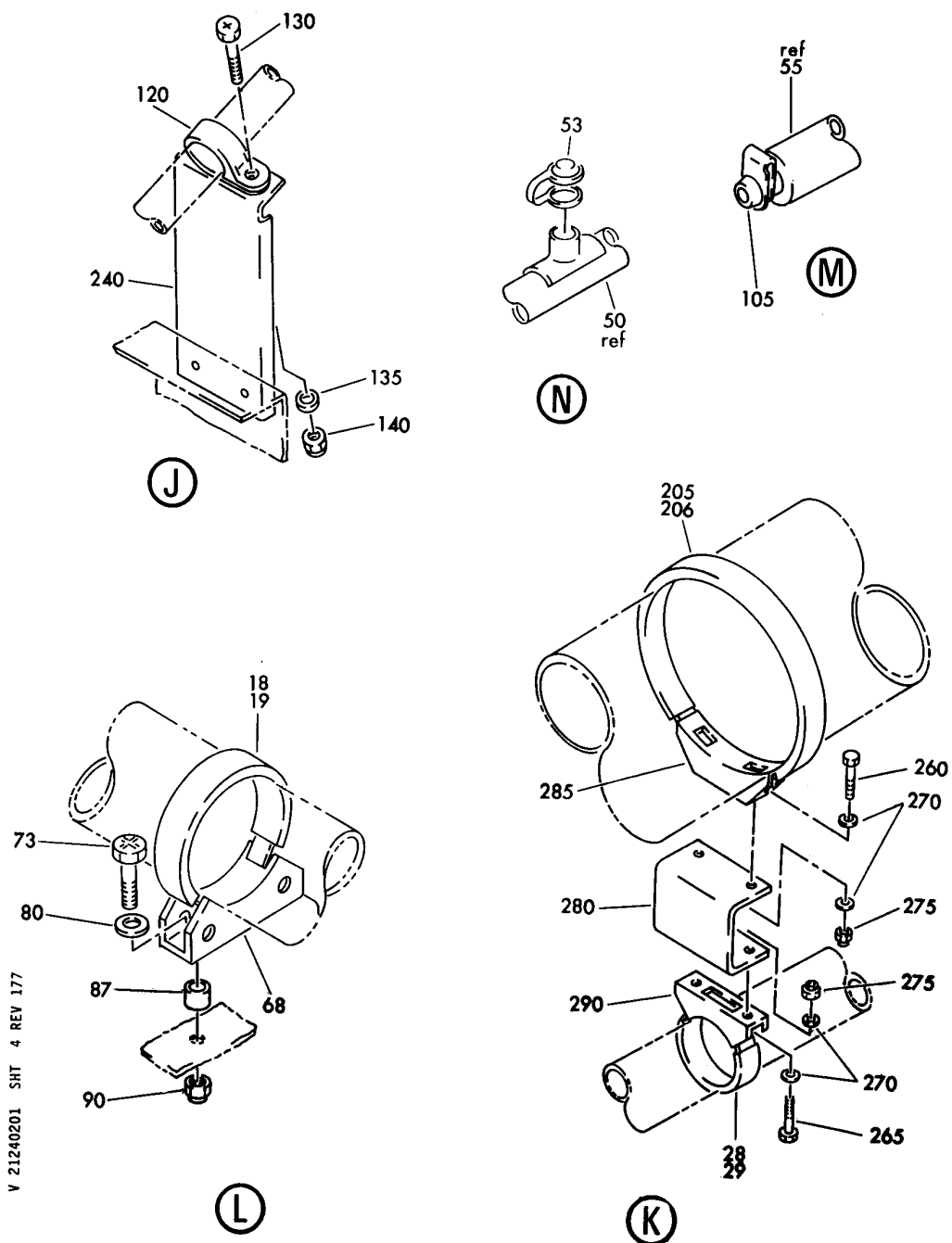
DUCT INSTL-SECT. 41 GASPER AIR SYS
FIGURE 1 (SHEET 3)

21-24-02-01

HXL
DEC 22/06

21-24-02-01
PAGE 0B

BOEING
767
PARTS CATALOG (MAINTENANCE)



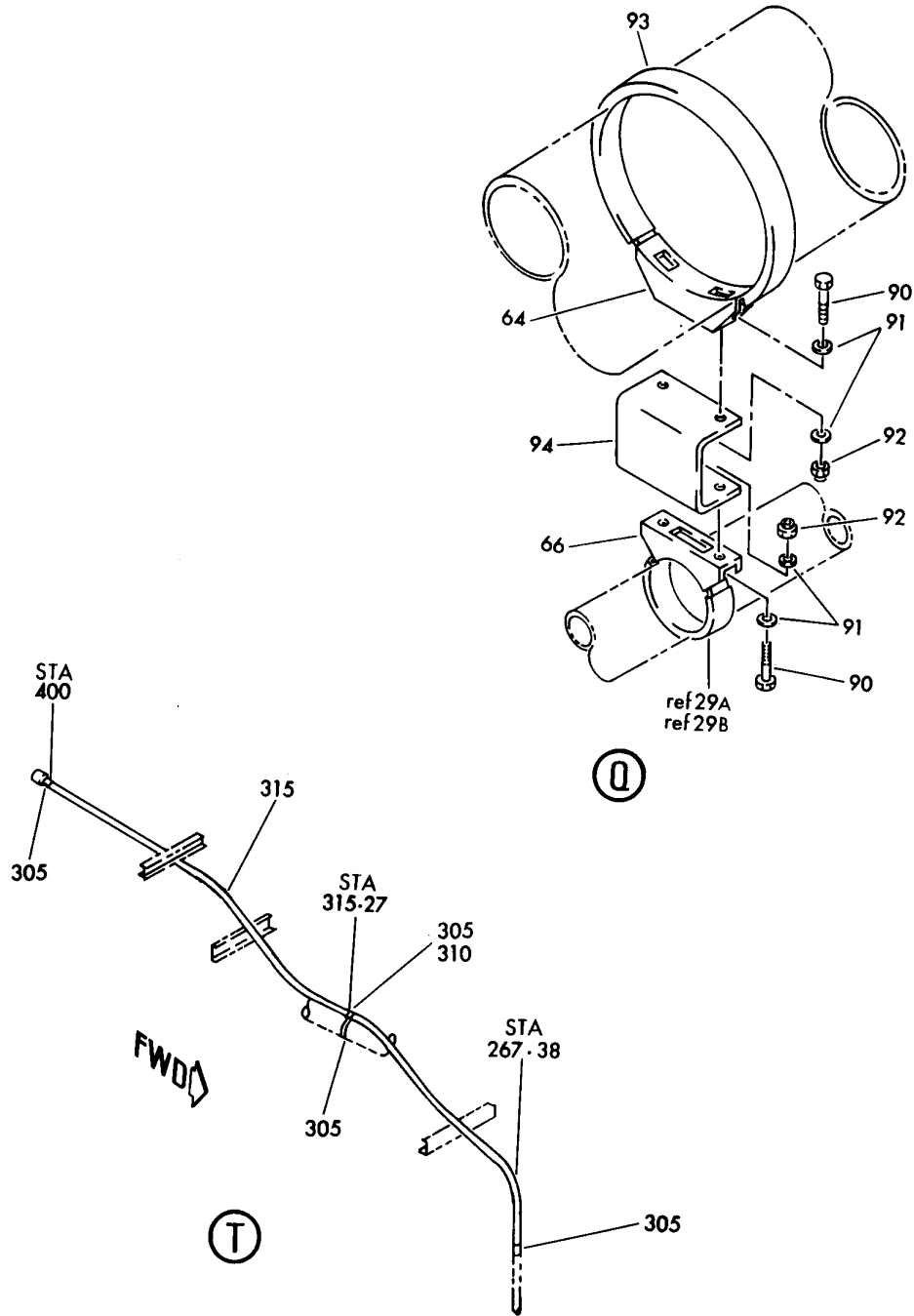
DUCT INSTL-SECT. 41 GASPER AIR SYS
FIGURE 1 (SHEET 4)

21-24-02-01

HXL
DEC 22/06

21-24-02-01
PAGE 0C

BOEING
767
PARTS CATALOG (MAINTENANCE)



DUCT INSTL-SECT. 41 GASPER AIR SYS
FIGURE 1 (SHEET 5)

21-24-02-01

HXL
DEC 22/06

21-24-02-01
PAGE 0D



767

PARTS CATALOG (MAINTENANCE)

FIG ITEM	PART NUMBER	1 2 3 4 5 6 7	NOMENCLATURE	EFFECT FROM TO	UNITS PER ASSY
1			DUCT INSTL-SECT. 41 GASPER AIR SYS		
- 1	214T4052-7		DUCT INSTL-GASPER AIR SYS POSITION DATA: SECT. 41 FOR NHA SEE: 21-00-00-01A		RF
40	AS1506-08D42		.SLEEVE		3
43	214T4020-126		.DUCT ASSY- OPTIONAL PART: 214T4020-263		1
43	214T4020-263		.DUCT ASSY- OPTIONAL PART: 214T4020-126		1
50	214T4020-133		.DUCT ASSY-		2
50	214T4020-368		.DUCT ASSY-		2
53	69B50102-1		..CAP		3
55	214T4020-129		.DUCT ASSY-		1
62	69B50102-1		..CAP		5
			ATTACHING PARTS		
- 100	BACR15FT4		.RIVET- SIZE DETERMINED ON INSTL. -----*-----		8
105	69B50102-1		.CAP		1

ILLUSTRATION ITEMS NOT ON PARTS LIST ARE NOT APPLICABLE

- ITEM NOT ILLUSTRATED

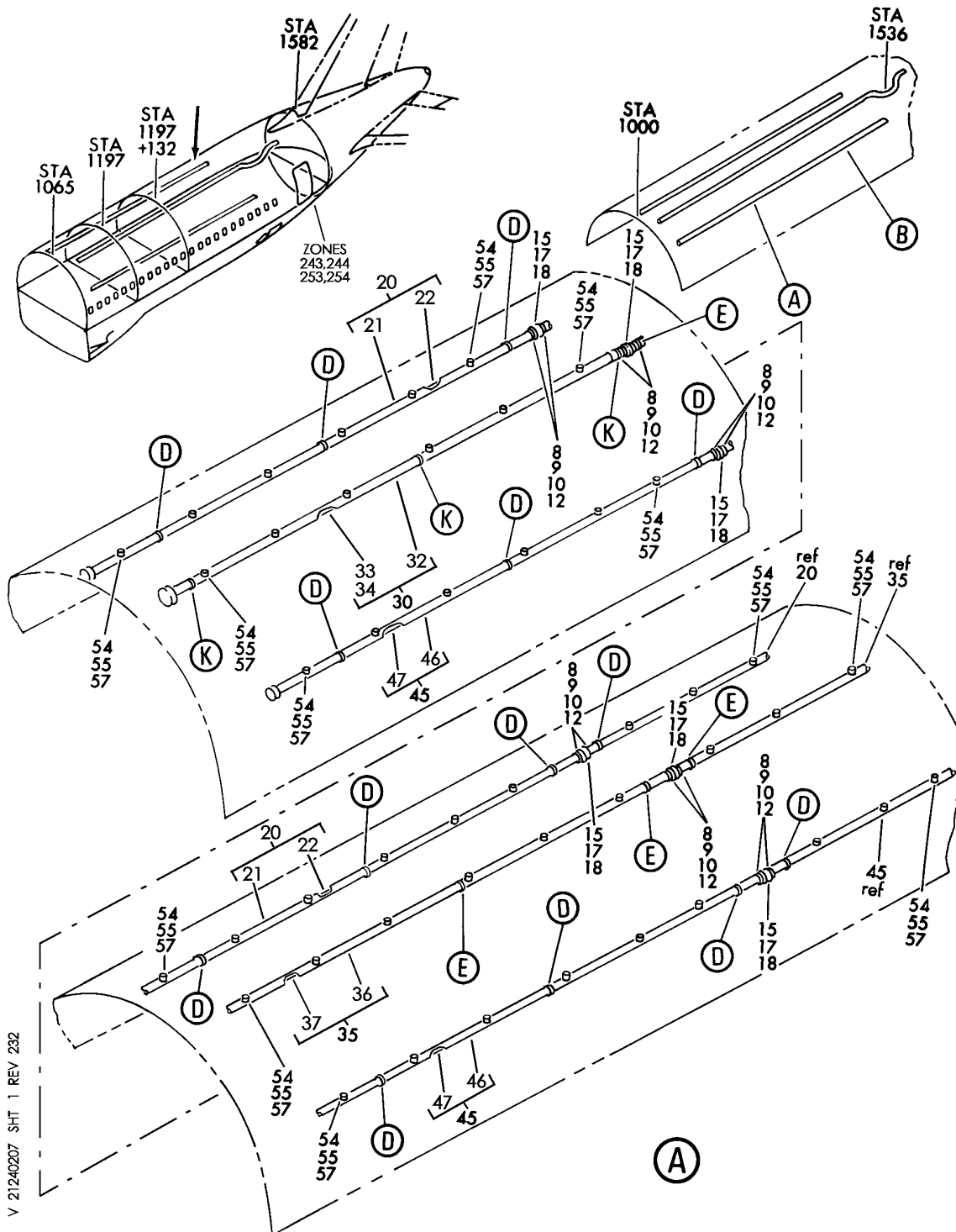
HXL

21-24-02-01

BOEING PROPRIETARY - Copyright © - Unpublished Work - See title page for details.

21-24-02
FIG. 01
PAGE 1
APR 22/08

BOEING
767
PARTS CATALOG (MAINTENANCE)



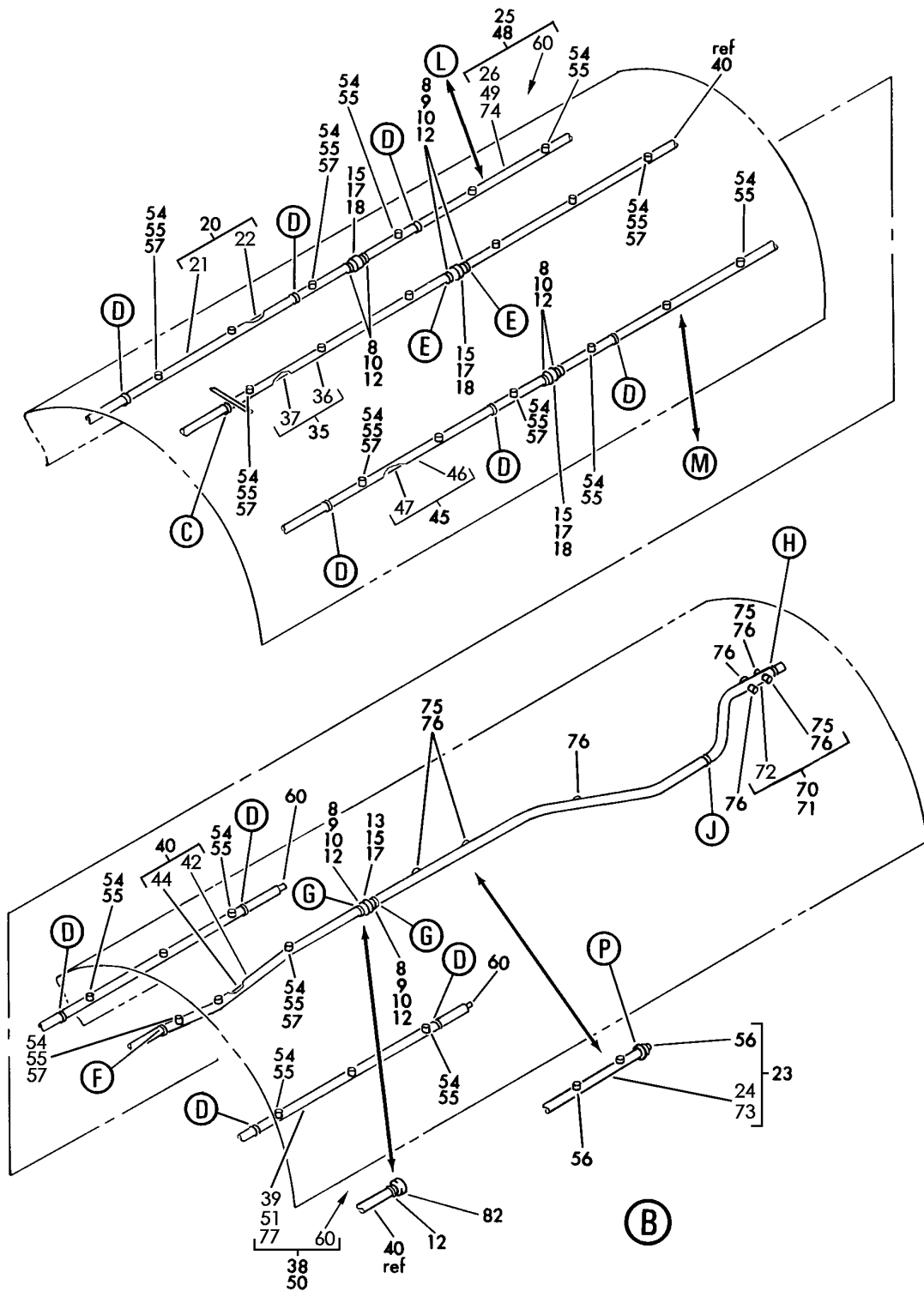
DUCT INSTL-SECT. 46 GASPER AIR SYSTEM -300
FIGURE 7 (SHEET 1)

21-24-02-07

HXL
DEC 22/06

21-24-02-07
PAGE 0


BOEING
 767
PARTS CATALOG (MAINTENANCE)



V 21240207 SHT 2 REV 232

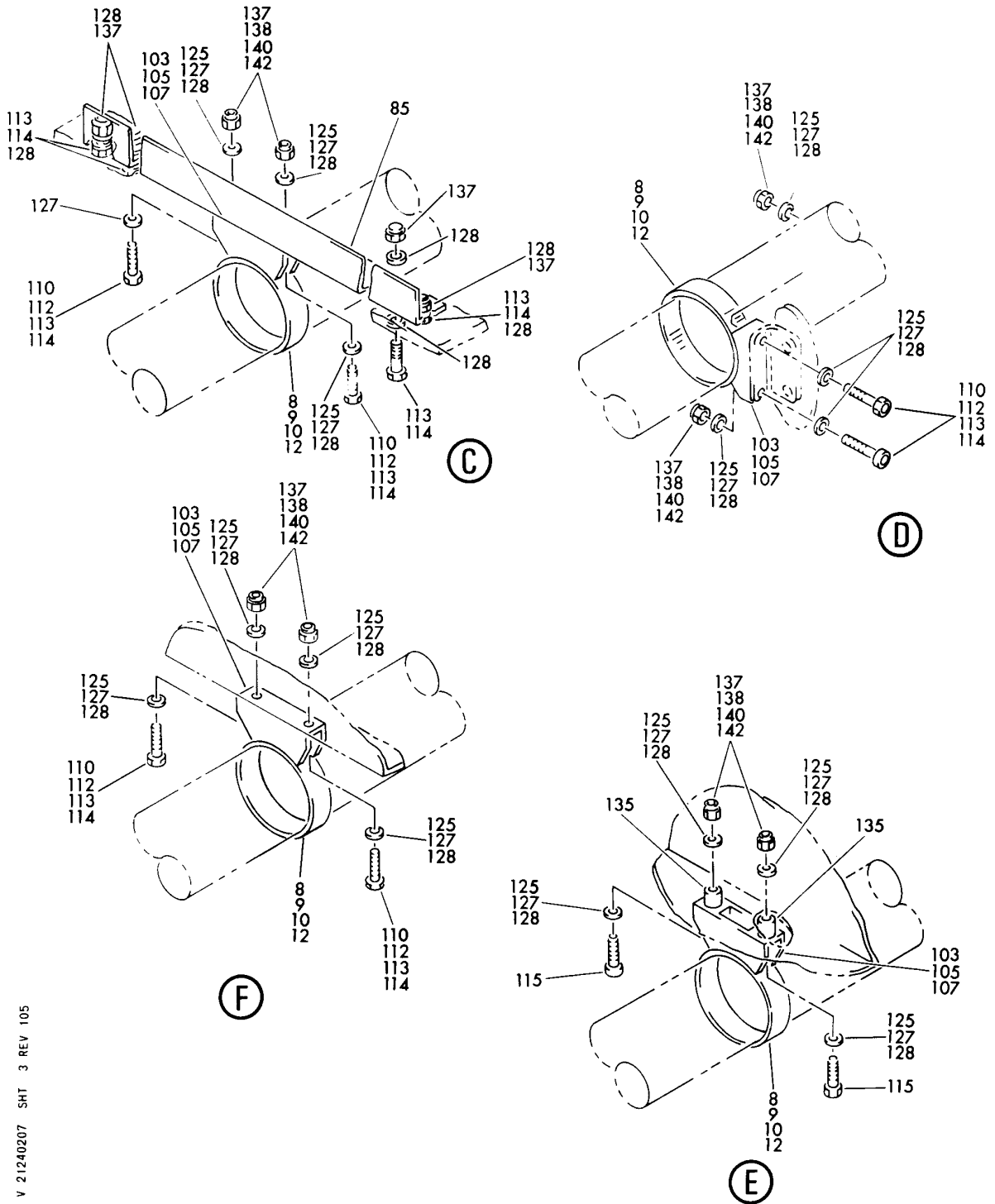
DUCT INSTL-SECT. 46 GASPER AIR SYSTEM -300
 FIGURE 7 (SHEET 2)

21-24-02-07

HXL
DEC 22/06

21-24-02-07
 PAGE 0A

BOEING
767
PARTS CATALOG (MAINTENANCE)



V 21240207 SHT 3 REV 105

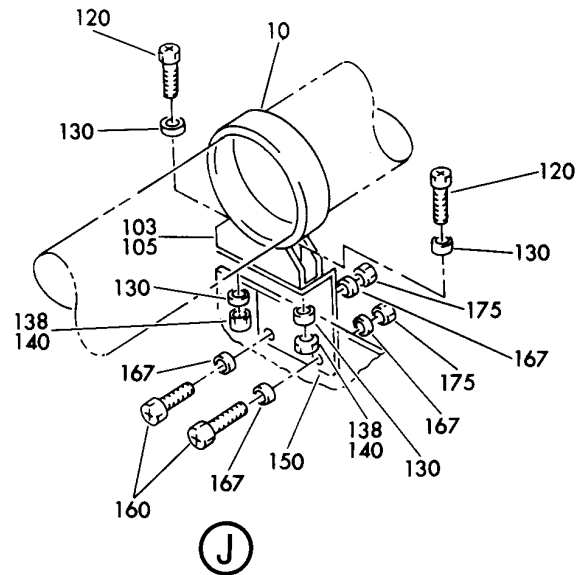
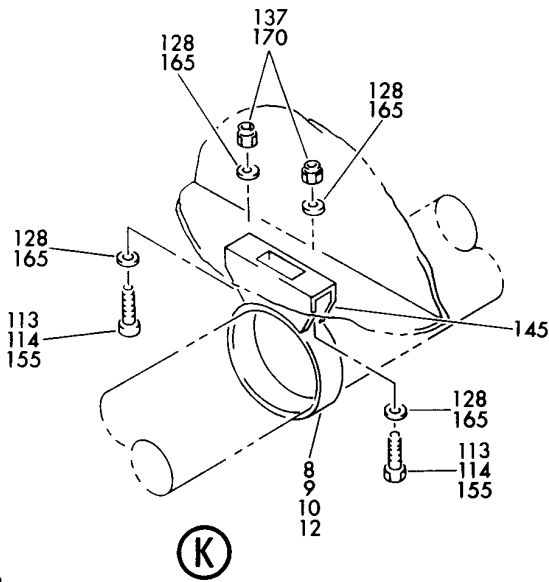
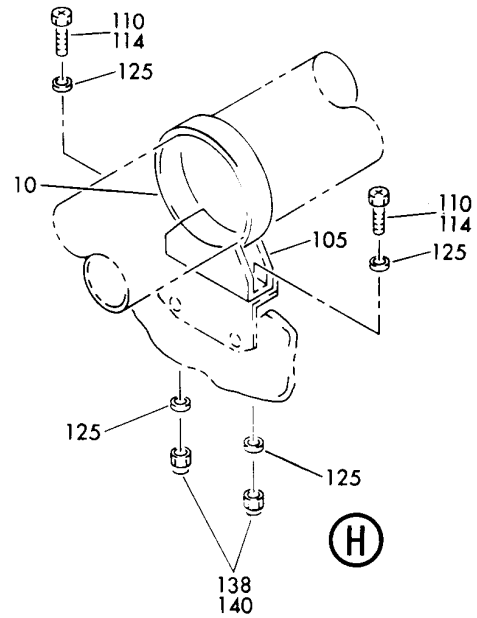
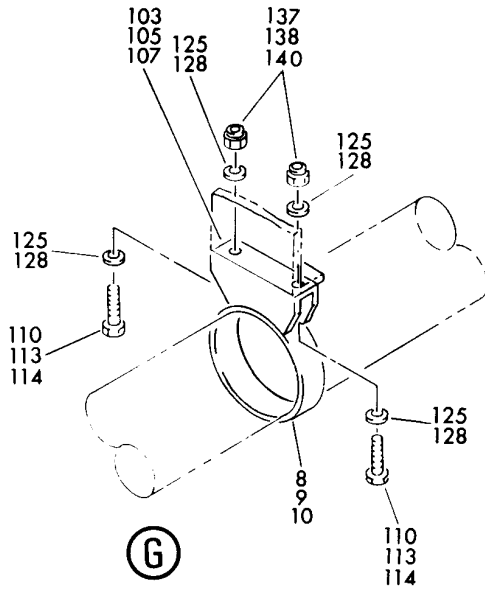
DUCT INSTL-SECT. 46 GASPER AIR SYSTEM -300
FIGURE 7 (SHEET 3)

21-24-02-07

HXL
DEC 22/06

21-24-02-07
PAGE 0B

BOEING
767
PARTS CATALOG (MAINTENANCE)



V 21240207 SHT 4 REV 105

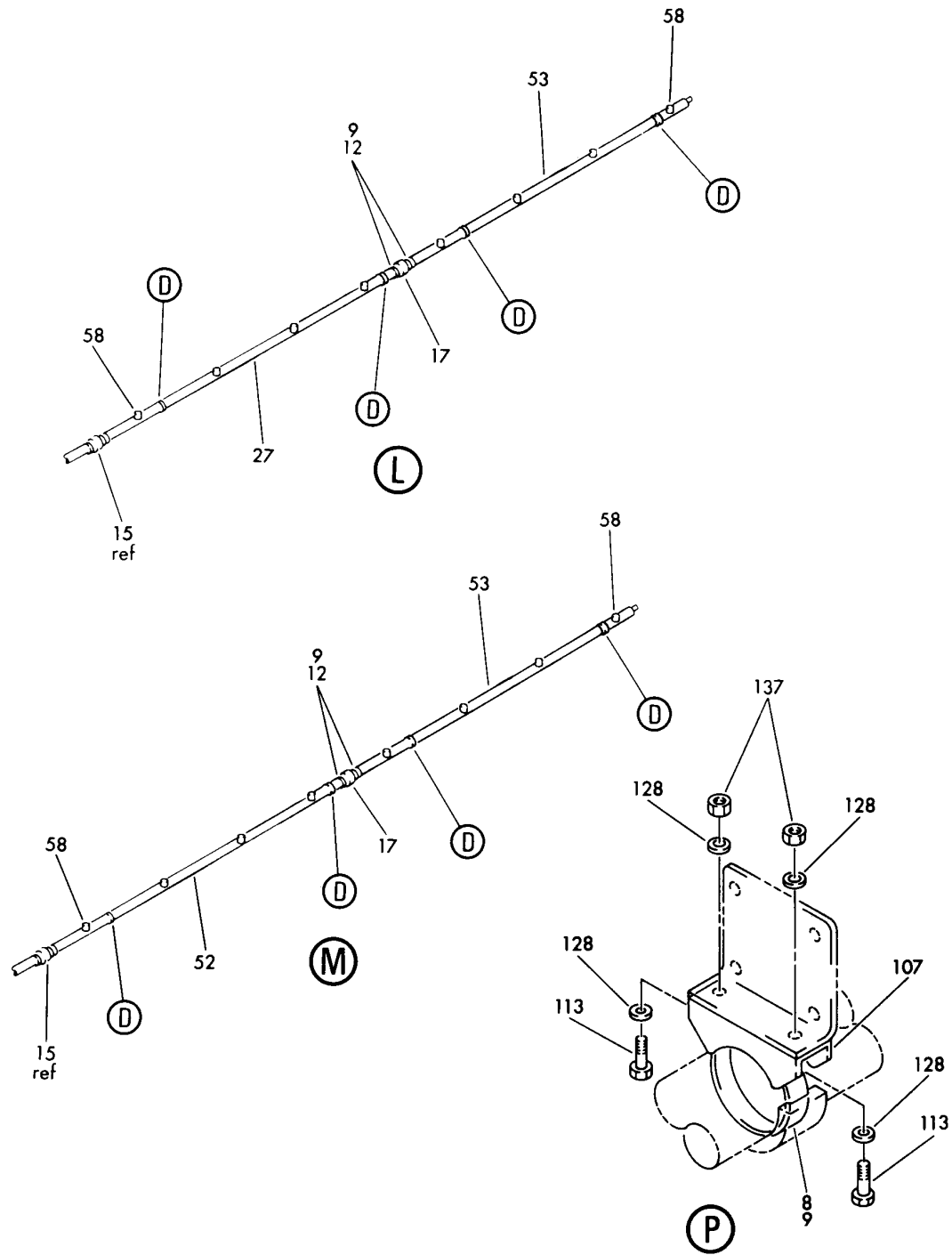
DUCT INSTL-SECT. 46 GASPER AIR SYSTEM -300
FIGURE 7 (SHEET 4)

21-24-02-07

HXL
DEC 22/06

21-24-02-07
PAGE 0C

BOEING
767
PARTS CATALOG (MAINTENANCE)



V 21240207 SHT 5 REV 105

DUCT INSTL-SECT. 46 GASPER AIR SYSTEM -300
FIGURE 7 (SHEET 5)

21-24-02-07

HXL
DEC 22/06

21-24-02-07
PAGE 0D

 **BOEING**
767
PARTS CATALOG (MAINTENANCE)

FIG ITEM	PART NUMBER	1 2 3 4 5 6 7	NOMENCLATURE	EFFECT FROM TO	UNITS PER ASSY
7			DUCT INSTL-SECT. 46 GASPER AIR SYSTEM -300		RF
- 5	214T4055-11		DUCT INSTL-GASPER AIR SYS -300 POSITION DATA: SECT. 46 FOR NHA SEE: 21-00-00-03A		RF
9	PLT4SM		.STRAP SUPPLIER CODE: V06383 SPECIFICATION NUMBER: BACS38K2 OPTIONAL PART: T05LO V53421		64
13	AS1504-08B0070		.SLEEVE-		1
17	AS1506-08D42		.SLEEVE		11
20	214T4020-128		.DUCT ASSY-		3
21	214T4020-141		..INSULATION		1
22	214T4020-21		..DUCT		1
23	214T4020-170		.DUCT ASSY-		1
24	214T4020-172		..INSULATION		1
27	214T4020-260		.DUCT ASSY		1
30	214T4021-1065		.DUCT ASSY-		1
30	214T4021-65		.DUCT ASSY-		1
30	214T4021-2065		.DUCT ASSY-		1
32	214T4021-51		..INSULATION- USED ON: 214T4021-65		1
32	214T4021-1051		..INSULATION- USED ON: 214T4021-1065 214T4021-2065		1
33	214T4021-66		..DUCT		1
34	214T4021-52		..DUCT		1
35	214T4020-116		.DUCT ASSY-		2
36	214T4020-141		..INSULATION		1
37	214T4020-25		..DUCT		1
40	214T4020-132		.DUCT ASSY-		1
42	214T4020-148		..INSULATION		1
44	214T4020-83		..DUCT		1
45	214T4020-125		.DUCT ASSY-		3
46	214T4020-141		..INSULATION		1
47	214T4020-22		..DUCT		1
52	214T4020-257		.DUCT ASSY		1
53	214T4020-253		.DUCT ASSY		2

ILLUSTRATION ITEMS NOT ON PARTS LIST ARE NOT APPLICABLE

- ITEM NOT ILLUSTRATED

HXL

21-24-02-07

21-24-02
FIG. 07
PAGE 1
APR 22/09

 **BOEING**
767
PARTS CATALOG (MAINTENANCE)

FIG ITEM	PART NUMBER	1 2 3 4 5 6 7	NOMENCLATURE	EFFECT FROM TO	UNITS PER ASSY
7					
56	69B50102-1	..	CAP- USED ON: 214T4020-170 214T4020-1170		3
57	69B50102-1	..	CAP- USED ON: 214T4020-116 214T4020-125 214T4020-128 214T4020-132		6
58	69B50102-1	..	CAP- USED ON: 214T4020-253 214T4020-257 214T4020-260 214T4020-875		4
- 64	69B50103-1	..	SPUD ASSY- USED ON: 214T4020-170 214T4020-1170		2
- 66	69B50103-3	..	OUTLET- USED ON: 214T4021-65 214T4021-1065		6
- 67	69B50103-1	..	SPUD ASSY- USED ON: 214T4020-116 214T4020-125 214T4020-128 214T4020-132		6
- 68	69B50103-1	..	SPUD ASSY- USED ON: 214T4020-253 214T4020-257 214T4020-260 214T4020-875		4
73	214T4020-171	..	INSULATION- USED ON: 214T4020-170 214T4020-1170		1
82	69B43329-13	.	CAP		1
85	214T4422-2	.	BRACKET ATTACHING PARTS		1
- 90	NAS1801-3-8	.	SCREW		2
- 95	AN960PD10L	.	WASHER		4

ILLUSTRATION ITEMS NOT ON PARTS LIST ARE NOT APPLICABLE

- ITEM NOT ILLUSTRATED

HXL

21-24-02-07

BOEING PROPRIETARY - Copyright © - Unpublished Work - See title page for details.

21-24-02
FIG. 07
PAGE 2
APR 22/09

BOEING
767
PARTS CATALOG (MAINTENANCE)

FIG ITEM	PART NUMBER	1 2 3 4 5 6 7	NOMENCLATURE	EFFECT FROM TO	UNITS PER ASSY
7 - 100	BRH10A3		.NUT SUPPLIER CODE: V52828 SPECIFICATION NUMBER: BACN10JC3 OPTIONAL PART: H10-3BAC V15653 NS202101-02 V80539 RMLH9075-3W V72962 VN303A02 V92215 96-02 V80539 T6S1032J V11815		2
107	214T3424-2		-----*----- .SUPPORT ATTACHING PARTS		37
114	NAS1801-3-8		.SCREW		62
115	NAS1801-3-16		.SCREW		12
128	AN960PD10L		.WASHER		146
130	AN960D10L		.WASHER		4
135	NAS43DD3-20		.SPACER		12
137	BRH10A3		.NUT SUPPLIER CODE: V52828 SPECIFICATION NUMBER: BACN10JC3 OPTIONAL PART: H10-3BAC V15653 NS202101-02 V80539 RMLH9075-3W V72962 VN303A02 V92215 96-02 V80539 T6S1032J V11815		76

ILLUSTRATION ITEMS NOT ON PARTS LIST ARE NOT APPLICABLE

- ITEM NOT ILLUSTRATED

HXL

21-24-02-07

BOEING PROPRIETARY - Copyright © - Unpublished Work - See title page for details.

21-24-02
FIG. 07
PAGE 3
DEC 22/07

BOEING
767
PARTS CATALOG (MAINTENANCE)

FIG ITEM	PART NUMBER	1 2 3 4 5 6 7	NOMENCLATURE	EFFECT FROM TO	UNITS PER ASSY
7 142	BRH10A3		.NUT SUPPLIER CODE: V52828 SPECIFICATION NUMBER: BACN10JC3 OPTIONAL PART: H10-3BAC V15653 NS202101-02 V80539 RMLH9075-3W V72962 VN303A02 V92215 96-02 V80539 T6S1032J V11815 -----*-----		68
145	214T3424-4		.SUPPORT		3
150	214T4421-8		.BRACKET ATTACHING PARTS		1
155	NAS1801-3-8		.SCREW		6
160	NAS1802-3-8		.SCREW		2
165	AN960D10L		.WASHER		12
167	AN960D10L		.WASHER		4
170	BRH10A3		.NUT SUPPLIER CODE: V52828 SPECIFICATION NUMBER: BACN10JC3 OPTIONAL PART: H10-3BAC V15653 NS202101-02 V80539 RMLH9075-3W V72962 VN303A02 V92215 96-02 V80539 T6S1032J V11815		6

ILLUSTRATION ITEMS NOT ON PARTS LIST ARE NOT APPLICABLE

- ITEM NOT ILLUSTRATED

HXL

21-24-02-07

BOEING PROPRIETARY - Copyright © - Unpublished Work - See title page for details.

21-24-02
FIG. 07
PAGE 4
DEC 22/07



767

PARTS CATALOG (MAINTENANCE)

FIG ITEM	PART NUMBER	1 2 3 4 5 6 7 NOMENCLATURE	EFFECT FROM TO	UNITS PER ASSY
7 175	BRH10A3	.NUT SUPPLIER CODE: V52828 SPECIFICATION NUMBER: BACN10JC3 OPTIONAL PART: H10-3BAC V15653 NS202101-02 V80539 RMLH9075-3W V72962 VN303A02 V92215 96-02 V80539 T6S1032J V11815 -----*-----		2

ILLUSTRATION ITEMS NOT ON PARTS LIST ARE NOT APPLICABLE

- ITEM NOT ILLUSTRATED

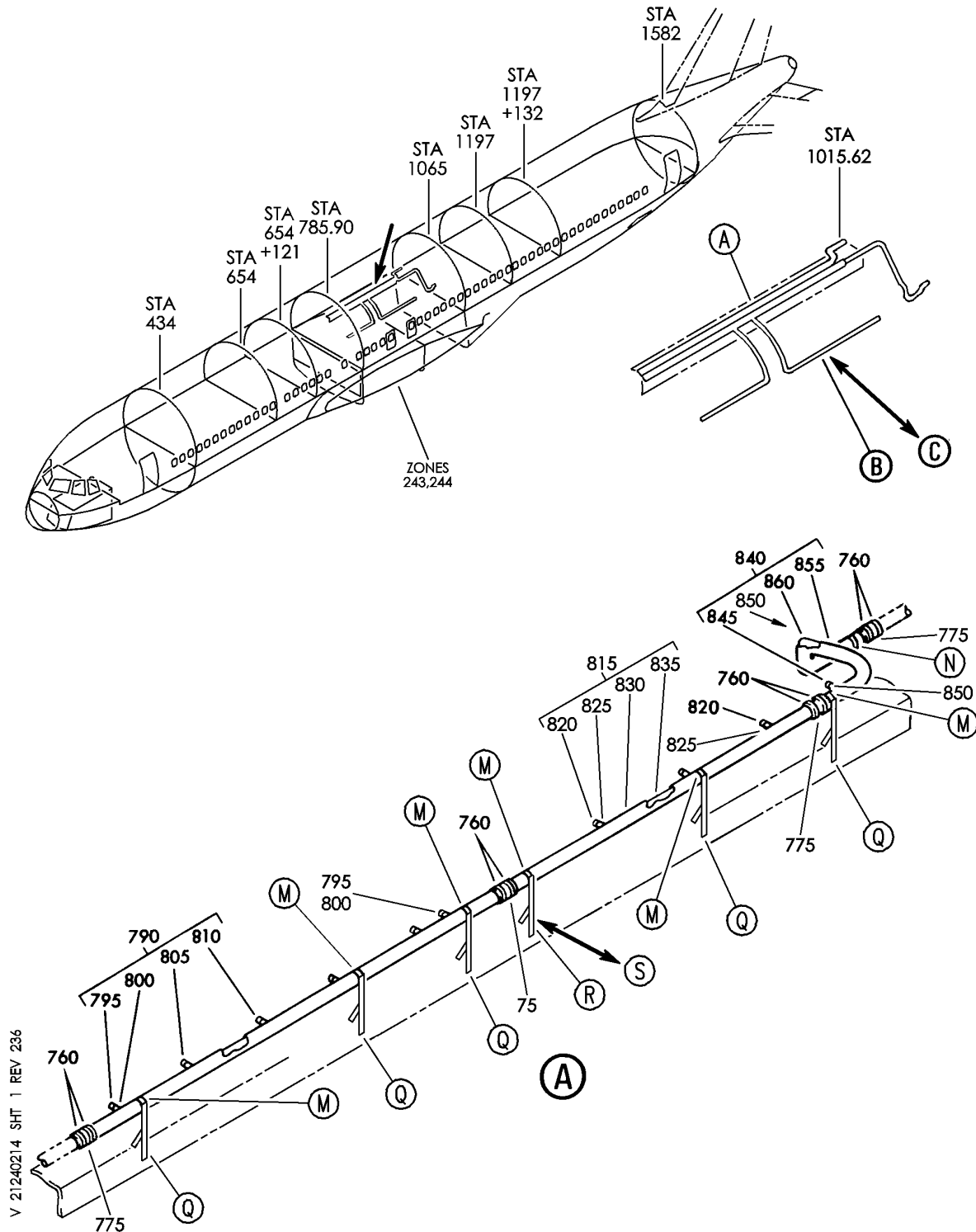
HXL

21-24-02-07

BOEING PROPRIETARY - Copyright © - Unpublished Work - See title page for details.

21-24-02
 FIG. 07
 PAGE 5
 DEC 22/07

BOEING
767
PARTS CATALOG (MAINTENANCE)



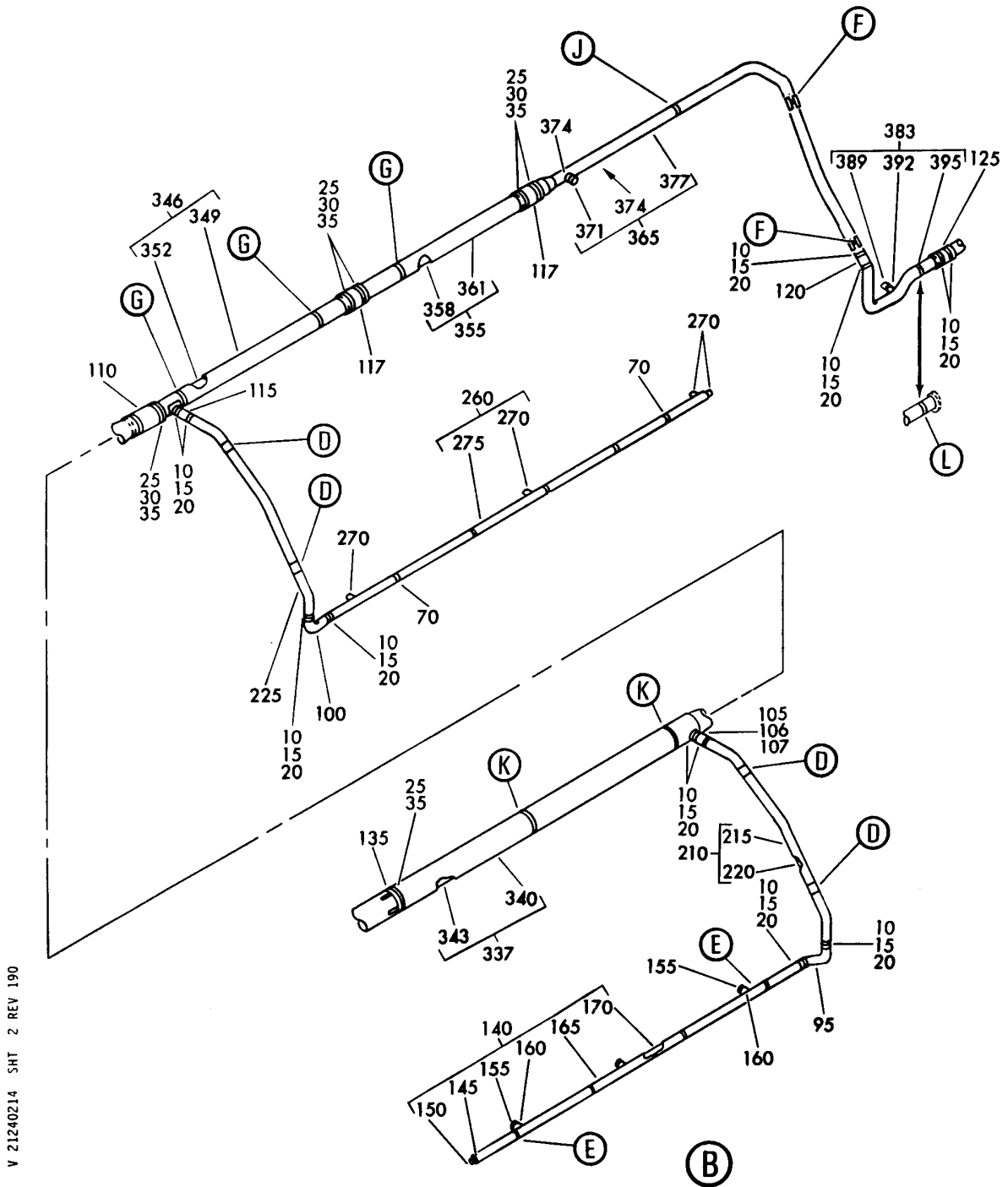
DUCT INSTL-SECT.45 GASPER AIR SYS
FIGURE 14 (SHEET 1)

21-24-02-14

HXL
DEC 22/06

21-24-02-14
PAGE 0

BOEING
767
PARTS CATALOG (MAINTENANCE)



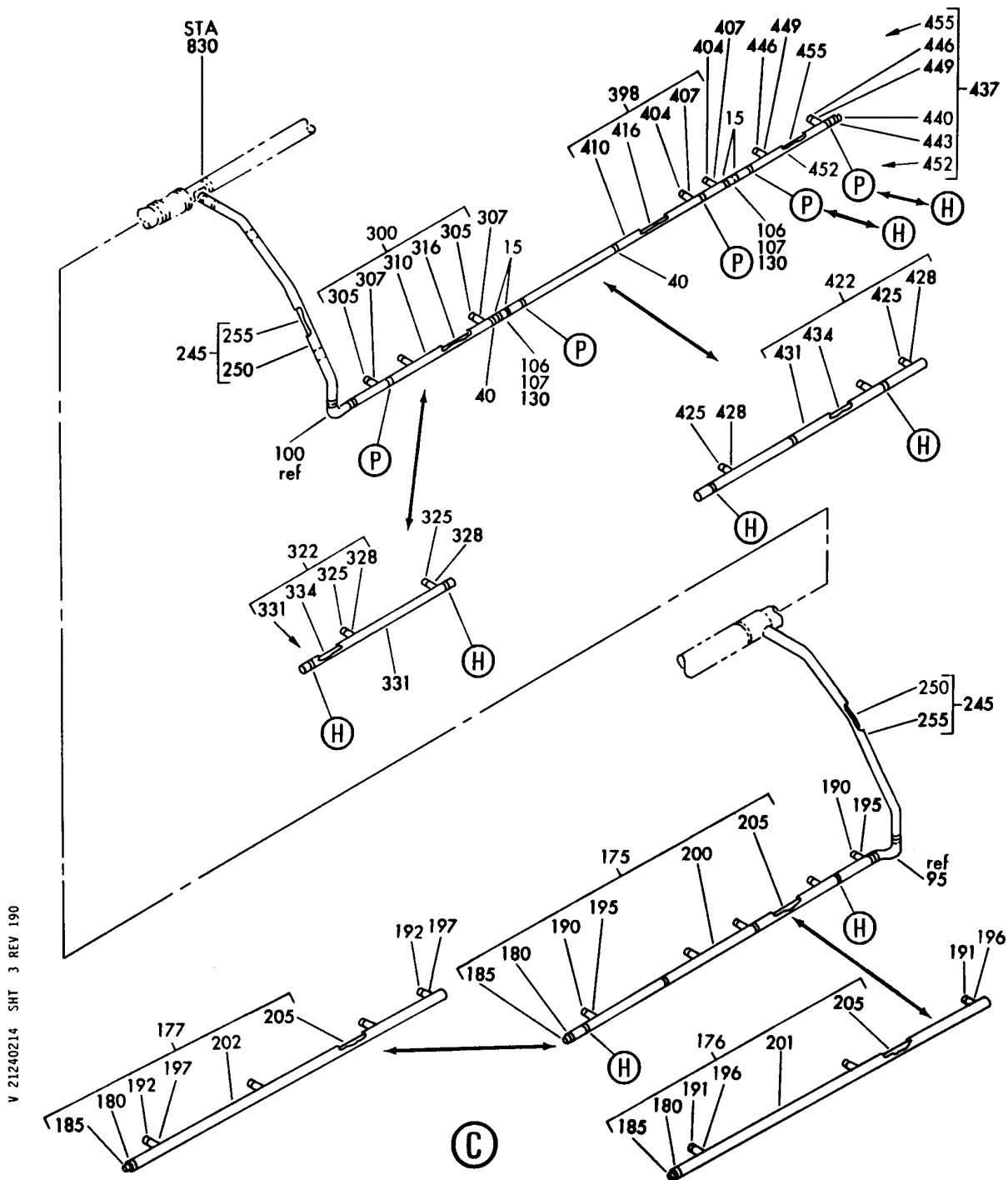
DUCT INSTL-SECT.45 GASPER AIR SYS
FIGURE 14 (SHEET 2)

21-24-02-14

HXL
DEC 22/06

21-24-02-14
PAGE 0A


BOEING
 767
 PARTS CATALOG (MAINTENANCE)



V 21240214 SHT 3 REV 190

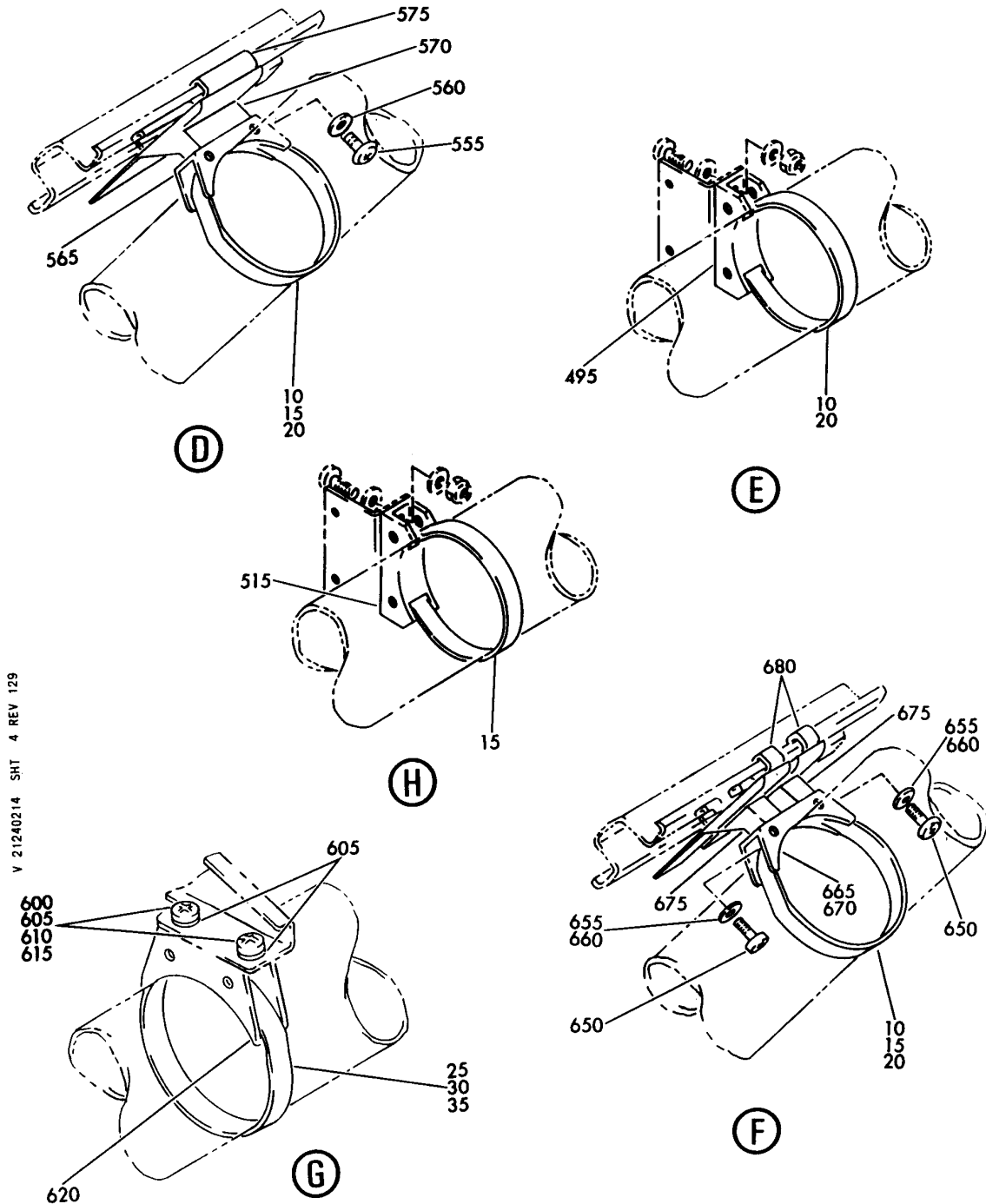
DUCT INSTL-SECT.45 GASPER AIR SYS
 FIGURE 14 (SHEET 3)

21-24-02-14

HXL
DEC 22/06

21-24-02-14
 PAGE 0B

BOEING
767
PARTS CATALOG (MAINTENANCE)



V 21240214 SHT 4 REV 129

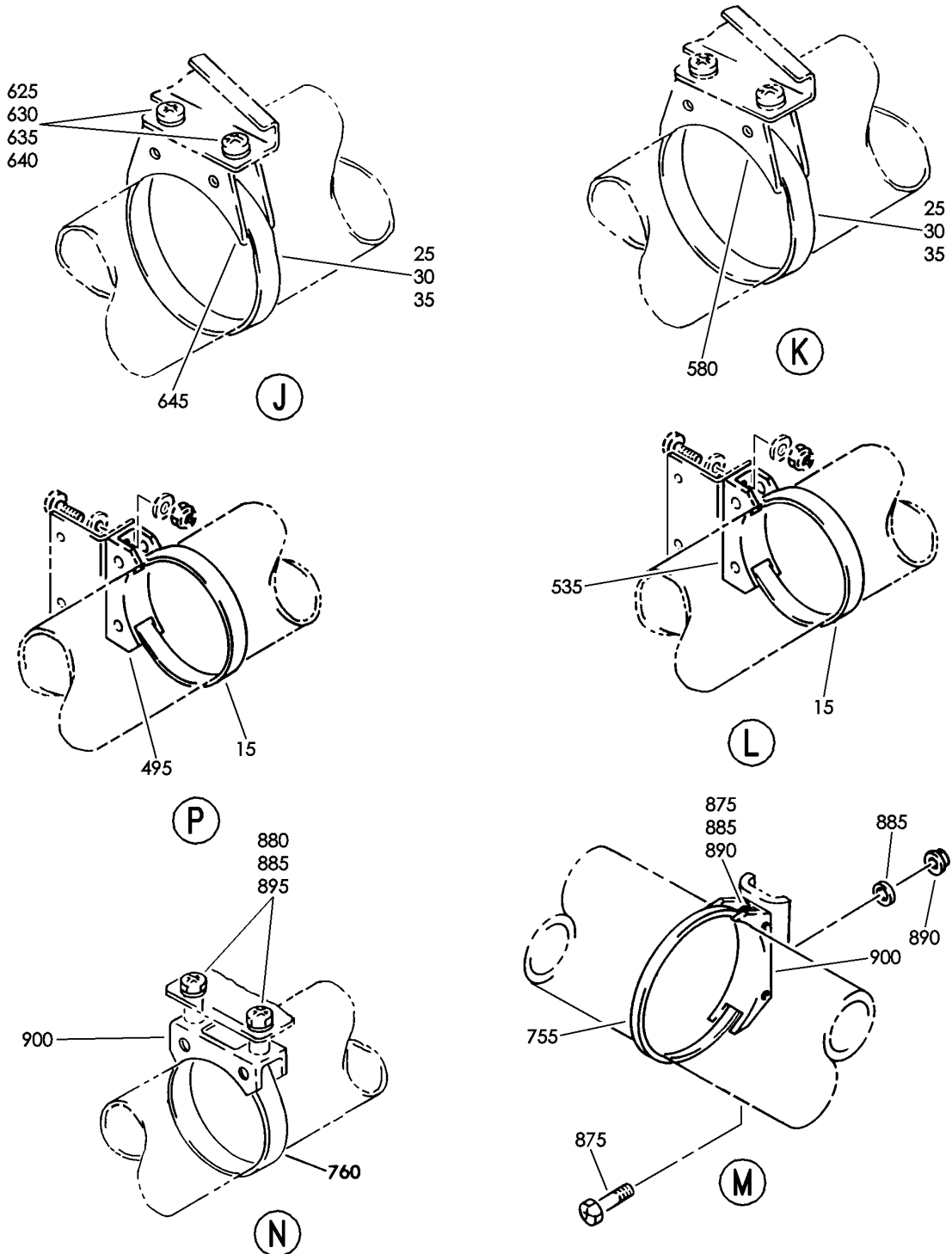
DUCT INSTL-SECT.45 GASPER AIR SYS
FIGURE 14 (SHEET 4)

21-24-02-14

HXL
DEC 22/06

21-24-02-14
PAGE 0C

BOEING
767
PARTS CATALOG (MAINTENANCE)



V 21240214 SHT 5 REV 236

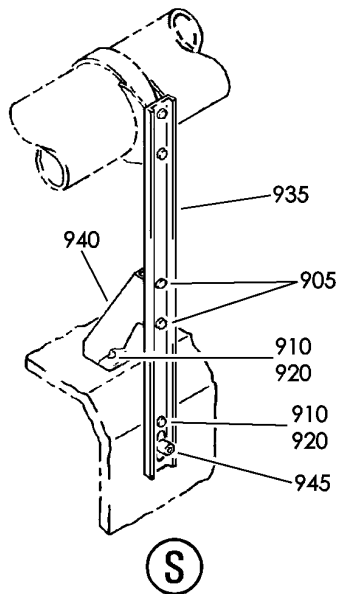
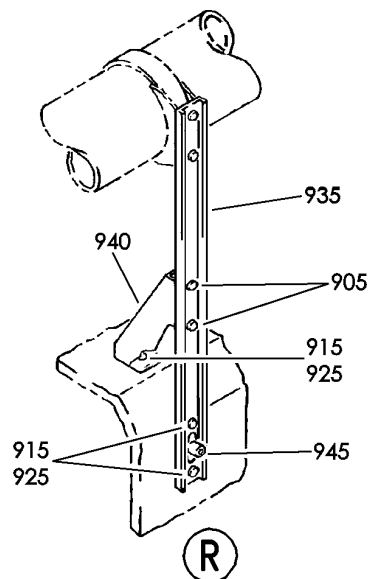
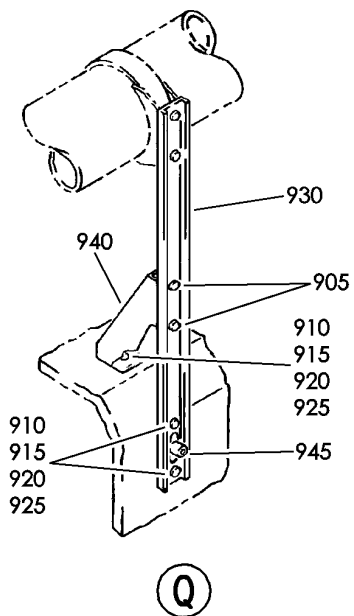
DUCT INSTL-SECT.45 GASPER AIR SYS
FIGURE 14 (SHEET 5)

21-24-02-14

HXL
DEC 22/06

21-24-02-14
PAGE 0D

BOEING
767
PARTS CATALOG (MAINTENANCE)



V 21240214 SHT 6 REV 236

DUCT INSTL-SECT.45 GASPER AIR SYS
FIGURE 14 (SHEET 6)

21-24-02-14

HXL
DEC 22/06

21-24-02-14
PAGE 0E



767

PARTS CATALOG (MAINTENANCE)

FIG ITEM	PART NUMBER	1 2 3 4 5 6 7	NOMENCLATURE	EFFECT FROM TO	UNITS PER ASSY
14			DUCT INSTL-SECT.45 GASPER AIR SYS		
- 1	214T4054-13		DUCT INSTL-GASPER AIR SYS POSITION DATA: SECT. 45	163999	RF
- 1	214T4054-35		DUCT INSTL-GASPER AIR SYS POSITION DATA: SECT. 45	155162	RF
- 5	214T4054-14		DUCT INSTL-GASPER AIR SYS POSITION DATA: SECT. 45	163999	RF
- 5	214T4054-36		DUCT INSTL-GASPER AIR SYS POSITION DATA: SECT. 45	155162	RF
10	PLT4SM		.STRAP SUPPLIER CODE: V06383 SPECIFICATION NUMBER: BACS38K2 OPTIONAL PART: T05LO V53421	163999	22
20	PLT4SM		.STRAP SUPPLIER CODE: V06383 SPECIFICATION NUMBER: BACS38K2 OPTIONAL PART: T05LO V53421	155162	22
25	T012L0		.STRAP SUPPLIER CODE: V53421 SPECIFICATION NUMBER: BACS38K6	163999	13
35	T012L0		.STRAP SUPPLIER CODE: V53421 SPECIFICATION NUMBER: BACS38K6	155162	13
70	BACC10DK16		.CLAMP ATTACHING PARTS		5
- 75	NAS1801-3-9		.SCREW		5
- 80	AN960PD10L		.WASHER		5

ILLUSTRATION ITEMS NOT ON PARTS LIST ARE NOT APPLICABLE

- ITEM NOT ILLUSTRATED

21-24-02-14

21-24-02
FIG. 14
PAGE 1
DEC 22/07

HXL

 **BOEING**
767
PARTS CATALOG (MAINTENANCE)

FIG ITEM	PART NUMBER	1 2 3 4 5 6 7	NOMENCLATURE	EFFECT FROM TO	UNITS PER ASSY
14 - 85	BRH10A3	.NUT	SUPPLIER CODE: V52828 SPECIFICATION NUMBER: BACN10JC3 OPTIONAL PART: H10-3BAC V15653 NS202101-02 V80539 RMLH9075-3W V72962 VN303A02 V92215 96-02 V80539 T6S1032J V11815		5
95	BOE2022-06A0170	.HOSE-FLEXIBLE	SUPPLIER CODE: V16632 SPECIFICATION NUMBER: AS1544-06A0170		1
100	AS1504-04B0102	.HOSE-FLEXIBLE			1
105	AS1506-06D32	.SLEEVE-FLEXIBLE			1
110	BOE2022-12A0091	.HOSE-FLEXIBLE	SUPPLIER CODE: V16632 SPECIFICATION NUMBER: AS1544-12A0091		1
115	BOE2022-06A0050	.HOSE-FLEXIBLE	SUPPLIER CODE: V16632 SPECIFICATION NUMBER: AS1544-06A0050		1
117	AS1506-12D42	.SLEEVE-FLEXIBLE			2
120	BOE2022-08A0050	.HOSE-FLEXIBLE	SUPPLIER CODE: V16632 SPECIFICATION NUMBER: AS1544-08A0050		1
125	AS1506-08D42	.SLEEVE-FLEXIBLE			1
135	214T3436-1393	.ORIFICE-FLEXIBLE			1
140	214T4020-399	.DUCT ASSY			1

ILLUSTRATION ITEMS NOT ON PARTS LIST ARE NOT APPLICABLE

- ITEM NOT ILLUSTRATED

HXL

21-24-02-14

BOEING PROPRIETARY - Copyright © - Unpublished Work - See title page for details.

21-24-02
FIG. 14
PAGE 2
DEC 22/07

 **BOEING**
767
PARTS CATALOG (MAINTENANCE)

FIG ITEM	PART NUMBER	1 2 3 4 5 6 7	NOMENCLATURE	EFFECT FROM TO	UNITS PER ASSY
14					
145	PLT4SM		.. STRAP SUPPLIER CODE: V06383 SPECIFICATION NUMBER: BACS38K2 OPTIONAL PART: T05LO V53421		1
150	24-1000		.. CAP- SUPPLIER CODE: V25205		1
155	69B50102-1		.. CAP		1
160	69B50103-7		.. SPUD ASSY		1
165	214T4020-401		.. INSULATION		1
170	214T4020-400		.. DUCT		1
210	214T4020-384		. DUCT ASSY		1
215	214T4020-386		.. INSULATION		1
220	214T4020-385		.. DUCT		1
225	214T4020-317		. DUCT ASSY		1
- 230	69B50102-1		.. CAP		1
- 235	214T4020-319		.. INSULATION		1
- 240	214T4020-318		.. DUCT		1
260	214T4020-377		. DUCT ASSY- POSITION DATA: LH SIDE		1
- 265	214T4020-378		. DUCT ASSY- POSITION DATA: RH SIDE		1
270	69B50102-1		.. CAP		4
275	214T4020-381		.. INSULATION- POSITION DATA: LH SIDE		1
- 280	214T4020-403		.. INSULATION- POSITION DATA: RH SIDE		1
337	214T4020-387		. DUCT ASSY		1
340	214T4020-389		.. INSULATION		1
343	214T4020-388		.. DUCT		1
346	214T4020-390		. DUCT ASSY		1
349	214T4020-392		.. INSULATION		1
352	214T4020-391		.. DUCT		1
355	214T4021-85		. DUCT ASSY-		1
355	214T4021-1085		. DUCT ASSY-		1
358	214T4021-84		.. DUCT		1
361	214T4021-86		.. INSULATION- USED ON: 214T4021-85		1

ILLUSTRATION ITEMS NOT ON PARTS LIST ARE NOT APPLICABLE

- ITEM NOT ILLUSTRATED

HXL

21-24-02-14

BOEING PROPRIETARY - Copyright © - Unpublished Work - See title page for details.

21-24-02
FIG. 14
PAGE 3
DEC 22/07

 **BOEING**
767
PARTS CATALOG (MAINTENANCE)

FIG ITEM	PART NUMBER	1 2 3 4 5 6 7	NOMENCLATURE	EFFECT FROM TO	UNITS PER ASSY
14					
361	214T4021-1086	..	INSULATION- USED ON: 214T4021-1085		1
365	214T4020-393	.DUCT	ASSY- POSITION DATA: LH SIDE		1
- 368	214T4020-394	.DUCT	ASSY- POSITION DATA: RH SIDE		1
371	69B50102-1	..	CAP		1
374	69B50103-7	..	SPUD ASSY		1
377	214T4020-398	..	INSULATION-BLANKET POSITION DATA: LH SIDE		1
- 380	214T4020-402	..	INSULATION-BLANKET POSITION DATA: RH SIDE		1
383	214T4020-311	.DUCT	ASSY- POSITION DATA: LH SIDE		1
- 386	214T4020-312	.DUCT	ASSY- POSITION DATA: RH SIDE		1
389	69B50102-1	..	CAP		1
392	69B50103-1	..	SPUD ASSY		1
395	214T4020-315	..	INSULATION-BLANKET		1
495	214T3424-17	.SUPPORT			9
- 500	NAS1801-3-6	.SCREW-	ATTACHING PARTS		18
- 505	AN960D10L	.WASHER-			36
- 510	MS20142L3	.SCREW-			18
		-----*			
555	NAS1801-3-7	.SCREW			4
560	NAS620A10L	.WASHER			4
565	TM3S10	.PLATE-			2
			SUPPLIER CODE: V06383 SPECIFICATION NUMBER: STBP19M12		
570	S38J1	.ATTACHMENT			4
			SUPPLIER CODE: V59237 SPECIFICATION NUMBER: BACS38J1 OPTIONAL PART: 30187-2 V26835		
ILLUSTRATION ITEMS NOT ON PARTS LIST ARE NOT APPLICABLE					

- ITEM NOT ILLUSTRATED

HXL

21-24-02-14

BOEING PROPRIETARY - Copyright © - Unpublished Work - See title page for details.

21-24-02
FIG. 14
PAGE 4
DEC 22/07

 **BOEING**
767
PARTS CATALOG (MAINTENANCE)

FIG ITEM	PART NUMBER	1 2 3 4 5 6 7	NOMENCLATURE	EFFECT FROM TO	UNITS PER ASSY
14 575	S38J2	.	STRAP SUPPLIER CODE: V59237 SPECIFICATION NUMBER: BACS38J2 OPTIONAL PART: 30187-3 V26835		4
580	214T3424-6	.	SUPPORT ATTACHING PARTS		2
- 585	NAS1801-3-6	.	SCREW-		4
- 590	AN960D10L	.	WASHER		4
- 595	MS21042L3	.	NUT		4
			-----*-----		
600	NAS1801-3-6	.	SCREW		6
605	AN960PD10L	.	WASHER-		12
610	BRH10A3	.	NUT-		6
			SUPPLIER CODE: V52828 SPECIFICATION NUMBER: BACN10JC3 OPTIONAL PART: H10-3BAC V15653 NS202101-02 V80539 RMLH9075-3W V72962 VN303A02 V92215 96-02 V80539 T6S1032J V11815		
615	NAS43DD3-6	.	SPACER		3
620	214T3424-4	.	SUPPORT		3
625	NAS1801-3-5	.	SCREW-		2
630	AN960PD10L	.	WASHER-		4

ILLUSTRATION ITEMS NOT ON PARTS LIST ARE NOT APPLICABLE

- ITEM NOT ILLUSTRATED

HXL

21-24-02-14

BOEING PROPRIETARY - Copyright © - Unpublished Work - See title page for details.

21-24-02
FIG. 14
PAGE 5
DEC 22/07



767

PARTS CATALOG (MAINTENANCE)

FIG ITEM	PART NUMBER	1 2 3 4 5 6 7	NOMENCLATURE	EFFECT FROM TO	UNITS PER ASSY
14 635	BRH10A3	.NUT-	SUPPLIER CODE: V52828 SPECIFICATION NUMBER: BACN10JC3 OPTIONAL PART: H10-3BAC V15653 NS202101-02 V80539 RMLH9075-3W V72962 VN303A02 V92215 96-02 V80539 T6S1032J V11815		2
640	NAS43DD3-6	.SPACER			1
645	214T3424-2	.SUPPORT			1
650	NAS1801-3-6	.SCREW			4
655	AN960PD10L	.WASHER			4
670	214T3424-2	.SUPPORT			2
675	S38J1	.ATTACHMENT	SUPPLIER CODE: V59237 SPECIFICATION NUMBER: BACS38J1 OPTIONAL PART: 30187-2 V26835		4
680	S38J2	.STRAP	SUPPLIER CODE: V59237 SPECIFICATION NUMBER: BACS38J2 OPTIONAL PART: 30187-3 V26835		4
- 750	214T4054-12	DUCT INSTL-GASPER AIR SYS	767-300 AIRPLANE WITH FIBERGLASS INSULATED DUCTS AND 5 MAIN CABIN TEMP ZONES POSITION DATA: SECT. 45 FOR NHA SEE: 21-00-00-05		RF

ILLUSTRATION ITEMS NOT ON PARTS LIST ARE NOT APPLICABLE

- ITEM NOT ILLUSTRATED

HXL

21-24-02-14

BOEING PROPRIETARY - Copyright © - Unpublished Work - See title page for details.

21-24-02
FIG. 14
PAGE 6
DEC 22/07



767

PARTS CATALOG (MAINTENANCE)

FIG ITEM	PART NUMBER	1 2 3 4 5 6 7	NOMENCLATURE	EFFECT FROM TO	UNITS PER ASSY
14 755	PLT4SM	.	STRAP SUPPLIER CODE: V06383 SPECIFICATION NUMBER: BACS38K2 OPTIONAL PART: T05L0 V53421		6
760	T012L0	.	STRAP SUPPLIER CODE: V53421 SPECIFICATION NUMBER: BACS38K6		9
775	AS1506-12D42	.	SLEEVE		4
790	214T4020-282	.	DUCT ASSY-		1
795	69B50102-1	..	CAP		6
800	69B50103-3	..	OUTLET		6
805	214T4020-284	..	INSULATION-		1
810	214T4020-283	..	DUCT		1
815	214T4020-767	.	DUCT ASSY-		1
820	69B50102-1	..	CAP		3
825	69B50103-3	..	OUTLET		3
830	214T4020-769	..	INSULATION-		1
835	214T4020-768	..	DUCT		1
840	214T4021-112	.	DUCT ASSY-		1
840	214T4021-1112	.	DUCT ASSY-		1
840	214T4021-2112	.	DUCT ASSY-		1
845	69B50102-1	..	CAP		2
850	69B50103-3	..	OUTLET		2
855	214T4021-114	..	BLANKET- USED ON: 214T4021-112		1
855	214T4021-1114	..	BLANKET- USED ON: 214T4021-1112 214T4021-2112		1
860	214T4021-113	..	DUCT		1
875	NAS1801-3-7	.	SCREW-		12
880	NAS1801-3-16	.	SCREW-		2
885	AN960D10L	.	WASHER-		16
890	MS21042L3	.	NUT-		12

ILLUSTRATION ITEMS NOT ON PARTS LIST ARE NOT APPLICABLE

- ITEM NOT ILLUSTRATED

HXL

21-24-02-14

BOEING PROPRIETARY - Copyright © - Unpublished Work - See title page for details.

21-24-02
FIG. 14
PAGE 7
APR 22/09



767

PARTS CATALOG (MAINTENANCE)

FIG ITEM	PART NUMBER	1 2 3 4 5 6 7	NOMENCLATURE	EFFECT FROM TO	UNITS PER ASSY
14 895	BRH10A3		.NUT- SUPPLIER CODE: V52828 SPECIFICATION NUMBER: BACN10JC3 OPTIONAL PART: H10-3BAC V15653 NS202101-02 V80539 RMLH9075-3W V72962 VN303A02 V92215 96-02 V80539 T6S1032J V11815		2
900	214T3424-4		.SUPPORT		7
905	BACR15FT5AD		.RIVET		12
915	NAS1801-3-7		.SCREW		18
925	AN960D10L		.WASHER		18
930	214T2443-10		.BRACKET		5
935	214T2443-10		.BRACKET		1
940	214T2443-7		.BRACKET		6
945	WSI4-6		.NUTPLATE SUPPLIER CODE: V04169 SPECIFICATION NUMBER: BACN10TL3-6 ATTACHING PARTS		6
- 950	BACR15BA3AD		.RIVET -----*-----		12

ILLUSTRATION ITEMS NOT ON PARTS LIST ARE NOT APPLICABLE

- ITEM NOT ILLUSTRATED

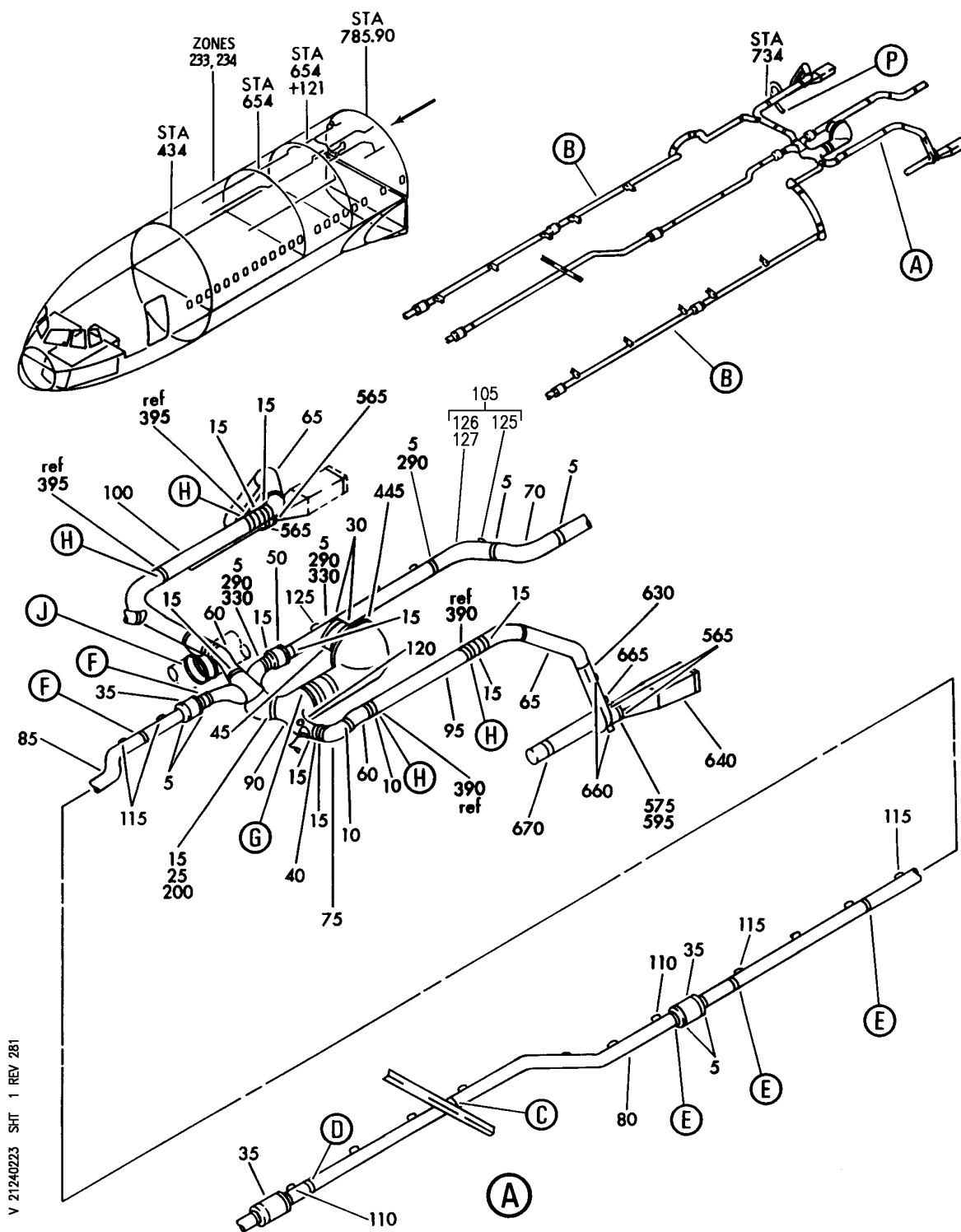
HXL

21-24-02-14

BOEING PROPRIETARY - Copyright © - Unpublished Work - See title page for details.

21-24-02
FIG. 14
PAGE 8
DEC 22/07

BOEING
767
PARTS CATALOG (MAINTENANCE)



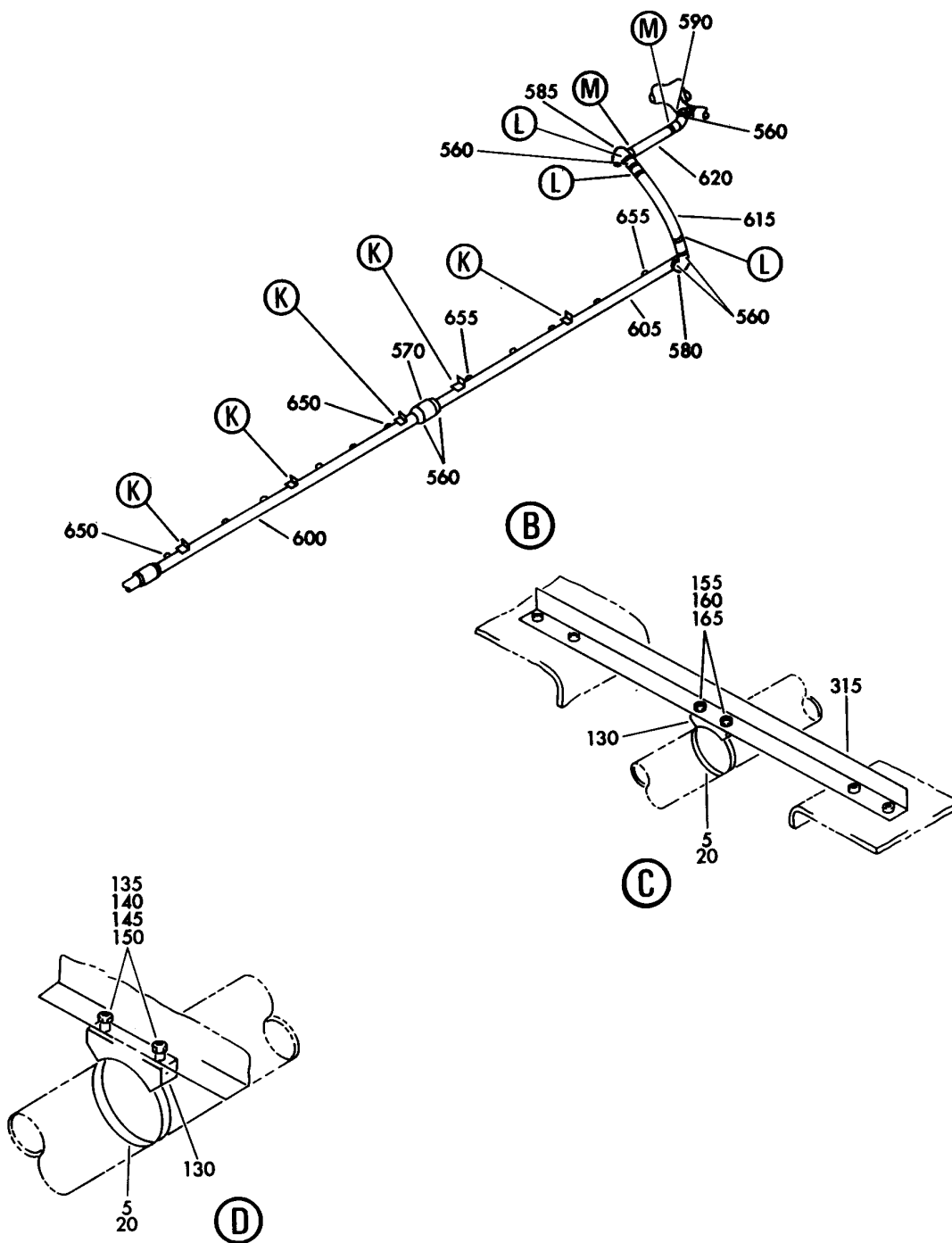
DUCT INSTL-SECT. 43 GASPER AIR SYS
FIGURE 23 (SHEET 1)

21-24-02-23

HXL
DEC 22/06

21-24-02-23
PAGE 0

BOEING
767
PARTS CATALOG (MAINTENANCE)



V 21240223 SHT 2 REV 130

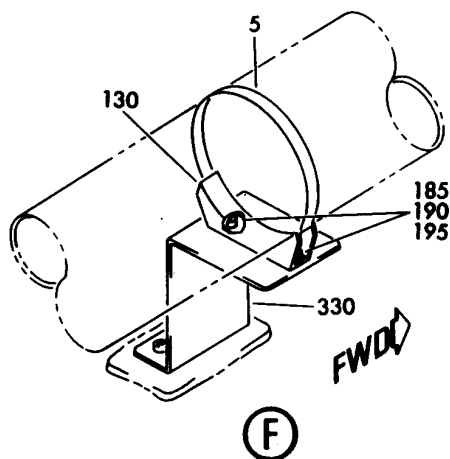
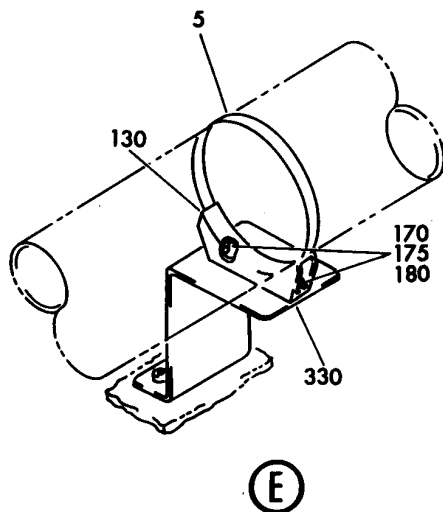
DUCT INSTL-SECT. 43 GASPER AIR SYS
FIGURE 23 (SHEET 2)

21-24-02-23

HXL
DEC 22/06

21-24-02-23
PAGE 0A

BOEING
767
PARTS CATALOG (MAINTENANCE)



V 21240223 SHT 3 REV 130

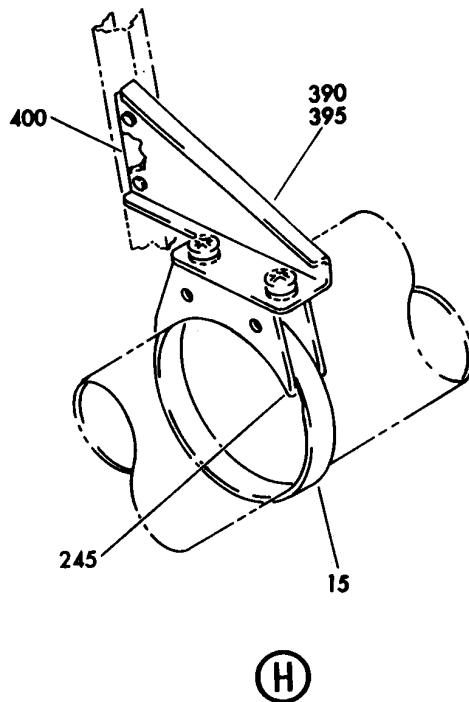
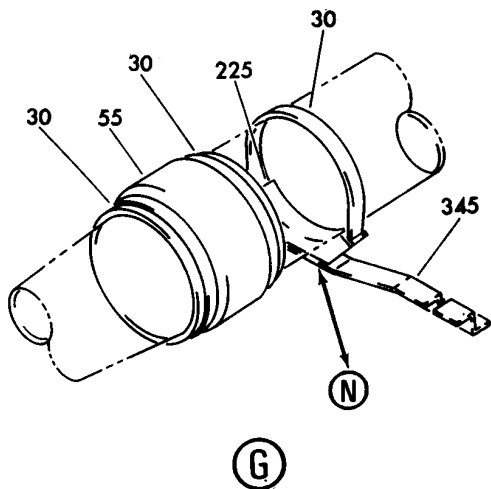
DUCT INSTL-SECT. 43 GASPER AIR SYS
FIGURE 23 (SHEET 3)

HXL
DEC 22/06

21-24-02-23

21-24-02-23
PAGE 0B

BOEING
767
PARTS CATALOG (MAINTENANCE)



V 21240223 SHT 4 REV 130

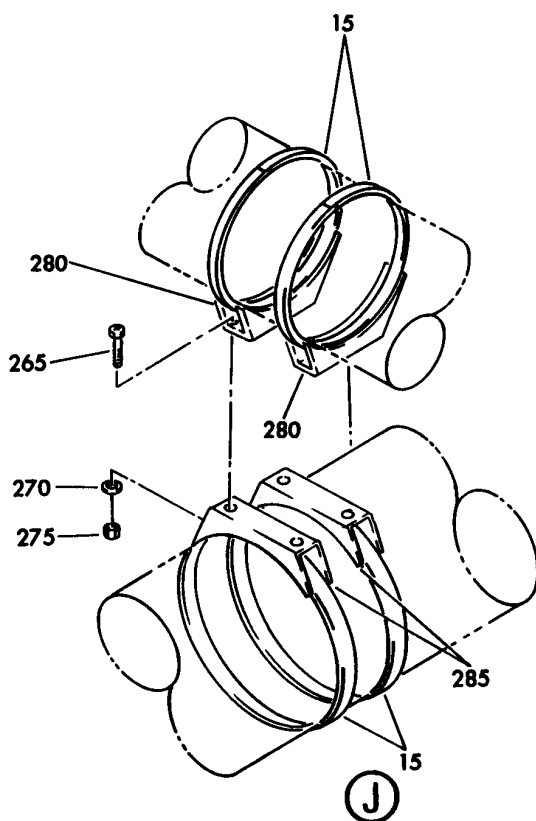
DUCT INSTL-SECT. 43 GASPER AIR SYS
FIGURE 23 (SHEET 4)

21-24-02-23

HXL
DEC 22/06

21-24-02-23
PAGE 0C

BOEING
767
PARTS CATALOG (MAINTENANCE)



V 21240223 SHT 5 REV 130

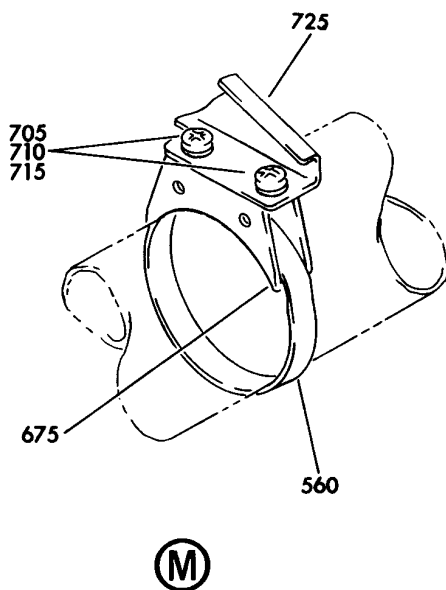
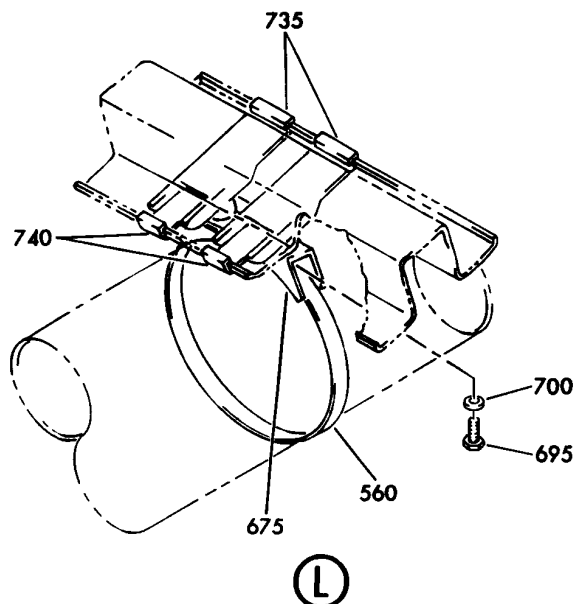
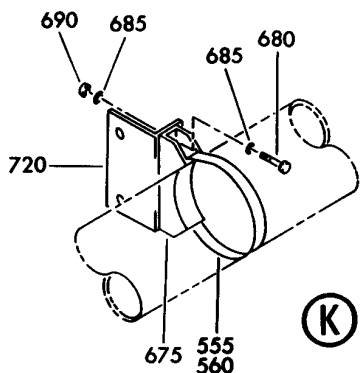
DUCT INSTL-SECT. 43 GASPER AIR SYS
FIGURE 23 (SHEET 5)

21-24-02-23

HXL
DEC 22/06

21-24-02-23
PAGE 0D

BOEING
767
PARTS CATALOG (MAINTENANCE)



V 21240223 SHT 6 REV 130

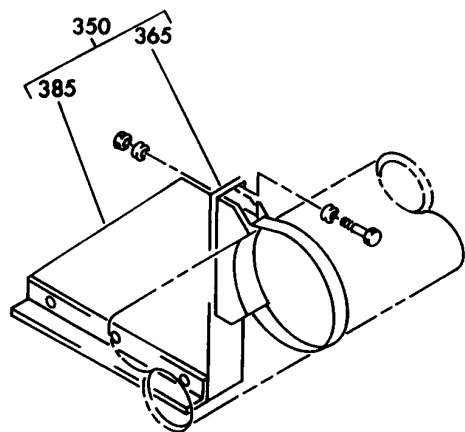
DUCT INSTL-SECT. 43 GASPER AIR SYS
FIGURE 23 (SHEET 6)

21-24-02-23

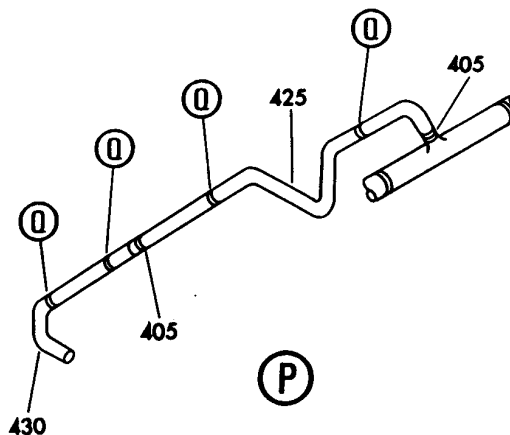
HXL
DEC 22/06

21-24-02-23
PAGE 0E

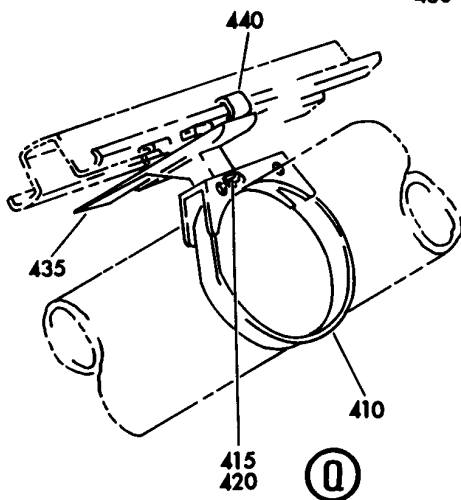
BOEING
767
PARTS CATALOG (MAINTENANCE)



(N)



(P)



(Q)

V 21240223 SHT 7 REV 130

DUCT INSTL-SECT. 43 GASPER AIR SYS
FIGURE 23 (SHEET 7)

21-24-02-23

HXL
DEC 22/06

21-24-02-23
PAGE OF



767

PARTS CATALOG (MAINTENANCE)

FIG ITEM	PART NUMBER	1 2 3 4 5 6 7	NOMENCLATURE	EFFECT FROM TO	UNITS PER ASSY
23			DUCT INSTL-SECT. 43 GASPER AIR SYS		
- 1	214T4053-14		DUCT INSTL-GASPER AIR SYS POSITION DATA: SECT. 43 CTR FOR NHA SEE: 21-00-00-02A		RF
5	PLT4SM		.STRAP SUPPLIER CODE: V06383 SPECIFICATION NUMBER: BACS38K2 OPTIONAL PART: T05LO V53421		15
10	BACS38K26		.STRAP		2
15	T012LO		.STRAP SUPPLIER CODE: V53421 SPECIFICATION NUMBER: BACS38K6		18
20	NAS1922-0225-1		.CLAMP		2
25	NAS1922-0575-1		.CLAMP-		1
25	NAS1922-0575-3		.CLAMP-		1
30	NAS1922-0825-1		.CLAMP		5
35	AS1506-08D42		.SLEEVE		3
40	AS1506-16D32		.SLEEVE		1
45	AS1506-32D32		.HOSE		1
50	AS1506-14D32		.SLEEVE		1
55	AS1505-32A0052		.HOSE		1
60	BOE2022-16A0110		.HOSE SUPPLIER CODE: V16632 SPECIFICATION NUMBER: AS1544-16A0110		2
65	BOE2022-16A0320		.HOSE SUPPLIER CODE: V16632 SPECIFICATION NUMBER: AS1544-16A0320		2
70	AS1503-12B0185		.HOSE		1
75	214T4428-2		.ELBOW		1
80	214T4020-356		.DUCT ASSY		1
85	214T4020-359		.DUCT ASSY		1
90	214T4056-12		.DUCT ASSY		1
95	214T4020-339		.DUCT ASSY		1
100	214T4020-343		.DUCT ASSY		1
105	214T4021-78		.DUCT ASSY-		1
105	214T4021-1078		.DUCT ASSY-		1

ILLUSTRATION ITEMS NOT ON PARTS LIST ARE NOT APPLICABLE

- ITEM NOT ILLUSTRATED

HXL

21-24-02-23

21-24-02
FIG. 23
PAGE 1
AUG 22/09



767

PARTS CATALOG (MAINTENANCE)

FIG ITEM	PART NUMBER	1 2 3 4 5 6 7	NOMENCLATURE	EFFECT FROM TO	UNITS PER ASSY
23					
105	214T4021-2078	.DUCT ASSY-			1
110	69B50102-1	..CAP-			7
		USED ON:			
		214T4020-356			
115	69B50102-1	..CAP-			6
		USED ON:			
		214T4020-359			
120	69B50102-1	..CAP-			1
		USED ON:			
		214T4056-12			
125	69B50102-1	..CAP-			4
		USED ON:			
		214T4021-78			
		214T4021-1078			
126	214T4021-80	..INSULATION-BLANKET			1
		USED ON:			
		214T4021-78			
126	214T4021-1080	..INSULATION-BLANKET			1
		USED ON:			
		214T4021-1078			
		214T4021-2078			
127	214T4021-79	..DUCT-			1
		USED ON:			
		214T4021-78			
		214T4021-1078			
130	214T3424-2	.SUPPORT			7
		ATTACHING PARTS			
135	NAS1801-3-16	.SCREW			2
140	AN960PD10L	.WASHER			4
145	NAS43DD3-20	.SPACER			2
150	BRH10A3	.NUT			2
		SUPPLIER CODE:			
		V52828			
		SPECIFICATION NUMBER:			
		BACN10JC3			
		OPTIONAL PART:			
		H10-3BAC			
		V15653			
		NS202101-02			
		V80539			
		RMLH9075-3W			
		V72962			
		VN303A02			
		V92215			
		96-02			
		V80539			
		T6S1032J			
		V11815			
155	NAS1801-3-8	.SCREW			2

ILLUSTRATION ITEMS NOT ON PARTS LIST ARE NOT APPLICABLE

- ITEM NOT ILLUSTRATED

HXL

21-24-02-23

BOEING PROPRIETARY - Copyright © - Unpublished Work - See title page for details.

21-24-02
FIG. 23
PAGE 2
AUG 22/09



767

PARTS CATALOG (MAINTENANCE)

FIG ITEM	PART NUMBER	1 2 3 4 5 6 7	NOMENCLATURE	EFFECT FROM TO	UNITS PER ASSY
23					
160	AN960PD10L	.	WASHER		4
165	BRH10A3	.	NUT		2
			SUPPLIER CODE: V52828		
			SPECIFICATION NUMBER: BACN10JC3		
			OPTIONAL PART: H10-3BAC		
			V15653		
			NS202101-02		
			V80539		
			RMLH9075-3W		
			V72962		
			VN303A02		
			V92215		
			96-02		
			V80539		
			T6S1032J		
			V11815		
170	NAS1801-3-8	.	SCREW		6
175	AN960D10L	.	WASHER		6
180	MS21042L3	.	NUT		6
185	NAS1801-3-8	.	SCREW		4
190	AN960D10L	.	WASHER		4
195	BRH10A3	.	NUT		4
			SUPPLIER CODE: V52828		
			SPECIFICATION NUMBER: BACN10JC3		
			OPTIONAL PART: H10-3BAC		
			V15653		
			NS202101-02		
			V80539		
			RMLH9075-3W		
			V72962		
			VN303A02		
			V92215		
			96-02		
			V80539		
			T6S1032J		
			V11815		
			-----*-----		
200	214T3424-11	.	SUPPORT		1
			ATTACHING PARTS		
- 205	NAS1801-3-4	.	SCREW		2
- 210	AN960PD10L	.	WASHER		2
- 215	BACW10P44AL	.	WASHER		2

ILLUSTRATION ITEMS NOT ON PARTS LIST ARE NOT APPLICABLE

- ITEM NOT ILLUSTRATED

HXL

21-24-02-23

BOEING PROPRIETARY - Copyright © - Unpublished Work - See title page for details.

21-24-02
FIG. 23
PAGE 3
AUG 22/09



767

PARTS CATALOG (MAINTENANCE)

FIG ITEM	PART NUMBER	1 2 3 4 5 6 7	NOMENCLATURE	EFFECT FROM TO	UNITS PER ASSY
23					
- 220	NAS43DD3-37	.	SPACER		2
		-----*			
225	214T3424-12	.	SUPPORT		1
			ATTACHING PARTS		
- 230	NAS1801-3-8	.	SCREW		2
- 235	AN960PD10L	.	WASHER		2
- 240	BRH10A3	.	NUT		2
			SUPPLIER CODE: V52828		
			SPECIFICATION NUMBER: BACN10JC3		
			OPTIONAL PART: H10-3BAC		
			V15653		
			NS202101-02		
			V80539		
			RMLH9075-3W		
			V72962		
			VN303A02		
			V92215		
			96-02		
			V80539		
			T6S1032J		
			V11815		
		-----*			
245	214T3424-6	.	SUPPORT		6
			ATTACHING PARTS		
- 250	NAS1801-3-8	.	SCREW		8
- 255	AN960D10L	.	WASHER		8
- 260	MS21042L3	.	NUT		8
		-----*			
265	NAS1801-3-9	.	SCREW-		4
270	AN960D10L	.	WASHER		4
275	MS21042L3	.	NUT		4
280	214T3424-6	.	SUPPORT		2
285	214T3424-8	.	SUPPORT		2
290	214T3424-5	.	SUPPORT		3
			ATTACHING PARTS		
- 295	NAS1801-3-8	.	SCREW		6
- 300	AN960D10L	.	WASHER		6

ILLUSTRATION ITEMS NOT ON PARTS LIST ARE NOT APPLICABLE

- ITEM NOT ILLUSTRATED

21-24-02-23

21-24-02
FIG. 23
PAGE 4
AUG 22/09

HXL

BOEING
767
PARTS CATALOG (MAINTENANCE)

FIG ITEM	PART NUMBER	1 2 3 4 5 6 7	NOMENCLATURE	EFFECT FROM TO	UNITS PER ASSY
23 - 305	BRH10A3		.NUT SUPPLIER CODE: V52828 SPECIFICATION NUMBER: BACN10JC3 OPTIONAL PART: H10-3BAC V15653 NS202101-02 V80539 RMLH9075-3W V72962 VN303A02 V92215 96-02 V80539 T6S1032J V11815 -----*-----		6
315	214T4422-2		.BRACKET ATTACHING PARTS		1
- 320	NAS1801-3-6		.SCREW		4
- 325	AN960PD10L		.WASHER -----*-----		4
330	214T4421-7		.BRACKET ATTACHING PARTS		8
- 335	NAS1801-3-6		.SCREW		16
- 340	AN960D10L		.WASHER -----*-----		16
345	214T4422-3		.BRACKET ATTACHING PARTS		1
- 355	NAS1801-3-5		.SCREW-		3
- 360	AN960PD10L		.WASHER -----*-----		3
390	214T4421-28		.BRACKET		2
395	214T4421-30		.BRACKET		2
400	412T3209-10		.INSULATOR		4
445	214T4053-28		.FAN INSTL- FOR DETAILS SEE: 21-24-01-04A		1
- 550	214T4053-15		DUCT INSTL-GASPER AIR SYS POSITION DATA: SECT. 43 LH FOR NHA SEE: 21-00-00-02A		RF

ILLUSTRATION ITEMS NOT ON PARTS LIST ARE NOT APPLICABLE

- ITEM NOT ILLUSTRATED

HXL

21-24-02-23

BOEING PROPRIETARY - Copyright © - Unpublished Work - See title page for details.

21-24-02
FIG. 23
PAGE 5
DEC 22/07



767

PARTS CATALOG (MAINTENANCE)

FIG ITEM	PART NUMBER	1 2 3 4 5 6 7	NOMENCLATURE	EFFECT FROM TO	UNITS PER ASSY
23					
- 550	214T4053-16		DUCT INSTL-GASPER AIR SYS POSITION DATA: SECT. 43 RH FOR NHA SEE: 21-00-00-02A		RF
555	NAS1922-0225-1		.CLAMP		5
560	PLT4SM		.STRAP SUPPLIER CODE: V06383 SPECIFICATION NUMBER: BACS38K2 OPTIONAL PART: T05L0 V53421		11
565	T012L0		.STRAP SUPPLIER CODE: V53421 SPECIFICATION NUMBER: BACS38K6		2
570	AS1506-08D42		.SLEEVE		1
575	AS1506-12D42		.SLEEVE		1
580	AS1504-08B0090		.DUCT		1
585	B0D2022-28A0190		.HOSE SUPPLIER CODE: V16632 SPECIFICATION NUMBER: AS1544-28A0190		1
590	AS1504-08B0152		.HOSE		1
595	214T3436-495		.ORIFICE		1
600	214T4020-194		.DUCT ASSY		1
605	214T4020-349		.DUCT ASSY- POSITION DATA: LH SIDE		1
- 610	214T4020-350		.DUCT ASSY- POSITION DATA: RH SIDE		1
615	214T4020-327		.DUCT ASSY		1
620	214T4020-333		.DUCT ASSY- POSITION DATA: LH SIDE		1
- 625	214T4020-337		.DUCT ASSY- POSITION DATA: RH SIDE		1
630	214T4058-35		.DUCT ASSY- POSITION DATA: LH SIDE		1
- 635	214T4058-34		.DUCT ASSY- POSITION DATA: RH SIDE		1

ILLUSTRATION ITEMS NOT ON PARTS LIST ARE NOT APPLICABLE

- ITEM NOT ILLUSTRATED

21-24-02-23

21-24-02
FIG. 23
PAGE 6
DEC 22/07

HXL

 **BOEING**
767
PARTS CATALOG (MAINTENANCE)

FIG ITEM	PART NUMBER	1 2 3 4 5 6 7	NOMENCLATURE	EFFECT FROM TO	UNITS PER ASSY
23					
640	214T4057-49		. DUCT ASSY- POSITION DATA: LH SIDE		1
- 645	214T4057-50		. DUCT ASSY- POSITION DATA: RH SIDE		1
650	69B50102-1		.. CAP- USED ON: 214T4020-194		6
655	69B50102-1		.. CAP- USED ON: 214T4020-350 214T4020-349		5
660	69B50102-1		.. CAP- USED ON: 214T4058-34 214T4058-35		2
665	32-1250		.. CAP- SUPPLIER CODE: V25205 USED ON: 214T4058-34 214T4058-35		1
670	PLT4SM		.. STRAP- SUPPLIER CODE: V06383 SPECIFICATION NUMBER: BACS38K2 OPTIONAL PART: T05LO V53421 USED ON: 214T4058-34 214T4058-35		1
675	214T3424-2		. SUPPORT ATTACHING PARTS		10
680	NAS1801-3-8		. SCREW		10
685	AN960PD10L		. WASHER		20

ILLUSTRATION ITEMS NOT ON PARTS LIST ARE NOT APPLICABLE

- ITEM NOT ILLUSTRATED

HXL

21-24-02-23

BOEING PROPRIETARY - Copyright © - Unpublished Work - See title page for details.

21-24-02
FIG. 23
PAGE 7
DEC 22/07



767

PARTS CATALOG (MAINTENANCE)

FIG ITEM	PART NUMBER	1 2 3 4 5 6 7	NOMENCLATURE	EFFECT FROM TO	UNITS PER ASSY
23 690	BRH10A3	.NUT	SUPPLIER CODE: V52828 SPECIFICATION NUMBER: BACN10JC3 OPTIONAL PART: H10-3BAC V15653 NS202101-02 V80539 RMLH9075-3W V72962 VN303A02 V92215 96-02 V80539 T6S1032J V11815		10
695	NAS1801-3-6	.SCREW			6
700	AN960D10L	.WASHER			6
705	NAS1801-3-8	.SCREW			4
710	AN960D10L	.WASHER			8
715	MS21042L3	.NUT			4
		-----*-----			
720	214T4421-5	.BRACKET			5
725	214T4421-28	.BRACKET-	POSITION DATA: LH SIDE		2
- 730	214T4421-27	.BRACKET-	POSITION DATA: RH SIDE		2
735	S38J1	.ATTACHMENT	SUPPLIER CODE: V59237 SPECIFICATION NUMBER: BACS38J1 OPTIONAL PART: 30187-2 V26835		6
740	S38J2	.STRAP	SUPPLIER CODE: V59237 SPECIFICATION NUMBER: BACS38J2 OPTIONAL PART: 30187-3 V26835		6

ILLUSTRATION ITEMS NOT ON PARTS LIST ARE NOT APPLICABLE

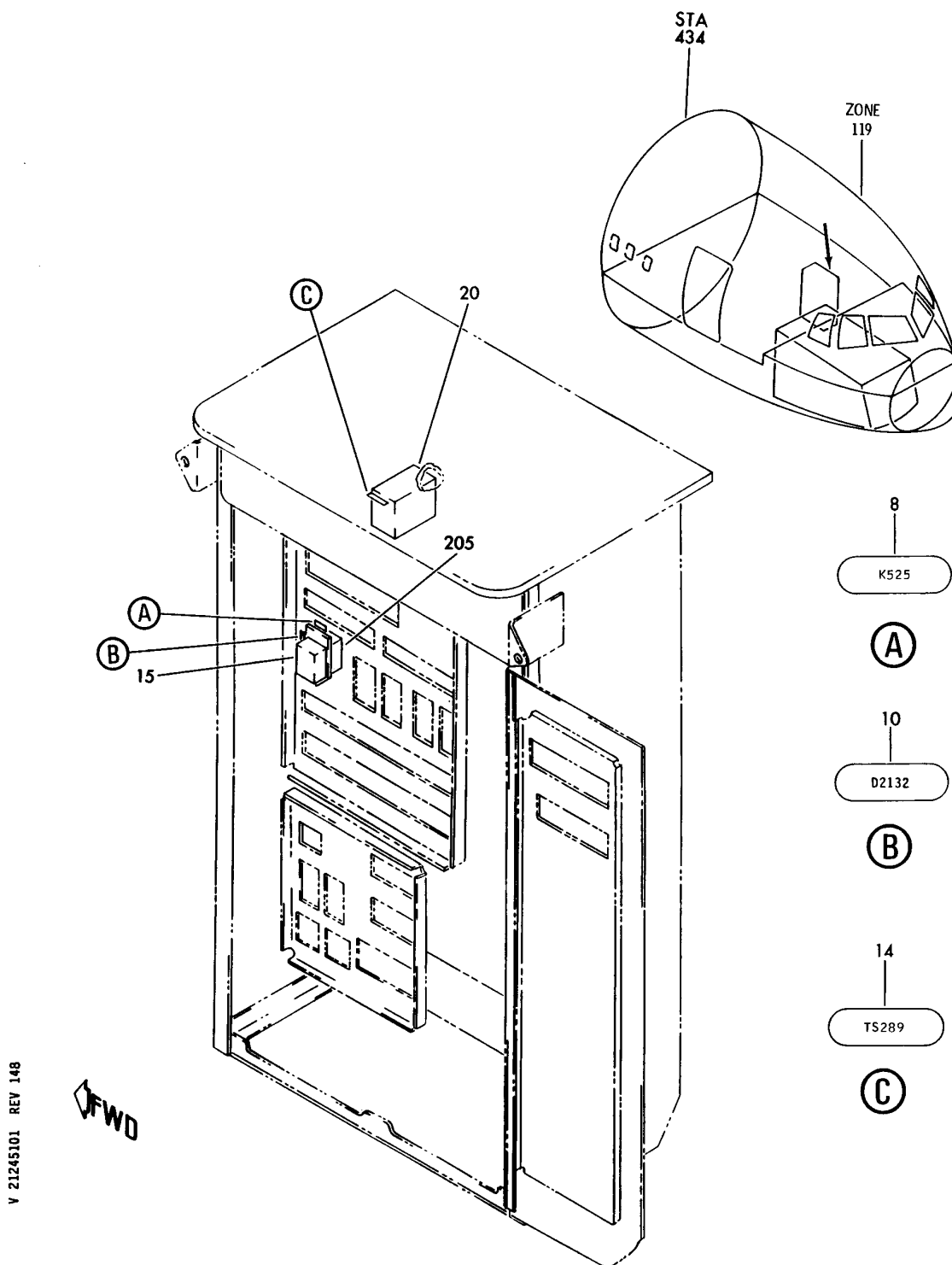
- ITEM NOT ILLUSTRATED

21-24-02-23

21-24-02
FIG. 23
PAGE 8
DEC 22/07

HXL

BOEING
767
PARTS CATALOG (MAINTENANCE)



V 21245101 REV 148

FWD

EQUIPMENT ASSY-P36 MISC ELEC PNL L (INDIVIDUAL (GASPER) AIR DISTRIBUTION ONLY)

FIGURE 1

21-24-51-01

HXL
DEC 22/06

21-24-51-01
PAGE 0



767

PARTS CATALOG (MAINTENANCE)

FIG ITEM	PART NUMBER	1 2 3 4 5 6 7	NOMENCLATURE	EFFECT FROM TO	UNITS PER ASSY
1			EQUIPMENT ASSY-P36 MISC ELEC PNL L (INDIVIDUAL (GASPER) AIR DISTRIBUTION ONLY)		
- 2	284T0187-167		EQUIPMENT ASSY-P36 MISC ELEC PNL (INDIVIDUAL (GASPER) AIR DISTRIBUTION ONLY) POSITION DATA: L FOR NHA/OTHER SYS DET SEE: 53-11-70-03	155162	RF
- 3	284T0187-205		EQUIPMENT ASSY-P36 MISC ELEC PNL (INDIVIDUAL (GASPER) AIR DISTRIBUTION ONLY) POSITION DATA: L FOR NHA/OTHER SYS DET SEE: 53-11-70-03	163163	RF
- 3	284T0187-212		EQUIPMENT ASSY-P36 MISC ELEC PNL (INDIVIDUAL (GASPER) AIR DISTRIBUTION ONLY) POSITION DATA: L FOR NHA/OTHER SYS DET SEE: 53-11-70-03	164999	RF
8	BAC27TEX3726		.DECALSET-INCLUDES DECALS IDENTIFIED ON THE ILLUSTRATION		RF
8	BAC27TEX4186		.DECALSET-INCLUDES DECALS IDENTIFIED ON THE ILLUSTRATION		RF
10	BAC27TEX4180		.DECALSET-INCLUDES DECALS IDENTIFIED ON THE ILLUSTRATION		RF
14	BAC27TEX4181		.DECALSET-INCLUDES DECALS IDENTIFIED ON THE ILLUSTRATION		RF

ILLUSTRATION ITEMS NOT ON PARTS LIST ARE NOT APPLICABLE

- ITEM NOT ILLUSTRATED

HXL

21-24-51-01

BOEING PROPRIETARY - Copyright © - Unpublished Work - See title page for details.

21-24-51
FIG. 01
PAGE 1
DEC 22/07

BOEING
767
PARTS CATALOG (MAINTENANCE)

FIG ITEM	PART NUMBER	1 2 3 4 5 6 7	NOMENCLATURE	EFFECT FROM TO	UNITS PER ASSY
1	15 FCC400-5		.RELAY-10 AMP 4PDT PLUG-IN TYPE SUPPLIER CODE: V00213 SPECIFICATION NUMBER: 10-60450-1 ELECTRICAL EQUIP NUMBER: K00525 OPTIONAL PART: G59673-1 V58657 A410-159673-01 V73949 V73949 CC400-5		1
	15 9524-6506		.RELAY- SUPPLIER CODE: V58657 SPECIFICATION NUMBER: 10-60450-1 ELECTRICAL EQUIP NUMBER: K00525 OPTIONAL PART: A410-159673-01 V73949 G59673-1 V73949 FCC400-5 V00213		1
	20 285T0177-3		.SENSOR ASSY-CURRENT SUPPLIER CODE: V89954 ELECTRICAL EQUIP NUMBER: TS0289 COMPONENT MAINT MANUAL REF: 21-25-51 ATTACHING PARTS		1
-	25 NAS601-34P		.SCREW- -----*-----		2
-	200 286T0184-300		.WIRE BUNDLE ASSY		1

ILLUSTRATION ITEMS NOT ON PARTS LIST ARE NOT APPLICABLE

- ITEM NOT ILLUSTRATED

HXL

21-24-51-01

BOEING PROPRIETARY - Copyright © - Unpublished Work - See title page for details.

21-24-51
FIG. 01
PAGE 2
DEC 22/07



767

PARTS CATALOG (MAINTENANCE)

FIG ITEM	PART NUMBER	1 2 3 4 5 6 7	NOMENCLATURE	EFFECT FROM TO	UNITS PER ASSY
1 205	000300-0445		. . SOCKET- SUPPLIER CODE: V05574 SPECIFICATION NUMBER: 10-60450-5 ELECTRICAL EQUIP NUMBER: D02132 WIRING DIAGRAM REF: 212411 OPTIONAL PART: 105-100-02 V26742 82164-1F V12054		1

ILLUSTRATION ITEMS NOT ON PARTS LIST ARE NOT APPLICABLE

- ITEM NOT ILLUSTRATED

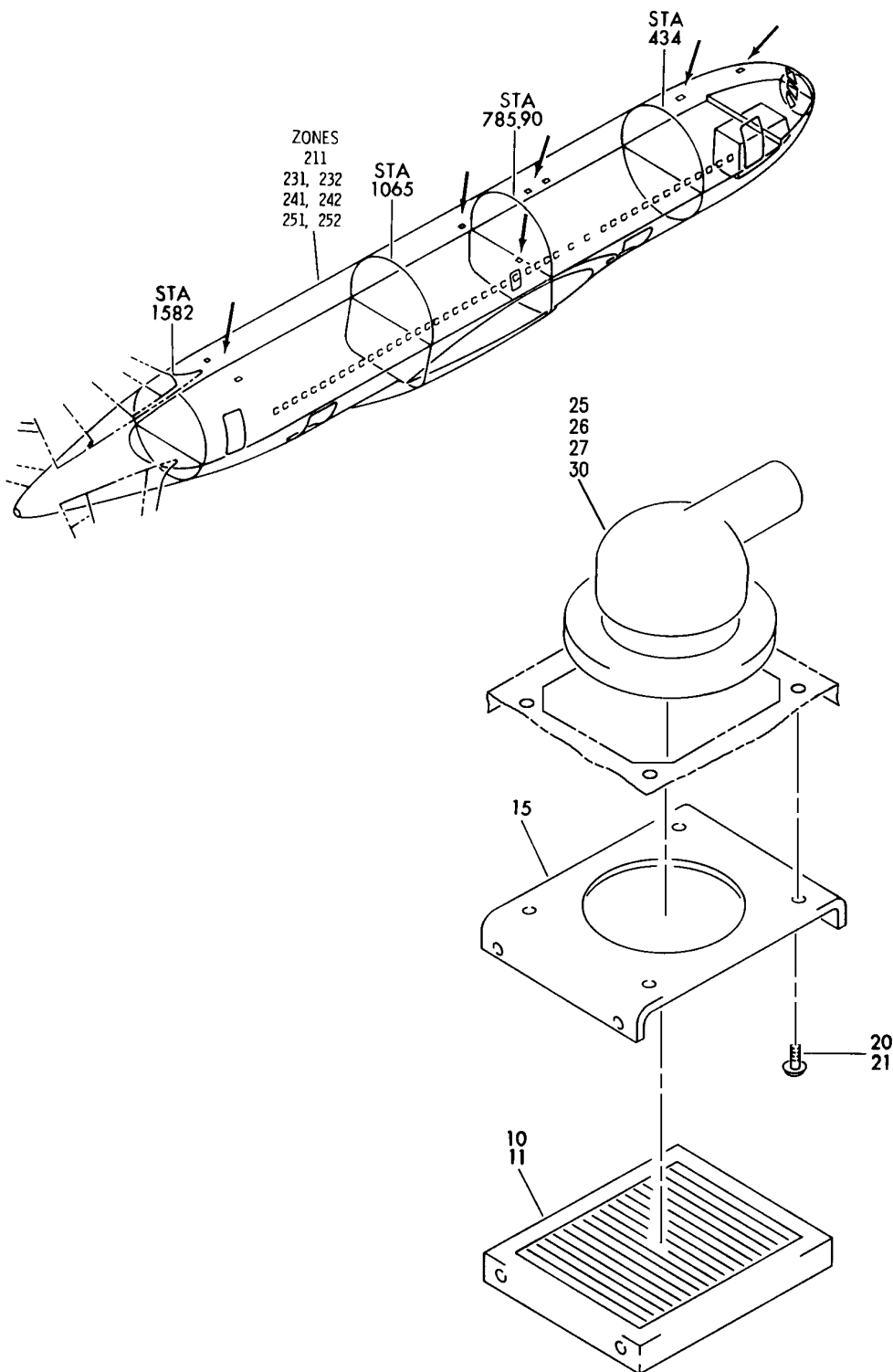
HXL

21-24-51-01

BOEING PROPRIETARY - Copyright © - Unpublished Work - See title page for details.

21-24-51
FIG. 01
PAGE 3
DEC 22/07

BOEING
767
PARTS CATALOG (MAINTENANCE)



V 21245105 REV 272

SERVICE UNIT ASSY-PASS. LAV (GASPER AIR DISTRIBUTION ONLY)
FIGURE 5

21-24-51-05

HXL
DEC 22/06

21-24-51-05
PAGE 0



767

PARTS CATALOG (MAINTENANCE)

FIG ITEM	PART NUMBER	1 2 3 4 5 6 7	NOMENCLATURE	EFFECT FROM TO	UNITS PER ASSY
5			SERVICE UNIT ASSY-PASS. LAV (GASPER AIR DISTRIBUTION ONLY)		
- 1	B0061600-1		SERVICE UNIT ASSY-PASS. LAV F1, M9, M10, A4 AND A7 F1, FS2, M7, M8 AND A4 F1, FS3, M17, M18 AND A4 F1, MS15, MS17, M31 AND M32 F1, MS16, MS18, M31 AND M32 F1, MS1, MS2, M11 AND M12 F1, MS15, M15, M16 AND A4 F1, M3, M4, A3 AND A4 F1, M5, M6, A5 AND A6 (GASPER AIR DISTRIBUTION ONLY) SUPPLIER CODE: VS5065 FOR NHA/OTHER SYS DET SEE: 25-41-01-32B 25-41-03-46B 25-41-03-52		RF
- 5	B0061600-2		SERVICE UNIT ASSY-LAV MS3 AND A1 MS1 AND A3 MS4 AND A3 MS3 AND A3 MS10 AND A3 FS8 AND A5 MS10 AND A3 MS15 AND MS17 MS16 AND MS18 MS27 AND MS29 MS12 AND A3 MS21 AND A3 FS7 AND A5 MS4 AND A4 (GASPER AIR DISTRIBUTION ONLY) SUPPLIER CODE: VS5065 FOR NHA/OTHER SYS DET SEE: 25-41-03-46B		RF

ILLUSTRATION ITEMS NOT ON PARTS LIST ARE NOT APPLICABLE

- ITEM NOT ILLUSTRATED

HXL

21-24-51-05

BOEING PROPRIETARY - Copyright © - Unpublished Work - See title page for details.

21-24-51
FIG. 05
PAGE 1
DEC 22/07



767

PARTS CATALOG (MAINTENANCE)

FIG ITEM	PART NUMBER	1 2 3 4 5 6 7	NOMENCLATURE	EFFECT FROM TO	UNITS PER ASSY
5					
10	BS061605-5		.GRILLE-AIR, LAV F1, FS7, FS8, A5, A6, AC3 AND AC4 F1, FS7, FS8, A3, A4, AC3 AND AC4 SUPPLIER CODE: VS5065		1
15	BS061606-3		.BRACKET-AIR GRILLE SUPPLIER CODE: VS5065		1
20	MS51957-43		ATTACHING PARTS .SCREW-		4
25	1938-13		-----*----- .AIR SYSTEM-INDIVIDUAL SUPPLIER CODE: VOACH0 SPECIFICATION NUMBER: 60B40058-13		1

ILLUSTRATION ITEMS NOT ON PARTS LIST ARE NOT APPLICABLE

- ITEM NOT ILLUSTRATED

HXL

21-24-51-05

BOEING PROPRIETARY - Copyright © - Unpublished Work - See title page for details.

21-24-51
FIG. 05
PAGE 2
DEC 22/07