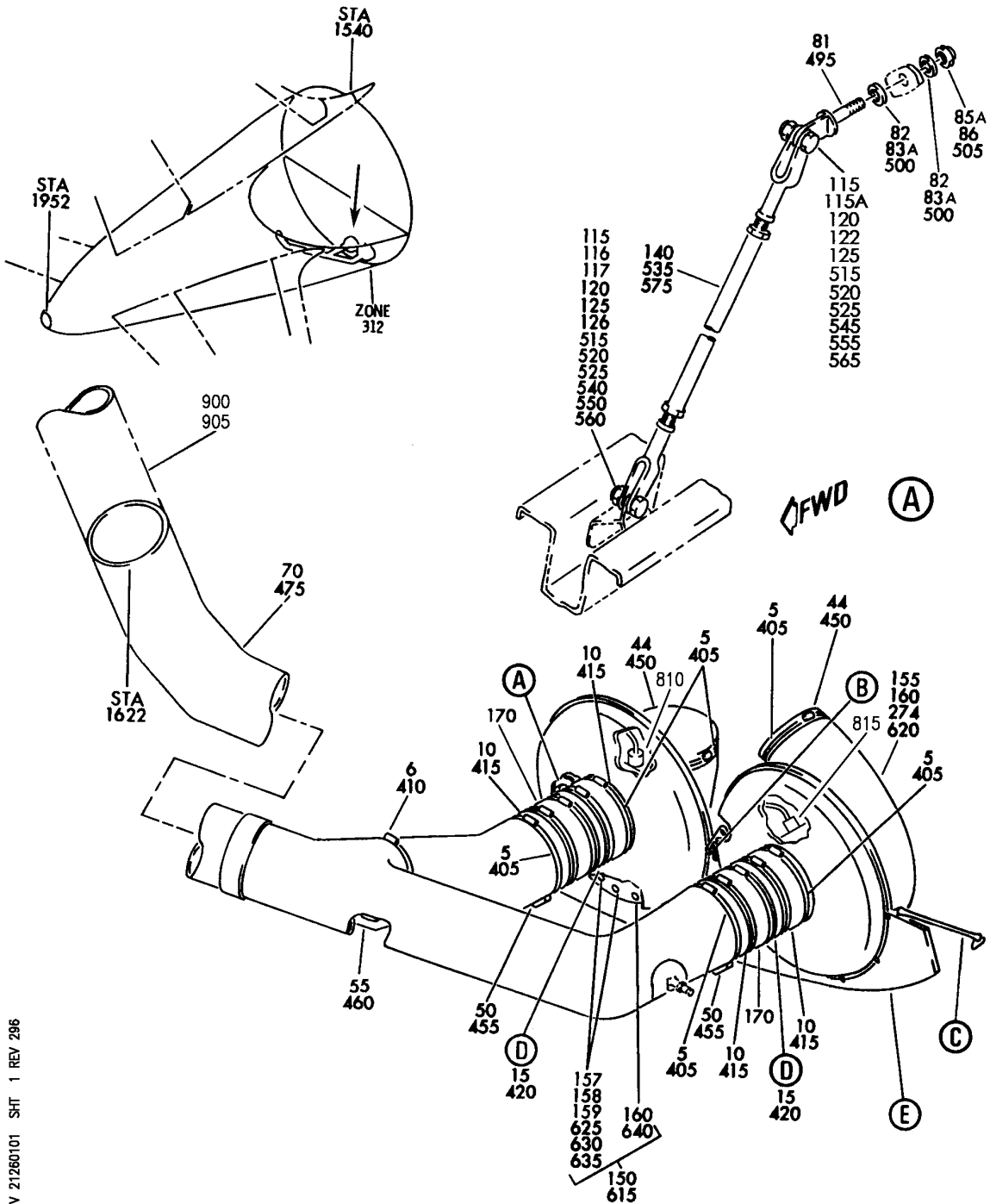


## VENTILATION

HXL  
DEC 22/06

21-26-00  
SECTION TITLE  
PAGE 1

**BOEING**  
767  
PARTS CATALOG (MAINTENANCE)



V 21260101 SHT 1 REV 296

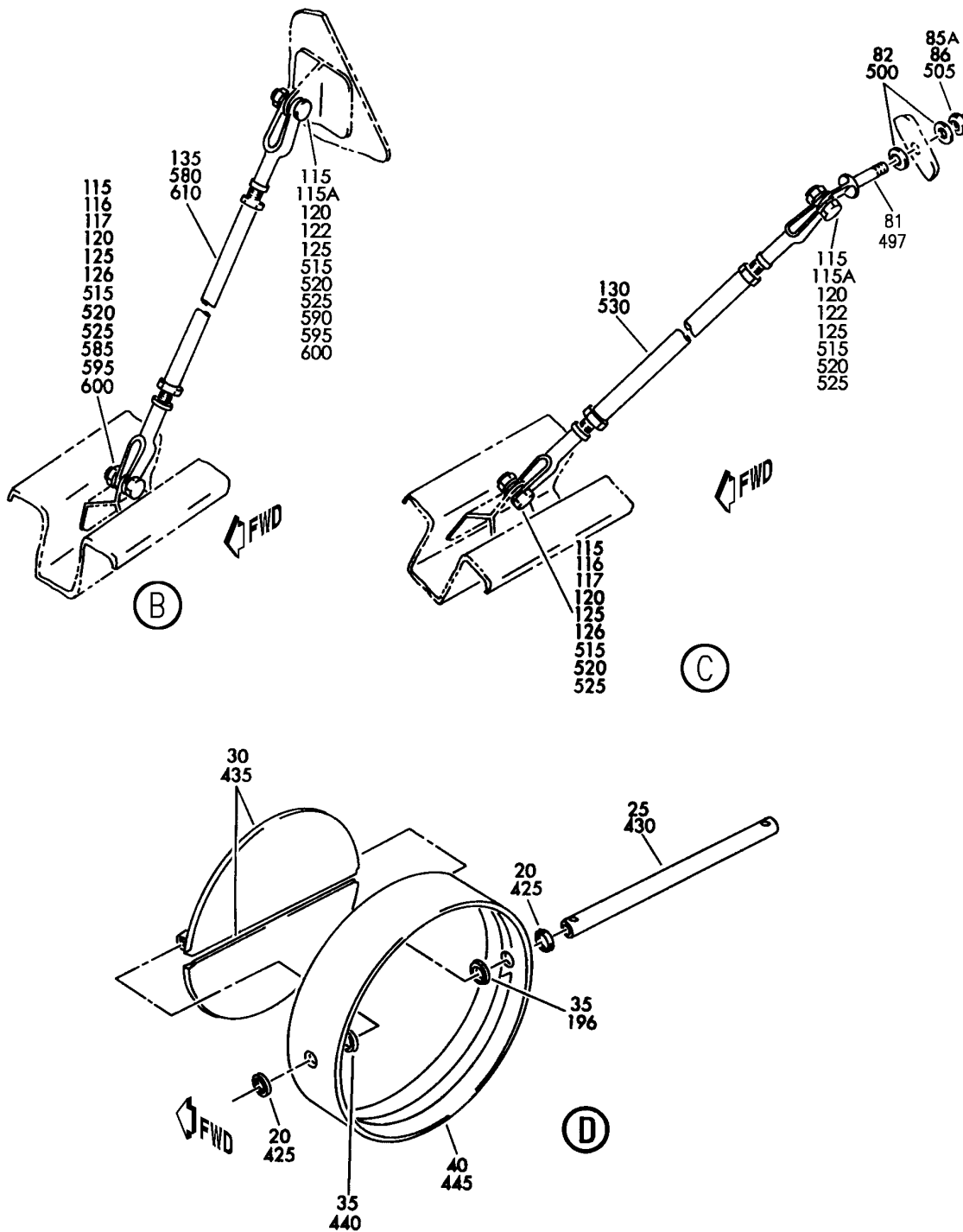
FAN INSTL-LAV AND GALLEY VENT SYS  
FIGURE 1 (SHEET 1)

**21-26-01-01**

HXL  
DEC 22/06

21-26-01-01  
PAGE 0

**BOEING**  
767  
PARTS CATALOG (MAINTENANCE)



V 21260101\_SHT\_2\_REV\_292

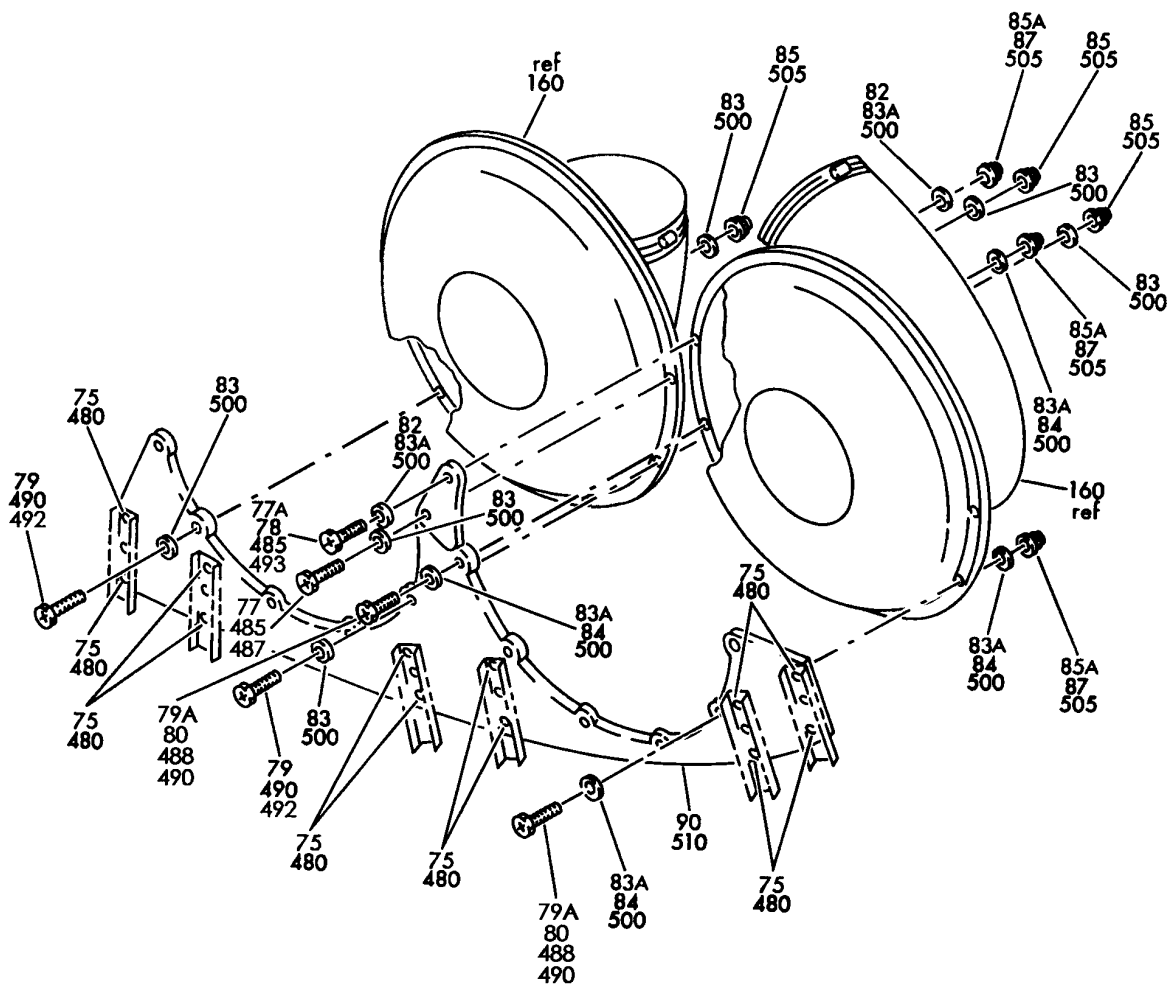
FAN INSTL-LAV AND GALLEY VENT SYS  
FIGURE 1 (SHEET 2)

**21-26-01-01**

HXL  
DEC 22/06

21-26-01-01  
PAGE 0A

**BOEING**  
767  
PARTS CATALOG (MAINTENANCE)



(E)

V 21260101 SHT 3 REV 212

FAN INSTL-LAV AND GALLEY VENT SYS  
FIGURE 1 (SHEET 3)

**21-26-01-01**

HXL  
DEC 22/06

21-26-01-01  
PAGE 0B

 **BOEING**  
767  
**PARTS CATALOG (MAINTENANCE)**

FIG ITEM	PART NUMBER	1 2 3 4 5 6 7	NOMENCLATURE	EFFECT FROM TO	UNITS PER ASSY
1			FAN INSTL-LAV AND GALLEY VENT SYS		
- 1	214T3019-17		FAN INSTL-LAV AND GALLEY VENT SYS FOR NHA SEE: 21-00-00-03A		RF
- 3	214T3019-2		.FAN INSTL		1
5	NAS1922-0825-1		..CLAMP-		12
6	120		..CLAMP SUPPLIER CODE: V7Z588 SPECIFICATION NUMBER: STBC10GG256 OPTIONAL PART: WWD256H V66295		1
10	AS1506-32D32		..HOSE-		4
15	65B40146-6		..VALVE ASSY-		2
20	AN960D416		...WASHER		2
25	69B40135-2		...PIN		1
30	69B40134-4		...FLAPPER		2
35	69B42121-2		...WASHER		2
40	69B40133-1		...HOUSING		1
44	214T3108-6		..SCREEN ASSY-		2
50	214T3424-12		..SUPPORT		2
55	214T3424-10		..SUPPORT ATTACHING PARTS		1
- 60	NAS1801-3-7		..SCREW-		6
- 65	BRH10A3		..NUT SUPPLIER CODE: V52828 SPECIFICATION NUMBER: BACN10JC3 OPTIONAL PART: H10-3BAC V15653 NS202101-02 V80539 RMLH9075-3W V72962 VN303A02 V92215 96-02 V80539 T6S1032J V11815 -----*-----		6
70	214T3430-7		..DUCT ASSY-		1

ILLUSTRATION ITEMS NOT ON PARTS LIST ARE NOT APPLICABLE

- ITEM NOT ILLUSTRATED

HXL

# 21-26-01-01

BOEING PROPRIETARY - Copyright © - Unpublished Work - See title page for details.

21-26-01  
FIG. 01  
PAGE 1  
DEC 22/07



767

PARTS CATALOG (MAINTENANCE)

FIG ITEM	PART NUMBER	1 2 3 4 5 6 7	NOMENCLATURE	EFFECT FROM TO	UNITS PER ASSY
1	75 BACR15FT5		..RIVET- SIZE DETERMINED ON INSTL.		18
	77 NAS6604-15		..BOLT		1
R	78 NAS6604-18		..BOLT- POST SERVICE BULLETIN: 21-0128R1		1
R	79 NAS6604-14		..BOLT-		7
R	80 NAS6604-17		..BOLT- POST SERVICE BULLETIN: 21-0128R1		2
R	81 AN43B14		..BOLT- OPTIONAL PART: AN43B14A POST SERVICE BULLETIN: 21-0128R1		2
R	81 AN43B14A		..BOLT- OPTIONAL PART: AN43B14 POST SERVICE BULLETIN: 21-0128R1		2
R	82 NAS1149D0416J		..WASHER- POST SERVICE BULLETIN: 21-0128R1		6
R	83 AN960D416L		..WASHER-		16
R	84 NAS1149D0416J		..WASHER- POST SERVICE BULLETIN: 21-0128R1		10
R	85 BRH10A4		..NUT- SUPPLIER CODE: V52828 SPECIFICATION NUMBER: BACN10JC4 OPTIONAL PART: T6S428J V11815 96-048 V80539 VN303A048 V92215 RMLH9075-4W V72962 NS202101-048 V80539 H10-4BAC V15653		11

ILLUSTRATION ITEMS NOT ON PARTS LIST ARE NOT APPLICABLE

- ITEM NOT ILLUSTRATED

HXL

21-26-01-01

BOEING PROPRIETARY - Copyright © - Unpublished Work - See title page for details.

21-26-01  
FIG. 01  
PAGE 2  
AUG 22/09

 **BOEING**  
767  
**PARTS CATALOG (MAINTENANCE)**

FIG ITEM	PART NUMBER	1 2 3 4 5 6 7	NOMENCLATURE	EFFECT FROM TO	UNITS PER ASSY
R R R R R R R R R R R R R R R R R R R R R	1 86	BRH10C4D	..NUT- SUPPLIER CODE: V52828 SPECIFICATION NUMBER: BACN10JC4CD OPTIONAL PART: T6C428JCD V11815 NS202486-048 V80539 102LH9075-4W V72962 H51650-4BAC V15653 POST SERVICE BULLETIN: 21-0128R1		2
	87	BRH10C4D	..NUT- SUPPLIER CODE: V52828 SPECIFICATION NUMBER: BACN10JC4CD OPTIONAL PART: T6C428JCD V11815 NS202486-048 V80539 102LH9075-4W V72962 H51650-4BAC V15653 POST SERVICE BULLETIN: 21-0128R1		3
	90	214T3104-12	..SUPPORT ASSY- OPTIONAL PART: 214T3104-11 POST SERVICE BULLETIN: 21-0128 FUNCTIONAL REFERENCE: PLACARDS AND MARKINGS FOR DETAILS SEE 11-38-10-01		1
	90	214T3104-11	..SUPPORT ASSY- OPTIONAL PART: 214T3104-12 FUNCTIONAL REFERENCE: PLACARDS AND MARKINGS FOR DETAILS SEE 11-38-10-01		1
ILLUSTRATION ITEMS NOT ON PARTS LIST ARE NOT APPLICABLE					

— ITEM NOT ILLUSTRATED

HXL

# 21-26-01-01

BOEING PROPRIETARY - Copyright © - Unpublished Work - See title page for details.

21-26-01  
FIG. 01  
PAGE 3  
AUG 22/09

**BOEING**  
767  
**PARTS CATALOG (MAINTENANCE)**

FIG ITEM	PART NUMBER	1 2 3 4 5 6 7	NOMENCLATURE	EFFECT FROM TO	UNITS PER ASSY
1					
R	115A		.. SCREW-		3
R			POST SERVICE BULLETIN:		
R			21-0128R1		
R	116		.. BOLT-		3
R			POST SERVICE BULLETIN:		
R			21-0128R1		
R	117		.. SPACER-		3
R			POST SERVICE BULLETIN:		
R			21-0128R1		
R	120		.. WASHER-		6
R			POST SERVICE BULLETIN:		
R			21-0128R1		
R	122		.. WASHER-		7
R			POST SERVICE BULLETIN:		
R			21-0128R1		
R	125		.. NUT-		3
R			SUPPLIER CODE:		
R			V52828		
R			SPECIFICATION NUMBER:		
R			BACN10JC3CD		
R			OPTIONAL PART:		
R			T6C1032JCD		
R			V11815		
R			NS202486-02		
R			V80539		
R			102LH9075-3W		
R			V72962		
R			H51650-3BAC		
R			V15653		
R			POST SERVICE BULLETIN:		
R			21-0128R1		
R	126		.. NUT-		3
R			SUPPLIER CODE:		
R			V52828		
R			SPECIFICATION NUMBER:		
R			BACN10JC4CD		
R			OPTIONAL PART:		
R			T6C428JCD		
R			V11815		
R			NS202486-048		
R			V80539		
R			102LH9075-4W		
R			V72962		
R			H51650-4BAC		
R			V15653		
R			POST SERVICE BULLETIN:		
R			21-0128R1		

ILLUSTRATION ITEMS NOT ON PARTS LIST ARE NOT APPLICABLE

- ITEM NOT ILLUSTRATED

HXL

21-26-01-01

21-26-01  
FIG. 01  
PAGE 4  
AUG 22/09



 **BOEING**  
767  
**PARTS CATALOG (MAINTENANCE)**

FIG ITEM	PART NUMBER	1 2 3 4 5 6 7	NOMENCLATURE	EFFECT FROM TO	UNITS PER ASSY
R R R R R R R R R R	130	217T1303-71	..ROD ASSY- POST SERVICE BULLETIN: 21-0128R1		1
	135	217T1303-72	..ROD ASSY- POST SERVICE BULLETIN: 21-0128R1		1
	140	217T1303-73	..ROD ASSY- POST SERVICE BULLETIN: 21-0128R1		1
	150	214T3019-8	..FAN ASSY-		1
	155	214T3019-7	..FAN ASSY-		1
	157	NAS6604-12	...BOLT- USED ON: 214T3019-8		2
	158	AN960D416L	...WASHER- USED ON: 214T3019-8		4
	159	BRH10A4	...NUT- SUPPLIER CODE: V52828 SPECIFICATION NUMBER: BACN10JC4 OPTIONAL PART: T6S428J V11815 96-048 V80539 VN303A048 V92215 RMLH9075-4W V72962 NS202101-048 V80539 H10-4BAC V15653 USED ON: 214T3019-8		2
	ILLUSTRATION ITEMS NOT ON PARTS LIST ARE NOT APPLICABLE				

- ITEM NOT ILLUSTRATED

HXL

# 21-26-01-01

BOEING PROPRIETARY - Copyright © - Unpublished Work - See title page for details.

21-26-01  
FIG. 01  
PAGE 5  
AUG 22/09

**BOEING**  
767  
**PARTS CATALOG (MAINTENANCE)**

FIG ITEM	PART NUMBER	1 2 3 4 5 6 7	NOMENCLATURE	EFFECT FROM TO	UNITS PER ASSY
1					
160	605457-7		... FAN- SUPPLIER CODE: V70210 SPECIFICATION NUMBER: 60B00027-5 ELECTRICAL EQUIP NUMBER: B00015 B00016 COMPONENT MAINT MANUAL REF: 21-24-02 OPTIONAL PART: 605457-3 V70210		1
160	605457-3		... FAN- SUPPLIER CODE: V70210 SPECIFICATION NUMBER: 60B00027-5 ELECTRICAL EQUIP NUMBER: B00015 B00016 COMPONENT MAINT MANUAL REF: 21-20-10 OPTIONAL PART: 605457-7 V70210		1
160	605457-8		... FAN- SUPPLIER CODE: V70210 SPECIFICATION NUMBER: 60B00027-5 ELECTRICAL EQUIP NUMBER: B00015 B00016 COMPONENT MAINT MANUAL REF: 21-20-10		1
R R R R R R R R					
- 800	286T1358-001		WIRE BUNDLE ASSY-		RF
- 805	286T1354-001		WIRE BUNDLE ASSY-		RF
810	BACC45FT14A7S		.CONNECTOR- ELECTRICAL EQUIP NUMBER: D00450 WIRING DIAGRAM REF: 212611		1
815	BACC45FT14A7S		.CONNECTOR- ELECTRICAL EQUIP NUMBER: D00456 WIRING DIAGRAM REF: 212611		1
ILLUSTRATION ITEMS NOT ON PARTS LIST ARE NOT APPLICABLE					

- ITEM NOT ILLUSTRATED

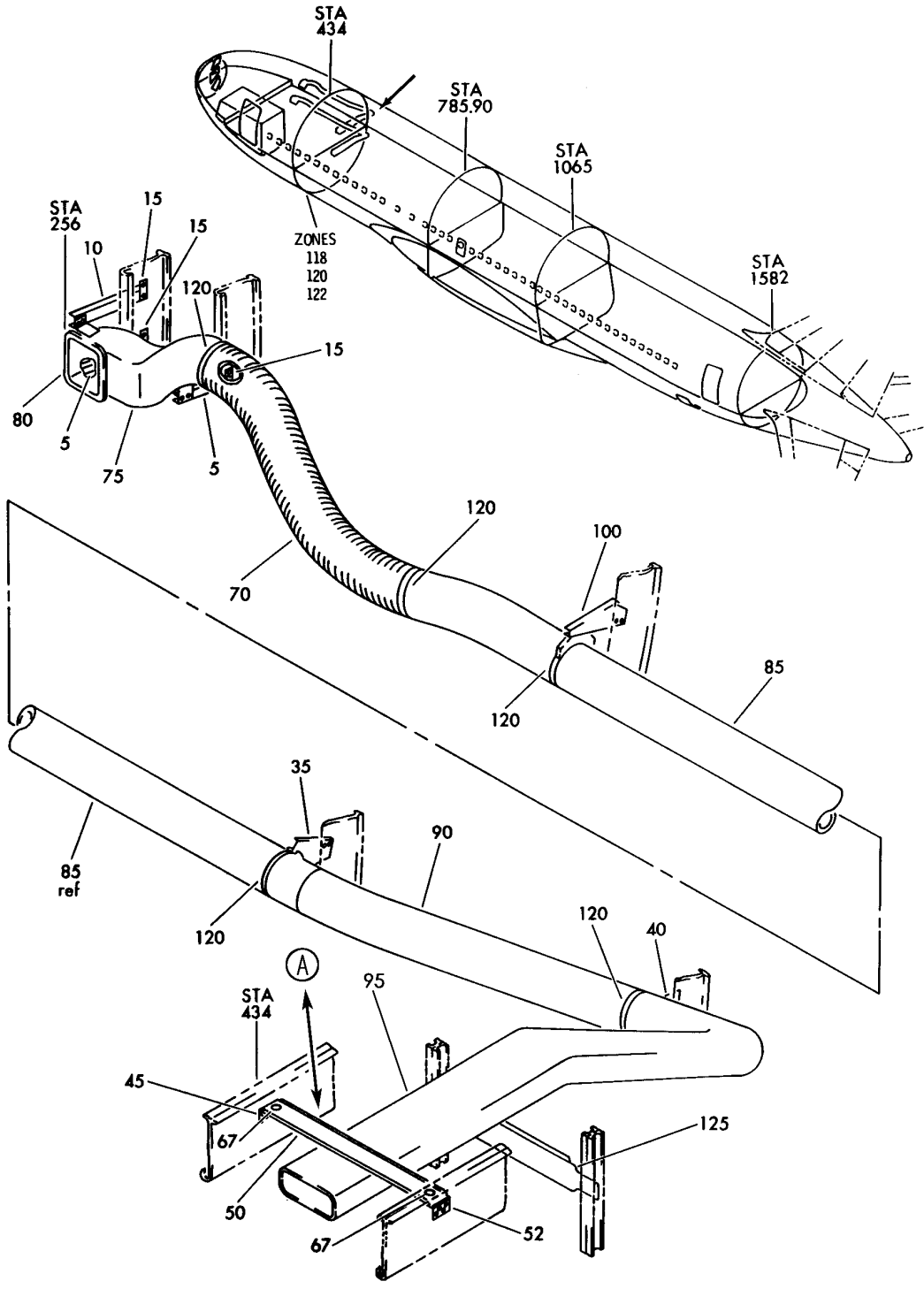
HXL

**21-26-01-01**

BOEING PROPRIETARY - Copyright © - Unpublished Work - See title page for details.

21-26-01  
FIG. 01  
PAGE 6  
AUG 22/09

**BOEING**  
767  
PARTS CATALOG (MAINTENANCE)



V 21260202 SHT 1 REV 257

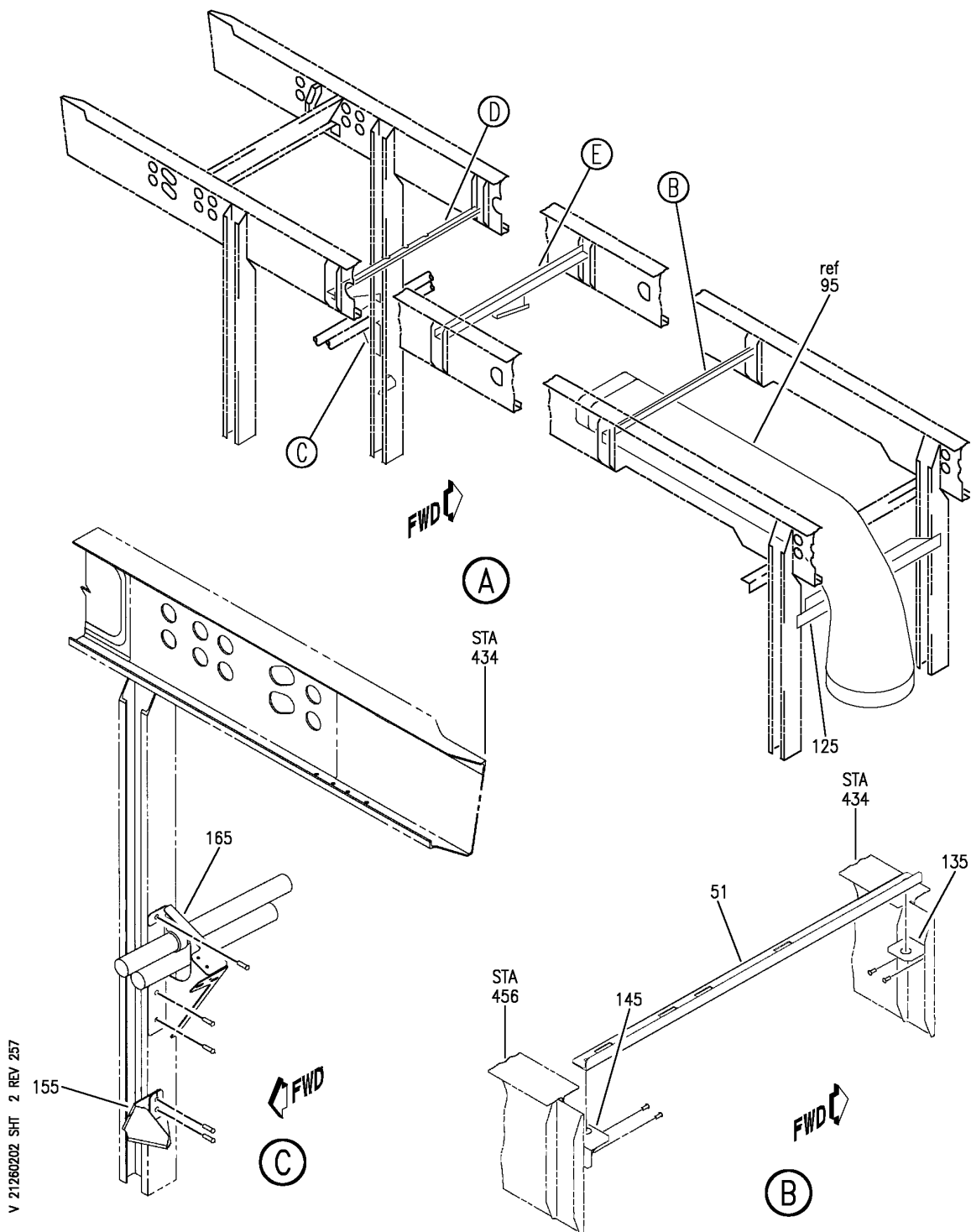
DUCT INSTL-FWD GALLEY CHILLER EXH  
FIGURE 2 (SHEET 1)

**21-26-02-02**

HXL  
DEC 22/06

21-26-02-02  
PAGE 0

**BOEING**  
767  
PARTS CATALOG (MAINTENANCE)



V 21260202 SHT 2 REV 257

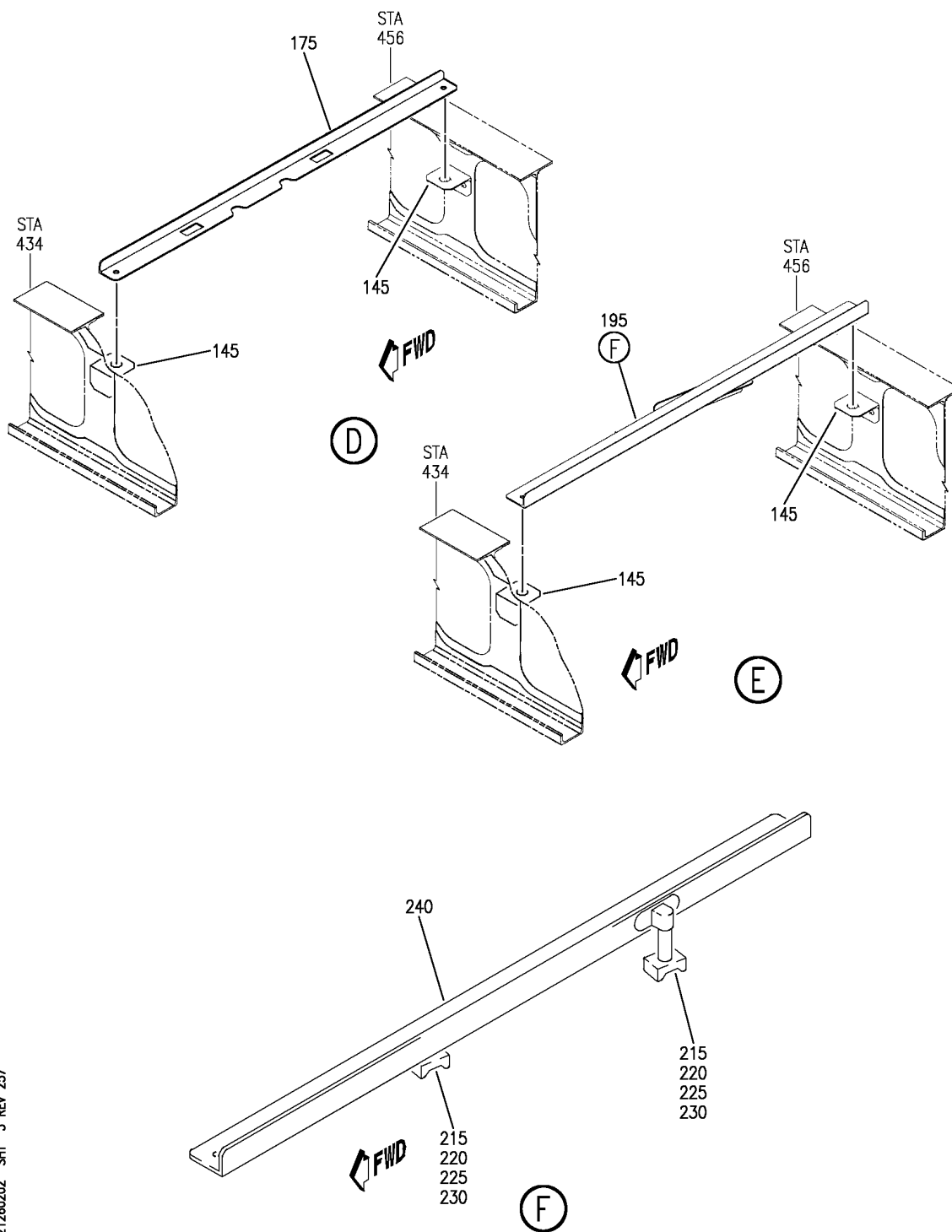
DUCT INSTL-FWD GALLEY CHILLER EXH  
FIGURE 2 (SHEET 2)

**21-26-02-02**

HXL  
DEC 22/06

21-26-02-02  
PAGE 0A

**BOEING**  
767  
PARTS CATALOG (MAINTENANCE)



V 21260202 SH1 3 REV 257

DUCT INSTL-FWD GALLEY CHILLER EXH  
FIGURE 2 (SHEET 3)

**21-26-02-02**

HXL  
DEC 22/06

21-26-02-02  
PAGE 0B



767

PARTS CATALOG (MAINTENANCE)

FIG ITEM	PART NUMBER	1 2 3 4 5 6 7	NOMENCLATURE	EFFECT FROM TO	UNITS PER ASSY
2			DUCT INSTL-FWD GALLEY CHILLER EXH		
- 1	214T2008-1		DUCT INSTL-GALLEY CHILLER EXH POSITION DATA: FWD FOR NHA SEE: 21-00-00-01A		RF
5	415T6147-11		.BRACKET-		2
10	415T6147-12		.BRACKET-		1
15	415T6147-4		.BRACKET		3
			ATTACHING PARTS		
- 20	BACB30NE3-2		.BOLT		6
- 25	AN960C10L		.WASHER		6
- 30	BRC500-8-3		.NUT		6
			SUPPLIER CODE: V52828 SPECIFICATION NUMBER: BACN10FX21 OPTIONAL PART: F49322-3-21 V15653 SL240-3-1 V97393 130061 V60119 A11330-8-3 V72962		
			-----*-----		
35	214T2476-1		.BRACKET		1
40	214T2476-2		.BRACKET		1
45	214T2476-4		.BRACKET-		1
50	214T2476-3		.BRACKET-		1
			ATTACHING PARTS		
- 55	NAS1801-3-7		.SCREW-		2
- 60	AN960PD10L		.WASHER		2

ILLUSTRATION ITEMS NOT ON PARTS LIST ARE NOT APPLICABLE

- ITEM NOT ILLUSTRATED

HXL

21-26-02-02

BOEING PROPRIETARY - Copyright © - Unpublished Work - See title page for details.

21-26-02  
FIG. 02  
PAGE 1  
DEC 22/08



767

PARTS CATALOG (MAINTENANCE)

FIG ITEM	PART NUMBER	1 2 3 4 5 6 7	NOMENCLATURE	EFFECT FROM TO	UNITS PER ASSY
2					
- 65	BRH10A3		.NUT- SUPPLIER CODE: V52828 SPECIFICATION NUMBER: BACN10JC3 OPTIONAL PART: H10-3BAC V15653 NS202101-02 V80539 RMLH9075-3W V72962 VN303A02 V92215 96-02 V80539 T6S1032J V11815 -----*-----		2
70	BOE2027-20D0320		.DUCT-FLEX SUPPLIER CODE: V16632 SPECIFICATION NUMBER: AS1503-20D0320		1
75	415T6146-4		.DUCT ASSY- OPTIONAL PART: 415T6146-7		1
75	415T6146-7		.DUCT ASSY- OPTIONAL PART: 415T6146-4		1
80	415T6131-1		..SEAL ASSY- OPTIONAL PART: 415T6131-10		1
80	415T6131-10		..SEAL- OPTIONAL PART: 415T6131-1		1
85	214T2477-1		.DUCT- POST RAPID REVISION: RRB41036-057		1
90	214T2477-2		.DUCT		1
95	214T2477-3		.DUCT		1
100	214T3424-7		.SUPPORT-DUCT ATTACHING PARTS		1
- 105	NAS1801-3-7		.SCREW		2
- 110	AN960PD10L		.WASHER		2

ILLUSTRATION ITEMS NOT ON PARTS LIST ARE NOT APPLICABLE

- ITEM NOT ILLUSTRATED

21-26-02-02

21-26-02  
FIG. 02  
PAGE 2  
DEC 22/07

HXL



767

PARTS CATALOG (MAINTENANCE)

FIG ITEM	PART NUMBER	1 2 3 4 5 6 7 NOMENCLATURE	EFFECT FROM TO	UNITS PER ASSY
2 - 115	BRH10A3	.NUT- SUPPLIER CODE: V52828 SPECIFICATION NUMBER: BACN10JC3 OPTIONAL PART: H10-3BAC V15653 NS202101-02 V80539 RMLH9075-3W V72962 VN303A02 V92215 96-02 V80539 T6S1032J V11815 -----*-----		2
120	MS3367-6-9	.STRAP		5

ILLUSTRATION ITEMS NOT ON PARTS LIST ARE NOT APPLICABLE

- ITEM NOT ILLUSTRATED

HXL

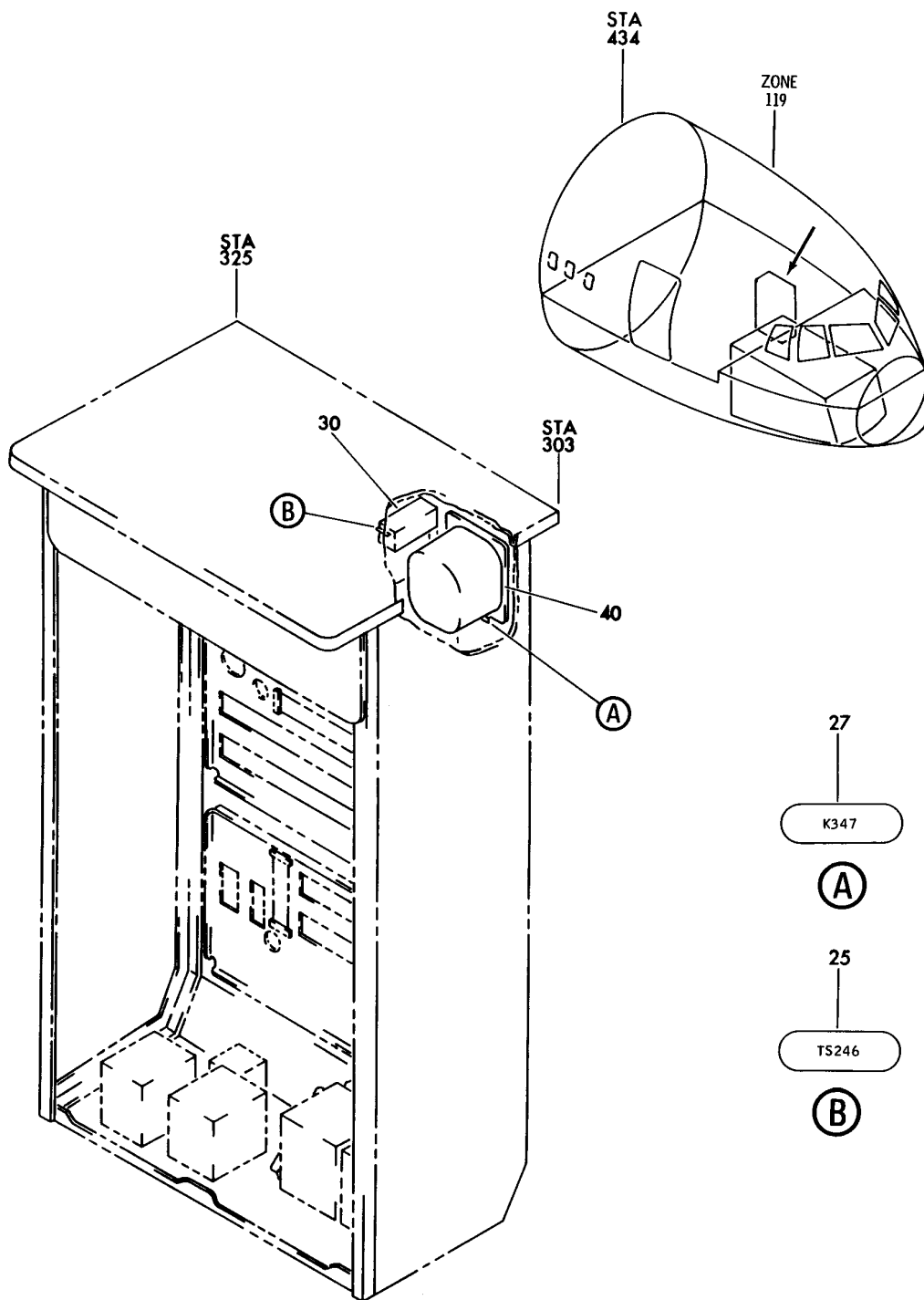
21-26-02-02

BOEING PROPRIETARY - Copyright © - Unpublished Work - See title page for details.

21-26-02  
 FIG. 02  
 PAGE 3  
 DEC 22/07



**BOEING**  
767  
PARTS CATALOG (MAINTENANCE)



V 21260401 REV 147

EQUIPMENT ASSY-P36 MISC ELEC PNL L (VENTILATION ONLY)  
FIGURE 1

**21-26-04-01**

HXL  
DEC 22/06

21-26-04-01  
PAGE 0



767

PARTS CATALOG (MAINTENANCE)

FIG ITEM	PART NUMBER	1 2 3 4 5 6 7	NOMENCLATURE	EFFECT FROM TO	UNITS PER ASSY
1			EQUIPMENT ASSY-P36 MISC ELEC PNL L (VENTILATION ONLY)		
- 11	284T0187-167		EQUIPMENT ASSY-P36 MISC ELEC PNL (VENTILATION ONLY) POSITION DATA: L FOR NHA/OTHER SYS DET SEE: 53-11-70-03	155162	RF
- 13	284T0187-205		EQUIPMENT ASSY-P36 MISC ELEC PNL (VENTILATION ONLY) POSITION DATA: L FOR NHA/OTHER SYS DET SEE: 53-11-70-03	163163	RF
- 13	284T0187-212		EQUIPMENT ASSY-P36 MISC ELEC PNL (VENTILATION ONLY) POSITION DATA: L FOR NHA/OTHER SYS DET SEE: 53-11-70-03	164999	RF
25	BAC27TEX4181		.DECALSET-INCLUDES DECALS IDENTIFIED ON THE ILLUSTRATION		RF
27	BAC27TEX4180		.DECALSET-INCLUDES DECALS IDENTIFIED ON THE ILLUSTRATION		RF
30	285T0177-1		.SENSOR ASSY-CURRENT SUPPLIER CODE: V89954 ELECTRICAL EQUIP NUMBER: TS0246 COMPONENT MAINT MANUAL REF: 21-25-51		1
- 35	NAS601-34P		ATTACHING PARTS .SCREW- -----*-----		2

ILLUSTRATION ITEMS NOT ON PARTS LIST ARE NOT APPLICABLE

- ITEM NOT ILLUSTRATED

HXL

21-26-04-01

BOEING PROPRIETARY - Copyright © - Unpublished Work - See title page for details.

21-26-04  
FIG. 01  
PAGE 1  
DEC 22/07



767

PARTS CATALOG (MAINTENANCE)

FIG ITEM	PART NUMBER	1 2 3 4 5 6 7	NOMENCLATURE	EFFECT FROM TO	UNITS PER ASSY
1	40 9131-8506		.RELAY-3PST 28V DC SUPPLIER CODE: V35344 SPECIFICATION NUMBER: 10-61445-21 ELECTRICAL EQUIP NUMBER: K00347 COMPONENT MAINT MANUAL REF: 24-09-07 OPTIONAL PART: BH316A V74063		1
	40 BH316A		.RELAY-3PST 28V DC SUPPLIER CODE: V74063 FUNCTIONAL DESCRIPTION: A SEALED REPAIRABLE ELECTROMAGNETIC DEVICE FOR REMOTE ACTUATION OF 28V, 50 AMP ELECTRICAL CONTACT. SPECIFICATION NUMBER: 10-61445-21 ELECTRICAL EQUIP NUMBER: K00347 COMPONENT MAINT MANUAL REF: 24-09-36 OPTIONAL PART: 9131-8506 V35344		1
-	45 NAS1801-3-7		ATTACHING PARTS .SCREW -----*-----		4

ILLUSTRATION ITEMS NOT ON PARTS LIST ARE NOT APPLICABLE

- ITEM NOT ILLUSTRATED

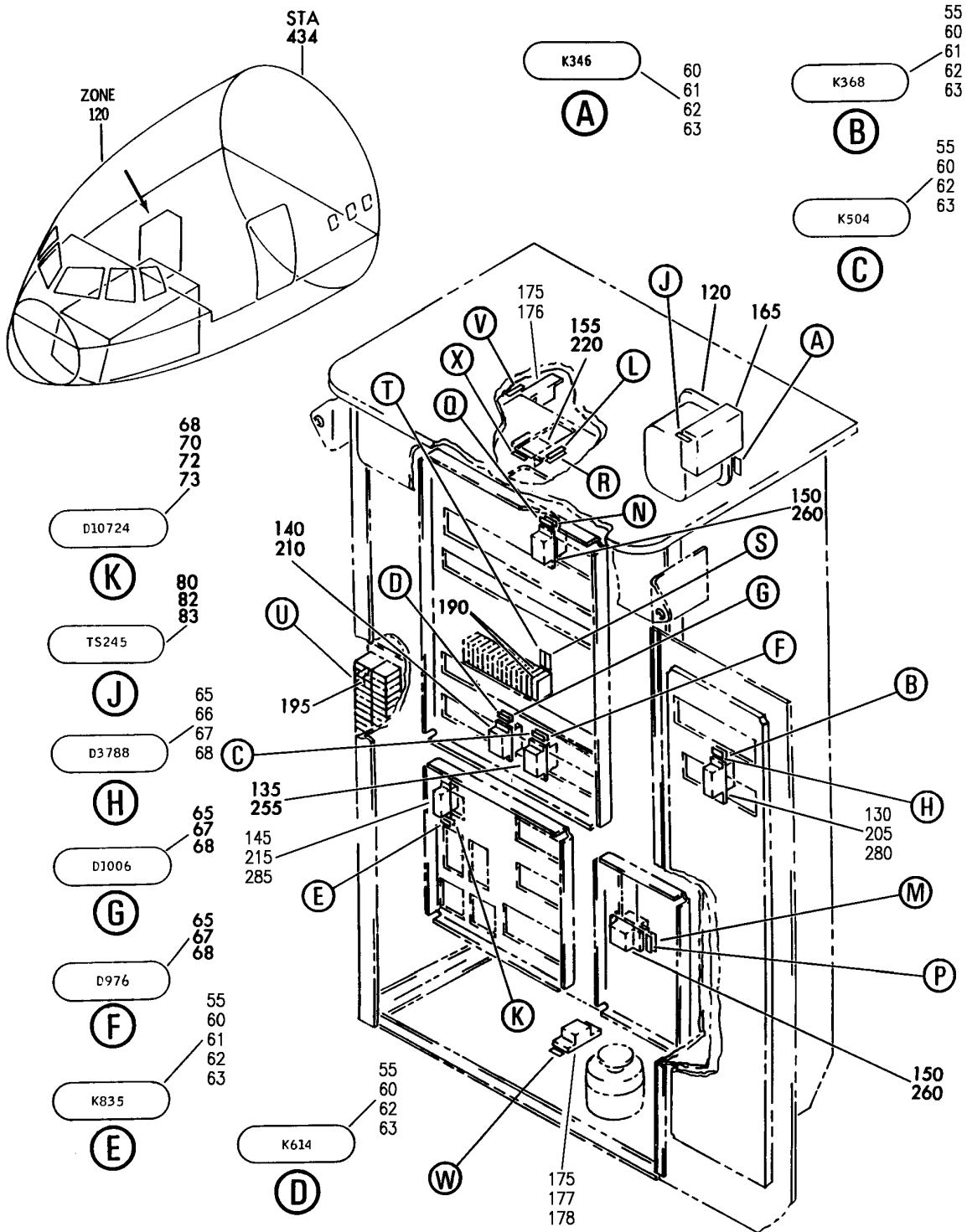
HXL

21-26-04-01

BOEING PROPRIETARY - Copyright © - Unpublished Work - See title page for details.

21-26-04  
FIG. 01  
PAGE 2  
APR 22/09

**BOEING**  
767  
PARTS CATALOG (MAINTENANCE)



V 21260406 SHT 1 REV 333

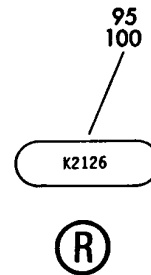
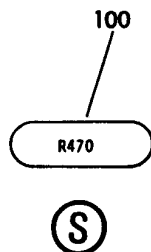
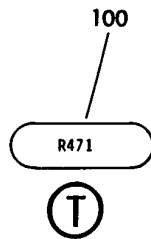
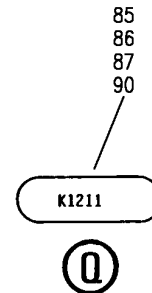
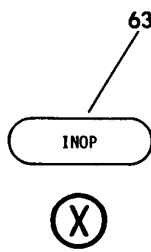
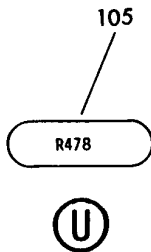
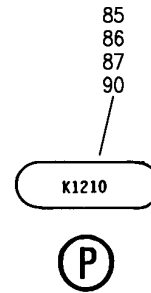
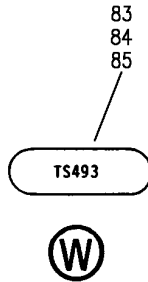
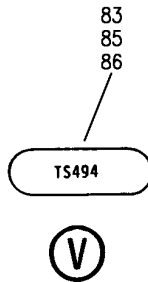
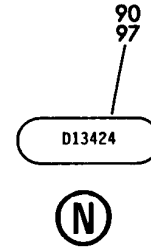
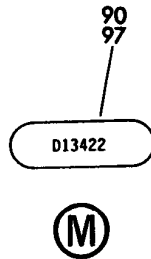
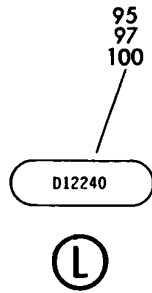
EQUIPMENT ASSY-P37 MISC ELEC PNL R (VENTILATION ONLY)  
FIGURE 6 (SHEET 1)

**21-26-04-06**

HXL  
DEC 22/08

21-26-04-06  
PAGE 0

**BOEING**  
767  
PARTS CATALOG (MAINTENANCE)



V 21260406 SH1 2 REV 322

EQUIPMENT ASSY-P37 MISC ELEC PNL R (VENTILATION ONLY)  
FIGURE 6 (SHEET 2)

**21-26-04-06**

HXL  
DEC 22/07

21-26-04-06  
PAGE 0A



767

PARTS CATALOG (MAINTENANCE)

FIG ITEM	PART NUMBER	1 2 3 4 5 6 7	NOMENCLATURE	EFFECT FROM TO	UNITS PER ASSY
6			EQUIPMENT ASSY-P37 MISC ELEC PNL R (VENTILATION ONLY)		
- 9	284T0188-157		EQUIPMENT ASSY-P37 MISC ELEC PNL (VENTILATION ONLY) POSITION DATA: R FOR NHA/OTHER SYS DET SEE: 53-11-70-05	155162	RF
- 10	284T0188-172		EQUIPMENT ASSY-P37 MISC ELEC PNL (VENTILATION ONLY) POSITION DATA: R FOR NHA/OTHER SYS DET SEE: 53-11-70-05	163163	RF
- 11	284T0188-194		EQUIPMENT ASSY-P37 MISC ELEC PNL (VENTILATION ONLY) POSITION DATA: R FOR NHA/OTHER SYS DET SEE: 53-11-70-05	164999	RF
63	BAC27TEX4184		.DECALSET-INCLUDES DECALS IDENTIFIED ON THE ILLUSTRATION		1
67	BAC27TEX4189		.DECALSET-INCLUDES DECALS IDENTIFIED ON THE ILLUSTRATION		1
70	BAC27TEX3369		.DECALSET-INCLUDES DECALS IDENTIFIED ON THE ILLUSTRATION OPTIONAL PART: BAC27TEX4184		1
73	BAC27TEX4190		.DECALSET-INCLUDES DECALS IDENTIFIED ON THE ILLUSTRATION		1
82	BAC27TEX4185		.DECALSET-INCLUDES DECALS IDENTIFIED ON THE ILLUSTRATION		RF
84	BAC27TEX4220		.DECALSET-INCLUDES DECALS IDENTIFIED ON THE ILLUSTRATION PRE SERVICE BULLETIN: 24-0152	163999	1
85	BAC27TEX4220		.DECALSET-INCLUDES DECALS IDENTIFIED ON THE ILLUSTRATION	155162	1

ILLUSTRATION ITEMS NOT ON PARTS LIST ARE NOT APPLICABLE

- ITEM NOT ILLUSTRATED

21-26-04-06

21-26-04  
FIG. 06  
PAGE 1  
DEC 22/07

HXL



767

PARTS CATALOG (MAINTENANCE)

FIG ITEM	PART NUMBER	1 2 3 4 5 6 7	NOMENCLATURE	EFFECT FROM TO	UNITS PER ASSY
6					
86	BAC27TEX4220		.DECALSET-INCLUDES DECALS IDENTIFIED ON THE ILLUSTRATION	163999	1
95	BAC27TEX4503		.DECALSET-INCLUDES DECALS IDENTIFIED ON THE ILLUSTRATION		1
100	BAC27TEX4643		OPTIONAL PART: BAC27TEX4643 .DECALSET-INCLUDES DECALS IDENTIFIED ON THE ILLUSTRATION		1
105	BAC27TEX4631		OPTIONAL PART: BAC27TEX4503 .DECALSET-INCLUDES DECALS IDENTIFIED ON THE ILLUSTRATION	155162	1
120	9131-8506		.RELAY-3PST 28V DC SUPPLIER CODE: V35344 SPECIFICATION NUMBER: 10-61445-21 ELECTRICAL EQUIP NUMBER: K00346 COMPONENT MAINT MANUAL REF: 24-09-07 OPTIONAL PART: BH316A V74063		1
120	BH316A		.RELAY-3PST 28V DC SUPPLIER CODE: V74063 FUNCTIONAL DESCRIPTION: A SEALED REPAIRABLE ELECTROMAGNETIC DEVICE FOR REMOTE ACTUATION OF 28V, 50 AMP ELECTRICAL CONTACT. SPECIFICATION NUMBER: 10-61445-21 ELECTRICAL EQUIP NUMBER: K00346 COMPONENT MAINT MANUAL REF: 24-09-36 OPTIONAL PART: 9131-8506 V35344		1
- 125	NAS1801-3-7		ATTACHING PARTS .SCREW -----*-----		4
ILLUSTRATION ITEMS NOT ON PARTS LIST ARE NOT APPLICABLE					

- ITEM NOT ILLUSTRATED

21-26-04-06

21-26-04  
FIG. 06  
PAGE 2  
APR 22/09

HXL

 **BOEING**  
767  
**PARTS CATALOG (MAINTENANCE)**

FIG ITEM	PART NUMBER	1 2 3 4 5 6 7	NOMENCLATURE	EFFECT FROM TO	UNITS PER ASSY
6 130	ES210-1632		.RELAY- SUPPLIER CODE: V99699 SPECIFICATION NUMBER: BACR13CF2AB OPTIONAL PART: JD4L018 V35344 JD4L031 V35344 BR246S0111 V56623 BR64S105 V56623 FCA210-71 V78290 61GB2319-1A320 V98927 ELECTRICAL EQUIP NUMBER: K00368		1
135	ES410-1538		.RELAY- SUPPLIER CODE: V99699 SPECIFICATION NUMBER: BACR13CG2AB OPTIONAL PART: KD4L018 V35344 BR230DS0115 V56623 KD4L036 V58657 FCA410-63 V78290 ELECTRICAL EQUIP NUMBER: K00504		1
140	770-540-1		.RELAY- SUPPLIER CODE: VF0553 ELECTRICAL EQUIP NUMBER: K00614		1
145	JAD9F007		.RELAY- SUPPLIER CODE: V58657 SPECIFICATION NUMBER: BACR13CJ2 ELECTRICAL EQUIP NUMBER: K00835		1
ILLUSTRATION ITEMS NOT ON PARTS LIST ARE NOT APPLICABLE					

- ITEM NOT ILLUSTRATED

HXL

**21-26-04-06**

BOEING PROPRIETARY - Copyright © - Unpublished Work - See title page for details.

21-26-04  
FIG. 06  
PAGE 3  
DEC 22/07



**BOEING**  
767  
**PARTS CATALOG (MAINTENANCE)**

FIG ITEM	PART NUMBER	1 2 3 4 5 6 7	NOMENCLATURE	EFFECT FROM TO	UNITS PER ASSY
6 150	E410-1537		.RELAY- SUPPLIER CODE: V99699 SPECIFICATION NUMBER: BACR13CG2A OPTIONAL PART: E415-1078 V99699 BR230S0116 V56623 KD4A017 V58687 FCA410-62 V78290 ELECTRICAL EQUIP NUMBER: K01210 K01211		2
155	W460F1A		.RELAY- SUPPLIER CODE: VF0219 SPECIFICATION NUMBER: BACR13CE2 OPTIONAL PART: 3SAH5-13-4K1 V01526 3SAH1326A2 V01526 ELECTRICAL EQUIP NUMBER: K02126		1
165	285T0177-1		.SENSOR ASSY-CURRENT SUPPLIER CODE: V89954 ELECTRICAL EQUIP NUMBER: TS0245 COMPONENT MAINT MANUAL REF: 21-25-51 ATTACHING PARTS		1
- 170	NAS601-34P		.SCREW		2
175	285T0177-1		-----*----- .SENSOR ASSY-CURRENT SUPPLIER CODE: V89954 ELECTRICAL EQUIP NUMBER: TS0493 TS0494 COMPONENT MAINT MANUAL REF: 21-25-51	155162	2

ILLUSTRATION ITEMS NOT ON PARTS LIST ARE NOT APPLICABLE

- ITEM NOT ILLUSTRATED

HXL

21-26-04-06

BOEING PROPRIETARY - Copyright © - Unpublished Work - See title page for details.

21-26-04  
FIG. 06  
PAGE 4  
APR 22/09

 **BOEING**  
767  
**PARTS CATALOG (MAINTENANCE)**

FIG ITEM	PART NUMBER	1 2 3 4 5 6 7	NOMENCLATURE	EFFECT FROM TO	UNITS PER ASSY
6 176	285T0177-1		.SENSOR ASSY-CURRENT SUPPLIER CODE: V89954 ELECTRICAL EQUIP NUMBER: TS0494 COMPONENT MAINT MANUAL REF: 21-25-51	163999	1
177	285T0177-1		.SENSOR ASSY-CURRENT SUPPLIER CODE: V89954 ELECTRICAL EQUIP NUMBER: TS0493 COMPONENT MAINT MANUAL REF: 21-25-51 PRE SERVICE BULLETIN: 24-0152	163999	1
178	285T0177-1		.SENSOR ASSY-CURRENT SUPPLIER CODE: V89954 ELECTRICAL EQUIP NUMBER: TS0493 POST SERVICE BULLETIN: 24-0152	163999	1
- 180	NAS601-34P		ATTACHING PARTS .SCREW		2
190	YHLZD30		-----*----- .DIODE- SUPPLIER CODE: V09922 ELECTRICAL EQUIP NUMBER: R00470 R00471 OPTIONAL PART: YHLZD9 V09922		2
190	YHLZD9		.DIODE- SUPPLIER CODE: V09922 ELECTRICAL EQUIP NUMBER: R00470 R00471 OPTIONAL PART: YHLZD30 V09922		2

ILLUSTRATION ITEMS NOT ON PARTS LIST ARE NOT APPLICABLE

- ITEM NOT ILLUSTRATED

HXL

21-26-04-06

BOEING PROPRIETARY - Copyright © - Unpublished Work - See title page for details.

21-26-04  
FIG. 06  
PAGE 5  
DEC 22/07



767

PARTS CATALOG (MAINTENANCE)

FIG ITEM	PART NUMBER	1 2 3 4 5 6 7	NOMENCLATURE	EFFECT FROM TO	UNITS PER ASSY
6 195	YHLZD30		.DIODE- SUPPLIER CODE: V09922 ELECTRICAL EQUIP NUMBER: R00478 OPTIONAL PART: YHLZD9 V09922		1
195	YHLZD9		.DIODE- SUPPLIER CODE: V09922 ELECTRICAL EQUIP NUMBER: R00478 OPTIONAL PART: YHLZD30 V09922		1
- 200 205	286T0192-300 RSF116200		.WIRE BUNDLE ASSY ..SOCKET- SUPPLIER CODE: V58982 SPECIFICATION NUMBER: BACS16X1A OPTIONAL PART: 102-006-1 V09922 000300-1538 V05574 ELECTRICAL EQUIP NUMBER: D03788 WIRING DIAGRAM REF: 212611		1 1
210	000300-1560		..SOCKET- SUPPLIER CODE: V05574 ELECTRICAL EQUIP NUMBER: D01006 WIRING DIAGRAM REF: 214421		1

ILLUSTRATION ITEMS NOT ON PARTS LIST ARE NOT APPLICABLE

- ITEM NOT ILLUSTRATED

HXL

21-26-04-06

BOEING PROPRIETARY - Copyright © - Unpublished Work - See title page for details.

21-26-04  
FIG. 06  
PAGE 6  
DEC 22/07



767

PARTS CATALOG (MAINTENANCE)

FIG ITEM	PART NUMBER	1 2 3 4 5 6 7	NOMENCLATURE	EFFECT FROM TO	UNITS PER ASSY
6 215	RSF116208		.. SOCKET- SUPPLIER CODE: V58982 SPECIFICATION NUMBER: BACS16X3A OPTIONAL PART: 102-005-1 V09922 000300-1541 V05574 ELECTRICAL EQUIP NUMBER: D10724 WIRING DIAGRAM REF: 212611		1
220	RSE120027		.. SOCKET- SUPPLIER CODE: V58982 SPECIFICATION NUMBER: BACS16AF1 OPTIONAL PART: 451120-027 V58982 ELECTRICAL EQUIP NUMBER: D12240 WIRING DIAGRAM REF: 212611		1
- 250 255	286T1118-300 BACS16W1		. WIRE BUNDLE ASSY- .. SOCKET- ELECTRICAL EQUIP NUMBER: D00976 WIRING DIAGRAM REF: 214421		1 1
260	RSF116400		.. SOCKET- SUPPLIER CODE: V58982 SPECIFICATION NUMBER: BACS16W1A OPTIONAL PART: 102-009-1 V09922 000300-1539 V05574 ELECTRICAL EQUIP NUMBER: D13422 D13424 WIRING DIAGRAM REF: 212631		2
- 300	286T0580-300		WIRE BUNDLE ASSY		RF

ILLUSTRATION ITEMS NOT ON PARTS LIST ARE NOT APPLICABLE

- ITEM NOT ILLUSTRATED

21-26-04-06

21-26-04  
FIG. 06  
PAGE 7  
DEC 22/07

HXL



767

PARTS CATALOG (MAINTENANCE)

FIG ITEM	PART NUMBER	1 2 3 4 5 6 7	NOMENCLATURE	EFFECT FROM TO	UNITS PER ASSY
6					
- 310	BACC45FT20-25P		.CONNECTOR- ELECTRICAL EQUIP NUMBER: D04924P WIRING DIAGRAM REF: 215321		1
- 325	RT876		.SLEEVE- SUPPLIER CODE: V06090 POST ALERT SB: 28A0050R1		3
- 328	324484		.CAP- SUPPLIER CODE: V00779 POST ALERT SB: 28A0045R2		3
ILLUSTRATION ITEMS NOT ON PARTS LIST ARE NOT APPLICABLE					

- ITEM NOT ILLUSTRATED

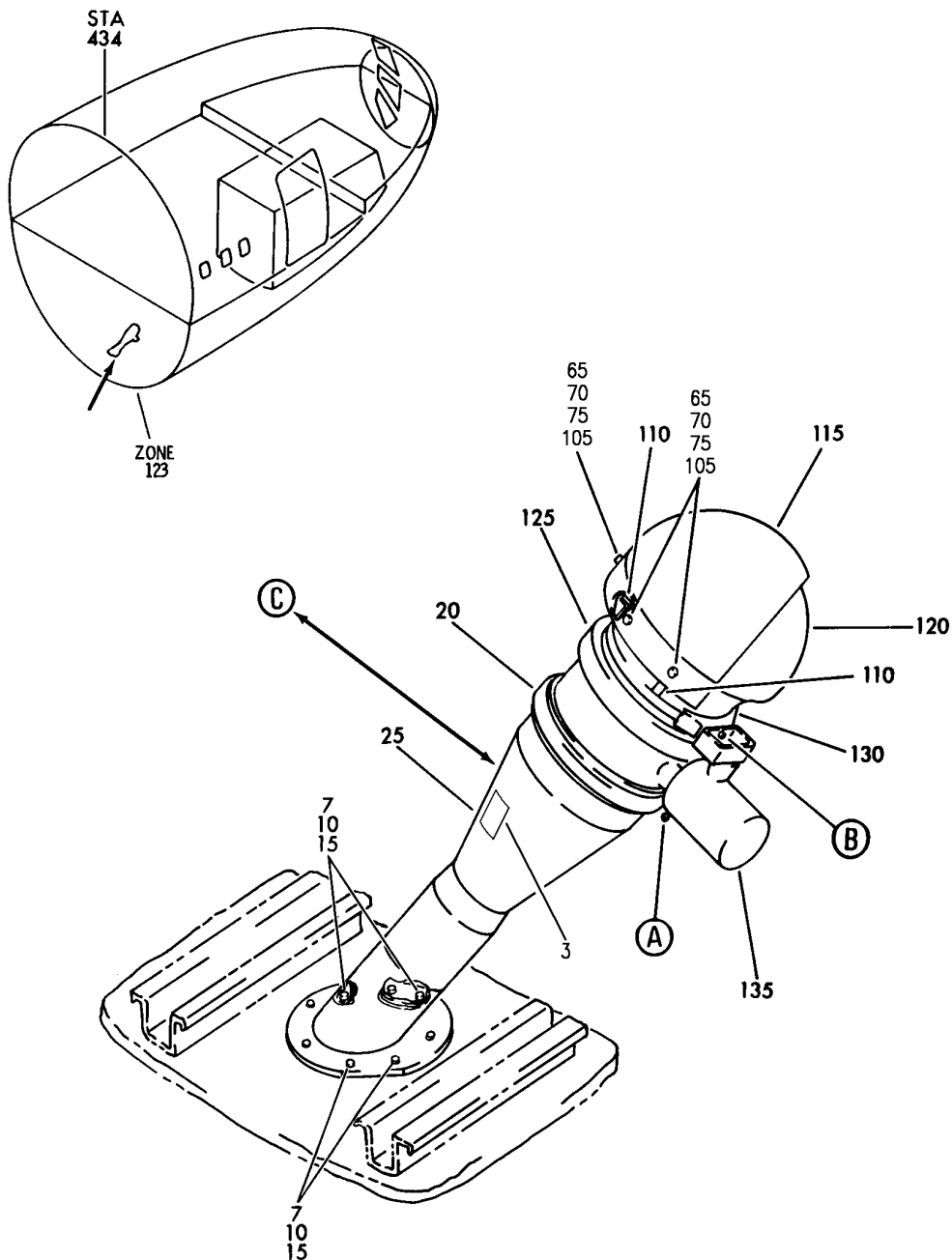
HXL

21-26-04-06

BOEING PROPRIETARY - Copyright © - Unpublished Work - See title page for details.

21-26-04  
FIG. 06  
PAGE 8  
DEC 22/07

**BOEING**  
767  
PARTS CATALOG (MAINTENANCE)



V 21261001 SH1 1 REV 315

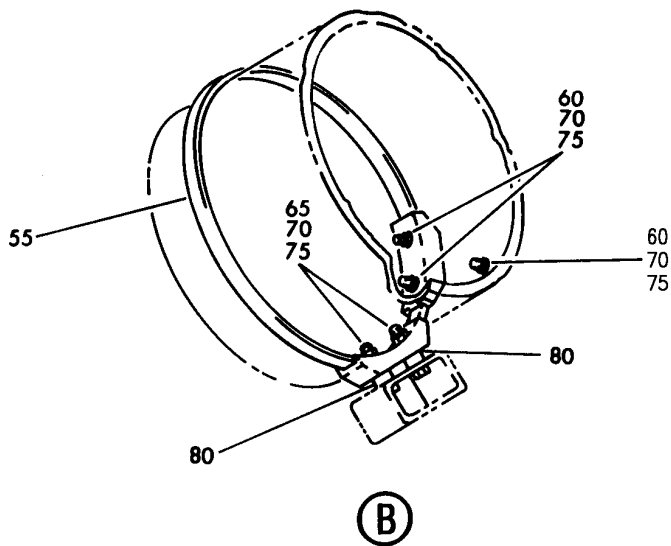
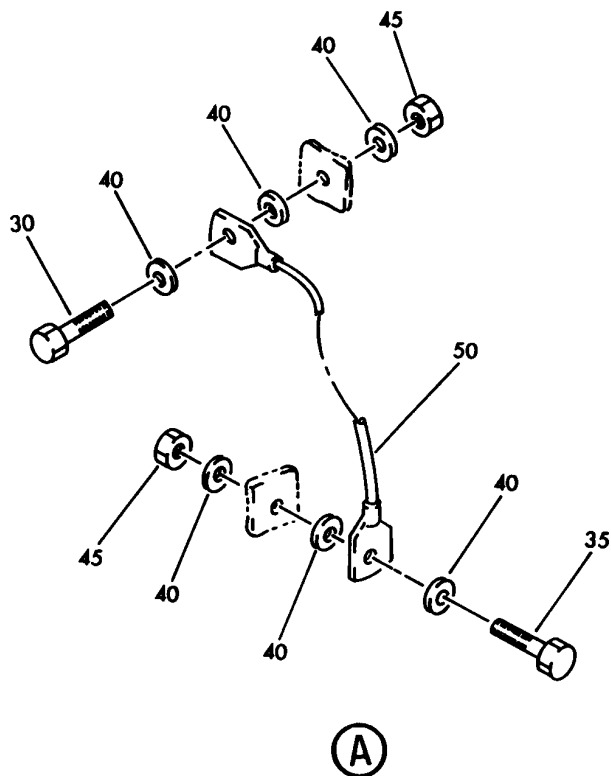
SYSTEM INSTL-FWD CARGO EXHAUST VALVE (IN FLIGHT) (DUCT AND VALVE ONLY)  
FIGURE 1 (SHEET 1)

**21-26-10-01**

HXL  
APR 22/07

21-26-10-01  
PAGE 0

**BOEING**  
767  
PARTS CATALOG (MAINTENANCE)



V 21261001 SH1 2 REV 315

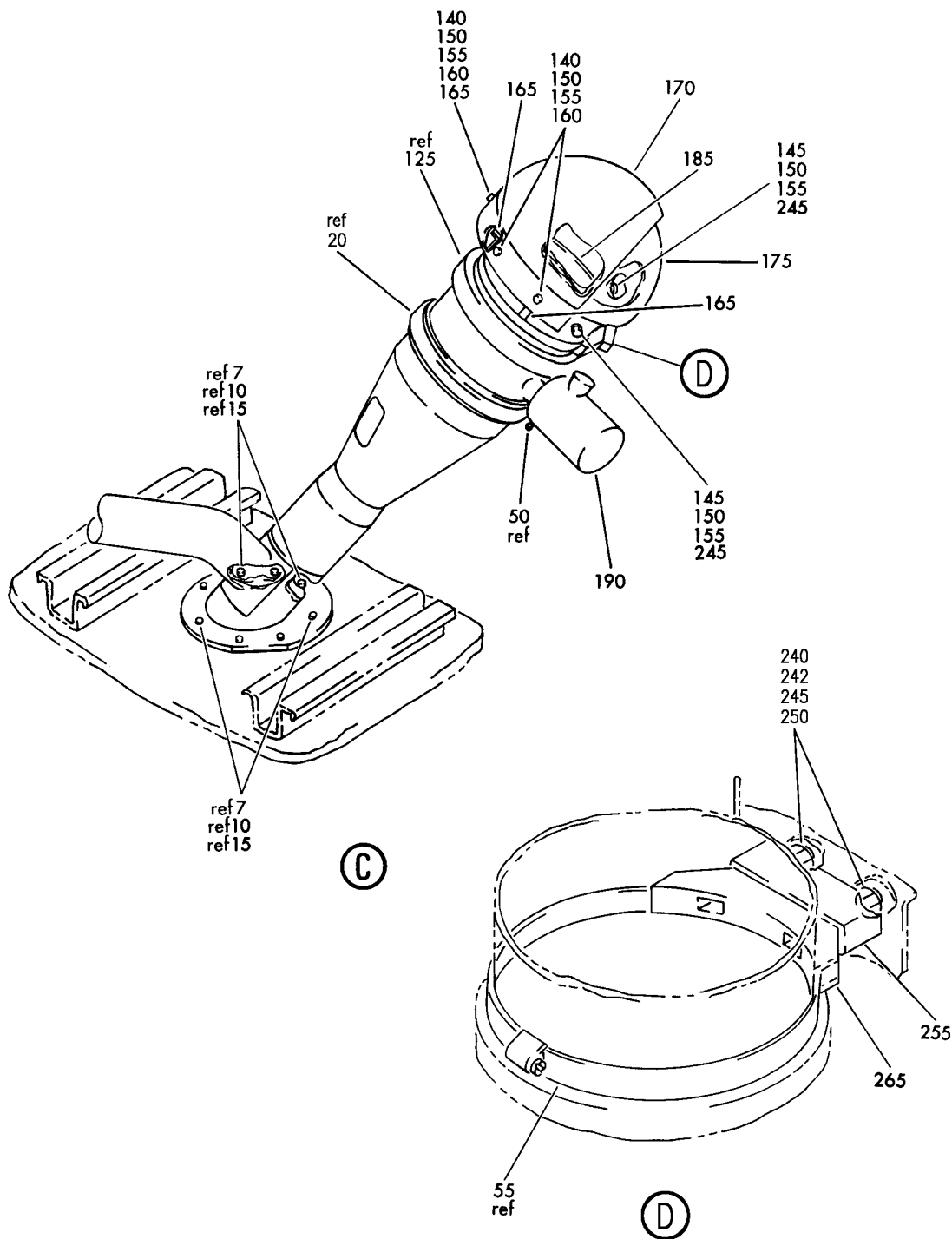
SYSTEM INSTL-FWD CARGO EXHAUST VALVE (IN FLIGHT) (DUCT AND VALVE ONLY)  
FIGURE 1 (SHEET 2)

**21-26-10-01**

HXL  
APR 22/07

21-26-10-01  
PAGE 0A

**BOEING**  
767  
PARTS CATALOG (MAINTENANCE)



V 21261001 SHT 3 REV 329

SYSTEM INSTL-FWD CARGO EXHAUST VALVE (IN FLIGHT) (DUCT AND VALVE ONLY)  
FIGURE 1 (SHEET 3)

**21-26-10-01**

HXL  
AUG 22/08

21-26-10-01  
PAGE 0B





767

PARTS CATALOG (MAINTENANCE)

FIG ITEM	PART NUMBER	1 2 3 4 5 6 7	NOMENCLATURE	EFFECT FROM TO	UNITS PER ASSY
1			SYSTEM INSTL-FWD CARGO EXHAUST VALVE (IN FLIGHT) (DUCT AND VALVE ONLY)		
- 1	216T2009-5		SYSTEM INSTL-CARGO EXHAUST VALVE IN FLIGHT (DUCT AND VALVE ONLY)		RF
			POSITION DATA: FWD FOR NHA SEE: 21-00-00-01A		
	3 BAC27TEC0274		.DECAL- PLACARD CONTENT: V382 CARGO EXHAUST VALVE		1
	7 BACB30VF3K		.BOLT- SIZE DETERMINED ON INSTL.		8
	10 AN960JD10L		.WASHER		8
	15 BACN10GW3		.NUT		8
	20 VC1139-500		.CLAMP- SUPPLIER CODE: V14242 SPECIFICATION NUMBER: BACC10DU500AB OPTIONAL PART: 43283AB500 V94581 NM102619-0500 V00624 NH102386-0500 V00624		1
	20 NH102386-0500		.COUPLING- SUPPLIER CODE: V00624 OPTIONAL PART: BACC10DU500AB		1
	25 214T2175-1		.DUCT ASSY		1
	30 NAS6603-3		.BOLT		1
	35 NAS1801-3-6		.SCREW		1
	40 AN960JD10L		.WASHER-		6
	45 MS21042L3		.NUT		2

ILLUSTRATION ITEMS NOT ON PARTS LIST ARE NOT APPLICABLE

- ITEM NOT ILLUSTRATED

HXL

21-26-10-01

BOEING PROPRIETARY - Copyright © - Unpublished Work - See title page for details.

21-26-10  
FIG. 01  
PAGE 1  
DEC 22/08



767

PARTS CATALOG (MAINTENANCE)

FIG ITEM	PART NUMBER	1 2 3 4 5 6 7	NOMENCLATURE	EFFECT FROM TO	UNITS PER ASSY
1	50	740A20-12	. JUMPER ASSY SUPPLIER CODE: V91812 SPECIFICATION NUMBER: BACJ40A20-12 OPTIONAL PART: TJEJ40A20-12 V33483 RBEJ20-12 V1GK47		1
	55	80	. CLAMP SUPPLIER CODE: V7Z588 SPECIFICATION NUMBER: STBC10GG178 OPTIONAL PART: WWD178H V66295		1
	60	NAS1801-3-7	. SCREW		3
	65	NAS1801-3-10	. SCREW		5
	70	AN960JD10L	. WASHER		8
	75	MS21042L3	. NUT		8
	80	NAS43DD3-12	. SPACER		2
	105	NAS43DD3-18	. SPACER		3
	110	214U6121-7	. BRACKET		2
	115	214T2175-5	. SHIELD		1
	120	69B48329-1	. SCREEN ASSY		1
	125	BACC10DU500Y	. CLAMP-		1
	130	214T2175-7	. DUCT ASSY-		1
	135	67-2951-001	. VALVE- SUPPLIER CODE: V59364 FUNCTIONAL DESCRIPTION: ENSURES DISCHARGE OF ODORS & IMPROVES AIR CIRCULATION IN CONFINED SPACES SPECIFICATION NUMBER: 60B40048-1 COMPONENT MAINT MANUAL REF: 36-10-02		1

R

ILLUSTRATION ITEMS NOT ON PARTS LIST ARE NOT APPLICABLE

- ITEM NOT ILLUSTRATED

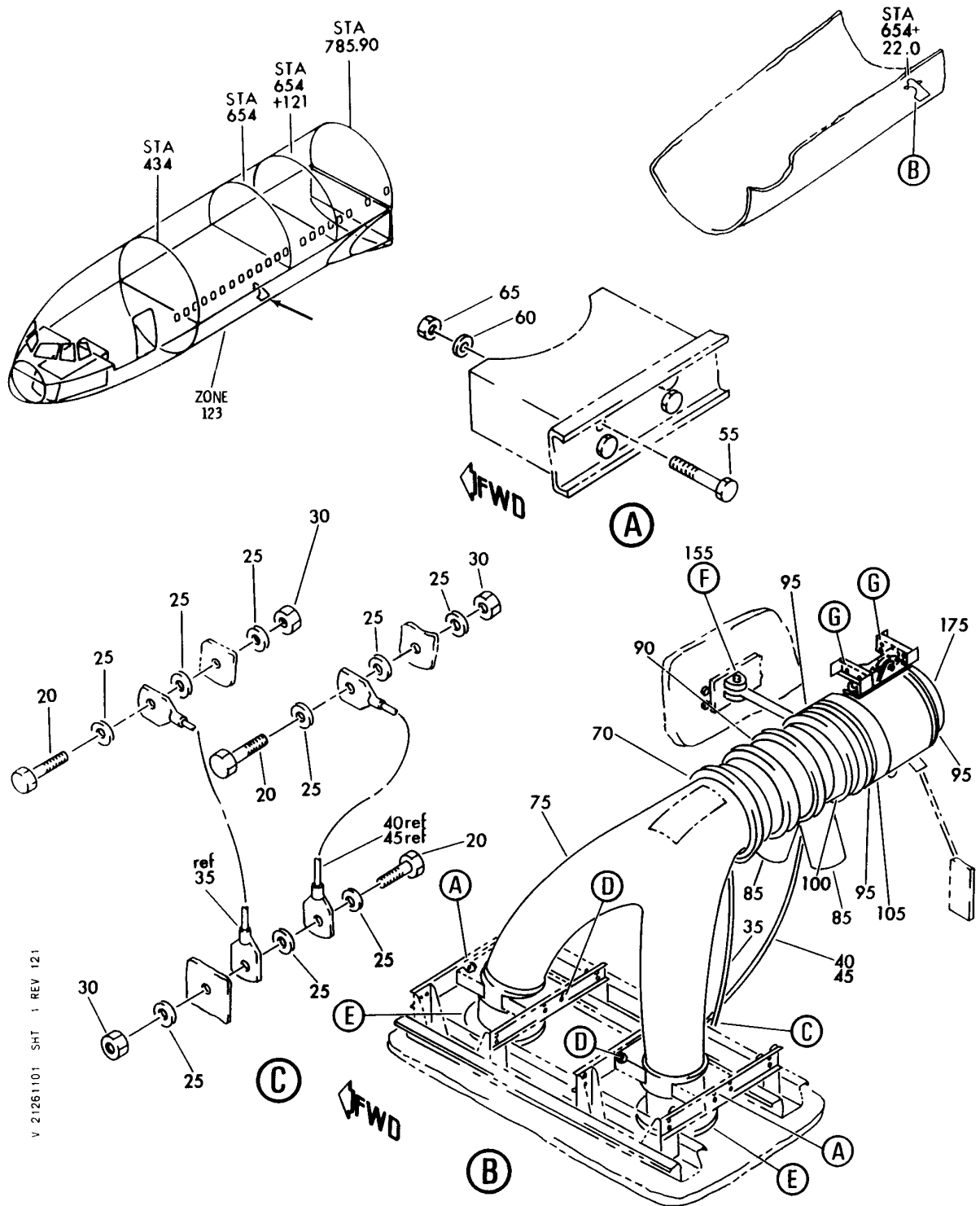
HXL

21-26-10-01

BOEING PROPRIETARY - Copyright © - Unpublished Work - See title page for details.

21-26-10  
FIG. 01  
PAGE 2  
AUG 22/09

**BOEING**  
767  
PARTS CATALOG (MAINTENANCE)



V 21261101 SHT 1 REV 121

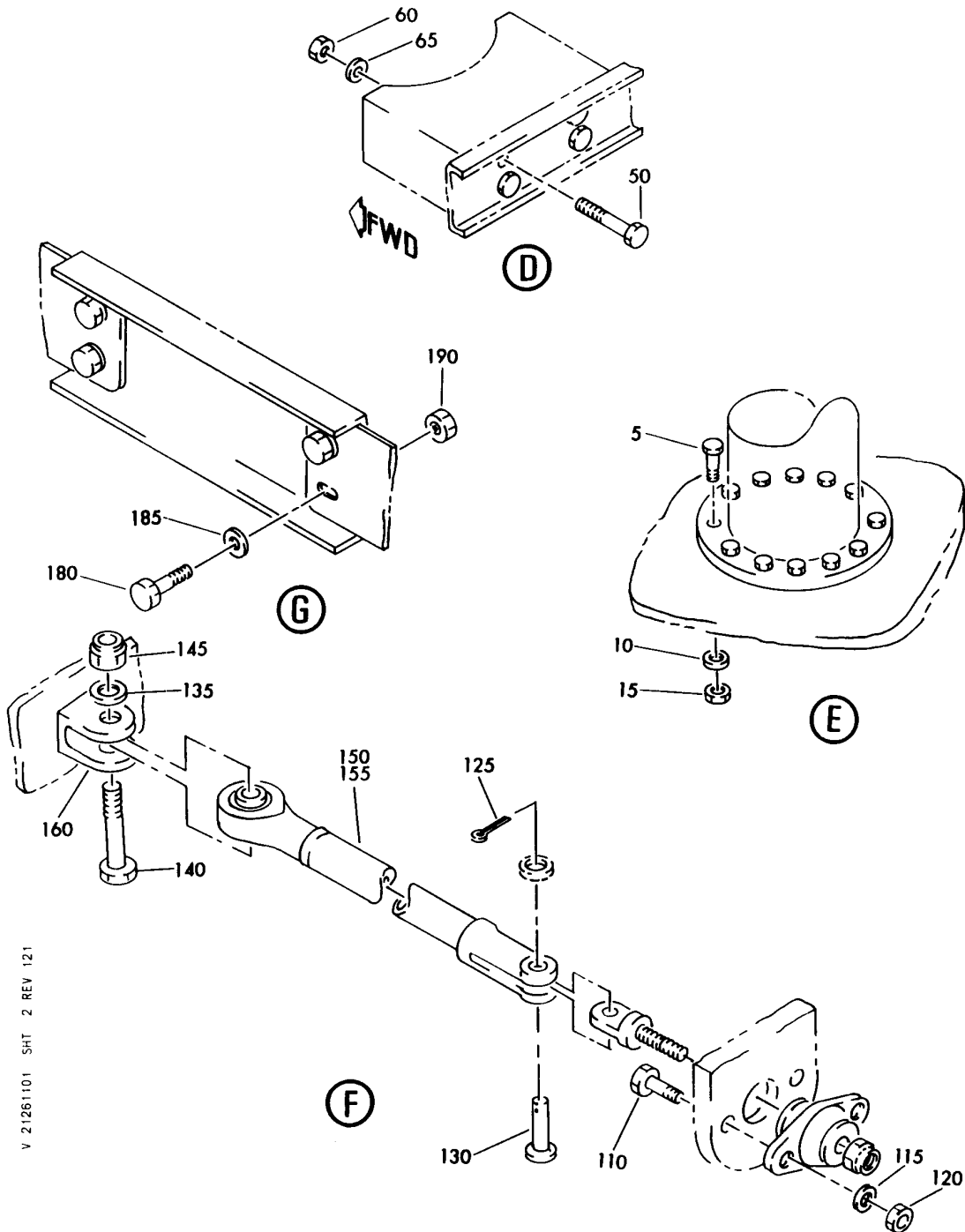
SYSTEM INSTL-FWD CARGO GROUND EXHAUST VALVE (GND OPERATION ONLY)  
FIGURE 1 (SHEET 1)

**21-26-11-01**

HXL  
DEC 22/06

21-26-11-01  
PAGE 0

**BOEING**  
767  
PARTS CATALOG (MAINTENANCE)



V 21261101 SHT 2 REV 121

SYSTEM INSTL-FWD CARGO GROUND EXHAUST VALVE (GND OPERATION ONLY)  
FIGURE 1 (SHEET 2)

**21-26-11-01**

HXL  
DEC 22/06

21-26-11-01  
PAGE 0A



767

PARTS CATALOG (MAINTENANCE)

FIG ITEM	PART NUMBER	1 2 3 4 5 6 7	NOMENCLATURE	EFFECT FROM TO	UNITS PER ASSY
1			SYSTEM INSTL-FWD CARGO GROUND EXHAUST VALVE (GND OPERATION ONLY)		
- 1	216T2009-4		SYSTEM INSTL-CARGO GROUND EXHAUST VALVE (GND OPERATION ONLY) POSITION DATA: FWD FOR NHA/OTHER SYS DET SEE: 21-00-00-02A		RF
5	BACB30NN3K		.BOLT- SIZE DETERMINED ON INSTL.		24
10	AN960JD10L		.WASHER		24
15	BACN10GW3		.NUT		24
20	NAS1801-3-8		.SCREW		3
25	AN960JD10L		.WASHER		9
30	MS21042L3		.NUT		3
35	740A20-12		.JUMPER ASSY SUPPLIER CODE: V91812 SPECIFICATION NUMBER: BACJ40A20-12 OPTIONAL PART: TJEJ40A20-12 V33483 RBEJ20-12 V1GK47		1
40	740A20-14		.JUMPER SUPPLIER CODE: V91812 SPECIFICATION NUMBER: BACJ40A20-14 OPTIONAL PART: TJEJ40A20-14 V33483 RBEJ20-14 V1GK47		1
50	NAS6603-3		.BOLT		8
55	NAS6603-2		.BOLT		8
60	AN960JD10L		.WASHER		16
65	MS21042L3		.NUT		16
70	NH102689-0500		.COUPLING- SUPPLIER CODE: V00624		1
75	214T2175-3		.DUCT ASSY		1
80	MS21042L3		.NUT		4

ILLUSTRATION ITEMS NOT ON PARTS LIST ARE NOT APPLICABLE

- ITEM NOT ILLUSTRATED

21-26-11-01

21-26-11  
FIG. 01  
PAGE 1  
DEC 22/08

HXL

 **BOEING**  
767  
**PARTS CATALOG (MAINTENANCE)**

FIG ITEM	PART NUMBER	1 2 3 4 5 6 7	NOMENCLATURE	EFFECT FROM TO	UNITS PER ASSY
1					
85	67-2951-001		. VALVE- SUPPLIER CODE: V59364 FUNCTIONAL DESCRIPTION: ENSURES DISCHARGE OF ODORS & IMPROVES AIR CIRCULATION IN CONFINED SPACES SPECIFICATION NUMBER: 60B40048-1 ELECTRICAL EQUIP NUMBER: V00383 V00384 COMPONENT MAINT MANUAL REF: 36-10-02		2
90	214U6405-1		. ADAPTER		1
95	T012L0		. STRAP SUPPLIER CODE: V53421 SPECIFICATION NUMBER: BACS38K6		3
100	214U6405-2		. ADAPTER		1
105	AS1506-22D23		. SLEEVE		1
110	NAS6603-6		. BOLT		2
115	AN960JD10L		. WASHER		2
120	MS21042L3		. NUT		2
125	MS24665-132		. PIN-COTTER		1
130	MS20392-2C13		. PIN		1
135	AN960JD10L		. WASHER		1
140	NAS6603-10		. BOLT		1
145	MS21042L3		. NUT		1
150	217T1303-12		. ROD-TIE		1
160	217T1439-2		. CLEVIS ATTACHING PARTS		1
- 165	AN960JD10L		. WASHER		1
- 170	MS21042L3		. NUT -----*-----		1
175	69B42275-7		. SCREEN ASSY		1
180	NAS6603-2		. BOLT		8
185	AN960JD10L		. WASHER		8
190	MS21042L3		. NUT		8

ILLUSTRATION ITEMS NOT ON PARTS LIST ARE NOT APPLICABLE

- ITEM NOT ILLUSTRATED

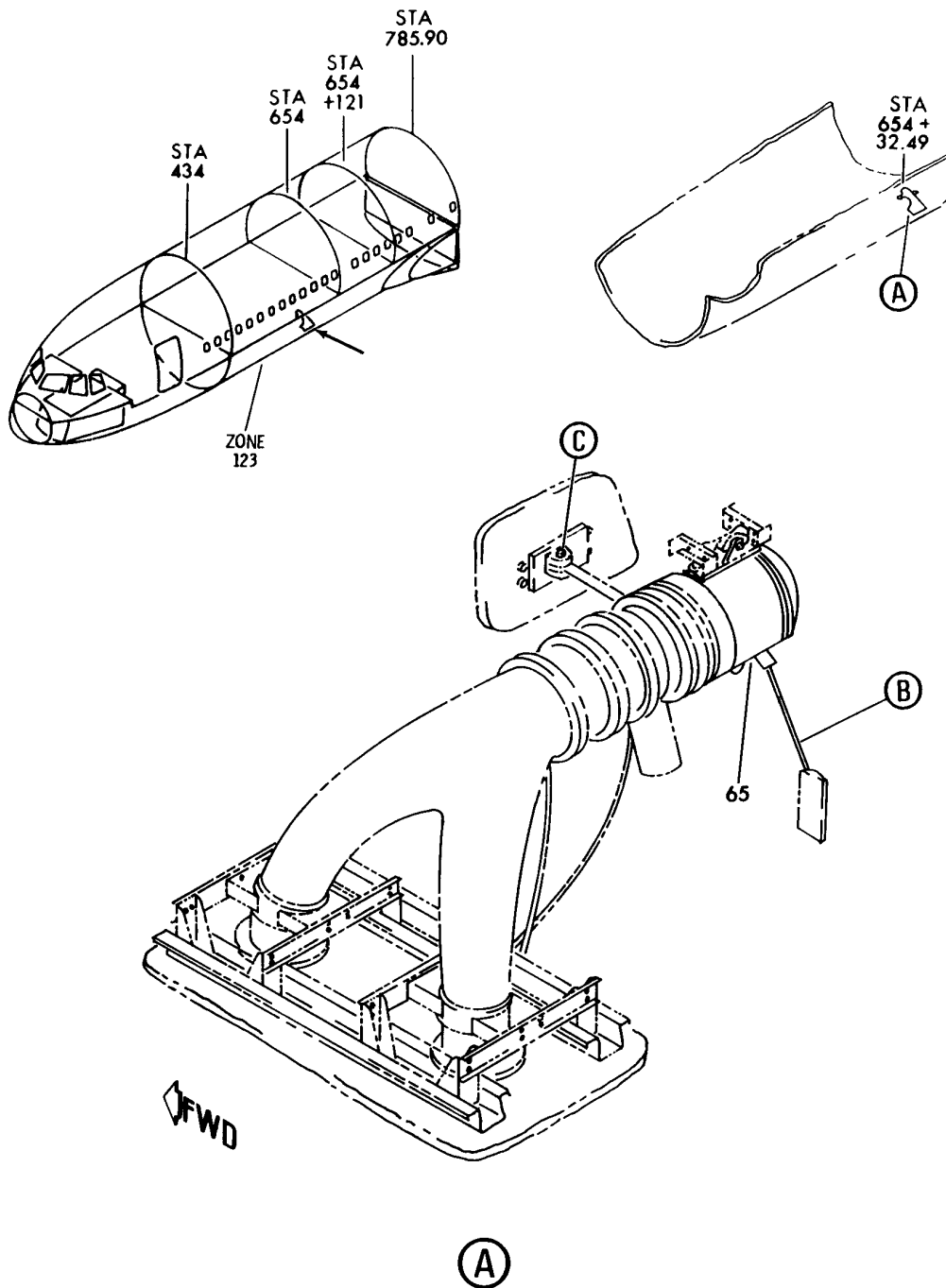
HXL

# 21-26-11-01

BOEING PROPRIETARY - Copyright © - Unpublished Work - See title page for details.

21-26-11  
FIG. 01  
PAGE 2  
DEC 22/08

**BOEING**  
767  
PARTS CATALOG (MAINTENANCE)



V 21261201 SHT 1 REV 121

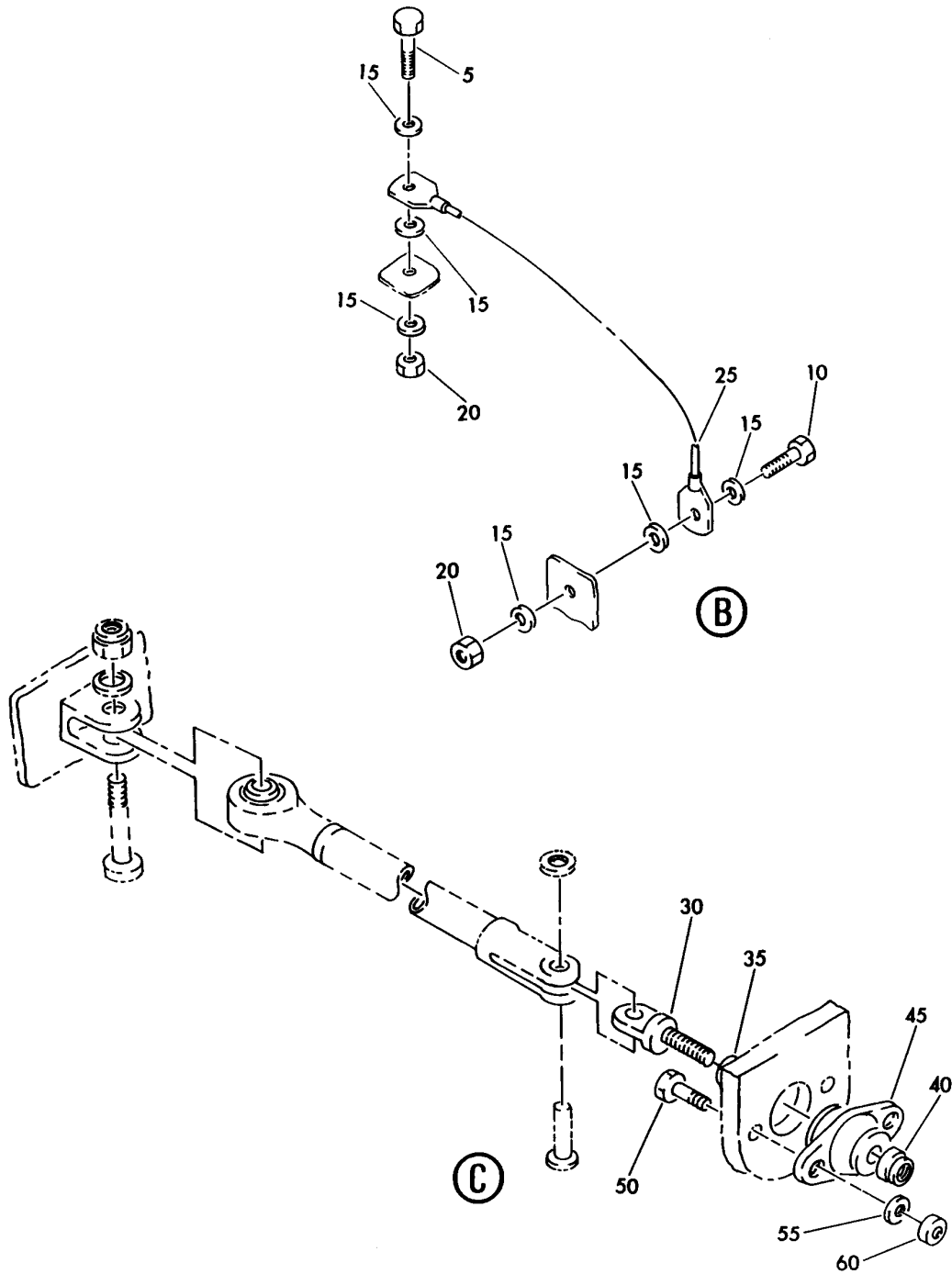
SYSTEM INSTL-FWD CARGO EXHAUST FAN  
FIGURE 1 (SHEET 1)

**21-26-12-01**

HXL  
DEC 22/06

21-26-12-01  
PAGE 0

**BOEING**  
767  
PARTS CATALOG (MAINTENANCE)



V 21261201 SHT 2 REV 121

SYSTEM INSTL-FWD CARGO EXHAUST FAN  
FIGURE 1 (SHEET 2)

**21-26-12-01**

HXL  
DEC 22/06

21-26-12-01  
PAGE 0A





767

PARTS CATALOG (MAINTENANCE)

FIG ITEM	PART NUMBER	1 2 3 4 5 6 7	NOMENCLATURE	EFFECT FROM TO	UNITS PER ASSY
1			SYSTEM INSTL-FWD CARGO EXHAUST FAN		
- 1	216T2009-4		SYSTEM INSTL-CARGO EXHAUST FAN		RF
			POSITION DATA: FWD		
			FOR NHA/OTHER SYS DET SEE: 21-00-00-02A		
	5 NAS1801-3-10		.SCREW		1
	10 NAS6603-3		.BOLT		1
	15 AN960JD10L		.WASHER		6
	20 MS21042L3		.NUT		2
	25 1002BB11		.JUMPER ASSY		1
			SUPPLIER CODE: V1FF12		
			SPECIFICATION NUMBER: BACJ40A20-11		
			OPTIONAL PART: CE11E		
			V79550		
			30522		
			V00779		
	30 AN42BC11		.BOLT		1
	35 AN960JD10L		.WASHER		1
	40 MS21042L3		.NUT		1
	45 93696-1		.ISOLATOR-SHOCK		1
			SUPPLIER CODE: V13636		
	50 BACB30LJ3-20		.BOLT		2
	55 AN960JD10L		.WASHER		2
	60 MS21042L3		.NUT		2
	65 731378		.FAN-		1
			SUPPLIER CODE: V45153		
			SPECIFICATION NUMBER: S210N701-10		
			ELECTRICAL EQUIP NUMBER: B00378		
			COMPONENT MAINT MANUAL REF: 21-43-01		
			OPTIONAL PART: 731378A		
			V45153		

R  
R  
R  
R  
R  
R  
R  
R  
R  
R

ILLUSTRATION ITEMS NOT ON PARTS LIST ARE NOT APPLICABLE

- ITEM NOT ILLUSTRATED

21-26-12-01

21-26-12  
FIG. 01  
PAGE 1  
AUG 22/09

HXL



767

PARTS CATALOG (MAINTENANCE)

FIG ITEM	PART NUMBER	1 2 3 4 5 6 7	NOMENCLATURE	EFFECT FROM TO	UNITS PER ASSY
1 65	731378A		. FAN- SUPPLIER CODE: V45153 FUNCTIONAL DESCRIPTION: THE AXIAL FLOW FANS INSTALLED ON EACH AIRCRAFT SERVES EITHER OF TWO PURPOSES: PROVIDE HEAT TO THE CARGO COMPARTMENTS AND VENTILATION OF THE GALLEYS AND LAVATORIES. SPECIFICATION NUMBER: S210N701-39 ELECTRICAL EQUIP NUMBER: B00378 COMPONENT MAINT MANUAL REF: 21-43-01 OPTIONAL PART: 731378B V45153 OPTIONAL PART: 731378 V45153		1
65	731378B		. FAN- SUPPLIER CODE: V45153 SPECIFICATION NUMBER: S210N701-39 ELECTRICAL EQUIP NUMBER: B00378 COMPONENT MAINT MANUAL REF: 21-43-01 OPTIONAL PART: 731378A V45153		1

ILLUSTRATION ITEMS NOT ON PARTS LIST ARE NOT APPLICABLE

- ITEM NOT ILLUSTRATED

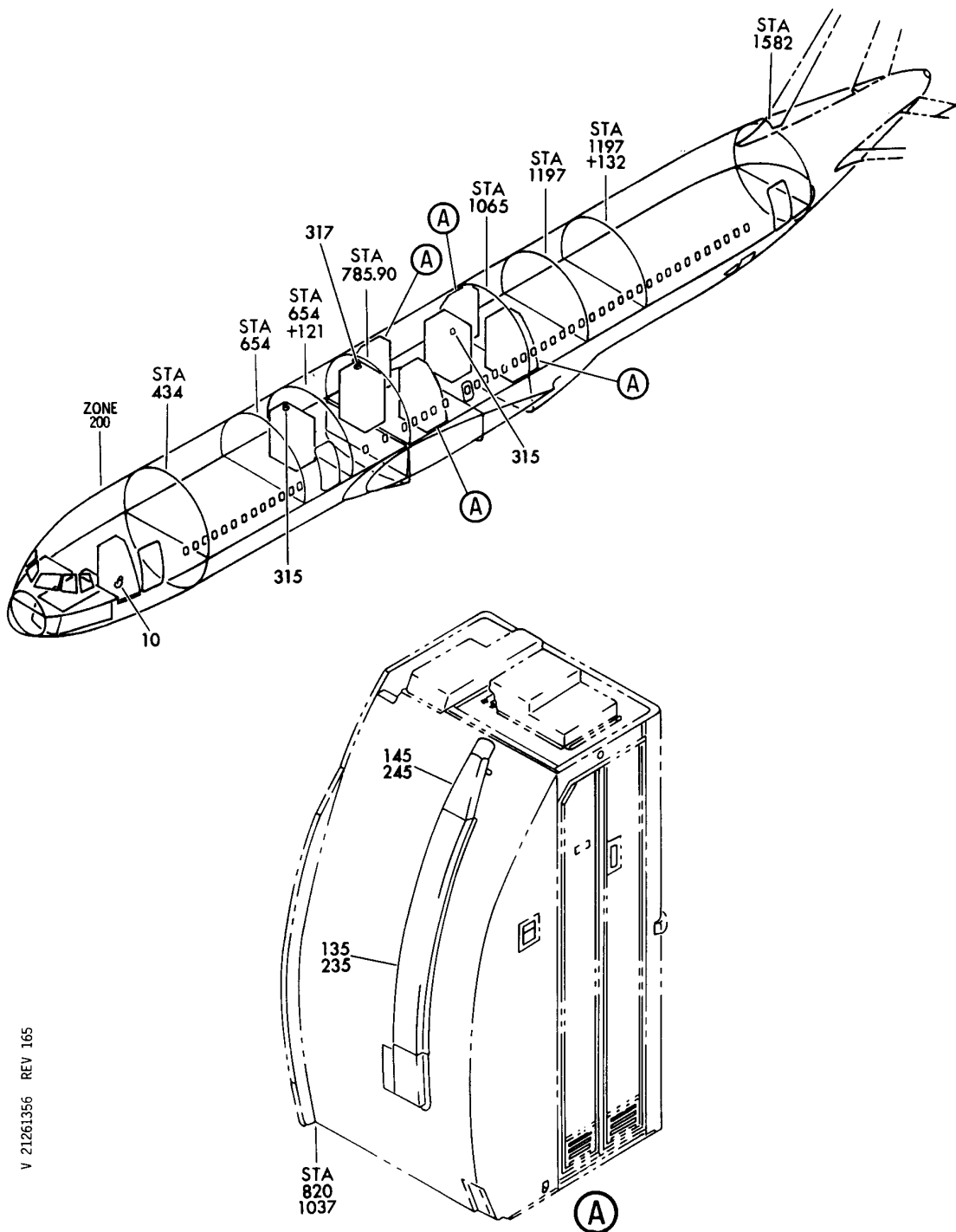
HXL

21-26-12-01

BOEING PROPRIETARY - Copyright © - Unpublished Work - See title page for details.

21-26-12  
FIG. 01  
PAGE 2  
DEC 22/08

**BOEING**  
767  
PARTS CATALOG (MAINTENANCE)



V 21261356 REV 165

MODULE ASSY-LAV (AIR CONDITIONING ONLY)  
FIGURE 56

**21-26-13-56**

HXL  
DEC 22/06

21-26-13-56  
PAGE 0

 **BOEING**  
767  
**PARTS CATALOG (MAINTENANCE)**

FIG ITEM	PART NUMBER	1 2 3 4 5 6 7	NOMENCLATURE	EFFECT FROM TO	UNITS PER ASSY
56			MODULE ASSY-LAV (AIR CONDITIONING ONLY)		
- 1	SAS061-1		MODULE ASSY-LAV F1 (AIR CONDITIONING ONLY) SUPPLIER CODE: VS5065 SPECIFICATION NUMBER: S417T106-604A COMPONENT MAINT MANUAL REF: 25-40-39 FOR NHA/OTHER SYS DET SEE: 25-41-01-02	163999	RF
- 1	SAS061-1001		MODULE ASSY-LAV F1 (AIR CONDITIONING ONLY) SUPPLIER CODE: VS5065 SPECIFICATION NUMBER: S417T106-482A COMPONENT MAINT MANUAL REF: 25-40-39 FOR NHA/OTHER SYS DET SEE: 25-41-01-02	155162	RF
10	BS061901-1		. DUCT-VENT SUPPLIER CODE: VS5065		1
- 15	MS35206-242		. ATTACHING PARTS . SCREW -----*-----		6
- 100	SAS063-1		MODULE ASSY-LAV MS15 (AIR CONDITIONING ONLY) SUPPLIER CODE: VS5065 SPECIFICATION NUMBER: S417T106-347B COMPONENT MAINT MANUAL REF: 25-40-39 FOR NHA/OTHER SYS DET SEE: 25-41-03-24	163999	RF
- 100	SAS063-1021		MODULE ASSY-LAV MS15 (AIR CONDITIONING ONLY) SUPPLIER CODE: VS5065 SPECIFICATION NUMBER: S417T106-483A COMPONENT MAINT MANUAL REF: 25-40-39 FOR NHA/OTHER SYS DET SEE: 25-41-03-24		RF
ILLUSTRATION ITEMS NOT ON PARTS LIST ARE NOT APPLICABLE					

- ITEM NOT ILLUSTRATED

HXL

# 21-26-13-56

BOEING PROPRIETARY - Copyright © - Unpublished Work - See title page for details.

21-26-13  
FIG. 56  
PAGE 1  
DEC 22/07



767

PARTS CATALOG (MAINTENANCE)

FIG ITEM	PART NUMBER	1 2 3 4 5 6 7	NOMENCLATURE	EFFECT FROM TO	UNITS PER ASSY
56 - 105	SAS063-2		MODULE ASSY-LAV MS16 (AIR CONDITIONING ONLY) SUPPLIER CODE: VS5065 SPECIFICATION NUMBER: S417T106-348B COMPONENT MAINT MANUAL REF: 25-40-39 FOR NHA/OTHER SYS DET SEE: 25-41-03-24	163999	RF
- 105	SAS063-1022		MODULE ASSY-LAV MS16 (AIR CONDITIONING ONLY) SUPPLIER CODE: VS5065 SPECIFICATION NUMBER: S417T106-484A COMPONENT MAINT MANUAL REF: 25-40-39 FOR NHA/OTHER SYS DET SEE: 25-41-03-24		RF
- 110	SAS063-11		MODULE ASSY-LAV MS17 (AIR CONDITIONING ONLY) SUPPLIER CODE: VS5065 SPECIFICATION NUMBER: S417T106-349B COMPONENT MAINT MANUAL REF: 25-40-39 FOR NHA/OTHER SYS DET SEE: 25-41-03-25	163999	RF
- 110	SAS063-1031		MODULE ASSY-LAV MS17 (AIR CONDITIONING ONLY) SUPPLIER CODE: VS5065 SPECIFICATION NUMBER: S417T106-485A COMPONENT MAINT MANUAL REF: 25-40-39 FOR NHA/OTHER SYS DET SEE: 25-41-03-25		RF

ILLUSTRATION ITEMS NOT ON PARTS LIST ARE NOT APPLICABLE

- ITEM NOT ILLUSTRATED

HXL

21-26-13-56

BOEING PROPRIETARY - Copyright © - Unpublished Work - See title page for details.

21-26-13  
FIG. 56  
PAGE 2  
DEC 22/07



767

PARTS CATALOG (MAINTENANCE)

FIG ITEM	PART NUMBER	1 2 3 4 5 6 7	NOMENCLATURE	EFFECT FROM TO	UNITS PER ASSY
56 - 115	SAS063-12		MODULE ASSY-LAV MS18 (AIR CONDITIONING ONLY) SUPPLIER CODE: VS5065 SPECIFICATION NUMBER: S417T106-350B COMPONENT MAINT MANUAL REF: 25-40-39 FOR NHA/OTHER SYS DET SEE: 25-41-03-25	163999	RF
- 115	SAS063-1032		MODULE ASSY-LAV MS18 (AIR CONDITIONING ONLY) SUPPLIER CODE: VS5065 SPECIFICATION NUMBER: S417T106-486A COMPONENT MAINT MANUAL REF: 25-40-39 FOR NHA/OTHER SYS DET SEE: 25-41-03-25		RF
- 120	BS063901-2		. DUCT ASSY-VENT LAV MS15 AND MS17 SUPPLIER CODE: VS5065 CONFIG CHG DATA FROM A CMM: SUPSD BY BS063901-112	163999	1
- 120	BS063901-112		. DUCT ASSY-VENT LAV MS15 AND MS17 SUPPLIER CODE: VS5065 CONFIG CHG DATA FROM A CMM: SUPERSEDES BS063901-2	155162	1
- 125	BS063901-1		. DUCT ASSY-VENT LAV MS16 AND MS18 SUPPLIER CODE: VS5065 CONFIG CHG DATA FROM A CMM: SUPSD BS063901-111	163999	1
- 125	BS063901-111		. DUCT ASSY-VENT LAV MS16 AND MS18 SUPPLIER CODE: VS5065 CONFIG CHG DATA FROM A CMM: SUPERSEDES BS063901-1	155162	1
- 130	MS35206-242		ATTACHING PARTS . SCREW -----*-----		10

ILLUSTRATION ITEMS NOT ON PARTS LIST ARE NOT APPLICABLE

- ITEM NOT ILLUSTRATED

21-26-13-56

21-26-13  
FIG. 56  
PAGE 3  
DEC 22/07

HXL



767

PARTS CATALOG (MAINTENANCE)

FIG ITEM	PART NUMBER	1 2 3 4 5 6 7	NOMENCLATURE	EFFECT FROM TO	UNITS PER ASSY
56 135	BS063901-9	..	DUCT-LAV MS15 AND MS17 SUPPLIER CODE: VS5065 CONFIG CHG DATA FROM A CMM: SUPSD BY BS063901-114	163999	1
135	BS063901-114	..	DUCT-LAV MS15 AND MS17 SUPPLIER CODE: VS5065 CONFIG CHG DATA FROM A CMM: SUPERSEDES BS063901-9	155162	1
- 140	BS063901-10	..	DUCT-LAV MS16 AND MS18 SUPPLIER CODE: VS5065 CONFIG CHG DATA FROM A CMM: SUPSD BY BS063901-113	163999	1
- 140	BS063901-113	..	DUCT-LAV MS16 AND MS18 SUPPLIER CODE: VS5065 CONFIG CHG DATA FROM A CMM: SUPERSEDES BS063901-10	155162	1
145	BS063902-1	..	DUCT-JOINT SUPPLIER CODE: VS5065		1
- 300	SAS066-1		MODULE ASSY-LAV M31 (AIR CONDITIONING ONLY) SUPPLIER CODE: VS5065 SPECIFICATION NUMBER: S417T106-351B COMPONENT MAINT MANUAL REF: 25-40-39 FOR NHA/OTHER SYS DET SEE: 25-41-03-26	163999	RF
- 300	SAS066-1021		MODULE ASSY-LAV M31 (AIR CONDITIONING ONLY) SUPPLIER CODE: VS5065 SPECIFICATION NUMBER: S417T106-487A COMPONENT MAINT MANUAL REF: 25-40-39 FOR NHA/OTHER SYS DET SEE: 25-41-03-26		RF

ILLUSTRATION ITEMS NOT ON PARTS LIST ARE NOT APPLICABLE

- ITEM NOT ILLUSTRATED

21-26-13-56

21-26-13  
FIG. 56  
PAGE 4  
DEC 22/07

HXL



767

PARTS CATALOG (MAINTENANCE)

FIG ITEM	PART NUMBER	1 2 3 4 5 6 7	NOMENCLATURE	EFFECT FROM TO	UNITS PER ASSY
56 - 305	SAS066-12		MODULE ASSY-LAV M32 (AIR CONDITIONING ONLY) SUPPLIER CODE: VS5065 SPECIFICATION NUMBER: S417T106-352B COMPONENT MAINT MANUAL REF: 25-40-39 FOR NHA/OTHER SYS DET SEE: 25-41-03-27	163999	RF
- 305	SAS066-1032		MODULE ASSY-LAV M32 (AIR CONDITIONING ONLY) SUPPLIER CODE: VS5065 SPECIFICATION NUMBER: S417T106-488A COMPONENT MAINT MANUAL REF: 25-40-39 FOR NHA/OTHER SYS DET SEE: 25-41-03-27		RF
315	BS066901-1		. DUCT-VENT SUPPLIER CODE: VS5065		1
- 320	MS35206-242		. SCREW -----*-----		5

ILLUSTRATION ITEMS NOT ON PARTS LIST ARE NOT APPLICABLE

- ITEM NOT ILLUSTRATED

HXL

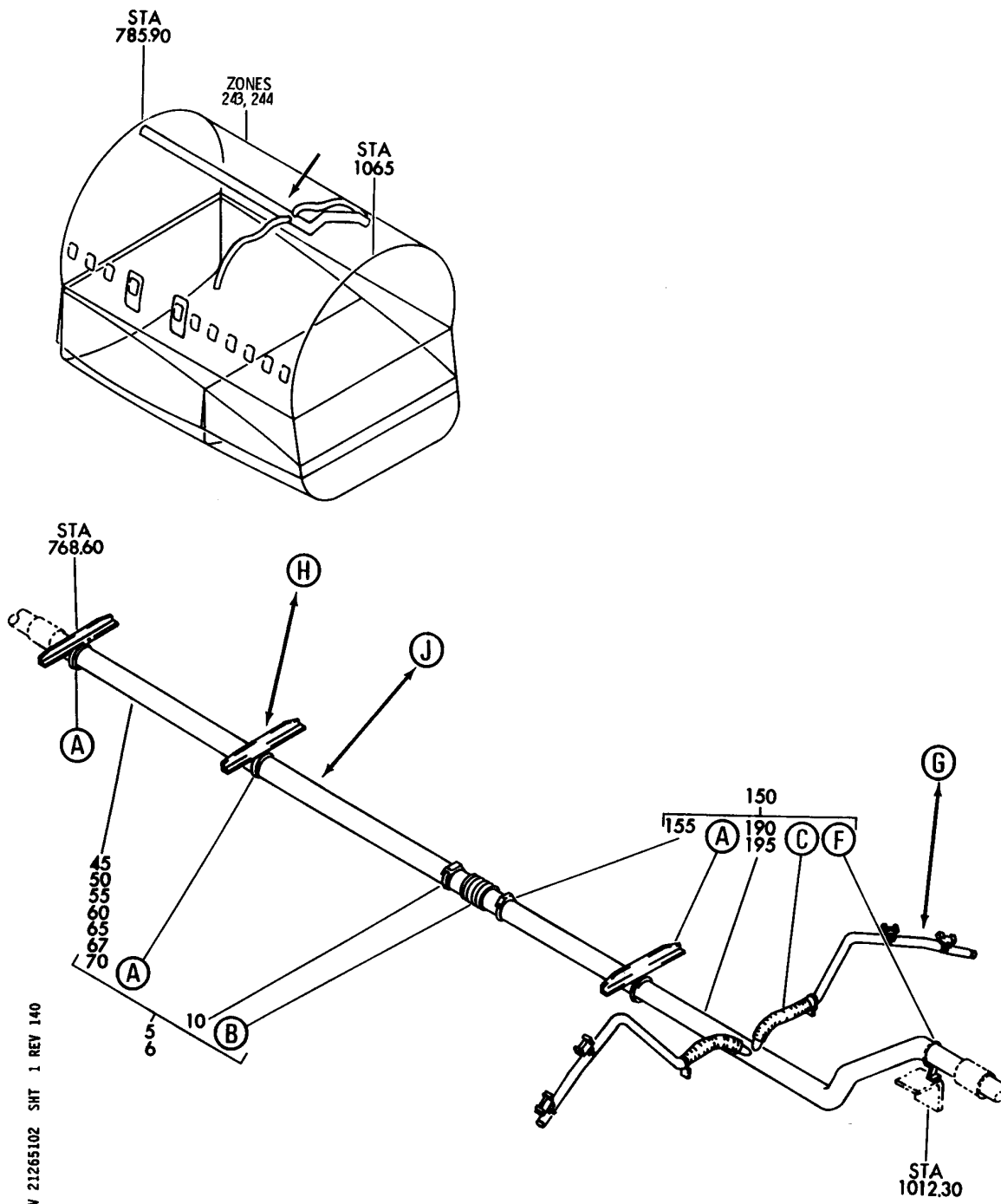
21-26-13-56

BOEING PROPRIETARY - Copyright © - Unpublished Work - See title page for details.

21-26-13  
FIG. 56  
PAGE 5  
DEC 22/07



**BOEING**  
767  
PARTS CATALOG (MAINTENANCE)



DUCT INSTL-SECT. 45 LAV AND GALLEY VENT SYS  
FIGURE 2 (SHEET 1)

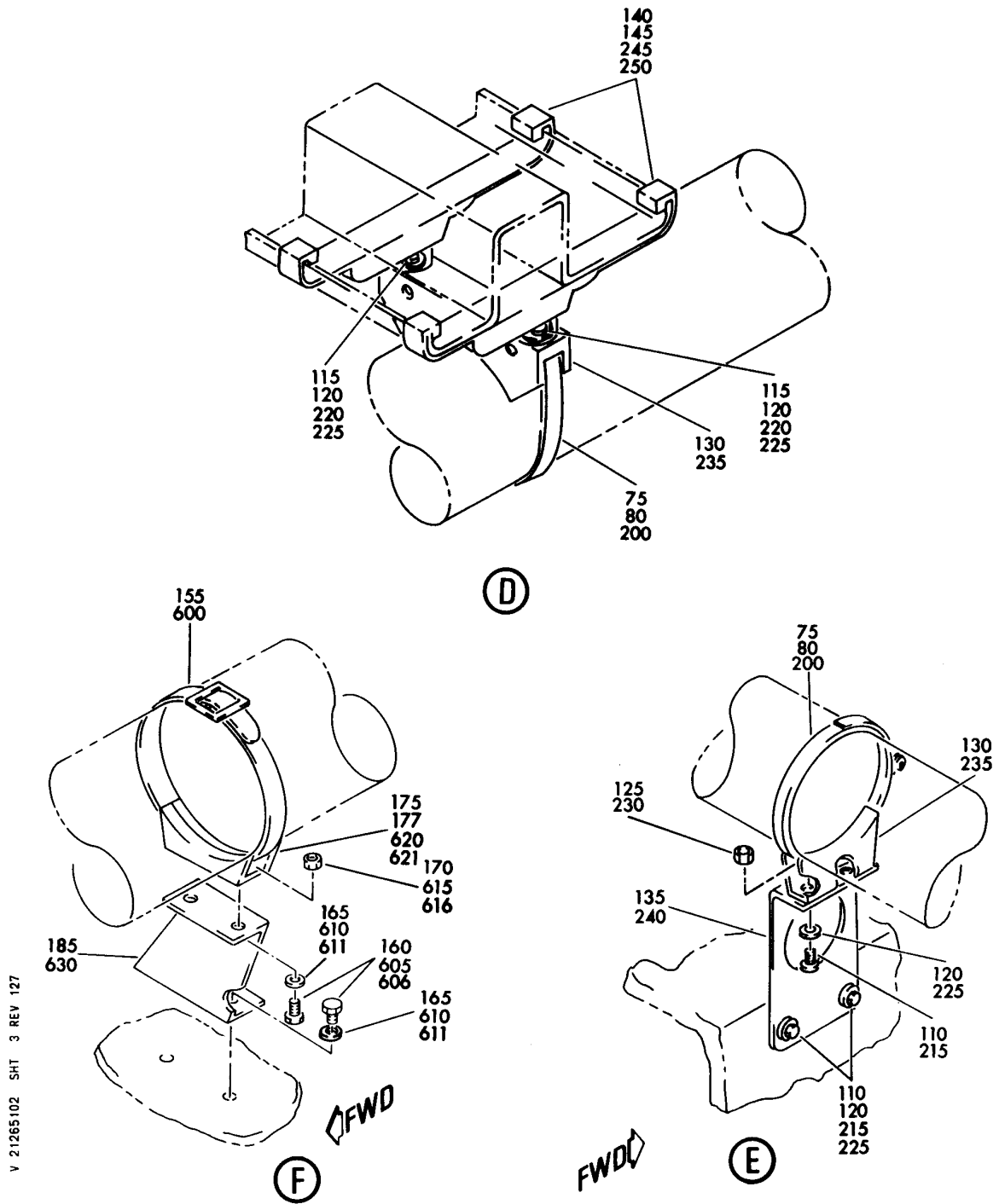
**21-26-51-02**

HXL  
DEC 22/06

21-26-51-02  
PAGE 0



**BOEING**  
767  
PARTS CATALOG (MAINTENANCE)



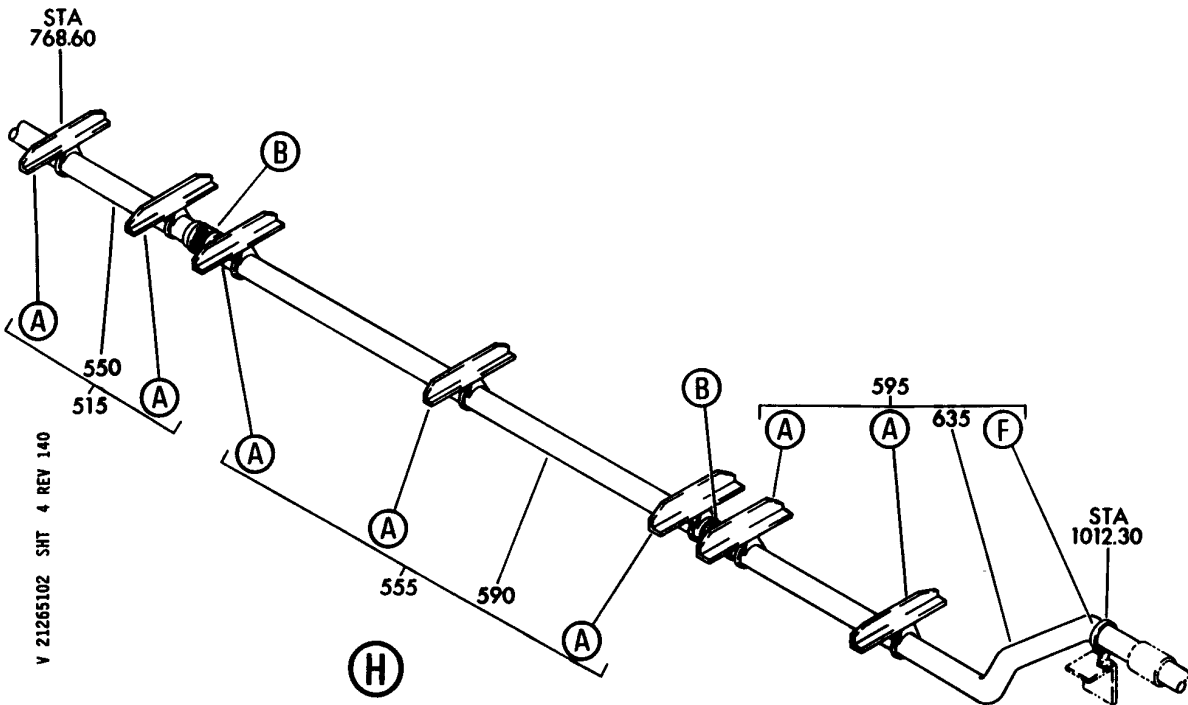
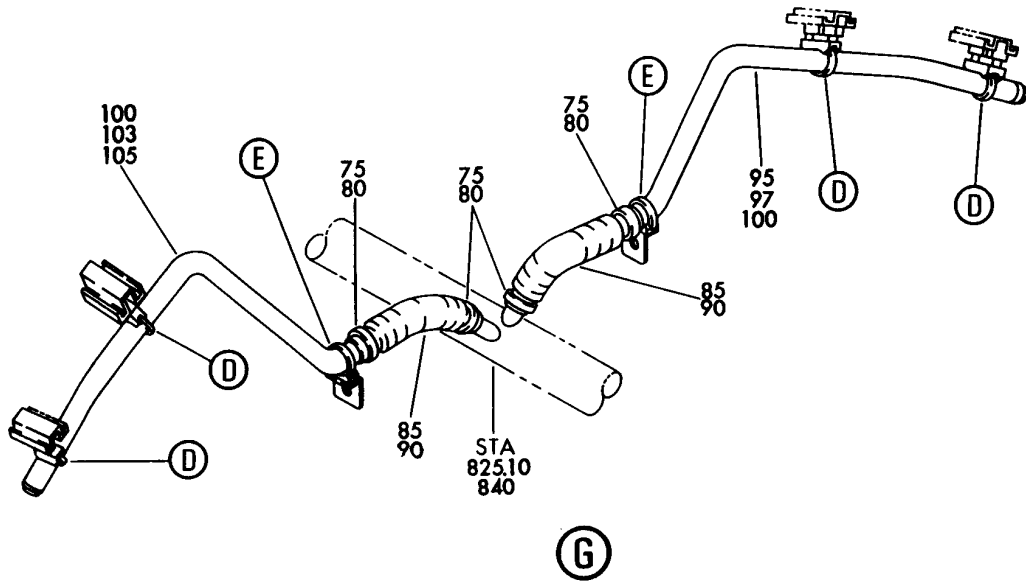
DUCT INSTL-SECT. 45 LAV AND GALLEY VENT SYS  
FIGURE 2 (SHEET 3)

**21-26-51-02**

HXL  
DEC 22/06

21-26-51-02  
PAGE 0B

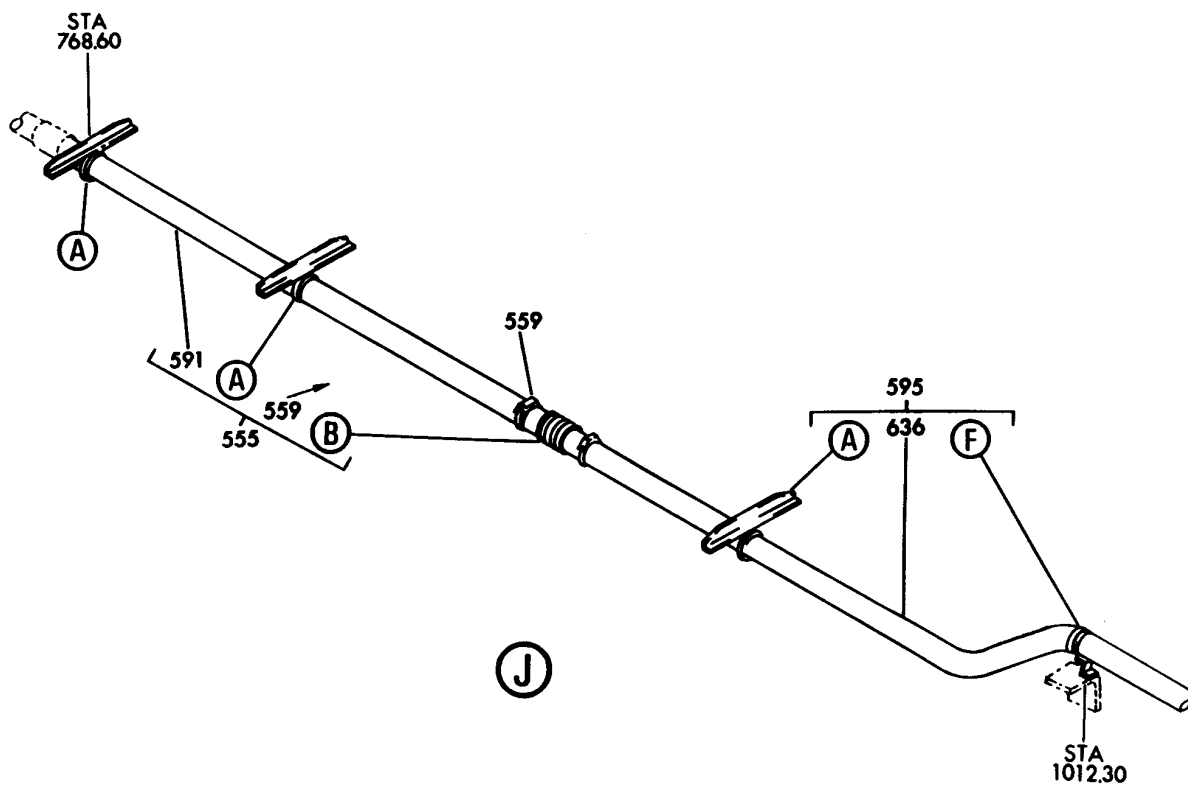
**BOEING**  
767  
PARTS CATALOG (MAINTENANCE)



DUCT INSTL-SECT. 45 LAV AND GALLEY VENT SYS  
FIGURE 2 (SHEET 4)

**21-26-51-02**

**BOEING**  
767  
PARTS CATALOG (MAINTENANCE)



V 21265102 SHT 5 REV 127

DUCT INSTL-SECT. 45 LAV AND GALLEY VENT SYS  
FIGURE 2 (SHEET 5)

**21-26-51-02**

HXL  
DEC 22/06

21-26-51-02  
PAGE 0D

 **BOEING**  
767  
**PARTS CATALOG (MAINTENANCE)**

FIG ITEM	PART NUMBER	1 2 3 4 5 6 7	NOMENCLATURE	EFFECT FROM TO	UNITS PER ASSY
2			DUCT INSTL-SECT. 45 LAV AND GALLEY VENT SYS		
- 1	214T3007-1		DUCT INSTL-LAV AND GALLEY VENT SYS POSITION DATA: SECT. 45 FOR NHA SEE: 21-00-00-05		RF
5	214T3007-2		.DUCT INSTL		1
10	T012L0		..STRAP SUPPLIER CODE: V53421 SPECIFICATION NUMBER: BACS38K6		5
15	BE1503-20D0050		..HOSE SUPPLIER CODE: V05399 SPECIFICATION NUMBER: AS1503-20D0050		1
20	NAS1801-3-7		..SCREW		12
25	AN960D10L		..WASHER		12
30	MS21042L3		..NUT		4
35	214T3424-7		..SUPPORT		2
40	214T2447-3		..BRACKET		2
45	214T3503-8		..DUCT ASSY		1
150	214T3007-3		.DUCT INSTL		1
155	T012L0		..STRAP SUPPLIER CODE: V53421 SPECIFICATION NUMBER: BACS38K6		3
160	NAS1801-3-7		..SCREW		10
165	AN960D10L		..WASHER		10
170	MS21042L3		..NUT		4
175	214T3424-7		..SUPPORT		2
180	214T2447-3		..BRACKET		1
185	214T3462-1		..BRACKET		1
190	214T3417-36		..DUCT ASSY		1
200	PLT4SM		..STRAP SUPPLIER CODE: V06383 SPECIFICATION NUMBER: BACS38K2 OPTIONAL PART: T05L0 V53421		10

ILLUSTRATION ITEMS NOT ON PARTS LIST ARE NOT APPLICABLE

- ITEM NOT ILLUSTRATED

HXL

21-26-51-02

BOEING PROPRIETARY - Copyright © - Unpublished Work - See title page for details.

21-26-51  
FIG. 02  
PAGE 1  
DEC 22/07



767

PARTS CATALOG (MAINTENANCE)

FIG ITEM	PART NUMBER	1 2 3 4 5 6 7	NOMENCLATURE	EFFECT FROM TO	UNITS PER ASSY
2					
205	BOE2027-07D0230	..	DUCT SUPPLIER CODE: V16632 SPECIFICATION NUMBER: AS1503-07D0230		2
210	214T3510-6	..	DUCT		2
215	NAS1801-3-7	..	SCREW		8
220	NAS1801-3-6	..	SCREW		8
225	AN960D10L	..	WASHER		16
230	MS21042L3	..	NUT		4
235	214T3424-1	..	SUPPORT		6
240	214T2443-2	..	BRACKET		2
245	S38J1	..	ATTACHMENT SUPPLIER CODE: V59237 SPECIFICATION NUMBER: BACS38J1 OPTIONAL PART: 30187-2 V26835		4
250	S38J2	..	STRAP SUPPLIER CODE: V59237 SPECIFICATION NUMBER: BACS38J2 OPTIONAL PART: 30187-3 V26835		4

ILLUSTRATION ITEMS NOT ON PARTS LIST ARE NOT APPLICABLE

- ITEM NOT ILLUSTRATED

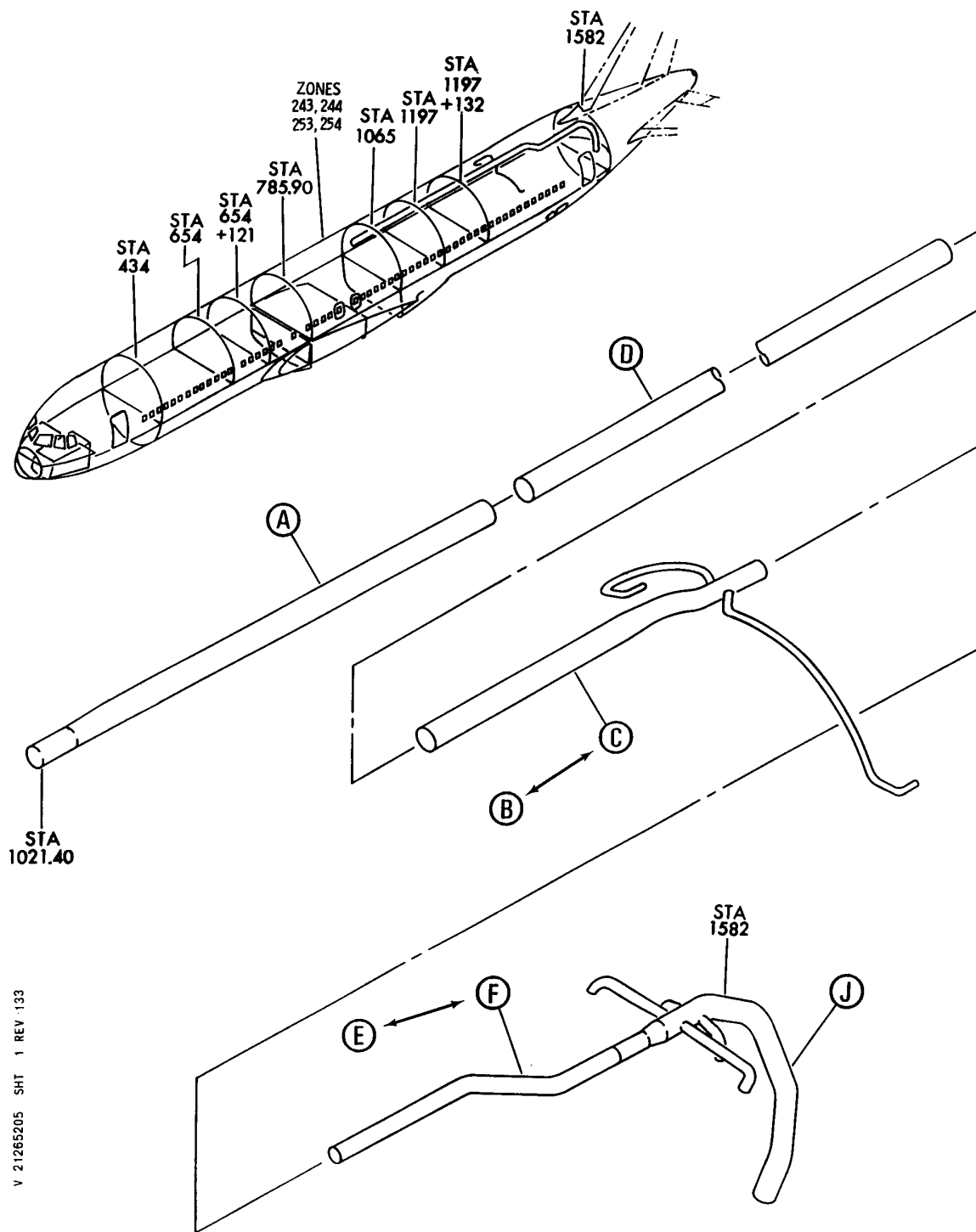
HXL

21-26-51-02

BOEING PROPRIETARY - Copyright © - Unpublished Work - See title page for details.

21-26-51  
FIG. 02  
PAGE 2  
DEC 22/07

**BOEING**  
767  
PARTS CATALOG (MAINTENANCE)



V 21265205 SHT 1 REV 133

DUCT INSTL-LAV AND GALLEY VENT SYS  
FIGURE 5 (SHEET 1)

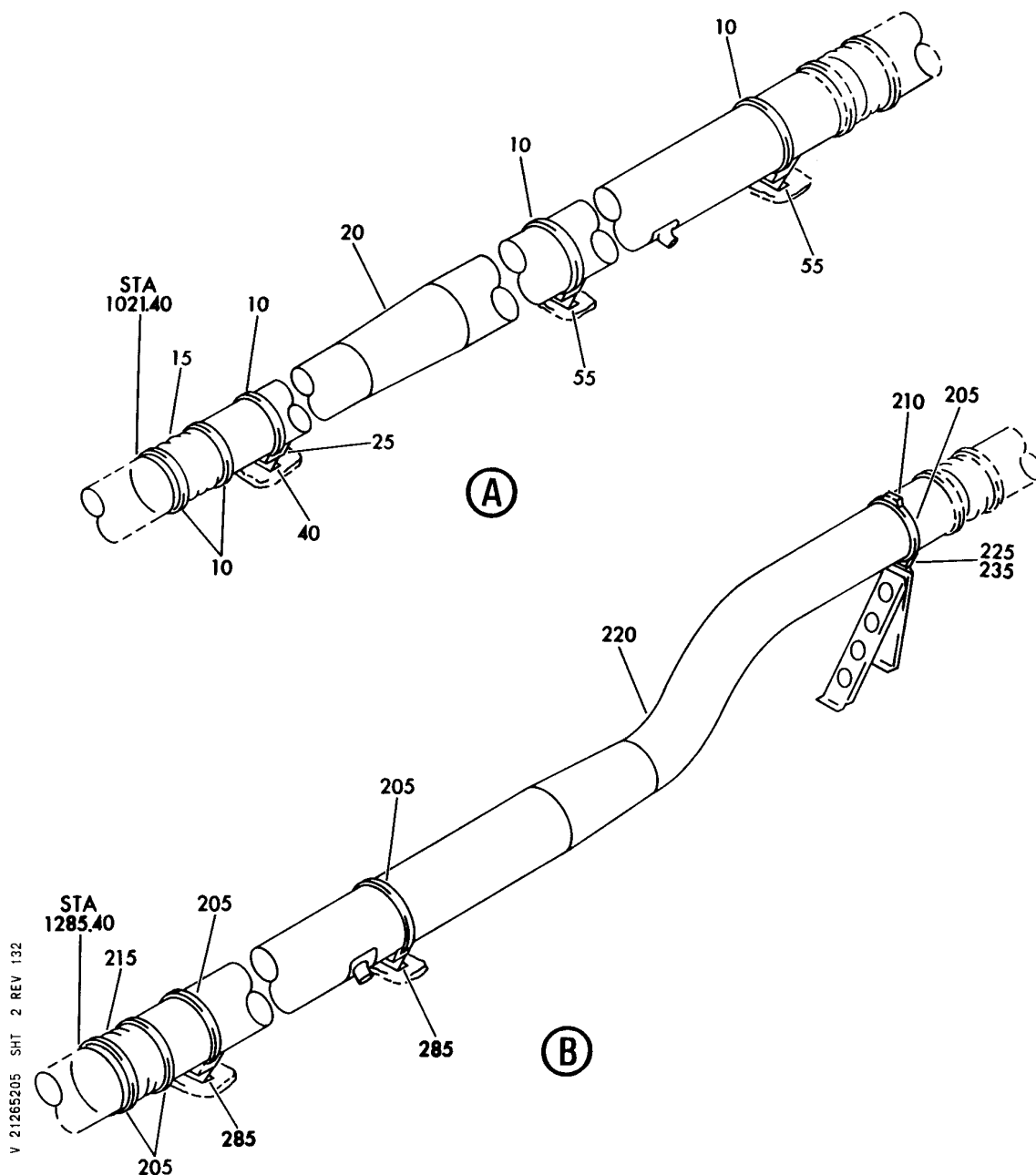
**21-26-52-05**

HXL  
DEC 22/06

21-26-52-05  
PAGE 0



**BOEING**  
767  
PARTS CATALOG (MAINTENANCE)



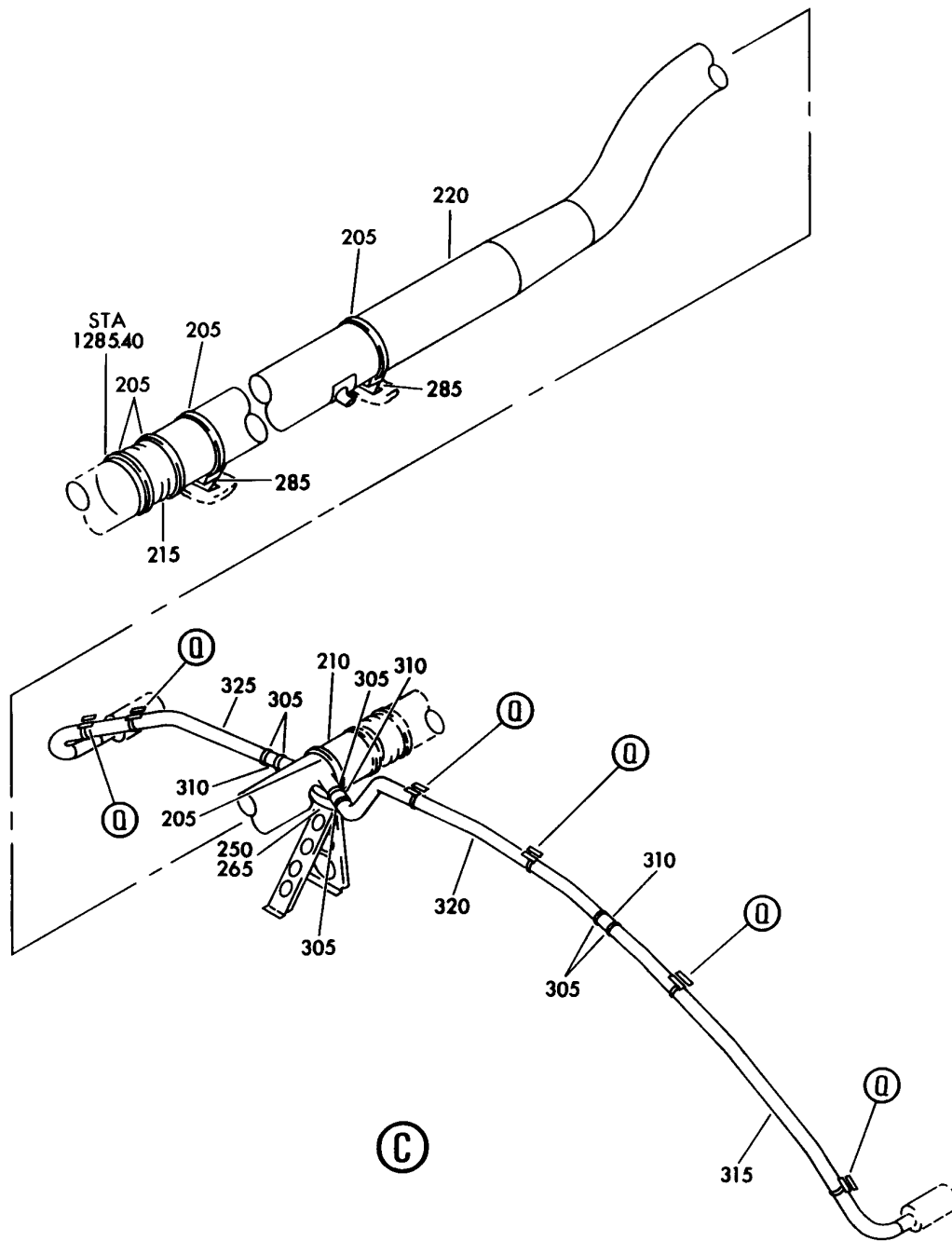
DUCT INSTL-LAV AND GALLEY VENT SYS  
FIGURE 5 (SHEET 2)

**21-26-52-05**

HXL  
DEC 22/06

21-26-52-05  
PAGE 0A

**BOEING**  
767  
PARTS CATALOG (MAINTENANCE)



V 21265205 SHT 3 REV 132

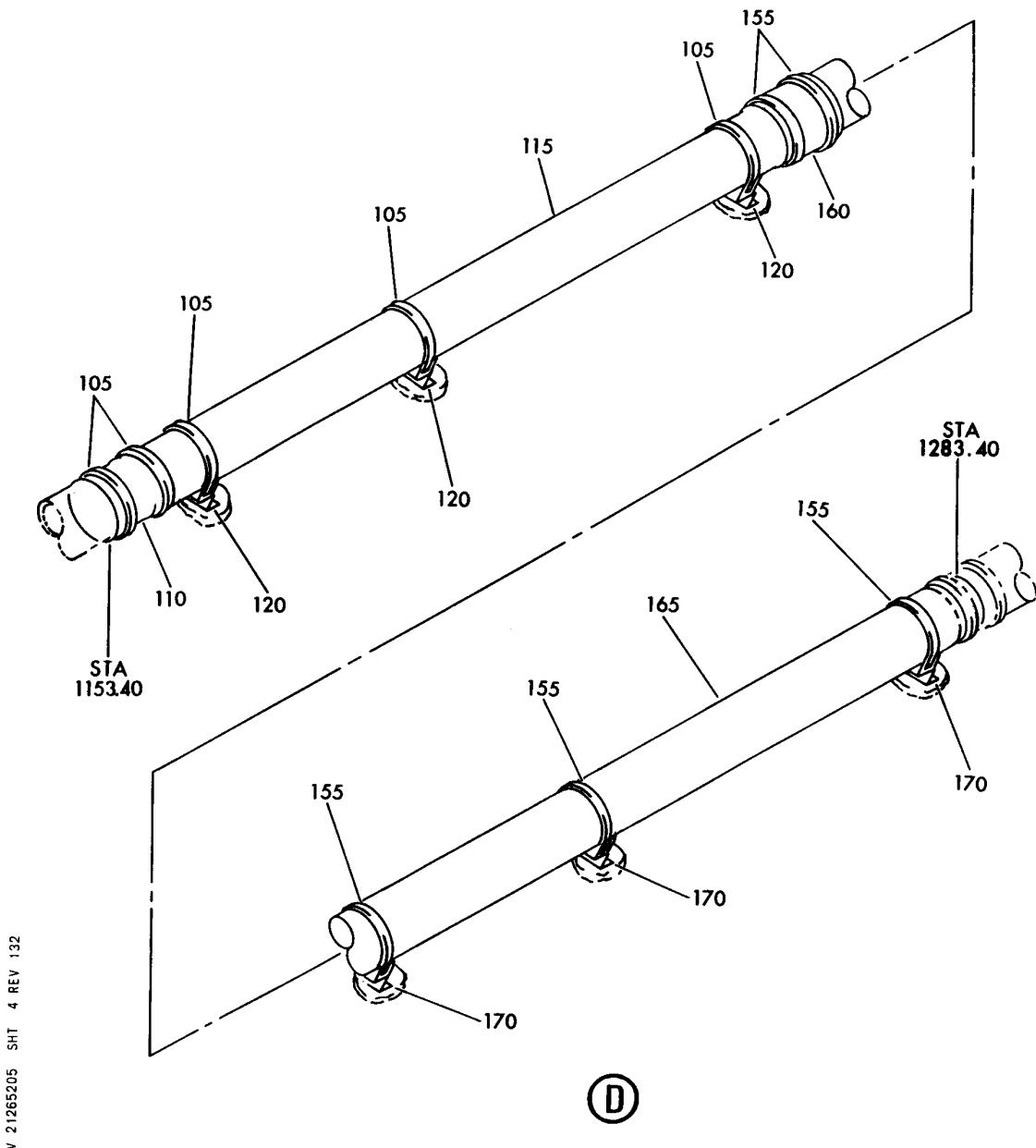
DUCT INSTL-LAV AND GALLEY VENT SYS  
FIGURE 5 (SHEET 3)

**21-26-52-05**

HXL  
DEC 22/06

21-26-52-05  
PAGE 0B

**BOEING**  
767  
PARTS CATALOG (MAINTENANCE)



V 21265205 SHT 4 REV 132

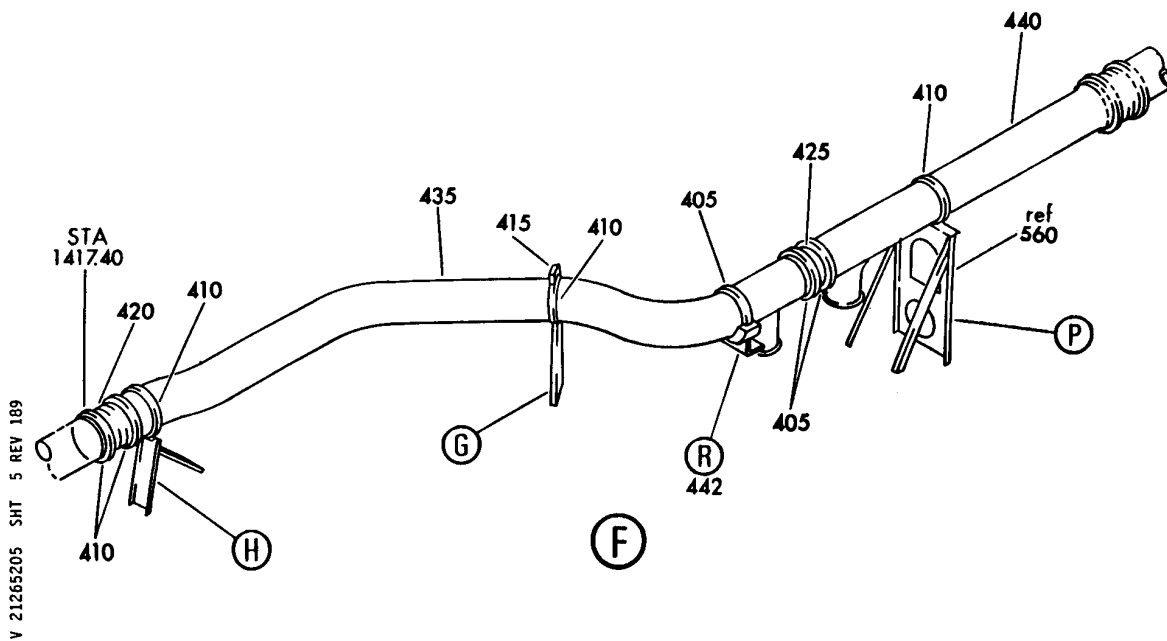
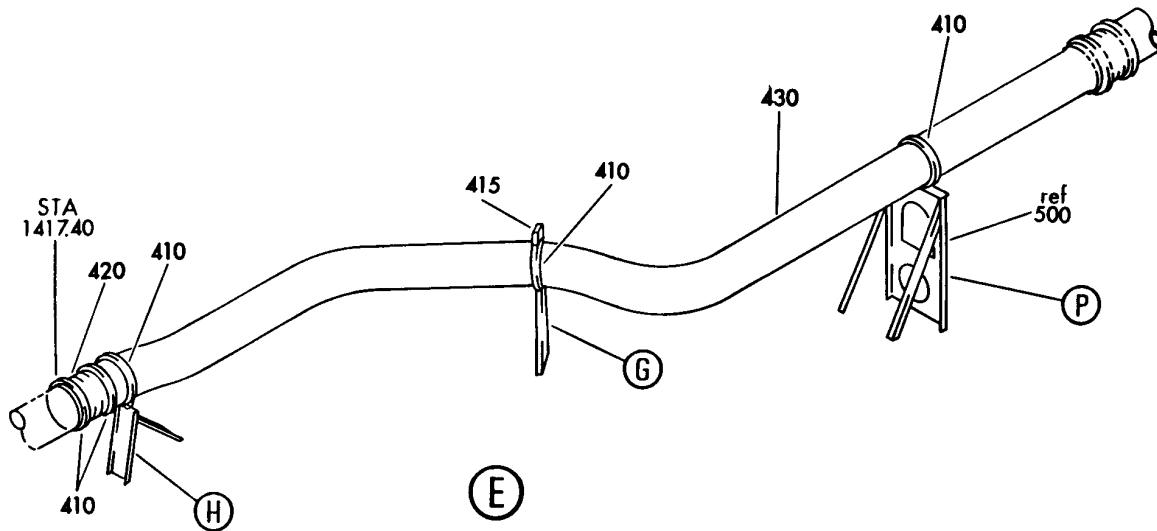
DUCT INSTL-LAV AND GALLEY VENT SYS  
FIGURE 5 (SHEET 4)

**21-26-52-05**

HXL  
DEC 22/06

21-26-52-05  
PAGE 0C

**BOEING**  
767  
PARTS CATALOG (MAINTENANCE)



V 21265205 SHT 5 REV 189

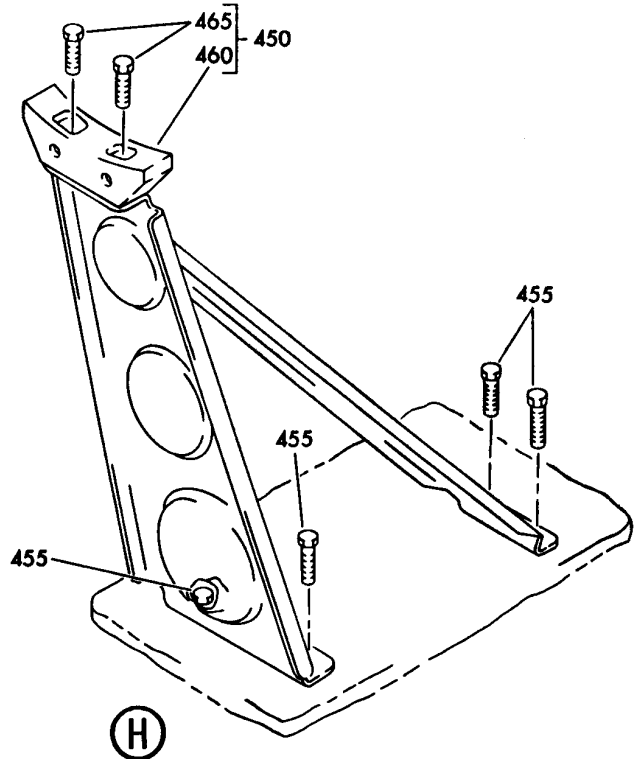
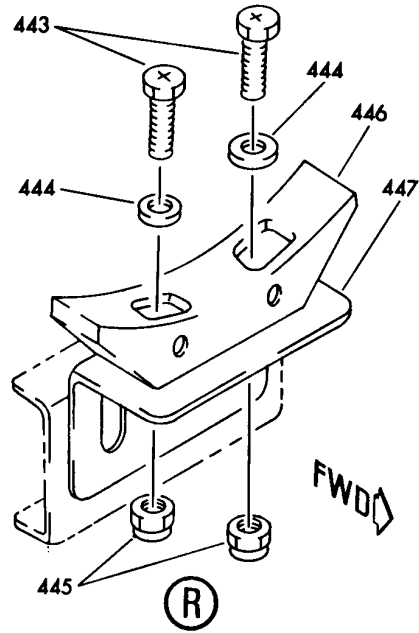
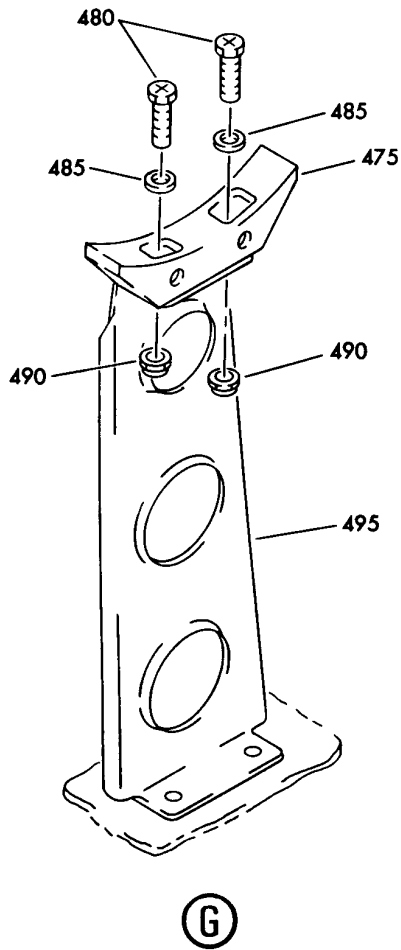
DUCT INSTL-LAV AND GALLEY VENT SYS  
FIGURE 5 (SHEET 5)

**21-26-52-05**

HXL  
DEC 22/06

21-26-52-05  
PAGE 0D


**BOEING**  
 767  
**PARTS CATALOG (MAINTENANCE)**



V 21265205 SHT 6 REV 189

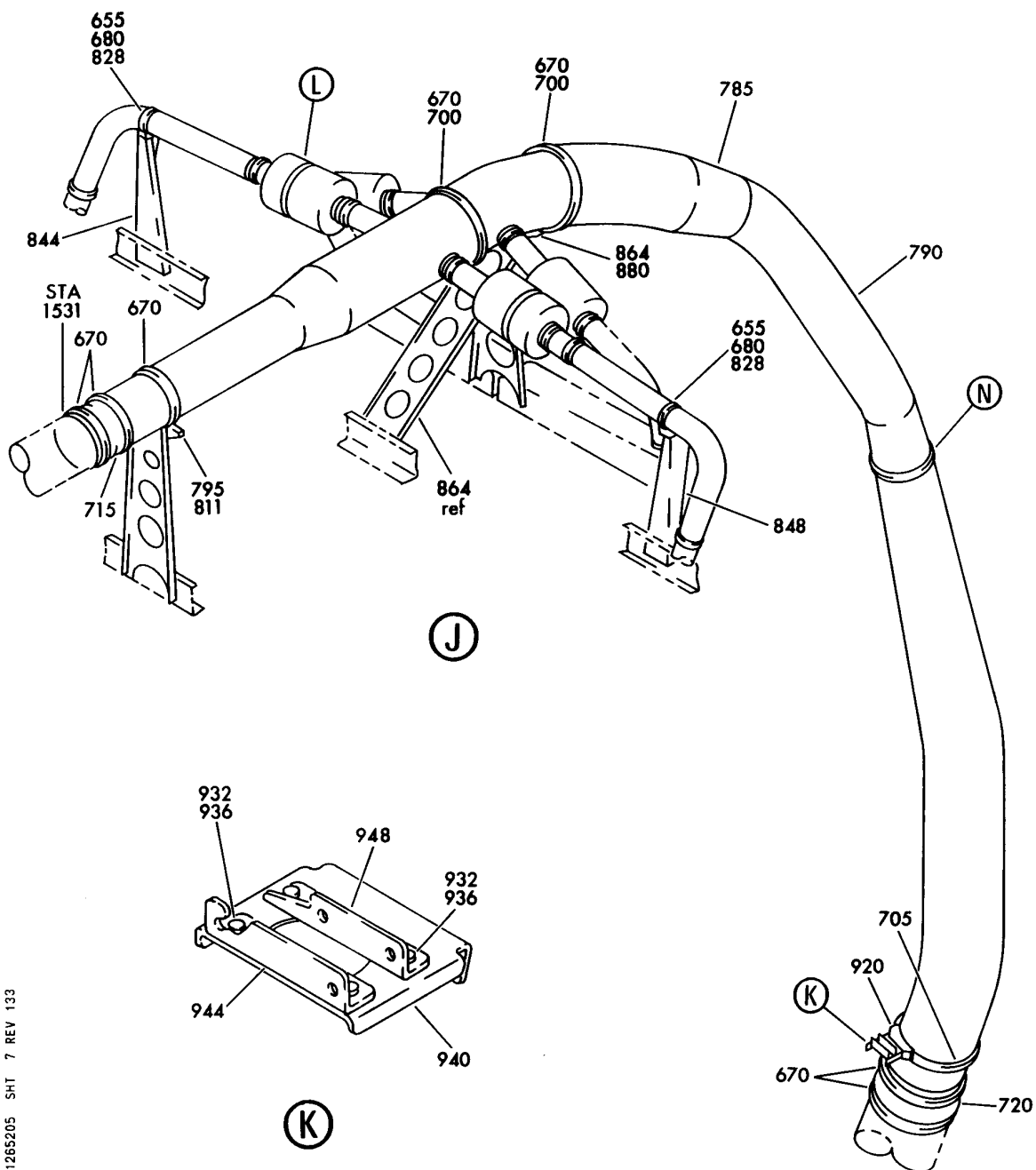
DUCT INSTL-LAV AND GALLEY VENT SYS  
 FIGURE 5 (SHEET 6)

**21-26-52-05**

HXL  
DEC 22/06

21-26-52-05  
 PAGE 0E

**BOEING**  
767  
PARTS CATALOG (MAINTENANCE)



V 21265205 SHT 7 REV 133

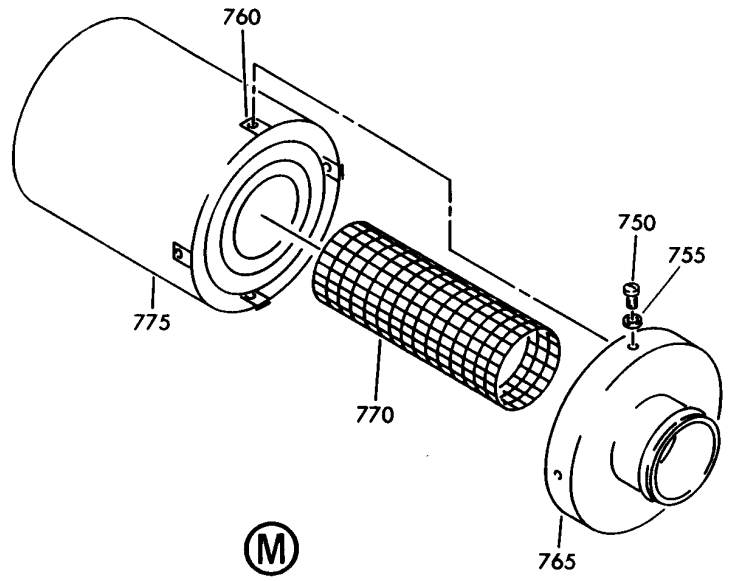
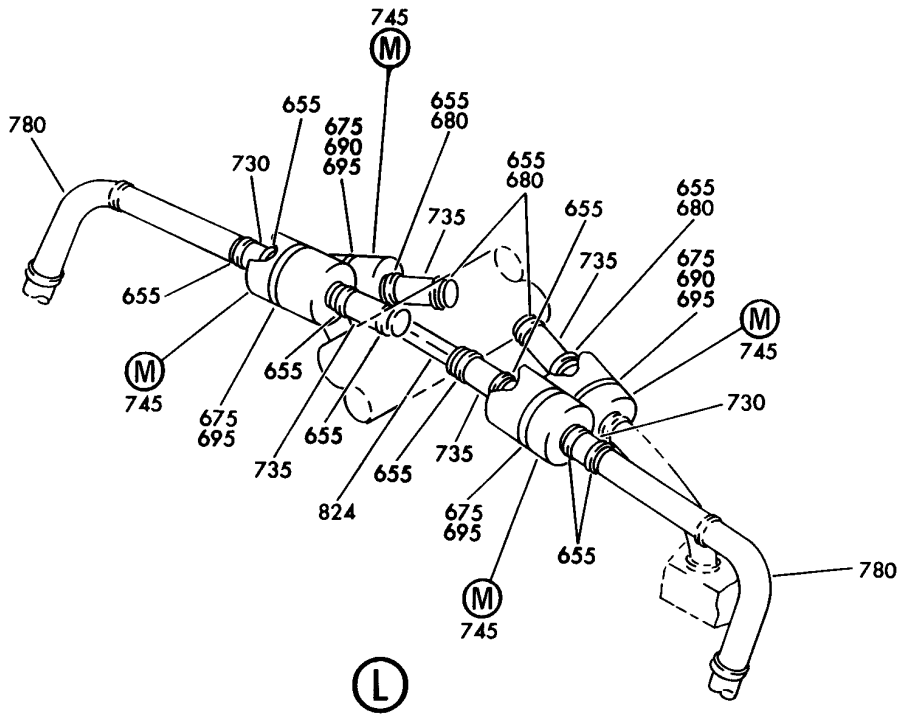
DUCT INSTL-LAV AND GALLEY VENT SYS  
FIGURE 5 (SHEET 7)

**21-26-52-05**

HXL  
DEC 22/06

21-26-52-05  
PAGE OF

**BOEING**  
767  
PARTS CATALOG (MAINTENANCE)



V 21265205 SHT 8 REV 133

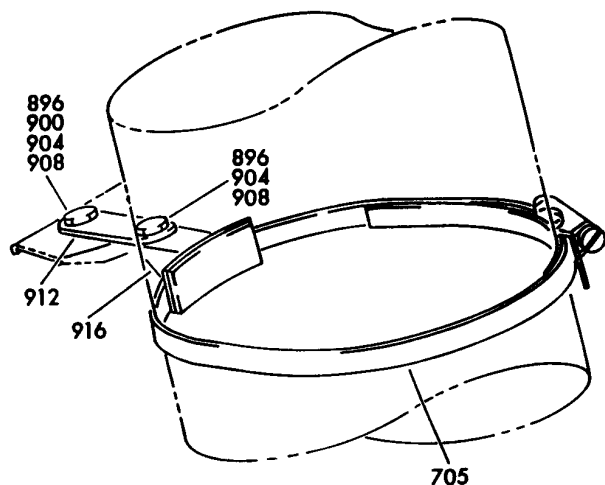
DUCT INSTL-LAV AND GALLEY VENT SYS  
FIGURE 5 (SHEET 8)

**21-26-52-05**

HXL  
DEC 22/06

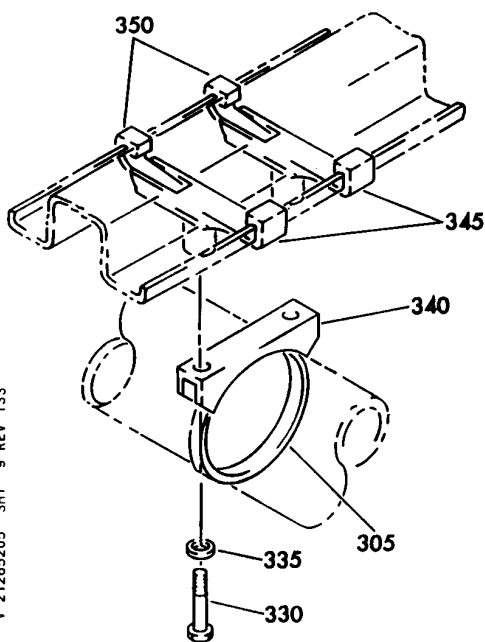
21-26-52-05  
PAGE 06

**BOEING**  
767  
PARTS CATALOG (MAINTENANCE)



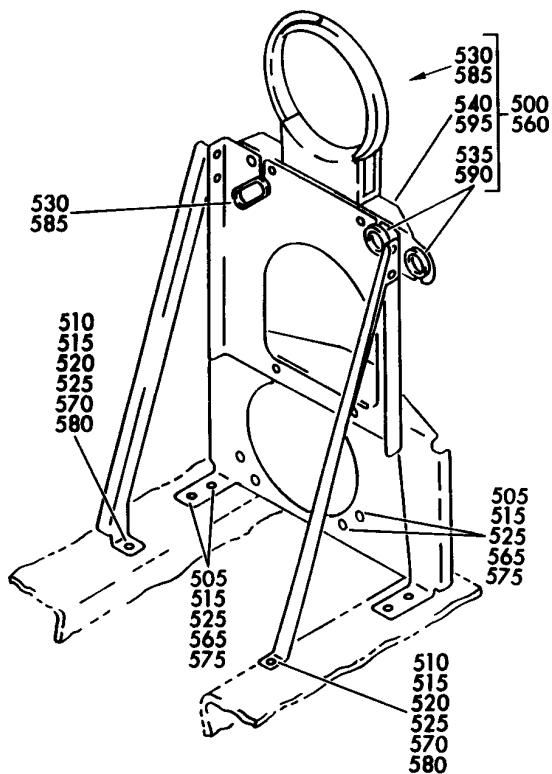
FWD

(N)



V 21265205 SHT 9 REV 133

(Q)



(P)

DUCT INSTL-LAV AND GALLEY VENT SYS  
FIGURE 5 (SHEET 9)

**21-26-52-05**





767

PARTS CATALOG (MAINTENANCE)

FIG ITEM	PART NUMBER	1 2 3 4 5 6 7	NOMENCLATURE	EFFECT FROM TO	UNITS PER ASSY
5			DUCT INSTL-LAV AND GALLEY VENT SYS		
- 1	214T3004-123		DUCT INSTL-LAV AND GALLEY VENT SYS FOR NHA SEE: 21-00-00-03A	163999	RF
- 1	214T3004-71		DUCT INSTL-LAV AND GALLEY VENT SYS FOR NHA SEE: 21-00-00-03A	155162	RF
- 5	214T3004-72		.DUCT INSTL		1
10	T012L0		..STRAP SUPPLIER CODE: V53421 SPECIFICATION NUMBER: BACS38K6		5
15	BE1503-20D0050		..HOSE SUPPLIER CODE: V05399 SPECIFICATION NUMBER: AS1503-20D0050		1
20	214T3431-10		..DUCT		1
25	214T3424-7		..SUPPORT-DUCT ATTACHING PARTS		1
- 30	NAS1801-3-7		..SCREW		2
- 35	BRH10A3		..NUT SUPPLIER CODE: V52828 SPECIFICATION NUMBER: BACN10JC3 OPTIONAL PART: H10-3BAC V15653 NS202101-02 V80539 RMLH9075-3W V72962 VN303A02 V92215 96-02 V80539 T6S1032J V11815 -----*-----		2
40	214T3462-1		..BRACKET ATTACHING PARTS		1
- 45	NAS1801-3-7		..SCREW -----*-----		2
55	214T3126-15		..BRACKET ASSY		2

ILLUSTRATION ITEMS NOT ON PARTS LIST ARE NOT APPLICABLE

- ITEM NOT ILLUSTRATED

21-26-52-05

21-26-52  
FIG. 05  
PAGE 1  
DEC 22/07

HXL

**BOEING**  
767  
**PARTS CATALOG (MAINTENANCE)**

FIG ITEM	PART NUMBER	1 2 3 4 5 6 7	NOMENCLATURE	EFFECT FROM TO	UNITS PER ASSY
5			ATTACHING PARTS		
- 60	NAS1801-3-7	..	SCREW		2
- 65	AN960D10L	..	WASHER		2
			-----*-----		
- 100	214T3004-73	.DUCT	INSTL		1
105	T012L0	..	STRAP		5
			SUPPLIER CODE: V53421		
			SPECIFICATION NUMBER: BACS38K6		
110	BOE2027-24D0050	..	HOSE		1
			SUPPLIER CODE: V16632		
			SPECIFICATION NUMBER: AS1503-24D0050		
115	214T3431-13	..	DUCT		1
120	214T3126-15	..	BRACKET ASSY		3
			ATTACHING PARTS		
- 125	NAS1801-3-7	..	SCREW		6
- 130	AN960D10L	..	WASHER		6
			-----*-----		
- 150	214T3004-74	.DUCT	INSTL		1
155	T012L0	..	STRAP		5
			SUPPLIER CODE: V53421		
			SPECIFICATION NUMBER: BACS38K6		
160	BOE2027-24D0050	..	HOSE		1
			SUPPLIER CODE: V16632		
			SPECIFICATION NUMBER: AS1503-24D0050		
165	214T3431-13	..	DUCT		1
170	214T3126-15	..	BRACKET ASSY		3
			ATTACHING PARTS		
- 175	NAS1801-3-7	..	SCREW		6
- 180	AN960D10L	..	WASHER		6
			-----*-----		
- 200	214T3004-75	.DUCT	INSTL	155162	1
- 200	214T3004-113	.DUCT	INSTL	163999	1
205	T012L0	..	STRAP		5
			SUPPLIER CODE: V53421		
			SPECIFICATION NUMBER: BACS38K6		
R 210	NAS1922-0525-1	..	CLAMP-		1
R 210	NAS1922-0525-3	..	CLAMP-		1

ILLUSTRATION ITEMS NOT ON PARTS LIST ARE NOT APPLICABLE

- ITEM NOT ILLUSTRATED

HXL

**21-26-52-05**

BOEING PROPRIETARY - Copyright © - Unpublished Work - See title page for details.

21-26-52  
FIG. 05  
PAGE 2  
AUG 22/09

 **BOEING**  
767  
**PARTS CATALOG (MAINTENANCE)**

FIG ITEM	PART NUMBER	1 2 3 4 5 6 7	NOMENCLATURE	EFFECT FROM TO	UNITS PER ASSY
5					
215	BOE2027-24D0050	..	HOSE SUPPLIER CODE: V16632 SPECIFICATION NUMBER: AS1503-24D0050		1
220	214T3423-12	..	DUCT	155162	1
220	214T3423-16	..	DUCT ASSY	163999	1
225	214T3004-59	..	BRACKET ASSY ATTACHING PARTS	155162	1
- 230	NAS1801-3-7	..	SCREW	155162	4
			-----*-----		
235	214T3424-7	...	SUPPORT-DUCT ATTACHING PARTS	155162	1
- 240	NAS1801-3-7	...	SCREW	155162	2
- 245	BRH10A3	...	NUT SUPPLIER CODE: V52828 SPECIFICATION NUMBER: BACN10JC3 OPTIONAL PART: H10-3BAC V15653 NS202101-02 V80539 RMLH9075-3W V72962 VN303A02 V92215 96-02 V80539 T6S1032J V11815	155162	2
			-----*-----		
250	214T3004-120	..	BRACKET ASSY ATTACHING PARTS	163999	1
- 255	NAS1801-3-7	..	SCREW	163999	4
- 260	AN960D10L	..	WASHER	163999	4
			-----*-----		
265	214T3424-7	...	SUPPORT-DUCT ATTACHING PARTS	163999	1
- 270	NAS1801-3-7	...	SCREW	163999	2
- 275	AN960D10L	...	WASHER	163999	2
- 280	MS21042L3	...	NUT	163999	2
			-----*-----		
285	214T3126-15	..	BRACKET ASSY ATTACHING PARTS		2
- 290	NAS1801-3-7	..	SCREW		4
- 295	AN960D10L	..	WASHER		4
			-----*-----		
ILLUSTRATION ITEMS NOT ON PARTS LIST ARE NOT APPLICABLE					

- ITEM NOT ILLUSTRATED

HXL

# 21-26-52-05

BOEING PROPRIETARY - Copyright © - Unpublished Work - See title page for details.

21-26-52  
FIG. 05  
PAGE 3  
DEC 22/07

 **BOEING**  
767  
**PARTS CATALOG (MAINTENANCE)**

FIG ITEM	PART NUMBER	1 2 3 4 5 6 7	NOMENCLATURE	EFFECT FROM TO	UNITS PER ASSY
5					
- 300	214T3004-114	.	DUCT INSTL	163999	1
305	T012L0	..	STRAP	163999	12
			SUPPLIER CODE: V53421		
			SPECIFICATION NUMBER: BACS38K6		
310	AS1506-07D30	..	HOSE-	163999	3
315	214T3510-12	..	DUCT	163999	1
320	214T3510-14	..	DUCT	163999	1
325	214T3510-13	..	DUCT	163999	1
330	NAS1801-3-6	..	SCREW	163999	12
335	AN960D10L	..	WASHER	163999	12
340	214T3424-1	..	SUPPORT	163999	6
345	S38J1	..	ATTACHMENT	163999	12
			SUPPLIER CODE: V59237		
			SPECIFICATION NUMBER: BACS38J1		
			OPTIONAL PART: 30187-2		
			V26835		
350	S38J2	..	STRAP	163999	12
			SUPPLIER CODE: V59237		
			SPECIFICATION NUMBER: BACS38J2		
			OPTIONAL PART: 30187-3		
			V26835		
- 400	214T3004-76	.	DUCT INSTL		1
410	T012L0	..	STRAP		5
			SUPPLIER CODE: V53421		
			SPECIFICATION NUMBER: BACS38K6		
R 415	NAS1922-0525-1	..	CLAMP-		1
R 415	NAS1922-0525-3	..	CLAMP-		1
420	BE1503-20D0050	..	HOSE		1
			SUPPLIER CODE: V05399		
			SPECIFICATION NUMBER: AS1503-20D0050		
430	214T3416-24	..	DUCT ASSY		1
443	NAS1801-3-7	...	SCREW		2
444	NAS1149D0316J	...	WASHER		2
445	MS21042L3	...	NUT		2
446	214T3424-7	...	SUPPORT		1
447	214T3426-7	...	BRACKET		1
450	214T3004-60	..	BRACKET ASSY		1

ILLUSTRATION ITEMS NOT ON PARTS LIST ARE NOT APPLICABLE

- ITEM NOT ILLUSTRATED

HXL

# 21-26-52-05

BOEING PROPRIETARY - Copyright © - Unpublished Work - See title page for details.

21-26-52  
FIG. 05  
PAGE 4  
AUG 22/09

**BOEING**  
767  
**PARTS CATALOG (MAINTENANCE)**

FIG ITEM	PART NUMBER	1 2 3 4 5 6 7	NOMENCLATURE	EFFECT FROM TO	UNITS PER ASSY
5			ATTACHING PARTS		
455	NAS1801-3-7	..	SCREW		4
			-----*-----		
460	214T3424-7	...	SUPPORT-DUCT		1
			ATTACHING PARTS		
465	NAS1801-3-7	...	SCREW		2
- 470	BRH10A3	...	NUT		2
			SUPPLIER CODE: V52828		
			SPECIFICATION NUMBER: BACN10JC3		
			OPTIONAL PART: H10-3BAC		
			V15653		
			NS202101-02		
			V80539		
			RMLH9075-3W		
			V72962		
			VN303A02		
			V92215		
			96-02		
			V80539		
			T6S1032J		
			V11815		
			-----*-----		
475	214T3424-7	..	SUPPORT-DUCT		1
			ATTACHING PARTS		
480	NAS1801-3-7	..	SCREW		2
490	MS21042L3	..	NUT		2
			-----*-----		
495	214T3467-2	..	BRACKET		1
560	214T3004-78	..	BRACKET ASSY		1
			ATTACHING PARTS		
565	NAS1801-3-6	..	SCREW		4
570	NAS1802-3-6	..	SCREW		2
575	MS21042L3	..	NUT		4

ILLUSTRATION ITEMS NOT ON PARTS LIST ARE NOT APPLICABLE

- ITEM NOT ILLUSTRATED

HXL

21-26-52-05

BOEING PROPRIETARY - Copyright © - Unpublished Work - See title page for details.

21-26-52  
FIG. 05  
PAGE 5  
DEC 22/07

**BOEING**  
767  
**PARTS CATALOG (MAINTENANCE)**

FIG ITEM	PART NUMBER	1 2 3 4 5 6 7	NOMENCLATURE	EFFECT FROM TO	UNITS PER ASSY
5					
580	BRH10C3D	..	NUT SUPPLIER CODE: V52828 SPECIFICATION NUMBER: BACN10JC3CD OPTIONAL PART: T6C1032JCD V11815 NS202486-02 V80539 102LH9075-3W V72962 H51650-3BAC V15653 -----*-----		2
585	BACG20ZA0585	...	GROMMET		1
590	NAS557-12B	...	GROMMET		2
595	214T3439-19	...	BRACKET ATTACHING PARTS		1
- 600	NAS1801-3-6	...	SCREW		4
- 605	AN960D10L	...	WASHER		4
- 610	MS21042L3	...	NUT -----*-----		4
- 650	214T3004-77	.	DUCT INSTL		1
655	PLT4SM	..	STRAP SUPPLIER CODE: V06383 SPECIFICATION NUMBER: BACS38K2 OPTIONAL PART: T05LO V53421		14
670	T012LO	..	STRAP SUPPLIER CODE: V53421 SPECIFICATION NUMBER: BACS38K6		7
675	T012LO	..	STRAP SUPPLIER CODE: V53421 SPECIFICATION NUMBER: BACS38K6		4
680	NAS1922-0225-1	..	CLAMP		4
690	NAS1922-0575-1	..	CLAMP-		2
690	NAS1922-0575-3	..	CLAMP-		2
700	STBC10GG234	..	CLAMP		2
705	STBC10GG234	..	CLAMP		2
715	AS1506-20D32	..	SLEEVE		1
720	AS1506-28D32	..	HOSE		1
ILLUSTRATION ITEMS NOT ON PARTS LIST ARE NOT APPLICABLE					

- ITEM NOT ILLUSTRATED

# 21-26-52-05

21-26-52  
FIG. 05  
PAGE 6  
AUG 22/09

HXL

BOEING PROPRIETARY - Copyright © - Unpublished Work - See title page for details.



767

PARTS CATALOG (MAINTENANCE)

FIG ITEM	PART NUMBER	1 2 3 4 5 6 7	NOMENCLATURE	EFFECT FROM TO	UNITS PER ASSY
5					
730	AS1506-10D30	..	HOSE		2
735	BOE2022-10A0050	..	HOSE		4
			SUPPLIER CODE: V16632		
			SPECIFICATION NUMBER: AS1544-10A0050		
745	214T3110-1	..	MUFFLER ASSY		4
750	NAS1801-3-7	...	SCREW		4
755	AN960PD10L	...	WASHER		4
			ATTACHING PARTS		
760	BRC500-8-3	...	NUT		4
			SUPPLIER CODE: V52828		
			SPECIFICATION NUMBER: BACN10FX21		
			OPTIONAL PART: F49322-3-21		
			V15653		
			SL240-3-1		
			V97393		
			130061		
			V60119		
			A11330-8-3		
			V72962		
			-----*-----		
765	214T3493-2	...	CAP-HOUSING		1
770	214T3494-1	...	SCREEN ASSY		1
775	214T3493-1	...	HOUSING		1
780	214T3495-2	..	DUCT		2
785	214T3432-7	..	DUCT ASSY		1
790	214T3432-8	..	DUCT		1
795	214T3004-56	..	BRACKET INSTL		1
			ATTACHING PARTS		
- 799	NAS1801-3-6	..	SCREW		6
- 803	AN960D10L	..	WASHER		6
- 807	MS21042L3	..	NUT		6
			-----*-----		
811	214T3424-7	...	SUPPORT-DUCT		1
			ATTACHING PARTS		
- 814	NAS1801-3-7	...	SCREW		2
- 817	AN960D10L	...	WASHER		2
- 820	MS21042L3	...	NUT		2
			-----*-----		
824	214T3111-1	..	BRACKET ASSY		1
828	214T3424-3	..	SUPPORT		2
			ATTACHING PARTS		
- 832	NAS1801-3-7	..	SCREW		4
- 836	AN960D10L	..	WASHER		4

ILLUSTRATION ITEMS NOT ON PARTS LIST ARE NOT APPLICABLE

- ITEM NOT ILLUSTRATED

21-26-52-05

21-26-52  
FIG. 05  
PAGE 7  
AUG 22/09

HXL

BOEING PROPRIETARY - Copyright © - Unpublished Work - See title page for details.

**BOEING**  
767  
**PARTS CATALOG (MAINTENANCE)**

FIG ITEM	PART NUMBER	1 2 3 4 5 6 7	NOMENCLATURE	EFFECT FROM TO	UNITS PER ASSY
5					
- 840	MS21042L3	..	NUT		4
		-----*			
844	214T3465-9	..	BRACKET		1
848	214T3465-10	..	BRACKET		1
			ATTACHING PARTS		
- 852	NAS1801-3-6	..	SCREW		8
- 856	AN960D10L	..	WASHER		8
- 860	MS21042L3	..	NUT		8
		-----*			
864	214T3004-57	..	BRACKET INSTL		1
			ATTACHING PARTS		
- 868	NAS1801-3-6	..	SCREW		8
- 872	AN960D10L	..	WASHER		8
- 876	MS21042L3	..	NUT		8
		-----*			
880	214T3424-10	...	SUPPORT-DUCT		1
			ATTACHING PARTS		
- 884	NAS1801-3-7	...	SCREW		2
- 888	AN960D10L	...	WASHER		2
- 892	MS21042L3	...	NUT		2
		-----*			
896	BACB30PF3-3	..	BOLT		2
900	AN960C10	..	WASHER		1
904	AN960C6	..	WASHER		2
908	BRH10A3	..	NUT		2
			SUPPLIER CODE: V52828		
			SPECIFICATION NUMBER: BACN10JC3		
			OPTIONAL PART: H10-3BAC		
			V15653		
			NS202101-02		
			V80539		
			RMLH9075-3W		
			V72962		
			VN303A02		
			V92215		
			96-02		
			V80539		
			T6S1032J		
			V11815		
912	214T3441-4	..	BRACKET		1
916	214T2103-2	..	SUPPORT ASSY		1
920	214T3424-10	..	SUPPORT-DUCT		1
			ATTACHING PARTS		
- 924	NAS1801-3-7	..	SCREW		2

ILLUSTRATION ITEMS NOT ON PARTS LIST ARE NOT APPLICABLE

- ITEM NOT ILLUSTRATED

HXL

**21-26-52-05**

BOEING PROPRIETARY - Copyright © - Unpublished Work - See title page for details.

21-26-52  
FIG. 05  
PAGE 8  
AUG 22/09





767

PARTS CATALOG (MAINTENANCE)

FIG ITEM	PART NUMBER	1 2 3 4 5 6 7	NOMENCLATURE	EFFECT FROM TO	UNITS PER ASSY
5 - 928	BRH10A3		..NUT SUPPLIER CODE: V52828 SPECIFICATION NUMBER: BACN10JC3 OPTIONAL PART: H10-3BAC V15653 NS202101-02 V80539 RMLH9075-3W V72962 VN303A02 V92215 96-02 V80539 T6S1032J V11815 -----*-----		2
932	NAS1801-3-7		.. SCREW		4
936	BRH10C3D		..NUT SUPPLIER CODE: V52828 SPECIFICATION NUMBER: BACN10JC3CD OPTIONAL PART: T6C1032JCD V11815 NS202486-02 V80539 102LH9075-3W V72962 H51650-3BAC V15653		4
940	214T3483-1		.. BRACKET		1
944	214T3483-2		.. BRACKET		1
948	214T3483-3		.. BRACKET		1

ILLUSTRATION ITEMS NOT ON PARTS LIST ARE NOT APPLICABLE

- ITEM NOT ILLUSTRATED

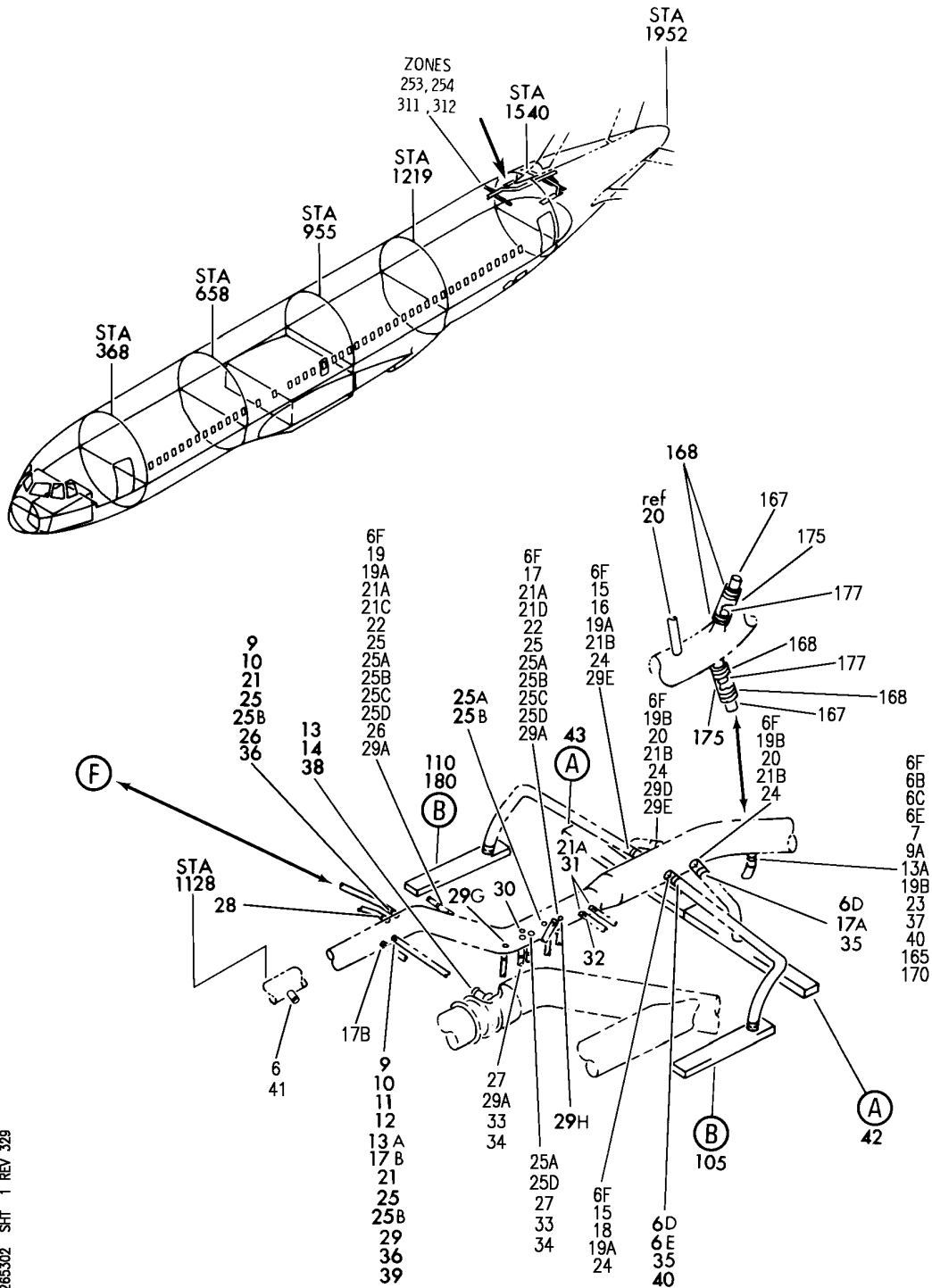
HXL

21-26-52-05

BOEING PROPRIETARY - Copyright © - Unpublished Work - See title page for details.

21-26-52  
 FIG. 05  
 PAGE 9  
 DEC 22/07


**BOEING**  
 767  
**PARTS CATALOG (MAINTENANCE)**



V 21265302 SHT 1 REV 329

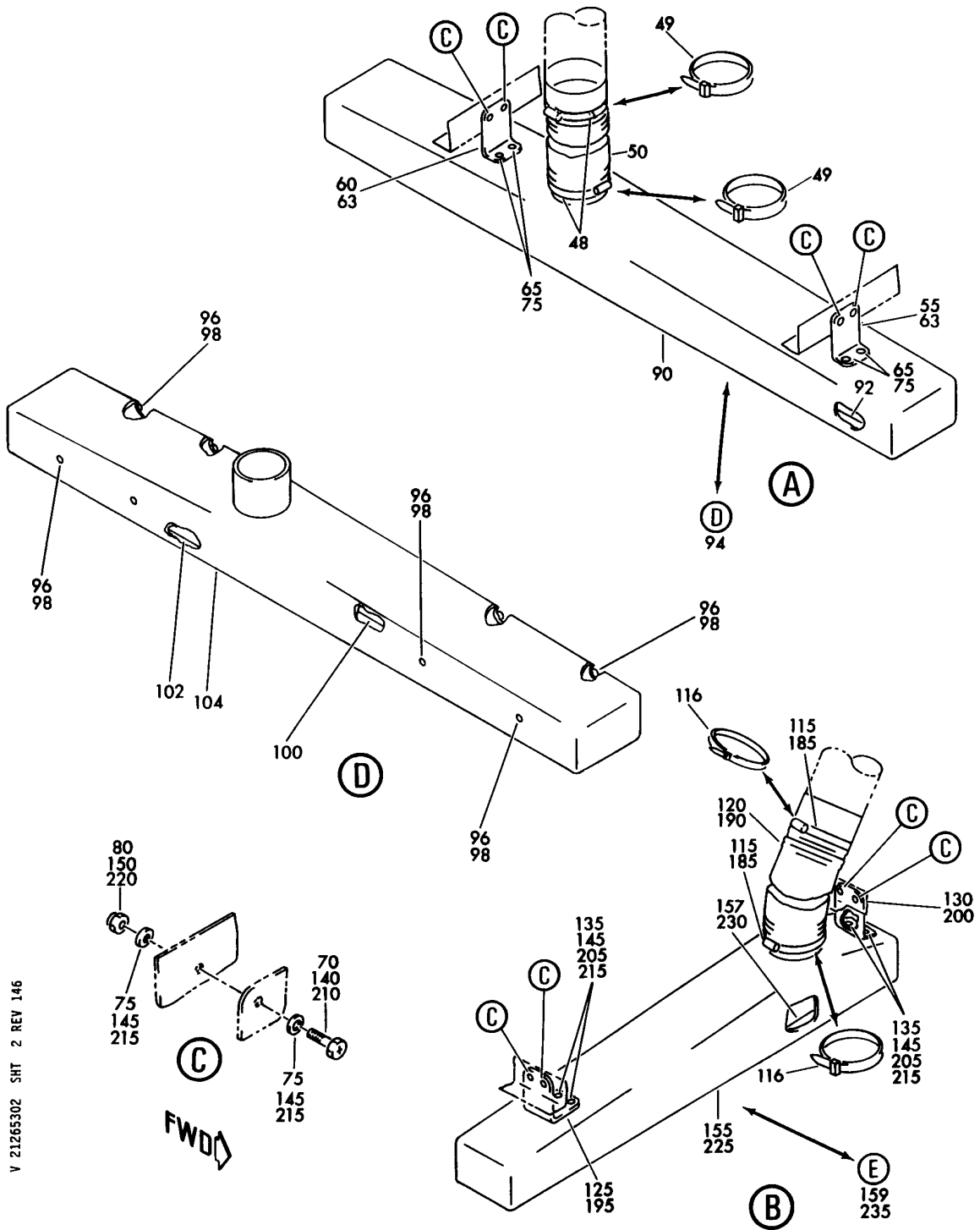
INLET INSTL-LAV AND GALLEY VENT SYS  
 FIGURE 2 (SHEET 1)

**21-26-53-02**

HXL  
AUG 22/08

21-26-53-02  
 PAGE 0

**BOEING**  
767  
PARTS CATALOG (MAINTENANCE)



V 21265302 SHT 2 REV 146

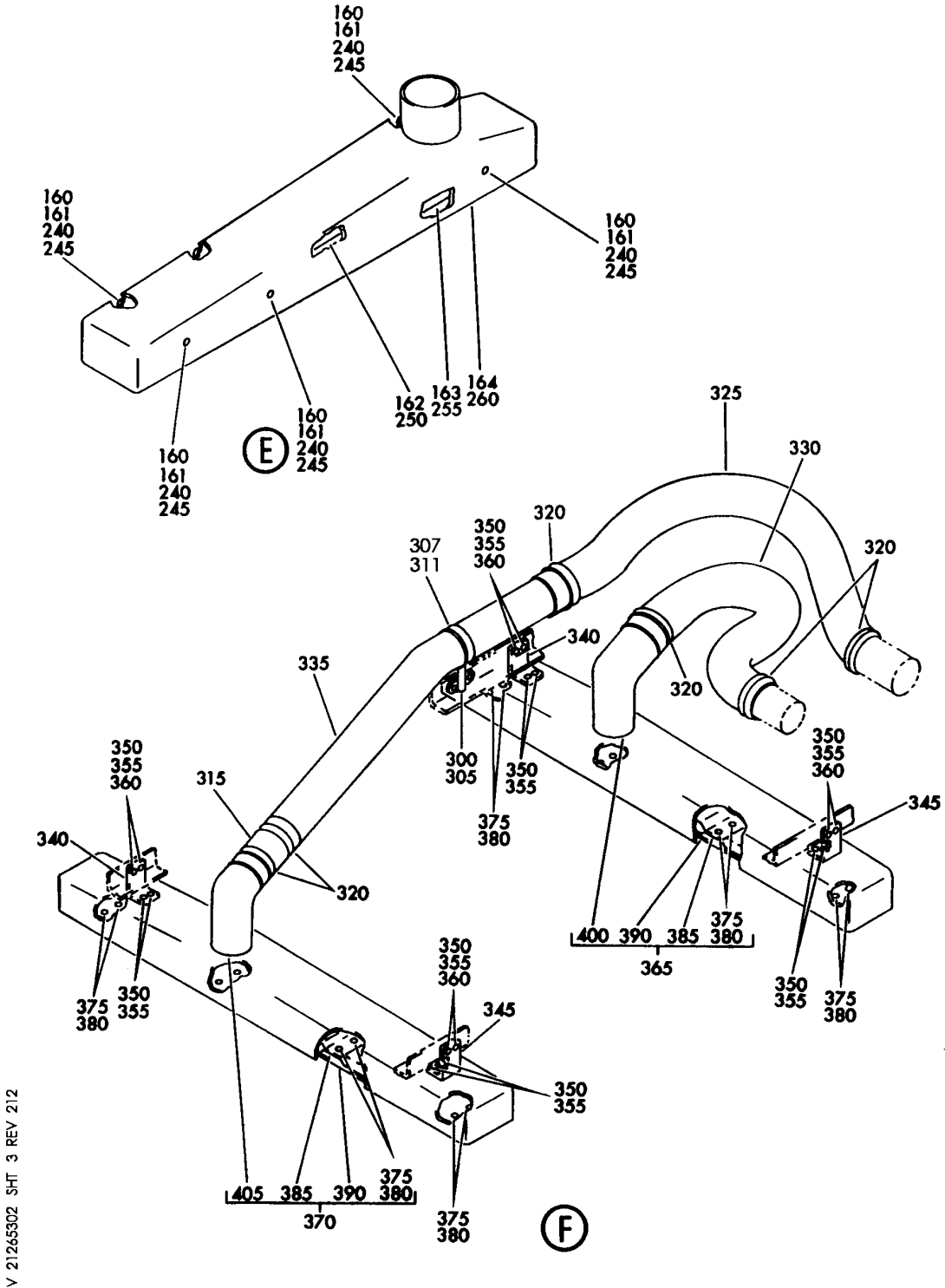
INLET INSTL-LAV AND GALLEY VENT SYS  
FIGURE 2 (SHEET 2)

**21-26-53-02**

HXL  
DEC 22/06

21-26-53-02  
PAGE 0A

**BOEING**  
767  
PARTS CATALOG (MAINTENANCE)



V 21265302 SHT 3 REV 212

INLET INSTL-LAV AND GALLEY VENT SYS  
FIGURE 2 (SHEET 3)

**21-26-53-02**



767

PARTS CATALOG (MAINTENANCE)

FIG ITEM	PART NUMBER	1 2 3 4 5 6 7	NOMENCLATURE	EFFECT FROM TO	UNITS PER ASSY
2			INLET INSTL-LAV AND GALLEY VENT SYS	155162	
- 4	214T3053-62		INLET INSTL-LAV AND GALLEY VENT SYS FOR NHA SEE: 21-00-00-03A	155162	RF
15	214T3436-342		.ORIFICE ASSY-	155162	2
20	214T3436-888		.ORIFICE ASSY-	155162	2
23	214T3436-212		.ORIFICE ASSY-	155162	1
28	214T3436-399		.ORIFICE ASSY	155162	1
42	214T3053-101		.INLET ASSY-	155162	1
42	214T3053-107		.INLET INSTL-	155162	1
43	214T3053-102		.INLET ASSY-	155162	1
43	214T3053-108		.INLET INSTL-	155162	1
48	NAS1922-0225-1		..CLAMP-	155162	2
49	PLT4SM		..STRAP-	155162	2
			SUPPLIER CODE: V06383 SPECIFICATION NUMBER: BACS38K2 OPTIONAL PART: T05LO V53421		
50	BOE2022-10A0152		..HOSE-	155162	1
			SUPPLIER CODE: V16632 SPECIFICATION NUMBER: AS1544-10A0152		
63	214T3464-25		..CLIP-	155162	2
			ATTACHING PARTS		
65	NAS1801-3-7		..SCREW	155162	4
70	NAS1801-3-6		..SCREW	155162	4
75	AN960PD10L		..WASHER	155162	12

ILLUSTRATION ITEMS NOT ON PARTS LIST ARE NOT APPLICABLE

- ITEM NOT ILLUSTRATED

HXL

21-26-53-02

BOEING PROPRIETARY - Copyright © - Unpublished Work - See title page for details.

21-26-53  
FIG. 02  
PAGE 1  
DEC 22/06

**BOEING**  
767  
**PARTS CATALOG (MAINTENANCE)**

FIG ITEM	PART NUMBER	1 2 3 4 5 6 7	NOMENCLATURE	EFFECT FROM TO	UNITS PER ASSY
2	80 BRH10A3		..NUT SUPPLIER CODE: V52828 SPECIFICATION NUMBER: BACN10JC3 OPTIONAL PART: H10-3BAC V15653 NS202101-02 V80539 RMLH9075-3W V72962 VN303A02 V92215 96-02 V80539 T6S1032J V11815 -----*-----	155162	4
	94 214T3119-16		..INLET ASSY-	155162	1
	96 NAS1801-3-7		...SCREW	155162	8
	98 AN960D10L		...WASHER	155162	8
	100 214T3419-29		...FILTER ASSY- MANUFACTURED FROM: 628-975-237(OPT SH AG105) 2.0 IN X 3.6 IN X 34.1 IN F25.01 SPARES ORDER MATERIAL CODE: 5381003760	155162	1
	102 214T3118-6		...RETAINER ASSY-	155162	1
	104 214T3101-100		...INLET ASSY	155162	1
	105 214T3053-109		.INLET INSTL-	155162	1
	110 214T3053-110		.INLET INSTL-	155162	1
	115 NAS1922-0225-1		..CLAMP-	155162	2
	116 PLT4SM		..STRAP- SUPPLIER CODE: V06383 SPECIFICATION NUMBER: BACS38K2 OPTIONAL PART: T05LO V53421	155162	2
	120 BOE2022-10A0102		..HOSE- SUPPLIER CODE: V16632 SPECIFICATION NUMBER: AS1544-10A0102	155162	1
	125 214T3464-24		..CLIP-	155162	1
	130 214T3464-23		..CLIP-	155162	1

R  
R  
R  
R  
R  
R  
R

ILLUSTRATION ITEMS NOT ON PARTS LIST ARE NOT APPLICABLE

- ITEM NOT ILLUSTRATED

21-26-53-02

21-26-53  
FIG. 02  
PAGE 2  
AUG 22/09

HXL

**BOEING**  
767  
**PARTS CATALOG (MAINTENANCE)**

FIG ITEM	PART NUMBER	1 2 3 4 5 6 7	NOMENCLATURE	EFFECT FROM TO	UNITS PER ASSY
2			ATTACHING PARTS		
135	NAS1801-3-7	..	SCREW	155162	4
140	NAS1801-3-6	..	SCREW	155162	4
145	AN960PD10L	..	WASHER	155162	12
150	BRH10A3	..	NUT	155162	4
			SUPPLIER CODE: V52828		
			SPECIFICATION NUMBER: BACN10JC3		
			OPTIONAL PART: H10-3BAC V15653 NS202101-02 V80539 RMLH9075-3W V72962 VN303A02 V92215 96-02 V80539 T6S1032J V11815		
			-----*-----		
159	214T3119-21	..	INLET ASSY-	155162	1
160	NAS1801-3-7	...	SCREW	155162	6
161	AN960D10L	...	WASHER	155162	6
162	214T3419-28	...	FILTER ASSY-	155162	1
			MANUFACTURED FROM: SH AG105 2.0 IN X 3.6 IN X 24.5 IN F25.01 SPARES ORDER MATERIAL CODE: 5381003760		
163	214T3118-8	...	RETAINER ASSY	155162	1
164	214T3101-104	...	INLET ASSY	155162	1

R  
R  
R  
R  
R  
R

ILLUSTRATION ITEMS NOT ON PARTS LIST ARE NOT APPLICABLE

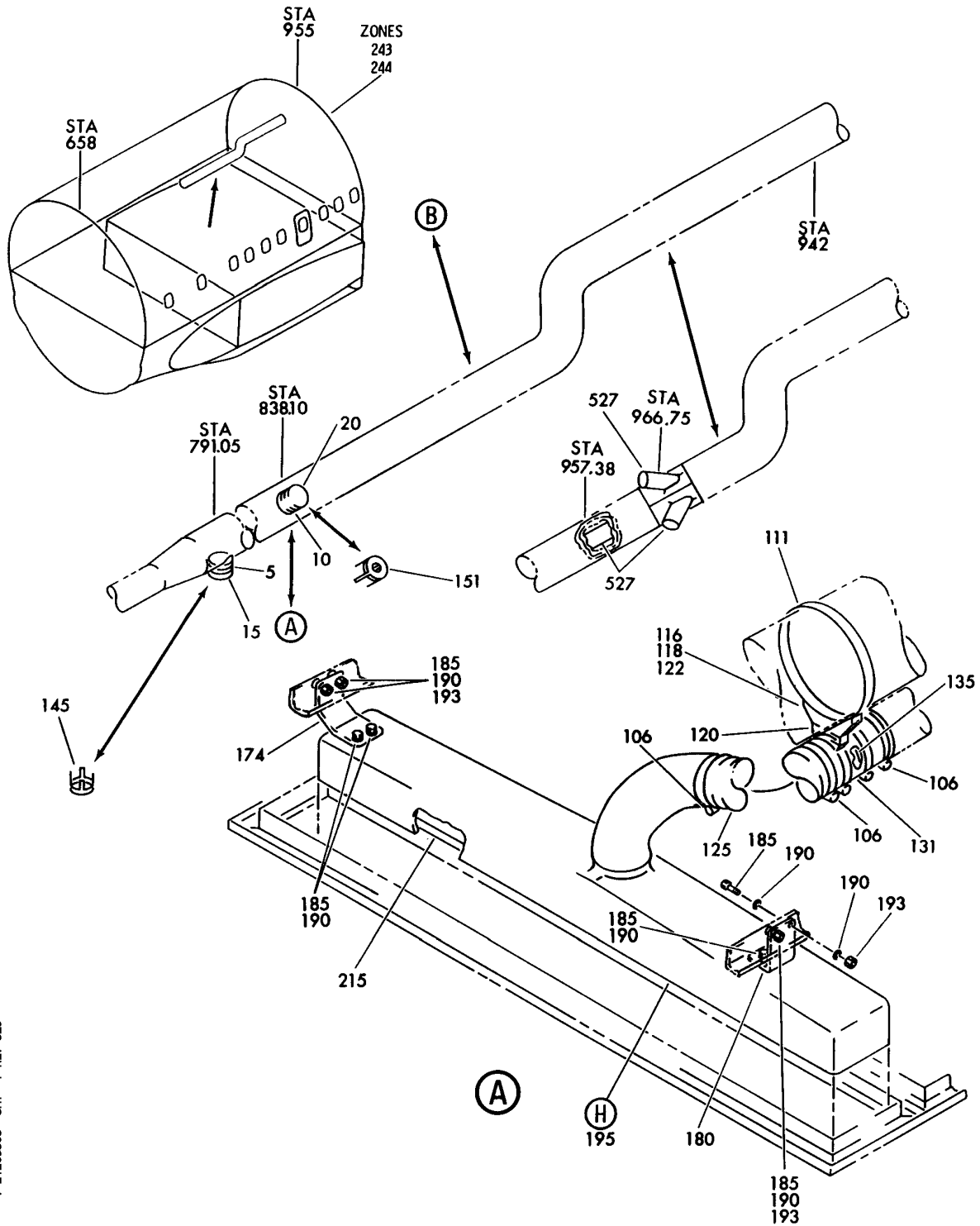
- ITEM NOT ILLUSTRATED

HXL

21-26-53-02

21-26-53  
FIG. 02  
PAGE 3  
AUG 22/09


**BOEING**  
 767  
**PARTS CATALOG (MAINTENANCE)**



V 21265305 SHT 1 REV 329

INLET INSTL-SECT. 45 LAV AND GALLEY VENT SYS  
 FIGURE 5 (SHEET 1)

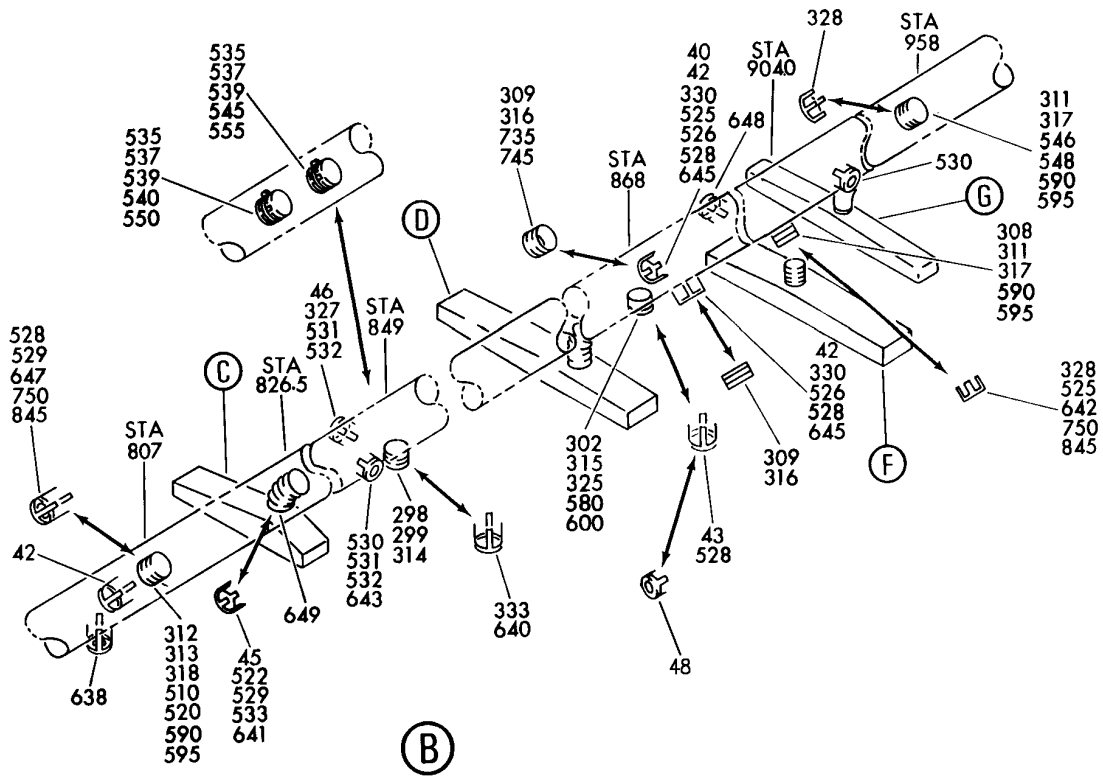
**21-26-53-05**

HXL  
AUG 22/08

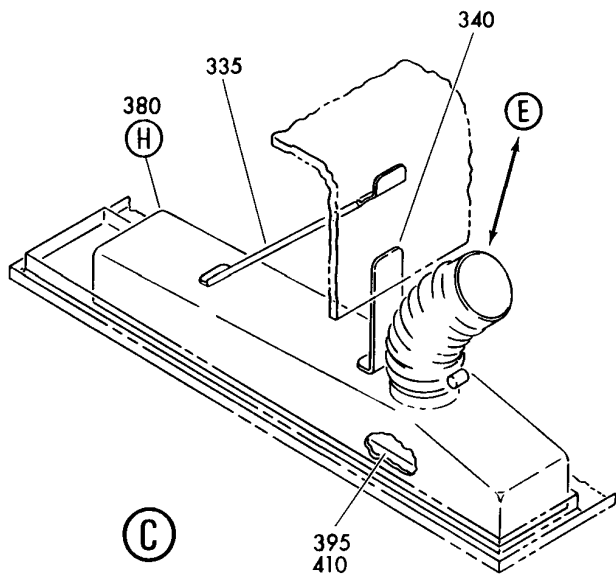
21-26-53-05  
 PAGE 0



**BOEING**  
767  
PARTS CATALOG (MAINTENANCE)



V 21265305 SHT 2 REV 329



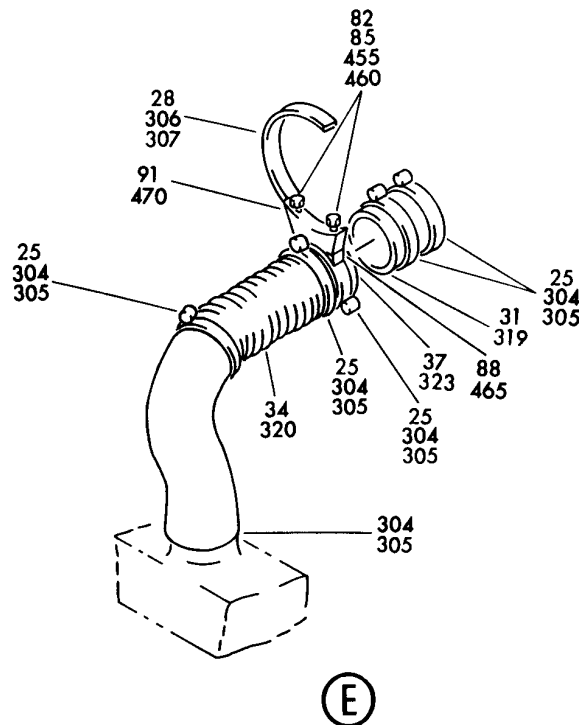
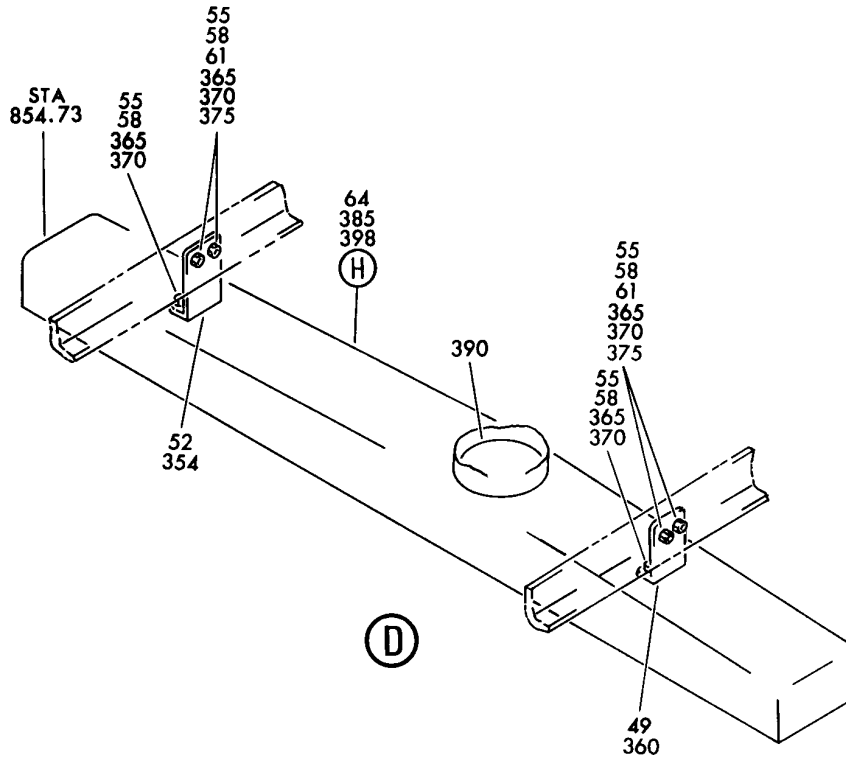
INLET INSTL-SECT. 45 LAV AND GALLEY VENT SYS  
FIGURE 5 (SHEET 2)

**21-26-53-05**

HXL  
AUG 22/08

21-26-53-05  
PAGE 0A

**BOEING**  
767  
PARTS CATALOG (MAINTENANCE)



V 21265305 SHT 3 REV 174

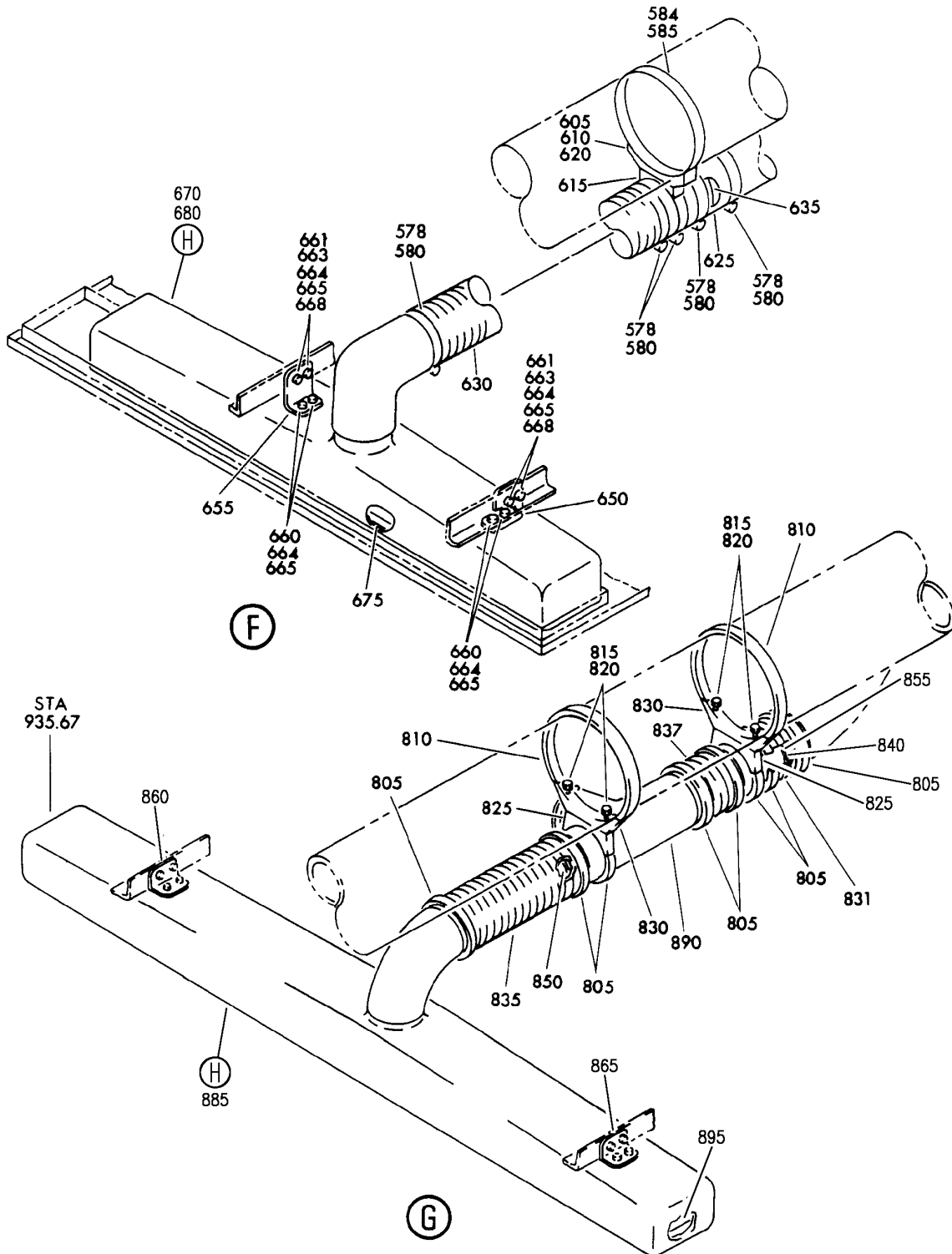
INLET INSTL-SECT. 45 LAV AND GALLEY VENT SYS  
FIGURE 5 (SHEET 3)

**21-26-53-05**

HXL  
DEC 22/06

21-26-53-05  
PAGE 0B

**BOEING**  
767  
PARTS CATALOG (MAINTENANCE)



V 21265305 SHT 4 REV 329

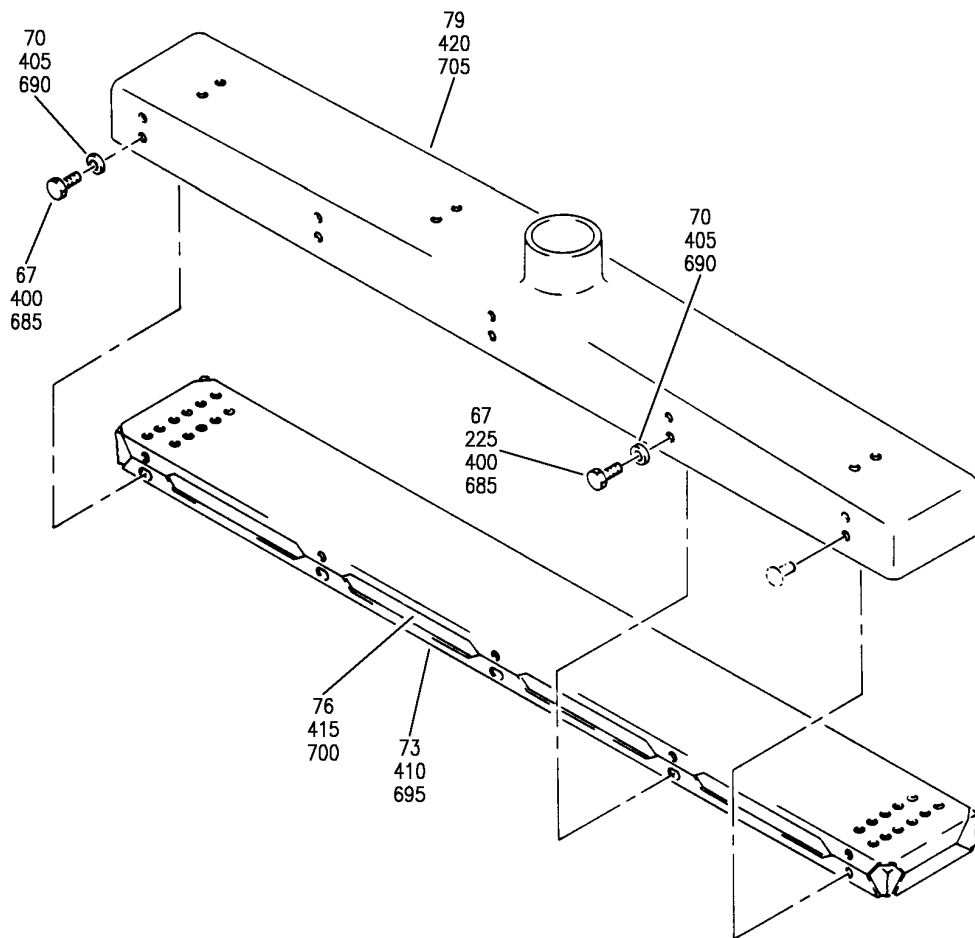
INLET INSTL-SECT. 45 LAV AND GALLEY VENT SYS  
FIGURE 5 (SHEET 4)

**21-26-53-05**

HXL  
AUG 22/08

21-26-53-05  
PAGE 0C

**BOEING**  
767  
PARTS CATALOG (MAINTENANCE)



(H)

V 21265305 SHT 5 REV 329

INLET INSTL-SECT. 45 LAV AND GALLEY VENT SYS  
FIGURE 5 (SHEET 5)

**21-26-53-05**

HXL  
AUG 22/08

21-26-53-05  
PAGE 0D



767

PARTS CATALOG (MAINTENANCE)

FIG ITEM	PART NUMBER	1 2 3 4 5 6 7	NOMENCLATURE	EFFECT FROM TO	UNITS PER ASSY
5					
- 500	214T3052-37		INLET INSTL-SECT. 45 LAV AND GALLEY VENT SYS INLET INSTL-LAV AND GALLEY VENT SYS POSITION DATA: SECT. 45 FOR NHA SEE: 21-00-00-05		RF
526	214T3436-122		.ORIFICE ASSY-		2
527	214T3436-209		.ORIFICE ASSY		3
ILLUSTRATION ITEMS NOT ON PARTS LIST ARE NOT APPLICABLE					

- ITEM NOT ILLUSTRATED

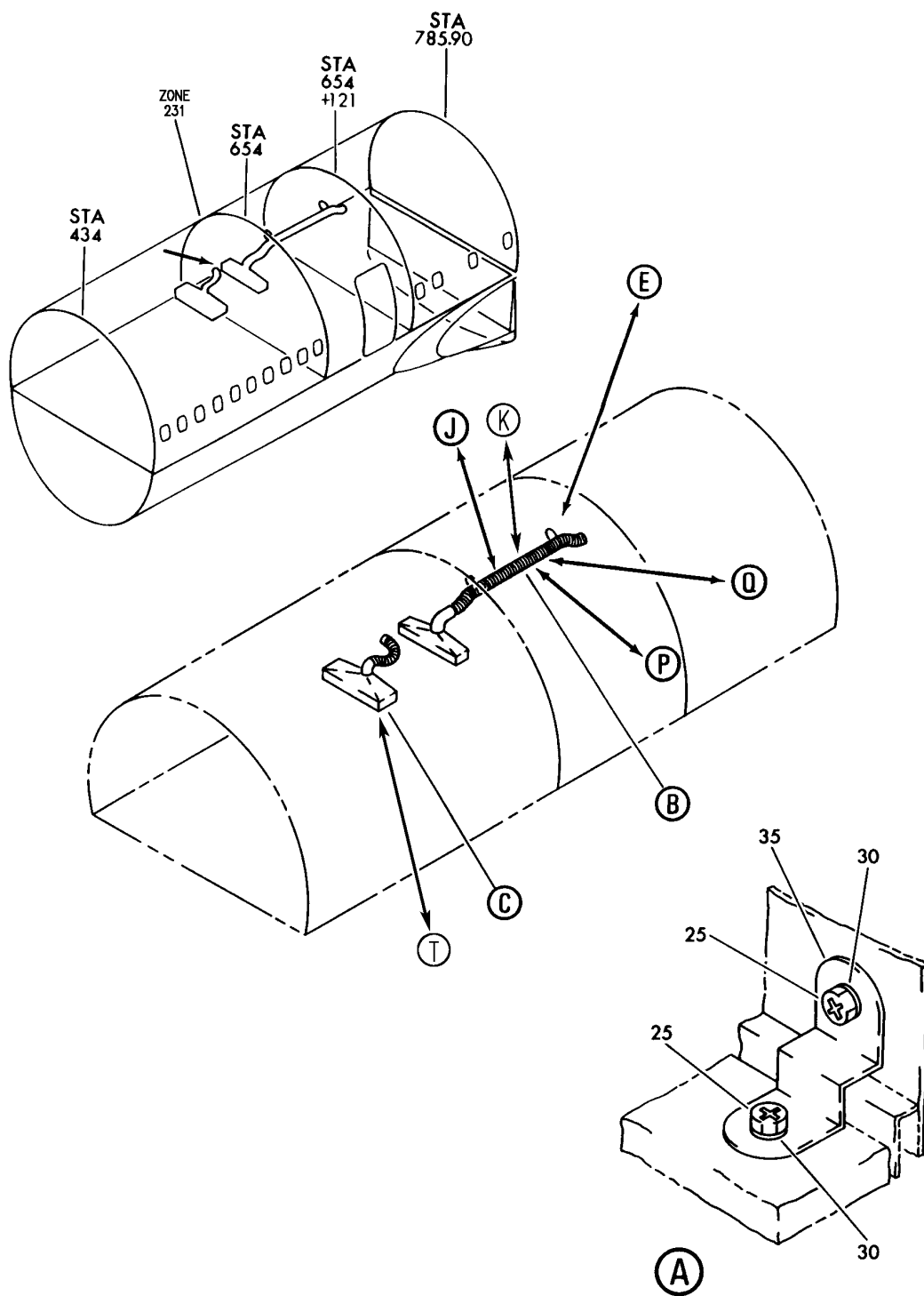
HXL

21-26-53-05

BOEING PROPRIETARY - Copyright © - Unpublished Work - See title page for details.

21-26-53  
FIG. 05  
PAGE 1  
DEC 22/07

**BOEING**  
767  
PARTS CATALOG (MAINTENANCE)



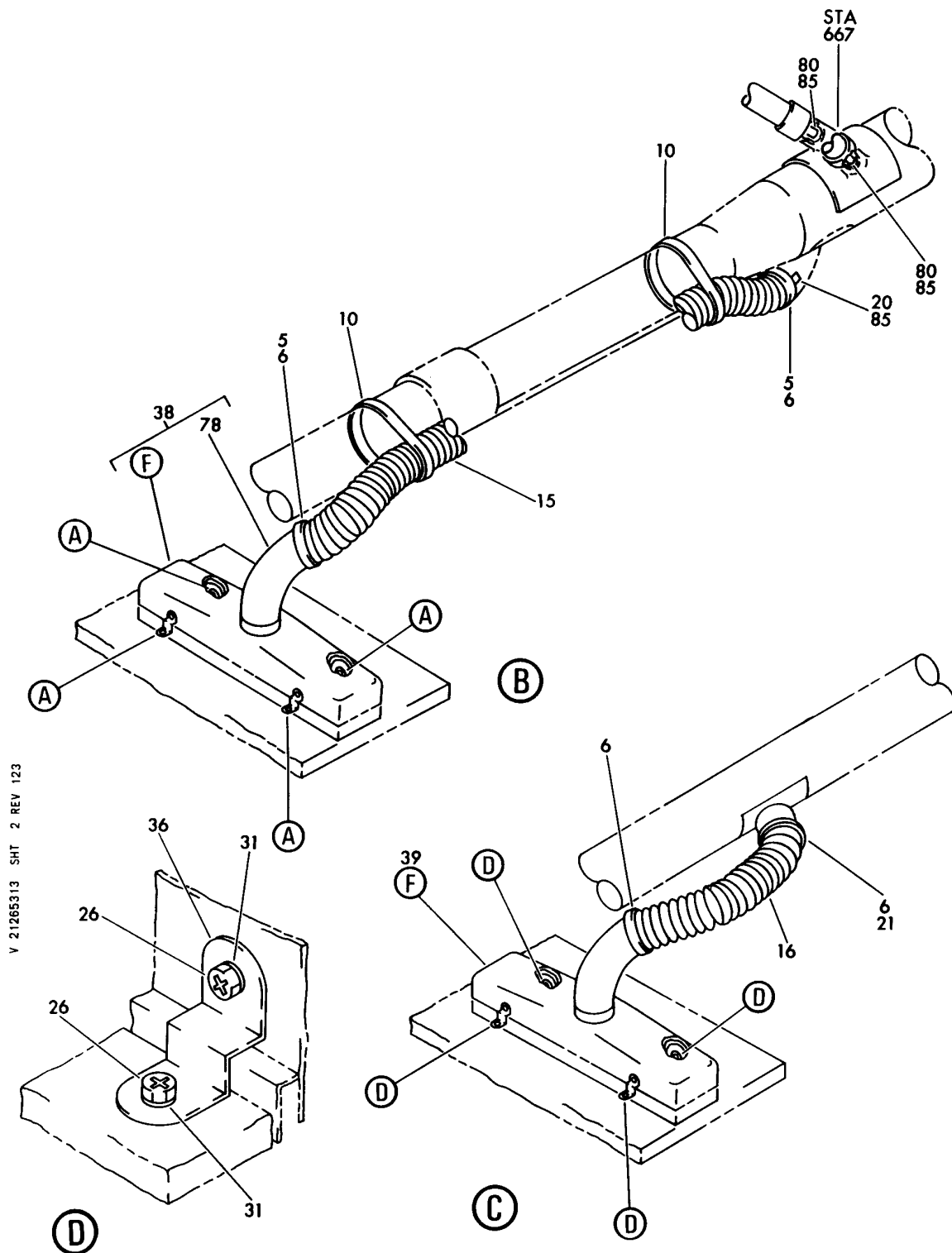
V 21265313 SH1 1 REV 270

INLET AND ORIFICE INSTL-SECT. 43 LAV GALLEY VENT SYSTEM  
FIGURE 13 (SHEET 1)

**21-26-53-13**

HXL  
DEC 22/06

21-26-53-13  
PAGE 0

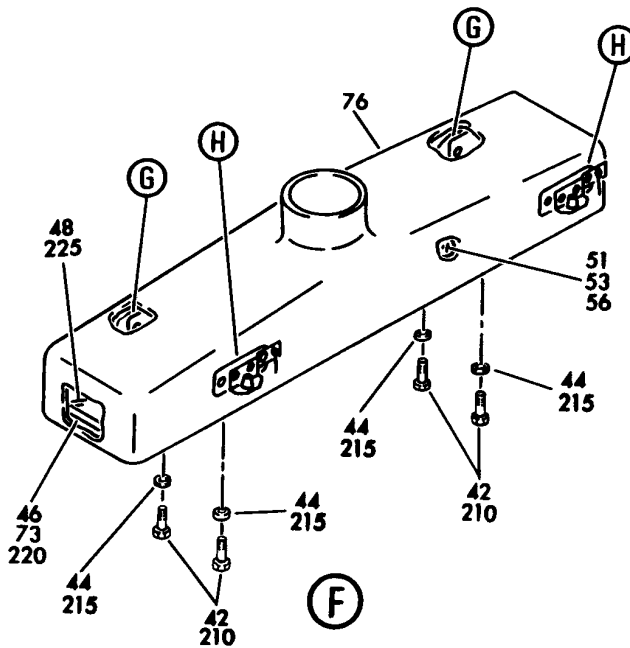
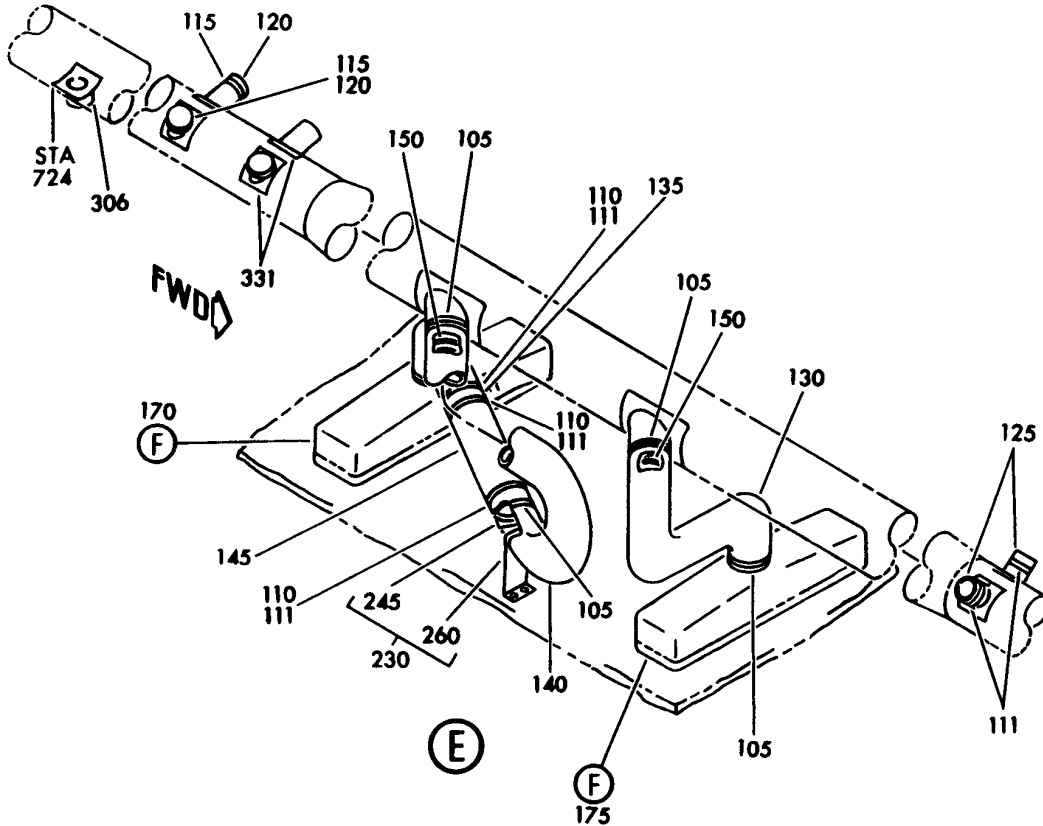


V 21265313 SHT 2 REV 123

INLET AND ORIFICE INSTL-SECT. 43 LAV GALLEY VENT SYSTEM  
FIGURE 13 (SHEET 2)

**21-26-53-13**


**BOEING**  
 767  
**PARTS CATALOG (MAINTENANCE)**



V 21265313 SHT 3 REV 211

INLET AND ORIFICE INSTL-SECT. 43 LAV GALLEY VENT SYSTEM  
 FIGURE 13 (SHEET 3)

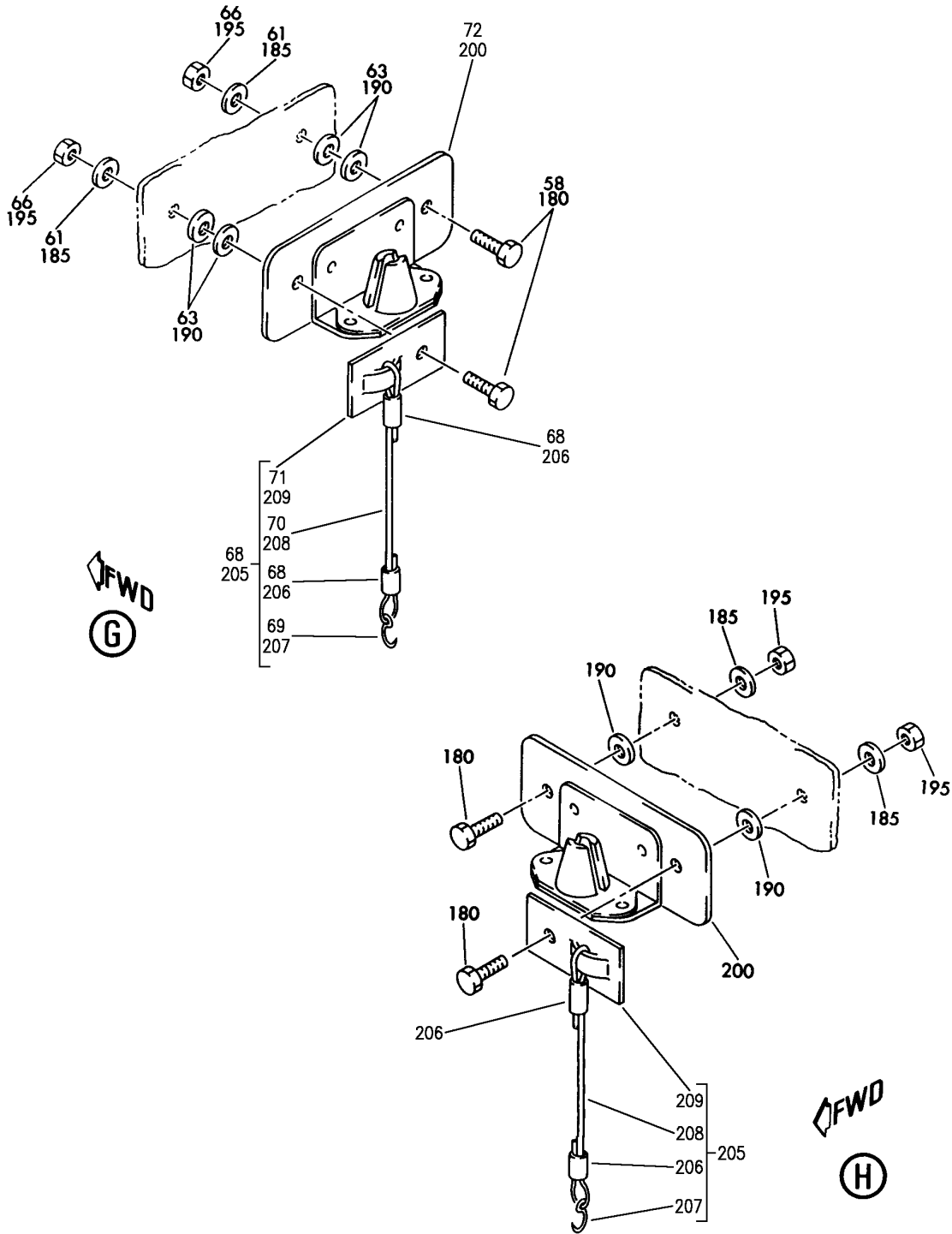
**21-26-53-13**

HXL  
DEC 22/06

21-26-53-13  
 PAGE 0B




**BOEING**  
 767  
**PARTS CATALOG (MAINTENANCE)**



V 21265313 SH1 4 REV 270

**INLET AND ORIFICE INSTL-SECT. 43 LAV GALLEY VENT SYSTEM**  
**FIGURE 13 (SHEET 4)**

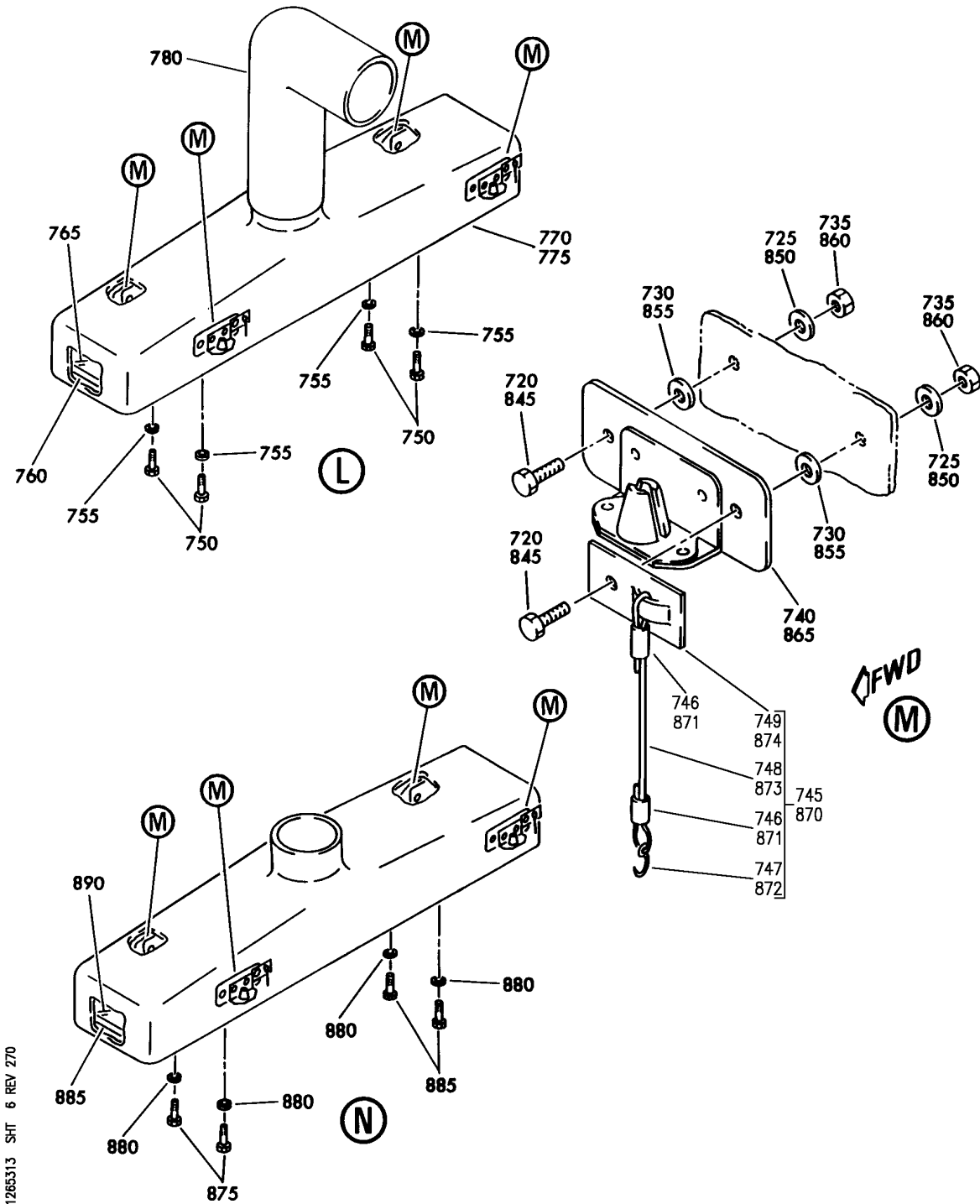
**21-26-53-13**

HXL  
DEC 22/06

21-26-53-13  
 PAGE 0C



**BOEING**  
767  
PARTS CATALOG (MAINTENANCE)

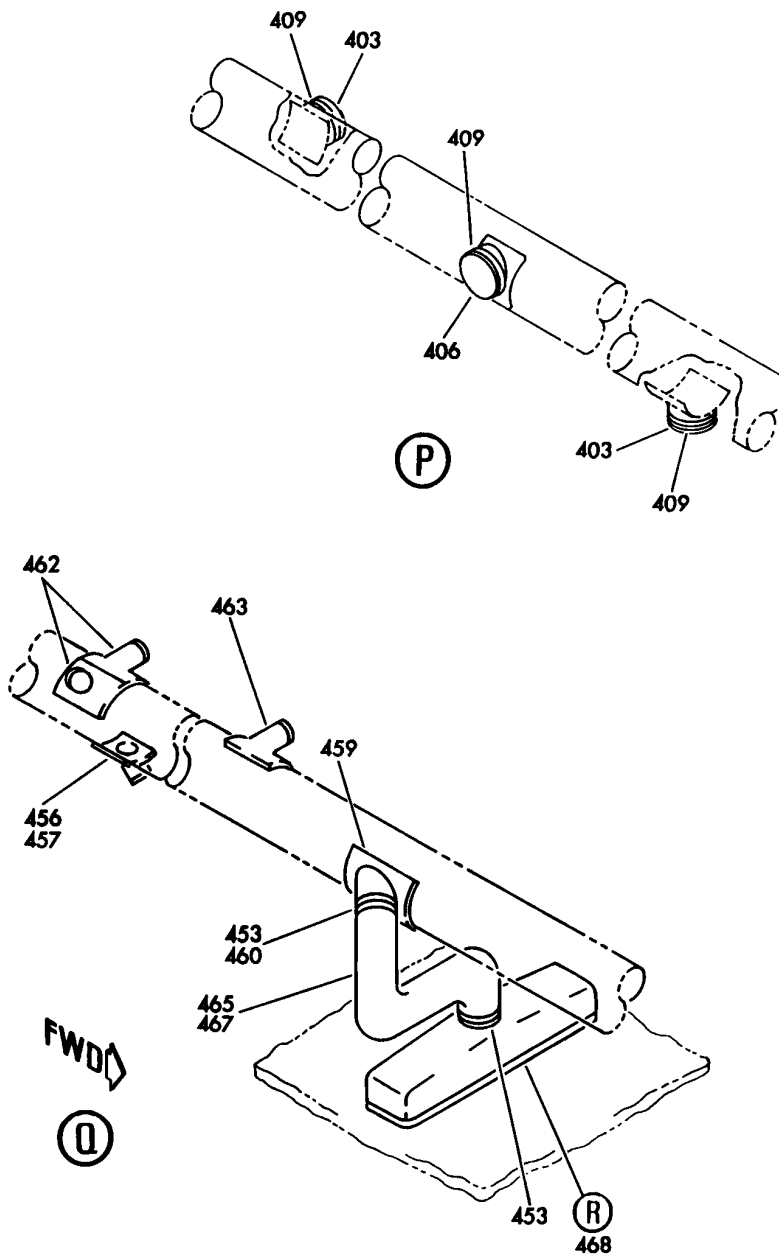


V 21265313 SH-T 6 REV 270

INLET AND ORIFICE INSTL-SECT. 43 LAV GALLEY VENT SYSTEM  
FIGURE 13 (SHEET 6)

**21-26-53-13**

**BOEING**  
767  
PARTS CATALOG (MAINTENANCE)



V 21265313 SH1 7 REV 270

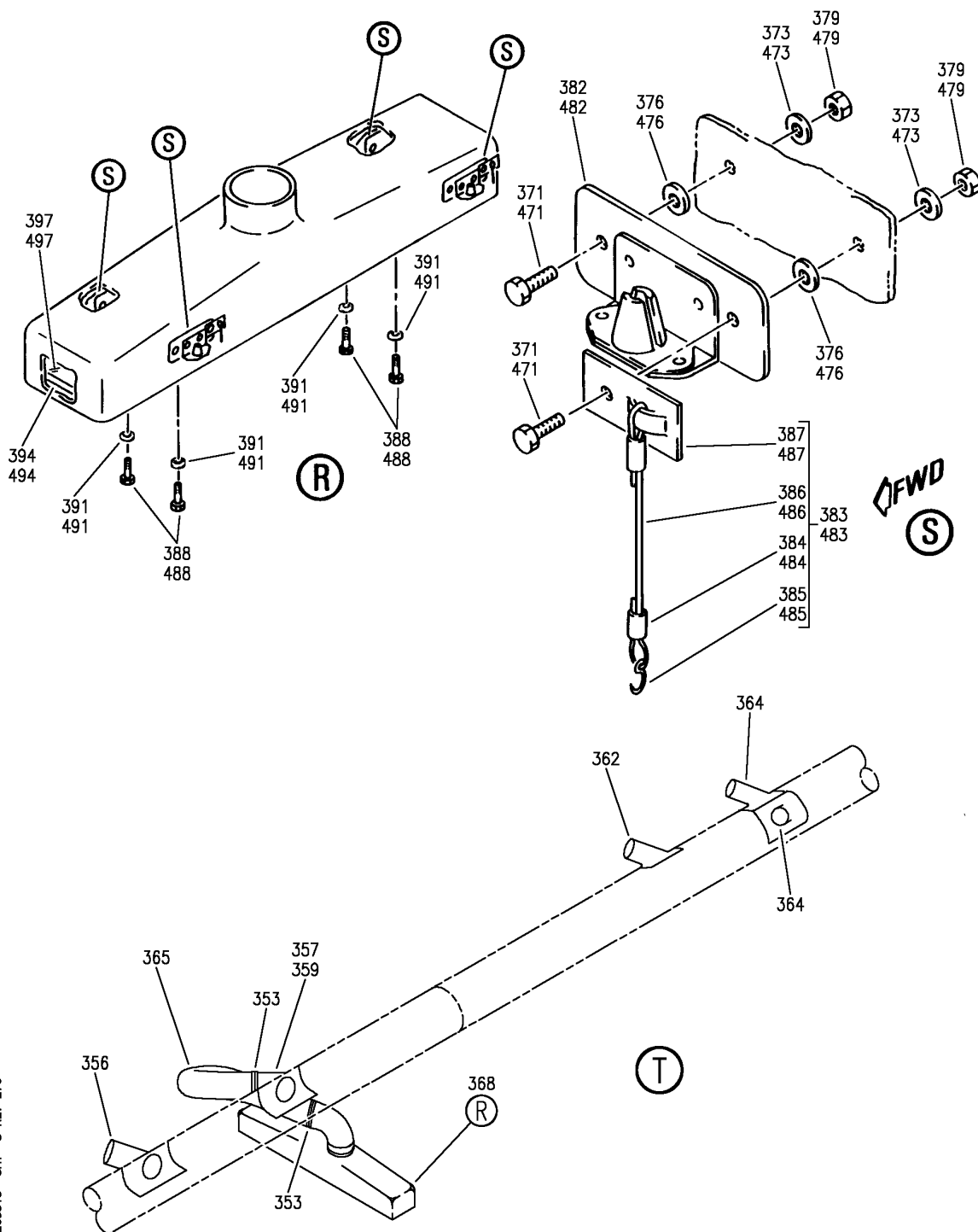
INLET AND ORIFICE INSTL-SECT. 43 LAV GALLEY VENT SYSTEM  
FIGURE 13 (SHEET 7)

**21-26-53-13**

HXL  
DEC 22/06

21-26-53-13  
PAGE OF


**BOEING**  
 767  
**PARTS CATALOG (MAINTENANCE)**



V 21265313 SH1 8 REV 270

INLET AND ORIFICE INSTL-SECT. 43 LAV GALLEY VENT SYSTEM  
 FIGURE 13 (SHEET 8)

21-26-53-13

HXL  
DEC 22/06

21-26-53-13  
 PAGE 0G



767

PARTS CATALOG (MAINTENANCE)

FIG ITEM	PART NUMBER	1 2 3 4 5 6 7	NOMENCLATURE	EFFECT FROM TO	UNITS PER ASSY
13			INLET AND ORIFICE INSTL- SECT. 43 LAV GALLEY VENT SYSTEM		
- 1	214T3055-6		INLET INSTL-LAV GALLEY VENT SYS POSITION DATA: SECT. 43 FOR NHA SEE: 21-00-00-02A		RF
85	214T3436-122		.ORIFICE ASSY		3

ILLUSTRATION ITEMS NOT ON PARTS LIST ARE NOT APPLICABLE

- ITEM NOT ILLUSTRATED

HXL

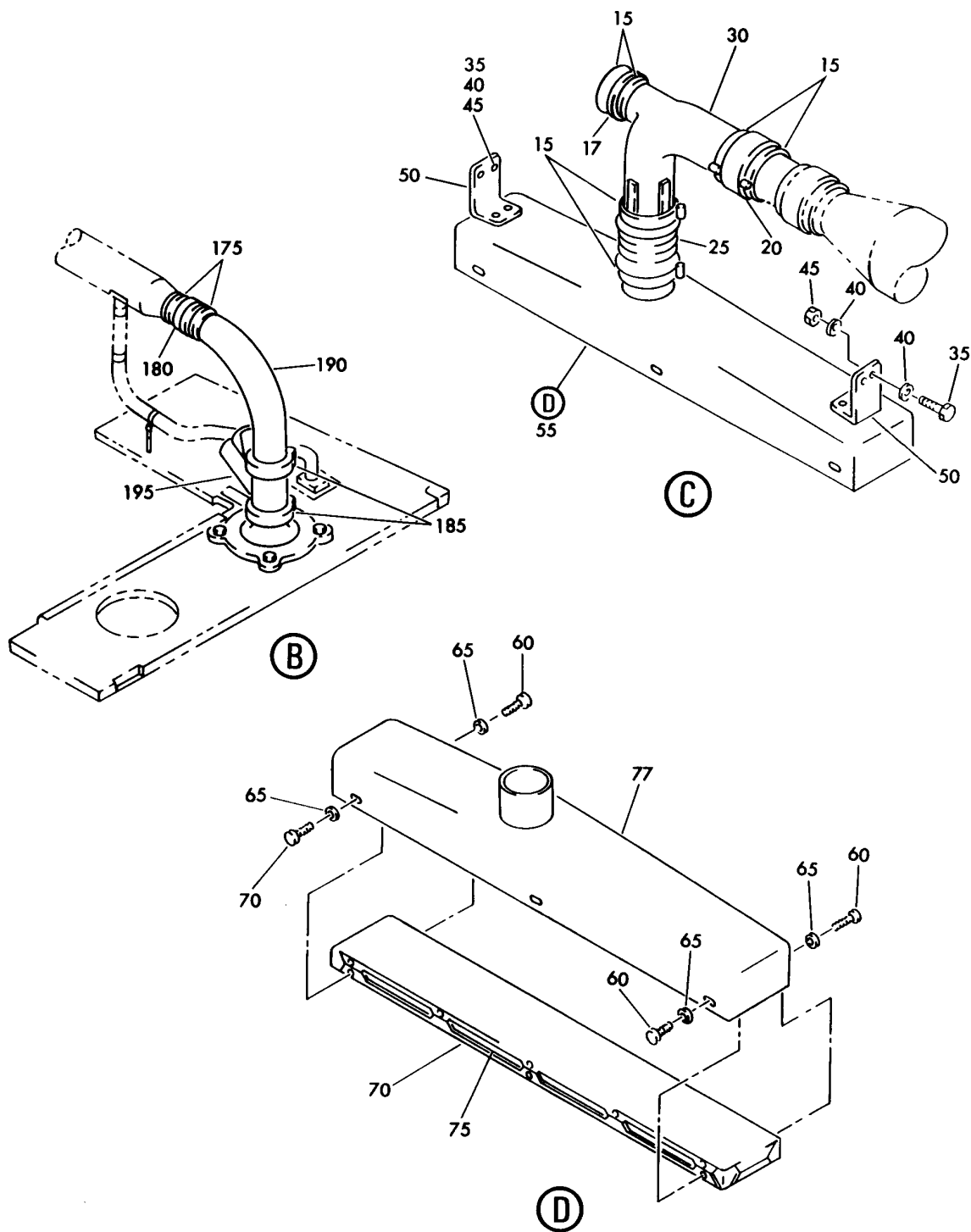
21-26-53-13

BOEING PROPRIETARY - Copyright © - Unpublished Work - See title page for details.

21-26-53  
FIG. 13  
PAGE 1  
DEC 22/07



**BOEING**  
767  
PARTS CATALOG (MAINTENANCE)



V 21265316 SHT 2 REV 114

INLET INSTL-SECT. 41 LAV AND GALLEY VENT SYS  
FIGURE 16 (SHEET 2)

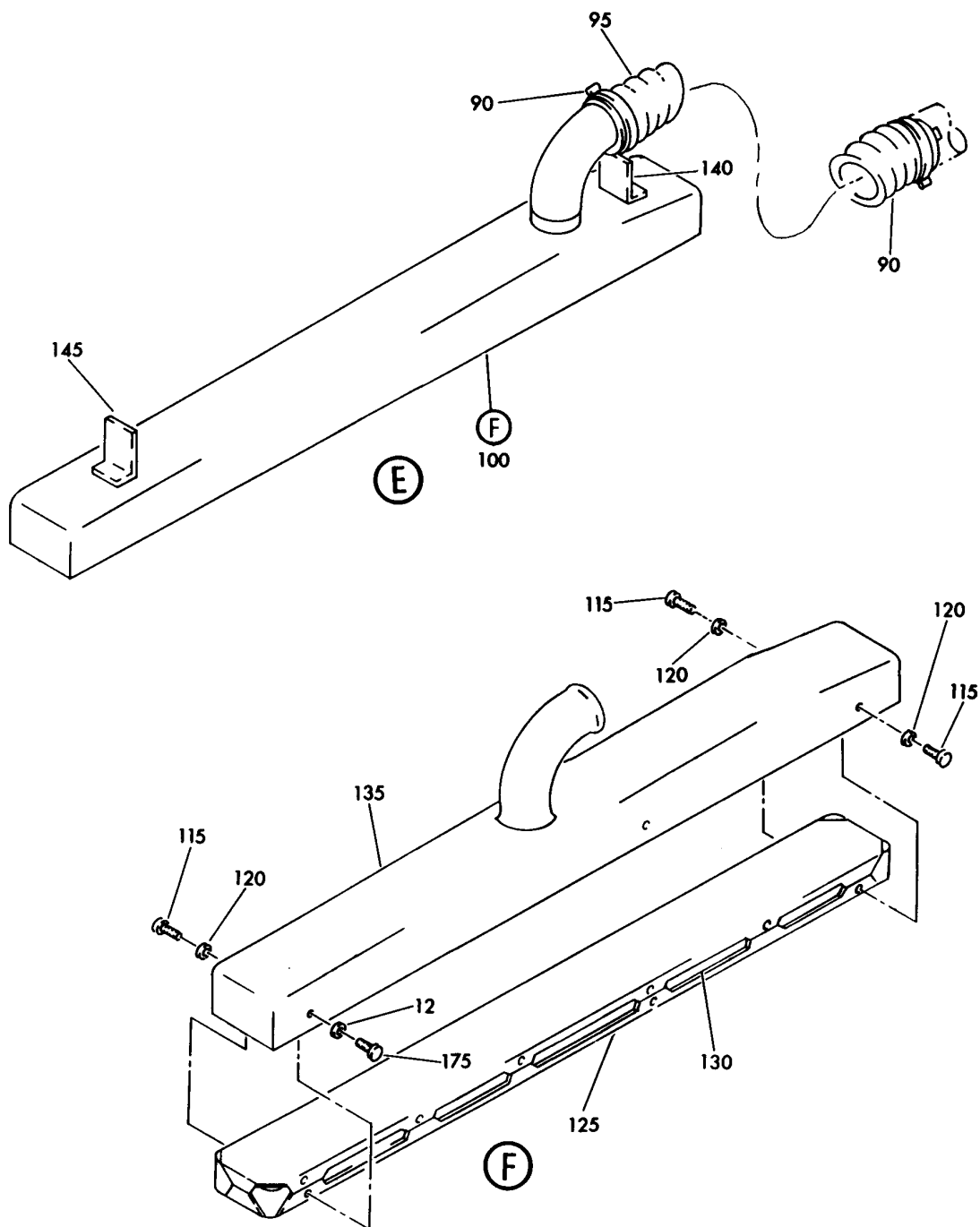
**21-26-53-16**

HXL  
DEC 22/06

21-26-53-16  
PAGE 0A



**BOEING**  
767  
PARTS CATALOG (MAINTENANCE)



V 21265316 SHT 3 REV 114

INLET INSTL-SECT. 41 LAV AND GALLEY VENT SYS  
FIGURE 16 (SHEET 3)

**21-26-53-16**

HXL  
DEC 22/06

21-26-53-16  
PAGE 0B

**BOEING**  
767  
**PARTS CATALOG (MAINTENANCE)**

FIG ITEM	PART NUMBER	1 2 3 4 5 6 7	NOMENCLATURE	EFFECT FROM TO	UNITS PER ASSY
16			INLET INSTL-SECT. 41 LAV AND GALLEY VENT SYS		
- 1	214T3056-36		INLET INSTL-LAV AND GALLEY VENT SYS POSITION DATA: SECT. 41 FOR NHA SEE: 21-00-00-01A	155162	RF
- 1	214T3056-45		INLET INSTL-LAV AND GALLEY VENT SYS POSITION DATA: SECT. 41 FOR NHA SEE: 21-00-00-01A	163999	RF
5	214T3056-40		.INLET INSTL		1
15	PLT4SM		..STRAP SUPPLIER CODE: V06383 SPECIFICATION NUMBER: BACS38K2 OPTIONAL PART: T05LO V53421		6
17	BE539-2		..CAP- SUPPLIER CODE: V05399		1
20	AS1506-10D23		..HOSE		1
25	BOE2022-10A0050		..HOSE SUPPLIER CODE: V16632 SPECIFICATION NUMBER: AS1544-10A0050		1
30	214T3482-2		..DUCT		1
35	NAS1801-3-7		..SCREW		4
40	AN960PD10L		..WASHER		8
45	MS21042L3		..NUT		4
50	214T3464-13		..CLIP		2
55	214T3119-1		..INLET ASSY		1
60	NAS1801-3-7		...SCREW		6
65	AN960D10L		...WASHER		6
70	214T3118-1		...RETAINER ASSY		1
75	214T3419-30		...FILTER ASSY- MANUFACTURED FROM: SH AG105 2.0 IN X 3.6 IN X 23.7 IN F25.01 SPARES ORDER MATERIAL CODE: 5381003760		1
77	214T3101-88		...BOX-INLET		1
- 80	214T3056-39		.INLET INSTL-(RIGHT SIDE)		1

ILLUSTRATION ITEMS NOT ON PARTS LIST ARE NOT APPLICABLE

- ITEM NOT ILLUSTRATED

R  
R  
R  
R  
R  
R

HXL

# 21-26-53-16

BOEING PROPRIETARY - Copyright © - Unpublished Work - See title page for details.

21-26-53  
FIG. 16  
PAGE 1  
AUG 22/09

**BOEING**  
767  
**PARTS CATALOG (MAINTENANCE)**

FIG ITEM	PART NUMBER	1 2 3 4 5 6 7	NOMENCLATURE	EFFECT FROM TO	UNITS PER ASSY
16					
90	PLT4SM	..	STRAP SUPPLIER CODE: V06383 SPECIFICATION NUMBER: BACS38K2 OPTIONAL PART: T05LO V53421		2
95	BOE2022-10A0340	..	HOSE SUPPLIER CODE: V16632 SPECIFICATION NUMBER: AS1544-10A0340		1
100	214T3119-73	..	INLET ASSY ATTACHING PARTS		1
- 105	NAS1801-3-7	..	SCREW		4
- 110	AN960D10L	..	WASHER		4
			-----*-----		
115	NAS1801-3-8	...	SCREW		6
120	AN960D10L	...	WASHER		6
125	214T3122-13	...	RETAINER ASSY		1
130	214T3419-45	...	FILTER		1
135	214T3101-125	...	BOX-INLET		1
140	214T3464-4	..	CLIP		1
145	214T3464-26	..	CLIP ATTACHING PARTS		1
- 150	NAS1801-3-6	..	SCREW		4
- 155	AN960D10L	..	WASHER		8
- 160	MS21042L3	..	NUT		4
			-----*-----		
170	214T3056-46	.	INLET INSTL	163999	1
175	PLT4SM	..	STRAP SUPPLIER CODE: V06383 SPECIFICATION NUMBER: BACS38K2 OPTIONAL PART: T05LO V53421	163999	2
180	AS1506-10D32	..	HOSE	163999	1

ILLUSTRATION ITEMS NOT ON PARTS LIST ARE NOT APPLICABLE

- ITEM NOT ILLUSTRATED

HXL

21-26-53-16

BOEING PROPRIETARY - Copyright © - Unpublished Work - See title page for details.

21-26-53  
FIG. 16  
PAGE 2  
DEC 22/07



767

PARTS CATALOG (MAINTENANCE)

FIG ITEM	PART NUMBER	1 2 3 4 5 6 7	NOMENCLATURE	EFFECT FROM TO	UNITS PER ASSY
16 185	45H10-3-250-3	..	CLAMP SUPPLIER CODE: V89513 SPECIFICATION NUMBER: BACC10DP250A OPTIONAL PART: VC1220-314 V14242 55171-250 V00624 55171-250 V8W928	163999	2
190	214T3128-1	..	DUCT ASSY	163999	1
195	420365-1	..	VALVE ASSY-2.5 IN. DIA AIR SHUTOFF SUPPLIER CODE: V79318 FUNCTIONAL DESCRIPTION: VALVE CLEARS SMOKE FROM THE EQUIPMENT COOLING SYSTEM SPECIFICATION NUMBER: S210T170-19 MISCELLANEOUS DATA: ELEC EQMT. NO. ELECTRICAL EQUIP NUMBER: V00161 COMPONENT MAINT MANUAL REF: 21-58-03	163999	1
200	214T3436-293	.ORIFICE	ASSY	155162	1
200	214T3436-473	.ORIFICE	ASSY	163999	1
220	214T3436-330	.ORIFICE	ASSY	155162	1
220	214T3436-255	.ORIFICE	ASSY	163999	1
230	214T3436-481	.ORIFICE	ASSY		2
235	214T3436-378	.ORIFICE	ASSY	155162	1
240	214T3436-1101	.ORIFICE	ASSY	155162	1
240	214T3436-1391	.ORIFICE	ASSY	163999	1
255	214T3436-1449	.ORIFICE	ASSY	163999	1

ILLUSTRATION ITEMS NOT ON PARTS LIST ARE NOT APPLICABLE

- ITEM NOT ILLUSTRATED

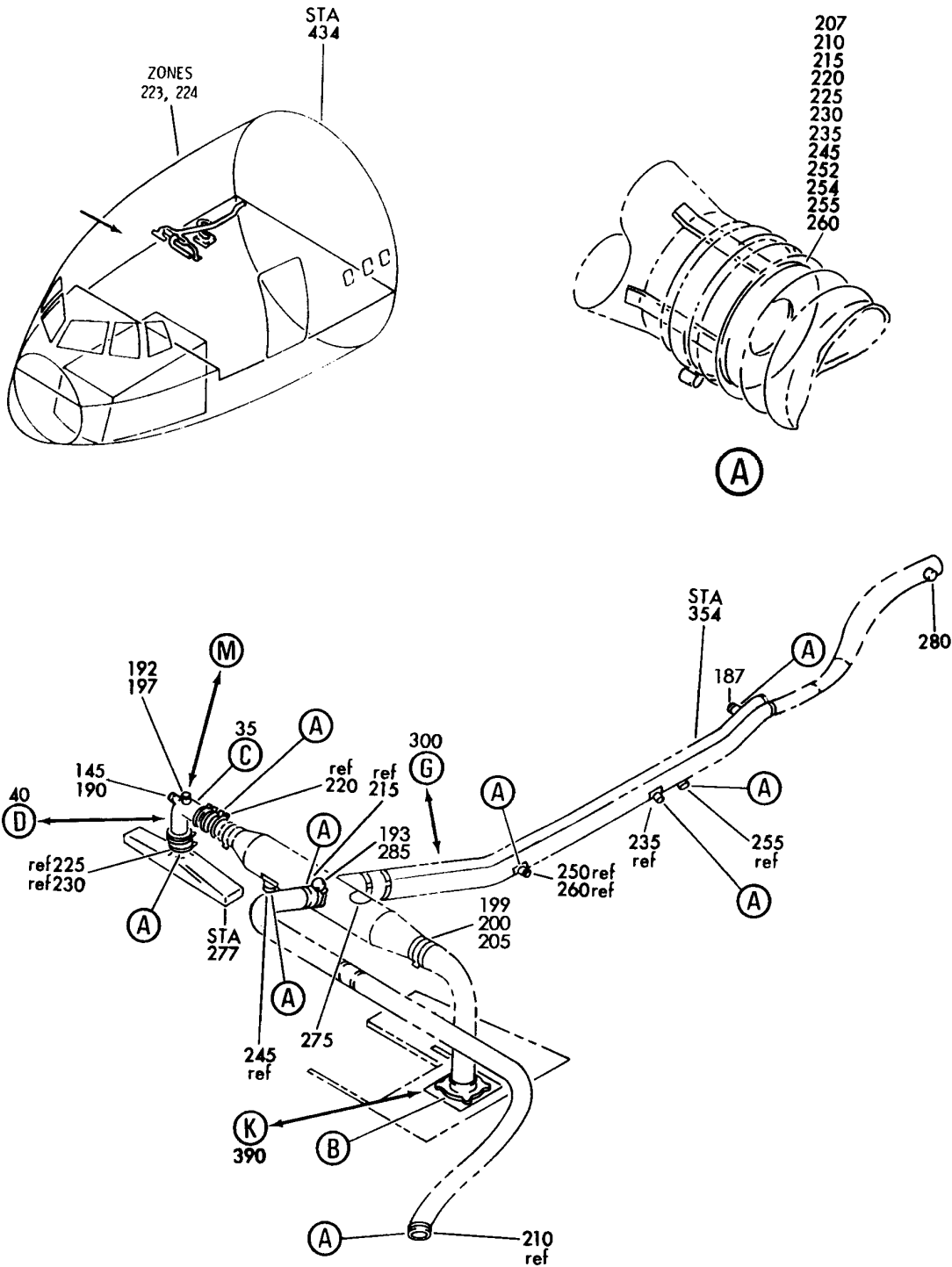
HXL

21-26-53-16

BOEING PROPRIETARY - Copyright © - Unpublished Work - See title page for details.

21-26-53  
FIG. 16  
PAGE 3  
DEC 22/07

**BOEING**  
767  
PARTS CATALOG (MAINTENANCE)



V 21265319 SHT 1 REV 197

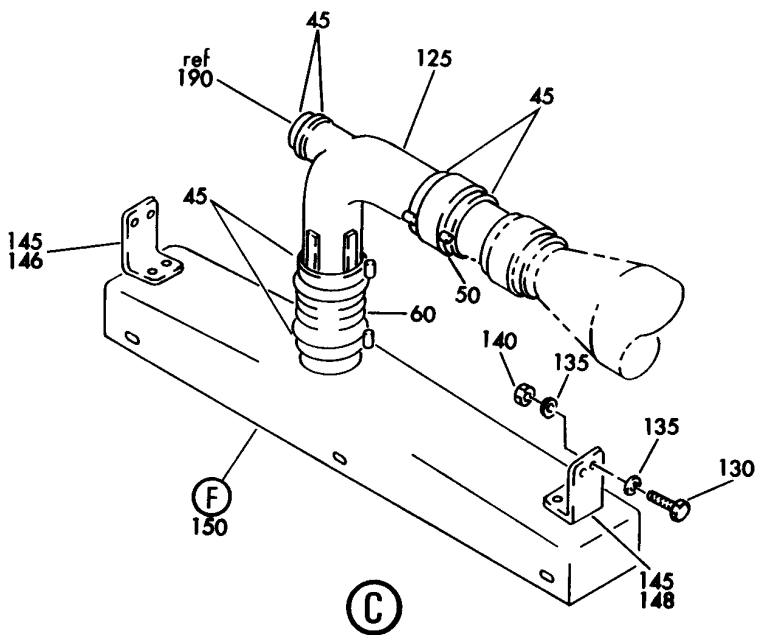
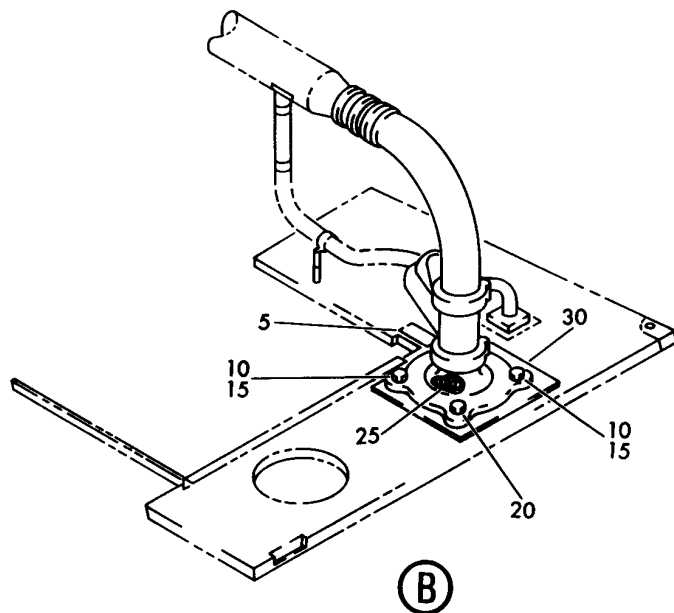
INLET INSTL-SECT. 41 LAV AND GALLEY VENT SYS  
FIGURE 19 (SHEET 1)

**21-26-53-19**

HXL  
DEC 22/06

21-26-53-19  
PAGE 0

**BOEING**  
767  
PARTS CATALOG (MAINTENANCE)



V 21265319 SHT 2 REV 123

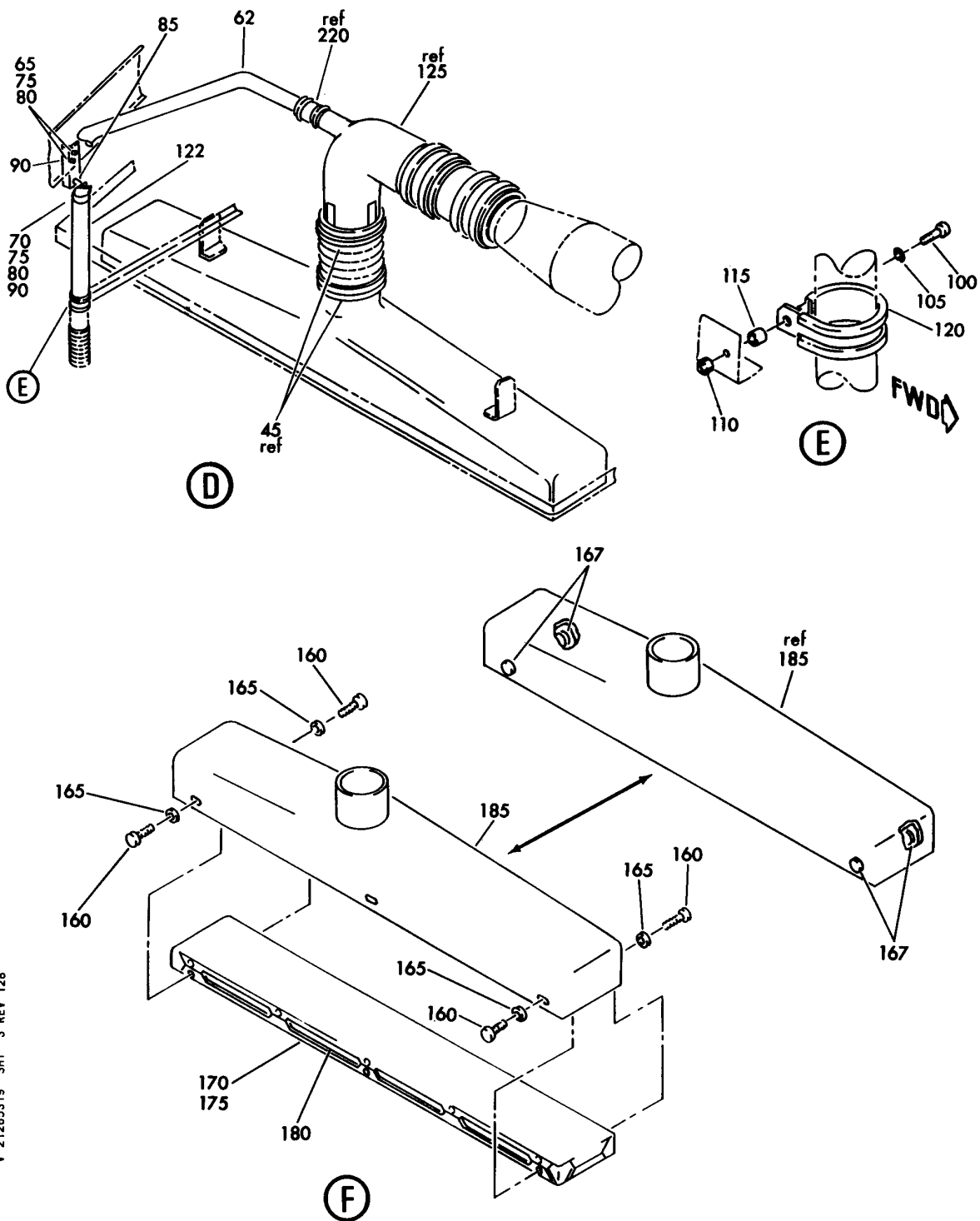
INLET INSTL-SECT. 41 LAV AND GALLEY VENT SYS  
FIGURE 19 (SHEET 2)

**21-26-53-19**

HXL  
DEC 22/06

21-26-53-19  
PAGE 0A


**BOEING**  
 767  
**PARTS CATALOG (MAINTENANCE)**



V 21265319 SHT 3 REV 128

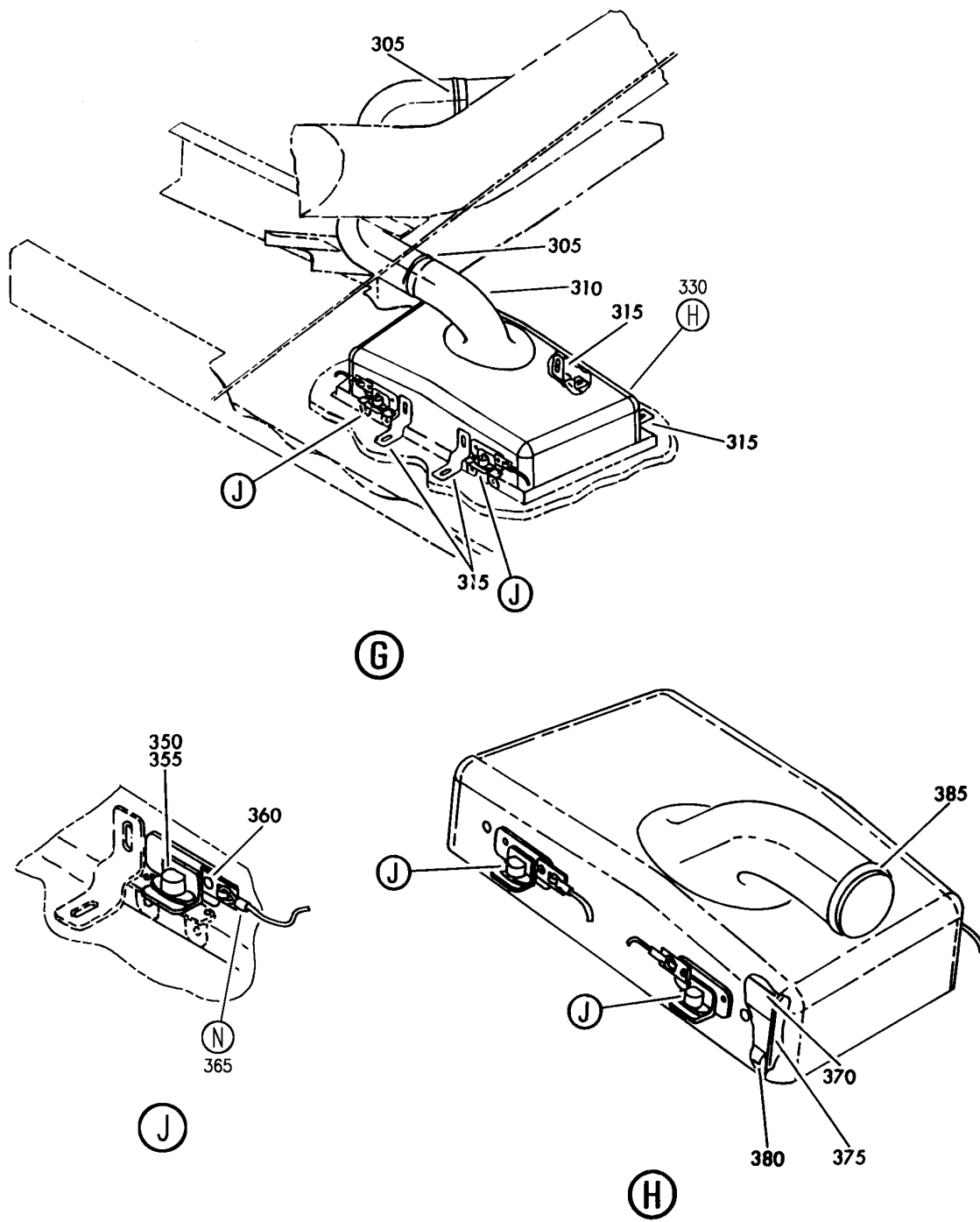
INLET INSTL-SECT. 41 LAV AND GALLEY VENT SYS  
FIGURE 19 (SHEET 3)

**21-26-53-19**

HXL  
DEC 22/06

21-26-53-19  
PAGE 0B

**BOEING**  
767  
PARTS CATALOG (MAINTENANCE)



V 21265319 SH- 4 REV 270

INLET INSTL-SECT. 41 LAV AND GALLEY VENT SYS  
FIGURE 19 (SHEET 4)

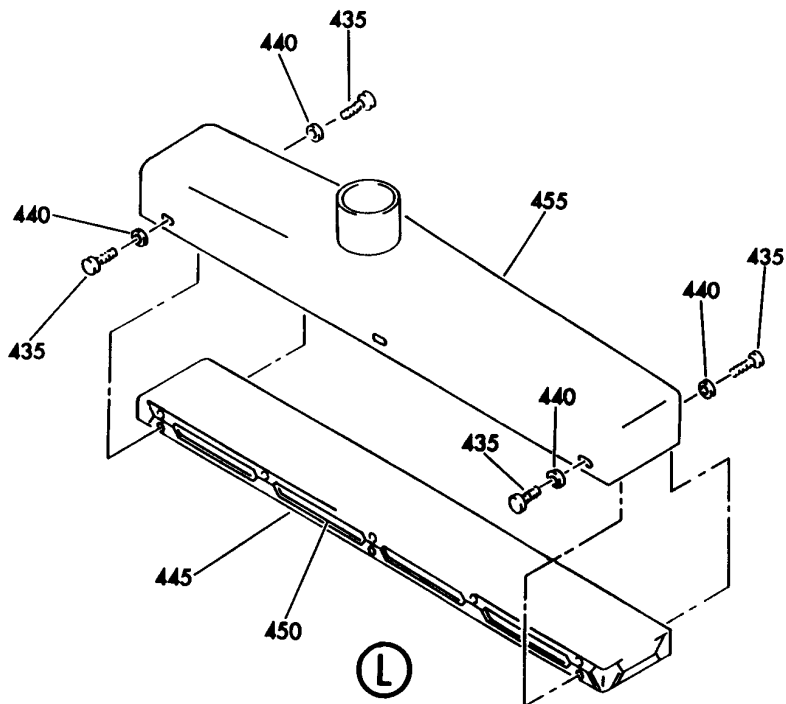
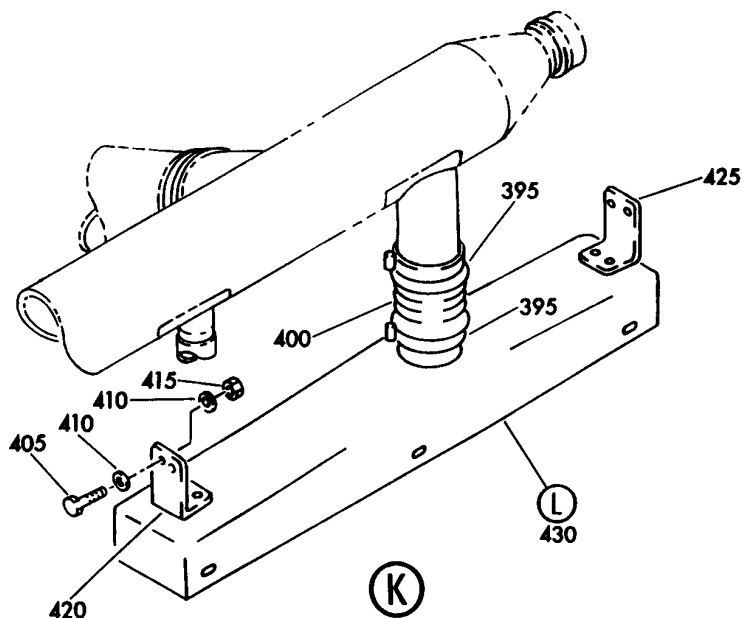
**21-26-53-19**

HXL  
DEC 22/06

21-26-53-19  
PAGE 0C



**BOEING**  
767  
PARTS CATALOG (MAINTENANCE)



V 21265319 SHT 5 REV 140

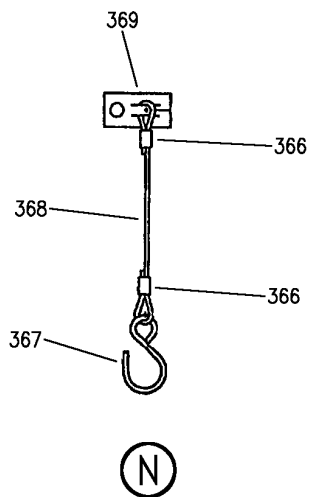
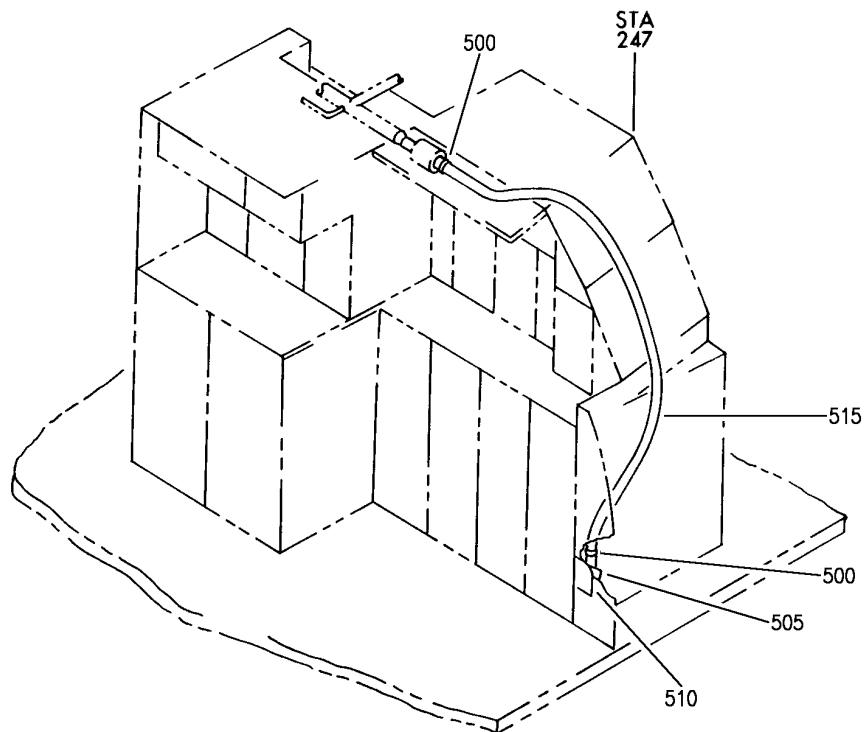
INLET INSTL-SECT. 41 LAV AND GALLEY VENT SYS  
FIGURE 19 (SHEET 5)

**21-26-53-19**

HXL  
DEC 22/06

21-26-53-19  
PAGE 0D

**BOEING**  
767  
PARTS CATALOG (MAINTENANCE)



V 21265319 SH1 6 REV 270

INLET INSTL-SECT. 41 LAV AND GALLEY VENT SYS  
FIGURE 19 (SHEET 6)

**21-26-53-19**

HXL  
DEC 22/06

21-26-53-19  
PAGE 0E



767

PARTS CATALOG (MAINTENANCE)

FIG ITEM	PART NUMBER	1 2 3 4 5 6 7	NOMENCLATURE	EFFECT FROM TO	UNITS PER ASSY
19			INLET INSTL-SECT. 41 LAV AND GALLEY VENT SYS	163999	
- 2	214T3056-47		INLET INSTL-LAV AND GALLEY VENT SYS	163999	RF
			POSITION DATA: SECT. 41 FOR NHA SEE: 21-00-00-01A		
5	BAC27TEC0283		.MARKER- PLACARD CONTENT: SMOKE EVAC SHUTOFF VALVE V161	163999	1
10	NAS1801-3-7		.SCREW	163999	4
15	AN960D10L		.WASHER	163999	4
20	214T3127-1		.INLET ASSY	163999	1
25	214T3129-1		.GRILL	163999	1
30	214T3511-1		.GASKET	163999	1

ILLUSTRATION ITEMS NOT ON PARTS LIST ARE NOT APPLICABLE

- ITEM NOT ILLUSTRATED

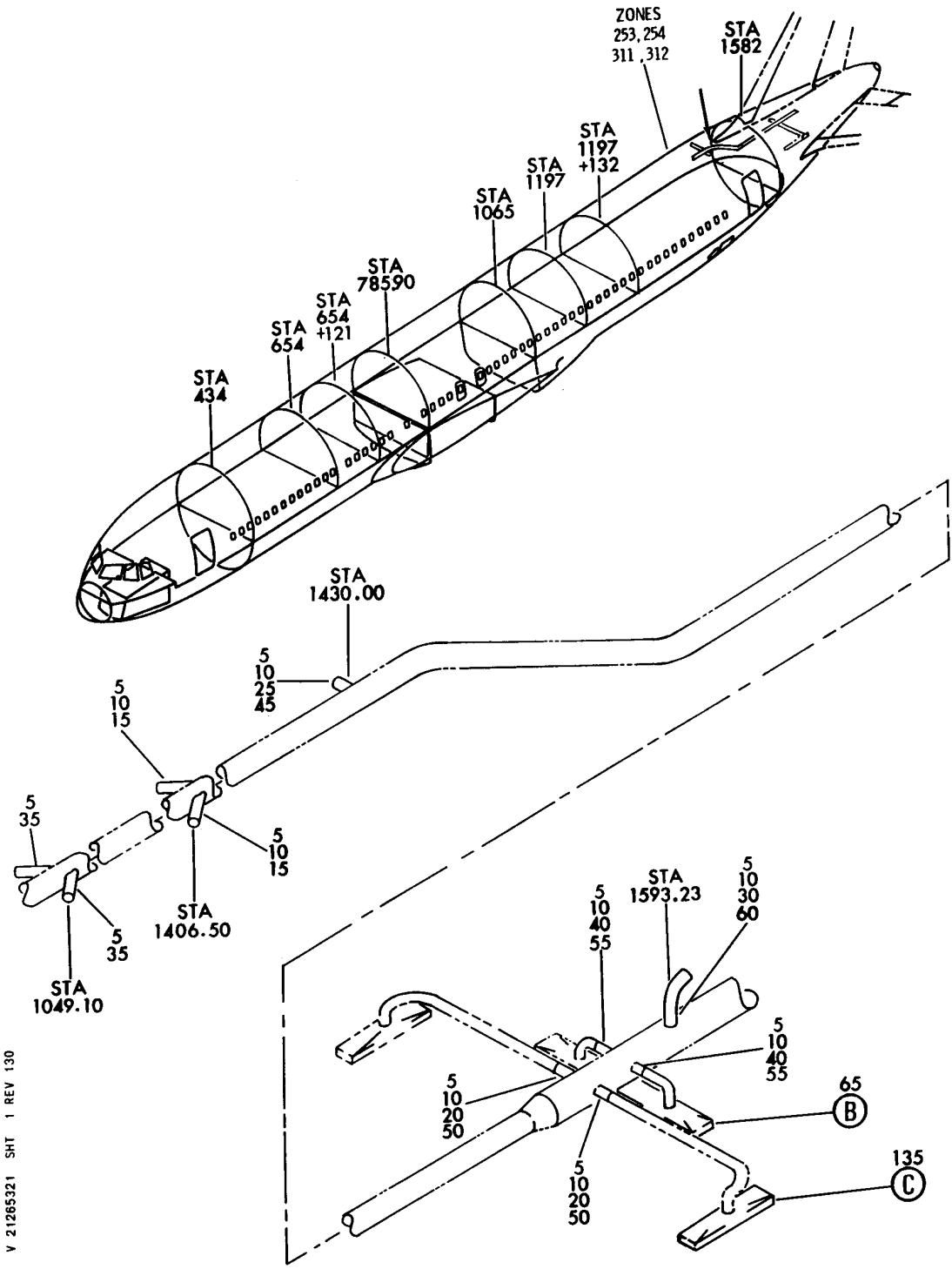
HXL

21-26-53-19

BOEING PROPRIETARY - Copyright © - Unpublished Work - See title page for details.

21-26-53  
FIG. 19  
PAGE 1  
DEC 22/07

**BOEING**  
767  
PARTS CATALOG (MAINTENANCE)



V 21265321 SHT 1 REV 130

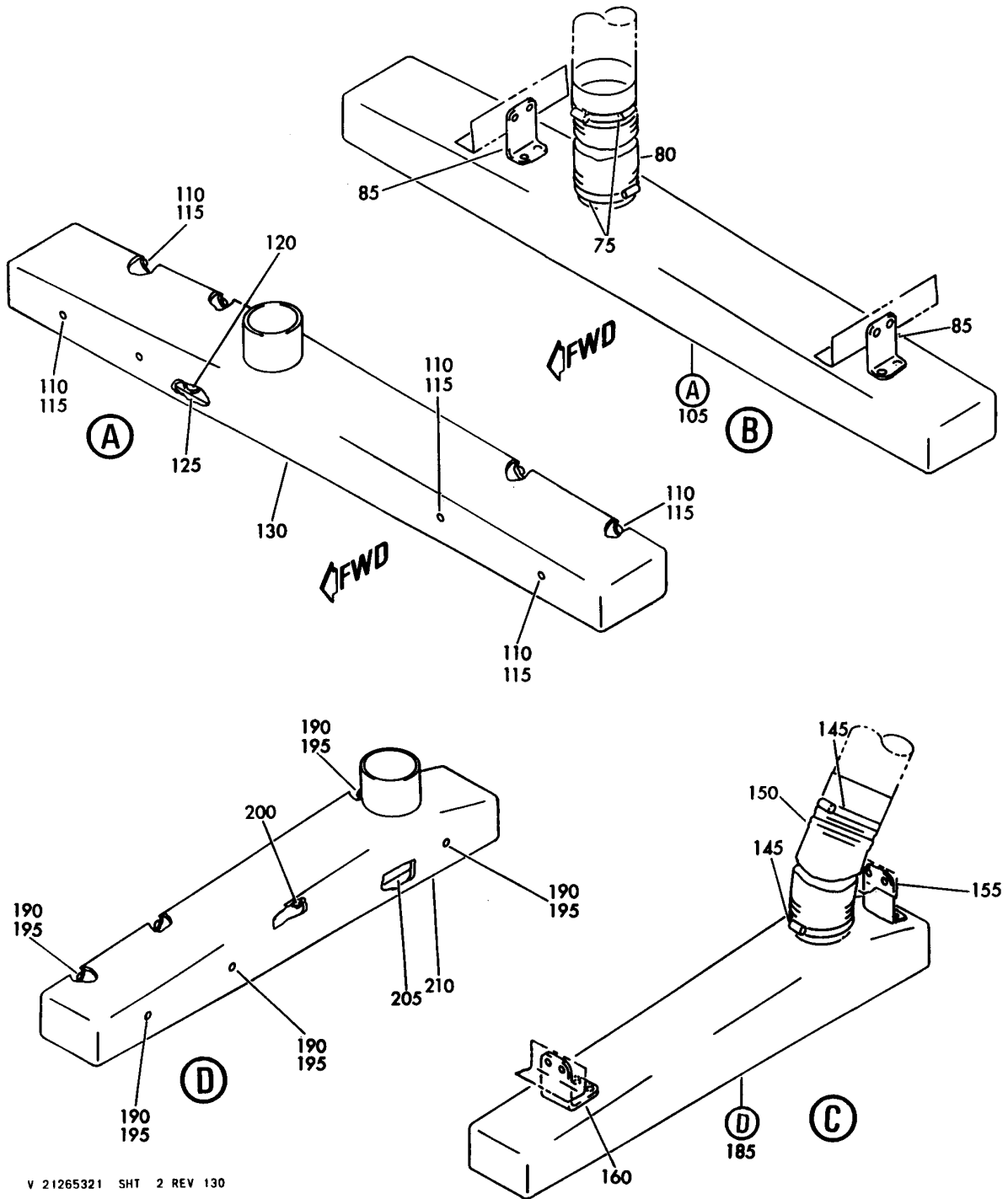
INLET INSTL-LAV AND GALLEY VENT SYS SECT. 46  
FIGURE 21 (SHEET 1)

**21-26-53-21**

HXL  
DEC 22/06

21-26-53-21  
PAGE 0

**BOEING**  
767  
PARTS CATALOG (MAINTENANCE)



V 21265321 SHT 2 REV 130

INLET INSTL-LAV AND GALLEY VENT SYS SECT. 46  
FIGURE 21 (SHEET 2)

**21-26-53-21**

HXL  
DEC 22/06

21-26-53-21  
PAGE 0A



767

PARTS CATALOG (MAINTENANCE)

FIG ITEM	PART NUMBER	1 2 3 4 5 6 7	NOMENCLATURE	EFFECT FROM TO	UNITS PER ASSY
21			INLET INSTL-LAV AND GALLEY VENT SYS SECT. 46	163999	
- 1	214T3053-78		INLET INSTL-LAV AND GALLEY VENT SYS POSITION DATA: SECT. 46 FOR NHA SEE: 21-00-00-03A	163999	RF
10	PLT4SM	.	STRAP SUPPLIER CODE: V06383 SPECIFICATION NUMBER: BACS38K2 OPTIONAL PART: T05LO V53421	163999	16
15	214T3436-1449	.	ORIFICE ASSY	163999	2
45	214T3436-1106	.	ORIFICE ASSY	163999	1
50	214T3436-1125	.	ORIFICE ASSY	163999	2
55	214T3436-1023	.	ORIFICE ASSY	163999	2
60	214T3436-1127	.	ORIFICE ASSY	163999	1
65	214T3053-107	.	INLET INSTL- POSITION DATA: LH	163999	1
- 70	214T3053-108	.	INLET INSTL- POSITION DATA: RH	163999	1
75	PLT4SM	..	STRAP SUPPLIER CODE: V06383 SPECIFICATION NUMBER: BACS38K2 OPTIONAL PART: T05LO V53421	163999	2
80	BOE2022-10A0152	..	HOSE SUPPLIER CODE: V16632 SPECIFICATION NUMBER: AS1544-10A0152	163999	1
85	214T3464-25	..	CLIP ATTACHING PARTS	163999	2
- 90	NAS1801-3-7	..	SCREW	163999	8
- 95	AN960D10L	..	WASHER-	163999	12

ILLUSTRATION ITEMS NOT ON PARTS LIST ARE NOT APPLICABLE

- ITEM NOT ILLUSTRATED

21-26-53-21

21-26-53  
FIG. 21  
PAGE 1  
DEC 22/07

HXL

**BOEING**  
767  
**PARTS CATALOG (MAINTENANCE)**

FIG ITEM	PART NUMBER	1 2 3 4 5 6 7	NOMENCLATURE	EFFECT FROM TO	UNITS PER ASSY
21 - 100	BRH10A3		..NUT SUPPLIER CODE: V52828 SPECIFICATION NUMBER: BACN10JC3 OPTIONAL PART: H10-3BAC V15653 NS202101-02 V80539 RMLH9075-3W V72962 VN303A02 V92215 96-02 V80539 T6S1032J V11815 -----*-----	163999	4
	105 214T3119-16		..INLET ASSY	163999	1
	110 NAS1801-3-7		...SCREW	163999	8
	115 AN960D10L		...WASHER	163999	8
	120 214T3419-29		...FILTER ASSY- MANUFACTURED FROM: 628-975-237(OPT SH AG105) 2.0 IN X 3.6 IN X 34.1 IN F25.01 SPARES ORDER MATERIAL CODE: 5381003760	163999	1
	125 214T3118-6		...RETAINER ASSY	163999	1
	130 214T3101-100		...INLET ASSY	163999	1
	135 214T3053-109		.INLET INSTL- POSITION DATA: LH	163999	1
	- 140 214T3053-110		.INLET INSTL- POSITION DATA: RH	163999	1
	145 PLT4SM		..STRAP SUPPLIER CODE: V06383 SPECIFICATION NUMBER: BACS38K2 OPTIONAL PART: T05LO V53421	163999	2

R  
R  
R  
R  
R  
R  
R

ILLUSTRATION ITEMS NOT ON PARTS LIST ARE NOT APPLICABLE

- ITEM NOT ILLUSTRATED

HXL

**21-26-53-21**

21-26-53  
FIG. 21  
PAGE 2  
AUG 22/09

**BOEING**  
767  
**PARTS CATALOG (MAINTENANCE)**

FIG ITEM	PART NUMBER	1 2 3 4 5 6 7	NOMENCLATURE	EFFECT FROM TO	UNITS PER ASSY
21 150	BOE2022-10A0102	..	HOSE SUPPLIER CODE: V16632 SPECIFICATION NUMBER: AS1544-10A0102	163999	1
155	214T3464-23	..	CLIP	163999	1
160	214T3464-24	..	CLIP	163999	1
			ATTACHING PARTS		
- 165	NAS1801-3-6	..	SCREW	163999	4
- 170	NAS1801-3-7	..	SCREW	163999	4
- 175	AN960D10L	..	WASHER-	163999	12
- 180	BRH10A3	..	NUT SUPPLIER CODE: V52828 SPECIFICATION NUMBER: BACN10JC3 OPTIONAL PART: H10-3BAC V15653 NS202101-02 V80539 RMLH9075-3W V72962 VN303A02 V92215 96-02 V80539 T6S1032J V11815 -----*-----	163999	4
185	214T3119-21	..	INLET ASSY	163999	1
190	NAS1801-3-7	...	SCREW	163999	6
195	AN960D10L	...	WASHER	163999	6
200	214T3419-28	...	FILTER ASSY- MANUFACTURED FROM: SH AG105 2.0 IN X 3.6 IN X 24.5 IN F25.01 SPARES ORDER MATERIAL CODE: 5381003760	163999	1
205	214T3118-8	...	RETAINER ASSY	163999	1
210	214T3101-104	...	INLET ASSY	163999	1

R  
R  
R  
R  
R  
R

ILLUSTRATION ITEMS NOT ON PARTS LIST ARE NOT APPLICABLE

- ITEM NOT ILLUSTRATED

HXL

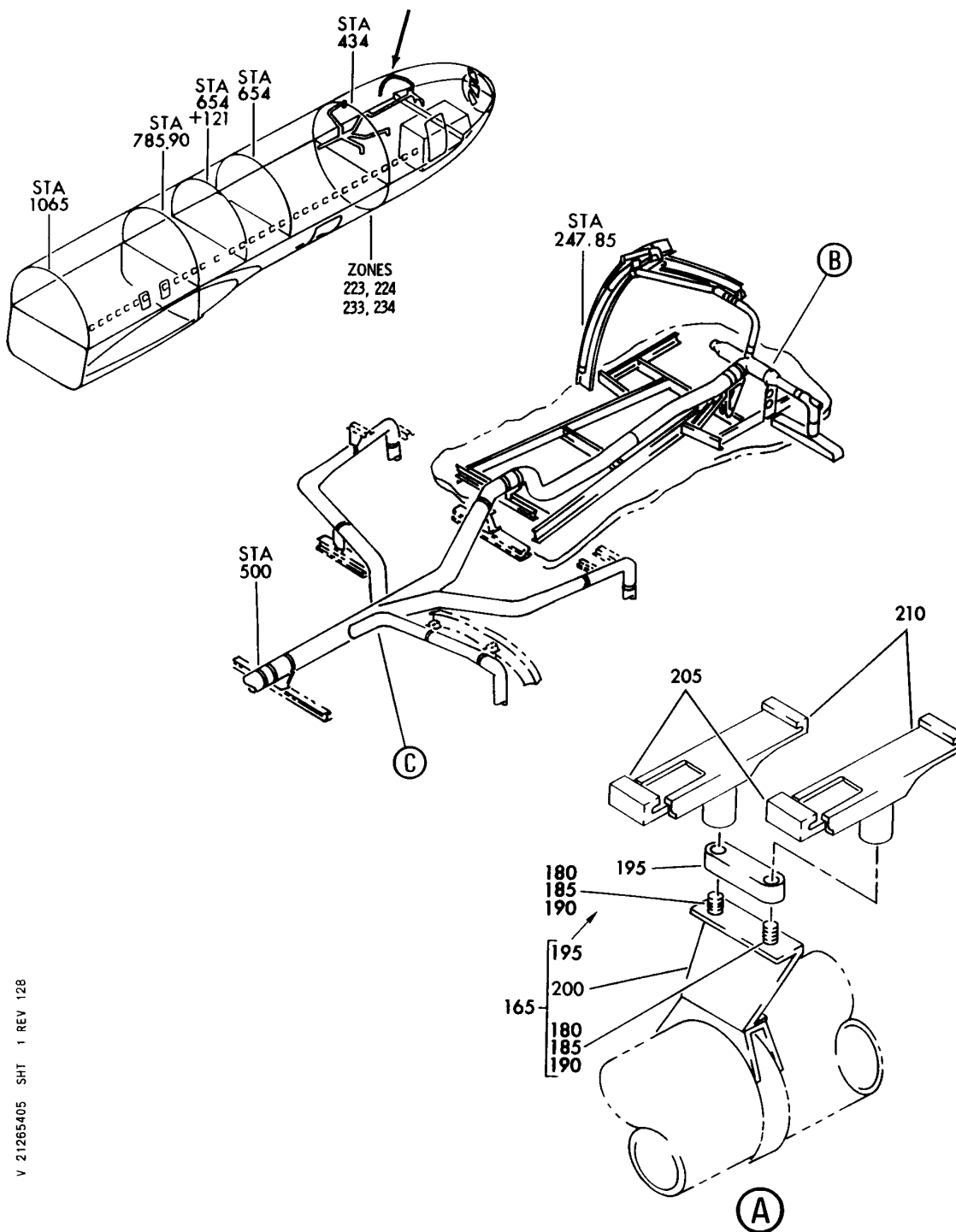
# 21-26-53-21

BOEING PROPRIETARY - Copyright © - Unpublished Work - See title page for details.

21-26-53  
FIG. 21  
PAGE 3  
AUG 22/09



**BOEING**  
767  
PARTS CATALOG (MAINTENANCE)



V 21265405 SHT 1 REV 128

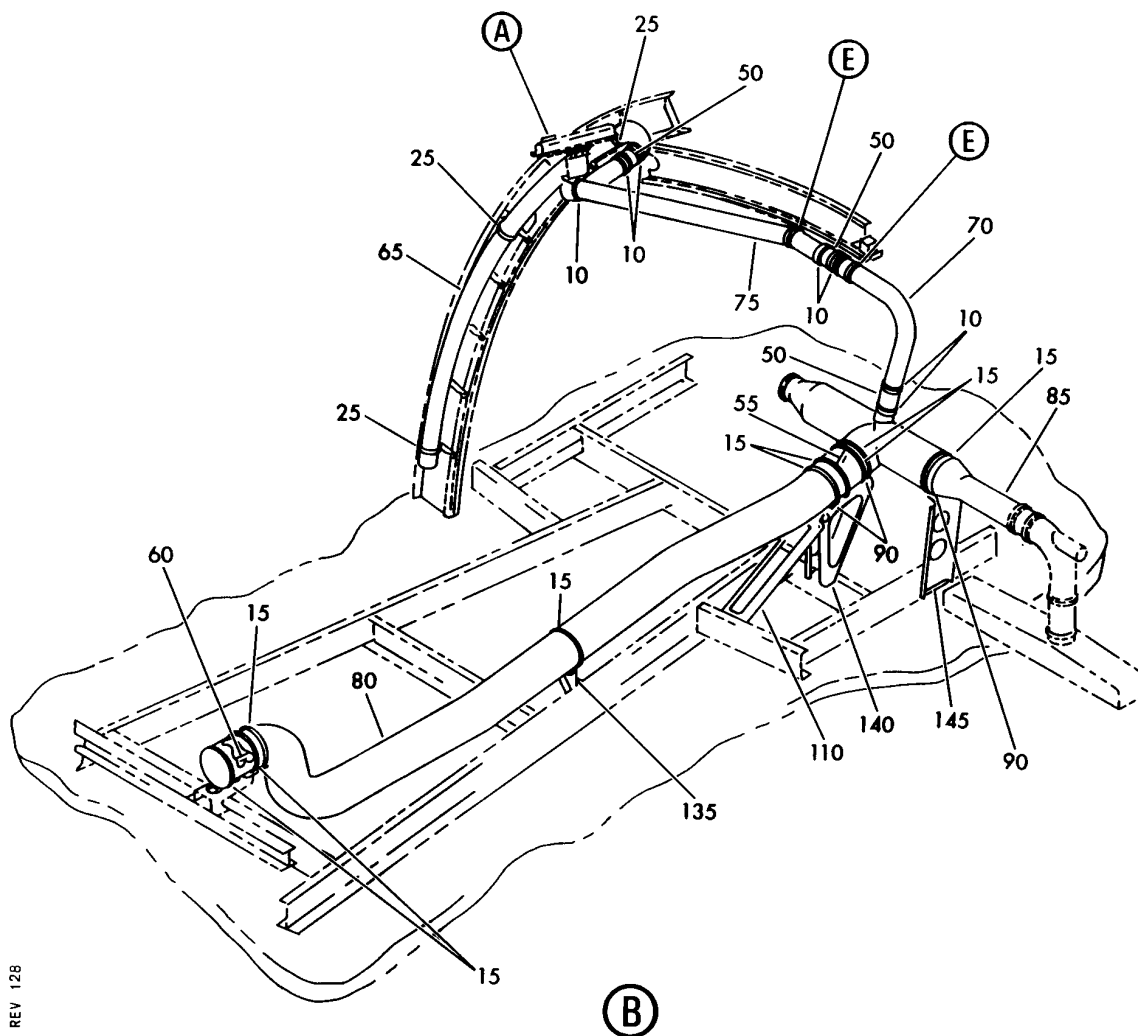
DUCT INSTL- LAV AND GALLEY VENT SYSTEM SECT. 41  
FIGURE 5 (SHEET 1)

**21-26-54-05**

HXL  
DEC 22/06

21-26-54-05  
PAGE 0

**BOEING**  
767  
PARTS CATALOG (MAINTENANCE)



V 21265405 SHT 2 REV 128

DUCT INSTL- LAV AND GALLEY VENT SYSTEM SECT. 41  
FIGURE 5 (SHEET 2)

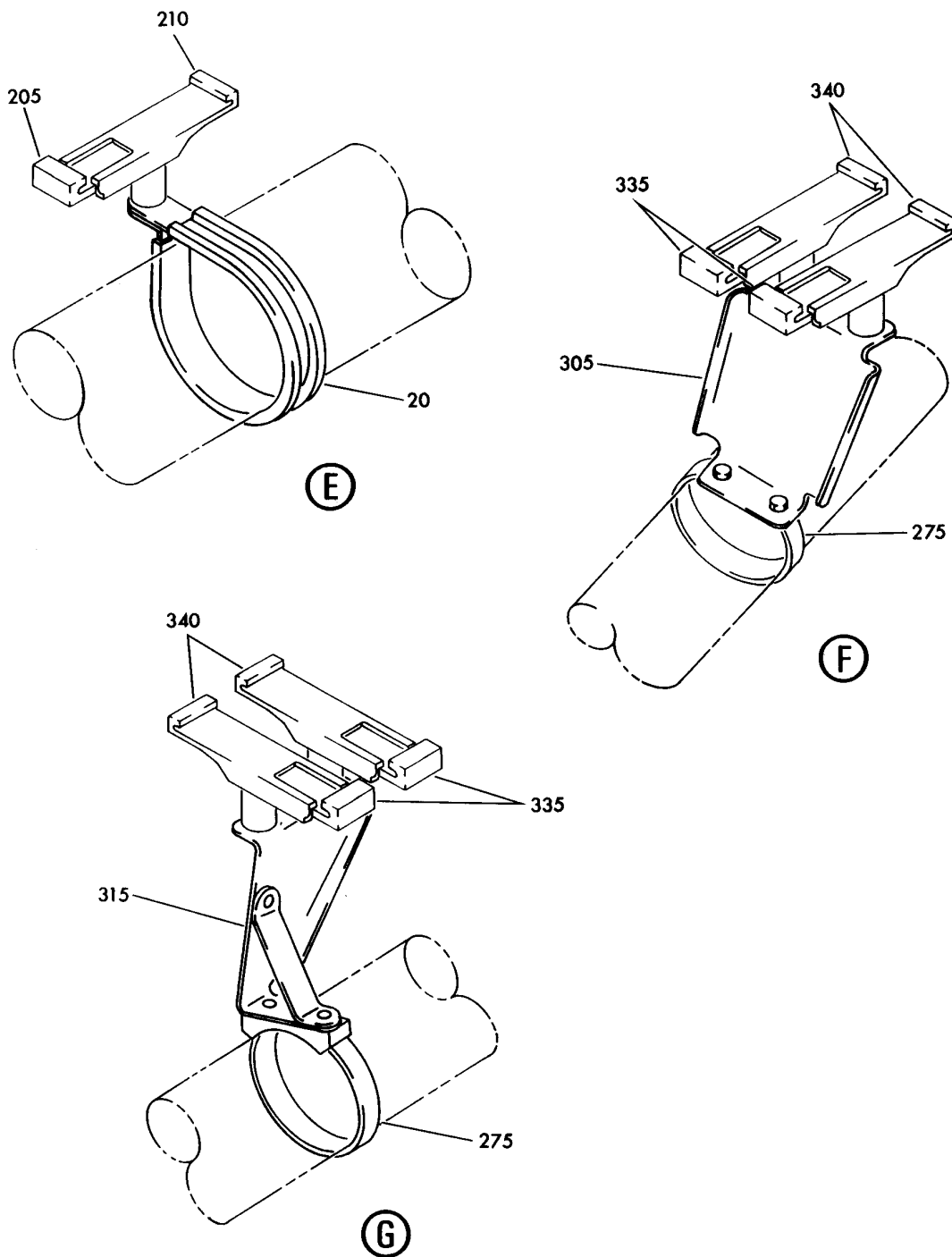
**21-26-54-05**

HXL  
DEC 22/06

21-26-54-05  
PAGE 0A



**BOEING**  
767  
PARTS CATALOG (MAINTENANCE)



V 21265405 SHT 4 REV 128

DUCT INSTL- LAV AND GALLEY VENT SYSTEM SECT. 41  
FIGURE 5 (SHEET 4)

**21-26-54-05**

HXL  
DEC 22/06

21-26-54-05  
PAGE 0C

 **BOEING**  
767  
**PARTS CATALOG (MAINTENANCE)**

FIG ITEM	PART NUMBER	1 2 3 4 5 6 7	NOMENCLATURE	EFFECT FROM TO	UNITS PER ASSY
5			DUCT INSTL- LAV AND GALLEY VENT SYSTEM SECT. 41	163999	
- 1	214T3005-16		DUCT INSTL-LAV AND GALLEY VENT SYSTEM POSITION DATA: SECT. 41 FOR NHA SEE: 21-00-00-01A	163999	RF
- 5	214T3005-108		.DUCT INSTL	163999	1
10	PLT4SM		.. STRAP SUPPLIER CODE: V06383 SPECIFICATION NUMBER: BACS38K2 OPTIONAL PART: T05L0 V53421	163999	7
15	T012L0		.. STRAP SUPPLIER CODE: V53421 SPECIFICATION NUMBER: BACS38K6	163999	9
20	S258DT28		.. CLAMP SUPPLIER CODE: V18076 SPECIFICATION NUMBER: BACC10DW28D OPTIONAL PART: TA4C44D28T V84971 475-28 V83930 8084D28T V72285 475A28 V83930	163999	2

ILLUSTRATION ITEMS NOT ON PARTS LIST ARE NOT APPLICABLE

- ITEM NOT ILLUSTRATED

HXL

21-26-54-05

BOEING PROPRIETARY - Copyright © - Unpublished Work - See title page for details.

21-26-54  
FIG. 05  
PAGE 1  
DEC 22/07

 **BOEING**  
767  
**PARTS CATALOG (MAINTENANCE)**

FIG ITEM	PART NUMBER	1 2 3 4 5 6 7	NOMENCLATURE	EFFECT FROM TO	UNITS PER ASSY
5					
25	S392D28H	..	CLAMP SUPPLIER CODE: V18076 SPECIFICATION NUMBER: BACC10BU28DH OPTIONAL PART: 393-28HT V83930 JM44LC24D28BW V22175 TA04C44D28HA V84971 393A28HT V83930 ATTACHING PARTS	163999	3
- 30	NAS1801-3-6	..	SCREW	163999	2
- 35	NAS1801-3-7	..	SCREW	163999	3
- 40	AN960D10L	..	WASHER	163999	5
- 45	MS21042L3	..	NUT	163999	3
			-----*-----		
50	AS1506-07D32	..	SLEEVE	163999	3
55	AS1506-16D32	..	SLEEVE	163999	1
60	BOE2022-16A0050	..	HOSE- SUPPLIER CODE: V16632 SPECIFICATION NUMBER: AS1544-16A0050 OPTIONAL PART: AS1544-16A0060	163999	1
60	BOE2022-16A0060	..	HOSE- SUPPLIER CODE: V16632 SPECIFICATION NUMBER: AS1544-16A0060 OPTIONAL PART: AS1544-16A0050	163999	1
65	214T3458-2	..	DUCT ASSY	163999	1
70	214T3458-5	..	DUCT ASSY	163999	1
75	214T3458-8	..	DUCT ASSY	163999	1
80	214T3404-2	..	DUCT	163999	1
85	214T3403-10	..	DUCT	163999	1
90	214T3424-6	..	SUPPORT ATTACHING PARTS	163999	3
- 95	NAS1801-3-7	..	SCREW	163999	6
- 100	AN960D10L	..	WASHER	163999	6
- 105	MS21042L3	..	NUT	163999	6
			-----*-----		
110	214T3446-2	..	BRACKET	163999	1

ILLUSTRATION ITEMS NOT ON PARTS LIST ARE NOT APPLICABLE

- ITEM NOT ILLUSTRATED

HXL

21-26-54-05

BOEING PROPRIETARY - Copyright © - Unpublished Work - See title page for details.

21-26-54  
FIG. 05  
PAGE 2  
DEC 22/07

**BOEING**  
767  
**PARTS CATALOG (MAINTENANCE)**

FIG ITEM	PART NUMBER	1 2 3 4 5 6 7	NOMENCLATURE	EFFECT FROM TO	UNITS PER ASSY
5			ATTACHING PARTS		
- 115	BACR15FT5AD	..	RIVET	163999	2
- 120	NAS1801-3-6	..	SCREW	163999	2
- 125	AN960D10L	..	WASHER	163999	2
- 130	MS21042L3	..	NUT	163999	2
			-----*-----		
135	214T3126-27	..	BRACKET ASSY	163999	1
140	214T3446-1	..	BRACKET	163999	1
145	214T3463-5	..	BRACKET	163999	1
			ATTACHING PARTS		
- 150	NAS1801-3-6	..	SCREW	163999	10
- 155	AN960D10L	..	WASHER	163999	10
- 160	MS21042L3	..	NUT	163999	10
			-----*-----		
165	214T3126-39	..	BRACKET ASSY-	163999	1
			OPTIONAL PART:		
			214T3126-64		
165	214T3126-64	..	BRACKET ASSY-	163999	1
			OPTIONAL PART:		
			214T3126-39		
			ATTACHING PARTS		
- 170	NAS1801-3-6	..	SCREW	163999	2
- 175	AN960D10L	..	WASHER	163999	2
			-----*-----		
180	NAS1801-3-6	...	SCREW	163999	2
185	AN960D10L	...	WASHER	163999	2
190	MS21042L3	...	NUT	163999	2
195	214T3424-1	...	SUPPORT	163999	1
200	214T3126-40	...	BRACKET-	163999	1
			USED ON:		
			214T3126-39		
200	214T3126-65	...	BRACKET-	163999	1
			USED ON:		
			214T3126-64		
205	S38J2	..	STRAP	163999	4
			SUPPLIER CODE:		
			V59237		
			SPECIFICATION NUMBER:		
			BACS38J2		
			OPTIONAL PART:		
			30187-3		
			V26835		

ILLUSTRATION ITEMS NOT ON PARTS LIST ARE NOT APPLICABLE

- ITEM NOT ILLUSTRATED

HXL

# 21-26-54-05

BOEING PROPRIETARY - Copyright © - Unpublished Work - See title page for details.

21-26-54  
FIG. 05  
PAGE 3  
DEC 22/07

 **BOEING**  
767  
**PARTS CATALOG (MAINTENANCE)**

FIG ITEM	PART NUMBER	1 2 3 4 5 6 7	NOMENCLATURE	EFFECT FROM TO	UNITS PER ASSY
5					
210	S38J1		.. ATTACHMENT SUPPLIER CODE: V59237 SPECIFICATION NUMBER: BACS38J1 OPTIONAL PART: 30187-2 V26835	163999	4
- 215	214T3005-209		. DUCT INSTL	163999	1
220	T012L0		.. STRAP SUPPLIER CODE: V53421 SPECIFICATION NUMBER: BACS38K6	163999	3
225	214T3401-24		.. DUCT	163999	1
230	214T3424-6		.. SUPPORT ATTACHING PARTS	163999	1
- 235	NAS1801-3-7		.. SCREW	163999	2
- 240	AN960D10L		.. WASHER	163999	2
- 245	MS21042L3		.. NUT	163999	2
			-----*-----		
250	214T3449-1		.. BRACKET	163999	1
255	214T3126-25		.. BRACKET ASSY ATTACHING PARTS	163999	2
- 260	NAS1801-3-7		.. SCREW	163999	6
- 265	AN960D10L		.. WASHER	163999	6
			-----*-----		
- 270	214T3005-303		. DUCT INSTL	163999	1
275	PLT4SM		.. STRAP SUPPLIER CODE: V06383 SPECIFICATION NUMBER: BACS38K2 OPTIONAL PART: T05L0 V53421	163999	10
280	AS1506-10D32		.. HOSE	163999	2
285	214T3125-5		.. DUCT	163999	1
290	214T3125-10		.. DUCT	163999	1
295	214T3126-61		.. BRACKET ASSY- OPTIONAL PART: 214T3126-5	163999	1
295	214T3126-5		.. BRACKET ASSY- OPTIONAL PART: 214T3126-61	163999	1
300	214T3126-7		.. BRACKET ASSY	163999	1
305	214T3126-9		.. BRACKET ASSY	163999	2
310	214T3126-11		.. BRACKET ASSY	163999	1
315	214T3126-21		.. BRACKET ASSY	163999	1

ILLUSTRATION ITEMS NOT ON PARTS LIST ARE NOT APPLICABLE

- ITEM NOT ILLUSTRATED

HXL

# 21-26-54-05

BOEING PROPRIETARY - Copyright © - Unpublished Work - See title page for details.

21-26-54  
FIG. 05  
PAGE 4  
DEC 22/07





767

PARTS CATALOG (MAINTENANCE)

FIG ITEM	PART NUMBER	1 2 3 4 5 6 7	NOMENCLATURE	EFFECT FROM TO	UNITS PER ASSY
5			ATTACHING PARTS		
- 320	NAS1801-3-6	..	SCREW	163999	6
- 325	NAS1801-3-7	..	SCREW	163999	7
- 330	AN960D10L	..	WASHER	163999	13
			-----*-----		
335	S38J2	..	STRAP	163999	6
			SUPPLIER CODE: V59237		
			SPECIFICATION NUMBER: BACS38J2		
			OPTIONAL PART: 30187-3 V26835		
340	S38J1	..	ATTACHMENT	163999	6
			SUPPLIER CODE: V59237		
			SPECIFICATION NUMBER: BACS38J1		
			OPTIONAL PART: 30187-2 V26835		
- 345	214T3005-304	.DUCT	INSTL	163999	1
350	PLT4SM	..	STRAP	163999	4
			SUPPLIER CODE: V06383		
			SPECIFICATION NUMBER: BACS38K2		
			OPTIONAL PART: T05L0 V53421		
355	AS1506-07D30	..	HOSE	163999	1
360	214T3510-15	..	DUCT	163999	1
365	214T3424-1	..	SUPPORT	163999	2
			ATTACHING PARTS		
- 370	NAS1801-3-6	..	SCREW	163999	4
- 375	AN960D10L	..	WASHER	163999	4
			-----*-----		
380	S38J2	..	STRAP	163999	2
			SUPPLIER CODE: V59237		
			SPECIFICATION NUMBER: BACS38J2		
			OPTIONAL PART: 30187-3 V26835		

ILLUSTRATION ITEMS NOT ON PARTS LIST ARE NOT APPLICABLE

- ITEM NOT ILLUSTRATED

21-26-54-05

21-26-54  
FIG. 05  
PAGE 5  
DEC 22/07

HXL

BOEING PROPRIETARY - Copyright © - Unpublished Work - See title page for details.



767

PARTS CATALOG (MAINTENANCE)

FIG ITEM	PART NUMBER	1 2 3 4 5 6 7	NOMENCLATURE	EFFECT FROM TO	UNITS PER ASSY
5 385	S38J1		. . ATTACHMENT SUPPLIER CODE: V59237 SPECIFICATION NUMBER: BACS38J1 OPTIONAL PART: 30187-2 V26835	163999	2

ILLUSTRATION ITEMS NOT ON PARTS LIST ARE NOT APPLICABLE

- ITEM NOT ILLUSTRATED

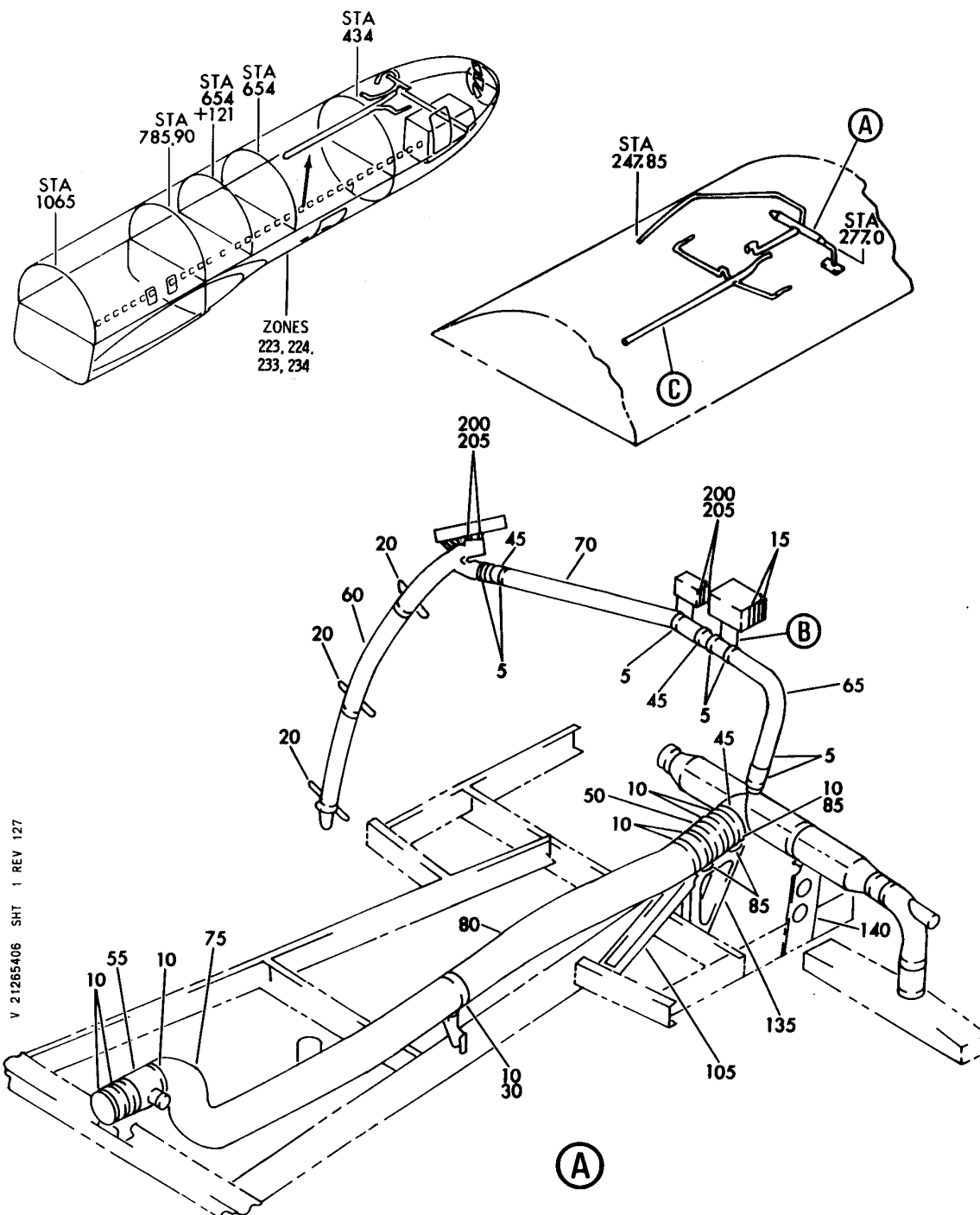
HXL

21-26-54-05

BOEING PROPRIETARY - Copyright © - Unpublished Work - See title page for details.

21-26-54  
FIG. 05  
PAGE 6  
DEC 22/07

**BOEING**  
767  
PARTS CATALOG (MAINTENANCE)



V 21265406 SHT 1 REV 127

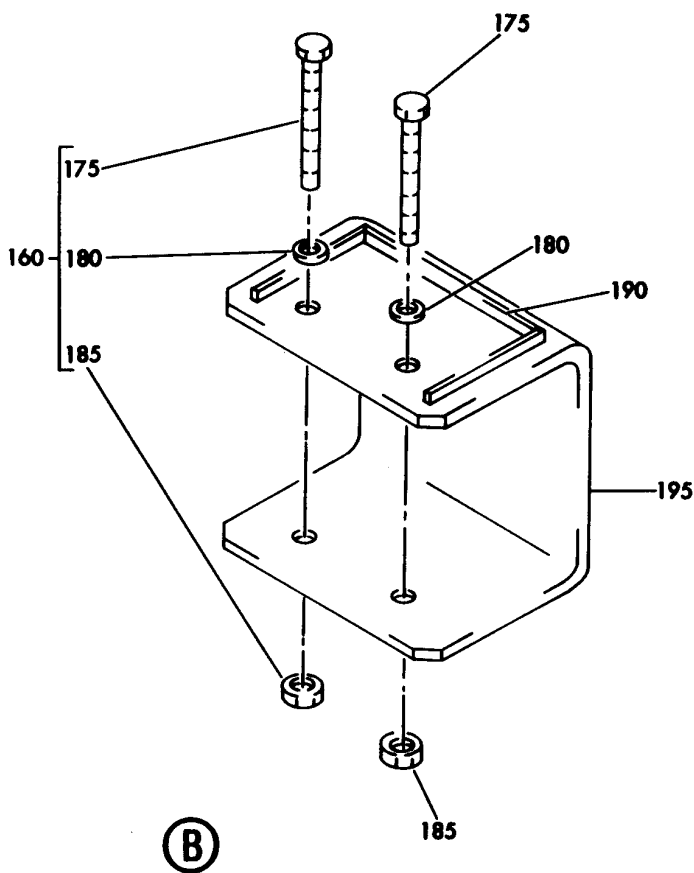
DUCT INSTL- LAV AND GALLEY VENT SYSTEM SECT. 41  
FIGURE 6 (SHEET 1)

**21-26-54-06**

HXL  
DEC 22/06

21-26-54-06  
PAGE 0

**BOEING**  
767  
PARTS CATALOG (MAINTENANCE)



V 21265406 SHT 2 REV 127

DUCT INSTL- LAV AND GALLEY VENT SYSTEM SECT. 41  
FIGURE 6 (SHEET 2)

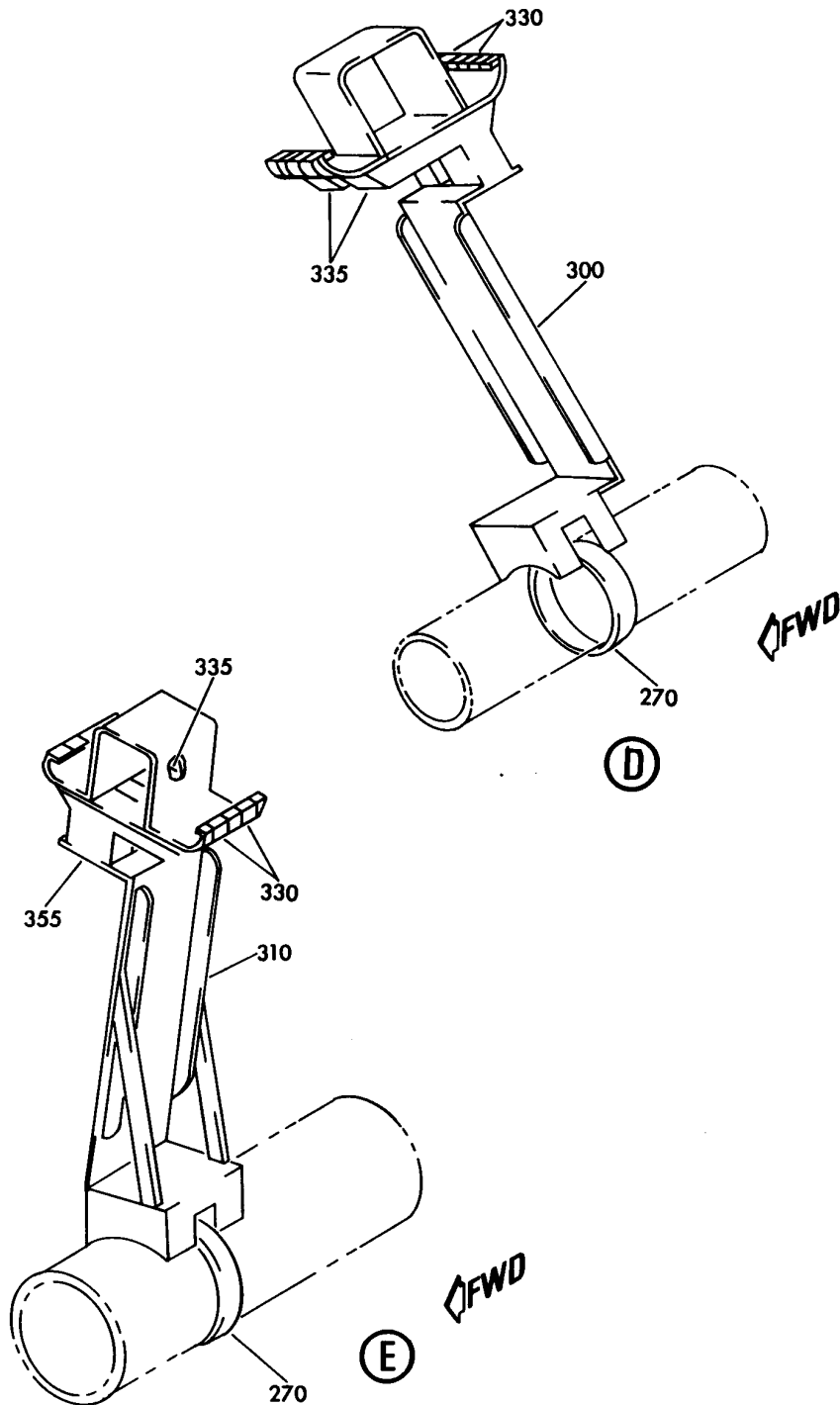
**21-26-54-06**

HXL  
DEC 22/06

21-26-54-06  
PAGE 0A



**BOEING**  
767  
PARTS CATALOG (MAINTENANCE)



V 21265406 SHT 4 REV 127

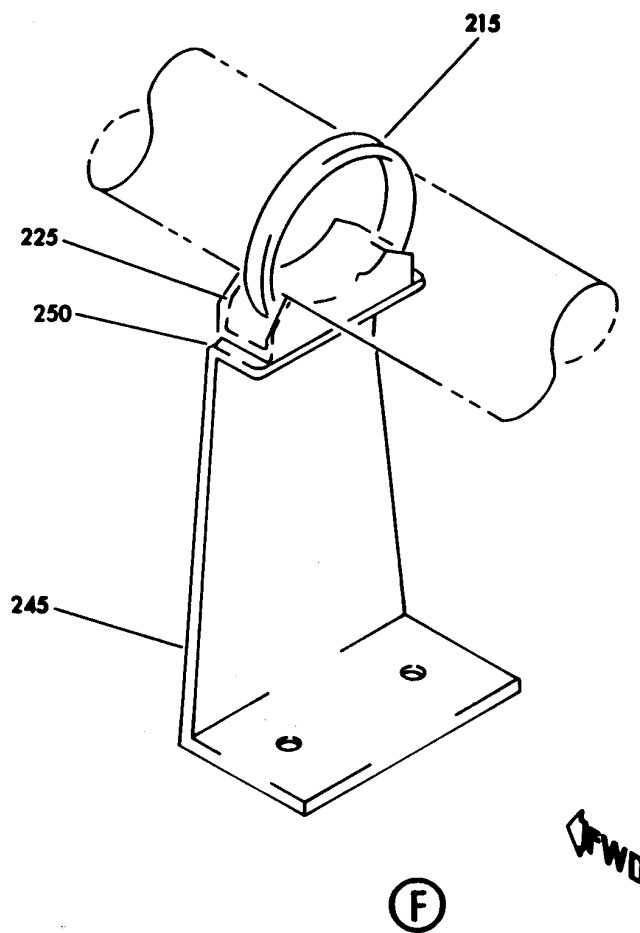
DUCT INSTL- LAV AND GALLEY VENT SYSTEM SECT. 41  
FIGURE 6 (SHEET 4)

**21-26-54-06**

HXL  
DEC 22/06

21-26-54-06  
PAGE 0C

**BOEING**  
767  
PARTS CATALOG (MAINTENANCE)



V 21265406 SHT 5 REV 127

DUCT INSTL- LAV AND GALLEY VENT SYSTEM SECT. 41  
FIGURE 6 (SHEET 5)

**21-26-54-06**

HXL  
DEC 22/06

21-26-54-06  
PAGE 0D



767

PARTS CATALOG (MAINTENANCE)

FIG ITEM	PART NUMBER	1 2 3 4 5 6 7	NOMENCLATURE	EFFECT FROM TO	UNITS PER ASSY
6			DUCT INSTL- LAV AND GALLEY VENT SYSTEM SECT. 41	155162	
- 1	214T3005-11		DUCT INSTL-LAV AND GALLEY VENT SYSTEM POSITION DATA: SECT. 41 FOR NHA SEE: 21-00-00-01A	155162	RF
- 3	214T3005-100		.DUCT INSTL	155162	1
5	PLT4SM		.. STRAP SUPPLIER CODE: V06383 SPECIFICATION NUMBER: BACS38K2 OPTIONAL PART: T05L0 V53421	155162	7
10	T012L0		.. STRAP SUPPLIER CODE: V53421 SPECIFICATION NUMBER: BACS38K6	155162	9
15	S258DT28		.. CLAMP SUPPLIER CODE: V18076 SPECIFICATION NUMBER: BACC10DW28D OPTIONAL PART: TA4C44D28T V84971 475-28 V83930 8084D28T V72285 475A28 V83930	155162	2

ILLUSTRATION ITEMS NOT ON PARTS LIST ARE NOT APPLICABLE

- ITEM NOT ILLUSTRATED

HXL

21-26-54-06

BOEING PROPRIETARY - Copyright © - Unpublished Work - See title page for details.

21-26-54  
FIG. 06  
PAGE 1  
DEC 22/06



 **BOEING**  
767  
**PARTS CATALOG (MAINTENANCE)**

FIG ITEM	PART NUMBER	1 2 3 4 5 6 7	NOMENCLATURE	EFFECT FROM TO	UNITS PER ASSY
6					
20	S392D28H	..	CLAMP SUPPLIER CODE: V18076 SPECIFICATION NUMBER: BACC10BU28DH OPTIONAL PART: 393-28HT V83930 JM44LC24D28BW V22175 TA04C44D28HA V84971 393A28HT V83930 ATTACHING PARTS	155162	3
- 25	NAS1801-3-6	..	SCREW	155162	2
- 30	NAS1801-3-7	..	SCREW	155162	3
- 35	AN960D10L	..	WASHER	155162	5
- 40	MS21042L3	..	NUT	155162	3
			-----*-----		
45	AS1506-07D32	..	SLEEVE	155162	3
50	AS1506-16D32	..	SLEEVE	155162	1
55	BOE2022-16A0050	..	HOSE- SUPPLIER CODE: V16632 SPECIFICATION NUMBER: AS1544-16A0050 OPTIONAL PART: AS1544-16A0060	155162	1
55	BOE2022-16A0060	..	HOSE- SUPPLIER CODE: V16632 SPECIFICATION NUMBER: AS1544-16A0060 OPTIONAL PART: AS1544-16A0050	155162	1
60	214T3458-2	..	DUCT ASSY	155162	1
65	214T3458-5	..	DUCT ASSY	155162	1
70	214T3458-8	..	DUCT ASSY	155162	1
75	214T3404-2	..	DUCT	155162	1
80	214T3403-4	..	DUCT	155162	1
85	214T3424-6	..	SUPPORT ATTACHING PARTS	155162	3
- 90	NAS1801-3-7	..	SCREW	155162	6
- 95	AN960D10L	..	WASHER	155162	6
- 100	MS21042L3	..	NUT	155162	6
			-----*-----		
105	214T3446-2	..	BRACKET	155162	1

ILLUSTRATION ITEMS NOT ON PARTS LIST ARE NOT APPLICABLE

- ITEM NOT ILLUSTRATED

HXL

**21-26-54-06**

BOEING PROPRIETARY - Copyright © - Unpublished Work - See title page for details.

21-26-54  
FIG. 06  
PAGE 2  
DEC 22/06

**BOEING**  
767  
**PARTS CATALOG (MAINTENANCE)**

FIG ITEM	PART NUMBER	1 2 3 4 5 6 7	NOMENCLATURE	EFFECT FROM TO	UNITS PER ASSY
6			ATTACHING PARTS		
- 110	BACR15FT5AD	..	RIVET	155162	2
- 115	NAS1801-3-6	..	SCREW	155162	2
- 120	AN960D10L	..	WASHER	155162	2
- 125	MS21042L3	..	NUT	155162	2
			-----*-----		
130	214T3126-27	..	BRACKET ASSY	155162	1
135	214T3446-1	..	BRACKET	155162	1
140	214T3463-5	..	BRACKET	155162	1
			ATTACHING PARTS		
- 145	NAS1801-3-6	..	SCREW	155162	10
- 150	AN960D10L	..	WASHER	155162	10
- 155	MS21042L3	..	NUT	155162	10
			-----*-----		
160	214T3126-39	..	BRACKET ASSY-	155162	1
			OPTIONAL PART:		
			214T3126-64		
160	214T3126-64	..	BRACKET ASSY-	155162	1
			OPTIONAL PART:		
			214T3126-39		
			ATTACHING PARTS		
- 165	NAS1801-3-6	..	SCREW	155162	2
- 170	AN960D10L	..	WASHER	155162	2
			-----*-----		
175	NAS1801-3-6	...	SCREW	155162	2
180	AN960D10L	...	WASHER	155162	2
185	MS21042L3	...	NUT	155162	2
190	214T3424-1	...	SUPPORT	155162	1
195	214T3126-40	...	BRACKET-	155162	1
			USED ON:		
			214T3126-39		
195	214T3126-65	...	BRACKET-	155162	1
			USED ON:		
			214T3126-64		
200	S38J2	..	STRAP	155162	4
			SUPPLIER CODE:		
			V59237		
			SPECIFICATION NUMBER:		
			BACS38J2		
			OPTIONAL PART:		
			30187-3		
			V26835		

ILLUSTRATION ITEMS NOT ON PARTS LIST ARE NOT APPLICABLE

- ITEM NOT ILLUSTRATED

HXL

**21-26-54-06**

BOEING PROPRIETARY - Copyright © - Unpublished Work - See title page for details.

21-26-54  
FIG. 06  
PAGE 3  
DEC 22/06

 **BOEING**  
767  
**PARTS CATALOG (MAINTENANCE)**

FIG ITEM	PART NUMBER	1 2 3 4 5 6 7	NOMENCLATURE	EFFECT FROM TO	UNITS PER ASSY
6					
205	S38J1		.. ATTACHMENT SUPPLIER CODE: V59237 SPECIFICATION NUMBER: BACS38J1 OPTIONAL PART: 30187-2 V26835	155162	4
- 210	214T3005-201		. DUCT INSTL	155162	1
215	T012L0		.. STRAP SUPPLIER CODE: V53421 SPECIFICATION NUMBER: BACS38K6	155162	3
220	214T3401-21		.. DUCT	155162	1
225	214T3424-6		.. SUPPORT ATTACHING PARTS	155162	1
- 230	NAS1801-3-7		.. SCREW	155162	2
- 235	AN960D10L		.. WASHER	155162	2
- 240	MS21042L3		.. NUT	155162	2
			-----*-----		
245	214T3449-1		.. BRACKET	155162	1
250	214T3126-25		.. BRACKET ASSY ATTACHING PARTS	155162	1
- 255	NAS1801-3-7		.. SCREW	155162	6
- 260	AN960D10L		.. WASHER	155162	6
			-----*-----		
- 265	214T3005-303		. DUCT INSTL	155162	1
270	PLT4SM		.. STRAP SUPPLIER CODE: V06383 SPECIFICATION NUMBER: BACS38K2 OPTIONAL PART: T05L0 V53421	155162	10
275	AS1506-10D32		.. HOSE	155162	2
280	214T3125-5		.. DUCT	155162	1
285	214T3125-10		.. DUCT	155162	1
290	214T3126-5		.. BRACKET ASSY- OPTIONAL PART: 214T3126-61	155162	1
290	214T3126-61		.. BRACKET ASSY- OPTIONAL PART: 214T3126-5	155162	1
295	214T3126-7		.. BRACKET ASSY	155162	1
300	214T3126-9		.. BRACKET ASSY	155162	2
305	214T3126-11		.. BRACKET ASSY	155162	1
310	214T3126-21		.. BRACKET ASSY	155162	1

ILLUSTRATION ITEMS NOT ON PARTS LIST ARE NOT APPLICABLE

- ITEM NOT ILLUSTRATED

HXL

# 21-26-54-06

21-26-54  
FIG. 06  
PAGE 4  
DEC 22/06



767

PARTS CATALOG (MAINTENANCE)

FIG ITEM	PART NUMBER	1 2 3 4 5 6 7	NOMENCLATURE	EFFECT FROM TO	UNITS PER ASSY
6			ATTACHING PARTS		
- 315	NAS1801-3-6	..	SCREW	155162	6
- 320	NAS1801-3-7	..	SCREW	155162	7
- 325	AN960D10L	..	WASHER	155162	13
			-----*-----		
330	S38J2	..	STRAP	155162	6
			SUPPLIER CODE: V59237		
			SPECIFICATION NUMBER: BACS38J2		
			OPTIONAL PART: 30187-3		
			V26835		
335	S38J1	..	ATTACHMENT	155162	6
			SUPPLIER CODE: V59237		
			SPECIFICATION NUMBER: BACS38J1		
			OPTIONAL PART: 30187-2		
			V26835		

ILLUSTRATION ITEMS NOT ON PARTS LIST ARE NOT APPLICABLE

- ITEM NOT ILLUSTRATED

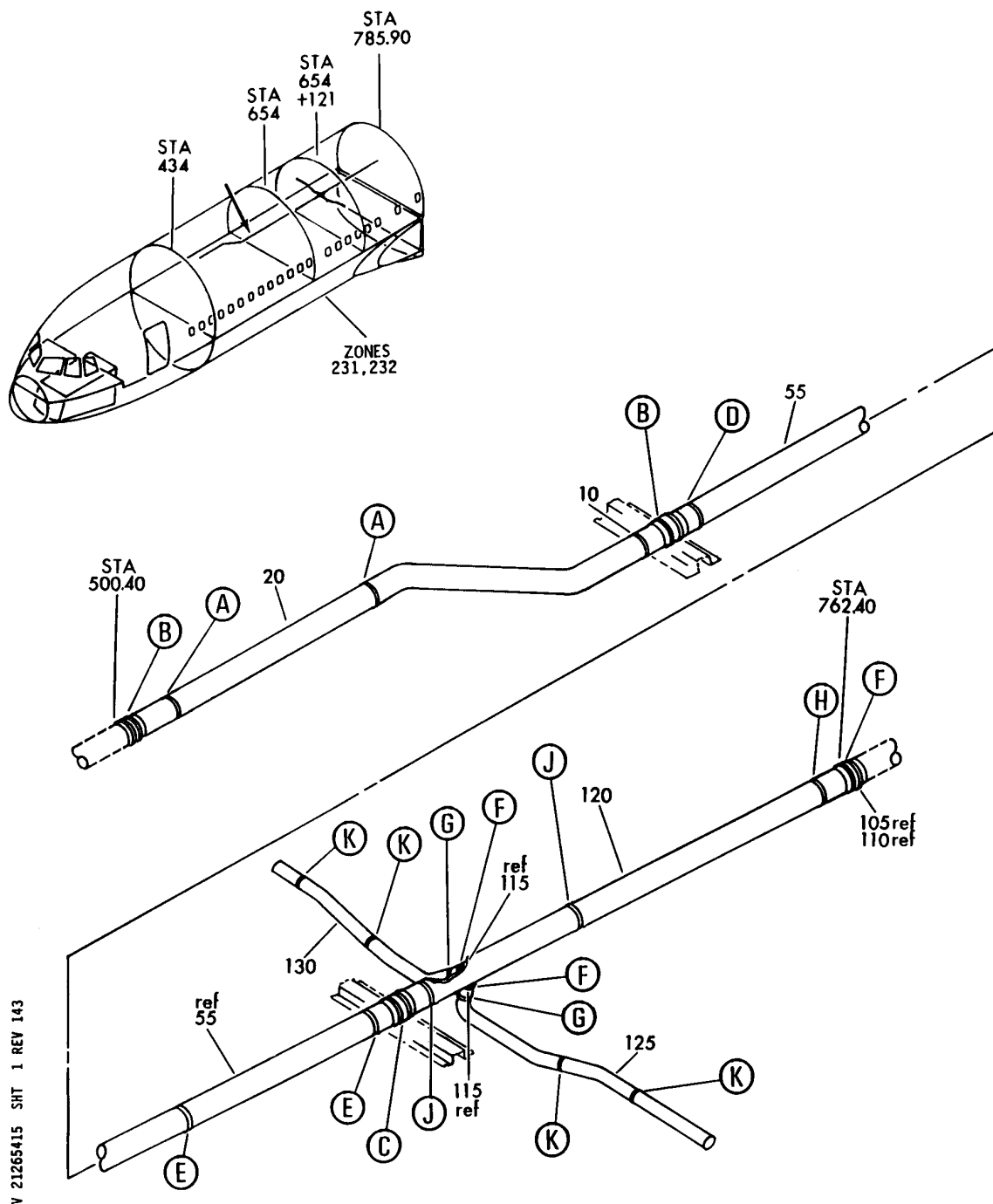
HXL

21-26-54-06

BOEING PROPRIETARY - Copyright © - Unpublished Work - See title page for details.

21-26-54  
FIG. 06  
PAGE 5  
DEC 22/06


**BOEING**  
 767  
**PARTS CATALOG (MAINTENANCE)**



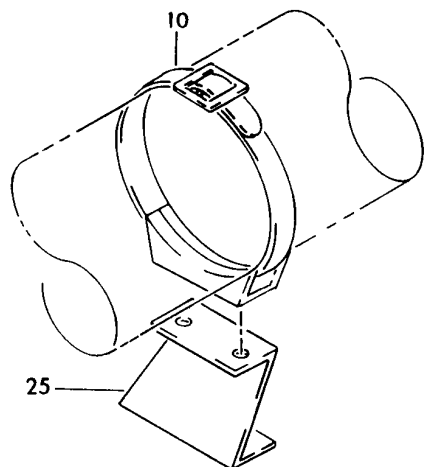
DUCT INSTL-LAV AND GALLEY VENT SYS  
 FIGURE 15 (SHEET 1)

**21-26-54-15**

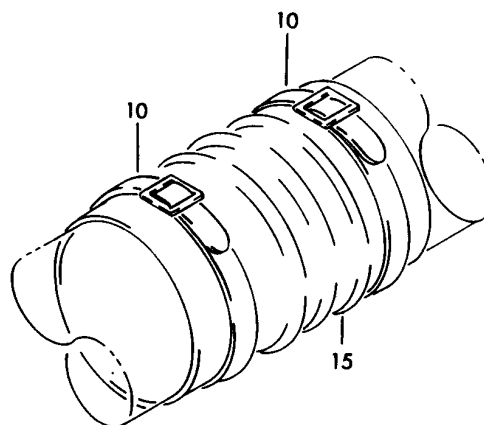
HXL  
 DEC 22/06

21-26-54-15  
 PAGE 0

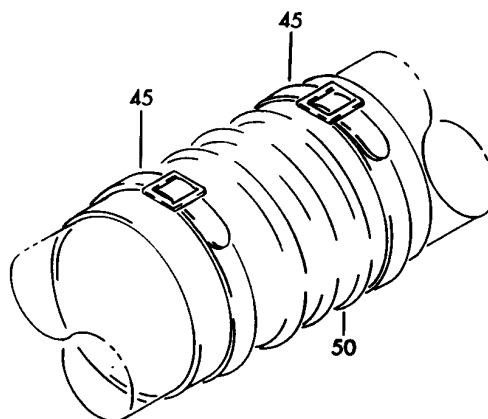
**BOEING**  
767  
PARTS CATALOG (MAINTENANCE)



(A)



(B)



(C)

V 21265415 SHT 2 REV 143

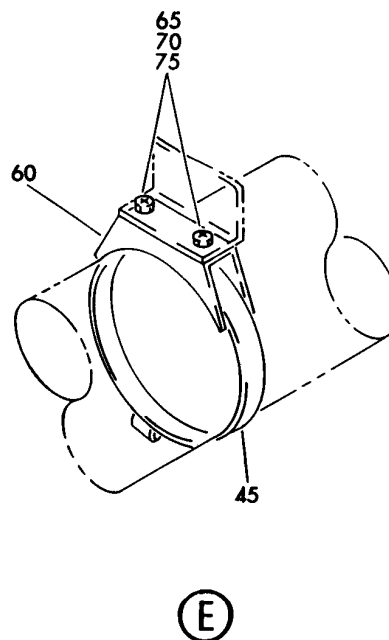
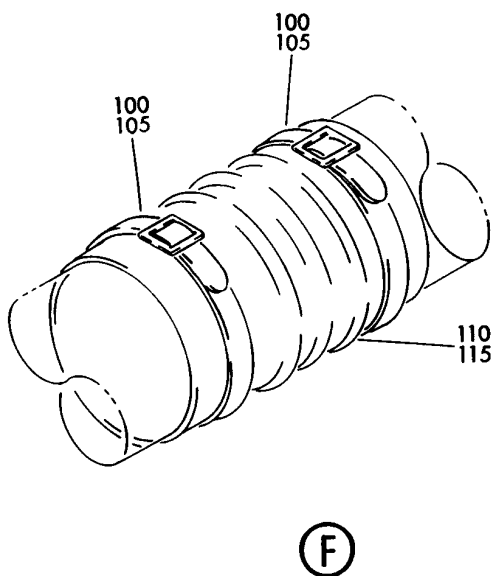
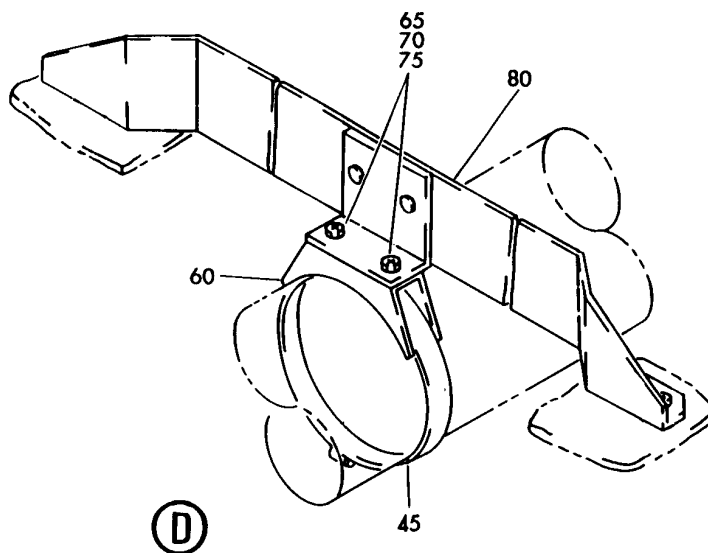
DUCT INSTL-LAV AND GALLEY VENT SYS  
FIGURE 15 (SHEET 2)

**21-26-54-15**

HXL  
DEC 22/06

21-26-54-15  
PAGE 0A

**BOEING**  
767  
PARTS CATALOG (MAINTENANCE)



V 21265415 SHT 3 REV 143

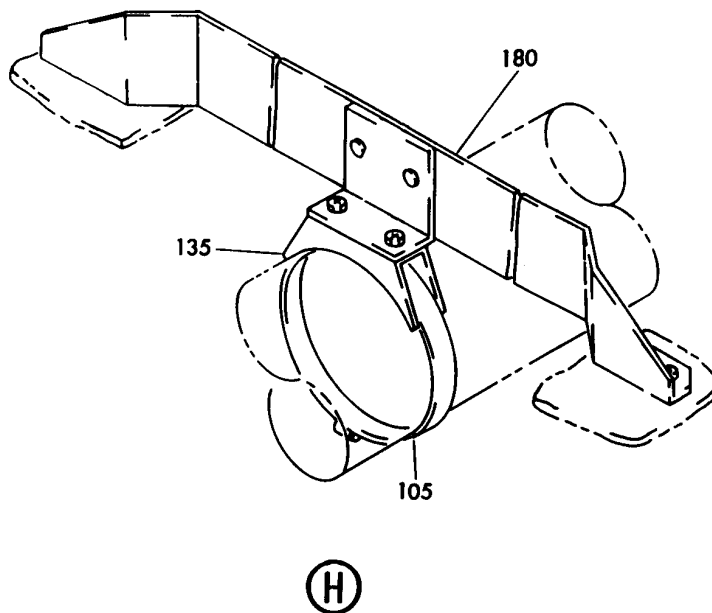
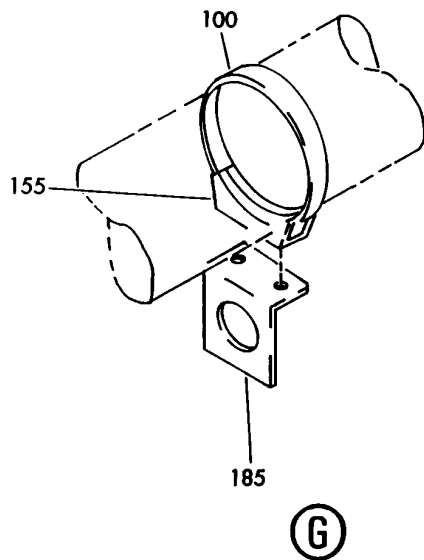
DUCT INSTL-LAV AND GALLEY VENT SYS  
FIGURE 15 (SHEET 3)

**21-26-54-15**

HXL  
DEC 22/06

21-26-54-15  
PAGE 0B

**BOEING**  
767  
PARTS CATALOG (MAINTENANCE)



V 21265415 SHT 4 REV 143

DUCT INSTL-LAV AND GALLEY VENT SYS  
FIGURE 15 (SHEET 4)

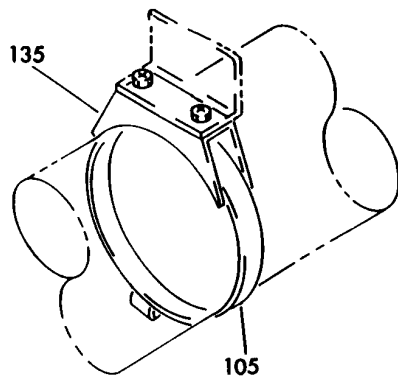
**21-26-54-15**

HXL  
DEC 22/06

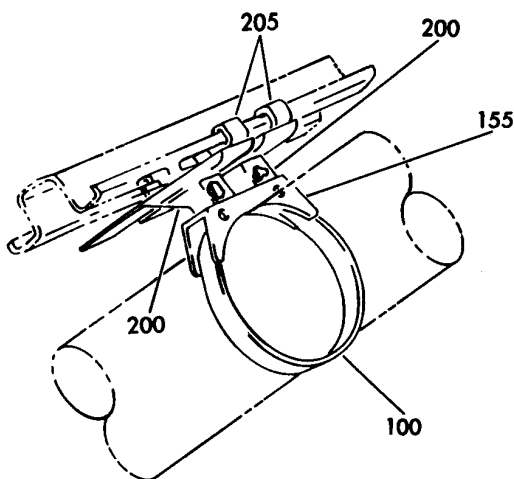
21-26-54-15  
PAGE 0C



**BOEING**  
767  
PARTS CATALOG (MAINTENANCE)



ⓐ



ⓑ

V 21265415 SHT 5 REV 143

DUCT INSTL-LAV AND GALLEY VENT SYS  
FIGURE 15 (SHEET 5)

**21-26-54-15**

HXL  
DEC 22/06

21-26-54-15  
PAGE 0D

**BOEING**  
767  
**PARTS CATALOG (MAINTENANCE)**

FIG ITEM	PART NUMBER	1 2 3 4 5 6 7	NOMENCLATURE	EFFECT FROM TO	UNITS PER ASSY
15			DUCT INSTL-LAV AND GALLEY VENT SYS		
- 1	214T3006-1		DUCT INSTL-LAV AND GALLEY VENT SYS FOR NHA SEE: 21-00-00-02A		RF
- 5	214T3006-2		.DUCT INSTL		1
10	T012LO		..STRAP SUPPLIER CODE: V53421 SPECIFICATION NUMBER: BACS38K6		7
15	BE1503-20D0050		..HOSE SUPPLIER CODE: V05399 SPECIFICATION NUMBER: AS1503-20D0050		2
20	214T3411-16		..DUCT ASSY		1
25	214T3126-25		..BRACKET ASSY ATTACHING PARTS		2
- 30	NAS1801-3-7		..SCREW		4
- 35	AN960D10L		..WASHER		4
			-----*-----		
- 40	214T3006-3		.DUCT INSTL		1
45	T012LO		..STRAP SUPPLIER CODE: V53421 SPECIFICATION NUMBER: BACS38K6		5
50	BE1503-20D0050		..HOSE SUPPLIER CODE: V05399 SPECIFICATION NUMBER: AS1503-20D0050		1
55	214T3501-22		..DUCT ASSY		1
60	214T3424-7		..SUPPORT		3
65	NAS1801-3-7		..SCREW		6
70	AN960D10L		..WASHER		6
75	MS21042L3		..NUT		6
80	214T2447-3		..BRACKET ATTACHING PARTS		1
- 85	NAS1801-3-7		..SCREW		4
- 90	AN960D10L		..WASHER		4
			-----*-----		
- 95	214T3006-4		.DUCT INSTL		1

ILLUSTRATION ITEMS NOT ON PARTS LIST ARE NOT APPLICABLE

- ITEM NOT ILLUSTRATED

HXL

# 21-26-54-15

BOEING PROPRIETARY - Copyright © - Unpublished Work - See title page for details.

21-26-54  
FIG. 15  
PAGE 1  
DEC 22/07

**BOEING**  
767  
**PARTS CATALOG (MAINTENANCE)**

FIG ITEM	PART NUMBER	1 2 3 4 5 6 7	NOMENCLATURE	EFFECT FROM TO	UNITS PER ASSY
15					
100	PLT4SM	..	STRAP SUPPLIER CODE: V06383 SPECIFICATION NUMBER: BACS38K2 OPTIONAL PART: T05L0 V53421		10
105	T012L0	..	STRAP SUPPLIER CODE: V53421 SPECIFICATION NUMBER: BACS38K6		5
110	BE1503-20D0050	..	HOSE SUPPLIER CODE: V05399 SPECIFICATION NUMBER: AS1503-20D0050		1
115	BOE2027-07D0230	..	DUCT SUPPLIER CODE: V16632 SPECIFICATION NUMBER: AS1503-07D0230		2
120	214T3501-9	..	DUCT ASSY		1
125	214T3510-7	..	DUCT		1
130	214T3510-8	..	DUCT		1
135	214T3424-7	..	SUPPORT ATTACHING PARTS		3
- 140	NAS1801-3-7	..	SCREW		6
- 145	AN960D10L	..	WASHER		6
- 150	MS21042L3	..	NUT		6
			-----*-----		
155	214T3424-1	..	SUPPORT ATTACHING PARTS		6
- 160	NAS1801-3-6	..	SCREW		8
- 165	NAS1801-3-7	..	SCREW		4
- 170	AN960D10L	..	WASHER		12
- 175	MS21042L3	..	NUT		4
			-----*-----		
180	214T2447-3	..	BRACKET		1
185	214T2443-2	..	BRACKET ATTACHING PARTS		2
- 190	NAS1801-3-7	..	SCREW		8
- 195	AN960D10L	..	WASHER		8
			-----*-----		

ILLUSTRATION ITEMS NOT ON PARTS LIST ARE NOT APPLICABLE

- ITEM NOT ILLUSTRATED

HXL

**21-26-54-15**

BOEING PROPRIETARY - Copyright © - Unpublished Work - See title page for details.

21-26-54  
FIG. 15  
PAGE 2  
DEC 22/07



767  
PARTS CATALOG (MAINTENANCE)

FIG ITEM	PART NUMBER	1 2 3 4 5 6 7	NOMENCLATURE	EFFECT FROM TO	UNITS PER ASSY
15 200	S38J1		.. ATTACHMENT SUPPLIER CODE: V59237 SPECIFICATION NUMBER: BACS38J1 OPTIONAL PART: 30187-2 V26835		8
205	S38J2		.. STRAP SUPPLIER CODE: V59237 SPECIFICATION NUMBER: BACS38J2 OPTIONAL PART: 30187-3 V26835		8

ILLUSTRATION ITEMS NOT ON PARTS LIST ARE NOT APPLICABLE

- ITEM NOT ILLUSTRATED

HXL

21-26-54-15

BOEING PROPRIETARY - Copyright © - Unpublished Work - See title page for details.

21-26-54  
FIG. 15  
PAGE 3  
DEC 22/07