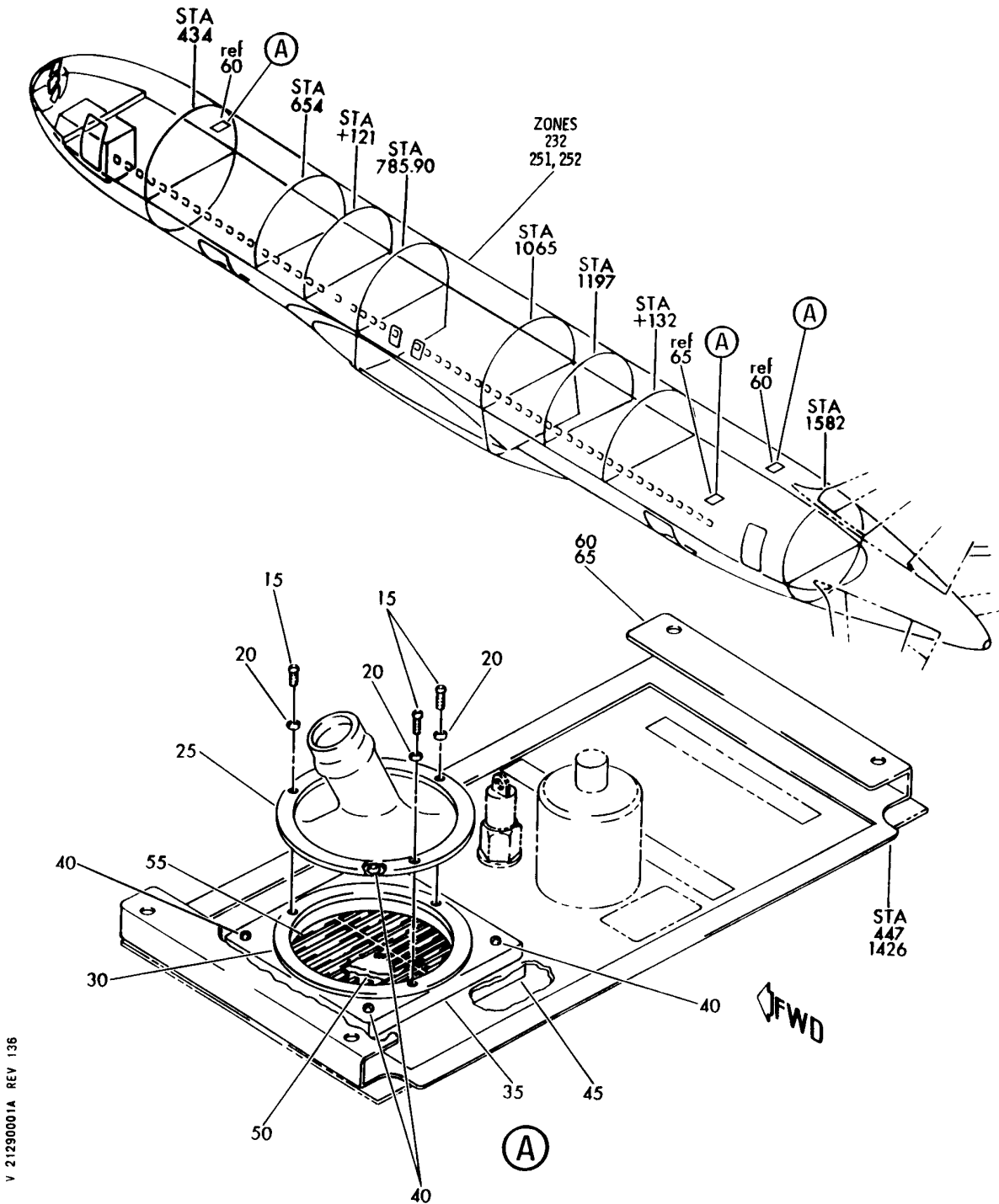


CREW REST AREA (CRA) AIR DISTRIBUTION SYSTEM

HXL
DEC 22/06

21-29-00
SECTION TITLE
PAGE 1

BOEING
767
PARTS CATALOG (MAINTENANCE)



V 21290001A REV 136

PANEL ASSY-TEMP SENSOR, CREW REST (AIR CONDITIONING ONLY)
FIGURE 1A

21-29-00-01A

HXL
DEC 22/06

21-29-00-01A
PAGE 0



767

PARTS CATALOG (MAINTENANCE)

FIG ITEM	PART NUMBER	1 2 3 4 5 6 7	NOMENCLATURE	EFFECT FROM TO	UNITS PER ASSY
1 A			PANEL ASSY-TEMP SENSOR, CREW REST (AIR CONDITIONING ONLY)	163999	
- 1	215T1103-15SP		PANEL ASSY-TEMP SENSOR, CREW REST (AIR CONDITIONING ONLY) POSITION DATA: FWD RH FOR NHA/OTHER SYS DET SEE: 25-23-01-48B	163999	RF
- 5	215T1103-19SP		PANEL ASSY-TEMP SENSOR, CREW REST (AIR CONDITIONING ONLY) POSITION DATA: AFT LH FOR NHA/OTHER SYS DET SEE: 25-23-01-48B	163999	RF
- 10	215T1103-20SP		PANEL ASSY-TEMP SENSOR, CREW REST (AIR CONDITIONING ONLY) POSITION DATA: AFT RH FOR NHA/OTHER SYS DET SEE: 25-23-01-48B	163999	RF
15	NAS1801-3-5		.SCREW	163999	3
20	NAS620A10L		.WASHER	163999	3
25	215T1407-4		.SPUD	163999	1
30	215T4401-1		.GASKET	163999	1
35	215T4400-2		.SPACER	163999	1
40	NAS514P1032-7		.SCREW	163999	4
45	65B42530-1		.COVER-FILTER	163999	1
50	69B42967-1		.FILTER- MANUFACTURED FROM: SCOTT FILTER FOAM POROSITY GRADE 45 PP1 F25.01 3/16 IN. X 3.5 IN. X 4.0 IN. (5151884360)	163999	1
55	215T1408-6		.GRILL	163999	1
60	215T1110-14		.BRACKET ASSY- USED ON: 215T1103-15SP 215T1103-20SP 215T1103-23SP 215T1103-24SP	163999	1
65	215T1110-13		.BRACKET ASSY- USED ON: 215T1103-19SP 215T1103-25SP	163999	1
ILLUSTRATION ITEMS NOT ON PARTS LIST ARE NOT APPLICABLE					

R
R
R
R
R
R
R

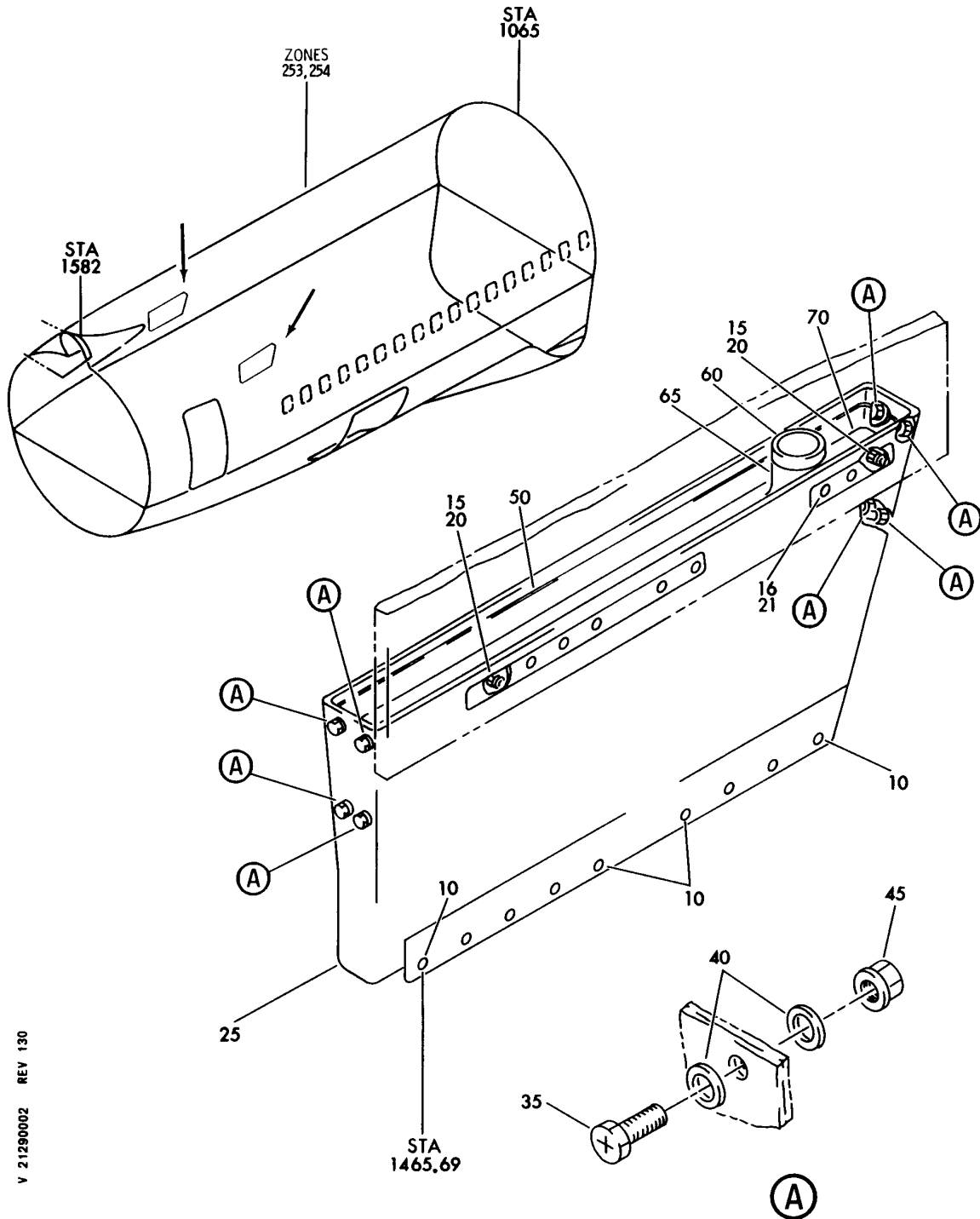
- ITEM NOT ILLUSTRATED

21-29-00-01A

21-29-00
FIG. 01A
PAGE 1
AUG 22/09

HXL

BOEING
767
PARTS CATALOG (MAINTENANCE)



V 21290002 REV 130

PLENUM INSTL- AIR DISTR SYS AFT CABIN CREW REST
FIGURE 2

21-29-00-02

HXL
DEC 22/06

21-29-00-02
PAGE 0



767

PARTS CATALOG (MAINTENANCE)

FIG ITEM	PART NUMBER	1 2 3 4 5 6 7	NOMENCLATURE	EFFECT FROM TO	UNITS PER ASSY
2			PLENUM INSTL- AIR DISTR SYS AFT CABIN CREW REST	163999	
- 1	214T0006-7		PLENUM INSTL-AIR DISTR SYS CABIN CREW REST POSITION DATA: AFT LH FOR NHA/OTHER SYS DET SEE: 21-00-00-03A	163999	RF
- 5	214T0006-8		PLENUM INSTL-AIR DISTR SYS CABIN CREW REST POSITION DATA: AFT RH FOR NHA/OTHER SYS DET SEE: 21-00-00-03A	163999	RF
10	PS10F7DL05WH		.SCREW- SUPPLIER CODE: V12324	163999	9
15	NAS1801-3-6		.SCREW	163999	8
16	NAS1801-3-6		.SCREW	163999	1
20	AN960JD10L		.WASHER	163999	8
21	AN960JD10L		.WASHER	163999	1
25	214T0106-9		.PLENUM ASSY-(LH SIDE)	163999	1
- 30	214T0106-8		.PLENUM ASSY-(RH SIDE)	163999	1
35	NAS1801-3-6		..SCREW	163999	8
40	AN960JD10L		..WASHER	163999	16
45	MS21042L3		..NUT	163999	8
50	214T0106-3		..COVER ASSY- POSITION DATA: LH SIDE	163999	1
- 55	214T0106-4		..COVER ASSY- POSITION DATA: RH SIDE	163999	1
60	214T0106-7		...SEAL-RUBBER	163999	1
65	69B43325-14		...CONNECTOR	163999	1
70	214T0406-3		...COVER- POSITION DATA: LH SIDE	163999	1
- 75	214T0406-4		...COVER- POSITION DATA: RH SIDE	163999	1

ILLUSTRATION ITEMS NOT ON PARTS LIST ARE NOT APPLICABLE

- ITEM NOT ILLUSTRATED

21-29-00-02

21-29-00
FIG. 02
PAGE 1
DEC 22/07

HXL



767

PARTS CATALOG (MAINTENANCE)

FIG ITEM	PART NUMBER	1 2 3 4 5 6 7	NOMENCLATURE	EFFECT FROM TO	UNITS PER ASSY
4			PLENUM INSTL- AIR DISTR SYS	163999	
- 1	214T0001-2		FWD CABIN CREW REST PLENUM INSTL-AIR DISTR SYS CABIN CREW REST POSITION DATA: FWD FOR NHA/OTHER SYS DET SEE: 21-00-00-01A	163999	RF
5	PS10F7DL05WH		.SCREW- SUPPLIER CODE: V12324	163999	2
10	NAS1801-3-6		.SCREW	163999	14
15	AN960JD10L		.WASHER	163999	14
20	214T0101-1		.PLENUM ASSY	163999	1
25	NAS1801-3-6		..SCREW	163999	8
30	AN960JD10L		..WASHER	163999	16
35	MS21042L3		..NUT	163999	8
40	214T0101-2		..COVER ASSY	163999	1
45	214T0101-4		...SEAL-RUBBER	163999	1
50	69B43325-14		...CONNECTOR	163999	1
55	214T0403-2		...COVER	163999	1
60	214T0402-2		..BRACKET	163999	1
65	214T0402-1		..BRACKET	163999	1
70	214T0403-1		..PLENUM BODY	163999	1

ILLUSTRATION ITEMS NOT ON PARTS LIST ARE NOT APPLICABLE

- ITEM NOT ILLUSTRATED

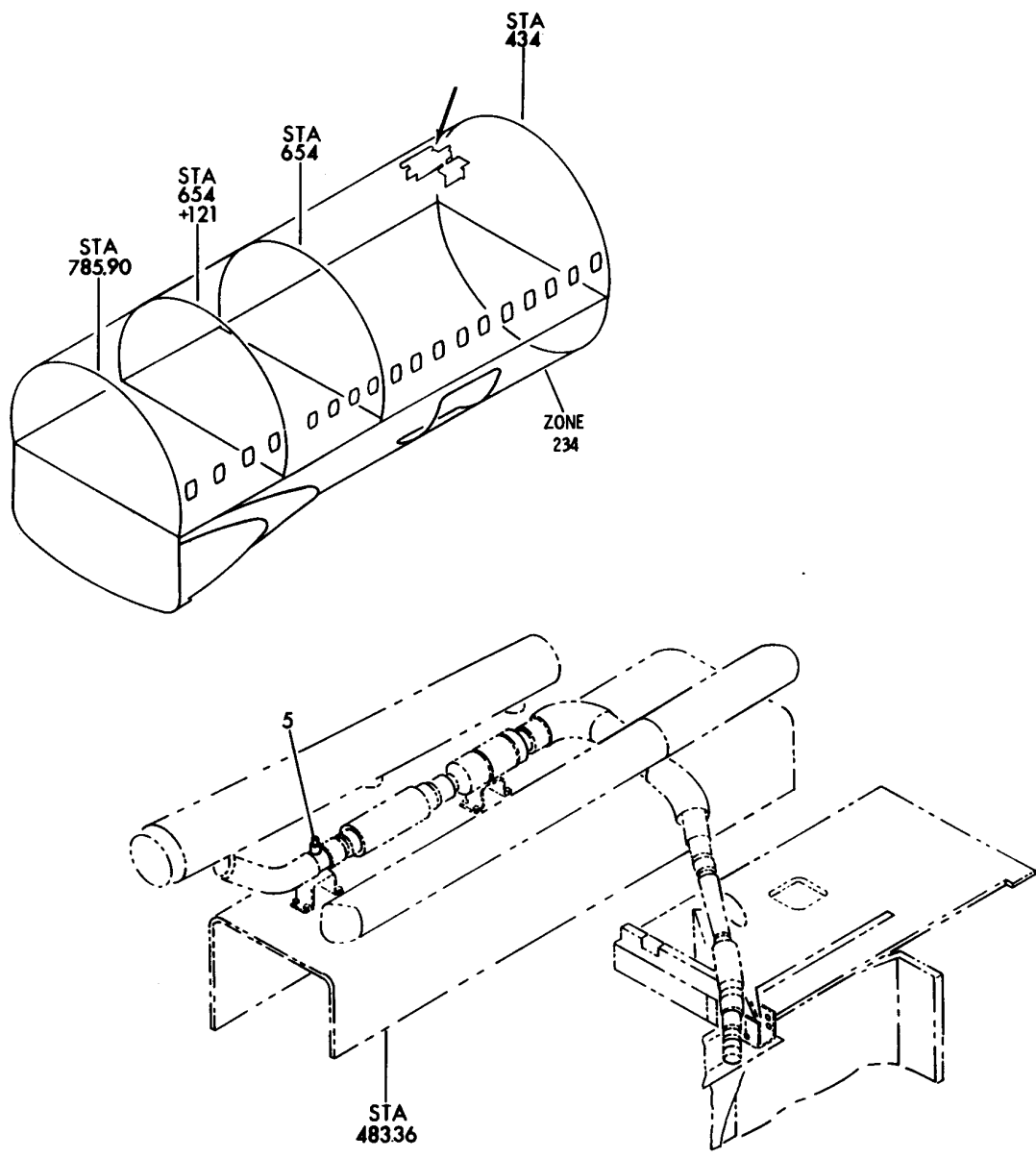
HXL

21-29-00-04

BOEING PROPRIETARY - Copyright © - Unpublished Work - See title page for details.

21-29-00
FIG. 04
PAGE 1
DEC 22/07

BOEING
767
PARTS CATALOG (MAINTENANCE)



V 21290201 REV 121

DUCT INSTL-FWB CAB. CREW REST AIR DISTR SYS (CREW REST AREA SUPPLY FAN ONLY)
FIGURE 1

HXL
DEC 22/06

21-29-02-01

21-29-02-01
PAGE 0



767

PARTS CATALOG (MAINTENANCE)

FIG ITEM	PART NUMBER	1 2 3 4 5 6 7	NOMENCLATURE	EFFECT FROM TO	UNITS PER ASSY
1			DUCT INSTL-FWB CAB. CREW REST AIR DISTR SYS (CREW REST AREA SUPPLY FAN ONLY)	163999	
- 1	214T0001-4		DUCT INSTL-CAB. CREW REST AIR DISTR SYS (CREW REST AREA SUPPLY FAN ONLY) POSITION DATA: FWD FOR NHA/OTHER SYS DET SEE: 21-00-00-01A	163163	RF
- 1	214T0001-5		DUCT INSTL-CAB. CREW REST AIR DISTR SYS (CREW REST AREA SUPPLY FAN ONLY) POSITION DATA: FWD FOR NHA/OTHER SYS DET SEE: 21-00-00-01A	164999	RF
5	035147		. FAN- SUPPLIER CODE: V82877 COMPONENT MAINT MANUAL REF: 21-25-02	163999	1

ILLUSTRATION ITEMS NOT ON PARTS LIST ARE NOT APPLICABLE

- ITEM NOT ILLUSTRATED

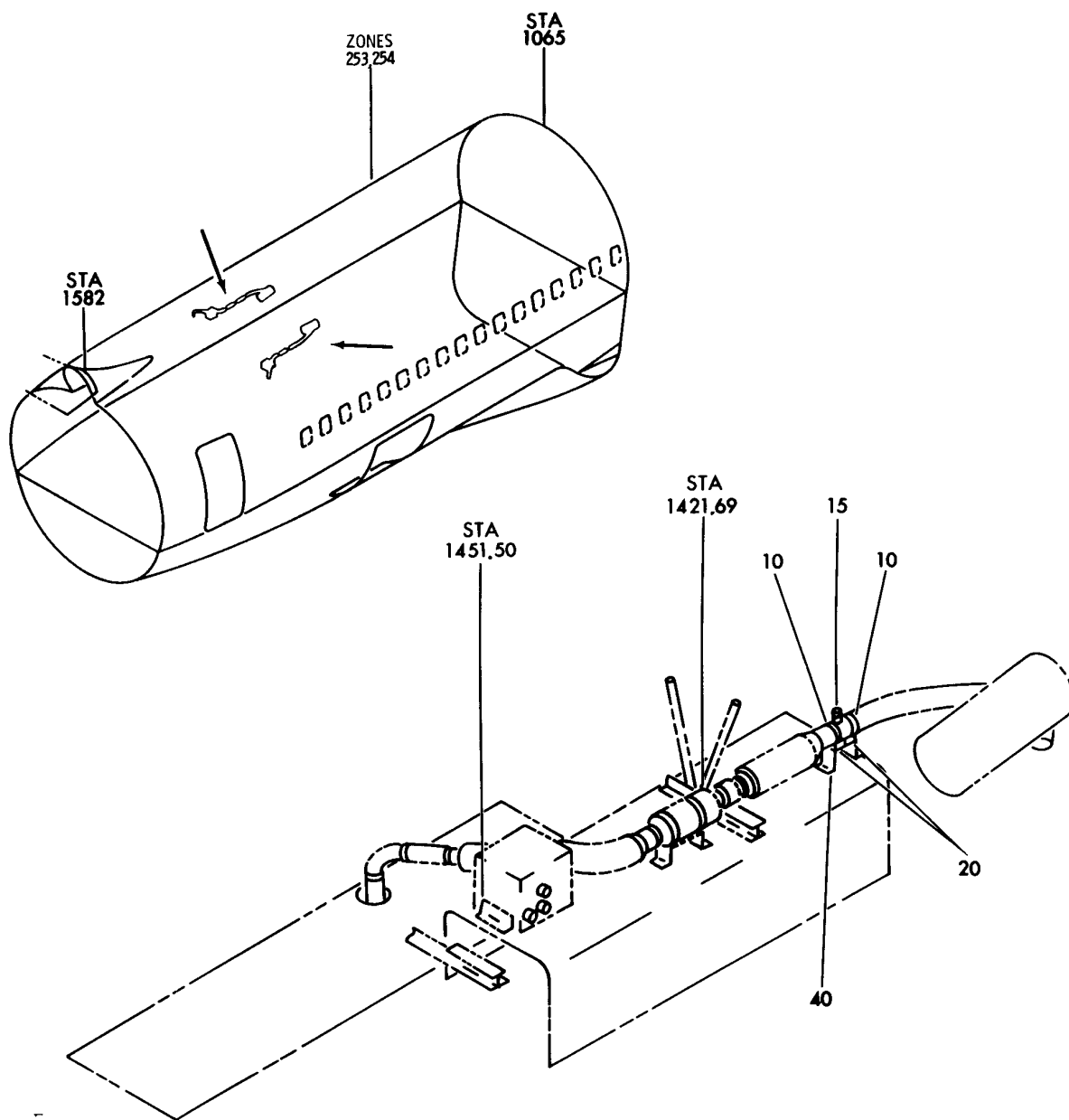
HXL

21-29-02-01

BOEING PROPRIETARY - Copyright © - Unpublished Work - See title page for details.

21-29-02
FIG. 01
PAGE 1
DEC 22/07

BOEING
767
PARTS CATALOG (MAINTENANCE)



V 21290202 REV 121

DUCT INSTL-AIR DISTR SYS AFT CABIN CREW REST (CREW REST AREA SUPPLY FAN ONLY)
FIGURE 2

HXL
DEC 22/06

21-29-02-02

21-29-02-02
PAGE 0

BOEING
767
PARTS CATALOG (MAINTENANCE)

FIG ITEM	PART NUMBER	1 2 3 4 5 6 7	NOMENCLATURE	EFFECT FROM TO	UNITS PER ASSY
2			DUCT INSTL-AIR DISTR SYS AFT CABIN CREW REST (CREW REST AREA SUPPLY FAN ONLY)	163999	
- 1	214T0006-1		DUCT INSTL-AIR DISTR SYS CABIN CREW REST (CREW REST AREA SUPPLY FAN ONLY) POSITION DATA: AFT LH FOR NHA/OTHER SYS DET SEE: 21-00-00-03A	163163	RF
- 1	214T0006-5		DUCT INSTL-AIR DISTR SYS CABIN CREW REST (CREW REST AREA SUPPLY FAN ONLY) POSITION DATA: AFT LH FOR NHA/OTHER SYS DET SEE: 21-00-00-03A	164999	RF
- 5	214T0006-10		DUCT INSTL-AIR DISTR SYS CABIN CREW REST (CREW REST AREA SUPPLY FAN ONLY) POSITION DATA: AFT RH FOR NHA/OTHER SYS DET SEE: 21-00-00-03A	164999	RF
- 5	214T0006-9		DUCT INSTL-AIR DISTR SYS CABIN CREW REST (CREW REST AREA SUPPLY FAN ONLY) POSITION DATA: AFT RH FOR NHA/OTHER SYS DET SEE: 21-00-00-03A	163163	RF
10	NAS1922-0275-1		.CLAMP	163163	2
15	035147		.FAN- SUPPLIER CODE: V82877 COMPONENT MAINT MANUAL REF: 21-25-02	163163	1
20	214T3424-3		.SUPPORT ATTACHING PARTS	163163	2
- 25	NAS1801-3-8		.SCREW	163163	2
- 30	AN960JD10L		.WASHER	163163	4
- 35	MS21042L3		.NUT	163163	2
40	214T0401-1		-----*----- .BRACKET	163163	1

ILLUSTRATION ITEMS NOT ON PARTS LIST ARE NOT APPLICABLE

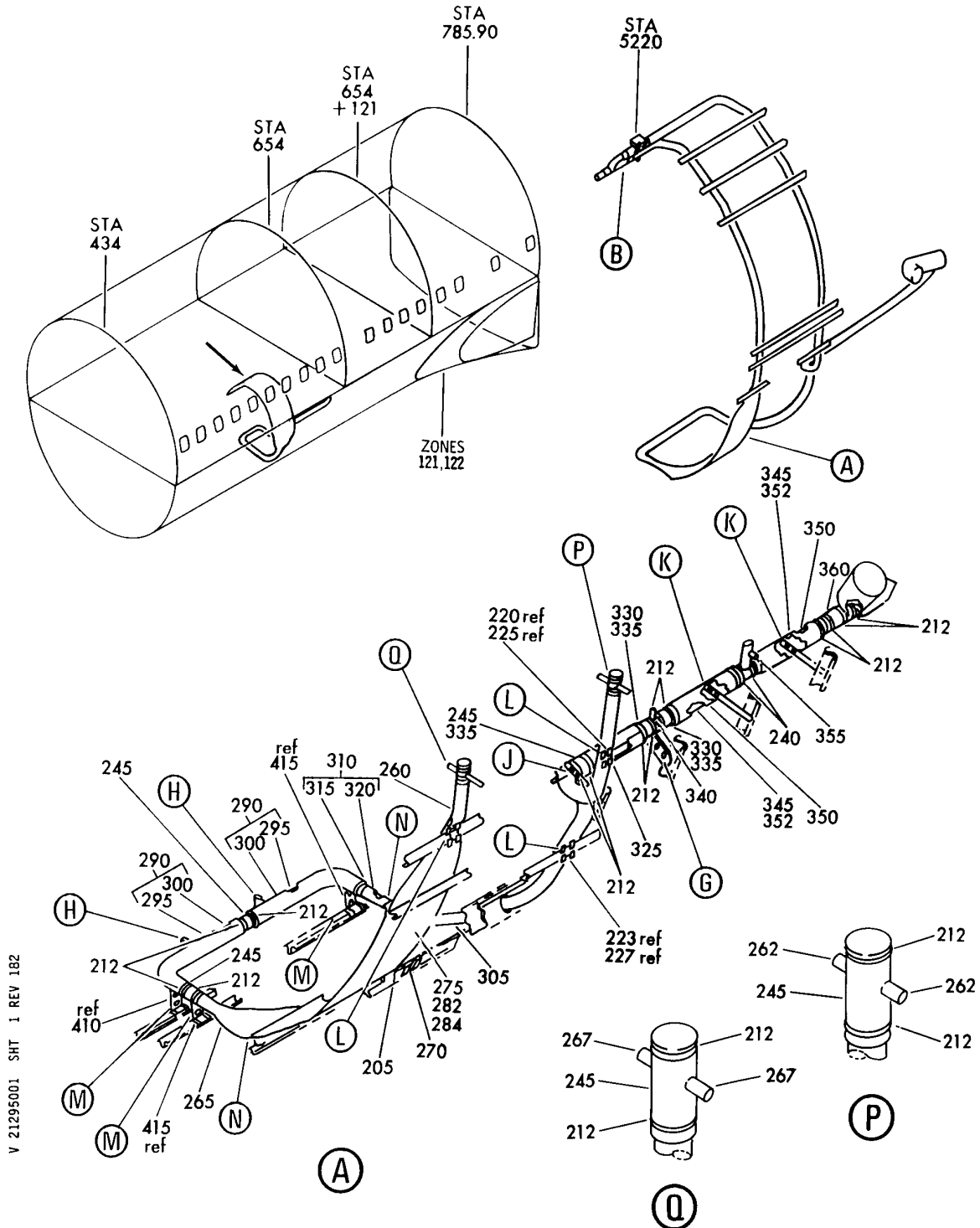
- ITEM NOT ILLUSTRATED

HXL

21-29-02-02

21-29-02
FIG. 02
PAGE 1
DEC 22/07

BOEING
767
PARTS CATALOG (MAINTENANCE)



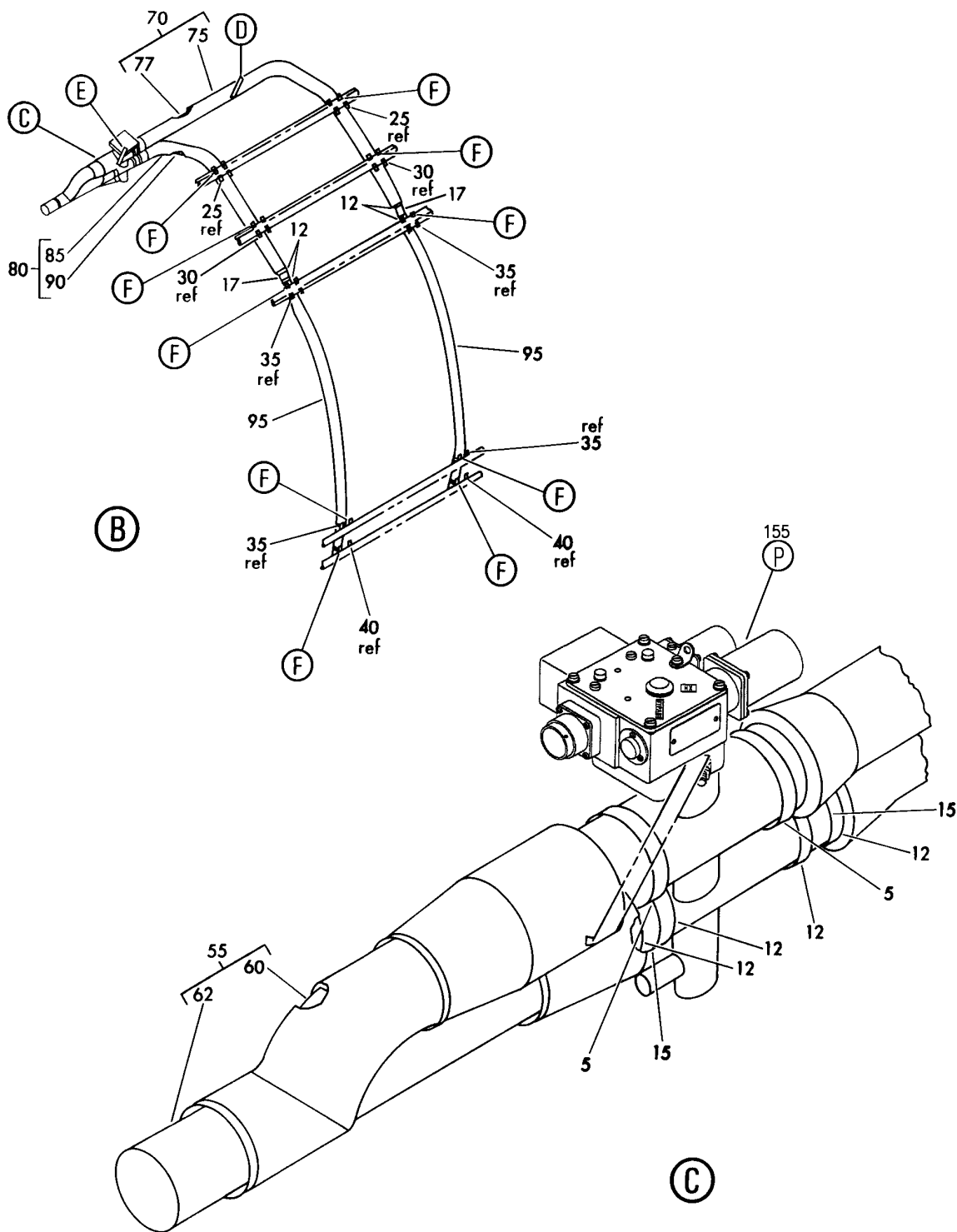
DUCT INSTL-FLIGHT DECK CREW REST (ABOVE AND BELOW FLOOR)
FIGURE 1 (SHEET 1)

21-29-50-01

HXL
DEC 22/06

21-29-50-01
PAGE 0


BOEING
 767
PARTS CATALOG (MAINTENANCE)



V 21295001 SH1 2 REV 268

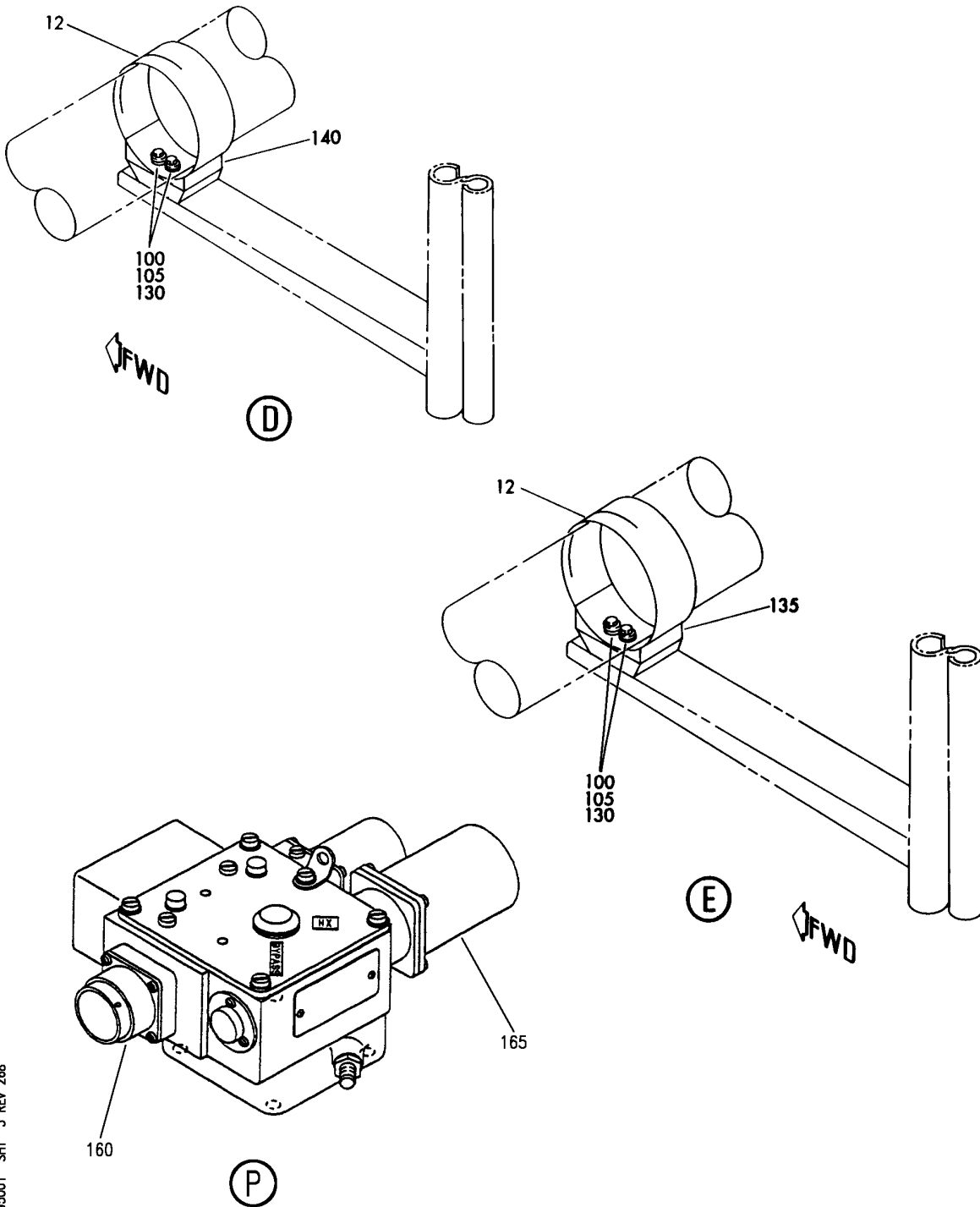
DUCT INSTL-FLIGHT DECK CREW REST (ABOVE AND BELOW FLOOR)
 FIGURE 1 (SHEET 2)

21-29-50-01

HXL
DEC 22/06

21-29-50-01
 PAGE 0A

BOEING
767
PARTS CATALOG (MAINTENANCE)



V 21295001 SHT 3 REV 268

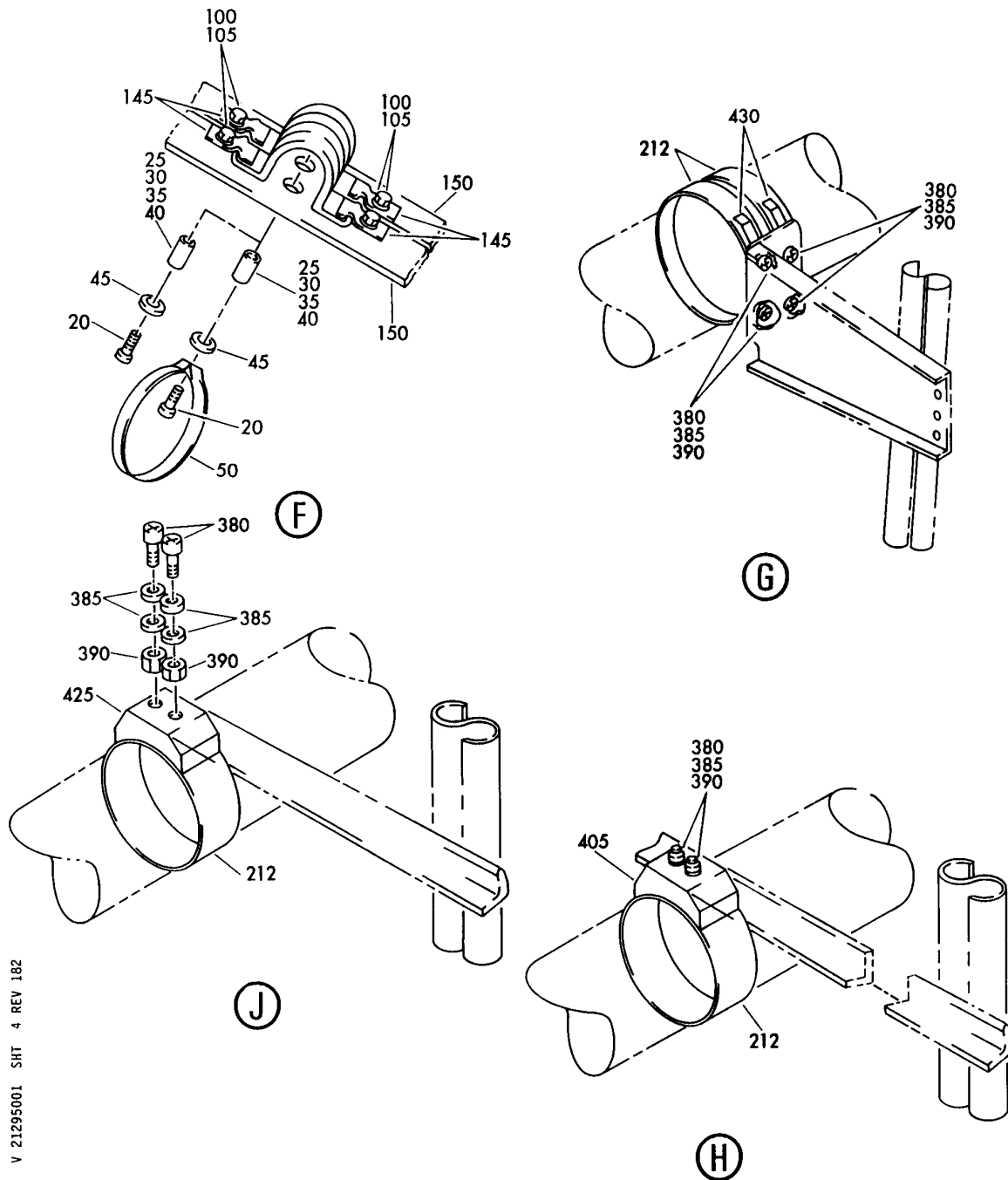
DUCT INSTL-FLIGHT DECK CREW REST (ABOVE AND BELOW FLOOR)
FIGURE 1 (SHEET 3)

HXL
DEC 22/06

21-29-50-01

21-29-50-01
PAGE 0B

BOEING
767
PARTS CATALOG (MAINTENANCE)



V 21295001 SH1 4 REV 182

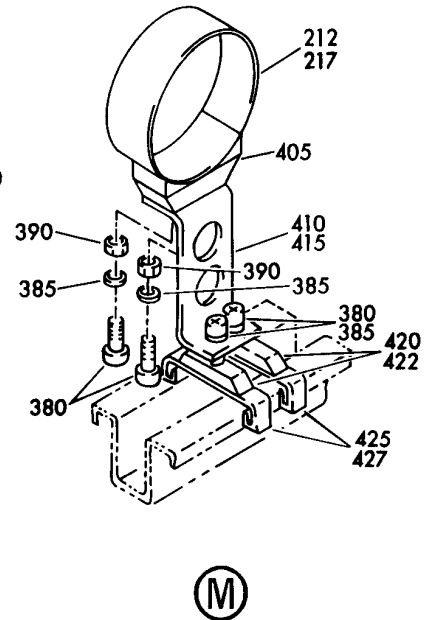
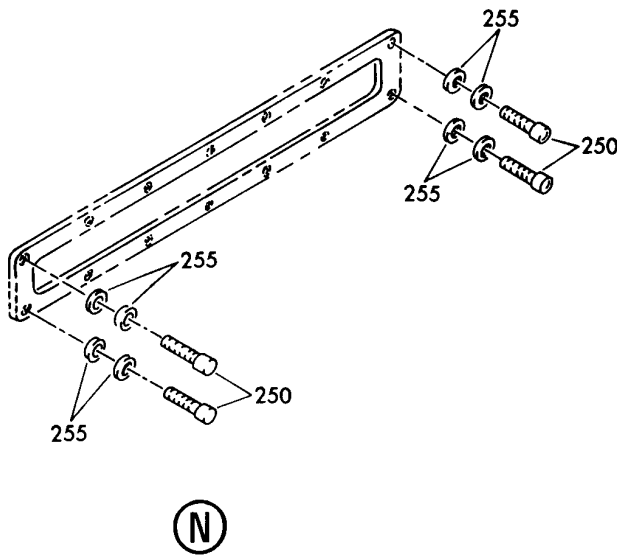
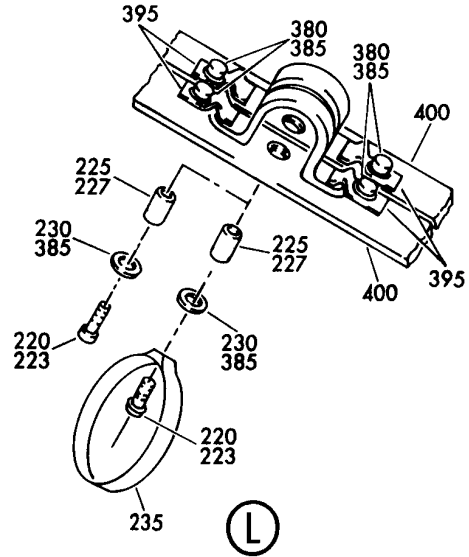
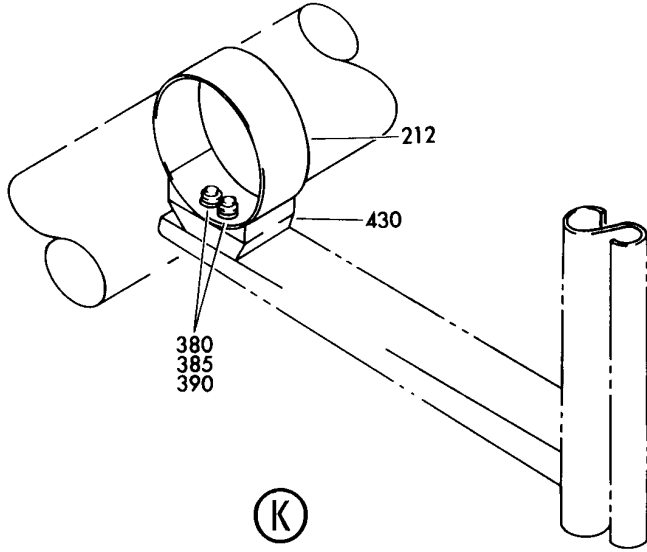
DUCT INSTL-FLIGHT DECK CREW REST (ABOVE AND BELOW FLOOR)
FIGURE 1 (SHEET 4)

21-29-50-01

HXL
DEC 22/06

21-29-50-01
PAGE 0C

BOEING
767
PARTS CATALOG (MAINTENANCE)



V 21295001 SHT 5 REV 182

DUCT INSTL-FLIGHT DECK CREW REST (ABOVE AND BELOW FLOOR)
FIGURE 1 (SHEET 5)

21-29-50-01

HXL
DEC 22/06

21-29-50-01
PAGE 0D

 **BOEING**
767
PARTS CATALOG (MAINTENANCE)

FIG ITEM	PART NUMBER	1 2 3 4 5 6 7	NOMENCLATURE	EFFECT FROM TO	UNITS PER ASSY
1			DUCT INSTL-FLIGHT DECK CREW REST (ABOVE AND BELOW FLOOR)	163999	
- 1	214T2059-1		DUCT INSTL-FLIGHT DECK CREW REST POSITION DATA: ABOVE FLOOR FOR NHA SEE: 21-00-00-02A	163999	RF
5	VC1139-350		.CLAMP SUPPLIER CODE: V14242 SPECIFICATION NUMBER: BACC10DU350AB OPTIONAL PART: 43283AB350 V94581 NM102619-0350 V00624	163999	2
12	PLT4HTL		.STRAP SUPPLIER CODE: V06383 SPECIFICATION NUMBER: BACS38K3 OPTIONAL PART: T012R0 V53421	163999	10
15	AS1506-14D32		.SLEEVE	163999	2
17	AS1506-10D32		.HOSE	163999	2
20	NAS603-16P		.SCREW	163999	20
25	NAS43DD3-32		.SPACER	163999	4
30	NAS43DD3-58		.SPACER	163999	4
35	NAS43DD3-43		.SPACER	163999	8
40	NAS43DD3-50		.SPACER	163999	4
45	AN960JD10L		.WASHER	163999	20
50	BACC10GF40D4		.CLAMP	163999	10
55	214T2178-8		.DUCT ASSY	163999	1
60	214T2178-27		..BLANKET-INSULATION	163999	1
62	214T2178-26		..DUCT	163999	1
70	214T2178-6		.DUCT ASSY	163999	1
75	214T2178-23		..BLANKET-INSULATION	163999	1
77	214T2178-22		..DUCT	163999	1
80	214T2178-7		.DUCT ASSY	163999	1
85	214T2178-25		..BLANKET-INSULATION	163999	1
90	214T2178-24		..DUCT	163999	1
95	217T1432-1		.DUCT	163999	2
100	NAS1801-3-6		.SCREW	163999	42
105	AN960JD10L		.WASHER	163999	44
130	MS21042L3		.NUT	163999	4

ILLUSTRATION ITEMS NOT ON PARTS LIST ARE NOT APPLICABLE

- ITEM NOT ILLUSTRATED

HXL

21-29-50-01

BOEING PROPRIETARY - Copyright © - Unpublished Work - See title page for details.

21-29-50
FIG. 01
PAGE 1
DEC 22/07

BOEING
767
PARTS CATALOG (MAINTENANCE)

FIG ITEM	PART NUMBER	1 2 3 4 5 6 7	NOMENCLATURE	EFFECT FROM TO	UNITS PER ASSY
1					
135	214T3424-5	.	SUPPORT	163999	1
140	214T3424-3	.	SUPPORT	163999	1
145	69B70071-3	.	CLIP ASSY	163999	40
150	214T2494-2	.	BRACKET-STRINGER	163999	20
155	398988-1	.	VALVE-MODULATING	163999	1
			SUPPLIER CODE: V59364		
			COMPONENT MAINT MANUAL REF: 21-58-05		
			OPTIONAL PART: 398116-1-1		
			V59364		
155	398116-1-1	.	VALVE ASSY-MODULATING	163999	1
			SUPPLIER CODE: V59364		
			FUNCTIONAL DESCRIPTION: REGULATES HOT AIR BY PASSING AND GOING THROUGH THE AIR CYCLE SYSTEM.		
			COMPONENT MAINT MANUAL REF: 21-61-49		
			OPTIONAL PART: 398988-1		
			V59364		
160	541962-5	..	ACTUATOR ASSY-	163999	1
			SUPPLIER CODE: V70210		
			COMPONENT MAINT MANUAL REF: 21-60-36		
160	541962-6	..	ACTUATOR ASSY-	163999	1
			SUPPLIER CODE: V59364		
			COMPONENT MAINT MANUAL REF: 21-61-49		
165	516023-2	...	MOTOR-AC	163999	1
			SUPPLIER CODE: V70210		
- 200	214T2059-3		DUCT INSTL-FLIGHT DECK CREW REST POSITION DATA: BELOW FLOOR FOR NHA SEE: 21-00-00-02A	163999	RF
205	BAC27TEC0293	.	PLACARD-	163999	1
			PLACARD CONTENT: SKIN TEMP TS0523		

ILLUSTRATION ITEMS NOT ON PARTS LIST ARE NOT APPLICABLE

- ITEM NOT ILLUSTRATED

HXL

21-29-50-01

21-29-50
FIG. 01
PAGE 2
DEC 22/07



767

PARTS CATALOG (MAINTENANCE)

FIG ITEM	PART NUMBER	1 2 3 4 5 6 7	NOMENCLATURE	EFFECT FROM TO	UNITS PER ASSY
1					
217	PLT4HTL	.	STRAP SUPPLIER CODE: V06383 SPECIFICATION NUMBER: BACS38K3 OPTIONAL PART: T012R0 V53421	163999	26
220	NAS1801-3-16	.	SCREW	163999	2
223	NAS1801-3-17	.	SCREW	163999	2
225	NAS43DD3-57	.	SPACER	163999	2
227	NAS43DD3-67	.	SPACER	163999	2
230	AN960JD10L	.	WASHER	163999	4
235	JM44SC17D40	.	CLAMP SUPPLIER CODE: V22175 SPECIFICATION NUMBER: BACC10GF40DH OPTIONAL PART: S387DH40 V18076 TA12C34D40 V84971 513D40 V83930	163999	3
240	VC1139-350	.	CLAMP SUPPLIER CODE: V14242 SPECIFICATION NUMBER: BACC10DU350AB OPTIONAL PART: 43283AB350 V94581 NM102619-0350 V00624	163999	2
245	AS1506-10D32	.	HOSE	163999	5
250	BACS12CB3-7	.	SCREW	163999	28
255	AN960JD10L	.	WASHER	163999	56
260	214T2182-1	.	DUCT	163999	1
262	214T3436-1096	.	ORIFICE ASSY	163999	2
265	214T2182-3	.	DUCT	163999	1
267	214T3436-393	.	ORIFICE ASSY	163999	2
270	625704-2	.	SENSOR-SKIN TEMP SUPPLIER CODE: V07217 ELECTRICAL EQUIP NUMBER: TS0523	163999	1
275	217T1139-7	.	COVER ASSY	163999	1

ILLUSTRATION ITEMS NOT ON PARTS LIST ARE NOT APPLICABLE

- ITEM NOT ILLUSTRATED

HXL

21-29-50-01

BOEING PROPRIETARY - Copyright © - Unpublished Work - See title page for details.

21-29-50
FIG. 01
PAGE 3
DEC 22/07

 **BOEING**
767
PARTS CATALOG (MAINTENANCE)

FIG ITEM	PART NUMBER	1 2 3 4 5 6 7	NOMENCLATURE	EFFECT FROM TO	UNITS PER ASSY
1			ATTACHING PARTS		
- 277	NAS1801-3-8	.	SCREW	163999	34
- 279	AN960JD10L	.	WASHER	163999	34
		-----*			
282	217T1426-6	..	GASKET	163999	1
284	217T1426-7	..	GASKET	163999	1
286	217T1139-8	..	COVER	163999	1
290	214T2178-2	.	DUCT ASSY	163999	2
295	214T2178-15	..	BLANKET-INSULATION	163999	1
300	214T2178-14	..	DUCT	163999	1
305	AS1504-10B0800	.	HOSE	163999	1
310	214T2178-33	.	DUCT ASSY	163999	1
315	214T2178-35	..	BLANKET-INSULATION	163999	1
320	214T2178-34	..	DUCT	163999	1
325	214T2178-4	.	DUCT	163999	1
335	AS1506-14D32	.	SLEEVE	163999	3
340	035148	.	FAN-	163999	1
			SUPPLIER CODE: V82877		
			COMPONENT MAINT MANUAL REF: 21-25-01		
345	214T2178-3	.	DUCT ASSY	163999	2
350	214T2178-17	..	BLANKET-ISULATION	163999	2
352	214T2178-16	..	DUCT	163999	2
355	67-2985-002	.	VALVE-SHUTOFF	163999	1
			SUPPLIER CODE: V59364		
365	214T3424-20	.	SADDLE	163999	1
			ATTACHING PARTS		
- 370	NAS1801-3-12	.	SCREW	163999	2
		-----*			
380	NAS1801-3-6	.	SCREW	163999	34
385	AN960JD10L	.	WASHER	163999	44
390	MS21042L3	.	NUT	163999	16
395	69B70071-3	.	CLIP ASSY	163999	12
400	214T2494-2	.	BRACKET-STRINGER	163999	6
405	214T3424-3	.	SUPPORT	163999	6
410	214T2499-11	.	BRACKET	163999	1
415	214T2499-10	.	BRACKET	163999	2
420	S38J1	.	ATTACHMENT	163999	6
			SUPPLIER CODE: V59237		
			SPECIFICATION NUMBER: BACS38J1		
			OPTIONAL PART: 30187-2 V26835		
ILLUSTRATION ITEMS NOT ON PARTS LIST ARE NOT APPLICABLE					

- ITEM NOT ILLUSTRATED

HXL

21-29-50-01

BOEING PROPRIETARY - Copyright © - Unpublished Work - See title page for details.

21-29-50
FIG. 01
PAGE 4
DEC 22/07



767

PARTS CATALOG (MAINTENANCE)

FIG ITEM	PART NUMBER	1 2 3 4 5 6 7	NOMENCLATURE	EFFECT FROM TO	UNITS PER ASSY
1 425	S38J2		. STRAP SUPPLIER CODE: V59237 SPECIFICATION NUMBER: BACS38J2 OPTIONAL PART: 30187-3 V26835	163999	6
430	214T3424-5		. SUPPORT	163999	4

ILLUSTRATION ITEMS NOT ON PARTS LIST ARE NOT APPLICABLE

- ITEM NOT ILLUSTRATED

HXL

21-29-50-01

BOEING PROPRIETARY - Copyright © - Unpublished Work - See title page for details.

21-29-50
FIG. 01
PAGE 5
DEC 22/07