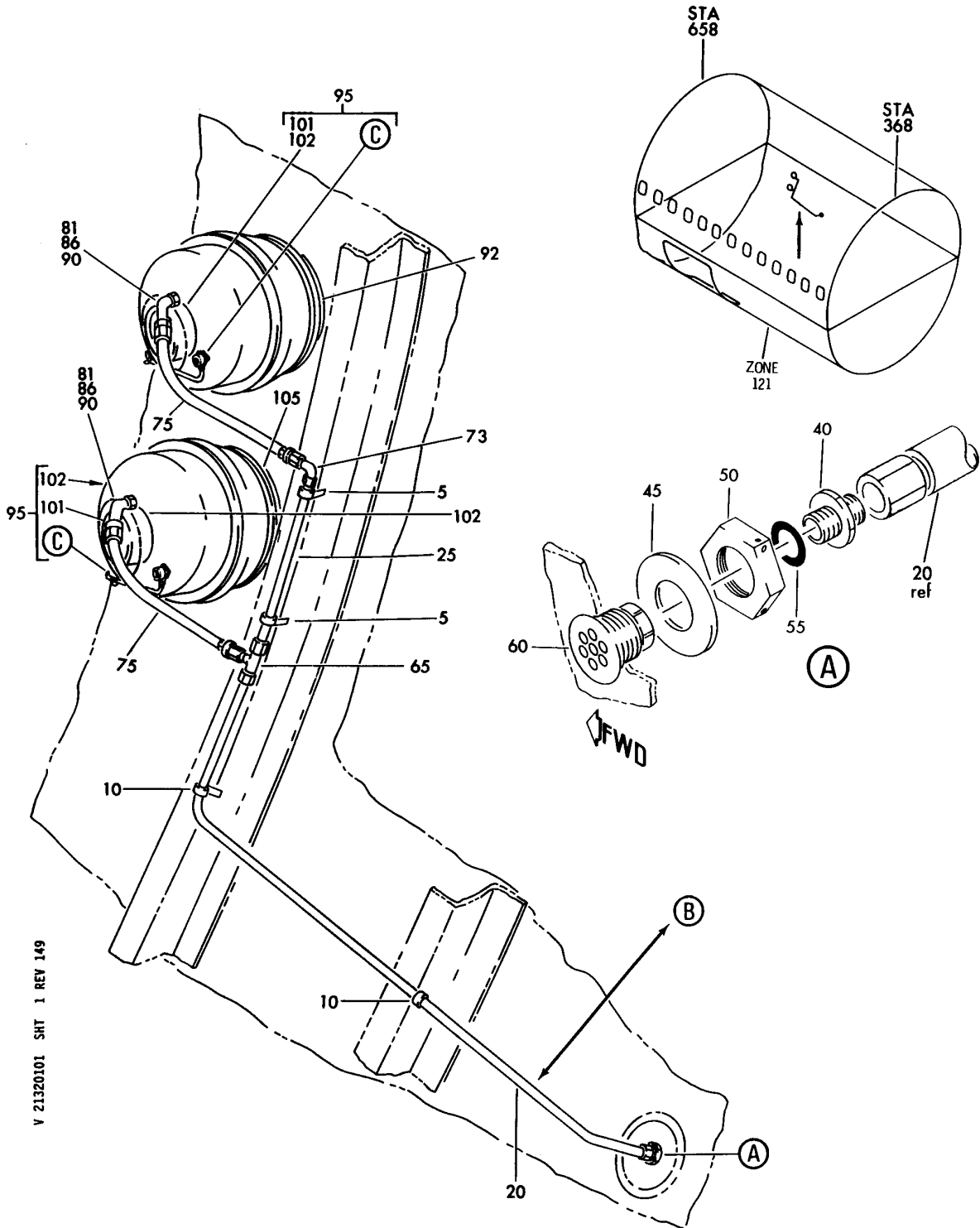


PRESSURIZATION RELIEF VALVES

HXL
DEC 22/06

21-32-00
SECTION TITLE
PAGE 1

BOEING
767
PARTS CATALOG (MAINTENANCE)



V 21320101 SHT 1 REV 149

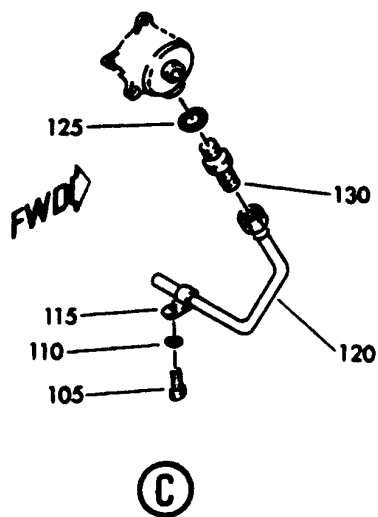
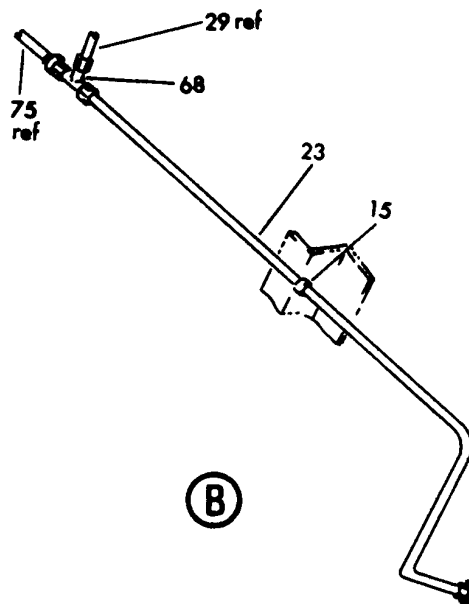
VALVE INSTL-CAB. PRESSURE RELIEF
FIGURE 1 (SHEET 1)

21-32-01-01

HXL
DEC 22/06

21-32-01-01
PAGE 0

BOEING
767
PARTS CATALOG (MAINTENANCE)



V 21320101 SH1 2 REV 050

VALVE INSTL-CAB. PRESSURE RELIEF
FIGURE 1 (SHEET 2)

21-32-01-01

HXL
DEC 22/06

21-32-01-01
PAGE 0A



767

PARTS CATALOG (MAINTENANCE)

FIG ITEM	PART NUMBER	1 2 3 4 5 6 7	NOMENCLATURE	EFFECT FROM TO	UNITS PER ASSY
1			VALVE INSTL-CAB. PRESSURE RELIEF		
- 1	216T1002-1		VALVE INSTL-CAB. PRESSURE RELIEF VARIABLE DRAWING REF: 216T1002-5002 FOR NHA SEE: 21-00-00-02A		RF
	5 BACC10DK6		.CLAMP ATTACHING PARTS		2
- 7	NAS603-10P		.SCREW		2
- 8	AN960D10L		.WASHER		2
	15 BACC10DK6		-----*----- .CLAMP ATTACHING PARTS		1
- 17	NAS603-7P		.SCREW		1
- 18	AN960D10L		.WASHER		1
- 19	NAS509-3C		.NUT		1
	23 216T1002-6		-----*----- .TUBING ASSY-		1
- 24	AP2097HP06		..SLEEVE SUPPLIER CODE: V01673 SPECIFICATION NUMBER: BACS13BX06HP OPTIONAL PART: 2-02903-06HP V11328 35235VN06 V08199 AFP175V06P V30974 DBOS13BX06HP V14798		2
- 24B	BACN10YLO6		..NUT-		2
29	216T1002-7		.TUBING ASSY-		1

ILLUSTRATION ITEMS NOT ON PARTS LIST ARE NOT APPLICABLE

- ITEM NOT ILLUSTRATED

HXL

21-32-01-01

BOEING PROPRIETARY - Copyright © - Unpublished Work - See title page for details.

21-32-01
FIG. 01
PAGE 1
APR 22/07

 **BOEING**
767
PARTS CATALOG (MAINTENANCE)

FIG ITEM	PART NUMBER	1 2 3 4 5 6 7	NOMENCLATURE	EFFECT FROM TO	UNITS PER ASSY
1					
- 30	AP2097HP06		.. SLEEVE SUPPLIER CODE: V01673 SPECIFICATION NUMBER: BACS13BX06HP OPTIONAL PART: 2-02903-06HP V11328 35235VN06 V08199 AFP175V06P V30974 DBOS13BX06HP V14798		1
- 33	35056GV06		.. UNION SUPPLIER CODE: V08199 SPECIFICATION NUMBER: BACU24AB6W OPTIONAL PART: 2-01027-6W V11328 31875-6W V14397 4671097W6 V50948 AP1004W06 V01673 AFP941W6 V30974 DBOU24AB6W V14798		1
- 35	BACN10YL06		.. NUT-		1
40	MS21902D6		. UNION-		1
45	65B40137-3		. WASHER-		1
50	NAS509-14		. NUT-		1
55	MS28778-6		. PACKING-		1
60	69-15853-3		. PORT-		1
68	MS21905D6		. TEE-		1
ILLUSTRATION ITEMS NOT ON PARTS LIST ARE NOT APPLICABLE					

- ITEM NOT ILLUSTRATED

HXL

21-32-01-01

BOEING PROPRIETARY - Copyright © - Unpublished Work - See title page for details.

21-32-01
FIG. 01
PAGE 2
APR 22/07

 **BOEING**
767
PARTS CATALOG (MAINTENANCE)

FIG ITEM	PART NUMBER	1 2 3 4 5 6 7	NOMENCLATURE	EFFECT FROM TO	UNITS PER ASSY
1					
75	173029-3-0160		.HOSE ASSY- SUPPLIER CODE: V02217 SPECIFICATION NUMBER: BACH30BC06-0160 OPTIONAL PART: ZH753A3-0160 V02217 ZH832-3-0160 V02217 36018-6-0160 V24984 40784-405-0160 V31441 40884-405-0160 V31441 4140-6-0160 V24984		2
81	NAS1761D0606		.ELBOW-		2
86	MS21916D6-4		.REDUCER-		2
90	MS28778-4		.PACKING-		2
92	216T1400-1		.GASKET-		2
95	103642-3		.VALVE ASSY-PRESSURE RELIEF SUPPLIER CODE: V70210 FUNCTIONAL DESCRIPTION: VALVE PROVIDES OVER PRESSURE PROTECTION OF PRESSURIZED CABIN IN THE EVENT OF A PRESSURIZATION SYSTEM MALFUNCTION SPECIFICATION NUMBER: S210T160-25 COMPONENT MAINT MANUAL REF: 21-32-04 ATTACHING PARTS		2
- 100	BACB30NN3K9		.BOLT-		16
101	138029		..COVER-FILTER ELEMENT SUPPLIER CODE: V70210		1
102	137847-1		..CARTRIDGE-FILTER ELEMENT SUPPLIER CODE: V70210		1
105	NAS1352-08-8P		..SCREW		1
110	NAS620-8		..WASHER		1
115	MS21103D5		..CLAMP		1
ILLUSTRATION ITEMS NOT ON PARTS LIST ARE NOT APPLICABLE					

- ITEM NOT ILLUSTRATED

HXL

21-32-01-01

BOEING PROPRIETARY - Copyright © - Unpublished Work - See title page for details.

21-32-01
FIG. 01
PAGE 3
APR 22/08



767
PARTS CATALOG (MAINTENANCE)

FIG ITEM	PART NUMBER	1 2 3 4 5 6 7	NOMENCLATURE	EFFECT FROM TO	UNITS PER ASSY
1					
120	147614-1		..TUBE ASSY-VALVE SUPPLIER CODE: V70210		1
125	S9028J904		..PACKING- SUPPLIER CODE: V70210		1
130	AN919-3D		..REDUCER		1

ILLUSTRATION ITEMS NOT ON PARTS LIST ARE NOT APPLICABLE

- ITEM NOT ILLUSTRATED

HXL

21-32-01-01

BOEING PROPRIETARY - Copyright © - Unpublished Work - See title page for details.

21-32-01
FIG. 01
PAGE 4
DEC 22/06