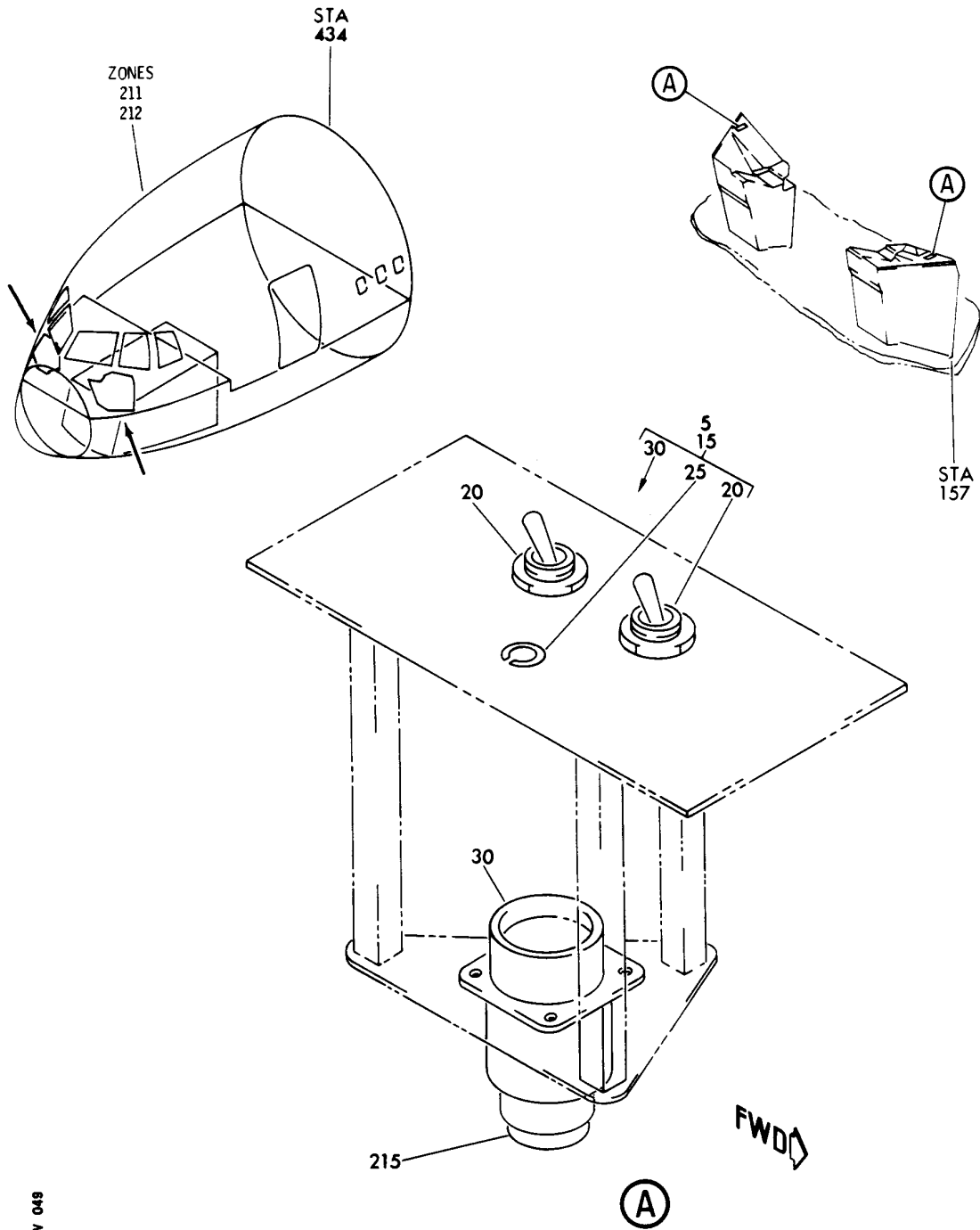


SUPPLEMENTAL HEATING SYSTEM

HXL
DEC 22/06

21-45-00
SECTION TITLE
PAGE 1

BOEING
767
PARTS CATALOG (MAINTENANCE)



V 21455101 SHT 1 REV 049

PANEL INSTL-AUX (AIR CONDITIONING ONLY)
FIGURE 1

21-45-51-01

HXL
DEC 22/06

21-45-51-01
PAGE 0



767

PARTS CATALOG (MAINTENANCE)

FIG ITEM	PART NUMBER	1 2 3 4 5 6 7	NOMENCLATURE	EFFECT FROM TO	UNITS PER ASSY
1			PANEL INSTL-AUX (AIR CONDITIONING ONLY)		
- 1	233T7100-1		PANEL INSTL-AUX (AIR CONDITIONING ONLY) MISCELLANEOUS DATA: (CONT. AT ITEM 001K) VARIABLE DRAWING REF: 233T7100-5048 233T7100-5083		RF
- 1	233T7100-1		PANEL INSTL-AUX (AIR CONDITIONING ONLY) MISCELLANEOUS DATA: (CONT. FROM ITEM 001J) FOR NHA/OTHER SYS DET SEE: 25-10-00-07		RF
5	233T7210-302		.PANEL ASSY-HEATER SUPPLIER CODE: V89954 COMPONENT MAINT MANUAL REF: 21-45-01 OPTIONAL PART: 233T7100-4		RF
5	233T7100-4		.PANEL ASSY-HEATER OPTIONAL PART: 233T7210-302 V89954		RF
15	233T7210-6		..PANEL ASSY-AUX HEATER CONT SUPPLIER CODE: V89954 ELECTRICAL EQUIP NUMBER: M00901 M00902		1
20	102TL2-12A		...SWITCH- SUPPLIER CODE: V91929		2
25	800000121-1		...CONNECTOR-PWR SUPPLIER CODE: V05617		1
30	BACC45FN12-12P		...CONNECTOR ATTACHING PARTS		1
- 35	NAS1801-04-6		...SCREW-		3

ILLUSTRATION ITEMS NOT ON PARTS LIST ARE NOT APPLICABLE

- ITEM NOT ILLUSTRATED

HXL

21-45-51-01

BOEING PROPRIETARY - Copyright © - Unpublished Work - See title page for details.

21-45-51
FIG. 01
PAGE 1
DEC 22/07



767

PARTS CATALOG (MAINTENANCE)

FIG ITEM	PART NUMBER	1 2 3 4 5 6 7	NOMENCLATURE	EFFECT FROM TO	UNITS PER ASSY
1 - 40	K19798-04		...NUT SUPPLIER CODE: V15653 SPECIFICATION NUMBER: BACN10NW1 OPTIONAL PART: RMA4812-160-40 V72962 293162 V60119 -----*-----		3
- 200	286T0584-120		WIRE BUNDLE ASSY-AUX (AIR CONDITIONING ONLY)		RF
- 205	286T0586-120		WIRE BUNDLE ASSY-AUX (AIR CONDITIONING ONLY)		RF
215	BACC45FT12A12S		.CONNECTOR- ELECTRICAL EQUIP NUMBER: D03762 D03780 WIRING DIAGRAM REF: 214511		1

ILLUSTRATION ITEMS NOT ON PARTS LIST ARE NOT APPLICABLE

- ITEM NOT ILLUSTRATED

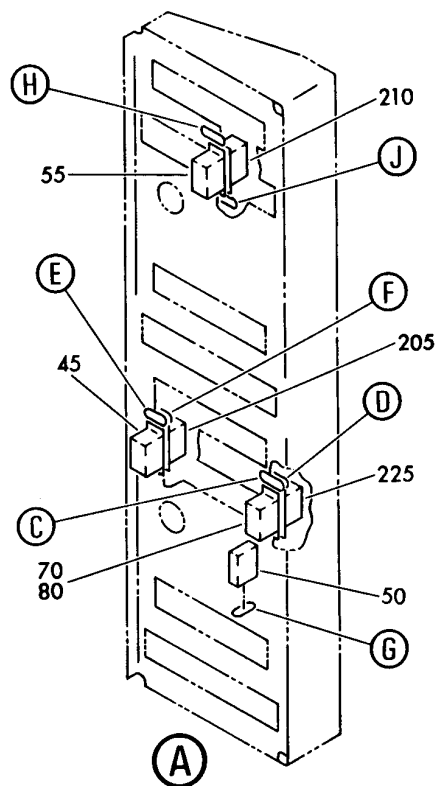
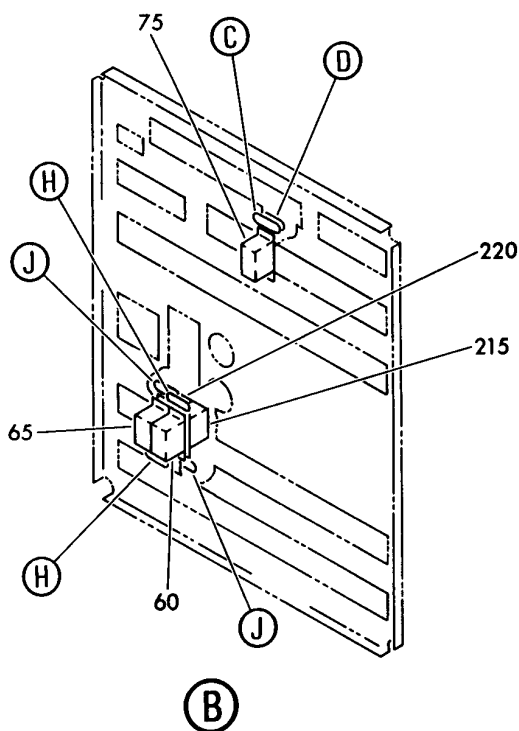
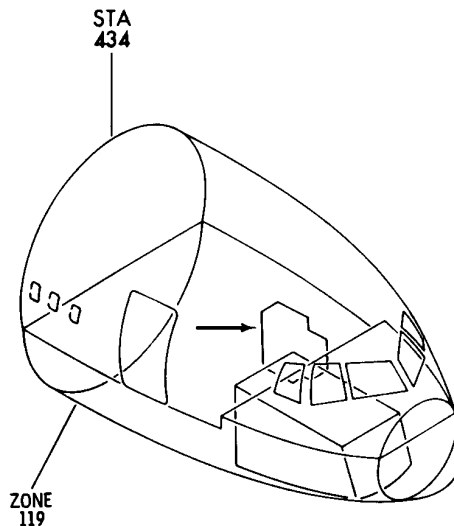
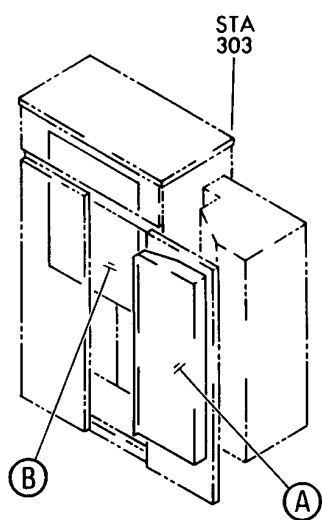
HXL

21-45-51-01

BOEING PROPRIETARY - Copyright © - Unpublished Work - See title page for details.

21-45-51
FIG. 01
PAGE 2
DEC 22/07

BOEING
767
PARTS CATALOG (MAINTENANCE)



V 21456001 SHT 1 REV 172

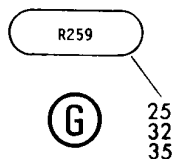
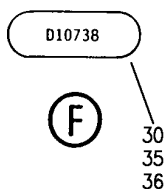
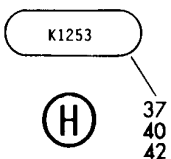
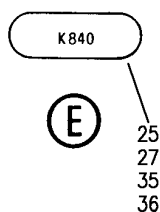
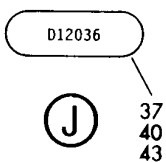
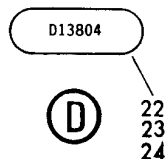
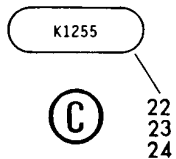
EQUIPMENT ASSY-P36 MISC ELEC PNL L (SUPPLEMENTAL HEATING SYSTEM ONLY)
FIGURE 1 (SHEET 1)

21-45-60-01

HXL
DEC 22/06

21-45-60-01
PAGE 0

BOEING
767
PARTS CATALOG (MAINTENANCE)



V 21456001 SH1 2 REV 315

EQUIPMENT ASSY-P36 MISC ELEC PNL L (SUPPLEMENTAL HEATING SYSTEM ONLY)
FIGURE 1 (SHEET 2)

HXL
APR 22/07

21-45-60-01

21-45-60-01
PAGE 0A



767

PARTS CATALOG (MAINTENANCE)

FIG ITEM	PART NUMBER	1 2 3 4 5 6 7	NOMENCLATURE	EFFECT FROM TO	UNITS PER ASSY
1			EQUIPMENT ASSY-P36 MISC ELEC PNL L (SUPPLEMENTAL HEATING SYSTEM ONLY)		
- 8	284T0187-167		EQUIPMENT ASSY-P36 MISC ELEC PNL (SUPPLEMENTAL HEATING SYSTEM ONLY) POSITION DATA: L FOR NHA/OTHER SYS DET SEE: 53-11-70-03	155162	RF
- 10	284T0187-205		EQUIPMENT ASSY-P36 MISC ELEC PNL (SUPPLEMENTAL HEATING SYSTEM ONLY) POSITION DATA: L FOR NHA/OTHER SYS DET SEE: 53-11-70-03	163163	RF
- 11	284T0187-212		EQUIPMENT ASSY-P36 MISC ELEC PNL (SUPPLEMENTAL HEATING SYSTEM ONLY) POSITION DATA: L FOR NHA/OTHER SYS DET SEE: 53-11-70-03	164999	RF
27	BAC27TEX4180		.DECALSET-INCLUDES DECALS IDENTIFIED ON THE ILLUSTRATION		RF
30	BAC27TEX4187		.DECALSET-INCLUDES DECALS IDENTIFIED ON THE ILLUSTRATION		1
32	BAC27TEX4188		.DECALSET-INCLUDES DECALS IDENTIFIED ON THE ILLUSTRATION		1

ILLUSTRATION ITEMS NOT ON PARTS LIST ARE NOT APPLICABLE

- ITEM NOT ILLUSTRATED

HXL

21-45-60-01

BOEING PROPRIETARY - Copyright © - Unpublished Work - See title page for details.

21-45-60
FIG. 01
PAGE 1
DEC 22/07



767

PARTS CATALOG (MAINTENANCE)

FIG ITEM	PART NUMBER	1 2 3 4 5 6 7	NOMENCLATURE	EFFECT FROM TO	UNITS PER ASSY
1	45 ES210-1632		.RELAY- SUPPLIER CODE: V99699 SPECIFICATION NUMBER: BACR13CF2AB OPTIONAL PART: JD4L018 V35344 JD4L031 V35344 BR246S0111 V56623 BR64S105 V56623 FCA210-71 V78290 61GB2319-1A320 V98927 ELECTRICAL EQUIP NUMBER: K00840		1
	50 YHLZD30		.DIODE- SUPPLIER CODE: V09922 ELECTRICAL EQUIP NUMBER: R00259 OPTIONAL PART: YHLZD9 V09922		1
	50 YHLZD9		.DIODE- SUPPLIER CODE: V09922 ELECTRICAL EQUIP NUMBER: R00259 OPTIONAL PART: YHLZD30 V09922		1

ILLUSTRATION ITEMS NOT ON PARTS LIST ARE NOT APPLICABLE

- ITEM NOT ILLUSTRATED

HXL

21-45-60-01

BOEING PROPRIETARY - Copyright © - Unpublished Work - See title page for details.

21-45-60
FIG. 01
PAGE 2
DEC 22/07



767

PARTS CATALOG (MAINTENANCE)

FIG ITEM	PART NUMBER	1 2 3 4 5 6 7	NOMENCLATURE	EFFECT FROM TO	UNITS PER ASSY
1 70	E210-1631		.RELAY- SUPPLIER CODE: V99699 SPECIFICATION NUMBER: BACR13CF2A OPTIONAL PART: BR246S0112 V56623 FCA210-70 V78290 E215-1050 V99699 JD4A017 V35344 BR64S104 V56623 61GB19-1A320 V98927 ELECTRICAL EQUIP NUMBER: K01255		1
- 200 205	286T0176-300 BACS16X1		.WIRE BUNDLE ASSY ..SOCKET- ELECTRICAL EQUIP NUMBER: D10738 WIRING DIAGRAM REF: 214521		RF 1
225	BACS16X1		..SOCKET- ELECTRICAL EQUIP NUMBER: D13804 WIRING DIAGRAM REF: 214522		1

ILLUSTRATION ITEMS NOT ON PARTS LIST ARE NOT APPLICABLE

- ITEM NOT ILLUSTRATED

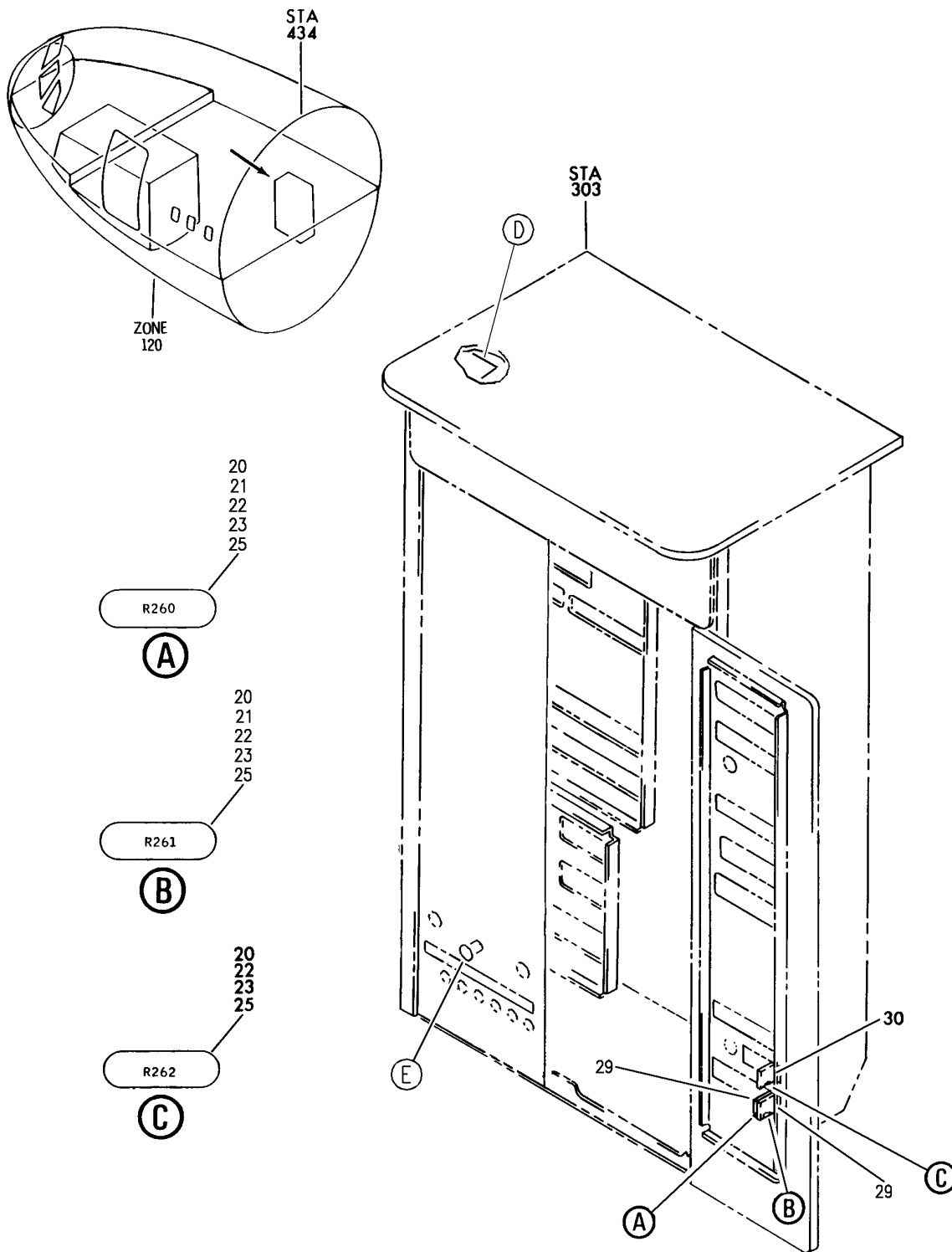
HXL

21-45-60-01

BOEING PROPRIETARY - Copyright © - Unpublished Work - See title page for details.

21-45-60
FIG. 01
PAGE 3
DEC 22/07

BOEING
767
PARTS CATALOG (MAINTENANCE)



V 21-45-60-06 SHT 1 REV 333

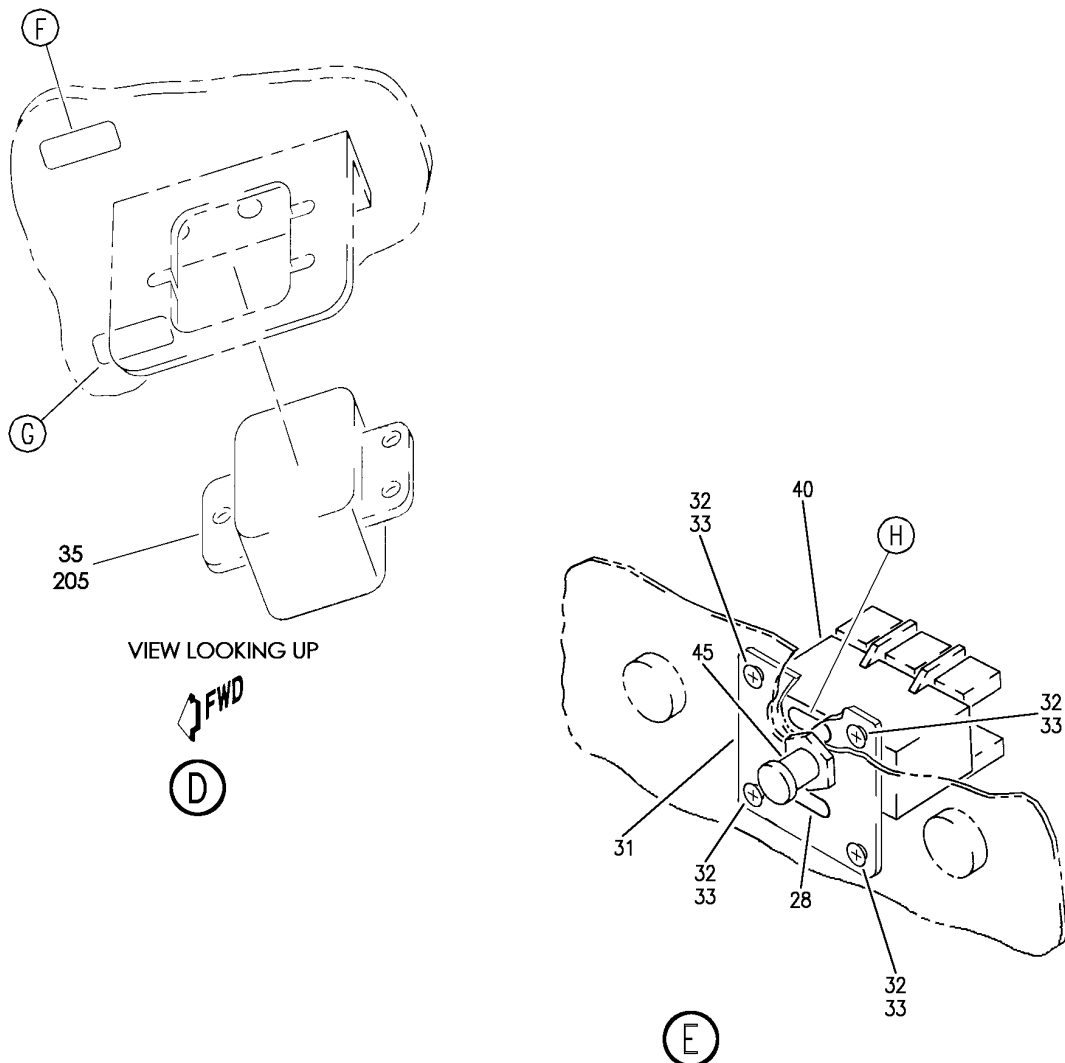
EQUIPMENT ASSY-P37 MISC ELEC PNL R (SUPPLEMENTAL HEATING SYSTEM ONLY)
FIGURE 6 (SHEET 1)

HXL
DEC 22/08

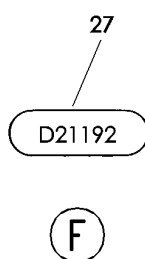
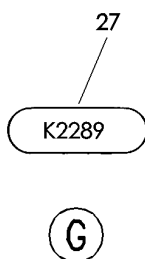
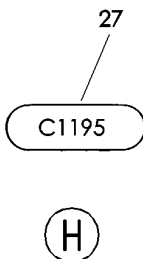
21-45-60-06

21-45-60-06
PAGE 0

BOEING
767
PARTS CATALOG (MAINTENANCE)



V 21456006 SH1 2 REV 308



EQUIPMENT ASSY-P37 MISC ELEC PNL R (SUPPLEMENTAL HEATING SYSTEM ONLY)
FIGURE 6 (SHEET 2)

21-45-60-06

HXL
DEC 22/06

21-45-60-06
PAGE 0A



767

PARTS CATALOG (MAINTENANCE)

FIG ITEM	PART NUMBER	1 2 3 4 5 6 7	NOMENCLATURE	EFFECT FROM TO	UNITS PER ASSY
6			EQUIPMENT ASSY-P37 MISC ELEC PNL R (SUPPLEMENTAL HEATING SYSTEM ONLY)		
- 6	284T0188-157		EQUIPMENT ASSY-P37 MISC ELEC PNL (SUPPLEMENTAL HEATING SYSTEM ONLY) POSITION DATA: R FOR NHA/OTHER SYS DET SEE: 53-11-70-05	155162	RF
- 7	284T0188-172		EQUIPMENT ASSY-P37 MISC ELEC PNL (SUPPLEMENTAL HEATING SYSTEM ONLY) POSITION DATA: R FOR NHA/OTHER SYS DET SEE: 53-11-70-05	163163	RF
- 9	284T0188-194		EQUIPMENT ASSY-P37 MISC ELEC PNL (SUPPLEMENTAL HEATING SYSTEM ONLY) POSITION DATA: R FOR NHA/OTHER SYS DET SEE: 53-11-70-05	164999	RF
22	BAC27TEX4192		.DECALSET-INCLUDES DECALS IDENTIFIED ON THE ILLUSTRATION		RF
29	YHLZD30		.DIODE- SUPPLIER CODE: V09922 ELECTRICAL EQUIP NUMBER: R00260 R00261 OPTIONAL PART: YHLZD9 V09922		2
29	YHLZD9		.DIODE- SUPPLIER CODE: V09922 ELECTRICAL EQUIP NUMBER: R00260 R00261 OPTIONAL PART: YHLZD30 V09922		2

ILLUSTRATION ITEMS NOT ON PARTS LIST ARE NOT APPLICABLE

- ITEM NOT ILLUSTRATED

HXL

21-45-60-06

BOEING PROPRIETARY - Copyright © - Unpublished Work - See title page for details.

21-45-60
FIG. 06
PAGE 1
DEC 22/08



767

PARTS CATALOG (MAINTENANCE)

FIG ITEM	PART NUMBER	1 2 3 4 5 6 7	NOMENCLATURE	EFFECT FROM TO	UNITS PER ASSY
6	30 YHLZD30		.DIODE- SUPPLIER CODE: V09922 ELECTRICAL EQUIP NUMBER: R00262 OPTIONAL PART: YHLZD9 V09922		1
	30 YHLZD9		.DIODE- SUPPLIER CODE: V09922 ELECTRICAL EQUIP NUMBER: R00262 OPTIONAL PART: YHLZD30 V09922		1

ILLUSTRATION ITEMS NOT ON PARTS LIST ARE NOT APPLICABLE

- ITEM NOT ILLUSTRATED

HXL

21-45-60-06

BOEING PROPRIETARY - Copyright © - Unpublished Work - See title page for details.

21-45-60
FIG. 06
PAGE 2
DEC 22/08