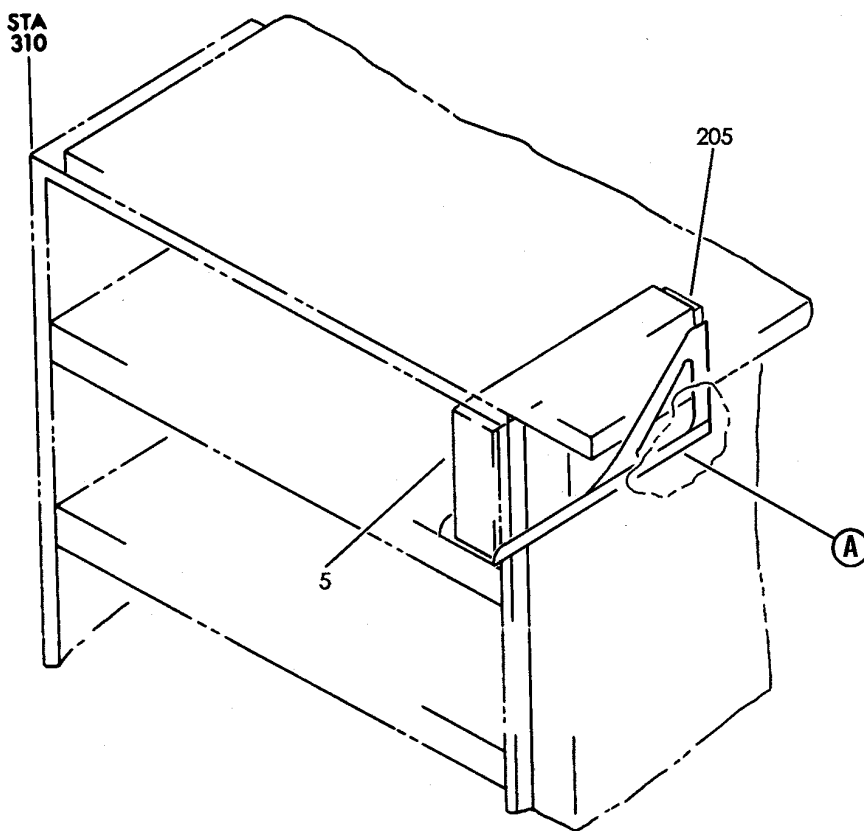
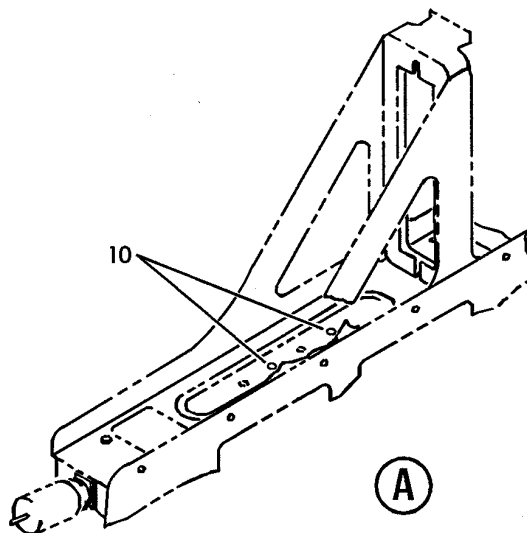
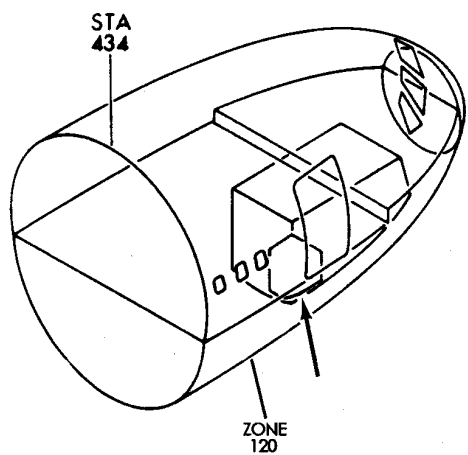


COOLING PACK TEMPERATURE INDICATION

HXL
DEC 22/06

21-52-00
SECTION TITLE
PAGE 1

BOEING
767
PARTS CATALOG (MAINTENANCE)



V 21520401 REV 219

EQUIPMENT INSTL-ELECT. EQPT CTR E3 RACK (COOLING PACK TEMPERATURE INDICATION ONLY)

FIGURE 1

21-52-04-01

HXL
DEC 22/06

21-52-04-01
PAGE 0



767

PARTS CATALOG (MAINTENANCE)

FIG ITEM	PART NUMBER	1 2 3 4 5 6 7	NOMENCLATURE	EFFECT FROM TO	UNITS PER ASSY
1			EQUIPMENT INSTL-ELECT. EQPT CTR E3 RACK (COOLING PACK TEMPERATURE INDICATION ONLY)		
- 1	284T0130-4		EQUIPMENT INSTL-ELECT. EQPT CTR E3 RACK (COOLING PACK TEMPERATURE INDICATION ONLY) VARIABLE DRAWING REF: 284T0130-5050 284T0130-5064 FOR NHA/OTHER SYS DET SEE: 24-00-58-01M		RF
R R R R R R R	5 11199-4		.PROCESSOR-PACK FLOW SUPPLIER CODE: V07148 ELECTRICAL EQUIP NUMBER: M00916 COMPONENT MAINT MANUAL REF: 21-25-02 PRE SERVICE BULLETIN: 21-0129R1		1
	5 11199-3		.PROCESSOR-PACK FLOW SUPPLIER CODE: V07148 ELECTRICAL EQUIP NUMBER: M00916 COMPONENT MAINT MANUAL REF: 21-25-02		1
R R R R R	10 82100-2		.PLUG- SUPPLIER CODE: V0767B POST SERVICE BULLETIN: 21-0129R1		2
- 200	286T0082-101		WIRE BUNDLE ASSY-(COOLING PACK TEMPERATURE INDICATION ONLY)		RF

ILLUSTRATION ITEMS NOT ON PARTS LIST ARE NOT APPLICABLE

- ITEM NOT ILLUSTRATED

HXL

21-52-04-01

BOEING PROPRIETARY - Copyright © - Unpublished Work - See title page for details.

21-52-04
FIG. 01
PAGE 1
AUG 22/09



767

PARTS CATALOG (MAINTENANCE)

FIG ITEM	PART NUMBER	1 2 3 4 5 6 7	NOMENCLATURE	EFFECT FROM TO	UNITS PER ASSY
1 205	BKA11C19AA01		.CONNECTOR- SUPPLIER CODE: V71468 SPECIFICATION NUMBER: BCREF9531 OPTIONAL PART: S611C19AA01 V71468 N1C66F11C19AA01 V59610 OVERLENGTH PART NUMBER: BACC66F11C19AA01 ELECTRICAL EQUIP NUMBER: D01174 WIRING DIAGRAM REF: 215241 PRE SERVICE BULLETIN: 21-0129R1		1

R
R
R
R
R
R
R
R
R
R
R
R
R
R
R
R
R
R
R
R
R
R

ILLUSTRATION ITEMS NOT ON PARTS LIST ARE NOT APPLICABLE

- ITEM NOT ILLUSTRATED

HXL

21-52-04-01

BOEING PROPRIETARY - Copyright © - Unpublished Work - See title page for details.

21-52-04
FIG. 01
PAGE 2
AUG 22/09