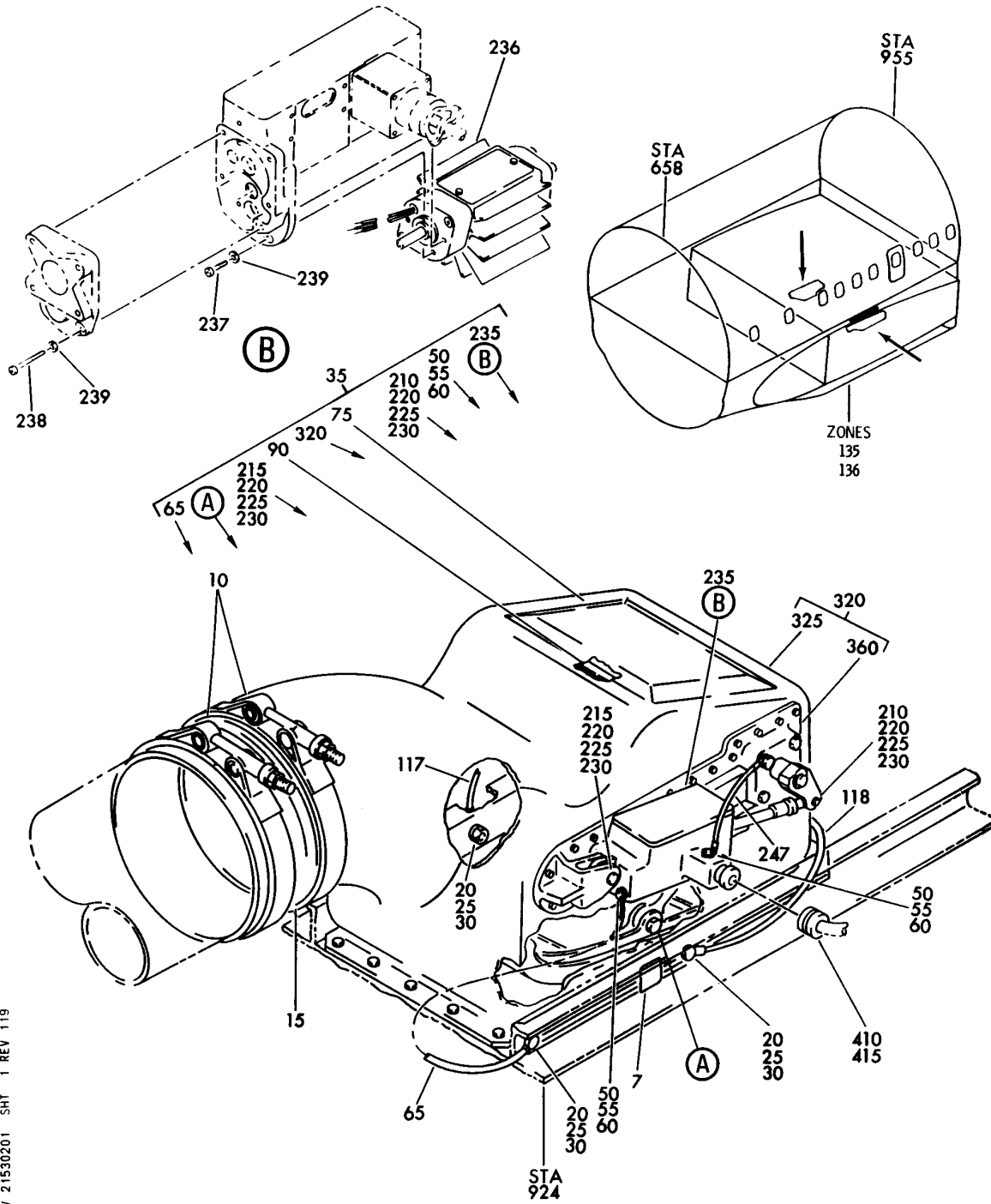


## RAM AIR SYSTEM

HXL  
DEC 22/06

21-53-00  
SECTION TITLE  
PAGE 1

**BOEING**  
767  
PARTS CATALOG (MAINTENANCE)



V 21530201 SHT 1 REV 119

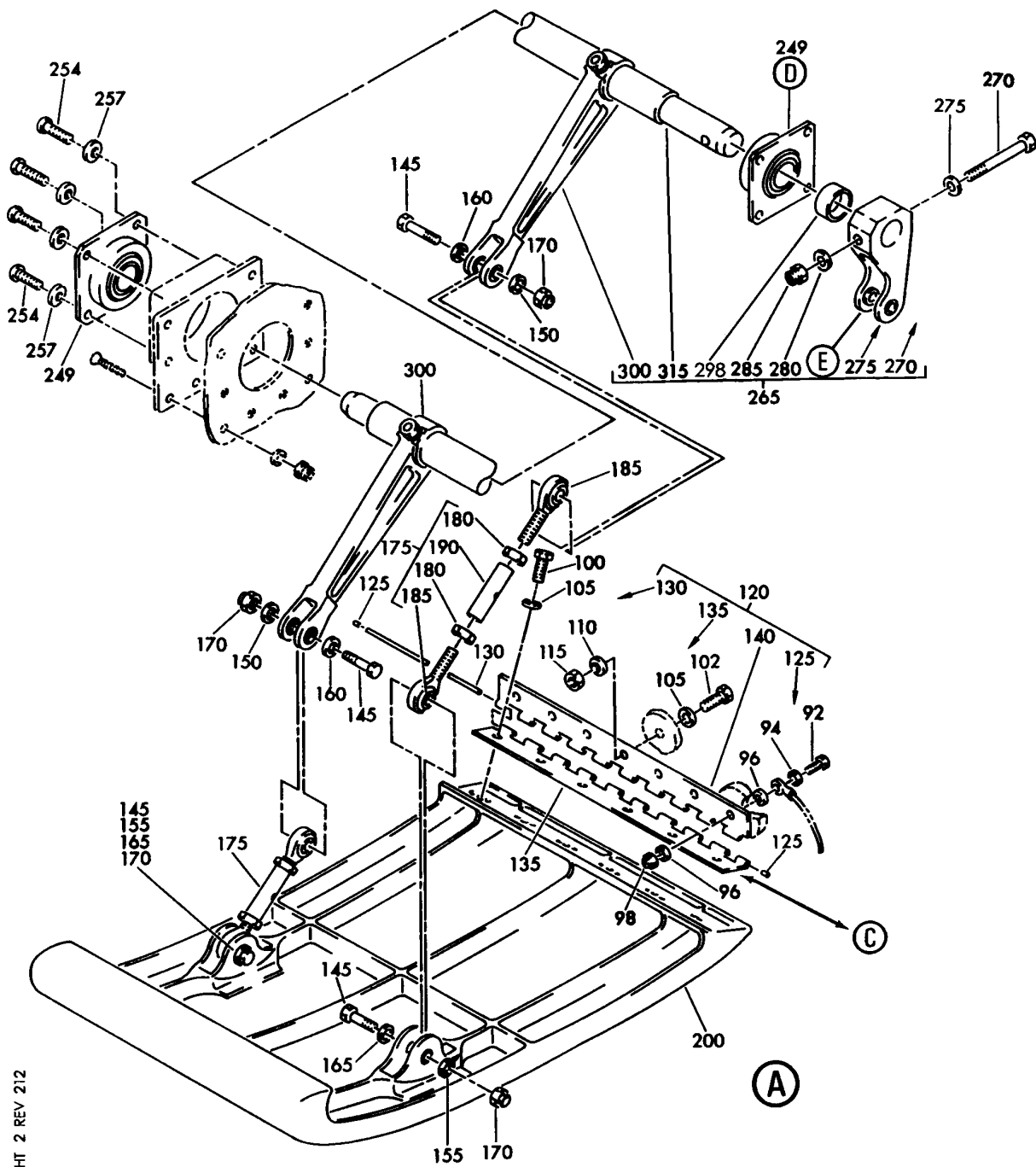
EXHAUST INSTL-RAM AIR  
FIGURE 1 (SHEET 1)

21-53-02-01

HXL  
DEC 22/06

21-53-02-01  
PAGE 0

**BOEING**  
767  
PARTS CATALOG (MAINTENANCE)



V 21530201 SHT 2 REV 212

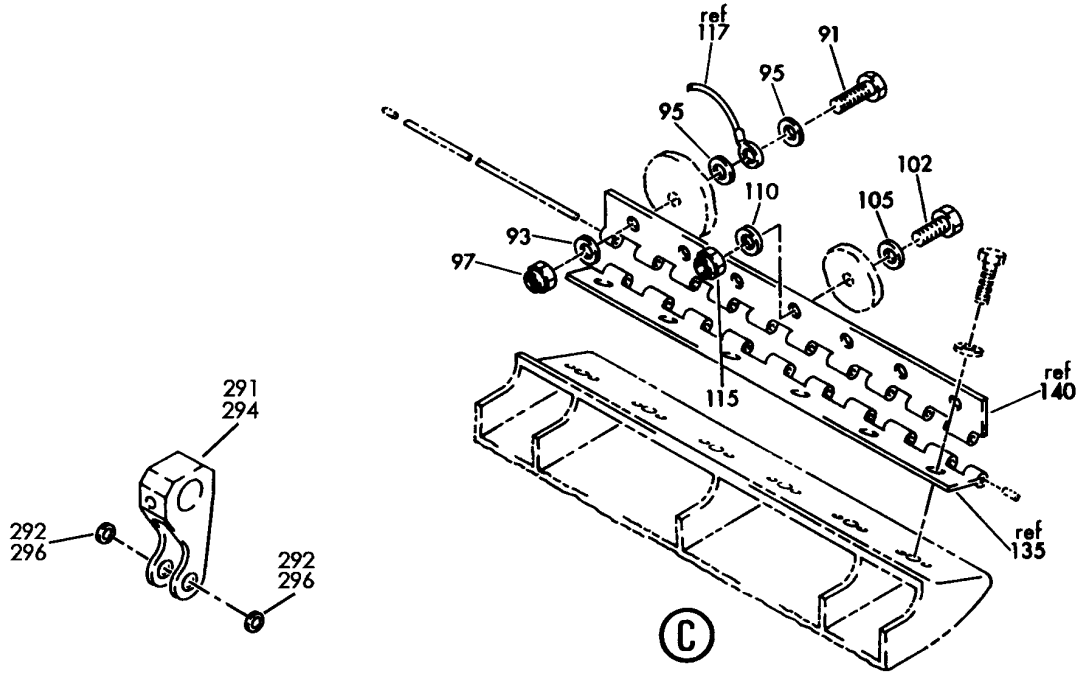
EXHAUST INSTL-RAM AIR  
FIGURE 1 (SHEET 2)

**21-53-02-01**

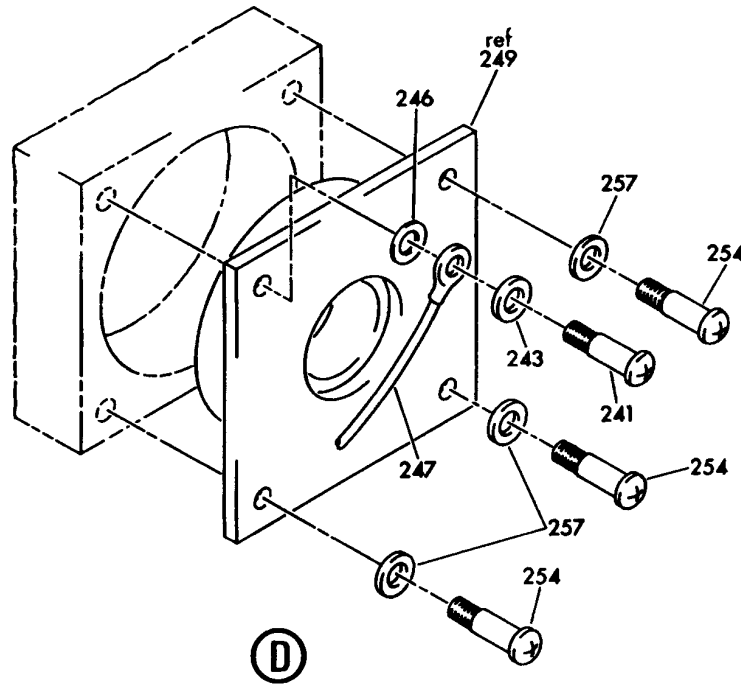
HXL  
DEC 22/06

21-53-02-01  
PAGE 0A

**BOEING**  
767  
PARTS CATALOG (MAINTENANCE)



(E)



(D)

V 21530201 SHT 3 REV 212

EXHAUST INSTL-RAM AIR  
FIGURE 1 (SHEET 3)

**21-53-02-01**

HXL  
DEC 22/06

21-53-02-01  
PAGE 0B

**BOEING**  
767  
**PARTS CATALOG (MAINTENANCE)**

FIG ITEM	PART NUMBER	1 2 3 4 5 6 7	NOMENCLATURE	EFFECT FROM TO	UNITS PER ASSY
1					
- 1	213T3004-1		EXHAUST INSTL-RAM AIR EXHAUST INSTL-RAM AIR POSITION DATA: LH FOR NHA SEE: 21-53-60-01		RF
- 5	213T3004-2		EXHAUST INSTL-RAM AIR POSITION DATA: RH FOR NHA SEE: 21-53-60-01		RF
7	BAC27TEC0042		.MARKER-ALUMINUM FOIL POSITION DATA: LH SIDE PLACARD CONTENT: L RAM AIR EX DR ACTR M320		1
- 8	BAC27TEC0043		.MARKER-ALUMINUM FOIL POSITION DATA: RH SIDE PLACARD CONTENT: R RAM AIR EX DR ACTR M321		1
R R R R R R	10 BACC10BN925LM		.CLAMP- OPTIONAL PART: BACC10BN912LM		2
	10 BACC10BN912LM		.CLAMP- OPTIONAL PART: BACC10BN925LM		2
	15 B5383		.DUCT- SUPPLIER CODE: V75345 SPECIFICATION NUMBER: S210T121-25		1
	20 NAS1801-3-7		.SCREW		2
	25 AN960D10L		.WASHER		6

ILLUSTRATION ITEMS NOT ON PARTS LIST ARE NOT APPLICABLE

- ITEM NOT ILLUSTRATED

HXL

# 21-53-02-01

BOEING PROPRIETARY - Copyright © - Unpublished Work - See title page for details.

21-53-02  
FIG. 01  
PAGE 1  
AUG 22/09


**BOEING**  
 767  
**PARTS CATALOG (MAINTENANCE)**

FIG ITEM	PART NUMBER	1 2 3 4 5 6 7	NOMENCLATURE	EFFECT FROM TO	UNITS PER ASSY
1					
30	BRH10A3		.NUT SUPPLIER CODE: V52828 SPECIFICATION NUMBER: BACN10JC3 OPTIONAL PART: H10-3BAC V15653 NS202101-02 V80539 RMLH9075-3W V72962 VN303A02 V92215 96-02 V80539 T6S1032J V11815		2
35	213T3102-7		.DUCT ASSY- POSITION DATA: LH SIDE COMPONENT MAINT MANUAL REF: 21-53-11		1
- 40	213T3102-8		.DUCT ASSY- POSITION DATA: RH SIDE COMPONENT MAINT MANUAL REF: 21-53-11		1
- 45	BACB30LU3-9		ATTACHING PARTS .BOLT- OPTIONAL PART: BACB30NN3K9		32
- 45	BACB30NN3K9		.BOLT- OPTIONAL PART: BACB30LU3-9		32
50	NAS1801-3-7		-----*----- ..SCREW-		2
55	AN960D10L		..WASHER-		6

ILLUSTRATION ITEMS NOT ON PARTS LIST ARE NOT APPLICABLE

- ITEM NOT ILLUSTRATED

HXL

# 21-53-02-01

BOEING PROPRIETARY - Copyright © - Unpublished Work - See title page for details.

21-53-02  
 FIG. 01  
 PAGE 2  
 AUG 22/09

**BOEING**  
767  
**PARTS CATALOG (MAINTENANCE)**

FIG ITEM	PART NUMBER	1 2 3 4 5 6 7	NOMENCLATURE	EFFECT FROM TO	UNITS PER ASSY
1	60 BRH10A3		..NUT- SUPPLIER CODE: V52828 SPECIFICATION NUMBER: BACN10JC3 OPTIONAL PART: H10-3BAC V15653 NS202101-02 V80539 RMLH9075-3W V72962 VN303A02 V92215 96-02 V80539 T6S1032J V11815		2
R	65 1002BB7		..JUMPER ASSY SUPPLIER CODE: V1FF12 SPECIFICATION NUMBER: BACJ40A20-7 OPTIONAL PART: CE7E V79550 30363 V00779		1
R	75 213T3106-1		..DOOR ASSY ATTACHING PARTS		1
R	- 80 BACB30NM3K3		..BOLT		24
R	- 85 AN960PD10L		..WASHER -----*-----		24
R	90 213T3405-2		..GASKET		1
R	91 NAS6603-8		..BOLT- USED ON: 213T3102-5 213T3102-7		1
R	92 NAS6603-8		..BOLT- USED ON: 213T3102-6 213T3102-8		1
	93 BACW10BN3AC		..WASHER- USED ON: 213T3102-5 213T3102-7		1

ILLUSTRATION ITEMS NOT ON PARTS LIST ARE NOT APPLICABLE

- ITEM NOT ILLUSTRATED

HXL

21-53-02-01

BOEING PROPRIETARY - Copyright © - Unpublished Work - See title page for details.

21-53-02  
FIG. 01  
PAGE 3  
AUG 22/09



767

PARTS CATALOG (MAINTENANCE)

FIG ITEM	PART NUMBER	1 2 3 4 5 6 7	NOMENCLATURE	EFFECT FROM TO	UNITS PER ASSY
1					
94	BACW10BN3AC	..	WASHER- USED ON: 213T3102-6 213T3102-8		1
95	AN960PD10LL	..	WASHER- USED ON: 213T3102-5 213T3102-7		2
96	AN960PD10LL	..	WASHER- USED ON: 213T3102-6 213T3102-8		1
97	PLH53CM	..	NUT- SUPPLIER CODE: VFO224 SPECIFICATION NUMBER: BACN10YR3CM OPTIONAL PART: H52732-3CM V15653 USED ON: 213T3102-5 213T3102-7		1
98	PLH53CM	..	NUT- SUPPLIER CODE: VFO224 SPECIFICATION NUMBER: BACN10YR3CM OPTIONAL PART: H52732-3CM V15653 USED ON: 213T3102-6 213T3102-8		1
100	BACB30NM3K3	..	BOLT		6
102	BACB30NM3K6	..	BOLT		6
105	BACW10BN3AC	..	WASHER		12
110	AN960JD10LL	..	WASHER-		6
115	PLH53CM	..	NUT- SUPPLIER CODE: VFO224 SPECIFICATION NUMBER: BACN10YR3CM OPTIONAL PART: H52732-3CM V15653		6

ILLUSTRATION ITEMS NOT ON PARTS LIST ARE NOT APPLICABLE

- ITEM NOT ILLUSTRATED

HXL

21-53-02-01

BOEING PROPRIETARY - Copyright © - Unpublished Work - See title page for details.

21-53-02  
FIG. 01  
PAGE 4  
AUG 22/09





767

PARTS CATALOG (MAINTENANCE)

FIG ITEM	PART NUMBER	1 2 3 4 5 6 7	NOMENCLATURE	EFFECT FROM TO	UNITS PER ASSY
R R R R R R R R R R R R R R R	117	1002BB7	.. JUMPER ASSY- SUPPLIER CODE: V1FF12 SPECIFICATION NUMBER: BACJ40A20-7 OPTIONAL PART: CE7E V79550 30363 V00779 USED ON: 213T3102-5 213T3102-7		1
	118	740A20-10	.. JUMPER ASSY- SUPPLIER CODE: V91812 SPECIFICATION NUMBER: BACJ40A20-10 OPTIONAL PART: TJEJ40A20-10 V33483 RBEJ20-10 V1GK47 USED ON: 213T3102-6 213T3102-8		1
	120	213T3104-1	..HINGE ASSY		1
	125	MS51923-187	...PIN		2
	130	MS20253P4-940	...PIN- OPTIONAL PART: MS20253-4-940		1
	130	MS20253-4-940	...PIN- OPTIONAL PART: MS20253P4-940		1
	135	213T3104-2	...HINGE		1
	140	213T3104-3	...HINGE		1
	145	BACB30NM4K14	..BOLT		4
	150	BACW10CT8C	..WASHER		2
	155	BACW10CT8D	..WASHER		2
	160	AN960C416L	..WASHER		2
	165	AN960PD416L	..WASHER		2

ILLUSTRATION ITEMS NOT ON PARTS LIST ARE NOT APPLICABLE

- ITEM NOT ILLUSTRATED

21-53-02-01

21-53-02  
FIG. 01  
PAGE 5  
AUG 22/09

HXL



767

PARTS CATALOG (MAINTENANCE)

FIG ITEM	PART NUMBER	1 2 3 4 5 6 7	NOMENCLATURE	EFFECT FROM TO	UNITS PER ASSY
1 170	BRH10A4	..	NUT SUPPLIER CODE: V52828 SPECIFICATION NUMBER: BACN10JC4 OPTIONAL PART: T6S428J V11815 96-048 V80539 VN303A048 V92215 RMLH9075-4W V72962 NS202101-048 V80539 H10-4BAC V15653		4
175	213T3105-1	..	ROD ASSY		2
180	AN316C5R	...	NUT		2
185	M81935-1-4	...	BEARING		2
190	213T3105-2	...	ROD		1
200	213T3007-1	..	DOOR ASSY-EXH		1
210	NAS6605-13	..	BOLT-		1
215	NAS6605-14	..	BOLT-		1
220	AN960-516L	..	WASHER-		2
225	BACW10CT10C	..	WASHER-		2
230	BRH10A5	..	NUT- SUPPLIER CODE: V52828 SPECIFICATION NUMBER: BACN10JC5 OPTIONAL PART: T6S524J V11815 96-054 V80539 RMLH9075-5W V72962 H10-5BAC V15653		2

ILLUSTRATION ITEMS NOT ON PARTS LIST ARE NOT APPLICABLE

- ITEM NOT ILLUSTRATED

HXL

21-53-02-01

BOEING PROPRIETARY - Copyright © - Unpublished Work - See title page for details.

21-53-02  
FIG. 01  
PAGE 6  
DEC 22/08

 **BOEING**  
767  
**PARTS CATALOG (MAINTENANCE)**

FIG ITEM	PART NUMBER	1 2 3 4 5 6 7	NOMENCLATURE	EFFECT FROM TO	UNITS PER ASSY
1					
235	2022432-3	..	ACTUATOR ASSY-DOOR SUPPLIER CODE: V70210 SPECIFICATION NUMBER: S210T130-40 ELECTRICAL EQUIP NUMBER: M00320 M00321 COMPONENT MAINT MANUAL REF: 21-53-16		1
235	2022432-4	..	ACTUATOR ASSY-DOOR SUPPLIER CODE: V70210 FUNCTIONAL DESCRIPTION: ACTUATORS OPERATE THE RAM AIR INLET AND EXHAUST DOOR SPECIFICATION NUMBER: S210T130-56 ELECTRICAL EQUIP NUMBER: M00320 M00321 COMPONENT MAINT MANUAL REF: 21-53-16		1
236	516534-2	...	MOTOR-AC SUPPLIER CODE: V70210 COMPONENT MAINT MANUAL REF: 21-53-18 ATTACHING PARTS		1
237	NAS1352-08H6	...	SCREW		2
238	NAS1352-08H16	...	SCREW		2
239	NAS620-8	...	WASHER -----*-----		4
241	BACB30LK3-4	..	BOLT		1
243	AN960JD10	..	WASHER-		1
246	AN960PD10LL	..	WASHER		1
247	1002BB7	..	JUMPER ASSY SUPPLIER CODE: V1FF12 SPECIFICATION NUMBER: BACJ40A20-7 OPTIONAL PART: CE7E V79550 30363 V00779		1
249	69B03738-1	..	RETAINER ASSY-BRG		2

R  
R  
R  
R  
R  
R  
R  
R  
R  
R

ILLUSTRATION ITEMS NOT ON PARTS LIST ARE NOT APPLICABLE

- ITEM NOT ILLUSTRATED

# 21-53-02-01

21-53-02  
FIG. 01  
PAGE 7  
AUG 22/09

HXL

BOEING PROPRIETARY - Copyright © - Unpublished Work - See title page for details.

 **BOEING**  
767  
**PARTS CATALOG (MAINTENANCE)**

FIG ITEM	PART NUMBER	1 2 3 4 5 6 7	NOMENCLATURE	EFFECT FROM TO	UNITS PER ASSY
1			ATTACHING PARTS		
254	BACB30LK3-3	..	BOLT		7
257	AN960PD10	..	WASHER		7
			-----*-----		
265	213T3103-1	..	TUBE ASSY		1
270	NAS6604-23	...	BOLT		3
275	BACW10CT8CU	...	WASHER		3
280	AN960C416L	...	WASHER		3
285	BRH10A4	...	NUT		3
			SUPPLIER CODE: V52828		
			SPECIFICATION NUMBER: BACN10JC4		
			OPTIONAL PART: T6S428J		
			V11815		
			96-048		
			V80539		
			VN303A048		
			V92215		
			RMLH9075-4W		
			V72962		
			NS202101-048		
			V80539		
			H10-4BAC		
			V15653		
290	213T3703-1	...	BELLCRANK ASSY- OPTIONAL PART: 213T3703-8 213T3703-11		1
290	213T3703-8	...	BELLCRANK ASSY- OPTIONAL PART: 213T3703-1 213T3703-11		1
290	213T3703-11	...	BELLCRANK ASSY- OPTIONAL PART: 213T3703-1 213T3703-8		1
291	213T3703-2	....	BELLCRANK- USED ON: 213T3703-1		1
291	213T3703-10	....	BELLCRANK- USED ON: 213T3703-11		1
292	BACB28X5C010	....	BUSHING- USED ON: 213T3703-1 213T3703-11		2

ILLUSTRATION ITEMS NOT ON PARTS LIST ARE NOT APPLICABLE

— ITEM NOT ILLUSTRATED

HXL

# 21-53-02-01

BOEING PROPRIETARY - Copyright © - Unpublished Work - See title page for details.

21-53-02  
FIG. 01  
PAGE 8  
AUG 22/09

 **BOEING**  
767  
**PARTS CATALOG (MAINTENANCE)**

FIG ITEM	PART NUMBER	1 2 3 4 5 6 7	NOMENCLATURE	EFFECT FROM TO	UNITS PER ASSY
1					
- 293	213T3703-14	....	SUB KIT ASSY- OPTIONAL PART: 213T3703-15 USED ON: 213T3703-8		1
- 293	213T3703-15	....	SUB KIT ASSY- OPTIONAL PART: 213T3703-14 USED ON: 213T3703-8		1
294	213T3703-2	.....	BELLCRANK- USED ON: 213T3703-14		1
294	213T3703-5	.....	BELLCRANK- USED ON: 213T3703-15		1
296	213T3703-7	.....	BUSHING- USED ON: 213T3703-14		2
296	BACB28X5C010	.....	BUSHING- USED ON: 213T3703-15		2
298	213T3704-1	...	SPACER		1
300	213T3006-1	...	LINK ASSY- OPTIONAL PART: 213T3006-4		2
300	213T3006-4	...	LINK ASSY- OPTIONAL PART: 213T3006-1		2
315	213T3702-4	...	TUBE- OPTIONAL PART: 213T3702-2		1
315	213T3702-2	...	TUBE- OPTIONAL PART: 213T3702-4		1
320	213T3100-14	..	DUCT ASSY- POSITION DATA: LH SIDE		1
- 322	213T3100-15	..	DUCT ASSY- POSITION DATA: RH SIDE		1
325	213T3701-1	...	HOUSING ASSY- OPTIONAL PART: 213T3701-2		1
325	213T3701-2	...	HOUSING ASSY- OPTIONAL PART: 213T3701-1		1
- 330	NAS514P832-10	...	ATTACHING PARTS SCREW-		8

ILLUSTRATION ITEMS NOT ON PARTS LIST ARE NOT APPLICABLE

- ITEM NOT ILLUSTRATED

HXL

21-53-02-01

21-53-02  
FIG. 01  
PAGE 9  
AUG 22/09

 **BOEING**  
767  
**PARTS CATALOG (MAINTENANCE)**

FIG ITEM	PART NUMBER	1 2 3 4 5 6 7	NOMENCLATURE	EFFECT FROM TO	UNITS PER ASSY
1					
- 335	AN960PD8	...	WASHER		8
- 340	BRH10A08	...	NUT		8
			SUPPLIER CODE: V52828		
			SPECIFICATION NUMBER: BACN10JCO8		
			OPTIONAL PART: H10-08BAC		
			V15653		
			NS202101-82		
			V80539		
			RMLH9075-82W		
			V72962		
			VN303A82		
			V92215		
			96-82		
			V80539		
			T6S832J		
			V11815		
			-----*-----		
360	213T3012-1	...	MOUNT ASSY-		1
			OPTIONAL PART: 213T3012-2		
360	213T3012-2	...	MOUNT ASSY-		1
			OPTIONAL PART: 213T3012-1		
			ATTACHING PARTS		
- 365	NAS514P832-10	...	SCREW-		34
- 370	AN960PD8	...	WASHER		34
- 375	BRH10A08	...	NUT		34
			SUPPLIER CODE: V52828		
			SPECIFICATION NUMBER: BACN10JCO8		
			OPTIONAL PART: H10-08BAC		
			V15653		
			NS202101-82		
			V80539		
			RMLH9075-82W		
			V72962		
			VN303A82		
			V92215		
			96-82		
			V80539		
			T6S832J		
			V11815		
			-----*-----		
- 403	286T0938-102		WIRE BUNDLE ASSY		RF

ILLUSTRATION ITEMS NOT ON PARTS LIST ARE NOT APPLICABLE

- ITEM NOT ILLUSTRATED

HXL

# 21-53-02-01

BOEING PROPRIETARY - Copyright © - Unpublished Work - See title page for details.

21-53-02  
FIG. 01  
PAGE 10  
AUG 22/09



767

PARTS CATALOG (MAINTENANCE)

FIG ITEM	PART NUMBER	1 2 3 4 5 6 7	NOMENCLATURE	EFFECT FROM TO	UNITS PER ASSY
1					
- 407	286T0612-101		WIRE BUNDLE ASSY		RF
410	S3819-16-65		.CLAMP-		1
			SUPPLIER CODE: V07418		
			SPECIFICATION NUMBER: BACC10KD16		
			OPTIONAL PART: 620AS028NF16L		
			V06324		
			ELECTRICAL EQUIP NUMBER: D00682T		
			D00728T		
			WIRING DIAGRAM REF: 215311		
			215321		
415	BCREF6176		.CONNECTOR-		1
			POSITION DATA: LH SIDE		
			OVERLENGTH PART NUMBER: BACC63BP16R24SNL		
			ELECTRICAL EQUIP NUMBER: D00682		
			WIRING DIAGRAM REF: 215311		
- 420	R071016A24SNL		.CONNECTOR-		1
			SUPPLIER CODE: V41118		
			SPECIFICATION NUMBER: BCREFA1496		
			POSITION DATA: RH SIDE		
			OVERLENGTH PART NUMBER: BACC63BP16A24SNL		
			ELECTRICAL EQUIP NUMBER: D00728		
			WIRING DIAGRAM REF: 215321		

ILLUSTRATION ITEMS NOT ON PARTS LIST ARE NOT APPLICABLE

- ITEM NOT ILLUSTRATED

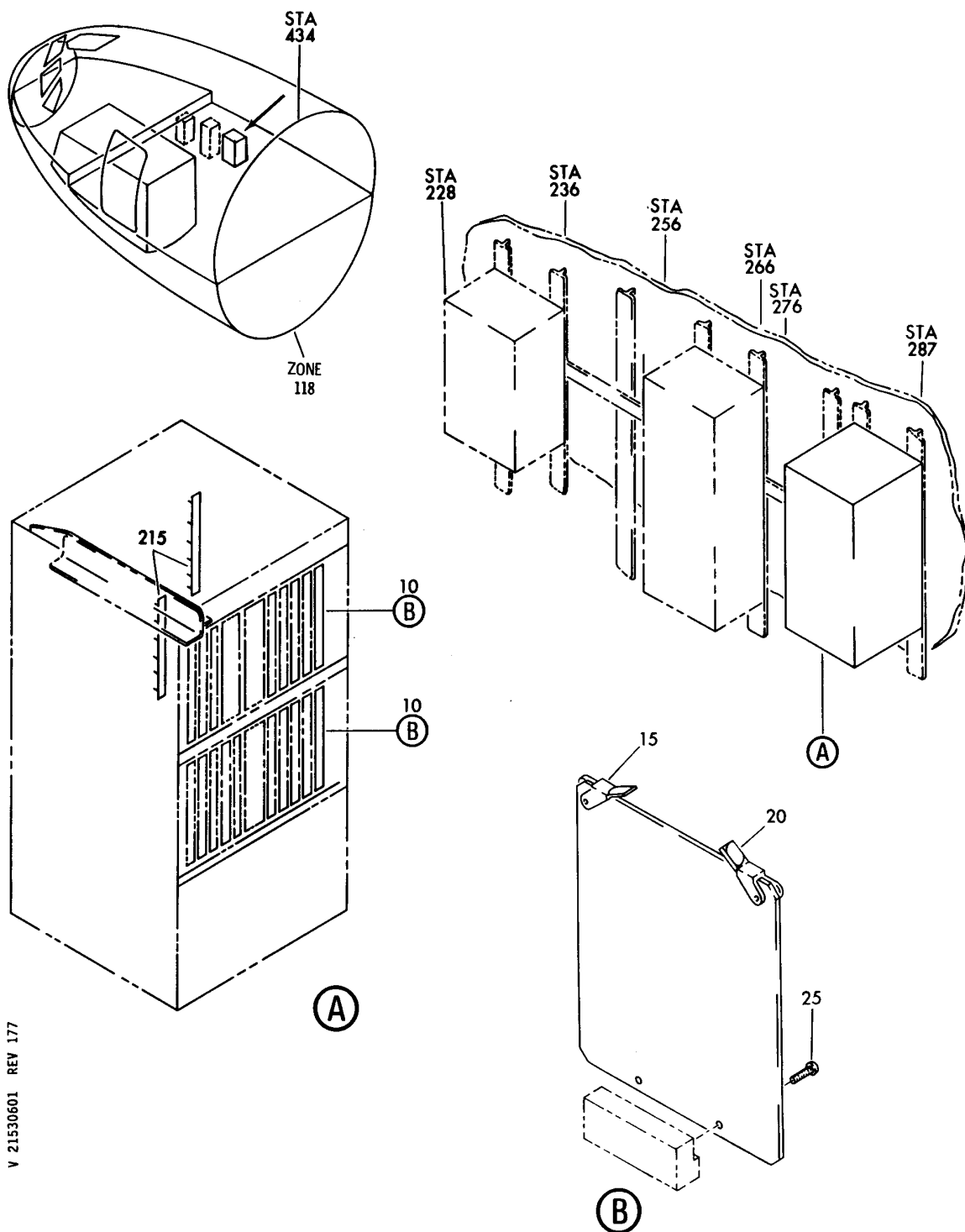
HXL

21-53-02-01

BOEING PROPRIETARY - Copyright © - Unpublished Work - See title page for details.

21-53-02  
FIG. 01  
PAGE 11  
AUG 22/09

**BOEING**  
767  
PARTS CATALOG (MAINTENANCE)



V 21530601 REV 177

CARD FILE AND BOX INSTL-R FWD EQPT CTR (P50) (TEMPERATURE CONTROL CARD ASSEMBLY ONLY)  
FIGURE 1

**21-53-06-01**

HXL  
DEC 22/06

21-53-06-01  
PAGE 0





767

PARTS CATALOG (MAINTENANCE)

FIG ITEM	PART NUMBER	1 2 3 4 5 6 7	NOMENCLATURE	EFFECT FROM TO	UNITS PER ASSY
1			CARD FILE AND BOX INSTL-R FWD EQPT CTR (P50) (TEMPERATURE CONTROL CARD ASSEMBLY ONLY)		
- 1	284T0049-16		CARD FILE AND BOX INSTL- EQPT CTR P50 (TEMPERATURE CONTROL CARD ASSEMBLY ONLY) POSITION DATA: R FWD VARIABLE DRAWING REF: 284T0049-5224 284T0049-5311 FOR NHA/OTHER SYS DET SEE: 24-00-58-01E		RF
10	285T0094-6		.PRINTED CIRCUIT ASSY-PACK MANUAL TEMP CONT SUPPLIER CODE: V89954 ELECTRICAL EQUIP NUMBER: M10403 M10404 COMPONENT MAINT MANUAL REF: 21-51-53 FOR DETAILS SEE: 11-36-15-06		2
15	71-2RA		..EJECTOR- SUPPLIER CODE: V18915		1
20	71-2LA		..EJECTOR- SUPPLIER CODE: V18915		1
25	MS35214-14		..SCREW		2
- 200	286T1080-140		WIRE BUNDLE ASSY		RF
- 205	286T1078-140		WIRE BUNDLE ASSY		RF

ILLUSTRATION ITEMS NOT ON PARTS LIST ARE NOT APPLICABLE

- ITEM NOT ILLUSTRATED

HXL

21-53-06-01

BOEING PROPRIETARY - Copyright © - Unpublished Work - See title page for details.

21-53-06  
FIG. 01  
PAGE 1  
DEC 22/07



767

PARTS CATALOG (MAINTENANCE)

FIG ITEM	PART NUMBER	1 2 3 4 5 6 7	NOMENCLATURE	EFFECT FROM TO	UNITS PER ASSY
1					
- 210	141-1775-01		.CONTACT CAVITY- SUPPLIER CODE: V26742 SPECIFICATION NUMBER: BACC47EM1 OPTIONAL PART: 96S2222 V03877 290381-01 V16512 200080-001 V03877 ELECTRICAL EQUIP NUMBER: D01870U D03738U WIRING DIAGRAM REF: 215312 215322		2
215	300055-001		.CONNECTOR- SUPPLIER CODE: V0D9V3 SPECIFICATION NUMBER: BACC65L41 OPTIONAL PART: 300055-001 V03877 192-341-0005 V26742 S1022-00833 V03877 ELECTRICAL EQUIP NUMBER: D01870 D03738 D01872 WIRING DIAGRAM REF: 215312 215322 216151		1
ILLUSTRATION ITEMS NOT ON PARTS LIST ARE NOT APPLICABLE					

- ITEM NOT ILLUSTRATED

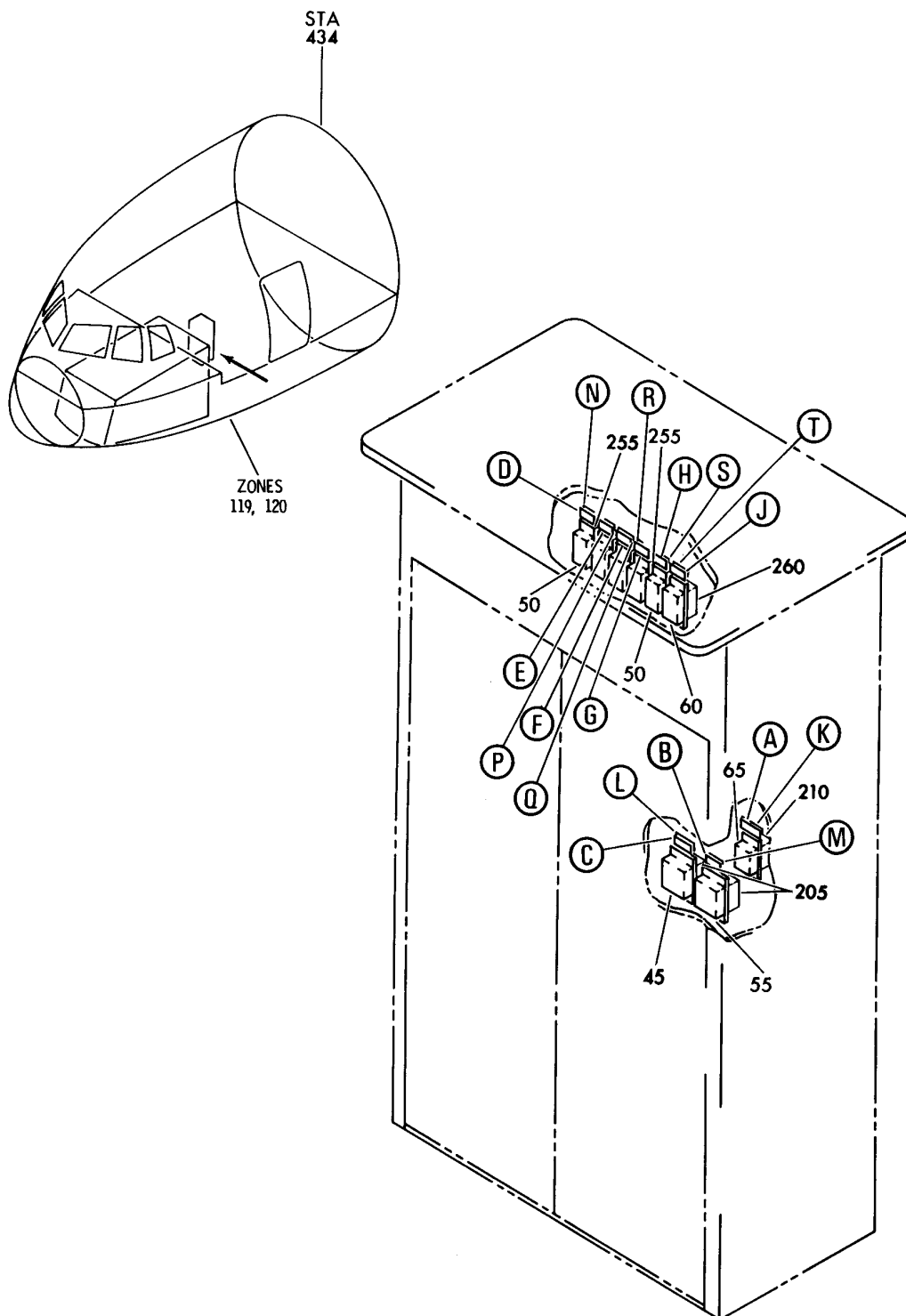
HXL

21-53-06-01

BOEING PROPRIETARY - Copyright © - Unpublished Work - See title page for details.

21-53-06  
FIG. 01  
PAGE 2  
DEC 22/06

**BOEING**  
767  
PARTS CATALOG (MAINTENANCE)



V 21533001 SHT 1 REV 167

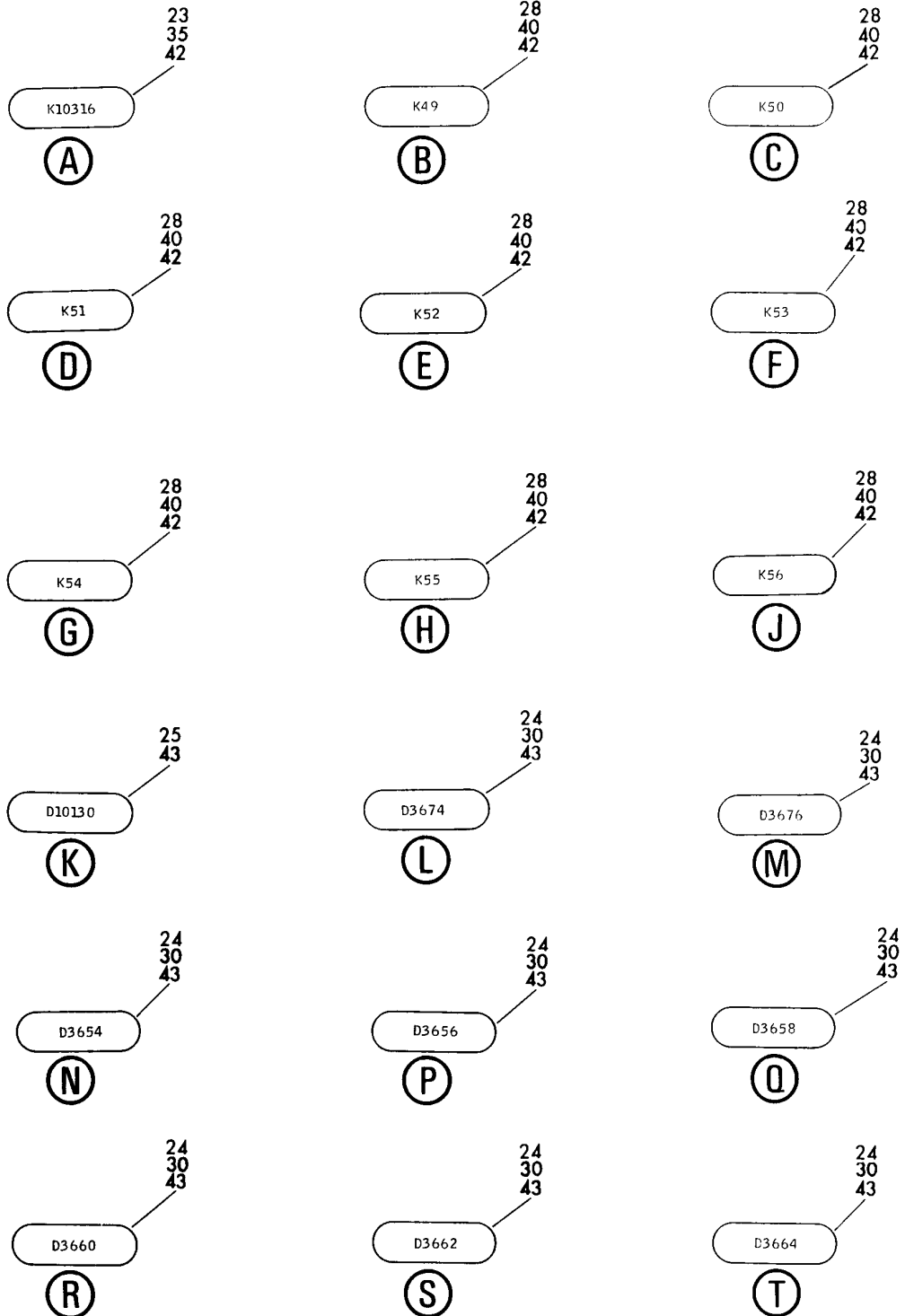
EQUIPMENT ASSY-P33 MISC ELEC PNL FWD (RAM AIR SYSTEM ONLY)  
FIGURE 1 (SHEET 1)

**21-53-30-01**

HXL  
DEC 22/06

21-53-30-01  
PAGE 0

**BOEING**  
767  
PARTS CATALOG (MAINTENANCE)



V 21533001 SHT 2 REV 162

EQUIPMENT ASSY-P33 MISC ELEC PNL FWD (RAM AIR SYSTEM ONLY)  
FIGURE 1 (SHEET 2)

**21-53-30-01**

HXL  
DEC 22/06

21-53-30-01  
PAGE 0A



767

PARTS CATALOG (MAINTENANCE)

FIG ITEM	PART NUMBER	1 2 3 4 5 6 7	NOMENCLATURE	EFFECT FROM TO	UNITS PER ASSY
1			EQUIPMENT ASSY-P33 MISC ELEC PNL FWD (RAM AIR SYSTEM ONLY)		
- 9	284T0189-155		EQUIPMENT ASSY-P33 MISC ELEC PNL (RAM AIR SYSTEM ONLY) POSITION DATA: FWD FOR NHA/OTHER SYS DET SEE: 25-50-51-01	163999	RF
- 11	284T0189-183		EQUIPMENT ASSY-P33 MISC ELEC PNL (RAM AIR SYSTEM ONLY) POSITION DATA: FWD FOR NHA/OTHER SYS DET SEE: 25-50-51-01	155162	RF
24	BAC27TEX4203		.DECALSET-INCLUDES DECALS IDENTIFIED ON THE ILLUSTRATION		1
25	BAC27TEX4206		.DECALSET-INCLUDES DECALS IDENTIFIED ON THE ILLUSTRATION		RF
35	BAC27TEX4199		.DECALSET-INCLUDES DECALS IDENTIFIED ON THE ILLUSTRATION		1
40	BAC27TEX4201		.DECALSET-INCLUDES DECALS IDENTIFIED ON THE ILLUSTRATION		1
45	ES410-1538		.RELAY- SUPPLIER CODE: V99699 SPECIFICATION NUMBER: BACR13CG2AB OPTIONAL PART: KD4L018 V35344 BR230DS0115 V56623 KD4L036 V58657 FCA410-63 V78290 ELECTRICAL EQUIP NUMBER: K00050		1

ILLUSTRATION ITEMS NOT ON PARTS LIST ARE NOT APPLICABLE

- ITEM NOT ILLUSTRATED

21-53-30-01

21-53-30  
FIG. 01  
PAGE 1  
DEC 22/07

HXL



767

PARTS CATALOG (MAINTENANCE)

FIG ITEM	PART NUMBER	1 2 3 4 5 6 7	NOMENCLATURE	EFFECT FROM TO	UNITS PER ASSY
1 50	ES210-1632		.RELAY- SUPPLIER CODE: V99699 SPECIFICATION NUMBER: BACR13CF2AB OPTIONAL PART: JD4L018 V35344 JD4L031 V35344 BR246S0111 V56623 BR64S105 V56623 FCA210-71 V78290 61GB2319-1A320 V98927 ELECTRICAL EQUIP NUMBER: K00051 K00052 K00053 K00054 K00055		5
55	ES410-1538		.RELAY- SUPPLIER CODE: V99699 SPECIFICATION NUMBER: BACR13CG2AB OPTIONAL PART: KD4L018 V35344 BR230DS0115 V56623 KD4L036 V58657 FCA410-63 V78290 ELECTRICAL EQUIP NUMBER: K00049		1

ILLUSTRATION ITEMS NOT ON PARTS LIST ARE NOT APPLICABLE

- ITEM NOT ILLUSTRATED

HXL

21-53-30-01

BOEING PROPRIETARY - Copyright © - Unpublished Work - See title page for details.

21-53-30  
FIG. 01  
PAGE 2  
DEC 22/07



767

PARTS CATALOG (MAINTENANCE)

FIG ITEM	PART NUMBER	1 2 3 4 5 6 7	NOMENCLATURE	EFFECT FROM TO	UNITS PER ASSY
1 60	ES210-1632		.RELAY- SUPPLIER CODE: V99699 SPECIFICATION NUMBER: BACR13CF2AB OPTIONAL PART: JD4L018 V35344 JD4L031 V35344 BR246S0111 V56623 BR64S105 V56623 FCA210-71 V78290 61GB2319-1A320 V98927 ELECTRICAL EQUIP NUMBER: K00056		1
65	W460F1A		.RELAY- SUPPLIER CODE: VF0219 SPECIFICATION NUMBER: BACR13CE2 OPTIONAL PART: 3SAH5-13-4K1 V01526 3SAH1326A2 V01526 ELECTRICAL EQUIP NUMBER: K10316		1
- 200 205	286T0142-300 BACS16W1		WIRE BUNDLE ASSY .SOCKET- ELECTRICAL EQUIP NUMBER: D03674 D03676 WIRING DIAGRAM REF: 215321		RF 2

ILLUSTRATION ITEMS NOT ON PARTS LIST ARE NOT APPLICABLE

- ITEM NOT ILLUSTRATED

HXL

21-53-30-01

BOEING PROPRIETARY - Copyright © - Unpublished Work - See title page for details.

21-53-30  
FIG. 01  
PAGE 3  
DEC 22/07



767

PARTS CATALOG (MAINTENANCE)

FIG ITEM	PART NUMBER	1 2 3 4 5 6 7	NOMENCLATURE	EFFECT FROM TO	UNITS PER ASSY
1 210	RSE120027		.SOCKET- SUPPLIER CODE: V58982 SPECIFICATION NUMBER: BACS16AF1 OPTIONAL PART: 451120-027 V58982 ELECTRICAL EQUIP NUMBER: D10130 WIRING DIAGRAM REF: 215121		1
- 250 255	286T0144-300 RSF116200		WIRE BUNDLE ASSY .SOCKET- SUPPLIER CODE: V58982 SPECIFICATION NUMBER: BACS16X1A OPTIONAL PART: 102-006-1 V09922 000300-1538 V05574 ELECTRICAL EQUIP NUMBER: D03654 D03656 D03658 D03660 D03662 WIRING DIAGRAM REF: 215321		RF 5
260	RSF116200		.SOCKET- SUPPLIER CODE: V58982 SPECIFICATION NUMBER: BACS16X1A OPTIONAL PART: 102-006-1 V09922 000300-1538 V05574 ELECTRICAL EQUIP NUMBER: D03664 WIRING DIAGRAM REF: 215321		1

ILLUSTRATION ITEMS NOT ON PARTS LIST ARE NOT APPLICABLE

- ITEM NOT ILLUSTRATED

HXL

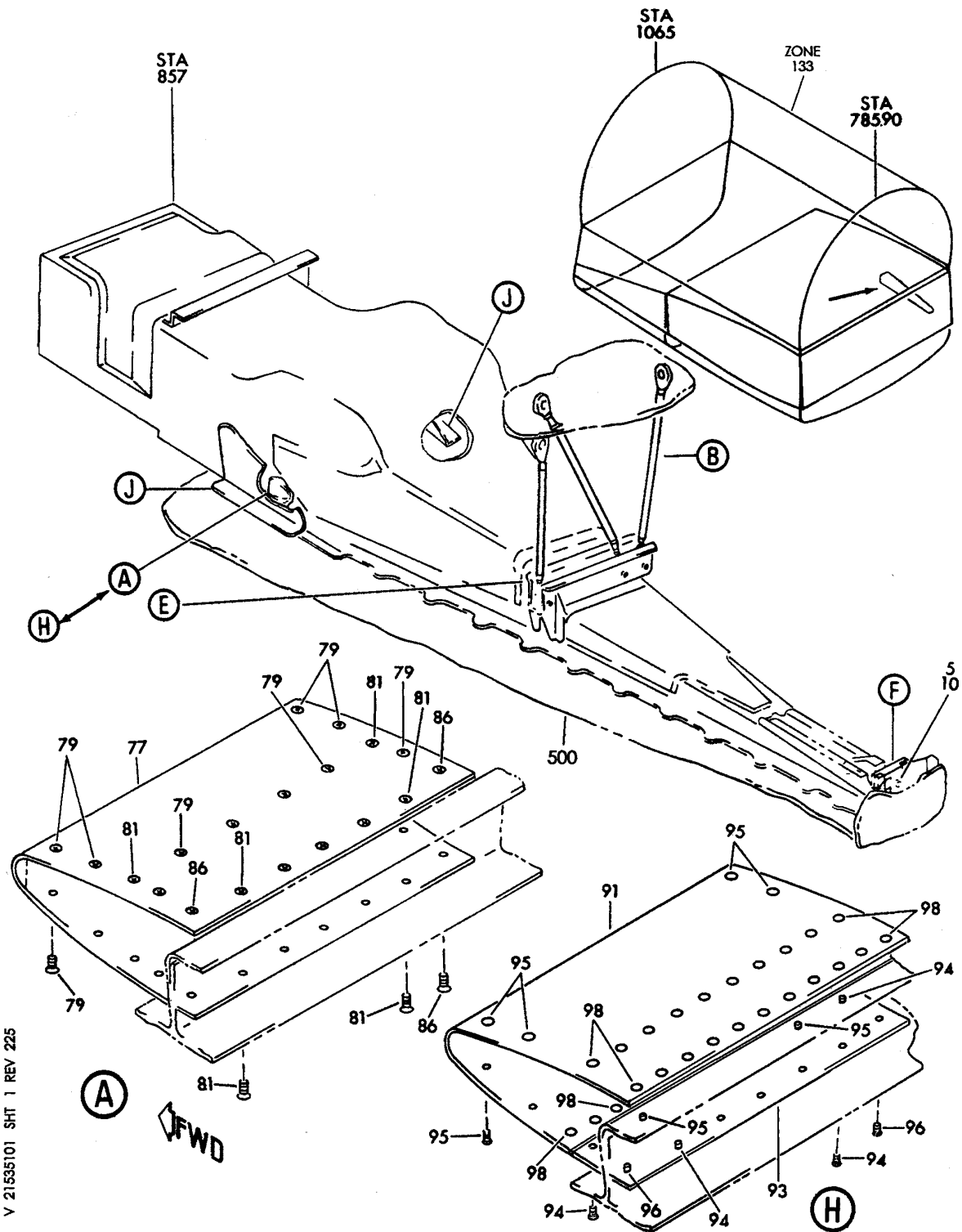
21-53-30-01

BOEING PROPRIETARY - Copyright © - Unpublished Work - See title page for details.

21-53-30  
FIG. 01  
PAGE 4  
DEC 22/07



**BOEING**  
767  
PARTS CATALOG (MAINTENANCE)



V 21535101 SHT 1 REV 225

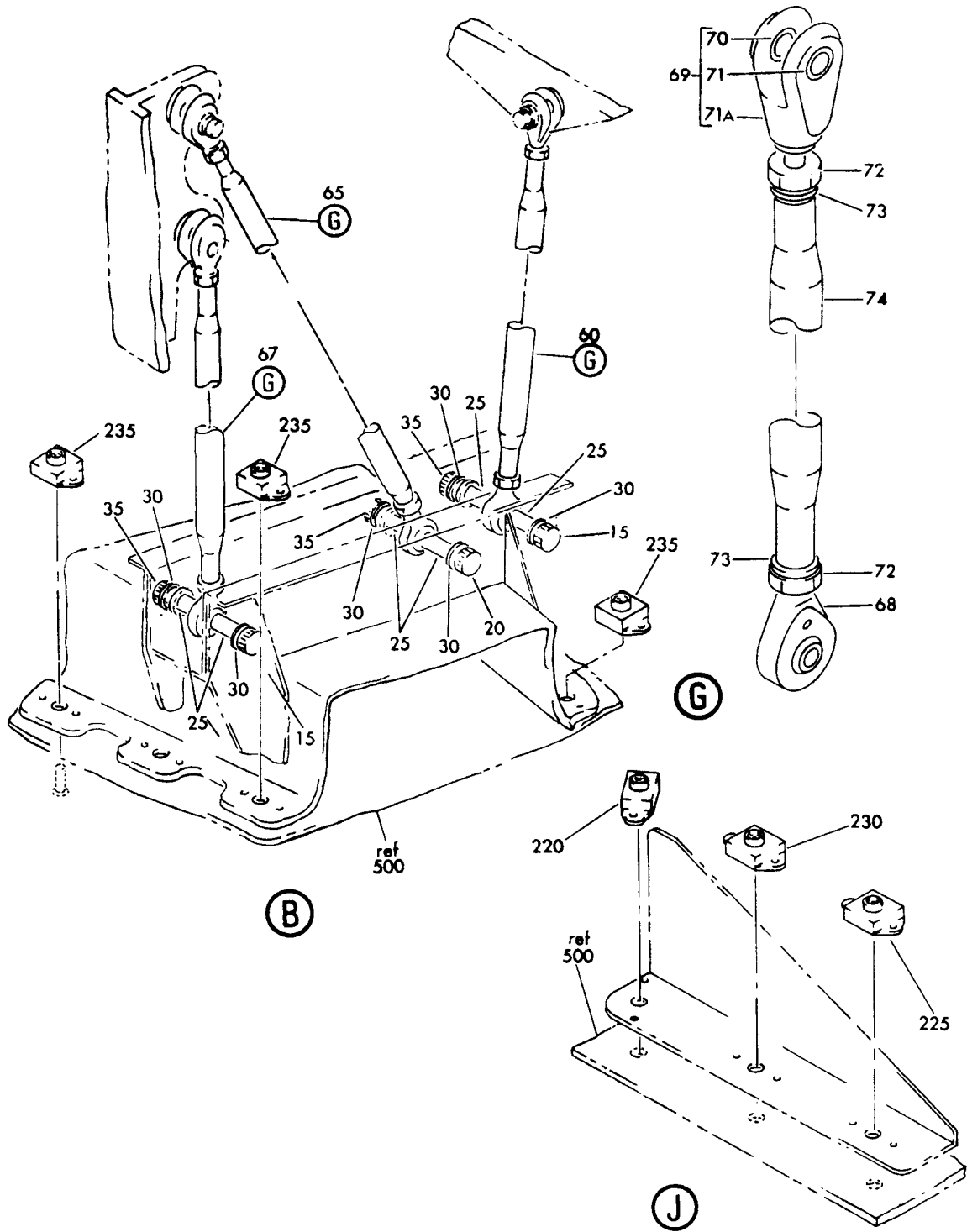
INLET ASSY-RAM AIR L SIDE  
FIGURE 1 (SHEET 1)

**21-53-51-01**

HXL  
DEC 22/06

21-53-51-01  
PAGE 0

**BOEING**  
767  
PARTS CATALOG (MAINTENANCE)



V 21535101 SHT 2 REV 196

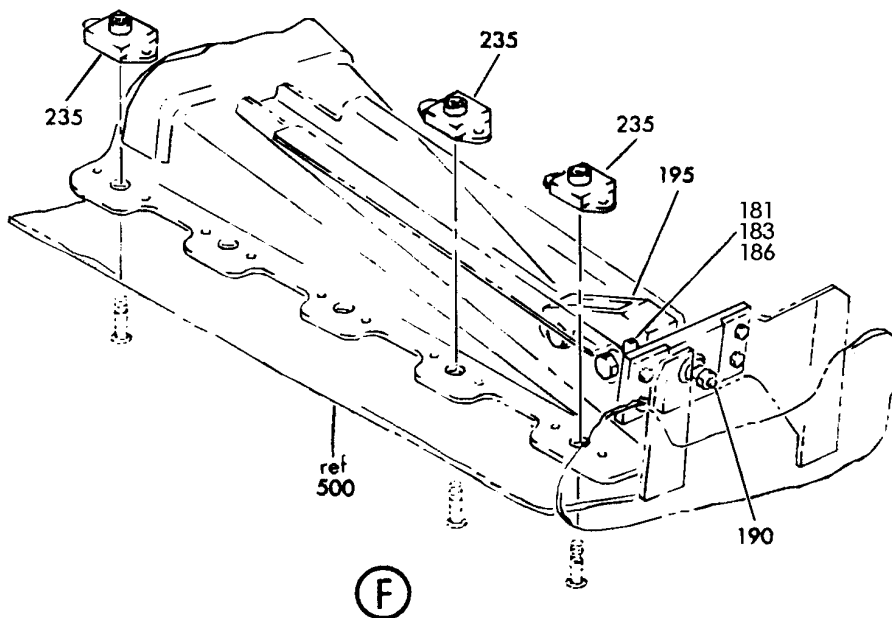
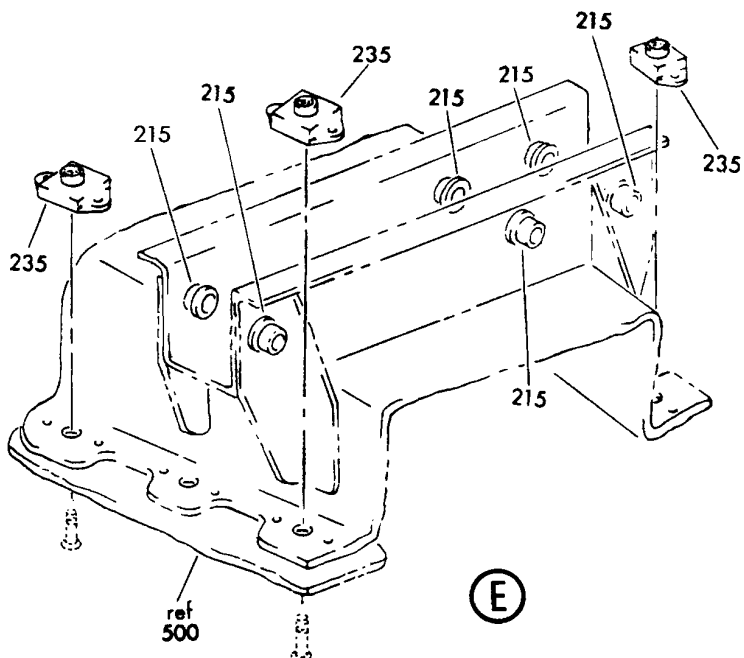
INLET ASSY-RAM AIR L SIDE  
FIGURE 1 (SHEET 2)

**21-53-51-01**

HXL  
DEC 22/06

21-53-51-01  
PAGE 0A

**BOEING**  
767  
PARTS CATALOG (MAINTENANCE)



V 21535101 SHT 3 REV 196

INLET ASSY-RAM AIR L SIDE  
FIGURE 1 (SHEET 3)

**21-53-51-01**

HXL  
DEC 22/06

21-53-51-01  
PAGE 0B

 **BOEING**  
767  
**PARTS CATALOG (MAINTENANCE)**

FIG ITEM	PART NUMBER	1 2 3 4 5 6 7	NOMENCLATURE	EFFECT FROM TO	UNITS PER ASSY
1			INLET ASSY-RAM AIR L SIDE		
- 1	149T7450-24		INLET ASSY-RAM AIR POSITION DATA: L SIDE ACCESS PANEL NUMBER: 193JL FOR NHA SEE: 53-36-56-01		RF
5	BRH10C3D		.NUT SUPPLIER CODE: V52828 SPECIFICATION NUMBER: BACN10JC3CD OPTIONAL PART: T6C1032JCD V11815 NS202486-02 V80539 102LH9075-3W V72962 H51650-3BAC V15653		1
10	AN960PD10		.WASHER		1
15	BACB30LJ4U19		.BOLT-		2
20	BACB30LJ4U19		.BOLT		1
25	NAS1057W4-027		.SPACER		6
30	AN960XC416L		.WASHER		6
35	BRH10C4M		.NUT SUPPLIER CODE: V52828 SPECIFICATION NUMBER: BACN10JC4CM OPTIONAL PART: T6C428JM V11815 97E48 V80539 109LH9075-4W V72962 VN303D048 V92215 H01-4BAC V15653 NS202101SE048 V80539		3
60	149T7321-6		.STRUT ASSY-UNDERWING FAIRING		1
65	149T7321-2		.STRUT ASSY-UNDERWING		1

ILLUSTRATION ITEMS NOT ON PARTS LIST ARE NOT APPLICABLE

- ITEM NOT ILLUSTRATED

HXL

# 21-53-51-01

BOEING PROPRIETARY - Copyright © - Unpublished Work - See title page for details.

21-53-51  
FIG. 01  
PAGE 1  
DEC 22/07

 **BOEING**  
767  
**PARTS CATALOG (MAINTENANCE)**

FIG ITEM	PART NUMBER	1 2 3 4 5 6 7	NOMENCLATURE	EFFECT FROM TO	UNITS PER ASSY
1					
67	149T7321-3	.	STRUT ASSY-UNDERWING FAIRING		1
68	ADNE4-334NWO	..	BEARING-.25 BORE SEALED EXT THREAD WITH KEYWAY ROD END SUPPLIER CODE: V15860 SPECIFICATION NUMBER: S012T235-104-70 OPTIONAL PART: ARNM4-101KC VS0352 OPTIONAL PART: S012T235-104-7		1
68	S012T235-104-7	..	BEARING-.25 BORE SEALED EXT THREAD WITH KEYWAY ROD END OPTIONAL PART: ADNE4-334NWO V15860		1
69	149T7325-1	..	END ASSY-FORK		1
70	BACB28AM06B013A	...	BUSHING		1
71	BACB28AP04P013	...	BUSHING		1
71A	149T7325-2	...	END		1
72	NAS509-6	..	NUT		2
73	NAS513-6	..	WASHER		2
74	149T7326-11	..	TUBE- USED ON: 149T7321-2		1
74	149T7326-12	..	TUBE- USED ON: 149T7321-3		1
74	149T7326-10	..	TUBE- USED ON: 149T7321-1 149T7321-6		1
91	149T7450-15	.	COVER-LIP		1
93	149T7450-16	.	COVER-LIP		1
94	BACB30LH2-3	.	BOLT		7
95	BACB30LH2-2	.	BOLT		12
96	BACB30LH2-4	.	BOLT		2
98	BACR15BA5AD	.	RIVET- SIZE DETERMINED ON INSTL. -----*-----		31
- 99	213T3900-1	.	PROVISIONS INSTL-HEAT SINK MODULATION SYS FOR DETAILS SEE: 21-53-51-04		1
ILLUSTRATION ITEMS NOT ON PARTS LIST ARE NOT APPLICABLE					

- ITEM NOT ILLUSTRATED

HXL

# 21-53-51-01

BOEING PROPRIETARY - Copyright © - Unpublished Work - See title page for details.

21-53-51  
FIG. 01  
PAGE 2  
DEC 22/07



767

PARTS CATALOG (MAINTENANCE)

FIG ITEM	PART NUMBER	1 2 3 4 5 6 7	NOMENCLATURE	EFFECT FROM TO	UNITS PER ASSY
1					
181	NAS6703-14	.	BOLT-		1
183	AN960PD10	.	WASHER		1
186	BRH10C3D	.	NUT		1
			SUPPLIER CODE: V52828		
			SPECIFICATION NUMBER: BACN10JC3CD		
			OPTIONAL PART: T6C1032JCD		
			V11815		
			NS202486-02		
			V80539		
			102LH9075-3W		
			V72962		
			H51650-3BAC		
			V15653		
190	149T7453-1	.	BOLT		1
195	149T7454-1	.	FITTING-SPRT		1
			POSITION DATA: FWD		
			ATTACHING PARTS		
- 200	NAS6704-16	.	BOLT-		2
- 205	AN960PD416	.	WASHER		2
- 210	BRH10C4D	.	NUT		2
			SUPPLIER CODE: V52828		
			SPECIFICATION NUMBER: BACN10JC4CD		
			OPTIONAL PART: T6C428JCD		
			V11815		
			NS202486-048		
			V80539		
			102LH9075-4W		
			V72962		
			H51650-4BAC		
			V15653		
			-----*-----		
215	BACB28B4-198P	.	BUSHING-		6
220	NAS1803-3A12C	.	NUTPLATE		2
225	NAS1803-3A13C	.	NUTPLATE		2
230	NAS1803-3A4C	.	NUTPLATE		2
235	NAS1803-3A8C	.	NUTPLATE		29
			ATTACHING PARTS		
- 240	BACR15BA3AD	.	RIVET-		70
			SIZE DETERMINED ON INSTL.		
			-----*-----		

ILLUSTRATION ITEMS NOT ON PARTS LIST ARE NOT APPLICABLE

- ITEM NOT ILLUSTRATED

HXL

21-53-51-01

BOEING PROPRIETARY - Copyright © - Unpublished Work - See title page for details.

21-53-51  
FIG. 01  
PAGE 3  
DEC 22/07



767

PARTS CATALOG (MAINTENANCE)

FIG ITEM	PART NUMBER	1 2 3 4 5 6 7 NOMENCLATURE	EFFECT FROM TO	UNITS PER ASSY
1 500		ILLUSTRATION REFERENCE: SECTION 49 INSTL 53-00-54-01		R F

ILLUSTRATION ITEMS NOT ON PARTS LIST ARE NOT APPLICABLE

- ITEM NOT ILLUSTRATED

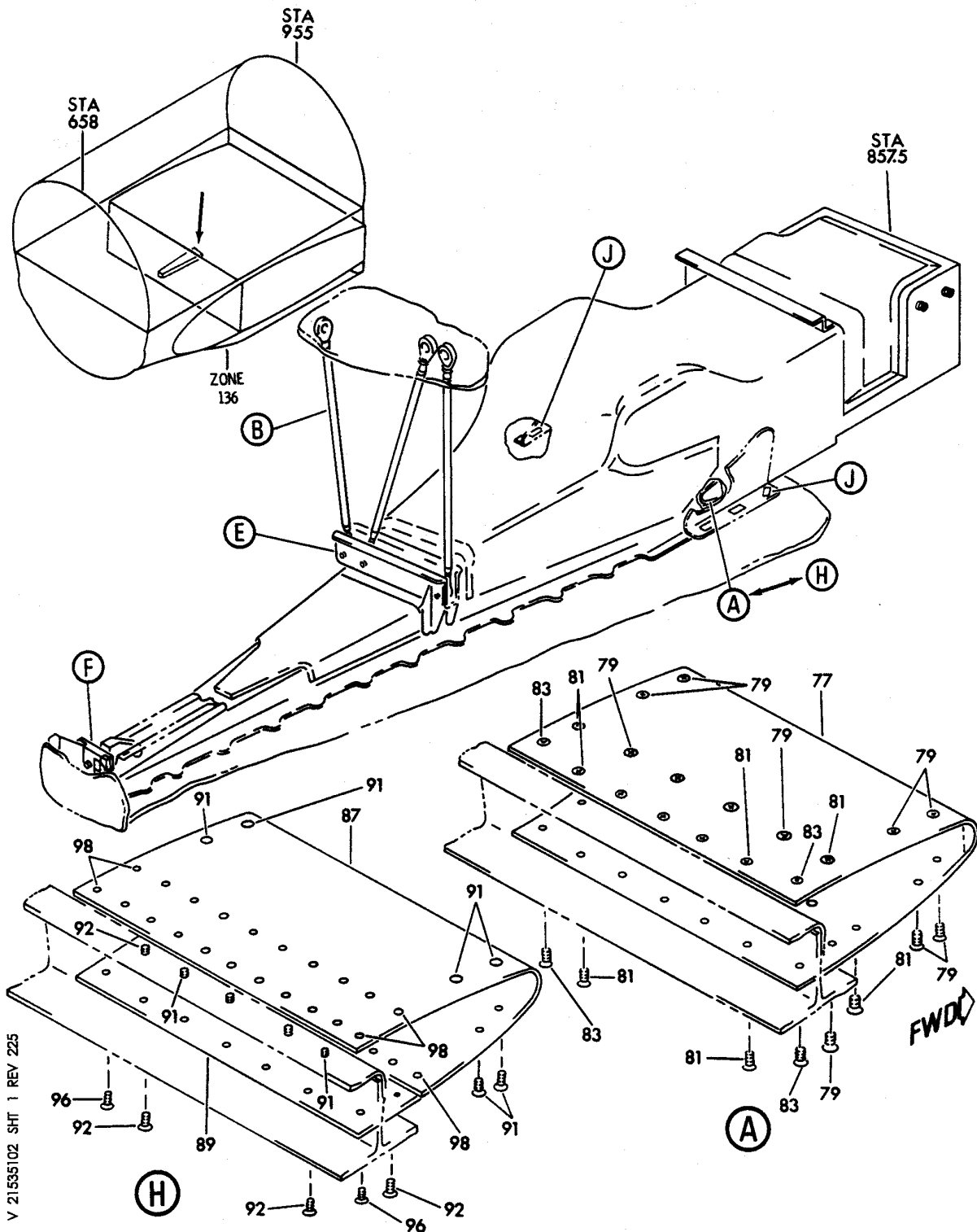
HXL

21-53-51-01

BOEING PROPRIETARY - Copyright © - Unpublished Work - See title page for details.

21-53-51  
FIG. 01  
PAGE 4  
DEC 22/08

**BOEING**  
767  
PARTS CATALOG (MAINTENANCE)



INLET ASSY-RAM AIR RH SIDE  
FIGURE 2 (SHEET 1)

**21-53-51-02**

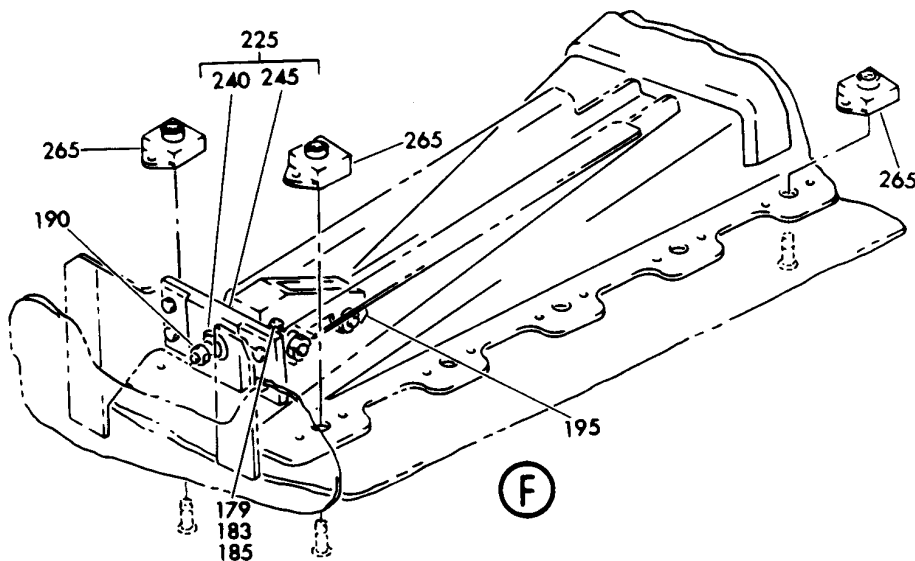
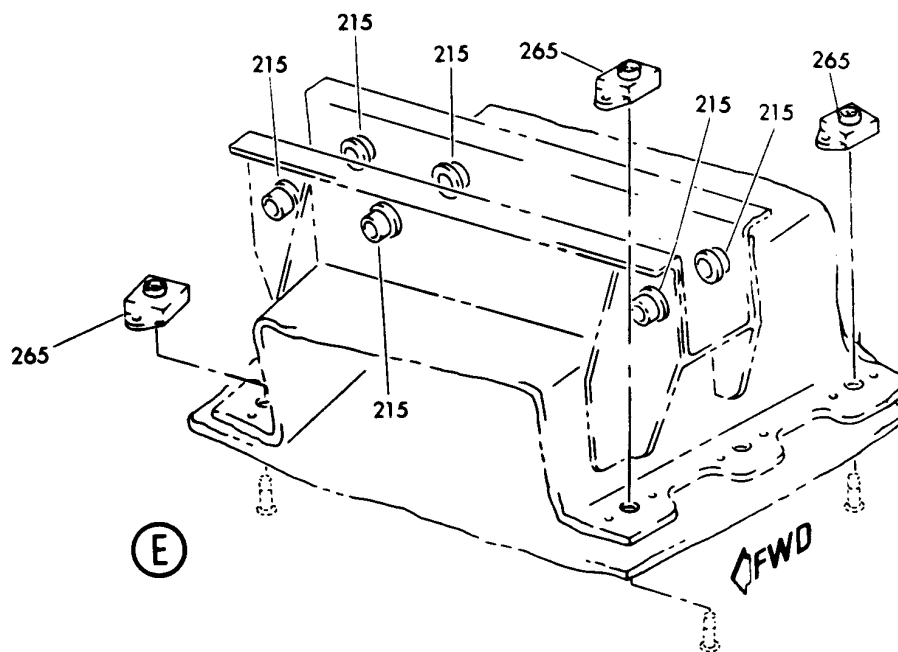
HXL  
DEC 22/06

21-53-51-02  
PAGE 0





**BOEING**  
767  
PARTS CATALOG (MAINTENANCE)



V 21535102 SHT 3 REV 196

INLET ASSY-RAM AIR RH SIDE  
FIGURE 2 (SHEET 3)

**21-53-51-02**

HXL  
DEC 22/06

21-53-51-02  
PAGE 0B



767

PARTS CATALOG (MAINTENANCE)

FIG ITEM	PART NUMBER	1 2 3 4 5 6 7	NOMENCLATURE	EFFECT FROM TO	UNITS PER ASSY
2			INLET ASSY-RAM AIR RH SIDE		
- 1	149T7451-19		INLET ASSY-RAM AIR POSITION DATA: RH ACCESS PANEL NUMBER: 194JR FOR NHA SEE: 53-36-56-01		RF
15	BACB30LJ4U19		.BOLT-		2
20	BACB30LJ4U19		.BOLT		1
25	AN960XC416L		.WASHER		6
30	NAS1057W4-027		.SPACER		6
35	BRH10C4M		.NUT		3
			SUPPLIER CODE: V52828 SPECIFICATION NUMBER: BACN10JC4CM OPTIONAL PART: T6C428JM V11815 97E48 V80539 109LH9075-4W V72962 VN303D048 V92215 H01-4BAC V15653 NS202101SE048 V80539		
60	149T7320-1		.STRUT ASSY-UNDERWING		1
60	149T7320-5		.STRUT ASSY-UNDERWING		1
62	149T7320-2		.STRUT ASSY-UNDERWING FAIRING		1
64	149T7321-4		.STRUT ASSY-UNDERWING FAIRING		1
64	149T7321-5		.STRUT ASSY-UNDERWING FAIRING		1

ILLUSTRATION ITEMS NOT ON PARTS LIST ARE NOT APPLICABLE

- ITEM NOT ILLUSTRATED

HXL

21-53-51-02

BOEING PROPRIETARY - Copyright © - Unpublished Work - See title page for details.

21-53-51  
FIG. 02  
PAGE 1  
DEC 22/07



767

PARTS CATALOG (MAINTENANCE)

FIG ITEM	PART NUMBER	1 2 3 4 5 6 7	NOMENCLATURE	EFFECT FROM TO	UNITS PER ASSY
2					
66	ADNE4-334NWO		.. BEARING-.25 BORE SEALED EXT THREAD WITH KEYWAY ROD END SUPPLIER CODE: V15860 SPECIFICATION NUMBER: S012T235-104-70 OPTIONAL PART: ARNM4-101KC VS0352 OPTIONAL PART: S012T235-104-7 USED ON: 149T7320-1 149T7320-2 149T7320-5		2
66	S012T235-104-7		.. BEARING-.25 BORE SEALED EXT THREAD WITH KEYWAY ROD END OPTIONAL PART: ADNE4-334NWO V15860		1
69	ADNE4-334NWO		.. BEARING-.25 BORE SEALED EXT THREAD WITH KEYWAY ROD END SUPPLIER CODE: V15860 SPECIFICATION NUMBER: S012T235-104-70 OPTIONAL PART: ARNM4-101KC VS0352 OPTIONAL PART: S012T235-104-7 USED ON: 149T7321-4 149T7321-5		1
69	S012T235-104-7		.. BEARING-.25 BORE SEALED EXT THREAD WITH KEYWAY ROD END OPTIONAL PART: ADNE4-334NWO V15860		1
71B	149T7325-1		.. END ASSY-FORK USED ON: 149T7321-4 149T7321-5		1
71C	BACB28AM06B013A		... BUSHING		1
71D	BACB28AP04P013		... BUSHING		1

ILLUSTRATION ITEMS NOT ON PARTS LIST ARE NOT APPLICABLE

- ITEM NOT ILLUSTRATED

21-53-51-02

21-53-51  
FIG. 02  
PAGE 2  
DEC 22/06

HXL

BOEING PROPRIETARY - Copyright © - Unpublished Work - See title page for details.

 **BOEING**  
767  
**PARTS CATALOG (MAINTENANCE)**

FIG ITEM	PART NUMBER	1 2 3 4 5 6 7	NOMENCLATURE	EFFECT FROM TO	UNITS PER ASSY
2					
71E	149T7325-2	...	END		1
72	NAS509-6	..	NUT		2
73	NAS513-6	..	WASHER-		2
			USED ON:		
			149T7320-2		
			149T7320-5		
			149T7321-4		
74	NAS513-6	..	WASHER-		1
			USED ON:		
			149T7321-5		
			149T7320-1		
75	NAS559-2	..	LOCK-		1
			USED ON:		
			149T7321-5		
			149T7320-1		
76	149T7326-8	..	TUBE-		1
			USED ON:		
			149T7320-1		
			149T7320-5		
			149T7321-4		
			149T7321-5		
76A	149T7326-9	..	TUBE-		1
			USED ON:		
			149T7320-2		
87	149T7451-12	.	COVER-		1
89	149T7451-13	.	COVER		1
			ATTACHING PARTS		
91	BACB30LH2-2	.	BOLT		12
92	BACB30LH2-3	.	BOLT		7
96	BACB30LH2-4	.	BOLT		2
98	BACR15BA5AD	.	RIVET-		31
			SIZE DETERMINED ON INSTL.		
			-----*-----		
- 99	213T3900-2	.	PROVISIONS INSTL-HEAT		1
			SINK MODULATION		
			FOR DETAILS SEE:		
			21-53-51-04		
179	NAS6703-14	.	BOLT-		1
183	AN960PD10	.	WASHER		1

ILLUSTRATION ITEMS NOT ON PARTS LIST ARE NOT APPLICABLE

- ITEM NOT ILLUSTRATED

HXL

21-53-51-02

BOEING PROPRIETARY - Copyright © - Unpublished Work - See title page for details.

21-53-51  
FIG. 02  
PAGE 3  
DEC 22/07



767

PARTS CATALOG (MAINTENANCE)

FIG ITEM	PART NUMBER	1 2 3 4 5 6 7	NOMENCLATURE	EFFECT FROM TO	UNITS PER ASSY
2 185	BRH10C3D	.NUT	SUPPLIER CODE: V52828 SPECIFICATION NUMBER: BACN10JC3CD OPTIONAL PART: T6C1032JCD V11815 NS202486-02 V80539 102LH9075-3W V72962 H51650-3BAC V15653		1
190	149T7453-1	.BOLT			1
195	149T7454-1	.FITTING-SPRT POSITION DATA: FWD ATTACHING PARTS			1
- 200	NAS6704-16	.BOLT-			2
- 205	AN960PD416	.WASHER			2
- 210	BRH10C4D	.NUT SUPPLIER CODE: V52828 SPECIFICATION NUMBER: BACN10JC4CD OPTIONAL PART: T6C428JCD V11815 NS202486-048 V80539 102LH9075-4W V72962 H51650-4BAC V15653 -----*-----			2
215	BACB28B4-198P	.BUSHING-			6
225	149T7452-1	.FITTING ASSY-SPRT POSITION DATA: FWD ATTACHING PARTS			1
- 230	L8006K3	.BOLT SUPPLIER CODE: V06725 SPECIFICATION NUMBER: BACB30MY6K3			4

ILLUSTRATION ITEMS NOT ON PARTS LIST ARE NOT APPLICABLE

- ITEM NOT ILLUSTRATED

21-53-51-02

21-53-51  
FIG. 02  
PAGE 4  
APR 22/08

HXL

**BOEING**  
767  
**PARTS CATALOG (MAINTENANCE)**

FIG ITEM	PART NUMBER	1 2 3 4 5 6 7	NOMENCLATURE	EFFECT FROM TO	UNITS PER ASSY
2 - 235	HL79-6		. COLLAR SUPPLIER CODE: V5M902 SPECIFICATION NUMBER: BACC30M6 OPTIONAL PART: HL79-6 V73197 HL79-6 V92215 66014-6 V56878 HL79-6 V56878 -----*-----		4
240	NES05B10GC		.. BEARING SUPPLIER CODE: V73134 SPECIFICATION NUMBER: BACB10FC05C OPTIONAL PART: KR5ACNGBZC V50632 NRRS05B10GC V73134 HT05VSBC VS0352 ADB5VNC V15860 KNDB5-66 V97613		1
245	149T7452-2		.. FITTING		1
250	NAS1803-3A12C		. NUTPLATE		2
255	NAS1803-3A4C		. NUTPLATE		2
260	NAS1803-3A13C		. NUTPLATE		2
265	NAS1803-3A8C		. NUTPLATE		24
- 270	BACR15BA3AD		ATTACHING PARTS . RIVET- SIZE DETERMINED ON INSTL. -----*-----		60
900			ILLUSTRATION REFERENCE: SECTION 49 INSTL 53-00-54-01		RF

ILLUSTRATION ITEMS NOT ON PARTS LIST ARE NOT APPLICABLE

- ITEM NOT ILLUSTRATED

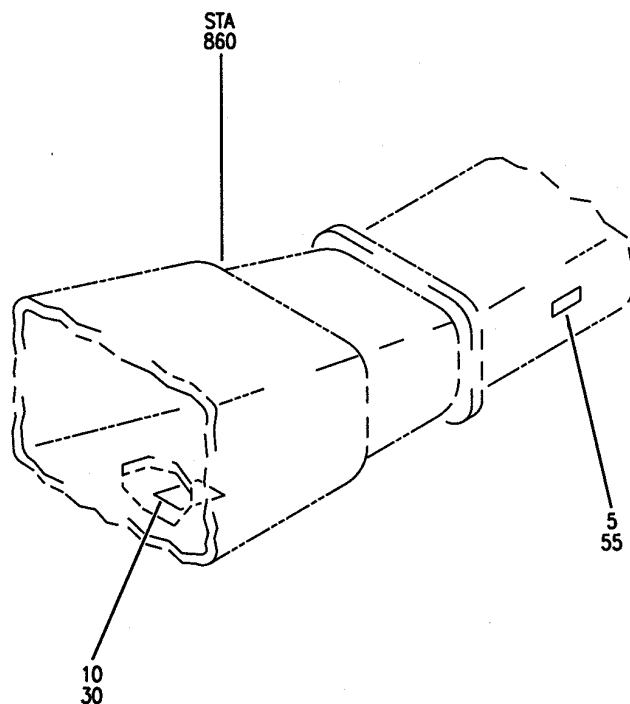
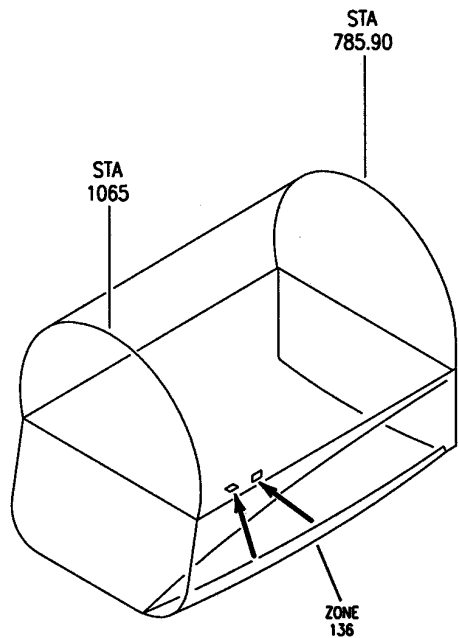
HXL

**21-53-51-02**

BOEING PROPRIETARY - Copyright © - Unpublished Work - See title page for details.

21-53-51  
FIG. 02  
PAGE 5  
DEC 22/06

**BOEING**  
767  
PARTS CATALOG (MAINTENANCE)



V 21535103 REV 225

SUPPORT INSTL-WIRE RAM AIR SYS TRANSITION DUCT  
FIGURE 3

**21-53-51-03**

HXL  
DEC 22/06

21-53-51-03  
PAGE 0





767

PARTS CATALOG (MAINTENANCE)

FIG ITEM	PART NUMBER	1 2 3 4 5 6 7	NOMENCLATURE	EFFECT FROM TO	UNITS PER ASSY
3			SUPPORT INSTL-WIRE RAM AIR SYS TRANSITION DUCT		
- 1	287T4902-1		SUPPORT INSTL-WIRE RAM AIR SYS TRANSITION DUCT POSITION DATA: SECT. 49 VARIABLE DRAWING REF: 287T4902-5001 FOR NHA SEE: 24-00-57-01		RF
5	TC1101		.STRIP-MTG SUPPLIER CODE: V59730		1
10	TC1114		.STRIP-MTG SUPPLIER CODE: V59730		1

ILLUSTRATION ITEMS NOT ON PARTS LIST ARE NOT APPLICABLE

- ITEM NOT ILLUSTRATED

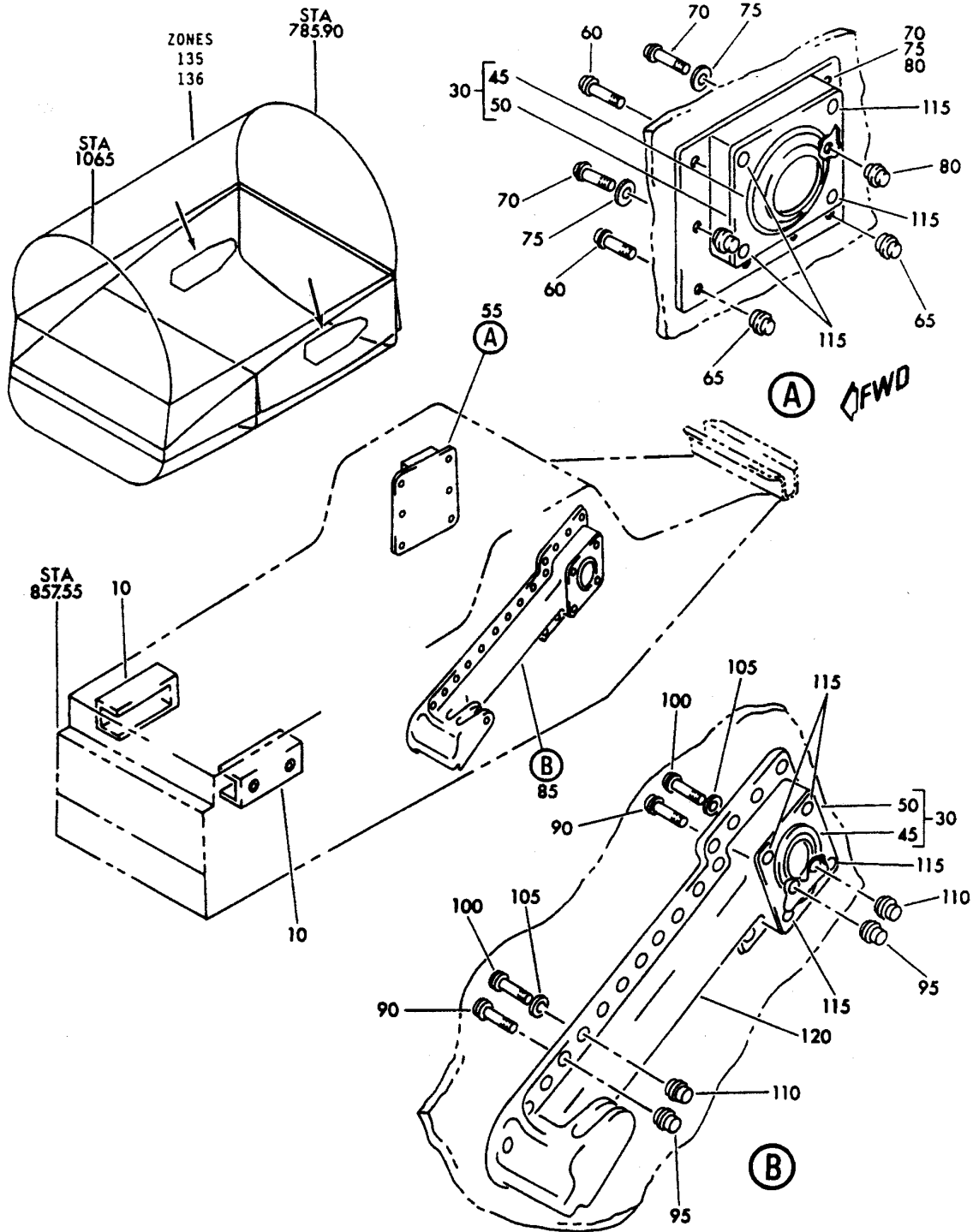
HXL

21-53-51-03

BOEING PROPRIETARY - Copyright © - Unpublished Work - See title page for details.

21-53-51  
FIG. 03  
PAGE 1  
DEC 22/06

**BOEING**  
767  
PARTS CATALOG (MAINTENANCE)



V 21535104 REV 225

PROVISIONS INSTL-RAM AIR HEAT SINK MODULATION SYSTEM  
FIGURE 4

**21-53-51-04**

HXL  
DEC 22/06

21-53-51-04  
PAGE 0



767

PARTS CATALOG (MAINTENANCE)

FIG ITEM	PART NUMBER	1 2 3 4 5 6 7	NOMENCLATURE	EFFECT FROM TO	UNITS PER ASSY
4			PROVISIONS INSTL-RAM AIR HEAT SINK MODULATION SYSTEM		
- 1	213T3900-1		PROVISIONS INSTL-RAM AIR HEAT SINK MODULATION SYSTEM POSITION DATA: LH FOR NHA SEE: 21-53-51-01		RF
- 5	213T3900-2		PROVISIONS INSTL-RAM AIR HEAT SINK MODULATION SYSTEM POSITION DATA: RH FOR NHA SEE: 21-53-51-02		RF
10	69B47944-1		.TRACK-DOOR SHAFT BRG UNIT ATTACHING PARTS		2
- 15	BACB30LU4-5		.BOLT		4
- 20	AN960PD416		.WASHER		4
- 25	BRH10A4		.NUT		4
			SUPPLIER CODE: V52828 SPECIFICATION NUMBER: BACN10JC4 OPTIONAL PART: T6S428J V11815 96-048 V80539 VN303A048 V92215 RMLH9075-4W V72962 NS202101-048 V80539 H10-4BAC V15653		
			-----*-----		
30	69B03738-1		.RETAINER ASSY-BRG ATTACHING PARTS		2
- 35	BACB30LK3-3		.BOLT		8
- 40	AN960PD10		.WASHER		8
			-----*-----		
ILLUSTRATION ITEMS NOT ON PARTS LIST ARE NOT APPLICABLE					

- ITEM NOT ILLUSTRATED

HXL

21-53-51-04

BOEING PROPRIETARY - Copyright © - Unpublished Work - See title page for details.

21-53-51  
FIG. 04  
PAGE 1  
DEC 22/06



767

PARTS CATALOG (MAINTENANCE)

FIG ITEM	PART NUMBER	1 2 3 4 5 6 7	NOMENCLATURE	EFFECT FROM TO	UNITS PER ASSY
4	45 ABWT14V102		.. BEARING-SELF LUB SPHER SUPPLIER CODE: VS0352 SPECIFICATION NUMBER: 10-60545-77 OPTIONAL PART: BLFR14-082 V81376 TGA114D V77896 WRG14BACH V73134 NHL14V201 V15860 KWB14N12 V97613 176364 V09455 SBSH28ATC52-2 V21335		1
50	69B03738-2		.. RETAINER		1
55	213T3701-1		. HOUSING ASSY-RTNR OPTIONAL PART: 213T3701-2		1
55	213T3701-2		. HOUSING ASSY-RTNR OPTIONAL PART: 213T3701-1		1
60	HL23-5-6		ATTACHING PARTS . BOLT- SUPPLIER CODE: V73197		4
65	HL77-5		. COLLAR SUPPLIER CODE: V5M902 SPECIFICATION NUMBER: BACC30P5 OPTIONAL PART: HL77-5 V73197 HL77-5 V92215 66015-5 V56878 HL77-5 V56878		4

ILLUSTRATION ITEMS NOT ON PARTS LIST ARE NOT APPLICABLE

- ITEM NOT ILLUSTRATED

21-53-51-04

21-53-51  
FIG. 04  
PAGE 2  
DEC 22/06

HXL



767

PARTS CATALOG (MAINTENANCE)

FIG ITEM	PART NUMBER	1 2 3 4 5 6 7	NOMENCLATURE	EFFECT FROM TO	UNITS PER ASSY
4	70 2LPYE5-6		.BOLT SUPPLIER CODE: V11815 SPECIFICATION NUMBER: BACB30GP5-6 OPTIONAL PART: 2LPYE5-6 V17446		4
	75 AN960PD8L		.WASHER		4
	80 NAS1080D05		.COLLAR		4
	85 213T3012-1		-----*----- .MOUNT ASSY-ACTR OPTIONAL PART: 213T3012-2		1
	85 213T3012-2		.MOUNT ASSY-ACTR OPTIONAL PART: 213T3012-1		1
	90 HL23-5-6		ATTACHING PARTS .BOLT- SUPPLIER CODE: V73197		19
	95 HL77-5		.COLLAR SUPPLIER CODE: V5M902 SPECIFICATION NUMBER: BACC30P5 OPTIONAL PART: HL77-5 V73197 HL77-5 V92215 66015-5 V56878 HL77-5 V56878		19
	100 2LPYE5-6		.BOLT SUPPLIER CODE: V11815 SPECIFICATION NUMBER: BACB30GP5-6 OPTIONAL PART: 2LPYE5-6 V17446		15
	105 AN960PD8L		.WASHER		15
	110 NAS1080D05		.COLLAR		15
	115 MS21209F1-20		-----*----- .. INSERT		4

ILLUSTRATION ITEMS NOT ON PARTS LIST ARE NOT APPLICABLE

- ITEM NOT ILLUSTRATED

HXL

21-53-51-04

BOEING PROPRIETARY - Copyright © - Unpublished Work - See title page for details.

21-53-51  
FIG. 04  
PAGE 3  
DEC 22/06



767

PARTS CATALOG (MAINTENANCE)

FIG ITEM	PART NUMBER	1 2 3 4 5 6 7	NOMENCLATURE	EFFECT FROM TO	UNITS PER ASSY
4 120	213T3012-3		..MOUNT- USED ON: 213T3012-1		1
120	213T3012-5		..MOUNT- USED ON: 213T3012-2		1

ILLUSTRATION ITEMS NOT ON PARTS LIST ARE NOT APPLICABLE

- ITEM NOT ILLUSTRATED

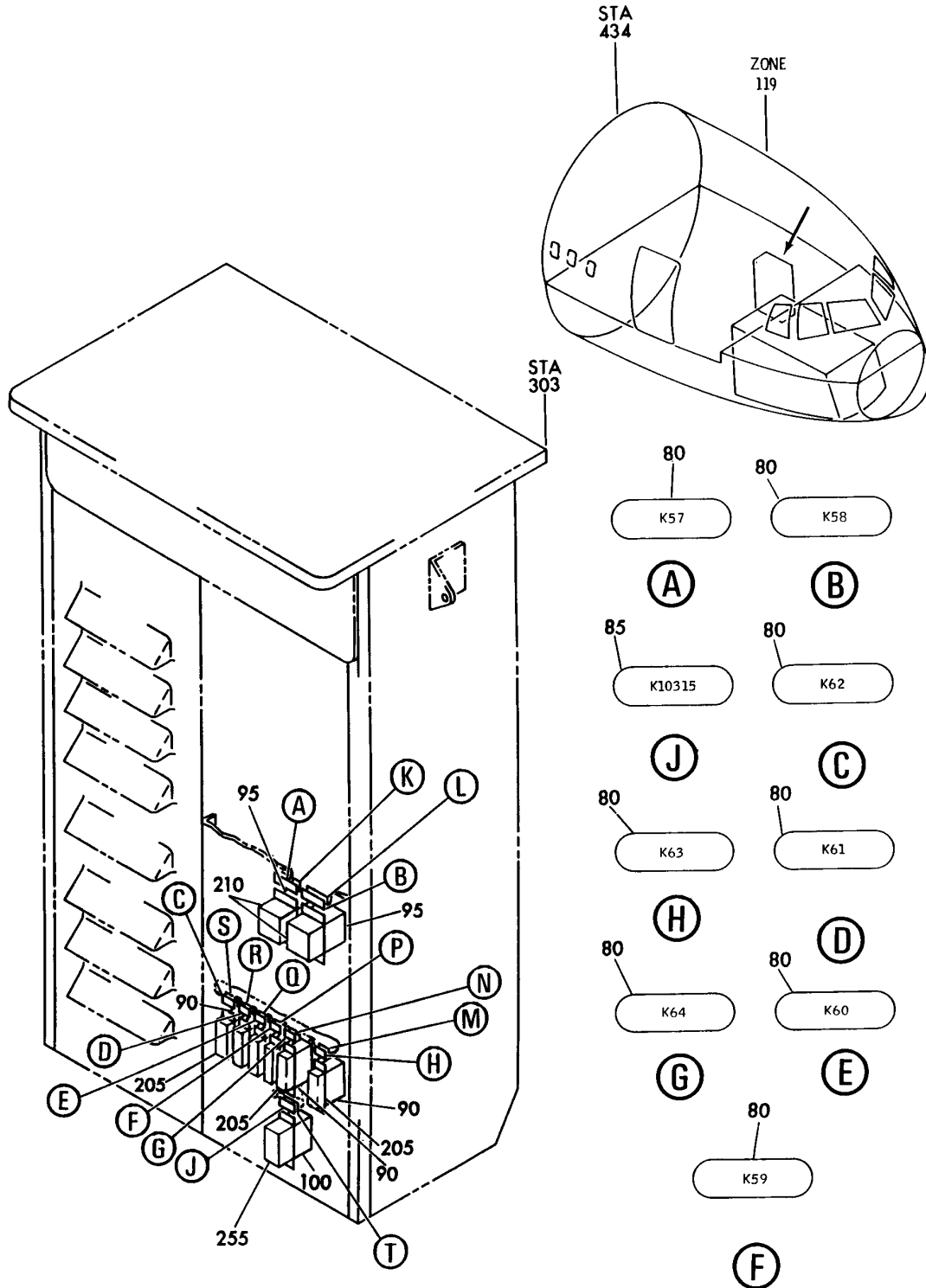
HXL

21-53-51-04

BOEING PROPRIETARY - Copyright © - Unpublished Work - See title page for details.

21-53-51  
FIG. 04  
PAGE 4  
DEC 22/06

**BOEING**  
767  
PARTS CATALOG (MAINTENANCE)



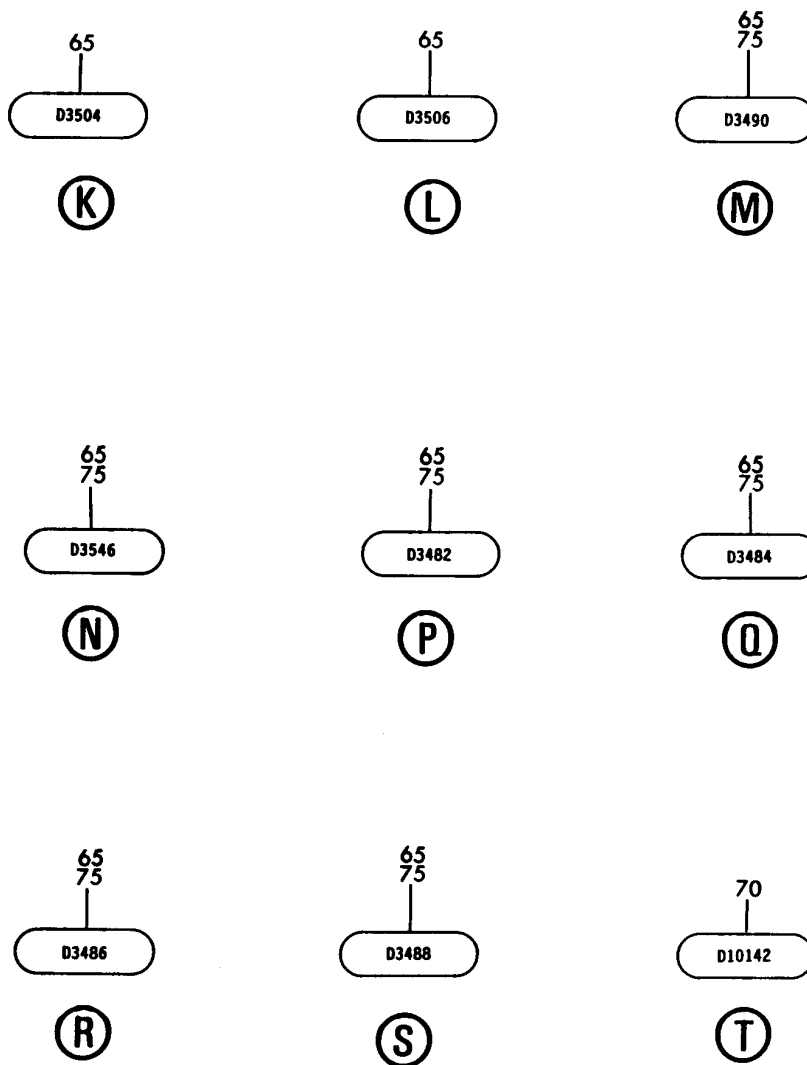
EQUIPMENT ASSY-P36 MISC ELEC PNL L (RAM AIR SYSTEM ONLY)  
FIGURE 2 (SHEET 1)

**21-53-53-02**

HXL  
DEC 22/06

21-53-53-02  
PAGE 0

**BOEING**  
767  
PARTS CATALOG (MAINTENANCE)



V 2153302 SHT 2 REV 148

EQUIPMENT ASSY-P36 MISC ELEC PNL L (RAM AIR SYSTEM ONLY)  
FIGURE 2 (SHEET 2)

**21-53-53-02**

HXL  
DEC 22/06

21-53-53-02  
PAGE 0A





767

PARTS CATALOG (MAINTENANCE)

FIG ITEM	PART NUMBER	1 2 3 4 5 6 7	NOMENCLATURE	EFFECT FROM TO	UNITS PER ASSY
2			EQUIPMENT ASSY-P36 MISC ELEC PNL L (RAM AIR SYSTEM ONLY)		
- 10	284T0187-167		EQUIPMENT ASSY-P36 MISC ELEC PNL (RAM AIR SYSTEM ONLY) POSITION DATA: L FOR NHA/OTHER SYS DET SEE: 53-11-70-03	155162	RF
- 12	284T0187-205		EQUIPMENT ASSY-P36 MISC ELEC PNL (RAM AIR SYSTEM ONLY) POSITION DATA: L FOR NHA/OTHER SYS DET SEE: 53-11-70-03	163163	RF
- 13	284T0187-212		EQUIPMENT ASSY-P36 MISC ELEC PNL (RAM AIR SYSTEM ONLY) POSITION DATA: L FOR NHA/OTHER SYS DET SEE: 53-11-70-03	164999	RF
65	BAC27TEX3726		.DECALSET-INCLUDES DECALS IDENTIFIED ON THE ILLUSTRATION		RF
65	BAC27TEX4186		.DECALSET-INCLUDES DECALS IDENTIFIED ON THE ILLUSTRATION		RF
70	BAC27TEX4187		.DECALSET-INCLUDES DECALS IDENTIFIED ON THE ILLUSTRATION		RF
80	BAC27TEX4180		.DECALSET-INCLUDES DECALS IDENTIFIED ON THE ILLUSTRATION		RF
85	BAC27TEX4181		.DECALSET-INCLUDES DECALS IDENTIFIED ON THE ILLUSTRATION		RF

ILLUSTRATION ITEMS NOT ON PARTS LIST ARE NOT APPLICABLE

- ITEM NOT ILLUSTRATED

21-53-53-02

21-53-53  
FIG. 02  
PAGE 1  
DEC 22/07

HXL



767

PARTS CATALOG (MAINTENANCE)

FIG ITEM	PART NUMBER	1 2 3 4 5 6 7	NOMENCLATURE	EFFECT FROM TO	UNITS PER ASSY
2 90	ES210-1632		.RELAY- SUPPLIER CODE: V99699 SPECIFICATION NUMBER: BACR13CF2AB OPTIONAL PART: JD4L018 V35344 JD4L031 V35344 BR246S0111 V56623 BR64S105 V56623 FCA210-71 V78290 61GB2319-1A320 V98927 ELECTRICAL EQUIP NUMBER: K00059 K00060 K00061 K00062 K00063 K00064		6
95	ES410-1538		.RELAY- SUPPLIER CODE: V99699 SPECIFICATION NUMBER: BACR13CG2AB OPTIONAL PART: KD4L018 V35344 BR230DS0115 V56623 KD4L036 V58657 FCA410-63 V78290 ELECTRICAL EQUIP NUMBER: K00057 K00058		2

ILLUSTRATION ITEMS NOT ON PARTS LIST ARE NOT APPLICABLE

- ITEM NOT ILLUSTRATED

HXL

21-53-53-02

BOEING PROPRIETARY - Copyright © - Unpublished Work - See title page for details.

21-53-53  
FIG. 02  
PAGE 2  
DEC 22/07



767

PARTS CATALOG (MAINTENANCE)

FIG ITEM	PART NUMBER	1 2 3 4 5 6 7	NOMENCLATURE	EFFECT FROM TO	UNITS PER ASSY
2 100	W460F1A		.RELAY- SUPPLIER CODE: VF0219 SPECIFICATION NUMBER: BACR13CE2 OPTIONAL PART: 3SAH5-13-4K1 V01526 3SAH1326A2 V01526 ELECTRICAL EQUIP NUMBER: K10315		1
- 200 205	286T0182-300 RSF116200		.WIRE BUNDLE ASSY ..SOCKET- SUPPLIER CODE: V58982 SPECIFICATION NUMBER: BACS16X1A OPTIONAL PART: 102-006-1 V09922 000300-1538 V05574 ELECTRICAL EQUIP NUMBER: D03482 D03484 D03486 D03488 D03490 D03546 WIRING DIAGRAM REF: 215311		RF 6
210	BACS16W1		..SOCKET- ELECTRICAL EQUIP NUMBER: D03504 D03506 WIRING DIAGRAM REF: 215311		2
- 250	286T0176-300		.WIRE BUNDLE ASSY		RF

ILLUSTRATION ITEMS NOT ON PARTS LIST ARE NOT APPLICABLE

- ITEM NOT ILLUSTRATED

HXL

21-53-53-02

BOEING PROPRIETARY - Copyright © - Unpublished Work - See title page for details.

21-53-53  
FIG. 02  
PAGE 3  
DEC 22/07



767

PARTS CATALOG (MAINTENANCE)

FIG ITEM	PART NUMBER	1 2 3 4 5 6 7	NOMENCLATURE	EFFECT FROM TO	UNITS PER ASSY
2 255	RSE120027		.. SOCKET- SUPPLIER CODE: V58982 SPECIFICATION NUMBER: BACS16AF1 OPTIONAL PART: 451120-027 V58982 ELECTRICAL EQUIP NUMBER: D10142 WIRING DIAGRAM REF: 215111		1

ILLUSTRATION ITEMS NOT ON PARTS LIST ARE NOT APPLICABLE

- ITEM NOT ILLUSTRATED

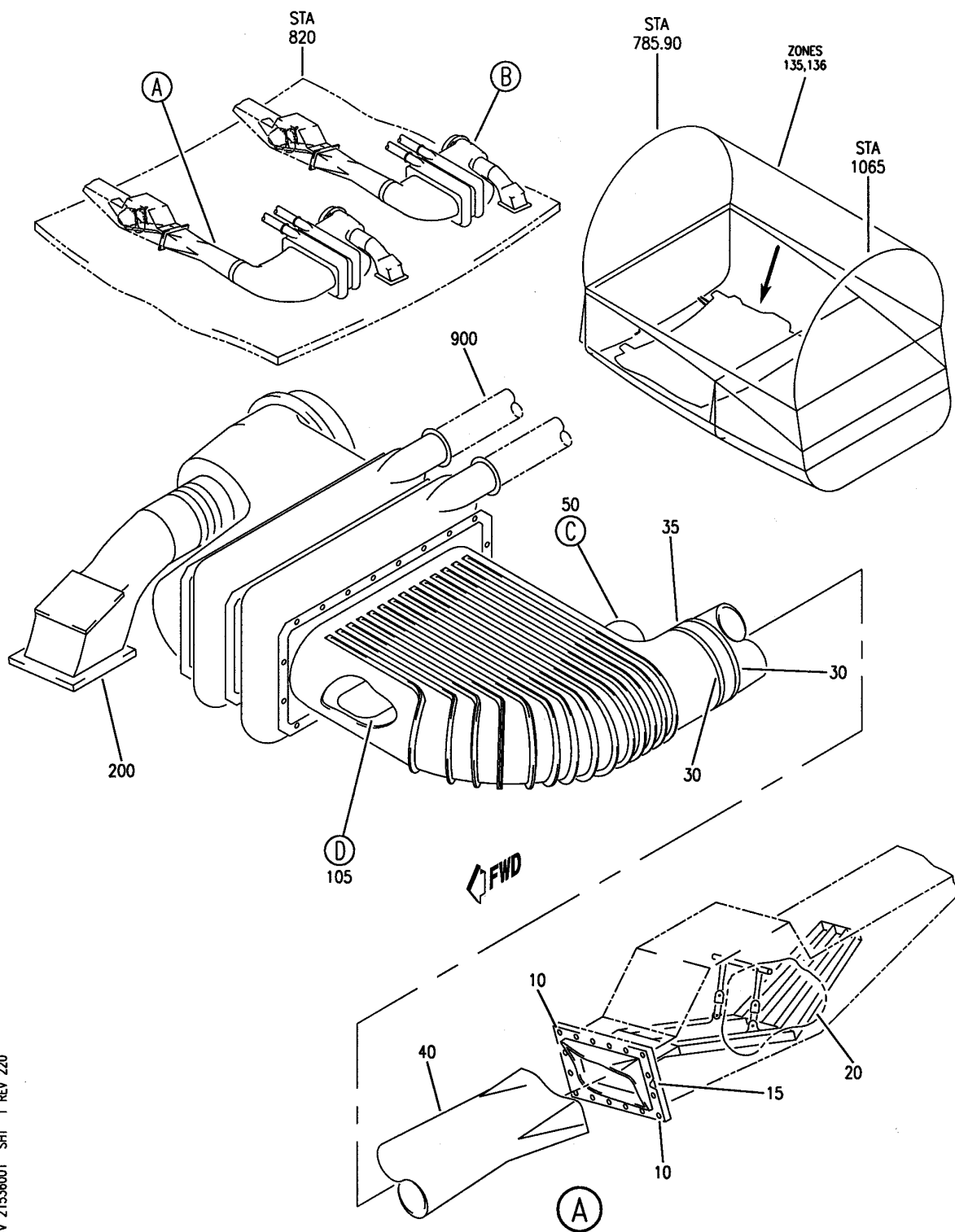
HXL

21-53-53-02

BOEING PROPRIETARY - Copyright © - Unpublished Work - See title page for details.

21-53-53  
FIG. 02  
PAGE 4  
DEC 22/07

**BOEING**  
767  
PARTS CATALOG (MAINTENANCE)



V 21536001 SHT 1 REV 220

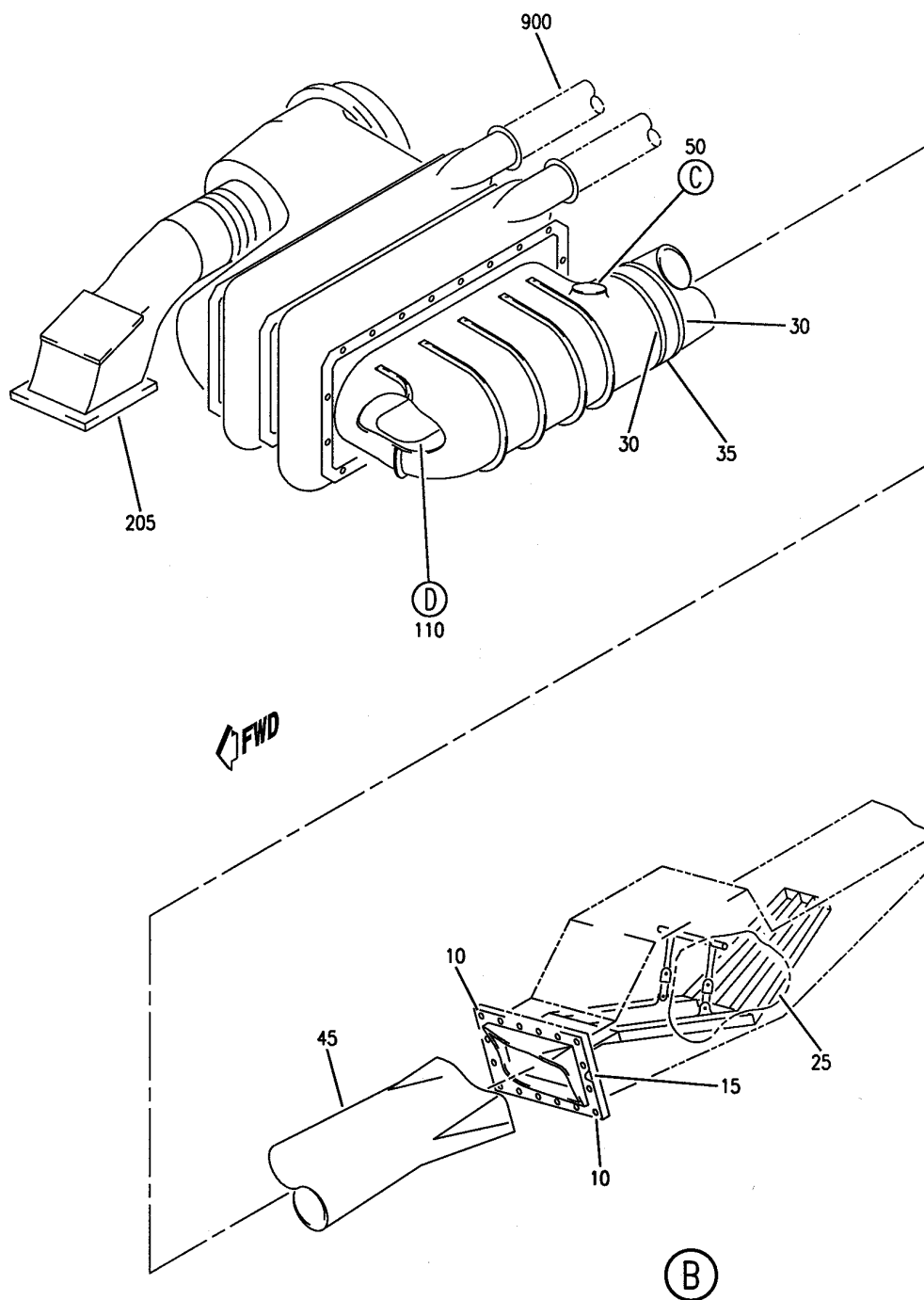
SYSTEM INSTL-RAM AIR  
FIGURE 1 (SHEET 1)

**21-53-60-01**

HXL  
DEC 22/06

21-53-60-01  
PAGE 0

**BOEING**  
767  
PARTS CATALOG (MAINTENANCE)



V 21536001 SH1 2 REV 220

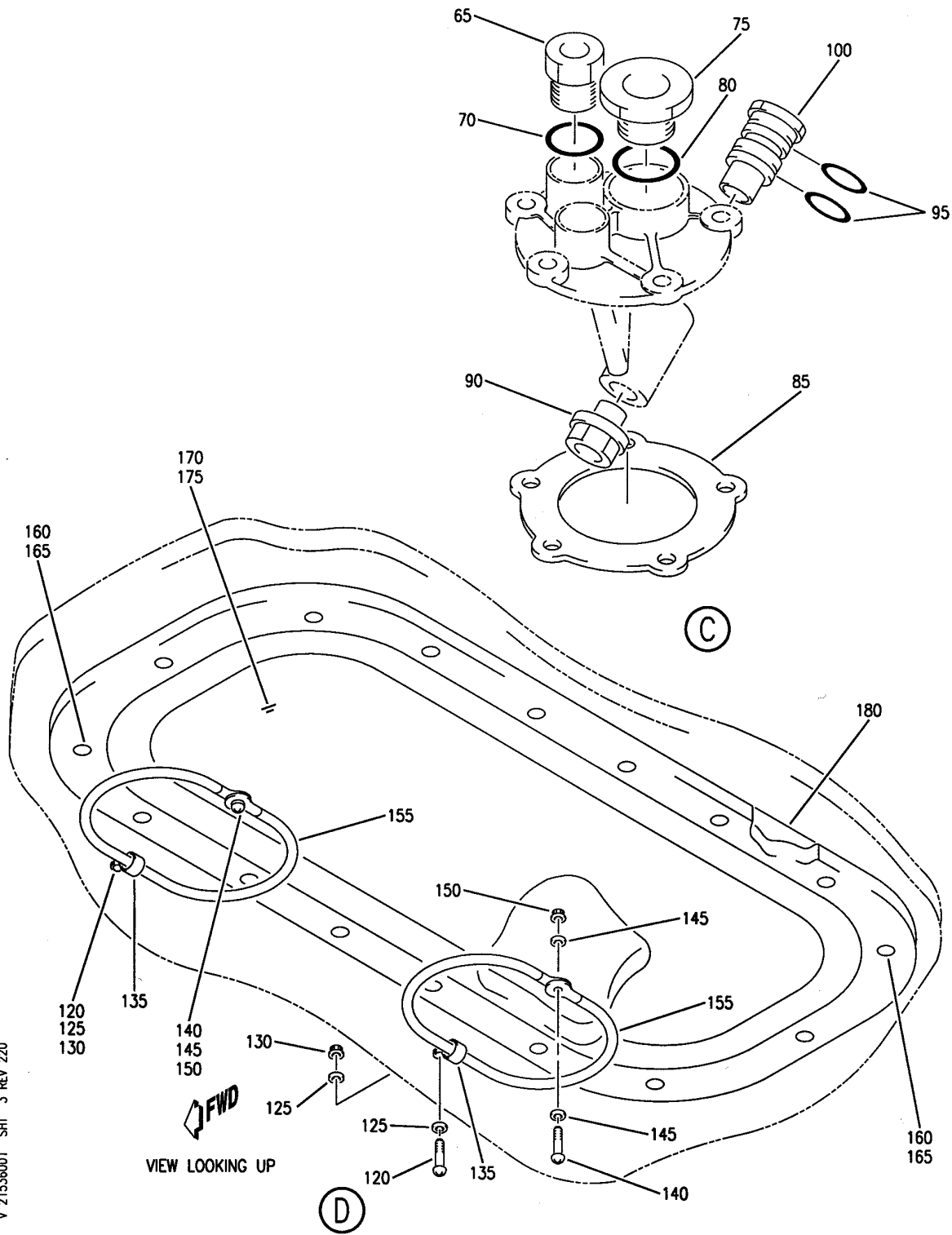
SYSTEM INSTL-RAM AIR  
FIGURE 1 (SHEET 2)

**21-53-60-01**

HXL  
DEC 22/06

21-53-60-01  
PAGE 0A

**BOEING**  
767  
PARTS CATALOG (MAINTENANCE)



V 21536001 SH1 3 REV 220

**FWD**  
VIEW LOOKING UP

SYSTEM INSTL-RAM AIR  
FIGURE 1 (SHEET 3)

**21-53-60-01**

HXL  
DEC 22/06

21-53-60-01  
PAGE 0B

**BOEING**  
767  
**PARTS CATALOG (MAINTENANCE)**

FIG ITEM	PART NUMBER	1 2 3 4 5 6 7	NOMENCLATURE	EFFECT FROM TO	UNITS PER ASSY
1					
- 1	213T3001-1		SYSTEM INSTL-RAM AIR SYSTEM INSTL-RAM AIR POSITION DATA: LH FOR NHA SEE: 21-00-00-06		RF
- 5	213T3001-2		SYSTEM INSTL-RAM AIR POSITION DATA: RH FOR NHA SEE: 21-00-00-06		RF
10	NAS6604-12		.BOLT		16
15	213T3403-1		.SEAL		1
20	213T3003-1		.SYSTEM INSTL-MODULATION POSITION DATA: LH SIDE VARIABLE DRAWING REF: 213T3003-5005 FOR DETAILS SEE: 21-53-61-05		1
25	213T3003-2		.SYSTEM INSTL-MODULATION POSITION DATA: RH SIDE VARIABLE DRAWING REF: 213T3003-5006 FOR DETAILS SEE: 21-53-61-05		1
30	BACC10BN1025LM		.CLAMP- OPTIONAL PART: BACC10BN1025NM		2
30	BACC10BN1012NM		.CLAMP- OPTIONAL PART: BACC10BN1025LM		2
35	AS1505-40A0041		.HOSE		1
40	213T3111-1		.DUCT ASSY- POSITION DATA: LH SIDE		1
45	213T3111-2		.DUCT ASSY- POSITION DATA: RH SIDE		1

R  
R  
R  
R  
R  
R

ILLUSTRATION ITEMS NOT ON PARTS LIST ARE NOT APPLICABLE

- ITEM NOT ILLUSTRATED

HXL

# 21-53-60-01

BOEING PROPRIETARY - Copyright © - Unpublished Work - See title page for details.

21-53-60  
FIG. 01  
PAGE 1  
AUG 22/09





**BOEING**  
767  
**PARTS CATALOG (MAINTENANCE)**

FIG ITEM	PART NUMBER	1 2 3 4 5 6 7	NOMENCLATURE	EFFECT FROM TO	UNITS PER ASSY
R R R R R R R	105	213T3112-29	.DUCT ASSY-HEADER (AIR CONDITIONING ONLY) POSITION DATA: LH SIDE FUNCTIONAL REFERENCE: PLACARDS AND MARKINGS FOR DETAILS SEE 11-21-02-01		1
	110	213T3112-40	.DUCT ASSY-HEADER (AIR CONDITIONING ONLY) POSITION DATA: RH SIDE OPTIONAL PART: 213T3112-30 FUNCTIONAL REFERENCE: PLACARDS AND MARKINGS FOR DETAILS SEE 11-21-02-01		1
	110	213T3112-30	.DUCT ASSY-HEADER (AIR CONDITIONING ONLY) POSITION DATA: RH SIDE OPTIONAL PART: 213T3112-40 FUNCTIONAL REFERENCE: PLACARDS AND MARKINGS FOR DETAILS SEE 11-21-02-01		1
	115	213T3114-1	ATTACHING PARTS .BOLT- -----*-----		20
	120 125	BACB30LK3-4 BACB30LK3-4	..BOLT ..BOLT		2 2

ILLUSTRATION ITEMS NOT ON PARTS LIST ARE NOT APPLICABLE

- ITEM NOT ILLUSTRATED

HXL

# 21-53-60-01

BOEING PROPRIETARY - Copyright © - Unpublished Work - See title page for details.

21-53-60  
FIG. 01  
PAGE 3  
AUG 22/09

 **BOEING**  
767  
**PARTS CATALOG (MAINTENANCE)**

FIG ITEM	PART NUMBER	1 2 3 4 5 6 7	NOMENCLATURE	EFFECT FROM TO	UNITS PER ASSY
1					
130	BRH10A3	..	NUT SUPPLIER CODE: V52828 SPECIFICATION NUMBER: BACN10JC3 OPTIONAL PART: H10-3BAC V15653 NS202101-02 V80539 RMLH9075-3W V72962 VN303A02 V92215 96-02 V80539 T6S1032J V11815		2
135	BACC10DK2	..	CLAMP		2
140	BACB30LK3-9	..	BOLT		2
145	AN960-10L	..	WASHER		4
150	BRH10A3	..	NUT SUPPLIER CODE: V52828 SPECIFICATION NUMBER: BACN10JC3 OPTIONAL PART: H10-3BAC V15653 NS202101-02 V80539 RMLH9075-3W V72962 VN303A02 V92215 96-02 V80539 T6S1032J V11815		2
155	CL73KA15	..	CABLE ASSY- SUPPLIER CODE: V99862		2
160	BACB30NR4K5	..	BOLT		16
165	AN960PD416	..	WASHER		16
170	213T3112-5	..	DOOR ASSY- USED ON: 213T3112-29 213T3112-33		1
ILLUSTRATION ITEMS NOT ON PARTS LIST ARE NOT APPLICABLE					

- ITEM NOT ILLUSTRATED

HXL

# 21-53-60-01

BOEING PROPRIETARY - Copyright © - Unpublished Work - See title page for details.

21-53-60  
FIG. 01  
PAGE 4  
AUG 22/09



767

PARTS CATALOG (MAINTENANCE)

FIG ITEM	PART NUMBER	1 2 3 4 5 6 7	NOMENCLATURE	EFFECT FROM TO	UNITS PER ASSY
1					
175	213T3112-6		.. DOOR ASSY- USED ON: 213T3112-30 213T3112-40		1
180	213T3405-1		.. GASKET		1
185	213T3112-31		.. DUCT ASSY- USED ON: 213T3112-29		1
185	213T3112-34		.. DUCT ASSY- USED ON: 213T3112-33		1
195	213T3112-32		.. DUCT ASSY- USED ON: 213T3112-30		1
195	213T3112-41		.. DUCT ASSY- USED ON: 213T3112-40		1
200	213T3004-1		. EXHAUST INSTL- POSITION DATA: LH SIDE FOR DETAILS SEE: 21-53-02-01		1
205	213T3004-2		. EXHAUST INSTL- POSITION DATA: RH SIDE FOR DETAILS SEE: 21-53-02-01		1
900			ILLUSTRATION REFERENCE: TUBING INSTL-ENVIRONMENTAL CONT SYS COOLING PACKS 21-51-52-01		RF

ILLUSTRATION ITEMS NOT ON PARTS LIST ARE NOT APPLICABLE

- ITEM NOT ILLUSTRATED

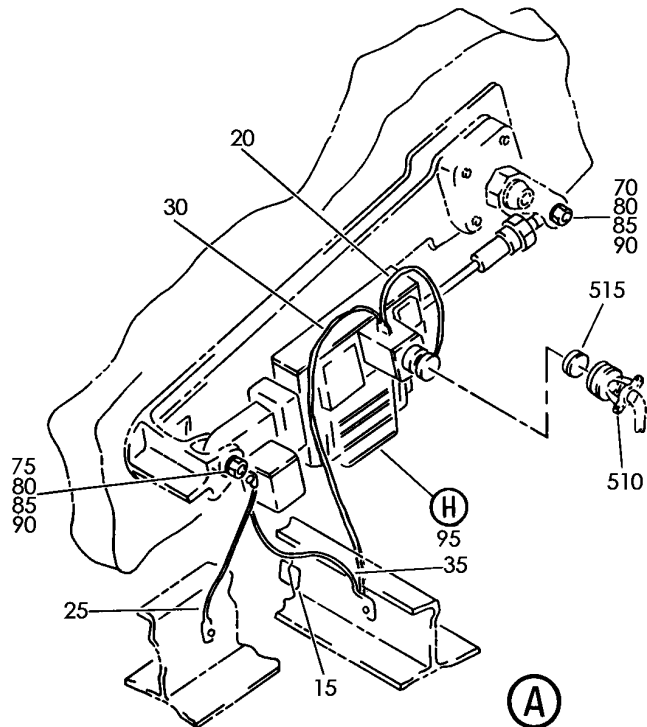
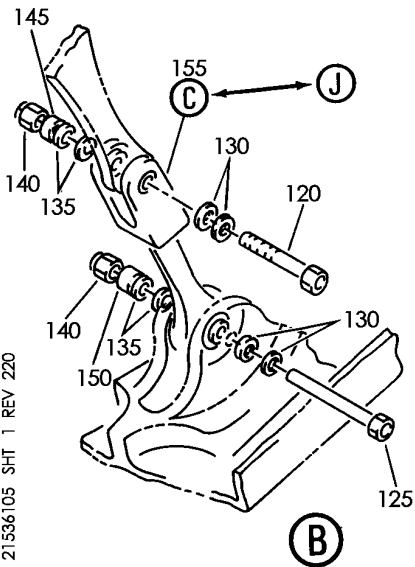
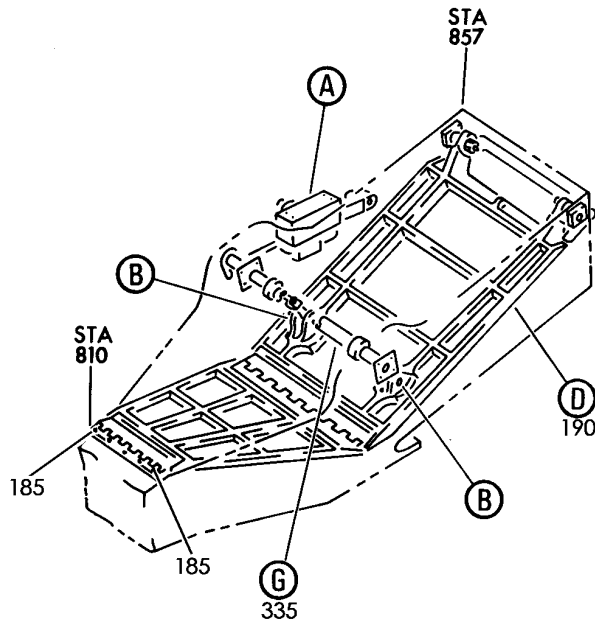
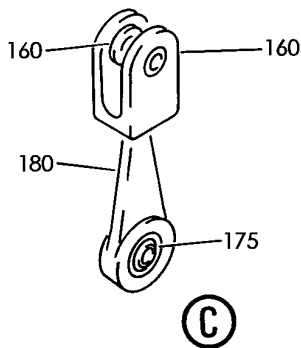
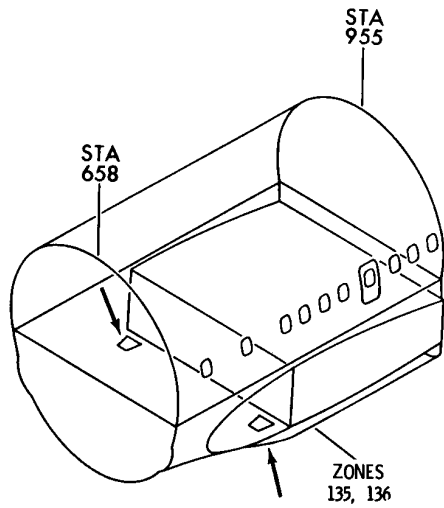
HXL

21-53-60-01

BOEING PROPRIETARY - Copyright © - Unpublished Work - See title page for details.

21-53-60  
FIG. 01  
PAGE 5  
AUG 22/09

**BOEING**  
767  
PARTS CATALOG (MAINTENANCE)



V 21536105 SHT 1 REV 220

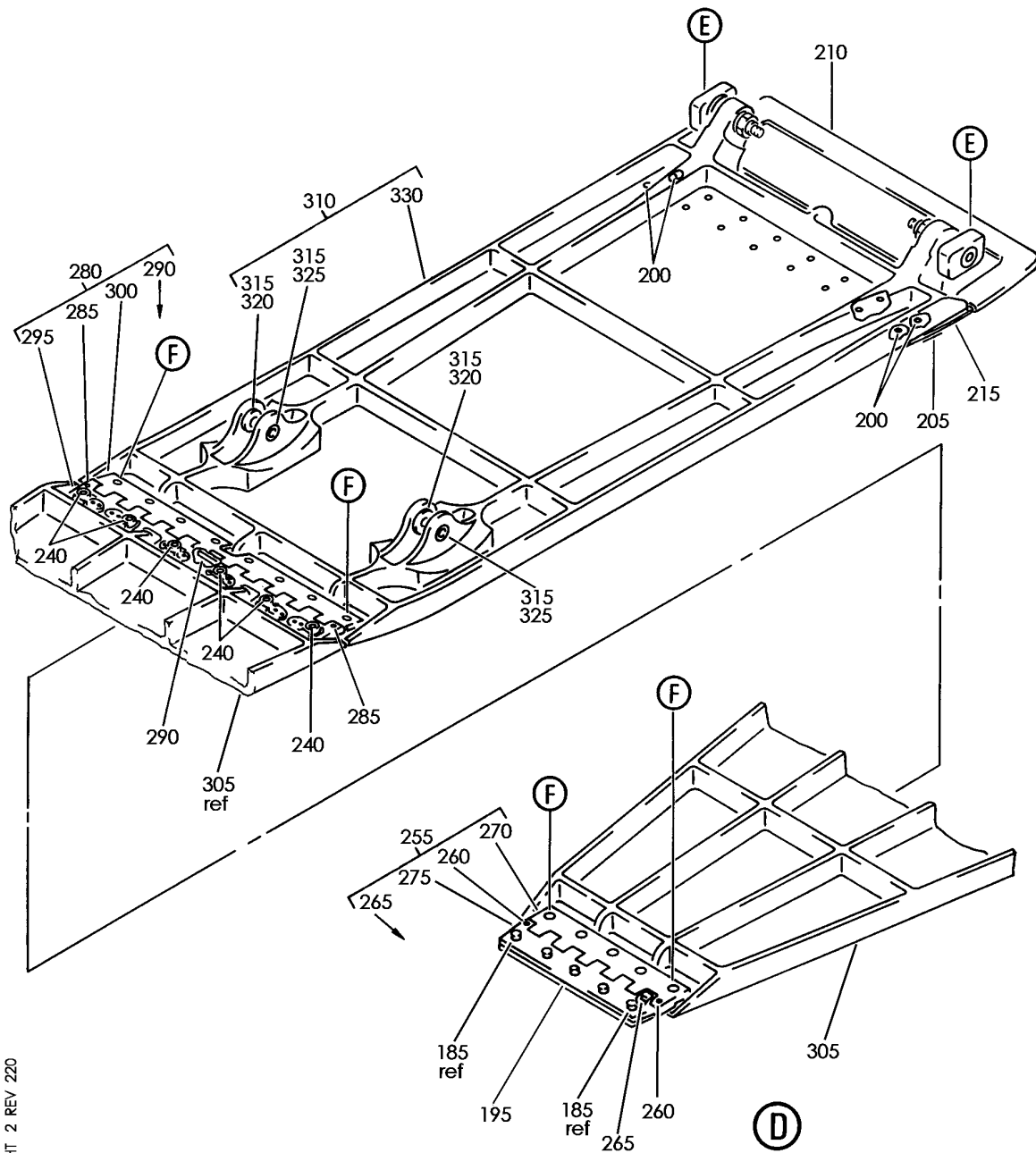
SYSTEM INSTL-MODULATION RAM AIR  
FIGURE 5 (SHEET 1)

# 21-53-61-05

HXL  
DEC 22/06

21-53-61-05  
PAGE 0

**BOEING**  
767  
PARTS CATALOG (MAINTENANCE)



V 21536105 SHT 2 REV 220

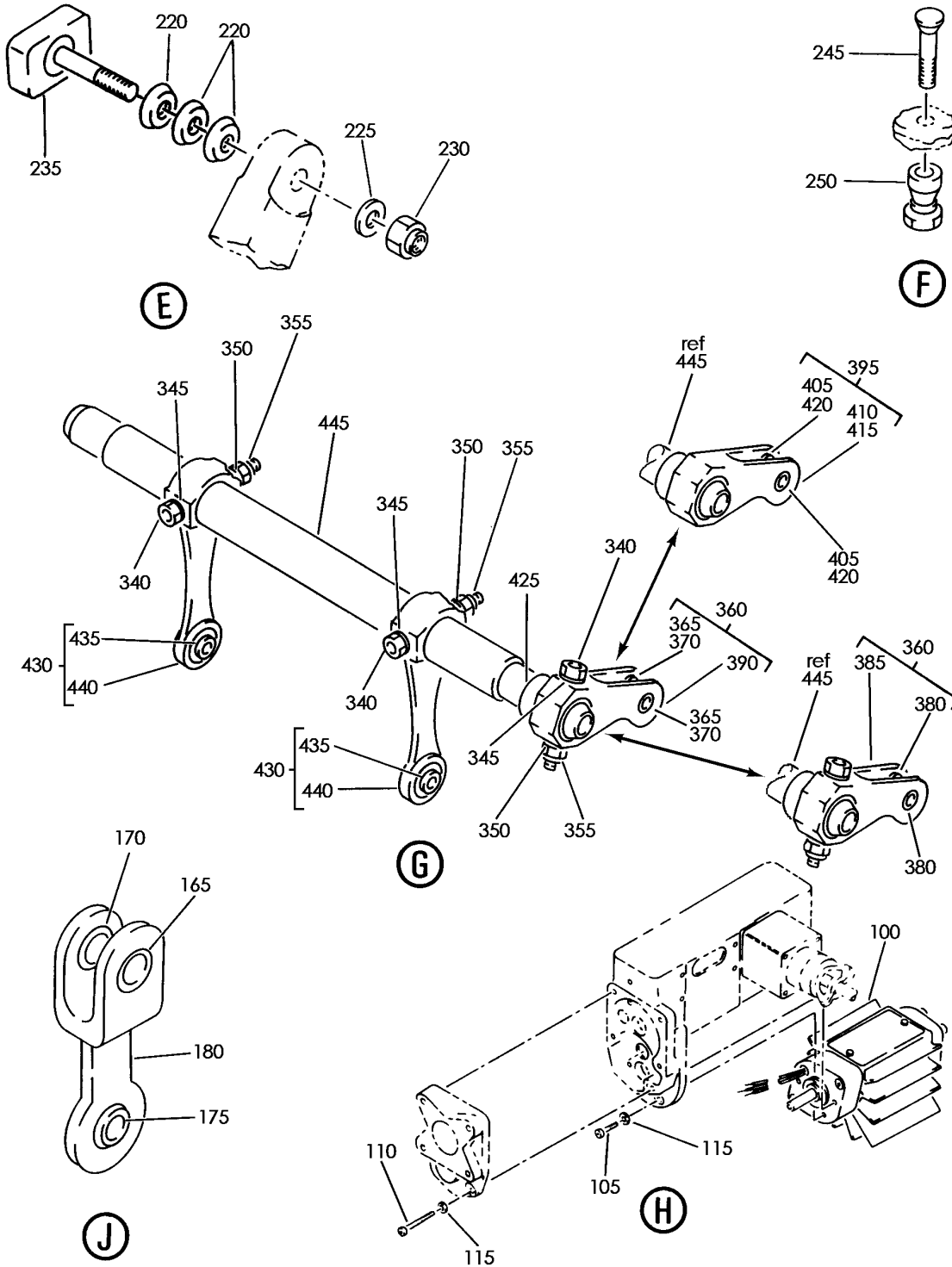
SYSTEM INSTL-MODULATION RAM AIR  
FIGURE 5 (SHEET 2)

**21-53-61-05**

HXL  
DEC 22/06

21-53-61-05  
PAGE 0A

**BOEING**  
767  
PARTS CATALOG (MAINTENANCE)



V 21536105 SHT 3 REV 220

SYSTEM INSTL-MODULATION RAM AIR  
FIGURE 5 (SHEET 3)

**21-53-61-05**

HXL  
DEC 22/06

21-53-61-05  
PAGE 0B



767

PARTS CATALOG (MAINTENANCE)

FIG ITEM	PART NUMBER	1 2 3 4 5 6 7	NOMENCLATURE	EFFECT FROM TO	UNITS PER ASSY
5			SYSTEM INSTL-MODULATION RAM AIR		
- 1	213T3003-1		SYSTEM INSTL-MODULATION RAM AIR POSITION DATA: LH VARIABLE DRAWING REF: 213T3003-5005 FOR NHA SEE: 21-53-60-01		RF
- 5	213T3003-2		SYSTEM INSTL-MODULATION RAM AIR POSITION DATA: RH VARIABLE DRAWING REF: 213T3003-5006 FOR NHA SEE: 21-53-60-01		RF
- 10	BAC27TEC0039		.MARKER-ALUMINUM FOIL PLACARD CONTENT: R RAM AIR INLET DR ACTR M323		1
15	BAC27TEC0037		.MARKER-ALUMINUM FOIL PLACARD CONTENT: L RAM AIR INLET DR ACTR M322		1
25	740A20-6		.CABLE- SUPPLIER CODE: V91812 SPECIFICATION NUMBER: BACJ40A20-6 OPTIONAL PART: TJEJ40A20-6 V33483 RBEJ20-6 V1GK47 POSITION DATA: LH SIDE		1
35	BACJ40A20-8		.JUMPER ASSY- POSITION DATA: RH SIDE ATTACHING PARTS		1
- 40	NAS1801-3-7		.SCREW-		2
- 50	AN960D10L		.WASHER-		6

ILLUSTRATION ITEMS NOT ON PARTS LIST ARE NOT APPLICABLE

- ITEM NOT ILLUSTRATED

21-53-61-05

21-53-61  
FIG. 05  
PAGE 1  
DEC 22/08

HXL




**BOEING**  
 767  
**PARTS CATALOG (MAINTENANCE)**

FIG ITEM	PART NUMBER	1 2 3 4 5 6 7	NOMENCLATURE	EFFECT FROM TO	UNITS PER ASSY
5 - 60	BRH10A3	.NUT-	SUPPLIER CODE: V52828 SPECIFICATION NUMBER: BACN10JC3 OPTIONAL PART: H10-3BAC V15653 NS202101-02 V80539 RMLH9075-3W V72962 VN303A02 V92215 96-02 V80539 T6S1032J V11815 -----*-----		2
70	NAS6605-13	.BOLT-			1
75	NAS6605-14	.BOLT-			1
80	BACW10CT10C	.WASHER-			2
85	AN960-516L	.WASHER-			2
90	BRH10A5	.NUT-	SUPPLIER CODE: V52828 SPECIFICATION NUMBER: BACN10JC5 OPTIONAL PART: T6S524J V11815 96-054 V80539 RMLH9075-5W V72962 H10-5BAC V15653		2
ILLUSTRATION ITEMS NOT ON PARTS LIST ARE NOT APPLICABLE					

- ITEM NOT ILLUSTRATED

HXL

# 21-53-61-05

BOEING PROPRIETARY - Copyright © - Unpublished Work - See title page for details.

21-53-61  
 FIG. 05  
 PAGE 2  
 DEC 22/07



767

PARTS CATALOG (MAINTENANCE)

FIG ITEM	PART NUMBER	1 2 3 4 5 6 7	NOMENCLATURE	EFFECT FROM TO	UNITS PER ASSY
5 95	2022432-1	.	ACTUATOR ASSY-DOOR SUPPLIER CODE: V70210 SPECIFICATION NUMBER: S210T130-9 ELECTRICAL EQUIP NUMBER: M00322 M00323 COMPONENT MAINT MANUAL REF: 21-53-16 OPTIONAL PART: 2022432-3 V70210		1
95	2022432-4	.	ACTUATOR ASSY-DOOR SUPPLIER CODE: V70210 FUNCTIONAL DESCRIPTION: ACTUATORS OPERATE THE RAM AIR INLET AND EXHAUST DOOR SPECIFICATION NUMBER: S210T130-56 ELECTRICAL EQUIP NUMBER: M00322 M00323 COMPONENT MAINT MANUAL REF: 21-53-16		1
95	2022432-3	.	ACTUATOR ASSY-DOOR SUPPLIER CODE: V70210 SPECIFICATION NUMBER: S210T130-40 ELECTRICAL EQUIP NUMBER: M00322 M00323 COMPONENT MAINT MANUAL REF: 21-53-16		1
100	516534-1	..	MOTOR-AC SUPPLIER CODE: V70210 USED ON: 2022432-1		1

ILLUSTRATION ITEMS NOT ON PARTS LIST ARE NOT APPLICABLE

- ITEM NOT ILLUSTRATED

HXL

21-53-61-05

BOEING PROPRIETARY - Copyright © - Unpublished Work - See title page for details.

21-53-61  
FIG. 05  
PAGE 3  
DEC 22/07

**BOEING**  
767  
**PARTS CATALOG (MAINTENANCE)**

FIG ITEM	PART NUMBER	1 2 3 4 5 6 7	NOMENCLATURE	EFFECT FROM TO	UNITS PER ASSY
5 100	516534-2		..MOTOR-AC SUPPLIER CODE: V70210 COMPONENT MAINT MANUAL REF: 21-53-18 USED ON: 2022432-3 2022432-4 ATTACHING PARTS		1
105	NAS1352-08H6		..SCREW		2
110	NAS1352-08H16		..SCREW		2
115	NAS620-8		..WASHER -----*-----		4
120	NAS6605-12		.BOLT		2
125	NAS6605-17		.BOLT-		2
130	BACW10CT10D		.WASHER-		4
135	AN960PD516L		.WASHER-		4
140	BRH10A5		.NUT- SUPPLIER CODE: V52828 SPECIFICATION NUMBER: BACN10JC5 OPTIONAL PART: T6S524J V11815 96-054 V80539 RMLH9075-5W V72962 H10-5BAC V15653		4
155	213T3008-1		.LINK ASSY- QUALIFIED I/W DATA: 213T3008-4 TOGETHER WITH BACB30LE5K13, BACB28AK05-026, BACN10HR5CS, BACW10BP5C6 AND BACW10BP5DP CAN REPLACE BUT NOT BE REPLACED BY 213T3008-1 TOGETHER WITH AN960PD516L, BACW10CT10D, BACN10JC5 AND NAS6605-12		2
160	BACB28X5C012		..BUSHING-		2

ILLUSTRATION ITEMS NOT ON PARTS LIST ARE NOT APPLICABLE

- ITEM NOT ILLUSTRATED

HXL

**21-53-61-05**

BOEING PROPRIETARY - Copyright © - Unpublished Work - See title page for details.

21-53-61  
FIG. 05  
PAGE 4  
DEC 22/07

 **BOEING**  
767  
**PARTS CATALOG (MAINTENANCE)**

FIG ITEM	PART NUMBER	1 2 3 4 5 6 7	NOMENCLATURE	EFFECT FROM TO	UNITS PER ASSY
5 175	WC5-1DM		.. BEARING- SUPPLIER CODE: V56644 SPECIFICATION NUMBER: BACB10X4MT OPTIONAL PART: AW5CRG12 V15860 BSSR5553EC2 V81376 HU5-136M V02758 KWB5CRGD5 V97613 WS5E2 V73134 55304M V09455 ABW5-5-12 VS0352		1
180	213T3008-2		.. LINK-		1
185	BACB30LU4-6		. BOLT		5
190	213T3101-1		. DOOR ASSY-		1
190	213T3101-2		. DOOR ASSY-		1
190	213T3101-3		. DOOR ASSY-		1
190	213T3101-4		. DOOR ASSY-  QUALIFIED I/W DATA: 213T3101-4 (OR -3 OR -2 OR -1) T/W QTY 2 NAS6605-17 T/W QTY 2 BACN10JC5 T/W QTY 2 BACW10CT10D T/W QTY 2 AN960PD516L R/B 213T3101-5 T/W QTY 2 BACB30LE5K18 T/W QTY 2 BACB28AK05-037 T/W QTY 2 BACN10HR5CS T/W QTY 2 BACW10BP5DP T/W QTY 2 BACW10BP5CD ONE-WAY FWD		1
195	213T3402-1		.. FILLER		1
200	BACR15BB5AD		.. RIVET- SIZE DETERMINED ON INSTL. USED ON: 213T3101-2		16
205	213T3401-1		.. DOUBLER- USED ON: 213T3101-2		1

ILLUSTRATION ITEMS NOT ON PARTS LIST ARE NOT APPLICABLE

- ITEM NOT ILLUSTRATED

HXL

# 21-53-61-05

BOEING PROPRIETARY - Copyright © - Unpublished Work - See title page for details.

21-53-61  
FIG. 05  
PAGE 5  
DEC 22/07



767

PARTS CATALOG (MAINTENANCE)

FIG ITEM	PART NUMBER	1 2 3 4 5 6 7	NOMENCLATURE	EFFECT FROM TO	UNITS PER ASSY
5					
210	213T3110-1	..	SEAL ASSY- USED ON: 213T3101-2		1
215	213T3706-1	..	SHIM- USED ON: 213T3101-2		1
220	BACW10AT46AS	..	WASHER		6
225	AN960-616	..	WASHER		2
230	BRH10A6	..	NUT		2
			SUPPLIER CODE: V52828 SPECIFICATION NUMBER: BACN10JC6 OPTIONAL PART: 96-064 V80539 RMLH9075-6 V72962 H10-6BAC V15653		
235	10478	..	BLOCK- SUPPLIER CODE: V55231 SPECIFICATION NUMBER: 60B97215-2 OPTIONAL PART: 10215-3 V31243 10478-00-01 V55231 AM1035-3 V53266 W750221 V27671		2
240	BACB30LU3-4	..	BOLT-		6

ILLUSTRATION ITEMS NOT ON PARTS LIST ARE NOT APPLICABLE

- ITEM NOT ILLUSTRATED

HXL

21-53-61-05

BOEING PROPRIETARY - Copyright © - Unpublished Work - See title page for details.

21-53-61  
FIG. 05  
PAGE 6  
DEC 22/07



767

PARTS CATALOG (MAINTENANCE)

FIG ITEM	PART NUMBER	1 2 3 4 5 6 7	NOMENCLATURE	EFFECT FROM TO	UNITS PER ASSY
5 245	HL523AZ5-6		..BOLT- SUPPLIER CODE: V56878 SPECIFICATION NUMBER: BACB30NZ5K6 OPTIONAL PART: HL523AZ5-6 V92215 HL523AZ5-6 V97928 L804-5K6 V06725 HL523AZ5-6 V93197 HL523AZ5-6 V0PTK6 HL523AZ5-6 V60516 HL523AZ5-6 V06725		13
245	2L426YE5-6		..BOLT- SUPPLIER CODE: V17446 SPECIFICATION NUMBER: BACB30GQ5-6 OPTIONAL PART: 2L426YE5-6 V11815		13
250	NAS1080D5		..COLLAR-		13
250	HL79-6		..COLLAR- SUPPLIER CODE: V5M902 SPECIFICATION NUMBER: BACC30M6 OPTIONAL PART: HL79-6 V73197 HL79-6 V92215 66014-6 V56878 HL79-6 V56878 POST SERVICE LETTER: 21-42		13

ILLUSTRATION ITEMS NOT ON PARTS LIST ARE NOT APPLICABLE

- ITEM NOT ILLUSTRATED

21-53-61-05

21-53-61  
 FIG. 05  
 PAGE 7  
 DEC 22/07

HXL



767

**PARTS CATALOG (MAINTENANCE)**

FIG ITEM	PART NUMBER	1 2 3 4 5 6 7	NOMENCLATURE	EFFECT FROM TO	UNITS PER ASSY
5					
255	213T3109-4	..	HINGE ASSY- POSITION DATA: FWD OPTIONAL PART: 213T3109-7		1
255	213T3109-7	..	HINGE ASSY- POSITION DATA: FWD OPTIONAL PART: 213T3109-4		1
260	MS51923-187	...	PIN		2
265	MS20253P4-540	...	PIN		1
270	213T3109-9	...	HINGE HALF- ALTERED FROM PART NUMBER: BACH20LH0675 USED ON: 213T3109-7		1
270	213T3109-6	...	HINGE HALF- ALTERED FROM PART NUMBER: BACH20LH0675 USED ON: 213T3109-4		1
275	213T3109-8	...	HINGE HALF- ALTERED FROM PART NUMBER: BACH20LH0675 USED ON: 213T3109-7		1
275	213T3109-5	...	HINGE HALF- ALTERED FROM PART NUMBER: BACH20LH0675 USED ON: 213T3109-4		1
280	213T3108-7	..	HINGE ASSY- POSITION DATA: AFT		1
280	213T3108-4	..	HINGE ASSY- POSITION DATA: AFT		1
285	MS51923-187	...	PIN		2
290	MS20253P4-990	...	PIN		1
295	213T3108-6	...	HINGE HALF		1
300	213T3108-5	...	HINGE HALF		1
305	213T3010-1	..	DOOR ASSY-INLET POSITION DATA: FWD		1
310	213T3009-1	..	DOOR ASSY-INLET POSITION DATA: AFT		1

ILLUSTRATION ITEMS NOT ON PARTS LIST ARE NOT APPLICABLE

- ITEM NOT ILLUSTRATED

**21-53-61-05**

21-53-61  
FIG. 05  
PAGE 8  
DEC 22/07

HXL

BOEING PROPRIETARY - Copyright © - Unpublished Work - See title page for details.



767

PARTS CATALOG (MAINTENANCE)

FIG ITEM	PART NUMBER	1 2 3 4 5 6 7	NOMENCLATURE	EFFECT FROM TO	UNITS PER ASSY
5					
315	BACB28X5F016	...	BUSHING- OPTIONAL PART: BACB28X5M016		4
315	BACB28X5M016	...	BUSHING- OPTIONAL PART: BACB28X5F016		4
330	213T3009-2	...	DOOR-		1
335	213T3107-1	.	TUBE ASSY-TORQUE		1
335	213T3107-3	.	TUBE ASSY-TORQUE		1
340	NAS6604-23	..	BOLT		3
345	BACW10CT8CU	..	WASHER		3
350	AN960C416L	..	WASHER		3
355	BRH10A4	..	NUT		3
			SUPPLIER CODE: V52828		
			SPECIFICATION NUMBER: BACN10JC4		
			OPTIONAL PART: T6S428J V11815 96-048 V80539 VN303A048 V92215 RMLH9075-4W V72962 NS202101-048 V80539 H10-4BAC V15653		
360	213T3703-1	..	BELLCRANK ASSY- OPTIONAL PART: 213T3703-8 213T3703-11 FOR SPARES PROCURE: 213T3107-1		1
360	213T3703-8	..	BELLCRANK ASSY- OPTIONAL PART: 213T3703-1 213T3703-11		1
360	213T3703-11	..	BELLCRANK ASSY- OPTIONAL PART: 213T3703-1 213T3703-8		1
365	BACB28X5C010	...	BUSHING- USED ON: 213T3703-1 213T3703-11		2

ILLUSTRATION ITEMS NOT ON PARTS LIST ARE NOT APPLICABLE

- ITEM NOT ILLUSTRATED

21-53-61-05

21-53-61  
FIG. 05  
PAGE 9  
DEC 22/07

HXL

BOEING PROPRIETARY - Copyright © - Unpublished Work - See title page for details.





767

PARTS CATALOG (MAINTENANCE)

FIG ITEM	PART NUMBER	1 2 3 4 5 6 7	NOMENCLATURE	EFFECT FROM TO	UNITS PER ASSY
5					
- 375	213T3703-14		...SUB KIT ASSY- OPTIONAL PART: 213T3703-15 USED ON: 213T3703-8		1
- 375	213T3703-15		...SUB KIT ASSY- OPTIONAL PART: 213T3703-14 USED ON: 213T3703-8		1
380	BACB28X5C010		....BUSHING- USED ON: 213T3703-15		2
380	213T3703-7		....BUSHING- USED ON: 213T3703-14		2
385	213T3703-5		....BELLCRANK- USED ON: 213T3703-15		1
385	213T3703-2		....BELLCRANK- USED ON: 213T3703-14		1
390	213T3703-2		...BELLCRANK- USED ON: 213T3703-1		1
425	213T3704-1		..SPACER		1
430	213T3011-1		..LINK ASSY-ACTR		2
430	213T3011-4		..LINK ASSY-ACTR		2

ILLUSTRATION ITEMS NOT ON PARTS LIST ARE NOT APPLICABLE

- ITEM NOT ILLUSTRATED

HXL

21-53-61-05

BOEING PROPRIETARY - Copyright © - Unpublished Work - See title page for details.

21-53-61  
FIG. 05  
PAGE 10  
DEC 22/07



767

PARTS CATALOG (MAINTENANCE)

FIG ITEM	PART NUMBER	1 2 3 4 5 6 7	NOMENCLATURE	EFFECT FROM TO	UNITS PER ASSY
5 435	KP5AFS428		... BEARING- SUPPLIER CODE: V06144 SPECIFICATION NUMBER: BACB10BX5 OPTIONAL PART: KP5A2TS V43991 LLKP5A V38443 KP5AG27 V30163 KP5A V38443 KP5ALY196 V40920 KP5ASD610 V83086 CS205E VK8455 KP5A V21760 KP5ANJC V06144 BACB10FS05J		1
435	SSMKP5ASD524		... BEARING- SUPPLIER CODE: V50294 SPECIFICATION NUMBER: BACB10FS05J OPTIONAL PART: PACMKP05JAA3908 V21335 SSMKP05JASD705 V83086 PACMKP5AFS428 V21335 ACMKP05JAP510LY V40920 SSMKP05JAP V21760 SSMKP05AP V21760 PACMKP05JAFS428 V21335 BACB10BX5		1
440	213T3011-2		... LINK- OPTIONAL PART: 213T3011-5		1

ILLUSTRATION ITEMS NOT ON PARTS LIST ARE NOT APPLICABLE

- ITEM NOT ILLUSTRATED

21-53-61-05

21-53-61  
 FIG. 05  
 PAGE 11  
 APR 22/09

HXL

**BOEING**  
767  
**PARTS CATALOG (MAINTENANCE)**

FIG ITEM	PART NUMBER	1 2 3 4 5 6 7	NOMENCLATURE	EFFECT FROM TO	UNITS PER ASSY
5					
440	213T3011-5	...	LINK- OPTIONAL PART: 213T3011-2		1
445	213T3705-2	..	TUBE- OPTIONAL PART: 213T3705-4 213T3705-5		1
445	213T3705-4	..	TUBE- OPTIONAL PART: 213T3705-5 213T3705-2		1
445	213T3705-5	..	TUBE- OPTIONAL PART: 213T3705-2 213T3705-4		1
- 503	286T0938-102		WIRE BUNDLE ASSY		RF
- 507	286T0612-101		WIRE BUNDLE ASSY		RF
510	S3819-16-65	.	CLAMP- SUPPLIER CODE: V07418 SPECIFICATION NUMBER: BACC10KD16 OPTIONAL PART: 620AS028NF16L V06324 ELECTRICAL EQUIP NUMBER: D00674T D00718T WIRING DIAGRAM REF: 215311 215321		1
515	BCREF6176	.	CONNECTOR- POSITION DATA: LH SIDE OVERLENGTH PART NUMBER: BACC63BP16R24SNL ELECTRICAL EQUIP NUMBER: D00674 WIRING DIAGRAM REF: 215311		1
ILLUSTRATION ITEMS NOT ON PARTS LIST ARE NOT APPLICABLE					

- ITEM NOT ILLUSTRATED

HXL

# 21-53-61-05

BOEING PROPRIETARY - Copyright © - Unpublished Work - See title page for details.

21-53-61  
FIG. 05  
PAGE 12  
DEC 22/07



767

PARTS CATALOG (MAINTENANCE)

FIG ITEM	PART NUMBER	1 2 3 4 5 6 7	NOMENCLATURE	EFFECT FROM TO	UNITS PER ASSY
5 - 520	R071016A24SNL		.CONNECTOR- SUPPLIER CODE: V41118 SPECIFICATION NUMBER: BCREFA1496 POSITION DATA: RH SIDE OVERLENGTH PART NUMBER: BACC63BP16A24SNL ELECTRICAL EQUIP NUMBER: D00718 WIRING DIAGRAM REF: 215321		1

ILLUSTRATION ITEMS NOT ON PARTS LIST ARE NOT APPLICABLE

- ITEM NOT ILLUSTRATED

HXL

21-53-61-05

BOEING PROPRIETARY - Copyright © - Unpublished Work - See title page for details.

21-53-61  
FIG. 05  
PAGE 13  
DEC 22/07