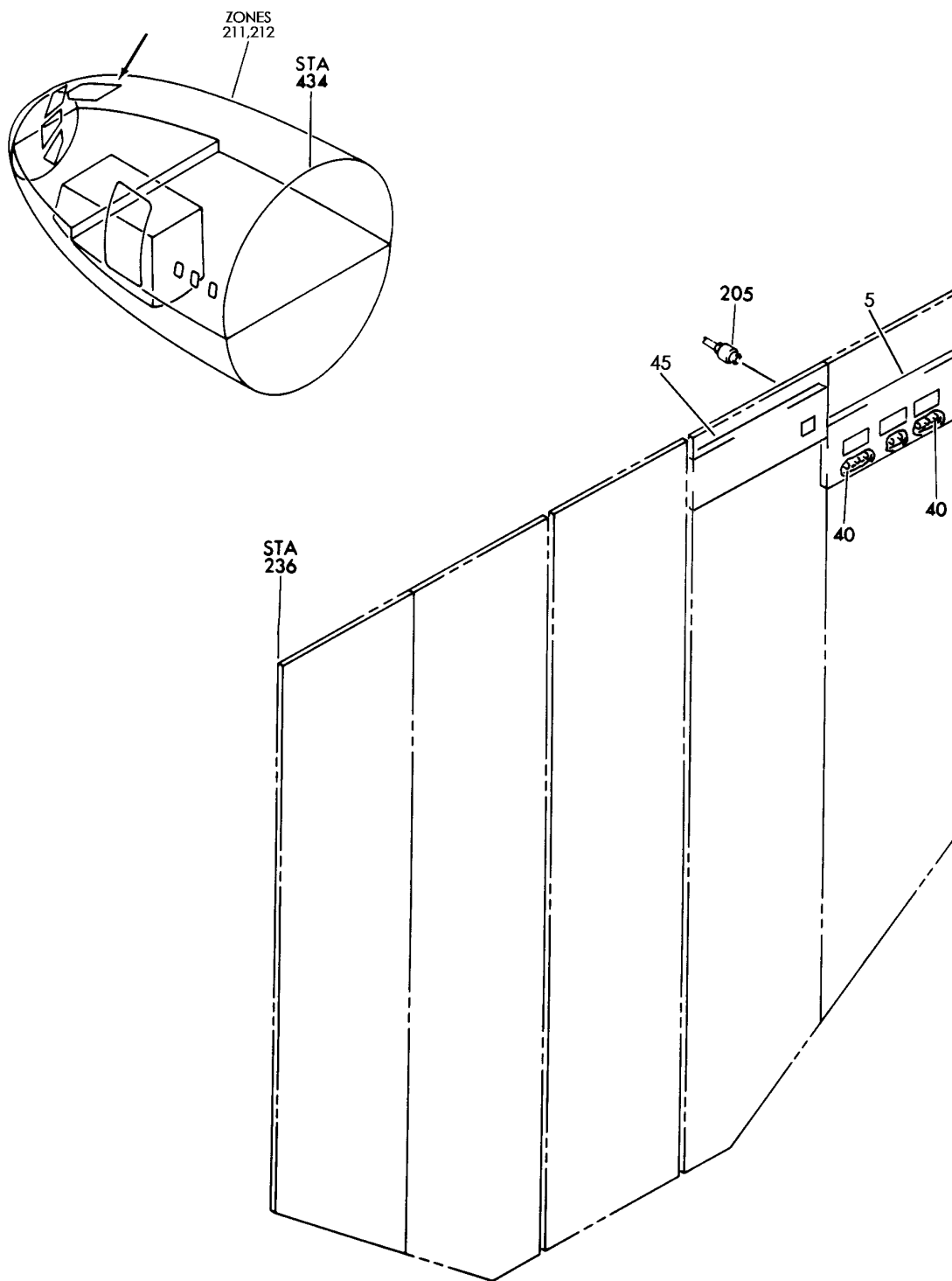


## PRIMARY (ZONE) TEMPERATURE INDICATOR SYSTEM

HXL  
DEC 22/06

21-65-00  
SECTION TITLE  
PAGE 1

**BOEING**  
767  
PARTS CATALOG (MAINTENANCE)



V 21650110 REV 220

PANEL INSTL-OVERHEAD (PRIMARY (ZONE) TEMPERATURE INDICATOR SYSTEM ONLY)  
FIGURE 10

**21-65-01-10**

HXL  
DEC 22/06

21-65-01-10  
PAGE 0



767

PARTS CATALOG (MAINTENANCE)

FIG ITEM	PART NUMBER	1 2 3 4 5 6 7	NOMENCLATURE	EFFECT FROM TO	UNITS PER ASSY
10			PANEL INSTL-OVERHEAD (PRIMARY (ZONE) TEMPERATURE INDICATOR SYSTEM ONLY)		
- 1	233T3100-1		PANEL INSTL-OVERHEAD (PRIMARY (ZONE) TEMPERATURE INDICATOR SYSTEM ONLY)		RF
- 1	233T3100-1		VARIABLE DRAWING REF: 233T3100-5048 PANEL INSTL-OVERHEAD (PRIMARY (ZONE) TEMPERATURE INDICATOR SYSTEM ONLY)		RF
5	20-210-01		FOR NHA/OTHER SYS DET SEE: 25-10-00-03 .INDICATOR ASSY-COMPT TEMP SUPPLIER CODE: V35012 SPECIFICATION NUMBER: S231N211-2 ELECTRICAL EQUIP NUMBER: M10078 COMPONENT MAINT MANUAL REF: 21-65-01		1
5	2263-01-1		.INDICATOR ASSY-COMPT TEMP (STATIC SENSITIVE PART) SUPPLIER CODE: V52013 FUNCTIONAL DESCRIPTION: INDICATOR SHOWS COMPARTMENT TEMPERATURE FOR EA OF THE THREE CABIN ZONES SPECIFICATION NUMBER: S231N211-3 ELECTRICAL EQUIP NUMBER: M10078 COMPONENT MAINT MANUAL REF: 21-61-02		1
40	OL7182BPEAS15		..LAMP-5V SUPPLIER CODE: VS3774 OPTIONAL PART: 102437-001 V35012		8

ILLUSTRATION ITEMS NOT ON PARTS LIST ARE NOT APPLICABLE

- ITEM NOT ILLUSTRATED

HXL

21-65-01-10

BOEING PROPRIETARY - Copyright © - Unpublished Work - See title page for details.

21-65-01  
FIG. 10  
PAGE 1  
DEC 22/07



767

PARTS CATALOG (MAINTENANCE)

FIG ITEM	PART NUMBER	1 2 3 4 5 6 7	NOMENCLATURE	EFFECT FROM TO	UNITS PER ASSY
10 40	102437-001		. . LAMP-5V SUPPLIER CODE: V35012 OPTIONAL PART: OL7182BPEAS15 VS3774		8
- 200	286T0062-300		WIRE BUNDLE ASSY-(PRIMARY (ZONE) TEMPERATURE INDICATOR SYSTEM ONLY)		RF
205	BACC45FT14A15S		. CONNECTOR- ELECTRICAL EQUIP NUMBER: D01358 WIRING DIAGRAM REF: 216511		1

ILLUSTRATION ITEMS NOT ON PARTS LIST ARE NOT APPLICABLE

- ITEM NOT ILLUSTRATED

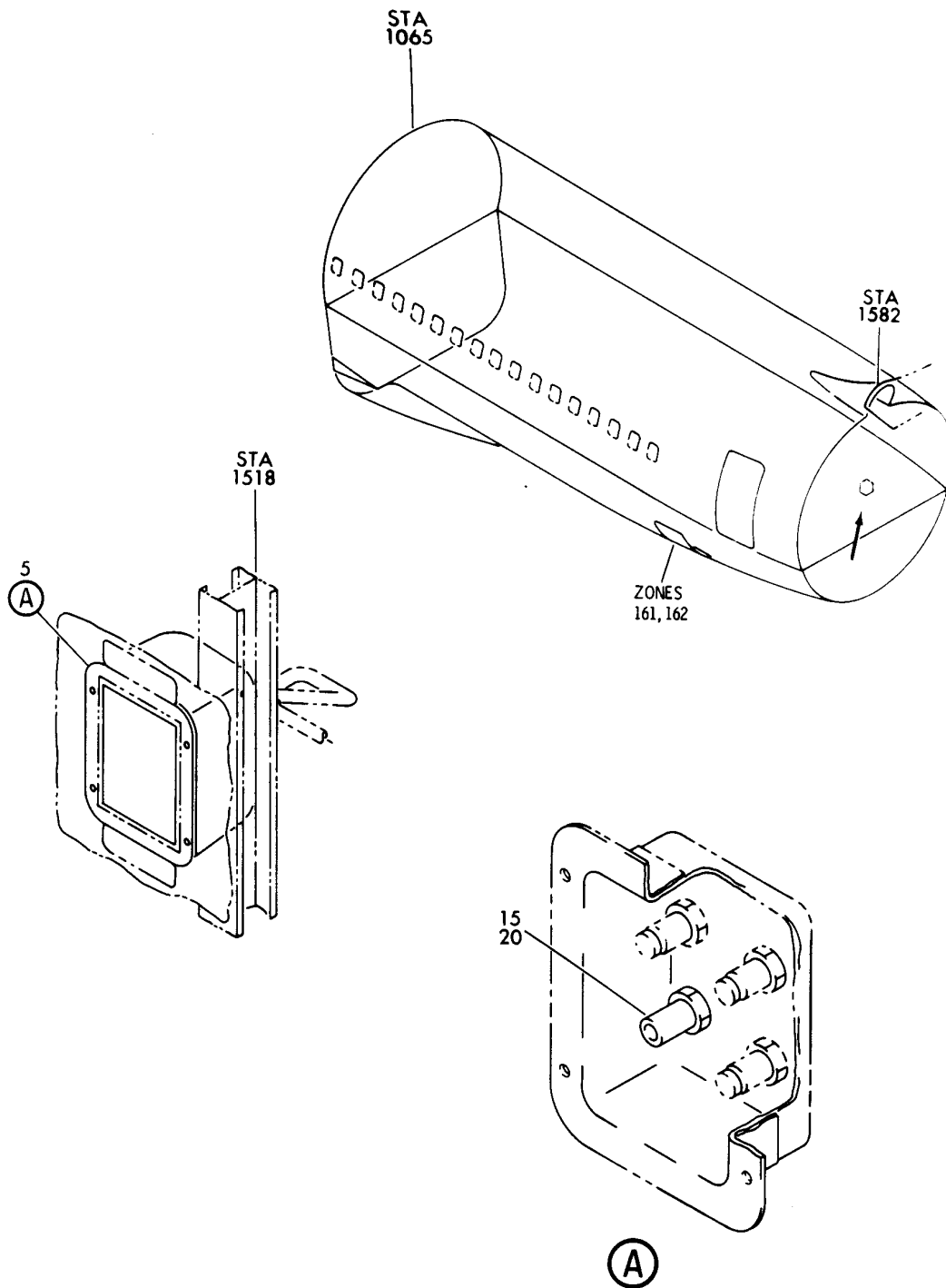
HXL

21-65-01-10

BOEING PROPRIETARY - Copyright © - Unpublished Work - See title page for details.

21-65-01  
FIG. 10  
PAGE 2  
DEC 22/07

**BOEING**  
767  
PARTS CATALOG (MAINTENANCE)



V 21650311 SMT 1 REV 059

SENSOR INSTL- BULK CARGO COMPT TEMP (COMPARTMENT TEMPERATURE BULB ONLY)  
FIGURE 11

**21-65-03-11**

HXL  
DEC 22/06

21-65-03-11  
PAGE 0



767

PARTS CATALOG (MAINTENANCE)

FIG ITEM	PART NUMBER	1 2 3 4 5 6 7	NOMENCLATURE	EFFECT FROM TO	UNITS PER ASSY
11			SENSOR INSTL- BULK CARGO COMPT TEMP (COMPARTMENT TEMPERATURE BULB ONLY)		
- 1	215T2003-7		SENSOR INSTL-BULK CARGO COMPT TEMP (COMPARTMENT TEMPERATURE BULB ONLY) FOR NHA/OTHER SYS DET SEE: 21-00-00-03A		RF
5	215T2103-2		.SENSOR ASSY- OPTIONAL PART: 215T2103-5		RF
5	215T2103-5		.SENSOR ASSY- OPTIONAL PART: 215T2103-2		RF
15	NAS1423-7		..NUT-		1
20	MS28034-3		..BULB-TEMP ELECTRICAL EQUIP NUMBER: TS0297		1

ILLUSTRATION ITEMS NOT ON PARTS LIST ARE NOT APPLICABLE

- ITEM NOT ILLUSTRATED

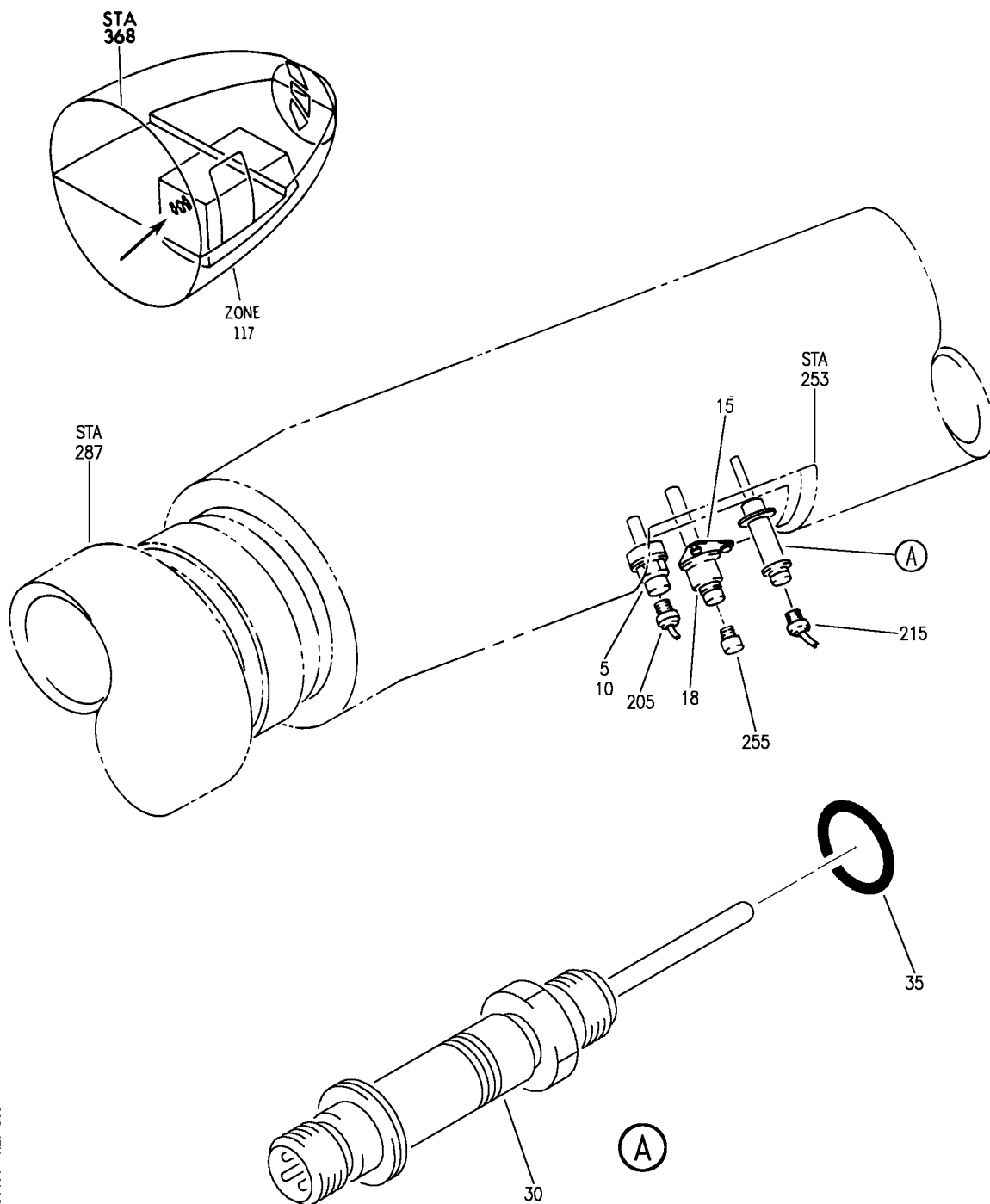
HXL

21-65-03-11

BOEING PROPRIETARY - Copyright © - Unpublished Work - See title page for details.

21-65-03  
FIG. 11  
PAGE 1  
DEC 22/07

**BOEING**  
767  
PARTS CATALOG (MAINTENANCE)



V 21650401 REV 309

SENSOR INSTL-FLIGHT DECK CONDITIONED AIR SUPPLY  
FIGURE 1

**21-65-04-01**

HXL  
DEC 22/06

21-65-04-01  
PAGE 0

**BOEING**  
767  
**PARTS CATALOG (MAINTENANCE)**

FIG ITEM	PART NUMBER	1 2 3 4 5 6 7	NOMENCLATURE	EFFECT FROM TO	UNITS PER ASSY
1			SENSOR INSTL-FLIGHT DECK CONDITIONED AIR SUPPLY		
- 1	215T1004-1		SENSOR INSTL-FLIGHT DECK CONDITIONED AIR SUPPLY		RF
5	MS28034-1		FOR NHA SEE: 21-00-00-01A .BULB-		1
10	MS35769-11		.MISCELLANEOUS DATA: WHEN REPLACING THE PACKING/GASKET, BACP11K6 PACKING MAY BE USED IN PLACE OF AN900-10 GASKET ON MS28034-1 TEMP BULB. ELECTRICAL EQUIP NUMBER: TS0184		1
15	624016-1		.GASKET-		1
			.SENSOR ASSY-CAB. AIR CONDITIONING AND TEMP CONT SYS DUCT AIR TEMP SUPPLIER CODE: V07217 SPECIFICATION NUMBER: S210T130-19 ELECTRICAL EQUIP NUMBER: TS0175 COMPONENT MAINT MANUAL REF: 21-65-01 OPTIONAL PART: 624016-2 V07217		1
15	624016-2		.SENSOR ASSY-CAB. AIR CONDITIONING AND TEMP CONT SYS DUCT AIR TEMP SUPPLIER CODE: V07217 SPECIFICATION NUMBER: S210T130-75 ELECTRICAL EQUIP NUMBER: TS0175 COMPONENT MAINT MANUAL REF: 21-65-01 OPTIONAL PART: 624016-1 V07217		1
- 16	NAS1801-3D8		ATTACHING PARTS .SCREW		3
- 17	AN960PD10L		.WASHER		3
			-----*-----		
ILLUSTRATION ITEMS NOT ON PARTS LIST ARE NOT APPLICABLE					

- ITEM NOT ILLUSTRATED

HXL

# 21-65-04-01

BOEING PROPRIETARY - Copyright © - Unpublished Work - See title page for details.

21-65-04  
FIG. 01  
PAGE 1  
AUG 22/09





767

PARTS CATALOG (MAINTENANCE)

FIG ITEM	PART NUMBER	1 2 3 4 5 6 7	NOMENCLATURE	EFFECT FROM TO	UNITS PER ASSY
1					
18	545131		.. GASKET- SUPPLIER CODE: V07217		1
- 20	3-905S613-60		.. PACKING- SUPPLIER CODE: V83259		1
30	641121-1		. SWITCH ASSY-CAB. AIR CONDITIONING AND TEMP CONT SYS OVERHEAT ZONE DUCT SUPPLIER CODE: V07217 FUNCTIONAL DESCRIPTION: DETECTS OVERHEAT CONDITIONS IN THE AIR CONDITIONING PNEUMATIC SPECIFICATION NUMBER: S210T130-18 ELECTRICAL EQUIP NUMBER: S00021 COMPONENT MAINT MANUAL REF: 21-51-46		1
35	MS9385-05		.. PACKING		1
- 201	286T0638-120		WIRE BUNDLE ASSY		RF
205	BACC63CE12S3S		. CONNECTOR- ELECTRICAL EQUIP NUMBER: D02608 WIRING DIAGRAM REF: 216511		1
215	BACC45FT10-5S		. CONNECTOR- ELECTRICAL EQUIP NUMBER: D03838 WIRING DIAGRAM REF: 216111		1
- 253	286T0632-120		WIRE BUNDLE ASSY		RF
255	C48-06R10-20S		. PLUG- SUPPLIER CODE: V13556 ELECTRICAL EQUIP NUMBER: D03828 WIRING DIAGRAM REF: 216111		1

ILLUSTRATION ITEMS NOT ON PARTS LIST ARE NOT APPLICABLE

- ITEM NOT ILLUSTRATED

HXL

21-65-04-01

BOEING PROPRIETARY - Copyright © - Unpublished Work - See title page for details.

21-65-04  
FIG. 01  
PAGE 2  
AUG 22/09