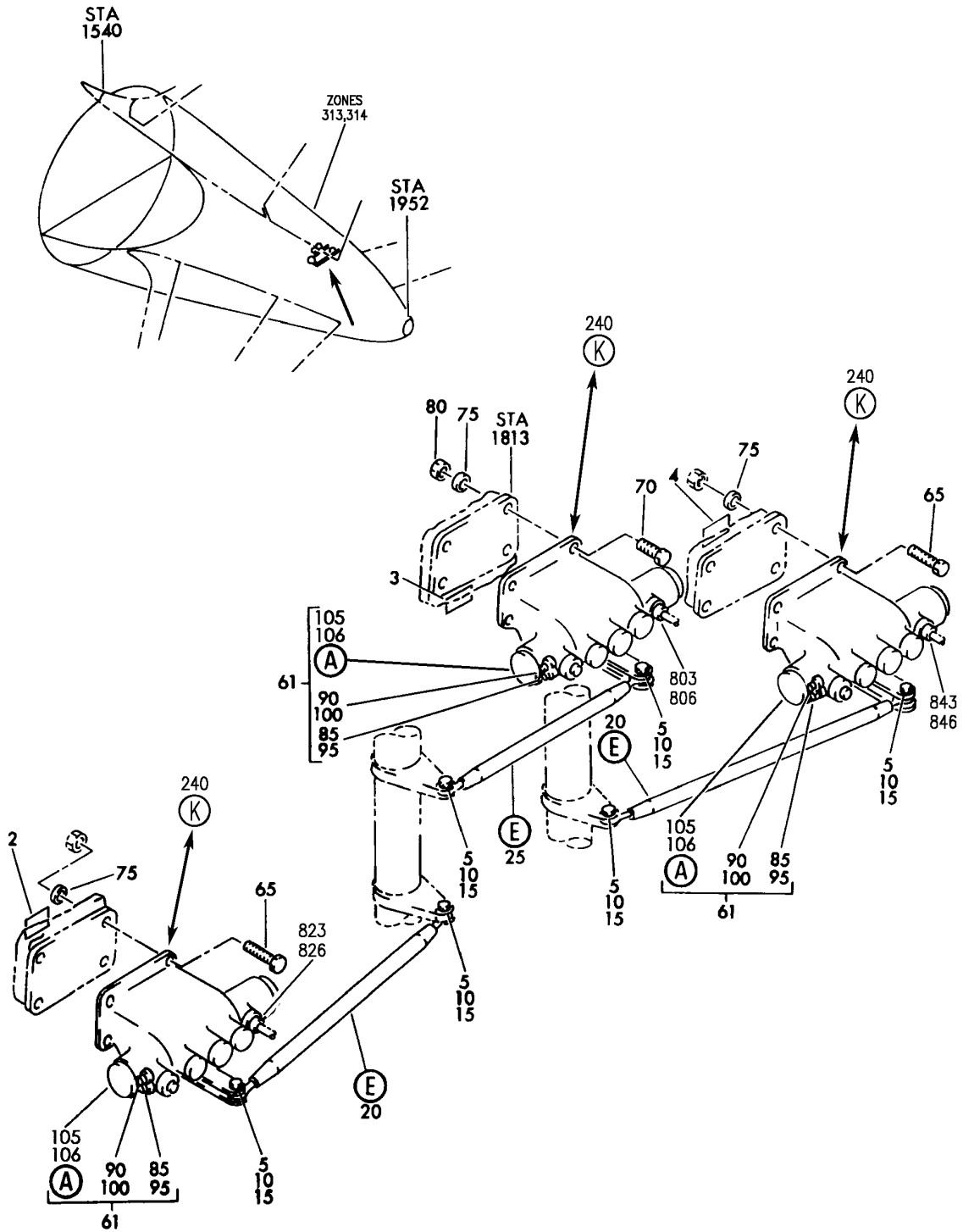


AUTOPILOT/FLIGHT DIRECTOR PITCH CHANNEL

HXL
DEC 22/06

22-12-00
SECTION TITLE
PAGE 1

BOEING
767
PARTS CATALOG (MAINTENANCE)



V 22120101 SHT 1 REV 329

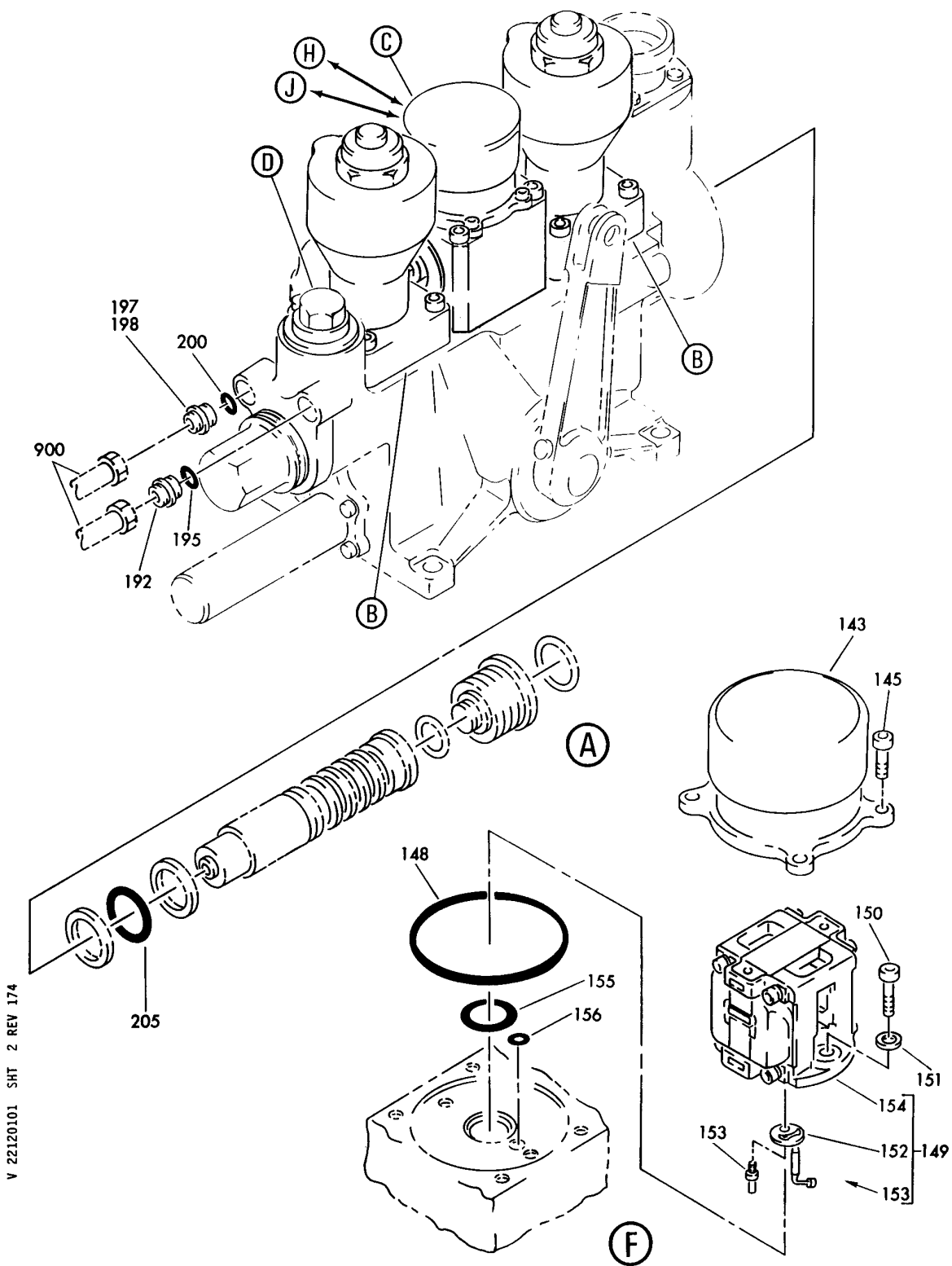
SERVO INSTL-AUTOPILOT ELEV
FIGURE 1 (SHEET 1)

22-12-01-01

HXL
AUG 22/08

22-12-01-01
PAGE 0

BOEING
767
PARTS CATALOG (MAINTENANCE)



V 22120101 SHT 2 REV 174

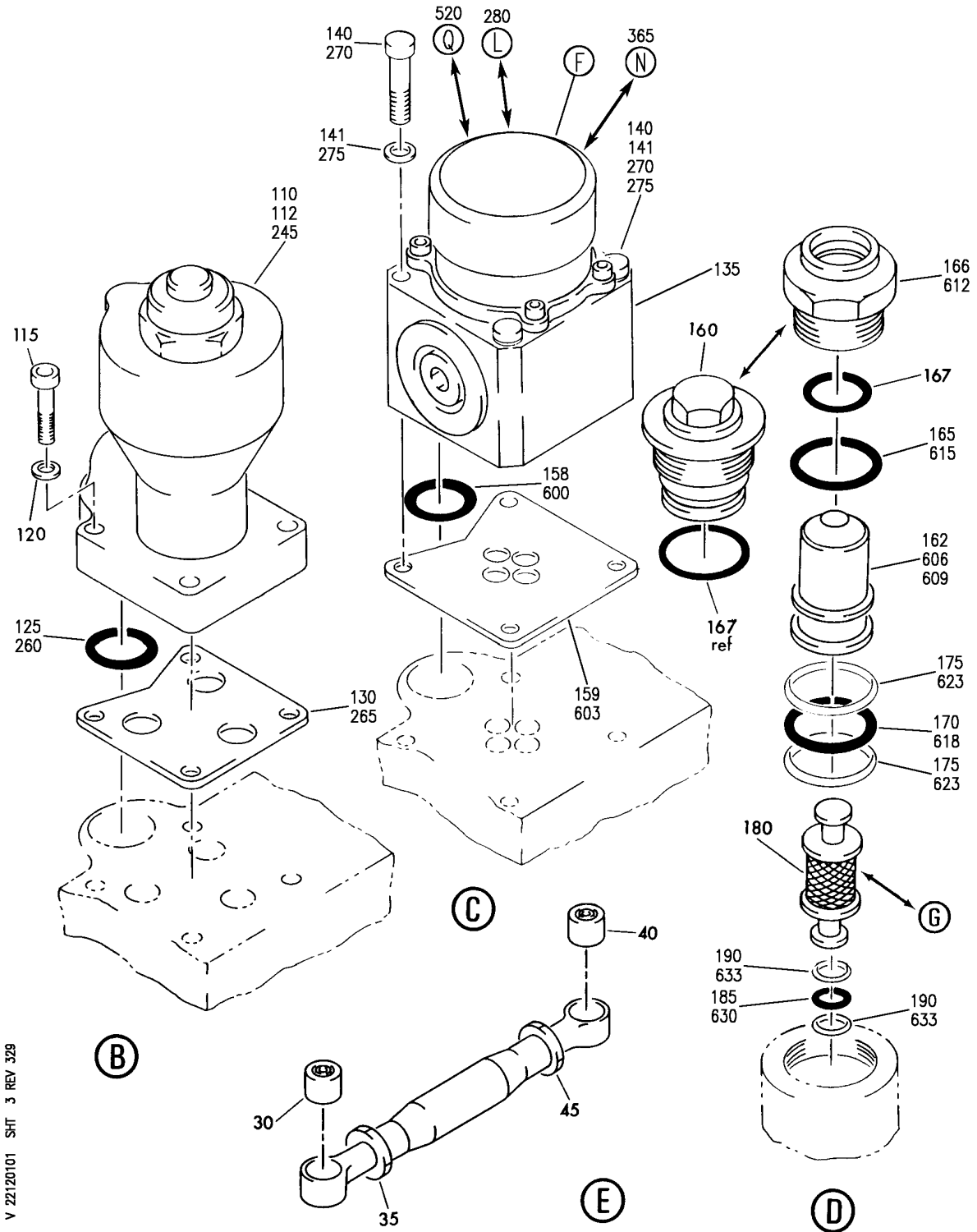
SERVO INSTL-AUTOPILOT ELEV
FIGURE 1 (SHEET 2)

22-12-01-01

HXL
DEC 22/06

22-12-01-01
PAGE 0A

BOEING
767
PARTS CATALOG (MAINTENANCE)



V 22120101 SHT 3 REV 329

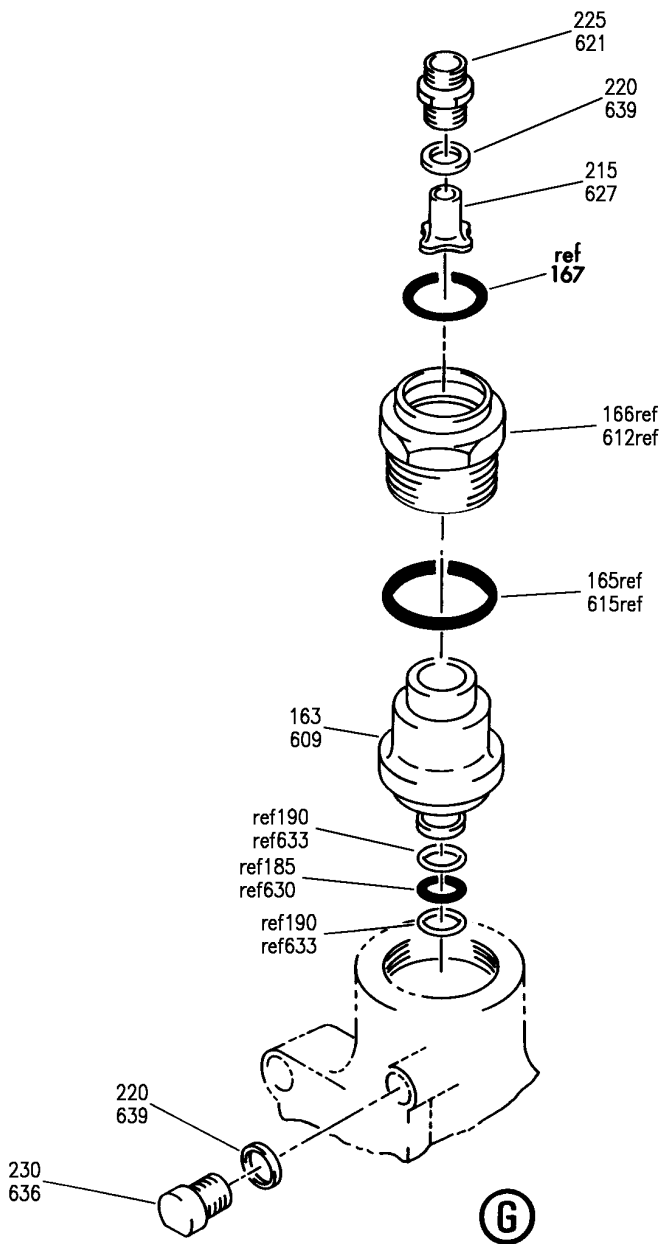
SERVO INSTL-AUTOPILOT ELEV
FIGURE 1 (SHEET 3)

22-12-01-01

HXL
AUG 22/08

22-12-01-01
PAGE 0B

BOEING
767
PARTS CATALOG (MAINTENANCE)



V 22120101 SHT 4 REV 329

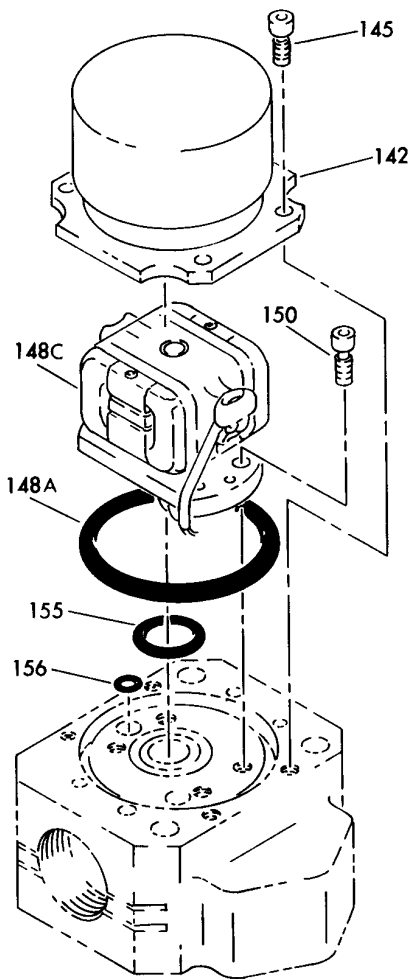
SERVO INSTL-AUTOPILOT ELEV
FIGURE 1 (SHEET 4)

22-12-01-01

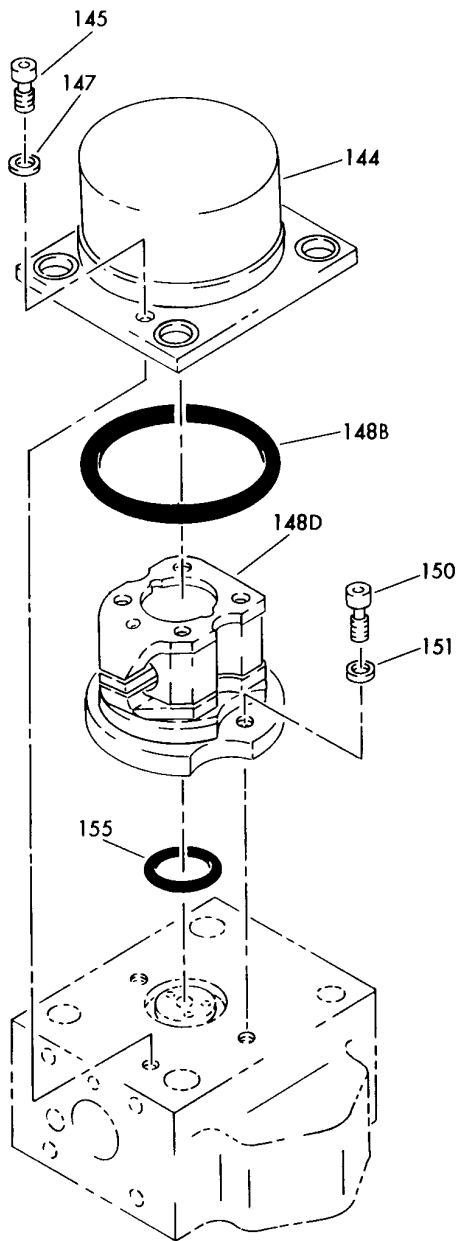
HXL
AUG 22/08

22-12-01-01
PAGE 0C

BOEING
767
PARTS CATALOG (MAINTENANCE)



(H)



(J)

V 22120101 SHT 5 REV 174

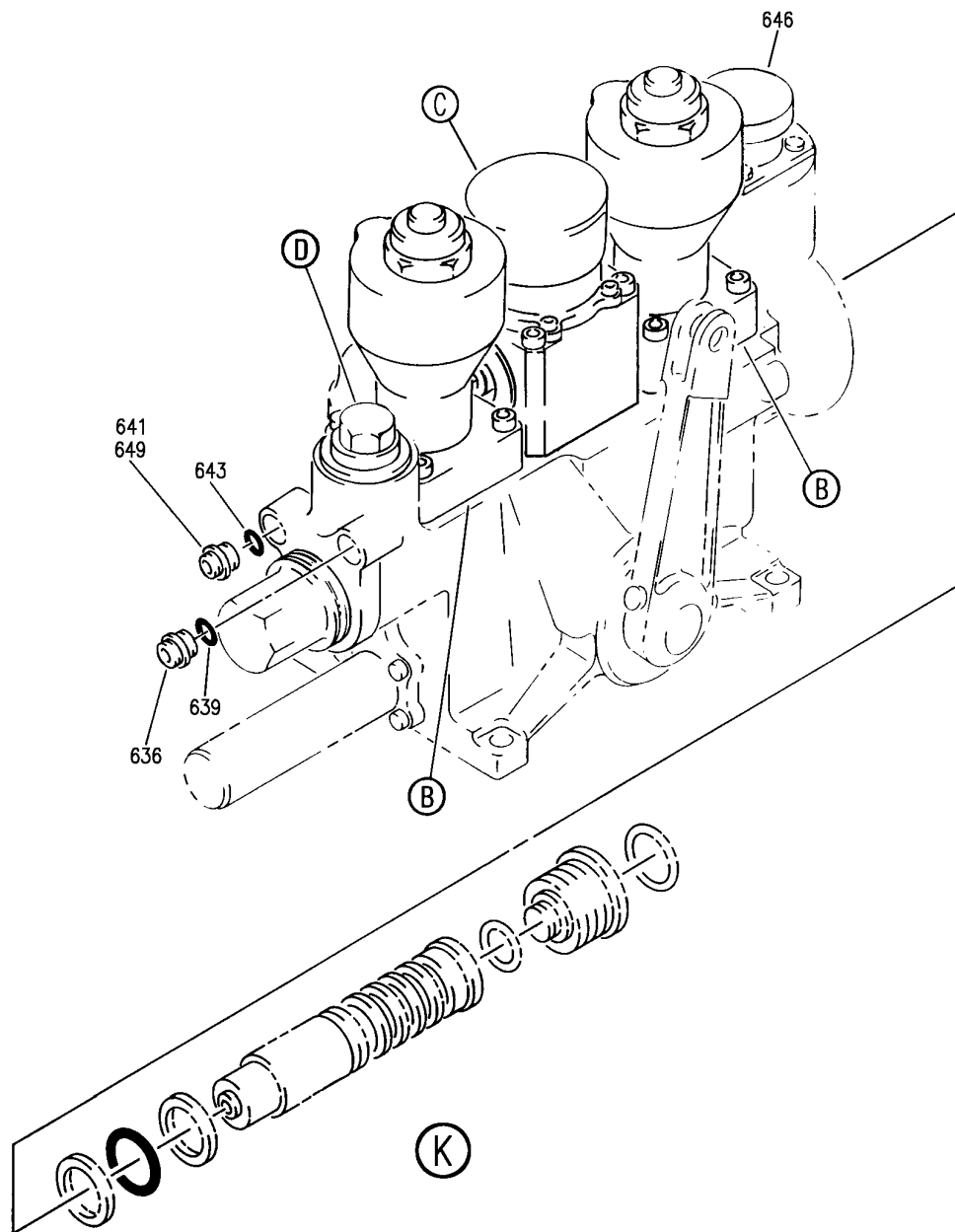
SERVO INSTL-AUTOPILOT ELEV
FIGURE 1 (SHEET 5)

22-12-01-01

HXL
DEC 22/06

22-12-01-01
PAGE 0D

BOEING
767
PARTS CATALOG (MAINTENANCE)



V 22120101 SHT 6 REV 329

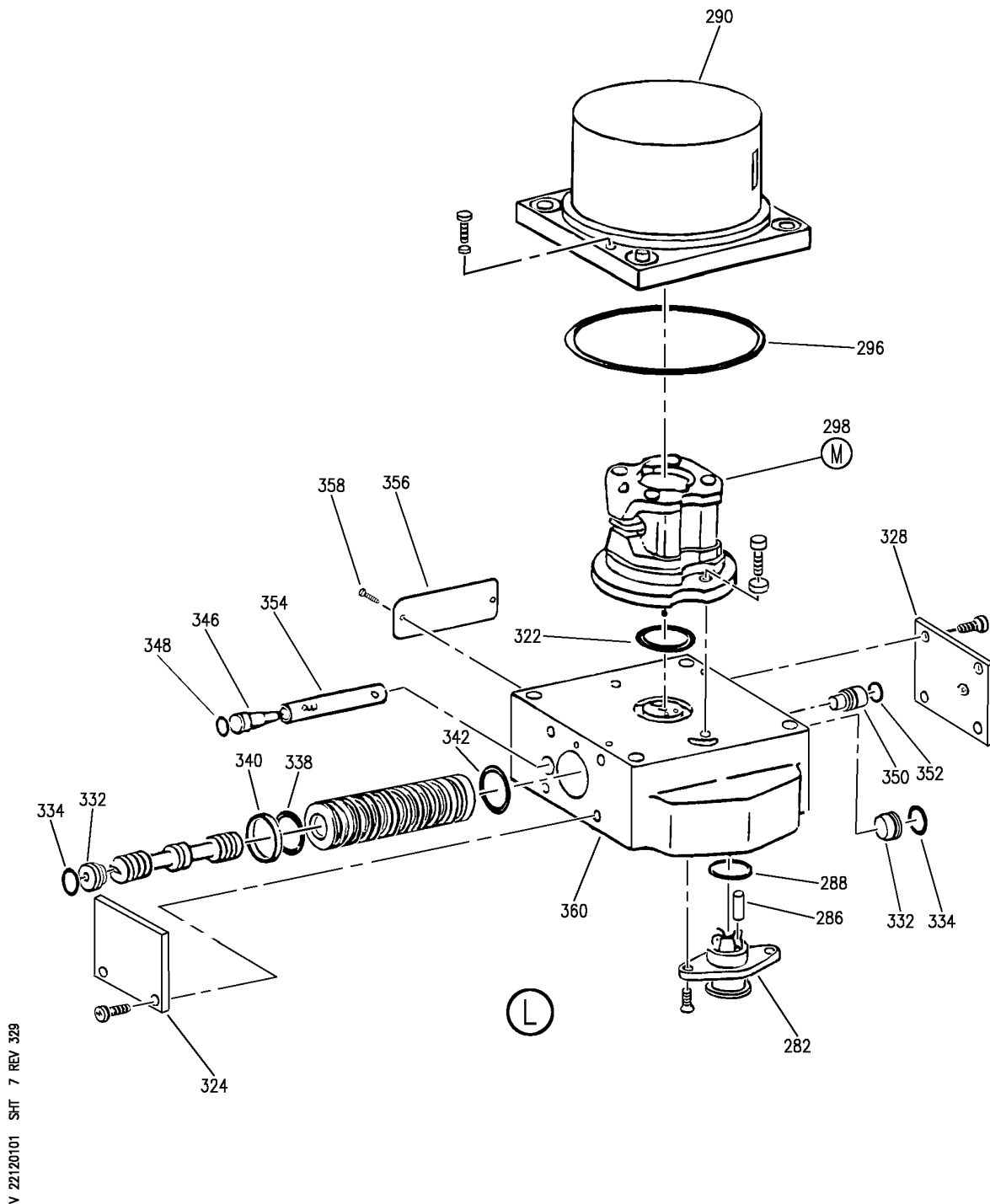
SERVO INSTL-AUTOPILOT ELEV
FIGURE 1 (SHEET 6)

22-12-01-01

HXL
AUG 22/08

22-12-01-01
PAGE 0E

BOEING
767
PARTS CATALOG (MAINTENANCE)



V 22120101 SHT 7 REV 329

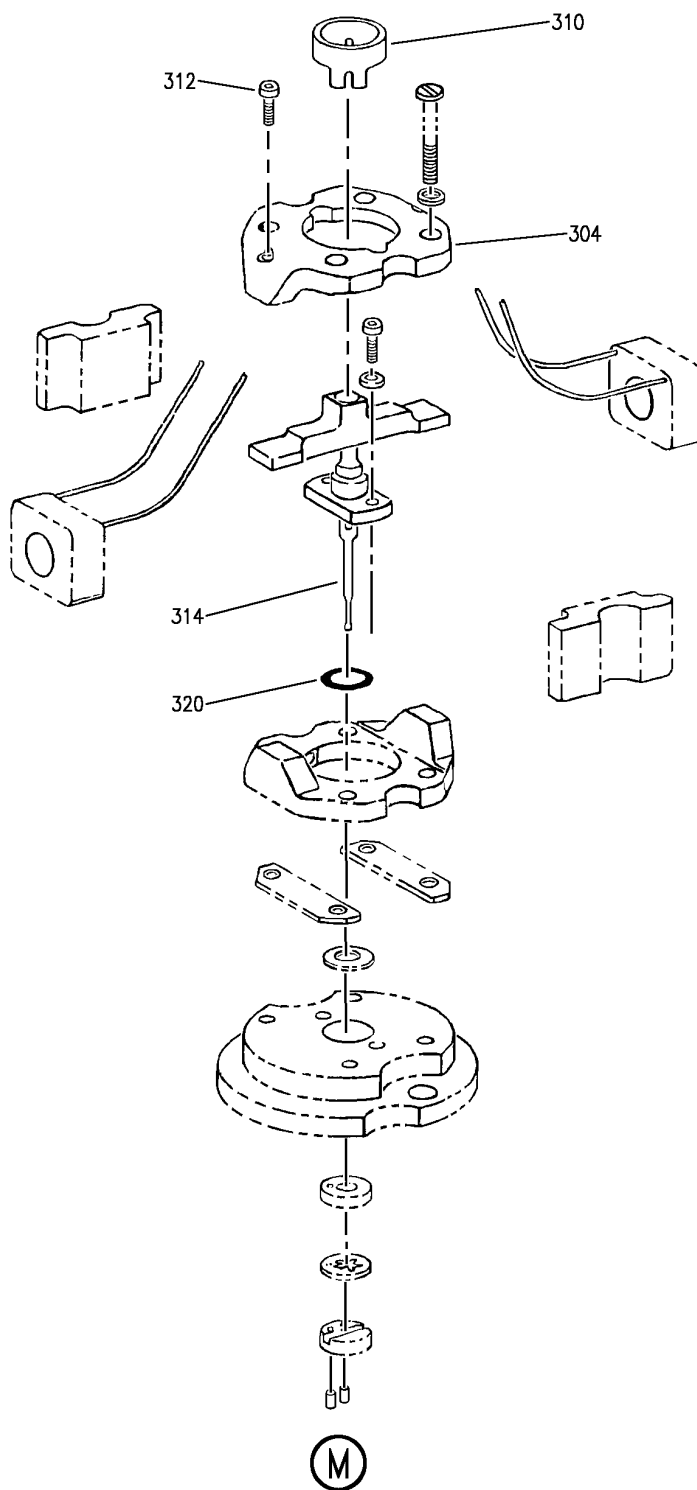
SERVO INSTL-AUTOPILOT ELEV
FIGURE 1 (SHEET 7)

22-12-01-01

HXL
AUG 22/08

22-12-01-01
PAGE OF

BOEING
767
PARTS CATALOG (MAINTENANCE)



V 22120101 SHT 8 REV 329

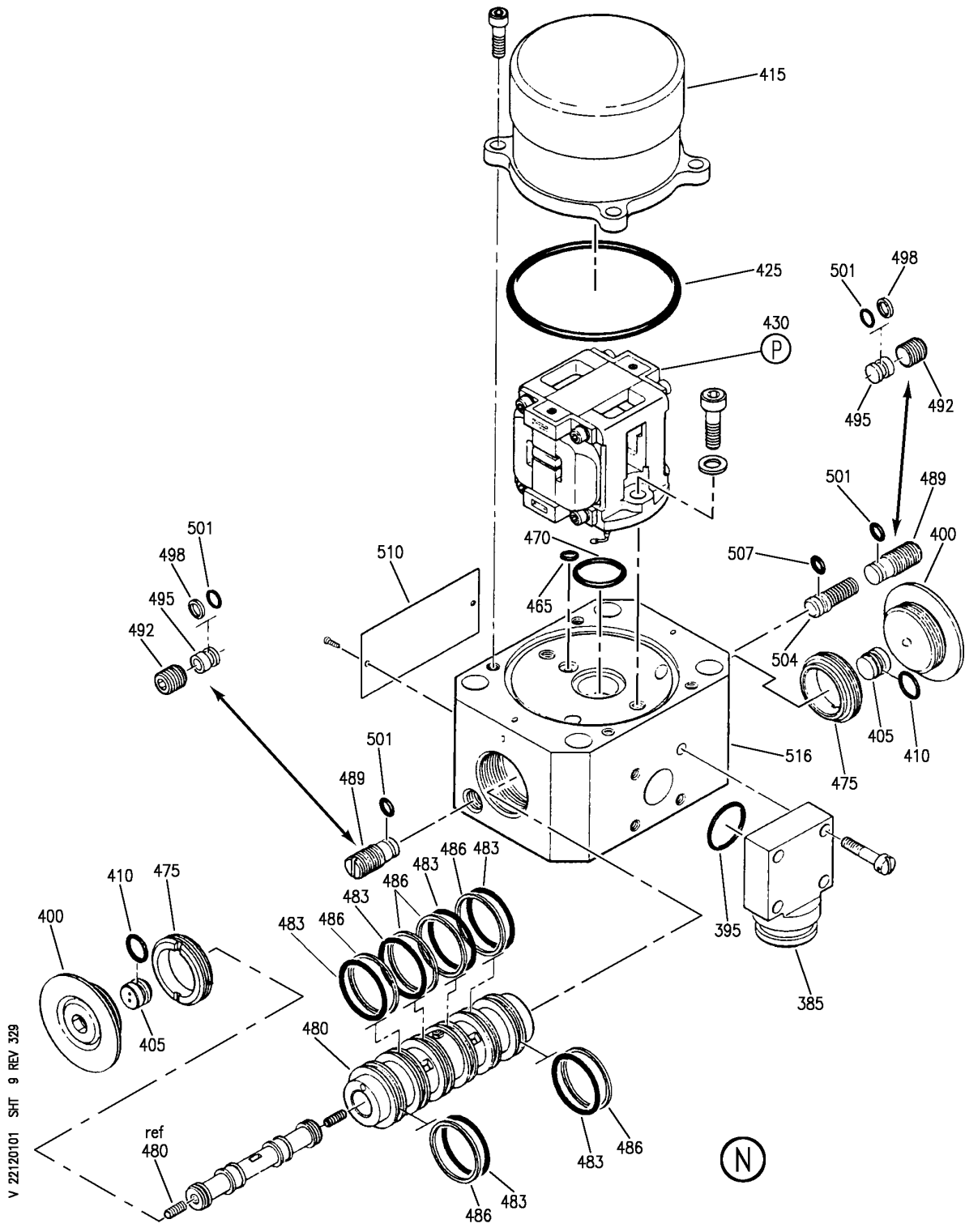
SERVO INSTL-AUTOPILOT ELEV
FIGURE 1 (SHEET 8)

22-12-01-01

HXL
AUG 22/08

22-12-01-01
PAGE 06

BOEING
767
PARTS CATALOG (MAINTENANCE)



V 22120101 SHT 9 REV 329

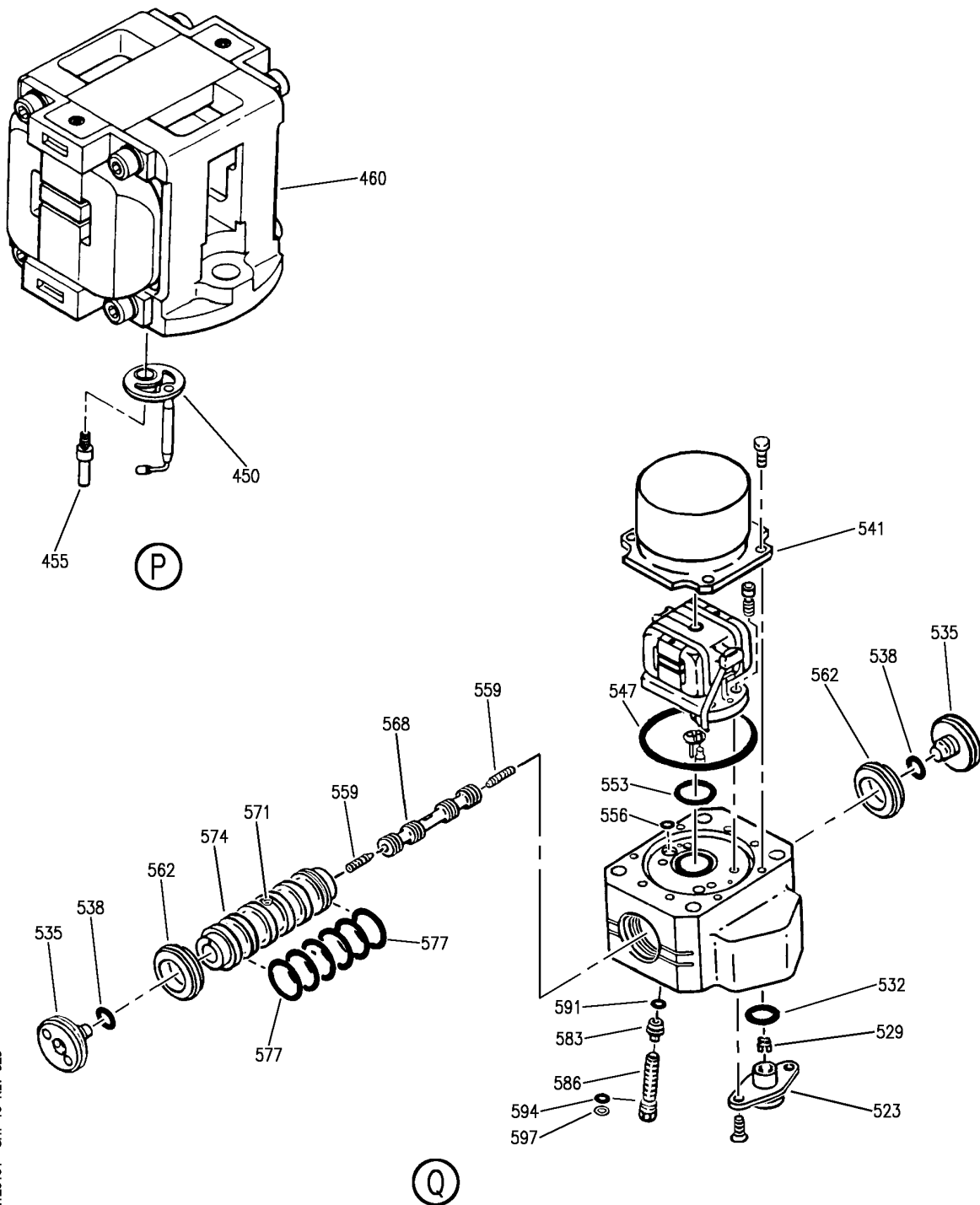
SERVO INSTL-AUTOPILOT ELEV
FIGURE 1 (SHEET 9)

22-12-01-01

HXL
AUG 22/08

22-12-01-01
PAGE 0H

BOEING
767
PARTS CATALOG (MAINTENANCE)



V 22120101 SHT 10 REV 329

SERVO INSTL-AUTOPILOT ELEV
FIGURE 1 (SHEET 10)

22-12-01-01

HXL
AUG 22/08

22-12-01-01
PAGE 01



767

PARTS CATALOG (MAINTENANCE)

FIG ITEM	PART NUMBER	1 2 3 4 5 6 7	NOMENCLATURE	EFFECT FROM TO	UNITS PER ASSY
1			SERVO INSTL-AUTOPILOT ELEV		
- 1	251T2100-17		SERVO INSTL-AUTOPILOT ELEV VARIABLE DRAWING REF: 251T2100-5010 FOR NHA SEE: 27-31-62-01		RF
	2 BAC27TCT0258		.MARKER-ALUMINUM FOIL PLACARD CONTENT: M271		1
	3 BAC27TCT0259		.MARKER-ALUMINUM FOIL PLACARD CONTENT: M272		1
	4 BAC27TCT0260		.MARKER-ALUMINUM FOIL PLACARD CONTENT: M273		1
	5 BACB30NF4-15		.BOLT-		6
10	AN960PD416		.WASHER-		6
15	BRH10A4		.NUT-		6
			SUPPLIER CODE: V52828 SPECIFICATION NUMBER: BACN10JC4 OPTIONAL PART: T6S428J V11815 96-048 V80539 VN303A048 V92215 RMLH9075-4W V72962 NS202101-048 V80539 H10-4BAC V15653		
	20 251T0100-318		.ROD ASSY- COMPONENT MAINT MANUAL REF: 27-00-11		2
	20 251T0100-1434		.ROD ASSY-		2
	25 251T0100-319		.ROD ASSY- COMPONENT MAINT MANUAL REF: 27-00-11		1
	25 251T0100-1435		.ROD ASSY-		1

ILLUSTRATION ITEMS NOT ON PARTS LIST ARE NOT APPLICABLE

- ITEM NOT ILLUSTRATED

HXL

22-12-01-01

BOEING PROPRIETARY - Copyright © - Unpublished Work - See title page for details.

22-12-01
FIG. 01
PAGE 1
DEC 22/07



767

PARTS CATALOG (MAINTENANCE)

FIG ITEM	PART NUMBER	1 2 3 4 5 6 7	NOMENCLATURE	EFFECT FROM TO	UNITS PER ASSY
1 30	REP4M6-5FS428		.. BEARING- SUPPLIER CODE: V73134 SPECIFICATION NUMBER: BACB10AD12 OPTIONAL PART: HHRE4M6-2 V38443 REP4M6-5E9171B V21335 ABR4M103 VS0352 REP4M6-2CP62 VF0222 REP4M6-5FS428 V21335 REB4M6-21 V92563 DBM4-6B1-501 V77896 ABR4M103B V15860 REP4M6-012J V73134 USED ON: 251T0100-318 251T0100-319		1
35	AN316-6R		.. NUT- USED ON: 251T0100-318 251T0100-319		1

ILLUSTRATION ITEMS NOT ON PARTS LIST ARE NOT APPLICABLE

- ITEM NOT ILLUSTRATED

HXL

22-12-01-01

BOEING PROPRIETARY - Copyright © - Unpublished Work - See title page for details.

22-12-01
 FIG. 01
 PAGE 2
 DEC 22/08



767

PARTS CATALOG (MAINTENANCE)

FIG ITEM	PART NUMBER	1 2 3 4 5 6 7	NOMENCLATURE	EFFECT FROM TO	UNITS PER ASSY
1 40	REP4M7-2FS428		.. BEARING- SUPPLIER CODE: V73134 SPECIFICATION NUMBER: BACB10AD13 OPTIONAL PART: HHRE4M7-1 V38443 REP4M7-2E9171B V21335 ABR4M104 VS0352 REP4M7CP62 VF0222 REP4M7-2FS428 V21335 REB4M7-21 V92563 DBM4-7A1-501 V77896 ABR4M104B V15860 REP4M7-013J V73134 USED ON: 251T0100-318 251T0100-319		1
45	AN316-7R		.. NUT- USED ON: 251T0100-318 251T0100-319		1
61	251T2100-19		. SERVO ASSY- ATTACHING PARTS		3
65	BACB30NR4K11		. BOLT-		8
70	BACB30NR4K14		. BOLT-		4
75	AN960PD416		. WASHER-		12

ILLUSTRATION ITEMS NOT ON PARTS LIST ARE NOT APPLICABLE

- ITEM NOT ILLUSTRATED

HXL

22-12-01-01

BOEING PROPRIETARY - Copyright © - Unpublished Work - See title page for details.

22-12-01
 FIG. 01
 PAGE 3
 DEC 22/08



767

PARTS CATALOG (MAINTENANCE)

FIG ITEM	PART NUMBER	1 2 3 4 5 6 7	NOMENCLATURE	EFFECT FROM TO	UNITS PER ASSY
1 80	BRH10A4		.NUT SUPPLIER CODE: V52828 SPECIFICATION NUMBER: BACN10JC4 OPTIONAL PART: T6S428J V11815 96-048 V80539 VN303A048 V92215 RMLH9075-4W V72962 NS202101-048 V80539 H10-4BAC V15653 -----*-----		4
85	BACU24K4		..UNION-		1
90	MS21902D6		..UNION-		1
95	NAS1612-4		..PACKING-		1
100	NAS1612-6		..PACKING-		1
105	A28321-9		..SERVO ASSY-ELEV SUPPLIER CODE: V94697 SPECIFICATION NUMBER: S252T401-7 ELECTRICAL EQUIP NUMBER: M00271 M00272 M00273 COMPONENT MAINT MANUAL REF: 22-10-04 QUALIFIED I/W DATA: A28321-7 OR A28321-8 MAY BE REPLACED BY A28321-9 WITH INCORPORATION OF S.B. 767-22-0028 AND MOOG S.B. A28321-22-04. OPTIONAL PART: A28321-11 V94697		1

ILLUSTRATION ITEMS NOT ON PARTS LIST ARE NOT APPLICABLE

- ITEM NOT ILLUSTRATED

HXL

22-12-01-01

BOEING PROPRIETARY - Copyright © - Unpublished Work - See title page for details.

22-12-01
FIG. 01
PAGE 4
AUG 22/07



767

PARTS CATALOG (MAINTENANCE)

FIG ITEM	PART NUMBER	1 2 3 4 5 6 7	NOMENCLATURE	EFFECT FROM TO	UNITS PER ASSY
1 105	A28321-10		..SERVO ASSY-ELEV SUPPLIER CODE: V94697 SPECIFICATION NUMBER: S252T401-8 ELECTRICAL EQUIP NUMBER: M00271 M00272 M00273 COMPONENT MAINT MANUAL REF: 22-10-04 OPTIONAL PART: A28321-12 V94697		1
105	A28321-11		..SERVO ASSY-ELEV SUPPLIER CODE: V94697 SPECIFICATION NUMBER: S252T401-7 ELECTRICAL EQUIP NUMBER: M00271 M00272 M00273 COMPONENT MAINT MANUAL REF: 22-10-04 OPTIONAL PART: A28321-9 V94697		1
105	A28321-12		..SERVO ASSY-ELEV SUPPLIER CODE: V94697 SPECIFICATION NUMBER: S252T401-8 ELECTRICAL EQUIP NUMBER: M00271 M00272 M00273 COMPONENT MAINT MANUAL REF: 22-10-04 OPTIONAL PART: A28321-10 V94697		1

ILLUSTRATION ITEMS NOT ON PARTS LIST ARE NOT APPLICABLE

- ITEM NOT ILLUSTRATED

HXL

22-12-01-01

BOEING PROPRIETARY - Copyright © - Unpublished Work - See title page for details.

22-12-01
 FIG. 01
 PAGE 5
 AUG 22/07



767

PARTS CATALOG (MAINTENANCE)

FIG ITEM	PART NUMBER	1 2 3 4 5 6 7	NOMENCLATURE	EFFECT FROM TO	UNITS PER ASSY
1 105	A28321-13		..SERVO ASSY-ELEV SUPPLIER CODE: V94697 SPECIFICATION NUMBER: S252T401-9 ELECTRICAL EQUIP NUMBER: M00271 M00272 M00273 COMPONENT MAINT MANUAL REF: 22-10-04		1
105	A28321-15		..SERVO ASSY-ELEV SUPPLIER CODE: V94697 SPECIFICATION NUMBER: S252T401-10 ELECTRICAL EQUIP NUMBER: M00271 M00272 M00273 COMPONENT MAINT MANUAL REF: 22-10-04 OPTIONAL PART: A28321-17 V94697		1
106	A28321-16		..SERVO ASSY-ELEV SUPPLIER CODE: V94697 SPECIFICATION NUMBER: S252T401-11 ELECTRICAL EQUIP NUMBER: M00271 M00272 M00273 COMPONENT MAINT MANUAL REF: 22-10-04 OPTIONAL PART: A28321-14 V94697 OPTIONAL PART: A28321-18 V94697		1

ILLUSTRATION ITEMS NOT ON PARTS LIST ARE NOT APPLICABLE

- ITEM NOT ILLUSTRATED

HXL

22-12-01-01

BOEING PROPRIETARY - Copyright © - Unpublished Work - See title page for details.

22-12-01
 FIG. 01
 PAGE 6
 AUG 22/07



767

PARTS CATALOG (MAINTENANCE)

FIG ITEM	PART NUMBER	1 2 3 4 5 6 7	NOMENCLATURE	EFFECT FROM TO	UNITS PER ASSY
1 106	A28321-14		..SERVO ASSY-ELEV SUPPLIER CODE: V94697 SPECIFICATION NUMBER: S252T401-11 ELECTRICAL EQUIP NUMBER: M00271 M00272 M00273 COMPONENT MAINT MANUAL REF: 22-10-04 OPTIONAL PART: A28321-16 V94697 OPTIONAL PART: A28321-18 V94697		1
106	A28321-17		..SERVO ASSY-ELEV SUPPLIER CODE: V94697 SPECIFICATION NUMBER: S252T401-12 ELECTRICAL EQUIP NUMBER: M00271 M00272 M00273 COMPONENT MAINT MANUAL REF: 22-10-04		1
106	A28321-18		..SERVO ASSY-ELEV SUPPLIER CODE: V94697 FUNCTIONAL DESCRIPTION: PROVIDES ELEVATOR CONTROL IN RESPONSE TO AUTOPILOT ELECTRICAL INPUT COMMAND SPECIFICATION NUMBER: S252T401-13 ELECTRICAL EQUIP NUMBER: M00271 M00272 M00273 COMPONENT MAINT MANUAL REF: 22-10-04		1

ILLUSTRATION ITEMS NOT ON PARTS LIST ARE NOT APPLICABLE

- ITEM NOT ILLUSTRATED

HXL

22-12-01-01

BOEING PROPRIETARY - Copyright © - Unpublished Work - See title page for details.

22-12-01
 FIG. 01
 PAGE 7
 DEC 22/07



767

PARTS CATALOG (MAINTENANCE)

FIG ITEM	PART NUMBER	1 2 3 4 5 6 7 NOMENCLATURE	EFFECT FROM TO	UNITS PER ASSY
1 112	45080-1	...VALVE ASSY-SOL. SUPPLIER CODE: V99643 FUNCTIONAL DESCRIPTION: ELECTRICALLY OPERATED VALVE PROVIDES HYDRAULIC PRESSURE SPECIFICATION NUMBER: 10-60811-8 COMPONENT MAINT MANUAL REF: 29-09-05 OPTIONAL PART: 881600-1001 V92003 59600-5011 V92003 USED ON: A28321-3 A28321-4 A28321-5 A28321-6 A28321-7 A28321-8 A28321-9 A28321-10 A28321-11 A28321-12 A28321-13 A28321-14 A28321-15 A28321-16 A28321-17 A28321-18		2

ILLUSTRATION ITEMS NOT ON PARTS LIST ARE NOT APPLICABLE

- ITEM NOT ILLUSTRATED

HXL

22-12-01-01

BOEING PROPRIETARY - Copyright © - Unpublished Work - See title page for details.

22-12-01
 FIG. 01
 PAGE 8
 AUG 22/07



767

PARTS CATALOG (MAINTENANCE)

FIG ITEM	PART NUMBER	1 2 3 4 5 6 7 NOMENCLATURE	EFFECT FROM TO	UNITS PER ASSY
1 112	59600-5011	... VALVE ASSY-SOL. SUPPLIER CODE: V92003 SPECIFICATION NUMBER: 10-60811-9 COMPONENT MAINT MANUAL REF: 29-10-02 OPTIONAL PART: 45080-1 V99643 881600-1001 V92003 USED ON: A28321-3 A28321-4 A28321-5 A28321-6 A28321-7 A28321-8 A28321-9 A28321-10 A28321-11 A28321-12 A28321-13 A28321-14 A28321-15 A28321-16 A28321-17 A28321-18		2

ILLUSTRATION ITEMS NOT ON PARTS LIST ARE NOT APPLICABLE

- ITEM NOT ILLUSTRATED

HXL

22-12-01-01

BOEING PROPRIETARY - Copyright © - Unpublished Work - See title page for details.

22-12-01
 FIG. 01
 PAGE 9
 AUG 22/07



767

PARTS CATALOG (MAINTENANCE)

FIG ITEM	PART NUMBER	1 2 3 4 5 6 7	NOMENCLATURE	EFFECT FROM TO	UNITS PER ASSY
1 112	881600-1001		... VALVE ASSY-SOL. SUPPLIER CODE: V92003 FUNCTIONAL DESCRIPTION: ELECTRICALLY OPERATED VALVE PROVIDES HYDRAULIC PRESSURE SPECIFICATION NUMBER: 10-60811-13 COMPONENT MAINT MANUAL REF: 27-09-03 OPTIONAL PART: 45080-1 V99643 59600-5011 V92003 USED ON: A28321-3 A28321-4 A28321-5 A28321-6 A28321-7 A28321-8 A28321-9 A28321-10 A28321-11 A28321-12 A28321-13 A28321-14 A28321-15 A28321-16 A28321-17 A28321-18 ATTACHING PARTS		2
115 120	NAS1351N4H14 BCREF6676		... SCREW ... WASHER- SUPPLIER CODE: V94697 OVERLENGTH PART NUMBER: 092-06131-253-375-2 -----*-----		8 8
125	NAS1611-112		... PACKING-		2

ILLUSTRATION ITEMS NOT ON PARTS LIST ARE NOT APPLICABLE

- ITEM NOT ILLUSTRATED

HXL

22-12-01-01

BOEING PROPRIETARY - Copyright © - Unpublished Work - See title page for details.

22-12-01
 FIG. 01
 PAGE 10
 AUG 22/07



767

PARTS CATALOG (MAINTENANCE)

FIG ITEM	PART NUMBER	1 2 3 4 5 6 7	NOMENCLATURE	EFFECT FROM TO	UNITS PER ASSY
1 130	069000197-1		. . . PLATE-GSKT SUPPLIER CODE: V05939 SPECIFICATION NUMBER: 69-20184-1 OPTIONAL PART: BA1837 V95272 071261 V83259 071261-1 V83259 828108-1 V83259		2

ILLUSTRATION ITEMS NOT ON PARTS LIST ARE NOT APPLICABLE

- ITEM NOT ILLUSTRATED

HXL

22-12-01-01

BOEING PROPRIETARY - Copyright © - Unpublished Work - See title page for details.

22-12-01
FIG. 01
PAGE 11
AUG 22/07



767

PARTS CATALOG (MAINTENANCE)

FIG ITEM	PART NUMBER	1 2 3 4 5 6 7 NOMENCLATURE	EFFECT FROM TO	UNITS PER ASSY
1 135	22280710	<p>...SERVOVALVE ASSY- SUPPLIER CODE: V81873 FUNCTIONAL DESCRIPTION: THIS VALVE DELIVERS A HYDRAULIC FLOW PROPORTIONAL TO AN ELECTRIC INPUT SPECIFICATION NUMBER: S252T001-3 COMPONENT MAINT MANUAL REF: 27-10-03 OPTIONAL PART: 22280710-001 V81873 OPTIONAL PART: A22584 V94697 73016 V49695 A22584 V94697 SERVICE BULLETIN OPT DATA: A71882-1 V94697 75130 V49695 73016 V49695 USED ON: A28321-2 A28321-3 A28321-4 A28321-5 A28321-6 A28321-9 A28321-11 POST SERVICE LETTER: 27-21 27-092</p>		1

ILLUSTRATION ITEMS NOT ON PARTS LIST ARE NOT APPLICABLE

- ITEM NOT ILLUSTRATED

HXL

22-12-01-01

BOEING PROPRIETARY - Copyright © - Unpublished Work - See title page for details.

22-12-01
FIG. 01
PAGE 12
AUG 22/07



767

PARTS CATALOG (MAINTENANCE)

FIG ITEM	PART NUMBER	1 2 3 4 5 6 7 NOMENCLATURE	EFFECT FROM TO	UNITS PER ASSY
1 135	22280710-001	...SERVOVALVE ASSY- SUPPLIER CODE: V81873 FUNCTIONAL DESCRIPTION: THIS VALVE DELIVERS A HYDRAULIC FLOW PROPORTIONAL TO AN ELECTRIC INPUT SPECIFICATION NUMBER: S252T001-3 COMPONENT MAINT MANUAL REF: 27-10-03 OPTIONAL PART: 22280710 V81873 USED ON: A28321-2 A28321-3 A28321-4 A28321-5 A28321-6 A28321-9 A28321-11 POST SERVICE LETTER: 27-21		1

ILLUSTRATION ITEMS NOT ON PARTS LIST ARE NOT APPLICABLE

- ITEM NOT ILLUSTRATED

HXL

22-12-01-01

BOEING PROPRIETARY - Copyright © - Unpublished Work - See title page for details.

22-12-01
 FIG. 01
 PAGE 13
 AUG 22/07



767

PARTS CATALOG (MAINTENANCE)

FIG ITEM	PART NUMBER	1 2 3 4 5 6 7 NOMENCLATURE	EFFECT FROM TO	UNITS PER ASSY
1 135	73016	...SERVOVALVE ASSY- SUPPLIER CODE: V49695 FUNCTIONAL DESCRIPTION: THIS VALVE DELIVERS A HYDRAULIC FLOW PROPORTIONAL TO AN ELECTRIC INPUT SPECIFICATION NUMBER: S252T001-4 COMPONENT MAINT MANUAL REF: 22-21-01 OPTIONAL PART: A71882-1 V94697 75130 V49695 A50731 V94697 SERVICE BULLETIN OPT DATA: 22280710 V81873 A71882-1 V94697 75130 V49695 USED ON: A28321-17 USED ON: A28321-15 POST SERVICE LETTER: 27-21 27-092		1

ILLUSTRATION ITEMS NOT ON PARTS LIST ARE NOT APPLICABLE

- ITEM NOT ILLUSTRATED

HXL

22-12-01-01

BOEING PROPRIETARY - Copyright © - Unpublished Work - See title page for details.

22-12-01
 FIG. 01
 PAGE 14
 AUG 22/07



767

PARTS CATALOG (MAINTENANCE)

FIG ITEM	PART NUMBER	1 2 3 4 5 6 7 NOMENCLATURE	EFFECT FROM TO	UNITS PER ASSY
1 135	A71882-1	<p>...SERVOVALVE ASSY- SUPPLIER CODE: V94697 FUNCTIONAL DESCRIPTION: THIS VALVE DELIVERS A HYDRAULIC FLOW PROPORTIONAL TO AN ELECTRIC INPUT SPECIFICATION NUMBER: S252T001-5 COMPONENT MAINT MANUAL REF: 22-10-02 OPTIONAL PART: A71882-2 V94697 A71882-003 V94697 OPTIONAL PART: 75130 V49695 73016 V49695 SERVICE BULLETIN OPT DATA: 22280710 V81873 75130 V49695 73016 V49695 USED ON: A28321-7 A28321-8 A28321-10 A28321-12 A28321-13 A28321-14 A28321-16 A28321-18 POST SERVICE LETTER: 27-21 27-092</p>		1

ILLUSTRATION ITEMS NOT ON PARTS LIST ARE NOT APPLICABLE

- ITEM NOT ILLUSTRATED

HXL

22-12-01-01

BOEING PROPRIETARY - Copyright © - Unpublished Work - See title page for details.

22-12-01
FIG. 01
PAGE 15
AUG 22/07



767

PARTS CATALOG (MAINTENANCE)

FIG ITEM	PART NUMBER	1 2 3 4 5 6 7 NOMENCLATURE	EFFECT FROM TO	UNITS PER ASSY
1 135	75130	...SERVOVALVE ASSY- SUPPLIER CODE: V49695 SPECIFICATION NUMBER: 10-60813-1 COMPONENT MAINT MANUAL REF: 27-09-01 OPTIONAL PART: 0893701 V93835 OPTIONAL PART: A71882-1 V94697 73016 V49695 SERVICE BULLETIN OPT DATA: 22280710 V81873 A71882-1 V94697 73016 V49695 POST SERVICE LETTER: 27-21 27-092		1

ILLUSTRATION ITEMS NOT ON PARTS LIST ARE NOT APPLICABLE

- ITEM NOT ILLUSTRATED

HXL

22-12-01-01

BOEING PROPRIETARY - Copyright © - Unpublished Work - See title page for details.

22-12-01
 FIG. 01
 PAGE 16
 AUG 22/07



767

PARTS CATALOG (MAINTENANCE)

FIG ITEM	PART NUMBER	1 2 3 4 5 6 7 NOMENCLATURE	EFFECT FROM TO	UNITS PER ASSY
1 135	A71882-2	...SERVOVALVE ASSY- SUPPLIER CODE: V94697 FUNCTIONAL DESCRIPTION: THIS VALVE DELIVERS A HYDRAULIC FLOW PROPORTIONAL TO AN ELECTRIC INPUT SPECIFICATION NUMBER: S252T001-5 COMPONENT MAINT MANUAL REF: 22-10-02 OPTIONAL PART: A71882-1 V94697 A71882-003 V94697 USED ON: A28321-7 A28321-8 A28321-10 A28321-12 A28321-13 A28321-14 A28321-16 A28321-18		1

ILLUSTRATION ITEMS NOT ON PARTS LIST ARE NOT APPLICABLE

- ITEM NOT ILLUSTRATED

HXL

22-12-01-01

BOEING PROPRIETARY - Copyright © - Unpublished Work - See title page for details.

22-12-01
 FIG. 01
 PAGE 17
 AUG 22/07

BOEING
767
PARTS CATALOG (MAINTENANCE)

FIG ITEM	PART NUMBER	1 2 3 4 5 6 7	NOMENCLATURE	EFFECT FROM TO	UNITS PER ASSY
1 135	A71882-003		...SERVOVALVE ASSY- SUPPLIER CODE: V94697 FUNCTIONAL DESCRIPTION: THIS VALVE DELIVERS A HYDRAULIC FLOW PROPORTIONAL TO AN ELECTRIC INPUT SPECIFICATION NUMBER: S252T001-5 COMPONENT MAINT MANUAL REF: 22-10-02 OPTIONAL PART: A71882-1 V94697 A71882-2 V94697 USED ON: A28321-7 A28321-8 A28321-10 A28321-12 A28321-13 A28321-14 A28321-16 A28321-18 ATTACHING PARTS		1
140	NAS1351N4H28		...SCREW		4
141	BCREF6676		...WASHER- SUPPLIER CODE: V94697 OVERLENGTH PART NUMBER: 092-06131-253-375-2 -----*-----		4
142	7181301	COVER- SUPPLIER CODE: V75250 USED ON: 75130		1
143	28004244	COVER- SUPPLIER CODE: V81873 USED ON: 22280710 22280710-001		1

ILLUSTRATION ITEMS NOT ON PARTS LIST ARE NOT APPLICABLE

- ITEM NOT ILLUSTRATED

HXL

22-12-01-01

BOEING PROPRIETARY - Copyright © - Unpublished Work - See title page for details.

22-12-01
FIG. 01
PAGE 18
AUG 22/07



767

PARTS CATALOG (MAINTENANCE)

FIG ITEM	PART NUMBER	1 2 3 4 5 6 7	NOMENCLATURE	EFFECT FROM TO	UNITS PER ASSY
1					
144	A28806	CAP- SUPPLIER CODE: V94697 USED ON: A71882-1 ATTACHING PARTS		1
145	28004493	SCREW- SUPPLIER CODE: V81873		4
145	MS35275-213	SCREW		4
145	A01402-304	SCREW- SUPPLIER CODE: V94697		4
147	092-05540	WASHER- SUPPLIER CODE: V94697		4
			-----*-----		
148	82005531-034	PACKING-PREFORMED SUPPLIER CODE: V81873 USED ON: 22280710 22280710-001		1
148A	8002912	PACKING-PREFORMED SUPPLIER CODE: V75250 USED ON: 75130		1
148B	080-29270-184	PACKING-PREFORMED SUPPLIER CODE: V94697 USED ON: A71882-1		1
148C	70754	MOTOR-TORQUE, FEEDBACK SPR AND PJTR JET SUBASSY SUPPLIER CODE: V75250 USED ON: 75130		1
148D	A28791-1	MOTOR-TORQUE, AND AMP ASSY SUPPLIER CODE: V94697 USED ON: A718821-1		1

ILLUSTRATION ITEMS NOT ON PARTS LIST ARE NOT APPLICABLE

- ITEM NOT ILLUSTRATED

HXL

22-12-01-01

BOEING PROPRIETARY - Copyright © - Unpublished Work - See title page for details.

22-12-01
FIG. 01
PAGE 19
AUG 22/07

 **BOEING**
767
PARTS CATALOG (MAINTENANCE)

FIG ITEM	PART NUMBER	1 2 3 4 5 6 7	NOMENCLATURE	EFFECT FROM TO	UNITS PER ASSY
1					
149	28004426-001	MOTOR ASSY-TORQUE, AND FEEDBACK WIRE ASSY SUPPLIER CODE: V81873 USED ON: 22280710		1
149	28004539-001	MOTOR ASSY-TORQUE, AND FEEDBACK WIRE ASSY SUPPLIER CODE: V81873 USED ON: 22280710-001 ATTACHING PARTS		1
150	NAS1101E08H6	SCREW		2
150	NAS1352-06LL7P	SCREW		2
150	71886	SCREW- SUPPLIER CODE: V75250		4
151	NAS620C6	WASHER		2
151	BCREF11044	WASHER- SUPPLIER CODE: V94697 OVERLENGTH PART NUMBER: 092-06131-174-281-2 -----*-----		2
152	28004422-001	WIRE ASSY- SUPPLIER CODE: V81873		1
153	28004227-004	JET- SUPPLIER CODE: V81873		1
154	28004261-001	MOTOR- SUPPLIER CODE: V81873 USED ON: 28004426-001		1
154	28004537-001	MOTOR- SUPPLIER CODE: V81873 USED ON: 28004539-001		1
155	8062412	PACKING-PREFORMED SUPPLIER CODE: V75250 USED ON: 75130		1

ILLUSTRATION ITEMS NOT ON PARTS LIST ARE NOT APPLICABLE

- ITEM NOT ILLUSTRATED

HXL

22-12-01-01

BOEING PROPRIETARY - Copyright © - Unpublished Work - See title page for details.

22-12-01
FIG. 01
PAGE 20
APR 22/08

 **BOEING**
767
PARTS CATALOG (MAINTENANCE)

FIG ITEM	PART NUMBER	1 2 3 4 5 6 7	NOMENCLATURE	EFFECT FROM TO	UNITS PER ASSY
1					
155	82005516-034	PACKING-PREFORMED SUPPLIER CODE: V81873 USED ON: 22280710 22280710-001		1
155	NAS1611-012	PACKING- USED ON: A71882-1		1
156	82005510-034	PACKING-PREFORMED SUPPLIER CODE: V81873 USED ON: 22280710 22280710-001		1
156	8063512	PACKING-PREFORMED SUPPLIER CODE: V75250 USED ON: 75130		1
158	NAS1611-112	...	PACKING-		1
159	069000198-1	...	PLATE-SEAL SUPPLIER CODE: V05939 SPECIFICATION NUMBER: 69-20185-1 OPTIONAL PART: BA1841 V95272 054861 V83259 054861-1 V83259 828109-1 V83259		1
162	A52569	...	COVER-FILTER SUPPLIER CODE: V94697		1
163	A84113-1	...	FILTER-ADPTR SUPPLIER CODE: V94697 USED ON: A28321-9 A28321-10		1
ILLUSTRATION ITEMS NOT ON PARTS LIST ARE NOT APPLICABLE					

- ITEM NOT ILLUSTRATED

HXL

22-12-01-01

BOEING PROPRIETARY - Copyright © - Unpublished Work - See title page for details.

22-12-01
FIG. 01
PAGE 21
AUG 22/08



767

PARTS CATALOG (MAINTENANCE)

FIG ITEM	PART NUMBER	1 2 3 4 5 6 7	NOMENCLATURE	EFFECT FROM TO	UNITS PER ASSY
1 167	NAS1611-024		...PACKING- SB DATA FROM A CMM: POST SB A28320-1 POST SB A28321-2-22-01 USED ON: A28321-2 A28321-3 A28321-4 A28321-5 A28321-6 A28321-7 A28321-8 A28321-9 POST SERVICE BULLETIN: A28321-2-22-01 V94697		1
170	NAS1611-217		...PACKING- USED ON: A28321-9 A28321-10 A28321-2 A28321-3 A28321-4 A28321-5 A28321-6 A28321-7 A28321-8		1
175	C11236-217B		...RING- SUPPLIER CODE: V26879 SPECIFICATION NUMBER: BACR12BM217 OPTIONAL PART: RMR12BM217 V94878 STF800-217 V02107 S30294-217-1 V97820 TF450-217A V07128 2100-217 V26303		2

ILLUSTRATION ITEMS NOT ON PARTS LIST ARE NOT APPLICABLE

- ITEM NOT ILLUSTRATED

HXL

22-12-01-01

BOEING PROPRIETARY - Copyright © - Unpublished Work - See title page for details.

22-12-01
 FIG. 01
 PAGE 22
 AUG 22/07



767

PARTS CATALOG (MAINTENANCE)

FIG ITEM	PART NUMBER	1 2 3 4 5 6 7	NOMENCLATURE	EFFECT FROM TO	UNITS PER ASSY
1 185	NAS1611-012		...PACKING- USED ON: A28321-9 A28321-10 A28321-2 A28321-3 A28321-4 A28321-5 A28321-6 A28321-7 A28321-8 A28321-13		1
190	C11236-012B		...RING- SUPPLIER CODE: V26879 SPECIFICATION NUMBER: BACR12BM012 OPTIONAL PART: RMR12BM012 V94878 STF800-012 V02107 S30294-012-1 V97820 TF450-012A V07128 2100-012 V26303 USED ON: A28321-9 A28321-10 A28321-2 A28321-3 A28321-4 A28321-5 A28321-6 A28321-7 A28321-8		2
195	NAS1612-4		...PACKING- USED ON: A28321-9 A28321-10 A28321-2 A28321-3 A28321-4 A28321-5 A28321-6 A28321-7 A28321-8		1

ILLUSTRATION ITEMS NOT ON PARTS LIST ARE NOT APPLICABLE

- ITEM NOT ILLUSTRATED

22-12-01-01

22-12-01
FIG. 01
PAGE 23
AUG 22/07

HXL

 **BOEING**
767
PARTS CATALOG (MAINTENANCE)

FIG ITEM	PART NUMBER	1 2 3 4 5 6 7	NOMENCLATURE	EFFECT FROM TO	UNITS PER ASSY
1 197	FP108		... PLUG SUPPLIER CODE: V34662 SPECIFICATION NUMBER: BACP20BH6 OPTIONAL PART: TF9 V23540 809 V81904		1
198	MS21902D6		... UNION- USED ON: A28321-9 A28321-10 A28321-11 A28321-12 A28321-13		1
200	NAS1612-6		... PACKING-		1
205	NAS1611-012		... PACKING-		3
215	A44345		... SCREEN-HIGH PRESSURE FILTER SUPPLIER CODE: V94697 USED ON: A28321-9 A28321-10 A28321-11 A28321-12 A28321-13 A28321-14 A28321-15 A28321-16 A28321-17 A28321-18		1
225	MS21902K4		... UNION- USED ON: A28321-9 A28321-10 A28321-11 A28321-12 A28321-13 A28321-14 A28321-15 A28321-16 A28321-17 A28321-18		1
- 800	286T0611-002		WIRE BUNDLE ASSY- POSITION DATA: CTR		1

ILLUSTRATION ITEMS NOT ON PARTS LIST ARE NOT APPLICABLE

- ITEM NOT ILLUSTRATED

HXL

22-12-01-01

BOEING PROPRIETARY - Copyright © - Unpublished Work - See title page for details.

22-12-01
FIG. 01
PAGE 24
AUG 22/08



767

PARTS CATALOG (MAINTENANCE)

FIG ITEM	PART NUMBER	1 2 3 4 5 6 7	NOMENCLATURE	EFFECT FROM TO	UNITS PER ASSY
1 803	900-555L22-34		.CLAMP- SUPPLIER CODE: V31461 SPECIFICATION NUMBER: BACC10HG22 OPTIONAL PART: 6000-124-1022 V14283 S2252-22-8 V07418 G8994M22 V06324 G899422 V06324 ELECTRICAL EQUIP NUMBER: D00189T WIRING DIAGRAM REF: 221131		1
806	BCREFA0332		.CONNECTOR- OVERLENGTH PART NUMBER: BACC63BP22A19SNL ELECTRICAL EQUIP NUMBER: D00189 WIRING DIAGRAM REF: 221131		1
- 820 823	286T0591-102 GS3418-22CD		WIRE BUNDLE ASSY- .CLAMP- SUPPLIER CODE: V06324 SPECIFICATION NUMBER: BACC10HG22 OPTIONAL PART: S2126-22-8 V07418 ELECTRICAL EQUIP NUMBER: D00181T WIRING DIAGRAM REF: 221111		1 1
826	BCREF5958		.CONNECTOR- OVERLENGTH PART NUMBER: BACC63BP22R19SNL ELECTRICAL EQUIP NUMBER: D00181 WIRING DIAGRAM REF: 221111		1
- 840	286T0603-002		WIRE BUNDLE ASSY- POSITION DATA: RH		1

ILLUSTRATION ITEMS NOT ON PARTS LIST ARE NOT APPLICABLE

- ITEM NOT ILLUSTRATED

22-12-01-01

22-12-01
FIG. 01
PAGE 25
AUG 22/08

HXL



767

PARTS CATALOG (MAINTENANCE)

FIG ITEM	PART NUMBER	1 2 3 4 5 6 7	NOMENCLATURE	EFFECT FROM TO	UNITS PER ASSY
1 843	S3819-22-65		.CLAMP- SUPPLIER CODE: V07418 SPECIFICATION NUMBER: BACC10KD22 OPTIONAL PART: 620AS028NF22L V06324 ELECTRICAL EQUIP NUMBER: D00197T WIRING DIAGRAM REF: 221121		1
846	BCREF5958		.CONNECTOR- OVERLENGTH PART NUMBER: BACC63BP22R19SNL ELECTRICAL EQUIP NUMBER: D00197 WIRING DIAGRAM REF: 221121		1
900			ILLUSTRATION REFERENCE: HYDRAULIC INSTL-SECT. 48 BODY AFT (AUTOFLIGHT ONLY) 22-12-51-01		RF

ILLUSTRATION ITEMS NOT ON PARTS LIST ARE NOT APPLICABLE

- ITEM NOT ILLUSTRATED

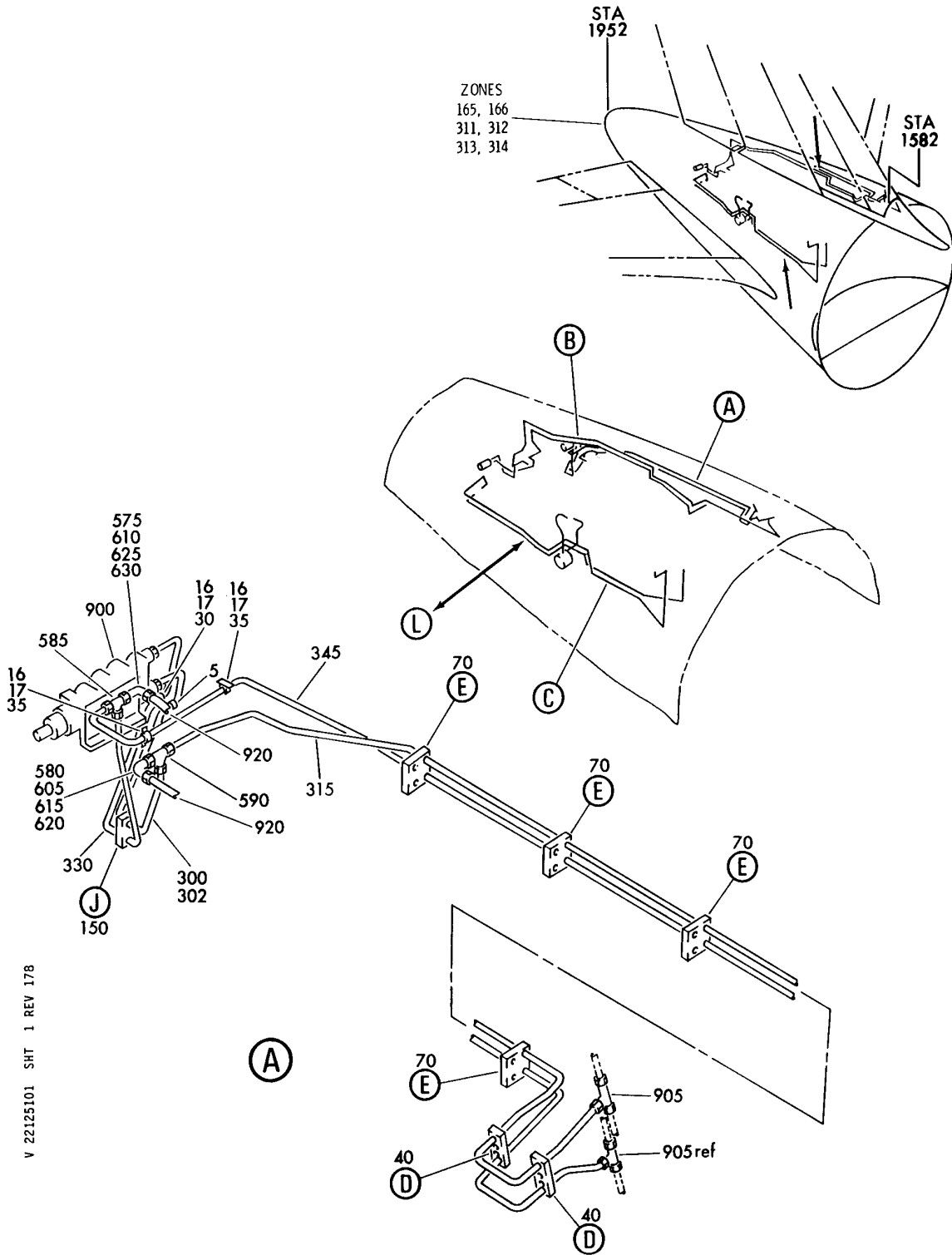
HXL

22-12-01-01

BOEING PROPRIETARY - Copyright © - Unpublished Work - See title page for details.

22-12-01
FIG. 01
PAGE 26
AUG 22/08

BOEING
767
PARTS CATALOG (MAINTENANCE)



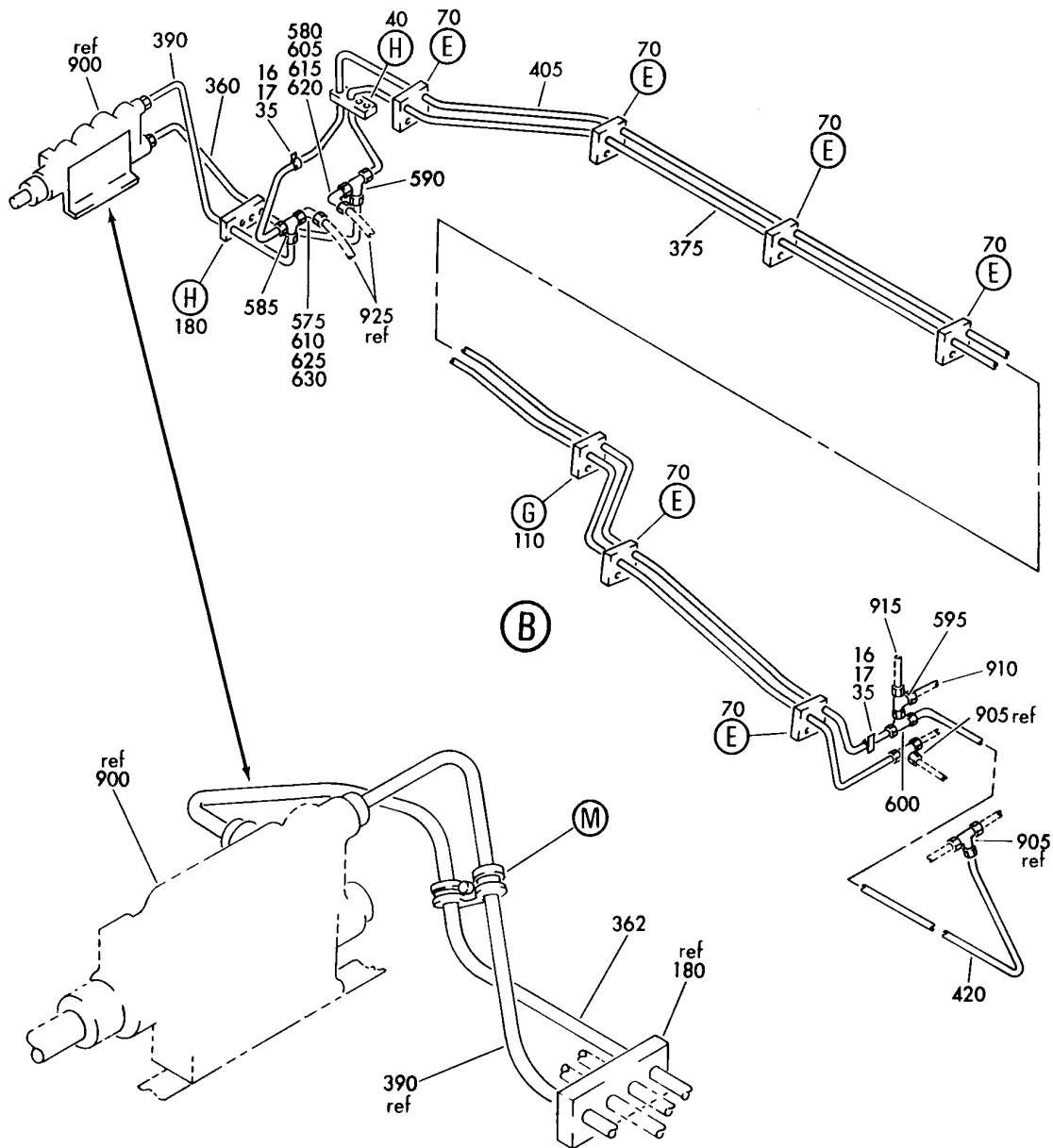
V 22125101 SHT 1 REV 178

HYDRAULIC INSTL-SECT. 48 BODY AFT (AUTOFLIGHT ONLY)
FIGURE 1 (SHEET 1)

22-12-51-01

HXL
DEC 22/06

22-12-51-01
PAGE 0



V 22125101 SHT 2 REV 178

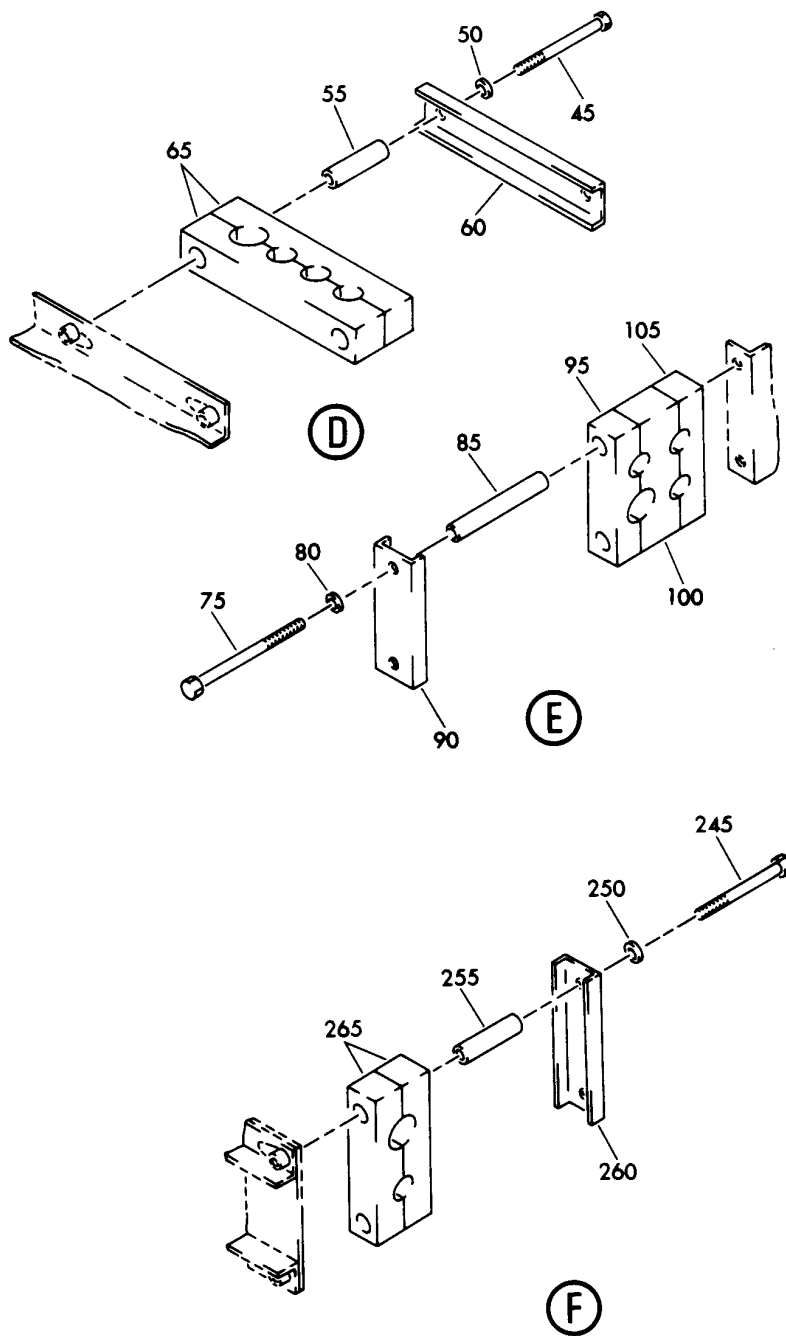
HYDRAULIC INSTL-SECT. 48 BODY AFT (AUTOFLIGHT ONLY)
FIGURE 1 (SHEET 2)

22-12-51-01

HXL
DEC 22/06

22-12-51-01
PAGE 0A

BOEING
767
PARTS CATALOG (MAINTENANCE)



V 22125101 SHT 3 REV 021

HYDRAULIC INSTL-SECT. 48 BODY AFT (AUTOFLIGHT ONLY)
FIGURE 1 (SHEET 3)

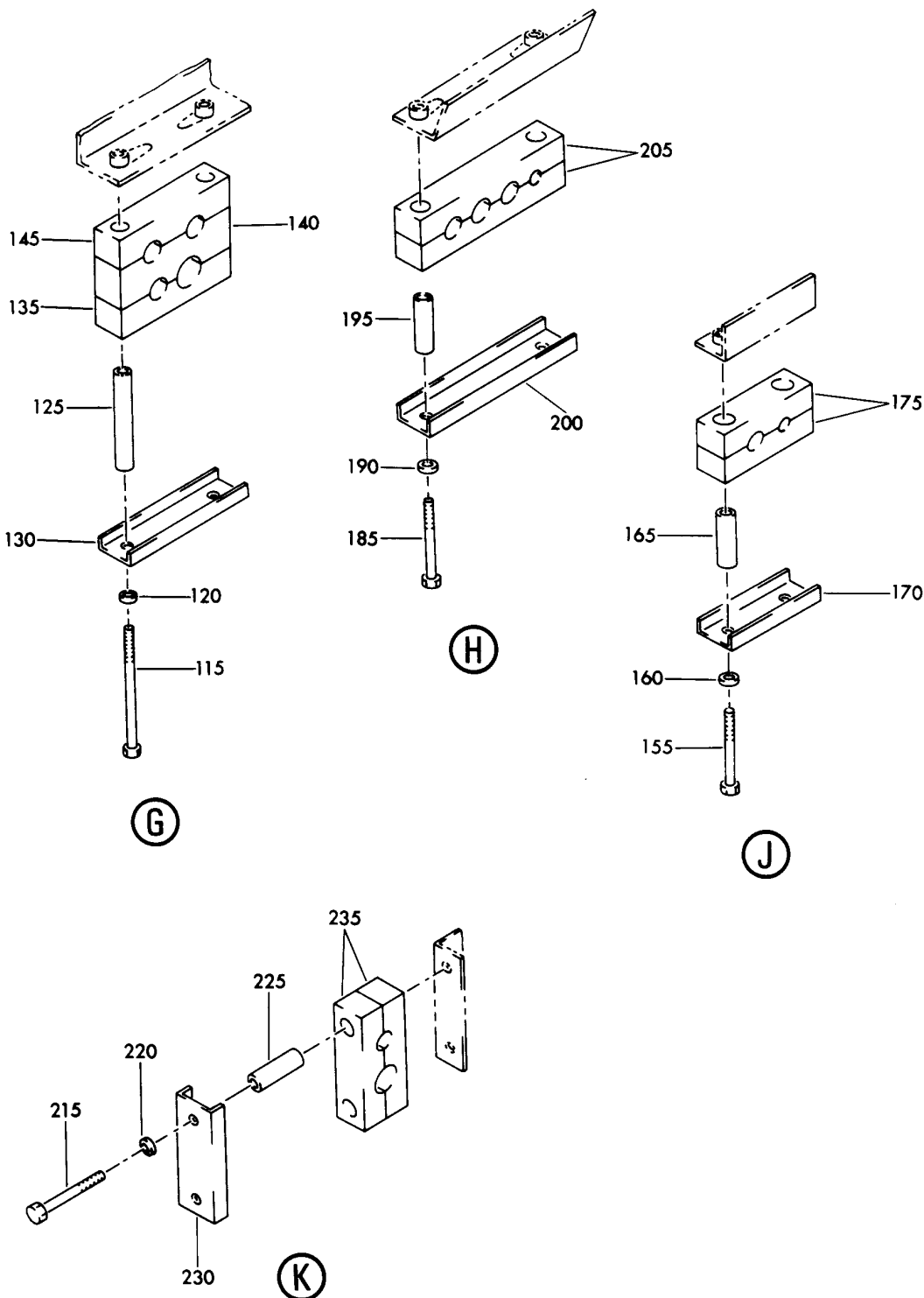
22-12-51-01

HXL
DEC 22/06

22-12-51-01
PAGE 0B

BOEING PROPRIETARY - Copyright © - Unpublished Work - See title page for details.

BOEING
767
PARTS CATALOG (MAINTENANCE)



V 22125101 SHT 4 REV 021

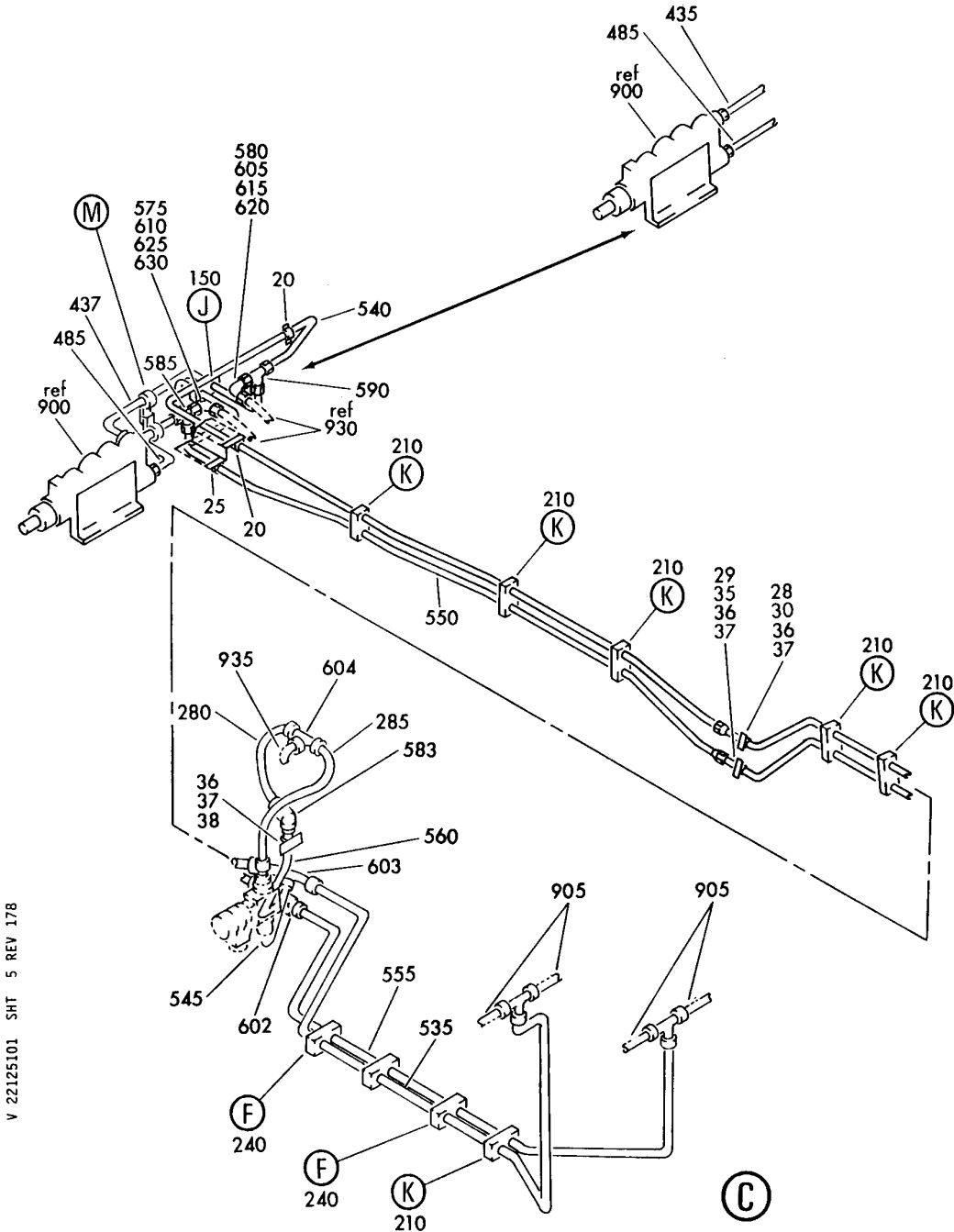
HYDRAULIC INSTL-SECT. 48 BODY AFT (AUTOFLIGHT ONLY)
FIGURE 1 (SHEET 4)

22-12-51-01

HXL
DEC 22/06

22-12-51-01
PAGE 0C

BOEING
767
PARTS CATALOG (MAINTENANCE)



V 22125101 SHT 5 REV 178

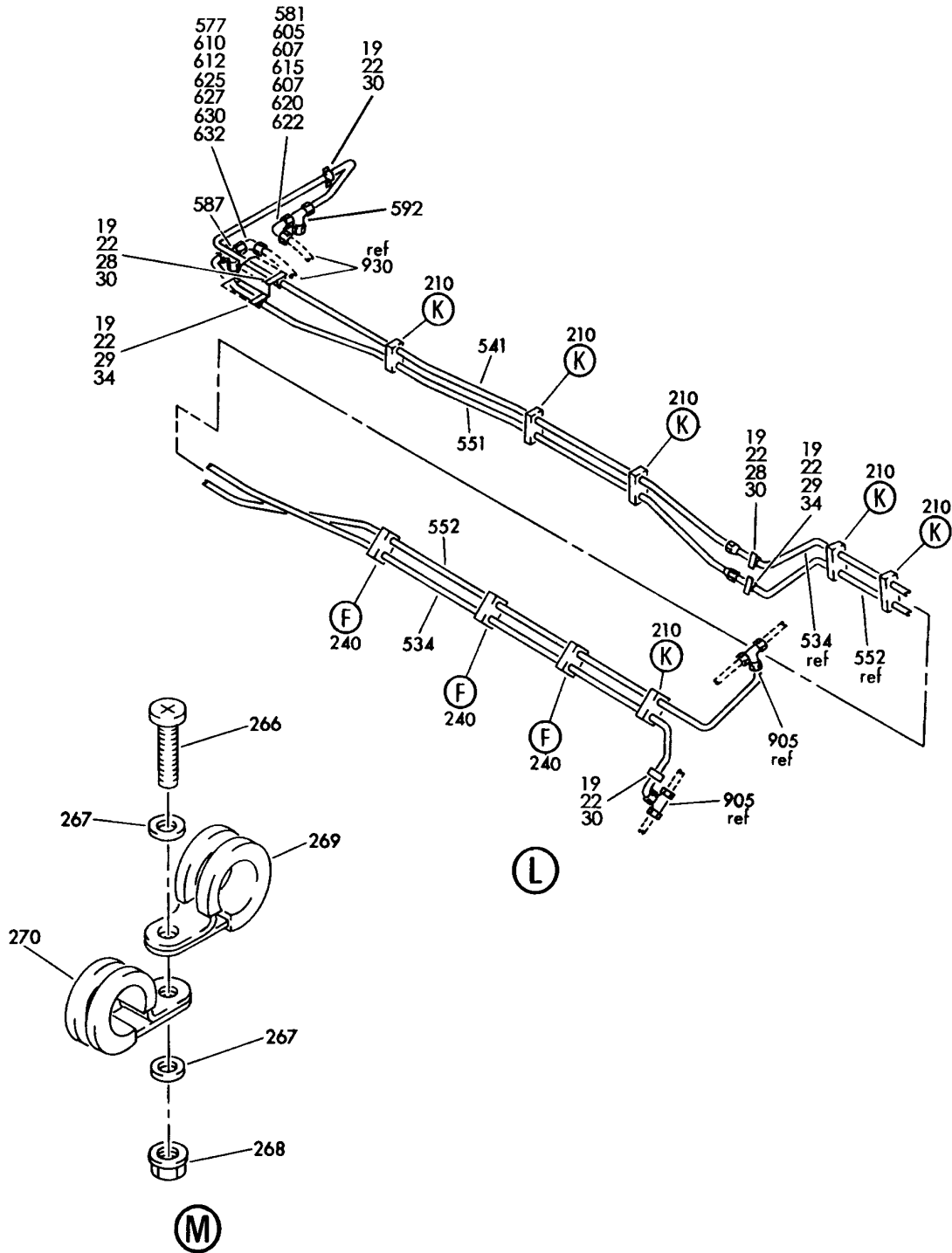
HYDRAULIC INSTL-SECT. 48 BODY AFT (AUTOFLIGHT ONLY)
FIGURE 1 (SHEET 5)

22-12-51-01

HXL
DEC 22/06

22-12-51-01
PAGE 0D


BOEING
 767
PARTS CATALOG (MAINTENANCE)



HYDRAULIC INSTL-SECT. 48 BODY AFT (AUTOFLIGHT ONLY)
 FIGURE 1 (SHEET 6)

22-12-51-01

HXL
 DEC 22/06

22-12-51-01
 PAGE 0E

 **BOEING**
767
PARTS CATALOG (MAINTENANCE)

FIG ITEM	PART NUMBER	1 2 3 4 5 6 7	NOMENCLATURE	EFFECT FROM TO	UNITS PER ASSY
1			HYDRAULIC INSTL-SECT. 48 BODY AFT (AUTOFLIGHT ONLY)		
- 1	272T4800-3		HYDRAULIC INSTL-BODY (AUTOFLIGHT ONLY) POSITION DATA: SECT. 48 AFT VARIABLE DRAWING REF: 272T4800-5070 272T4800-5082 272T4800-5087 272T4800-7002 FOR NHA/OTHER SYS DET SEE: 29-00-00-02		RF
5	M85052-2-4		.CLAMP ATTACHING PARTS		1
- 10	NAS1801-3-9		.SCREW		1
- 15	AN960PD10L		.WASHER-		1
			-----*-----		
16	NAS1801-3-9		.SCREW		16
17	AN960JD10L		.WASHER		10
19	NAS1801-3-9		.SCREW-		6
20	AN960JD10L		.WASHER		6
22	AN960JD10L		.WASHER-		6
28	BACS18AW6		.SPACER-		2
29	BACS18AW8		.SPACER-		2
30	TA0910004H106		.CLAMP-		4
			SUPPLIER CODE: V84971 SPECIFICATION NUMBER: BACC10HB06C		
34	TA0910004H108		.CLAMP-		2
			SUPPLIER CODE: V84971 SPECIFICATION NUMBER: BACC10HB08C		
35	TA0910004H108		.CLAMP		4
			SUPPLIER CODE: V84971 SPECIFICATION NUMBER: BACC10HB08C		
36	NAS1801-3-9		.SCREW-		2
37	AN960JD10L		.WASHER-		2
38	TA0910004H108		.CLAMP-		1
			SUPPLIER CODE: V84971 SPECIFICATION NUMBER: BACC10HB08C		
40	270T0005-429		.BLOCK ASSY-SPRT		3

ILLUSTRATION ITEMS NOT ON PARTS LIST ARE NOT APPLICABLE

- ITEM NOT ILLUSTRATED

HXL

22-12-51-01

22-12-51
FIG. 01
PAGE 1
DEC 22/07

 **BOEING**
767
PARTS CATALOG (MAINTENANCE)

FIG ITEM	PART NUMBER	1 2 3 4 5 6 7	NOMENCLATURE	EFFECT FROM TO	UNITS PER ASSY
1					
45	NAS1801-3-26	..	SCREW-		2
50	AN960PD10L	..	WASHER		2
55	NAS43DD3-68	..	SPACER		2
60	270T0004-71	..	CHANNEL		1
65	270T0004-481	..	BLOCK-CLAMP		2
70	270T0005-428	.	BLOCK ASSY-SPRT		10
75	NAS1801-3-37	..	SCREW		2
80	AN960PD10L	..	WASHER		2
85	NAS43DD3-115	..	SPACER		2
90	65B80254-320	..	CHANNEL		1
95	65B80254-232	..	BLOCK-CLAMP		1
100	270T0004-477	..	BLOCK-CLAMP		1
105	270T0004-262	..	BLOCK-CLAMP		1
110	270T0005-427	.	BLOCK ASSY-SPRT		1
115	NAS1801-3-37	..	SCREW		2
120	AN960PD10L	..	WASHER		2
125	NAS43DD3-115	..	SPACER		2
130	270T0004-3	..	CHANNEL		1
135	270T0004-267	..	BLOCK-CLAMP		1
140	270T0004-482	..	BLOCK-CLAMP		1
145	270T0004-207	..	BLOCK-CLAMP		1
150	270T0005-222	.	BLOCK ASSY-SPRT		2
155	NAS1801-3-23	..	SCREW-		2
160	AN960PD10L	..	WASHER-		2
165	NAS43DD3-59	..	SPACER		2
170	270T0004-1	..	CHANNEL		1
175	270T0004-201	..	BLOCK-CLAMP		2
180	270T0005-424	.	BLOCK ASSY-SPRT		1
185	NAS1801-3-24	..	SCREW-		2
190	AN960PD10L	..	WASHER-		2
195	NAS43DD3-59	..	SPACER		2
200	270T0004-11	..	CHANNEL		1
205	270T0004-473	..	BLOCK-CLAMP		2
210	270T0005-217	.	BLOCK ASSY-SPRT		6
215	NAS1801-3-26	..	SCREW-		2
220	AN960PD10L	..	WASHER		2
225	NAS43DD3-68	..	SPACER		2
230	65B80254-320	..	CHANNEL		1
235	65B80254-232	..	BLOCK-CLAMP		2
240	270T0005-233	.	BLOCK ASSY-SPRT		3
245	NAS1801-3-28	..	SCREW-		2
250	AN960PD10L	..	WASHER		2
255	NAS43DD3-68	..	SPACER		2
260	270T0004-3	..	CHANNEL		1
265	270T0004-260	..	BLOCK-CLAMP		2
266	NAS1801-3-9	.	SCREW-		2
267	AN960JD10L	.	WASHER-		4
268	MS21042L3	.	NUT-		2
269	M85052-2-6	.	CLAMP-		2

ILLUSTRATION ITEMS NOT ON PARTS LIST ARE NOT APPLICABLE

— ITEM NOT ILLUSTRATED

HXL

22-12-51-01

BOEING PROPRIETARY - Copyright © - Unpublished Work - See title page for details.

22-12-51
FIG. 01
PAGE 2
DEC 22/07



767

PARTS CATALOG (MAINTENANCE)

FIG ITEM	PART NUMBER	1 2 3 4 5 6 7	NOMENCLATURE	EFFECT FROM TO	UNITS PER ASSY
1					
270	M85052-2-4	.	CLAMP-		2
280	AS154A04EN0132	.	HOSE-		1
			SUPPLIER CODE: V00624		
			SPECIFICATION NUMBER: BACH8A04EN0132		
			OPTIONAL PART: B472-4EN0132		
			V98441		
			97934A04EN0132		
			V78570		
			R291204EN0132		
			V50599		
285	AS1633A08K0172	.	HOSE-		1
302	272T4800-213	.	TUBE ASSY-FLIGHT CONT PRESSURE SYS		1
			POSITION DATA: L		
			TUBING MATERIAL: .250 IN. OD .016 IN. WALL 29.00 IN. LG TITANIUM		
- 305	AS1581T04	..	SLEEVE		2
- 310	BACN10YA4N	..	NUT-		2
315	272T4800-214	.	TUBE ASSY-FLIGHT CONT TUBING MATERIAL: .375 IN. OD .019 IN. WALL 129.00 IN. LG TITANIUM		1
- 320	AS1581T06	..	SLEEVE		2

ILLUSTRATION ITEMS NOT ON PARTS LIST ARE NOT APPLICABLE

- ITEM NOT ILLUSTRATED

HXL

22-12-51-01

BOEING PROPRIETARY - Copyright © - Unpublished Work - See title page for details.

22-12-51
FIG. 01
PAGE 3
DEC 22/07



767

PARTS CATALOG (MAINTENANCE)

FIG ITEM	PART NUMBER	1 2 3 4 5 6 7	NOMENCLATURE	EFFECT FROM TO	UNITS PER ASSY
1 - 325	AFP107-6		..NUT- SUPPLIER CODE: V30974 SPECIFICATION NUMBER: BACN10NR6 OPTIONAL PART: AP1028T6 V01673 BC921T6 V50948 DBON10NR6 V14798 ER01921-6T V88334 FER8928-6 V14397 F11-6 V73197 2-03005T6 V11328 31783-6 V14397 35068-06 V08199 BACN10YA6		2
- 325 330	BACN10YA6N 272T4800-312		..NUT- .TUBE ASSY-RETURN SYS POSITION DATA: L TUBING MATERIAL: .375 IN. OD .035 IN. WALL 49.00 IN. LG ALUMINUM	163163	2 1
330	272T4800-415		.TUBE ASSY-RETURN SYS POSITION DATA: L TUBING MATERIAL: .375 IN. OD .035 IN. WALL 46.00 IN. LG ALUMINUM	155162 164999	1

ILLUSTRATION ITEMS NOT ON PARTS LIST ARE NOT APPLICABLE

- ITEM NOT ILLUSTRATED

HXL

22-12-51-01

BOEING PROPRIETARY - Copyright © - Unpublished Work - See title page for details.

22-12-51
FIG. 01
PAGE 4
DEC 22/08



767

PARTS CATALOG (MAINTENANCE)

FIG ITEM	PART NUMBER	1 2 3 4 5 6 7	NOMENCLATURE	EFFECT FROM TO	UNITS PER ASSY
1					
- 335	AP2097HP06	..	SLEEVE SUPPLIER CODE: V01673 SPECIFICATION NUMBER: BACS13BX06HP OPTIONAL PART: 2-02903-06HP V11328 35235VN06 V08199 AFP175V06P V30974 DBOS13BX06HP V14798		2
- 340	BACN10YLO6	..	NUT-		2
345	272T4800-412	.TUBE ASSY-RETURN SYS	POSITION DATA: L TUBING MATERIAL: .500 IN. OD .035 IN. WALL 143.00 IN. LG ALUMINUM		1
- 350	AP2097HP08	..	SLEEVE SUPPLIER CODE: V01673 SPECIFICATION NUMBER: BACS13BX08HP OPTIONAL PART: 2-02903-08HP V11328 35235VN08 V08199 AFP175V08P V30974 DBOS13BX08HP V14798		2
- 355	BACN10YLO8	..	NUT-		2
362	272T4800-138	.TUBE ASSY-FLIGHT CONT	PRESSURE CTR SYS TUBING MATERIAL: .250 IN. OD .016 IN. WALL 35.00 IN. LG TITANIUM		1
- 365	AS1581T04	..	SLEEVE		2
- 370	BACN10YA4N	..	NUT-		2

ILLUSTRATION ITEMS NOT ON PARTS LIST ARE NOT APPLICABLE

- ITEM NOT ILLUSTRATED

22-12-51-01

22-12-51
FIG. 01
PAGE 5
DEC 22/06

HXL



767

PARTS CATALOG (MAINTENANCE)

FIG ITEM	PART NUMBER	1 2 3 4 5 6 7	NOMENCLATURE	EFFECT FROM TO	UNITS PER ASSY
1 375	272T4800-136		.TUBE ASSY-FLIGHT CONT PRESSURE CTR SYS TUBING MATERIAL: .375 IN. OD .019 IN. WALL 166.00 IN. LG TITANIUM	163999	1
375	272T4800-224		.TUBE ASSY-FLIGHT CONT PRESSURE CTR SYS TUBING MATERIAL: .375 IN. OD .019 IN. WALL 162.00 IN. LG TITANIUM	155162	1
- 380	AS1581T06		..SLEEVE		2
- 385	BACN10YA6		..NUT- OPTIONAL PART: BACN10NR6	163999	2
- 385	AFP107-6		..NUT- SUPPLIER CODE: V30974 SPECIFICATION NUMBER: BACN10NR6 OPTIONAL PART: AP1028T6 V01673 BC921T6 V50948 DBON10NR6 V14798 ER01921-6T V88334 FER8928-6 V14397 F11-6 V73197 2-03005T6 V11328 31783-6 V14397 35068-06 V08199 BACN10YA6	163999	2
- 385	BACN10YA6N		..NUT-	155162	2
390	272T4800-335		.TUBE ASSY-RETURN CTR SYS TUBING MATERIAL: .375 IN. OD .035 IN. WALL 27.00 IN. LG ALUMINUM		1

ILLUSTRATION ITEMS NOT ON PARTS LIST ARE NOT APPLICABLE

- ITEM NOT ILLUSTRATED

22-12-51-01

22-12-51
FIG. 01
PAGE 6
DEC 22/08

HXL

BOEING PROPRIETARY - Copyright © - Unpublished Work - See title page for details.



767

PARTS CATALOG (MAINTENANCE)

FIG ITEM	PART NUMBER	1 2 3 4 5 6 7	NOMENCLATURE	EFFECT FROM TO	UNITS PER ASSY
1 - 395	AP2097HP06		.. SLEEVE SUPPLIER CODE: V01673 SPECIFICATION NUMBER: BACS13BX06HP OPTIONAL PART: 2-02903-06HP V11328 35235VN06 V08199 AFP175V06P V30974 DBOS13BX06HP V14798		2
- 400 405	BACN10YLO6 272T4800-334		.. NUT- .TUBE ASSY-RETURN CTR SYS TUBING MATERIAL: .500 IN. OD .035 IN. WALL 156.30 IN. LG ALUMINUM	163999	2 1
405	272T4800-425		.TUBE ASSY-RETURN CTR SYS TUBING MATERIAL: .500 IN. OD .035 IN. WALL 165.00 IN. LG ALUMINUM	155162	1
- 410	AP2097HP08		.. SLEEVE SUPPLIER CODE: V01673 SPECIFICATION NUMBER: BACS13BX08HP OPTIONAL PART: 2-02903-08HP V11328 35235VN08 V08199 AFP175V08P V30974 DBOS13BX08HP V14798		2
- 415 420	BACN10YLO8 272T4800-339		.. NUT- .TUBE ASSY-RETURN CTR SYS TUBING MATERIAL: .625 IN. OD .035 IN. WALL 72.00 IN. LG ALUMINUM	163999	2 1

ILLUSTRATION ITEMS NOT ON PARTS LIST ARE NOT APPLICABLE

- ITEM NOT ILLUSTRATED

HXL

22-12-51-01

BOEING PROPRIETARY - Copyright © - Unpublished Work - See title page for details.

22-12-51
FIG. 01
PAGE 7
DEC 22/07



767

PARTS CATALOG (MAINTENANCE)

FIG ITEM	PART NUMBER	1 2 3 4 5 6 7	NOMENCLATURE	EFFECT FROM TO	UNITS PER ASSY
1 420	272T4800-426		.TUBE ASSY-RETURN CTR SYS TUBING MATERIAL: .625 IN. OD .035 IN. WALL 71.00 IN. LG ALUMINUM	155162	1
- 425	AP2097HP10		..SLEEVE SUPPLIER CODE: V01673 SPECIFICATION NUMBER: BACS13BX10HP OPTIONAL PART: 2-02903-10HP V11328 35235VN10 V08199 AFP175V10P V30974 DBOS13BX10HP V14798		2
- 430 437	BACN10YL10 272T4800-152		..NUT- .TUBE ASSY-FLIGHT CONT PRESSURE SYS POSITION DATA: R TUBING MATERIAL: .250 IN. OD .016 IN. WALL 31.00 IN. LG TITANIUM		2 1
- 440 - 445 485	AS1581T04 BACN10YA4N 272T4800-346		..SLEEVE ..NUT- .TUBE ASSY-RETURN SYS POSITION DATA: R TUBING MATERIAL: .375 IN. OD .035 IN. WALL 29.06 IN. LG ALUMINUM	163163	2 2 1
485	272T4800-358		.TUBE ASSY-RETURN SYS POSITION DATA: R TUBING MATERIAL: .375 IN. OD .035 IN. WALL 36.00 IN. LG ALUMINUM	155162 164999	1

ILLUSTRATION ITEMS NOT ON PARTS LIST ARE NOT APPLICABLE

- ITEM NOT ILLUSTRATED

22-12-51-01

22-12-51
FIG. 01
PAGE 8
DEC 22/07

HXL



767

PARTS CATALOG (MAINTENANCE)

FIG ITEM	PART NUMBER	1 2 3 4 5 6 7	NOMENCLATURE	EFFECT FROM TO	UNITS PER ASSY
1					
- 490	AP2097HP06	..	SLEEVE SUPPLIER CODE: V01673 SPECIFICATION NUMBER: BACS13BX06HP OPTIONAL PART: 2-02903-06HP V11328 35235VN06 V08199 AFP175V06P V30974 DBOS13BX06HP V14798		2
- 495	BACN10YL06	..	NUT-		2
535	272T4800-149	.TUBE ASSY-FLIGHT CONT PRESSURE SYS POSITION DATA: R TUBING MATERIAL: .375 IN. OD .019 IN. WALL 74.25 IN. LG TITANIUM			1
- 537	AS1581T06	..	SLEEVE		2
- 539	BACN10YA6N	..	NUT		2
540	272T4800-150	.TUBE ASSY-FLIGHT CONT PRESSURE SYS POSITION DATA: R TUBING MATERIAL: .375 IN. OD .019 IN. . WALL 125.00 IN. LG TITANIUM			1
- 543	AS1581T06	..	SLEEVE		2
- 544	BACN10YA6N	..	NUT		2
545	272T4800-151	.TUBE ASSY-FLIGHT CONT PRESSURE SYS POSITION DATA: R TUBING MATERIAL: .375 IN. OD .019 IN. WALL 15.00 IN. LG TITANIUM			1
- 546	AS1581T06	..	SLEEVE		2
- 547	BACN10YA6N	..	NUT		2

ILLUSTRATION ITEMS NOT ON PARTS LIST ARE NOT APPLICABLE

- ITEM NOT ILLUSTRATED

22-12-51-01

22-12-51
FIG. 01
PAGE 9
DEC 22/06

HXL



767

PARTS CATALOG (MAINTENANCE)

FIG ITEM	PART NUMBER	1 2 3 4 5 6 7	NOMENCLATURE	EFFECT FROM TO	UNITS PER ASSY
1 550	272T4800-352		.TUBE ASSY-RETURN SYS POSITION DATA: R TUBING MATERIAL: .500 IN. OD .035 IN. WALL 115.00 IN. LG ALUMINUM		1
555	272T4800-351		.TUBE ASSY-RETURN SYS POSITION DATA: R TUBING MATERIAL: .500 IN. OD .035 IN. WALL 73.00 IN. LG ALUMINUM		1
- 556	AP2097HP08		..SLEEVE SUPPLIER CODE: V01673 SPECIFICATION NUMBER: BACS13BX08HP OPTIONAL PART: 2-02903-08HP V11328 35235VN08 V08199 AFP175V08P V30974 DBOS13BX08HP V14798		2
- 557	BACN10YL08		..NUT		2
560	272T4800-350		.TUBE ASSY-RETURN SYS POSITION DATA: R TUBING MATERIAL: .500 IN. OD .035 IN. WALL 20.00 IN. LG ALUMINUM		1

ILLUSTRATION ITEMS NOT ON PARTS LIST ARE NOT APPLICABLE

- ITEM NOT ILLUSTRATED

HXL

22-12-51-01

BOEING PROPRIETARY - Copyright © - Unpublished Work - See title page for details.

22-12-51
FIG. 01
PAGE 10
DEC 22/06

 **BOEING**
767
PARTS CATALOG (MAINTENANCE)

FIG ITEM	PART NUMBER	1 2 3 4 5 6 7	NOMENCLATURE	EFFECT FROM TO	UNITS PER ASSY
1					
- 561	AP2097HP08	..	SLEEVE SUPPLIER CODE: V01673 SPECIFICATION NUMBER: BACS13BX08HP OPTIONAL PART: 2-02903-08HP V11328 35235VN08 V08199 AFP175V08P V30974 DBOS13BX08HP V14798		1
- 562	BACN10YL08	..	NUT		1
- 563	35056V08	..	UNION SUPPLIER CODE: V08199 SPECIFICATION NUMBER: BACU24AB8H OPTIONAL PART: 2-01027-8H V11328 31875-8H V14397 4671097H8 V50948 AP1004H08 V01673 AFP941H8 V30974 DBOU24AB8H V14798		1
575	MS21908D8	.ELBOW-			2
575	BACE21BN0808J	.ELBOW-			2
577	MS21908D8	.ELBOW-			1
577	BACE21BN0808J	.ELBOW-			1
580	BACE21BN0606J	.ELBOW			2
581	BACE21BN0606J	.ELBOW-			1
583	BACE21BR0808P	.ELBOW-			1
585	NAS1763D080806	.TEE-			2
585	NAS1763T080806	.TEE-			2
587	NAS1763D080806	.TEE-			1
587	NAS1763T080806	.TEE-			1
590	BACT16BR060604P	.TEE-			2
592	BACT16BR060604P	.TEE-			1
595	NAS1763D100806	.TEE-			1
595	NAS1763T100806	.TEE-			1

ILLUSTRATION ITEMS NOT ON PARTS LIST ARE NOT APPLICABLE

- ITEM NOT ILLUSTRATED

HXL

22-12-51-01

BOEING PROPRIETARY - Copyright © - Unpublished Work - See title page for details.

22-12-51
FIG. 01
PAGE 11
DEC 22/06

 **BOEING**
767
PARTS CATALOG (MAINTENANCE)

FIG ITEM	PART NUMBER	1 2 3 4 5 6 7	NOMENCLATURE	EFFECT FROM TO	UNITS PER ASSY
1 600	APX824D100810	. TEE-	SUPPLIER CODE: V01673 SPECIFICATION NUMBER: BACT16AS100810D OPTIONAL PART: APX824-100810D V01673 DBOT16AS100810D V14798 ER824-100810D V50948 FER1571-100810D V14397 LER824-100810D V11328 NAF1824-100810D V52930 US1925-100810D V50808 AFP325-100810D V30974		1
600	BACT16BL100810J	. TEE-			1
603	BACT16BL060606P	. TEE-			1
604	BACT16BR080806P	. TEE-			1
605	AN924-6D	. NUT			2
607	AN924-6D	. NUT-			1
610	AN924-8D	. NUT			2
612	AN924-8D	. NUT-			1
615	AN960PD916	. WASHER			2
617	AN960PD916	. WASHER-			1
620	AN960PD916L	. WASHER			2
622	AN960PD916L	. WASHER-			1
625	AN960PD1216	. WASHER			2
627	AN960PD1216	. WASHER-			1
630	AN960PD1216L	. WASHER			2
632	AN960PD1216L	. WASHER-			1
900		ILLUSTRATION REFERENCE: SERVO INSTL-AUTOPILOT ELEV 22-12-01-01			RF
905		ILLUSTRATION REFERENCE: HYDRAULIC INSTL-SECT. 48 BODY AFT (RUDDER ONLY) 27-23-51-01			RF
910		ILLUSTRATION REFERENCE: HYDRAULIC INSTL-SECT. 48 BODY AFT (ELEVATOR ONLY) 27-31-71-01			RF
ILLUSTRATION ITEMS NOT ON PARTS LIST ARE NOT APPLICABLE					

- ITEM NOT ILLUSTRATED

HXL

22-12-51-01

BOEING PROPRIETARY - Copyright © - Unpublished Work - See title page for details.

22-12-51
FIG. 01
PAGE 12
DEC 22/06



767

PARTS CATALOG (MAINTENANCE)

FIG ITEM	PART NUMBER	1 2 3 4 5 6 7	NOMENCLATURE	EFFECT FROM TO	UNITS PER ASSY
1 915			ILLUSTRATION REFERENCE: HYDRAULIC INSTL- SECT. 48 BODY AFT (HORIZONTAL STABILIZER ONLY) 27-41-65-01		RF
920			ILLUSTRATION REFERENCE: HYDRAULIC INSTL-SECT. 82 HORIZ STAB. (LH) (FLIGHT CONTROLS ONLY) 27-31-68-05		RF
925			ILLUSTRATION REFERENCE: HYDRAULIC INSTL-SECT. 82 HORIZ STAB. (CTR) (FLIGHT CONTROLS ONLY) 27-31-68-01		RF
930			ILLUSTRATION REFERENCE: HYDRAULIC INSTL-SECT. 82 HORIZ STAB. (RH) (FLIGHT CONTROLS ONLY) 27-31-68-10		RF
935			ILLUSTRATION REFERENCE: HYDRAULIC INSTL-SECT. 48 BODY AFT (HYDRAULIC POWER ONLY) 29-11-80-01		

ILLUSTRATION ITEMS NOT ON PARTS LIST ARE NOT APPLICABLE

- ITEM NOT ILLUSTRATED

HXL

22-12-51-01

BOEING PROPRIETARY - Copyright © - Unpublished Work - See title page for details.

22-12-51
FIG. 01
PAGE 13
DEC 22/06