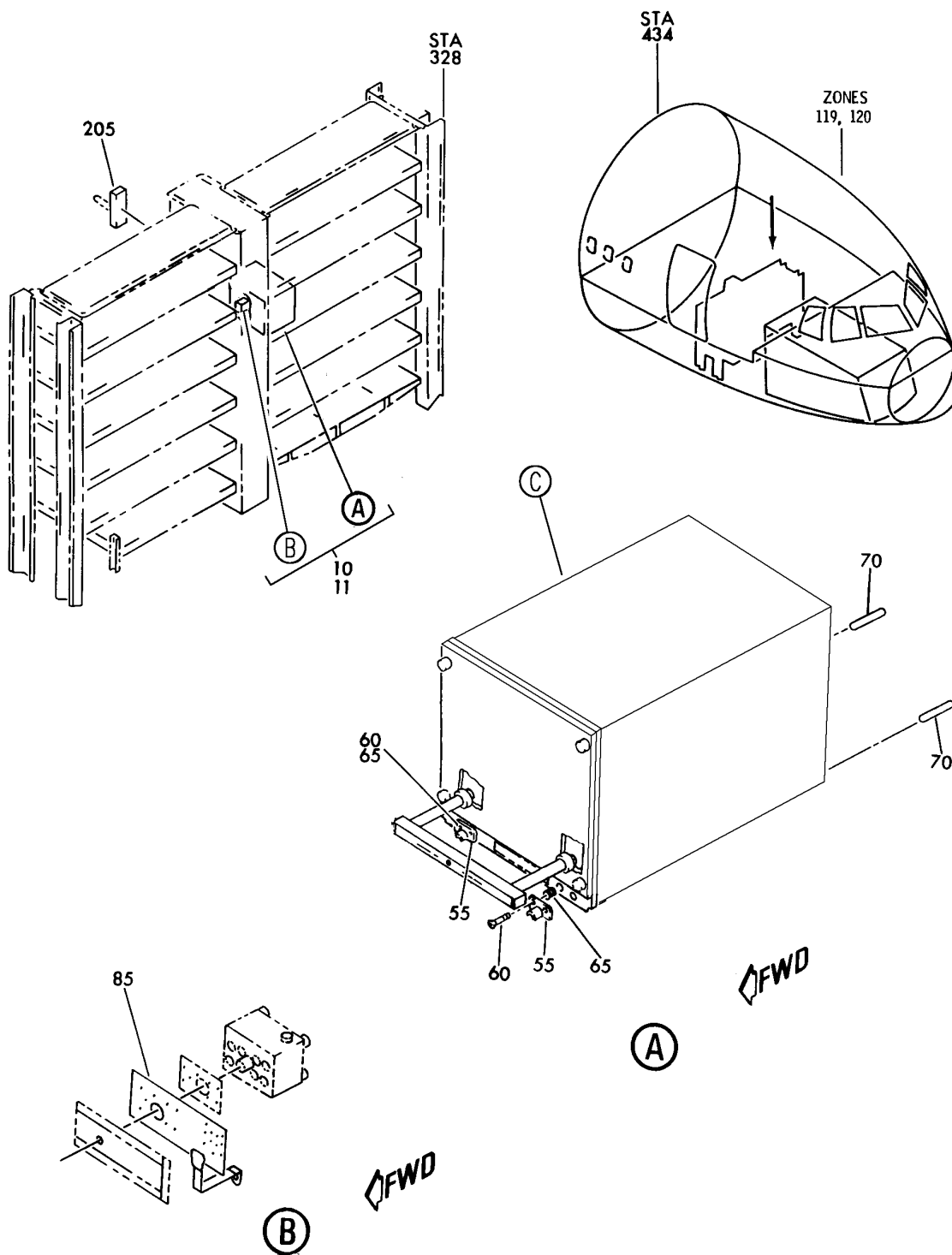


THRUST MANAGEMENT POWER

HXL
DEC 22/06

22-31-00
SECTION TITLE
PAGE 1

BOEING
767
PARTS CATALOG (MAINTENANCE)



V 22310102 SH1 1 REV 256

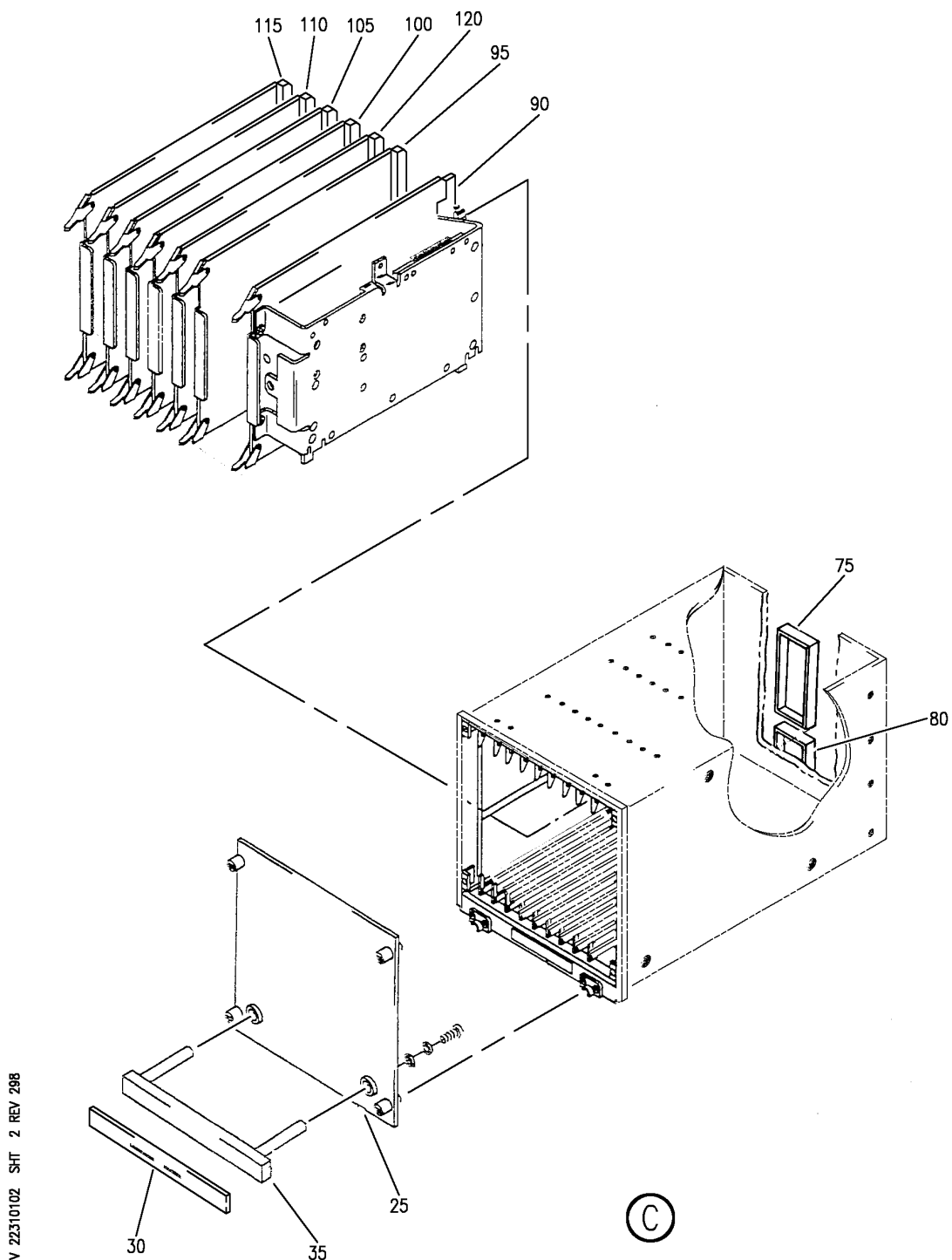
EQUIPMENT INSTL-ELECT. EQPT CTR E1/E2 RACK (THRUST MANAGEMENT POWER ONLY)
FIGURE 2 (SHEET 1)

HXL
DEC 22/06

22-31-01-02

22-31-01-02
PAGE 0

BOEING
767
PARTS CATALOG (MAINTENANCE)



V 22310102 SHT 2 REV 298

EQUIPMENT INSTL-ELECT. EQPT CTR E1/E2 RACK (THRUST MANAGEMENT POWER ONLY)
FIGURE 2 (SHEET 2)

22-31-01-02

HXL
DEC 22/06

22-31-01-02
PAGE 0A



767

PARTS CATALOG (MAINTENANCE)

FIG ITEM	PART NUMBER	1 2 3 4 5 6 7	NOMENCLATURE	EFFECT FROM TO	UNITS PER ASSY
2			EQUIPMENT INSTL-ELECT. EQPT CTR E1/E2 RACK (THRUST MANAGEMENT POWER ONLY)		
- 1	284T0400-618		EQUIPMENT INSTL-ELECT. EQPT CTR E1/E2 RACK (THRUST MANAGEMENT POWER ONLY) VARIABLE DRAWING REF: 284T0400-5284 FOR NHA/OTHER SYS DET SEE: 24-00-58-01J	155162	RF
- 2	284T0400-630		EQUIPMENT INSTL-ELECT. EQPT CTR E1/E2 RACK (THRUST MANAGEMENT POWER ONLY) VARIABLE DRAWING REF: 284T0400-5349 284T0400-5357 FOR NHA/OTHER SYS DET SEE: 24-00-58-01J	163999	RF
11	937E204G2		.COMPUTER ASSY-THRUST MANAGEMENT SUPPLIER CODE: V07482 POSITION DATA: L SPECIFICATION NUMBER: S241T200-1204 ELECTRICAL EQUIP NUMBER: M00183 COMPONENT MAINT MANUAL REF: 22-32-02 QUALIFIED I/W DATA: S241T200-1204 OR S241T200-1205 CAN REPLACE S241T200-1202 UNCONDITIONALLY. S241T200-1202 CAN REPLACE S241T200-1204 OR S241T200-1205 ON 767-200 OR -200ER AIRPLANES EQUIPPED WITH JT9D-7R4D OR JT9D-7R4E ENGINES AND WITH AUTOMATIC TRANSITION TO CLIMB FUNCTION INACTIVE. S241T200-1205 CAN REPLACE S241T200-1204 UNCONDITIONALLY. S241T200-1204 CAN REPLACE S241T200-1205 ON		1

ILLUSTRATION ITEMS NOT ON PARTS LIST ARE NOT APPLICABLE

- ITEM NOT ILLUSTRATED

HXL

22-31-01-02

BOEING PROPRIETARY - Copyright © - Unpublished Work - See title page for details.

22-31-01
FIG. 02
PAGE 1
DEC 22/07



767

PARTS CATALOG (MAINTENANCE)

FIG ITEM	PART NUMBER	1 2 3 4 5 6 7 NOMENCLATURE	EFFECT FROM TO	UNITS PER ASSY
2 11		767-200, -200ER OR -300 AIRPLANES EQUIPPED WITH JT9D-7R4D, JT9D-7R4E, OR JT9D-7R4E4 ENGINES. 105E7206G3/S241T200-1206 CAN REPLACE S241T200-1204 UNCONDITIONALLY. S241T200-1204 CAN REPLACE 105E7206G3 ON 767-200, -200ER, -300 AIRPLANES EQUIPPED WITH JT9D-7R4D, JT9D-7R4E OR JT9D-7R4E4 ENGINES AND WITH ENGINE-OUT AUTOLAND OPTION INACTIVE. POST ALERT SB: 22A0097R1 POST SERVICE BULLETIN: 767/TMS/937E204G1-22-06 V89954		
11	937E205G3	.COMPUTER ASSY-THRUST MANAGEMENT SUPPLIER CODE: V89954 POSITION DATA: L SPECIFICATION NUMBER: S241T200-1205 ELECTRICAL EQUIP NUMBER: M00183 COMPONENT MAINT MANUAL REF: 22-32-02 QUALIFIED I/W DATA: S241T200-1204 OR S241T200-1205 CAN REPLACE S241T200-1202 UNCONDITIONALLY. S241T200-1202 CAN REPLACE S241T200-1204 OR S241T200-1205 ON 767-200 OR -200ER AIRPLANES EQUIPPED WITH JT9D-7R4D OR JT9D-7R4E ENGINES AND WITH AUTOMATIC TRANSITION TO CLIMB FUNCTION INACTIVE. S241T200-1205 CAN REPLACE S241T200-1204		1

ILLUSTRATION ITEMS NOT ON PARTS LIST ARE NOT APPLICABLE

- ITEM NOT ILLUSTRATED

HXL

22-31-01-02

BOEING PROPRIETARY - Copyright © - Unpublished Work - See title page for details.

22-31-01
 FIG. 02
 PAGE 2
 DEC 22/07



767

PARTS CATALOG (MAINTENANCE)

FIG ITEM	PART NUMBER	1 2 3 4 5 6 7	NOMENCLATURE	EFFECT FROM TO	UNITS PER ASSY
2 11			UNCONDITIONALLY. S241T200-1204 CAN REPLACE S241T200-1205 ON 767-200, -200ER OR -300 AIRPLANES EQUIPPED WITH JT9D-7R4D, JT9D-7R4E, OR JT9D-7R4E4 ENGINES. 105E7206G3/S241T200-1206 CAN REPLACE S241T200-1205 UNCONDITIONALLY. S241T200-1205 CAN REPLACE 105E7206G3 IF ENGINES ARE NOT PW4062 AND WITH ENGINE-OUT AUTOLAND OPTION INACTIVE. POST ALERT SB: 22A0097 POST SERVICE BULLETIN: 937E205G2-22-06 V89954		
25	143D6139G2	..	COVER- SUPPLIER CODE: V89954 POSITION DATA: FRONT		1
30	NP251286P1	..	PLATE-IDENT SUPPLIER CODE: V09172		1
35	188C1109G1	..	HANDLE- SUPPLIER CODE: V89954		1
- 40	MS35206-245	..	ATTACHING PARTS SCREW		2
- 45	MS35338-42	..	WASHER		2
- 50	NAS620-8	..	WASHER		2
			-----*-----		

ILLUSTRATION ITEMS NOT ON PARTS LIST ARE NOT APPLICABLE

- ITEM NOT ILLUSTRATED

HXL

22-31-01-02

BOEING PROPRIETARY - Copyright © - Unpublished Work - See title page for details.

22-31-01
FIG. 02
PAGE 3
DEC 22/07



767

PARTS CATALOG (MAINTENANCE)

FIG ITEM	PART NUMBER	1 2 3 4 5 6 7 NOMENCLATURE	EFFECT FROM TO	UNITS PER ASSY
2 55	178C4396P1	.. HOOK-SPRT SUPPLIER CODE: V89954 USED ON: 937E204G1 937E203G1 937E205G2 937E301G3 937E302G1 937E303G1 937E304G2 937E305G1 948E306G1 948E307G1 948E308G1 948E309G2 103E4001G1 105E7206G2 105E7206G3 937E202G2 937E204G2 937E205G3 948E310G2 948E310G1 948E309G3 948E306G2 948E308G2		2

ILLUSTRATION ITEMS NOT ON PARTS LIST ARE NOT APPLICABLE

- ITEM NOT ILLUSTRATED

HXL

22-31-01-02

BOEING PROPRIETARY - Copyright © - Unpublished Work - See title page for details.

22-31-01
 FIG. 02
 PAGE 4
 DEC 22/07



767

PARTS CATALOG (MAINTENANCE)

FIG ITEM	PART NUMBER	1 2 3 4 5 6 7	NOMENCLATURE	EFFECT FROM TO	UNITS PER ASSY
2 65	MS21209C0615		.. INSERT- USED ON: 937E204G1 937E203G1 937E205G2 937E301G3 937E302G1 937E303G1 937E304G2 937E305G1 948E306G1 948E307G1 948E308G1 948E309G2 103E4001G1 105E7206G2 105E7206G3 937E202G2 937E204G2 937E205G3 948E310G2 948E310G1 948E309G3 948E306G2 948E308G2		4

ILLUSTRATION ITEMS NOT ON PARTS LIST ARE NOT APPLICABLE

- ITEM NOT ILLUSTRATED

HXL

22-31-01-02

BOEING PROPRIETARY - Copyright © - Unpublished Work - See title page for details.

22-31-01
FIG. 02
PAGE 6
DEC 22/07



767

PARTS CATALOG (MAINTENANCE)

FIG ITEM	PART NUMBER	1 2 3 4 5 6 7	NOMENCLATURE	EFFECT FROM TO	UNITS PER ASSY
2 70	MS9390-170		..PIN- USED ON: 937E204G1 937E203G1 937E205G2 937E301G3 937E302G1 937E303G1 937E304G2 937E305G1 948E306G1 948E307G1 948E308G1 948E309G2 103E4001G1 105E7206G2 105E7206G3 937E202G2 937E204G2 937E205G3 948E310G2 948E310G1 948E309G3 948E306G2 948E308G2		2

ILLUSTRATION ITEMS NOT ON PARTS LIST ARE NOT APPLICABLE

- ITEM NOT ILLUSTRATED

HXL

22-31-01-02

BOEING PROPRIETARY - Copyright © - Unpublished Work - See title page for details.

22-31-01
FIG. 02
PAGE 7
DEC 22/07



767

PARTS CATALOG (MAINTENANCE)

FIG ITEM	PART NUMBER	1 2 3 4 5 6 7 NOMENCLATURE	EFFECT FROM TO	UNITS PER ASSY
2 75	BKAD2-3ABR	..CAP-PROTECTIVE SUPPLIER CODE: V71468 OPTIONAL PART: 312A1177P1 V89954 OPTIONAL PART: 8660-1407 V59610 USED ON: 937E203G1 937E204G1 937E205G2 937E305G1 948E306G1 948E308G1 948E309G2 103E4001G1 937E301G3 937E302G1 937E303G1 937E304G2 948E307G1 105E7206G2 105E7206G3 937E202G2 937E204G2 937E205G3 948E310G2 948E310G1 948E309G3 948E306G2 948E308G2		1

ILLUSTRATION ITEMS NOT ON PARTS LIST ARE NOT APPLICABLE

- ITEM NOT ILLUSTRATED

HXL

22-31-01-02

BOEING PROPRIETARY - Copyright © - Unpublished Work - See title page for details.

22-31-01
 FIG. 02
 PAGE 8
 DEC 22/07



767

PARTS CATALOG (MAINTENANCE)

FIG ITEM	PART NUMBER	1 2 3 4 5 6 7 NOMENCLATURE	EFFECT FROM TO	UNITS PER ASSY
2 75	8660-1407	..CAP-PROTECTIVE SUPPLIER CODE: V59610 OPTIONAL PART: 312A1177P1 V89954 OPTIONAL PART: BKAD2-3ABR V71468 USED ON: 937E203G1 937E204G1 937E205G2 937E305G1 948E306G1 948E308G1 948E309G2 103E4001G1 937E301G3 937E302G1 937E303G1 937E304G2 948E307G1 105E7206G2 105E7206G3 937E202G2 937E204G2 937E205G3 948E310G2 948E310G1 948E309G3 948E306G2 948E308G2		1

ILLUSTRATION ITEMS NOT ON PARTS LIST ARE NOT APPLICABLE

- ITEM NOT ILLUSTRATED

HXL

22-31-01-02

BOEING PROPRIETARY - Copyright © - Unpublished Work - See title page for details.

22-31-01
 FIG. 02
 PAGE 9
 DEC 22/07



767

PARTS CATALOG (MAINTENANCE)

FIG ITEM	PART NUMBER	1 2 3 4 5 6 7 NOMENCLATURE	EFFECT FROM TO	UNITS PER ASSY
2 80	BKAD2-3CR	..CAP-PROTECTIVE SUPPLIER CODE: V71468 OPTIONAL PART: 312A1177P2 V89954 OPTIONAL PART: 8660-1406 V59610 USED ON: 937E203G1 937E204G1 937E205G2 937E305G1 948E306G1 948E308G1 948E309G2 103E4001G1 937E301G3 937E302G1 937E303G1 937E304G2 948E307G1 105E7206G2 105E7206G3 937E202G2 937E204G2 937E205G3 948E310G2 948E310G1 948E309G3 948E306G2 948E308G2		1

ILLUSTRATION ITEMS NOT ON PARTS LIST ARE NOT APPLICABLE

- ITEM NOT ILLUSTRATED

HXL

22-31-01-02

BOEING PROPRIETARY - Copyright © - Unpublished Work - See title page for details.

22-31-01
 FIG. 02
 PAGE 10
 DEC 22/07



767

PARTS CATALOG (MAINTENANCE)

FIG ITEM	PART NUMBER	1 2 3 4 5 6 7	NOMENCLATURE	EFFECT FROM TO	UNITS PER ASSY
2	80 8660-1406		..CAP-PROTECTIVE SUPPLIER CODE: V59610 OPTIONAL PART: 312A1177P2 V89954 OPTIONAL PART: BKAD2-3CR V71468 USED ON: 937E203G1 937E204G1 937E205G2 937E305G1 948E306G1 948E308G1 948E309G2 103E4001G1 937E301G3 937E302G1 937E303G1 937E304G2 948E307G1 105E7206G2 105E7206G3 937E202G2 937E204G2 937E205G3 948E310G2 948E310G1 948E309G3 948E306G2 948E308G2		1
	90 937E439G3		..MODULE-PWR SUPPLY SUPPLIER CODE: V89954 CONFIG CHG DATA FROM A CMM: REPLACES 937E219G11 ELECTRICAL EQUIP NUMBER: PS00001 USED ON: 105E7206G3 103E4001G2 937E205G3		1

ILLUSTRATION ITEMS NOT ON PARTS LIST ARE NOT APPLICABLE

- ITEM NOT ILLUSTRATED

HXL

22-31-01-02

BOEING PROPRIETARY - Copyright © - Unpublished Work - See title page for details.

22-31-01
 FIG. 02
 PAGE 11
 DEC 22/07



767

PARTS CATALOG (MAINTENANCE)

FIG ITEM	PART NUMBER	1 2 3 4 5 6 7	NOMENCLATURE	EFFECT FROM TO	UNITS PER ASSY
2 90	937E219G11		..MODULE-PWR SUPPLY SUPPLIER CODE: V89954 CONFIG CHG DATA FROM A CMM: REPLD BY 937E439G3 ELECTRICAL EQUIP NUMBER: PS00001 USED ON: 105E7206G3 103E4001G2 937E205G3		1
95	937E212G9		..CARD ASSY-CKT, SYS INTERFACE SUPPLIER CODE: V89954 CONFIG CHG DATA FROM A CMM: REPLACES 937E212G6 REPLACES 937E212G7 REPLACES 937E212G8 REPLACES 937E212G10 REPLACES 937E212G11 ELECTRICAL EQUIP NUMBER: A00002 USED ON: 937E205G2 937E205G3 105E7206G2 105E7206G3 103E4001G2		1
95	937E212G6		..CARD ASSY-CKT, SYS INTERFACE SUPPLIER CODE: V89954 CONFIG CHG DATA FROM A CMM: REPLD BY 937E212G9 ELECTRICAL EQUIP NUMBER: A00002 USED ON: 937E205G2 937E205G3 105E7206G2 105E7206G3 103E4001G2		1

ILLUSTRATION ITEMS NOT ON PARTS LIST ARE NOT APPLICABLE

- ITEM NOT ILLUSTRATED

HXL

22-31-01-02

BOEING PROPRIETARY - Copyright © - Unpublished Work - See title page for details.

22-31-01
 FIG. 02
 PAGE 12
 DEC 22/07



767

PARTS CATALOG (MAINTENANCE)

FIG ITEM	PART NUMBER	1 2 3 4 5 6 7	NOMENCLATURE	EFFECT FROM TO	UNITS PER ASSY
2					
95	937E212G7		..CARD ASSY-CKT, SYS INTERFACE SUPPLIER CODE: V89954 CONFIG CHG DATA FROM A CMM: REPLD BY 937E212G9 ELECTRICAL EQUIP NUMBER: A00002 USED ON: 937E205G2 937E205G3 105E7206G2 105E7206G3 103E4001G2		1
95	937E212G8		..CARD ASSY-CKT, SYS INTERFACE SUPPLIER CODE: V89954 CONFIG CHG DATA FROM A CMM: REPLD BY 937E212G9 ELECTRICAL EQUIP NUMBER: A00002 USED ON: 937E205G2 937E205G3 105E7206G2 105E7206G3 103E4001G2		1
95	937E212G10		..CARD ASSY-CKT, SYS INTERFACE SUPPLIER CODE: V89954 CONFIG CHG DATA FROM A CMM: REPLD BY 937E212G9 ELECTRICAL EQUIP NUMBER: A00002 USED ON: 937E205G2 937E205G3 105E7206G2 105E7206G3 103E4001G2		1

ILLUSTRATION ITEMS NOT ON PARTS LIST ARE NOT APPLICABLE

- ITEM NOT ILLUSTRATED

HXL

22-31-01-02

BOEING PROPRIETARY - Copyright © - Unpublished Work - See title page for details.

22-31-01
FIG. 02
PAGE 13
DEC 22/07



767

PARTS CATALOG (MAINTENANCE)

FIG ITEM	PART NUMBER	1 2 3 4 5 6 7	NOMENCLATURE	EFFECT FROM TO	UNITS PER ASSY
2 95	937E212G11		..CARD ASSY-CKT, SYS INTERFACE SUPPLIER CODE: V89954 CONFIG CHG DATA FROM A CMM: REPLD BY 937E212G9 ELECTRICAL EQUIP NUMBER: A00002 USED ON: 937E205G2 937E205G3 105E7206G2 105E7206G3 103E4001G2		1
100	937E214G61		..CARD ASSY-CKT, ARINC 429, DIGITAL INFORMATION TRANSFER SYS SUPPLIER CODE: V89954 CONFIG CHG DATA FROM A CMM: REPLACES 937E214G34 REPLACES 937E214G36 REPLACES 937E214G38 REPLACES 937E214G40 REPLACES 937E214G46 REPLACES 937E214G48 REPLACES 937E214G58 REPLACES 937E214G59 REPLACES 937E214G60 ELECTRICAL EQUIP NUMBER: A00004 USED ON: 937E205G2 937E205G3		1
100	937E214G34		..CARD ASSY-CKT, ARINC 429, DIGITAL INFORMATION TRANSFER SYS SUPPLIER CODE: V89954 CONFIG CHG DATA FROM A CMM: REPLD BY 937E214G61 ELECTRICAL EQUIP NUMBER: A00004 USED ON: 937E205G2 937E205G3		1

ILLUSTRATION ITEMS NOT ON PARTS LIST ARE NOT APPLICABLE

- ITEM NOT ILLUSTRATED

HXL

22-31-01-02

BOEING PROPRIETARY - Copyright © - Unpublished Work - See title page for details.

22-31-01
 FIG. 02
 PAGE 14
 DEC 22/07



767

PARTS CATALOG (MAINTENANCE)

FIG ITEM	PART NUMBER	1 2 3 4 5 6 7	NOMENCLATURE	EFFECT FROM TO	UNITS PER ASSY
2 100	937E214G36		..CARD ASSY-CKT, ARINC 429, DIGITAL INFORMATION TRANSFER SYS SUPPLIER CODE: V89954 CONFIG CHG DATA FROM A CMM: REPLD BY 937E214G61 ELECTRICAL EQUIP NUMBER: A00004 USED ON: 937E205G2 937E205G3		1
100	937E214G38		..CARD ASSY-CKT, ARINC 429, DIGITAL INFORMATION TRANSFER SYS SUPPLIER CODE: V89954 CONFIG CHG DATA FROM A CMM: REPLD BY 937E214G61 ELECTRICAL EQUIP NUMBER: A00004 USED ON: 937E205G2 937E205G3		1
100	937E214G40		..CARD ASSY-CKT, ARINC 429, DIGITAL INFORMATION TRANSFER SYS SUPPLIER CODE: V89954 CONFIG CHG DATA FROM A CMM: REPLD BY 937E214G61 ELECTRICAL EQUIP NUMBER: A00004 USED ON: 937E205G2 937E205G3		1

ILLUSTRATION ITEMS NOT ON PARTS LIST ARE NOT APPLICABLE

- ITEM NOT ILLUSTRATED

HXL

22-31-01-02

BOEING PROPRIETARY - Copyright © - Unpublished Work - See title page for details.

22-31-01
FIG. 02
PAGE 15
DEC 22/07



767

PARTS CATALOG (MAINTENANCE)

FIG ITEM	PART NUMBER	1 2 3 4 5 6 7	NOMENCLATURE	EFFECT FROM TO	UNITS PER ASSY
2 100	937E214G46		..CARD ASSY-CKT, ARINC 429, DIGITAL INFORMATION TRANSFER SYS SUPPLIER CODE: V89954 CONFIG CHG DATA FROM A CMM: REPLD BY 937E214G61 ELECTRICAL EQUIP NUMBER: A00004 USED ON: 937E205G2 937E205G3		1
100	937E214G48		..CARD ASSY-CKT, ARINC 429, DIGITAL INFORMATION TRANSFER SYS SUPPLIER CODE: V89954 CONFIG CHG DATA FROM A CMM: REPLD BY 937E214G61 ELECTRICAL EQUIP NUMBER: A00004 USED ON: 937E205G2 937E205G3		1
100	937E214G58		..CARD ASSY-CKT, ARINC 429, DIGITAL INFORMATION TRANSFER SYS SUPPLIER CODE: V89954 CONFIG CHG DATA FROM A CMM: REPLD BY 937E214G61 ELECTRICAL EQUIP NUMBER: A00004 USED ON: 937E205G2 937E205G3		1

ILLUSTRATION ITEMS NOT ON PARTS LIST ARE NOT APPLICABLE

- ITEM NOT ILLUSTRATED

HXL

22-31-01-02

BOEING PROPRIETARY - Copyright © - Unpublished Work - See title page for details.

22-31-01
FIG. 02
PAGE 16
DEC 22/07



767

PARTS CATALOG (MAINTENANCE)

FIG ITEM	PART NUMBER	1 2 3 4 5 6 7	NOMENCLATURE	EFFECT FROM TO	UNITS PER ASSY
2 100	937E214G59		..CARD ASSY-CKT, ARINC 429, DIGITAL INFORMATION TRANSFER SYS SUPPLIER CODE: V89954 CONFIG CHG DATA FROM A CMM: REPLD BY 937E214G61 ELECTRICAL EQUIP NUMBER: A00004 USED ON: 937E205G2 937E205G3		1
105	937E215G6		..CARD ASSY-CKT, ARINC 429, DIGITAL INFORMATION TRANSFER SYS SUPPLIER CODE: V89954 CONFIG CHG DATA FROM A CMM: REPLACES 937E215G2 ELECTRICAL EQUIP NUMBER: A00005 USED ON: 937E205G2 937E205G3 103E4001G2 105E7206G2 105E7206G3		1
105	937E215G2		..CARD ASSY-CKT, ARINC 429, DIGITAL INFORMATION TRANSFER SYS SUPPLIER CODE: V89954 CONFIG CHG DATA FROM A CMM: REPLD BY 937E215G6 ELECTRICAL EQUIP NUMBER: A00005 USED ON: 937E205G2 937E205G3 103E4001G2 105E7206G2 105E7206G3		1

ILLUSTRATION ITEMS NOT ON PARTS LIST ARE NOT APPLICABLE

- ITEM NOT ILLUSTRATED

HXL

22-31-01-02

BOEING PROPRIETARY - Copyright © - Unpublished Work - See title page for details.

22-31-01
FIG. 02
PAGE 17
DEC 22/07



767

PARTS CATALOG (MAINTENANCE)

FIG ITEM	PART NUMBER	1 2 3 4 5 6 7	NOMENCLATURE	EFFECT FROM TO	UNITS PER ASSY
2 110	937E716G214		..CARD ASSY-CKT, MEMORY ERASABLE PROGRAMMABLE READ ONLY SUPPLIER CODE: V89954 CONFIG CHG DATA FROM A CMM: REPLD BY 937E716G264 ELECTRICAL EQUIP NUMBER: A00006 USED ON: 937E205G2 937E205G3		1
110	937E716G264		..CARD ASSY-CKT, MEMORY ERASABLE PROGRAMMABLE READ ONLY SUPPLIER CODE: V89954 CONFIG CHG DATA FROM A CMM: REPLACES 937E716G214 ELECTRICAL EQUIP NUMBER: A00006 USED ON: 937E205G2 937E205G3		1
115	937E217G4		..CARD ASSY-CKT, CPU TIMING SUPPLIER CODE: V89954 CONFIG CHG DATA FROM A CMM: REPLACES 937E217G2 REPLACES 937E217G3 ELECTRICAL EQUIP NUMBER: A00007 USED ON: 937E205G2 937E205G3 103E4001G2 105E7206G2 105E7206G3		1

ILLUSTRATION ITEMS NOT ON PARTS LIST ARE NOT APPLICABLE

- ITEM NOT ILLUSTRATED

HXL

22-31-01-02

BOEING PROPRIETARY - Copyright © - Unpublished Work - See title page for details.

22-31-01
FIG. 02
PAGE 18
DEC 22/07



767

PARTS CATALOG (MAINTENANCE)

FIG ITEM	PART NUMBER	1 2 3 4 5 6 7	NOMENCLATURE	EFFECT FROM TO	UNITS PER ASSY
2 115	937E217G2		..CARD ASSY-CKT, CPU TIMING SUPPLIER CODE: V89954 CONFIG CHG DATA FROM A CMM: REPLD BY 937E217G4 ELECTRICAL EQUIP NUMBER: A00007 USED ON: 937E205G2 937E205G3 103E4001G2 105E7206G2 105E7206G3		1
115	937E217G3		..CARD ASSY-CKT, CPU TIMING SUPPLIER CODE: V89954 CONFIG CHG DATA FROM A CMM: REPLD BY 937E217G4 ELECTRICAL EQUIP NUMBER: A00007 USED ON: 937E205G2 937E205G3 103E4001G2 105E7206G2 105E7206G3		1
120	937E213G7		..CARD ASSY-CKT, ANALOG INPUT/OUTPUT SUPPLIER CODE: V89954 CONFIG CHG DATA FROM A CMM: REPLACES 937E213G1 REPLACES 937E213G6 ELECTRICAL EQUIP NUMBER: A00003 USED ON: 937E205G2 937E205G3 103E4001G2 105E7206G2 105E7206G3		1

ILLUSTRATION ITEMS NOT ON PARTS LIST ARE NOT APPLICABLE

- ITEM NOT ILLUSTRATED

HXL

22-31-01-02

BOEING PROPRIETARY - Copyright © - Unpublished Work - See title page for details.

22-31-01
FIG. 02
PAGE 19
DEC 22/07



767

PARTS CATALOG (MAINTENANCE)

FIG ITEM	PART NUMBER	1 2 3 4 5 6 7	NOMENCLATURE	EFFECT FROM TO	UNITS PER ASSY
2 120	937E213G1		..CARD ASSY-CKT, ANALOG INPUT/OUTPUT SUPPLIER CODE: V89954 CONFIG CHG DATA FROM A CMM: REPLD BY 937E213G7 ELECTRICAL EQUIP NUMBER: A00003 USED ON: 937E205G2 937E205G3 103E4001G2 105E7206G2 105E7206G3		1
120	937E213G6		..CARD ASSY-CKT, ANALOG INPUT/OUTPUT SUPPLIER CODE: V89954 CONFIG CHG DATA FROM A CMM: REPLD BY 937E213G7 ELECTRICAL EQUIP NUMBER: A00003 USED ON: 937E205G2 937E205G3 103E4001G2 105E7206G2 105E7206G3		1
- 200	286T0105-120		WIRE BUNDLE ASSY-(THRUST MANAGEMENT POWER ONLY)		RF
205	BCREF9351		.CONNECTOR- OVERLENGTH PART NUMBER: BACC66H21C21AA01 ELECTRICAL EQUIP NUMBER: D00427 WIRING DIAGRAM REF: 223111		1

ILLUSTRATION ITEMS NOT ON PARTS LIST ARE NOT APPLICABLE

- ITEM NOT ILLUSTRATED

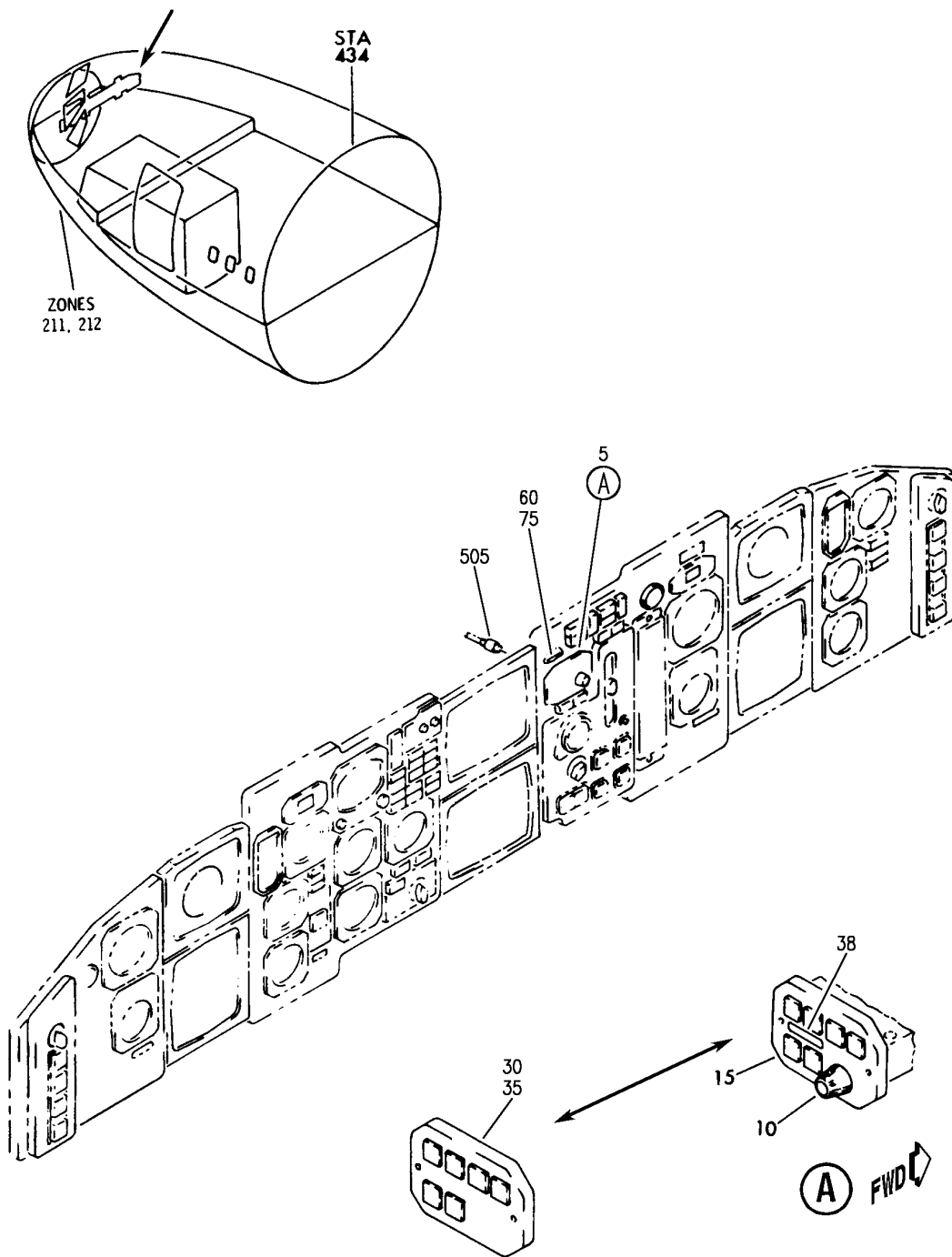
HXL

22-31-01-02

BOEING PROPRIETARY - Copyright © - Unpublished Work - See title page for details.

22-31-01
FIG. 02
PAGE 20
DEC 22/07

BOEING
767
PARTS CATALOG (MAINTENANCE)



V 22310202 REV 306

PANEL INSTL-PILOTS MAIN (THRUST MANAGEMENT POWER ONLY)
FIGURE 2

22-31-02-02

HXL
DEC 22/06

22-31-02-02
PAGE 0



767

PARTS CATALOG (MAINTENANCE)

FIG ITEM	PART NUMBER	1 2 3 4 5 6 7	NOMENCLATURE	EFFECT FROM TO	UNITS PER ASSY
2			PANEL INSTL-PILOTS MAIN (THRUST MANAGEMENT POWER ONLY)		
- 1	233T2100-1		PANEL INSTL-PILOTS MAIN (THRUST MANAGEMENT POWER ONLY) VARIABLE DRAWING REF: 233T2100-5048 FOR NHA/OTHER SYS DET SEE: 25-10-00-03		RF
5	143D6354G2		.PANEL ASSY-THRUST MODE SELECT STATIC SENSITIVE PART SUPPLIER CODE: V89954 FUNCTIONAL DESCRIPTION: ALLOWS CREW TO SELECT THRUST LIMIT COMPUTATION MODES SPECIFICATION NUMBER: S241T200-154 ELECTRICAL EQUIP NUMBER: M10258 COMPONENT MAINT MANUAL REF: 22-31-24		1
10	RD239-127		..KNOB- SUPPLIER CODE: V81590		1
15	143D6470P1		..LIGHTPLATE- SUPPLIER CODE: V89954		1
- 54	233T2223-120		.PANEL ASSY-2 CREW CONT P3-1 PRE ALERT SB: 33A0087		RF
- 57	233T2223-1120		.PANEL ASSY-2 CREW CONT P3-1 POST ALERT SB: 33A0087		RF
60	123-3222G		..CLAMP- SUPPLIER CODE: V33463		1
- 500	286T0011-106		WIRE BUNDLE ASSY-		RF
505	BACC45FT18A31S		.CONNECTOR- ELECTRICAL EQUIP NUMBER: D01669 WIRING DIAGRAM REF: 223112		1

ILLUSTRATION ITEMS NOT ON PARTS LIST ARE NOT APPLICABLE

- ITEM NOT ILLUSTRATED

22-31-02-02

22-31-02
FIG. 02
PAGE 1
DEC 22/07

HXL