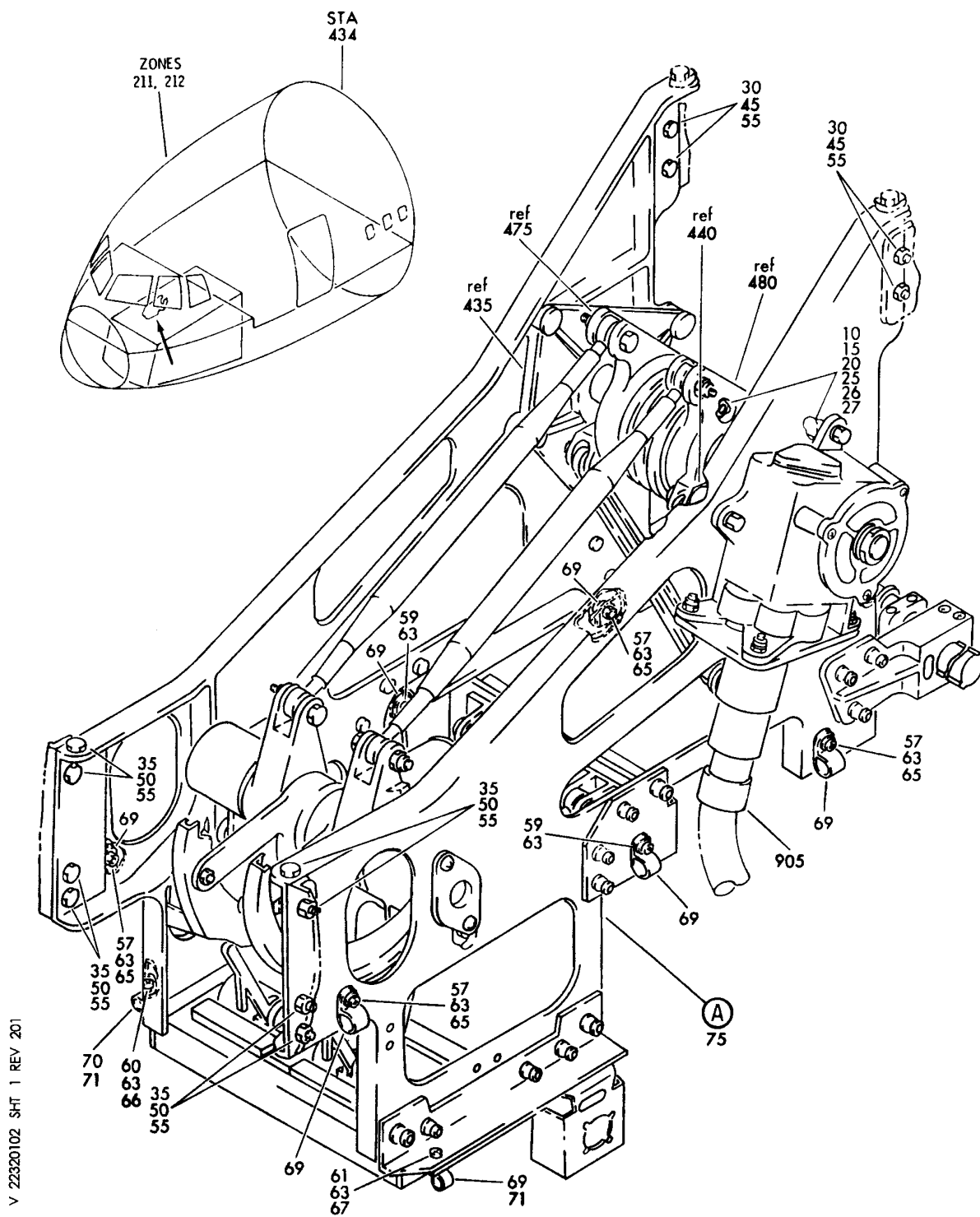


THRUST MANAGEMENT SYSTEM

HXL
DEC 22/06

22-32-00
SECTION TITLE
PAGE 1

BOEING
767
PARTS CATALOG (MAINTENANCE)



V 22320102 SHT 1 REV 201

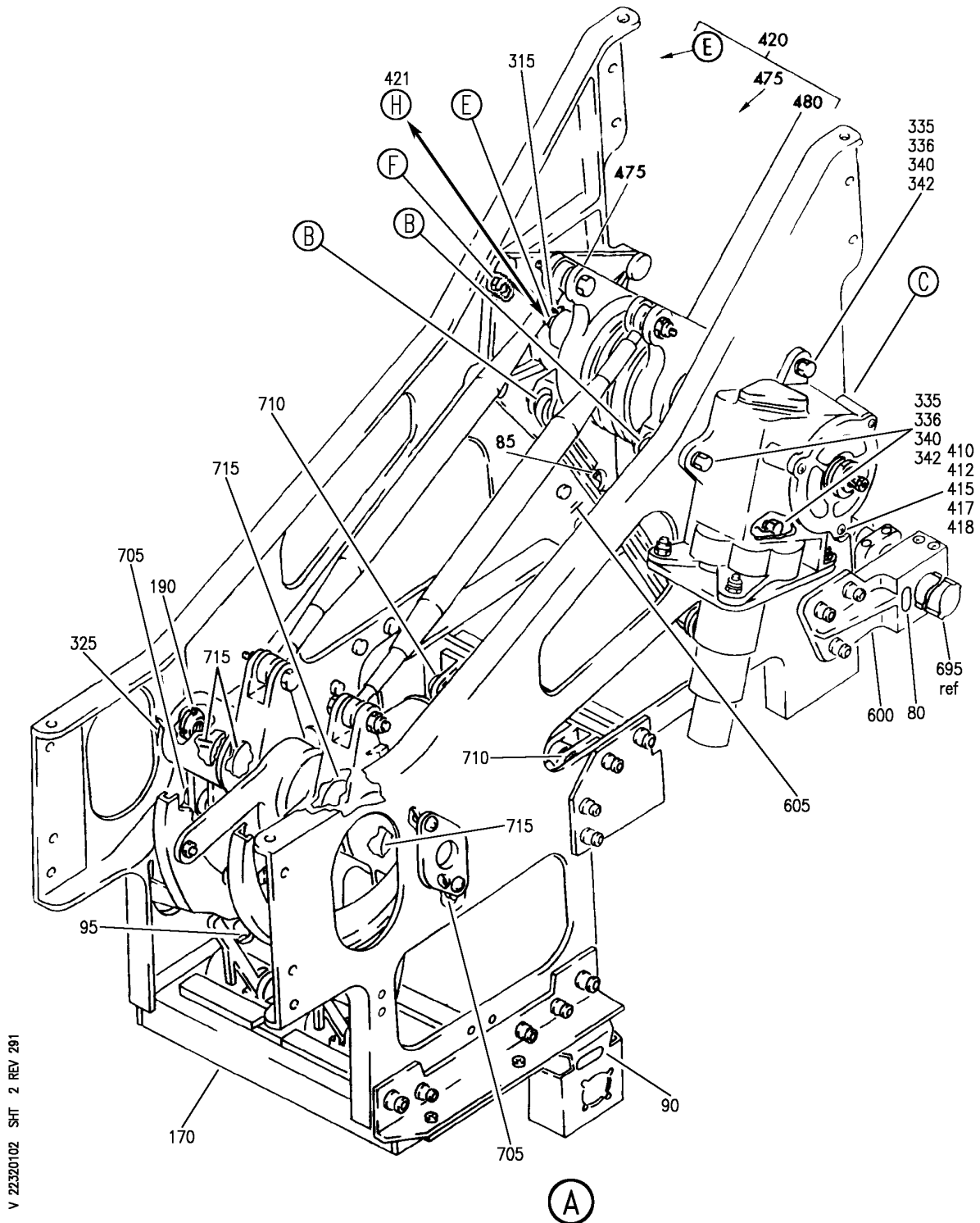
AUTOTHROTTLE INSTL-ENG THRUST
FIGURE 2 (SHEET 1)

22-32-01-02

HXL
DEC 22/06

22-32-01-02
PAGE 0

BOEING
 767
 PARTS CATALOG (MAINTENANCE)



V 22320102 SHT 2 REV 291

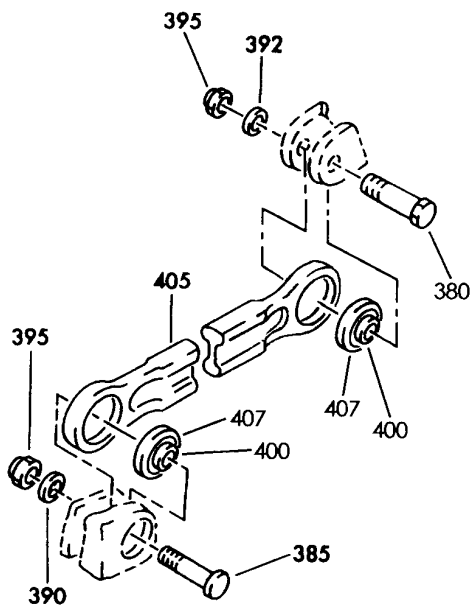
AUTOTHROTTLE INSTL-ENG THRUST
 FIGURE 2 (SHEET 2)

22-32-01-02

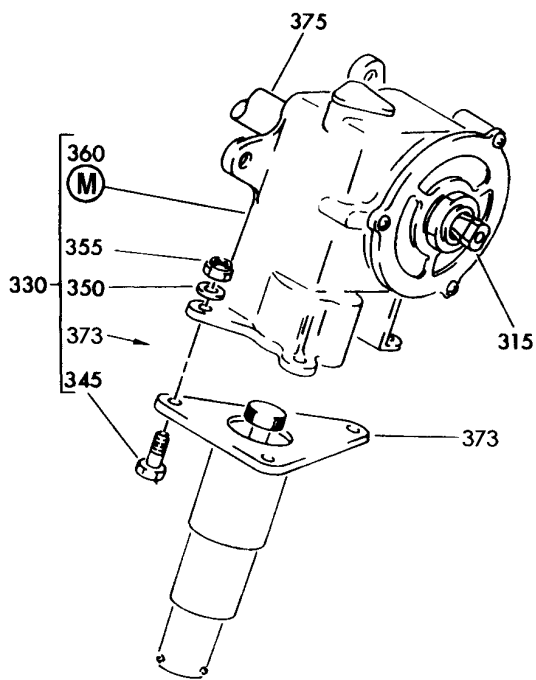
HXL
 DEC 22/06

22-32-01-02
 PAGE 0A

BOEING
767
PARTS CATALOG (MAINTENANCE)



(B)



(C)

V 22320102 SHT 3 REV 208

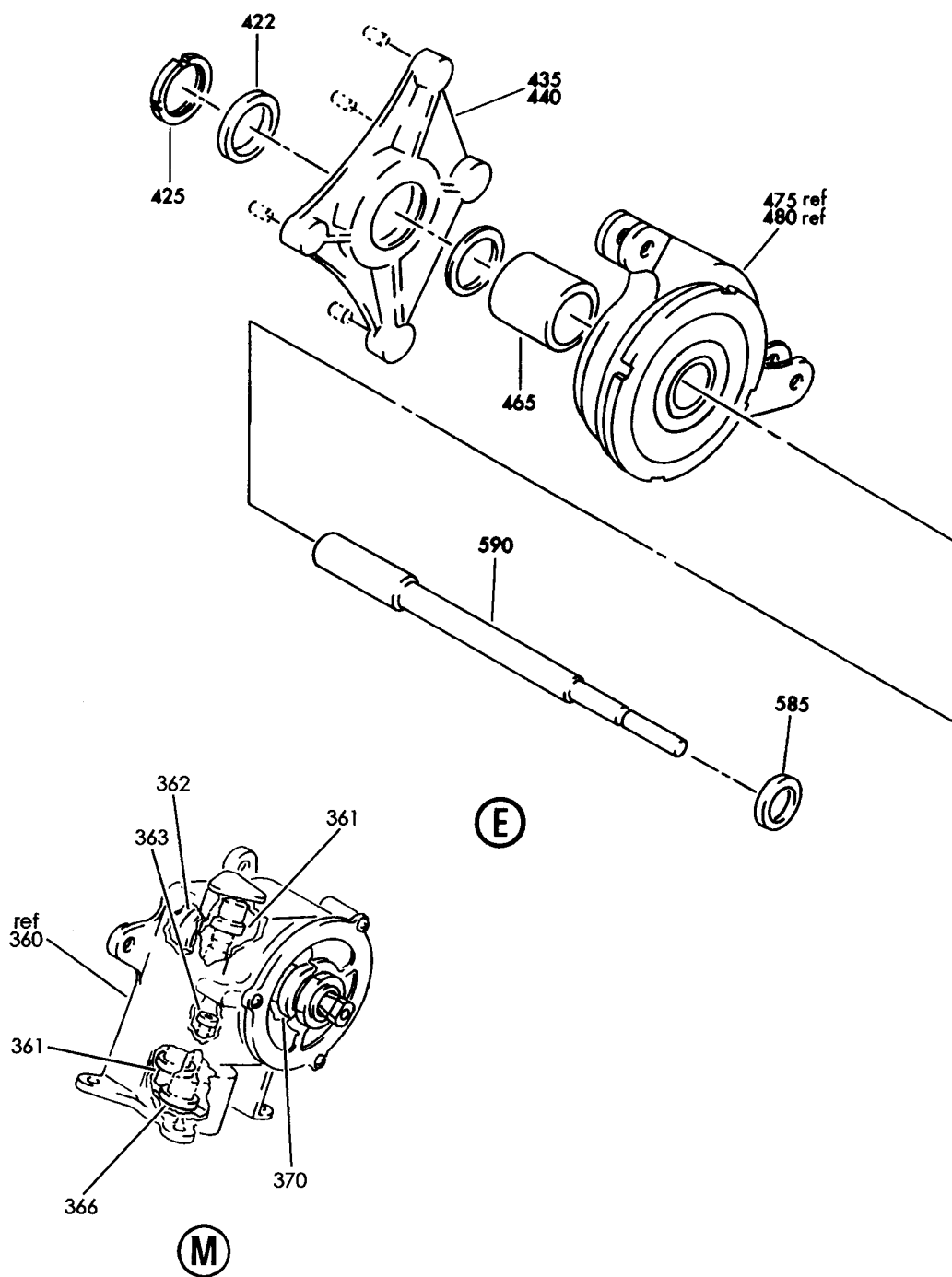
AUTOTHROTTLE INSTL-ENG THRUST
FIGURE 2 (SHEET 3)

22-32-01-02

HXL
DEC 22/06

22-32-01-02
PAGE 08

BOEING
767
PARTS CATALOG (MAINTENANCE)



V 22320102 SHT 4 REV 201

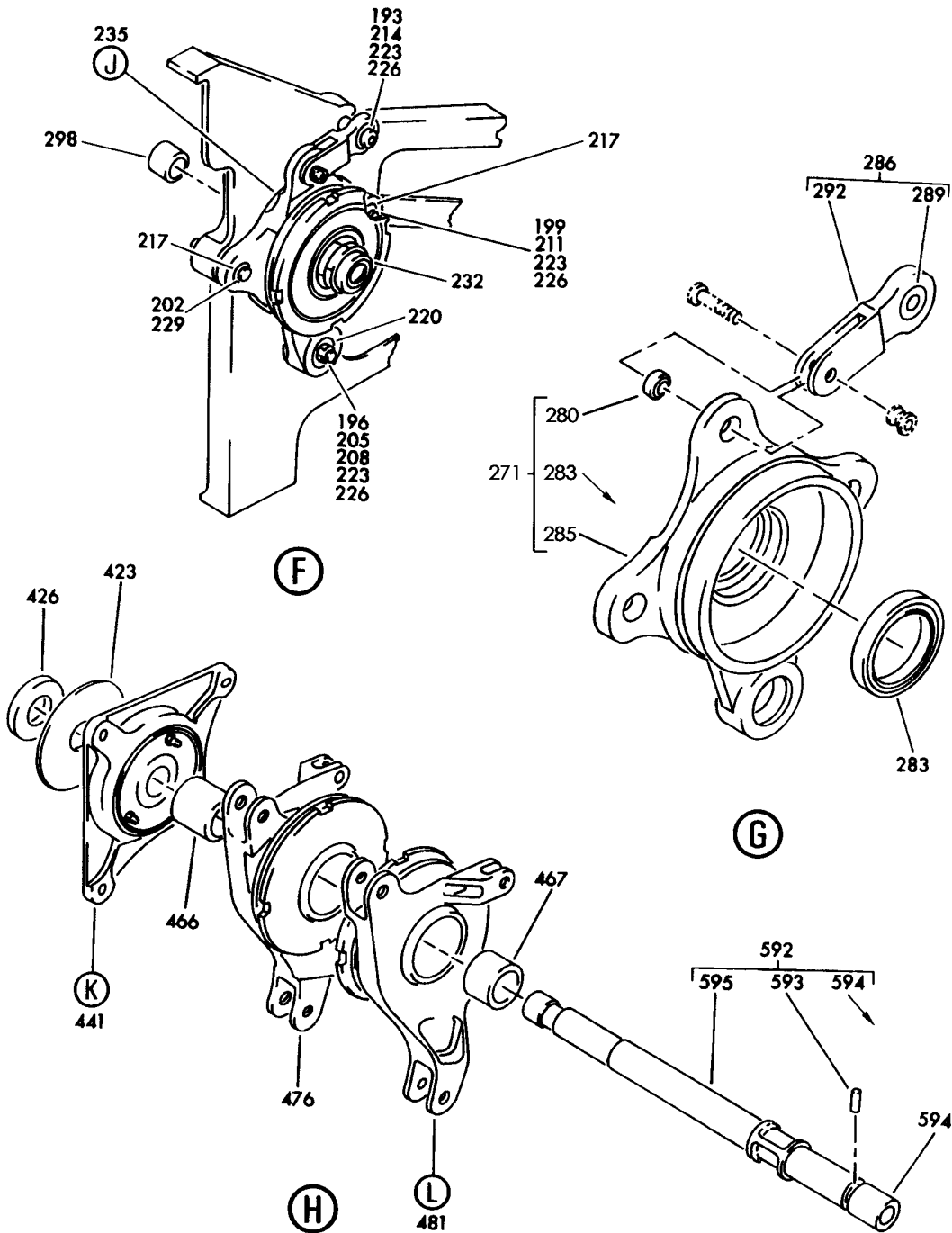
AUTOTHROTTLE INSTL-ENG THRUST
FIGURE 2 (SHEET 4)

22-32-01-02

HXL
DEC 22/06

22-32-01-02
PAGE 0C


BOEING
 767
PARTS CATALOG (MAINTENANCE)



V 22320102 SHT 5 REV 201

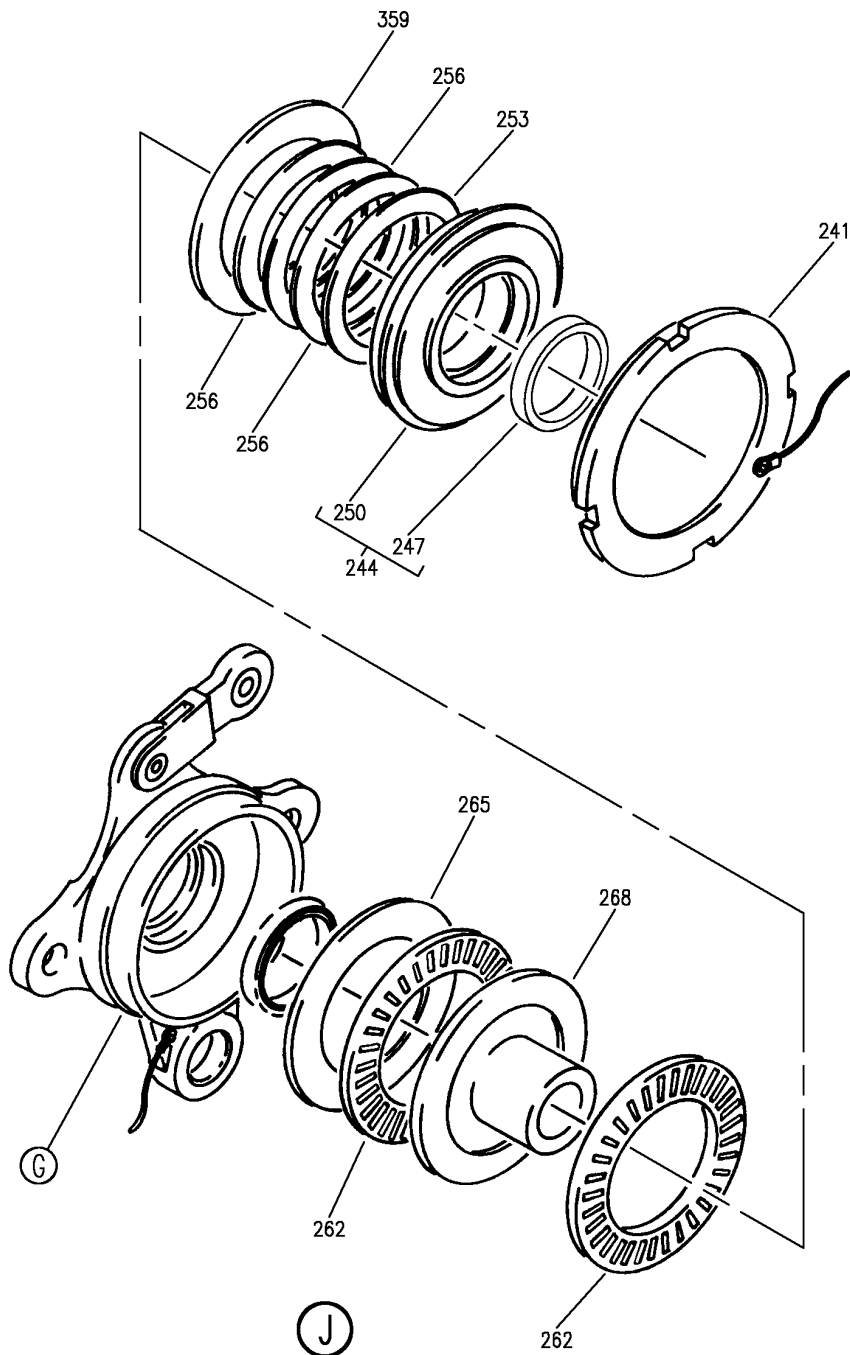
AUTOHTRITTLE INSTL-ENG THRUST
 FIGURE 2 (SHEET 5)

22-32-01-02

HXL
 DEC 22/06

22-32-01-02
 PAGE 0D

BOEING
767
PARTS CATALOG (MAINTENANCE)



V 22320102 SH1 6 REV 291

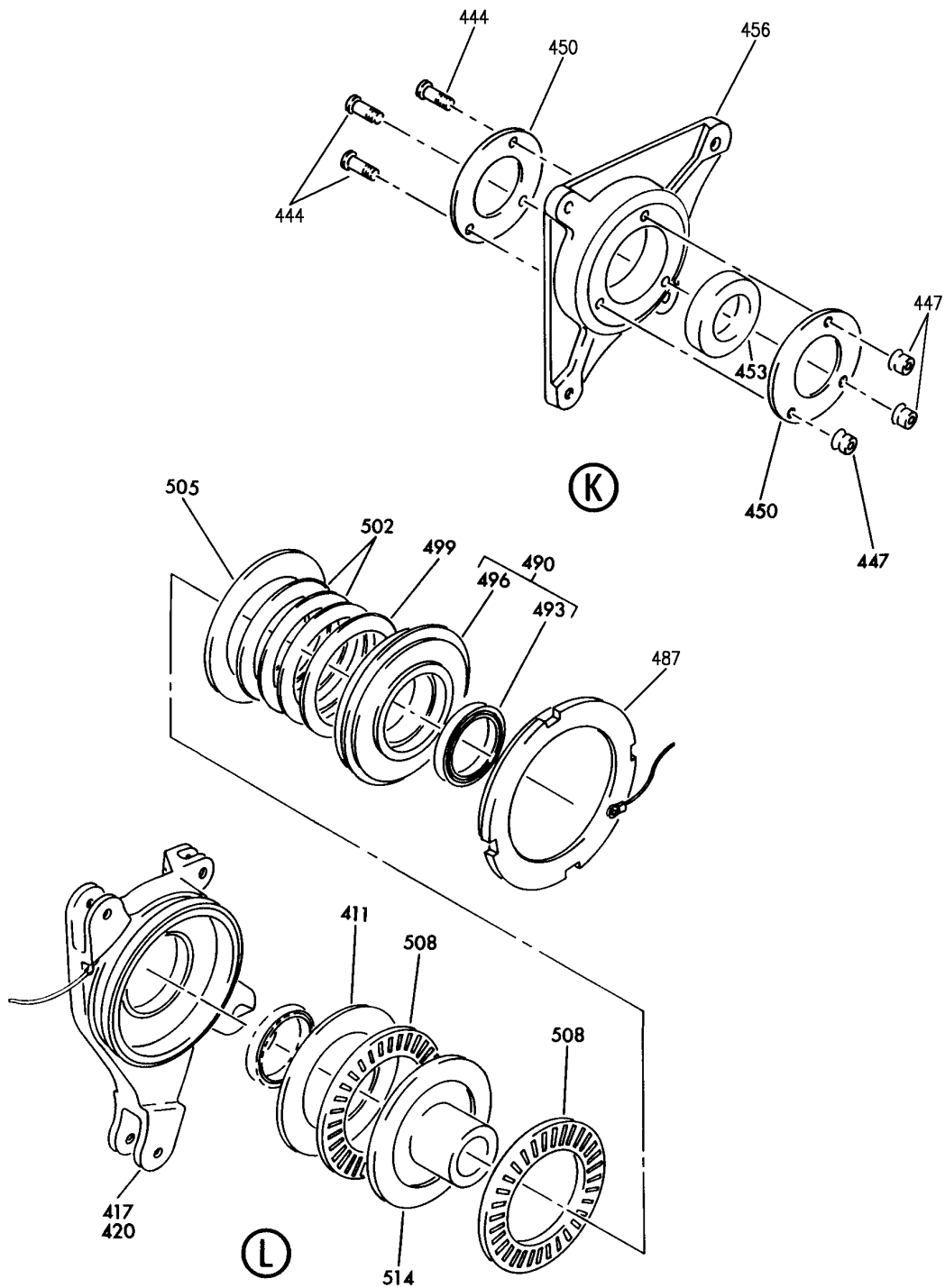
AUTOTHROTTLE INSTL-ENG THRUST
FIGURE 2 (SHEET 6)

22-32-01-02

HXL
DEC 22/06

22-32-01-02
PAGE 0E

BOEING
767
PARTS CATALOG (MAINTENANCE)



V 22320102 SH1 7 REV 291

AUTOTHROTTLE INSTL-ENG THRUST
FIGURE 2 (SHEET 7)

22-32-01-02

HXL
DEC 22/06

22-32-01-02
PAGE OF



767

PARTS CATALOG (MAINTENANCE)

FIG ITEM	PART NUMBER	1 2 3 4 5 6 7	NOMENCLATURE	EFFECT FROM TO	UNITS PER ASSY
2			AUTOTHROTTLE INSTL-ENG THRUST		
- 1	253T7101-7		AUTOTHROTTLE INSTL-ENG THRUST FOR NHA/OTHER SYS DET SEE: 76-11-56-03		RF
10	BACB30NR4K16		.BOLT-		2
15	AN960JD416L		.WASHER-		2
20	MS21042L4		.NUT-		2
26	BACB28AK04-016		.BUSHING-		2
27	BACB28AK04-044		.BUSHING-		2
30	NAS6604-5		.BOLT		4
35	NAS6604-6		.BOLT		8
45	AN960JD416		.WASHER		4
50	AN960JD416L		.WASHER		8
55	MS21042L4		.NUT		12
57	NAS623-3-4		.SCREW		4
59	NAS623-3-6		.SCREW		2
60	BACS12CK3-12		.SCREW- POST SERVICE BULLETIN: 78-0062		1
61	NAS623-3-7		.SCREW		1
63	AN960JD10L		.WASHER		8
65	MS21042L3		.NUT		4
66	PLH53CD		.NUT- SUPPLIER CODE: VF0224 SPECIFICATION NUMBER: BACN10YR3CD OPTIONAL PART: H52732-3CD V15653 POST SERVICE BULLETIN: 78-0062		1
67	MS21042L3		.NUT-		1
69	BACC10DK6		.CLAMP		7
71	BACC10DK6		.CLAMP- POST SERVICE BULLETIN: 78-0062		2

ILLUSTRATION ITEMS NOT ON PARTS LIST ARE NOT APPLICABLE

- ITEM NOT ILLUSTRATED

22-32-01-02

22-32-01
FIG. 02
PAGE 1
DEC 22/08

HXL

 **BOEING**
767
PARTS CATALOG (MAINTENANCE)

FIG ITEM	PART NUMBER	1 2 3 4 5 6 7	NOMENCLATURE	EFFECT FROM TO	UNITS PER ASSY
2					
- 73	N2088		. PLUG- SUPPLIER CODE: V75345 SPECIFICATION NUMBER: BACP20BA1 OPTIONAL PART: SZ7105 V95272 4841 V84914 MISCELLANEOUS DATA: MAY BE USED TO PREVENT CABLE SLIPPAGE THROUGH CLAMP POST SERVICE BULLETIN: 78-0062		2
75	253T7101-8		. AUTOTHROTTLE ASSY- COMPONENT MAINT MANUAL REF: 22-32-22 FUNCTIONAL REFERENCE: EXHAUST FOR DETAILS SEE 78-36-02-10		1
80	BAC27TCT0193		.. DECAL- PLACARD CONTENT: TS0170		1
85	BAC27TCT0194		.. DECAL- PLACARD CONTENT: TS0171		1
90	BAC27TCT0406		.. DECAL- PLACARD CONTENT: D11830		1
95	BAC27TCT0407		.. DECAL- PLACARD CONTENT: D11832		1
170	254N1185-14		.. PACK ASSY-MICROSWITCH COMPONENT MAINT MANUAL REF: 22-32-38 SERVICE BULLETIN OPT DATA: 250T1017-7 POST SERVICE BULLETIN: 78-0062R5 FOR DETAILS SEE: 22-32-01-50		1

ILLUSTRATION ITEMS NOT ON PARTS LIST ARE NOT APPLICABLE

- ITEM NOT ILLUSTRATED

HXL

22-32-01-02

BOEING PROPRIETARY - Copyright © - Unpublished Work - See title page for details.

22-32-01
FIG. 02
PAGE 2
DEC 22/07



767

PARTS CATALOG (MAINTENANCE)

FIG ITEM	PART NUMBER	1 2 3 4 5 6 7	NOMENCLATURE	EFFECT FROM TO	UNITS PER ASSY
2					
170	250T1017-7		..PACK ASSY-MICROSWITCH ALTERED FROM PART NUMBER: 254N1185-5 SERVICE BULLETIN OPT DATA: 254N1185-14 POST SERVICE BULLETIN: 78-0062R5 FOR DETAILS SEE: 22-32-01-50 ATTACHING PARTS		1
- 175	NAS623-3-4		..SCREW		2
- 180	AN960JD10L		..WASHER		2
- 185	MS21042L3		..NUT-		2
			-----*-----		
190	SL2778-2		..NUT-BRG SUPPLIER CODE: V97393		1
315	253T7124-1		..CONE-EXPANDER USED ON: 253T7101-8 253T7101-4 ATTACHING PARTS		2
- 320	NAS603-36P		..SCREW- USED ON: 253T7101-8 253T7101-4		2
- 325	AN960-10L		..WASHER- USED ON: 253T7101-8 253T7101-4		2
			-----*-----		
330	253T7121-4		..GEARBOX SERVO ASSY- QUALIFIED I/W DATA: (-1) 253T7121-4 I/W 253T7121-1 EXCEPT FOR FADEC ENGINE POWERED 767 A/C WITH AN EXPANDER CONE TYPE AUTOTHROTTLE AY (253T7101-4,-8) WHERE ONLY 253T7121-4 SHOULD BE USED ATTACHING PARTS		1
335	BACB30NF4-16		..BOLT-		3
340	AN960JD416L		..WASHER-		3
			-----*-----		
345	BACB30NR4K9		...BOLT		3
350	NAS1149D0463J		...WASHER-		3

ILLUSTRATION ITEMS NOT ON PARTS LIST ARE NOT APPLICABLE

- ITEM NOT ILLUSTRATED

22-32-01-02

22-32-01
FIG. 02
PAGE 3
DEC 22/07

HXL



767

PARTS CATALOG (MAINTENANCE)

FIG ITEM	PART NUMBER	1 2 3 4 5 6 7	NOMENCLATURE	EFFECT FROM TO	UNITS PER ASSY
2 355	BRH10C4D		...NUT- SUPPLIER CODE: V52828 SPECIFICATION NUMBER: BACN10JC4CD OPTIONAL PART: T6C428JCD V11815 NS202486-048 V80539 102LH9075-4W V72962 H51650-4BAC V15653		3
360	253T7114-3		...GEARBOX ASSY- QUALIFIED I/W DATA: (-1) 253T7114-3 I/W 253T7114-1 EXCEPT FOR FADEC ENGINE POWERED 767 A/C WITH AN EXPANDER CONE TYPE AUTOTHROTTLE AY (253T7101-4,-8) WHERE ONLY 253T7114-3 SHOULD BE USED. FUNCTIONAL REFERENCE: PLACARDS AND MARKINGS FOR DETAILS SEE 11-39-01-01		1
361	NKX10ZTN	BEARING- SUPPLIER CODE: V27737		2

ILLUSTRATION ITEMS NOT ON PARTS LIST ARE NOT APPLICABLE

- ITEM NOT ILLUSTRATED

HXL

22-32-01-02

BOEING PROPRIETARY - Copyright © - Unpublished Work - See title page for details.

22-32-01
 FIG. 02
 PAGE 4
 DEC 22/07



PARTS CATALOG (MAINTENANCE)

FIG ITEM	PART NUMBER	1 2 3 4 5 6 7	NOMENCLATURE	EFFECT FROM TO	UNITS PER ASSY
2 362	MB540DDFS428	BEARING- SUPPLIER CODE: V06144 SPECIFICATION NUMBER: BACB10AS14 OPTIONAL PART: LLMB540 V38443 MB540-2TS V43991 MB540DDFS428 V21335 MB540TT V43991 MB540DDG20 V38443 MT340E VK8455 MB540DDL196 V40920 MB540DD V06144 MB540DDNJC V06144 MB540DDSD610 V83086 MB540ZZ V38443		1
362	MB540ZZ	BEARING- SUPPLIER CODE: V38443 OPTIONAL PART: BACB10AS14		1

ILLUSTRATION ITEMS NOT ON PARTS LIST ARE NOT APPLICABLE

- ITEM NOT ILLUSTRATED

HXL

22-32-01-02

BOEING PROPRIETARY - Copyright © - Unpublished Work - See title page for details.

22-32-01
FIG. 02
PAGE 5
APR 22/09



767

PARTS CATALOG (MAINTENANCE)

FIG ITEM	PART NUMBER	1 2 3 4 5 6 7	NOMENCLATURE	EFFECT FROM TO	UNITS PER ASSY
2 363	R33KDD5A4298	BEARING- SUPPLIER CODE: V21335 SPECIFICATION NUMBER: BACB10AT3MM OPTIONAL PART: 33KDD5FS160 V21335 R3NFFM V38443 R3PP V43991 R3FF1L1-01 V21760 77R3 V29337 R3ZZ VS0352 BACB10AT3PP R3ZZ VS0352		1
363	R3RR1L1-01	BEARING- SUPPLIER CODE: V21760 SPECIFICATION NUMBER: BACB10AT3PP OPTIONAL PART: 33PP5FS428 V21335 R3TT V43991 LLR3N V38443 R3LL VS0352 R3ZZ VS0352 BACB10AT3MM		1
363	R3ZZ	BEARING- SUPPLIER CODE: VS0352 OPTIONAL PART: BACB10AT3PP BACB10AT3MM		1

ILLUSTRATION ITEMS NOT ON PARTS LIST ARE NOT APPLICABLE

- ITEM NOT ILLUSTRATED

HXL

22-32-01-02

BOEING PROPRIETARY - Copyright © - Unpublished Work - See title page for details.

22-32-01
FIG. 02
PAGE 6
DEC 22/07



767

PARTS CATALOG (MAINTENANCE)

FIG ITEM	PART NUMBER	1 2 3 4 5 6 7	NOMENCLATURE	EFFECT FROM TO	UNITS PER ASSY
2 366	B538DDFS428	BEARING SUPPLIER CODE: V06144 SPECIFICATION NUMBER: BACB10CF10PP OPTIONAL PART: B538DDFS101 V06144 T338E VK8455 B538SSG27 V30163 B538DDFS428 V21335 B538DD V38443 B538-2TS V43991 B538FS101 V06144 B538DDP V21760 B538DDNJC V06144		1

ILLUSTRATION ITEMS NOT ON PARTS LIST ARE NOT APPLICABLE

- ITEM NOT ILLUSTRATED

HXL

22-32-01-02

BOEING PROPRIETARY - Copyright © - Unpublished Work - See title page for details.

22-32-01
FIG. 02
PAGE 7
APR 22/09



767

PARTS CATALOG (MAINTENANCE)

FIG ITEM	PART NUMBER	1 2 3 4 5 6 7	NOMENCLATURE	EFFECT FROM TO	UNITS PER ASSY
2 370	MB540DDFS428	BEARING- SUPPLIER CODE: V06144 SPECIFICATION NUMBER: BACB10AS14 OPTIONAL PART: LLMB540 V38443 MB540-2TS V43991 MB540DDFS428 V21335 MB540TT V43991 MB540DDG20 V38443 MT340E VK8455 MB540DDL196 V40920 MB540DD V06144 MB540DDNJC V06144 MB540DDSD610 V83086 MB540ZZ V38443		1
370	MB540ZZ	BEARING- SUPPLIER CODE: V38443 OPTIONAL PART: BACB10AS14		1
373	AC2A	...	MOTOR-SERVO SUPPLIER CODE: V51761 SPECIFICATION NUMBER: S253T409-1 ELECTRICAL EQUIP NUMBER: M00229 COMPONENT MAINT MANUAL REF: 22-32-01 OPTIONAL PART: P76200A V19710 USED ON: 253T7121-1		1

ILLUSTRATION ITEMS NOT ON PARTS LIST ARE NOT APPLICABLE

- ITEM NOT ILLUSTRATED

HXL

22-32-01-02

BOEING PROPRIETARY - Copyright © - Unpublished Work - See title page for details.

22-32-01
FIG. 02
PAGE 8
APR 22/09



767

PARTS CATALOG (MAINTENANCE)

FIG ITEM	PART NUMBER	1 2 3 4 5 6 7	NOMENCLATURE	EFFECT FROM TO	UNITS PER ASSY
2	373 AT3A		...SERVO-GEN AUTO THROTTLE MOTOR SUPPLIER CODE: V51761 SPECIFICATION NUMBER: S253T409-3 COMPONENT MAINT MANUAL REF: 22-32-02 USED ON: 253T7121-4		1
	373 P76200A		...MOTOR-SERVO SUPPLIER CODE: V19710 SPECIFICATION NUMBER: S253T409-4 OPTIONAL PART: AC2A V51761 USED ON: 253T7121-1		1
	375 253T7123-1		..SHAFT ASSY-QUILL		1
	380 NAS6603-8		..BOLT-		2
	385 NAS6603-11		..BOLT		2
	390 AN960JD10LL		..WASHER-		2
	392 AN960JD10L		..WASHER-		2
	395 MS21042L3		..NUT-		4
	400 BACB28AK03-024		..BUSHING- USED ON: 253T7101-2 253T7101-4 253T7101-6 253T7101-8 253T7101-10 253T7101-12 253T7101-13 253T7101-17 253T7101-18 253T7101-20		2
	405 253U5109-1		..LINK ASSY-		2

ILLUSTRATION ITEMS NOT ON PARTS LIST ARE NOT APPLICABLE

- ITEM NOT ILLUSTRATED

HXL

22-32-01-02

BOEING PROPRIETARY - Copyright © - Unpublished Work - See title page for details.

22-32-01
FIG. 02
PAGE 9
APR 22/09

 **BOEING**
767
PARTS CATALOG (MAINTENANCE)

FIG ITEM	PART NUMBER	1 2 3 4 5 6 7	NOMENCLATURE	EFFECT FROM TO	UNITS PER ASSY
2 407	BNG3F113	...	BEARING SUPPLIER CODE: V16746 SPECIFICATION NUMBER: BACB10CN3 OPTIONAL PART: BLN3-2230 V81376 HG3-140 V02758 KSBG3-57 V97613 55768-3 V09455 NMG3A V73134 NC3G1 V56644 AG3V59 V15860 ABG3V4 VS0352		2
410	BACB30NF4-12	..	BOLT-		5
415	AN960JD416L	..	WASHER-		5
420	253T7500-1	..	PACK ASSY-BRAKE		1
420	253T7500-2	..	PACK ASSY-BRAKE		1
422	BACW10P275C	...	WASHER- USED ON: 253T7500-2		2
425	SL7165C14C	...	NUT-BRG LOCK SUPPLIER CODE: V97393		2
435	253T7504-2	...	BRACKET ASSY-SPRT		1
440	253T7504-1	...	BRACKET ASSY-SPRT		1
465	253T7505-1	...	SPACER-		2
475	253T7501-1	...	BRAKE ASSY-		1
475	253T7501-3	...	BRAKE ASSY-		1
480	253T7501-2	...	BRAKE ASSY-		1
480	253T7501-4	...	BRAKE ASSY-		1
487	254N1183-1	NUT		1
508	90650	ROLLER ASSY-SKEWED SUPPLIER CODE: V82402		2
508	90653	ROLLER ASSY-SKEWED SUPPLIER CODE: V82402		2
585	254N1169-3	...	SPACER-		1
590	253T7503-1	...	SHAFT-		1

ILLUSTRATION ITEMS NOT ON PARTS LIST ARE NOT APPLICABLE

- ITEM NOT ILLUSTRATED

HXL

22-32-01-02

BOEING PROPRIETARY - Copyright © - Unpublished Work - See title page for details.

22-32-01
FIG. 02
PAGE 10
APR 22/09



767

PARTS CATALOG (MAINTENANCE)

FIG ITEM	PART NUMBER	1 2 3 4 5 6 7	NOMENCLATURE	EFFECT FROM TO	UNITS PER ASSY
2 600	253T7510-1		..RESOLVER ASSY- FOR DETAILS SEE: 73-21-11-15		1
605	253T7510-2		..RESOLVER ASSY- FOR DETAILS SEE: 73-21-11-15		1
- 610	L8006K5		ATTACHING PARTS ..BOLT SUPPLIER CODE: V06725 SPECIFICATION NUMBER: BACB30MY6K5		6
- 615	HL79-6		..COLLAR SUPPLIER CODE: V5M902 SPECIFICATION NUMBER: BACC30M6 OPTIONAL PART: HL79-6 V73197 HL79-6 V92215 66014-6 V56878 HL79-6 V56878 -----*-----		6
705	BACB28AK04-032		..BUSHING		2
710	BACB28AK04-016		..BUSHING		2

ILLUSTRATION ITEMS NOT ON PARTS LIST ARE NOT APPLICABLE

- ITEM NOT ILLUSTRATED

HXL

22-32-01-02

BOEING PROPRIETARY - Copyright © - Unpublished Work - See title page for details.

22-32-01
FIG. 02
PAGE 11
APR 22/09



767

PARTS CATALOG (MAINTENANCE)

FIG ITEM	PART NUMBER	1 2 3 4 5 6 7	NOMENCLATURE	EFFECT FROM TO	UNITS PER ASSY
2 715	MB541DDFS428		. . BEARING SUPPLIER CODE: V06144 SPECIFICATION NUMBER: BACB10AS17 OPTIONAL PART: LLMB541 V38443 MB541-2TS V43991 MB541DDFS428 V21335 MB541TT V43991 MB541DDG20 V38443 MT341E VK8455 MB541DDLY196 V40920 MB541DD V06144 MB541DDNJC V06144 MB541DDSD610 V83086		4
- 900 905	286T0481-121 KPSE06F16-26S		WIRE BUNDLE ASSY .PLUG- SUPPLIER CODE: V71468 ELECTRICAL EQUIP NUMBER: D00203 WIRING DIAGRAM REF: 223111		RF 1

ILLUSTRATION ITEMS NOT ON PARTS LIST ARE NOT APPLICABLE

- ITEM NOT ILLUSTRATED

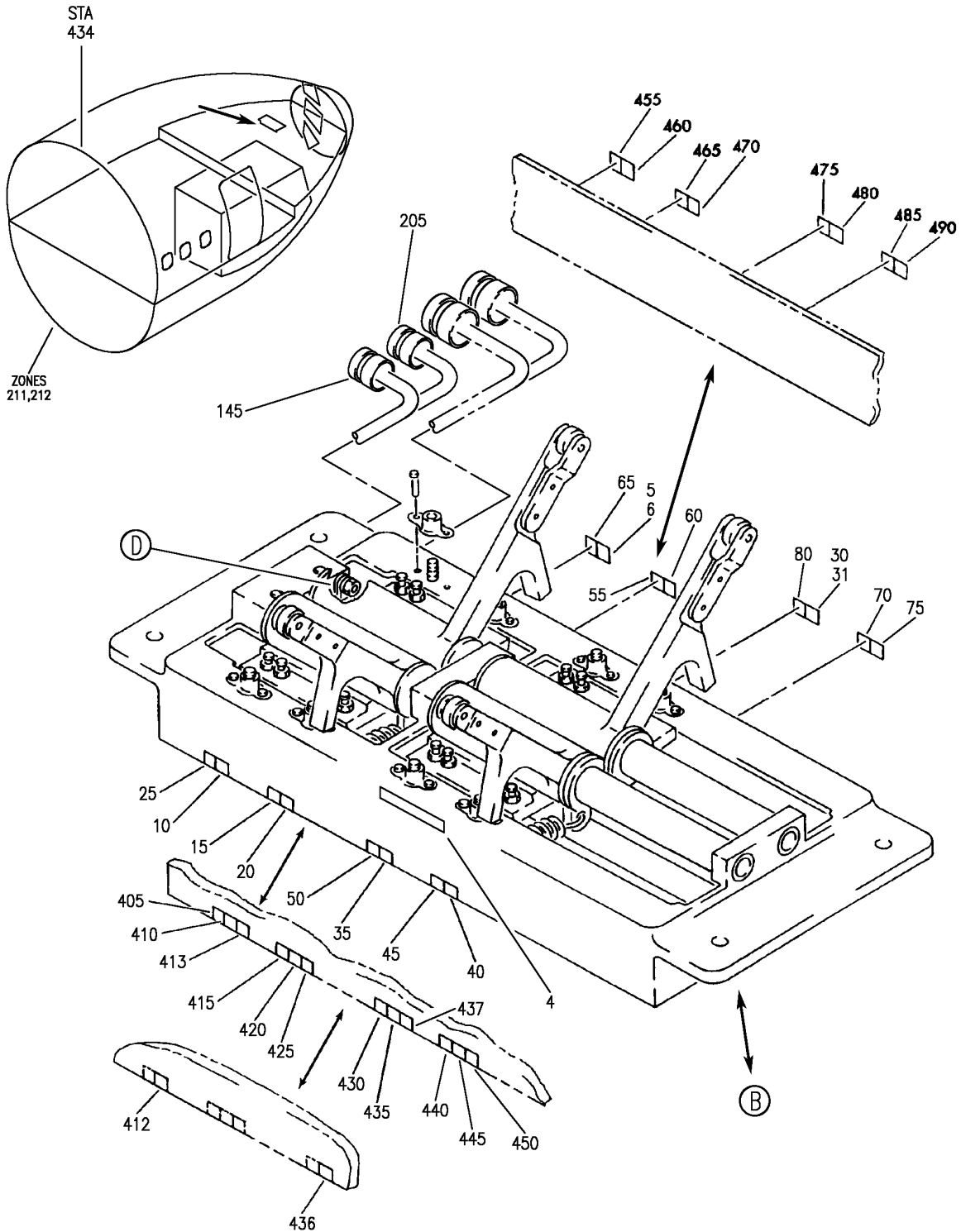
HXL

22-32-01-02

BOEING PROPRIETARY - Copyright © - Unpublished Work - See title page for details.

22-32-01
FIG. 02
PAGE 12
APR 22/09

BOEING
767
PARTS CATALOG (MAINTENANCE)



V 22320150 SHT 1 REV 303

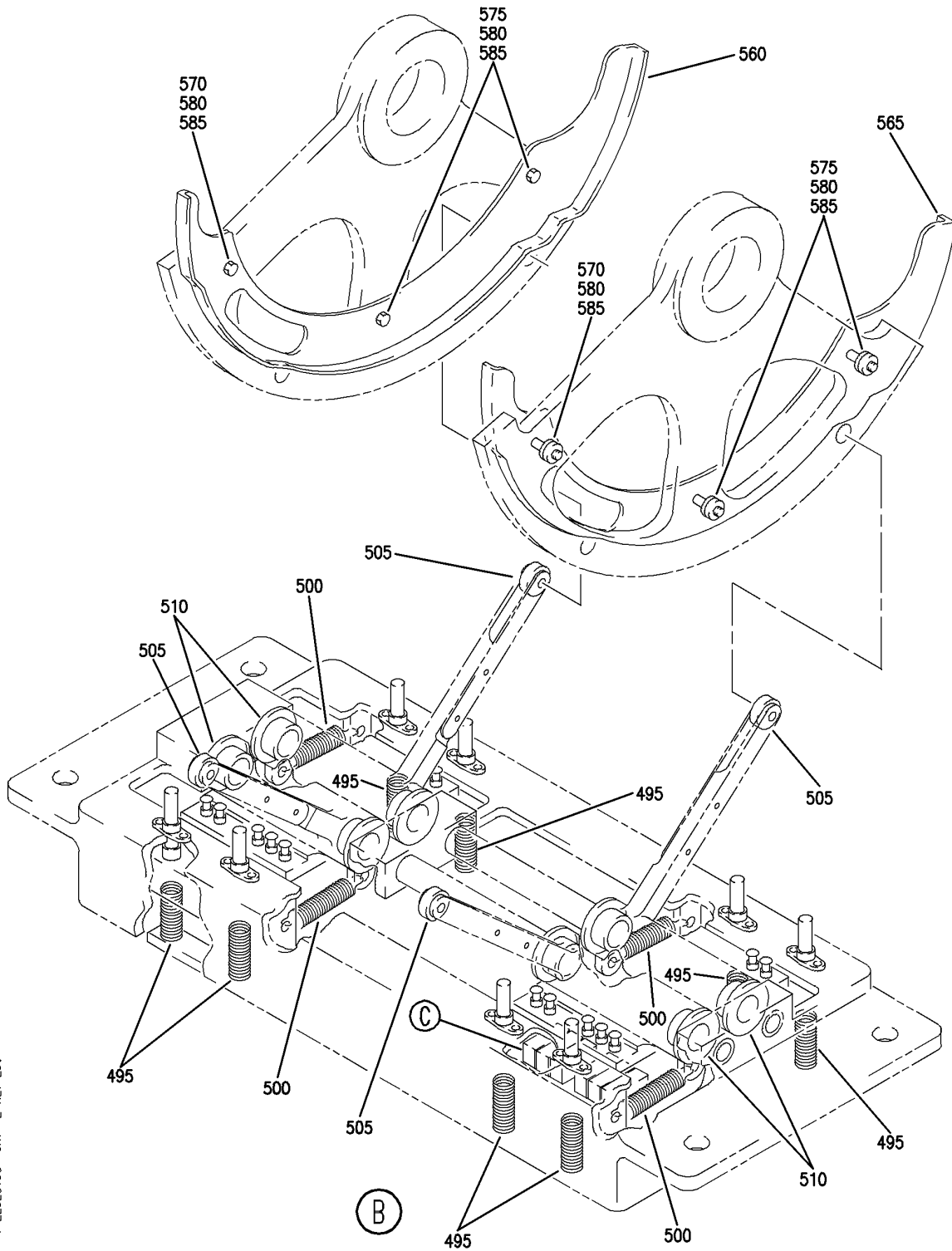
PACK ASSY-MICROSWITCH AUTO THROTTLE
FIGURE 50 (SHEET 1)

22-32-01-50

HXL
DEC 22/06

22-32-01-50
PAGE 0

BOEING
767
PARTS CATALOG (MAINTENANCE)



V 22320150 SHT 2 REV 239

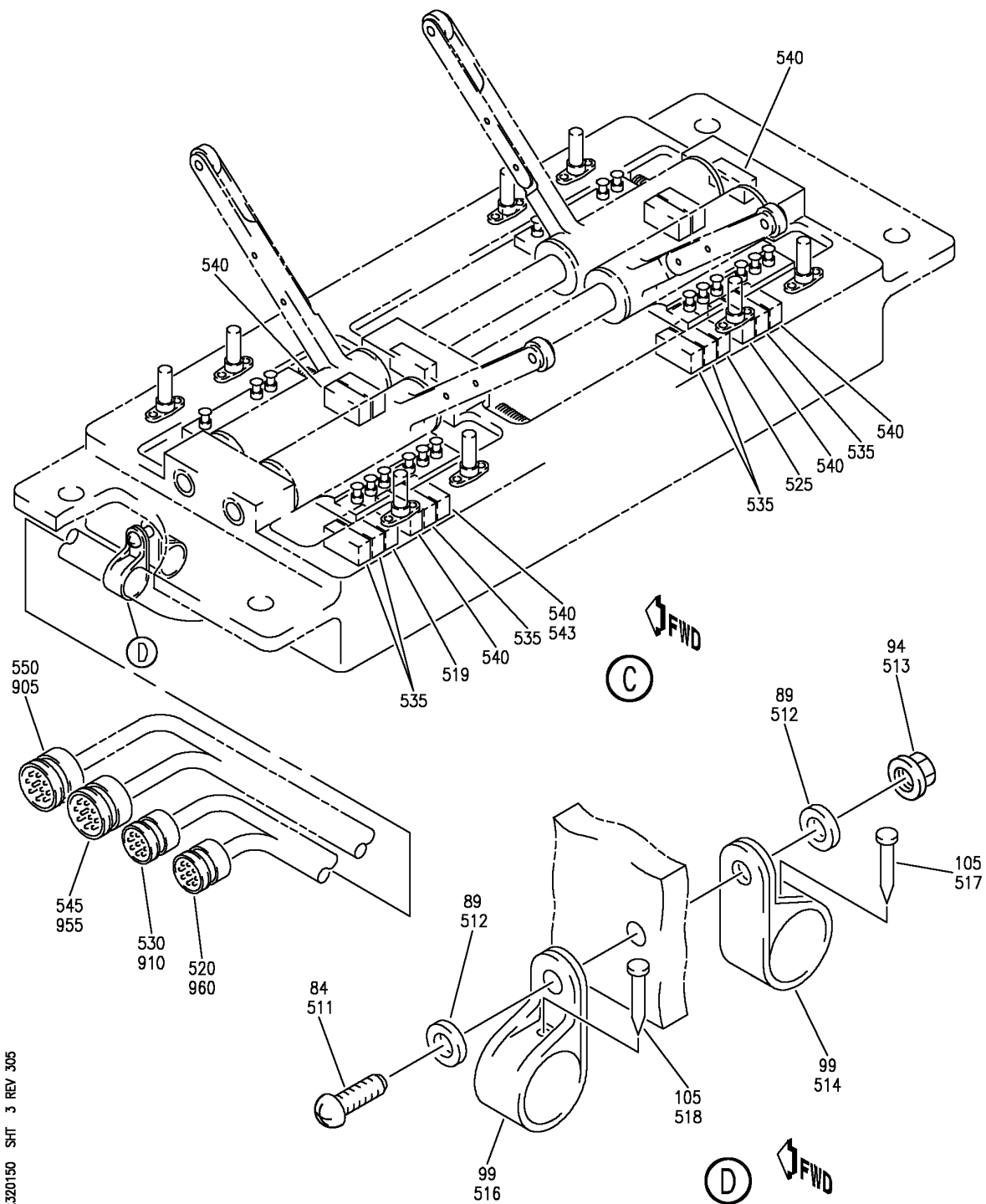
PACK ASSY-MICROSWITCH AUTOThROTTLE
FIGURE 50 (SHEET 2)

22-32-01-50

HXL
DEC 22/06

22-32-01-50
PAGE 0A

BOEING
767
PARTS CATALOG (MAINTENANCE)



V 22320150 SHT 3 REV 305

PACK ASSY-MICROSWITCH AUTOHROTTLE
FIGURE 50 (SHEET 3)

22-32-01-50

HXL
DEC 22/06

22-32-01-50
PAGE 0B



767

PARTS CATALOG (MAINTENANCE)

FIG ITEM	PART NUMBER	1 2 3 4 5 6 7	NOMENCLATURE	EFFECT FROM TO	UNITS PER ASSY
50			PACK ASSY-MICROSWITCH AUTOTHROTTLE		
- 1	254N1185-14		PACK ASSY-MICROSWITCH AUTOTHROTTLE COMPONENT MAINT MANUAL REF: 22-32-38 SERVICE BULLETIN OPT DATA: 250T1017-7 POST SERVICE BULLETIN: 78-0062R2 FOR NHA SEE: 22-32-01-02		RF
- 1	250T1017-7		PACK ASSY-MICROSWITCH AUTOTHROTTLE ALTERED FROM PART NUMBER: 254N1185-5 SERVICE BULLETIN OPT DATA: 254N1185-14 POST SERVICE BULLETIN: 78-0062R5 FOR NHA SEE: 22-32-01-02		RF
4	BAC27NEL0268		.DECAL- PLACARD CONTENT: M00966		1
6	BAC27NCT0294		.DECAL- PLACARD CONTENT: S21 POST SERVICE BULLETIN: 78-0062		1
10	BAC27TCT0015		.DECAL- PLACARD CONTENT: S4		1
15	BAC27TCT0012		.DECAL- PLACARD CONTENT: S1		1
20	BAC27TCT0013		.DECAL- PLACARD CONTENT: S2		1
25	BAC27TCT0014		.DECAL- PLACARD CONTENT: S3		1
31	BAC27NCT0295		.DECAL- PLACARD CONTENT: S22 POST SERVICE BULLETIN: 78-0062		1

ILLUSTRATION ITEMS NOT ON PARTS LIST ARE NOT APPLICABLE

- ITEM NOT ILLUSTRATED

22-32-01-50

22-32-01
FIG. 50
PAGE 1
APR 22/08

HXL



767

PARTS CATALOG (MAINTENANCE)

FIG ITEM	PART NUMBER	1 2 3 4 5 6 7	NOMENCLATURE	EFFECT FROM TO	UNITS PER ASSY
50					
35	BAC27TCT0167	.DECAL-	PLACARD CONTENT: S15		1
40	BAC27TCT0016	.DECAL-	PLACARD CONTENT: S5		1
45	BAC27TCT0017	.DECAL-	PLACARD CONTENT: S6		1
50	BAC27TCT0031	.DECAL-	PLACARD CONTENT: S7		1
55	BAC27TCT0292	.DECAL-	PLACARD CONTENT: S17		1
60	BAC27TCT0034	.DECAL-	PLACARD CONTENT: S10		1
65	BAC27TCT0163	.DECAL-	PLACARD CONTENT: S11		1
70	BAC27TCT0298	.DECAL-	PLACARD CONTENT: S18		1
75	BAC27TCT0166	.DECAL-	PLACARD CONTENT: S14		1
80	BAC27TCT0032	.DECAL-	PLACARD CONTENT: S8		1
84	BACS12CK3-12	.SCREW-			1
89	AN960JD10L	.WASHER-			2
94	PLH53CD	.NUT-	SUPPLIER CODE: VF0224 SPECIFICATION NUMBER: BACN10YR3CD OPTIONAL PART: H52732-3CD V15653		1
99	BACC10DK7	.CLAMP-	OPTIONAL PART: 287T0011-2 USED ON: 254N1185-14		2

ILLUSTRATION ITEMS NOT ON PARTS LIST ARE NOT APPLICABLE

- ITEM NOT ILLUSTRATED

HXL

22-32-01-50

BOEING PROPRIETARY - Copyright © - Unpublished Work - See title page for details.

22-32-01
FIG. 50
PAGE 2
DEC 22/08



767

PARTS CATALOG (MAINTENANCE)

FIG ITEM	PART NUMBER	1 2 3 4 5 6 7	NOMENCLATURE	EFFECT FROM TO	UNITS PER ASSY
50					
99	287T0011-2		.CLAMP- OPTIONAL PART: BACC10DK7 USED ON: 254N1185-14		2
105	N2088		.PLUG- SUPPLIER CODE: V75345 SPECIFICATION NUMBER: BACP20BA1 OPTIONAL PART: SZ7105 V95272 4841 V84914		2
- 135	250T1017-2		.WIRE BUNDLE ASSY- POST SERVICE BULLETIN: 78-0062		1
145	BACC45FN12-12S		..CONNECTOR- POSITION DATA: P3 ELECTRICAL EQUIP NUMBER: D20160 POST SERVICE BULLETIN: 78-0062		1
- 200	250T1017-3		.WIRE BUNDLE ASSY- POST SERVICE BULLETIN: 78-0062		1
205	BACC45FN12-12S6		..CONNECTOR- POSITION DATA: P4 ELECTRICAL EQUIP NUMBER: D20162 POST SERVICE BULLETIN: 78-0062		1

ILLUSTRATION ITEMS NOT ON PARTS LIST ARE NOT APPLICABLE

- ITEM NOT ILLUSTRATED

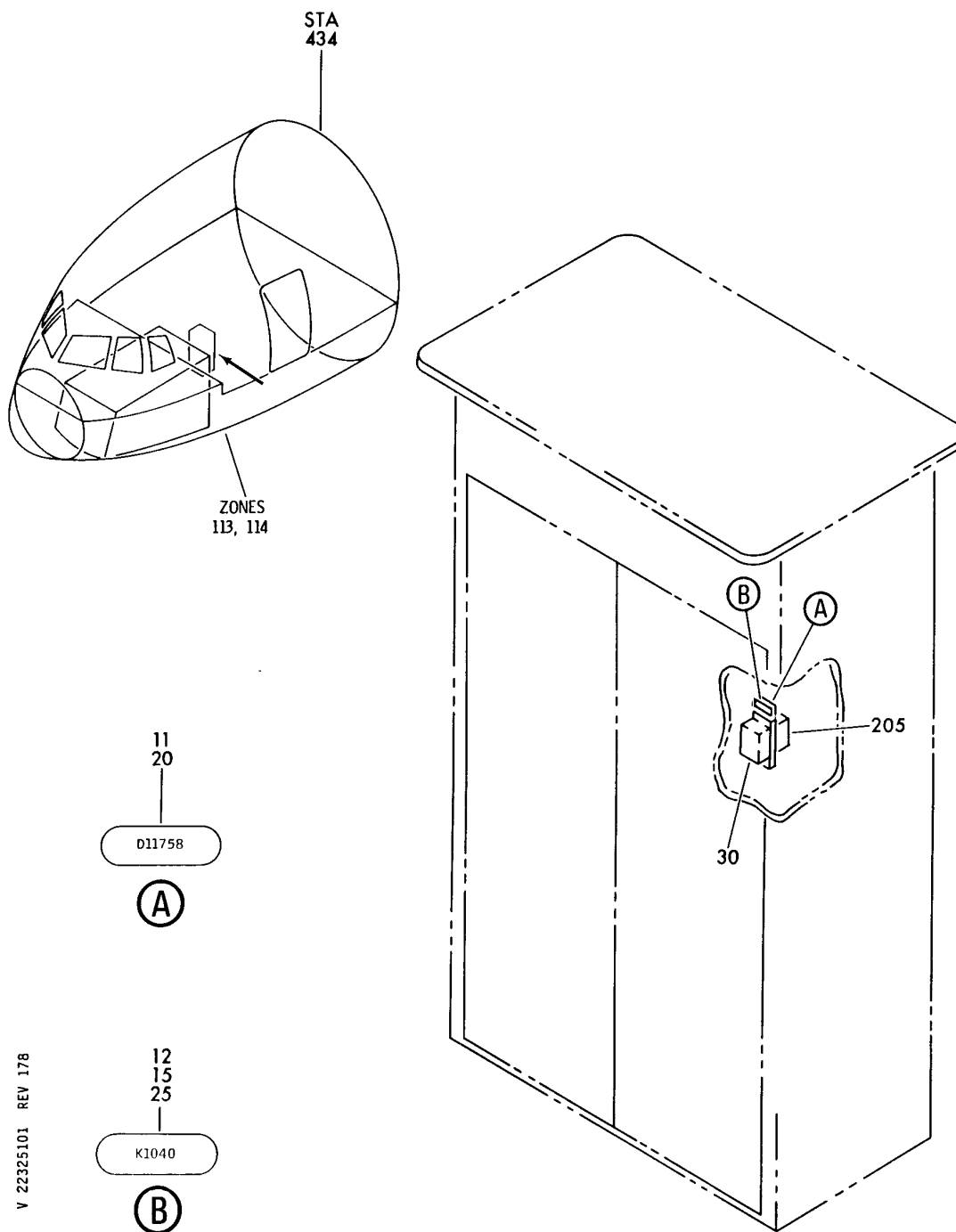
HXL

22-32-01-50

BOEING PROPRIETARY - Copyright © - Unpublished Work - See title page for details.

22-32-01
FIG. 50
PAGE 3
APR 22/08

BOEING
767
PARTS CATALOG (MAINTENANCE)



V 22325101 REV 178

EQUIPMENT ASSY-P33 MISC ELEC PNL FWD (AUTOFLIGHT ONLY)
FIGURE 1

22-32-51-01

HXL
DEC 22/06

22-32-51-01
PAGE 0



767

PARTS CATALOG (MAINTENANCE)

FIG ITEM	PART NUMBER	1 2 3 4 5 6 7	NOMENCLATURE	EFFECT FROM TO	UNITS PER ASSY
1			EQUIPMENT ASSY-P33 MISC ELEC PNL FWD (AUTOFLIGHT ONLY)		
- 2	284T0189-155		EQUIPMENT ASSY-P33 MISC ELEC PNL (AUTOFLIGHT ONLY) POSITION DATA: FWD FOR NHA/OTHER SYS DET SEE: 25-50-51-01	163999	RF
- 3	284T0189-183		EQUIPMENT ASSY-P33 MISC ELEC PNL (AUTOFLIGHT ONLY) POSITION DATA: FWD FOR NHA/OTHER SYS DET SEE: 25-50-51-01	155162	RF
11	BAC27TEX4206		.DECALSET-INCLUDES DECALS IDENTIFIED ON THE ILLUSTRATION		1
12	BAC27TEX4199		.DECALSET-INCLUDES DECALS IDENTIFIED ON THE ILLUSTRATION		1
25	BAC27TEX3816		.DECALSET-INCLUDES DECALS IDENTIFIED ON THE ILLUSTRATION	155162	1
30	W260F4AM11		.RELAY- SUPPLIER CODE: VF0219 SPECIFICATION NUMBER: BACR13CD2 OPTIONAL PART: BR16S233 V09026 EE4AA005 V35344 3SAV1338A2 V01526 HFW1206K03 V58614 HFW1204K01 V71482 ELECTRICAL EQUIP NUMBER: K01040		1
- 200	286T0142-300		WIRE BUNDLE ASSY		RF

ILLUSTRATION ITEMS NOT ON PARTS LIST ARE NOT APPLICABLE

- ITEM NOT ILLUSTRATED

22-32-51-01

22-32-51
FIG. 01
PAGE 1
DEC 22/07

HXL



767

PARTS CATALOG (MAINTENANCE)

FIG ITEM	PART NUMBER	1 2 3 4 5 6 7	NOMENCLATURE	EFFECT FROM TO	UNITS PER ASSY
1 205	RSE120026		. SOCKET- SUPPLIER CODE: V58982 SPECIFICATION NUMBER: BACS16AG1 OPTIONAL PART: 451120-026 V58982 ELECTRICAL EQUIP NUMBER: D11758 WIRING DIAGRAM REF: 223213		1

ILLUSTRATION ITEMS NOT ON PARTS LIST ARE NOT APPLICABLE

- ITEM NOT ILLUSTRATED

HXL

22-32-51-01

BOEING PROPRIETARY - Copyright © - Unpublished Work - See title page for details.

22-32-51
FIG. 01
PAGE 2
DEC 22/07