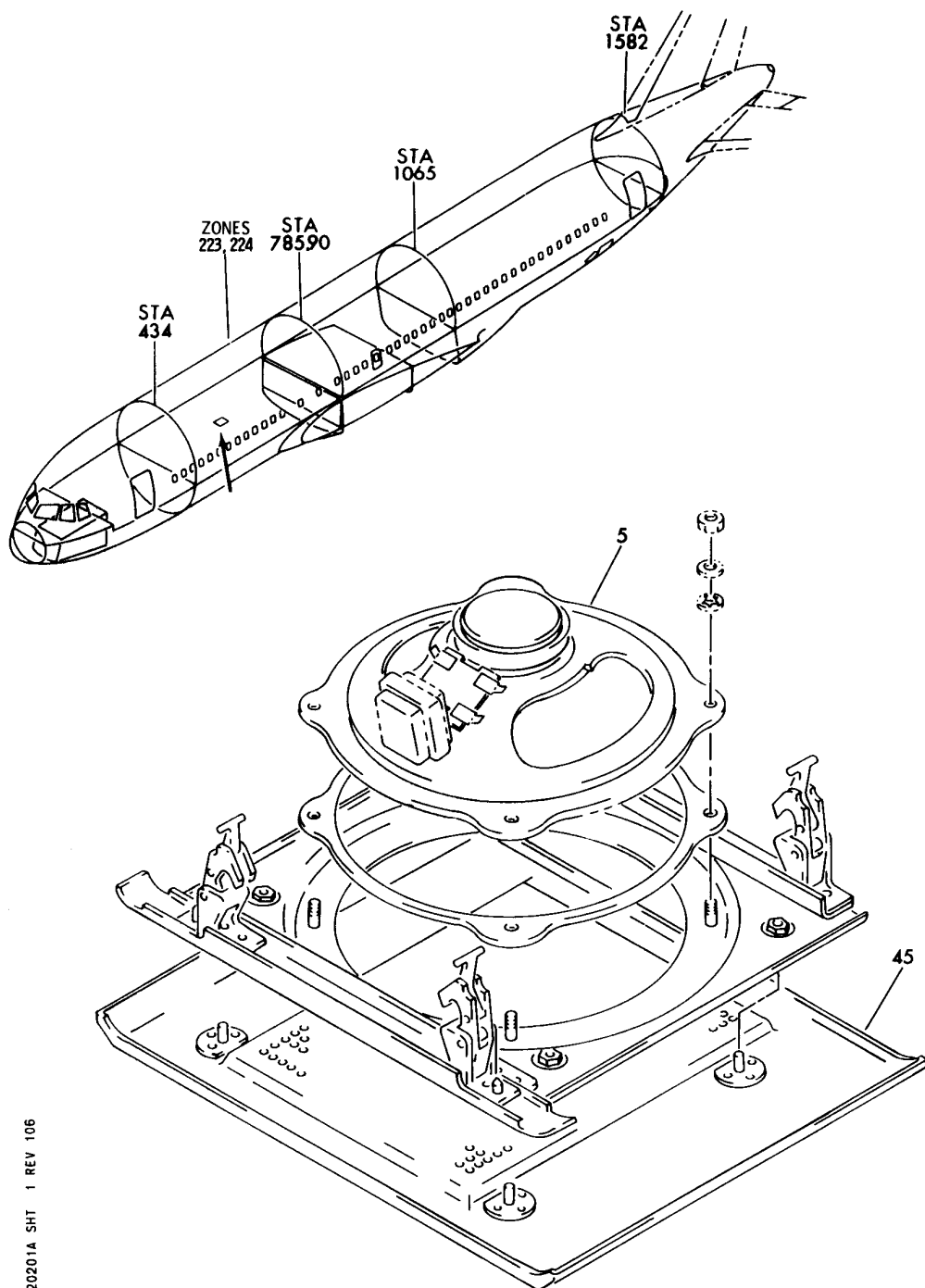


## PASSENGER ENTERTAINMENT (VIDEO PROJECTION)

HXL  
DEC 22/06

23-32-00  
SECTION TITLE  
PAGE 1

**BOEING**  
767  
PARTS CATALOG (MAINTENANCE)



V 23320201A SHT 1 REV 106

PANEL ASSY-ADJUSTABLE SPACER OUTBD (COMMUNICATIONS ONLY)  
FIGURE 1A

**23-32-02-01A**

HXL  
DEC 22/06

23-32-02-01A  
PAGE 0



767

PARTS CATALOG (MAINTENANCE)

FIG ITEM	PART NUMBER	1 2 3 4 5 6 7	NOMENCLATURE	EFFECT FROM TO	UNITS PER ASSY
1 A			PANEL ASSY-ADJUSTABLE SPACER OUTBD (COMMUNICATIONS ONLY)	163999	
- 1	417T3055-1017SP		PANEL ASSY-ADJUSTABLE SPACER (COMMUNICATIONS ONLY) POSITION DATA: OUTBD FOR NHA/OTHER SYS DET SEE: 25-23-01-48B	163999	RF
5	RDAM8005A		.SPEAKER-PASS. ADDRESS SUPPLIER CODE: VOFF57 SPECIFICATION NUMBER: S222T101-101 COMPONENT MAINT MANUAL REF: 23-34-12	163999	1
5	RDAM8018		.SPEAKER- SUPPLIER CODE: VOFF57 SPECIFICATION NUMBER: 10-62232-01 OPTIONAL PART: RDAM8005A VOFF57	163999	1
- 10	MS35333-38		ATTACHING PARTS .WASHER	163999	4
- 15	AN960PD8		.WASHER	163999	4
- 15	AN960PD8		.WASHER	163999	4
- 20	MS25082-2		.NUT	163999	4
			-----*-----		

ILLUSTRATION ITEMS NOT ON PARTS LIST ARE NOT APPLICABLE

- ITEM NOT ILLUSTRATED

HXL

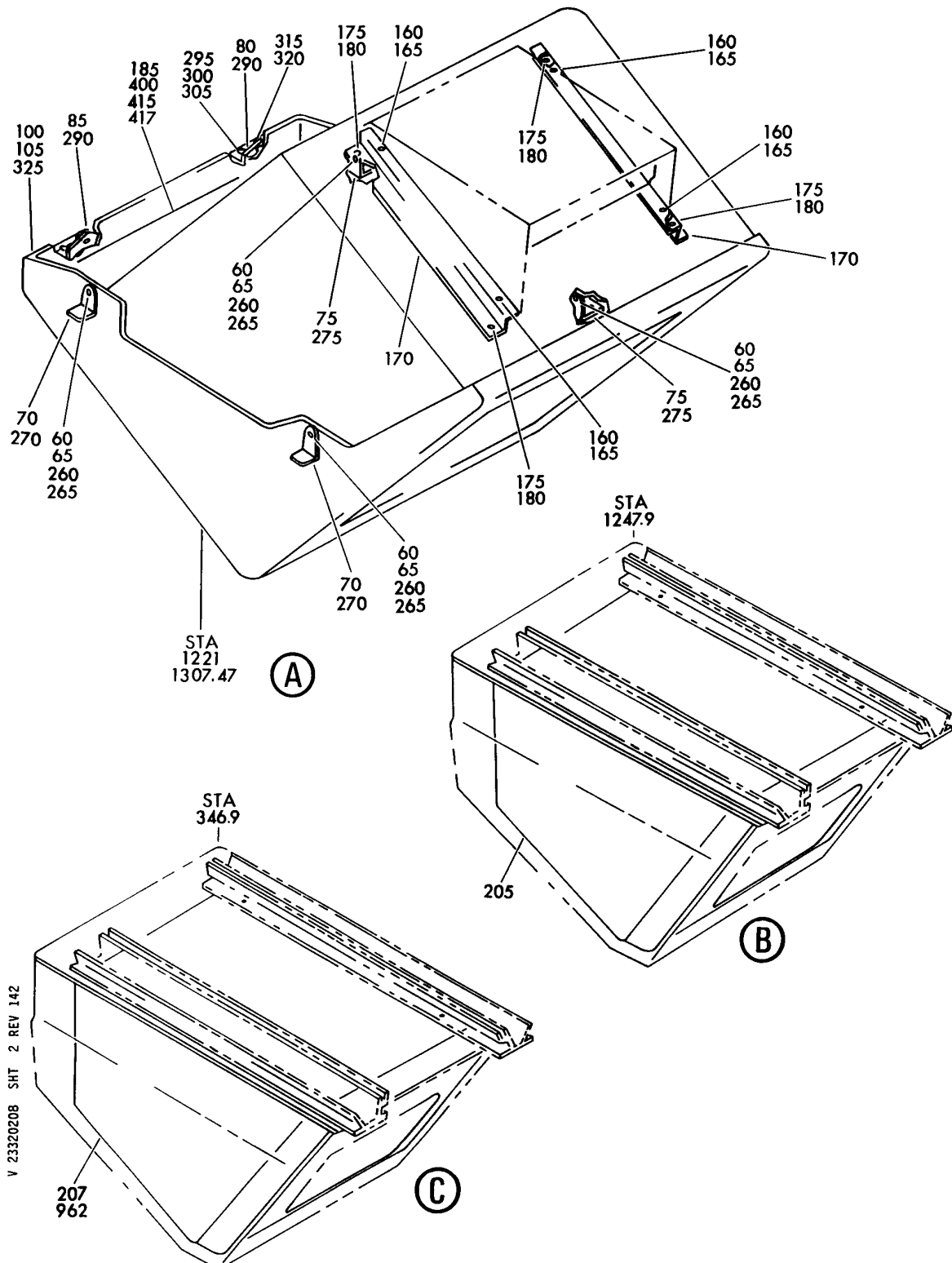
23-32-02-01A

BOEING PROPRIETARY - Copyright © - Unpublished Work - See title page for details.

23-32-02  
FIG. 01A  
PAGE 1  
DEC 22/07



**BOEING**  
767  
**PARTS CATALOG (MAINTENANCE)**

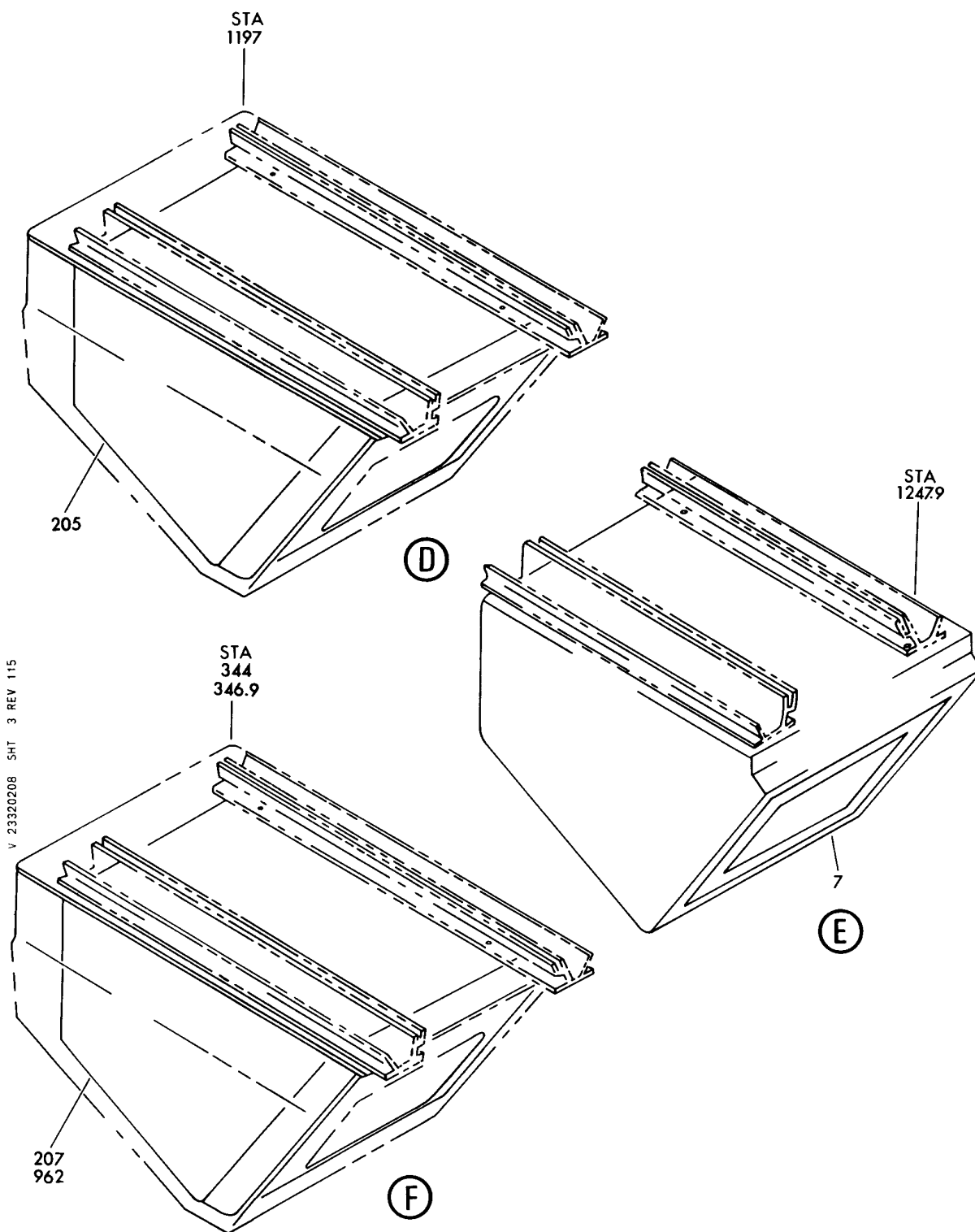


V 23320208 SHT 2 REV 142

MONITOR AND SHROUD INSTL VIDEO  
FIGURE 8 (SHEET 2)

**23-32-02-08**

**BOEING**  
767  
PARTS CATALOG (MAINTENANCE)



MONITOR AND SHROUD INSTL VIDEO  
FIGURE 8 (SHEET 3)

**23-32-02-08**

HXL  
DEC 22/06

23-32-02-08  
PAGE 0B





767

PARTS CATALOG (MAINTENANCE)

FIG ITEM	PART NUMBER	1 2 3 4 5 6 7	NOMENCLATURE	EFFECT FROM TO	UNITS PER ASSY
8			MONITOR AND SHROUD INSTL VIDEO		
- 575	417T7037-59		MONITOR INSTL- POSITION DATA: STA. 664.0 FOR NHA SEE: 25-20-00-17B	163999	RF
- 575	417T7037-104		MONITOR INSTL- POSITION DATA: STA. 664.0 FOR NHA SEE: 25-20-00-17B	155162	RF
- 580	417T7037-103		SHROUD INSTL- POSITION DATA: STA. 457.0 FOR NHA SEE: 25-20-00-17B	155162	RF
585	417T7037-24		.BUTTON PLUG		4
590	NAS1801-3-7		.SCREW		7
595	NAS1801-3-8		.SCREW		4
600	NAS1801-3-8		.SCREW- USED ON: 417T7037-26 417T7037-58 417T7037-103	155162	2
605	NAS1801-3-9		.SCREW- USED ON: 417T7037-26 417T7037-58 417T7037-103	155162	4
610	NAS1801-3-24		.SCREW- USED ON: 417T7037-25 417T7037-59 417T7037-104		4
615	NAS620A10		.WASHER- USED ON: 417T7037-26 417T7037-58 417T7037-103	155162	2
620	NAS620A10L		.WASHER- USED ON: 417T7037-26 417T7037-58 417T7037-103	155162	2
625	417T7040-40		.PLATE		4

ILLUSTRATION ITEMS NOT ON PARTS LIST ARE NOT APPLICABLE

- ITEM NOT ILLUSTRATED

23-32-02-08

23-32-02  
FIG. 08  
PAGE 1  
DEC 22/07

HXL





767

PARTS CATALOG (MAINTENANCE)

FIG ITEM	PART NUMBER	1 2 3 4 5 6 7	NOMENCLATURE	EFFECT FROM TO	UNITS PER ASSY
8 630	417T7040-41		. ANGLE- USED ON: 417T7037-25 417T7037-59 417T7037-104		1
635	417T7040-42		. ANGLE- USED ON: 417T7037-25 417T7037-59 417T7037-104		1
640	417T7040-50		. SUPPORT BRACKET- USED ON: 417T7037-26 417T7037-58 417T7037-103	155162	1
645	417T7040-51		. SUPPORT BRACKET- USED ON: 417T7037-26 417T7037-58 417T7037-103	155162	1
700	417T7040-237SP		. SHROUD ASSY-	155162	1
701	417T7040-137SP		. SHROUD ASSY	163999	1
705	700-1407-002		. MONITOR- (CUSTOMER FURNISHED) SUPPLIER CODE: V97896		1
- 715	417T7037-122		MONITOR INSTL- POSITION DATA: STA. 618.9, 804.9, AND 1280.9 FOR NHA SEE: 25-20-00-17B	163999	RF
- 715	417T7037-139		MONITOR INSTL- POSITION DATA: STA. 618.9, 827.9, AND 1280.9 FOR NHA SEE: 25-20-00-17B	155162	RF
- 720	617-5475-001		. HARDWARE- (CUSTOMER FURNISHED) SUPPLIER CODE: V97896	163999	3
- 720	617-5475-004		. HARDWARE- (CUSTOMER FURNISHED) SUPPLIER CODE: V97896	155162	3

ILLUSTRATION ITEMS NOT ON PARTS LIST ARE NOT APPLICABLE

- ITEM NOT ILLUSTRATED

23-32-02-08

23-32-02  
FIG. 08  
PAGE 2  
DEC 22/07

HXL

BOEING PROPRIETARY - Copyright © - Unpublished Work - See title page for details.



767

PARTS CATALOG (MAINTENANCE)

FIG ITEM	PART NUMBER	1 2 3 4 5 6 7	NOMENCLATURE	EFFECT FROM TO	UNITS PER ASSY
8					
- 722	617-5475-003		.HARDWARE- (CUSTOMER FURNISHED) SUPPLIER CODE: V0535B	163999	3
723	700-1364-001		.MONITOR- (CUSTOMER FURNISHED) SUPPLIER CODE: V62204 MISCELLANEOUS DATA: (KN 475646) PRE AIRLINE MOD: MTO-230453B VSAS	155162	3
723	700-1590-001		.MONITOR-VIDEO SUPPLIER CODE: V62204 FUNCTIONAL DESCRIPTION: DISPLAYS VIDEO PROGRAMS FOR PASSENGER ENTERTAINMENT MISCELLANEOUS DATA: (KN 477945) POST AIRLINE MOD: MTO-230453B VSAS	155162	3
725	700-1364-001		.MONITOR- (CUSTOMER FURNISHED) SUPPLIER CODE: V62204 MISCELLANEOUS DATA: (KN 475646) PRE AIRLINE MOD: MTO-230453 VSAS		3
725	700-1590-001		.MONITOR-VIDEO SUPPLIER CODE: V62204 FUNCTIONAL DESCRIPTION: DISPLAYS VIDEO PROGRAMS FOR PASSENGER ENTERTAINMENT MISCELLANEOUS DATA: (KN 477945) POST AIRLINE MOD: MTO-230453B VSAS		3

ILLUSTRATION ITEMS NOT ON PARTS LIST ARE NOT APPLICABLE

- ITEM NOT ILLUSTRATED

23-32-02-08

23-32-02  
FIG. 08  
PAGE 3  
AUG 22/08

HXL

**BOEING**  
767  
**PARTS CATALOG (MAINTENANCE)**

FIG ITEM	PART NUMBER	1 2 3 4 5 6 7	NOMENCLATURE	EFFECT FROM TO	UNITS PER ASSY
8 726	700-1364-001		.MONITOR- (CUSTOMER FURNISHED) SUPPLIER CODE: V62204 MISCELLANEOUS DATA: (KN 475646) PRE AIRLINE MOD: MTO-230453 VSAS		1
726	700-1590-001		.MONITOR-VIDEO SUPPLIER CODE: V62204 FUNCTIONAL DESCRIPTION: DISPLAYS VIDEO PROGRAMS FOR PASSENGER ENTERTAINMENT MISCELLANEOUS DATA: (KN 477945) POST AIRLINE MOD: MTO-230453B VSAS		1
- 900	417T7037-85		MONITOR INSTL- POSITION DATA: STA. 455.0 FOR NHA SEE: 25-20-00-17B	163999	RF
905	417T7037-24		.BUTTON PLUG	163999	4
910	NAS1351-3-8P		.SCREW	163999	4
915	NAS6603-2		.BOLT	163999	6
920	NAS1801-3-7		.SCREW	163999	8
925	AN960C10L		.WASHER	163999	6
930	AN960JD10LL		.WASHER	163999	8
935	417T7040-40		.PLATE	163999	4
940	417T7040-137SP		.SHROUD ASSY-	163999	1
945	700-1407-002		.MONITOR- (CUSTOMER FURNISHED) SUPPLIER CODE: V97896	163999	1

ILLUSTRATION ITEMS NOT ON PARTS LIST ARE NOT APPLICABLE

- ITEM NOT ILLUSTRATED

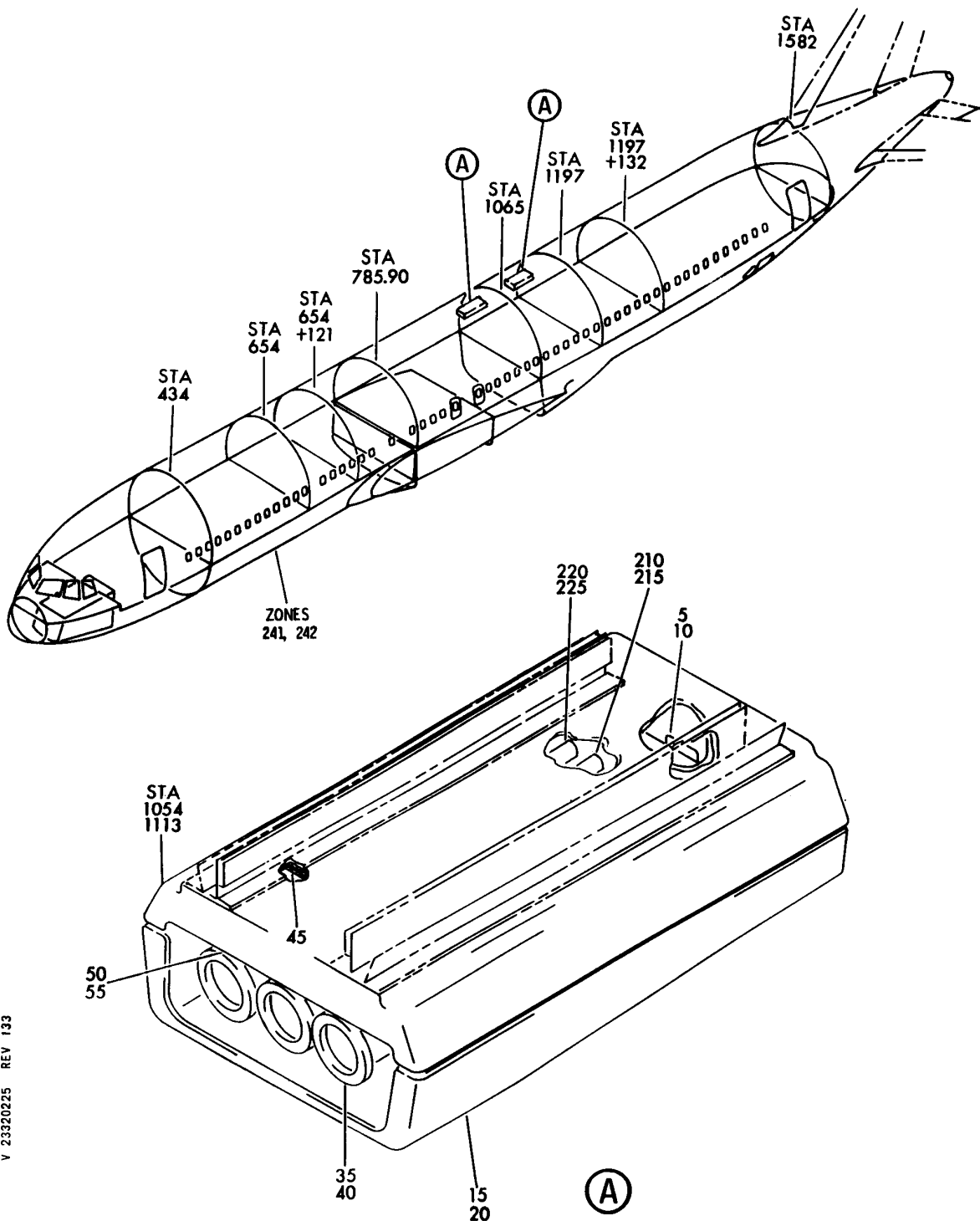
HXL

23-32-02-08

BOEING PROPRIETARY - Copyright © - Unpublished Work - See title page for details.

23-32-02  
FIG. 08  
PAGE 4  
AUG 22/08

**BOEING**  
767  
PARTS CATALOG (MAINTENANCE)



V 23320225 REV 133

PROJECTOR INSTL-VIDEO SYS  
FIGURE 25

**23-32-02-25**

HXL  
DEC 22/06

23-32-02-25  
PAGE 0



767

PARTS CATALOG (MAINTENANCE)

FIG ITEM	PART NUMBER	1 2 3 4 5 6 7	NOMENCLATURE	EFFECT FROM TO	UNITS PER ASSY
25					
- 1	417T7101-29		PROJECTOR INSTL-VIDEO SYS PROJECTOR INSTL-VIDEO SYS 3 CLASS ARRANGEMENT POSITION DATA: STA 1054 FOR NHA SEE: 25-20-00-17B		RF
5	BAC27TPPS5176		.MARKER-ALUMINUM FOIL PLACARD CONTENT: M1198 VIDEO PROJECTOR		1
15	617-5516-008		.SHROUD-CUSTOMER FURNISHED SUPPLIER CODE: V3Y989 POSITION DATA: LWR		1
- 25	617-5117-004		.HARDWARE- (CUSTOMER FURNISHED) SUPPLIER CODE: V3Y989		1
35	700-1117-001		.PROJECTOR-VIDEO (CUSTOMER FURNISHED) SUPPLIER CODE: V62204 ELECTRICAL EQUIP NUMBER: M01198		1
35	700-1117-009		.PROJECTOR-VIDEO (CUSTOMER FURNISHED) SUPPLIER CODE: V62204 ELECTRICAL EQUIP NUMBER: M01198		1
45	617-4329-003		.PLATE ASSY-ADAPTER (CUSTOMER FURNISHED) SUPPLIER CODE: V3Y989		1
50	617-5517-008		.SHROUD-(CUSTOMER FURNISHED) SUPPLIER CODE: V3Y989 POSITION DATA: UPR		1
- 200	286T1417-300		WIRE BUNDLE ASSY		RF
210	BACC45FT12A12S		.CONNECTOR- ELECTRICAL EQUIP NUMBER: D01227 WIRING DIAGRAM REF: 233213		1
ILLUSTRATION ITEMS NOT ON PARTS LIST ARE NOT APPLICABLE					

- ITEM NOT ILLUSTRATED

23-32-02-25

23-32-02  
FIG. 25  
PAGE 1  
APR 22/08

HXL



767

PARTS CATALOG (MAINTENANCE)

FIG ITEM	PART NUMBER	1 2 3 4 5 6 7	NOMENCLATURE	EFFECT FROM TO	UNITS PER ASSY
25 220	KC59-585M06		.CONNECTOR- SUPPLIER CODE: V91836 ELECTRICAL EQUIP NUMBER: D01229 WIRING DIAGRAM REF: 233213		1
220	755-79-9		.CONNECTOR- SUPPLIER CODE: V91836 ELECTRICAL EQUIP NUMBER: D01229 WIRING DIAGRAM REF: 233213		1

ILLUSTRATION ITEMS NOT ON PARTS LIST ARE NOT APPLICABLE

- ITEM NOT ILLUSTRATED

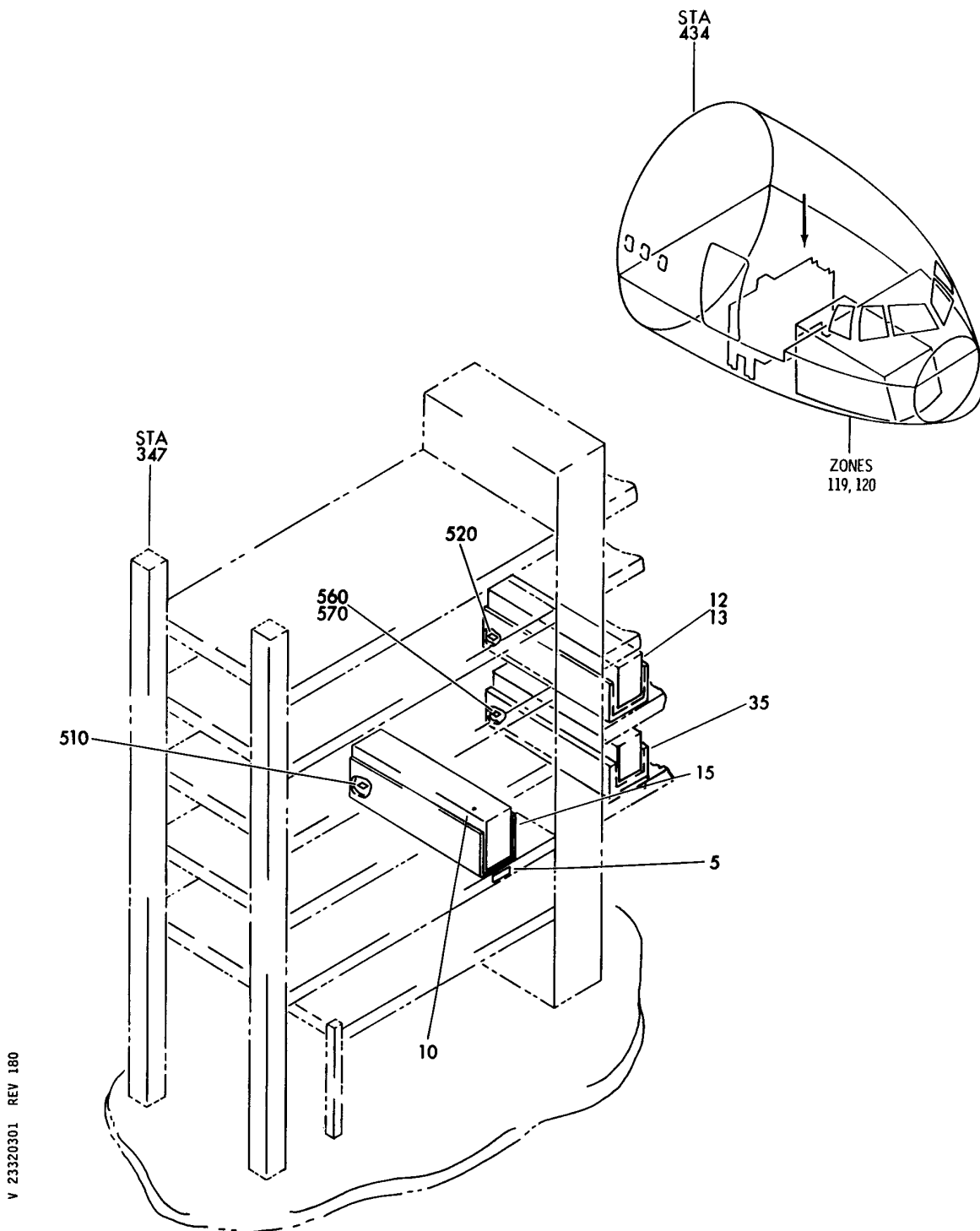
HXL

23-32-02-25

BOEING PROPRIETARY - Copyright © - Unpublished Work - See title page for details.

23-32-02  
FIG. 25  
PAGE 2  
DEC 22/07

**BOEING**  
767  
PARTS CATALOG (MAINTENANCE)



V 23320301 REV 180

EQUIPMENT AND SOFTWARE INSTL-ELECTRONIC EQPT CTR E1/E2 RACK (PASSENGER ENTERTAINMENT SYSTEM ONLY)

FIGURE 1

**23-32-03-01**

HXL  
DEC 22/06

23-32-03-01  
PAGE 0



767

PARTS CATALOG (MAINTENANCE)

FIG ITEM	PART NUMBER	1 2 3 4 5 6 7	NOMENCLATURE	EFFECT FROM TO	UNITS PER ASSY
1			EQUIPMENT AND SOFTWARE INSTL-ELECTRONIC EQPT CTR E1/E2 RACK (PASSENGER ENTERTAINMENT SYSTEM ONLY)		
- 1	284T0400-618		EQUIPMENT INSTL-ELECTRONIC EQPT CTR E1/E2 RACK (PASSENGER ENTERTAINMENT SYSTEM ONLY) VARIABLE DRAWING REF: 284T0400-5284 FOR NHA/OTHER SYS DET SEE: 24-00-58-01J	155162	RF
- 1	284T0400-630		EQUIPMENT INSTL-ELECTRONIC EQPT CTR E1/E2 RACK (PASSENGER ENTERTAINMENT SYSTEM ONLY) VARIABLE DRAWING REF: 284T0400-5349 284T0400-5357 FOR NHA/OTHER SYS DET SEE: 24-00-58-01J	163999	RF
13	921000		.UNIT ASSY-DIGITAL INTERFACE AIRSHOW (CUSTOMER FURNISHED) SUPPLIER CODE: V70093 FUNCTIONAL DESCRIPTION: SUPPORTS DISPLAY OF AIRSHOW PASSENGER IN-FLIGHT INFORMATION SYSTEM. ELECTRICAL EQUIP NUMBER: M01457		1
- 500	286T0117-101		WIRE BUNDLE ASSY-(PASSENGER ENTERTAINMENT SYSTEM ONLY)		RF
510	KC59-411		.CONNECTOR- SUPPLIER CODE: V91836 ELECTRICAL EQUIP NUMBER: D02259 WIRING DIAGRAM REF: 233221		1

ILLUSTRATION ITEMS NOT ON PARTS LIST ARE NOT APPLICABLE

- ITEM NOT ILLUSTRATED

23-32-03-01

23-32-03  
FIG. 01  
PAGE 1  
DEC 22/07

HXL





767  
PARTS CATALOG (MAINTENANCE)

FIG ITEM	PART NUMBER	1 2 3 4 5 6 7	NOMENCLATURE	EFFECT FROM TO	UNITS PER ASSY
1 520	KC59-660M06		.CONNECTOR- SUPPLIER CODE: V91836 ELECTRICAL EQUIP NUMBER: D02257 WIRING DIAGRAM REF: 233221		1

ILLUSTRATION ITEMS NOT ON PARTS LIST ARE NOT APPLICABLE

- ITEM NOT ILLUSTRATED

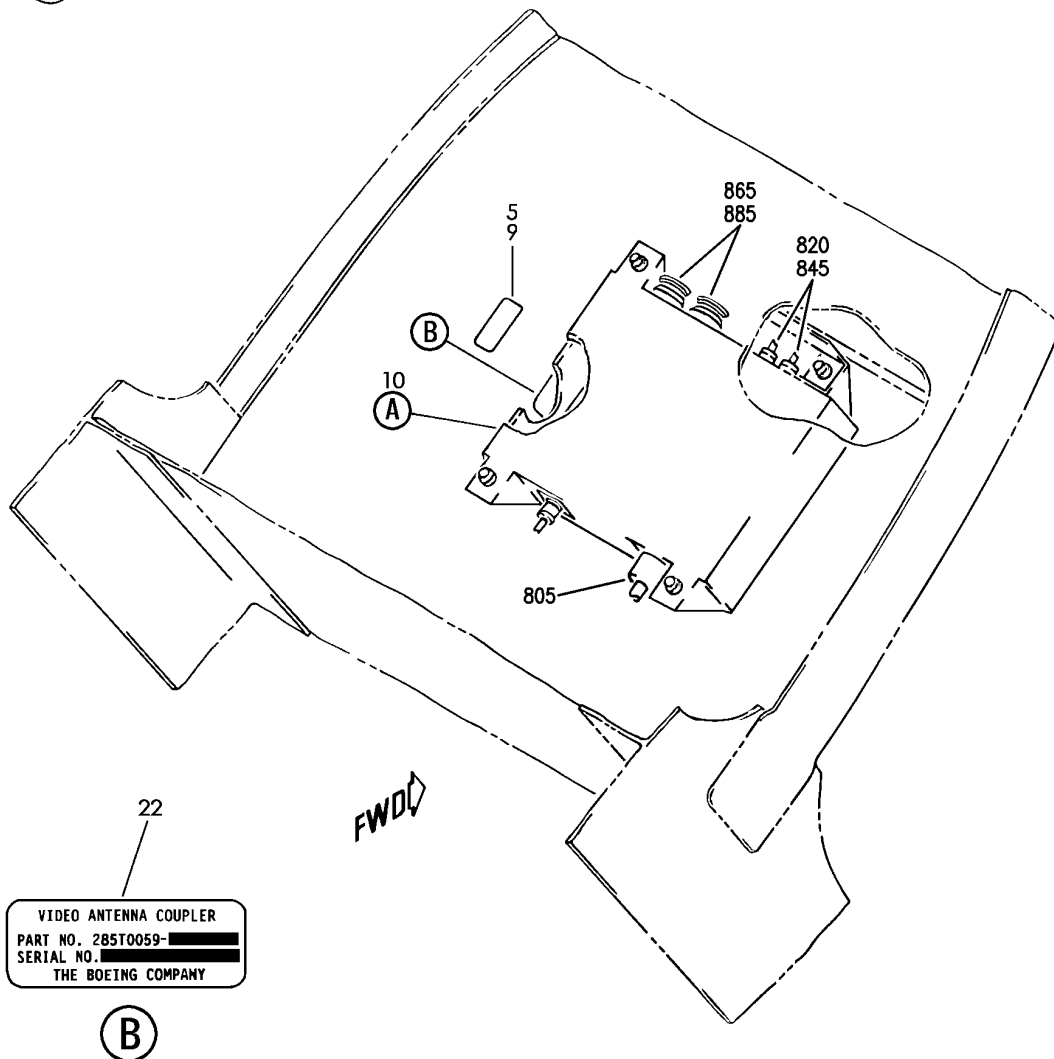
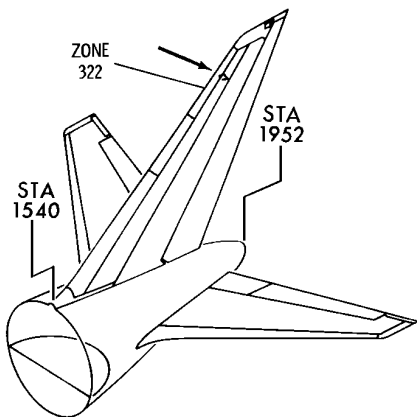
HXL

23-32-03-01

BOEING PROPRIETARY - Copyright © - Unpublished Work - See title page for details.

23-32-03  
FIG. 01  
PAGE 2  
DEC 22/07

**BOEING**  
767  
PARTS CATALOG (MAINTENANCE)



V 23320401 SHT 1 REV 228

VIDEO ANTENNA COUPLER  
PART NO. 285T0059-  
SERIAL NO.   
THE BOEING COMPANY

(B)

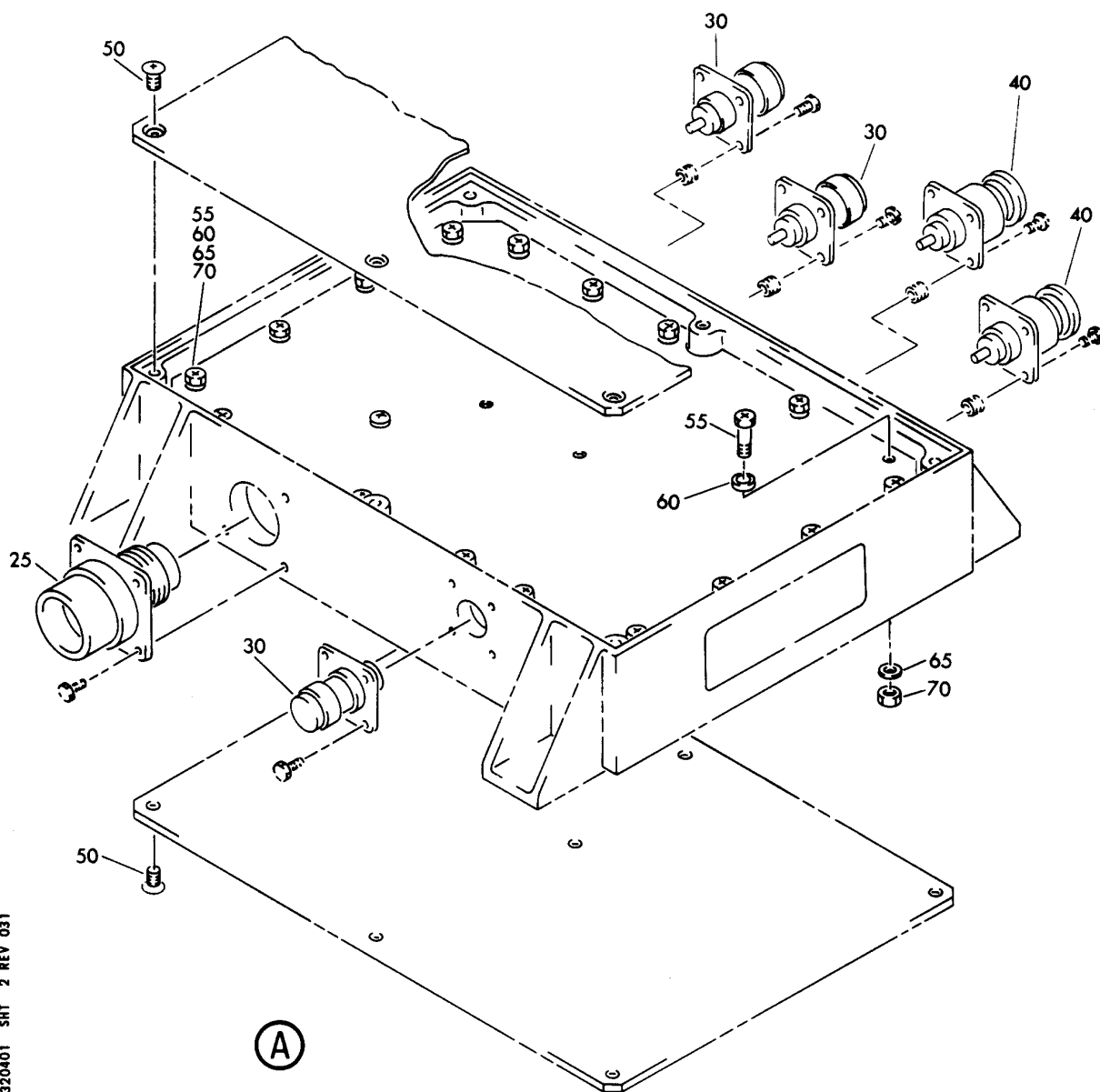
COUPLER INSTL-TELEVISION ANT.  
FIGURE 1 (SHEET 1)

**23-32-04-01**

HXL  
DEC 22/06

23-32-04-01  
PAGE 0

**BOEING**  
767  
PARTS CATALOG (MAINTENANCE)



V 23320401 SHT 2 REV 031

COUPLER INSTL-TELEVISION ANT.  
FIGURE 1 (SHEET 2)

**23-32-04-01**

HXL  
DEC 22/06

23-32-04-01  
PAGE 0A

 **BOEING**  
767  
**PARTS CATALOG (MAINTENANCE)**

FIG ITEM	PART NUMBER	1 2 3 4 5 6 7	NOMENCLATURE	EFFECT FROM TO	UNITS PER ASSY
1			COUPLER INSTL-TELEVISION ANT.		
- 1	284T0728-1		COUPLER INSTL-TELEVISION ANT.		RF
			FOR NHA SEE: 24-00-58-01		
5	BAC27TEX1563		.MARKER-ALUMINUM FOIL PLACARD CONTENT: M820		1
10	285T0059-4		.MODULE ASSY- SUPPLIER CODE: V89954 ELECTRICAL EQUIP NUMBER: M00820 COMPONENT MAINT MANUAL REF: 23-32-51		1
- 15	NAS1801-3-8		ATTACHING PARTS .SCREW-		4
- 20	AN960PD10L		.WASHER-		4
			-----*-----		
22	BAC27TEX0386		..MARKER-ALUMINUM FOIL SUPPLIER CODE: V89954		1
25	BACC45FM10-5P		..CONNECTOR		1
30	KA79-156M06		..CONNECTOR- SUPPLIER CODE: V91836		3
			ATTACHING PARTS		
- 35	NAS1801-04-4		..SCREW		16
			-----*-----		
40	KA79-157M06		..CONNECTOR- SUPPLIER CODE: V91836		2
			ATTACHING PARTS		
- 45	NAS600-4P		..SCREW		8
			-----*-----		
50	NAS514P440-3		..SCREW		14
55	NAS1801-04-5		..SCREW		17
60	AN960-4L		..WASHER		17
65	MS35338-135		..WASHER-		17
			OPTIONAL PART: MS35338-70		
65	MS35333-70		..WASHER- OPTIONAL PART: MS35338-135		17
70	MS35649-242		..NUT		17
- 800	286T1415-002		WIRE BUNDLE ASSY-		RF

ILLUSTRATION ITEMS NOT ON PARTS LIST ARE NOT APPLICABLE

- ITEM NOT ILLUSTRATED

HXL

23-32-04-01

BOEING PROPRIETARY - Copyright © - Unpublished Work - See title page for details.

23-32-04  
FIG. 01  
PAGE 1  
APR 22/07



767

PARTS CATALOG (MAINTENANCE)

FIG ITEM	PART NUMBER	1 2 3 4 5 6 7	NOMENCLATURE	EFFECT FROM TO	UNITS PER ASSY
1 805	R071010R5SNL		.CONNECTOR- SUPPLIER CODE: V41118 SPECIFICATION NUMBER: BACC63BP10R5SNL ELECTRICAL EQUIP NUMBER: D01221 WIRING DIAGRAM REF: 233211		1
- 815 820	286T1433-001 KA39-94M06		WIRE BUNDLE ASSY- .PLUG- SUPPLIER CODE: V91836 ELECTRICAL EQUIP NUMBER: D01239 WIRING DIAGRAM REF: 233213		RF 1
- 840 845	286T1429-001 KA39-94M06		WIRE BUNDLE ASSY- .PLUG- SUPPLIER CODE: V91836 ELECTRICAL EQUIP NUMBER: D01235 WIRING DIAGRAM REF: 233213		RF 1
- 860 865	286T1427-001 KA59-304		WIRE BUNDLE ASSY- .PLUG- SUPPLIER CODE: V91836 ELECTRICAL EQUIP NUMBER: D01243 WIRING DIAGRAM REF: 233213		RF 1
- 880 885	286T1431-001 KA59-304		WIRE BUNDLE ASSY- .PLUG- SUPPLIER CODE: V91836 ELECTRICAL EQUIP NUMBER: D01247 WIRING DIAGRAM REF: 233213		RF 1

ILLUSTRATION ITEMS NOT ON PARTS LIST ARE NOT APPLICABLE

- ITEM NOT ILLUSTRATED

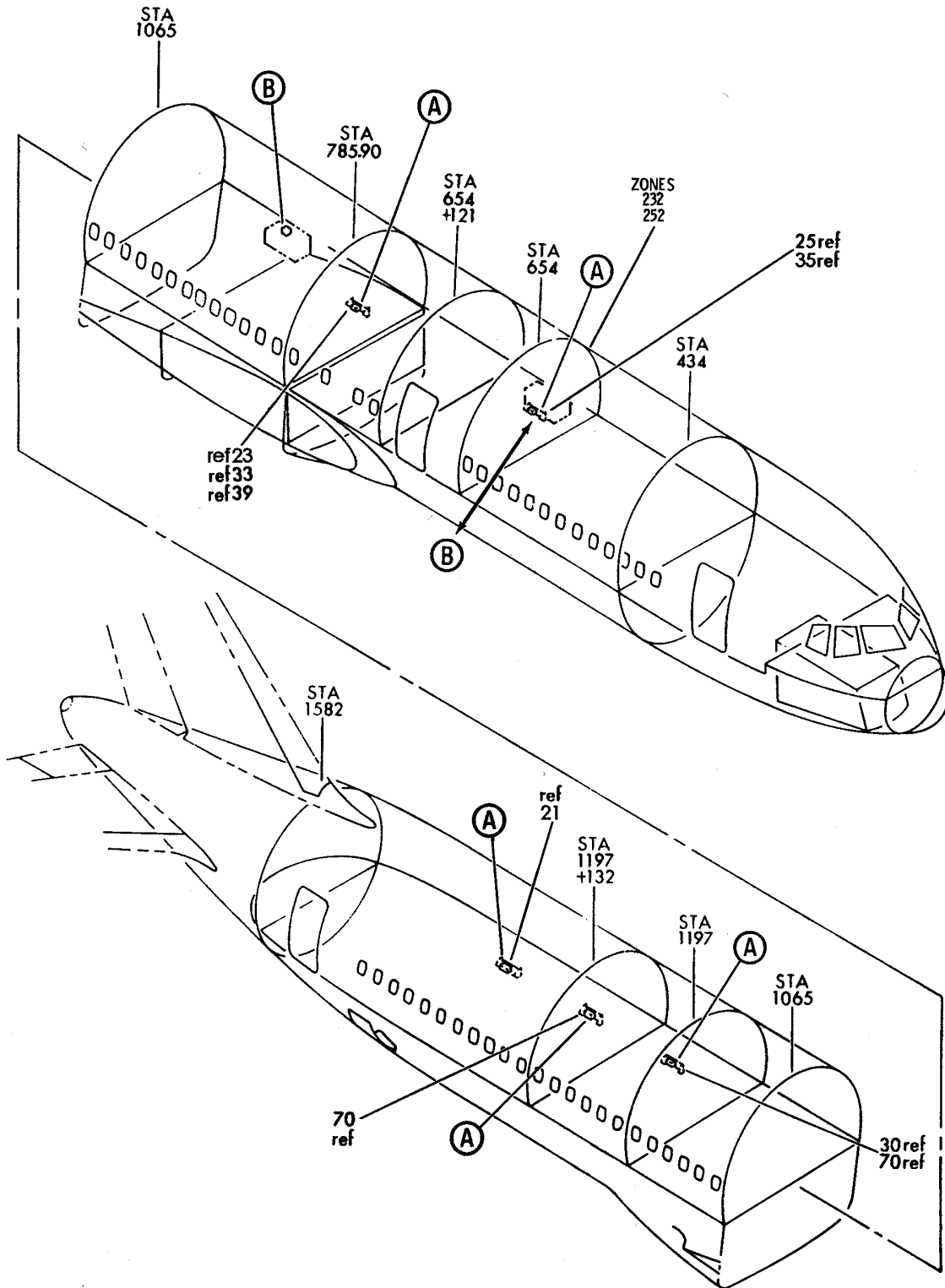
HXL

23-32-04-01

BOEING PROPRIETARY - Copyright © - Unpublished Work - See title page for details.

23-32-04  
FIG. 01  
PAGE 2  
DEC 22/07

**BOEING**  
767  
PARTS CATALOG (MAINTENANCE)



V 23320801 SHT 1 REV 215

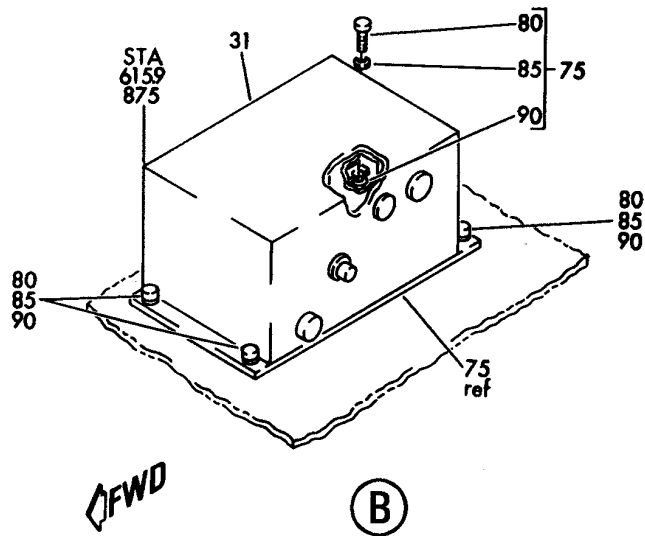
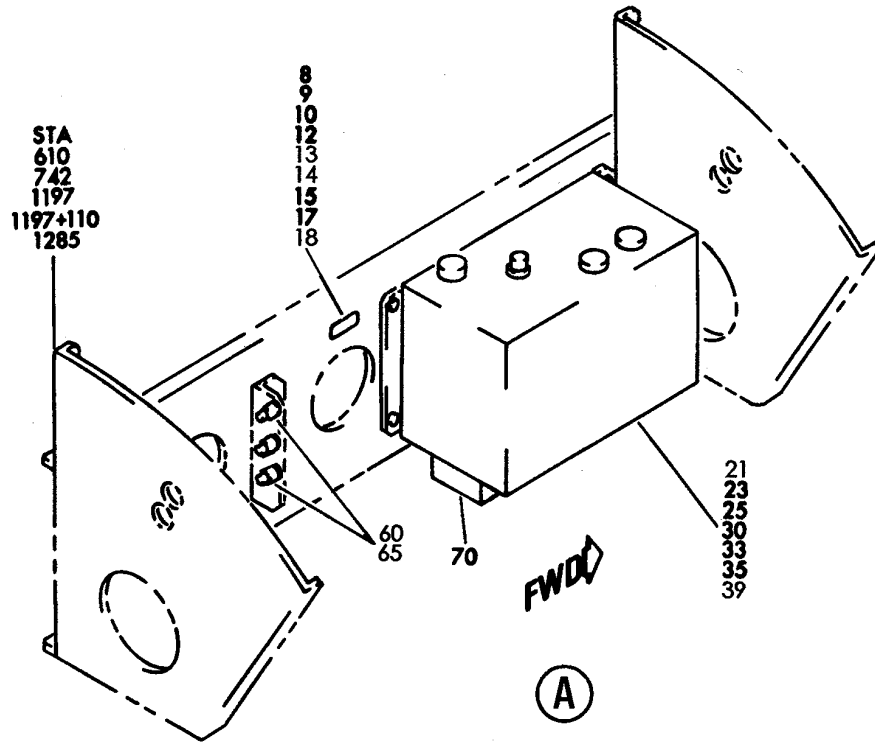
SPLITTER INSTL-VIDEO SIGNAL STA. 610, 615.9 742, 875, 1197, 1197+110, 1285  
FIGURE 1 (SHEET 1)

**23-32-08-01**

HXL  
DEC 22/06

23-32-08-01  
PAGE 0

**BOEING**  
767  
PARTS CATALOG (MAINTENANCE)



V 23320801 SHT 2 REV 215

SPLITTER INSTL-VIDEO SIGNAL STA. 610, 615.9 742, 875, 1197, 1197+110, 1285  
FIGURE 1 (SHEET 2)

HXL  
DEC 22/06

**23-32-08-01**

23-32-08-01  
PAGE 0A



767

PARTS CATALOG (MAINTENANCE)

FIG ITEM	PART NUMBER	1 2 3 4 5 6 7	NOMENCLATURE	EFFECT FROM TO	UNITS PER ASSY
1			SPLITTER INSTL-VIDEO SIGNAL STA. 610, 615.9 742, 875, 1197, 1197+110, 1285		
- 1	284T7003-3		SPLITTER INSTL-VIDEO SIGNAL POSITION DATA: STA. 610 FOR NHA SEE: 24-00-58-01R		RF
- 2	284T7003-4		SPLITTER INSTL-VIDEO SIGNAL POSITION DATA: STA. 1197 FOR NHA SEE: 24-00-58-01R		RF
- 4	284T7003-9		SPLITTER INSTL-VIDEO SIGNAL POSITION DATA: STA. 742 FOR NHA SEE: 24-00-58-01R		RF
8	BAC27TEX4083		.DECAL- PLACARD CONTENT: M1526		1
10	BAC27TEX4084		.DECAL- PLACARD CONTENT: M1527		1
13	BAC27TEX4084		.DECAL- PLACARD CONTENT: M1527		1
14	BAC27TEX4083		.DECAL- PLACARD CONTENT: M1526		1
17	BAC27TEX4194		.DECAL- PLACARD CONTENT: M1615		1
18	BAC27TEX4194		.DECAL- PLACARD CONTENT: M1615		1
33	700-1316-002		.SPLITTER-SIGNAL (CUSTOMER FURNISHED) SUPPLIER CODE: V3Y989 ELECTRICAL EQUIP NUMBER: M01526		1
35	700-1316-002		.SPLITTER-SIGNAL SUPPLIER CODE: V3Y989 ELECTRICAL EQUIP NUMBER: M01527		1

ILLUSTRATION ITEMS NOT ON PARTS LIST ARE NOT APPLICABLE

- ITEM NOT ILLUSTRATED

HXL

23-32-08-01

BOEING PROPRIETARY - Copyright © - Unpublished Work - See title page for details.

23-32-08  
FIG. 01  
PAGE 1  
DEC 22/07





767

PARTS CATALOG (MAINTENANCE)

FIG ITEM	PART NUMBER	1 2 3 4 5 6 7	NOMENCLATURE	EFFECT FROM TO	UNITS PER ASSY
1					
39	700-1316-002		. SPLITTER-SIGNAL (CUSTOMER FURNISHED) SUPPLIER CODE: V3Y989 ELECTRICAL EQUIP NUMBER: M01615 ATTACHING PARTS		1
- 45	NAS1801-3-7		. SCREW		4
- 45	NAS1801-3-7		. SCREW		4
- 45	NAS1801-3-7		. SCREW		4
- 50	AN960D10L		. WASHER		4
- 50	AN960D10L		. WASHER		4
- 50	AN960D10L		. WASHER		4
- 50	AN960D10L		. WASHER		4
			-----*-----		
65	VNS1924CA1-8		. STUD- SUPPLIER CODE: V5M902 SPECIFICATION NUMBER: BACS53B1EA1 OPTIONAL PART: VNS1924CA3-1-8 V92215		3

ILLUSTRATION ITEMS NOT ON PARTS LIST ARE NOT APPLICABLE

- ITEM NOT ILLUSTRATED

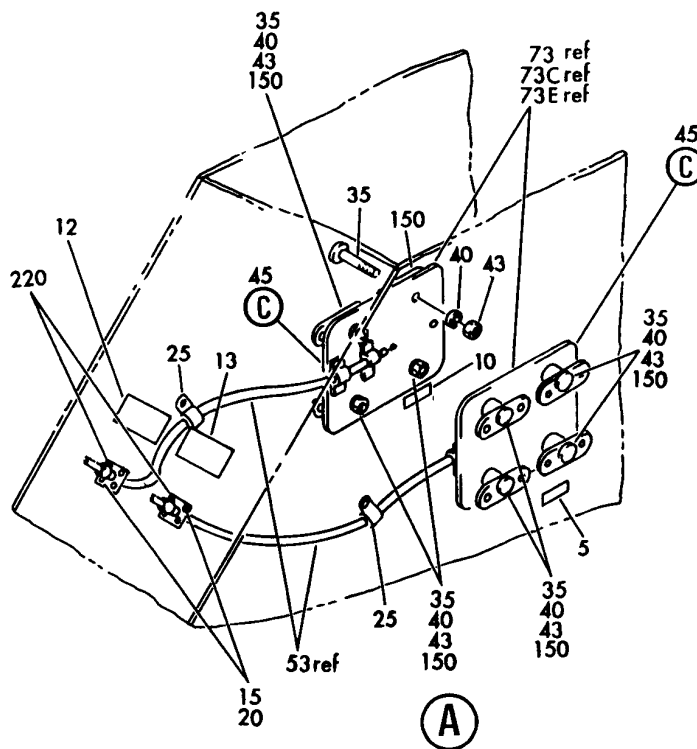
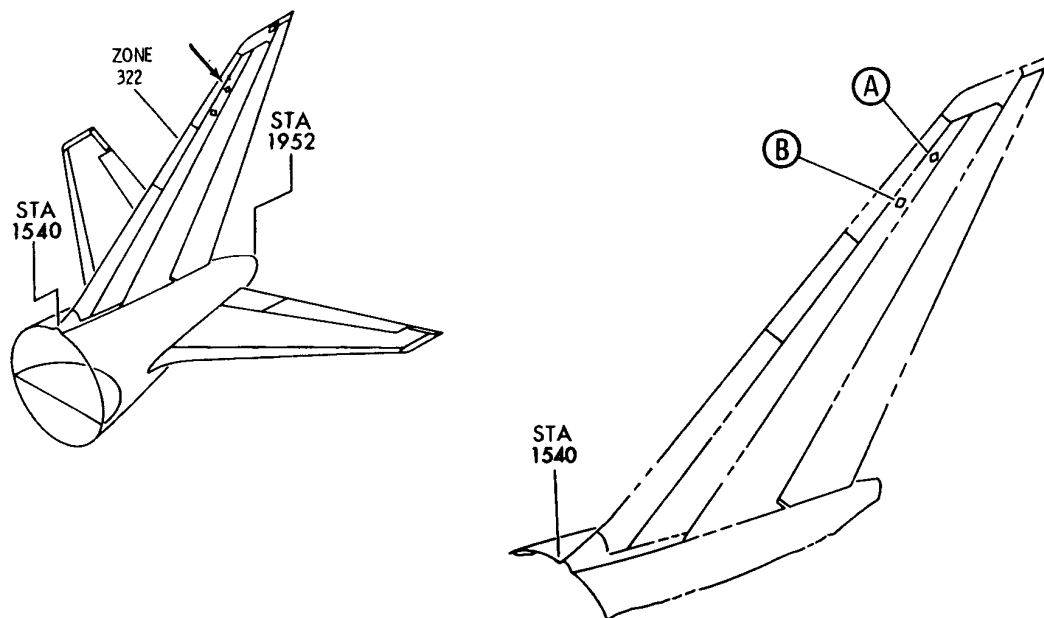
HXL

23-32-08-01

BOEING PROPRIETARY - Copyright © - Unpublished Work - See title page for details.

23-32-08  
FIG. 01  
PAGE 2  
DEC 22/07

**BOEING**  
767  
PARTS CATALOG (MAINTENANCE)



V 23325101 SHT 1 REV 167

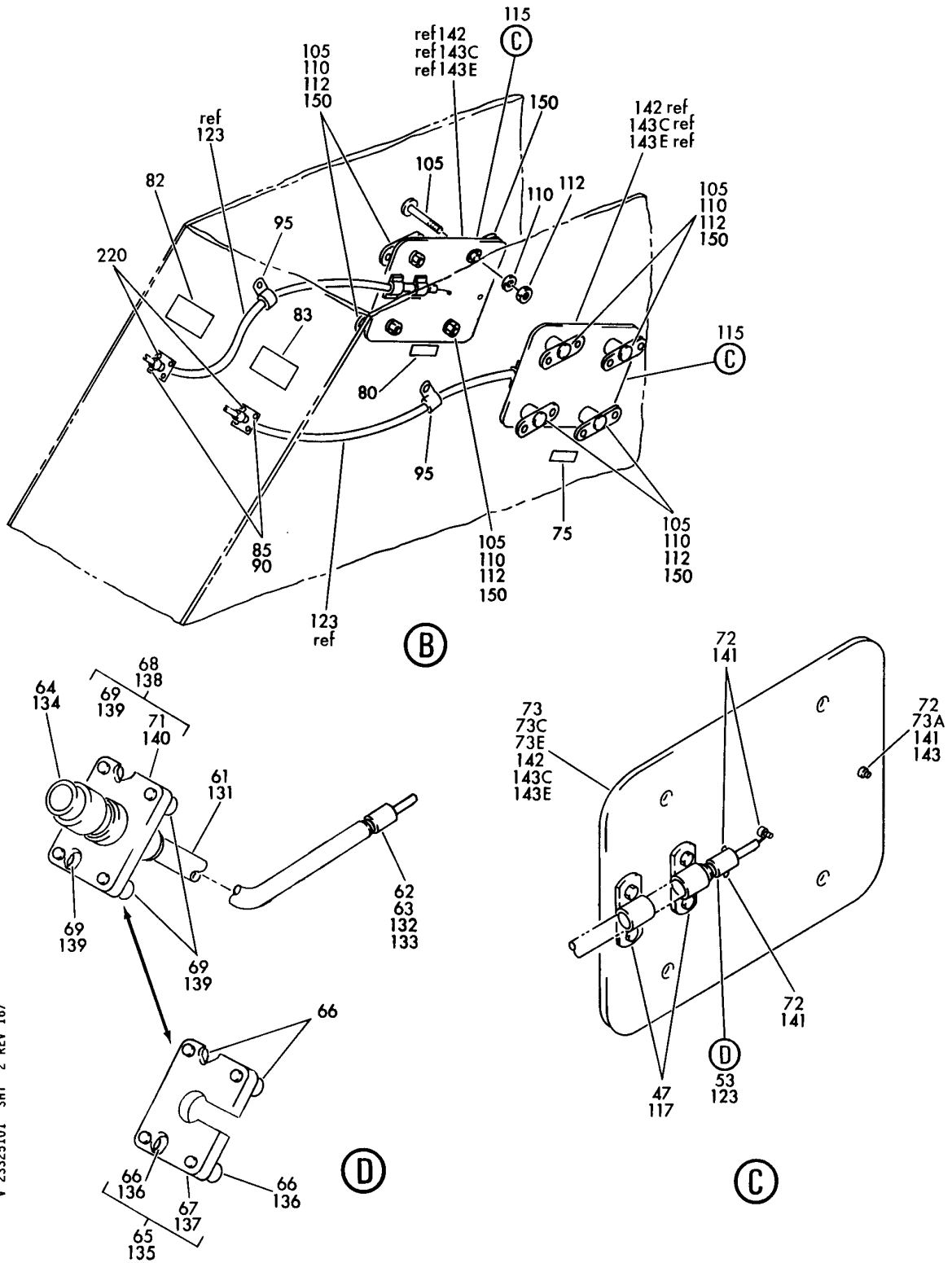
UNIT INSTL-TV ANT. MATCHING  
FIGURE 1 (SHEET 1)

**23-32-51-01**

HXL  
DEC 22/06

23-32-51-01  
PAGE 0

**BOEING**  
767  
PARTS CATALOG (MAINTENANCE)



V 23325101 SHT 2 REV 167

UNIT INSTL-TV ANT. MATCHING  
FIGURE 1 (SHEET 2)

23-32-51-01

HXL  
DEC 22/06

23-32-51-01  
PAGE 0A

 **BOEING**  
767  
**PARTS CATALOG (MAINTENANCE)**

FIG ITEM	PART NUMBER	1 2 3 4 5 6 7	NOMENCLATURE	EFFECT FROM TO	UNITS PER ASSY
1			UNIT INSTL-TV ANT. MATCHING		
- 1	284T0680-1		UNIT INSTL-HIGH BAND TV ANT. MATCHING FOR NHA SEE: 24-00-58-02		RF
	5 BAC27TEX1569		.DECAL- PLACARD CONTENT: M847		1
	10 BAC27TEX1568		.DECAL- PLACARD CONTENT: M846		1
	12 BAC27TEX3074		.MARKER- PLACARD CONTENT: M846 HIGH BAND T.V. MATCHING UNIT		1
	13 BAC27TEX3077		.MARKER- PLACARD CONTENT: M847 HIGH BAND T.V. MATCHING UNIT		1
	15 NAS1801-04-5		.SCREW		8
	20 AN960PD4		.WASHER		8
	25 MS21919WDG3		.CLAMP		2
	ATTACHING PARTS				
- 30	NAS1801-3-6		.SCREW		2
	-----*-----				
	35 NAS514P1032-10		.SCREW-		8
	40 AN960PD10L		.WASHER		8
	42 MS21042L3		.NUT-		8
	POST SERVICE BULLETIN: 23-0035				
	43 BRH10A3		.NUT		8
	SUPPLIER CODE: V52828				
	SPECIFICATION NUMBER: BACN10JC3				
	OPTIONAL PART: H10-3BAC V15653 NS202101-02 V80539 RMLH9075-3W V72962 VN303A02 V92215 96-02 V80539 T6S1032J V11815				
ILLUSTRATION ITEMS NOT ON PARTS LIST ARE NOT APPLICABLE					

- ITEM NOT ILLUSTRATED

HXL

# 23-32-51-01

BOEING PROPRIETARY - Copyright © - Unpublished Work - See title page for details.

23-32-51  
FIG. 01  
PAGE 1  
DEC 22/06



767

PARTS CATALOG (MAINTENANCE)

FIG ITEM	PART NUMBER	1 2 3 4 5 6 7	NOMENCLATURE	EFFECT FROM TO	UNITS PER ASSY
1	45 285T0100-2		.PRINTED CIRCUIT ASSY- SUPPLIER CODE: V89954 ELECTRICAL EQUIP NUMBER: M00846 M00847		2
	47 MS21315-6		..STRAP- ATTACHING PARTS		2
-	50 MS35190-236		..SCREW-		4
-	51 22NM107-62		..NUT- SUPPLIER CODE: V72962 -----*-----		4
	53 285T0100-6		..WIRE BUNDLE ASSY- SUPPLIER CODE: V89954		1
	61 BA14349		...CABLE-COAX SUPPLIER CODE: V90484		1
	62 GSB124		...SLEEVE- SUPPLIER CODE: V59730 SPECIFICATION NUMBER: BACS13S124B OPTIONAL PART: YIC124 V12357 POSITION DATA: INNER		1
	63 GSC199		...SLEEVE- SUPPLIER CODE: V59730 SPECIFICATION NUMBER: BACS13S199C OPTIONAL PART: YOC128 V12357 POSITION DATA: OUTER		1
	64 KA19-83		...CONNECTOR- SUPPLIER CODE: V91836		1
	65 285T0100-17		...RING ASSY- SUPPLIER CODE: V89954		1
	66 LHCFM2-2860-40		.....NUT- SUPPLIER CODE: V72962		4

ILLUSTRATION ITEMS NOT ON PARTS LIST ARE NOT APPLICABLE

- ITEM NOT ILLUSTRATED

HXL

23-32-51-01

BOEING PROPRIETARY - Copyright © - Unpublished Work - See title page for details.

23-32-51  
FIG. 01  
PAGE 2  
DEC 22/06

 **BOEING**  
767  
**PARTS CATALOG (MAINTENANCE)**

FIG ITEM	PART NUMBER	1 2 3 4 5 6 7	NOMENCLATURE	EFFECT FROM TO	UNITS PER ASSY
1					
66	K7031-04-6	.....	NUT- SUPPLIER CODE: V15653		4
67	285T0100-18	.....	RING- SUPPLIER CODE: V89954		1
68	285T0100-8	...	CONNECTOR ASSY- SUPPLIER CODE: V89954 QUALIFIED OPTIONAL DATA: -35 OPT TO -8 T/W ASSOCIATED ITEMS		1
69	LHCFM2-2860-40	.....	NUT- SUPPLIER CODE: V72962		4
69	K7031-04-6	.....	NUT- SUPPLIER CODE: V15653		4
71	285T0100-7	.....	CONNECTOR- SUPPLIER CODE: V89954		1
72	CE45	..	EYELET- SUPPLIER CODE: V04264 SPECIFICATION NUMBER: BACE10MB45		4
73	285T0100-10	..	BOARD-ETCHED SUPPLIER CODE: V89954		1
73A	CE45	..	EYELET SUPPLIER CODE: V04264 SPECIFICATION NUMBER: BACE10MB45		1
73C	285T0100-13	..	BOARD-ETCHED SUPPLIER CODE: V89954		1
73E	285T0100-19	..	BOARD-ETCHED SUPPLIER CODE: V89954 QUALIFIED OPTIONAL DATA: -33 AND -34 OPT TO -19 T/W ASSOCIATED ITEMS		1
- 74	284T0680-2		UNIT INSTL-LOW BAND TV ANT. MATCHING FOR NHA SEE: 24-00-58-02		RF

ILLUSTRATION ITEMS NOT ON PARTS LIST ARE NOT APPLICABLE

- ITEM NOT ILLUSTRATED

HXL

# 23-32-51-01

BOEING PROPRIETARY - Copyright © - Unpublished Work - See title page for details.

23-32-51  
FIG. 01  
PAGE 3  
DEC 22/06

**BOEING**  
767  
**PARTS CATALOG (MAINTENANCE)**

FIG ITEM	PART NUMBER	1 2 3 4 5 6 7	NOMENCLATURE	EFFECT FROM TO	UNITS PER ASSY
1					
75	BAC27TEX1571	.DECAL-	PLACARD CONTENT: M970		1
80	BAC27TEX1570	.DECAL-	PLACARD CONTENT: M969		1
82	BAC27TEX3075	.MARKER-	PLACARD CONTENT: M969 LOW BAND T.V. MATCHING UNIT		1
83	BAC27TEX3076	.MARKER-	PLACARD CONTENT: M970 LOW BAND T.V. MATCHING UNIT		1
85	NAS1801-04-5	.SCREW			8
90	AN960PD4	.WASHER			8
95	MS21919WDG3	.CLAMP			2
			ATTACHING PARTS		
- 100	NAS1801-3-6	.SCREW			2
		-----*-----			
105	NAS514P1032-10	.SCREW-			8
110	AN960PD10L	.WASHER			8
112	BRH10A3	.NUT			8
			SUPPLIER CODE: V52828		
			SPECIFICATION NUMBER: BACN10JC3		
			OPTIONAL PART: H10-3BAC		
			V15653		
			NS202101-02		
			V80539		
			RMLH9075-3W		
			V72962		
			VN303A02		
			V92215		
			96-02		
			V80539		
			T6S1032J		
			V11815		
115	285T0100-1	.PRINTED CIRCUIT ASSY-			2
		SUPPLIER CODE:			
		V89954			
		ELECTRICAL EQUIP NUMBER:			
		M00969			
		M00970			
117	MS21315-6	..STRAP-			2
		ATTACHING PARTS			
- 120	MS35190-235	..SCREW-			4

ILLUSTRATION ITEMS NOT ON PARTS LIST ARE NOT APPLICABLE

- ITEM NOT ILLUSTRATED

HXL

23-32-51-01

BOEING PROPRIETARY - Copyright © - Unpublished Work - See title page for details.

23-32-51  
FIG. 01  
PAGE 4  
DEC 22/06



767

PARTS CATALOG (MAINTENANCE)

FIG ITEM	PART NUMBER	1 2 3 4 5 6 7	NOMENCLATURE	EFFECT FROM TO	UNITS PER ASSY
1					
- 121	22NM107-62		..NUT- SUPPLIER CODE: V72962 -----*-----		4
123	285T0100-5		..WIRE BUNDLE ASSY- SUPPLIER CODE: V89954		1
131	BA14349		...CABLE-COAX SUPPLIER CODE: V90484		1
132	GSB124		...SLEEVE- SUPPLIER CODE: V59730 SPECIFICATION NUMBER: BACS13S124B OPTIONAL PART: YIC124 V12357 PLACARD CONTENT: INNER		1
133	GSC199		...SLEEVE- SUPPLIER CODE: V59730 SPECIFICATION NUMBER: BACS13S199C OPTIONAL PART: YOC128 V12357 PLACARD CONTENT: OUTER		1
134	KA19-83		...CONNECTOR- SUPPLIER CODE: V91836		1
135	285T0100-17		...RING ASSY- SUPPLIER CODE: V89954		1
136	LHCFM2-2860-40		....NUT- SUPPLIER CODE: V72962		4
136	K7031-04-6		....NUT- SUPPLIER CODE: V15653		4
137	285T0100-18		....RING- SUPPLIER CODE: V89954		1

ILLUSTRATION ITEMS NOT ON PARTS LIST ARE NOT APPLICABLE

- ITEM NOT ILLUSTRATED

23-32-51-01

23-32-51  
FIG. 01  
PAGE 5  
DEC 22/06

HXL

BOEING PROPRIETARY - Copyright © - Unpublished Work - See title page for details.



**BOEING**  
767  
**PARTS CATALOG (MAINTENANCE)**

FIG ITEM	PART NUMBER	1 2 3 4 5 6 7	NOMENCLATURE	EFFECT FROM TO	UNITS PER ASSY
1 138	285T0100-8		...CONNECTOR ASSY- SUPPLIER CODE: V89954 QUALIFIED OPTIONAL DATA: -35 OPT TO -8 T/W ASSOCIATED ITEMS		1
139	LHCFM2-2860-40		.....NUT- SUPPLIER CODE: V72962		4
139	K7031-04-6		.....NUT- SUPPLIER CODE: V15653		4
140	285T0100-7		.....CONNECTOR- SUPPLIER CODE: V89954		1
141	CE43		..EYELET SUPPLIER CODE: V04264 SPECIFICATION NUMBER: BACE10MB43 OPTIONAL PART: G7029-43 V95264		4
142	285T0100-9		..BOARD-ETCHED SUPPLIER CODE: V89954		1
143	CE43		..EYELET SUPPLIER CODE: V04264 SPECIFICATION NUMBER: BACE10MB43 OPTIONAL PART: G7029-43 V95264		1
143C	285T0100-12		..BOARD-ETCHED SUPPLIER CODE: V89954		1
143E	285T0100-20		..BOARD-ETCHED SUPPLIER CODE: V89954 QUALIFIED OPTIONAL DATA: -31 AND -32 OPT TO -20 T/W ASSOCIATED ITEMS		1
- 144	284T0680-3		FEED INSTL-HIGH BAND TV ANT. FOR NHA SEE: 24-00-58-02		RF

ILLUSTRATION ITEMS NOT ON PARTS LIST ARE NOT APPLICABLE

- ITEM NOT ILLUSTRATED

HXL

# 23-32-51-01

BOEING PROPRIETARY - Copyright © - Unpublished Work - See title page for details.

23-32-51  
FIG. 01  
PAGE 6  
DEC 22/06

 **BOEING**  
767  
**PARTS CATALOG (MAINTENANCE)**

FIG ITEM	PART NUMBER	1 2 3 4 5 6 7	NOMENCLATURE	EFFECT FROM TO	UNITS PER ASSY
1					
- 145	284T0680-4		FEED INSTL-LOW BAND TV ANT. FOR NHA SEE: 24-00-58-02		RF
150	284T0716-3		.FEED- ATTACHING PARTS		8
- 155	NAS1739E5-3		.RIVET		16
- 157	AN960PD8		.WASHER		16
			-----*-----		
- 200	286T1429-001		WIRE BUNDLE ASSY-HIGH BAND POSITION DATA: LH		RF
- 205	286T1433-001		WIRE BUNDLE ASSY-HIGH BAND POSITION DATA: RH		RF
- 210	286T1427-001		WIRE BUNDLE ASSY-LOW BAND POSITION DATA: LH		RF
- 215	286T1431-001		WIRE BUNDLE ASSY-LOW BAND POSITION DATA: RH		RF
220	KA59-304		.PLUG- SUPPLIER CODE: V91836 ELECTRICAL EQUIP NUMBER: D01237 D01241 D01245 D01249 WIRING DIAGRAM REF: 233213		1

ILLUSTRATION ITEMS NOT ON PARTS LIST ARE NOT APPLICABLE

- ITEM NOT ILLUSTRATED

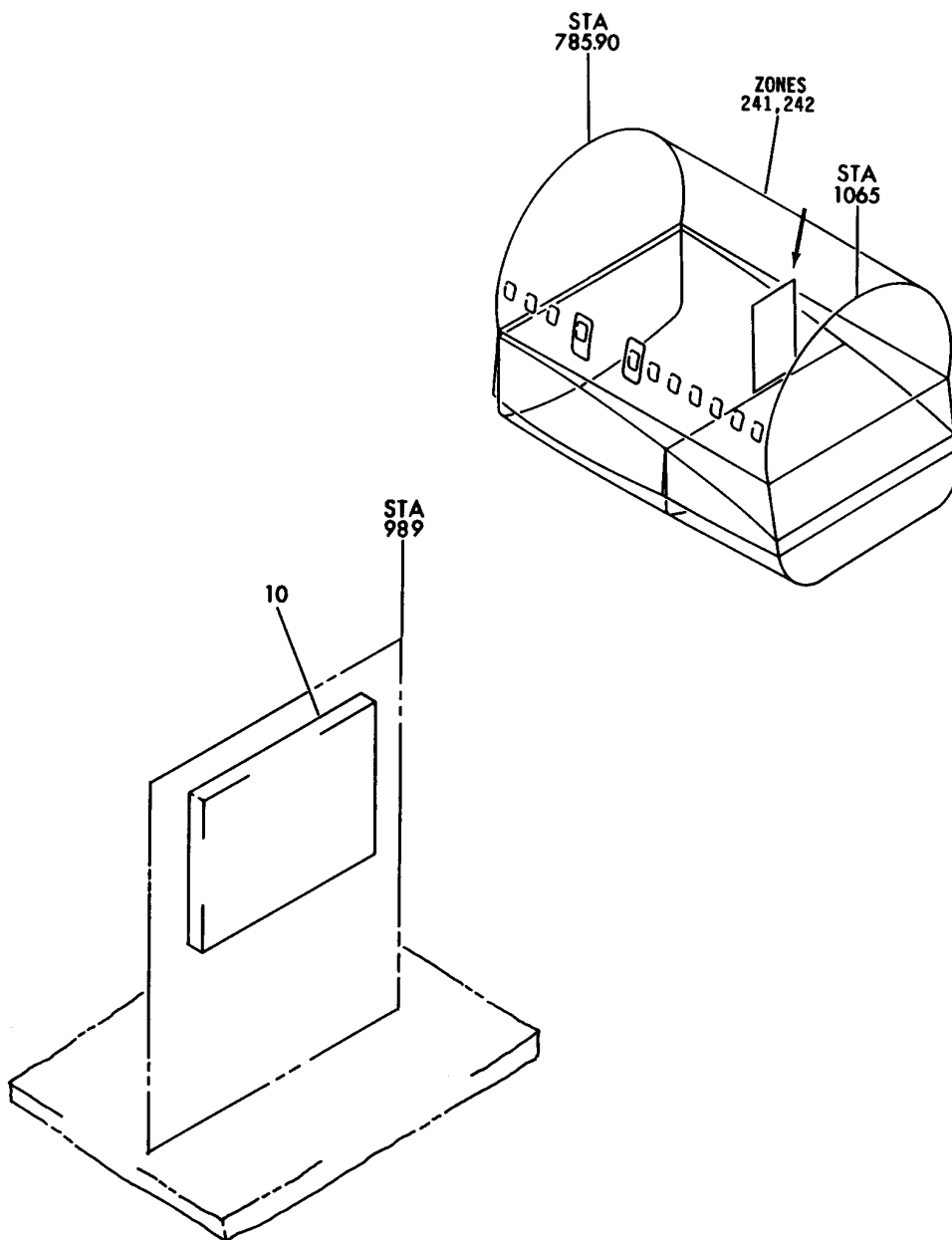
HXL

23-32-51-01

BOEING PROPRIETARY - Copyright © - Unpublished Work - See title page for details.

23-32-51  
FIG. 01  
PAGE 7  
DEC 22/07

**BOEING**  
767  
PARTS CATALOG (MAINTENANCE)



V 23325330 REV 149

SCREEN INSTL-VIDEO SYS FLIP  
FIGURE 30

**23-32-53-30**

HXL  
DEC 22/06

23-32-53-30  
PAGE 0



767

PARTS CATALOG (MAINTENANCE)

FIG ITEM	PART NUMBER	1 2 3 4 5 6 7	NOMENCLATURE	EFFECT FROM TO	UNITS PER ASSY
30					
- 1	417T7000-60		SCREEN INSTL-VIDEO SYS FLIP SCREEN INSTL-VIDEO SYS FLIP FOR NHA SEE: 25-20-00-17B	163999	RF
- 1	417T7000-67		SCREEN INSTL-VIDEO SYS FLIP FOR NHA SEE: 25-20-00-17B	155162	RF
- 5	617-4324-090		.HARDWARE-(CUSTOMER FURNISHED) SUPPLIER CODE: V62204 POSITION DATA: STA 989	163999	1
- 5	617-5901-004		.HARDWARE-(CUSTOMER FURNISHED) SUPPLIER CODE: V62204 POSITION DATA: STA 989	155162	1
- 5	617-5951-001		.HARDWARE-(CUSTOMER FURNISHED) SUPPLIER CODE: V62204 POSITION DATA: STA 989	163999	1
10	617-3722-100		.SCREEN ASSY-(CUSTOMER FURNISHED) SUPPLIER CODE: V62204	163999	1
10	617-5900-100		.SCREEN ASSY-(CUSTOMER FURNISHED) SUPPLIER CODE: V62204	155162	1
10	617-5950-090		.SCREEN ASSY-(CUSTOMER FURNISHED) SUPPLIER CODE: V62204	163999	1
10	617-5950-091		.SCREEN ASSY-(CUSTOMER FURNISHED) SUPPLIER CODE: V62204	163999	1
- 15	785-0100-002		.SCREEN SYSTEM-(CUSTOMER FURNISHED) SUPPLIER CODE: V3Y989 POSITION DATA: STA 989	163999	1
ILLUSTRATION ITEMS NOT ON PARTS LIST ARE NOT APPLICABLE					

- ITEM NOT ILLUSTRATED

23-32-53-30

23-32-53  
FIG. 30  
PAGE 1  
APR 22/08

HXL



767  
PARTS CATALOG (MAINTENANCE)

FIG ITEM	PART NUMBER	1 2 3 4 5 6 7	NOMENCLATURE	EFFECT FROM TO	UNITS PER ASSY
30 - 15	785-0100-005		. SCREEN SYSTEM-(CUSTOMER FURNISHED) SUPPLIER CODE: V3Y989 POSITION DATA: STA 989	155162	1

ILLUSTRATION ITEMS NOT ON PARTS LIST ARE NOT APPLICABLE

- ITEM NOT ILLUSTRATED

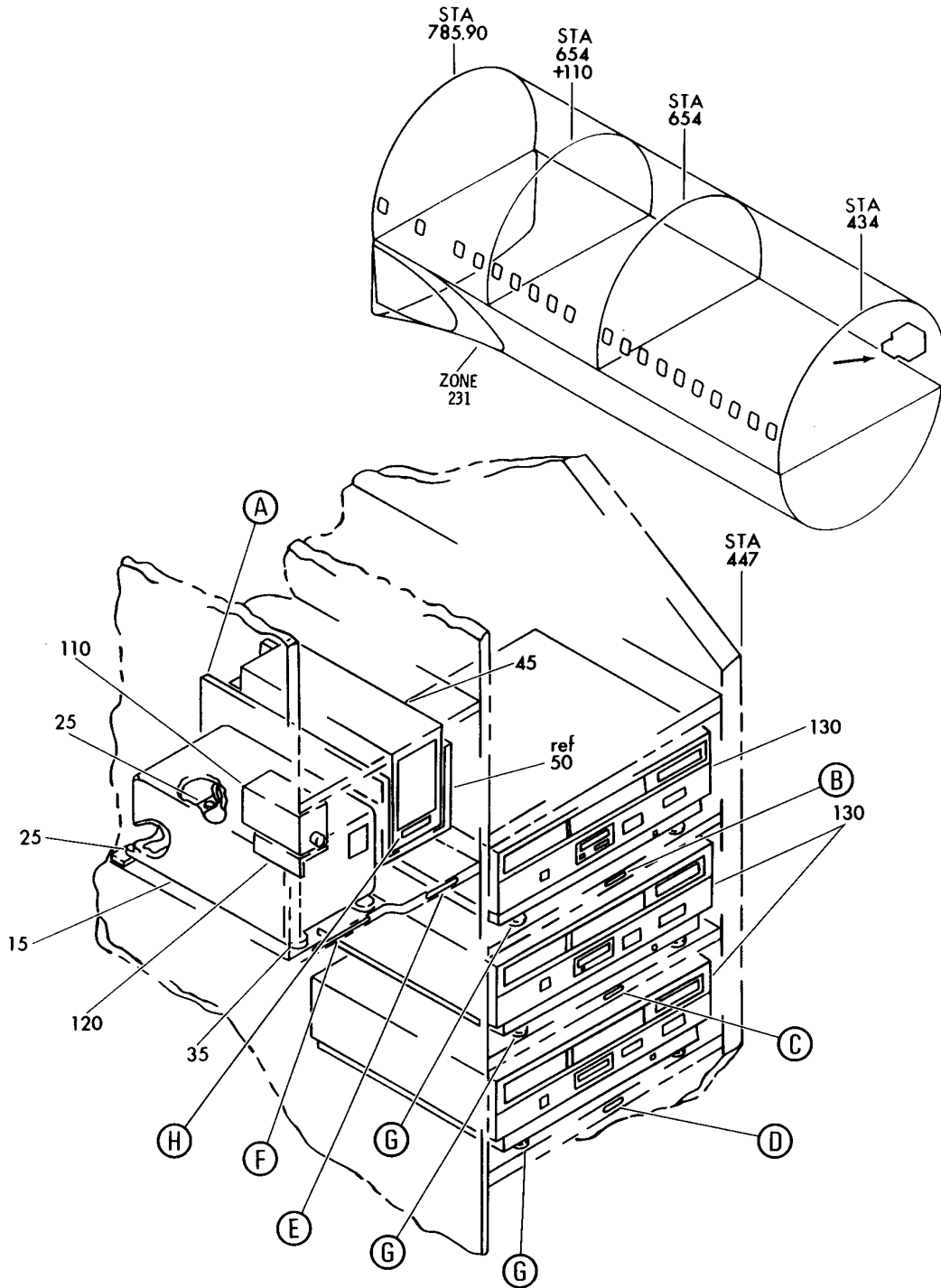
HXL

23-32-53-30

BOEING PROPRIETARY - Copyright © - Unpublished Work - See title page for details.

23-32-53  
FIG. 30  
PAGE 2  
APR 22/08

**BOEING**  
767  
PARTS CATALOG (MAINTENANCE)



V 23325406 SHT 1 REV 107

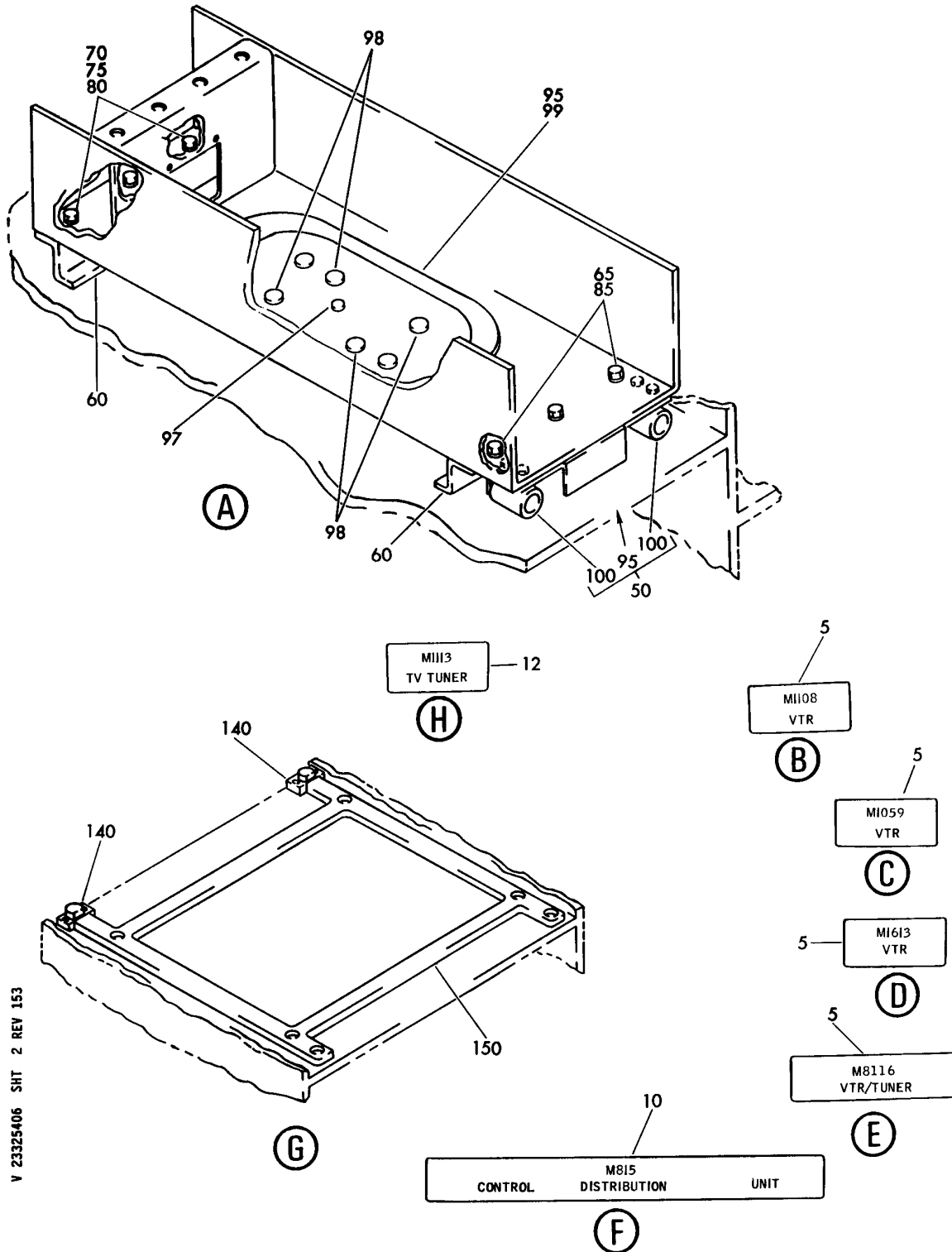
EQUIPMENT INSTL-VIDEO ENTERTAINMENT SYS  
FIGURE 6 (SHEET 1)

**23-32-54-06**

HXL  
DEC 22/06

23-32-54-06  
PAGE 0

**BOEING**  
767  
PARTS CATALOG (MAINTENANCE)



EQUIPMENT INSTL-VIDEO ENTERTAINMENT SYS  
FIGURE 6 (SHEET 2)

**23-32-54-06**



767

PARTS CATALOG (MAINTENANCE)

FIG ITEM	PART NUMBER	1 2 3 4 5 6 7	NOMENCLATURE	EFFECT FROM TO	UNITS PER ASSY
6			EQUIPMENT INSTL-VIDEO ENTERTAINMENT SYS		
- 1	284T1241-1		EQUIPMENT INSTL-VIDEO ENTERTAINMENT SYS PURSER STA VARIABLE DRAWING REF: 284T1241-5001 FOR NHA SEE: 24-00-58-01R		RF
	5 BAC27TEX4251		.DECALSET-INCLUDES DECALS IDENTIFIED ON THE ILLUSTRATION		1
	10 BAC27TEX4252		.DECALSET-INCLUDES DECALS IDENTIFIED ON THE ILLUSTRATION		1
	15 743-0241-001		.UNIT-VIDEO CONTR/DISTR (CUSTOMER FURNISHED) SUPPLIER CODE: V62204		1
- 20	NAS514P1032-6		ATTACHING PARTS .SCREW -----*-----		4
	25 284U1407-1		.RETAINER ATTACHING PARTS		2
- 30	NAS1801-3-7		.SCREW -----*-----		4
	35 284T1244-2		.MOUNTING PLATE ATTACHING PARTS		1
- 40	NAS1801-3-7		.SCREW -----*-----		2
	45 743-0163-001		.TUNER-(CUSTOMER FURNISHED) SUPPLIER CODE: V62204		1
	50 284T0641-10		.TRAY ASSY ATTACHING PARTS		1
- 55	NAS1801-3-7		.SCREW -----*-----		6
	60 65B48591-5		.SUPPORT ATTACHING PARTS		2
	65 NAS1801-3-6		.SCREW		3
	70 NAS514P832-6		.SCREW		3
	75 AN960JD8L		.WASHER		3
	80 MS21042L08		.NUT		3
	85 MS21042L3		.NUT -----*-----		3

ILLUSTRATION ITEMS NOT ON PARTS LIST ARE NOT APPLICABLE

- ITEM NOT ILLUSTRATED

23-32-54-06

23-32-54  
FIG. 06  
PAGE 1  
APR 22/08

HXL





767

PARTS CATALOG (MAINTENANCE)

FIG ITEM	PART NUMBER	1 2 3 4 5 6 7	NOMENCLATURE	EFFECT FROM TO	UNITS PER ASSY
6					
95	281131-4	..	SEAL ASSY- SUPPLIER CODE: V0767B OPTIONAL PART: 201-4 V0767B BCMP04-1 V09489		1
95	BCMP04-1	..	SEAL ASSY- SUPPLIER CODE: V09489 OPTIONAL PART: 201-4 V0767B 281131-4 V0767B		1
97	82100-1	...	PLUG- SUPPLIER CODE: V0767B USED ON: 281131-4		1
98	82100-2	...	PLUG- SUPPLIER CODE: V0767B USED ON: 281131-4		6
99	201-4	..	SEAL ASSY- SUPPLIER CODE: V60299 OPTIONAL PART: 281131-4 V0767B BCMP04-1 V09489		1
100	CA12095-102	..	HOLD DOWN- SUPPLIER CODE: V29372 OPTIONAL PART: CA12095-101 V29372 CA12145-102 V29372		2

ILLUSTRATION ITEMS NOT ON PARTS LIST ARE NOT APPLICABLE

- ITEM NOT ILLUSTRATED

HXL

23-32-54-06

BOEING PROPRIETARY - Copyright © - Unpublished Work - See title page for details.

23-32-54  
FIG. 06  
PAGE 2  
DEC 22/07

**BOEING**  
767  
**PARTS CATALOG (MAINTENANCE)**

FIG ITEM	PART NUMBER	1 2 3 4 5 6 7	NOMENCLATURE	EFFECT FROM TO	UNITS PER ASSY
6 100	CA12095-101		..HOLD DOWN- SUPPLIER CODE: V29372 OPTIONAL PART: CA12095-102 V29372 CA12145-102 V29372		2
100	CA12145-102		..HOLD DOWN- SUPPLIER CODE: V29372 OPTIONAL PART: CA12095-101 V29372 CA12095-102 V29372 ATTACHING PARTS		2
- 105	NAS514P632-4		..SCREW -----*-----		4
110	914014		.UNIT- SUPPLIER CODE: V70093 ATTACHING PARTS		1
- 115	NAS1801-08-6		.SCREW -----*-----		2
120	284T1231-4		.ANGLE ATTACHING PARTS		1
- 125	NAS1801-3-6		.SCREW -----*-----		2
130	743-0214-001		.REPRODUCER-(CUSTOMER FURNISHED) SUPPLIER CODE: V62204 ATTACHING PARTS		3
- 135	NAS514P1032-6		.SCREW -----*-----		12
140	284U1407-1		.RETAINER ATTACHING PARTS		3
- 145	NAS1801-3-7		.SCREW -----*-----		12
150	284T1244-1		.PLATE ATTACHING PARTS		3
- 155	NAS1801-3-7		.SCREW -----*-----		6

ILLUSTRATION ITEMS NOT ON PARTS LIST ARE NOT APPLICABLE

- ITEM NOT ILLUSTRATED

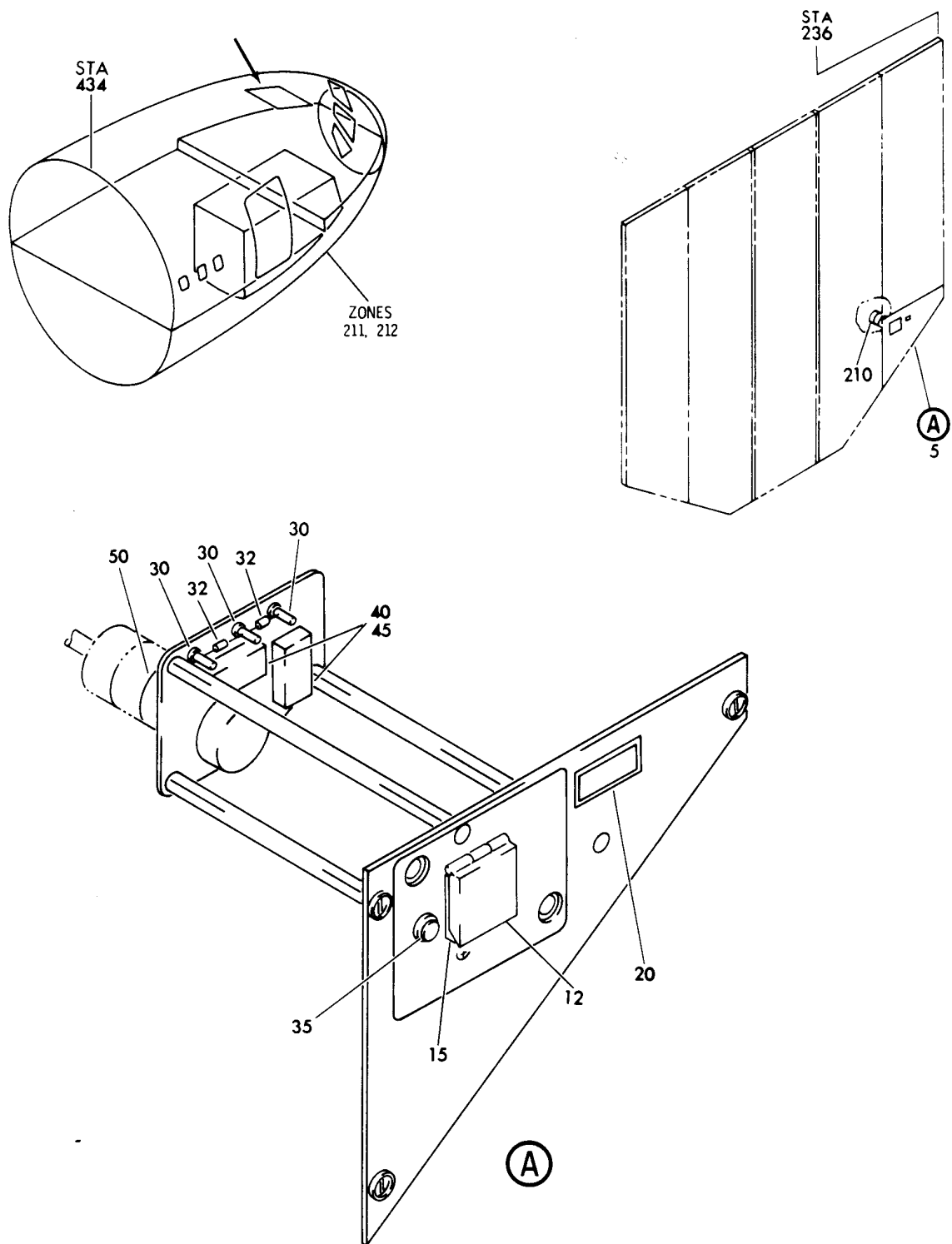
HXL

# 23-32-54-06

BOEING PROPRIETARY - Copyright © - Unpublished Work - See title page for details.

23-32-54  
FIG. 06  
PAGE 3  
APR 22/08

**BOEING**  
767  
PARTS CATALOG (MAINTENANCE)



V 23325703 SH1 1 REV 047

PANEL INSTL-OVHD (PASSENGER ENTERTAINMENT (VIDEO PROJECTION) ONLY)  
FIGURE 3

**23-32-57-03**

HXL  
DEC 22/06

23-32-57-03  
PAGE 0



767

PARTS CATALOG (MAINTENANCE)

FIG ITEM	PART NUMBER	1 2 3 4 5 6 7	NOMENCLATURE	EFFECT FROM TO	UNITS PER ASSY
3			PANEL INSTL-OVHD (PASSENGER ENTERTAINMENT (VIDEO PROJECTION) ONLY)		
- 1	233T3100-1		PANEL INSTL-OVHD (PASSENGER ENTERTAINMENT (VIDEO PROJECTION) ONLY) VARIABLE DRAWING REF: 233T3100-5048 FOR NHA/OTHER SYS DET SEE: 25-10-00-03		RF
5	233T3100-367		.PANEL ASSY-ENTERTAINMENT		RF
- 10	233T3230-40		..PANEL ASSY- MISCELLANEOUS DATA: (THE 233T3230-303 PANEL ASSY IS I/W THE 233T3230-40 PANEL ASSY T/W THE S233T100-1096 LIGHTPLATE.) ELECTRICAL EQUIP NUMBER: M01111 COMPONENT MAINT MANUAL REF: 23-32-52		1
12	401-112		...GUARD-SWITCH SUPPLIER CODE: V33463 USED ON: 233T3230-40		1
15	64AT22-5		...SWITCH- SUPPLIER CODE: V91929		1
20	BCREF8551		...LIGHT ASSY-VIDEO ON IND SUPPLIER CODE: V81590 OVERLENGTH PART NUMBER: 434-674-1031-2114 SPECIFICATION NUMBER: S231T300-2114		1
20	BCREF6320		...LIGHT ASSY-VIDEO ON IND SUPPLIER CODE: V81590 OVERLENGTH PART NUMBER: 434-674-1005-1114 SPECIFICATION NUMBER: S231T300-1114 FOR DETAILS SEE: 33-16-02-02		1

ILLUSTRATION ITEMS NOT ON PARTS LIST ARE NOT APPLICABLE

- ITEM NOT ILLUSTRATED

23-32-57-03

23-32-57  
FIG. 03  
PAGE 1  
DEC 22/07

HXL



767

PARTS CATALOG (MAINTENANCE)

FIG ITEM	PART NUMBER	1 2 3 4 5 6 7	NOMENCLATURE	EFFECT FROM TO	UNITS PER ASSY
3					
35	800000121-1		...CONNECTOR-PWR SUPPLIER CODE: V05617 USED ON: 233T3230-14 233T3230-18 233T3230-20 233T3230-24 233T3230-32 233T3230-36 233T3230-39 233T3230-40 233T3230-46		1
50	BACC45FN12-12P6		...CONNECTOR- ATTACHING PARTS		1
- 55	NAS1801-04-5		...SCREW-		2
- 60	K19798-04		...NUT SUPPLIER CODE: V15653 SPECIFICATION NUMBER: BACN10NW1 OPTIONAL PART: RMA4812-160-40 V72962 293162 V60119 -----*-----		2
- 200	286T0863-120		WIRE BUNDLE ASSY		RF
210	BACC45FT12A12S6		.CONNECTOR- ELECTRICAL EQUIP NUMBER: D01655 WIRING DIAGRAM REF: 233212		1

ILLUSTRATION ITEMS NOT ON PARTS LIST ARE NOT APPLICABLE

- ITEM NOT ILLUSTRATED

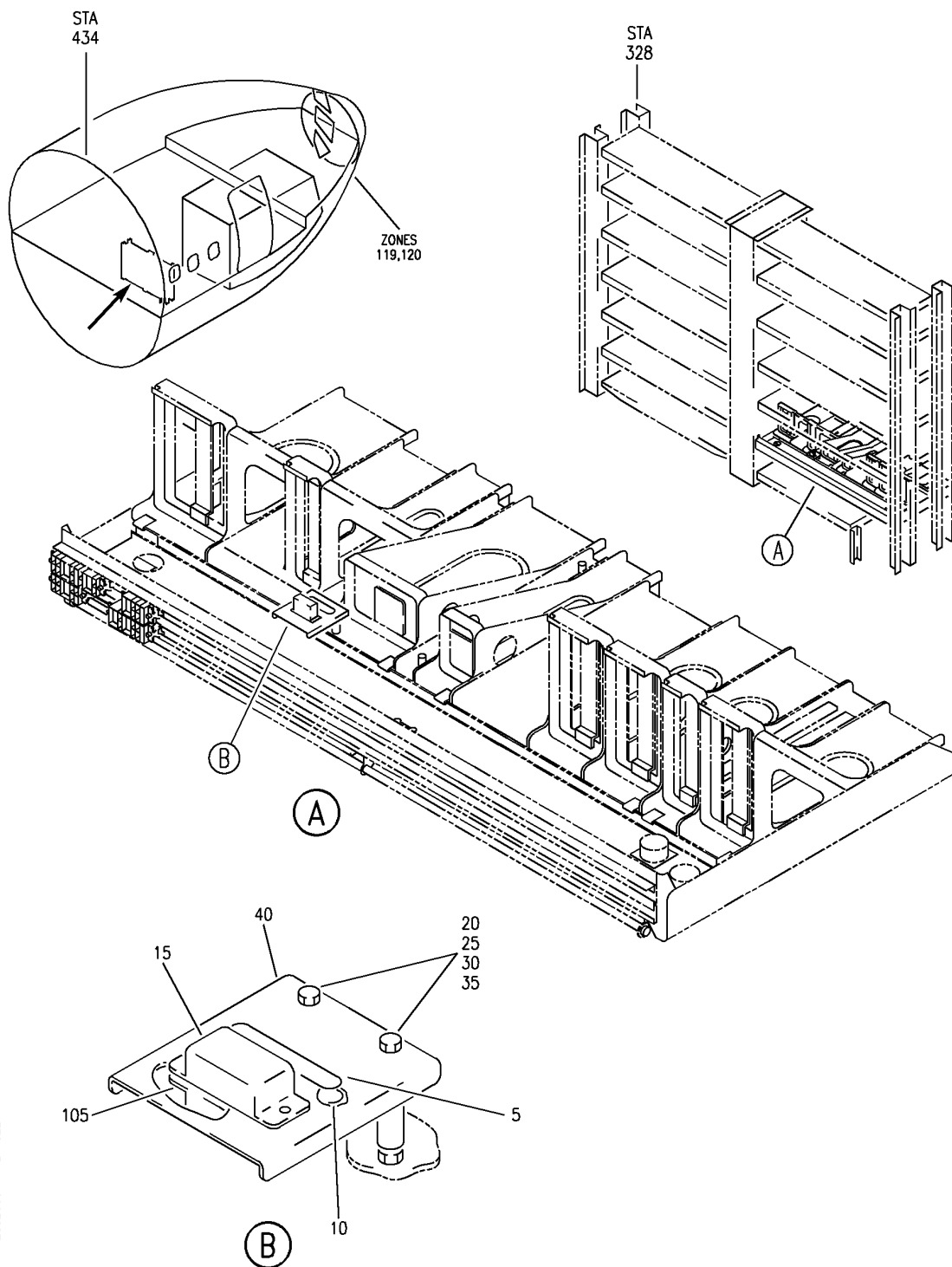
HXL

23-32-57-03

BOEING PROPRIETARY - Copyright © - Unpublished Work - See title page for details.

23-32-57  
FIG. 03  
PAGE 2  
DEC 22/07

**BOEING**  
767  
PARTS CATALOG (MAINTENANCE)



V 23326004 REV 322

EQUIPMENT AND KIT INSTL E2-5 (PASSENGER ENTERTAINMENT ONLY)  
FIGURE 4

**23-32-60-04**

HXL  
DEC 22/07

23-32-60-04  
PAGE 0



767

PARTS CATALOG (MAINTENANCE)

FIG ITEM	PART NUMBER	1 2 3 4 5 6 7	NOMENCLATURE	EFFECT FROM TO	UNITS PER ASSY
4			EQUIPMENT AND KIT INSTL E2-5 (PASSENGER ENTERTAINMENT ONLY)	163999	
- 1	015T1726-5211		EQUIPMENT INSTL-E2-5 SHELF POST SERVICE BULLETIN: 24-0152	163999	1
5	015T1726-5220		.MARKER- PLACARD CONTENT: K10601 POST SERVICE BULLETIN: 24-0152	163999	1
10	015T1726-5220		.MARKER- PLACARD CONTENT: D11607 POST SERVICE BULLETIN: 24-0152	163999	1
15	ES210-1632		.RELAY- SUPPLIER CODE: V99699 SPECIFICATION NUMBER: BACR13CF2AB OPTIONAL PART: JD4L018 V35344 JD4L031 V35344 BR246S0111 V56623 BR64S105 V56623 FCA210-71 V78290 61GB2319-1A320 V98927 ELECTRICAL EQUIP NUMBER: K10601 POST SERVICE BULLETIN: 24-0152	163999	1
20	BACS12GU3K28		.SCREW- POST SERVICE BULLETIN: 24-0152	163999	2
25	NAS1149D0332J		.WASHER- POST SERVICE BULLETIN: 24-0152	163999	2
30	NAS43DD3-80FC		.SPACER- POST SERVICE BULLETIN: 24-0152	163999	2

ILLUSTRATION ITEMS NOT ON PARTS LIST ARE NOT APPLICABLE

- ITEM NOT ILLUSTRATED

23-32-60-04

23-32-60  
FIG. 04  
PAGE 1  
DEC 22/07

HXL



767

PARTS CATALOG (MAINTENANCE)

FIG ITEM	PART NUMBER	1 2 3 4 5 6 7	NOMENCLATURE	EFFECT FROM TO	UNITS PER ASSY
4 35	PLH53CD		.NUT- SUPPLIER CODE: VF0224 SPECIFICATION NUMBER: BACN10YR3CD OPTIONAL PART: H52732-3CD V15653 POST SERVICE BULLETIN: 24-0152	163999	2
40	284T0942-2		.BRACKET-RELAY POST SERVICE BULLETIN: 24-0152	163999	1
- 100	289T1138-103		KIT INSTL-SUB E2-5 SHELF (PASSENGER ENTERTAINMENT ONLY) POST SERVICE BULLETIN: 24-0152 FOR ADDITIONAL DETAILS SEE: 23-19-55-01	163999	RF
105	RSF116200		.SOCKET-RELAY SUPPLIER CODE: V58982 SPECIFICATION NUMBER: BACS16X1A OPTIONAL PART: 102-006-1 V09922 000300-1538 V05574 ELECTRICAL EQUIP NUMBER: D11607	163999	1

ILLUSTRATION ITEMS NOT ON PARTS LIST ARE NOT APPLICABLE

- ITEM NOT ILLUSTRATED

HXL

23-32-60-04

BOEING PROPRIETARY - Copyright © - Unpublished Work - See title page for details.

23-32-60  
FIG. 04  
PAGE 2  
DEC 22/08