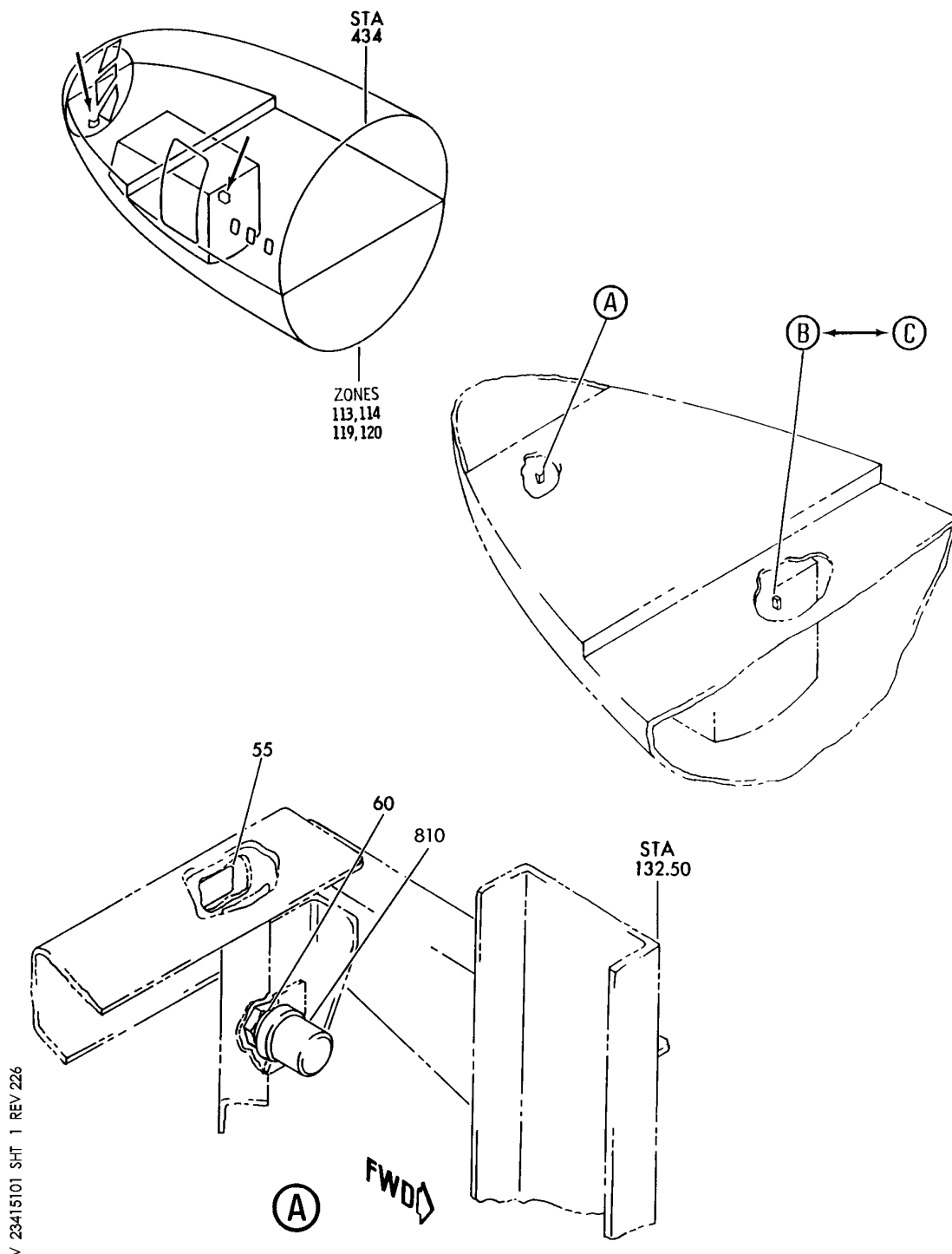


SERVICE INTERPHONE SYSTEM

HXL
DEC 22/06

23-41-00
SECTION TITLE
PAGE 1

BOEING
767
PARTS CATALOG (MAINTENANCE)



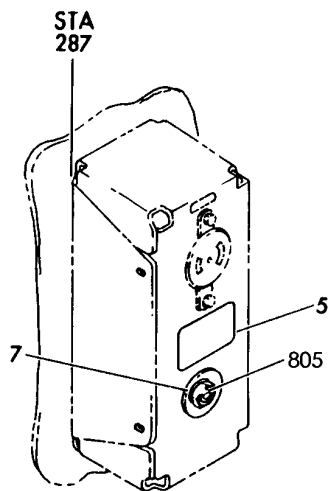
OUTLET INSTL-SECT. 41 INTPH AND SVCE (COMMUNICATIONS ONLY)
FIGURE 1 (SHEET 1)

HXL
DEC 22/06

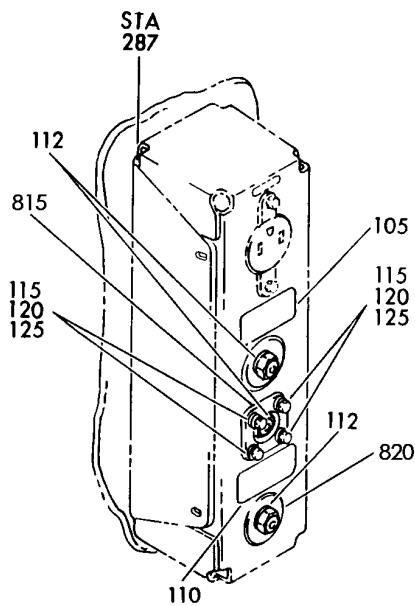
23-41-51-01

23-41-51-01
PAGE 0

BOEING
767
PARTS CATALOG (MAINTENANCE)



(B)



(C)

V 23415101 SHT 2 REV 226

OUTLET INSTL-SECT. 41 INTPH AND SVCE (COMMUNICATIONS ONLY)
FIGURE 1 (SHEET 2)

23-41-51-01

HXL
DEC 22/06

23-41-51-01
PAGE 0A



767

PARTS CATALOG (MAINTENANCE)

FIG ITEM	PART NUMBER	1 2 3 4 5 6 7	NOMENCLATURE	EFFECT FROM TO	UNITS PER ASSY
1			OUTLET INSTL-SECT. 41 INTPH AND SVCE (COMMUNICATIONS ONLY)		
- 1	284T0721-1		OUTLET INSTL-INTPH AND SVCE (COMMUNICATIONS ONLY) POSITION DATA: SECT. 41 FOR NHA/OTHER SYS DET SEE: 24-00-58-02		RF
	5 BAC27TEX0956		.DECAL- PLACARD CONTENT: D0006 SERVICE OUTLET D8539 INTPH JACK		1
	7 BACW10CR7		.WASHER		1
- 50	284T0721-3		OUTLET INSTL-INTPH POSITION DATA: SECT. 41 FOR NHA SEE: 24-00-58-02		RF
	55 BAC27TEX0957		.DECAL- PLACARD CONTENT: D8541 INTPH JACK		1
	60 BACW10CR7		.WASHER		1
- 800	286T1343-300		WIRE BUNDLE ASSY		RF
805	2J1865A		.JACK-GSE SUPPLIER CODE: V82389 ELECTRICAL EQUIP NUMBER: D08539 WIRING DIAGRAM REF: 234111 OPTIONAL PART: BCREFD00032 V82389		1
	805 2J1659		.JACK-GSE SUPPLIER CODE: V82389 ELECTRICAL EQUIP NUMBER: D08539 WIRING DIAGRAM REF: 234111		1

ILLUSTRATION ITEMS NOT ON PARTS LIST ARE NOT APPLICABLE

- ITEM NOT ILLUSTRATED

HXL

23-41-51-01

BOEING PROPRIETARY - Copyright © - Unpublished Work - See title page for details.

23-41-51
FIG. 01
PAGE 1
APR 22/09



767

PARTS CATALOG (MAINTENANCE)

FIG ITEM	PART NUMBER	1 2 3 4 5 6 7	NOMENCLATURE	EFFECT FROM TO	UNITS PER ASSY
1 810	2J1865A		. JACK-GSE SUPPLIER CODE: V82389 ELECTRICAL EQUIP NUMBER: D08541 WIRING DIAGRAM REF: 234111 OPTIONAL PART: BCREFD00032 V82389		1
810	2J1659		. JACK-GSE SUPPLIER CODE: V82389 ELECTRICAL EQUIP NUMBER: D08541 WIRING DIAGRAM REF: 234111		1

ILLUSTRATION ITEMS NOT ON PARTS LIST ARE NOT APPLICABLE

- ITEM NOT ILLUSTRATED

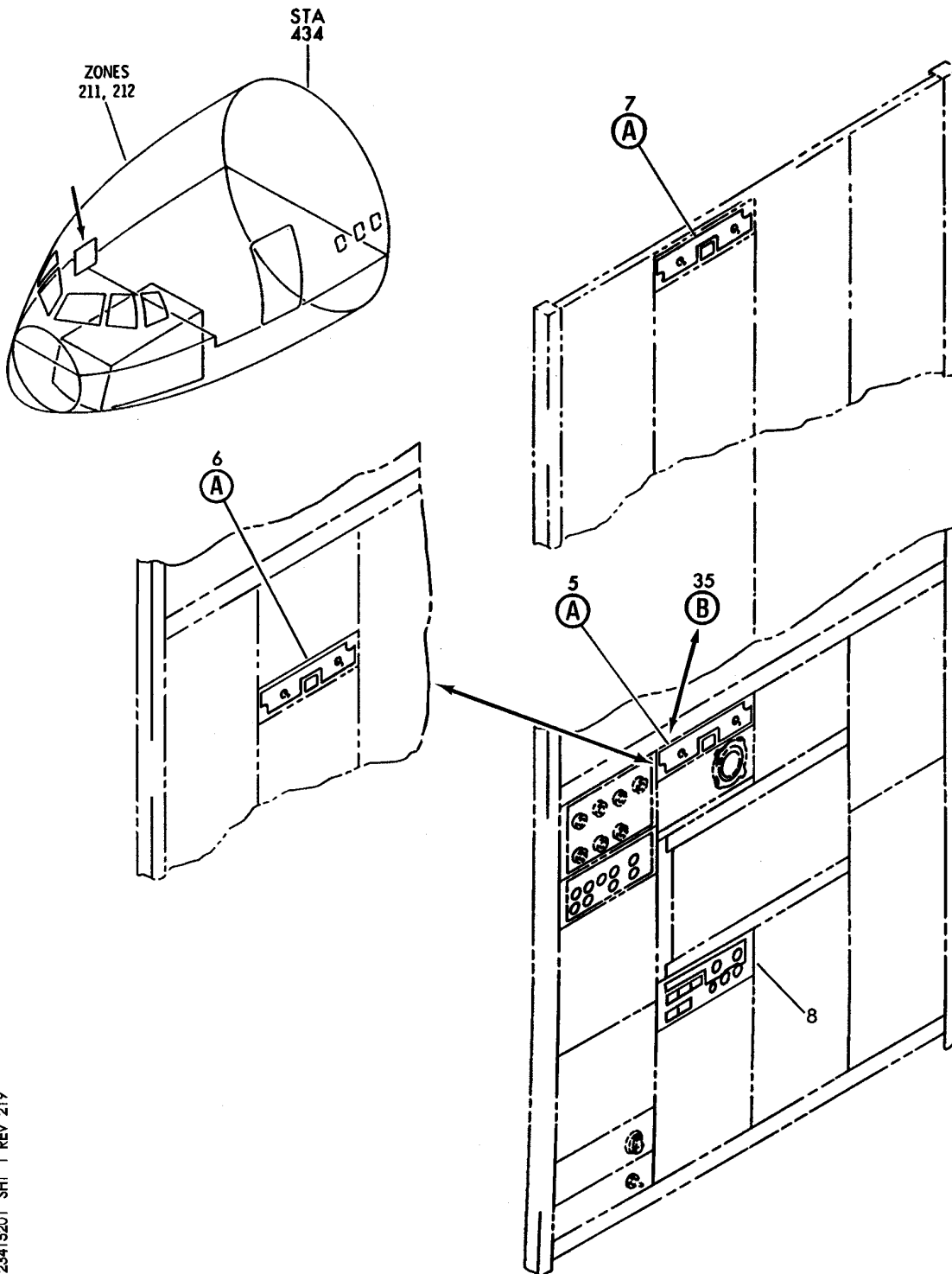
HXL

23-41-51-01

BOEING PROPRIETARY - Copyright © - Unpublished Work - See title page for details.

23-41-51
FIG. 01
PAGE 2
APR 22/09

BOEING
767
PARTS CATALOG (MAINTENANCE)



V 23415201 SHT 1 REV 219

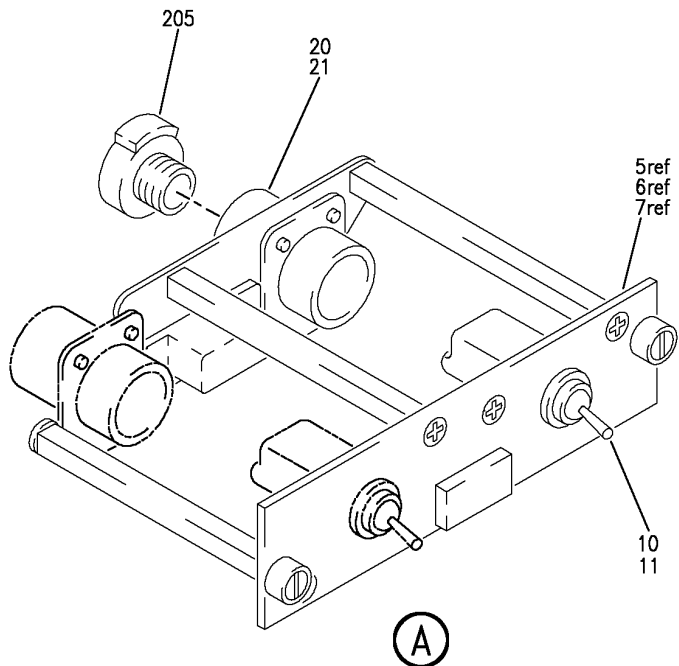
PANEL INSTL-R SIDE (SERVICE INTERPHONE SYSTEM ONLY)
FIGURE 1 (SHEET 1)

23-41-52-01

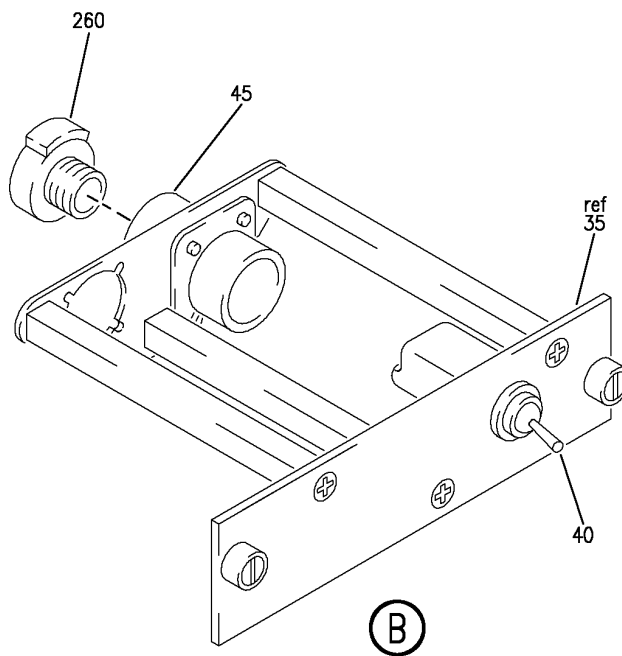
HXL
DEC 22/06

23-41-52-01
PAGE 0

BOEING
767
PARTS CATALOG (MAINTENANCE)



(A)



(B)

V 23415201 SH1 2 REV 260

PANEL INSTL-R SIDE (SERVICE INTERPHONE SYSTEM ONLY)
FIGURE 1 (SHEET 2)

23-41-52-01

HXL
DEC 22/06

23-41-52-01
PAGE 0A

BOEING PROPRIETARY - Copyright © - Unpublished Work - See title page for details.

 **BOEING**
767
PARTS CATALOG (MAINTENANCE)

FIG ITEM	PART NUMBER	1 2 3 4 5 6 7	NOMENCLATURE	EFFECT FROM TO	UNITS PER ASSY
1			PANEL INSTL-R SIDE (SERVICE INTERPHONE SYSTEM ONLY)		
- 1	233T4100-1		PANEL INSTL-(SERVICE INTERPHONE SYSTEM ONLY) POSITION DATA: R SIDE VARIABLE DRAWING REF: 233T4100-5048 FOR NHA/OTHER SYS DET SEE: 25-10-00-03		RF
5	233N7508-9		.PANEL ASSY-FLIGHT RECORDER AND SVCE INTPH SUPPLIER CODE: V89954 ELECTRICAL EQUIP NUMBER: M00033 COMPONENT MAINT MANUAL REF: 31-31-52		RF
5	233N7508-7		.PANEL ASSY-FLIGHT RECORDER AND SVCE INTPH SUPPLIER CODE: V89954 ELECTRICAL EQUIP NUMBER: M00033 COMPONENT MAINT MANUAL REF: 31-31-52		RF
5	233N7508-14		.PANEL ASSY-FLIGHT RECORDER AND SVCE INTPH SUPPLIER CODE: V89954 ELECTRICAL EQUIP NUMBER: M00033 COMPONENT MAINT MANUAL REF: 31-31-52		RF
10	MS24524-23		..SWITCH-		1
20	BACC45FN12-12P6		..CONNECTOR- ATTACHING PARTS		1
- 25	NAS1801-04-5		..SCREW- USED ON: 233N7508-14		3
- 25	BACS12CB04-5		..SCREW- USED ON: 233N7508-7 233N7508-9 233N7508-11 233N7508-13		3
ILLUSTRATION ITEMS NOT ON PARTS LIST ARE NOT APPLICABLE					

- ITEM NOT ILLUSTRATED

HXL

23-41-52-01

BOEING PROPRIETARY - Copyright © - Unpublished Work - See title page for details.

23-41-52
FIG. 01
PAGE 1
DEC 22/07



767

PARTS CATALOG (MAINTENANCE)

FIG ITEM	PART NUMBER	1 2 3 4 5 6 7	NOMENCLATURE	EFFECT FROM TO	UNITS PER ASSY
1					
- 30	K19798-04		. . NUT SUPPLIER CODE: V15653 SPECIFICATION NUMBER: BACN10NW1 OPTIONAL PART: RMA4812-160-40 V72962 293162 V60119 -----*-----		3
- 200	286T0065-101		WIRE BUNDLE ASSY-(SERVICE INTERPHONE SYSTEM ONLY)		RF
205	BACC45FT16A24S		.CONNECTOR- ELECTRICAL EQUIP NUMBER: D00493 WIRING DIAGRAM REF: 313111		1
- 250	286T0062-300		WIRE BUNDLE ASSY-(SERVICE INTERPHONE SYSTEM ONLY)		RF
260	BACC45FT12A12S6		.CONNECTOR- ELECTRICAL EQUIP NUMBER: D01431 WIRING DIAGRAM REF: 234111		1

ILLUSTRATION ITEMS NOT ON PARTS LIST ARE NOT APPLICABLE

- ITEM NOT ILLUSTRATED

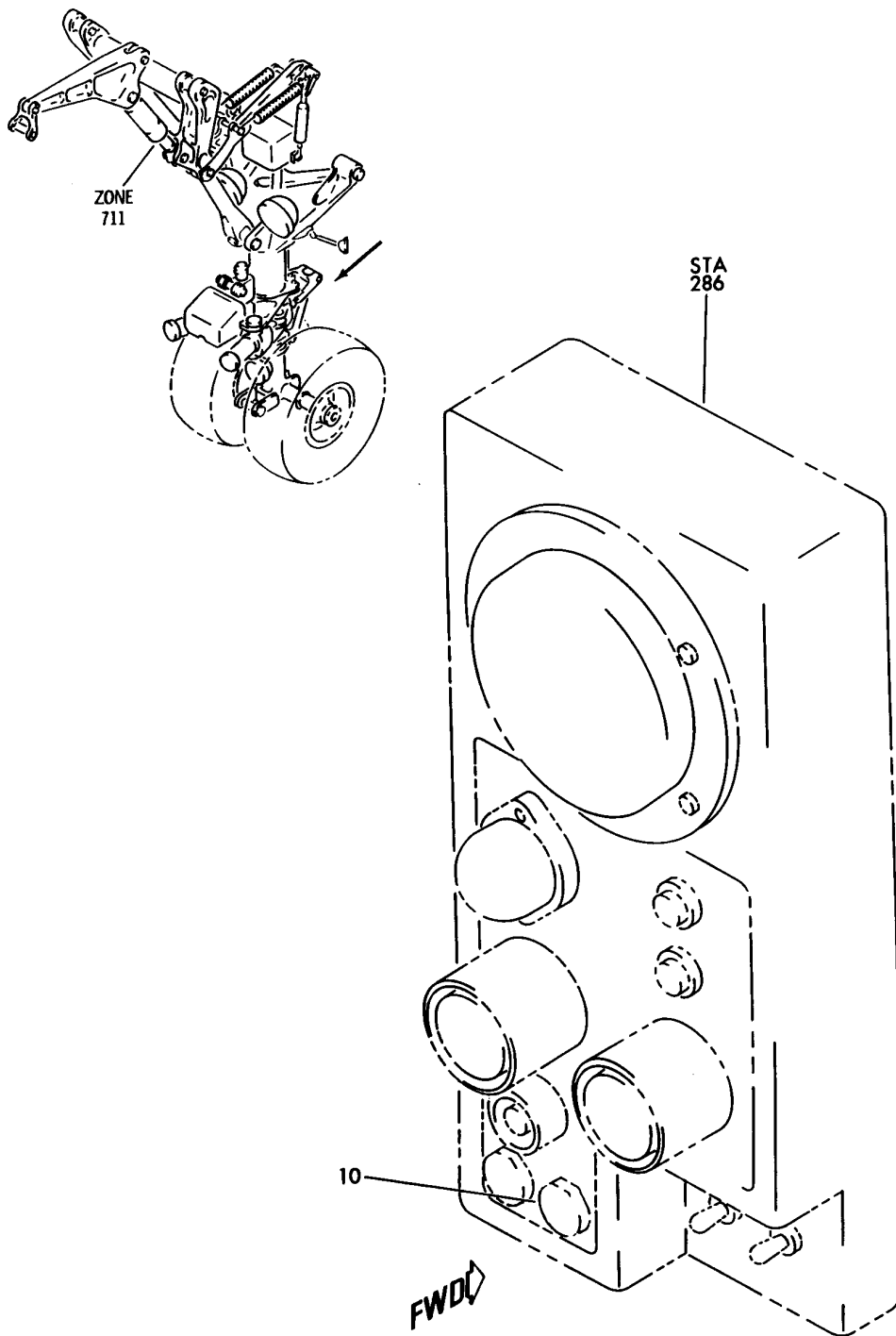
HXL

23-41-52-01

BOEING PROPRIETARY - Copyright © - Unpublished Work - See title page for details.

23-41-52
 FIG. 01
 PAGE 2
 DEC 22/07

BOEING
767
PARTS CATALOG (MAINTENANCE)



V 23415301 REV 148

PANEL ASSY-APU SHUTDOWN P40 (INTERPHONE ONLY)

FIGURE 1

23-41-53-01

HXL
DEC 22/06

23-41-53-01
PAGE 0



767

PARTS CATALOG (MAINTENANCE)

FIG ITEM	PART NUMBER	1 2 3 4 5 6 7	NOMENCLATURE	EFFECT FROM TO	UNITS PER ASSY
1			PANEL ASSY-APU SHUTDOWN P40 (INTERPHONE ONLY)		
- 1	284T0719-18		PANEL ASSY-APU SHUTDOWN P40 (INTERPHONE ONLY) FOR NHA/OTHER SYS DET SEE: 26-15-01-01		RF
- 5	286T1130-001		.WIRE BUNDLE ASSY		1
10	2J1865A		..JACK-P40 GSE SUPPLIER CODE: V82389 ELECTRICAL EQUIP NUMBER: D08543 WIRING DIAGRAM REF: 234111 OPTIONAL PART: BCREFD00032 V82389		1
10	2J1659		..JACK-P40 GSE SUPPLIER CODE: V82389 ELECTRICAL EQUIP NUMBER: D08543 WIRING DIAGRAM REF: 234111		1

ILLUSTRATION ITEMS NOT ON PARTS LIST ARE NOT APPLICABLE

- ITEM NOT ILLUSTRATED

HXL

23-41-53-01

BOEING PROPRIETARY - Copyright © - Unpublished Work - See title page for details.

23-41-53
FIG. 01
PAGE 1
APR 22/09