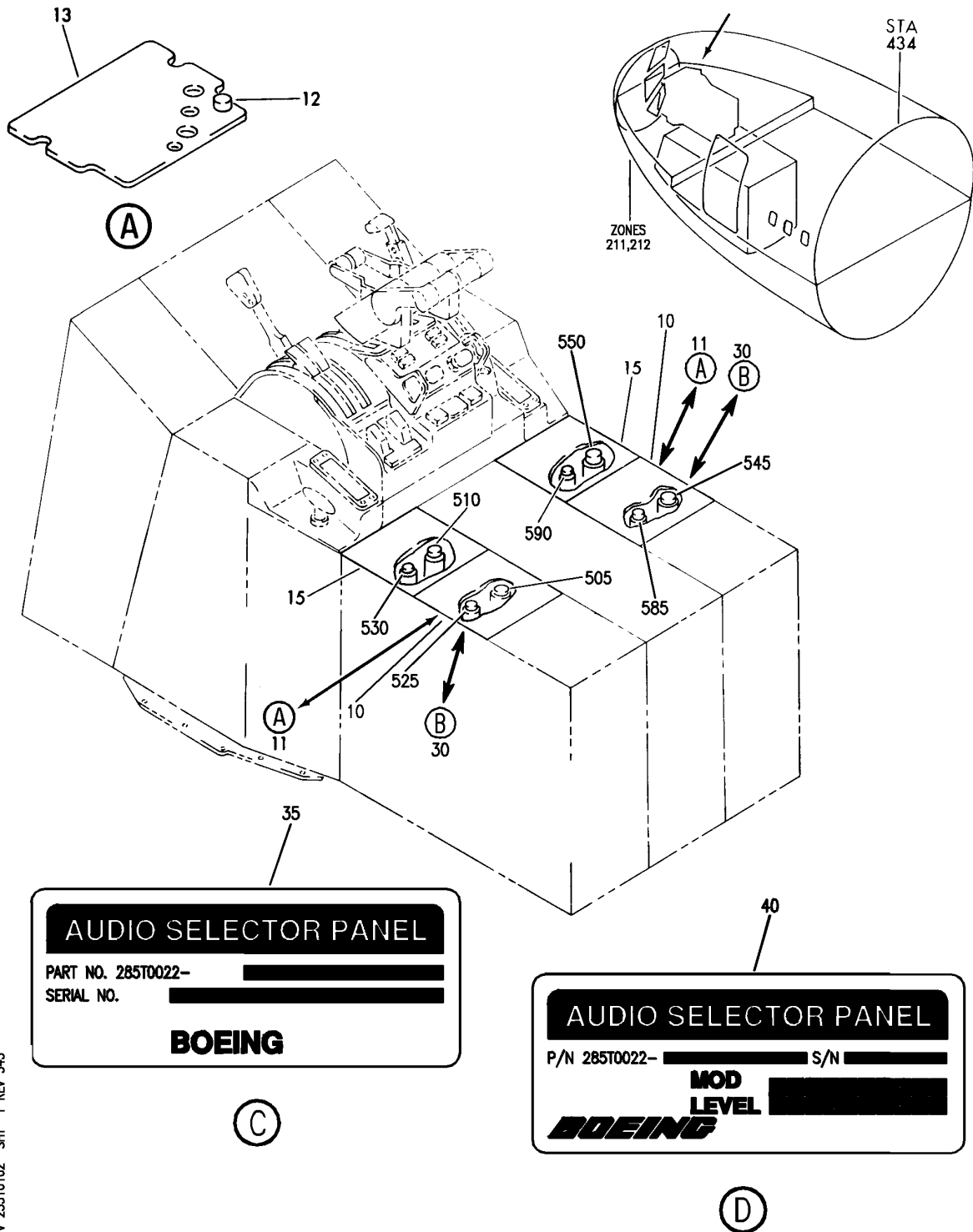


FLIGHT INTERPHONE SYSTEM

HXL
DEC 22/06

23-51-00
SECTION TITLE
PAGE 1

BOEING
767
PARTS CATALOG (MAINTENANCE)



V 233510102 SHT 1 REV 343

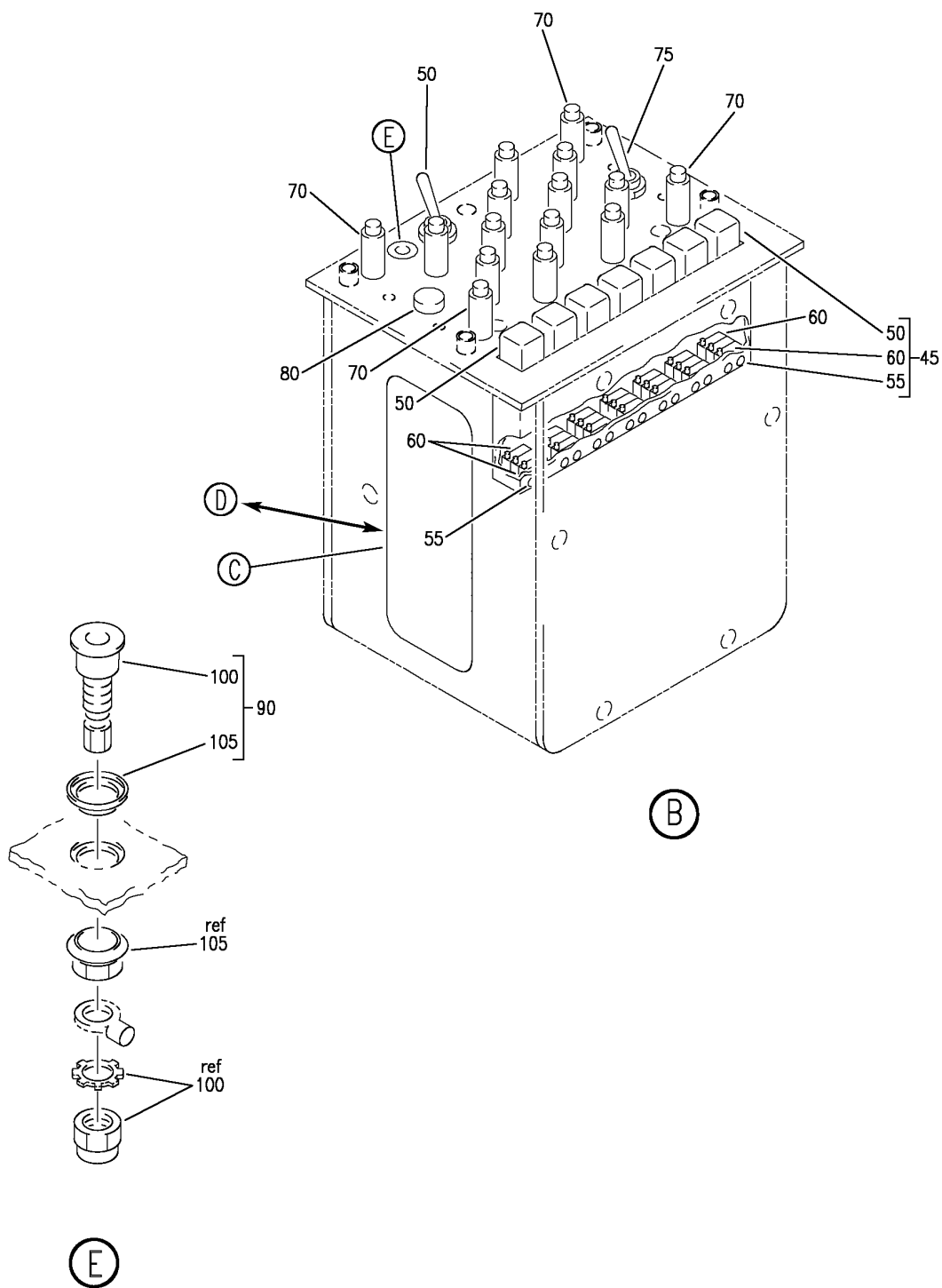
PANEL INSTL-ELECTRONICS (FLIGHT INTERPHONE SYSTEM ONLY)
FIGURE 2 (SHEET 1)

23-51-01-02

HXL
AUG 22/09

23-51-01-02
PAGE 0

BOEING
767
PARTS CATALOG (MAINTENANCE)



V 233510102 SH-T 2 REV 259

PANEL INSTL-ELECTRONICS (FLIGHT INTERPHONE SYSTEM ONLY)
FIGURE 2 (SHEET 2)

23-51-01-02

HXL
DEC 22/06

23-51-01-02
PAGE 0A



767

PARTS CATALOG (MAINTENANCE)

FIG ITEM	PART NUMBER	1 2 3 4 5 6 7	NOMENCLATURE	EFFECT FROM TO	UNITS PER ASSY
2			PANEL INSTL-ELECTRONICS (FLIGHT INTERPHONE SYSTEM ONLY)		
- 1	233T6100-1		PANEL INSTL-ELECTRONICS (FLIGHT INTERPHONE SYSTEM ONLY) VARIABLE DRAWING REF: 233T6100-5048 FOR NHA/OTHER SYS DET SEE: 25-10-00-06		RF
10	5032-1-5		.PANEL-AUDIO SELECTOR (CUSTOMER FURNISHED) SUPPLIER CODE: V30242 ELECTRICAL EQUIP NUMBER: M00070 M00071 COMPONENT MAINT MANUAL REF: 23-50-40 POST SERVICE BULLETIN: 23-0052		2
- 500	286T0629-120		WIRE BUNDLE ASSY-(FLIGHT INTERPHONE SYSTEM ONLY)		RF
505	BACC45FT18A31S		.CONNECTOR- ELECTRICAL EQUIP NUMBER: D00257 WIRING DIAGRAM REF: 235111		1
- 520	286T0655-120		WIRE BUNDLE ASSY-(FLIGHT INTERPHONE SYSTEM ONLY)		RF
525	BACC45FT20A41S		.CONNECTOR- ELECTRICAL EQUIP NUMBER: D00253 WIRING DIAGRAM REF: 235111		1
- 540	286T0631-120		WIRE BUNDLE ASSY-(FLIGHT INTERPHONE SYSTEM ONLY)		RF
545	BACC45FT18A31S		.CONNECTOR- ELECTRICAL EQUIP NUMBER: D00259 WIRING DIAGRAM REF: 235121		1
- 580	286T0657-120		WIRE BUNDLE ASSY-(FLIGHT INTERPHONE SYSTEM ONLY)		RF
585	BACC45FT20A41S		.CONNECTOR- ELECTRICAL EQUIP NUMBER: D00255 WIRING DIAGRAM REF: 235121		1
ILLUSTRATION ITEMS NOT ON PARTS LIST ARE NOT APPLICABLE					

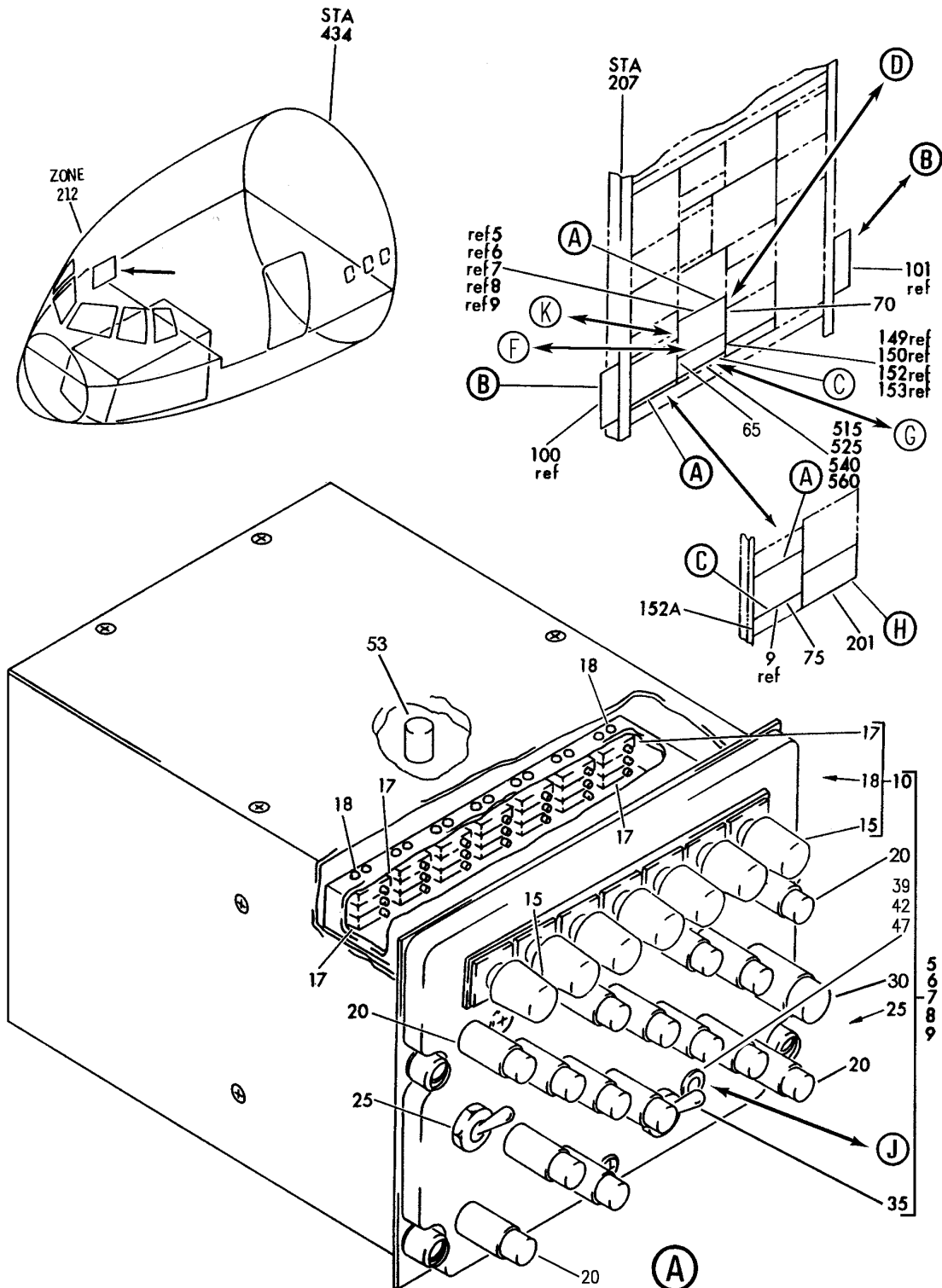
- ITEM NOT ILLUSTRATED

23-51-01-02

23-51-01
FIG. 02
PAGE 1
AUG 22/09

HXL

BOEING
767
PARTS CATALOG (MAINTENANCE)



V 233510124 SH1 1 REV 319

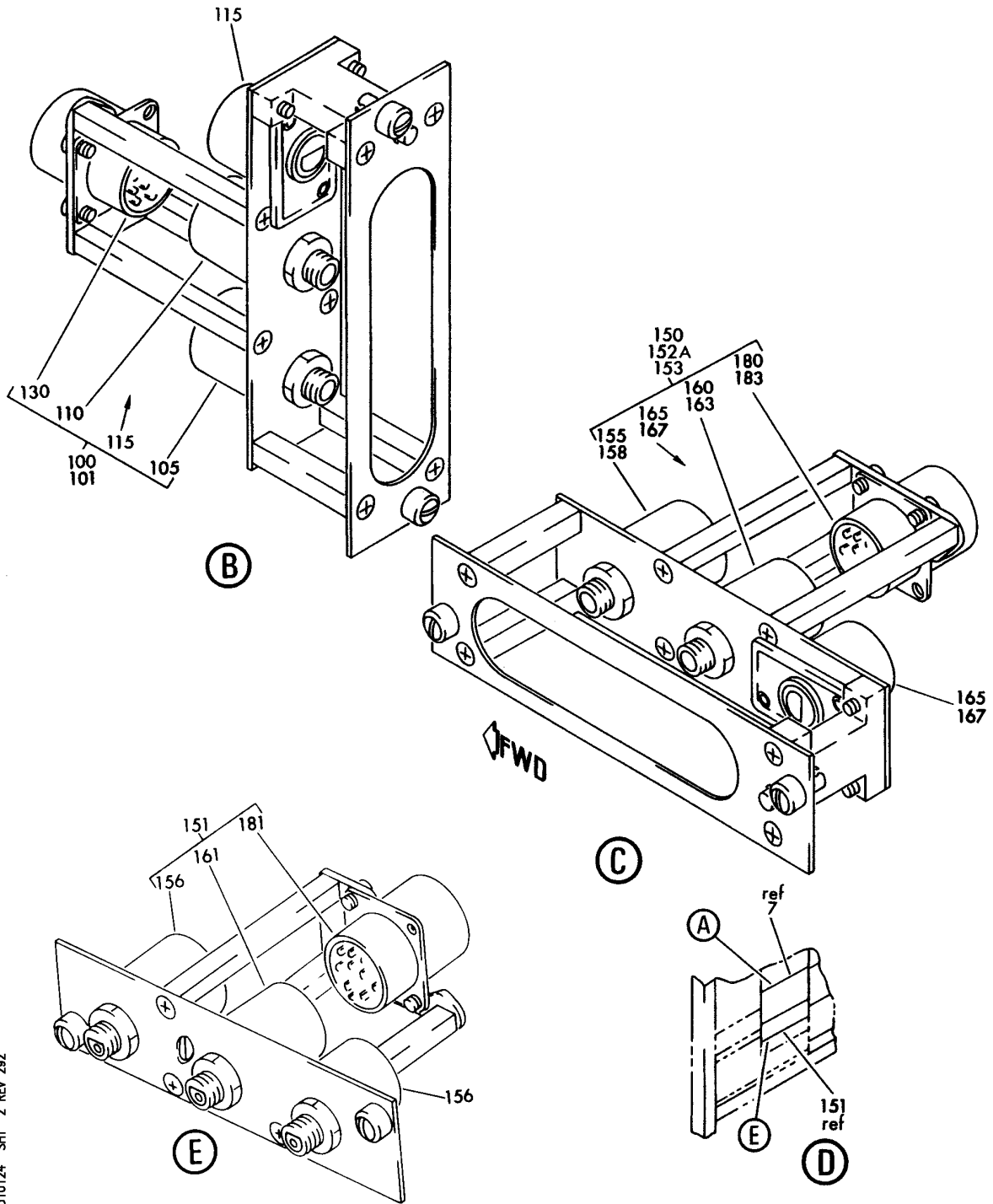
PANEL INSTL-R SIDE (FLIGHT INTERPHONE SYSTEM ONLY)
FIGURE 24 (SHEET 1)

23-51-01-24

HXL
AUG 22/07

23-51-01-24
PAGE 0

BOEING
767
PARTS CATALOG (MAINTENANCE)



V 233510124 SH1 2 REV 292

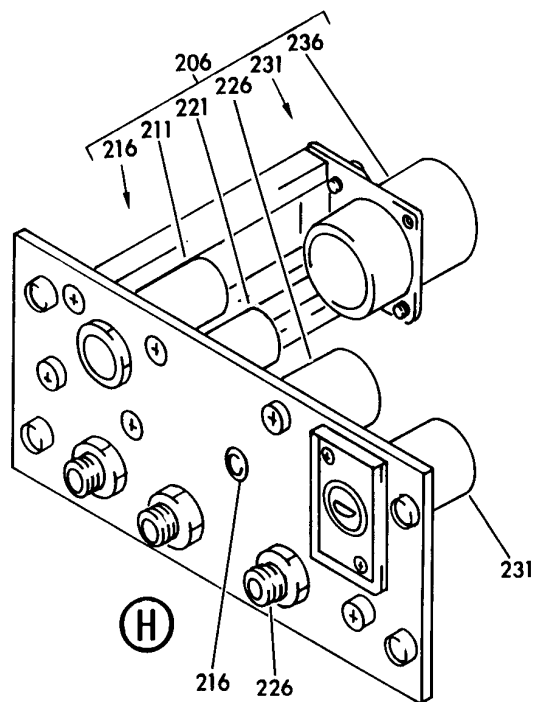
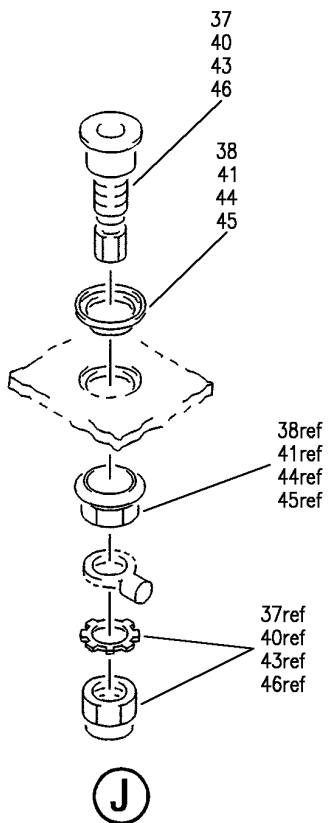
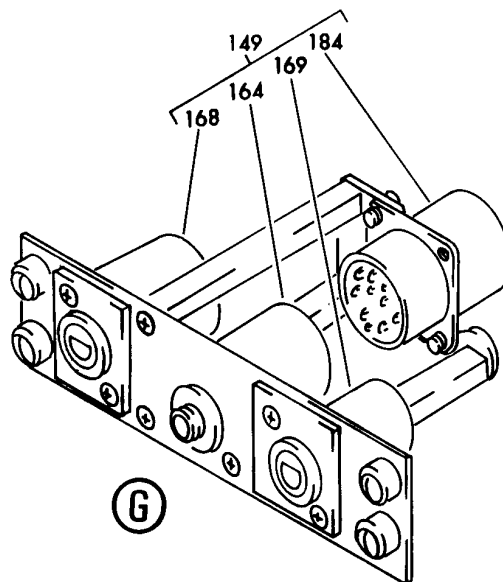
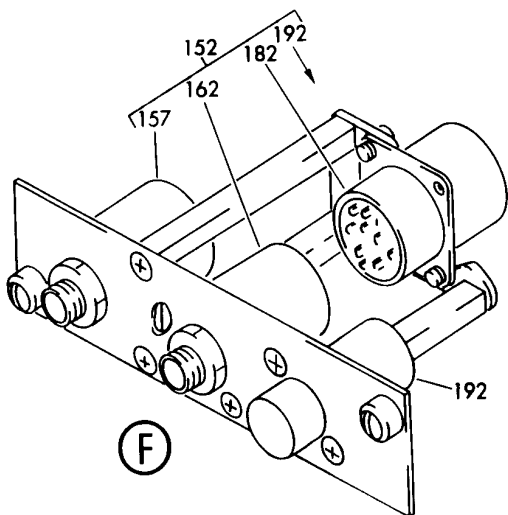
PANEL INSTL-R SIDE (FLIGHT INTERPHONE SYSTEM ONLY)
FIGURE 24 (SHEET 2)

23-51-01-24

HXL
DEC 22/06

23-51-01-24
PAGE 0A

BOEING
767
PARTS CATALOG (MAINTENANCE)



V 233510124 SHT 3 REV 319

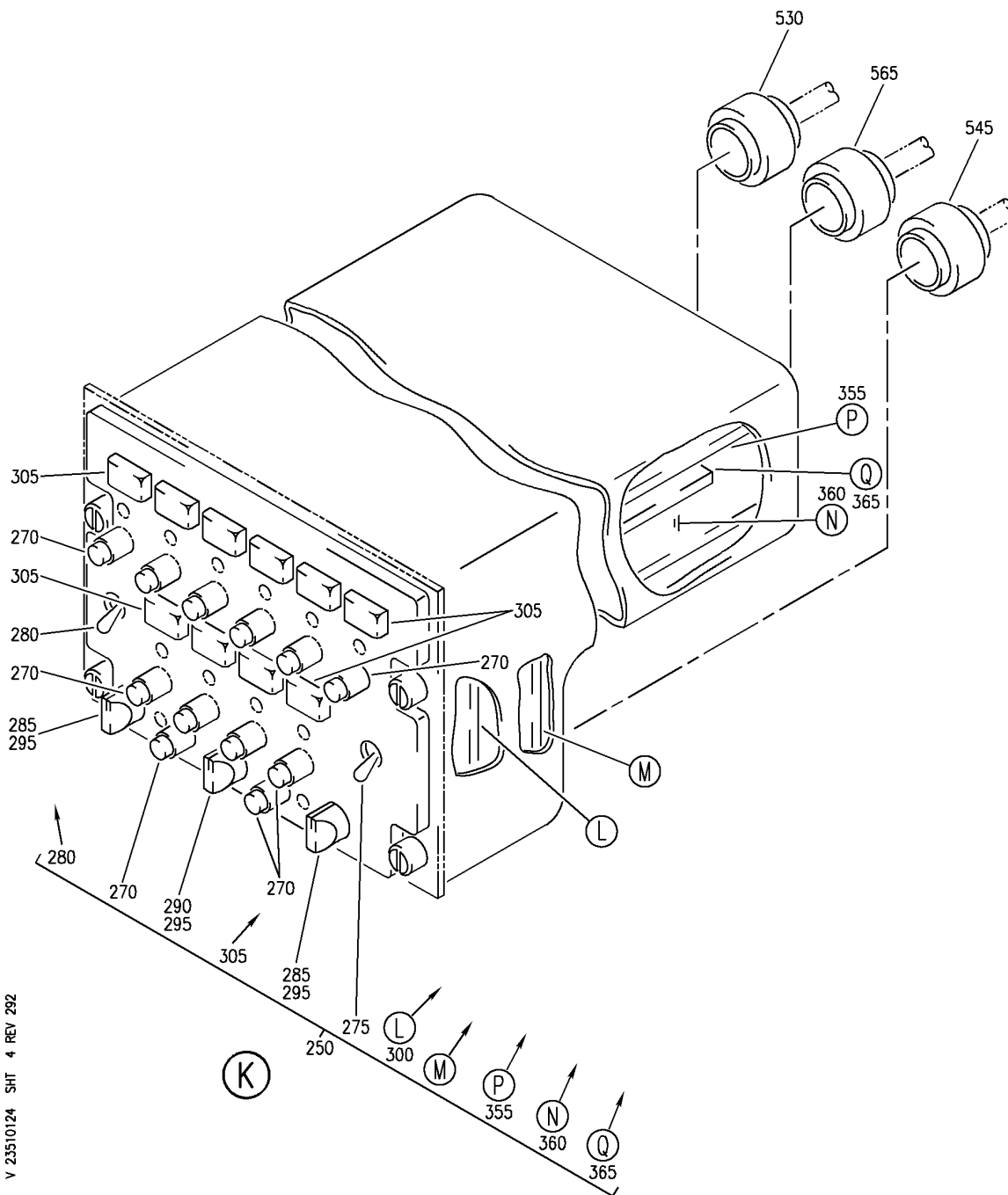
PANEL INSTL-R SIDE (FLIGHT INTERPHONE SYSTEM ONLY)
FIGURE 24 (SHEET 3)

23-51-01-24

HXL
AUG 22/07

23-51-01-24
PAGE 0B

BOEING
767
PARTS CATALOG (MAINTENANCE)



V 23510124 SH 4 REV 292

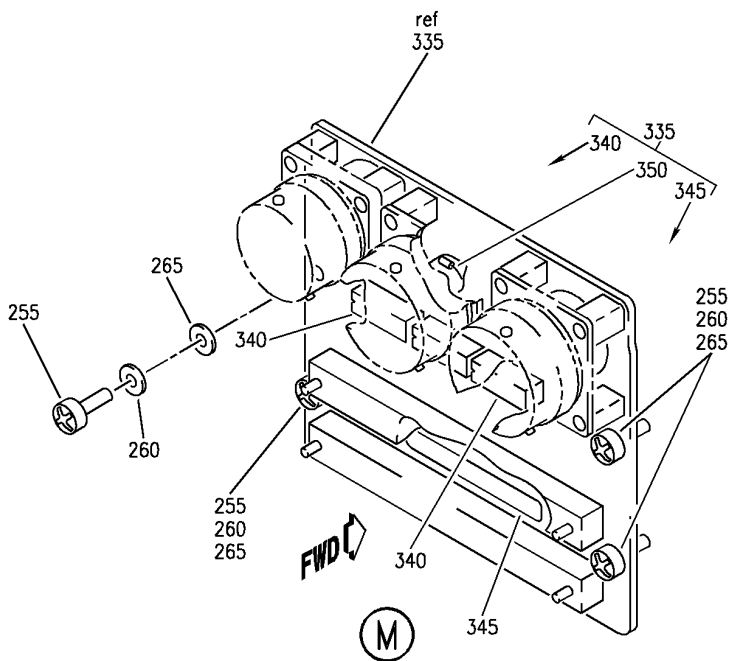
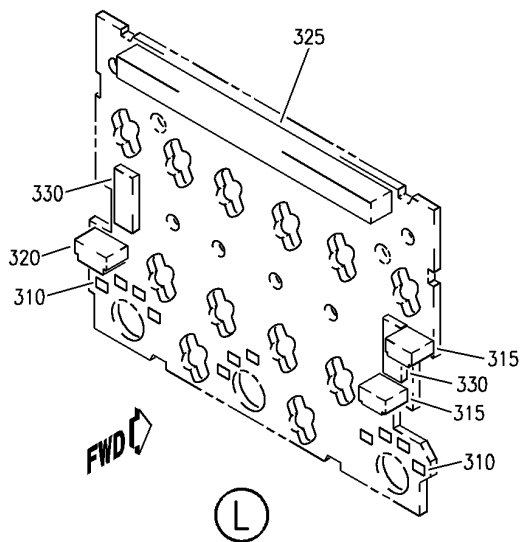
PANEL INSTL-R SIDE (FLIGHT INTERPHONE SYSTEM ONLY)
FIGURE 24 (SHEET 4)

23-51-01-24

HXL
DEC 22/06

23-51-01-24
PAGE 0C

BOEING
767
PARTS CATALOG (MAINTENANCE)



V 23510124 SH1 5 REV 292

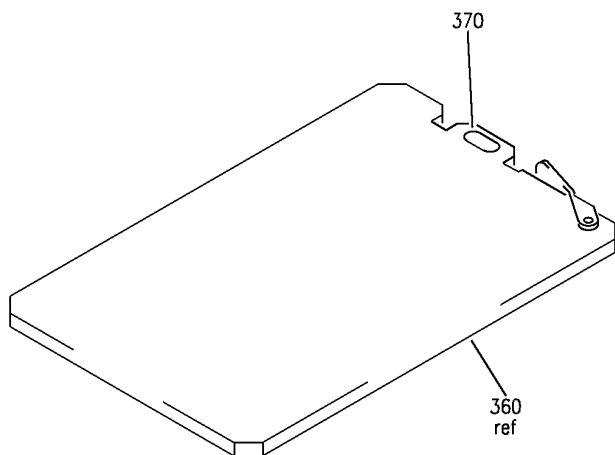
PANEL INSTL-R SIDE (FLIGHT INTERPHONE SYSTEM ONLY)
FIGURE 24 (SHEET 5)

23-51-01-24

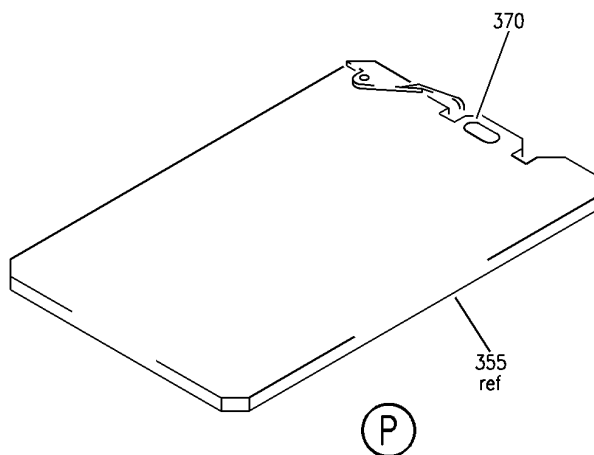
HXL
DEC 22/06

23-51-01-24
PAGE 0D

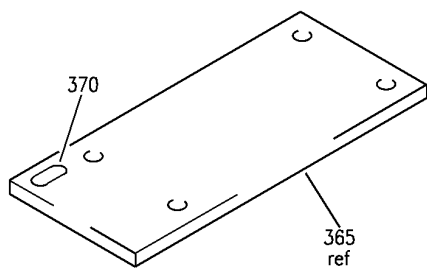
BOEING
767
PARTS CATALOG (MAINTENANCE)



(N)



(P)



(Q)

V 23510124 SHT 6 REV 292

PANEL INSTL-R SIDE (FLIGHT INTERPHONE SYSTEM ONLY)
FIGURE 24 (SHEET 6)

23-51-01-24

HXL
DEC 22/06

23-51-01-24
PAGE 0E



767

PARTS CATALOG (MAINTENANCE)

FIG ITEM	PART NUMBER	1 2 3 4 5 6 7	NOMENCLATURE	EFFECT FROM TO	UNITS PER ASSY
24			PANEL INSTL-R SIDE (FLIGHT INTERPHONE SYSTEM ONLY)		
- 1	233T4100-1		PANEL INSTL-(FLIGHT INTERPHONE SYSTEM ONLY) POSITION DATA: R SIDE VARIABLE DRAWING REF: 233T4100-5116 FOR NHA/OTHER SYS DET SEE: 25-10-00-03		RF
R	70	5032-1-5	.PANEL-AUDIO SELECTOR CONT (CUSTOMER FURNISHED) SUPPLIER CODE: V30242 ELECTRICAL EQUIP NUMBER: M00098 COMPONENT MAINT MANUAL REF: 23-50-40 POST SERVICE BULLETIN: 23-0052		1
R					
R					
R					
R					
R					
R					
R					
	201	233T4100-150	.PANEL ASSY-INTPH JACK ELECTRICAL EQUIP NUMBER: M00133		RF
	206	233T4222-20	..PANEL ASSY- SUPPLIER CODE: V89954		RF
	211	62AT22-82	...SWITCH- SUPPLIER CODE: V91929		1
	216	800000121-1	...CONNECTOR- SUPPLIER CODE: V05617		1
	221	2J1665	...JACK- SUPPLIER CODE: V82389		1
	221	2J1869	...JACK- SUPPLIER CODE: V82389		1
	226	2J1666	...JACK- SUPPLIER CODE: V82389		1
	231	XLR4-31	...JACK- SUPPLIER CODE: V71468		1
	231	XLR4-31A176	...JACK- SUPPLIER CODE: V71468		1
	236	BACC45FN16-24P	...CONNECTOR		1
- 500	286T0062-300		WIRE BUNDLE ASSY		RF

ILLUSTRATION ITEMS NOT ON PARTS LIST ARE NOT APPLICABLE

- ITEM NOT ILLUSTRATED

23-51-01-24

23-51-01
FIG. 24
PAGE 1
AUG 22/09

HXL



767

PARTS CATALOG (MAINTENANCE)

FIG ITEM	PART NUMBER	1 2 3 4 5 6 7	NOMENCLATURE	EFFECT FROM TO	UNITS PER ASSY
24 525	BACC45FT16A24S	.	CONNECTOR- ELECTRICAL EQUIP NUMBER: D00557 WIRING DIAGRAM REF: 235141		1
540	BACC45FT18A31S	.	CONNECTOR- ELECTRICAL EQUIP NUMBER: D00551 WIRING DIAGRAM REF: 235141		1
- 555	286T0659-121		WIRE BUNDLE ASSY-(FLIGHT INTERPHONE SYSTEM ONLY)		RF
560	BACC45FT20A41S	.	CONNECTOR- ELECTRICAL EQUIP NUMBER: D00549 WIRING DIAGRAM REF: 235141 235131		1

ILLUSTRATION ITEMS NOT ON PARTS LIST ARE NOT APPLICABLE

- ITEM NOT ILLUSTRATED

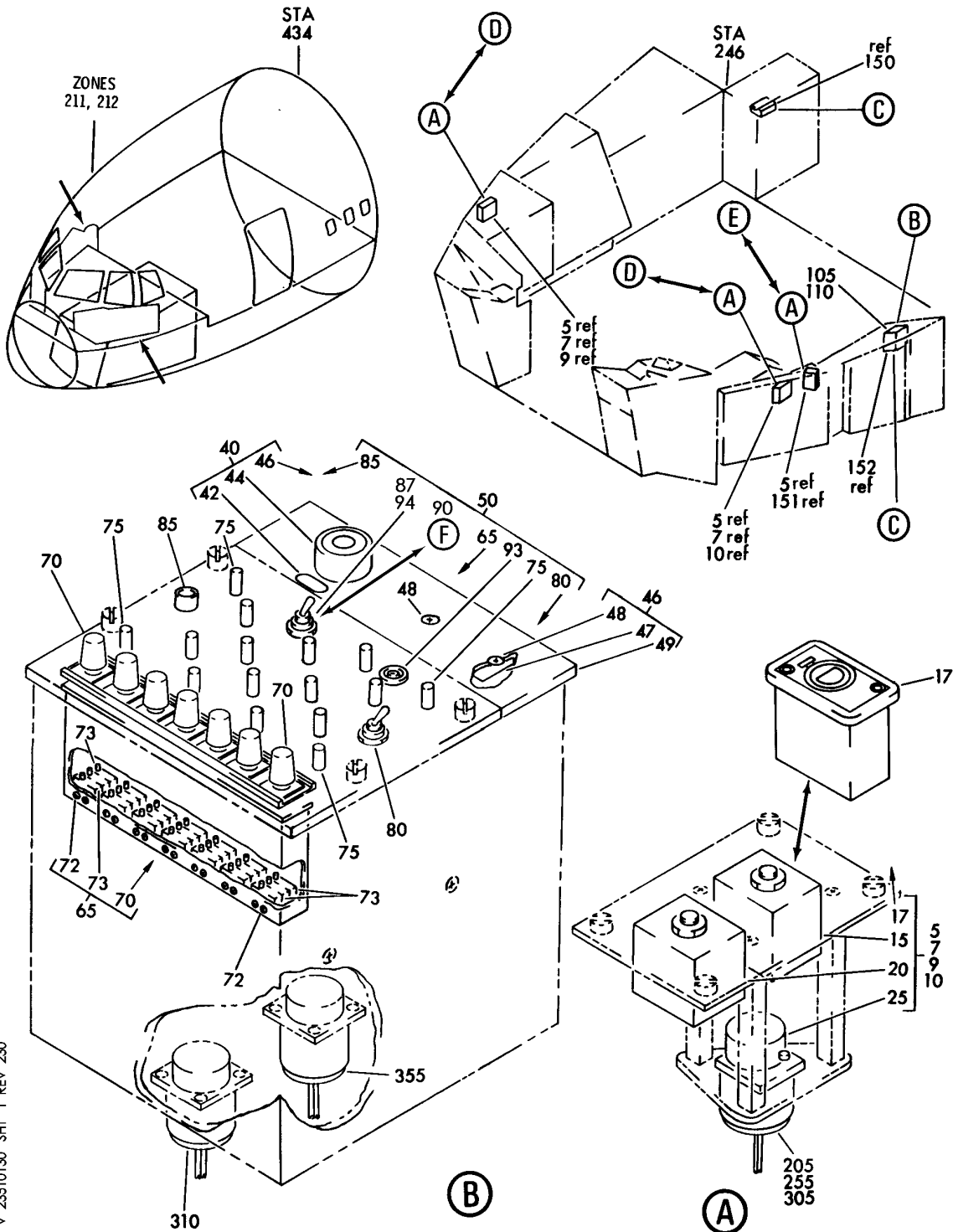
HXL

23-51-01-24

BOEING PROPRIETARY - Copyright © - Unpublished Work - See title page for details.

23-51-01
FIG. 24
PAGE 2
AUG 22/09

BOEING
767
PARTS CATALOG (MAINTENANCE)



V 23510130 SH1 1 REV 230

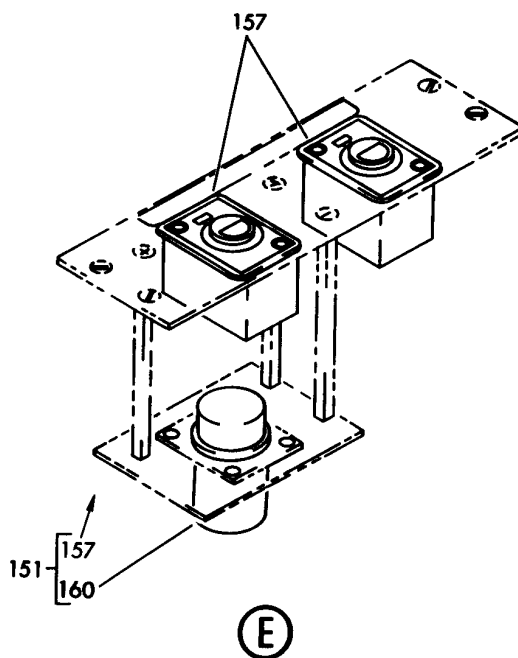
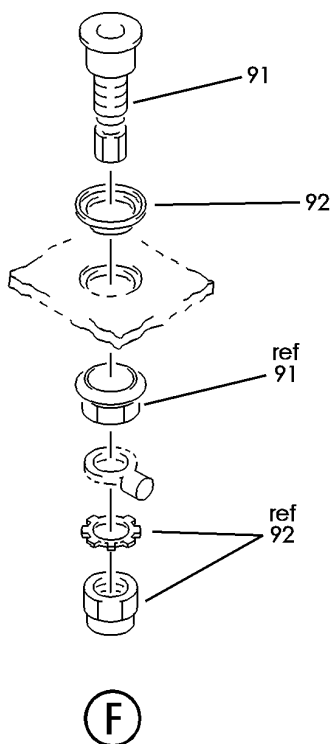
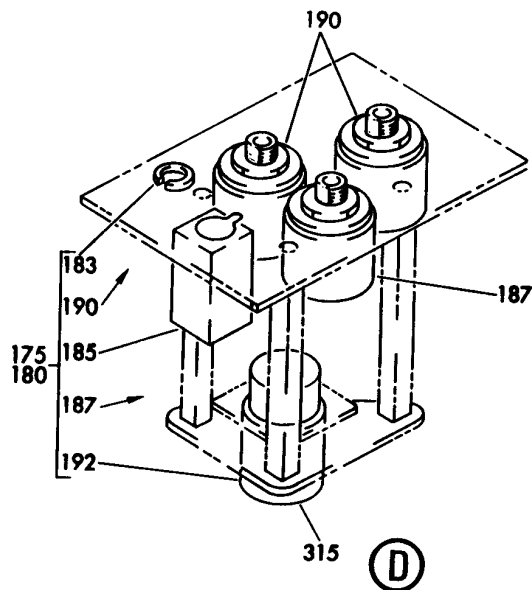
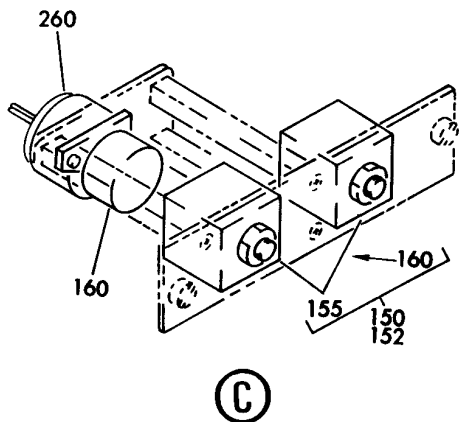
PANEL INSTL-AUX (COMMUNICATIONS ONLY)
FIGURE 30 (SHEET 1)

23-51-01-30

HXL
DEC 22/06

23-51-01-30
PAGE 0

BOEING
767
PARTS CATALOG (MAINTENANCE)



V 23510130 SHT 2 REV 230

PANEL INSTL-AUX (COMMUNICATIONS ONLY)
FIGURE 30 (SHEET 2)

23-51-01-30

HXL
DEC 22/06

23-51-01-30
PAGE 0A

BOEING
767
PARTS CATALOG (MAINTENANCE)

FIG ITEM	PART NUMBER	1 2 3 4 5 6 7	NOMENCLATURE	EFFECT FROM TO	UNITS PER ASSY
30			PANEL INSTL-AUX (COMMUNICATIONS ONLY)		
- 1	233T7100-1		PANEL INSTL-AUX (COMMUNICATIONS ONLY) MISCELLANEOUS DATA: (CONT. AT ITEM 001K) VARIABLE DRAWING REF: 233T7100-5048		RF
- 1	233T7100-1		PANEL INSTL-AUX (COMMUNICATIONS ONLY) MISCELLANEOUS DATA: (CONT. FROM ITEM 001J) FOR NHA/OTHER SYS DET SEE: 25-10-00-07		RF
152	233T7208-11		.PANEL ASSY-SECOND OBSV INTPH JACK SUPPLIER CODE: V89954 ELECTRICAL EQUIP NUMBER: M00892		RF
155	2J1666		..JACK- SUPPLIER CODE: V82389		2
160	BACC45FN14-15P		..CONNECTOR ATTACHING PARTS		1
- 165	NAS1801-04-5		..SCREW-		3
- 170	K19798-04		..NUT SUPPLIER CODE: V15653 SPECIFICATION NUMBER: BACN10NW1 OPTIONAL PART: RMA4812-160-40 V72962 293162 V60119 -----*-----		3
175	233T7100-5		.PANEL ASSY-INTPH JACK OPTIONAL PART: 233T7205-300 V89954		RF
175	233T7205-300		.PANEL ASSY-INTPH JACK SUPPLIER CODE: V89954 COMPONENT MAINT MANUAL REF: 23-51-56 OPTIONAL PART: 233T7100-5		RF

ILLUSTRATION ITEMS NOT ON PARTS LIST ARE NOT APPLICABLE

- ITEM NOT ILLUSTRATED

HXL

23-51-01-30

BOEING PROPRIETARY - Copyright © - Unpublished Work - See title page for details.

23-51-01
FIG. 30
PAGE 1
DEC 22/07

 **BOEING**
767
PARTS CATALOG (MAINTENANCE)

FIG ITEM	PART NUMBER	1 2 3 4 5 6 7	NOMENCLATURE	EFFECT FROM TO	UNITS PER ASSY
30					
180	233T7205-11	..	PANEL ASSY-INTPH SUPPLIER CODE: V89954 ELECTRICAL EQUIP NUMBER: M01222		RF
183	800000121-1	...	CONNECTOR-PWR SUPPLIER CODE: V05617		1
185	62AT22-82	...	SWITCH- SUPPLIER CODE: V91929		1
187	2J1665	...	JACK- SUPPLIER CODE: V82389		1
187	2J1869	...	JACK- SUPPLIER CODE: V82389		1
190	2J1666	...	JACK- SUPPLIER CODE: V82389		2
192	BACC45FN14-15P	...	CONNECTOR ATTACHING PARTS		1
- 194	NAS1801-04-5	...	SCREW		3
- 197	K19798-04	...	NUT SUPPLIER CODE: V15653 SPECIFICATION NUMBER: BACN10NW1 OPTIONAL PART: RMA4812-160-40 V72962 293162 V60119		3
- 200	286T0629-120		-----*----- WIRE BUNDLE ASSY- (COMMUNICATIONS ONLY)		RF
205	BACC45FT14A15S	.	CONNECTOR- ELECTRICAL EQUIP NUMBER: D01353 WIRING DIAGRAM REF: 235111		1
- 250	286T0631-120		WIRE BUNDLE ASSY- (COMMUNICATIONS ONLY)		RF
255	BACC45FT14A15S	.	CONNECTOR- ELECTRICAL EQUIP NUMBER: D01355 WIRING DIAGRAM REF: 235121		1

ILLUSTRATION ITEMS NOT ON PARTS LIST ARE NOT APPLICABLE

- ITEM NOT ILLUSTRATED

HXL

23-51-01-30

BOEING PROPRIETARY - Copyright © - Unpublished Work - See title page for details.

23-51-01
FIG. 30
PAGE 2
APR 22/08



767

PARTS CATALOG (MAINTENANCE)

FIG ITEM	PART NUMBER	1 2 3 4 5 6 7	NOMENCLATURE	EFFECT FROM TO	UNITS PER ASSY
30 260	BACC45FT14A15S		.CONNECTOR- ELECTRICAL EQUIP NUMBER: D01359 WIRING DIAGRAM REF: 235121		1

ILLUSTRATION ITEMS NOT ON PARTS LIST ARE NOT APPLICABLE

- ITEM NOT ILLUSTRATED

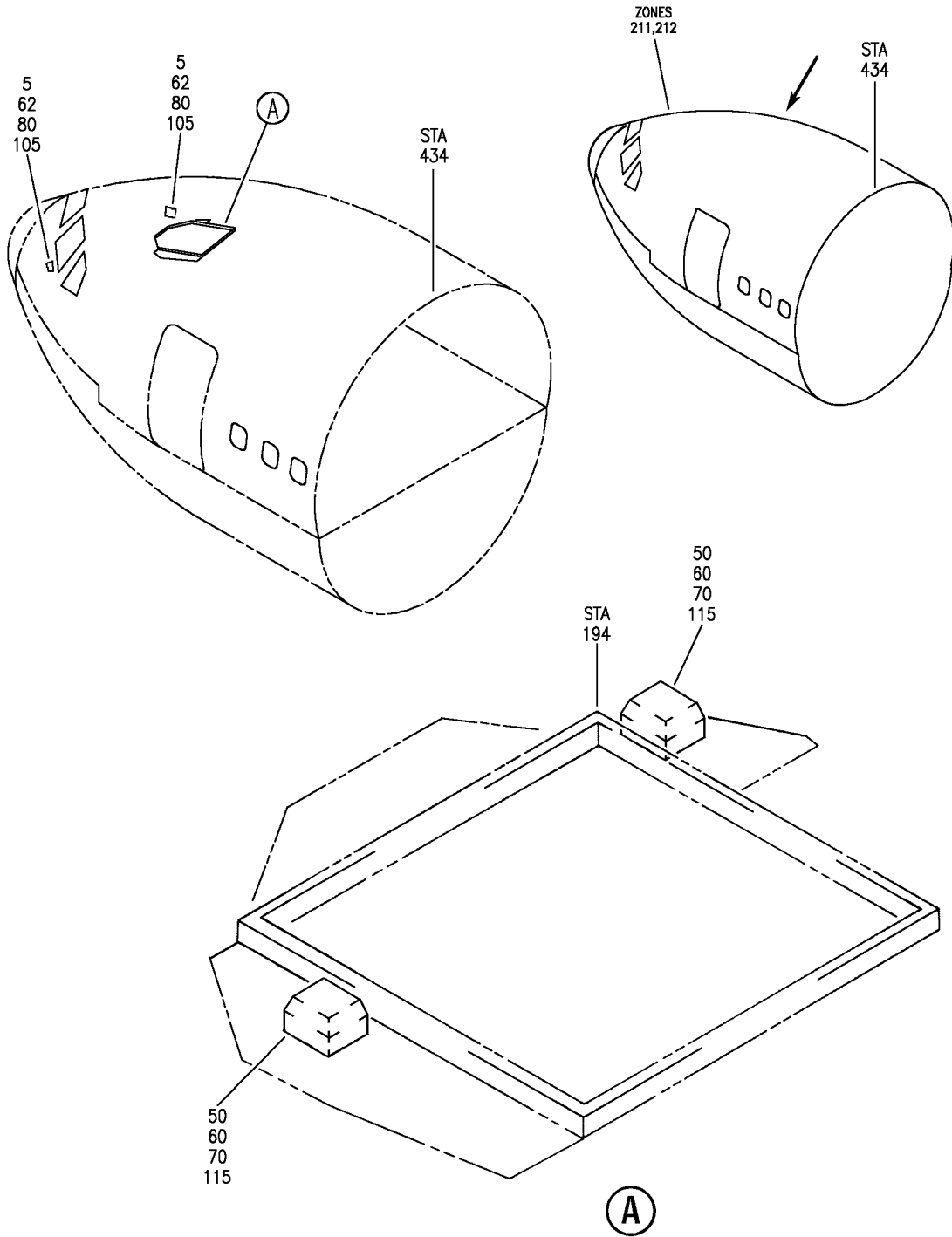
HXL

23-51-01-30

BOEING PROPRIETARY - Copyright © - Unpublished Work - See title page for details.

23-51-01
FIG. 30
PAGE 3
DEC 22/06

BOEING
767
PARTS CATALOG (MAINTENANCE)



V 23510201 REV 303

SPEAKER INSTL-INTPH AND AURAL WARNING
FIGURE 1

23-51-02-01

HXL
DEC 22/06

23-51-02-01
PAGE 0



767

PARTS CATALOG (MAINTENANCE)

FIG ITEM	PART NUMBER	1 2 3 4 5 6 7	NOMENCLATURE	EFFECT FROM TO	UNITS PER ASSY
1			SPEAKER INSTL-INTPH AND AURAL WARNING		
- 1	232T4211-1		SPEAKER INSTL-INTPH AND AURAL WARNING		RF
			FOR NHA SEE: 25-10-00-04		
5	RDAM8303		.SPEAKER ASSY-CKPT SUPPLIER CODE: V54473 SPECIFICATION NUMBER: S222T100-102 ELECTRICAL EQUIP NUMBER: B00001 B00002 COMPONENT MAINT MANUAL REF: 23-50-01		2
- 10	SFSW10F14DL11BG		ATTACHING PARTS .SCREW- SUPPLIER CODE: V12324		8
- 15	NAS43DD3-13		.SPACER		8
			-----*-----		
50	RDAM8303-01		.SPEAKER- SUPPLIER CODE: VOFF57 FUNCTIONAL DESCRIPTION: THE SPEAKERS LOCATED IN THE COCKPIT ARE USED FOR VOICE COMMUNICATION AS PART OF THE FLIGHT INTERPHONE SYSTEM. SPECIFICATION NUMBER: S222T100-203 ELECTRICAL EQUIP NUMBER: B00056 B00057 COMPONENT MAINT MANUAL REF: 23-50-01 QUALIFIED I/W DATA: RDAM8303-01 IS INTERCHANGEABLE WITH 4A3E2 EXCEPT RDAM8303-01 IS REQUIRED FOR 767 AIRCRAFT WITH HONEYWELL TCAS COMPUTER 7517900-10003 INSTALLED. POST SERVICE BULLETIN: 34-0319		2
ILLUSTRATION ITEMS NOT ON PARTS LIST ARE NOT APPLICABLE					

- ITEM NOT ILLUSTRATED

HXL

23-51-02-01

BOEING PROPRIETARY - Copyright © - Unpublished Work - See title page for details.

23-51-02
FIG. 01
PAGE 1
APR 22/09



767

PARTS CATALOG (MAINTENANCE)

FIG ITEM	PART NUMBER	1 2 3 4 5 6 7 NOMENCLATURE	EFFECT FROM TO	UNITS PER ASSY
1 50	99592-632055-1	.SPEAKER- SUPPLIER CODE: V99592 FUNCTIONAL DESCRIPTION: PROVIDES AMPLIFIED AUDIO TO THE FLIGHT DECK SPECIFICATION NUMBER: S222W220-201 ELECTRICAL EQUIP NUMBER: B00056 B00057 COMPONENT MAINT MANUAL REF: 23-51-01 QUALIFIED I/W DATA: 99592-632055-1 IS INTERCHANGEABLE WITH 4A3E2 EXCEPT 99592-632055-1 IS REQUIRED FOR 767 AIRCRAFT WITH HONEYWELL TCAS COMPUTER 7517900-10003 INSTALLED. OPTIONAL PART: 4A3E2 V80248		2

ILLUSTRATION ITEMS NOT ON PARTS LIST ARE NOT APPLICABLE

- ITEM NOT ILLUSTRATED

HXL

23-51-02-01

BOEING PROPRIETARY - Copyright © - Unpublished Work - See title page for details.

23-51-02
 FIG. 01
 PAGE 2
 DEC 22/07

 **BOEING**
767
PARTS CATALOG (MAINTENANCE)

FIG ITEM	PART NUMBER	1 2 3 4 5 6 7	NOMENCLATURE	EFFECT FROM TO	UNITS PER ASSY
1 50	4A3E2		.SPEAKER- SUPPLIER CODE: V80248 FUNCTIONAL DESCRIPTION: PROVIDES AMPLIFIED AUDIO TO THE FLIGHT DECK SPECIFICATION NUMBER: S222W220-201 COMPONENT MAINT MANUAL REF: 23-51-01 QUALIFIED I/W DATA: 99592-632055-1 IS INTERCHANGEABLE WITH 4A3E2 EXCEPT 99592-632055-1 IS REQUIRED FOR 767 AIRCRAFT WITH HONEYWELL TCAS COMPUTER 7517900-10003 INSTALLED. RDAM8303-01 IS INTERCHANGEABLE WITH 4A3E2 EXCEPT RDAM8303-01 IS REQUIRED FOR 767 AIRCRAFT WITH HONEYWELL TCAS COMPUTER 7517900-10003 INSTALLED. OPTIONAL PART: 99592-632055-1 V99592		2
50	99592-632055		.SPEAKER- SUPPLIER CODE: V99592 FUNCTIONAL DESCRIPTION: PROVIDES AMPLIFIED AUDIO TO THE FLIGHT DECK SPECIFICATION NUMBER: S222W220-201 OPTIONAL PART: 4A3E2 V80248		2
- 55	SFSW10F14DL11BG		ATTACHING PARTS .SCREW- SUPPLIER CODE: V12324 -----*-----		8

ILLUSTRATION ITEMS NOT ON PARTS LIST ARE NOT APPLICABLE

- ITEM NOT ILLUSTRATED

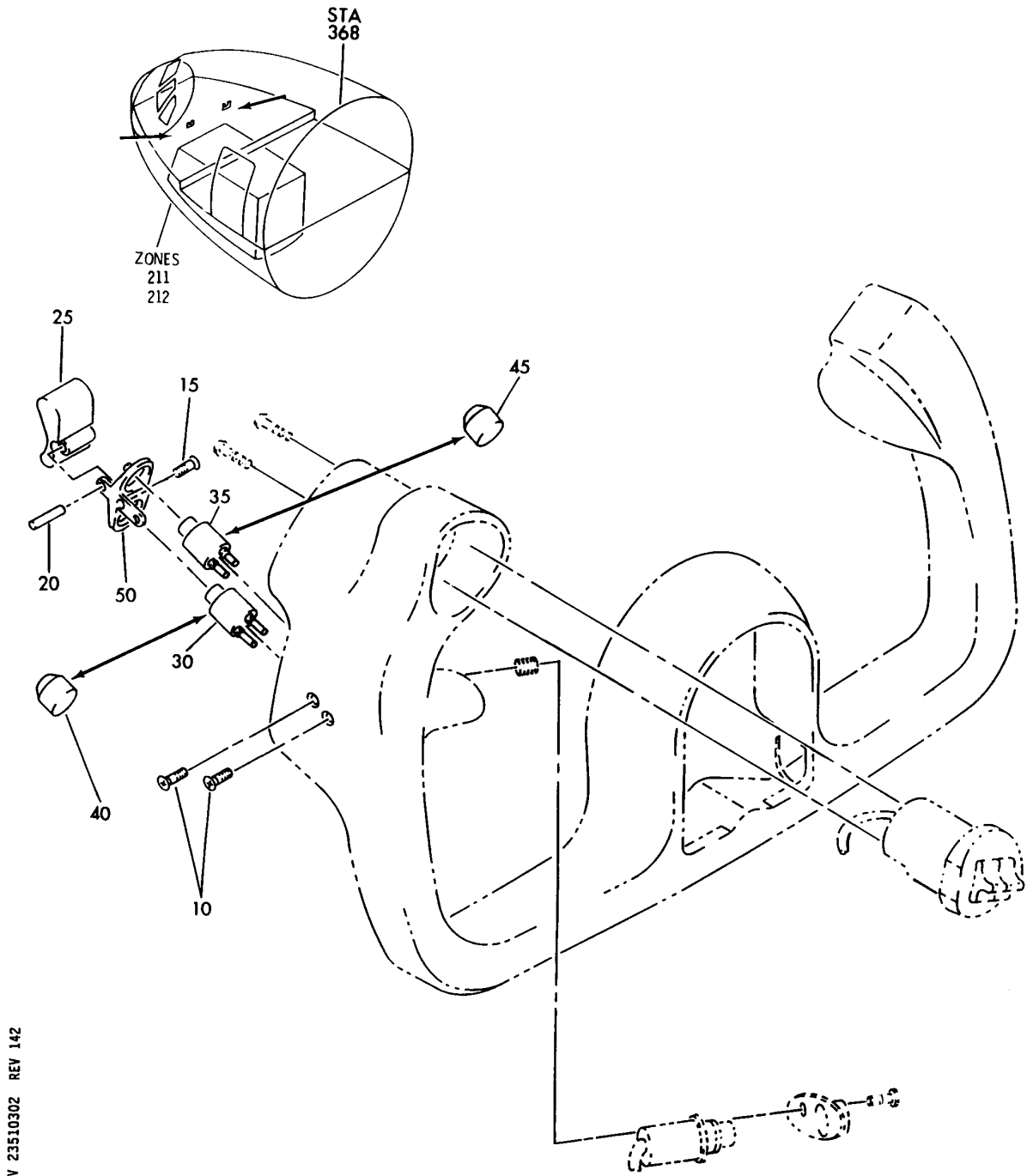
HXL

23-51-02-01

BOEING PROPRIETARY - Copyright © - Unpublished Work - See title page for details.

23-51-02
FIG. 01
PAGE 3
APR 22/09

BOEING
767
PARTS CATALOG (MAINTENANCE)



V 23510302 REV 142

WHEEL ASSY-CONT COLUMN (COMMUNICATIONS ONLY)
FIGURE 2

23-51-03-02

HXL
DEC 22/06

23-51-03-02
PAGE 0



767

PARTS CATALOG (MAINTENANCE)

FIG ITEM	PART NUMBER	1 2 3 4 5 6 7	NOMENCLATURE	EFFECT FROM TO	UNITS PER ASSY
2			WHEEL ASSY-CONT COLUMN (COMMUNICATIONS ONLY)		
- 1	253T2121-3		WHEEL ASSY-CONT COLUMN (COMMUNICATIONS ONLY) POSITION DATA: LH COMPONENT MAINT MANUAL REF: 27-09-11 FOR NHA/OTHER SYS DET SEE: 27-31-10-05		RF
- 1	253T2121-9		WHEEL ASSY-CONT COLUMN (COMMUNICATIONS ONLY) POSITION DATA: LH COMPONENT MAINT MANUAL REF: 27-09-11 FOR NHA/OTHER SYS DET SEE: 27-31-10-05		RF
- 1	251N1140-17		WHEEL ASSY-CONT COLUMN (COMMUNICATIONS ONLY) POSITION DATA: LH COMPONENT MAINT MANUAL REF: 27-09-11 FOR NHA/OTHER SYS DET SEE: 27-31-10-05		RF
- 5	253T2121-4		WHEEL ASSY-CONT COLUMN (COMMUNICATIONS ONLY) POSITION DATA: RH COMPONENT MAINT MANUAL REF: 27-09-11 FOR NHA/OTHER SYS DET SEE: 27-31-10-05		RF
- 5	253T2121-10		WHEEL ASSY-CONT COLUMN (COMMUNICATIONS ONLY) POSITION DATA: RH COMPONENT MAINT MANUAL REF: 27-09-11 FOR NHA/OTHER SYS DET SEE: 27-31-10-05		RF

ILLUSTRATION ITEMS NOT ON PARTS LIST ARE NOT APPLICABLE

- ITEM NOT ILLUSTRATED

HXL

23-51-03-02

BOEING PROPRIETARY - Copyright © - Unpublished Work - See title page for details.

23-51-03
FIG. 02
PAGE 1
DEC 22/06

 **BOEING**
767
PARTS CATALOG (MAINTENANCE)

FIG ITEM	PART NUMBER	1 2 3 4 5 6 7	NOMENCLATURE	EFFECT FROM TO	UNITS PER ASSY
2					
- 5	251N1140-18		WHEEL ASSY-CONT COLUMN (COMMUNICATIONS ONLY) POSITION DATA: RH COMPONENT MAINT MANUAL REF: 27-09-11 FOR NHA/OTHER SYS DET SEE: 27-31-10-05		RF
10	NAS514P440-6B		.SCREW		2
15	NAS514P440-7B		.SCREW		1
20	MS20253-2-67		.PIN-		1
			USED ON: 253T2121-13 253T2121-14 253T2121-1 253T2121-2 253T2121-3 253T2121-4 253T2121-5 253T2121-6 253T2121-7 253T2121-8 253T2121-9 253T2121-10 253T2121-11 253T2121-12		
20	251N1283-1		.PIN-		1
			USED ON: 251N1140-17 251N1140-18 251N1140-19 251N1140-20 251N1140-21 251N1140-22		
25	66-4034-1		.TRIGGER-		1
			USED ON: 253T2121-1 253T2121-2 253T2121-3 253T2121-4 253T2121-5 253T2121-6 253T2121-9 253T2121-10 253T2121-13 253T2121-14		
ILLUSTRATION ITEMS NOT ON PARTS LIST ARE NOT APPLICABLE					

- ITEM NOT ILLUSTRATED

HXL

23-51-03-02

BOEING PROPRIETARY - Copyright © - Unpublished Work - See title page for details.

23-51-03
FIG. 02
PAGE 2
DEC 22/08



767

PARTS CATALOG (MAINTENANCE)

FIG ITEM	PART NUMBER	1 2 3 4 5 6 7	NOMENCLATURE	EFFECT FROM TO	UNITS PER ASSY
2	251N1241-5		. TRIGGER- QUALIFIED I/W DATA: 251N1241-5 TOGETHER WITH 3066-1 OR BACC12C3 CAN REPLACE OR BE REPLACED BY 251N1241-2 USED ON: 251N1140-17 251N1140-18 251N1140-21 251N1140-22 253T2121-9 253T2121-10 253T2121-13 253T2121-14		1
30	C2006		. SWITCH- SUPPLIER CODE: V81640 OPTIONAL PART: C2006CB V81640 C2006RCB V81640 USED ON: 253T2121-3 253T2121-4 253T2121-7 253T2121-8 253T2121-1 253T2121-2		1
30	C2006CB		. SWITCH- SUPPLIER CODE: V81640 OPTIONAL PART: C2006 V81640 C2006RCB V81640 USED ON: 253T2121-3 253T2121-4 253T2121-7 253T2121-8 253T2121-1 253T2121-2		1

ILLUSTRATION ITEMS NOT ON PARTS LIST ARE NOT APPLICABLE

- ITEM NOT ILLUSTRATED

HXL

23-51-03-02

BOEING PROPRIETARY - Copyright © - Unpublished Work - See title page for details.

23-51-03
FIG. 02
PAGE 3
DEC 22/08



767

PARTS CATALOG (MAINTENANCE)

FIG ITEM	PART NUMBER	1 2 3 4 5 6 7	NOMENCLATURE	EFFECT FROM TO	UNITS PER ASSY
2	30 C2006RCB		.SWITCH- SUPPLIER CODE: V81640 OPTIONAL PART: C2006 V81640 C2006CB V81640 USED ON: 253T2121-3 253T2121-4 253T2121-7 253T2121-8 253T2121-1 253T2121-2		1
	30 P8-4000003		.SWITCH- SUPPLIER CODE: V21649 USED ON: 251N1140-17 251N1140-18		1
	35 C2006		.SWITCH- SUPPLIER CODE: V81640 OPTIONAL PART: C2006CB V81640 C2006RCB V81640		1
	35 C2006CB		.SWITCH- SUPPLIER CODE: V81640 OPTIONAL PART: C2006 V81640 C2006RCB V81640		1
	35 C2006RCB		.SWITCH- SUPPLIER CODE: V81640 OPTIONAL PART: C2006 V81640 C2006CB V81640		1
	35 P8-4000003		.SWITCH- SUPPLIER CODE: V21649		1

ILLUSTRATION ITEMS NOT ON PARTS LIST ARE NOT APPLICABLE

- ITEM NOT ILLUSTRATED

23-51-03-02

23-51-03
FIG. 02
PAGE 4
DEC 22/07

HXL



PARTS CATALOG (MAINTENANCE)

FIG ITEM	PART NUMBER	1 2 3 4 5 6 7	NOMENCLATURE	EFFECT FROM TO	UNITS PER ASSY
2 50	69-70179-1		.CLAMP- POSITION DATA: LH SIDE QUALIFIED I/W DATA: 69-70179-7 TOGETHER WITH 251N1283-1 CAN REPLACE OR BE REPLACED BY 69-70179-1 TOGETHER WITH MS20253-2-67 OPTIONAL PART: 69-70179-7 USED ON: 253T2121-1 253T2121-3 253T2121-5		1
50	69-4535-1		.CLAMP- POSITION DATA: LH SIDE OPTIONAL PART: 69-70179-7 USED ON: 253T2121-1 253T2121-3 253T2121-5		1
50	69-70179-7		.CLAMP- POSITION DATA: LH SIDE QUALIFIED I/W DATA: 69-70179-7 TOGETHER WITH 251N1283-1 CAN REPLACE OR BE REPLACED BY 69-70179-1 TOGETHER WITH MS20253-2-67 OPTIONAL PART: 69-4535-1 69-70179-1 USED ON: 251N1140-17 251N1140-21 253T2121-1 253T2121-3 253T2121-5 253T2121-9		1

ILLUSTRATION ITEMS NOT ON PARTS LIST ARE NOT APPLICABLE

- ITEM NOT ILLUSTRATED

HXL

23-51-03-02

BOEING PROPRIETARY - Copyright © - Unpublished Work - See title page for details.

23-51-03
FIG. 02
PAGE 5
DEC 22/08



767

PARTS CATALOG (MAINTENANCE)

FIG ITEM	PART NUMBER	1 2 3 4 5 6 7	NOMENCLATURE	EFFECT FROM TO	UNITS PER ASSY
2					
- 55	69-70179-2		.CLAMP- POSITION DATA: RH SIDE OPTIONAL PART: 69-4535-2 69-70179-8 USED ON: 253T2121-2 253T2121-4 253T2121-6		1
- 55	69-4535-2		.CLAMP- POSITION DATA: RH SIDE OPTIONAL PART: 69-70179-2 69-70179-8 USED ON: 253T2121-2 253T2121-4 253T2121-6		1
- 55	69-70179-8		.CLAMP- POSITION DATA: RH SIDE OPTIONAL PART: 69-4535-2 69-70179-2 USED ON: 251N1140-18 251N1140-22 253T2121-2 253T2121-4 253T2121-6 253T2121-10		1

ILLUSTRATION ITEMS NOT ON PARTS LIST ARE NOT APPLICABLE

- ITEM NOT ILLUSTRATED

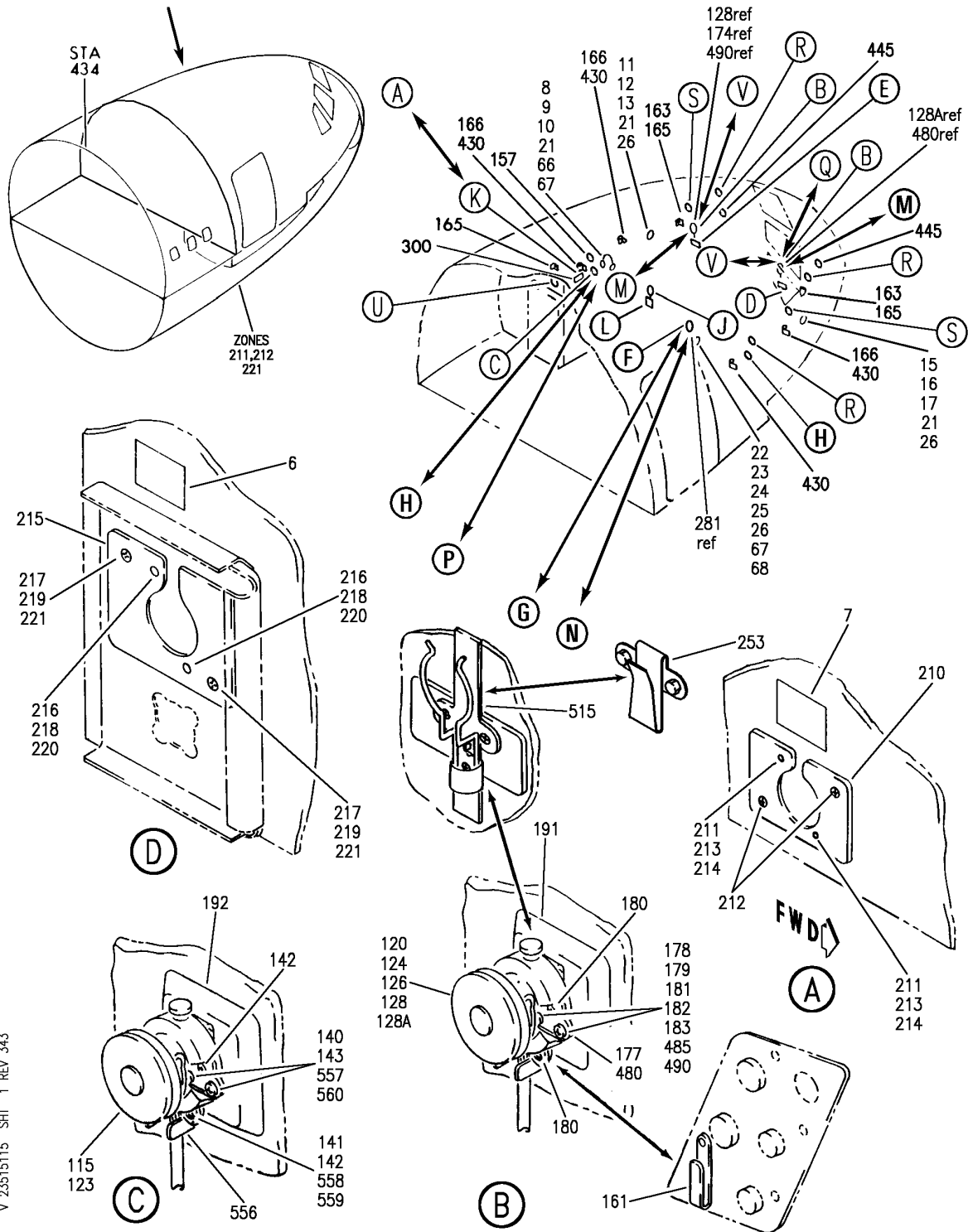
HXL

23-51-03-02

BOEING PROPRIETARY - Copyright © - Unpublished Work - See title page for details.

23-51-03
FIG. 02
PAGE 6
DEC 22/06

BOEING
767
PARTS CATALOG (MAINTENANCE)



V 23515115 SHT 1 REV 343

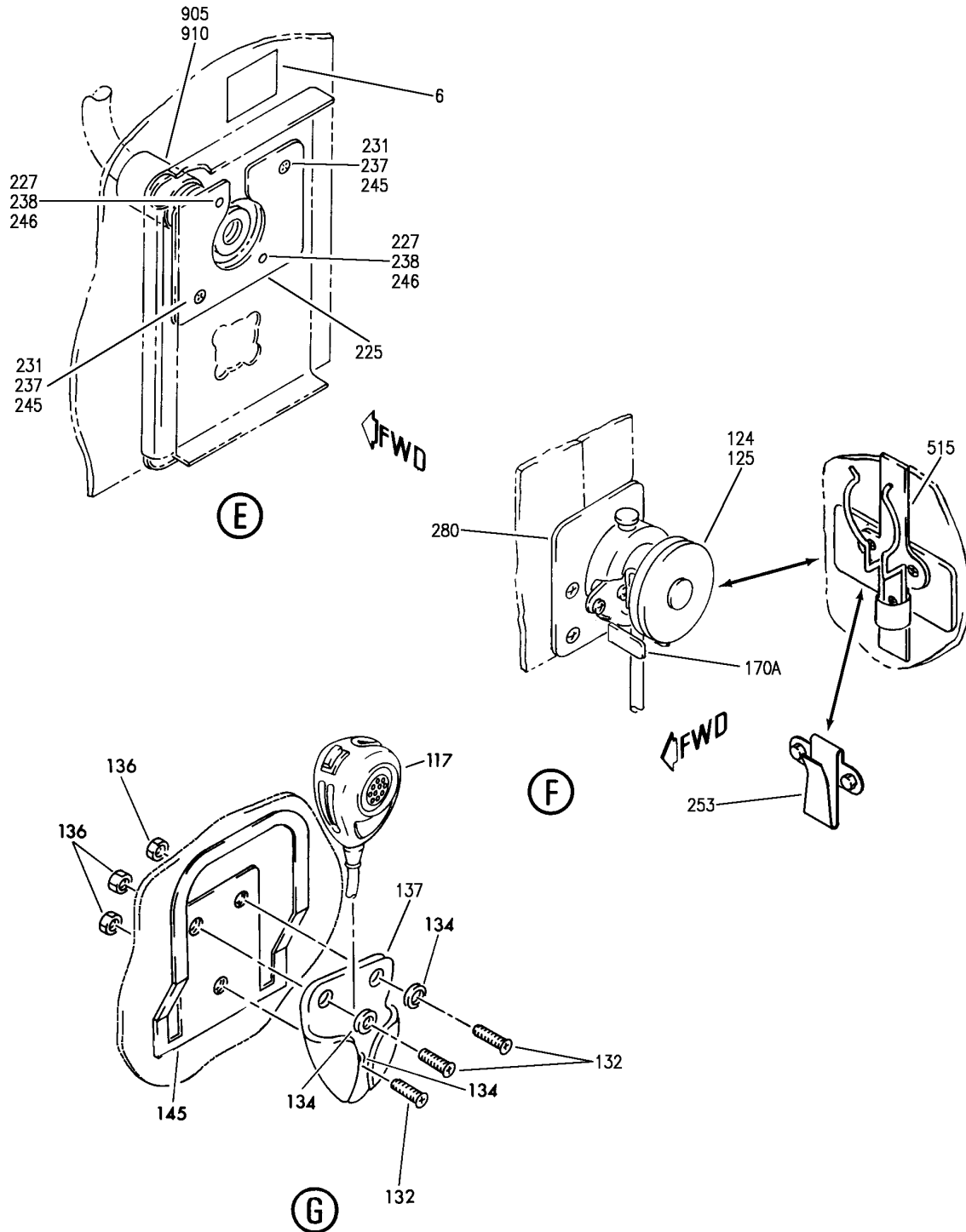
MICROPHONE AND OUTLET INSTL HEADSET AND HAND
FIGURE 15 (SHEET 1)

23-51-51-15

HXL
AUG 22/09

23-51-51-15
PAGE 0

BOEING
767
PARTS CATALOG (MAINTENANCE)



V 23515115 SH1 2 REV 263

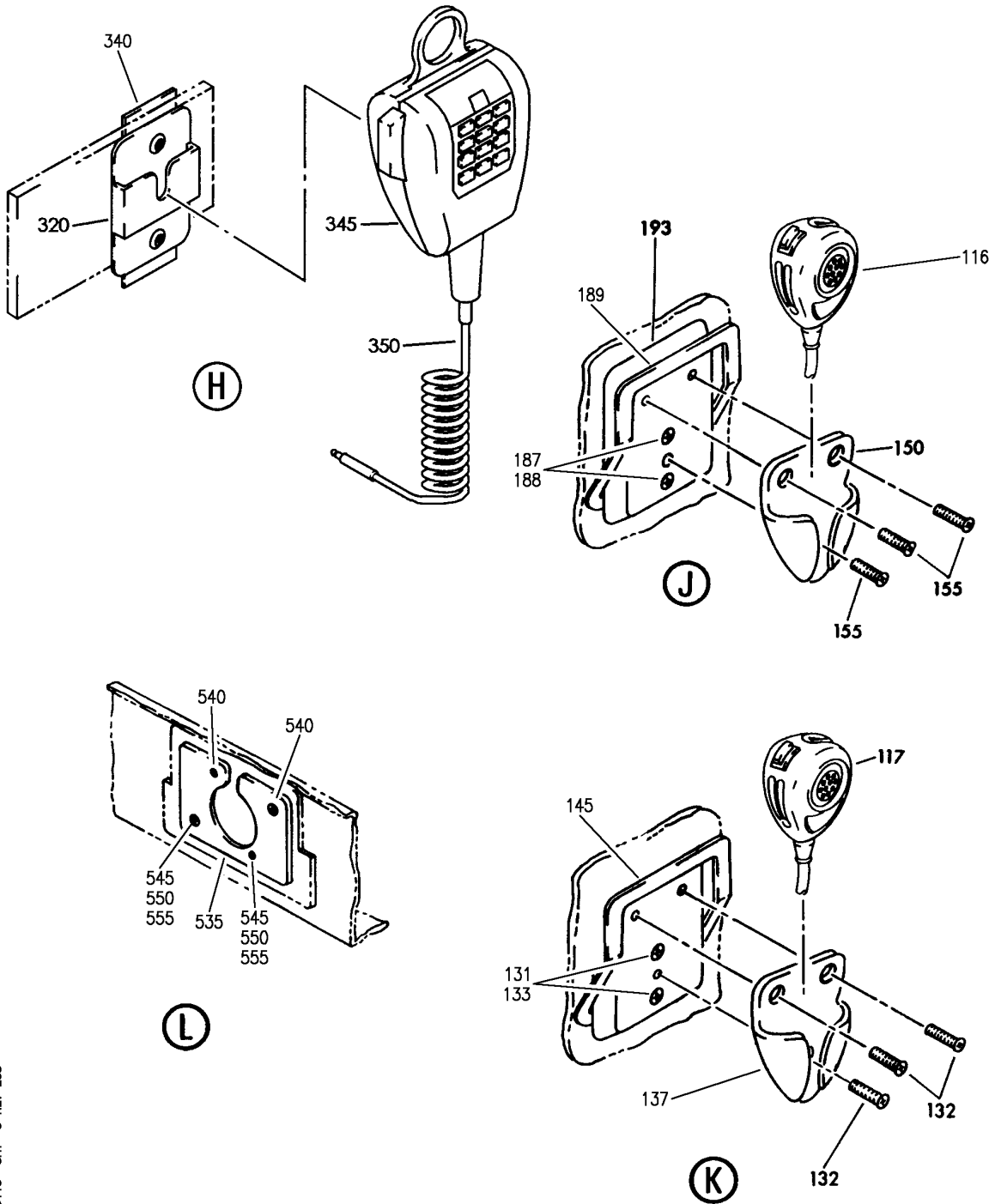
MICROPHONE AND OUTLET INSTL HEADSET AND HAND
FIGURE 15 (SHEET 2)

23-51-51-15

HXL
DEC 22/06

23-51-51-15
PAGE 0A

BOEING
767
PARTS CATALOG (MAINTENANCE)



V 233515115 SHT 3 REV 258

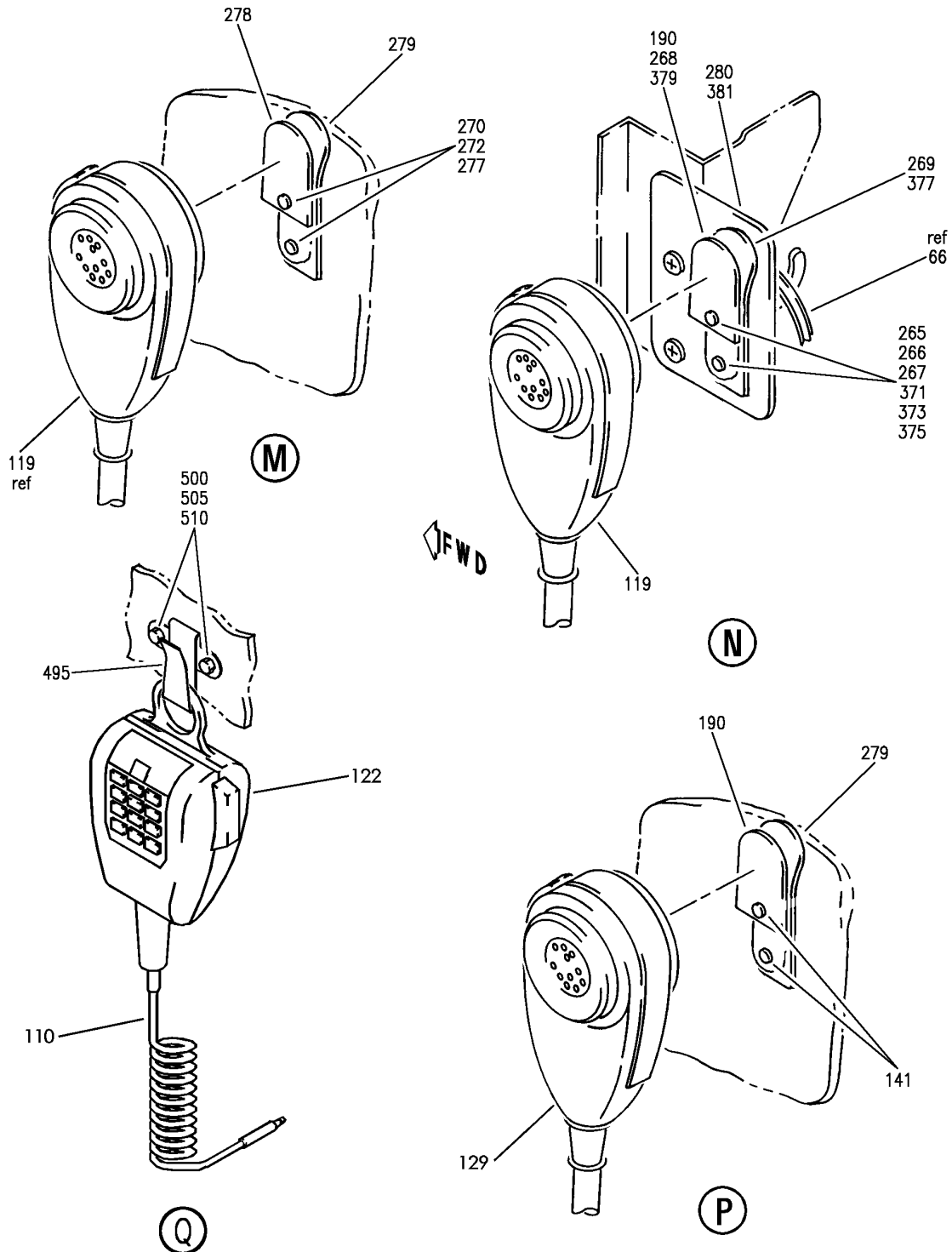
MICROPHONE AND OUTLET INSTL HEADSET AND HAND
FIGURE 15 (SHEET 3)

23-51-51-15

HXL
DEC 22/06

23-51-51-15
PAGE 0B

BOEING
767
PARTS CATALOG (MAINTENANCE)



V 233515115 SHT 4 REV 260

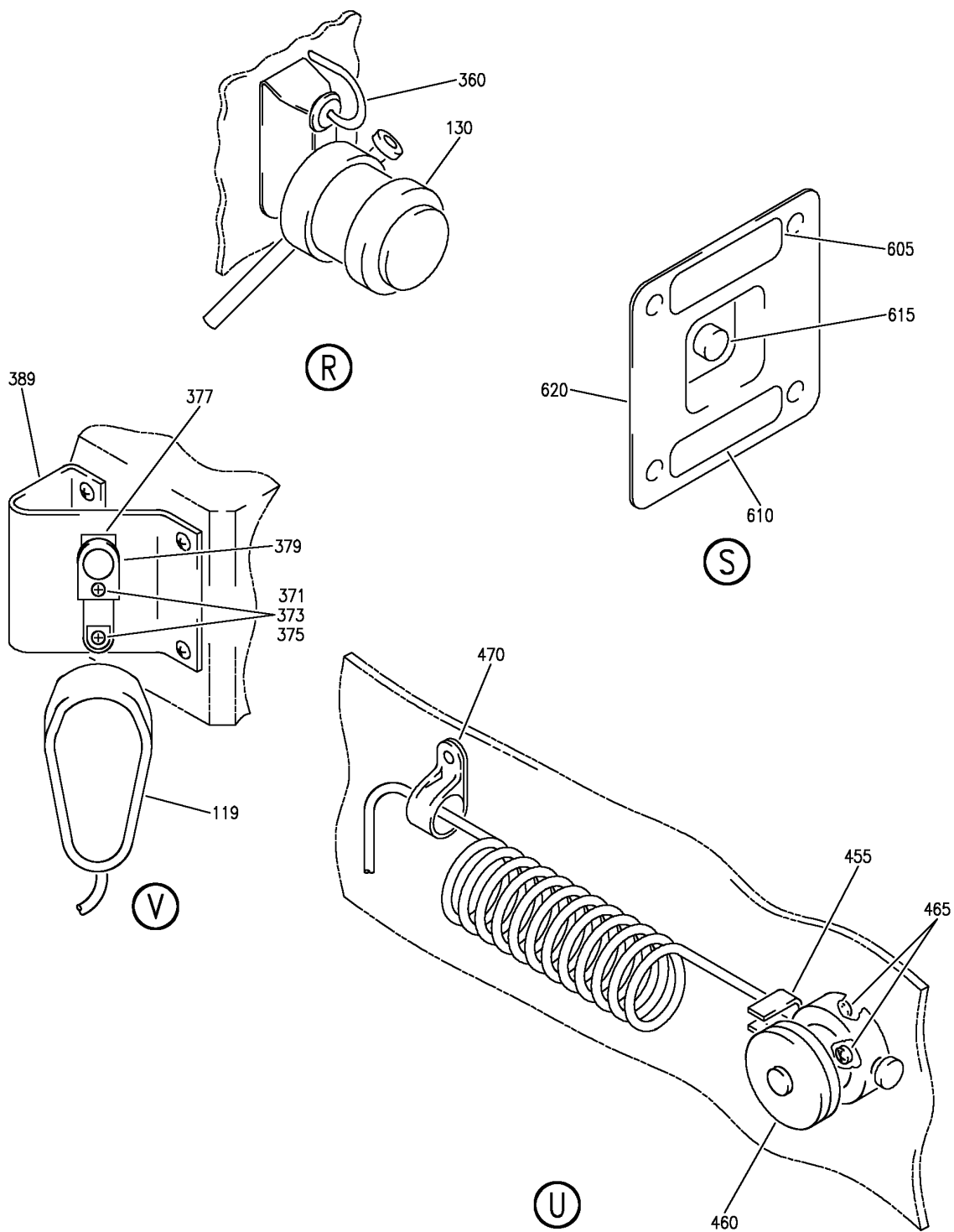
MICROPHONE AND OUTLET INSTL HEADSET AND HAND
FIGURE 15 (SHEET 4)

23-51-51-15

HXL
DEC 22/06

23-51-51-15
PAGE 0C

BOEING
767
PARTS CATALOG (MAINTENANCE)



V 233515115 SH1 5 REV 343

MICROPHONE AND OUTLET INSTL HEADSET AND HAND
FIGURE 15 (SHEET 5)

23-51-51-15

HXL
AUG 22/09

23-51-51-15
PAGE 0D

BOEING
767
PARTS CATALOG (MAINTENANCE)

FIG ITEM	PART NUMBER	1 2 3 4 5 6 7	NOMENCLATURE	EFFECT FROM TO	UNITS PER ASSY
15			MICROPHONE AND OUTLET INSTL HEADSET AND HAND		
- 1	232T4210-64		MICROPHONE INSTL-HANDSET AND HAND FOR NHA SEE: 25-10-00-04		RF
6	BAC27TFDE0018		.DECAL- PLACARD CONTENT: HAND MIC		2
9	HD410-1K		.HEADSET- SUPPLIER CODE: VD8114		1
11	64300-000		.HEADSET-BOOM MIC (CUSTOMER FURNISHED) SUPPLIER CODE: V28856 OPTIONAL PART: 64300-100 V28856		1
11	64300-200		.HEADSET-BOOM MIC (CUSTOMER FURNISHED) SUPPLIER CODE: V28856		1
11	64300-100		.HEADSET-BOOM MIC (CUSTOMER FURNISHED) SUPPLIER CODE: V28856 OPTIONAL PART: 64300-000 V28856		1
R R R R	15 64300-000		.HEADSET-BOOM MIC (CUSTOMER FURNISHED) SUPPLIER CODE: V28856		1
	15 64300-200		.HEADSET-BOOM MIC (CUSTOMER FURNISHED) SUPPLIER CODE: V28856		1
R R R R	15 64300-100		.HEADSET-BOOM MIC (CUSTOMER FURNISHED) SUPPLIER CODE: V28856		1
	23 HD410-1K		.HEADSET- (CUSTOMER FURNISHED) SUPPLIER CODE: VD8114		1

ILLUSTRATION ITEMS NOT ON PARTS LIST ARE NOT APPLICABLE

- ITEM NOT ILLUSTRATED

HXL

23-51-51-15

BOEING PROPRIETARY - Copyright © - Unpublished Work - See title page for details.

23-51-51
FIG. 15
PAGE 1
AUG 22/09



767

PARTS CATALOG (MAINTENANCE)

FIG ITEM	PART NUMBER	1 2 3 4 5 6 7	NOMENCLATURE	EFFECT FROM TO	UNITS PER ASSY
15					
120	63999-001		.MICROPHONE-(CUSTOMER FURNISHED) SUPPLIER CODE: V28856 COMPONENT MAINT MANUAL REF: 23-50-07		2
125	63999-001		.MICROPHONE-(CUSTOMER FURNISHED) SUPPLIER CODE: V28856 COMPONENT MAINT MANUAL REF: 23-50-07		1
170A	5429-2		.HOLDER- SUPPLIER CODE: V78711 ATTACHING PARTS		1
- 174	NAS602-6P		.SCREW-		2
- 175	AN960JD6L		.WASHER		2
- 176	MS21042L06		.NUT		2
			-----*-----		
177	5429-2		.HOLDER- SUPPLIER CODE: V78711 ATTACHING PARTS		2
178	NAS602-6P		.SCREW		4
179	NAS514P632-14P		.SCREW		4
180	NAS43DD1-25		.SPACER		4
181	AN960JD6L		.WASHER		4
			-----*-----		
191	232T4225-1		.ADAPTER ASSY-		2
215	232T4210-13		.PLATE-INSULATION ATTACHING PARTS		1
216	MS35190-225		.SCREW		2
217	FH6C8DL12BN		.SCREW- SUPPLIER CODE: V12324		2
218	AN960JD4L		.WASHER		2
219	AN960JD6L		.WASHER		2
220	MS21042L04		.NUT		2
221	MS21042L06		.NUT		2
			-----*-----		
R 225	232T4210-6		.PLATE-INSULATION ATTACHING PARTS		1
227	MS35190-225		.SCREW		2
231	FH6C8DL12BN		.SCREW- SUPPLIER CODE: V12324		2
237	AN960JD6L		.WASHER		2
238	AN960JD4L		.WASHER		2

ILLUSTRATION ITEMS NOT ON PARTS LIST ARE NOT APPLICABLE

- ITEM NOT ILLUSTRATED

23-51-51-15

23-51-51
FIG. 15
PAGE 2
AUG 22/09

HXL



767

PARTS CATALOG (MAINTENANCE)

FIG ITEM	PART NUMBER	1 2 3 4 5 6 7	NOMENCLATURE	EFFECT FROM TO	UNITS PER ASSY
15					
245	MS21042L06	.	NUT-		2
246	MS21042L04	.	NUT		2
			-----*-----		
280	232T4210-40	.	PLATE-MTG		1
			ATTACHING PARTS		
- 285	FH10F6DL12BN	.	SCREW-		2
			SUPPLIER CODE:		
			V12324		
- 290	AN960JD10L	.	WASHER-		2
- 295	MS21042L3	.	NUT-		2
			-----*-----		
300	232T4210-38	.	PLATE-COVER		1
			ATTACHING PARTS		
- 305	PS6C5DL12BN	.	SCREW-		2
			SUPPLIER CODE:		
			V12324		
			-----*-----		

ILLUSTRATION ITEMS NOT ON PARTS LIST ARE NOT APPLICABLE

- ITEM NOT ILLUSTRATED

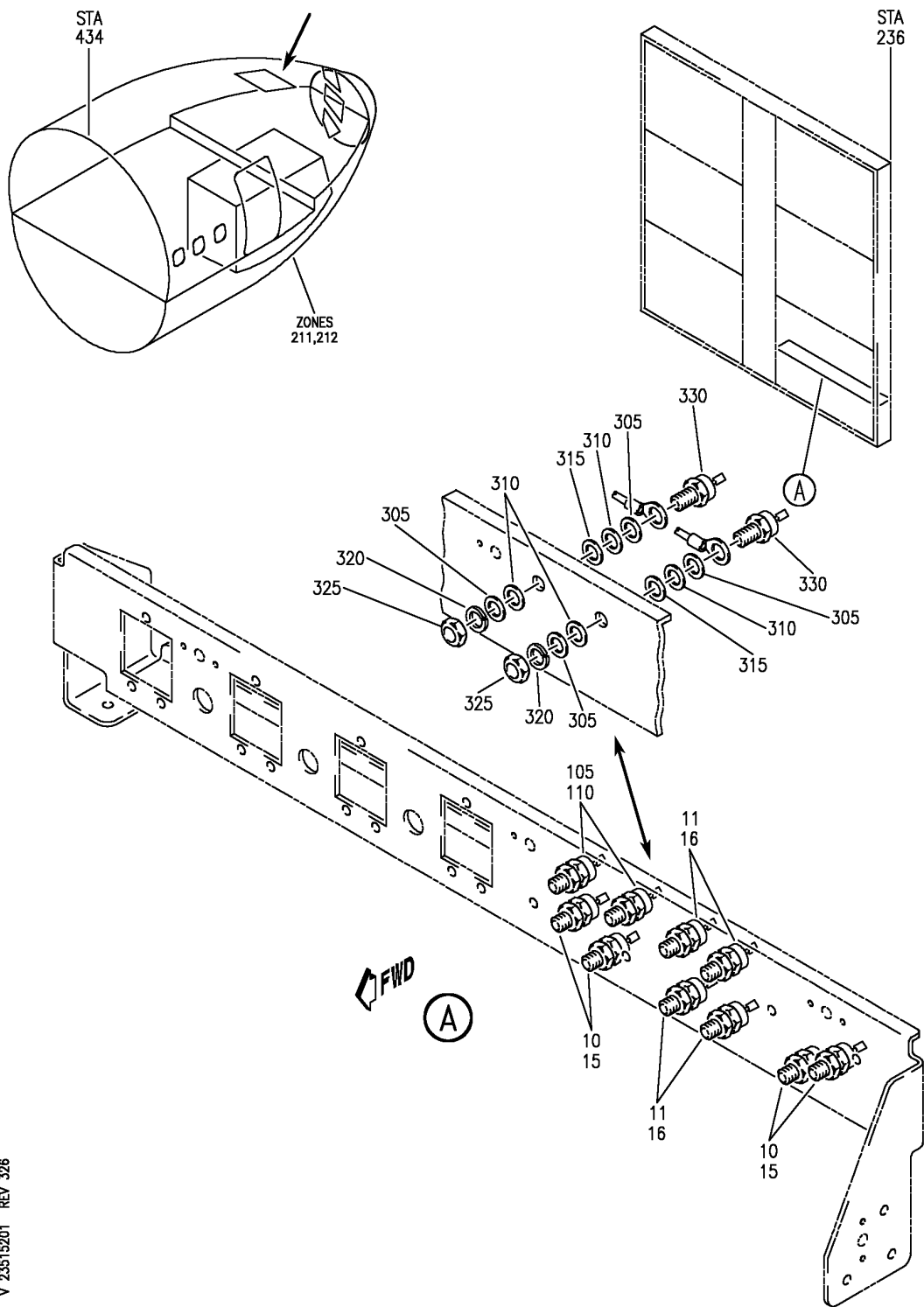
HXL

23-51-51-15

BOEING PROPRIETARY - Copyright © - Unpublished Work - See title page for details.

23-51-51
FIG. 15
PAGE 3
AUG 22/09

BOEING
767
PARTS CATALOG (MAINTENANCE)



V 233515201 REV 326

PANEL ASSY-P11 PILOTS CB (COMMUNICATIONS ONLY)
FIGURE 1

23-51-52-01

HXL
APR 22/08

23-51-52-01
PAGE 0



767

PARTS CATALOG (MAINTENANCE)

FIG ITEM	PART NUMBER	1 2 3 4 5 6 7	NOMENCLATURE	EFFECT FROM TO	UNITS PER ASSY
1			PANEL ASSY-P11 PILOTS CB (COMMUNICATIONS ONLY)		
- 4	233T5216-84		PANEL ASSY-P11 PILOTS CB SPLIT PANEL WITH OVER WATER CAPABILITY (COMMUNICATIONS ONLY) FOR NHA/OTHER SYS DET SEE: 25-17-51-03		RF
11	BACK18F2		.KIT		4
16	JANTX1N1206A		.DIODE- SUPPLIER CODE: V96906 ELECTRICAL EQUIP NUMBER: R00058 R00059 R00060 R00061		4

ILLUSTRATION ITEMS NOT ON PARTS LIST ARE NOT APPLICABLE

- ITEM NOT ILLUSTRATED

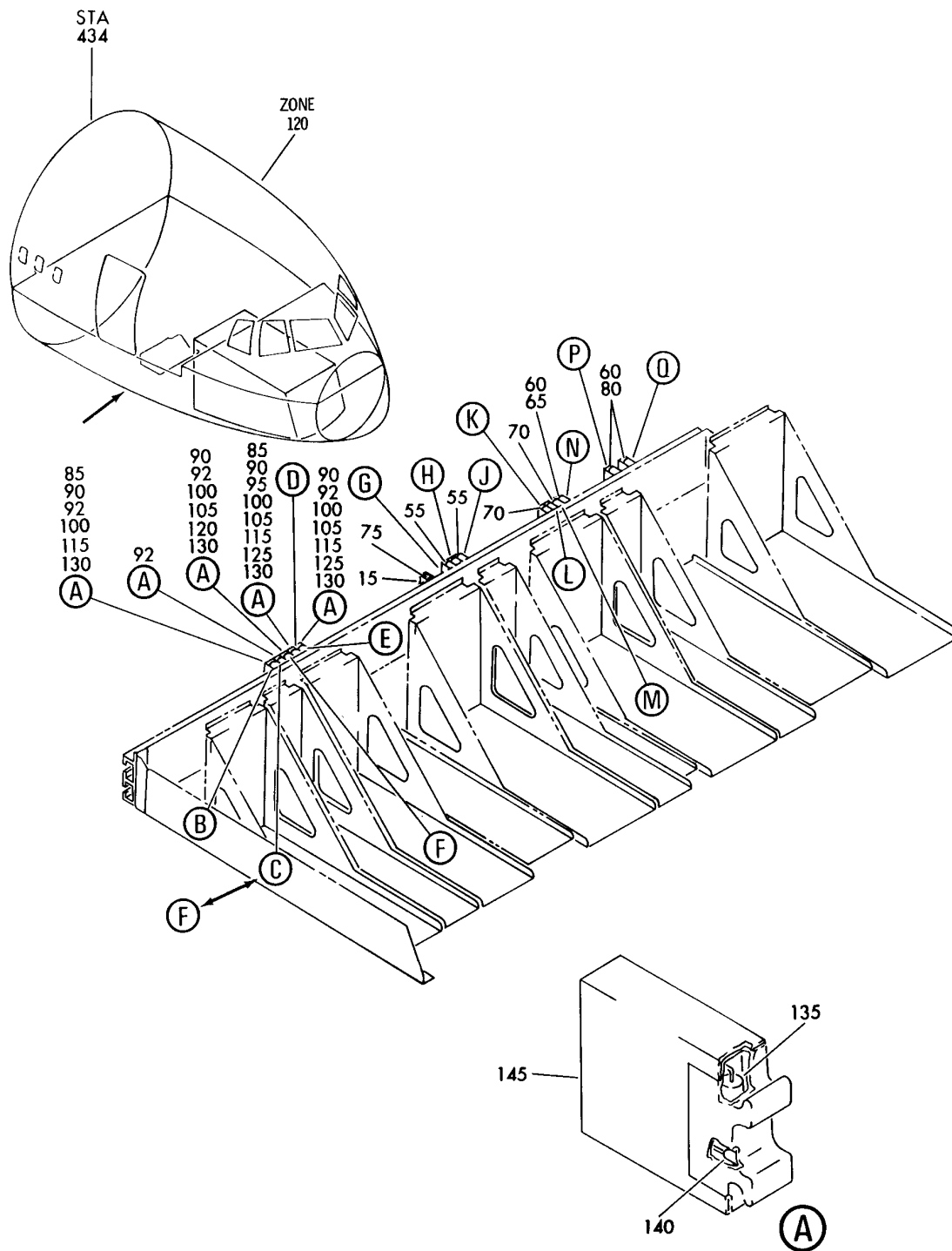
HXL

23-51-52-01

BOEING PROPRIETARY - Copyright © - Unpublished Work - See title page for details.

23-51-52
FIG. 01
PAGE 1
DEC 22/07


BOEING
 767
PARTS CATALOG (MAINTENANCE)



V 233515301 SH1 1 REV 261

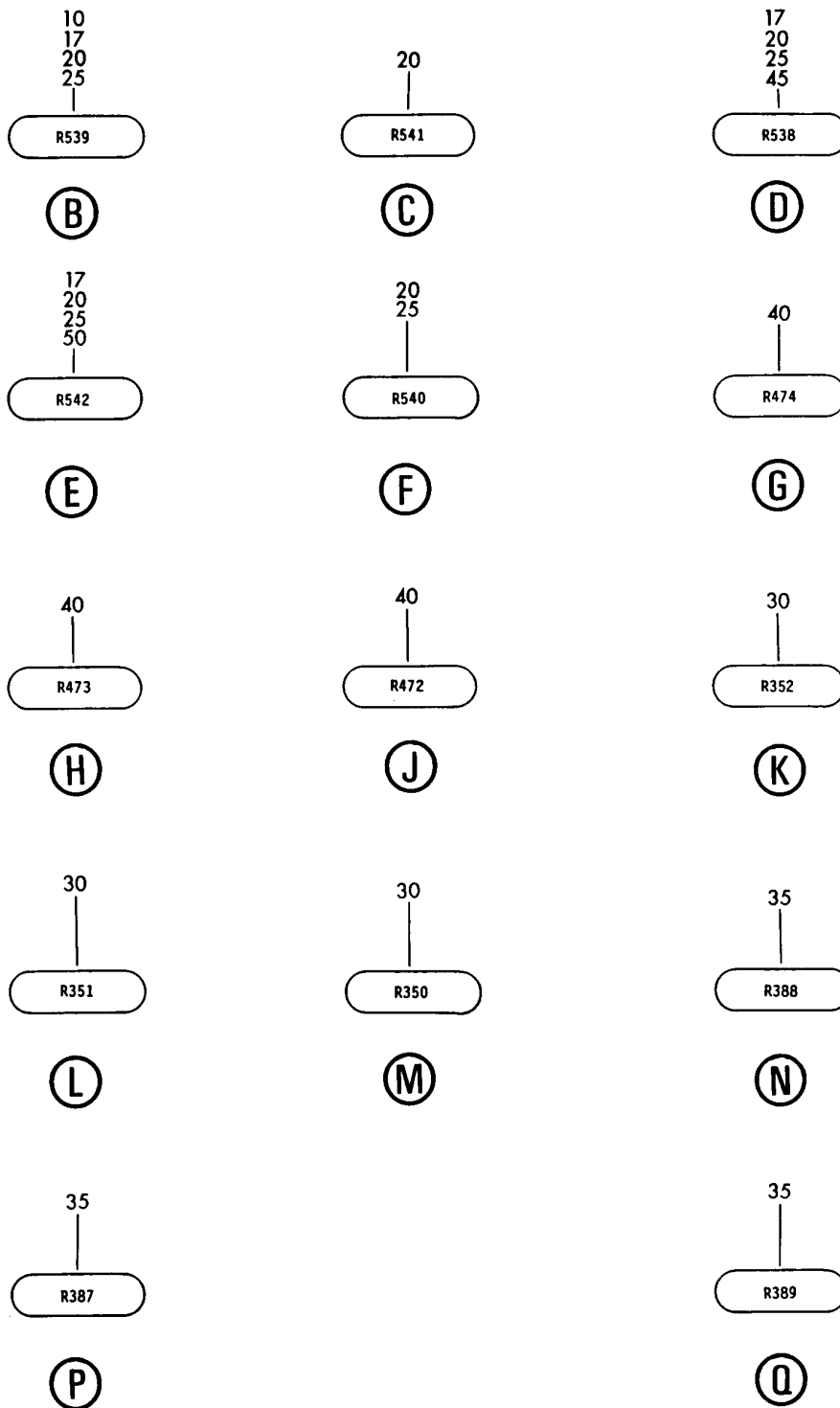
SHELF ASSY-ELECT. EQPT CTR E2-5 (AUDIO INTEGRATING SYSTEM ONLY)
 FIGURE 1 (SHEET 1)

23-51-53-01

HXL
DEC 22/06

23-51-53-01
 PAGE 0

BOEING
767
PARTS CATALOG (MAINTENANCE)



V 23515301 SHT 2 REV 164

SHELF ASSY-ELECT. EQPT CTR E2-5 (AUDIO INTEGRATING SYSTEM ONLY)
FIGURE 1 (SHEET 2)

23-51-53-01

HXL
DEC 22/06

23-51-53-01
PAGE 0A



767

PARTS CATALOG (MAINTENANCE)

FIG ITEM	PART NUMBER	1 2 3 4 5 6 7	NOMENCLATURE	EFFECT FROM TO	UNITS PER ASSY
1			SHELF ASSY-ELECT. EQPT CTR E2-5 (AUDIO INTEGRATING SYSTEM ONLY)		
- 5	284T0125-113		SHELF ASSY-ELECT. EQPT CTR E2-5 (AUDIO INTEGRATING SYSTEM ONLY) FOR NHA/OTHER SYS DET SEE: 53-11-64-01B	155162	RF
- 5	284T0125-116		SHELF ASSY-ELECT. EQPT CTR E2-5 (AUDIO INTEGRATING SYSTEM ONLY) FOR NHA/OTHER SYS DET SEE: 53-11-64-01B	163999	RF
40	BAC27TEX4559		.DECALSET-INCLUDES DECALS IDENTIFIED ON THE ILLUSTRATION		1
55	YHLZD9		.DIODE- SUPPLIER CODE: V09922 ELECTRICAL EQUIP NUMBER: R00472 R00473 R00474		3

ILLUSTRATION ITEMS NOT ON PARTS LIST ARE NOT APPLICABLE

- ITEM NOT ILLUSTRATED

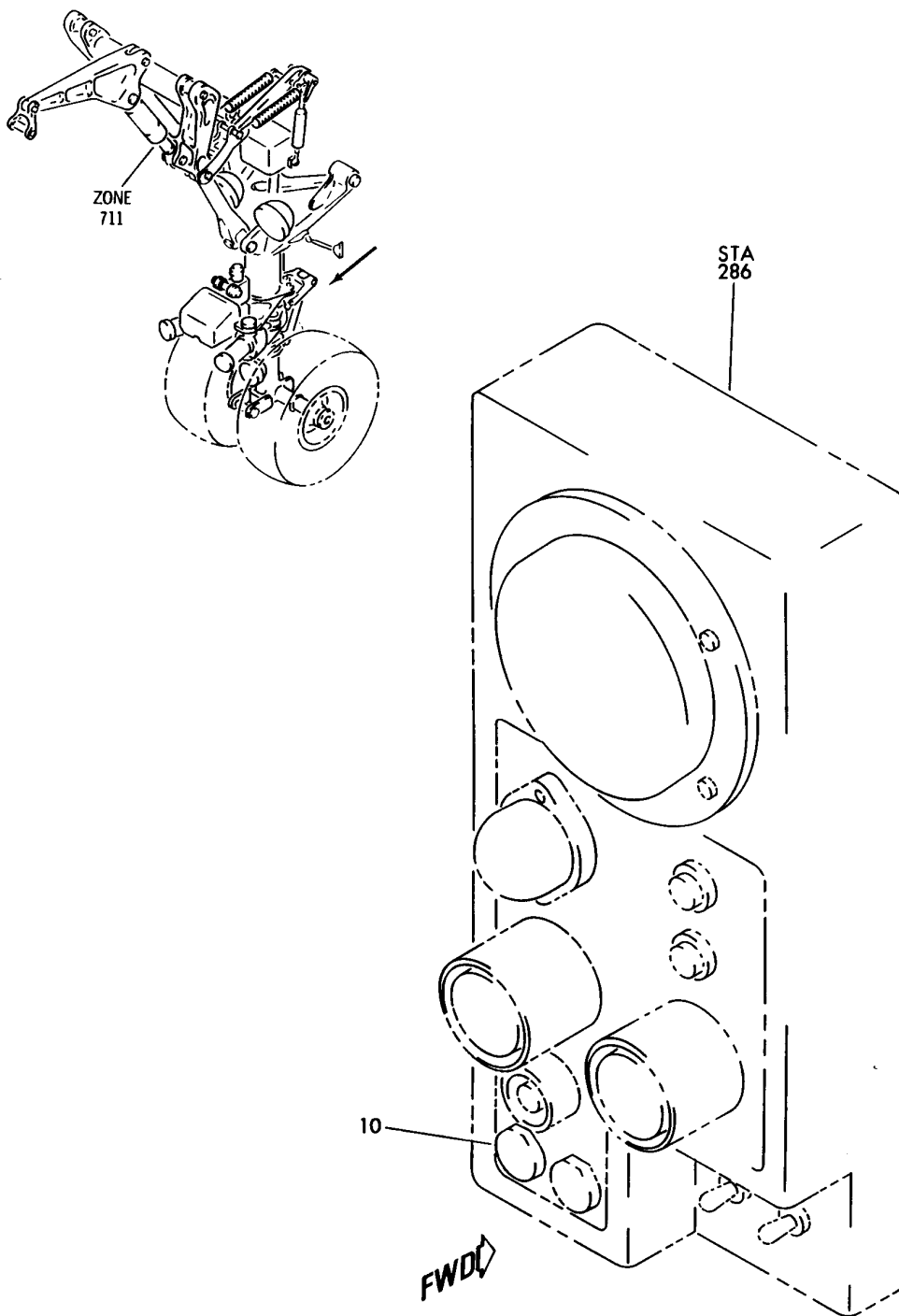
HXL

23-51-53-01

BOEING PROPRIETARY - Copyright © - Unpublished Work - See title page for details.

23-51-53
FIG. 01
PAGE 1
DEC 22/07

BOEING
767
PARTS CATALOG (MAINTENANCE)



V 23515401 REV 148

PANEL ASSY-APU SHUTDOWN P40 (AUDIO INTEGRATING ONLY)

FIGURE 1

23-51-54-01

HXL
DEC 22/06

23-51-54-01
PAGE 0



767

PARTS CATALOG (MAINTENANCE)

FIG ITEM	PART NUMBER	1 2 3 4 5 6 7	NOMENCLATURE	EFFECT FROM TO	UNITS PER ASSY
1			PANEL ASSY-APU SHUTDOWN P40 (AUDIO INTEGRATING ONLY)		
- 1	284T0719-18		PANEL ASSY-APU SHUTDOWN P40 (AUDIO INTEGRATING ONLY) FOR NHA/OTHER SYS DET SEE: 26-15-01-01		RF
- 5	286T1130-001		.WIRE BUNDLE ASSY		RF
10	2J1865A		..JACK-P40 GSE SUPPLIER CODE: V82389 ELECTRICAL EQUIP NUMBER: D08545 WIRING DIAGRAM REF: 235111 OPTIONAL PART: BCREFD00032 V82389		1
10	2J1659		..JACK-P40 GSE SUPPLIER CODE: V82389 ELECTRICAL EQUIP NUMBER: D08545 WIRING DIAGRAM REF: 235111		1

ILLUSTRATION ITEMS NOT ON PARTS LIST ARE NOT APPLICABLE

- ITEM NOT ILLUSTRATED

HXL

23-51-54-01

BOEING PROPRIETARY - Copyright © - Unpublished Work - See title page for details.

23-51-54
FIG. 01
PAGE 1
APR 22/09