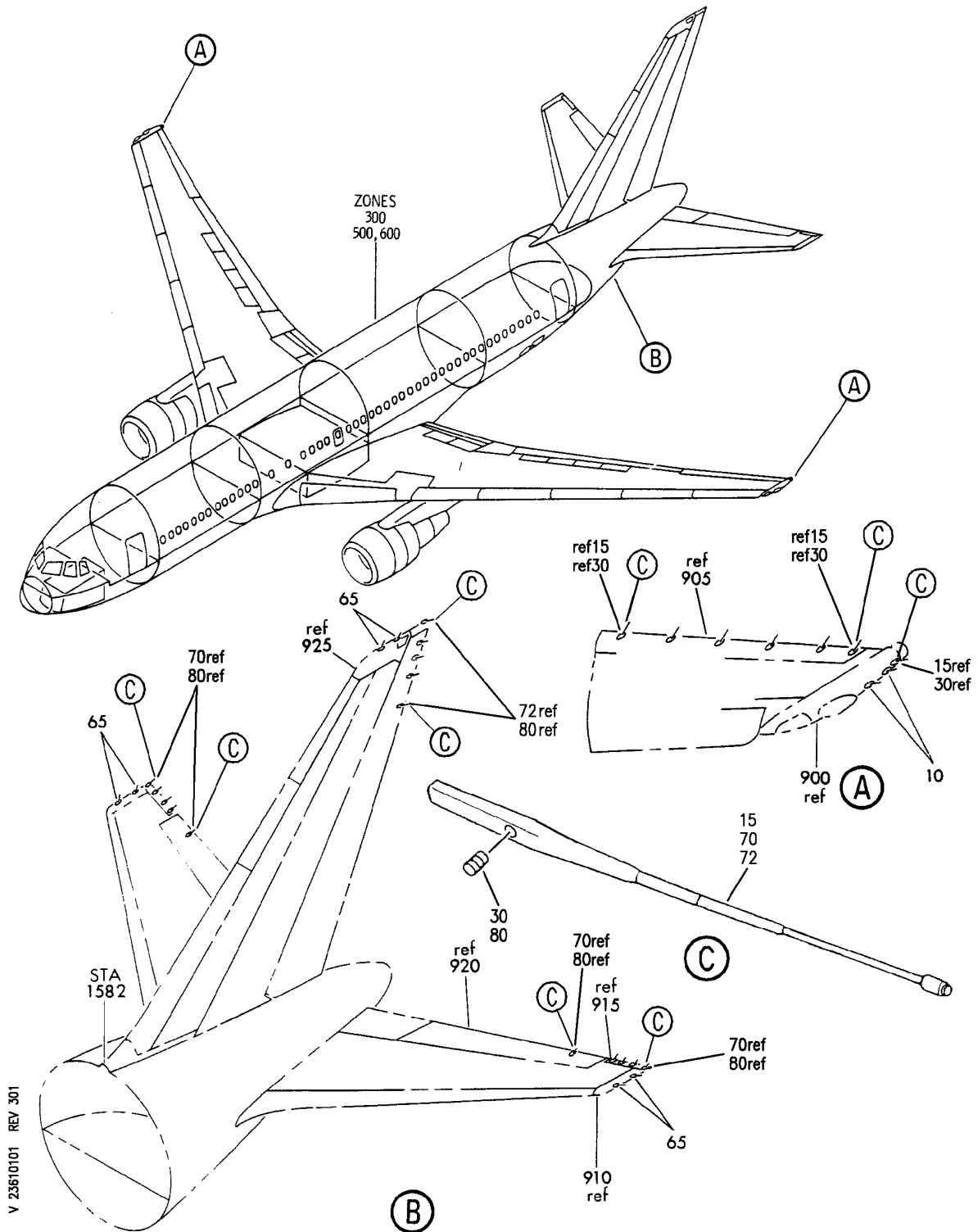


## STATIC DISCHARGING

HXL  
DEC 22/06

23-61-00  
SECTION TITLE  
PAGE 1

**BOEING**  
767  
PARTS CATALOG (MAINTENANCE)



DISCHARGER INSTL-STATIC  
FIGURE 1

**23-61-01-01**

 **BOEING**  
767  
**PARTS CATALOG (MAINTENANCE)**

FIG ITEM	PART NUMBER	1 2 3 4 5 6 7	NOMENCLATURE	EFFECT FROM TO	UNITS PER ASSY
1					
- 1	284T0219-1		DISCHARGER INSTL-STATIC DISCHARGER INSTL-WING STATIC POSITION DATA: LH FOR NHA SEE: 24-00-58-02		RF
- 5	284T0219-2		DISCHARGER INSTL-WING STATIC POSITION DATA: RH FOR NHA SEE: 24-00-58-02		RF
10	2-14SC1		.DISCHARGER-TIP SUPPLIER CODE: VU1907 OPTIONAL PART: 80-1828-2 V99321 740007 V55635 10-900-21 VODLY8		2
10	80-1828-2		.DISCHARGER-TIP SUPPLIER CODE: V99321 OPTIONAL PART: 740007 V55635 2-14SC1 VU1907 10-900-21 VODLY8		2
10	740007		.DISCHARGER-TIP SUPPLIER CODE: V55635 OPTIONAL PART: 80-1828-2 V99321 2-14SC1 VU1907 10-900-21 VODLY8		2
ILLUSTRATION ITEMS NOT ON PARTS LIST ARE NOT APPLICABLE					

- ITEM NOT ILLUSTRATED

HXL

# 23-61-01-01

BOEING PROPRIETARY - Copyright © - Unpublished Work - See title page for details.

23-61-01  
FIG. 01  
PAGE 1  
DEC 22/06



767

PARTS CATALOG (MAINTENANCE)

FIG ITEM	PART NUMBER	1 2 3 4 5 6 7	NOMENCLATURE	EFFECT FROM TO	UNITS PER ASSY
1	10 10-900-21		.DISCHARGER-TIP SUPPLIER CODE: VODLY8 OPTIONAL PART: 80-1828-2 V99321 740007 V55635 2-14SC1 VU1907		2
	15 2-16SC1		.DISCHARGER-TE SUPPLIER CODE: VU1907 OPTIONAL PART: 80-1746-2 V99321 740001 V55635 10-900-25 VODLY8		7
	15 80-1746-2		.DISCHARGER-TE SUPPLIER CODE: V99321 OPTIONAL PART: 740001 V55635 2-16SC1 VU1907 10-900-25 VODLY8		7
	15 740001		.DISCHARGER-TE SUPPLIER CODE: V55635 OPTIONAL PART: 80-1746-2 V99321 2-16SC1 VU1907 10-900-25 VODLY8		7

ILLUSTRATION ITEMS NOT ON PARTS LIST ARE NOT APPLICABLE

- ITEM NOT ILLUSTRATED

HXL

23-61-01-01

BOEING PROPRIETARY - Copyright © - Unpublished Work - See title page for details.

23-61-01  
FIG. 01  
PAGE 2  
DEC 22/06



767

PARTS CATALOG (MAINTENANCE)

FIG ITEM	PART NUMBER	1 2 3 4 5 6 7	NOMENCLATURE	EFFECT FROM TO	UNITS PER ASSY
1	15 10-900-25		.DISCHARGER-TE SUPPLIER CODE: VODLY8 OPTIONAL PART: 80-1746-2 V99321 740001 V55635 2-16SC1 VU1907		7
- 50	284T0219-3		DISCHARGER INSTL-HORIZ STAB. STATIC POSITION DATA: LH FOR NHA SEE: 24-00-58-02		RF
- 55	284T0219-4		DISCHARGER INSTL-HORIZ STAB. STATIC POSITION DATA: RH FOR NHA SEE: 24-00-58-02		RF
- 60	284T0219-5		DISCHARGER INSTL-VERT. STAB. STATIC FOR NHA SEE: 24-00-58-02		RF
65	2-14SC1		.DISCHARGER-TIP SUPPLIER CODE: VU1907 OPTIONAL PART: 80-1828-2 V99321 740007 V55635 10-900-21 VODLY8		2
65	80-1828-2		.DISCHARGER-TIP SUPPLIER CODE: V99321 OPTIONAL PART: 740007 V55635 2-14SC1 VU1907 10-900-21 VODLY8		2

ILLUSTRATION ITEMS NOT ON PARTS LIST ARE NOT APPLICABLE

- ITEM NOT ILLUSTRATED

HXL

23-61-01-01

BOEING PROPRIETARY - Copyright © - Unpublished Work - See title page for details.

23-61-01  
FIG. 01  
PAGE 3  
DEC 22/06



767

PARTS CATALOG (MAINTENANCE)

FIG ITEM	PART NUMBER	1 2 3 4 5 6 7	NOMENCLATURE	EFFECT FROM TO	UNITS PER ASSY
1 65	740007		.DISCHARGER-TIP SUPPLIER CODE: V55635 OPTIONAL PART: 80-1828-2 V99321 2-14SC1 VU1907 10-900-21 VODLY8		2
65	10-900-21		.DISCHARGER-TIP SUPPLIER CODE: VODLY8 OPTIONAL PART: 2-14SC1 VU1907 80-1828-2 V99321 740007 V55635		2
70	2-16SC1		.DISCHARGER-TE SUPPLIER CODE: VU1907 OPTIONAL PART: 80-1746-2 V99321 740001 V55635 10-900-25 VODLY8 USED ON: 284T0219-3 284T0219-4		5
70	80-1746-2		.DISCHARGER-TE SUPPLIER CODE: V99321 OPTIONAL PART: 2-16SC1 VU1907 740001 V55635 10-900-25 VODLY8 USED ON: 284T0219-3 284T0219-4		5

ILLUSTRATION ITEMS NOT ON PARTS LIST ARE NOT APPLICABLE

- ITEM NOT ILLUSTRATED

HXL

23-61-01-01

BOEING PROPRIETARY - Copyright © - Unpublished Work - See title page for details.

23-61-01  
FIG. 01  
PAGE 4  
DEC 22/06



767

PARTS CATALOG (MAINTENANCE)

FIG ITEM	PART NUMBER	1 2 3 4 5 6 7	NOMENCLATURE	EFFECT FROM TO	UNITS PER ASSY
1 70	740001		.DISCHARGER-TE SUPPLIER CODE: V55635 OPTIONAL PART: 2-16SC1 VU1907 80-1746-2 V99321 10-900-25 VODLY8 USED ON: 284T0219-3 284T0219-4		5
70	10-900-25		.DISCHARGER-TE SUPPLIER CODE: VODLY8 OPTIONAL PART: 2-16SC1 VU1907 80-1746-2 V99321 740001 V55635 USED ON: 284T0219-3 284T0219-4		5
72	2-16SC1		.DISCHARGER-TE SUPPLIER CODE: VU1907 OPTIONAL PART: 80-1746-2 V99321 740001 V55635 10-900-25 VODLY8 USED ON: 284T0219-5 MODREF53966		5

ILLUSTRATION ITEMS NOT ON PARTS LIST ARE NOT APPLICABLE

- ITEM NOT ILLUSTRATED

HXL

23-61-01-01

BOEING PROPRIETARY - Copyright © - Unpublished Work - See title page for details.

23-61-01  
FIG. 01  
PAGE 5  
DEC 22/06



**767  
PARTS CATALOG (MAINTENANCE)**

FIG ITEM	PART NUMBER	1 2 3 4 5 6 7	NOMENCLATURE	EFFECT FROM TO	UNITS PER ASSY
1					
72	80-1746-2		.DISCHARGER-TE SUPPLIER CODE: V99321 OPTIONAL PART: 2-16SC1 VU1907 740001 V55635 10-900-25 VODLY8 USED ON: 284T0219-5 MODREF53966		5
72	740001		.DISCHARGER-TE SUPPLIER CODE: V55635 OPTIONAL PART: 2-16SC1 VU1907 80-1746-2 V99321 10-900-25 VODLY8 USED ON: 284T0219-5 MODREF53966		5
72	10-900-25		.DISCHARGER-TE SUPPLIER CODE: VODLY8 OPTIONAL PART: 2-16SC1 VU1907 80-1746-2 V99321 740001 V55635 USED ON: 284T0219-5 MODREF53966		5
900			ILLUSTRATION REFERENCE: TIP INSTL-WING 57-31-01-01		RF
905			ILLUSTRATION REFERENCE: AILERON INSTL-WING OUTBD 27-11-02-05		RF
910			ILLUSTRATION REFERENCE: FAIRING INSTL-TIP HORIZ STAB. 55-11-01-01		RF
ILLUSTRATION ITEMS NOT ON PARTS LIST ARE NOT APPLICABLE					

- ITEM NOT ILLUSTRATED

# 23-61-01-01

HXL

BOEING PROPRIETARY - Copyright © - Unpublished Work - See title page for details.

23-61-01  
FIG. 01  
PAGE 6  
DEC 22/06





767

PARTS CATALOG (MAINTENANCE)

FIG ITEM	PART NUMBER	1 2 3 4 5 6 7	NOMENCLATURE	EFFECT FROM TO	UNITS PER ASSY
1					
915			ILLUSTRATION REFERENCE: TRAILING EDGE INSTL-HORIZ STAB. HSBL 314.934 TO 366.442 OUTBD 55-16-59-01		RF
920			ILLUSTRATION REFERENCE: ELEVATOR INSTL-INBD/OUTBD SEGMENT 55-20-51-01		RF
925			ILLUSTRATION REFERENCE: FIN TIP INSTL-VERT. STAB. 55-31-01-01		RF
ILLUSTRATION ITEMS NOT ON PARTS LIST ARE NOT APPLICABLE					

- ITEM NOT ILLUSTRATED

HXL

**23-61-01-01**

BOEING PROPRIETARY - Copyright © - Unpublished Work - See title page for details.

23-61-01  
FIG. 01  
PAGE 7  
DEC 22/06