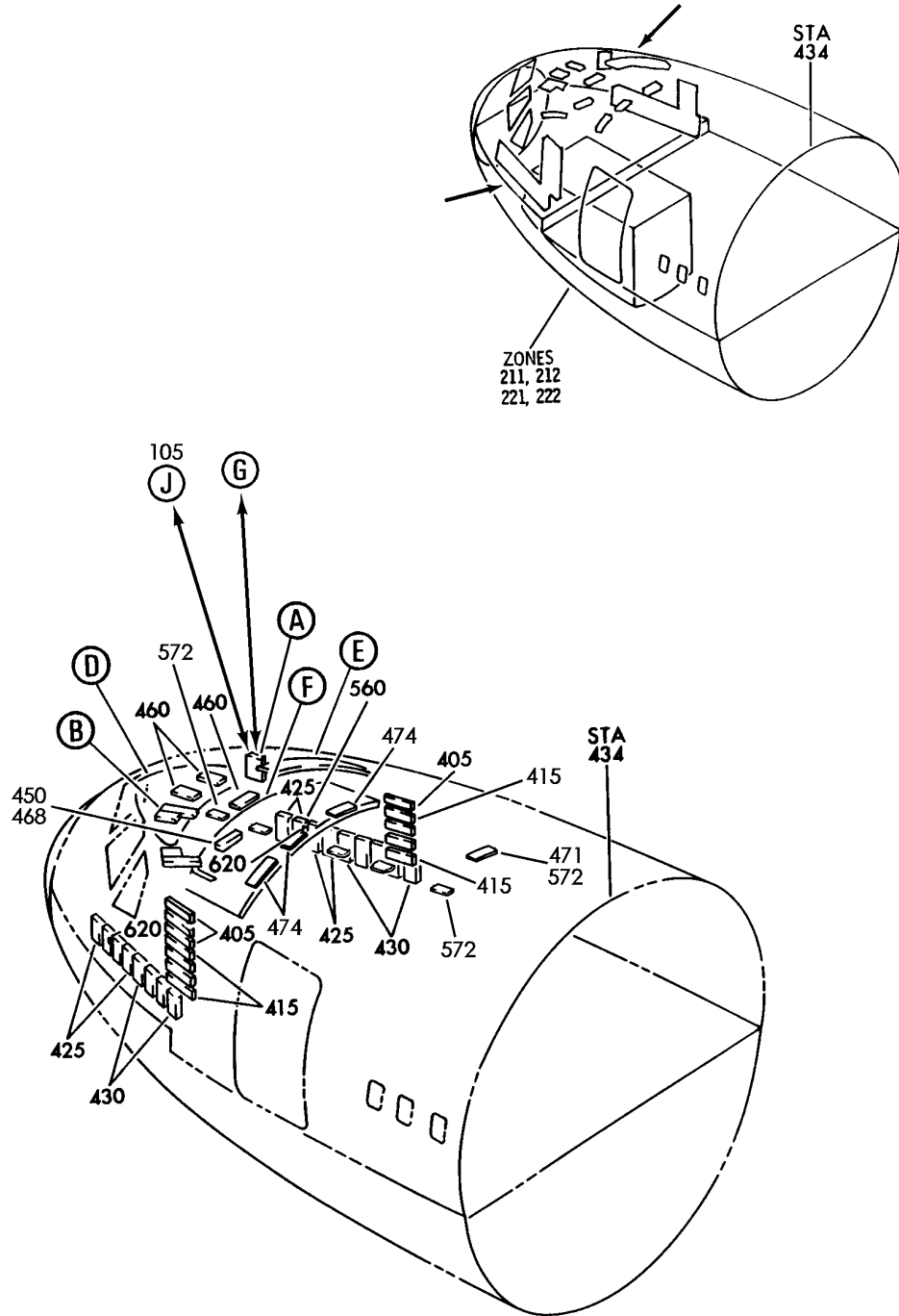


## ELECTRICAL POWER-GENERAL

HXL  
DEC 22/06

24-00-00  
SECTION TITLE  
PAGE 1

**BOEING**  
767  
PARTS CATALOG (MAINTENANCE)



V 24005102 SHT 1 REV 234

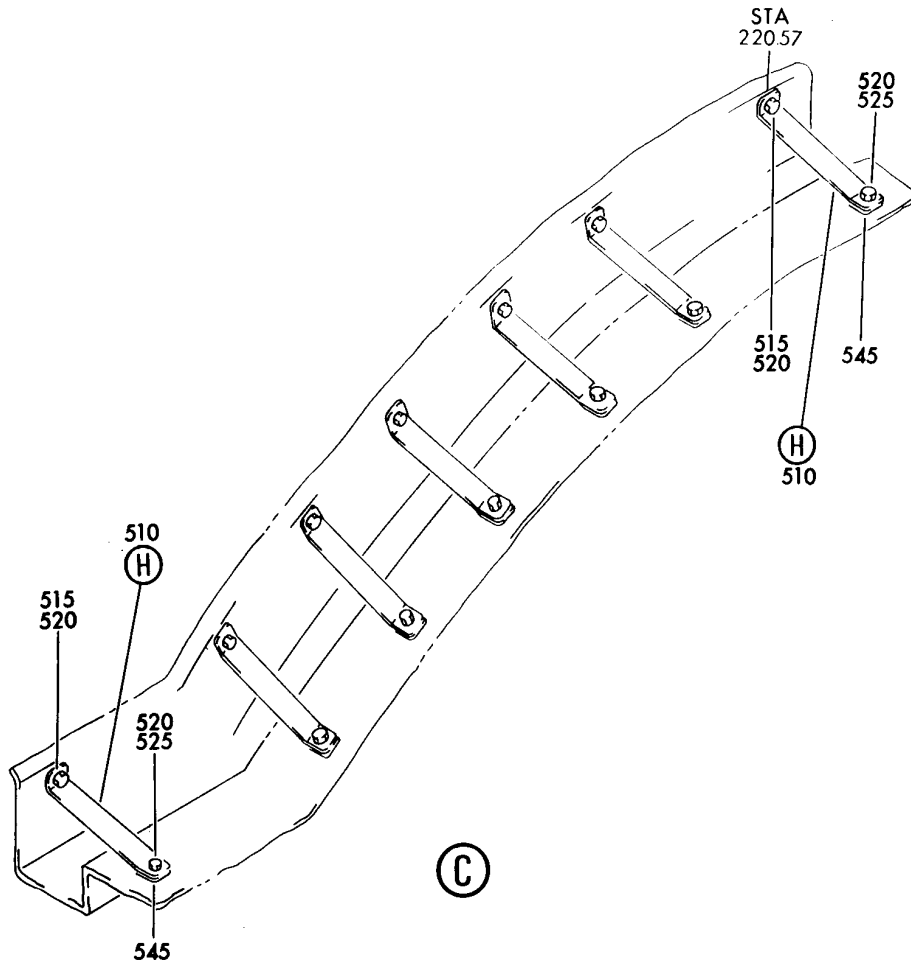
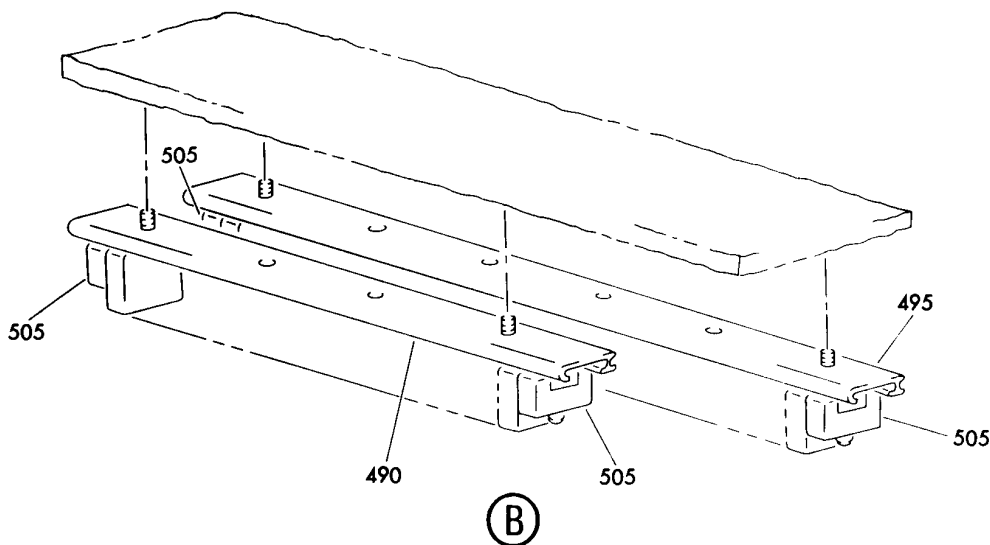
PROVISION INSTL-SECT. 41 UPR WIRE (ELECTRICAL POWER ONLY)  
FIGURE 2 (SHEET 1)

**24-00-51-02**

HXL  
DEC 22/06

24-00-51-02  
PAGE 0

**BOEING**  
767  
PARTS CATALOG (MAINTENANCE)



V 24005102 SHT 2 REV 177

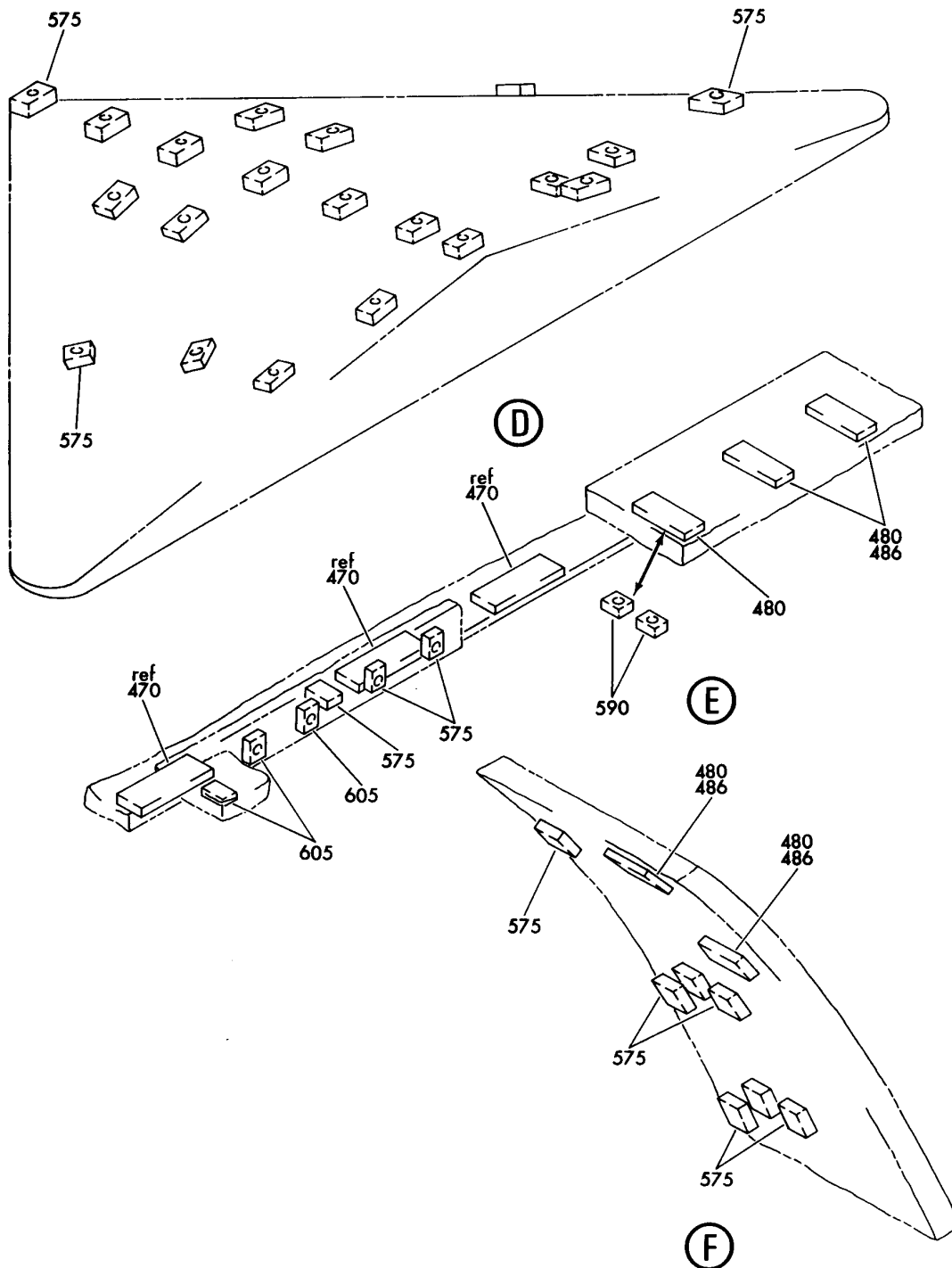
PROVISION INSTL-SECT. 41 UPR WIRE (ELECTRICAL POWER ONLY)  
FIGURE 2 (SHEET 2)

**24-00-51-02**

HXL  
DEC 22/06

24-00-51-02  
PAGE 0A

**BOEING**  
767  
PARTS CATALOG (MAINTENANCE)



V 24005102 SHT 3 REV 113

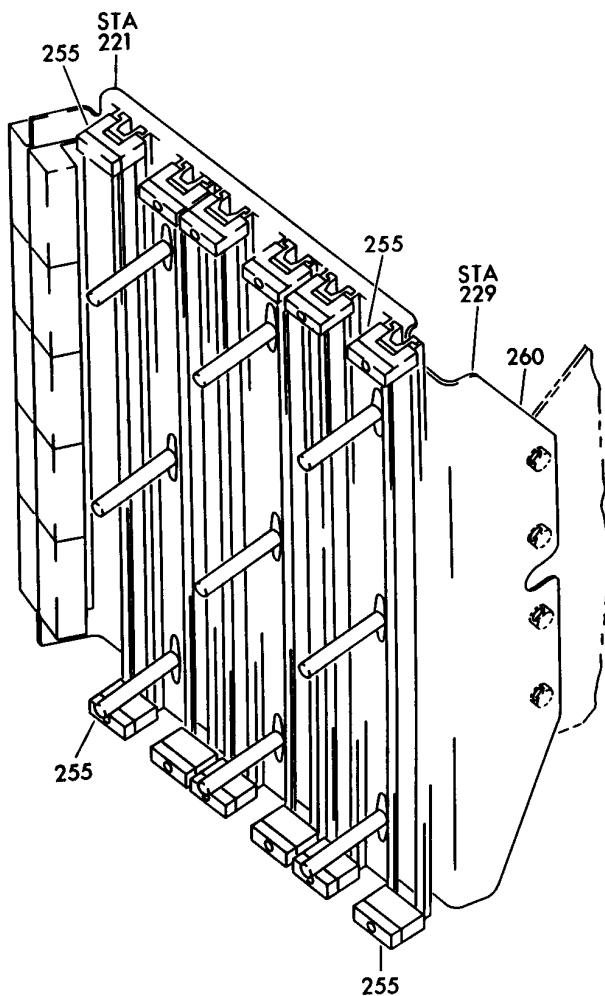
PROVISION INSTL-SECT. 41 UPR WIRE (ELECTRICAL POWER ONLY)  
FIGURE 2 (SHEET 3)

**24-00-51-02**

HXL  
DEC 22/06

24-00-51-02  
PAGE 0B

**BOEING**  
767  
PARTS CATALOG (MAINTENANCE)



V 24005102 SHT 4 REV 150

(A)

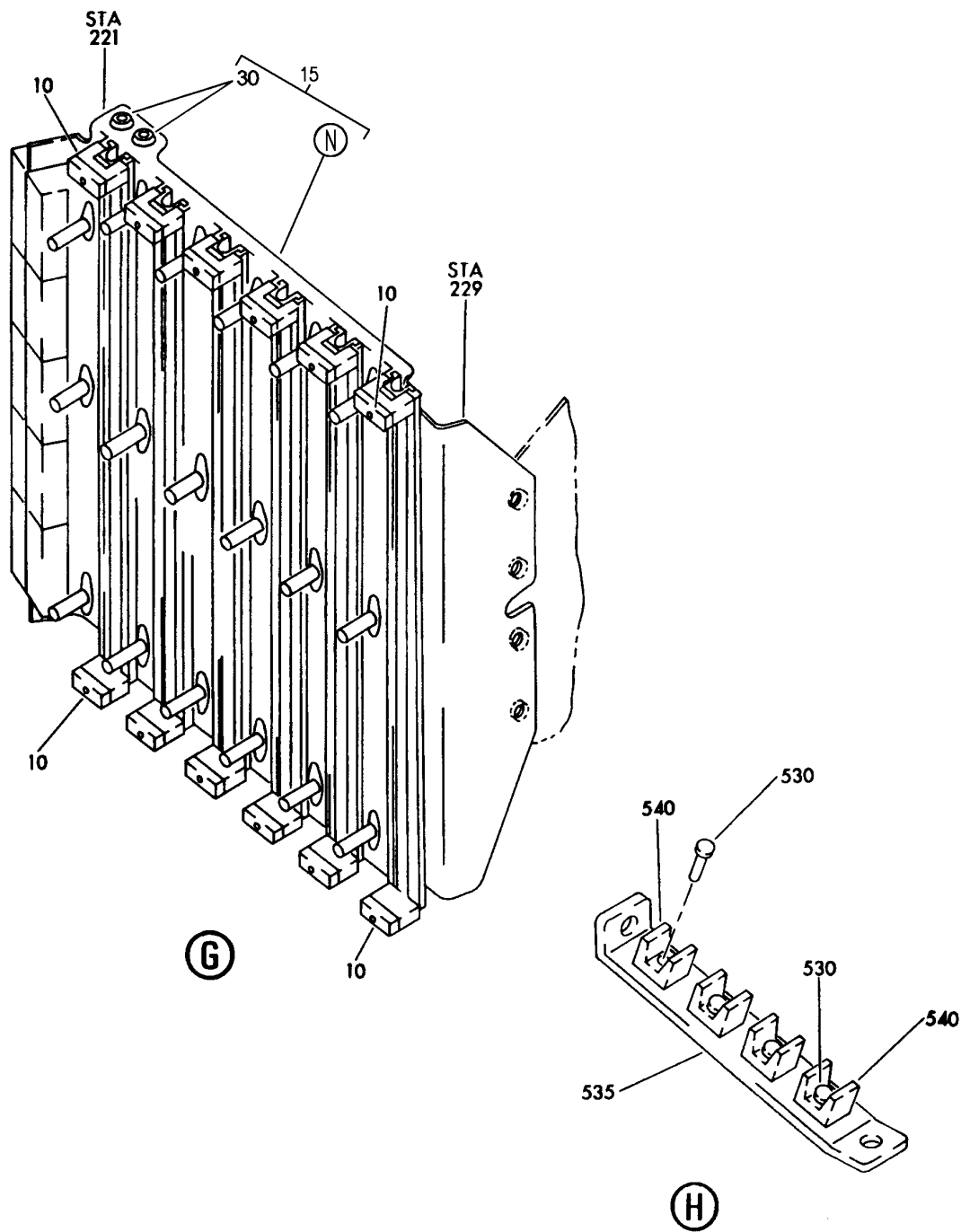
PROVISION INSTL-SECT. 41 UPR WIRE (ELECTRICAL POWER ONLY)  
FIGURE 2 (SHEET 4)

**24-00-51-02**

HXL  
DEC 22/06

24-00-51-02  
PAGE 0C


**BOEING**  
 767  
**PARTS CATALOG (MAINTENANCE)**



V 24005102 SHT 5 REV 261

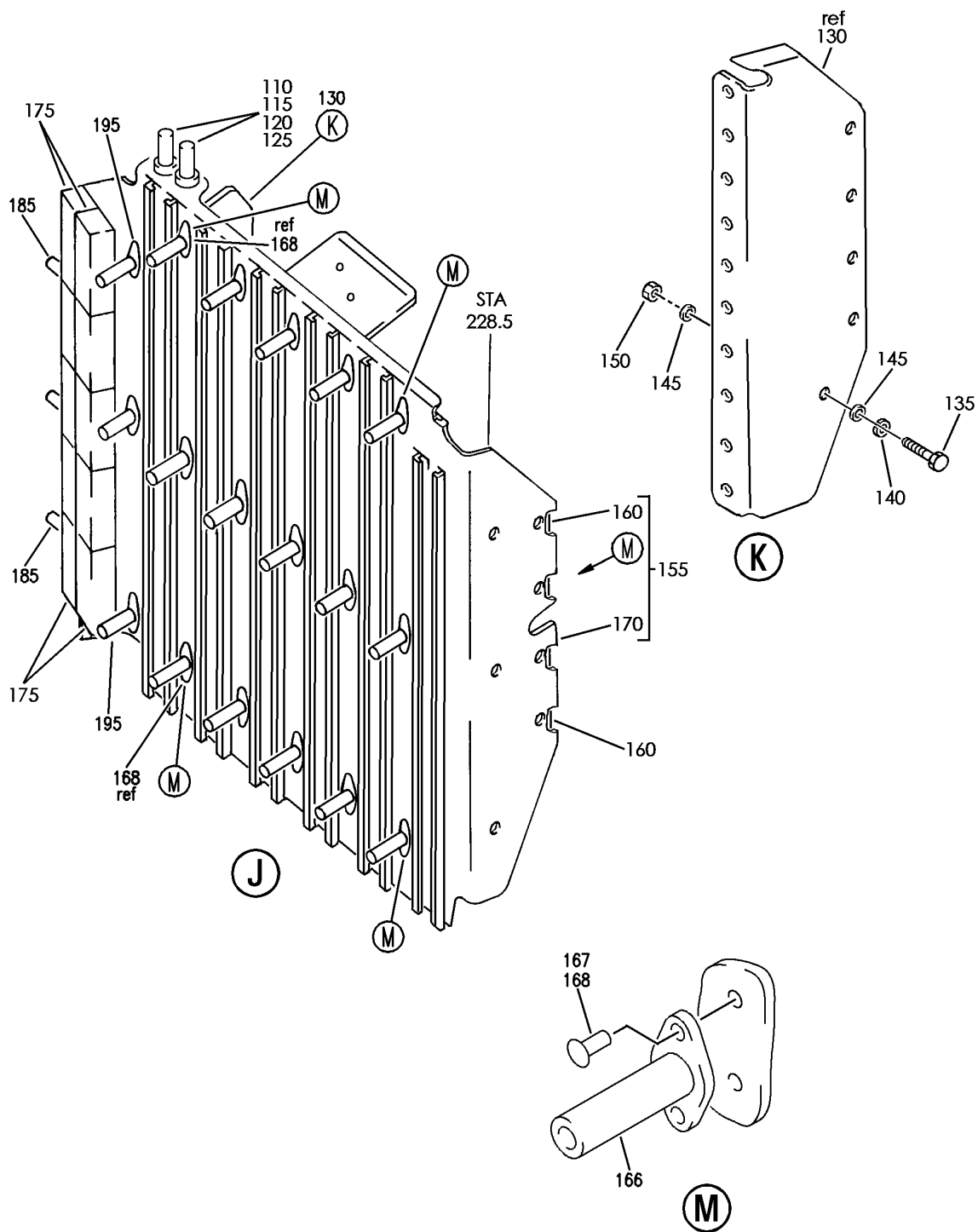
PROVISION INSTL-SECT. 41 UPR WIRE (ELECTRICAL POWER ONLY)  
 FIGURE 2 (SHEET 5)

**24-00-51-02**

HXL  
 DEC 22/06

24-00-51-02  
 PAGE 0D


**BOEING**  
 767  
**PARTS CATALOG (MAINTENANCE)**



V 24005102 SHT 6 REV 261

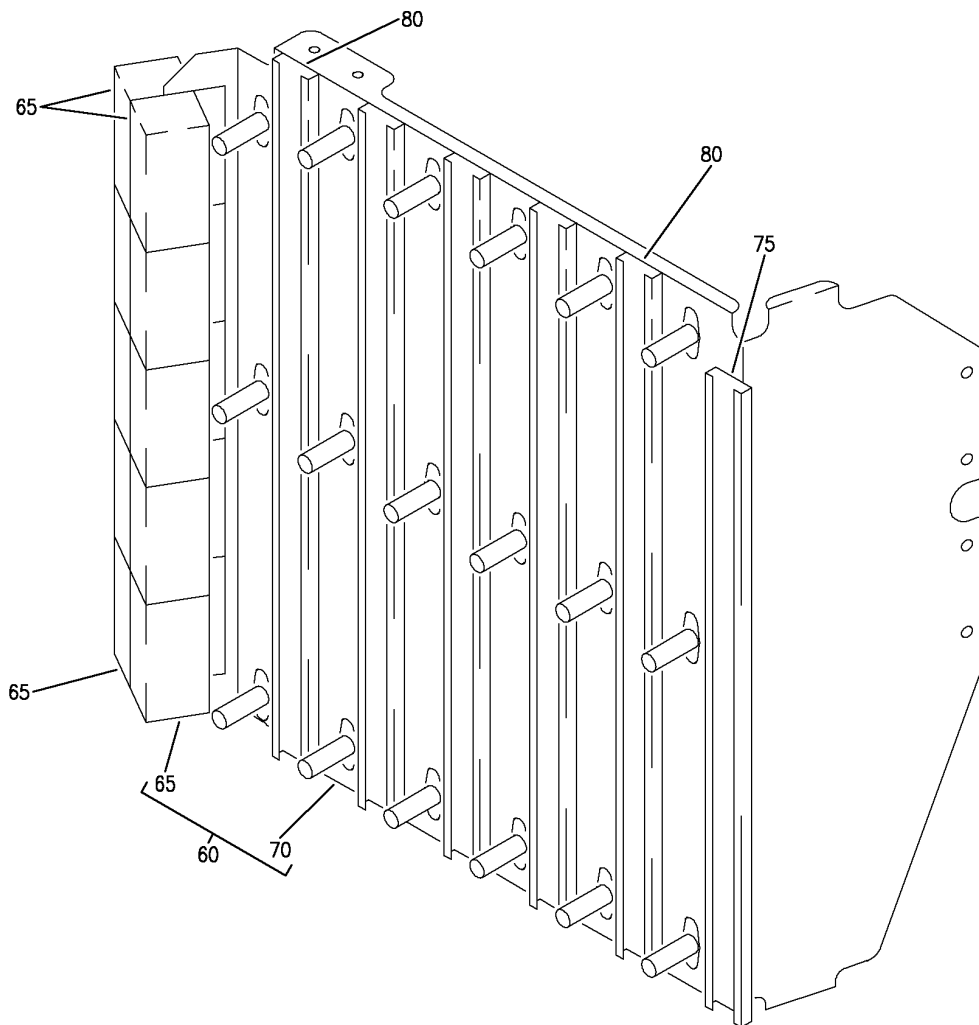
PROVISION INSTL-SECT. 41 UPR WIRE (ELECTRICAL POWER ONLY)  
 FIGURE 2 (SHEET 6)

**24-00-51-02**

HXL  
 DEC 22/06

24-00-51-02  
 PAGE 0E

**BOEING**  
767  
PARTS CATALOG (MAINTENANCE)



V 24005102 SHT 7 REV 261



PROVISION INSTL-SECT. 41 UPR WIRE (ELECTRICAL POWER ONLY)  
FIGURE 2 (SHEET 7)

HXL  
DEC 22/06

**24-00-51-02**

24-00-51-02  
PAGE OF



**BOEING**  
767  
**PARTS CATALOG (MAINTENANCE)**

FIG ITEM	PART NUMBER	1 2 3 4 5 6 7	NOMENCLATURE	EFFECT FROM TO	UNITS PER ASSY
2			PROVISION INSTL-SECT. 41 UPR WIRE (ELECTRICAL POWER ONLY)		
- 250	287T4101-12		PROVISION INSTL-WIRE (ELECTRICAL POWER ONLY) POSITION DATA: SECT. 41 UPR FOR NHA/OTHER SYS DET SEE: 24-00-57-02		RF
R 255	BACC49A1		.CLAMP ASSY		AR
260	287T4108-11		.SUPPORT ASSY ATTACHING PARTS		1
- 265	NAS1801-3-8		.SCREW		8
- 400	287T4101-44		-----*----- PROVISION INSTL-WIRE (ELECTRICAL POWER ONLY) POSITION DATA: SECT. 41 FOR NHA/OTHER SYS DET SEE: 24-00-57-01		RF
405	TC1104		.PLATE-MTG SUPPLIER CODE: V59730		4
415	TC1105		.PLATE-MTG SUPPLIER CODE: V59730 ATTACHING PARTS		8
- 420	NAS1801-06-12		.SCREW		48
- 423	AN960PD6L		.WASHER		48
425	MTP6HE10		-----*----- .STRAP-MTG SUPPLIER CODE: V06383		8
430	MTP5HE10		.STRAP-MTG SUPPLIER CODE: V06383 ATTACHING PARTS		9
- 435	NAS1801-3-12		.SCREW		68
- 440	AN960PD10L		.WASHER		68
450	MTP2HE10		-----*----- .STRAP-MTG SUPPLIER CODE: V06383 ATTACHING PARTS		1
- 455	NAS1801-3-12		.SCREW		3
- 457	AN960PD10L		.WASHER		3
			-----*-----		

ILLUSTRATION ITEMS NOT ON PARTS LIST ARE NOT APPLICABLE

- ITEM NOT ILLUSTRATED

HXL

24-00-51-02

24-00-51  
FIG. 02  
PAGE 1  
AUG 22/09



767

PARTS CATALOG (MAINTENANCE)

FIG ITEM	PART NUMBER	1 2 3 4 5 6 7	NOMENCLATURE	EFFECT FROM TO	UNITS PER ASSY
2					
460	MTP4HE10	.	STRAP-MTG SUPPLIER CODE: V06383 ATTACHING PARTS		3
- 465	NAS1801-3-12	.	SCREW		15
- 467	AN960PD10L	.	WASHER		15
			-----*-----		
474	MTP5HE10	.	STRAP-MTG SUPPLIER CODE: V06383 ATTACHING PARTS		3
- 475	NAS1801-3-12	.	SCREW		12
- 476	AN960PD10L	.	WASHER		12
			-----*-----		
486	MTP2SE10	.	STRAP-MTG SUPPLIER CODE: V06383 ATTACHING PARTS		4
- 487	NAS1801-3-11	.	SCREW		12
			-----*-----		
490	AMY0780T4	.	TRACK SUPPLIER CODE: V09922 SPECIFICATION NUMBER: BACT44B0780D		2
495	AMY1180T4	.	TRACK SUPPLIER CODE: V09922 SPECIFICATION NUMBER: BACT44B1180D ATTACHING PARTS		2
- 500	NAS1801-06-7	.	SCREW		20
- 502	AN960PD10L	.	WASHER		20
			-----*-----		
R 505	BACC49A1	.	CLAMP ASSY		AR
510	287T4155-2	.	BRACKET ASSY ATTACHING PARTS		7
515	NAS1801-3-8	.	SCREW		7
520	AN960PD10L	.	WASHER		14
525	NAS1801-3-6	.	SCREW		7
			-----*-----		
530	BACR15BB4A	..	RIVET- OPTIONAL PART: MS20604B4W		4
530	MS20604B4W	..	RIVET- OPTIONAL PART: BACR15BB4A		4
535	287T4155-5	..	BRACKET-SPRT		1

ILLUSTRATION ITEMS NOT ON PARTS LIST ARE NOT APPLICABLE

- ITEM NOT ILLUSTRATED

24-00-51-02

24-00-51  
FIG. 02  
PAGE 2  
AUG 22/09

HXL

BOEING PROPRIETARY - Copyright © - Unpublished Work - See title page for details.



767

PARTS CATALOG (MAINTENANCE)

FIG ITEM	PART NUMBER	1 2 3 4 5 6 7	NOMENCLATURE	EFFECT FROM TO	UNITS PER ASSY
2					
540	TC141		. . BASE-WIRE MOUNT SUPPLIER CODE: V56501		4
545	287T4155-3		. SHIM		7
560	MTP6HE10		. STRAP-MTG SUPPLIER CODE: V06383		1
			ATTACHING PARTS		
- 565	NAS1801-3-12		. SCREW		4
- 570	AN960PD10L		. WASHER		4
			-----*-----		
575	TM3S10		. PLATE SUPPLIER CODE: V06383		30
			SPECIFICATION NUMBER: STBP19M12		
			ATTACHING PARTS		
- 580	NAS1801-3-12		. SCREW		30
- 585	AN960PD10L		. WASHER		30
			-----*-----		
590	TM3S10		. PLATE SUPPLIER CODE: V06383		2
			SPECIFICATION NUMBER: STBP19M12		
			ATTACHING PARTS		
- 595	NAS1801-3-12		. SCREW		2
- 600	AN960PD10L		. WASHER		2
			-----*-----		
620	287T0011-1		. CLAMP		2
			ATTACHING PARTS		
- 625	NAS1801-06-12		. SCREW		2
- 630	AN960PD6L		. WASHER		2
			-----*-----		

ILLUSTRATION ITEMS NOT ON PARTS LIST ARE NOT APPLICABLE

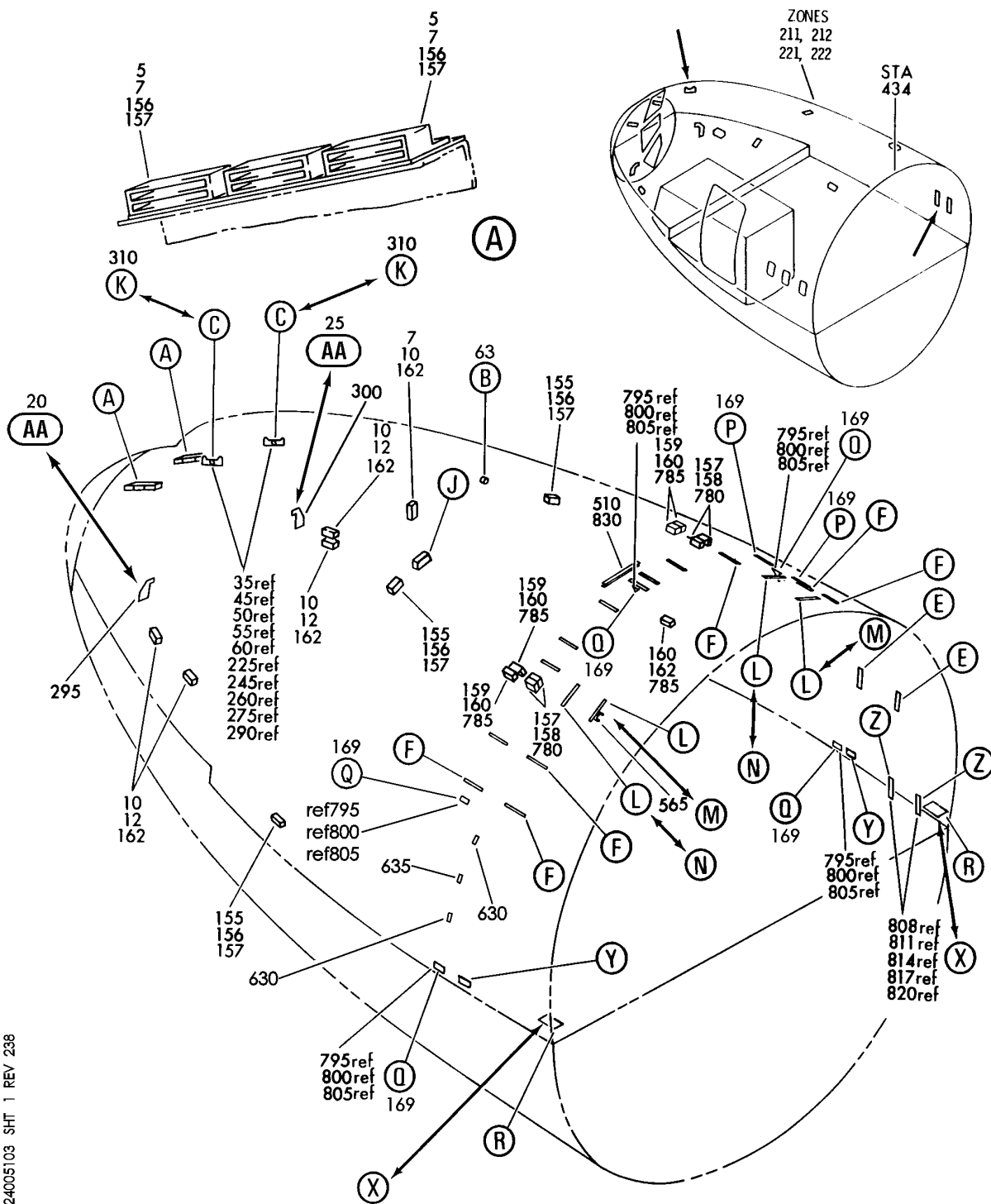
- ITEM NOT ILLUSTRATED

HXL

24-00-51-02

24-00-51  
FIG. 02  
PAGE 3  
AUG 22/09


**BOEING**  
 767  
**PARTS CATALOG (MAINTENANCE)**



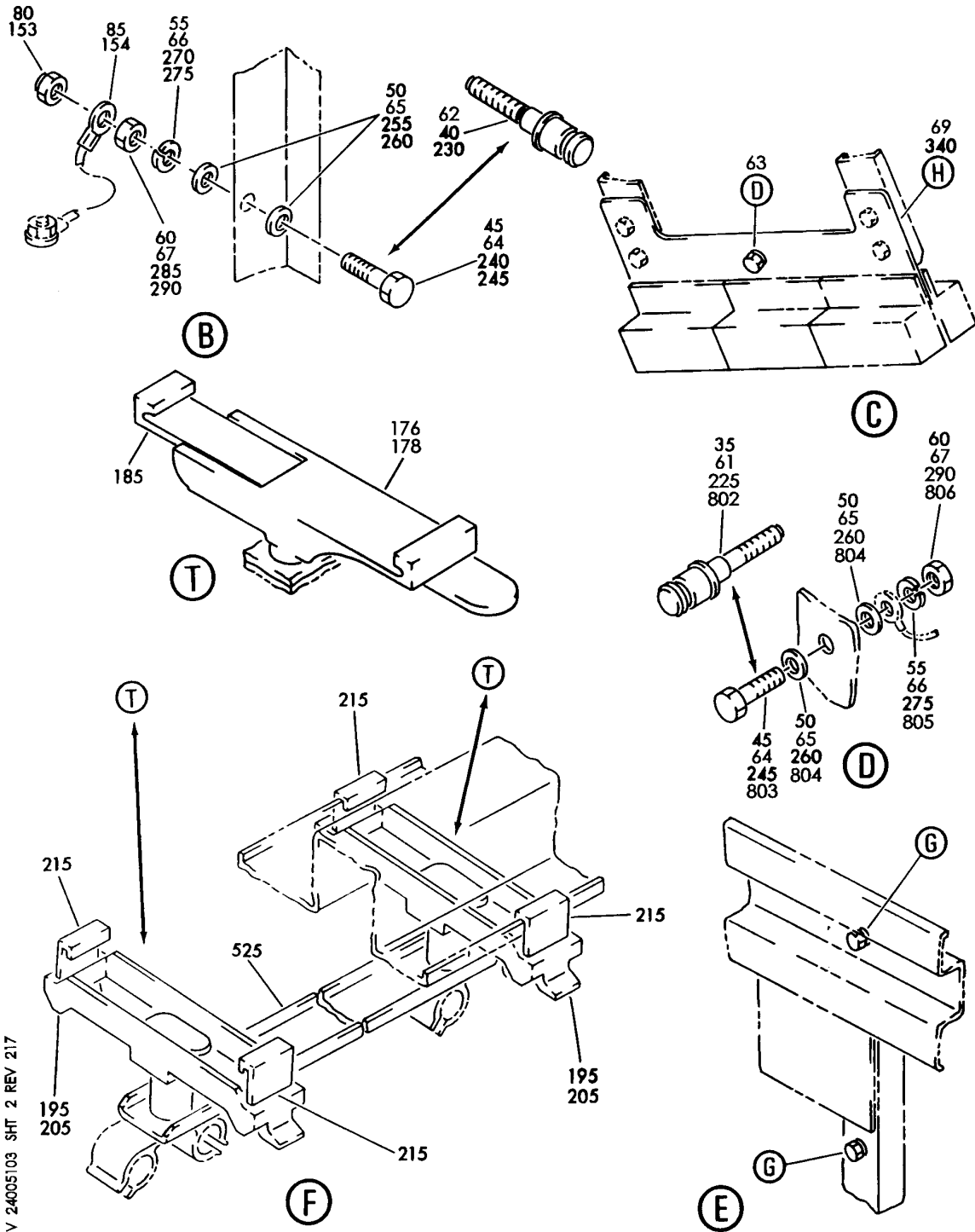
PROVISION INSTL-SECT. 41 UPR WIRE  
 FIGURE 3 (SHEET 1)

**24-00-51-03**

HXL  
 DEC 22/06

24-00-51-03  
 PAGE 0

**BOEING**  
767  
PARTS CATALOG (MAINTENANCE)



V 24005103 SHT 2 REV 217

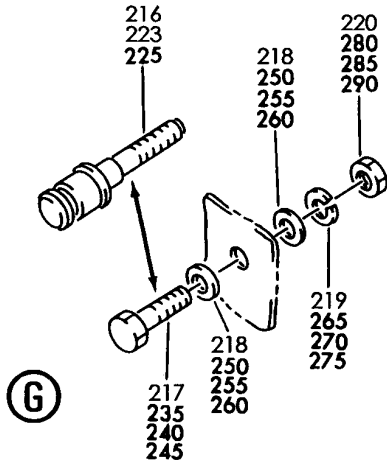
PROVISION INSTL-SECT. 41 UPR WIRE  
FIGURE 3 (SHEET 2)

**24-00-51-03**

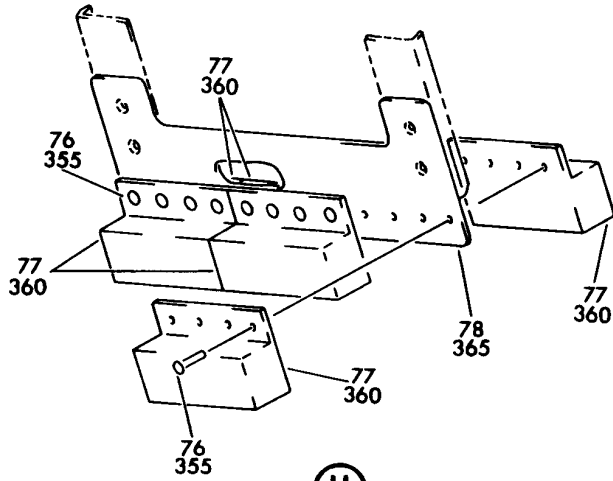
HXL  
DEC 22/06

24-00-51-03  
PAGE 0A

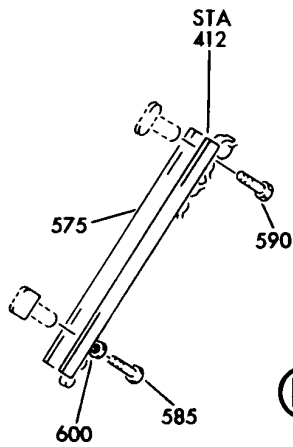

**BOEING**  
 767  
**PARTS CATALOG (MAINTENANCE)**



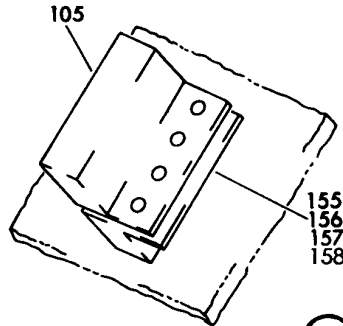
(G)



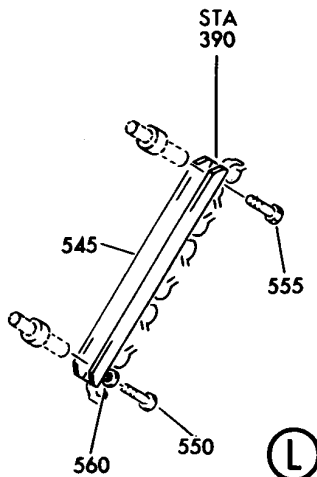
(H)



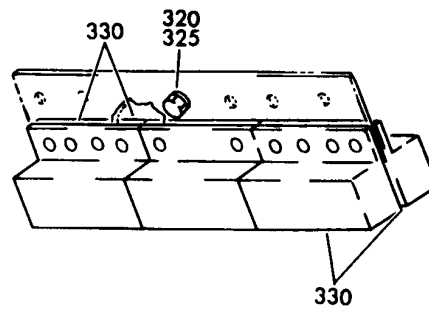
(M)



(J)



(L)



(K)

V 24005103 SHT 3 REV 212

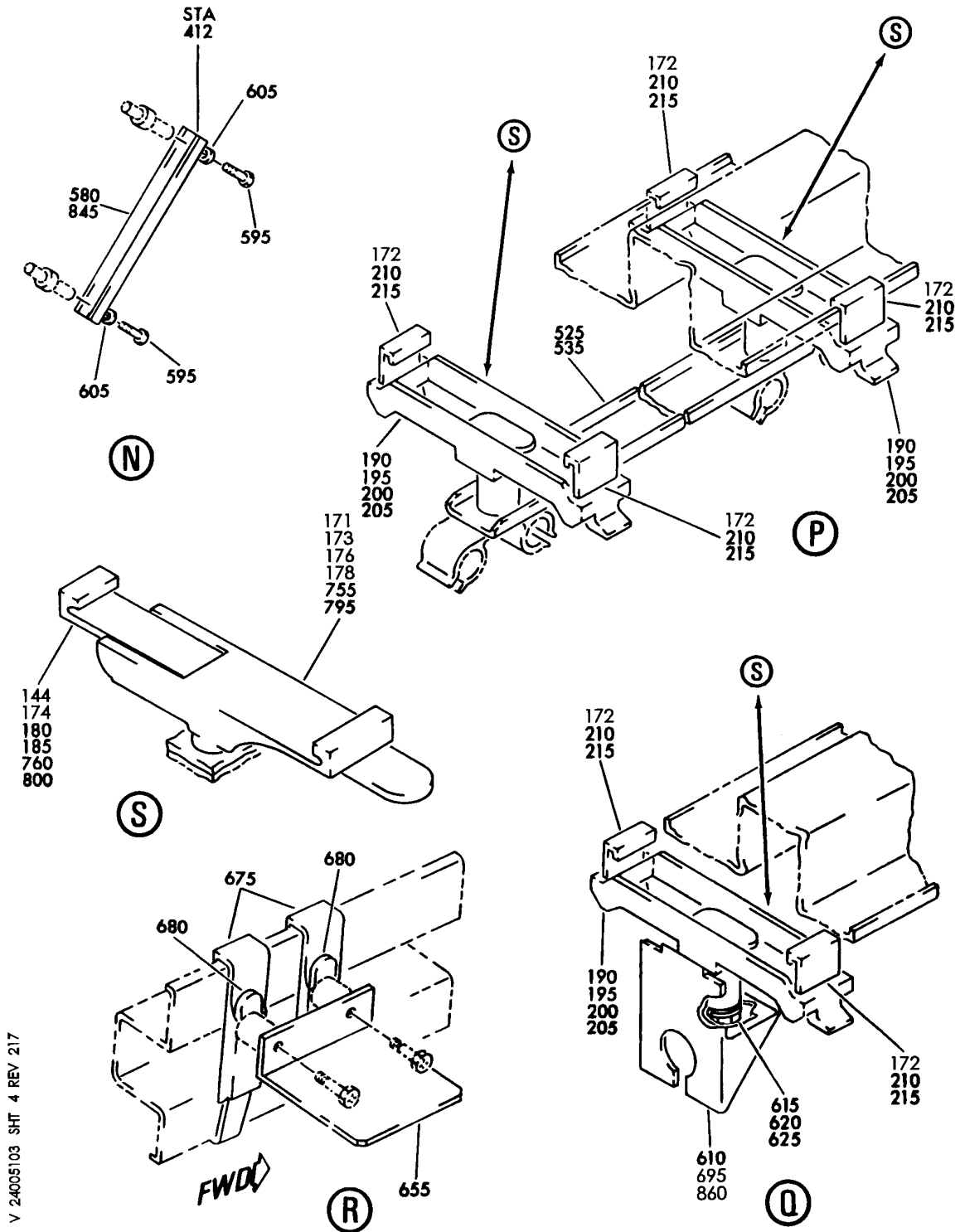
PROVISION INSTL-SECT. 41 UPR WIRE  
 FIGURE 3 (SHEET 3)

**24-00-51-03**

HXL  
DEC 22/06

24-00-51-03  
 PAGE 0B

**BOEING**  
767  
PARTS CATALOG (MAINTENANCE)



V 24005103 SHT 4 REV 217

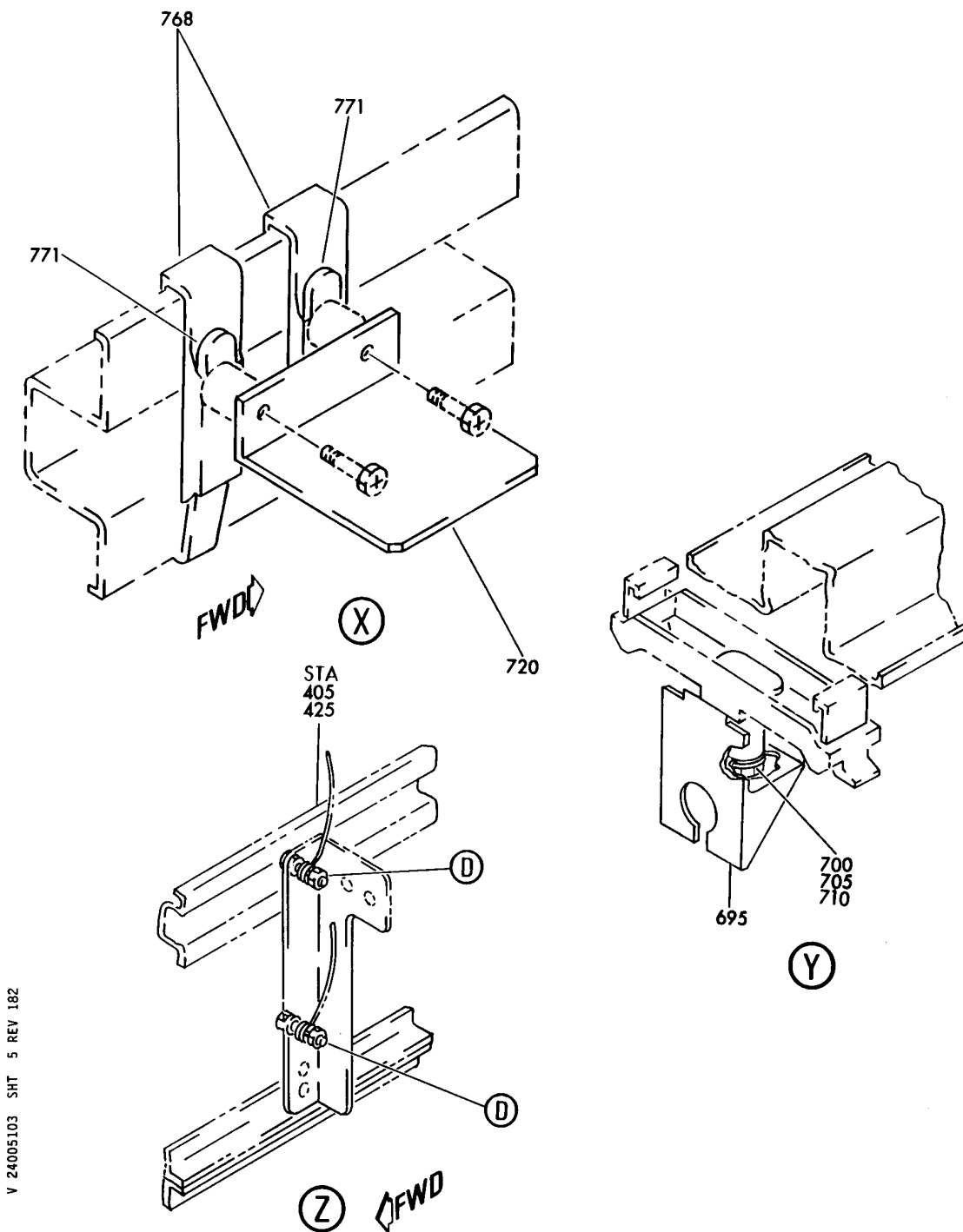
PROVISION INSTL-SECT. 41 UPR WIRE  
FIGURE 3 (SHEET 4)

**24-00-51-03**

HXL  
DEC 22/06

24-00-51-03  
PAGE 0C

**BOEING**  
767  
PARTS CATALOG (MAINTENANCE)



PROVISION INSTL-SECT. 41 UPR WIRE  
FIGURE 3 (SHEET 5)

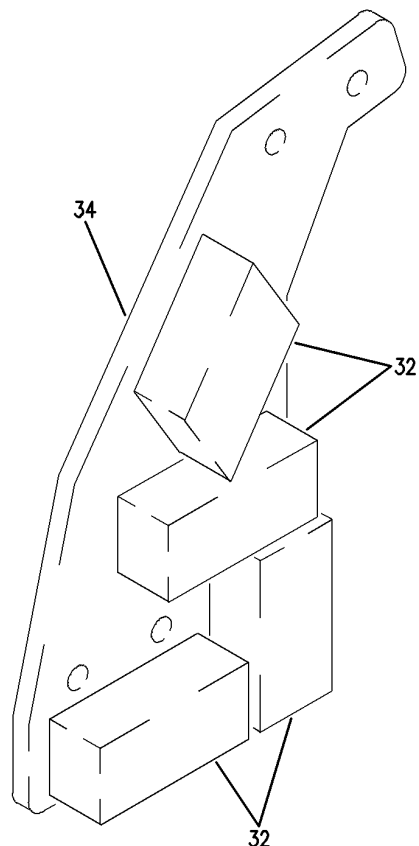
**24-00-51-03**

HXL  
DEC 22/06

24-00-51-03  
PAGE 0D



**BOEING**  
767  
PARTS CATALOG (MAINTENANCE)



AA

V 24005103 SHT 6 REV 229

PROVISION INSTL-SECT. 41 UPR WIRE  
FIGURE 3 (SHEET 6)

**24-00-51-03**

HXL  
DEC 22/06

24-00-51-03  
PAGE 0E



767

PARTS CATALOG (MAINTENANCE)

FIG ITEM	PART NUMBER	1 2 3 4 5 6 7	NOMENCLATURE	EFFECT FROM TO	UNITS PER ASSY
3			PROVISION INSTL-SECT. 41 UPR WIRE		
- 1	287T4101-19		SUPPORT INSTL-WIRE FLIGHT DECK AREA, 2 CREW POSITION DATA: SECT. 41 UPR FOR NHA SEE: 24-00-57-02		RF
5	YHLZG16-2		.BLOCK-GND SUPPLIER CODE: V09922		6
10	YHLZG16-1		.BLOCK-GND SUPPLIER CODE: V09922		5
- 15	BACR15BB4AD		ATTACHING PARTS .RIVET- SIZE DETERMINED ON INSTL. -----*-----		44
20	287T4105-1		.PLATE ASSY- POSITION DATA: LH SIDE		1
25	287T4105-2		.PLATE ASSY- POSITION DATA: RH SIDE		1
- 30	BACR15FT6AD		ATTACHING PARTS .RIVET- SIZE DETERMINED ON INSTL. -----*-----		8
32	YHLZG16-1		..BLOCK-GND SUPPLIER CODE: V09922		4
- 33	BACR15BB4AD		ATTACHING PARTS ..RIVET- SIZE DETERMINED ON INSTL. -----*-----		16
34	287T4106-1		..PLATE		1

ILLUSTRATION ITEMS NOT ON PARTS LIST ARE NOT APPLICABLE

- ITEM NOT ILLUSTRATED

HXL

24-00-51-03

BOEING PROPRIETARY - Copyright © - Unpublished Work - See title page for details.

24-00-51  
FIG. 03  
PAGE 1  
DEC 22/07



767

PARTS CATALOG (MAINTENANCE)

FIG ITEM	PART NUMBER	1 2 3 4 5 6 7	NOMENCLATURE	EFFECT FROM TO	UNITS PER ASSY
3	35 VNS1924CA1-8		.STUD- SUPPLIER CODE: V5M902 SPECIFICATION NUMBER: BACS53B1EA1 OPTIONAL PART: VNS1924CA3-1-8 V92215 QUALIFIED OPTIONAL DATA: (OPT NAS1801-3-10, AN960D10L (2), MS35338-43, AND MS35650-305T TOGETHER ARE OPTIONAL TO BACS53B1EA1 OR BACS53B1EA2)		2
	40 VNS1924CA2-8		.STUD- SUPPLIER CODE: V5M902 SPECIFICATION NUMBER: BACS53B1EA2 OPTIONAL PART: VNS1924CA3-2-8 V92215 QUALIFIED OPTIONAL DATA: (OPT NAS1801-3-10, AN960D10L (2), MS35338-43 AND MS35650-305T TOGETHER ARE OPTIONAL TO BACS53B1EA1 OR BACS53B1EA2)		1
	45 NAS1801-3-10		.SCREW- QUALIFIED OPTIONAL DATA: (OPT NAS1801-3-10, AN960D10L (2), MS35338-43 AND MS35650-305T TOGETHER ARE OPTIONAL TO BACS53B1EA1 OR BACS53B1EA2)		3

ILLUSTRATION ITEMS NOT ON PARTS LIST ARE NOT APPLICABLE

- ITEM NOT ILLUSTRATED

HXL

24-00-51-03

BOEING PROPRIETARY - Copyright © - Unpublished Work - See title page for details.

24-00-51  
FIG. 03  
PAGE 2  
DEC 22/07



767

PARTS CATALOG (MAINTENANCE)

FIG ITEM	PART NUMBER	1 2 3 4 5 6 7	NOMENCLATURE	EFFECT FROM TO	UNITS PER ASSY
3					
50	AN960D10L		.WASHER- QUALIFIED OPTIONAL DATA: (OPT NAS1801-3-10, AN960D10L (2), MS35338-43 AND MS35650-305T TOGETHER ARE OPTIONAL TO BACS53B1EA1 OR BACS53B1EA2)		6
55	MS35338-43		.WASHER- QUALIFIED OPTIONAL DATA: (OPT NAS1801-3-10, AN960D10L (2), MS35338-43 AND MS35650-305T TOGETHER ARE OPTIONAL TO BACS53B1EA1 OR BACS53B1EA2)		3
60	MS35650-305T		.NUT- QUALIFIED OPTIONAL DATA: (OPT NAS1801-3-10, AN960D10L (2), MS35338-43 AND MS35650-305T TOGETHER ARE OPTIONAL TO BACS53B1EA1 OR BACS53B1EA2)		3
69	287T4162-10		.BRACKET ASSY-GND ATTACHING PARTS		2
- 70	NAS1801-3-7		.SCREW		8
- 75	BRH10A3		.NUT SUPPLIER CODE: V52828 SPECIFICATION NUMBER: BACN10J3 OPTIONAL PART: H10-3BAC V15653 NS202101-02 V80539 RMLH9075-3W V72962 VN303A02 V92215 96-02 V80539 T6S1032J V11815 -----*-----		8
ILLUSTRATION ITEMS NOT ON PARTS LIST ARE NOT APPLICABLE					

- ITEM NOT ILLUSTRATED

24-00-51-03

24-00-51  
FIG. 03  
PAGE 3  
DEC 22/07

HXL

**BOEING**  
767  
**PARTS CATALOG (MAINTENANCE)**

FIG ITEM	PART NUMBER	1 2 3 4 5 6 7	NOMENCLATURE	EFFECT FROM TO	UNITS PER ASSY
3					
76	BACR15BB4AD		..RIVET- SIZE DETERMINED ON INSTL.		12
77	YHLZG16-1		..BLOCK-GND SUPPLIER CODE: V09922		6
78	287T4162-9		..BRACKET		1
80	BRH10A3		.NUT SUPPLIER CODE: V52828 SPECIFICATION NUMBER: BACN10JC3 OPTIONAL PART: H10-3BAC V15653 NS202101-02 V80539 RMLH9075-3W V72962 VN303A02 V92215 96-02 V80539 T6S1032J V11815		1
85	740A20-6		.CABLE SUPPLIER CODE: V91812 SPECIFICATION NUMBER: BACJ40A20-6 OPTIONAL PART: TJEJ40A20-6 V33483 RBEJ20-6 V1GK47		1
- 100	287T4101-14		SUPPORT INSTL-WIRE POSITION DATA: SECT. 41 STA 287 UPR LH FOR NHA SEE: 24-00-57-02		RF
105	YHLZG16-2		.BLOCK-GND SUPPLIER CODE: V09922		1
- 110	BACR15BB4AD		ATTACHING PARTS .RIVET- SIZE DETERMINED ON INSTL. -----*-----		4

ILLUSTRATION ITEMS NOT ON PARTS LIST ARE NOT APPLICABLE

- ITEM NOT ILLUSTRATED

HXL

**24-00-51-03**

BOEING PROPRIETARY - Copyright © - Unpublished Work - See title page for details.

24-00-51  
FIG. 03  
PAGE 4  
DEC 22/08



767

PARTS CATALOG (MAINTENANCE)

FIG ITEM	PART NUMBER	1 2 3 4 5 6 7	NOMENCLATURE	EFFECT FROM TO	UNITS PER ASSY
3					
- 775	287T4101-36		SUPPORT INSTL-PASS. CAB. WIRE 767-300 POSITION DATA: SECT. 41 UPR FOR NHA SEE: 24-00-57-02		RF
780	YHLZG16-2		.BLOCK-GND SUPPLIER CODE: V09922		4
785	YHLZG16-1		.BLOCK-GND SUPPLIER CODE: V09922		5
- 790	BACR15BB4AD		ATTACHING PARTS .RIVET- SIZE DETERMINED ON INSTL. -----*-----		36
795	S38J1		.ATTACHMENT-SPRT SUPPLIER CODE: V59237 SPECIFICATION NUMBER: BACS38J1 OPTIONAL PART: 30187-2 V26835		5
800	S38J2		.STRAP SUPPLIER CODE: V59237 SPECIFICATION NUMBER: BACS38J2 OPTIONAL PART: 30187-3 V26835		5
- 825	287T4101-37		PROVISION INSTL-WIRE PASS. CAB. 767-300 POSITION DATA: SECT. 41 UPR FOR NHA SEE: 24-00-57-02		RF
830	287T4137-11		.BRACKET ASSY ATTACHING PARTS		1
- 835	NAS1801-3-7		.SCREW		2

ILLUSTRATION ITEMS NOT ON PARTS LIST ARE NOT APPLICABLE

- ITEM NOT ILLUSTRATED

HXL

24-00-51-03

BOEING PROPRIETARY - Copyright © - Unpublished Work - See title page for details.

24-00-51  
FIG. 03  
PAGE 5  
DEC 22/08

 **BOEING**  
767  
**PARTS CATALOG (MAINTENANCE)**

FIG ITEM	PART NUMBER	1 2 3 4 5 6 7	NOMENCLATURE	EFFECT FROM TO	UNITS PER ASSY
3					
- 840	BRH10A3		.NUT SUPPLIER CODE: V52828 SPECIFICATION NUMBER: BACN10JC3 OPTIONAL PART: H10-3BAC V15653 NS202101-02 V80539 RMLH9075-3W V72962 VN303A02 V92215 96-02 V80539 T6S1032J V11815 -----*-----		2
R 845	287T0063-1		.BRACKET- ATTACHING PARTS		2
- 850	NAS1801-3-8		.SCREW		4
- 855	BACW10P44AL		.WASHER-		4
			-----*-----		
860	287T0016-1		.BRACKET-DISC. ATTACHING PARTS		5
- 865	NAS1801-3-12		.SCREW-		5
- 870	AN960JD10L		.WASHER-		5
- 875	NAS43DD3-40		.SPACER-		5
			-----*-----		

ILLUSTRATION ITEMS NOT ON PARTS LIST ARE NOT APPLICABLE

- ITEM NOT ILLUSTRATED

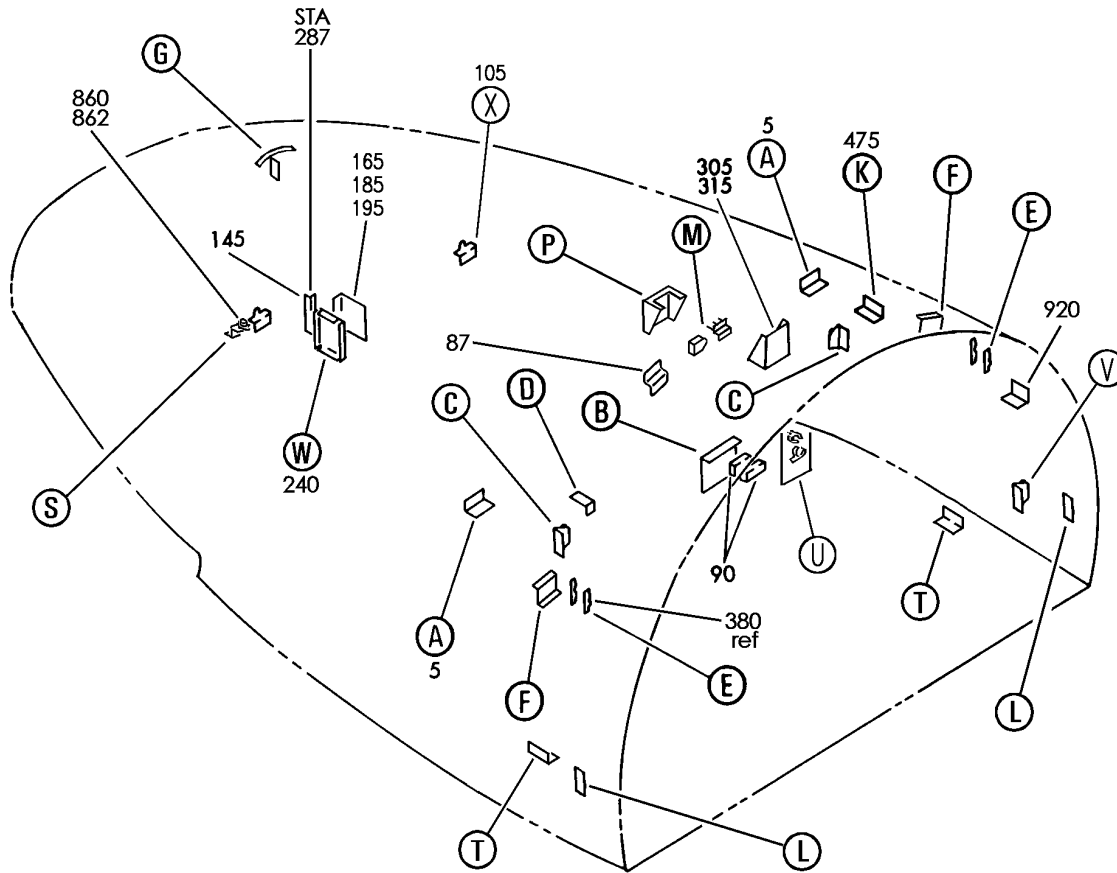
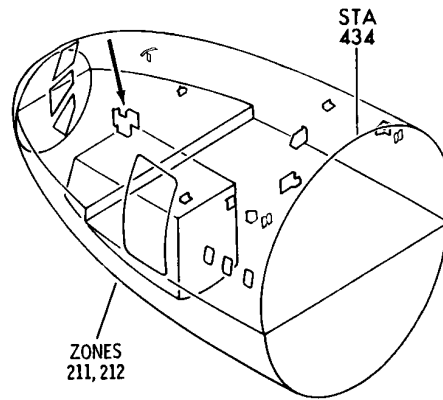
HXL

24-00-51-03

BOEING PROPRIETARY - Copyright © - Unpublished Work - See title page for details.

24-00-51  
FIG. 03  
PAGE 6  
AUG 22/09

**BOEING**  
767  
PARTS CATALOG (MAINTENANCE)



V 24005105 SHT 1 REV 287

PROVISION INSTL-SECT. 41 UPR WIRE  
FIGURE 5 (SHEET 1)

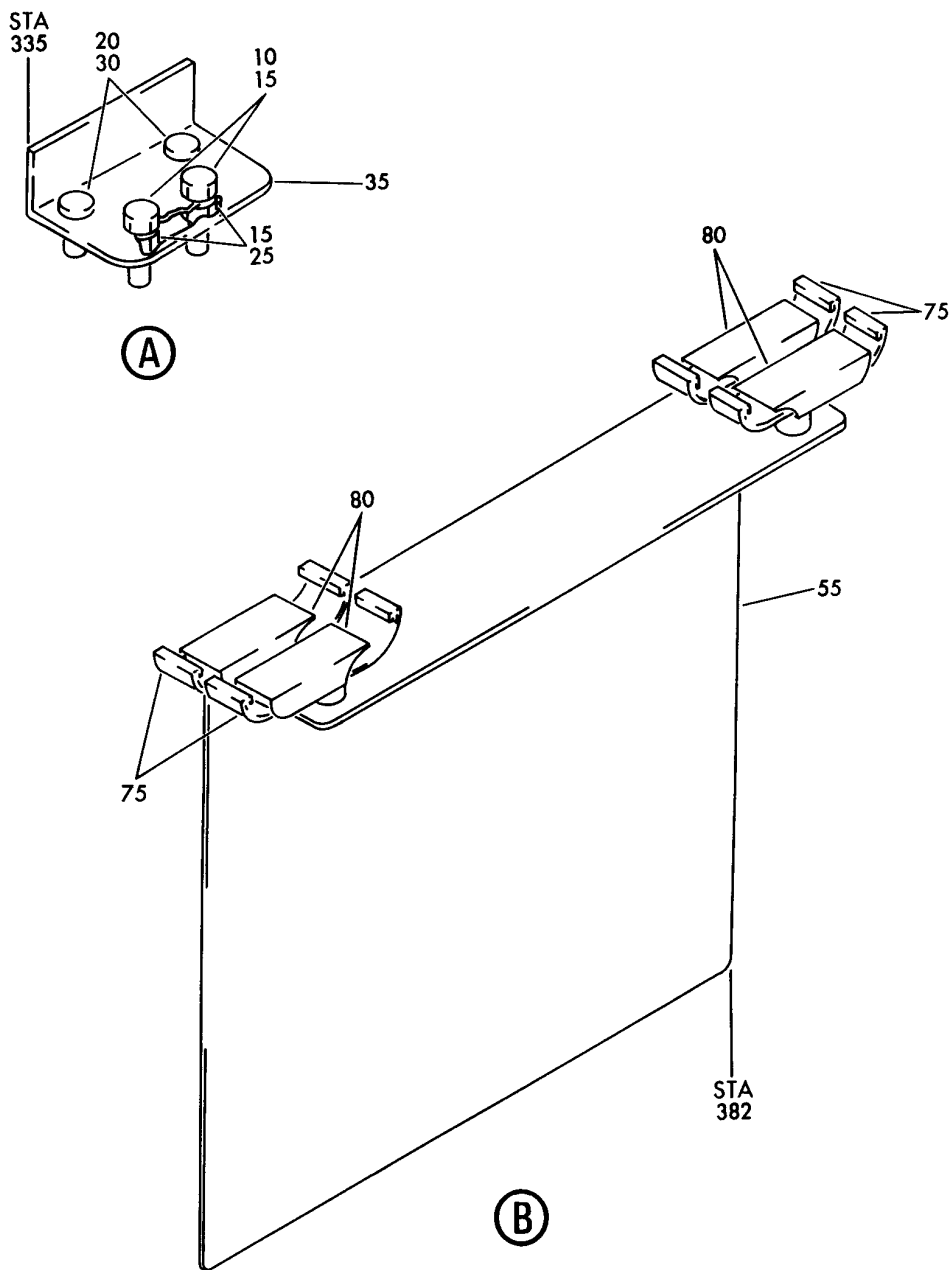
**24-00-51-05**

HXL  
DEC 22/06

24-00-51-05  
PAGE 0



**BOEING**  
767  
PARTS CATALOG (MAINTENANCE)



V 24005105 SHT 2 REV 159

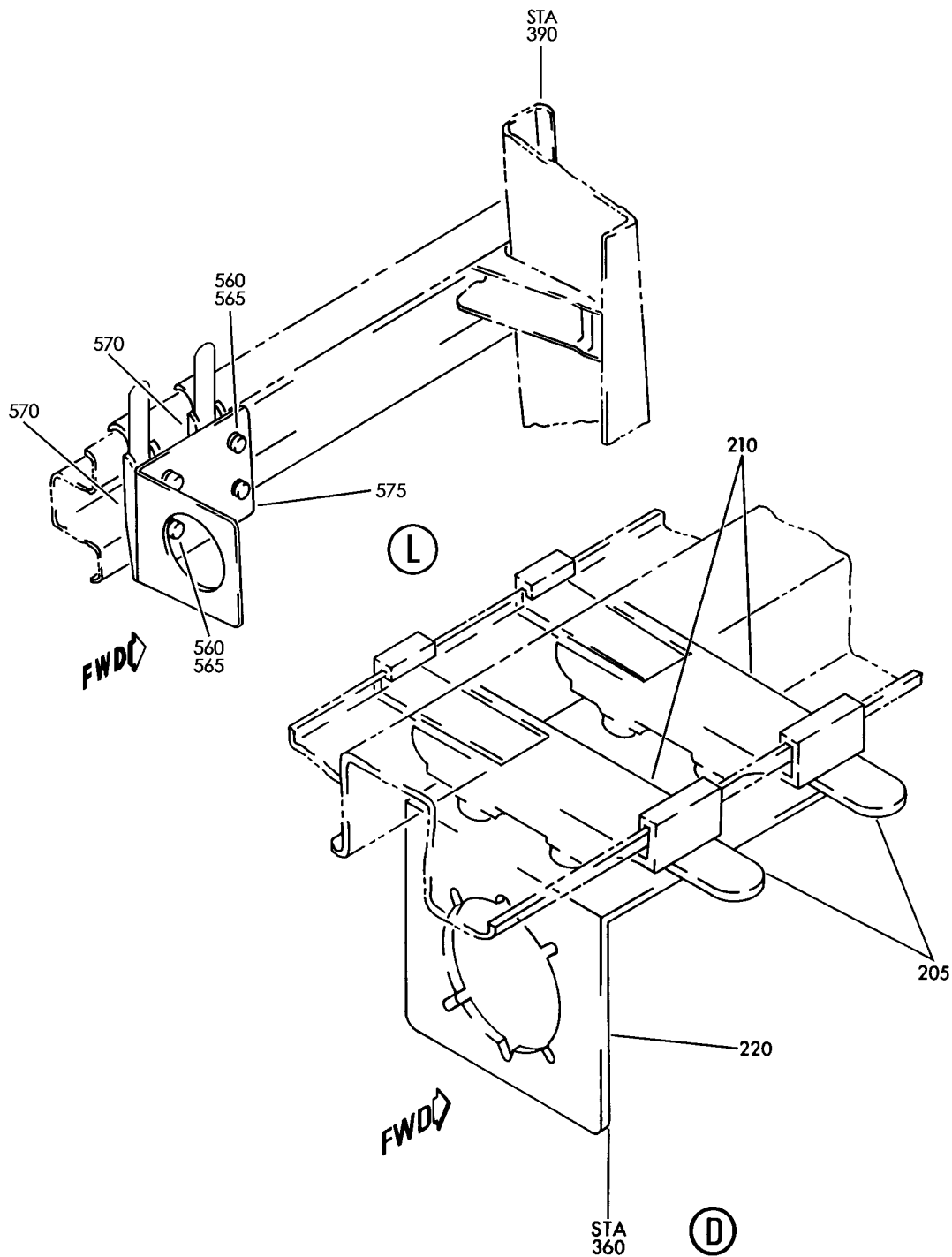
PROVISION INSTL-SECT. 41 UPR WIRE  
FIGURE 5 (SHEET 2)

**24-00-51-05**

HXL  
DEC 22/06

24-00-51-05  
PAGE 0A

**BOEING**  
767  
PARTS CATALOG (MAINTENANCE)



V 24005105 SH 3 REV 226

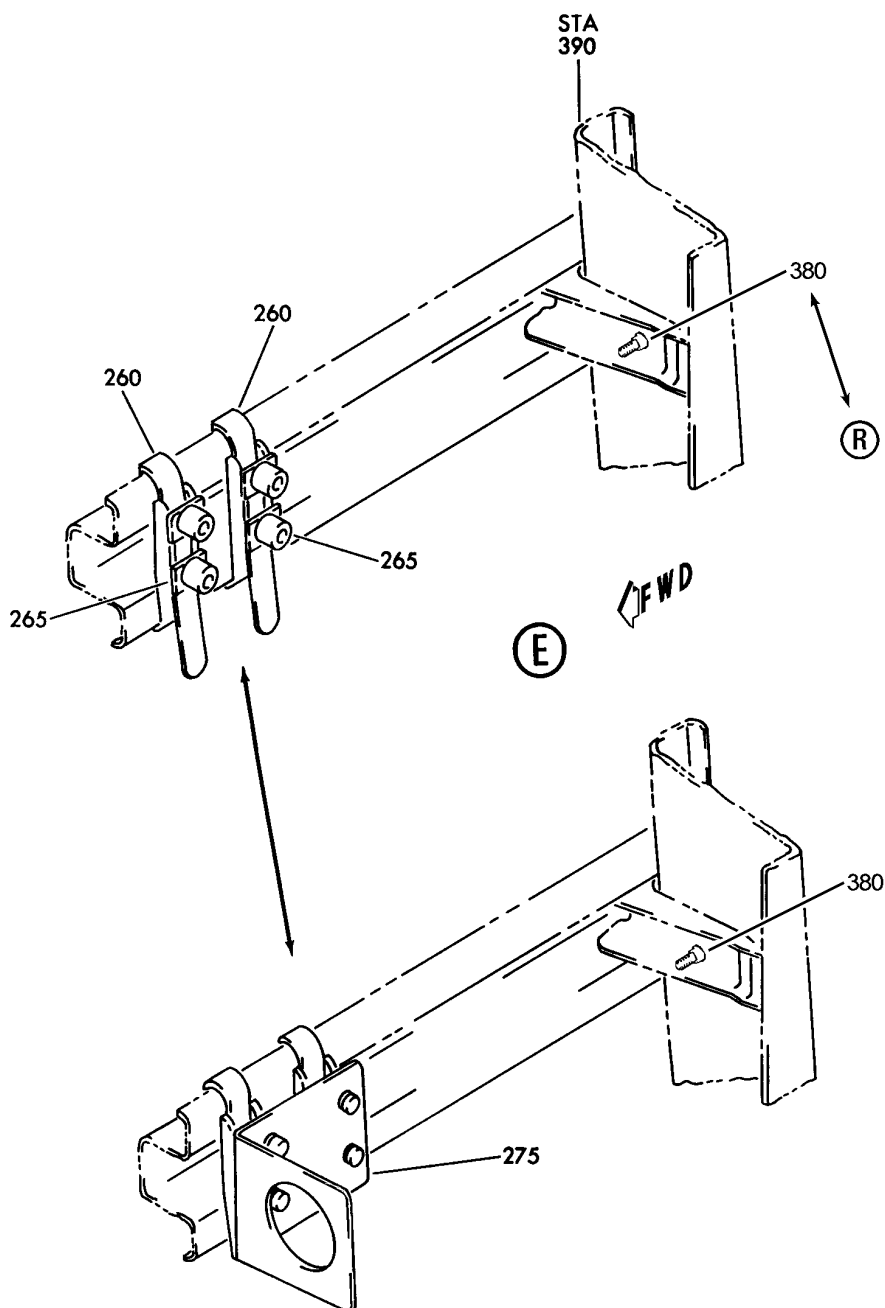
PROVISION INSTL-SECT. 41 UPR WIRE  
FIGURE 5 (SHEET 3)

**24-00-51-05**

HXL  
DEC 22/06

24-00-51-05  
PAGE 0B

**BOEING**  
767  
PARTS CATALOG (MAINTENANCE)



V 24005105 SHT 4 REV 226

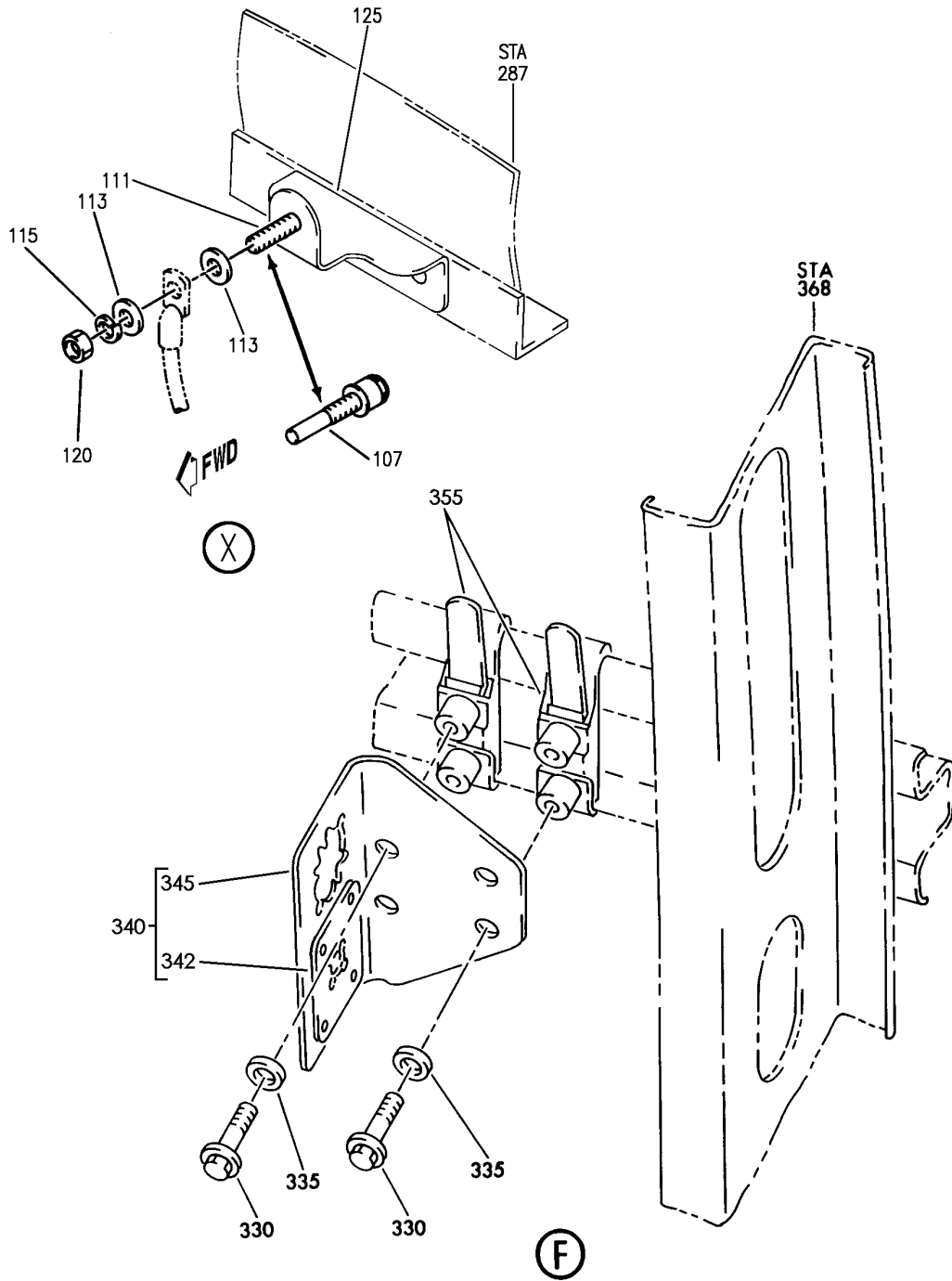
PROVISION INSTL-SECT. 41 UPR WIRE  
FIGURE 5 (SHEET 4)

**24-00-51-05**

HXL  
DEC 22/06

24-00-51-05  
PAGE 0C

**BOEING**  
767  
PARTS CATALOG (MAINTENANCE)



V 24005105 SHT 5 REV 287

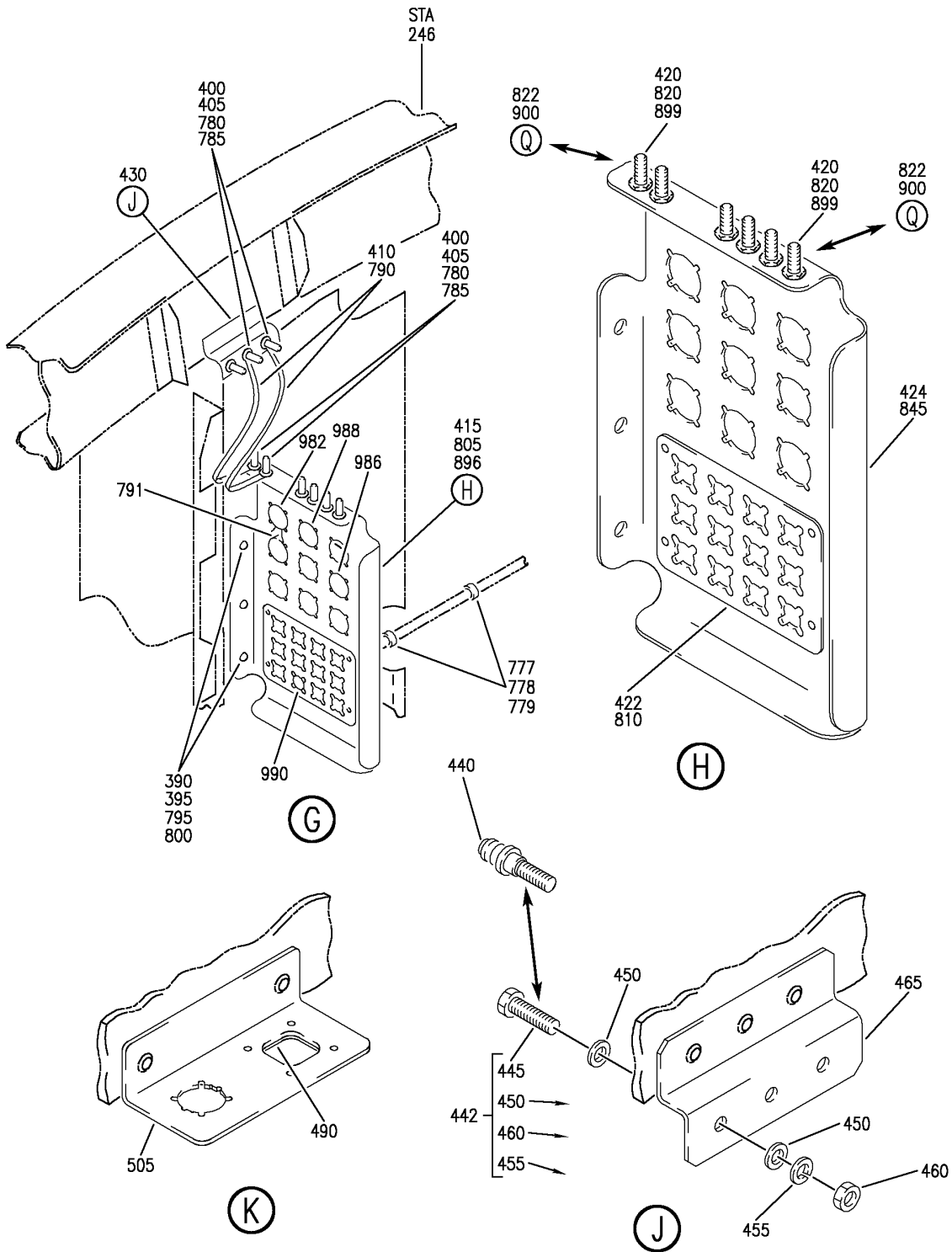
PROVISION INSTL-SECT. 41 UPR WIRE  
FIGURE 5 (SHEET 5)

**24-00-51-05**

HXL  
DEC 22/06

24-00-51-05  
PAGE 0D

**BOEING**  
767  
PARTS CATALOG (MAINTENANCE)



V 24005105 SH1 6 REV 266

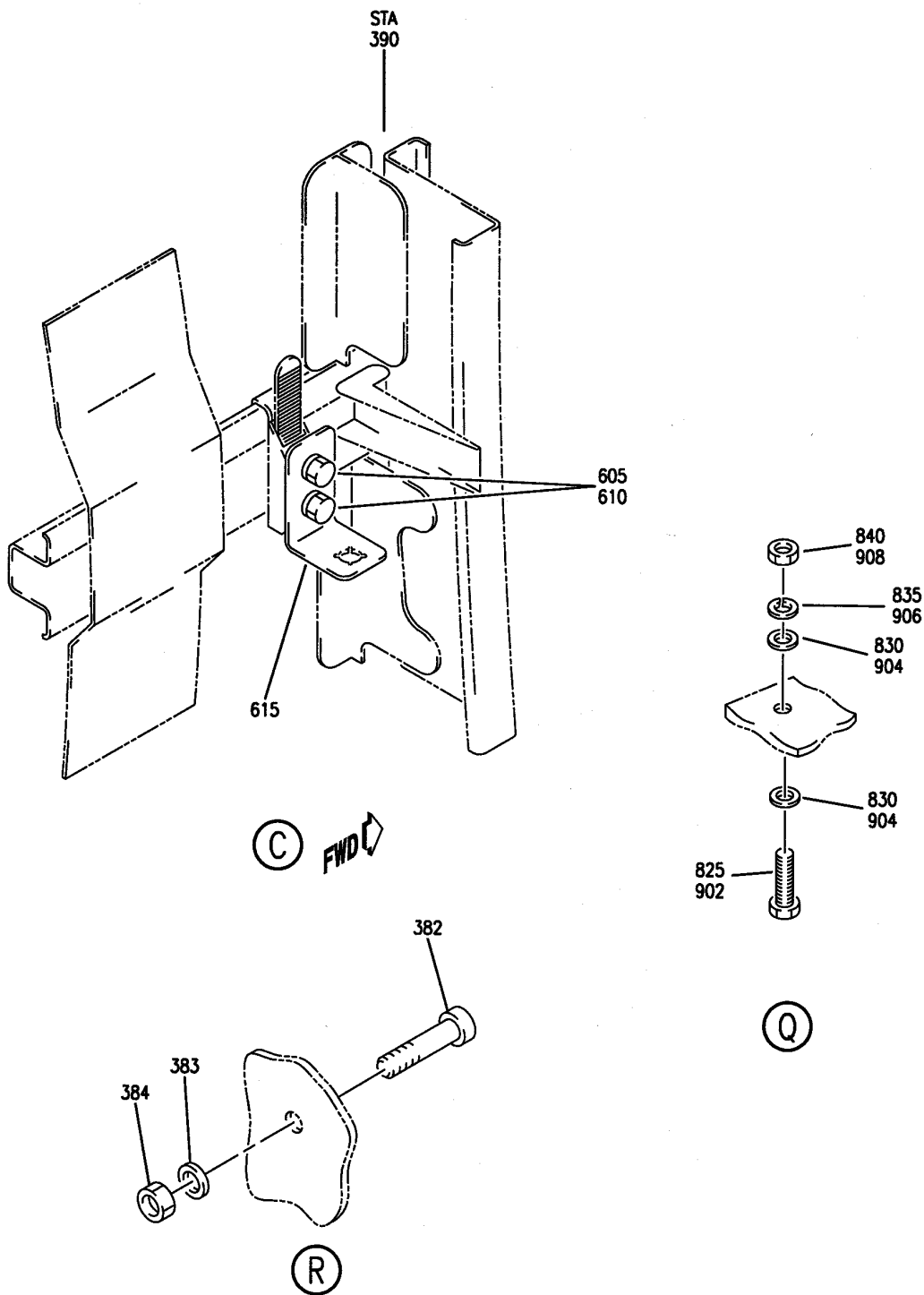
PROVISION INSTL-SECT. 41 UPR WIRE  
FIGURE 5 (SHEET 6)

**24-00-51-05**

HXL  
DEC 22/06

24-00-51-05  
PAGE 0E

**BOEING**  
767  
PARTS CATALOG (MAINTENANCE)



V 24005105 SHT 7 REV 226

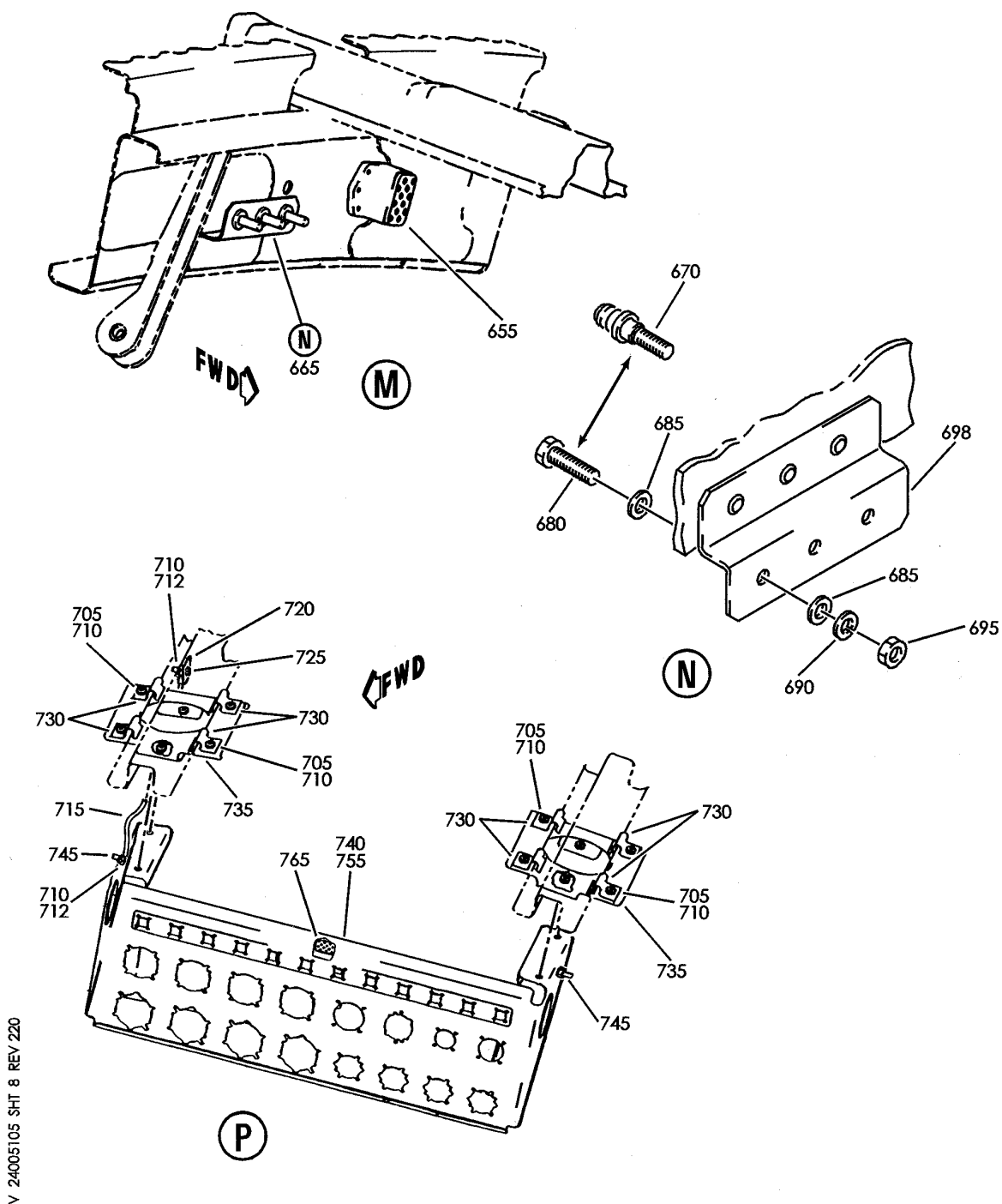
PROVISION INSTL-SECT. 41 UPR WIRE  
FIGURE 5 (SHEET 7)

**24-00-51-05**

HXL  
DEC 22/06

24-00-51-05  
PAGE OF

**BOEING**  
767  
PARTS CATALOG (MAINTENANCE)



V 24005105 SHT 8 REV 220

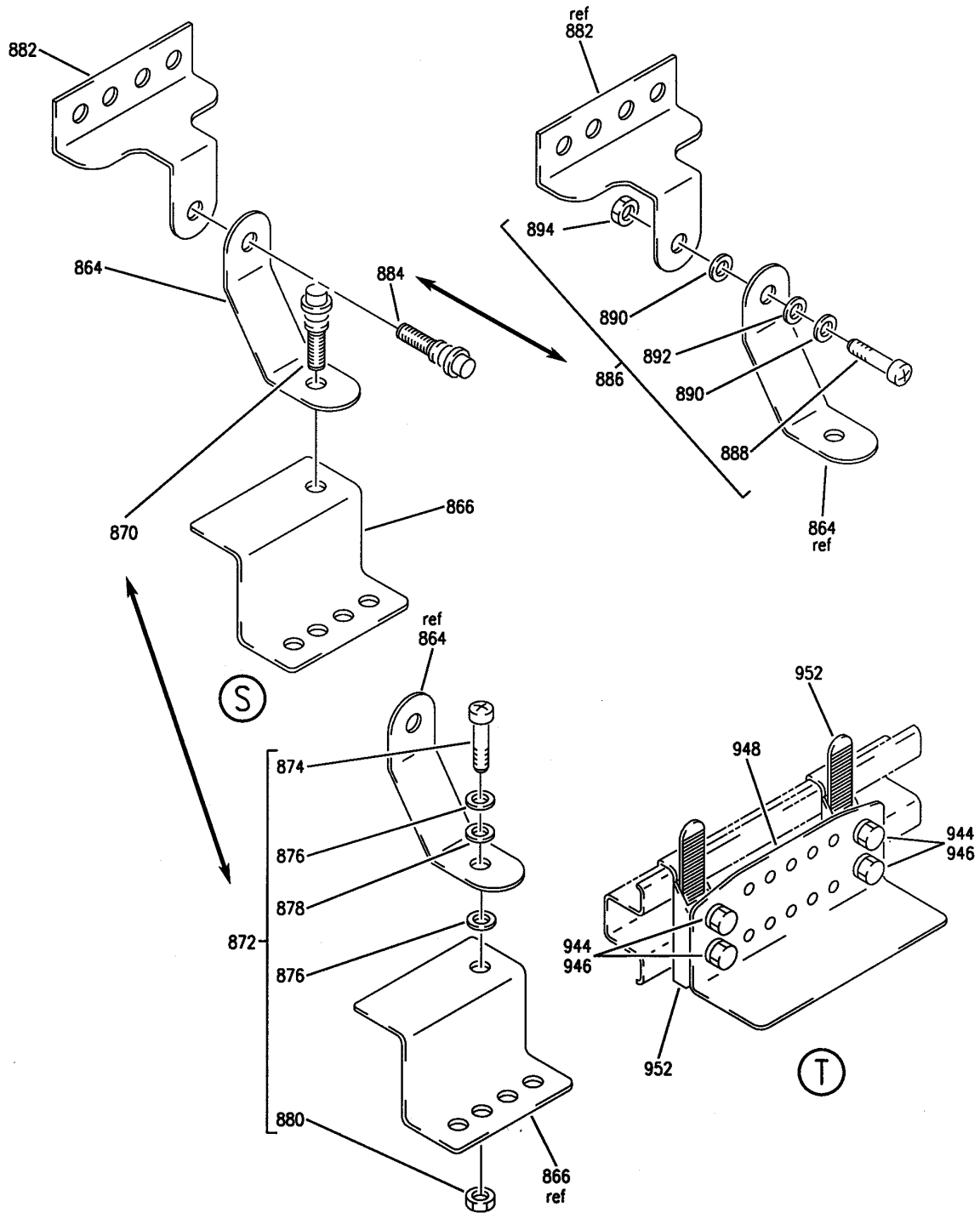
PROVISION INSTL-SECT. 41 UPR WIRE  
FIGURE 5 (SHEET 8)

**24-00-51-05**

HXL  
DEC 22/06

24-00-51-05  
PAGE 06

**BOEING**  
767  
PARTS CATALOG (MAINTENANCE)



V 24005105 SHT 9 REV 227

PROVISION INSTL-SECT. 41 UPR WIRE  
FIGURE 5 (SHEET 9)

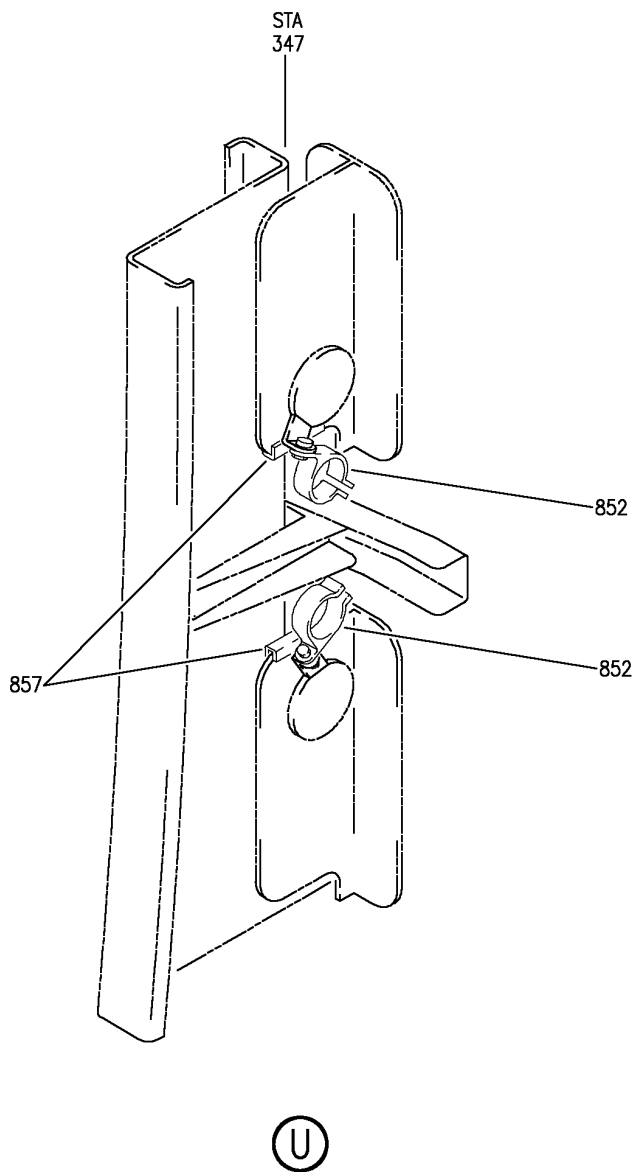
**24-00-51-05**

HXL  
DEC 22/06

24-00-51-05  
PAGE 0H



**BOEING**  
767  
PARTS CATALOG (MAINTENANCE)



V 24005105 SH1 10 REV 266

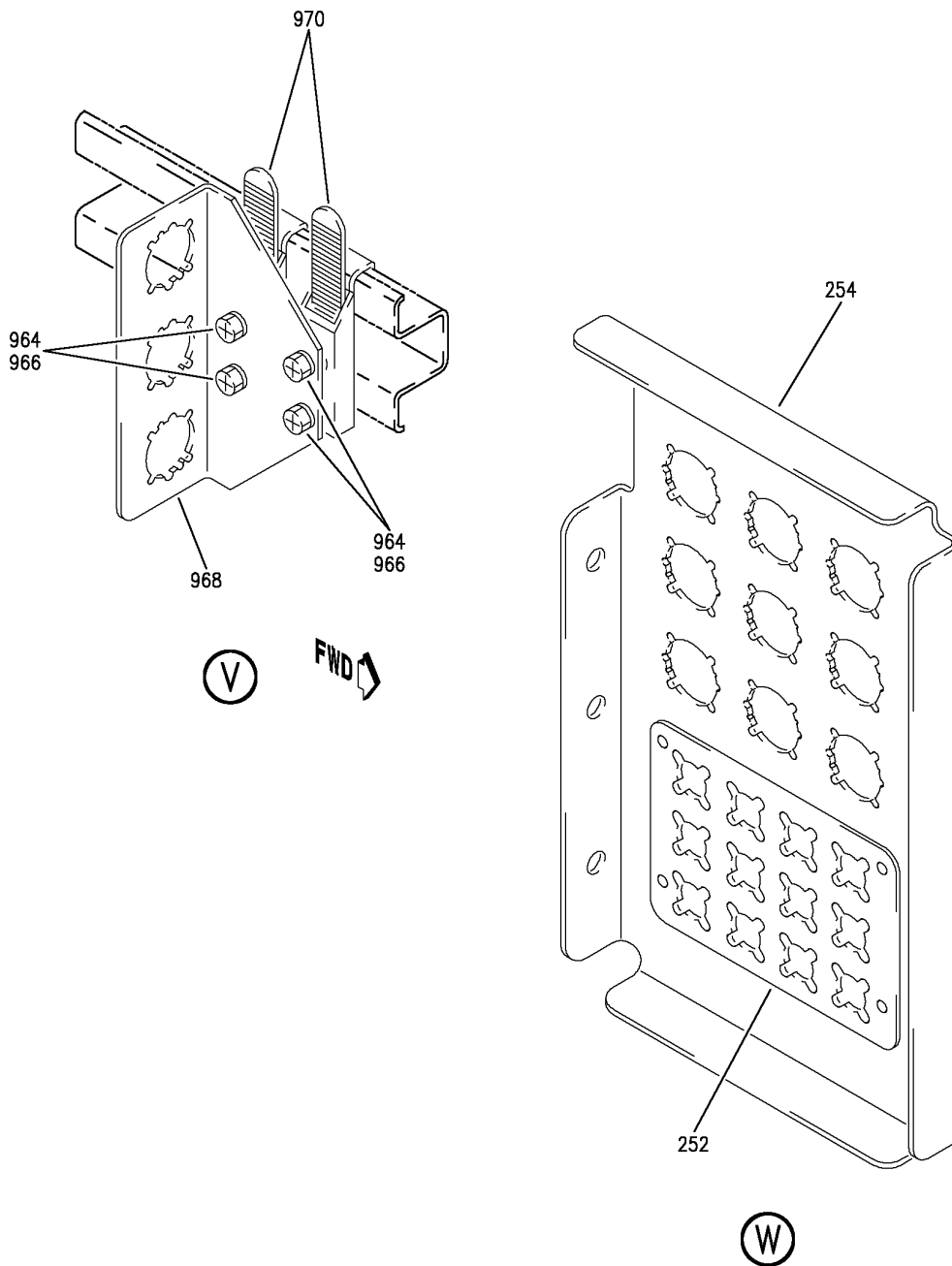
PROVISION INSTL-SECT. 41 UPR WIRE  
FIGURE 5 (SHEET 10)

**24-00-51-05**

HXL  
DEC 22/06

24-00-51-05  
PAGE 01

**BOEING**  
767  
PARTS CATALOG (MAINTENANCE)



V 24005105 SH1 11 REV 266

PROVISION INSTL-SECT. 41 UPR WIRE  
FIGURE 5 (SHEET 11)

**24-00-51-05**

HXL  
DEC 22/06

24-00-51-05  
PAGE 0J

**BOEING**  
767  
**PARTS CATALOG (MAINTENANCE)**

FIG ITEM	PART NUMBER	1 2 3 4 5 6 7	NOMENCLATURE	EFFECT FROM TO	UNITS PER ASSY
5			PROVISION INSTL-SECT. 41 UPR WIRE		
- 1	287T4173-2		PROVISION INSTL-GND BRKT WIRE SIDEWALL GALLEYS POSITION DATA: SECT. 41 UPR STA 129.96 FWD FOR NHA SEE: 24-00-57-02		RF
5	287U0020-11		.ANGLE ASSY-GND		2
10	NAS1801-5-16		..BOLT		2
15	AN960D516L		..WASHER		4
20	MS35338-45		..WASHER		2
25	MS35650-3315T		..NUT		2
30	VNS1924CA1-8		..STUD SUPPLIER CODE: V5M902 SPECIFICATION NUMBER: BACS53B1EA1 OPTIONAL PART: VNS1924CA3-1-8 V92215		2
35	287U0020-12		..ANGLE		1
- 50	287T4173-3		PROVISION INSTL-DISC. PNL WIRE CREW REST PURSERS CONSOLE, SHIPWIRE INTEGRATION PANEL POSITION DATA: SECT. 41 UPR STA 38.2 FWD FOR NHA SEE: 24-00-57-02		RF
55	287T4150-212		.PANEL-DISC. ATTACHING PARTS		1
- 60	NAS1801-3-5		.SCREW		4
- 65	AN960JD10L		.WASHER		4
			-----*-----		
- 70	287T4173-4		PROVISION INSTL-WIRE CREW REST PURSERS CONSOLE SHIPWIRE INTGRATION PNL POSITION DATA: SECT. 41 UPR STA 38.2 FWD FOR NHA SEE: 24-00-57-02		RF

ILLUSTRATION ITEMS NOT ON PARTS LIST ARE NOT APPLICABLE

- ITEM NOT ILLUSTRATED

HXL

**24-00-51-05**

BOEING PROPRIETARY - Copyright © - Unpublished Work - See title page for details.

24-00-51  
FIG. 05  
PAGE 1  
DEC 22/07

**BOEING**  
767  
**PARTS CATALOG (MAINTENANCE)**

FIG ITEM	PART NUMBER	1 2 3 4 5 6 7	NOMENCLATURE	EFFECT FROM TO	UNITS PER ASSY
5					
75	S38J1		.ATTACHMENT-STGR SUPPLIER CODE: V59237 SPECIFICATION NUMBER: BACS38J1 OPTIONAL PART: 30187-2 V26835		4
80	S38J2		.STRAP SUPPLIER CODE: V59237 SPECIFICATION NUMBER: BACS38J2 OPTIONAL PART: 30187-3 V26835		4
- 85	287T4173-5		PROVISION INSTL-DUAL GND BLK WIRE POSITION DATA: SECT. 41 UPR STA 390, S-1L FOR NHA SEE: 24-00-57-02		RF
87	287T4137-73		.BRACKET ATTACHING PARTS		1
- 88	BACR15FT5AD		.RIVET -----*-----		3
90	YHLZG16-1		.BLOCK-GND SUPPLIER CODE: V09922 ATTACHING PARTS		2
- 95	BACR15BB4AD		.RIVET -----*-----		4
- 140	287T4173-7		PANEL INSTL-DISC. PNL WIRE BULKHEAD POSITION DATA: SECT. 41 UPR STA 244 FLIGHT DECK FOR NHA SEE: 24-00-57-01	163999	RF
145	287T4150-211		.PANEL-DISC. ATTACHING PARTS	163999	1
- 150	NAS1801-3-13		.SCREW	163999	3
- 155	AN960JD10L		.WASHER -----*-----	163999	3

ILLUSTRATION ITEMS NOT ON PARTS LIST ARE NOT APPLICABLE

- ITEM NOT ILLUSTRATED

HXL

# 24-00-51-05

BOEING PROPRIETARY - Copyright © - Unpublished Work - See title page for details.

24-00-51  
FIG. 05  
PAGE 2  
DEC 22/07

 **BOEING**  
767  
PARTS CATALOG (MAINTENANCE)

NON-ILLUSTRATED FIGURE

THE ITEMS REFLECTED IN THIS FIGURE ARE INTENTIONALLY  
NON-ILLUSTRATED. THEY ARE REFERENCED TO EITHER A  
NEXT HIGHER OR NEXT LOWER ASSEMBLY/INSTALLATION FIGURE.

V 24005701 SH1 1 REV 089

PROVISION INSTL-MULTI SECT. WIRE  
FIGURE 1

**24-00-57-01**

HXL  
DEC 22/06

24-00-57-01  
PAGE 0

 **BOEING**  
767  
**PARTS CATALOG (MAINTENANCE)**

FIG ITEM	PART NUMBER	1 2 3 4 5 6 7	NOMENCLATURE	EFFECT FROM TO	UNITS PER ASSY
1			PROVISION INSTL-MULTI SECT. WIRE		
- 913	287T0002-2		PROVISION INSTL-WIRE		1
- 915	287T4300-2		.SUPPORT INSTL- VARIABLE DRAWING REF: 287T4300-5005		1
- 917	287T4320-3		..PANEL INSTL-WING/BODY WIRE DISC. SPRT POSITION DATA: SECT. 43 LWR LH FOR DETAILS SEE: 53-31-52-01		1
- 919	287T4320-4		..PANEL INSTL-WING/BODY WIRE DISC. SPRT POSITION DATA: SECT. 43 LWR RH FOR DETAILS SEE: 53-31-52-01		1
- 925	287T4600-2		.SUPPORT INSTL- POSITION DATA: SECT. 46 VARIABLE DRAWING REF: 287T4600-5002		1
- 927	287T4604-2		..SPRT INSTL-WIRE PROV DISC. POSITION DATA: SECT. 46 UPR FOR DETAILS SEE: 53-61-52-01		1
- 950	287T0002-1		PROVISION INSTL-WIRE		1
- 959	287T4500-1		.PROVISION INSTL-WIRE POSITION DATA: SECT. 45 VARIABLE DRAWING REF: 287T4500-5002		1
- 962	287T4502-2		..PROVISION INSTL-MLG DOOR UPLATCH PROX SENSORS WIRE FOR DETAILS SEE: 32-61-02-15		1
- 965	287T4504-1		..PANEL INSTL-WHL WELL DISC. POSITION DATA: L FOR DETAILS SEE: 53-51-53-01		1
ILLUSTRATION ITEMS NOT ON PARTS LIST ARE NOT APPLICABLE					

- ITEM NOT ILLUSTRATED

HXL

# 24-00-57-01

BOEING PROPRIETARY - Copyright © - Unpublished Work - See title page for details.

24-00-57  
FIG. 01  
PAGE 1  
DEC 22/06

**BOEING**  
767  
**PARTS CATALOG (MAINTENANCE)**

FIG ITEM	PART NUMBER	1 2 3 4 5 6 7	NOMENCLATURE	EFFECT FROM TO	UNITS PER ASSY
1					
- 965	287T4504-2		..PANEL INSTL-WHL WELL DISC. POSITION DATA: R FOR DETAILS SEE: 53-51-53-01		1
- 968	287T4600-1		.PROVISION INSTL-WIRE POSITION DATA: SECT. 46		1
- 971	287T4303-2		..PLATE INSTL-CARGO COMPT DOOR ELECTRICAL DISC. POSITION DATA: AFT FOR DETAILS SEE: 52-35-50-01		1
- 974	287T4305-2		..HARNESST INSTL-CARGO COMPT STD DOOR HINGE WIRE POSITION DATA: AFT FOR DETAILS SEE: 52-35-50-05		1
- 977	287T4800-1		.PROVISION INSTL-WIRE POSITION DATA: SECT. 48 VARIABLE DRAWING REF: 287T4800-5002		1
- 980	287T4805-1		..BRACKET INSTL-WIRE PROV FOR DETAILS SEE: 53-81-51-02		1
- 983	287T4806-1		..SUPPORT INSTL-HINGE CROSSOVER WIRE POSITION DATA: SECT. 48 FOR DETAILS SEE: 53-86-52-01		1
- 986	287T4807-4		..CONDUIT INSTL-WIRE SPRT FOR DETAILS SEE: 53-81-53-01		1
- 986	287T4807-5		..CONDUIT INSTL-WIRE SPRT FOR DETAILS SEE: 53-81-53-01		1
- 989	287T4900-1		.PROVISION INSTL-WIRE POSITION DATA: SECT. 49 VARIABLE DRAWING REF: 287T4900-5002		1
ILLUSTRATION ITEMS NOT ON PARTS LIST ARE NOT APPLICABLE					

- ITEM NOT ILLUSTRATED

HXL

24-00-57-01

BOEING PROPRIETARY - Copyright © - Unpublished Work - See title page for details.

24-00-57  
FIG. 01  
PAGE 2  
DEC 22/06



767

PARTS CATALOG (MAINTENANCE)

FIG ITEM	PART NUMBER	1 2 3 4 5 6 7	NOMENCLATURE	EFFECT FROM TO	UNITS PER ASSY
1					
- 992	287T4902-1		..SUPPORT INSTL-RAM AIR SYS TRANSITION DUCT POSITION DATA: SECT. 49 FOR DETAILS SEE: 21-53-51-03		1
- 995	287T4903-1		..SUPPORT INSTL-SERVICE COMPT HYDRAULIC SYS POSITION DATA: SECT. 49 FOR DETAILS SEE: 29-18-51-02		1
- 998	287T4905-1		..PROVISION INSTL- ENVIRONMENTAL CONT SYS COOLING PACK WIRE POSITION DATA: LH FOR DETAILS SEE: 21-51-55-01		1
- 998	287T4905-6		..PROVISION INSTL- ENVIRONMENTAL CONT SYS COOLING PACK WIRE POSITION DATA: RH FOR DETAILS SEE: 21-51-55-01		1

ILLUSTRATION ITEMS NOT ON PARTS LIST ARE NOT APPLICABLE

- ITEM NOT ILLUSTRATED

HXL

24-00-57-01

BOEING PROPRIETARY - Copyright © - Unpublished Work - See title page for details.

24-00-57  
FIG. 01  
PAGE 3  
DEC 22/06



 **BOEING**  
767  
PARTS CATALOG (MAINTENANCE)

NON-ILLUSTRATED FIGURE

THE ITEMS REFLECTED IN THIS FIGURE ARE INTENTIONALLY  
NON-ILLUSTRATED. THEY ARE REFERENCED TO EITHER A  
NEXT HIGHER OR NEXT LOWER ASSEMBLY/INSTALLATION FIGURE.

HXL  
DEC 22/06

WIRE PROV INSTL  
FIGURE 1F  
**24-00-57-01F**

24-00-57-01F  
PAGE 0



767

PARTS CATALOG (MAINTENANCE)

FIG ITEM	PART NUMBER	1 2 3 4 5 6 7	NOMENCLATURE	EFFECT FROM TO	UNITS PER ASSY
1 F					
- 7	287T0002-10		WIRE PROV INSTL PROVISION INSTL-WIRE POSITION DATA: MULTI SECT.		RF
- 67	287T0002-1		.PROVISION INSTL-WIRE		1
- 70	287T1000-1		..PROVISION INSTL-WING WIRE POSITION DATA: LH VARIABLE DRAWING REF: 287T1000-5003		1
- 70	287T1000-2		..PROVISION INSTL-WING WIRE POSITION DATA: RH VARIABLE DRAWING REF: 287T1000-5004		1
- 75	287T1005-3		...RACEWAY INSTL-WING TE WIRE PROV POSITION DATA: SECT. 10 LH SIDE FOR DETAILS SEE: 57-51-63-05		1
- 75	287T1005-4		...RACEWAY INSTL-WING TE WIRE PROVISIONS POSITION DATA: SECT. 10 RH SIDE FOR DETAILS SEE: 57-51-63-05		1
- 77	287T1034-1		...PROVISION INSTL-WIRE WING		1
- 77	287T1034-2		...PROVISION INSTL-WIRE WING		1
- 78	287T1035-1		...CONDUIT INSTL-WIRE SPRT POSITION DATA: RSS 295-RSS 327 LH FOR DETAILS SEE: 57-27-51-01		1
- 78	287T1035-2		...CONDUIT INSTL-WIRE SPRT POSITION DATA: RSS 295-RSS 327 RH FOR DETAILS SEE: 57-27-51-01		1

ILLUSTRATION ITEMS NOT ON PARTS LIST ARE NOT APPLICABLE

- ITEM NOT ILLUSTRATED

HXL

24-00-57-01F

BOEING PROPRIETARY - Copyright © - Unpublished Work - See title page for details.

24-00-57  
FIG. 01F  
PAGE 1  
DEC 22/07

 **BOEING**  
767  
PARTS CATALOG (MAINTENANCE)

NON-ILLUSTRATED FIGURE

THE ITEMS REFLECTED IN THIS FIGURE ARE INTENTIONALLY  
NON-ILLUSTRATED. THEY ARE REFERENCED TO EITHER A  
NEXT HIGHER OR NEXT LOWER ASSEMBLY/INSTALLATION FIGURE.

PROVISION INSTL-MULTI SECT. WIRE  
FIGURE 2

**24-00-57-02**

HXL  
DEC 22/06

24-00-57-02  
PAGE 0



767

PARTS CATALOG (MAINTENANCE)

FIG ITEM	PART NUMBER	1 2 3 4 5 6 7	NOMENCLATURE	EFFECT FROM TO	UNITS PER ASSY
2			PROVISION INSTL-MULTI SECT. WIRE		
- 1	287T0000-12		PROVISION INSTL-MULTI SECT. VAR WIRE 767-300 EXTENDED RANGE VARIABLE DRAWING REF: 287T0000-5042		RF
- 5	287T0001-1		.PROVISION INSTL-MISC. FUNCTIONAL REFERENCE: AIRBORNE AUXILIARY POWER FOR DETAILS SEE 49-11-00-01 DOORS FOR DETAILS SEE 52-34-58-01 ELECTRICAL POWER FOR DETAILS SEE 24-31-51-02 FUSELAGE FOR DETAILS SEE 53-10-52-01 53-31-57-06 53-36-51-01 53-51-58-05 53-61-67-02 53-61-68-01 53-81-61-01 53-81-61-02 INDICATING/RECORDING FOR DETAILS SEE 31-31-58-01 POWER PLANT FOR DETAILS SEE 71-50-01-01 WINGS FOR DETAILS SEE 57-41-70-01		1
- 10	287T0021-36		.JUMPER INSTL-GND FOR DETAILS SEE: 25-28-57-02 25-28-57-02A 25-28-57-02B		1

ILLUSTRATION ITEMS NOT ON PARTS LIST ARE NOT APPLICABLE

- ITEM NOT ILLUSTRATED

HXL

24-00-57-02

BOEING PROPRIETARY - Copyright © - Unpublished Work - See title page for details.

24-00-57  
FIG. 02  
PAGE 1  
DEC 22/07

 **BOEING**  
767  
**PARTS CATALOG (MAINTENANCE)**

FIG ITEM	PART NUMBER	1 2 3 4 5 6 7	NOMENCLATURE	EFFECT FROM TO	UNITS PER ASSY
2					
- 15	287T0072-1		.DECAL INSTL-LIGHTNING STRIKE POSITION DATA: SECT. 41 UPR FOR DETAILS SEE: 11-31-05-03 11-34-02-20 11-34-50-01		1
- 15	287T0072-2		.DECAL INSTL-LIGHTNING STRIKE POSITION DATA: SECT. 41 LWR FUNCTIONAL REFERENCE: PLACARDS AND MARKINGS FOR DETAILS SEE 11-36-07-03 11-36-09-20 11-36-10-15 11-36-15-01 11-36-17-02 11-36-50-02 STRUCTURES FOR DETAILS SEE 51-61-01-01D		1
- 15	287T0072-3		.DECAL INSTL-LIGHTNING STRIKE POSITION DATA: SECT. 43 LWR FOR DETAILS SEE: 11-35-17-01		1
- 15	287T0072-4		.DECAL INSTL-MAIN WHL WELL LIGHTNING STRIKE FOR DETAILS SEE: 11-22-53-01		1
- 15	287T0072-5		.DECAL INSTL-LIGHTNING STRIKE POSITION DATA: L AND R WING FOR DETAILS SEE: 11-24-55-01		1
- 90	287T1044-3		.PROVISION INSTL-WING PW4000 AND CF6-80C2 FADEC ENG POSITION DATA: SECT. 10 L FOR DETAILS SEE: 57-41-57-02		1
ILLUSTRATION ITEMS NOT ON PARTS LIST ARE NOT APPLICABLE					

- ITEM NOT ILLUSTRATED

HXL

24-00-57-02

BOEING PROPRIETARY - Copyright © - Unpublished Work - See title page for details.

24-00-57  
FIG. 02  
PAGE 2  
DEC 22/07



767

PARTS CATALOG (MAINTENANCE)

FIG ITEM	PART NUMBER	1 2 3 4 5 6 7	NOMENCLATURE	EFFECT FROM TO	UNITS PER ASSY
2					
- 95	287T1044-4		.PROVISION INSTL-WING PW4000 AND CF6-80C2 FADEC ENG POSITION DATA: SECT. 10 R FOR DETAILS SEE: 57-41-57-02		1
- 98	287T1044-1		.PROVISION INSTL-FOUR BAY FUEL POSITION DATA: SECT. 10 CTR FOR DETAILS SEE: 57-41-57-02		1
- 100	287T1100-5		.PROVISION INSTL-SAILBOAT PW4000 ENG POSITION DATA: SECT. 31 L FOR DETAILS SEE: 54-51-64-01		1
- 105	287T1100-6		.PROVISION INSTL-SAILBOAT PW4000 ENG POSITION DATA: SECT. 31 R FOR DETAILS SEE: 54-51-64-01		1
- 125	287T4101-12		.PROVISION INSTL-P61 FLIGHT ENG CONSOLE TERM. BLK POSITION DATA: SECT. 41 FOR DETAILS SEE: 24-00-51-02		1
- 125	287T4101-14		.SUPPORT INSTL- POSITION DATA: SECT. 41 STA 287.00 UPR L SIDE FOR DETAILS SEE: 24-00-51-03		1
- 125	287T4101-19		.SUPPORT INSTL-FLIGHT DECK AREA POSITION DATA: SECT. 41 UPR FOR DETAILS SEE: 24-00-51-03		1
- 125	287T4101-36		.SUPPORT INSTL-767-300 PASS. CAB. POSITION DATA: SECT. 41 STA 415 FWD FOR DETAILS SEE: 24-00-51-03		1

ILLUSTRATION ITEMS NOT ON PARTS LIST ARE NOT APPLICABLE

- ITEM NOT ILLUSTRATED

24-00-57-02

24-00-57  
FIG. 02  
PAGE 3  
DEC 22/07

HXL

 **BOEING**  
767  
**PARTS CATALOG (MAINTENANCE)**

FIG ITEM	PART NUMBER	1 2 3 4 5 6 7	NOMENCLATURE	EFFECT FROM TO	UNITS PER ASSY
2					
- 125	287T4101-37		.PROVISION INSTL-767-300 PASS. CAB. POSITION DATA: SECT. 41 STA 415 FWD FOR DETAILS SEE: 24-00-51-03		1
- 126	287T4101-44		.PROVISION INSTL-DRIPSHIELD PASS. COMPT FWD CLOSET ADDITION POSITION DATA: SECT. 41 UPR FUNCTIONAL REFERENCE: PLACARDS AND MARKINGS FOR DETAILS SEE 11-32-02-01 ELECTRICAL POWER FOR DETAILS SEE 24-00-51-02		1
- 130	287T4102-5		.PROVISION INSTL-GALLEY STRUCT POSITION DATA: SECT. 41 LWR FWD FOR DETAILS SEE: 53-10-52-02		1
- 130	287T4102-10		.SUPPORT INSTL- POSITION DATA: SECT. 41 LWR FOR DETAILS SEE: 53-10-52-02		1
- 130	287T4102-12		.BOARD INSTL-TERM. POSITION DATA: SECT. 41 LWR FUNCTIONAL REFERENCE: PLACARDS AND MARKINGS FOR DETAILS SEE 11-36-50-01 FUSELAGE FOR DETAILS SEE 53-10-52-02		1
- 130	287T4102-17		.PROVISION INSTL-HYDR MOTOR DRIVEN GEN SPRT POSITION DATA: SECT. 41 LWR FOR DETAILS SEE: 53-10-52-04		1
ILLUSTRATION ITEMS NOT ON PARTS LIST ARE NOT APPLICABLE					

- ITEM NOT ILLUSTRATED

HXL

**24-00-57-02**

BOEING PROPRIETARY - Copyright © - Unpublished Work - See title page for details.

24-00-57  
FIG. 02  
PAGE 4  
DEC 22/07



767

PARTS CATALOG (MAINTENANCE)

FIG ITEM	PART NUMBER	1 2 3 4 5 6 7	NOMENCLATURE	EFFECT FROM TO	UNITS PER ASSY
2					
- 130	287T4102-18		.BLOCK INSTL-WINDSHEAR DETECTION AND GUIDANCE SYS GND POSITION DATA: SECT. 41 LWR FOR DETAILS SEE: 53-10-52-02		1
- 130	287T4102-19		.PROVISION INSTL-COAX. CABLE SPRT POSITION DATA: SECT. 41 LWR FOR DETAILS SEE: 53-10-52-02		1
- 130	287T4102-20		.PROVISION INSTL-PRESSURE BHD DECAL AND CONN BONDING REQUIREMENT POSITION DATA: SECT. 41 STA 132 LWR FOR DETAILS SEE: 53-10-52-02		1
- 130	287T4102-25		.PROVISION INSTL-PRESSURE BHD DECAL AND CONN BONDING REQUIREMENT POSITION DATA: SECT. 41 STA 132 LWR FOR DETAILS SEE: 53-10-52-02		1
- 130	287T4102-28		.TUBE INSTL-SPRT POSITION DATA: SECT. 41 STA 240 LWR RH FOR DETAILS SEE: 53-10-52-02		1
- 135	287T4103-5		.PANEL INSTL-P5 OVHD DISC. POSITION DATA: SECT. 41 UPR LEFT FOR DETAILS SEE: 53-11-51-01		1
- 135	287T4103-6		.PANEL INSTL-P5 OVHD DISC. POSITION DATA: SECT. 41 UPR RH FOR DETAILS SEE: 53-11-51-01		1
- 135	287T4103-8		.BRACKET INSTL-SLIDING WINDOW DISC. POSITION DATA: SECT. 41 UPR RH FOR DETAILS SEE: 53-11-51-01		1
ILLUSTRATION ITEMS NOT ON PARTS LIST ARE NOT APPLICABLE					

- ITEM NOT ILLUSTRATED

24-00-57-02

24-00-57  
FIG. 02  
PAGE 5  
DEC 22/07

HXL





767

PARTS CATALOG (MAINTENANCE)

FIG ITEM	PART NUMBER	1 2 3 4 5 6 7	NOMENCLATURE	EFFECT FROM TO	UNITS PER ASSY
2					
- 135	287T4103-9		.PANEL INSTL-P61 FLIGHT ENGRS DISC. POSITION DATA: SECT. 41 UPR FOR DETAILS SEE: 53-11-51-01		1
- 135	287T4103-10		.PANEL INSTL-P1 INSTR DISC. POSITION DATA: SECT. 41 FWD LH FOR DETAILS SEE: 53-11-51-01		1
- 135	287T4103-11		.PANEL INSTL-P2 INSTR DISC. POSITION DATA: SECT. 41 FWD RIGHT FOR DETAILS SEE: 53-11-51-01		1
- 140	287T4113-7		.PROVISION INSTL-TCAS ANT. DISC. POSITION DATA: SECT. 41 STA 373.2 UPR ELECTRICAL EQUIP NUMBER: M01706 FOR DETAILS SEE: 53-31-56-01		1
- 140	287T4113-8		.PROVISION INSTL-TCAS ANT. DISC. POSITION DATA: SECT. 41 STA 373.2 UPR ELECTRICAL EQUIP NUMBER: M01706 FOR DETAILS SEE: 53-31-56-01		1
- 140	287T4113-3		.PROVISION INSTL-ATC ANT. DISC. POSITION DATA: SECT. 43 STA 440 UPR ELECTRICAL EQUIP NUMBER: M00261 FOR DETAILS SEE: 53-31-56-01		1
- 140	287T4113-4		.SUPPORT INSTL- POSITION DATA: SECT. 43 STA 440 UPR FOR DETAILS SEE: 53-31-56-01		1
ILLUSTRATION ITEMS NOT ON PARTS LIST ARE NOT APPLICABLE					

- ITEM NOT ILLUSTRATED

24-00-57-02

24-00-57  
FIG. 02  
PAGE 6  
DEC 22/07

HXL



767

PARTS CATALOG (MAINTENANCE)

FIG ITEM	PART NUMBER	1 2 3 4 5 6 7	NOMENCLATURE	EFFECT FROM TO	UNITS PER ASSY
2					
- 150	287T4116-9		.PROVISION INSTL-TCAS POSITION DATA: SECT. 41 LWR FOR DETAILS SEE: 53-10-52-06		1
- 150	287T4116-10		.PROVISION INSTL-TCAS DISC. PNL POSITION DATA: SECT. 41 STA 399 LWR FOR DETAILS SEE: 53-10-52-06		1
- 155	287T4117-1		.IDENTIFICATION INSTL- POSITION DATA: SECT. 41 STA 347.00 TO STA 355.00 FOR DETAILS SEE: 11-36-22-02		1
- 160	287T4129-3		.PROVISION INSTL-NLG WHL WELL POSITION DATA: SECT. 41 FOR DETAILS SEE: 32-61-03-15		1
- 165	287T4131-2		.TRAY INSTL- POSITION DATA: SECT. 41 LWR FOR DETAILS SEE: 53-11-53-01		1
- 170	287T4157-2		.CONDUIT INSTL- POSITION DATA: SECT. 41 LWR FOR DETAILS SEE: 24-31-51-02		1
- 175	287T4158-1		.PROVISION INSTL-AIDS POSITION DATA: SECT. 41 LWR L FOR DETAILS SEE: 53-10-52-08		1
- 175	287T4158-2		.PROVISION INSTL- POSITION DATA: SECT. 41 STA 325 LWR L LBL60, WL200 FOR DETAILS SEE: 53-10-52-08		1

ILLUSTRATION ITEMS NOT ON PARTS LIST ARE NOT APPLICABLE

- ITEM NOT ILLUSTRATED

HXL

24-00-57-02

BOEING PROPRIETARY - Copyright © - Unpublished Work - See title page for details.

24-00-57  
FIG. 02  
PAGE 7  
DEC 22/07



767

PARTS CATALOG (MAINTENANCE)

FIG ITEM	PART NUMBER	1 2 3 4 5 6 7	NOMENCLATURE	EFFECT FROM TO	UNITS PER ASSY
2 - 180	287T4163-1		.PROVISION INSTL-DIODE FOR GE AND PW4000 ENG POSITION DATA: SECT. 41 UPR FUNCTIONAL REFERENCE: FIRE PROTECTION FOR DETAILS SEE 26-11-60-01 26-15-60-01 PLACARDS AND MARKINGS FOR DETAILS SEE 11-32-60-01 AIRBORNE AUXILIARY POWER FOR DETAILS SEE 49-15-50-01		1
- 180	287T4163-3		.PROVISION INSTL-DIODE POSITION DATA: SECT. 41 UPR FUNCTIONAL REFERENCE: PLACARDS AND MARKINGS FOR DETAILS SEE 11-32-60-01 PNEUMATIC FOR DETAILS SEE 36-11-70-01		1
- 180	287T4163-6		.PROVISION INSTL-ANTI-SKID CONT UNIT DIODE POSITION DATA: SECT. 41 UPR FOR DETAILS SEE: 32-42-57-01		1
- 180	287T4163-7		.PROVISION INSTL-STRUT DUCT LEAK DETECTION DIODE POSITION DATA: SECT. 41 UPR FOR DETAILS SEE: 26-18-53-01		1
- 180	287T4163-9		.PROVISION INSTL-FUEL JETTISON DIODE POSITION DATA: SECT. 41 UPR FOR DETAILS SEE: 28-31-50-01		1
- 182	287T4173-7		.PANEL INSTL-FLIGHT DECK BHD DISC. POSITION DATA: SECT. 41 UPR STA 244 FOR DETAILS SEE: 24-00-51-05	163999	1

ILLUSTRATION ITEMS NOT ON PARTS LIST ARE NOT APPLICABLE

- ITEM NOT ILLUSTRATED

24-00-57-02

24-00-57  
FIG. 02  
PAGE 8  
DEC 22/07

HXL



767

PARTS CATALOG (MAINTENANCE)

FIG ITEM	PART NUMBER	1 2 3 4 5 6 7	NOMENCLATURE	EFFECT FROM TO	UNITS PER ASSY
2					
- 182	287T4173-3		.PROVISION INSTL-DISC. POSITION DATA: STA 38.2 FOR DETAILS SEE: 24-00-51-05		1
- 182	287T4173-4		.PROVISION INSTL-SPRT POSITION DATA: STA 38.2 FOR DETAILS SEE: 24-00-51-05		1
- 182	287T4173-5		.PROVISION INSTL-DUAL GND BLK POSITION DATA: STA 390 S-1L FOR DETAILS SEE: 24-00-51-05		1
- 182	287T4173-2		.PROVISION INSTL-SIDEWALL GALLEYS GND BRKT POSITION DATA: STA 129.96 FOR DETAILS SEE: 24-00-51-05		1
- 183	287T4619-8		.PROVISION INSTL-CAB. PRESSURE OUTFLOW VALVE GND SEPARATION POSITION DATA: SECT. 46 LWR FOR DETAILS SEE: 53-61-66-02		1
- 183	287T4619-20		.PROVISION INSTL-MTG PLATE POSITION DATA: SECT. 46 LWR FOR DETAILS SEE: 53-61-66-02	155162	1
- 183	287T4619-18		.PROVISION INSTL- FOR DETAILS SEE: 53-61-66-02		1
- 185	287T4320-1		.PANEL INSTL-WING/BODY DISC. POSITION DATA: LH SIDE FOR DETAILS SEE: 53-31-52-01		1
- 185	287T4320-2		.PANEL INSTL-WING/BODY DISC. POSITION DATA: RH SIDE FOR DETAILS SEE: 53-31-52-01		1
ILLUSTRATION ITEMS NOT ON PARTS LIST ARE NOT APPLICABLE					

- ITEM NOT ILLUSTRATED

24-00-57-02

24-00-57  
FIG. 02  
PAGE 9  
DEC 22/07

HXL



767

PARTS CATALOG (MAINTENANCE)

FIG ITEM	PART NUMBER	1 2 3 4 5 6 7	NOMENCLATURE	EFFECT FROM TO	UNITS PER ASSY
2					
- 195	287T1051-1		.PROVISION INSTL-SLAT SKEW DETECTION POSITION DATA: LH SIDE REWORK DRAWING REF: 015T1452-4 POST ALERT SB: 27A0140R2 FOR DETAILS SEE: 57-41-01-02		1
- 195	287T1051-2		.PROVISION INSTL-SLAT SKEW DETECTION POSITION DATA: RH SIDE REWORK DRAWING REF: 015T1452-4 POST ALERT SB: 27A0140R2 FOR DETAILS SEE: 57-41-01-02		1
- 222	287T4334-16		.PROVISION INSTL- POSITION DATA: STA 632 S-14R AND S-16R FOR DETAILS SEE: 53-31-57-08		1
- 223	287T4334-38		.PROVISION INSTL-MUX DISC. POSITION DATA: STA 440 S-12R AND STA 460 S-2L FOR DETAILS SEE: 53-31-57-09	163999	1
- 224	287T4334-37		.PROVISION INSTL-MUX SPRT POSITION DATA: STA 440 S-12R AND STA 460 S-2L FOR DETAILS SEE: 53-31-57-09	163999	1
- 224	287T4334-26		.PROVISION INSTL-DISC. BRKT POSITION DATA: STA 639.4 FOR DETAILS SEE: 53-31-57-08		1
- 224	287T4334-27		.PROVISION INSTL-PURSERS CONSOLE DISC. BRKT POSITION DATA: STA 447 TO 467 LH SIDE FOR DETAILS SEE: 53-31-57-08		1

ILLUSTRATION ITEMS NOT ON PARTS LIST ARE NOT APPLICABLE

- ITEM NOT ILLUSTRATED

24-00-57-02

24-00-57  
FIG. 02  
PAGE 10  
DEC 22/07

HXL



767

PARTS CATALOG (MAINTENANCE)

FIG ITEM	PART NUMBER	1 2 3 4 5 6 7	NOMENCLATURE	EFFECT FROM TO	UNITS PER ASSY
2					
- 224	287T4334-29		.PROVISION INSTL-SEAT ELECTRONIC BOX DISC. POSITION DATA: STA 731 S-19 FOR DETAILS SEE: 53-31-57-08		1
- 224	287T4334-28		.PROVISION INSTL-SEAT ELECTRONIC BOX DISC. POSITION DATA: STA 731 S-19 FOR DETAILS SEE: 53-31-57-08		1
- 226	287T4334-25		.PROVISION INSTL-INVERTED TROUGH DISC. BRKT POSITION DATA: STA 654+105 FOR DETAILS SEE: 53-31-57-08		1
- 230	287T4519-6		.PROVISION INSTL-WIRE MAIN WHL WELL (PARKING AND MAIN BRAKE ON INDICATION SYS (S664), OR FLIGHT RECORDER/ AIDS BRAKE PRESSURE XDUCER (TS451)) POSITION DATA: RH FOR DETAILS SEE: 32-44-09-01		1
- 230	287T4519-7		.PROVISION INSTL-WIRE MLG WHL WELL (REQUIRED FOR AUTOMATIC BRAKE SYS RTO MODE MANUAL BRAKE OVERRIDE- S595)(WIRE SPRT ARE ALSO USED WHEN PARKING AND MAIN BRAKE INDICATION SYS IS REQUIRED) POSITION DATA: LH FOR DETAILS SEE: 32-44-09-01		1
- 234	287T4520-14		.PROVISION INSTL-INVERTED TROUGH DISC. PNL POSITION DATA: STA 922.03 MID CAB. FOR DETAILS SEE: 53-51-59-09		1
ILLUSTRATION ITEMS NOT ON PARTS LIST ARE NOT APPLICABLE					

- ITEM NOT ILLUSTRATED

24-00-57-02

24-00-57  
FIG. 02  
PAGE 11  
DEC 22/07

HXL



**PARTS CATALOG (MAINTENANCE)**

FIG ITEM	PART NUMBER	1 2 3 4 5 6 7	NOMENCLATURE	EFFECT FROM TO	UNITS PER ASSY
2					
- 234	287T4520-26		.PROVISION INSTL-INVERTED TROUGH DISC. BRKT POSITION DATA: STA 860 MID CAB. FOR DETAILS SEE: 53-51-59-10	163999	1
- 240	287T4302-10		.PROVISION INSTL-LARGE CARGO DOOR SPRT FOR DETAILS SEE: 53-31-59-02		1
- 240	287T4302-13		.PROVISION INSTL- FOR DETAILS SEE: 53-31-59-02	155162 164999	1
- 240	287T4302-14		.PROVISION INSTL-PWR FEEDER SPRT POSITION DATA: STA 676 TO 786 RH SIDE FOR DETAILS SEE: 53-31-59-02	155162 164999	1
- 240	287T4302-6		.PROVISION INSTL- FOR DETAILS SEE: 53-31-59-02	163163	1
- 255	287T4322-19		.PROVISION INSTL-ECS GND POSITION DATA: STA 654+39 S-32L FOR DETAILS SEE: 53-31-52-07		1
- 255	287T4322-9		.PROVISION INSTL-CROSSOVER POSITION DATA: STA 720-742 FOR DETAILS SEE: 53-31-52-07		1
- 255	287T4322-12		.PROVISION INSTL-767-300 WITH LARGE CORGO COMPT DOOR PDU GND SPRT FOR DETAILS SEE: 53-31-52-07		1
- 260	287T4109-5		.BOARD INSTL-TERM. FUNCTIONAL REFERENCE: PLACARDS AND MARKINGS FOR DETAILS SEE 11-36-50-01 LIGHTS FOR DETAILS SEE 33-13-53-01		1
ILLUSTRATION ITEMS NOT ON PARTS LIST ARE NOT APPLICABLE					

- ITEM NOT ILLUSTRATED

HXL

**24-00-57-02**

BOEING PROPRIETARY - Copyright © - Unpublished Work - See title page for details.

24-00-57  
FIG. 02  
PAGE 12  
DEC 22/07



767

PARTS CATALOG (MAINTENANCE)

FIG ITEM	PART NUMBER	1 2 3 4 5 6 7	NOMENCLATURE	EFFECT FROM TO	UNITS PER ASSY
2					
- 265	287T4302-9		.PROVISION INSTL-767-300 STGR SPRT POSITION DATA: SECT. 43 LWR FOR DETAILS SEE: 53-31-59-02		1
- 270	287T4319-3		.PROVISION INSTL-CARGO DOOR BRKT FOR DETAILS SEE: 52-33-05-05	155162	1
- 340	287T4602-5		.PROVISION INSTL-767-300 FOR DETAILS SEE: 53-61-66-01B		1
- 340	287T4602-6		.PROVISION INSTL-SPRT WIRE 767-300 POSITION DATA: SECT. 46 LWR FOR DETAILS SEE: 53-61-66-01B		1
- 350	287T4301-9		.PROVISION INSTL-767-300 PASS. CAB. POSITION DATA: SECT. 43 FOR DETAILS SEE: 53-31-57-02		1
- 350	287T4301-10		.PROVISION INSTL-767-300 PASS. CAB. SPRT POSITION DATA: SECT. 43 FOR DETAILS SEE: 53-31-57-02		1
- 355	287T4501-4		.PROVISION INSTL-767-300 WITH EXIT HATCH FRAMES PASS. CAB. POSITION DATA: SECT. 45 UPR FOR DETAILS SEE: 53-51-58-01		1
- 355	287T4501-5		.SUPPORT INSTL-767-300 PASS. CAB. SPRT POSITION DATA: SECT. 45 UPR FOR DETAILS SEE: 53-51-58-01		1

ILLUSTRATION ITEMS NOT ON PARTS LIST ARE NOT APPLICABLE

- ITEM NOT ILLUSTRATED

24-00-57-02

24-00-57  
FIG. 02  
PAGE 13  
DEC 22/07

HXL





767

PARTS CATALOG (MAINTENANCE)

FIG ITEM	PART NUMBER	1 2 3 4 5 6 7	NOMENCLATURE	EFFECT FROM TO	UNITS PER ASSY
2					
- 355	287T4501-13		.PROVISION INSTL-WIRE DISC. BRKT FOR HEATER BLANKET INSTL FOR FOUR OVERWING EXIT HATCHES FOR DETAILS SEE: 53-51-58-01		1
- 360	287T4503-4		.PROVISION INSTL- FOR DETAILS SEE: 53-51-60-01		1
- 360	287T4503-2		.PROVISION INSTL-SPRT FOR DETAILS SEE: 53-51-60-01		1
- 370	287T4604-3		.PANEL INSTL-DISC. FOR DETAILS SEE: 53-61-52-01		1
- 370	287T4604-8		.PANEL INSTL-INVERTED THROUGH DISC. BRKT POSITION DATA: MID CAB. STA 1197+51.65 FOR DETAILS SEE: 53-61-52-01		1
- 370	287T4604-1		.PANEL INSTL-DISC. FOR DETAILS SEE: 53-61-52-01		1
- 375	287T4609-1		.PANEL INSTL-E6 RACK DISC. FOR DETAILS SEE: 53-61-52-01		1
- 375	287T4609-2		.PANEL INSTL-CARGO SIDEWALL DISC. SPRT POSITION DATA: AFT FOR DETAILS SEE: 53-61-52-01		1
- 375	287T4609-3		.PANEL INSTL-CARGO SIDEWALL DISC. POSITION DATA: AFT FOR DETAILS SEE: 53-61-52-01		1
- 380	287T4614-3		.BRACKET INSTL-767-300 VHF ANT. C DISC. POSITION DATA: SECT. 46 LWR FOR DETAILS SEE: 53-61-62-01		1

ILLUSTRATION ITEMS NOT ON PARTS LIST ARE NOT APPLICABLE

- ITEM NOT ILLUSTRATED

HXL

24-00-57-02

BOEING PROPRIETARY - Copyright © - Unpublished Work - See title page for details.

24-00-57  
FIG. 02  
PAGE 14  
DEC 22/07

 **BOEING**  
767  
**PARTS CATALOG (MAINTENANCE)**

FIG ITEM	PART NUMBER	1 2 3 4 5 6 7	NOMENCLATURE	EFFECT FROM TO	UNITS PER ASSY
2					
- 380	287T4614-4		.BRACKET INSTL-767-300 VHF ANT. C DISC. SPRT POSITION DATA: SECT. 46 LWR FOR DETAILS SEE: 53-61-62-01		1
- 385	287T4522-8		.BLOCK INSTL-STOWAGE SPRT BEAM GND POSITION DATA: STA 888.40 CTR FOR DETAILS SEE: 23-34-08-09		1
- 390	287T4338-3		.PROVISION INSTL-PSU RAIL DISC. BRKT POSITION DATA: STA 763 OUTBD FOR DETAILS SEE: 53-31-52-06		1
- 395	287T4601-6		.PROVISION INSTL-767-300 FOR DETAILS SEE: 53-61-67-02		1
- 395	287T4601-7		.PROVISION INSTL-767-300 FOR DETAILS SEE: 53-61-67-02		1
- 405	287T4824-1		.SEAL INSTL- POSITION DATA: RH SIDE FOR DETAILS SEE: 55-31-51-01		1
- 405	287T4824-2		.SEAL INSTL- POSITION DATA: LH SIDE FOR DETAILS SEE: 55-31-51-01		1
- 410	287T4346-2		.DECAL INSTL-ENG FIRE BOTTLE DISC. POSITION DATA: SECT. 43 LWR FOR DETAILS SEE: 11-21-51-05		1
- 435	287T4524-2		.STUD INSTL-HYDR MOTOR DRIVEN GEN MLG WHL WELL GND POSITION DATA: LH SIDE FOR DETAILS SEE: 24-25-01-01		1
ILLUSTRATION ITEMS NOT ON PARTS LIST ARE NOT APPLICABLE					

- ITEM NOT ILLUSTRATED

HXL

**24-00-57-02**

BOEING PROPRIETARY - Copyright © - Unpublished Work - See title page for details.

24-00-57  
FIG. 02  
PAGE 15  
DEC 22/07



767

PARTS CATALOG (MAINTENANCE)

FIG ITEM	PART NUMBER	1 2 3 4 5 6 7	NOMENCLATURE	EFFECT FROM TO	UNITS PER ASSY
2					
- 465	287T4620-3		.BOARD INSTL-GALLEY TERM. TERM. POSITION DATA: STA 1451 S-7L AFT FOR DETAILS SEE: 53-61-75-01		1
- 465	287T4620-4		.BOARD INSTL-GALLEY TERM. SPRT POSITION DATA: STA 1451 S-7L AFT FOR DETAILS SEE: 53-61-75-01		1
- 605	287T8002-1		.PROVISION INSTL-HORIZ STAB. POSITION DATA: LH SIDE FOR DETAILS SEE: 53-81-60-01		1
- 605	287T8002-2		.PROVISION INSTL-HORIZ STAB. POSITION DATA: RH SIDE FOR DETAILS SEE: 53-81-60-01		1
- 620	287T4519-4		.PROVISION INSTL-HYDR MOTOR DRIVEN GEN MLG WHL WELL POSITION DATA: LH SIDE FOR DETAILS SEE: 24-25-01-01		1
- 630	287T1035-1		.CONDUIT INSTL-WIRE SPRT POSITION DATA: RSS 295-RSS 327 LH FOR DETAILS SEE: 57-27-51-01		1
- 630	287T1035-2		.CONDUIT INSTL-WIRE SPRT POSITION DATA: RSS 295-RSS 327 RH FOR DETAILS SEE: 57-27-51-01		1

ILLUSTRATION ITEMS NOT ON PARTS LIST ARE NOT APPLICABLE

- ITEM NOT ILLUSTRATED

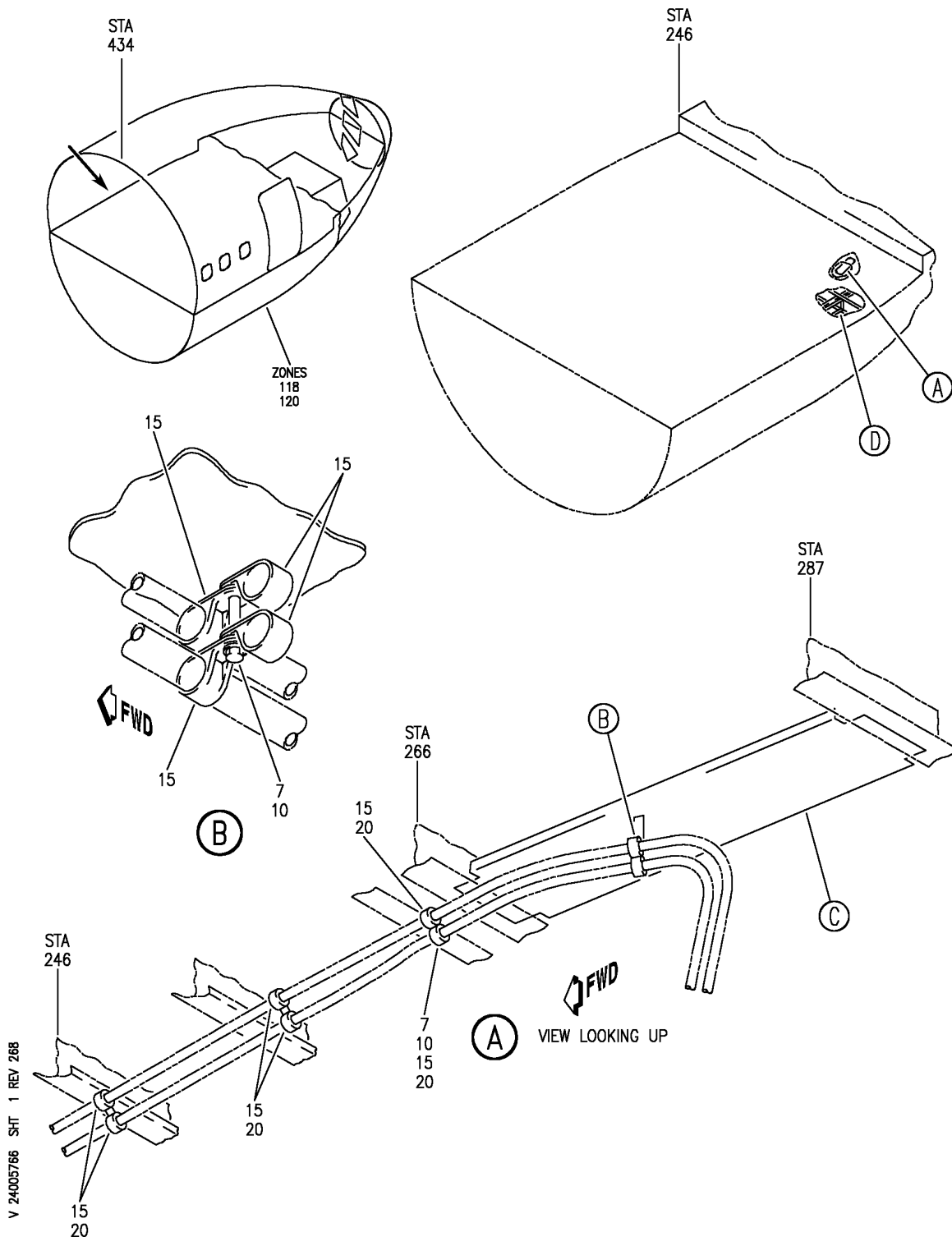
HXL

24-00-57-02

BOEING PROPRIETARY - Copyright © - Unpublished Work - See title page for details.

24-00-57  
FIG. 02  
PAGE 16  
DEC 22/07

**BOEING**  
767  
PARTS CATALOG (MAINTENANCE)



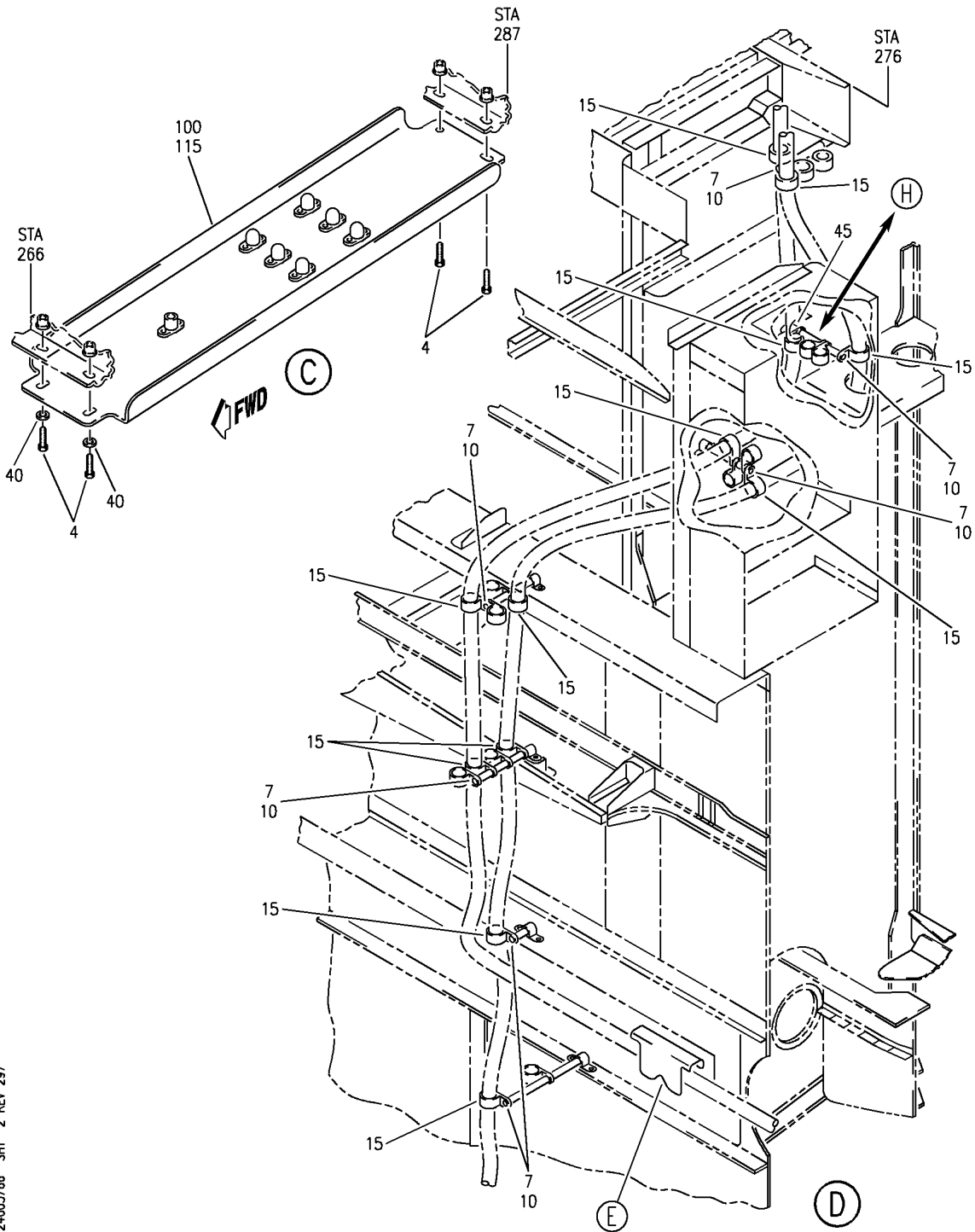
TOP KIT-PASS  
FIGURE 66 (SHEET 1)

**24-00-57-66**

HXL  
DEC 22/06

24-00-57-66  
PAGE 0

**BOEING**  
767  
PARTS CATALOG (MAINTENANCE)



V 24005766 SHT 2 REV 297

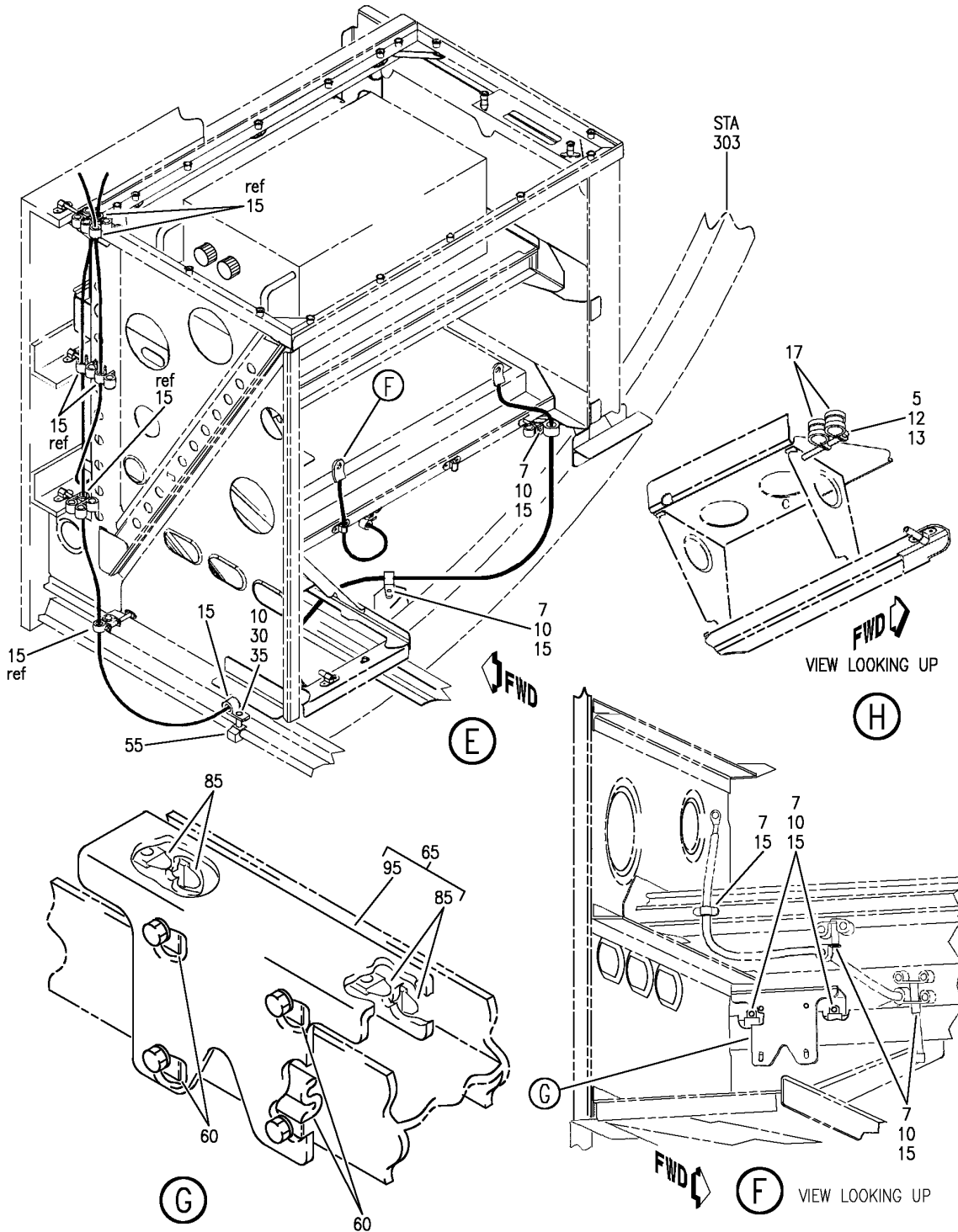
TOP KIT-PASS  
FIGURE 66 (SHEET 2)

**24-00-57-66**

HXL  
DEC 22/06

24-00-57-66  
PAGE 0A

**BOEING**  
767  
PARTS CATALOG (MAINTENANCE)



V 24005766 SHT 3 REV 297

TOP KIT-PASS  
FIGURE 66 (SHEET 3)

**24-00-57-66**

HXL  
DEC 22/06

24-00-57-66  
PAGE 0B



767

PARTS CATALOG (MAINTENANCE)

FIG ITEM	PART NUMBER	1 2 3 4 5 6 7	NOMENCLATURE	EFFECT FROM TO	UNITS PER ASSY
66			TOP KIT-PASS		
- 1	015T1710-1		TOP KIT-PASS		1
			POST ALERT SB: 24A0144		
4	BACS12GU3K		.SCREW-		4
			SIZE DETERMINED ON INSTL. POST ALERT SB: 24A0144		
7	BACS12GU3K		.SCREW-		AR
			SIZE DETERMINED ON INSTL. POST ALERT SB: 24A0144		
10	NAS43DD3		.SPACER-		AR
			SIZE DETERMINED ON INSTL. POST ALERT SB: 24A0144		
15	JM44LC13WSR		.CLAMP-		AR
			SUPPLIER CODE: V22175 SPECIFICATION NUMBER: BACC10GE OPTIONAL PART: S369WH V18076 TA12C32WS V84971 SIZE DETERMINED ON INSTL. POST ALERT SB: 24A0144		
20	PLT1-5IM		.STRAP-		AR
			SUPPLIER CODE: V06383 SPECIFICATION NUMBER: BACS38K5 OPTIONAL PART: T03R0 V53421 POST ALERT SB: 24A0144		
- 25	015T1710-3		.SUB KIT-BUNDLE SPRT		1
			POST ALERT SB: 24A0144		
30	BACS12GU3K16		..SCREW-		1
			POST ALERT SB: 24A0144		
35	NAS1149D0332J		..WASHER-		1
			POST ALERT SB: 24A0144		

ILLUSTRATION ITEMS NOT ON PARTS LIST ARE NOT APPLICABLE

- ITEM NOT ILLUSTRATED

24-00-57-66

24-00-57  
FIG. 66  
PAGE 1  
DEC 22/06

HXL

BOEING PROPRIETARY - Copyright © - Unpublished Work - See title page for details.

**BOEING**  
767  
**PARTS CATALOG (MAINTENANCE)**

FIG ITEM	PART NUMBER	1 2 3 4 5 6 7	NOMENCLATURE	EFFECT FROM TO	UNITS PER ASSY
66					
40	NAS1149D0316J	..	WASHER- POST ALERT SB: 24A0144		2
45	BACN10GH3A4	..	NUTPLATE- POST ALERT SB: 24A0144		1
- 50	BACR15BB4AD4C		ATTACHING PARTS ..RIVET- POST ALERT SB: 24A0144		2
			-----*-----		
55	287W4149-1	..	CLIP- POST ALERT SB: 24A0144		1
55	BACS38Y3	..	SUPPORT-		1
60	69B70071-5	..	CLIP- POST ALERT SB: 24A0144		4
65	287T4146-369	..	BRACKET ASSY- POST ALERT SB: 24A0144		1
			ATTACHING PARTS		
- 70	BACS12GU3K8	..	SCREW- POST ALERT SB: 24A0144		4
- 75	NAS1149D0316J	..	WASHER- POST ALERT SB: 24A0144		4
- 80	NAS43DD3-6FC	..	SPACER- POST ALERT SB: 24A0144		4
			-----*-----		
85	BRF200A3	...	NUTPLATE SUPPLIER CODE: V52828 SPECIFICATION NUMBER: BACN10JR3F OPTIONAL PART: NS103203-02 V80539 RMF9201-3 V72962 VN152A1-02 V92215 T8091S1032 V11815 F5000-3BAC V15653		4
ILLUSTRATION ITEMS NOT ON PARTS LIST ARE NOT APPLICABLE					

- ITEM NOT ILLUSTRATED

HXL

24-00-57-66

BOEING PROPRIETARY - Copyright © - Unpublished Work - See title page for details.

24-00-57  
FIG. 66  
PAGE 2  
AUG 22/09





767

PARTS CATALOG (MAINTENANCE)

FIG ITEM	PART NUMBER	1 2 3 4 5 6 7	NOMENCLATURE	EFFECT FROM TO	UNITS PER ASSY
66			ATTACHING PARTS		
- 90	BACR15BA3ADC	...	RIVET- SIZE DETERMINED ON INSTL. -----*-----		8
95	287T4146-370	...	BRACKET		1
100	287T4146-371	..	BRACKET ASSY- POST ALERT SB: 24A0144		1
- 105	NS103223SE02	...	NUTPLATE SUPPLIER CODE: V80539 SPECIFICATION NUMBER: BACN10JY3CM OPTIONAL PART: 109K9457-3 V72962		2
- 110	BACR15BB3ADC	...	RIVET- SIZE DETERMINED ON INSTL. -----*-----		4
115	287T4146-372	...	BRACKET		1

ILLUSTRATION ITEMS NOT ON PARTS LIST ARE NOT APPLICABLE

- ITEM NOT ILLUSTRATED

HXL

24-00-57-66

BOEING PROPRIETARY - Copyright © - Unpublished Work - See title page for details.

24-00-57  
FIG. 66  
PAGE 3  
DEC 22/06

 **BOEING**  
767  
PARTS CATALOG (MAINTENANCE)

NON-ILLUSTRATED FIGURE

THE ITEMS REFLECTED IN THIS FIGURE ARE INTENTIONALLY  
NON-ILLUSTRATED. THEY ARE REFERENCED TO EITHER A  
NEXT HIGHER OR NEXT LOWER ASSEMBLY/INSTALLATION FIGURE.

EQUIPMENT INSTL-ANTENNAS, DETECTORS, DISCHARGERS, POWER SUPPLIES, TRANSFORMERS AND WAVEGUIDES  
FIGURE 1

HXL  
DEC 22/06

**24-00-58-01**

24-00-58-01  
PAGE 0



 **BOEING**  
767  
**PARTS CATALOG (MAINTENANCE)**

FIG ITEM	PART NUMBER	1 2 3 4 5 6 7	NOMENCLATURE	EFFECT FROM TO	UNITS PER ASSY
R R R R R	1				
	- 220	284T1249-5	.ANTENNA INSTL-TRAFFIC ALERT AND COLLISION AVOIDANCE SYS POSITION DATA: TOP		1
	- 220	284T1249-7	.ANTENNA INSTL-TRAFFIC ALERT AND COLLISION AVOIDANCE SYS TOP MISCELLANEOUS DATA: (POST SAS PCR ATA 34/21/93) VARIABLE DRAWING REF: 284T1249-5012 FOR DETAILS SEE: 34-45-11-01		1
	- 556	284T0223-13	.ANTENNA INSTL-ATC POSITION DATA: STA 448 POST AIRLINE MOD: PCR25 VAAT FOR DETAILS SEE: 34-53-03-01		1
	- 625	284T0728-1	.COUPLER INSTL-TV ANT. UNITED STATES SYSTEM FOR DETAILS SEE: 23-32-04-01		1
	- 850	284T0604-1	.COUPLER INSTL-HF ANT. VERT STAB. VARIABLE DRAWING REF: 284T0604-5002 FOR DETAILS SEE: 23-11-03-01		1
	- 988	284T1073-1	.PANEL INSTL-E3 DISC. FUNCTIONAL REFERENCE: EQUIPMENT/FURNISHINGS FOR DETAILS SEE 25-71-44-01 PLACARDS AND MARKINGS FOR DETAILS SEE 11-36-44-01		1
	- 994	284T1106-1	.FILTER INSTL-WING SURFACE POSITION CKT POSITION DATA: LH FOR DETAILS SEE: 27-18-52-01		1
ILLUSTRATION ITEMS NOT ON PARTS LIST ARE NOT APPLICABLE					

- ITEM NOT ILLUSTRATED

HXL

# 24-00-58-01

BOEING PROPRIETARY - Copyright © - Unpublished Work - See title page for details.

24-00-58  
FIG. 01  
PAGE 2  
AUG 22/09



767

PARTS CATALOG (MAINTENANCE)

FIG ITEM	PART NUMBER	1 2 3 4 5 6 7	NOMENCLATURE	EFFECT FROM TO	UNITS PER ASSY
1					
- 995	284T1106-2		.FILTER INSTL-WING SURFACE POSITION CKT POSITION DATA: RH FOR DETAILS SEE: 27-18-52-01		1
- 996	284T4208-1		.EQUIPMENT INSTL-PURSER STATION VARIABLE DRAWING REF: 284T4208-5003 284T4208-5005 284T4208-5007 FUNCTIONAL REFERENCE: COMMUNICATIONS FOR DETAILS SEE 23-31-56-01 23-34-53-05 LIGHTS FOR DETAILS SEE 33-22-07-03		1

ILLUSTRATION ITEMS NOT ON PARTS LIST ARE NOT APPLICABLE

- ITEM NOT ILLUSTRATED

HXL

24-00-58-01

BOEING PROPRIETARY - Copyright © - Unpublished Work - See title page for details.

24-00-58  
FIG. 01  
PAGE 3  
AUG 22/09

 **BOEING**  
767  
**PARTS CATALOG (MAINTENANCE)**

NON-ILLUSTRATED FIGURE

THE ITEMS REFLECTED IN THIS FIGURE ARE INTENTIONALLY  
NON-ILLUSTRATED. THEY ARE REFERENCED TO EITHER A  
NEXT HIGHER OR NEXT LOWER ASSEMBLY/INSTALLATION FIGURE.

EQUIPMENT INSTL-PANELS ANCILLARY, PROVISIONS  
FIGURE 1A

**24-00-58-01A**

HXL  
DEC 22/06

24-00-58-01A  
PAGE 0



767

PARTS CATALOG (MAINTENANCE)

FIG ITEM	PART NUMBER	1 2 3 4 5 6 7	NOMENCLATURE	EFFECT FROM TO	UNITS PER ASSY
1 A			EQUIPMENT INSTL-PANELS ANCILLARY, PROVISIONS		
- 1	284T1000-010		EQUIPMENT INSTL-PANELS, ANCILLARY, PROVISIONS VARIABLE DRAWING REF: 284T0001-618 284T0001-630 FOR ADDITIONAL DETAILS SEE: 24-00-58-01 24-00-58-01B 24-00-58-01D 24-00-58-01E 24-00-58-01F 24-00-58-01H 24-00-58-01J 24-00-58-01K 24-00-58-01L 24-00-58-01M 24-00-58-01N 24-00-58-01P 24-00-58-01Q 24-00-58-01R 24-00-58-01T		RF
- 25	284T0186-1		.BOX INSTL-LIGHTING PNL P19 POSITION DATA: FWD VARIABLE DRAWING REF: 284T0186-5068 284T0186-5083 FUNCTIONAL REFERENCE: EQUIPMENT/FURNISHINGS FOR DETAILS SEE 25-71-33-01 LIGHTS FOR DETAILS SEE 33-24-51-01 OXYGEN FOR DETAILS SEE 35-21-51-01		1
- 30	284T0756-1		.SUPPORT INSTL-CARGO HANDLING ACCESS PNL LARGE CARGO DOOR P35 VARIABLE DRAWING REF: 284T0756-5001 FOR DETAILS SEE: 53-31-51-02		1

ILLUSTRATION ITEMS NOT ON PARTS LIST ARE NOT APPLICABLE

- ITEM NOT ILLUSTRATED

HXL

24-00-58-01A

BOEING PROPRIETARY - Copyright © - Unpublished Work - See title page for details.

24-00-58  
FIG. 01A  
PAGE 1  
DEC 22/07

 **BOEING**  
767  
**PARTS CATALOG (MAINTENANCE)**

FIG ITEM	PART NUMBER	1 2 3 4 5 6 7	NOMENCLATURE	EFFECT FROM TO	UNITS PER ASSY
1 A - 35	284T0192-1		.EQUIPMENT INSTL-LIGHTING PNL P25 POSITION DATA: AFT VARIABLE DRAWING REF: 284T0192-5037 284T0192-5048 FOR DETAILS SEE: 33-21-51-01		1
- 45	284T0216-4		.PANEL INSTL-CARGO HANDLING CONT LARGE DOOR P24 POSITION DATA: FWD VARIABLE DRAWING REF: 284T0216-5006 FUNCTIONAL REFERENCE: EQUIPMENT/FURNISHINGS FOR DETAILS SEE 25-53-05-01 PLACARDS AND MARKINGS FOR DETAILS SEE 11-37-55-01		1
- 50	284T0216-2		.PANEL INSTL-CARGO HANDLING CONT P27 POSITION DATA: AFT VARIABLE DRAWING REF: 284T0216-5004 FUNCTIONAL REFERENCE: EQUIPMENT/FURNISHINGS FOR DETAILS SEE 25-53-05-01 PLACARDS AND MARKINGS FOR DETAILS SEE 11-37-55-01		1
- 100	284T0271-2		.PANEL INSTL-CARGO DOOR ACTUATION CONT P44 POSITION DATA: AFT VARIABLE DRAWING REF: 284T0271-5010 FOR DETAILS SEE: 52-35-09-01		1

ILLUSTRATION ITEMS NOT ON PARTS LIST ARE NOT APPLICABLE

- ITEM NOT ILLUSTRATED

HXL

24-00-58-01A

BOEING PROPRIETARY - Copyright © - Unpublished Work - See title page for details.

24-00-58  
FIG. 01A  
PAGE 2  
DEC 22/07



 **BOEING**  
767  
**PARTS CATALOG (MAINTENANCE)**

FIG ITEM	PART NUMBER	1 2 3 4 5 6 7	NOMENCLATURE	EFFECT FROM TO	UNITS PER ASSY
1A - 105	284T0290-3		.PANEL INSTL-MAIN EQPT CTR FLOOR POSITION DATA: RH VARIABLE DRAWING REF: 284T0290-5002 FOR DETAILS SEE: 53-01-51-01		1
- 110	284T0290-4		.PANEL INSTL-MAIN EQPT CTR FLOOR POSITION DATA: LH VARIABLE DRAWING REF: 284T0290-5004 FOR DETAILS SEE: 53-01-51-01		1
- 120	284T0348-1		.BOX INSTL-CARGO LOADING PNL P35 POSITION DATA: FWD MISCELLANEOUS DATA: (CONT. AT ITEM 120J) VARIABLE DRAWING REF: 284T0348-5068		1
- 125	284T0349-1		.BOX INSTL-CARGO HANDLING ACCESS. PNL P39 POSITION DATA: AFT VARIABLE DRAWING REF: 284T0349-5054		1
- 130	284T0390-1		.RECEPTACLE INSTL-EXT PWR P30 VARIABLE DRAWING REF: 284T0390-5004 FOR DETAILS SEE: 24-41-02-01		1
- 150	284T0720-1		.PANEL INSTL-APU SHUTDOWN P40 VARIABLE DRAWING REF: 284T0720-5012 FOR DETAILS SEE: 26-15-01-01		1
- 155	284T0924-1		.PANEL INSTL-LARGE CARGO DOOR ACTUATION CONT P43 VARIABLE DRAWING REF: 284T0924-5003 FOR DETAILS SEE: 52-33-11-01		1
ILLUSTRATION ITEMS NOT ON PARTS LIST ARE NOT APPLICABLE					

- ITEM NOT ILLUSTRATED

HXL

# 24-00-58-01A

BOEING PROPRIETARY - Copyright © - Unpublished Work - See title page for details.

24-00-58  
FIG. 01A  
PAGE 3  
DEC 22/07



767  
PARTS CATALOG (MAINTENANCE)

FIG ITEM	PART NUMBER	1 2 3 4 5 6 7	NOMENCLATURE	EFFECT FROM TO	UNITS PER ASSY
1 A - 170	284T1173-1		.PANEL INSTL-P65 VARIABLE DRAWING REF: 284T1173-5002		1

ILLUSTRATION ITEMS NOT ON PARTS LIST ARE NOT APPLICABLE

- ITEM NOT ILLUSTRATED

HXL

24-00-58-01A

BOEING PROPRIETARY - Copyright © - Unpublished Work - See title page for details.

24-00-58  
FIG. 01A  
PAGE 4  
DEC 22/07

 **BOEING**  
767  
PARTS CATALOG (MAINTENANCE)

NON-ILLUSTRATED FIGURE

THE ITEMS REFLECTED IN THIS FIGURE ARE INTENTIONALLY  
NON-ILLUSTRATED. THEY ARE REFERENCED TO EITHER A  
NEXT HIGHER OR NEXT LOWER ASSEMBLY/INSTALLATION FIGURE.

EQUIPMENT INSTL-LIGHTS, SENSORS AND SWITCHES  
FIGURE 1B

**24-00-58-01B**

HXL  
DEC 22/06

24-00-58-01B  
PAGE 0



767

PARTS CATALOG (MAINTENANCE)

FIG ITEM	PART NUMBER	1 2 3 4 5 6 7	NOMENCLATURE	EFFECT FROM TO	UNITS PER ASSY
1B					
- 1	284T1000-010		EQUIPMENT INSTL-LIGHTS, SENSORS AND SWITCHES EQUIPMENT INSTL-LIGHTS, SENSORS AND SWITCHES VARIABLE DRAWING REF: 284T0001-618 284T0001-630 FOR ADDITIONAL DETAILS SEE: 24-00-58-01 24-00-58-01A 24-00-58-01D 24-00-58-01E 24-00-58-01F 24-00-58-01H 24-00-58-01J 24-00-58-01K 24-00-58-01L 24-00-58-01M 24-00-58-01N 24-00-58-01P 24-00-58-01Q 24-00-58-01R 24-00-58-01S 24-00-58-01T 24-00-58-01W		RF
- 5	284T0155-1		.LIGHT INSTL-NOSE WHL WELL SVCE FOR DETAILS SEE: 33-31-03-05		1
- 10	284T0155-2		.LIGHT INSTL-NOSE WHL WELL SVCE FOR DETAILS SEE: 33-31-03-05		1
- 15	284T0196-1		.SWITCH INSTL-BULK CARGO LIGHTS FUNCTIONAL REFERENCE: LIGHTS FOR DETAILS SEE 33-31-51-01 33-37-58-01 PLACARDS AND MARKINGS FOR DETAILS SEE 11-38-08-10		1
- 20	284T0224-1		.LIGHT INSTL-WING TIP NAVIGATION POSITION DATA: FWD LH FOR DETAILS SEE: 33-43-01-01		1
ILLUSTRATION ITEMS NOT ON PARTS LIST ARE NOT APPLICABLE					

- ITEM NOT ILLUSTRATED

**24-00-58-01B**

24-00-58  
FIG. 01B  
PAGE 1  
DEC 22/07

HXL



767

PARTS CATALOG (MAINTENANCE)

FIG ITEM	PART NUMBER	1 2 3 4 5 6 7	NOMENCLATURE	EFFECT FROM TO	UNITS PER ASSY
1B					
- 25	284T0224-2		.LIGHT INSTL-WING TIP NAVIGATION POSITION DATA: FWD RH FOR DETAILS SEE: 33-43-01-01		1
- 30	284T0224-3		.LIGHT INSTL-WING TIP NAVIGATION POSITION DATA: AFT LH VARIABLE DRAWING REF: 284T0224-5003 FOR DETAILS SEE: 33-43-02-01		1
- 35	284T0224-4		.LIGHT INSTL-WING TIP NAVIGATION POSITION DATA: AFT RH VARIABLE DRAWING REF: 284T0224-5004 FOR DETAILS SEE: 33-43-02-01		1
- 40	284T0224-5		.LIGHT INSTL-WING TIP STROBE POSITION DATA: LH FOR DETAILS SEE: 33-44-01-01		1
- 45	284T0224-6		.LIGHT INSTL-WING TIP STROBE POSITION DATA: RH FOR DETAILS SEE: 33-44-01-01		1
- 50	284T0230-21		.LIGHT INSTL-EXT EMER ESCAPE POSITION DATA: LH STA 357.5 MISCELLANEOUS DATA: (FWD SLIDE ILLUMINATION) VARIABLE DRAWING REF: 284T0230-5003 FOR DETAILS SEE: 33-51-06-01		1

ILLUSTRATION ITEMS NOT ON PARTS LIST ARE NOT APPLICABLE

- ITEM NOT ILLUSTRATED

HXL

24-00-58-01B

BOEING PROPRIETARY - Copyright © - Unpublished Work - See title page for details.

24-00-58  
FIG. 01B  
PAGE 2  
DEC 22/07



767

PARTS CATALOG (MAINTENANCE)

FIG ITEM	PART NUMBER	1 2 3 4 5 6 7	NOMENCLATURE	EFFECT FROM TO	UNITS PER ASSY
1B					
- 55	284T0230-22		.LIGHT INSTL-EXT EMER ESCAPE POSITION DATA: RH STA 357.5 MISCELLANEOUS DATA: (FWD SLIDE ILLUMINATION) VARIABLE DRAWING REF: 284T0230-5004 FOR DETAILS SEE: 33-51-06-01		1
- 60	284T1305-3		.SWITCH INSTL-RF COAX VARIABLE DRAWING REF: 284T1305-5001 FOR DETAILS SEE: 34-53-04-01		1
- 70	284T0230-27		.LIGHT INSTL-WING ILLUMINATION POSITION DATA: LH STA 654+33 FOR DETAILS SEE: 33-41-00-01		1
- 75	284T0230-28		.LIGHT INSTL-WING ILLUMINATION POSITION DATA: RH STA 654+33 FOR DETAILS SEE: 33-41-00-01		1
- 90	284T0230-33		.LIGHT INSTL-EXT EMER ESCAPE POSITION DATA: LH STA 893.5 FWD MISCELLANEOUS DATA: (OVERWING ESCAPE ILLUMINATION) FOR DETAILS SEE: 33-51-06-01		1
- 95	284T0230-34		.LIGHT INSTL-EXT EMER ESCAPE POSITION DATA: RH STA 893.5 FWD MISCELLANEOUS DATA: (OVERWING ESCAPE ILLUMINATION) FOR DETAILS SEE: 33-51-06-01		1

ILLUSTRATION ITEMS NOT ON PARTS LIST ARE NOT APPLICABLE

- ITEM NOT ILLUSTRATED

24-00-58-01B

24-00-58  
FIG. 01B  
PAGE 3  
DEC 22/07

HXL

BOEING PROPRIETARY - Copyright © - Unpublished Work - See title page for details.



767

PARTS CATALOG (MAINTENANCE)

FIG ITEM	PART NUMBER	1 2 3 4 5 6 7	NOMENCLATURE	EFFECT FROM TO	UNITS PER ASSY
1B - 100	284T0230-15		.LIGHT INSTL-EXT EMER ESCAPE POSITION DATA: LH STA 988 CTR MISCELLANEOUS DATA: (OVERWING ESCAPE ILLUMINATION) FOR DETAILS SEE: 33-51-06-01		1
- 105	284T0230-16		.LIGHT INSTL-EXT EMER ESCAPE POSITION DATA: RH STA 988 CTR MISCELLANEOUS DATA: (OVERWING ESCAPE ILLUMINATION) FOR DETAILS SEE: 33-51-06-01		1
- 110	284T0230-7		.LIGHT INSTL-EXT EMER ESCAPE POSITION DATA: LH STA 1098 AFT MISCELLANEOUS DATA: (OVERWING ESCAPE ILLUMINATION) FOR DETAILS SEE: 33-51-06-01		1
- 115	284T0230-8		.LIGHT INSTL-EXT EMER ESCAPE POSITION DATA: RH STA 1098 AFT MISCELLANEOUS DATA: (OVERWING ESCAPE ILLUMINATION) FOR DETAILS SEE: 33-51-06-01		1
- 122	284T0230-29		.LIGHT INSTL-EXT EMER ESCAPE POSITION DATA: LH STA 1197+33 FWD MISCELLANEOUS DATA: (WING SLIDE ILLUMINATION) FOR DETAILS SEE: 33-51-06-01		1

ILLUSTRATION ITEMS NOT ON PARTS LIST ARE NOT APPLICABLE

- ITEM NOT ILLUSTRATED

24-00-58-01B

24-00-58  
FIG. 01B  
PAGE 4  
DEC 22/07

HXL

BOEING PROPRIETARY - Copyright © - Unpublished Work - See title page for details.

 **BOEING**  
767  
**PARTS CATALOG (MAINTENANCE)**

FIG ITEM	PART NUMBER	1 2 3 4 5 6 7	NOMENCLATURE	EFFECT FROM TO	UNITS PER ASSY
1B - 127	284T0230-30		.LIGHT INSTL-EXT EMER ESCAPE POSITION DATA: RH STA 1197+33 FWD MISCELLANEOUS DATA: (WING SLIDE ILLUMINATION) FOR DETAILS SEE: 33-51-06-01		1
- 129	284T0230-31		.LIGHT INSTL-EXT EMER ESCAPE POSITION DATA: LH STA 1230 AFT MISCELLANEOUS DATA: (WING SLIDE ILLUMINATION) FOR DETAILS SEE: 33-51-06-01		1
- 134	284T0230-32		.LIGHT INSTL-EXT EMER ESCAPE POSITION DATA: LH STA 1230 AFT MISCELLANEOUS DATA: (WING SLIDE ILLUMINATION) FOR DETAILS SEE: 33-51-06-01		1
- 140	284T0230-23		.LIGHT INSTL-EXT EMER ESCAPE POSITION DATA: LH STA 1567.5 MISCELLANEOUS DATA: (AFT SLIDE ILLUMINATION) VARIABLE DRAWING REF: 284T0230-5007 FOR DETAILS SEE: 33-51-06-01		1
- 145	284T0230-24		.LIGHT INSTL-EXT EMER ESCAPE POSITION DATA: RH STA 1567.5 MISCELLANEOUS DATA: (AFT SLIDE ILLUMINATION) VARIABLE DRAWING REF: 284T0230-5008 FOR DETAILS SEE: 33-51-06-01		1

ILLUSTRATION ITEMS NOT ON PARTS LIST ARE NOT APPLICABLE

- ITEM NOT ILLUSTRATED

HXL

24-00-58-01B

BOEING PROPRIETARY - Copyright © - Unpublished Work - See title page for details.

24-00-58  
FIG. 01B  
PAGE 5  
DEC 22/07



 **BOEING**  
767  
**PARTS CATALOG (MAINTENANCE)**

FIG ITEM	PART NUMBER	1 2 3 4 5 6 7	NOMENCLATURE	EFFECT FROM TO	UNITS PER ASSY
1B					
- 150	284T0231-1		.LIGHT INSTL-MAIN CARGO LOADING FOR DETAILS SEE: 33-31-05-01		1
- 155	284T0231-2		.LIGHT INSTL-MAIN CARGO LOADING FOR DETAILS SEE: 33-31-05-01		1
- 160	284T0231-3		.LIGHT INSTL-BULK CARGO LOADING FOR DETAILS SEE: 33-31-05-01		1
- 165	284T0231-5		.LIGHT INSTL-BULK CARGO LOADING FOR DETAILS SEE: 33-31-05-01		1
- 170	284T0232-1		.LIGHT INSTL-ANTI-COLLISION POSITION DATA: UPR VARIABLE DRAWING REF: 284T0232-5019 FOR DETAILS SEE: 33-44-02-01		1
- 175	284T0232-2		.LIGHT INSTL-ANTI-COLLISION POSITION DATA: LWR VARIABLE DRAWING REF: 284T0232-5021 FOR DETAILS SEE: 33-44-02-01		1
- 180	284T0233-1		.LIGHT INSTL-LDG AND RUNWAY TURNOFF POSITION DATA: LH FUNCTIONAL REFERENCE: LIGHTS FOR DETAILS SEE 33-42-01-01 PLACARDS AND MARKINGS FOR DETAILS SEE 11-24-01-02		1
ILLUSTRATION ITEMS NOT ON PARTS LIST ARE NOT APPLICABLE					

- ITEM NOT ILLUSTRATED

HXL

# 24-00-58-01B

BOEING PROPRIETARY - Copyright © - Unpublished Work - See title page for details.

24-00-58  
FIG. 01B  
PAGE 6  
DEC 22/07



767

PARTS CATALOG (MAINTENANCE)

FIG ITEM	PART NUMBER	1 2 3 4 5 6 7	NOMENCLATURE	EFFECT FROM TO	UNITS PER ASSY
1B					
- 185	284T0233-2		.LIGHT INSTL-LDG AND RUNWAY TURNOFF POSITION DATA: RH FUNCTIONAL REFERENCE: LIGHTS FOR DETAILS SEE 33-42-01-01 PLACARDS AND MARKINGS FOR DETAILS SEE 11-24-01-02		1
- 225	284T0241-8		.SENSOR INSTL-CARGO DOOR POSITION DATA: AFT VARIABLE DRAWING REF: 284T0241-5012 FOR DETAILS SEE: 52-71-01-05		1
- 230	284T0241-9		.SENSOR INSTL-CARGO DOOR POSITION DATA: AFT FOR DETAILS SEE: 52-71-01-05		1
- 235	284T0241-10		.SENSOR INSTL-CARGO DOOR POSITION DATA: AFT FOR DETAILS SEE: 52-35-43-01		1
- 240	284T0241-11		.SENSOR INSTL-CARGO DOOR POSITION DATA: AFT FOR DETAILS SEE: 52-35-43-01		1
- 250	284T0241-13		.SENSOR INSTL-CARGO DOOR POSITION DATA: AFT VARIABLE DRAWING REF: 284T0241-5019 FOR DETAILS SEE: 52-35-43-01		1
- 255	284T0241-14		.SENSOR INSTL-CARGO DOOR POSITION DATA: AFT FOR DETAILS SEE: 52-35-43-01		1

ILLUSTRATION ITEMS NOT ON PARTS LIST ARE NOT APPLICABLE

- ITEM NOT ILLUSTRATED

24-00-58-01B

24-00-58  
FIG. 01B  
PAGE 7  
DEC 22/07

HXL

BOEING PROPRIETARY - Copyright © - Unpublished Work - See title page for details.

 **BOEING**  
767  
**PARTS CATALOG (MAINTENANCE)**

FIG ITEM	PART NUMBER	1 2 3 4 5 6 7	NOMENCLATURE	EFFECT FROM TO	UNITS PER ASSY
1B					
- 260	284T0241-15		.SENSOR INSTL-BULK CARGO DOOR VARIABLE DRAWING REF: 284T0241-5023 FOR DETAILS SEE: 52-71-01-05		1
- 265	284T0242-1		.SENSOR INSTL-WING EXIT CLOSED SYS 1 POSITION DATA: LH FOR DETAILS SEE: 52-71-01-01		1
- 270	284T0242-2		.SENSOR INSTL-WING EXIT CLOSED SYS 1 POSITION DATA: RH FOR DETAILS SEE: 52-71-01-01		1
- 275	284T0242-3		.SENSOR INSTL-WING SLIDE DOOR LOCKED SYS 2 POSITION DATA: LH VARIABLE DRAWING REF: 284T0242-5003 FOR DETAILS SEE: 52-71-01-01		1
- 280	284T0242-4		.SENSOR INSTL-WING SLIDE DOOR LOCKED SYS 2 POSITION DATA: RH VARIABLE DRAWING REF: 284T0242-5004 FOR DETAILS SEE: 52-71-01-01		1
- 285	284T0242-9		.SENSOR INSTL-WING SLIDE DOOR CLOSED SYS 2 POSITION DATA: LH FOR DETAILS SEE: 52-71-01-01		1
- 290	284T0242-10		.SENSOR INSTL-WING SLIDE DOOR CLOSED SYS 2 POSITION DATA: RH FOR DETAILS SEE: 52-71-01-01		1
ILLUSTRATION ITEMS NOT ON PARTS LIST ARE NOT APPLICABLE					

- ITEM NOT ILLUSTRATED

HXL

24-00-58-01B

BOEING PROPRIETARY - Copyright © - Unpublished Work - See title page for details.

24-00-58  
FIG. 01B  
PAGE 8  
DEC 22/07



767

PARTS CATALOG (MAINTENANCE)

FIG ITEM	PART NUMBER	1 2 3 4 5 6 7	NOMENCLATURE	EFFECT FROM TO	UNITS PER ASSY
1B					
- 295	284T0242-7		.SENSOR INSTL-WING EXIT CLOSED SYS 1 POSITION DATA: LH FOR DETAILS SEE: 52-71-01-01		1
- 300	284T0242-8		.SENSOR INSTL-WING EXIT CLOSED SYS 1 POSITION DATA: RH FOR DETAILS SEE: 52-71-01-01		1
- 305	284T0247-1		.SWITCH INSTL-RAM AIR TURB FOR DETAILS SEE: 29-21-17-01		1
- 310	284T0247-2		.SWITCH INSTL-RAM AIR TURB FOR DETAILS SEE: 29-21-17-01		1
- 315	284T0247-3		.SWITCH INSTL-RAM AIR TURB FOR DETAILS SEE: 29-21-17-01		1
- 320	284T0248-1		.SENSOR INSTL-FWD AND AFT ENTRY AND SVCE DOORS DOOR HANDLE UP VARIABLE DRAWING REF: 284T0248-5016 FOR DETAILS SEE: 52-11-47-01		1
- 325	284T0248-2		.SENSOR INSTL-FWD AND AFT ENTRY AND SVCE DOORS DOOR UPLATCH RELEASE VARIABLE DRAWING REF: 284T0248-5014 FOR DETAILS SEE: 52-11-47-01		1
- 330	284T0248-3		.SENSOR INSTL-FWD AND AFT ENTRY AND SVCE DOORS DOOR GIRT BAR ACTIVATED SYS 2 POSITION DATA: FWD LH FOR DETAILS SEE: 52-71-01-10		1

ILLUSTRATION ITEMS NOT ON PARTS LIST ARE NOT APPLICABLE

- ITEM NOT ILLUSTRATED

24-00-58-01B

24-00-58  
FIG. 01B  
PAGE 9  
DEC 22/07

HXL

BOEING PROPRIETARY - Copyright © - Unpublished Work - See title page for details.



767

PARTS CATALOG (MAINTENANCE)

FIG ITEM	PART NUMBER	1 2 3 4 5 6 7	NOMENCLATURE	EFFECT FROM TO	UNITS PER ASSY
1B					
- 335	284T0248-4		. SENSOR INSTL-FWD AND AFT ENTRY AND SVCE DOORS DOOR GIRT BAR ACTIVATED SYS 2 POSITION DATA: FWD RH FOR DETAILS SEE: 52-71-01-10		1
- 340	284T0248-5		. SENSOR INSTL-FWD AND AFT ENTRY AND SVCE DOORS GIRT BAR ACTIVATED SYS 2 STD POSITION DATA: AFT LH FOR DETAILS SEE: 52-71-01-10		1
- 345	284T0248-6		. SENSOR INSTL-FWD AND AFT ENTRY AND SVCE DOORS GIRT BAR ACTIVATED SYS 2 STD POSITION DATA: AFT RH FOR DETAILS SEE: 52-71-01-10		1
- 350	284T0248-9		. SENSOR INSTL-FWD AND AFT ENTRY AND SVCE DOORS DOOR DOWN MOTOR STOP FOR DETAILS SEE: 52-71-01-10		1
- 355	284T0248-10		. SENSOR INSTL-FWD AND AFT ENTRY AND SVCE DOORS DOOR UP MOTOR STOP FOR DETAILS SEE: 52-71-01-10		1
- 360	284T0248-11		. SENSOR INSTL-FWD AND AFT ENTRY AND SVCE DOORS ENTRY DOOR LOCKED SYS 2 STD POSITION DATA: AFT LH FOR DETAILS SEE: 52-71-01-10		1

ILLUSTRATION ITEMS NOT ON PARTS LIST ARE NOT APPLICABLE

- ITEM NOT ILLUSTRATED

HXL

24-00-58-01B

BOEING PROPRIETARY - Copyright © - Unpublished Work - See title page for details.

24-00-58  
FIG. 01B  
PAGE 10  
DEC 22/07



767

PARTS CATALOG (MAINTENANCE)

FIG ITEM	PART NUMBER	1 2 3 4 5 6 7	NOMENCLATURE	EFFECT FROM TO	UNITS PER ASSY
1B - 365	284T0248-12		.SENSOR INSTL-FWD AND AFT ENTRY AND SVCE DOORS ENTRY DOOR LOCKED SYS 2 STD POSITION DATA: AFT RH FOR DETAILS SEE: 52-71-01-10		1
- 370	284T0248-13		.SENSOR INSTL-FWD AND AFT ENTRY AND SVCE DOORS ENTRY DOOR CLOSED SYS 2 POSITION DATA: FWD LH VARIABLE DRAWING REF: 284T0248-5003 FOR DETAILS SEE: 52-71-01-10		1
- 375	284T0248-14		.SENSOR INSTL-FWD AND AFT ENTRY AND SVCE DOORS SVCE DOOR CLOSED SYS 2 POSITION DATA: FWD RH VARIABLE DRAWING REF: 284T0248-5004 FOR DETAILS SEE: 52-71-01-10		1
- 380	284T0248-15		.SENSOR INSTL-FWD AND AFT ENTRY AND SVCE DOORS ENTRY DOOR LOCKED SYS 2 POSITION DATA: FWD LH FOR DETAILS SEE: 52-71-01-10		1
- 385	284T0248-16		.SENSOR INSTL-FWD AND AFT ENTRY AND SVCE DOORS SVCE DOOR LOCKED SYS 2 POSITION DATA: FWD RH FOR DETAILS SEE: 52-71-01-10		1

ILLUSTRATION ITEMS NOT ON PARTS LIST ARE NOT APPLICABLE

- ITEM NOT ILLUSTRATED

HXL

24-00-58-01B

BOEING PROPRIETARY - Copyright © - Unpublished Work - See title page for details.

24-00-58  
FIG. 01B  
PAGE 11  
DEC 22/07



767

PARTS CATALOG (MAINTENANCE)

FIG ITEM	PART NUMBER	1 2 3 4 5 6 7	NOMENCLATURE	EFFECT FROM TO	UNITS PER ASSY
1B - 390	284T0248-21		.SENSOR INSTL-FWD AND AFT ENTRY AND SVCE DOORS ENTRY DOOR CLOSED SYS 2 STD POSITION DATA: AFT LH VARIABLE DRAWING REF: 284T0248-5011 284T0248-5017 FOR DETAILS SEE: 52-71-01-10		1
- 395	284T0248-22		.SENSOR INSTL-FWD AND AFT ENTRY AND SVCE DOORS SVCE DOOR CLOSED SYS 2 STD POSITION DATA: AFT RH VARIABLE DRAWING REF: 284T0248-5012 284T0248-5018 FOR DETAILS SEE: 52-71-01-10		1
- 470	284T0250-1		.SENSOR INSTL-SLATS LE POSITION DATA: OSS 1083.221 LH VARIABLE DRAWING REF: 284T0250-5001 FOR DETAILS SEE: 27-88-01-01		1
- 475	284T0250-2		.SENSOR INSTL-SLATS LE POSITION DATA: OSS 1083.221 RH VARIABLE DRAWING REF: 284T0250-5003 FOR DETAILS SEE: 27-88-01-01		1
- 480	284T0250-3		.SENSOR INSTL-SLATS LE POSITION DATA: OSS 1025.324 LH FOR DETAILS SEE: 27-88-01-01		1
- 485	284T0250-4		.SENSOR INSTL-SLATS LE POSITION DATA: OSS 1025.324 RH FOR DETAILS SEE: 27-88-01-01		1

ILLUSTRATION ITEMS NOT ON PARTS LIST ARE NOT APPLICABLE

- ITEM NOT ILLUSTRATED

24-00-58-01B

24-00-58  
FIG. 01B  
PAGE 12  
DEC 22/07

HXL

BOEING PROPRIETARY - Copyright © - Unpublished Work - See title page for details.

 **BOEING**  
767  
**PARTS CATALOG (MAINTENANCE)**

FIG ITEM	PART NUMBER	1 2 3 4 5 6 7	NOMENCLATURE	EFFECT FROM TO	UNITS PER ASSY
1B					
- 490	284T0250-5		.SENSOR INSTL-SLATS LE POSITION DATA: OSS 933.729 LH FOR DETAILS SEE: 27-88-01-01		1
- 495	284T0250-6		.SENSOR INSTL-SLAT LE POSITION DATA: OSS 933.729 RH FOR DETAILS SEE: 27-88-01-01		1
- 500	284T0250-7		.SENSOR INSTL-SLATS LE POSITION DATA: OSS 880.532 LH FOR DETAILS SEE: 27-88-01-01		1
- 505	284T0250-8		.SENSOR INSTL-SLATS LE POSITION DATA: OSS 880.532 RH FOR DETAILS SEE: 27-88-01-01		1
- 510	284T0250-9		.SENSOR INSTL-SLATS LE POSITION DATA: OSS 779.437 LH FOR DETAILS SEE: 27-88-01-01		1
- 515	284T0250-10		.SENSOR INSTL-SLATS LE POSITION DATA: OSS 779.437 RH FOR DETAILS SEE: 27-88-01-01		1
- 520	284T0250-11		.SENSOR INSTL-SLATS LE POSITION DATA: OSS 732.840 LH FOR DETAILS SEE: 27-88-01-01		1
- 525	284T0250-12		.SENSOR INSTL-SLATS LE POSITION DATA: OSS 732.840 RH FOR DETAILS SEE: 27-88-01-01		1
- 530	284T0250-13		.SENSOR INSTL-SLATS LE POSITION DATA: OSS 628.845 LH FOR DETAILS SEE: 27-88-01-01		1
ILLUSTRATION ITEMS NOT ON PARTS LIST ARE NOT APPLICABLE					

- ITEM NOT ILLUSTRATED

HXL

24-00-58-01B

BOEING PROPRIETARY - Copyright © - Unpublished Work - See title page for details.

24-00-58  
FIG. 01B  
PAGE 13  
DEC 22/07



 **BOEING**  
767  
**PARTS CATALOG (MAINTENANCE)**

FIG ITEM	PART NUMBER	1 2 3 4 5 6 7	NOMENCLATURE	EFFECT FROM TO	UNITS PER ASSY
1B					
- 535	284T0250-14	.	SENSOR INSTL-SLATS LE POSITION DATA: OSS 628.845 RH FOR DETAILS SEE: 27-88-01-01		1
- 540	284T0250-15	.	SENSOR INSTL-SLATS LE POSITION DATA: OSS 581.448 LH FOR DETAILS SEE: 27-88-01-01		1
- 545	284T0250-16	.	SENSOR INSTL-SLATS LE POSITION DATA: OSS 581.448 RH FOR DETAILS SEE: 27-88-01-01		1
- 550	284T0250-17	.	SENSOR INSTL-SLATS LE POSITION DATA: OSS 479.854 LH FOR DETAILS SEE: 27-88-01-01		1
- 555	284T0250-18	.	SENSOR INSTL-SLATS LE POSITION DATA: OSS 479.854 RH FOR DETAILS SEE: 27-88-01-01		1
- 560	284T0250-19	.	SENSOR INSTL-SLATS LE POSITION DATA: OSS 437.396 LH FOR DETAILS SEE: 27-88-01-01		1
- 565	284T0250-20	.	SENSOR INSTL-SLATS LE POSITION DATA: OSS 437.396 RH FOR DETAILS SEE: 27-88-01-01		1
- 570	284T0250-21	.	SENSOR INSTL-SLATS LE POSITION DATA: OSS 192.673 LH FOR DETAILS SEE: 27-88-01-01		1
- 575	284T0250-22	.	SENSOR INSTL-SLATS LE POSITION DATA: OSS 192.673 RH FOR DETAILS SEE: 27-88-01-01		1
ILLUSTRATION ITEMS NOT ON PARTS LIST ARE NOT APPLICABLE					

- ITEM NOT ILLUSTRATED

HXL

24-00-58-01B

BOEING PROPRIETARY - Copyright © - Unpublished Work - See title page for details.

24-00-58  
FIG. 01B  
PAGE 14  
APR 22/08



767

PARTS CATALOG (MAINTENANCE)

FIG ITEM	PART NUMBER	1 2 3 4 5 6 7	NOMENCLATURE	EFFECT FROM TO	UNITS PER ASSY
1B					
- 580	284T0250-23		.SENSOR INSTL-SLATS LE POSITION DATA: OSS 318.332 LH FOR DETAILS SEE: 27-88-01-01		1
- 585	284T0250-24		.SENSOR INSTL-SLATS LE POSITION DATA: OSS 318.332 RH FOR DETAILS SEE: 27-88-01-01		1
- 590	284T0258-1		.SWITCH INSTL-MAIN ENTRY DOOR EXTERNAL POSITION DATA: FWD FOR DETAILS SEE: 52-11-46-01		1
- 600	284T0259-1		.SENSOR INSTL-DOOR OPEN VARIABLE DRAWING REF: 284T0259-5006 FOR DETAILS SEE: 52-33-43-01		1
- 605	284T0259-2		.SENSOR INSTL-DOOR LATCHED FOR DETAILS SEE: 52-33-43-01		1
- 610	284T0259-3		.SENSOR INSTL-DOOR UNLATCHED VARIABLE DRAWING REF: 284T0259-5004 FOR DETAILS SEE: 52-33-43-01		1
- 615	284T0259-4		.SENSOR INSTL-DOOR CLOSED FOR DETAILS SEE: 52-71-01-04		1
- 620	284T0259-5		.SENSOR INSTL-HANDLE FOR DETAILS SEE: 52-33-43-01		1
- 625	284T0259-6		.SENSOR INSTL-DOOR LOCKED FOR DETAILS SEE: 52-71-01-04		1
- 630	284T0259-7		.SENSOR INSTL-LATCH RANGE VARIABLE DRAWING REF: 284T0259-5002 FOR DETAILS SEE: 52-33-43-01		1
ILLUSTRATION ITEMS NOT ON PARTS LIST ARE NOT APPLICABLE					

- ITEM NOT ILLUSTRATED

**24-00-58-01B**

24-00-58  
FIG. 01B  
PAGE 15  
DEC 22/07

HXL

BOEING PROPRIETARY - Copyright © - Unpublished Work - See title page for details.



767

PARTS CATALOG (MAINTENANCE)

FIG ITEM	PART NUMBER	1 2 3 4 5 6 7	NOMENCLATURE	EFFECT FROM TO	UNITS PER ASSY
1B					
- 635	284T0266-1		.SWITCH INSTL-ELECTRICAL EQPT ACCESS DOOR SENSOR POSITION DATA: STA 143.5 LWR LOBE VARIABLE DRAWING REF: 284T0266-5002 FOR DETAILS SEE: 52-71-01-15		1
- 640	284T0266-2		.SWITCH INSTL-ELECTRICAL EQPT ACCESS DOOR SENSOR POSITION DATA: STA 314 LWR LOBE VARIABLE DRAWING REF: 284T0266-5004 FOR DETAILS SEE: 52-71-01-15		1
- 645	284T0269-1		.SENSOR INSTL-NOSE GR DOWN SYS 1 POSITION DATA: LH FOR DETAILS SEE: 32-61-03-05		1
- 650	284T0269-2		.SENSOR INSTL-NOSE GR DOWN SYS 2 POSITION DATA: RH FOR DETAILS SEE: 32-61-03-05		1
- 655	284T0269-3		.SENSOR INSTL-NOSE DOOR CLOSED SYS 1 POSITION DATA: LH FOR DETAILS SEE: 32-61-03-05		1
- 660	284T0269-4		.SENSOR INSTL-NOSE DOOR CLOSED SYS 1 POSITION DATA: RH FOR DETAILS SEE: 32-61-03-05		1
- 665	284T0269-5		.SENSOR INSTL-NOSE DOOR CLOSED SYS 2 POSITION DATA: LH FOR DETAILS SEE: 32-61-03-05		1
ILLUSTRATION ITEMS NOT ON PARTS LIST ARE NOT APPLICABLE					

- ITEM NOT ILLUSTRATED

24-00-58-01B

24-00-58  
FIG. 01B  
PAGE 16  
DEC 22/07

HXL

BOEING PROPRIETARY - Copyright © - Unpublished Work - See title page for details.

 **BOEING**  
767  
**PARTS CATALOG (MAINTENANCE)**

FIG ITEM	PART NUMBER	1 2 3 4 5 6 7	NOMENCLATURE	EFFECT FROM TO	UNITS PER ASSY
1B					
- 670	284T0269-6		.SENSOR INSTL-NOSE DOOR CLOSED SYS 2 POSITION DATA: RH FOR DETAILS SEE: 32-61-03-05		1
- 675	284T0272-1		.SENSOR INSTL-MLG UPLOCK SYS 1 LATCH POSITION DATA: LH FOR DETAILS SEE: 32-61-02-01		1
- 680	284T0272-2		.SENSOR INSTL-MLG UPLOCK SYS 1 LATCH POSITION DATA: RH FOR DETAILS SEE: 32-61-02-01		1
- 685	284T0272-3		.SENSOR INSTL-MLG UPLOCK SYS 2 LATCH POSITION DATA: LH FOR DETAILS SEE: 32-61-02-01		1
- 690	284T0272-4		.SENSOR INSTL-MLG UPLOCK SYS 2 LATCH POSITION DATA: RH FOR DETAILS SEE: 32-61-02-01		1
- 695	284T0388-3		.LIGHT INSTL-SVCE POSITION DATA: SECT. 41 VARIABLE DRAWING REF: 284T0388-5002 FOR DETAILS SEE: 33-31-02-01		1
- 700	284T0388-2		.SWITCH INSTL- FOR DETAILS SEE: 33-37-57-01		1
- 705	284T0549-1		.LIGHT INSTL-TAILCONE COMPT SVCE POSITION DATA: FWD FOR DETAILS SEE: 33-31-01-01		1
ILLUSTRATION ITEMS NOT ON PARTS LIST ARE NOT APPLICABLE					

- ITEM NOT ILLUSTRATED

HXL

24-00-58-01B

BOEING PROPRIETARY - Copyright © - Unpublished Work - See title page for details.

24-00-58  
FIG. 01B  
PAGE 17  
DEC 22/07



767

PARTS CATALOG (MAINTENANCE)

FIG ITEM	PART NUMBER	1 2 3 4 5 6 7	NOMENCLATURE	EFFECT FROM TO	UNITS PER ASSY
1B - 710	284T0550-1		.SWITCH INSTL-MAIN WHL WELL LIGHTS POSITION DATA: LH FOR DETAILS SEE: 33-31-53-01		1
- 715	284T0550-2		.SWITCH INSTL-MAIN WHL WELL LIGHTS POSITION DATA: RH FOR DETAILS SEE: 33-31-53-01		1
- 720	284T0551-1		.LIGHT INSTL-SVCE POSITION DATA: SECT. 48 FOR DETAILS SEE: 33-31-01-05		1
- 725	284T0559-1		.LIGHT INSTL-APU COMPT SVCE POSITION DATA: SECT. 48 FOR DETAILS SEE: 33-31-01-10		1
- 730	284T0562-1		.LIGHT INSTL-REFUELING PNL POSITION DATA: LH VARIABLE DRAWING REF: 284T0562-5003 FUNCTIONAL REFERENCE: LIGHTS FOR DETAILS SEE 33-31-06-01 PLACARDS AND MARKINGS FOR DETAILS SEE 11-24-03-03		1
- 740	284T0628-1		.LIGHT INSTL-SVCE MAIN WHL WELL POSITION DATA: LH FOR DETAILS SEE: 33-31-03-01		1
- 745	284T0628-2		.LIGHT INSTL-SVCE MAIN WHL WELL POSITION DATA: RH FOR DETAILS SEE: 33-31-03-01		1

ILLUSTRATION ITEMS NOT ON PARTS LIST ARE NOT APPLICABLE

- ITEM NOT ILLUSTRATED

HXL

24-00-58-01B

BOEING PROPRIETARY - Copyright © - Unpublished Work - See title page for details.

24-00-58  
FIG. 01B  
PAGE 18  
DEC 22/07

 **BOEING**  
767  
**PARTS CATALOG (MAINTENANCE)**

FIG ITEM	PART NUMBER	1 2 3 4 5 6 7	NOMENCLATURE	EFFECT FROM TO	UNITS PER ASSY
1B					
- 750	284T0657-1		.LIGHT INSTL-SERVICE ENVIRONMENTAL CONTROL SYSTEM BAY FOR DETAILS SEE: 33-31-04-01		1
- 755	284T0657-2		.LIGHT INSTL-SERVICE ENVIRONMENTAL CONTROL SYSTEM BAY FOR DETAILS SEE: 33-31-04-01		1
- 760	284T0657-3		.LIGHT INSTL-SERVICE ENVIRONMENTAL CONTROL SYSTEM BAY FOR DETAILS SEE: 33-31-04-01		1
- 765	284T0657-4		.LIGHT INSTL-SERVICE ENVIRONMENTAL CONTROL SYSTEM BAY FOR DETAILS SEE: 33-31-04-01		1
- 770	284T0793-1		.LIGHT INSTL-HORIZ STAB. LOGO POSITION DATA: LH VARIABLE DRAWING REF: 284T0793-5003 FOR DETAILS SEE: 33-45-53-01		1
- 775	284T0793-2		.LIGHT INSTL-HORIZ STAB. LOGO POSITION DATA: RH VARIABLE DRAWING REF: 284T0793-5004 FOR DETAILS SEE: 33-45-53-01		1
- 780	284T0805-1		.SENSOR INSTL-TAIL SKID POSITION FOR DETAILS SEE: 32-61-04-01		1
- 790	284T0919-2		.TRANSDUCER INSTL-CAB. PRESSURE POSITION DATA: SECT. 41 FOR DETAILS SEE: 31-31-55-01		1
ILLUSTRATION ITEMS NOT ON PARTS LIST ARE NOT APPLICABLE					

- ITEM NOT ILLUSTRATED

HXL

24-00-58-01B

BOEING PROPRIETARY - Copyright © - Unpublished Work - See title page for details.

24-00-58  
FIG. 01B  
PAGE 19  
DEC 22/07

 **BOEING**  
767  
**PARTS CATALOG (MAINTENANCE)**

FIG ITEM	PART NUMBER	1 2 3 4 5 6 7	NOMENCLATURE	EFFECT FROM TO	UNITS PER ASSY
1B - 800	284T0919-5		.SWITCH INSTL-ENGINE INDICATING AND CREW ALERTING SYSTEM MAINT ENABLE BYPASS POSITION DATA: SECT. 41 FOR DETAILS SEE: 31-41-54-01		1
- 803	284T1160-1		.SUPPORT INSTL-CARGO LOADING LT FOR DETAILS SEE: 53-31-51-05		1
- 805	284T1005-3		.LIGHT INSTL-MAIN CARGO LOADING ILLUMINATION POSITION DATA: FWD FUNCTIONAL REFERENCE: LIGHTS FOR DETAILS SEE 33-31-05-05 PLACARDS AND MARKINGS FOR DETAILS SEE 11-35-93-01		1
- 805	284T1005-2		.LIGHT INSTL-MAIN CARGO LOADING ILLUMINATION POSITION DATA: AFT VARIABLE DRAWING REF: 284T1005-5003 FUNCTIONAL REFERENCE: LIGHTS FOR DETAILS SEE 33-31-05-05 PLACARDS AND MARKINGS FOR DETAILS SEE 11-35-93-01		1
- 825	284T4202-1		.ACCELEROMETER INSTL-YAW DAMPER FUNCTIONAL REFERENCE: AUTOFLIGHT FOR DETAILS SEE 22-21-05-01 PLACARDS AND MARKINGS FOR DETAILS SEE 11-26-20-01		1
ILLUSTRATION ITEMS NOT ON PARTS LIST ARE NOT APPLICABLE					

- ITEM NOT ILLUSTRATED

HXL

24-00-58-01B

BOEING PROPRIETARY - Copyright © - Unpublished Work - See title page for details.

24-00-58  
FIG. 01B  
PAGE 20  
DEC 22/07



767

PARTS CATALOG (MAINTENANCE)

FIG ITEM	PART NUMBER	1 2 3 4 5 6 7	NOMENCLATURE	EFFECT FROM TO	UNITS PER ASSY
1B - 830	284T4202-2		.ACCELEROMETER INSTL-YAW DAMPER FUNCTIONAL REFERENCE: AUTOFLIGHT FOR DETAILS SEE 22-21-05-01 PLACARDS AND MARKINGS FOR DETAILS SEE 11-26-20-01		1
- 835	284T1240-1		.ANTENNA INSTL-EMER LOCATOR XMTR FOR DETAILS SEE: 23-24-02-01		1
- 835	284T1240-3		.ANTENNA INSTL-EMER LOCATOR XMTR FOR DETAILS SEE: 23-24-02-01		1
- 840	284T4206-1		.TRANSMITTER INSTL- EMERGENCY LOCATOR FOR DETAILS SEE: 23-24-01-01		1

ILLUSTRATION ITEMS NOT ON PARTS LIST ARE NOT APPLICABLE

- ITEM NOT ILLUSTRATED

HXL

24-00-58-01B

BOEING PROPRIETARY - Copyright © - Unpublished Work - See title page for details.

24-00-58  
FIG. 01B  
PAGE 21  
DEC 22/07



 **BOEING**  
767  
PARTS CATALOG (MAINTENANCE)

NON-ILLUSTRATED FIGURE

THE ITEMS REFLECTED IN THIS FIGURE ARE INTENTIONALLY  
NON-ILLUSTRATED. THEY ARE REFERENCED TO EITHER A  
NEXT HIGHER OR NEXT LOWER ASSEMBLY/INSTALLATION FIGURE.

EQUIPMENT INSTL-ELECTRONIC RACKS  
FIGURE 1D

**24-00-58-01D**

HXL  
DEC 22/06

24-00-58-01D  
PAGE 0



767

PARTS CATALOG (MAINTENANCE)

FIG ITEM	PART NUMBER	1 2 3 4 5 6 7	NOMENCLATURE	EFFECT FROM TO	UNITS PER ASSY
1D					
- 1	284T1000-010		EQUIPMENT INSTL- ELECTRONIC RACKS		RF
- 1	284T1000-010		EQUIPMENT INSTL- ELECTRONIC RACKS VARIABLE DRAWING REF: 284T0001-618 284T0001-630		RF
- 10	284T0970-1		.EQUIPMENT INSTL-E8 RACK VARIABLE DRAWING REF: 284T0970-5032 FOR DETAILS SEE: 31-41-53-01		1
- 30	284T0199-1		.RACK INSTL-VOICE AND FLIGHT RECORDER E7 VARIABLE DRAWING REF: 284T0199-5028 FOR DETAILS SEE: 53-11-61-02		1
- 40	284T0198-2		.EQUIPMENT INSTL-FLIGHT RECORDER RACK E7 VARIABLE DRAWING REF: 284T0198-5012 FOR DETAILS SEE: 31-31-01-01		1
- 40	284T0198-3		.EQUIPMENT INSTL-VOICE RECORDER RACK E7 VARIABLE DRAWING REF: 284T0198-5024 FOR DETAILS SEE: 23-71-01-01		1
ILLUSTRATION ITEMS NOT ON PARTS LIST ARE NOT APPLICABLE					

- ITEM NOT ILLUSTRATED

HXL

# 24-00-58-01D

BOEING PROPRIETARY - Copyright © - Unpublished Work - See title page for details.

24-00-58  
FIG. 01D  
PAGE 1  
DEC 22/07



767

PARTS CATALOG (MAINTENANCE)

FIG ITEM	PART NUMBER	1 2 3 4 5 6 7	NOMENCLATURE	EFFECT FROM TO	UNITS PER ASSY
1D					
- 50	284T0406-1		.EQUIPMENT INSTL-EQPT CTR E6 RACK POSITION DATA: AFT VARIABLE DRAWING REF: 284T0406-5059 FUNCTIONAL REFERENCE: AIRBORNE AUXILIARY POWER FOR DETAILS SEE 49-61-05-01 ELECTRICAL POWER FOR DETAILS SEE 24-31-04-01 24-31-05-01		1
- 60	284T0406-2		.SHELF INSTL-EQPT CTR E6 RACK POSITION DATA: AFT VARIABLE DRAWING REF: 284T0406-5051 284T0406-5062 FOR DETAILS SEE: 53-61-57-01		1
- 140	284T0160-18		.RACK INSTL-EQPT CTR E6 POSITION DATA: AFT VARIABLE DRAWING REF: 284T0160-5061 FUNCTIONAL REFERENCE: EQUIPMENT/FURNISHINGS FOR DETAILS SEE 25-71-40-05 PLACARDS AND MARKINGS FOR DETAILS SEE 11-36-13-02		1
- 165	284T1305-1		.MODULE INSTL-ELECTRONIC EQPT CTR E1/E2 RACK FOR DETAILS SEE: 30-41-03-01		1
- 165	284T1305-2		.MODULE INSTL-ELECTRONIC EQPT CTR E1/E2 RACK FOR DETAILS SEE: 30-41-03-01		1

ILLUSTRATION ITEMS NOT ON PARTS LIST ARE NOT APPLICABLE

- ITEM NOT ILLUSTRATED

HXL

24-00-58-01D

BOEING PROPRIETARY - Copyright © - Unpublished Work - See title page for details.

24-00-58  
FIG. 01D  
PAGE 2  
DEC 22/07



767

PARTS CATALOG (MAINTENANCE)

FIG ITEM	PART NUMBER	1 2 3 4 5 6 7	NOMENCLATURE	EFFECT FROM TO	UNITS PER ASSY
1D - 165	284T1305-407		.MODULE INSTL-E1 RACK POSITION DATA: LH POST ALERT SB: 34A0332 FOR DETAILS SEE: 34-12-62-01		RF
- 170	284T1305-406		.MODULE INSTL-E1 RACK POSITION DATA: RH POST ALERT SB: 34A0332 FOR DETAILS SEE: 34-12-62-01		RF

ILLUSTRATION ITEMS NOT ON PARTS LIST ARE NOT APPLICABLE

- ITEM NOT ILLUSTRATED

HXL

**24-00-58-01D**

BOEING PROPRIETARY - Copyright © - Unpublished Work - See title page for details.

24-00-58  
FIG. 01D  
PAGE 3  
DEC 22/08

 **BOEING**  
767  
PARTS CATALOG (MAINTENANCE)

NON-ILLUSTRATED FIGURE

THE ITEMS REFLECTED IN THIS FIGURE ARE INTENTIONALLY  
NON-ILLUSTRATED. THEY ARE REFERENCED TO EITHER A  
NEXT HIGHER OR NEXT LOWER ASSEMBLY/INSTALLATION FIGURE.

EQUIPMENT INSTL-CARD FILE AND BOX (P50 AND P54)  
FIGURE 1E

**24-00-58-01E**

HXL  
DEC 22/06

24-00-58-01E  
PAGE 0



767

PARTS CATALOG (MAINTENANCE)

FIG ITEM	PART NUMBER	1 2 3 4 5 6 7	NOMENCLATURE	EFFECT FROM TO	UNITS PER ASSY
1 E					
- 1	284T1000-010		EQUIPMENT INSTL-CARD FILE AND BOX (P50 AND P54) EQUIPMENT INSTL-CARD FILE AND BOX P50 AND P54 VARIABLE DRAWING REF: 284T0001-618 284T0001-630 284T0001-638 FOR ADDITIONAL DETAILS SEE: 24-00-58-01 24-00-58-01A 24-00-58-01B 24-00-58-01D 24-00-58-01F 24-00-58-01H 24-00-58-01J 24-00-58-01K 24-00-58-01L 24-00-58-01M 24-00-58-01N 24-00-58-01P 24-00-58-01Q 24-00-58-01S 24-00-58-01T 24-00-58-01W		RF
- 15	284T0049-6		.CARD FILE AND BOX INSTL- EQPT CTR P54 POSITION DATA: R FWD VARIABLE DRAWING REF: 284T0049-5130 FUNCTIONAL REFERENCE: EQUIPMENT/FURNISHINGS FOR DETAILS SEE 25-71-36-02 FIRE PROTECTION FOR DETAILS SEE 26-11-54-02 26-15-54-02 26-16-54-01 26-18-52-02 PLACARDS AND MARKINGS FOR DETAILS SEE 11-36-19-02		1

ILLUSTRATION ITEMS NOT ON PARTS LIST ARE NOT APPLICABLE

- ITEM NOT ILLUSTRATED

HXL

**24-00-58-01E**

BOEING PROPRIETARY - Copyright © - Unpublished Work - See title page for details.

24-00-58  
 FIG. 01E  
 PAGE 1  
 DEC 22/07



767

PARTS CATALOG (MAINTENANCE)

FIG ITEM	PART NUMBER	1 2 3 4 5 6 7 NOMENCLATURE	EFFECT FROM TO	UNITS PER ASSY
1 E - 20	284T0049-16	.CARD FILE AND BOX INSTL- EQPT CTR P50 POSITION DATA: R FWD VARIABLE DRAWING REF: 284T0049-5224 284T0049-5311 FUNCTIONAL REFERENCE: AIR CONDITIONING FOR DETAILS SEE 21-25-05-01 21-51-09-01 21-53-06-01 21-58-10-02 ENGINE FUEL & CONTROL FOR DETAILS SEE 73-21-54-01 EQUIPMENT/FURNISHINGS FOR DETAILS SEE 25-71-34-01 FLIGHT CONTROLS FOR DETAILS SEE 27-58-53-01 27-61-53-01 FUEL FOR DETAILS SEE 28-21-54-01 HYDRAULIC POWER FOR DETAILS SEE 29-11-69-01 PNEUMATIC FOR DETAILS SEE 36-11-12-01		1

ILLUSTRATION ITEMS NOT ON PARTS LIST ARE NOT APPLICABLE

- ITEM NOT ILLUSTRATED

HXL

**24-00-58-01E**

BOEING PROPRIETARY - Copyright © - Unpublished Work - See title page for details.

24-00-58  
 FIG. 01E  
 PAGE 2  
 DEC 22/07

 **BOEING**  
767  
PARTS CATALOG (MAINTENANCE)

NON-ILLUSTRATED FIGURE

THE ITEMS REFLECTED IN THIS FIGURE ARE INTENTIONALLY  
NON-ILLUSTRATED. THEY ARE REFERENCED TO EITHER A  
NEXT HIGHER OR NEXT LOWER ASSEMBLY/INSTALLATION FIGURE.

EQUIPMENT INSTL-WING ESCAPE SLIDE DOOR ACTR SWITCH  
FIGURE 1F

**24-00-58-01F**

HXL  
DEC 22/06

24-00-58-01F  
PAGE 0





767

PARTS CATALOG (MAINTENANCE)

FIG ITEM	PART NUMBER	1 2 3 4 5 6 7	NOMENCLATURE	EFFECT FROM TO	UNITS PER ASSY
1 F			EQUIPMENT INSTL-WING ESCAPE SLIDE DOOR ACTR SWITCH		
- 1	284T1000-010		EQUIPMENT INSTL-WING ESCAPE SLIDE DOOR ACTR SWITCH PANEL VARIABLE DRAWING REF: 284T0001-618 284T0001-630 FOR ADDITIONAL DETAILS SEE: 24-00-58-01 24-00-58-01A 24-00-58-01B 24-00-58-01D 24-00-58-01E 24-00-58-01H 24-00-58-01J 24-00-58-01K 24-00-58-01L 24-00-58-01M 24-00-58-01N 24-00-58-01Q 24-00-58-01S 24-00-58-01T 24-00-58-01W		RF
- 5	284T0263-9		.PANEL INSTL-WING ESCAPE SLIDE DOOR ACTR SWITCH POSITION DATA: FWD LH VARIABLE DRAWING REF: 284T0263-5039 FOR DETAILS SEE: 25-65-15-04		1
- 10	284T0263-10		.PANEL INSTL-WING ESCAPE SLIDE DOOR ACTR SWITCH POSITION DATA: RH VARIABLE DRAWING REF: 284T0263-5040 FOR DETAILS SEE: 25-65-15-04		1
- 15	284T0263-11		.PANEL INSTL-WING ESCAPE SLIDE DOOR ACTR SWITCH POSITION DATA: LH VARIABLE DRAWING REF: 284T0263-5029 FOR DETAILS SEE: 25-65-15-04		1
ILLUSTRATION ITEMS NOT ON PARTS LIST ARE NOT APPLICABLE					

- ITEM NOT ILLUSTRATED

HXL

**24-00-58-01F**

BOEING PROPRIETARY - Copyright © - Unpublished Work - See title page for details.

24-00-58  
FIG. 01F  
PAGE 1  
DEC 22/07



767

PARTS CATALOG (MAINTENANCE)

FIG ITEM	PART NUMBER	1 2 3 4 5 6 7	NOMENCLATURE	EFFECT FROM TO	UNITS PER ASSY
1 F					
- 20	284T0263-12		.PANEL INSTL-WING ESCAPE SLIDE DOOR ACTR SWITCH POSITION DATA: RH VARIABLE DRAWING REF: 284T0263-5030 FOR DETAILS SEE: 25-65-15-04		1
- 25	284T0263-5		.PANEL INSTL-WING ESCAPE SLIDE DOOR ACTR SWITCH POSITION DATA: LH VARIABLE DRAWING REF: 284T0263-5037 FOR DETAILS SEE: 25-65-15-04		1
- 30	284T0263-6		.PANEL INSTL-WING ESCAPE SLIDE DOOR ACTR SWITCH POSITION DATA: RH VARIABLE DRAWING REF: 284T0263-5038 FOR DETAILS SEE: 25-65-15-04		1
- 35	284T0263-7		.PANEL INSTL-WING ESCAPE SLIDE DOOR ACTR SWITCH POSITION DATA: LH VARIABLE DRAWING REF: 284T0263-5027 FOR DETAILS SEE: 25-65-15-04		1
- 40	284T0263-8		.PANEL INSTL-WING ESCAPE SLIDE DOOR ACTR SWITCH POSITION DATA: RH VARIABLE DRAWING REF: 284T0236-5028 FOR DETAILS SEE: 25-65-15-04		1

ILLUSTRATION ITEMS NOT ON PARTS LIST ARE NOT APPLICABLE

- ITEM NOT ILLUSTRATED

HXL

24-00-58-01F

BOEING PROPRIETARY - Copyright © - Unpublished Work - See title page for details.

24-00-58  
FIG. 01F  
PAGE 2  
DEC 22/07

 **BOEING**  
767  
PARTS CATALOG (MAINTENANCE)

NON-ILLUSTRATED FIGURE

THE ITEMS REFLECTED IN THIS FIGURE ARE INTENTIONALLY  
NON-ILLUSTRATED. THEY ARE REFERENCED TO EITHER A  
NEXT HIGHER OR NEXT LOWER ASSEMBLY/INSTALLATION FIGURE.

EQUIPMENT INSTL-E1/E2 RACK  
FIGURE 1H

**24-00-58-01H**

HXL  
DEC 22/06

24-00-58-01H  
PAGE 0



767

PARTS CATALOG (MAINTENANCE)

FIG ITEM	PART NUMBER	1 2 3 4 5 6 7	NOMENCLATURE	EFFECT FROM TO	UNITS PER ASSY	
1H			EQUIPMENT INSTL-E1/E2 RACK			
- 1	284T1000-010		EQUIPMENT INSTL-E1/E2 RACK VARIABLE DRAWING REF: 284T0001-618 284T0001-630 FOR ADDITIONAL DETAILS SEE: 24-00-58-01 24-00-58-01A 24-00-58-01B 24-00-58-01D 24-00-58-01E 24-00-58-01F 24-00-58-01J 24-00-58-01K 24-00-58-01L 24-00-58-01M 24-00-58-01N 24-00-58-01P 24-00-58-01Q 24-00-58-01R 24-00-58-01S 24-00-58-01T 24-00-58-01W			RF
- 15	284T0600-618		.SHELF INSTL-E1/E2 RACK ELECTRONICS EQPT CTR VARIABLE DRAWING REF: 284T0600-5210 FUNCTIONAL REFERENCE: FUSELAGE FOR DETAILS SEE 53-11-64-01B PLACARDS AND MARKINGS FOR DETAILS SEE 11-36-43-01	155162	1	
- 20	284T0600-630		.SHELF INSTL-E1/E2 RACK ELECTRONICS EQPT CTR VARIABLE DRAWING REF: 284T0600-5237 284T0600-5252 FUNCTIONAL REFERENCE: FUSELAGE FOR DETAILS SEE 53-11-64-01B PLACARDS AND MARKINGS FOR DETAILS SEE 11-36-43-01	163999	1	

ILLUSTRATION ITEMS NOT ON PARTS LIST ARE NOT APPLICABLE

- ITEM NOT ILLUSTRATED

HXL

24-00-58-01H

BOEING PROPRIETARY - Copyright © - Unpublished Work - See title page for details.

24-00-58  
FIG. 01H  
PAGE 1  
DEC 22/07

 **BOEING**  
767  
PARTS CATALOG (MAINTENANCE)

NON-ILLUSTRATED FIGURE

THE ITEMS REFLECTED IN THIS FIGURE ARE INTENTIONALLY  
NON-ILLUSTRATED. THEY ARE REFERENCED TO EITHER A  
NEXT HIGHER OR NEXT LOWER ASSEMBLY/INSTALLATION FIGURE.

EQUIPMENT INSTL-ELECTRONIC RACKS  
FIGURE 1J

**24-00-58-01J**

HXL  
DEC 22/06

24-00-58-01J  
PAGE 0











 **BOEING**  
767  
PARTS CATALOG (MAINTENANCE)

NON-ILLUSTRATED FIGURE

THE ITEMS REFLECTED IN THIS FIGURE ARE INTENTIONALLY  
NON-ILLUSTRATED. THEY ARE REFERENCED TO EITHER A  
NEXT HIGHER OR NEXT LOWER ASSEMBLY/INSTALLATION FIGURE.

EQUIPMENT INSTL-PANELS  
FIGURE 1K

**24-00-58-01K**

HXL  
DEC 22/06

24-00-58-01K  
PAGE 0



767

PARTS CATALOG (MAINTENANCE)

FIG ITEM	PART NUMBER	1 2 3 4 5 6 7	NOMENCLATURE	EFFECT FROM TO	UNITS PER ASSY
1K					
- 1	284T1000-010		EQUIPMENT INSTL-PANELS EQUIPMENT INSTL-PANELS VARIABLE DRAWING REF: 284T0001-618 284T0001-630		RF
- 5	284T0594-2		.PANEL INSTL-MISC MAIN EQPT CTR P33 VARIABLE DRAWING REF: 284T0594-5157 284T0594-5175 FOR DETAILS SEE: 25-50-51-01		1

ILLUSTRATION ITEMS NOT ON PARTS LIST ARE NOT APPLICABLE

- ITEM NOT ILLUSTRATED

HXL

24-00-58-01K

BOEING PROPRIETARY - Copyright © - Unpublished Work - See title page for details.

24-00-58  
FIG. 01K  
PAGE 1  
DEC 22/07

 **BOEING**  
767  
PARTS CATALOG (MAINTENANCE)

NON-ILLUSTRATED FIGURE

THE ITEMS REFLECTED IN THIS FIGURE ARE INTENTIONALLY  
NON-ILLUSTRATED. THEY ARE REFERENCED TO EITHER A  
NEXT HIGHER OR NEXT LOWER ASSEMBLY/INSTALLATION FIGURE.

EQUIPMENT INSTL-COMM  
FIGURE 1L

**24-00-58-01L**

HXL  
DEC 22/06

24-00-58-01L  
PAGE 0



767

PARTS CATALOG (MAINTENANCE)

FIG ITEM	PART NUMBER	1 2 3 4 5 6 7	NOMENCLATURE	EFFECT FROM TO	UNITS PER ASSY
1L					
- 1	284T1000-010		EQUIPMENT INSTL-COMM EQUIPMENT INSTL-COMM VARIABLE DRAWING REF: 284T0001-618 284T0001-630 FOR ADDITIONAL DETAILS SEE: 24-00-58-01 24-00-58-01A 24-00-58-01B 24-00-58-01D 24-00-58-01E 24-00-58-01F 24-00-58-01H 24-00-58-01J 24-00-58-01K 24-00-58-01M 24-00-58-01N 24-00-58-01P 24-00-58-01Q 24-00-58-01S 24-00-58-01T 24-00-58-01X		RF
- 5	284T4201-10		.EQUIPMENT INSTL-COMM VARIABLE DRAWING REF: 284T4201-5020 284T4201-5053 284T4201-5096 FUNCTIONAL REFERENCE: COMMUNICATIONS FOR DETAILS SEE 23-42-52-30 EQUIPMENT/FURNISHINGS FOR DETAILS SEE 25-63-01-09 FIRE PROTECTION FOR DETAILS SEE 26-13-00-01		1

ILLUSTRATION ITEMS NOT ON PARTS LIST ARE NOT APPLICABLE

- ITEM NOT ILLUSTRATED

HXL

**24-00-58-01L**

BOEING PROPRIETARY - Copyright © - Unpublished Work - See title page for details.

24-00-58  
 FIG. 01L  
 PAGE 1  
 DEC 22/07

 **BOEING**  
767  
PARTS CATALOG (MAINTENANCE)

NON-ILLUSTRATED FIGURE

THE ITEMS REFLECTED IN THIS FIGURE ARE INTENTIONALLY  
NON-ILLUSTRATED. THEY ARE REFERENCED TO EITHER A  
NEXT HIGHER OR NEXT LOWER ASSEMBLY/INSTALLATION FIGURE.

EQUIPMENT INSTL-ELECTRONIC RACKS  
FIGURE 1M

**24-00-58-01M**

HXL  
DEC 22/06

24-00-58-01M  
PAGE 0



767

PARTS CATALOG (MAINTENANCE)

FIG ITEM	PART NUMBER	1 2 3 4 5 6 7	NOMENCLATURE	EFFECT FROM TO	UNITS PER ASSY
1 M					
- 1	284T1000-010		EQUIPMENT INSTL- ELECTRONIC RACKS EQUIPMENT INSTL- ELECTRONIC RACKS VARIABLE DRAWING REF: 284T0001-618 284T0001-630 FOR ADDITIONAL DETAILS SEE: 24-00-58-01 24-00-58-01A 24-00-58-01B 24-00-58-01D 24-00-58-01E 24-00-58-01F 24-00-58-01H 24-00-58-01J 24-00-58-01K 24-00-58-01L 24-00-58-01N 24-00-58-01P 24-00-58-01Q 24-00-58-01S 24-00-58-01T 24-00-58-01W		RF
- 5	284T0130-4		.EQUIPMENT INSTL-ELECTRONIC EQPT CTR E3 RACK VARIABLE DRAWING REF: 284T0130-5050 284T0130-5064 FUNCTIONAL REFERENCE: AIR CONDITIONING FOR DETAILS SEE 21-51-56-01 21-52-04-01 21-61-55-01 ELECTRICAL POWER FOR DETAILS SEE 24-31-02-01 24-32-01-01 24-33-03-01 PNEUMATIC FOR DETAILS SEE 36-23-01-01		1
- 10	284T0795-1		.VALVE INSTL-ELECTRONIC EQPT CTR E3 RACK VARIABLE DRAWING REF: 284T0795-5002 FOR DETAILS SEE: 21-58-62-01		1
ILLUSTRATION ITEMS NOT ON PARTS LIST ARE NOT APPLICABLE					

- ITEM NOT ILLUSTRATED

HXL

**24-00-58-01M**

BOEING PROPRIETARY - Copyright © - Unpublished Work - See title page for details.

24-00-58  
FIG. 01M  
PAGE 1  
DEC 22/07



767

PARTS CATALOG (MAINTENANCE)

FIG ITEM	PART NUMBER	1 2 3 4 5 6 7	NOMENCLATURE	EFFECT FROM TO	UNITS PER ASSY
1M					
- 15	284T0795-2		.COVER INSTL-ELECTRONIC EQPT CTR E3 RACK FOR DETAILS SEE: 53-11-71-01		1
- 20	284T0134-1		.SHELF INSTL-ELECTRONICS EQPT CTR E3 RACK VARIABLE DRAWING REF: 284T0134-5008 FOR DETAILS SEE: 25-71-20-01		1
ILLUSTRATION ITEMS NOT ON PARTS LIST ARE NOT APPLICABLE					

- ITEM NOT ILLUSTRATED

HXL

**24-00-58-01M**

BOEING PROPRIETARY - Copyright © - Unpublished Work - See title page for details.

24-00-58  
FIG. 01M  
PAGE 2  
DEC 22/07



 **BOEING**  
767  
PARTS CATALOG (MAINTENANCE)

NON-ILLUSTRATED FIGURE

THE ITEMS REFLECTED IN THIS FIGURE ARE INTENTIONALLY  
NON-ILLUSTRATED. THEY ARE REFERENCED TO EITHER A  
NEXT HIGHER OR NEXT LOWER ASSEMBLY/INSTALLATION FIGURE.

EQUIPMENT INSTL-ELECTRONIC RACKS  
FIGURE 1N

**24-00-58-01N**

HXL  
DEC 22/06

24-00-58-01N  
PAGE 0



767

PARTS CATALOG (MAINTENANCE)

FIG ITEM	PART NUMBER	1 2 3 4 5 6 7	NOMENCLATURE	EFFECT FROM TO	UNITS PER ASSY
1N					
- 1	284T1000-010		EQUIPMENT INSTL- ELECTRONIC RACKS EQUIPMENT INSTL- ELECTRONIC RACKS VARIABLE DRAWING REF: 284T0001-618 284T0001-630 FOR ADDITIONAL DETAILS SEE: 24-00-58-01 24-00-58-01A 24-00-58-01B 24-00-58-01D 24-00-58-01E 24-00-58-01F 24-00-58-01H 24-00-58-01J 24-00-58-01K 24-00-58-01L 24-00-58-01M 24-00-58-01P 24-00-58-01Q 24-00-58-01R 24-00-58-01S 24-00-58-01T 24-00-58-01W		RF
- 5	284T0755-2		.EQUIPMENT INSTL-E5 RACK LARGE CARGO DOOR VARIABLE DRAWING REF: 284T0755-5052 FUNCTIONAL REFERENCE: NAVIGATION FOR DETAILS SEE 34-33-01-01 34-57-01-01		1
- 10	284T0150-3		.SHELF INSTL-ELECTRONICS EQPT CTR E5 RACK LARGE CARGO DOOR VARIABLE DRAWING REF: 284T0150-5035 284T0150-5046 FOR DETAILS SEE: 53-11-72-02		1
- 20	284T0799-1		.VALVE INSTL-E5 RACK VARIABLE DRAWING REF: 284T0799-5003 FUNCTIONAL REFERENCE: PLACARDS AND MARKINGS FOR DETAILS SEE 11-36-04-03		1
ILLUSTRATION ITEMS NOT ON PARTS LIST ARE NOT APPLICABLE					

- ITEM NOT ILLUSTRATED

24-00-58-01N

24-00-58  
FIG. 01N  
PAGE 1  
DEC 22/07

HXL



767

PARTS CATALOG (MAINTENANCE)

FIG ITEM	PART NUMBER	1 2 3 4 5 6 7	NOMENCLATURE	EFFECT FROM TO	UNITS PER ASSY
1N - 25	284T0921-5		.RACK INSTL-EQPT CTR E5 POSITION DATA: MID VARIABLE DRAWING REF: 284T0921-5037 FUNCTIONAL REFERENCE: COMMUNICATIONS FOR DETAILS SEE 23-34-05-01 FUSELAGE FOR DETAILS SEE 53-31-63-01 PLACARDS AND MARKINGS FOR DETAILS SEE 11-36-04-06	163999	1
- 25	284T0921-9		.RACK INSTL-EQPT CTR E5 POSITION DATA: MID VARIABLE DRAWING REF: 284T0921-5027 FUNCTIONAL REFERENCE: COMMUNICATIONS FOR DETAILS SEE 23-34-05-01 FUSELAGE FOR DETAILS SEE 53-31-63-01	155162	1

ILLUSTRATION ITEMS NOT ON PARTS LIST ARE NOT APPLICABLE

- ITEM NOT ILLUSTRATED

HXL

24-00-58-01N

BOEING PROPRIETARY - Copyright © - Unpublished Work - See title page for details.

24-00-58  
FIG. 01N  
PAGE 2  
DEC 22/07

 **BOEING**  
767  
PARTS CATALOG (MAINTENANCE)

NON-ILLUSTRATED FIGURE

THE ITEMS REFLECTED IN THIS FIGURE ARE INTENTIONALLY  
NON-ILLUSTRATED. THEY ARE REFERENCED TO EITHER A  
NEXT HIGHER OR NEXT LOWER ASSEMBLY/INSTALLATION FIGURE.

EQUIPMENT INSTL-P31, P32 P34, P36, P37 AND P87 SHIELDS  
FIGURE 1P

**24-00-58-01P**

HXL  
DEC 22/06

24-00-58-01P  
PAGE 0



767

PARTS CATALOG (MAINTENANCE)

FIG ITEM	PART NUMBER	1 2 3 4 5 6 7	NOMENCLATURE	EFFECT FROM TO	UNITS PER ASSY
1P			EQUIPMENT INSTL-P31, P32 P34, P36, P37 AND P87 SHIELDS		
- 1	284T1000-010		EQUIPMENT INSTL-P31, P32 P34 AND P87 SHIELDS VARIABLE DRAWING REF: 284T0001-618 284T0001-630 FOR ADDITIONAL DETAILS SEE: 24-00-58-01 24-00-58-01B 24-00-58-01D 24-00-58-01E 24-00-58-01F 24-00-58-01H 24-00-58-01J 24-00-58-01K 24-00-58-01L 24-00-58-01M 24-00-58-01N 24-00-58-01Q 24-00-58-01R 24-00-58-01S 24-00-58-01T 24-00-58-01W		RF
- 5	284T0633-4		.SHIELD INSTL-P36 AND P37 VARIABLE DRAWING REF: 284T0633-5297 284T0633-5373 284T0633-5377 FOR DETAILS SEE: 53-11-70-03 53-11-70-05		1
- 10	284T0633-3		.SHIELD INSTL-P31, P32 AND P34 VARIABLE DRAWING REF: 284T0633-5283 FOR DETAILS SEE: 53-11-70-02		1

ILLUSTRATION ITEMS NOT ON PARTS LIST ARE NOT APPLICABLE

- ITEM NOT ILLUSTRATED

HXL

24-00-58-01P

BOEING PROPRIETARY - Copyright © - Unpublished Work - See title page for details.

24-00-58  
FIG. 01P  
PAGE 1  
DEC 22/07

 **BOEING**  
767  
PARTS CATALOG (MAINTENANCE)

NON-ILLUSTRATED FIGURE

THE ITEMS REFLECTED IN THIS FIGURE ARE INTENTIONALLY  
NON-ILLUSTRATED. THEY ARE REFERENCED TO EITHER A  
NEXT HIGHER OR NEXT LOWER ASSEMBLY/INSTALLATION FIGURE.

EQUIPMENT INSTL-RADARS AND COOLING HOOD  
FIGURE 1Q

**24-00-58-01Q**

HXL  
DEC 22/06

24-00-58-01Q  
PAGE 0



767

PARTS CATALOG (MAINTENANCE)

FIG ITEM	PART NUMBER	1 2 3 4 5 6 7	NOMENCLATURE	EFFECT FROM TO	UNITS PER ASSY
1Q			EQUIPMENT INSTL-RADARS AND COOLING HOOD		
- 1	284T1000-010		EQUIPMENT INSTL-RADARS AND COOLING HOOD VARIABLE DRAWING REF: 284T0001-618 284T0001-630 FOR ADDITIONAL DETAILS SEE: 24-00-58-01 24-00-58-01A 24-00-58-01B 24-00-58-01D 24-00-58-01E 24-00-58-01F 24-00-58-01H 24-00-58-01J 24-00-58-01K 24-00-58-01L 24-00-58-01M 24-00-58-01N 24-00-58-01P 24-00-58-01S 24-00-58-01T 24-00-58-01W		RF
- 5	284T0019-10		.RADAR INSTL-WEATHER POSITION DATA: L VARIABLE DRAWING REF: 284T0019-5054 FUNCTIONAL REFERENCE: EQUIPMENT/FURNISHINGS FOR DETAILS SEE 25-71-37-01 NAVIGATION FOR DETAILS SEE 34-43-01-01 PLACARDS AND MARKINGS FOR DETAILS SEE 11-36-41-01		1
- 10	284T0019-22		.HOOD INSTL-COOLING VARIABLE DRAWING REF: 284T0019-5076 FOR DETAILS SEE: 21-58-52-01		1

ILLUSTRATION ITEMS NOT ON PARTS LIST ARE NOT APPLICABLE

- ITEM NOT ILLUSTRATED

HXL

24-00-58-01Q

BOEING PROPRIETARY - Copyright © - Unpublished Work - See title page for details.

24-00-58  
FIG. 01Q  
PAGE 1  
DEC 22/07



767

PARTS CATALOG (MAINTENANCE)

FIG ITEM	PART NUMBER	1 2 3 4 5 6 7	NOMENCLATURE	EFFECT FROM TO	UNITS PER ASSY
1Q - 15	284T0020-5		.RADAR INSTL-WEATHER POSITION DATA: R VARIABLE DRAWING REF: 284T0020-5017 284T0020-5041 FUNCTIONAL REFERENCE: AIR CONDITIONING FOR DETAILS SEE 21-58-52-05 EQUIPMENT/FURNISHINGS FOR DETAILS SEE 25-71-38-01 NAVIGATION FOR DETAILS SEE 34-43-01-05 PLACARDS AND MARKINGS FOR DETAILS SEE 11-36-42-01		1

ILLUSTRATION ITEMS NOT ON PARTS LIST ARE NOT APPLICABLE

- ITEM NOT ILLUSTRATED

HXL

24-00-58-01Q

BOEING PROPRIETARY - Copyright © - Unpublished Work - See title page for details.

24-00-58  
FIG. 01Q  
PAGE 2  
DEC 22/06



 **BOEING**  
767  
PARTS CATALOG (MAINTENANCE)

NON-ILLUSTRATED FIGURE

THE ITEMS REFLECTED IN THIS FIGURE ARE INTENTIONALLY  
NON-ILLUSTRATED. THEY ARE REFERENCED TO EITHER A  
NEXT HIGHER OR NEXT LOWER ASSEMBLY/INSTALLATION FIGURE.

EQUIPMENT INSTL-VIDEO AND ANCILLARY SYSTEMS  
FIGURE 1R

**24-00-58-01R**

HXL  
DEC 22/06

24-00-58-01R  
PAGE 0



767

PARTS CATALOG (MAINTENANCE)

FIG ITEM	PART NUMBER	1 2 3 4 5 6 7	NOMENCLATURE	EFFECT FROM TO	UNITS PER ASSY
1R					
- 1	284T1000-010		EQUIPMENT INSTL-VIDEO AND ANCILLARY SYSTEMS EQUIPMENT INSTL-VIDEO AND ANCILLARY SYSTEMS VARIABLE DRAWING REF: 284T0001-618 284T0001-630 FOR ADDITIONAL DETAILS SEE: 24-00-58-01 24-00-58-01A 24-00-58-01B 24-00-58-01D 24-00-58-01E 24-00-58-01F 24-00-58-01H 24-00-58-01J 24-00-58-01K 24-00-58-01L 24-00-58-01M 24-00-58-01N 24-00-58-01P 24-00-58-01Q 24-00-58-01S 24-00-58-01T 24-00-58-01W		RF
- 285	284T1241-1		.EQUIPMENT INSTL-VIDEO ENTERTAINMENT SYS PURSER STA VARIABLE DRAWING REF: 284T1241-5001 FOR DETAILS SEE: 23-32-54-06		1
- 654	284T7003-3		.SPLITTER INSTL-VIDEO SIGNAL POSITION DATA: STA 610 FOR DETAILS SEE: 23-32-08-01		1
- 656	284T7003-4		.SPLITTER INSTL-VIDEO SIGNAL POSITION DATA: STA 1197 FOR DETAILS SEE: 23-32-08-01		1

ILLUSTRATION ITEMS NOT ON PARTS LIST ARE NOT APPLICABLE

- ITEM NOT ILLUSTRATED

HXL

24-00-58-01R

BOEING PROPRIETARY - Copyright © - Unpublished Work - See title page for details.

24-00-58  
FIG. 01R  
PAGE 1  
DEC 22/07



767

PARTS CATALOG (MAINTENANCE)

FIG ITEM	PART NUMBER	1 2 3 4 5 6 7 NOMENCLATURE	EFFECT FROM TO	UNITS PER ASSY
1 R - 666	284T7003-9	. SPLITTER INSTL-VIDEO SIGNAL POSITION DATA: STA 742 FOR DETAILS SEE: 23-32-08-01		1

ILLUSTRATION ITEMS NOT ON PARTS LIST ARE NOT APPLICABLE

- ITEM NOT ILLUSTRATED

HXL

**24-00-58-01R**

BOEING PROPRIETARY - Copyright © - Unpublished Work - See title page for details.

24-00-58  
FIG. 01R  
PAGE 2  
DEC 22/07

 **BOEING**  
767  
PARTS CATALOG (MAINTENANCE)

NON-ILLUSTRATED FIGURE

THE ITEMS REFLECTED IN THIS FIGURE ARE INTENTIONALLY  
NON-ILLUSTRATED. THEY ARE REFERENCED TO EITHER A  
NEXT HIGHER OR NEXT LOWER ASSEMBLY/INSTALLATION FIGURE.

EQUIPMENT INSTL-SOFTWARE  
FIGURE 1S

**24-00-58-01S**

HXL  
DEC 22/06

24-00-58-01S  
PAGE 0



767

PARTS CATALOG (MAINTENANCE)

FIG ITEM	PART NUMBER	1 2 3 4 5 6 7	NOMENCLATURE	EFFECT FROM TO	UNITS PER ASSY
1 S					
- 1	284T1000-010		EQUIPMENT INSTL-SOFTWARE EQUIPMENT INSTL-SOFTWARE VARIABLE DRAWING REF: 284T0001-618 284T0001-630 FOR ADDITIONAL DETAILS SEE: 24-00-58-01 24-00-58-01A 24-00-58-01B 24-00-58-01D 24-00-58-01E 24-00-58-01F 24-00-58-01H 24-00-58-01J 24-00-58-01K 24-00-58-01L 24-00-58-01M 24-00-58-01N 24-00-58-01P 24-00-58-01Q 24-00-58-01R 24-00-58-01T		RF
- 60	284T1298-1		.SOFTWARE INSTL-AIRPLANE CONDITION MONITORING SYS VARIABLE DRAWING REF: 284T1298-5002 FOR DETAILS SEE: 31-31-03-02		1
- 80	284T1299-1		.SOFTWARE INSTL-FLIGHT MANAGEMENT COMPUTER VARIABLE DRAWING REF: 284T1299-618 FOR DETAILS SEE: 34-61-01-02		1

ILLUSTRATION ITEMS NOT ON PARTS LIST ARE NOT APPLICABLE

- ITEM NOT ILLUSTRATED

HXL

24-00-58-01S

BOEING PROPRIETARY - Copyright © - Unpublished Work - See title page for details.

24-00-58  
FIG. 01S  
PAGE 1  
DEC 22/07

 **BOEING**  
767  
PARTS CATALOG (MAINTENANCE)

NON-ILLUSTRATED FIGURE

THE ITEMS REFLECTED IN THIS FIGURE ARE INTENTIONALLY  
NON-ILLUSTRATED. THEY ARE REFERENCED TO EITHER A  
NEXT HIGHER OR NEXT LOWER ASSEMBLY/INSTALLATION FIGURE.

EQUIPMENT INSTL-PANELS  
FIGURE 1T

**24-00-58-01T**

HXL  
DEC 22/06

24-00-58-01T  
PAGE 0



767

PARTS CATALOG (MAINTENANCE)

FIG ITEM	PART NUMBER	1 2 3 4 5 6 7	NOMENCLATURE	EFFECT FROM TO	UNITS PER ASSY
1T					
- 1	284T1000-010		EQUIPMENT INSTL-PANELS EQUIPMENT INSTL- VARIABLE DRAWING REF: 284T0001-618 284T0001-630 FOR ADDITIONAL DETAILS SEE: 24-00-58-01 24-00-58-01A 24-00-58-01B 24-00-58-01D 24-00-58-01E 24-00-58-01F 24-00-58-01H 24-00-58-01J 24-00-58-01K 24-00-58-01L 24-00-58-01M 24-00-58-01N 24-00-58-01P 24-00-58-01Q 24-00-58-01R 24-00-58-01S		RF
- 10	284T0996-1		.PANEL INSTL-MAIN PWR DISTR P6 VARIABLE DRAWING REF: 284T0996-5132 284T0996-5172 284T0996-5181 FUNCTIONAL REFERENCE: AIR CONDITIONING FOR DETAILS SEE 21-58-59-01 EQUIPMENT/FURNISHINGS FOR DETAILS SEE 25-10-53-01		1

ILLUSTRATION ITEMS NOT ON PARTS LIST ARE NOT APPLICABLE

- ITEM NOT ILLUSTRATED

HXL

24-00-58-01T

BOEING PROPRIETARY - Copyright © - Unpublished Work - See title page for details.

24-00-58  
FIG. 01T  
PAGE 1  
DEC 22/07

 **BOEING**  
767  
PARTS CATALOG (MAINTENANCE)

NON-ILLUSTRATED FIGURE

THE ITEMS REFLECTED IN THIS FIGURE ARE INTENTIONALLY  
NON-ILLUSTRATED. THEY ARE REFERENCED TO EITHER A  
NEXT HIGHER OR NEXT LOWER ASSEMBLY/INSTALLATION FIGURE.

EQUIPMENT INSTL-CARD FILE AND BOX (P29 AND P51)  
FIGURE 1W

**24-00-58-01W**

HXL  
DEC 22/06

24-00-58-01W  
PAGE 0





767

PARTS CATALOG (MAINTENANCE)

FIG ITEM	PART NUMBER	1 2 3 4 5 6 7	NOMENCLATURE	EFFECT FROM TO	UNITS PER ASSY
1W					
- 1	284T1000-010		EQUIPMENT INSTL-CARD FILE AND BOX (P29 AND P51) EQUIPMENT INSTL-CARD FILE AND BOX (P29 AND P51) VARIABLE DRAWING REF: 284T0001-618 284T0001-630 FOR ADDITIONAL DETAILS SEE: 24-00-58-01 24-00-58-01A 24-00-58-01B 24-00-58-01D 24-00-58-01E 24-00-58-01F 24-00-58-01H 24-00-58-01J 24-00-58-01K 24-00-58-01L 24-00-58-01M 24-00-58-01N 24-00-58-01P 24-00-58-01Q 24-00-58-01R 24-00-58-01S 24-00-58-01T		RF
- 5	284T0049-5		.CARD FILE AND BOX INSTL- EQPT CTR (P29) POSITION DATA: R FWD VARIABLE DRAWING REF: 284T0049-5123		1

ILLUSTRATION ITEMS NOT ON PARTS LIST ARE NOT APPLICABLE

- ITEM NOT ILLUSTRATED

HXL

**24-00-58-01W**

BOEING PROPRIETARY - Copyright © - Unpublished Work - See title page for details.

24-00-58  
FIG. 01W  
PAGE 1  
DEC 22/07



767

PARTS CATALOG (MAINTENANCE)

FIG ITEM	PART NUMBER	1 2 3 4 5 6 7	NOMENCLATURE	EFFECT FROM TO	UNITS PER ASSY
1W - 10	284T0049-13		.CARD FILE AND BOX INSTL- EQPT CTR (P51) POSITION DATA: R FWD VARIABLE DRAWING REF: 284T0049-5235 FUNCTIONAL REFERENCE: EQUIPMENT/FURNISHINGS FOR DETAILS SEE 25-71-35-01 FLIGHT CONTROLS FOR DETAILS SEE 27-32-01-01 INDICATING/RECORDING FOR DETAILS SEE 31-41-53-05 31-51-04-05 NAVIGATION FOR DETAILS SEE 34-16-01-01		1

ILLUSTRATION ITEMS NOT ON PARTS LIST ARE NOT APPLICABLE

- ITEM NOT ILLUSTRATED

HXL

24-00-58-01W

BOEING PROPRIETARY - Copyright © - Unpublished Work - See title page for details.

24-00-58  
FIG. 01W  
PAGE 2  
DEC 22/07

 **BOEING**  
767  
PARTS CATALOG (MAINTENANCE)

NON-ILLUSTRATED FIGURE

THE ITEMS REFLECTED IN THIS FIGURE ARE INTENTIONALLY  
NON-ILLUSTRATED. THEY ARE REFERENCED TO EITHER A  
NEXT HIGHER OR NEXT LOWER ASSEMBLY/INSTALLATION FIGURE.

EQUIPMENT INSTL-ELECTRONIC RACKS E8-E14, FILTERS, BRACKETS AND VALVES  
FIGURE 1X

HXL  
DEC 22/06

**24-00-58-01X**

24-00-58-01X  
PAGE 0



767

PARTS CATALOG (MAINTENANCE)

FIG ITEM	PART NUMBER	1 2 3 4 5 6 7	NOMENCLATURE	EFFECT FROM TO	UNITS PER ASSY
1X			EQUIPMENT INSTL- ELECTRONIC RACKS E8-E14, FILTERS, BRACKETS AND VALVES		
- 1	284T1000-010		EQUIPMENT INSTL- ELECTRONIC RACKS E8-E14, FILTERS, BRACKETS AND VALVES VARIABLE DRAWING REF: 284T0001-618 284T0001-630 FOR ADDITIONAL DETAILS SEE: 24-00-58-01 24-00-58-01A 24-00-58-01B 24-00-58-01D 24-00-58-01E 24-00-58-01F 24-00-58-01H 24-00-58-01J 24-00-58-01K 24-00-58-01L 24-00-58-01M 24-00-58-01N 24-00-58-01P 24-00-58-01Q 24-00-58-01R 24-00-58-01T 24-00-58-01W		RF
- 10	284T0971-1		.RACK INSTL-E8 VARIABLE DRAWING REF: 284T0971-5009 284T0971-5011 FOR DETAILS SEE: 21-58-57-01		1
- 800	284T0645-1		.VALVE INSTL-ELECTRONIC EQPT CTR E1/E2 RACK VARIABLE DRAWING REF: 284T0645-5004 FOR DETAILS SEE: 21-58-61-01		1

ILLUSTRATION ITEMS NOT ON PARTS LIST ARE NOT APPLICABLE

- ITEM NOT ILLUSTRATED

HXL

24-00-58-01X

BOEING PROPRIETARY - Copyright © - Unpublished Work - See title page for details.

24-00-58  
FIG. 01X  
PAGE 1  
DEC 22/07

 **BOEING**  
767  
PARTS CATALOG (MAINTENANCE)

NON-ILLUSTRATED FIGURE

THE ITEMS REFLECTED IN THIS FIGURE ARE INTENTIONALLY  
NON-ILLUSTRATED. THEY ARE REFERENCED TO EITHER A  
NEXT HIGHER OR NEXT LOWER ASSEMBLY/INSTALLATION FIGURE.

EQUIPMENT INSTL-ANT. DETECTORS, DISCH, PWR SUPPLIES, XFMR AND WAVEGUIDES  
FIGURE 2

HXL  
DEC 22/06

**24-00-58-02**

24-00-58-02  
PAGE 0



767

PARTS CATALOG (MAINTENANCE)

FIG ITEM	PART NUMBER	1 2 3 4 5 6 7	NOMENCLATURE	EFFECT FROM TO	UNITS PER ASSY
2			EQUIPMENT INSTL-ANT. DETECTORS, DISCH, PWR SUPPLIES, XFMR AND WAVEGUIDES		
- 1	284T1000-010		EQUIPMENT INSTL-ANT., DETECTORS, DISCH, PWR SUPPLIES, XFMR AND WAVEGUIDES VARIABLE DRAWING REF: 284T1000-5003 284T0001-618 284T0001-630 FOR ADDITIONAL DETAILS SEE: 24-00-58-01A 24-00-58-01B 24-00-58-01D 24-00-58-01E 24-00-58-01F 24-00-58-01H 24-00-58-01J 24-00-58-01K 24-00-58-01L 24-00-58-01M 24-00-58-01N 24-00-58-01P 24-00-58-01Q 24-00-58-01R 24-00-58-01S 24-00-58-01T 24-00-58-01W		RF
- 5	284T0042-2		.LADDER INSTL- FOR DETAILS SEE: 25-70-51-01		1
- 10	284T0636-1		.TRANSFORMER INSTL-MAIN WHL WELL SVCE LT POSITION DATA: LH FOR DETAILS SEE: 33-31-52-01		1
- 15	284T0639-1		.TRANSFORMER INSTL-LDG LT AND RUNWAY TURNOFF LT POSITION DATA: LH FOR DETAILS SEE: 33-42-51-01		1

ILLUSTRATION ITEMS NOT ON PARTS LIST ARE NOT APPLICABLE

- ITEM NOT ILLUSTRATED

HXL

24-00-58-02

BOEING PROPRIETARY - Copyright © - Unpublished Work - See title page for details.

24-00-58  
FIG. 02  
PAGE 1  
DEC 22/07



767

PARTS CATALOG (MAINTENANCE)

FIG ITEM	PART NUMBER	1 2 3 4 5 6 7	NOMENCLATURE	EFFECT FROM TO	UNITS PER ASSY
2					
- 15	284T0639-2		.TRANSFORMER INSTL-LDG LT AND RUNWAY TURNOFF LT POSITION DATA: RH FOR DETAILS SEE: 33-42-51-01		1
- 20	284T0225-1		.BRACKET INSTL-ANT. MTG FOR DETAILS SEE: 34-31-03-01		1
- 20	284T0225-2		.ANTENNA INSTL-LOCALIZER FOR DETAILS SEE: 34-31-03-01		1
- 20	284T0225-3		.ANTENNA INSTL-GLIDE SLOPE FOR DETAILS SEE: 34-31-03-01		1
- 30	284T0202-1		.SUPPORT INSTL- FOR DETAILS SEE: 25-53-54-01		1
- 35	284T0680-1		.UNIT INSTL-HIGH BAND TV ANT. FOR DETAILS SEE: 23-32-51-01		1
- 35	284T0680-2		.UNIT INSTL-LOW BAND TV ANT. NON-JAPANESE FOR DETAILS SEE: 23-32-51-01		1
- 35	284T0680-3		.FEED INSTL-HIGH BAND TV ANT. FOR DETAILS SEE: 23-32-51-01		1
- 35	284T0680-4		.FEED INSTL-LOW BAND TV ANT. FOR DETAILS SEE: 23-32-51-01		1
- 40	284T0546-27		.DETECTOR INSTL-WHL WELL POSITION DATA: LH FOR DETAILS SEE: 26-17-01-01B		1
- 40	284T0546-28		.DETECTOR INSTL-WHL WELL WELL POSITION DATA: RH FOR DETAILS SEE: 26-17-01-01B		1

ILLUSTRATION ITEMS NOT ON PARTS LIST ARE NOT APPLICABLE

- ITEM NOT ILLUSTRATED

24-00-58-02

24-00-58  
FIG. 02  
PAGE 2  
AUG 22/08

HXL

BOEING PROPRIETARY - Copyright © - Unpublished Work - See title page for details.

 **BOEING**  
767  
**PARTS CATALOG (MAINTENANCE)**

FIG ITEM	PART NUMBER	1 2 3 4 5 6 7	NOMENCLATURE	EFFECT FROM TO	UNITS PER ASSY
2					
- 45	284T0219-1		.DISCHARGER INSTL-WING STATIC POSITION DATA: LH FOR DETAILS SEE: 23-61-01-01		1
- 45	284T0219-2		.DISCHARGER INSTL-WING STATIC POSITION DATA: RH FOR DETAILS SEE: 23-61-01-01		1
- 45	284T0219-3		.DISCHARGER INSTL-HORIZ STAB. STATIC POSITION DATA: LH FOR DETAILS SEE: 23-61-01-01		1
- 45	284T0219-4		.DISCHARGER INSTL-HORIZ STAB. STATIC POSITION DATA: RH FOR DETAILS SEE: 23-61-01-01		1
- 45	284T0219-5		.DISCHARGER INSTL-HORIZ STAB. STATIC POSITION DATA: RH FOR DETAILS SEE: 23-61-01-01		1
- 55	284T0731-2		.GYRO INSTL- TOOLING FOR DETAILS SEE: 11-38-01-01		1
- 60	284T0750-3		.WAVEGUIDE INSTL-X BAND WEATHER RDR DUAL SYS VARIABLE DRAWING REF: 284T0750-5008 FOR DETAILS SEE: 34-43-04-01		1
- 65	284T0227-1		.HORN INSTL-CREW CALL NLG WHL WELL VARIABLE DRAWING REF: 284T0227-5001 FOR DETAILS SEE: 23-43-01-01		1
ILLUSTRATION ITEMS NOT ON PARTS LIST ARE NOT APPLICABLE					

- ITEM NOT ILLUSTRATED

HXL

24-00-58-02

BOEING PROPRIETARY - Copyright © - Unpublished Work - See title page for details.

24-00-58  
FIG. 02  
PAGE 3  
AUG 22/08





767

PARTS CATALOG (MAINTENANCE)

FIG ITEM	PART NUMBER	1 2 3 4 5 6 7	NOMENCLATURE	EFFECT FROM TO	UNITS PER ASSY
2					
- 70	284T0223-19		.ANTENNA INSTL-VHF POSITION DATA: STA 654.35 FOR DETAILS SEE: 23-12-03-01		1
- 70	284T0223-22		.ANTENNA INSTL-VHF NO. 3 POSITION DATA: STA 1197.99 FOR DETAILS SEE: 23-12-03-01		1
- 70	284T0223-5		.ANTENNA INSTL-DME POSITION DATA: STA 555 L VARIABLE DRAWING REF: 284T0223-5029 FOR DETAILS SEE: 34-55-02-01		1
- 70	284T0223-20		.ANTENNA INSTL-DME POSITION DATA: STA 654.11 R VARIABLE DRAWING REF: 284T0223-5033 FOR DETAILS SEE: 34-55-02-01		1
- 70	284T0223-7		.ANTENNA INSTL-RADIO ALTM XMTR POSITION DATA: STA 577 L, R AND CTR VARIABLE DRAWING REF: 284T0223-5034 FOR DETAILS SEE: 34-33-02-01		1
- 70	284T0223-8		.ANTENNA INSTL-RADIO ALTM XMTR POSITION DATA: STA 577 L, R AND CTR VARIABLE DRAWING REF: 284T0223-5034 FOR DETAILS SEE: 34-33-02-01		1
- 70	284T0223-21		.ANTENNA INSTL-MARKER BEACON POSITION DATA: STA 654.26 FOR DETAILS SEE: 34-32-01-02		1
ILLUSTRATION ITEMS NOT ON PARTS LIST ARE NOT APPLICABLE					

- ITEM NOT ILLUSTRATED

24-00-58-02

24-00-58  
FIG. 02  
PAGE 4  
AUG 22/08

HXL



767

PARTS CATALOG (MAINTENANCE)

FIG ITEM	PART NUMBER	1 2 3 4 5 6 7	NOMENCLATURE	EFFECT FROM TO	UNITS PER ASSY
2					
- 70	284T0565-1		.ANTENNA INSTL-VERT. FIN TIP VOR FOR DETAILS SEE: 34-51-03-01		1
- 70	284T0223-11		.ANTENNA INSTL-ADF LOOP/SENSE POSITION DATA: STA 1121.78 VARIABLE DRAWING REF: 284T0223-5021 FOR DETAILS SEE: 34-57-03-01		1
- 70	284T0223-15		.ANTENNA INSTL-ADF LOOP/SENSE POSITION DATA: STA 1121.78 VARIABLE DRAWING REF: 284T0223-5022 FOR DETAILS SEE: 34-57-03-01		1
- 75	284T0013-2		.SUPPORT INSTL-MAIN EQPT CTR BATTERY POSITION DATA: SECT. 41 LWR VARIABLE DRAWING REF: 284T0013-5001 FOR DETAILS SEE: 53-11-56-01		1
- 80	284T0220-13		.ANTENNA INSTL-WEATHER RDR VARIABLE DRAWING REF: 284T0220-5019 FOR DETAILS SEE: 34-43-03-01		1
- 80	284T0220-3		.SUPPORT INSTL-WEATHER RDR ANT. VARIABLE DRAWING REF: 284T0220-5002 FUNCTIONAL REFERENCE: NAVIGATION FOR DETAILS SEE 34-43-03-01 PLACARDS AND MARKINGS FOR DETAILS SEE 11-36-41-51		1
ILLUSTRATION ITEMS NOT ON PARTS LIST ARE NOT APPLICABLE					

- ITEM NOT ILLUSTRATED

HXL

24-00-58-02

BOEING PROPRIETARY - Copyright © - Unpublished Work - See title page for details.

24-00-58  
FIG. 02  
PAGE 5  
AUG 22/08



767

PARTS CATALOG (MAINTENANCE)

FIG ITEM	PART NUMBER	1 2 3 4 5 6 7	NOMENCLATURE	EFFECT FROM TO	UNITS PER ASSY
2					
- 85	284T0232-3		.POWER SUPPLY INSTL- ANTI-COLLISION POSITION DATA: UPR VARIABLE DRAWING REF: 284T0232-5013 FOR DETAILS SEE: 33-44-04-01		1
- 85	284T0232-7		.POWER SUPPLY INSTL- ANTI-COLLISION POSITION DATA: LWR FOR DETAILS SEE: 33-44-04-01		1
- 95	284T0299-1		.RELAY INSTL-MISC EQPT VARIABLE DRAWING REF: 284T0299-5003 FOR DETAILS SEE: 26-15-51-01		1
- 105	284T0686-3		.EQUIPMENT INSTL-MAIN EQPT CTR MISC VARIABLE DRAWING REF: 284T0686-5014 FUNCTIONAL REFERENCE: COMMUNICATIONS FOR DETAILS SEE 23-34-02-01 PLACARDS AND MARKINGS FOR DETAILS SEE 11-35-17-02		1
- 110	284T0193-3		.EQUIPMENT INSTL-ACCLRM FLIGHT RECORDER AND PACS VARIABLE DRAWING REF: 284T0193-5002 FOR DETAILS SEE: 31-31-05-01		1
- 115	284T0224-7		.POWER SUPPLY INSTL-WING TIP STROBE POSITION DATA: LH VARIABLE DRAWING REF: 284T0224-5017 FOR DETAILS SEE: 33-44-01-01		1
ILLUSTRATION ITEMS NOT ON PARTS LIST ARE NOT APPLICABLE					

- ITEM NOT ILLUSTRATED

HXL

24-00-58-02

BOEING PROPRIETARY - Copyright © - Unpublished Work - See title page for details.

24-00-58  
FIG. 02  
PAGE 6  
AUG 22/08



767

PARTS CATALOG (MAINTENANCE)

FIG ITEM	PART NUMBER	1 2 3 4 5 6 7	NOMENCLATURE	EFFECT FROM TO	UNITS PER ASSY
2					
- 115	284T0224-8		.POWER SUPPLY INSTL-WING TIP STROBE POSITION DATA: RH VARIABLE DRAWING REF: 284T0224-5018 FOR DETAILS SEE: 33-44-01-01		1
- 115	284T0224-9		.TRANSFORMER INSTL-WING TIP STROBE POSITION DATA: RH VARIABLE DRAWING REF: 284T0224-5021 FOR DETAILS SEE: 33-43-03-01		1
- 115	284T0224-10		.TRANSFORMER INSTL-WING TIP STROBE POSITION DATA: RH VARIABLE DRAWING REF: 284T0224-5022 FOR DETAILS SEE: 33-43-03-01		1
- 120	284T0713-2		.BATTERY INSTL-MAIN EQUIP. POSITION DATA: LWR SECT. 41 VARIABLE DRAWING REF: 284T0713-5003 FUNCTIONAL REFERENCE: ELECTRICAL POWER FOR DETAILS SEE 24-31-01-02 PLACARDS AND MARKINGS FOR DETAILS SEE 11-36-55-01		1
- 125	284T0660-1		.RELAY INSTL-RAM AIR TURB POSITION DATA: STA 1143 FOR DETAILS SEE: 29-21-52-01		1
- 130	284T0773-1		.EQUIPMENT INSTL-DIMMER CONT POSITION DATA: SECT. 41 FOR DETAILS SEE: 33-13-02-01		1
ILLUSTRATION ITEMS NOT ON PARTS LIST ARE NOT APPLICABLE					

- ITEM NOT ILLUSTRATED

24-00-58-02

24-00-58  
FIG. 02  
PAGE 7  
AUG 22/08

HXL



767

PARTS CATALOG (MAINTENANCE)

FIG ITEM	PART NUMBER	1 2 3 4 5 6 7	NOMENCLATURE	EFFECT FROM TO	UNITS PER ASSY
2 - 135	284T0721-1		.OUTLET INSTL-INPH AND SVCE POSITION DATA: SECT. 41 FUNCTIONAL REFERENCE: COMMUNICATIONS FOR DETAILS SEE 23-41-51-01 EQUIPMENT/FURNISHINGS FOR DETAILS SEE 25-29-51-01 PLACARDS AND MARKINGS FOR DETAILS SEE 11-36-50-05		1
- 135	284T0721-3		.OUTLET INSTL-INPH AND SVCE POSITION DATA: SECT. 41 FUNCTIONAL REFERENCE: COMMUNICATIONS FOR DETAILS SEE 23-41-51-01		1
- 145	284T0295-1		.BOX INSTL-LG DOWN LOCK PIN VARIABLE DRAWING REF: 284T0295-5002 FOR DETAILS SEE: 53-11-76-01		1
- 160	284T0273-1		.BRACKET INSTL-NOSE RADOME GND VARIABLE DRAWING REF: 284T0273-5003 FOR DETAILS SEE: 53-12-03-05		1

ILLUSTRATION ITEMS NOT ON PARTS LIST ARE NOT APPLICABLE

- ITEM NOT ILLUSTRATED

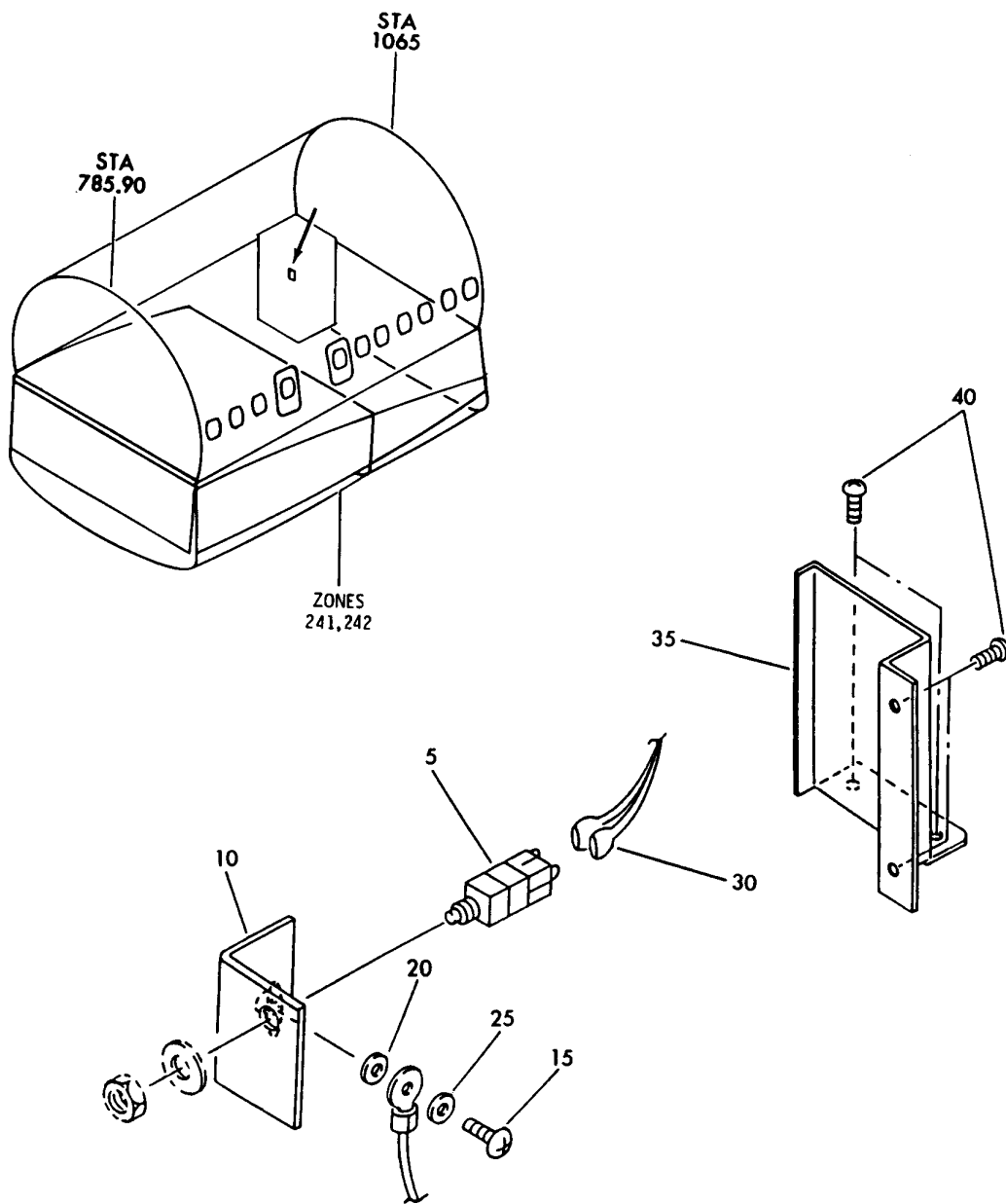
HXL

24-00-58-02

BOEING PROPRIETARY - Copyright © - Unpublished Work - See title page for details.

24-00-58  
FIG. 02  
PAGE 8  
DEC 22/07

**BOEING**  
767  
PARTS CATALOG (MAINTENANCE)



V 24006012 REV 130

SWITCH INSTL-HANDICAP LIGHT  
FIGURE 12

**24-00-60-12**

HXL  
DEC 22/06

24-00-60-12  
PAGE 0



767

PARTS CATALOG (MAINTENANCE)

FIG ITEM	PART NUMBER	1 2 3 4 5 6 7	NOMENCLATURE	EFFECT FROM TO	UNITS PER ASSY
12					
- 1	BS066720-1		SWITCH INSTL-HANDICAP LIGHT SWITCH INSTL-HANDICAP LIGHT LAV M32 SUPPLIER CODE: VS5065 FOR NHA SEE: 25-41-03-52		RF
5	M8805-25-001		.SWITCH-		1
10	BS062106-11		.BRACKET-BONDING SUPPLIER CODE: VS5065 ATTACHING PARTS		1
15	MS35207-262		.SCREW		1
20	AN960D10L		.WASHER		1
25	AN960-10L		.WASHER		1
			-----*-----		
30	BS066723-1		.BUNDLE-WIRE SUPPLIER CODE: VS5065		1
35	BS066721-3		.COVER- SUPPLIER CODE: VS5065 ATTACHING PARTS		1
40	MS35206-241		.SCREW -----*-----		4

ILLUSTRATION ITEMS NOT ON PARTS LIST ARE NOT APPLICABLE

- ITEM NOT ILLUSTRATED

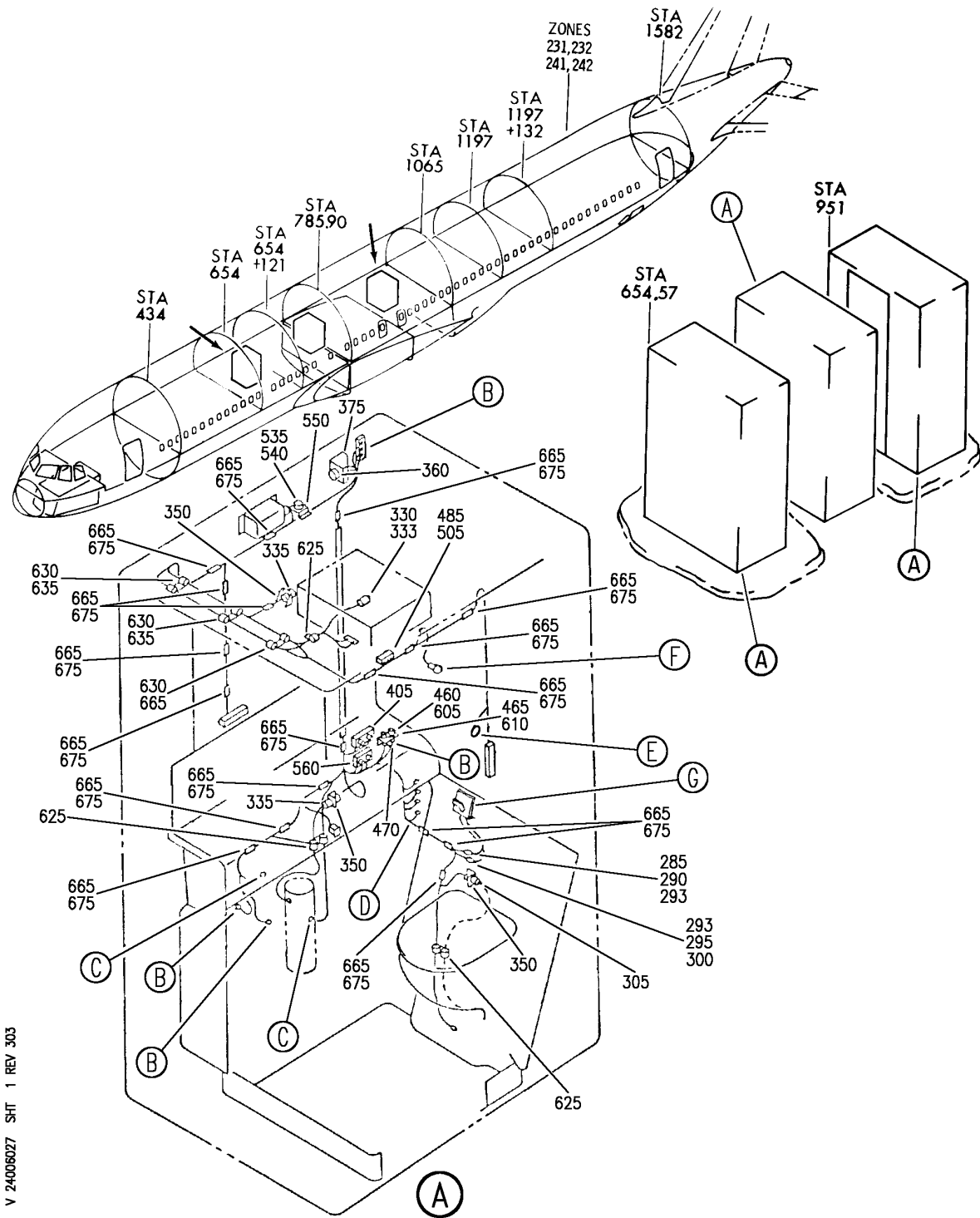
HXL

24-00-60-12

BOEING PROPRIETARY - Copyright © - Unpublished Work - See title page for details.

24-00-60  
FIG. 12  
PAGE 1  
DEC 22/07

**BOEING**  
767  
**PARTS CATALOG (MAINTENANCE)**



V 24006027 SHT 1 REV 303

ELECTRICAL SYSTEM INSTL-MID LAV  
FIGURE 27 (SHEET 1)

**24-00-60-27**

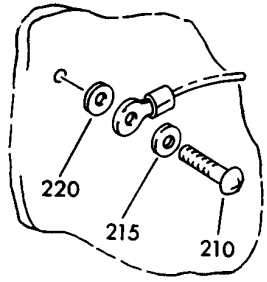
HXL  
DEC 22/06

24-00-60-27  
PAGE 0

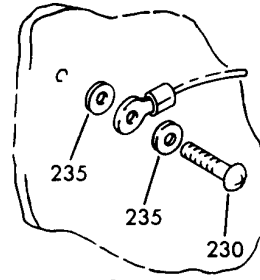
BOEING PROPRIETARY - Copyright © - Unpublished Work - See title page for details.



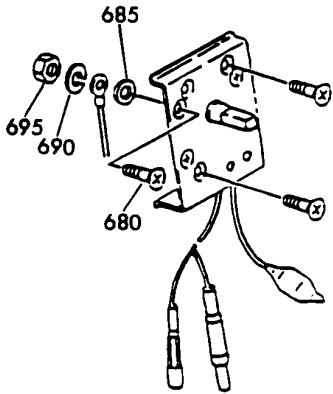

**BOEING**  
 767  
**PARTS CATALOG (MAINTENANCE)**



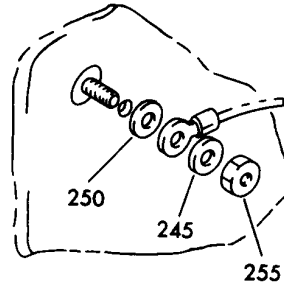
**(B)**



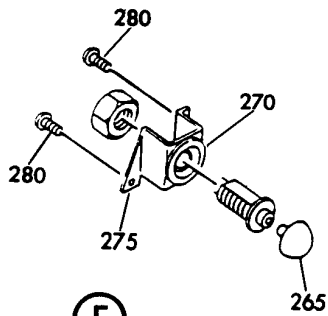
**(C)**



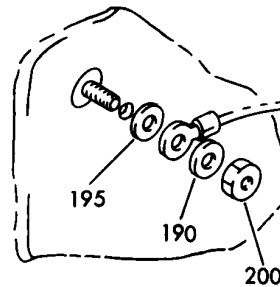
**(G)**



**(D)**



**(F)**



**(E)**

V 24006027 SHT 2 REV 178

ELECTRICAL SYSTEM INSTL-MID LAV  
FIGURE 27 (SHEET 2)

**24-00-60-27**

HXL  
DEC 22/06

24-00-60-27  
PAGE 0A



767

PARTS CATALOG (MAINTENANCE)

FIG ITEM	PART NUMBER	1 2 3 4 5 6 7	NOMENCLATURE	EFFECT FROM TO	UNITS PER ASSY
27			ELECTRICAL SYSTEM INSTL- MID LAV		
- 1	BS066700-141		ELECTRICAL SYSTEM INSTL- LAV M31 (ELECTRICAL POWER ONLY) SUPPLIER CODE: VS5065 FOR NHA/OTHER SYS DET SEE: 25-41-03-52		RF
- 5	BS066700-41		ELECTRICAL SYSTEM INSTL- LAV M32 LAV M33 (ELECTRICAL POWER ONLY) SUPPLIER CODE: VS5065 FOR NHA/OTHER SYS DET SEE: 25-41-03-52		RF
190	AN960-6L		.WASHER		1
195	AN960D6L		.WASHER		1
200	MS21040-06		.NUT		1
210	MS35207-262		.SCREW		3
215	AN960-10L		.WASHER		3
220	AN960D10L		.WASHER		3
230	MS27039C1-07		.SCREW		2
235	AN960C10L		.WASHER		2
245	AN960-10L		.WASHER		7
250	AN960D10L		.WASHER		7
255	MS21040-3		.NUT		7
- 260	A20247AM1		.SWITCH ASSY- SUPPLIER CODE: V81640		1
265	040466		..LENS- SUPPLIER CODE: V81640		1
270	AN960-816L		.WASHER		1
275	BS061023-3		.BRACKET- SUPPLIER CODE: VS5065		1
280	MS35206-241		ATTACHING PARTS .SCREW		2
285	48-7191		-----*----- .RECEPTACLE- SUPPLIER CODE: V02660		1

ILLUSTRATION ITEMS NOT ON PARTS LIST ARE NOT APPLICABLE

- ITEM NOT ILLUSTRATED

24-00-60-27

24-00-60  
FIG. 27  
PAGE 1  
DEC 22/07

HXL



767

PARTS CATALOG (MAINTENANCE)

FIG ITEM	PART NUMBER	1 2 3 4 5 6 7	NOMENCLATURE	EFFECT FROM TO	UNITS PER ASSY
27					
290	418-1616-902		.CONTACT-SOCKET SUPPLIER CODE: V55104 SPECIFICATION NUMBER: BACC47CP2T OPTIONAL PART: ZZL4116-36LT V49367 248-136-1600S02 V77820 LRC16M15F74 V09922		1
293	TY51M		.WRAP- SUPPLIER CODE: V56501		2
295	48-7190		.PLUG- SUPPLIER CODE: V02660		1
300	418-1616-902		.CONTACT-SOCKET SUPPLIER CODE: V55104 SPECIFICATION NUMBER: BACC47CP2T OPTIONAL PART: ZZL4116-36LT V49367 248-136-1600S02 V77820 LRC16M15F74 V09922		1
305	BACC45FN14-12S		.CONNECTOR- ATTACHING PARTS		1
- 310	MS35206-215		.SCREW		2
- 315	MS21040-04		.NUT		2
			-----*-----		
320	BS060704-11		.BRACKET-TOILET SUPPLIER CODE: VS5065 ATTACHING PARTS		1
- 325	MS35206-241		.SCREW		4
			-----*-----		

ILLUSTRATION ITEMS NOT ON PARTS LIST ARE NOT APPLICABLE

- ITEM NOT ILLUSTRATED

HXL

24-00-60-27

BOEING PROPRIETARY - Copyright © - Unpublished Work - See title page for details.

24-00-60  
FIG. 27  
PAGE 2  
DEC 22/07



767

PARTS CATALOG (MAINTENANCE)

FIG ITEM	PART NUMBER	1 2 3 4 5 6 7	NOMENCLATURE	EFFECT FROM TO	UNITS PER ASSY
27					
330	C0909A12-12S102	.	CONNECTOR SUPPLIER CODE: V13556 SPECIFICATION NUMBER: BACC63BN12-12S OPTIONAL PART: 48-63N12-12S V02660 C0909A12-12SN V13556		1
333	TY51M	.	WRAP- SUPPLIER CODE: V56501		1
335	BACC45FN14-7S	.	CONNECTOR ATTACHING PARTS		2
- 340	MS35206-215	.	SCREW		4
- 345	MS21040-04	.	NUT		4
			-----*-----		
350	BS060701-13	.	BRACKET- SUPPLIER CODE: VS5065 ATTACHING PARTS		3
- 355	MS35206-241	.	SCREW		6
			-----*-----		
360	BACC45FN22-32P	.	CONNECTOR- ATTACHING PARTS		1
- 365	MS35206-215	.	SCREW		2
- 370	MS21040-04	.	NUT		2
			-----*-----		
375	BS060701-1	.	BRACKET- SUPPLIER CODE: VS5065 ATTACHING PARTS		1
- 380	MS35206-241	.	SCREW		4
			-----*-----		
405	MS27212-6-6	.	BOARD ASSY ATTACHING PARTS		1
- 410	MS35206-241	.	SCREW		2
			-----*-----		
- 415	MS18029-6S6	.	COVER-TERM. BOARD		1
- 420	MS25226-10-2	.	LINK		1
- 425	MS25226-10-3	.	LINK ATTACHING PARTS		1
- 430	AN960-8	.	WASHER		12
- 435	MS35338-42	.	WASHER		6
- 440	MS35649-282	.	NUT		6
			-----*-----		

ILLUSTRATION ITEMS NOT ON PARTS LIST ARE NOT APPLICABLE

- ITEM NOT ILLUSTRATED

24-00-60-27

24-00-60  
FIG. 27  
PAGE 3  
DEC 22/07

HXL

 **BOEING**  
767  
**PARTS CATALOG (MAINTENANCE)**

FIG ITEM	PART NUMBER	1 2 3 4 5 6 7	NOMENCLATURE	EFFECT FROM TO	UNITS PER ASSY
27					
- 445	BS060703-5		.PLATE-TERM. BOARD SUPPLIER CODE: VS5065 ATTACHING PARTS		1
- 450	MS24693S4		.SCREW		2
- 455	MS21040-04		.NUT		2
			-----*-----		
460	HRTS13KM		.SOCKET- SUPPLIER CODE: V91663		1
465	BACS16X3		.SOCKET-LAV M32 M33		1
470	BS060706-1		.BRACKET-RELAY SUPPLIER CODE: VS5065 ATTACHING PARTS		1
- 475	MS35206-262		.SCREW		2
- 478	AN960-10L		.WASHER		2
- 480	AN960D10L		.WASHER		2
			-----*-----		
485	JMS2190-3-103A		.BOARD- SUPPLIER CODE: VS5065 ATTACHING PARTS		1
- 490	MS35206-241		.SCREW		2
			-----*-----		
- 495	JMS2108-2-1		.TUBE-SHRINKABLE SUPPLIER CODE: VS5065		2
- 500	JMS2108-2-3		.TUBE-SHRINKABLE SUPPLIER CODE: VS5065		2
- 505	BS060703-3		.PLATE-TERM. BOARD SUPPLIER CODE: VS5065		1
- 510	1N4148-1		.DIODE-		1
535	MS27295-6		.CAP		1
540	MS27297-6		.CONNECTOR ATTACHING PARTS		1
- 545	MS35206-216		.SCREW		2
			-----*-----		
550	BS060702-1		.BRACKET-DUMMY RCPT SUPPLIER CODE: VS5065 ATTACHING PARTS		1
- 555	MS35206-241		.SCREW		2
			-----*-----		

ILLUSTRATION ITEMS NOT ON PARTS LIST ARE NOT APPLICABLE

- ITEM NOT ILLUSTRATED

HXL

24-00-60-27

24-00-60  
FIG. 27  
PAGE 4  
DEC 22/07



767

PARTS CATALOG (MAINTENANCE)

FIG ITEM	PART NUMBER	1 2 3 4 5 6 7	NOMENCLATURE	EFFECT FROM TO	UNITS PER ASSY
27 560	MS27212-6-5		. TERMINAL BOARD ASSY-LAV M32 M33 ATTACHING PARTS		1
- 565	MS35206-241		. SCREW -----*-----		2
- 570	MS18029-6S5		. COVER-TERM. BOARD LAV M32 M33		1
- 575	MS25226-10-2		. LINK-LAV M32 M33		1
- 580	AN960-8		. WASHER-LAV M32 M33		10
- 585	MS35338-42		. WASHER-LOCK LAV M32 M33		5
- 590	MS35649-282		. NUT-LAV M32 M33		5
- 595	BS060703-5		. PLATE-TERM. BOARD LAV M32 M33 SUPPLIER CODE: VS5065 ATTACHING PARTS		1
- 597	MS24693S4		. SCREW		2
- 600	MS21040-04		. NUT -----*-----		2
605	W260F4AM11		. RELAY- SUPPLIER CODE: VF0219 SPECIFICATION NUMBER: BACR13CD2 OPTIONAL PART: BR16S233 V09026 EE4AA005 V35344 3SAV1338A2 V01526 HFW1206K03 V58614 HFW1204K01 V71482		1

ILLUSTRATION ITEMS NOT ON PARTS LIST ARE NOT APPLICABLE

- ITEM NOT ILLUSTRATED

24-00-60-27

24-00-60  
FIG. 27  
PAGE 5  
DEC 22/07

HXL

**BOEING**  
767  
**PARTS CATALOG (MAINTENANCE)**

FIG ITEM	PART NUMBER	1 2 3 4 5 6 7	NOMENCLATURE	EFFECT FROM TO	UNITS PER ASSY
27 610	JAD9F007		.RELAY-LAV SUPPLIER CODE: V58657 SPECIFICATION NUMBER: BACR13CJ2 M32 M33 ATTACHING PARTS		1
- 615	MS35206-241		.SCREW -----*-----		4
625	BACC10DK4		.CLAMP		6
630	BACC10DK5		.CLAMP		3
635	BACC10DK3		.CLAMP ATTACHING PARTS		3
- 640	MS35206-245		.SCREW		15
- 660	MS35206-243		.SCREW -----*-----		3
665	TC141		.BASE- SUPPLIER CODE: V56501 ATTACHING PARTS		20
- 670	MS24693S49		.SCREW -----*-----		20
675	TY25M		.TYRAP- SUPPLIER CODE: V56501		20
680	MS35206-208		.SCREW		1
685	NAS620-2		.WASHER		1
690	MS35338-39		.WASHER-LOCK		1
695	MS35649-222		.NUT		1

ILLUSTRATION ITEMS NOT ON PARTS LIST ARE NOT APPLICABLE

- ITEM NOT ILLUSTRATED

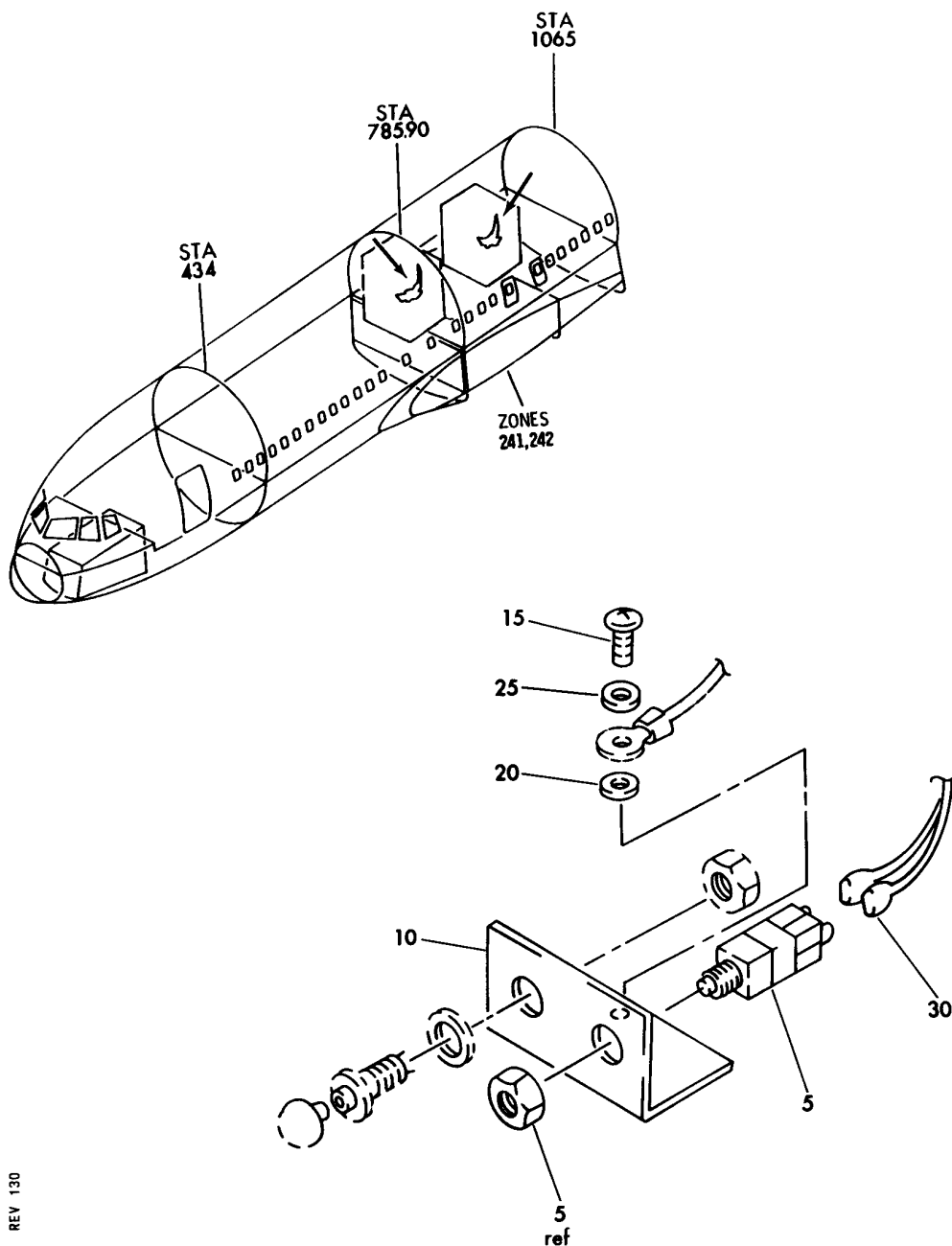
HXL

24-00-60-27

BOEING PROPRIETARY - Copyright © - Unpublished Work - See title page for details.

24-00-60  
FIG. 27  
PAGE 6  
DEC 22/07

**BOEING**  
767  
PARTS CATALOG (MAINTENANCE)



V 24006035 REV 130

SWITCH INSTL-HANDICAP LIGHT  
FIGURE 35

**24-00-60-35**

HXL  
DEC 22/06

24-00-60-35  
PAGE 0





767

PARTS CATALOG (MAINTENANCE)

FIG ITEM	PART NUMBER	1 2 3 4 5 6 7	NOMENCLATURE	EFFECT FROM TO	UNITS PER ASSY
35					
- 1	BS062720-1		SWITCH INSTL-HANDICAP LIGHT SWITCH INSTL-HANDICAP LIGHT LAV M30 LAV M32 LAV M33 SUPPLIER CODE: VS5065 FOR NHA SEE: 25-41-03-52	163999 163999	RF
5	M8805-25-001		.SWITCH-HANDICAP	163999	1
10	BS062106-1		.BRACKET-BONDING SUPPLIER CODE: VS5065	163999	1
15	MS35207-262		.SCREW	163999	1
20	AN960D10L		.WASHER	163999	1
25	AN960-10L		.WASHER	163999	1
30	BS062723-1		.WIRE BUNDLE- SUPPLIER CODE: VS5065	163999	1

ILLUSTRATION ITEMS NOT ON PARTS LIST ARE NOT APPLICABLE

- ITEM NOT ILLUSTRATED

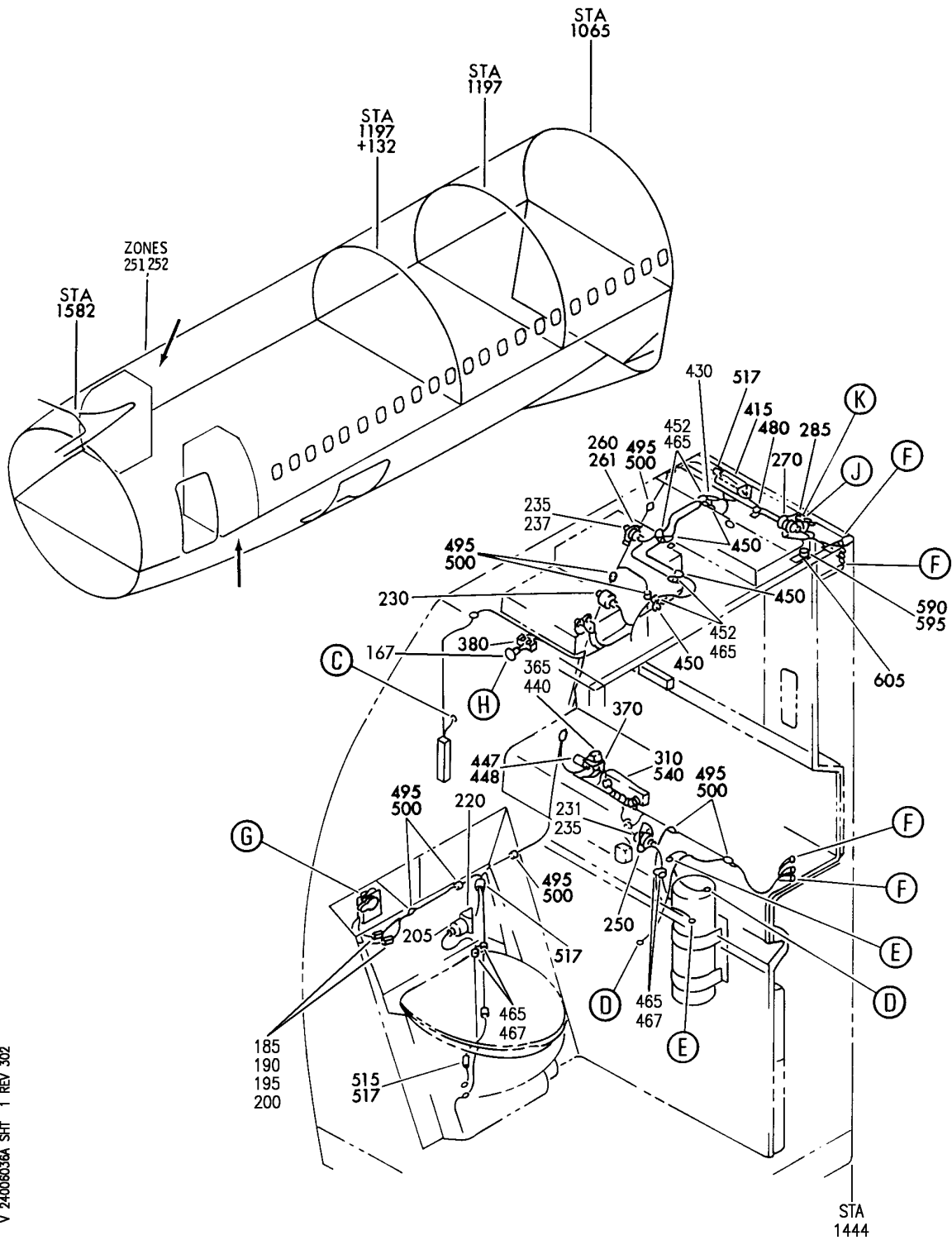
HXL

24-00-60-35

BOEING PROPRIETARY - Copyright © - Unpublished Work - See title page for details.

24-00-60  
FIG. 35  
PAGE 1  
DEC 22/06

**BOEING**  
767  
PARTS CATALOG (MAINTENANCE)



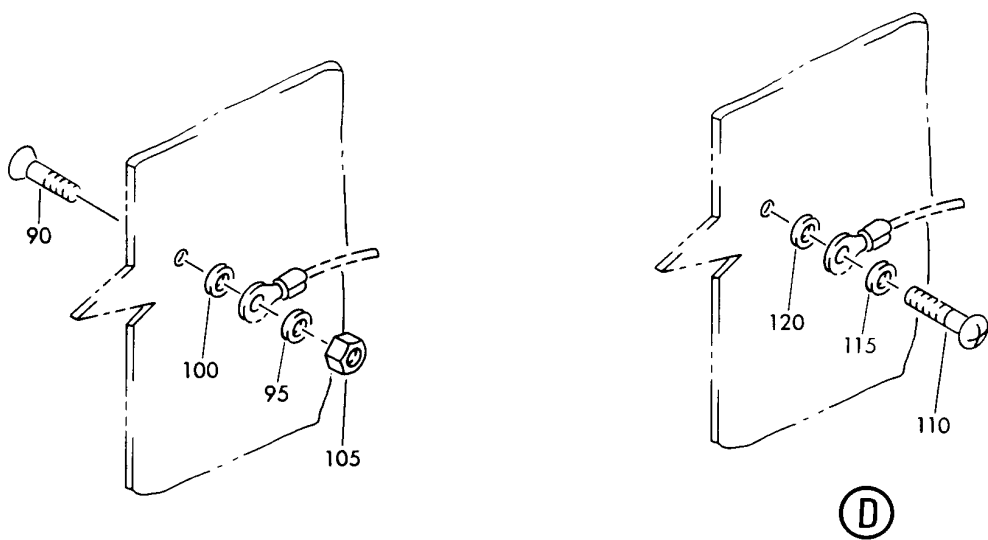
ELECTRICAL SYSTEM INSTL-LAV (ELECTRICAL POWER ONLY)  
FIGURE 36A (SHEET 1)

**24-00-60-36A**

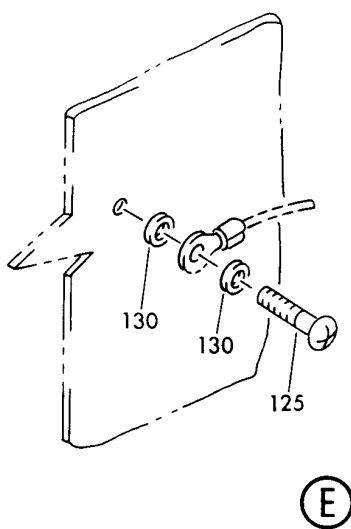
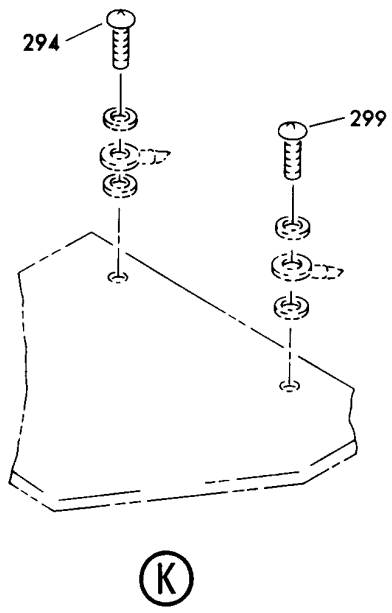
HXL  
DEC 22/06

24-00-60-36A  
PAGE 0

**BOEING**  
767  
PARTS CATALOG (MAINTENANCE)



(C)



V 24006036A SHT 2 REV 181

ELECTRICAL SYSTEM INSTL-LAV (ELECTRICAL POWER ONLY)  
FIGURE 36A (SHEET 2)

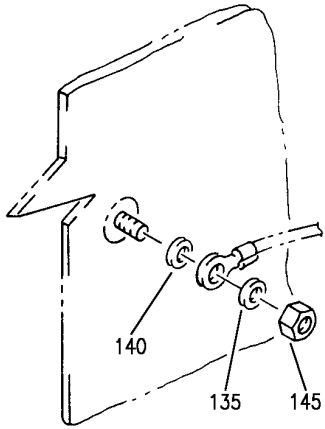
**24-00-60-36A**

HXL  
DEC 22/06

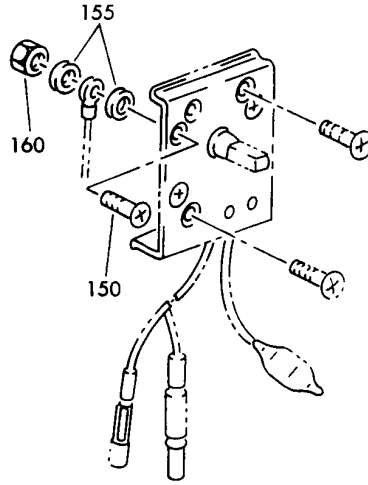
24-00-60-36A  
PAGE 0A

BOEING PROPRIETARY - Copyright © - Unpublished Work - See title page for details.

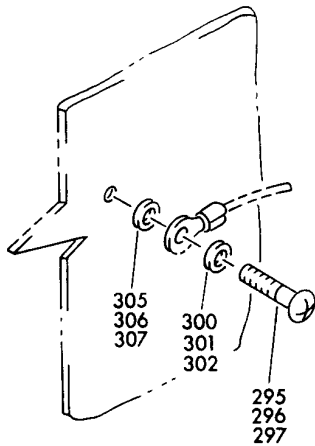
**BOEING**  
767  
**PARTS CATALOG (MAINTENANCE)**



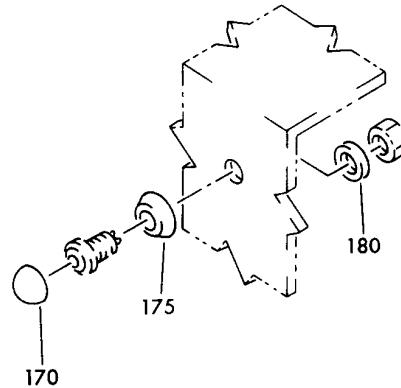
(F)



(G)



(J)



(H)

V 24006036A SHT 3 REV 275

ELECTRICAL SYSTEM INSTL-LAV (ELECTRICAL POWER ONLY)  
FIGURE 36A (SHEET 3)

**24-00-60-36A**

HXL  
DEC 22/06

24-00-60-36A  
PAGE 0B

BOEING PROPRIETARY - Copyright © - Unpublished Work - See title page for details.



767

PARTS CATALOG (MAINTENANCE)

FIG ITEM	PART NUMBER	1 2 3 4 5 6 7	NOMENCLATURE	EFFECT FROM TO	UNITS PER ASSY
36A			ELECTRICAL SYSTEM INSTL-LAV (ELECTRICAL POWER ONLY)		
- 30	BS063700-131		ELECTRICAL SYSTEM INSTL- LAV MS16 AND MS18 LAV MS28 AND MS30 (ELECTRICAL POWER ONLY) SUPPLIER CODE: VS5065 FOR NHA/OTHER SYS DET SEE: 25-41-03-46B		RF
- 35	BS063700-132		ELECTRICAL SYSTEM INSTL- LAV MS15 AND MS17 LAV MS27 AND MS29 (ELECTRICAL POWER ONLY) SUPPLIER CODE: VS5065 FOR NHA/OTHER SYS DET SEE: 25-41-03-46B		RF
90	MS24693S25	.	SCREW		1
95	AN960-6L	.	WASHER		1
100	AN960D6L	.	WASHER		1
105	MS21040-06	.	NUT		1
110	MS35207-262	.	SCREW		2
115	AN960-10L	.	WASHER		2
120	AN960D10L	.	WASHER		2
125	MS27039C1-07	.	SCREW		2
130	AN960C10L	.	WASHER		4
135	AN960-10L	.	WASHER		7
140	AN960D10L	.	WASHER		7
145	MS21040-3	.	NUT		7
150	MS24693C49	.	SCREW		1
155	AN960C8L	.	WASHER		2
160	MS21040-08	.	NUT		1
- 165	A20247AM1	.	SWITCH ASSY- SUPPLIER CODE: V81640 ELECTRICAL EQUIP NUMBER: S00003		1
170	040466	..	LENS- SUPPLIER CODE: V81640		1
175	BS060707-3	.	SHIM- SUPPLIER CODE: VS5065		1
180	AN960-816L	.	WASHER		1

ILLUSTRATION ITEMS NOT ON PARTS LIST ARE NOT APPLICABLE

- ITEM NOT ILLUSTRATED

24-00-60-36A

24-00-60  
FIG. 36A  
PAGE 1  
DEC 22/07

HXL

BOEING PROPRIETARY - Copyright © - Unpublished Work - See title page for details.



767

PARTS CATALOG (MAINTENANCE)

FIG ITEM	PART NUMBER	1 2 3 4 5 6 7	NOMENCLATURE	EFFECT FROM TO	UNITS PER ASSY
36A 185	48-7191		.RECEPTACLE- SUPPLIER CODE: V02660 ELECTRICAL EQUIP NUMBER: J00009		1
190	418-1616-902		.CONTACT- SUPPLIER CODE: V55104 SPECIFICATION NUMBER: BACC47CP2T OPTIONAL PART: ZZL4116-36LT V49367 248-136-1600S02 V77820 LRC16M15F74 V09922		1
195	48-7190		.PLUG- SUPPLIER CODE: V02660 ELECTRICAL EQUIP NUMBER: P00009		1
200	418-1616-902		.CONTACT- SUPPLIER CODE: V55104 SPECIFICATION NUMBER: BACC47CP2T OPTIONAL PART: ZZL4116-36LT V49367 248-136-1600S02 V77820 LRC16M15F74 V09922		1
205	BACC45FN14-12S		.CONNECTOR- ELECTRICAL EQUIP NUMBER: J00005 ATTACHING PARTS		1
- 210	MS35206-215		.SCREW		2
- 215	MS21040-04		.NUT		2
			-----*-----		
220	BS060701-13		.BRACKET- SUPPLIER CODE: VS5065 ATTACHING PARTS		1
- 225	MS35206-241		.SCREW		2
			-----*-----		

ILLUSTRATION ITEMS NOT ON PARTS LIST ARE NOT APPLICABLE

- ITEM NOT ILLUSTRATED

24-00-60-36A

24-00-60  
FIG. 36A  
PAGE 2  
DEC 22/07

HXL

BOEING PROPRIETARY - Copyright © - Unpublished Work - See title page for details.



767

PARTS CATALOG (MAINTENANCE)

FIG ITEM	PART NUMBER	1 2 3 4 5 6 7	NOMENCLATURE	EFFECT FROM TO	UNITS PER ASSY
36A 230	C0909A12-12S102	.	CONNECTOR- SUPPLIER CODE: V13556 SPECIFICATION NUMBER: BACC63BN12-12S OPTIONAL PART: 48-63N12-12S V02660 C0909A12-12SN V13556 ELECTRICAL EQUIP NUMBER: P00006		1
235	BACC45FN14-7S	.	CONNECTOR- ELECTRICAL EQUIP NUMBER: J00003 J00004 ATTACHING PARTS		2
- 240	MS35206-215	.	SCREW		4
- 245	MS21040-04	.	NUT		4
			-----*-----		
250	BS060701-13	.	BRACKET- SUPPLIER CODE: VS5065 ATTACHING PARTS		1
- 255	MS35206-241	.	SCREW		2
			-----*-----		
260	BS060701-17	.	BRACKET- SUPPLIER CODE: VS5065 ATTACHING PARTS		1
- 265	MS35206-241	.	SCREW		2
			-----*-----		
270	BACC45FN22-32P	.	CONNECTOR- ELECTRICAL EQUIP NUMBER: J00001 ATTACHING PARTS		1
- 275	MS35206-215	.	SCREW		2
- 280	MS21040-04	.	NUT		2
			-----*-----		
285	BS060701-1	.	BRACKET- SUPPLIER CODE: VS5065 ATTACHING PARTS		1
- 290	MS35206-241	.	SCREW		4
			-----*-----		
295	MS35207-262	.	SCREW		6
300	AN960-10L	.	WASHER		6
305	AN960D10L	.	WASHER		6

ILLUSTRATION ITEMS NOT ON PARTS LIST ARE NOT APPLICABLE

- ITEM NOT ILLUSTRATED

24-00-60-36A

24-00-60  
FIG. 36A  
PAGE 3  
DEC 22/07

HXL

BOEING PROPRIETARY - Copyright © - Unpublished Work - See title page for details.



767

PARTS CATALOG (MAINTENANCE)

FIG ITEM	PART NUMBER	1 2 3 4 5 6 7	NOMENCLATURE	EFFECT FROM TO	UNITS PER ASSY
36A 310	MS27212-6-6		.BOARD ASSY- ELECTRICAL EQUIP NUMBER: TB00001 ATTACHING PARTS		1
- 315	MS35206-241		.SCREW -----*-----		2
- 320	MS18029-6S6		.COVER-TERM. BOARD		1
- 325	MS25226-10-2		.LINK		1
- 330	MS25226-10-3		.LINK		1
- 335	AN960-8		.WASHER		12
- 340	MS35338-42		.WASHER-LOCK		6
- 345	MS35649-282		.NUT		6
- 350	BS060703-7		.PLATE-TERM. BOARD SUPPLIER CODE: VS5065 ATTACHING PARTS		1
- 355	MS24693S4		.SCREW		2
- 360	MS21040-04		.NUT -----*-----		2
365	HRTS13KM		.SOCKET- SUPPLIER CODE: V91663		1
370	BS060706-1		.BRACKET-RELAY SUPPLIER CODE: VS5065 ATTACHING PARTS		1
- 375	MS35206-241		.SCREW -----*-----		2
380	JMS2190-3-103A		.BOARD-TERM. SUPPLIER CODE: VS5065 ELECTRICAL EQUIP NUMBER: TB00011 ATTACHING PARTS		1
- 385	MS35206-241		.SCREW -----*-----		2
- 390	NAS620-6		.WASHER		3
- 395	MS35338-41		.WASHER		3
- 400	BS060703-3		.PLATE-TERM. BOARD SUPPLIER CODE: VS5065 ATTACHING PARTS		1
- 405	MS24693S4		.SCREW -----*-----		2

ILLUSTRATION ITEMS NOT ON PARTS LIST ARE NOT APPLICABLE

- ITEM NOT ILLUSTRATED

24-00-60-36A

24-00-60  
FIG. 36A  
PAGE 4  
DEC 22/07

HXL

BOEING PROPRIETARY - Copyright © - Unpublished Work - See title page for details.





767

PARTS CATALOG (MAINTENANCE)

FIG ITEM	PART NUMBER	1 2 3 4 5 6 7	NOMENCLATURE	EFFECT FROM TO	UNITS PER ASSY
36A 440	W260F4AM11		.RELAY- SUPPLIER CODE: VF0219 SPECIFICATION NUMBER: BACR13CD2 OPTIONAL PART: BR16S233 V09026 EE4AA005 V35344 3SAV1338A2 V01526 HFW1206K03 V58614 HFW1204K01 V71482 ELECTRICAL EQUIP NUMBER: K00001 ATTACHING PARTS		1
- 445	MS35206-241		.SCREW -----*-----		2
450	BACC10DK3		.CLAMP ATTACHING PARTS		4
- 455	MS35206-245		.SCREW		4
- 460	AN960-8		.WASHER -----*-----		4
465	BACC10DK4		.CLAMP ATTACHING PARTS		8
- 470	MS35206-245		.SCREW		8
- 475	AN960-8		.WASHER -----*-----		8
480	BACC10DK6		.CLAMP ATTACHING PARTS		1
- 485	MS35206-245		.SCREW		1
- 490	AN960-8		.WASHER -----*-----		1
495	TY25M		.TYRAP- SUPPLIER CODE: V56501		18
500	TC141		.BASE- SUPPLIER CODE: V56501 ATTACHING PARTS		18
- 505	MS24693S47		.SCREW -----*-----		18
590	MS27295-6		.CAP		1
595	MS27297-6		.CONNECTOR-DUMMY		1

ILLUSTRATION ITEMS NOT ON PARTS LIST ARE NOT APPLICABLE

- ITEM NOT ILLUSTRATED

24-00-60-36A

24-00-60  
FIG. 36A  
PAGE 5  
DEC 22/07

HXL

BOEING PROPRIETARY - Copyright © - Unpublished Work - See title page for details.

**PARTS CATALOG (MAINTENANCE)**

FIG ITEM	PART NUMBER	1 2 3 4 5 6 7	NOMENCLATURE	EFFECT FROM TO	UNITS PER ASSY
36A			ATTACHING PARTS		
- 600	MS35206-216		.SCREW -----*-----		2
605	BS060702-1		.BRACKET-DUMMY RCPT SUPPLIER CODE: VS5065		1
- 610	MS35206-241		ATTACHING PARTS .SCREW -----*-----		2
ILLUSTRATION ITEMS NOT ON PARTS LIST ARE NOT APPLICABLE					

- ITEM NOT ILLUSTRATED

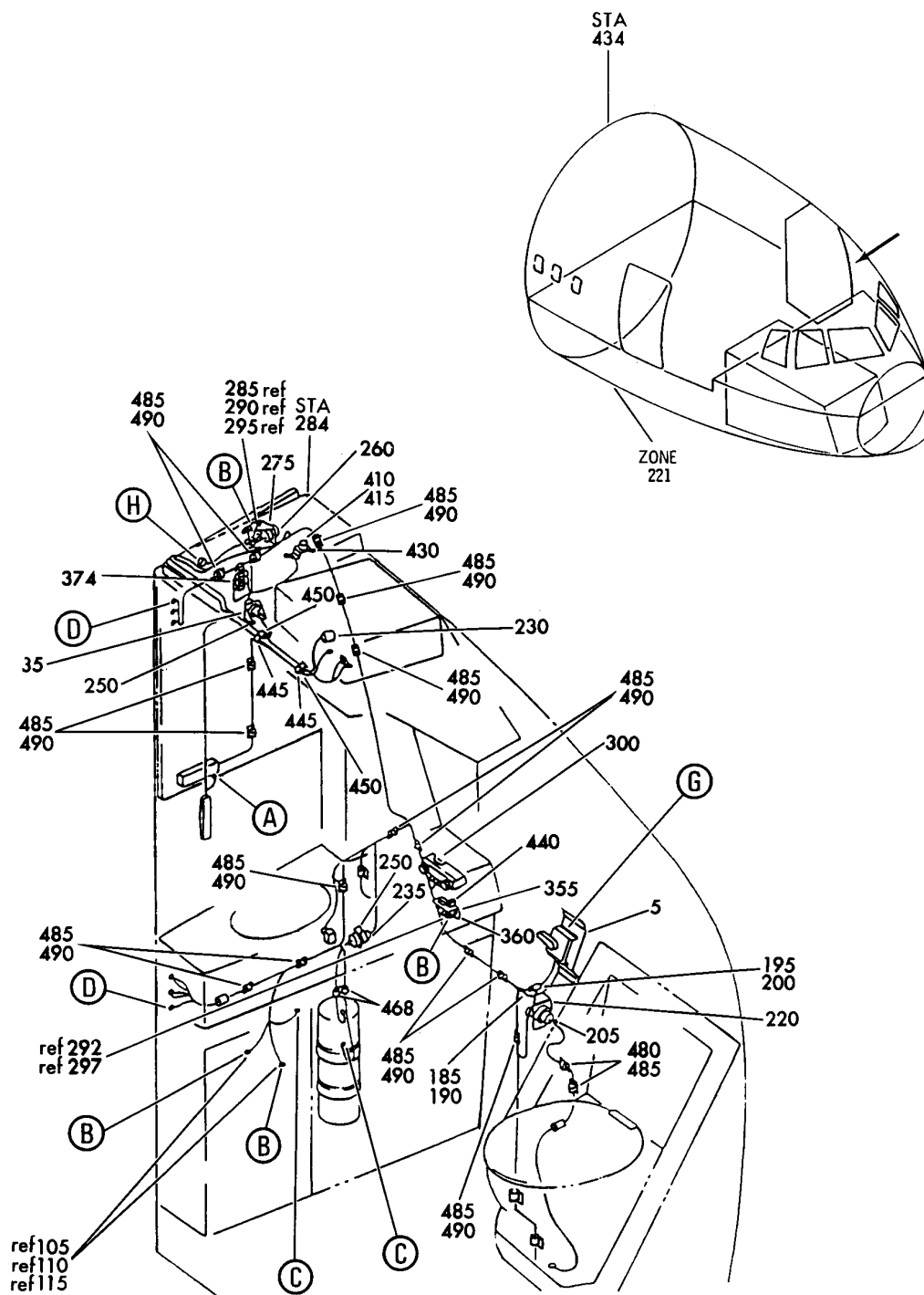
HXL

**24-00-60-36A**

BOEING PROPRIETARY - Copyright © - Unpublished Work - See title page for details.

24-00-60  
FIG. 36A  
PAGE 6  
DEC 22/07

**BOEING**  
767  
PARTS CATALOG (MAINTENANCE)



V 24006038 SHT 1 REV 329

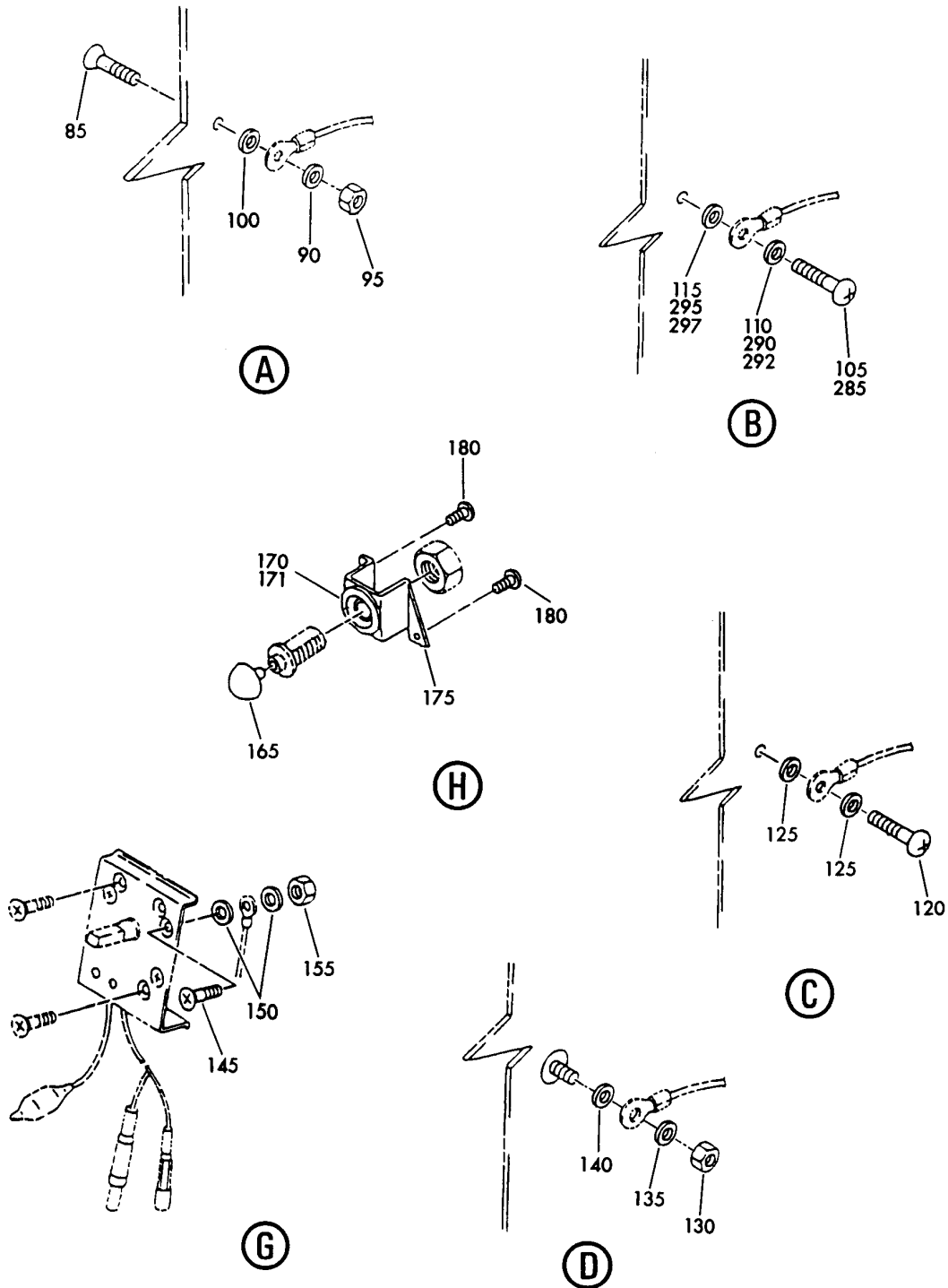
ELECTRICAL SYSTEM INSTL-LAV F1 (ELECTRICAL POWER ONLY)  
FIGURE 38 (SHEET 1)

**24-00-60-38**

HXL  
AUG 22/08

24-00-60-38  
PAGE 0

**BOEING**  
767  
PARTS CATALOG (MAINTENANCE)



V 24006038 SH1 2 REV 329

ELECTRICAL SYSTEM INSTL-LAV F1 (ELECTRICAL POWER ONLY)  
FIGURE 38 (SHEET 2)

**24-00-60-38**

HXL  
AUG 22/08

24-00-60-38  
PAGE 0A



767

PARTS CATALOG (MAINTENANCE)

FIG ITEM	PART NUMBER	1 2 3 4 5 6 7	NOMENCLATURE	EFFECT FROM TO	UNITS PER ASSY
38			ELECTRICAL SYSTEM INSTL- LAV F1 (ELECTRICAL POWER ONLY)		
- 1	BS061700-101		ELECTRICAL SYSTEM INSTL-LAV F1 (ELECTRICAL POWER ONLY) SUPPLIER CODE: VS5065 FOR NHA/OTHER SYS DET SEE: 25-41-01-32B		RF
	5 BS060704-1		.BRACKET-TOILET SUPPLIER CODE: VS5065		1
- 10	MS35206-241		ATTACHING PARTS .SCREW -----*-----		4
	85 MS24693S25		.SCREW		1
	90 AN960-6L		.WASHER		1
	95 MS21040-06		.NUT		1
	100 AN960D6L		.WASHER		1
	105 MS35207-262		.SCREW		2
	110 AN960-10L		.WASHER		2
	115 AN960D10L		.WASHER		2
	120 MS27039C1-07		.SCREW		2
	125 AN960C10L		.WASHER		4
	130 MS21040-3		.NUT		7
	135 AN960-10L		.WASHER		7
	140 AN960D10L		.WASHER		7
	145 MS24693C49		.SCREW		1
	150 AN960C8L		.WASHER		2
	155 MS21040-08		.NUT		1
- 160	A20247AM1		.SWITCH ASSY- SUPPLIER CODE: V81640		1
	165 040466		. . LENS- SUPPLIER CODE: V81640		1
	170 AN960-816L		.WASHER		1
	175 BS061023-3		.BRACKET- SUPPLIER CODE: VS5065		1
	180 MS35206-241		ATTACHING PARTS .SCREW -----*-----		2
	185 48-7191		.RECEPTACLE- SUPPLIER CODE: V02660		1

ILLUSTRATION ITEMS NOT ON PARTS LIST ARE NOT APPLICABLE

- ITEM NOT ILLUSTRATED

24-00-60-38

24-00-60  
FIG. 38  
PAGE 1  
DEC 22/07

HXL

BOEING PROPRIETARY - Copyright © - Unpublished Work - See title page for details.

 **BOEING**  
767  
**PARTS CATALOG (MAINTENANCE)**

FIG ITEM	PART NUMBER	1 2 3 4 5 6 7	NOMENCLATURE	EFFECT FROM TO	UNITS PER ASSY
38 190	418-1616-902		.CONTACT- SUPPLIER CODE: V55104 SPECIFICATION NUMBER: BACC47CP2T OPTIONAL PART: ZZL4116-36LT V49367 248-136-1600S02 V77820 LRC16M15F74 V09922		1
195	48-7190		.PLUG- SUPPLIER CODE: V02660		1
200	418-1616-902		.CONTACT- SUPPLIER CODE: V55104 SPECIFICATION NUMBER: BACC47CP2T OPTIONAL PART: ZZL4116-36LT V49367 248-136-1600S02 V77820 LRC16M15F74 V09922		1
205	BACC45FN14-12S		.CONNECTOR ATTACHING PARTS		1
- 210	MS35206-215		.SCREW		2
- 215	MS21040-04		.NUT		2
			-----*-----		
220	BS060701-13		.BRACKET- SUPPLIER CODE: VS5065 ATTACHING PARTS		1
- 225	MS35206-241		.SCREW		2
			-----*-----		
230	C0909A12-12S102		.CONNECTOR SUPPLIER CODE: V13556 SPECIFICATION NUMBER: BACC63BN12-12S OPTIONAL PART: 48-63N12-12S V02660 C0909A12-12SN V13556		1
235	BACC45FN14-7S		.CONNECTOR		2

ILLUSTRATION ITEMS NOT ON PARTS LIST ARE NOT APPLICABLE

- ITEM NOT ILLUSTRATED

HXL

24-00-60-38

24-00-60  
FIG. 38  
PAGE 2  
DEC 22/07

BOEING PROPRIETARY - Copyright © - Unpublished Work - See title page for details.

 **BOEING**  
767  
**PARTS CATALOG (MAINTENANCE)**

FIG ITEM	PART NUMBER	1 2 3 4 5 6 7	NOMENCLATURE	EFFECT FROM TO	UNITS PER ASSY
38			ATTACHING PARTS		
- 240	MS35206-215	.	SCREW		4
- 245	MS21040-04	.	NUT		4
			-----*-----		
250	BS060701-13	.	BRACKET-		2
			SUPPLIER CODE: VS5065		
			ATTACHING PARTS		
- 255	MS35206-241	.	SCREW		4
			-----*-----		
260	BACC45FN22-32P	.	CONNECTOR		1
			ATTACHING PARTS		
- 265	MS35206-215	.	SCREW		2
- 270	MS21040-04	.	NUT		2
			-----*-----		
275	BS060701-1	.	BRACKET-		1
			SUPPLIER CODE: VS5065		
			ATTACHING PARTS		
- 280	MS35206-241	.	SCREW		4
			-----*-----		
285	MS35207-262	.	SCREW		1
290	AN960-10L	.	WASHER		1
295	AN960D10L	.	WASHER		1
300	MS27212-6-6	.	BOARD ASSY		1
			ATTACHING PARTS		
- 305	MS35206-241	.	SCREW		2
			-----*-----		
- 310	MS18029-6S6	.	COVER		1
- 315	MS25226-10-2	.	LINK		1
- 320	MS25226-10-3	.	LINK		1
- 325	AN960-8	.	WASHER		12
- 330	MS35338-42	.	WASHER		6
- 335	MS35649-282	.	NUT		6
- 340	BS060703-7	.	PLATE-		1
			SUPPLIER CODE: VS5065		
			ATTACHING PARTS		
- 345	MS24693S4	.	SCREW		2
- 350	MS21040-04	.	NUT		2
			-----*-----		
355	HRTS13KM	.	SOCKET-RELAY		1
			SUPPLIER CODE: V91663		
360	BS060706-1	.	BRACKET-		1
			SUPPLIER CODE: VS5065		

ILLUSTRATION ITEMS NOT ON PARTS LIST ARE NOT APPLICABLE

- ITEM NOT ILLUSTRATED

HXL

# 24-00-60-38

BOEING PROPRIETARY - Copyright © - Unpublished Work - See title page for details.

24-00-60  
FIG. 38  
PAGE 3  
DEC 22/07

 **BOEING**  
767  
**PARTS CATALOG (MAINTENANCE)**

FIG ITEM	PART NUMBER	1 2 3 4 5 6 7	NOMENCLATURE	EFFECT FROM TO	UNITS PER ASSY
38			ATTACHING PARTS		
- 365	MS35206-241		.SCREW		2
			-----*-----		
	374 JMS2190-3-103A		.BOARD-		1
			SUPPLIER CODE: VS5065		
			ATTACHING PARTS		
- 375	MS35206-241		.SCREW		2
			-----*-----		
- 380	NAS620-6		.WASHER		3
- 385	MS35338-41		.WASHER		3
- 390	BS060703-3		.PLATE-		1
			SUPPLIER CODE: VS5065		
			ATTACHING PARTS		
- 395	MS24693S4		.SCREW		2
			-----*-----		
- 400	1N4148-1		.DIODE-		1
- 405	36151		.TERMINAL-		2
			SUPPLIER CODE: V00779		
	410 MS27295-6		.CAP		1
	415 MS27297-6		.CONNECTOR		1
			ATTACHING PARTS		
- 420	MS35206-216		.SCREW		2
- 425	NAS620-4		.WASHER		2
			-----*-----		
	430 BS060702-1		.BRACKET-		1
			SUPPLIER CODE: VS5065		
			ATTACHING PARTS		
- 435	MS35206-241		.SCREW		2
			-----*-----		

ILLUSTRATION ITEMS NOT ON PARTS LIST ARE NOT APPLICABLE

- ITEM NOT ILLUSTRATED

HXL

24-00-60-38

BOEING PROPRIETARY - Copyright © - Unpublished Work - See title page for details.

24-00-60  
FIG. 38  
PAGE 4  
DEC 22/07





767

PARTS CATALOG (MAINTENANCE)

FIG ITEM	PART NUMBER	1 2 3 4 5 6 7	NOMENCLATURE	EFFECT FROM TO	UNITS PER ASSY
38 440	W260F4AM11		.RELAY- SUPPLIER CODE: VF0219 SPECIFICATION NUMBER: BACR13CD2 OPTIONAL PART: BR16S233 V09026 EE4AA005 V35344 3SAV1338A2 V01526 HFW1206K03 V58614 HFW1204K01 V71482 ELECTRICAL EQUIP NUMBER: K01090		1
445	BACC10DK4		.CLAMP		2
450	BACC10DK3		.CLAMP		2
- 455	MS35206-245		.SCREW		2
- 460	AN960-8		.WASHER		2
			-----*-----		
468	BACC10DK4		.CLAMP		2
			ATTACHING PARTS		
- 470	MS35206-245		.SCREW		2
- 475	AN960-8		.WASHER		2
			-----*-----		
480	BACC10DK4		.CLAMP		2
485	TY25M		.TYRAP-		17
			SUPPLIER CODE: V56501		
490	TC141		.BASE-		17
			SUPPLIER CODE: V56501		
			ATTACHING PARTS		
- 495	MS24693S49		.SCREW		17
			-----*-----		

ILLUSTRATION ITEMS NOT ON PARTS LIST ARE NOT APPLICABLE

- ITEM NOT ILLUSTRATED

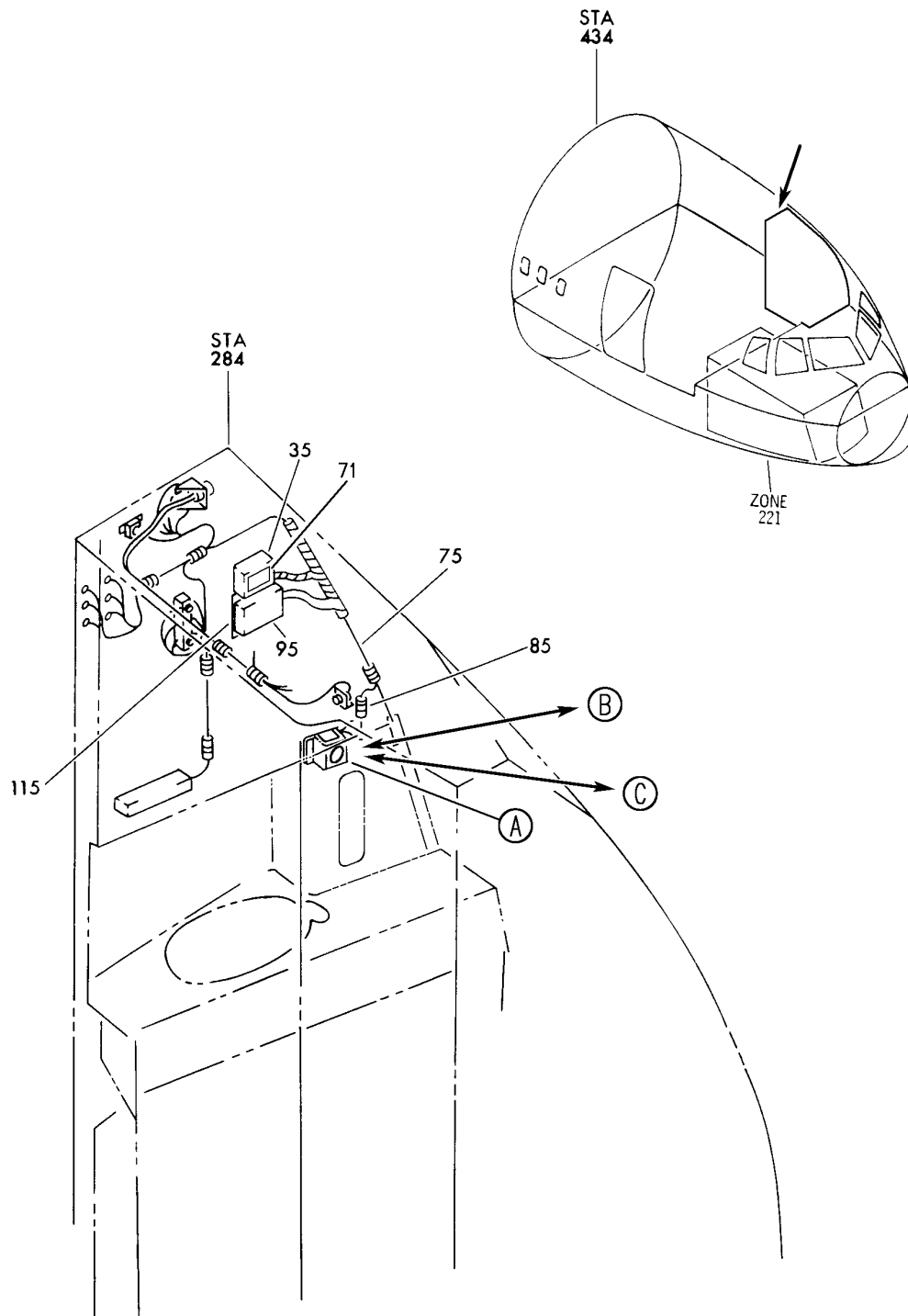
HXL

24-00-60-38

BOEING PROPRIETARY - Copyright © - Unpublished Work - See title page for details.

24-00-60  
FIG. 38  
PAGE 5  
DEC 22/07

**BOEING**  
767  
PARTS CATALOG (MAINTENANCE)



V 24006101 SHT 1 REV 312

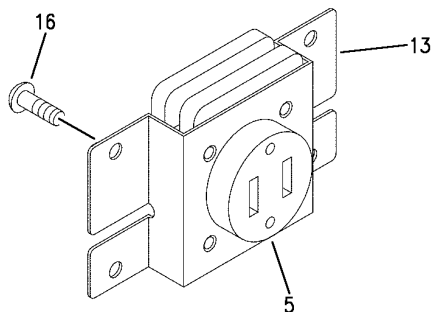
OUTLET INSTL-SHAVER, LAV  
FIGURE 1 (SHEET 1)

**24-00-61-01**

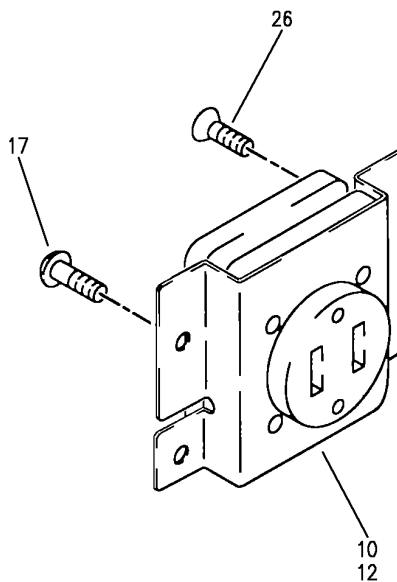
HXL  
APR 22/07

24-00-61-01  
PAGE 0

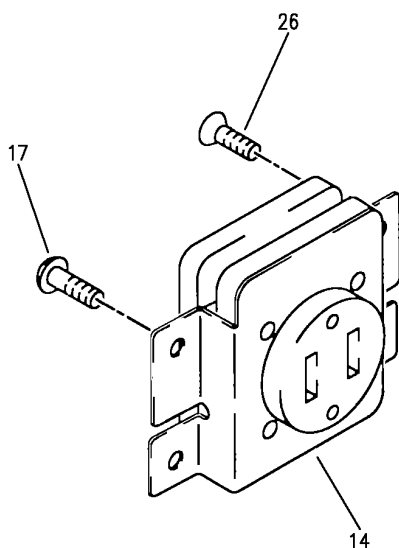
**BOEING**  
767  
PARTS CATALOG (MAINTENANCE)



(A)



(B)



(C)

V 24006101 SHT 2 REV 312

OUTLET INSTL-SHAVER, LAV  
FIGURE 1 (SHEET 2)

**24-00-61-01**

HXL  
APR 22/07

24-00-61-01  
PAGE 0A

 **BOEING**  
767  
**PARTS CATALOG (MAINTENANCE)**

FIG ITEM	PART NUMBER	1 2 3 4 5 6 7	NOMENCLATURE	EFFECT FROM TO	UNITS PER ASSY
1			OUTLET INSTL-SHAVER, LAV		
- 1	BS061710-21		OUTLET INSTL-SHAVER, LAV F1 SUPPLIER CODE: VS5065 FOR NHA SEE: 25-41-01-32B		RF
5	BR5000-503		.OUTLET-SHAVER SUPPLIER CODE: V17023		1
10	BS061715-3		.BRACKET- SUPPLIER CODE: VS5065 SB DATA FROM A CMM: PRE SB B0060-25-865		1
13	BS061715-13		.BRACKET- SUPPLIER CODE: VS5065 SB DATA FROM A CMM: POST SB B0060-25-865		1
16	MS35206-242		ATTACHING PARTS .SCREW		4
35	346-1		-----*----- .CONVERTER- SUPPLIER CODE: V3E2Y8 SPECIFICATION NUMBER: 60B40099-3 COMPONENT MAINT MANUAL REF: 25-40-01 OPTIONAL PART: 1021-1 V21562		1
35	1021-1		.CONVERTER- SUPPLIER CODE: V21562 SPECIFICATION NUMBER: 60B40099-3 COMPONENT MAINT MANUAL REF: 25-40-03 OPTIONAL PART: 346-1 V16340 ATTACHING PARTS		1
- 45	MS35206-237		.SCREW		2
- 50	AN960D6L		.WASHER		1
- 60	AN960-6L		.WASHER -----*-----		1

ILLUSTRATION ITEMS NOT ON PARTS LIST ARE NOT APPLICABLE

- ITEM NOT ILLUSTRATED

HXL

24-00-61-01

BOEING PROPRIETARY - Copyright © - Unpublished Work - See title page for details.

24-00-61  
FIG. 01  
PAGE 1  
DEC 22/07



767  
PARTS CATALOG (MAINTENANCE)

FIG ITEM	PART NUMBER	1 2 3 4 5 6 7	NOMENCLATURE	EFFECT FROM TO	UNITS PER ASSY
1 75	BS061713-21		.BUNDLE-WIRE SUPPLIER CODE: VS5065		1

ILLUSTRATION ITEMS NOT ON PARTS LIST ARE NOT APPLICABLE

- ITEM NOT ILLUSTRATED

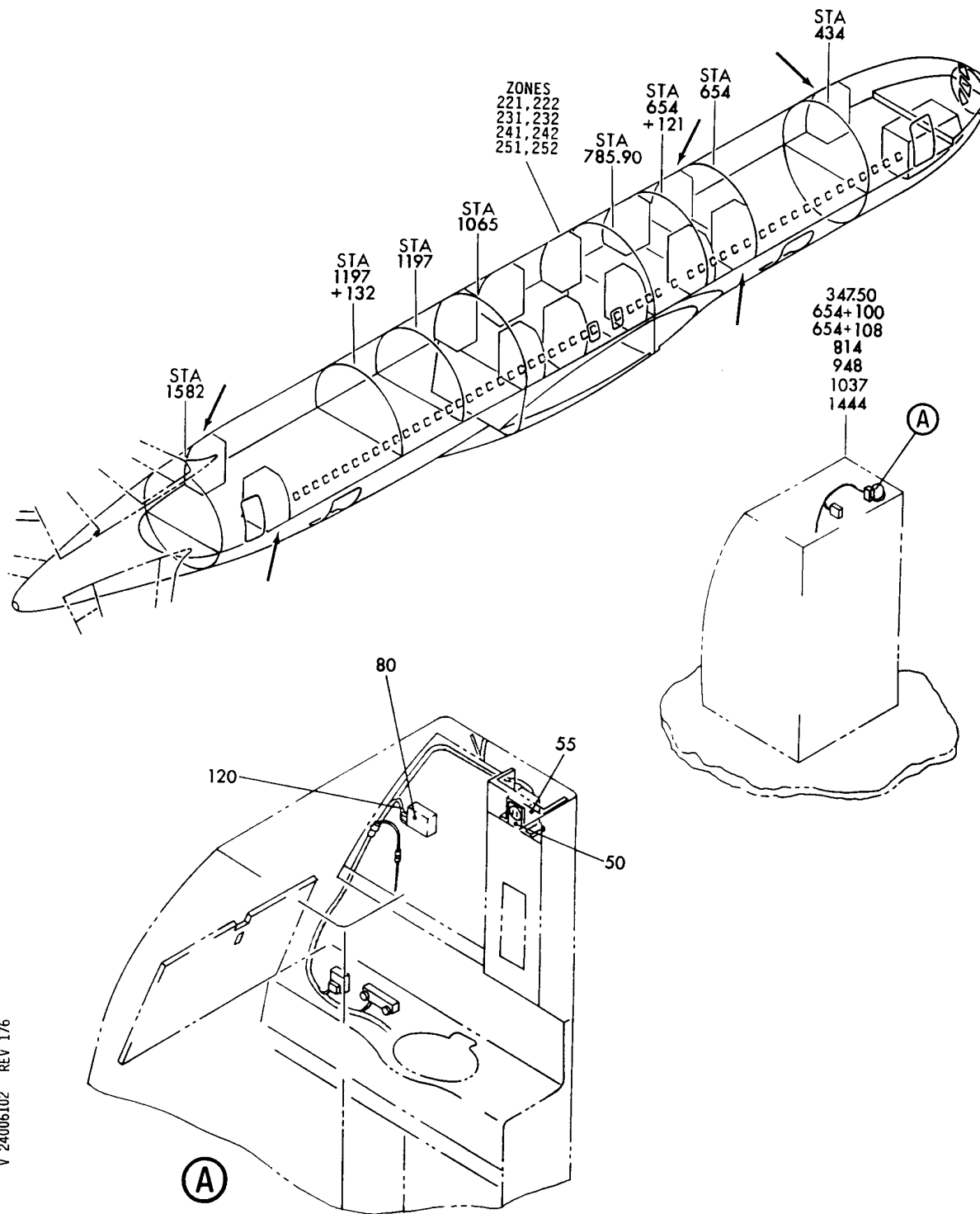
HXL

24-00-61-01

BOEING PROPRIETARY - Copyright © - Unpublished Work - See title page for details.

24-00-61  
FIG. 01  
PAGE 2  
DEC 22/07

**BOEING**  
767  
PARTS CATALOG (MAINTENANCE)



V 24006102 REV 176

OUTLET INSTL-SHAVER, LAV  
FIGURE 2

**24-00-61-02**

HXL  
DEC 22/06

24-00-61-02  
PAGE 0

**BOEING**  
767  
**PARTS CATALOG (MAINTENANCE)**

FIG ITEM	PART NUMBER	1 2 3 4 5 6 7	NOMENCLATURE	EFFECT FROM TO	UNITS PER ASSY
2					
- 10	BS063710-41		OUTLET INSTL-SHAVER, LAV OUTLET INSTL-SHAVER, LAV MS15 AND MS17 MS27 AND MS29 SUPPLIER CODE: VS5065 FOR NHA SEE: 25-41-03-46B		RF
- 15	BS063710-42		OUTLET INSTL-SHAVER, LAV MS16 AND MS18 MS28 AND MS30 SUPPLIER CODE: VS5065 FOR NHA SEE: 25-41-03-46B		RF
50	BR5000-503		.OUTLET-SHAVER SUPPLIER CODE: V17023		1
55	BS063715-3		.BRACKET-SHAVER OUTLET SUPPLIER CODE: VS5065		1
- 60	MS35206-243		ATTACHING PARTS .SCREW		4
- 75	MS24693-3		.SCREW		4
80	346-1		-----*----- .CONVERTER-SHAVER SUPPLIER CODE: V3E2Y8 SPECIFICATION NUMBER: 60B40099-3 COMPONENT MAINT MANUAL REF: 25-40-01 OPTIONAL PART: 1021-1 V21562		1
80	1021-1		.CONVERTER-SHAVER SUPPLIER CODE: V21562 SPECIFICATION NUMBER: 60B40099-3 COMPONENT MAINT MANUAL REF: 25-40-03 OPTIONAL PART: 346-1 V16340 ATTACHING PARTS		1
- 85	MS35206-237		.SCREW		4
- 95	AN960D6L		.WASHER		1
ILLUSTRATION ITEMS NOT ON PARTS LIST ARE NOT APPLICABLE					

- ITEM NOT ILLUSTRATED

HXL

**24-00-61-02**

BOEING PROPRIETARY - Copyright © - Unpublished Work - See title page for details.

24-00-61  
FIG. 02  
PAGE 1  
DEC 22/07



767

PARTS CATALOG (MAINTENANCE)

FIG ITEM	PART NUMBER	1 2 3 4 5 6 7	NOMENCLATURE	EFFECT FROM TO	UNITS PER ASSY
2					
- 105	AN960-6L		.WASHER		1
			-----*-----		
120	BS063713-41		.WIRE BUNDLE ASSY-LAV		1
			MS15 AND MS17		
			MS27 AND MS29		
			SUPPLIER CODE:		
			VS5065		
- 125	BS063713-42		.WIRE BUNDLE ASSY-LAV		1
			MS16 AND MS18		
			MS28 AND MS30		
			SUPPLIER CODE:		
			VS5065		

ILLUSTRATION ITEMS NOT ON PARTS LIST ARE NOT APPLICABLE

- ITEM NOT ILLUSTRATED

HXL

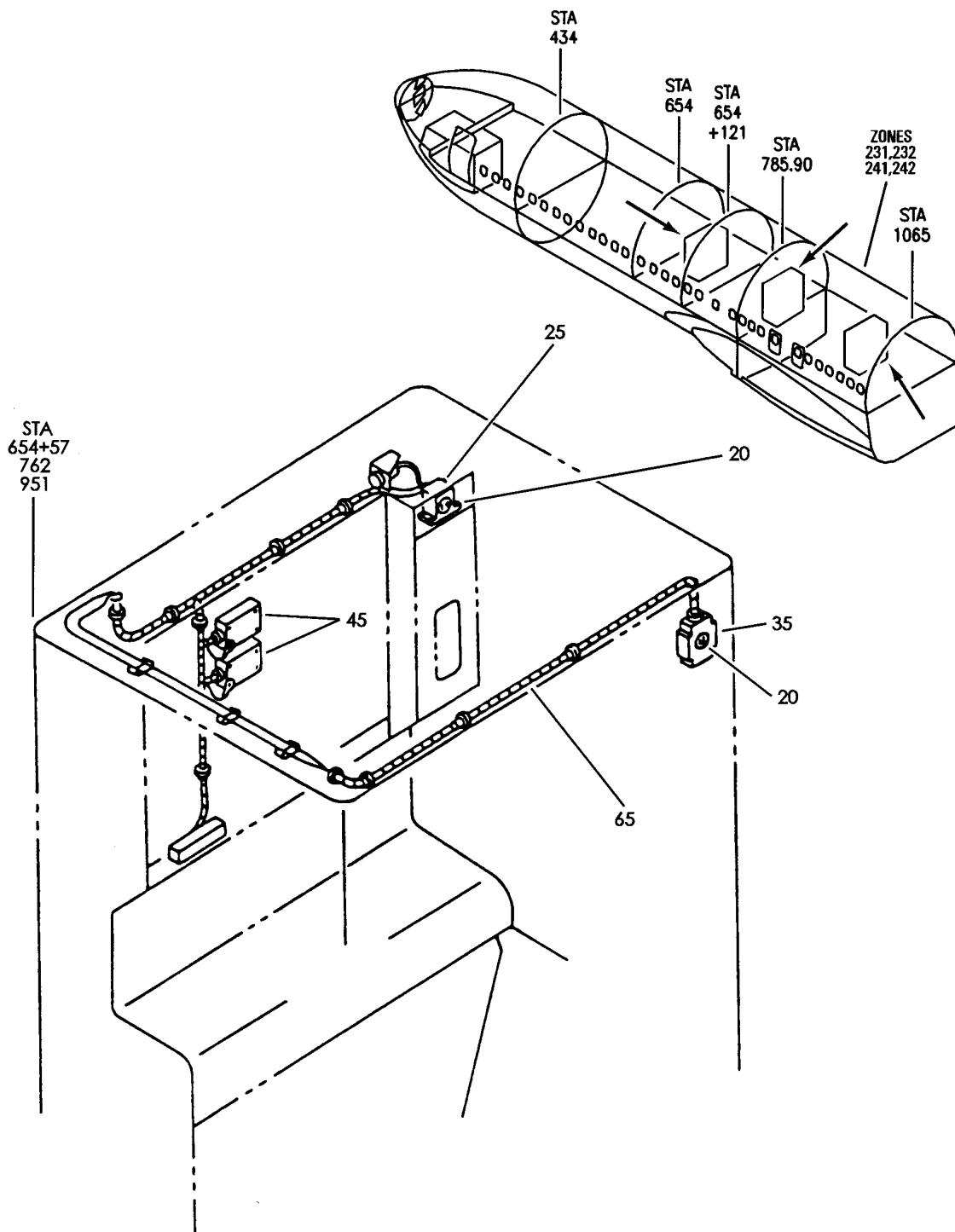
24-00-61-02

BOEING PROPRIETARY - Copyright © - Unpublished Work - See title page for details.

24-00-61  
FIG. 02  
PAGE 2  
DEC 22/07



**BOEING**  
767  
PARTS CATALOG (MAINTENANCE)



V 24006102A REV 197

OUTLET INSTL-SHAVER  
FIGURE 2A

**24-00-61-02A**

HXL  
DEC 22/06

24-00-61-02A  
PAGE 0



767

PARTS CATALOG (MAINTENANCE)

FIG ITEM	PART NUMBER	1 2 3 4 5 6 7	NOMENCLATURE	EFFECT FROM TO	UNITS PER ASSY
2A			OUTLET INSTL-SHAVER		
- 1	BS066710-11		OUTLET INSTL-SHAVER, LAV M31 AND M32 SUPPLIER CODE: VS5065 FOR NHA SEE: 25-41-03-52		RF
20	BR5000-503		.OUTLET- SUPPLIER CODE: V17023		2
25	BS063715-3		.BRACKET- SUPPLIER CODE: VS5065		1
- 30	MS35206-241		ATTACHING PARTS .SCREW -----*-----		4
35	BS063715-5		.BRACKET- SUPPLIER CODE: VS5065		1
- 40	MS35206-241		ATTACHING PARTS .SCREW -----*-----		4
45	346-1		.CONVERTER- SUPPLIER CODE: V3E2Y8 SPECIFICATION NUMBER: 60B40099-3 COMPONENT MAINT MANUAL REF: 25-40-01 OPTIONAL PART: 1021-1 V21562		2
45	1021-1		.CONVERTER- SUPPLIER CODE: V21562 SPECIFICATION NUMBER: 60B40099-3 COMPONENT MAINT MANUAL REF: 25-40-03 OPTIONAL PART: 346-1 V16340		2
- 50	MS35206-227		ATTACHING PARTS .SCREW		8
- 55	AN960D6L		.WASHER		2
- 60	AN960-6L		.WASHER -----*-----		2

ILLUSTRATION ITEMS NOT ON PARTS LIST ARE NOT APPLICABLE

- ITEM NOT ILLUSTRATED

24-00-61-02A

24-00-61  
FIG. 02A  
PAGE 1  
DEC 22/07

HXL

BOEING PROPRIETARY - Copyright © - Unpublished Work - See title page for details.



767  
PARTS CATALOG (MAINTENANCE)

FIG ITEM	PART NUMBER	1 2 3 4 5 6 7	NOMENCLATURE	EFFECT FROM TO	UNITS PER ASSY
2A 65	BS066713-1		.WIRE BUNDLE- SUPPLIER CODE: VS5065		1

ILLUSTRATION ITEMS NOT ON PARTS LIST ARE NOT APPLICABLE

- ITEM NOT ILLUSTRATED

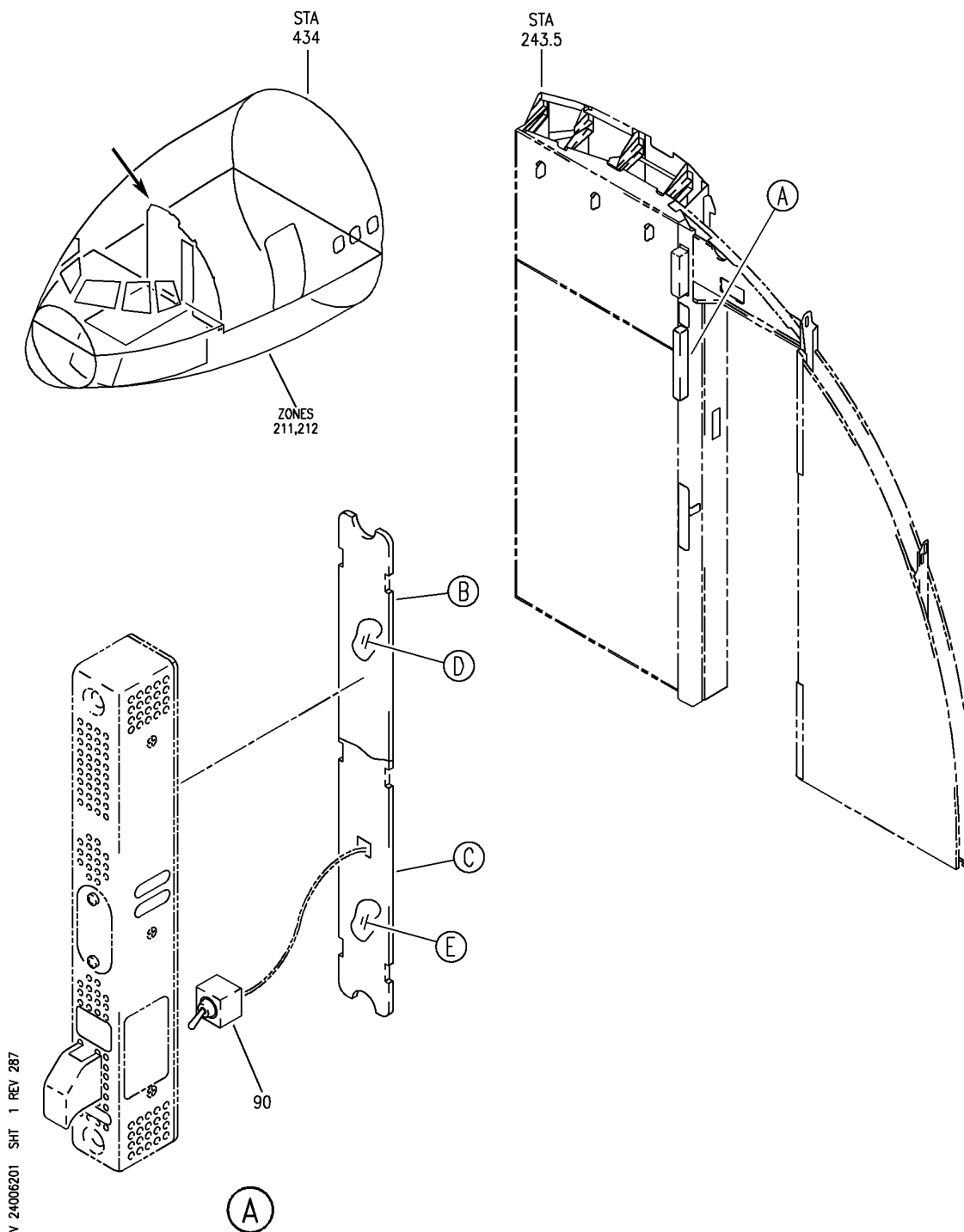
HXL

24-00-61-02A

BOEING PROPRIETARY - Copyright © - Unpublished Work - See title page for details.

24-00-61  
FIG. 02A  
PAGE 2  
DEC 22/07

**BOEING**  
767  
PARTS CATALOG (MAINTENANCE)



V 24006201 SHT 1 REV 287

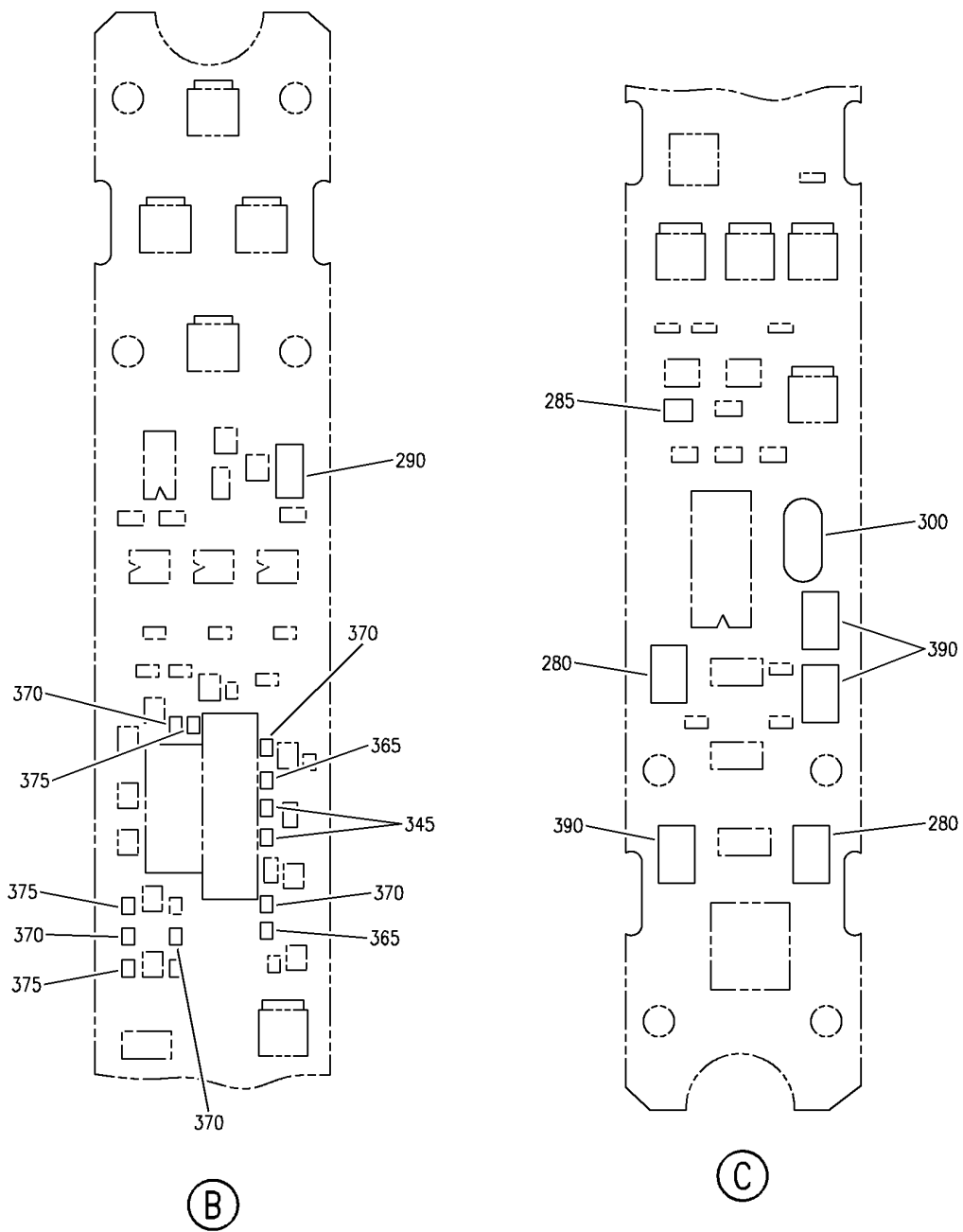
MODULE ASSY-FLIGHT DECK ACCESS SYSTEM (ELECTRICAL EQUIPMENT ONLY)  
FIGURE 1 (SHEET 1)

HXL  
DEC 22/06

**24-00-62-01**

24-00-62-01  
PAGE 0

**BOEING**  
767  
PARTS CATALOG (MAINTENANCE)



V 24006201 SHT 2 REV 287

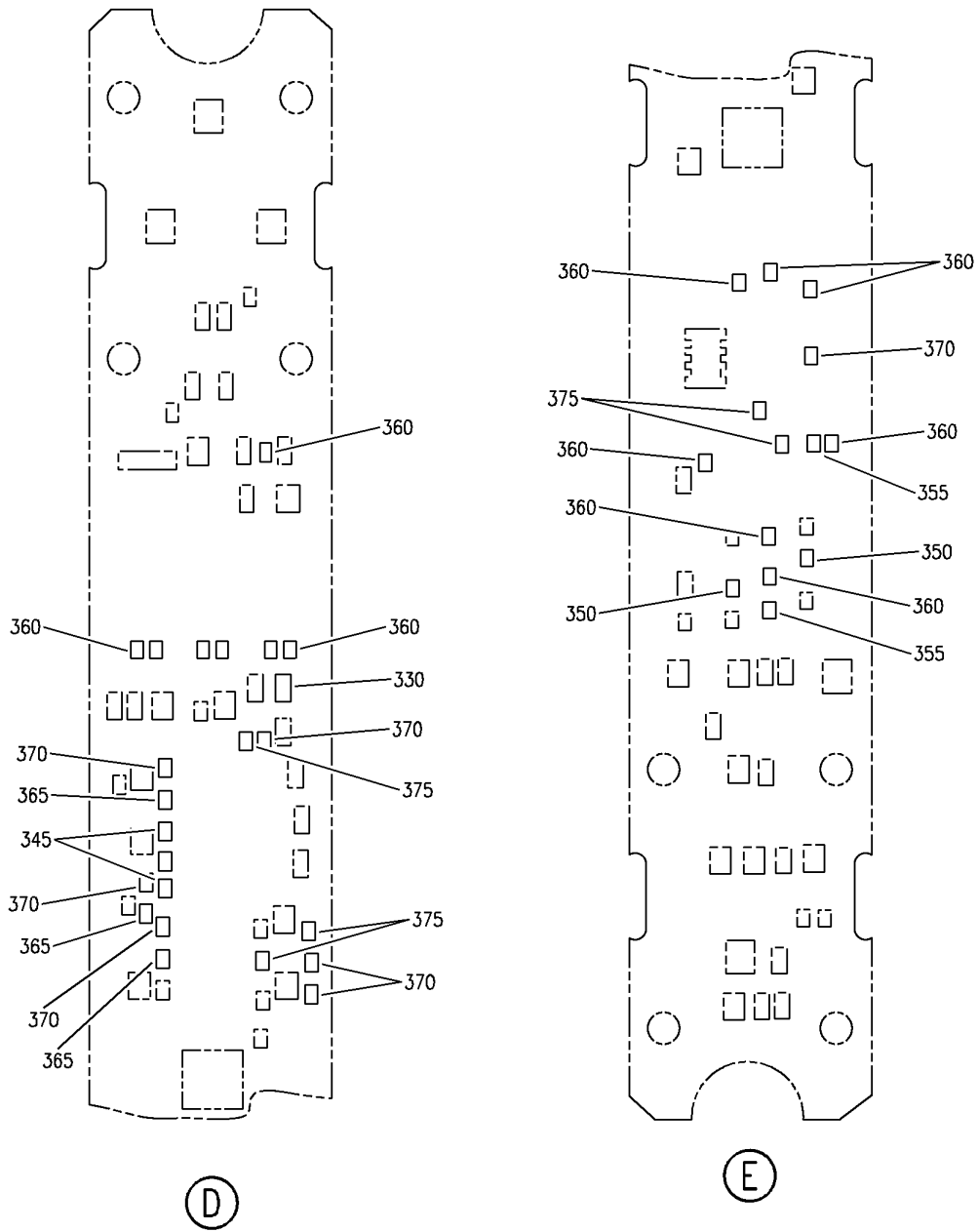
MODULE ASSY-FLIGHT DECK ACCESS SYSTEM (ELECTRICAL EQUIPMENT ONLY)  
FIGURE 1 (SHEET 2)

**24-00-62-01**

HXL  
DEC 22/06

24-00-62-01  
PAGE 0A

**BOEING**  
767  
PARTS CATALOG (MAINTENANCE)



V 24006201 SHT 3 REV 287

MODULE ASSY-FLIGHT DECK ACCESS SYSTEM (ELECTRICAL EQUIPMENT ONLY)  
FIGURE 1 (SHEET 3)

HXL  
DEC 22/06

**24-00-62-01**

24-00-62-01  
PAGE 0B



767

PARTS CATALOG (MAINTENANCE)

FIG ITEM	PART NUMBER	1 2 3 4 5 6 7	NOMENCLATURE	EFFECT FROM TO	UNITS PER ASSY
1			MODULE ASSY-FLIGHT DECK ACCESS SYSTEM (ELECTRICAL EQUIPMENT ONLY)		
- 80	285T0855-5		MODULE ASSY-FLIGHT DECK ACCESS SYSTEM CONTROLLER, CHIME (ELECTRICAL EQUIPMENT ONLY) SUPPLIER CODE: V89954 FUNCTIONAL DESCRIPTION: THE FDAS CONTROLLER MODULE CONTROLS ACCESS TO THE COCKPIT VIA A SOLINOID-ACTUATED DOOR LOCK. ELECTRICAL EQUIP NUMBER: M12093 COMPONENT MAINT MANUAL REF: 52-51-04 POST SERVICE BULLETIN: 25-0325 FOR NHA/OTHER SYS DET SEE: 52-51-03-01		RF
90	6AT29		.SWITCH-TOGGLE		1
280	293D040		.CAPACITOR- SUPPLIER CODE: V2N936 SPECIFICATION NUMBER: BCREF11090 OPTIONAL PART: BCREF11519 V31433 CWR11NH225KB V81349		2
285	293D045		.CAPACITOR- SUPPLIER CODE: V2N936 SPECIFICATION NUMBER: BCREF10600 OPTIONAL PART: T491B475K020AS V31433		1

ILLUSTRATION ITEMS NOT ON PARTS LIST ARE NOT APPLICABLE

- ITEM NOT ILLUSTRATED

HXL

24-00-62-01

BOEING PROPRIETARY - Copyright © - Unpublished Work - See title page for details.

24-00-62  
FIG. 01  
PAGE 1  
APR 22/09



767

PARTS CATALOG (MAINTENANCE)

FIG ITEM	PART NUMBER	1 2 3 4 5 6 7	NOMENCLATURE	EFFECT FROM TO	UNITS PER ASSY
1 290	RW1S0BA10R0F		.RESISTOR-WIREWOUND SUPPLIER CODE: V44655 SPECIFICATION NUMBER: S906-10134-022 OPTIONAL PART: SP1C1-10R0F V18235		1
300	3403-010		.CRYSTAL- SUPPLIER CODE: V23875 SPECIFICATION NUMBER: S906-10135-2001 OPTIONAL PART: 3-579545B0 V61429		1
330	BLM31A02		.FILTER-FERRITE SUPPLIER CODE: VOP585 SPECIFICATION NUMBER: S906-70381-1		1
345	08051C473KHT1AV		.CAPACITOR-CERAMIC SUPPLIER CODE: VOFDX0 SPECIFICATION NUMBER: BCREF13111 OPTIONAL PART: 9201Y473KXBAT V95275 7201Y473DXBAT V95275 BCREF16538 V60212		5
350	CRCW0805-1001F		.RESISTOR-FILM SUPPLIER CODE: V91637 SPECIFICATION NUMBER: S906-71327-1001 OPTIONAL PART: WCRO8051001F V07716 S0705CPX1001F10 V56235 RK73H2A1001F V09021		2

ILLUSTRATION ITEMS NOT ON PARTS LIST ARE NOT APPLICABLE

- ITEM NOT ILLUSTRATED

HXL

24-00-62-01

BOEING PROPRIETARY - Copyright © - Unpublished Work - See title page for details.

24-00-62  
FIG. 01  
PAGE 2  
APR 22/09



 **BOEING**  
767  
**PARTS CATALOG (MAINTENANCE)**

FIG ITEM	PART NUMBER	1 2 3 4 5 6 7	NOMENCLATURE	EFFECT FROM TO	UNITS PER ASSY
1 355	CRCW0805-1002F		.RESISTOR-FILM SUPPLIER CODE: V91637 SPECIFICATION NUMBER: S906-71327-1002 OPTIONAL PART: M0705K1002FB V57489 RK73H2A1002F V09021		2
360	CRCW0805-1003F		.RESISTOR-FILM SUPPLIER CODE: V91637 SPECIFICATION NUMBER: S906-71327-1003 OPTIONAL PART: WCRO8051003F V07716 S0705CPX1003F10 V56235 RK73H2A1003F V09021		14
365	RK73H2A2003F		.RESISTOR-FILM SUPPLIER CODE: V09021 SPECIFICATION NUMBER: S906-71327-2003 OPTIONAL PART: WCRO8052003F V07716 S0705CPX2003F10 V56235 CRCW0805-2003F V91637		5
370	CRCW0805-3012F		.RESISTOR-FILM SUPPLIER CODE: V91637 SPECIFICATION NUMBER: S906-71327-3012 OPTIONAL PART: WCRO8053012F V07716 RK73H2A3012F V09021 S0705CPX3012F10 V56235		12

ILLUSTRATION ITEMS NOT ON PARTS LIST ARE NOT APPLICABLE

- ITEM NOT ILLUSTRATED

HXL

24-00-62-01

BOEING PROPRIETARY - Copyright © - Unpublished Work - See title page for details.

24-00-62  
FIG. 01  
PAGE 3  
APR 22/09



767

PARTS CATALOG (MAINTENANCE)

FIG ITEM	PART NUMBER	1 2 3 4 5 6 7	NOMENCLATURE	EFFECT FROM TO	UNITS PER ASSY
1	375	CRCW0805-4992F	.RESISTOR-FILM SUPPLIER CODE: V91637 SPECIFICATION NUMBER: S906-71327-4992 OPTIONAL PART: WCRO8054992F V07716 RK73H2A4992F V09021 S0705CPX4992F10 V56235		8
	390	593D013	.CAPACITOR- SUPPLIER CODE: V2N936 SPECIFICATION NUMBER: BCREF13102 OPTIONAL PART: TPSE227K0100100 V17554 TBJE227K010XRSZ0007 V17554 T495X227K010AS V31433		3

ILLUSTRATION ITEMS NOT ON PARTS LIST ARE NOT APPLICABLE

- ITEM NOT ILLUSTRATED

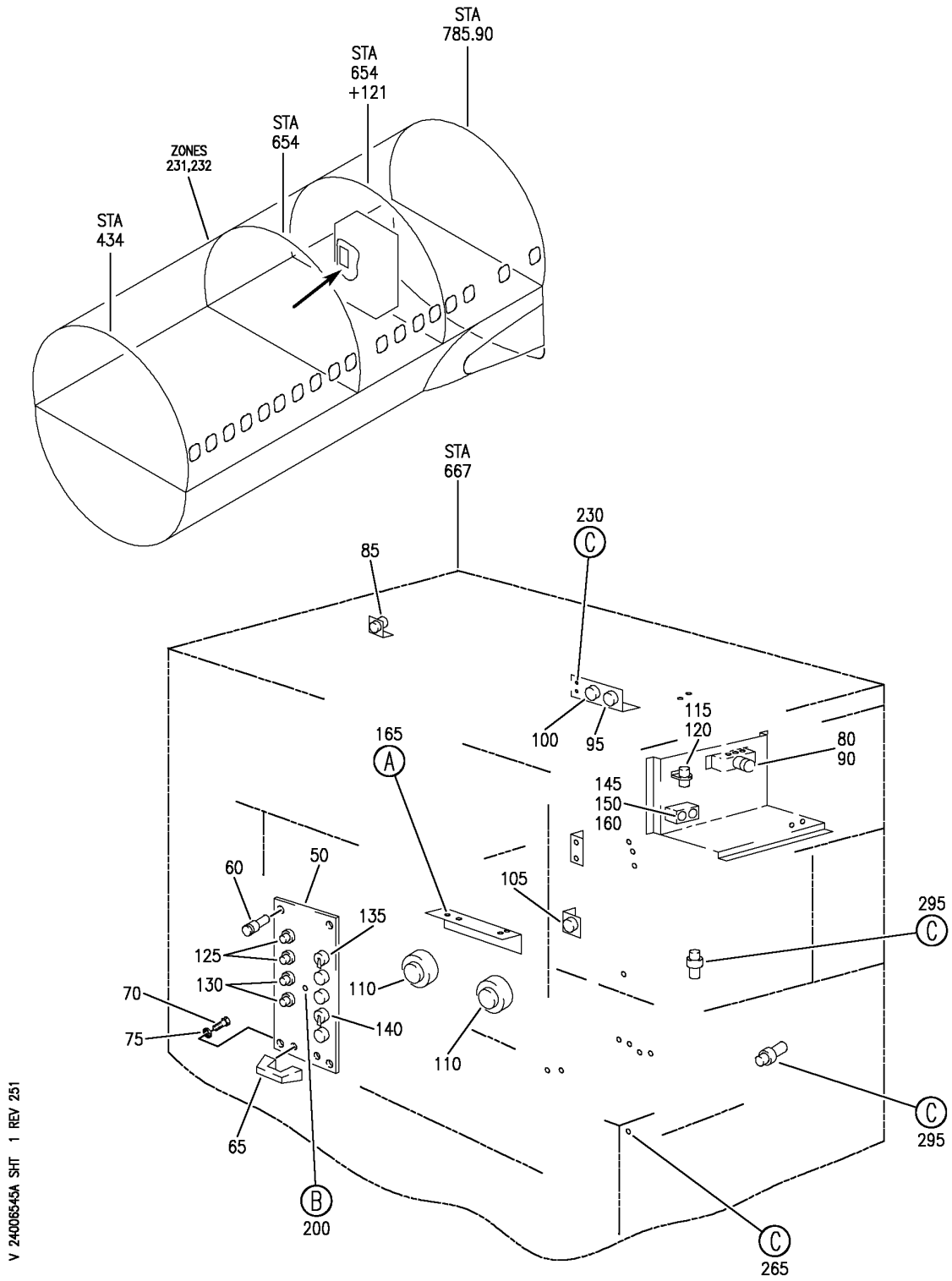
HXL

24-00-62-01

BOEING PROPRIETARY - Copyright © - Unpublished Work - See title page for details.

24-00-62  
FIG. 01  
PAGE 4  
APR 22/09

**BOEING**  
767  
**PARTS CATALOG (MAINTENANCE)**



V 240065-45A SHT 1 REV 251

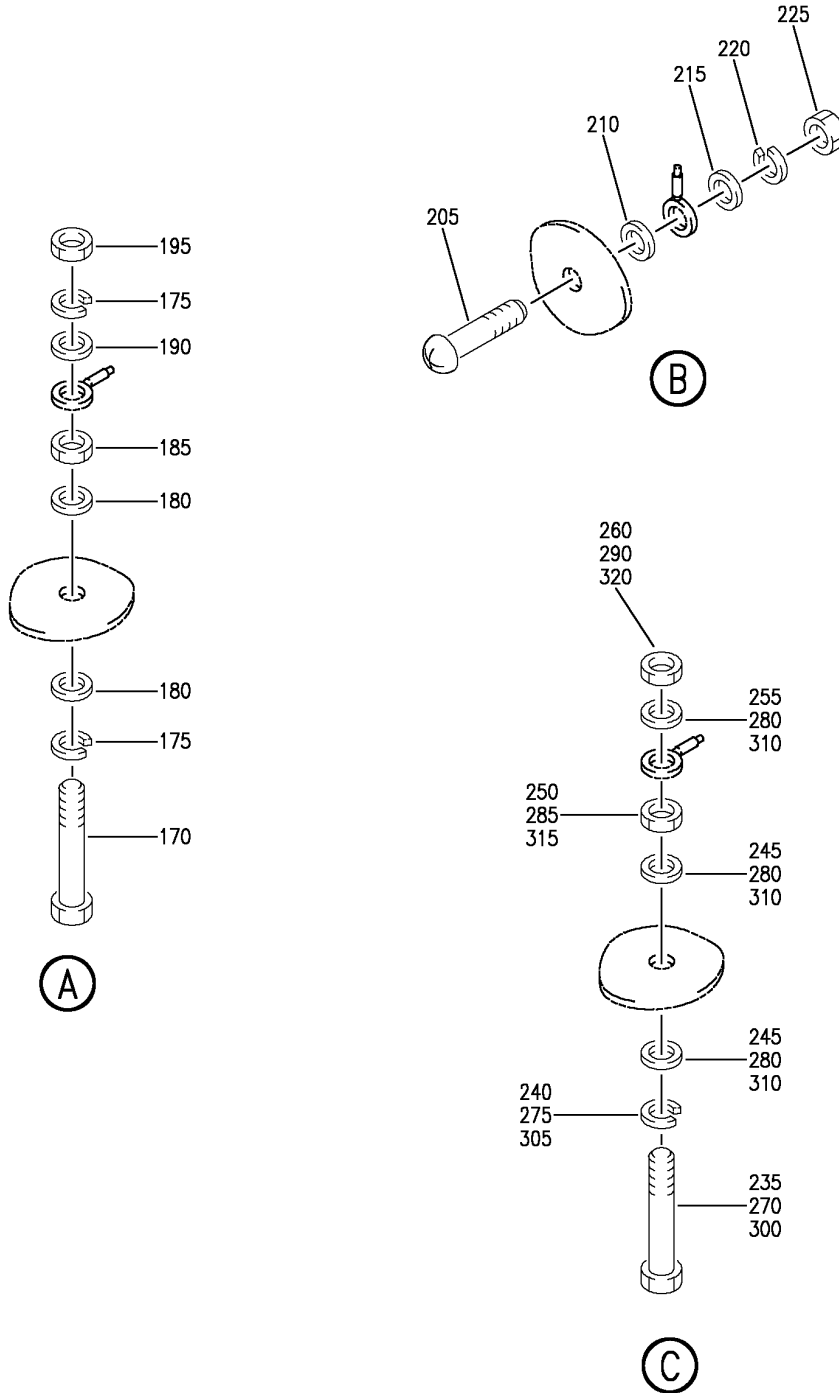
ELECTRICAL SYSTEM INSTL GALLEY M1 (ELECTRICAL POWER ONLY)  
FIGURE 45A (SHEET 1)

24-00-65-45A

HXL  
DEC 22/06

24-00-65-45A  
PAGE 0

**BOEING**  
767  
PARTS CATALOG (MAINTENANCE)



V 240065-45A SHT 2 REV 251

ELECTRICAL SYSTEM INSTL GALLEY M1 (ELECTRICAL POWER ONLY)  
FIGURE 45A (SHEET 2)

**24-00-65-45A**

HXL  
DEC 22/06

24-00-65-45A  
PAGE 0A



767

PARTS CATALOG (MAINTENANCE)

FIG ITEM	PART NUMBER	1 2 3 4 5 6 7	NOMENCLATURE	EFFECT FROM TO	UNITS PER ASSY
45A			ELECTRICAL SYSTEM INSTL GALLEY M1 (ELECTRICAL POWER ONLY)		
- 1	10120F21-20000		ELECTRICAL SYSTEM INSTL- GALLEY M1 (ELECTRICAL POWER ONLY) SUPPLIER CODE: VD2249		RF
50	2F225-000900000		.PANEL ASSY- SUPPLIER CODE: VD2249		1
- 55	2F225-000901000		..PANEL- SUPPLIER CODE: VD2249		1
60	26S39-4		..FASTENER- SUPPLIER CODE: VDO680		4
65	07844		..HANDLE- SUPPLIER CODE: VC3938		1
70	DIN912M4X12		..SCREW		2
75	DIN127A4		..WASHER		2
80	C0909A10-05PN		.CONNECTOR SUPPLIER CODE: V13556 SPECIFICATION NUMBER: BACC63BN10-5P OPTIONAL PART: 48-63N10-5P V02660 R071210-5P V41118		1
85	MS3120F16-8S		.RECEPTACLE		1
90	MS27291-1		.SUPPORT		1
95	FC3400D24-22P		.CONNECTOR SUPPLIER CODE: V28680 SPECIFICATION NUMBER: BACC63BY24-22P OPTIONAL PART: WFBO-24-22P V17549		1
100	MS24264R12T12PN		.RECEPTACLE		1
105	MS24264R14B7SN		.CONNECTOR		1
110	BUC6-33		.RECEPTACLE- SUPPLIER CODE: V71468		2

ILLUSTRATION ITEMS NOT ON PARTS LIST ARE NOT APPLICABLE

- ITEM NOT ILLUSTRATED

24-00-65-45A

24-00-65  
FIG. 45A  
PAGE 1  
DEC 22/06

HXL

BOEING PROPRIETARY - Copyright © - Unpublished Work - See title page for details.

 **BOEING**  
767  
**PARTS CATALOG (MAINTENANCE)**

FIG ITEM	PART NUMBER	1 2 3 4 5 6 7	NOMENCLATURE	EFFECT FROM TO	UNITS PER ASSY
45A					
115	KAD9F005	.	RELAY- SUPPLIER CODE: V58657		1
120	S401B1A2	.	SOCKET- SUPPLIER CODE: V58657		1
125	6752-311-15	.	CIRCUIT BREAKER- SUPPLIER CODE: V82647 SPECIFICATION NUMBER: 10-60806-1015		2
130	6TC6-10	.	CIRCUIT BREAKER SUPPLIER CODE: V82647 SPECIFICATION NUMBER: BACC18AC10 OPTIONAL PART: 4330-004-10 V76374		2
135	MS35058-23	.	SWITCH		1
140	MS35059-21	.	SWITCH		1
145	MS27212-2-2	.	TERMINAL BOARD ASSY		1
150	MS18029-2S2	.	COVER		1
- 155	2B75-1A	.	TRANSFORMER- SUPPLIER CODE: V83298 SPECIFICATION NUMBER: 60B00010-5		1
160	MS25226-4-2	.	BUS		1
165	00-1433	.	STUD ASSY- SUPPLIER CODE: VD2249		18
170	NAS564-31	..	SCREW		1
175	MS35338-44	..	WASHER		2
180	AN960D416L	..	WASHER		2
185	MS20341-416A	..	NUT		1
190	AN960-416L	..	WASHER		1
195	MS21043-4	..	NUT		1
200	00-1473	.	STUD ASSY- SUPPLIER CODE: VD2249		2
205	NAS604-9	..	SCREW		1
210	AN960D416L	..	WASHER		1
215	AN690-416L	..	WASHER		1
220	MS35338-44	..	WASHER		1
225	MS21043-4	..	NUT		1
230	5026-02-0021	.	STUD ASSY- SUPPLIER CODE: VD2249		2

ILLUSTRATION ITEMS NOT ON PARTS LIST ARE NOT APPLICABLE

- ITEM NOT ILLUSTRATED

HXL

24-00-65-45A

BOEING PROPRIETARY - Copyright © - Unpublished Work - See title page for details.

24-00-65  
FIG. 45A  
PAGE 2  
DEC 22/06



767

PARTS CATALOG (MAINTENANCE)

FIG ITEM	PART NUMBER	1 2 3 4 5 6 7	NOMENCLATURE	EFFECT FROM TO	UNITS PER ASSY
45A					
235	NAS565-39	..	SCREW		1
240	MS35338-45	..	WASHER		1
245	AN960D516L	..	WASHER		2
250	MS20341-516A	..	NUT		1
255	AN960-516	..	WASHER		1
260	MS21043-5	..	NUT		1
265	5026-02-0008	.STUD ASSY-			2
			SUPPLIER CODE: VD2249		
270	NAS563C31	..	BOLT		1
275	MS35338-138	..	WASHER		1
280	AN960C10	..	WASHER		3
285	MS35650-304	..	NUT		1
290	MS21043-3	..	NUT		1
295	5026-02-0009	.STUD ASSY-			4
			SUPPLIER CODE: VD2249		
300	NAS564C35	..	SCREW		1
305	MS35338-139	..	WASHER		1
310	AN960C416	..	WASHER		3
315	MS35650-3254	..	NUT		1
320	MS21043-4	..	NUT		1
- 325	320570	.SPLICE-			1
			SUPPLIER CODE: VD8512		
- 330	324050	.TERMINAL-			30
			SUPPLIER CODE: VD8512		
- 335	53041	.TERMINAL-			21
			SUPPLIER CODE: VD8512		
- 340	36152	.TERMINAL-			14
			SUPPLIER CODE: V89100		
- 345	320569	.TERMINAL-			8
			SUPPLIER CODE: VD8512		
- 350	320554	.TERMINAL-			7
			SUPPLIER CODE: VD8512		
- 355	320565	.TERMINAL-			7
			SUPPLIER CODE: VD8512		
- 360	36153	.TERMINAL-			4
			SUPPLIER CODE: VD8512		
- 365	324082	.TERMINAL-			4
			SUPPLIER CODE: VD8512		

ILLUSTRATION ITEMS NOT ON PARTS LIST ARE NOT APPLICABLE

- ITEM NOT ILLUSTRATED

24-00-65-45A

24-00-65  
FIG. 45A  
PAGE 3  
DEC 22/06

HXL

BOEING PROPRIETARY - Copyright © - Unpublished Work - See title page for details.



767

PARTS CATALOG (MAINTENANCE)

FIG ITEM	PART NUMBER	1 2 3 4 5 6 7	NOMENCLATURE	EFFECT FROM TO	UNITS PER ASSY
45A					
- 370	320574		. TERMINAL- SUPPLIER CODE: VD8512		3
- 375	320561		. TERMINAL- SUPPLIER CODE: VD8512		2
- 380	130683		. TERMINAL- SUPPLIER CODE: VD8512		2
- 385	324047		. TERMINAL- SUPPLIER CODE: VD8512		2
- 390	324051		. TERMINAL- SUPPLIER CODE: VD8512		2
- 395	130682		. TERMINAL- SUPPLIER CODE: VD8512		1
- 400	BMS13-31FI1-22		. WIRE- SUPPLIER CODE: VF0241		AR
- 405	BMS13-31FI1-20		. WIRE- SUPPLIER CODE: VF0241		AR
- 410	BMS13-31FI1-18		. WIRE- SUPPLIER CODE: VF0241		AR
- 415	BMS13-31FI1-16		. WIRE- SUPPLIER CODE: VF0241		AR
- 420	BMS13-31FI1-14		. WIRE- SUPPLIER CODE: VF0241		AR
- 425	BMS13-31FI1-10		. WIRE- SUPPLIER CODE: VF0241		AR
- 430	BMS13-31FI1-8		. WIRE- SUPPLIER CODE: VF0241		AR
- 435	BMS13-58FI1-6		. WIRE- SUPPLIER CODE: VF0241		AR
- 440	BMS13-58FI1-4		. WIRE- SUPPLIER CODE: VF0241		AR
ILLUSTRATION ITEMS NOT ON PARTS LIST ARE NOT APPLICABLE					

- ITEM NOT ILLUSTRATED

24-00-65-45A

24-00-65  
FIG. 45A  
PAGE 4  
DEC 22/06

HXL

BOEING PROPRIETARY - Copyright © - Unpublished Work - See title page for details.