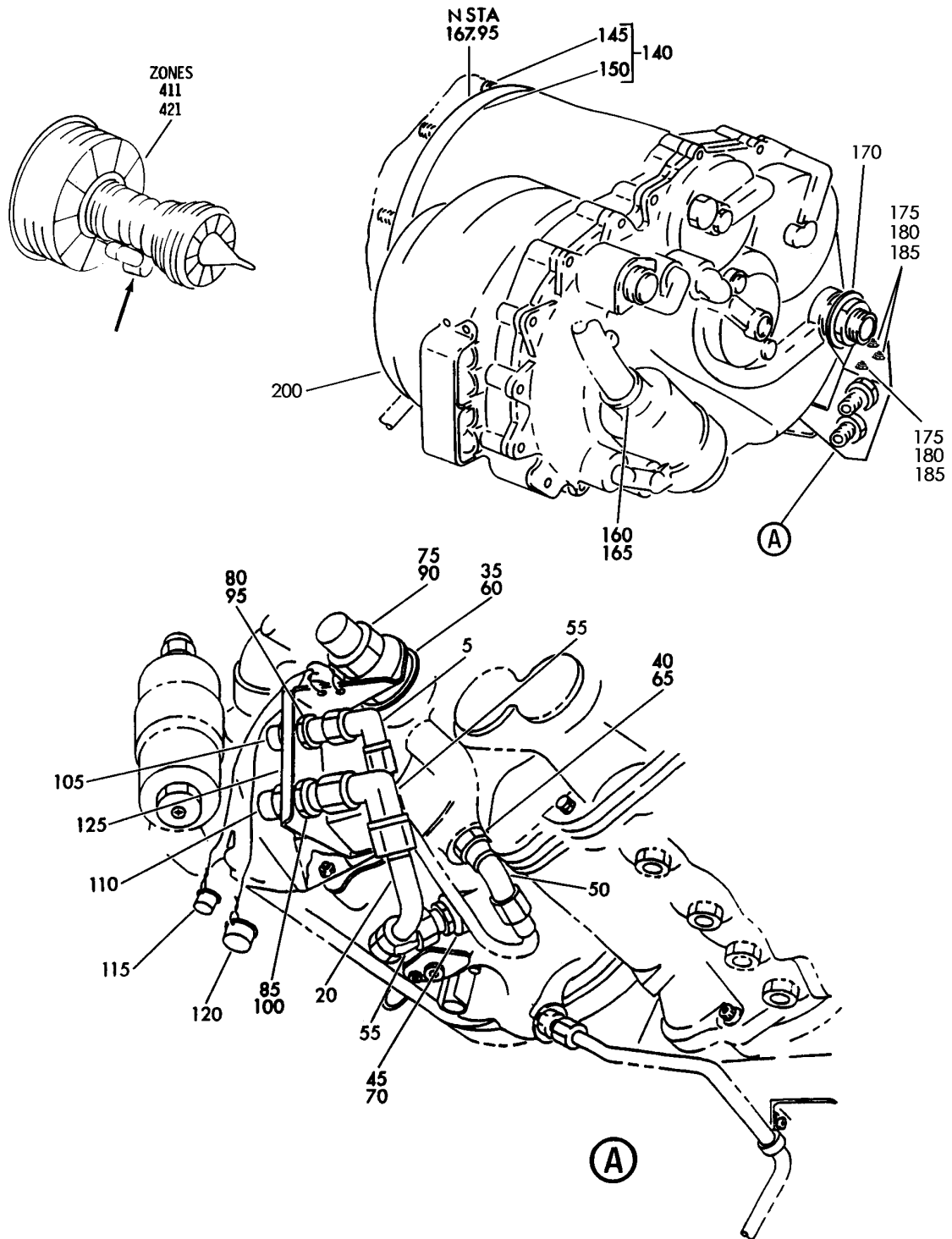


GENERATOR DRIVE SYSTEM

HXL
DEC 22/06

24-11-00
SECTION TITLE
PAGE 1

BOEING
767
PARTS CATALOG (MAINTENANCE)



V 24110102 REV 225

GENERATOR INSTL-INTEGRATED DRIVE
FIGURE 2

24-11-01-02

HXL
DEC 22/06

24-11-01-02
PAGE 0



767

PARTS CATALOG (MAINTENANCE)

FIG ITEM	PART NUMBER	1 2 3 4 5 6 7	NOMENCLATURE	EFFECT FROM TO	UNITS PER ASSY
2			GENERATOR INSTL-INTEGRATED DRIVE		
- 1	332T4210-4		GENERATOR INSTL-INTEGRATED DRIVE		RF
			FOR NHA SEE: 71-00-51-02		
5	332T4210-2		.TUBE ASSY		1
- 10	AP2097H06		..SLEEVE-		2
			SUPPLIER CODE: V01673		
			SPECIFICATION NUMBER: BACS13BX06H		
			OPTIONAL PART: 2-02903-06H		
			V11328		
			35235V06		
			V08199		
			AFP175V06		
			V30974		
			DBOS13BX06H		
			V14798		
- 15	MS21921-6J		..NUT-		2
20	332T4210-3		.TUBE ASSY		1
- 25	AP2097H08		..SLEEVE-		2
			SUPPLIER CODE: V01673		
			SPECIFICATION NUMBER: BACS13BX08H		
			OPTIONAL PART: 2-02903-08H		
			V11328		
			35235V08		
			V08199		
			AFP175V08		
			V30974		
			DBOS13BX08H		
			V14798		
- 30	MS21921-8J		..NUT-		2
35	MS21924J12		.UNION		1
40	MS21902J6		.UNION		1
45	MS21902J8		.UNION		1
50	NAS1762J0606		.ELBOW		1
55	NAS1762J0808		.ELBOW		2
60	M83248-2-912		.PACKING		1
65	M83248-2-906		.PACKING		1
70	M83248-2-908		.PACKING		1
75	AN924-12J		.NUT		1
80	AN924-6J		.NUT		1
85	AN924-8J		.NUT		1

ILLUSTRATION ITEMS NOT ON PARTS LIST ARE NOT APPLICABLE

- ITEM NOT ILLUSTRATED

24-11-01-02

24-11-01
FIG. 02
PAGE 1
DEC 22/07

HXL



767

PARTS CATALOG (MAINTENANCE)

FIG ITEM	PART NUMBER	1 2 3 4 5 6 7	NOMENCLATURE	EFFECT FROM TO	UNITS PER ASSY
2					
90	AN960C1716		.WASHER-		1
95	AN960C916		.WASHER-		1
100	AN960C1216		.WASHER-		1
105	OMP2506-19		.COUPLING-(GROUND SUPPORT EQUIPMENT) SUPPLIER CODE: VK0667		1
105	86-4102-1		.ADAPTER-PRESSURE SUPPLIER CODE: V99321 OPTIONAL PART: OMP2506-19 VK0667		1
110	OMP2592-10		.COUPLING-(GROUND SUPPORT EQUIPMENT) SUPPLIER CODE: V99321 OPTIONAL PART: 86-4101-1 V99321		1
110	86-4101-1		.ADAPTER-PRESSURE SUPPLIER CODE: V99321 OPTIONAL PART: OMP2592-10 VK0667		1
115	OMP2506-6PS		.COVER-PRESSURE SUPPLIER CODE: VK0667		1
115	86-4102-2		.COVER-PRESSURE SUPPLIER CODE: V99321 OPTIONAL PART: OMP2506-6PS VK0667		1
120	OMP2505-6PS		.COVER-PRESSURE SUPPLIER CODE: VK0667		1
120	86-4101-2		.COVER-PRESSURE SUPPLIER CODE: V99321 OPTIONAL PART: OMP2505-6PS VK0667		1

ILLUSTRATION ITEMS NOT ON PARTS LIST ARE NOT APPLICABLE

- ITEM NOT ILLUSTRATED

24-11-01-02

24-11-01
FIG. 02
PAGE 2
DEC 22/07

HXL



767

PARTS CATALOG (MAINTENANCE)

FIG ITEM	PART NUMBER	1 2 3 4 5 6 7	NOMENCLATURE	EFFECT FROM TO	UNITS PER ASSY
2 125	332T4211-6		.BRACKET- QUALIFIED I/W DATA: 332T4211-11 BRACKET TOGETHER WITH 332T4211-12 BRACKET CAN REPLACE OR BE REPLACED BY 332T4211-6 ATTACHING PARTS		1
- 130	AN960C516		.WASHER-		2
- 135	BRH10C5M		.NUT- SUPPLIER CODE: V52828 SPECIFICATION NUMBER: BACN10JC5CM OPTIONAL PART: T6C524JM V11815 97E054 V80539 109LH9075-5W V72962 H01-5BAC V15653 BACN10YR5CM BACN10YR5C		2
- 135	PLH55CM		.NUT- SUPPLIER CODE: V62554 SPECIFICATION NUMBER: BACN10YR5CM OPTIONAL PART: H52732-5CM V15653 BACN10JC5CM BACN10YR5C		2
- 135	PLH55C		.NUT- SUPPLIER CODE: V62554 SPECIFICATION NUMBER: BACN10YR5C OPTIONAL PART: H52732-5C V15653 BACN10JC5CM BACN10YR5CM -----*-----		2

ILLUSTRATION ITEMS NOT ON PARTS LIST ARE NOT APPLICABLE

- ITEM NOT ILLUSTRATED

HXL

24-11-01-02

BOEING PROPRIETARY - Copyright © - Unpublished Work - See title page for details.

24-11-01
FIG. 02
PAGE 3
DEC 22/07



767

PARTS CATALOG (MAINTENANCE)

FIG ITEM	PART NUMBER	1 2 3 4 5 6 7	NOMENCLATURE	EFFECT FROM TO	UNITS PER ASSY
2 140	730842B		.QUICK ATTACH DETACH KIT- ELECTRICAL PWR SYS 75/90KVA SUPPLIER CODE: V99167 SPECIFICATION NUMBER: S281T001-13 COMPONENT MAINT MANUAL REF: 24-19-03		1
145	0646C624-20		..SCREW-FLAT HEAD SOCKET SUPPLIER CODE: V99167		8
150	731477		..GASKET- SUPPLIER CODE: V99167		1
160	MS21902J10		.UNION		1
165	M83248-2-910		.PACKING-		1
200	745329		.GENERATOR ASSY-ELECTRICAL PWR GENERATION SYS INTEGRATED DRIVE 75/90 KVA SUPPLIER CODE: V99167 SPECIFICATION NUMBER: 60B40161-5 MISCELLANEOUS DATA: 60B40161-5,-18,-20,-22 -24, -26 AND -28 ARE INTERCHANGEABLE FOR SPARES. ELECTRICAL EQUIP NUMBER: M00230 COMPONENT MAINT MANUAL REF: 24-11-76 OPTIONAL PART: 745329A V99167 FUNCTIONAL REFERENCE: ELECTRICAL POWER FOR DETAILS SEE 24-11-01-11 PLACARDS AND MARKINGS FOR DETAILS SEE 11-25-12-03		1

ILLUSTRATION ITEMS NOT ON PARTS LIST ARE NOT APPLICABLE

- ITEM NOT ILLUSTRATED

HXL

24-11-01-02

BOEING PROPRIETARY - Copyright © - Unpublished Work - See title page for details.

24-11-01
FIG. 02
PAGE 4
DEC 22/07

PARTS CATALOG (MAINTENANCE)

FIG ITEM	PART NUMBER	1 2 3 4 5 6 7 NOMENCLATURE	EFFECT FROM TO	UNITS PER ASSY
<p>2 200</p> <p>R R</p>	<p>745329A</p>	<p>.GENERATOR ASSY-ELECTRICAL PWR GENERATION SYS INTEGRATED DRIVE 75/90 KVA SUPPLIER CODE: V99167 SPECIFICATION NUMBER: 60B40161-5 MISCELLANEOUS DATA: 60B40161-5,-18,-20,-22 -24,-26 AND -28 ARE INTERCHANGEABLE FOR SPARES. ELECTRICAL EQUIP NUMBER: M00230 COMPONENT MAINT MANUAL REF: 24-11-76 OPTIONAL PART: 745329 V99167 FUNCTIONAL REFERENCE: ELECTRICAL POWER FOR DETAILS SEE 24-11-01-11 PLACARDS AND MARKINGS FOR DETAILS SEE 11-25-12-03</p>		<p>1</p>

ILLUSTRATION ITEMS NOT ON PARTS LIST ARE NOT APPLICABLE

- ITEM NOT ILLUSTRATED

HXL

24-11-01-02

BOEING PROPRIETARY - Copyright © - Unpublished Work - See title page for details.

24-11-01
FIG. 02
PAGE 5
AUG 22/09



767

PARTS CATALOG (MAINTENANCE)

FIG ITEM	PART NUMBER	1 2 3 4 5 6 7	NOMENCLATURE	EFFECT FROM TO	UNITS PER ASSY
R R	2 200	745329B	.GENERATOR ASSY-ELECTRICAL PWR GENERATION SYS INTEGRATED DRIVE 75/90 KVA SUPPLIER CODE: V99167 SPECIFICATION NUMBER: 60B40161-18 MISCELLANEOUS DATA: 60B40161-5,-18,-20,-22 -24,-26 AND -28 ARE INTERCHANGEABLE FOR SPARES. ELECTRICAL EQUIP NUMBER: M00230 COMPONENT MAINT MANUAL REF: 24-11-76 FUNCTIONAL REFERENCE: ELECTRICAL POWER FOR DETAILS SEE 24-11-01-11 PLACARDS AND MARKINGS FOR DETAILS SEE 11-25-12-03		1
	200	755359	.GENERATOR ASSY-ELECTRICAL PWR GENERATION SYS INTEGRATED DRIVE 75/90 KVA SUPPLIER CODE: V99167 SPECIFICATION NUMBER: 60B40161-20 MISCELLANEOUS DATA: (60B40161-5,-18,-20,-22 -24 ARE INTERCHANGEABLE FOR SPARES) ELECTRICAL EQUIP NUMBER: M00230 COMPONENT MAINT MANUAL REF: 24-11-76 FUNCTIONAL REFERENCE: ELECTRICAL POWER FOR DETAILS SEE 24-11-01-11 PLACARDS AND MARKINGS FOR DETAILS SEE 11-25-12-03		1

ILLUSTRATION ITEMS NOT ON PARTS LIST ARE NOT APPLICABLE

- ITEM NOT ILLUSTRATED

HXL

24-11-01-02

24-11-01
FIG. 02
PAGE 6
AUG 22/09



767

PARTS CATALOG (MAINTENANCE)

FIG ITEM	PART NUMBER	1 2 3 4 5 6 7 NOMENCLATURE	EFFECT FROM TO	UNITS PER ASSY
2 200	745329C	.GENERATOR ASSY-ELECTRICAL PWR GENERATION SYS INTEGRATED DRIVE 75/90 KVA SUPPLIER CODE: V99167 SPECIFICATION NUMBER: 60B40161-22 MISCELLANEOUS DATA: 60B40161-5,-18,-20,-22 -24,-26 AND -28 ARE INTERCHANGEABLE FOR SPARES. ELECTRICAL EQUIP NUMBER: M00230 COMPONENT MAINT MANUAL REF: 24-11-76 OPTIONAL PART: 745329D V99167 FUNCTIONAL REFERENCE: ELECTRICAL POWER FOR DETAILS SEE 24-11-01-11 PLACARDS AND MARKINGS FOR DETAILS SEE 11-25-12-03		1

ILLUSTRATION ITEMS NOT ON PARTS LIST ARE NOT APPLICABLE

- ITEM NOT ILLUSTRATED

HXL

24-11-01-02

BOEING PROPRIETARY - Copyright © - Unpublished Work - See title page for details.

24-11-01
 FIG. 02
 PAGE 7
 APR 22/09



767

PARTS CATALOG (MAINTENANCE)

FIG ITEM	PART NUMBER	1 2 3 4 5 6 7 NOMENCLATURE	EFFECT FROM TO	UNITS PER ASSY
2 200	755359A	.GENERATOR ASSY-ELECTRICAL PWR GENERATION SYS INTEGRATED DRIVE 75/90 KVA SUPPLIER CODE: V99167 SPECIFICATION NUMBER: 60B40161-24 MISCELLANEOUS DATA: (60B40161-5,-18,-20,-22 -24 ARE INTERCHANGEABLE FOR SPARES) ELECTRICAL EQUIP NUMBER: M00230 COMPONENT MAINT MANUAL REF: 24-11-76 OPTIONAL PART: 755359B V99167 FUNCTIONAL REFERENCE: ELECTRICAL POWER FOR DETAILS SEE 24-11-01-11 PLACARDS AND MARKINGS FOR DETAILS SEE 11-25-12-03		1

ILLUSTRATION ITEMS NOT ON PARTS LIST ARE NOT APPLICABLE

- ITEM NOT ILLUSTRATED

HXL

24-11-01-02

BOEING PROPRIETARY - Copyright © - Unpublished Work - See title page for details.

24-11-01
 FIG. 02
 PAGE 8
 DEC 22/07



767

PARTS CATALOG (MAINTENANCE)

FIG ITEM	PART NUMBER	1 2 3 4 5 6 7	NOMENCLATURE	EFFECT FROM TO	UNITS PER ASSY
2 200	755359B		.GENERATOR ASSY-ELECTRICAL PWR GENERATION SYS INTEGRATED DRIVE 75/90 KVA SUPPLIER CODE: V99167 SPECIFICATION NUMBER: 60B40161-24 MISCELLANEOUS DATA: (60B40161-5,-18,-20,-22 -24 ARE INTERCHANGEABLE FOR SPARES) ELECTRICAL EQUIP NUMBER: M00230 COMPONENT MAINT MANUAL REF: 24-11-76 OPTIONAL PART: 755359A V99167 FUNCTIONAL REFERENCE: ELECTRICAL POWER FOR DETAILS SEE 24-11-01-11 PLACARDS AND MARKINGS FOR DETAILS SEE 11-25-12-03		1
200	745329E		.GENERATOR ASSY-ELECTRICAL PWR GENERATION SYS INTEGRATED DRIVE 75/90 KVA SUPPLIER CODE: V99167 SPECIFICATION NUMBER: 60B40161-26 ELECTRICAL EQUIP NUMBER: M00230 COMPONENT MAINT MANUAL REF: 24-11-76 FUNCTIONAL REFERENCE: ELECTRICAL POWER FOR DETAILS SEE 24-11-01-11 PLACARDS AND MARKINGS FOR DETAILS SEE 11-25-12-03		1

ILLUSTRATION ITEMS NOT ON PARTS LIST ARE NOT APPLICABLE

- ITEM NOT ILLUSTRATED

HXL

24-11-01-02

BOEING PROPRIETARY - Copyright © - Unpublished Work - See title page for details.

24-11-01
FIG. 02
PAGE 9
DEC 22/07



767

PARTS CATALOG (MAINTENANCE)

FIG ITEM	PART NUMBER	1 2 3 4 5 6 7	NOMENCLATURE	EFFECT FROM TO	UNITS PER ASSY
2 200	755359C		.GENERATOR ASSY-ELECTRICAL PWR GENERATION SYS INTEGRATED DRIVE 75/90 KVA SUPPLIER CODE: V99167 SPECIFICATION NUMBER: 60B40161-28 ELECTRICAL EQUIP NUMBER: M00230 COMPONENT MAINT MANUAL REF: 24-11-76 FUNCTIONAL REFERENCE: ELECTRICAL POWER FOR DETAILS SEE 24-11-01-11 PLACARDS AND MARKINGS FOR DETAILS SEE 11-25-12-03		1
200	745329F		.GENERATOR ASSY-ELECTRICAL PWR GENERATION SYS INTEGRATED DRIVE 75/90 KVA SUPPLIER CODE: V99167 SPECIFICATION NUMBER: 60B40161-30 ELECTRICAL EQUIP NUMBER: M00230 COMPONENT MAINT MANUAL REF: 24-11-76 FUNCTIONAL REFERENCE: ELECTRICAL POWER FOR DETAILS SEE 24-11-01-11 PLACARDS AND MARKINGS FOR DETAILS SEE 11-25-12-03		1

ILLUSTRATION ITEMS NOT ON PARTS LIST ARE NOT APPLICABLE

- ITEM NOT ILLUSTRATED

HXL

24-11-01-02

BOEING PROPRIETARY - Copyright © - Unpublished Work - See title page for details.

24-11-01
FIG. 02
PAGE 10
DEC 22/07



767

PARTS CATALOG (MAINTENANCE)

FIG ITEM	PART NUMBER	1 2 3 4 5 6 7	NOMENCLATURE	EFFECT FROM TO	UNITS PER ASSY
2 200	745329D		.GENERATOR ASSY-ELECTRICAL PWR GENERATION SYS INTEGRATED DRIVE 75/90 KVA SUPPLIER CODE: V99167 SPECIFICATION NUMBER: 60B40161-22 MISCELLANEOUS DATA: 60B40161-5,-18,-20,-22, -24,-26 AND -28 ARE INTERCHANGEABLE FOR SPARES. ELECTRICAL EQUIP NUMBER: M00230 COMPONENT MAINT MANUAL REF: 24-11-76 OPTIONAL PART: 745329C V99167 FUNCTIONAL REFERENCE: ELECTRICAL POWER FOR DETAILS SEE 24-11-01-11 PLACARDS AND MARKINGS FOR DETAILS SEE 11-25-12-03		1
200	755359D		.GENERATOR ASSY-ELECTRICAL PWR GENERATION SYS INTEGRATED DRIVE 75/90 KVA SUPPLIER CODE: V99167 SPECIFICATION NUMBER: 60B40161-32 ELECTRICAL EQUIP NUMBER: M00230 COMPONENT MAINT MANUAL REF: 24-11-76 FUNCTIONAL REFERENCE: ELECTRICAL POWER FOR DETAILS SEE 24-11-01-11 PLACARDS AND MARKINGS FOR DETAILS SEE 11-25-12-03		1

ILLUSTRATION ITEMS NOT ON PARTS LIST ARE NOT APPLICABLE

- ITEM NOT ILLUSTRATED

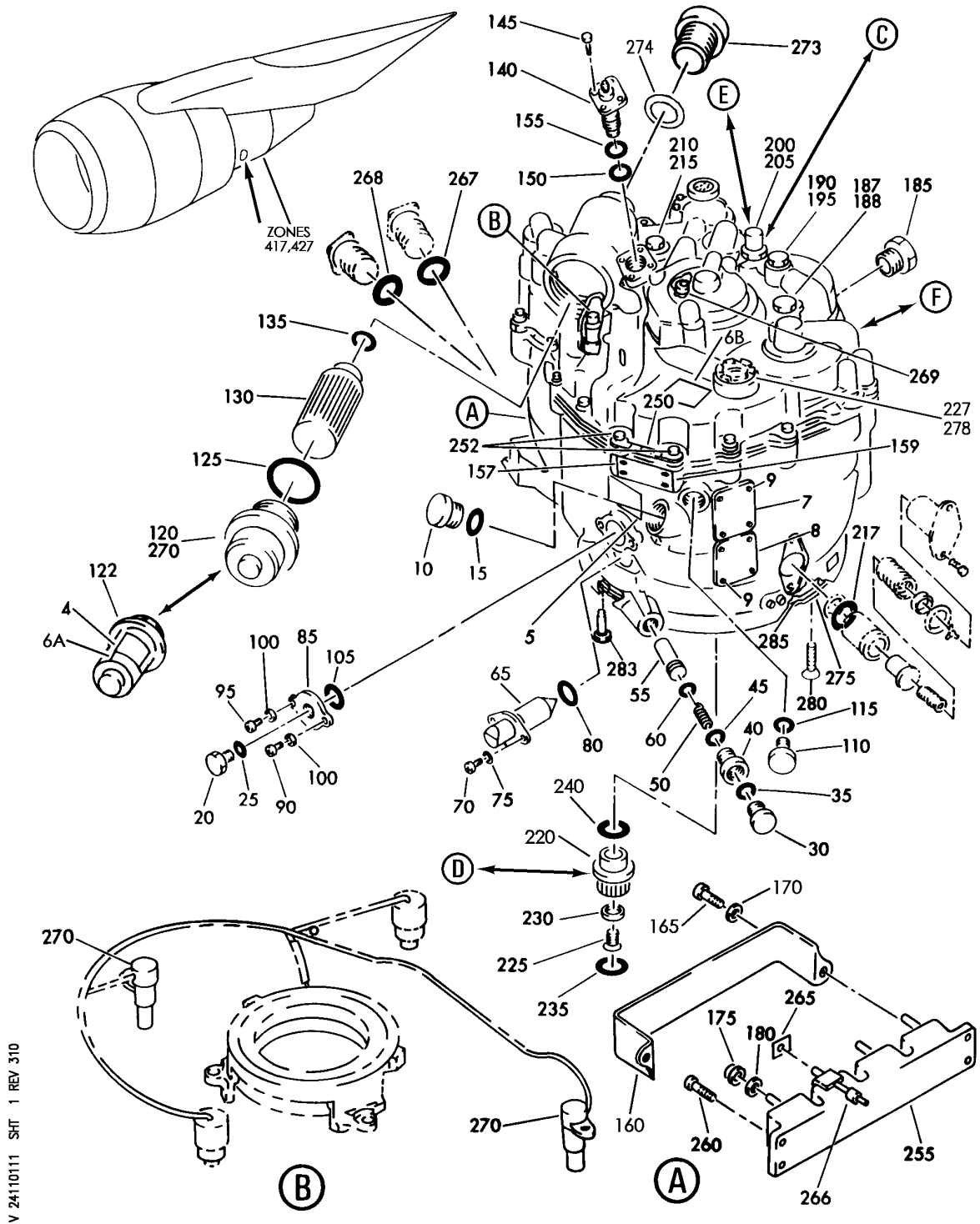
HXL

24-11-01-02

BOEING PROPRIETARY - Copyright © - Unpublished Work - See title page for details.

24-11-01
FIG. 02
PAGE 11
APR 22/09

BOEING
767
PARTS CATALOG (MAINTENANCE)

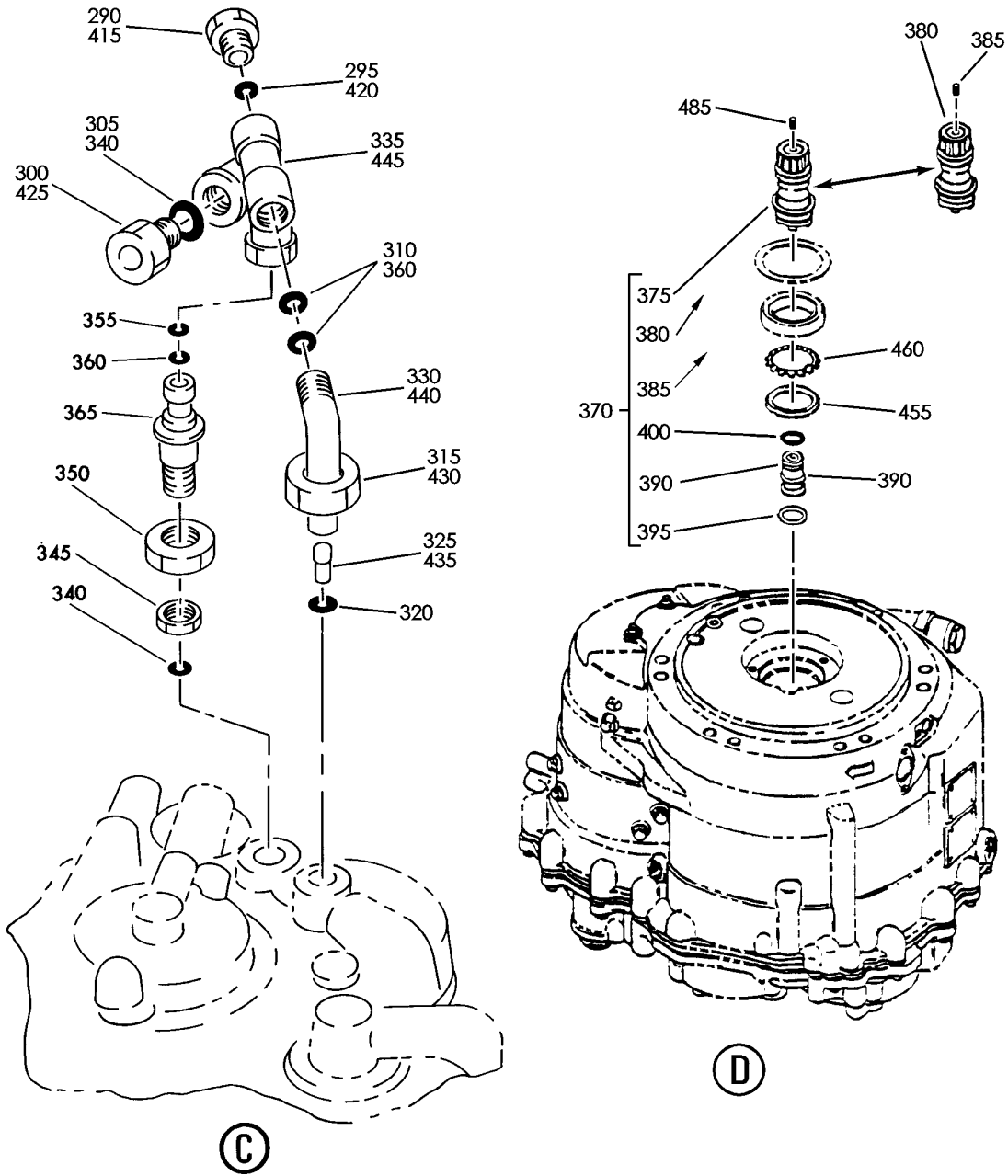


V 24110111 SHT 1 REV 310

GENERATOR ASSY-INTEGRATED DRIVE (ELECTRICAL POWER ONLY)
FIGURE 11 (SHEET 1)

24-11-01-11

BOEING
767
PARTS CATALOG (MAINTENANCE)



V 24110111 SHT 2 REV 234

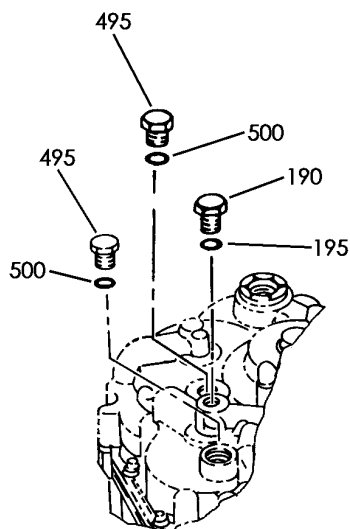
GENERATOR ASSY-INTEGRATED DRIVE (ELECTRICAL POWER ONLY)
FIGURE 11 (SHEET 2)

24-11-01-11

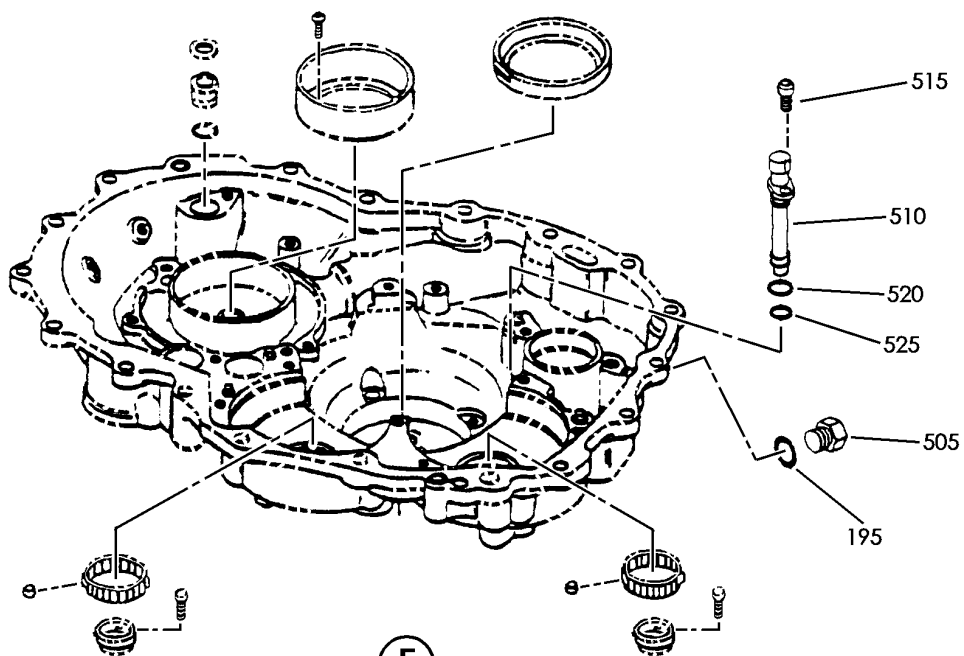
HXL
DEC 22/06

24-11-01-11
PAGE 0A

BOEING
767
PARTS CATALOG (MAINTENANCE)



(E)



(F)

V 24110111 SHT 3 REV 233

GENERATOR ASSY-INTEGRATED DRIVE (ELECTRICAL POWER ONLY)
FIGURE 11 (SHEET 3)

24-11-01-11

HXL
DEC 22/06

24-11-01-11
PAGE 0B



767

PARTS CATALOG (MAINTENANCE)

FIG ITEM	PART NUMBER	1 2 3 4 5 6 7	NOMENCLATURE	EFFECT FROM TO	UNITS PER ASSY
11					
- 1	745329		GENERATOR ASSY-INTEGRATED DRIVE (ELECTRICAL POWER ONLY) GENERATOR ASSY-INTEGRATED DRIVE (ELECTRICAL POWER ONLY) SUPPLIER CODE: V99167 SPECIFICATION NUMBER: 60B40161-5 MISCELLANEOUS DATA: 60B40161-5,-18,-20,-22,-24,-26 AND -28 ARE INTERCHANGEABLE FOR SPARES COMPONENT MAINT MANUAL REF: 24-11-76 OPTIONAL PART: 745329A V99167 FOR NHA/OTHER SYS DET SEE: 24-11-01-02		RF
- 1	745329A		GENERATOR ASSY-INTEGRATED DRIVE (ELECTRICAL POWER ONLY) SUPPLIER CODE: V99167 SPECIFICATION NUMBER: 60B40161-5 MISCELLANEOUS DATA: 60B40161-5,-18,-20,-22,-24,-26 AND -28 ARE INTERCHANGEABLE FOR SPARES COMPONENT MAINT MANUAL REF: 24-11-76 OPTIONAL PART: 745329 V99167 FOR NHA/OTHER SYS DET SEE: 24-11-01-02		RF

ILLUSTRATION ITEMS NOT ON PARTS LIST ARE NOT APPLICABLE

- ITEM NOT ILLUSTRATED

HXL

24-11-01-11

BOEING PROPRIETARY - Copyright © - Unpublished Work - See title page for details.

24-11-01
 FIG. 11
 PAGE 1
 DEC 22/06



767

PARTS CATALOG (MAINTENANCE)

FIG ITEM	PART NUMBER	1 2 3 4 5 6 7	NOMENCLATURE	EFFECT FROM TO	UNITS PER ASSY
11 - 1	745329B		GENERATOR ASSY-INTEGRATED DRIVE (ELECTRICAL POWER ONLY) SUPPLIER CODE: V99167 SPECIFICATION NUMBER: 60B40161-18 MISCELLANEOUS DATA: 60B40161-5,-18,-20,-22,-24,-26 AND -28 ARE INTERCHANGEABLE FOR SPARES COMPONENT MAINT MANUAL REF: 24-11-76 FOR NHA/OTHER SYS DET SEE: 24-11-01-02		RF
- 1	755359		GENERATOR ASSY-INTEGRATED DRIVE (ELECTRICAL POWER ONLY) SUPPLIER CODE: V99167 SPECIFICATION NUMBER: 60B40161-20 MISCELLANEOUS DATA: 60B40161-5,-18,-20,-22,-24 ARE INTERCHANGEABLE FOR SPARES COMPONENT MAINT MANUAL REF: 24-11-76		RF
- 2	755359A		GENERATOR ASSY-INTEGRATED DRIVE (ELECTRICAL POWER ONLY) SUPPLIER CODE: V99167 SPECIFICATION NUMBER: 60B40161-24 MISCELLANEOUS DATA: 60B40161-5,-18,-20,-22,-24 ARE INTERCHANGEABLE FOR SPARES COMPONENT MAINT MANUAL REF: 24-11-76 OPTIONAL PART: 755359B V99167		RF

ILLUSTRATION ITEMS NOT ON PARTS LIST ARE NOT APPLICABLE

- ITEM NOT ILLUSTRATED

HXL

24-11-01-11

BOEING PROPRIETARY - Copyright © - Unpublished Work - See title page for details.

24-11-01
FIG. 11
PAGE 2
DEC 22/06



767

PARTS CATALOG (MAINTENANCE)

FIG ITEM	PART NUMBER	1 2 3 4 5 6 7	NOMENCLATURE	EFFECT FROM TO	UNITS PER ASSY
11 - 2	745329C		GENERATOR ASSY-INTEGRATED DRIVE (ELECTRICAL POWER ONLY) SUPPLIER CODE: V99167 SPECIFICATION NUMBER: 60B40161-22 MISCELLANEOUS DATA: 60B40161-5,-18,-20,-22,-24,-26 AND -28 ARE INTERCHANGEABLE FOR SPARES COMPONENT MAINT MANUAL REF: 24-11-76 OPTIONAL PART: 745329D V99167 FOR NHA/OTHER SYS DET SEE: 24-11-01-02		RF
- 2	755359C		GENERATOR ASSY-INTEGRATED DRIVE (ELECTRICAL POWER ONLY) SUPPLIER CODE: V99167 SPECIFICATION NUMBER: 60B40161-28 COMPONENT MAINT MANUAL REF: 24-11-76		RF
- 3	745329E		GENERATOR ASSY-INTEGRATED DRIVE (ELECTRICAL POWER ONLY) SUPPLIER CODE: V99167 SPECIFICATION NUMBER: 60B40161-26 COMPONENT MAINT MANUAL REF: 24-11-76 FOR NHA/OTHER SYS DET SEE: 24-11-01-02		RF

ILLUSTRATION ITEMS NOT ON PARTS LIST ARE NOT APPLICABLE

- ITEM NOT ILLUSTRATED

HXL

24-11-01-11

BOEING PROPRIETARY - Copyright © - Unpublished Work - See title page for details.

24-11-01
 FIG. 11
 PAGE 3
 DEC 22/06



767

PARTS CATALOG (MAINTENANCE)

FIG ITEM	PART NUMBER	1 2 3 4 5 6 7	NOMENCLATURE	EFFECT FROM TO	UNITS PER ASSY
11 - 3	745329F		GENERATOR ASSY-INTEGRATED DRIVE (ELECTRICAL POWER ONLY) SUPPLIER CODE: V99167 SPECIFICATION NUMBER: 60B40161-30 COMPONENT MAINT MANUAL REF: 24-11-76 FOR NHA/OTHER SYS DET SEE: 24-11-01-02		RF
- 3	755359B		GENERATOR ASSY-INTEGRATED DRIVE (ELECTRICAL POWER ONLY) SUPPLIER CODE: V99167 SPECIFICATION NUMBER: 60B40161-24 MISCELLANEOUS DATA: (60B40161-5,-18,-20,-22 -24 ARE INTERCHANGEABLE FOR SPARES) COMPONENT MAINT MANUAL REF: 24-11-76 OPTIONAL PART: 755359A V99167		RF
- 3	755359D		GENERATOR ASSY-INTEGRATED DRIVE (ELECTRICAL POWER ONLY) SUPPLIER CODE: V99167 SPECIFICATION NUMBER: 60B40161-32 COMPONENT MAINT MANUAL REF: 24-11-76 FOR NHA/OTHER SYS DET SEE: 24-11-01-02		RF

ILLUSTRATION ITEMS NOT ON PARTS LIST ARE NOT APPLICABLE

- ITEM NOT ILLUSTRATED

HXL

24-11-01-11

BOEING PROPRIETARY - Copyright © - Unpublished Work - See title page for details.

24-11-01
FIG. 11
PAGE 4
DEC 22/06



767

PARTS CATALOG (MAINTENANCE)

FIG ITEM	PART NUMBER	1 2 3 4 5 6 7	NOMENCLATURE	EFFECT FROM TO	UNITS PER ASSY
11 - 3	745329D		GENERATOR ASSY-INTEGRATED DRIVE (ELECTRICAL POWER ONLY) SUPPLIER CODE: V99167 SPECIFICATION NUMBER: 60B40161-22 MISCELLANEOUS DATA: 60B40161-5,-18,-20,-22 -24,-26 AND -28 ARE INTERCHANGEABLE FOR SPARES COMPONENT MAINT MANUAL REF: 24-11-76 OPTIONAL PART: 745329C V99167 FOR NHA/OTHER SYS DET SEE: 24-11-01-02		RF
4	744352		.DECAL- SUPPLIER CODE: V99167 SB DATA FROM A CMM: SB90IDGS01-24-23 OPTIONAL PART: 761898 V99167		1
4	761898		.DECAL- SUPPLIER CODE: V99167 OPTIONAL PART: 744352 V99167		1
5	5907276		.DECAL-OK PRISM SUPPLIER CODE: V99167 SB DATA FROM A CMM: SB90IDG11-13-24-6		1
6A	766146		.DECAL-DPI RESET SUPPLIER CODE: V99167 CONFIG CHG DATA FROM A CMM: OPTIONAL		1
6B	5907275		.DECAL-SERVICING INSTRUCTIONS SUPPLIER CODE: V99167		1

ILLUSTRATION ITEMS NOT ON PARTS LIST ARE NOT APPLICABLE

- ITEM NOT ILLUSTRATED

HXL

24-11-01-11

BOEING PROPRIETARY - Copyright © - Unpublished Work - See title page for details.

24-11-01
FIG. 11
PAGE 5
DEC 22/06



767

PARTS CATALOG (MAINTENANCE)

FIG ITEM	PART NUMBER	1 2 3 4 5 6 7	NOMENCLATURE	EFFECT FROM TO	UNITS PER ASSY
11					
7	681945		.PLATE-MOD SUPPLIER CODE: V99167		1
8	739523		.PLATE-IDENT SUPPLIER CODE: V99167		1
9	NAS1352-04-4P		ATTACHING PARTS .SCREW -----*-----		8
10	MS9954-08		.PLUG		1
15	M83248-1-908		.PACKING		1
20	MS9954-05		.PLUG- OPTIONAL PART: MS9902-05		1
20	MS9902-05		.PLUG- OPTIONAL PART: MS9954-05		1
25	M83248-1-905		.PACKING-		1
30	MS9954-06		.PLUG		1
35	M83248-1-906		.PACKING		1
40	731075		.INSERT-SCR THREAD SUPPLIER CODE: V99167 QUALIFIED OPTIONAL DATA: 690775-66 WITH 751042 ARE OPTIONAL TO 731075		1
- 42	690775-66		.INSERT-SCREW THREAD SUPPLIER CODE: V99167 QUALIFIED OPTIONAL DATA: 690775-66 WITH 751042 ARE OPTIONAL TO 731075		1
- 43	751042		.SPRING-SEAT SUPPLIER CODE: V99167 QUALIFIED OPTIONAL DATA: 690775-66 WITH 751042 ARE OPTIONAL TO 731075		1
45	M83248-1-017		.PACKING		1
50	731074		.SPRING-HELICAL CPRSN SUPPLIER CODE: V99167		1
55	731046		.VALVE-INSEPARABLE ASSY SUPPLIER CODE: V99167 MISCELLANEOUS DATA: NOT APPROVED FOR ETOPS FOR JT9D AND CF6-80A ENGINES ONLY		1

ILLUSTRATION ITEMS NOT ON PARTS LIST ARE NOT APPLICABLE

- ITEM NOT ILLUSTRATED

24-11-01-11

24-11-01
FIG. 11
PAGE 6
APR 22/09

HXL



767

PARTS CATALOG (MAINTENANCE)

FIG ITEM	PART NUMBER	1 2 3 4 5 6 7	NOMENCLATURE	EFFECT FROM TO	UNITS PER ASSY
11					
60	M83248-1-112		.PACKING		1
65	5906152		.INDICATOR-OIL LEVEL ANTI-GLARE SUPPLIER CODE: V99167 CONFIG CHG DATA FROM A CMM: REPLD BY 5907652 OPTIONAL PART: 5907652 V99167 PRE AIRLINE MOD: ATA24/1 VSAS		1
65	5907652		.INDICATOR-OIL LEVEL SUPPLIER CODE: V99167 CONFIG CHG DATA FROM A CMM: REPLS 5906152 OPTIONAL PART: 5906152 V99167 POST AIRLINE MOD: ATA24/1 VSAS ATTACHING PARTS		1
70	NAS1352-3-10P		.SCREW		2
75	AN960C10L		.WASHER- CONFIG CHG DATA FROM A CMM: REPLD BY NAS1149C0363R		2
75	NAS1149C0363R		.WASHER- CONFIG CHG DATA FROM A CMM: REPLS AN960C10 AND AN960C10L -----*-----		2
80	M83248-1-121		.PACKING		1
85	729198		.PLUG-FLANGED SUPPLIER CODE: V99167 OPTIONAL PART: 765042 V99167		1
85	765042		.PLUG- SUPPLIER CODE: V99167 OPTIONAL PART: 729198 V99167 ATTACHING PARTS		1
90	NAS1352-3H8P		.SCREW		1

ILLUSTRATION ITEMS NOT ON PARTS LIST ARE NOT APPLICABLE

- ITEM NOT ILLUSTRATED

24-11-01-11

24-11-01
FIG. 11
PAGE 7
APR 22/09

HXL

BOEING PROPRIETARY - Copyright © - Unpublished Work - See title page for details.



767

PARTS CATALOG (MAINTENANCE)

FIG ITEM	PART NUMBER	1 2 3 4 5 6 7	NOMENCLATURE	EFFECT FROM TO	UNITS PER ASSY
11					
95	NAS1352-3-8P	.	SCREW		1
100	AN960C10L	.	WASHER		2
		-----*			
105	M83248-1-119	.	PACKING		1
110	MS9954-06	.	PLUG		1
115	M83248-1-906	.	PACKING		1
122	739482	.	COVER-FILTER		1
			SUPPLIER CODE: V99167		
			CONFIG CHG DATA FROM A CMM: REPLD BY 754980		
			OPTIONAL PART: 754980 V99167		
122	754980	.	COVER-FILTER		1
			SUPPLIER CODE: V99167		
			CONFIG CHG DATA FROM A CMM: REPLS 739482		
			OPTIONAL PART: 739482 V99167		
125	M83248-1-226	.	PACKING		1
130	AC9780F15Y2	.	FILTER-DISPOSABLE		1
			NONROTATING ELEM		
			SUPPLIER CODE: V18350		
			CONFIG CHG DATA FROM A CMM: 5904761		
			FOR ELEMENT MAINTENANCE USE FILTER MAINT KIT DEFINED IN FILTER MAINT KIT LIST. FILTER MAINTENANCE KIT REF: 654T0035-1B		
			OPTIONAL PART: 7588429 V05228 1744587 V90005 1744587-01 V90005 5909812 V99167 AC9780F15Y21 V18350		

ILLUSTRATION ITEMS NOT ON PARTS LIST ARE NOT APPLICABLE

- ITEM NOT ILLUSTRATED

HXL

24-11-01-11

BOEING PROPRIETARY - Copyright © - Unpublished Work - See title page for details.

24-11-01
FIG. 11
PAGE 8
APR 22/09



767

PARTS CATALOG (MAINTENANCE)

FIG ITEM	PART NUMBER	1 2 3 4 5 6 7	NOMENCLATURE	EFFECT FROM TO	UNITS PER ASSY
11 130	7588429		. FILTER-DISPOSABLE NONROTATING ELEM SUPPLIER CODE: V05228 CONFIG CHG DATA FROM A CMM: 5904761 FOR ELEMENT MAINTENANCE USE FILTER MAINT KIT DEFINED IN FILTER MAINT KIT LIST. FILTER MAINTENANCE KIT REF: 654T0035-1B OPTIONAL PART: AC9780F15Y2 V18350 1744587 V90005 1744587-01 V90005 AC9780F15Y21 V18350 5909812 V99167		1
130	1744587		. FILTER-DISPOSABLE ELEM SUPPLIER CODE: V90005 CONFIG CHG DATA FROM A CMM: 5904761 OPTIONAL PART: 7588429 V05228 AC9780F15Y2 V18350 1744587-01 V90005 AC9780F15Y21 V18350 5909812 V99167		1

ILLUSTRATION ITEMS NOT ON PARTS LIST ARE NOT APPLICABLE

- ITEM NOT ILLUSTRATED

HXL

24-11-01-11

BOEING PROPRIETARY - Copyright © - Unpublished Work - See title page for details.

24-11-01
FIG. 11
PAGE 9
DEC 22/06



767

PARTS CATALOG (MAINTENANCE)

FIG ITEM	PART NUMBER	1 2 3 4 5 6 7	NOMENCLATURE	EFFECT FROM TO	UNITS PER ASSY
11 130	1744587-01		. FILTER- SUPPLIER CODE: V18350 CONFIG CHG DATA FROM A CMM: 5904761 FOR ELEMENT MAINTENANCE USE FILTER MAINT KIT DEFINED IN FILTER MAINT KIT LIST. FILTER MAINTENANCE KIT REF: 654T0035-1B OPTIONAL PART: 7588429 V05228 1744587 V90005 AC9780F15Y2 V90005 AC9780F15Y21 V18350 5909812 V99167		1
130	AC9780F15Y21		. FILTER- SUPPLIER CODE: V18350 CONFIG CHG DATA FROM A CMM: 5904761 FOR ELEMENT MAINTENANCE USE FILTER MAINT KIT DEFINED IN FILTER MAINT KIT LIST. FILTER MAINTENANCE KIT REF: 654T0035-1B OPTIONAL PART: 7588429 V05228 1744587 V90005 1744587-01 V90005 5909812 V99167 AC9780F15Y2 V18350		1

ILLUSTRATION ITEMS NOT ON PARTS LIST ARE NOT APPLICABLE

- ITEM NOT ILLUSTRATED

HXL

24-11-01-11

BOEING PROPRIETARY - Copyright © - Unpublished Work - See title page for details.

24-11-01
FIG. 11
PAGE 10
DEC 22/06

BOEING
767
PARTS CATALOG (MAINTENANCE)

FIG ITEM	PART NUMBER	1 2 3 4 5 6 7	NOMENCLATURE	EFFECT FROM TO	UNITS PER ASSY
11 130	5909812		. FILTER-ELEMENT SUPPLIER CODE: V99167 OPTIONAL PART: 7588429 V05228 AC9780F15Y2 V18350 1744587 V90005 1744587-01 V90005 AC9780F15Y21 V18350		1
135	M83248-1-214		.. PACKING		1
140	59793		. INDICATOR-PRESSURE DIFF SUPPLIER CODE: V99167 CONFIG CHG DATA FROM A CMM: REPLD BY 59880 OPTIONAL PART: 59880 V99167		1
140	59880		. INDICATOR-PRESSURE DIFF SUPPLIER CODE: V99167 CONFIG CHG DATA FROM A CMM: REPLS 59793 COMPONENT MAINT MANUAL REF: 24-16-05 OPTIONAL PART: 59793 V99167 ATTACHING PARTS		1
145	NAS1352-06-8P		. SCREW -----*-----		4
150	M83248-1-014		. PACKING		1
155	M83248-1-015		. PACKING		1
157	736238		. PLATE-INSTRUCTION SUPPLIER CODE: V99167 ATTACHING PARTS		1
159	NAS1352-04-4P		. SCREW -----*-----		4

ILLUSTRATION ITEMS NOT ON PARTS LIST ARE NOT APPLICABLE

- ITEM NOT ILLUSTRATED

HXL

24-11-01-11

BOEING PROPRIETARY - Copyright © - Unpublished Work - See title page for details.

24-11-01
FIG. 11
PAGE 11
DEC 22/06

BOEING
767
PARTS CATALOG (MAINTENANCE)

FIG ITEM	PART NUMBER	1 2 3 4 5 6 7	NOMENCLATURE	EFFECT FROM TO	UNITS PER ASSY
11 160	734029		.COVER-TERM. BLK SUPPLIER CODE: V99167 OPTIONAL PART: 759761 V99167 756704 V99167 USED WITH: NAS1352-3-18P		1
160	756704		.COVER-TERM. BLK SUPPLIER CODE: V99167 OPTIONAL PART: 734029 V99167 759761 V99167 USED WITH: NAS1352-3-24P		1
160	759761		.COVER-TERM. BLK SUPPLIER CODE: V99167 OPTIONAL PART: 734029 V99167 756704 V99167 USED WITH: NAS1352-3-24P		1
165	NAS1352-3-18P		ATTACHING PARTS .SCREW- USED WITH: 734029		2
165	NAS1352-3-24P		.SCREW- USED WITH: 756704 759761		2
170	AN960C10		.WASHER- -----*-----		2
175	MS21042-6		.NUT- CONFIG CHG DATA FROM A CMM: REPLD BY NAS1726-6D QUALIFIED OPTIONAL DATA: MS21042-6 TOGETHER WITH AN960C616L IS OPTIONAL TO NAS1726-6D		4

ILLUSTRATION ITEMS NOT ON PARTS LIST ARE NOT APPLICABLE

- ITEM NOT ILLUSTRATED

HXL

24-11-01-11

BOEING PROPRIETARY - Copyright © - Unpublished Work - See title page for details.

24-11-01
FIG. 11
PAGE 12
DEC 22/06

 **BOEING**
767
PARTS CATALOG (MAINTENANCE)

FIG ITEM	PART NUMBER	1 2 3 4 5 6 7	NOMENCLATURE	EFFECT FROM TO	UNITS PER ASSY
11 180	AN960C616L		.WASHER- CONFIG CHG DATA FROM A CMM: NAS1726-06D QUALIFIED OPTIONAL DATA: MS21042-6 TOGETHER WITH AN960C616L IS OPTIONAL TO NAS1726-6D		4
- 182	NAS1726-6D		.NUT-LOCKING CONFIG CHG DATA FROM A CMM: REPLS MS21042-6 AND AN960C616L, PERFERRED QUALIFIED OPTIONAL DATA: MS21042-6 TOGETHER WITH AN960C616L IS OPTIONAL TO NAS1726-6D OPTIONAL PART: 5911584-5 V99167		4
- 182	5911584-5		.NUT-SPIRALOCK SUPPLIER CODE: V99167 OPTIONAL PART: NAS1726-6D		4
185	MS90725-55		.SCREW		1
187	MS9954-08		.PLUG		1
188	M83248-1-016		.PACKING		1
190	MS9954-04		.PLUG- MISCELLANEOUS DATA: PARTS MS9954-04, 5903947, M83248-1-904, 5905700, AND M83248-1-016 MUST BE USED TOGETHER IF VENT SYS IS NOT INCORPORATED USED WITH: M83248-1-904 5907987 756470 NAS1352-3-8 M83248-1-011 M83248-1-010 756605A		1
ILLUSTRATION ITEMS NOT ON PARTS LIST ARE NOT APPLICABLE					

- ITEM NOT ILLUSTRATED

HXL

24-11-01-11

BOEING PROPRIETARY - Copyright © - Unpublished Work - See title page for details.

24-11-01
FIG. 11
PAGE 13
DEC 22/06



767

PARTS CATALOG (MAINTENANCE)

FIG ITEM	PART NUMBER	1 2 3 4 5 6 7	NOMENCLATURE	EFFECT FROM TO	UNITS PER ASSY
11 195	M83248-1-904		.PACKING- MISCELLANEOUS DATA: PARTS MS9954-04, 5903947, M83248-1-904, 5905700, AND M83248-1-016 MUST BE USED TOGETHER IF VENT SYS IS NOT INCORPORATED USED WITH: MS9954-04 5907987 756470 NAS1352-3-8 M83248-1-011 M83248-1-010 756605A		2
200	5905700		.VALVE-VENT NON-PUSH SUPPLIER CODE: V99167 MISCELLANEOUS DATA: PARTS MS9954-04, 5903947, M83248-1-904, 5905700, AND M83248-1-016 MUST BE USED TOGETHER IF VENT SYS IS NOT INCORPORATED		1
205	M83248-1-016		.PACKING- MISCELLANEOUS DATA: PARTS MS9954-04, 5903947, M83248-1-904, 5905700, AND M83248-1-016 MUST BE USED TOGETHER IF VENT SYS IS NOT INCORPORATED		1
210	MS9954-04		.PLUG		1
215	M83248-1-904		.PACKING		1
217	M83248-1-016		.PACKING		1
220	729861		.SHAFT-SPLINED SUPPLIER CODE: V99167		1
225	0646-428-10		ATTACHING PARTS .SCREW-FLAT HEAD SUPPLIER CODE: V99167 SB DATA FROM A CMM: SB 90IDGS01-24-8		1
225	0646-428-10		.SCREW-FLAT HEAD SUPPLIER CODE: V99167 CONFIG CHG DATA FROM A CMM: REPLD BY 5908406-1		1

ILLUSTRATION ITEMS NOT ON PARTS LIST ARE NOT APPLICABLE

- ITEM NOT ILLUSTRATED

HXL

24-11-01-11

BOEING PROPRIETARY - Copyright © - Unpublished Work - See title page for details.

24-11-01
FIG. 11
PAGE 14
DEC 22/07



767

PARTS CATALOG (MAINTENANCE)

FIG ITEM	PART NUMBER	1 2 3 4 5 6 7	NOMENCLATURE	EFFECT FROM TO	UNITS PER ASSY
11 225	5908406-1		.SCREW-SELF-LOCKING SUPPLIER CODE: V99167 CONFIG CHG DATA FROM A CMM: REPLS 0646-428-10 REPLD BY 0646-428-12		1
225	0646-428-12		.SCREW-FLAT HEAD SUPPLIER CODE: V99167 CONFIG CHG DATA FROM A CMM: REPLS 5908406-1 USED WITH: 753984C 765241 766245 762086 768518 762087		1
230	737259		.WASHER- SUPPLIER CODE: V99167 SB DATA FROM A CMM: SB 90IDGS01-24-8 -----*-----		1
235	M83248-1-138		.PACKING-		1
240	M83248-1-215		.PACKING		1
250	730739		.BRACKET- SUPPLIER CODE: V99167 ATTACHING PARTS		1
252	745330		.SCREW-MTG SUPPLIER CODE: V99167 -----*-----		2
255	728909		.TERMINAL BLOCK-INSEPARABLE ASSY SUPPLIER CODE: V99167 SB DATA FROM A CMM: SB 90IDGS05-24-14 OPTIONAL PART: 740743 V99167 753335 V99167		1

ILLUSTRATION ITEMS NOT ON PARTS LIST ARE NOT APPLICABLE

- ITEM NOT ILLUSTRATED

HXL

24-11-01-11

BOEING PROPRIETARY - Copyright © - Unpublished Work - See title page for details.

24-11-01
FIG. 11
PAGE 15
DEC 22/06



767

PARTS CATALOG (MAINTENANCE)

FIG ITEM	PART NUMBER	1 2 3 4 5 6 7	NOMENCLATURE	EFFECT FROM TO	UNITS PER ASSY
11 255	740743		. TERMINAL BLOCK-INSEPARABLE ASSY SUPPLIER CODE: V99167 SB DATA FROM A CMM: SB 90IDGS01-24-18 SB 90IDGS05-24-14 OPTIONAL PART: 728909 V99167 753335 V99167		1
255	753335		. TERMINAL BLOCK-INSEPARABLE ASSY SUPPLIER CODE: V99167 OPTIONAL PART: 728909 V99167 740743 V99167		1
260	NAS1352-3-12P		ATTACHING PARTS . SCREW -----*-----		2
265	730807		. WASHER-SQUARE SUPPLIER CODE: V99167		4
266	728910		. LEAD ASSY-TERM. SUPPLIER CODE: V99167		4
267	M83248-1-023		. PACKING		1
268	M83248-1-909		. PACKING		1
269	752049		. PLUG- SUPPLIER CODE: V99167		1
270	59669		. BULB-TEMP ELEC RESISTANCE SUPPLIER CODE: V99167 OPTIONAL PART: 5904487 V99167 5906310 V99167		2

ILLUSTRATION ITEMS NOT ON PARTS LIST ARE NOT APPLICABLE

- ITEM NOT ILLUSTRATED

HXL

24-11-01-11

BOEING PROPRIETARY - Copyright © - Unpublished Work - See title page for details.

24-11-01
FIG. 11
PAGE 16
DEC 22/06



767

PARTS CATALOG (MAINTENANCE)

FIG ITEM	PART NUMBER	1 2 3 4 5 6 7	NOMENCLATURE	EFFECT FROM TO	UNITS PER ASSY
11					
270	5904487		.BULB-TEMP ELEC RESISTANCE SUPPLIER CODE: V99167 OPTIONAL PART: 59669 V99167 5906310 V99167		2
270	5906310		.BULB-TEMP ELEC RESISTANCE SUPPLIER CODE: V99167 OPTIONAL PART: 59669 V99167 5904487 V99167		2
273	690775-10		.INSERT- SUPPLIER CODE: V99167		1
274	M83248-1-120		.PACKING		1
275	730665		.FLANGE ASSY-MTG SUPPLIER CODE: V99167		1
277	690775-12		.INSERT- SUPPLIER CODE: V99167		1
278	M83248-1-916		.PACKING		1
280	0646C624-16		.SCREW-FLAT HEAD SOCKET CAP 0.375-24 UNF-3A BY 1 IN. SUPPLIER CODE: V99167		12
283	728864		-----*----- .PIN-SHOULDERED SUPPLIER CODE: V99167		1
285	728865		.GASKET- SUPPLIER CODE: V99167		1
290	MS24391-3L		.PLUG		1
295	M83248-1-903		.PACKING		1
300	5907987		.VALVE-CHK SUPPLIER CODE: V99167		1
305	M83248-1-904		.PACKING		1
310	M83248-1-011		.PACKING		1
315	753810		.LOCKNUT-TRANSFER ELBOW SUPPLIER CODE: V99167		1
ILLUSTRATION ITEMS NOT ON PARTS LIST ARE NOT APPLICABLE					

- ITEM NOT ILLUSTRATED

24-11-01-11

24-11-01
FIG. 11
PAGE 17
DEC 22/06

HXL



767

PARTS CATALOG (MAINTENANCE)

FIG ITEM	PART NUMBER	1 2 3 4 5 6 7	NOMENCLATURE	EFFECT FROM TO	UNITS PER ASSY
11					
320	M83248-1-903		.PACKING		1
325	5908643-4		.SCREEN-INLET		1
			SUPPLIER CODE: V99167		
330	753804		.ELBOW-CHARGE OIL TRANSFER		1
			SUPPLIER CODE: V99167		
335	753803		.HOUSING-AIR INLET		1
			SUPPLIER CODE: V99167		
340	M83248-1-904		.PACKING-		2
			USED WITH: MS24391-3L M83248-1-903 5907987 M83248-1-011 753810 5908643-4 753804 753803 753811 753809 M83248-1-010 753806 753984A 753984B 754442A		
345	753811		.NUT-JAM		1
			SUPPLIER CODE: V99167 USED WITH: MS24391-3L M83248-1-903 5907987 M83248-1-904 M83248-1-011 753810 5908643-4 753804 753803 753809 M83248-1-010 753806 753984A 753984B 754442A		

ILLUSTRATION ITEMS NOT ON PARTS LIST ARE NOT APPLICABLE

- ITEM NOT ILLUSTRATED

HXL

24-11-01-11

BOEING PROPRIETARY - Copyright © - Unpublished Work - See title page for details.

24-11-01
FIG. 11
PAGE 18
DEC 22/06



767

PARTS CATALOG (MAINTENANCE)

FIG ITEM	PART NUMBER	1 2 3 4 5 6 7	NOMENCLATURE	EFFECT FROM TO	UNITS PER ASSY
11 350	753809		. LOCKNUT-AIR INLET SUPPLIER CODE: V99167 USED WITH: MS24391-3L M83248-1-903 M83248-1-904 M83248-1-010 M83248-1-011 5907987 5908643-4 753803 753804 753806 753810 753811 753984A 753984B 754442A		1
355	M83248-1-010		. PACKING- USED WITH: MS24391-3L M83248-1-903 M83248-1-904 M83248-1-011 5907987 5908643-4 753803 753804 753806 753809 753810 753811 753984A 753984B 754442A		1

ILLUSTRATION ITEMS NOT ON PARTS LIST ARE NOT APPLICABLE

- ITEM NOT ILLUSTRATED

HXL

24-11-01-11

BOEING PROPRIETARY - Copyright © - Unpublished Work - See title page for details.

24-11-01
FIG. 11
PAGE 19
DEC 22/06



767

PARTS CATALOG (MAINTENANCE)

FIG ITEM	PART NUMBER	1 2 3 4 5 6 7	NOMENCLATURE	EFFECT FROM TO	UNITS PER ASSY
11 360	M83248-1-011		.PACKING- USED WITH: MS24391-3L M83248-1-903 M83248-1-904 M83248-1-010 5907987 5908643-4 753803 753804 753806 753809 753810 753811 753984A 753984B 754442A		3
365	753806		.DIFFUSER- SUPPLIER CODE: V99167 USED WITH: MS24391-3L M83248-1-903 M83248-1-904 M83248-1-010 M83248-1-011 5907987 5908643-4 753803 753804 753809 753810 753811 753984A 753984B 754442A		1

ILLUSTRATION ITEMS NOT ON PARTS LIST ARE NOT APPLICABLE

- ITEM NOT ILLUSTRATED

HXL

24-11-01-11

BOEING PROPRIETARY - Copyright © - Unpublished Work - See title page for details.

24-11-01
FIG. 11
PAGE 20
DEC 22/06



767

PARTS CATALOG (MAINTENANCE)

FIG ITEM	PART NUMBER	1 2 3 4 5 6 7	NOMENCLATURE	EFFECT FROM TO	UNITS PER ASSY
11 370	753984C		.SEPARATOR ASSY-AIR-OIL SUPPLIER CODE: V99167 OPTIONAL PART: 753984A V99167 753984B V99167 USED WITH: 0646-428-12 765241 766245 762086 768518 762087 765242		1
370	753984A		.SEPARATOR ASSY-AIR OIL SUPPLIER CODE: V99167 OPTIONAL PART: 753984B V99167 753984C V99167 USED WITH: MS24391-3L M83248-1-904 M83248-1-903 M83248-1-011 5907987 5908643-4 753810 753804 753811 753809 M83248-1-010 753806 753803 753984B 754442A 740501A 757179		1

ILLUSTRATION ITEMS NOT ON PARTS LIST ARE NOT APPLICABLE

- ITEM NOT ILLUSTRATED

HXL

24-11-01-11

BOEING PROPRIETARY - Copyright © - Unpublished Work - See title page for details.

24-11-01
FIG. 11
PAGE 21
DEC 22/06

BOEING
767
PARTS CATALOG (MAINTENANCE)

FIG ITEM	PART NUMBER	1 2 3 4 5 6 7	NOMENCLATURE	EFFECT FROM TO	UNITS PER ASSY
11 370	753984B		.SEPARATOR ASSY-AIR OIL SUPPLIER CODE: V99167 OPTIONAL PART: 753984A V99167 753984C V99167 USED WITH: MS24391-3L M83248-1-904 M83248-1-903 M83248-1-011 5907987 5908643-4 753810 753804 753811 753809 M83248-1-010 753806 753803 753984A 754442A 757179		1
375	765240		..SHAFT ASSY-INPUT SUPPLIER CODE: V99167 USED ON: 753984C		1
375	748211		..SHAFT ASSY-INPUT SUPPLIER CODE: V99167 USED ON: 753984A 753984B		1
380	765240-1		...SHAFT SPLINED-INPUT SUPPLIER CODE: V99167 USED ON: 765240		RF
380	748211-1		...SHAFT SPLINED-INPUT SUPPLIER CODE: V99167 USED ON: 748211		RF
385	MS21209F4-15		...INSERT- OPTIONAL PART: NAS1130-4FL15D		1

ILLUSTRATION ITEMS NOT ON PARTS LIST ARE NOT APPLICABLE

— ITEM NOT ILLUSTRATED

HXL

24-11-01-11

BOEING PROPRIETARY - Copyright © - Unpublished Work - See title page for details.

24-11-01
FIG. 11
PAGE 22
DEC 22/06



767

PARTS CATALOG (MAINTENANCE)

FIG ITEM	PART NUMBER	1 2 3 4 5 6 7	NOMENCLATURE	EFFECT FROM TO	UNITS PER ASSY
11 385	NAS1130-4FL15D		...INSERT- OPTIONAL PART: MS21209F4-15		1
390	754442A		..VALVE-ANEROID SUPPLIER CODE: V99167 OPTIONAL PART: 761265 V99167 USED ON: 753984A 753984B		1
390	761265		..VALVE-ANEROID SUPPLIER CODE: V99167 OPTIONAL PART: 754442A V99167 USED ON: 753984A 753984B		1
395	3415-84P		..RING-RETAINING SUPPLIER CODE: V99167 USED ON: 753984A 753984B		1
400	MS3248-1-016		..PACKING		1
405	768504		.SHAFT-WORM SUPPLIER CODE: V99167 USED WITH: 766245		1
- 410	765242		.PLUNGER-DISC. SUPPLIER CODE: V99167 USED WITH: 753984C 765241		1

ILLUSTRATION ITEMS NOT ON PARTS LIST ARE NOT APPLICABLE

- ITEM NOT ILLUSTRATED

HXL

24-11-01-11

BOEING PROPRIETARY - Copyright © - Unpublished Work - See title page for details.

24-11-01
FIG. 11
PAGE 23
DEC 22/06



767

PARTS CATALOG (MAINTENANCE)

FIG ITEM	PART NUMBER	1 2 3 4 5 6 7	NOMENCLATURE	EFFECT FROM TO	UNITS PER ASSY
11 415	MS24391-3L		. PLUG-BLEED USED WITH: M83248-1-904 M83248-1-903 5907987 M83248-1-011 753810 5908643-4 753804 753803 753811 753809 M83248-1-010 753806 753984A 753984B 754442A 757179		1
420	M83248-1-903		. PACKING- USED WITH: MS24391-3L M83248-1-904 5907987 M83248-1-011 753810 5908643-4 753804 753803 753811 753809 M83248-1-010 753806 753984A 753984B 754442A 757179		2

ILLUSTRATION ITEMS NOT ON PARTS LIST ARE NOT APPLICABLE

- ITEM NOT ILLUSTRATED

HXL

24-11-01-11

BOEING PROPRIETARY - Copyright © - Unpublished Work - See title page for details.

24-11-01
FIG. 11
PAGE 24
DEC 22/06



767

PARTS CATALOG (MAINTENANCE)

FIG ITEM	PART NUMBER	1 2 3 4 5 6 7	NOMENCLATURE	EFFECT FROM TO	UNITS PER ASSY
11 425	5907987		. VALVE-CHECK SUPPLIER CODE: V99167 USED WITH: MS24391-3L M83248-1-904 M83248-1-903 M83248-1-011 753810 5908643-4 753804 753803 753811 753809 M83248-1-010 753806 753984A 753984B 754442A 757179		1
430	753810		. LOCKNUT-CHECK SUPPLIER CODE: V99167 USED WITH: MS24391-3L M83248-1-904 M83248-1-903 M83248-1-011 5907987 5908643-4 753804 753803 753811 753809 M83248-1-010 753806 753984A 753984B 754442A 757179		1

ILLUSTRATION ITEMS NOT ON PARTS LIST ARE NOT APPLICABLE

- ITEM NOT ILLUSTRATED

HXL

24-11-01-11

BOEING PROPRIETARY - Copyright © - Unpublished Work - See title page for details.

24-11-01
FIG. 11
PAGE 25
DEC 22/06



767

PARTS CATALOG (MAINTENANCE)

FIG ITEM	PART NUMBER	1 2 3 4 5 6 7	NOMENCLATURE	EFFECT FROM TO	UNITS PER ASSY
11 435	5908643-4		. SCREEN-CHECK SUPPLIER CODE: V99167 USED WITH: MS24391-3L M83248-1-904 M83248-1-903 M83248-1-011 5907987 753810 753804 753803 753811 753809 M83248-1-010 753806 753984A 753984B 754442A 757179		1
440	753804		. ELBOW-CHARGE OIL TRANSFER SUPPLIER CODE: V99167 USED WITH: MS24391-3L M83248-1-904 M83248-1-903 M83248-1-011 5907987 5908643-4 753810 753803 753811 753809 M83248-1-010 753806 753984A 753984B 754442A 757179		1

ILLUSTRATION ITEMS NOT ON PARTS LIST ARE NOT APPLICABLE

- ITEM NOT ILLUSTRATED

HXL

24-11-01-11

BOEING PROPRIETARY - Copyright © - Unpublished Work - See title page for details.

24-11-01
FIG. 11
PAGE 26
DEC 22/06



767

PARTS CATALOG (MAINTENANCE)

FIG ITEM	PART NUMBER	1 2 3 4 5 6 7	NOMENCLATURE	EFFECT FROM TO	UNITS PER ASSY
11 445	753803		.HOUSING-AIR INLET SUPPLIER CODE: V99167 USED WITH: MS24391-3L M83248-1-904 M83248-1-903 M83248-1-011 5907987 5908643-4 753810 753804 753811 753809 M83248-1-010 753806 753984A 753984B 754442A 757179		1
455	762086		.NUT-SPANNER SUPPLIER CODE: V99167 OPTIONAL PART: 768518 V99167 USED WITH: 0646-428-12 766245 762087 753984C 765241 768518		1
455	768518		.NUT-SPANNER SUPPLIER CODE: V99167 OPTIONAL PART: 762086 V99167 USED WITH: 0646-428-12 766245 762087 762086 765241 753984C		1

ILLUSTRATION ITEMS NOT ON PARTS LIST ARE NOT APPLICABLE

- ITEM NOT ILLUSTRATED

HXL

24-11-01-11

BOEING PROPRIETARY - Copyright © - Unpublished Work - See title page for details.

24-11-01
FIG. 11
PAGE 27
DEC 22/06



767

PARTS CATALOG (MAINTENANCE)

FIG ITEM	PART NUMBER	1 2 3 4 5 6 7	NOMENCLATURE	EFFECT FROM TO	UNITS PER ASSY
11 460	762087		. WASHER-TABBED SUPPLIER CODE: V99167 USED WITH: 0646-428-12 766245 753984C 762086 765241 768518		1
- 465	765241		. SHAFT-RAMP DISC. SUPPLIER CODE: V99167 USED WITH: 0646-428-12 766245 753984C 762086 762087 768518 765242		1
- 470	766245		. SPRING-HELICAL CPRSN SUPPLIER CODE: V99167 USED WITH: 0646-428-12 765241 753984C 762086 762087 768518 768504		1
475	740501A		. SHAFT ASSY-INPUT SPLINED SUPPLIER CODE: V99167 USED WITH: 743984A 5907508		1
480	740501-2		.. SHAFT-INPUT SUPPLIER CODE: V99167		1
485	MS21209F4-15		.. INSERT		1
490	5907508		. RING-RETAINING SUPPLIER CODE: V99167 USED WITH: 753984A 740501A		1

ILLUSTRATION ITEMS NOT ON PARTS LIST ARE NOT APPLICABLE

- ITEM NOT ILLUSTRATED

HXL

24-11-01-11

BOEING PROPRIETARY - Copyright © - Unpublished Work - See title page for details.

24-11-01
FIG. 11
PAGE 28
DEC 22/06



767

PARTS CATALOG (MAINTENANCE)

FIG ITEM	PART NUMBER	1 2 3 4 5 6 7	NOMENCLATURE	EFFECT FROM TO	UNITS PER ASSY
11 495	MS9954-08		. PLUG- USED WITH: M83248-1-904 5907987 756470 NAS1352-3-8 M83248-1-011 M83248-1-010 756605A		2
500	M83248-1-016		. PACKING- USED WITH: M83248-1-904 5907987 756470 NAS1352-3-8 M83248-1-011 M83248-1-010 756605A		2
505	5907987		. VALVE-CHECK SUPPLIER CODE: V99167 USED WITH: M83248-1-904 MS9954-04 756470 NAS1352-3-8 M83248-1-011 M83248-1-010 756605A		1
510	756470		. DIFFUSER- SUPPLIER CODE: V99167 USED WITH: M83248-1-904 MS9954-04 5907987 NAS1352-3-8 M83248-1-011 M83248-1-010 756605A		1
515	NAS1352-3-8		. SCREW- USED WITH: MS9954-04 5907987 756470 M83248-1-904 M83248-1-011 M83248-1-010 756605A		1

ILLUSTRATION ITEMS NOT ON PARTS LIST ARE NOT APPLICABLE

- ITEM NOT ILLUSTRATED

HXL

24-11-01-11

BOEING PROPRIETARY - Copyright © - Unpublished Work - See title page for details.

24-11-01
FIG. 11
PAGE 29
DEC 22/06



767

PARTS CATALOG (MAINTENANCE)

FIG ITEM	PART NUMBER	1 2 3 4 5 6 7	NOMENCLATURE	EFFECT FROM TO	UNITS PER ASSY
11 520	M83248-1-011		.PACKING- USED WITH: MS9954-04 5907987 756470 M83248-1-904 NAS1352-3-8 M83248-1-010 756605A		1
525	M83248-1-010		.PACKING- USED WITH: MS9954-04 5907987 756470 M83248-1-904 NAS1352-3-8 M83248-1-011 756605A		1
530	757179		.HOUSING AND SUPPORT- MATCHED SET SUPPLIER CODE: V99167 CONFIG CHG DATA FROM A CMM: REPLD BY 756605A USED WITH: MS24391-3L M83248-1-903 5907987 M83248-1-904 5908643-4 M83248-1-011 M83248-1-010 753803 753804 753806 753809 753810 753811 753984A 753984B 754442A		1

ILLUSTRATION ITEMS NOT ON PARTS LIST ARE NOT APPLICABLE

- ITEM NOT ILLUSTRATED

HXL

24-11-01-11

BOEING PROPRIETARY - Copyright © - Unpublished Work - See title page for details.

24-11-01
FIG. 11
PAGE 30
DEC 22/06



767

PARTS CATALOG (MAINTENANCE)

FIG ITEM	PART NUMBER	1 2 3 4 5 6 7	NOMENCLATURE	EFFECT FROM TO	UNITS PER ASSY
11 530	756605A		.HOUSING AND SUPPORT- MATCHED SET SUPPLIER CODE: V99167 CONFIG CHG DATA FROM A CMM: REPLS 757179 USED WITH: MS9954-04 5907987 756470 M83248-1-904 NAS1352-3-8 M83248-1-011 M83248-1-010		1

ILLUSTRATION ITEMS NOT ON PARTS LIST ARE NOT APPLICABLE

- ITEM NOT ILLUSTRATED

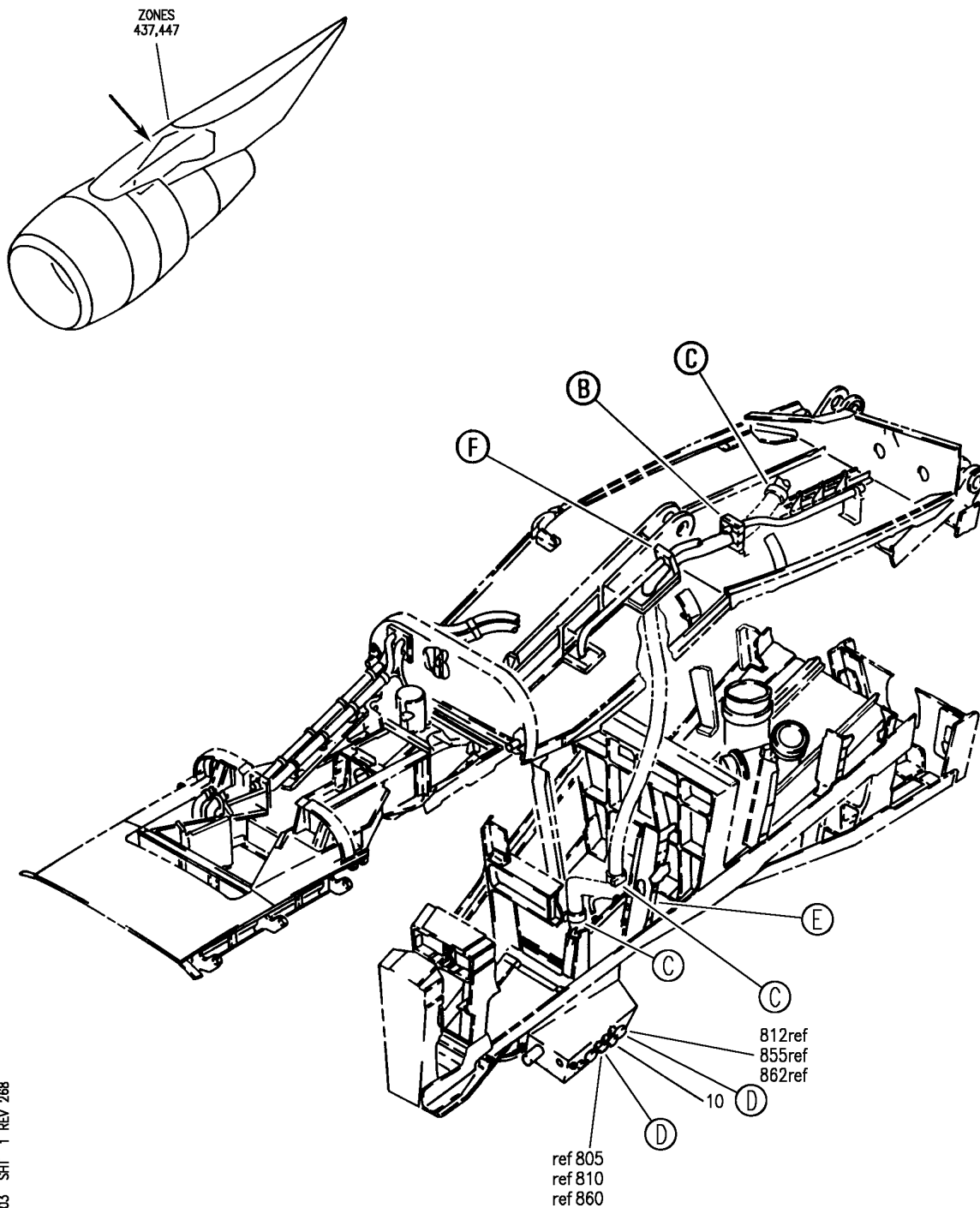
HXL

24-11-01-11

BOEING PROPRIETARY - Copyright © - Unpublished Work - See title page for details.

24-11-01
FIG. 11
PAGE 31
DEC 22/06

BOEING
767
PARTS CATALOG (MAINTENANCE)



V 24111103 SH 1 REV 268

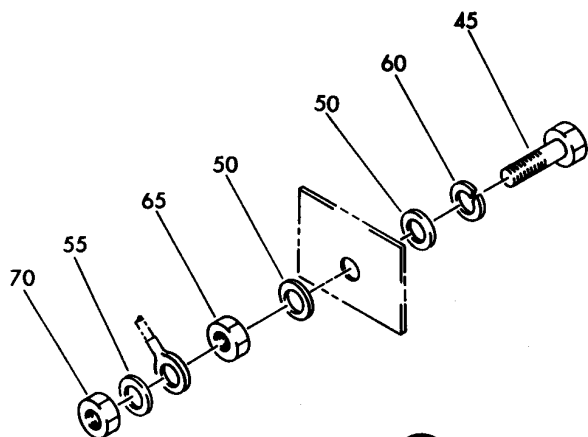
WIRING INSTL-ELECTRICAL STRUT (ELECTRICAL POWER ONLY)
FIGURE 3 (SHEET 1)

24-11-11-03

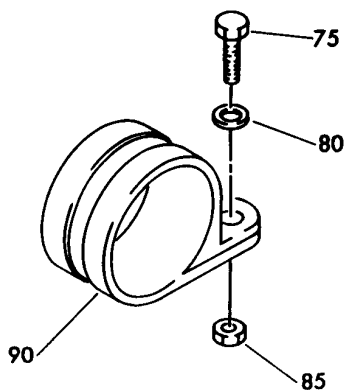
HXL
DEC 22/06

24-11-11-03
PAGE 0

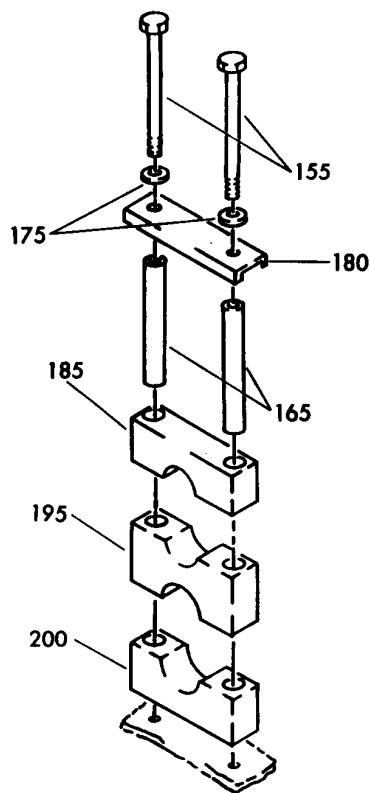
BOEING
767
PARTS CATALOG (MAINTENANCE)



(A)



(C)



(B)

V 24111103 SHT 2 REV 134

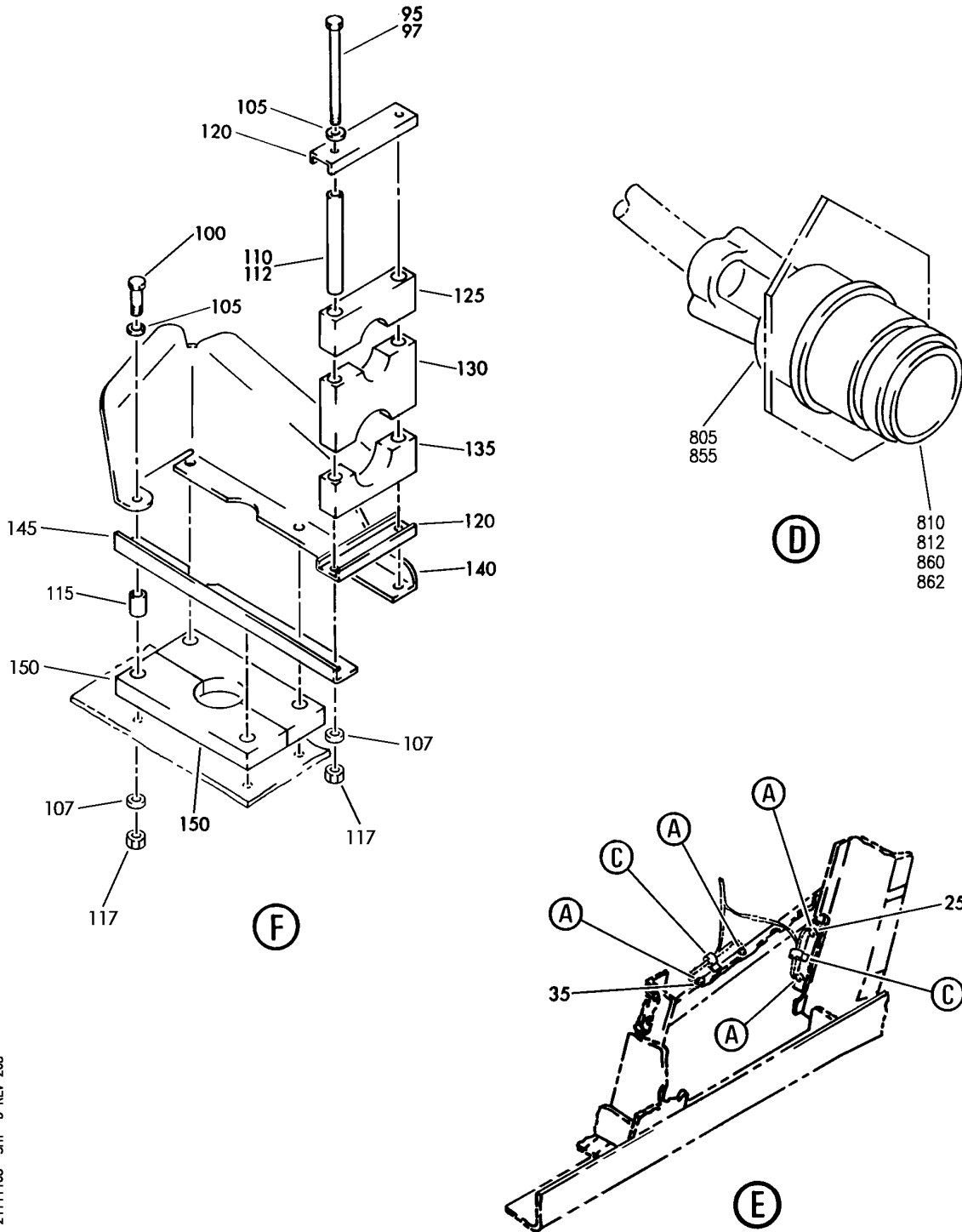
WIRING INSTL-ELECTRICAL STRUT (ELECTRICAL POWER ONLY)
FIGURE 3 (SHEET 2)

24-11-11-03

HXL
DEC 22/06

24-11-11-03
PAGE 0A

BOEING
767
PARTS CATALOG (MAINTENANCE)



V 2411103 SH1 3 REV 268

WIRING INSTL-ELECTRICAL STRUT (ELECTRICAL POWER ONLY)
FIGURE 3 (SHEET 3)

24-11-11-03

HXL
DEC 22/06

24-11-11-03
PAGE 0B

 **BOEING**
767
PARTS CATALOG (MAINTENANCE)

FIG ITEM	PART NUMBER	1 2 3 4 5 6 7	NOMENCLATURE	EFFECT FROM TO	UNITS PER ASSY
3			WIRING INSTL-ELECTRICAL STRUT (ELECTRICAL POWER ONLY)		
- 1	312T4210-15		WIRING INSTL-ELECTRICAL STRUT (ELECTRICAL POWER ONLY) POSITION DATA: LH VARIABLE DRAWING REF: 312T4210-5009 FOR NHA/OTHER SYS DET SEE: 54-00-51-02		RF
- 5	312T4210-16		WIRING INSTL-ELECTRICAL STRUT (ELECTRICAL POWER ONLY) POSITION DATA: RH VARIABLE DRAWING REF: 312T4210-5010 FOR NHA/OTHER SYS DET SEE: 54-00-51-02		RF
10	BAC27TPP0078		.MARKER-ALUMINUM FOIL PLACARD CONTENT: 5		1
25	BAC27TPP0376		.MARKER-ALUMINUM FOIL POSITION DATA: LH SIDE PLACARD CONTENT: GD5198S		1
30	BAC27TPP0393		.MARKER-ALUMINUM FOIL POSITION DATA: RH SIDE PLACARD CONTENT: GD5264S		1
35	BAC27TPP0375		.MARKER-ALUMINUM FOIL POSITION DATA: LH SIDE PLACARD CONTENT: GD5196S		1
40	BAC27TPP0392		.MARKER-ALUMINUM FOIL POSITION DATA: RH SIDE PLACARD CONTENT: GD5262S		1
45	NAS1801-3		.SCREW- SIZE DETERMINED ON INSTL.		4
50	NAS1149D0316H		.WASHER-		8
55	NAS1149D0363H		.WASHER-		4
60	MS35338-43		.WASHER		4
ILLUSTRATION ITEMS NOT ON PARTS LIST ARE NOT APPLICABLE					

- ITEM NOT ILLUSTRATED

HXL

24-11-11-03

BOEING PROPRIETARY - Copyright © - Unpublished Work - See title page for details.

24-11-11
FIG. 03
PAGE 1
DEC 22/07

 **BOEING**
767
PARTS CATALOG (MAINTENANCE)

FIG ITEM	PART NUMBER	1 2 3 4 5 6 7	NOMENCLATURE	EFFECT FROM TO	UNITS PER ASSY
3					
65	MS35650-305S	.NUT			4
70	H52732-3	.NUT-			4
			SUPPLIER CODE: V15653		
			SPECIFICATION NUMBER: BACN10YR3		
			OPTIONAL PART: T6113C1032		
			V11815		
			LH3858-3		
			V72962		
75	NAS1801-3	.SCREW-			5
			SIZE DETERMINED ON INSTL.		
80	NAS1149D0332J	.WASHER-			AR
85	MS21042L3	.NUT			5
90	BACC10GU	.CLAMP-			5
			SIZE DETERMINED ON INSTL.		
95	NAS1801-3-76	.SCREW-			2
			POSITION DATA: LH SIDE		
97	NAS1801-3-76	.SCREW-			2
			POSITION DATA: RH SIDE		
100	NAS1801-3-19	.SCREW			4
105	NAS1149D0332J	.WASHER-			6
110	NAS43DD3-269	.SPACER-			2
			POSITION DATA: LH SIDE		
112	NAS43DD3-269	.SPACER-			2
			POSITION DATA: RH SIDE		
115	NAS43DD3-36	.SPACER-			4
120	312T3011-26	.CHANNEL-			2
125	312T3011-7	.BLOCK-HALF			1
			QUALIFIED I/W DATA: (-106)312T3011-104 T/W 312T3011-106 I/W 312T3011-64 T/W 312T3011-7 FOR U/O 312T4210 ONLY		
130	312T3011-91	.BLOCK-HALF			1
			QUALIFIED I/W DATA: (-105) 312T3011-105 T/W 312T3011-106 I/W 312T3011-91 T/W 312T3011-7 FOR U/O 312T4210 ONLY		
135	312T3011-92	.BLOCK-HALF			1
			01 312T4210 ONLY		

ILLUSTRATION ITEMS NOT ON PARTS LIST ARE NOT APPLICABLE

- ITEM NOT ILLUSTRATED

HXL

24-11-11-03

BOEING PROPRIETARY - Copyright © - Unpublished Work - See title page for details.

24-11-11
FIG. 03
PAGE 2
AUG 22/09



767

PARTS CATALOG (MAINTENANCE)

FIG ITEM	PART NUMBER	1 2 3 4 5 6 7	NOMENCLATURE	EFFECT FROM TO	UNITS PER ASSY
3					
140	312T3012-10		.GUARD ASSY-CABLE		1
145	312T3011-44		.STIFFENER ASSY-		1
150	312T3011-86		.BLOCK-HALF		2
			QUALIFIED I/W DATA: TWO 312T3011-86 ARE I/W ONE 312T3011-113		
155	NAS1801-3-77		.SCREW-		2
			POSITION DATA: LH SIDE		
160	NAS1801-3-62		.SCREW-		2
			POSITION DATA: RH SIDE		
170	NAS43DD3-211		.SPACER-		2
			POSITION DATA: RH SIDE		
175	NAS1149D0332J		.WASHER-		2
180	312T3011-26		.CHANNEL		1
185	312T3011-7		.BLOCK-HALF		1
			QUALIFIED I/W DATA: (-106) 312T3011-104 T/W 312T3011-106 I/W 312T3011-64 T/W 312T3011-7 FOR U/O 312T4210 ONLY		
190	312T3011-64		.BLOCK-HALF		1
			POSITION DATA: RH SIDE		
			QUALIFIED I/W DATA: (-104) 312T3011-104 T/W 312T3011-106 I/W 312T3011-64 T/W 312T3011-7 FOR U/O 312T4210 ONLY		
195	312T3011-34		.BLOCK-HALF		1
			POSITION DATA: LH SIDE		
			QUALIFIED I/W DATA: (-103)312T3011-103 T/W 312T3011-106 I/W 312T3011-34 T/W 312T3011-7 FOR U/O 312T4210 ONLY		
200	312T3011-33		.BLOCK-HALF		1
			POSITION DATA: LH SIDE		
205	312T3011-65		.BLOCK-HALF		1
			POSITION DATA: RH SIDE		

ILLUSTRATION ITEMS NOT ON PARTS LIST ARE NOT APPLICABLE

- ITEM NOT ILLUSTRATED

HXL

24-11-11-03

24-11-11
FIG. 03
PAGE 3
AUG 22/09



767

PARTS CATALOG (MAINTENANCE)

FIG ITEM	PART NUMBER	1 2 3 4 5 6 7	NOMENCLATURE	EFFECT FROM TO	UNITS PER ASSY
3					
- 800	286T0352-075		.WIRE BUNDLE ASSY- POSITION DATA: LH SIDE		1
805	G899324S		..CLAMP- SUPPLIER CODE: V06324 SPECIFICATION NUMBER: BACC10HD24A OPTIONAL PART: G8993M24S V06324 S2251-24-30S V07418 6000-123-0124 V14283 900-555F24-10 V31461 ELECTRICAL EQUIP NUMBER: D04216JK WIRING DIAGRAM REF: 241111		1
810	BACC63BT24B30S8		..RECEPTACLE- ELECTRICAL EQUIP NUMBER: D04216J WIRING DIAGRAM REF: 241111		1
- 850	286T0374-075		.WIRE BUNDLE ASSY- POSITION DATA: RH SIDE		1
855	G899324S		..CLAMP- SUPPLIER CODE: V06324 SPECIFICATION NUMBER: BACC10HD24A OPTIONAL PART: G8993M24S V06324 S2251-24-30S V07418 6000-123-0124 V14283 900-555F24-10 V31461 ELECTRICAL EQUIP NUMBER: D04266JK WIRING DIAGRAM REF: 241121		1

ILLUSTRATION ITEMS NOT ON PARTS LIST ARE NOT APPLICABLE

- ITEM NOT ILLUSTRATED

HXL

24-11-11-03

BOEING PROPRIETARY - Copyright © - Unpublished Work - See title page for details.

24-11-11
FIG. 03
PAGE 4
AUG 22/09



767
PARTS CATALOG (MAINTENANCE)

FIG ITEM	PART NUMBER	1 2 3 4 5 6 7	NOMENCLATURE	EFFECT FROM TO	UNITS PER ASSY
3 860	BACC63BT24B30S8		. . RECEPTACLE- ELECTRICAL EQUIP NUMBER: D04266J WIRING DIAGRAM REF: 241121		1

ILLUSTRATION ITEMS NOT ON PARTS LIST ARE NOT APPLICABLE

- ITEM NOT ILLUSTRATED

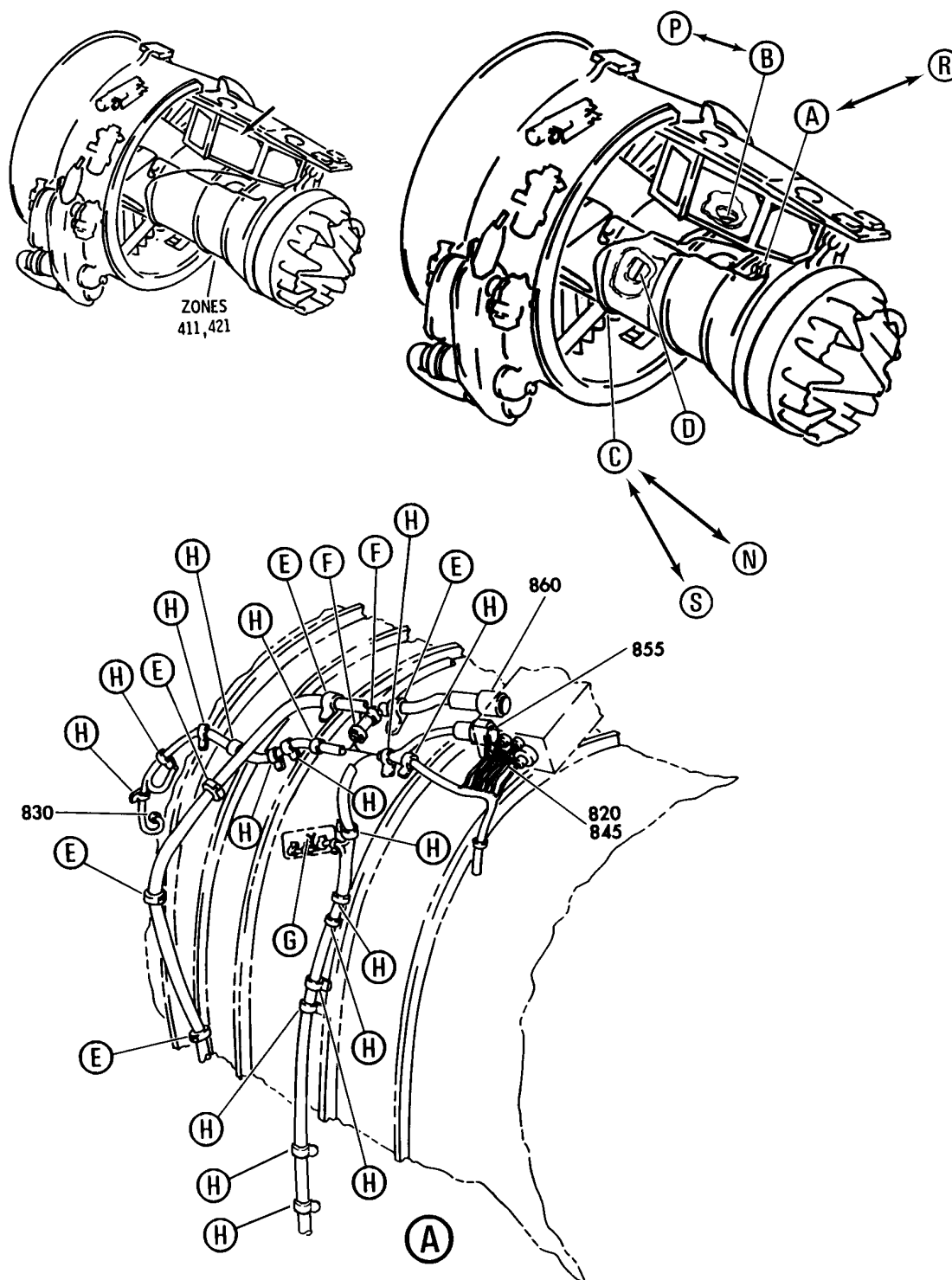
HXL

24-11-11-03

BOEING PROPRIETARY - Copyright © - Unpublished Work - See title page for details.

24-11-11
FIG. 03
PAGE 5
AUG 22/09

BOEING
767
PARTS CATALOG (MAINTENANCE)



V 24111106 SHT 1 REV 225

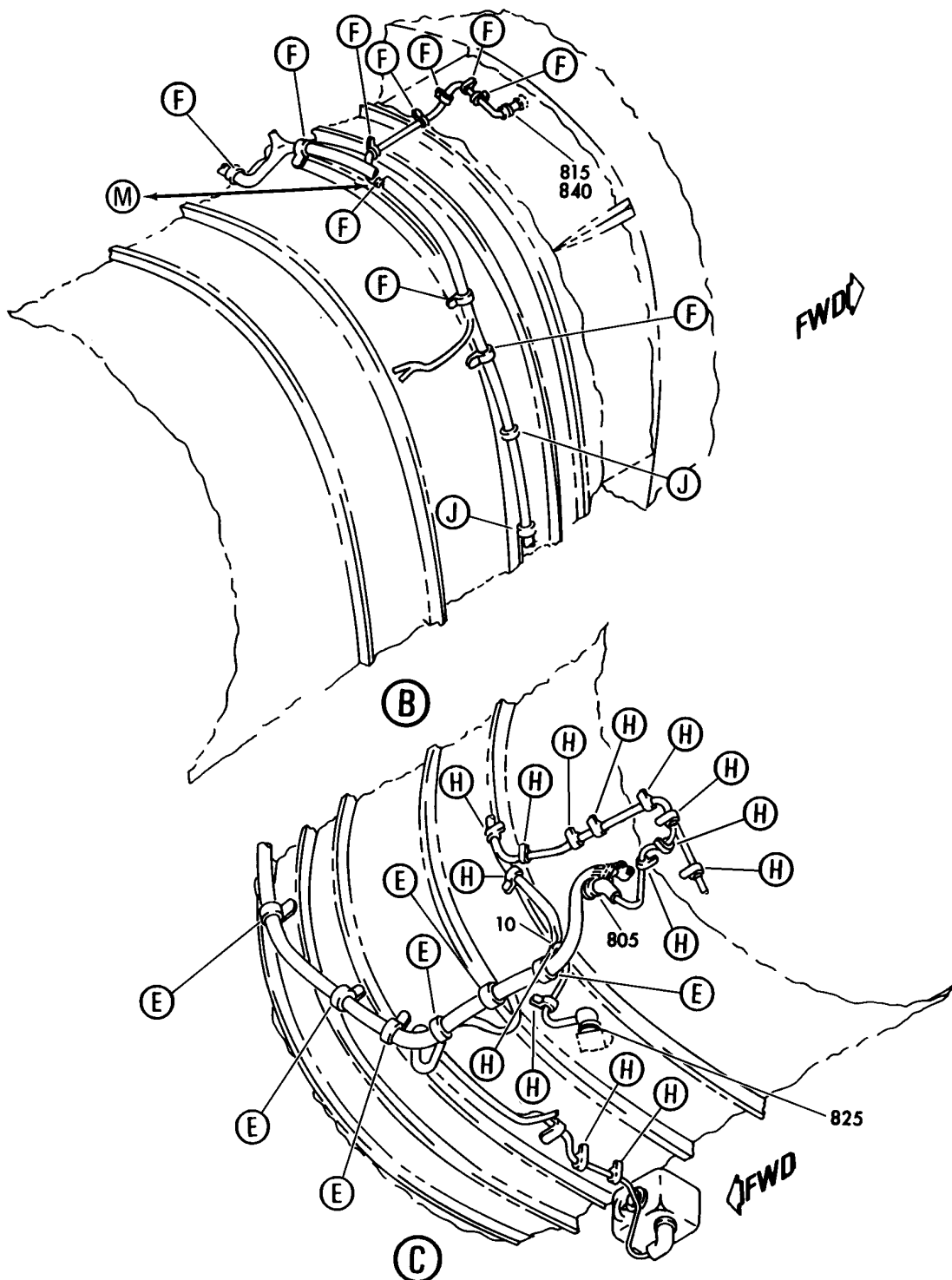
WIRING INSTL-ENGINE BUILD-UP (ELECTRICAL POWER ONLY)
FIGURE 6 (SHEET 1)

24-11-11-06

HXL
DEC 22/06

24-11-11-06
PAGE 0

BOEING
767
PARTS CATALOG (MAINTENANCE)



V 24111106 SHT 2 REV 225

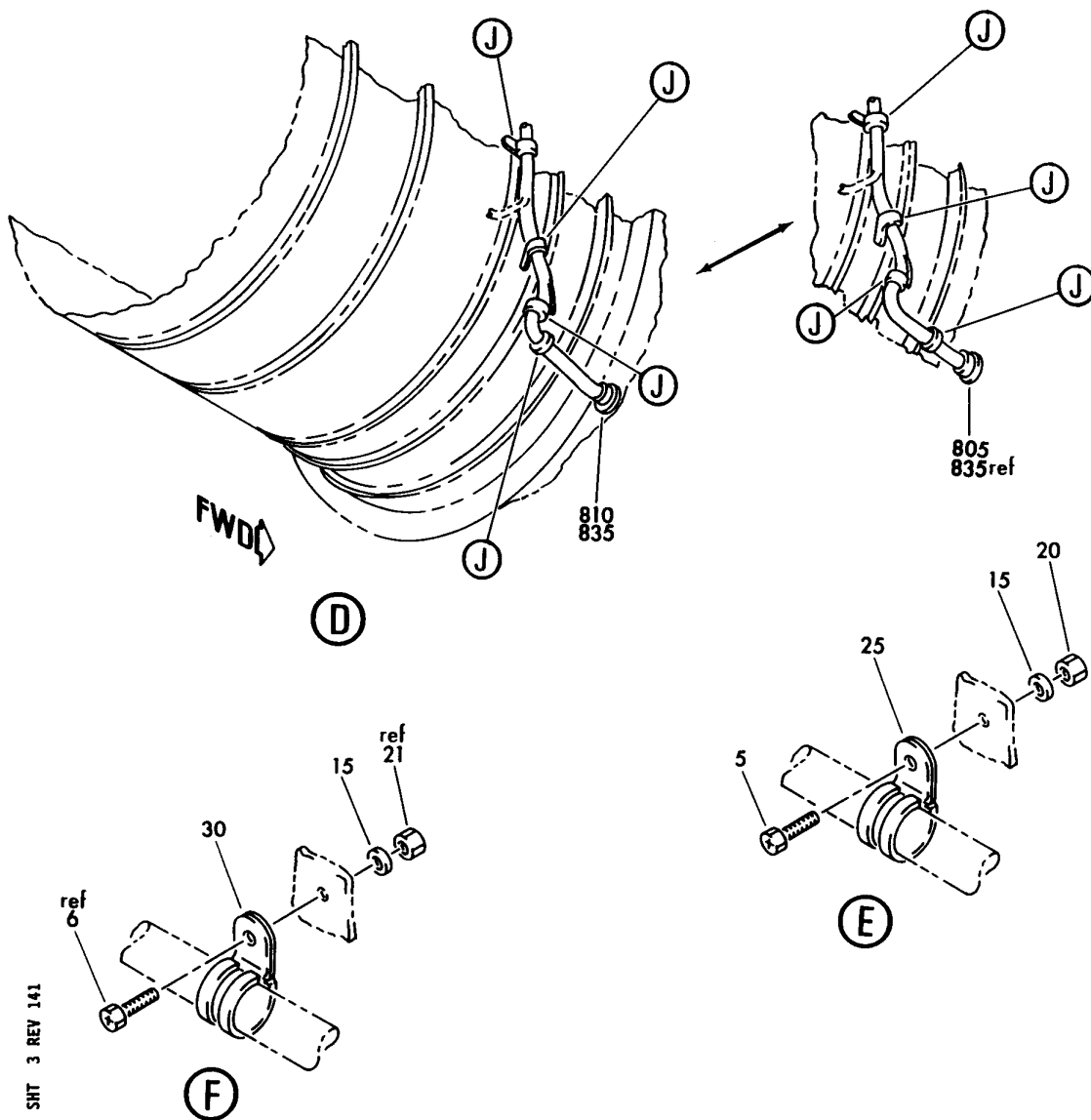
WIRING INSTL-ENGINE BUILD-UP (ELECTRICAL POWER ONLY)
FIGURE 6 (SHEET 2)

24-11-11-06

HXL
DEC 22/06

24-11-11-06
PAGE 0A

BOEING
767
PARTS CATALOG (MAINTENANCE)



V 24111106 SHT 3 REV 141

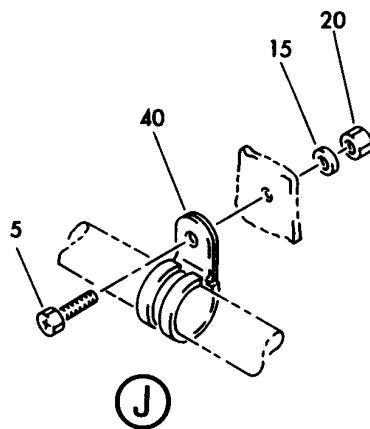
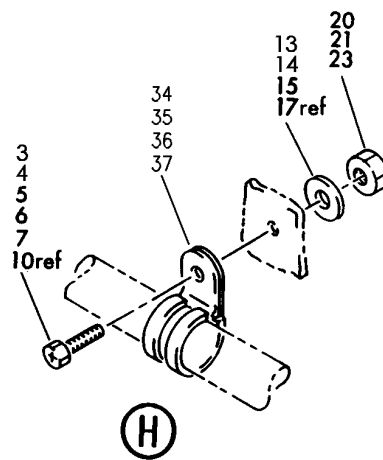
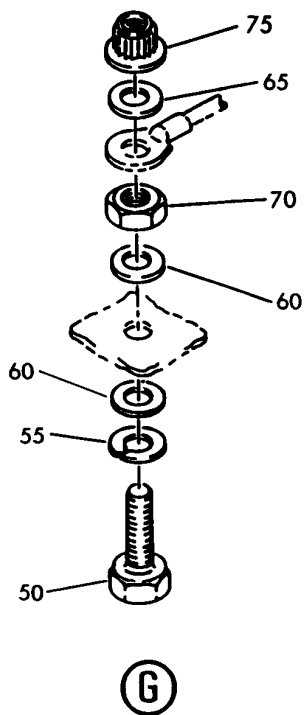
WIRING INSTL-ENGINE BUILD-UP (ELECTRICAL POWER ONLY)
FIGURE 6 (SHEET 3)

24-11-11-06

HXL
DEC 22/06

24-11-11-06
PAGE 0B


BOEING
 767
PARTS CATALOG (MAINTENANCE)



V 2411106 SHT 4 REV 243

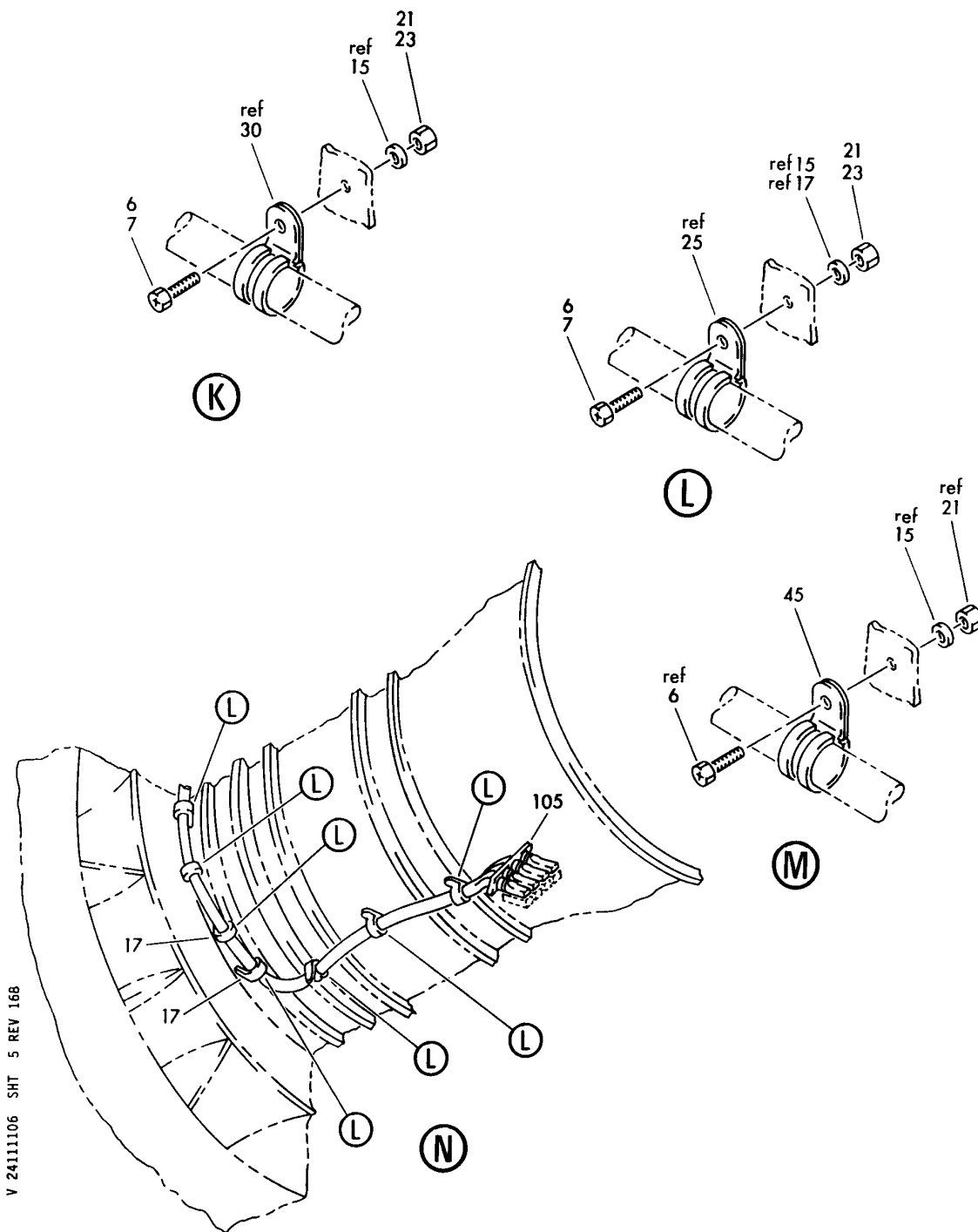
WIRING INSTL-ENGINE BUILD-UP (ELECTRICAL POWER ONLY)
FIGURE 6 (SHEET 4)

24-11-11-06

HXL
DEC 22/06

24-11-11-06
PAGE 0C

BOEING
767
PARTS CATALOG (MAINTENANCE)



V 2411106 SHT 5 REV 168

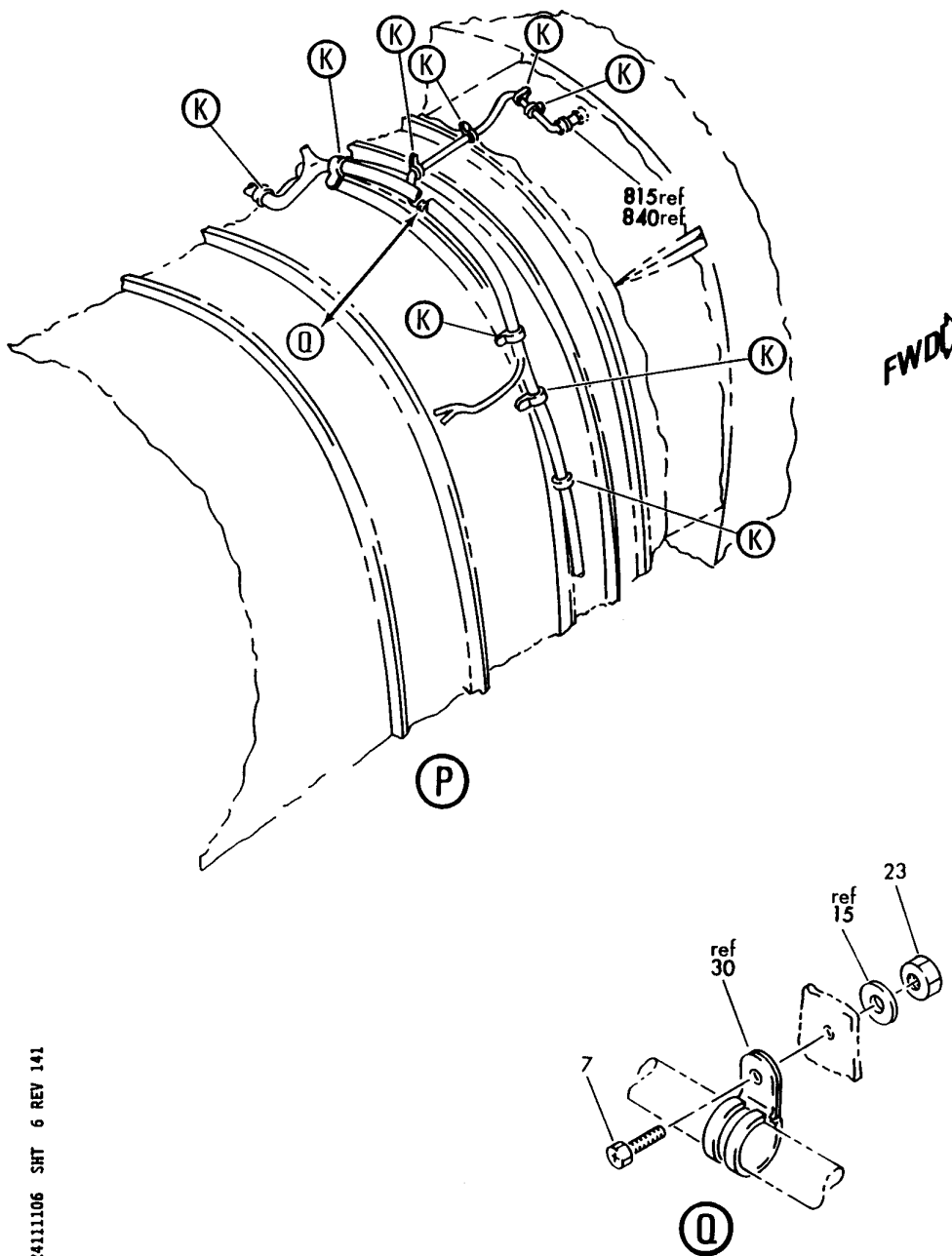
WIRING INSTL-ENGINE BUILD-UP (ELECTRICAL POWER ONLY)
FIGURE 6 (SHEET 5)

24-11-11-06

HXL
DEC 22/06

24-11-11-06
PAGE 0D

BOEING
767
PARTS CATALOG (MAINTENANCE)



V 24111106 SHT 6 REV 141

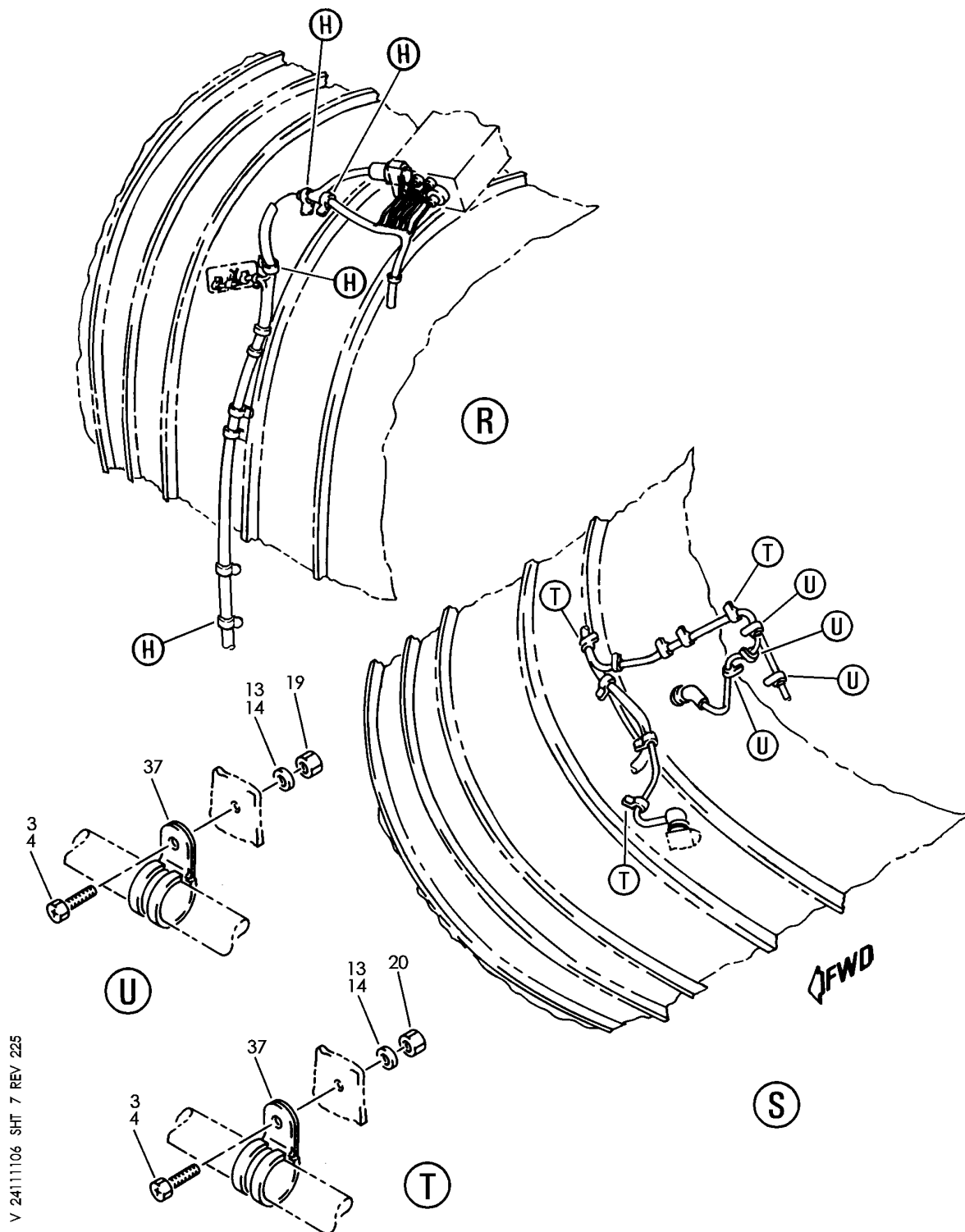
WIRING INSTL-ENGINE BUILD-UP (ELECTRICAL POWER ONLY)
FIGURE 6 (SHEET 6)

24-11-11-06

HXL
DEC 22/06

24-11-11-06
PAGE 0E

BOEING
767
PARTS CATALOG (MAINTENANCE)



WIRING INSTL-ENGINE BUILD-UP (ELECTRICAL POWER ONLY)
FIGURE 6 (SHEET 7)

24-11-11-06

BOEING
767
PARTS CATALOG (MAINTENANCE)

FIG ITEM	PART NUMBER	1 2 3 4 5 6 7	NOMENCLATURE	EFFECT FROM TO	UNITS PER ASSY
6			WIRING INSTL-ENGINE BUILD-UP (ELECTRICAL POWER ONLY)		
- 1	332T4240-6		WIRING INSTL-ENGINE BUILD-UP (ELECTRICAL POWER ONLY) VARIABLE DRAWING REF: 332T4240-5007 FOR NHA/OTHER SYS DET SEE: 71-00-51-02		RF
R R R R	4 NAS1802-3		.SCREW- SIZE DETERMINED ON INSTL. POST SERVICE BULLETIN: 24-0094R1		21
	5 NAS1801-3		.SCREW- SIZE DETERMINED ON INSTL.		26
R R R	13 NAS1149C0332R		.WASHER- POST SERVICE BULLETIN: 24-0094R1		21
	15 AN960C10L		.WASHER		AR
	20 PLH53C		.NUT- SUPPLIER CODE: V62554 SPECIFICATION NUMBER: BACN10YR3C OPTIONAL PART: H52732-3C V15653 BACN10JC3CM BACN10YR3CM BACN10JC3C		47
ILLUSTRATION ITEMS NOT ON PARTS LIST ARE NOT APPLICABLE					

- ITEM NOT ILLUSTRATED

HXL

24-11-11-06

BOEING PROPRIETARY - Copyright © - Unpublished Work - See title page for details.

24-11-11
FIG. 06
PAGE 1
AUG 22/09



767

PARTS CATALOG (MAINTENANCE)

FIG ITEM	PART NUMBER	1 2 3 4 5 6 7	NOMENCLATURE	EFFECT FROM TO	UNITS PER ASSY
6	20 BRH10C3		.NUT- SUPPLIER CODE: V52828 SPECIFICATION NUMBER: BACN10JC3C OPTIONAL PART: T6C1032J V11815 97-02 V80539 101LH9075-3W V72962 VN303B02 V92215 NS202101S02 V80539 H31-3BAC V15653 BACN10JC3CM BACN10YR3CM BACN10YR3C		47
	20 BRH10C3M		.NUT- SUPPLIER CODE: V52828 SPECIFICATION NUMBER: BACN10JC3CM OPTIONAL PART: T6C1032JM V11815 97E02 V80539 109LH9075-3W V72962 VN303D02 V92215 NS202101SE02 V80539 H01-3BAC V15653 BACN10JC3C BACN10YR3CM BACN10YR3C		47

ILLUSTRATION ITEMS NOT ON PARTS LIST ARE NOT APPLICABLE

- ITEM NOT ILLUSTRATED

HXL

24-11-11-06

BOEING PROPRIETARY - Copyright © - Unpublished Work - See title page for details.

24-11-11
FIG. 06
PAGE 2
AUG 22/09

 **BOEING**
767
PARTS CATALOG (MAINTENANCE)

FIG ITEM	PART NUMBER	1 2 3 4 5 6 7	NOMENCLATURE	EFFECT FROM TO	UNITS PER ASSY
R R R R R R R R	6 20	PLH53CM	.NUT- SUPPLIER CODE: VF0224 SPECIFICATION NUMBER: BACN10YR3CM OPTIONAL PART: H52732-3CM V15653 BACN10JC3CM BACN10JC3C BACN10YR3C		47
	25	TA12800007-03	.CLAMP- SUPPLIER CODE: V84971 POST SERVICE BULLETIN: 24-0108R1		11
	34	BACC10HS	.CLAMP- SIZE DETERMINED ON INSTL.		5
	37	TA025041	.CLAMP- SUPPLIER CODE: V84971 SIZE DETERMINED ON INSTL. POST SERVICE BULLETIN: 24-0094R1		21
	40	BACC10HS	.CLAMP- SIZE DETERMINED ON INSTL.		10
	45	BACC10HS	.CLAMP- SIZE DETERMINED ON INSTL.		1
	50	NAS1802-3	.SCREW- SIZE DETERMINED ON INSTL.		1
	55	MS35338-138	.WASHER		1
	60	AN960C10L	.WASHER		2
	65	AN960C10	.WASHER		1
	70	MS35650-304	.NUT		1
	75	PLH53C	.NUT- SUPPLIER CODE: V62554 SPECIFICATION NUMBER: BACN10YR3C OPTIONAL PART: H52732-3C V15653 BACN10JC3CM BACN10YR3CM BACN10JC3C		1

ILLUSTRATION ITEMS NOT ON PARTS LIST ARE NOT APPLICABLE

— ITEM NOT ILLUSTRATED

HXL

24-11-11-06

BOEING PROPRIETARY - Copyright © - Unpublished Work - See title page for details.

24-11-11
FIG. 06
PAGE 3
AUG 22/09



767

PARTS CATALOG (MAINTENANCE)

FIG ITEM	PART NUMBER	1 2 3 4 5 6 7	NOMENCLATURE	EFFECT FROM TO	UNITS PER ASSY
6	75 BRH10C3		.NUT- SUPPLIER CODE: V52828 SPECIFICATION NUMBER: BACN10JC3C OPTIONAL PART: T6C1032J V11815 97-02 V80539 101LH9075-3W V72962 VN303B02 V92215 NS202101S02 V80539 H31-3BAC V15653 BACN10JC3CM BACN10YR3CM BACN10YR3C		1
	75 BRH10C3M		.NUT- SUPPLIER CODE: V52828 SPECIFICATION NUMBER: BACN10JC3CM OPTIONAL PART: T6C1032JM V11815 97E02 V80539 109LH9075-3W V72962 VN303D02 V92215 NS202101SE02 V80539 H01-3BAC V15653 BACN10JC3C BACN10YR3CM BACN10YR3C		1

ILLUSTRATION ITEMS NOT ON PARTS LIST ARE NOT APPLICABLE

- ITEM NOT ILLUSTRATED

HXL

24-11-11-06

BOEING PROPRIETARY - Copyright © - Unpublished Work - See title page for details.

24-11-11
FIG. 06
PAGE 4
AUG 22/09

 **BOEING**
767
PARTS CATALOG (MAINTENANCE)

FIG ITEM	PART NUMBER	1 2 3 4 5 6 7	NOMENCLATURE	EFFECT FROM TO	UNITS PER ASSY
6	75 PLH53CM		.NUT- SUPPLIER CODE: VF0224 SPECIFICATION NUMBER: BACN10YR3CM OPTIONAL PART: H52732-3CM V15653 BACN10JC3CM BACN10JC3C BACN10YR3C		1
105	287T4817-5		.STRIP-FANNING		1
- 800	286T3538-042		.WIRE BUNDLE ASSY		1
805	G899418S		..CLAMP- SUPPLIER CODE: V06324 SPECIFICATION NUMBER: BACC10HE18A OPTIONAL PART: G8994M18S V06324 S2252-18-30S V07418 900-555L18-10 V31461 6000-124-1118 V14283 ELECTRICAL EQUIP NUMBER: D10964T D10966T WIRING DIAGRAM REF: 241111		2
810	G8801S13		..CLAMP- SUPPLIER CODE: V06324 ELECTRICAL EQUIP NUMBER: D11046T WIRING DIAGRAM REF: 241111		1
815	G8801S9		..CLAMP- SUPPLIER CODE: V81205 ELECTRICAL EQUIP NUMBER: D11536T WIRING DIAGRAM REF: 241111		1

ILLUSTRATION ITEMS NOT ON PARTS LIST ARE NOT APPLICABLE

- ITEM NOT ILLUSTRATED

HXL

24-11-11-06

BOEING PROPRIETARY - Copyright © - Unpublished Work - See title page for details.

24-11-11
FIG. 06
PAGE 5
AUG 22/09



767

PARTS CATALOG (MAINTENANCE)

FIG ITEM	PART NUMBER	1 2 3 4 5 6 7	NOMENCLATURE	EFFECT FROM TO	UNITS PER ASSY
6 820	G899324S		.. CLAMP- SUPPLIER CODE: V06324 SPECIFICATION NUMBER: BACC10HD24A OPTIONAL PART: G8993M24S V06324 S2251-24-30S V07418 6000-123-0124 V14283 900-555F24-10 V31461 ELECTRICAL EQUIP NUMBER: D04216PQ WIRING DIAGRAM REF: 241111		1
825	R071018B14S6L		.. PLUG- SUPPLIER CODE: V41118 SPECIFICATION NUMBER: BCREFA0277 OVERLENGTH PART NUMBER: BACC63BP18B14S6L ELECTRICAL EQUIP NUMBER: D10964 WIRING DIAGRAM REF: 241111		1
830	R071018B14SNL		.. PLUG- SUPPLIER CODE: V41118 SPECIFICATION NUMBER: BCREFA9289 OVERLENGTH PART NUMBER: BACC63BP18B14SNL ELECTRICAL EQUIP NUMBER: D10966 WIRING DIAGRAM REF: 241111		1
835	D38999-26KC98SN		.. CONNECTOR- SUPPLIER CODE: V06324 ELECTRICAL EQUIP NUMBER: D11046 WIRING DIAGRAM REF: 241111		1

ILLUSTRATION ITEMS NOT ON PARTS LIST ARE NOT APPLICABLE

- ITEM NOT ILLUSTRATED

HXL

24-11-11-06

BOEING PROPRIETARY - Copyright © - Unpublished Work - See title page for details.

24-11-11
 FIG. 06
 PAGE 6
 DEC 22/06



767

PARTS CATALOG (MAINTENANCE)

FIG ITEM	PART NUMBER	1 2 3 4 5 6 7 NOMENCLATURE	EFFECT FROM TO	UNITS PER ASSY
6 840	D38999-26KA98SN	..CONNECTOR- SUPPLIER CODE: V06324 ELECTRICAL EQUIP NUMBER: D11536 WIRING DIAGRAM REF: 241111		1
845	BCREF101335	..PLUG- OVERLENGTH PART NUMBER: BACC63BR24B30P8L ELECTRICAL EQUIP NUMBER: D04216P WIRING DIAGRAM REF: 241111		1

ILLUSTRATION ITEMS NOT ON PARTS LIST ARE NOT APPLICABLE

- ITEM NOT ILLUSTRATED

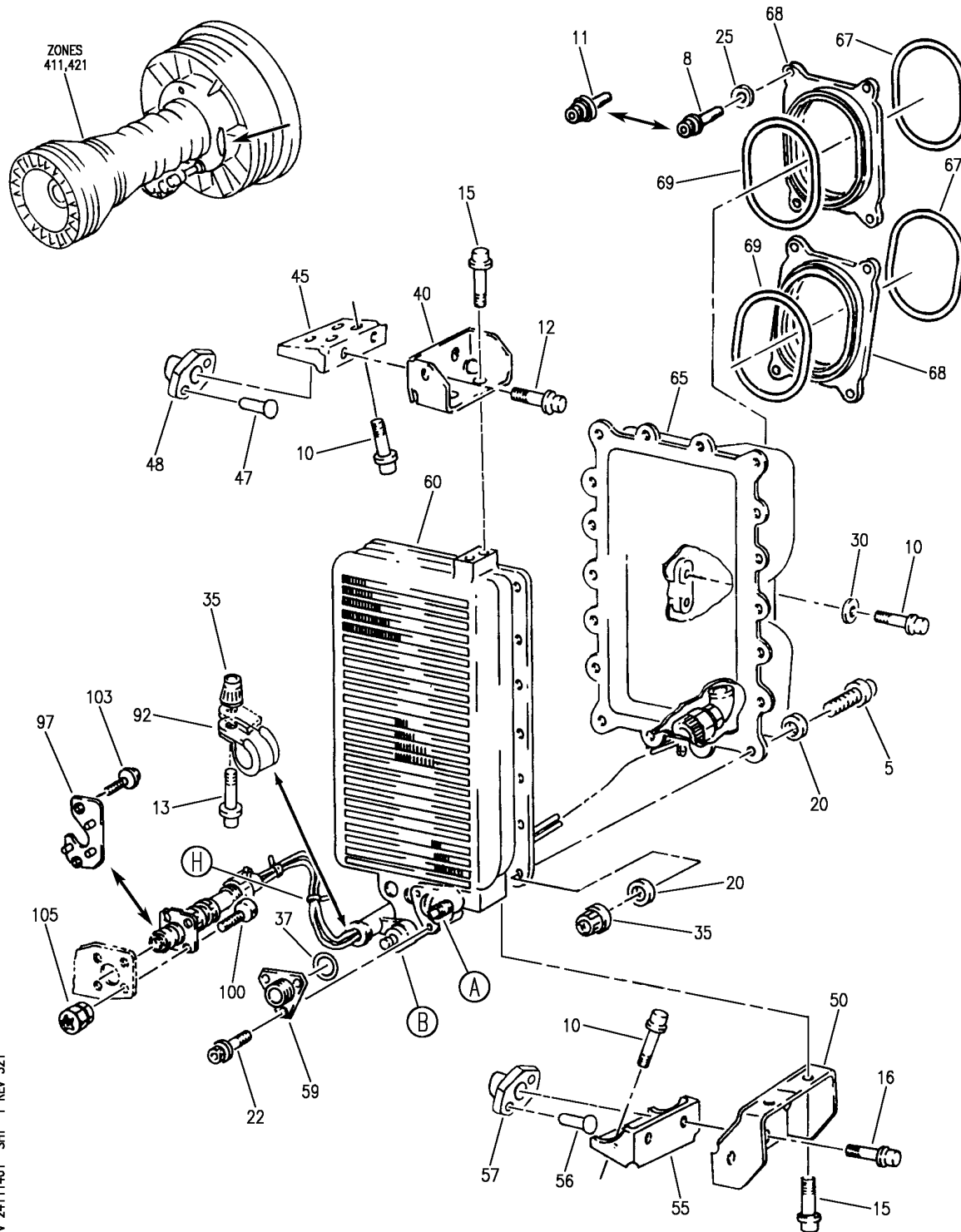
HXL

24-11-11-06

BOEING PROPRIETARY - Copyright © - Unpublished Work - See title page for details.

24-11-11
 FIG. 06
 PAGE 7
 DEC 22/06

BOEING
767
PARTS CATALOG (MAINTENANCE)



V 24111401 SHT 1 REV 321

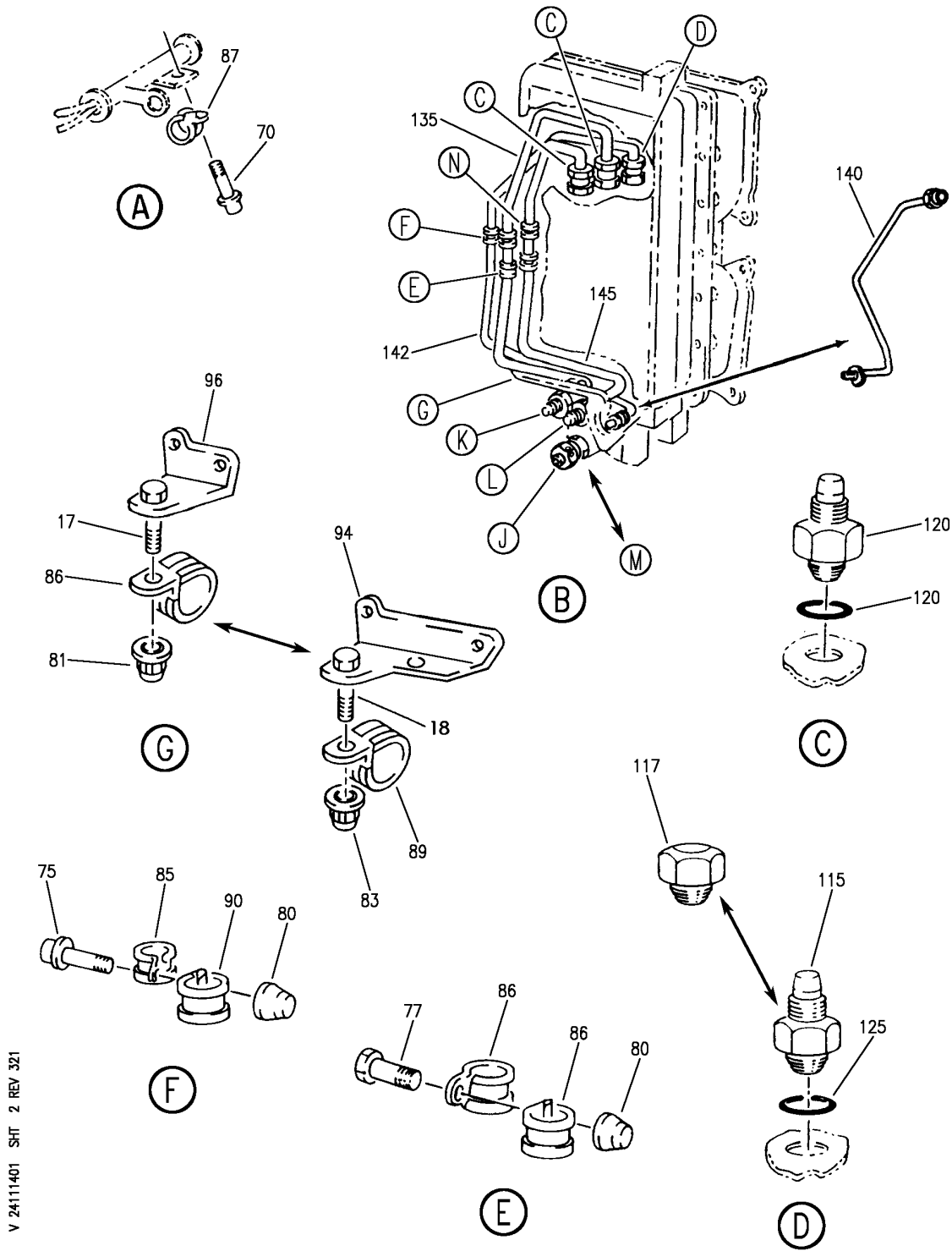
HEAT EXCHANGER AND VALVE-INTERGRATED DRIVE GEN SYS (PW4000)
FIGURE 1 (SHEET 1)

24-11-14-01

HXL
DEC 22/07

24-11-14-01
PAGE 0

BOEING
767
PARTS CATALOG (MAINTENANCE)



V 24111401 SHT 2 REV 321

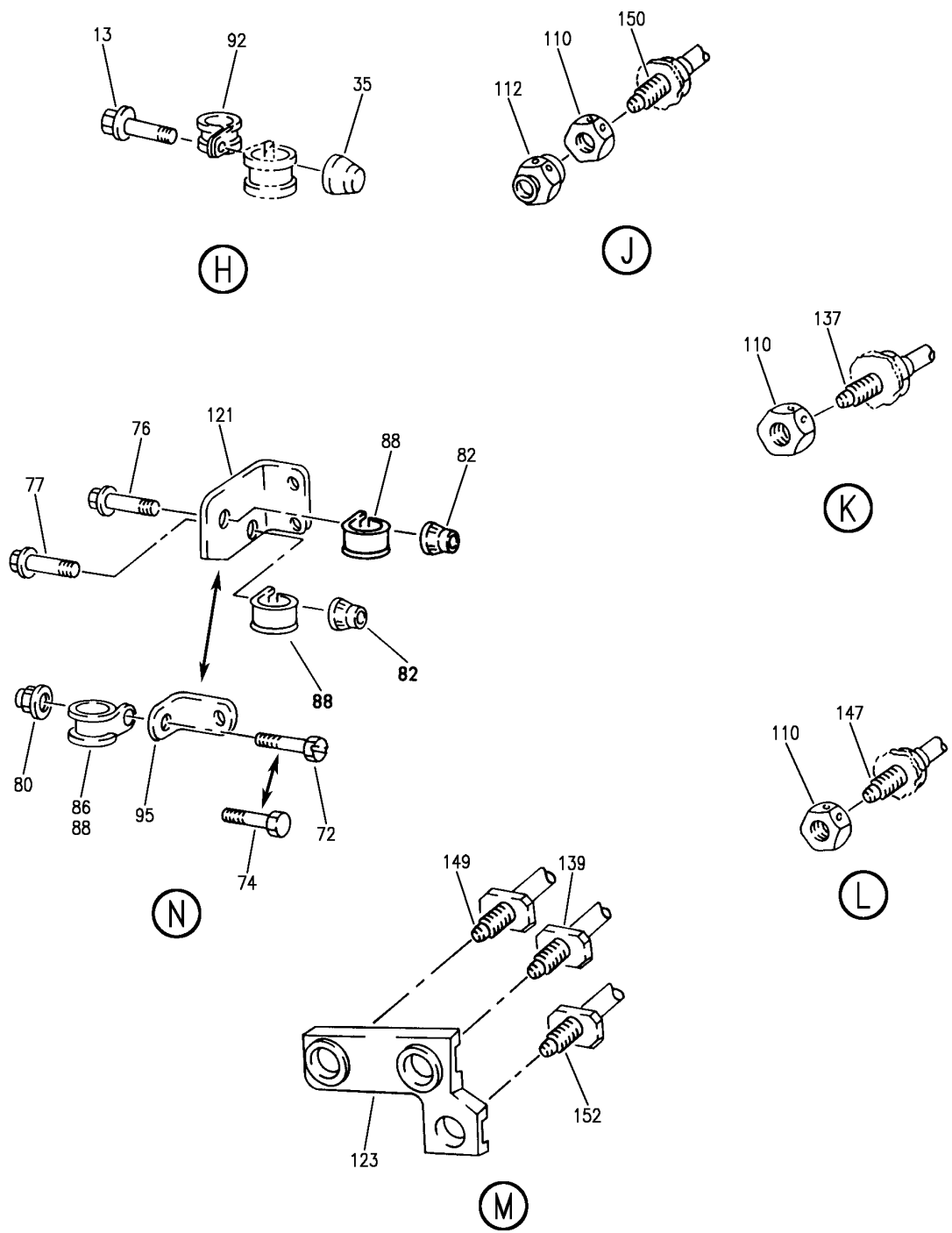
HEAT EXCHANGER AND VALVE-INTERGRATED DRIVE GEN SYS (PW4000)
FIGURE 1 (SHEET 2)

24-11-14-01

HXL
DEC 22/07

24-11-14-01
PAGE 0A

BOEING
767
PARTS CATALOG (MAINTENANCE)



V 24111401 SHT 3 REV 321

HEAT EXCHANGER AND VALVE-INTERGRATED DRIVE GEN SYS (PW4000)
FIGURE 1 (SHEET 3)

24-11-14-01

HXL
DEC 22/07

24-11-14-01
PAGE 0B



767

PARTS CATALOG (MAINTENANCE)

FIG ITEM	PART NUMBER	1 2 3 4 5 6 7	NOMENCLATURE	EFFECT FROM TO	UNITS PER ASSY
1			HEAT EXCHANGER AND VALVE- INTERGRATED DRIVE GEN SYS (PW4000)		
- 1	PW4060		ENGINE- SUPPLIER CODE: V77445 CONFIG CHG DATA FROM A CMM: SEE 71-00-51 FIG. 2 FOR APPLICABLE ENGINE SERIES		RF
5	MS9208-10		.BOLT- CONFIG CHG DATA FROM A CMM: FOR INTRCHG SEE PW IPC		18
8	MS9209-10		.BOLT- CONFIG CHG DATA FROM A CMM: FOR INTRCHG SEE PW IPC PRE SERVICE BULLETIN: 79-60 V77445		8
10	MS9209-10		.BOLT- CONFIG CHG DATA FROM A CMM: FOR INTRCHG SEE PW IPC PRE SERVICE BULLETIN: 24-6 V77445		10
10	MS9557-10		.BOLT- CONFIG CHG DATA FROM A CMM: FOR INTRCHG SEE PW IPC POST SERVICE BULLETIN: 24-6 V77445		10
11	54T057-01		.BOLT AND WASHER ASSY- SEAL PLATE SUPPLIER CODE: V77445 CONFIG CHG DATA FROM A CMM: FOR INTRCHG SEE PW IPC POST SERVICE BULLETIN: 79-60 V77445		8
12	MS9209-08		.BOLT- CONFIG CHG DATA FROM A CMM: FOR INTRCHG SEE PW IPC PRE SERVICE BULLETIN: 24-6 V77445		2

ILLUSTRATION ITEMS NOT ON PARTS LIST ARE NOT APPLICABLE

- ITEM NOT ILLUSTRATED

HXL

24-11-14-01

BOEING PROPRIETARY - Copyright © - Unpublished Work - See title page for details.

24-11-14
FIG. 01
PAGE 1
DEC 22/07



767

PARTS CATALOG (MAINTENANCE)

FIG ITEM	PART NUMBER	1 2 3 4 5 6 7	NOMENCLATURE	EFFECT FROM TO	UNITS PER ASSY
1					
12	MS9557-08		.BOLT- CONFIG CHG DATA FROM A CMM: FOR INTRCHG SEE PW IPC POST SERVICE BULLETIN: 24-6 V77445		2
13	MS9208-08		.BOLT- CONFIG CHG DATA FROM A CMM: FOR INTRCHG SEE PW IPC OPTIONAL PART: MS9556-08 PRE SERVICE BULLETIN: 72-349 V77445		2
13	MS9556-08		.BOLT- CONFIG CHG DATA FROM A CMM: FOR INTRCHG SEE PW IPC OPTIONAL PART: MS9208-08 POST SERVICE BULLETIN: 72-349 V77445		2
15	MS9209-06		.BOLT- CONFIG CHG DATA FROM A CMM: FOR INTRCHG SEE PW IPC PRE SERVICE BULLETIN: 24-6 V77445		4
15	MS9557-06		.BOLT- CONFIG CHG DATA FROM A CMM: FOR INTRCHG SEE PW IPC POST SERVICE BULLETIN: 24-6 V77445		4
16	MS9209-08		.BOLT- CONFIG CHG DATA FROM A CMM: FOR INTRCHG SEE PW IPC PRE SERVICE BULLETIN: 24-6 V77445		2

ILLUSTRATION ITEMS NOT ON PARTS LIST ARE NOT APPLICABLE

- ITEM NOT ILLUSTRATED

HXL

24-11-14-01

BOEING PROPRIETARY - Copyright © - Unpublished Work - See title page for details.

24-11-14
FIG. 01
PAGE 2
DEC 22/06



767

PARTS CATALOG (MAINTENANCE)

FIG ITEM	PART NUMBER	1 2 3 4 5 6 7	NOMENCLATURE	EFFECT FROM TO	UNITS PER ASSY
1					
16	MS9557-08		.BOLT- CONFIG CHG DATA FROM A CMM: FOR INTRCHG SEE PW IPC OPTIONAL PART: MS9557-07 POST SERVICE BULLETIN: 24-6 V77445 PRE SERVICE BULLETIN: 79-60 V77445		2
16	MS9557-07		.BOLT- CONFIG CHG DATA FROM A CMM: FOR INTRCHG SEE PW IPC OPTIONAL PART: MS9557-08 POST SERVICE BULLETIN: 79-60 V77445		2
17	MS9489-06		.BOLT- CONFIG CHG DATA FROM A CMM: FOR INTRCHG SEE PW IPC POST SERVICE BULLETIN: 24-7 V77445		1
18	MS9489-06		.BOLT- CONFIG CHG DATA FROM A CMM: FOR INTRCHG SEE PW IPC POST SERVICE BULLETIN: 24-9 V77445		1
20	MS9320-09		.WASHER- NOT APPROVED FOR ETOPS AFTER INCORP OF SB: 72-253 V77445 CONFIG CHG DATA FROM A CMM: FOR INTRCHG SEE PW IPC PRE SERVICE BULLETIN: 24-7 V77445		35

ILLUSTRATION ITEMS NOT ON PARTS LIST ARE NOT APPLICABLE

- ITEM NOT ILLUSTRATED

HXL

24-11-14-01

BOEING PROPRIETARY - Copyright © - Unpublished Work - See title page for details.

24-11-14
FIG. 01
PAGE 3
DEC 22/06



767

PARTS CATALOG (MAINTENANCE)

FIG ITEM	PART NUMBER	1 2 3 4 5 6 7	NOMENCLATURE	EFFECT FROM TO	UNITS PER ASSY
1 - 21	MS9320-09		.WASHER- NOT APPROVED FOR ETOPS AFTER INCORP OF SB: 72-253 V77445 CONFIG CHG DATA FROM A CMM: FOR INTRCHG SEE PW IPC POST SERVICE BULLETIN: 24-7 V77445		32
22	MS9209-08		.BOLT- CONFIG CHG DATA FROM A CMM: FOR INTRCHG SEE PW IPC PRE SERVICE BULLETIN: 24-6 V77445		3
22	MS9557-08		.BOLT- CONFIG CHG DATA FROM A CMM: FOR INTRCHG SEE PW IPC POST SERVICE BULLETIN: 24-6 V77445		3
25	628005		.WASHER- SUPPLIER CODE: V77445 CONFIG CHG DATA FROM A CMM: FOR INTRCHG SEE PW IPC PRE SERVICE BULLETIN: 79-60 V77445		8
27	54T232		.WASHER- SUPPLIER CODE: V77445 CONFIG CHG DATA FROM A CMM: FOR INTRCHG SEE PW IPC OPTIONAL PART: ST2159-15 V77445 POST SERVICE BULLETIN: 79-49 V77445		3
27	ST2159-15		.WASHER- SUPPLIER CODE: V77445 CONFIG CHG DATA FROM A CMM: FOR INTRCHG SEE PW IPC OPTIONAL PART: 54T232 V77445		3

ILLUSTRATION ITEMS NOT ON PARTS LIST ARE NOT APPLICABLE

- ITEM NOT ILLUSTRATED

24-11-14-01

24-11-14
FIG. 01
PAGE 4
DEC 22/06

HXL



767

PARTS CATALOG (MAINTENANCE)

FIG ITEM	PART NUMBER	1 2 3 4 5 6 7	NOMENCLATURE	EFFECT FROM TO	UNITS PER ASSY
1					
30	MS9320-10		.WASHER- CONFIG CHG DATA FROM A CMM: FOR INTRCHG SEE PW IPC		2
35	776440		.NUT- SUPPLIER CODE: V77445 CONFIG CHG DATA FROM A CMM: FOR INTRCHG SEE PW IPC OPTIONAL PART: SL7061C1032 V11815 LH11973-3 V56878 H49674-3 V15653 73356-1032 V56878 AS3070-09		20
35	SL7061C1032		.NUT- SUPPLIER CODE: V11815 CONFIG CHG DATA FROM A CMM: PRATT AND WHITNEY PART NO. AS3066-09 FOR INTRCHG SEE PW IPC OPTIONAL PART: 776440 V77445 LH11973-3 V56878 H49674-3 V15653 73356-1032 V56878 AS3070-09		20

ILLUSTRATION ITEMS NOT ON PARTS LIST ARE NOT APPLICABLE

- ITEM NOT ILLUSTRATED

HXL

24-11-14-01

BOEING PROPRIETARY - Copyright © - Unpublished Work - See title page for details.

24-11-14
FIG. 01
PAGE 5
DEC 22/06



767

PARTS CATALOG (MAINTENANCE)

FIG ITEM	PART NUMBER	1 2 3 4 5 6 7	NOMENCLATURE	EFFECT FROM TO	UNITS PER ASSY
1 35	LH11973-3		.NUT- SUPPLIER CODE: V56878 CONFIG CHG DATA FROM A CMM: PRATT AND WHITNEY PART NO. AS3067-09 FOR INTRCHG SEE PW IPC OPTIONAL PART: 776440 V77445 SL7061C1032 V11815 H49674-3 V15653 73356-1032 V56878 AS3070-09		20
35	H49674-3		.NUT- SUPPLIER CODE: V15653 CONFIG CHG DATA FROM A CMM: PRATT AND WHITNEY PART NO. AS3068-09 FOR INTRCHG SEE PW IPC OPTIONAL PART: 776440 V77445 SL7061C1032 V11815 LH11973-3 V56878 73356-1032 V56878 AS3070-09		20
35	AS3070-09		.NUT- CONFIG CHG DATA FROM A CMM: FOR INTRCHG SEE PW IPC OPTIONAL PART: 776440 V77445 SL7061C1032 V11815 LH11973-3 V56878 H49674-3 V15653 73356-1032 V56878		20

ILLUSTRATION ITEMS NOT ON PARTS LIST ARE NOT APPLICABLE

- ITEM NOT ILLUSTRATED

HXL

24-11-14-01

BOEING PROPRIETARY - Copyright © - Unpublished Work - See title page for details.

24-11-14
FIG. 01
PAGE 6
DEC 22/06



767

PARTS CATALOG (MAINTENANCE)

FIG ITEM	PART NUMBER	1 2 3 4 5 6 7	NOMENCLATURE	EFFECT FROM TO	UNITS PER ASSY
1	35 73356-1032		.NUT- SUPPLIER CODE: V56878 CONFIG CHG DATA FROM A CMM: PRATT AND WHITNEY PART NO. AS3069-09 FOR INTRCHG SEE PW IPC OPTIONAL PART: 776440 V77445 SL7061C1032 V11815 LH11973-3 V56878 H49674-3 V15653 AS3070-09		20
	37 AS3209-116		.PACKING-PREFORM CONFIG CHG DATA FROM A CMM: FOR INTRCHG SEE PW IPC OPTIONAL PART: ST1946-116 V77445		1
	37 ST1946-116		.PACKING-PREFORM SUPPLIER CODE: V77445 CONFIG CHG DATA FROM A CMM: FOR INTRCHG SEE PW IPC OPTIONAL PART: AS3209-116		1
	40 51G146		.BRACKET-AIR/OIL COOLER SUPPLIER CODE: V77445 CONFIG CHG DATA FROM A CMM: FOR INTRCHG SEE PW IPC OPTIONAL PART: V77445 POST SERVICE BULLETIN: 24-3 V77445		1
	45 50G661		.BRACKET ASSY-AIR OIL COOLER SUPPLIER CODE: V77445 CONFIG CHG DATA FROM A CMM: FOR INTRCHG SEE PW IPC		1
	47 AN123469		..RIVET- CONFIG CHG DATA FROM A CMM: FOR INTRCHG SEE PW IPC		4

ILLUSTRATION ITEMS NOT ON PARTS LIST ARE NOT APPLICABLE

- ITEM NOT ILLUSTRATED

24-11-14-01

24-11-14
FIG. 01
PAGE 7
DEC 22/06

HXL



767

PARTS CATALOG (MAINTENANCE)

FIG ITEM	PART NUMBER	1 2 3 4 5 6 7	NOMENCLATURE	EFFECT FROM TO	UNITS PER ASSY
1					
48	638675		..NUT- SUPPLIER CODE: V77445 CONFIG CHG DATA FROM A CMM: FOR INTRCHG SEE PW IPC OPTIONAL PART: 490231 V77445 NS103244-048 V56878 MF29122-4 V15653		2
48	490231		..NUT- SUPPLIER CODE: V77445 CONFIG CHG DATA FROM A CMM: FOR INTRCHG SEE PW IPC OPTIONAL PART: 638675 V77445 NS103244-048 V56878 MF29122-4 V15653		2
48	NS103244-048		..NUT- SUPPLIER CODE: V56878 CONFIG CHG DATA FROM A CMM: FOR INTRCHG SEE PW IPC PRATT AND WHITNEY PART NO. 640217 OPTIONAL PART: 490231 V77445 638675 V77445 MF29122-4 V15653		2

ILLUSTRATION ITEMS NOT ON PARTS LIST ARE NOT APPLICABLE

- ITEM NOT ILLUSTRATED

HXL

24-11-14-01

BOEING PROPRIETARY - Copyright © - Unpublished Work - See title page for details.

24-11-14
 FIG. 01
 PAGE 8
 DEC 22/06



767

PARTS CATALOG (MAINTENANCE)

FIG ITEM	PART NUMBER	1 2 3 4 5 6 7	NOMENCLATURE	EFFECT FROM TO	UNITS PER ASSY
1 48	MF29122-4	..	NUT- SUPPLIER CODE: V15653 CONFIG CHG DATA FROM A CMM: FOR INTRCHG SEE PW IPC PRATT AND WHITNEY PART NO. 638676 OPTIONAL PART: 490231 V77445 638675 V77445 NS103244-048 V56878		2
50	50G652	.B	BRACKET-AIR/OIL COOLER SUPPLIER CODE: V77445 CONFIG CHG DATA FROM A CMM: FOR INTRCHG SEE PW IPC		1
56	AN123469	..	RIVET		4
57	638675	..	NUT- SUPPLIER CODE: V77445 CONFIG CHG DATA FROM A CMM: FOR INTRCHG SEE PW IPC OPTIONAL PART: 490231 V77445 NS103244-048 V56878 MF29122-4 V15653		2
57	490231	..	NUT- SUPPLIER CODE: V77445 CONFIG CHG DATA FROM A CMM: FOR INTRCHG SEE PW IPC OPTIONAL PART: 638675 V77445 MF29122-4 V15653 NS103244-048 V56878		2

ILLUSTRATION ITEMS NOT ON PARTS LIST ARE NOT APPLICABLE

- ITEM NOT ILLUSTRATED

HXL

24-11-14-01

BOEING PROPRIETARY - Copyright © - Unpublished Work - See title page for details.

24-11-14
FIG. 01
PAGE 9
DEC 22/06



767

PARTS CATALOG (MAINTENANCE)

FIG ITEM	PART NUMBER	1 2 3 4 5 6 7	NOMENCLATURE	EFFECT FROM TO	UNITS PER ASSY
1					
57	NS103244-048		..NUT- SUPPLIER CODE: V56878 CONFIG CHG DATA FROM A CMM: FOR INTRCHG SEE PW IPC PRATT AND WHITNEY PART NO. 640217 OPTIONAL PART: 490231 V77445 638675 V77445 MF29122-4 V15653		2
57	MF29122-4		..NUT- SUPPLIER CODE: V15653 CONFIG CHG DATA FROM A CMM: FOR INTRCHG SEE PW IPC PRATT AND WHITNEY PART NO. 638676 OPTIONAL PART: 490231 V77445 638675 V77445 NS103244-048 V56878		2
59	52T413		.ADAPTER-TUBE TO BOSS SUPPLIER CODE: V77445 CONFIG CHG DATA FROM A CMM: FOR INTRCHG SEE PW IPC POST SERVICE BULLETIN: 72-744 V77445		1

ILLUSTRATION ITEMS NOT ON PARTS LIST ARE NOT APPLICABLE

- ITEM NOT ILLUSTRATED

HXL

24-11-14-01

BOEING PROPRIETARY - Copyright © - Unpublished Work - See title page for details.

24-11-14
 FIG. 01
 PAGE 10
 DEC 22/06



767

PARTS CATALOG (MAINTENANCE)

FIG ITEM	PART NUMBER	1 2 3 4 5 6 7	NOMENCLATURE	EFFECT FROM TO	UNITS PER ASSY
1 60	11698-000		.HEAT EXCHANGER-AIR/OIL COOLER SUPPLIER CODE: V12536 CONFIG CHG DATA FROM A CMM: PRATT AND WHITNEY PART NO. 50G479 FOR INTRCHG SEE PW IPC OPTIONAL PART: 12698-000 V12536 REFERENCE SERVICE BULLETIN: 79-42 V77445		1
60	12698-000		.HEAT EXCHANGER-AIR/OIL COOLER SUPPLIER CODE: V12536 CONFIG CHG DATA FROM A CMM: PRATT AND WHITNEY PART NO. 50G479 FOR INTRCHG SEE PW IPC OPTIONAL PART: 11698-000 V12536		1

ILLUSTRATION ITEMS NOT ON PARTS LIST ARE NOT APPLICABLE

- ITEM NOT ILLUSTRATED

HXL

24-11-14-01

BOEING PROPRIETARY - Copyright © - Unpublished Work - See title page for details.

24-11-14
FIG. 01
PAGE 11
DEC 22/06



767

PARTS CATALOG (MAINTENANCE)

FIG ITEM	PART NUMBER	1 2 3 4 5 6 7 NOMENCLATURE	EFFECT FROM TO	UNITS PER ASSY
1 65	793999-2	. VALVE-AIR/OIL HEAT EXCHANGER SUPPLIER CODE: V73030 NOT APPROVED FOR ETOPS WITHOUT INCORP OF SB: 73-111 V77445 CONFIG CHG DATA FROM A CMM: PRATT AND WHITNEY PART NO. 51G077, 51G797 OPTIONAL PART: 793999-1 V73030 POST SERVICE BULLETIN: 75-55 V77445 PRE SERVICE BULLETIN: 24-4 V77445 24-11 V77445 REFERENCE SERVICE BULLETIN: 73-111 V77445 REFERENCE AIRLINE MOD: 73-111 V77445		1

ILLUSTRATION ITEMS NOT ON PARTS LIST ARE NOT APPLICABLE

- ITEM NOT ILLUSTRATED

HXL

24-11-14-01

BOEING PROPRIETARY - Copyright © - Unpublished Work - See title page for details.

24-11-14
 FIG. 01
 PAGE 12
 DEC 22/07



767

PARTS CATALOG (MAINTENANCE)

FIG ITEM	PART NUMBER	1 2 3 4 5 6 7	NOMENCLATURE	EFFECT FROM TO	UNITS PER ASSY
1 65	798850-1		. VALVE-AIR/OIL HEAT EXCHANGER SUPPLIER CODE: V73030 NOT APPROVED FOR ETOPS WITHOUT INCORP OF SB: 73-111 V77445 CONFIG CHG DATA FROM A CMM: PRATT AND WHITNEY PART NO. 51G760, 51G542 FOR INTRCHG SEE PW IPC POST SERVICE BULLETIN: 24-4 V77445 24-5 V77445 PRE SERVICE BULLETIN: 24-11 V77445 REFERENCE SERVICE BULLETIN: 73-111 V77445 REFERENCE AIRLINE MOD: 73-111 V77445		1
65	798850-2		. VALVE-AIR/OIL HEAT EXCHANGER SUPPLIER CODE: V73030 CONFIG CHG DATA FROM A CMM: PRATT AND WHITNEY PART NO. 52G218 POST SERVICE BULLETIN: 24-11 V77445 72-744 V77445		1

ILLUSTRATION ITEMS NOT ON PARTS LIST ARE NOT APPLICABLE

- ITEM NOT ILLUSTRATED

HXL

24-11-14-01

BOEING PROPRIETARY - Copyright © - Unpublished Work - See title page for details.

24-11-14
FIG. 01
PAGE 13
DEC 22/06



767

PARTS CATALOG (MAINTENANCE)

FIG ITEM	PART NUMBER	1 2 3 4 5 6 7	NOMENCLATURE	EFFECT FROM TO	UNITS PER ASSY
1 65	793999-3		. VALVE-AIR/OIL HEAT EXCHANGER SUPPLIER CODE: V73030 CONFIG CHG DATA FROM A CMM: PRATT AND WHITNEY PART NO.52G291 REIDENT FROM 50G077, 51G077, 51G797 POST SERVICE BULLETIN: 24-11 V77445		1
67	M25988-2-341		.. PACKING- SUPPLIER CODE: V73030		2
68	789217-1		.. COLLAR- SUPPLIER CODE: V73030		2
69 70	M25988-2-240 MS9208-06		.. PACKING . BOLT- CONFIG CHG DATA FROM A CMM: FOR INTRCHG SEE PW IPC OPTIONAL PART: MS9556-06 MS9556-05 PRE SERVICE BULLETIN: 72-349 V77445		1 1
70	MS9556-06		. BOLT- CONFIG CHG DATA FROM A CMM: FOR INTRCHG SEE PW IPC OPTIONAL PART: MS9208-06 MS9556-05 POST SERVICE BULLETIN: 72-349 V77445 PRE SERVICE BULLETIN: 79-60 V77445		1
70	MS9556-05		. BOLT- CONFIG CHG DATA FROM A CMM: FOR INTRCHG SEE PW IPC OPTIONAL PART: MS9208-06 MS9556-06 POST SERVICE BULLETIN: 79-60 V77445		1

ILLUSTRATION ITEMS NOT ON PARTS LIST ARE NOT APPLICABLE

- ITEM NOT ILLUSTRATED

HXL

24-11-14-01

BOEING PROPRIETARY - Copyright © - Unpublished Work - See title page for details.

24-11-14
FIG. 01
PAGE 14
DEC 22/07



767

PARTS CATALOG (MAINTENANCE)

FIG ITEM	PART NUMBER	1 2 3 4 5 6 7	NOMENCLATURE	EFFECT FROM TO	UNITS PER ASSY
1					
72	545962		.SCREW- SUPPLIER CODE: V77445 CONFIG CHG DATA FROM A CMM: FOR INTRCHG SEE PW IPC PRE SERVICE BULLETIN: 24-6 V77445		1
73	MS9556-08		.BOLT- CONFIG CHG DATA FROM A CMM: FOR INTRCHG SEE PW IPC PRE SERVICE BULLETIN: 24-7 V77445		1
74	MS9451-06		.BOLT- CONFIG CHG DATA FROM A CMM: FOR INTRCHG SEE PW IPC PRE SERVICE BULLETIN: 24-7 V77445		1
75	MS9556-08		.BOLT- CONFIG CHG DATA FROM A CMM: FOR INTRCHG SEE PW IPC PRE SERVICE BULLETIN: 24-4 V77445		1
76	ST1411-08		.BOLT- SUPPLIER CODE: V77445 CONFIG CHG DATA FROM A CMM: FOR INTRCHG SEE PW IPC OPTIONAL PART: MS9451-08 POST SERVICE BULLETIN: 24-7 V77445 PRE SERVICE BULLETIN: 24-8 V77445		1
76	MS9451-08		.BOLT- CONFIG CHG DATA FROM A CMM: FOR INTRCHG SEE PW IPC OPTIONAL PART: ST1411-08 V77445 POST SERVICE BULLETIN: 24-8 V77445		1

ILLUSTRATION ITEMS NOT ON PARTS LIST ARE NOT APPLICABLE

- ITEM NOT ILLUSTRATED

24-11-14-01

24-11-14
FIG. 01
PAGE 15
DEC 22/07

HXL



767

PARTS CATALOG (MAINTENANCE)

FIG ITEM	PART NUMBER	1 2 3 4 5 6 7	NOMENCLATURE	EFFECT FROM TO	UNITS PER ASSY
1					
77	ST1411-08		.BOLT- SUPPLIER CODE: V77445 CONFIG CHG DATA FROM A CMM: FOR INTRCHG SEE PW IPC OPTIONAL PART: MS9451-08 POST SERVICE BULLETIN: 24-7 V77445 PRE SERVICE BULLETIN: 24-8 V77445		1
77	MS9451-08		.BOLT- CONFIG CHG DATA FROM A CMM: FOR INTRCHG SEE PW IPC OPTIONAL PART: ST1411-08 V77445 POST SERVICE BULLETIN: 24-8 V77445		1
80	776440		.NUT- SUPPLIER CODE: V77445 CONFIG CHG DATA FROM A CMM: FOR INTRCHG SEE PW IPC OPTIONAL PART: SL7061C1032 V11815 LH11973-3 V56878 H49674-3 V15653 73356-1032 V56878 AS3070-09 PRE SERVICE BULLETIN: 24-4 V77445		3
ILLUSTRATION ITEMS NOT ON PARTS LIST ARE NOT APPLICABLE					

- ITEM NOT ILLUSTRATED

HXL

24-11-14-01

BOEING PROPRIETARY - Copyright © - Unpublished Work - See title page for details.

24-11-14
FIG. 01
PAGE 16
DEC 22/07



767

PARTS CATALOG (MAINTENANCE)

FIG ITEM	PART NUMBER	1 2 3 4 5 6 7	NOMENCLATURE	EFFECT FROM TO	UNITS PER ASSY
1 80	SL7061C1032		.NUT- SUPPLIER CODE: V11815 CONFIG CHG DATA FROM A CMM: PRATT AND WHITNEY PART NO. AS3066-09 FOR INTRCHG SEE PW IPC OPTIONAL PART: 776440 V77445 LH11973-3 V56878 H49674-3 V15653 73356-1032 V56878 AS3070-09 PRE SERVICE BULLETIN: 24-4 V77445		3
80	LH11973-3		.NUT- SUPPLIER CODE: V56878 CONFIG CHG DATA FROM A CMM: PRATT AND WHITNEY PART NO. AS3067-09 FOR INTRCHG SEE PW IPC OPTIONAL PART: 776440 V77445 SL7061C1032 V11815 H49674-3 V15653 73356-1032 V56878 AS3070-09 PRE SERVICE BULLETIN: 24-4 V77445		3

ILLUSTRATION ITEMS NOT ON PARTS LIST ARE NOT APPLICABLE

- ITEM NOT ILLUSTRATED

HXL

24-11-14-01

BOEING PROPRIETARY - Copyright © - Unpublished Work - See title page for details.

24-11-14
FIG. 01
PAGE 17
DEC 22/06



767

PARTS CATALOG (MAINTENANCE)

FIG ITEM	PART NUMBER	1 2 3 4 5 6 7	NOMENCLATURE	EFFECT FROM TO	UNITS PER ASSY
1 80	H49674-3		.NUT- SUPPLIER CODE: V15653 CONFIG CHG DATA FROM A CMM: PRATT AND WHITNEY PART NO. AS3068-09 FOR INTRCHG SEE PW IPC OPTIONAL PART: 776440 V77445 SL7061C1032 V11815 LH11973-3 V56878 73356-1032 V56878 AS3070-09 PRE SERVICE BULLETIN: 24-4 V77445		3
80	AS3070-09		.NUT- CONFIG CHG DATA FROM A CMM: FOR INTRCHG SEE PW IPC OPTIONAL PART: 776440 V77445 SL7061C1032 V11815 LH11973-3 V56878 H49674-3 V15653 73356-1032 V56878 PRE SERVICE BULLETIN: 24-4 V77445		3

ILLUSTRATION ITEMS NOT ON PARTS LIST ARE NOT APPLICABLE

- ITEM NOT ILLUSTRATED

HXL

24-11-14-01

BOEING PROPRIETARY - Copyright © - Unpublished Work - See title page for details.

24-11-14
FIG. 01
PAGE 18
DEC 22/06



767

PARTS CATALOG (MAINTENANCE)

FIG ITEM	PART NUMBER	1 2 3 4 5 6 7	NOMENCLATURE	EFFECT FROM TO	UNITS PER ASSY
1 80	73356-1032		.NUT- SUPPLIER CODE: V56878 CONFIG CHG DATA FROM A CMM: PRATT AND WHITNEY PART NO. AS3069-09 FOR INTRCHG SEE PW IPC OPTIONAL PART: 776440 V77445 SL7061C1032 V11815 LH11973-3 V56878 H49674-3 V15653 AS3070-09 PRE SERVICE BULLETIN: 24-4 V77445		3
81	776440		.NUT- SUPPLIER CODE: V77445 CONFIG CHG DATA FROM A CMM: FOR INTRCHG SEE PW IPC OPTIONAL PART: SL7061C1032 V11815 LH11973-3 V56878 H49674-3 V15653 73356-1032 V56878 AS3070-09		1

ILLUSTRATION ITEMS NOT ON PARTS LIST ARE NOT APPLICABLE

- ITEM NOT ILLUSTRATED

HXL

24-11-14-01

BOEING PROPRIETARY - Copyright © - Unpublished Work - See title page for details.

24-11-14
FIG. 01
PAGE 19
DEC 22/06



767

PARTS CATALOG (MAINTENANCE)

FIG ITEM	PART NUMBER	1 2 3 4 5 6 7	NOMENCLATURE	EFFECT FROM TO	UNITS PER ASSY
1	81 SL7061C1032		.NUT- SUPPLIER CODE: V11815 CONFIG CHG DATA FROM A CMM: P&W PART NO. AS3066-09 FOR INTRCHG SEE PW IPC OPTIONAL PART: 776440 V77445 LH11973-3 V56878 H49674-3 V15653 73356-1032 V56878 AS3070-09		1
	81 LH11973-3		.NUT- SUPPLIER CODE: V56878 CONFIG CHG DATA FROM A CMM: P&W PART NO. AS3067-09 FOR INTRCHG SEE PW IPC OPTIONAL PART: 776440 V77445 SL7061C1032 V11815 H49674-3 V15653 73356-1032 V56878 AS3070-09		1
	81 H49674-3		.NUT- SUPPLIER CODE: V15653 CONFIG CHG DATA FROM A CMM: P&W PART NO. AS3068-09 FOR INTRCHG SEE PW IPC OPTIONAL PART: 776440 V77445 SL7061C1032 V11815 LH11973-3 V56878 73356-1032 V56878 AS3070-09		1

ILLUSTRATION ITEMS NOT ON PARTS LIST ARE NOT APPLICABLE

- ITEM NOT ILLUSTRATED

HXL

24-11-14-01

BOEING PROPRIETARY - Copyright © - Unpublished Work - See title page for details.

24-11-14
FIG. 01
PAGE 20
DEC 22/06



767

PARTS CATALOG (MAINTENANCE)

FIG ITEM	PART NUMBER	1 2 3 4 5 6 7	NOMENCLATURE	EFFECT FROM TO	UNITS PER ASSY
1					
81	73356-1032		.NUT- SUPPLIER CODE: V56878 CONFIG CHG DATA FROM A CMM: P&W PART NO. AS3069-09 FOR INTRCHG SEE PW IPC OPTIONAL PART: 776440 V77445 SL7061C1032 V11815 LH11973-3 V56878 H49674-3 V15653 AS3070-09		1
81	AS3070-09		.NUT- CONFIG CHG DATA FROM A CMM: FOR INTRCHG SEE PW IPC OPTIONAL PART: 776440 V77445 SL7061C1032 V11815 LH11973-3 V56878 H49674-3 V15653 73356-1032 V56878		1
82	776440		.NUT- SUPPLIER CODE: V77445 CONFIG CHG DATA FROM A CMM: FOR INTRCHG SEE PW IPC OPTIONAL PART: SL7061C1032 V11815 LH11973-3 V56878 H49674-3 V15653 73356-1032 V56878 AS3070-09		2

ILLUSTRATION ITEMS NOT ON PARTS LIST ARE NOT APPLICABLE

- ITEM NOT ILLUSTRATED

HXL

24-11-14-01

BOEING PROPRIETARY - Copyright © - Unpublished Work - See title page for details.

24-11-14
FIG. 01
PAGE 21
DEC 22/06



767

PARTS CATALOG (MAINTENANCE)

FIG ITEM	PART NUMBER	1 2 3 4 5 6 7	NOMENCLATURE	EFFECT FROM TO	UNITS PER ASSY
1 82	SL7061C1032		.NUT- SUPPLIER CODE: V11815 CONFIG CHG DATA FROM A CMM: PRATT AND WHITNEY PART NO. AS3066-09 FOR INTRCHG SEE PW IPC OPTIONAL PART: 776440 V77445 LH11973-3 V56878 H49674-3 V15653 73356-1032 V56878 AS3070-09		2
82	LH11973-3		.NUT- SUPPLIER CODE: V56878 CONFIG CHG DATA FROM A CMM: PRATT AND WHITNEY PART NO. AS3067-09 FOR INTRCHG SEE PW IPC OPTIONAL PART: 776440 V77445 SL7061C1032 V11815 H49674-3 V15653 73356-1032 V56878 AS3070-09		2

ILLUSTRATION ITEMS NOT ON PARTS LIST ARE NOT APPLICABLE

- ITEM NOT ILLUSTRATED

HXL

24-11-14-01

BOEING PROPRIETARY - Copyright © - Unpublished Work - See title page for details.

24-11-14
FIG. 01
PAGE 22
DEC 22/06



767

PARTS CATALOG (MAINTENANCE)

FIG ITEM	PART NUMBER	1 2 3 4 5 6 7	NOMENCLATURE	EFFECT FROM TO	UNITS PER ASSY
1 82	H49674-3		.NUT- SUPPLIER CODE: V15653 CONFIG CHG DATA FROM A CMM: PRATT AND WHITNEY PART NO. AS3068-09 FOR INTRCHG SEE PW IPC OPTIONAL PART: 776440 V77445 SL7061C1032 V11815 LH11973-3 V56878 73356-1032 V56878 AS3070-09		2
82	AS3070-09		.NUT- CONFIG CHG DATA FROM A CMM: FOR INTRCHG SEE PW IPC OPTIONAL PART: 776440 V77445 SL7061C1032 V11815 LH11973-3 V56878 H49674-3 V15653 73356-1032 V56878		2
82	73356-1032		.NUT- SUPPLIER CODE: V56878 CONFIG CHG DATA FROM A CMM: PRATT AND WHITNEY PART NO. AS3069-09 FOR INTRCHG SEE PW IPC OPTIONAL PART: 776440 V77445 SL7061C1032 V11815 LH11973-3 V56878 H49674-3 V15653 AS3070-09		2

ILLUSTRATION ITEMS NOT ON PARTS LIST ARE NOT APPLICABLE

- ITEM NOT ILLUSTRATED

HXL

24-11-14-01

BOEING PROPRIETARY - Copyright © - Unpublished Work - See title page for details.

24-11-14
FIG. 01
PAGE 23
DEC 22/06



767

PARTS CATALOG (MAINTENANCE)

FIG ITEM	PART NUMBER	1 2 3 4 5 6 7	NOMENCLATURE	EFFECT FROM TO	UNITS PER ASSY
1 83	776440		.NUT- SUPPLIER CODE: V77445 CONFIG CHG DATA FROM A CMM: FOR INTRCHG SEE PW IPC OPTIONAL PART: SL7061C1032 V11815 LH11973-3 V56878 H49674-3 V15653 73356-1032 V56878 AS3070-09 POST SERVICE BULLETIN: 24-9 V77445		1
83	SL7061C1032		.NUT- SUPPLIER CODE: V11815 CONFIG CHG DATA FROM A CMM: PRATT AND WHITNEY PART NO. AS3066-09 FOR INTRCHG SEE PW IPC OPTIONAL PART: 776440 V77445 LH11973-3 V56878 H49674-3 V15653 73356-1032 V56878 AS3070-09 POST SERVICE BULLETIN: 24-9 V77445		1

ILLUSTRATION ITEMS NOT ON PARTS LIST ARE NOT APPLICABLE

- ITEM NOT ILLUSTRATED

HXL

24-11-14-01

BOEING PROPRIETARY - Copyright © - Unpublished Work - See title page for details.

24-11-14
FIG. 01
PAGE 24
DEC 22/06



767

PARTS CATALOG (MAINTENANCE)

FIG ITEM	PART NUMBER	1 2 3 4 5 6 7	NOMENCLATURE	EFFECT FROM TO	UNITS PER ASSY
1 83	LH11973-3		.NUT- SUPPLIER CODE: V56878 CONFIG CHG DATA FROM A CMM: PRATT AND WHITNEY PART NO. AS3067-09 FOR INTRCHG SEE PW IPC OPTIONAL PART: 776440 V77445 SL7061C1032 V11815 H49674-3 V15653 73356-1032 V56878 AS3070-09 POST SERVICE BULLETIN: 24-9 V77445		1
83	H49674-3		.NUT- SUPPLIER CODE: V15653 CONFIG CHG DATA FROM A CMM: PRATT AND WHITNEY PART NO. AS3068-09 FOR INTRCHG SEE PW IPC OPTIONAL PART: 776440 V77445 SL7061C1032 V11815 LH11973-3 V56878 73356-1032 V56878 AS3070-09 POST SERVICE BULLETIN: 24-9 V77445		1

ILLUSTRATION ITEMS NOT ON PARTS LIST ARE NOT APPLICABLE

- ITEM NOT ILLUSTRATED

HXL

24-11-14-01

BOEING PROPRIETARY - Copyright © - Unpublished Work - See title page for details.

24-11-14
FIG. 01
PAGE 25
DEC 22/06



767

PARTS CATALOG (MAINTENANCE)

FIG ITEM	PART NUMBER	1 2 3 4 5 6 7	NOMENCLATURE	EFFECT FROM TO	UNITS PER ASSY
1	83 73356-1032		.NUT- SUPPLIER CODE: V56878 CONFIG CHG DATA FROM A CMM: PRATT AND WHITNEY PART NO. AS3069-09 FOR INTRCHG SEE PW IPC OPTIONAL PART: 776440 V77445 SL7061C1032 V11815 LH11973-3 V56878 H49674-3 V15653 AS3070-09 POST SERVICE BULLETIN: 24-9 V77445		1
	83 AS3070-09		.NUT- CONFIG CHG DATA FROM A CMM: FOR INTRCHG SEE PW IPC OPTIONAL PART: 776440 V77445 SL7061C1032 V11815 LH11973-3 V56878 H49674-3 V15653 73356-1032 V56878 POST SERVICE BULLETIN: 24-9 V77445		1
	85 ST1435-04		.CLAMP-LOOP CUSHION SUPPLIER CODE: V77445 CONFIG CHG DATA FROM A CMM: FOR INTRCHG SEE PW IPC PRE SERVICE BULLETIN: 24-4 V77445		1

ILLUSTRATION ITEMS NOT ON PARTS LIST ARE NOT APPLICABLE

- ITEM NOT ILLUSTRATED

HXL

24-11-14-01

BOEING PROPRIETARY - Copyright © - Unpublished Work - See title page for details.

24-11-14
FIG. 01
PAGE 26
DEC 22/06



767

PARTS CATALOG (MAINTENANCE)

FIG ITEM	PART NUMBER	1 2 3 4 5 6 7	NOMENCLATURE	EFFECT FROM TO	UNITS PER ASSY
1 86	ST1435-06		.CLAMP-LOOP CUSHION SUPPLIER CODE: V77445 CONFIG CHG DATA FROM A CMM: FOR INTRCHG SEE PW IPC PRE SERVICE BULLETIN: 24-7 V77445		3
87	ST1435-04		.CLAMP-LOOP CUSHION SUPPLIER CODE: V77445 CONFIG CHG DATA FROM A CMM: FOR INTRCHG SEE PW IPC		1
88	ST1540-06		.CLAMP-LOOP CUSHION SUPPLIER CODE: V77445 CONFIG CHG DATA FROM A CMM: FOR INTRCHG SEE PW IPC POST SERVICE BULLETIN: 24-7 V77445		3
89	ST1540-06		.CLAMP-LOOP CUSHION SUPPLIER CODE: V77445 CONFIG CHG DATA FROM A CMM: FOR INTRCHG SEE PW IPC POST SERVICE BULLETIN: 24-9 V77445		1
90	ST1435-06		.CLAMP-LOOP CUSHION SUPPLIER CODE: V77445 CONFIG CHG DATA FROM A CMM: FOR INTRCHG SEE PW IPC PRE SERVICE BULLETIN: 24-4 V77445		1
91	ST1435-06		.CLAMP-LOOP CUSHION SUPPLIER CODE: V77445 CONFIG CHG DATA FROM A CMM: FOR INTRCHG SEE PW IPC		3

ILLUSTRATION ITEMS NOT ON PARTS LIST ARE NOT APPLICABLE

- ITEM NOT ILLUSTRATED

HXL

24-11-14-01

BOEING PROPRIETARY - Copyright © - Unpublished Work - See title page for details.

24-11-14
FIG. 01
PAGE 27
DEC 22/06



767

PARTS CATALOG (MAINTENANCE)

FIG ITEM	PART NUMBER	1 2 3 4 5 6 7	NOMENCLATURE	EFFECT FROM TO	UNITS PER ASSY
1	92 TA025060-05		.CLAMP-LOOP SUPPLIER CODE: V84971 CONFIG CHG DATA FROM A CMM: FOR INTRCHG SEE PW IPC PRATT AND WHITNEY PART NO. ST1563-05 SELECT FROM ITEM. OPTIONAL PART: TA025011-06 V84971 TA025060-06 V84971 TA025060-07 V84971 TA025060-08 V84971 TA025030-06 V84971		2
	92 TA025060-07		.CLAMP-LOOP SUPPLIER CODE: V84971 CONFIG CHG DATA FROM A CMM: FOR INTRCHG SEE PW IPC PRATT AND WHITNEY PART NO. ST1563-07 SELECT FROM ITEM. OPTIONAL PART: TA025011-06 V84971 TA025060-06 V84971 TA025060-05 V84971 TA025060-08 V84971 TA025030-06 V84971		2

ILLUSTRATION ITEMS NOT ON PARTS LIST ARE NOT APPLICABLE

- ITEM NOT ILLUSTRATED

HXL

24-11-14-01

BOEING PROPRIETARY - Copyright © - Unpublished Work - See title page for details.

24-11-14
FIG. 01
PAGE 28
DEC 22/06

BOEING
767
PARTS CATALOG (MAINTENANCE)

FIG ITEM	PART NUMBER	1 2 3 4 5 6 7	NOMENCLATURE	EFFECT FROM TO	UNITS PER ASSY
1 92	TA025060-08		.CLAMP-LOOP SUPPLIER CODE: V84971 CONFIG CHG DATA FROM A CMM: FOR INTRCHG SEE PW IPC PRATT AND WHITNEY PART NO. ST1563-08 SELECT FROM ITEM. OPTIONAL PART: TA025011-06 V84971 TA025060-06 V84971 TA025060-05 V84971 TA025060-07 V84971 TA025030-06 V84971		2
92	TA025011-06		.CLAMP-LOOP SUPPLIER CODE: V84971 CONFIG CHG DATA FROM A CMM: PRATT AND WHITNEY PART NO. ST1478-06 FOR INTRCHG SEE PW IPC OPTIONAL PART: TA025060-06 V84971 TA025060-05 V84971 TA025060-07 V84971 TA025060-08 V84971 TA025030-06 V84971 POST SERVICE BULLETIN: 72-57 V77445 PRE SERVICE BULLETIN: 73-96 V77445		2

ILLUSTRATION ITEMS NOT ON PARTS LIST ARE NOT APPLICABLE

— ITEM NOT ILLUSTRATED

HXL

24-11-14-01

BOEING PROPRIETARY - Copyright © - Unpublished Work - See title page for details.

24-11-14
FIG. 01
PAGE 29
DEC 22/06



767

PARTS CATALOG (MAINTENANCE)

FIG ITEM	PART NUMBER	1 2 3 4 5 6 7	NOMENCLATURE	EFFECT FROM TO	UNITS PER ASSY
1 92	TA025060-06		.CLAMP-LOOP SUPPLIER CODE: V84971 CONFIG CHG DATA FROM A CMM: FOR INTRCHG SEE PW IPC PRATT AND WHITNEY PART NO. ST1563-06 SELECT FROM ITEM. OPTIONAL PART: TA025011-06 V84971 TA025060-05 V84971 TA025060-07 V84971 TA025060-08 V84971 TA025030-06 V84971 POST SERVICE BULLETIN: 73-96 V77445		2
92	TA025030-06		.CLAMP-LOOP SUPPLIER CODE: V84971 CONFIG CHG DATA FROM A CMM: FOR INTRCHG SEE PW IPC PRATT AND WHITNEY PART NO. ST1530-06 SELECT FROM ITEM. OPTIONAL PART: TA025011-06 V84971 TA025060-06 V84971 TA025060-05 V84971 TA025060-07 V84971 TA025060-08 V84971		2
94	52G220-01		.BRACKET- SUPPLIER CODE: V77445 CONFIG CHG DATA FROM A CMM: FOR INTRCHG SEE PW IPC POST SERVICE BULLETIN: 24-9 V77445		1

ILLUSTRATION ITEMS NOT ON PARTS LIST ARE NOT APPLICABLE

- ITEM NOT ILLUSTRATED

HXL

24-11-14-01

BOEING PROPRIETARY - Copyright © - Unpublished Work - See title page for details.

24-11-14
FIG. 01
PAGE 30
DEC 22/06



767

PARTS CATALOG (MAINTENANCE)

FIG ITEM	PART NUMBER	1 2 3 4 5 6 7	NOMENCLATURE	EFFECT FROM TO	UNITS PER ASSY
1	95 MS9600-005		.BRACKET- CONFIG CHG DATA FROM A CMM: FOR INTRCHG SEE PW IPC PRE SERVICE BULLETIN: 24-7 V77445		1
	96 52G124-01		.BRACKET- SUPPLIER CODE: V77445 CONFIG CHG DATA FROM A CMM: FOR INTRCHG SEE PW IPC POST SERVICE BULLETIN: 24-7 V77445 PRE SERVICE BULLETIN: 24-9 V77445		1
	97 53T032-01		.BRACKET ASSY-CABLE SUPPLIER CODE: V77445 CONFIG CHG DATA FROM A CMM: FOR INTRCHG SEE PW IPC POST SERVICE BULLETIN: 72-65 V77445		1
	103 MS9208-08		.BOLT- CONFIG CHG DATA FROM A CMM: FOR INTRCHG SEE PW IPC OPTIONAL PART: MS9556-08 POST SERVICE BULLETIN: 72-65 V77445 PRE SERVICE BULLETIN: 72-349 V77445		2
	103 MS9556-08		.BOLT- CONFIG CHG DATA FROM A CMM: FOR INTRCHG SEE PW IPC OPTIONAL PART: MS9208-08 POST SERVICE BULLETIN: 72-349 V77445		2

ILLUSTRATION ITEMS NOT ON PARTS LIST ARE NOT APPLICABLE

- ITEM NOT ILLUSTRATED

HXL

24-11-14-01

BOEING PROPRIETARY - Copyright © - Unpublished Work - See title page for details.

24-11-14
FIG. 01
PAGE 31
DEC 22/06



767

PARTS CATALOG (MAINTENANCE)

FIG ITEM	PART NUMBER	1 2 3 4 5 6 7	NOMENCLATURE	EFFECT FROM TO	UNITS PER ASSY
1 105	ST2169-01		.NUT- SUPPLIER CODE: V77445 CONFIG CHG DATA FROM A CMM: FOR INTRCHG SEE PW IPC OPTIONAL PART: 74735-440 V56878 E11520-40 V56878 H29164-05 V15653 Z7577 V56878		4
105	74735-440		.NUT- SUPPLIER CODE: V56878 CONFIG CHG DATA FROM A CMM: PRATT & WHITNEY PART NO. ST2160-04 FOR INTRCHG SEE PW IPC OPTIONAL PART: ST2169-01 V77445 E11520-40 V56878 H29164-05 V15653 Z7577 V56878		4
105	E11520-40		.NUT- SUPPLIER CODE: V56878 CONFIG CHG DATA FROM A CMM: PRATT & WHITNEY PART NO. ST2161-04 FOR INTRCHG SEE PW IPC OPTIONAL PART: ST2169-01 V77445 74735-440 V56878 H29164-05 V15653 Z7577 V56878		4

ILLUSTRATION ITEMS NOT ON PARTS LIST ARE NOT APPLICABLE

- ITEM NOT ILLUSTRATED

HXL

24-11-14-01

BOEING PROPRIETARY - Copyright © - Unpublished Work - See title page for details.

24-11-14
FIG. 01
PAGE 32
DEC 22/06



767

PARTS CATALOG (MAINTENANCE)

FIG ITEM	PART NUMBER	1 2 3 4 5 6 7	NOMENCLATURE	EFFECT FROM TO	UNITS PER ASSY
1 105	H29164-05		.NUT- SUPPLIER CODE: V15653 CONFIG CHG DATA FROM A CMM: PRATT & WHITNEY PART NO. ST2162-04 FOR INTRCHG SEE PW IPC OPTIONAL PART: ST2169-01 V77445 74735-440 V56878 E11520-40 V56878 Z7577 V56878		4
105	Z7577		.NUT- SUPPLIER CODE: V56878 CONFIG CHG DATA FROM A CMM: PRATT AND WHITNEY PART NO. 517247 FOR INTRCHG SEE PW IPC OPTIONAL PART: ST2169-01 V77445 74735-440 V56878 E11520-40 V56878 H29164-05 V15653 PRE SERVICE BULLETIN: 72-65 V77445		4
110	MS9201-06		.NUT- CONFIG CHG DATA FROM A CMM: FOR INTRCHG SEE PW IPC		3
112	346680		.CATCH-PROTECTIVE SUPPLIER CODE: V77445 CONFIG CHG DATA FROM A CMM: FOR INTRCHG SEE PW IPC PRE SERVICE BULLETIN: 24-6 V77445		1

ILLUSTRATION ITEMS NOT ON PARTS LIST ARE NOT APPLICABLE

- ITEM NOT ILLUSTRATED

HXL

24-11-14-01

BOEING PROPRIETARY - Copyright © - Unpublished Work - See title page for details.

24-11-14
FIG. 01
PAGE 33
DEC 22/06



767

PARTS CATALOG (MAINTENANCE)

FIG ITEM	PART NUMBER	1 2 3 4 5 6 7	NOMENCLATURE	EFFECT FROM TO	UNITS PER ASSY
1					
115	ST2003-04		.ADAPTER-TUBE TO BOSS SUPPLIER CODE: V77445 CONFIG CHG DATA FROM A CMM: FOR INTRCHG SEE PW IPC		1
117	MS9902-04		.PLUG- CONFIG CHG DATA FROM A CMM: FOR INTRCHG SEE PW IPC		1
120	ST2003-06		.ADAPTER-TUBE TO BOSS SUPPLIER CODE: V77445 CONFIG CHG DATA FROM A CMM: FOR INTRCHG SEE PW IPC		2
121	52G127		.BRACKET-LOOP CLAMP SUPPLIER CODE: V77445 CONFIG CHG DATA FROM A CMM: FOR INTRCHG SEE PW IPC POST SERVICE BULLETIN: 24-7 V77445 PRE SERVICE BULLETIN: 24-9 V77445		1
121	52G196		.BRACKET-LOOP CLAMP SUPPLIER CODE: V77445 CONFIG CHG DATA FROM A CMM: FOR INTRCHG SEE PW IPC POST SERVICE BULLETIN: 24-9 V77445		1
123	51G290-03		.PLATE ASSY- SUPPLIER CODE: V77445 CONFIG CHG DATA FROM A CMM: FOR INTRCHG SEE PW IPC POST SERVICE BULLETIN: 79-49 V77445		1
125	MS9966-04		.PACKING- CONFIG CHG DATA FROM A CMM: FOR INTRCHG SEE PW IPC		1
130	MS9966-06		.PACKING- CONFIG CHG DATA FROM A CMM: FOR INTRCHG SEE PW IPC OPTIONAL PART: ST1947-906 V77445		2

ILLUSTRATION ITEMS NOT ON PARTS LIST ARE NOT APPLICABLE

- ITEM NOT ILLUSTRATED

HXL

24-11-14-01

BOEING PROPRIETARY - Copyright © - Unpublished Work - See title page for details.

24-11-14
FIG. 01
PAGE 34
DEC 22/07



767

PARTS CATALOG (MAINTENANCE)

FIG ITEM	PART NUMBER	1 2 3 4 5 6 7	NOMENCLATURE	EFFECT FROM TO	UNITS PER ASSY
1 130	ST1947-906		.PACKING- SUPPLIER CODE: V77445 CONFIG CHG DATA FROM A CMM: FOR INTRCHG SEE PW IPC OPTIONAL PART: MS9966-06		2
135	50G811		.TUBE ASSY-AIR/OIL COOLER VALVE CR11 SUPPLIER CODE: V77445 CONFIG CHG DATA FROM A CMM: FOR INTRCHG SEE PW IPC PRE SERVICE BULLETIN: 79-49 V77445		1
135	51G818-01		.TUBE ASSY-AIR/OIL COOLER VALVE CR11 SUPPLIER CODE: V77445 CONFIG CHG DATA FROM A CMM: FOR INTRCHG SEE PW IPC POST SERVICE BULLETIN: 79-49 V77445 PRE SERVICE BULLETIN: 24-7 V77445		1
135	52G125-01		.TUBE ASSY-AIR/OIL COOLER VALVE CR11 SUPPLIER CODE: V77445 CONFIG CHG DATA FROM A CMM: FOR INTRCHG SEE PW IPC POST SERVICE BULLETIN: 24-7 V77445 PRE SERVICE BULLETIN: 24-9 V77445		1

ILLUSTRATION ITEMS NOT ON PARTS LIST ARE NOT APPLICABLE

- ITEM NOT ILLUSTRATED

HXL

24-11-14-01

BOEING PROPRIETARY - Copyright © - Unpublished Work - See title page for details.

24-11-14
FIG. 01
PAGE 35
DEC 22/07



767

PARTS CATALOG (MAINTENANCE)

FIG ITEM	PART NUMBER	1 2 3 4 5 6 7	NOMENCLATURE	EFFECT FROM TO	UNITS PER ASSY
1 135	52G211-01		.TUBE ASSY-AIR/OIL COOLER VALVE CR11 SUPPLIER CODE: V77445 CONFIG CHG DATA FROM A CMM: FOR INTRCHG SEE PW IPC OPTIONAL PART: 52G273-01 V77445 POST SERVICE BULLETIN: 24-9 V77445 PRE SERVICE BULLETIN: 24-10 V77445		1
135	52G273-01		.TUBE ASSY-AIR/OIL COOLER VALVE CR11 SUPPLIER CODE: V77445 CONFIG CHG DATA FROM A CMM: FOR INTRCHG SE PW IPC OPTIONAL PART: 52G211-01 V77445 POST SERVICE BULLETIN: 24-10 V77445		1
137	50T541		..COUPLING- SUPPLIER CODE: V77445 CONFIG CHG DATA FROM A CMM: FOR INTRCHG SEE PW IPC PRE SERVICE BULLETIN: 79-49 V77445		1
139	51G384		..COUPLING- SUPPLIER CODE: V77445 CONFIG CHG DATA FROM A CMM: FOR INTRCHG SEE PW IPC POST SERVICE BULLETIN: 79-49 V77445		1

ILLUSTRATION ITEMS NOT ON PARTS LIST ARE NOT APPLICABLE

- ITEM NOT ILLUSTRATED

HXL

24-11-14-01

BOEING PROPRIETARY - Copyright © - Unpublished Work - See title page for details.

24-11-14
FIG. 01
PAGE 36
DEC 22/06



767

PARTS CATALOG (MAINTENANCE)

FIG ITEM	PART NUMBER	1 2 3 4 5 6 7	NOMENCLATURE	EFFECT FROM TO	UNITS PER ASSY
1 140	52T852-01		.TUBE ASSY-DRAIN AIR SHUTOFF VALVE SUPPLIER CODE: V77445 CONFIG CHG DATA FROM A CMM: FOR INTRCHG SEE PW IPC POST SERVICE BULLETIN: 24-4 V77445 PRE SERVICE BULLETIN: 79-49 V77445		1
140	53T989-01		.TUBE ASSY-DRAIN AIR SHUTOFF VALVE SUPPLIER CODE: V77445 CONFIG CHG DATA FROM A CMM: FOR INTRCHG SEE PW IPC POST SERVICE BULLETIN: 79-49 V77445		1
142	51T627		.TUBE ASSY-DRAIN AIR SHUTOFF VALVE SUPPLIER CODE: V77445 CONFIG CHG DATA FROM A CMM: FOR INTRCHG SEE PW IPC PRE SERVICE BULLETIN: 24-4 V77445 79-49 V77445		1
142	53T988-01		.TUBE ASSY-DRAIN AIR SHUTOFF VALVE SUPPLIER CODE: V77445 POST SERVICE BULLETIN: 79-49 V77445		1
145	50G809		.TUBE ASSY-AIR/OIL COOLER VALVE CP09 SUPPLIER CODE: V77445 CONFIG CHG DATA FROM A CMM: FOR INTRCHG SEE PW IPC PRE SERVICE BULLETIN: 79-49 V77445		1

ILLUSTRATION ITEMS NOT ON PARTS LIST ARE NOT APPLICABLE

- ITEM NOT ILLUSTRATED

24-11-14-01

24-11-14
FIG. 01
PAGE 37
DEC 22/06

HXL



767

PARTS CATALOG (MAINTENANCE)

FIG ITEM	PART NUMBER	1 2 3 4 5 6 7	NOMENCLATURE	EFFECT FROM TO	UNITS PER ASSY
1 145	51G819-01		.TUBE ASSY-AIR/OIL COOLER VALVE CP09 SUPPLIER CODE: V77445 CONFIG CHG DATA FROM A CMM: FOR INTRCHG SEE PW IPC POST SERVICE BULLETIN: 79-49 V77445 PRE SERVICE BULLETIN: 24-7 V77445		1
145	52G126-01		.TUBE ASSY-AIR/OIL COOLER VALVE CP09 SUPPLIER CODE: V77445 CONFIG CHG DATA FROM A CMM: FOR INTRCHG SEE PW IPC POST SERVICE BULLETIN: 24-7 V77445 PRE SERVICE BULLETIN: 24-9 V77445		1
145	52G237-01		.TUBE ASSY-AIR/OIL COOLER VALVE CP09 SUPPLIER CODE: V77445 CONFIG CHG DATA FROM A CMM: FOR INTRCHG SEE PW IPC POST SERVICE BULLETIN: 24-9 V77445		1
147	50T541		..COUPLING- SUPPLIER CODE: V77445 CONFIG CHG DATA FROM A CMM: FOR INTRCHG SEE PW IPC PRE SERVICE BULLETIN: 79-49 V77445		1
149	51G384		..COUPLING- SUPPLIER CODE: V77445 CONFIG CHG DATA FROM A CMM: FOR INTRCHG SEE PW IPC POST SERVICE BULLETIN: 79-49 V77445		1

ILLUSTRATION ITEMS NOT ON PARTS LIST ARE NOT APPLICABLE

- ITEM NOT ILLUSTRATED

HXL

24-11-14-01

BOEING PROPRIETARY - Copyright © - Unpublished Work - See title page for details.

24-11-14
FIG. 01
PAGE 38
DEC 22/06



767

PARTS CATALOG (MAINTENANCE)

FIG ITEM	PART NUMBER	1 2 3 4 5 6 7	NOMENCLATURE	EFFECT FROM TO	UNITS PER ASSY
1 150	50G372		. COUPLING- SUPPLIER CODE: V77445 CONFIG CHG DATA FROM A CMM: FOR INTRCHG SEE PW IPC PRE SERVICE BULLETIN: 24-4 V77445 79-49 V77445		1
150	51G297		. COUPLING- SUPPLIER CODE: V77445 CONFIG CHG DATA FROM A CMM: FOR INTRCHG SEE PW IPC POST SERVICE BULLETIN: 24-4 V77445 PRE SERVICE BULLETIN: 79-49 V77445		1
152	51G385		. COUPLING- SUPPLIER CODE: V77445 CONFIG CHG DATA FROM A CMM: FOR INTRCHG SEE PW IPC POST SERVICE BULLETIN: 79-49 V77445		1

ILLUSTRATION ITEMS NOT ON PARTS LIST ARE NOT APPLICABLE

- ITEM NOT ILLUSTRATED

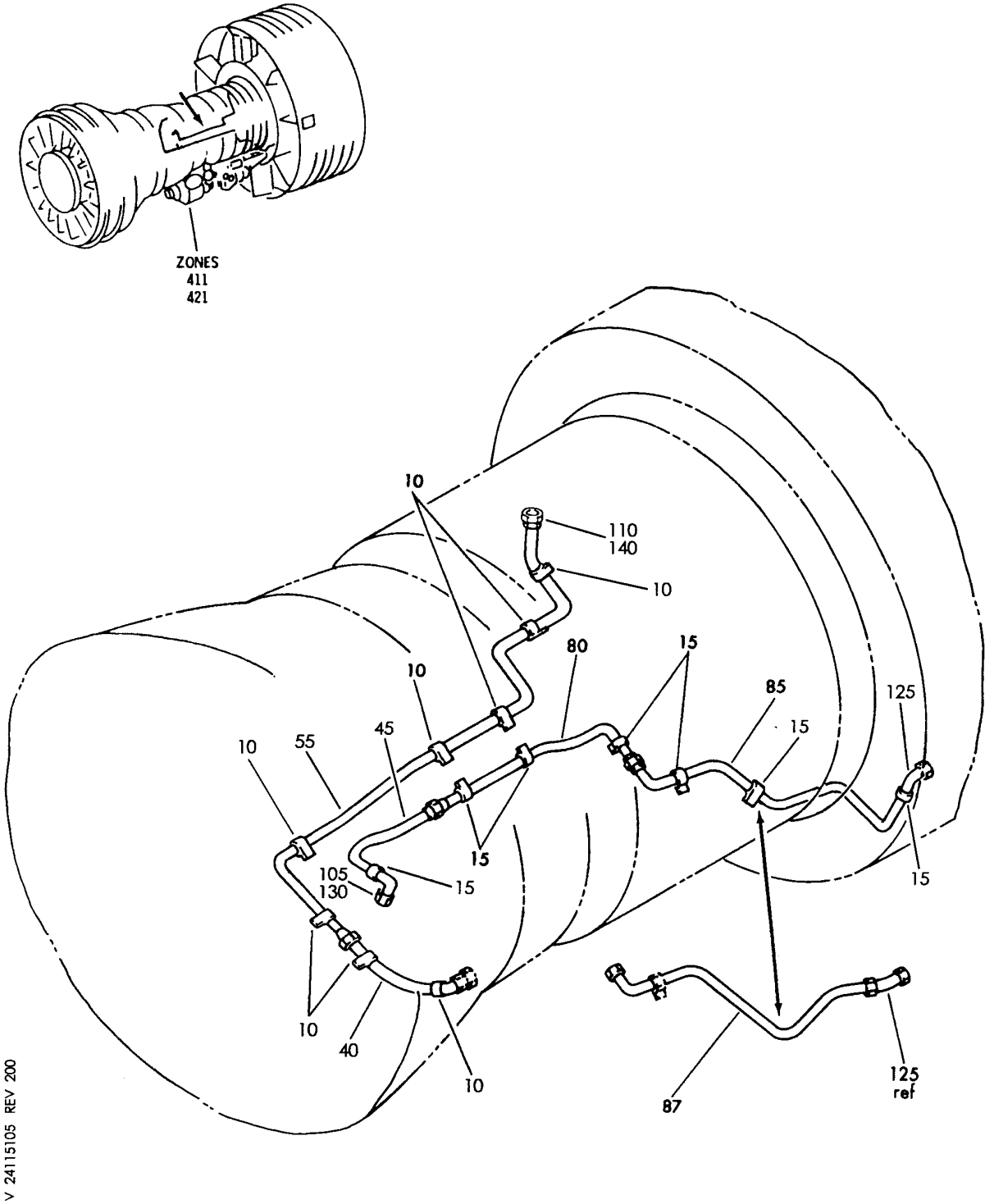
HXL

24-11-14-01

BOEING PROPRIETARY - Copyright © - Unpublished Work - See title page for details.

24-11-14
FIG. 01
PAGE 39
DEC 22/06

BOEING
767
PARTS CATALOG (MAINTENANCE)



V 24115105 REV 200

PLUMBING INSTL-IDGS SYS
FIGURE 5

24-11-51-05

HXL
DEC 22/06

24-11-51-05
PAGE 0



767

PARTS CATALOG (MAINTENANCE)

FIG ITEM	PART NUMBER	1 2 3 4 5 6 7	NOMENCLATURE	EFFECT FROM TO	UNITS PER ASSY
5			PLUMBING INSTL-IDGS SYS		
- 1	332T4230-1		PLUMBING INSTL-IDGS OIL SYS FOR NHA SEE: 71-00-51-02		RF
10	BACC10EP12		.CLAMP-		8
15	BACC10EP10		.CLAMP-		7
			OPTIONAL PART: BACC10HS10		
15	025029-10		.CLAMP-		7
			SUPPLIER CODE: V84971		
			SPECIFICATION NUMBER: BACC10HS10		
			OPTIONAL PART: 490-10RPB		
			V83930		
			S500-10		
			V18076		
			44LC17H10PB		
			V22175		
			81205		
			BACC10EP10		
			ATTACHING PARTS		
- 20	NAS1802-3-7		.SCREW		15
- 25	AN960C10L		.WASHER		15
- 30	BRH10C3M		.NUT-		15
			SUPPLIER CODE: V52828		
			SPECIFICATION NUMBER: BACN10JC3CM		
			OPTIONAL PART: T6C1032JM		
			V11815		
			97E02		
			V80539		
			109LH9075-3W		
			V72962		
			VN303D02		
			V92215		
			NS202101SE02		
			V80539		
			H01-3BAC		
			V15653		
			BACN10YR3CM		
			BACN10YR3C		

ILLUSTRATION ITEMS NOT ON PARTS LIST ARE NOT APPLICABLE

- ITEM NOT ILLUSTRATED

HXL

24-11-51-05

BOEING PROPRIETARY - Copyright © - Unpublished Work - See title page for details.

24-11-51
FIG. 05
PAGE 1
DEC 22/07



**767
PARTS CATALOG (MAINTENANCE)**

FIG ITEM	PART NUMBER	1 2 3 4 5 6 7	NOMENCLATURE	EFFECT FROM TO	UNITS PER ASSY
5					
- 30	PLH53CM		.NUT- SUPPLIER CODE: VF0224 SPECIFICATION NUMBER: BACN10YR3CM OPTIONAL PART: H52732-3CM V15653 BACN10JC3CM BACN10YR3C		15
- 30	PLH53C		.NUT- SUPPLIER CODE: V62554 SPECIFICATION NUMBER: BACN10YR3C OPTIONAL PART: H52732-3C V15653 BACN10JC3CM BACN10YR3CM		15
40	AS1634B12H0104		-----*----- .HOSE ASSY		1
45	AS1635B10H0144		.HOSE ASSY-		1
55	332T4230-8		.TUBE ASSY- QUALIFIED I/W DATA: 332T4340-13 TUBE AY T/W 332T4230-8 TUBE AY AND 332T4925-4 BRACKET I/W 332T4340-12 TUBE AY T/W 332T4230-3 TUBE AY AND 332T4922-400 BRACKET		1
- 60	AP2097H12		..SLEEVE SUPPLIER CODE: V01673 SPECIFICATION NUMBER: BACS13BX12H OPTIONAL PART: 2-02903-12H V11328 35235V12 V08199 AFP175V12 V30974 DBOS13BX12H V14798		1
- 65	MS21921-12J		..NUT		1

ILLUSTRATION ITEMS NOT ON PARTS LIST ARE NOT APPLICABLE

- ITEM NOT ILLUSTRATED

HXL

24-11-51-05

BOEING PROPRIETARY - Copyright © - Unpublished Work - See title page for details.

24-11-51
FIG. 05
PAGE 2
DEC 22/08

BOEING
767
PARTS CATALOG (MAINTENANCE)

FIG ITEM	PART NUMBER	1 2 3 4 5 6 7	NOMENCLATURE	EFFECT FROM TO	UNITS PER ASSY
5					
- 70	35056V12		.. UNION SUPPLIER CODE: V08199 SPECIFICATION NUMBER: BACU24AB12H OPTIONAL PART: 4671097H12 V50948 2-01027-12H V11328 31875-12H V14397 AP1004H12 V01673 AFP941H12 V30974 DBOU24AB12H V14798		1
	80		.TUBE ASSY-		1
	80		.TUBE ASSY-		1
	87		.TUBE ASSY-		1
			TUBING MATERIAL: TUBING CRES 21-6-9 BMS7-185 F-25.01 0.625 IN OD 0.033 IN WALL 40.0 IN LG SPARES ORDER MATERIAL CODE: 3278040330		
			.. SLEEVE SUPPLIER CODE: V01673 SPECIFICATION NUMBER: BACS13BX10H OPTIONAL PART: 2-02903-10H V11328 35235V10 V08199 AFP175V10 V30974 DBOS13BX10H V14798		1
	90		AP2097H10		
			.. NUT		1
	95		MS21921-10J		

R
R
R
R
R
R
R

ILLUSTRATION ITEMS NOT ON PARTS LIST ARE NOT APPLICABLE

- ITEM NOT ILLUSTRATED

HXL

24-11-51-05

BOEING PROPRIETARY - Copyright © - Unpublished Work - See title page for details.

24-11-51
FIG. 05
PAGE 3
AUG 22/09



767

PARTS CATALOG (MAINTENANCE)

FIG ITEM	PART NUMBER	1 2 3 4 5 6 7	NOMENCLATURE	EFFECT FROM TO	UNITS PER ASSY
5					
- 100	35056V10		..UNION SUPPLIER CODE: V08199 SPECIFICATION NUMBER: BACU24AB10H OPTIONAL PART: 2-01027-10H V11328 31875-10H V14397 AP1004H10 V01673 AFP941H10 V30974 DBOU24AB10H V14798 4671097H10 V50948		1
105	MS21924J10		.UNION		1
110	MS21924J12		.UNION		1
125	NAS1761J1010		.ELBOW-		1
130	M83248-2-910		.PACKING		1
140	M83248-2-912		.PACKING		1
- 150	AN924-12J		.NUT		1
- 160	AN960C1716		.WASHER		1
ILLUSTRATION ITEMS NOT ON PARTS LIST ARE NOT APPLICABLE					

- ITEM NOT ILLUSTRATED

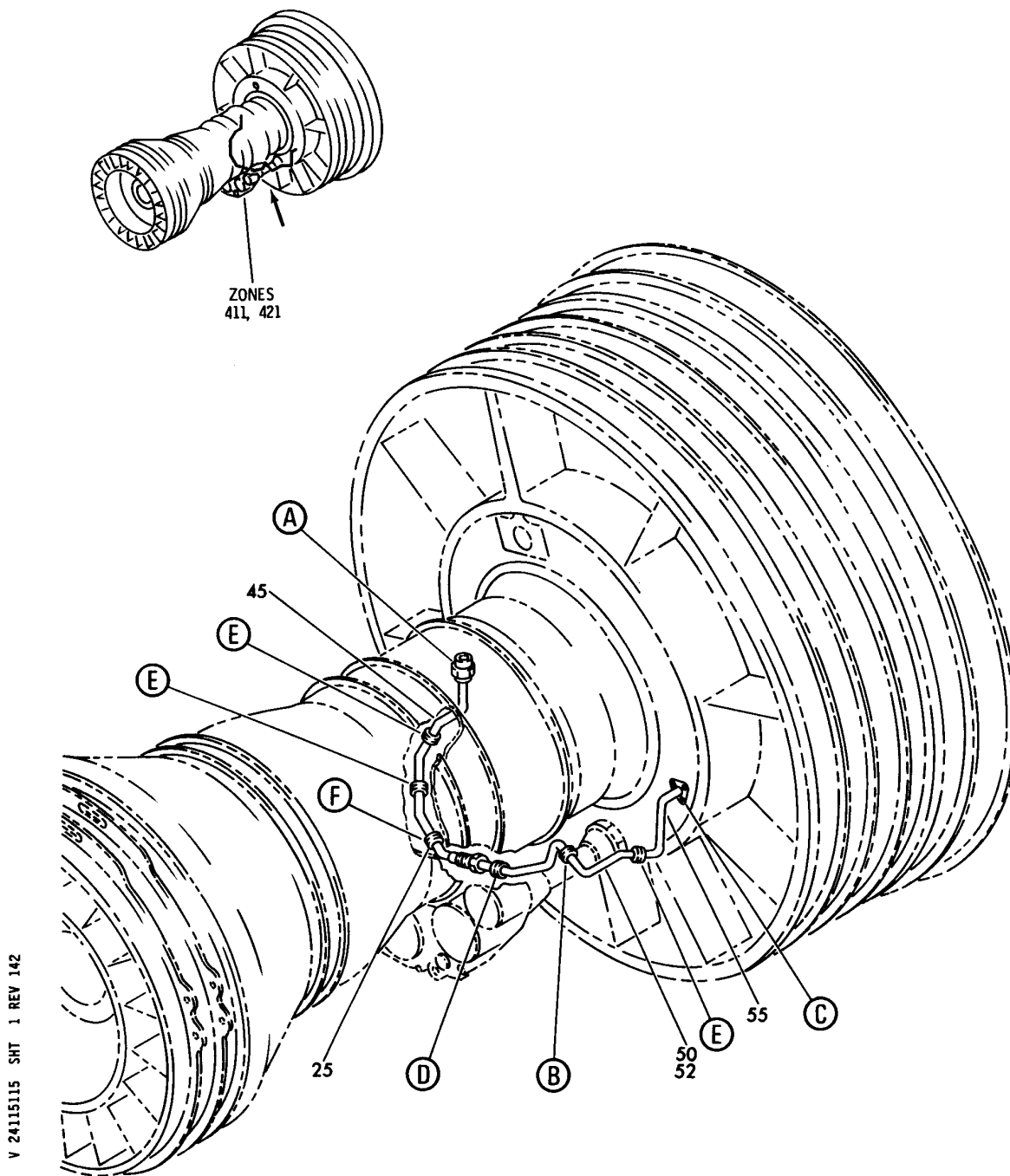
HXL

24-11-51-05

BOEING PROPRIETARY - Copyright © - Unpublished Work - See title page for details.

24-11-51
FIG. 05
PAGE 4
DEC 22/07

BOEING
767
PARTS CATALOG (MAINTENANCE)



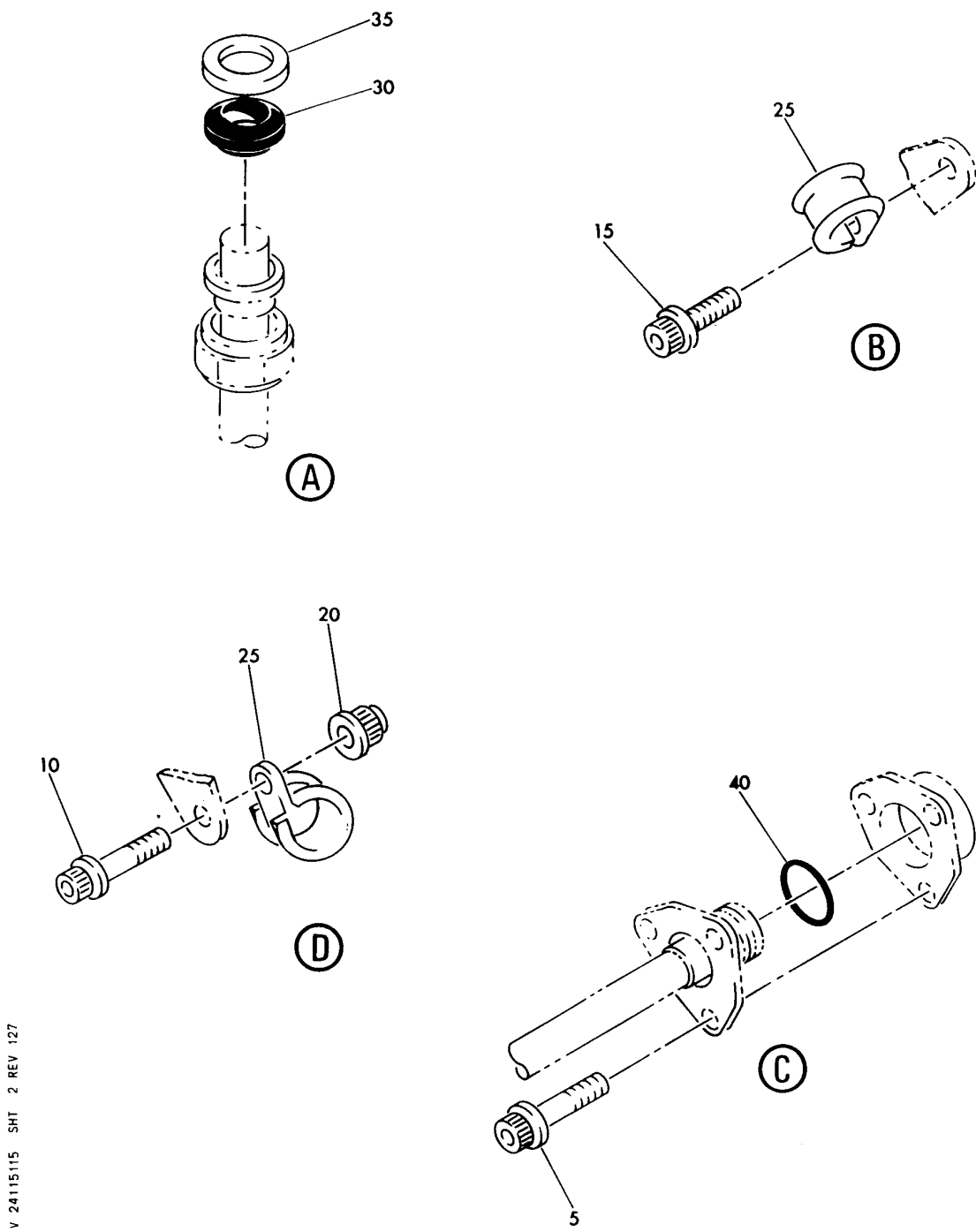
TUBES-AIR/OIL HEAT EXCHANGER (INTERGRATED DRIVE GENERATOR SYSTEM) (PW4000)
FIGURE 15 (SHEET 1)

HXL
DEC 22/06

24-11-51-15

24-11-51-15
PAGE 0

BOEING
767
PARTS CATALOG (MAINTENANCE)



V 24115115 SHT 2 REV 127

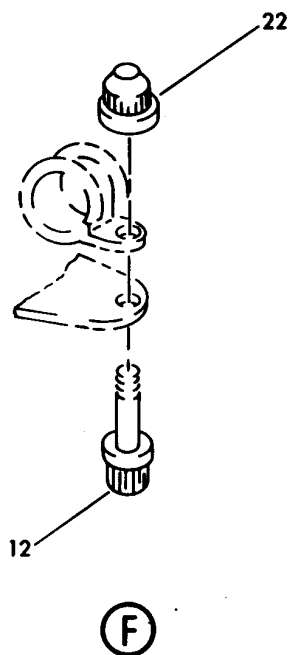
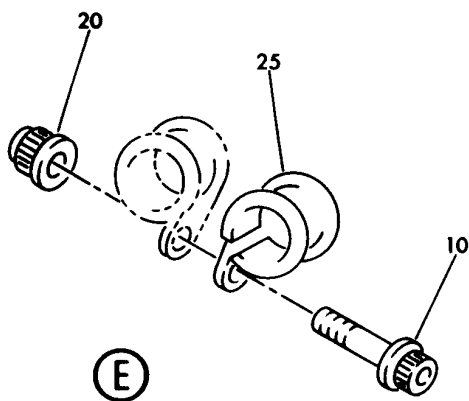
TUBES-AIR/OIL HEAT EXCHANGER (INTERGRATED DRIVE GENERATOR SYSTEM) (PW4000)
FIGURE 15 (SHEET 2)

24-11-51-15

HXL
DEC 22/06

24-11-51-15
PAGE 0A

BOEING
767
PARTS CATALOG (MAINTENANCE)



V 24115115 SHT 3 REV 127

TUBES-AIR/OIL HEAT EXCHANGER (INTERGRATED DRIVE GENERATOR SYSTEM) (PW4000)
FIGURE 15 (SHEET 3)

HXL
DEC 22/06

24-11-51-15

24-11-51-15
PAGE 0B



767

PARTS CATALOG (MAINTENANCE)

FIG ITEM	PART NUMBER	1 2 3 4 5 6 7	NOMENCLATURE	EFFECT FROM TO	UNITS PER ASSY
15			TUBES-AIR/OIL HEAT EXCHANGER (INTERGRATED DRIVE GENERATOR SYSTEM) (PW4000)		
- 1	PW4060		ENGINE-SUPPLIER CODE: V77445 CONFIG CHG DATA FROM A CMM: SEE 71-00-51 FIG. 2 FOR APPLICABLE ENGINE SERIES PRE SERVICE BULLETIN: 72-504 V77445		RF
5	MS9209-08		.BOLT- CONFIG CHG DATA FROM A CMM: FOR INTRCHG SEE PW IPC OPTIONAL PART: MS9557-08 PRE SERVICE BULLETIN: 24-6 V77445		3
5	MS9557-08		.BOLT- CONFIG CHG DATA FROM A CMM: FOR INTRCHG SEE PW IPC OPTIONAL PART: MS9209-08 POST SERVICE BULLETIN: 24-6 V77445		3
10	MS9556-08		.BOLT- CONFIG CHG DATA FROM A CMM: FOR INTRCHG SEE PW IPC		4
12	MS9556-08		.BOLT- CONFIG CHG DATA FROM A CMM: FOR INTRCHG SEE PW IPC POST SERVICE BULLETIN: 79-54 V77445		1
15	MS9556-05		.BOLT- CONFIG CHG DATA FROM A CMM: FOR INTRCHG SEE PW IPC		1

ILLUSTRATION ITEMS NOT ON PARTS LIST ARE NOT APPLICABLE

- ITEM NOT ILLUSTRATED

HXL

24-11-51-15

BOEING PROPRIETARY - Copyright © - Unpublished Work - See title page for details.

24-11-51
FIG. 15
PAGE 1
DEC 22/06



767

PARTS CATALOG (MAINTENANCE)

FIG ITEM	PART NUMBER	1 2 3 4 5 6 7	NOMENCLATURE	EFFECT FROM TO	UNITS PER ASSY
15					
20	776440		.NUT- SUPPLIER CODE: V77445 OPTIONAL PART: SL7061C1032 V11815 LH11973-3 V56878 H49674-3 V15653 73356-1032 V56878 AS3070-09		4
20	SL7061C1032		.NUT- SUPPLIER CODE: V11815 CONFIG CHG DATA FROM A CMM: PRATT AND WHITNEY PART NO. AS3066-09 OPTIONAL PART: 776440 V77445 LH11973-3 V56878 H49674-3 V15653 73356-1032 V56878 AS3070-09		4
20	LH11973-3		.NUT- SUPPLIER CODE: V56878 CONFIG CHG DATA FROM A CMM: PRATT AND WHITNEY PART NO. AS3067-09 OPTIONAL PART: 776440 V77445 SL7061C1032 V11815 H49674-3 V15653 73356-1032 V56878 AS3070-09		4

ILLUSTRATION ITEMS NOT ON PARTS LIST ARE NOT APPLICABLE

- ITEM NOT ILLUSTRATED

HXL

24-11-51-15

BOEING PROPRIETARY - Copyright © - Unpublished Work - See title page for details.

24-11-51
FIG. 15
PAGE 2
DEC 22/06



767

PARTS CATALOG (MAINTENANCE)

FIG ITEM	PART NUMBER	1 2 3 4 5 6 7	NOMENCLATURE	EFFECT FROM TO	UNITS PER ASSY
15 20	H49674-3		.NUT- SUPPLIER CODE: V15653 CONFIG CHG DATA FROM A CMM: PRATT AND WHITNEY PART NO. AS3068-09 OPTIONAL PART: 776440 V77445 SL7061C1032 V11815 LH11973-3 V56878 73356-1032 V56878 AS3070-09		4
20	AS3070-09		.NUT- OPTIONAL PART: 776440 V77445 SL7061C1032 V11815 LH11973-3 V56878 H49674-3 V15653 73356-1032 V56878		4
20	73356-1032		.NUT- SUPPLIER CODE: V56878 CONFIG CHG DATA FROM A CMM: PRATT AND WHITNEY PART NO. AS3069-09 OPTIONAL PART: 776440 V77445 SL7061C1032 V11815 LH11973-3 V56878 H49674-3 V15653 AS3070-09		4

ILLUSTRATION ITEMS NOT ON PARTS LIST ARE NOT APPLICABLE

- ITEM NOT ILLUSTRATED

HXL

24-11-51-15

BOEING PROPRIETARY - Copyright © - Unpublished Work - See title page for details.

24-11-51
FIG. 15
PAGE 3
DEC 22/06



767

PARTS CATALOG (MAINTENANCE)

FIG ITEM	PART NUMBER	1 2 3 4 5 6 7	NOMENCLATURE	EFFECT FROM TO	UNITS PER ASSY
15 22	776440		.NUT- SUPPLIER CODE: V77445 CONFIG CHG DATA FROM A CMM: FOR INTRCHG SEE PW IPC OPTIONAL PART: SL7061C1032 V11815 LH11973-3 V56878 H49674-3 V15653 73356-1032 V56878 AS3070-09 POST SERVICE BULLETIN: 79-54 V77445		1
22	SL7061C1032		.NUT- SUPPLIER CODE: V11815 CONFIG CHG DATA FROM A CMM: PRATT AND WHITNEY PART NO. AS3066-09 FOR INTRCHG SEE PW IPC OPTIONAL PART: 776440 V77445 LH11973-3 V56878 H49674-3 V15653 73356-1032 V56878 AS3070-09 POST SERVICE BULLETIN: 79-54 V77445		1

ILLUSTRATION ITEMS NOT ON PARTS LIST ARE NOT APPLICABLE

- ITEM NOT ILLUSTRATED

HXL

24-11-51-15

BOEING PROPRIETARY - Copyright © - Unpublished Work - See title page for details.

24-11-51
FIG. 15
PAGE 4
DEC 22/06



767

PARTS CATALOG (MAINTENANCE)

FIG ITEM	PART NUMBER	1 2 3 4 5 6 7	NOMENCLATURE	EFFECT FROM TO	UNITS PER ASSY
15 22	LH11973-3		.NUT- SUPPLIER CODE: V56878 CONFIG CHG DATA FROM A CMM: PRATT AND WHITNEY PART NO. AS3067-09 FOR INTRCHG SEE PW IPC OPTIONAL PART: 776440 V77445 SL7061C1032 V11815 H49674-3 V15653 73356-1032 V56878 AS3070-09 POST SERVICE BULLETIN: 79-54 V77445		1
22	H49674-3		.NUT- SUPPLIER CODE: V15653 CONFIG CHG DATA FROM A CMM: PRATT AND WHITNEY PART NO. AS3068-09 FOR INTRCHG SEE PW IPC OPTIONAL PART: 776440 V77445 SL7061C1032 V11815 LH11973-3 V56878 73356-1032 V56878 AS3070-09 POST SERVICE BULLETIN: 79-54 V77445		1

ILLUSTRATION ITEMS NOT ON PARTS LIST ARE NOT APPLICABLE

- ITEM NOT ILLUSTRATED

HXL

24-11-51-15

BOEING PROPRIETARY - Copyright © - Unpublished Work - See title page for details.

24-11-51
FIG. 15
PAGE 5
DEC 22/06



767

PARTS CATALOG (MAINTENANCE)

FIG ITEM	PART NUMBER	1 2 3 4 5 6 7	NOMENCLATURE	EFFECT FROM TO	UNITS PER ASSY
15 22	AS3070-09		.NUT- CONFIG CHG DATA FROM A CMM: FOR INTRCHG SEE PW IPC OPTIONAL PART: 776440 V77445 SL7061C1032 V11815 LH11973-3 V56878 H49674-3 V15653 73356-1032 V56878 POST SERVICE BULLETIN: 79-54 V77445		1
22	73356-1032		.NUT- SUPPLIER CODE: V56878 CONFIG CHG DATA FROM A CMM: PRATT AND WHITNEY PART NO. AS3069-09 FOR INTRCHG SEE PW IPC OPTIONAL PART: 776440 V77445 SL7061C1032 V11815 LH11973-3 V56878 H49674-3 V15653 AS3070-09 POST SERVICE BULLETIN: 79-54 V77445		1
25	ST1435-12		.CLAMP-LOOP CUSHION SUPPLIER CODE: V77445 CONFIG CHG DATA FROM A CMM: FOR INTRCHG SEE PW IPC		6
30	389114		.PACKING- SUPPLIER CODE: V77445 CONFIG CHG DATA FROM A CMM: FOR INTRCHG SEE PW IPC		1

ILLUSTRATION ITEMS NOT ON PARTS LIST ARE NOT APPLICABLE

- ITEM NOT ILLUSTRATED

24-11-51-15

24-11-51
FIG. 15
PAGE 6
DEC 22/06

HXL



767

PARTS CATALOG (MAINTENANCE)

FIG ITEM	PART NUMBER	1 2 3 4 5 6 7	NOMENCLATURE	EFFECT FROM TO	UNITS PER ASSY
15					
35	354118		.RETAINER- SUPPLIER CODE: V77445 CONFIG CHG DATA FROM A CMM: FOR INTRCHG SEE PW IPC		1
40	AS3209-116		.PACKING- CONFIG CHG DATA FROM A CMM: FOR INTRCHG SEE PW IPC OPTIONAL PART: ST1946-116 V77445		1
40	ST1946-116		.PACKING- SUPPLIER CODE: V77445 CONFIG CHG DATA FROM A CMM: FOR INTRCHG SEE PW IPC OPTIONAL PART: AS3209-116		1
45	53T254-01		.TUBE ASSY-OIL COOLER INLET LS05 SUPPLIER CODE: V77445 CONFIG CHG DATA FROM A CMM: FOR INTRCHG SEE PW IPC OPTIONAL PART: V77445 V77445 POST SERVICE BULLETIN: 79-17 V77445		1
52	53T001-01		.TUBE ASSY-OIL AIRFRAME COOLER OUTLET LS03 SUPPLIER CODE: V77445 CONFIG CHG DATA FROM A CMM: FOR INTRCHG SEE PW IPC POST SERVICE BULLETIN: 79-13 V77445		1

ILLUSTRATION ITEMS NOT ON PARTS LIST ARE NOT APPLICABLE

- ITEM NOT ILLUSTRATED

HXL

24-11-51-15

BOEING PROPRIETARY - Copyright © - Unpublished Work - See title page for details.

24-11-51
FIG. 15
PAGE 7
DEC 22/06



767

PARTS CATALOG (MAINTENANCE)

FIG ITEM	PART NUMBER	1 2 3 4 5 6 7	NOMENCLATURE	EFFECT FROM TO	UNITS PER ASSY
15 55	53T002-01		.TUBE ASSY-OIL COOLER INLET SUPPLIER CODE: V77445 CONFIG CHG DATA FROM A CMM: FOR INTRCHG SEE PW IPC POST SERVICE BULLETIN: 79-13 V77445 PRE SERVICE BULLETIN: 72-321 V77445		1
55	54T101-01		.TUBE ASSY-OIL COOLER INLET SUPPLIER CODE: V77445 POST SERVICE BULLETIN: 72-321 V77445		1

ILLUSTRATION ITEMS NOT ON PARTS LIST ARE NOT APPLICABLE

- ITEM NOT ILLUSTRATED

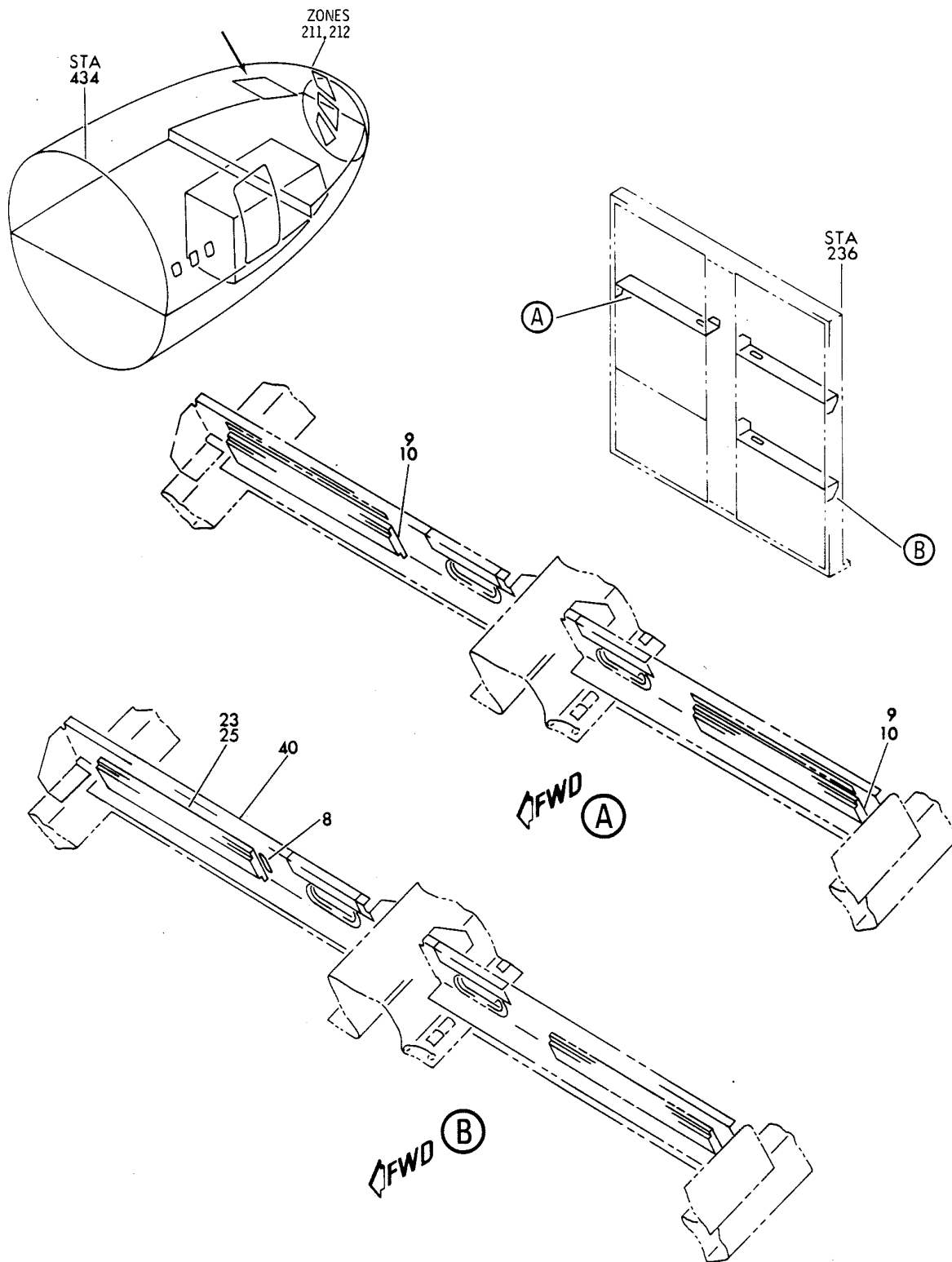
HXL

24-11-51-15

BOEING PROPRIETARY - Copyright © - Unpublished Work - See title page for details.

24-11-51
FIG. 15
PAGE 8
DEC 22/06

BOEING
767
PARTS CATALOG (MAINTENANCE)



V 24115201 SHT 1 REV 076

PANEL ASSY-P11 PILOTS CB (GENERATOR DRIVE SYSTEM ONLY)
FIGURE 1

24-11-52-01

HXL
DEC 22/06

24-11-52-01
PAGE 0

BOEING
767
PARTS CATALOG (MAINTENANCE)

FIG ITEM	PART NUMBER	1 2 3 4 5 6 7	NOMENCLATURE	EFFECT FROM TO	UNITS PER ASSY
1			PANEL ASSY-P11 PILOTS CB (GENERATOR DRIVE SYSTEM ONLY)		
- 4	233T5216-84		PANEL ASSY-P11 PILOTS CB SPLIT PANEL WITH OVER WATER CAPABILITY (GENERATOR DRIVE SYSTEM ONLY) FOR NHA/OTHER SYS DET SEE: 25-17-51-03		RF
8	BAC27TFDE0205		.DECAL-TB5152		1
9	MS18029-2S16		.COVER ASSY		2
10	MS27212-2-16		.TERMINAL BOARD ASSY- ELECTRICAL EQUIP NUMBER: TB5020 TB5022		2
- 15	NAS1801-04-6		ATTACHING PARTS		8
- 20	BRH10A04		.SCREW- .NUT SUPPLIER CODE: V52828 SPECIFICATION NUMBER: BACN10JCO4 OPTIONAL PART: NS202101-40 V80539 RMLH9075-40W V72962 VN303A40 V92215 96-40 V80539 T6S440J V11815 H10-04BAC V15653 -----*-----		8
23	MS18029-2S10		.COVER ASSY		1
25	MS27212-2-10		.TERMINAL BOARD ASSY- ELECTRICAL EQUIP NUMBER: TB5152		1
- 30	NAS1801-04-6		ATTACHING PARTS .SCREW-		2

ILLUSTRATION ITEMS NOT ON PARTS LIST ARE NOT APPLICABLE

- ITEM NOT ILLUSTRATED

HXL

24-11-52-01

BOEING PROPRIETARY - Copyright © - Unpublished Work - See title page for details.

24-11-52
FIG. 01
PAGE 1
DEC 22/07



767

PARTS CATALOG (MAINTENANCE)

FIG ITEM	PART NUMBER	1 2 3 4 5 6 7 NOMENCLATURE	EFFECT FROM TO	UNITS PER ASSY
1 - 35	BRH10A04	.NUT SUPPLIER CODE: V52828 SPECIFICATION NUMBER: BACN10JCO4 OPTIONAL PART: NS202101-40 V80539 RMLH9075-40W V72962 VN303A40 V92215 96-40 V80539 T6S440J V11815 H10-04BAC V15653 -----*-----		2

ILLUSTRATION ITEMS NOT ON PARTS LIST ARE NOT APPLICABLE

- ITEM NOT ILLUSTRATED

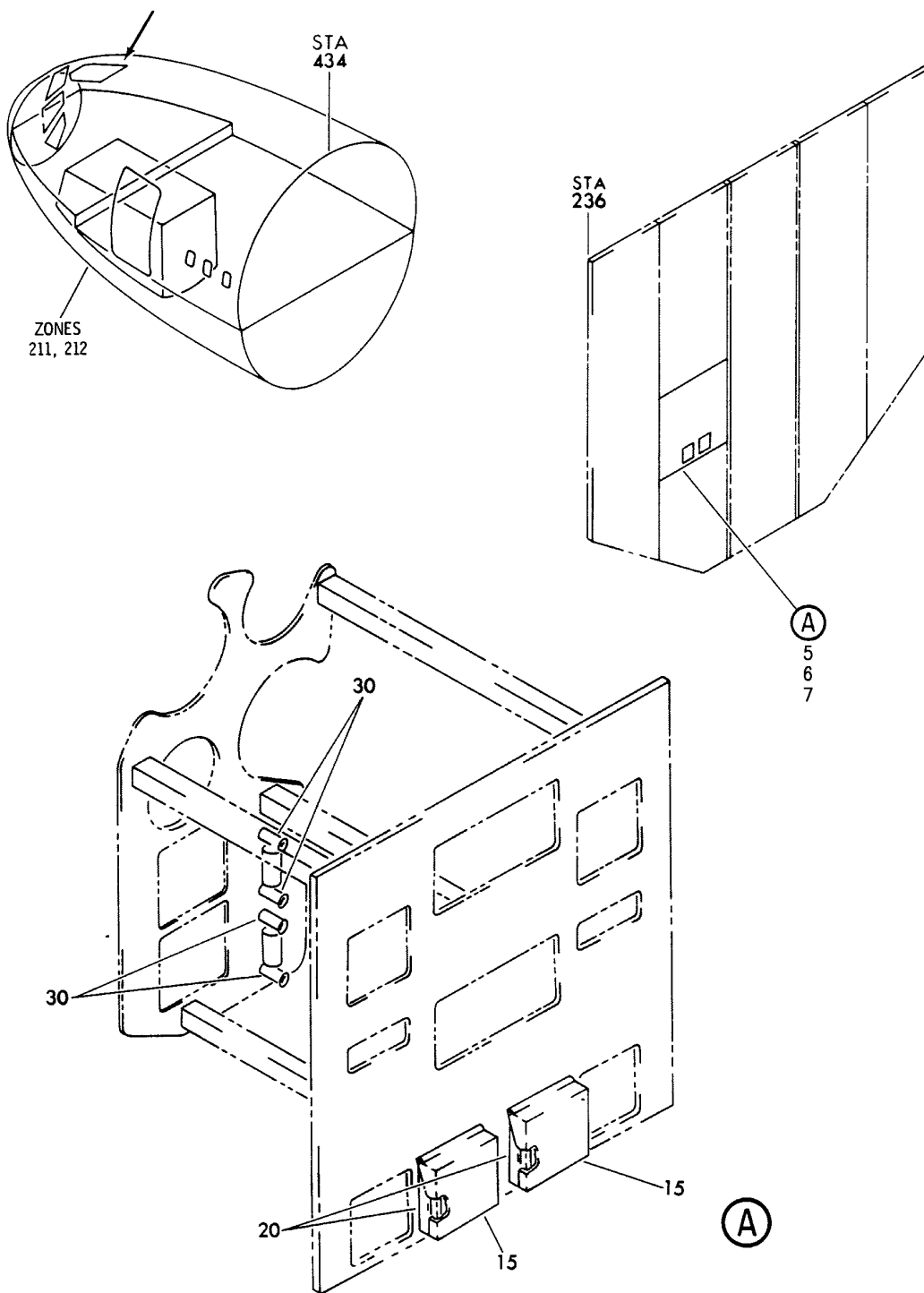
HXL

24-11-52-01

BOEING PROPRIETARY - Copyright © - Unpublished Work - See title page for details.

24-11-52
 FIG. 01
 PAGE 2
 DEC 22/07

BOEING
767
PARTS CATALOG (MAINTENANCE)



V 24115401 REV 283

PANEL INSTL-OVHD (GENERATOR DRIVE SYSTEM ONLY)
FIGURE 1

24-11-54-01

HXL
APR 22/08

24-11-54-01
PAGE 0

BOEING
767
PARTS CATALOG (MAINTENANCE)

FIG ITEM	PART NUMBER	1 2 3 4 5 6 7	NOMENCLATURE	EFFECT FROM TO	UNITS PER ASSY
1			PANEL INSTL-OVHD (GENERATOR DRIVE SYSTEM ONLY)		
- 1	233T3100-1		PANEL INSTL-OVHD (GENERATOR DRIVE SYSTEM ONLY)		RF
- 1	233T3100-1		VARIABLE DRAWING REF: 233T3100-5048 PANEL INSTL-OVHD (GENERATOR DRIVE SYSTEM ONLY)		RF
5	233T3100-275		FOR NHA/OTHER SYS DET SEE: 25-10-00-03 .PANEL ASSY-ELEC SYS COMPONENT MAINT MANUAL REF: 24-22-71 PRE SERVICE BULLETIN: 24-0152 PRE ALERT SB: 33A0087R1		RF
6	233N3209-1300		.PANEL ASSY-ELEC SYS SUPPLIER CODE: V89954 ELECTRICAL EQUIP NUMBER: M10063 COMPONENT MAINT MANUAL REF: 24-22-71 PRE SERVICE BULLETIN: 24-0152 POST ALERT SB: 33A0087R1 POST COMPONENT SB: 233N3209-24-03R1		RF
7	233N6252-13		.PANEL ASSY-ELEC SYS ELECTRICAL EQUIP NUMBER: M10063 COMPONENT MAINT MANUAL REF: 24-22-71 POST SERVICE BULLETIN: 24-0152	163999	RF
- 10	233N3209-12		..PANEL ASSY- SUPPLIER CODE: V89954 ELECTRICAL EQUIP NUMBER: M10063 COMPONENT MAINT MANUAL REF: 24-22-71 USED ON: 233T3100-125		1

R
R
R
R
R
R

ILLUSTRATION ITEMS NOT ON PARTS LIST ARE NOT APPLICABLE

- ITEM NOT ILLUSTRATED

HXL

24-11-54-01

BOEING PROPRIETARY - Copyright © - Unpublished Work - See title page for details.

24-11-54
FIG. 01
PAGE 1
AUG 22/09



767

PARTS CATALOG (MAINTENANCE)

FIG ITEM	PART NUMBER	1 2 3 4 5 6 7	NOMENCLATURE	EFFECT FROM TO	UNITS PER ASSY
1					
- 10	233N3209-14		..PANEL ASSY- SUPPLIER CODE: V89954 ELECTRICAL EQUIP NUMBER: M10063 COMPONENT MAINT MANUAL REF: 24-22-71 USED ON: 233T3100-158		1
- 10	233N3209-18		..PANEL ASSY- SUPPLIER CODE: V89954 ELECTRICAL EQUIP NUMBER: M10063 COMPONENT MAINT MANUAL REF: 24-22-71 USED ON: 233T3100-216		1
- 10	233N3209-19		..PANEL ASSY- SUPPLIER CODE: V89954 ELECTRICAL EQUIP NUMBER: M10063 COMPONENT MAINT MANUAL REF: 24-22-71 USED ON: 233T3100-217		1
- 10	233N3209-22		..PANEL ASSY- SUPPLIER CODE: V89954 ELECTRICAL EQUIP NUMBER: M10063 COMPONENT MAINT MANUAL REF: 24-22-71 USED ON: 233T3100-234		1
- 10	233N3209-23		..PANEL ASSY- SUPPLIER CODE: V89954 ELECTRICAL EQUIP NUMBER: M10063 COMPONENT MAINT MANUAL REF: 24-22-71 USED ON: 233T3100-235		1
ILLUSTRATION ITEMS NOT ON PARTS LIST ARE NOT APPLICABLE					

- ITEM NOT ILLUSTRATED

24-11-54-01

24-11-54
FIG. 01
PAGE 2
APR 22/09

HXL



767

PARTS CATALOG (MAINTENANCE)

FIG ITEM	PART NUMBER	1 2 3 4 5 6 7	NOMENCLATURE	EFFECT FROM TO	UNITS PER ASSY
R R	1 - 10	233N3209-25	.. PANEL ASSY- SUPPLIER CODE: V89954 MISCELLANEOUS DATA: 233N3209-300 PANEL ASSY IS I/W 233N3209-25 PANEL ASSY T/W S233T100-6004 LIGHTPLATE ELECTRICAL EQUIP NUMBER: M10063 COMPONENT MAINT MANUAL REF: 24-22-71 QUALIFIED I/W DATA: 233N3209-25 I/W -29 EXCEPT SUBJECT TO CUSTOMER PREFERENCE USED ON: 233T3100-275 PRE SERVICE BULLETIN: 24-0152 PRE ALERT SB: 33A0087 PRE COMPONENT SB: 233N3209-24-03		1
	- 10	233N3209-28	.. PANEL ASSY- SUPPLIER CODE: V89954 MISCELLANEOUS DATA: (233N3209-302 PANEL ASSY IS I/W 233N3209-28 PANEL ASSY T/W S233T100-6004 LIGHTPLATE) ELECTRICAL EQUIP NUMBER: M10063 COMPONENT MAINT MANUAL REF: 24-22-71 USED ON: 233T3100-332		1

ILLUSTRATION ITEMS NOT ON PARTS LIST ARE NOT APPLICABLE

- ITEM NOT ILLUSTRATED

24-11-54-01

24-11-54
FIG. 01
PAGE 3
AUG 22/09

HXL



767

PARTS CATALOG (MAINTENANCE)

FIG ITEM	PART NUMBER	1 2 3 4 5 6 7	NOMENCLATURE	EFFECT FROM TO	UNITS PER ASSY
1					
- 10	233N3209-29		<p>..PANEL ASSY- SUPPLIER CODE: V89954 MISCELLANEOUS DATA: (233N3209-303 PANEL ASSY IS I/W 233N3209-29 PANEL ASSY T/W S233T100-6004 LIGHTPLATE) ELECTRICAL EQUIP NUMBER: M10063 COMPONENT MAINT MANUAL REF: 24-22-71 QUALIFIED I/W DATA: 233N3209-25 I/W -29 EXCEPT SUBJECT TO CUSTOMER PREFERENCE USED ON: 233T3100-288</p>		1
- 10	233N3209-41		<p>..PANEL ASSY- SUPPLIER CODE: V89954 MISCELLANEOUS DATA: (THE 233N3209-305 PANEL ASSY IS I/W THE 233N3209-41 PANEL ASSY T/W THE S233T100-6004 LIGHTPLATE) FOR SPARES PROCURE THE NEXT HIGHER ASSY ELECTRICAL EQUIP NUMBER: M10063 COMPONENT MAINT MANUAL REF: 24-22-71</p>		1
- 10	233N3209-1025		<p>..PANEL ASSY- SUPPLIER CODE: V89954 ELECTRICAL EQUIP NUMBER: M10063 COMPONENT MAINT MANUAL REF: 24-22-71 USED ON: 233T3100-275 233N3209-1300 PRE SERVICE BULLETIN: 24-0152 POST ALERT SB: 33A0087 POST COMPONENT SB: 233N3209-24-03</p>		1

ILLUSTRATION ITEMS NOT ON PARTS LIST ARE NOT APPLICABLE

- ITEM NOT ILLUSTRATED

HXL

24-11-54-01

BOEING PROPRIETARY - Copyright © - Unpublished Work - See title page for details.

24-11-54
 FIG. 01
 PAGE 4
 APR 22/09



767

PARTS CATALOG (MAINTENANCE)

FIG ITEM	PART NUMBER	1 2 3 4 5 6 7	NOMENCLATURE	EFFECT FROM TO	UNITS PER ASSY
1					
- 12	233N3209-50		.. PANEL ASSY- SUPPLIER CODE: V89954 MISCELLANEOUS DATA: FOR SPARES PROCURE THE NEXT HIGHER ASSY ELECTRICAL EQUIP NUMBER: M10063 COMPONENT MAINT MANUAL REF: 24-22-71		1
- 12	233N6252-10		.. PANEL ASSY- ELECTRICAL EQUIP NUMBER: M10063 POST SERVICE BULLETIN: 24-0152	163999	1
15	851-30768-812		... GUARD-SWITCH SUPPLIER CODE: V96182 SPECIFICATION NUMBER: S231T290-812 USED ON: 233N3209-12 233N3209-14		2
15	851-30768-802		... GUARD-SWITCH SUPPLIER CODE: V96182 SPECIFICATION NUMBER: S231T290-802 USED ON: 233N3209-12 233N3209-14		2

ILLUSTRATION ITEMS NOT ON PARTS LIST ARE NOT APPLICABLE

- ITEM NOT ILLUSTRATED

HXL

24-11-54-01

BOEING PROPRIETARY - Copyright © - Unpublished Work - See title page for details.

24-11-54
FIG. 01
PAGE 5
APR 22/09



767

PARTS CATALOG (MAINTENANCE)

FIG ITEM	PART NUMBER	1 2 3 4 5 6 7	NOMENCLATURE	EFFECT FROM TO	UNITS PER ASSY
1 15	433-100-003		... GUARD-SWITCH SUPPLIER CODE: V81590 SPECIFICATION NUMBER: S231T290-822 USED ON: 233N3209-18 233N3209-19 233N3209-22 233N3209-23 233N3209-24 233N3209-25 233N3209-28 233N3209-29 233N3209-34 233N3209-41 233N3209-1018 233N3209-1019 233N3209-1022 233N3209-1023 233N3209-1025 233N3209-1028 233N3209-1029 233N3209-1041		2

ILLUSTRATION ITEMS NOT ON PARTS LIST ARE NOT APPLICABLE

- ITEM NOT ILLUSTRATED

HXL

24-11-54-01

BOEING PROPRIETARY - Copyright © - Unpublished Work - See title page for details.

24-11-54
FIG. 01
PAGE 6
APR 22/09



767

PARTS CATALOG (MAINTENANCE)

FIG ITEM	PART NUMBER	1 2 3 4 5 6 7 NOMENCLATURE	EFFECT FROM TO	UNITS PER ASSY
1 20	BCREF7603	<p>...SWITCH ASSY-LIGHTED PUSH BUTTON IND DRIVE SUPPLIER CODE: V81590 OVERLENGTH PART NUMBER: 433-673-1001-1007 SPECIFICATION NUMBER: S231T290-1007 MISCELLANEOUS DATA: WHEN REPLACING THE PUSHBUTTON SWITCH ASSY OR THE MASTER MODULE WITHIN, VERIFY THAT A CONFIG D MASTER MODULE P/N 13202-001 IS INSTALLED IN LIEU OF ANY EARLIER CONFIGURATION MASTER MODULES. USED ON: 233N3209-18 233N3209-19 233N3209-22 233N3209-23 233N3209-24 233N3209-1018 233N3209-1019 233N3209-1022 233N3209-1023 REWORKED BY COMPONENT SB: 233N3209-24-03 FOR DETAILS SEE: 33-13-75-11</p>		2

ILLUSTRATION ITEMS NOT ON PARTS LIST ARE NOT APPLICABLE

- ITEM NOT ILLUSTRATED

HXL

24-11-54-01

BOEING PROPRIETARY - Copyright © - Unpublished Work - See title page for details.

24-11-54
 FIG. 01
 PAGE 7
 DEC 22/07



767

PARTS CATALOG (MAINTENANCE)

FIG ITEM	PART NUMBER	1 2 3 4 5 6 7 NOMENCLATURE	EFFECT FROM TO	UNITS PER ASSY
1 20	BCREFA0502	<p>...SWITCH ASSY-LIGHTED PUSH BUTTON IND DRIVE SUPPLIER CODE: V81590 OVERLENGTH PART NUMBER: 433-673-1004-4007 SPECIFICATION NUMBER: S231T290-4007 MISCELLANEOUS DATA: WHEN REPLACING THE PUSHBUTTON SWITCH ASSY OR THE MASTER MODULE WITHIN, VERIFY THAT A CONFIG D MASTER MODULE P/N 13202-001 IS INSTALLED IN LIEU OF ANY EARLIER CONFIGURATION MASTER MODULES. OPTIONAL PART: S231T290-5007 USED ON: 233N3209-25 233N3209-28 233N3209-29 233N3209-34 233N3209-41 233N3209-1025 233N3209-1028 233N3209-1029 233N3209-1041 REWORKED BY COMPONENT SB: 233N3209-24-03 FOR DETAILS SEE: 33-13-75-34</p>		2

ILLUSTRATION ITEMS NOT ON PARTS LIST ARE NOT APPLICABLE

- ITEM NOT ILLUSTRATED

HXL

24-11-54-01

BOEING PROPRIETARY - Copyright © - Unpublished Work - See title page for details.

24-11-54
 FIG. 01
 PAGE 8
 DEC 22/07



767

PARTS CATALOG (MAINTENANCE)

FIG ITEM	PART NUMBER	1 2 3 4 5 6 7 NOMENCLATURE	EFFECT FROM TO	UNITS PER ASSY
1 20	851-30768-2007	...SWITCH ASSY-LIGHTED PUSH BUTTON IND DRIVE SUPPLIER CODE: V96182 SPECIFICATION NUMBER: S231T290-2007 QUALIFIED I/W DATA: 851-30768-2007 TOGETHER WITH 851-30768-802 OR -812 OR 433-100-003 SWITCHGUARD I/W BCREFA0502 851-30768-3007 BCREFA0502 S231T290-5007 TOGETHER WITH 433-100-003 SWITCHGUARD USED ON: 233N3209-12 233N3209-14 FOR DETAILS SEE: 33-13-75-01		2

ILLUSTRATION ITEMS NOT ON PARTS LIST ARE NOT APPLICABLE

- ITEM NOT ILLUSTRATED

HXL

24-11-54-01

BOEING PROPRIETARY - Copyright © - Unpublished Work - See title page for details.

24-11-54
 FIG. 01
 PAGE 9
 DEC 22/07



767

PARTS CATALOG (MAINTENANCE)

FIG ITEM	PART NUMBER	1 2 3 4 5 6 7 NOMENCLATURE	EFFECT FROM TO	UNITS PER ASSY
1 20	851-30768-3007	...SWITCH ASSY-LIGHTED PUSH BUTTON IND DRIVE SUPPLIER CODE: V96182 SPECIFICATION NUMBER: S231T290-3007 QUALIFIED I/W DATA: 851-30768-2007 TOGETHER WITH 851-30768-802 -812 OR 433-200-003 SWITCHGUARD I/W BCREFA0502 OR S231T290-5007 TOGETHER WITH 433-100-003 SWITCHGUARD USED ON: 233N3209-12 233N3209-18 233N3209-19 233N3209-22 233N3209-23 233N3209-24 233N3209-1018 233N3209-1019 233N3209-1022 233N3209-1023 FOR DETAILS SEE: 33-13-75-21		2

ILLUSTRATION ITEMS NOT ON PARTS LIST ARE NOT APPLICABLE

- ITEM NOT ILLUSTRATED

HXL

24-11-54-01

BOEING PROPRIETARY - Copyright © - Unpublished Work - See title page for details.

24-11-54
 FIG. 01
 PAGE 10
 DEC 22/07



767

PARTS CATALOG (MAINTENANCE)

FIG ITEM	PART NUMBER	1 2 3 4 5 6 7	NOMENCLATURE	EFFECT FROM TO	UNITS PER ASSY
1	20 S231T290-5007		...SWITCH ASSY-LIGHTED PUSH BUTTON IND DRIVE QUALIFIED I/W DATA: 851-30768-2007 TOGETHER WITH 851-30768-802 -812 OR 433-200-003 SWITCHGUARD I/W BCREFA0502 851-30768-3007 BCREFA0502 OR S231T290-5007 TOGETHER WITH 433-100-003 SWITCHGUARD 851-30768-2007 TOGETHER WITH 851-30768-802 -812 OR 433-200-003 SWITCHGUARD I/W BCREFA0502 851-30768-3007 BCREFA0502 OR S231T290-5007 TOGETHER WITH 433-100-003 SWITCHGUARD OPTIONAL PART: BCREFA0502 V81590 USED ON: 233N3209-25 233N3209-28 233N3209-34 233N3209-1025 233N3209-1028		2
30	4443B9		...TERMINAL- SUPPLIER CODE: V88245		4

ILLUSTRATION ITEMS NOT ON PARTS LIST ARE NOT APPLICABLE

- ITEM NOT ILLUSTRATED

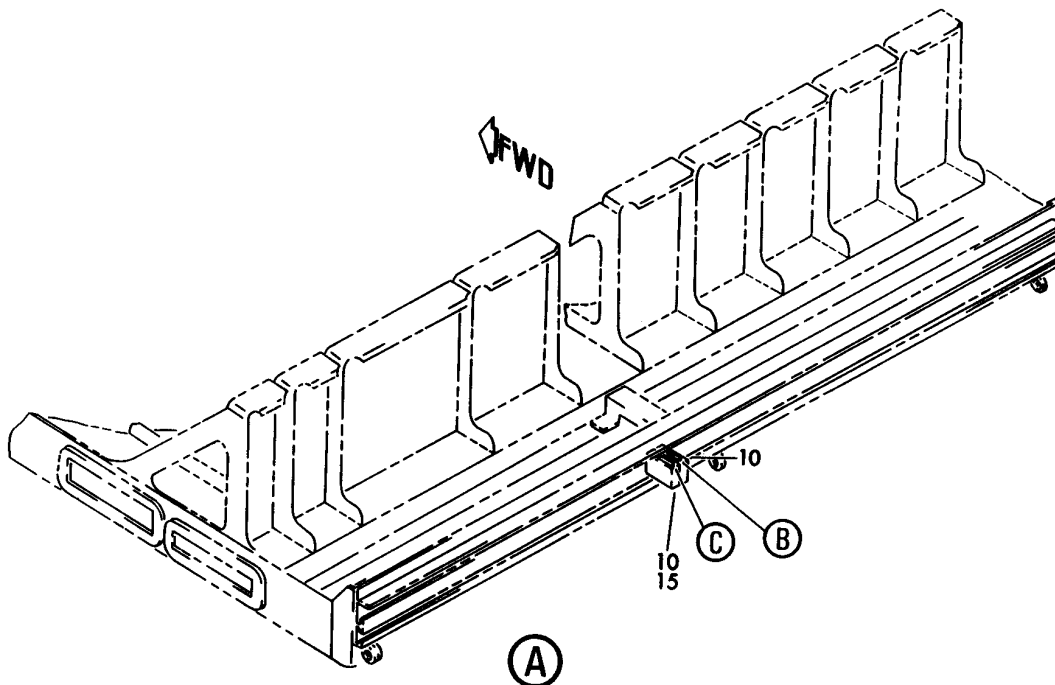
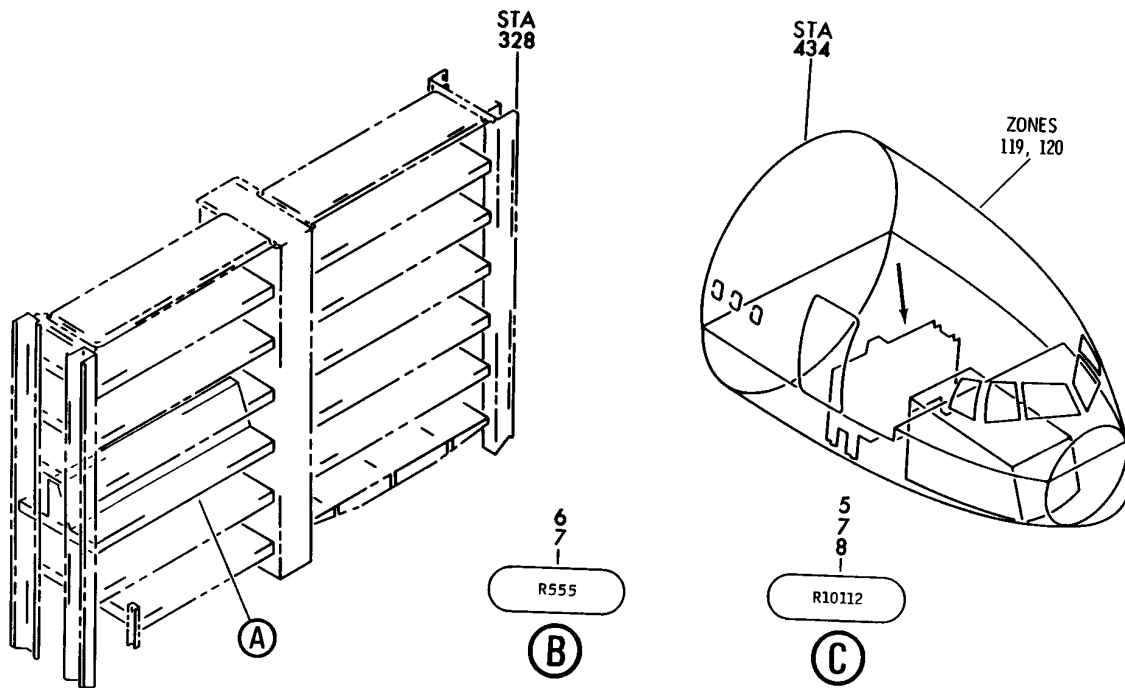
HXL

24-11-54-01

BOEING PROPRIETARY - Copyright © - Unpublished Work - See title page for details.

24-11-54
 FIG. 01
 PAGE 11
 DEC 22/07

BOEING
767
PARTS CATALOG (MAINTENANCE)



V 24115501 REV 162

SHELF ASSY-ELECTRONIC EQPT CTR E2-4 (ELECTRICAL POWER ONLY)
FIGURE 1

24-11-55-01

HXL
DEC 22/06

24-11-55-01
PAGE 0



767

PARTS CATALOG (MAINTENANCE)

FIG ITEM	PART NUMBER	1 2 3 4 5 6 7	NOMENCLATURE	EFFECT FROM TO	UNITS PER ASSY
1			SHELF ASSY-ELECTRONIC EQPT CTR E2-4 (ELECTRICAL POWER ONLY)		
- 3	284T0124-68		SHELF ASSY-ELECTRONIC EQPT CTR E2-4 (ELECTRICAL POWER ONLY) FOR NHA/OTHER SYS DET SEE: 53-11-64-01B	155162	RF
- 3	284T0124-84		SHELF ASSY-ELECTRONIC EQPT CTR E2-4 (ELECTRICAL POWER ONLY) FOR NHA/OTHER SYS DET SEE: 53-11-64-01B	163999	RF
7	BAC27TEX3285		.DECALSET-(INCLUDES DECALS IDENTIFIED ON THE ILLUSTRATION)		RF
15	YHLZR30		.RESISTOR- SUPPLIER CODE: V09922 ELECTRICAL EQUIP NUMBER: R10112		1

ILLUSTRATION ITEMS NOT ON PARTS LIST ARE NOT APPLICABLE

- ITEM NOT ILLUSTRATED

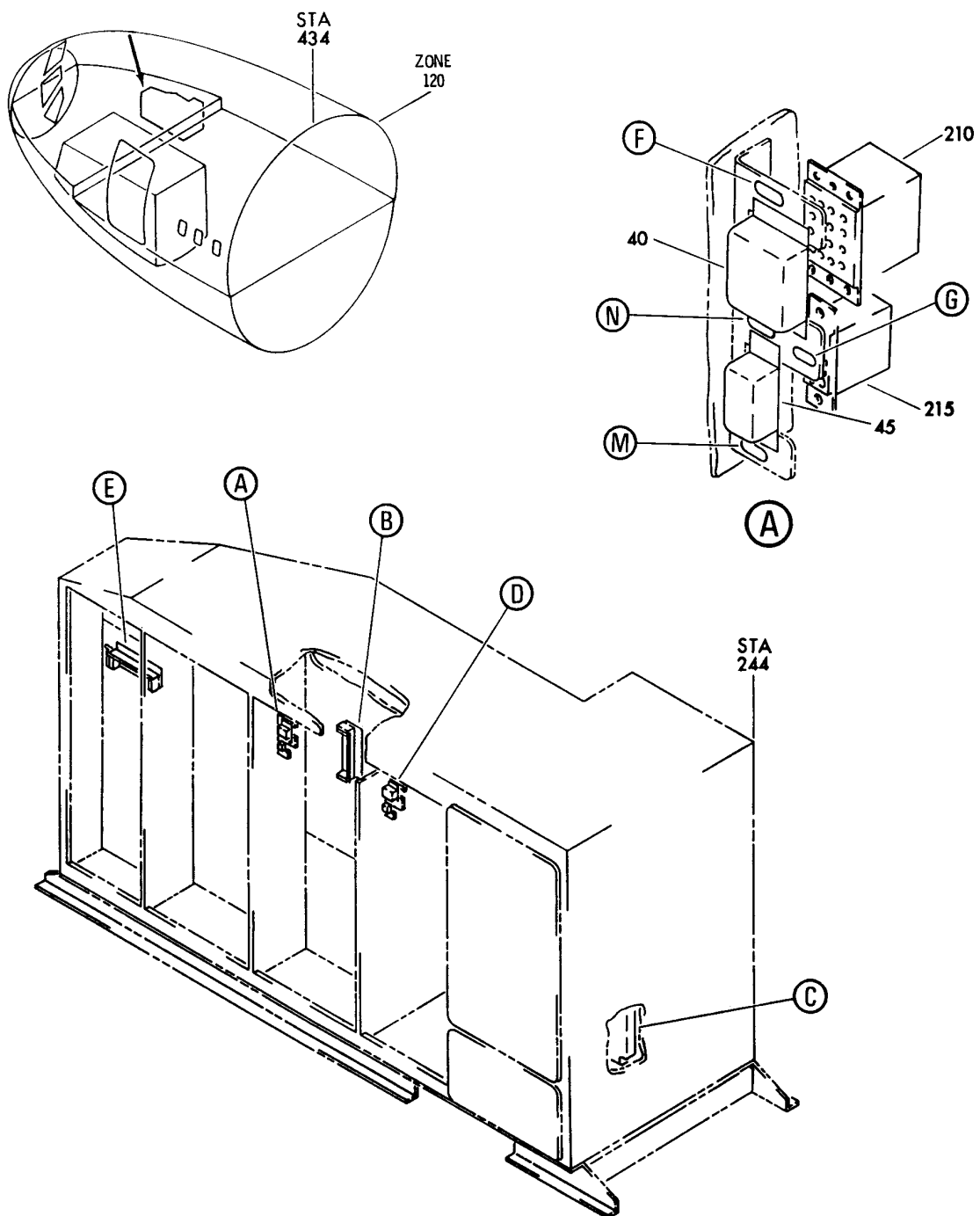
HXL

24-11-55-01

BOEING PROPRIETARY - Copyright © - Unpublished Work - See title page for details.

24-11-55
FIG. 01
PAGE 1
DEC 22/07

BOEING
767
PARTS CATALOG (MAINTENANCE)



V 24115601 SHT 1 REV 171

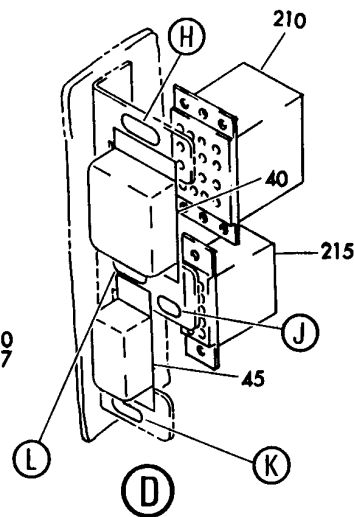
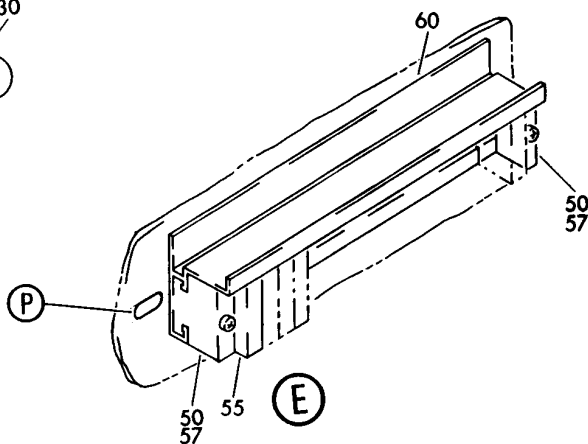
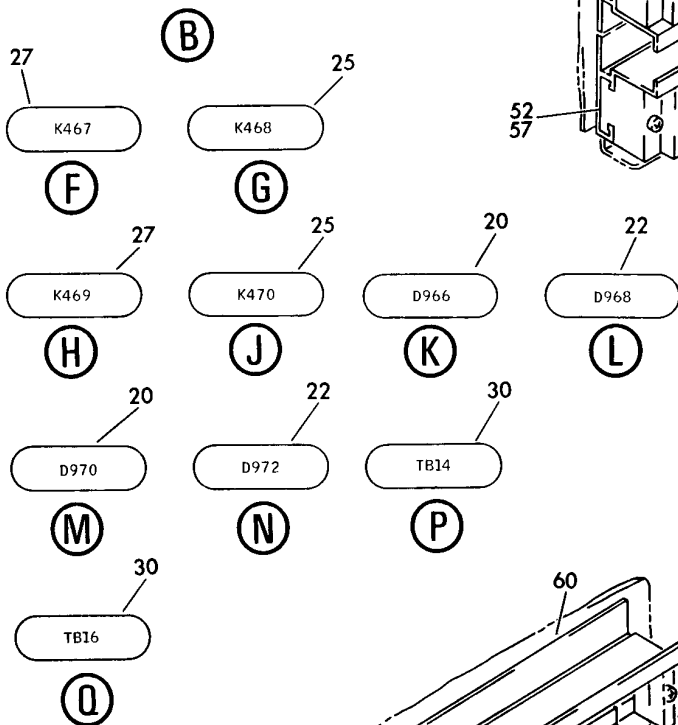
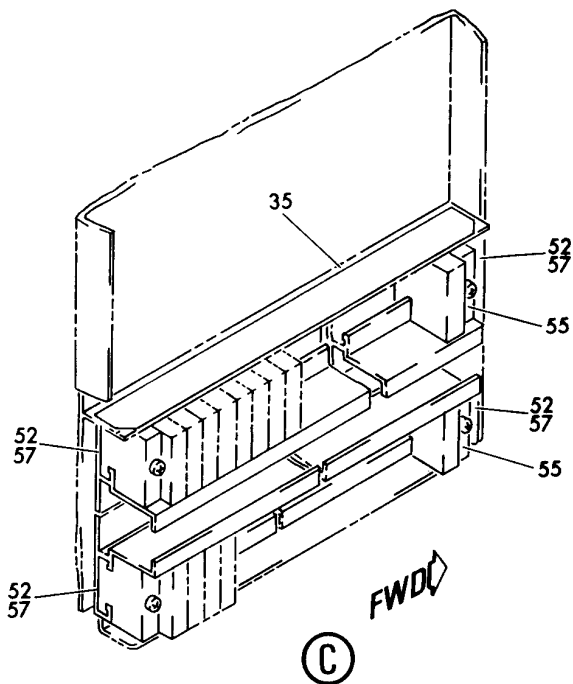
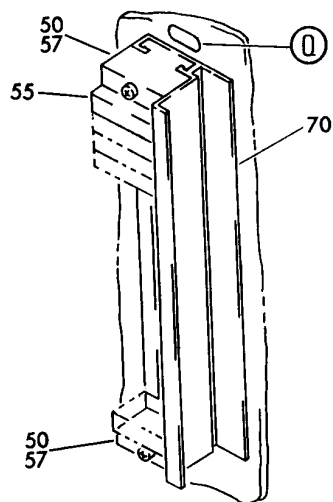
EQUIPMENT ASSY-MAIN PWR DISTR P6 PNL (GENERATOR DRIVE SYSTEM ONLY)
FIGURE 1 (SHEET 1)

24-11-56-01

HXL
DEC 22/06

24-11-56-01
PAGE 0

BOEING
767
PARTS CATALOG (MAINTENANCE)



V 24115601 SHT 2 REV 171

EQUIPMENT ASSY-MAIN PWR DISTR P6 PNL (GENERATOR DRIVE SYSTEM ONLY)
FIGURE 1 (SHEET 2)

24-11-56-01

HXL
DEC 22/06

24-11-56-01
PAGE 0A

BOEING
767
PARTS CATALOG (MAINTENANCE)

FIG ITEM	PART NUMBER	1 2 3 4 5 6 7	NOMENCLATURE	EFFECT FROM TO	UNITS PER ASSY
1			EQUIPMENT ASSY-MAIN PWR DISTR P6 PNL (GENERATOR DRIVE SYSTEM ONLY)		
- 7	284T0997-147		EQUIPMENT ASSY-MAIN PWR DISTR P6 PNL (GENERATOR DRIVE SYSTEM ONLY) FOR NHA/OTHER SYS DET SEE: 25-10-53-01	163163	RF
- 10	284T0997-175		EQUIPMENT ASSY-MAIN PWR DISTR P6 PNL (GENERATOR DRIVE SYSTEM ONLY) FOR NHA/OTHER SYS DET SEE: 25-10-53-01	155162	RF
- 11	284T0997-184		EQUIPMENT ASSY-MAIN PWR DISTR P6 PNL (GENERATOR DRIVE SYSTEM ONLY) FOR NHA/OTHER SYS DET SEE: 25-10-53-01	164999	RF
	30 BAC27TEX3740		.DECALSET-INCLUDES DECALS IDENTIFIED ON THE ILLUSTRATION		1
	35 BAC27TEX4504		.DECAL- PLACARD CONTENT: TB0018 NEAR ROW TB0022 FAR ROW 22 THRU 1		1
R 50	BACC49A1		.CLAMP ASSY-		AR
52	H49-2		.CLAMP ASSY SUPPLIER CODE: V34941 SPECIFICATION NUMBER: BACC49A2 OPTIONAL PART: MF104-2 V6E102		AR
	55 H21-1		.SPACER SUPPLIER CODE: V34941 SPECIFICATION NUMBER: BACS18AR1 OPTIONAL PART: FAB276A V15805 YHLZ1C2 V09922		4
	60 284T1075-1		.TRACK- ELECTRICAL EQUIP NUMBER: TB0014		1

ILLUSTRATION ITEMS NOT ON PARTS LIST ARE NOT APPLICABLE

- ITEM NOT ILLUSTRATED

HXL

24-11-56-01

BOEING PROPRIETARY - Copyright © - Unpublished Work - See title page for details.

24-11-56
FIG. 01
PAGE 1
AUG 22/09



767

PARTS CATALOG (MAINTENANCE)

FIG ITEM	PART NUMBER	1 2 3 4 5 6 7	NOMENCLATURE	EFFECT FROM TO	UNITS PER ASSY
1					
- 65	NAS1801-08-8		ATTACHING PARTS .SCREW -----*-----		3
70	284T1075-2		.TRACK- ELECTRICAL EQUIP NUMBER: TB0016		1
- 75	NAS1801-08-8		ATTACHING PARTS .SCREW -----*-----		2

ILLUSTRATION ITEMS NOT ON PARTS LIST ARE NOT APPLICABLE

- ITEM NOT ILLUSTRATED

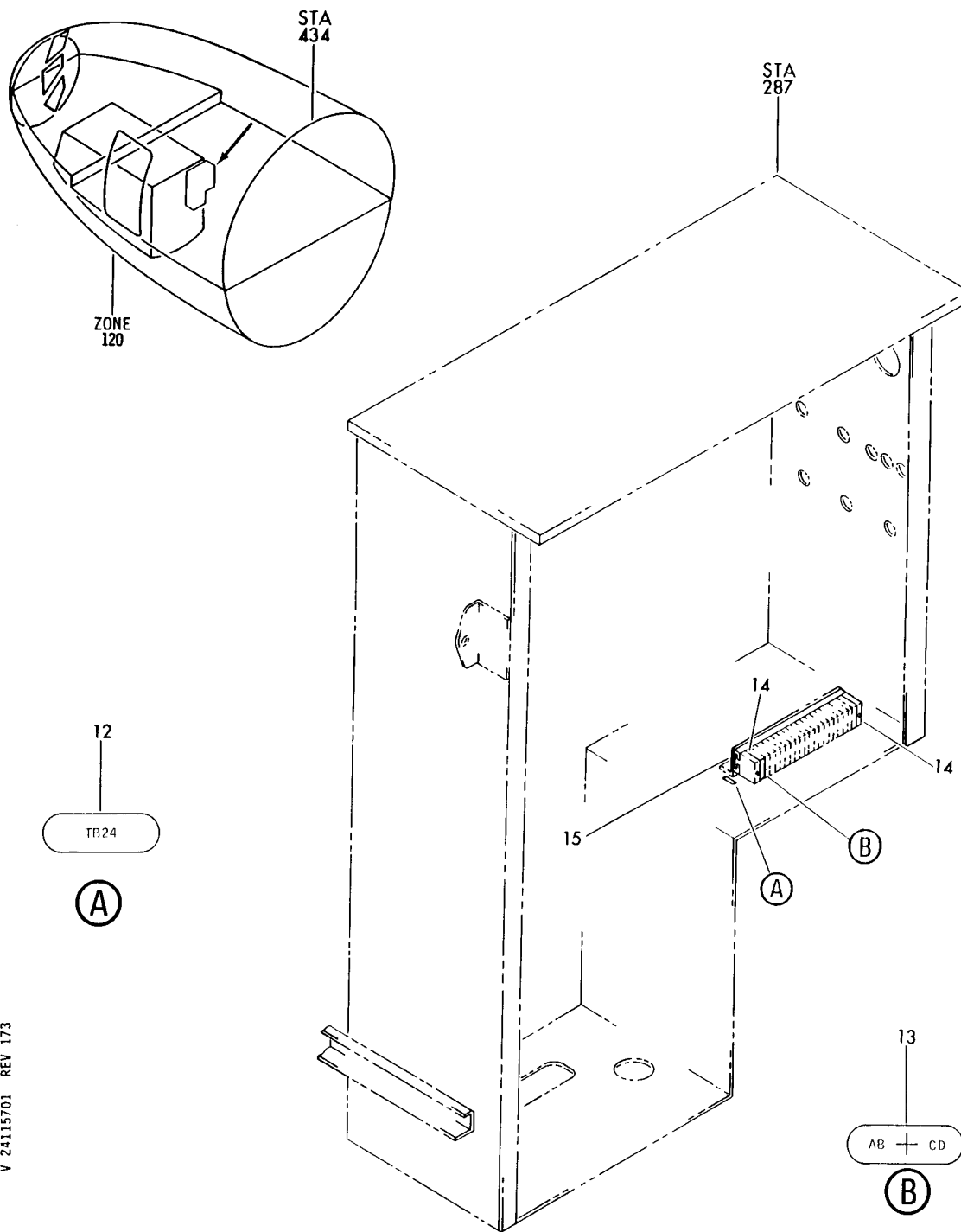
HXL

24-11-56-01

BOEING PROPRIETARY - Copyright © - Unpublished Work - See title page for details.

24-11-56
FIG. 01
PAGE 2
AUG 22/09

BOEING
767
PARTS CATALOG (MAINTENANCE)



V 24115701 REV 173

EQUIPMENT ASSY-P34 APU/EXT PWR PNL (GENERATOR DRIVE SYSTEM ONLY)
FIGURE 1

24-11-57-01

HXL
DEC 22/06

24-11-57-01
PAGE 0



767

PARTS CATALOG (MAINTENANCE)

FIG ITEM	PART NUMBER	1 2 3 4 5 6 7	NOMENCLATURE	EFFECT FROM TO	UNITS PER ASSY
1			EQUIPMENT ASSY-P34 APU/EXT PWR PNL (GENERATOR DRIVE SYSTEM ONLY)		
- 5	284T0175-83		EQUIPMENT ASSY-P34 APU/EXT PWR PNL (GENERATOR DRIVE SYSTEM ONLY) FOR NHA/OTHER SYS DET SEE: 53-11-70-02		RF
12	BAC27TEX3706		.DECALSET-INCLUDES DECALS IDENTIFIED ON THE ILLUSTRATION		1
13	BAC27TEX3806		.DECAL		1
14	H49-2		.CLAMP ASSY- SUPPLIER CODE: V34941 SPECIFICATION NUMBER: BACC49A2 OPTIONAL PART: MF104-2 V6E102		2
15	284T0914-1		.TRACK-TERM. BLK MODULE ELECTRICAL EQUIP NUMBER: TB0024		1
- 20	NAS1801-3-8		ATTACHING PARTS .SCREW -----*-----		2

ILLUSTRATION ITEMS NOT ON PARTS LIST ARE NOT APPLICABLE

- ITEM NOT ILLUSTRATED

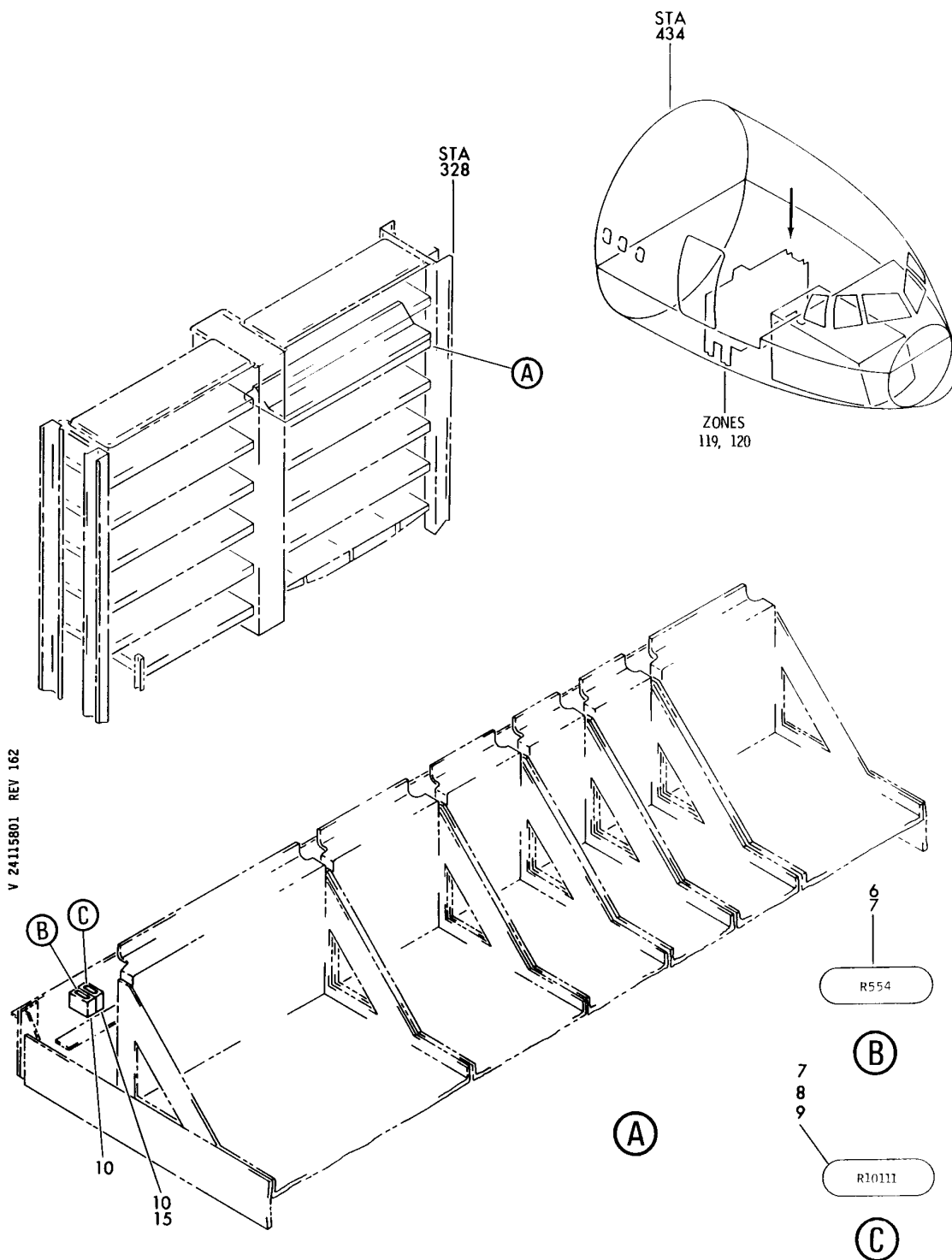
HXL

24-11-57-01

BOEING PROPRIETARY - Copyright © - Unpublished Work - See title page for details.

24-11-57
FIG. 01
PAGE 1
DEC 22/07

BOEING
767
PARTS CATALOG (MAINTENANCE)



SHELF ASSY-ELECTRONIC EQPT CTR E1-2 (ELECTRICAL POWER ONLY)
FIGURE 1

24-11-58-01

HXL
DEC 22/06

24-11-58-01
PAGE 0



767

PARTS CATALOG (MAINTENANCE)

FIG ITEM	PART NUMBER	1 2 3 4 5 6 7	NOMENCLATURE	EFFECT FROM TO	UNITS PER ASSY
1			SHELF ASSY-ELECTRONIC EQPT CTR E1-2 (ELECTRICAL POWER ONLY)		
- 3	284T0112-78		SHELF ASSY-ELECTRONIC EQPT CTR E1-2 (ELECTRICAL POWER ONLY) FOR NHA/OTHER SYS DET SEE: 53-11-64-01B		RF
7	BAC27TEX3278		.DECALSET-INCLUDES DECALS IDENTIFIED ON THE ILLUSTRATION		1
15	YHLZR30		.RESISTOR- SUPPLIER CODE: V09922 ELECTRICAL EQUIP NUMBER: R10111		1

ILLUSTRATION ITEMS NOT ON PARTS LIST ARE NOT APPLICABLE

- ITEM NOT ILLUSTRATED

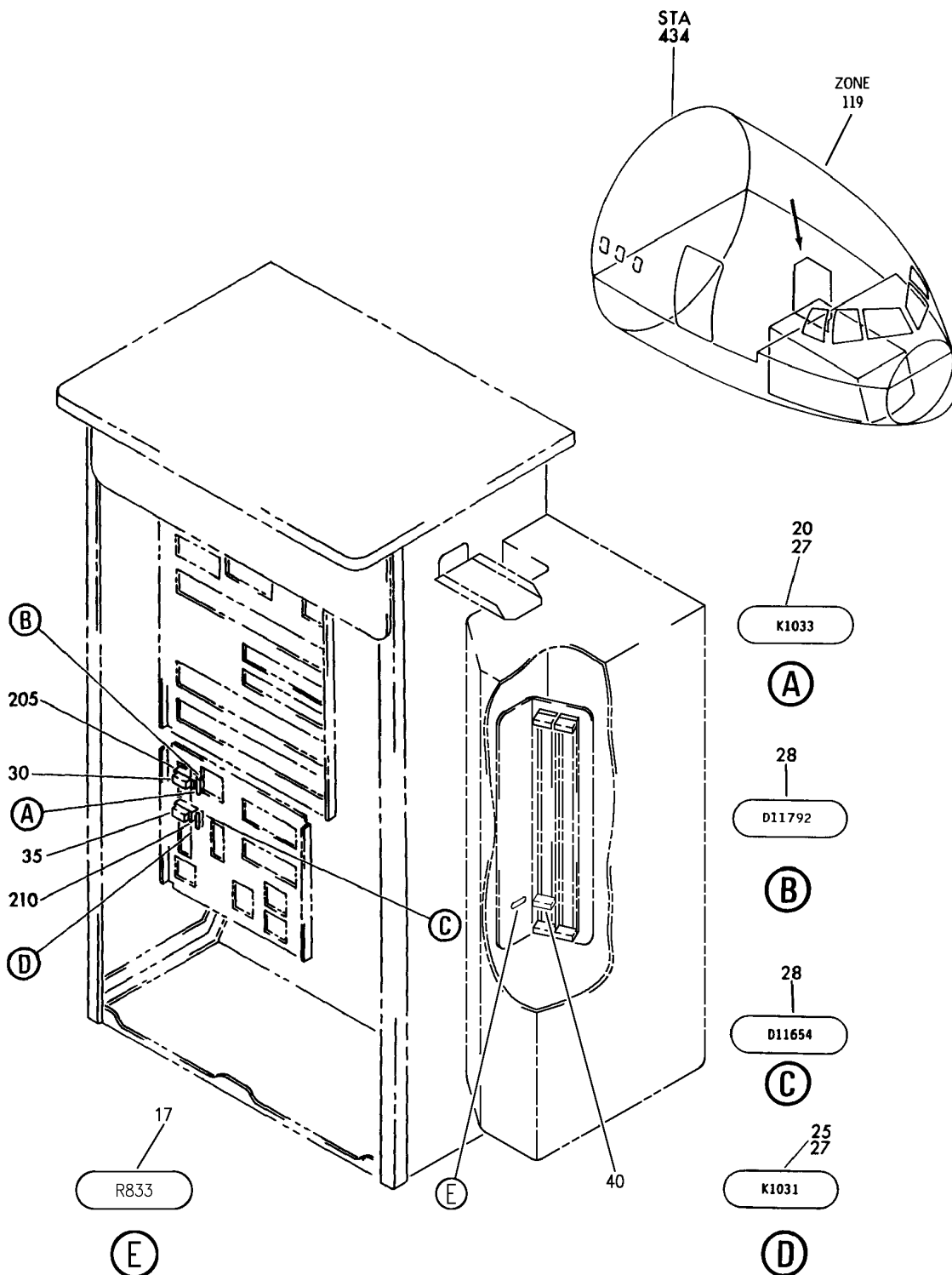
HXL

24-11-58-01

BOEING PROPRIETARY - Copyright © - Unpublished Work - See title page for details.

24-11-58
FIG. 01
PAGE 1
DEC 22/07

BOEING
767
PARTS CATALOG (MAINTENANCE)



V 24115901 REV 251

EQUIPMENT ASSY-P36 MISC ELEC PNL L (GENERATOR DRIVE SYSTEM ONLY)
FIGURE 1

24-11-59-01

HXL
DEC 22/06

24-11-59-01
PAGE 0



767

PARTS CATALOG (MAINTENANCE)

FIG ITEM	PART NUMBER	1 2 3 4 5 6 7	NOMENCLATURE	EFFECT FROM TO	UNITS PER ASSY
1			EQUIPMENT ASSY-P36 MISC ELEC PNL L (GENERATOR DRIVE SYSTEM ONLY)		
- 3	284T0187-167		EQUIPMENT ASSY-P36 MISC ELEC PNL (GENERATOR DRIVE SYSTEM ONLY) POSITION DATA: L FOR NHA/OTHER SYS DET SEE: 53-11-70-03	155162	RF
- 5	284T0187-205		EQUIPMENT ASSY-P36 MISC ELEC PNL (GENERATOR DRIVE SYSTEM ONLY) POSITION DATA: L FOR NHA/OTHER SYS DET SEE: 53-11-70-03	163163	RF
- 5	284T0187-212		EQUIPMENT ASSY-P36 MISC ELEC PNL (GENERATOR DRIVE SYSTEM ONLY) POSITION DATA: L FOR NHA/OTHER SYS DET SEE: 53-11-70-03	164999	RF
R R R R R	17 BAC27TEX5629		.DECALSET-INCLUDES DECALS IDENTIFIED ON THE ILLUSTRATION POST SERVICE BULLETIN: 24-0109R1		1
	27 BAC27TEX4181		.DECALSET-INCLUDES DECALS IDENTIFIED ON THE ILLUSTRATION		RF
	28 BAC27TEX4187		.DECALSET-INCLUDES DECALS IDENTIFIED ON THE ILLUSTRATION		RF

ILLUSTRATION ITEMS NOT ON PARTS LIST ARE NOT APPLICABLE

- ITEM NOT ILLUSTRATED

HXL

24-11-59-01

BOEING PROPRIETARY - Copyright © - Unpublished Work - See title page for details.

24-11-59
FIG. 01
PAGE 1
AUG 22/09

BOEING
767
PARTS CATALOG (MAINTENANCE)

FIG ITEM	PART NUMBER	1 2 3 4 5 6 7	NOMENCLATURE	EFFECT FROM TO	UNITS PER ASSY
1 35	W260F4AM11		.RELAY- SUPPLIER CODE: VF0219 SPECIFICATION NUMBER: BACR13CD2 OPTIONAL PART: BR16S233 V09026 EE4AA005 V35344 3SAV1338A2 V01526 HFW1206K03 V58614 HFW1204K01 V71482 ELECTRICAL EQUIP NUMBER: K01031		1
R R R R R	40	69B40800-106	.RESISTOR ASSY- ELECTRICAL EQUIP NUMBER: R00883 POST SERVICE BULLETIN: 24-0109R1		2
-	200	286T0176-300	.WIRE BUNDLE ASSY		RF
	210	RSE120026	..SOCKET- SUPPLIER CODE: V58982 SPECIFICATION NUMBER: BACS16AG1 OPTIONAL PART: 451120-026 V58982 ELECTRICAL EQUIP NUMBER: D11654 WIRING DIAGRAM REF: 783611		1
-	215	318-2020-901L	..CONTACT- SUPPLIER CODE: V55104 SPECIFICATION NUMBER: BACC47CP1S OPTIONAL PART: ZZL4120-36LDH14 V49367 LP807105-205 V77820 POST SERVICE BULLETIN: 24-0109R1		1

ILLUSTRATION ITEMS NOT ON PARTS LIST ARE NOT APPLICABLE

- ITEM NOT ILLUSTRATED

HXL

24-11-59-01

BOEING PROPRIETARY - Copyright © - Unpublished Work - See title page for details.

24-11-59
FIG. 01
PAGE 2
AUG 22/09



767

PARTS CATALOG (MAINTENANCE)

FIG ITEM	PART NUMBER	1 2 3 4 5 6 7	NOMENCLATURE	EFFECT FROM TO	UNITS PER ASSY
1					
- 218	BACC47CN1S	..	CONTACT- POST ALERT SB: 27A0140R2		1
- 220	YHMM16-7D28	..	CONTACT- SUPPLIER CODE: V09922 SPECIFICATION NUMBER: BACC47DE5A OPTIONAL PART: 417-1216-332 V55104 POST SERVICE BULLETIN: 24-0109R1		2
- 225	310-2120-734	..	CONTACT- SUPPLIER CODE: V55104 SPECIFICATION NUMBER: BACC47ER1 OPTIONAL PART: 422109-900 V58982 POST SERVICE BULLETIN: 24-0109R1		1

ILLUSTRATION ITEMS NOT ON PARTS LIST ARE NOT APPLICABLE

- ITEM NOT ILLUSTRATED

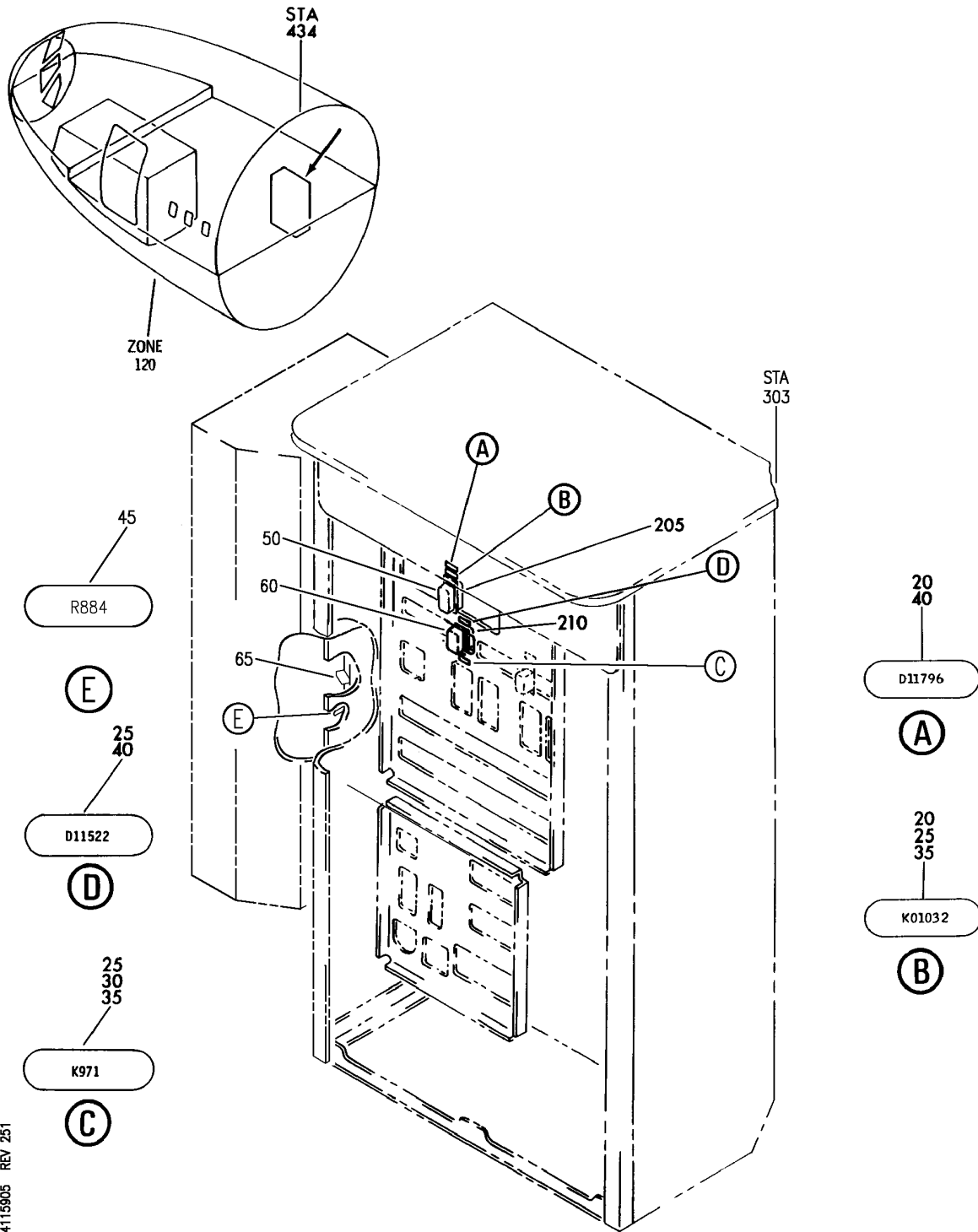
HXL

24-11-59-01

BOEING PROPRIETARY - Copyright © - Unpublished Work - See title page for details.

24-11-59
FIG. 01
PAGE 3
AUG 22/09

BOEING
767
PARTS CATALOG (MAINTENANCE)



V 24115905 REV 251

EQUIPMENT ASSY-P37 MISC ELEC PNL R (GENERATOR DRIVE SYSTEM ONLY)
FIGURE 5

24-11-59-05

HXL
DEC 22/06

24-11-59-05
PAGE 0

BOEING
767
PARTS CATALOG (MAINTENANCE)

FIG ITEM	PART NUMBER	1 2 3 4 5 6 7	NOMENCLATURE	EFFECT FROM TO	UNITS PER ASSY
5			EQUIPMENT ASSY-P37 MISC ELEC PNL R (GENERATOR DRIVE SYSTEM ONLY)		
- 1	284T0188-157		EQUIPMENT ASSY-P37 MISC ELEC PNL (GENERATOR DRIVE SYSTEM ONLY) POSITION DATA: R FOR NHA/OTHER SYS DET SEE: 53-11-70-05	155162	RF
- 1	284T0188-172		EQUIPMENT ASSY-P37 MISC ELEC PNL (GENERATOR DRIVE SYSTEM ONLY) POSITION DATA: R FOR NHA/OTHER SYS DET SEE: 53-11-70-05	163163	RF
- 2	284T0188-194		EQUIPMENT ASSY-P37 MISC ELEC PNL (GENERATOR DRIVE SYSTEM ONLY) POSITION DATA: R FOR NHA/OTHER SYS DET SEE: 53-11-70-05	164999	RF
20	BAC27TEX4185		.DECALSET-INCLUDES DECALS IDENTIFIED ON THE ILLUSTRATION		RF
25	BAC27TEX3789		.DECALSET-INCLUDES DECALS IDENTIFIED ON THE ILLUSTRATION		1
30	BAC27TEX4184		.DECALSET-INCLUDES DECALS IDENTIFIED ON THE ILLUSTRATION		RF
40	BAC27TEX4190		.DECALSET-INCLUDES DECALS IDENTIFIED ON THE ILLUSTRATION		RF
45	BAC27TEX5629		.DECALSET-INCLUDES DECALS IDENTIFIED ON THE ILLUSTRATION POST SERVICE BULLETIN: 24-0109R1		1
ILLUSTRATION ITEMS NOT ON PARTS LIST ARE NOT APPLICABLE					

R
R
R
R
R

- ITEM NOT ILLUSTRATED

HXL

24-11-59-05

BOEING PROPRIETARY - Copyright © - Unpublished Work - See title page for details.

24-11-59
FIG. 05
PAGE 1
AUG 22/09



767

PARTS CATALOG (MAINTENANCE)

FIG ITEM	PART NUMBER	1 2 3 4 5 6 7	NOMENCLATURE	EFFECT FROM TO	UNITS PER ASSY
5	50 W460F1A		.RELAY- SUPPLIER CODE: VF0219 SPECIFICATION NUMBER: BACR13CE2 OPTIONAL PART: 3SAH5-13-4K1 V01526 3SAH1326A2 V01526 ELECTRICAL EQUIP NUMBER: K01032		1
	60 W260F4AM11		.RELAY- SUPPLIER CODE: VF0219 SPECIFICATION NUMBER: BACR13CD2 OPTIONAL PART: BR16S233 V09026 EE4AA005 V35344 3SAV1338A2 V01526 HFW1206K03 V58614 HFW1204K01 V71482 ELECTRICAL EQUIP NUMBER: K00971		1
R R R R R	65 69B40800-106		.RESISTOR ASSY- ELECTRICAL EQUIP NUMBER: R00884 POST SERVICE BULLETIN: 24-0109R1		2
-	200 286T0192-300		.WIRE BUNDLE ASSY		RF

ILLUSTRATION ITEMS NOT ON PARTS LIST ARE NOT APPLICABLE

- ITEM NOT ILLUSTRATED

HXL

24-11-59-05

BOEING PROPRIETARY - Copyright © - Unpublished Work - See title page for details.

24-11-59
FIG. 05
PAGE 2
AUG 22/09

BOEING
767
PARTS CATALOG (MAINTENANCE)

FIG ITEM	PART NUMBER	1 2 3 4 5 6 7	NOMENCLATURE	EFFECT FROM TO	UNITS PER ASSY
5 - 213	RSF116400		.. SOCKET- SUPPLIER CODE: V58982 SPECIFICATION NUMBER: BACS16W1A OPTIONAL PART: 102-009-1 V09922 000300-1539 V05574 ELECTRICAL EQUIP NUMBER: D21190 WIRING DIAGRAM REF: 278911 POST ALERT SB: 27A0140R2		1
- 215	318-2020-901L		.. CONTACT- SUPPLIER CODE: V55104 SPECIFICATION NUMBER: BACC47CP1S OPTIONAL PART: ZZL4120-36LDH14 V49367 LP807105-205 V77820 POST SERVICE BULLETIN: 24-0109R1		1
- 216	318-2020-901L		.. CONTACT- SUPPLIER CODE: V55104 SPECIFICATION NUMBER: BACC47CP1S OPTIONAL PART: ZZL4120-36LDH14 V49367 LP807105-205 V77820 POST ALERT SB: 27A0140R2		3
R R R R R - 218	BACC47CN1S		.. CONTACT-PIN POST SERVICE BULLETIN: 24-0109R1 POST ALERT SB: 27A0140R2		1

ILLUSTRATION ITEMS NOT ON PARTS LIST ARE NOT APPLICABLE

- ITEM NOT ILLUSTRATED

HXL

24-11-59-05

BOEING PROPRIETARY - Copyright © - Unpublished Work - See title page for details.

24-11-59
FIG. 05
PAGE 3
AUG 22/09



767

PARTS CATALOG (MAINTENANCE)

FIG ITEM	PART NUMBER	1 2 3 4 5 6 7	NOMENCLATURE	EFFECT FROM TO	UNITS PER ASSY
5 - 230	318-1620-802		.. CONTACT- SUPPLIER CODE: V55104 SPECIFICATION NUMBER: BACC47DJ1 OPTIONAL PART: 101-016-1DJ5 V09922 019-0249-000 V05574 POST ALERT SB: 27A0140R2		8
- 235	BACC47DE7		.. CONTACT- POST ALERT SB: 27A0140R2		3

ILLUSTRATION ITEMS NOT ON PARTS LIST ARE NOT APPLICABLE

- ITEM NOT ILLUSTRATED

HXL

24-11-59-05

BOEING PROPRIETARY - Copyright © - Unpublished Work - See title page for details.

24-11-59
FIG. 05
PAGE 4
AUG 22/09