

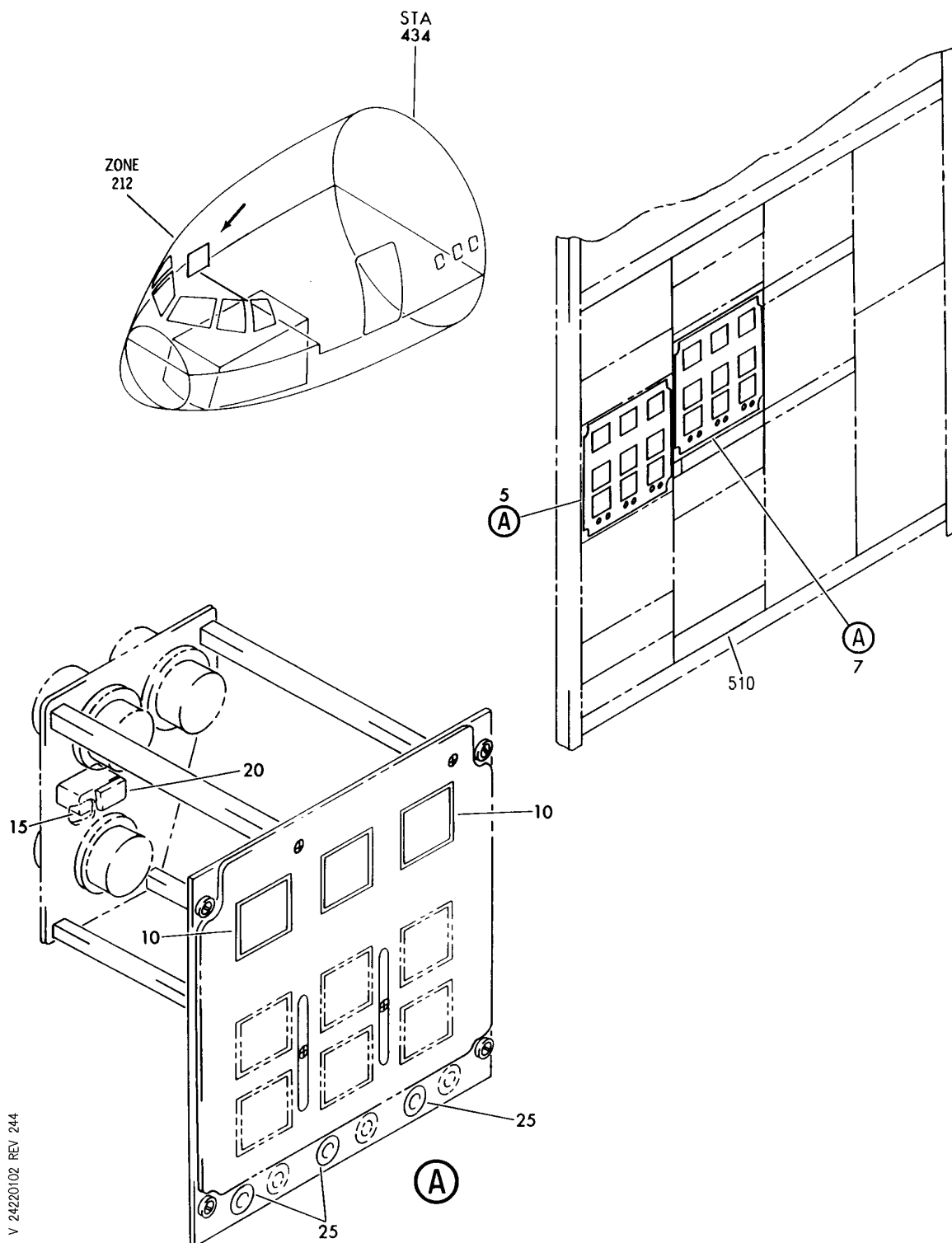
 **BOEING**
767
PARTS CATALOG (MAINTENANCE)

CONTROL

HXL
DEC 22/06

24-22-00
SECTION TITLE
PAGE 1

BOEING
767
PARTS CATALOG (MAINTENANCE)



PANEL INSTL-R SIDE (ELECTRICAL POWER ONLY)
FIGURE 2

24-22-01-02

HXL
DEC 22/06

24-22-01-02
PAGE 0



767

PARTS CATALOG (MAINTENANCE)

FIG ITEM	PART NUMBER	1 2 3 4 5 6 7	NOMENCLATURE	EFFECT FROM TO	UNITS PER ASSY
2			PANEL INSTL-R SIDE (ELECTRICAL POWER ONLY)		
- 1	233T4100-1		PANEL INSTL-(ELECTRICAL POWER ONLY) POSITION DATA: R SIDE VARIABLE DRAWING REF: 233T4100-5048		RF
- 1	233T4100-1		PANEL INSTL- (ELECTRICAL POWER ONLY) POSITION DATA: R SIDE FOR NHA/OTHER SYS DET SEE: 25-10-00-03		RF
5	233T4240-12		.PANEL ASSY-MISC SYS CONT SUPPLIER CODE: V89954 ELECTRICAL EQUIP NUMBER: M01087 COMPONENT MAINT MANUAL REF: 29-09-51 QUALIFIED I/W DATA: 233T4240-1 I/W 233T4240-12 EXCEPT LABLE BANANA JACKS INOP IF -1 BEING USED TO REPLACE -12 233T4240-6 I/W 233T4240-12 EXCEPT LABLE BANANA JACKS INOP IF -6 BEING USED TO REPLACE -12 233T4240-7 -10 -12 ARE ALL INTERCHANGEABLE EXCEPT SUBJECT TO CUSTOMER PREFERENCE		RF

ILLUSTRATION ITEMS NOT ON PARTS LIST ARE NOT APPLICABLE

- ITEM NOT ILLUSTRATED

HXL

24-22-01-02

BOEING PROPRIETARY - Copyright © - Unpublished Work - See title page for details.

24-22-01
FIG. 02
PAGE 1
DEC 22/07



767

PARTS CATALOG (MAINTENANCE)

FIG ITEM	PART NUMBER	1 2 3 4 5 6 7	NOMENCLATURE	EFFECT FROM TO	UNITS PER ASSY
2 10	BCREFA0532		.. SWITCH ASSY-LIGHTED PUSH BUTTON IND FIELD OFF SUPPLIER CODE: V81590 OVERLENGTH PART NUMBER: 433-673-1004-4073 SPECIFICATION NUMBER: S231T290-4073 OPTIONAL PART: 851-35100-5073 V96182 USED ON: 233T4240-1 233T4240-6 233T4240-7 233T4240-10 233T4240-12 233T4240-15 233T4240-17 FOR DETAILS SEE: 33-13-75-34		3
10	851-30768-2073		.. SWITCH ASSY-LIGHTED PUSH BUTTON IND FIELD OFF SUPPLIER CODE: V96182 SPECIFICATION NUMBER: S231T290-2073 USED ON: 233T4240-1 233T4240-6 233T4240-7 233T4240-10 233T4240-12 233T4240-15 233T4240-17 FOR DETAILS SEE: 33-13-75-01		3

ILLUSTRATION ITEMS NOT ON PARTS LIST ARE NOT APPLICABLE

- ITEM NOT ILLUSTRATED

HXL

24-22-01-02

BOEING PROPRIETARY - Copyright © - Unpublished Work - See title page for details.

24-22-01
 FIG. 02
 PAGE 2
 DEC 22/06

BOEING
767
PARTS CATALOG (MAINTENANCE)

FIG ITEM	PART NUMBER	1 2 3 4 5 6 7	NOMENCLATURE	EFFECT FROM TO	UNITS PER ASSY
2					
10	851-30768-3073		..SWITCH ASSY-LIGHTED PUSH BUTTON IND FIELD OFF SUPPLIER CODE: V96182 SPECIFICATION NUMBER: S231T290-3073 USED ON: 233T4240-1 233T4240-5 233T4240-6 233T4240-7 233T4240-10 233T4240-12 233T4240-15 233T4240-17 FOR DETAILS SEE: 33-13-75-21		3
10	851-35100-5073		..SWITCH ASSY-LIGHTED PUSH BUTTON IND FIELD OFF SUPPLIER CODE: V96182 SPECIFICATION NUMBER: S231T290-5073 OPTIONAL PART: BCREFA0532 V81590 USED ON: 233T4240-1 233T4240-6 233T4240-7 233T4240-10 233T4240-12 233T4240-15 233T4240-17		3
10	4336731004-4273		..SWITCH ASSY-LIGHTED PUSH BUTTON IND FIELD OFF SUPPLIER CODE: V81590 SPECIFICATION NUMBER: S231T290-4273 FOR DETAILS SEE: 33-13-75-31C		3
15	600-149-1001		..RELAY-TIMER SUPPLIER CODE: V15420		1
20	451120-028		..SOCKET- SUPPLIER CODE: V03743		1
ILLUSTRATION ITEMS NOT ON PARTS LIST ARE NOT APPLICABLE					

R
R
R
R
R
R
R

- ITEM NOT ILLUSTRATED

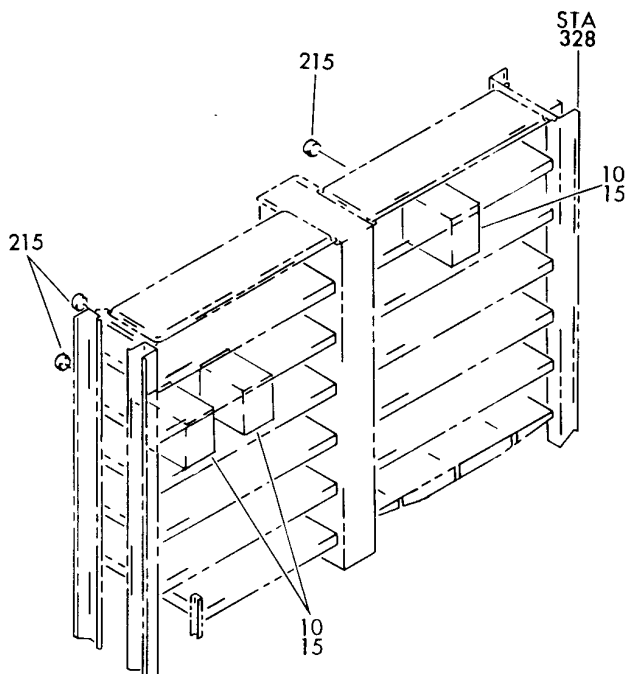
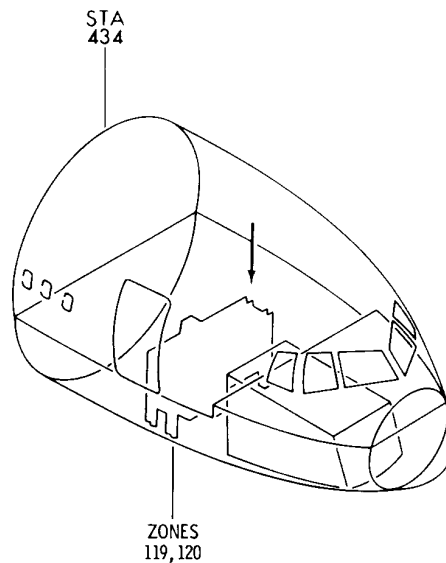
HXL

24-22-01-02

BOEING PROPRIETARY - Copyright © - Unpublished Work - See title page for details.

24-22-01
FIG. 02
PAGE 3
AUG 22/09

BOEING
767
PARTS CATALOG (MAINTENANCE)



V 24220202 REV 17B

EQUIPMENT INSTL-ELECT. EQPT CTR E1/E2 RACK (GENERATOR CONTROL ONLY)

FIGURE 2

24-22-02-02

HXL
DEC 22/06

24-22-02-02
PAGE 0



767

PARTS CATALOG (MAINTENANCE)

FIG ITEM	PART NUMBER	1 2 3 4 5 6 7	NOMENCLATURE	EFFECT FROM TO	UNITS PER ASSY
2			EQUIPMENT INSTL-ELECT. EQPT CTR E1/E2 RACK (GENERATOR CONTROL ONLY)		
- 1	284T0400-618		EQUIPMENT INSTL-ELECT. EQPT CTR E1/E2 RACK (GENERATOR CONTROL ONLY) VARIABLE DRAWING REF: 284T0400-5284 FOR NHA/OTHER SYS DET SEE: 24-00-58-01J	155162	RF
- 2	284T0400-630		EQUIPMENT INSTL-ELECT. EQPT CTR E1/E2 RACK (GENERATOR CONTROL ONLY) VARIABLE DRAWING REF: 284T0400-5349 284T0400-5357 FOR NHA/OTHER SYS DET SEE: 24-00-58-01J	163999	RF
10	734284C		.UNIT ASSY-GEN CONT AND APU SUPPLIER CODE: V99167 POSITION DATA: L, R AND APU SPECIFICATION NUMBER: S281T001-24 ELECTRICAL EQUIP NUMBER: M00143 M00144 M00146 COMPONENT MAINT MANUAL REF: 24-23-03 QUALIFIED I/W DATA: 734284 OR 734284A IS FULLY INTERCHANGEABLE WITH 734284C EXCEPT FOR PW4000 ENGINE 734284C MUST BE USED.		3

ILLUSTRATION ITEMS NOT ON PARTS LIST ARE NOT APPLICABLE

- ITEM NOT ILLUSTRATED

HXL

24-22-02-02

BOEING PROPRIETARY - Copyright © - Unpublished Work - See title page for details.

24-22-02
FIG. 02
PAGE 1
DEC 22/07



767

PARTS CATALOG (MAINTENANCE)

FIG ITEM	PART NUMBER	1 2 3 4 5 6 7	NOMENCLATURE	EFFECT FROM TO	UNITS PER ASSY
2 10	734284D		.UNIT ASSY-GEN CONT AND APU SUPPLIER CODE: V99167 POSITION DATA: L, R AND APU SPECIFICATION NUMBER: S281T001-31 ELECTRICAL EQUIP NUMBER: M00143 M00144 M00146 COMPONENT MAINT MANUAL REF: 24-23-03		3
10	734284E		.UNIT ASSY-GEN CONT AND APU SUPPLIER CODE: V99167 POSITION DATA: L, R AND APU SPECIFICATION NUMBER: S281T001-32 ELECTRICAL EQUIP NUMBER: M00143 M00144 M00146 COMPONENT MAINT MANUAL REF: 24-23-03		3
10	734284F		.UNIT ASSY-GEN CONT AND APU SUPPLIER CODE: V99167 POSITION DATA: L, R AND APU SPECIFICATION NUMBER: S281T001-40 MISCELLANEOUS DATA: PER SB 767-24-0080 AND SUNSTRAND SB 734284-24-14 GCU P/N M734284AF IS CONSIDERED INTERCHANGEABLE WITH P/N 734284F. ELECTRICAL EQUIP NUMBER: M00143 M00144 M00146 COMPONENT MAINT MANUAL REF: 24-23-03 FOR SPARES PROCURE: M734284AF V99167		3

ILLUSTRATION ITEMS NOT ON PARTS LIST ARE NOT APPLICABLE

- ITEM NOT ILLUSTRATED

HXL

24-22-02-02

BOEING PROPRIETARY - Copyright © - Unpublished Work - See title page for details.

24-22-02
FIG. 02
PAGE 2
DEC 22/07



767

PARTS CATALOG (MAINTENANCE)

FIG ITEM	PART NUMBER	1 2 3 4 5 6 7	NOMENCLATURE	EFFECT FROM TO	UNITS PER ASSY
2					
15	739838A		.. BOARD-PRINTED WIRING SUPPLIER CODE: V99167		1
- 200	286T0018-120		WIRE BUNDLE ASSY-(GENERATOR CONTROL ONLY)		RF
- 205	286T1092-120		WIRE BUNDLE ASSY-(GENERATOR CONTROL ONLY)		RF
- 210	286T0016-101		WIRE BUNDLE ASSY-(GENERATOR CONTROL ONLY)		RF
- 213	BACC45FT20A39P7		.CONNECTOR- ELECTRICAL EQUIP NUMBER: D05368P WIRING DIAGRAM REF: 275131 POST ALERT SB: 27A0140		1
215	BKA11C98AA01		.CONNECTOR- SUPPLIER CODE: V71468 SPECIFICATION NUMBER: BCREFA1185 OPTIONAL PART: S611C98AA01 V59610 NIC66F11C98AA01 V00779 OVERLENGTH PART NUMBER: BACC66F11C98AA01 ELECTRICAL EQUIP NUMBER: D00264 D00248 D00256 WIRING DIAGRAM REF: 242241 242211 242212		1
- 218	BACC45FT16A24S7		.CONNECTOR- ELECTRICAL EQUIP NUMBER: D05544P WIRING DIAGRAM REF: 213111 POST ALERT SB: 27A0140		1

ILLUSTRATION ITEMS NOT ON PARTS LIST ARE NOT APPLICABLE

- ITEM NOT ILLUSTRATED

HXL

24-22-02-02

BOEING PROPRIETARY - Copyright © - Unpublished Work - See title page for details.

24-22-02
FIG. 02
PAGE 3
AUG 22/07



767

PARTS CATALOG (MAINTENANCE)

FIG ITEM	PART NUMBER	1 2 3 4 5 6 7	NOMENCLATURE	EFFECT FROM TO	UNITS PER ASSY
2					
- 223	BACC45FT18A31S	.	CONNECTOR- ELECTRICAL EQUIP NUMBER: D05281P WIRING DIAGRAM REF: 273211 POST ALERT SB: 27A0140		1
- 228	BACC45FT14A15S	.	CONNECTOR- ELECTRICAL EQUIP NUMBER: D05281P WIRING DIAGRAM REF: 273211 POST ALERT SB: 27A0140		1
- 233	BKA31C03AA01	.	CONNECTOR- SUPPLIER CODE: V71468 SPECIFICATION NUMBER: BCREF9358 OPTIONAL PART: S631CD3AA01AA V59610 OVERLENGTH PART NUMBER: BACC66K31C03AA01 ELECTRICAL EQUIP NUMBER: D02166B WIRING DIAGRAM REF: 324211 POST ALERT SB: 27A0140		1
- 250	BACC47CN1S	.	CONTACT- POST ALERT SB: 27A0140		1
- 255	318-2020-901L	.	CONTACT- SUPPLIER CODE: V55104 SPECIFICATION NUMBER: BACC47CP1S OPTIONAL PART: ZZL4120-36LDH14 V49367 LP807105-205 V77820 POST ALERT SB: 27A0140		6
- 260	BACC47DE4	.	CONTACT- POST ALERT SB: 27A0140		13
ILLUSTRATION ITEMS NOT ON PARTS LIST ARE NOT APPLICABLE					

- ITEM NOT ILLUSTRATED

24-22-02-02

24-22-02
FIG. 02
PAGE 4
AUG 22/07

HXL



767

PARTS CATALOG (MAINTENANCE)

FIG ITEM	PART NUMBER	1 2 3 4 5 6 7	NOMENCLATURE	EFFECT FROM TO	UNITS PER ASSY
2 - 265	620200		.CONTACT- SUPPLIER CODE: VF0987 SPECIFICATION NUMBER: BACC47EF1 OPTIONAL PART: 8660-202 V59610 208262-3 V00779 317-2222-301 V55104 030-2259-000 V71468 POST ALERT SB: 27A0140		4
- 270	YHLZ4		.MODULE- SUPPLIER CODE: V09922 SPECIFICATION NUMBER: BACM15C1B OPTIONAL PART: YHLZ44 V09922 POST ALERT SB: 27A0140		1
- 275	YHLZD33		.DIODE- SUPPLIER CODE: V09922 ELECTRICAL EQUIP NUMBER: R00841 R00842 R00843 POST ALERT SB: 27A0140		3

ILLUSTRATION ITEMS NOT ON PARTS LIST ARE NOT APPLICABLE

- ITEM NOT ILLUSTRATED

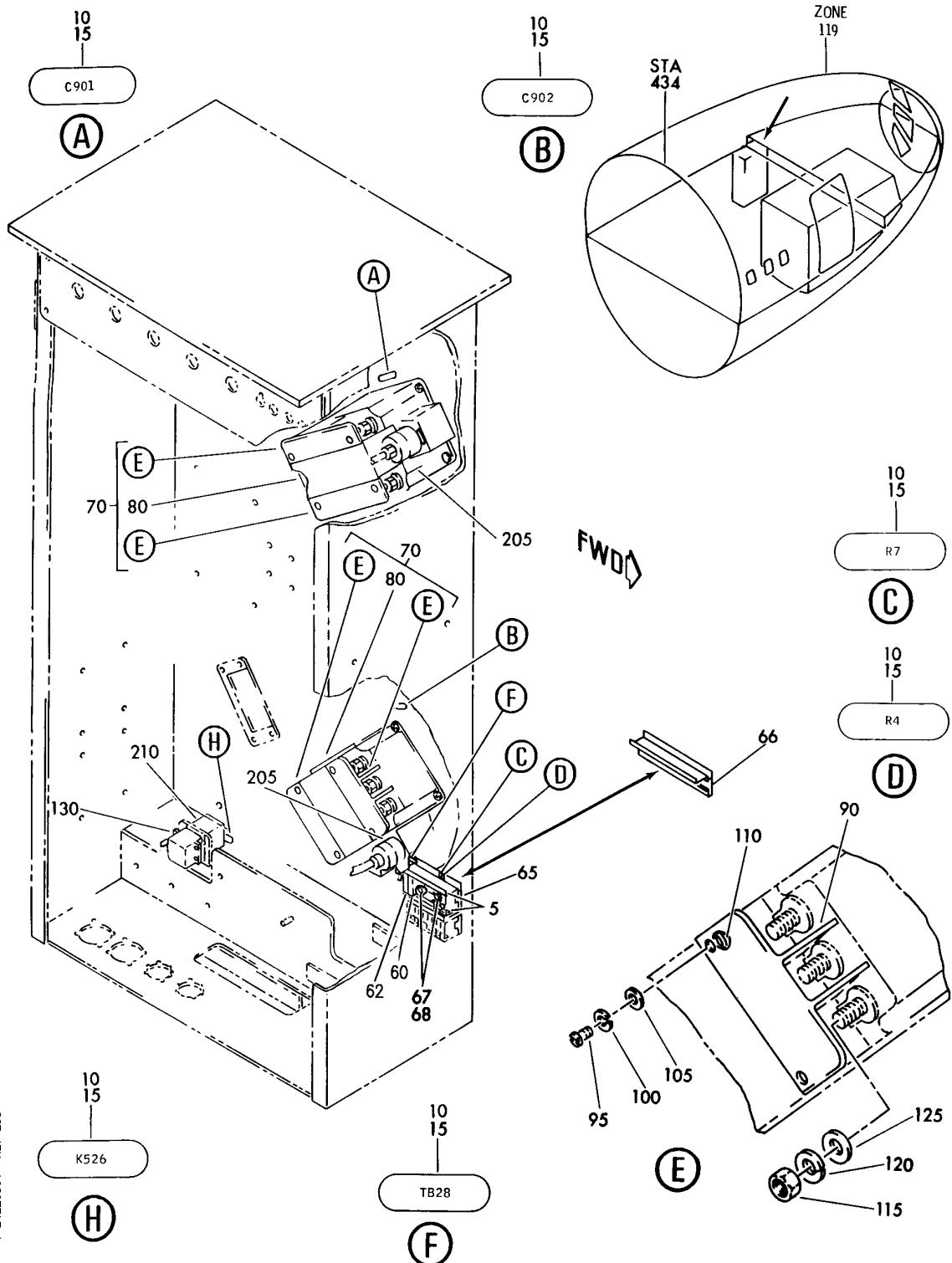
HXL

24-22-02-02

BOEING PROPRIETARY - Copyright © - Unpublished Work - See title page for details.

24-22-02
FIG. 02
PAGE 5
AUG 22/07

BOEING
767
PARTS CATALOG (MAINTENANCE)



V 24220301 REV 253

EQUIPMENT ASSY-P31 L GEN PWR PNL (CONTROLS ONLY)
FIGURE 1

24-22-03-01

HXL
DEC 22/06

24-22-03-01
PAGE 0



767

PARTS CATALOG (MAINTENANCE)

FIG ITEM	PART NUMBER	1 2 3 4 5 6 7	NOMENCLATURE	EFFECT FROM TO	UNITS PER ASSY
1			EQUIPMENT ASSY-P31 L GEN PWR PNL (CONTROLS ONLY)		
- 3	284T0171-51		EQUIPMENT ASSY-P31 GEN PWR PNL (CONTROLS ONLY) POSITION DATA: L FOR NHA/OTHER SYS DET SEE: 53-11-70-02		RF
5	BAC27TEX0384		.DECAL- PLACARD CONTENT: 1 THRU 30		2
10	BAC27TEX3754		.DECALSET-INCLUDES DECALS IDENTIFIED ON THE ILLUSTRATION		RF
60	YHLZD29		.DIODE- SUPPLIER CODE: V09922 ELECTRICAL EQUIP NUMBER: R00004		1
62	YHLZD29		.DIODE- SUPPLIER CODE: V09922 ELECTRICAL EQUIP NUMBER: R00007		1
66	AMY0640T3		.TRACK- SUPPLIER CODE: V09922 SPECIFICATION NUMBER: BACT44A0640D ELECTRICAL EQUIP NUMBER: TB0028		1
67	NAS1801-3-8		.SCREW		2
68	AN960PD10		.WASHER		2
70	B430-1		.CIRCUIT BREAKER ASSY- SUPPLIER CODE: V74063 SPECIFICATION NUMBER: S281T004-1 ELECTRICAL EQUIP NUMBER: C00901 C00902 COMPONENT MAINT MANUAL REF: 24-09-23 OPTIONAL PART: B430 V74063		2

ILLUSTRATION ITEMS NOT ON PARTS LIST ARE NOT APPLICABLE

- ITEM NOT ILLUSTRATED

24-22-03-01

24-22-03
FIG. 01
PAGE 1
DEC 22/07

HXL

BOEING
767
PARTS CATALOG (MAINTENANCE)

FIG ITEM	PART NUMBER	1 2 3 4 5 6 7	NOMENCLATURE	EFFECT FROM TO	UNITS PER ASSY
1	70 B430		.CIRCUIT BREAKER ASSY- SUPPLIER CODE: V74063 SPECIFICATION NUMBER: S281T004-1 ELECTRICAL EQUIP NUMBER: C00901 C00902 COMPONENT MAINT MANUAL REF: 24-09-13 OPTIONAL PART: B430-1 V74063 ATTACHING PARTS		2
- 75	NAS1801-3-8		.SCREW -----*-----		8
80	35936-001		..PLATE-WIRING DIAGRAM SUPPLIER CODE: V74063		1
- 85	36006-010		..COVER ASSY-TERM. SUPPLIER CODE: V74063		2
90	35744-001		...COVER- SUPPLIER CODE: V74063 ATTACHING PARTS		1
95	51204-391		...SCREW-BINDING HEAD SUPPLIER CODE: V74063		2
100	51804-021		...WASHER-LOCK SUPPLIER CODE: V74063		2
105	51701-291		...WASHER-FLAT SUPPLIER CODE: VK5294		2
110	20584-002		...WASHER-CAPTIVE NYLOCK SUPPLIER CODE: V74063 -----*-----		2
115	50407-370		..NUT-HEX SUPPLIER CODE: V74063		6
120	51807-230		..WASHER-LOCK SUPPLIER CODE: V74063		6
125	51704-010		..WASHER-FLAT SUPPLIER CODE: V74063		6

ILLUSTRATION ITEMS NOT ON PARTS LIST ARE NOT APPLICABLE

- ITEM NOT ILLUSTRATED

HXL

24-22-03-01

24-22-03
FIG. 01
PAGE 2
DEC 22/07



767

PARTS CATALOG (MAINTENANCE)

FIG ITEM	PART NUMBER	1 2 3 4 5 6 7	NOMENCLATURE	EFFECT FROM TO	UNITS PER ASSY
1 130	ES410-1538		.RELAY- SUPPLIER CODE: V99699 SPECIFICATION NUMBER: BACR13CG2AB OPTIONAL PART: KD4L018 V35344 BR230DS0115 V56623 KD4L036 V58657 FCA410-63 V78290 ELECTRICAL EQUIP NUMBER: K00526		1
- 200 205	286T0022-101 BACC45FT20A41S		.WIRE BUNDLE ASSY ..CONNECTOR- ELECTRICAL EQUIP NUMBER: D00252 D00254 WIRING DIAGRAM REF: 242211 242212		1 2
210	BACS16W1		..SOCKET- ELECTRICAL EQUIP NUMBER: D00422 WIRING DIAGRAM REF: 242212		1

ILLUSTRATION ITEMS NOT ON PARTS LIST ARE NOT APPLICABLE

- ITEM NOT ILLUSTRATED

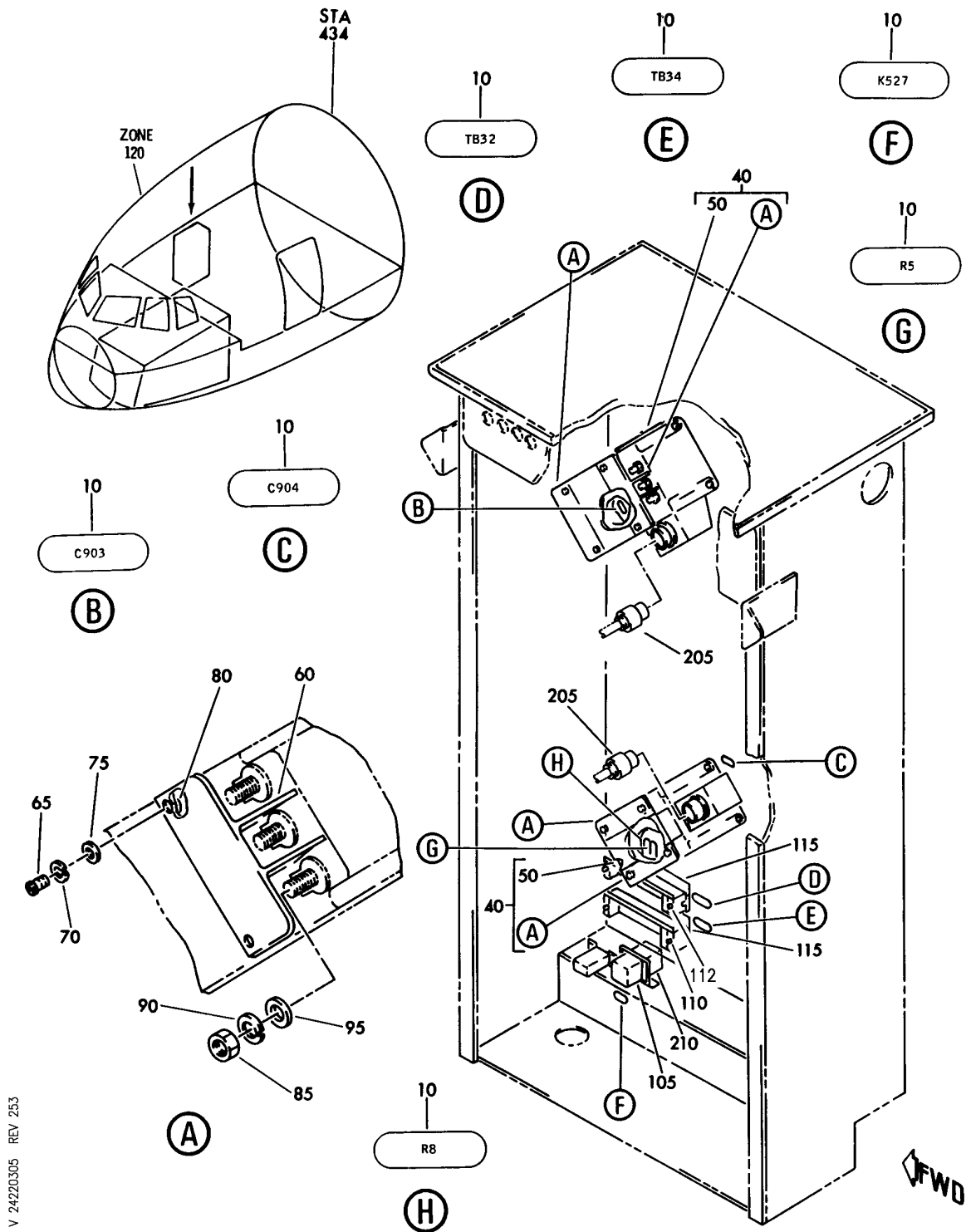
HXL

24-22-03-01

BOEING PROPRIETARY - Copyright © - Unpublished Work - See title page for details.

24-22-03
FIG. 01
PAGE 3
DEC 22/07

BOEING
767
PARTS CATALOG (MAINTENANCE)



V 24220305 REV 253

EQUIPMENT ASSY-P32 MISC ELEC PNL R (CONTROL ONLY)
FIGURE 5

24-22-03-05

HXL
DEC 22/06

24-22-03-05
PAGE 0

 **BOEING**
767
PARTS CATALOG (MAINTENANCE)

FIG ITEM	PART NUMBER	1 2 3 4 5 6 7	NOMENCLATURE	EFFECT FROM TO	UNITS PER ASSY
5			EQUIPMENT ASSY-P32 MISC ELEC PNL R (CONTROL ONLY)		
- 3	284T0172-45		EQUIPMENT ASSY-P32 MISC ELEC PNL (CONTROL ONLY) POSITION DATA: R FOR NHA/OTHER SYS DET SEE: 53-11-70-02		RF
10	BAC27TEX3755		.DECALSET-(INCLUDES DECALS IDENTIFIED ON THE ILLUSTRATION)		RF
40	B430-1		.CIRCUIT BREAKER ASSY- SUPPLIER CODE: V74063 SPECIFICATION NUMBER: S281T004-1 ELECTRICAL EQUIP NUMBER: C00903 C00904 COMPONENT MAINT MANUAL REF: 24-09-23 OPTIONAL PART: B430 V74063		2
40	B430		.CIRCUIT BREAKER ASSY- SUPPLIER CODE: V74063 SPECIFICATION NUMBER: S281T004-1 ELECTRICAL EQUIP NUMBER: C00903 C00904 COMPONENT MAINT MANUAL REF: 24-09-13 OPTIONAL PART: B430-1 V74063		2
- 45	NAS1801-3-8		ATTACHING PARTS .SCREW -----*-----		8
50	35936-001		..PLATE-WIRING DIAGRAM SUPPLIER CODE: V74063		1
- 55	36006-010		..COVER ASSY-TERM. SUPPLIER CODE: V74063		2
ILLUSTRATION ITEMS NOT ON PARTS LIST ARE NOT APPLICABLE					

- ITEM NOT ILLUSTRATED

HXL

24-22-03-05

BOEING PROPRIETARY - Copyright © - Unpublished Work - See title page for details.

24-22-03
FIG. 05
PAGE 1
DEC 22/07

 **BOEING**
767
PARTS CATALOG (MAINTENANCE)

FIG ITEM	PART NUMBER	1 2 3 4 5 6 7	NOMENCLATURE	EFFECT FROM TO	UNITS PER ASSY
5					
60	35744-001		...COVER- SUPPLIER CODE: V74063 ATTACHING PARTS		1
65	51204-391		...SCREW-BINDING HEAD SUPPLIER CODE: V74063		2
70	51804-021		...WASHER-LOCK SUPPLIER CODE: V74063		2
75	51701-291		...WASHER-FLAT SUPPLIER CODE: VK5294		2
80	20584-002		...WASHER-CAPTIVE NYLOCK SUPPLIER CODE: V74063		2
85	50407-370		-----*----- ..NUT-HEX SUPPLIER CODE: V74063		6
90	51807-230		..WASHER-LOCK SUPPLIER CODE: V74063		6
95	51704-010		..WASHER-FLAT SUPPLIER CODE: V74063		6
105	ES410-1538		.RELAY- SUPPLIER CODE: V99699 SPECIFICATION NUMBER: BACR13CG2AB OPTIONAL PART: KD4L018 V35344 BR230DS0115 V56623 KD4L036 V58657 FCA410-63 V78290 ELECTRICAL EQUIP NUMBER: K00527		1
110	YHLZD29		.DIODE- SUPPLIER CODE: V09922 ELECTRICAL EQUIP NUMBER: R00008		1
ILLUSTRATION ITEMS NOT ON PARTS LIST ARE NOT APPLICABLE					

— ITEM NOT ILLUSTRATED

HXL

24-22-03-05

BOEING PROPRIETARY - Copyright © - Unpublished Work - See title page for details.

24-22-03
FIG. 05
PAGE 2
DEC 22/07



767

PARTS CATALOG (MAINTENANCE)

FIG ITEM	PART NUMBER	1 2 3 4 5 6 7	NOMENCLATURE	EFFECT FROM TO	UNITS PER ASSY
5					
112	YHLZD29	.DIODE-	SUPPLIER CODE: V09922 ELECTRICAL EQUIP NUMBER: R00005		1
115	AMY0460T3	.TRACK-	SUPPLIER CODE: V09922 SPECIFICATION NUMBER: BACT44A0460D ELECTRICAL EQUIP NUMBER: TB0032 TB0034 ATTACHING PARTS		2
- 120	NAS1801-3-8	.SCREW			4
- 125	AN960PD10	.WASHER			2
		-----*-----			
- 200	286T0024-101	.WIRE BUNDLE ASSY			1
205	BACC45FT20A41S	..CONNECTOR-	ELECTRICAL EQUIP NUMBER: D00260 D00262 WIRING DIAGRAM REF: 242221 242222		2
210	BACS16W1	..SOCKET-	ELECTRICAL EQUIP NUMBER: D00416 WIRING DIAGRAM REF: 242222		1

ILLUSTRATION ITEMS NOT ON PARTS LIST ARE NOT APPLICABLE

- ITEM NOT ILLUSTRATED

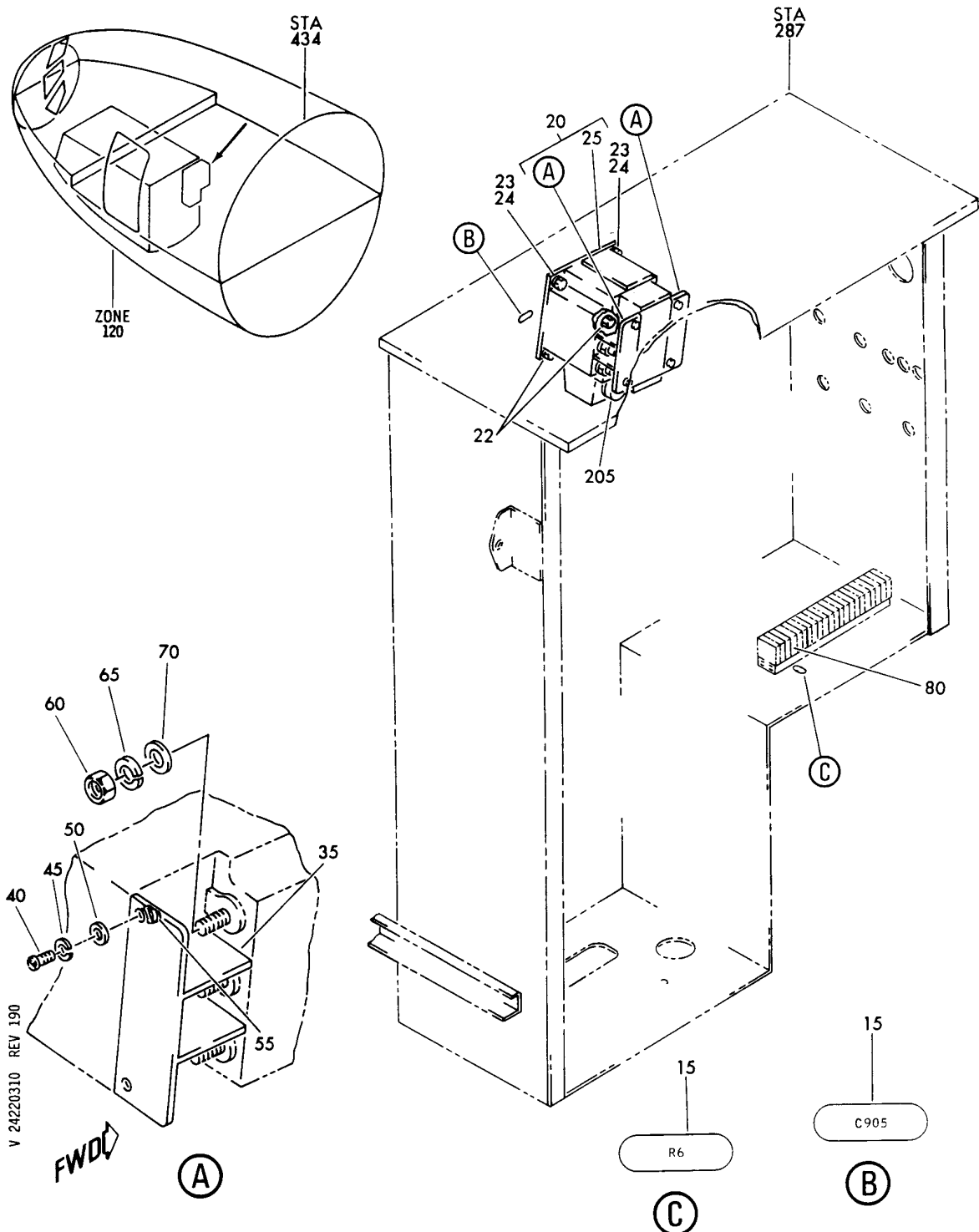
HXL

24-22-03-05

BOEING PROPRIETARY - Copyright © - Unpublished Work - See title page for details.

24-22-03
FIG. 05
PAGE 3
DEC 22/07

BOEING
767
PARTS CATALOG (MAINTENANCE)



V 24220310 REV 190

EQUIPMENT ASSY-P34 APU/EXT PWR PNL (CONTROLS ONLY)
FIGURE 10

24-22-03-10

HXL
DEC 22/06

24-22-03-10
PAGE 0



767

PARTS CATALOG (MAINTENANCE)

FIG ITEM	PART NUMBER	1 2 3 4 5 6 7	NOMENCLATURE	EFFECT FROM TO	UNITS PER ASSY
10			EQUIPMENT ASSY-P34 APU/EXT PWR PNL (CONTROLS ONLY)		
- 5	284T0175-83		EQUIPMENT ASSY-P34 APU/EXT PWR PNL (CONTROLS ONLY)		RF
			FOR NHA/OTHER SYS DET SEE: 53-11-70-02		
15	BAC27TEX3706		.DECALSET-INCLUDES DECALS IDENTIFIED ON THE ILLUSTRATION		RF
20	B430-1		.CIRCUIT BREAKER ASSY-ELEC GENERATION SYS 75/90 KVA SUPPLIER CODE: V74063 SPECIFICATION NUMBER: S281T004-1 ELECTRICAL EQUIP NUMBER: C00905 COMPONENT MAINT MANUAL REF: 24-09-23 OPTIONAL PART: B430 V74063		1
20	B430		.CIRCUIT BREAKER ASSY-ELEC GENERATION SYS 75/90 KVA SUPPLIER CODE: V74063 SPECIFICATION NUMBER: S281T004-1 ELECTRICAL EQUIP NUMBER: C00905 COMPONENT MAINT MANUAL REF: 24-09-13 OPTIONAL PART: B430-1 V74063		1
- 21	NAS1801-3-8		ATTACHING PARTS .SCREW		4
			-----*-----		
25	35936-001		..PLATE-WIRING DIAGRAM SUPPLIER CODE: V74063		1
- 30	36006-010		..COVER ASSY-TERM. SUPPLIER CODE: V74063		2
35	35744-001		...COVER- SUPPLIER CODE: V74063		1

ILLUSTRATION ITEMS NOT ON PARTS LIST ARE NOT APPLICABLE

- ITEM NOT ILLUSTRATED

24-22-03-10

24-22-03
FIG. 10
PAGE 1
DEC 22/07

HXL



767

PARTS CATALOG (MAINTENANCE)

FIG ITEM	PART NUMBER	1 2 3 4 5 6 7	NOMENCLATURE	EFFECT FROM TO	UNITS PER ASSY
10					
40	51204-391	...	SCREW-BINDING HEAD SUPPLIER CODE: V74063		2
45	51804-021	...	WASHER-LOCK SUPPLIER CODE: V74063		2
50	51701-291	...	WASHER-FLAT SUPPLIER CODE: VK5294		2
55	20584-002	...	WASHER-CAPTIVE NYLOCK SUPPLIER CODE: V74063		2
60	50407-370	..	NUT-HEX SUPPLIER CODE: V74063		6
65	51807-230	..	WASHER-LOCK SUPPLIER CODE: V74063		6
70	51704-010	..	WASHER-FLAT SUPPLIER CODE: V74063		6
80	YHLZD29	.DIODE-	SUPPLIER CODE: V09922 ELECTRICAL EQUIP NUMBER: R00006		1
- 200	286T0026-101	.WIRE BUNDLE ASSY			1
205	BACC45FT20-41S	.CONNECTOR-	ELECTRICAL EQUIP NUMBER: D00268 WIRING DIAGRAM REF: 242241		1

ILLUSTRATION ITEMS NOT ON PARTS LIST ARE NOT APPLICABLE

- ITEM NOT ILLUSTRATED

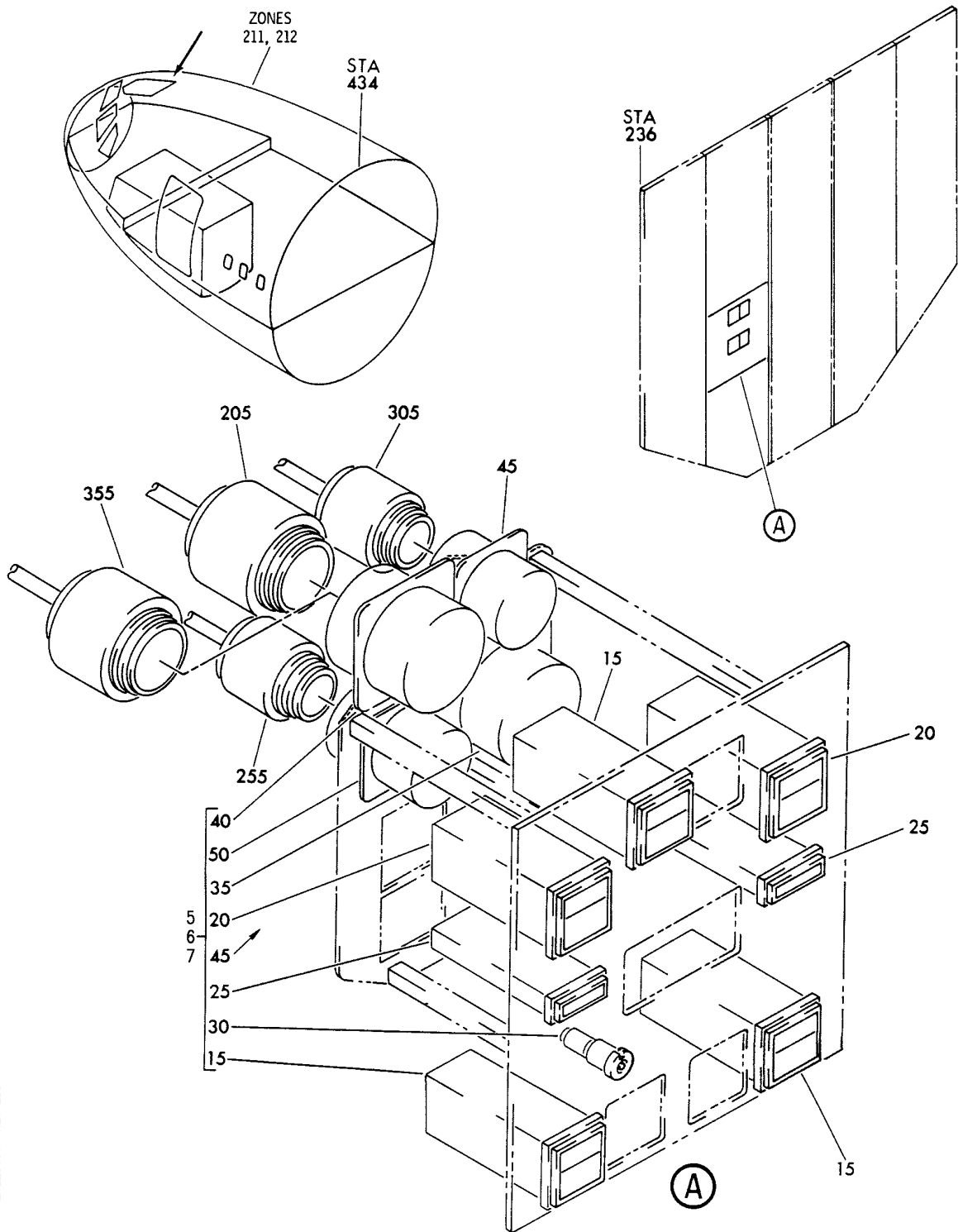
HXL

24-22-03-10

BOEING PROPRIETARY - Copyright © - Unpublished Work - See title page for details.

24-22-03
FIG. 10
PAGE 2
DEC 22/07

BOEING
767
PARTS CATALOG (MAINTENANCE)



V 24225101 REV 283

PANEL INSTL-OVHD (CONTROL ONLY)
FIGURE 1

24-22-51-01

HXL
APR 22/08

24-22-51-01
PAGE 0

BOEING
767
PARTS CATALOG (MAINTENANCE)

FIG ITEM	PART NUMBER	1 2 3 4 5 6 7	NOMENCLATURE	EFFECT FROM TO	UNITS PER ASSY
1			PANEL INSTL-OVHD (CONTROL ONLY)		
- 1	233T3100-1		PANEL INSTL-OVHD (CONTROL ONLY) VARIABLE DRAWING REF: 233T3100-5048		RF
- 1	233T3100-1		PANEL INSTL-OVHD (CONTROL ONLY) FOR NHA/OTHER SYS DET SEE: 25-10-00-03		RF
R R R R R R R	5 233T3100-275		.PANEL ASSY-ELEC SYS COMPONENT MAINT MANUAL REF: 24-22-71 PRE SERVICE BULLETIN: 24-0152 PRE ALERT SB: 33A0087R1 PRE COMPONENT SB: 233N3209-24-03R1		RF
	6 233N3209-1300		.PANEL ASSY-ELEC SYS SUPPLIER CODE: V89954 COMPONENT MAINT MANUAL REF: 24-22-71 PRE SERVICE BULLETIN: 24-0152 POST ALERT SB: 33A0087R1 POST COMPONENT SB: 233N3209-24-03R1		RF
	7 233N6252-13		.PANEL ASSY-ELEC SYS ELECTRICAL EQUIP NUMBER: M10063 COMPONENT MAINT MANUAL REF: 24-22-71 POST SERVICE BULLETIN: 24-0152	163999	RF
- 10	233N3209-12		..PANEL ASSY- SUPPLIER CODE: V89954 ELECTRICAL EQUIP NUMBER: M10063 COMPONENT MAINT MANUAL REF: 24-22-71 USED ON: 233T3100-125		RF
ILLUSTRATION ITEMS NOT ON PARTS LIST ARE NOT APPLICABLE					

- ITEM NOT ILLUSTRATED

HXL

24-22-51-01

BOEING PROPRIETARY - Copyright © - Unpublished Work - See title page for details.

24-22-51
FIG. 01
PAGE 1
AUG 22/09



767

PARTS CATALOG (MAINTENANCE)

FIG ITEM	PART NUMBER	1 2 3 4 5 6 7	NOMENCLATURE	EFFECT FROM TO	UNITS PER ASSY
1					
- 10	233N3209-18		..PANEL ASSY- SUPPLIER CODE: V89954 ELECTRICAL EQUIP NUMBER: M10063 COMPONENT MAINT MANUAL REF: 24-22-71 USED ON: 233T3100-216		RF
- 10	233N3209-19		..PANEL ASSY- SUPPLIER CODE: V89954 ELECTRICAL EQUIP NUMBER: M10063 COMPONENT MAINT MANUAL REF: 24-22-71 USED ON: 233T3100-217		RF
- 10	233N3209-22		..PANEL ASSY- SUPPLIER CODE: V89954 ELECTRICAL EQUIP NUMBER: M10063 COMPONENT MAINT MANUAL REF: 24-22-71 USED ON: 233T3100-234		RF
- 10	233N3209-23		..PANEL ASSY- SUPPLIER CODE: V89954 ELECTRICAL EQUIP NUMBER: M10063 COMPONENT MAINT MANUAL REF: 24-22-71 USED ON: 233T3100-235		RF

ILLUSTRATION ITEMS NOT ON PARTS LIST ARE NOT APPLICABLE

- ITEM NOT ILLUSTRATED

HXL

24-22-51-01

BOEING PROPRIETARY - Copyright © - Unpublished Work - See title page for details.

24-22-51
FIG. 01
PAGE 2
APR 22/09


BOEING
 767
PARTS CATALOG (MAINTENANCE)

FIG ITEM	PART NUMBER	1 2 3 4 5 6 7	NOMENCLATURE	EFFECT FROM TO	UNITS PER ASSY
R R	1 - 10	233N3209-25	.. PANEL ASSY- SUPPLIER CODE: V89954 MISCELLANEOUS DATA: 233N3209-300 PANEL ASSY IS I/W 233N3209-25 PANEL ASSY T/W S233T100-6004 LIGHTPLATE ELECTRICAL EQUIP NUMBER: M10063 COMPONENT MAINT MANUAL REF: 24-22-71 QUALIFIED I/W DATA: 233N3209-25 I/W -29 EXCEPT SUBJECT TO CUSTOMER PREFERENCE USED ON: 233T3100-275 PRE SERVICE BULLETIN: 24-0152 PRE ALERT SB: 33A0087 PRE COMPONENT SB: 233N3209-24-03		RF
	- 10	233N3209-28	.. PANEL ASSY- SUPPLIER CODE: V89954 MISCELLANEOUS DATA: (233N3209-302 PANEL ASSY IS I/W 233N3209-28 PANEL ASSY T/W S233T100-6004 LIGHTPLATE) ELECTRICAL EQUIP NUMBER: M10063 COMPONENT MAINT MANUAL REF: 24-22-71 USED ON: 233T3100-332		RF

ILLUSTRATION ITEMS NOT ON PARTS LIST ARE NOT APPLICABLE

- ITEM NOT ILLUSTRATED

HXL

24-22-51-01

24-22-51
 FIG. 01
 PAGE 3
 AUG 22/09



767

PARTS CATALOG (MAINTENANCE)

FIG ITEM	PART NUMBER	1 2 3 4 5 6 7	NOMENCLATURE	EFFECT FROM TO	UNITS PER ASSY
1					
- 10	233N3209-41		..PANEL ASSY- SUPPLIER CODE: V89954 MISCELLANEOUS DATA: (THE 233N3209-305 PANEL ASSY IS I/W THE 233N3209-41 PANEL ASSY T/W THE S233T100-6004 LIGHTPLATE) ELECTRICAL EQUIP NUMBER: M10063 COMPONENT MAINT MANUAL REF: 24-22-71		RF
- 10	233N3209-1025		..PANEL ASSY- SUPPLIER CODE: V89954 COMPONENT MAINT MANUAL REF: 24-22-71 PRE SERVICE BULLETIN: 24-0152 POST ALERT SB: 33A0087 POST COMPONENT SB: 233N3209-24-03		RF
- 12	233N3209-50		..PANEL ASSY- SUPPLIER CODE: V89954 ELECTRICAL EQUIP NUMBER: M10063 COMPONENT MAINT MANUAL REF: 24-22-71		RF
- 12	233N6252-10		..PANEL ASSY- ELECTRICAL EQUIP NUMBER: M10063 POST SERVICE BULLETIN: 24-0152	163999	1
15	BCREF7615		...SWITCH ASSY-LIGHTED PUSH BUTTON IND OFF/ON SUPPLIER CODE: V81590 OVERLENGTH PART NUMBER: 433-673-1001-1031 SPECIFICATION NUMBER: S231T290-1031 FOR DETAILS SEE: 33-13-75-13		3

ILLUSTRATION ITEMS NOT ON PARTS LIST ARE NOT APPLICABLE

- ITEM NOT ILLUSTRATED

HXL

24-22-51-01

BOEING PROPRIETARY - Copyright © - Unpublished Work - See title page for details.

24-22-51
FIG. 01
PAGE 4
AUG 22/09



767

PARTS CATALOG (MAINTENANCE)

FIG ITEM	PART NUMBER	1 2 3 4 5 6 7	NOMENCLATURE	EFFECT FROM TO	UNITS PER ASSY
1 15	BCREFA0514		...SWITCH ASSY-LIGHTED PUSH BUTTON IND OFF/ON SUPPLIER CODE: V81590 OVERLENGTH PART NUMBER: 433-673-1004-4031 SPECIFICATION NUMBER: S231T290-4031 OPTIONAL PART: S231T290-5031 USED ON: 233N3209-25 233N3209-28 233N3209-29 233N3209-34 233N3209-41 233N3209-1025 233N3209-1028 233N3209-1029 233N3209-1041 FOR DETAILS SEE: 33-13-75-33		3
15	851-30768-2031		...SWITCH ASSY-LIGHTED PUSH BUTTON IND OFF/ON SUPPLIER CODE: V96182 SPECIFICATION NUMBER: S231T290-2031 USED ON: 233N3209-12 233N3209-14 FOR DETAILS SEE: 33-13-75-03		3

ILLUSTRATION ITEMS NOT ON PARTS LIST ARE NOT APPLICABLE

- ITEM NOT ILLUSTRATED

HXL

24-22-51-01

BOEING PROPRIETARY - Copyright © - Unpublished Work - See title page for details.

24-22-51
 FIG. 01
 PAGE 5
 APR 22/09



767

PARTS CATALOG (MAINTENANCE)

FIG ITEM	PART NUMBER	1 2 3 4 5 6 7	NOMENCLATURE	EFFECT FROM TO	UNITS PER ASSY
1	15 851-30768-3031		...SWITCH ASSY-LIGHTED PUSH BUTTON IND OFF/ON SUPPLIER CODE: V96182 SPECIFICATION NUMBER: S231T290-3031 USED ON: 233N3209-12 233N3209-18 233N3209-19 233N3209-22 233N3209-23 233N3209-24 233N3209-1018 233N3209-1019 233N3209-1022 233N3209-1023 FOR DETAILS SEE: 33-13-75-23		3
	15 S231T290-5031		...SWITCH ASSY-LIGHTED PUSH BUTTON IND OFF/ON OPTIONAL PART: BCREFA0514 V81590 USED ON: 233N3209-25 233N3209-28 233N3209-34 233N3209-1025 233N3209-1028		3
	20 BCREFA7623		...SWITCH ASSY-LIGHTED PUSH BUTTON IND AUTO/ISLN SUPPLIER CODE: V81590 OVERLENGTH PART NUMBER: 433-673-1001-1064 SPECIFICATION NUMBER: S231T290-1064 FOR DETAILS SEE: 33-13-75-17		2

ILLUSTRATION ITEMS NOT ON PARTS LIST ARE NOT APPLICABLE

- ITEM NOT ILLUSTRATED

HXL

24-22-51-01

BOEING PROPRIETARY - Copyright © - Unpublished Work - See title page for details.

24-22-51
FIG. 01
PAGE 6
APR 22/09



767

PARTS CATALOG (MAINTENANCE)

FIG ITEM	PART NUMBER	1 2 3 4 5 6 7	NOMENCLATURE	EFFECT FROM TO	UNITS PER ASSY
1	20 4336731004-4264		...SWITCH ASSY-LIGHTED PUSH BUTTON IND AUTO/ISLN SUPPLIER CODE: V81590 SPECIFICATION NUMBER: S231T290-4264 COMPONENT MAINT MANUAL REF: 24-22-71 USED ON: 233N3209-25 233N3209-28 233N3209-29 233N3209-34 233N3209-41 233N3209-1025 233N3209-1028 233N3209-1029 233N3209-1041 FOR DETAILS SEE: 33-13-75-31C		2
	20 BCREFA0529		...SWITCH ASSY-LIGHTED PUSH BUTTON IND AUTO/ISLN SUPPLIER CODE: V81590 OVERLENGTH PART NUMBER: 433-673-1004-4064 SPECIFICATION NUMBER: S231T290-4064 COMPONENT MAINT MANUAL REF: 24-22-71 USED ON: 233N3209-25 233N3209-28 233N3209-29 233N3209-34 233N3209-41 233N3209-1025 233N3209-1028 233N3209-1029 233N3209-1041 FOR DETAILS SEE: 33-13-75-37		2

ILLUSTRATION ITEMS NOT ON PARTS LIST ARE NOT APPLICABLE

- ITEM NOT ILLUSTRATED

HXL

24-22-51-01

BOEING PROPRIETARY - Copyright © - Unpublished Work - See title page for details.

24-22-51
 FIG. 01
 PAGE 7
 APR 22/09



767

PARTS CATALOG (MAINTENANCE)

FIG ITEM	PART NUMBER	1 2 3 4 5 6 7	NOMENCLATURE	EFFECT FROM TO	UNITS PER ASSY
1	20 S231T290-5064		...SWITCH ASSY-LIGHTED PUSH BUTTON IND AUTO/ISLN USED ON: 233N3209-25 233N3209-28 233N3209-34 233N3209-1025 233N3209-1028		2
	25 BCREf6249		...LIGHT ASSY-BUS OFF IND SUPPLIER CODE: V81590 OVERLENGTH PART NUMBER: 434-674-1005-1021 SPECIFICATION NUMBER: S231T300-1021 FOR DETAILS SEE: 33-16-02-02		2
	25 BCREf8531		...LIGHT ASSY-BUS OFF IND SUPPLIER CODE: V81590 OVERLENGTH PART NUMBER: 434-674-1031-2021 SPECIFICATION NUMBER: S231T300-2021 FOR DETAILS SEE: 33-16-02-03		2
	30 800000121-1		...CONNECTOR-PWR SUPPLIER CODE: V05617		1
	35 BACC45FN22-55P6		...CONNECTOR		1
	40 BACC45FN22-55P7		...CONNECTOR		1
	45 BACC45FN16-10P		...CONNECTOR		1
	50 BACC45FN16-24P		...CONNECTOR- ATTACHING PARTS		1
-	55 NAS1801-04-5		...SCREW		8
-	60 K19798-04		...NUT SUPPLIER CODE: V15653 SPECIFICATION NUMBER: BACN10NW1 OPTIONAL PART: RMA4812-160-40 V72962 293162 V60119 -----*-----		8
-	200 286T0066-300		WIRE BUNDLE ASSY- (CONTROL ONLY)		RF

ILLUSTRATION ITEMS NOT ON PARTS LIST ARE NOT APPLICABLE

- ITEM NOT ILLUSTRATED

HXL

24-22-51-01

BOEING PROPRIETARY - Copyright © - Unpublished Work - See title page for details.

24-22-51
FIG. 01
PAGE 8
APR 22/09



767

PARTS CATALOG (MAINTENANCE)

FIG ITEM	PART NUMBER	1 2 3 4 5 6 7	NOMENCLATURE	EFFECT FROM TO	UNITS PER ASSY
1	205	BACC45FT22A55S7	.CONNECTOR- ELECTRICAL EQUIP NUMBER: D01310 WIRING DIAGRAM REF: 242221		1
-	250	286T0070-300	WIRE BUNDLE ASSY- (CONTROL ONLY)		RF
	255	BACC45FT16A10S	.CONNECTOR- ELECTRICAL EQUIP NUMBER: D01346 WIRING DIAGRAM REF: 241111		1
-	300	286T0060-101	WIRE BUNDLE ASSY- (CONTROL ONLY)		RF
	305	BACC45FT16A24S6	.CONNECTOR- ELECTRICAL EQUIP NUMBER: D01370 WIRING DIAGRAM REF: 242241		1
-	350	286T0062-300	WIRE BUNDLE ASSY- (CONTROL ONLY)		RF
	355	BACC45FT22A55S6	.CONNECTOR-HN ELECTRICAL EQUIP NUMBER: D01382 WIRING DIAGRAM REF: 241111		1

ILLUSTRATION ITEMS NOT ON PARTS LIST ARE NOT APPLICABLE

- ITEM NOT ILLUSTRATED

HXL

24-22-51-01

BOEING PROPRIETARY - Copyright © - Unpublished Work - See title page for details.

24-22-51
FIG. 01
PAGE 9
APR 22/09